



Spare Parts Book

ATV-150S(197A)

Detailed Section (General View)

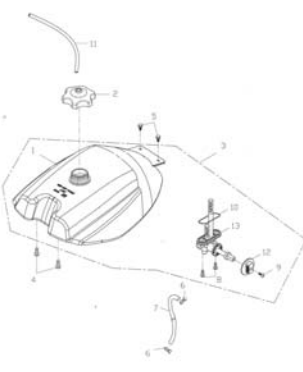
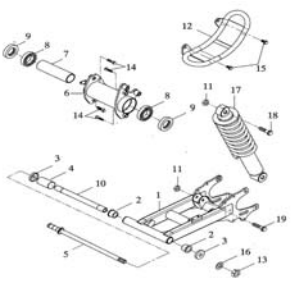
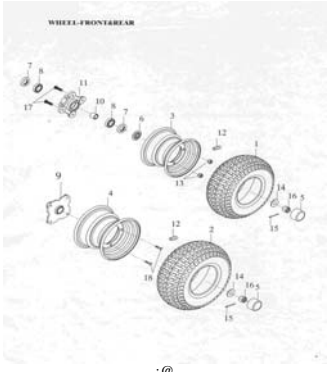
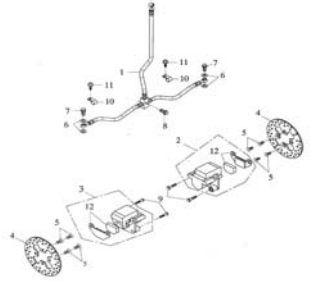
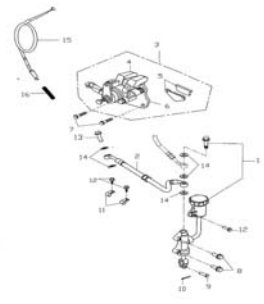
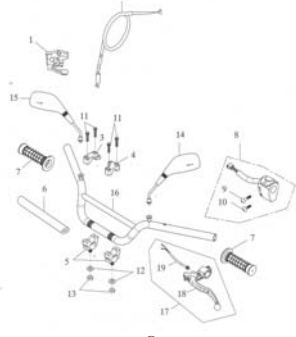
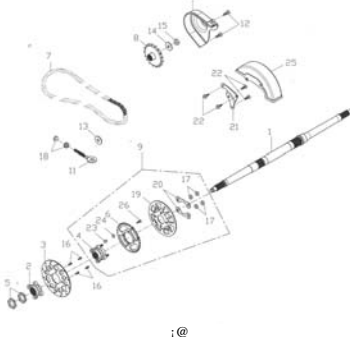
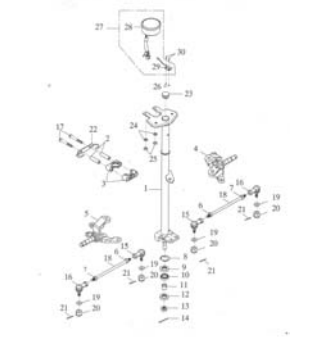

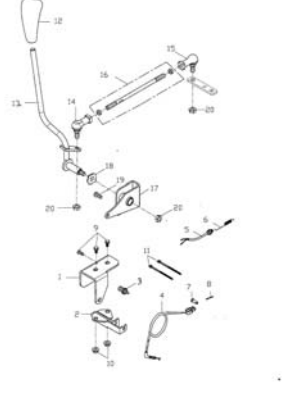
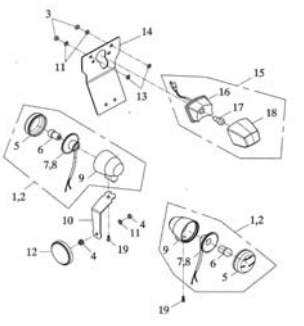
- 197-01 Fan cover , Shroud
- 197-02A Cylinder head cover
- 197-03 Cylinder head
- 197-04 Camshaft .valve
- 197-05 cam chain . cylinder
- 197-06 right crankcase cover
- 197-07 generator
- 197-08 oil pump
- 197-09 starter motor
- 197-10 left crankcase cover
- 197-11 drive face
- 197-12A drive face
- 197-13 transmission
- 197-14 crankcase
- 197-15 crank shaft .piston
- 197-16A air cleaner
- 197-17A Exhaust muffler, carburetor
- 197-18A frame body
- 197-19A Arm, Floor Panel
- 197-20A body cover, seat
- 197-21A fuel tank
- 197-22B front wheel, suspension
- 197-23A wheel front & rear
- 197-24A front brake
- 197-25A rear brake
- 197-26A Handle Bar
- 197-27B Rear wheel axle, chain
- 197-28A steering
- 197-29A electrical equipment
- 197-30 Gear Shift System
- 197-31 Signal light, tail light

If you have any question or suggestion, please tell us by e-mail to
hercheel@ms9.hinet.net

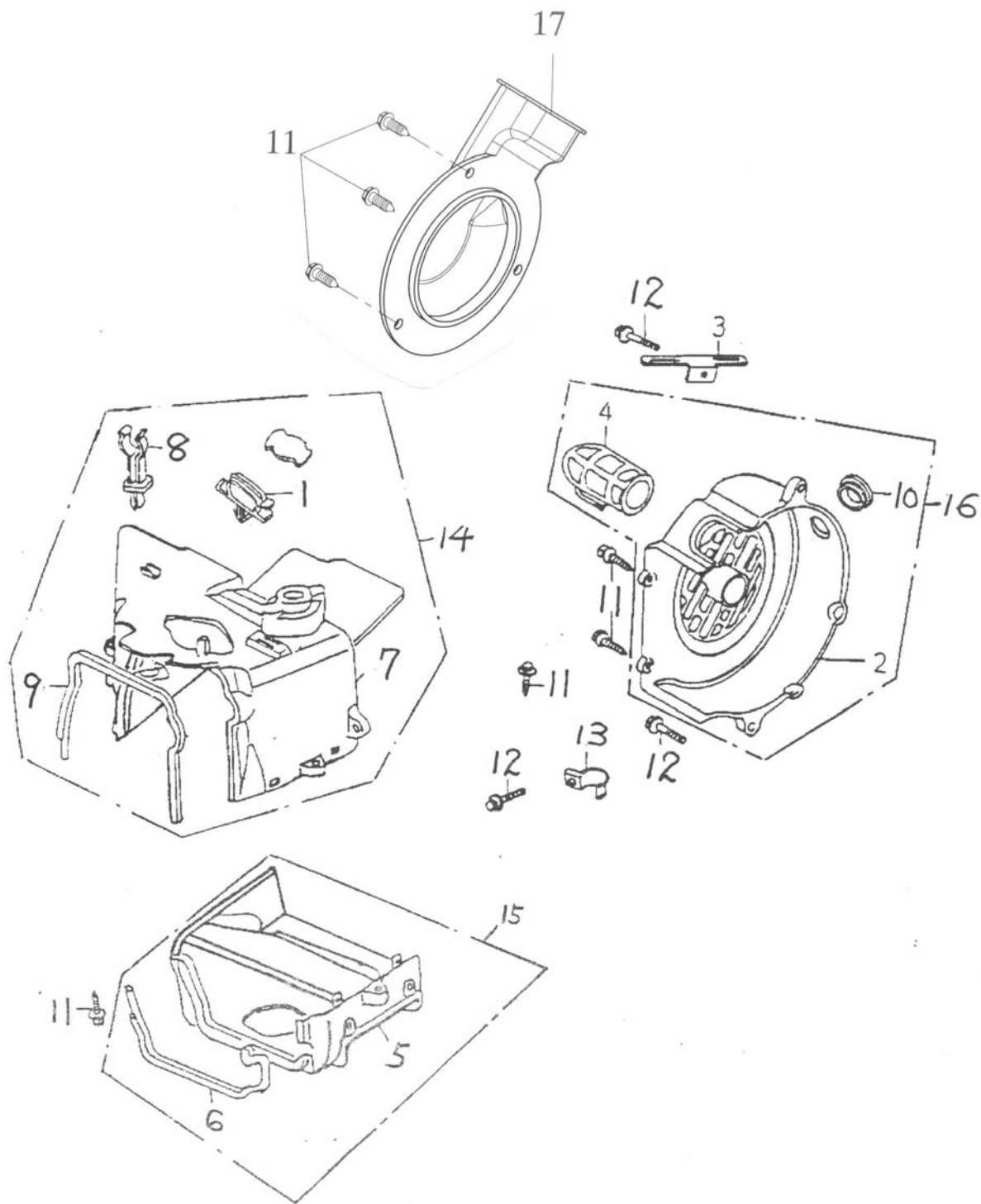
Thank You !

GENERAL VIEW

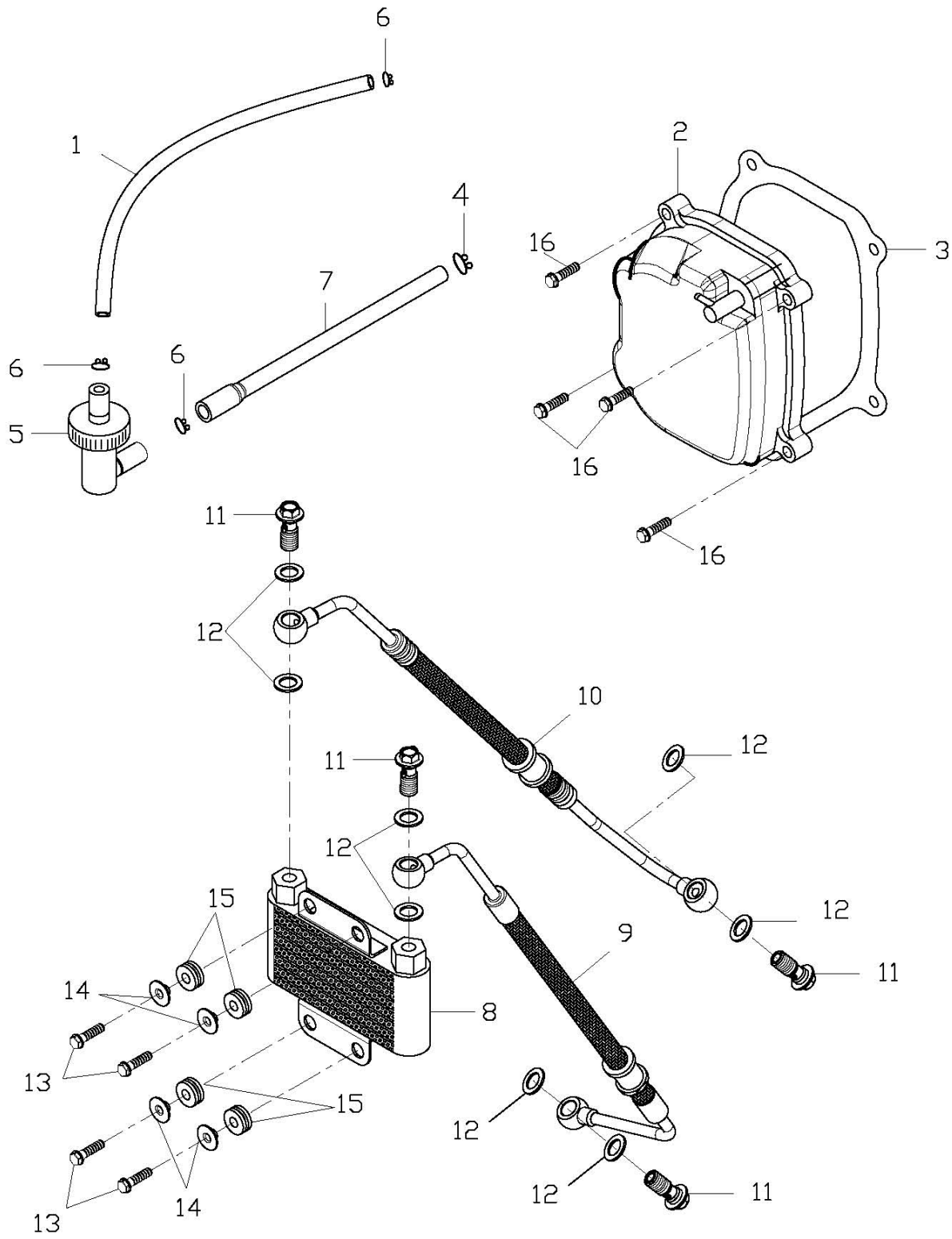
<p>197-01 Fan cover , Shroud</p>	<p>CYLINDER HEAD COVER</p> <p>197-02A Cylinder head cover</p>	<p>i@ i@</p> <p>CYLINDER HEAD</p> <p>197-03 Cylinder head</p>	<p>CAMSHAFT - VALVE</p> <p>197-04 Camshaft .valve</p>
<p>i@</p> <p>197-05 cam chain . cylinder</p>	<p>197-06 right crankcase cover</p>	<p>i@</p> <p>197-07 generator</p>	<p>i@</p> <p>197-08 oil pump</p>
<p>i@</p> <p>197-09 starter motor</p>	<p>197-10 left crankcase cover</p>	<p>i@ i@</p> <p>197-11 drive face</p>	<p>197-12A drive face</p>
<p>197-13 transmission</p>	<p>i@ i@</p> <p>197-14 crankcase</p>	<p>CRANK SHAFT-PISTON</p> <p>197-15 crank shaft .piston</p>	<p>AIR CLEANER</p> <p>197-16A air cleaner</p>
<p>EXHAUST MUFFLER-CARBURETOR</p> <p>197-17A Exhaust muffler, carburetor</p>	<p>197-18A frame body</p>	<p>197-19A Arm, Floor Panel</p>	<p>197-20A body cover, seat</p>

 <p>197-21A fuel tank</p>	<p>SWING ARM SUB ASSY</p>  <p>197-22B swing arm sub ass'y</p>	<p>i@</p> <p>WHEEL-FRONT/REAR</p>  <p>197-23A wheel front & rear</p> <p>i@</p>	<p>i@</p> <p>FRONT BRAKE</p>  <p>197-24A front brake</p>
<p>REAR BRAKE</p>  <p>197-25A rear brake</p>	<p>i@</p>  <p>197-26A Handle Bar</p>	<p>i@</p>  <p>197-27B Rear wheel axle, chain</p> <p>i@</p>	<p>i@</p>  <p>197-28A steering</p>
<p>ELECTRICAL EQUIPMENT</p>  <p>197-29A electrical equipment</p>	<p>GEAR SHIFT SYSTEM</p>  <p>197-30 Gear Shift System</p>	<p>SIGNAL LIGHT, TAIL LIGHT</p>  <p>197-31 Signal light, tail light</p>	<p>i@</p> <p>i@</p>

No.	Parts No.	Qty	Parts Name	Specification
1	1184-120-000	1	BREATHER TUBE CLAMPER	
2	19810-120-000	1	GENERATOR COVER	
3	19813-120-000	1	STARTER CABLE CLAMP	
4	19815-120-000	1	CARBURETOR COOLING DUCT	
5	19821-120-000	1	SHROUD A	
6	19825-120-000	1	SHROUD A SEAL	
7	19823-120-000	1	SHROUD B	
8	19832-120-000	1	HIGH TENSION COIL CLIP	
9	19835-120-000	1	SHROUD B SEAL	
10	17229-120-000	1	RUBBER RING	
11	93904-65016	7	HEX TRUSS HEAD TAPPING SCREW	5*16
12	90000-06022-48	3	HEX WASHER FACE BOLT	6*25
13	11351-120-000	1	CLAMPER CARBORAN TUBE	
14	19824-120-000	1	SHROUD B ASSY	
15	19826-120-000	1	SHROUD A ASSY	
16	19811-120-000	1	GENERATOR COVER ASSY	
17	19812-197-000	1	GENERATOR OUTER COVER	



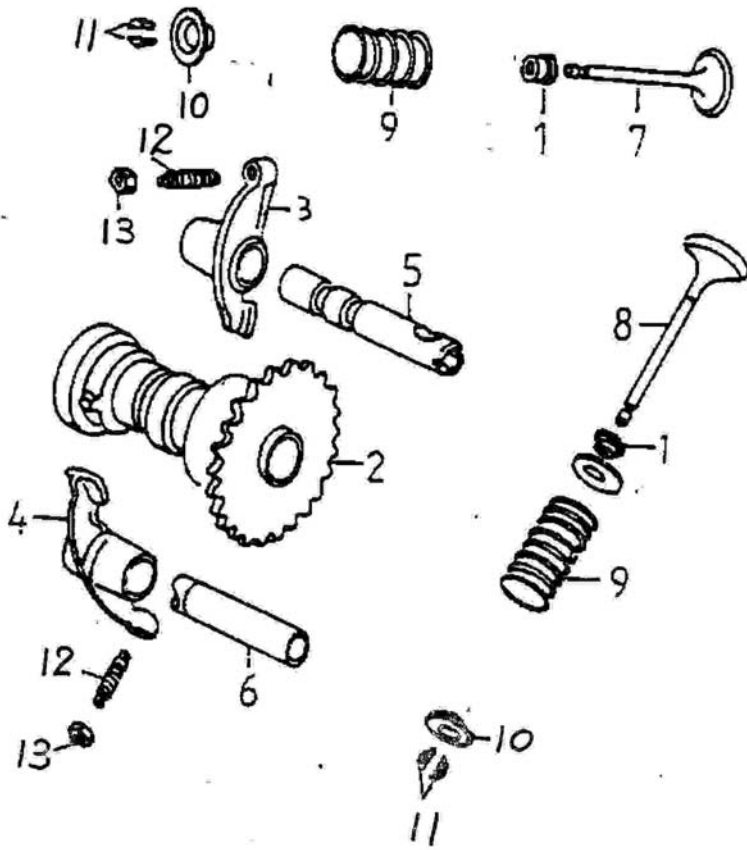
CYLINDER HEAD COVER

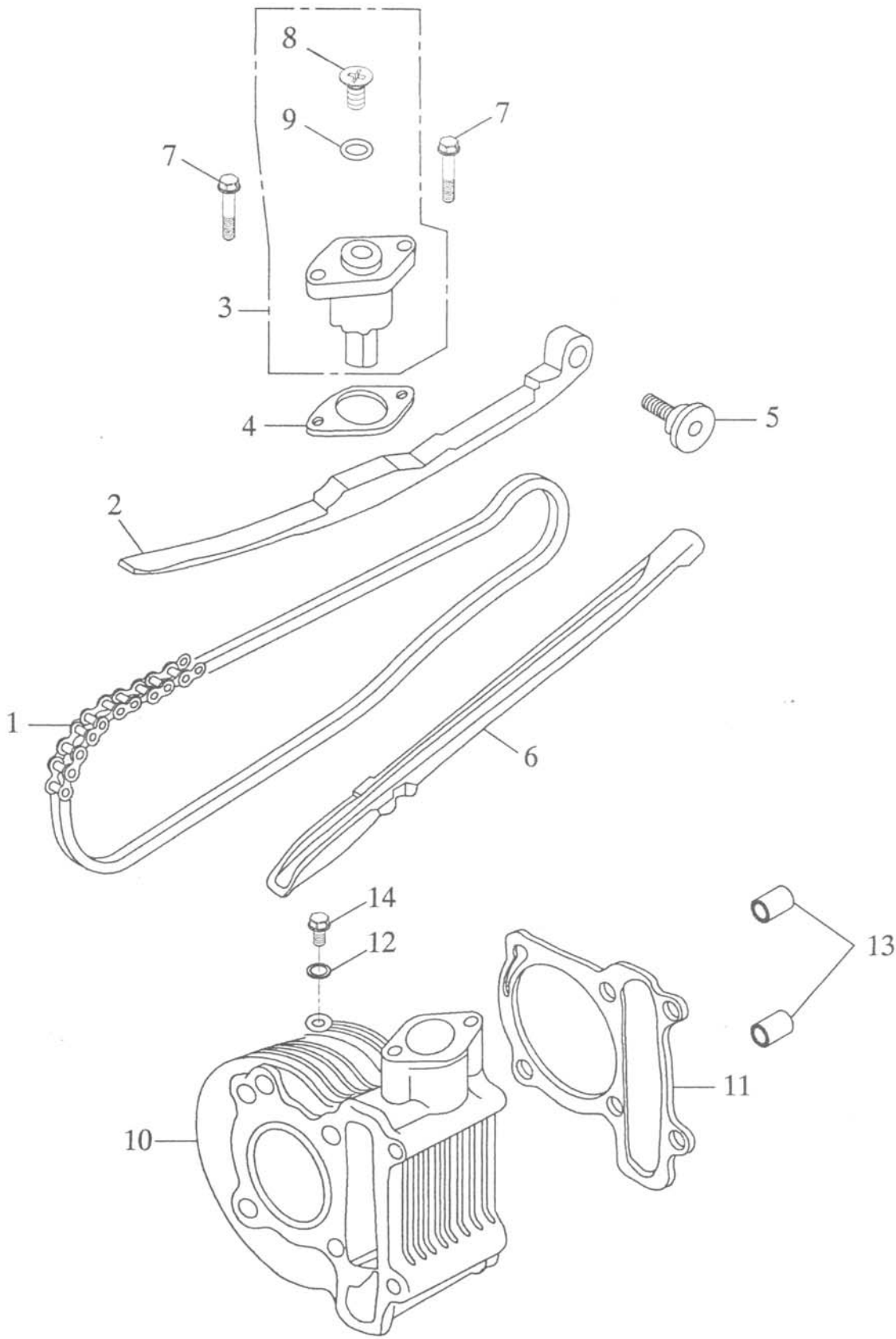


Item No.	Parts No.	Unit	Parts Name		
項次	部品番號	用量	零件名稱		
1	11211-197-000	1	BREATHER TUBE	L=560mm	通氣管
2	12310-197-000	1	CYLINDER HEAD COVER ASS'Y		汽缸頭蓋總成(成品)
3	12391-120-000	1	HEAD COVER GASKET		汽缸頭蓋墊圈
4	94510-09000	1	CLIP	9*1	夾緊扣
5	17196-128-000	1	EXHAUST RETURN		回收器本體x
6	94510-12000	3	CLIP	12mm	夾緊扣
7	11212-197-000	1	BREATHER TUBE A		通氣管A
8	17600-197-000	1	OIL COOLER		機油冷卻油箱
9	17602-197-000	1	OIL PIPE L		機油管(左)-版1
10	17603-197-000	1	OIL PIPE R		機油管(右)-版1
11	45456-197-000	4	HEX BOLT	12*28	油冷管固定螺栓
12	94104-2012010	8	AL PLAIN WASHER	20*12.5*1	鋁平面墊圈
13	96000-06016-08	4	HEX WASHER FACE BOLT	6*16	六角緣面螺栓
14	17601-197-000	4	OIL COOLER COLLAR		冷卻油箱間隔管
15	17604-197-000	4	RUBBER		間隔橡膠
16	96000-06025-08	1	HEX WASHER FACE BOLT	6*25	六角緣面螺栓

CAMSHAFT · VALVE

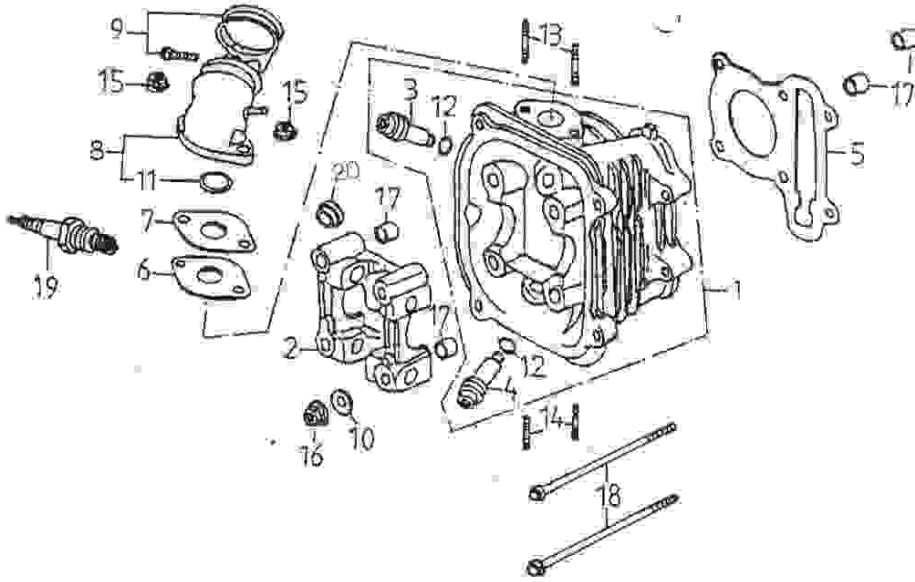
No.	Parts No.	Qty	Parts Name	Specification
1	12206-120-000	4	VALVE STEM SEAL	
2	14490-197-000	1	CAMSHAFT COMP	
3	14431-197-000	1	ARM VALVE ROCKER IN	
4	14432-197-000	1	ARM VALVE ROCKER EX	
5	14452-197-000	1	SHAFT IN. ROCKER ARM	
6	14453-197-000	1	SHAFT EX. ROCKER ARM	
7	14711-197-000	2	IN. VALVE	
8	14712-197-000	2	EX. VALVE	
9	14751-197-000	4	VALVE OUTER SPRING	
10	14771-197-000	4	VALVE SPRING RETAINER	
11	14781-120-000	8	COYTER	
12	90012-120-000	4	VALVE GAP ADJUSTING SCREW	
13	90206-120-000	4	VALVE GAP ADJUSTING NUT	





Assembly No.: 197-05		CAM CHAIN CLYIDER		
No.	Parts No.	Qty	Parts Name	Specification
1	14401-197-000	1	CHAIN CAM	9400
2	14508-120-000	1	CAM CHAIN TENSIONER	
3	14521-120-000	1	TENSIONER LIFTER ASSY	
4	14522-120-000	1	GASKET/TENSIONER LIFTER	
5	14535-120-000	1	FLYWHEEL CAM CHAIN TENSIONER	
6	14508-120-000	1	CAM CHAIN GUIDE	
7	90000-06012-08	2	HEX WASHER FACE BOLT	6*12
8	91000-06006	1	ROUND PHILLIPS BOLT	6*6
9	91109-120-000	1	O-RING	9.5*1.5
10	12101-197-000	1	CYLINDER	
11	12191-197-000	1	CYLINDER GASKET	
12	94101-0912010	1	COPPER PLAIN WASHER	6.5*12*1
13	94301-10160	2	DOWEL PIN	10*16
14	90000-06012-10	1	HEX WASHER FACE BOLT	6*12

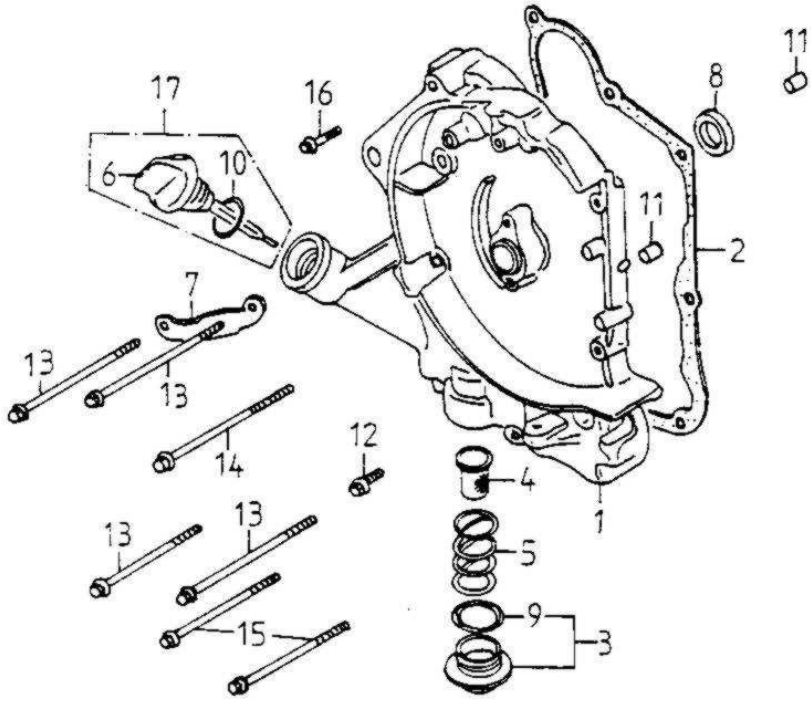
CYLINDER HEAD



Assembly No.:197-03

CYLINDER HEAD

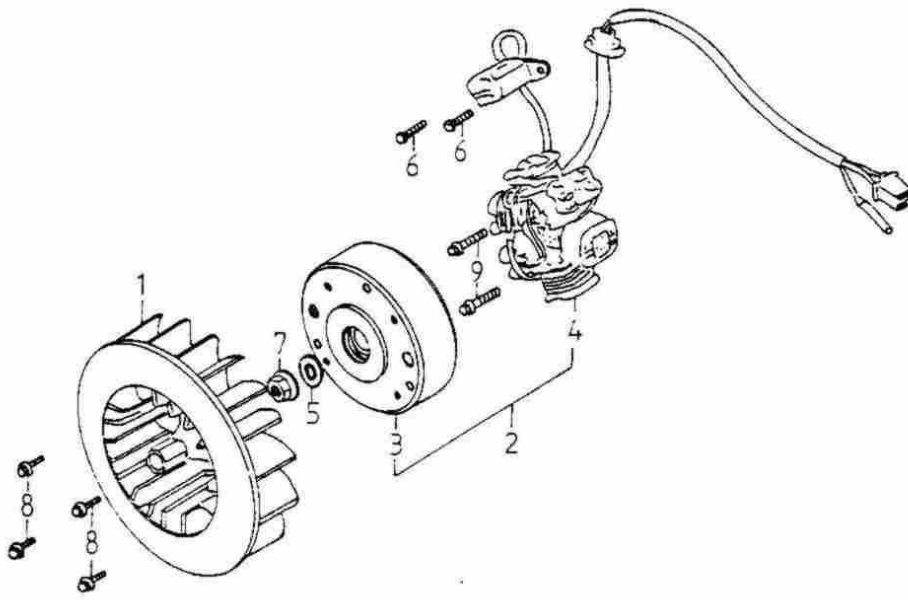
No.	Parts No.	Qty	Parts Name	Specification
1	12201-197-000	1	CYLINDER HEAD	
2	12211-197-000	1	CAMSHAFT HOLDER	
3	12204-197-000	2	IN. VALVE GUIDE	non détaillé
4	12206-197-000	2	EX. VALVE GUIDE	non détaillé
5	12251-197-000	1	CYLINDER HEAD GASKET	
6	16229-120-000	1	CARBURETOR INSULATOR GASKET	
7	16213-120-000	1	CARBURETOR INSULATOR	
8	17100-120-000	1	INTAKE MAINFOLD	
9	14111-120-000	1	INTAKE CLAMP	
10	94101-0818023	4	COPPER PLAIN WASHER	8*18*2.3
11	91327-120-000	1	OIL-RING	27*2
12	91309-197-00A	4	OIL-RING	
13	91001-06028	2	STUD BOLT	6*28
14	91001-06062	2	STUD BOLT	6*62
15	94050-06000	2	HEX FLANGE NUT WITH SERRATION	6mm
16	94050-08000	4	HEX FLANGE NUT WITH SERRATION	8mm
17	94301-10140	4	DOWEL PIN	8*10*14
18	96000-06100-08	2	HEX WASHER FACE BOLT	6*100
19	98076-179-000	1	SPARK PLUG	CRSE
20	96503-197-001	1	RUBBER SEAL	



Assembly No.:197-06

FAN COVER,SHROUD

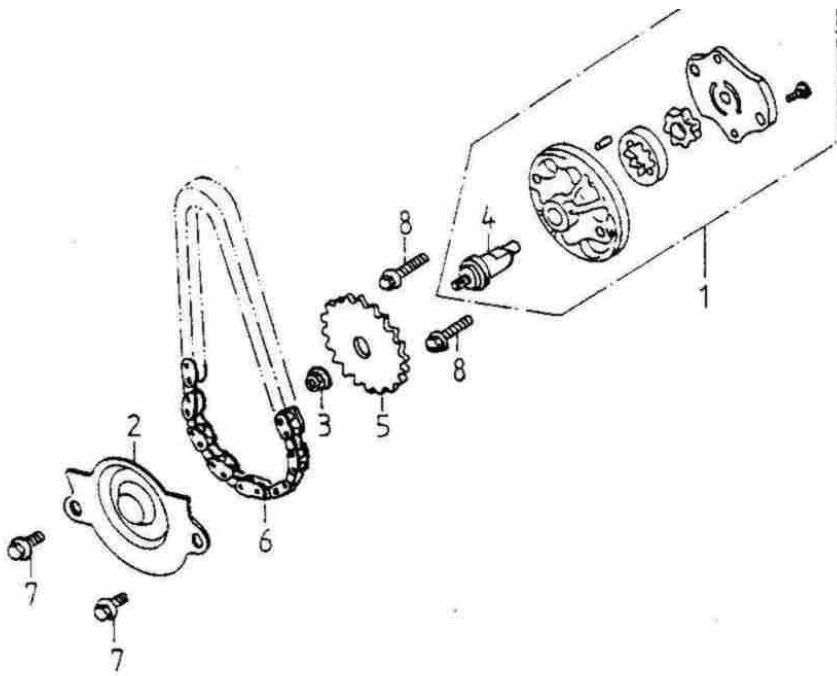
No.	Parts No.	Q'ty	Parts Name	Specification
1	11330-121-000	1	RIGHT CRANKCASE COVER	
2	11393-120-000	1	GASKET,R. CRANKCASE COVER	
3	12361-120-000	1	CAP ASS'Y	
4	15421-120-000	1	OIL FILTER SCREEN	
5	15426-120-000	1	OIL FILTER SPRING	
6	15650-120-000	1	OIL LEVEL GAUGE	
7	32961-120-000	1	CLAMP,A.C.GENERATOR CORD	
8	96500-19305	1	OIL SEAL	19.8*30*5
9	91330-120-000	1	OIL RING	30.8mm
10	91318-108-000	1	OIL RING	18*3
11	94301-08140	2	DOWEL PIN	6.3*8*14
12	96000-06032-08	1	HEX WASHER FACE BOLT	6*32
13	96000-06095-08	4	HEX WASHER FACE BOLT	6*95
14	96000-06100-08	1	HEX WASHER FACE BOLT	6*100
15	96000-06110-08	2	HEX WASHER FACE BOLT	6*110
16	96000-06040-08	1	HEX WASHER FACE BOLT	6*40
17	1565A-120-000	1	OIL GAUGE ASS'Y	



Assembly No.:197-07

GENERATOR

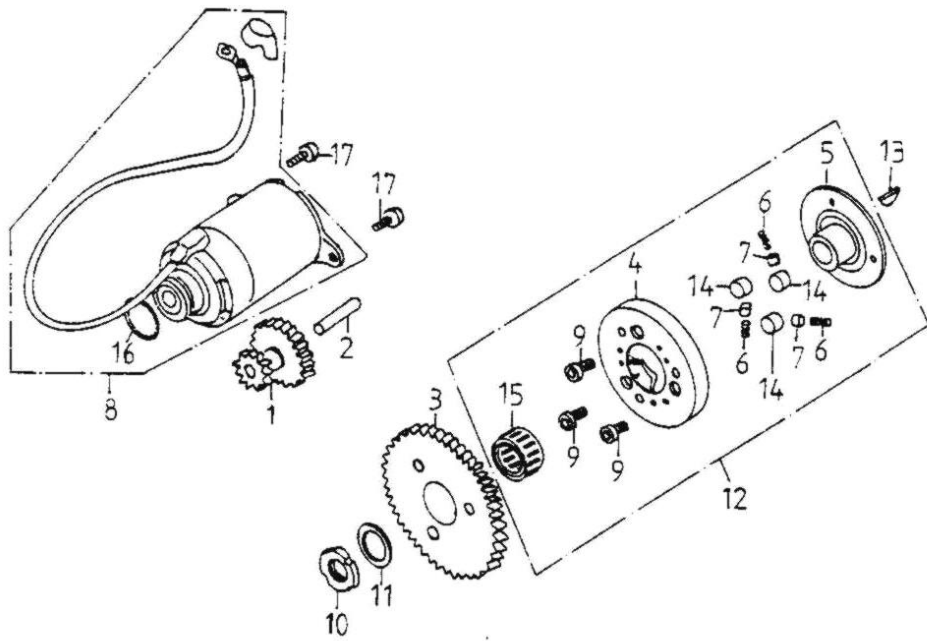
No.	Parts No.	Qty	Parts Name	Specification
1	19510-120-000	1	FAN	
2	31100-120-000	1	GENERATOR ASS'Y(AT-125G)	
3	31110-120-000	1	GENERATOR FLYWHEEL	
4	31120-120-000	1	STATOR COMP	
5	94101-1225023	1	PLAIN WASHER	12*25*2.3
6	92000-05012	2	HEX BOLT	5*12
7	94050-12000	1	HEX FLANGE NUT WITH SERRATION	12mm
8	96000-06018-08	4	HEX WASHER FACE BOLT	6*18
9	96000-06020-08	2	HEX WASHER FACE BOLT	6*20



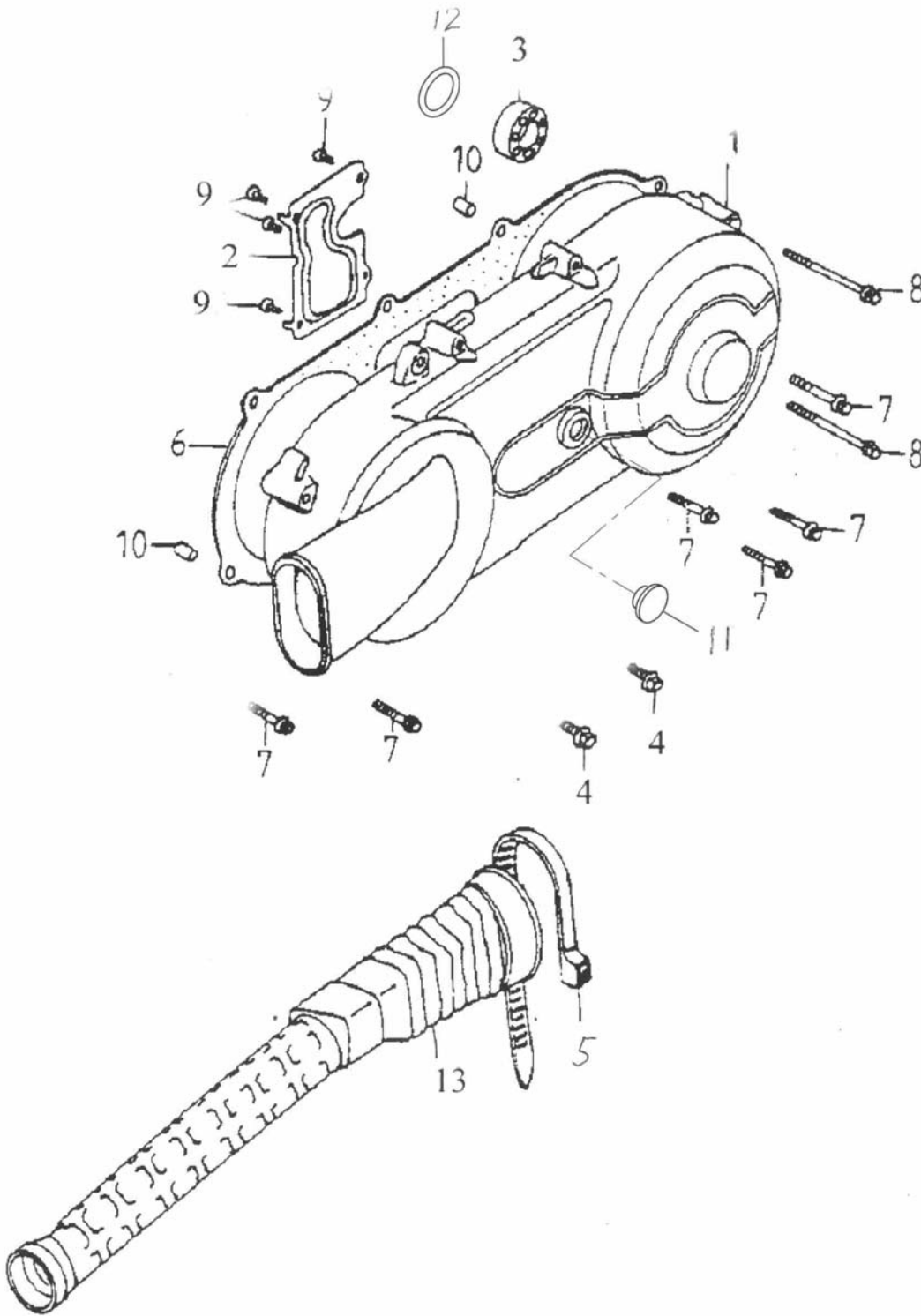
Assembly No.:197-08

OIL PUMP

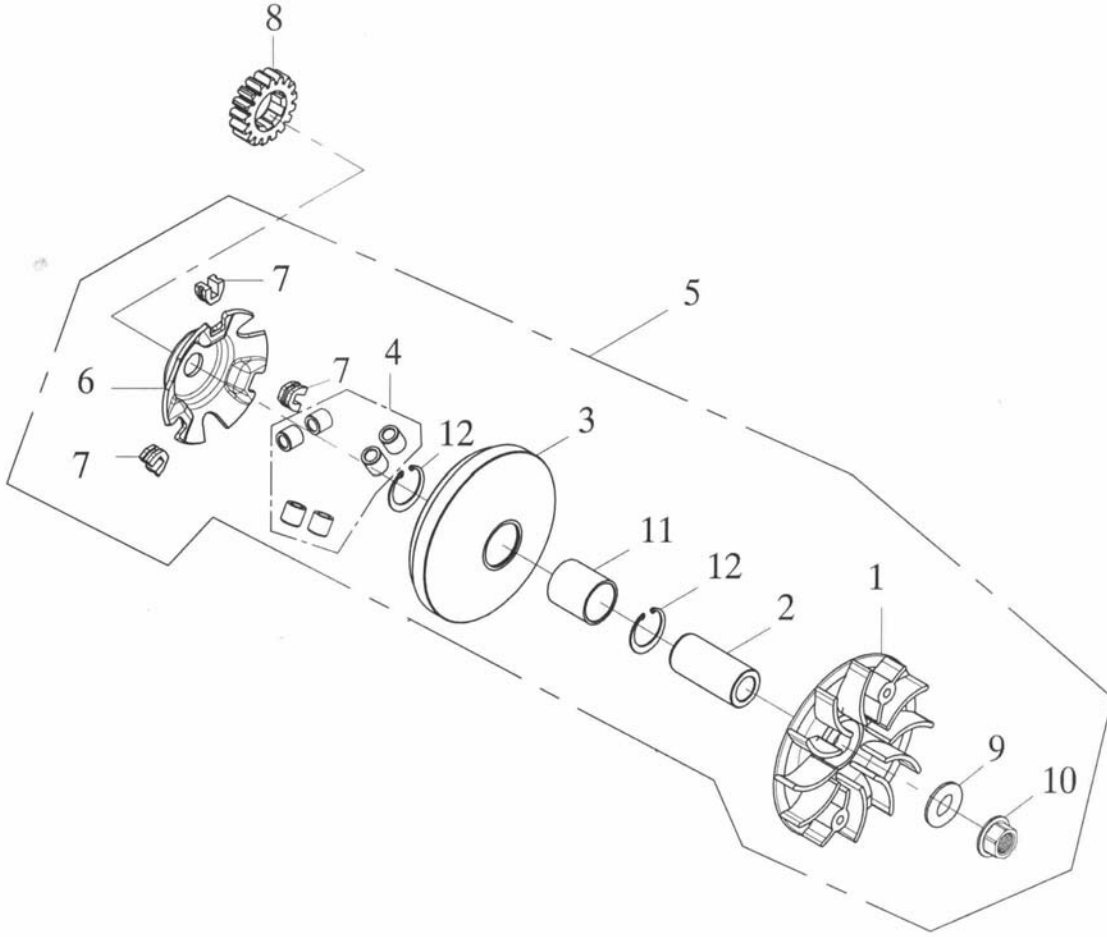
No.	Parts No.	Q'ty	Parts Name	Specification
1	15100-197-000	1	OIL PUMP	
2	15711-120-000	1	OIL SEPARATOR	
3	94050-06000	1	HEX FLANGE NUT WITH SERRATION	6mm
4	15131-120-000	1	OIL PUMP PROIMARY AXLE	
5	15150-120-000	1	OIL PUMP DRIVE GEAR	
6	15141-120-000	1	OIL PUMP CHAIN	
7	96000-06012-08	2	HEX WASHER FACE BOLT	6*12
8	93902-06030	2	FLAT HEAD PHILLIPS BOLT	6*30



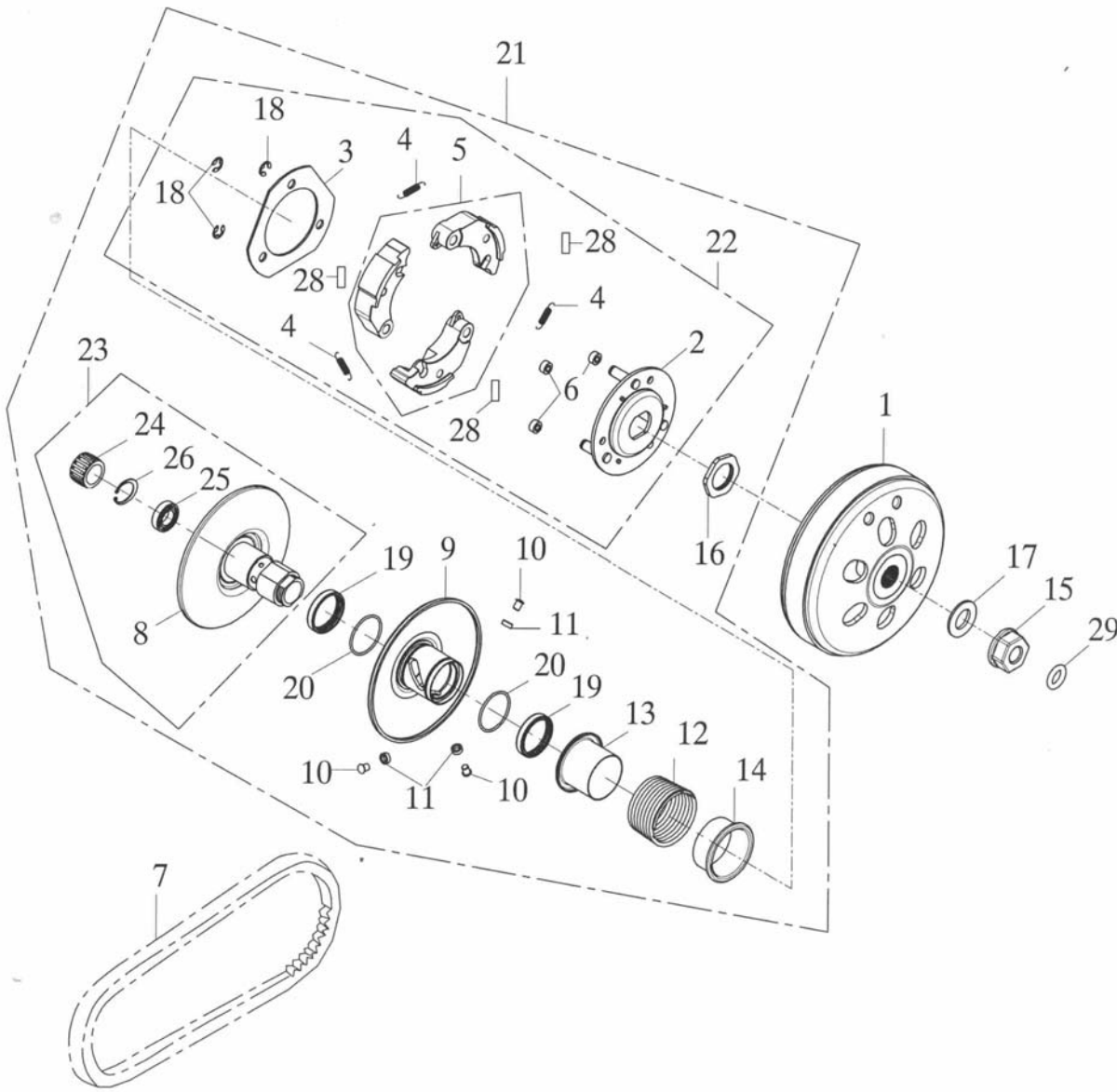
Assembly No.:197-09		STARTING MOTOR		
No.	Parts No.	Qty	Parts Name	Specification
1	28422-120-000	1	STARTER REDUCTION GEAR	
2	96300-100460	1	SHAFT,STARTER REDUCTION GEAR	
3	28220-120-000	1	STARTING CLUTCH GEAR	
4	28120-120-000	1	CLUTCH COVER COMP	
5	28125-120-000	1	STARTING CLUTCH FLANGE	
6	28413-120-000	3	CLUTCH SPRING	
7	28412-120-000	3	CLUTCH GUIDER	
8	31200-197-000	1	STARTING MOTOR ASS'Y	
9	91000-06012	3	HEX SOCKET BOLT	6*12
10	94071-22000	1	NUT LOCK	22mm
11	94101-2231025	1	PLAIN WASHER	22*31*2.5
12	28410-120-000	1	STARTER CLUTCH ASS'Y	
13	90471-101-000	1	SEMICYCLE KEY	25*4*14
14	28411-120-000	3	STARTER CLUTCH ROLLER	10*10
15	96200-283217	1	NEEDLE BEARING	28*32*17
16	91324-120-000	1	OIL RING	24.4*3.1
17	96000-06016-08	2	HEX WASHER FACE BOLT	6*16



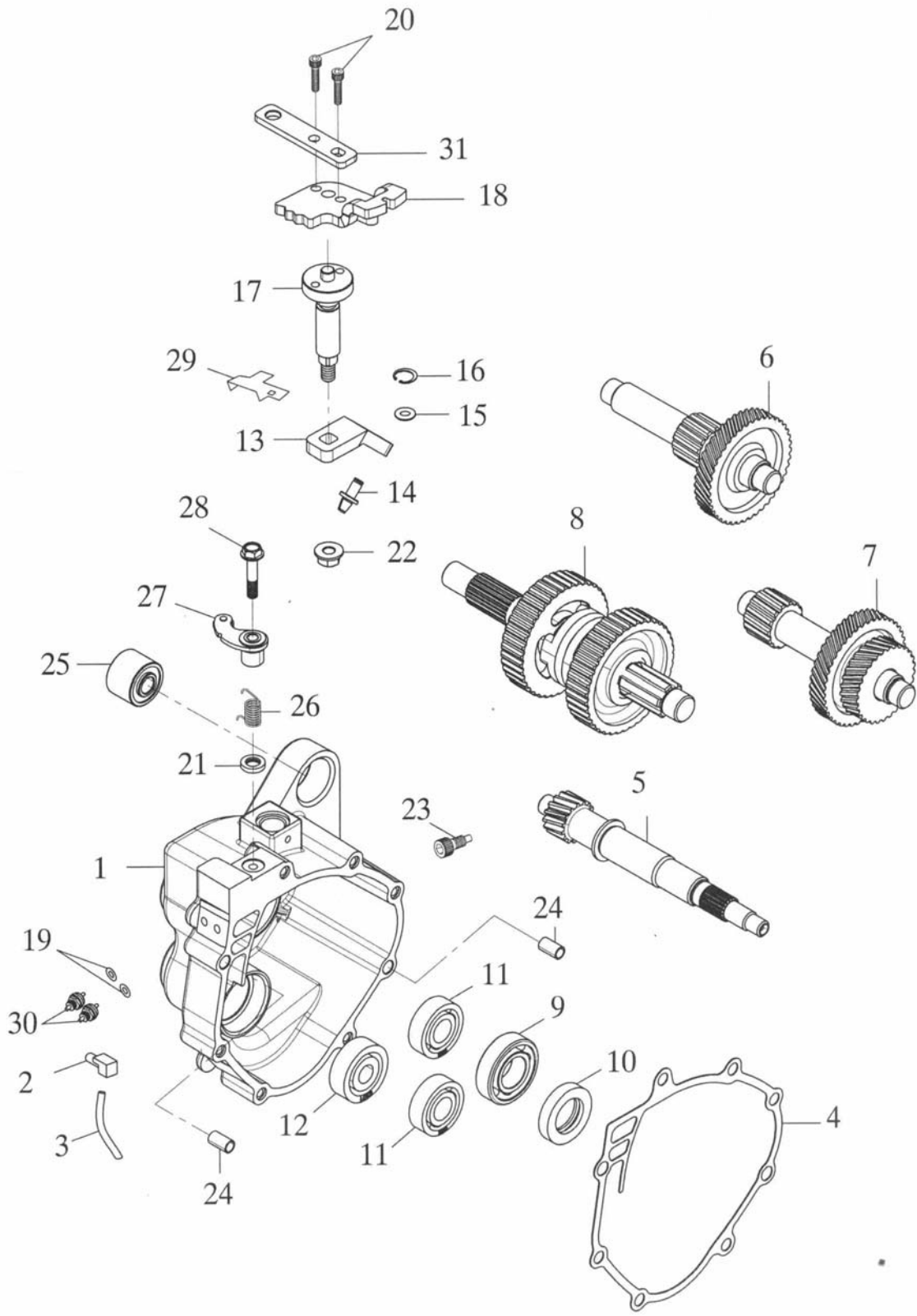
Assembly No. 197-10		LEFT CRANKCASE COVER		
No.	Parts No.	Qty	Parts Name	Specification
1	11341-121-000	1	COVER L	
2	11342-120-000	1	L COVER PLATE	
3	90100-6200Z	1	RADIAL BALL BEARING	6200Z
4	90800-06012	2	HEX WASHER FACE BOLT	6*12
5	90669-101-000	1	RUBBER STRAP	7.5*2500mm
6	11359-121-000	1	L COVER GASKET	
7	90600-06000-08	6	HEX WASHER FACE BOLT	6*40
8	90600-06005-08	2	HEX WASHER FACE BOLT	6*65
9	03905-04000	4	PAN PHILLIPS SCREW	4*8
10	94501-08140	2	DOWEL PIN	6.3*8*14
11	11340-197-000	1	RUBBER CAP	
12	91110-107-000	1	OIL RING	10*5.25
13	11345-120-000	1	DUCT L. CRANKCASE COVER	



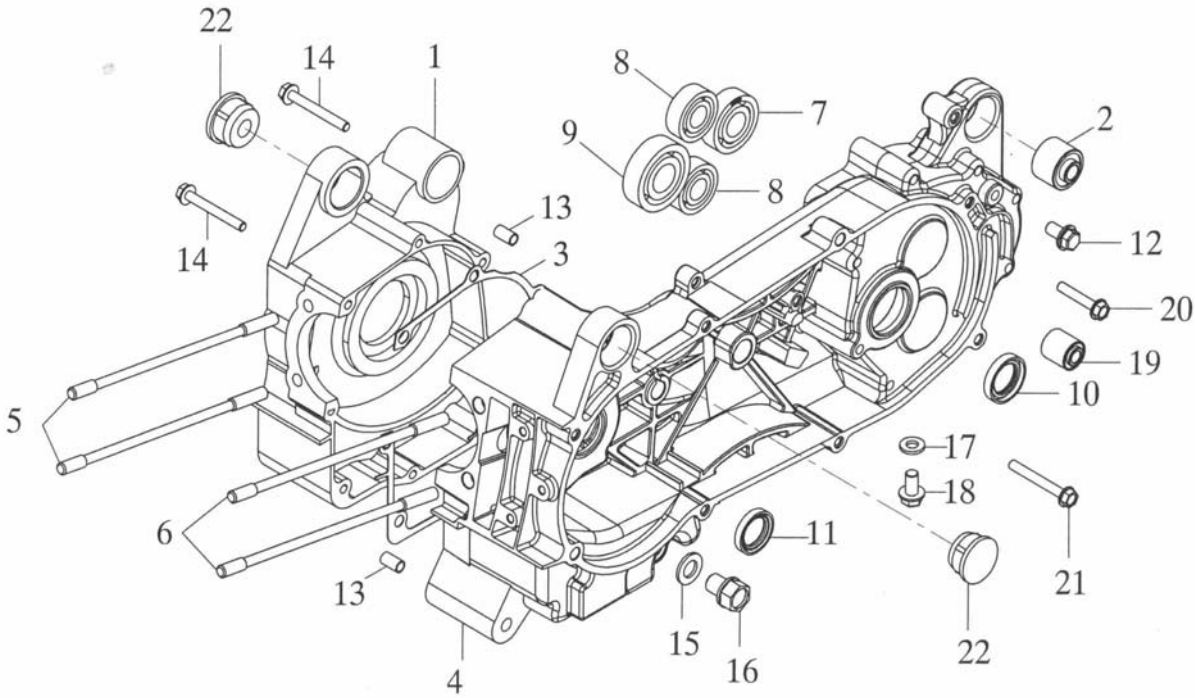
Assembly No. 197-11		DRIVE FACE		
No.	Parts No.	Qty	Parts Name	Specification
1	2210-120-000	1	DRIVE FACE	
2	96401-172451	1	DRIVE FACE BOSS	17*24*51.8
3	2210-120-000	1	PRIMARY DRIVE FACE	
4	22121-197-000	6	ROLLER COMP WEIGHT	18G
5	22103-197-000	1	FACE ASSY MOVABLE DRIVE	
6	22121-197-000	1	PLATE RAMP	
7	22121-120-000	3	SIDE	
8	28231-120-000	1	KICK DRIVE GEAR	20T
9	94101-1222015	1	PLAIN WASHER	12*22*1.5
10	94501-12001	1	HEX FLANGE NUT WITH SERRATION	12mm
11	96401-24230	1	BUSH	24*23*30
12	94512-2360R	2	INTERNAL CIR CLIP	R1W-28



Assembly No: 197-12A		DRIVEN FACE		
No.	Parts No.	Qty	Parts Name	Specification
1	2208-120-000	1	CLUTCH COVER COMP	
2	2238-120-000	1	DRIVE PLATE COMP	
3	2250-120-000	1	PLATE CLUTCH SIDE	
4	2240-197-000	3	SPRING CLUTCH	
5	2235-197-00A	3	CLUTCH WEIGHT SET	
6	2204-120-000	3	CLUTCH DAMPER RUBBER	
7	2100-120-000	1	DRIVE BELT	743*20*50
8	2238-120-000	1	FACE ASSY DRIVEN	
9	2228-120-000	1	SECONDARY SLIDING SLOT WHEEL	
10	2223-120-000	3	GUIDE PIN	
11	2228-120-000	3	GUIDE PIN	
12	2223-197-00A	1	COMPRESSION SPRING	
13	2227-120-000	1	SECONDARY SPRING SEAT	
14	2223-120-000	1	SPRING COLLAR	
15	9020-120-000	1	FLANGE NUT	12mm
16	9020-120-000	1	HEX NUT	28mm
17	9400-120-025	1	FLAN WASHER	12*20*2.5
18	9411-070E	3	EXTERNAL CIR CLIP	ETW-7
19	9006-041E	2	OIL SEAL	34*14
20	9136-104-000	2	OIL RING	36*2
21	2208-197-00A	1	DRIVE FACE ASSY (D)	66mm
22	2208-120-000	1	DRIVE PLATE ASSY	
23	2228-120-000	1	SECONDARY FFS SLEEF WHEEL	20*2*18
24	9620-00219	1	NEEDLE BEARING	66*21
25	9620-00219	1	NEEDLE BEARING	66*21
26	9412-040E	1	INTERNAL CIR CLIP	8ETW-28
27	9412-040E	1	SPRING	
28	2240-197-000	3	SPRING PLATE	
29	9136-197-000	1	OIL-RING	9*4



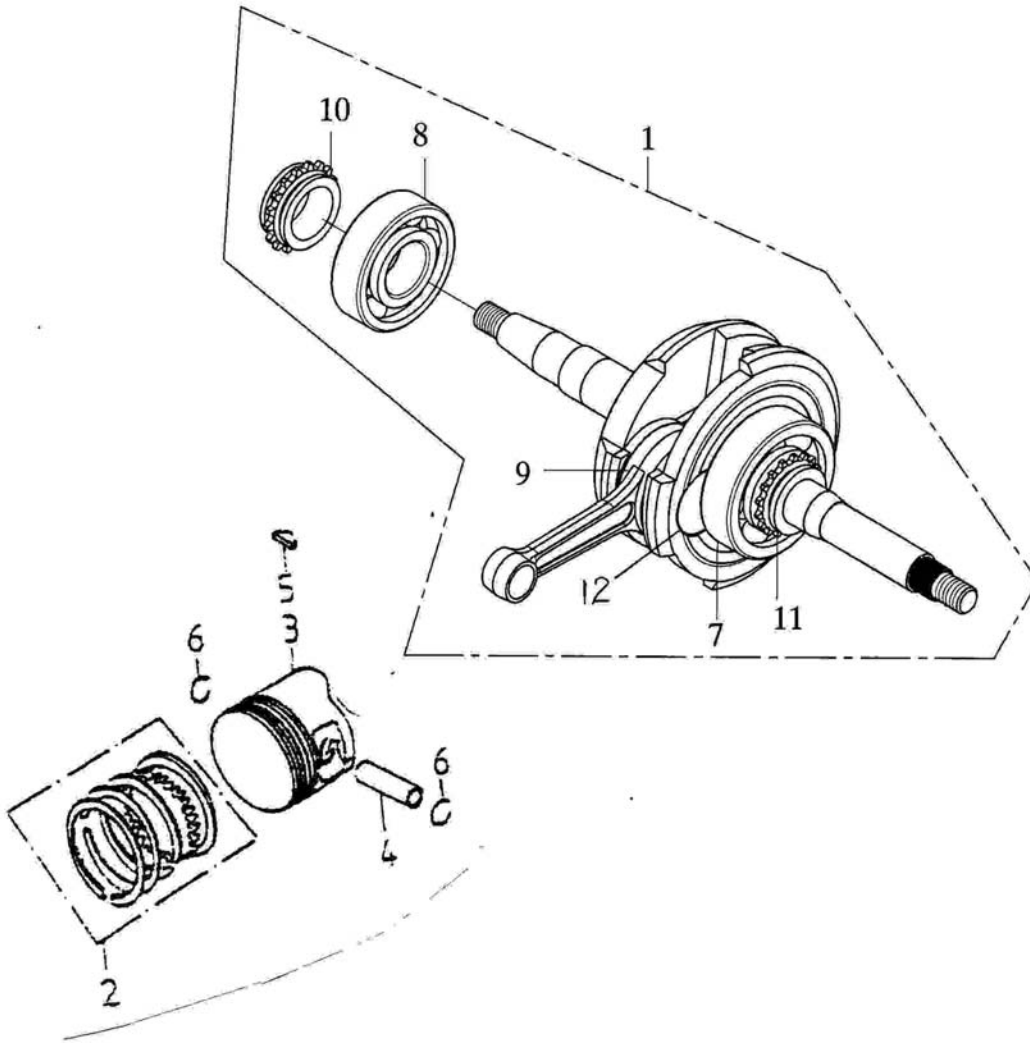
Assembly No. 197-13		TRANSMISSION		
No.	Parts No.	Qty	Part Name	Specification
1	21301-197-000	1	MISSION COVER	
2	16610-104-000	1	BREATHER HOSE HEAD	
3	16615-104-000	1	BREATHER HOSE	
4	21295-183-000	1	MISSION COVER GASKET	
5	23411-197-000	1	DRIVE SHAFT	
6	23403-183-000	1	REVERSE GEAR ASSY	
7	23420-197-000	1	SOLE GEAR ASSY	
8	23430-197-000	1	FINAL GEAR COMP	
9	96100-6005ZZ	1	RADIAL BALL BEARING	6005 ZZ
10	96300-3067T	1	GEL SEAL	30P4797
11	96100-62020	2	RADIAL BALL BEARING	6202
12	96100-TMB300	1	RADIAL BALL BEARING	TMB300
13	24211-183-000	1	GEAR SHIFT FORK	
14	24212-183-000	1	GEAR SHIFT FORK GUIDE SHAFT	
15	94101-060210	1	COPPER FLAIN WASHER	6.5*12*1
16	94511-6500E	1	EXTERNAL CIR CLIP	ETW-5
17	24610-183-000	1	GEAR SHIFT FORK SHAFT	
18	24620-197-002	1	GEAR SHIFT ARM	
19	91210-1151013	1	COPPER FLAIN WASHER	10.5*15*1.3
20	91000-0600	2	HEX SOCKET BOLT	ø20
21	96300-14201	1	GEL SEAL	
22	90310-09000	1	NYLON INSERT LOCK NUT	8mm
23	24613-183-000	1	DOWNEL BOLT	
24	94210-08140	2	DOWEL PIN	6.3*8*14
25	96400-102820	1	BUSH ENGINE HANGER RUBBER	10*28*22
26	24423-193-000	1	REVERSE SHIFT TROM STOPPER SPRING	
27	24411-193-000	1	REVERSE SHIFT STOPPER COMP	
28	90900-09010-00B	1	HEX ANGLE BOLT	6*65
29	33713-183-000	1	SHIFT SWITCH PLATE	
30	33710-180-000	2	NEUTRAL SWITCH CONTACT ASSY	
31	24702-197-000	1	SHIFT BRACKET	



Assembly No:197-14		CRANKCASE		
No.	Parts No.	Qty	Parts Name	Specification
1	11191-197-000	1	RIGHT CRANKCASE	
2	90400-002820	1	BUSH ENGINE HANGER RUBBER	10*28*22
3	11191-197-000	1	CRANKCASE GASKET	
4	11201-197-000	1	LEFT CRANKCASE	
5	91001-08204	2	STEEL BOLT	Ø7*204
6	91001-08213	2	STEEL BOLT	Ø7*213
7	90100-02010	1	RADIAL BALL BEARING	Ø201
8	90100-02020	2	RADIAL BALL BEARING	Ø202
9	90100-02040	1	RADIAL BALL BEARING	Ø204
10	90400-20126	1	OIL SEAL	20*27*6
11	90400-19100	1	OIL SEAL	19*30*5
12	90400-08012-120	1	HEX WASHER FACE BOLT	Ø12
13	90401-08140	2	DOWEL PIN	6.3*14
14	90400-06010-08	2	HEX WASHER FACE BOLT	Ø8
15	90401-121120	1	FLANG WASHER	12*12
16	90400-12015-14	1	HEX WASHER FACE BOLT	12*15
17	90401-0816010	1	FLANG WASHER	Ø8*16
18	90400-08012-10	1	HEX WASHER FACE BOLT	Ø8*12
19	90400-08204	1	ROBBER	Ø8*204
20	90400-06015-100	4	HEX FLANGE BOLT	Ø6*15
21	90400-06015-100	3	HEX WASHER FACE BOLT	Ø6*15
22	90421-197-000	2	RUBBER CAP	Ø7*10

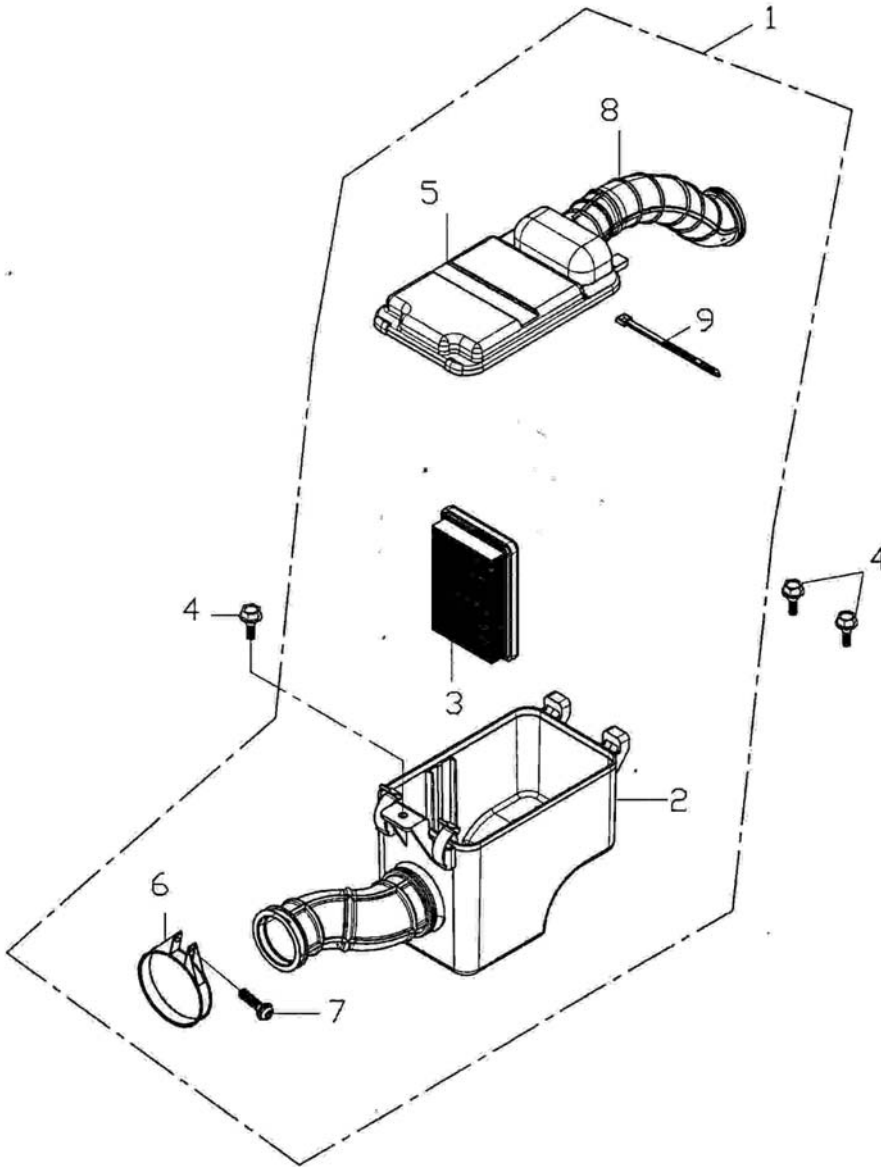
CRANK SHAFT,PISTON

Assembly No:197-15		CRANK SHAFT,PISTON		
No	Parts No	Qty	Parts Name	Specification
1	13006-197-000	1	CRANKSHAFT ASSY	
2	13011-197-000	1	PISTON RING SET	5741.0P2.3
3	13106-197-000	1	PISTON	
4	13111-197-000	1	PISTON PIN	11.515F43
5	90471-101-000	1	SEMICIRCLE KEY	254*14
6	13115-120-000	2	PISTON PIN CLIP	13157-10
7	TMS034AMCS12	1	BEARING	
8	90100-7M010	1	RADIAL BALL BEARING	
9	90200-30713	1	NEEDLE BEARING	30*37*13.8
10	14111-197-000	1	TIMING GEAR	
11	14221-120-000	1	OIL PUMP DRIVE GEAR	
12	13381-197-000	1	CRANK PIN	177

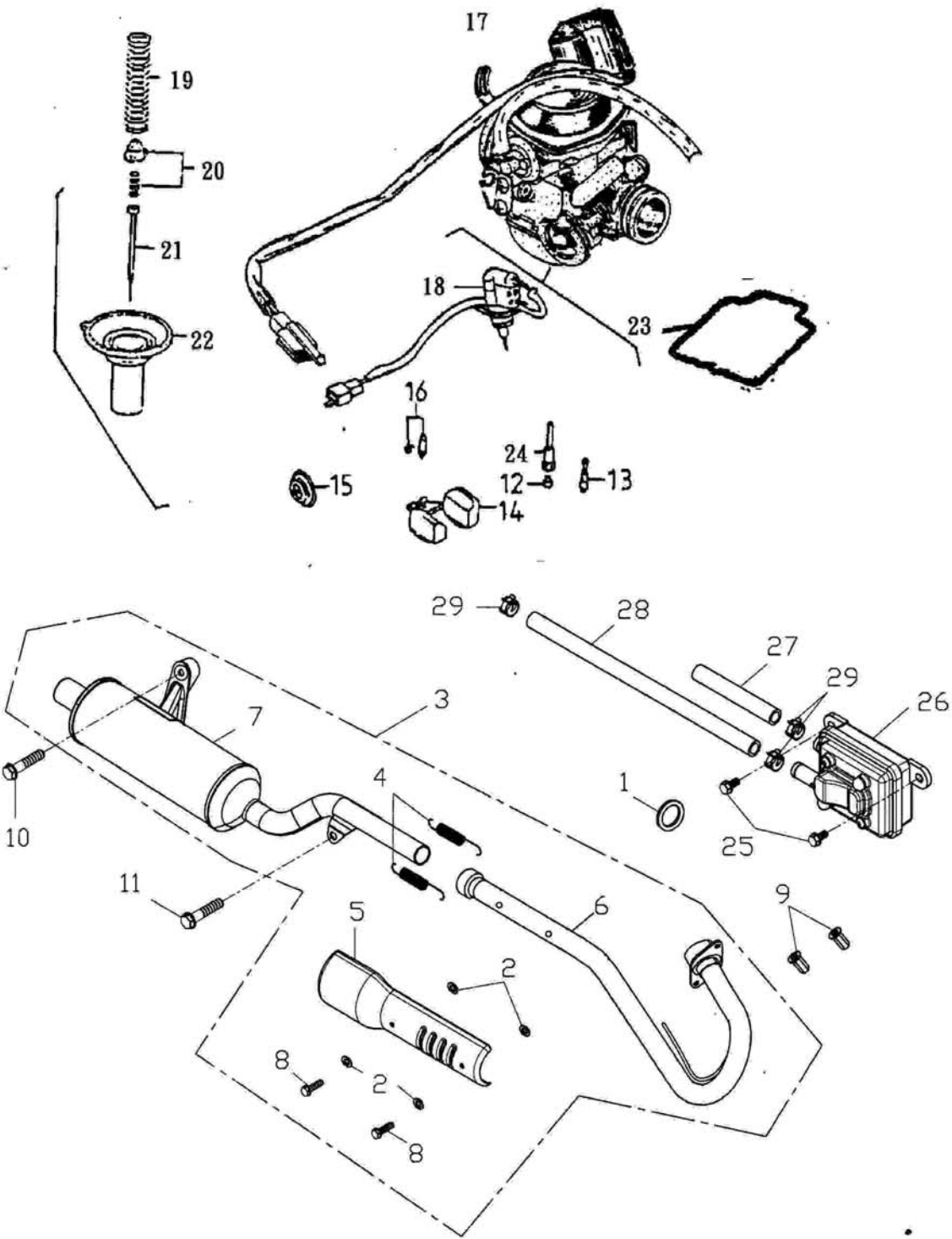


AIR CLEANER

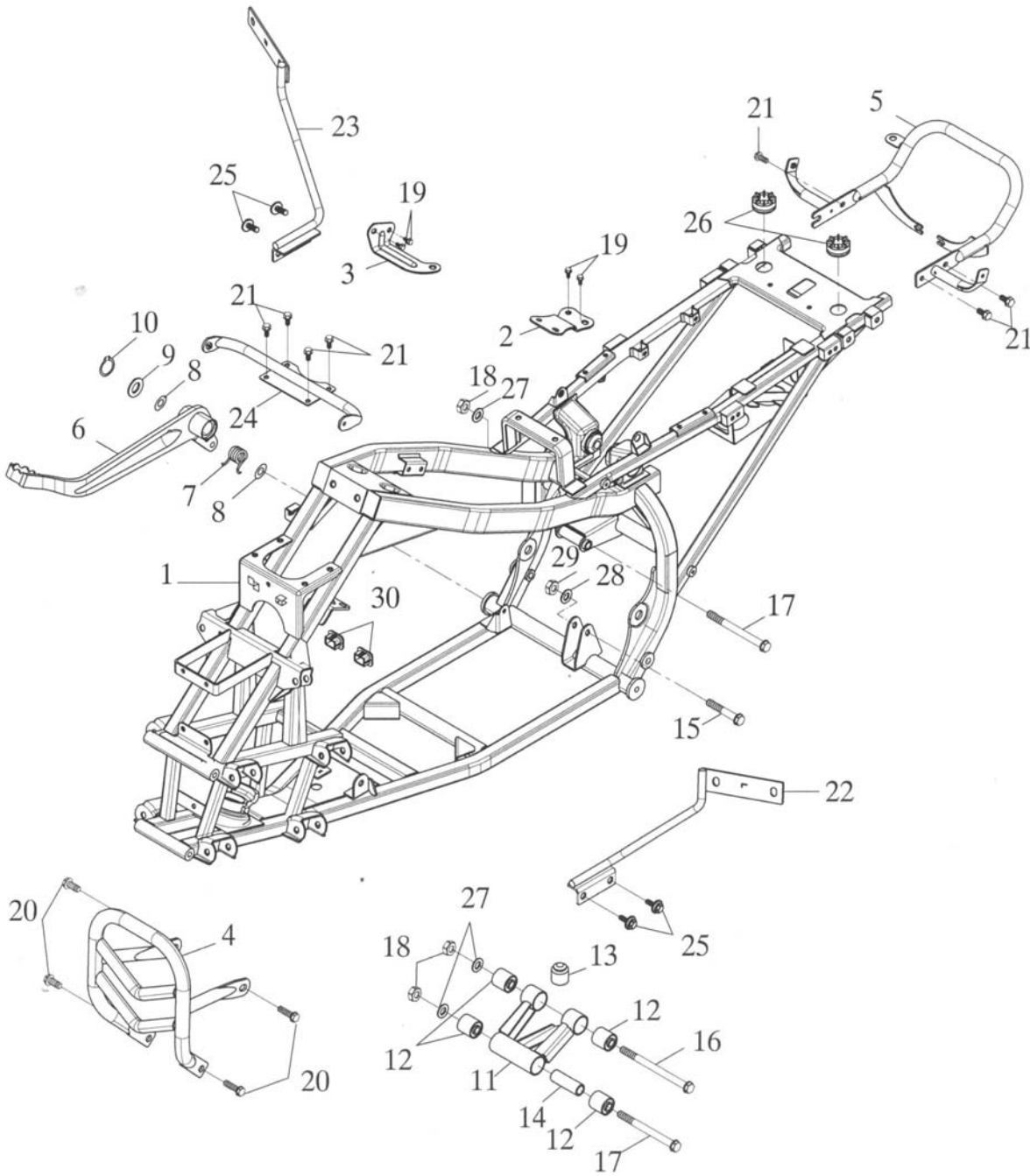
No.	Parts No.	Qty	Parts Name	Specification
1	17200-197-00A	1	AIR CLEANER ASSY	
2	17206-197-00A	1	AIR CLEANER CASE	
3	17205-197-000	1	AIR CLEANER ELEMENT SET	4714
4	92000-9014-10	3	HEX BOLT	
5	17207-175-000	1	AIR CLEANER COVER	
6	14110-197-000	1	INTAKE MANIFOLD HOSE CLAMP	
7	93100-04029	1	PAN PHILLIPS BOLT	4728
8	17219-197-000	1	GLUE PIPE	PVC-NBR
9	90669-101-00A	1	ZIP TIE	472506W



EXHAUST MUFFLER,CARBURETOR

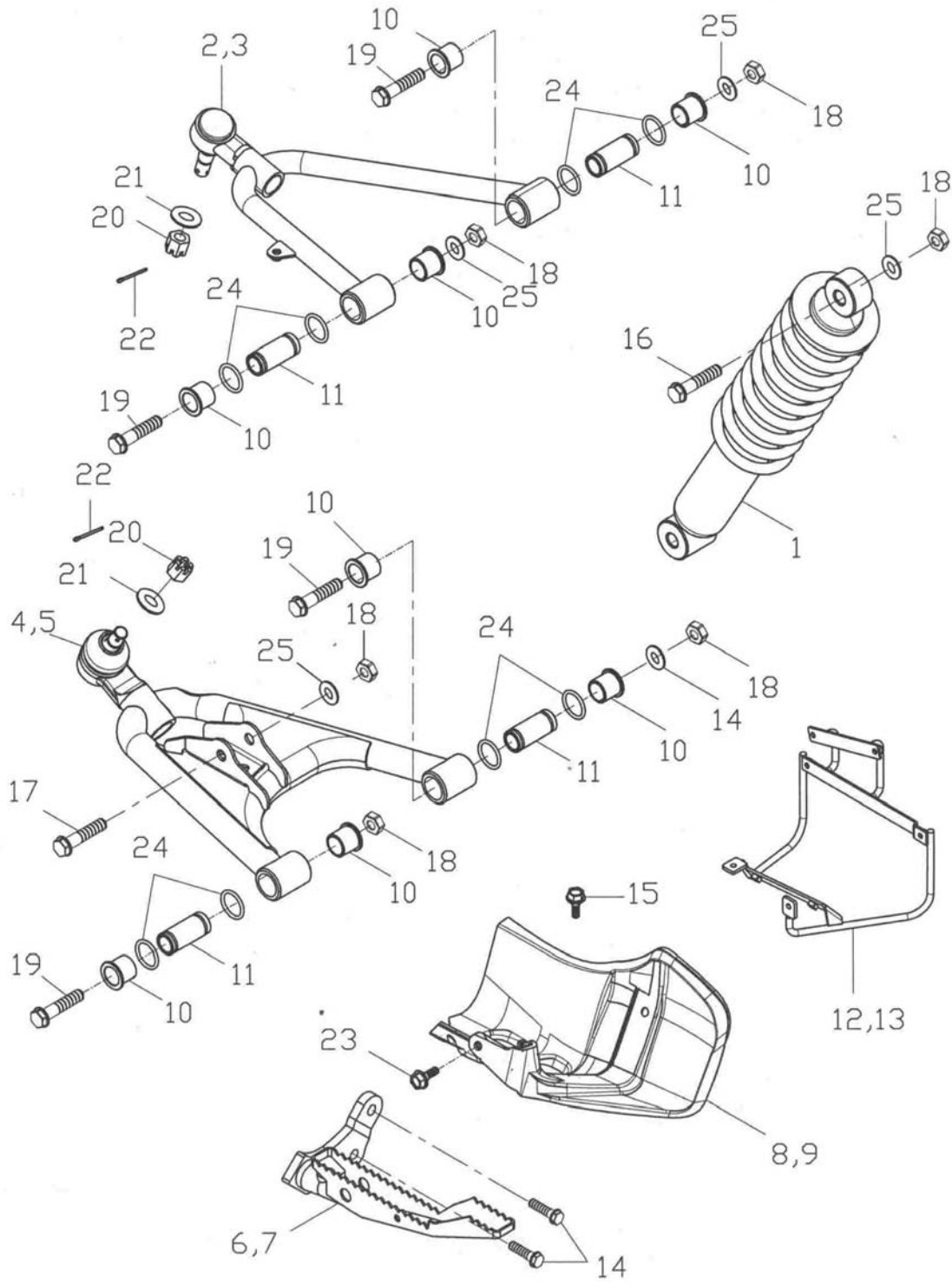


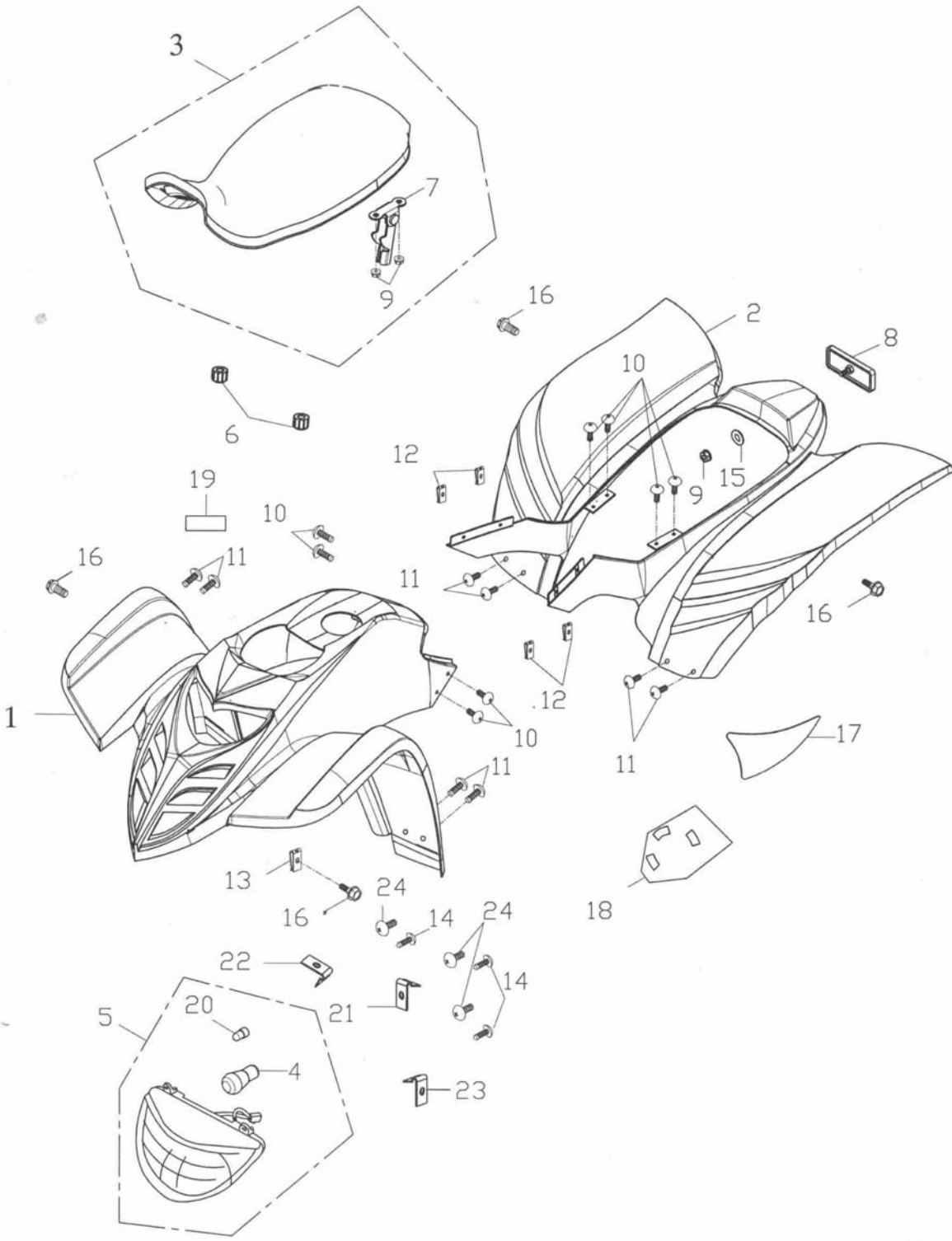
No.	Part No.	Qty	Part Name	Specification
1	1820-101-000	1	EXHAUST PIPE GASKET	
2	9450-06-2015	4	PAPER PLAIN WASHER	6*12*1.5
3	1830-197-00A	1	EXHAUST PIPE ASSY	
4	1830-197-000	2	EX PIPE SPRING	
5	1818-197-000	1	EX PIPE PROTECTOR 1	
6	1811-197-00A	1	EXHAUST PIPE FRONT	
7	1821-197-00A	1	SILENCER MUFFLER	
8	9000-06010-08	4	HEX FLANGE BOLT	4*10
9	9030-06000	2	NET CAP	6mm
10	9000-10000	1	HEX WASHER FACE BOLT	10*8
11	9000-0802X	1	HEX WASHER FACE BOLT	8*28
12	14108-197-00B	1	MAIN NOZZLE	
13	14110-120-000	1	PILOT SET	410
14	14118-120-000	1	FLOAT	
15	14048-120-000	1	PLUNGER FILM	
16	14115-197-000	1	NEEDLE VALVE SET	
17	14100-197-000	1	CARBURETOR ASSY(KENHIN CVK)	NOZZLE#108
18	1721-197-000	1	PLUNGER STARTER	
19	14105-197-000	1	THROTTLE VALVE SPRING	
20	14057-120-000	1	VALVE PLATE SET	
21	14104-197-000	1	NEEDLE SET	480CC
22	14103-197-000	1	VACUUM PISTON	
23	14106-120-000	1	FLOAT CHAMBER SEAL	
24	14105-120-000	1	NEEDLE NOZZLE	
25	9000-06010-08G	2	HEX WASHER FACE BOLT	4*10
26	17410-114-000	1	REED VALVE COMP	150mm
27	17411-197-000	1	REED VALVE COMP IN PIPE	510mm-110mm
28	17412-197-000	1	REED VALVE COMP IN PIPE	510mm-110mm
29	94513-18000	3	SPRING CLAMP	#18



Assembly No: 197-18A		FRAME BODY		
No.	Parts No.	Qty	Parts Name	Specification
1	50100-197-000	1	FRAME COMP	
2	17221-197-000	1	FRONT BRACKET	
3	17223-197-000	1	REAR BRACKET	
4	50104-182-000	1	FRONT BUMPER	
5	50105-182-000	1	REAR BUMPER	
6	46300-197-000	1	BRAKE PEDAL COMP	
7	46301-189-000	1	REAR SPRING	
8	91116-189-000	2	OIL RING	
9	94101-171023	1	PLAIN WASHER	16*12
10	94111-17005	1	EXTERNAL CLIP	17*14*1*2.3
11	90300-197-000	1	ENGINE BRACKET ASSY	8*16*17
12	90400-92032	4	RUSH	10*23*12
13	91011-101-000	1	RUBBER DAMPER	
14	90310-197-000	1	ENGINE COLLAR	
15	90000-08041-12	1	HEX WASHER FACE BOLT	8*41
16	90000-10113-14G	1	HEX WASHER FACE BOLT	10*13
17	90000-10120-14G	2	HEX WASHER FACE BOLT	10*120
18	90100-10000G	1	NYLON NUT	14*10*12.5
19	90000-06010-10	7	HEX WASHER FACE BOLT	8*10
20	90000-10015-14G	4	HEX FLANGE BOLT	14*14
21	90000-08015-12G	4	HEX FLANGE BOLT	14*14
22	64301-197-000	1	FRONT COVER LEFT FIXED PILE	
23	64308-197-000	1	FRONT COVER RIGHT FIXED PILE	
24	64309-182-000	1	FRONT BUMPER	
25	92000-06014-10K	4	HEX BOLT	6*14
26	77211-189-000	2	RUBBER	
27	94101-102202G	1	PLAIN WASHER	10*22*2.5
28	94101-082015	1	PLAIN WASHER	8*22*1.5
29	90100-08000	1	NYLON INSERT LOCK NUT	8mm
30	96421-197-000	2	TUBE CAP	

Assembly No: 197-19A		ARM.FLOOR PANEL		
No.	Parts No.	Qty	Parts Name	Specification
1	51400-192-000	2	FRONT CUSHION ASSY	
2	51210-197-000	1	RIGHT UP SUSPENSION ARM	
3	51310-197-000	1	LEFT UP SUSPENSION ARM	
4	51610-169-000	1	RIGHT DOWN SUSPENSION ARM	
5	51510-169-000	1	LEFT DOWN SUSPENSION ARM	
6	50711-197-00A	1	R STEP BAR COMP	
7	50712-192-00A	1	L STEP BAR COMP	
8	80115-192-000	1	L REAR FENDER	
9	80116-192-000	1	R REAR FENDER	
10	51202-169-000	16	RUSH	Ø17
11	51308-169-000	8	BUSHING	
12	64314-192-000	1	R FIXED POLE	
13	64315-192-000	1	L FIXED POLE	
14	96000-10035-14G	4	HEX FLANGE BOLT	M10P35
15	96000-06005-10G	2	HEX WASHER FACE BOLT	Ø15
16	96000-10040-14G	2	HEX FLANGE BOLT	M10P40
17	96000-10050-14G	2	HEX FLANGE BOLT	M10P50
18	90350-10000G	12	HEX FLANGE LOCK NUT	M10
19	96000-10065-14G	8	HEX FLANGE BOLT	M10P65
20	94851-12000G	4	SCOTCH NUT	M12
21	94101-1222020	4	PLAIN WASHER	12*22*2
22	94201-05320	4	COTTER PIN	3*25
23	91311-06016-10G	10	LADDER BOLT	Ø16
24	91312-169-00A	16	O-RING	12.5*2.4
25	94101-162020	12	PLATE WASHER	10*20*2

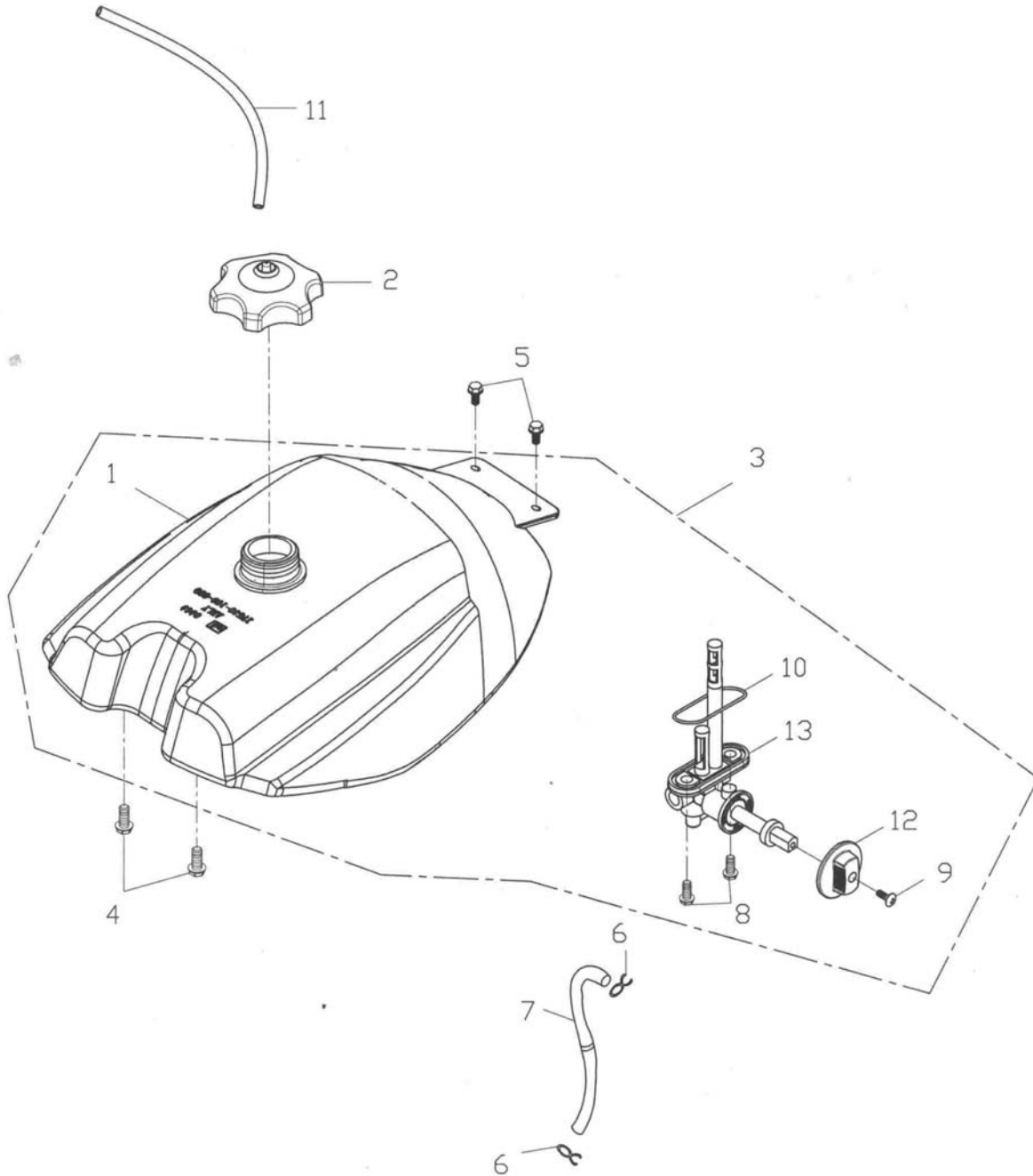




Assembly No.:197.20A		BODY COVER SEAT		
No.	Parts No.	Qty	Parts Name	Specification
1*	64301-182-00B	1	FRONT COVER BEZEL	
2*	83400-182-00B	1	REAR COVER BEZEL	
3	77200-182-000	1	SEAT ASSY	
4	34901-180-00A	1	HEAD LIGHT BULB (E-MARK)	12V35W5W
5	31106-190-00A	1	HEAD LIGHT ASSY (E-MARK)	
6	77212-169-000	2	RIBBER	
7	77201-169-000	1	SEAT BRACKET	
8	31741-131-000	1	REFLECTOR (E-MARK, S&L)	BT10905-03
9	90306-06000G	5	NYLON NUT	M6
10	91800-06012S	8	PAN PHILIPS BOLT	ø*12
11	91800-06015S	8	PAN PHILIPS BOLT	ø*12
12	90344-0600A	4	U-PLATE NUT	6mm
13	90344-05000	2	U-PLATE NUT	5mm
14	91983-03011	4	TAPPING SCREW TRUSS HEAD PHILLIPS	5*15
15	90101-061010	1	PLAIN WASHER	6-5/16*5/16
16	90111-06016-10G	4	LADDER BOLT	6-1/4
17	17121-182-000	1	REAR COVER ISOLATION GASKET	0.035*2-MM/96J
18	87728-197-000	1	INDICATOR STICKER	
19	87728-197-000	1	INDICATOR STICKER	
20	34906-120-000	1	POSITION LIGHT BULB	12V5W
21	51686-182-000	1	HEAD LIGHT BRACKET	
22	51681-182-000	1	R LIGHT BRACKET	
23	51682-182-000	1	L LIGHT BRACKET	
24	91701-06012G	3	PAN FLAT HEAD PHILLIPS	ø*12
*FRONT COVER JAUNE				6430118200B03
*FRONT COVER BLEU				6430118200B04
**REAR COVER JAUNE				8340018200B03
**REAR COVER BLEU				8340018200B04
**REAR COVER NOIR				8340018200B07

AUTOCOLLANTS

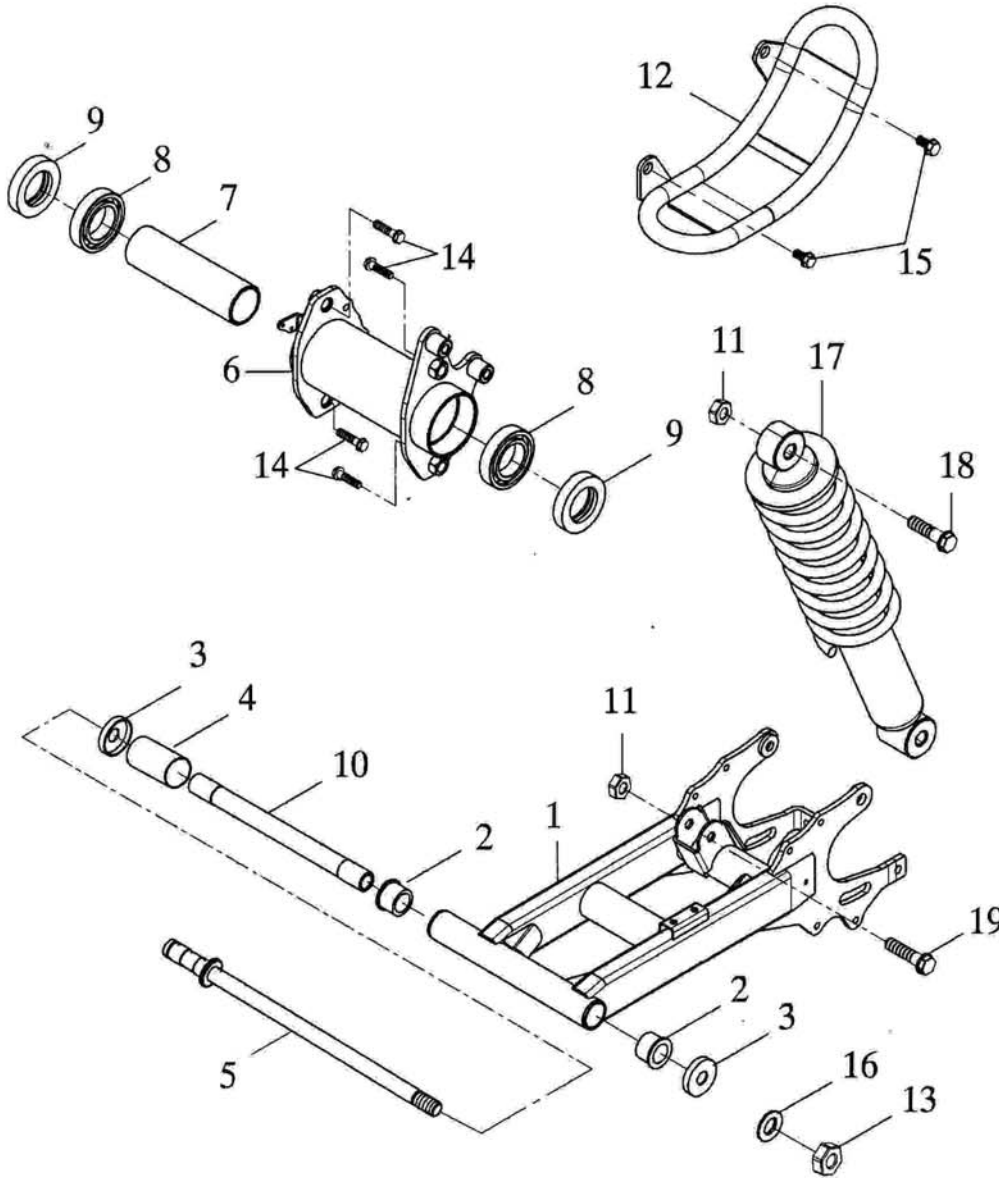
87728-197-000	1	AUTOC ON/OFF/RES
87700-125-000	1	KIT AUTOC ROUGES AILES
87700-125-00003	1	KIT AUTOC JAUNES AILES
87734-197-000	2	AUTOC 150cc
87700-888-0BA	2	AUTOC NOIR RESERVOIR "ADLY MOTO"
87700-888-00Z	1	AUTOC FRONTAL "ADLY"



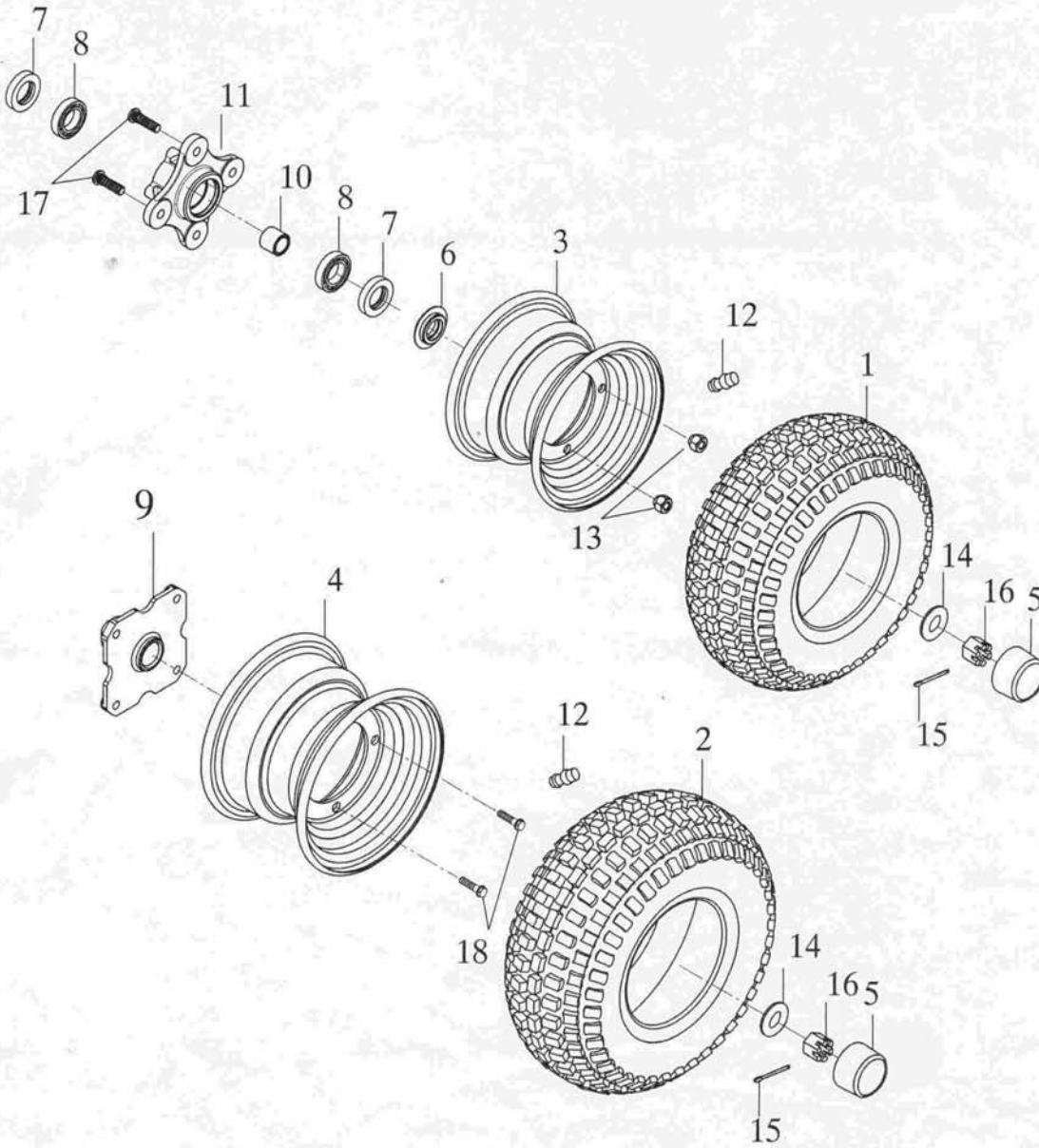
Assembly No: 197-21A		FUEL TANK	
No.	Qty	Parts Name	Specification
1	1	FUEL TANK CLAMP	ANAME?
2	1	FUEL CAP ASSY	
3	1	FUEL TANK ASSY	
4	2	HEX WASHER FACE BOLT	#12
5	2	HEX WASHER FACE BOLT	#15
6	2	CLIP	#7.5
7	1	OIL TUBE	4.8*4.50
8	2	HEX FLANGE BOLT	#12
9	1	PAN PHILIPS BOLT	#12
10	1	FUEL CLIP RING	
11	1	FUEL VALVE KNOB	4.5*4.355
12	1	FUEL LEATHER HOSE	#6
13	1	FUEL CAP BODY	#6

SWING ARM SUB ASSY

No.	Parts No.	Qty	Parts Name	Specification
1	52100-197-001	1	SWING ARM SUB ASSY	
2	52103-145-000	2	BUSH	
2	52144-145-000	2	SWING ARM SEAL COVER	
1	52101-197-000	1	RUBBER SLEEVE	
1	52116-169-000	1	SWING ARM BOLT	
1	52200-197-000	1	REAR ANGLE HOLDER	
1	42113-197-000	1	REAR BRAKE PANEL SPACER	
2	96100-9007Z	2	RADIAL BALL BEARING	
2	96100-42828	2	O-SEAL	42*42*8
10	52115-169-000	1	COLLAR	
11	90105-12000G	2	NYLON INSERT LOCK NUT	M12
12	40520-197-000	1	DRIVE CHAIN UNDER HALF CASE	
13	90105-14000G	1	NYLON NUT	M14
14	96000-12023-17	4	HEX WASHER FACE BOLT	12*52
15	96000-69051-10G	2	HEX WASHER FACE BOLT	6*15
16	94101-1426010	1	PLAIN WASHER	14*50*3
17	52600-12-9000	1	REAR CUSHION ASSY	
18	96000-12065-17G	1	HEX FLANGE BOLT	M12*65
19	96000-12065-17G	1	HEX FLANGE BOLT	12*65



WHEEL-FRONT&REAR

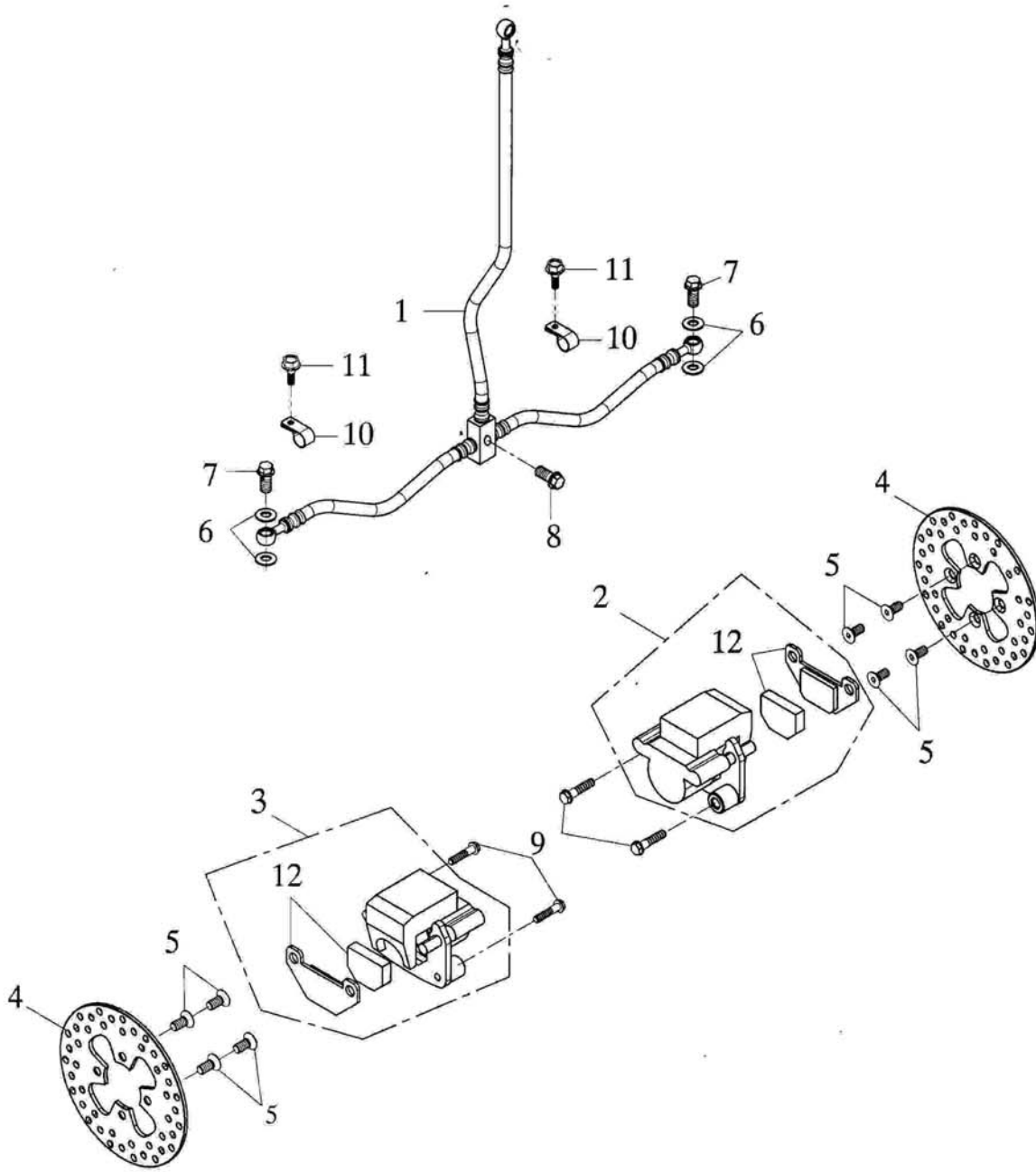


No.	Parts No.	Qty	Parts Name	Specification
1	42711-160-00A	2	FRONT TYRE	AT217-10 54E
2	42811-160-00A	2	REAR TYRE	AT21-10 8 K347
3	42701-160-000	2	FRONT RIM	1075.5
4	42801-160-00A	2	REAR RIM	878
5	42514-160-000	4	RUBBER COVER	
6	42705-160-000	2	COLLAR	
7	96300-24517	4	CON. SEAL	20 3x1.6x1.6
8	96100-80422	4	RADIAL BALL BEARING	6042ZC342A.T0
9	42516-160-001	2	SHOULDER CONNECTOR (REV.3)	
10	42705-160-000	2	COLLAR	
11	42516-160-000	2	FRONT SHAFT HUB	
12	42516-161-000	4	AIR NOZZLE	
13	94001-06018	4	WHEEL NUT	M10P15
14	94101-160401	4	PLATE WASHER	18*40*4.5
15	94201-01120	4	COTTER PIN	1/12
16	96001-160008	4	SHOULDER NUT	M16
17	96005-06010C	4	HUB STUD BOLT	10P15
18	96000-06020.14	4	HUB WASHER FACE BOLT	10P20

1 42711-182-00B	2	PNEU AV TT
2 42811-182-00B	2	PNEU AR TT

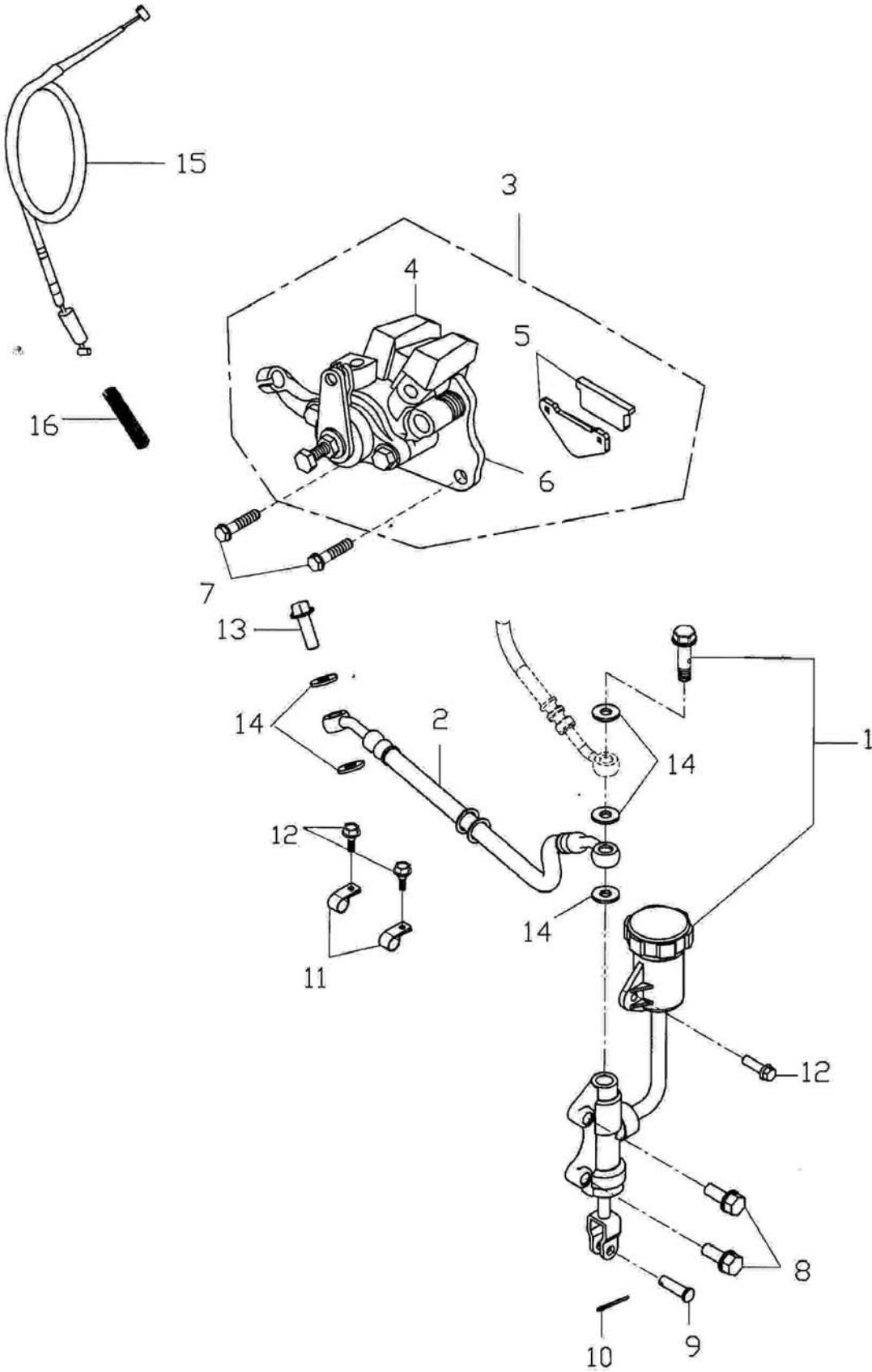
FRONT BRAKE

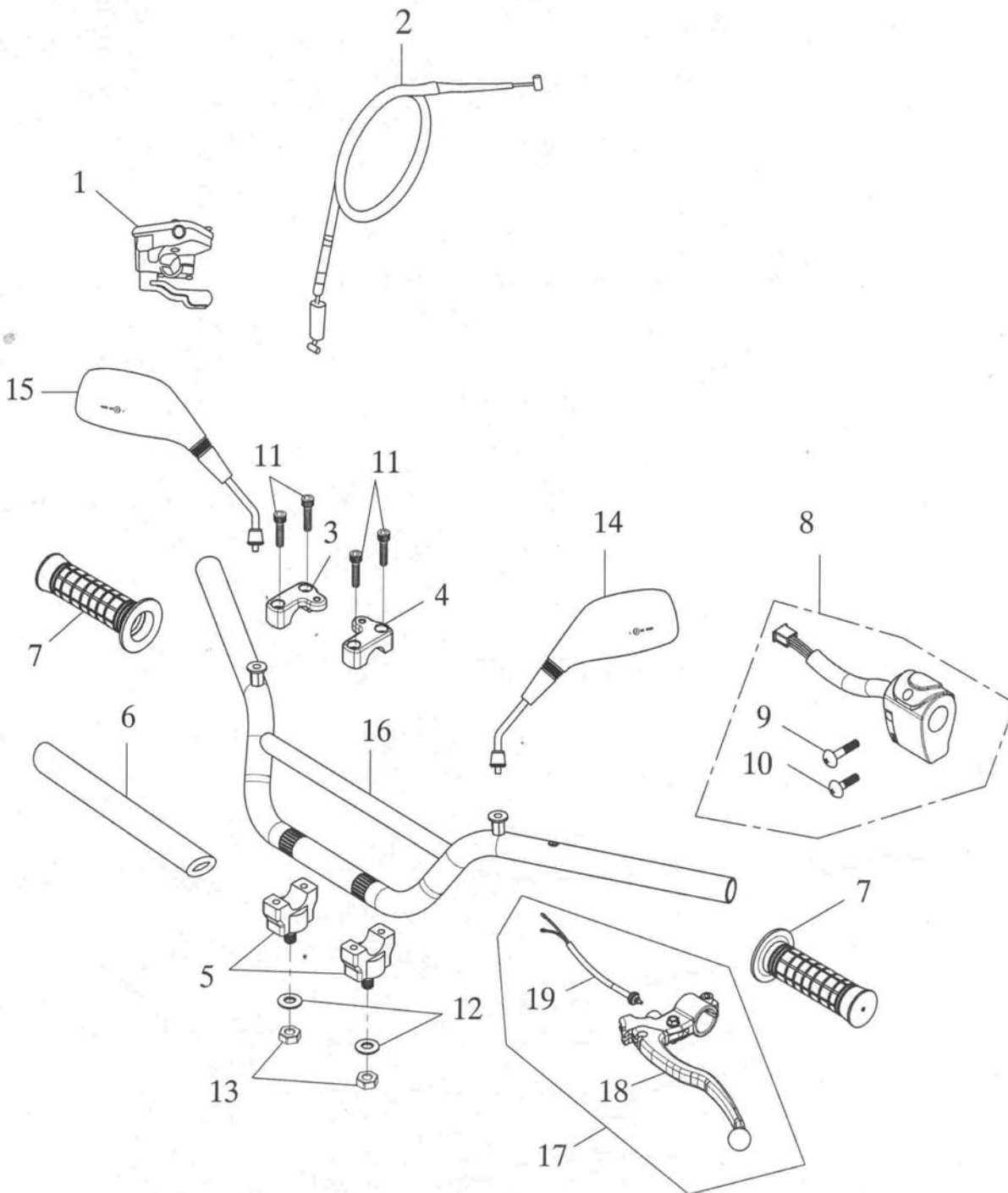
Assembly No. 197-24A		FRONT BRAKE		
No.	Parts No.	Qty	Parts Name	Specification
1	45450-197-00A	1	BACK HOSE	
2	45000-169-000	1	R. FRONT BRAKE CALIPER ASSY	
3	45200-169-000	1	L. FRONT BRAKE CALIPER ASSY	
4	45015-169-000	2	BRAKE DISC	708164
5	97001-08010G	8	HAZ SOCKET BOLT	M8*16
6	94101-0813010	6	COPPER PLAIN W ASHER	10.2*15*1
7	45450-197-000	3	BRAKE HOSE HEX BOLT	1PZ22
8	96000-06020-10G	1	HEX FLANGE BOLT	M8*20
9	96000-08012-20G	4	HEX FLANGE BOLT	M8*20
10	45451-197-000	2	BRAKE HOSE CLAMP	
11	96000-08012-30G	2	HEX WASHER FACE BOLT	
12	45200-169-000	2	FRONT BRAKE PAD KIT	6*12



REAR BRAKE

Assembly No.:197-25A		REAR BRAKE		
No.	Parts No.	Qty	Parts Name	Specification
1	43500-197-00A	1	REAR MASTER CYLINDER SUB ASSY	
2	43460-197-000	1	REAR BRAKE HOSE	
3	43000-197-000	1	REAR BRAKE CALIPER ASSY	
4	43010-197-00A	1	CALIPER BODY	
5	43120-160-000	1	BRAKE PAD	
6	43001-197-000	1	SUPPORT BRACKET	
7	96000-10012-14G	2	HEX WASHER FACE BOLT	10*52
8	96000-08012-10	2	HEX WASHER FACE BOLT	8*12
9	43665-169-000	1	FIX PIN	
10	94201-02250	1	COTTER PIN	2*20
11	43455-197-000	2	BRAKE HOSE CLAMP	
12	96000-06012-10G	3	HEX WASHER FACE BOLT	6*12
13	43456-107-000	1	BRAKE HOSE HEX BOLT	10*22
14	94103-1015010	3	COPPER PLAIN WASHER	10.2*15*1
15	43476-197-000	1	FOOT BRAKE CABLE	
16	43472-120-000	1	RESET SPRING	50MM

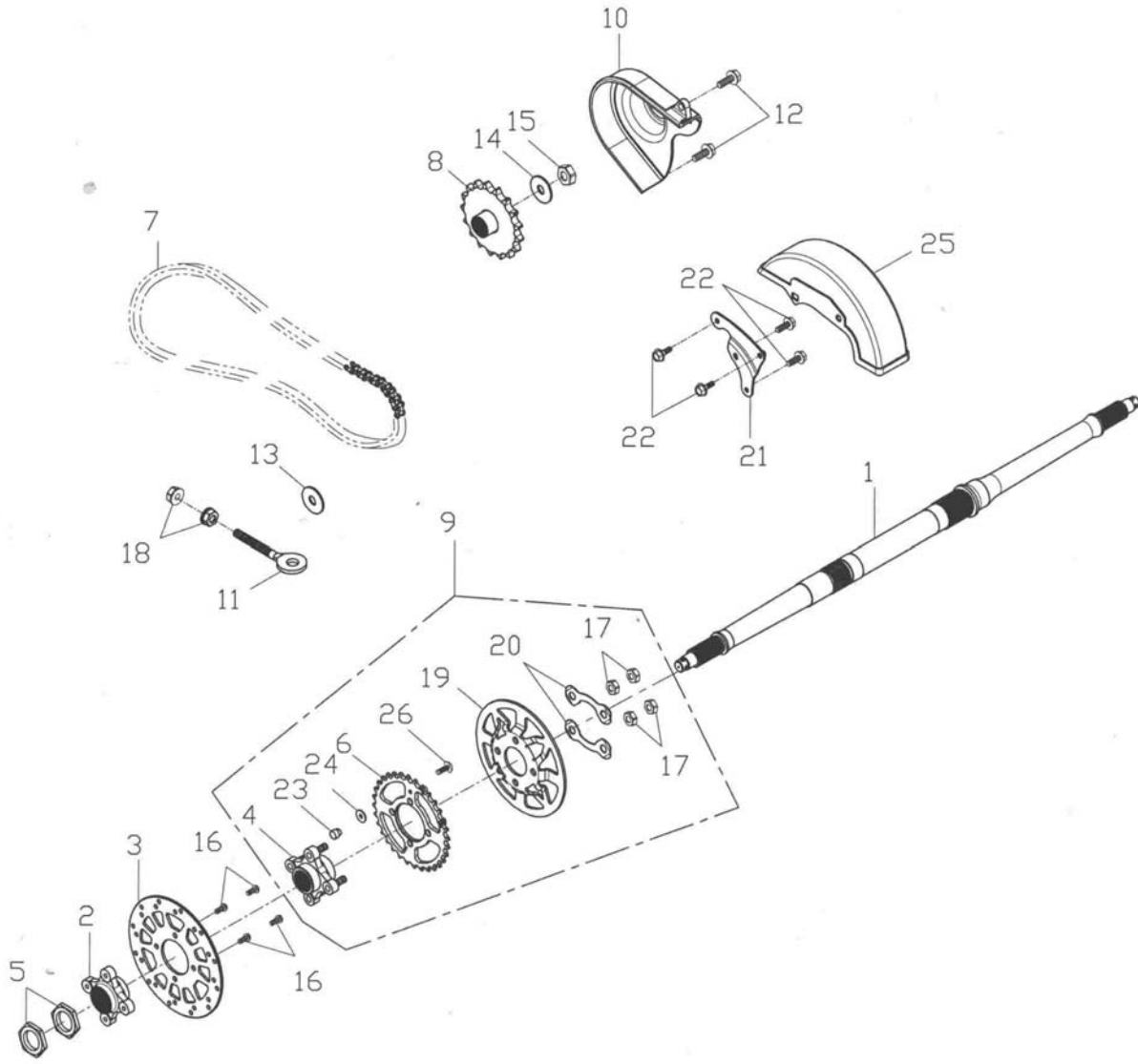




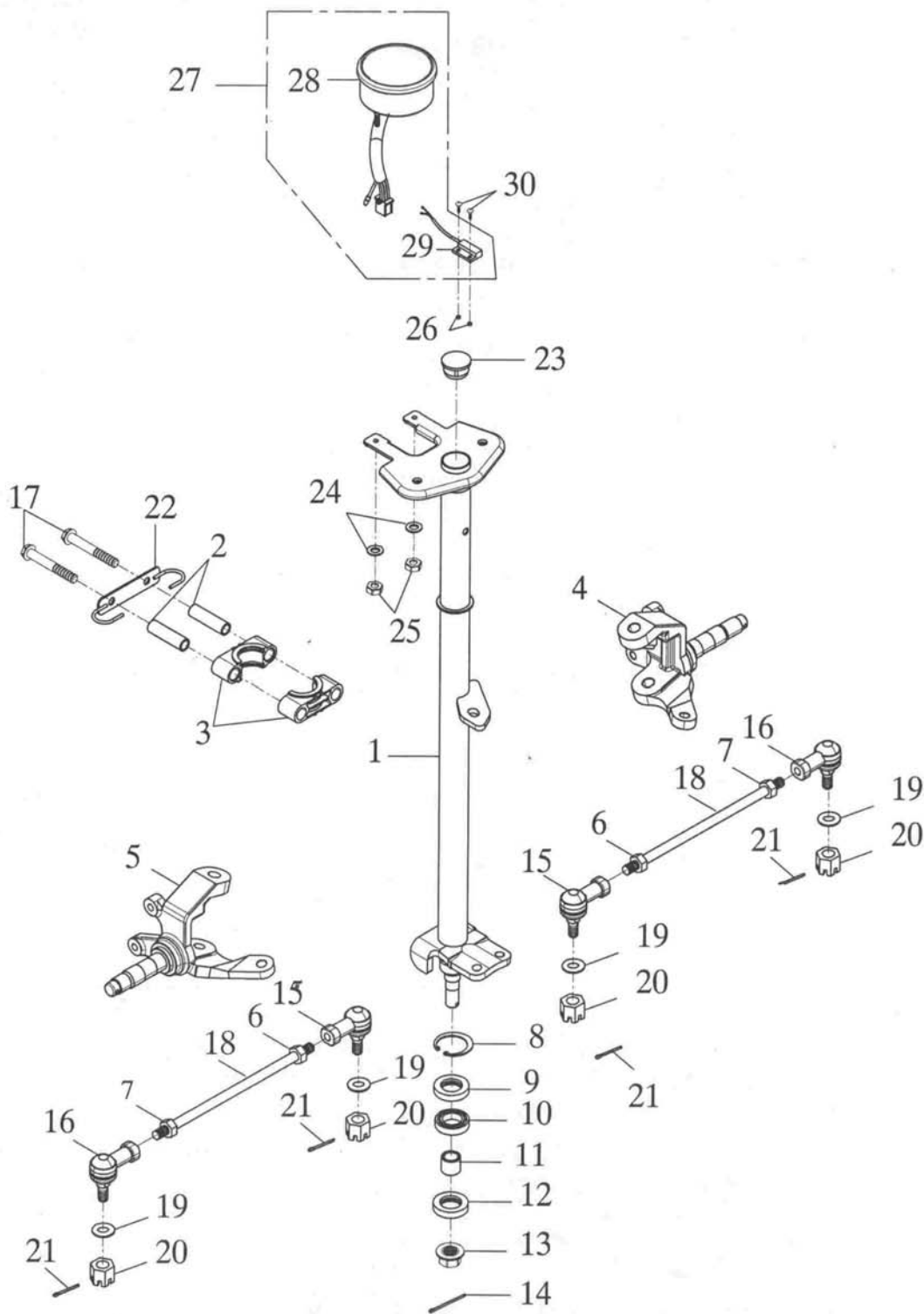
Assembly No.:197.26A		HANDLE BAR		
No.	Parts No.	Qty	Parts Name	Specification
1	51176-156-000	1	THROTTLE LEVER ASSY	
2	17910-197-000	1	THROTTLE CABLE	
3	51103-145-000	1	RIGHT HANDLE BAR CLAMP	
4	51102-145-000	1	LEFT HANDLE BAR CLAMP	
5	51101-144-000	2	HANDLE BAR BOTTOM CLAMP	
6	51132-145-000	1	SPONGE ASSY/ADSV MOTOR	VJAA-
7	51146-149-000	2	HANDLE GRP	
8	32206-197-00A	1	L HANDLE SWITCH ASSY	
9	91500-05013	1	PAN PHILLIPS BOLT	5*15
10	91500-05025	1	PAN PHILLIPS BOLT	5*25
11	91000-66025	4	HEX SOCKET BOLT	6*25
12	91015-102202G	2	FLAN WASHER	10P2*1.5
13	90150-10000G	2	NYLON NUT	M10P1.25
14	80120-145-000	1	L REAR VIEW MIRROR	
15	80110-145-000	1	R REAR VIEW MIRROR	
16	51100-197-000	1	HANDLE BAR	
17	51176-156-000	1	LEFT LEVER ASSY(REV.1)	
18	51178-145-000	1	LEFT LEVER	
19	51145-145-000	1	L BRAKE SWITCH WIRE	
20	32206-197-000	1	µB	µB

6	53132-145-000	1	PROTECTION MOUSSE ROUGE
	53132-145-00003	1	PROTECTION MOUSSE JAUNE
	53132-145-00004	1	PROTECTION MOUSSE BLEUE
	53132-145-00007	1	PROTECTION MOUSSE NOIRE

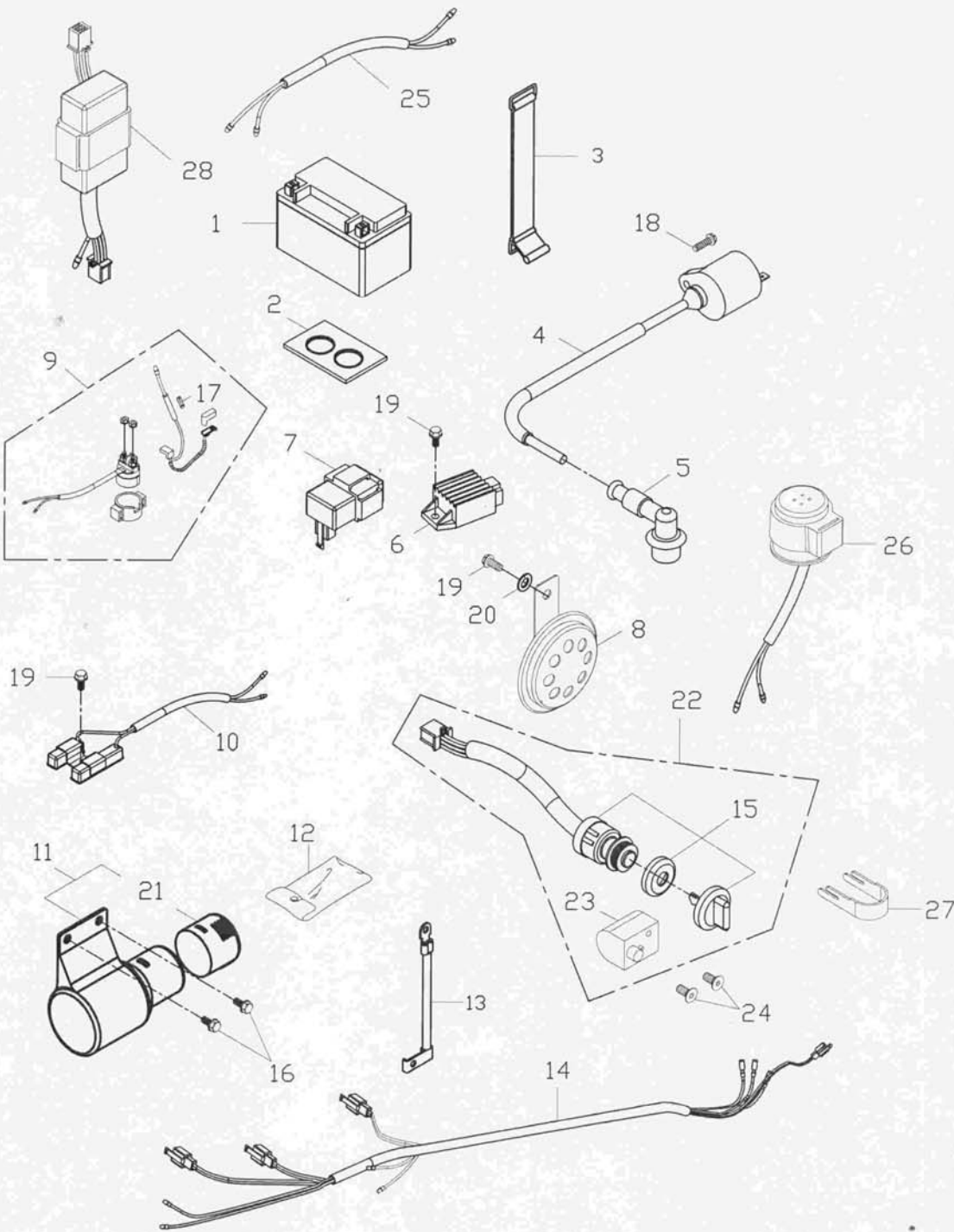
Assembly No: 197-27B		REAR WHEEL AXLE CHAIN		
No.	Parts No.	Qty	Parts Name	Specification
1	4230-197-001	1	REAR AXLE	
2	4210-197-001	1	REAR BRAKE PANEL CONNECTOR	Ø4mm
3	4204-197-000	1	BRAKE DISC	
4	4204-197-001	1	REAR SPROCKET FLANGE	
5	9400-151002	2	HEX NUT	M3*14*9.5
6	4204-197-00A	1	REAR SPROCKET	
7	40230-97-000	1	DRIVE CHAIN	52P*2L
8	23801-197-001	1	DRIVE SPROCKET ASSY	16T
9	42040-197-00A	1	REAR SPROCKET ASSY	Ø5
10	40511-152-000	1	REAR CHAIN COVER	Ø18
11	40511-152-000	2	HEX W ASHER FACE BOLT	12*2-15
12	96000-06015-10G	1	PLAIN WASHER	10*20*3
13	90530-0000	1	NUTLIN NUT	16mm
14	45014-04-000	4	REAR BRAKE NET	
15	94020-00000	4	HEX FLANGE NUT WITH SERRATION	Ø8mm
16	94020-00000	4	HEX FLANGE NUT WITH SERRATION	Ø8mm
17	40510-197-000	1	CHAIN GUIDE	
18	41204-197-000	2	FIXED WASHER	
19	40218-197-000	1	CHAIN COVER BRACKET	
20	96000-06015-10G	1	HEX W ASHER FACE BOLT	Ø12
21	37211-162-000	1	MAGNET	9x-
22	94101-0112015	1	PLAIN WASHER	5*12*1.5
23	40511-152-000	1	REAR CHAIN COVER	
24	93701-04012	1	PAVLEAT HEAD PHILLIPS BOLT	Ø12mm
25	40531-197-000	1	ATTACHE RAPIDE	



Assembly No.:197-28A		STEERING		
No.	Parts No.	Qty	Parts Name	Specification
1	51109-197-000	1	STEERING SHAFT ASSY	
2	51114-169-000	2	ROLLER SPACER COLLER	
3	51113-169-000	2	STEERING SHAFT BOLLDER	
4	44520-169-000	1	RIGHT KNUCKLE ASSY	
5	44510-169-000	1	LEFT KNUCKLE ASSY	
6	94001-2000LC	2	HEX NUT	M12
7	94001-2000B	2	HEX NUT	M12
8	94012-6000R	1	INTERNAL CIR CLIP	R17W-40
9	96000-27400	1	OIL SEAL	27540R
10	96100-6202Z	1	RADIAL BALL BEARING	6202ZZC3052A
11	51120-169-000	1	STEERING SHAFT BUSHING	
12	96000-2235T	1	OIL SEAL	2235T
13	90350-8400G	1	NYLON NUT	M14
14	94201-03450	1	COTTER PIN	3/45
15	44511-169-000	2	BALL JOINT LEFT THREAD	
16	44521-169-000	2	BALL JOINT RIGHT THREAD	
17	96000-1005-14G	2	HEX FLANGE BOLT	M10X5
18	91000-12235B	1	ROD	M12X235
19	94101-02020	4	PLAIN WASHER	10*20*2
20	94051-0000G	4	SCOTCH NUT	M10
21	94201-03320	4	COTTER PIN	3/32
22	45451-97-000	1	SHOCKET	
23	9421-169-000	1	BUBBER CAP	
24	94011-0615010	2	PLAIN WASHER	6*5*15*1
25	90350-86000	2	NYLON NUT	6mm
26	94001-43000	2	HEX NUT	3mm
27	17200-197-000	1	SPEEDOMETER ASSY	
28	17220-197-000	1	SPEEDOMETER BODY	
29	17210-197-000	1	SENSOR	
30	93500-43000	2	PAN PHILLIPS BOLT	3/8

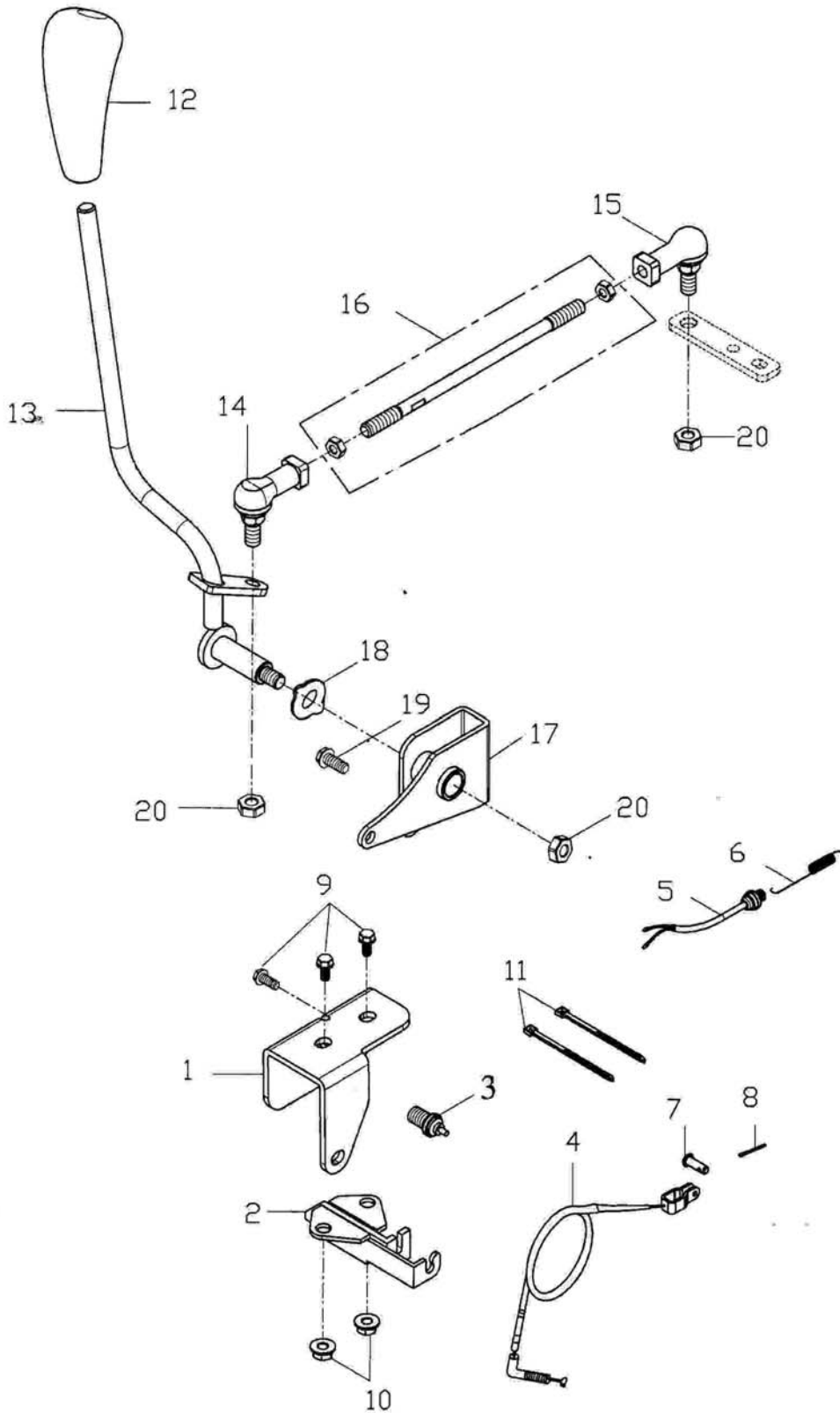


ELECTRICAL EQUIPMENT



Assembly No.: 197.29		ELECTRICAL PARTS		
No.	Parts No.	Qty	Parts Name	Specification
1	31596-169-000	1	BATTERY	VT53-85
2	30983-169-000	1	RUBBER PAD	
3	31528-169-000	1	BATTERY STRAP	
4	30158-168-000	1	HIGH TENSION COIL	
5	90706-168-000	1	SPARK PLUG CAP	18KJ1
6	31608-120-000	1	REGULATOR RECTIFIER	
7	30416-120-000	1	C.D.I. UNIT	
8	30116-197-000	1	LEFT SOUND HORN	
9	30381-197-000	1	STARTING RELAY	
10	30406-120-000	1	RESISTOR COMP.	
11	30121-169-000	1	TOOL CASE	
12	30126-169-000	1	TOOL BAG	
13	31210-197-000	1	GROUND WIRE	
14	32106-197-00A	1	MAIN WIRE HARNESS	
15	31106-197-000	1	CONTROL SWITCH ASSY	
16	90111-08011-1-842	2	LADDER BOLT	8*14
17	90206-169-000	1	FUSE	20A
18	90606-0024-06	1	HEX WASHER FACE BOLT	1/2"
19	90606-0015-10	3	HEX WASHER FACE BOLT	6*16
20	90111-062015	1	SPRING WASHER	6*12*1.5
21	30122-169-000	1	TOOL CASE CAP	
22	31066-197-000	1	KEY SET	
23	31066-197-000	1	STEERING HANDLE LOCK	
24	91982-6017-2	2	FLAT HEAD PHILLIPS BOLT	6*12
25	32346-197-000	1	SIGNAL LINE	
26	30381-197-000	1	FLASHER RELAY	12V
27	31102-165-000	1	MAIN SWITCH BRACKET	
28	32335-197-00B	1	GEAR CHANGE CONTROL UNIT	

GEAR SHIFT SYSTEM



No.	Parts No.	Qty	Parts Name	Specification
1	24801-197-000	1	SHIFT BRACKET	
2	77290-145-000	1	SEAT LOCK ASSY	
3	35750-169-000	1	NEUTRAL SWITCH CONTACT ASSY	
4	43480-197-000	1	GEAR SHIFT CABLE	
5	35150-108-000	1	STOP SWITCH ASSY	
6	35157-197-000	1	STOP SWITCH SPRING	
7	43451-156-000	1	BRAKE CABLE BOLT	
8	94201-6150	1	CUTTER PIN	ø1.015
9	96000-86025-08	3	HEX WASHER FACE BOLT	ø25
10	90150-6000G	2	NYLON NUT	36
11	90669-168-000	2	STEP	Ø150 mm
12	24807-197-000	1	KNOB	
13	24707-197-001	1	SHIFT ROD	
14	44521-197-000	1	BALL JOINT RIGHT THREAD	
15	44511-197-000	1	BALL JOINT LEFT THREAD	
16	91001-08140B	1	STUD BOLT	8*146
17	24802-197-001	1	SHIFT BRACKET	
18	94113-1528012	1	DISC SPRING WASHER	13.2*24*1.2
19	96000-88012-10	1	HEX WASHER FACE BOLT	8*12
20	90150-60000L1	3	NYLON	8mm*1.25

SIGNAL LIGHT, TAIL LIGHT

Assembly No. 197-31		SIGNAL LIGHT, TAIL LIGHT		
No.	Parts No.	Qty	Parts Name	Specification
1	31430-197-000	1	L SIGNAL ASSY (E-MARK)	
2	31400-197-000	2	R SIGNAL ASSY (E-MARK)	
3	90330-00000	2	NYLON NUT	
4	90250-00000	4	HEX FLANGE NUT WITH SERRATION	6mm
5	31410-197-000	4	SIGNAL COVER	
6	30950-110-000	4	BULB (E-MARK)	12V/10W
7	31425-197-000	2	SIGNAL BULB SOCKET	
8	31435-197-000	2	SIGNAL BULB SOCKET	
9	31441-197-000	4	L SIGNAL SOCKET	
10	31745-197-000	2	FRONT REFLECTOR BRACKET	
11	94101-0010105	4	PLAIN WASHER	6*13/2
12	31741-145-000/TL	2	REFLECTOR (FRONT)	SAE JITE 923
13	94101-0010025	2	PLAIN WASHER	6*13/2
14	80337-197-000	1	TAIL LIGHT FIX BRACKET	
15	31700-154-000	1	TAIL LIGHT ASSY	
16	33711-154-000	1	REAR LIGHT SOCKET	
17	30960-105-000	1	TAIL LIGHT BULB (E-MARK)	12V 21/5W
18	33702-154-000	1	TAIL LIGHT LENS	
19	90600-00012-10G	4	HEX WASHER FACE BOLT	6*12

