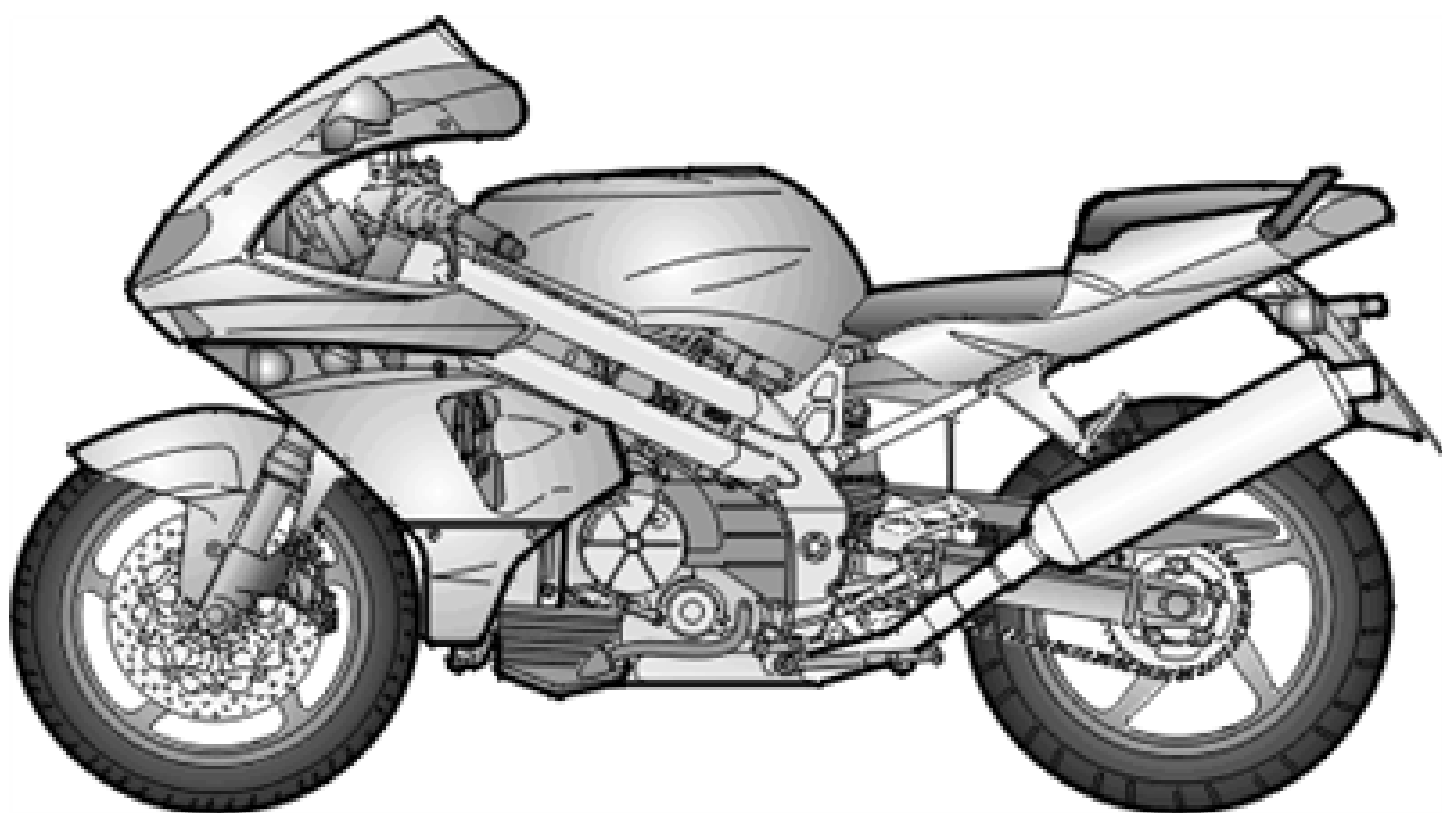




PIAGGIO & C.s.p.a.

aprilia

SPARE PARTS CATALOGUE



SL 1000 Falco 2000-2003

Chassis prefix: ZD4PA

Engine prefix:

SL FALCO 1000

392Y

Index

Finished products.....	4
Alphanumeric index.....	7
FRAME.....	15
Table 28.01 - Frame I.....	15
Table 28.02 - Frame II.....	17
Table 28.03 - Foot rests.....	19
Table 28.04 - Central stand.....	21
Table 28.05 - Steering.....	23
Table 28.06 - Front fork I.....	24
Table 28.07 - Fron fork II.....	26
Table 28.08 - Front fork III.....	28
Table 28.09 - Swing arm.....	31
Table 28.10 - Connecting rod - rear shock abs.....	33
Table 28.11 - Front body - Front fairing.....	34
Table 28.12 - Front body - Duct.....	36
Table 28.13 - Front body - Front mudguard.....	37
Table 28.14 - Central body - Fairings.....	41
Table 28.15 - Fuel tank.....	42
Table 28.16 - Fuel vapour recover system.....	45
Table 28.17 - Saddle.....	48
Table 28.18 - Rear body - Rear fairing.....	50
Table 28.19 - Rear body - Undersaddle.....	52
Table 28.20 - Dashboard.....	55
Table 28.21 - Handlebar.....	56
Table 28.22 - Clutch pump.....	58
Table 28.23 - Front master cilinder.....	59
Table 28.24 - Cooling system.....	60
Table 28.25 - Water coolers.....	61
Table 28.26 - Expansion tank.....	62
Table 28.27 - Oil tank.....	63
Table 28.28 - Oil radiator.....	65
Table 28.29 - Air box.....	66
Table 28.30 - Fuel pump I.....	69
Table 28.31 - Fuel pump II.....	70
Table 28.33 - Exhaust pipe.....	71
Table 28.34 - Front wheel.....	74
Table 28.35 - Front brake caliper.....	75
Table 28.36 - Rear wheel.....	76
Table 28.37 - Rear master cylinder.....	77
Table 28.38 - Rear brake caliper.....	78
Table 28.39 - Headlight.....	79
Table 28.40 - Taillight - Direction lights.....	80
Table 28.41 - Front electrical system.....	82

Table 28.42 - Central electrical system.....	84
Table 28.43 - Rear electrical system.....	85
Table 28.44 - Lock hardware kit.....	87
Table 28.45 - Decal and plate set.....	90
ENGINE.....	95
Table 29.32 - Engine.....	95
Table 29.46 - Crankcases I.....	97
Table 29.47 - Crankcases II.....	98
Table 29.48 - Oil pump.....	100
Table 29.49 - Crankshaft I.....	101
Table 29.50 - Crankshaft II.....	102
Table 29.51 - Valves cover.....	103
Table 29.52 - Cylinder head and valves.....	104
Table 29.53 - Valves pads.....	105
Table 29.54 - Front cylinder timing system.....	107
Table 29.55 - Rear cylinder timing system.....	108
Table 29.56 - Gear box selector.....	110
Table 29.57 - Gear box.....	111
Table 29.58 - Clutch.....	112
Table 29.59 - Water pump.....	114
Table 29.60 - Ignition unit.....	115
Table 29.61 - Throttle body.....	116
Table 29.62 - Sealing and lubricating agents.....	117
ACCESSORIES.....	118
Table 30.63 - Acc. - Various.....	118
Table 30.64 - Acc. - Cyclistic components.....	119
Table 30.65 - Acc. - Performance parts I.....	120
Table 30.66 - Acc. - Performance parts II.....	121
Table 30.67 - Acc. - Special body parts.....	122
Table 30.68 - Acc. - Mechanics anti-theft.....	123

Finished products

Code	Validity
AP66800AT01	
AP66800AT02	
AP66800AU01	
AP66800AU02	
AP66800BE01	
AP66800BE02	
AP66800CH01	
AP66800CH02	
AP66800CZ01	
AP66800CZ02	
AP66800DE01	
AP66800DE02	
AP66800DK01	
AP66800DK02	
AP66800EL01	
AP66800EL02	
AP66800ES01	
AP66800ES02	
AP66800FR01	
AP66800FR02	
AP66800GB01	
AP66800GB02	
AP66800IT01	
AP66800IT02	
AP66800JP01	
AP66800JP02	
AP66800NL01	
AP66800NL02	
AP66800PT02	
AP66800US01	
AP66800US02	
AP66802AU01	
AP66802AU02	
AP66802AU03	
AP66802CZ01	
AP66802CZ02	
AP66802CZ03	
AP66802DE01	
AP66802DE02	
AP66802DE03	
AP66802DK01	
AP66802DK02	

Code	Validity
AP66802DK03	
AP66802EL02	
AP66802EL03	
AP66802ES01	
AP66802ES02	
AP66802ES03	
AP66802FR01	
AP66802FR02	
AP66802FR03	
AP66802GB01	
AP66802GB02	
AP66802GB03	
AP66802IT01	
AP66802IT02	
AP66802IT03	
AP66802JP01	
AP66802JP02	
AP66802JP03	
AP66802NL01	
AP66802NL02	
AP66802NL03	
AP66802US01	
AP66802US02	
AP66802US03	
AP66803AU01	
AP66803DE04	
AP66803DE05	
AP66803ES01	
AP66803ES04	
AP66803ES05	
AP66803ES06	
AP66803EU04	
AP66803EU05	
AP66803GB04	
AP66803GB05	
AP66803IT04	
AP66803IT05	
AP66803NL04	
AP66803NL05	
AP66804FR04	
AP66804FR05	
AP668A2CZ01	
AP668A2CZ02	
AP668A2US01	
AP668A2US02	

Code	Validity
AP668B2CZ01	
AP668B2CZ02	
AP668B2US01	
AP668B2US02	
AP7999003	
AP7999028	

Code	No. table	Pos.	Code	No. table	Pos.	Code	No. table	Pos.
0000000	28.34	7	AP0233791	29.59	10	AP0245815	29.57	4
0000000	28.36	5	AP0233793	29.59	10	AP0245830	29.58	14
0000000	29.62	6	AP0233820	29.46	9	AP0245840	29.49	13
0000000	29.62	7	AP0233822	29.46	9	AP0245860	29.49	10
AP0210416	29.47	4	AP0236252	29.50	9	AP0246055	29.55	17
AP0211620	29.48	5	AP0236300	29.54	5	AP0246570	29.49	5
AP0211631	29.48	8	AP0236300	29.55	5	AP0247940	29.56	17
AP0211643	29.59	9	AP0236310	29.54	6	AP0247970	29.58	9
AP0211651	29.60	8	AP0236310	29.55	6	AP0247980	29.54	17
AP0211661	29.51	5	AP0236320	29.54	3	AP0247980	29.55	27
AP0211666	29.51	3	AP0236365	29.56	22	AP0248375	29.56	12
AP0211681	29.55	4	AP0236370	29.47	26	AP0250130	29.55	3
AP0211756	29.55	25	AP0236380	29.55	9	AP0250140	29.60	21
AP0211766	29.54	4	AP0239247	29.56	13	AP0250311	29.51	6
AP0211778	29.59	24	AP0239370	29.58	8	AP0250450	29.47	24
AP0216222	29.50	5	AP0239390	29.58	6	AP0250640	29.51	10
AP0217346	29.49	2	AP0239420	29.56	16	AP0251090	29.52	23
AP0219340	29.55	20	AP0239430	29.56	15	AP0251100	29.51	11
AP0219350	29.49	21	AP0239449	29.48	10	AP0251830	29.51	8
AP0219360	29.49	12	AP0239450	29.56	23	AP0253645	29.52	22
AP0219365	29.49	8	AP0239480	29.58	21	AP0253921	29.52	3
AP0220372	29.49	15	AP0239510	29.52	20	AP0253926	29.52	2
AP0220380	29.54	13	AP0239520	29.52	19	AP0253955	29.52	21
AP0220380	29.55	13	AP0240036	29.58	23	AP0253965	29.52	17
AP0220385	29.54	12	AP0240081	29.51	7	AP0253974	29.53	1
AP0220385	29.55	12	AP0240170	29.51	16	AP0253975	29.53	1
AP0220390	29.57	1	AP0240181	29.59	25	AP0253976	29.53	1
AP0220400	29.57	10	AP0240275	29.55	29	AP0253977	29.53	1
AP0220410	29.59	4	AP0240331	29.52	10	AP0253978	29.53	1
AP0220423	29.48	1	AP0240331	29.52	13	AP0253979	29.53	1
AP0220435	29.56	26	AP0240331	29.59	21	AP0253980	29.53	1
AP0220437	29.56	1	AP0240400	29.54	1	AP0253981	29.53	1
AP0220440	29.55	1	AP0240580	29.60	12	AP0253982	29.53	1
AP0220455	29.58	18	AP0240960	29.54	18	AP0253983	29.53	1
AP0222500	29.59	18	AP0241081	29.47	9	AP0253984	29.53	1
AP0222512	29.59	19	AP0241261	29.47	29	AP0253985	29.53	1
AP0224090	29.51	17	AP0241501	29.47	15	AP0253986	29.53	1
AP0227180	29.58	24	AP0241531	29.47	12	AP0253987	29.53	1
AP0227442	29.56	20	AP0241541	29.60	6	AP0253988	29.53	1
AP0227685	29.59	6	AP0241560	29.51	14	AP0253990	29.52	24
AP0227714	29.56	27	AP0241580	29.47	1	AP0254010	29.52	16
AP0227716	29.56	11	AP0241601	29.51	13	AP0254020	29.52	15
AP0229301	29.46	4	AP0241625	29.51	1	AP0254030	29.53	1
AP0229301	29.60	16	AP0241631	29.60	9	AP0254031	29.53	1
AP0229385	29.46	6	AP0241650	29.48	11	AP0254032	29.53	1
AP0229385	29.56	14	AP0241782	29.47	7	AP0254033	29.53	1
AP0230415	29.47	8	AP0241811	29.59	14	AP0254034	29.53	1
AP0230415	29.59	23	AP0241811	29.60	15	AP0254035	29.53	1
AP0230510	29.52	18	AP0241816	29.60	11	AP0254036	29.53	1
AP0232210	29.52	5	AP0241821	28.22	22	AP0254037	29.53	1
AP0232430	29.48	13	AP0241821	29.47	28	AP0254038	29.53	1
AP0232430	29.59	5	AP0241821	29.48	12	AP0254039	29.53	1
AP0232625	29.47	14	AP0241821	29.52	4	AP0254040	29.53	1
AP0232730	29.48	2	AP0241852	29.47	6	AP0254041	29.53	1
AP0232970	29.48	4	AP0241932	29.47	2	AP0254042	29.53	1
AP0233711	29.46	9	AP0241932	29.56	9	AP0254043	29.53	1
AP0233721	29.49	23	AP0242091	29.51	4	AP0256187	29.47	5
AP0233722	29.49	23	AP0242851	29.51	18	AP0256497	29.47	20
AP0233723	29.49	23	AP0242874	29.49	16	AP0256510	29.48	9
AP0233740	29.46	8	AP0242940	29.49	14	AP0256526	29.47	21
AP0233741	29.46	8	AP0242950	29.58	15	AP0256680	29.48	3
AP0233743	29.46	8	AP0244020	29.58	22	AP0258310	29.56	6
AP0233745	29.46	7	AP0244211	29.55	8	AP0258325	29.56	8
AP0233746	29.46	7	AP0244211	29.56	10	AP0258350	29.56	4
AP0233748	29.46	7	AP0245330	29.48	15	AP0258360	29.56	3
AP0233780	29.59	11	AP0245436	29.50	6	AP0258375	29.56	5
AP0233790	29.59	10	AP0245440	29.56	18	AP0258380	29.56	2

Code	No. table	Pos.	Code	No. table	Pos.	Code	No. table	Pos.
AP0259500	29.47	27	AP0627200	29.49	17	AP0840681	29.59	15
AP0259515	29.58	19	AP0627210	29.56	24	AP0840861	29.47	16
AP0259520	29.58	13	AP0627220	29.58	12	AP0840861	29.59	22
AP0259530	29.58	3	AP0627230	29.58	25	AP0840880	29.52	26
AP0259580	29.58	10	AP0627260	29.58	1	AP0840880	29.52	6
AP0260870	29.60	13	AP0627270	29.60	7	AP0840882	29.60	22
AP0260890	29.58	26	AP0627280	29.58	27	AP0841841	29.59	16
AP0265244	28.41	25	AP0627910	29.58	29	AP0845030	29.54	10
AP0265244	28.43	25	AP0632010	29.46	2	AP0845030	29.55	30
AP0265244	29.60	25	AP0632010	29.59	7	AP0850050	29.47	23
AP0265246	28.41	26	AP0632070	29.57	7	AP0874320	29.61	10
AP0265246	28.43	23	AP0632124	29.47	17	AP0897651	29.62	1
AP0265246	29.60	24	AP0632130	29.58	20	AP0899784	29.62	3
AP0265472	28.43	22	AP0632161	29.54	8	AP0899788	29.62	2
AP0265480	28.43	24	AP0632161	29.55	23	AP0922245	29.51	15
AP0265482	28.41	24	AP0634470	29.48	6	AP0927863	29.52	14
AP0265673	28.43	22	AP0634470	29.58	2	AP0927863	29.52	9
AP0265674	28.43	22	AP0634483	29.48	14	AP0927945	29.52	25
AP0267150	29.51	9	AP0634490	29.59	3	AP0927945	29.52	7
AP0268010	29.61	14	AP0634500	29.49	19	AP0929500	29.46	3
AP0268757	29.47	10	AP0634500	29.59	2	AP0929500	29.55	26
AP0274010	29.61	6	AP0634595	29.60	1	AP0929650	29.46	10
AP0274020	29.61	8	AP0634600	29.60	17	AP0929650	29.50	8
AP0274030	29.61	5	AP0634610	29.49	18	AP0929930	29.46	5
AP0274040	29.51	12	AP0634620	29.57	17	AP0929930	29.49	20
AP0274050	29.61	12	AP0634640	29.57	9	AP0929930	29.59	1
AP0274060	29.52	12	AP0634655	29.57	11	AP0932335	29.47	19
AP0281222	29.57	19	AP0634660	29.57	5	AP0932335	29.56	7
AP0281241	29.61	2	AP0634670	29.57	13	AP0932428	29.47	18
AP0294352	29.60	20	AP0634680	29.57	14	AP0932585	29.47	11
AP0294356	29.60	19	AP0634695	29.57	2	AP0940560	29.55	7
AP0295653	29.46	1	AP0634700	29.57	15	AP0940580	29.58	11
AP0295662	29.49	1	AP0634710	29.57	8	AP0940590	29.54	2
AP0295662	29.50	1	AP0634720	29.57	12	AP0940631	29.54	11
AP0295696	29.61	1	AP0634730	29.54	14	AP0940631	29.55	28
AP0295760	29.49	22	AP0634730	29.55	14	AP0940637	29.50	12
AP0295760	29.55	24	AP0634735	29.54	15	AP0940741	29.56	25
AP0295765	29.49	7	AP0634740	29.60	18	AP0941121	29.55	10
AP0295765	29.54	9	AP0640400	29.49	4	AP0941935	29.52	11
AP0295770	29.49	9	AP0640450	29.50	10	AP0942570	29.55	21
AP0295775	29.55	18	AP0640581	29.51	20	AP0945665	29.56	21
AP0295780	29.49	11	AP0641590	29.60	5	AP0946015	29.49	6
AP0295780	29.58	4	AP0650210	29.51	19	AP0950141	29.59	17
AP0295790	29.58	5	AP0650240	29.59	20	AP0956169	29.59	26
AP0295830	29.60	2	AP0650310	29.59	12	AP0956275	29.48	7
AP0295858	29.50	3	AP0650320	29.47	25	AP0960111	29.61	9
AP0296170	29.62	9	AP0650330	29.59	8	AP0960121	29.61	11
AP0296180	29.61	7	AP0650335	29.47	22	AP0960122	29.61	3
AP0297386	29.62	8	AP0650340	29.60	14	AP8101372	28.25	12
AP0297433	29.62	10	AP0650345	29.51	2	AP8101573	28.24	8
AP0297434	29.62	4	AP0650370	29.59	13	AP8101595	28.16	18
AP0297942	29.60	23	AP0650390	29.50	7	AP8101595	28.19	7
AP0297955	29.54	19	AP0650500	29.47	3	AP8101595	28.22	15
AP0297955	29.55	19	AP0659110	29.60	3	AP8101595	28.26	11
AP0427106	29.57	16	AP0659120	29.60	4	AP8101595	28.29	13
AP0430622	29.50	11	AP0660020	29.61	16	AP8101595	28.31	4
AP0430782	29.60	10	AP0661011	29.61	4	AP8101595	28.37	3
AP0440260	29.49	3	AP0684310	29.50	2	AP8101744	28.34	1
AP0442130	29.58	28	AP0684311	29.50	2	AP8101744	28.36	7
AP0613056	29.52	1	AP0827110	29.57	18	AP8101861	28.03	12
AP0613058	29.52	8	AP0827305	29.55	11	AP8101927	28.24	18
AP0613068	29.50	4	AP0832144	29.47	13	AP8101927	28.26	5
AP0627120	29.57	3	AP0832144	29.56	19	AP8102239	28.31	16
AP0627132	29.57	6	AP0832360	29.55	2	AP8102341	28.11	10
AP0627140	29.58	7	AP0840371	29.54	16	AP8102349	28.27	18
AP0627190	29.54	7	AP0840371	29.55	16	AP8102349	28.28	13
AP0627190	29.55	15	AP0840391	29.55	22	AP8102375	28.02	27

Code	No. table	Pos.	Code	No. table	Pos.	Code	No. table	Pos.
AP8102375	28.11	4	AP8104124	28.26	7	AP8110065	28.10	2
AP8102375	28.12	9	AP8104125	28.45	2	AP8110068	28.10	11
AP8102375	28.14	5	AP8104126	28.45	2	AP8110074	28.21	9
AP8102375	28.16	12	AP8104127	28.45	2	AP8110077	28.05	1
AP8102375	28.19	9	AP8104154	28.18	14	AP8110078	28.09	11
AP8102375	28.27	28	AP8104154	28.44	2	AP8110079	28.09	1
AP8102376	28.01	16	AP8104155	28.11	9	AP8110081	28.36	23
AP8102376	28.02	28	AP8104160	28.11	17	AP8112176	28.41	8
AP8102376	28.16	28	AP8104173	28.44	1	AP8112599	28.20	2
AP8102377	28.16	22	AP8104174	28.45	2	AP8112599	28.40	10
AP8102377	28.29	11	AP8104175	28.16	26	AP8112600	28.25	9
AP8102378	28.16	20	AP8104176	28.45	2	AP8112811	28.42	13
AP8102431	28.24	1	AP8104213	28.44	1	AP8112916	28.19	11
AP8102503	28.15	20	AP8104259	28.44	1	AP8112939	28.24	17
AP8102520	28.16	19	AP8104260	28.44	1	AP8112940	28.42	17
AP8102524	28.04	9	AP8104261	28.44	1	AP8112996	28.37	19
AP8102535	28.15	16	AP8104262	28.15	4	AP8113003	28.22	3
AP8102544	28.01	17	AP8104262	28.44	3	AP8113003	28.37	10
AP8102610	28.29	1	AP8104455	28.30	2	AP8113003	28.38	5
AP8102615	28.26	3	AP8104456	28.30	12	AP8113004	28.27	6
AP8102618	28.27	2	AP8104457	28.30	17	AP8113070	28.35	5
AP8102622	28.45	1	AP8104458	28.30	19	AP8113070	28.38	11
AP8102626	28.27	25	AP8104459	28.30	18	AP8113230	28.22	5
AP8102626	28.31	11	AP8104528	28.15	4	AP8113288	28.37	6
AP8102627	28.30	8	AP8104528	28.44	3	AP8113499	28.23	3
AP8102677	28.24	4	AP8104529	28.15	4	AP8113553	28.22	20
AP8102678	28.16	7	AP8104529	28.15	4	AP8113553	28.37	2
AP8102688	28.16	10	AP8104529	28.44	3	AP8113598	28.23	2
AP8102719	28.16	11	AP8104529	28.44	3	AP8113607	28.34	8
AP8102721	28.45	2	AP8106381	28.22	13	AP8113607	28.34	8
AP8102722	28.44	1	AP8106382	28.22	21	AP8113612	28.38	2
AP8102727	28.16	5	AP8106382	28.37	1	AP8113717	28.23	6
AP8102728	28.45	6	AP8106384	28.22	9	AP8113719	28.22	12
AP8102731	28.28	6	AP8106385	28.30	9	AP8113719	28.23	8
AP8102732	28.24	5	AP8106386	28.30	1	AP8113721	28.35	6
AP8102738	28.26	12	AP8106386	28.31	10	AP8113722	28.35	7
AP8102741	29.32	17	AP8106387	28.27	5	AP8113723	28.35	8
AP8102763	28.29	12	AP8106388	28.28	10	AP8113752	28.38	9
AP8102764	28.24	20	AP8106389	28.27	16	AP8113754	28.35	3
AP8102764	28.31	5	AP8106389	28.28	12	AP8113757	28.23	5
AP8102765	28.24	14	AP8106395	28.29	5	AP8113758	28.22	7
AP8102765	28.30	15	AP8106420	29.32	14	AP8113759	28.22	8
AP8102765	28.30	16	AP8106443	28.31	1	AP8113761	28.22	6
AP8102766	28.16	23	AP8106444	28.31	2	AP8113762	28.22	4
AP8102766	28.29	21	AP8106519	29.32	2	AP8113763	28.23	4
AP8102773	28.24	10	AP8106583	29.32	1	AP8113764	28.23	18
AP8102786	28.27	20	AP8106588	28.27	21	AP8113766	28.23	10
AP8102787	28.21	1	AP8106633	29.58	16	AP8113889	28.37	5
AP8102829	28.31	18	AP8106634	29.58	17	AP8113889	28.38	6
AP8102873	28.31	20	AP8106675	28.26	8	AP8113890	28.37	7
AP8102880	28.41	20	AP8106758	29.32	1	AP8113891	28.22	10
AP8102880	28.44	5	AP8106759	29.32	1	AP8113892	28.35	1
AP8102902	28.01	11	AP8106776	28.16	6	AP8113893	28.35	2
AP8102907	28.28	3	AP8106806	28.36	19	AP8113895	28.38	10
AP8102913	28.18	9	AP8106812	28.29	25	AP8113896	28.23	1
AP8102913	28.44	7	AP8106813	28.29	26	AP8113897	28.38	7
AP8102940	28.02	29	AP8106868	29.32	1	AP8113898	28.38	8
AP8102951	28.25	3	AP8106869	29.32	1	AP8114355	28.21	16
AP8102952	28.25	2	AP8106935	28.22	24	AP8114356	28.21	17
AP8102971	28.30	8	AP8107119	28.36	2	AP8114369	28.21	18
AP8102985	28.16	2	AP8107120	28.36	1	AP8114411	28.18	2
AP8104049	28.27	12	AP8107136	28.36	25	AP8114411	28.44	6
AP8104075	28.12	8	AP8107149	28.36	1	AP8114415	29.61	15
AP8104080	28.11	7	AP8107150	28.36	25	AP8116067	29.62	5
AP8104081	28.11	8	AP8108675	28.34	9	AP8117033	28.40	25
AP8104097	28.24	3	AP8108676	28.36	3	AP8117033	28.43	12
AP8104097	28.25	1	AP8110053	29.32	7	AP8117041	28.16	9

Code	No. table	Pos.	Code	No. table	Pos.	Code	No. table	Pos.
AP8117127	28.15	2	AP8120615	28.29	6	AP8121420	28.44	10
AP8117129	28.13	3	AP8120622	28.11	13	AP8121428	28.01	28
AP8117147	28.15	19	AP8120754	28.42	14	AP8121429	28.04	8
AP8117170	28.40	17	AP8120876	28.29	15	AP8121436	28.39	8
AP8117175	28.40	24	AP8120893	28.15	17	AP8121437	28.10	14
AP8118457	28.21	2	AP8120894	28.15	18	AP8121438	28.10	15
AP8118458	28.21	3	AP8120894	28.15	18	AP8121582	28.08	20
AP8118470	28.21	14	AP8120912	28.37	11	AP8121665	28.18	5
AP8118492	28.21	21	AP8120912	29.32	13	AP8121678	28.41	19
AP8118501	28.21	8	AP8120952	28.16	15	AP8121678	28.44	17
AP8118566	28.21	19	AP8120952	28.19	10	AP8121728	28.18	13
AP8118567	28.21	20	AP8120952	28.26	10	AP8121728	28.44	12
AP8118580	28.21	15	AP8120965	28.15	21	AP8121731	28.29	16
AP8118603	28.21	2	AP8120965	29.61	13	AP8121736	28.01	6
AP8118604	28.21	3	AP8120979	28.24	7	AP8121773	28.03	18
AP8119414	28.33	2	AP8120981	28.24	19	AP8121790	28.40	11
AP8119428	28.33	5	AP8120981	28.25	4	AP8121837	28.24	2
AP8119429	28.33	3	AP8120985	28.09	3	AP8121862	28.27	9
AP8119430	28.33	4	AP8120986	28.09	4	AP8121882	28.01	22
AP8119431	28.33	6	AP8120987	28.16	16	AP8121889	28.15	25
AP8119443	28.33	7	AP8120987	28.29	20	AP8121915	28.22	2
AP8119583	28.33	6	AP8120988	28.26	2	AP8121915	28.23	9
AP8119584	28.33	7	AP8120990	28.30	7	AP8121915	28.37	12
AP8119585	28.33	6	AP8120991	28.30	14	AP8121915	28.38	4
AP8119586	28.33	7	AP8120992	28.31	17	AP8121917	28.03	1
AP8119619	28.33	6	AP8121014	28.04	7	AP8121918	28.03	26
AP8119619	28.33	6	AP8121020	28.39	13	AP8121995	28.02	17
AP8119620	28.33	7	AP8121032	28.18	19	AP8121996	28.02	16
AP8119620	28.33	7	AP8121032	28.19	19	AP8121997	28.02	14
AP8119634	28.33	6	AP8121032	28.42	22	AP8121998	28.02	10
AP8119635	28.33	7	AP8121075	28.01	27	AP8123637	28.06	1
AP8119718	28.33	6	AP8121075	28.17	3	AP8123637	28.06	1
AP8119719	28.33	7	AP8121075	28.43	13	AP8123637	28.07	1
AP8119720	28.33	6	AP8121129	28.01	26	AP8123637	28.07	1
AP8119721	28.33	7	AP8121133	28.03	11	AP8123638	28.06	2
AP8120030	28.01	10	AP8121135	28.03	2	AP8123638	28.06	2
AP8120030	28.02	5	AP8121155	28.10	10	AP8123638	28.07	2
AP8120030	28.15	9	AP8121200	28.09	5	AP8123638	28.07	2
AP8120030	28.23	14	AP8121201	28.09	6	AP8123640	28.05	3
AP8120030	28.25	13	AP8121202	28.09	7	AP8123641	28.05	11
AP8120030	28.26	16	AP8121203	28.09	8	AP8123642	28.05	5
AP8120030	28.28	4	AP8121204	28.09	15	AP8123643	28.05	6
AP8120030	28.29	17	AP8121205	28.05	8	AP8123644	28.05	7
AP8120116	28.16	1	AP8121207	28.05	4	AP8123688	28.10	4
AP8120116	29.32	15	AP8121212	28.36	22	AP8123806	28.07	7
AP8120177	28.19	5	AP8121213	28.36	21	AP8123810	28.06	4
AP8120178	28.21	10	AP8121224	28.03	3	AP8123811	28.07	12
AP8120179	28.16	21	AP8121225	28.36	8	AP8123812	28.07	13
AP8120190	28.21	23	AP8121254	28.02	23	AP8123815	28.06	11
AP8120190	28.27	11	AP8121261	28.21	6	AP8123816	28.06	10
AP8120196	28.27	3	AP8121262	28.21	4	AP8123819	28.06	14
AP8120218	28.42	8	AP8121267	28.16	3	AP8123820	28.06	15
AP8120253	28.29	23	AP8121302	28.05	9	AP8123821	28.06	16
AP8120253	28.31	12	AP8121313	28.02	19	AP8123822	28.07	4
AP8120285	28.31	19	AP8121353	29.32	6	AP8123823	28.07	5
AP8120405	28.01	5	AP8121354	29.32	5	AP8123824	28.07	6
AP8120428	28.41	6	AP8121355	28.33	1	AP8123825	28.07	8
AP8120428	28.44	15	AP8121375	28.04	8	AP8123826	28.07	11
AP8120446	28.26	9	AP8121386	28.15	3	AP8123827	28.07	9
AP8120446	28.27	17	AP8121387	28.27	15	AP8123828	28.07	10
AP8120446	29.32	16	AP8121407	28.38	1	AP8123829	28.06	3
AP8120512	28.19	23	AP8121408	28.36	9	AP8123829	28.06	3
AP8120531	28.09	23	AP8121409	28.27	7	AP8123830	28.06	9
AP8120531	28.11	5	AP8121410	28.03	21	AP8123831	28.06	5
AP8120531	28.19	14	AP8121411	28.42	10	AP8123832	28.06	6
AP8120531	28.26	15	AP8121416	28.37	8	AP8123833	28.06	12
AP8120573	28.03	4	AP8121420	28.18	3	AP8123834	28.06	13

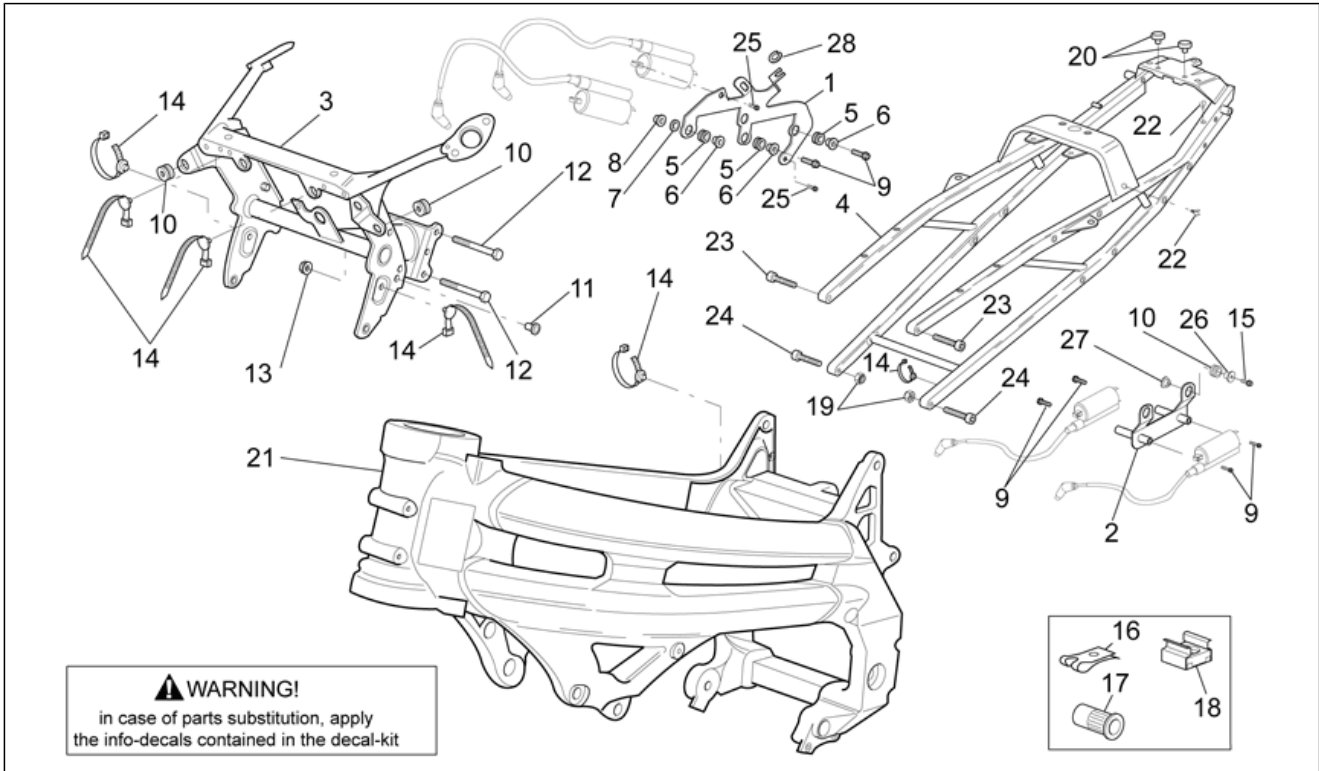
Code	No. table	Pos.	Code	No. table	Pos.	Code	No. table	Pos.
AP8123835	28.06	7	AP8124959	28.43	22	AP8134383	28.23	11
AP8123836	28.06	8	AP8124960	28.43	22	AP8134385	28.38	17
AP8123860	28.10	13	AP8124976	28.40	19	AP8134394	28.22	1
AP8123870	28.10	12	AP8124977	28.04	1	AP8134396	28.18	1
AP8123932	28.05	2	AP8125687	28.09	17	AP8134399	28.29	8
AP8124235	28.43	5	AP8125728	28.34	2	AP8134399	28.29	8
AP8124260	28.21	15	AP8125730	28.36	11	AP8134419	28.15	11
AP8124261	28.21	13	AP8125731	28.36	6	AP8134437	28.29	9
AP8124266	28.43	16	AP8125732	28.36	24	AP8134438	28.23	12
AP8124267	28.43	1	AP8125733	28.36	4	AP8134451	28.03	17
AP8124273	28.42	15	AP8125737	28.34	3	AP8134493	28.29	8
AP8124274	28.41	7	AP8125763	28.09	13	AP8134493	28.29	8
AP8124277	28.41	9	AP8125773	28.34	10	AP8134493	28.29	8
AP8124284	28.42	5	AP8125777	28.34	11	AP8134500	28.15	1
AP8124288	28.23	21	AP8125778	28.34	12	AP8134501	28.02	9
AP8124289	28.43	4	AP8125779	28.34	13	AP8134503	28.01	1
AP8124293	28.41	11	AP8125786	28.36	15	AP8134504	28.01	2
AP8124294	28.20	1	AP8125787	28.36	16	AP8134505	28.02	18
AP8124297	28.30	13	AP8125788	28.36	17	AP8134544	28.38	14
AP8124300	28.12	4	AP8125827	28.34	6	AP8134557	28.02	7
AP8124393	28.39	9	AP8125830	28.09	2	AP8134593	28.03	7
AP8124395	28.40	18	AP8125831	28.36	12	AP8134594	28.03	8
AP8124398	28.22	19	AP8125895	28.08	18	AP8134595	28.29	7
AP8124454	28.42	11	AP8126590	28.19	1	AP8134596	28.02	11
AP8124456	28.40	1	AP8126610	28.19	22	AP8134603	28.27	22
AP8124471	28.40	2	AP8126701	28.17	6	AP8134618	28.18	11
AP8124523	28.41	3	AP8126702	28.17	5	AP8134618	28.44	16
AP8124523	28.43	14	AP8126717	28.19	6	AP8134641	28.39	7
AP8124528	28.38	3	AP8126766	28.19	2	AP8134644	28.03	16
AP8124529	28.31	13	AP8126797	28.13	1	AP8134659	28.16	8
AP8124551	28.21	13	AP8126798	28.13	1	AP8134665	28.04	10
AP8124557	28.42	12	AP8126852	28.13	1	AP8134739	28.29	8
AP8124569	28.20	4	AP8126857	28.13	1	AP8134739	28.29	8
AP8124570	28.20	5	AP8126862	28.19	2	AP8134746	28.03	13
AP8124571	28.20	6	AP8126890	28.13	1	AP8134747	28.03	14
AP8124572	28.20	10	AP8126891	28.13	1	AP8134863	28.08	3
AP8124573	28.20	9	AP8126894	28.19	2	AP8135916	28.10	5
AP8124574	28.20	8	AP8126895	28.19	2	AP8135924	28.10	1
AP8124575	28.20	7	AP8126906	28.13	1	AP8138596	28.43	9
AP8124593	28.41	1	AP8126907	28.13	1	AP8138624	28.30	12
AP8124593	28.44	4	AP8126914	28.13	1	AP8138776	28.43	10
AP8124636	28.42	2	AP8126915	28.13	1	AP8138781	28.26	1
AP8124719	28.13	9	AP8126988	28.13	1	AP8138785	28.19	8
AP8124744	28.39	9	AP8126989	28.13	1	AP8138788	28.40	8
AP8124763	28.39	10	AP8126990	28.19	2	AP8138790	28.09	18
AP8124764	28.41	18	AP8126990	28.19	2	AP8138792	28.27	1
AP8124766	28.42	9	AP8126991	28.19	2	AP8138832	28.42	7
AP8124825	28.42	6	AP8126991	28.19	2	AP8138947	28.17	8
AP8124826	28.42	18	AP8127069	28.21	13	AP8139351	28.11	1
AP8124826	28.43	21	AP8127109	28.39	15	AP8139351	28.11	1
AP8124827	28.41	21	AP8127309	28.41	4	AP8139362	28.11	6
AP8124828	28.42	16	AP8127321	28.31	13	AP8139363	28.12	3
AP8124855	28.25	5	AP8127524	28.21	13	AP8139364	28.12	2
AP8124856	28.41	5	AP8129182	28.17	1	AP8139367	28.13	6
AP8124860	28.40	20	AP8129208	28.17	2	AP8139369	28.17	9
AP8124884	28.39	9	AP8129401	28.17	1	AP8139633	28.12	5
AP8124889	28.40	4	AP8129401	28.17	1	AP8139634	28.12	6
AP8124895	28.41	1	AP8129402	28.17	2	AP8139692	28.13	5
AP8124895	28.44	4	AP8129402	28.17	2	AP8139693	28.14	3
AP8124903	28.39	1	AP8129403	28.17	1	AP8139694	28.14	4
AP8124904	28.39	2	AP8129404	28.17	2	AP8140451	30.64	2
AP8124905	28.39	3	AP8133522	28.22	23	AP8140453	30.64	2
AP8124906	28.39	4	AP8133535	28.34	8	AP8140505	30.64	6
AP8124908	28.40	14	AP8133535	28.34	8	AP8140506	30.64	6
AP8124909	28.40	15	AP8134373	28.04	10	AP8140507	30.64	6
AP8124929	28.24	15	AP8134378	28.33	12	AP8140526	30.64	4
AP8124932	28.43	14	AP8134380	28.02	12	AP8140527	30.64	4

Code	No. table	Pos.	Code	No. table	Pos.	Code	No. table	Pos.
AP8140528	30.64	4	AP8144477	28.30	6	AP8149664	28.40	9
AP8140529	30.64	1	AP8146001	28.01	3	AP8149665	28.19	8
AP8140530	30.64	1	AP8146004	28.01	21	AP8149666	28.13	5
AP8140531	30.64	1	AP8146008	28.03	14	AP8149667	28.29	3
AP8140532	30.64	5	AP8146009	28.03	13	AP8149667	28.29	3
AP8140533	30.64	5	AP8146010	28.04	12	AP8149669	28.29	3
AP8140534	30.64	5	AP8146012	28.09	10	AP8149723	28.29	3
AP8140699	30.64	3	AP8146016	28.37	14	AP8149723	28.29	3
AP8140700	30.64	3	AP8146124	28.01	4	AP8149763	28.15	5
AP8140701	30.64	3	AP8146172	28.03	15	AP8149764	28.11	3
AP8144003	28.30	5	AP8146231	28.03	9	AP8149765	28.18	10
AP8144005	28.09	16	AP8146232	28.03	10	AP8149766	28.17	7
AP8144006	28.09	12	AP8146272	28.10	3	AP8149788	28.15	5
AP8144008	28.27	4	AP8146341	28.03	5	AP8149789	28.11	3
AP8144008	28.28	14	AP8146342	28.04	13	AP8149790	28.18	10
AP8144010	28.30	6	AP8146349	28.01	21	AP8149791	28.17	7
AP8144011	28.30	10	AP8146352	28.09	10	AP8150012	28.01	7
AP8144015	28.27	13	AP8146354	28.04	12	AP8150013	28.16	14
AP8144015	29.32	18	AP8146364	28.04	13	AP8150013	28.40	22
AP8144032	28.26	4	AP8146468	28.01	4	AP8150014	28.15	13
AP8144038	28.29	14	AP8146559	28.01	21	AP8150014	28.20	11
AP8144045	28.19	18	AP8146570	28.01	21	AP8150014	28.41	14
AP8144046	28.43	15	AP8146573	28.01	4	AP8150015	28.04	2
AP8144048	28.09	14	AP8146623	28.03	5	AP8150015	28.15	24
AP8144052	28.09	9	AP8146624	28.03	15	AP8150015	28.19	15
AP8144061	28.27	19	AP8146788	28.03	13	AP8150015	28.28	2
AP8144061	28.28	9	AP8146789	28.03	14	AP8150015	28.40	12
AP8144062	28.15	10	AP8146796	28.01	21	AP8150015	28.40	5
AP8144063	28.29	4	AP8146797	28.01	21	AP8150015	28.43	11
AP8144069	28.31	15	AP8147068	28.45	4	AP8150018	28.27	31
AP8144071	28.03	6	AP8148260	28.40	9	AP8150018	28.33	10
AP8144073	28.24	9	AP8148438	28.43	7	AP8150026	28.25	11
AP8144075	28.24	16	AP8148506	28.15	5	AP8150026	28.37	17
AP8144076	28.24	6	AP8148507	28.18	10	AP8150026	28.42	4
AP8144081	28.17	11	AP8148508	28.17	7	AP8150026	29.32	12
AP8144083	28.21	5	AP8148509	28.18	4	AP8150044	28.17	4
AP8144085	28.29	10	AP8148551	28.13	7	AP8150050	28.27	24
AP8144148	28.27	14	AP8148632	28.11	3	AP8150072	28.37	13
AP8144151	28.22	14	AP8148633	28.14	1	AP8150137	28.27	29
AP8144151	28.23	19	AP8148634	28.14	2	AP8150137	28.28	7
AP8144151	28.37	4	AP8148644	28.15	5	AP8150158	28.13	11
AP8144160	28.31	8	AP8148645	28.11	3	AP8150158	28.19	12
AP8144226	28.30	7	AP8148646	28.14	1	AP8150195	28.36	20
AP8144258	28.12	7	AP8148647	28.14	2	AP8150204	28.13	10
AP8144275	28.27	8	AP8148648	28.18	10	AP8150204	28.19	13
AP8144288	28.19	17	AP8148649	28.17	7	AP8150211	28.05	10
AP8144290	28.11	12	AP8148661	28.41	23	AP8150220	29.32	4
AP8144298	28.30	11	AP8148662	28.41	22	AP8150270	28.12	12
AP8144307	28.24	13	AP8148824	28.09	24	AP8150272	28.03	24
AP8144308	28.24	11	AP8148824	28.19	20	AP8150277	28.33	9
AP8144309	28.24	12	AP8149034	28.19	28	AP8150282	28.39	11
AP8144312	28.15	4	AP8149036	28.11	1	AP8150285	28.18	12
AP8144312	28.15	4	AP8149037	28.19	27	AP8150285	28.44	11
AP8144312	28.44	3	AP8149038	28.16	27	AP8150292	28.02	6
AP8144312	28.44	3	AP8149048	28.29	2	AP8150292	28.04	4
AP8144313	28.40	16	AP8149311	28.45	7	AP8150314	28.01	12
AP8144314	28.10	16	AP8149654	28.15	5	AP8150329	28.01	24
AP8144316	29.32	19	AP8149655	28.11	3	AP8150334	28.09	19
AP8144321	28.09	26	AP8149656	28.14	1	AP8150334	28.33	8
AP8144351	28.15	18	AP8149657	28.14	2	AP8150349	28.41	16
AP8144383	28.29	27	AP8149658	28.18	10	AP8150349	28.44	8
AP8144409	28.02	29	AP8149659	28.17	7	AP8150376	28.03	25
AP8144410	28.29	29	AP8149660	28.18	4	AP8150388	28.18	7
AP8144411	28.29	22	AP8149660	28.18	4	AP8150413	28.17	10
AP8144415	28.20	12	AP8149663	28.40	8	AP8150413	28.30	3
AP8144475	28.31	19	AP8149663	28.40	8	AP8150413	28.40	13
AP8144476	28.30	14	AP8149664	28.40	9	AP8150421	28.30	2

Code	No. table	Pos.	Code	No. table	Pos.	Code	No. table	Pos.
AP8150421	28.41	10	AP8152278	28.19	24	AP8152318	28.02	3
AP8150423	28.12	10	AP8152278	28.28	1	AP8152320	28.04	5
AP8150429	28.42	3	AP8152278	28.29	18	AP8152322	28.10	6
AP8150430	28.02	20	AP8152278	28.31	3	AP8152323	28.34	4
AP8150430	28.39	14	AP8152278	28.42	1	AP8152323	28.36	14
AP8150430	29.32	10	AP8152278	28.43	8	AP8152324	28.36	13
AP8150436	28.36	10	AP8152279	28.04	3	AP8152325	28.02	4
AP8150444	28.14	6	AP8152279	28.15	23	AP8152335	28.34	5
AP8150446	28.03	20	AP8152279	28.16	25	AP8152336	28.35	9
AP8150447	28.03	22	AP8152279	28.18	16	AP8152338	28.11	16
AP8150451	28.01	8	AP8152279	28.21	7	AP8152339	28.09	21
AP8150453	28.15	7	AP8152279	28.25	7	AP8152339	28.09	22
AP8150453	28.44	13	AP8152279	28.26	13	AP8152339	28.13	4
AP8150454	28.15	6	AP8152279	28.28	11	AP8152339	28.14	7
AP8150454	28.44	14	AP8152279	28.37	16	AP8152339	28.18	15
AP8150457	28.10	9	AP8152279	28.38	13	AP8152339	28.18	18
AP8150458	28.10	8	AP8152279	28.40	6	AP8152384	28.05	13
AP8150459	28.15	14	AP8152279	28.41	12	AP8152392	28.40	3
AP8150463	28.36	18	AP8152279	29.32	9	AP8156080	28.13	1
AP8150468	28.09	25	AP8152280	28.01	15	AP8156081	28.13	1
AP8150468	28.19	21	AP8152280	28.15	22	AP8156082	28.13	1
AP8150469	28.01	23	AP8152280	28.23	15	AP8156083	28.13	1
AP8150472	28.21	22	AP8152280	28.41	15	AP8156084	28.13	1
AP8150480	28.04	11	AP8152281	28.02	21	AP8156085	28.13	1
AP8150486	28.39	6	AP8152281	28.18	6	AP8157532	28.05	14
AP8150488	28.33	14	AP8152282	28.43	2	AP8157617	28.45	5
AP8150489	28.33	13	AP8152285	28.27	10	AP8157646	28.45	5
AP8150497	28.08	27	AP8152285	28.41	13	AP8157648	28.45	4
AP8150498	28.08	9	AP8152286	28.34	14	AP8157649	28.45	4
AP8152001	28.04	11	AP8152286	28.38	12	AP8157650	28.45	3
AP8152040	28.02	8	AP8152286	28.38	15	AP8157716	28.11	15
AP8152040	28.21	11	AP8152288	28.03	19	AP8157769	28.19	25
AP8152117	28.43	17	AP8152288	28.41	17	AP8157821	28.45	8
AP8152123	28.42	19	AP8152288	28.44	9	AP8157831	28.45	4
AP8152136	28.39	12	AP8152289	28.05	12	AP8157833	28.45	5
AP8152138	29.32	11	AP8152289	28.21	12	AP8157838	28.45	4
AP8152181	28.02	22	AP8152290	28.07	3	AP8157916	28.45	5
AP8152184	28.25	6	AP8152298	28.11	2	AP8157970	28.45	5
AP8152184	28.27	26	AP8152298	28.12	11	AP8157971	28.45	5
AP8152184	28.31	6	AP8152298	28.38	16	AP8158762	28.15	5
AP8152246	28.02	13	AP8152299	28.01	13	AP8158763	28.11	3
AP8152246	28.11	11	AP8152299	28.15	12	AP8158764	28.14	1
AP8152246	28.13	2	AP8152299	28.16	24	AP8158765	28.14	2
AP8152246	28.18	17	AP8152299	28.19	4	AP8158766	28.18	10
AP8152246	28.19	3	AP8152299	28.20	3	AP8158767	28.17	7
AP8152246	28.29	24	AP8152299	28.23	16	AP8158768	28.18	4
AP8152246	28.42	21	AP8152299	28.27	30	AP8158769	28.40	8
AP8152272	28.23	13	AP8152299	28.28	8	AP8158770	28.40	9
AP8152272	28.31	9	AP8152299	28.37	15	AP8158771	28.19	8
AP8152273	28.03	23	AP8152299	28.40	7	AP8158772	28.09	18
AP8152273	28.16	13	AP8152299	28.42	20	AP8158773	28.13	5
AP8152273	28.22	16	AP8152299	28.43	18	AP8158783	28.11	1
AP8152273	28.26	14	AP8152300	28.18	8	AP8158784	28.19	6
AP8152273	28.29	19	AP8152300	28.33	11	AP8158832	28.15	5
AP8152273	28.30	4	AP8152301	28.01	19	AP8158833	28.11	3
AP8152273	28.31	14	AP8152301	28.02	1	AP8163128	28.08	6
AP8152273	28.37	18	AP8152301	28.10	7	AP8163131	28.08	13
AP8152275	28.01	9	AP8152302	28.11	14	AP8163132	28.08	14
AP8152277	28.13	8	AP8152302	28.40	21	AP8163133	28.08	15
AP8152277	28.15	15	AP8152305	28.09	20	AP8163134	28.08	16
AP8152277	28.22	18	AP8152306	28.19	29	AP8163135	28.08	17
AP8152277	28.23	20	AP8152306	28.22	17	AP8163138	28.08	25
AP8152277	28.25	10	AP8152306	28.40	23	AP8163141	28.08	22
AP8152277	28.27	23	AP8152313	28.01	18	AP8163142	28.08	10
AP8152277	28.31	7	AP8152315	28.02	25	AP8163143	28.08	8
AP8152278	28.01	25	AP8152316	28.02	24	AP8163144	28.08	11
AP8152278	28.02	15	AP8152317	28.02	2	AP8163145	28.08	21

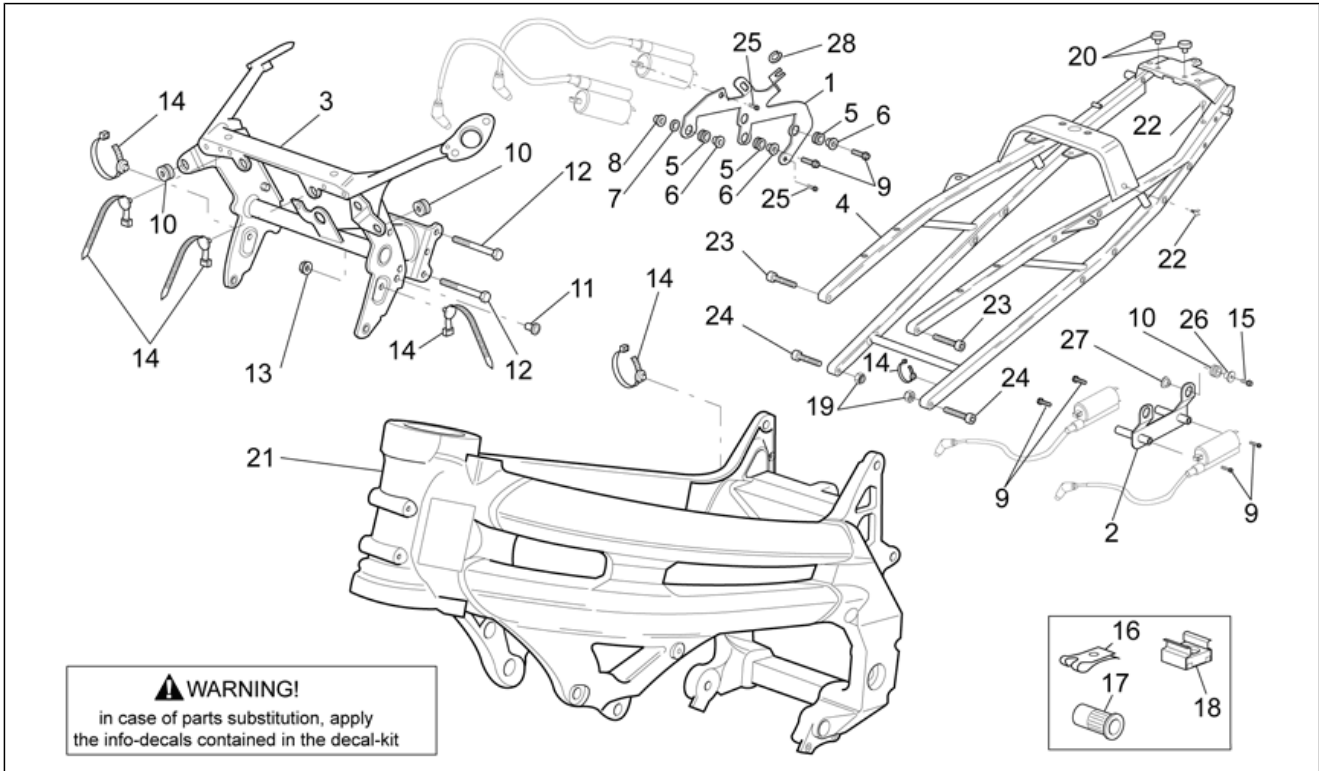
Code	No. table	Pos.	Code	No. table	Pos.
AP8163146	28.06	1	AP8201727	29.32	3
AP8163146	28.06	1	AP8202154	28.16	4
AP8163146	28.07	1	AP8210007	28.37	9
AP8163146	28.07	1	AP8210007	29.32	8
AP8163147	28.06	2	AP8212469	28.43	3
AP8163147	28.06	2	AP8212588	28.41	2
AP8163147	28.07	2	AP8212702	28.19	16
AP8163147	28.07	2	AP8213057	28.22	11
AP8163172	28.08	33	AP8213057	28.23	7
AP8163173	28.08	34	AP8213057	28.37	20
AP8163174	28.08	1	AP8213193	28.35	4
AP8163175	28.08	2	AP8220150	28.43	19
AP8163176	28.08	4	AP8220191	28.26	6
AP8163177	28.08	5	AP8220263	28.16	17
AP8163178	28.08	7	AP8220283	28.43	6
AP8163179	28.08	12	AP8220349	28.01	20
AP8163180	28.08	19	AP8220369	28.27	27
AP8163181	28.08	29	AP8221023	28.15	8
AP8163182	28.08	30	AP8221023	28.23	17
AP8163183	28.08	31	AP8221023	28.25	8
AP8163184	28.08	28	AP8221023	28.26	17
AP8163185	28.08	26	AP8221023	28.28	5
AP8163186	28.08	24	AP8221097	28.43	20
AP8163187	28.08	23	AP8221197	28.04	6
AP8163189	28.06	3	AP8221242	28.29	28
AP8163189	28.06	3	AP8221303	28.40	26
AP8163250	28.08	12	AP8221305	28.40	27
AP8163251	28.08	29	AP8224164	28.19	26
AP8163252	28.08	30	AP8224389	28.40	29
AP8163253	28.08	32	AP8224390	28.40	28
AP8167165	28.45	5	AP8224393	28.39	5
AP8167216	28.45	5	AP8700792	30.63	9
AP8167337	28.45	5	AP8700793	30.63	9
AP8167397	28.45	5	AP8700794	30.63	9
AP8167542	28.45	4	AP8720115	30.68	1
AP8167542	28.45	4	AP8720116	30.68	2
AP8167757	28.45	4	AP8720117	30.68	3
AP8167956	28.45	5	AP8720118	30.68	4
AP8167957	28.45	5	AP8792152	30.63	5
AP8167963	28.45	5	AP8792153	30.63	1
AP8167964	28.45	5	AP8792154	30.63	2
AP8168955	28.15	5	AP8792155	30.63	3
AP8168956	28.11	3	AP8792156	30.63	6
AP8168957	28.14	1	AP8795029	30.63	7
AP8168957	28.14	1	AP8796047	30.63	8
AP8168958	28.14	2	AP8796145	30.63	4
AP8168958	28.14	2	AP8796493	30.65	5
AP8168959	28.18	10	AP8796541	30.65	1
AP8168960	28.17	7	AP8796543	30.65	3
AP8168961	28.15	5	AP8796544	30.65	2
AP8168962	28.11	3	AP8796545	30.65	4
AP8168963	28.14	1	AP8796545	30.66	4
AP8168964	28.14	2	AP8796547	30.67	1
AP8168965	28.18	10	AP8796548	30.67	2
AP8168966	28.17	7	AP8796549	30.67	3
AP8168967	28.15	5	AP8796550	30.67	4
AP8168968	28.11	3	AP8796551	30.67	5
AP8168969	28.18	10	AP8796552	30.66	7
AP8168970	28.17	7	AP8796553	30.67	6
AP8177743	28.45	5	AP8796554	30.66	1
AP8177744	28.45	5	AP8796555	30.66	5
AP8177745	28.45	5	AP8796556	30.66	2
AP8177844	28.45	5	AP8796557	30.66	3
AP8201169	28.24	21	AP8796558	30.66	6
AP8201539	28.01	14	B044207	28.34	8
AP8201539	28.12	1	B044207	28.34	8
AP8201727	28.02	26			

Group	FRAME
Code	28.01
Description	Frame I
Service	1



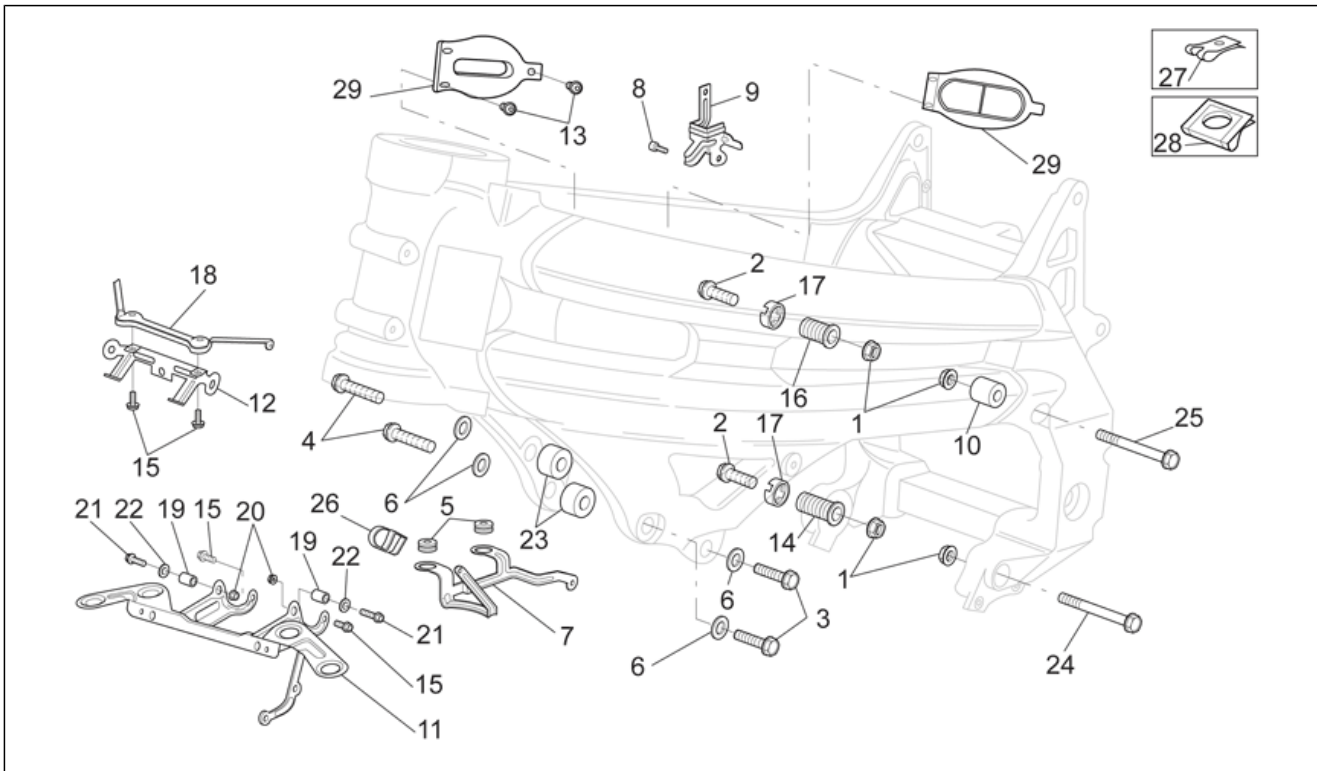
Pos.	Code	Description	Qty	Variants
1	AP8134503	Coil support, RH	1	
2	AP8134504	Coil support, LH	1	
3	AP8146001	Instrum. holder frame	1	
4	AP8146124	Saddle support	1	Year:2000[Y]
4	AP8146468	Saddle support BLACK	1	Year:2001[1], 2003[3]
4	AP8146573	Saddle support GREY	1	Year:2002[2], 2003[3]
5	AP8120405	Rubber spacer *	4	
6	AP8121736	T bush	4	
7	AP8150012	Washer 5,3x10x1*	4	
8	AP8150451	Low self-locking nut	4	
9	AP8152275	Screw w/ flange M5x25	8	
10	AP8120030	Rubber spacer *	4	
11	AP8102902	Hex threaded insert	8	
12	AP8150314	Screw	2	
13	AP8152299	Self-locking nut M6	2	
14	AP8201539	Hose clamp	6	
15	AP8152280	Screw w/ flange M6x25	2	
16	AP8102376	Clip M6	3	
17	AP8102544	Threaded rivet M6	21	
18	AP8152313	Captive nut M6	3	
19	AP8152301	Self-locking nut	2	
20	AP8220349	Rubber spacer	2	
21	AP8146004	Frame	1	Year:2001[1], 2000[Y] Country:Austria[A], Australia[AA], Australia[AUS], Belgium[B], Belgium[BB], Switzerland[CH], Germany[D], Denmark[DK], Spain[E], A, CH, D, DK, GR, E, I, NL, P[EU], France[F], France[FF], Greece[GR], Italy[I], Japan[J], Japan[JJ], Holland[NL], Portugal[P], Great Britain[UK]
21	AP8146349	Frame	1	Year:2001[1], 2000[Y]

Group	FRAME
Code	28.01
Description	Frame I
Service	1



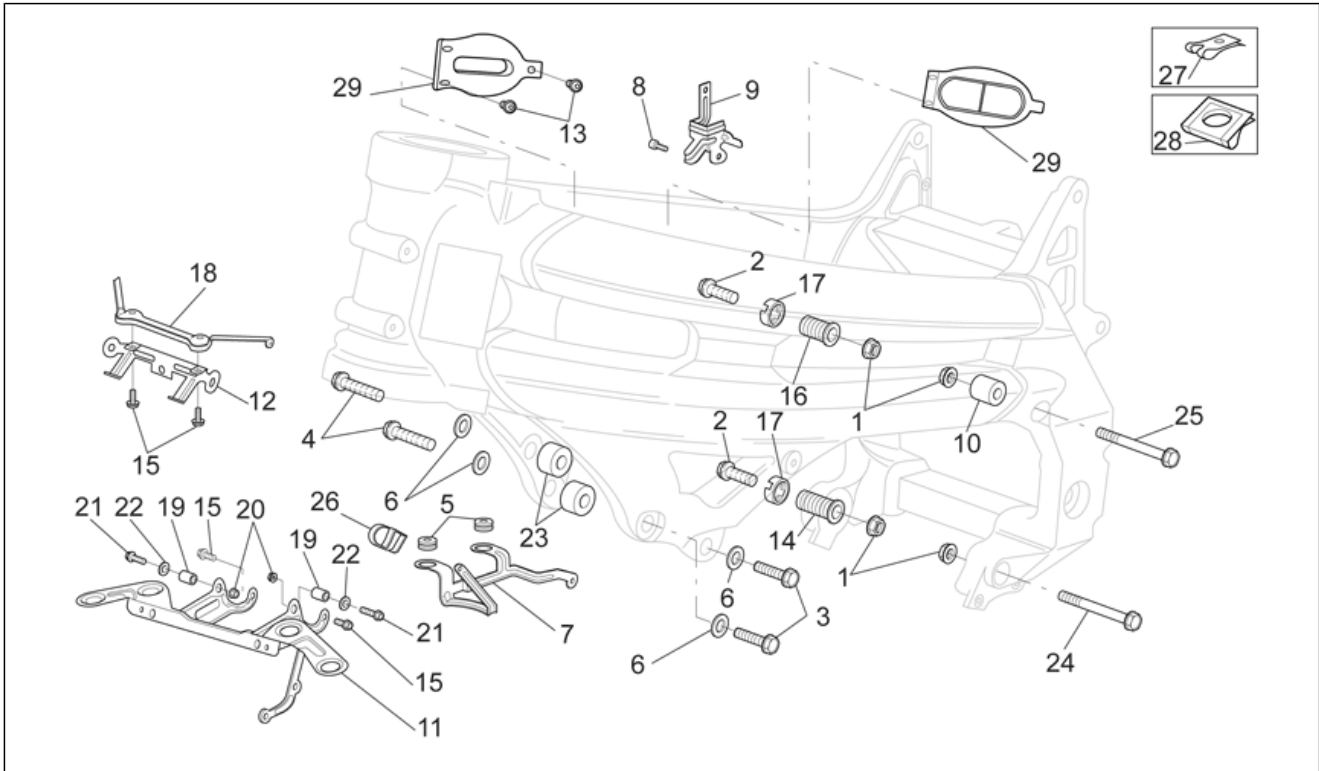
Pos.	Code	Description	Qty	Variants
21	AP8146559	Frame	1	Country: USA (49 Countries Approval)[AM], USA (California Approval)[CF], United States of America[USA] Year: 2002[2] Country: Austria[A], Australia[AA], Australia[AUS], Belgium[B], Belgium[BB], Switzerland[CH], Germany[D], Denmark[DK], Spain[E], A, CH, D, DK, GR, E, I, NL, P[EU], France[F], France[FF], Greece[GR], Italy[I], Japan[J], Japan[J], Holland[NL], Portugal[P], Great Britain[UK]
21	AP8146570	Frame	1	Year: 2002[2] Country: USA (49 Countries Approval)[AM], USA (California Approval)[CF], United States of America[USA]
21	AP8146796	Frame	1	Year: 2003[3] Country: Austria[A], Australia[AA], Australia[AUS], Belgium[B], Belgium[BB], Switzerland[CH], Germany[D], Denmark[DK], Spain[E], A, CH, D, DK, GR, E, I, NL, P[EU], France[F], France[FF], Greece[GR], Italy[I], Japan[J], Japan[J], Holland[NL], Portugal[P], Great Britain[UK]
21	AP8146797	Frame	1	Year: 2003[3] Country: USA (49 Countries Approval)[AM], USA (California Approval)[CF], United States of America[USA]
22	AP8121882	Cable-guide	2	
23	AP8150469	Hex socket screw M10x30	2	
24	AP8150329	Hex socket screw	2	
25	AP8152278	Screw w/ flange M6x16	2	
26	AP8121129	T bush *	2	
27	AP8121075	T bush *	2	
28	AP8121428	Circlip d8	1	

Group	FRAME
Code	28.02
Description	Frame II
Service	1



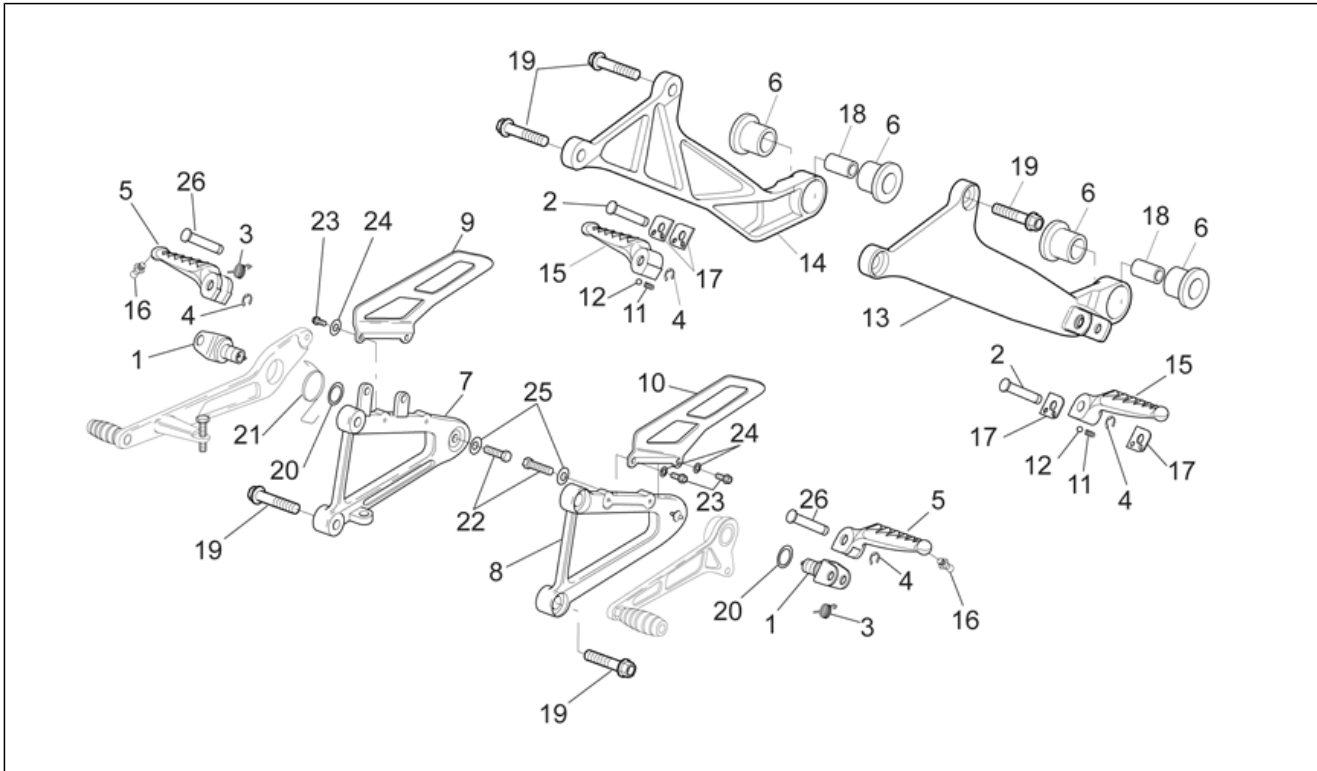
Pos.	Code	Description	Qty	Variants
1	AP8152301	Self-locking nut	4	
2	AP8152317	Screw w/ flange M10x100	2	
3	AP8152318	Screw w/ flange M10x35	2	
4	AP8152325	Screw w/ flange	2	
5	AP8120030	Rubber spacer *	2	
6	AP8150292	Curved spring washer *	4	
7	AP8134557	Expansion tank support	1	
8	AP8152040	Hex socket screw	1	
9	AP8134501	Fairing fixing plate	1	
10	AP8121998	Upper engine spacer	1	
11	AP8134596	Lower water cooler support	1	
12	AP8134380	Water cooler upper support	1	
13	AP8152246	Screw w/ flange	6	
14	AP8121997	Lower adjustment bush	1	
15	AP8152278	Screw w/ flange M6x16	4	
16	AP8121996	Upper adjustment bush	1	
17	AP8121995	Eng.connect.elem.ring nut	2	
18	AP8134505	Ducts support	1	
19	AP8121313	Conical bush	2	
20	AP8150430	Low self-locking nut	2	
21	AP8152281	Screw w/ flange	2	
22	AP8152181	Washer 6,4x15x1	2	
23	AP8121254	LH front engine spacer	2	
24	AP8152316	Screw w/ flange M10x75	1	
25	AP8152315	Screw w/ flange M10x110	1	
26	AP8201727	Black cable guide	1	
27	AP8102375	Clip m5	1	
28	AP8102376	Clip M6	1	

Group	FRAME
Code	28.02
Description	Frame II
Service	1



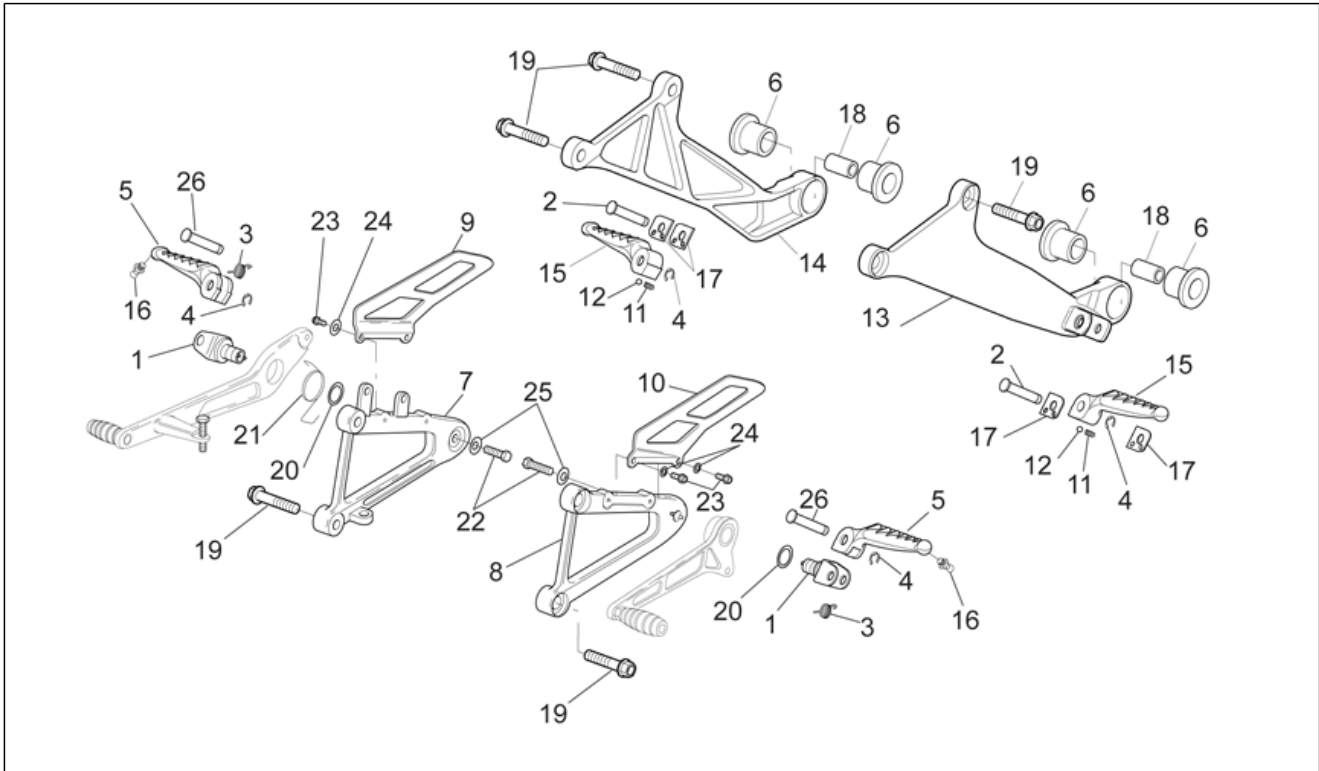
Pos.	Code	Description	Qty	Variants
29	AP8102940	Union gasket	2	Year:2000[Y]
29	AP8144409	Union gasket	2	Year:2001[1], 2002[2], 2003[3]

Group	FRAME
Code	28.03
Description	Foot rests
Service	1



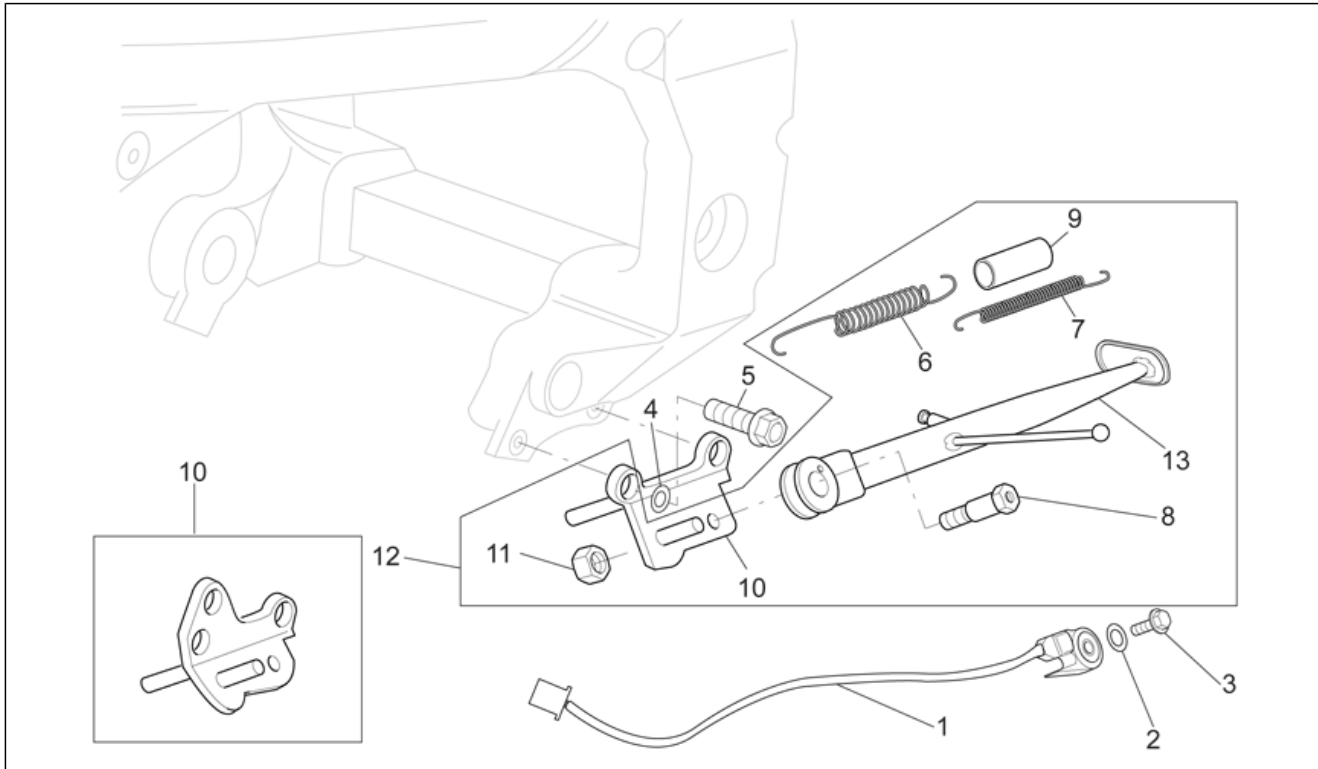
Pos.	Code	Description	Qty	Variants
1	AP8121917	Brake/gear lever pin	2	
2	AP8121135	Footrest pin	2	
3	AP8121224	Footrest return spring	2	
4	AP8120573	Stop ring	4	
5	AP8146341	Front footrest, pair	1	Year:2001[1], 2000[Y]
5	AP8146623	Front footrest, pair	1	Year:2002[2], 2003[3]
6	AP8144071	Rubber exhaust	4	
7	AP8134593	RH front footrest bracket	1	
8	AP8134594	LH front footrest bracket	1	
9	AP8146231	RH front footrest guard	1	
10	AP8146232	LH front footrest guard	1	
11	AP8121133	Coil compress. spring	2	
12	AP8101861	Ball D6,35	2	
13	AP8134746	LH footrest support BLACK	1	Year:2001[1], 2003[3]
13	AP8146009	LH footrest support	1	Year:2000[Y]
13	AP8146788	LH footrest support GREY	1	Year:2002[2], 2003[3]
14	AP8134747	RH footrest support BLACK	1	Year:2001[1], 2003[3]
14	AP8146008	RH footrest support	1	Year:2000[Y]
14	AP8146789	RH footrest support GREY	1	Year:2002[2], 2003[3]
15	AP8146172	Rear footrests, pair	1	Year:2001[1], 2000[Y]
15	AP8146624	Rear footrests, pair	1	Year:2002[2], 2003[3]
16	AP8134644	Footrest pin	2	
17	AP8134451	Footrest plate	4	
18	AP8121773	Spacer *	2	
19	AP8152288	Screw w/ flange	8	
20	AP8150446	Belleville spring	2	
21	AP8121410	Rear brake lever spring	1	
22	AP8150447	Hex screw M8x30	2	

Group	FRAME
Code	28.03
Description	Foot rests
Service	1



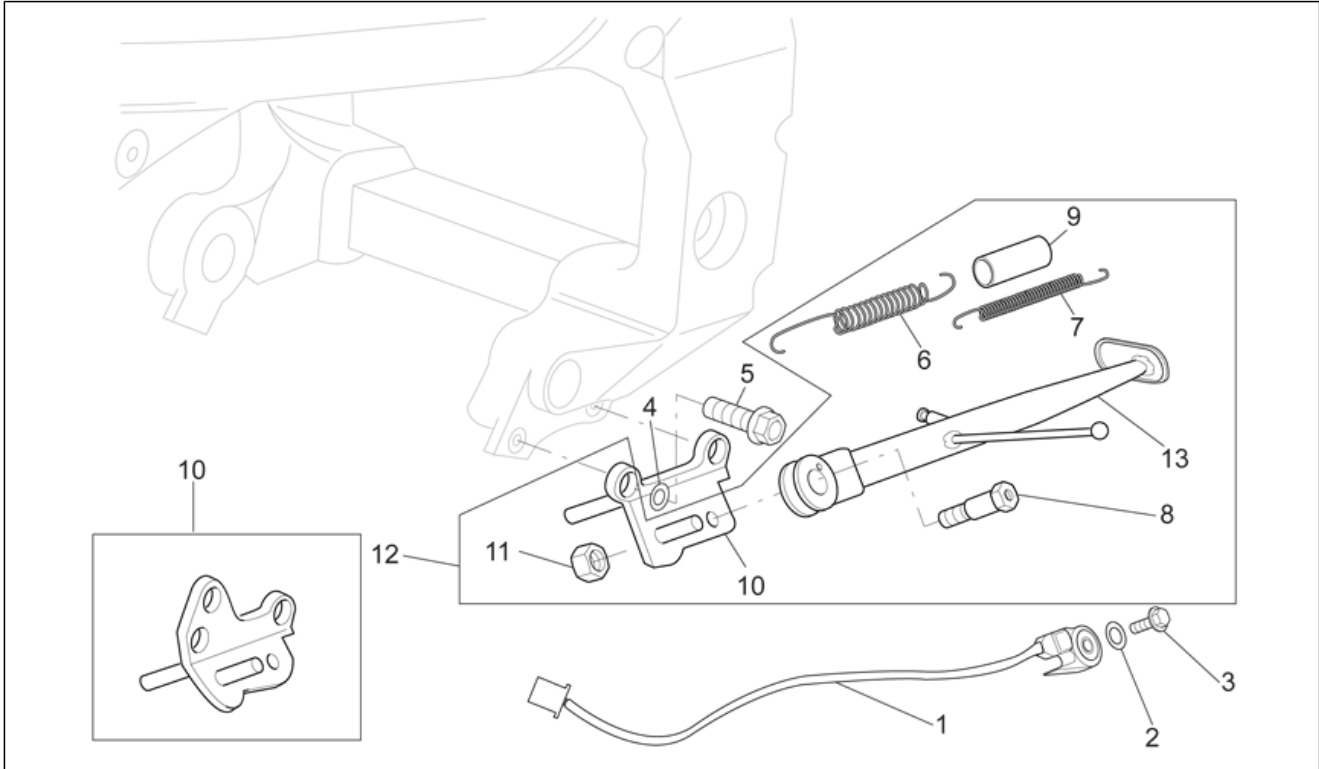
Pos.	Code	Description	Qty	Variants
23	AP8152273	Screw w/ flange	4	
24	AP8150272	Curved spring washer 5,3x10x0,5	4	
25	AP8150376	Washer 8,5x15x0,8	2	
26	AP8121918	Footrest pin	2	

Group	FRAME
Code	28.04
Description	Central stand
Service	1



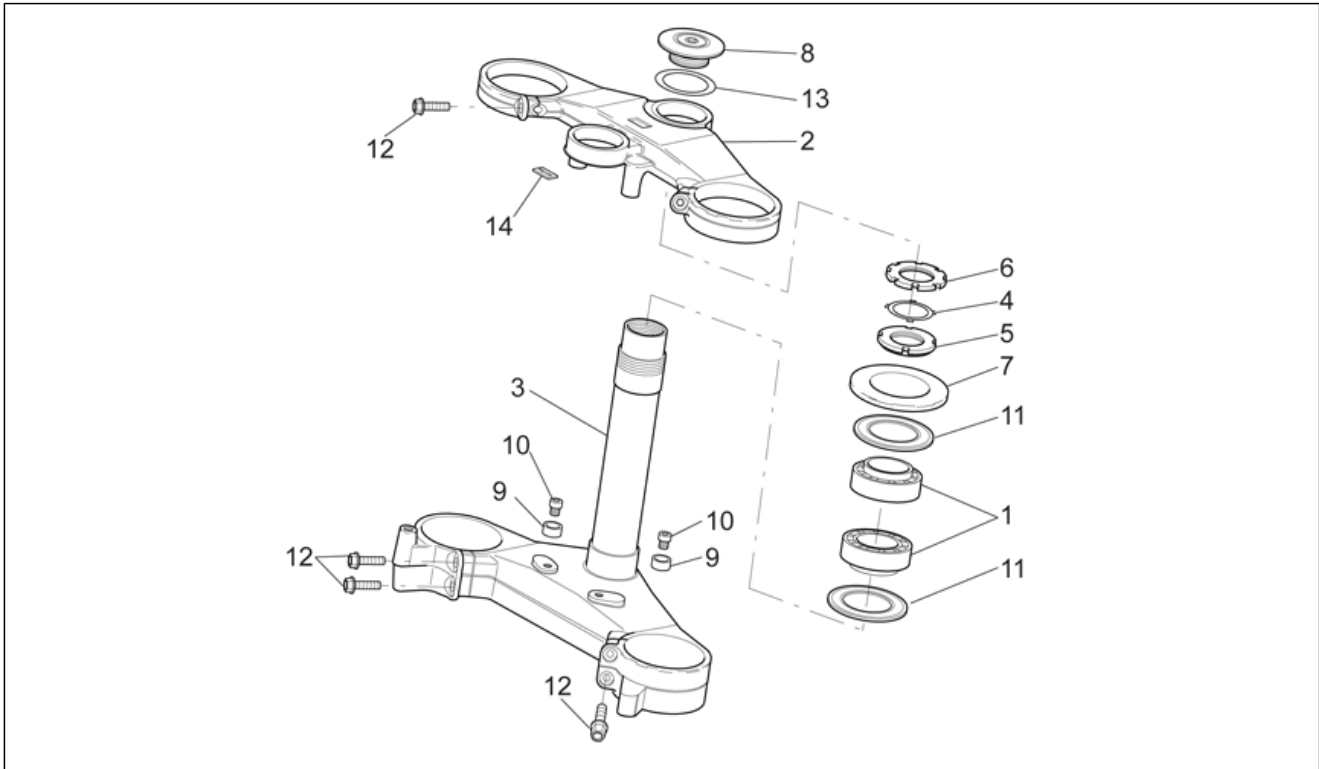
Pos.	Code	Description	Qty	Variants
1	AP8124977	Rotary switch	1	
2	AP8150015	Washer 6,6x18x1,6*	1	
3	AP8152279	Screw w/ flange M6x20	1	
4	AP8150292	Curved spring washer *	2	
5	AP8152320	Screw w/ flange	2	
6	AP8221197	Lateral stand spring	1	
7	AP8121014	Coil pull spring *	1	
8	AP8121375	Central stand fixing screw	1	Country: Austria[A], Australia[AA], Australia[AUS], Belgium[B], Belgium[BB], Switzerland[CH], Germany[D], Denmark[DK], Spain[E], A, CH, D, DK, GR, E, I, NL, P[EU], France[F], France[FF], Greece[GR], Italy[I], Japan[J], Japan[JJ], Holland[NL], Portugal[P], Great Britain[UK]
8	AP8121429	Central stand fixing screw	1	Country: USA (49 Countries Approval)[AM], USA (California Approval)[CF], United States of America[USA]
9	AP8102524	Stand spring protection	1	
10	AP8134373	Stand plate	1	Country: Austria[A], Australia[AA], Australia[AUS], Belgium[B], Belgium[BB], Switzerland[CH], Germany[D], Denmark[DK], Spain[E], A, CH, D, DK, GR, E, I, NL, P[EU], France[F], France[FF], Greece[GR], Italy[I], Japan[J], Japan[JJ], Holland[NL], Portugal[P], Great Britain[UK]
10	AP8134665	Stand plate	1	Country: USA (49 Countries Approval)[AM], USA (California Approval)[CF], United States of America[USA]
11	AP8150480	Low self-locking nut M10x1,25	1	Country: Austria[A], Australia[AA], Australia[AUS], Belgium[B], Belgium[BB], Switzerland[CH], Germany[D], Denmark[DK], Spain[E], A, CH, D, DK, GR, E, I, NL, P[EU], France[F], France[FF], Greece[GR], Italy[I], Japan[J], Japan[JJ], Holland[NL], Portugal[P], Great Britain[UK]
11	AP8152001	Low nut M10x1,25	1	Country: USA (49 Countries Approval)[AM], USA (California Approval)[CF], United States of America[USA]
12	AP8146010	Stand cpl.	1	Country: Austria[A], Australia[AA], Australia[AUS], Belgium[B], Belgium[BB], Switzerland[CH], Germany[D], Denmark[DK], Spain[E], A, CH, D, DK, GR, E, I, NL, P[EU],

Group	FRAME
Code	28.04
Description	Central stand
Service	1



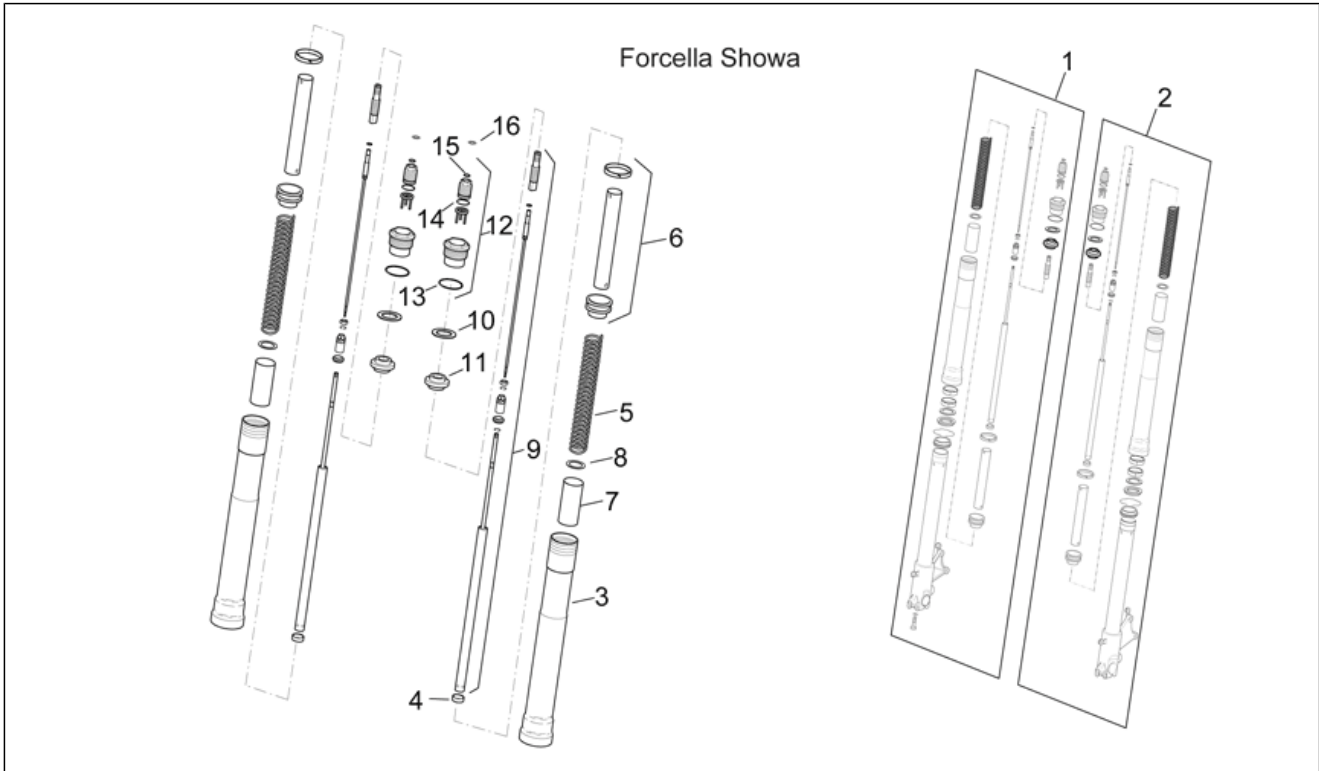
Pos.	Code	Description	Qty	Variants
				France[F], France[FF], Greece[GR], Italy[I], Japan[J], Japan[J], Holland[NL], Portugal[P], Great Britain[UK]
12	AP8146354	Stand cpl.	1	Country: USA (49 Countries Approval)[AM], USA (California Approval)[CF], United States of America[USA]
13	AP8146342	Lateral stand	1	Country: Austria[A], Australia[AA], Australia[AUS], Belgium[B], Belgium[BB], Switzerland[CH], Germany[D], Denmark[DK], Spain[E], A, CH, D, DK, GR, E, I, NL, P[EU], France[F], France[FF], Greece[GR], Italy[I], Japan[J], Japan[J], Holland[NL], Portugal[P], Great Britain[UK]
13	AP8146364	Lateral stand	2	Country: USA (49 Countries Approval)[AM], USA (California Approval)[CF], United States of America[USA]

Group	FRAME
Code	28.05
Description	Steering
Service	1



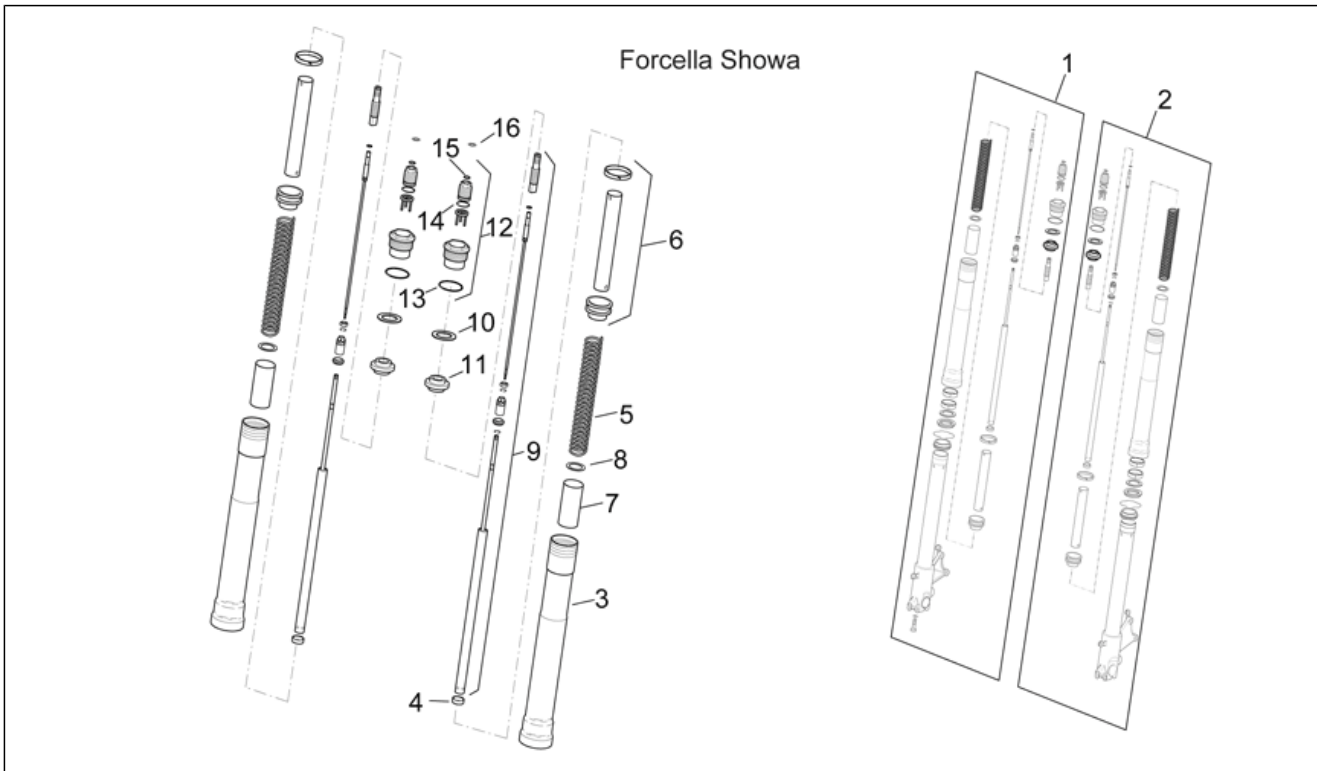
Pos.	Code	Description	Qty	Variants
1	AP8110077	Axial ball bearing	2	
2	AP8123932	Fork upper plate	1	
3	AP8123640	Stem base	1	
4	AP8121207	Steering security plate	1	
5	AP8123642	Ring nut	1	
6	AP8123643	Return ring nut	1	
7	AP8123644	Dust cover ring	1	
8	AP8121205	Upper plate fixing bush	1	
9	AP8121302	Steering lock bush	2	
10	AP8150211	Hex socket screw M8x16	2	
11	AP8123641	Dust cover ring	2	
12	AP8152289	Screw w/ flange	6	
13	AP8152384	Stem plug washer	1	
14	AP8157532	"Aprilia" dataplate	1	

Group	FRAME
Code	28.06
Description	Front fork I
Service	1



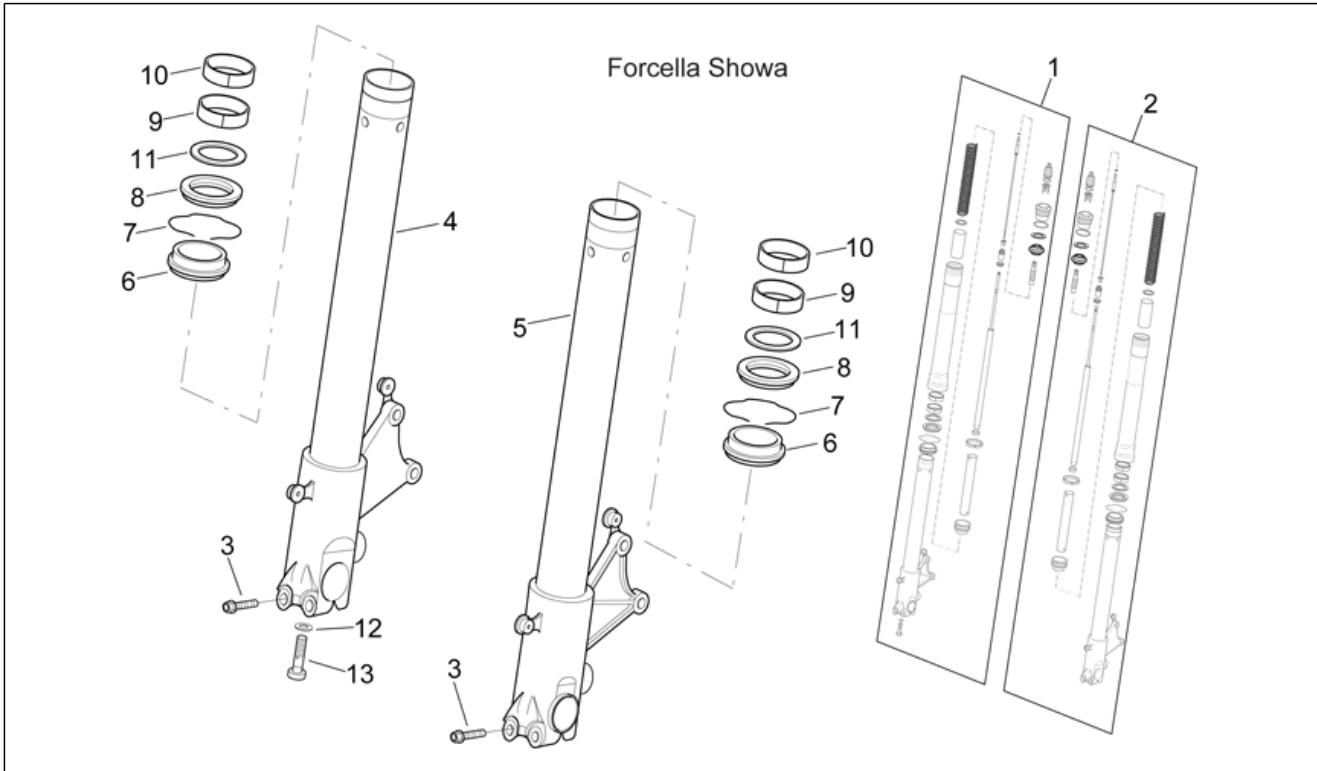
Pos.	Code	Description	Qty	Variants
1	AP8123637	RH hub cpl.	1	Year:2001[1], 2000[Y] Technical Specifications:Fork with letter S on hub[S]
1	AP8123637	RH hub cpl.	1	Year:2003[3] Vehicle colour:Flamingo Red 2003[fla.r], Oasis Green 2003[o.gr] Technical Specifications:Fork with letter S on hub[S]
1	AP8163146	RH hub cpl., gold	1	Year:2003[3] Vehicle colour:Olympic Bronze 2003[o.br] Technical Specifications:Fork with letter S on hub[S]
1	AP8163146	RH hub cpl., gold	1	Year:2002[2] Technical Specifications:Fork with letter S on hub[S]
2	AP8123638	LH hub cpl.	1	Year:2003[3] Vehicle colour:Flamingo Red 2003[fla.r], Oasis Green 2003[o.gr] Technical Specifications:Fork with letter S on hub[S]
2	AP8123638	LH hub cpl.	1	Year:2001[1], 2000[Y] Technical Specifications:Fork with letter S on hub[S]
2	AP8163147	LH hub cpl., gold	1	Year:2003[3] Vehicle colour:Olympic Bronze 2003[o.br] Technical Specifications:Fork with letter S on hub[S]
2	AP8163147	LH hub cpl., gold	1	Year:2002[2] Technical Specifications:Fork with letter S on hub[S]
3	AP8123829	Sleeve	2	Year:2003[3] Vehicle colour:Flamingo Red 2003[fla.r], Oasis Green 2003[o.gr] Technical Specifications:Fork with letter S on hub[S]
3	AP8123829	Sleeve	2	Year:2001[1], 2000[Y] Technical Specifications:Fork with letter S on hub[S]
3	AP8163189	Sleeve, gold	2	Year:2003[3] Vehicle colour:Olympic Bronze 2003[o.br] Technical Specifications:Fork with letter S on hub[S]
3	AP8163189	Sleeve, gold	2	Year:2002[2] Technical Specifications:Fork with letter S on hub[S]

Group	FRAME
Code	28.06
Description	Front fork I
Service	1



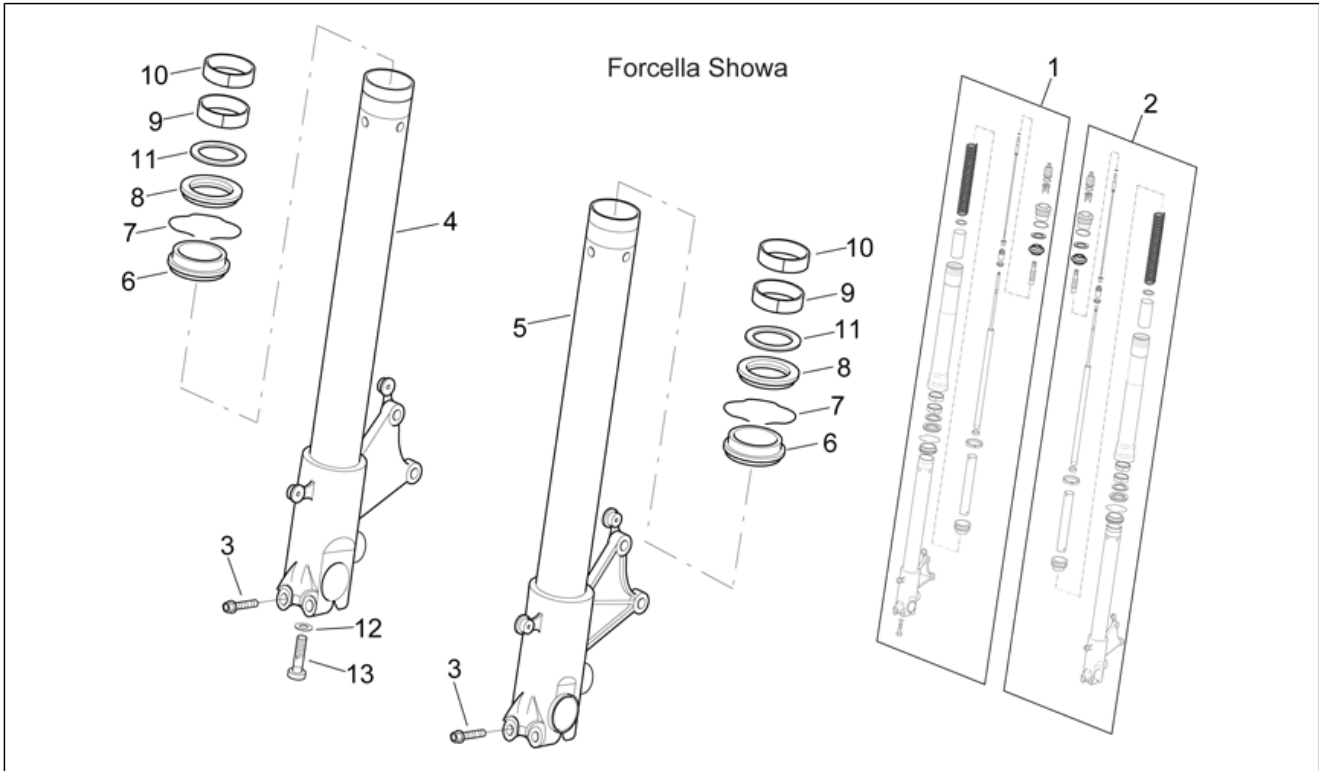
Pos.	Code	Description	Qty	Variants
4	AP8123810	Plunger attachment bush	2	Technical Specifications: Fork with letter S on hub[S]
5	AP8123831	Spring	2	Technical Specifications: Fork with letter S on hub[S]
6	AP8123832	Preload tube cpl.	2	Technical Specifications: Fork with letter S on hub[S]
7	AP8123835	Spacer	2	Technical Specifications: Fork with letter S on hub[S]
8	AP8123836	Washer	2	Technical Specifications: Fork with letter S on hub[S]
9	AP8123830	Plunger, complete	2	Technical Specifications: Fork with letter S on hub[S]
10	AP8123816	Washer	2	Technical Specifications: Fork with letter S on hub[S]
11	AP8123815	Ring	2	Technical Specifications: Fork with letter S on hub[S]
12	AP8123833	Sleeve plug cpl.	2	Technical Specifications: Fork with letter S on hub[S]
13	AP8123834	O-ring	2	Technical Specifications: Fork with letter S on hub[S]
14	AP8123819	O-ring	2	Technical Specifications: Fork with letter S on hub[S]
15	AP8123820	O-ring	2	Technical Specifications: Fork with letter S on hub[S]
16	AP8123821	Stop ring	2	Technical Specifications: Fork with letter S on hub[S]

Group	FRAME
Code	28.07
Description	Fron fork II
Service	1



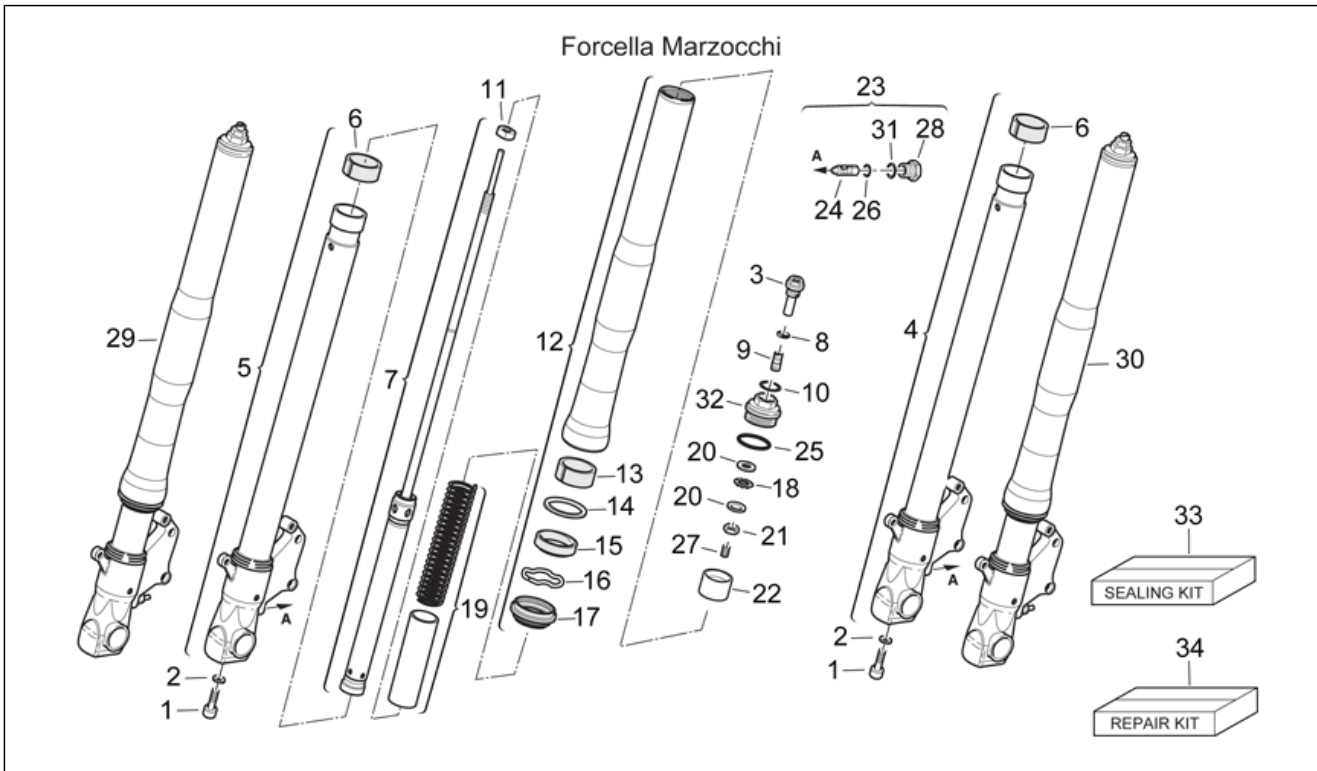
Pos.	Code	Description	Qty	Variants
1	AP8123637	RH hub cpl.	1	Year:2003[3] Vehicle colour:Flamingo Red 2003[fla.r], Oasis Green 2003[o.gr] Technical Specifications:Fork with letter S on hub[S]
1	AP8123637	RH hub cpl.	1	Year:2001[1], 2000[Y] Technical Specifications:Fork with letter S on hub[S]
1	AP8163146	RH hub cpl., gold	1	Year:2003[3] Vehicle colour:Olympic Bronze 2003[o.br] Technical Specifications:Fork with letter S on hub[S]
1	AP8163146	RH hub cpl., gold	1	Year:2002[2] Technical Specifications:Fork with letter S on hub[S]
2	AP8123638	LH hub cpl.	1	Year:2003[3] Vehicle colour:Flamingo Red 2003[fla.r], Oasis Green 2003[o.gr] Technical Specifications:Fork with letter S on hub[S]
2	AP8123638	LH hub cpl.	1	Year:2001[1], 2000[Y] Technical Specifications:Fork with letter S on hub[S]
2	AP8163147	LH hub cpl., gold	1	Year:2003[3] Vehicle colour:Olympic Bronze 2003[o.br] Technical Specifications:Fork with letter S on hub[S]
2	AP8163147	LH hub cpl., gold	1	Year:2002[2] Technical Specifications:Fork with letter S on hub[S]
3	AP8152290	Screw w/ flange M8x40	4	Technical Specifications:Fork with letter S on hub[S]
4	AP8123822	Hub+RH fork leg	1	Technical Specifications:Fork with letter S on hub[S]
5	AP8123823	Hub+LH fork leg	1	Technical Specifications:Fork with letter S on hub[S]
6	AP8123824	Dust cover	2	Technical Specifications:Fork with letter S on hub[S]
7	AP8123806	Circlip	2	Technical Specifications:Fork with letter S on hub[S]
8	AP8123825	Oil seal	2	Technical Specifications:Fork with letter S on hub[S]
9	AP8123827	Bush D.47,1xd.43xh.20	2	Technical Specifications:Fork with letter S on hub[S]
10	AP8123828	Bush D.44,5xd.41,1xh.20	2	Technical Specifications:Fork with letter S on hub[S]
11	AP8123826	Ring	2	Technical Specifications:Fork with letter S on hub[S]
12	AP8123811	Special washer	2	Technical Specifications:Fork with letter S on hub[S]

Group	FRAME
Code	28.07
Description	Fron fork II
Service	1



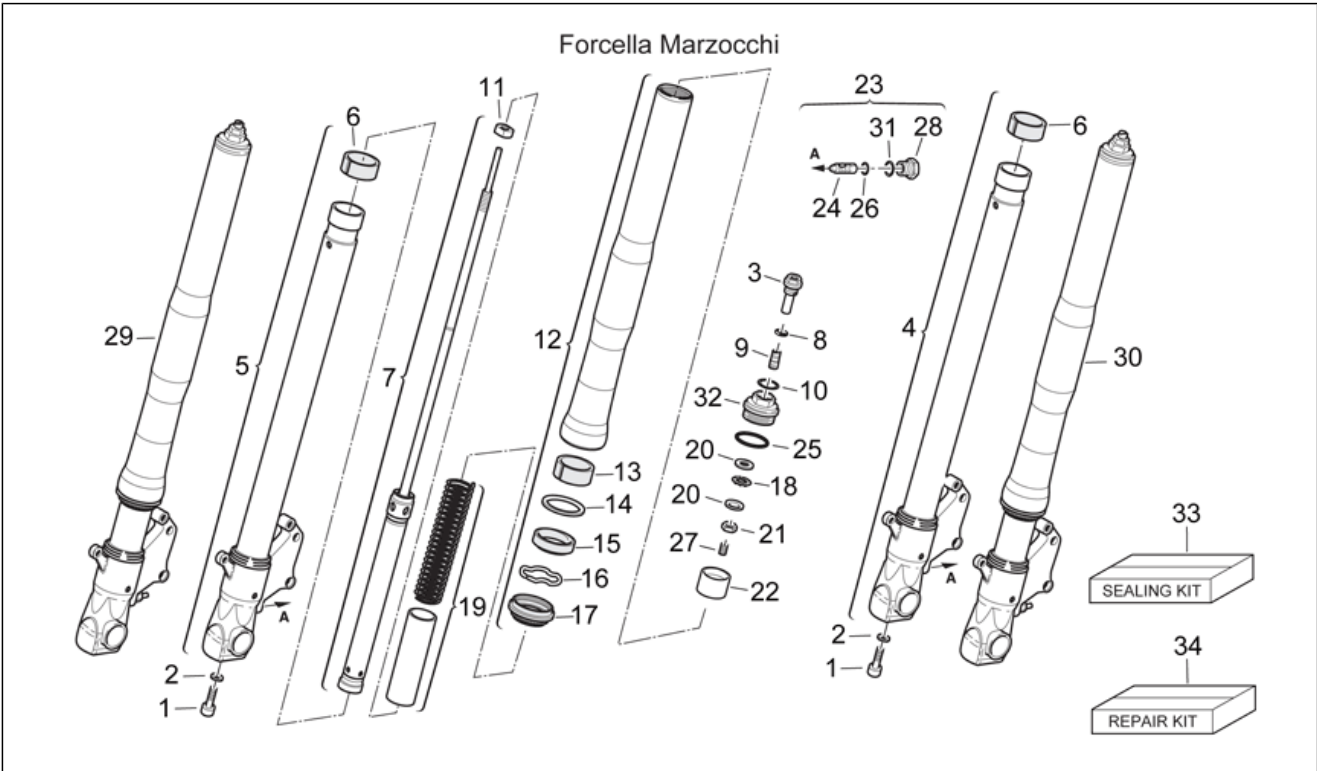
Pos.	Code	Description	Qty	Variants
13	AP8123812	screw M10x1,5	2	Technical Specifications: Fork with letter S on hub[S]

Group	FRAME
Code	28.08
Description	Front fork III
Service	1



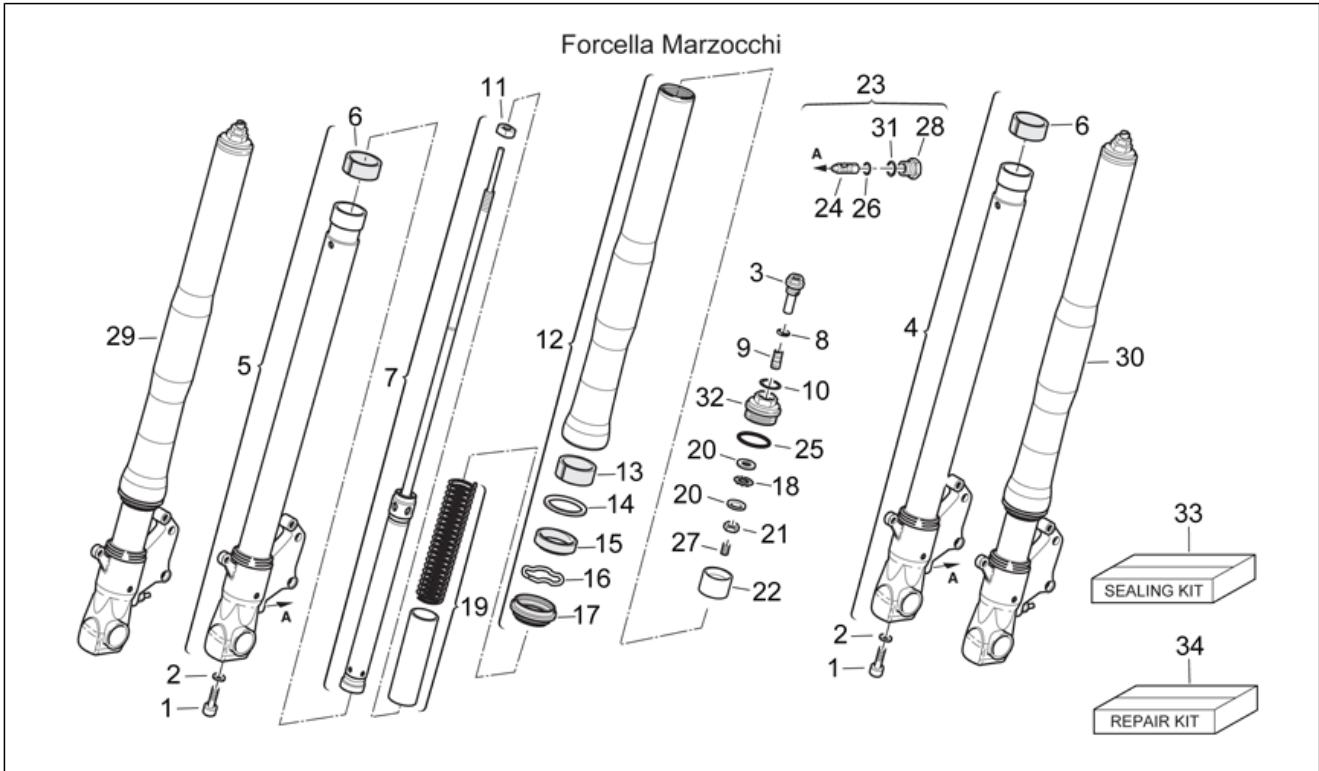
Pos.	Code	Description	Qty	Variants
1	AP8163174	Screw M12x40	2	Year:2002[2], 2003[3] Technical Specifications:Fork with letter M on hub[M]
2	AP8163175	Seal washer	1	Year:2002[2], 2003[3] Technical Specifications:Fork with letter M on hub[M]
3	AP8134863	Pin	2	Year:2002[2], 2003[3] Technical Specifications:Fork with letter M on hub[M]
4	AP8163176	Hub+LH fork leg	1	Year:2002[2], 2003[3] Technical Specifications:Fork with letter M on hub[M]
5	AP8163177	Hub+RH fork leg	1	Year:2002[2], 2003[3] Technical Specifications:Fork with letter M on hub[M]
6	AP8163128	Bush	2	Year:2002[2], 2003[3] Technical Specifications:Fork with letter M on hub[M]
7	AP8163178	Plunger, complete	2	Year:2002[2], 2003[3] Technical Specifications:Fork with letter M on hub[M]
8	AP8163143	O-ring	2	Year:2002[2], 2003[3] Technical Specifications:Fork with letter M on hub[M]
9	AP8150498	Dowel	2	Year:2002[2], 2003[3] Technical Specifications:Fork with letter M on hub[M]
10	AP8163142	O-ring	2	Year:2002[2], 2003[3] Technical Specifications:Fork with letter M on hub[M]
11	AP8163144	Nut M12x1,25	2	Year:2002[2], 2003[3] Technical Specifications:Fork with letter M on hub[M]
12	AP8163179	Sleeve cpl., black	2	Year:2002[2], 2003[3] Technical Specifications:Fork with letter M on hub[M]
12	AP8163250	Sleeve cpl., gold	2	Year:2002[2], 2003[3] Technical Specifications:Fork with letter M on hub[M]
13	AP8163131	Bush	2	Year:2002[2], 2003[3] Technical Specifications:Fork with letter M on hub[M]
14	AP8163132	Ring	2	Year:2002[2], 2003[3] Technical Specifications:Fork with letter M on hub[M]
15	AP8163133	Oil seal	2	Year:2002[2], 2003[3] Technical Specifications:Fork with letter M on hub[M]

Group	FRAME
Code	28.08
Description	Front fork III
Service	1



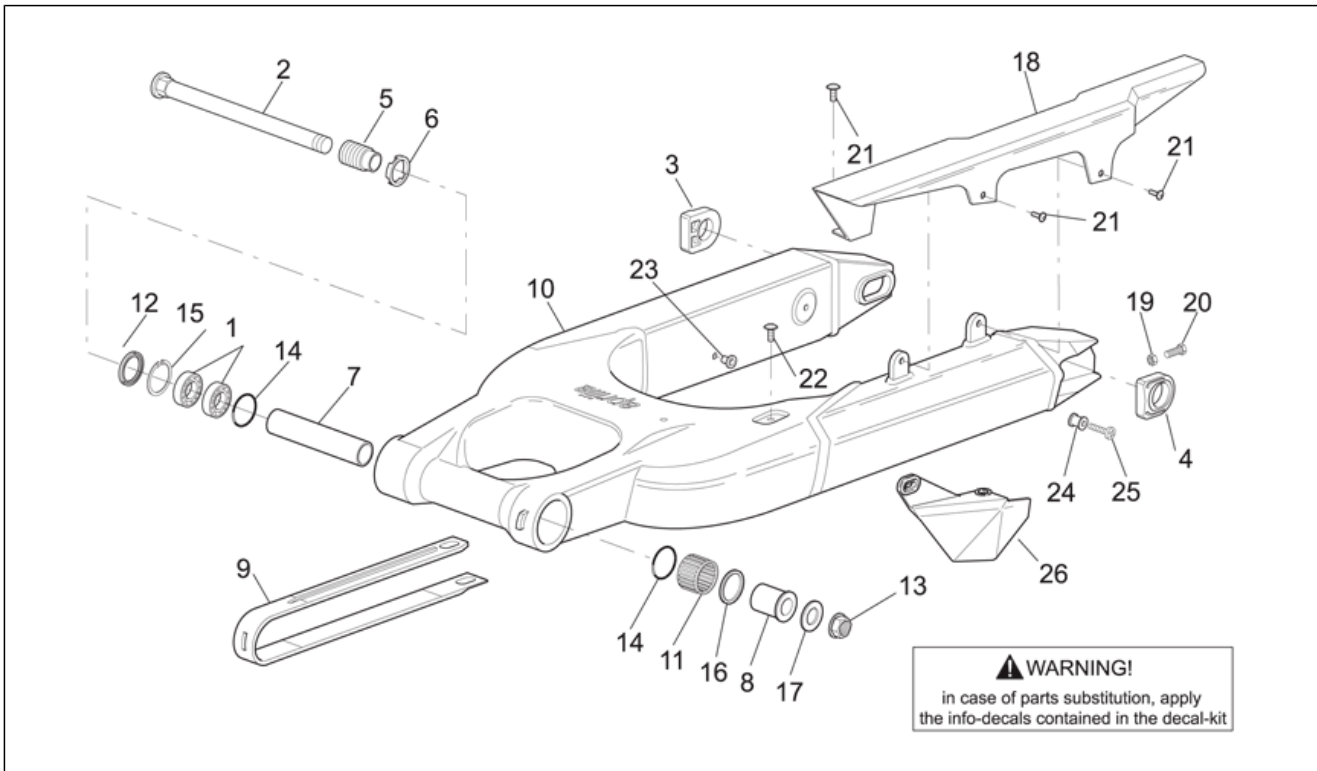
Pos.	Code	Description	Qty	Variants
16	AP8163134	Circlip	2	Year:2002[2], 2003[3] Technical Specifications:Fork with letter M on hub[M]
17	AP8163135	Dust cover	2	Year:2002[2], 2003[3] Technical Specifications:Fork with letter M on hub[M]
18	AP8125895	Bearing	2	Year:2002[2], 2003[3] Technical Specifications:Fork with letter M on hub[M]
19	AP8163180	Springs+tube	2	Year:2002[2], 2003[3] Technical Specifications:Fork with letter M on hub[M]
20	AP8121582	Fifth wheel	4	Year:2002[2], 2003[3] Technical Specifications:Fork with letter M on hub[M]
21	AP8163145	Nut M17x1	2	Year:2002[2], 2003[3] Technical Specifications:Fork with letter M on hub[M]
22	AP8163141	Washer	2	Year:2002[2], 2003[3] Technical Specifications:Fork with letter M on hub[M]
23	AP8163187	Cover registro cpl.	2	Year:2002[2], 2003[3] Technical Specifications:Fork with letter M on hub[M]
24	AP8163186	Pin	2	Year:2002[2], 2003[3] Technical Specifications:Fork with letter M on hub[M]
25	AP8163138	O-ring	2	Year:2002[2], 2003[3] Technical Specifications:Fork with letter M on hub[M]
26	AP8163185	O-ring	2	Year:2002[2], 2003[3] Technical Specifications:Fork with letter M on hub[M]
27	AP8150497	Dowel	2	Year:2002[2], 2003[3] Technical Specifications:Fork with letter M on hub[M]
28	AP8163184	Cover registro	2	Year:2002[2], 2003[3] Technical Specifications:Fork with letter M on hub[M]
29	AP8163181	RH hub cpl., black	1	Year:2002[2], 2003[3] Technical Specifications:Fork with letter M on hub[M]
29	AP8163251	RH hub cpl., gold	1	Year:2002[2], 2003[3] Technical Specifications:Fork with letter M on hub[M]
30	AP8163182	LH hub cpl., black	1	Year:2002[2], 2003[3] Technical Specifications:Fork with letter M on hub[M]

Group	FRAME
Code	28.08
Description	Front fork III
Service	1



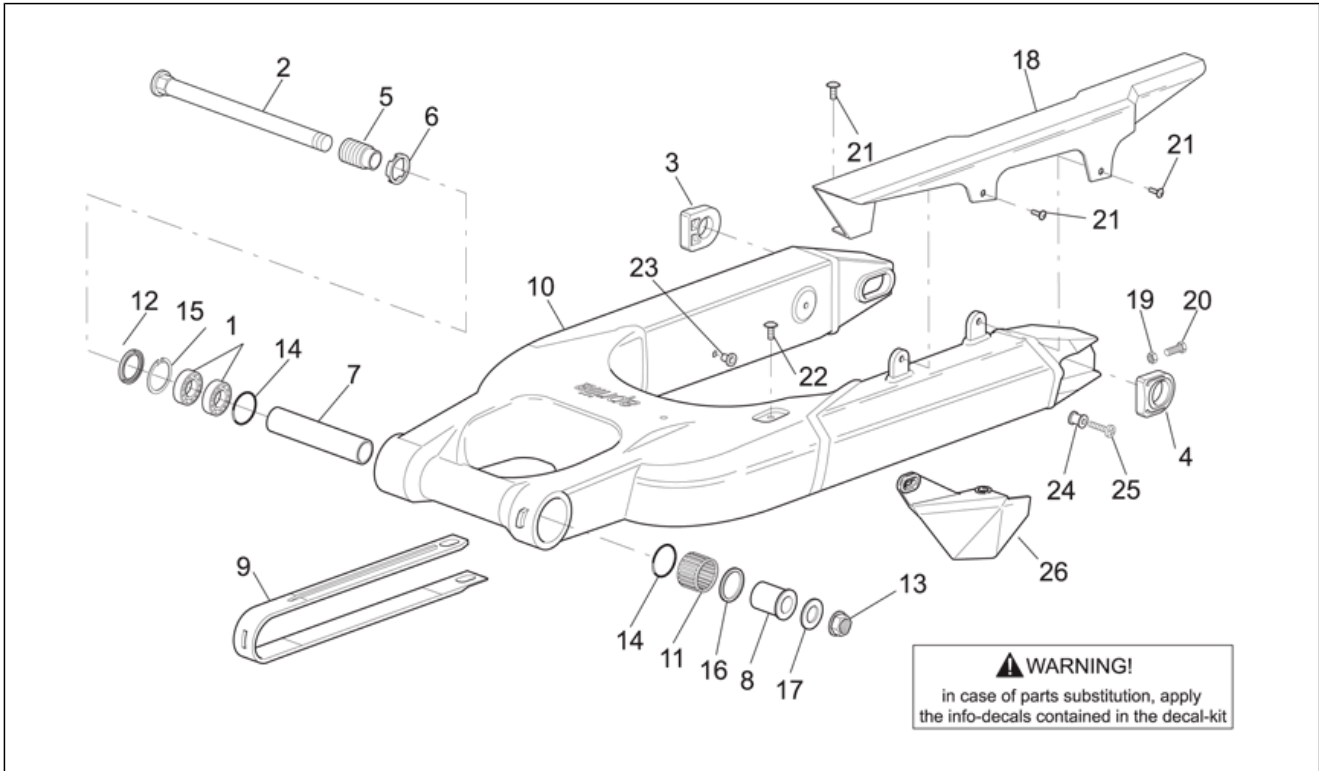
Pos.	Code	Description	Qty	Variants
30	AP8163252	LH hub cpl., gold	1	Year:2002[2], 2003[3] Technical Specifications: Fork with letter M on hub[M]
31	AP8163183	O-ring	2	Year:2002[2], 2003[3] Technical Specifications: Fork with letter M on hub[M]
32	AP8163253	Sleeve plug	2	Year:2002[2], 2003[3] Technical Specifications: Fork with letter M on hub[M]
33	AP8163172	Front fork revision kit	1	Year:2002[2], 2003[3] Technical Specifications: Fork with letter M on hub[M]
34	AP8163173	Repairing kit	1	Year:2002[2], 2003[3] Technical Specifications: Fork with letter M on hub[M]

Group	FRAME
Code	28.09
Description	Swing arm
Service	1



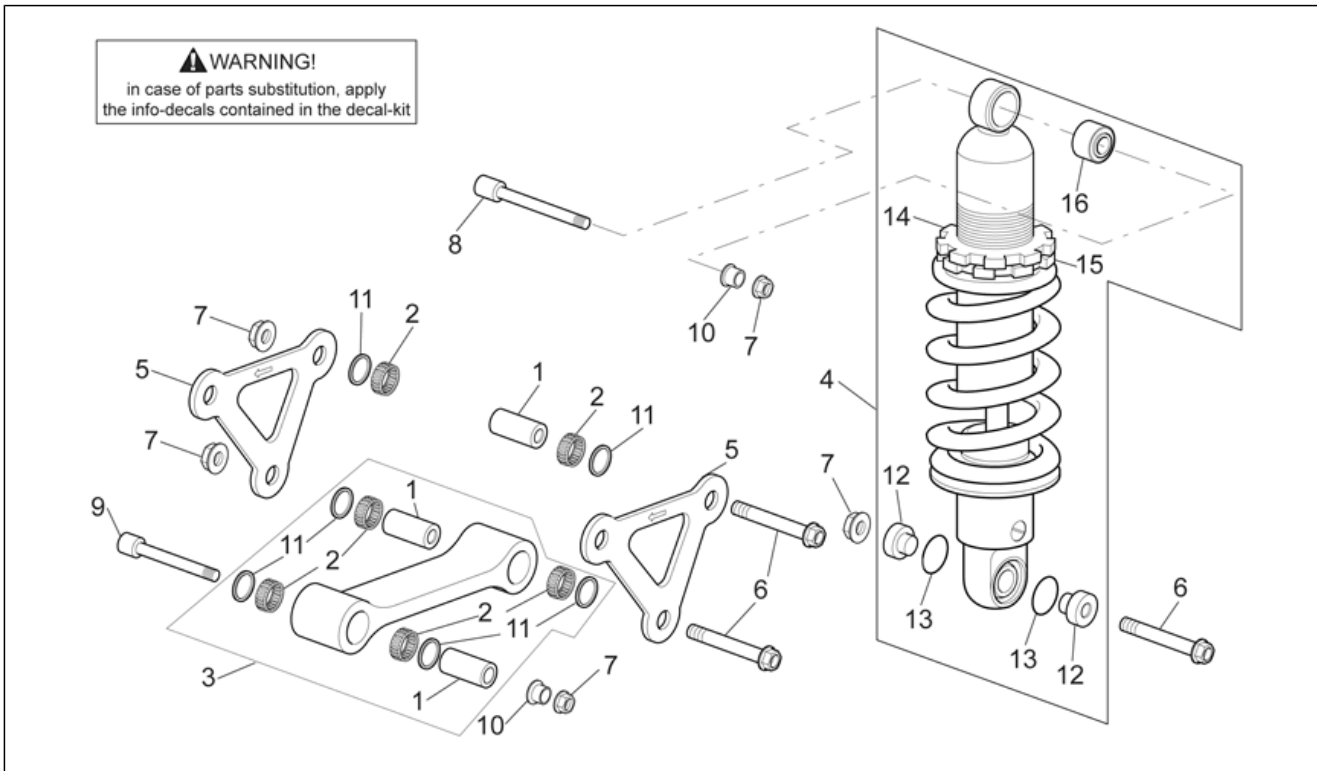
Pos.	Code	Description	Qty	Variants
1	AP8110079	Ball bearing	2	
2	AP8125830	Rear swing arm pin	1	
3	AP8120985	RH chain guide plate	1	
4	AP8120986	LH chain guide plate	1	
5	AP8121200	Adjustment bush	1	
6	AP8121201	Swing arm ring nut	1	
7	AP8121202	Internal spacer	1	
8	AP8121203	Rear int.sw.arm piv.bush	1	
9	AP8144052	Chain guide plate	1	
10	AP8146012	Swing arm	1	Country: Austria[A], Australia[AA], Australia[AUS], Belgium[B], Belgium[BB], Switzerland[CH], Germany[D], Denmark[DK], Spain[E], A, CH, D, DK, GR, E, I, NL, P[EU], France[F], France[FF], Greece[GR], Italy[I], Japan[J], Japan[JJ], Holland[NL], Portugal[P], Great Britain[UK]
10	AP8146352	Swing arm	1	Country: USA (49 Countries Approval)[AM], USA (California Approval)[CF], United States of America[USA]
11	AP8110078	Needle bearing	1	
12	AP8144006	Gasket ring	1	
13	AP8125763	Rear wheel spindle nut	1	
14	AP8144048	O-ring 134	2	
15	AP8121204	Inside circlip d37	1	
16	AP8144005	Gasket ring	1	
17	AP8125687	Wheel pin washer	1	
18	AP8138790	Chain guard	1	Year: 2001[1], 2000[Y]
18	AP8158772	Chain guard	1	Year: 2002[2], 2003[3]
19	AP8150334	Nut	2	
20	AP8152305	Chain tens.adjuster screw	2	
21	AP8152339	Screw w/ flange M5x9	3	
22	AP8152339	Screw w/ flange M5x9	2	

Group	FRAME
Code	28.09
Description	Swing arm
Service	1



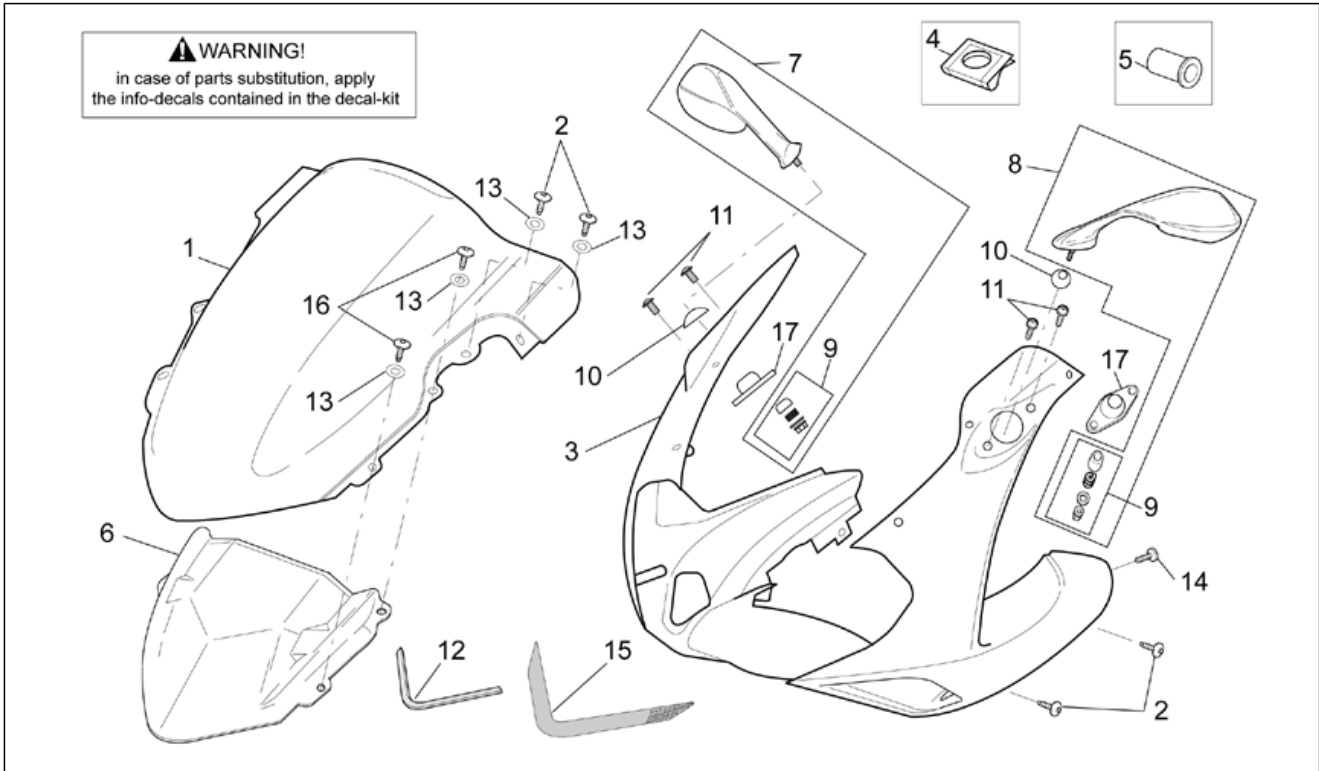
Pos.	Code	Description	Qty	Variants
23	AP8120531	Rubber w/ insert *	1	
24	AP8148824	Maintenance	1	
25	AP8150468	Screw M6x40	1	
26	AP8144321	Chain guide plate	1	Country:USA (49 Countries Approval)[AM], USA (California Approval)[CF], United States of America[USA]

Group	FRAME
Code	28.10
Description	Connecting rod - rear shock abs.
Service	1



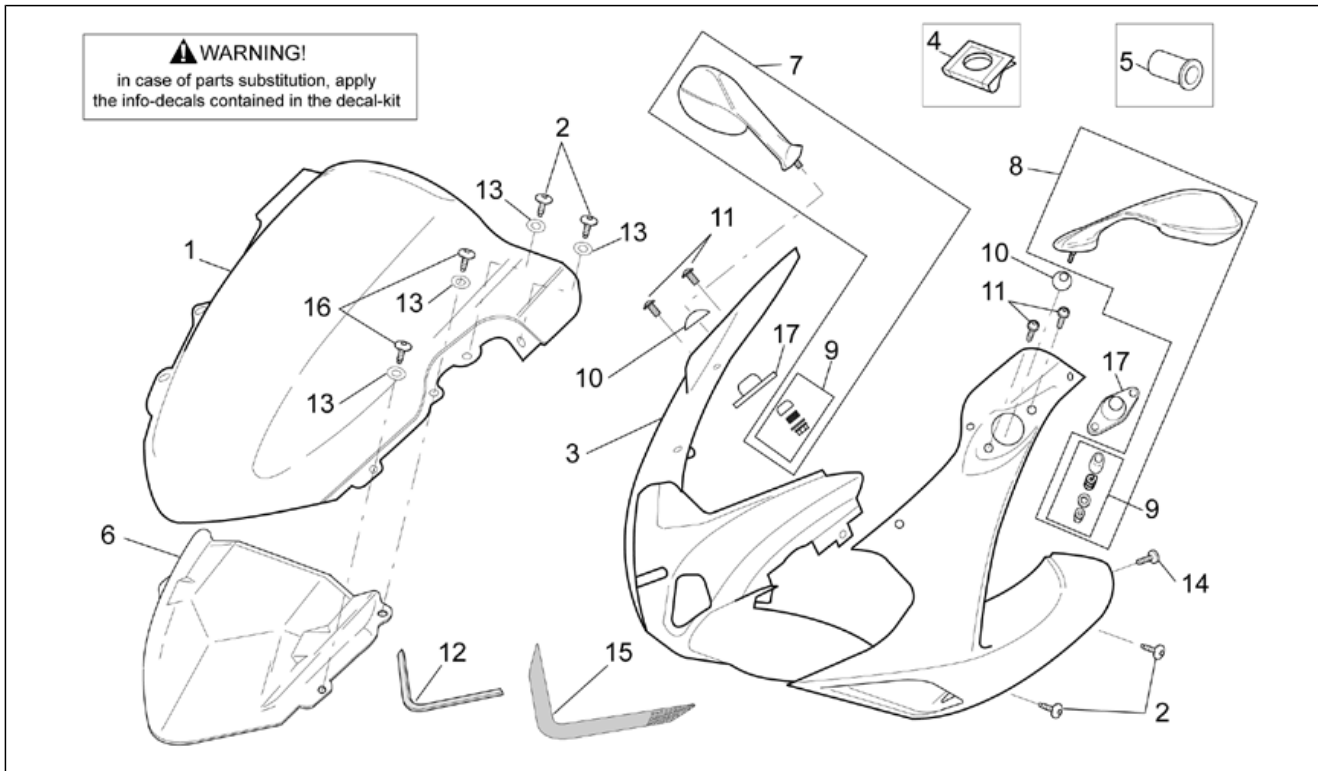
Pos.	Code	Description	Qty	Variants
1	AP8135924	Double connecting rod pin L40	3	
2	AP8110065	Needle bearing	6	
3	AP8146272	Single conrod comp.	1	
4	AP8123688	Shock absorber	1	
5	AP8135916	Double conrod	2	
6	AP8152322	Screw w/ flange M10x65	3	
7	AP8152301	Self-locking nut	5	
8	AP8150458	Hex socket screw M10x63	1	
9	AP8150457	Hex socket screw M10x74	1	
10	AP8121155	T bush *	2	
11	AP8110068	Oil seal D18x24x3	6	
12	AP8123870	T bush	2	
13	AP8123860	O-ring	2	
14	AP8121437	Return ring nut	1	
15	AP8121438	Ring nut	1	
16	AP8144314	Silent-block	1	

Group	FRAME
Code	28.11
Description	Front body - Front fairing
Service	1



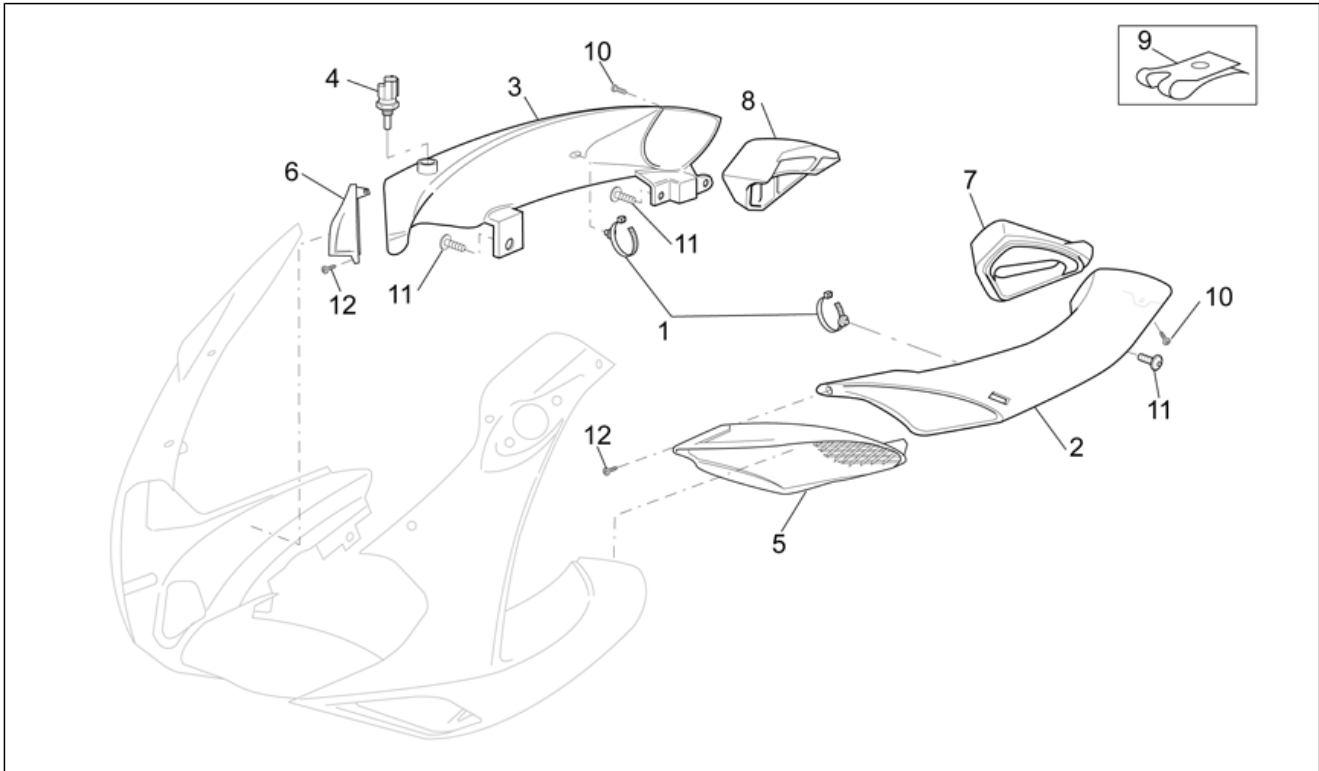
Pos.	Code	Description	Qty	Variants
1	AP8139351	Windshield	1	Year: 2003[3] Country: Austria[A], Belgium[B], Belgium[BB], Switzerland[CH], Germany[D], Denmark[DK], Spain[E], A, CH, D, DK, GR, E, I, NL, P[EU], France[F], France[FF], Greece[GR], Italy[I], Japan[J], Japan[JJ], Holland[NL], Portugal[P], Great Britain[UK]
1	AP8139351	Windshield	1	Year: 2001[1], 2000[Y] Country: Austria[A], Belgium[B], Belgium[BB], Switzerland[CH], Germany[D], Denmark[DK], Spain[E], A, CH, D, DK, GR, E, I, NL, P[EU], France[F], France[FF], Greece[GR], Italy[I], Japan[J], Japan[JJ], Holland[NL], Portugal[P], Great Britain[UK]
1	AP8149036	Windshield	1	Country: Australia[AA], USA (49 Countries Approval)[AM], Australia[AUS], USA (California Approval)[CF], United States of America[USA]
1	AP8158783	Windshield	1	Year: 2002[2] Country: Austria[A], Belgium[B], Belgium[BB], Switzerland[CH], Germany[D], Denmark[DK], Spain[E], A, CH, D, DK, GR, E, I, NL, P[EU], France[F], France[FF], Greece[GR], Italy[I], Japan[J], Japan[JJ], Holland[NL], Portugal[P], Great Britain[UK]
2	AP8152298	Screw w/ flange M5x16	6	
3	AP8148632	Front fairing, red fire	1	Year: 2000[Y] Vehicle colour: Red Fire 2000[f.red]
3	AP8148645	Front fairing, black c.	1	Year: 2000[Y] Vehicle colour: Black Crow 2000[c.bla]
3	AP8149655	Front fairing, f.yellow	1	Year: 2001[1] Vehicle colour: Flashy Yellow 2001[f.yel]
3	AP8149764	Front fairing, m.grey	1	Year: 2001[1] Vehicle colour: Mercury Grey 2001[m.gre]
3	AP8149789	Front fairing, blue	1	Year: 2001[1] Vehicle colour: Speed Blu 2001[s.blu]
3	AP8158763	Front fairing, red/black	1	Year: 2002[2] Vehicle colour: Hot Red / Diablo Black 2002[hr/bd]

Group	FRAME
Code	28.11
Description	Front body - Front fairing
Service	1



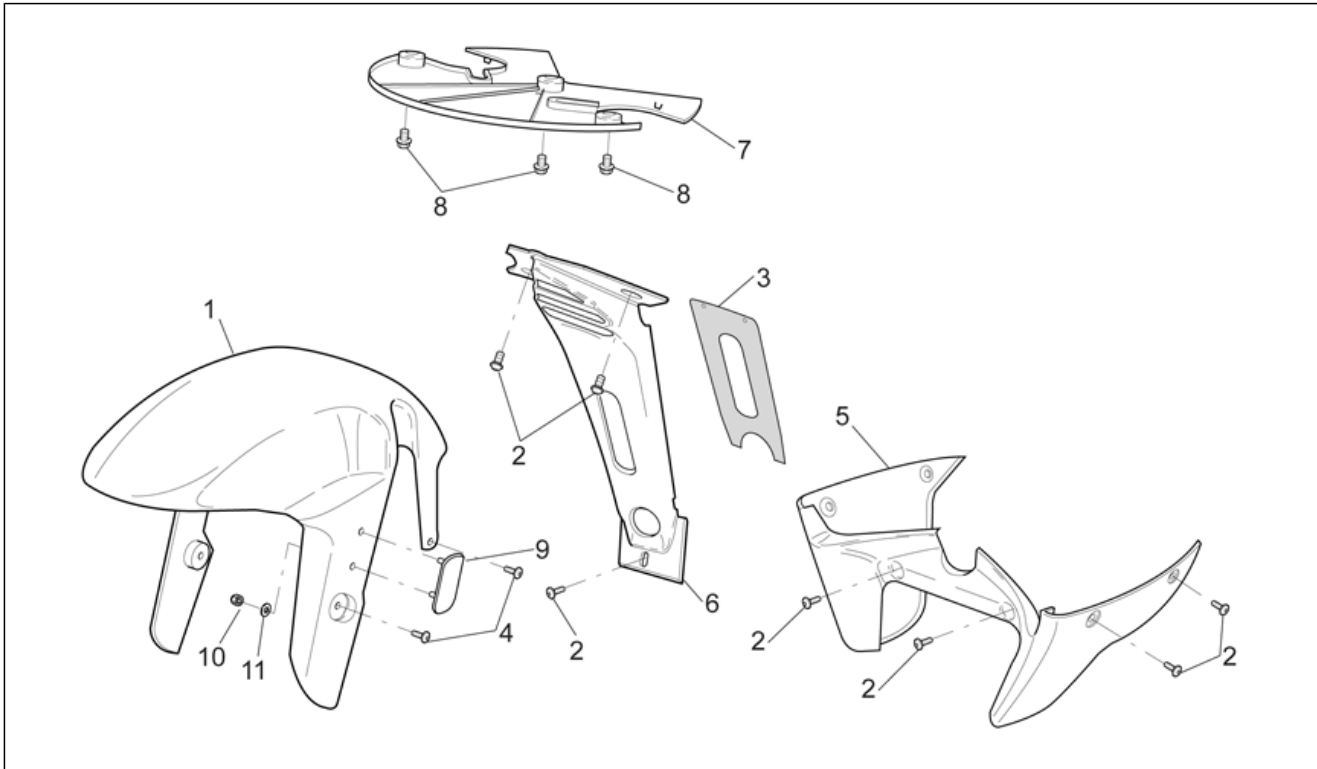
Pos.	Code	Description	Qty	Variants
3	AP8158833	Front fairing, grey/black	1	Year:2002[2] Vehicle colour:Plomb Grey / Diablo Black 2002[pg/bd]
3	AP8168956	Front fairing, red/black	1	Year:2003[3] Vehicle colour:Flamingo Red 2003[fla.r]
3	AP8168962	Front fairing, black/bronze	1	Year:2003[3] Vehicle colour:Olympic Bronze 2003[o.br]
3	AP8168968	Front fairing, black/green	1	Year:2003[3] Vehicle colour:Oasis Green 2003[o.gr]
4	AP8102375	Clip m5	4	
5	AP8120531	Rubber w/ insert *	6	
6	AP8139362	Front fairing-dashboard lockup	1	
7	AP8104080	RH rearview mirror, black	1	
8	AP8104081	LH rearview mirror, black	1	
9	AP8104155	Mirror insertion kit	2	
10	AP8102341	Mirror joint cup	2	
11	AP8152246	Screw w/ flange	4	
12	AP8144290	Gasket	1	
13	AP8120622	Front dust cover ring	4	
14	AP8152302	Screw w/ flange M5x12	2	
15	AP8157716	Front fairing glass decal	1	Country:Australia[AA], USA (49 Countries Approval)[AM], Australia[AUS], USA (California Approval)[CF], United States of America[USA]
16	AP8152338	Screw w/ flange	4	
17	AP8104160	Spheric support	2	

Group	FRAME
Code	28.12
Description	Front body - Duct
Service	1



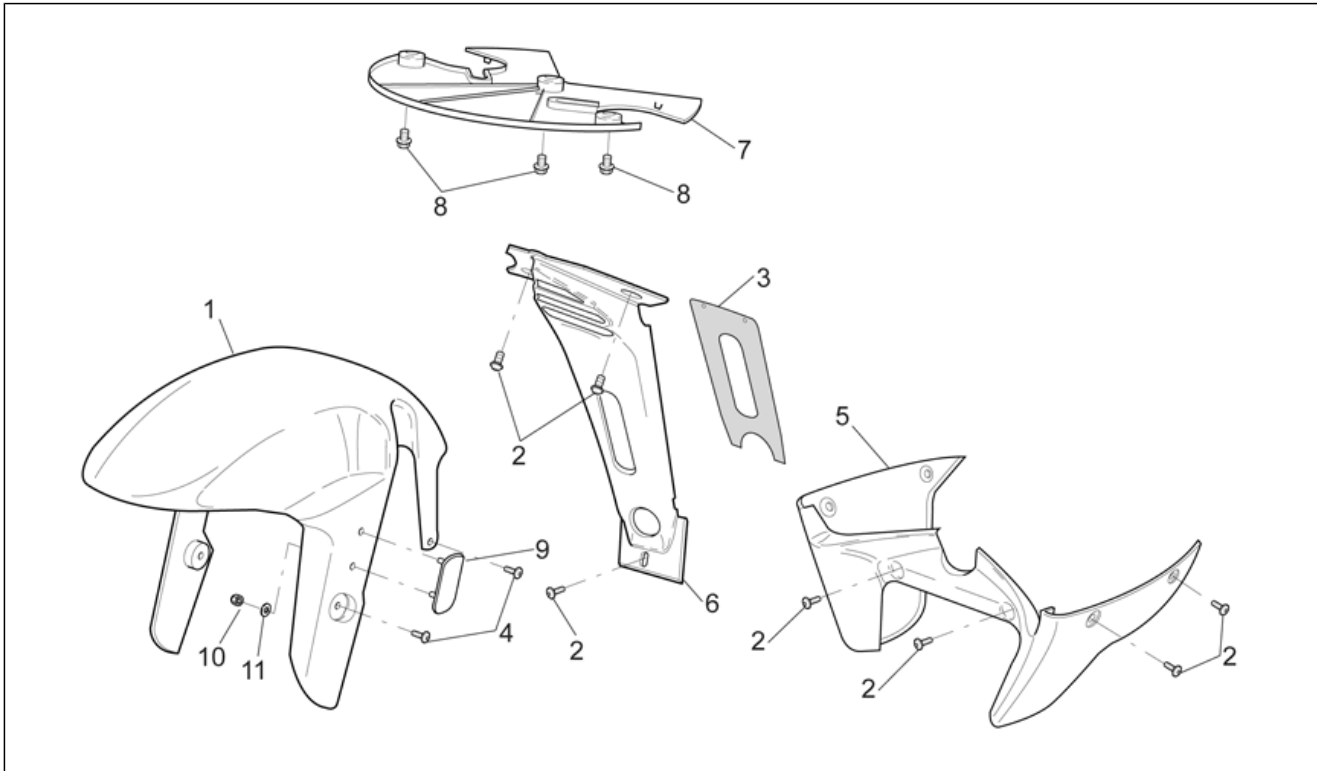
Pos.	Code	Description	Qty	Variants
1	AP8201539	Hose clamp	2	
2	AP8139364	LH int.duct, black	1	
3	AP8139363	RH int.duct, black	1	
4	AP8124300	Air temp. Sensor	1	
5	AP8139633	Air intake grid, LH	1	
6	AP8139634	Air intake grid, RH	1	
7	AP8144258	LH duct gasket	1	
8	AP8104075	RH duct gasket	1	
9	AP8102375	Clip m5	6	
10	AP8150423	Screw 4,2x25*	2	
11	AP8152298	Screw w/ flange M5x16	4	
12	AP8150270	Screw 4,2x20*	2	

Group	FRAME
Code	28.13
Description	Front body - Front mudguard
Service	1



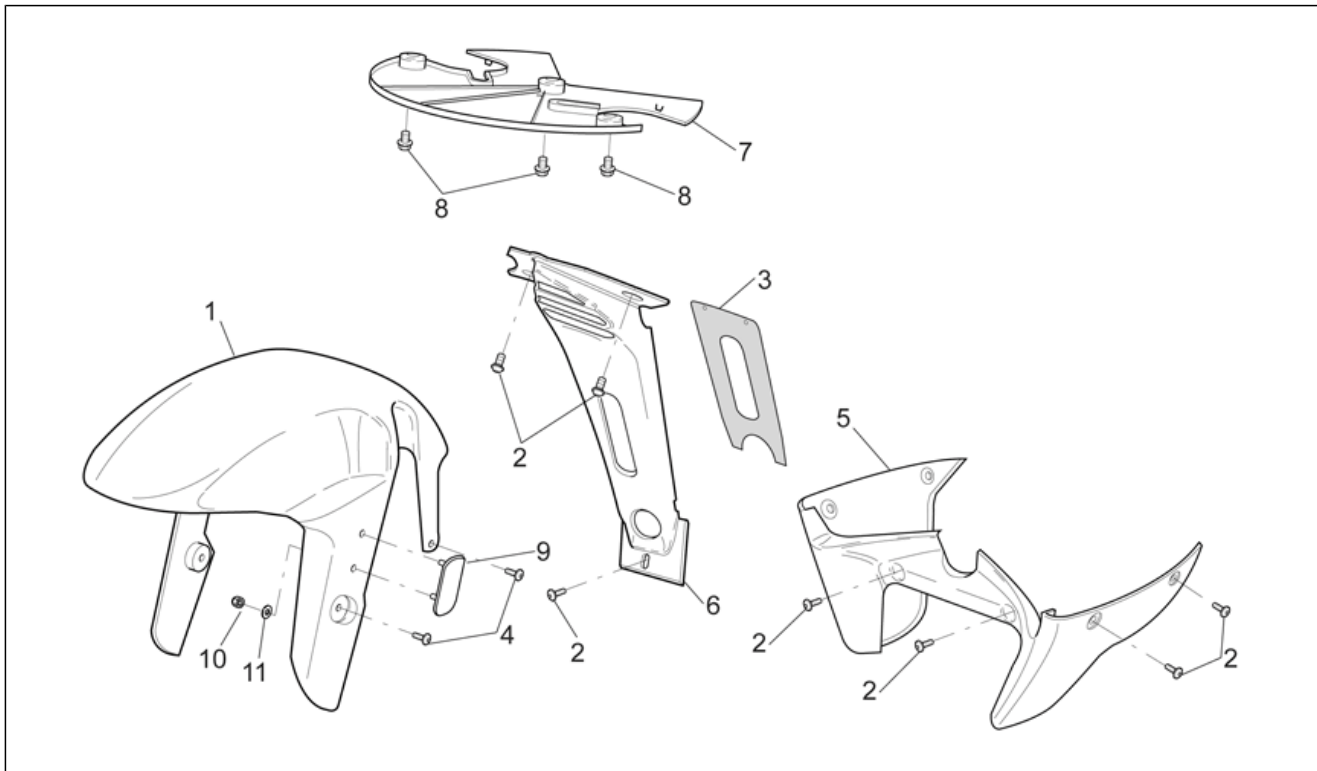
Pos.	Code	Description	Qty	Variants
1	AP8126797	Front mudguard, red fire	1	Year: 2000[Y] Vehicle colour: Red Fire 2000[f.red] Country: Austria[A], Australia[AA], Australia[AUS], Belgium[B], Belgium[BB], Switzerland[CH], Germany[D], Denmark[DK], Spain[E], A, CH, D, DK, GR, E, I, NL, P[EU], France[F], France[FF], Greece[GR], Italy[I], Japan[J], Japan[JJ], Holland[NL], Portugal[P], Great Britain[UK]
1	AP8126798	Front mudguard, black c.	1	Year: 2000[Y] Vehicle colour: Black Crow 2000[c.bla] Country: Austria[A], Australia[AA], Australia[AUS], Belgium[B], Belgium[BB], Switzerland[CH], Germany[D], Denmark[DK], Spain[E], A, CH, D, DK, GR, E, I, NL, P[EU], France[F], France[FF], Greece[GR], Italy[I], Japan[J], Japan[JJ], Holland[NL], Portugal[P], Great Britain[UK]
1	AP8126852	Front mudguard, red fire	1	Year: 2000[Y] Vehicle colour: Red Fire 2000[f.red] Country: USA (49 Countries Approval)[AM], USA (California Approval)[CF], United States of America[USA]
1	AP8126857	Front mudguard, black c.	1	Year: 2000[Y] Vehicle colour: Black Crow 2000[c.bla] Country: USA (49 Countries Approval)[AM], USA (California Approval)[CF], United States of America[USA]
1	AP8126890	Front mudguard, yellow	1	Year: 2001[1] Vehicle colour: Flashy Yellow 2001[f.yel] Country: Austria[A], Australia[AA], Australia[AUS], Belgium[B], Belgium[BB], Switzerland[CH], Germany[D], Denmark[DK], Spain[E], A, CH, D, DK, GR, E, I, NL, P[EU], France[F], France[FF], Greece[GR], Italy[I], Japan[J], Japan[JJ], Holland[NL], Portugal[P], Great Britain[UK]
1	AP8126891	Front mudguard, yellow	1	Year: 2001[1] Vehicle colour: Flashy Yellow 2001[f.yel] Country: USA (49 Countries Approval)[AM], USA (California Approval)[CF], United States of America[USA]
1	AP8126906	Front mudguard, grey	1	Year: 2001[1] Vehicle colour: Mercury Grey 2001[m.gre]

Group	FRAME
Code	28.13
Description	Front body - Front mudguard
Service	1



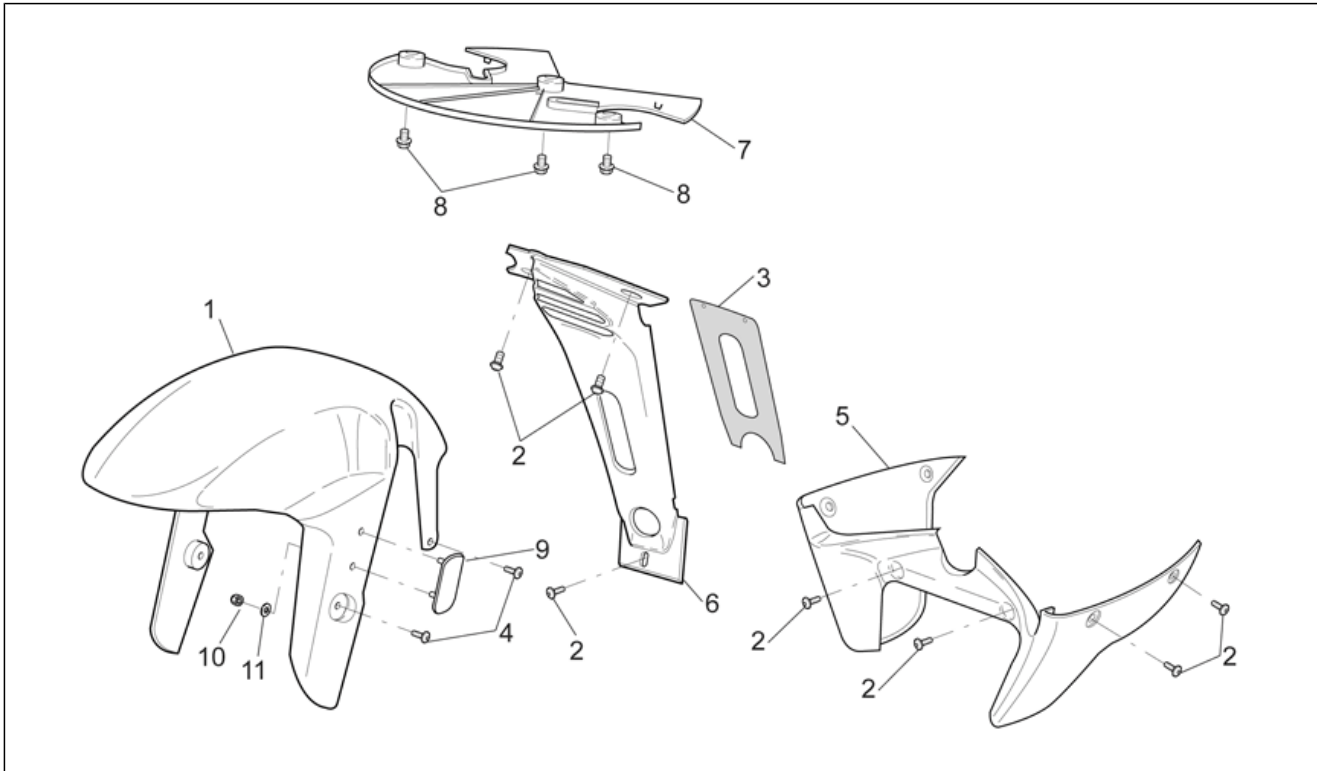
Pos.	Code	Description	Qty	Variants
				Country: Austria[A], Australia[AA], Australia[AUS], Belgium[B], Belgium[BB], Switzerland[CH], Germany[D], Denmark[DK], Spain[E], A, CH, D, DK, GR, E, I, NL, P[EU], France[F], France[FF], Greece[GR], Italy[I], Japan[J], Japan[JJ], Holland[NL], Portugal[P], Great Britain[UK]
1	AP8126907	Front mudguard, grey	1	Year: 2001[1] Vehicle colour: Mercury Grey 2001[m.gre] Country: USA (49 Countries Approval)[AM], USA (California Approval)[CF], United States of America[USA]
1	AP8126914	Front mudguard, blue	1	Year: 2001[1] Vehicle colour: Speed Blu 2001[s.blu] Country: Austria[A], Australia[AA], Australia[AUS], Belgium[B], Belgium[BB], Switzerland[CH], Germany[D], Denmark[DK], Spain[E], A, CH, D, DK, GR, E, I, NL, P[EU], France[F], France[FF], Greece[GR], Italy[I], Japan[J], Japan[JJ], Holland[NL], Portugal[P], Great Britain[UK]
1	AP8126915	Front mudguard, blue	1	Year: 2001[1] Vehicle colour: Speed Blu 2001[s.blu] Country: USA (49 Countries Approval)[AM], USA (California Approval)[CF], United States of America[USA]
1	AP8126988	Front mudguard, black	1	Year: 2002[2] Country: Austria[A], Australia[AA], Australia[AUS], Belgium[B], Belgium[BB], Switzerland[CH], Germany[D], Denmark[DK], Spain[E], A, CH, D, DK, GR, E, I, NL, P[EU], France[F], France[FF], Greece[GR], Italy[I], Japan[J], Japan[JJ], Holland[NL], Portugal[P], Great Britain[UK]
1	AP8126989	Front mudguard, black	1	Year: 2002[2] Country: USA (49 Countries Approval)[AM], USA (California Approval)[CF], United States of America[USA]
1	AP8156080	Front mudguard, red	1	Year: 2003[3] Vehicle colour: Flamingo Red 2003[fla.r] Country: Austria[A], Australia[AA], Australia[AUS], Belgium[B], Belgium[BB], Switzerland[CH], Germany[D], Denmark[DK], Spain[E], A, CH, D, DK, GR, E, I, NL, P[EU], France[F], France[FF], Greece[GR], Italy[I], Japan[J], Japan[JJ], Holland[NL], Portugal[P], Great Britain[UK]

Group	FRAME
Code	28.13
Description	Front body - Front mudguard
Service	1



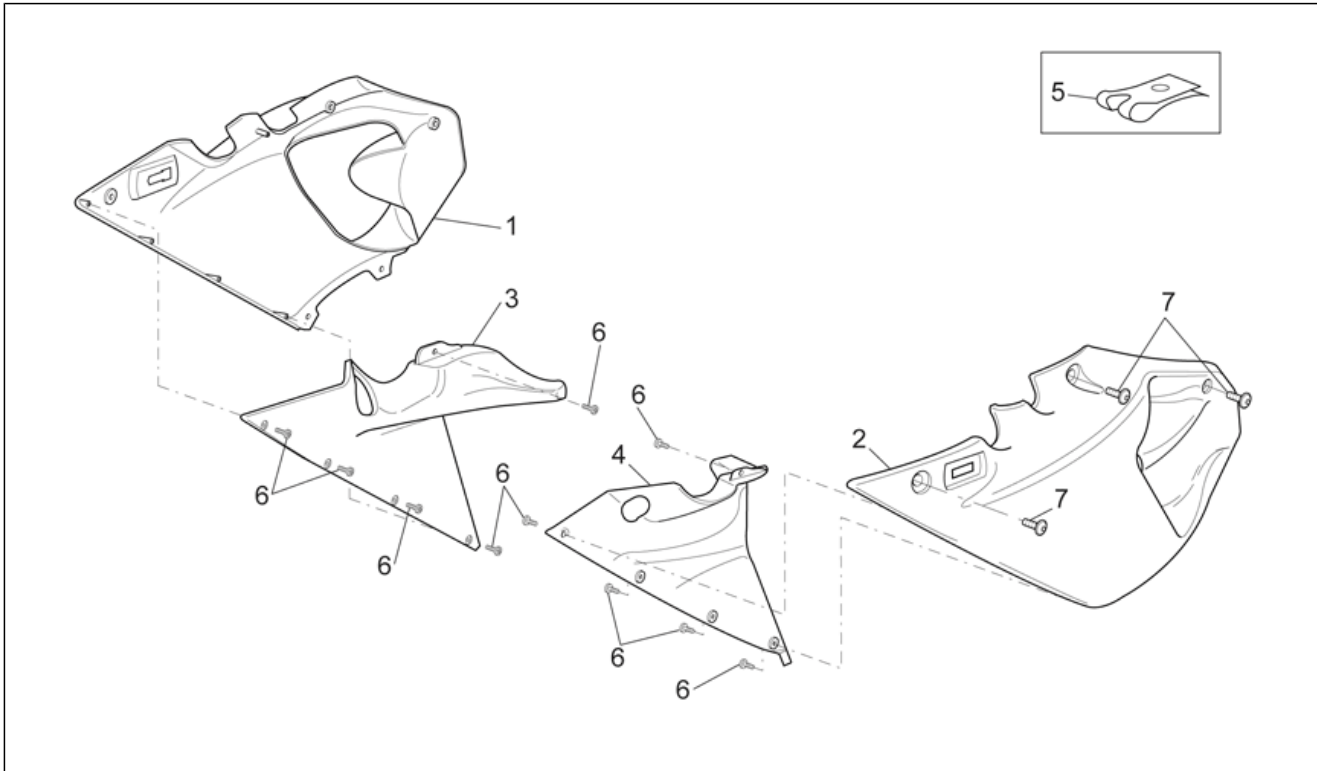
Pos.	Code	Description	Qty	Variants
1	AP8156081	Front mudguard, red	1	Year: 2003[3] Vehicle colour: Flamingo Red 2003[fla.r] Country: USA (49 Countries Approval)[AM], USA (California Approval)[CF], United States of America[USA]
1	AP8156082	Front mudguard, bronze	1	Year: 2003[3] Vehicle colour: Olympic Bronze 2003[o.br] Country: Austria[A], Australia[AA], Australia[AUS], Belgium[B], Belgium[BB], Switzerland[CH], Germany[D], Denmark[DK], Spain[E], A, CH, D, DK, GR, E, I, NL, P[EU], France[F], France[FF], Greece[GR], Italy[I], Japan[J], Japan[J], Holland[NL], Portugal[P], Great Britain[UK]
1	AP8156083	Front mudguard, bronze	1	Year: 2003[3] Vehicle colour: Olympic Bronze 2003[o.br] Country: USA (49 Countries Approval)[AM], USA (California Approval)[CF], United States of America[USA]
1	AP8156084	Front mudguard, green	1	Year: 2003[3] Vehicle colour: Oasis Green 2003[o.gr] Country: Austria[A], Australia[AA], Australia[AUS], Belgium[B], Belgium[BB], Switzerland[CH], Germany[D], Denmark[DK], Spain[E], A, CH, D, DK, GR, E, I, NL, P[EU], France[F], France[FF], Greece[GR], Italy[I], Japan[J], Japan[J], Holland[NL], Portugal[P], Great Britain[UK]
1	AP8156085	Front mudguard, green	1	Year: 2003[3] Vehicle colour: Oasis Green 2003[o.gr] Country: USA (49 Countries Approval)[AM], USA (California Approval)[CF], United States of America[USA]
2	AP8152246	Screw w/ flange	7	
3	AP8117129	Spoiler heat protection	1	
4	AP8152339	Screw w/ flange M5x9	4	
5	AP8139692	Lower fairing, grey	1	Year: 2000[Y]
5	AP8149666	Lower fairing, grey	1	Year: 2001[1]
5	AP8158773	Lower fairing, black	1	Year: 2002[2], 2003[3]
6	AP8139367	Cooler spoiler, grey	1	

Group	FRAME
Code	28.13
Description	Front body - Front mudguard
Service	1



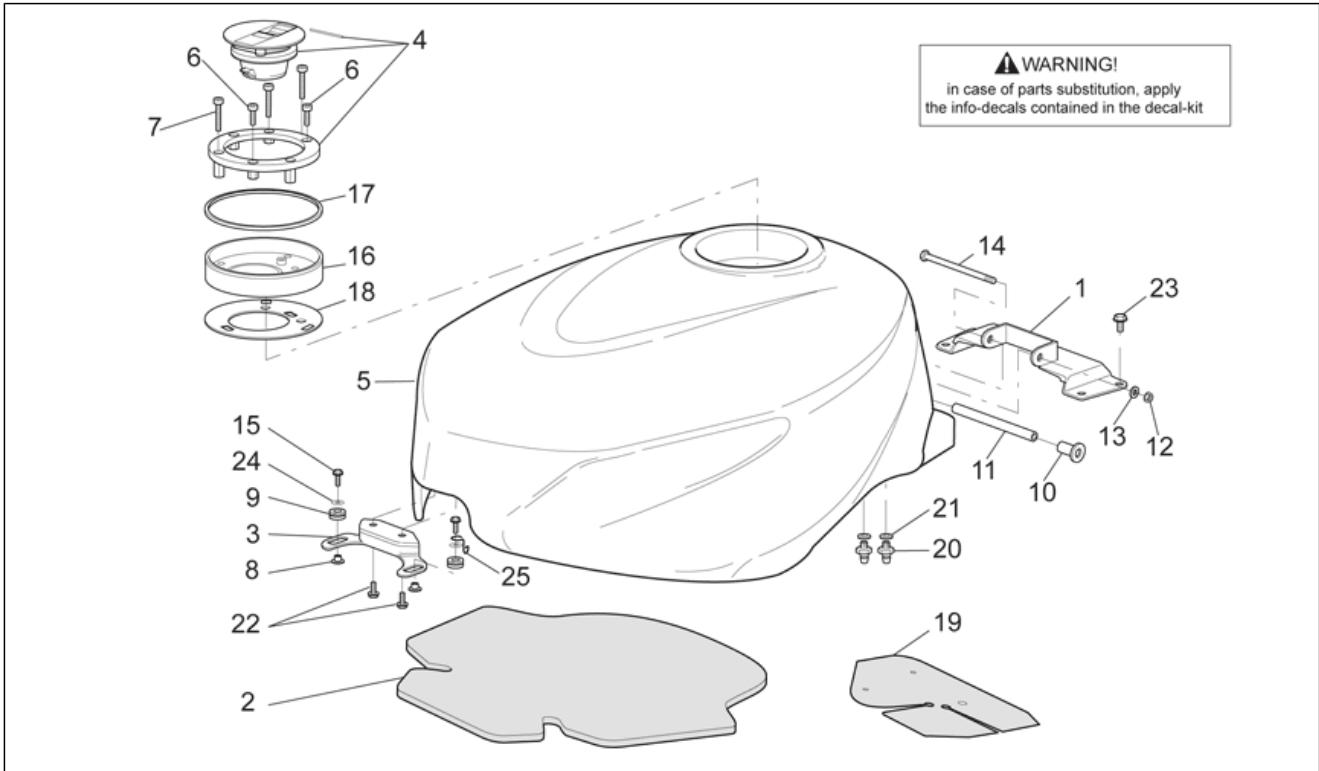
Pos.	Code	Description	Qty	Variants
7	AP8148551	Front fairing lower lockup	1	
8	AP8152277	Screw w/ flange M6x12	3	
9	AP8124719	Reflector, amber	1	Country:USA (49 Countries Approval)[AM], USA (California Approval)[CF], United States of America[USA]
10	AP8150204	Nut M4	4	Country:USA (49 Countries Approval)[AM], USA (California Approval)[CF], United States of America[USA]
11	AP8150158	Washer 4,3x9x0,8*	4	Country:USA (49 Countries Approval)[AM], USA (California Approval)[CF], United States of America[USA]

Group	FRAME
Code	28.14
Description	Central body - Fairings
Service	1



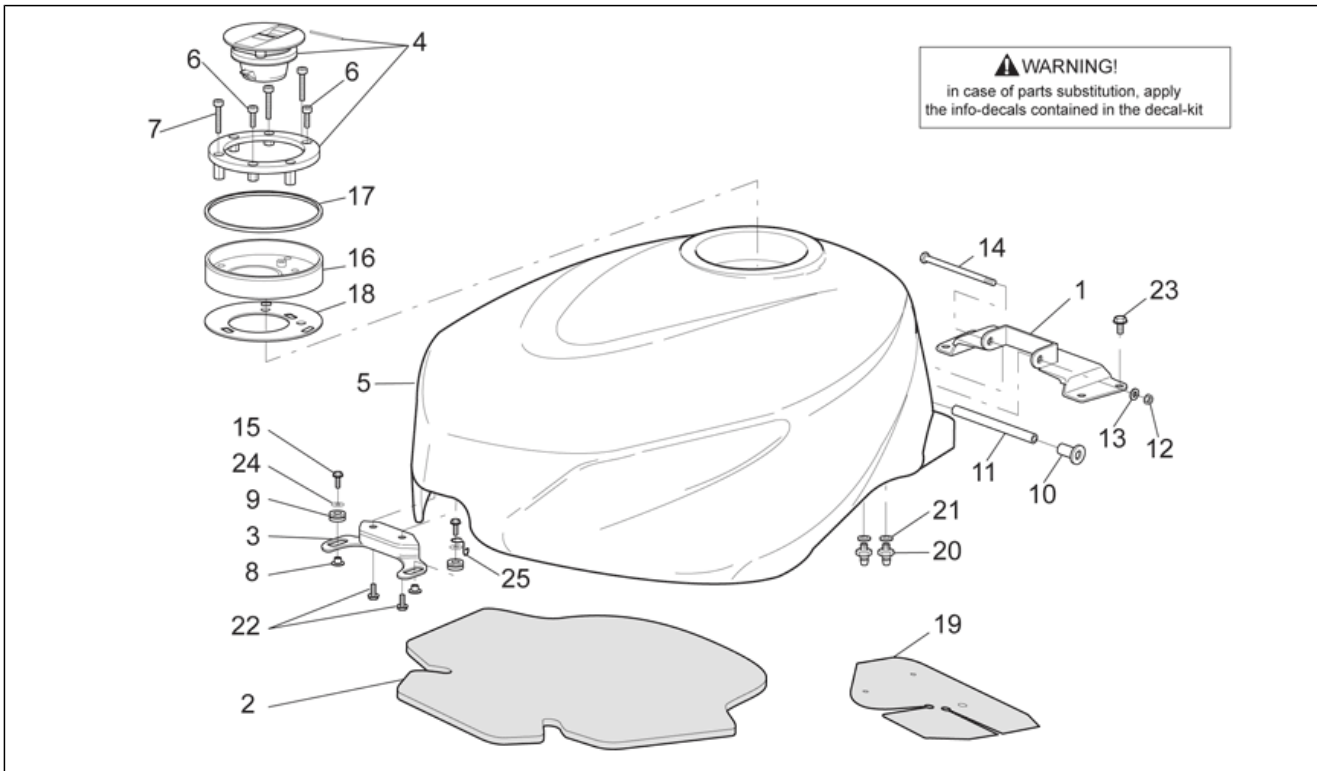
Pos.	Code	Description	Qty	Variants
1	AP8148633	RH lat.fairing, red fire	1	Year:2000[Y] Vehicle colour:Red Fire 2000[f.red]
1	AP8148646	RH lat.fairing, black c.	1	Year:2000[Y] Vehicle colour:Black Crow 2000[c.bla]
1	AP8149656	RH lat.fairing, black	1	Year:2001[1]
1	AP8158764	RH lat.fairing, black	1	Year:2002[2]
1	AP8168957	RH lat.fairing, black	1	Year:2003[3] Vehicle colour:Flamingo Red 2003[fla.r]
1	AP8168957	RH lat.fairing, black	1	Year:2003[3] Vehicle colour:Oasis Green 2003[o.gr]
1	AP8168963	RH lat.fairing, bronze	1	Year:2003[3] Vehicle colour:Olympic Bronze 2003[o.br]
2	AP8148634	LH lat.fairing, red fire	1	Year:2000[Y] Vehicle colour:Red Fire 2000[f.red]
2	AP8148647	LH lat.fairing, black c.	1	Year:2000[Y] Vehicle colour:Black Crow 2000[c.bla]
2	AP8149657	LH lat.fairing, black	1	Year:2001[1]
2	AP8158765	LH lat.fairing, black	1	Year:2002[2]
2	AP8168958	LH lat.fairing, black	1	Year:2003[3] Vehicle colour:Flamingo Red 2003[fla.r]
2	AP8168958	LH lat.fairing, black	1	Year:2003[3] Vehicle colour:Oasis Green 2003[o.gr]
2	AP8168964	LH lat.fairing, bronze	1	Year:2003[3] Vehicle colour:Olympic Bronze 2003[o.br]
3	AP8139693	RH internal fairing, black	1	
4	AP8139694	LH internal fairing, black	1	
5	AP8102375	Clip m5	4	
6	AP8150444	Self-tapping screw	10	
7	AP8152339	Screw w/ flange M5x9	8	

Group	FRAME
Code	28.15
Description	Fuel tank
Service	1



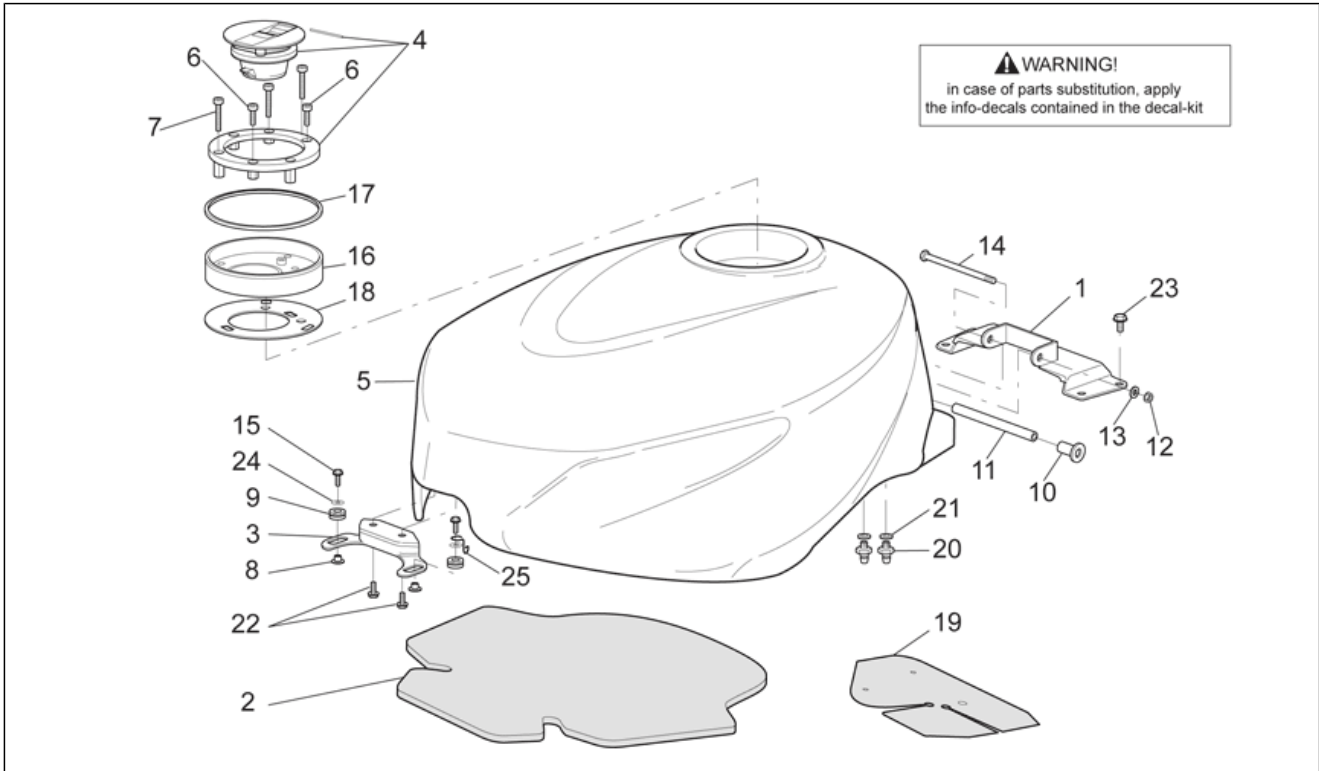
Pos.	Code	Description	Qty	Variants
1	AP8134500	Tank support	1	
2	AP8117127	F.Tank acoustic insul. Panel	1	
3	AP8121386	Tank fixing support	1	
4	AP8104262	Fuel filler cap	1	Year: 2000[Y] Country: USA (California Approval)[CF], United States of America[USA] Technical Specifications: California Approval[cal]
4	AP8104528	Fuel filler cap	1	Year: 2001[1], 2002[2], 2003[3] Country: USA (California Approval)[CF], United States of America[USA] Technical Specifications: California Approval[cal]
4	AP8104529	Fuel filler cap	1	Year: 2001[1], 2002[2], 2003[3] Country: Austria[A], Australia[AA], Australia[AUS], Belgium[B], Belgium[BB], Switzerland[CH], Germany[D], Denmark[DK], Spain[E], A, CH, D, DK, GR, E, I, NL, P[EU], France[F], France[FF], Greece[GR], Italy[I], Japan[J], Japan[J], Holland[NL], Portugal[P], Great Britain[UK]
4	AP8104529	Fuel filler cap	1	Year: 2001[1], 2002[2], 2003[3] Country: USA (49 Countries Approval)[AM], United States of America[USA] Technical Specifications: 49 Countries Approval[49st]
4	AP8144312	Fuel filler cap	1	Year: 2000[Y] Country: Austria[A], Australia[AA], Australia[AUS], Belgium[B], Belgium[BB], Switzerland[CH], Germany[D], Denmark[DK], Spain[E], A, CH, D, DK, GR, E, I, NL, P[EU], France[F], France[FF], Greece[GR], Italy[I], Japan[J], Japan[J], Holland[NL], Portugal[P], Great Britain[UK]
4	AP8144312	Fuel filler cap	1	Year: 2000[Y] Country: USA (49 Countries Approval)[AM], United States of America[USA] Technical Specifications: 49 Countries Approval[49st]
5	AP8148506	Fuel tank, red fire	1	Year: 2000[Y] Vehicle colour: Red Fire 2000[f.red]
5	AP8148644	Fuel tank, black c.	1	Year: 2000[Y]

Group	FRAME
Code	28.15
Description	Fuel tank
Service	1



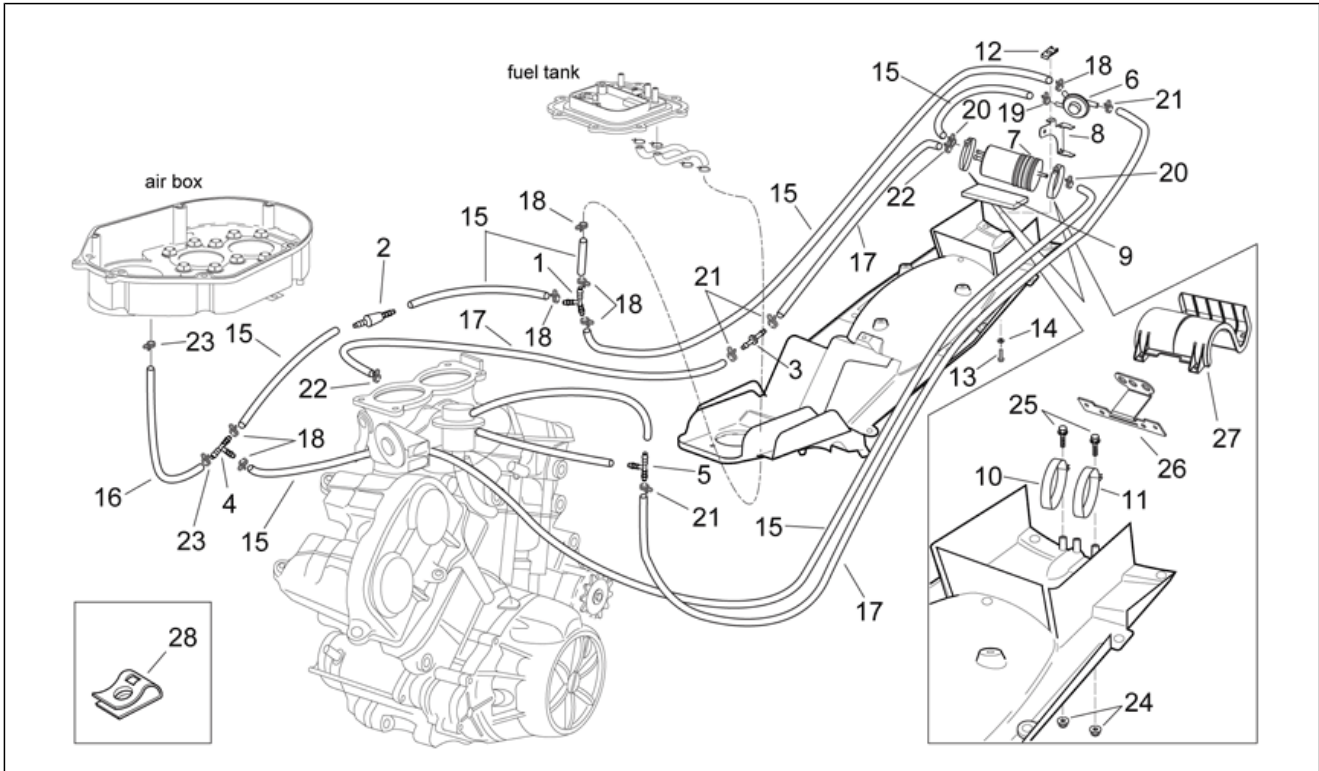
Pos.	Code	Description	Qty	Variants
				Vehicle colour:Black Crow 2000[c.bla]
5	AP8149654	Fuel tank, flashy yellow	1	Year:2001[1] Vehicle colour:Flashy Yellow 2001[f.yel]
5	AP8149763	Fuel tank, grey	1	Year:2001[1] Vehicle colour:Mercury Grey 2001[m.gre]
5	AP8149788	Fuel tank, blue	1	Year:2001[1] Vehicle colour:Speed Blu 2001[s.blu]
5	AP8158762	Fuel tank, red/black	1	Year:2002[2] Vehicle colour:Hot Red / Diablo Black 2002[hr/bd]
5	AP8158832	Fuel tank, grey/black	1	Year:2002[2] Vehicle colour:Plomb Grey / Diablo Black 2002[pg/bd]
5	AP8168955	Fuel tank, red/black	1	Year:2003[3] Vehicle colour:Flamingo Red 2003[fla.r]
5	AP8168961	Fuel tank, black/bronze	1	Year:2003[3] Vehicle colour:Olympic Bronze 2003[o.br]
5	AP8168967	Fuel tank, green/black	1	Year:2003[3] Vehicle colour:Oasis Green 2003[o.gr]
6	AP8150454	Hex socket screw M5x16	4	
7	AP8150453	Hex socket screw M5x30	3	
8	AP8221023	T bush *	2	
9	AP8120030	Rubber spacer *	2	
10	AP8144062	Tank rubber	2	
11	AP8134419	Fuel tank bush	1	
12	AP8152299	Self-locking nut M6	1	
13	AP8150014	Washer 6,4x12,5*	1	
14	AP8150459	Hex screw M6x90	1	
15	AP8152277	Screw w/ flange M6x12	2	
16	AP8102535	Float chamber	1	
17	AP8120893	Cap seal	1	

Group	FRAME
Code	28.15
Description	Fuel tank
Service	1



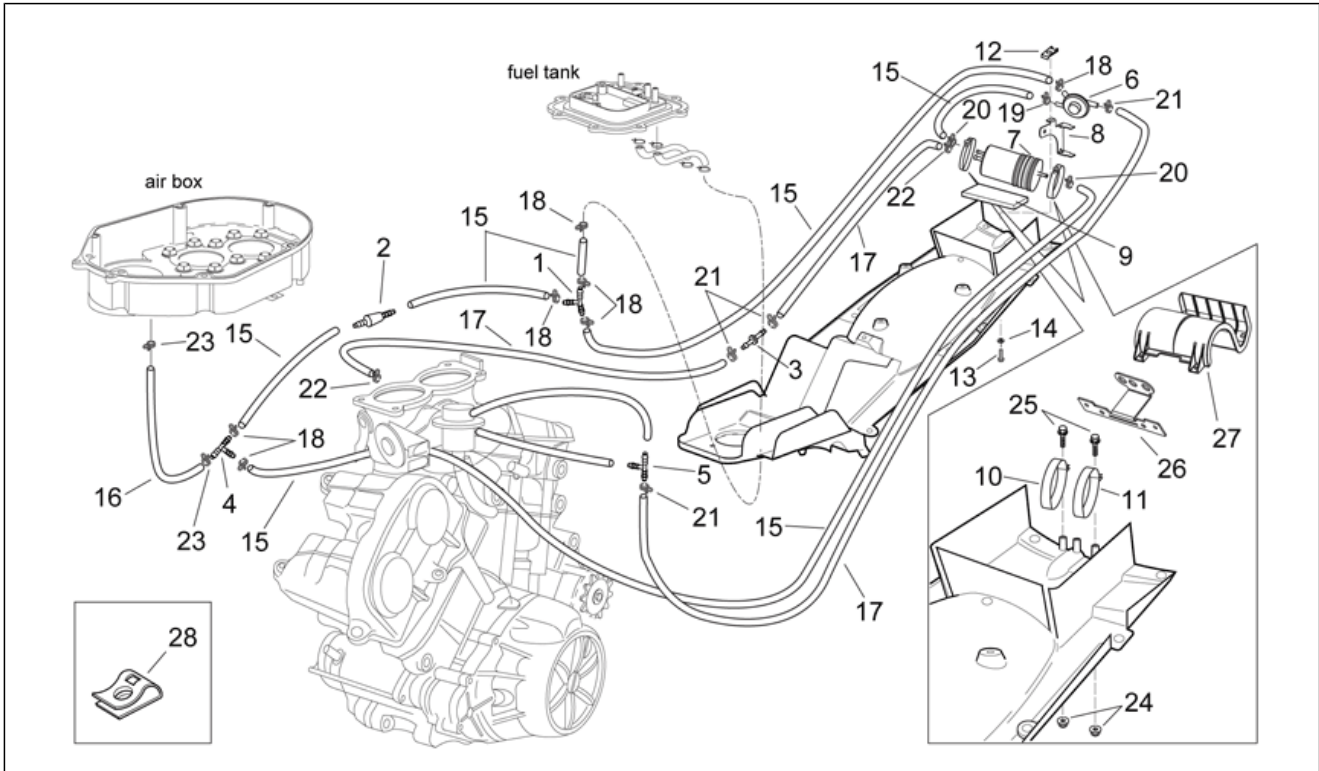
Pos.	Code	Description	Qty	Variants
18	AP8120894	Fuel tank gasket	1	Country: USA (49 Countries Approval)[AM], United States of America[USA] Technical Specifications: 49 Countries Approval[49st]
18	AP8120894	Fuel tank gasket	1	Country: Austria[A], Australia[AA], Australia[AUS], Belgium[B], Belgium[BB], Switzerland[CH], Germany[D], Denmark[DK], Spain[E], A, CH, D, DK, GR, E, I, NL, P[EU], France[F], France[FF], Greece[GR], Italy[I], Japan[J], Japan[J], Holland[NL], Portugal[P], Great Britain[UK]
18	AP8144351	Fuel tank gasket	1	Country: USA (California Approval)[CF], United States of America[USA] Technical Specifications: California Approval[cal]
19	AP8117147	Fuel tank heat protection	1	
20	AP8102503	Hose holder union	2	
21	AP8120965	O-ring 2018	2	
22	AP8152280	Screw w/ flange M6x25	2	
23	AP8152279	Screw w/ flange M6x20	2	
24	AP8150015	Washer 6,6x18x1,6*	2	
25	AP8121889	Cable-guide	1	

Group	FRAME
Code	28.16
Description	Fuel vapour recover system
Service	1



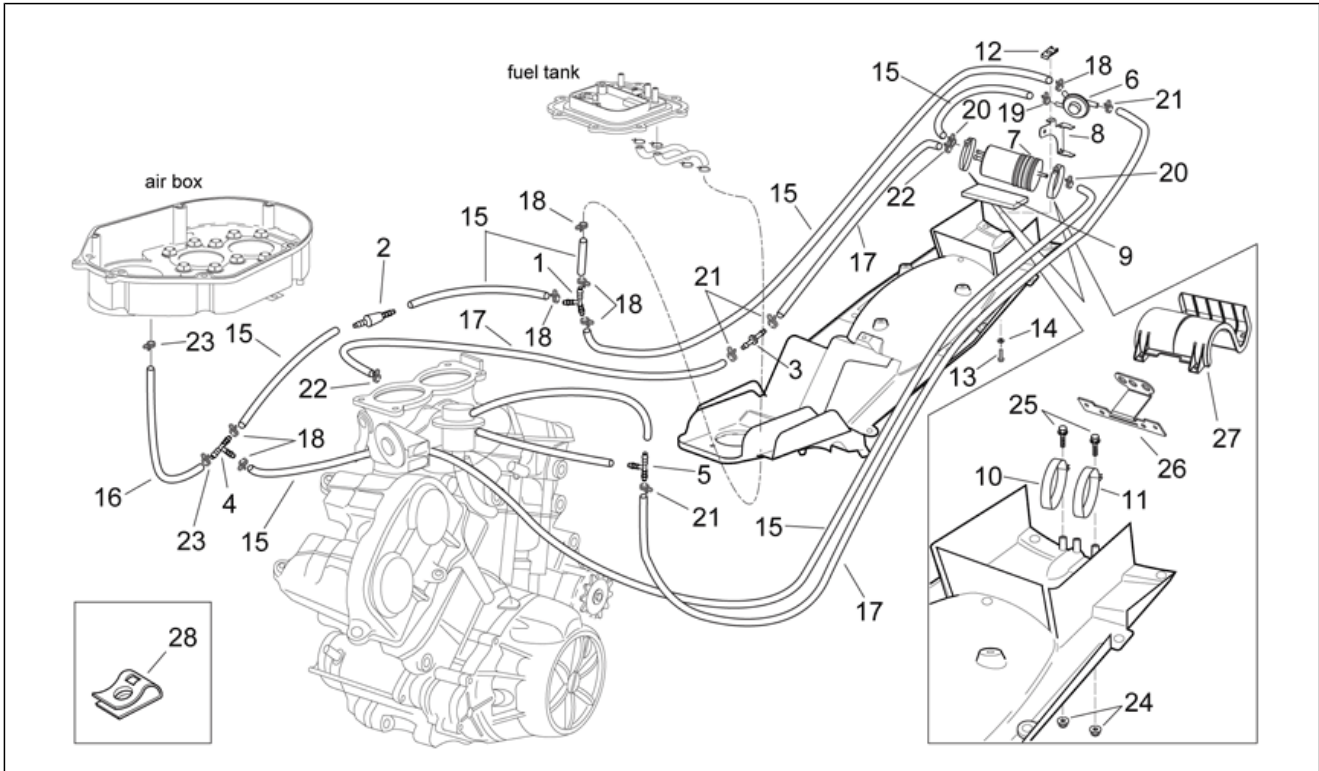
Pos.	Code	Description	Qty	Variants
1	AP8120116	3-way union	1	Country: USA (California Approval)[CF], United States of America[USA] Technical Specifications: California Approval[cal]
2	AP8102985	Anti-return valve	1	Country: USA (California Approval)[CF], United States of America[USA] Technical Specifications: California Approval[cal]
3	AP8121267	Choke hold	1	Country: USA (California Approval)[CF], United States of America[USA] Technical Specifications: California Approval[cal]
4	AP8202154	3-way union	1	Country: USA (California Approval)[CF], United States of America[USA] Technical Specifications: California Approval[cal]
5	AP8102727	3-way union	1	Country: USA (California Approval)[CF], United States of America[USA] Technical Specifications: California Approval[cal]
6	AP8106776	"Purge" valve	1	Country: USA (California Approval)[CF], United States of America[USA] Technical Specifications: California Approval[cal]
7	AP8102678	Carbon filter	1	Country: USA (California Approval)[CF], United States of America[USA] Technical Specifications: California Approval[cal]
8	AP8134659	Valve support clamp	1	Country: USA (California Approval)[CF], United States of America[USA] Technical Specifications: California Approval[cal]
9	AP8117041	Adhesive sponge 6x30	1	Country: USA (California Approval)[CF], United States of America[USA] Technical Specifications: California Approval[cal]
10	AP8102688	Hose clamp d.76	1	Country: USA (California Approval)[CF], United States of America[USA] Technical Specifications: California Approval[cal]
11	AP8102719	Hose clamp d.80,5	1	Country: USA (California Approval)[CF], United States of America[USA] Technical Specifications: California Approval[cal]

Group	FRAME
Code	28.16
Description	Fuel vapour recover system
Service	1



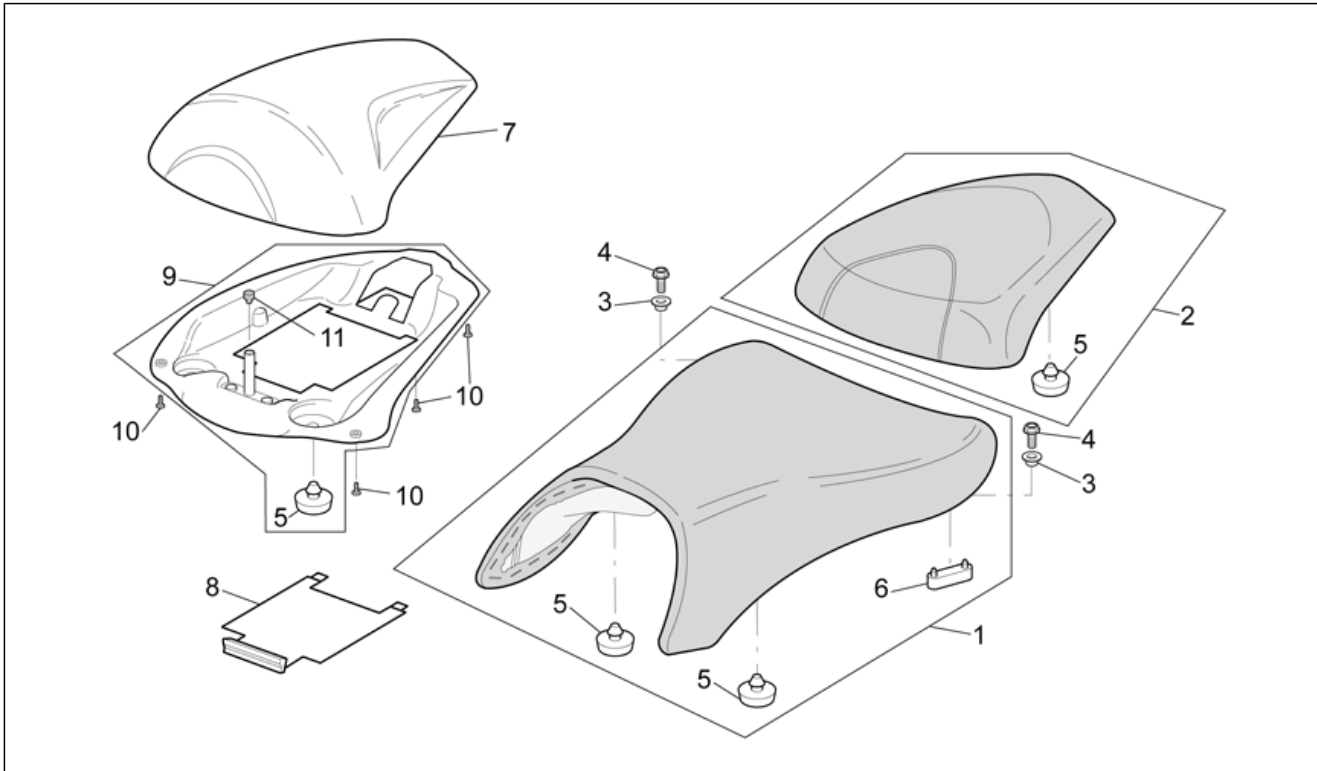
Pos.	Code	Description	Qty	Variants
12	AP8102375	Clip m5	1	Country: USA (California Approval)[CF], United States of America[USA] Technical Specifications: California Approval[cal]
13	AP8152273	Screw w/ flange	1	Country: USA (California Approval)[CF], United States of America[USA] Technical Specifications: California Approval[cal]
14	AP8150013	Washer 5,5x15x1,6*	1	Country: USA (California Approval)[CF], United States of America[USA] Technical Specifications: California Approval[cal]
15	AP8120952	Fuel pipe 5,5x10	2	Country: USA (California Approval)[CF], United States of America[USA] Technical Specifications: California Approval[cal]
16	AP8120987	pipe 9x14	1	Country: USA (California Approval)[CF], United States of America[USA] Technical Specifications: California Approval[cal]
17	AP8220263	Breather pipe 4x8	2	Country: USA (California Approval)[CF], United States of America[USA] Technical Specifications: California Approval[cal]
18	AP8101595	Hose clamp D10,1*	7	Country: USA (California Approval)[CF], United States of America[USA] Technical Specifications: California Approval[cal]
19	AP8102520	Hose clamp	1	Country: USA (California Approval)[CF], United States of America[USA] Technical Specifications: California Approval[cal]
20	AP8102378	Hose clamp D11,3	2	Country: USA (California Approval)[CF], United States of America[USA] Technical Specifications: California Approval[cal]
21	AP8120179	Hose clamp D8	4	Country: USA (California Approval)[CF], United States of America[USA] Technical Specifications: California Approval[cal]
22	AP8102377	Hose clamp D9,1*	2	Country: USA (California Approval)[CF], United States of America[USA] Technical Specifications: California Approval[cal]

Group	FRAME
Code	28.16
Description	Fuel vapour recover system
Service	1



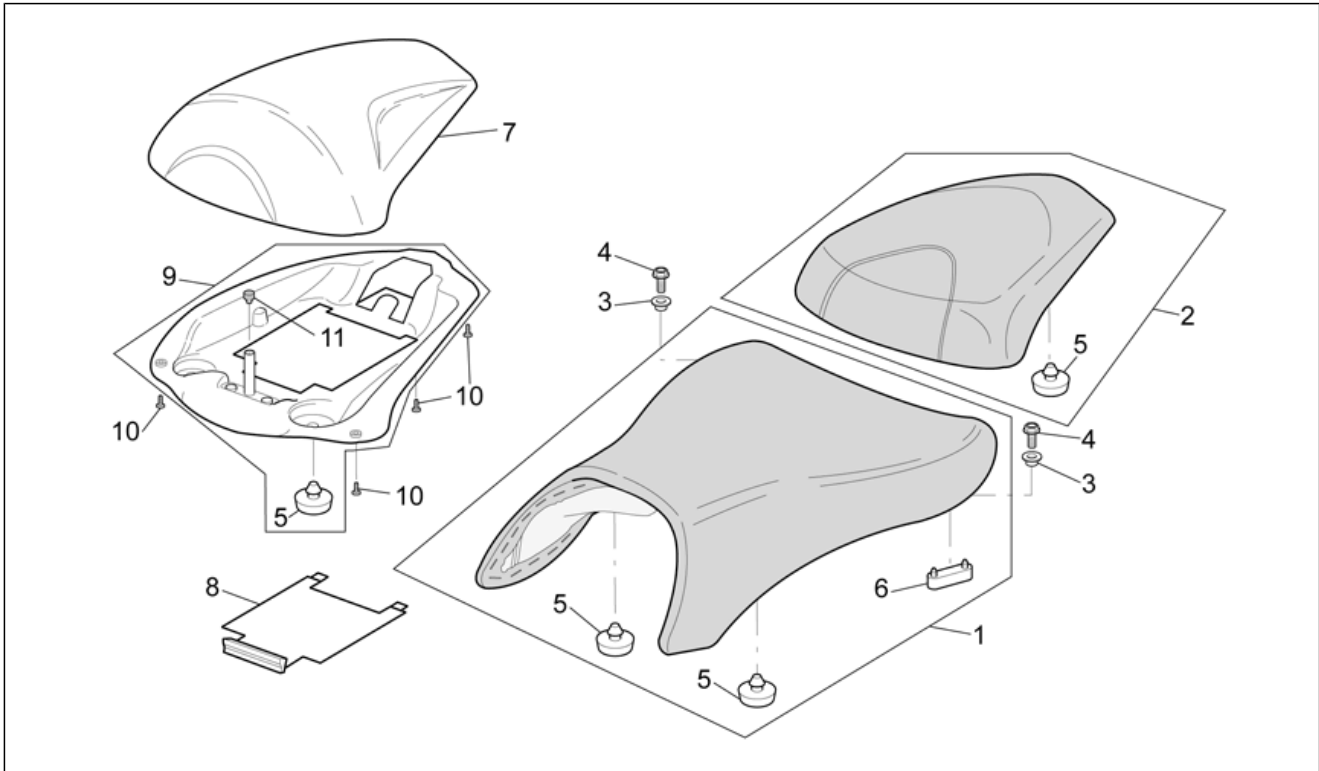
Pos.	Code	Description	Qty	Variants
23	AP8102766	Hose clamp	2	Country: USA (California Approval)[CF], United States of America[USA] Technical Specifications: California Approval[cal]
24	AP8152299	Self-locking nut M6	2	Country: USA (California Approval)[CF], United States of America[USA] Technical Specifications: California Approval[cal]
25	AP8152279	Screw w/ flange M6x20	2	Country: USA (California Approval)[CF], United States of America[USA] Technical Specifications: California Approval[cal]
26	AP8104175	Carbon filter support	1	Country: USA (California Approval)[CF], United States of America[USA] Technical Specifications: California Approval[cal]
27	AP8149038	Filter cover	1	Country: USA (California Approval)[CF], United States of America[USA] Technical Specifications: California Approval[cal]
28	AP8102376	Clip M6	1	

Group	FRAME
Code	28.17
Description	Saddle
Service	1



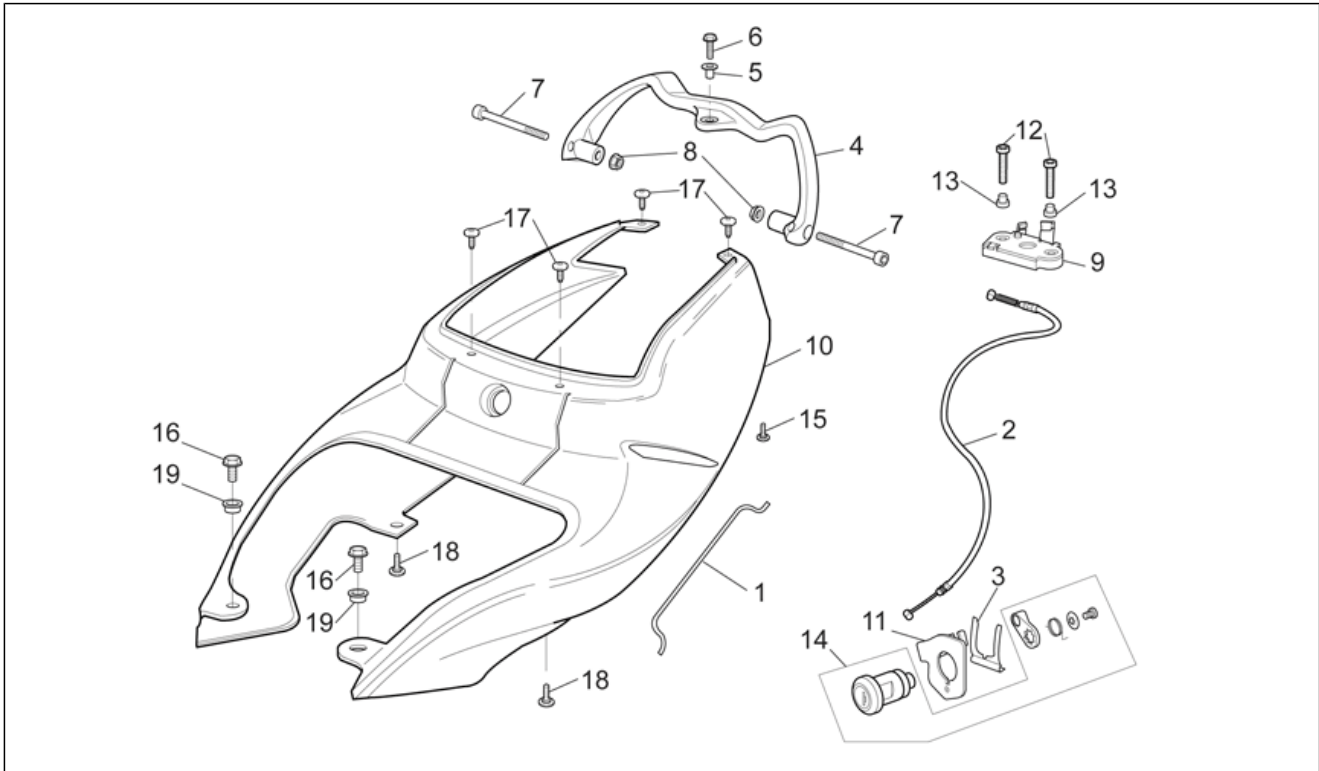
Pos.	Code	Description	Qty	Variants
1	AP8129182	Driver saddle, black	1	Year:2001[1], 2002[2], 2000[Y]
1	AP8129401	Driver saddle, grey/black	1	Year:2003[3] Vehicle colour:Flamingo Red 2003[fla.r]
1	AP8129401	Driver saddle, grey/black	1	Year:2003[3] Vehicle colour:Oasis Green 2003[o.gr]
1	AP8129403	Driver saddle, brown	1	Year:2003[3] Vehicle colour:Olympic Bronze 2003[o.br]
2	AP8129208	Rear saddle, black	1	Year:2001[1], 2002[2], 2000[Y]
2	AP8129402	Rear saddle, grey	1	Year:2003[3] Vehicle colour:Flamingo Red 2003[fla.r]
2	AP8129402	Rear saddle, grey	1	Year:2003[3] Vehicle colour:Oasis Green 2003[o.gr]
2	AP8129404	Rear saddle, brown	1	Year:2003[3] Vehicle colour:Olympic Bronze 2003[o.br]
3	AP8121075	T bush *	2	
4	AP8150044	Hex socket screw M6x20	2	
5	AP8126702	Rubber spacer	6	
6	AP8126701	Saddle rubber	4	
7	AP8148508	Saddle cover, red fire	1	Year:2000[Y] Vehicle colour:Red Fire 2000[f.red]
7	AP8148649	Saddle cover, black c.	1	Year:2000[Y] Vehicle colour:Black Crow 2000[c.bla]
7	AP8149659	Saddle cover, flashy yellow	1	Year:2001[1] Vehicle colour:Flashy Yellow 2001[f.yel]
7	AP8149766	Saddle cover, grey	1	Year:2001[1] Vehicle colour:Mercury Grey 2001[m.gre]
7	AP8149791	Saddle cover, blue	1	Year:2001[1] Vehicle colour:Speed Blu 2001[s.blu]
7	AP8158767	Saddle cover, black	1	Year:2002[2]
7	AP8168960	Saddle cover, red	1	Year:2003[3] Vehicle colour:Flamingo Red 2003[fla.r]

Group	FRAME
Code	28.17
Description	Saddle
Service	1



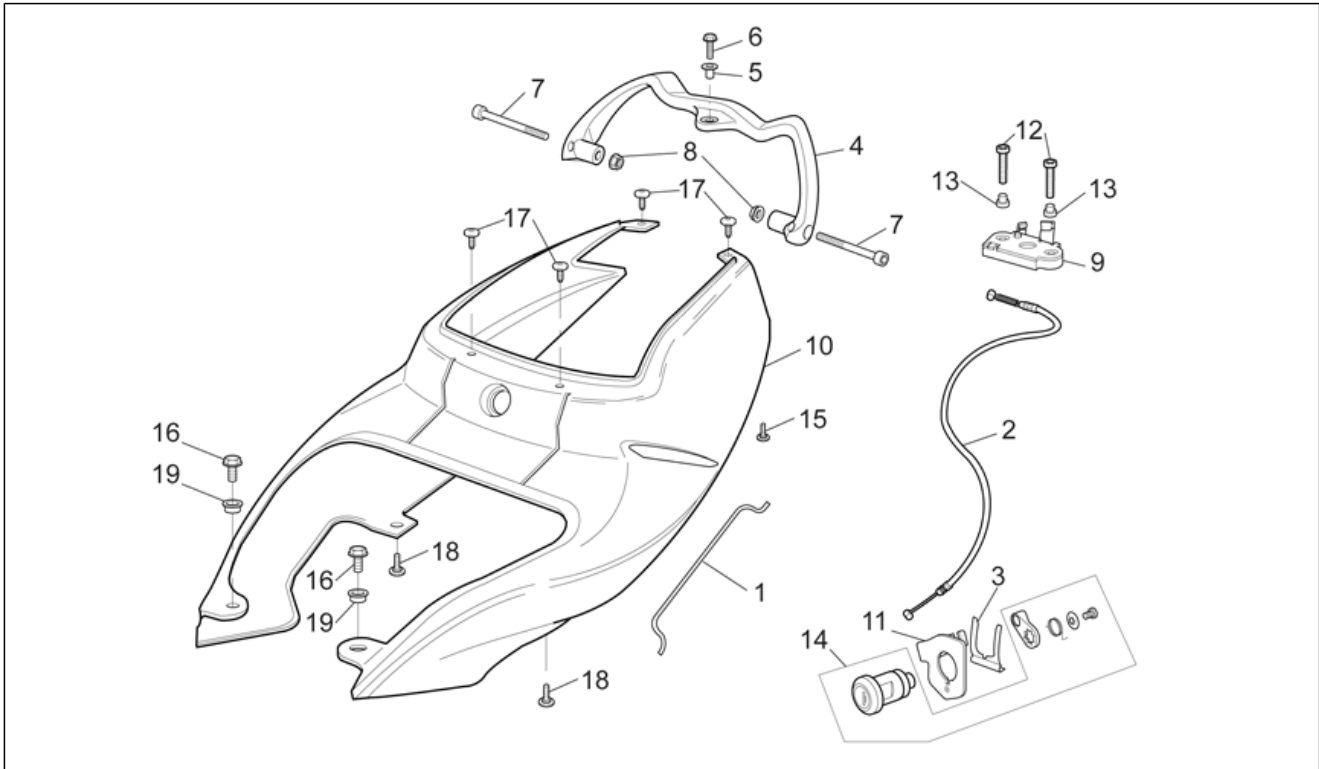
Pos.	Code	Description	Qty	Variants
7	AP8168966	Saddle cover, bronze	1	Year:2003[3] Vehicle colour:Olympic Bronze 2003[o.br]
7	AP8168970	Saddle cover, green	1	Year:2003[3] Vehicle colour:Oasis Green 2003[o.gr]
8	AP8138947	Saddle cover access door	1	
9	AP8139369	Saddle cover base	1	
10	AP8150413	Self-tap screw 3,9x14	6	
11	AP8144081	Rubber spacer	1	

Group	FRAME
Code	28.18
Description	Rear body - Rear fairing
Service	1



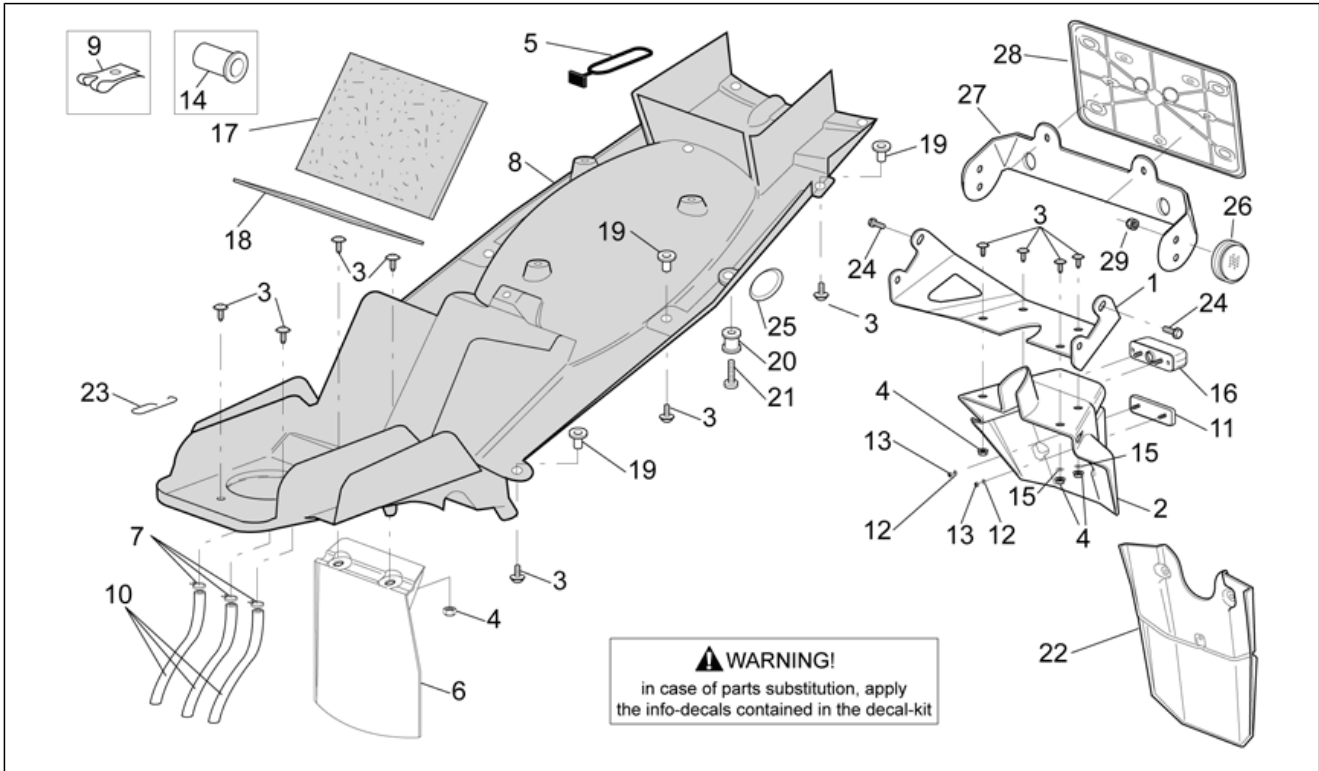
Pos.	Code	Description	Qty	Variants
1	AP8134396	Fuel tank support rod	1	
2	AP8114411	Lock cable	1	
3	AP8121420	Fork spring	1	
4	AP8148509	Pillion grab bar, grey	1	Year:2000[Y]
4	AP8149660	Pillion grab bar, grey	1	Year:2003[3]
4	AP8149660	Pillion grab bar, grey	1	Year:2001[1]
4	AP8158768	Pillion grab bar, black	1	Year:2002[2]
5	AP8121665	T bush *	1	
6	AP8152281	Screw w/ flange	1	
7	AP8150388	Hex socket screw	2	
8	AP8152300	Self-locking nut M8	2	
9	AP8102913	Pass.saddle connecting plate	1	
10	AP8148507	Rear fairing, red fire	1	Year:2000[Y] Vehicle colour:Red Fire 2000[f.red]
10	AP8148648	Rear fairing, black c.	1	Year:2000[Y] Vehicle colour:Black Crow 2000[c.bla]
10	AP8149658	Rear fairing, flashy yellow	1	Year:2001[1] Vehicle colour:Flashy Yellow 2001[f.yel]
10	AP8149765	Rear fairing, grey	1	Year:2001[1] Vehicle colour:Mercury Grey 2001[m.gre]
10	AP8149790	Rear fairing, blue	1	Year:2001[1] Vehicle colour:Speed Blu 2001[s.blu]
10	AP8158766	Rear fairing, black	1	Year:2002[2]
10	AP8168959	Rear fairing, black/red	1	Year:2003[3] Vehicle colour:Flamingo Red 2003[fla.r]
10	AP8168965	Rear fairing, black/bronze	1	Year:2003[3] Vehicle colour:Olympic Bronze 2003[o.br]
10	AP8168969	Rear fairing, black/green	1	Year:2003[3] Vehicle colour:Oasis Green 2003[o.gr]
11	AP8134618	Cable fixing plate	1	

Group	FRAME
Code	28.18
Description	Rear body - Rear fairing
Service	1



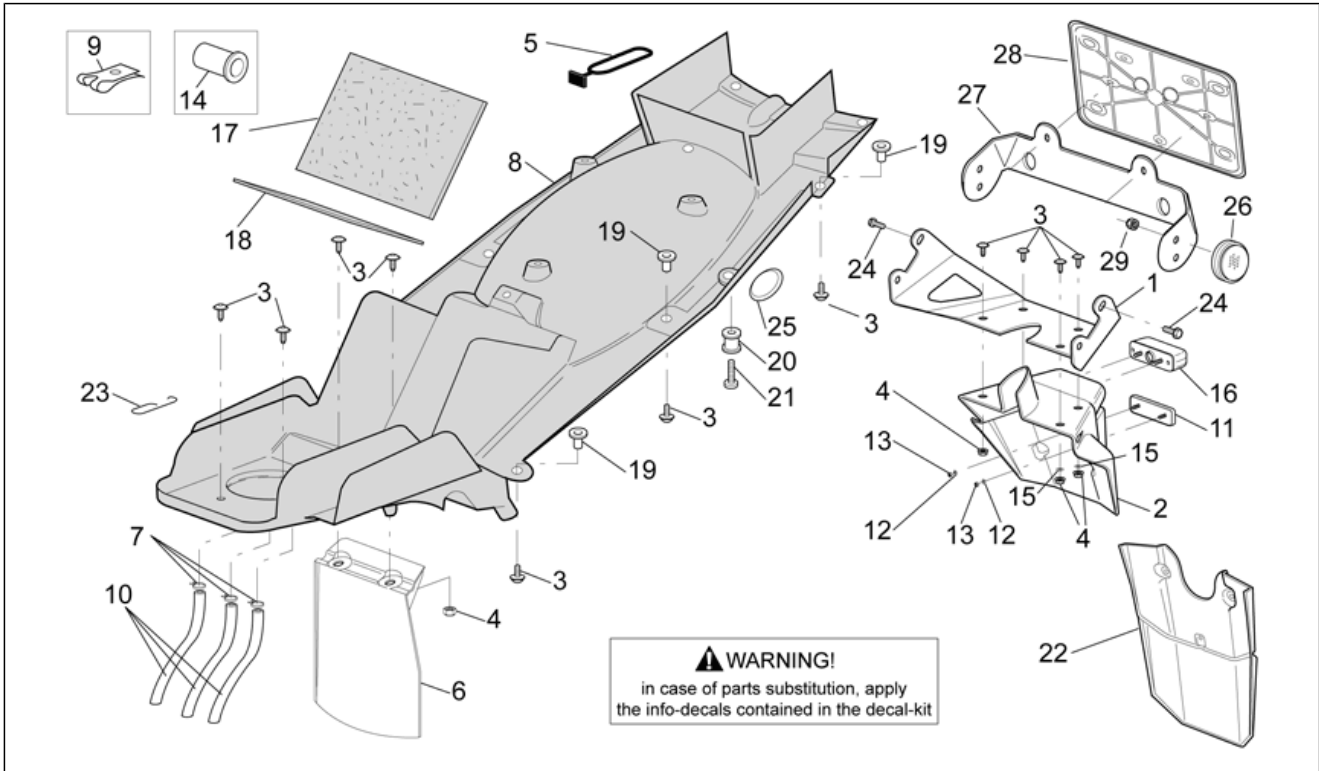
Pos.	Code	Description	Qty	Variants
12	AP8150285	Hex socket screw	2	
13	AP8121728	T bush *	2	
14	AP8104154	Saddle lock	1	
15	AP8152339	Screw w/ flange M5x9	2	
16	AP8152279	Screw w/ flange M6x20	2	
17	AP8152246	Screw w/ flange	4	
18	AP8152339	Screw w/ flange M5x9	2	
19	AP8121032	Bush	2	

Group	FRAME
Code	28.19
Description	Rear body - Undersaddle
Service	1



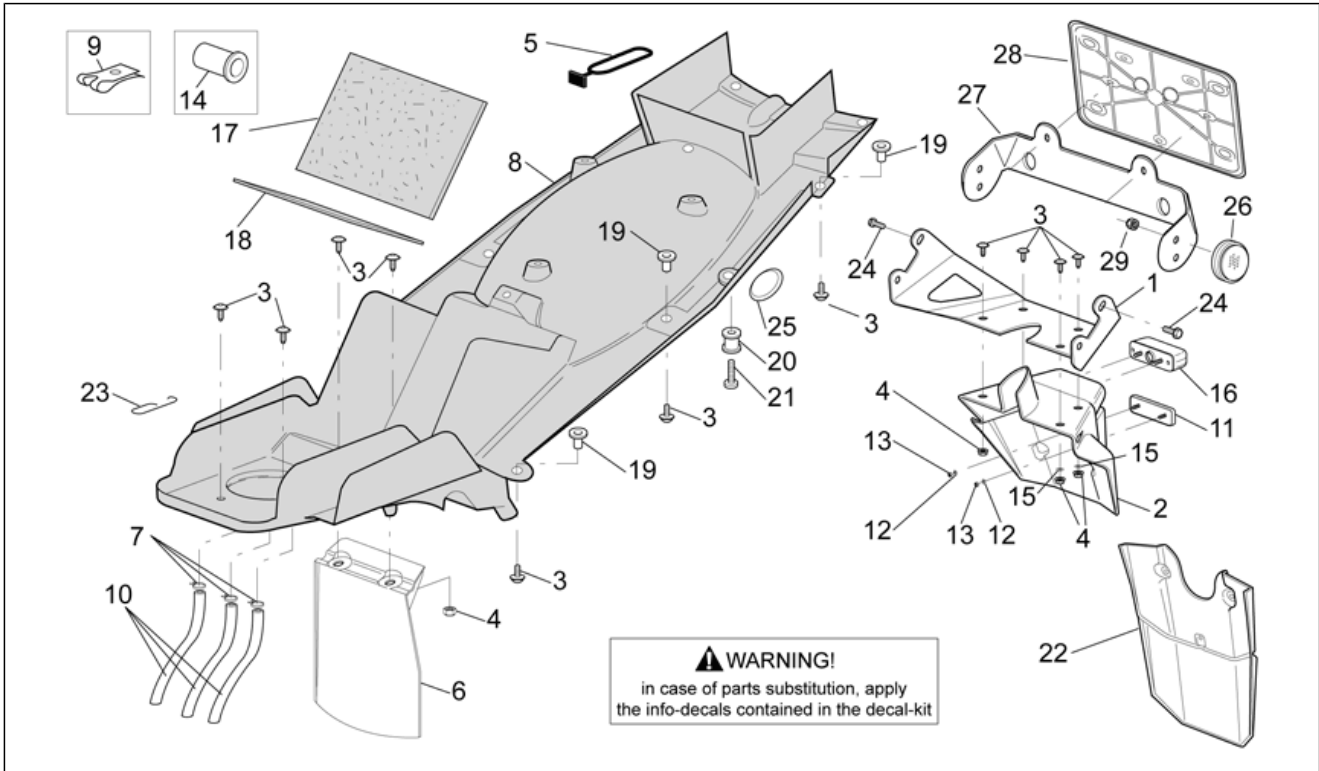
Pos.	Code	Description	Qty	Variants
1	AP8126590	Number plate support	1	
2	AP8126766	Rear mudguard, grey	1	Year: 2000[Y] Country: Austria[A], USA (49 Countries Approval)[AM], Belgium[B], Belgium[BB], Switzerland[CH], Germany[D], Denmark[DK], Spain[E], A, CH, D, DK, GR, E, I, NL, P[EU], France[F], France[FF], Greece[GR], Italy[I], Japan[J], Japan[J], Holland[NL], Portugal[P], Great Britain[UK], United States of America[USA]
2	AP8126862	Rear mudguard, grey	1	Year: 2000[Y] Country: Australia[AA], Australia[AUS]
2	AP8126894	Rear mudguard, grey	1	Year: 2001[1] Country: Austria[A], USA (49 Countries Approval)[AM], Belgium[B], Belgium[BB], Switzerland[CH], Germany[D], Denmark[DK], Spain[E], A, CH, D, DK, GR, E, I, NL, P[EU], France[F], France[FF], Greece[GR], Italy[I], Japan[J], Japan[J], Holland[NL], Portugal[P], Great Britain[UK], United States of America[USA]
2	AP8126895	Rear mudguard, grey	1	Year: 2001[1] Country: Australia[AA], Australia[AUS]
2	AP8126990	Rear mudguard, black	1	Year: 2002[2] Country: Austria[A], USA (49 Countries Approval)[AM], Belgium[B], Belgium[BB], Switzerland[CH], Germany[D], Denmark[DK], Spain[E], A, CH, D, DK, GR, E, I, NL, P[EU], France[F], France[FF], Greece[GR], Italy[I], Japan[J], Japan[J], Holland[NL], Portugal[P], Great Britain[UK], United States of America[USA]
2	AP8126990	Rear mudguard, black	1	Year: 2003[3] Country: Austria[A], USA (49 Countries Approval)[AM], Belgium[B], Belgium[BB], Switzerland[CH], Germany[D], Denmark[DK], Spain[E], A, CH, D, DK, GR, E, I, NL, P[EU], France[F], France[FF], Greece[GR], Italy[I], Japan[J], Japan[J], Holland[NL], Portugal[P], Great Britain[UK], United States of America[USA]
2	AP8126991	Rear mudguard, black	1	Year: 2003[3] Country: Australia[AA], Australia[AUS]

Group	FRAME
Code	28.19
Description	Rear body - Undersaddle
Service	1



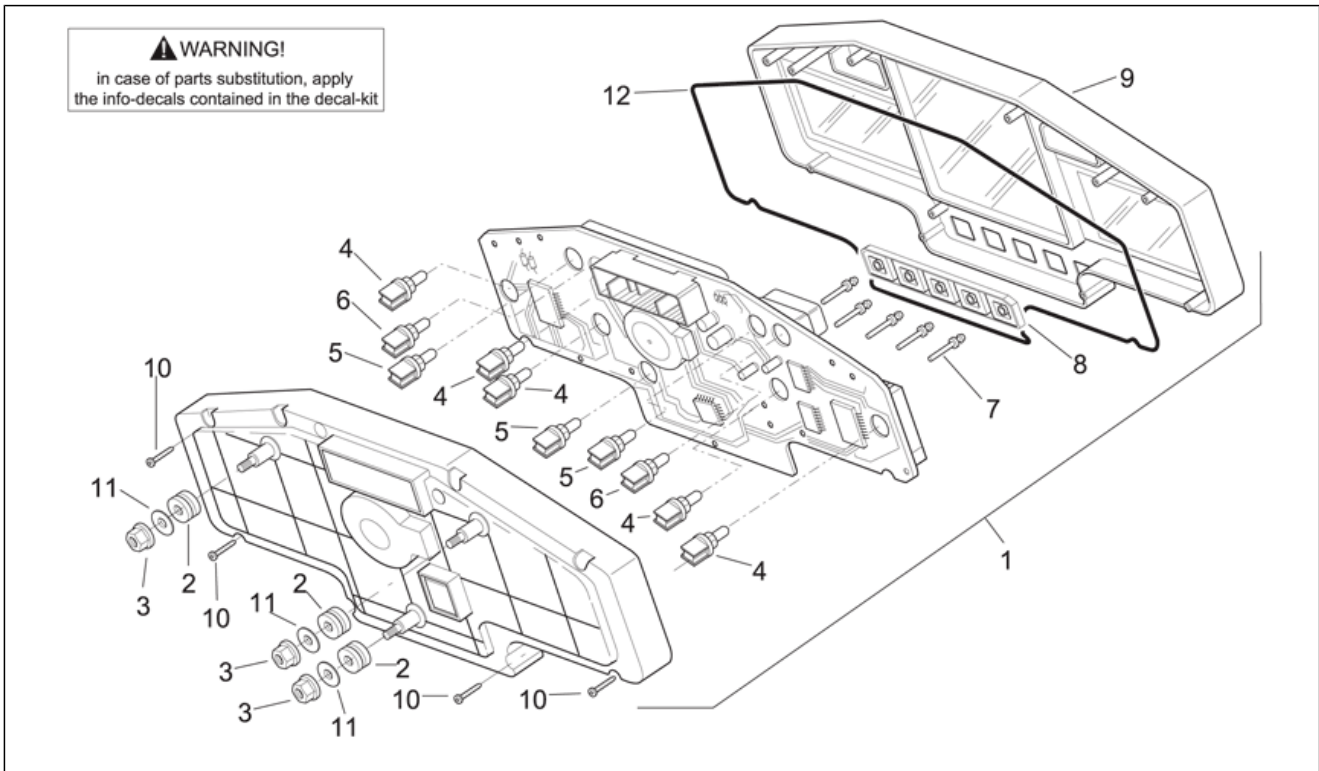
Pos.	Code	Description	Qty	Variants
2	AP8126991	Rear mudguard, black	1	Year:2002[2] Country:Australia[AA], Australia[AUS]
3	AP8152246	Screw w/ flange	14	
4	AP8152299	Self-locking nut M6	6	
5	AP8120177	Headlight supp.snap	1	
6	AP8126717	Shock absorber cover	1	Year:2001[1], 2000[Y]
6	AP8158784	Shock absorber cover	1	Year:2002[2], 2003[3]
7	AP8101595	Hose clamp D10,1*	3	
8	AP8138785	Saddle supp.low. lockup, grey	1	Year:2000[Y]
8	AP8149665	Saddle supp.low. lockup, grey	1	Year:2001[1]
8	AP8158771	Saddle supp.low. lockup, black	1	Year:2002[2], 2003[3]
9	AP8102375	Clip m5	2	
10	AP8120952	Fuel pipe 5,5x10	1	
11	AP8112916	Rear reflector	1	
12	AP8150158	Washer 4,3x9x0,8*	2	
13	AP8150204	Nut M4	2	
14	AP8120531	Rubber w/ insert *	5	
15	AP8150015	Washer 6,6x18x1,6*	2	
16	AP8212702	Number-plate light	1	
17	AP8144288	Lat.battery support rubber	1	
18	AP8144045	Battery support rubber	1	
19	AP8121032	Bush	6	
20	AP8148824	Maintenance	2	
21	AP8150468	Screw M6x40	2	
22	AP8126610	Rear splash guard	1	
23	AP8120512	Cable-guide	1	
24	AP8152278	Screw w/ flange M6x16	4	
25	AP8157769	Guard decal	1	

Group	FRAME
Code	28.19
Description	Rear body - Undersaddle
Service	1



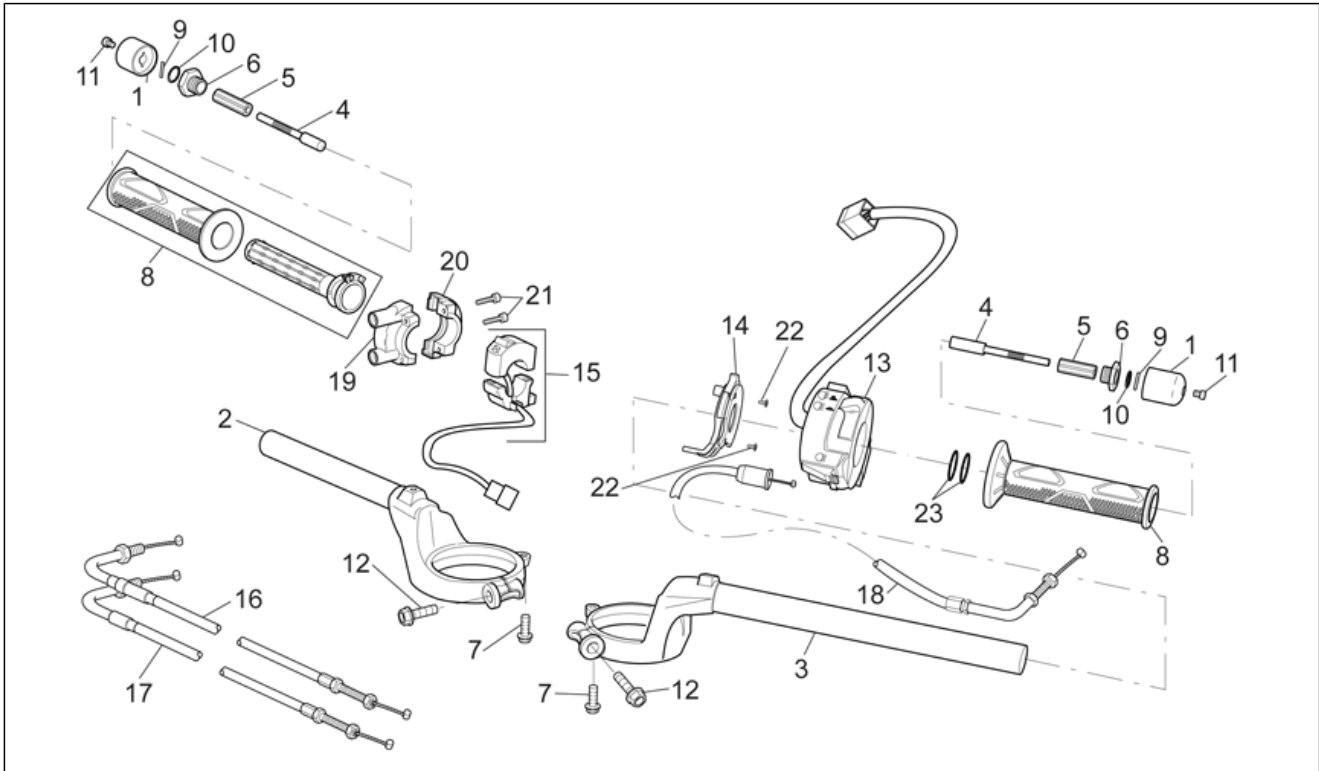
Pos.	Code	Description	Qty	Variants
26	AP8224164	Rear reflector, red	2	Country:USA (49 Countries Approval)[AM], USA (California Approval)[CF], United States of America[USA]
27	AP8149037	Rear reflector support	1	Country:USA (49 Countries Approval)[AM], USA (California Approval)[CF], United States of America[USA]
28	AP8149034	Number plate support	1	Country:USA (49 Countries Approval)[AM], USA (California Approval)[CF], United States of America[USA]
29	AP8152306	Self-locking nut m5	1	Country:USA (49 Countries Approval)[AM], USA (California Approval)[CF], United States of America[USA]

Group	FRAME
Code	28.20
Description	Dashboard
Service	1



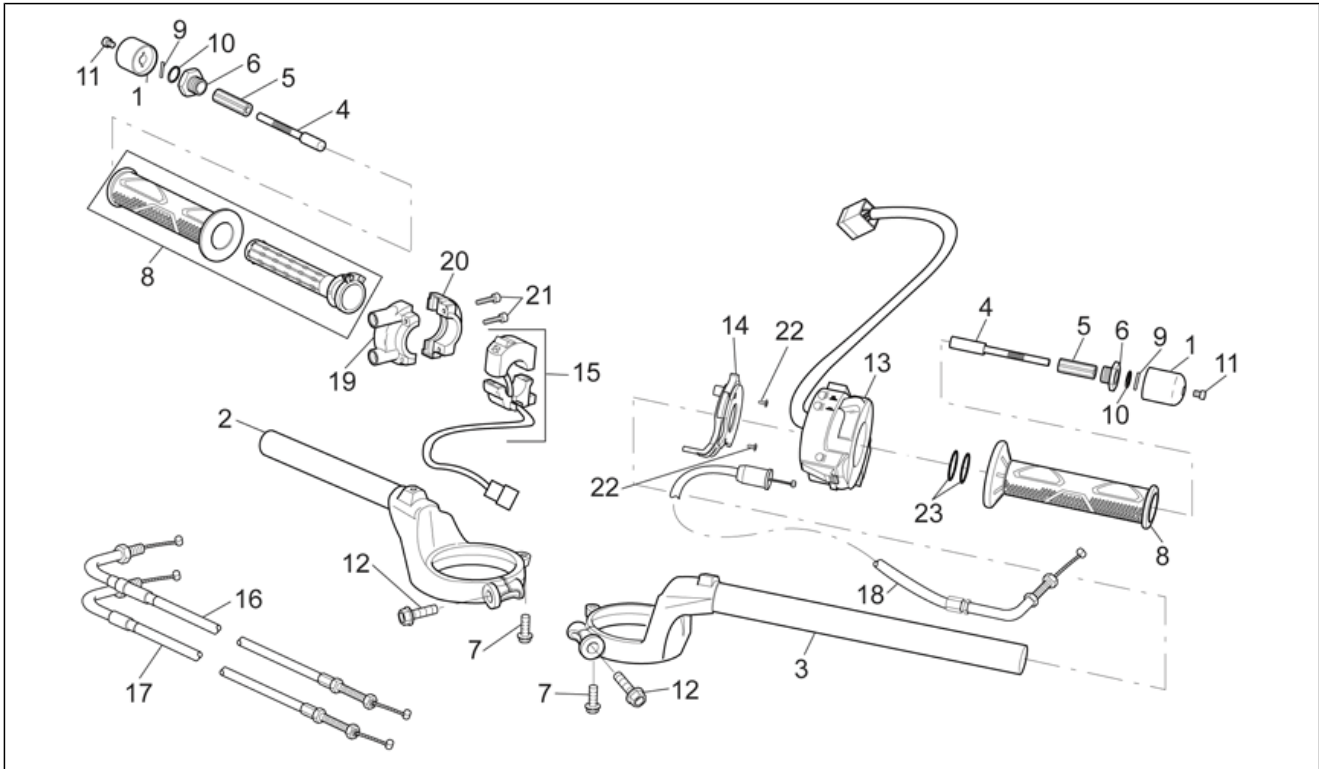
Pos.	Code	Description	Qty	Variants
1	AP8124294	Dashboard complete	1	
2	AP8112599	Rubber spacer *	3	
3	AP8152299	Self-locking nut M6	3	
4	AP8124569	Lampholder, complete	5	
5	AP8124570	Lampholder, complete	3	
6	AP8124571	Lampholder, complete 12V-3W	2	
7	AP8124575	Dashboard piston	5	
8	AP8124574	Dashboard rubber	1	
9	AP8124573	Up. Dashboard cover	1	
10	AP8124572	screw	8	
11	AP8150014	Washer 6,4x12,5*	3	
12	AP8144415	Gasket	1	

Group	FRAME
Code	28.21
Description	Handlebar
Service	1



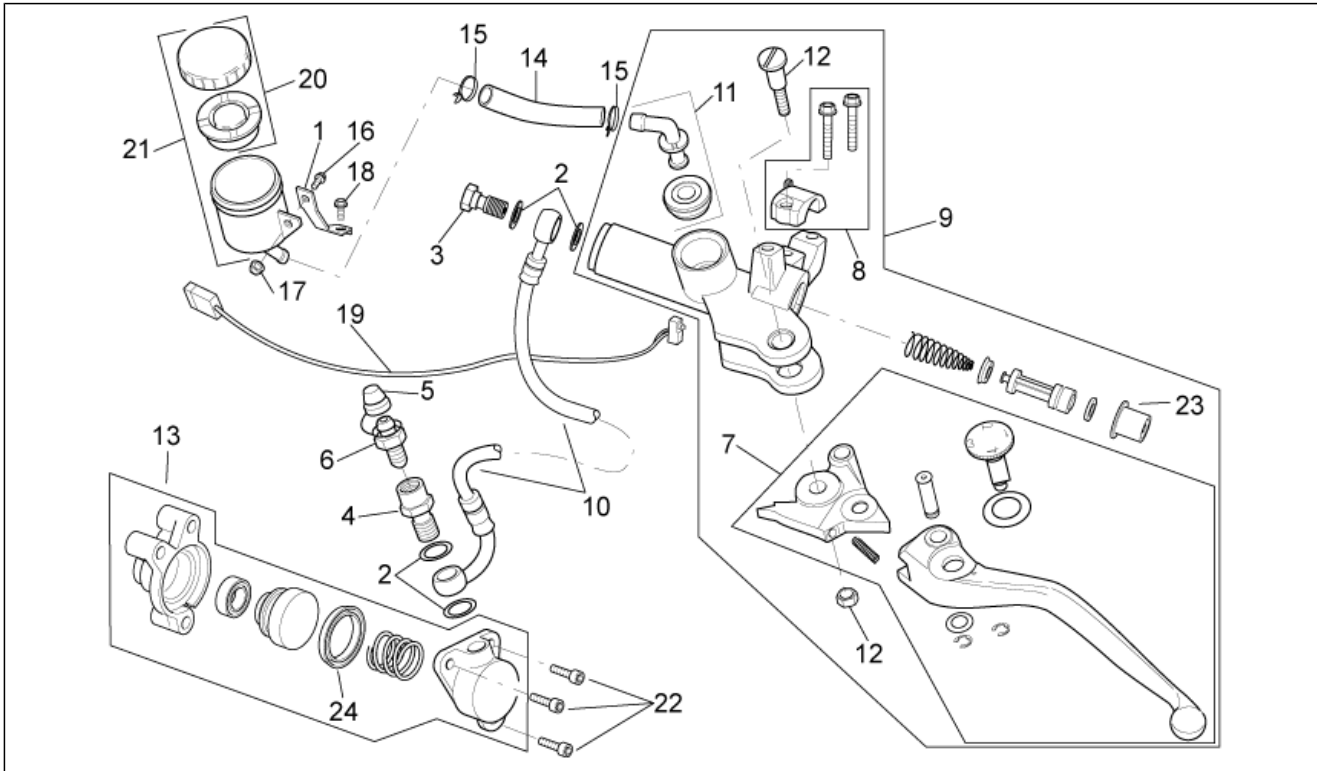
Pos.	Code	Description	Qty	Variants
1	AP8102787	Anti.v weight, black	2	
2	AP8118457	Right half handlebar	1	Year:2000[Y]
2	AP8118603	Right half handlebar	1	Year:2001[1], 2002[2], 2003[3]
3	AP8118458	Left half handlebar	1	Year:2000[Y]
3	AP8118604	Left half handlebar	1	Year:2001[1], 2002[2], 2003[3]
4	AP8121262	Anti v. weight shaft	2	
5	AP8144083	Rubber spacer	2	
6	AP8121261	Anti vib.weight trailing	2	
7	AP8152279	Screw w/ flange M6x20	2	
8	AP8118501	Handgrip pair, black	1	
9	AP8110074	Roller D4x19,8	2	
10	AP8120178	O-ring OR112	2	
11	AP8152040	Hex socket screw	2	
12	AP8152289	Screw w/ flange	2	
13	AP8124261	LH lights selector	1	Year:2000[Y] Country:Austria[A], Australia[AA], Australia[AUS], Belgium[B], Belgium[BB], Switzerland[CH], Germany[D], Denmark[DK], Spain[E], A, CH, D, DK, GR, E, I, NL, P[EU], France[F], France[FF], Greece[GR], Italy[I], Holland[NL], Portugal[P], Great Britain[UK]
13	AP8124551	LH lights selector	1	Year:2000[Y] Country:USA (49 Countries Approval)[AM], USA (California Approval)[CF], Japan[J], Japan[JJ], United States of America[USA]
13	AP8127069	LH lights selector	1	Year:2001[1], 2002[2], 2003[3] Country:USA (49 Countries Approval)[AM], USA (California Approval)[CF], Japan[J], Japan[JJ], United States of America[USA]
13	AP8127524	LH lights selector	1	Year:2001[1], 2002[2], 2003[3] Country:Austria[A], Australia[AA], Australia[AUS], Belgium[B], Belgium[BB], Switzerland[CH], Germany[D], Denmark[DK], Spain[E], A, CH, D, DK, GR, E, I, NL, P[EU],

Group	FRAME
Code	28.21
Description	Handlebar
Service	1



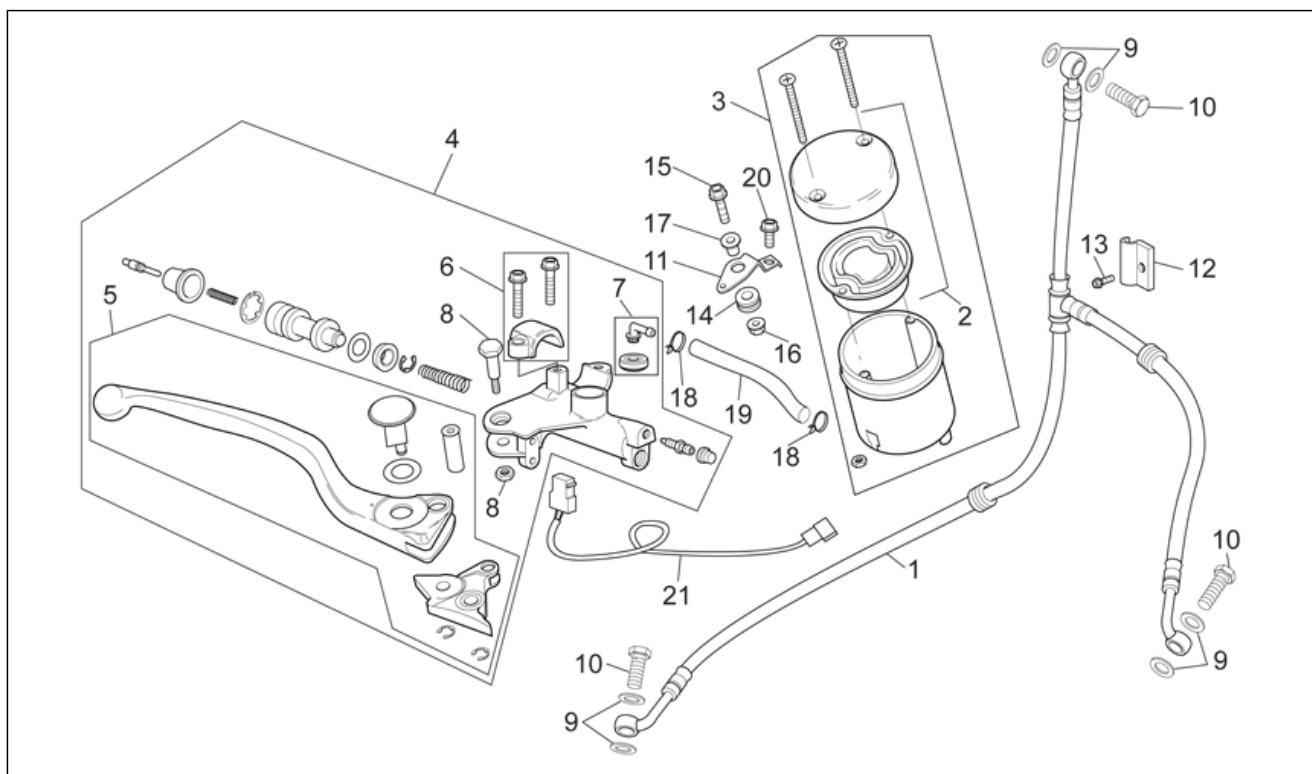
Pos.	Code	Description	Qty	Variants
				France[F], France[FF], Greece[GR], Italy[I], Holland[NL], Portugal[P], Great Britain[UK]
14	AP8118470	Choke control	1	
15	AP8118580	Engine stop-start device	1	Year:2001[1], 2002[2], 2003[3]
15	AP8124260	Engine stop-start device	1	Year:2000[Y]
16	AP8114355	Gas trasmission delivery	1	
17	AP8114356	Gas trasmission return	1	
18	AP8114369	Choke cable	1	
19	AP8118566	Front gas lever U-bolt	1	
20	AP8118567	Rear gas lever U-bolt	1	
21	AP8118492	Cap screw	2	
22	AP8150472	TSPEI inox screw M3x20	2	
23	AP8120190	O-ring 3075	2	

Group	FRAME
Code	28.22
Description	Clutch pump
Service	1



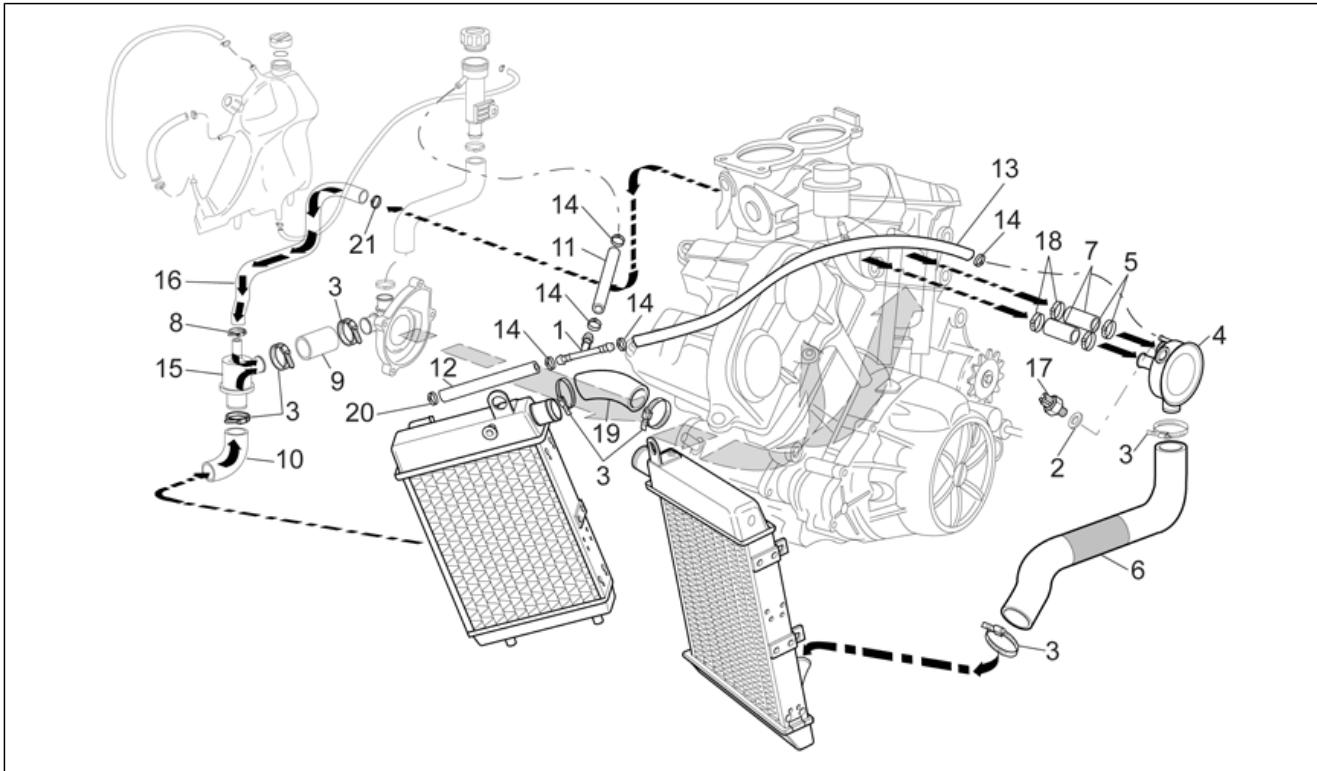
Pos.	Code	Description	Qty	Variants
1	AP8134394	Oil tank plate	1	
2	AP8121915	Gasket	4	
3	AP8113003	Oil pipe screw *	1	
4	AP8113762	Bored screw	1	
5	AP8113230	Bleed valve cap	1	
6	AP8113761	Air bleed valve	1	
7	AP8113758	Clutch lever	1	
8	AP8113759	U-bolt	1	
9	AP8106384	Clutch pump	1	
10	AP8113891	Clutch pipe	1	
11	AP8213057	Rear brake pump union	1	
12	AP8113719	Lever pin	1	
13	AP8106381	Clutch command cylinder	1	
14	AP8144151	Rubber pipe	1	
15	AP8101595	Hose clamp D10,1*	2	
16	AP8152273	Screw w/ flange	1	
17	AP8152306	Self-locking nut m5	1	
18	AP8152277	Screw w/ flange M6x12	1	
19	AP8124398	Clutch switch+harness	1	
20	AP8113553	Tank cap	1	
21	AP8106382	Oil tank	1	
22	AP0241821	Hex socket screw M6x45	3	
23	AP8133522	Guard	1	
24	AP8106935	Gasket	1	

Group	FRAME
Code	28.23
Description	Front master cilinder
Service	1



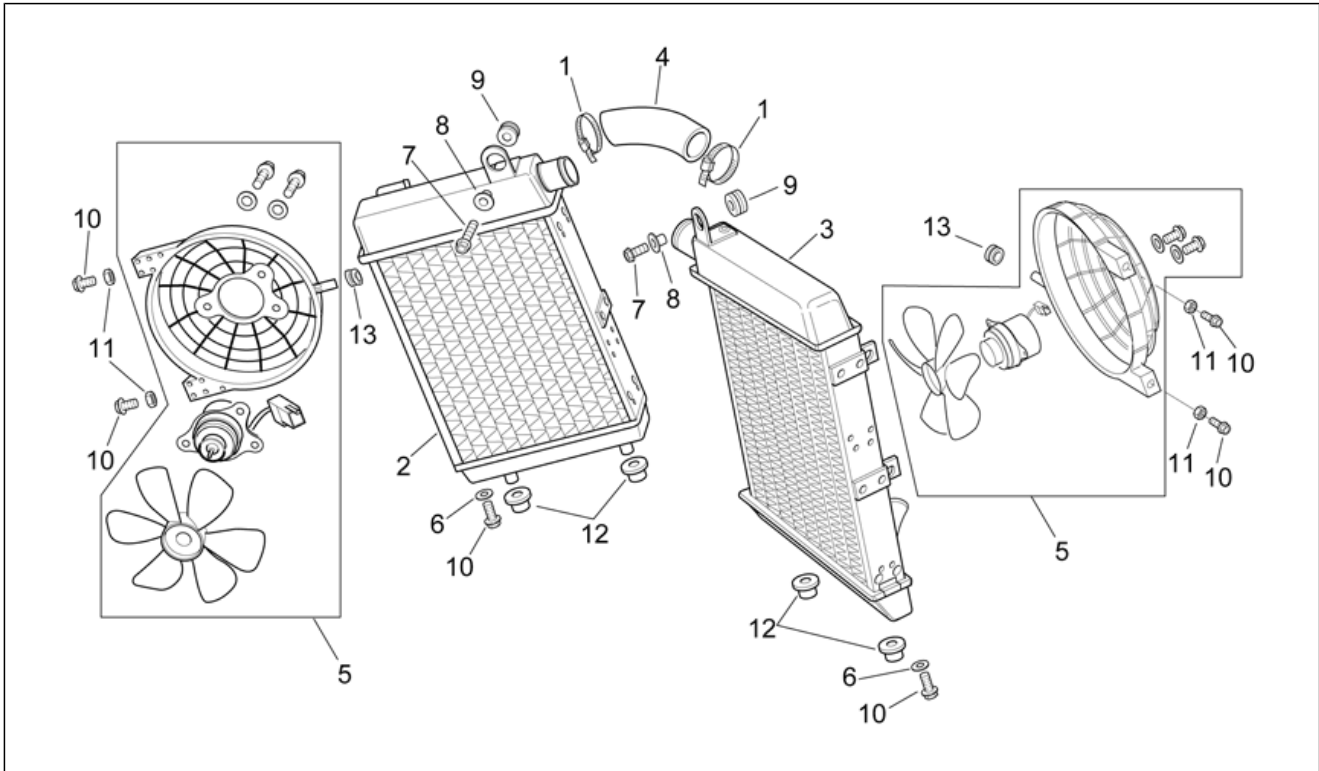
Pos.	Code	Description	Qty	Variants
1	AP8113896	Front brake hose	1	
2	AP8113598	Pil brake tank plug	1	
3	AP8113499	Brake oil tank	1	
4	AP8113763	Front master cilinder	1	
5	AP8113757	Front brake lever	1	
6	AP8113717	U-bolt	1	
7	AP8213057	Rear brake pump union	1	
8	AP8113719	Lever pin	1	
9	AP8121915	Gasket	6	
10	AP8113766	Bored screw	3	
11	AP8134383	Oil tank plate	1	
12	AP8134438	Brake hose hanger	1	
13	AP8152272	Screw w/ flange M5x12	1	
14	AP8120030	Rubber spacer *	1	
15	AP8152280	Screw w/ flange M6x25	1	
16	AP8152299	Self-locking nut M6	1	
17	AP8221023	T bush *	1	
18	AP8113764	Hose clamp	2	
19	AP8144151	Rubber pipe	1	
20	AP8152277	Screw w/ flange M6x12	1	
21	AP8124288	Brake light switch	1	

Group	FRAME
Code	28.24
Description	Cooling system
Service	1



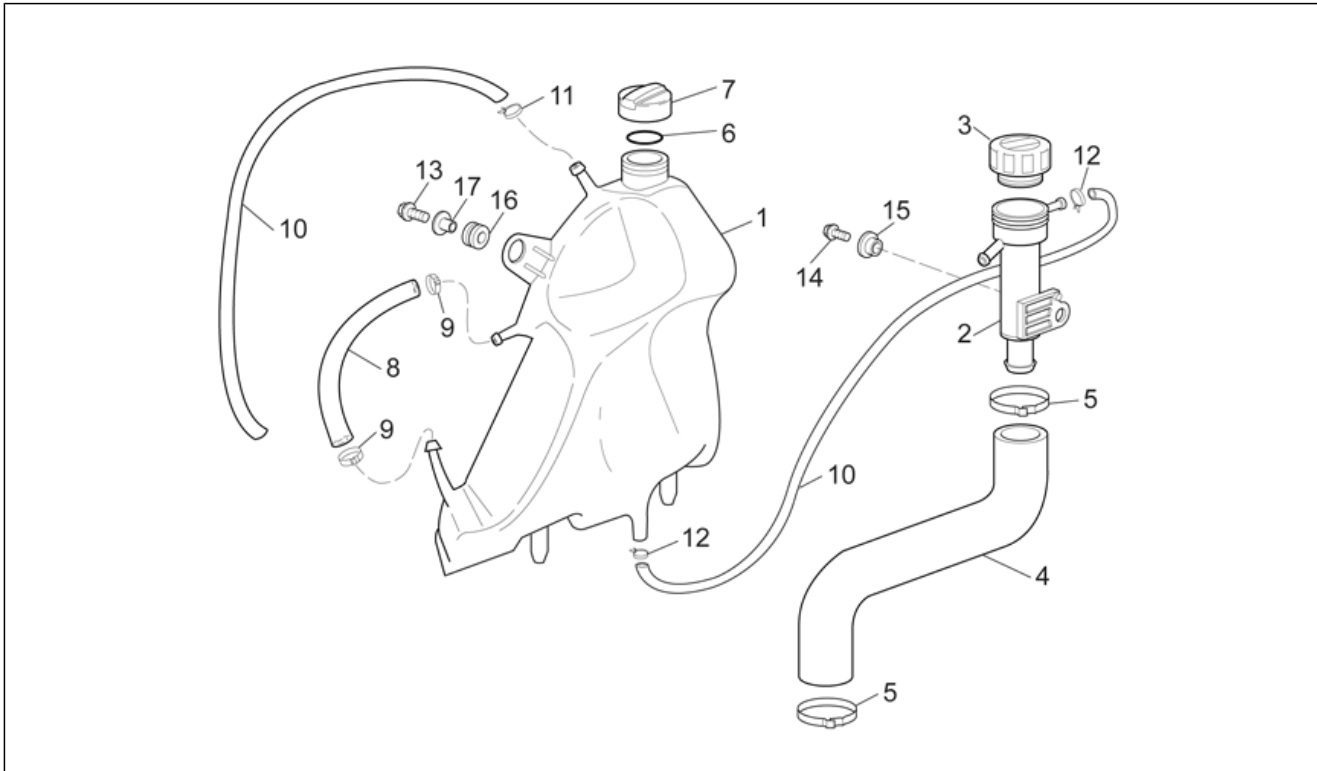
Pos.	Code	Description	Qty	Variants
1	AP8102431	3-way union	1	
2	AP8121837	Aluminium washer	1	
3	AP8104097	Hose clamp	8	
4	AP8102677	Three-way manifold	1	
5	AP8102732	Hose clamp 17-25	2	
6	AP8144076	Cooler-manifold pipe	1	
7	AP8120979	Engine-manifold pipe	2	
8	AP8101573	Hose clamp D16-24x8*	1	
9	AP8144073	Thermostat-pump pipe	1	
10	AP8102773	Thermostat-cooler pipe	1	
11	AP8144308	Manifold breather pipe	1	
12	AP8144309	Manifold-union breather pipe	1	
13	AP8144307	Union-manifold breather pipe	1	
14	AP8102765	White hose clip D.13,5x6	5	
15	AP8124929	Thermostat valve set 75°C	1	
16	AP8144075	Thermostat-engine pipe	1	
17	AP8112939	Thermal switch	1	
18	AP8101927	Hose clip D23,5x8*	2	
19	AP8120981	Water hose coolers	1	
20	AP8102764	White hose clip d.13x6	1	
21	AP8201169	Hose clip D22x8,6*	1	

Group	FRAME
Code	28.25
Description	Water coolers
Service	1



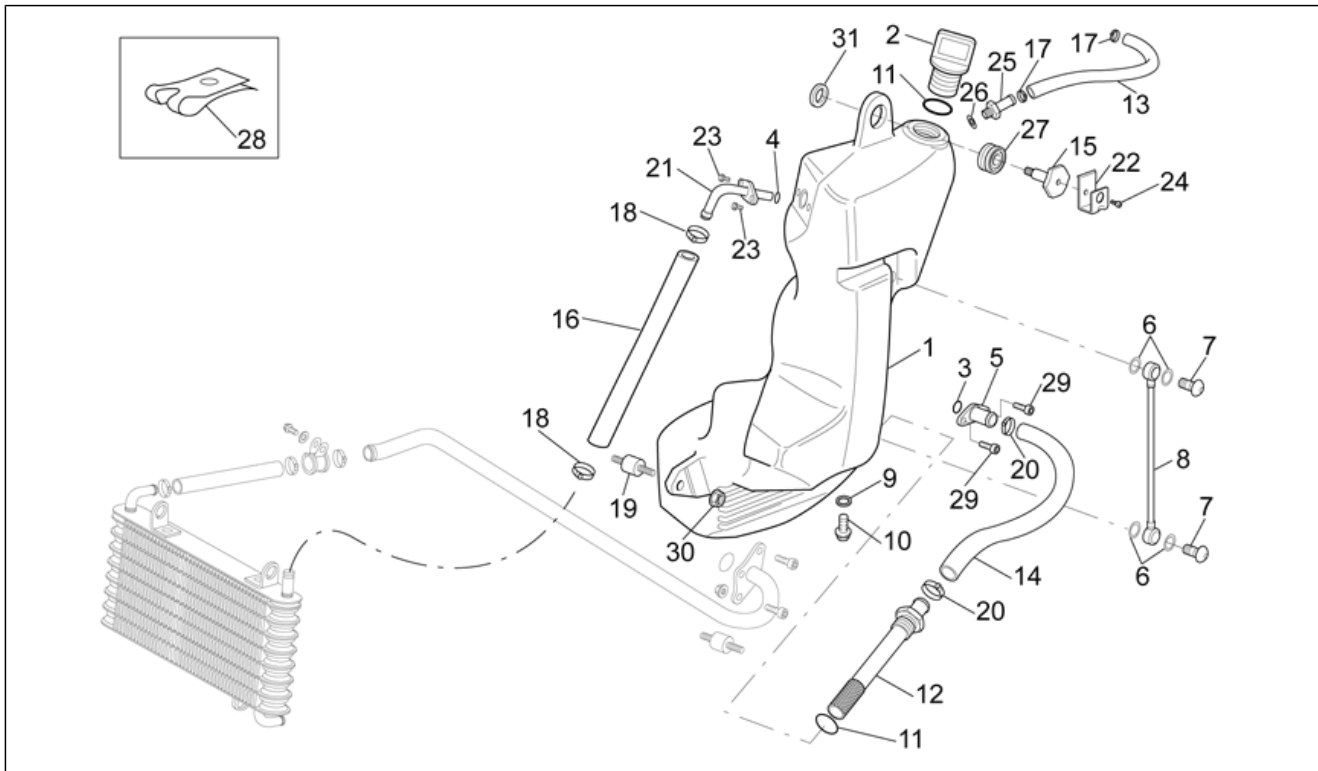
Pos.	Code	Description	Qty	Variants
1	AP8104097	Hose clamp	3	
2	AP8102952	Water cooler, RH black	1	
3	AP8102951	Water cooler, LH black	1	
4	AP8120981	Water hose coolers	1	
5	AP8124855	Fan, cpl.	2	
6	AP8152184	Washer 6,4x12*	2	
7	AP8152279	Screw w/ flange M6x20	2	
8	AP8221023	T bush *	2	
9	AP8112600	Rubber spacer *	2	
10	AP8152277	Screw w/ flange M6x12	6	
11	AP8150026	Nut	4	
12	AP8101372	Silent-block	4	
13	AP8120030	Rubber spacer *	2	

Group	FRAME
Code	28.26
Description	Expansion tank
Service	1



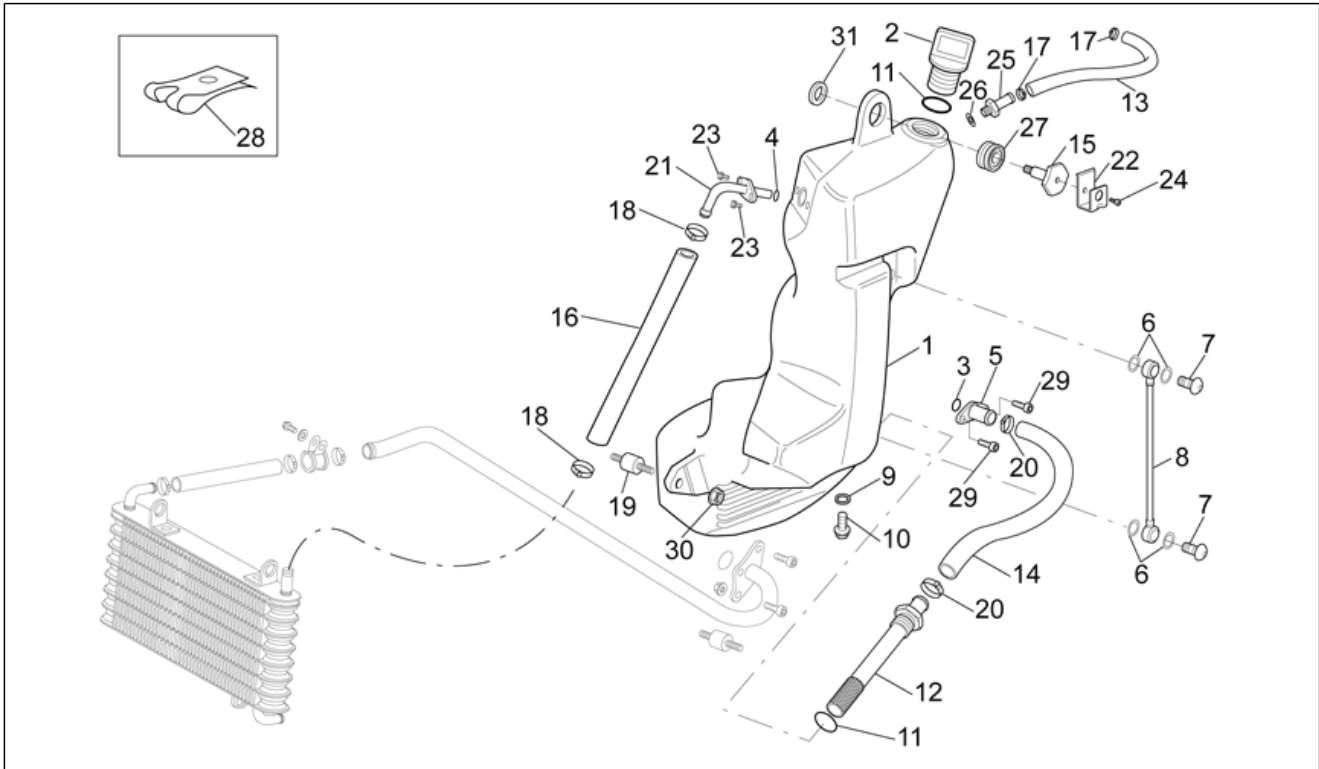
Pos.	Code	Description	Qty	Variants
1	AP8138781	Expansion tank	1	
2	AP8120988	Filler cap	1	
3	AP8102615	Cover	1	
4	AP8144032	Pump-Inlet pipe	1	
5	AP8101927	Hose clip D23,5x8*	2	
6	AP8220191	Gasket	1	
7	AP8104124	Expansion tank plug	1	
8	AP8106675	Level pipe	1	
9	AP8120446	Hose clip, green D11x6,6x1	2	
10	AP8120952	Fuel pipe 5,5x10	1	
11	AP8101595	Hose clamp D10,1*	1	
12	AP8102738	Hose clamp	2	
13	AP8152279	Screw w/ flange M6x20	1	
14	AP8152273	Screw w/ flange	1	
15	AP8120531	Rubber w/ insert *	1	
16	AP8120030	Rubber spacer *	1	
17	AP8221023	T bush *	1	

Group	FRAME
Code	28.27
Description	Oil tank
Service	1



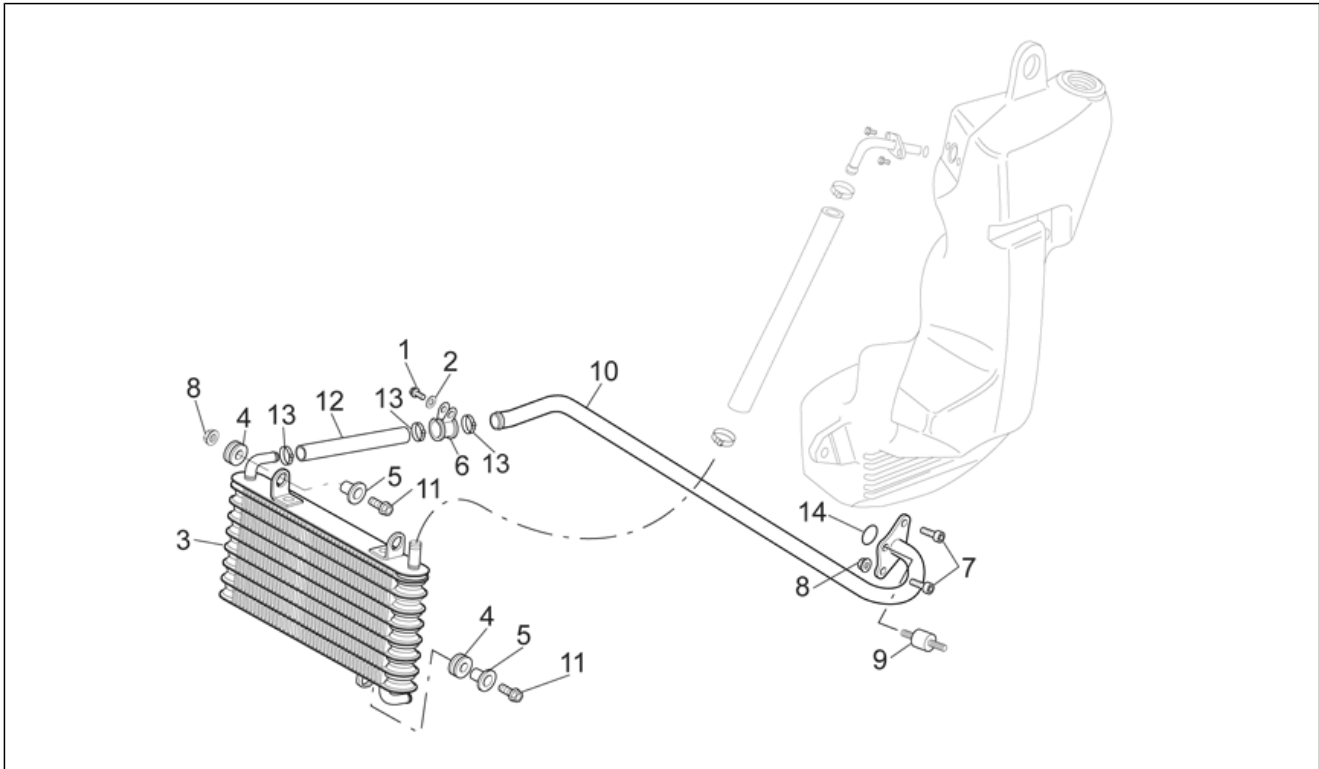
Pos.	Code	Description	Qty	Variants
1	AP8138792	Oil tank, grey	1	
2	AP8102618	Oil filler cap	1	
3	AP8120196	O-ring 3056	1	
4	AP8144008	O-ring 115	1	
5	AP8106387	Oil pipe	1	
6	AP8113004	Washer 10x14x1,6*	4	
7	AP8121409	Oil pipe screw	2	
8	AP8144275	Oil level pipe	1	
9	AP8121862	Washer D8x16x1,5	1	
10	AP8152285	Screw w/ flange	1	
11	AP8120190	O-ring 3075	2	
12	AP8104049	Oil filter cpl.	1	
13	AP8144015	Oil pipe 6x12	1	
14	AP8144148	Oil pipe	1	
15	AP8121387	Oil tank fixing plate	1	
16	AP8106389	Oil pipe 12x19	1	
17	AP8120446	Hose clip, green D11x6,6x1	2	
18	AP8102349	White hose clip D17,5x8	2	
19	AP8144061	Silent-block	1	
20	AP8102786	Hose clip 20x8	2	
21	AP8106588	Oil inlet pipe	1	
22	AP8134603	LH fairing fixing plate	1	
23	AP8152277	Screw w/ flange M6x12	2	
24	AP8150050	Hex socket screw	1	
25	AP8102626	2-way union	1	
26	AP8152184	Washer 6,4x12*	1	
27	AP8220369	Rubber spacer	1	
28	AP8102375	Clip m5	1	

Group	FRAME
Code	28.27
Description	Oil tank
Service	1



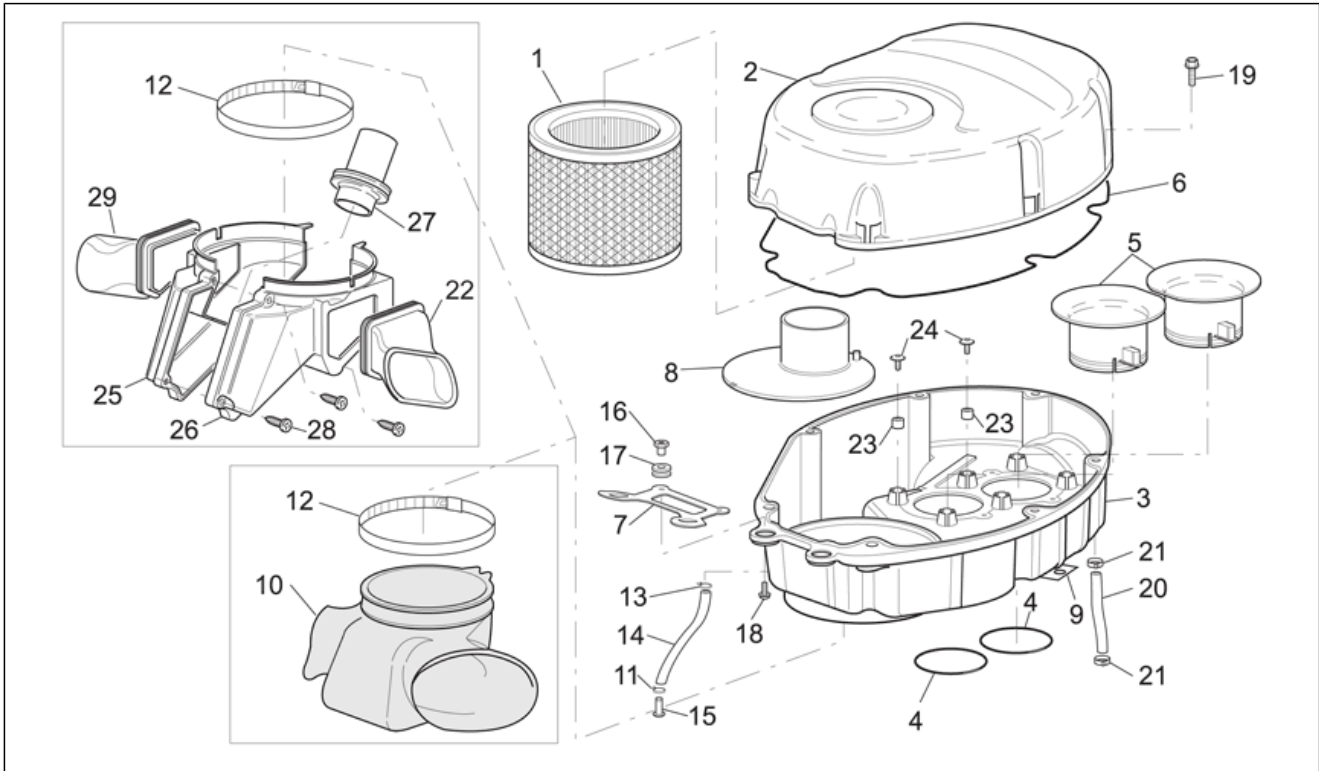
Pos.	Code	Description	Qty	Variants
29	AP8150137	Hex socket screw	2	
30	AP8152299	Self-locking nut M6	1	
31	AP8150018	Washer	1	

Group	FRAME
Code	28.28
Description	Oil radiator
Service	1



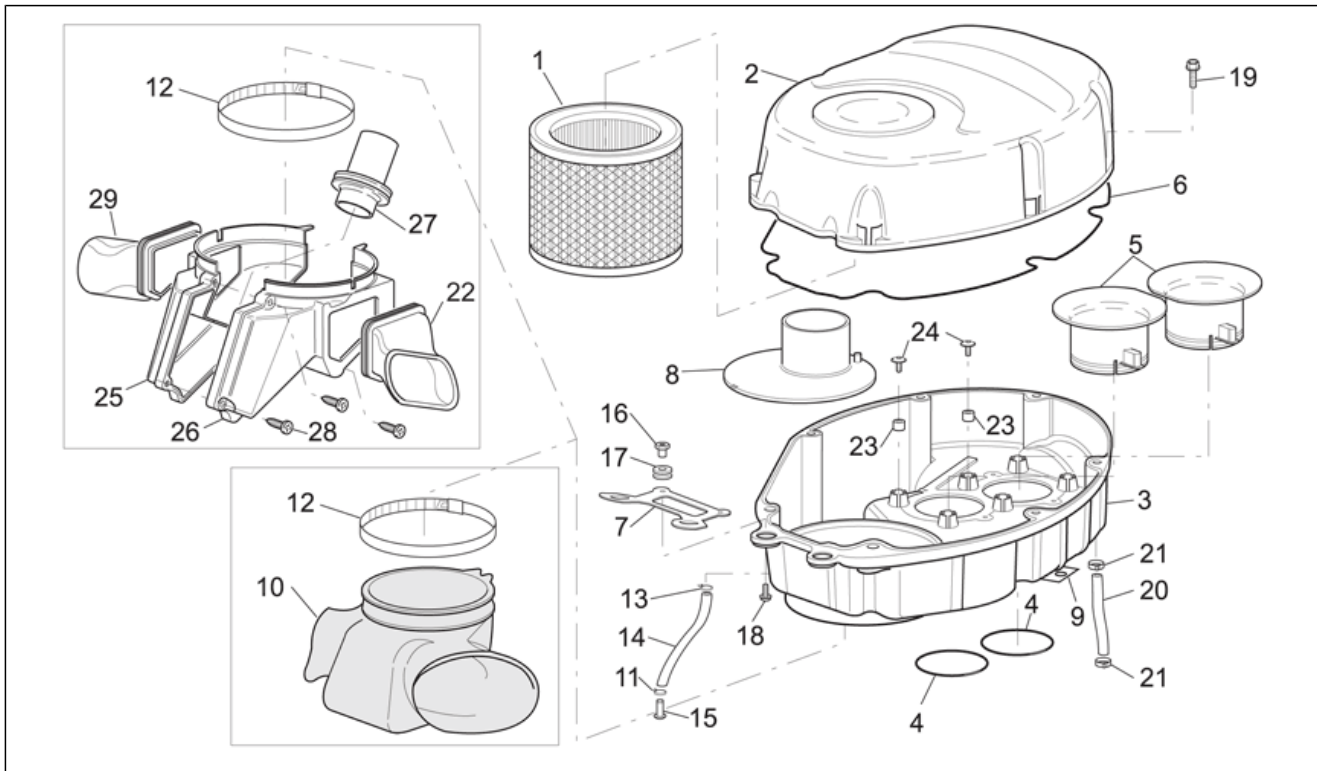
Pos.	Code	Description	Qty	Variants
1	AP8152278	Screw w/ flange M6x16	1	
2	AP8150015	Washer 6,6x18x1,6*	1	
3	AP8102907	Oil cooler cpl.	1	
4	AP8120030	Rubber spacer *	3	
5	AP8221023	T bush *	3	
6	AP8102731	Hose clamp	1	
7	AP8150137	Hex socket screw	2	
8	AP8152299	Self-locking nut M6	4	
9	AP8144061	Silent-block	1	
10	AP8106388	Oil pipe	1	
11	AP8152279	Screw w/ flange M6x20	3	
12	AP8106389	Oil pipe 12x19	1	
13	AP8102349	White hose clip D17,5x8	3	
14	AP8144008	O-ring 115	1	

Group	FRAME
Code	28.29
Description	Air box
Service	1



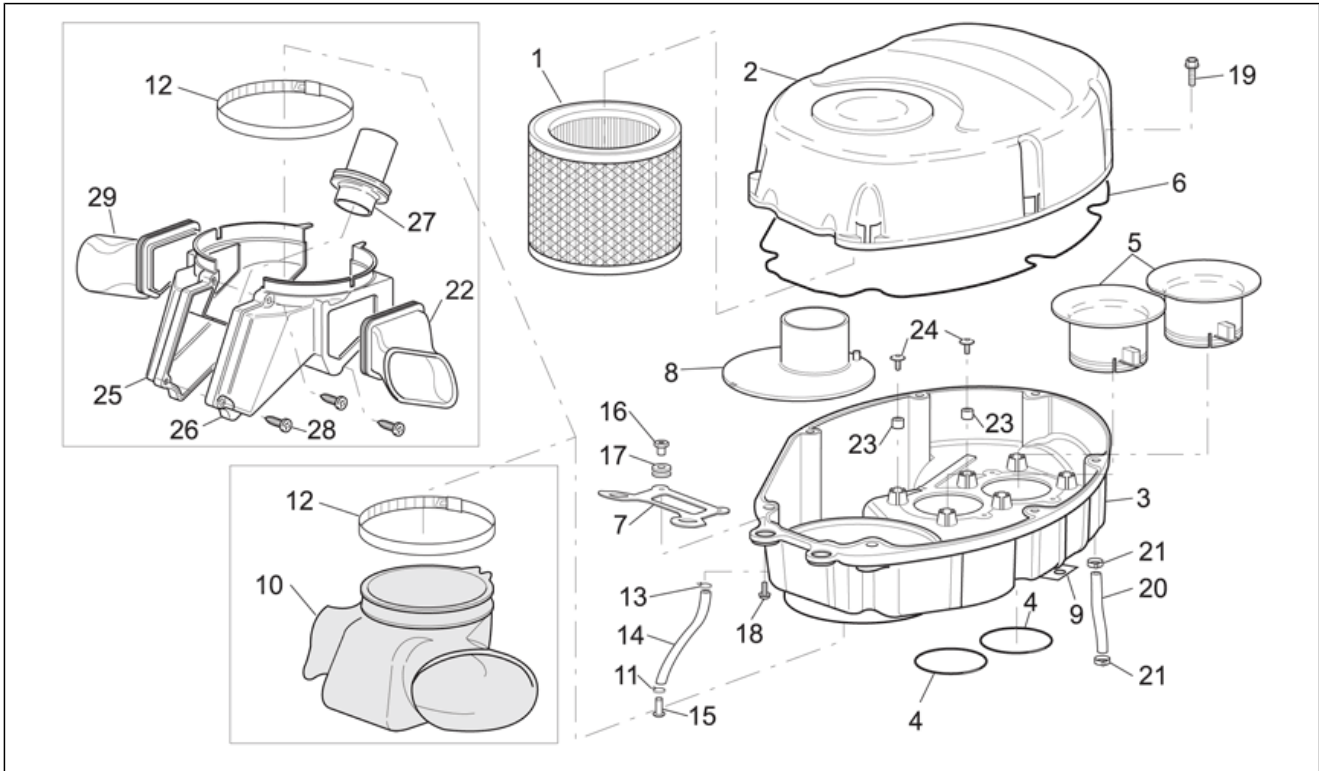
Pos.	Code	Description	Qty	Variants
1	AP8102610	Air filter	1	
2	AP8149048	Upper side filter case	2	
3	AP8149667	Lower side filter case	1	Country: Austria[A], Australia[AA], Australia[AUS], Belgium[B], Belgium[BB], Switzerland[CH], Germany[D], Denmark[DK], Spain[E], A, CH, D, DK, GR, E, I, NL, P[EU], Greece[GR], Italy[I], Japan[J], Japan[JJ], Holland[NL], Portugal[P], Great Britain[UK]
3	AP8149667	Lower side filter case	1	Country: USA (49 Countries Approval)[AM], United States of America[USA] Technical Specifications: 49 Countries Approval[49st]
3	AP8149669	Lower side filter case	1	Country: USA (California Approval)[CF], United States of America[USA] Technical Specifications: California Approval[cal]
3	AP8149723	Lower side filter case	1	Country: Belgium[B], Belgium[BB] Technical Specifications: Power 78 Kw[78Kw]
3	AP8149723	Lower side filter case	1	Country: France[F], France[FF] Technical Specifications: Power 78 Kw[78Kw]
4	AP8144063	O-ring 159	2	
5	AP8106395	Intake opening	2	
6	AP8120615	Gasket D3	1	
7	AP8134595	Filter case front. supp.	1	
8	AP8134399	Reduction diaphragm	1	Year: 2001[1], 2000[Y] Country: Australia[AA], Australia[AUS] Technical Specifications: NO catalytic version[nocat]
8	AP8134399	Reduction diaphragm	1	Country: Austria[A], Switzerland[CH], Germany[D], Denmark[DK], Spain[E], A, CH, D, DK, GR, E, I, NL, P[EU], Greece[GR], Italy[I], Japan[J], Japan[JJ], Holland[NL], Portugal[P], Great Britain[UK] Technical Specifications: NO catalytic version[nocat]
8	AP8134493	Reduction diaphragm	1	Year: 2001[1], 2000[Y] Country: Australia[AA], Australia[AUS] Technical Specifications: Catalytic version[cat]

Group	FRAME
Code	28.29
Description	Air box
Service	1



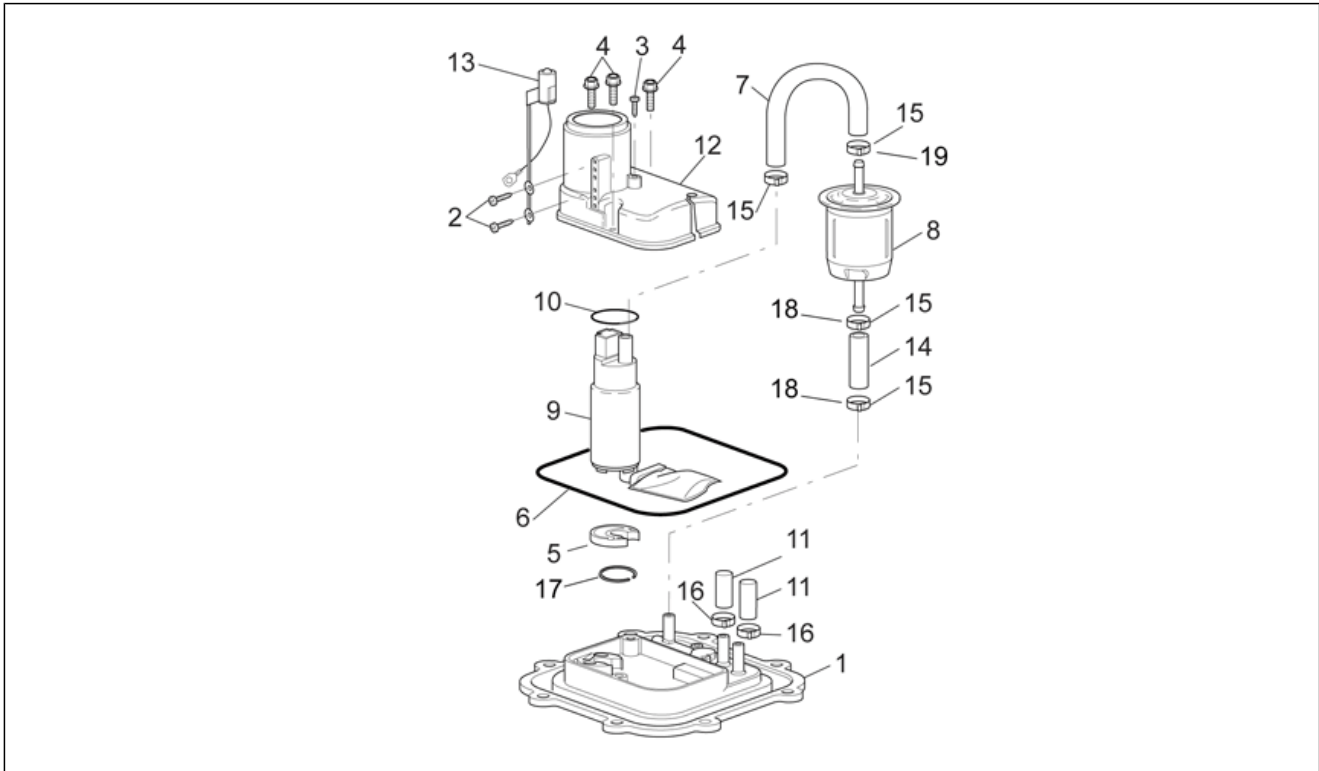
Pos.	Code	Description	Qty	Variants
8	AP8134493	Reduction diaphragm	1	Country: USA (49 Countries Approval)[AM], USA (California Approval)[CF], United States of America[USA]
8	AP8134493	Reduction diaphragm	1	Country: Belgium[B], Belgium[BB] Technical Specifications: Power 72 Kw[72Kw]
8	AP8134739	Reduction diaphragm	1	Year: 2002[2], 2003[3] Country: Australia[AA], Australia[AUS] Technical Specifications: Catalytic version[cat]
8	AP8134739	Reduction diaphragm	1	Country: Austria[A], Switzerland[CH], Germany[D], Denmark[DK], Spain[E], A, CH, D, DK, GR, E, I, NL, P[EU], Greece[GR], Italy[I], Japan[J], Japan[JJ], Holland[NL], Portugal[P], Great Britain[UK] Technical Specifications: Catalytic version[cat]
9	AP8134437	Plate	1	
10	AP8144085	Intake hose	1	
11	AP8102377	Hose clamp D9,1*	1	
12	AP8102763	Hose clamp 100-120	1	
13	AP8101595	Hose clamp D10,1*	1	
14	AP8144038	Fuel pipe 6x10	1	
15	AP8120876	Plug	1	
16	AP8121731	T bush *	2	
17	AP8120030	Rubber spacer *	2	
18	AP8152278	Screw w/ flange M6x16	2	
19	AP8152273	Screw w/ flange	7	
20	AP8120987	pipe 9x14	1	
21	AP8102766	Hose clamp	2	
22	AP8144411	Intake hose LH	1	
23	AP8120253	Spacer *	6	
24	AP8152246	Screw w/ flange	6	
25	AP8106812	RH intake manifold	1	
26	AP8106813	LH intake manifold	1	

Group	FRAME
Code	28.29
Description	Air box
Service	1



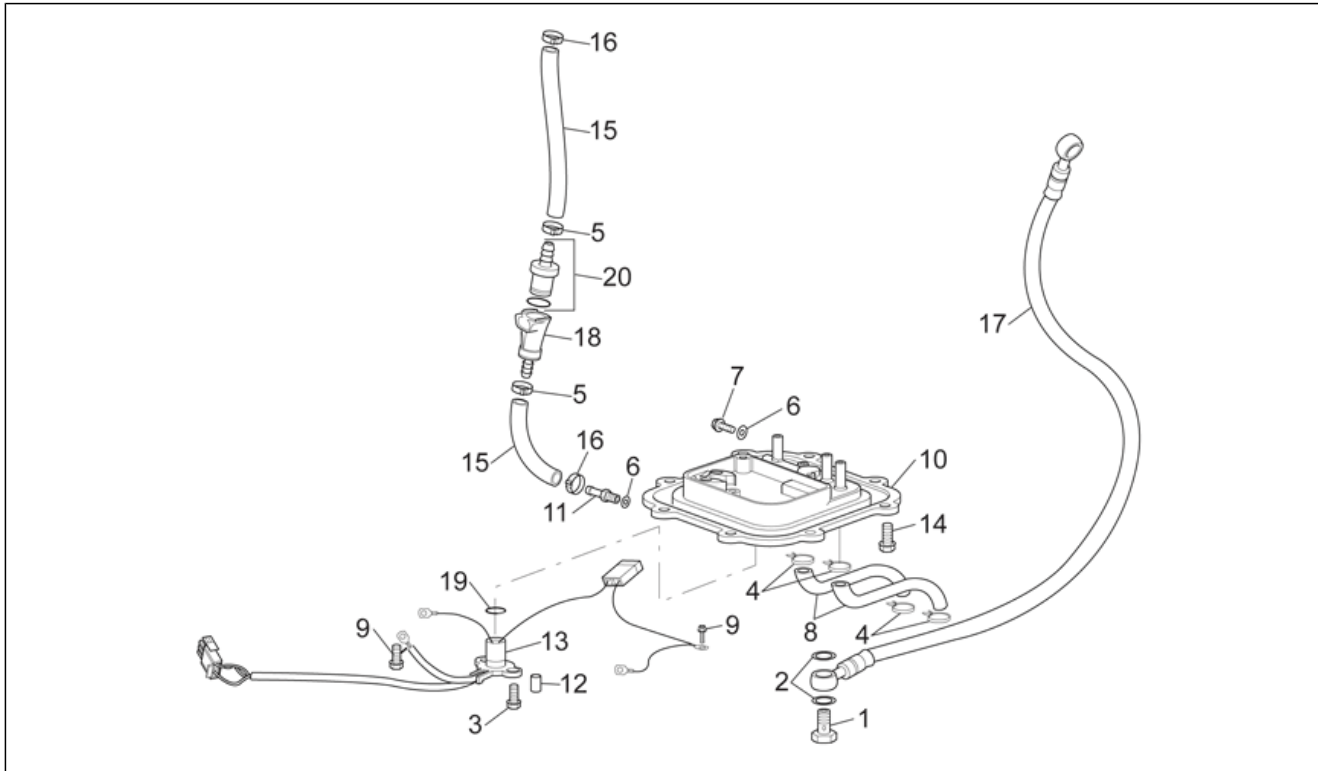
Pos.	Code	Description	Qty	Variants
27	AP8144383	Choke hold	1	
28	AP8221242	Spec. self-tap screw 3,5x20	3	
29	AP8144410	Intake hose RH	1	

Group	FRAME
Code	28.30
Description	Fuel pump I
Service	1



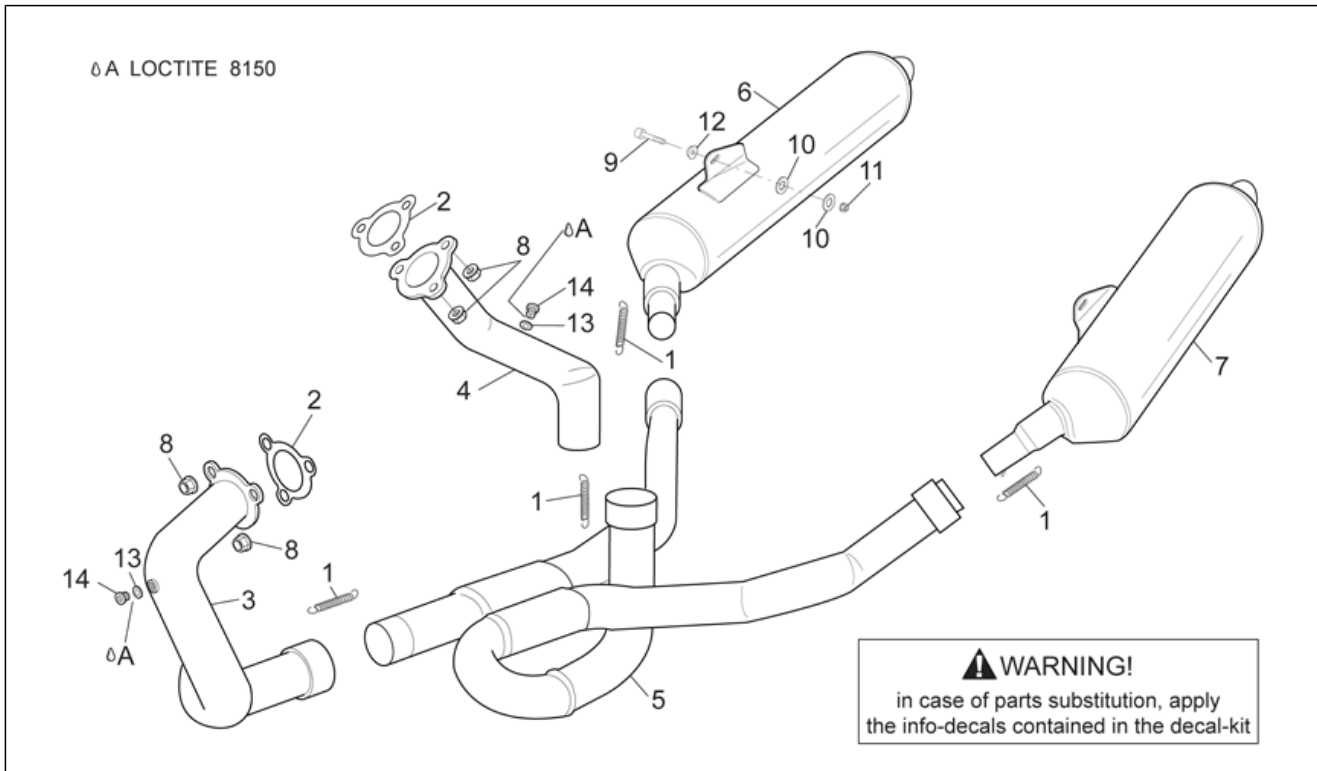
Pos.	Code	Description	Qty	Variants
1	AP8106386	Fuel pump flange	1	
2	AP8104455	Self-tap screw 2,9x9,5	2	Year:2002[2], 2003[3]
2	AP8150421	Self-tap screw 2,9x12	2	Year:2001[1], 2000[Y]
3	AP8150413	Self-tap screw 3,9x14	1	
4	AP8152273	Screw w/ flange	8	
5	AP8144003	Fuel pump rubber	1	Year:2001[1], 2000[Y]
6	AP8144010	O-ring 199	1	Year:2001[1], 2000[Y]
6	AP8144477	Gasket ring	1	Year:2002[2], 2003[3]
7	AP8120990	Fuel pipe pump-filter	1	Year:2001[1], 2000[Y]
7	AP8144226	Fuel pipe	1	Year:2002[2], 2003[3]
8	AP8102627	Fuel filter	1	Year:2001[1], 2000[Y]
8	AP8102971	Fuel filter	1	Year:2002[2], 2003[3]
9	AP8106385	Fuel pump	1	
10	AP8144011	O-ring 3125	1	Year:2001[1], 2000[Y]
11	AP8144298	Breather plug	2	
12	AP8104456	Fuel pump support	1	Year:2002[2], 2003[3]
12	AP8138624	Fuel pump support	1	Year:2001[1], 2000[Y]
13	AP8124297	Level sensor	1	
14	AP8120991	Fuel pipe 7,5x14,5	1	Year:2001[1], 2000[Y]
14	AP8144476	Fuel pipe	1	Year:2002[2], 2003[3]
15	AP8102765	White hose clip D.13,5x6	4	Year:2001[1], 2000[Y]
16	AP8102765	White hose clip D.13,5x6	2	
17	AP8104457	Snap ring	1	Year:2002[2], 2003[3]
18	AP8104459	Hose clamp	2	Year:2002[2], 2003[3]
19	AP8104458	Hose clamp	1	Year:2002[2], 2003[3]

Group	FRAME
Code	28.31
Description	Fuel pump II
Service	1



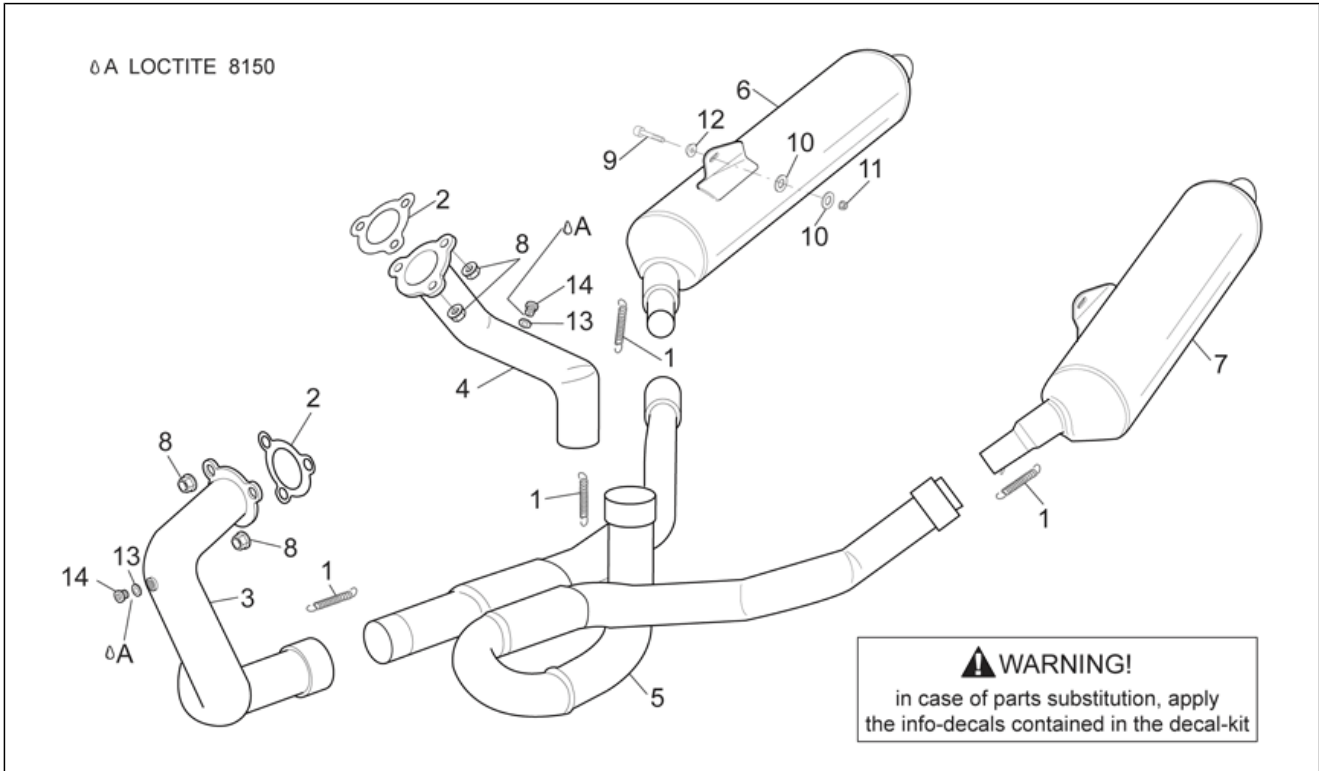
Pos.	Code	Description	Qty	Variants
1	AP8106443	Bored screw	1	
2	AP8106444	Gasket 18x12,2x1,5	2	
3	AP8152278	Screw w/ flange M6x16	2	
4	AP8101595	Hose clamp D10,1*	4	
5	AP8102764	White hose clip d.13x6	2	
6	AP8152184	Washer 6,4x12*	2	
7	AP8152277	Screw w/ flange M6x12	1	
8	AP8144160	Tank breather pipe	2	
9	AP8152272	Screw w/ flange M5x12	2	
10	AP8106386	Fuel pump flange	1	
11	AP8102626	2-way union	1	
12	AP8120253	Spacer *	2	
13	AP8124529	Fuel pump wiring	1	Year:2001[1], 2000[Y]
13	AP8127321	Fuel pump wiring	1	Year:2002[2], 2003[3]
14	AP8152273	Screw w/ flange	8	
15	AP8144069	Fuel pipe 6x13	1	
16	AP8102239	Hose clamp 12,5x8	1	
17	AP8120992	Fuel pipe	1	
18	AP8102829	Union	1	
19	AP8120285	O-ring 123	1	Year:2001[1], 2000[Y]
19	AP8144475	Gasket ring	1	Year:2002[2], 2003[3]
20	AP8102873	Union	1	

Group	FRAME
Code	28.33
Description	Exhaust pipe
Service	1



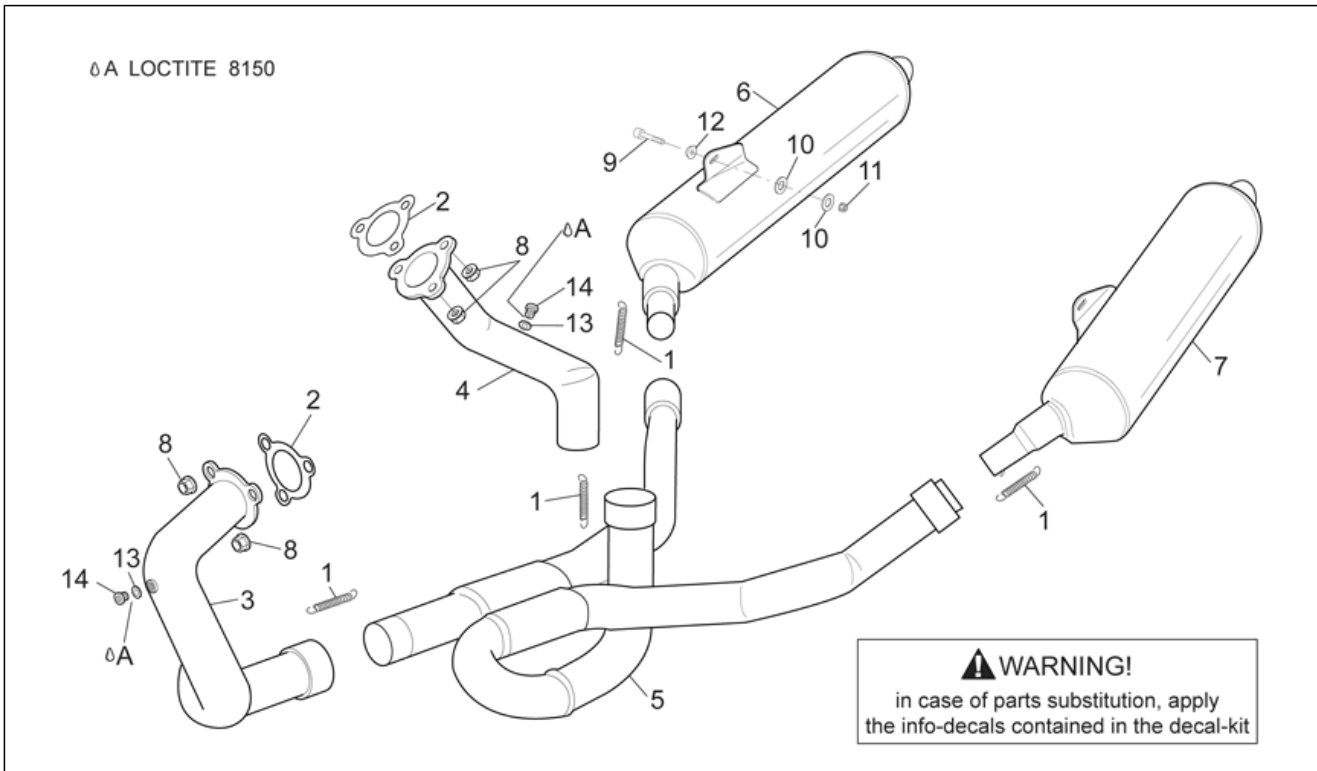
Pos.	Code	Description	Qty	Variants
1	AP8121355	Exhaust pipes spring	4	
2	AP8119414	Exhaust pipe gasket	2	
3	AP8119429	Front. Exhaust pipe	1	
4	AP8119430	Rear exhaust pipe	1	
5	AP8119428	Central exhaust pipe	1	
6	AP8119431	RH silencer	1	Year: 2000[Y] Country: Austria[A], Australia[AA], Australia[AUS], Belgium[B], Belgium[BB], Switzerland[CH], Germany[D], Denmark[DK], Spain[E], A, CH, D, DK, GR, E, I, NL, P[EU], France[F], France[FF], Greece[GR], Italy[I], Japan[J], Japan[J], Holland[NL], Portugal[P], Great Britain[UK]
6	AP8119583	RH silencer	1	Year: 2001[1], 2000[Y] Country: USA (49 Countries Approval)[AM], United States of America[USA] Technical Specifications: 49 Countries Approval[49st]
6	AP8119585	RH silencer	1	Year: 2001[1], 2000[Y] Country: USA (California Approval)[CF], United States of America[USA] Technical Specifications: California Approval[cal]
6	AP8119619	RH silencer	1	Year: 2000[Y] Country: Austria[A], Australia[AA], Australia[AUS], Belgium[B], Belgium[BB], Switzerland[CH], Germany[D], Denmark[DK], Spain[E], A, CH, D, DK, GR, E, I, NL, P[EU], France[F], France[FF], Greece[GR], Italy[I], Japan[J], Japan[J], Holland[NL], Portugal[P], Great Britain[UK]
6	AP8119619	RH silencer	1	Year: 2001[1] Country: Austria[A], Australia[AA], Australia[AUS], Belgium[B], Belgium[BB], Switzerland[CH], Germany[D], Denmark[DK], Spain[E], A, CH, D, DK, GR, E, I, NL, P[EU], France[F], France[FF], Greece[GR], Italy[I], Japan[J], Japan[J], Holland[NL], Portugal[P], Great Britain[UK] Technical Specifications: NO catalytic version[nocat]
6	AP8119634	RH silencer	1	Year: 2002[2], 2003[3]

Group	FRAME
Code	28.33
Description	Exhaust pipe
Service	1



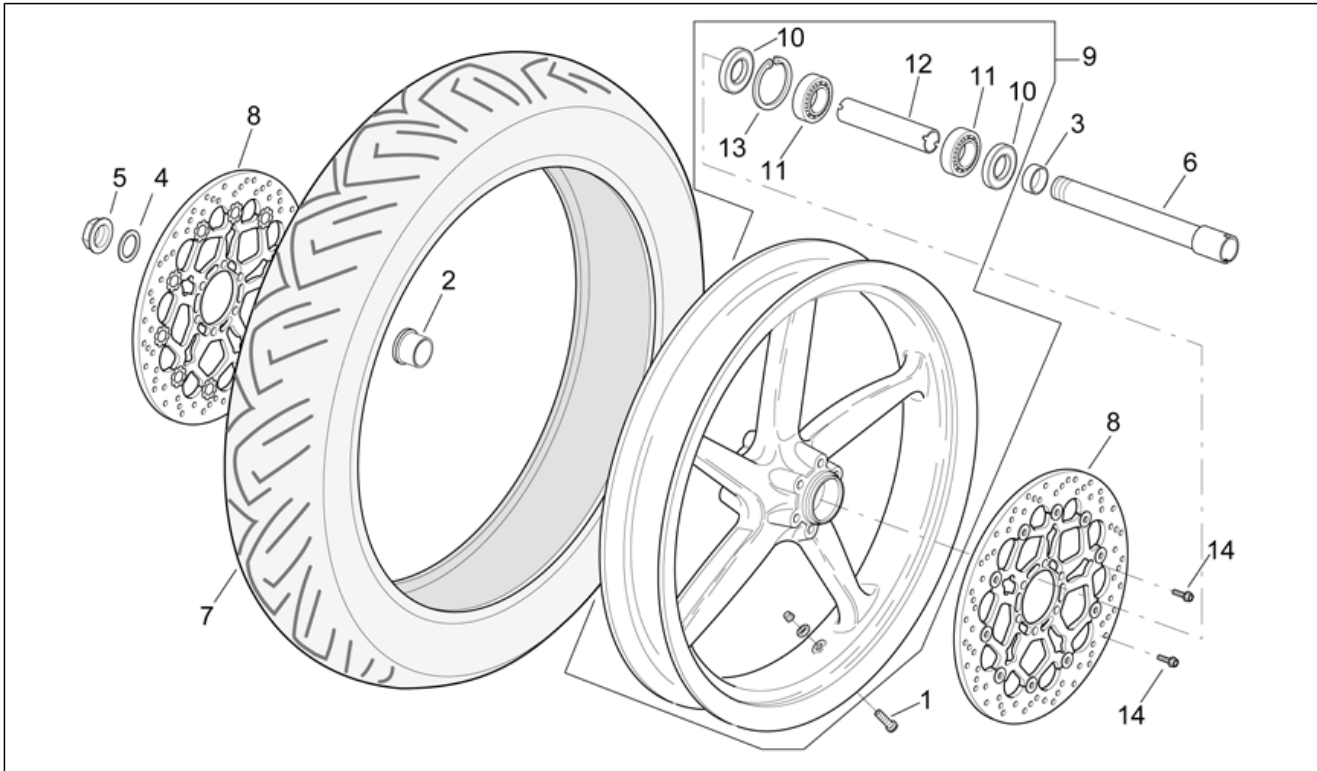
Pos.	Code	Description	Qty	Variants
				Country: Austria[A], Australia[AA], Australia[AUS], Belgium[B], Belgium[BB], Switzerland[CH], Germany[D], Denmark[DK], Spain[E], A, CH, D, DK, GR, E, I, NL, P[EU], France[F], France[FF], Greece[GR], Italy[I], Japan[J], Japan[J], Holland[NL], Portugal[P], Great Britain[UK] Technical Specifications: Catalytic version[cat]
6	AP8119718	RH silencer	1	Year: 2002[2], 2003[3] Country: USA (49 Countries Approval)[AM], United States of America[USA] Technical Specifications: 49 Countries Approval[49st]
6	AP8119720	RH silencer	1	Year: 2002[2], 2003[3] Country: USA (California Approval)[CF], United States of America[USA] Technical Specifications: California Approval[cal]
7	AP8119443	LH silencer	1	Year: 2000[Y] Country: Austria[A], Australia[AA], Australia[AUS], Belgium[B], Belgium[BB], Switzerland[CH], Germany[D], Denmark[DK], Spain[E], A, CH, D, DK, GR, E, I, NL, P[EU], France[F], France[FF], Greece[GR], Italy[I], Japan[J], Japan[J], Holland[NL], Portugal[P], Great Britain[UK]
7	AP8119584	LH silencer	1	Year: 2001[1], 2000[Y] Country: USA (49 Countries Approval)[AM], United States of America[USA] Technical Specifications: 49 Countries Approval[49st]
7	AP8119586	LH silencer	1	Year: 2001[1], 2000[Y] Country: USA (California Approval)[CF], United States of America[USA] Technical Specifications: California Approval[cal]
7	AP8119620	LH silencer	1	Year: 2000[Y] Country: Austria[A], Australia[AA], Australia[AUS], Belgium[B], Belgium[BB], Switzerland[CH], Germany[D], Denmark[DK], Spain[E], A, CH, D, DK, GR, E, I, NL, P[EU], France[F], France[FF], Greece[GR], Italy[I], Japan[J], Japan[J], Holland[NL], Portugal[P], Great Britain[UK]
7	AP8119620	LH silencer	1	Year: 2001[1]

Group	FRAME
Code	28.33
Description	Exhaust pipe
Service	1



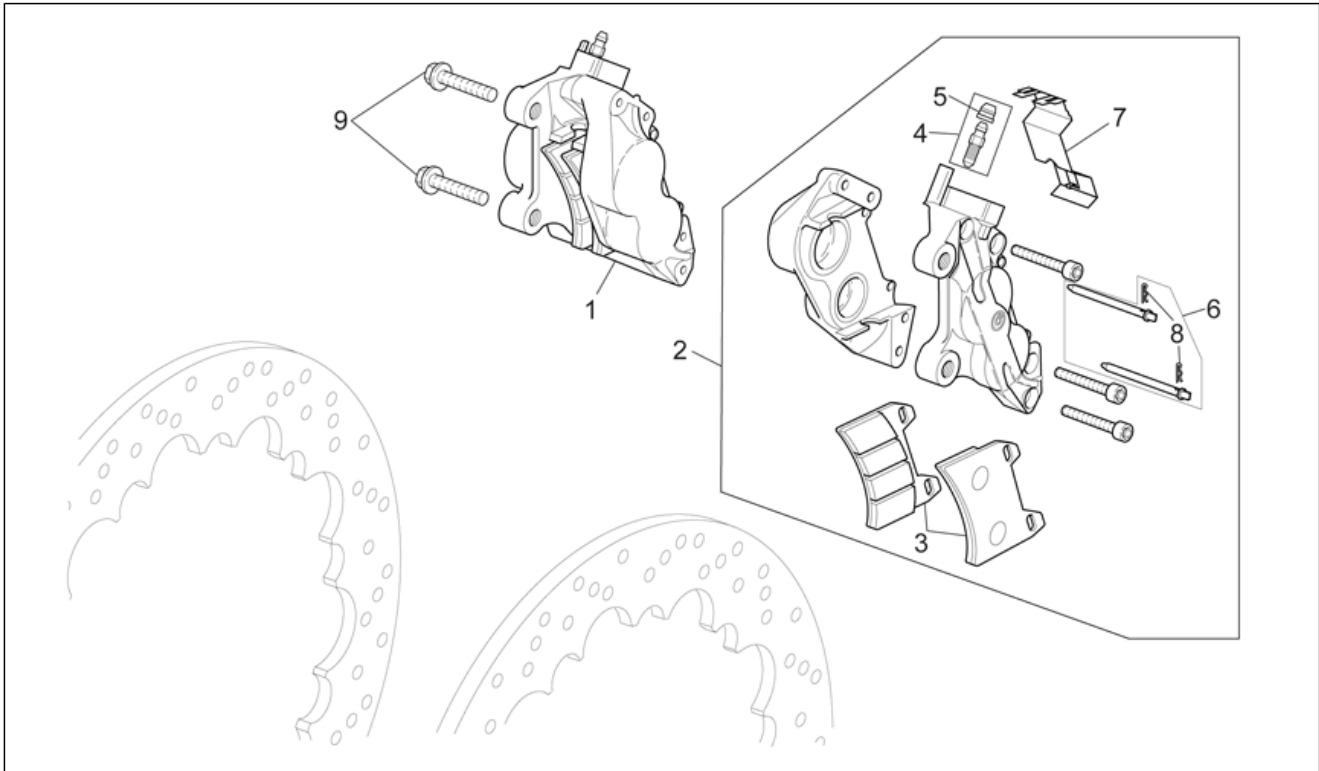
Pos.	Code	Description	Qty	Variants
				Country: Austria[A], Australia[AA], Australia[AUS], Belgium[B], Belgium[BB], Switzerland[CH], Germany[D], Denmark[DK], Spain[E], A, CH, D, DK, GR, E, I, NL, P[EU], France[F], France[FF], Greece[GR], Italy[I], Japan[J], Japan[JJ], Holland[NL], Portugal[P], Great Britain[UK] Technical Specifications: NO catalytic version[nocat]
7	AP8119635	LH silencer	1	Year: 2002[2], 2003[3] Country: Austria[A], Australia[AA], Australia[AUS], Belgium[B], Belgium[BB], Switzerland[CH], Germany[D], Denmark[DK], Spain[E], A, CH, D, DK, GR, E, I, NL, P[EU], France[F], France[FF], Greece[GR], Italy[I], Japan[J], Japan[JJ], Holland[NL], Portugal[P], Great Britain[UK] Technical Specifications: Catalytic version[cat]
7	AP8119719	LH silencer	1	Year: 2002[2], 2003[3] Country: USA (49 Countries Approval)[AM], United States of America[USA] Technical Specifications: 49 Countries Approval[49st]
7	AP8119721	LH silencer	1	Year: 2002[2], 2003[3] Country: USA (California Approval)[CF], United States of America[USA] Technical Specifications: California Approval[cal]
8	AP8150334	Nut	6	
9	AP8150277	Hex socket screw	2	
10	AP8150018	Washer	4	
11	AP8152300	Self-locking nut M8	2	
12	AP8134378	Silencer fixing bush	2	
13	AP8150489	Washer 10x14x1	2	
14	AP8150488	CO intake screw	1	

Group	FRAME
Code	28.34
Description	Front wheel
Service	1



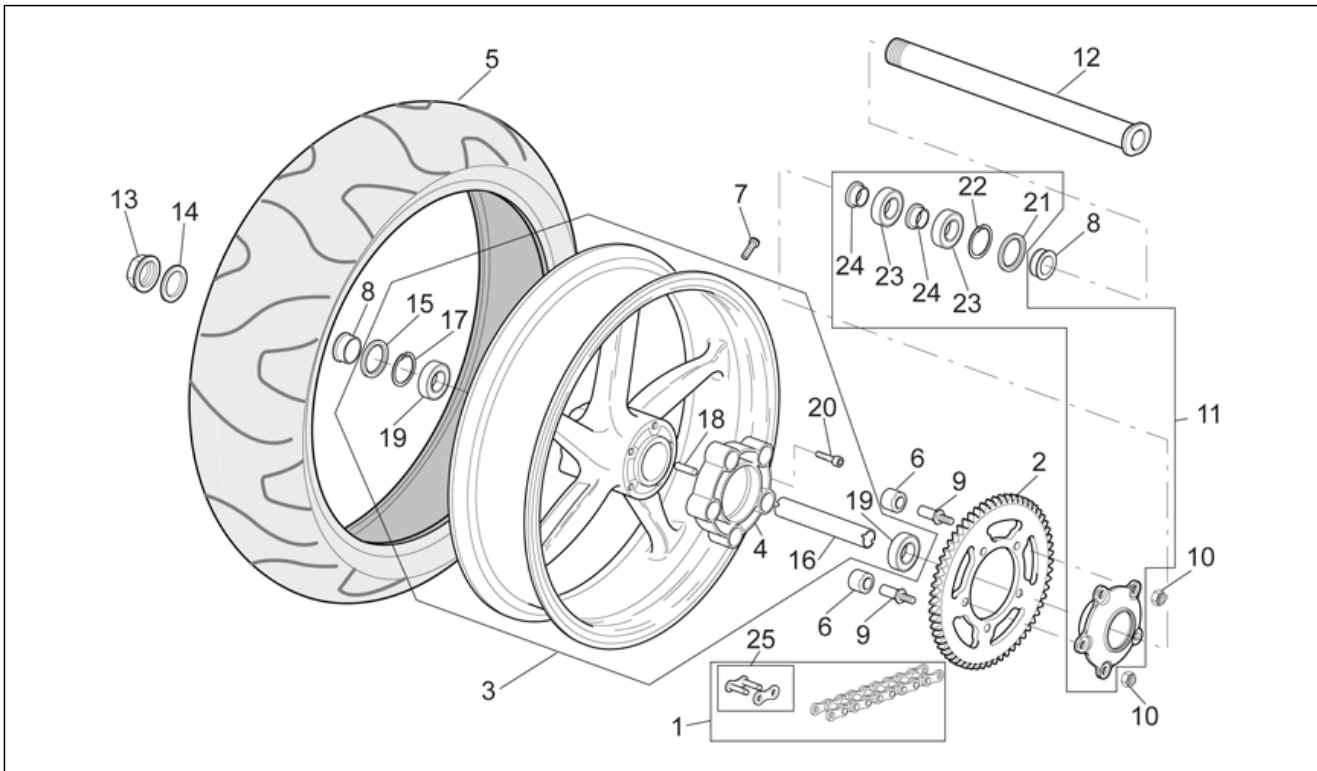
Pos.	Code	Description	Qty	Variants
1	AP8101744	Tubeless tyre valve	1	
2	AP8125728	Front RH whe.ou.spacer	1	
3	AP8125737	Front LH whe.ou.spacer	1	
4	AP8152323	Washer 25,2x36x1	1	
5	AP8152335	Wheel spindle nut	1	
6	AP8125827	Front wheel spindle	1	
7	0000000	Tyre 110/90"	1	
8	AP8113607	Disco freno nero	2	Year:2003[3] Vehicle colour:Flamingo Red 2003[fla.r], Oasis Green 2003[o.gr]
8	AP8113607	Disco freno nero	2	Year:2001[1], 2000[Y]
8	AP8133535	Front brake disc gold flange	2	Year:2002[2]
8	AP8133535	Front brake disc gold flange	2	Year:2003[3] Vehicle colour:Olympic Bronze 2003[o.br]
8	B044207	[...]	2	Year:2001[1], 2000[Y]
8	B044207	[...]	2	Year:2003[3] Vehicle colour:Flamingo Red 2003[fla.r], Oasis Green 2003[o.gr]
9	AP8108675	Front wheel, grey	1	
10	AP8125773	Gasket ring 30x47x7	2	
11	AP8125777	Ball bearing 25x47x12	2	
12	AP8125778	Internal spacer	1	
13	AP8125779	Circlip	1	
14	AP8152286	Screw w/ flange M8x20	12	

Group	FRAME
Code	28.35
Description	Front brake caliper
Service	1



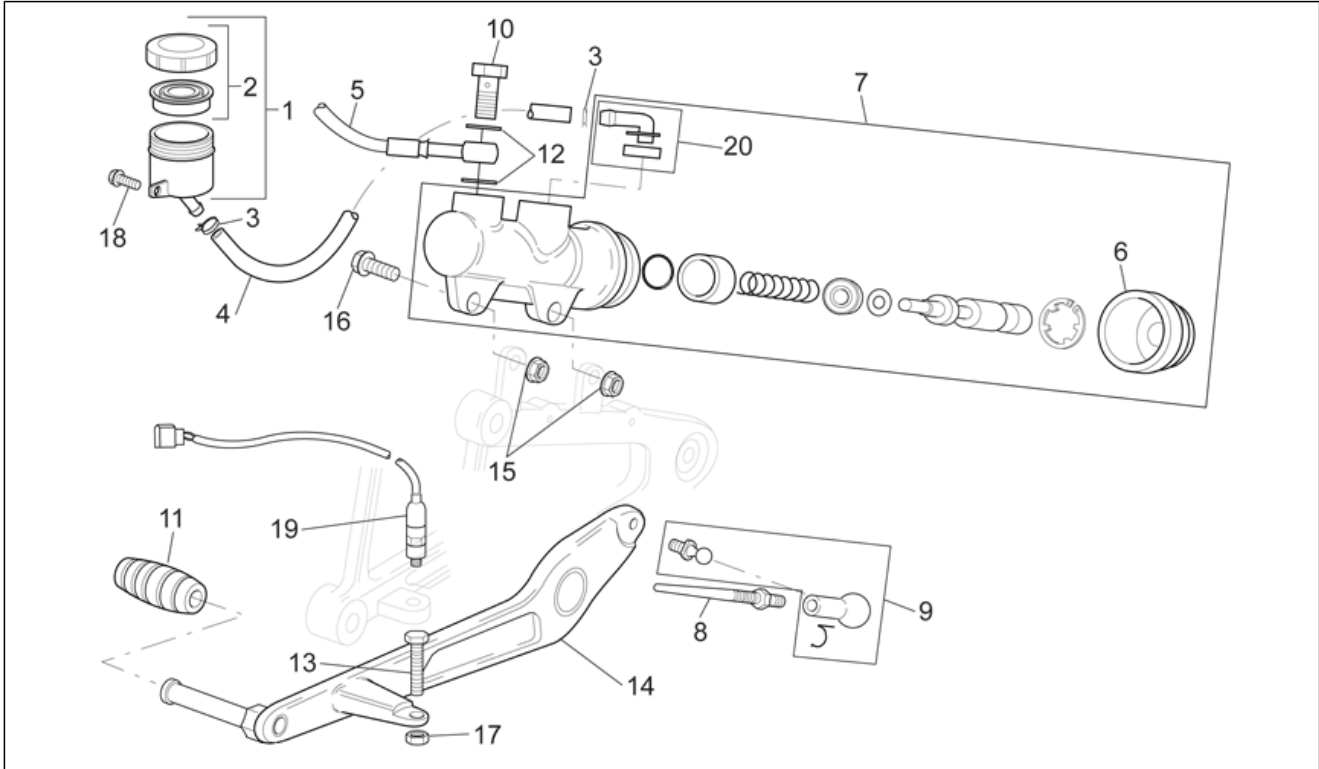
Pos.	Code	Description	Qty	Variants
1	AP8113892	RH Front brake caliper, gold	1	
2	AP8113893	LH Front brake caliper, gold	1	
3	AP8113754	Pads pair	2	
4	AP8213193	Air bleed valve	2	
5	AP8113070	Bleed valve cap	2	
6	AP8113721	Pin+split pin	2	
7	AP8113722	Spring	2	
8	AP8113723	Split pin	2	
9	AP8152336	Screw w/ flange M10x1,25	4	

Group	FRAME
Code	28.36
Description	Rear wheel
Service	1



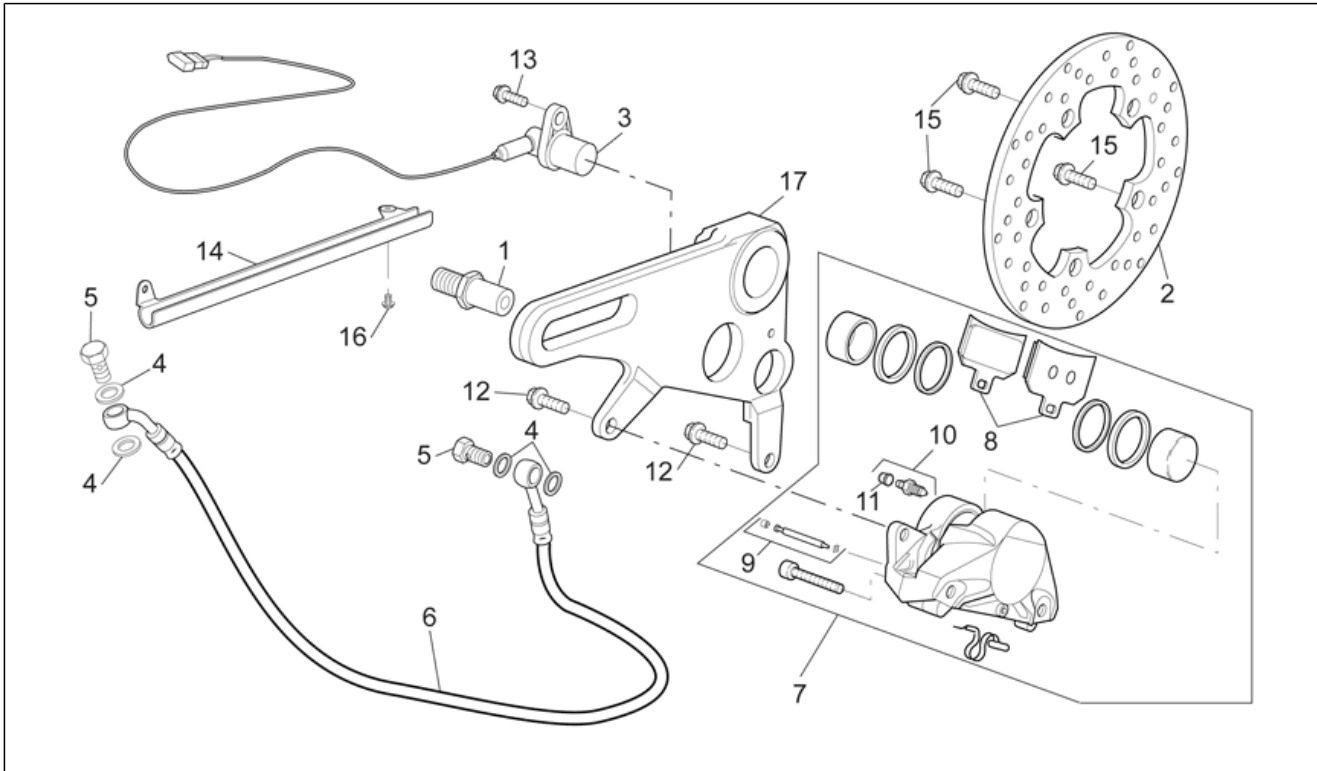
Pos.	Code	Description	Qty	Variants
1	AP8107120	Chain cpl conn.link	1	Technical Specifications: For chain with D.I.D.sign[DID]
1	AP8107149	Chain cpl conn.link	1	Technical Specifications: For chain with REGINA sign[REG]
2	AP8107119	Chain ring Z=41	1	
3	AP8108676	Rear wheel, grey	1	
4	AP8125733	Rear wheel spring drive holder	1	
5	0000000	Tyre 110/90"	1	
6	AP8125731	Flexible coupling rubber	5	
7	AP8101744	Tubeless tyre valve	1	
8	AP8121225	Rear wheel spacer	2	
9	AP8121408	Spring drive fixing bush	5	
10	AP8150436	Low self-locking nut	5	
11	AP8125730	Crown holder cpl.	1	
12	AP8125831	Rear wheel spindle	1	
13	AP8152324	Wheel spindle nut M25x1,5	1	
14	AP8152323	Washer 25,2x36x1	1	
15	AP8125786	Gasket ring 38x52x7	1	
16	AP8125787	Spacer	1	
17	AP8125788	Circlip	1	
18	AP8150463	Pin 10x20	1	
19	AP8106806	Bearing 6205-2rs1 25x52x15	2	
20	AP8150195	Hex socket screw M10x30	5	
21	AP8121213	Gasket ring 38x55x7	1	
22	AP8121212	Inside circlip d55	1	
23	AP8110081	Bearing 30x55x13	2	
24	AP8125732	Spring drive spacer	2	
25	AP8107136	Connecting link	1	Technical Specifications: For chain with D.I.D.sign[DID]
25	AP8107150	Connecting link	1	Technical Specifications: For chain with REGINA sign[REG]

Group	FRAME
Code	28.37
Description	Rear master cylinder
Service	1



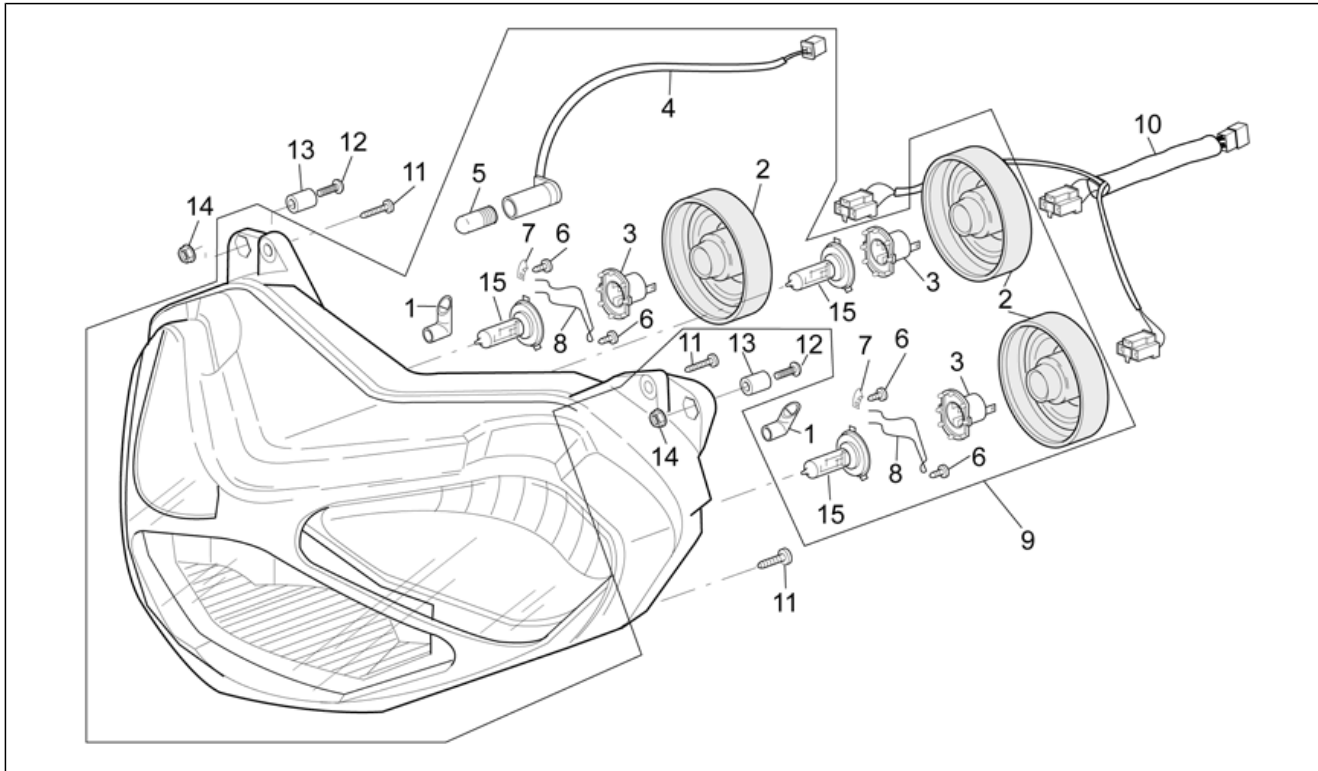
Pos.	Code	Description	Qty	Variants
1	AP8106382	Oil tank	1	
2	AP8113553	Tank cap	1	
3	AP8101595	Hose clamp D10,1*	2	
4	AP8144151	Rubber pipe	1	
5	AP8113889	Rear brake hose	1	
6	AP8113288	Rubber bellows	1	
7	AP8113890	Rear master cylinder	1	
8	AP8121416	Master cylinder rod	1	
9	AP8210007	RH ball joint M6	1	
10	AP8113003	Oil pipe screw *	1	
11	AP8120912	Lever rubber	1	
12	AP8121915	Gasket	2	
13	AP8150072	Hex screw M6x25	1	
14	AP8146016	Rear brake lever	1	
15	AP8152299	Self-locking nut M6	2	
16	AP8152279	Screw w/ flange M6x20	2	
17	AP8150026	Nut	1	
18	AP8152273	Screw w/ flange	1	
19	AP8112996	clutch switch	1	
20	AP8213057	Rear brake pump union	1	

Group	FRAME
Code	28.38
Description	Rear brake caliper
Service	1



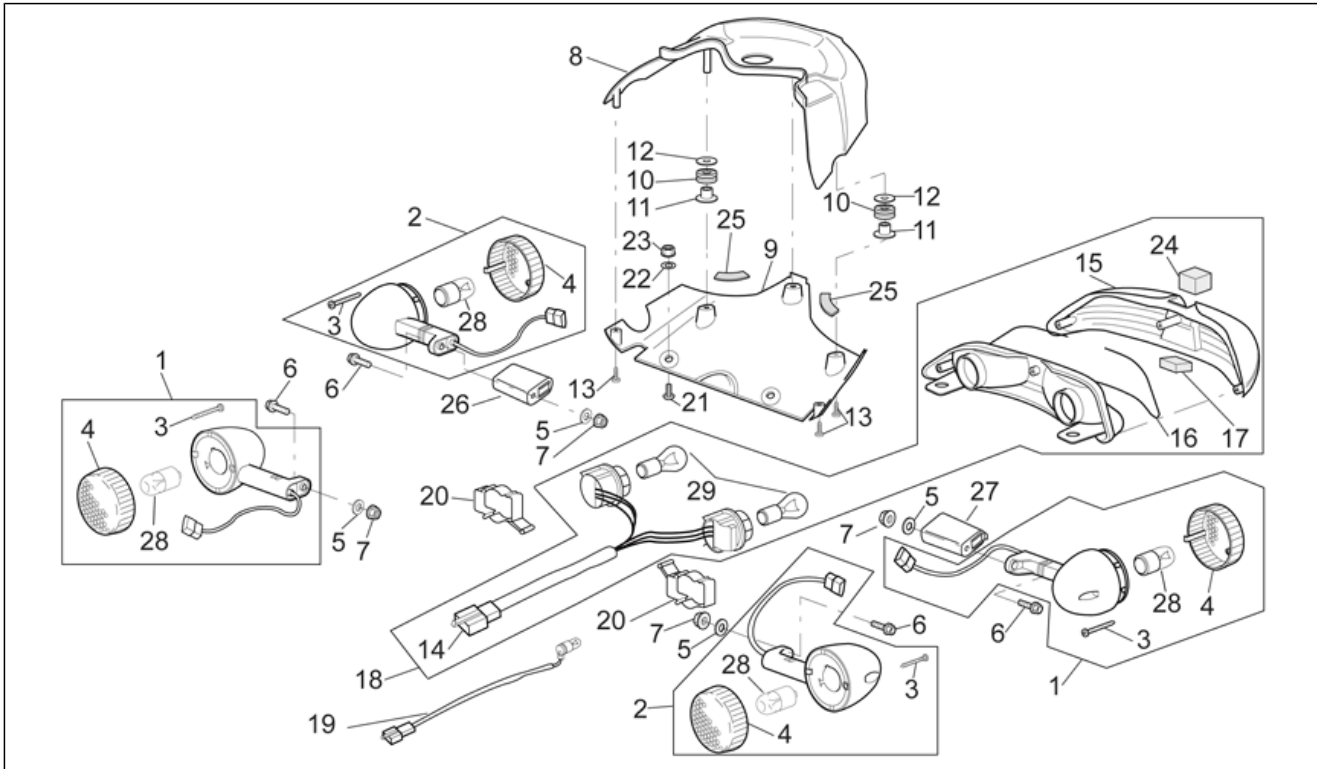
Pos.	Code	Description	Qty	Variants
1	AP8121407	Brake supp. plate pin	1	
2	AP8113612	Rear brake disc	1	
3	AP8124528	Speedometer sensor cpl.	1	
4	AP8121915	Gasket	4	
5	AP8113003	Oil pipe screw *	2	
6	AP8113889	Rear brake hose	1	
7	AP8113897	Rear brake caliper	1	
8	AP8113898	Pads pair	1	
9	AP8113752	Pin+split pin	1	
10	AP8113895	Air bleed valve	1	
11	AP8113070	Bleed valve cap	1	
12	AP8152286	Screw w/ flange M8x20	2	
13	AP8152279	Screw w/ flange M6x20	1	
14	AP8134544	Rear brake hose support	1	
15	AP8152286	Screw w/ flange M8x20	5	
16	AP8152298	Screw w/ flange M5x16	2	
17	AP8134385	Brake hanger plate	1	

Group	FRAME
Code	28.39
Description	Headlight
Service	1



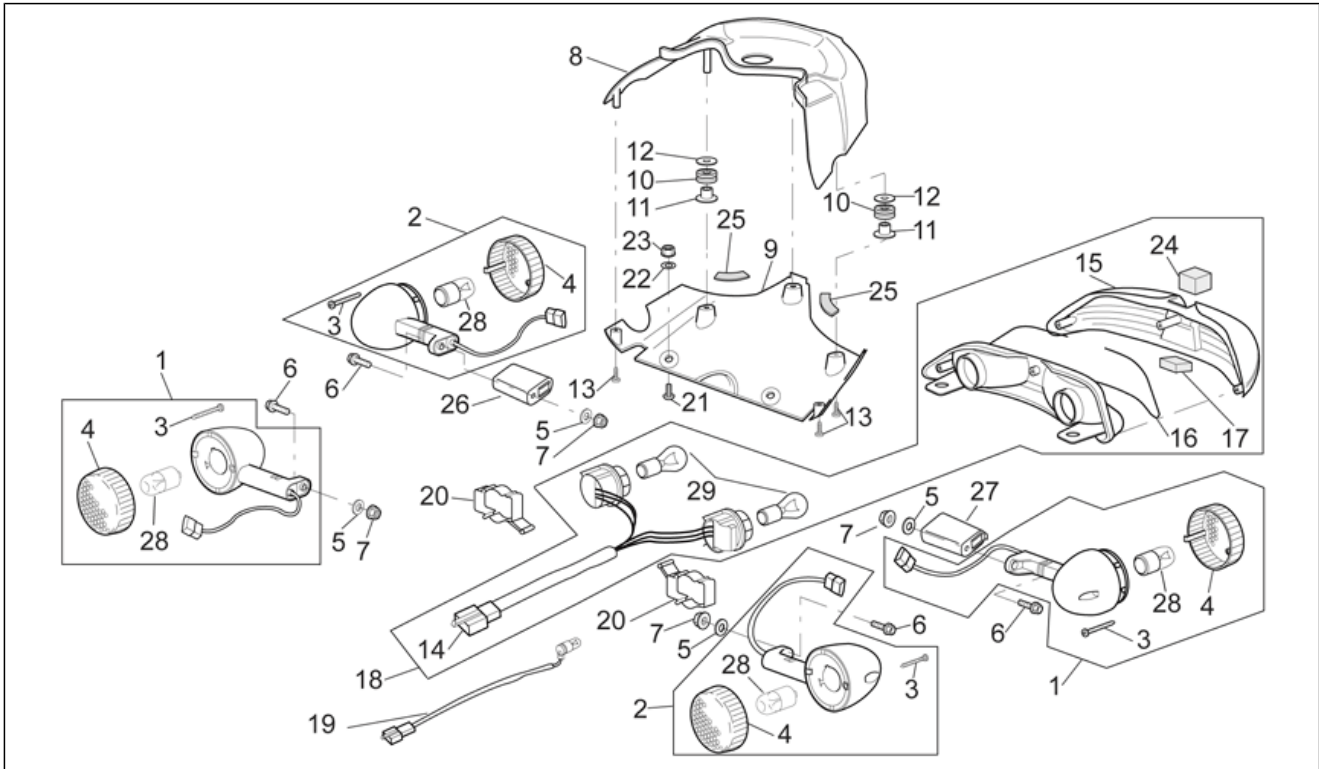
Pos.	Code	Description	Qty	Variants
1	AP8124903	Ventilation plug	2	
2	AP8124904	Front headlight guard	3	
3	AP8124905	Lampholder	3	
4	AP8124906	Town lights switch wiring	1	
5	AP8224393	Lamp WY5W 12V	1	
6	AP8150486	Self-tap screw	6	
7	AP8134641	Maintenance	3	
8	AP8121436	Spring	3	
9	AP8124393	Headlight	1	Country: Austria[A], Belgium[B], Belgium[BB], Switzerland[CH], Germany[D], Denmark[DK], Spain[E], A, CH, D, DK, GR, E, I, NL, P[EU], France[F], France[FF], Greece[GR], Italy[I], Holland[NL], Portugal[P]
9	AP8124744	Headlight	1	Country: Australia[AA], Australia[AUS], Japan[J], Japan[JJ], Great Britain[UK]
9	AP8124884	Headlight	1	Country: USA (49 Countries Approval)[AM], USA (California Approval)[CF], United States of America[USA]
10	AP8124763	Headlight wiring w/harness	1	
11	AP8150282	screw	4	
12	AP8152136	Hex socket screw	2	
13	AP8121020	Spacer 6,5x10x19*	2	
14	AP8150430	Low self-locking nut	2	
15	AP8127109	Lamp H7-12V-55W	3	

Group	FRAME
Code	28.40
Description	Taillight - Direction lights
Service	1



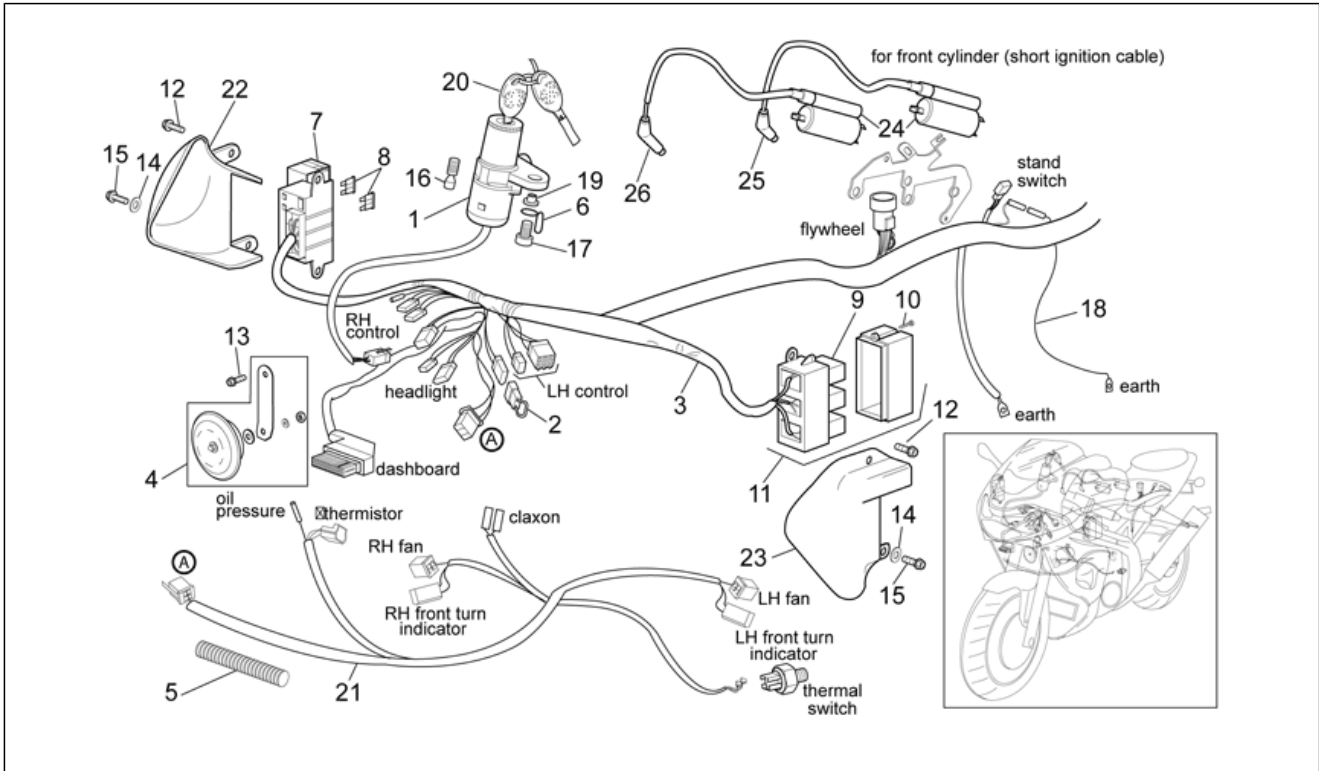
Pos.	Code	Description	Qty	Variants
1	AP8124456	RH front/LH rear turn indic.	2	
2	AP8124471	LH front/RH rear turn indic.	2	
3	AP8152392	Self-tap screw 2,9x32	4	
4	AP8124889	Turn indicator lens	4	
5	AP8150015	Washer 6,6x18x1,6*	4	
6	AP8152279	Screw w/ flange M6x20	4	
7	AP8152299	Self-locking nut M6	4	
8	AP8138788	Up.light supp.rear fair., grey	1	Year:2000[Y]
8	AP8149663	Up.light supp.rear fair., grey	1	Year:2001[1]
8	AP8149663	Up.light supp.rear fair., grey	1	Year:2003[3]
8	AP8158769	Up.light supp.rear fair.,black	1	Year:2002[2]
9	AP8148260	Lo.light supp.rear fair., grey	1	Year:2000[Y]
9	AP8149664	Lo.light supp.rear fair., grey	1	Year:2003[3]
9	AP8149664	Lo.light supp.rear fair., grey	1	Year:2001[1]
9	AP8158770	Lo.light supp.rear fair.,black	1	Year:2002[2]
10	AP8112599	Rubber spacer *	2	
11	AP8121790	T bush *	2	
12	AP8150015	Washer 6,6x18x1,6*	2	
13	AP8150413	Self-tap screw 3,9x14	5	
14	AP8124908	Taillight wiring harn.	1	
15	AP8124909	Taillight lens	1	
16	AP8144313	Taillight gasket	1	
17	AP8117170	Low.antivibration sponge	1	
18	AP8124395	Taillight	1	
19	AP8124976	Plate light wiring	1	
20	AP8124860	Lamp holder plug	2	
21	AP8152302	Screw w/ flange M5x12	2	
22	AP8150013	Washer 5,5x15x1,6*	2	

Group	FRAME
Code	28.40
Description	Taillight - Direction lights
Service	1



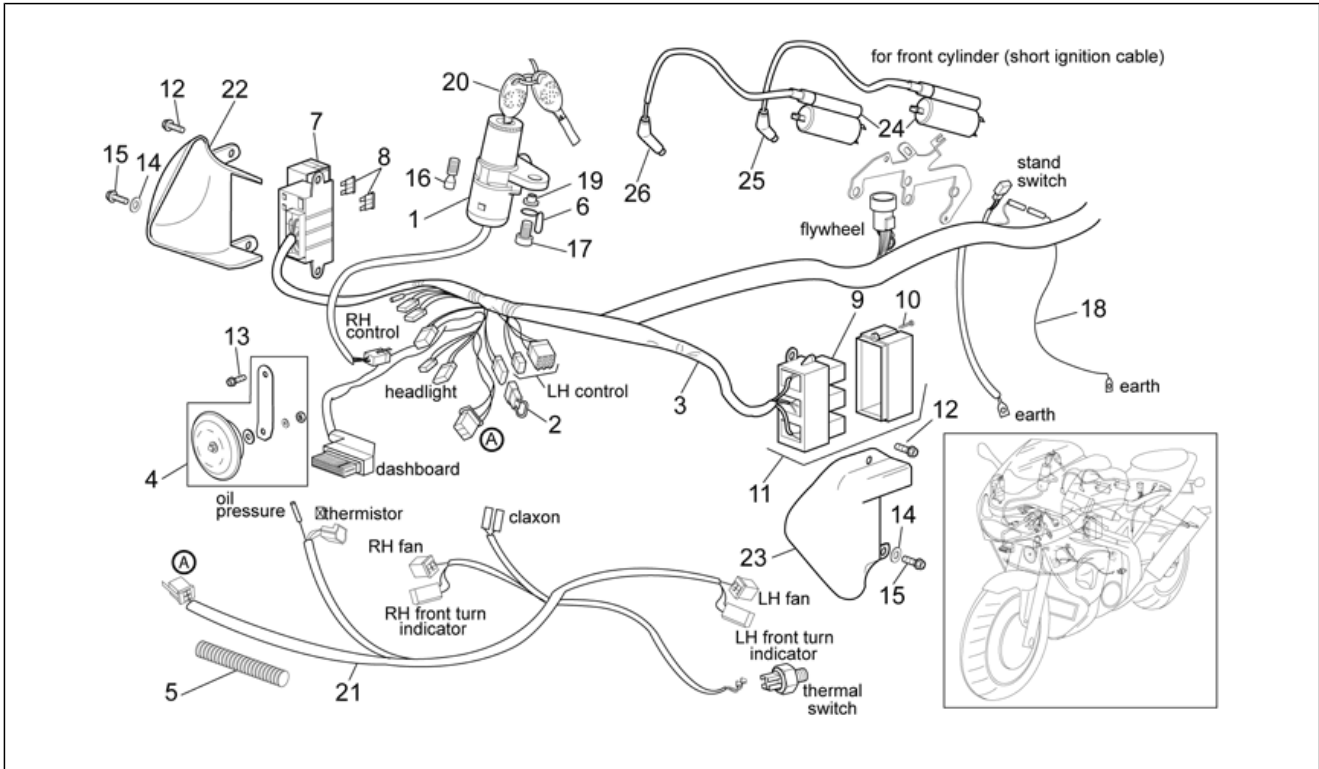
Pos.	Code	Description	Qty	Variants
23	AP8152306	Self-locking nut m5	2	
24	AP8117175	Up.antivibration sponge	1	
25	AP8117033	Adhesive sponge	1	
26	AP8221303	RH Front spacer	2	Country:Australia[AA], Australia[AUS]
27	AP8221305	LH Front spacer	2	Country:Australia[AA], Australia[AUS]
28	AP8224390	Lamp R10W 12v	4	
29	AP8224389	Lamp P21/5W 12V	2	

Group	FRAME
Code	28.41
Description	Front electrical system
Service	1



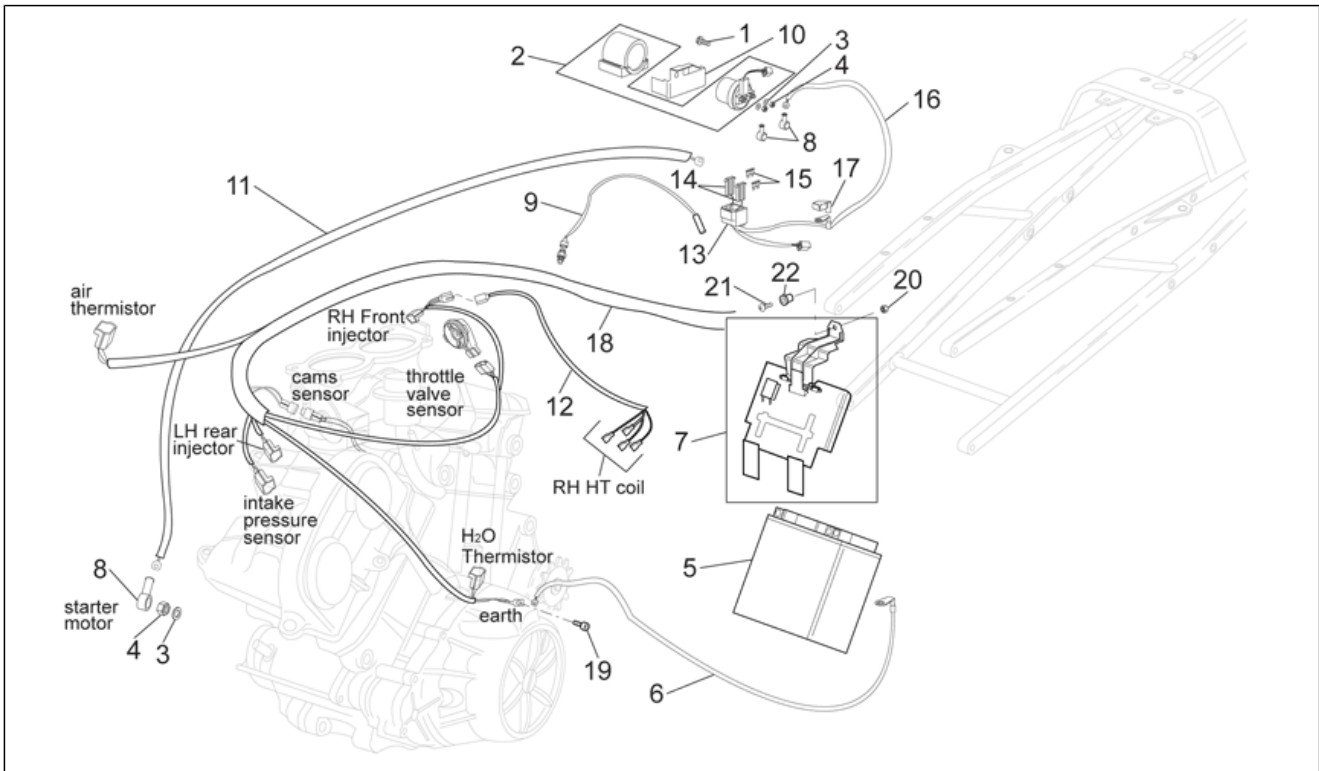
Pos.	Code	Description	Qty	Variants
1	AP8124593	Main switch - steering lock	1	Country: Austria[A], Australia[AA], Australia[AUS], Belgium[B], Belgium[BB], Switzerland[CH], Germany[D], Denmark[DK], Spain[E], A, CH, D, DK, GR, E, I, NL, P[EU], France[F], France[FF], Greece[GR], Italy[I], Japan[J], Japan[J], Holland[NL], Portugal[P], Great Britain[UK]
1	AP8124895	Main switch - steering lock	1	Country: USA (49 Countries Approval)[AM], USA (California Approval)[CF], United States of America[USA]
2	AP8212588	Diode	1	
3	AP8124523	Main wiring harness	1	
4	AP8127309	Horn	1	
5	AP8124856	Protection pipe	1	
6	AP8120428	Cable-guide	1	
7	AP8124274	Fuse holder box	1	
8	AP8112176	Fuse 15A	8	
9	AP8124277	Relay	3	
10	AP8150421	Self-tap screw 2,9x12	2	
11	AP8124293	Relais support	1	
12	AP8152279	Screw w/ flange M6x20	2	
13	AP8152285	Screw w/ flange	1	
14	AP8150014	Washer 6,4x12,5*	2	
15	AP8152280	Screw w/ flange M6x25	2	
16	AP8150349	Special screw M8x15	1	
17	AP8152288	Screw w/ flange	1	
18	AP8124764	Neutral switch wiring	1	
19	AP8121678	Bush	1	
20	AP8102880	Aprilia milled key	1	
21	AP8124827	Fans wiring	1	
22	AP8148662	RH wiring protection	1	
23	AP8148661	LH wiring protection	1	

Group	FRAME
Code	28.41
Description	Front electrical system
Service	1



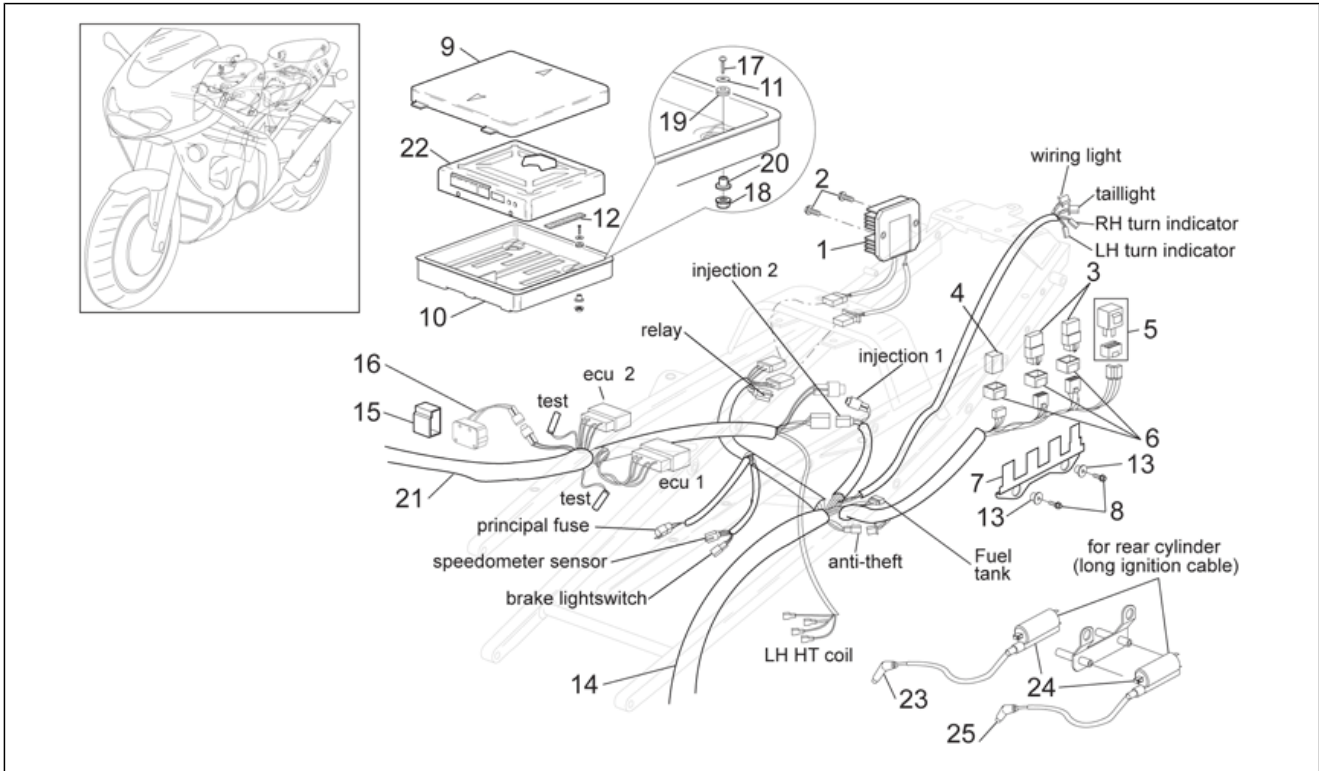
Pos.	Code	Description	Qty	Variants
24	AP0265482	HT coil	2	
25	AP0265244	Ext.sparkplug cap	1	
26	AP0265246	Int.sparkplug cap	1	

Group	FRAME
Code	28.42
Description	Central electrical system
Service	1



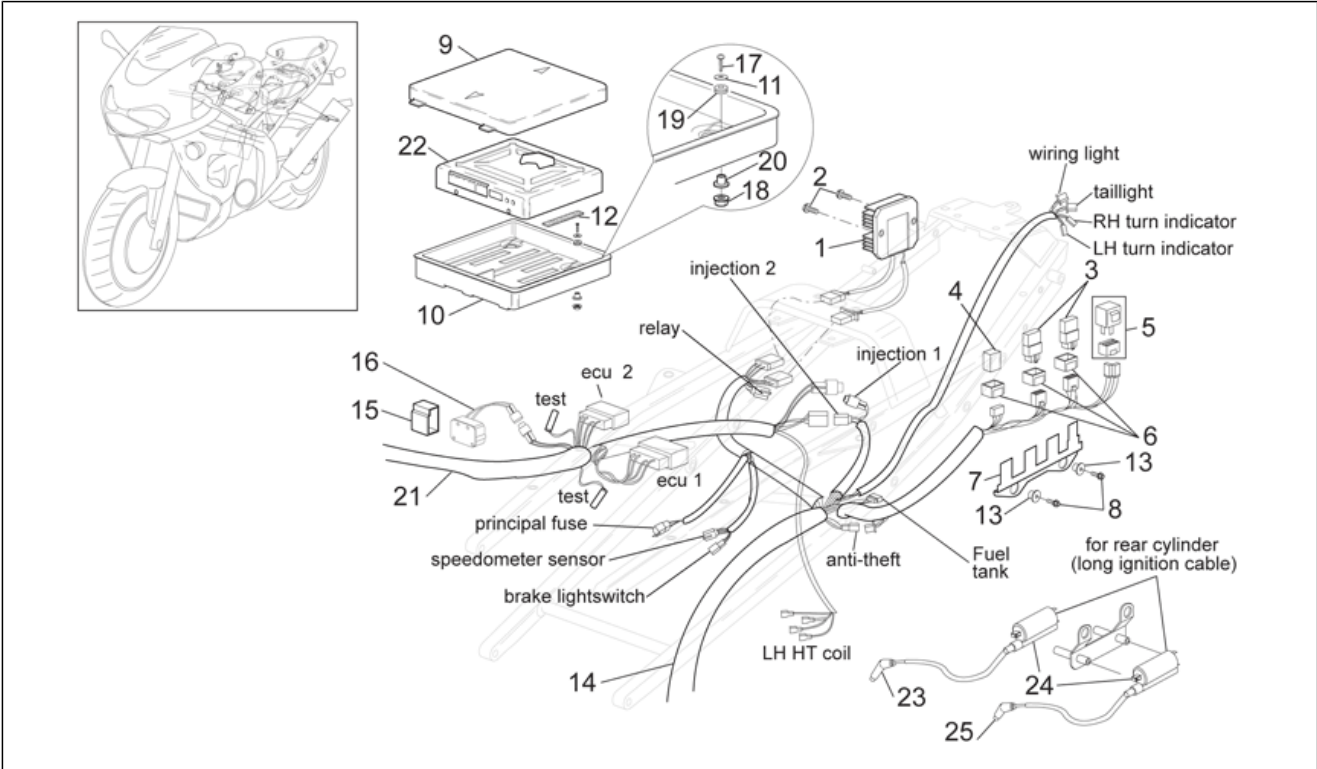
Pos.	Code	Description	Qty	Variants
1	AP8152278	Screw w/ flange M6x16	1	
2	AP8124636	Starter relay 12V/150A	1	
3	AP8150429	Spring washer 6,4x11x0,5*	3	
4	AP8150026	Nut	3	
5	AP8124284	Battery	1	
6	AP8124825	Ground-battery lead	1	
7	AP8138832	Battery cover	1	
8	AP8120218	Terminal cap	3	
9	AP8124766	Oil pressure wiring	1	
10	AP8121411	Starter relay fixing plate	1	
11	AP8124454	Relay-starter motor cable	1	
12	AP8124557	H.T. wiring	1	
13	AP8112811	Rubber fuse box	1	
14	AP8120754	Rubber fuse box	2	
15	AP8124273	Fuse 30a	3	
16	AP8124828	Main fuses wiring	1	
17	AP8112940	Positive pole cap	1	
18	AP8124826	Injection wiring	1	
19	AP8152123	Hex socket screw	1	
20	AP8152299	Self-locking nut M6	1	
21	AP8152246	Screw w/ flange	1	
22	AP8121032	Bush	1	

Group	FRAME
Code	28.43
Description	Rear electrical system
Service	1



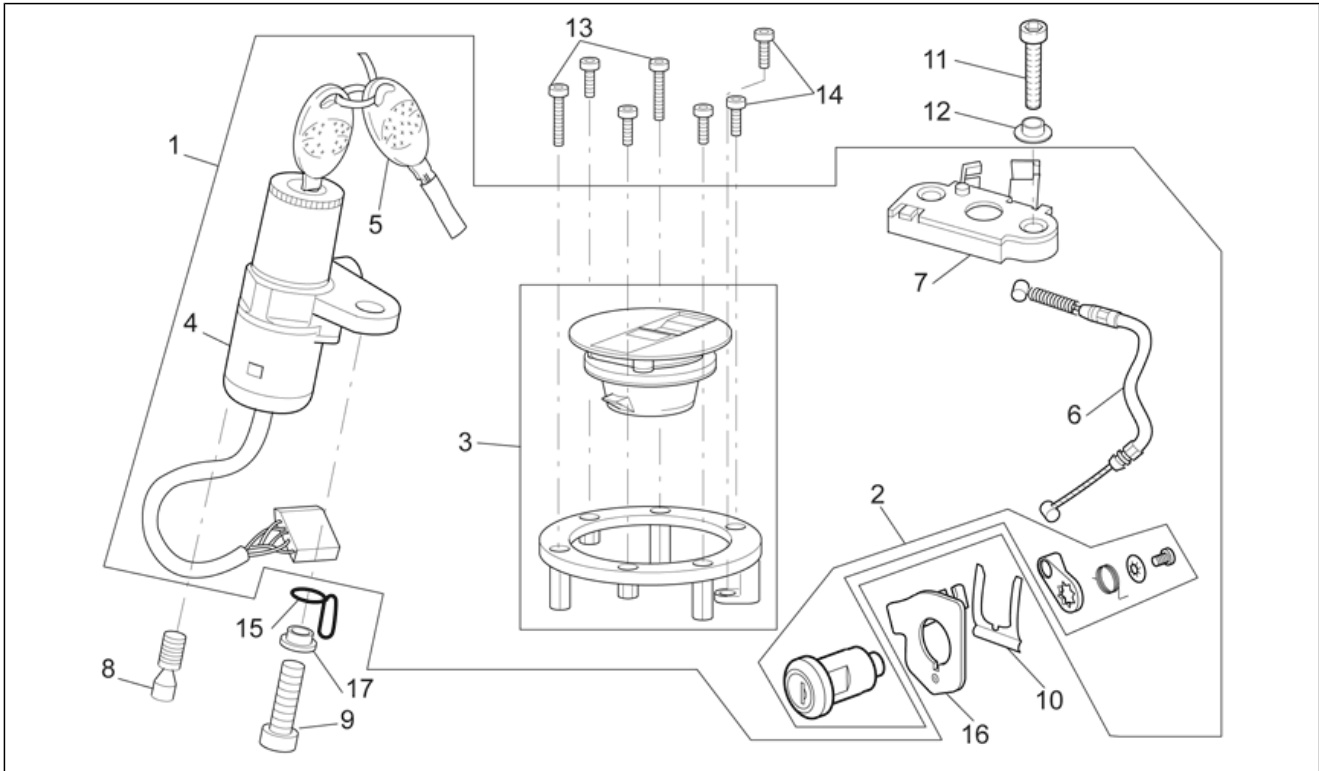
Pos.	Code	Description	Qty	Variants
1	AP8124267	Voltage regulator	1	
2	AP8152282	Screw w/ flange M6x35	2	
3	AP8212469	Relay 12V/20A	2	
4	AP8124289	Diodes	1	
5	AP8124235	Flasher unit	1	
6	AP8220283	Rubber spacer *	3	
7	AP8148438	Relais support	1	
8	AP8152278	Screw w/ flange M6x16	2	
9	AP8138596	ECU box cover	1	
10	AP8138776	ECU prot.box	1	
11	AP8150015	Washer 6,6x18x1,6*	3	
12	AP8117033	Adhesive sponge	1	
13	AP8121075	T bush *	2	
14	AP8124523	Main wiring harness	1	Country: Austria[A], Australia[AA], Australia[AUS], Belgium[B], Belgium[BB], Switzerland[CH], Germany[D], Denmark[DK], Spain[E], A, CH, D, DK, GR, E, I, NL, P[EU], France[F], France[FF], Greece[GR], Italy[I], Japan[J], Japan[JJ], Holland[NL], Portugal[P], Great Britain[UK]
14	AP8124932	Main wiring harness	1	Country: USA (49 Countries Approval)[AM], USA (California Approval)[CF], United States of America[USA]
15	AP8144046	Rubber sensor support	1	
16	AP8124266	Inclination sensor	1	
17	AP8152117	Hex socket screw	3	
18	AP8152299	Self-locking nut M6	3	
19	AP8220150	Rubber spacer *	3	
20	AP8221097	T bush *	3	
21	AP8124826	Injection wiring	1	
22	AP0265472	ECU	1	Year: 2001[1], 2000[Y] Country: Austria[A], Australia[AA], Australia[AUS], Belgium[B], Belgium[BB], Switzerland[CH], Germany[D],

Group	FRAME
Code	28.43
Description	Rear electrical system
Service	1



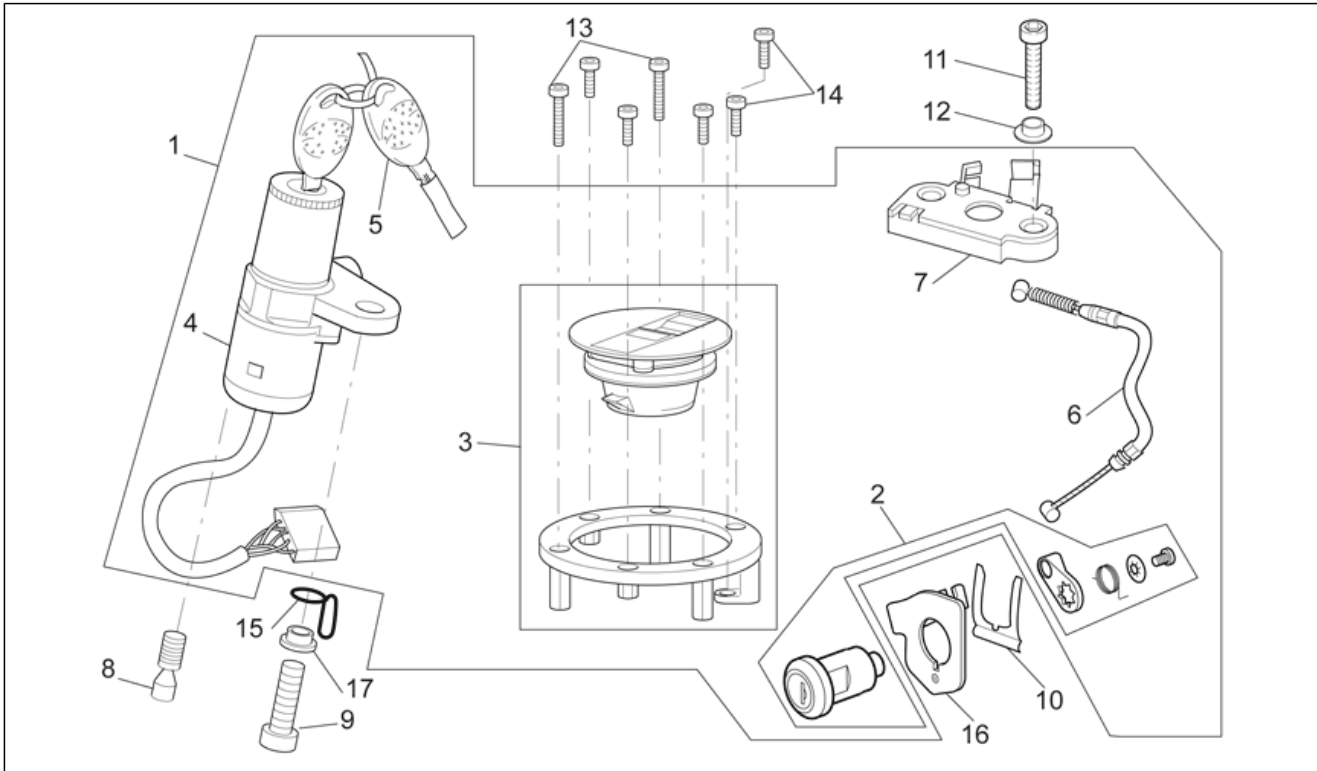
Pos.	Code	Description	Qty	Variants
				Denmark[DK], Spain[E], A, CH, D, DK, GR, E, I, NL, P[EU], France[F], France[FF], Greece[GR], Italy[I], Japan[J], Japan[J], Holland[NL], Portugal[P], Great Britain[UK] Technical Specifications: NO catalytic version[nocat]
22	AP0265673	ECU	1	Year: 2002[2], 2003[3] Country: Austria[A], Australia[AA], Australia[AUS], Switzerland[CH], Germany[D], Denmark[DK], Spain[E], A, CH, D, DK, GR, E, I, NL, P[EU], Greece[GR], Italy[I], Japan[J], Japan[J], Holland[NL], Portugal[P], Great Britain[UK] Technical Specifications: Catalytic version[cat]
22	AP0265674	ECU	1	Year: 2002[2], 2003[3] Country: Belgium[B], Belgium[BB], France[F], France[FF] Technical Specifications: Power 72 Kw[72Kw], Power 78 Kw[78Kw]
22	AP8124959	ECU	1	Country: USA (49 Countries Approval)[AM], United States of America[USA] Technical Specifications: 49 Countries Approval[49st]
22	AP8124960	ECU	1	Country: USA (California Approval)[CF], United States of America[USA] Technical Specifications: California Approval[cal]
23	AP0265246	Int.sparkplug cap	1	
24	AP0265480	HT coil	2	
25	AP0265244	Ext.sparkplug cap	1	

Group	FRAME
Code	28.44
Description	Lock hardware kit
Service	1



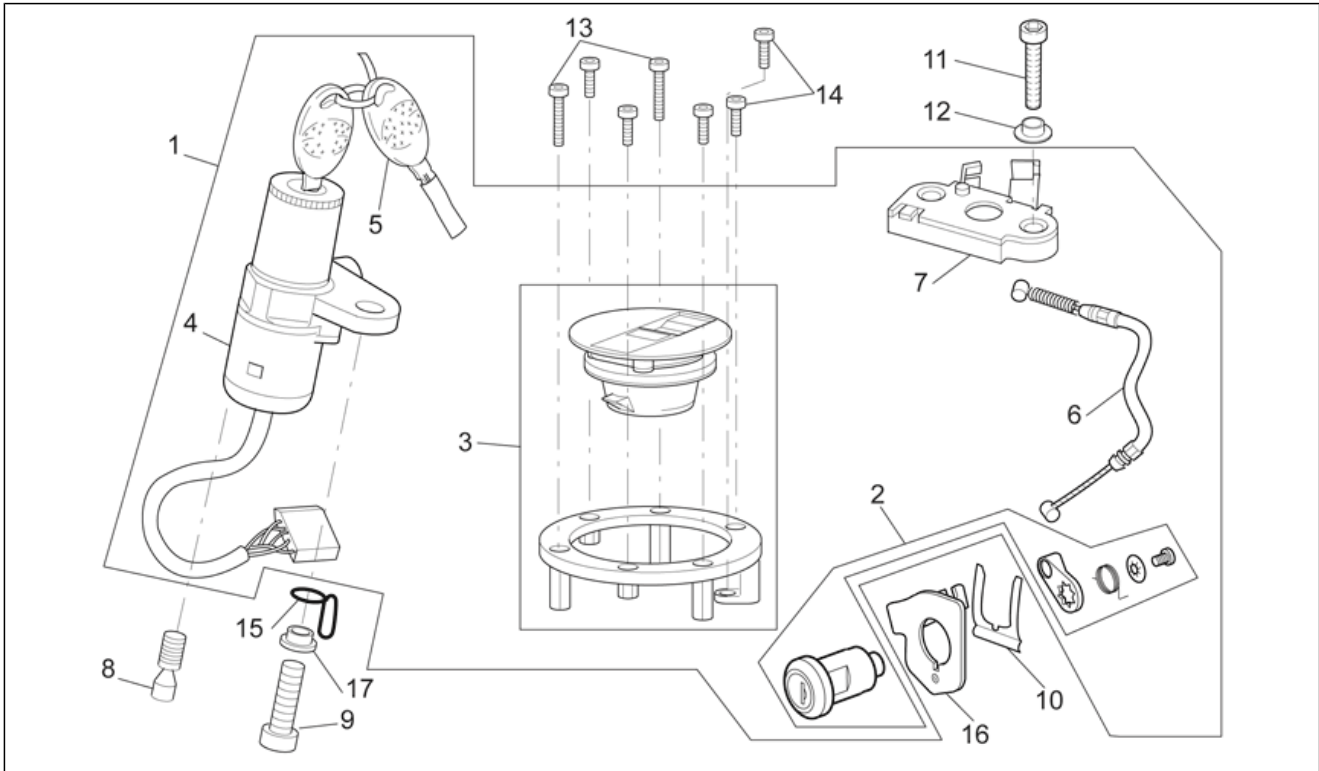
Pos.	Code	Description	Qty	Variants
1	AP8102722	Lock hardware kit	1	Year: 2000[Y] Country: Austria[A], Australia[AA], Australia[AUS], Belgium[B], Belgium[BB], Switzerland[CH], Germany[D], Denmark[DK], Spain[E], A, CH, D, DK, GR, E, I, NL, P[EU], France[F], France[FF], Greece[GR], Italy[I], Japan[J], Japan[J], Holland[NL], Portugal[P], Great Britain[UK]
1	AP8104173	Lock hardware kit	1	Year: 2000[Y] Country: USA (49 Countries Approval)[AM], United States of America[USA] Technical Specifications: 49 Countries Approval[49st]
1	AP8104213	Lock hardware kit	1	Year: 2000[Y] Country: USA (California Approval)[CF], United States of America[USA] Technical Specifications: California Approval[cal]
1	AP8104259	Lock hardware kit	1	Year: 2001[1], 2002[2], 2003[3] Country: Austria[A], Australia[AA], Australia[AUS], Belgium[B], Belgium[BB], Switzerland[CH], Germany[D], Denmark[DK], Spain[E], A, CH, D, DK, GR, E, I, NL, P[EU], France[F], France[FF], Greece[GR], Italy[I], Japan[J], Japan[J], Holland[NL], Portugal[P], Great Britain[UK]
1	AP8104260	Lock hardware kit	1	Year: 2001[1], 2002[2], 2003[3] Country: USA (49 Countries Approval)[AM], United States of America[USA] Technical Specifications: 49 Countries Approval[49st]
1	AP8104261	Lock hardware kit	1	Year: 2001[1], 2002[2], 2003[3] Country: USA (California Approval)[CF], United States of America[USA] Technical Specifications: California Approval[cal]
2	AP8104154	Saddle lock	1	
3	AP8104262	Fuel filler cap	1	Year: 2000[Y] Country: USA (California Approval)[CF], United States of America[USA] Technical Specifications: California Approval[cal]
3	AP8104528	Fuel filler cap	1	Year: 2001[1], 2002[2], 2003[3]

Group	FRAME
Code	28.44
Description	Lock hardware kit
Service	1



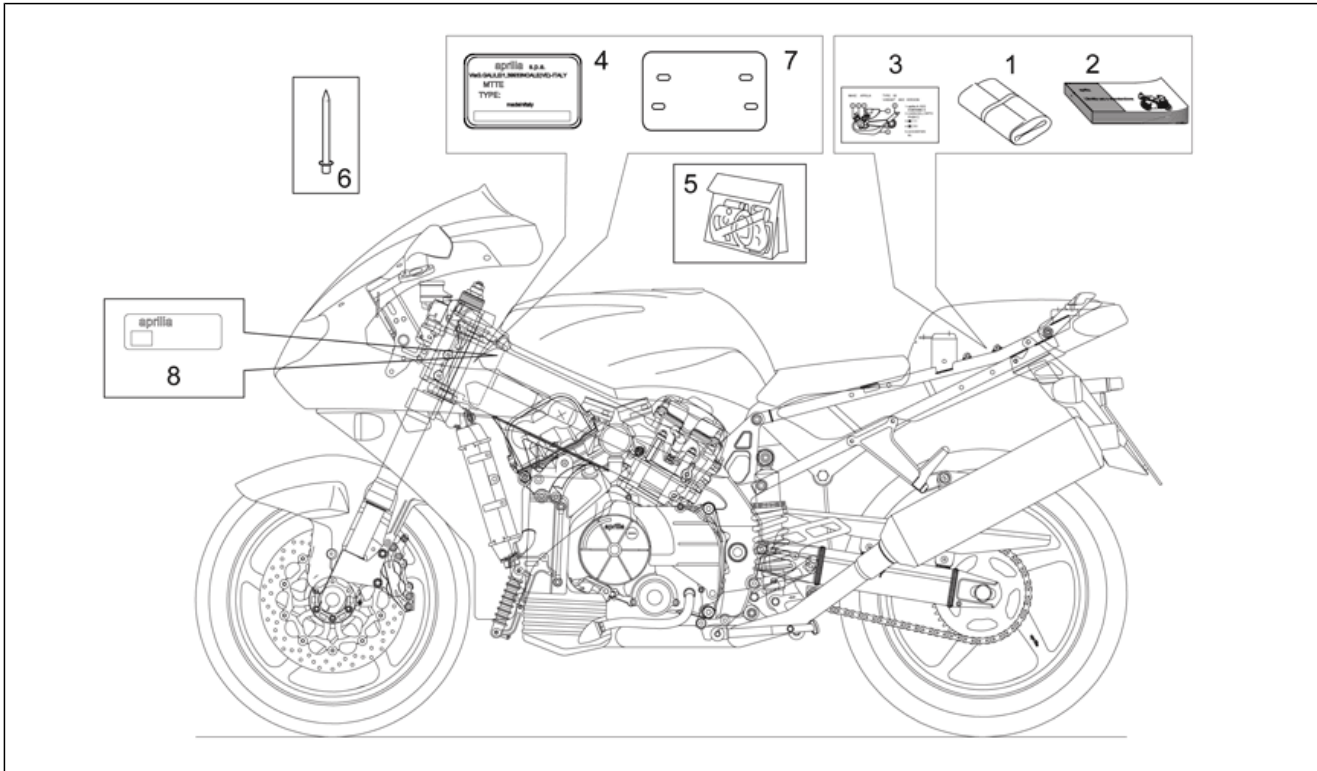
Pos.	Code	Description	Qty	Variants
				Country: USA (California Approval)[CF], United States of America[USA] Technical Specifications: California Approval[cal]
3	AP8104529	Fuel filler cap	1	Year: 2001[1], 2002[2], 2003[3] Country: Austria[A], Australia[AA], Australia[AUS], Belgium[B], Belgium[BB], Switzerland[CH], Germany[D], Denmark[DK], Spain[E], A, CH, D, DK, GR, E, I, NL, P[EU], France[F], France[FF], Greece[GR], Italy[I], Japan[J], Japan[JJ], Holland[NL], Portugal[P], Great Britain[UK]
3	AP8104529	Fuel filler cap	1	Year: 2001[1], 2002[2], 2003[3] Country: USA (49 Countries Approval)[AM], United States of America[USA] Technical Specifications: 49 Countries Approval[49st]
3	AP8144312	Fuel filler cap	1	Year: 2000[Y] Country: Austria[A], Australia[AA], Australia[AUS], Belgium[B], Belgium[BB], Switzerland[CH], Germany[D], Denmark[DK], Spain[E], A, CH, D, DK, GR, E, I, NL, P[EU], France[F], France[FF], Greece[GR], Italy[I], Japan[J], Japan[JJ], Holland[NL], Portugal[P], Great Britain[UK]
3	AP8144312	Fuel filler cap	1	Year: 2000[Y] Country: USA (49 Countries Approval)[AM], United States of America[USA] Technical Specifications: 49 Countries Approval[49st]
4	AP8124593	Main switch - steering lock	1	Country: Austria[A], Australia[AA], Australia[AUS], Belgium[B], Belgium[BB], Switzerland[CH], Germany[D], Denmark[DK], Spain[E], A, CH, D, DK, GR, E, I, NL, P[EU], France[F], France[FF], Greece[GR], Italy[I], Japan[J], Japan[JJ], Holland[NL], Portugal[P], Great Britain[UK]
4	AP8124895	Main switch - steering lock	1	Country: USA (49 Countries Approval)[AM], USA (California Approval)[CF], United States of America[USA]
5	AP8102880	Aprilia milled key	1	
6	AP8114411	Lock cable	1	
7	AP8102913	Pass.saddle connecting plate	1	
8	AP8150349	Special screw M8x15	1	

Group	FRAME
Code	28.44
Description	Lock hardware kit
Service	1



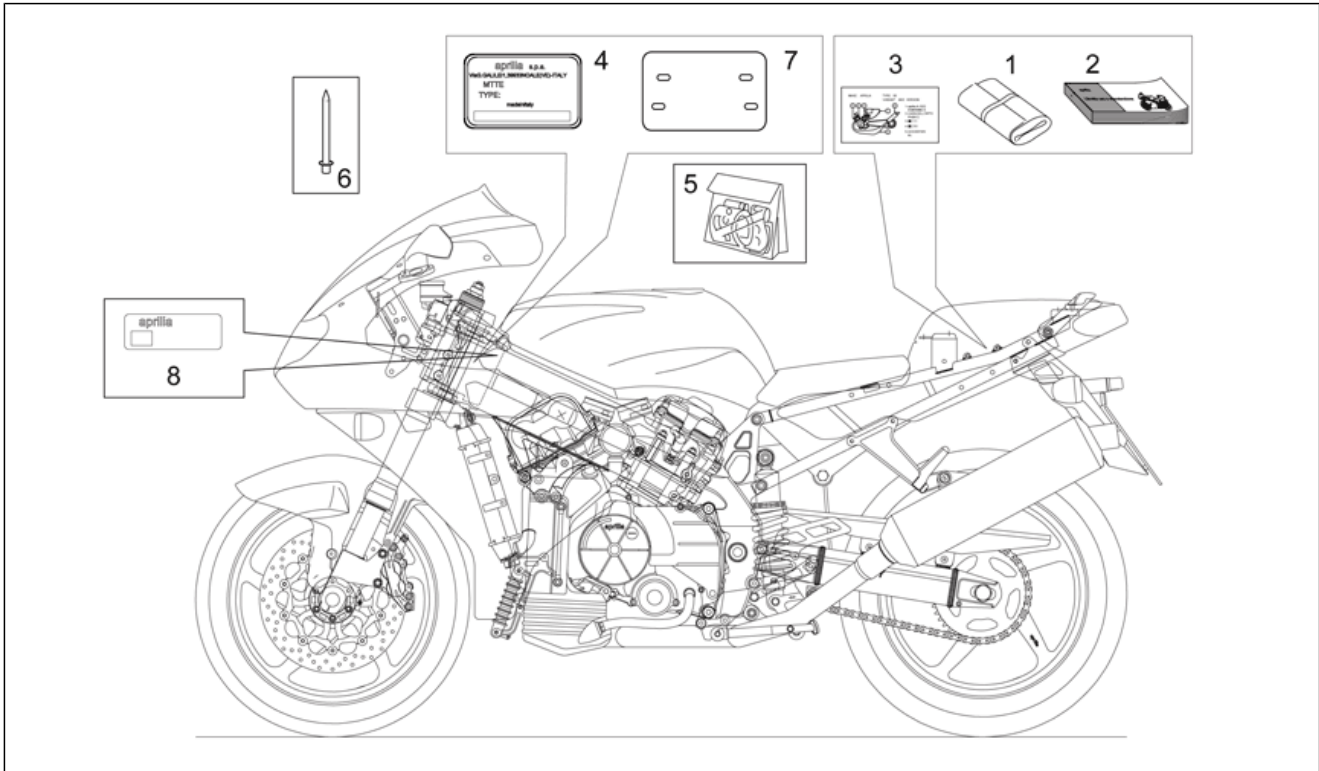
Pos.	Code	Description	Qty	Variants
9	AP8152288	Screw w/ flange	1	
10	AP8121420	Fork spring	1	
11	AP8150285	Hex socket screw	2	
12	AP8121728	T bush *	2	
13	AP8150453	Hex socket screw M5x30	3	
14	AP8150454	Hex socket screw M5x16	4	
15	AP8120428	Cable-guide	1	
16	AP8134618	Cable fixing plate	1	
17	AP8121678	Bush	1	

Group	FRAME
Code	28.45
Description	Decal and plate set
Service	1



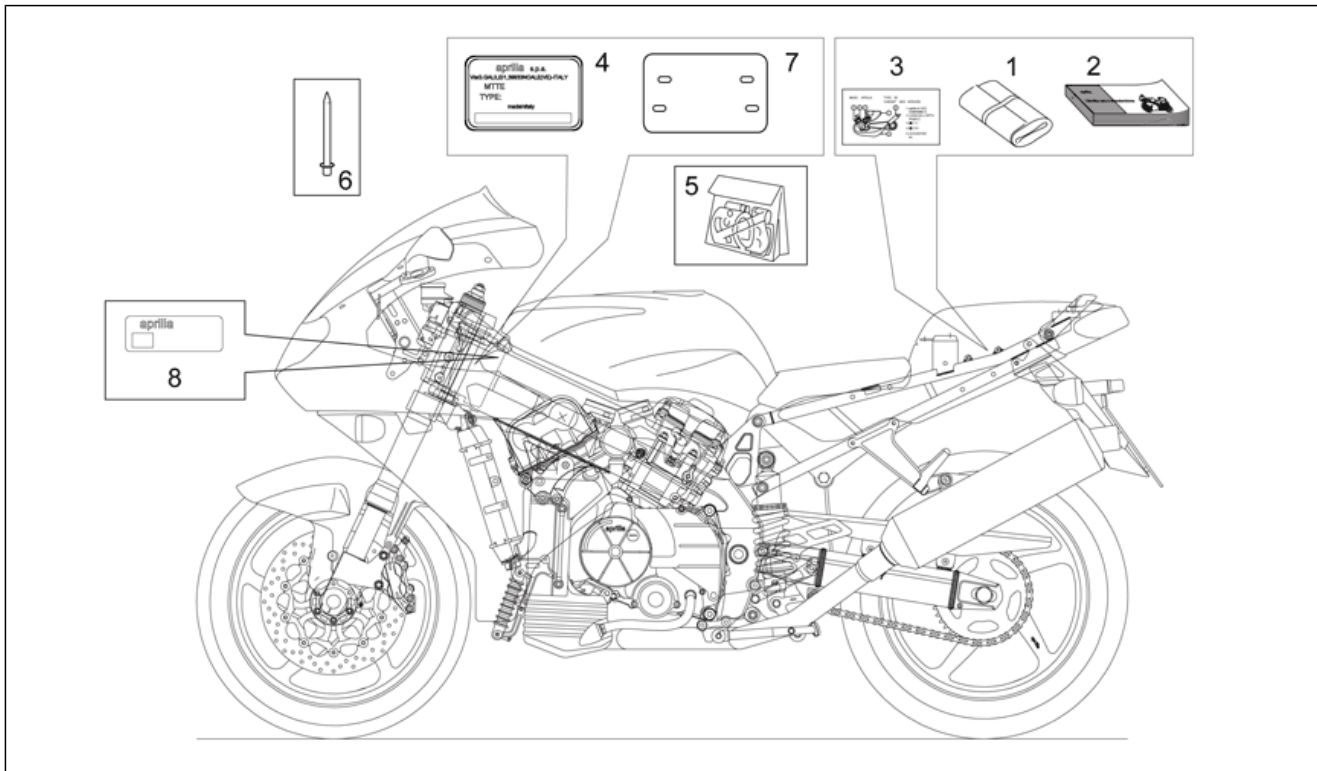
Pos.	Code	Description	Qty	Variants
1	AP8102622	Toolkit	1	
2	AP8102721	Operator's handbook-I-F-D-	1	Country: Austria[A], Belgium[B], Belgium[BB], Switzerland[CH], Germany[D], A, CH, D, DK, GR, E, I, NL, P[EU], France[F], France[FF], Italy[I]
2	AP8104125	Operator's handbook-NL-DK-SF-	1	Country: Belgium[B], Belgium[BB], Denmark[DK], A, CH, D, DK, GR, E, I, NL, P[EU], Holland[NL]
2	AP8104126	Operator's handbook-gr-j-uk-	1	Country: A, CH, D, DK, GR, E, I, NL, P[EU], Greece[GR], Japan[J], Japan[JJ]
2	AP8104127	Operator's handbook-P-E-UK-	1	Country: Spain[E], A, CH, D, DK, GR, E, I, NL, P[EU], Portugal[P], Great Britain[UK]
2	AP8104174	Operator's handbook	1	Country: USA (49 Countries Approval)[AM], USA (California Approval)[CF], United States of America[USA]
2	AP8104176	Operator's handbook	1	Country: Australia[AA], Australia[AUS]
3	AP8157650	Tamperproof dataplate	1	Country: France[F], France[FF] Technical Specifications: Power 78 Kw[78Kw]
4	AP8147068	Constructor dataplate	1	Year: 2001[1], 2000[Y] Country: Austria[A], Switzerland[CH], Germany[D], Denmark[DK], Spain[E], A, CH, D, DK, GR, E, I, NL, P[EU], Greece[GR], Italy[I], Japan[J], Japan[JJ], Holland[NL], Portugal[P], Great Britain[UK] Technical Specifications: NO catalytic version[nocat]
4	AP8157648	Constructor dataplate	1	Year: 2001[1], 2000[Y] Country: Belgium[B], Belgium[BB] Technical Specifications: Power 72 Kw[72Kw]
4	AP8157649	Constructor dataplate	1	Year: 2001[1], 2000[Y] Country: France[F], France[FF] Technical Specifications: Power 78 Kw[78Kw]
4	AP8157831	Constructor dataplate	1	Country: USA (49 Countries Approval)[AM], USA (California Approval)[CF], United States of America[USA]
4	AP8157838	Constructor dataplate	1	Country: Australia[AA], Australia[AUS]
4	AP8167542	Constructor dataplate	1	Year: 2002[2], 2003[3] Country: Belgium[B], Belgium[BB] Technical Specifications: Power 72 Kw[72Kw]

Group	FRAME
Code	28.45
Description	Decal and plate set
Service	1



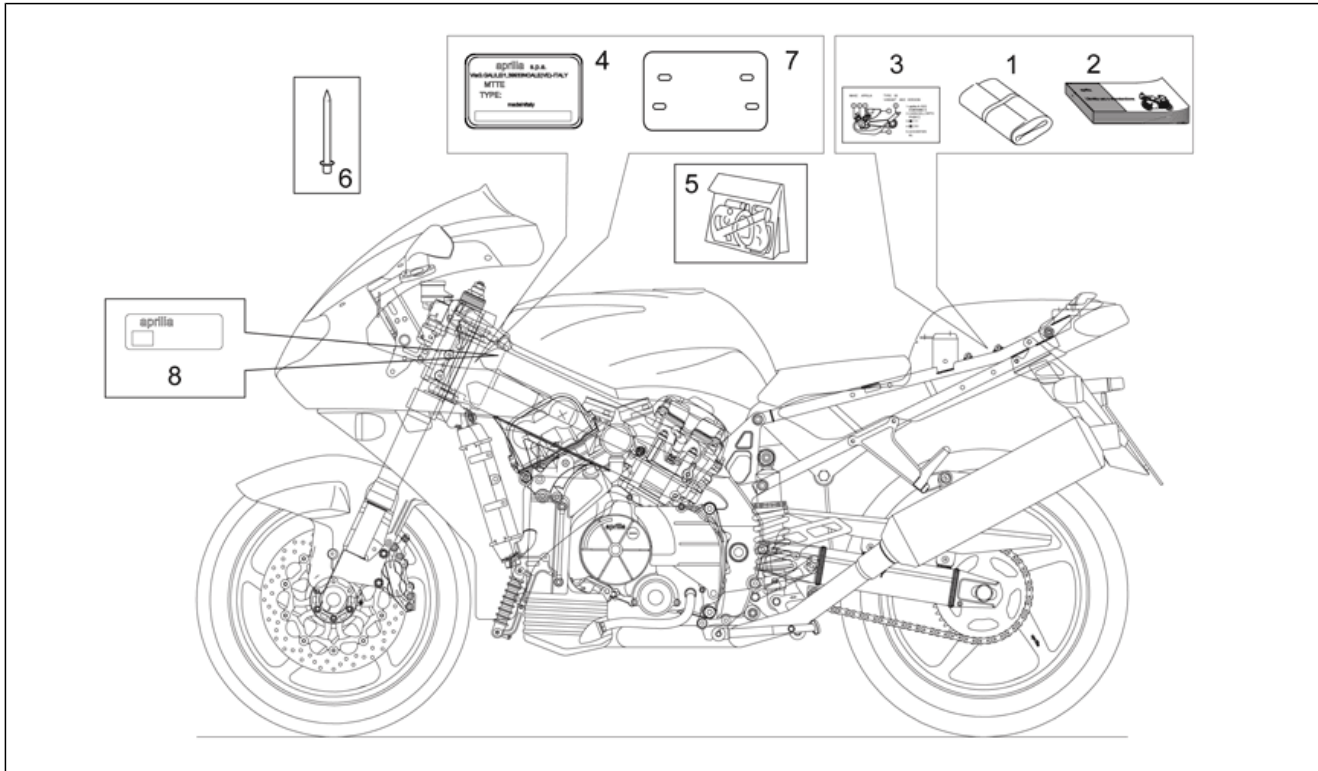
Pos.	Code	Description	Qty	Variants
4	AP8167542	Constructor dataplate	1	Year: 2002[2], 2003[3] Country: France[F], France[FF] Technical Specifications: Power 78 Kw[78Kw]
4	AP8167757	Constructor dataplate	1	Year: 2002[2], 2003[3] Country: Austria[A], Switzerland[CH], Germany[D], Denmark[DK], Spain[E], A, CH, D, DK, GR, E, I, NL, P[EU], Greece[GR], Italy[I], Japan[J], Japan[JJ], Holland[NL], Portugal[P], Great Britain[UK] Technical Specifications: Catalytic version[cat]
5	AP8157617	Decal set	1	Year: 2000[Y] Vehicle colour: Black Crow 2000[c.bla] Country: Austria[A], Australia[AUS], Australia[AUS], Belgium[B], Belgium[BB], Switzerland[CH], Germany[D], Denmark[DK], Spain[E], A, CH, D, DK, GR, E, I, NL, P[EU], France[F], France[FF], Greece[GR], Italy[I], Japan[J], Japan[JJ], Holland[NL], Portugal[P], Great Britain[UK]
5	AP8157646	Decal set	1	Year: 2000[Y] Vehicle colour: Red Fire 2000[f.red] Country: Austria[A], Australia[AUS], Australia[AUS], Belgium[B], Belgium[BB], Switzerland[CH], Germany[D], Denmark[DK], Spain[E], A, CH, D, DK, GR, E, I, NL, P[EU], France[F], France[FF], Greece[GR], Italy[I], Japan[J], Japan[JJ], Holland[NL], Portugal[P], Great Britain[UK]
5	AP8157833	Decal set	1	Year: 2000[Y] Vehicle colour: Red Fire 2000[f.red] Country: USA (49 Countries Approval)[AM], United States of America[USA] Technical Specifications: 49 Countries Approval[49st]
5	AP8157916	Decal set	1	Year: 2000[Y] Vehicle colour: Red Fire 2000[f.red] Country: USA (California Approval)[CF], United States of America[USA] Technical Specifications: California Approval[cal]
5	AP8157970	Decal set	1	Year: 2000[Y] Vehicle colour: Black Crow 2000[c.bla]

Group	FRAME
Code	28.45
Description	Decal and plate set
Service	1



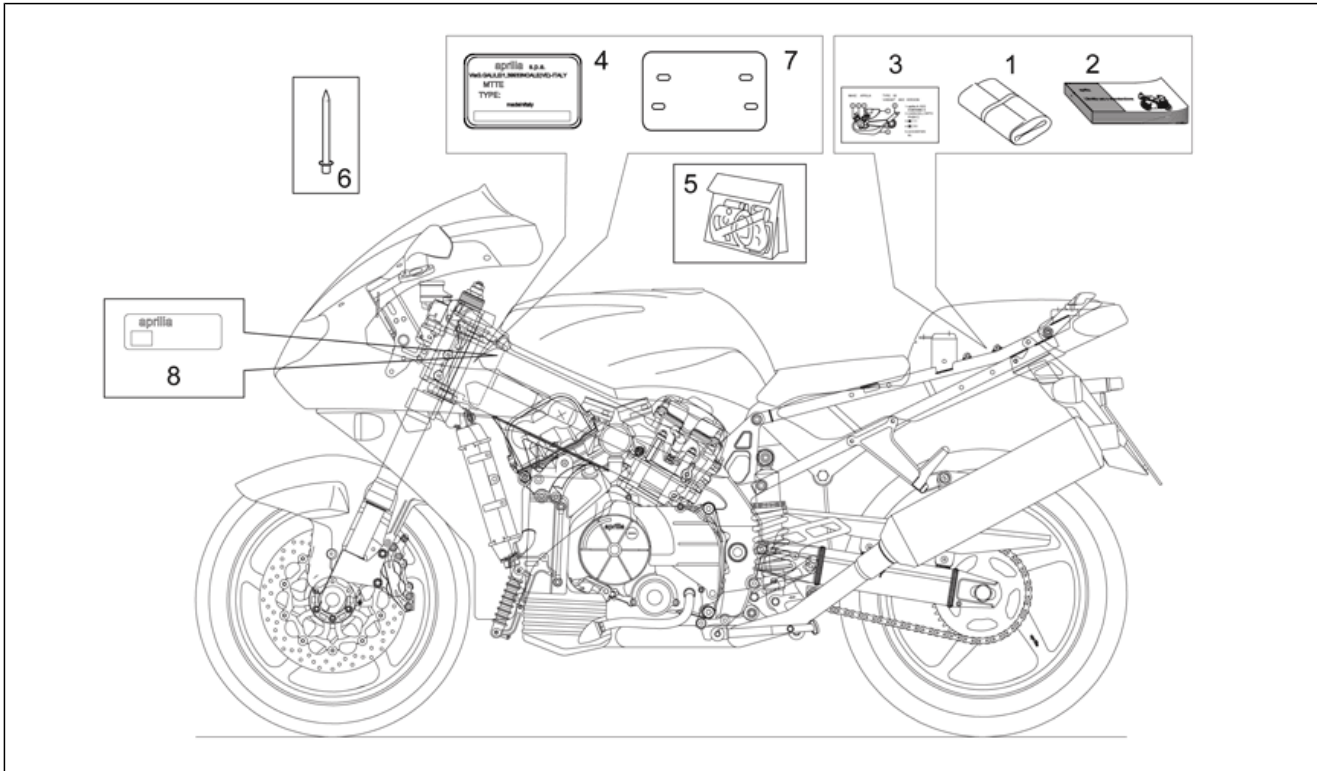
Pos.	Code	Description	Qty	Variants
				Country: USA (49 Countries Approval)[AM], United States of America[USA] Technical Specifications: 49 Countries Approval[49st]
5	AP8157971	Decal set	1	Year: 2000[Y] Vehicle colour: Black Crow 2000[c.bla] Country: USA (California Approval)[CF], United States of America[USA] Technical Specifications: California Approval[cal]
5	AP8167165	Decal set	1	Year: 2001[1] Vehicle colour: Flashy Yellow 2001[f.yel] Country: Austria[A], Australia[AA], Australia[AUS], Belgium[B], Belgium[BB], Switzerland[CH], Germany[D], Denmark[DK], Spain[E], A, CH, D, DK, GR, E, I, NL, P[EU], France[F], France[FF], Greece[GR], Italy[I], Japan[J], Japan[JJ], Holland[NL], Portugal[P], Great Britain[UK]
5	AP8167216	Decal set	1	Year: 2001[1] Vehicle colour: Mercury Grey 2001[m.gr], Speed Blu 2001[s.bl]u Country: Austria[A], Australia[AA], Australia[AUS], Belgium[B], Belgium[BB], Switzerland[CH], Germany[D], Denmark[DK], Spain[E], A, CH, D, DK, GR, E, I, NL, P[EU], France[F], France[FF], Greece[GR], Italy[I], Japan[J], Japan[JJ], Holland[NL], Portugal[P], Great Britain[UK]
5	AP8167337	Decal set	1	Year: 2001[1] Vehicle colour: Flashy Yellow 2001[f.yel] Country: USA (49 Countries Approval)[AM], USA (California Approval)[CF], United States of America[USA]
5	AP8167397	Decal set	1	Year: 2001[1] Vehicle colour: Mercury Grey 2001[m.gr], Speed Blu 2001[s.bl]u Country: USA (49 Countries Approval)[AM], USA (California Approval)[CF], United States of America[USA]
5	AP8167956	Decal set	1	Year: 2002[2] Vehicle colour: Plomb Grey / Diablo Black 2002[pg/bd] Country: Austria[A], Australia[AA], Australia[AUS], Belgium[B], Belgium[BB], Switzerland[CH], Germany[D],

Group	FRAME
Code	28.45
Description	Decal and plate set
Service	1



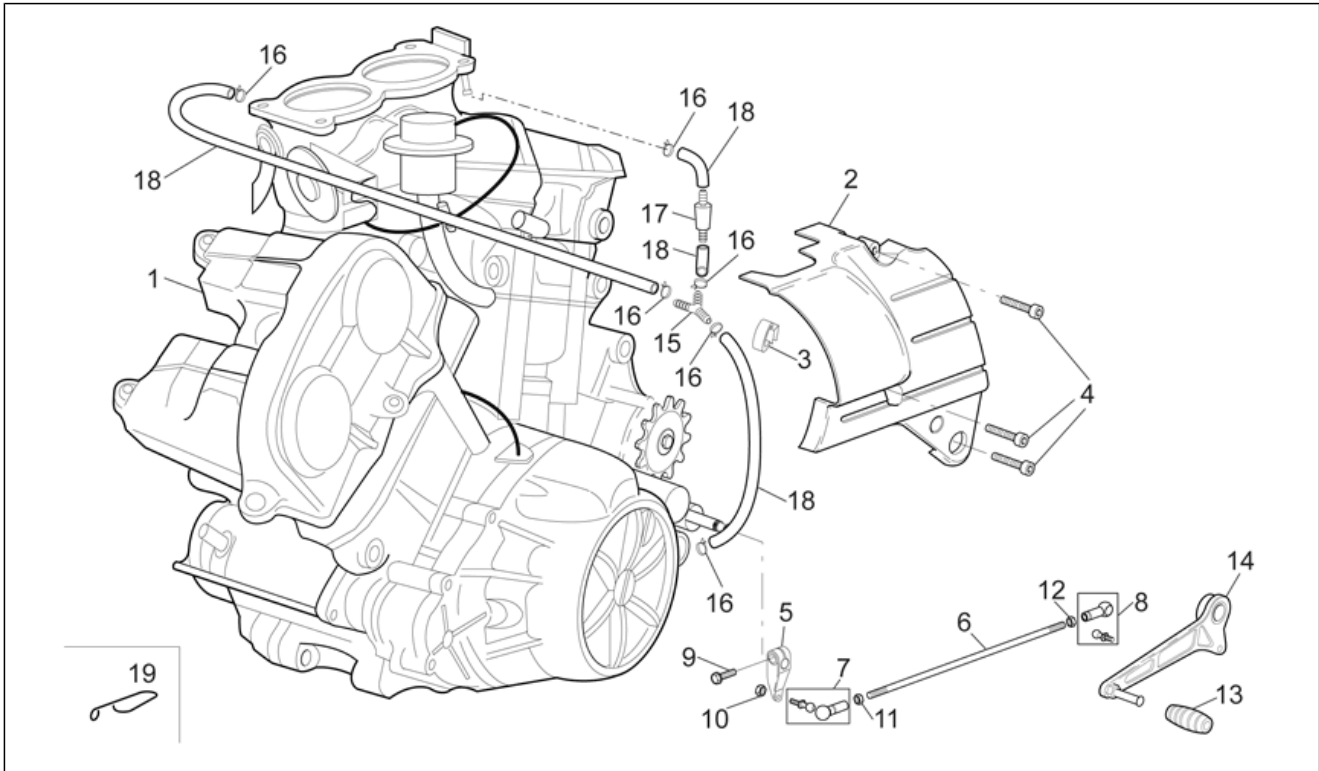
Pos.	Code	Description	Qty	Variants
				Denmark[DK], Spain[E], A, CH, D, DK, GR, E, I, NL, P[EU], France[F], France[FF], Greece[GR], Italy[I], Japan[J], Japan[J], Holland[NL], Portugal[P], Great Britain[UK]
5	AP8167957	Decal set	1	Year: 2002[2] Vehicle colour: Plomb Grey / Diablo Black 2002[pg/bd] Country: USA (49 Countries Approval)[AM], USA (California Approval)[CF], United States of America[USA]
5	AP8167963	Decal set	1	Year: 2002[2] Vehicle colour: Hot Red / Diablo Black 2002[hr/bd] Country: Austria[A], Australia[AA], Australia[AUS], Belgium[B], Belgium[BB], Switzerland[CH], Germany[D], Denmark[DK], Spain[E], A, CH, D, DK, GR, E, I, NL, P[EU], France[F], France[FF], Greece[GR], Italy[I], Japan[J], Japan[J], Holland[NL], Portugal[P], Great Britain[UK]
5	AP8167964	Decal set	1	Year: 2002[2] Vehicle colour: Hot Red / Diablo Black 2002[hr/bd] Country: USA (49 Countries Approval)[AM], USA (California Approval)[CF], United States of America[USA]
5	AP8177743	Decal set	1	Year: 2003[3] Vehicle colour: Flamingo Red 2003[fla.r] Country: Austria[A], Australia[AA], Australia[AUS], Belgium[B], Belgium[BB], Switzerland[CH], Germany[D], Denmark[DK], Spain[E], A, CH, D, DK, GR, E, I, NL, P[EU], France[F], France[FF], Greece[GR], Italy[I], Japan[J], Japan[J], Holland[NL], Portugal[P], Great Britain[UK]
5	AP8177744	Decal set	1	Year: 2003[3] Vehicle colour: Olympic Bronze 2003[o.br] Country: Austria[A], Australia[AA], Australia[AUS], Belgium[B], Belgium[BB], Switzerland[CH], Germany[D], Denmark[DK], Spain[E], A, CH, D, DK, GR, E, I, NL, P[EU], France[F], France[FF], Greece[GR], Italy[I], Japan[J], Japan[J], Holland[NL], Portugal[P], Great Britain[UK]
5	AP8177745	Decal set	1	Year: 2003[3] Vehicle colour: Oasis Green 2003[o.gr] Country: Austria[A], Australia[AA], Australia[AUS], Belgium[B], Belgium[BB], Switzerland[CH], Germany[D],

Group	FRAME
Code	28.45
Description	Decal and plate set
Service	1



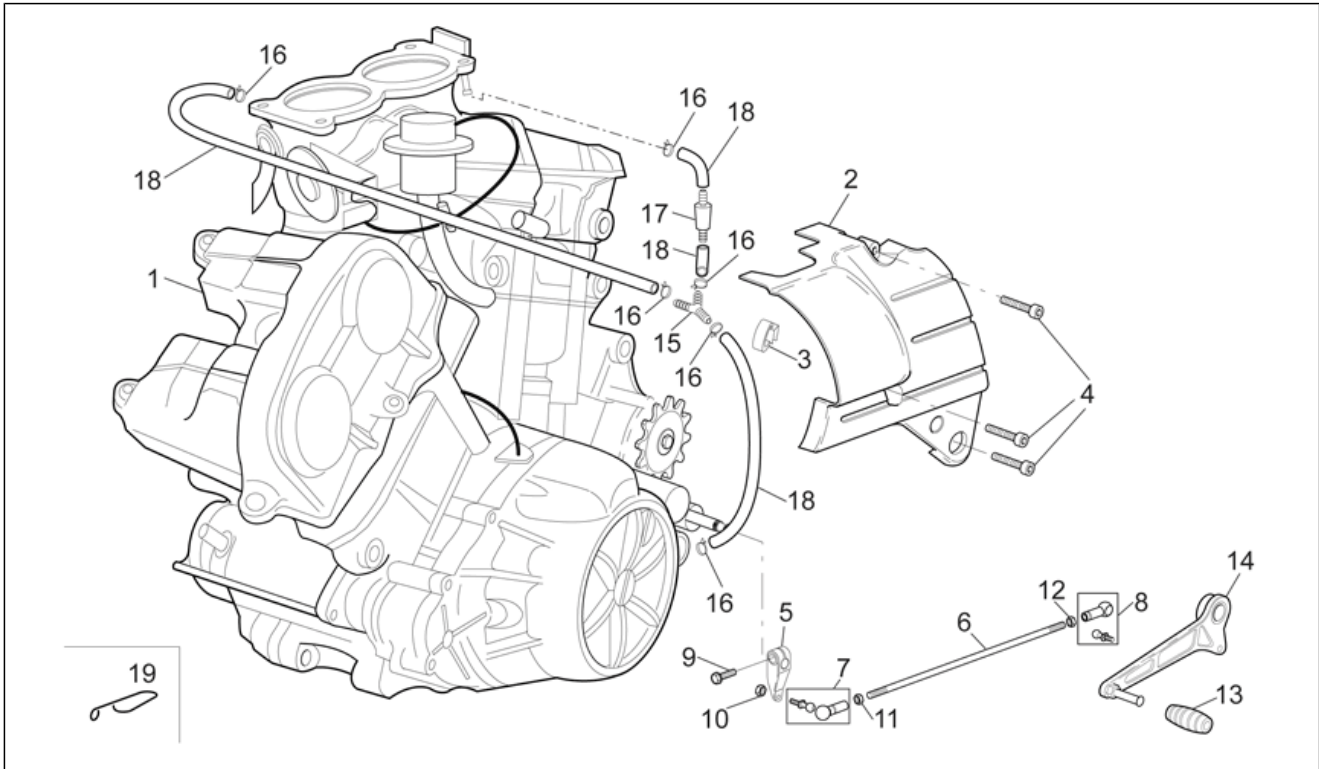
Pos.	Code	Description	Qty	Variants
				Denmark[DK], Spain[E], A, CH, D, DK, GR, E, I, NL, P[EU], France[F], France[FF], Greece[GR], Italy[I], Japan[J], Japan[JJ], Holland[NL], Portugal[P], Great Britain[UK]
5	AP8177844	Decal set	1	Year: 2003[3] Vehicle colour: Olympic Bronze 2003[o.br] Country: USA (49 Countries Approval)[AM], USA (California Approval)[CF], United States of America[USA]
6	AP8102728	Rivet 3x11	2	
7	AP8149311	Dataplate frame	1	
8	AP8157821	ECE dataplate	1	Country: Australia[AA], Australia[AUS], Japan[J], Japan[JJ]

Group	ENGINE
Code	29.32
Description	Engine
Service	1



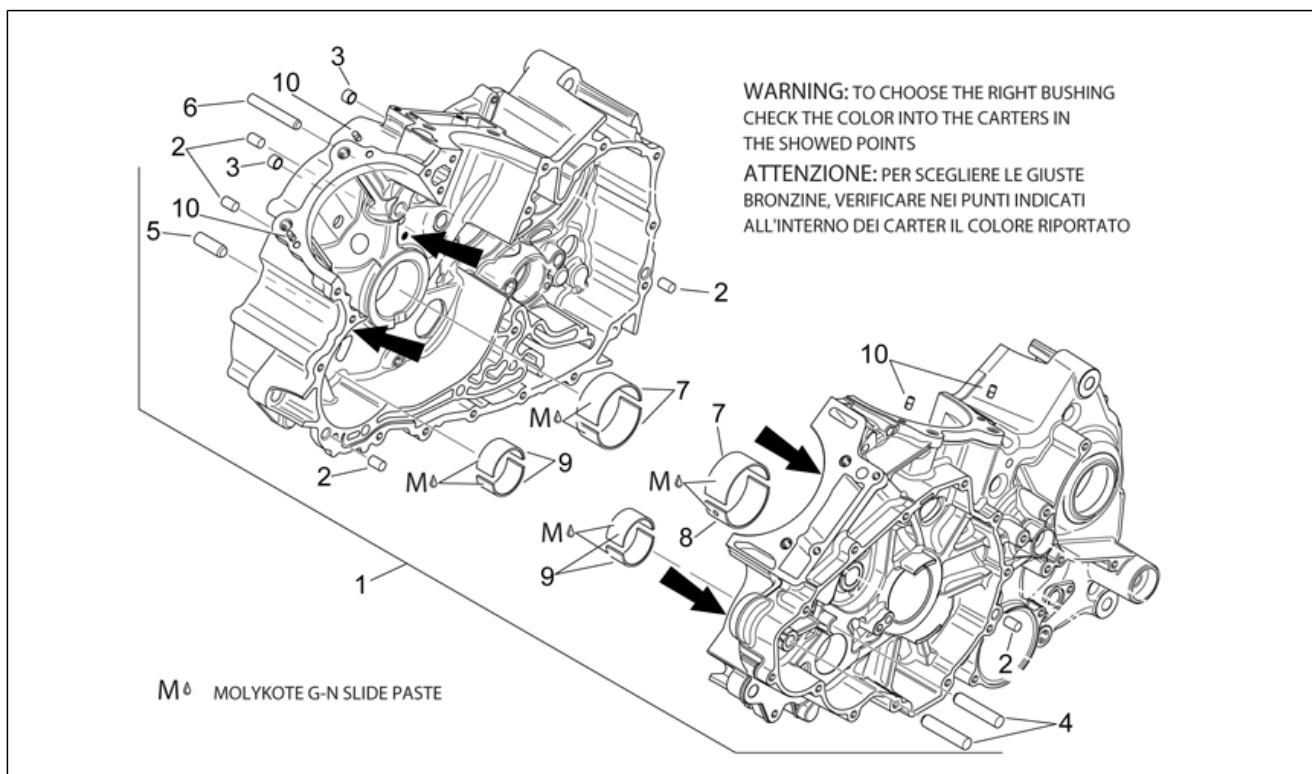
Pos.	Code	Description	Qty	Variants
1	AP8106583	Engine 990	1	Year: 2001[1], 2000[Y] Country: Austria[A], Australia[AA], Australia[AUS], Belgium[B], Belgium[BB], Switzerland[CH], Germany[D], Denmark[DK], Spain[E], A, CH, D, DK, GR, E, I, NL, P[EU], France[F], France[FF], Greece[GR], Italy[I], Japan[J], Japan[JJ], Holland[NL], Portugal[P], Great Britain[UK] Technical Specifications: NO catalytic version[nocat]
1	AP8106758	Engine	1	Country: USA (49 Countries Approval)[AM], United States of America[USA] Technical Specifications: 49 Countries Approval[49st]
1	AP8106759	Engine	1	Country: USA (California Approval)[CF], United States of America[USA] Technical Specifications: California Approval[cal]
1	AP8106868	Engine	1	Year: 2002[2], 2003[3] Country: Belgium[B], Belgium[BB], France[F], France[FF] Technical Specifications: Power 72 Kw[72Kw], Power 78 Kw[78Kw]
1	AP8106869	Engine 990	1	Year: 2002[2], 2003[3] Country: Austria[A], Australia[AA], Australia[AUS], Switzerland[CH], Germany[D], Denmark[DK], Spain[E], A, CH, D, DK, GR, E, I, NL, P[EU], Greece[GR], Italy[I], Japan[J], Japan[JJ], Holland[NL], Portugal[P], Great Britain[UK] Technical Specifications: Catalytic version[cat]
2	AP8106519	Sprocket cover, grey	1	
3	AP8201727	Black cable guide	1	
4	AP8150220	Hex socket screw M6x30	3	
5	AP8121354	Gearbox connecting rod	1	
6	AP8121353	Gearbox linkage rod	1	
7	AP8110053	Left ball joint M6	1	
8	AP8210007	RH ball joint M6	1	
9	AP8152279	Screw w/ flange M6x20	1	
10	AP8150430	Low self-locking nut	1	
11	AP8152138	Nut	1	

Group	ENGINE
Code	29.32
Description	Engine
Service	1



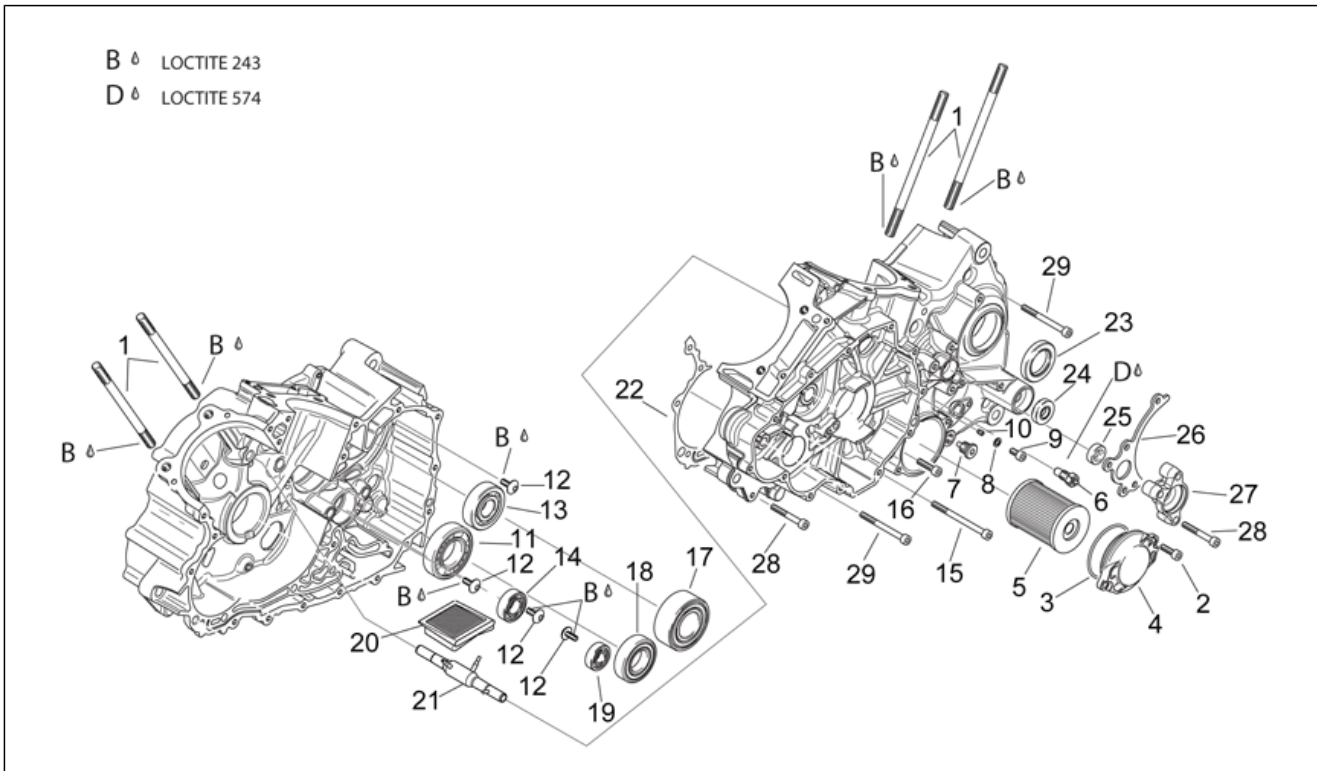
Pos.	Code	Description	Qty	Variants
12	AP8150026	Nut	1	
13	AP8120912	Lever rubber	1	
14	AP8106420	Gear lever	1	
15	AP8120116	3-way union	1	
16	AP8120446	Hose clip, green D11x6,6x1	6	
17	AP8102741	Anti-return valve	1	
18	AP8144015	Oil pipe 6x12	1	
19	AP8144316	Brake hose protection	1	

Group	ENGINE
Code	29.46
Description	Crankcases I
Service	1



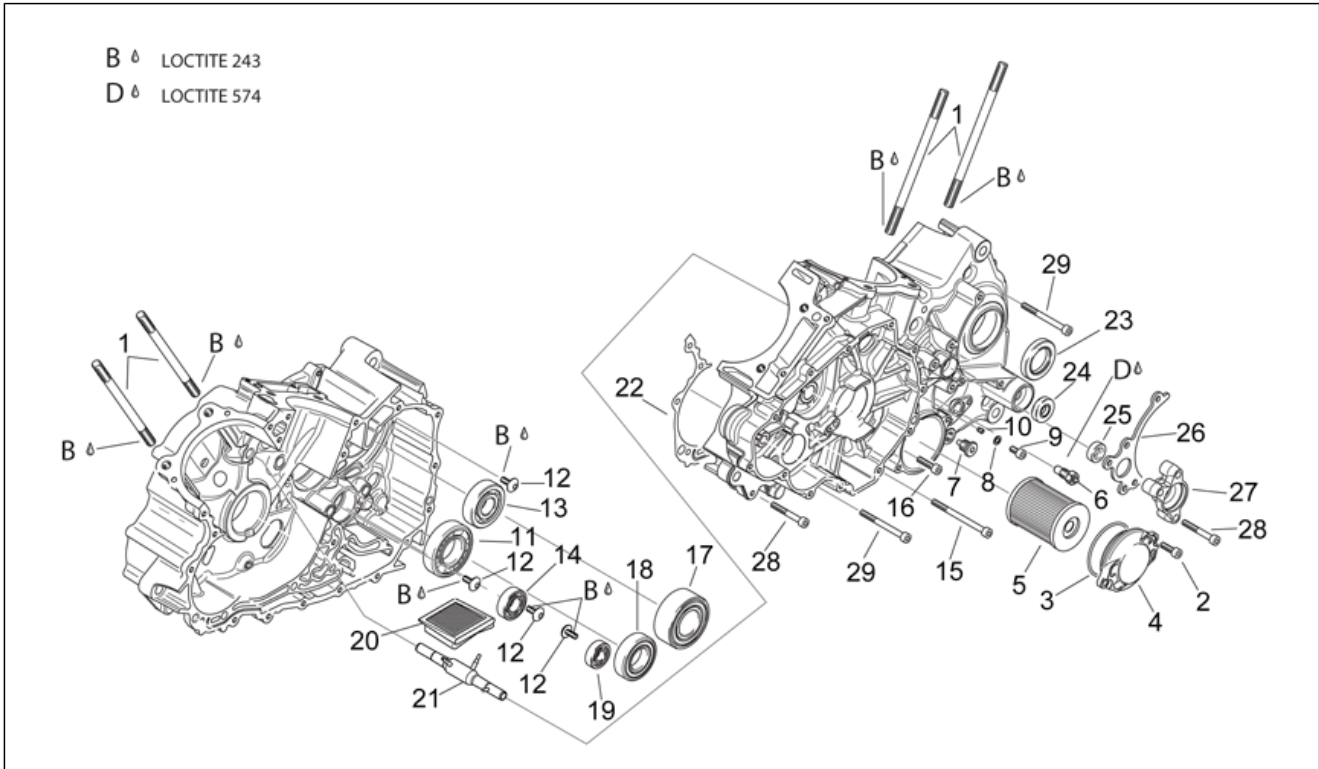
Pos.	Code	Description	Qty	Variants
1	AP0295653	Crankcase assy	1	
2	AP0632010	Pin M8x12	5	
3	AP0929500	Pin 10x8	2	
4	AP0229301	Pin M6x50	2	
5	AP0929930	Pin	1	
6	AP0229385	Pin	1	
7	AP0233745	Bushing half-shell, blue	3	
7	AP0233746	Bushing half-shell, red	3	
7	AP0233748	Bushing half-shell, yellow	3	
8	AP0233740	Bushing half-shell, blue	1	
8	AP0233741	Bushing half-shell, red	1	
8	AP0233743	Bushing half-shell, yellow	1	
9	AP0233711	Bushing half-shell, blue	4	
9	AP0233820	Bushing half-shell, red	4	
9	AP0233822	Bushing half-shell, yellow	4	
10	AP0929650	Pin 5x10	4	

Group	ENGINE
Code	29.47
Description	Crankcases II
Service	1



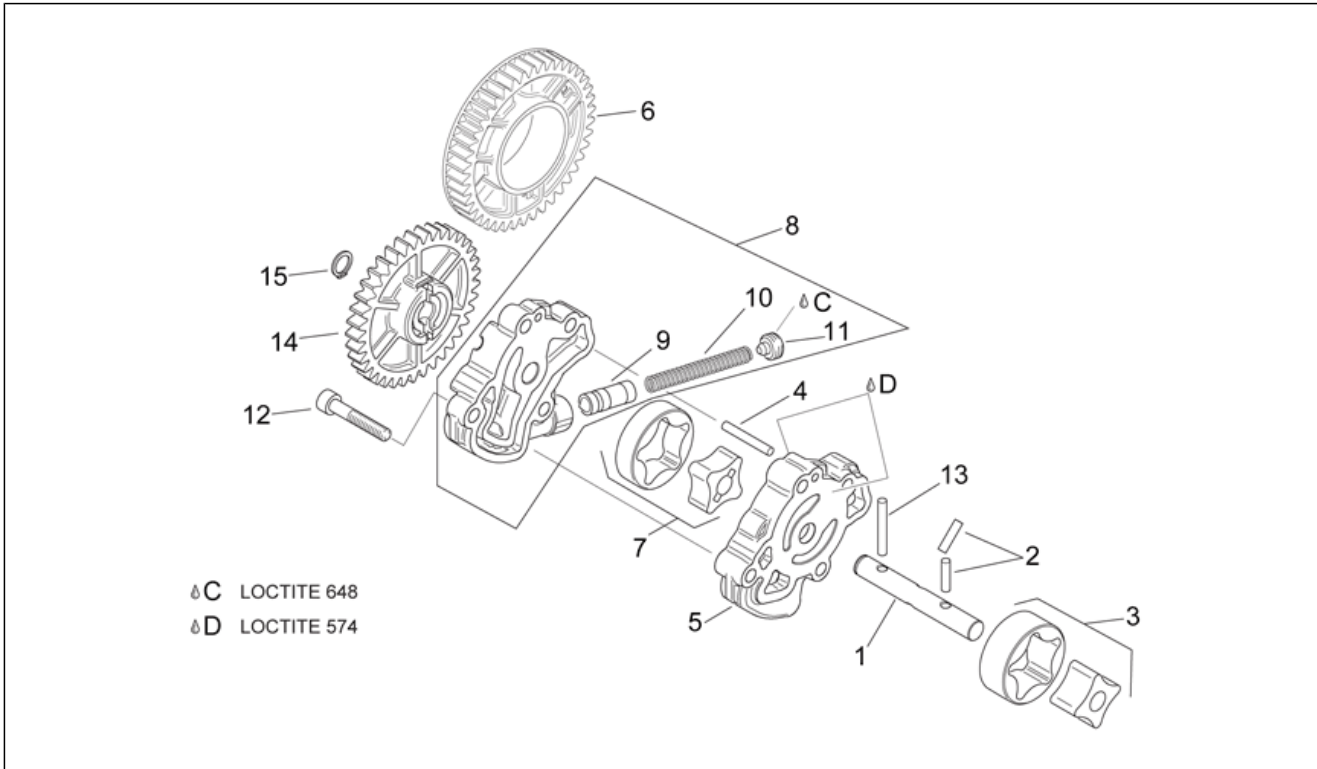
Pos.	Code	Description	Qty	Variants
1	AP0241580	Stud bolt m10x171	8	
2	AP0241932	Hex socket screw	2	
3	AP0650500	O-ring 59,52x2,62	1	
4	AP0210416	Oil filter cover grey	1	
5	AP0256187	Oil filter	1	
6	AP0241852	Contact screw	1	
7	AP0241782	Magnetic drain plug M12x1,5	1	
8	AP0230415	Gasket ring 6x10	1	
9	AP0241081	Hex socket screw M6x10	1	
10	AP0268757	Jet 75	1	
11	AP0932585	Ball bearing 6206	1	
12	AP0241531	Short head screw	4	
13	AP0832144	Ball bearing 6304	1	
14	AP0232625	Bearing 6003	1	
15	AP0241501	Hex socket screw M6x80	1	
16	AP0840861	Hex socket screw M6x25	1	
17	AP0632124	Angular bearing 3206	1	
18	AP0932428	Ball bearing 6205	1	
19	AP0932335	Ball bearing 16101	1	
20	AP0256497	Oil strainer	1	
21	AP0256526	Oil sprayer pipe	1	
22	AP0650335	Gasket	1	
23	AP0850050	Oil seal 40x47x7,5	1	
24	AP0250450	Oil seal 12x28x7	1	
25	AP0650320	Oil seal 11x22x7	1	
26	AP0236370	Chain guide	1	
27	AP0259500	Clutch disengagement flange	1	
28	AP0241821	Hex socket screw M6x45	8	

Group	ENGINE
Code	29.47
Description	Crankcases II
Service	1



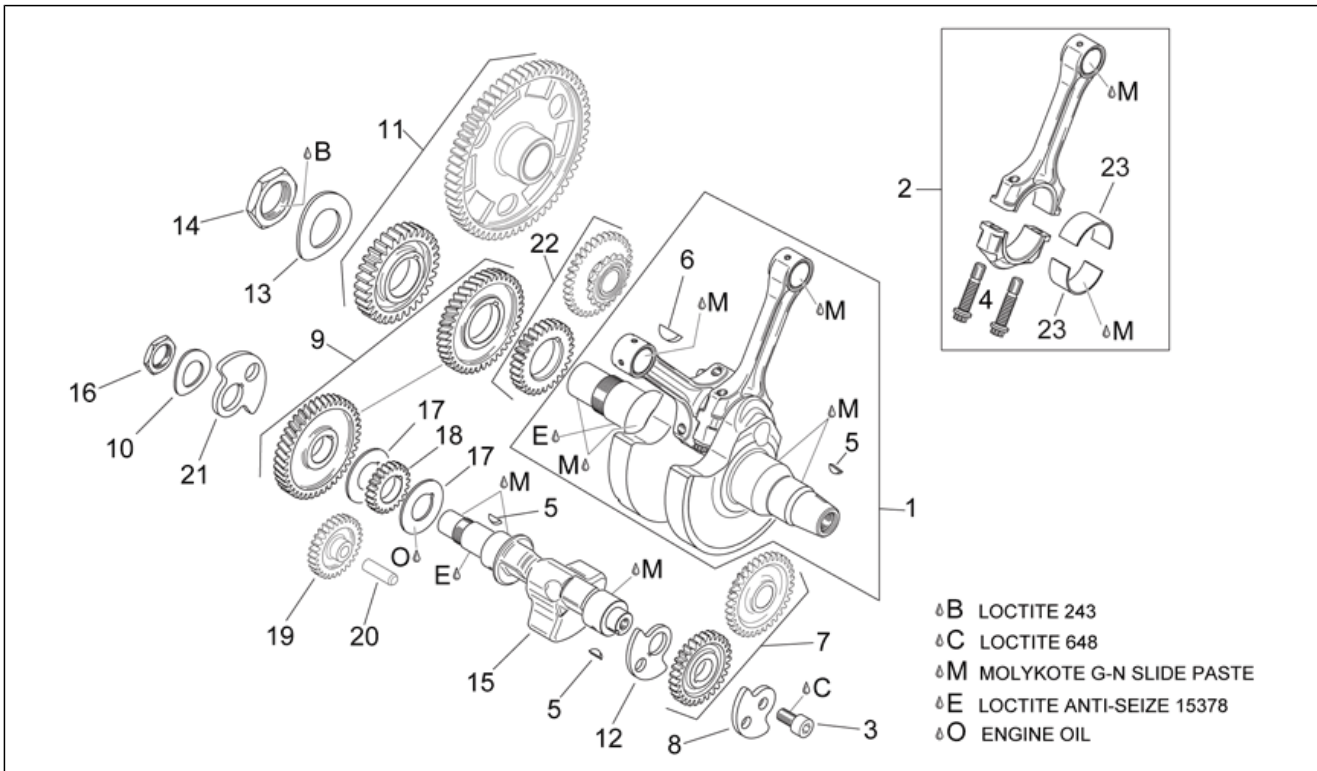
Pos.	Code	Description	Qty	Variants
29	AP0241261	Hex socket screw	13	

Group	ENGINE
Code	29.48
Description	Oil pump
Service	1



Pos.	Code	Description	Qty	Variants
1	AP0220423	Oil pump shaft assy.	1	
2	AP0232730	Pin 4x15,8	2	
3	AP0256680	Internal and external rotor	1	
4	AP0232970	Pin 4x25,8	1	
5	AP0211620	Oil pressing pump casing	1	
6	AP0634470	Oil pump gear z=42	1	
7	AP0956275	Internal and external rotor	1	
8	AP0211631	Oil pump cover cpl.	1	
9	AP0256510	Pressure adj. piston	1	
10	AP0239449	Spring	1	
11	AP0241650	Valve closer screw m12x1,5	1	
12	AP0241821	Hex socket screw M6x45	4	
13	AP0232430	Pin	1	
14	AP0634483	Oil pump gear	1	
15	AP0245330	Circlip 10x1	1	

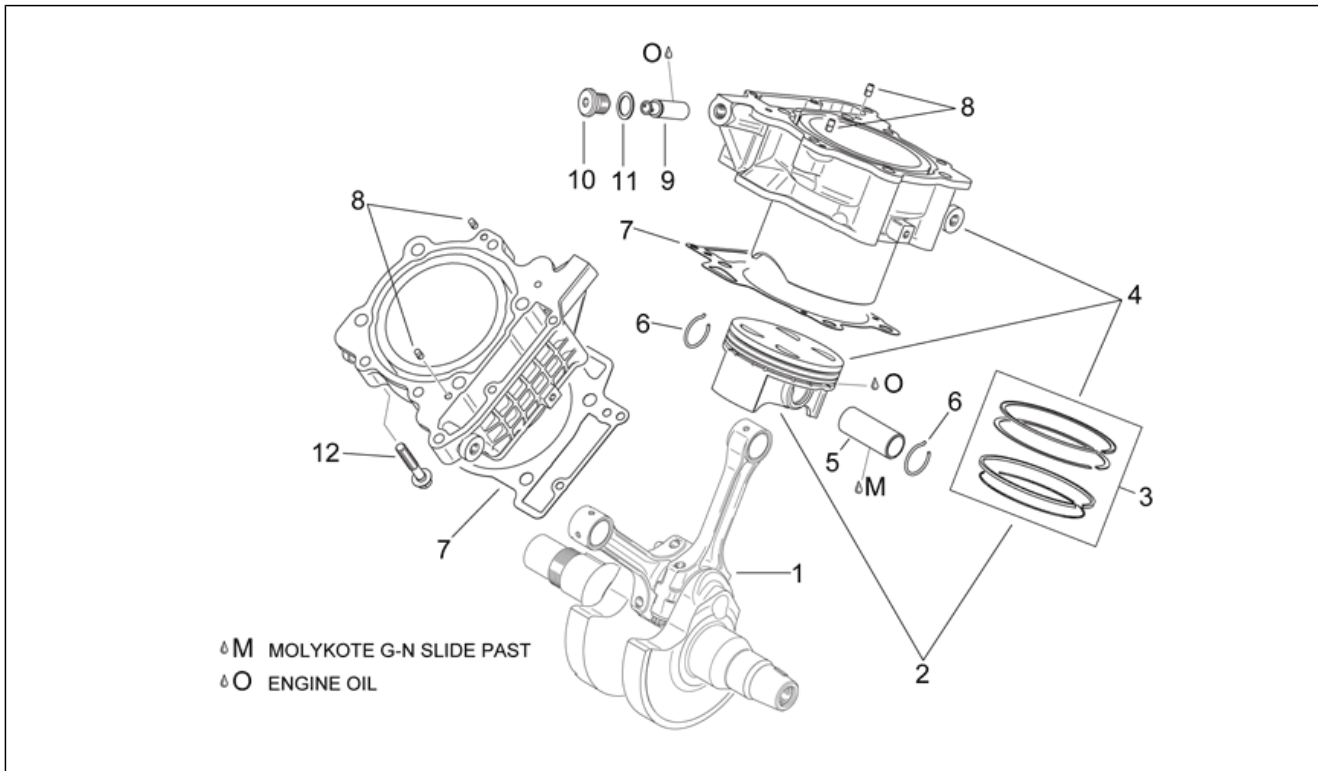
Group	ENGINE
Code	29.49
Description	Crankshaft I
Service	1



- ♠B LOCTITE 243
- ♠C LOCTITE 648
- ♠M MOLYKOTE G-N SLIDE PASTE
- ♠E LOCTITE ANTI-SEIZE 15378
- ♠O ENGINE OIL

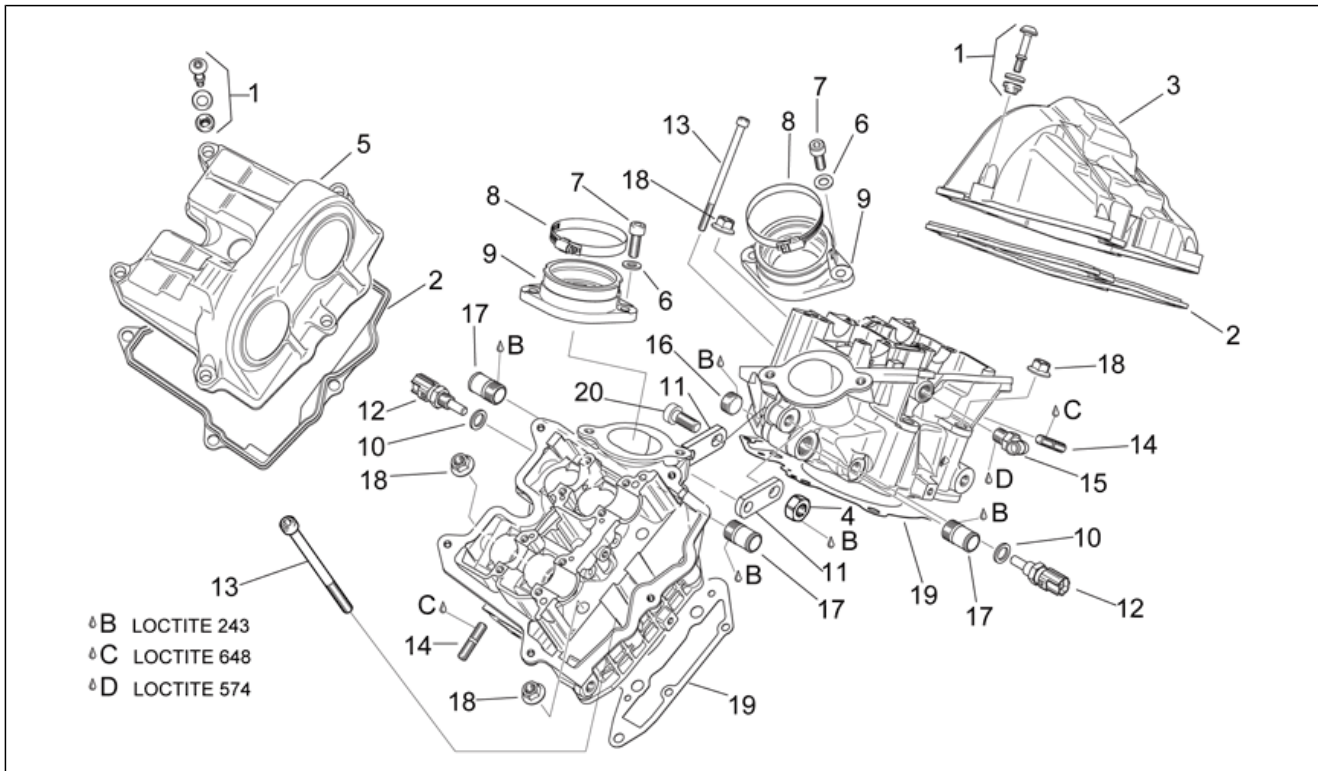
Pos.	Code	Description	Qty	Variants
1	AP0295662	Crankshaft cpl.	1	
2	AP0217346	Connecting rod cpl.	2	
3	AP0440260	Hex socket screw	1	
4	AP0640400	Connecting rod screw	4	
5	AP0246570	Transmission key 4x5	3	
6	AP0946015	Transmission key 6x9	1	
7	AP0295765	Timing system gear cpl.	1	
8	AP0219365	Ext.wheel side counterweight	1	
9	AP0295770	Balance shaft gear cpl.	1	
10	AP0245860	Spring washer	1	
11	AP0295780	Primary drive gear	1	
12	AP0219360	Int.wheel side counterweight	1	
13	AP0245840	Spring washer	1	
14	AP0242940	Nut m33x1,5	1	
15	AP0220372	Lower balance shaft	1	
16	AP0242874	Nut	1	
17	AP0627200	Washer 24x54x2	2	
18	AP0634610	Water pump gear	1	
19	AP0634500	Idle gear	1	
20	AP0929930	Pin	1	
21	AP0219350	Clutch side counterweight	1	
22	AP0295760	Timing system gear cpl.	1	
23	AP0233721	Bushing,red 42x45x19	2	
23	AP0233722	Bushing,blue 42x45x19	2	
23	AP0233723	Bushing,yellow 42x45x19	2	

Group	ENGINE
Code	29.50
Description	Crankshaft II
Service	1



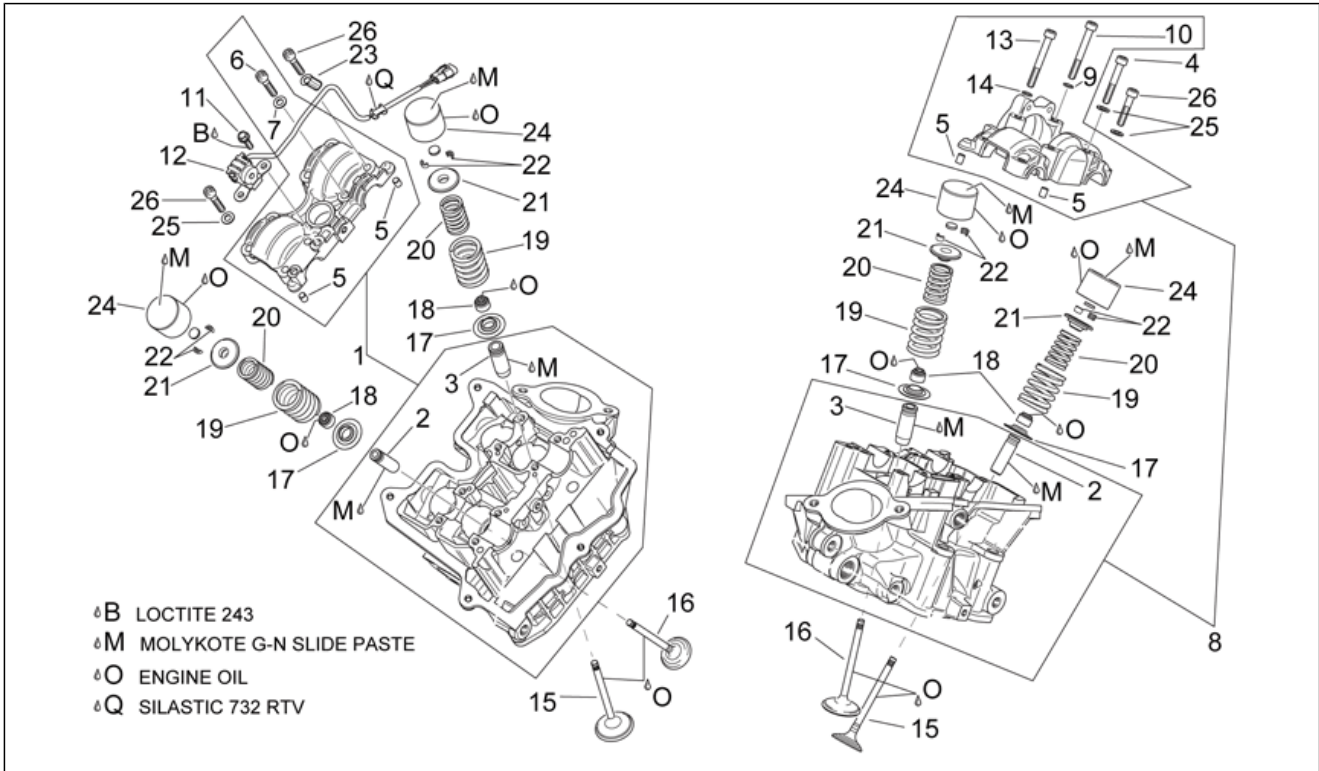
Pos.	Code	Description	Qty	Variants
1	AP0295662	Crankshaft cpl.	1	
2	AP0684310	Piston assy 96,944 mm (A)	2	
2	AP0684311	Piston assy 96,956 mm (B)	2	
3	AP0295858	Piston ring set	2	
4	AP0613068	Cylinder with piston	2	
5	AP0216222	Piston pin 22x14x55	2	
6	AP0245436	Stop ring 22	4	
7	AP0650390	Cylinder base gasket	2	
8	AP0929650	Pin 5x10	4	
9	AP0236252	Chain tensioner assy.	2	
10	AP0640450	Cover	2	
11	AP0430622	Gasket ring 16x22	2	
12	AP0940637	Screw w/ flange	8	

Group	ENGINE
Code	29.51
Description	Valves cover
Service	1



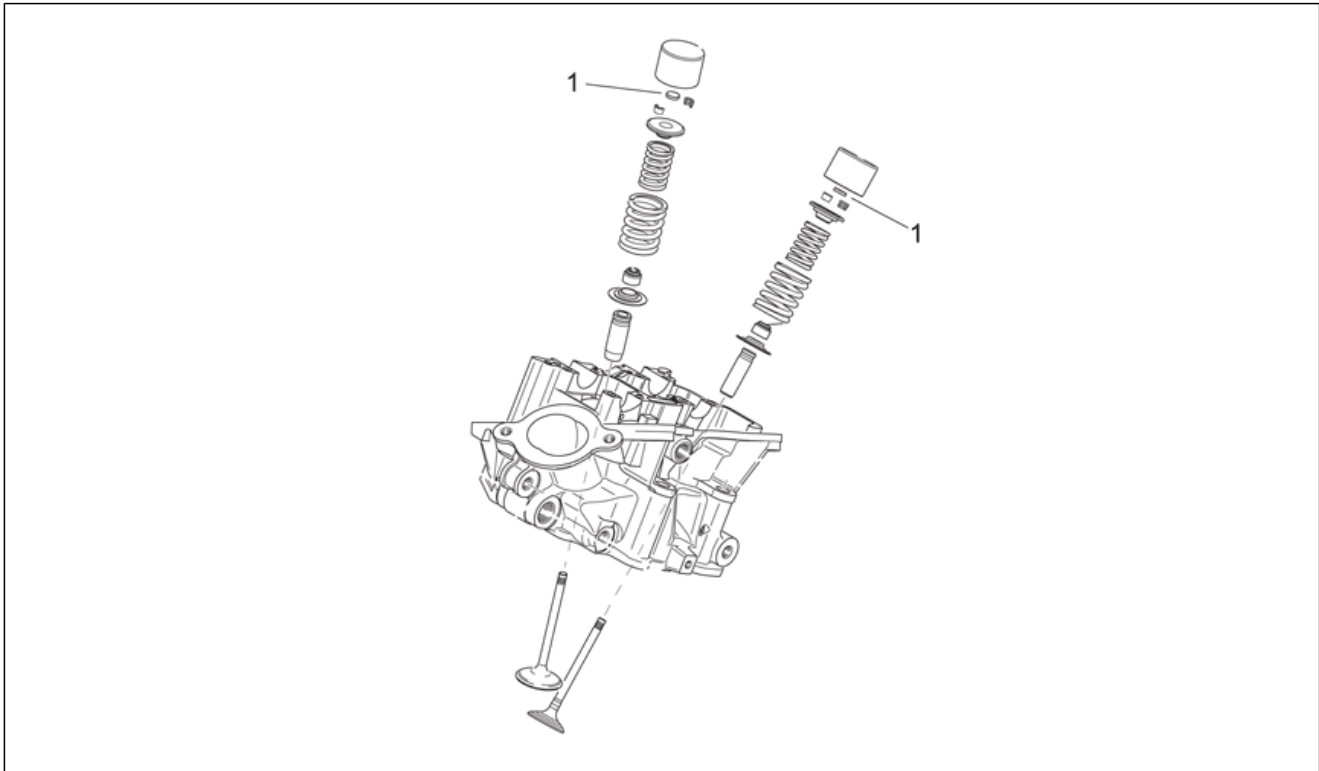
Pos.	Code	Description	Qty	Variants
1	AP0241625	Spacer screw cpl.	10	
2	AP0650345	Valve cover gasket	2	
3	AP0211666	Rear valves cover	1	
4	AP0242091	Nut	2	
5	AP0211661	Front valves cover	1	
6	AP0250311	Washer 8,4	4	
7	AP0240081	Hex socket screw M8x25	4	
8	AP0251830	Hose clamp 65	2	
9	AP0267150	Intake flange	2	
10	AP0250640	Gasket ring 12x18	2	
11	AP0251100	Plate	2	
12	AP0274040	Temp. Sensor	2	
13	AP0241601	Hex socket screw	4	
14	AP0241560	Stud bolt	6	
15	AP0922245	Angular union	1	
16	AP0240170	Cover m18x1,5	1	
17	AP0224090	pipe	3	
18	AP0242851	Nut	8	
19	AP0650210	Cylinder head gasket	2	
20	AP0640581	Hex socket screw M10x40	2	

Group	ENGINE
Code	29.52
Description	Cylinder head and valves
Service	1



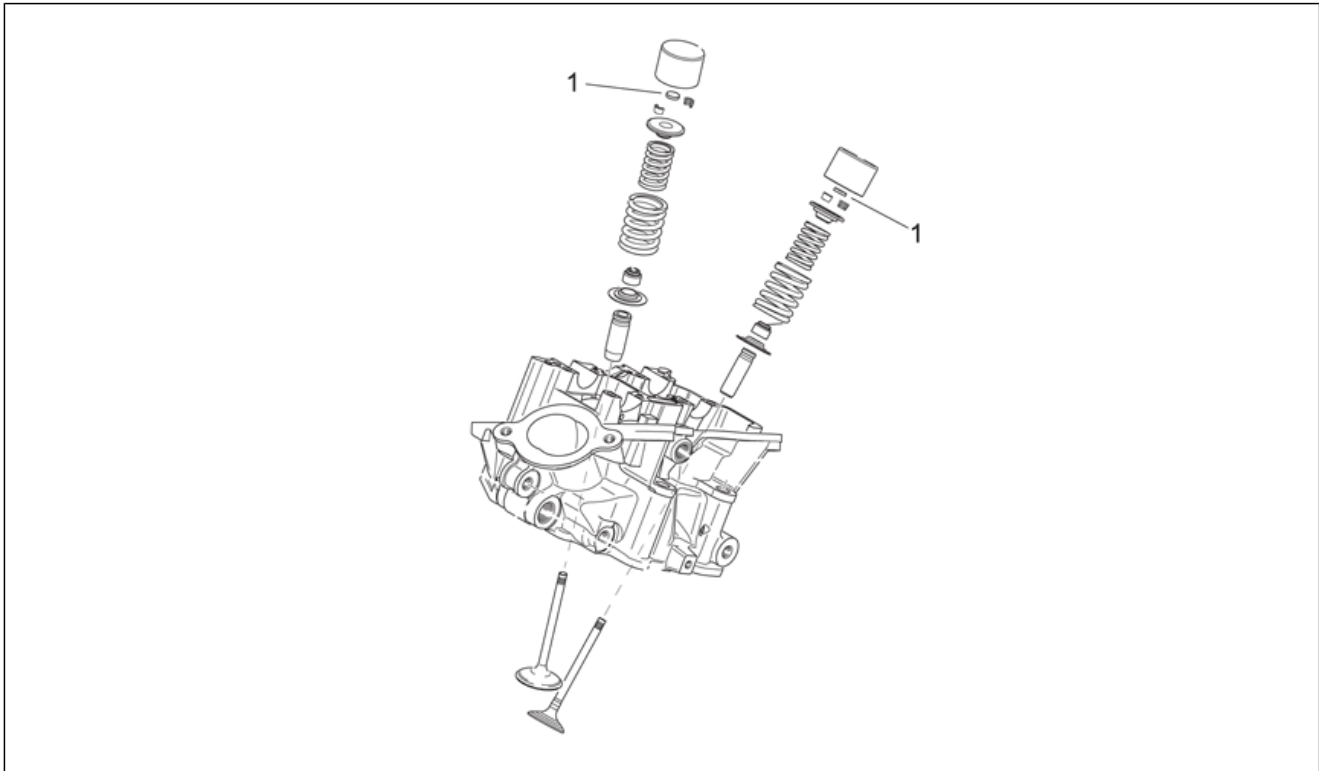
Pos.	Code	Description	Qty	Variants
1	AP0613056	Front cylinder head cpl.	1	
2	AP0253926	Exhaust valve guide	4	
3	AP0253921	Intake valve guide	4	
4	AP0241821	Hex socket screw M6x45	2	
5	AP0232210	Pin 6x8	4	
6	AP0840880	Hex socket screw M6x30	1	
7	AP0927945	Washer 6,2x12x1	1	
8	AP0613058	Rear cylinder head cpl.	1	
9	AP0927863	Washer 6,1x9,8x1	1	
10	AP0240331	Hex socket screw	1	
11	AP0941935	Self-tap screw M5x12	2	
12	AP0274060	Camshaft sensor cpl.	1	
13	AP0240331	Hex socket screw	1	
14	AP0927863	Washer 6,1x9,8x1	1	
15	AP0254020	Exhaust valve 31mm	4	
16	AP0254010	Intake valve 36 mm	4	
17	AP0253965	Valve spring plate	8	
18	AP0230510	Valve stem seal	8	
19	AP0239520	Ext. valve spring	8	
20	AP0239510	Int. valve spring	8	
21	AP0253955	Valve spring plate	8	
22	AP0253645	Valve half-cone	16	
23	AP0251090	Cable protection	1	
24	AP0253990	Valve lifter bucket	8	
25	AP0927945	Washer 6,2x12x1	12	
26	AP0840880	Hex socket screw M6x30	11	

Group	ENGINE
Code	29.53
Description	Valves pads
Service	1



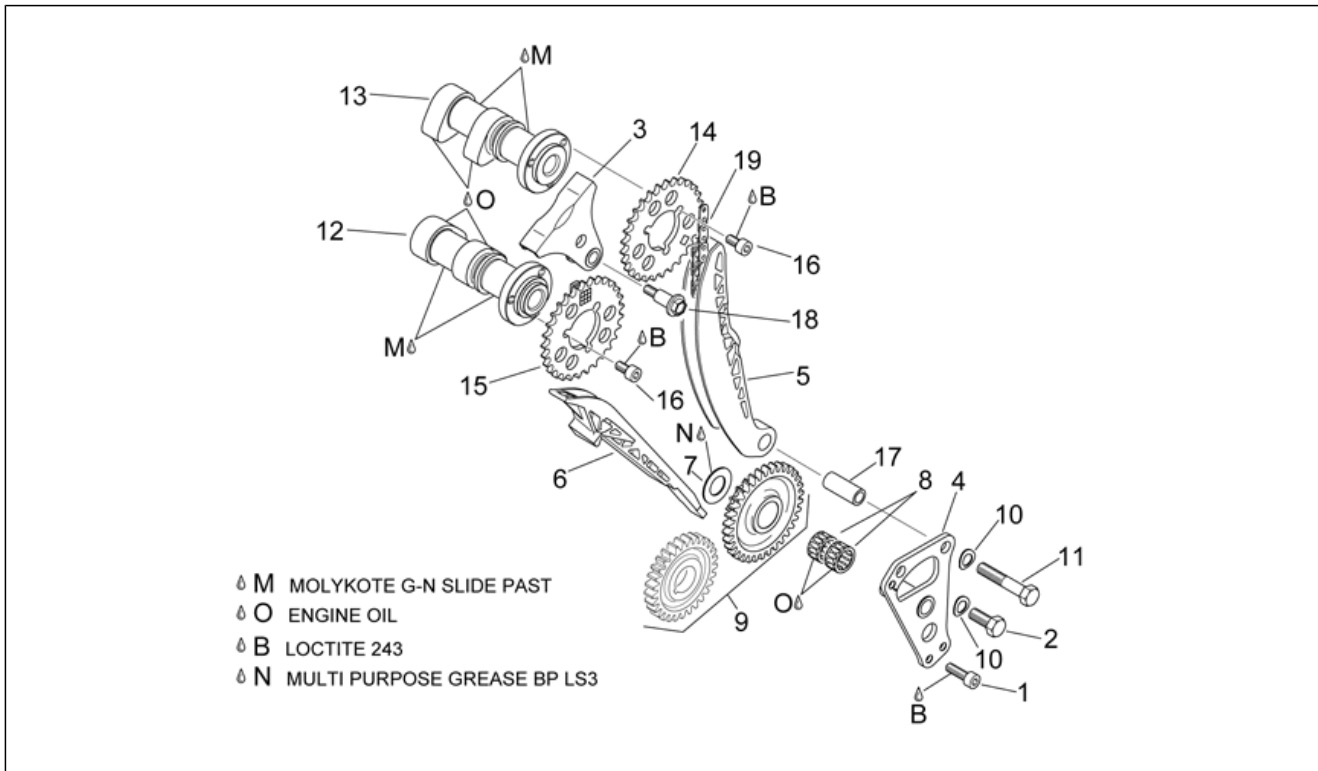
Pos.	Code	Description	Qty	Variants
1	AP0253974	Pad 2,3	1	
1	AP0253975	Pad 2,35	1	
1	AP0253976	Pad 2,4	1	
1	AP0253977	Pad 2,45	1	
1	AP0253978	Pad 2,5	1	
1	AP0253979	Pad 2,55	1	
1	AP0253980	Pad 2,6	1	
1	AP0253981	Pad 2,65	1	
1	AP0253982	Pad 2,7	1	
1	AP0253983	Pad 2,75	1	
1	AP0253984	Pad 2,8	1	
1	AP0253985	Pad 2,85	1	
1	AP0253986	Pad 2,9	1	
1	AP0253987	Pad 2,95	1	
1	AP0253988	Pad 3,00	1	
1	AP0254030	Pad 2,325	1	
1	AP0254031	Pad 2,375	1	
1	AP0254032	Pad 2,425	1	
1	AP0254033	Pad 2,475	1	
1	AP0254034	Pad 2,525	1	
1	AP0254035	Pad 2,575	1	
1	AP0254036	Pad 2,625	1	
1	AP0254037	Pad 2,675	1	
1	AP0254038	Pad 2,725	1	
1	AP0254039	Pad 2,775	1	
1	AP0254040	Pad 2,825	1	
1	AP0254041	Pad 2,875	1	
1	AP0254042	Pad 2,925	1	

Group	ENGINE
Code	29.53
Description	Valves pads
Service	1



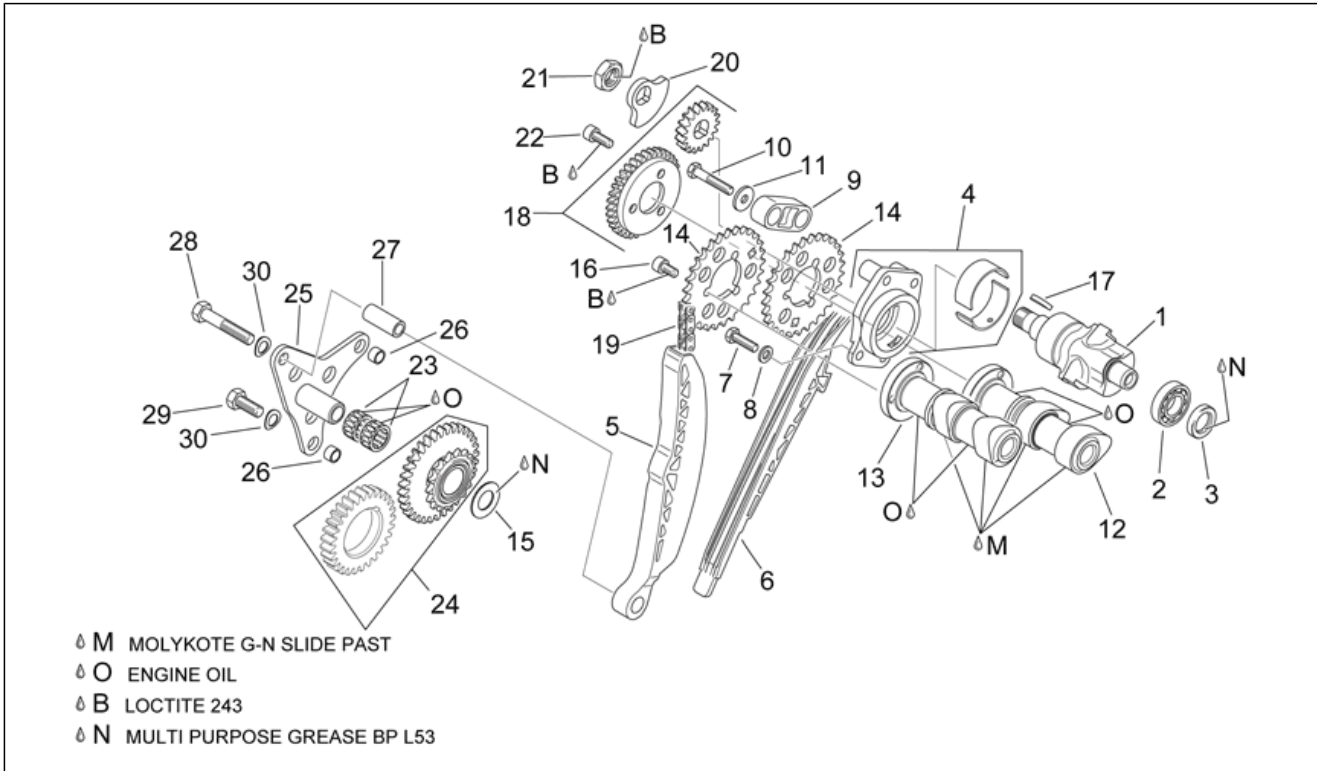
Pos.	Code	Description	Qty	Variants
1	AP0254043	Pad 2,975	1	

Group	ENGINE
Code	29.54
Description	Front cylinder timing system
Service	1



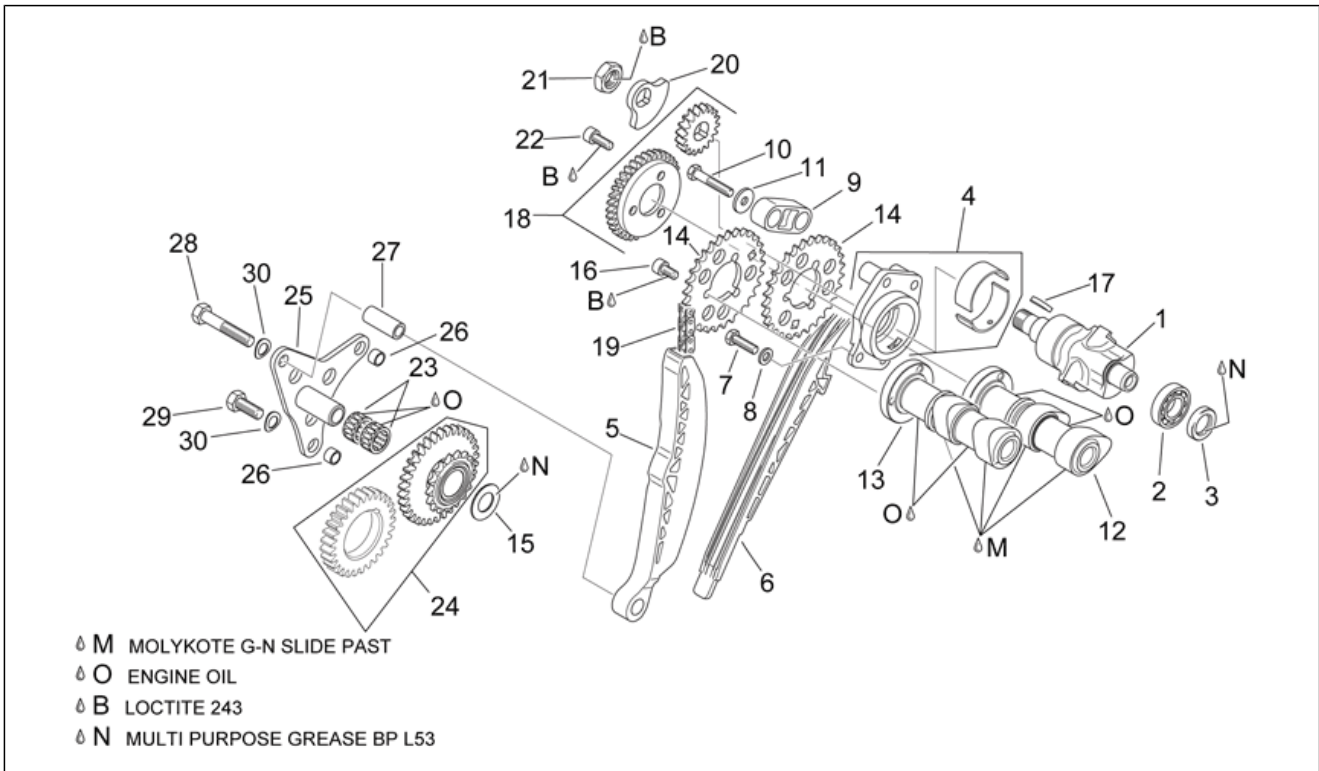
Pos.	Code	Description	Qty	Variants
1	AP0240400	Hex socket screw	1	
2	AP0940590	Hex screw M8x20	1	
3	AP0236320	Chain guide	1	
4	AP0211766	Bearings support Plate	1	
5	AP0236300	Chain guide	1	
6	AP0236310	Chain guide	1	
7	AP0627190	Washer 16,7x29x1	1	
8	AP0632161	Roller cage 16x22x10	2	
9	AP0295765	Timing system gear cpl.	1	
10	AP0845030	Spring washer b8	2	
11	AP0940631	Hex screw	1	
12	AP0220385	Exhaust camshaft	1	
13	AP0220380	Intake camshaft	1	
14	AP0634730	Timing system gear	1	
15	AP0634735	Timing system gear	1	
16	AP0840371	Hex socket screw M6x11,5	6	
17	AP0247980	Bush 8,2x12x25	1	
18	AP0240960	Spacer screw	2	
19	AP0297955	Camshaft chain	1	

Group	ENGINE
Code	29.55
Description	Rear cylinder timing system
Service	1



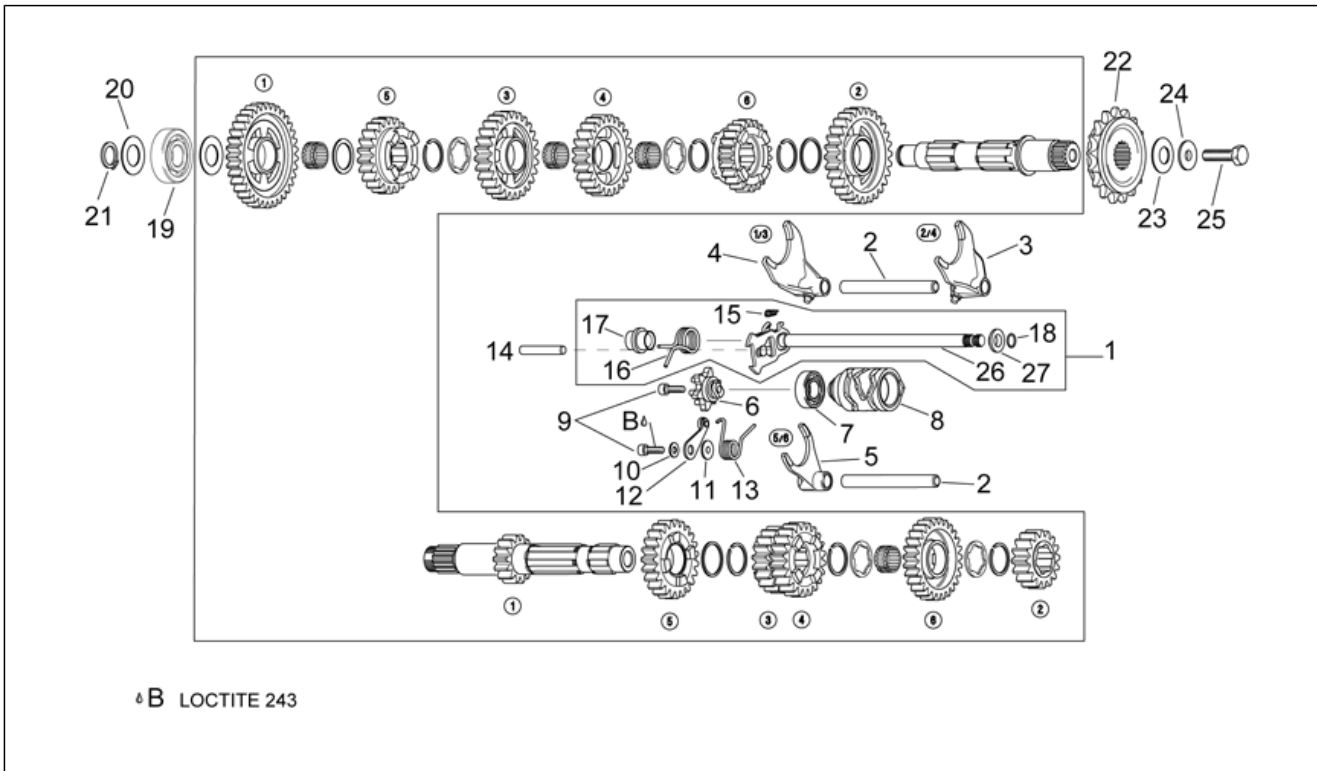
Pos.	Code	Description	Qty	Variants
1	AP0220440	Upper balance shaft	1	
2	AP0832360	Ball bearing 16002	1	
3	AP0250130	Oil seal 15x24x5	1	
4	AP0211681	Bushing plate cpl.	1	
5	AP0236300	Chain guide	1	
6	AP0236310	Chain guide	1	
7	AP0940560	Hex screw	2	
8	AP0244211	Washer 6,4	2	
9	AP0236380	Chain guide	1	
10	AP0941121	Hex screw	2	
11	AP0827305	Washer 6,2x18x2	2	
12	AP0220385	Exhaust camshaft	1	
13	AP0220380	Intake camshaft	1	
14	AP0634730	Timing system gear	2	
15	AP0627190	Washer 16,7x29x1	1	
16	AP0840371	Hex socket screw M6x11,5	3	
17	AP0246055	Transmission key 3x3,7	1	
18	AP0295775	Upper balance shaft gear cpl.	1	
19	AP0297955	Camshaft chain	1	
20	AP0219340	Counterweight	1	
21	AP0942570	Nut m14	1	
22	AP0840391	Hex socket screw	3	
23	AP0632161	Roller cage 16x22x10	2	
24	AP0295760	Timing system gear cpl.	1	
25	AP0211756	Roller cage plate	1	
26	AP0929500	Pin 10x8	2	
27	AP0247980	Bush 8,2x12x25	1	
28	AP0940631	Hex screw	1	

Group	ENGINE
Code	29.55
Description	Rear cylinder timing system
Service	1



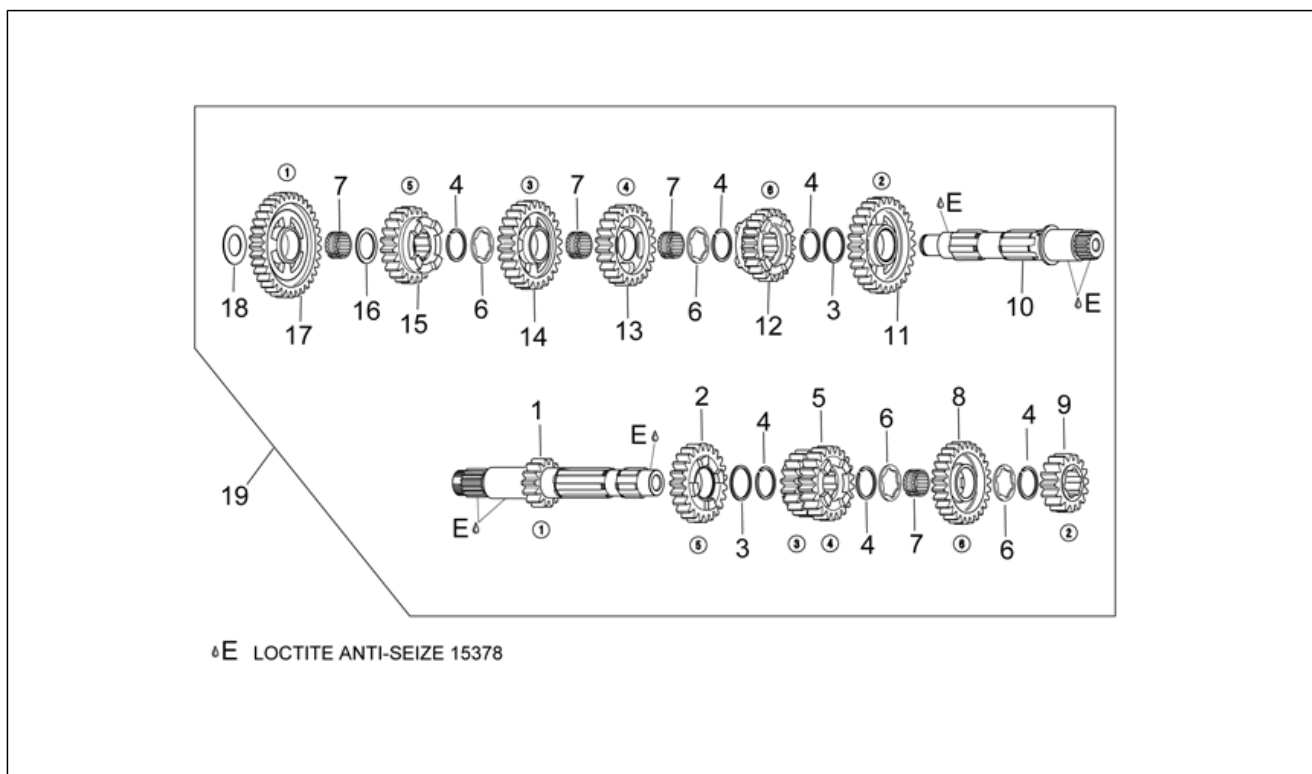
Pos.	Code	Description	Qty	Variants
29	AP0240275	Hex screw	2	
30	AP0845030	Spring washer b8	3	

Group	ENGINE
Code	29.56
Description	Gear box selector
Service	1



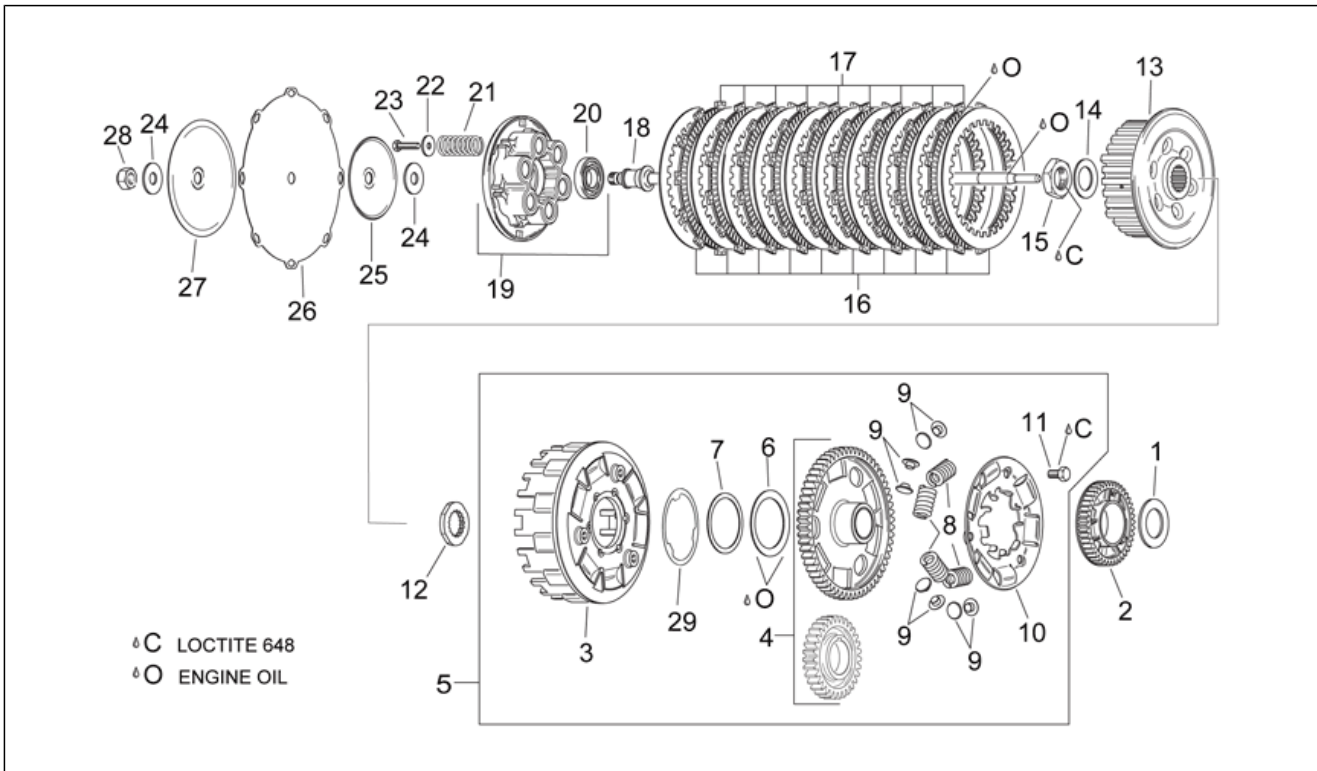
Pos.	Code	Description	Qty	Variants
1	AP0220437	Gear shaft+spring cpl.	1	
2	AP0258380	Fork shaft	2	
3	AP0258360	Fork	1	
4	AP0258350	Fork	1	
5	AP0258375	Fork	1	
6	AP0258310	Index washer	1	
7	AP0932335	Ball bearing 16101	1	
8	AP0258325	Shift cam	1	
9	AP0241932	Hex socket screw	2	
10	AP0244211	Washer 6,4	1	
11	AP0227716	Washer	1	
12	AP0248375	Index assy. lever	1	
13	AP0239247	Index spring	1	
14	AP0229385	Pin	1	
15	AP0239430	Spring	1	
16	AP0239420	Pin spring	1	
17	AP0247940	Bush	1	
18	AP0245440	Circlip	1	
19	AP0832144	Ball bearing 6304	1	
20	AP0227442	Washer 20,2x27,5	1	
21	AP0945665	Circlip 20x1,75	1	
22	AP0236365	Rubbered pinion	1	
23	AP0239450	Spring washer 34x16,3	1	
24	AP0627210	Washer	1	
25	AP0940741	Hex screw	1	
26	AP0220435	Gear shaft+ratchet gear cpl.	1	
27	AP0227714	Washer	1	

Group	ENGINE
Code	29.57
Description	Gear box
Service	1



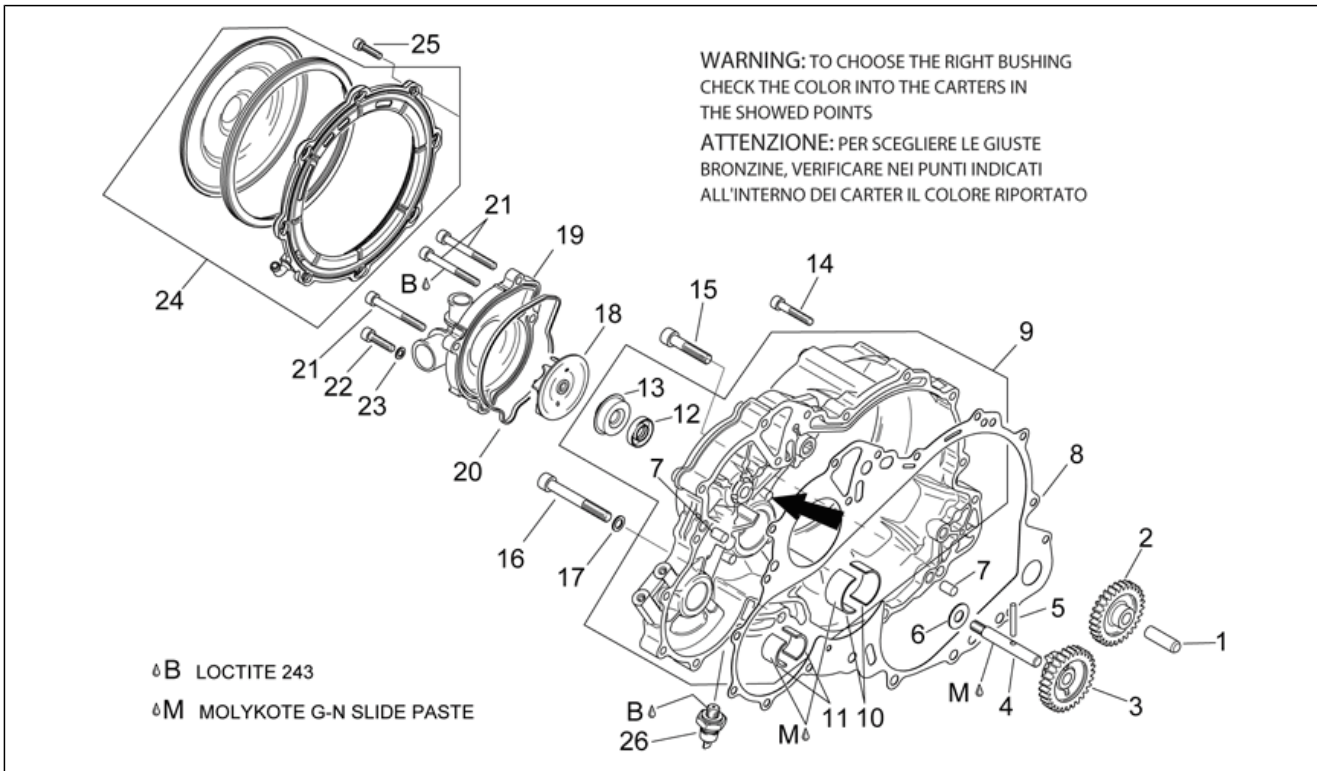
Pos.	Code	Description	Qty	Variants
1	AP0220390	Primary gear shaft assy.	1	
2	AP0634695	5th pinion gear	1	
3	AP0627120	Washer 29,2x33,5	2	
4	AP0245815	Circlip 28x2	6	
5	AP0634660	3rd-4th pinion gear	1	
6	AP0627132	Washer 25,35x34,5	4	
7	AP0632070	Roller cage 25x29x13	4	
8	AP0634710	6th pinion gear	1	
9	AP0634640	2nd pinion gear	1	
10	AP0220400	Driven shaft	1	
11	AP0634655	2nd wheel gear	1	
12	AP0634720	6th wheel gear	1	
13	AP0634670	4th wheel gear	1	
14	AP0634680	3rd wheel gear	1	
15	AP0634700	5th wheel gear	1	
16	AP0427106	Washer 25,3x33,5	1	
17	AP0634620	1st wheel gear	1	
18	AP0827110	Washer 20,5x37x1	1	
19	AP0281222	Gear box cpl.6 speed	1	

Group	ENGINE
Code	29.58
Description	Clutch
Service	1



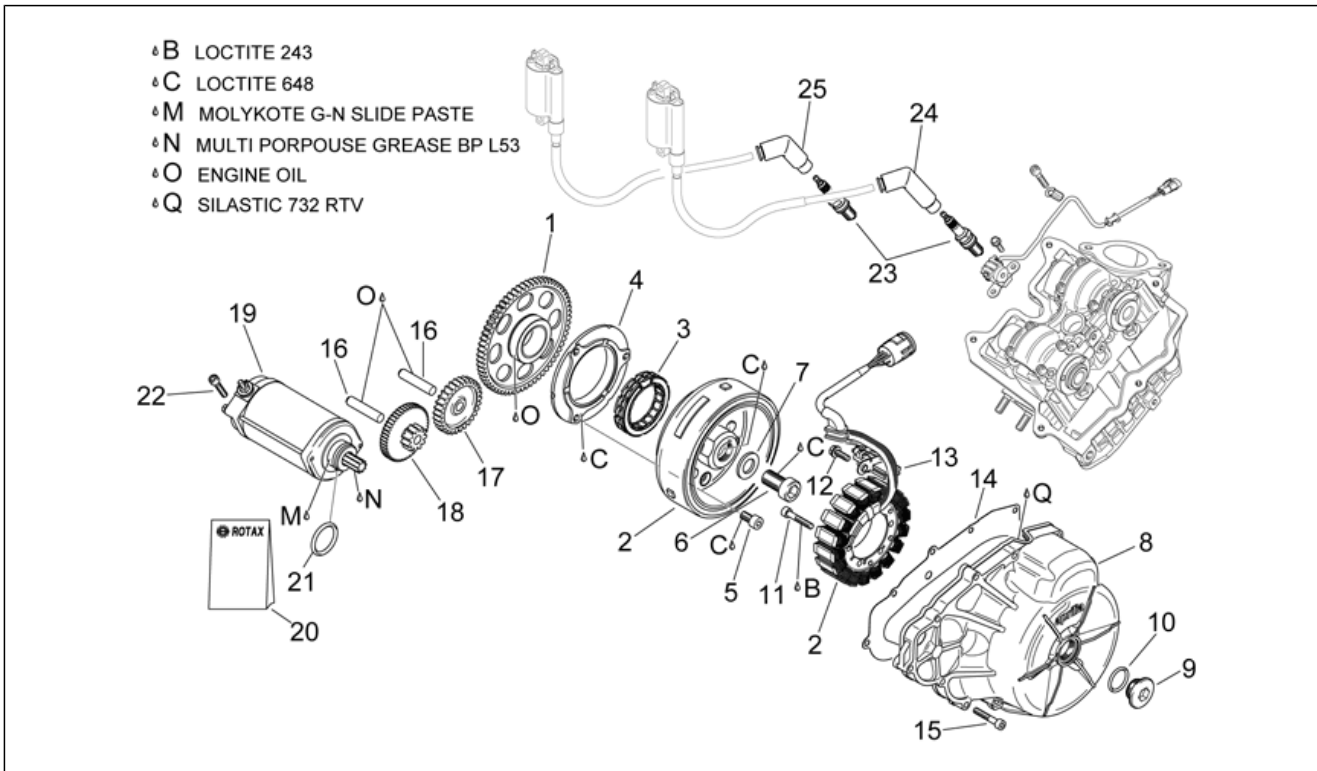
Pos.	Code	Description	Qty	Variants
1	AP0627260	Washer 30,2x50	1	
2	AP0634470	Oil pump gear z=42	1	
3	AP0259530	Clutch drum	1	
4	AP0295780	Primary drive gear	1	
5	AP0295790	Primary transm.	1	
6	AP0239390	Spring washer 68x52x1,2	1	
7	AP0627140	Washer 52x62x1	1	
8	AP0239370	Spring	6	
9	AP0247970	Bush	12	
10	AP0259580	Springholder plate	1	
11	AP0940580	screw	3	
12	AP0627220	Washer 25x44,4x5	1	
13	AP0259520	Clutch hub	1	
14	AP0245830	Spring washer 24,5x40	1	
15	AP0242950	Nut m24x1,5	1	
16	AP8106633	Steel clutch discs 10 pc.	1	
17	AP8106634	Lined clutch discs 9 pc.	1	
18	AP0220455	Clutch shaft cpl.	1	
19	AP0259515	Springholder plate cpl.	1	
20	AP0632130	Ball bearing 16004	1	
21	AP0239480	Clutch spring	6	
22	AP0244020	Washer d6,5	6	
23	AP0240036	Hex screw	6	
24	AP0227180	Washer 12,2x32x2	2	
25	AP0627230	Support disc	1	
26	AP0260890	Diaphragm	1	
27	AP0627280	Pressure plate	1	
28	AP0442130	Nut m12	1	

Group	ENGINE
Code	29.59
Description	Water pump
Service	1



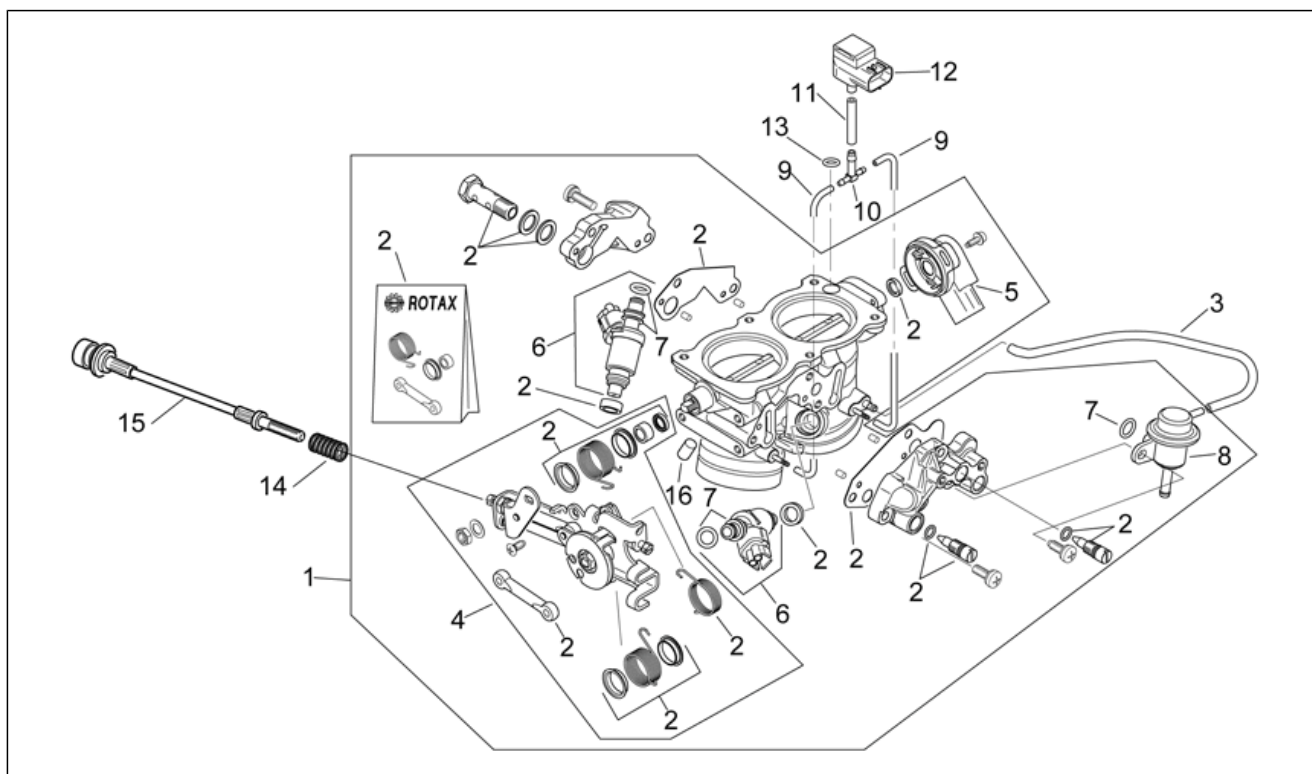
Pos.	Code	Description	Qty	Variants
1	AP0929930	Pin	1	
2	AP0634500	Idle gear	1	
3	AP0634490	Water pump gear	1	
4	AP0220410	Water pump shaft assy.	1	
5	AP0232430	Pin	1	
6	AP0227685	Washer 10,1x22x1	1	
7	AP0632010	Pin M8x12	2	
8	AP0650330	Gasket	1	
9	AP0211643	Clutch cover	1	
10	AP0233790	Bushing half-shell, blue	2	
10	AP0233791	Bushing half-shell, red	2	
10	AP0233793	Bushing half-shell, yellow	2	
11	AP0233780	Bearing half-shell 20x24x16	2	
12	AP0650310	Oil seal 10x25x5	1	
13	AP0650370	Pump mechanical seal	1	
14	AP0241811	Hex socket screw	11	
15	AP0840681	Hex socket screw M8x40	3	
16	AP0841841	Hex socket screw	1	
17	AP0950141	Gasket ring 8x13	1	
18	AP0222500	Impeller	1	
19	AP0222512	Water pump casing	1	
20	AP0650240	Gasket	1	
21	AP0240331	Hex socket screw	3	
22	AP0840861	Hex socket screw M6x25	1	
23	AP0230415	Gasket ring 6x10	1	
24	AP0211778	Diaphragm disc cpl.	1	
25	AP0240181	Hex socket screw	8	
26	AP0956169	Oil pressure switch	1	

Group	ENGINE
Code	29.60
Description	Ignition unit
Service	1



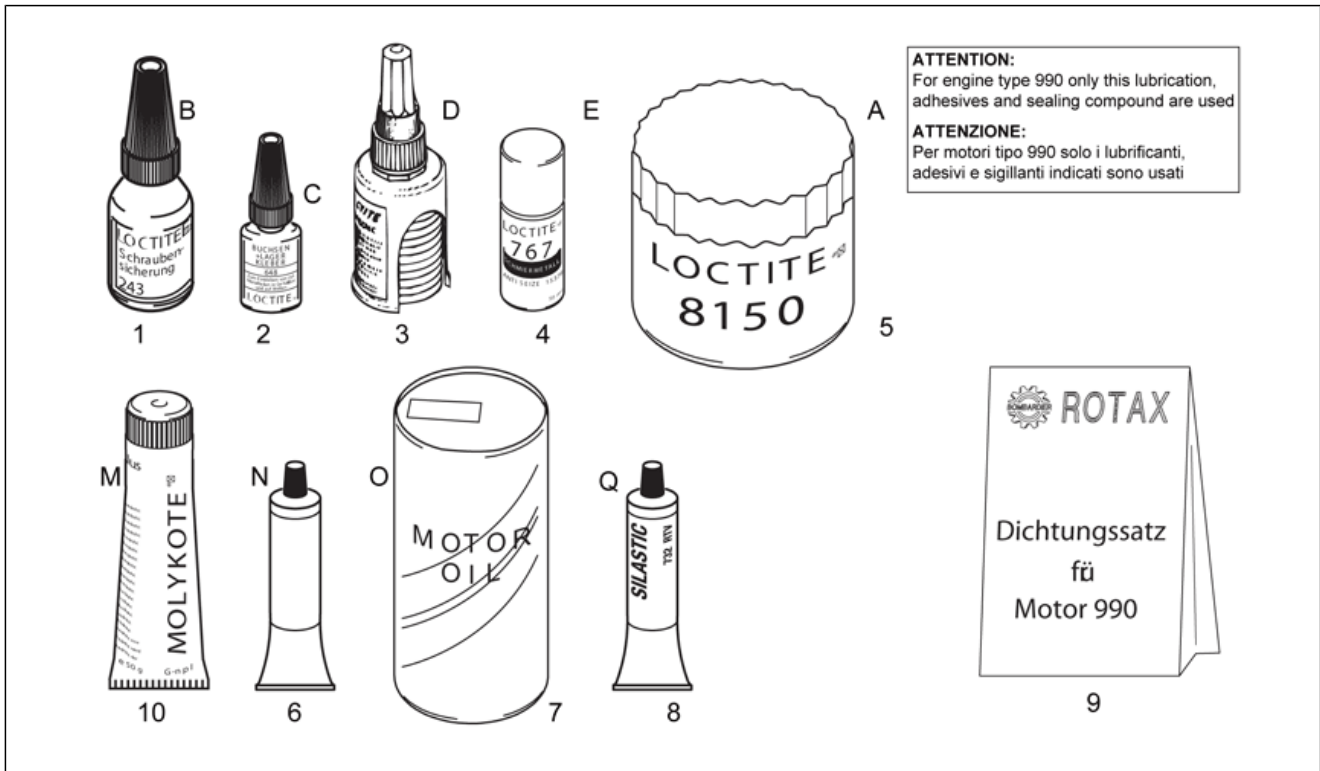
Pos.	Code	Description	Qty	Variants
1	AP0634595	Sprag clutch gear z=64	1	
2	AP0295830	Ignition unit 12V-380W	1	
3	AP0659110	Sprag clutch	1	
4	AP0659120	Sprag clutch housing	1	
5	AP0641590	Hex socket screw	3	
6	AP0241541	Hex socket screw m16x30	1	
7	AP0627270	Washer a17	1	
8	AP0211651	Ignition cover	1	
9	AP0241631	Cover m24x1,5	1	
10	AP0430782	O-ring 23,3x2,4	1	
11	AP0241816	Hex socket screw M6x40	3	
12	AP0240580	Screw w/ flange	2	
13	AP0260870	Cable protection	1	
14	AP0650340	Gasket	1	
15	AP0241811	Hex socket screw	12	
16	AP0229301	Pin M6x50	2	
17	AP0634600	Idle gear	1	
18	AP0634740	Double gear	1	
19	AP0294356	Starter motor cpl.	1	
20	AP0294352	Starter motor revision kit	1	
21	AP0250140	O-ring 24,4x3,1	1	
22	AP0840882	Hex socket screw	2	
23	AP0297942	Spark plug DCPR9E	4	
24	AP0265246	Int.sparkplug cap	2	
25	AP0265244	Ext.sparkplug cap	2	

Group	ENGINE
Code	29.61
Description	Throttle body
Service	1



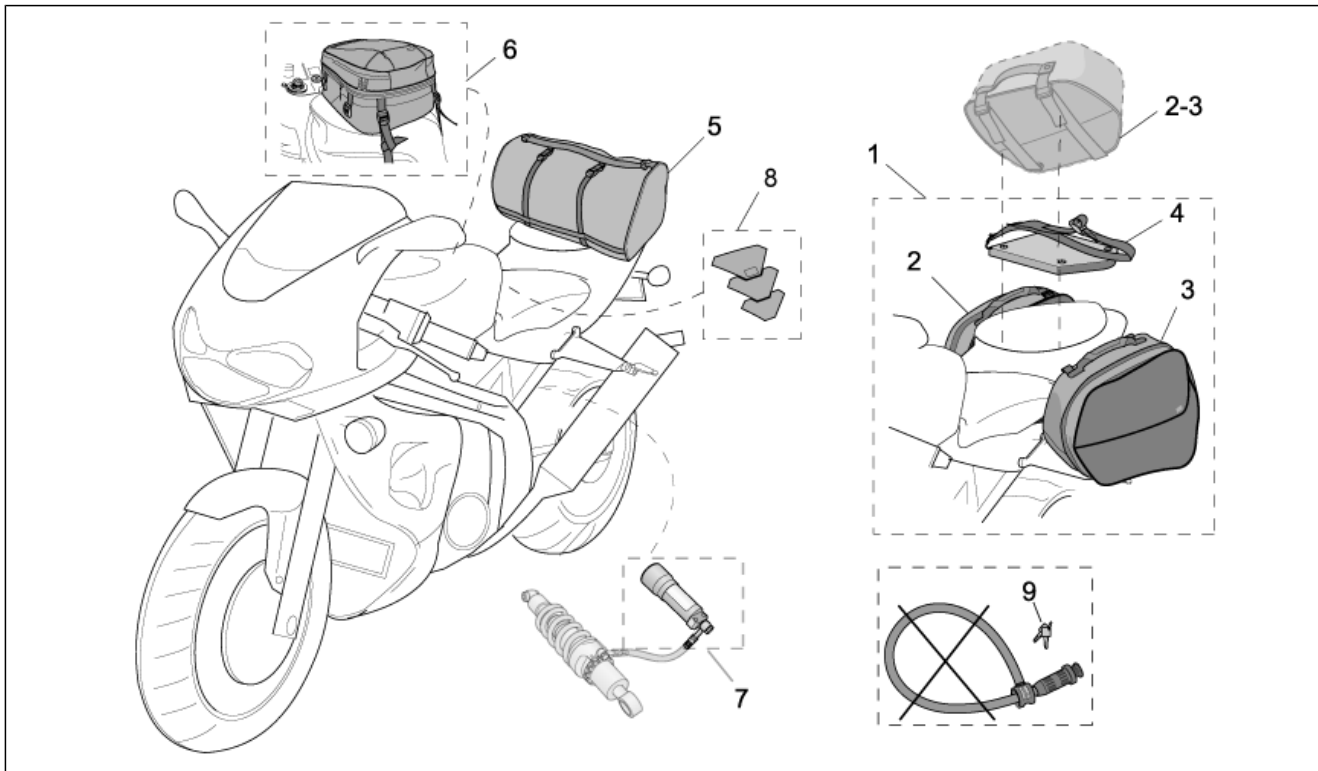
Pos.	Code	Description	Qty	Variants
1	AP0295696	Throttle body cpl.	1	
2	AP0281241	Throttle body revision kit	1	
3	AP0960122	Sensor pipe 110mm	1	
4	AP0661011	Throttle cable supp.plate cpl.	1	
5	AP0274030	Throttle body sensor	1	
6	AP0274010	Injection valve cpl.	2	
7	AP0296180	Gasket set	1	
8	AP0274020	Fuel pressure regulator	1	
9	AP0960111	Sensor pipe 95mm	2	
10	AP0874320	3-way union	1	
11	AP0960121	Sensor pipe 30mm	1	
12	AP0274050	Pressure sensor	1	
13	AP8120965	O-ring 2018	1	
14	AP0268010	Spring	1	
15	AP8114415	Min.eng.spd adj.cable	1	
16	AP0660020	Cap	1	

Group	ENGINE
Code	29.62
Description	Sealing and lubricating agents
Service	1



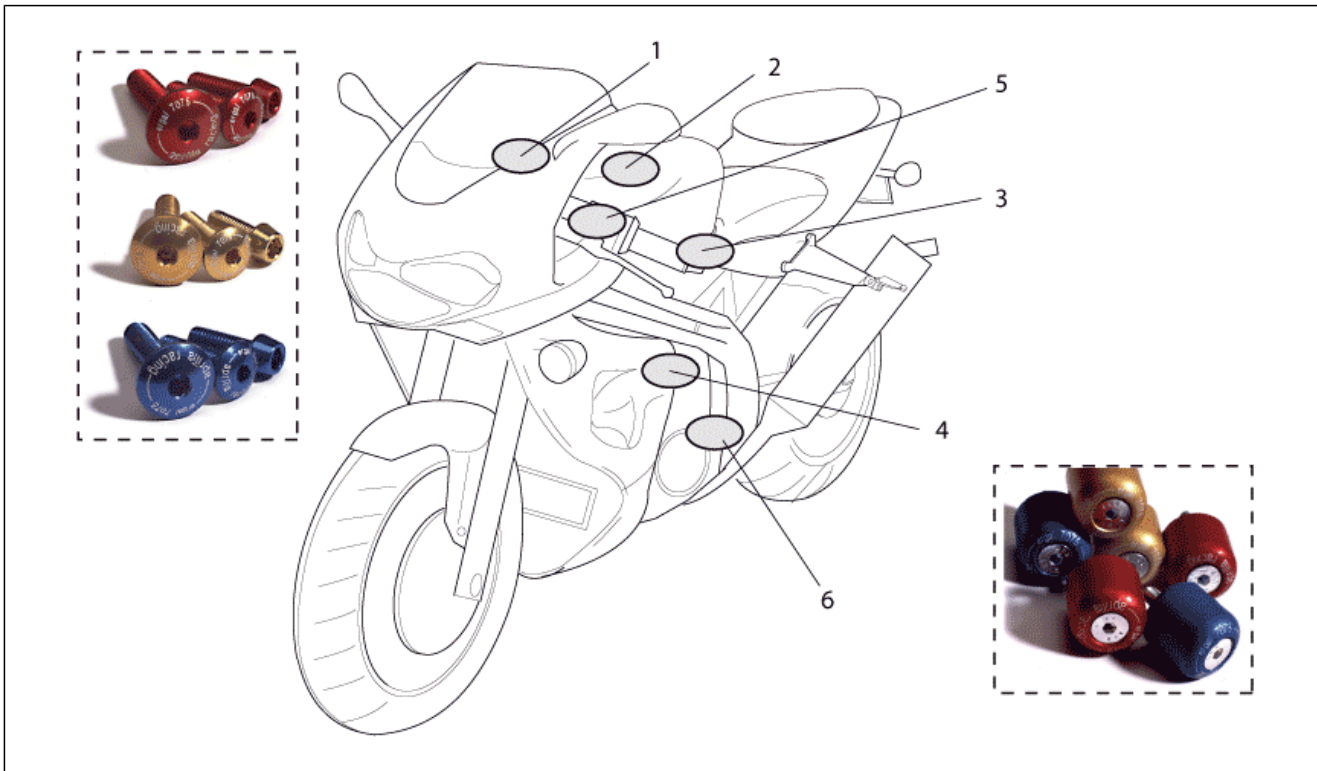
Pos.	Code	Description	Qty	Variants
1	AP0897651	Loctite (blue) 243 10cc.	1	
2	AP0899788	Loctite (green) 648 5gr.	1	
3	AP0899784	Loctite (orange) 574	1	
4	AP0297434	Loctite Anti Seize 50ml.15378	1	
5	AP8116067	Loctite 8150	1	
6	0000000	Tyre 110/90"	1	
7	0000000	Tyre 110/90"	1	
8	AP0297386	Silastic 732 Rtv 100 gr.	1	
9	AP0296170	Gasket set	1	
10	AP0297433	Molykote G-N 50gr.	1	

Group	ACCESSORIES
Code	30.63
Description	Acc. - Various
Service	1



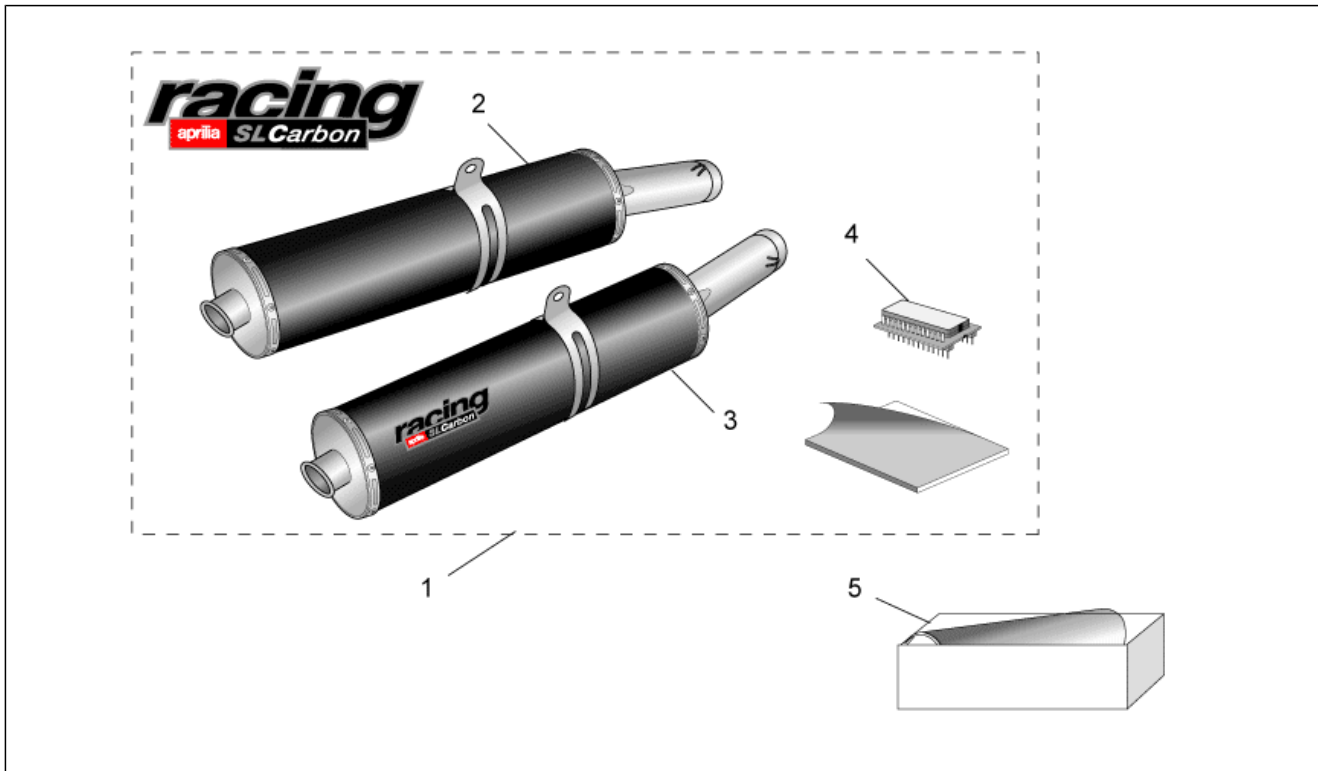
Pos.	Code	Description	Qty	Variants
1	AP8792153	Saddlebags assy - pair	1	Technical Specifications: Accessories[A]
2	AP8792154	RH saddlebag	1	Technical Specifications: Accessories[A]
3	AP8792155	LH saddlebag	1	Technical Specifications: Accessories[A]
4	AP8796145	Saddlebag fastening kit	1	Technical Specifications: Accessories[A]
5	AP8792152	Rear saddlebag	1	Technical Specifications: Accessories[A]
6	AP8792156	Tank pack	1	Technical Specifications: Accessories[A]
7	AP8795029	Rear Shock Abs.Adj.kit	1	Technical Specifications: Accessories[A]
8	AP8796047	Tank guard stickers kit	1	Technical Specifications: Accessories[A]
9	AP8700792	Key support B.Guard UK-D	1	Country: Germany[D], Great Britain[UK] Technical Specifications: Accessories[A]
9	AP8700793	Key support B.Guard F-NL	1	Country: France[F], Holland[NL] Technical Specifications: Accessories[A]
9	AP8700794	Key support B.Guard I-E	1	Country: Spain[E], Italy[I] Technical Specifications: Accessories[A]

Group	ACCESSORIES
Code	30.64
Description	Acc. - Cyclistic components
Service	1



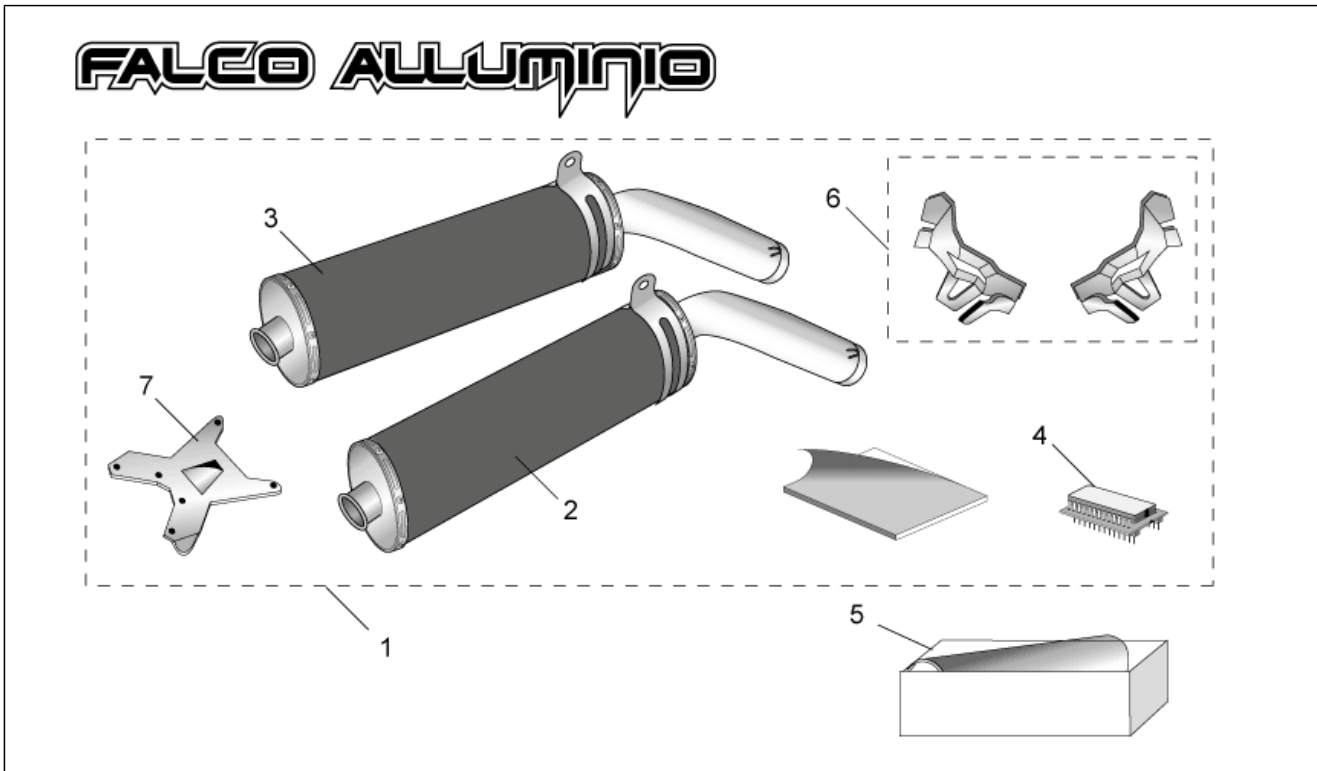
Pos.	Code	Description	Qty	Variants
1	AP8140529	Windsh.glass screws Ergal-Red	1	
1	AP8140530	Windsh.glass screws,blue Ergal	1	
1	AP8140531	Windsh.glass screws,gold Ergal	1	
2	AP8140451	Fuel cap screws, red Ergal	1	
2	AP8140453	Fuel cap screws, gold Ergal	1	
3	AP8140699	Anti.vib.weights, red Ergal	1	
3	AP8140700	Anti.vib.weigh.,blue Ergal	1	
3	AP8140701	Anti.vib.weights, gold Ergal	1	
4	AP8140526	Fairing screws, red Ergal	1	
4	AP8140527	Fairing screws, blue Ergal	1	
4	AP8140528	Fairing screws, gold Ergal	1	
5	AP8140532	Handlebar screws, red Ergal	1	
5	AP8140533	Handlebar screws, blue Ergal	1	
5	AP8140534	Handlebar screws, gold Ergal	1	
6	AP8140505	Toe guard, pair Ergal-Red	1	
6	AP8140506	Toe guard, pair Ergal-Blu	1	
6	AP8140507	Toe guard, pair Ergal-Oro	1	

Group	ACCESSORIES
Code	30.65
Description	Acc. - Performance parts I
Service	1



Pos.	Code	Description	Qty	Variants
1	AP8796541	Exhaust unit KIT Slcarb.	1	Technical Specifications: Accessories[A], For Circuit Only[circ]
2	AP8796544	LH silencer+sup.clamp Slcarb.	1	Technical Specifications: Accessories[A], For Circuit Only[circ]
3	AP8796543	RH silencer+supp.clamp Slcarb.	1	Technical Specifications: Accessories[A], For Circuit Only[circ]
4	AP8796545	Eprom Slcarb.	1	Technical Specifications: Accessories[A], For Circuit Only[circ]
5	AP8796493	Soundproofing cartridge assy.	1	Technical Specifications: Accessories[A], For Circuit Only[circ]

Group	ACCESSORIES
Code	30.66
Description	Acc. - Performance parts II
Service	1



Pos.	Code	Description	Qty	Variants
1	AP8796554	Exhaust kit alu	1	Technical Specifications: Accessories[A], For Circuit Only[circ]
2	AP8796556	RH silencer+support clamp alu	1	Technical Specifications: Accessories[A], For Circuit Only[circ]
3	AP8796557	LH silencer+support clamp alu	1	Technical Specifications: Accessories[A], For Circuit Only[circ]
4	AP8796545	Eprom Slcarb.	1	Technical Specifications: Accessories[A], For Circuit Only[circ]
5	AP8796555	Soundpr.cartridge assy	1	Technical Specifications: Accessories[A], For Circuit Only[circ]
6	AP8796558	Rear footrests, pair	1	Technical Specifications: Accessories[A], For Circuit Only[circ]
7	AP8796552	Number plate holder alu	1	Technical Specifications: Accessories[A]

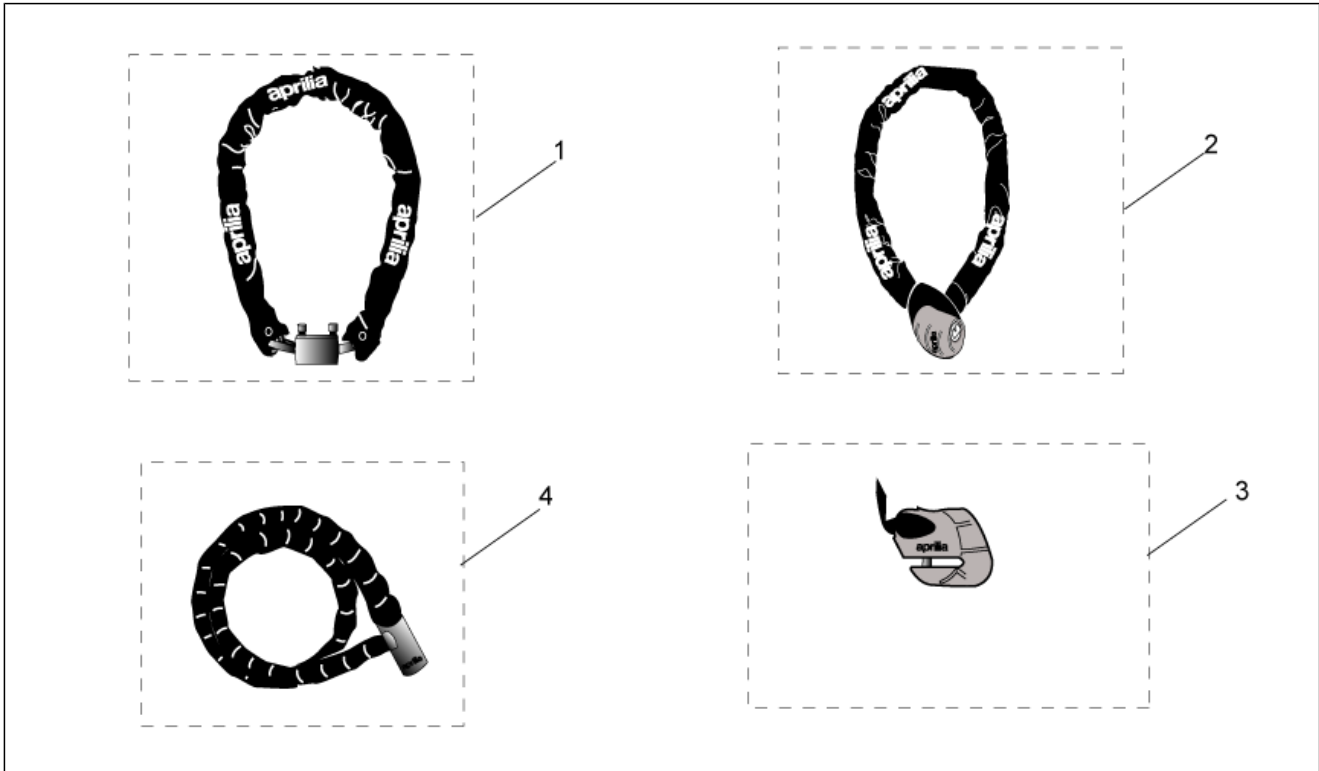
Group	ACCESSORIES
Code	30.67
Description	Acc. - Special body parts
Service	1

FALCO ALLUMINIO KIT



Pos.	Code	Description	Qty	Variants
1	AP8796547	Front kit alu	1	Technical Specifications:Accessories[A]
2	AP8796548	Front mudguard alu	1	Technical Specifications:Accessories[A]
3	AP8796549	Disk ducts kit alu	1	Technical Specifications:Accessories[A]
4	AP8796550	Pillar alu	1	Technical Specifications:Accessories[A]
5	AP8796551	Rear mudguard alu	1	Technical Specifications:Accessories[A]
6	AP8796553	4 arrows kit alu	1	Technical Specifications:Accessories[A], For Circuit Only[circ]

Group	ACCESSORIES
Code	30.68
Description	Acc. - Mechanics anti-theft
Service	1



Pos.	Code	Description	Qty	Variants
1	AP8720115	Iron Guard 10x150 mm	1	Technical Specifications:Accessories[A]
2	AP8720116	Iron Guard 8x120 mm	1	Technical Specifications:Accessories[A]
3	AP8720117	Iron Guard Disk 5 mm	1	Technical Specifications:Accessories[A]
4	AP8720118	Easy Guard 150 mm	1	Technical Specifications:Accessories[A]