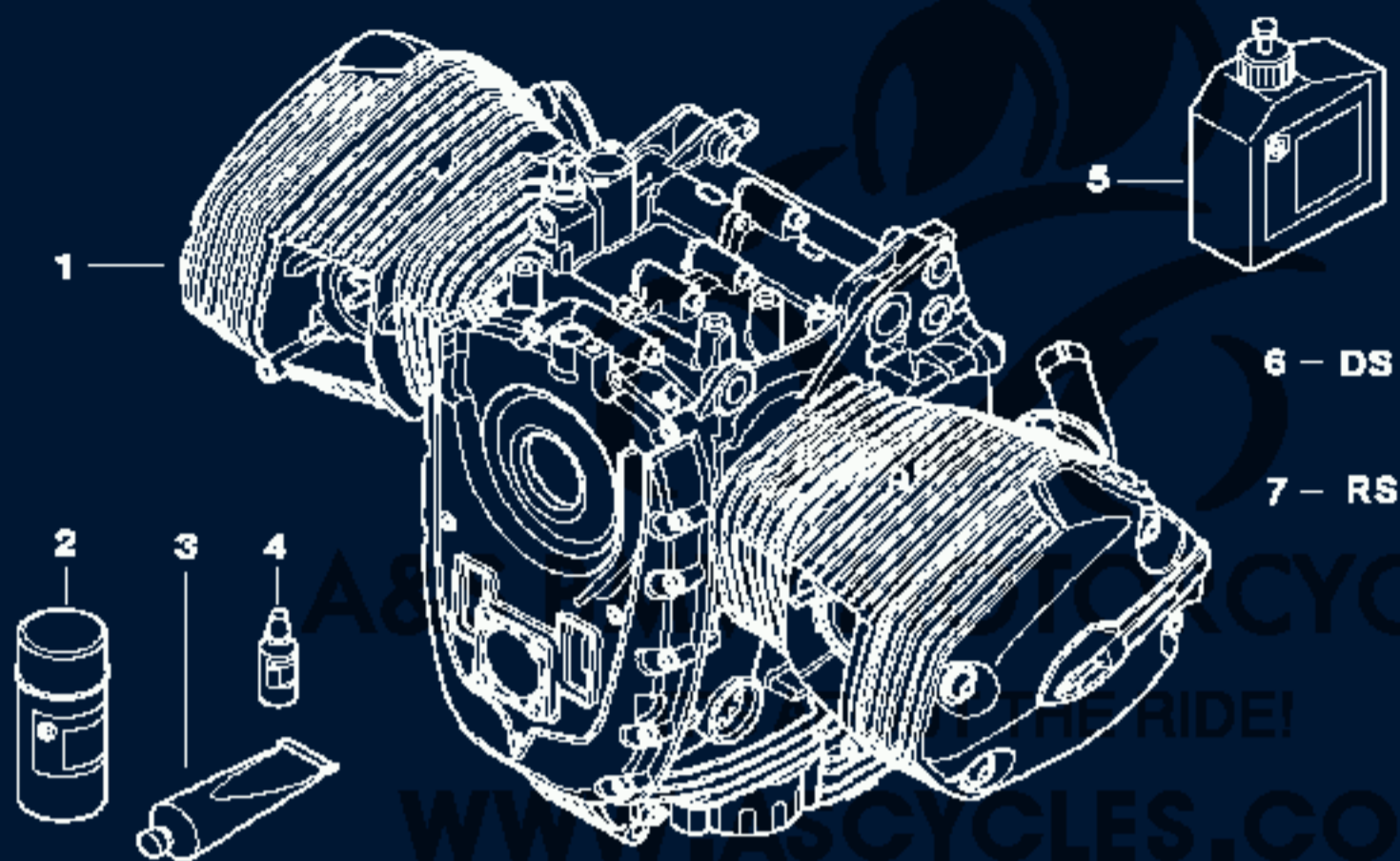


Diagrams 11_3720 ENGINE

Series: K25 R1200 GS

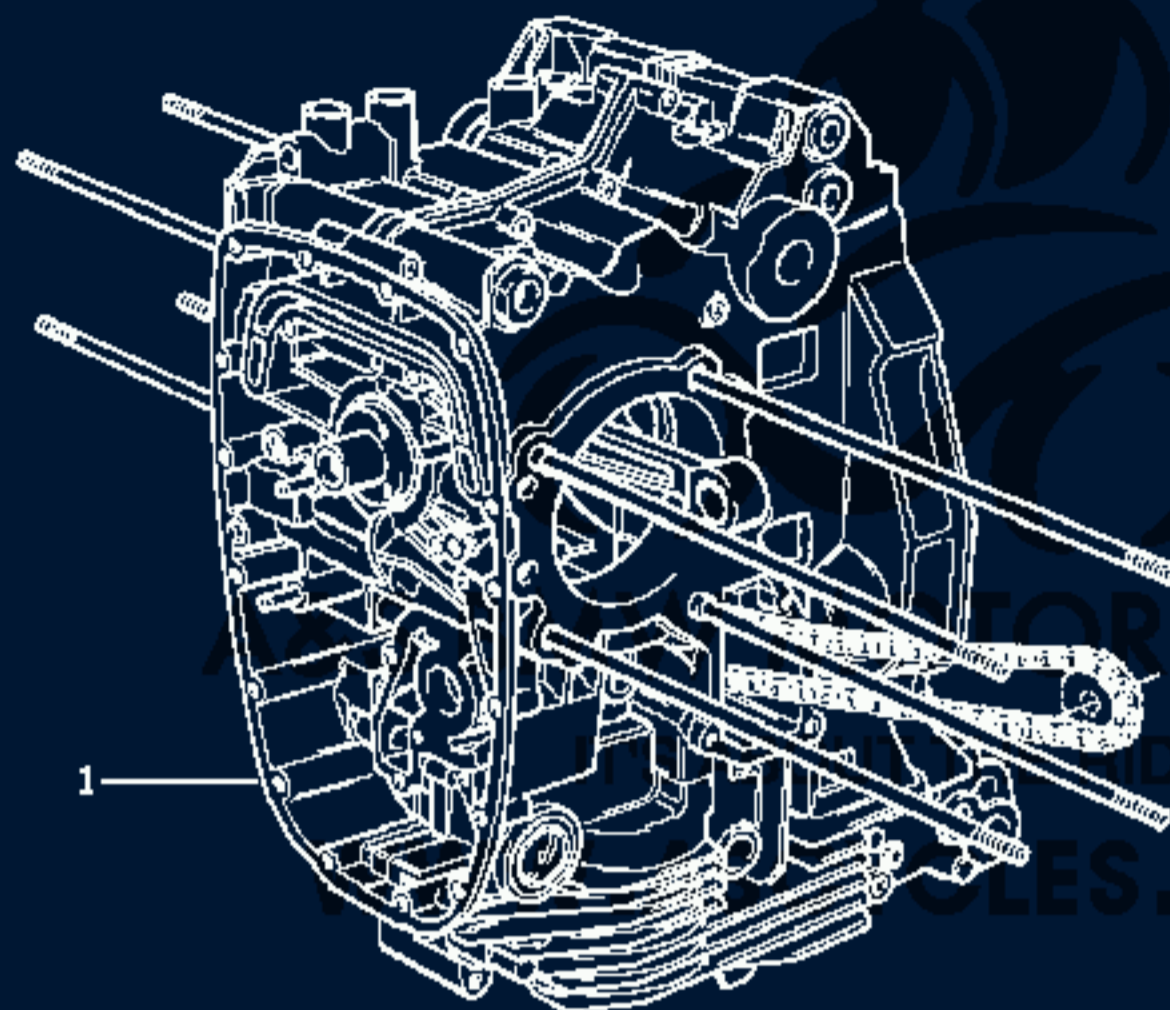


00136620

No.	Description	Supplement	Qty	From	Up To	Part Number	AT	R	TI
1	ENGINE SILVER		1			11 00 7 678 511		1	
2	MR 70 - DEVELOPER								
3	LUBRICANT								
3	LUBRICANT	MP3 100GR	X			07 55 9 062 476			
3	SEALING COMPOUND OMNI VISC 1002	90 G TUBE	X			07 58 1 465 170			
3	SEALING COMPOUND THREE BOND	1110B 5GR	X			07 58 9 056 998			
3	RUBBER MOUNTING		X			31 12 1 123 037			
4	GASKET								
4	GASKET	LOCTITE 638	X			07 58 9 056 030			
4	GASKET	LOCTITE 243	X			07 58 9 056 031			
4	ADHESIVE	20GR	X			07 58 9 062 157			
4	LOCTITE 270	10 ML	X			81 22 9 400 086			
5	MOTOR OIL SUPER POWER								
5	MOTOR OIL SUPER POWER	5W-40, 1 L	1			81 22 9 407 547			
5	MOTORCYCLE OIL	20W-50, 1 L	1			81 22 9 407 685			

Diagrams 11_3719 SHORT ENGINE

Series: K25 R1200 GS

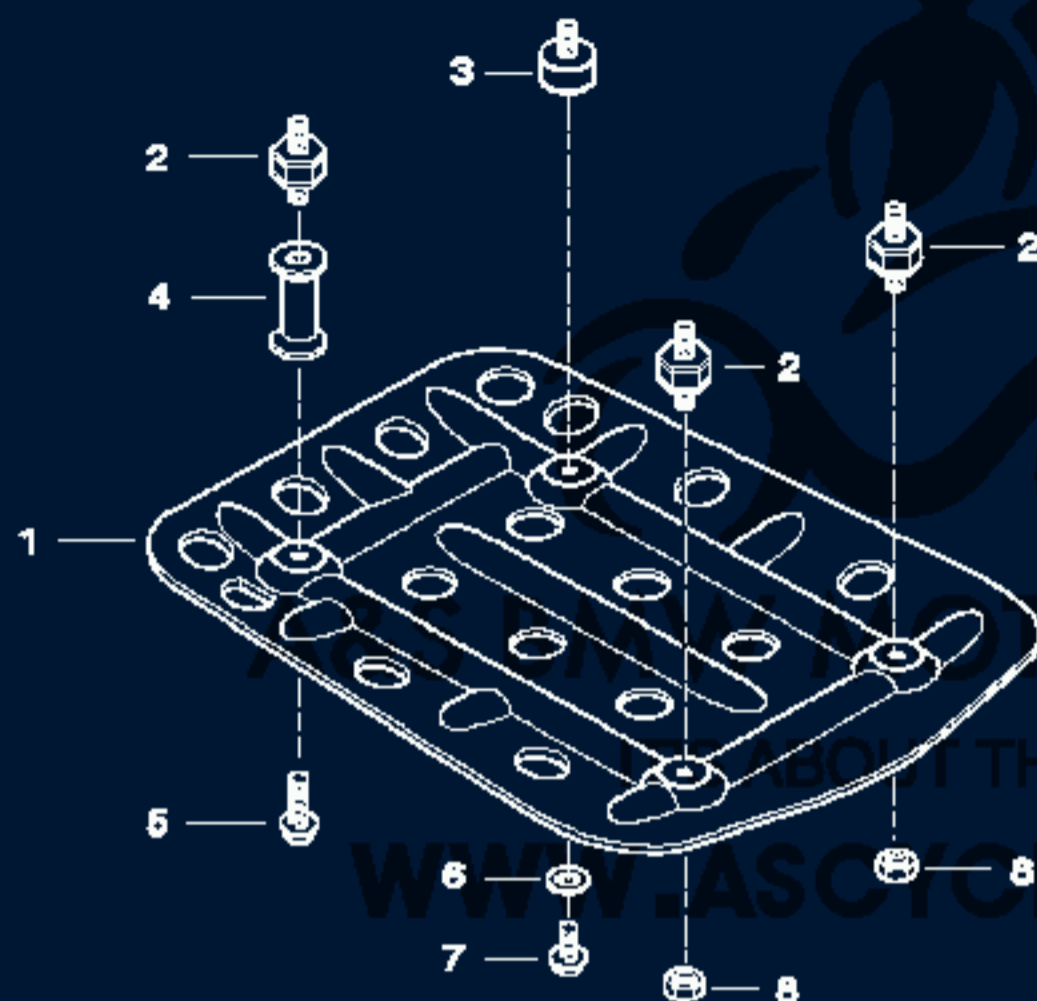


00001219

No.	Description	Supplement	Qty	From	Up To	Part Number	AT	R	TI
1	SHORT ENGINE SILVER		1			11 00 7 688 870		1	

Diagrams 11_3568 UNDERRIDE PORTECTION

Series: K25 R1200 GS

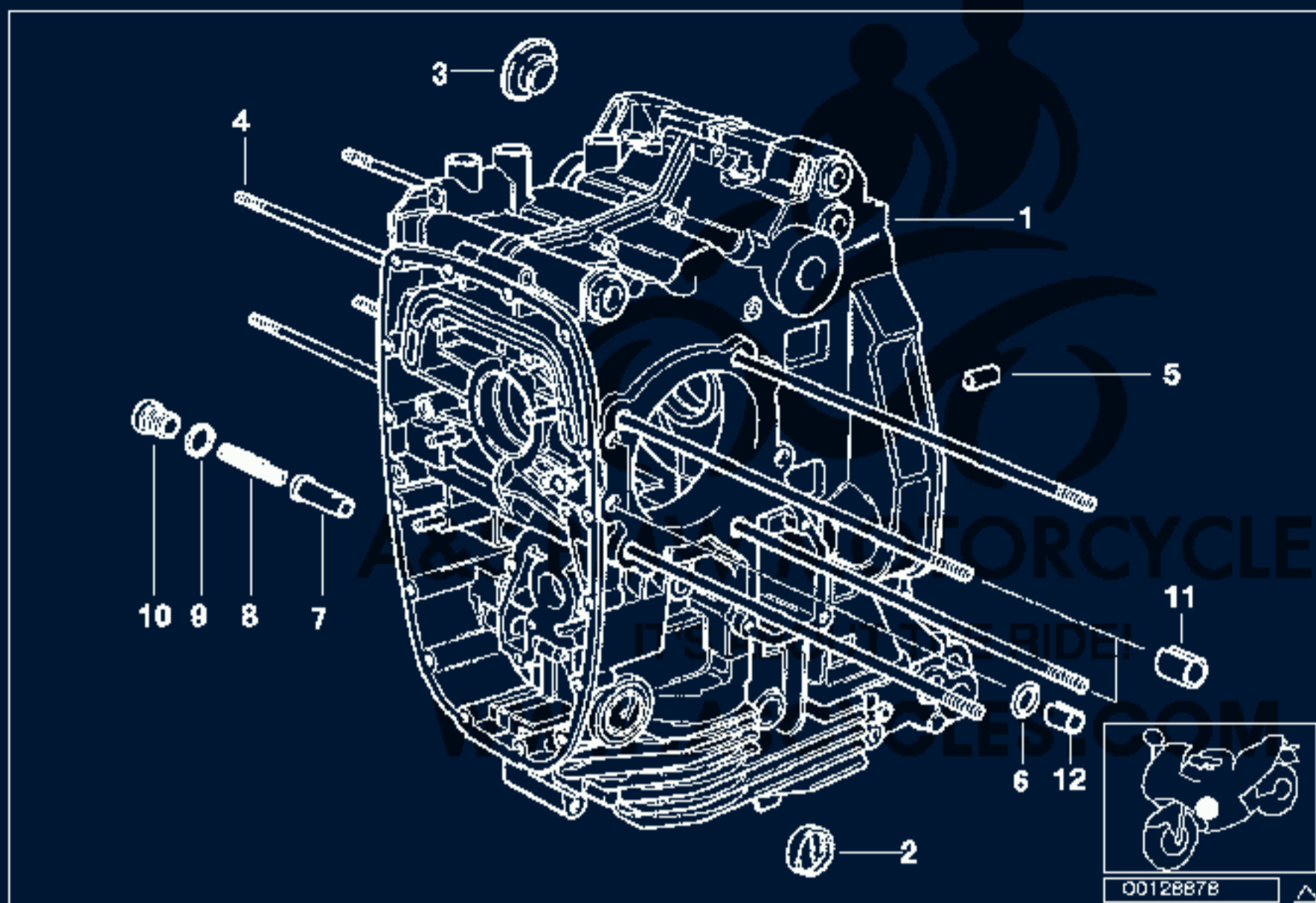


00128673

No.	Description	Supplement	Qty	From	Up To	Part Number	AT	R	TI
1	UNDERRIDE PORTECTION		1			11 11 7 674 123		1	
2	RUBBER BUFFER	M8 SW21 H15	3			11 11 7 682 158			
3	BUMP STOP	25X15	1			11 11 7 666 292			
4	SPACER		1			11 11 7 675 355			
5	HEX BOLT	M8X16-A2-70	1			07 11 9 904 921			
6	FLAT WASHER		1			11 12 1 714 488			
7	HEX BOLT	M6X10-A2-70	1			07 11 9 904 922			
8	HEX NUT	M8-A2-70	2			07 11 9 904 920			

Diagrams 11_3569 ENGINE HOUSING

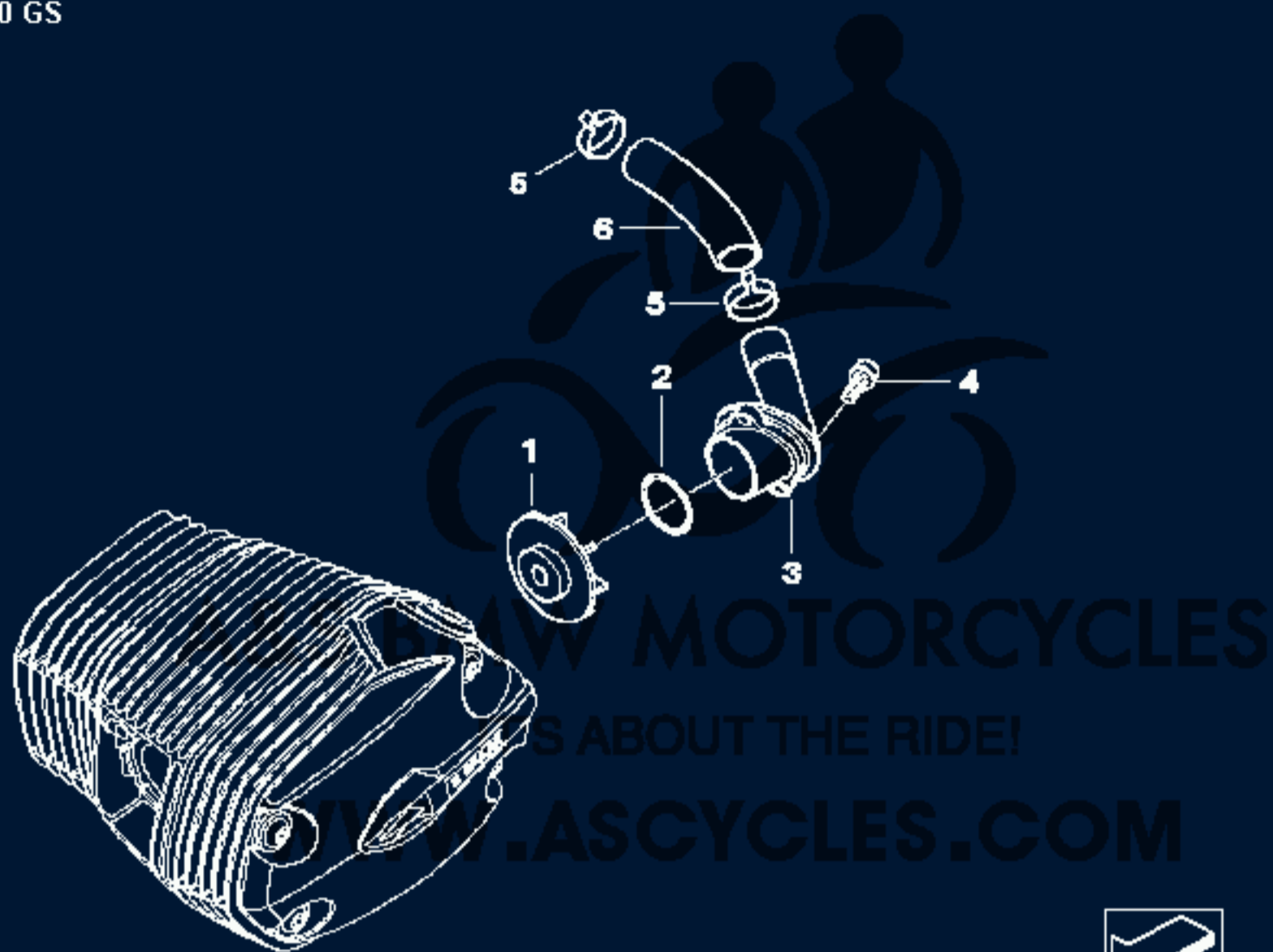
Series: K25 R1200 GS



No.	Description	Supplement	Qty	From	Up To	Part Number	AT	R	TI
1	SILVER ENGINE HOUSING		1			11 11 7 668 226		1	
2	OIL LEVEL INDICATOR		1			11 11 7 661 648			
3	PLUG		1			11 11 1 341 418			
4	STUD BOLT	M10X260,5	8			11 12 1 341 175			T
5	DOWEL		2			11 11 1 340 009			
6	O-RING		4			11 11 1 342 242			
7	PISTON		1			11 41 1 340 780		1	
8	COMPRESSION SPRING		1			11 41 1 460 259			
9	GASKET RING	A20X24-AL	1			07 11 9 963 340			
10	SCREW PLUG		1			11 41 1 460 483			
11	DOWEL	D=16	2			11 11 1 340 910			
12	DOWEL	D=10,5MM	4			11 12 1 726 238			

Diagrams 11_3594 ENGINE VENTILATION

Series: K25 R1200 GS

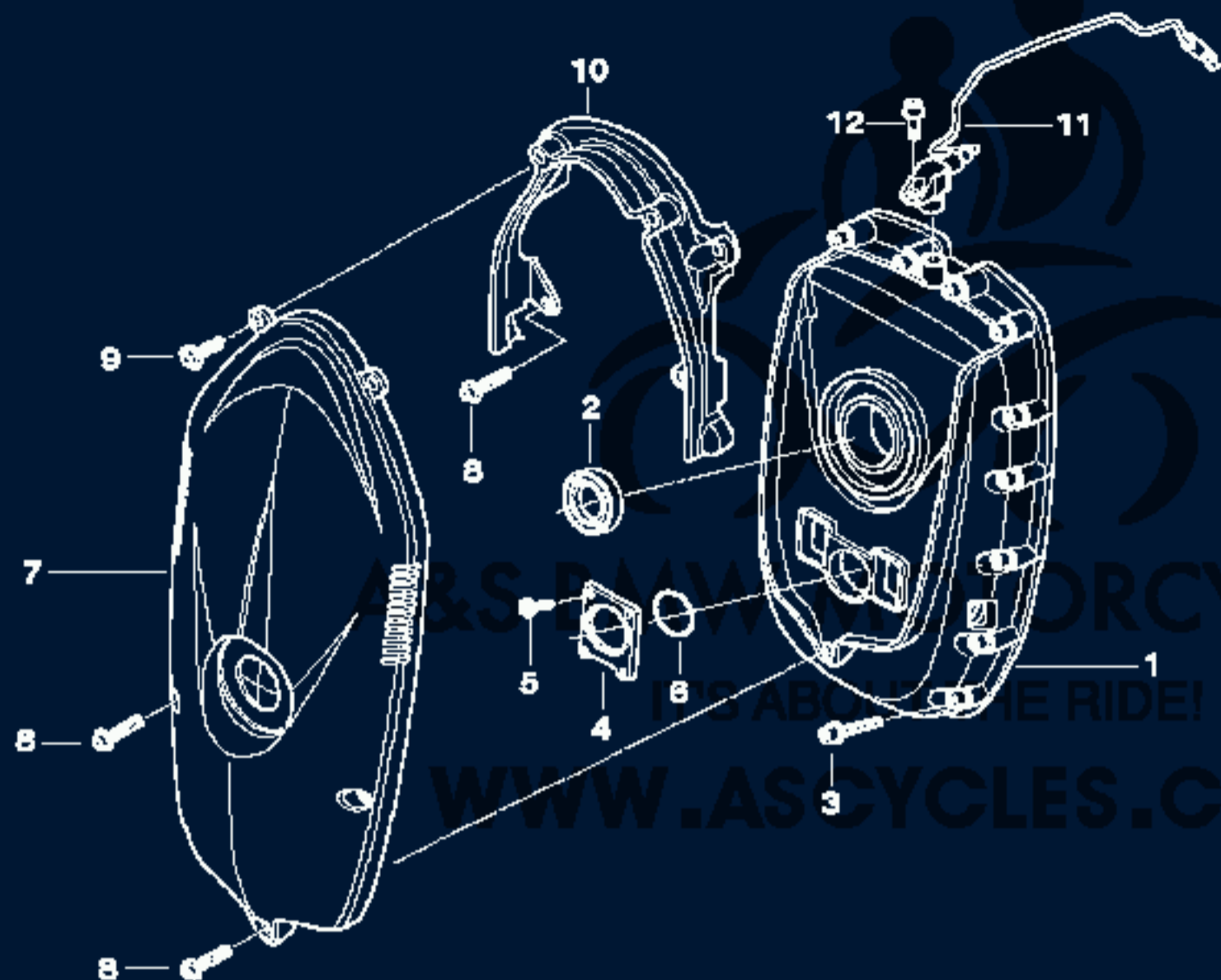


00130820

No.	Description	Supplement	Qty	From	Up To	Part Number	AT	R	TI
1	BREATHER		1			11 15 7 674 097			
2	O-RING	44X3	1			07 11 9 904 844			
3	BREATHER PIPE		1			11 15 7 674 098			
4	ISA SCREW	M6X20	2			07 12 9 905 186			
5	VENT HOSE	L=162	1			11 11 7 676 708			
6	HOSE CLAMP	D=28MM	2			11 15 7 679 174			

Diagrams 11_3592 FRONT COVER/TIMING CHAIN COVER

Series: K25 R1200 GS

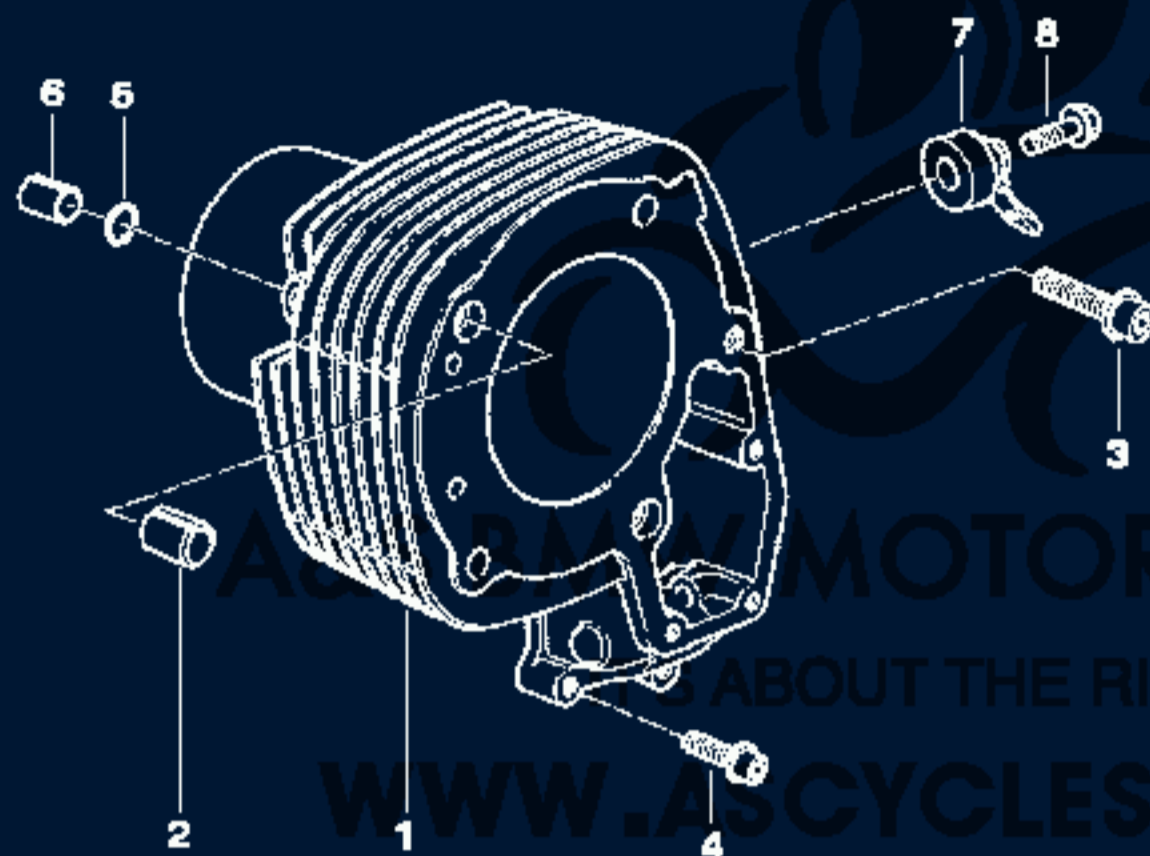


00136420

No.	Description	Supplement	Qty	From	Up To	Part Number	AT	R	TI
1	TIMING CHAIN COVER	SILBER	1			11 14 7 675 924		1	
2	SHAFT SEAL	36X50X7	1			11 14 7 672 642			
3	ISA SCREW	M6X30	X			07 12 9 904 432			
4	COVER		1			11 14 7 674 083			
5	TORX SCREW	M6X20	4			07 12 9 903 979			
6	O-RING	48X3	1			11 14 7 665 328			
7	COVERING WITH BADGE		1			11 14 7 678 088			
8	ISA SCREW	M5X16	7			07 12 9 905 120			
9	TORX-BOLT FOR PLASTIC MATERIAL	TS5X15	2			51 13 7 057 671			
10	BELTGUARD		1			11 14 7 675 091			
11	INDUCTIVE SENSOR, CRANKSHAFT		1			12 72 7 674 201			
12	TORX SCREW	M6X16MM ZNS3	1			07 12 9 903 978			

Diagrams 11_3595 CYLINDER

Series: K25 R1200 GS

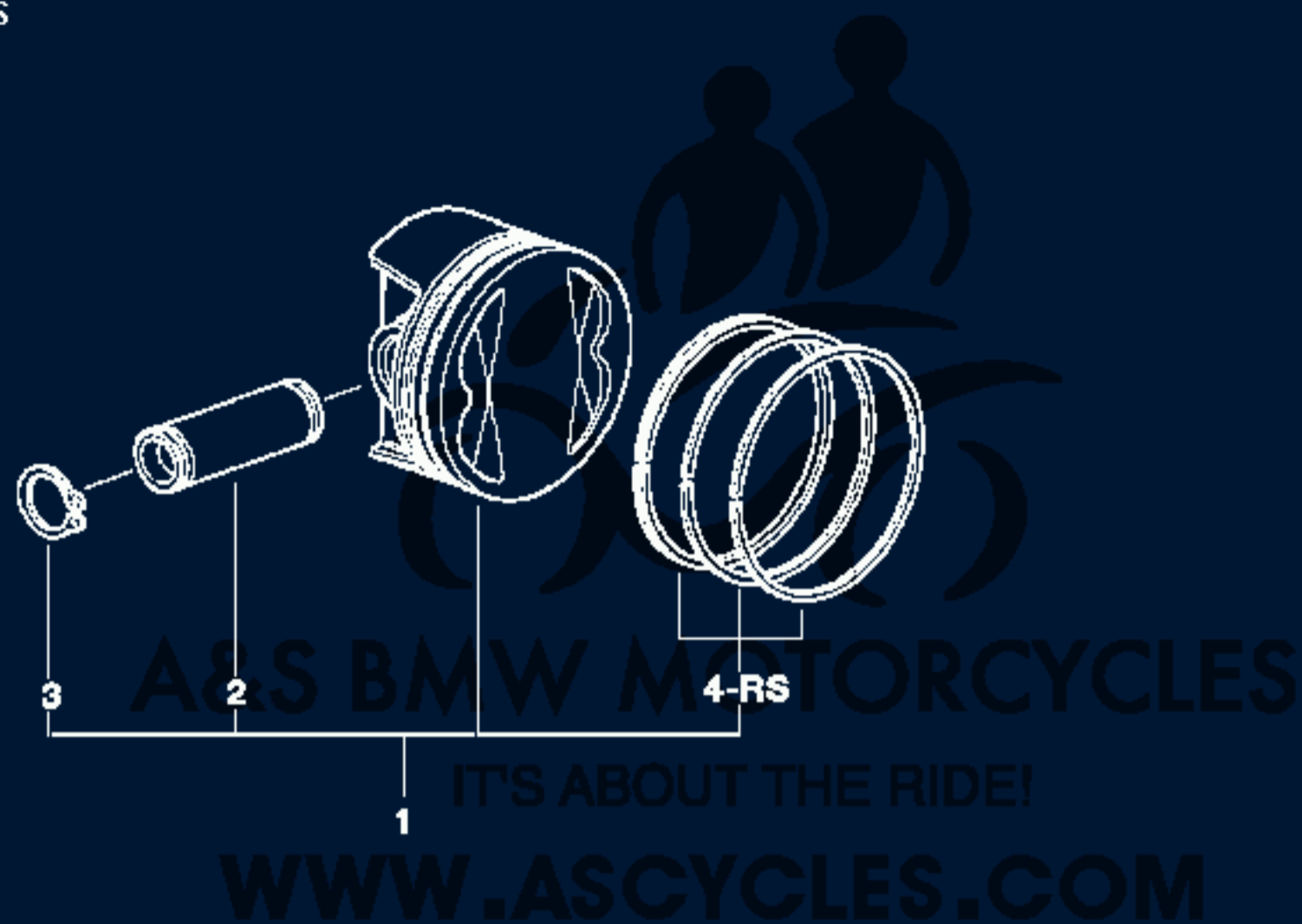


00130829

No.	Description	Supplement	Qty	From	Up To	Part Number	AT	R	TI
1	LEFT CYLINDER, SILVER								
1	LEFT CYLINDER, SILVER	A/B H=80,65	1			11 11 7 673 529		1	
1	RIGHT CYLINDER, SILVER	A/B H=80,65	1			11 11 7 673 530		1	
	ONLY APPLIES TO								
--	PISTON LEFT	AB+ 573 - 583	X			11 25 7 667 133		1	
--	PISTON RIGHT	AB+ 573 - 583	X			11 25 7 667 134			
--	PISTON LEFT	AB- 563 - 573	X			11 25 7 667 135			
--	PISTON RIGHT	AB- 563 - 573	X			11 25 7 667 136			
2	DOWEL PIN								
2	DOWEL PIN	6M6X14	2			07 11 9 942 074			
2	DOWEL	D=12,5MM	1			11 12 1 726 241			
3	ISA SCREW	M8X30	1			07 12 9 904 855			
4	ISA SCREW	M6X35	3			07 12 9 904 709			
5	O-RING		1			11 11 1 342 242			
6	DOWEL	D=10,5MM	2			11 12 1 726 238			
7	PING SENSOR		1			11 11 7 664 361			
8	ISA SCREW	M8X35	1			07 12 9 905 026			

Diagrams 11_2813 PISTON, SINGLE COMPONENTS

Series: K25 R1200 GS

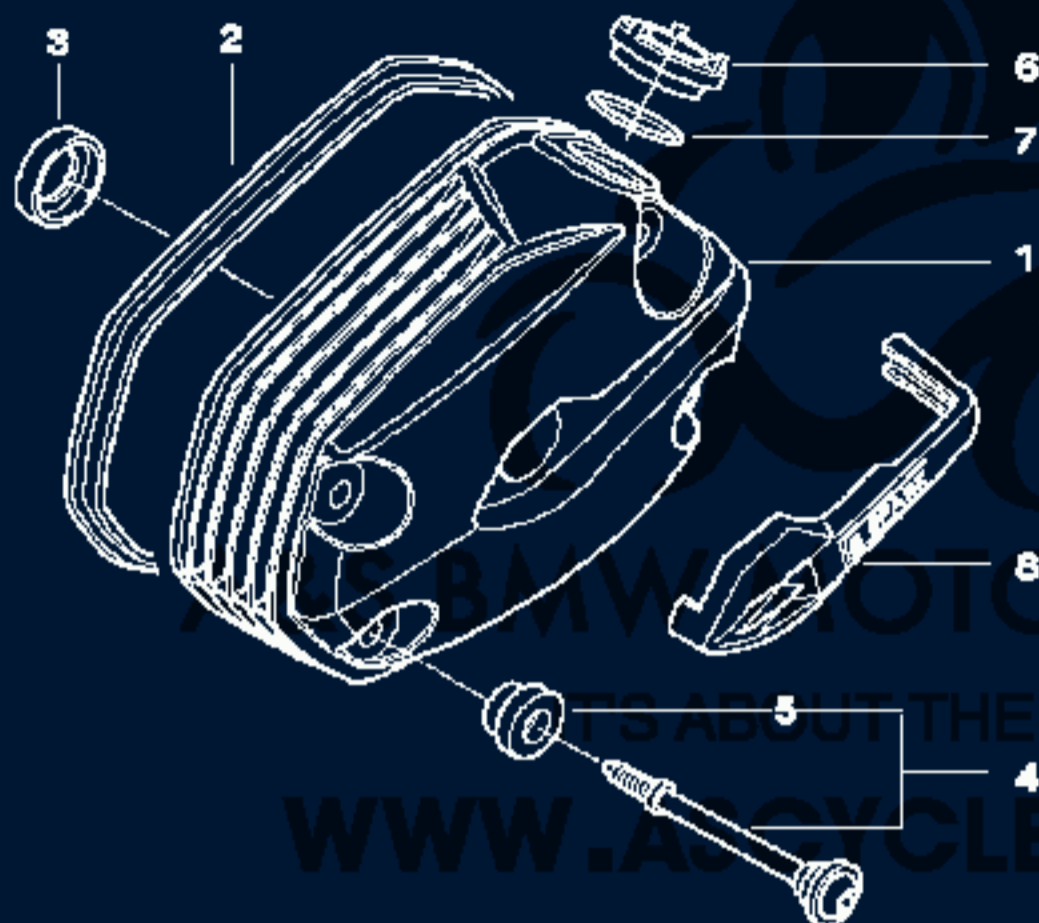


00001210

No.	Description	Supplement	Qty	From	Up To	Part Number	AT	R	TI
1	PISTON LEFT								
1	PISTON LEFT	AB+ 573 - 583	1			11 25 7 667 133		1	
1	PISTON RIGHT	AB+ 573 - 583	1			11 25 7 667 134			
1	PISTON LEFT	AB- 563 - 573	1			11 25 7 667 135			
1	PISTON RIGHT	AB- 563 - 573	1			11 25 7 667 136			
2	GUDGEON PIN		1			11 25 1 341 365			
3	LOCK RING	A22X1,75	2			11 25 1 335 476			
4	REPAIR KIT PISTON RINGS	D=101	1			11 25 7 652 848			

Diagrams 11_3584 CYLINDER HEAD COVER

Series: K25 R1200 GS

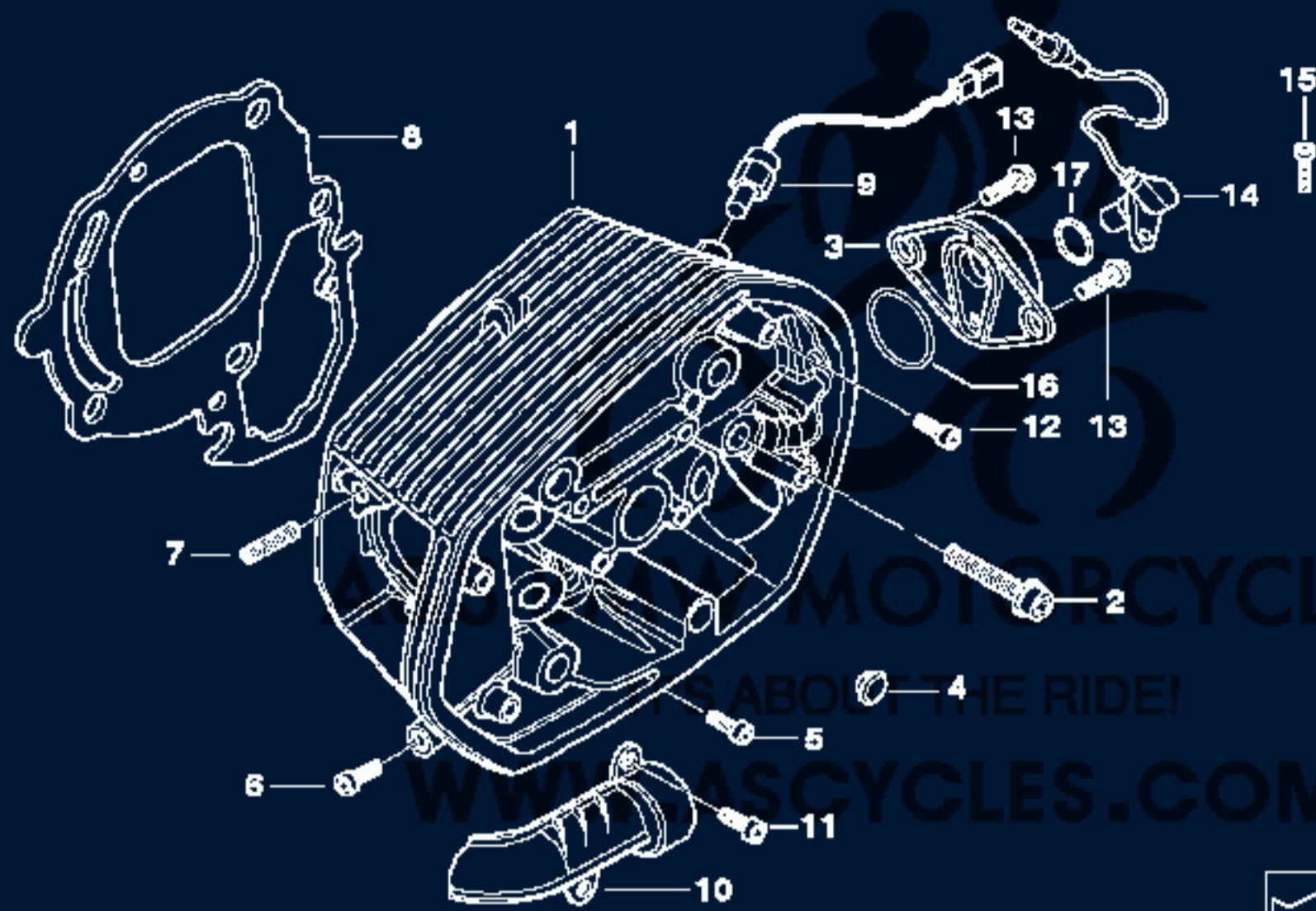


00129656

No.	Description	Supplement	Qty	From	Up To	Part Number	AT	R	TI
1	ROCKER BOX COVER LEFT								
1	ROCKER BOX COVER LEFT	SILBER	1			11 12 7 673 079		1	
1	ROCKER BOX COVER RIGHT	SILBER	1			11 12 7 673 080		1	
2	EXTERIOR GASKET		2			11 12 7 673 086			
3	INTERIOR GASKET		3			11 12 7 673 087			
4	ISA SCREW WITH BUSH	ZNS3	8			11 12 7 658 634			
5	RUBBER BUSH		8			11 12 7 654 978			
6	OIL COVER LID		1			11 12 7 677 368			
7	O-RING	27X3,2	1			07 11 9 904 950			
8	SPARK PLUG COVER, LEFT								
8	SPARK PLUG COVER, LEFT		1			11 12 7 677 525			
8	SPARK PLUG COVER, RIGHT		1			11 12 7 677 526			

Diagrams 11_3591 CYLINDER HEAD/MOUNTING PARTS

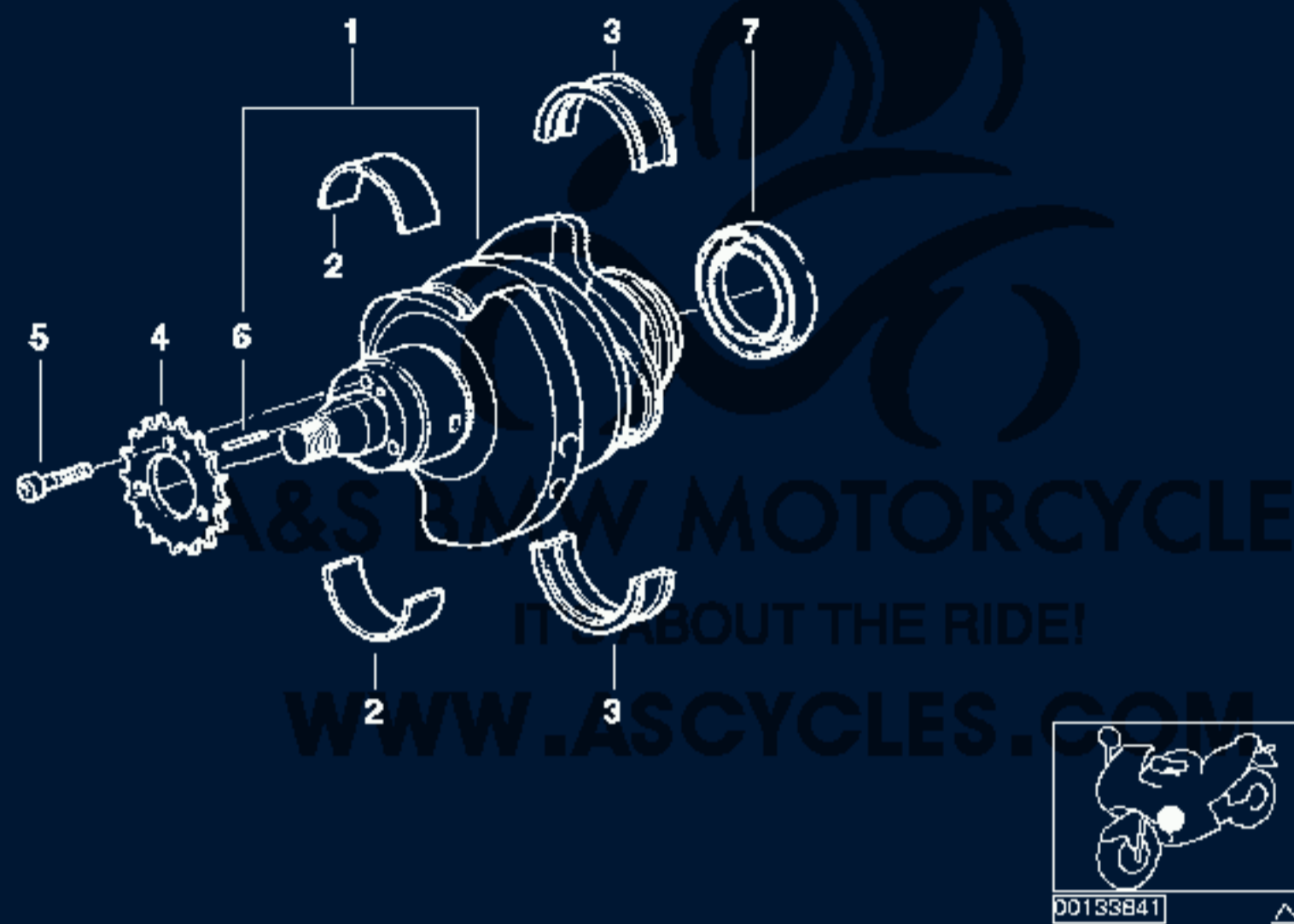
Series: K25 R1200 GS



No.	Description	Supplement	Qty	From	Up To	Part Number	AT	R	TI
1	CYLINDER HEAD LEFT								
1	CYLINDER HEAD LEFT	SILBER	1			11 12 7 669 415		1	
1	CYLINDER HEAD RIGHT	SILBER	1			11 12 7 669 416		1	
2	ISA SCREW WITH WASHER	M10X85	2			11 12 7 669 436			
3	SENSOR PLATE		1			12 72 7 674 454			
4	BLIND PLUG		2			11 11 1 460 828			
5	ISA SCREW	M6X30	3			07 12 9 904 432			
6	ISA SCREW	M6X12	1			07 12 9 904 831			
7	STUD BOLT	M8X30	2			07 12 9 908 149			
8	CYL. HEAD GASKET, 3 COMPONENTS		1			11 12 7 672 598		1	
9	TEMPERATURE SENSOR WITH CABLE		1			12 62 7 673 407		1	
10	COVER								
10	COVER	LINKS	1			12 13 7 676 205			
10	COVER	RECHTS	1			12 13 7 676 206			
11	ISA SCREW	M6X12	2			07 12 9 903 805			
12	ISA SCREW	M6X10	1			07 12 9 904 965			
13	TORX SCREW	M6X20	2			07 12 9 903 979			
14	CAMSHAFT SPEED SENSOR		1			12 72 7 674 768		1	
15	ISA SCREW	M6X14	1			07 12 9 903 027			
16	O-RING	44X3	1			07 11 9 904 844			
17	O-RING	17X2	1			12 72 7 694 010			

Diagrams 11_3669 CRANKSHAFT ATTACHING PARTS

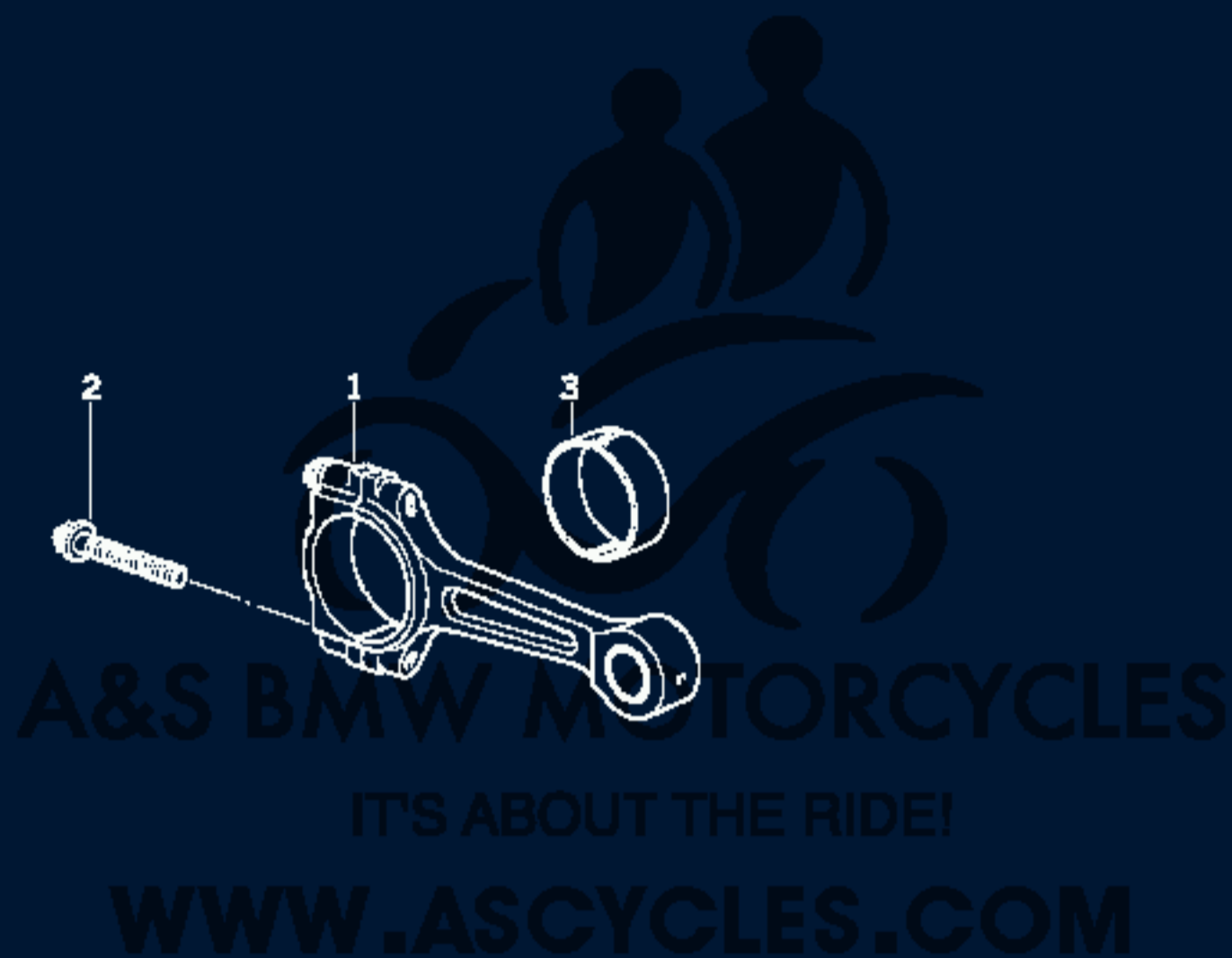
Series: K25 R1200 GS



No.	Description	Supplement	Qty	From	Up To	Part Number	AT	R	TI
1	CRANKSHAFT		1			11 21 7 668 172		1	
2	BEARING SHELL YELLOW								
2	BEARING SHELL YELLOW		2			11 21 7 678 806			
2	BEARING SHELL GREEN		2			11 21 7 678 807			
2	BEARING SHELL WHITE		2			11 21 7 678 808			
2	BEARING SHELL YELLOW		2			11 21 7 678 809			
2	BEARING SHELL GREEN		2			11 21 7 678 810			
2	BEARING SHELL WHITE		2			11 21 7 678 811			
3	GUIDE-BEARING SHELL YELLOW								
3	GUIDE-BEARING SHELL YELLOW		2			11 21 7 675 273			
3	GUIDE-BEARING SHELL GREEN		2			11 21 7 675 274			
3	GUIDE-BEARING SHELL WHITE		2			11 21 7 675 275			
3	GUIDE-BEARING SHELL YELLOW		2			11 21 7 678 812			
3	GUIDE-BEARING SHELL GREEN		2			11 21 7 678 813			
3	GUIDE-BEARING SHELL WHITE		2			11 21 7 678 814			
4	CRANKSHAFT SPROCKET		1			11 31 7 669 893		1	
5	ISA SCREW	M6X16	3			07 12 9 904 963			
6	DOWEL PIN	5M6X35	1			07 11 9 904 918			
7	SHAFT SEAL	65X83X7	1			11 11 7 671 730			

Diagrams 11_2806 CONNECTING ROD/CONNECTING ROD BEARING

Series: K25 R1200 GS

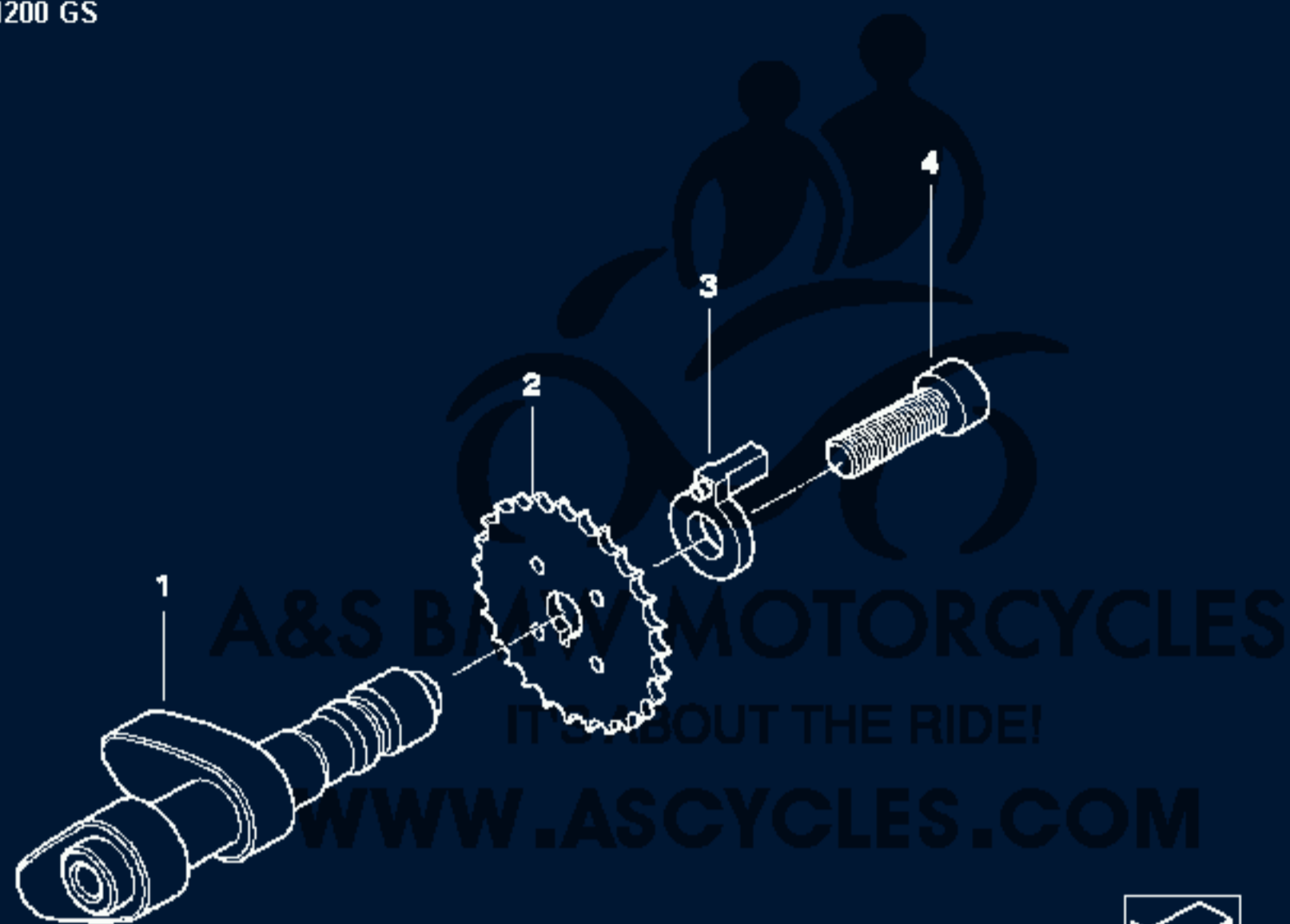


00001211

No.	Description	Supplement	Qty	From	Up To	Part Number	AT	R	TI
1	CONNECTING ROD								
1	CONNECTING ROD	2XWEISS	2			11 24 7 671 283		1	
1	CONNECTING ROD	2XBLAU	2			11 24 7 671 284		1	
1	CONNECTING ROD	3XWEISS	2			11 24 7 671 285		1	
1	CONNECTING ROD	3XGELB	2			11 24 7 671 286		1	
1	CONNECTING ROD	1XBLAU	2			11 24 7 671 287		1	
2	CONNECTING ROD BOLT	M10	4			11 24 7 671 282			
3	PLEUELLAGERSCHALE								
3	PLEUELLAGERSCHALE		4			11 24 7 676 280			
3	PLEUELLAGERSCHALE	+0,25	4			11 24 7 676 281			

Diagrams 11_3676 CAMSHAFT

Series: K25 R1200 GS

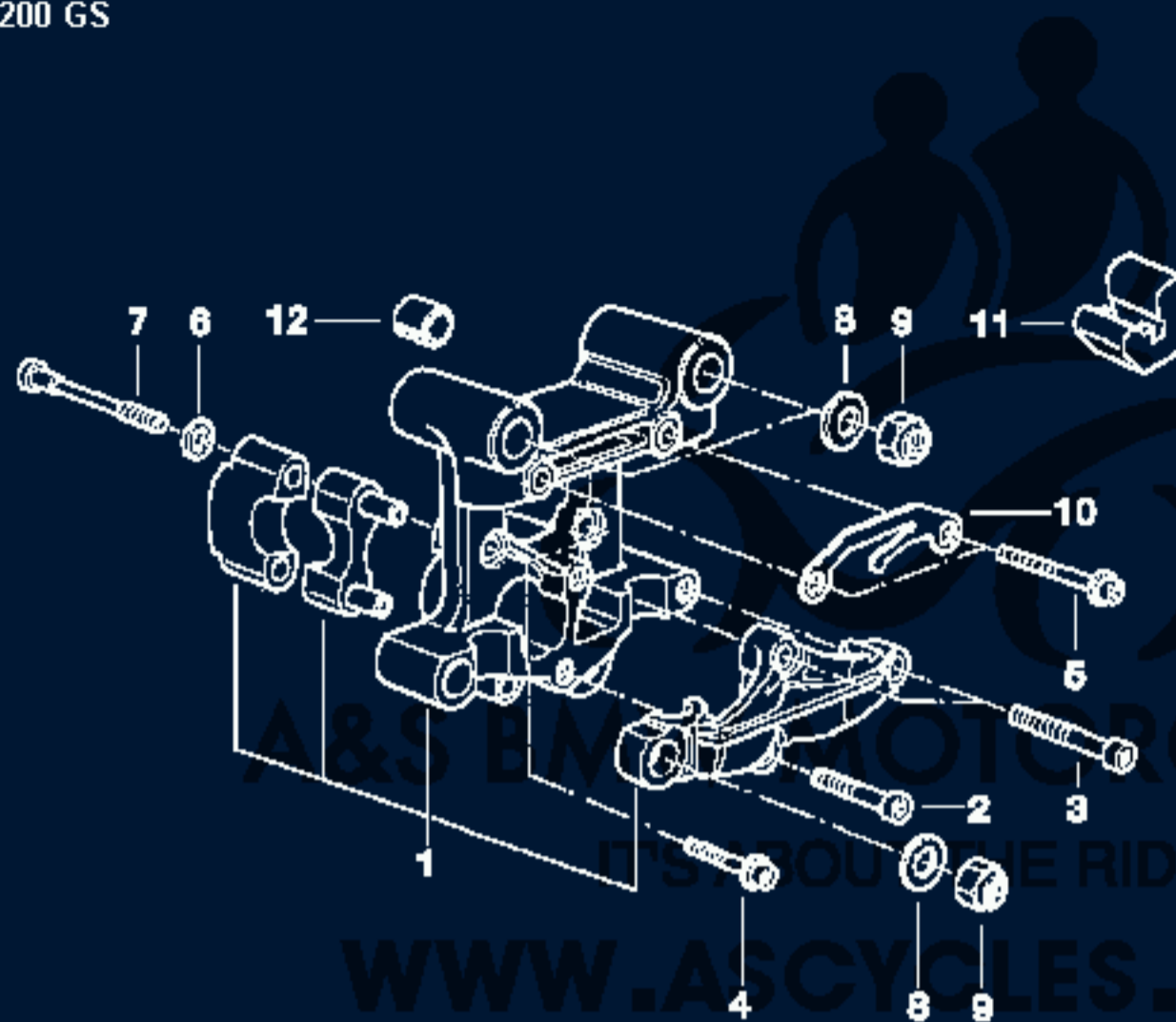


00134126

No.	Description	Supplement	Qty	From	Up To	Part Number	AT	R	TI	
1	CAMSHAFT		2			11 31 7 668 723		1		
2	SPROCKET		2			11 31 7 677 680		1		
	FITTED ONLY ON THE RIGHT									
3	CAMSH PULSE GENERATOR WHEEL		1			11 31 7 677 681				
4	ISA SCREW	M10X1,25X25	2			07 12 9 903 613				

Diagrams 11_2804 CAMSHAFT SUPPORTING BRACKET

Series: K25 R1200 GS

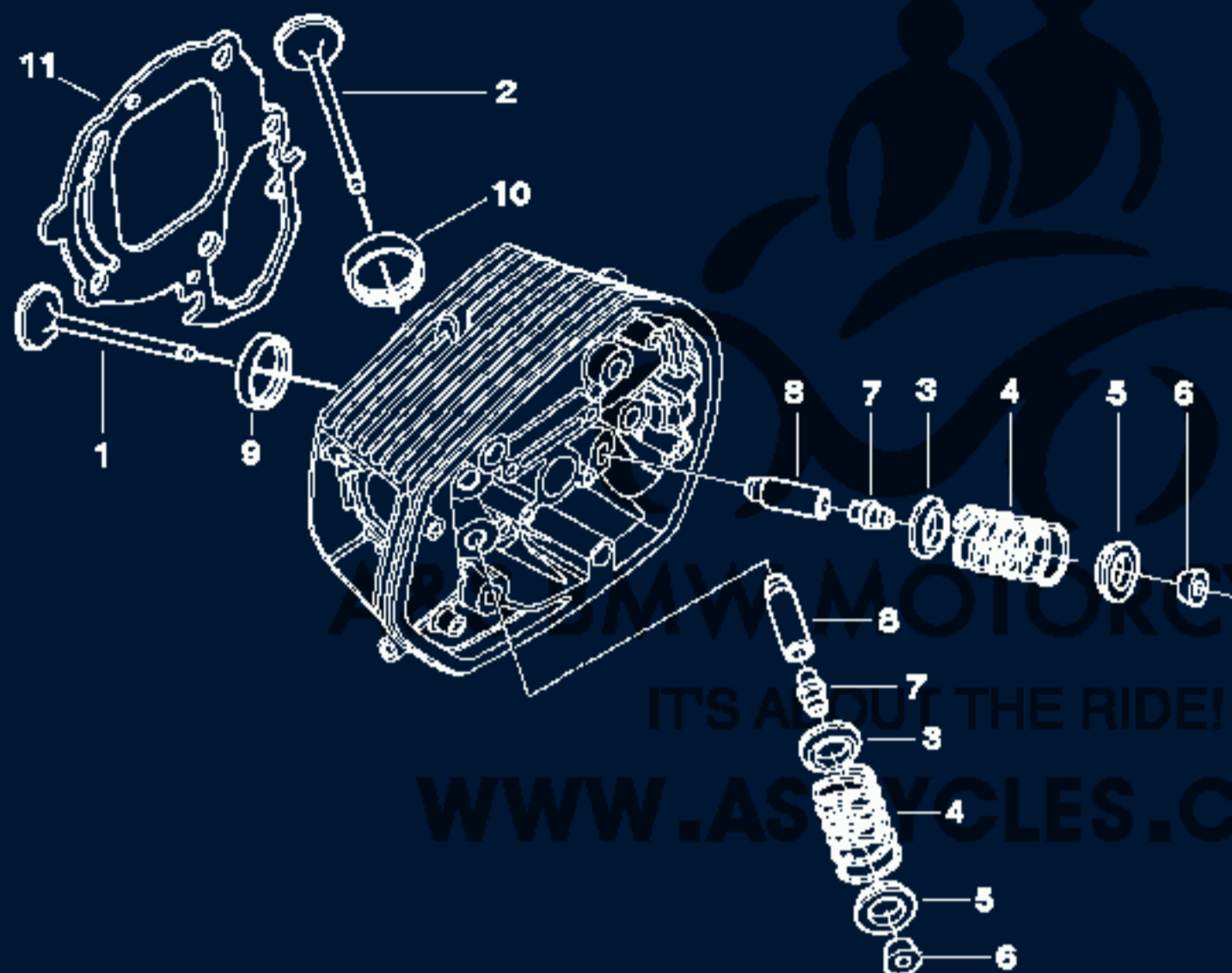


00001226

No.	Description	Supplement	Qty	From	Up To	Part Number	AT	R	TI
1	LEFT CAMSHAFT SUPPORTING BRACKET								
1	LEFT CAMSHAFT SUPPORTING BRACKET		1			11 33 7 676 445		1	
1	RIGHT CAMSHAFT SUPPORTING BRACKET		1			11 33 7 676 446		1	
2	TORX BOLT		2			11 33 1 340 745			
3	TORX BOLT		4			11 33 1 340 744			
4	ISA SCREW	M6X30	4			07 12 9 904 596			
5	ISA SCREW	M6X60	4			07 12 9 904 597			
6	SPACER RING		4			11 31 1 460 923			
7	TORX BOLT		4			11 33 1 340 743			
8	FLAT WASHER		8			11 12 1 464 026			
9	HEX NUT	M10	8			11 12 7 650 402			
10	CONTAKT PLATE		2			11 33 7 677 901			
12	DOWEL	D=12,5MM	2			11 12 1 726 241			

Diagrams 11_3672 TIMING GEAR - INTAKE VALVE/EXHAUST VALVE

Series: K25 R1200 GS

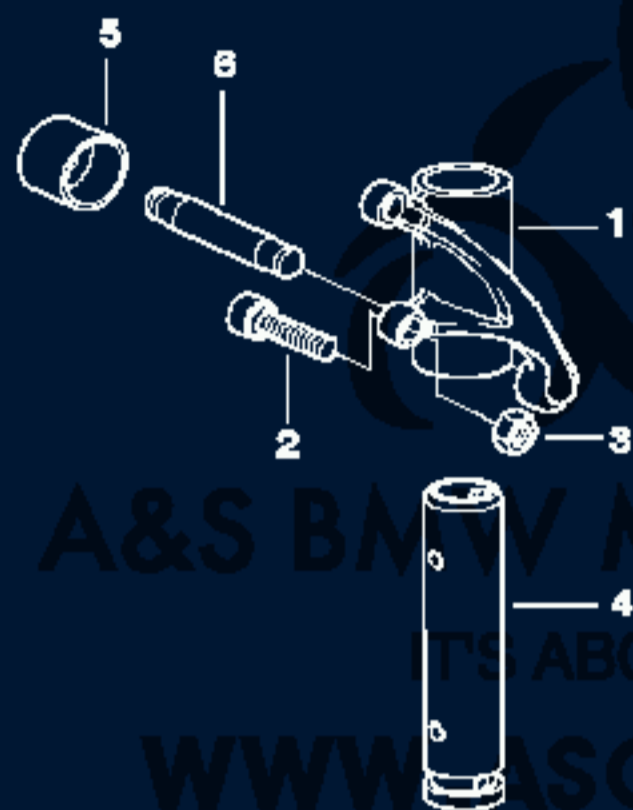


00133879

No.	Description	Supplement	Qty	From	Up To	Part Number	AT	R	TI
1	INTAKE VALVE	D=36	4			11 34 7 671 089		1	
2	EXHAUST VALVE								
2	EXHAUST VALVE	D=31	4			11 34 7 677 243	AE	1	
2	EXHAUST VALVE	D=31	4			11 34 7 692 459		1	
3	SPRING POCKET		8			11 34 7 685 434			
4	VALVE SPRING		8			11 34 7 671 091		1	
5	UPPER SPRING PLATE		8			11 34 7 677 423			
6	VALVE COLLET	D=5	X			11 34 1 340 846			
7	VALVE SEAL RING	D=5	8			11 34 1 340 849			
8	VALVE GUIDE INLET								
8	VALVE GUIDE INLET	D=11,2/D=4,7	2			11 12 7 672 099			
8	VALVE GUIDE EXHAUST	D=11,2/D=4,7	2			11 12 7 676 674			
9	VALVE SEAT RING INTAKE		2			11 12 7 688 868			
10	VALVE SEAT RING EXHAUST		2			11 12 7 688 869			
11	CYL. HEAD GASKET, 3 COMPONENTS		2			11 12 7 672 598		1	

Diagrams 11_2798 ROCKER ARM/SHAFT/VALVE LIFTER

Series: K25 R1200 GS

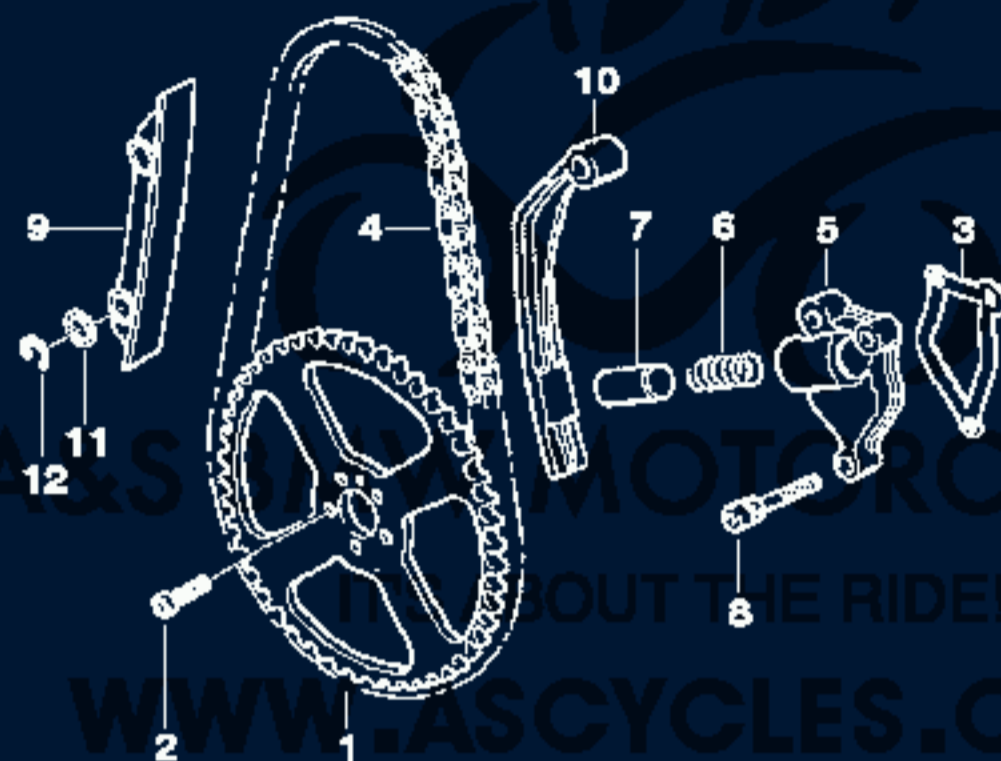


00001228

No.	Description	Supplement	Qty	From	Up To	Part Number	AT	R	TI
1	ROCKER ARM								
1	ROCKER ARM	NR.1	2			11 33 7 679 811		1	
1	ROCKER ARM	NR.2	2			11 33 7 679 812		1	
2	SCREW		8			11 33 7 661 853			
3	NUT		8			11 33 1 340 636			
4	ROCKER ARM SHAFT		4			11 33 1 342 151		1	
5	VALVE LIFTER	D=24	4			11 32 1 340 647		1	
6	VALVE PUSHROD	D=10	4			11 32 7 667 113		1	

Diagrams 11_3670 TIMING CHAIN/CHAIN TENSIONER/SLIDE RAIL

Series: K25 R1200 GS

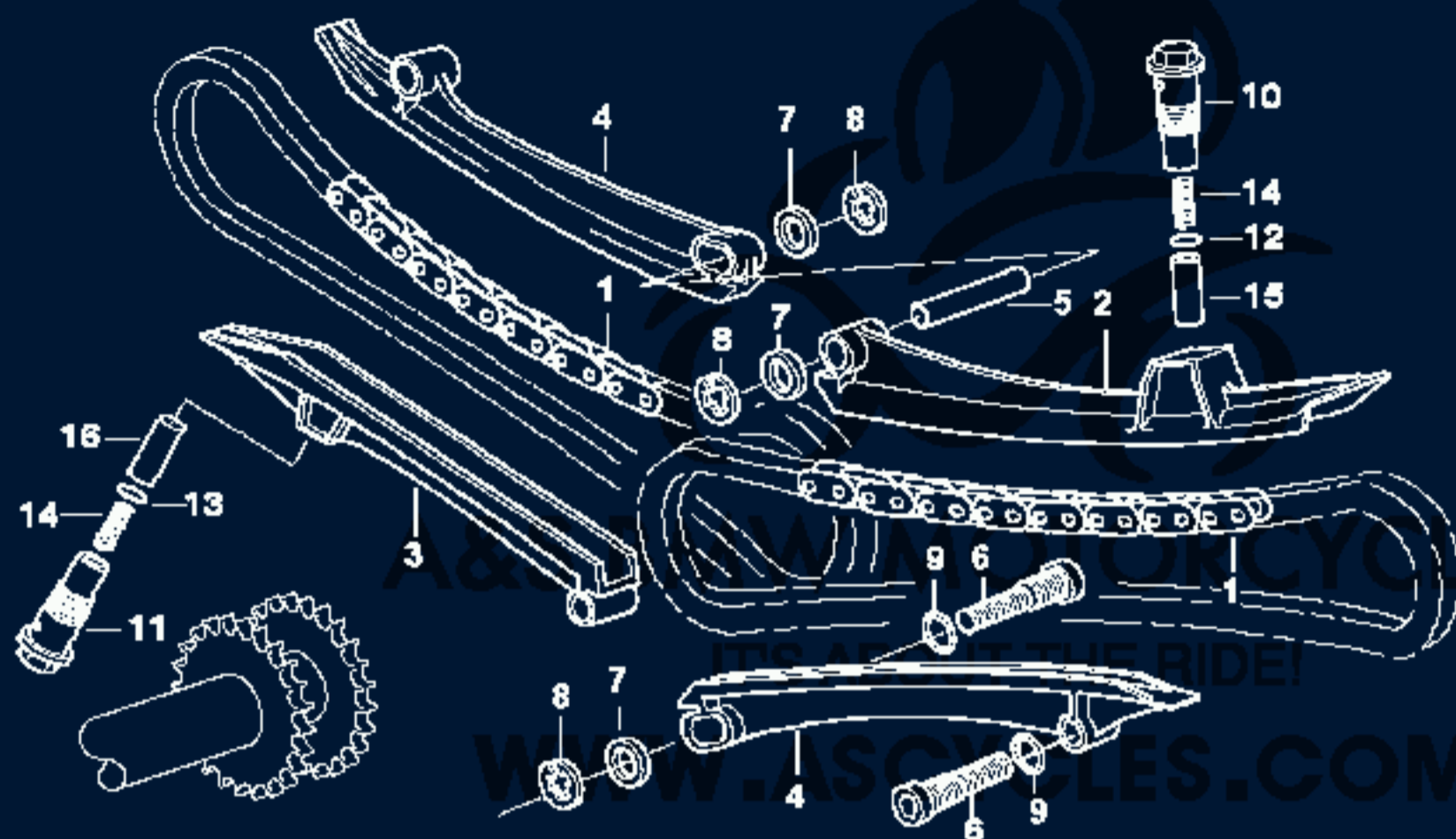


00133844

No.	Description	Supplement	Qty	From	Up To	Part Number	AT	R	TI
1	SPROCKET		1			11 31 7 668 125		1	
2	ISA SCREW	M5X16	5			07 12 9 904 494			
3	GASKET		1			11 31 7 674 453			
4	TIMING CHAIN		1			11 31 1 340 168		1	
5	HOUSING		1			11 31 1 340 726			
6	COIL SPRING		1			11 31 1 335 584			
7	PISTON		1			11 31 7 668 127		1	
8	ISA SCREW	M6X25	1			07 12 9 905 118			
9	GUIDE RAIL		1			11 31 1 341 293		1	
10	CHAIN TENSIONER		1			11 31 7 677 666		1	
11	SPACER RING		3			11 31 1 460 923			
12	CIRCLIP	6,0	3			07 11 9 932 841			

Diagrams 11_2797 TIMING-VALVE TRAIN-TIMING CHAIN/CAMSHAFT

Series: K25 R1200 GS

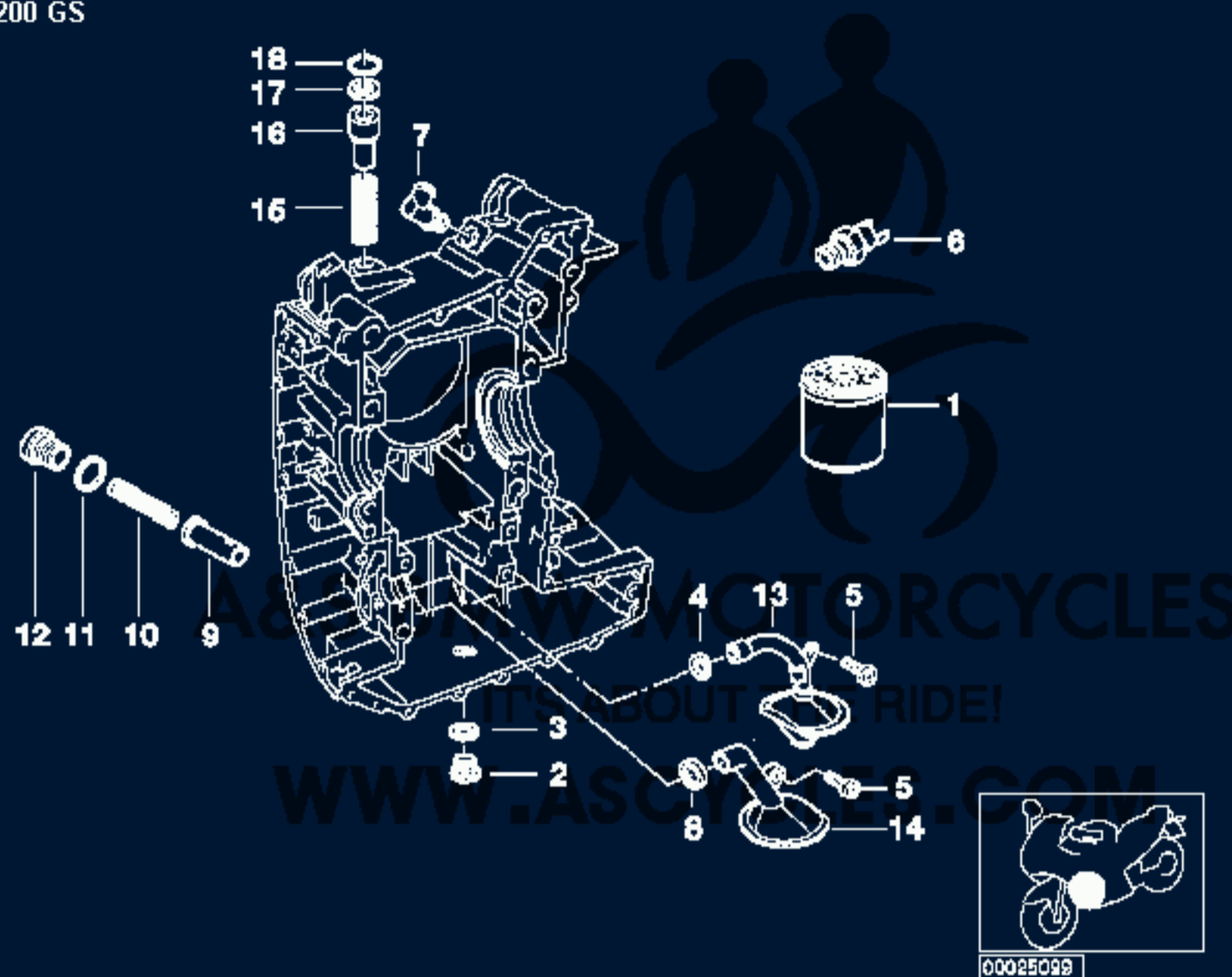


00123900

No.	Description	Supplement	Qty	From	Up To	Part Number	AT	R	TI
1	TIMING CHAIN		2			11 31 1 340 169		1	
2	LEFT CHAIN TENSIONER		1			11 31 1 341 295		1	
3	RIGHT CHAIN TENSIONER		1			11 31 1 341 296		1	
4	SLIDE RAIL		2			11 31 1 341 291			
5	BEARING BOLT		1			11 11 1 340 003			
6	BEARING SCREW								
6	BEARING SCREW	M10X55	1			11 31 7 668 243			
6	ISA SCREW		2			11 31 7 685 312			
7	SPACER RING		3			11 31 1 460 923			
8	CIRCLIP	6,0	3			07 11 9 932 841			
9	GASKET RING	A10X15-AL	3			07 11 9 900 244			
10	CYLINDER F CHAIN TENSIONER, LEFT		1			11 31 7 688 629			
11	CYLINDER F CHAIN TENSIONER, RIGHT		1			11 31 1 341 138		1	
12	GASKET RING	A18X22-CU	1			07 11 9 963 308			
13	GASKET RING	A20X24-CU	1			07 11 9 963 342			
14	SPRING		2			11 31 1 341 015			
15	PISTON		1			11 31 7 656 922			
16	PISTON RIGHT		1			11 31 1 340 742			

Diagrams 11_2795 LUBRICATION SYSTEM-OIL FILTER

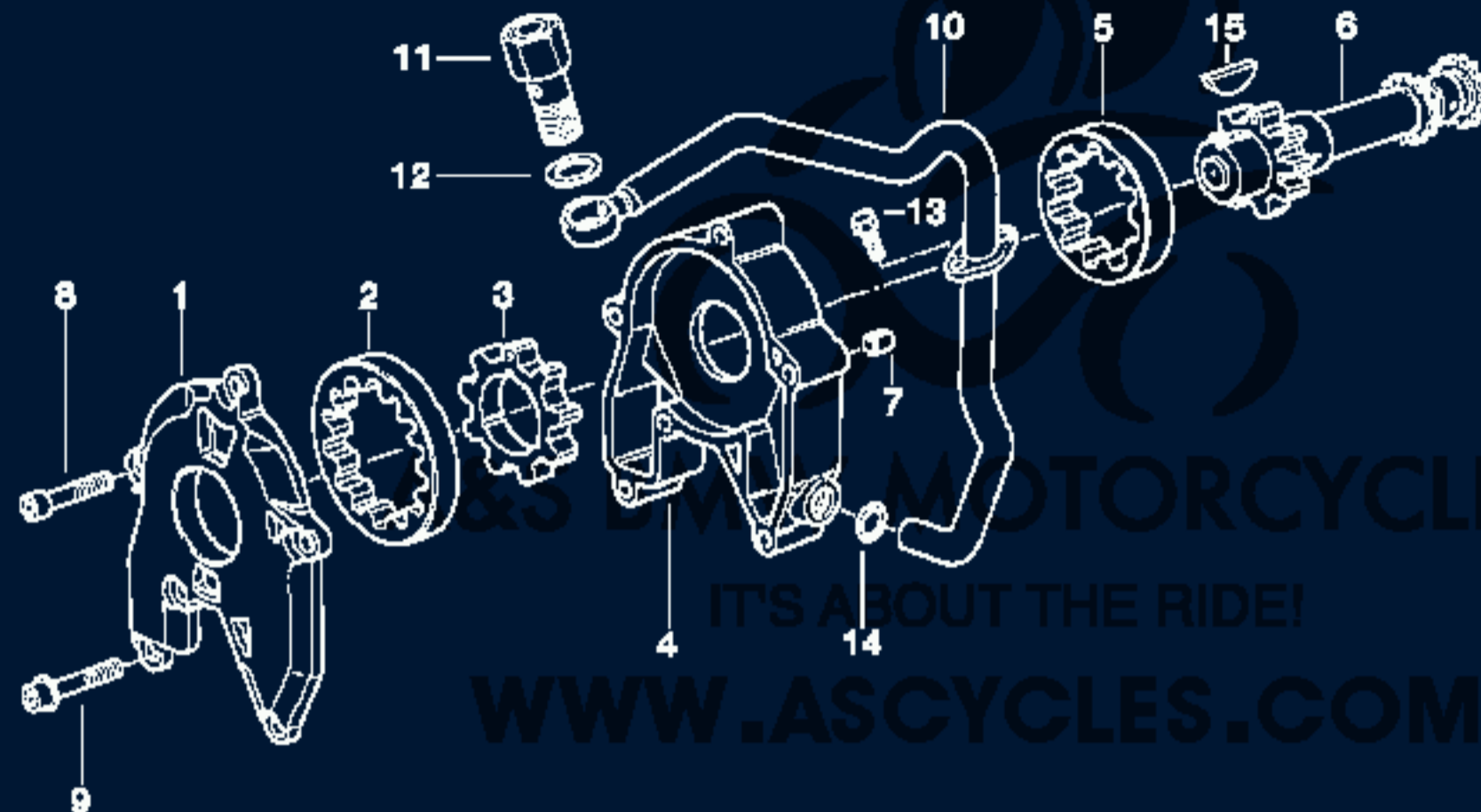
Series: K25 R1200 GS



No.	Description	Supplement	Qty	From	Up To	Part Number	AT	R	TI
1	OIL FILTER FOR CATALYST		1			11 42 7 673 541			
2	SCREW PLUG	M16X1,5	1			07 11 9 902 292			
3	GASKET RING	A16X20	1			07 11 9 963 252			
4	O-RING	22X2,50	1			11 41 1 341 597			
5	ISA SCREW	M6X25	2			07 12 9 905 112			
6	O-RING	20X2,5	1			11 41 1 342 499			
9	PISTON		1			11 41 1 340 780		1	
10	COMPRESSION SPRING		1			11 41 1 460 259			
11	GASKET RING	A20X24-AL	1			07 11 9 963 340			
12	SCREW PLUG		1			11 41 1 460 483			
13	SUCTION TUBE LUBRICATING OIL		1			11 41 1 342 500			
14	INTAKE MANIFOLD, COOLING		1			11 41 1 342 606			
15	COMPRESSION SPRING		1			11 44 1 342 571			
16	EXPANDING ELEMENT	95CEL	1			11 41 1 342 761			
17	BASE		1			11 44 1 341 041			
18	O-RING	19X4	1			17 22 1 342 487			

Diagrams 11_2796 SINGLE PARTS F OIL PUMP

Series: K25 R1200 GS



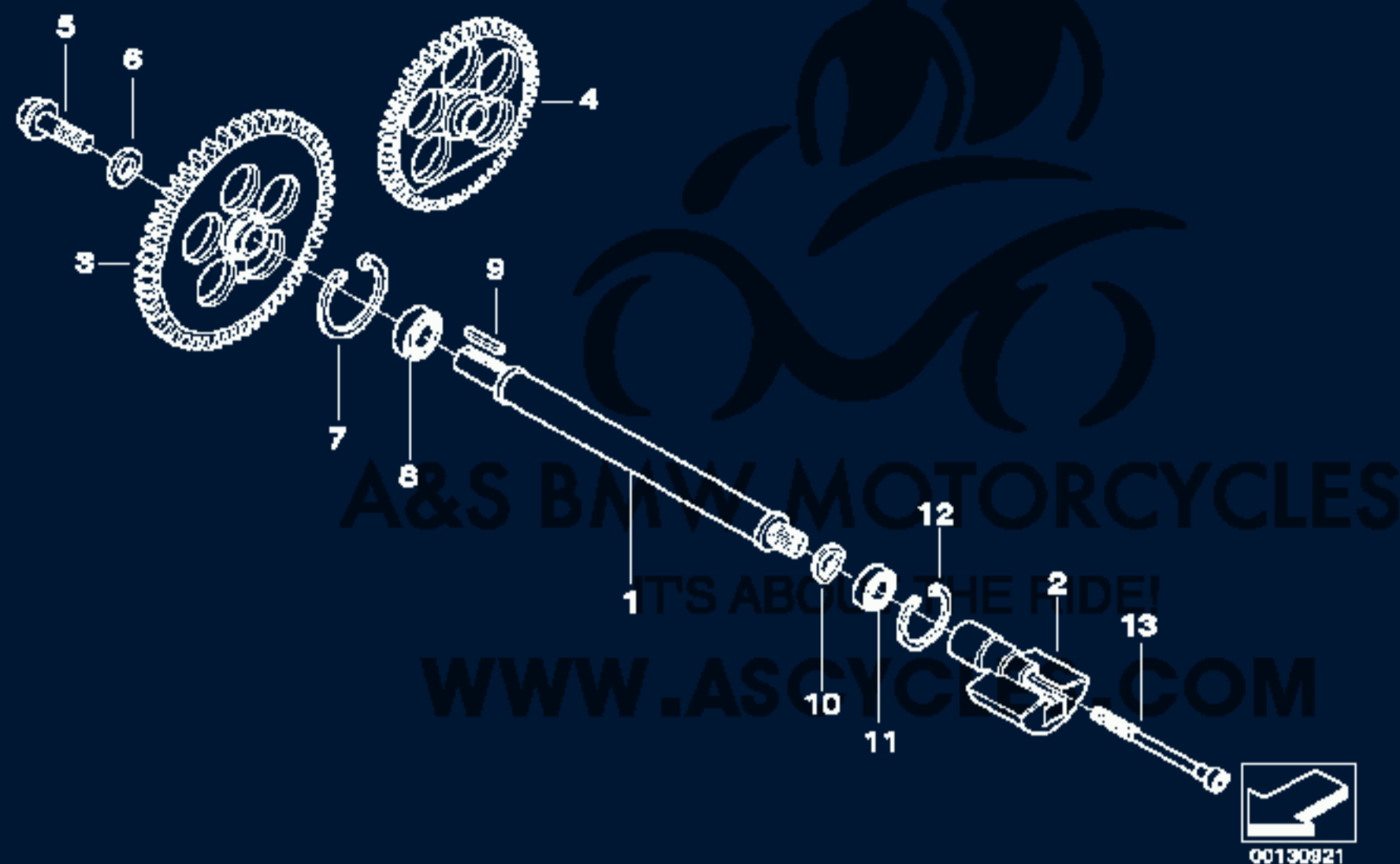
ASCYCLER MOTORCYCLES
 IT'S ABOUT THE RIDE!
WWW.ASCYCLER.COM

00001222

No.	Description	Supplement	Qty	From	Up To	Part Number	AT	R	TI
1	OIL PUMP COVER		1			11 41 7 669 974		1	
2	EXTERIOR ROTOR, COOLING OIL		1			11 41 1 342 630		1	
3	INTERIOR ROTOR, COOLING OIL		1			11 41 7 669 625		1	
4	OIL PUMP HOUSING		1			11 41 7 679 854			
5	EXTERIOR ROTOR		1			11 41 1 340 137		1	
6	AUXILIARY SHAFT		1			11 31 7 669 628		1	
8	ISA SCREW	M6X40	4			11 41 7 669 855			
9	ISA SCREW	M6X45	2			11 41 7 669 856			
10	COOLING OIL LINE		1			11 51 7 672 661		1	
11	VENTILATION VALVE		1			11 51 1 342 248		1	T
12	GASKET RING	A14X18-AL	2			07 11 9 963 200			
13	ISA SCREW	M6X16	2			07 12 9 904 963			
14	O-RING		1			11 51 1 340 738			
15	WOODRUFF KEY	3X3,7	1			07 11 9 951 430			

Diagrams 11_3596 COMPENSATING SHAFT

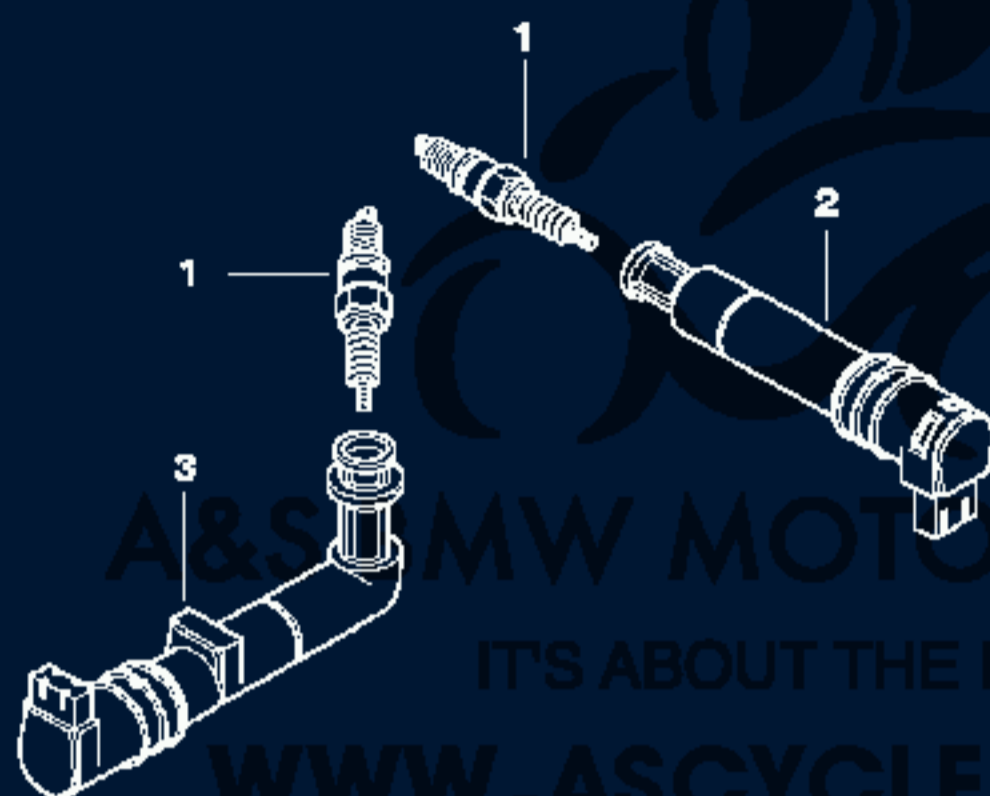
Series: K25 R1200 GS



No.	Description	Supplement	Qty	From	Up To	Part Number	AT	R	TI
1	COMPENSATING SHAFT		1			11 27 7 670 338		1	
2	BALANCE WEIGHT		1			11 27 7 670 337			
3	IDLER		1			11 27 7 677 329		1	
4	GEAR WHEEL		1			11 27 7 674 719		1	
5	ASA-BOLT	M8X50	1			07 12 9 903 968			
6	WASHER	8.4X30	1			11 27 7 672 596			
7	LOCK RING	47X1,75	1			07 11 9 934 719			
8	GROOVED BALL BEARING	25X47X12	1			11 14 7 665 326			
9	PARALLEL KEY		1			07 11 9 904 538			
10	SHAFT SEAL	20X37X7	1			11 11 7 685 005			
11	GROOVED BALL BEARING	20X37X9	1			11 27 7 675 034			
12	LOCK RING	37X1,5	1			07 11 9 934 675	E		
13	ISA SCREW	M8X70	1			11 27 7 686 883			

Diagrams 12_1259 IGNITION SYSTEM

Series: K25 R1200 GS

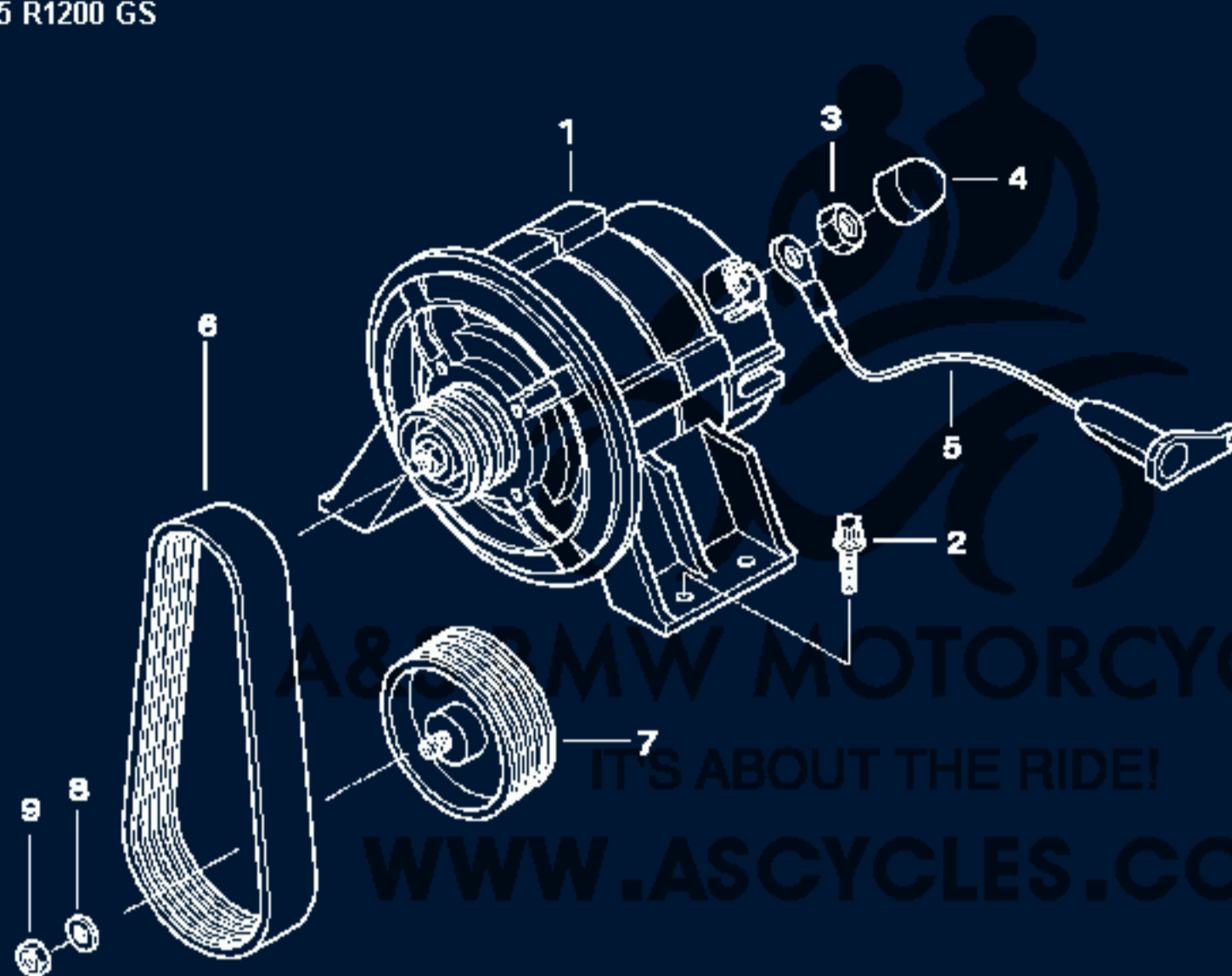


00131037

No.	Description	Supplement	Qty	From	Up To	Part Number	AT	R	TI
1	SPARK PLUG	YR5LDE	4			12 12 7 677 560		1	
2	IGNITION COIL		2			12 13 7 671 896		1	
3	ANGLE IGNITION COIL								
3	ANGLE IGNITION COIL	LINKS	1			12 13 7 676 571	AE	1	
3	ANGLE IGNITION COIL	LINKS	1			12 13 7 692 261		1	
3	ANGLE IGNITION COIL	RECHTS	1			12 13 7 676 572	A	1	
3	ANGLE IGNITION COIL	RECHTS	1			12 13 7 692 262		1	

Diagrams 12_1257 GENERATOR

Series: K25 R1200 GS

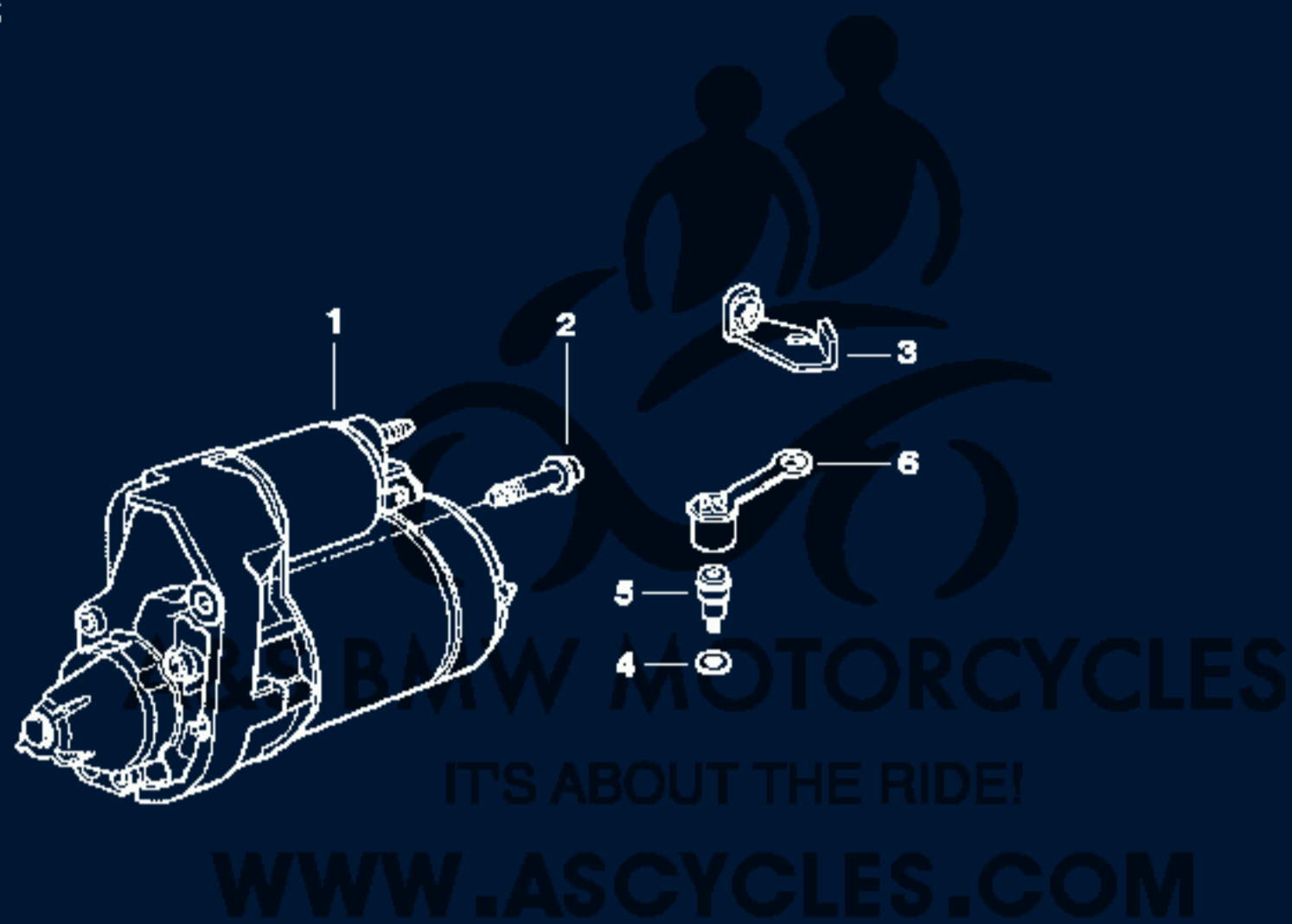


00136960

No.	Description	Supplement	Qty	From	Up To	Part Number	AT	R	TI
1	GENERATOR	40A	1			12 31 2 306 280		1	
2	ASA-BOLT	M8X25	3			07 12 9 903 925			
3	SELF-LOCKING HEX NUT	M6	1			07 12 9 946 350			
4	CAP		1			46 62 1 453 668			
5	OVERVOLTAGE PROTECTION		1			12 31 7 680 683			
6	RIBBED V-BELT	4PK592	1			12 31 7 681 841		1	
7	PULLEY		1			12 31 7 674 720			
8	WASHER		1			07 11 9 904 701			
9	HEX NUT	M22X1,5	1			07 11 9 901 102			

Diagrams 12_1017 STARTER

Series: K25 R1200 GS

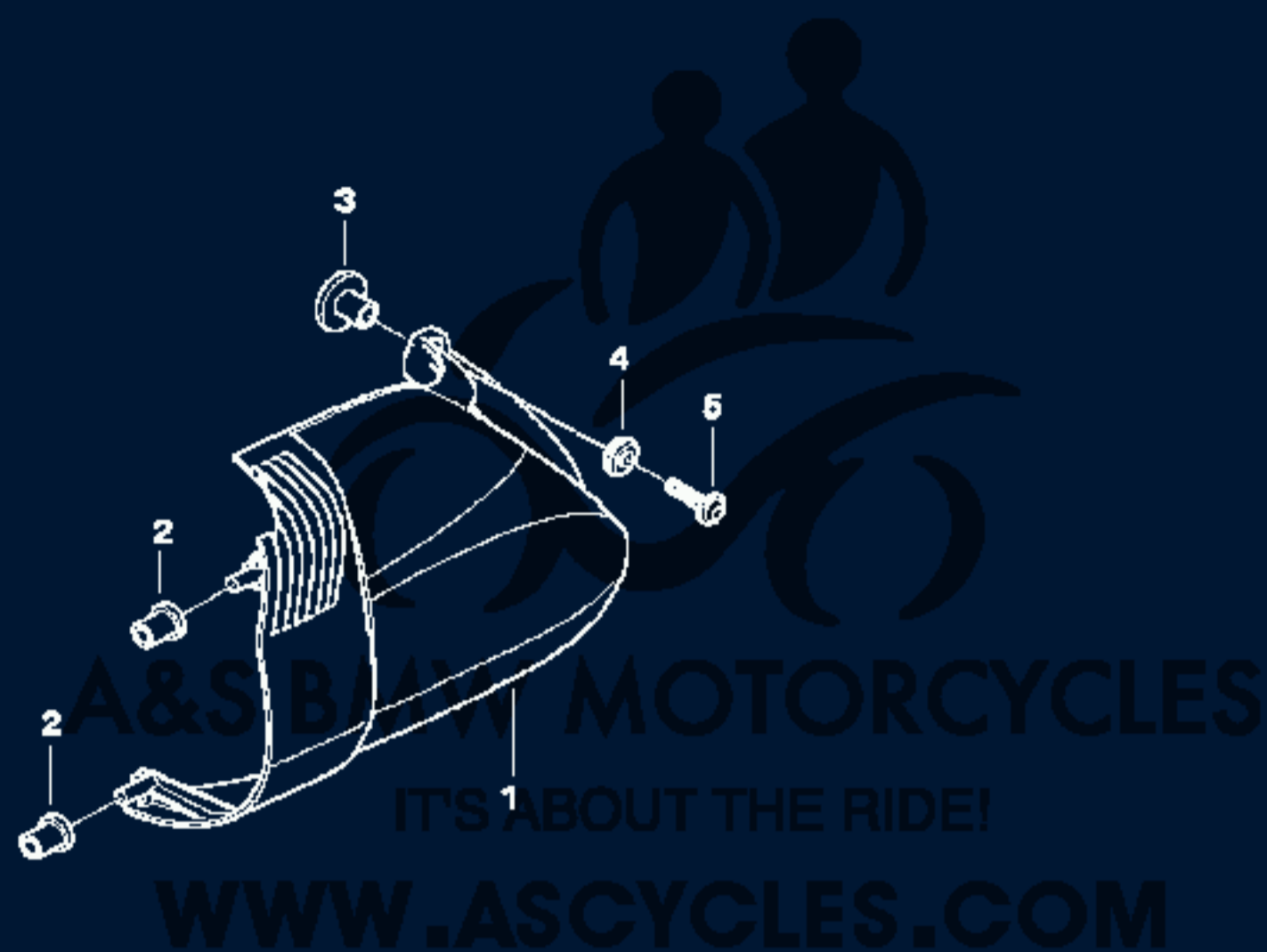


00136718

No.	Description	Supplement	Qty	From	Up To	Part Number	AT	R	TI
1	STARTER		1			12 41 2 306 140		1	
2	ISA SCREW	M8X60	2			07 12 9 904 502			

Diagrams 12_1258 STARTER COVER/MOUNTING

Series: K25 R1200 GS

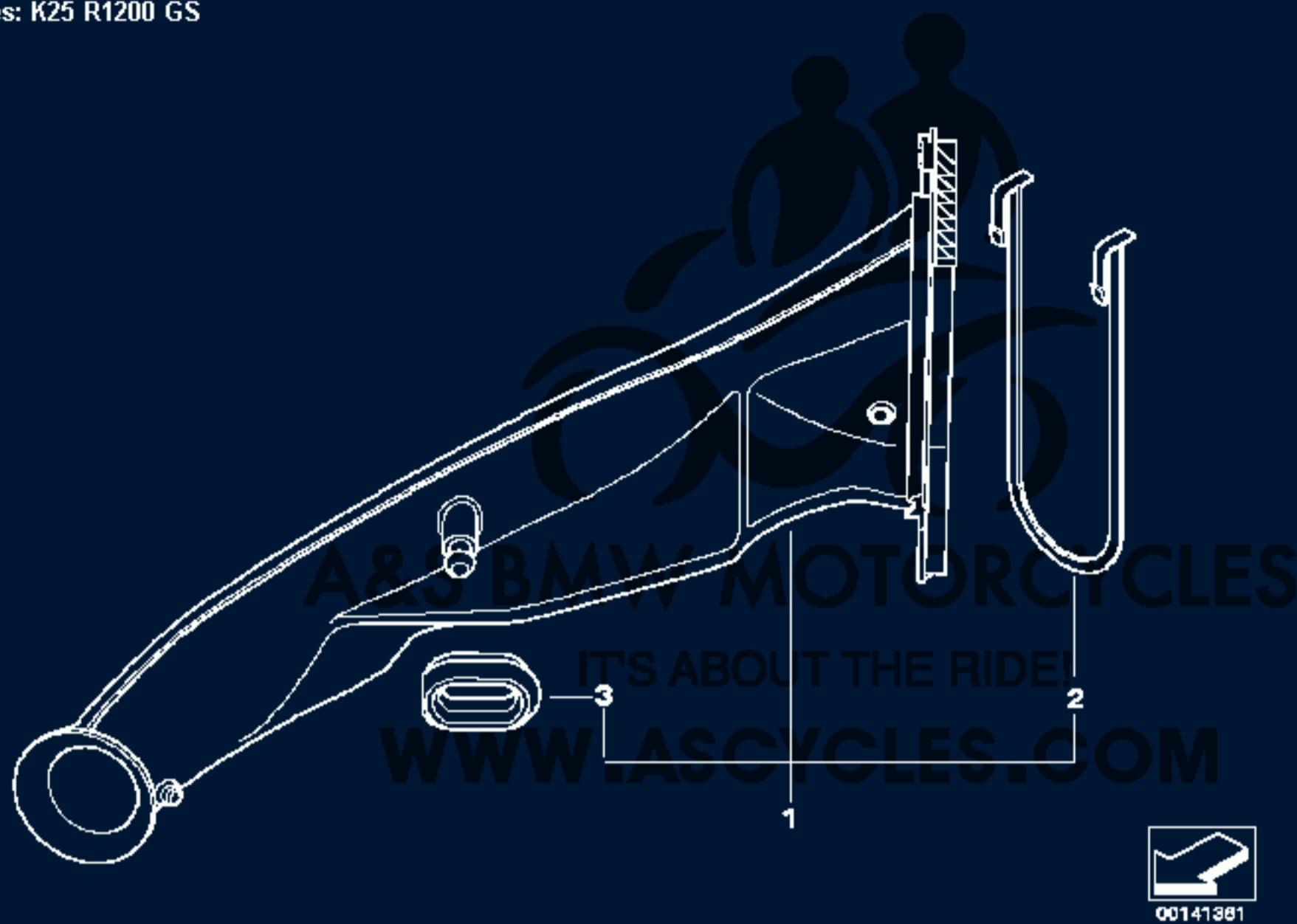


00131019

No.	Description	Supplement	Qty	From	Up To	Part Number	AT	R	TI
1	STARTER COVER	SILBER	1			11 14 7 673 091			
2	RUBBER GROMMET		2			11 14 1 341 249			
3	BUSH		1			12 13 1 459 053			
4	RUBBER GROMMET		1			11 14 1 341 250			
5	FILLISTER HEAD SCREW		1			11 14 2 351 508			

Diagrams 13_1111 INTAKE MANIFOLD

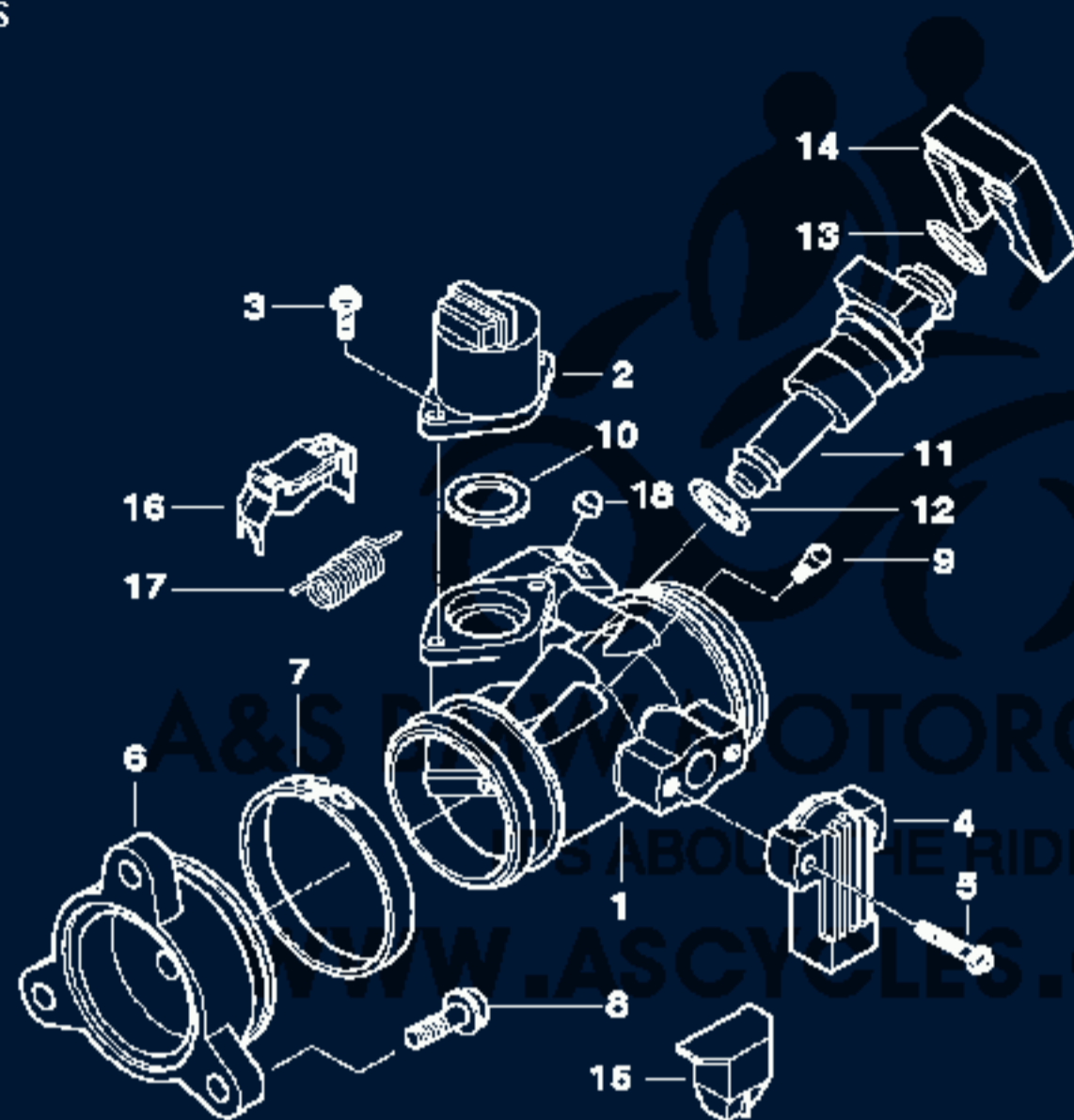
Series: K25 R1200 GS



No.	Description	Supplement	Qty	From	Up To	Part Number	AT	R	TI
1	INTAKE MANIFOLD		1			13 71 7 672 545		1	
2	STRIKER PLATE		2			13 71 7 672 549			
3	RUBBER GROMMET		1			13 71 7 686 917			

Diagrams 13_1116 THROTTLE HOUSING ASSY

Series: K25 R1200 GS

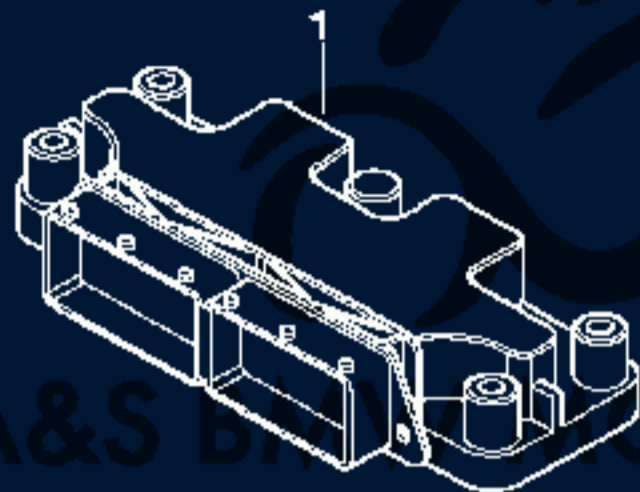


00143786

No.	Description	Supplement	Qty	From	Up To	Part Number	AT	R	TI
1	LEFT THROTTLE								
1	LEFT THROTTLE		1			13 54 7 672 731		1	
1	RIGHT THROTTLE		1			13 54 7 672 732		1	
2	IDLE CONTROL DEVICE		2			13 54 7 672 966		1	
3	ISA SCREW		4			13 54 7 682 039			
4	THROTTLE VALVE SWITCH	4 KOHM	1			13 63 1 726 591		1	T
5	ISA SCREW	M4X25	2			13 54 7 678 225			
6	INTAKE MANIFOLD	D=42	2			11 61 7 671 092		1	
7	MUFFLER CLAMP	D=61	2			11 61 7 680 689			
8	TORX SCREW	M6X20	6			07 12 9 903 979			
9	PROTECTION CAP		2			13 54 1 460 594			
10	O-RING	18,72 X 2,62	2			13 54 7 689 063			
11	INJECTION VALVE	EV14	2			13 61 7 672 335		1	
12	O-RING	8,3X3	2			13 64 7 675 557			
13	O-RING	7,52X3,51	2			13 64 1 437 474			
14	CLAMPING SPRING		2			13 53 1 341 697			
15	SECUIRNG ELEMENT		2			12 52 7 688 500			
16	COVERING CAP LEFT								
16	COVERING CAP LEFT		1			13 54 7 688 633			
16	COVERING CAP RIGHT		1			13 54 7 688 634			
17	TENSION SPRING		1			13 54 7 678 224			
18	COVER F BOLT		2			13 54 7 688 665			

Diagrams 13_1117 BMS-K CONTROL UNIT

Series: K25 R1200 GS



A&S BIKES MOTORCYCLES

IT'S ABOUT THE RIDE!

WWW.ASCYCLES.COM

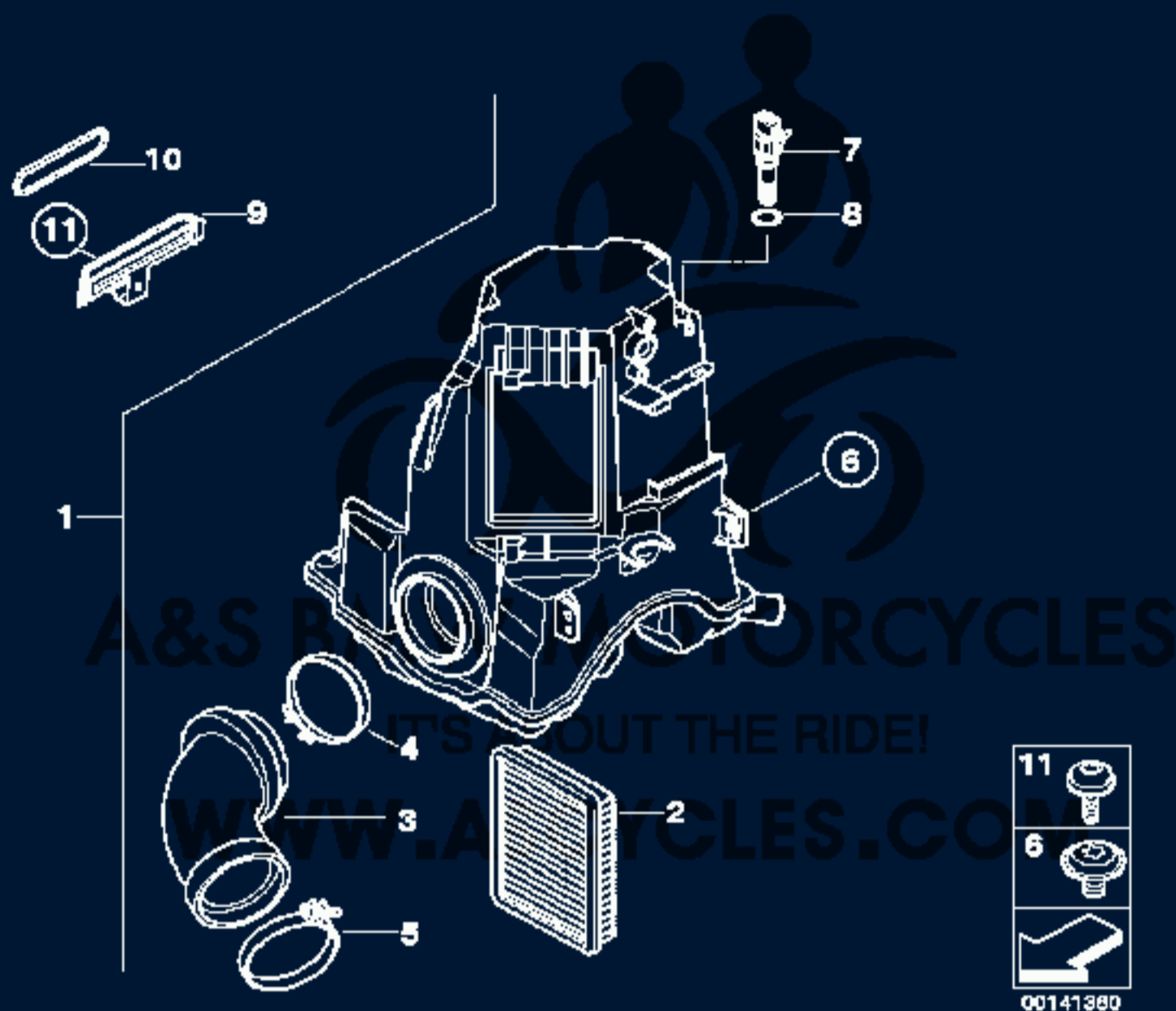


00134231

No.	Description	Supplement	Qty	From	Up To	Part Number	AT	R	TI
1	PROGRAMMED BMSK CONTROL UNIT								
1	PROGRAMMED BMSK CONTROL UNIT		1			13 61 7 687 766	AE		T
1	PROGRAMMED BMSK CONTROL UNIT		1			13 61 7 691 880	AE	1	T
1	PROGRAMMED BMSK CONTROL UNIT		1			13 61 7 692 219		1	T

Diagrams 13_1118 AIR CLEANER HOUSING

Series: K25 R1200 GS



No.	Description	Supplement	Qty	From	Up To	Part Number	AT	R	TI
1	AIR CLEANER HOUSING		1			13 71 7 672 506		1	
2	AIR FILTER ELEMENT		1			13 71 7 672 552			
3	INTAKE MANIFOLD LEFT								
3	INTAKE MANIFOLD LEFT		1			13 71 7 672 553			
3	INTAKE MANIFOLD RIGHT		1			13 71 7 672 554		1	
4	MUFFLER CLAMP	D=79.5	2			13 71 7 680 687			
5	MUFFLER CLAMP	D=65	2			13 54 7 680 688			
6	TORX-BOLT WITH WASHER	ISA M6X8	4			41 35 7 042 973			
7	TEMPERATURE SENSOR AIR		1			13 62 1 739 510		1	
8	O-RING	8X3	1			13 62 1 743 299			
9	BRACKET		1			46 63 7 688 351			
10	O-RING	88X3	1			11 13 1 460 425			
11	FLANGED CAP SCREW								
11	FLANGED CAP SCREW	M5X16	1			46 63 2 325 998			
11	SCREW		1			51 12 1 964 177			

Diagrams 16_0548 FUEL TANK

Series: K25 R1200 GS

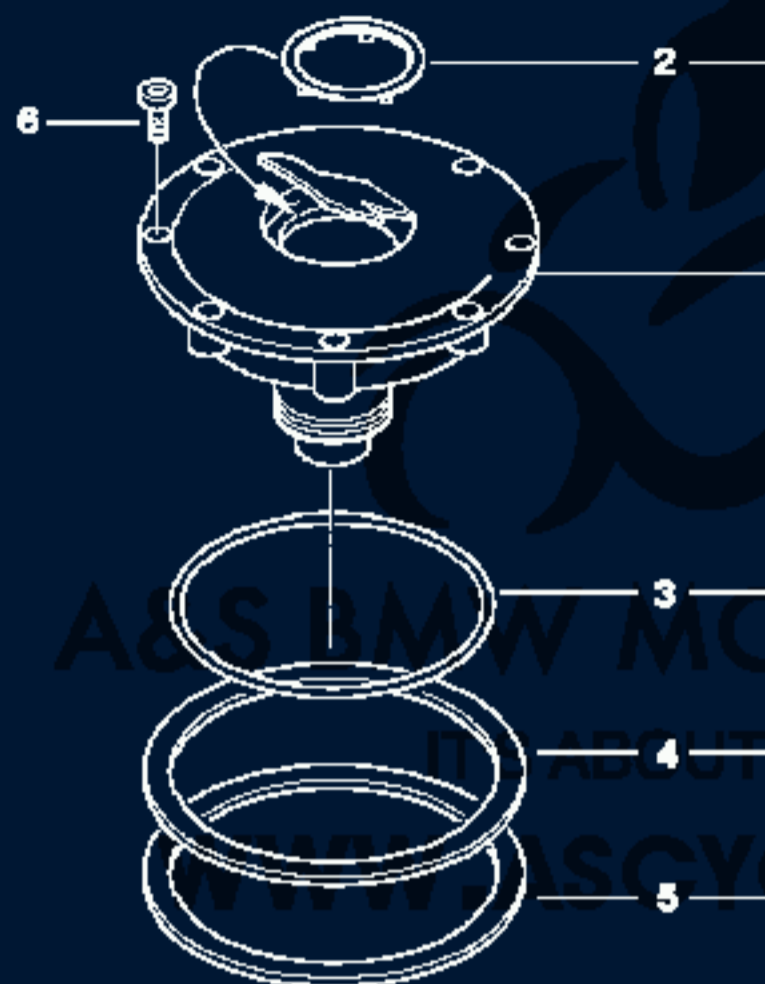


00143737

No.	Description	Supplement	Qty	From	Up To	Part Number	AT	R	TI
1	FUEL TANK		1			16 11 7 671 532		1	
2	GASKET, FILLER CAP		1			16 11 7 654 903			
3	FILLER TUBE		1			16 11 7 669 354			
4	SAFETY VALVE		1			16 11 2 347 148		1	
5	RUBBER ELEMENT		1			46 63 7 675 039			
6	COUNTERSUNK HEAD SCREW	M8X25	2			07 11 9 900 138			
7	WASHER		4			16 11 2 309 560			
8	RUBBER MOUNTING	VORNE	2			16 11 2 309 211			
9	BRACKET, TANK FASTENING RIGHT		1			46 63 7 673 908			
10	BRACKET, TANK FASTENING LEFT		1			46 63 7 673 907			
11	RUBBER MOUNTING	HINTEN	2			16 11 2 309 228			
12	RUBBER WASHER		2			16 11 2 309 175			
13	COUNTERSUNK HEAD SCREW	M8X40-8.8-ZNFE	2			07 11 9 904 901			
14	SPACER	TANK	1			16 11 7 678 016			
15	SUPPORTING RING		2			16 14 1 182 903			

Diagrams 16_0574 FILLER CAP

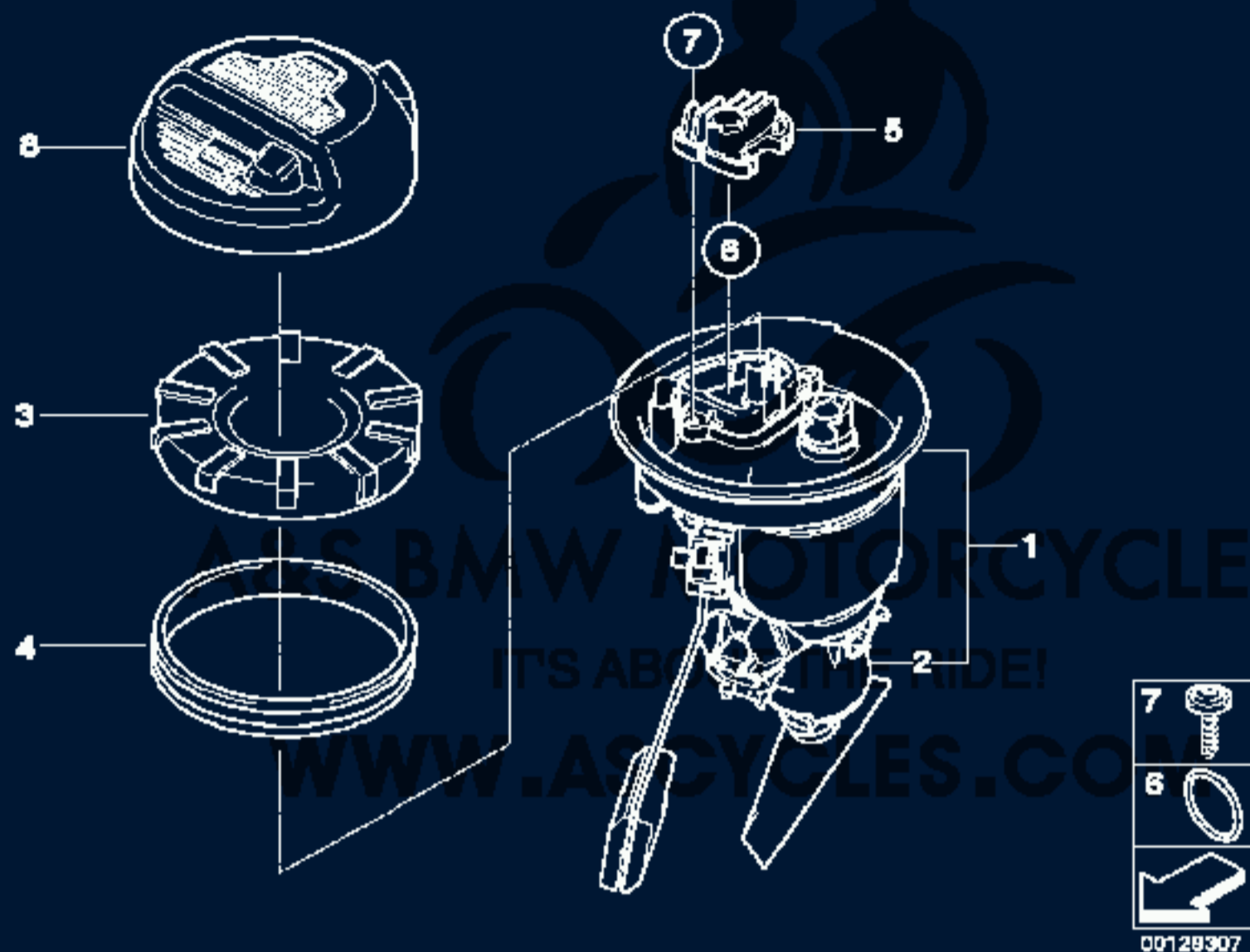
Series: K25 R1200 GS



No.	Description	Supplement	Qty	From	Up To	Part Number	AT	R	TI
1	FILLER CAP		1			16 11 7 685 458		1	
2	GASKET, FILLER CAP		1			16 11 7 657 172			
3	GASKET RING	32X2	1			16 11 1 455 097			
4	WAVE WASHER	D=30-56	1			16 11 1 453 979			
5	GASKET	D=30X56	1			16 11 1 455 096			
6	TORX BOLT	M5X28	6			07 12 9 904 329			

Diagrams 16_0579 FUEL PUMP AND FUEL LEVEL SENSOR

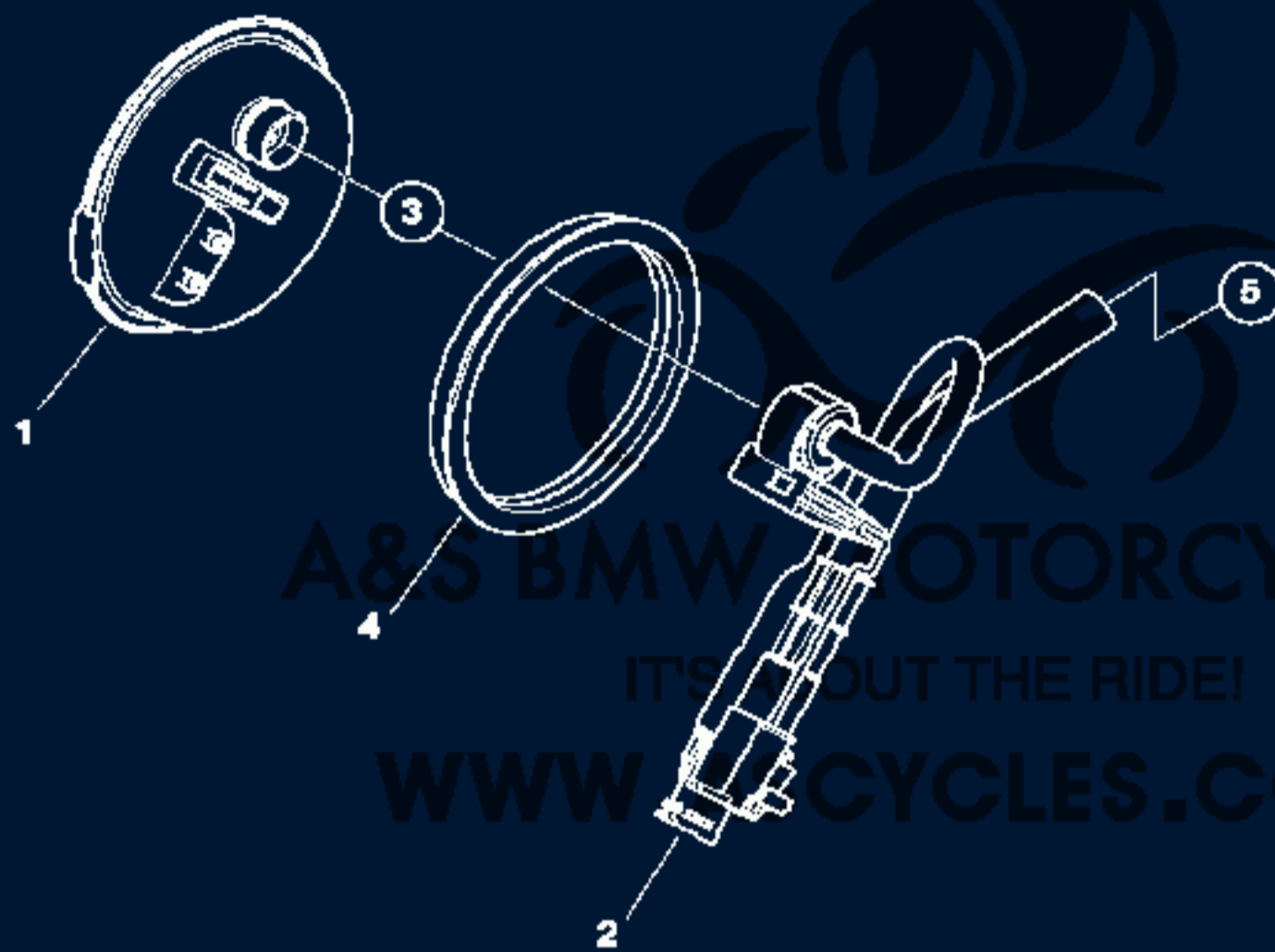
Series: K25 R1200 GS



No.	Description	Supplement	Qty	From	Up To	Part Number	AT	R	TI
1	FUEL PUMP ASSY								
1	FUEL PUMP ASSY		1			16 14 7 684 348		1	
--	ONLY IN CONJUNCTION WITH O-RING		1			16 14 7 687 166			
2	STRAINER		1			16 14 2 305 974			
3	SCREW CAP		1			16 11 6 760 285			
4	GASKET		1			16 11 7 677 883			
5	FUEL PUMP , ELECTRONIC								
5	FUEL PUMP , ELECTRONIC		1			16 14 7 676 324		1	
--	ONLY IN CONJUNCTION WITH O-RING		1			16 14 7 687 166			
6	O-RING		1			16 14 7 687 166			
7	SCREW SELF-TAPPING		2			16 13 7 656 906			
8	COVER		1			16 11 7 675 682			

Diagrams 16_0581 SUCKING JET PUMP WITH LINES

Series: K25 R1200 GS

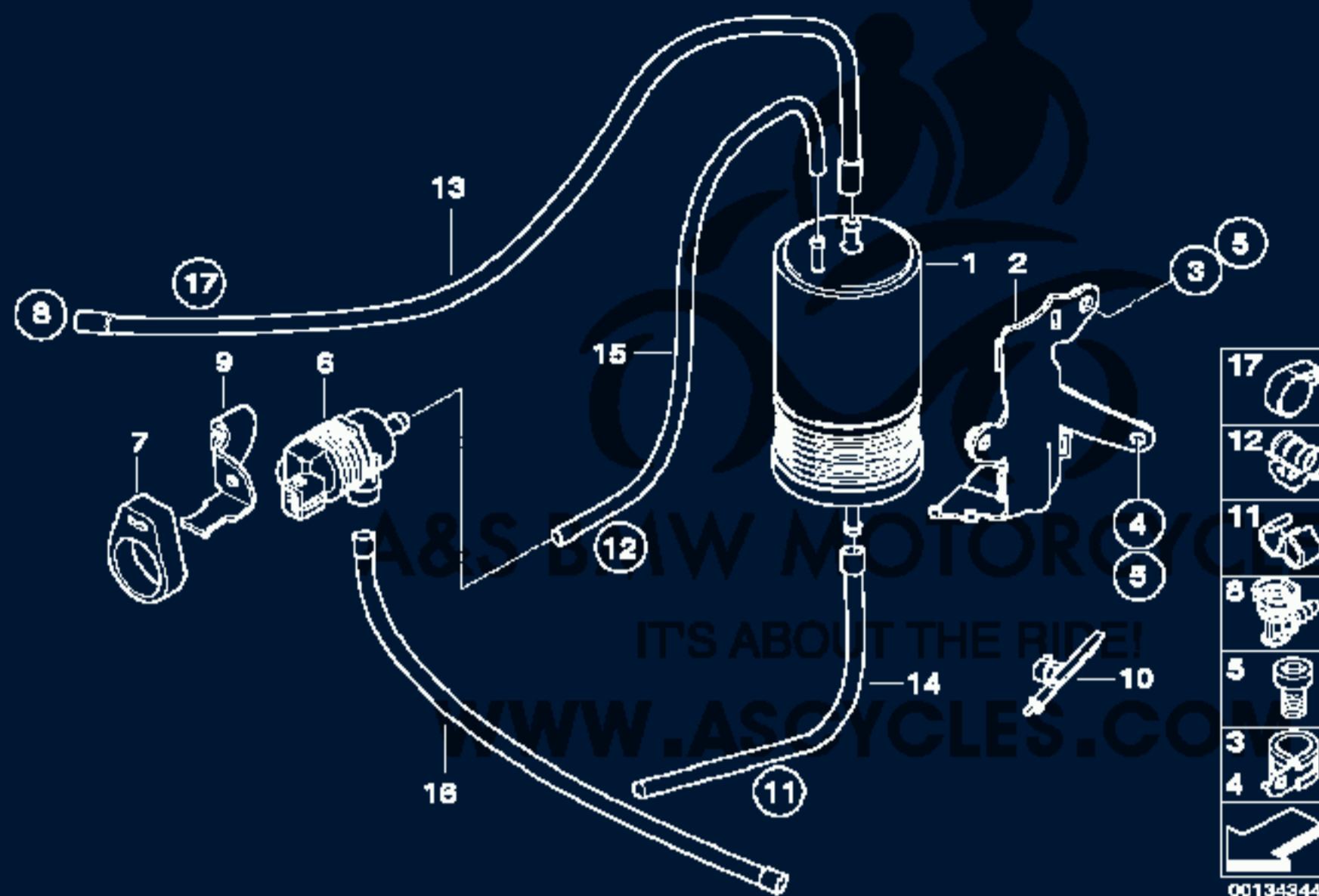


00134343

No.	Description	Supplement	Qty	From	Up To	Part Number	AT	R	TI
1	FLANGE		1			16 11 7 675 116			
2	ADDITIONAL FUEL PUMP		1			16 11 7 685 978			
3	O-RING		1			16 14 1 183 543			
4	GASKET		1			16 11 7 677 883			
5	HOSE CLAMP	66/100	X			64 12 1 378 285			

Diagrams 16_0582 ACTIVATED CARBON CONTAINER/FUEL VENTILAT

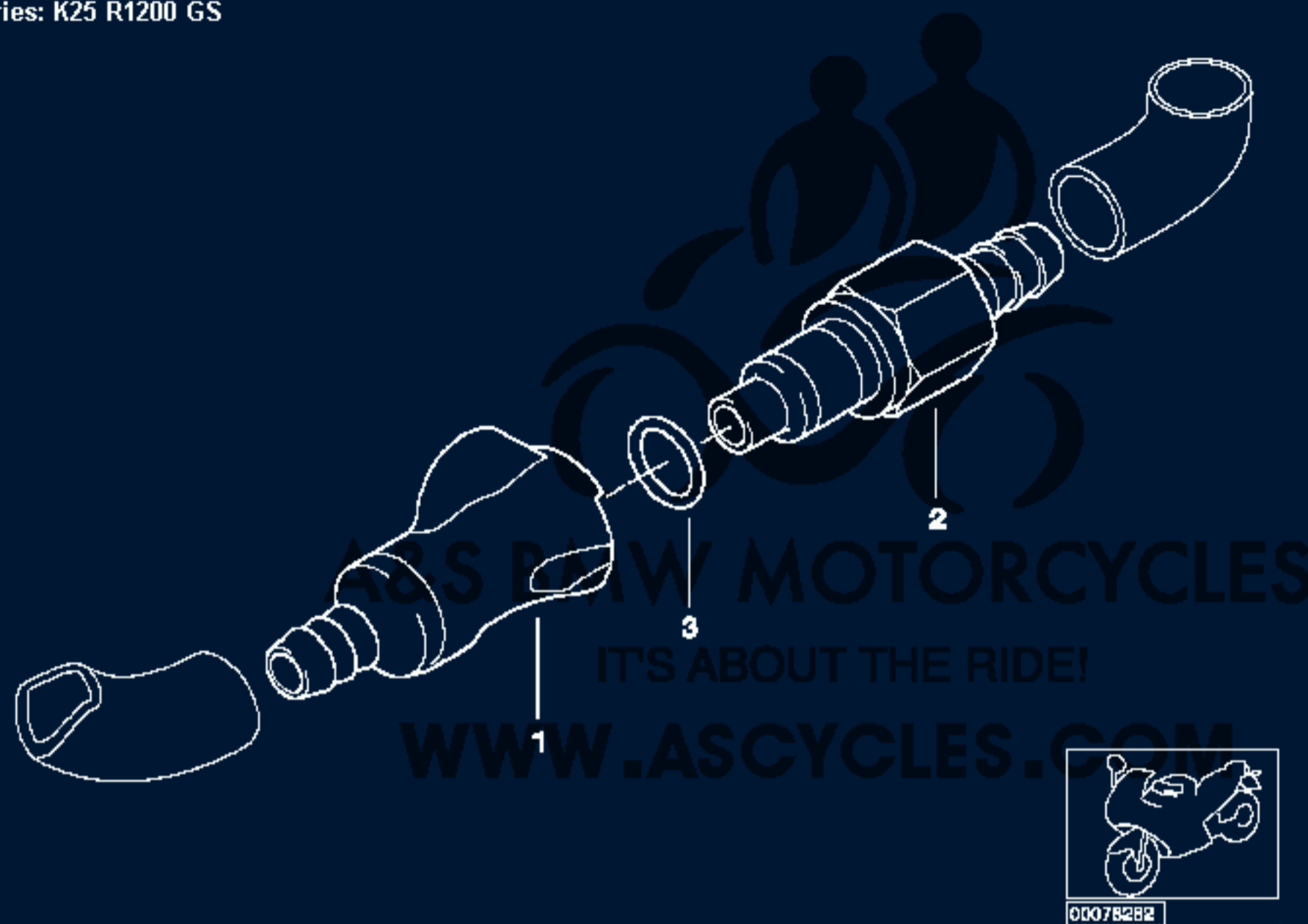
Series: K25 R1200 GS



No.	Description	Supplement	Qty	From	Up To	Part Number	AT	R	TI
1	ACTIVATED CARBON FILTER		1			16 13 1 464 924			
2	BRACKET ACTIVATED CARBON CONTAINER		1			16 13 7 673 783			
3	PIPE CLAMP	D=25	2			16 13 7 674 595			
4	PIPE CLAMP	D=18	1			16 13 7 674 594			
5	ISA SCREW	M6X16	3			07 12 9 904 588			
6	FUEL TANK BREATHER VALVE		1			13 90 1 433 602			
7	BRACKET VENTILATION VALVE		1			13 90 1 433 601			
8	LOCK		1			16 13 1 183 490			
9	BRACKET VENTILATION VALVE		1			16 13 7 673 784			
10	HOSE CLAMP		1			16 13 1 465 119			
11	CABLE CLAMP		X			62 12 2 306 589			
12	CABLE HOLDER		2			22 11 1 093 424			
13	HOSE CLAMP		1			16 13 1 465 119			
14	HOSE LINE		1			16 13 7 678 517			
15	HOSE LINE		1			16 13 7 678 518			
16	HOSE LINE		1			16 13 7 678 519			
17	HOSE LINE		1			16 13 7 678 520			
18	HOSE CLAMP	66/100	1			64 12 1 378 285			

Diagrams 16_0482 FUEL SUPPLY/QUICK COUPLING

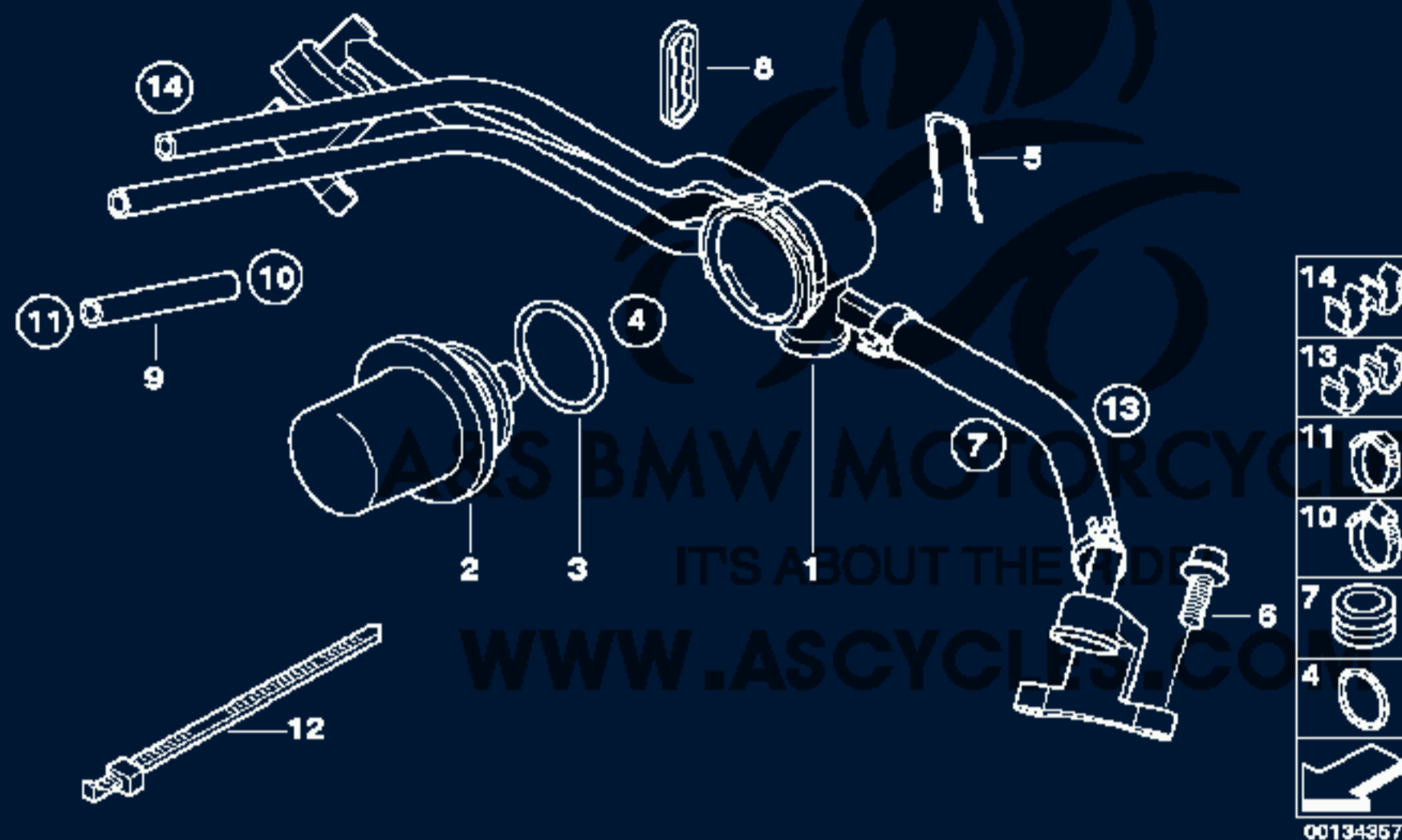
Series: K25 R1200 GS



No.	Description	Supplement	Qty	From	Up To	Part Number	AT	R	TI
2	PLUG								
2	PLUG	90°	2			13 53 7 674 765		1	
--	ONLY IN CONJUNCTION WITH HOSE CLAMP	13,1-15,3	2			16 12 1 176 918			
3	O-RING		2			13 31 7 659 110			T

Diagrams 16_0450 FUEL DISTRIBUTOR/PRESSUREREGULATOR

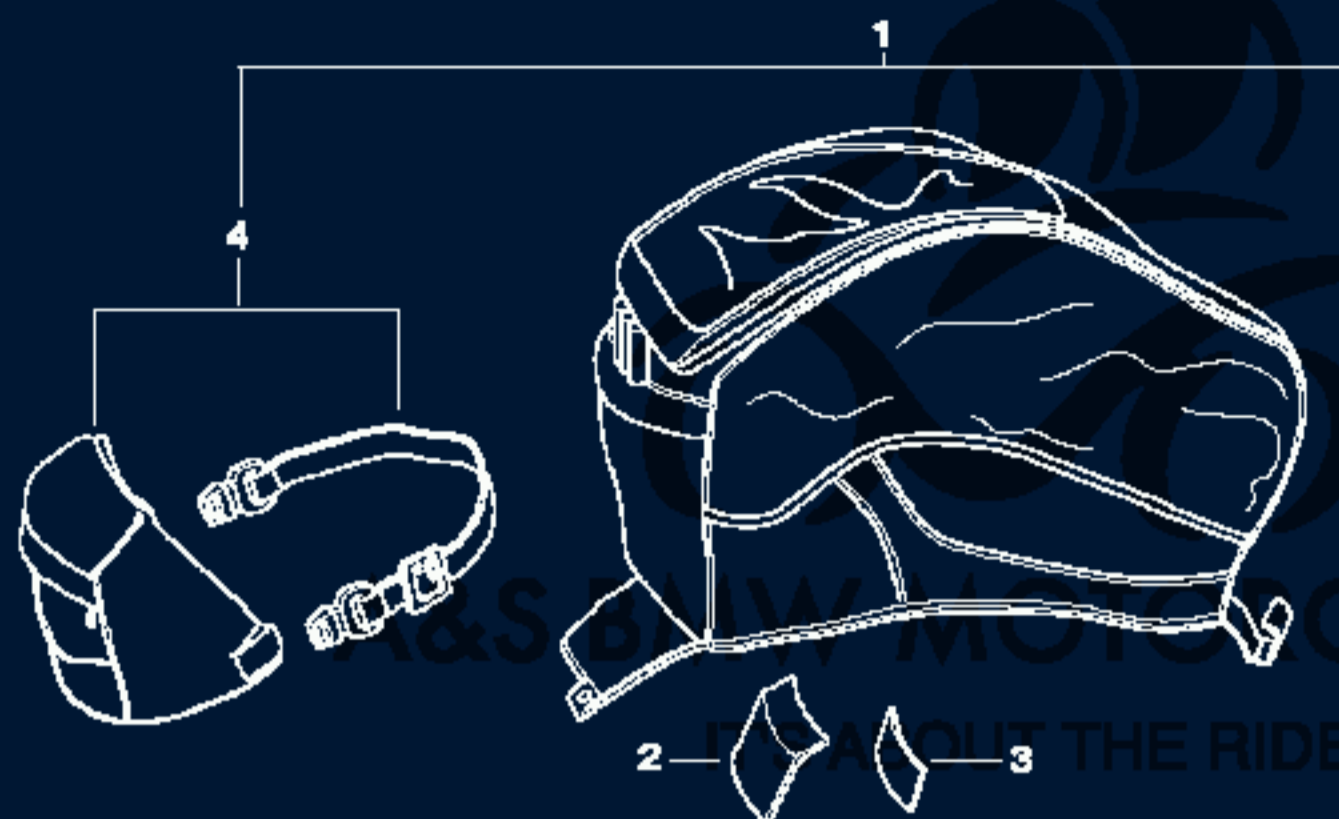
Series: K25 R1200 GS



No.	Description	Supplement	Qty	From	Up To	Part Number	AT	R	TI
1	FUEL DISTRIBUTOR		1			13 53 7 671 710		1	
2	PRESSURE REGULATOR	3,5 BAR	1			13 53 1 465 150		1	
3	O-RING	20X2,5	1			13 53 1 341 067			
4	O-RING	5X2,5	1			13 53 1 465 193			
5	CLAMPING SPRING		1			13 53 1 341 694			
6	ISA SCREW	M5X16	2			07 12 9 903 324			
9	FUEL HOSE	8X13MM	X			16 12 1 180 409			
10	CLAMP	NW=14MM	2			17 11 7 659 618			
11	CLAMP	NW=14MM	2			17 11 7 659 618			
	FOR VEHICLES WITH INTEGRAL ABS	X645A = YES							
13	HOSE CLAMP, DOUBLE		1			13 53 7 678 967			
14	HOSE CLAMP, DOUBLE		1			13 53 7 677 684			

Diagrams 16_0573 TANK-TOP BAG

Series: K25 R1200 GS

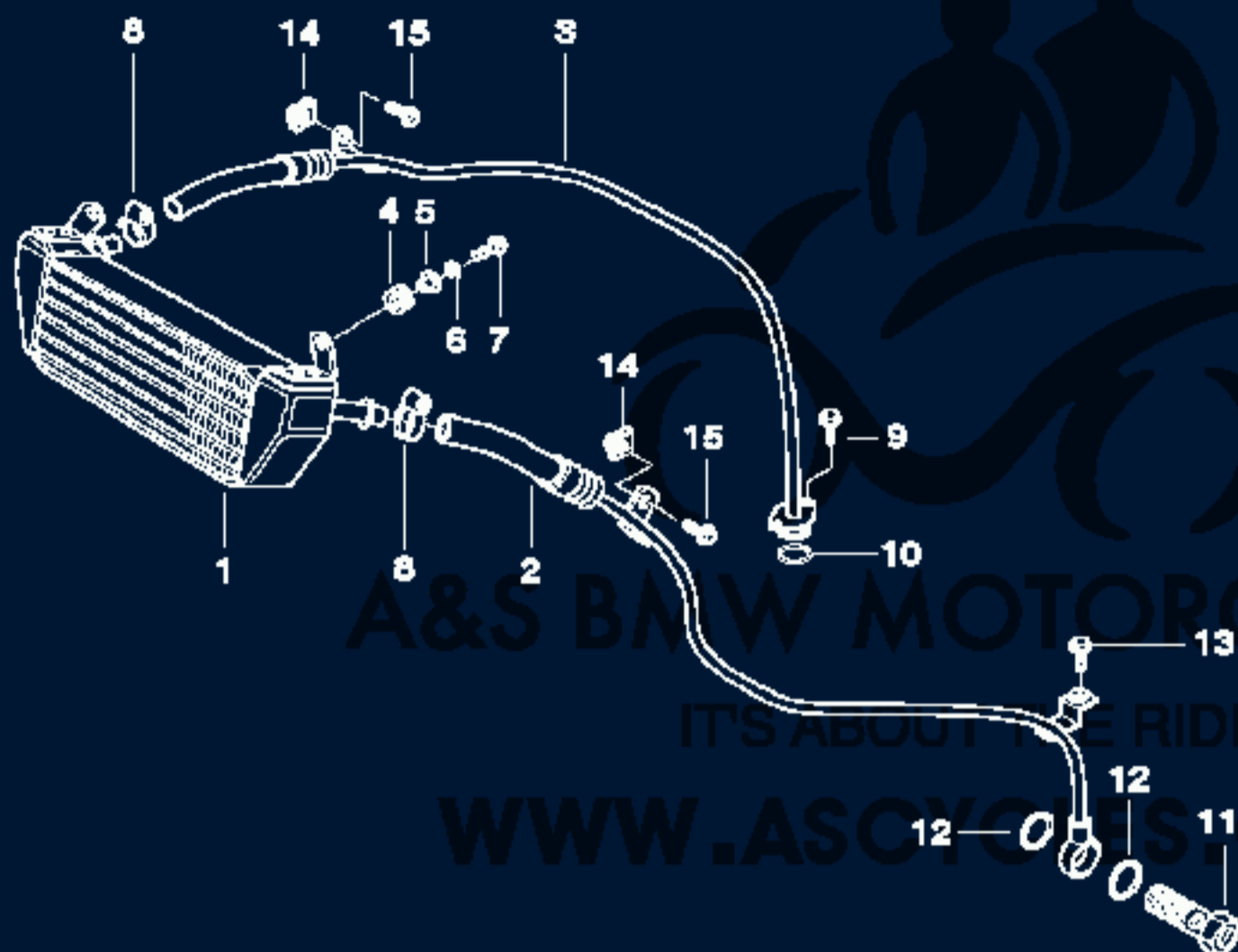


00133045

No.	Description	Supplement	Qty	From	Up To	Part Number	AT	R	TI
1	TANK-TOP BAG	SCHWARZ/SILB	1			71 60 7 687 604		1	
2	SUPPORT SHACKLE		1			71 60 7 687 606			
3	VELCRO FASTENER		1			71 60 7 687 607			
4	BELLY BAG	SCHWARZ/SILB	1			71 60 7 687 608		1	
5	OPERATING INSTRUCTIONS		1			71 60 7 687 609			

Diagrams 17_0313 OIL COOLER/OIL COOLING PIPE

Series: K25 R1200 GS



A&S BMW MOTORCYCLES

IT'S ABOUT THE RIDE!

WWW.ASMOTORCYCLES.COM

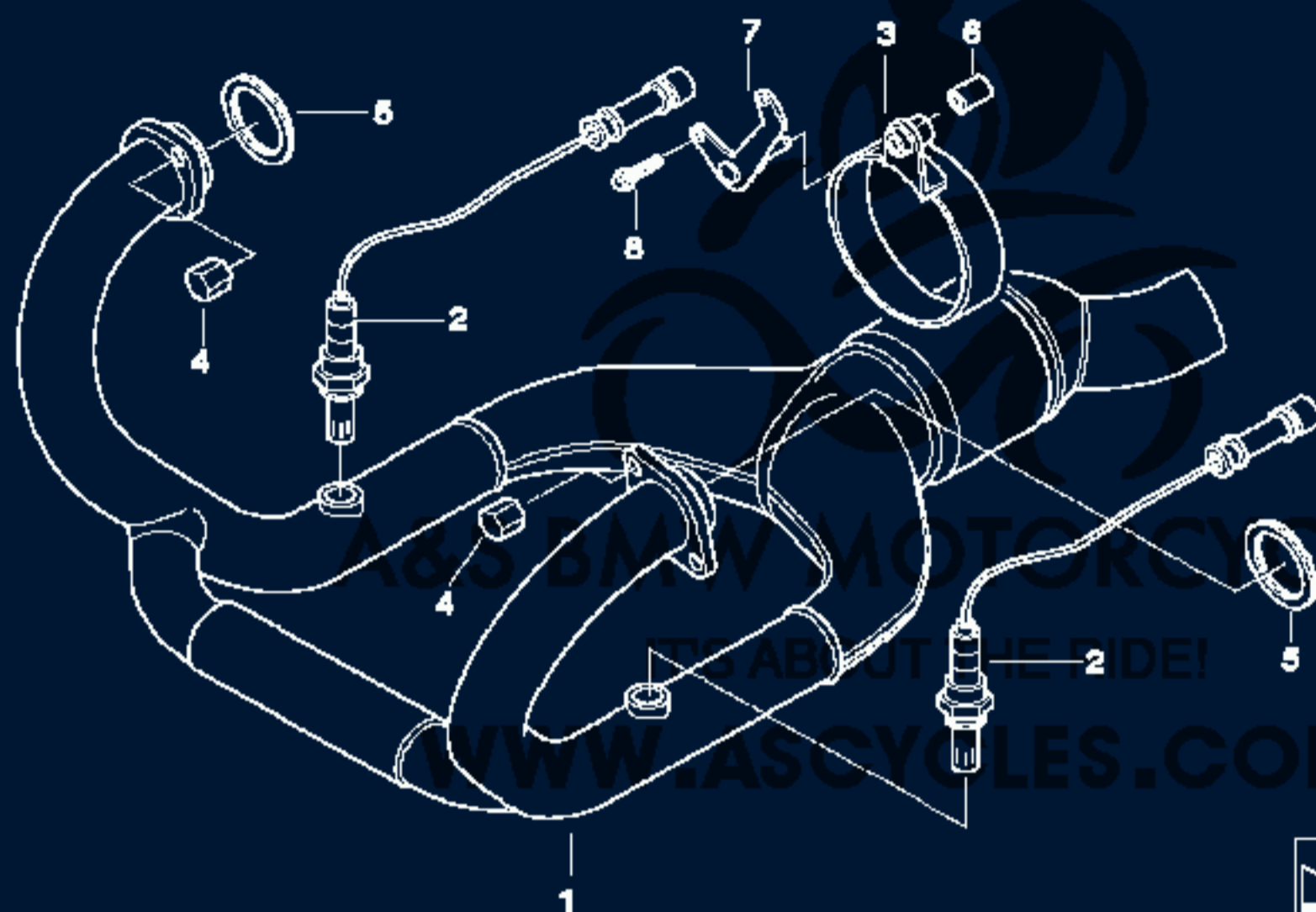


00133682

No.	Description	Supplement	Qty	From	Up To	Part Number	AT	R	TI
1	OIL COOLER		1			17 21 7 673 668		1	
2	OIL COOLING PIPE OUTLET	SILBER	1			17 22 7 673 670		1	
3	OIL COOLING PIPE INLET	SILBER	1			17 22 7 673 669		1	
4	BASE		2			46 63 1 451 278			
5	BUSH		2			46 63 7 661 426			
6	WASHER		2			46 63 7 659 956			
7	ISA SCREW	M6X30	2			07 12 9 904 910			
8	CLAMP	FBS 19/12	2			17 22 1 342 708			
9	ISA SCREW	M6X16	2			07 12 9 904 588			
10	O-RING	19X4	1			17 22 1 342 487			
11	HOLLOW BOLT	12-C35 PB-ZN	1			07 11 9 917 538			
12	GASKET RING	A16X20-CU	2			07 11 9 963 253			
13	FILLISTER HEAD SCREW	M6X12	1			06 32 7 651 203			
14	NUT	M5	2			52 53 2 308 647			
15	FLANGED CAP SCREW	M5X16	2			46 63 2 325 998			

Diagrams 18_0529 EXHAUST MANIFOLD WITH CATALYST

Series: K25 R1200 GS

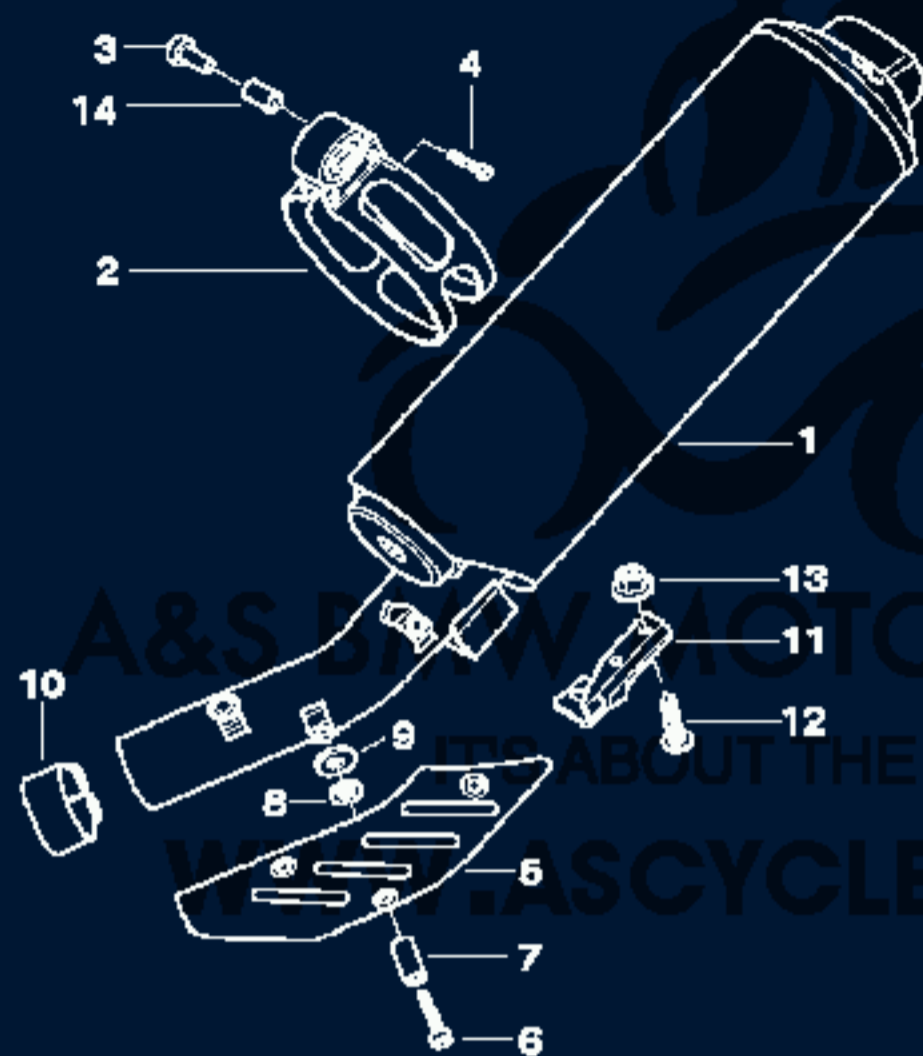


00143846

No.	Description	Supplement	Qty	From	Up To	Part Number	AT	R	TI
1	COLLECTOR								
1	COLLECTOR		1			18 11 7 673 113		1	
FOR VEHICLES WITH									
CHROMED COLLECTOR									
X340A = YES									
1	CHROMED COLLECTOR		1			18 11 7 684 097		1	
2	OXYGEN SENSOR		2			11 78 7 674 452		1	
3	BRACKET, EXHAUST MANIFOLD		1			18 11 7 682 383			
4	EXHAUST PIPE NUT	SW12	4			18 21 7 653 602			
5	EXHAUST GASKET		2			18 11 7 673 763			
6	RUBBER MOUNTING		1			18 21 1 342 283			
7	BRACKET, EXHAUST MANIFOLD		1			23 40 7 681 330			
8	ASA-BOLT	M6X25	2			23 00 7 681 469			

Diagrams 18_0530 MUFFLER SYSTEM

Series: K25 R1200 GS

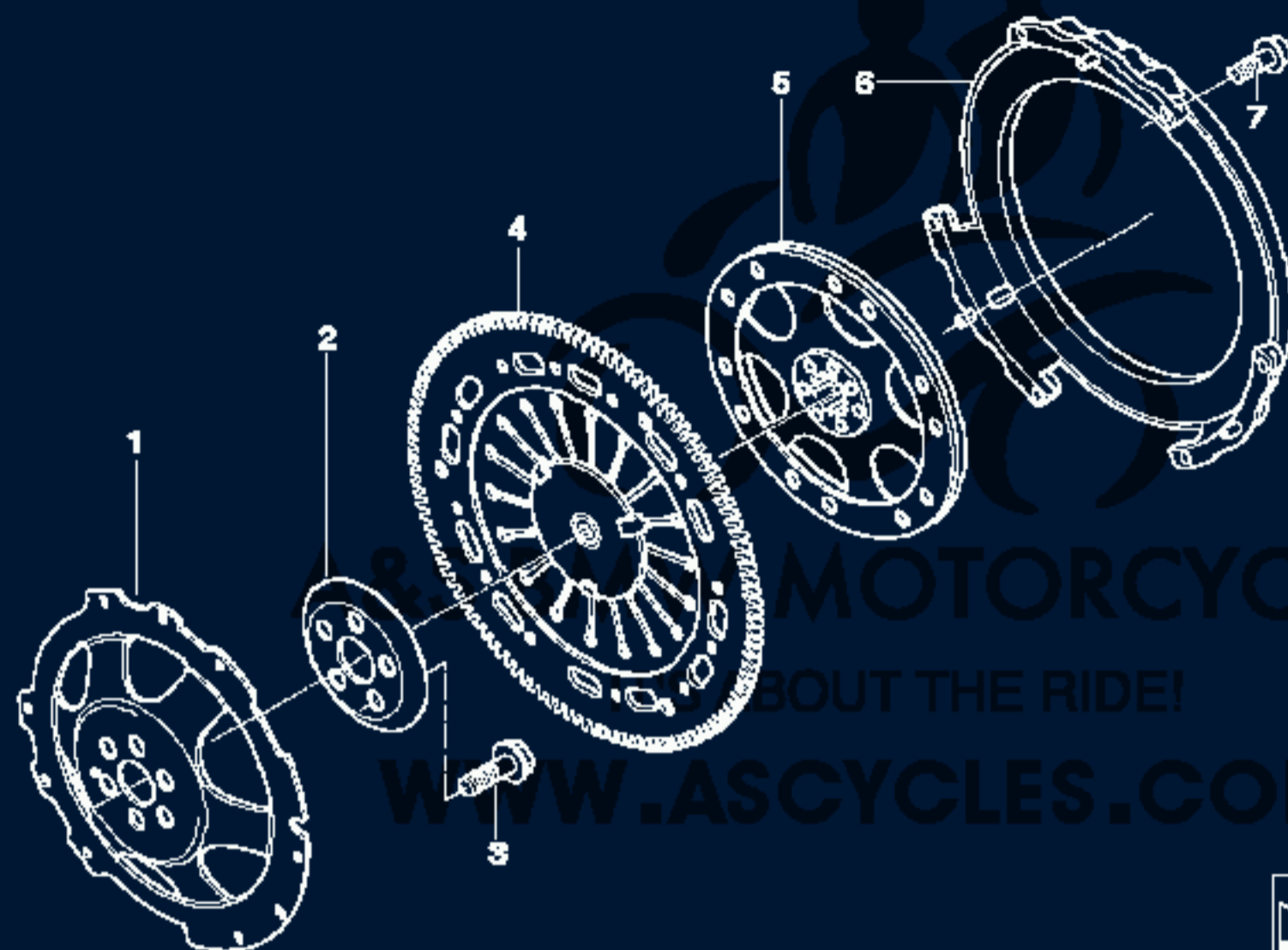


00143845

No.	Description	Supplement	Qty	From	Up To	Part Number	AT	R	TI
1	MUFFLER		1			18 12 7 686 890		1	
2	BRACKET EXHAUST		1			18 12 7 681 299			
3	ISA SCREW	M8X45-A2-70	1			07 12 9 903 415			
4	ISA SCREW	M6X30	1			07 12 9 905 126			
5	EXHAUST PIPE EXTENSION		1			18 11 7 677 322		1	
6	FILLISTER HEAD SCREW	M5X12	3			06 32 7 651 211			
7	SLEEVE		2			18 12 7 684 062			
8	FLAT WASHER		2			07 11 9 905 127			
9	INSULATING WASHER		2			18 12 7 684 063			
10	CLAMP	D=54	1			18 12 7 674 005			
11	STOPPER		1			18 12 7 686 889			
12	FILLISTER HEAD SCREW	M6X16	2			06 32 7 651 204			
13	PLUG-IN NUT		2			18 12 7 657 936			
14	SPACER SLEEVE		1			18 12 7 673 764			

Diagrams 21_0195 CLUTCH/MOUNTING PARTS

Series: K25 R1200 GS



WWW.ASCYCLES.COM
 ABOUT THE RIDE!
 MOTORCYCLES

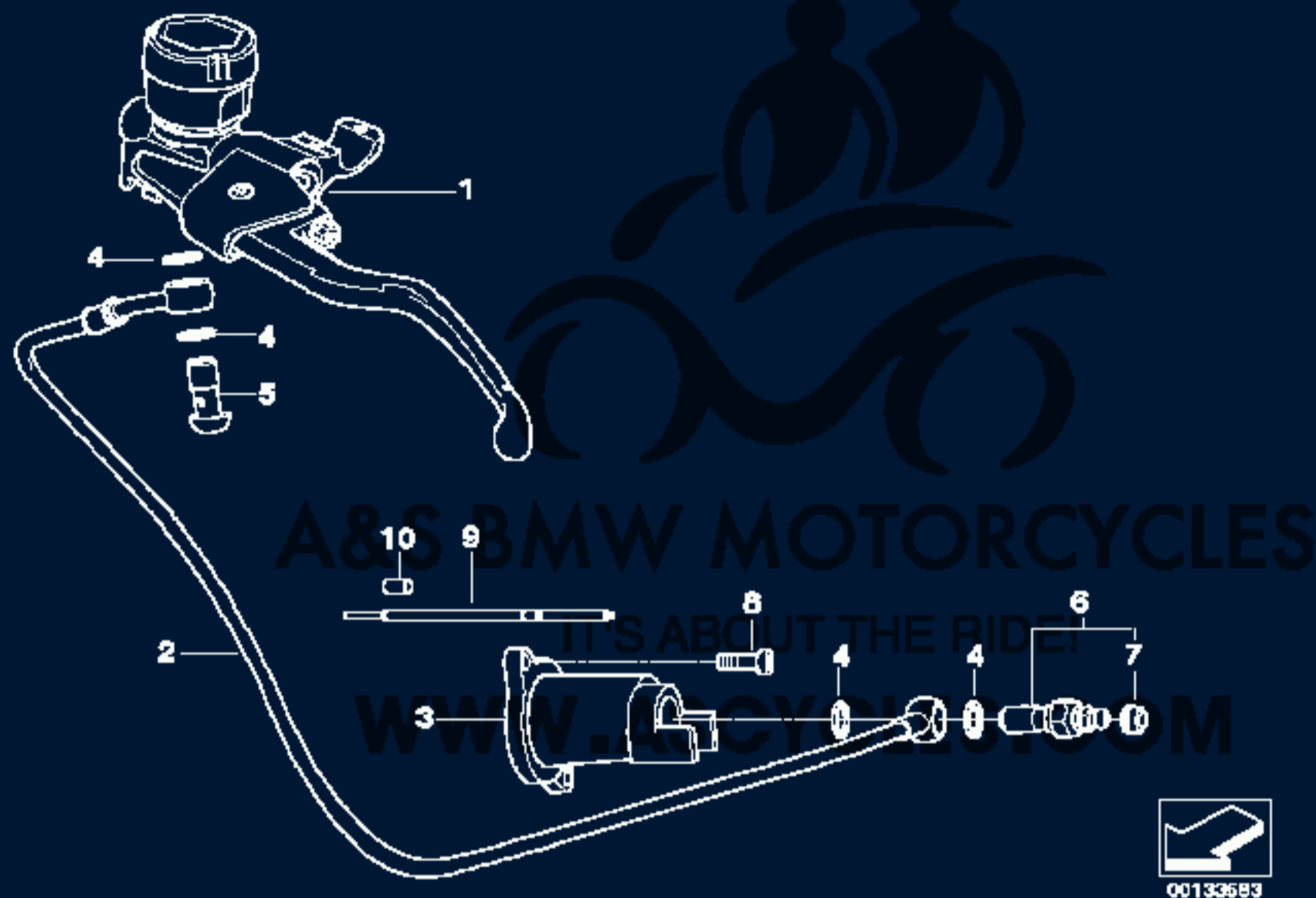


00133886

No.	Description	Supplement	Qty	From	Up To	Part Number	AT	R	TI
1	CLUTCH HOUSING		1			21 21 7 685 341		1	
2	REINFORCEMENT RING		1			21 21 7 684 767			
3	COLLAR SCREW	M11X1.5X27	5			21 21 7 684 771			
4	PRESSURE PLATE		1		10/04	21 21 7 668 719		1	
5	CLUTCH PLATE		1		10/04	21 21 7 668 720		1	
6	HOUSING COVER		1			21 21 7 668 721		1	
7	INNER HEX BOLT	M6X20	6			21 21 2 332 469			

Diagrams 21_0196 CLUTCH CONTROL

Series: K25 R1200 GS

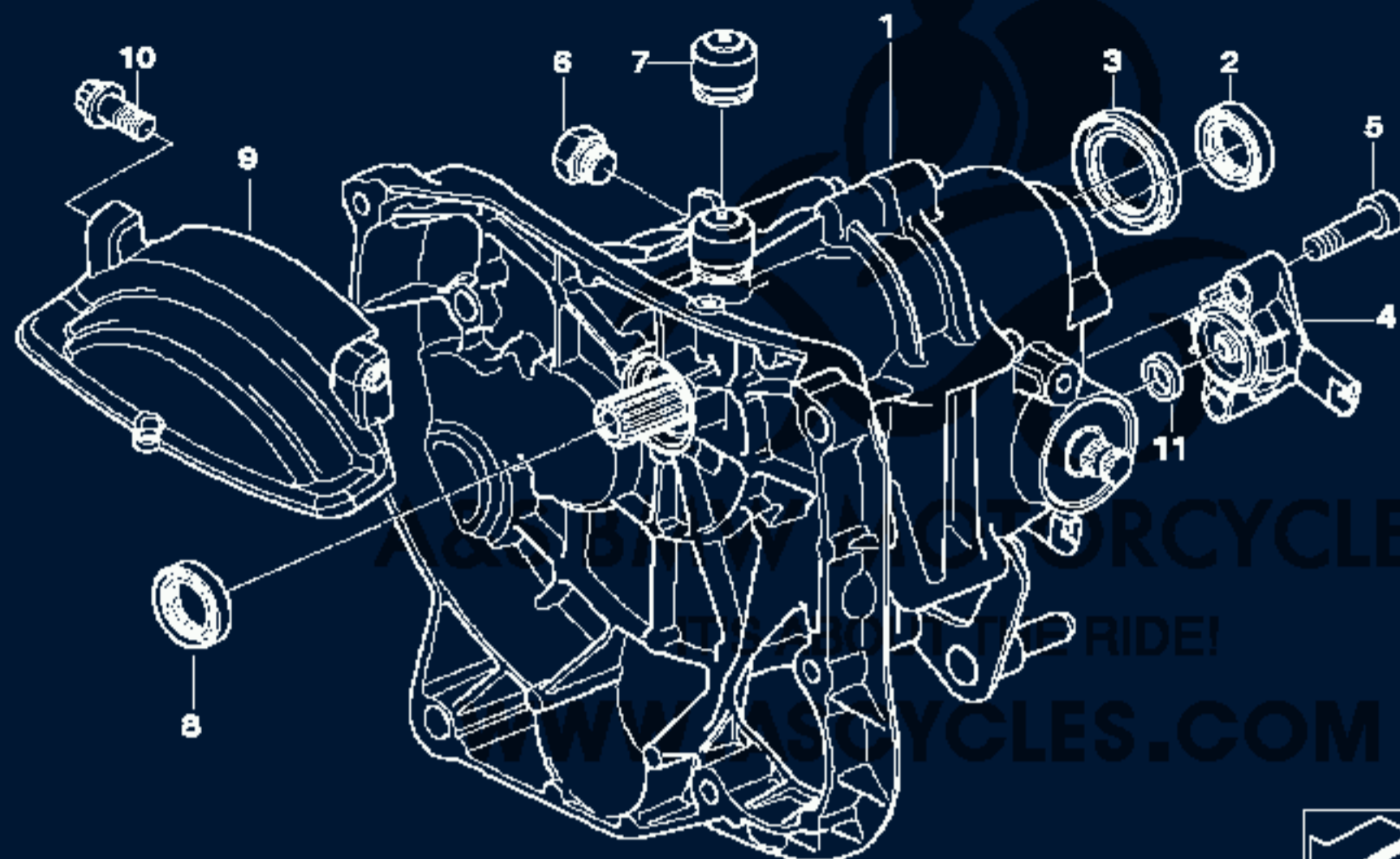


00133683

No.	Description	Supplement	Qty	From	Up To	Part Number	AT	R	TI
1	CLUTCH HANDLEBAR FITTING	D=13	1			32 72 7 669 681		1	I
2	CLUTCH CABLE, INPUT/OUTPUT CYLINDER		1			21 52 7 675 102			
3	OUTPUT CYLINDER CLUTCH	D=24	1			21 52 7 675 101		1	
4	GASKET RING	A10X13,5-CU	4			07 11 9 963 072			
5	HOLLOW BOLT	M10X1	1			34 32 7 667 316			
6	SCREW PLUG WITH VENTILATION		1			34 32 7 673 647			
7	CAP		1			34 21 2 314 001			
8	FILLISTER-HEAD SCREW	M 6X18	2			23 00 2 332 975			
9	ROD		1			21 52 7 664 197		1	
10	FELTRING		1			23 21 1 230 440			

Diagrams 23_0963 MANUAL TRANSMISSION

Series: K25 R1200 GS

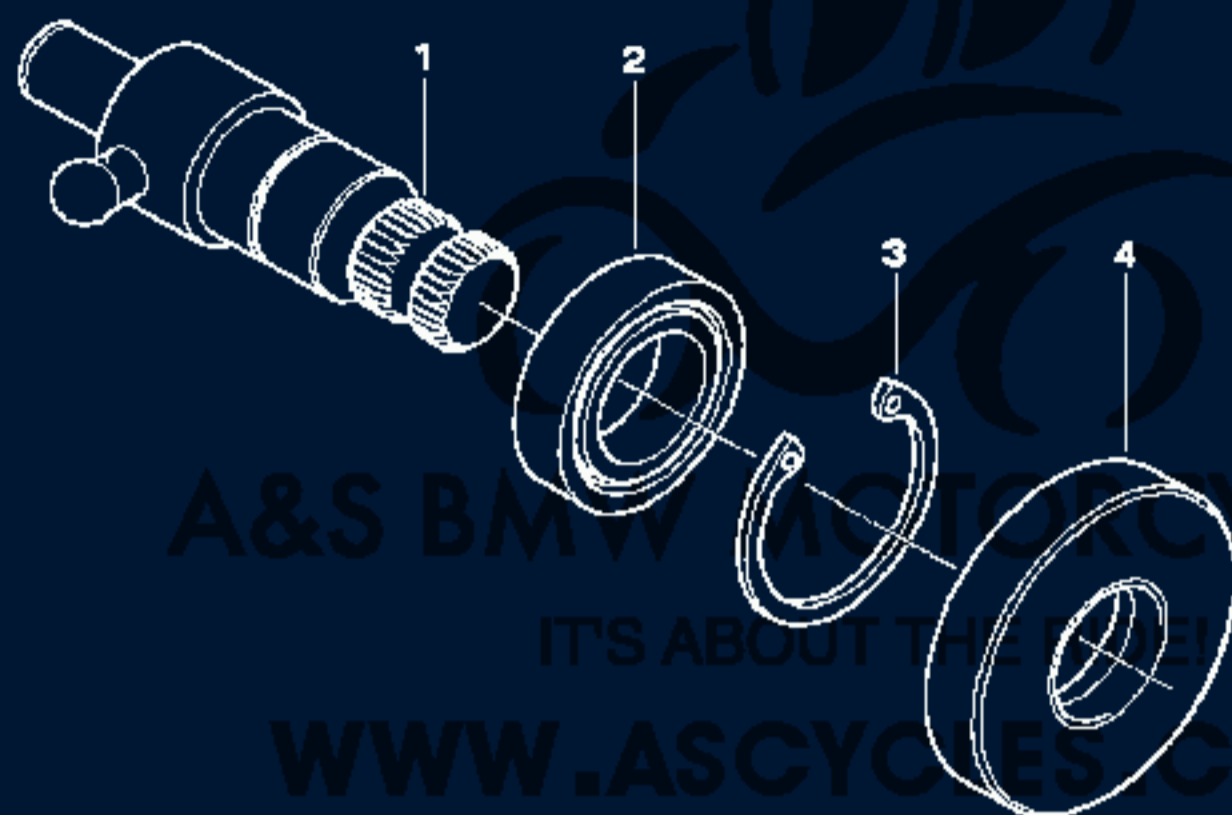


00141923

No.	Description	Supplement	Qty	From	Up To	Part Number	AT	R	TI
1	SIX SPEED TRANSMISSION	SILBER	1		10/04	23 00 7 683 380		1	
2	SHAFT SEAL, DRIVE SHAFT	17X28X7	1			23 12 7 656 019			
3	SHAFT SEAL	25X40X7	1			23 12 7 683 995			
4	POTENTIOMETER		1			23 00 7 680 581		1	
5	ASA-BOLT	M6X25	2			23 00 7 681 469			
6	SCREW PLUG		1			23 00 7 683 375			
7	BREATHER		1			23 00 2 330 249			
8	SHAFT SEAL	20X32	1			23 12 7 667 733		1	
9	COVER, CLUTCH		1			11 14 7 671 363			
10	ISA SCREW								
	FOR VEHICLES WITH INTEGRAL ABS	X645A = NO							
10	ISA SCREW	M6X16	2			07 12 9 904 588			
	FOR VEHICLES WITH INTEGRAL ABS	X645A = YES							
10	ISA SCREW	M6X20-8.8-ZNS3	2			07 12 9 903 806			
11	SHAFT SEAL	10X18X6	1			23 12 2 332 884			

Diagrams 23_0965 6-SPEED TRANSMISSION SHIFT COMPONENTS

Series: K25 R1200 GS

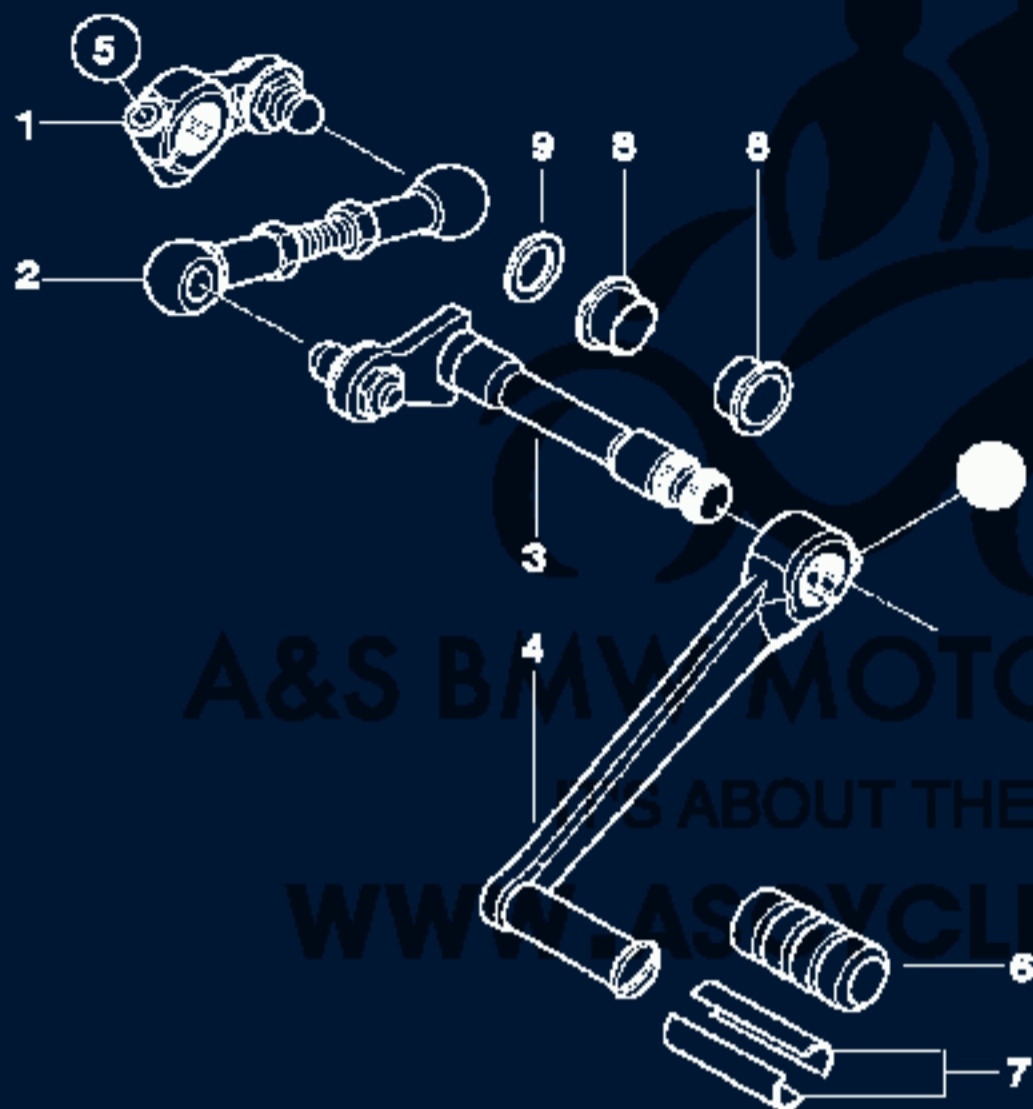


00136882

No.	Description	Supplement	Qty	From	Up To	Part Number	AT	R	TI
1	SELECTOR SHAFT		1			23 30 7 681 314			
2	GROOVED BALL BEARING		1			23 12 7 681 317			
3	SNAP RING		1			23 11 7 687 087			
4	SHAFT SEAL		1			23 12 7 681 321			

Diagrams 23_0964 SHIFT LEVER

Series: K25 R1200 GS

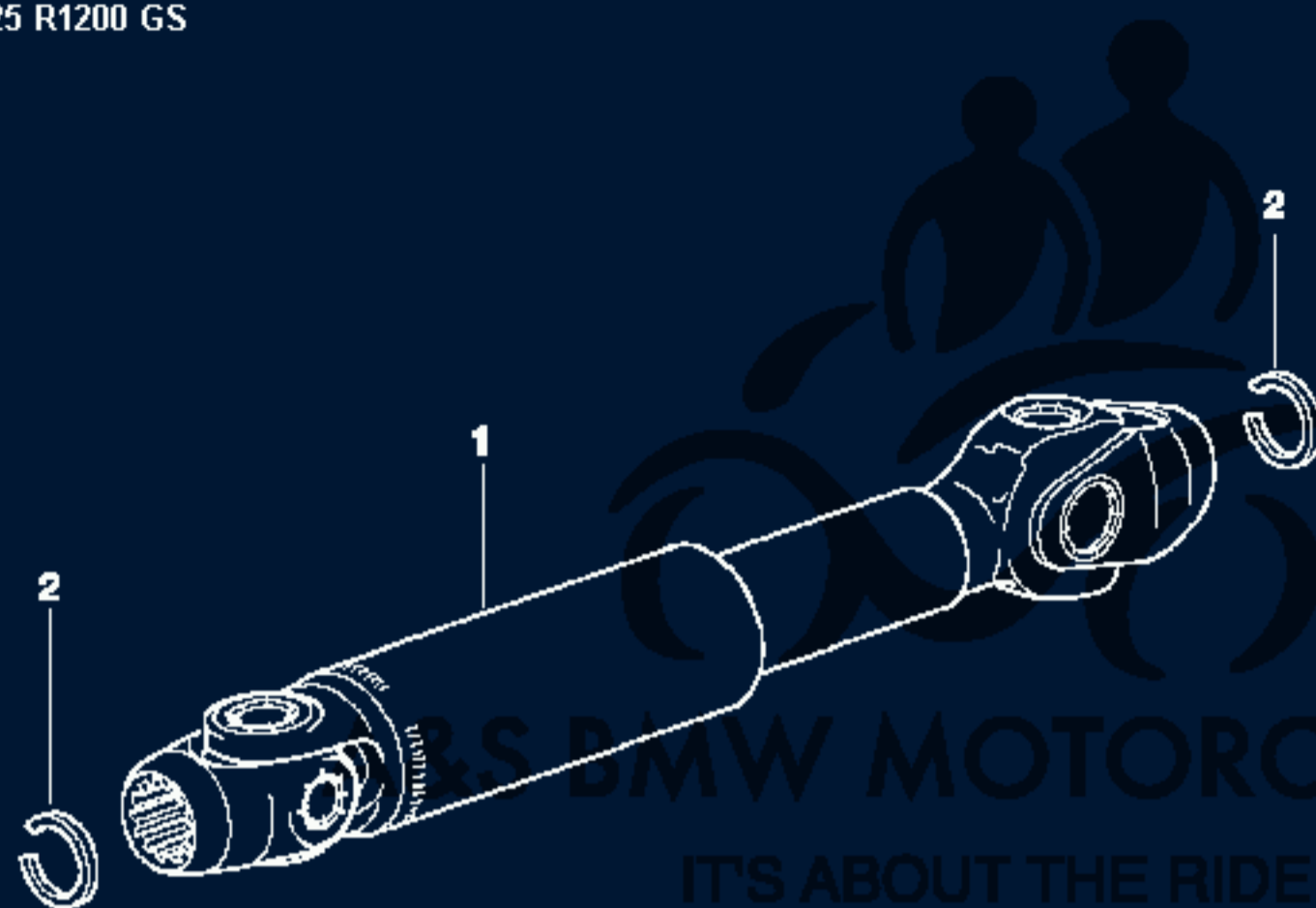


00141273

No.	Description	Supplement	Qty	From	Up To	Part Number	AT	R	TI
1	SHIFT LEVER		1			23 41 7 671 067		1	
2	SELECTOR ROD	L=70,6MM	1			23 41 2 332 282			
3	SELECTOR SHAFT		1			23 41 7 670 379			
4	SHIFT LEVER		1			23 41 7 670 378		1	
5	ASA-BOLT	M6X25	2			07 12 9 903 970			
6	BUSHING		1			23 41 1 341 592			
7	BEARING SHELL		2			23 41 1 341 593			
8	BUSH BEARING		2			23 41 7 674 079			
9	WASHER		1			23 41 7 673 906			

Diagrams 26_0118 DRIVE SHAFT

Series: K25 R1200 GS



ASCYCLÉS BMW MOTORCYCLES
IT'S ABOUT THE RIDE!
WWW.ASCYCLES.COM

00010818

No.	Description	Supplement	Qty	From	Up To	Part Number	AT	R	TI
1	DRIVE SHAFT, COMPLETE		1			26 11 7 665 803		1	

Diagrams 31_0684 FORK LEG

Series: K25 R1200 GS

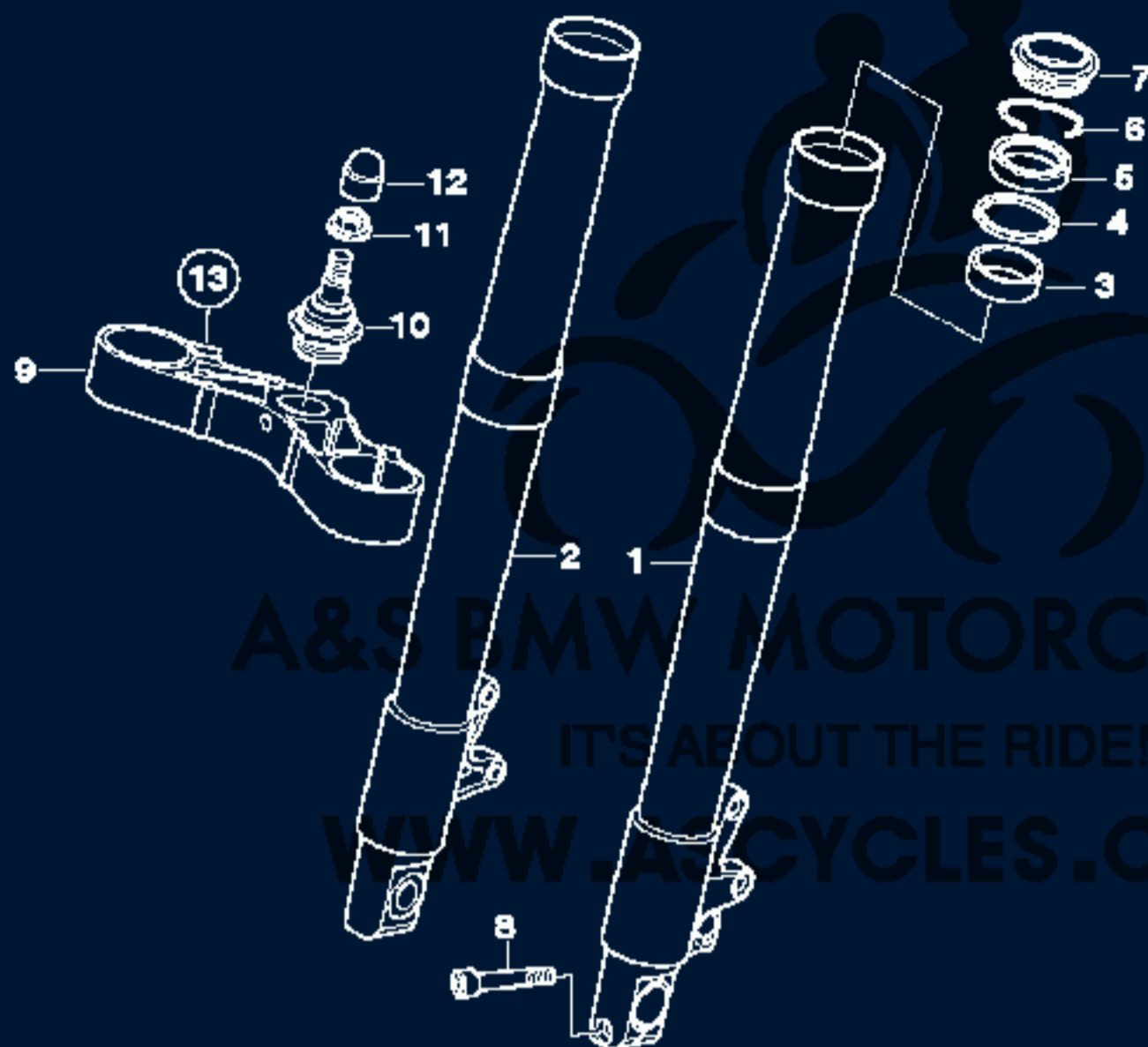


00131816

No.	Description	Supplement	Qty	From	Up To	Part Number	AT	R	TI
1	FORK LEG LEFT		1			31 42 7 664 951		1	
2	FORK LEG RIGHT		1			31 42 7 664 952		1	
3	HYDRAULIC OIL	5000ML	X			31 42 7 652 283			T

Diagrams 31_0685 FORK SLIDER/LOWER FORK BRIDGE

Series: K25 R1200 GS



A&S BMW MOTORCYCLES

IT'S ABOUT THE RIDE!

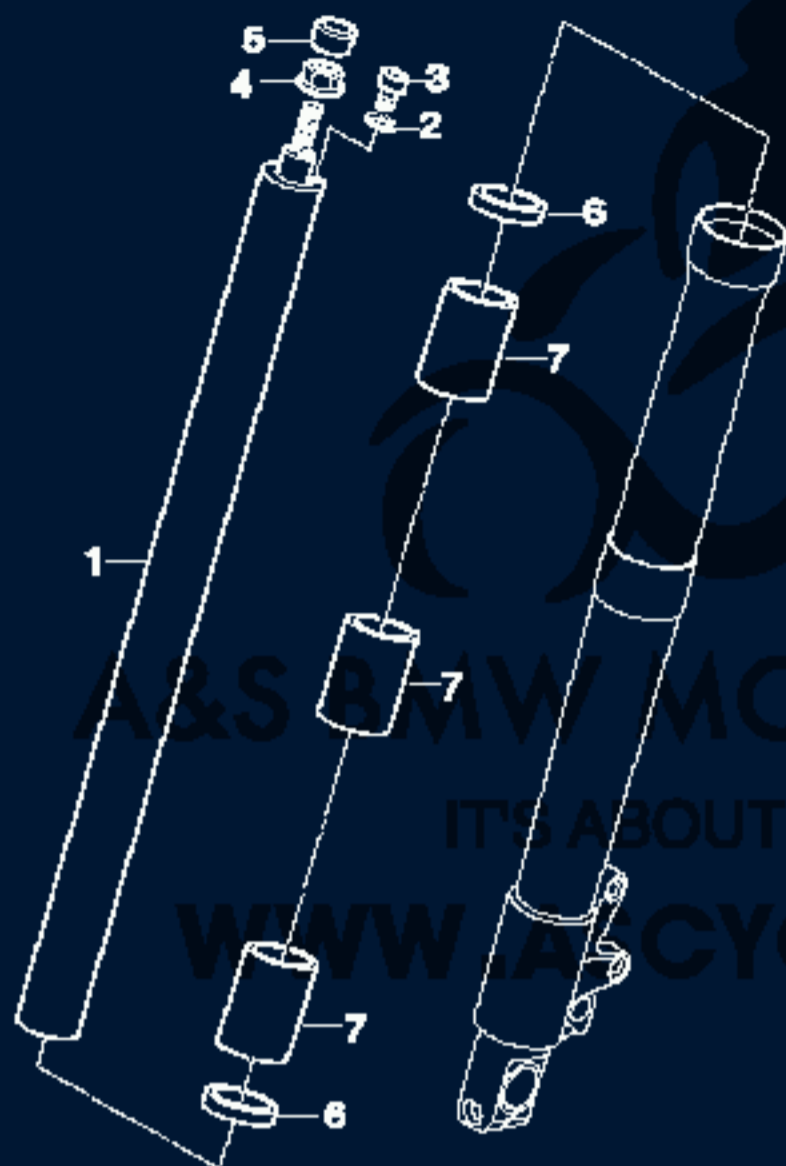
WWW.A&SCYCLES.COM



No.	Description	Supplement	Qty	From	Up To	Part Number	AT	R	TI
1	LEFT FORK SLIDER		1			31 42 7 664 953		1	
2	RIGHT FORK SLIDER		1			31 42 7 664 954		1	
3	GUIDE BUSH		4			31 42 7 666 227			
4	SPACER RING		2			31 42 7 666 226			
5	GASKET RING		2			31 42 7 666 225			
6	SUPPORTING RING		2			31 42 7 666 224			
7	DUST PROTECTION COLLAR	D=41	2			31 42 7 666 223			
8	ISA SCREW	M8X35	1			07 12 9 904 068			
9	FORK BRIDGE, BOTTOM, WITH MOUNTING		1			31 42 7 664 956		1	
10	BALL JOINT		1			31 42 7 652 644		1	
11	COLLAR NUT	M14X1,5	1			31 42 2 330 996			
12	COVER	SCHWARZ	1			31 42 2 314 711			
13	ISA SCREW	M8X25	4			07 12 9 904 066			

Diagrams 31_0686 TELESCOPE-FORK

Series: K25 R1200 GS

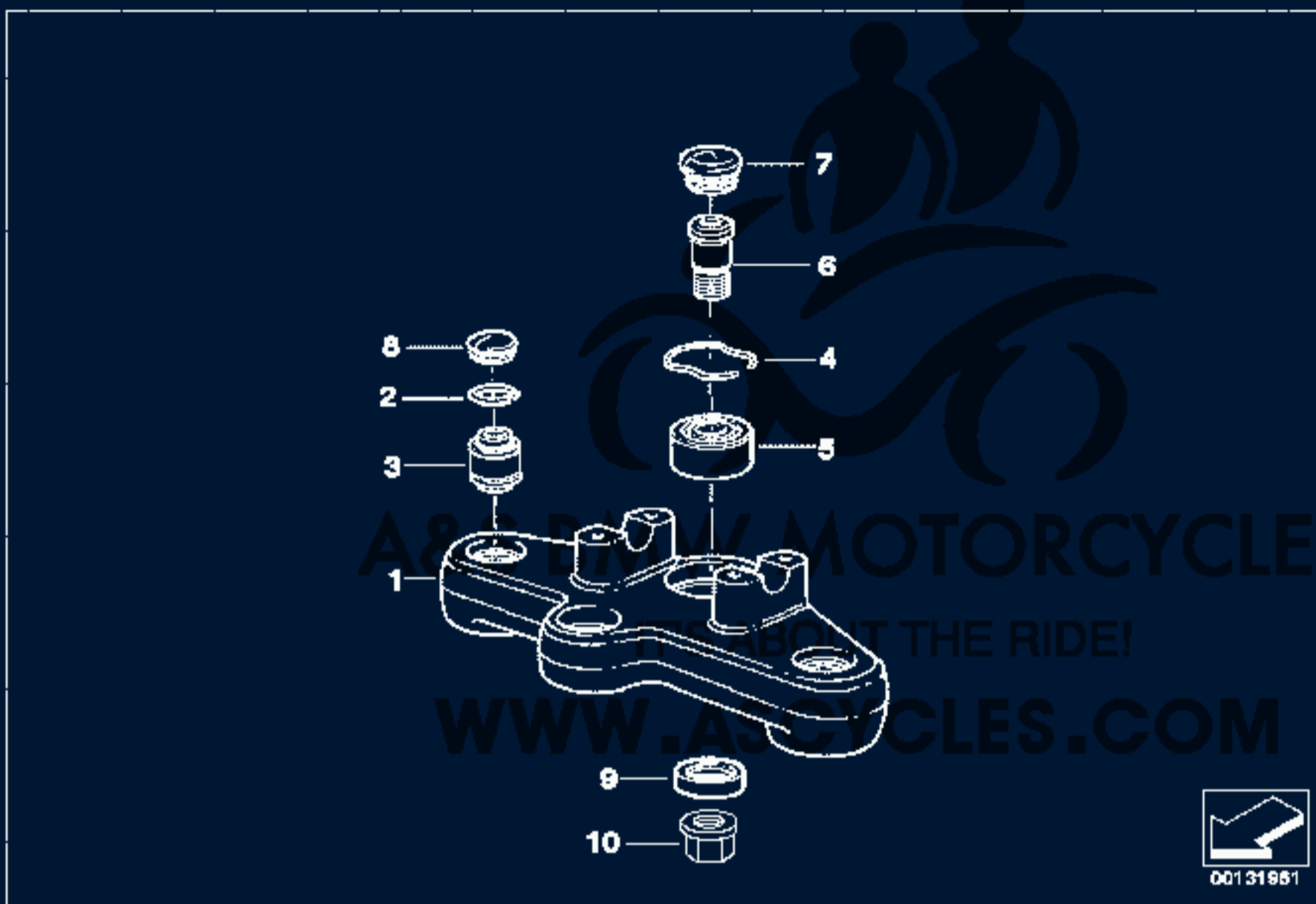


00131940

No.	Description	Supplement	Qty	From	Up To	Part Number	AT	R	TI
1	STANCHION	D=41	2			31 42 7 664 959		1	
2	O-RING		2			31 42 7 674 776			
3	ISA SCREW	M4X8-8.8	2			07 12 9 904 838			
4	HEX NUT	M10X1,25	2			31 42 7 684 743			
5	COVER		2			31 42 2 330 541			
6	GUIDE BUSH		4			31 42 7 666 227			
7	PIPE		6			31 42 7 674 810			

Diagrams 31_0529 UPPER FORK BRIDGE

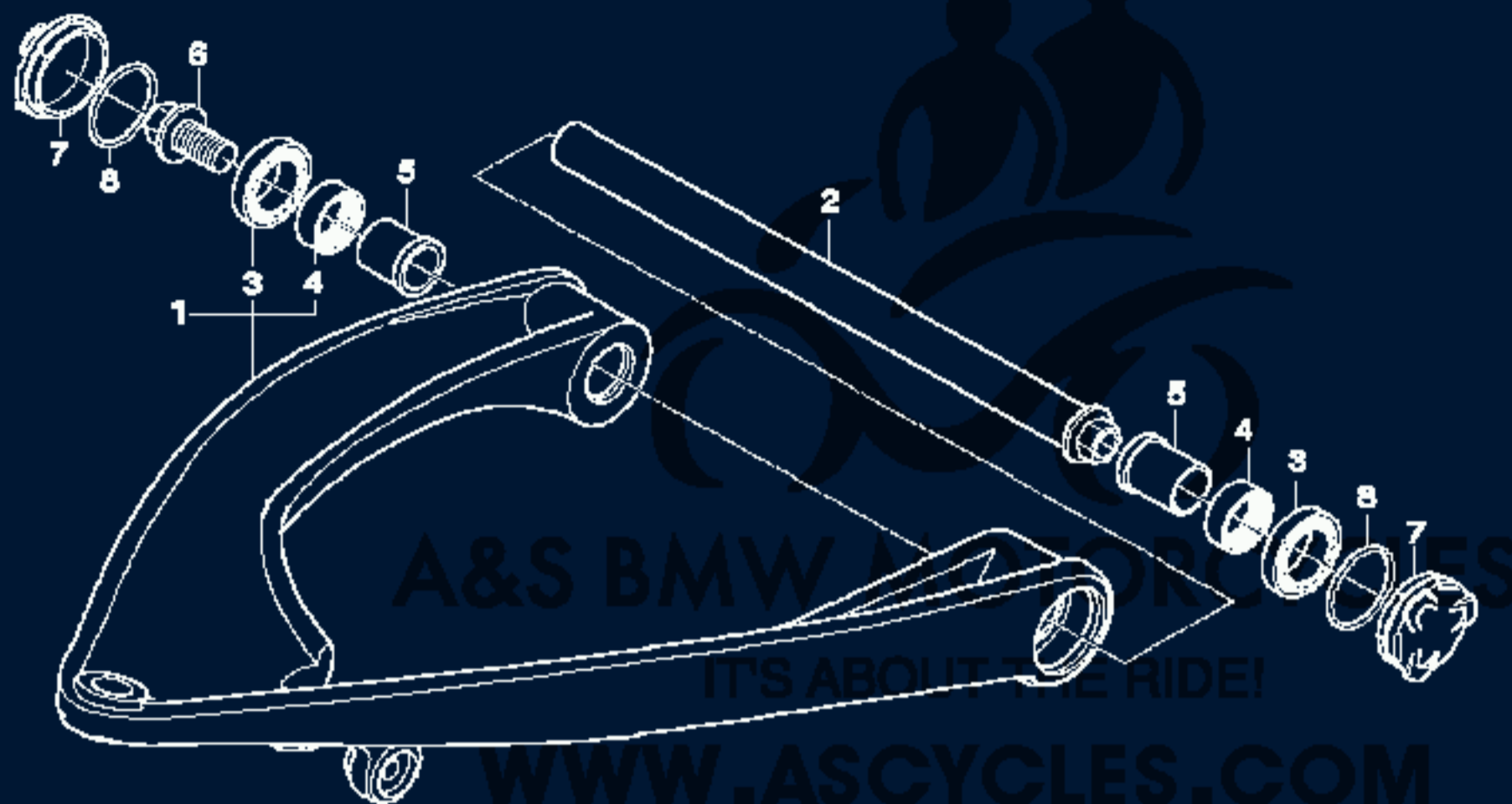
Series: K25 R1200 GS



No.	Description	Supplement	Qty	From	Up To	Part Number	AT	R	TI
1	FORK BRIDGE, TOP, WITH MOUNTING		1			31 42 7 664 928		1	
2	SNAP RING	26X1,2	2			31 42 2 331 942			
3	JOINT LINK		2			31 42 2 314 135		1	
4	LOCK RING		1			31 42 2 311 989			
5	ANGULAR CONTACT BALL BEARING,RADIAL	47X20X20,6	1			31 42 2 314 725		1	
6	BEARING BOLT		1			31 42 7 676 129			
7	COVERING CAP		1			31 42 2 314 132			
8	COVERING CAP		2			31 42 7 671 358			
10	COLLAR NUT	M14X1,5	1			31 42 2 330 996			

Diagrams 31_0687 TRAILING ARM

Series: K25 R1200 GS

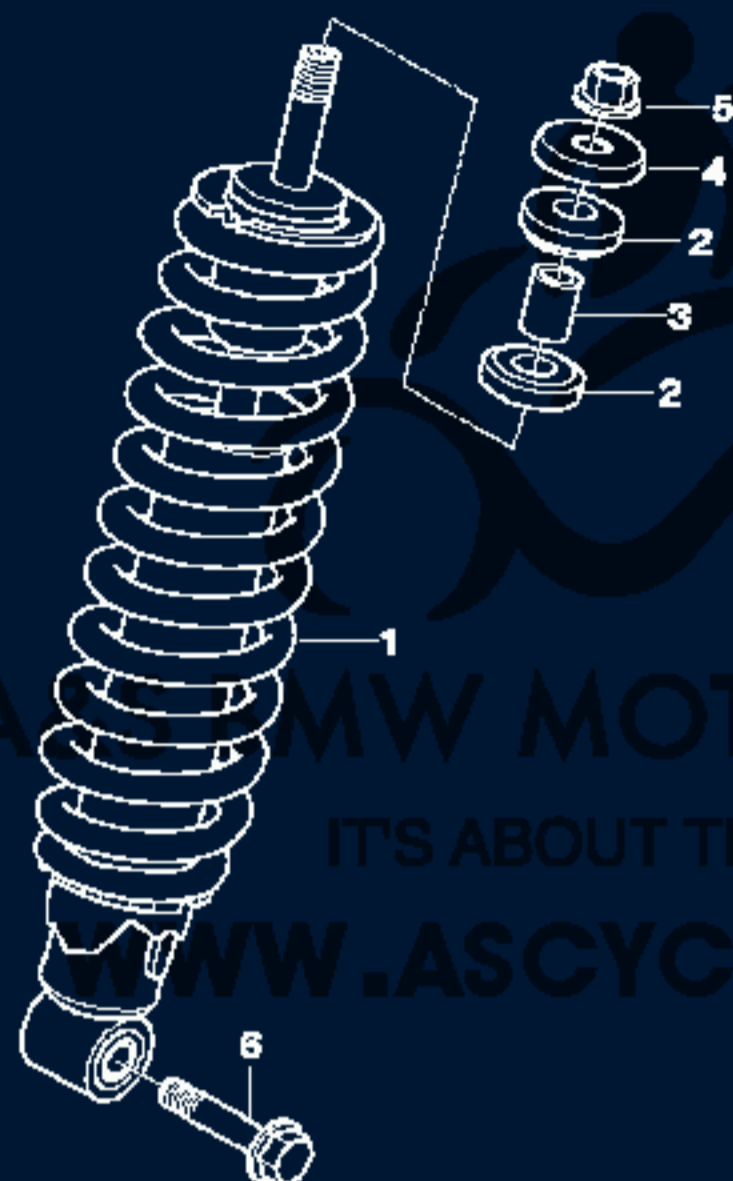


00137716

No.	Description	Supplement	Qty	From	Up To	Part Number	AT	R	TI
1	SILVER TRAILING ARM		1			31 42 7 680 715		1	
2	AXLE		1			31 42 7 665 666			
3	GROOVED BALL BEARING	6004 2RS	2			31 42 7 665 667			
4	NEEDLE SLEEVE		2			31 42 7 665 668			
5	NEEDLE BEARING INNER RING		2			31 42 7 674 014			
6	HEX BOLT	M12X20	1			07 11 9 904 488			
7	COVERING CAP		2			46 51 7 675 124			
8	O-RING	39X2	2			07 11 9 905 268			

Diagrams 31_0688 FRONT SPRING STRUT

Series: K25 R1200 GS



ADVANCED MOTORCYCLES

IT'S ABOUT THE RIDE!

WWW.ASCYCLES.COM

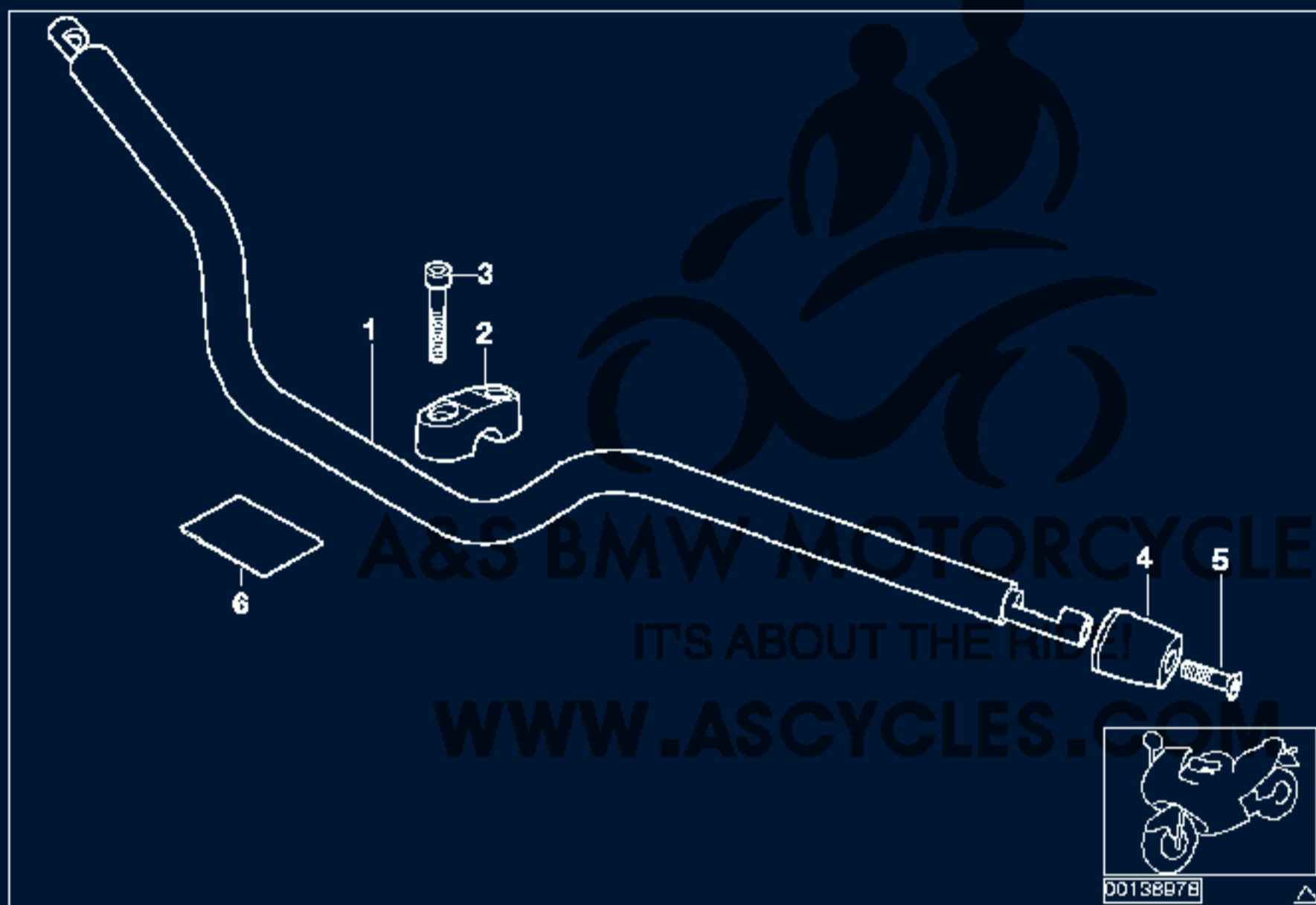


00131983

No.	Description	Supplement	Qty	From	Up To	Part Number	AT	R	TI
1	FRONT SPRING STRUT		1			31 42 7 659 619		1	T
2	BUSH		2			31 42 2 311 994			
3	SPACER SLEEVE		1			31 42 7 665 662			
4	FLAT WASHER	10,5	1			07 11 9 936 401			
5	HEX NUT	M10X1,25	1			07 11 9 900 291			
6	FIT BOLT	M10X50	1			31 42 7 686 733			

Diagrams 32_1248 HANDLEBAR

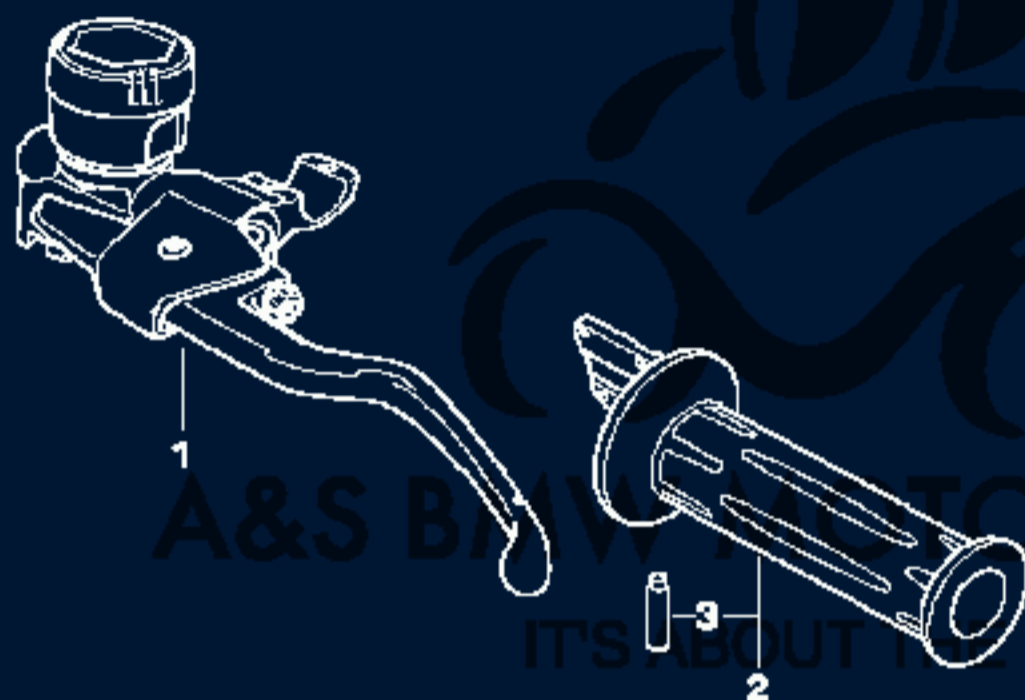
Series: K25 R1200 GS



No.	Description	Supplement	Qty	From	Up To	Part Number	AT	R	TI
1	HANDLEBAR, TUBULAR		1			32 71 7 674 599		1	
2	CLAMPING SUPPORT	D=28,5	2			32 71 7 664 356			
3	ASA-BOLT	M8X30	4			07 12 9 904 798			
4	BALANCE WEIGHT		2			32 71 7 673 846			
5	COUNTERSUNK SCREW								
5	COUNTERSUNK SCREW	M12X80	2			32 71 7 675 470	AE		
5	COUNTERSUNK SCREW	M12X80	2			32 71 7 689 087			

Diagrams 32_1502 COMPLETE LEFT HANDLE UNIT

Series: K25 R1200 GS



WWW.ASCYCLES.COM

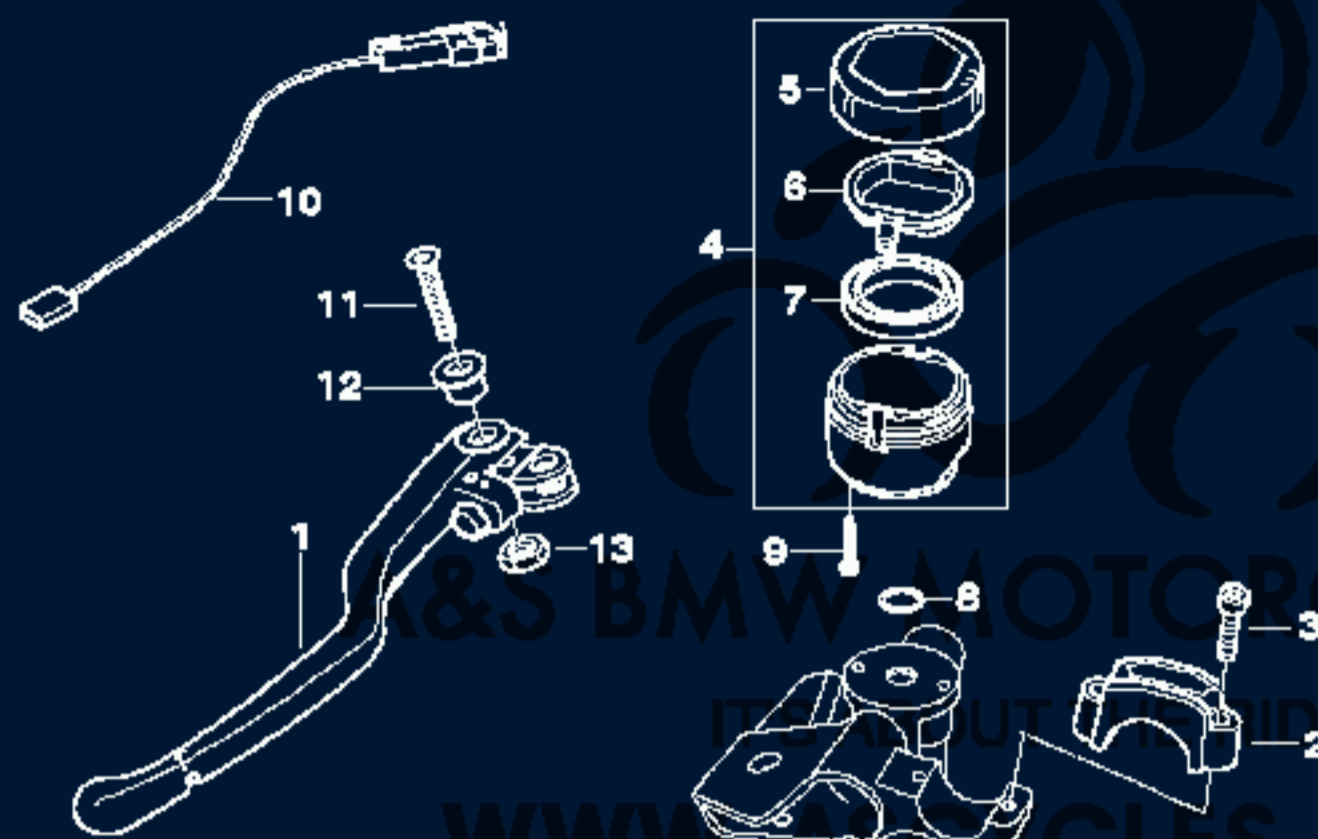


00143477

No.	Description	Supplement	Qty	From	Up To	Part Number	AT	R	TI
1	CLUTCH HANDLEBAR FITTING	D=13	1			32 72 7 669 681		1	I
2	HANDLE LEFT		1			61 31 7 673 549		1	
3	RECESSED OVAL HEAD SHEET-METAL SCREW	ST4,2X13	2			07 11 9 902 527			

Diagrams 32_1523 HANDLE UNIT LEFT/SINGLE PARTS

Series: K25 R1200 GS

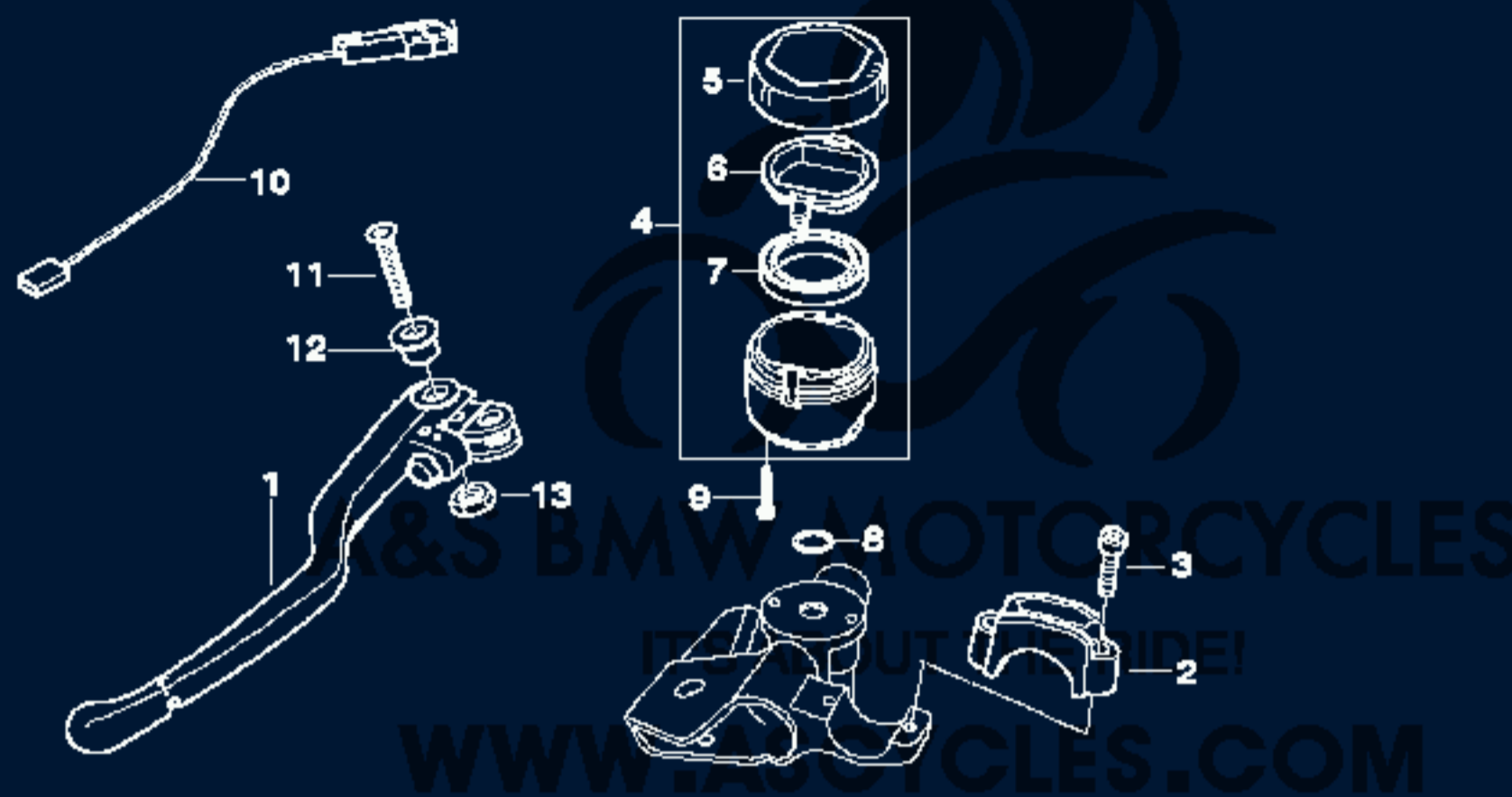


00143884

No.	Description	Supplement	Qty	From	Up To	Part Number	AT	R	TI
1	ONLY FOR REPAIR AT THE DEALER'S CLUTCH LEVER		1			32 72 7 691 637		1	
2	CLAMPING SUPPORT								
	FOR VEHICLES WITH HAND PROTECTOR	X589A = YES							
2	CLAMPING SUPPORT		1			32 72 7 664 677			
	FOR VEHICLES WITH HAND PROTECTOR	X589A = NO							
2	CLAMP		1			32 72 7 673 917			
3	ISA SCREW	M5X20	2			07 12 9 904 792			
4	EXPANSION TANK		1			21 52 7 669 907			
5	COVER		1			21 52 7 674 106			
6	CIRCLIP		1			21 52 7 674 108			
7	RUBBER BOOT		1			21 52 7 674 107			
8	O-RING		1			32 72 7 678 443			
9	PLASTIC BOLT		2			32 72 7 675 118			
10	MICROSWITCH								
	ONLY FOR REPAIR AT THE DEALER'S								
10	MICROSWITCH		1			61 31 7 671 111		1	
--	ONLY IN CONJUNCTION WITH ADJUSTING SCREW		1			32 72 7 673 996			
--	SECURING PIN		1			32 72 7 675 747			
11	COUNTERSUNK HEAD SCREW		1			32 72 7 673 989			

Diagrams 32_1523 HANDLE UNIT LEFT/SINGLE PARTS

Series: K25 R1200 GS

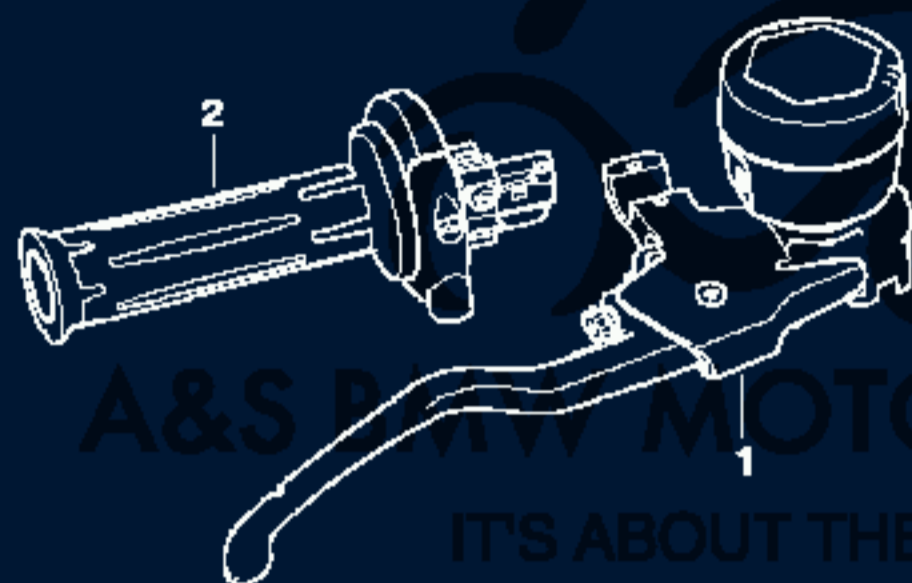


00143884

No.	Description	Supplement	Qty	From	Up To	Part Number	AT	R	TI
2	CLAMPING SUPPORT								
	FOR VEHICLES WITH HAND PROTECTOR								
	CLAMPING SUPPORT	X589A = YES	1			32 72 7 664 677			
	FOR VEHICLES WITH HAND PROTECTOR								
	CLAMP	X589A = NO	1			32 72 7 673 917			
3	ISA SCREW	M5X20	2			07 12 9 904 792			
4	EXPANSION TANK		1			21 52 7 669 907			
5	COVER		1			21 52 7 674 106			
6	CIRCLIP		1			21 52 7 674 108			
7	RUBBER BOOT		1			21 52 7 674 107			
8	O-RING		1			32 72 7 678 443			
9	PLASTIC BOLT		2			32 72 7 675 118			
10	MICROSWITCH								
	ONLY FOR REPAIR AT THE DEALER'S								
10	MICROSWITCH		1			61 31 7 671 111			1
	ONLY IN CONJUNCTION WITH								
--	ADJUSTING SCREW		1			32 72 7 673 996			
--	SECURING PIN		1			32 72 7 675 747			
11	COUNTERSUNK HEAD SCREW		1			32 72 7 673 989			
12	SLEEVE		1			32 72 7 673 990			
13	HEX NUT	M5-A2-70	1			07 11 9 903 070			

Diagrams 32_1503 COMPLETE RIGHT HANDLE UNIT

Series: K25 R1200 GS



WWW.ASCYCLES.COM

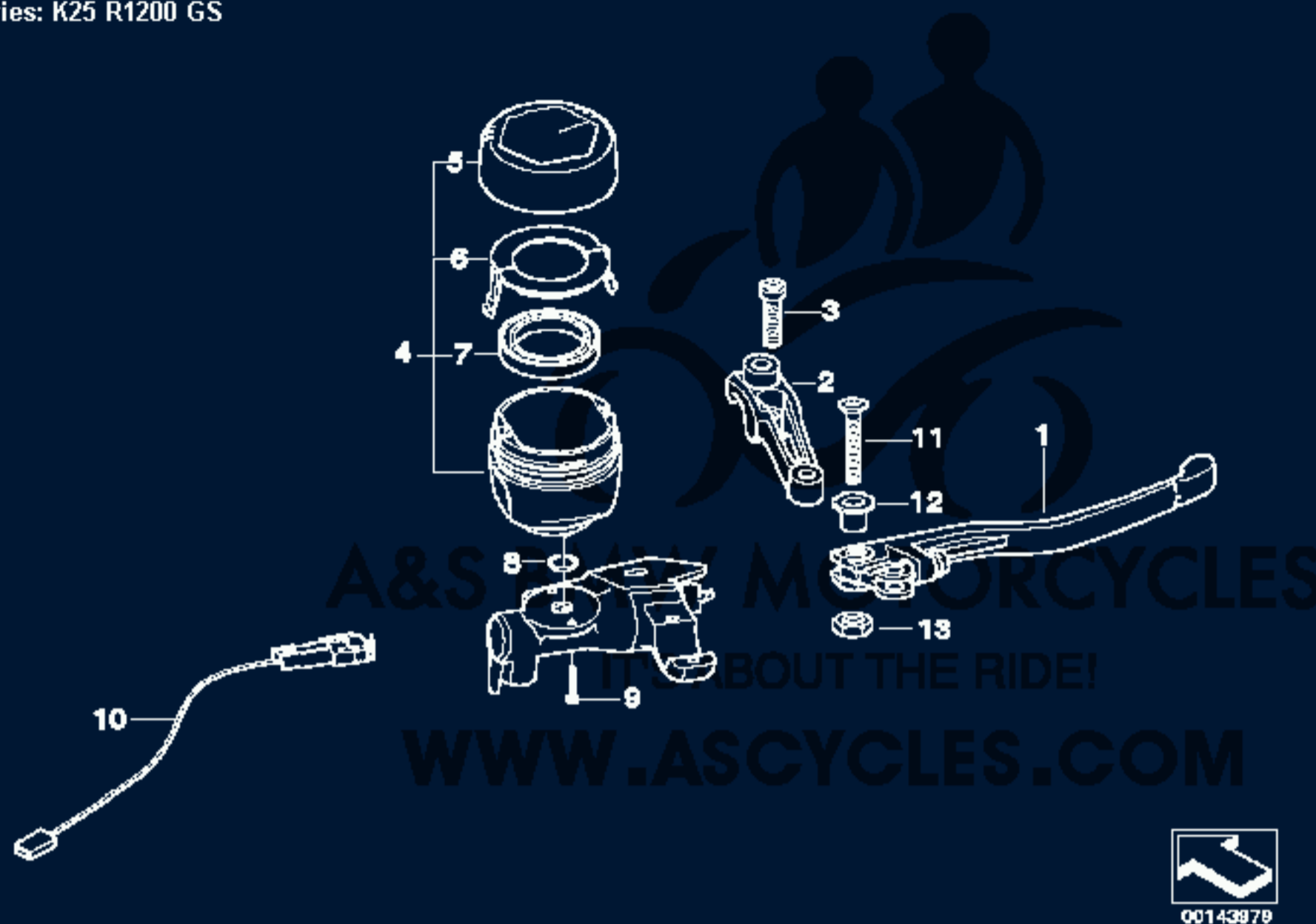


00136124

No.	Description	Supplement	Qty	From	Up To	Part Number	AT	R	TI
1	BRAKE HANDLEBAR FITTING	D=16	1			32 72 7 669 680		1	1
	FOR VEHICLES WITH HEATED HANDLEBAR GRIPS	X519A = NO							
2	HANDLE UNIT, RIGHT		1			61 31 7 673 550		1	

Diagrams 32_1524 HANDLE UNIT RIGHT/SINGLE PARTS

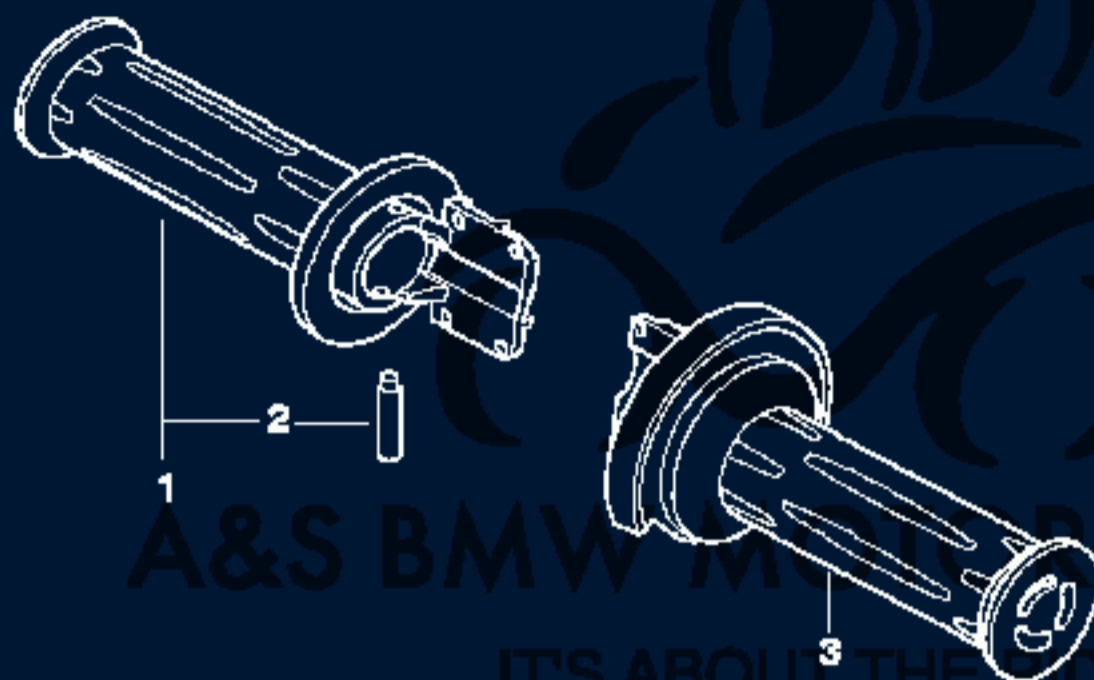
Series: K25 R1200 GS



No.	Description	Supplement	Qty	From	Up To	Part Number	AT	R	TI
1	ONLY FOR REPAIR AT THE DEALER'S BRAKE LEVER		1			32 72 7 691 636		1	
2	CLAMPING SUPPORT								
	FOR VEHICLES WITH HAND PROTECTOR	X589A = YES							
2	CLAMPING SUPPORT		1			32 72 7 664 677			
	FOR VEHICLES WITH HAND PROTECTOR	X589A = NO							
2	CLAMP		1			32 72 7 673 917			
3	ISA SCREW	M5X20	2			07 12 9 904 792			
4	EXPANSION TANK		1			32 72 7 666 151		1	
5	COVER		1			32 72 7 673 998			
6	CIRCLIP		1			32 72 7 674 000			
7	RUBBER BOOT		1			32 72 7 673 999			
8	O-RING		1			32 72 7 675 117			
9	PLASTIC BOLT		2			32 72 7 675 118			
10	ONLY FOR REPAIR AT THE DEALER'S MICROSWITCH		1			61 31 7 671 111		1	
11	COUNTERSUNK HEAD SCREW		1			32 72 7 673 989			
12	SLEEVE		1			32 72 7 673 990			
13	HEX NUT	M5-A2-70	1			07 11 9 903 070			

Diagrams 32_1505 HEATED HANDLEBAR GRIPS

Series: K25 R1200 GS



A&S BMW MOTORCYCLES

IT'S ABOUT THE RIDE!

WWW.ASCYCLES.COM

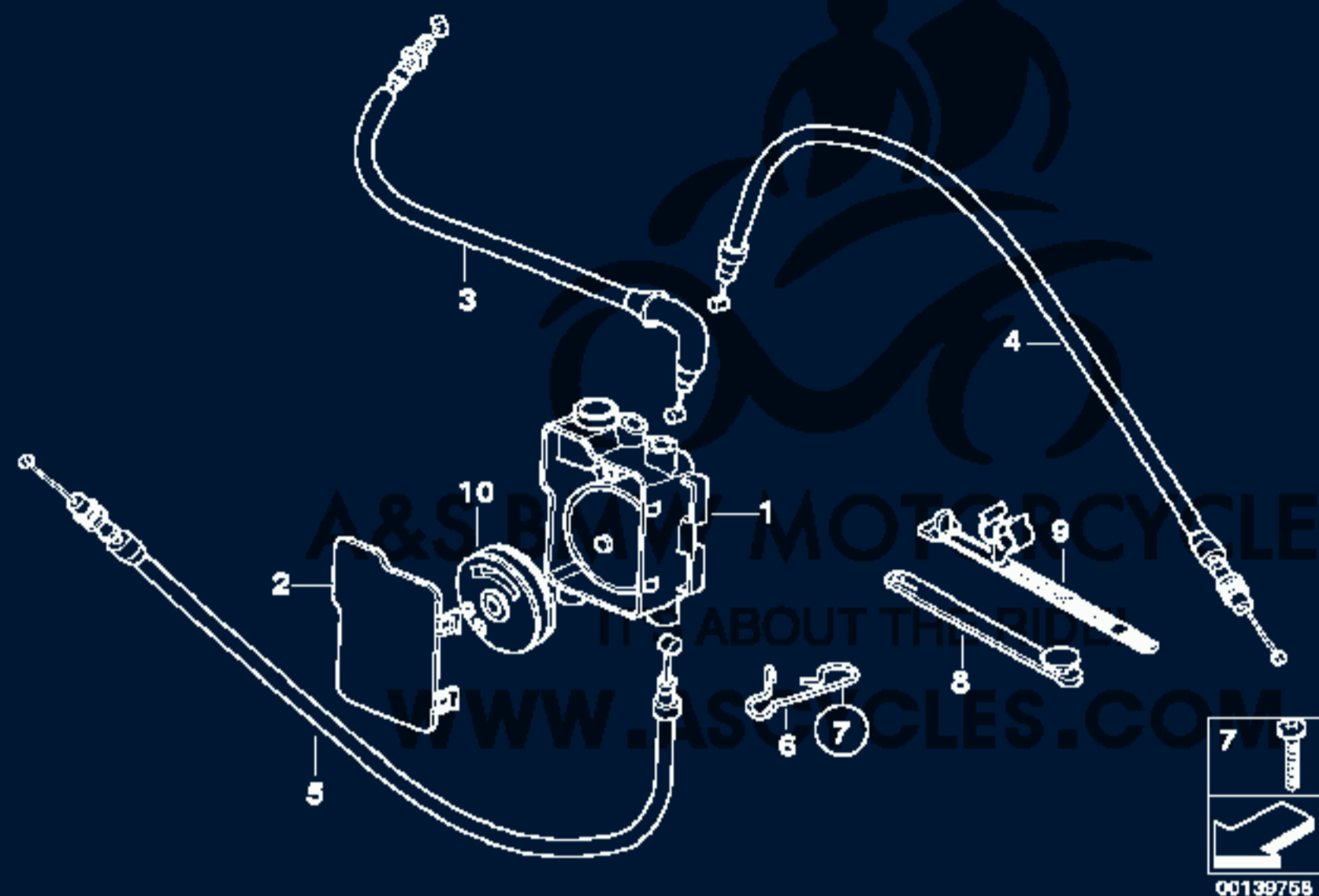


00136457

No.	Description	Supplement	Qty	From	Up To	Part Number	AT	R	TI
FOR VEHICLES WITH HEATED HANDLEBAR GRIPS									
1	HEATED HANDLE, LEFT	X519A = YES	1			61 31 7 671 605		1	
2	RECESSED OVAL HEAD SHEET-METAL SCREW	ST4,2X13	2			07 11 9 902 527			
FOR VEHICLES WITH HEATED HANDLEBAR GRIPS									
3	HEATED HANDLE, RIGHT	X519A = YES	1			61 31 2 352 054		1	

Diagrams 32_1504 BOWDEN CABLE/CABLE DISTRIBUTOR

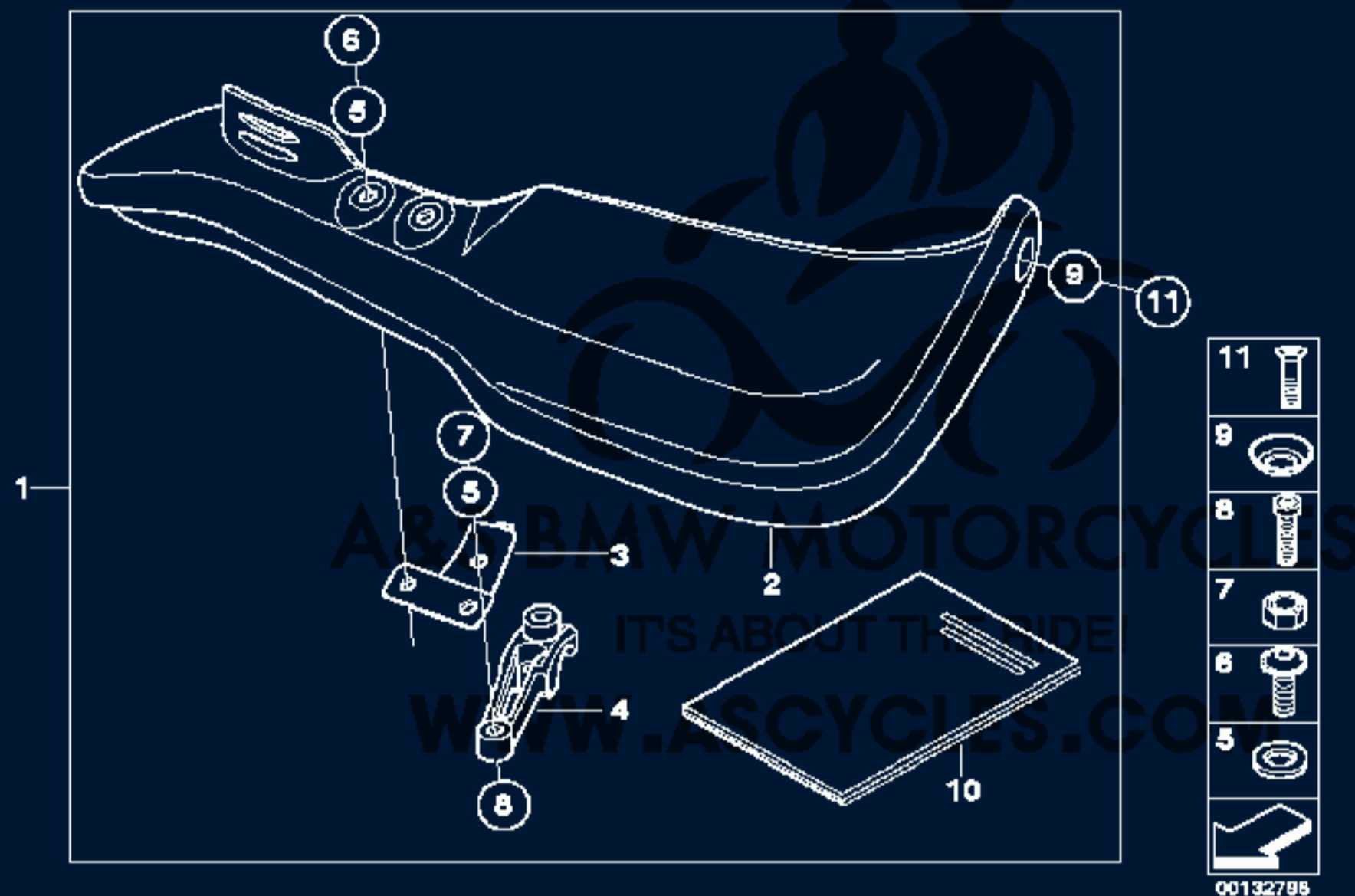
Series: K25 R1200 GS



No.	Description	Supplement	Qty	From	Up To	Part Number	AT	R	TI
1	CABLE DISTRIBUTOR		1			32 73 7 670 564			
2	COVER		1			32 73 7 670 565			
3	ACCELERATOR CABLE AT DISTRIBUTOR		1			32 73 7 670 566		1	
4	ACCELERATOR BOWDEN CABLE, LEFT		1			32 73 7 670 567		1	
5	ACCELERATOR BOWDEN CABLE, RIGHT		1			32 73 7 670 568		1	
6	SPACER		1			32 73 7 684 620			
7	FILLISTER HEAD SCREW	M5X12	1			06 32 7 651 211			
8	HOSE CLAMP, DOUBLE		1			32 73 7 687 120			
9	TENSION STRAP	L=75	1			32 73 7 687 119			
10	DOUBLE CABLE PULLEY		1			32 73 7 669 398			

Diagrams 32_1490 HAND PROTECTOR

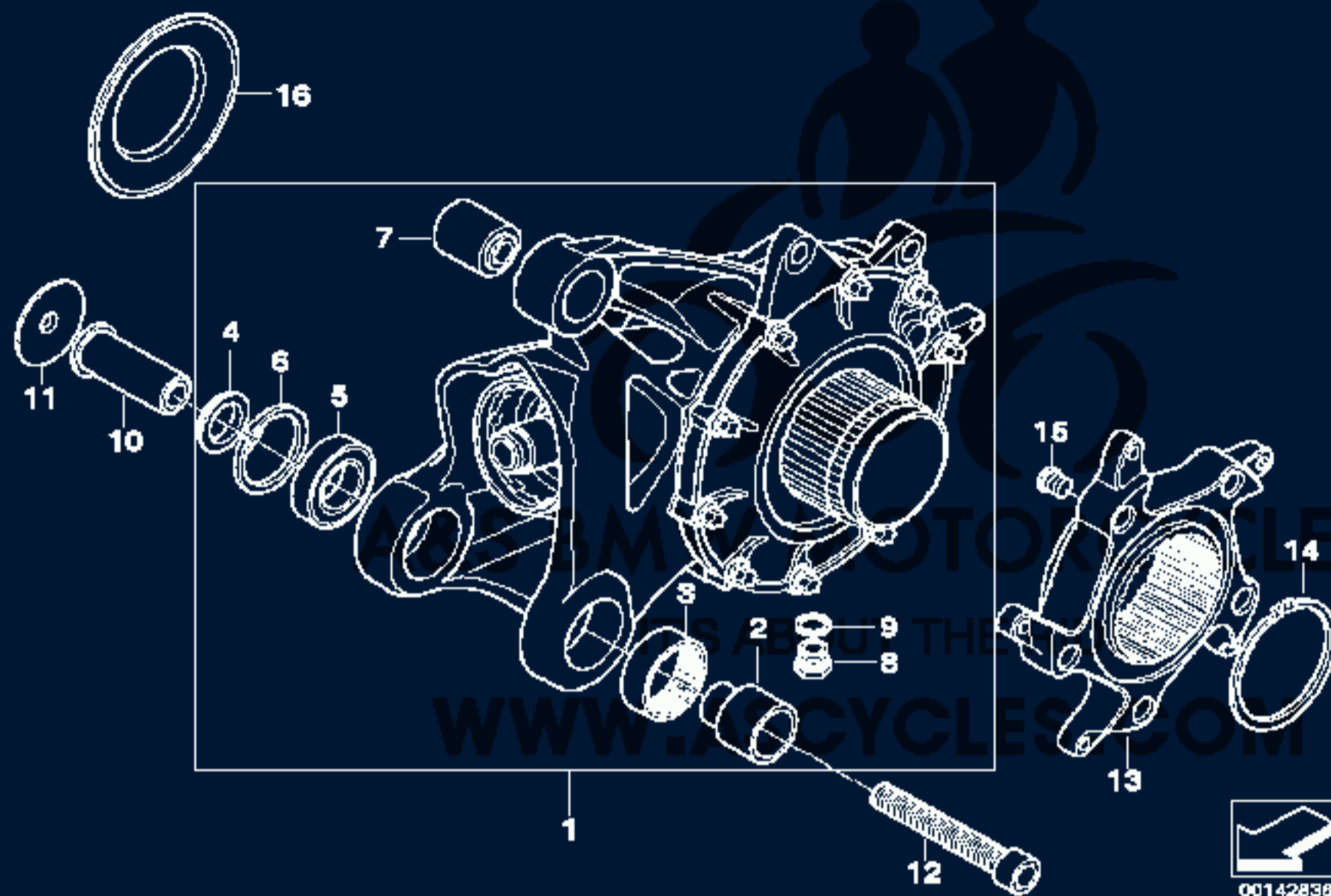
Series: K25 R1200 GS



No.	Description	Supplement	Qty	From	Up To	Part Number	AT	R	TI
2	HAND PROTECTOR LEFT								
2	HAND PROTECTOR LEFT		1			32 72 7 667 685			
2	HAND PROTECTOR RIGHT		1			32 72 7 667 686			
3	BRACKET, HAND PROTECTOR LEFT								
3	BRACKET, HAND PROTECTOR LEFT		1			32 72 7 684 575			
3	BRACKET, HAND PROTECTOR RIGHT		1			32 72 7 684 576			
4	CLAMPING SUPPORT		2			32 72 7 664 677			
5	FLAT WASHER		3			46 61 2 308 594			
6	FILLISTER HEAD SCREW	M5X14	4			46 63 7 657 650			
7	HEX NUT	M5-A2-70	4			07 11 9 903 070			
8	FLANGED CAP SCREW	M5X12	2			46 63 2 325 997			
9	BUSH		2			32 72 7 677 852			
10	INSTALL.INSTRUCTIONS, HAND PROTECTOR	R1200GS	1			01 29 7 687 838			
11	COUNTERSUNK SCREW								
11	COUNTERSUNK SCREW	M12X80	2			32 71 7 675 470	AE		
11	COUNTERSUNK SCREW	M12X80	2			32 71 7 689 087			

Diagrams 33_1224 FINAL DRIVE

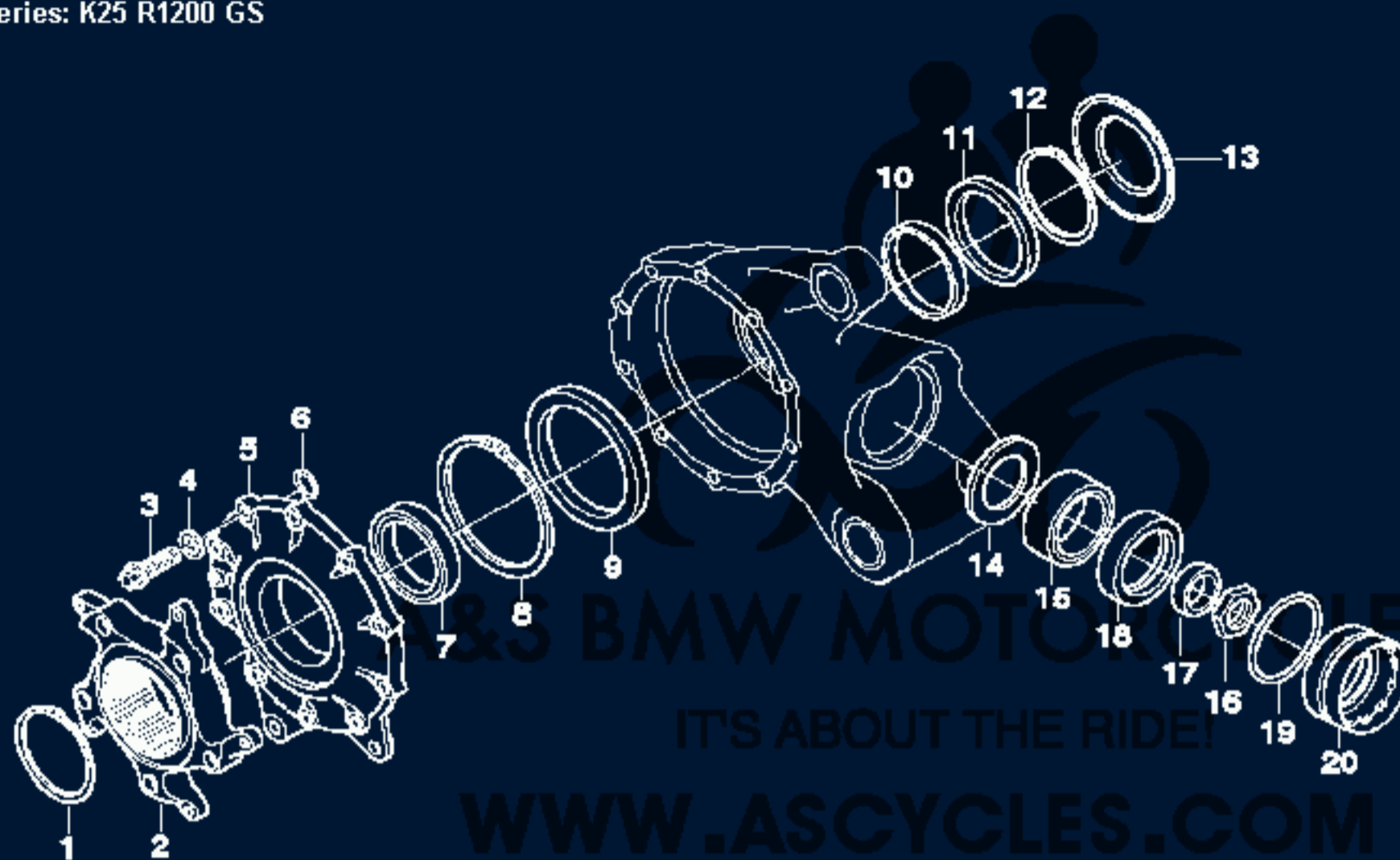
Series: K25 R1200 GS



No.	Description	Supplement	Qty	From	Up To	Part Number	AT	R	TI
1	FINAL DRIVE, SILVER	I=31:11=2,82	1			33 11 7 665 060		1	
2	PIVOT PIN		1			33 17 7 665 148			
3	NEEDLE SLEEVE		1			33 11 7 684 640			
4	SPACER RING		1			33 17 7 672 817			
5	ANGULAR CONTACT BALL BEARING,RADIAL		1			33 11 7 665 037			
6	LOCK RING	42X1,75	1			07 11 9 905 077			
7	RUBBER MOUNTING		1			33 17 2 312 249			
8	SCREW PLUG		1			33 11 7 665 027			
9	O-RING	11,2X1,8	1			07 11 9 904 690			
10	PIVOT PIN		1			33 17 7 665 149			
11	COVER		1			33 17 7 674 694			
12	ISA SCREW	M12X1,5X80	1			07 12 9 904 667			
13	FLANGE		1			33 11 7 668 659			
14	LOCK RING	62X2	1			07 11 9 905 076			
16	COVER		1			33 11 7 665 055			

Diagrams 33_1265 FINAL DRIVE PARTS

Series: K25 R1200 GS

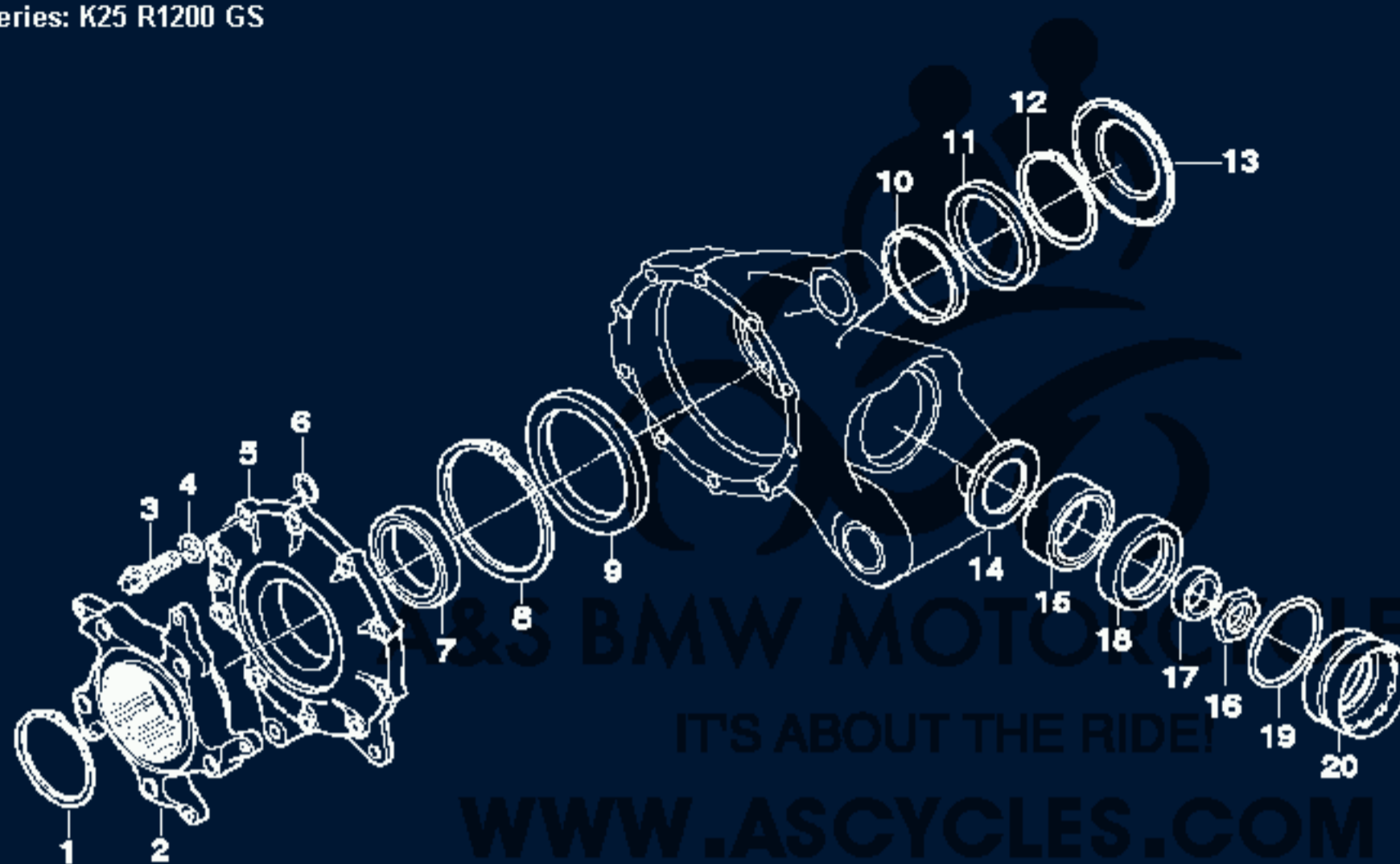


00141919

No.	Description	Supplement	Qty	From	Up To	Part Number	AT	R	TI
1	LOCK RING	62X2	1			07 11 9 905 076			
2	FLANGE		1			33 11 7 668 659	A		
2	FLANGE		1			33 11 7 694 910			
3	FILLISTER HEAD SCREW	M8X30	X			33 11 7 686 682			
5	HOUSING COVER SCHWARZ		1			33 11 7 665 040		1	
6	O-RING	138X2,62	1			07 11 9 904 692			
7	GROOVED BALL BEARING	6013-2RS	1			07 11 9 904 694			
8	LOCK RING	100X3	1			07 11 9 904 689			
9	SHAFT SEAL	80X100X9	1			33 11 7 679 864			
10	NEEDLE SLEEVE		1			33 11 7 674 121			
11	SHAFT SEAL	60X75X8	1			33 11 7 679 862			
12	LOCK RING	75X2	1			33 11 7 675 132			
13	COVER		1			33 11 7 665 055			
14	SPACER RING	1,500MM	1			33 12 1 230 717			
14	SPACER RING	1,550MM	1			33 12 1 230 718			
14	SPACER RING	1,600MM	1			33 12 1 230 719			
14	SPACER RING	1,650MM	1			33 12 1 230 720			
14	SPACER RING	1,700MM	1			33 12 1 230 721			
14	SPACER RING	1,750MM	1			33 12 1 230 722			
14	SPACER RING	1,800MM	1			33 12 1 230 723			
14	SPACER RING	1,850MM	1			33 12 1 230 724			
14	SPACER RING	1,900MM	1			33 12 1 230 725			
14	SPACER RING	1,950MM	1			33 12 1 230 726			
14	SPACER RING	2,000MM	1			33 12 1 230 727			
14	SPACER RING	2,050MM	1			33 12 1 230 728			
14	SPACER RING	2,100MM	1			33 12 1 230 729			
14	SPACER RING	2,150MM	1			33 12 1 230 730			
14	SPACER RING	2,200MM	1			33 12 1 230 731			

Diagrams 33_1265 FINAL DRIVE PARTS

Series: K25 R1200 GS



ASCYCLES
IT'S ABOUT THE RIDE!
WWW.ASCYCLES.COM

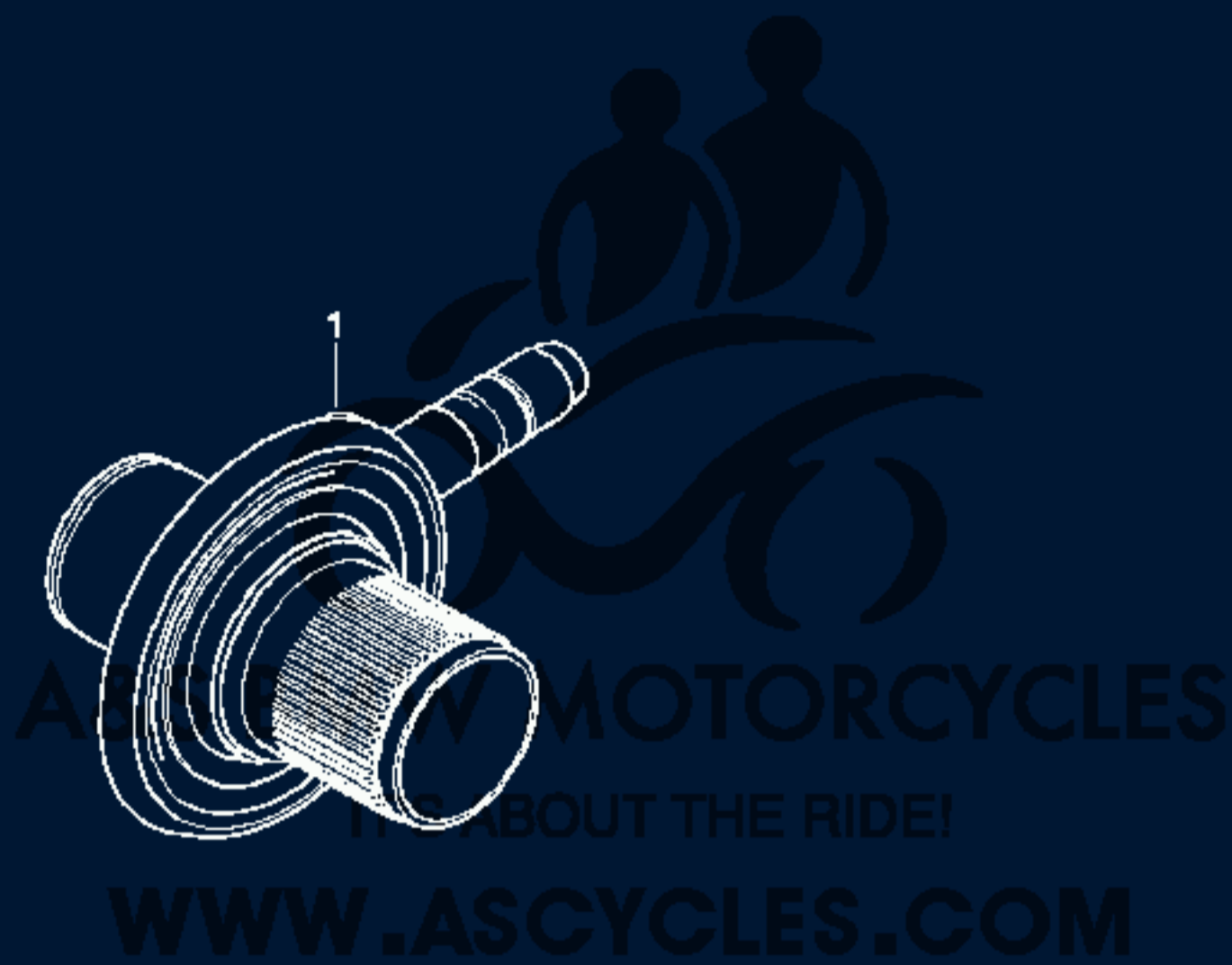


00141919

No.	Description	Supplement	Qty	From	Up To	Part Number	AT	R	TI
12	LOCK RING	75X2	1			33 11 7 675 132			
13	COVER		1			33 11 7 665 055			
14	SPACER RING								
14	SPACER RING	1,500MM	1			33 12 1 230 717			
14	SPACER RING	1,550MM	1			33 12 1 230 718			
14	SPACER RING	1,600MM	1			33 12 1 230 719			
14	SPACER RING	1,650MM	1			33 12 1 230 720			
14	SPACER RING	1,700MM	1			33 12 1 230 721			
14	SPACER RING	1,750MM	1			33 12 1 230 722			
14	SPACER RING	1,800MM	1			33 12 1 230 723			
14	SPACER RING	1,850MM	1			33 12 1 230 724			
14	SPACER RING	1,900MM	1			33 12 1 230 725			
14	SPACER RING	1,950MM	1			33 12 1 230 726			
14	SPACER RING	2,000MM	1			33 12 1 230 727			
14	SPACER RING	2,050MM	1			33 12 1 230 728			
14	SPACER RING	2,100MM	1			33 12 1 230 729			
14	SPACER RING	2,150MM	1			33 12 1 230 730			
14	SPACER RING	2,200MM	1			33 12 1 230 731			
14	SPACER RING	2,250MM	1			33 12 1 230 732			
14	SPACER RING	2,300MM	1			33 12 1 230 733			
14	SPACER RING	2,350MM	1			33 12 1 230 734			
14	SPACER RING	2,400MM	1			33 12 1 230 735			
14	SPACER RING	2,450MM	1			33 12 1 230 736			
14	SPACER RING	2,500MM	1			33 12 1 230 737			
15	AX-BEARING	25X62X25,4	1			33 12 2 310 925		1	
16	NUT MICROENCAPSULATED		1			33 11 1 458 089			
17	COMPRESSION RING		1			33 12 1 450 095			
18	SHAFT SEAL	35X47X7	1			33 11 7 679 860			
19	O-RING	58X2,62	1			07 11 9 904 691			
20	THREADED RING		1			33 11 7 665 034			

Diagrams 33_1266 DIFFERENTIAL GEAR SET

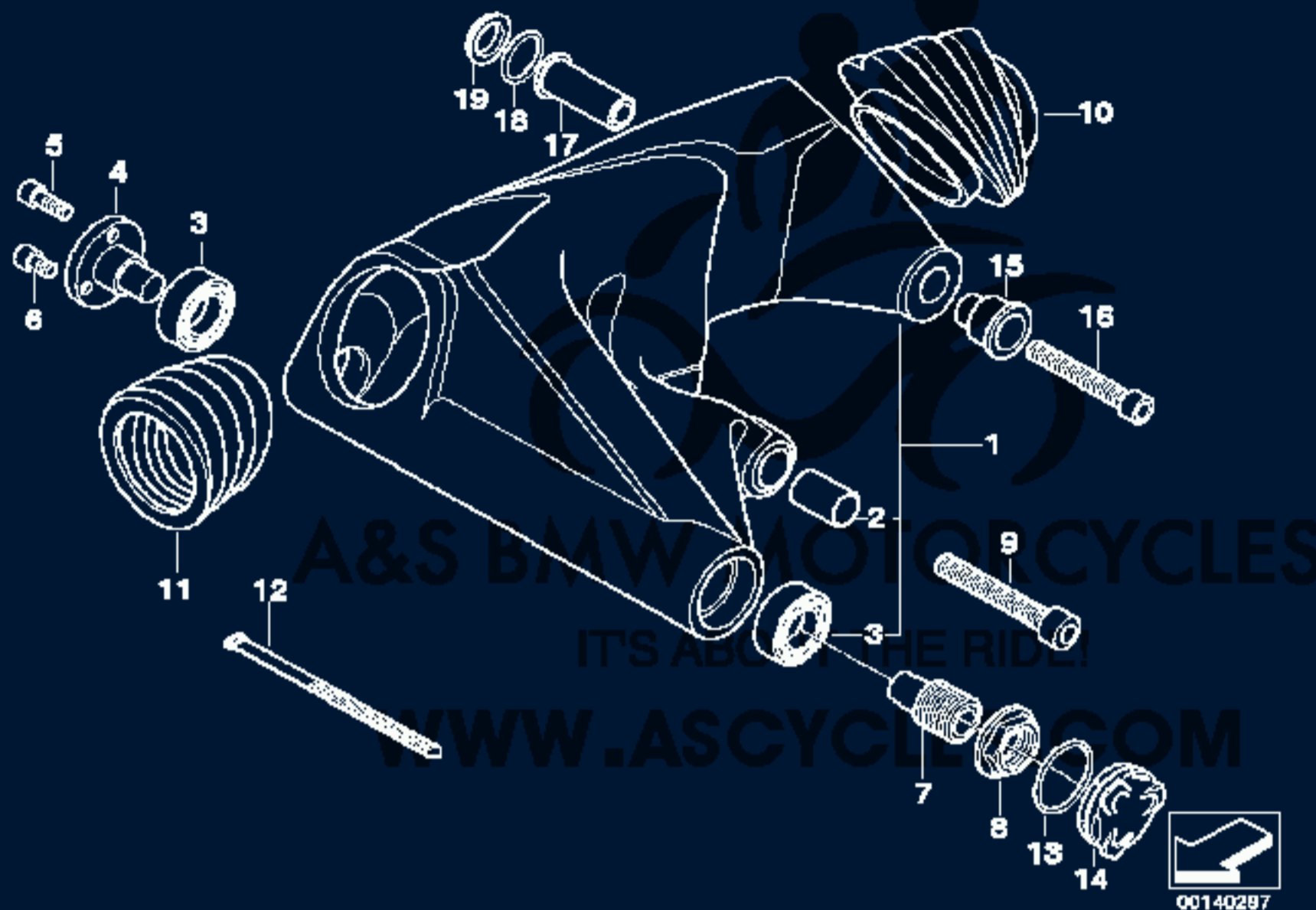
Series: K25 R1200 GS



No.	Description	Supplement	Qty	From	Up To	Part Number	AT	R	TI
1	CROWNGEAR SET	I=31:11=2,82	1			33 11 7 669 912		1	

Diagrams 33_1226 REAR TRAILING ARM

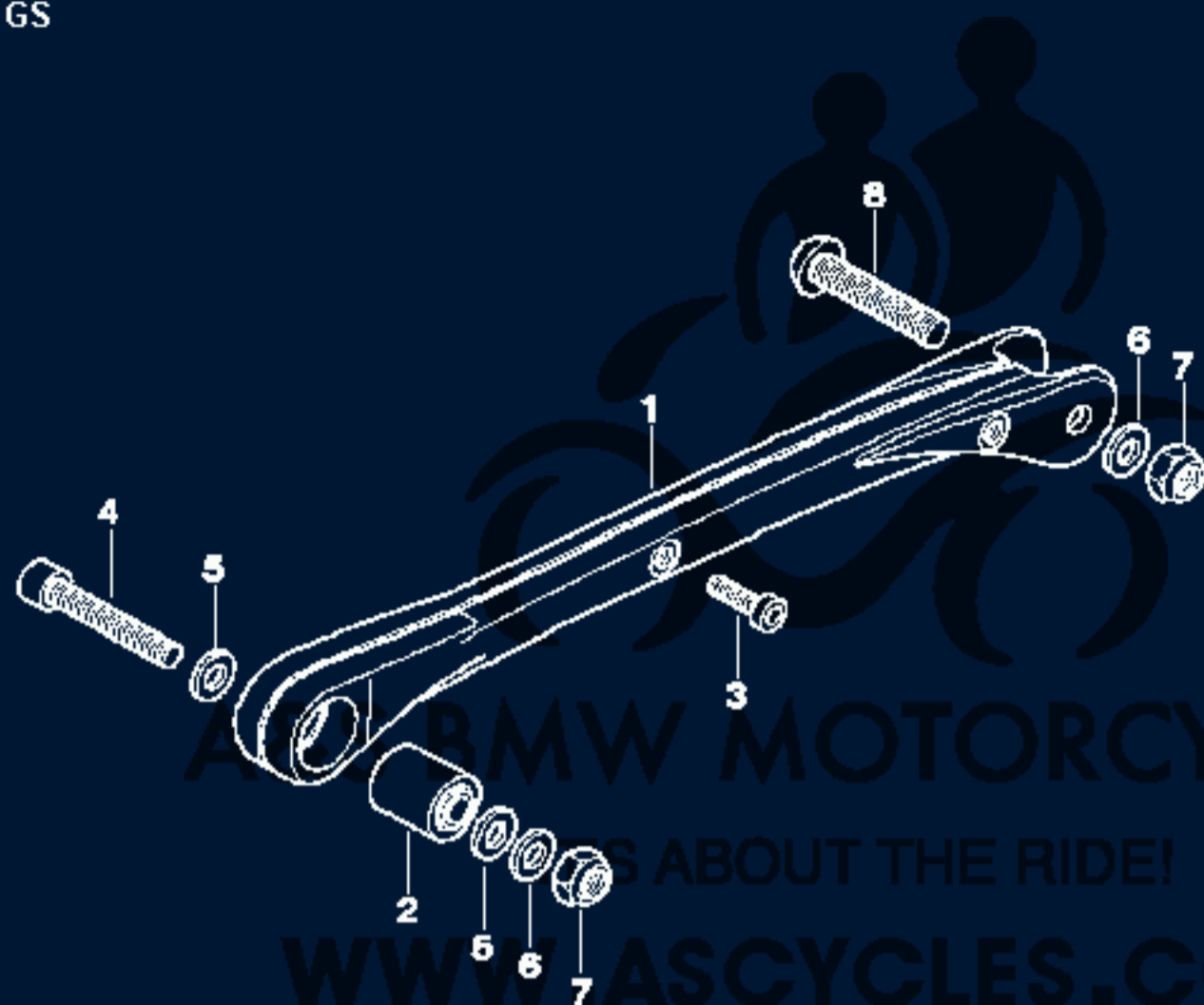
Series: K25 R1200 GS



No.	Description	Supplement	Qty	From	Up To	Part Number	AT	R	TI
1	REAR WHEEL FORK, SILVER		1			33 17 7 674 525		1	
2	FIT BUSH		1			33 17 2 338 103			
3	TAPERED ROLLER BEARING		2			33 17 2 311 729		1	
4	PIVOT PIN, RIGHT		1			33 17 2 332 569			
5	ISA SCREW	M6X16	3			07 12 9 904 588			
6	ISA SCREW	M6X8	1			07 12 9 904 668			
7	PIVOT PIN		1			33 17 2 335 110			
8	COLLAR NUT	M24X1,25	1			33 17 2 335 111			
9	ISA SCREW	M10X80	1			07 12 9 905 247			
10	RUBBER BOOT		1			33 17 7 685 052			
11	RUBBER BOOT		1			33 17 7 685 599			
12	CABLE STRAP		1			33 17 7 687 623			
13	O-RING	39X2	1			07 11 9 905 268			
14	COVERING CAP		1			46 51 7 675 124			
15	PIVOT PIN		1			33 17 7 665 148			
16	ISA SCREW	M12X1,5X80	1			07 12 9 904 667			
17	PIVOT PIN		1			33 17 7 665 149			
18	O-RING	34X1	1			07 11 9 904 693			
19	SPACER RING		1			33 17 7 672 817			

Diagrams 33_1225 TENSION STRUTS WITH MOUNTING

Series: K25 R1200 GS

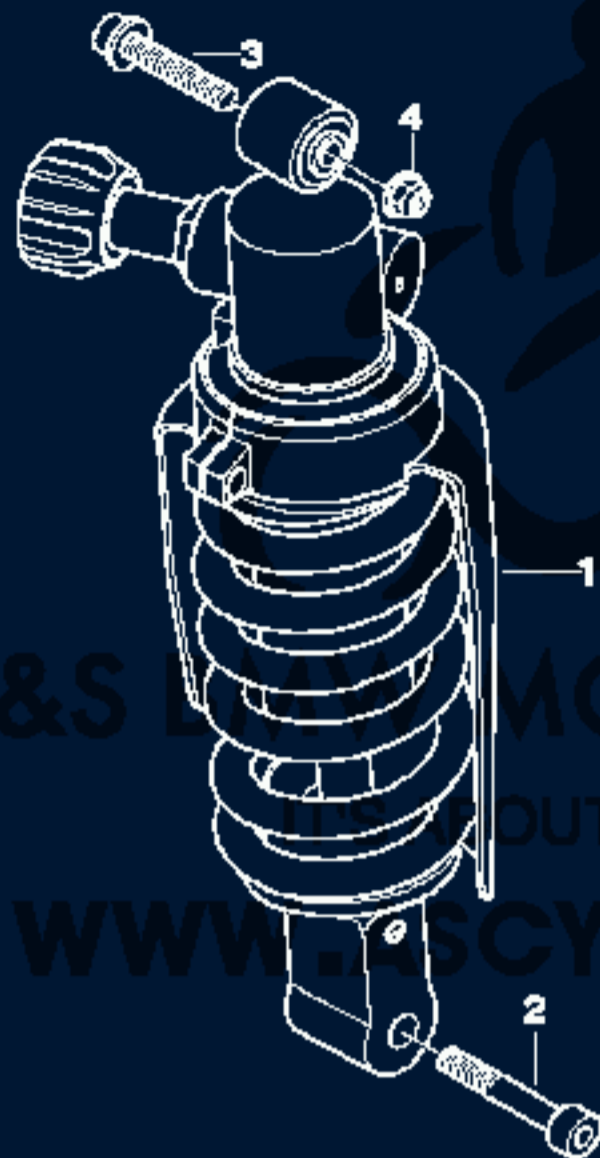


00134103

No.	Description	Supplement	Qty	From	Up To	Part Number	AT	R	TI
1	SILVER ROD	L=380	1			33 17 7 672 457		1	
2	RUBBER MOUNTING		1			33 17 2 312 249			
3	ISA SCREW	M6X16	1			07 12 9 905 261			
4	ISA SCREW	M10X55	1			07 12 9 904 659			
5	STOP DISK		2			33 17 7 655 783			
6	FLAT WASHER	A10,5	2			07 11 9 931 020			
7	SELF-LOCKING HEX NUT	M10	2			07 12 9 964 676			
8	ISA SCREW	M10X55 10.9 ZN:	1			33 17 7 674 574			

Diagrams 33_1214 REAR SPRING STRUT

Series: K25 R1200 GS



A&S MOTORCYCLES
DON'T MISS OUT THE RIDE!
WWW.A&SMOTORCYCLES.COM

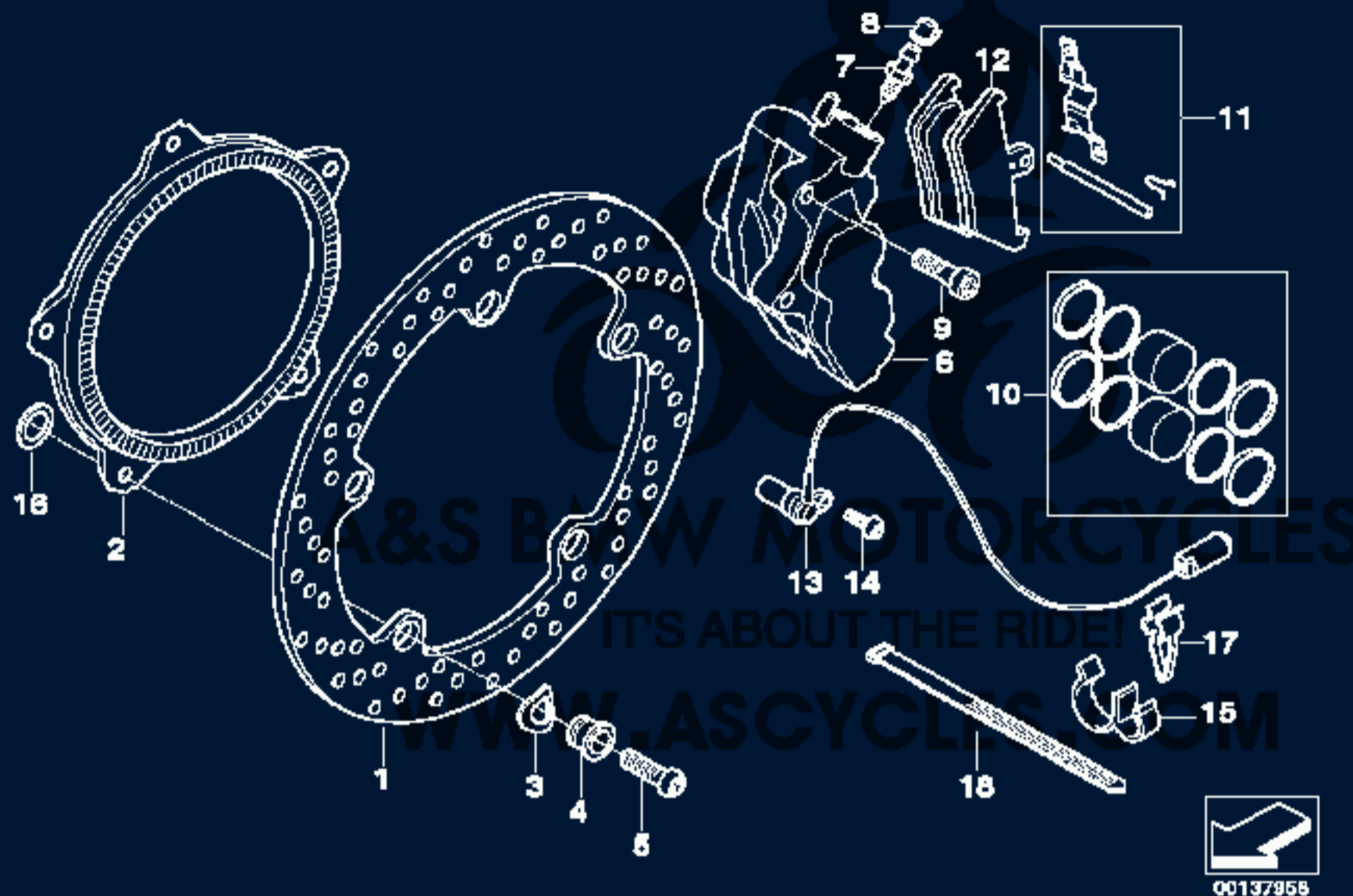


00131943

No.	Description	Supplement	Qty	From	Up To	Part Number	AT	R	TI
1	REAR SPRING STRUT		1			33 53 7 666 418		1	T
2	ISA SCREW	M10X80	1			07 12 9 905 247			
3	FIT BOLT M10X65X1,25		1			33 53 7 686 734			
4	SELF-LOCKING HEX NUT	M10X1,25	1			07 11 9 915 708			

Diagrams 34_1392 FRONT WHEEL BRAKE, INTEGRAL ABS

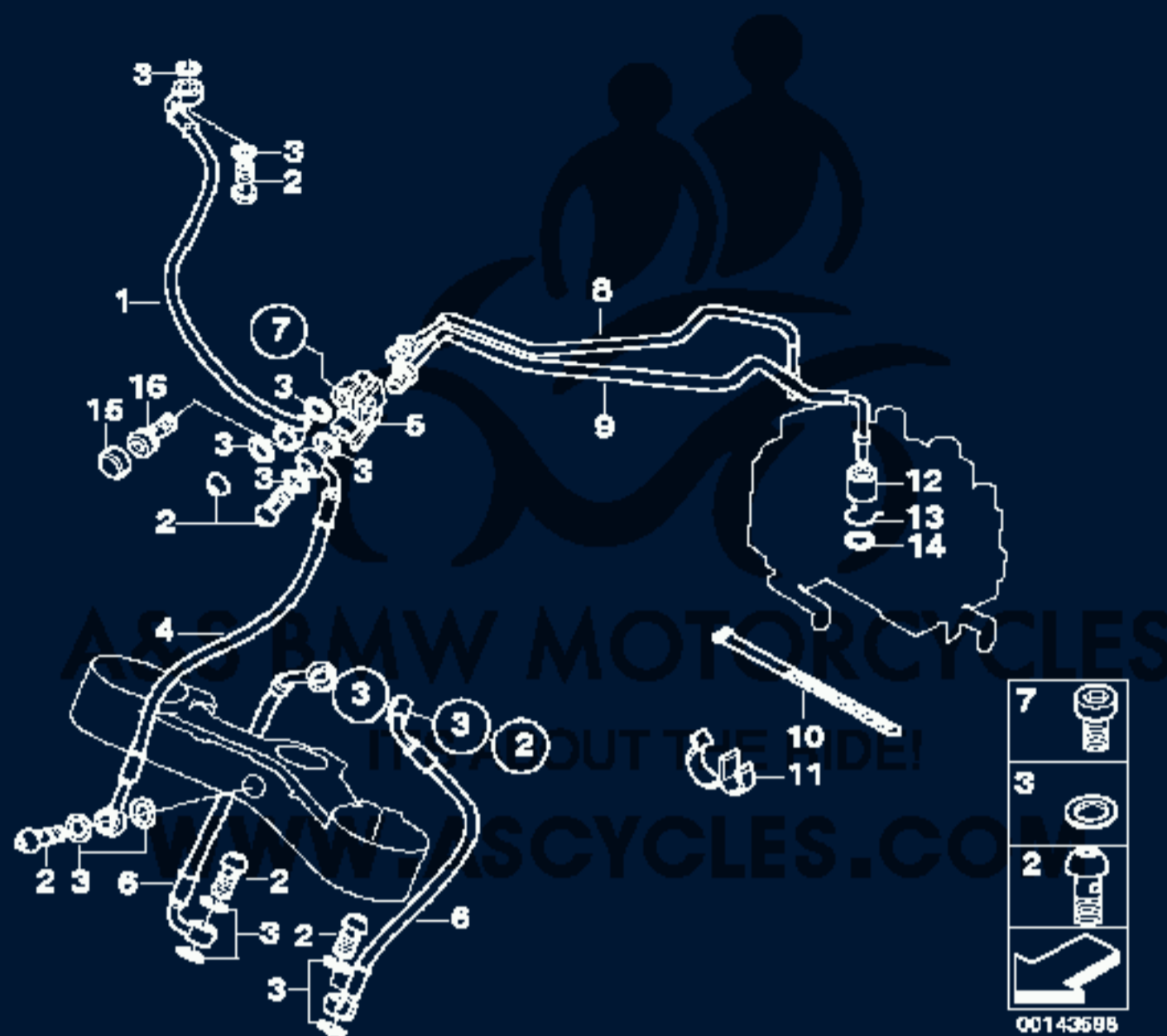
Series: K25 R1200 GS



No.	Description	Supplement	Qty	From	Up To	Part Number	AT	R	TI
1	BRAKE DISC		2			34 11 7 676 550		1	
2	SENSOR RING, FRONT, INTEGRAL ABS		1			34 52 7 667 325		1	
3	WAVE WASHER		X			34 11 2 314 888			
4	ROLL PIN		X			34 11 2 335 745			
5	FILLISTER HEAD SCREW	M 8X20	X			34 11 2 330 619			
6	BRAKE CALIPER EVO WITHOUT PAD, LEFT								
6	BRAKE CALIPER EVO WITHOUT PAD, LEFT	32/36 BREMBO	1			34 11 7 684 959		1	I
6	BRAKE CALIPER EVO WITHOUT PAD, RIGHT	32/36 BREMBO	1			34 11 7 684 960		1	I
7	VENT SCREW	M 10	2			34 21 2 330 310			
8	DUST CAP		2			34 21 1 236 794			
9	ISA SCREW	M8X32	4			34 11 7 653 171			
10	REPAIR SET BRAKE CALIPER	32/36	1			34 11 2 338 257			I
11	REPAIR KIT FOR ATTACHED PARTS		1			34 11 7 660 850			
12	REPAIR KIT, BRAKE PADS, SINTERED METAL		2			34 11 7 671 780		1	
13	ABS SENSOR		1			34 51 7 666 436		1	
14	OVAL HEAD SCREW	ISA M5X10	1			34 51 2 335 916			
15	TANDEM CLAMP		5			34 52 7 664 098			
16	STOP DISK		5			34 11 7 661 877			
18	CABLE STRAP	L=200MM/B=3,6	X			61 13 1 367 599			

Diagrams 34_1406 BRAKE PIPE, FRONT, INTEGRAL ABS

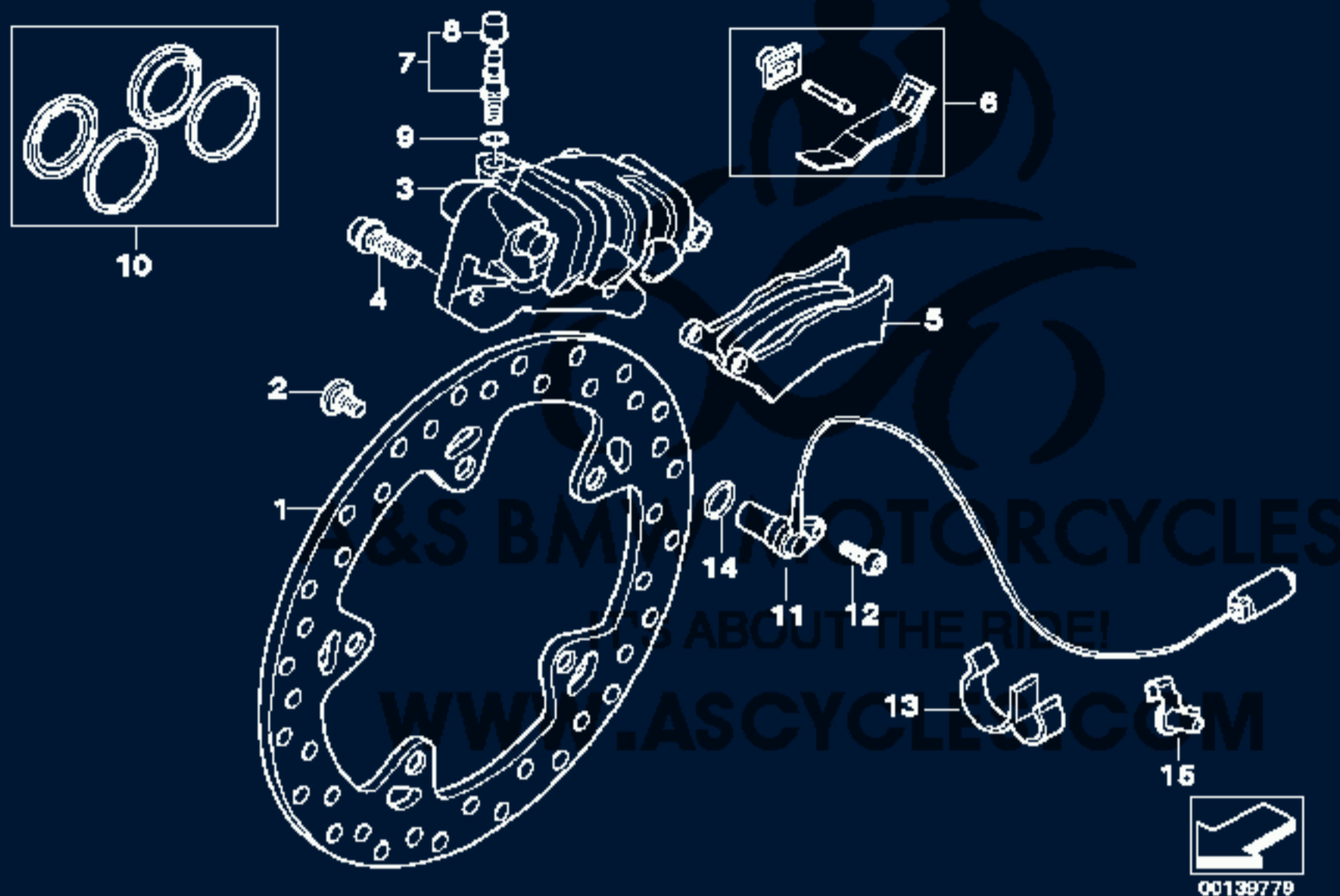
Series: K25 R1200 GS



No.	Description	Supplement	Qty	From	Up To	Part Number	AT	R	TI
1	STEEL-ARMORED BRAKE HOSE		1			34 32 7 666 805		1	
2	HOLLOW BOLT	M10X1	7			34 32 7 667 316			
3	GASKET RING	A10X13,5-CU	X			07 11 9 963 072			
4	STEEL-ARMORED BRAKE HOSE		1			34 32 7 671 787		1	
5	DISTRIBUTION PIECE		1			34 32 2 330 717			
6	BRAKE HOSE, LEFT								
6	BRAKE HOSE, LEFT		1			34 32 7 671 789		1	
6	BRAKE HOSE, RIGHT		1			34 32 7 671 790		1	
7	FILLISTER HEAD SCREW	M6X16	1			06 32 7 651 204			
8	BRAKE PIPE CONTROL CIRCUIT, FRONT		1			34 32 7 666 774			
9	BRAKE CIRCUIT PIPE, FRONT		1			34 32 7 666 776			
10	CABLE STRAP	L=200MM/B=3,6	1			61 13 1 367 599			
11	TANDEM CLAMP		8			34 52 7 664 098			
12	COVERING CAP		4			34 51 7 654 981			
13	CLAMP		4			34 51 7 654 982			
14	GASKET RING		4			34 51 7 661 591			

Diagrams 34_1393 REAR WHEEL BRAKE

Series: K25 R1200 GS

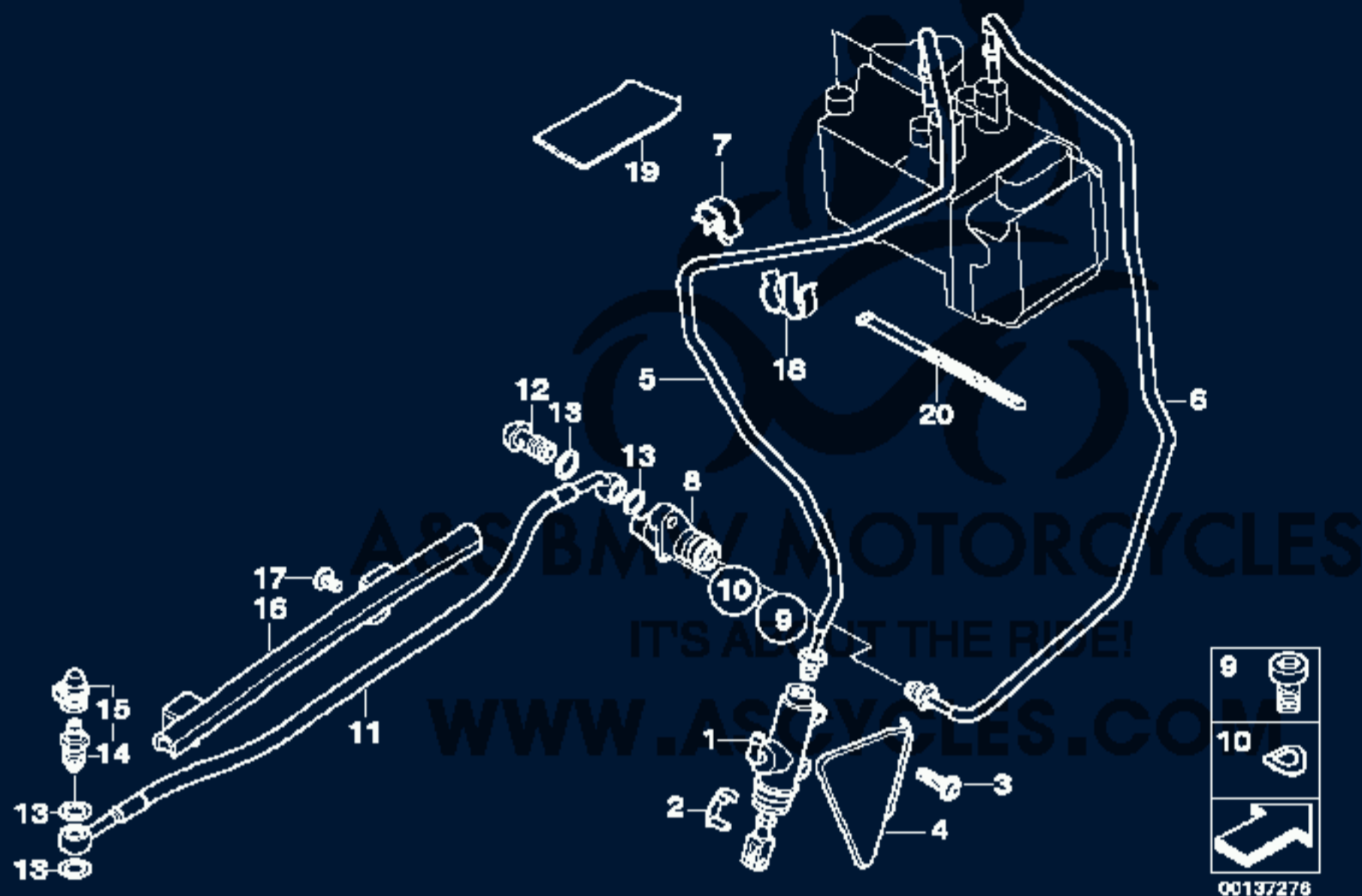


00139779

No.	Description	Supplement	Qty	From	Up To	Part Number	AT	R	TI
1	BRAKE DISC		1			34 21 7 664 102		1	
2	SCREW		5			34 21 2 331 275			
3	BRAKE CALIPER, REAR		1			34 21 7 664 103		1	I
4	TORX-BOLT WITH WASHER	M8X25-Z1-ZNS	2			07 12 9 903 267			
5	REPAIR KIT, BRAKE PADS, ORGANIC	7,1-5,5	1			34 21 2 335 465		1	
6	REPAIR KIT FOR ATTACHED PARTS		1			34 21 7 671 876		1	
7	SCREW PLUG WITH VENTILATION		1			34 32 7 673 647			
8	CAP		1			34 21 2 314 001			
9	GASKET RING	A10X13,5-CU	2			07 11 9 963 072			
10	REPAIR SET BRAKE CALIPER	32/36	1			34 11 2 338 257			I
11	ABS SENSOR		1			34 51 7 666 436		1	
12	OVAL HEAD SCREW	ISA M5X10	2			34 51 2 335 916			
13	TANDEM CLAMP		1			34 52 7 664 098			
14	O-RING	11,3X2,2	1			07 11 9 905 198			
15	BRACKET		1			34 52 7 675 285			

Diagrams 34_1408 BRAKE MASTER CYLINDER REAR, INTEGRAL ABS

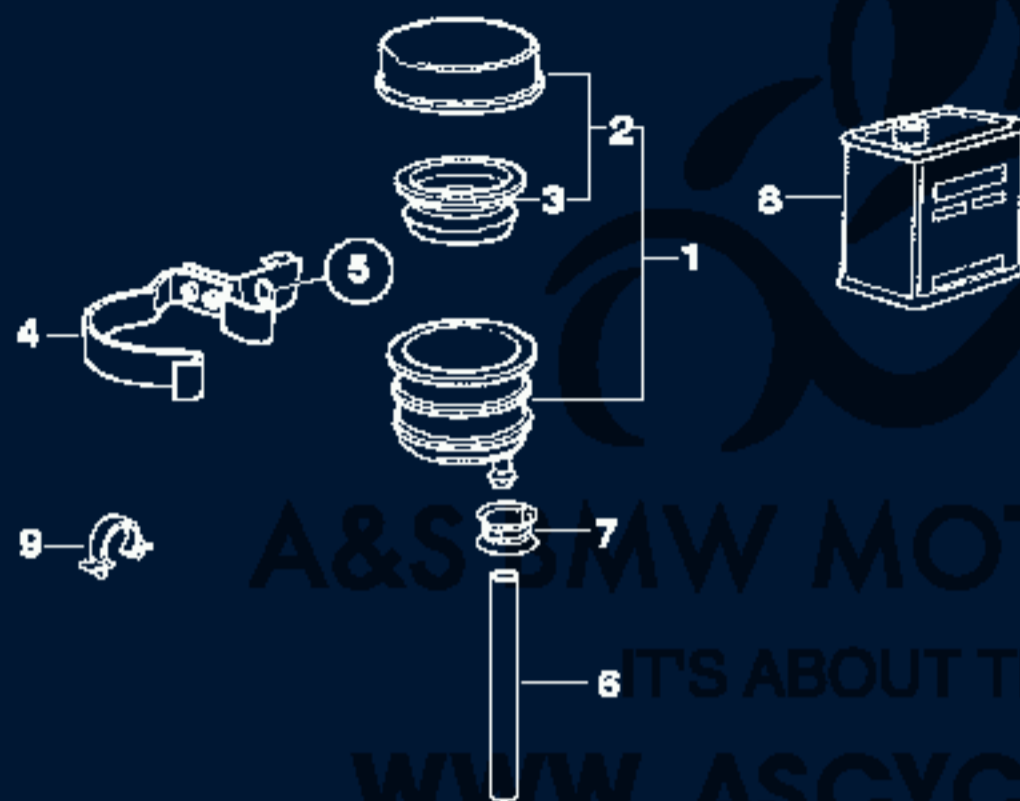
Series: K25 R1200 GS



No.	Description	Supplement	Qty	From	Up To	Part Number	AT	R	TI
1	BRAKE MASTER CYLINDER	D=14,29/65	1			34 32 7 673 790		1	I
2	PIN	6X12	1			07 12 9 934 961			
3	ISA SCREW	M6X20	2			34 31 7 676 962			
4	COVER		1			34 31 7 673 520			
5	BRAKE PIPE CONTROL CIRCUIT, REAR		1			34 32 7 676 373			
6	BRAKE CIRCUIT PIPE, REAR		1			34 32 7 676 374		1	
7	TUBING SUPPORT		2			34 32 7 684 551			
8	ADAPTER		1			34 32 7 673 768			
9	ISA SCREW	M6X16	1			34 51 2 335 915			
10	WAVE WASHER	B6	1			07 11 9 932 099			
11	STEEL-ARMORED BRAKE HOSE		1			34 32 7 673 646		1	
12	HOLLOW BOLT	M10X1	1			34 32 7 667 316			
13	GASKET RING	A10X13,5-CU	4			07 11 9 963 072			
14	SCREW PLUG WITH VENTILATION		1			34 32 7 673 647			
15	CAP		1			34 21 2 314 001			
16	COVER		1			34 32 7 675 056			
17	OVAL HEAD SCREW	M6X16	2			46 63 7 653 731			
18	SPACER, BRAKE PIPE		2			34 32 7 675 533			
19	FOIL		1			46 54 2 315 901			
20	CABLE STRAP	L=200MM/B=3,6	X			61 13 1 367 599			

Diagrams 34_1407 FLUID CONTAINER REAR

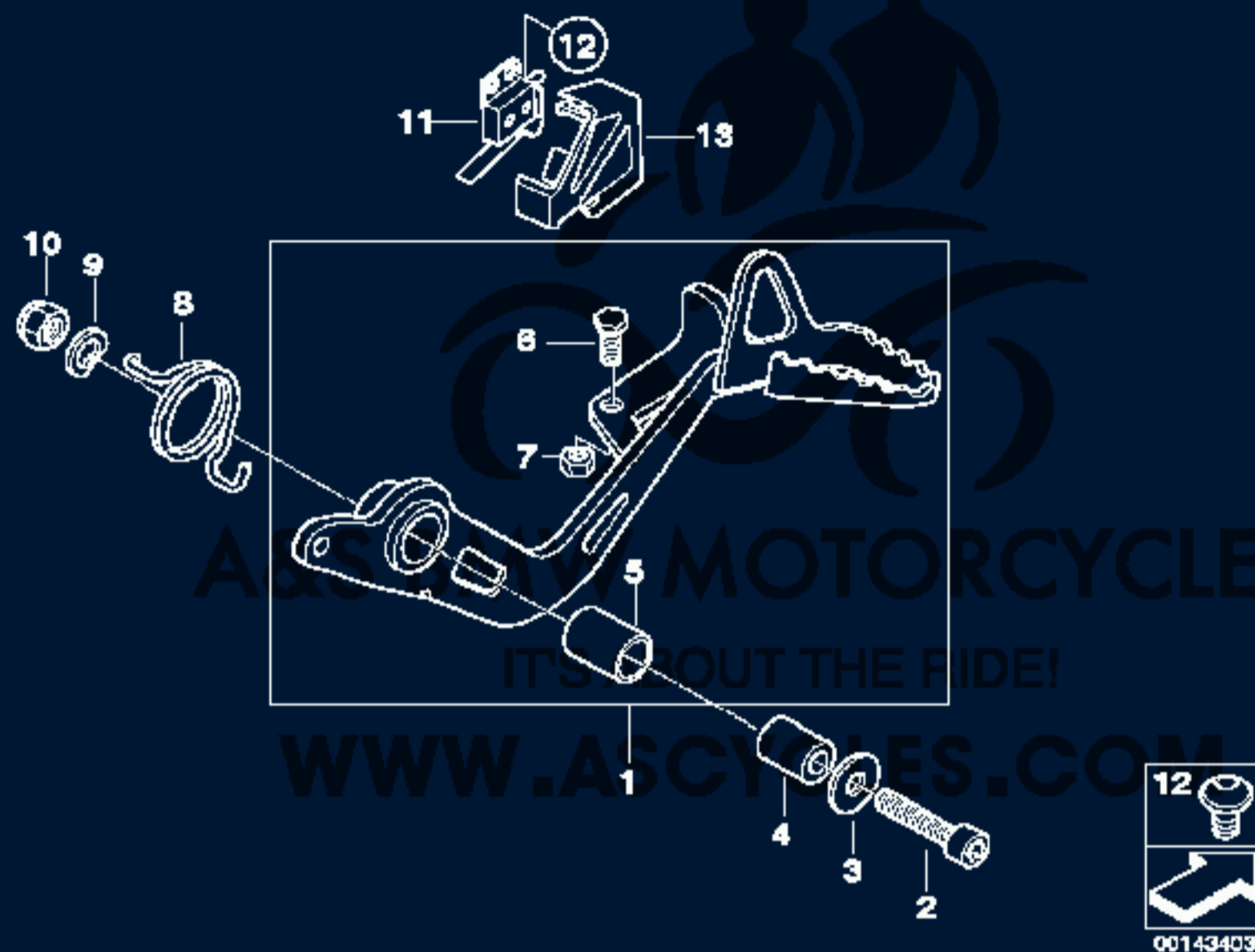
Series: K25 R1200 GS



No.	Description	Supplement	Qty	From	Up To	Part Number	AT	R	TI
1	FLUID CONTAINER REAR		1			34 31 2 314 082		1	
2	COVER		1			34 31 2 314 091			
3	RUBBER COVER		1			34 31 2 314 092			
4	BRACKET		1			34 31 7 666 931			
5	ISA SCREW	M6X10	1			34 31 7 684 537			
6	HOSE	360MM	1			34 31 7 684 309			
7	HOSE CLAMP	12,3MM	2			17 11 1 460 922			
8	BRAKE FLUID DOT4, LOW VISCOSITY	250 ML DOSE	1			83 13 0 139 895			
9	BRACKET		2			12 52 1 733 330			

Diagrams 34_1422 BRAKE PEDAL

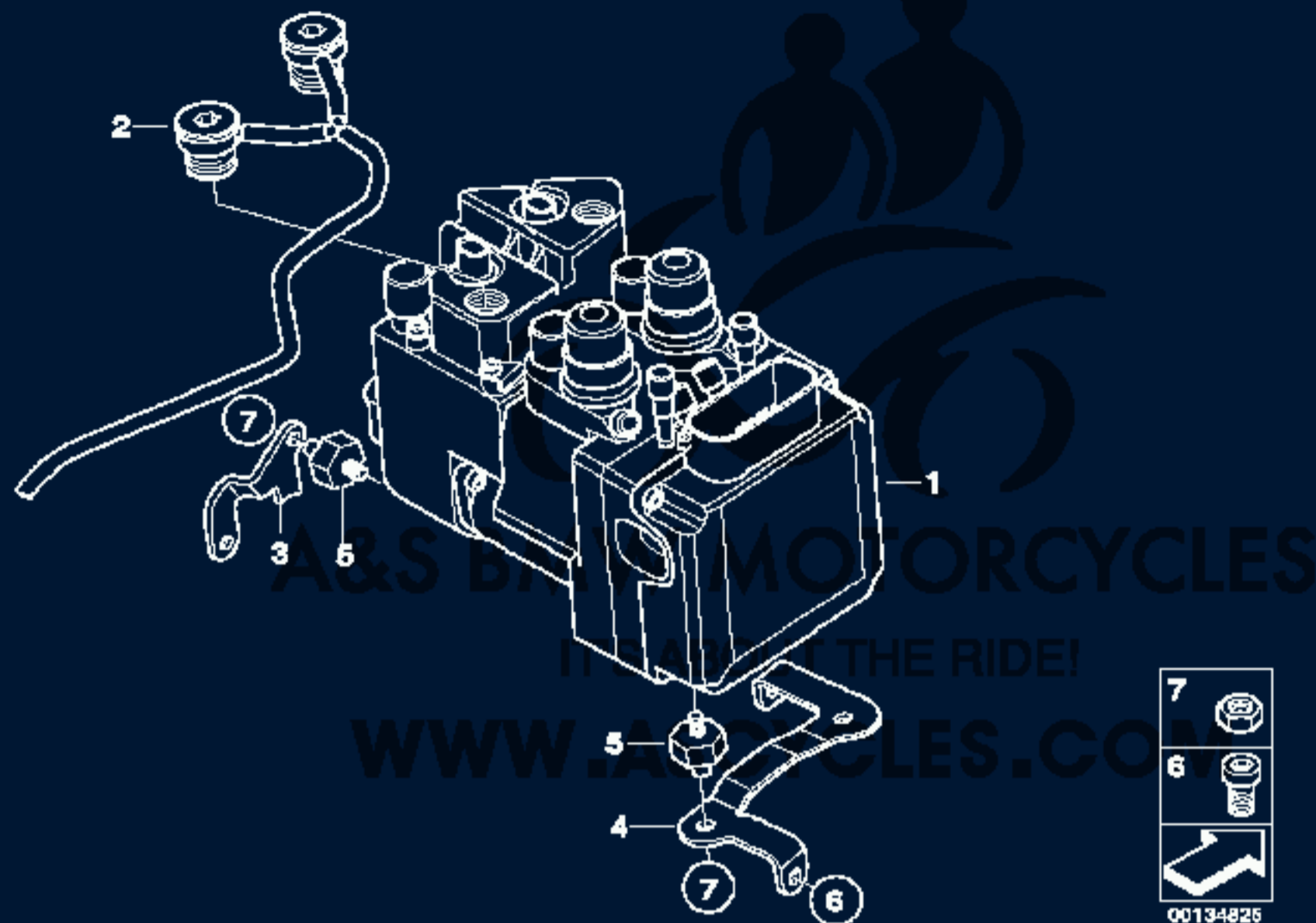
Series: K25 R1200 GS



No.	Description	Supplement	Qty	From	Up To	Part Number	AT	R	TI
1	BRAKE PEDAL		1			35 21 7 673 168		1	
2	ISA SCREW	M8X40	1			07 12 9 904 816			
3	WASHER	8,4	1			35 21 2 335 498			
4	BUSH BEARING		1			35 21 2 345 837			
5	BUSH		1			35 21 1 450 231			
6	HEX BOLT		1			35 21 1 231 067			
7	HEX NUT		1			07 11 9 904 030			
8	RETAINER SPRING		1			35 21 7 666 719			
9	WAVE WASHER	B8	1			07 11 9 932 121			
10	SELF-LOCKING HEX NUT	M8	1			07 12 9 964 675			
11	MICRO SWITCH		1			61 31 2 305 988		1	
12	FILLISTER HEAD SCREW	M5X8	1			18 12 7 661 887			
13	STOP LIGHT SWITCH COVER		1			34 31 7 673 531			

Diagrams 34_1409 PRESSURE MODULATOR INTEGRAL ABS

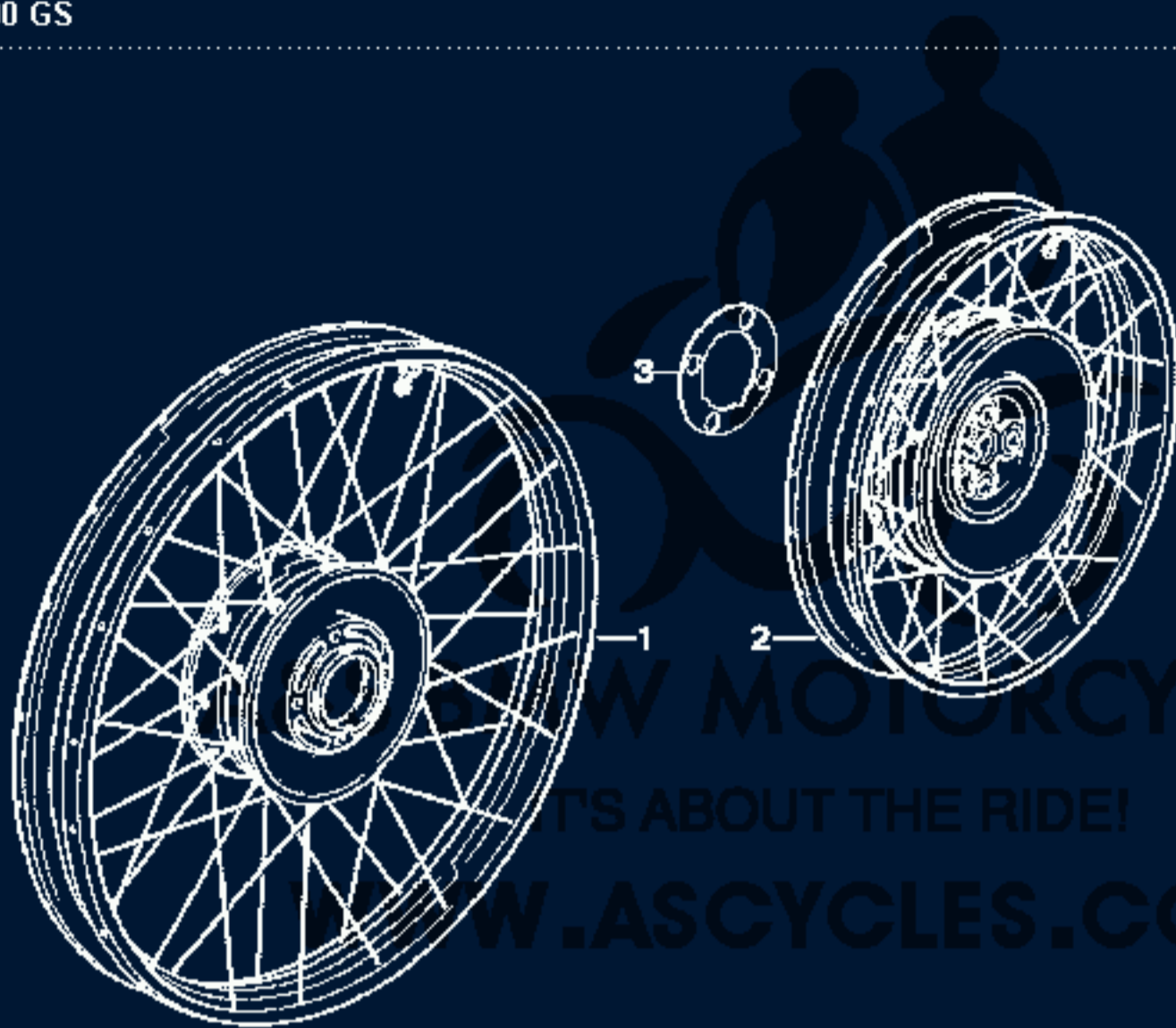
Series: K25 R1200 GS



No.	Description	Supplement	Qty	From	Up To	Part Number	AT	R	TI
1	PRESSURE MODULATOR, PARTIAL INTEGRAL ABS		1			34 51 7 680 863		1	I
2	VENT HOSE WITH COVER I-ABS		1			34 51 7 674 836			
3	BRACKET, PRESSURE MODULATOR LEFT		1			34 51 7 666 471			
4	BRACKET, PRESSURE MODULATOR RIGHT		1			34 51 7 666 472			
5	SWINGING METAL BUFFER		3			34 51 7 676 064			
6	ISA SCREW	M6X16	1			07 12 9 904 588			
7	HEX NUT	M6-8-ZNS	3			07 11 9 922 832			

Diagrams 36_0412 SPOKEWHEEL

Series: K25 R1200 GS

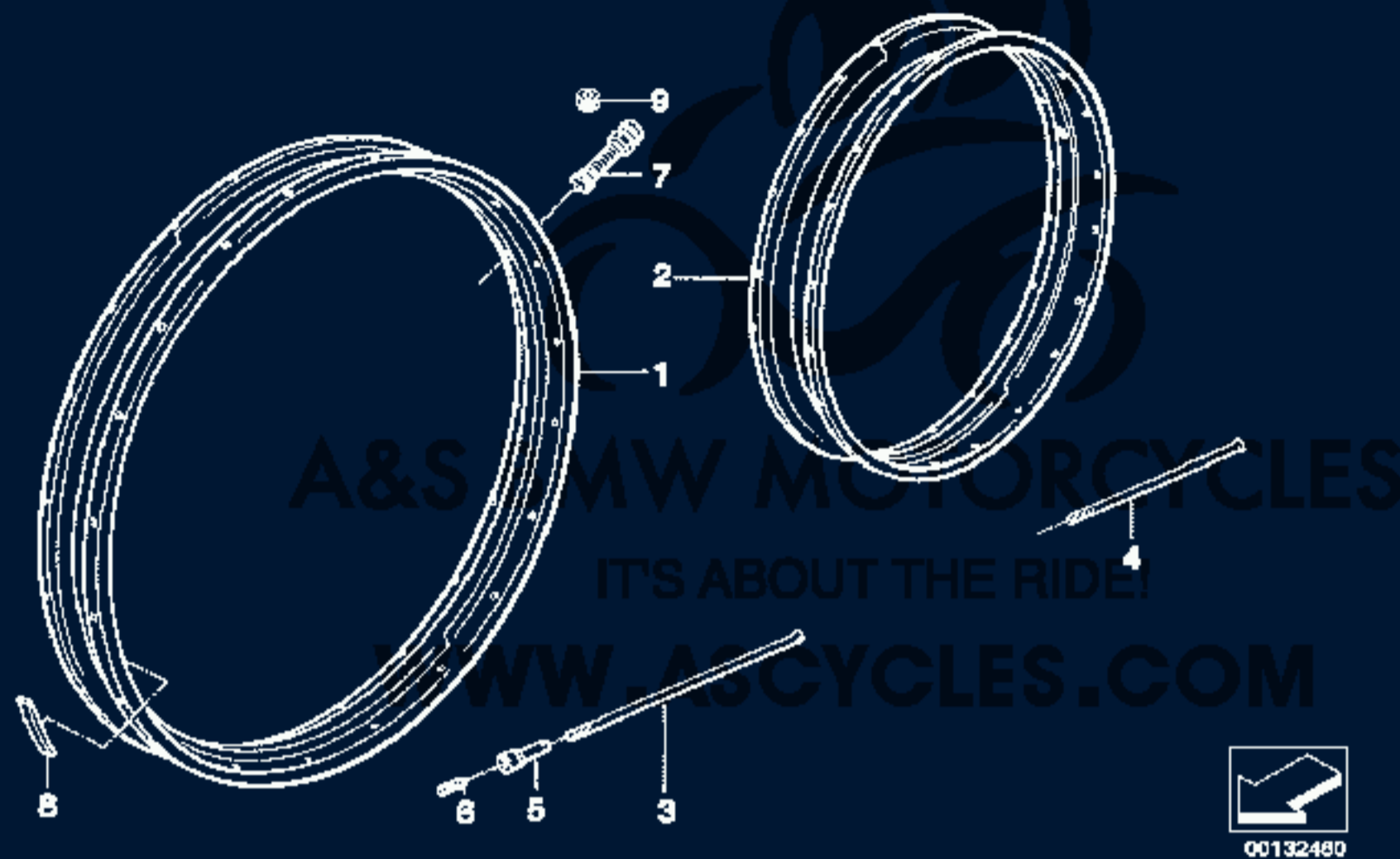


00124311

No.	Description	Supplement	Qty	From	Up To	Part Number	AT	R	TI
1	SPOKE WHEEL FRONT	19"	1			36 31 7 664 711		1	
2	SPOKE WHEEL, REAR	17"	1			36 31 7 664 731		1	

Diagrams 36_0413 SPOKEWHEEL RIM/SPOKE

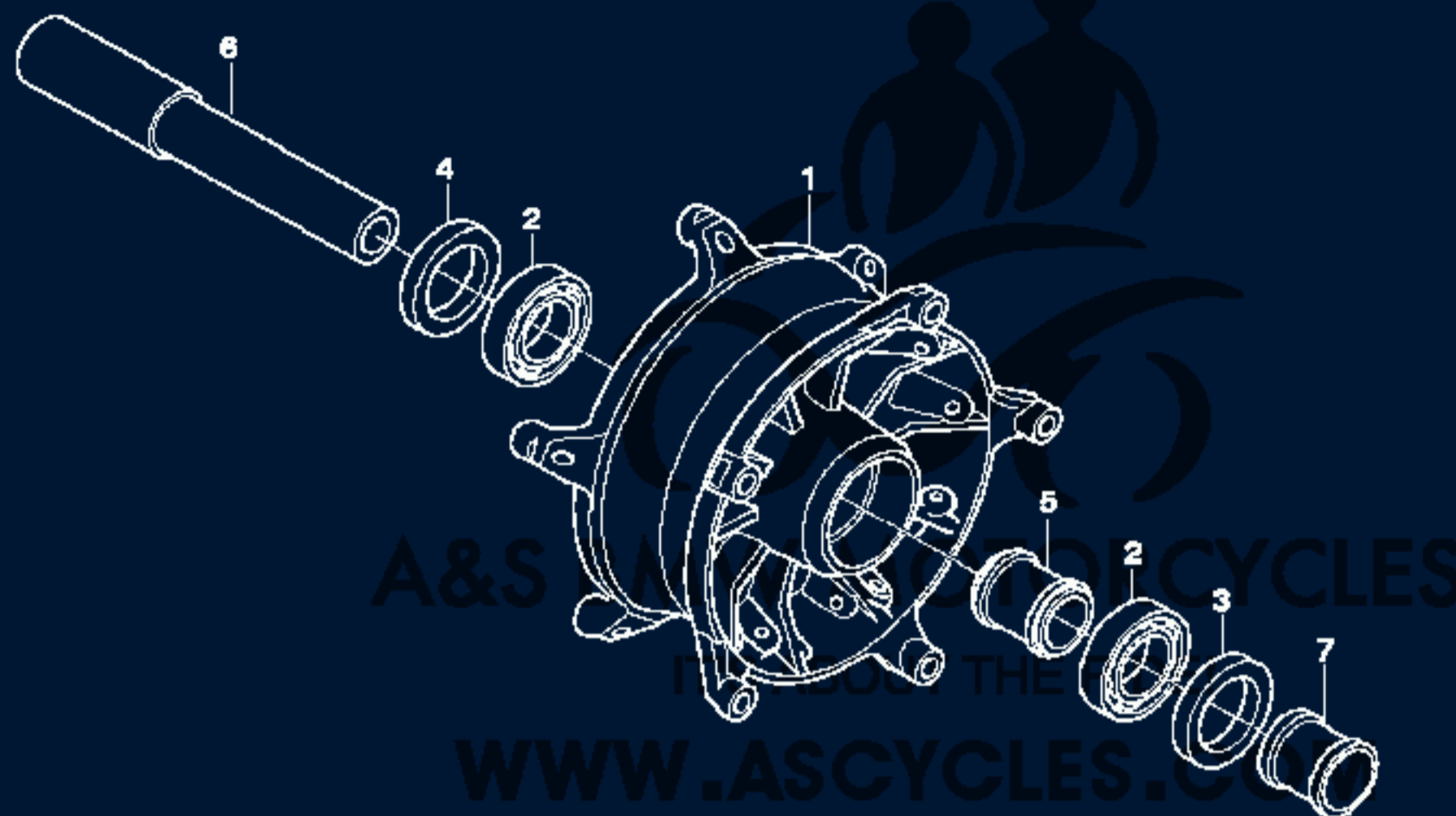
Series: K25 R1200 GS



No.	Description	Supplement	Qty	From	Up To	Part Number	AT	R	TI
1	WHEEL RIM FRONT	2,50X19 MT H2	1			36 31 2 320 015		1	
2	WHEEL RIM REAR	4,00X17 MT H2	1			36 31 2 320 005		1	
3	SPOKE, FRONT STAINLESS STEEL	198MM	X			36 31 7 664 595		1	
4	SPOKE, STAINLESS STEEL	186MM	X			36 31 7 664 594		1	
5	NIPPLE	M4	X			36 31 1 452 727			
6	GRUB SCREW	M4X5	X			07 11 9 904 003			
7	VALVE	D=15	2			36 31 1 454 963			
8	BALANCE WEIGHT								
8	BALANCE WEIGHT	5 GR	X			36 31 1 451 958			
8	BALANCE WEIGHT	10 GR	X			36 31 1 451 959			
8	BALANCE WEIGHT	20 GR	X			36 31 1 451 960			
8	BALANCE WEIGHT	30 GR	X			36 31 1 451 961			
8	BALANCE WEIGHT	15 GR	X			36 31 1 454 310			
8	BALANCE WEIGHT	25 GR	X			36 31 1 454 311			

Diagrams 36_0780 WHEEL HUB MOUNTING PARTS FRONT

Series: K25 R1200 GS

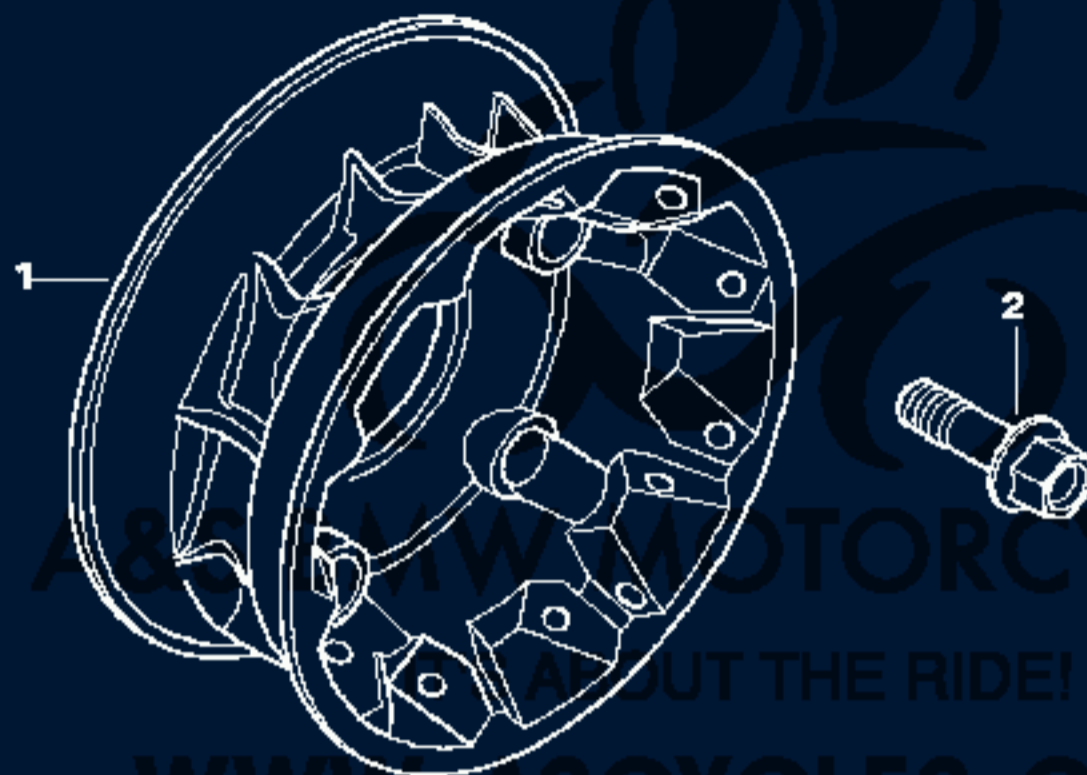


00141274

No.	Description	Supplement	Qty	From	Up To	Part Number	AT	R	TI
1	WHEEL HUB FRONT	SILBER	1			36 31 7 664 712		1	
2	GROOVED BALL BEARING	6205-2RS	2			07 11 9 903 781			
3	SHAFT SEAL	30X52X7	1			07 11 9 904 625			
4	SHAFT SEAL	35X52X7	1			07 11 9 904 626			
5	SPACER TUBE		1			36 31 7 664 719			
6	AXLE SHAFT		1			36 31 7 663 609		1	
7	BUSH		1			36 31 7 664 722			

Diagrams 36_0779 WHEEL HUB REAR

Series: K25 R1200 GS

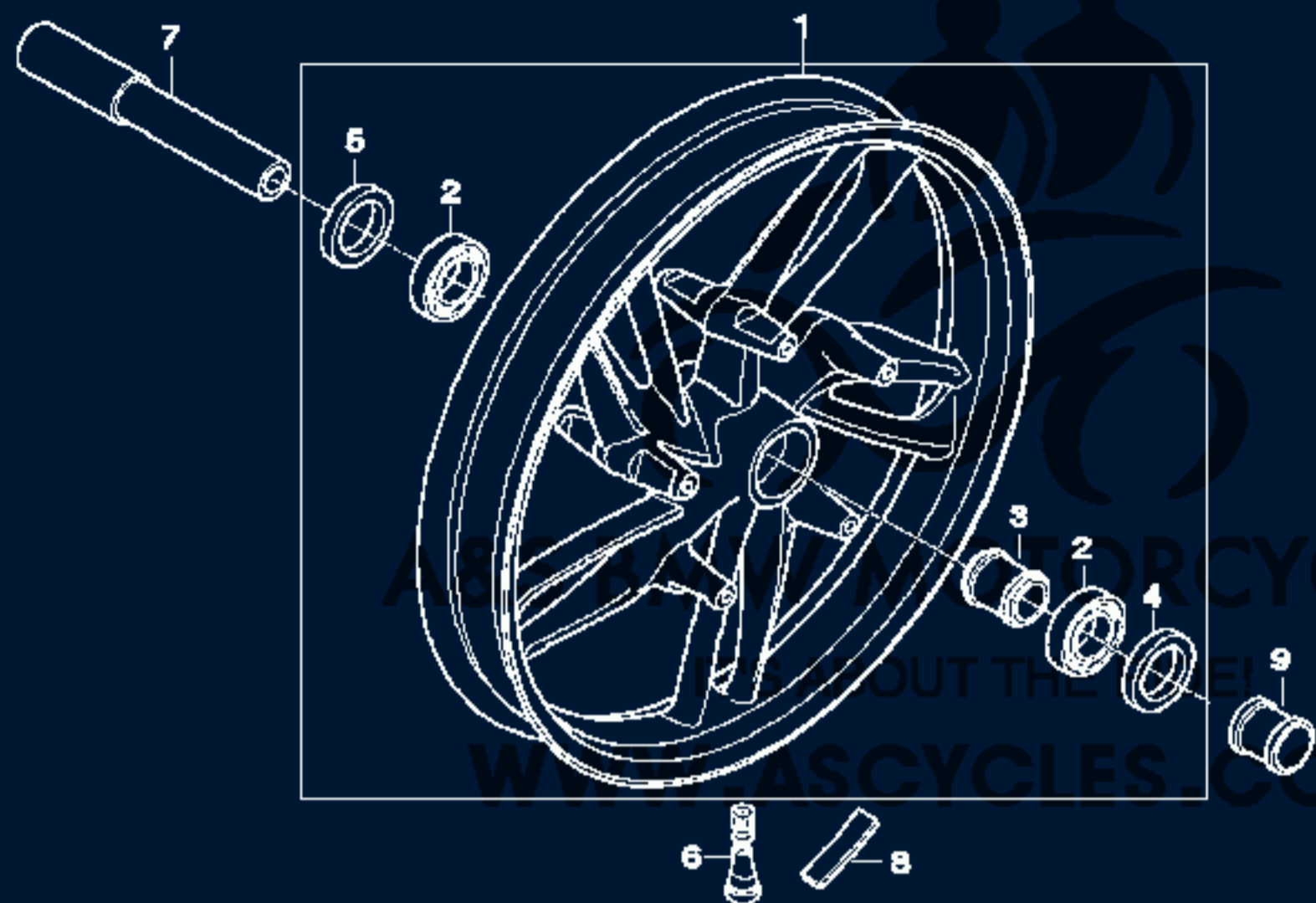


00133477

No.	Description	Supplement	Qty	From	Up To	Part Number	AT	R	TI
1	WHEEL HUB REAR	SILBER	1			36 31 7 663 929		1	
2	WHEEL BOLT	M10X53	5			36 31 7 668 389			

Diagrams 36_0781 CAST RIM, FRONT

Series: K25 R1200 GS

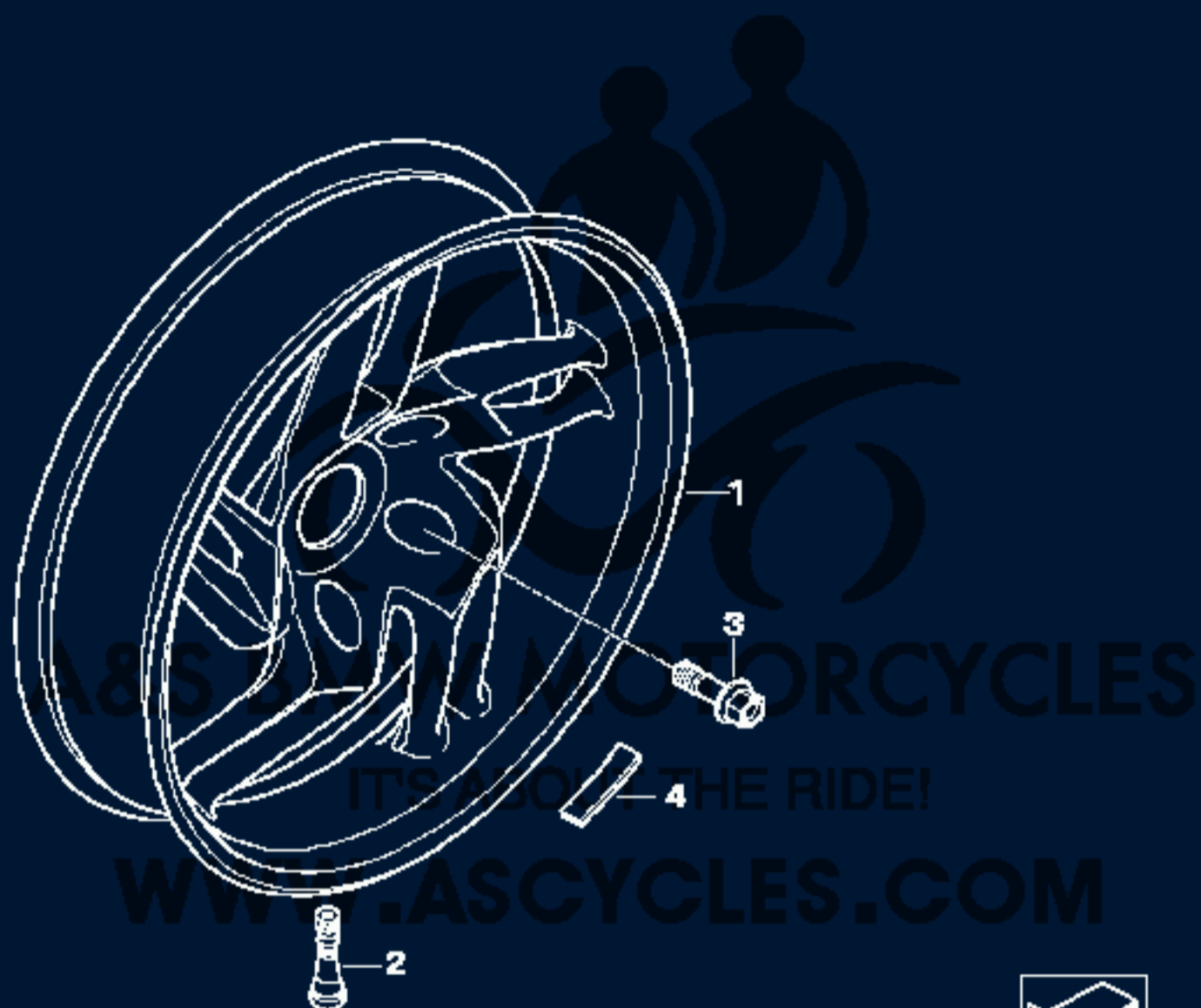


00141275

No.	Description	Supplement	Qty	From	Up To	Part Number	AT	R	TI
1	SILVER FRONT WHEEL	2.50X19"	1			36 31 7 664 739		1	
2	GROOVED BALL BEARING	6205-2RS	2			07 11 9 903 781			
3	SPACER TUBE		1			36 31 7 664 719			
4	SHAFT SEAL	30X52X7	1			07 11 9 904 625			
5	SHAFT SEAL	35X52X7	1			07 11 9 904 626			
6	VALVE	D=15	1			36 31 1 454 963			
7	AXLE SHAFT		1			36 31 7 663 609		1	
8	BALANCE WEIGHT								
8	BALANCE WEIGHT	5 GR	X			36 31 1 451 958			
8	BALANCE WEIGHT	10 GR	X			36 31 1 451 959			
8	BALANCE WEIGHT	20 GR	X			36 31 1 451 960			
8	BALANCE WEIGHT	30 GR	X			36 31 1 451 961			
8	BALANCE WEIGHT	15 GR	X			36 31 1 454 310			
8	BALANCE WEIGHT	25 GR	X			36 31 1 454 311			
9	BUSH		1			36 31 7 664 722			

Diagrams 36_0782 CAST RIM, REAR

Series: K25 R1200 GS

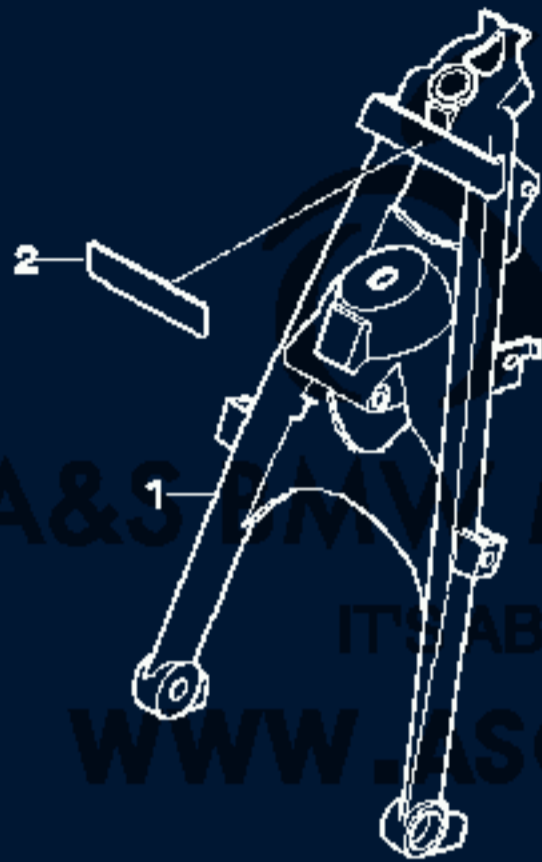


00133485

No.	Description	Supplement	Qty	From	Up To	Part Number	AT	R	TI
1	SILVER REAR WHEEL	4.00X17"	1			36 31 7 664 746		1	
2	VALVE	D=15	1			36 31 1 454 963			
3	WHEEL BOLT	M10X40	5			36 31 7 673 903			
4	BALANCE WEIGHT	5 GR	X			36 31 1 451 958			
4	BALANCE WEIGHT	10 GR	X			36 31 1 451 959			
4	BALANCE WEIGHT	15 GR	X			36 31 1 454 310			
4	BALANCE WEIGHT	20 GR	X			36 31 1 451 960			
4	BALANCE WEIGHT	25 GR	X			36 31 1 454 311			
4	BALANCE WEIGHT	30 GR	X			36 31 1 451 961			

Diagrams 46_0829 FRONT FRAME

Series: K25 R1200 GS



A&S BMW MOTORCYCLES
IT'S ABOUT THE RIDE!
WWW.A&SCYCLES.COM

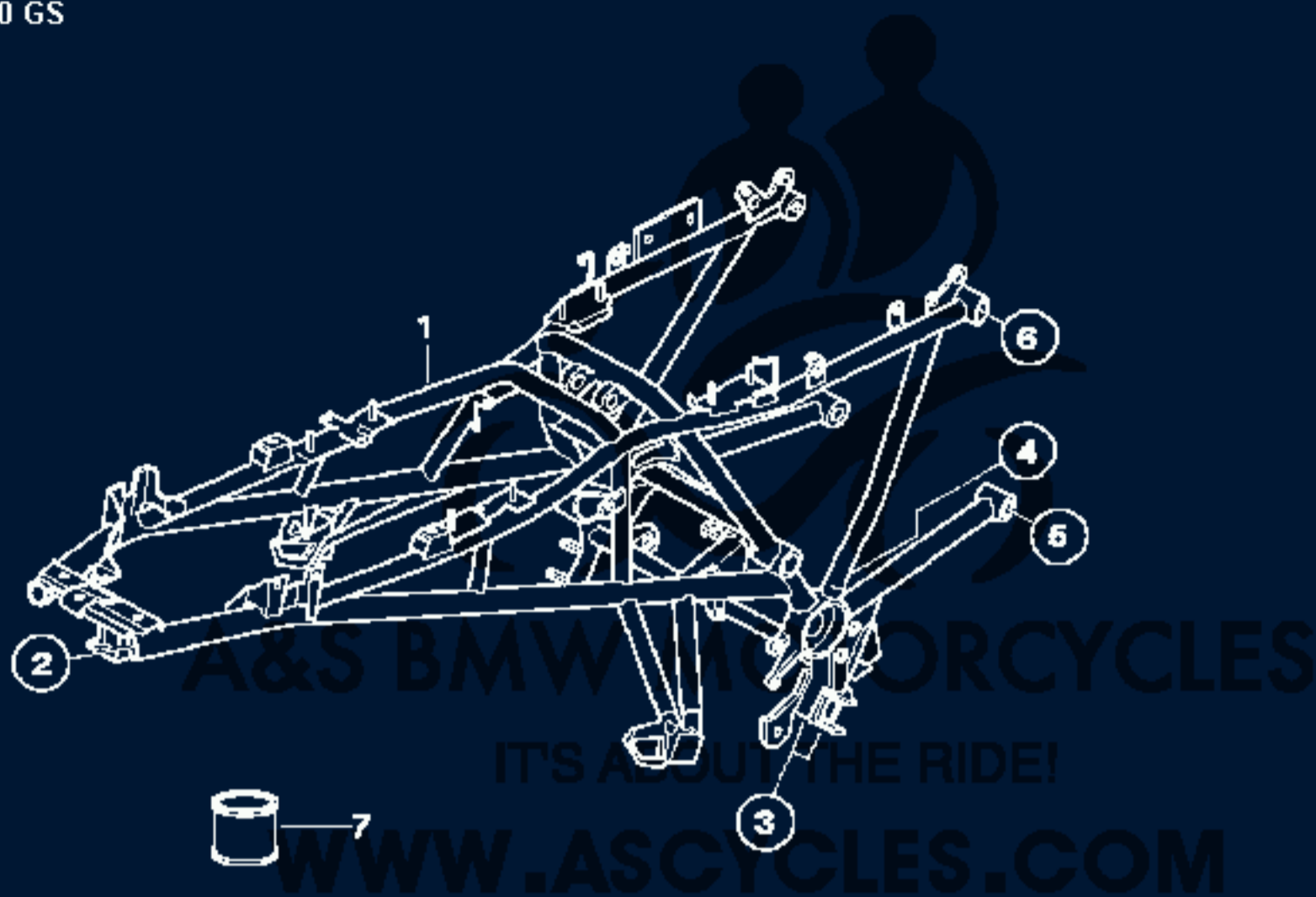


00140457

No.	Description	Supplement	Qty	From	Up To	Part Number	AT	R	TI
1	FRONT FRAME SCHWARZ		1			46 51 7 664 357		1	
2	PROTECTION FOIL		1			46 51 7 671 875			

Diagrams 46_0828 REAR FRAME

Series: K25 R1200 GS



00143286

No.	Description	Supplement	Qty	From	Up To	Part Number	AT	R	TI
1	REAR FRAME	WEISSALU-2	1			46 51 7 660 416		1	
2	BLIND PLUG		2			46 51 7 677 828			
3	BLIND PLUG		4			46 51 7 677 827			
4	ISA SCREW	M8X55	1			07 12 9 905 217			
5	ISA SCREW	M12X50-8.8-ZNS	2			07 12 9 903 526			
6	ISA SCREW	M10X40-8.8-ZNS	2			07 12 9 903 801			
7	METALLIC PAINT SPRAY SET WEISSALUMINIUM2								
7	METALLIC PAINT SPRAY SET WEISSALUMINIUM2	437	X			51 91 7 654 123			
7	TWO STAGE TOUCH UP SET WEISSALU 2	437	X			51 91 7 654 131			

Diagrams 46_0843 CENTER STAND

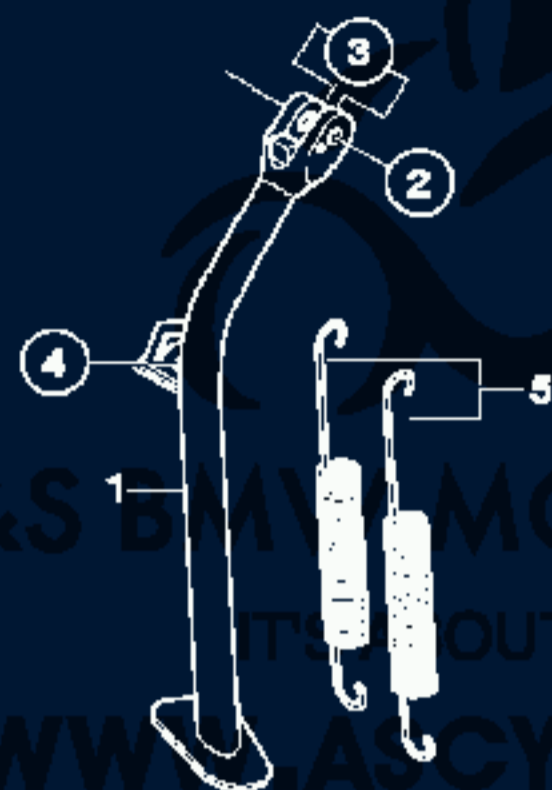
Series: K25 R1200 GS



No.	Description	Supplement	Qty	From	Up To	Part Number	AT	R	TI
1	CENTER STAND		1			46 52 7 660 069		1	
2	BUSH BEARING		2			46 52 2 331 991			
3	BUMP STOP		1			52 53 7 664 664			
4	O-RING		4			46 52 2 335 325			
5	PIVOT PIN		2			46 52 2 331 992			
6	COUNTERSUNK HEAD SCREW	M10X30	2			07 11 9 901 761			
7	TENSION SPRING	D=10	1			46 52 7 664 706			
8	TENSION SPRING	D=18	1			46 53 7 666 528			

Diagrams 46_0844 SIDE STAND

Series: K25 R1200 GS

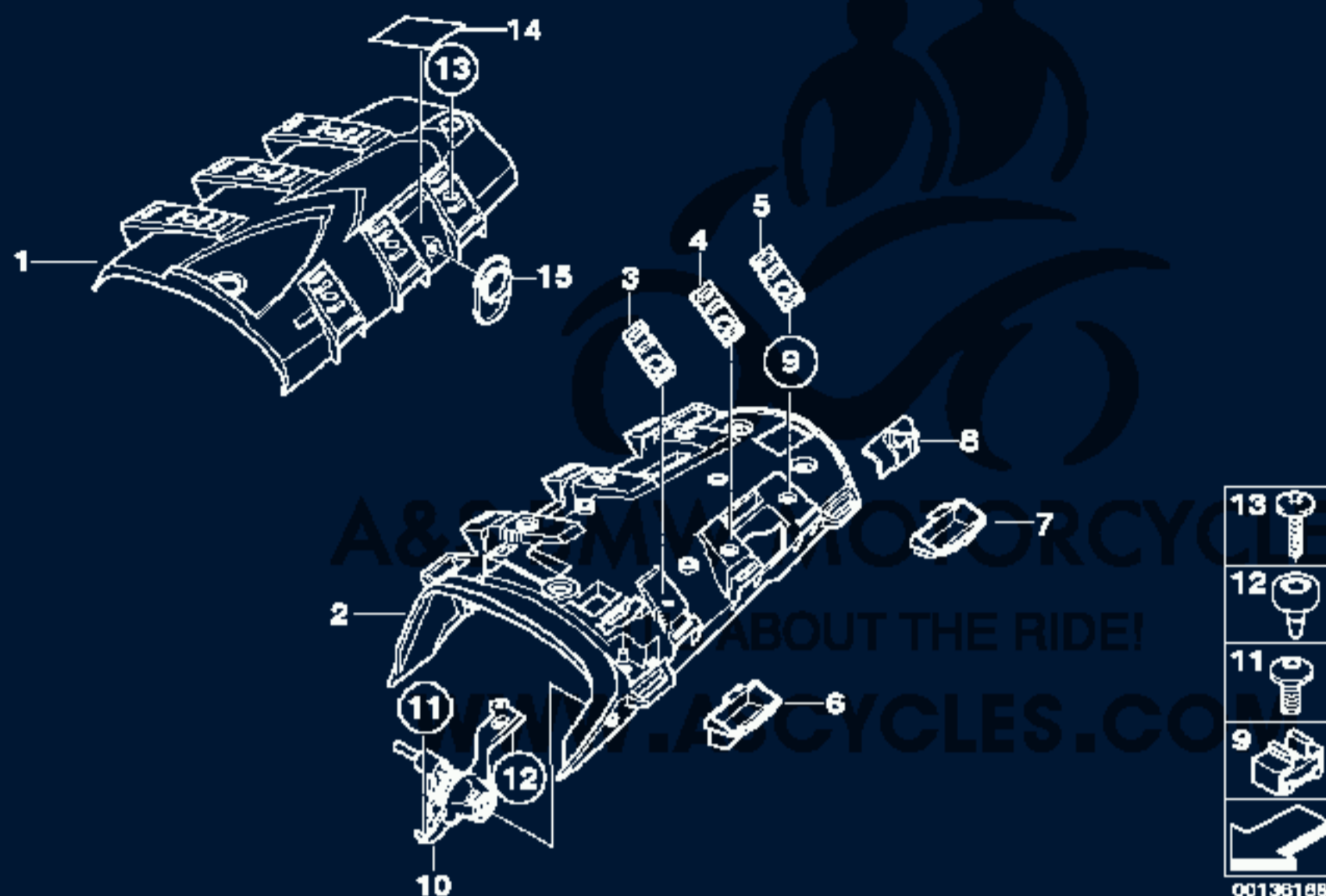


00133625

No.	Description	Supplement	Qty	From	Up To	Part Number	AT	R	TI
1	SIDE STAND		1			46 53 7 660 068		1	
2	COUNTERSUNK HEAD SCREW	M10X1	1			46 53 7 653 381			
3	BUSH BEARING		1			46 53 7 663 055			
4	BUMP STOP	H=20	1			46 52 2 335 616			
5	TENSION SPRING		1			46 53 7 687 070			

Diagrams 46_0866 LUGGAGE SUPPORT

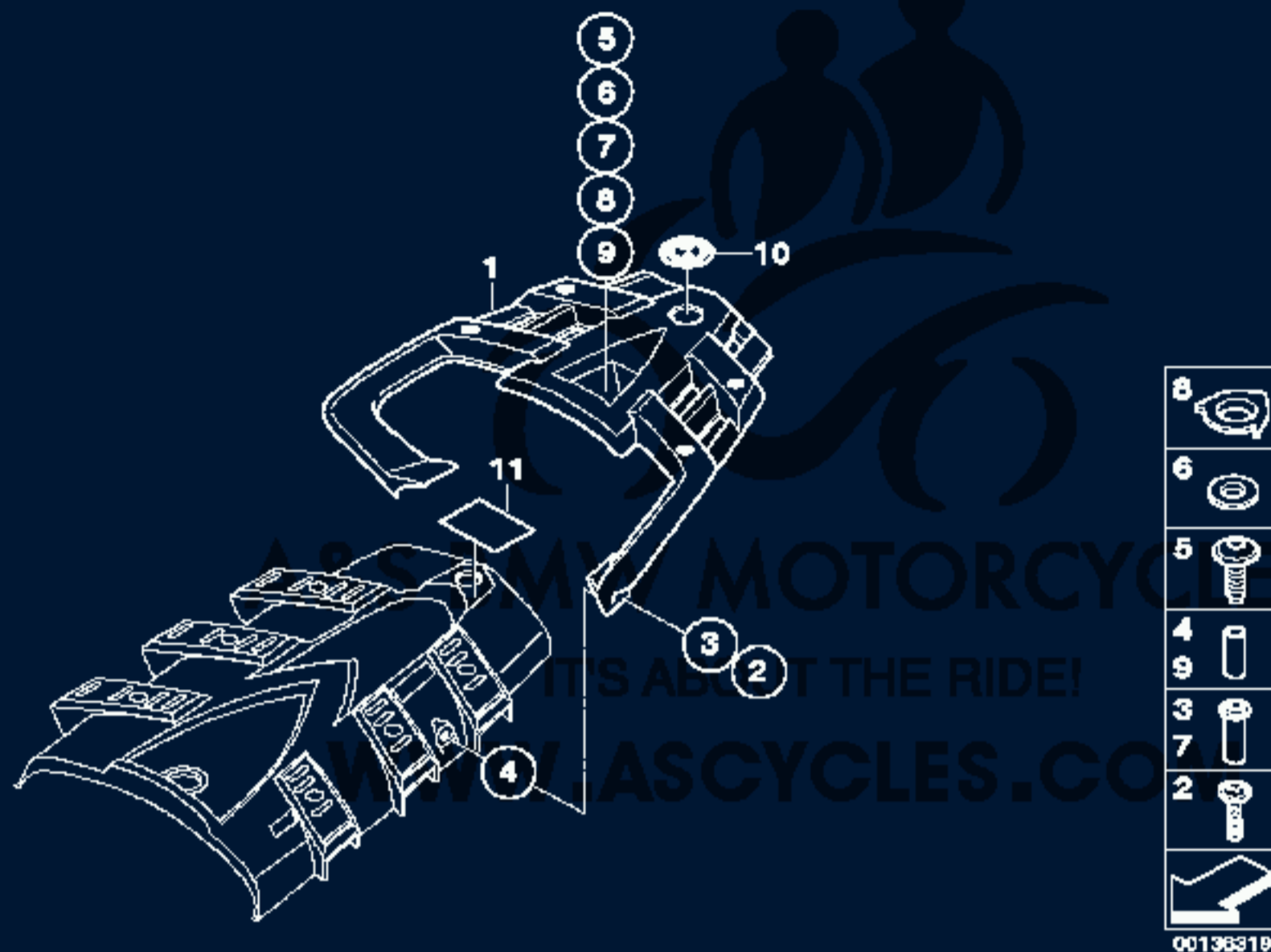
Series: K25 R1200 GS



No.	Description	Supplement	Qty	From	Up To	Part Number	AT	R	TI
1	BAGGAGE PORTER	SILBER	1			46 54 7 685 252		1	
2	REAR CARRIER PART	SILBER	1			46 54 7 667 667		1	
3	RUBBER BUFFER LEFT								
3	RUBBER BUFFER LEFT	VORNE	1			46 54 7 680 485			
3	RUBBER BUFFER RIGHT	VORNE	1			46 54 7 680 486			
4	RUBBER BUFFER LEFT								
4	RUBBER BUFFER LEFT	MITTE	1			46 54 7 680 487			
4	RUBBER BUFFER RIGHT	MITTE	1			46 54 7 680 488			
5	RUBBER BUFFER LEFT								
5	RUBBER BUFFER LEFT	HINTEN	1			46 54 7 680 491			
5	RUBBER BUFFER RIGHT	HINTEN	1			46 54 7 680 492			
6	BUMP STOP, LEFT								
6	BUMP STOP, LEFT		1			46 54 7 672 249			
6	BUMP STOP, RIGHT		1			46 54 7 672 250			
7	BUMP STOP, LEFT								
7	BUMP STOP, LEFT		1			46 54 7 672 251			
7	BUMP STOP, RIGHT		1			46 54 7 672 252			
8	LEFT SUPPORT								
8	LEFT SUPPORT		1			46 54 7 684 991			
8	RIGHT SUPPORT		1			46 54 7 684 992			
9	CAGE NUT		6			07 14 7 116 367			
10	LOCK		1			51 25 7 675 106			
11	FLANGED CAP SCREW	M5X12	1			46 63 2 325 997			
12	TORX-BOLT FOR PLASTIC MATERIAL	ISA L=10MM	1			65 75 8 235 255			
13	FLANGED CAP SCREW	M5X16	6			46 63 2 325 998			
14	FOIL		2			46 54 2 315 901			
15	COVERING CAP		2			46 54 7 685 441			

Diagrams 46_0867 LUGGAGE GRID

Series: K25 R1200 GS



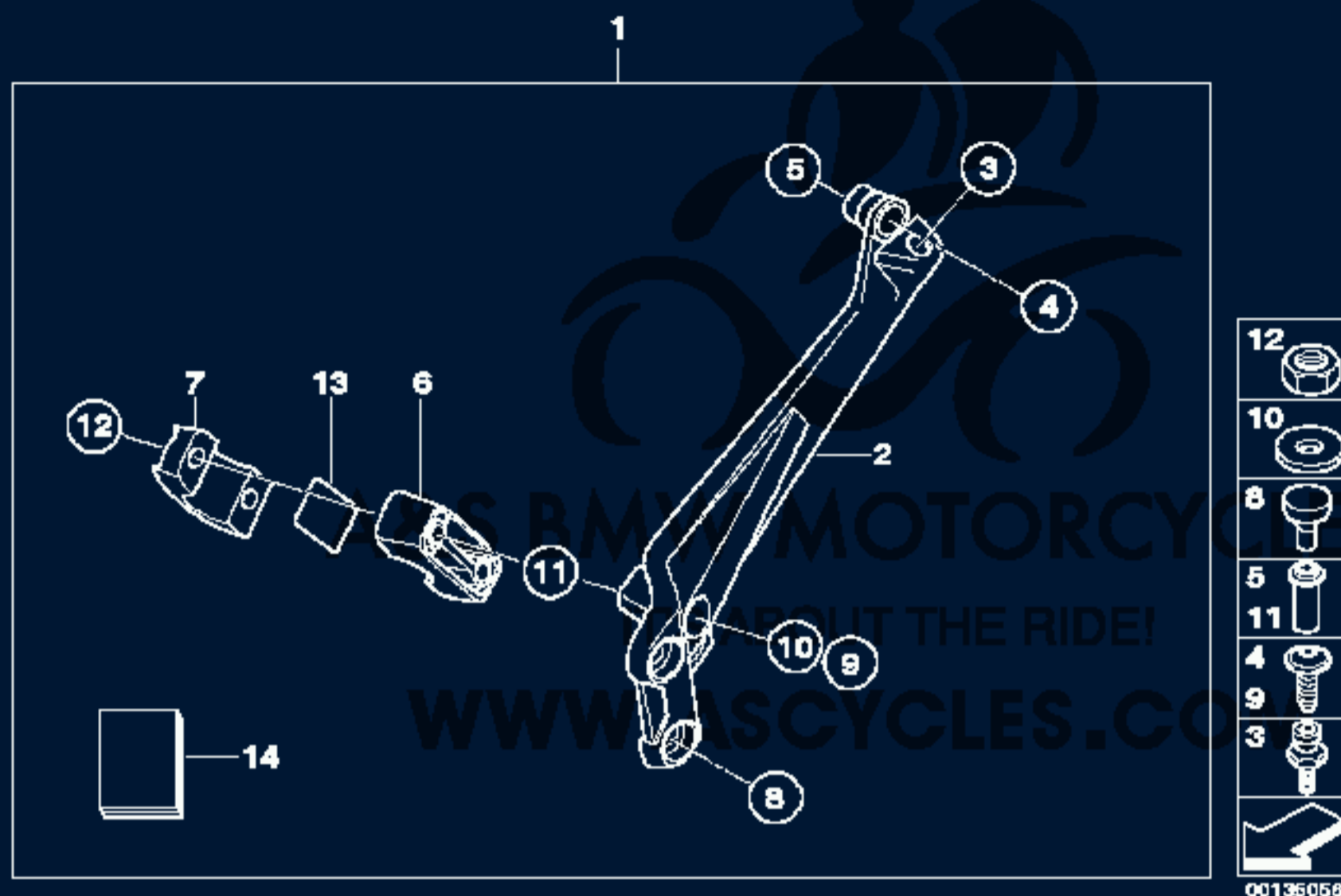
8	
6	
5	
4	
9	
3	
7	
2	

00136319

No.	Description	Supplement	Qty	From	Up To	Part Number	AT	R	TI
1	LUGGAGE GRID	SILBER	1			46 54 7 667 672		1	
2	ISA SCREW	M6X35	2			46 54 7 684 770			
3	BUSH	DI=7 L=9,8	2			46 54 7 688 015			
4	BUSH	DI=7 L=8.5	2			46 63 7 684 768			
5	ISA SCREW	M6X35	1			46 54 7 684 770			
6	FLAT WASHER	A6,4	1			88 10 0 301 634			
7	BUSH	DI=7 L=7	1			46 54 7 673 774			
8	CLAMPING		1			46 54 7 684 701			
9	BUSH	DI=8 L=5,2	1			46 54 7 673 777			
10	BADGE	D=27MM	1			51 14 2 328 447			
11	FOIL		3			46 54 2 315 901			

Diagrams 46_0864 SET CASE HOLDER

Series: K25 R1200 GS

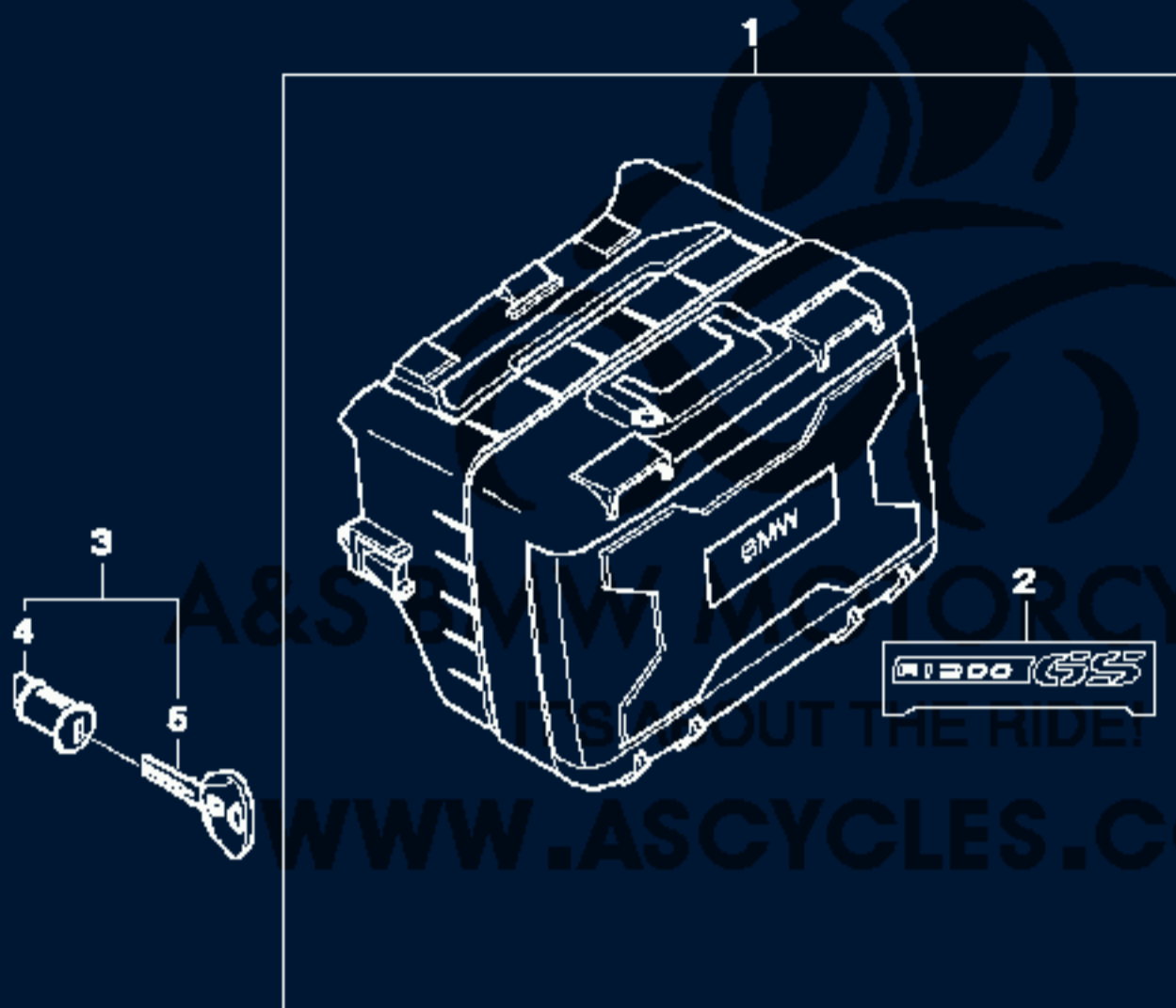


00136056

No.	Description	Supplement	Qty	From	Up To	Part Number	AT	R	TI
1	SET CASE HOLDER	SILBER	1			46 54 7 684 690		1	T
2	LEFT CASE HOLDER								
2	LEFT CASE HOLDER	SILBER	1			46 54 7 680 363		1	
2	RIGHT CASE HOLDER	SILBER	1			46 54 7 680 364		1	
3	PIN		2			46 54 7 684 716			
4	ISA SCREW	M6X35	2			46 54 7 684 770			
5	COLLAR BUSH	D=8MM	2			46 54 7 684 695			
6	PIPE CLAMP		2			46 54 7 684 693			
7	CLAMP		2			46 54 7 684 694			
8	BUMP STOP		4			71 60 7 688 895			
9	OVAL HEAD SCREW	M6X50	4			06 32 2 328 870			
10	FLAT WASHER	6,4	4			07 11 9 936 422	E		
11	COLLAR BUSH	DI=7MM	4			46 54 7 684 696			
12	HEX NUT	M6-A2-70	4			07 12 9 903 343			
13	PROTECTION FOIL	25X30	4			46 51 2 330 634			
14	INSTALL.INSTRUCTIONS, CASE HOLDER		1			01 29 7 670 830			

Diagrams 46_0862 CASE, VARIABLE

Series: K25 R1200 GS

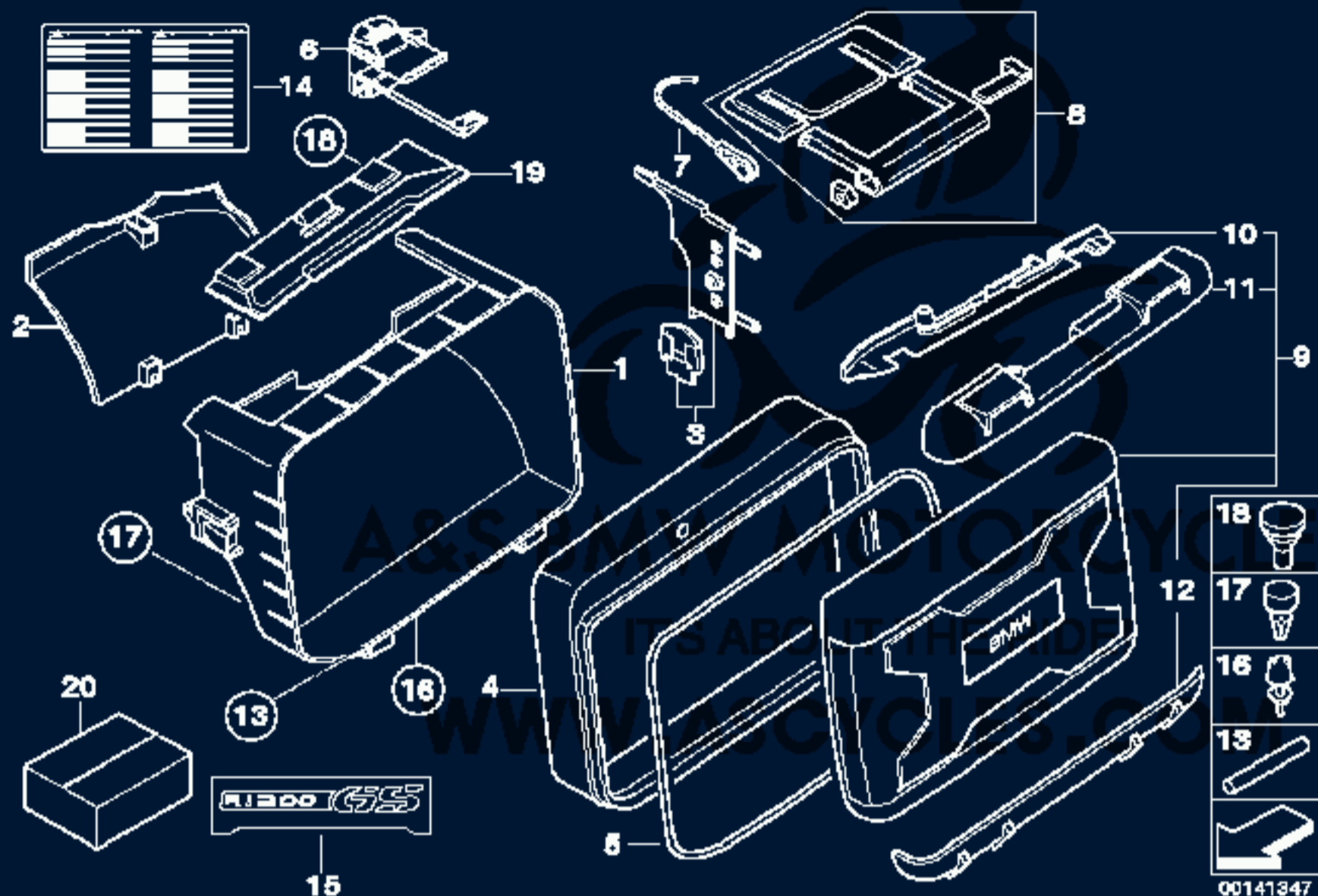


00138456

No.	Description	Supplement	Qty	From	Up To	Part Number	AT	R	TI
1	VARIABLE CASE, LEFT, WITHOUT LOCK CYL.								
1	VARIABLE CASE, LEFT, WITHOUT LOCK CYL.		1			71 60 7 670 827	AE	1	
1	VARIABLE CASE, LEFT, WITHOUT LOCK CYL.		1			71 60 7 692 173		1	
1	VARIABLE CASE, RIGHT, WITHOUT LOCK CYL.		1			71 60 7 670 828		1	
2	STICKER	R1200GS	2			46 54 7 684 228			
3	SET OF SUITCASE LOCKS								
	ONLY APPL.TO UNIFORM LOCK.SYST.,BOXES								
3	SET OF SUITCASE LOCKS		1			51 25 7 688 566			
3	SET OF LOCKS CASE/TOP CASE		1			51 25 7 688 567			
4	CASE LOCK CYLINDER/TOP CASE WITH CODE								
	ONLY APPL.TO UNIFORM LOCK.SYST.,BOXES								
4	CASE LOCK CYLINDER/TOP CASE WITH CODE		1			51 25 7 692 176			
	ONLY APPLIES TO VEHICLE UNIFORM LOCKING SYSTEM FOR TANK/TRUNK								
4	LOCK (WITH KEY CODE)		1			51 25 7 681 199		1	
5	GENERAL KEY (CODE)								
	ONLY APPLIES TO VEHICLE UNIFORM LOCKING SYSTEM								
5	GENERAL KEY (CODE)		1			51 25 7 681 198			T
	ONLY APPL.TO UNIFORM LOCK.SYST.,BOXES								
5	GENERAL KEY WITHOUT TRANSPONDER TO CODE	GRAU	1			51 25 7 688 726			

Diagrams 46_0868 CASE, VARIABLE / SINGLE PARTS

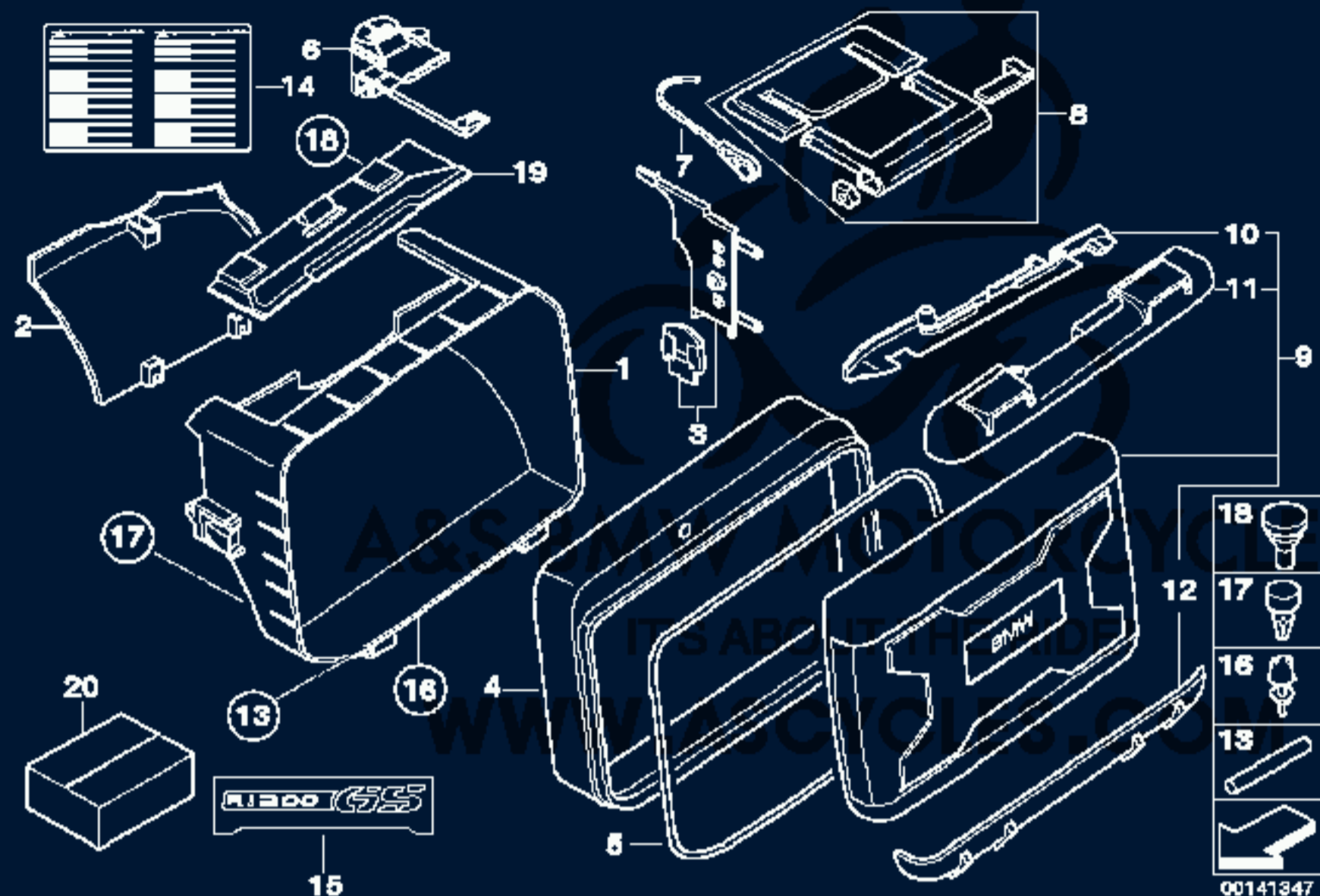
Series: K25 R1200 GS



No.	Description	Supplement	Qty	From	Up To	Part Number	AT	R	TI
1	CASE BOTTOM, RIGHT								
1	CASE BOTTOM, RIGHT		1			46 54 7 677 394		1	
1	CASE BOTTOM, LEFT		1			71 60 7 692 175		1	
2	HEAT RESISTANT PLATE		1			71 60 7 691 969			
3	ADJUST PLATE FRONT LEFT								
3	ADJUST PLATE FRONT LEFT		1			46 54 7 687 021			
3	ADJUST PLATE FRONT RIGHT		1			46 54 7 687 022			
3	ADJUST PLATE REAR LEFT		1			46 54 7 687 023			
3	ADJUST PLATE REAR RIGHT		1			46 54 7 687 024			
4	ADJUST FRAME		2			46 54 7 677 402			
5	GASKET, CASE LID		2			71 60 7 659 600			
6	TOPCASE LOCKING MECHANISM, LEFT								
6	TOPCASE LOCKING MECHANISM, LEFT		1			51 25 7 687 029		1	
6	TOPCASE LOCKING MECHANISM, RIGHT		1			71 60 7 687 030		1	
7	CATCH		2			71 60 7 692 098			
8	CARRIER HANDLE		2			71 60 7 659 597			
9	CASE LID/TOPCASE LID		2			46 54 7 677 386		1	
10	LOCK STRIP		2			71 60 7 682 774			
11	PROTECTIVE MOULDINGS, TOP		2			46 54 7 677 389			
12	PROTECTIVE MOULDINGS, BOTTOM		2			46 54 7 677 390			
13	HINGE AXLE		4			71 60 7 660 615			
14	INSTRUCTION NOTICE "PAYLOAD"								
14	INSTRUCTION NOTICE "PAYLOAD"		2			51 14 7 677 409			
14	LABEL "DISTANCE ESD-SUITCASE" ONLY APPLIES TO		1			71 60 7 689 366			
--	VARIABLE CASE, LEFT, WITHOUT LOCK CYL.		X			71 60 7 692 173		1	
15	STICKER	R1200GS	1			46 54 7 684 228			

Diagrams 46_0868 CASE, VARIABLE / SINGLE PARTS

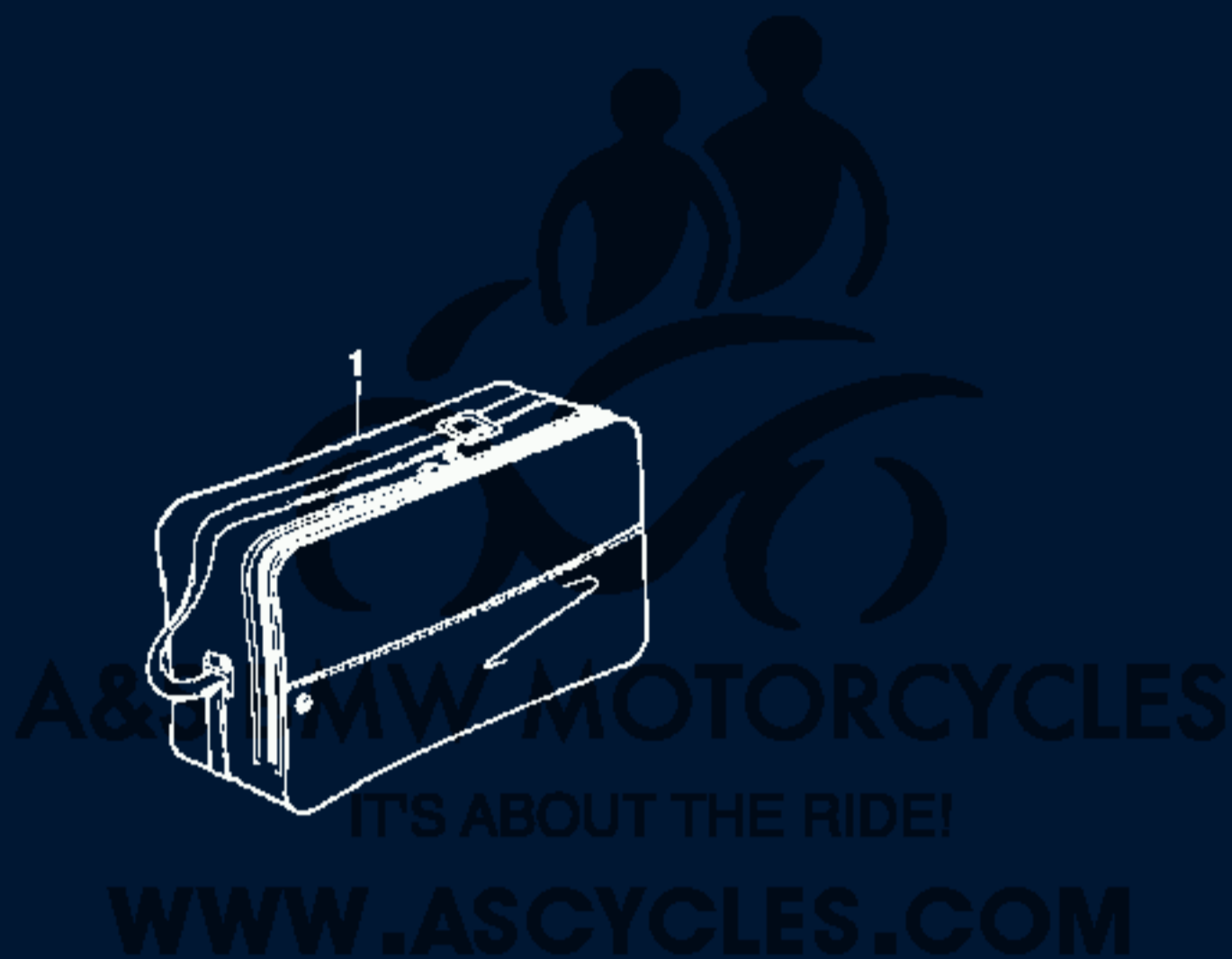
Series: K25 R1200 GS



No.	Description	Supplement	Qty	From	Up To	Part Number	AT	R	TI
3	ADJUST PLATE REAR LEFT		1			46 54 7 687 023			
3	ADJUST PLATE REAR RIGHT		1			46 54 7 687 024			
4	ADJUST FRAME		2			46 54 7 677 402			
5	GASKET, CASE LID		2			71 60 7 659 600			
6	TOPCASE LOCKING MECHANISM, LEFT								
6	TOPCASE LOCKING MECHANISM, LEFT		1			51 25 7 687 029		1	
6	TOPCASE LOCKING MECHANISM, RIGHT		1			71 60 7 687 030		1	
7	CATCH		2			71 60 7 692 098			
8	CARRIER HANDLE		2			71 60 7 659 597			
9	CASE LID/TOPCASE LID		2			46 54 7 677 386		1	
10	LOCK STRIP		2			71 60 7 682 774			
11	PROTECTIVE MOULDINGS, TOP		2			46 54 7 677 389			
12	PROTECTIVE MOULDINGS, BOTTOM		2			46 54 7 677 390			
13	HINGE AXLE		4			71 60 7 660 615			
14	INSTRUCTION NOTICE "PAYLOAD"								
14	INSTRUCTION NOTICE "PAYLOAD"		2			51 14 7 677 409			
14	LABEL "DISTANCE ESD-SUITCASE" ONLY APPLIES TO		1			71 60 7 689 366			
--	VARIABLE CASE, LEFT, WITHOUT LOCK CYL.		X			71 60 7 692 173		1	
15	STICKER	R1200GS	1			46 54 7 684 228			
16	BUMP STOP		1			52 53 7 664 664			
17	STOP BUFFER	D12X6	1			18 12 7 651 065			
18	SUPPORT		2			52 53 2 347 534			
19	COVER LEFT								
19	COVER LEFT		1			46 54 7 683 595			
19	COVER RIGHT		1			46 54 7 683 596			
20	SET OF SCREWS FOR CASE		1			71 60 7 665 793			

Diagrams 46_0851 BAG, ALUMINUM CASE/TOP CASE

Series: K25 R1200 GS

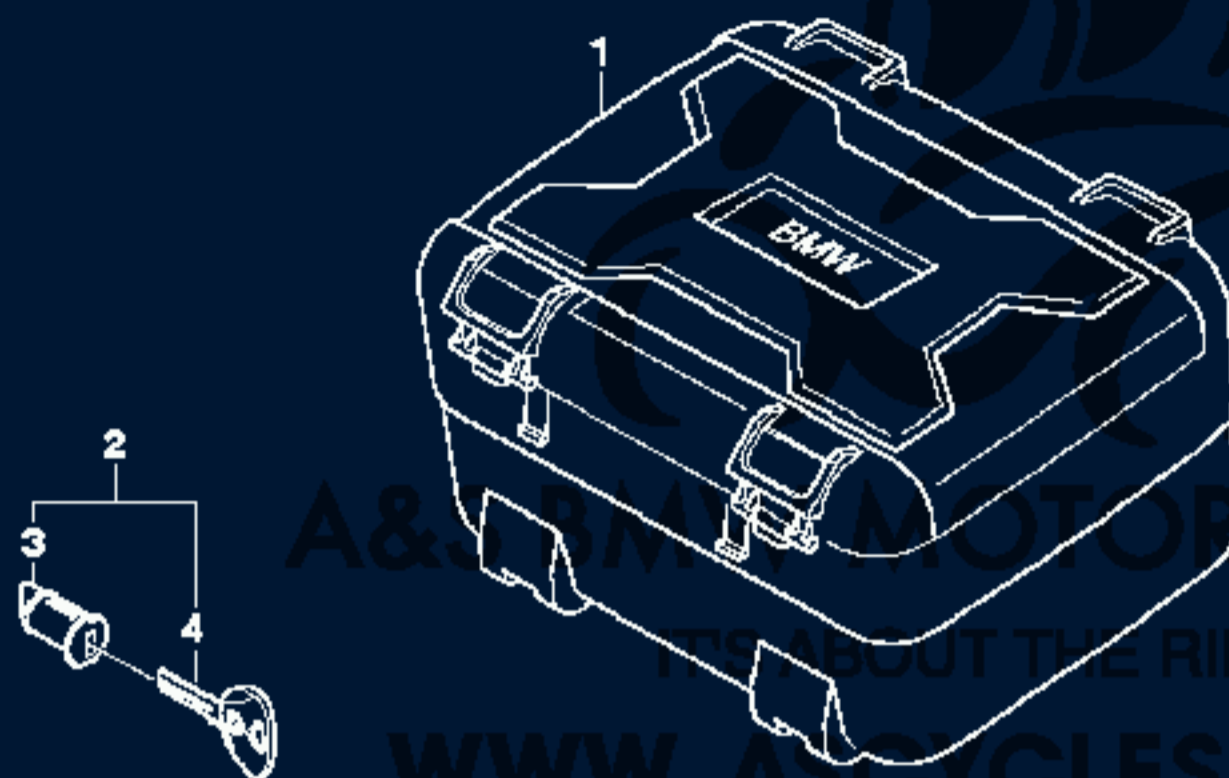


00005798

No.	Description	Supplement	Qty	From	Up To	Part Number	AT	R	TI
1	INTERIOR BAG F CASE, LEFT								
1	INTERIOR BAG F CASE, LEFT	R1200GS	1			71 60 7 687 610		1	
1	INTERIOR BAG F RIGHT CASE / TOPCASE	R1200GS	1			71 60 7 687 611		1	

Diagrams 46_0863 TOP CASE

Series: K25 R1200 GS



A&A MOTORCYCLES
IT'S ABOUT THE RIDE!
WWW.AACYCLES.COM

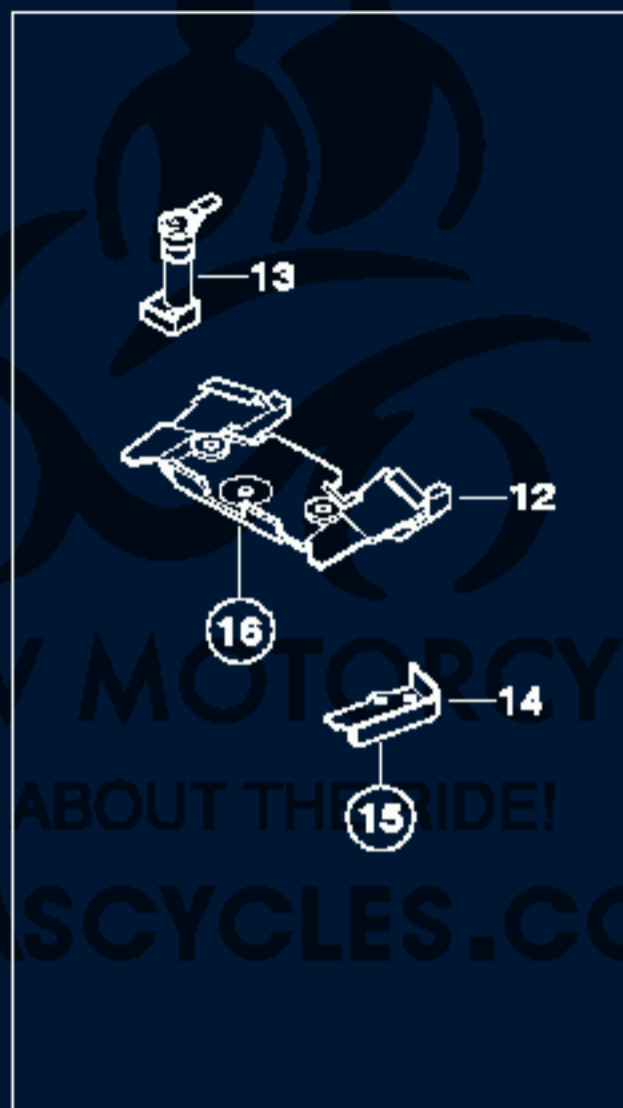
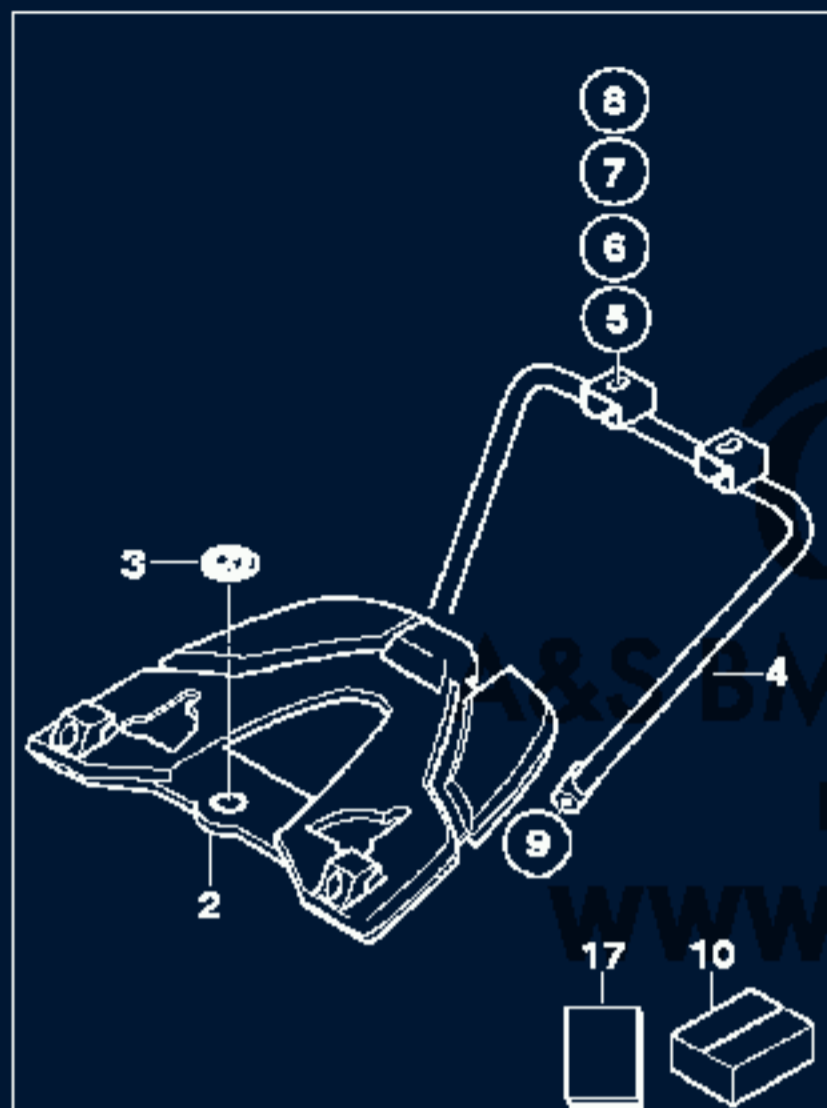


00138457

No.	Description	Supplement	Qty	From	Up To	Part Number	AT	R	TI
1	TOP CASE WITHOUT LOCK CYLINDER		1			71 60 7 670 834		1	
	ONLY APPL.TO UNIFORM LOCK.SYST.,BOXES								
2	LOCK CYLINDER WITH KEY		1			51 25 7 688 568			
3	CASE LOCK CYLINDER/TOP CASE WITH CODE								
	ONLY APPL.TO UNIFORM LOCK.SYST.,BOXES								
3	CASE LOCK CYLINDER/TOP CASE WITH CODE		1			51 25 7 692 176			
	ONLY APPLIES TO VEHICLE UNIFORM LOCKING SYSTEM								
3	LOCK (WITH KEY CODE)		1			51 25 7 681 199		1	
4	GENERAL KEY WITHOUT TRANSPONDER TO CODE								
	ONLY APPL.TO UNIFORM LOCK.SYST.,BOXES								
4	GENERAL KEY WITHOUT TRANSPONDER TO CODE	GRAU	1			51 25 7 688 726			
	ONLY APPLIES TO VEHICLE UNIFORM LOCKING SYSTEM								
4	GENERAL KEY (CODE)		1			51 25 7 681 198			T

Diagrams 46_0869 RETROFIT KIT, TOP CASE BRACKET

Series: K25 R1200 GS

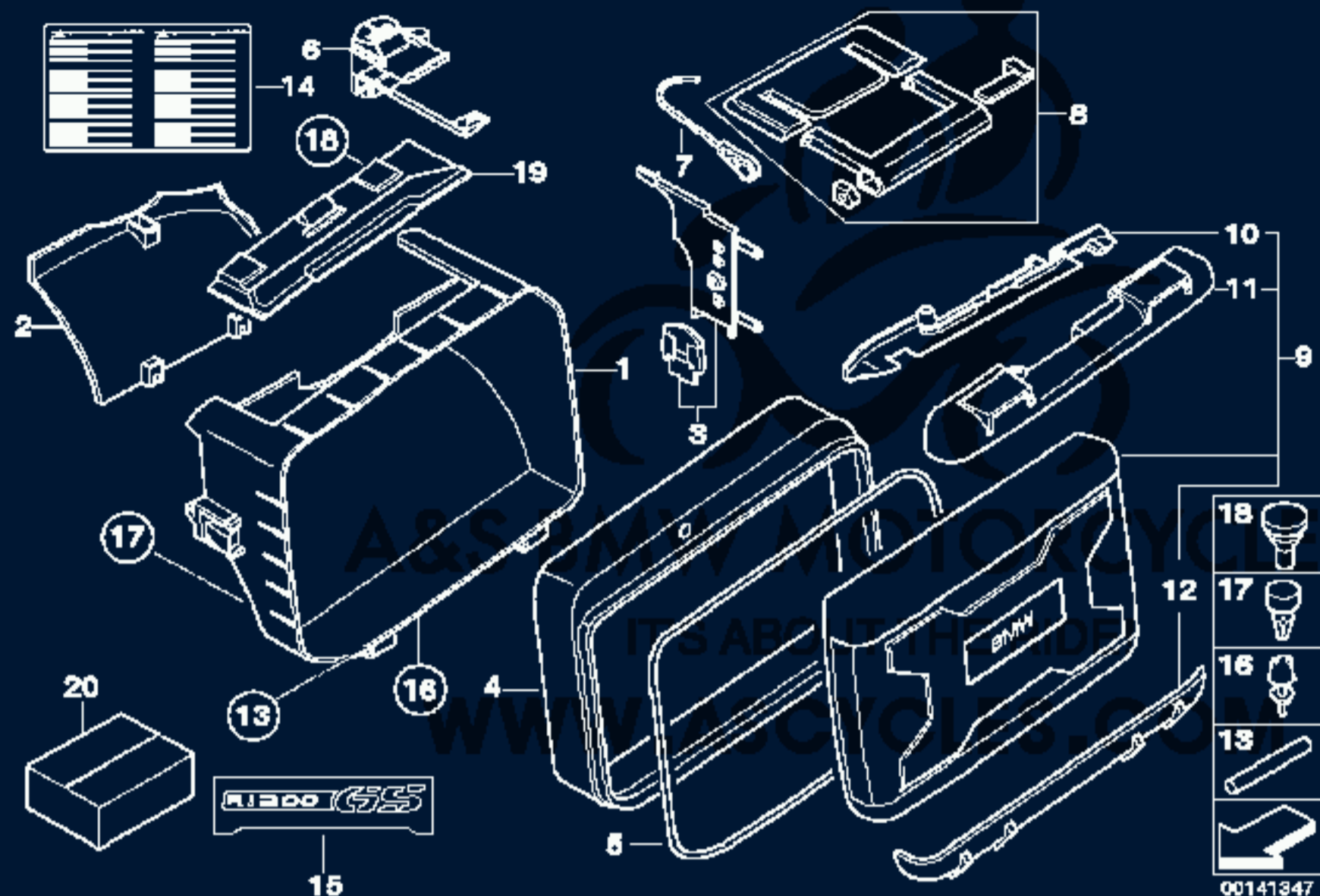


00136638

No.	Description	Supplement	Qty	From	Up To	Part Number	AT	R	TI
1	SET,SUPPORTING PLATES F TOPCASE		1			71 60 7 670 836			I
2	ADAPTER PLATE		1			71 60 7 679 102			
3	BADGE	D=27MM	1			51 14 2 328 447			
4	SUPPORT		1			71 60 7 687 937			
5	THREADED WASHER	M6	2			46 54 7 688 291			
6	O-RING	5X1,8	2			07 11 9 906 351			
7	SPACER RING		2			46 54 7 688 325			
8	COUNTERSUNK HEAD SCREW	M6X20	2			07 11 9 903 594			
9	ISA SCREW	M6X25	2			71 60 7 689 889			I
11	MOUNTING PARTS SET								
	FOR THE ASSEMBLY TOPCASE INSTEAD OF PILLION SEAT								
11	MOUNTING PARTS SET		1			46 54 7 688 336			
	ONLY IN CONJUNCTION WITH								
--	ADAPTER PLATE		1			71 60 7 679 102			
--	INST. INSTR. TOPCASE-ADAPTER PLATE		1			01 29 7 670 833			
12	SUSPENSION PLATE		1			71 60 7 678 748			
13	SECUIRNG PIN, LEFT								
13	SECUIRNG PIN, LEFT		1			71 60 7 678 749			
13	SECUIRNG PIN, RIGHT		1			71 60 7 678 750			
14	SECUIRNG ELEMENT, LEFT								
14	SECUIRNG ELEMENT, LEFT		1			71 60 7 678 751			
14	SECUIRNG ELEMENT, RIGHT		1			71 60 7 678 752			
15	RUBBER SUPPORT		2			52 53 1 230 319			
16	BUMP STOP		1			52 53 7 664 664			
17	INST. INSTR. TOPCASE-ADAPTER PLATE		1			01 29 7 670 833			

Diagrams 46_0931 TOP CASE

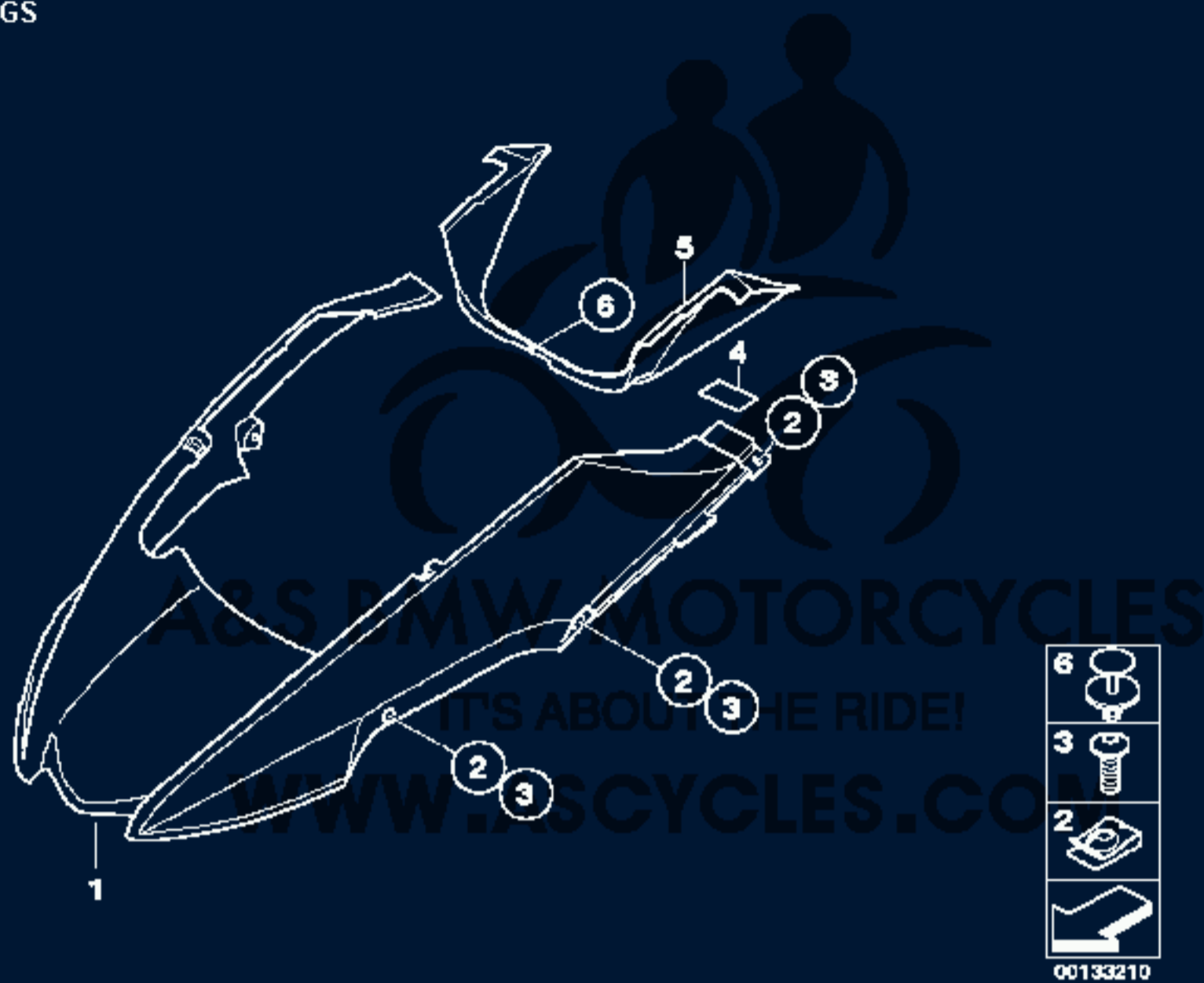
Series: K25 R1200 GS



No.	Description	Supplement	Qty	From	Up To	Part Number	AT	R	TI
1	BOTTOM PART F TOP CASE		1			71 60 7 693 628			
2	ADJUST FRAME		1			46 54 7 677 402			
3	ADJUST PLATE LEFT								
3	ADJUST PLATE LEFT		1			46 54 7 687 161			
3	ADJUST PLATE RIGHT		1			46 54 7 687 162			
4	GASKET, CASE LID		1			71 60 7 659 600			
5	CARRIER HANDLE		1			71 60 7 659 597			
6	TOPCASE LOCKING MECHANISM		1			71 60 7 681 224			
7	CATCH		1			71 60 7 692 098			
8	PLUG		4			46 54 7 679 085			
9	HINGE AXLE		2			71 60 7 660 615			
10	CASE LID/TOPCASE LID		1			46 54 7 677 386		1	
11	LOCK STRIP		1			71 60 7 682 774			
12	PROTECTIVE MOULDINGS, TOP		1			46 54 7 677 389			
13	PROTECTIVE MOULDINGS, BOTTOM		1			46 54 7 677 390			
14	LABEL		1			46 54 7 679 092			
15	SET OF SCREWS FOR CASE		1			71 60 7 665 793			

Diagrams 46_0838 UPPER MUDGUARD

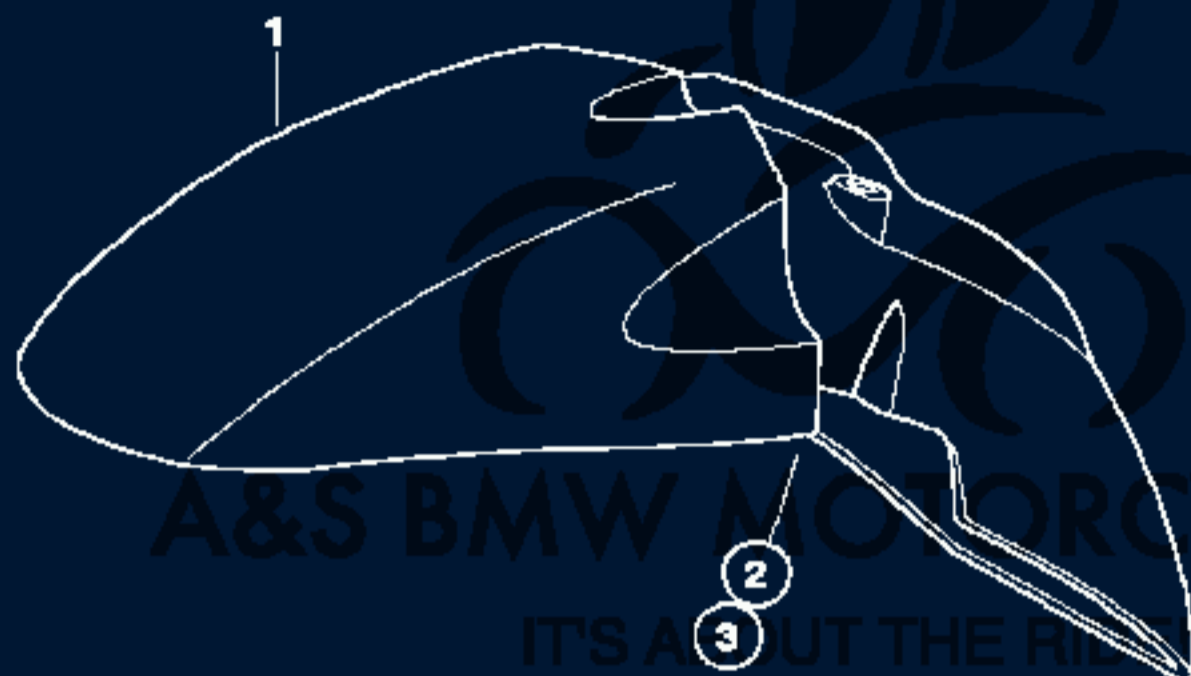
Series: K25 R1200 GS



No.	Description	Supplement	Qty	From	Up To	Part Number	AT	R	TI
1	FRONT WHEEL MUDGUARD								
1	FRONT WHEEL MUDGUARD	FELSROT-UMT	1			46 61 7 686 390			
1	FRONT WHEEL MUDGUARD	WÜSTENGELB-I	1			46 61 7 686 391			
1	FRONT WHEEL MUDGUARD	OZENBLAU-MET	1			46 61 7 686 392			
2	NUT	M5	6			52 53 2 308 647			
3	FLANGED CAP SCREW	5X16	6			46 63 7 686 286			
4	FOIL		X			46 54 2 315 901			
5	COVERING INNER		1			46 61 7 667 680			
6	EXPANDING RIVET		1			51 48 1 938 725			

Diagrams 46_0839 LOWER MUDGUARD

Series: K25 R1200 GS



WWW.ASCYCLES.COM

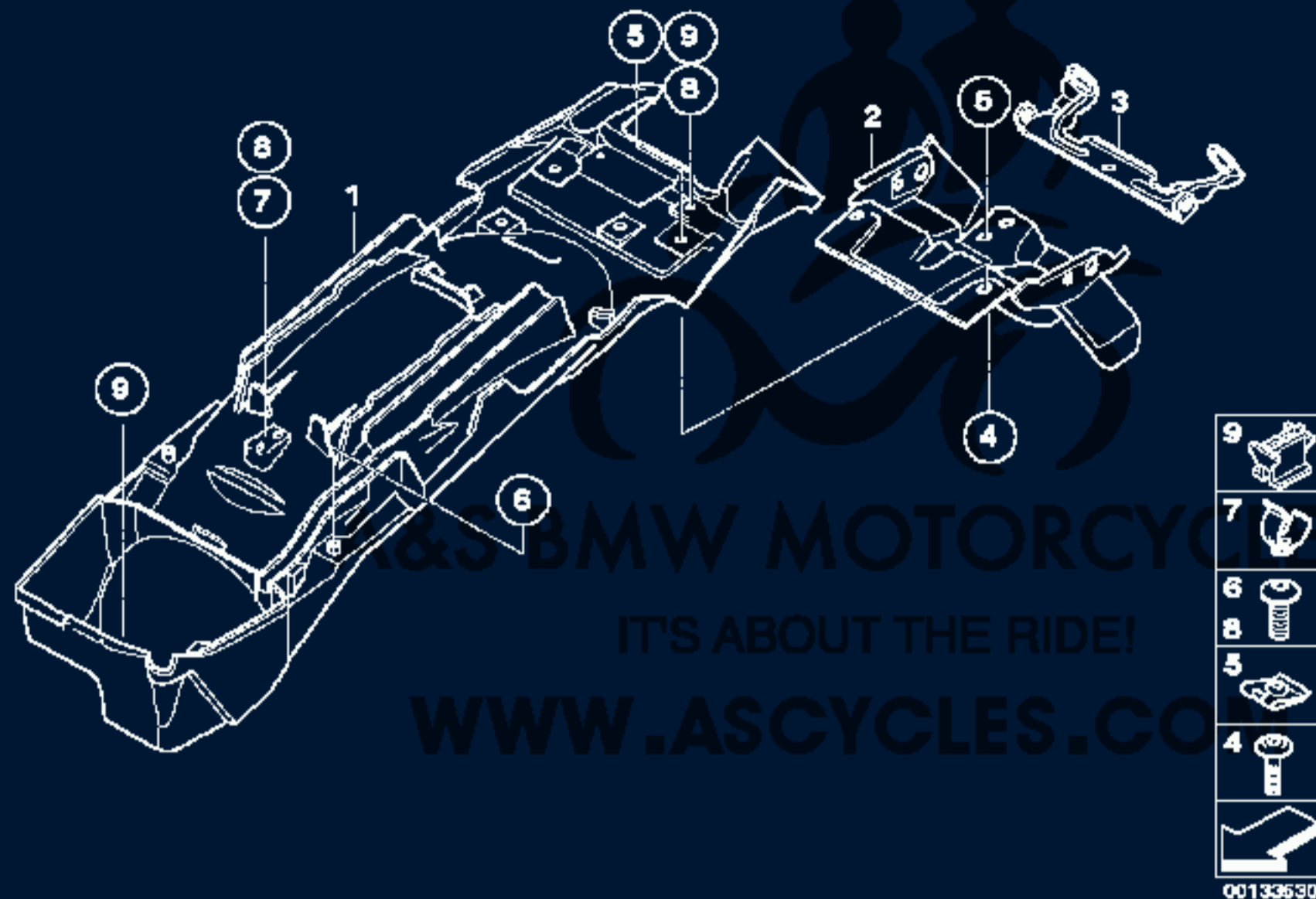


00133217

No.	Description	Supplement	Qty	From	Up To	Part Number	AT	R	TI
1	FRONT WHEEL MUDGUARD, LOWER PART	SCHWARZ	1			46 61 7 667 681			
2	FLAT WASHER	5,3	4			07 11 9 936 416			
3	FILLISTER HEAD SCREW	M5X14 SW	4			46 63 2 351 658			

Diagrams 46_0846 REAR MUDGUARD

Series: K25 R1200 GS

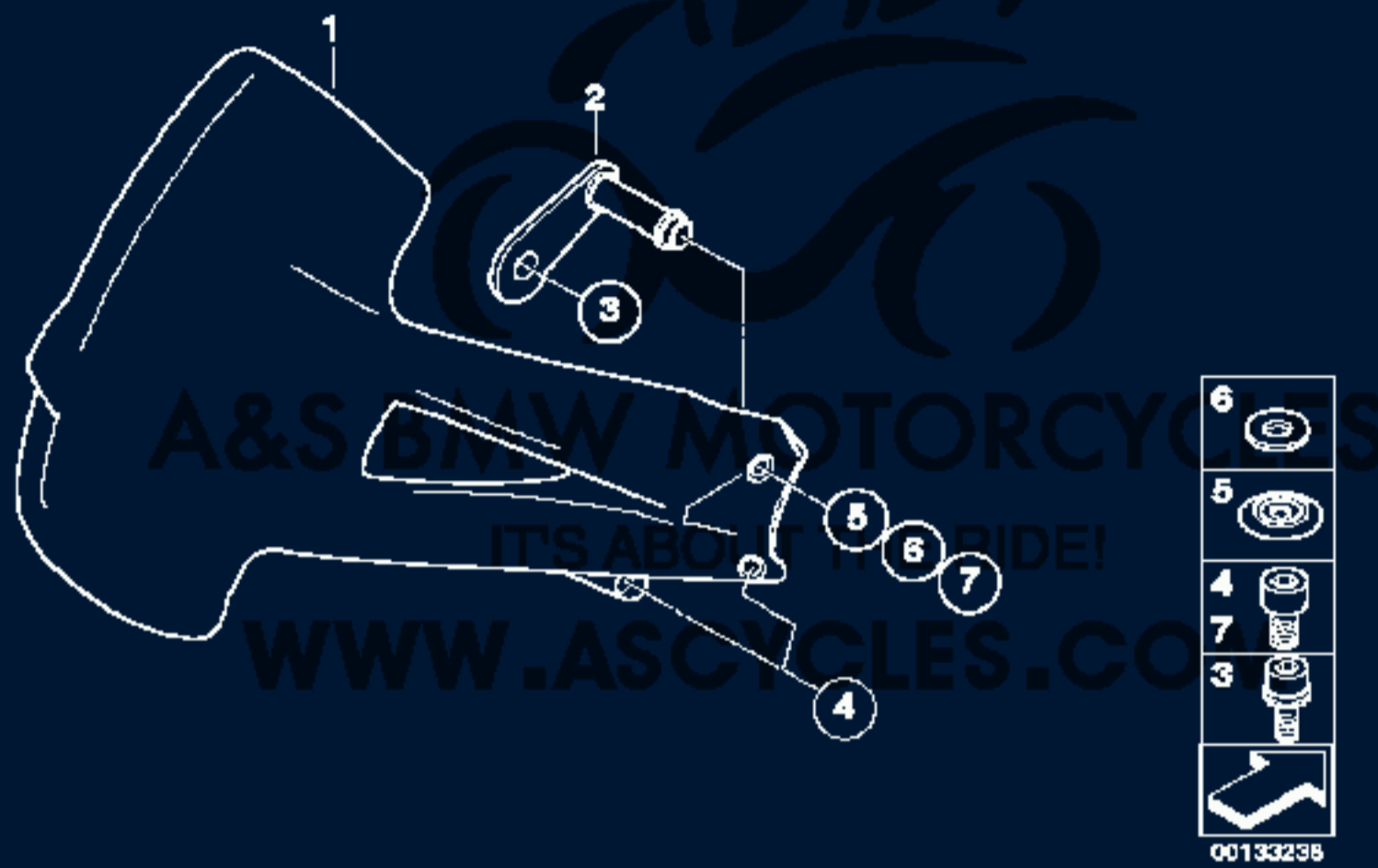


00133630

No.	Description	Supplement	Qty	From	Up To	Part Number	AT	R	TI
1	REAR MUDGUARD		1			46 62 7 667 682			
2	LICENCE PLATE SUPPORT		1			46 62 7 667 683			
3	BRACKET		1			46 62 7 668 781			
4	OVAL HEAD SCREW	M5X16 SW	3			46 63 7 677 604			
5	NUT	M5	3			52 53 2 308 647			
6	FLANGED CAP SCREW	5X16	4			46 63 7 686 286			
7	DIAGNOSIS PLUG BRACKET		1			61 13 7 676 283			
8	SCREW	3,5X12	3			63 13 2 306 499			
9	PLUG-IN CONNECTION BRACKET		2			61 13 7 651 912			

Diagrams 46_0840 MUDGUARD REAR

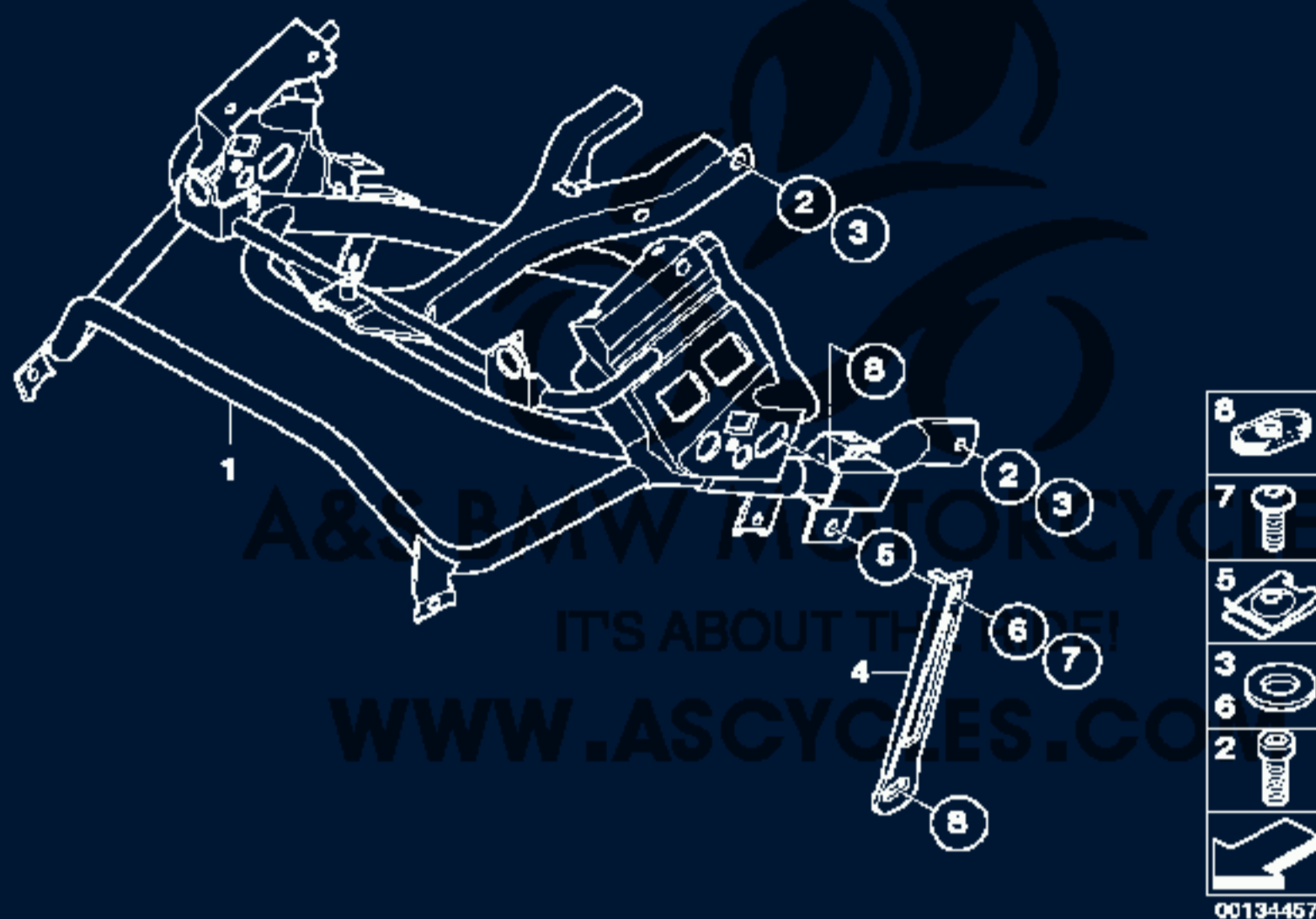
Series: K25 R1200 GS



No.	Description	Supplement	Qty	From	Up To	Part Number	AT	R	TI
1	MUDGUARD REAR		1			46 62 7 682 884		1	
2	BRACKET		1			46 62 7 671 618			
3	TORX-BOLT WITH WASHER	M8X25-Z1-ZNS	1			07 12 9 903 267			
4	ISA SCREW	M6X20	2			07 12 9 904 073			
5	BUSH	DI=6,5	1			46 62 7 685 810			
6	FLAT WASHER		1			07 11 9 904 606			
7	ISA SCREW	M6X65	1			46 62 7 688 883			

Diagrams 46_0856 FAIRING BRACKET

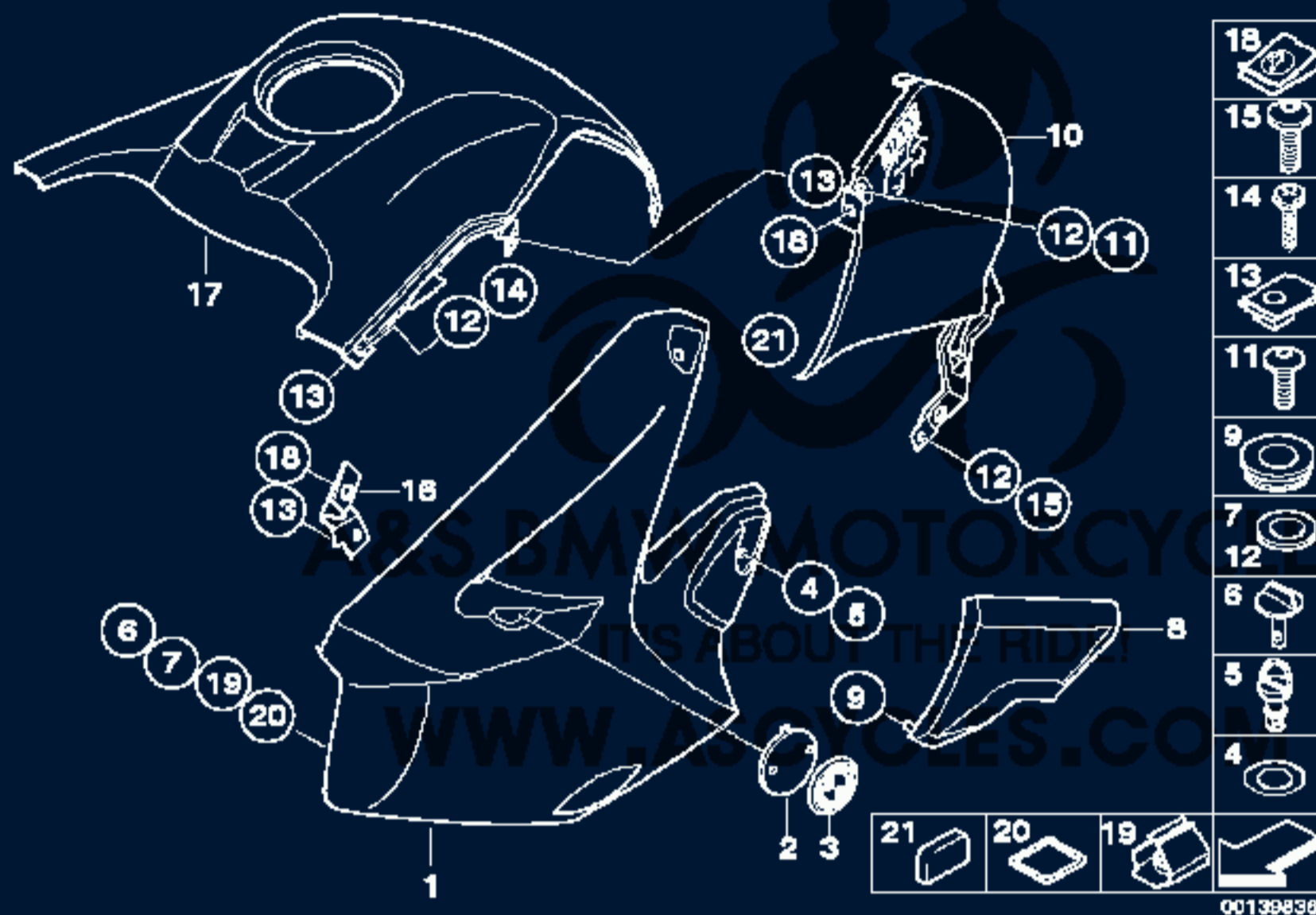
Series: K25 R1200 GS



No.	Description	Supplement	Qty	From	Up To	Part Number	AT	R	TI
1	FAIRING BRACKET		1			46 63 7 667 700		1	
2	FILLISTER HEAD SCREW	M6X16	4			46 63 7 659 459			
3	FLAT WASHER	6,4	4			07 11 9 931 035			
4	BRACKET LEFT								
4	BRACKET LEFT		1			46 63 7 673 253			
4	BRACKET RIGHT		1			46 63 7 673 254			
5	NUT	M5	2			52 53 2 308 647			
6	FLAT WASHER	A5,3	2			07 11 9 901 598			
7	FLANGED CAP SCREW	5X16	2			46 63 7 686 286			
8	RUBBER GROMMET, SLOT		4			46 63 7 673 911			

Diagrams 46_0841 TRIM PANEL PARTS - MOUNTING PARTS

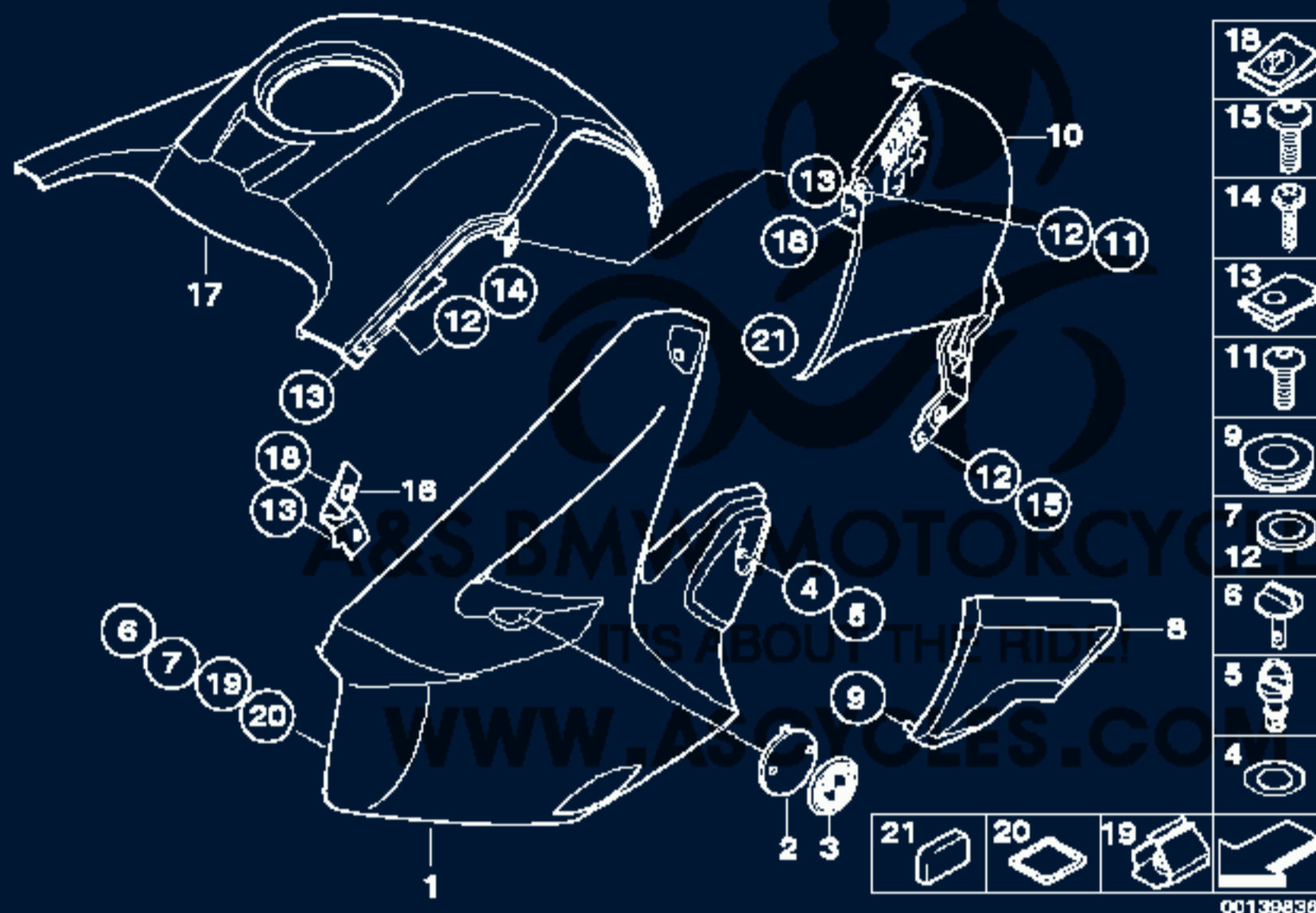
Series: K25 R1200 GS



No.	Description	Supplement	Qty	From	Up To	Part Number	AT	R	TI
1	LATERAL TRIM PANEL LEFT								
1	LATERAL TRIM PANEL LEFT	GRANITGRAU-M	1			46 63 7 680 623			
1	LATERAL TRIM PANEL RIGHT	GRANITGRAU-M	1			46 63 7 680 624			
1	LATERAL TRIM PANEL LEFT	SCHWARZ	1			46 63 7 682 909			
1	LATERAL TRIM PANEL RIGHT	SCHWARZ	1			46 63 7 682 910			
2	PLAQUE HOLDER, LEFT								
2	PLAQUE HOLDER, LEFT		1			46 63 7 672 095			
2	PLAQUE HOLDER, RIGHT		1			46 63 7 672 096			
3	BADGE	D=50MM	2			51 14 8 164 924			
4	CIRCLIP		8			51 71 0 301 833			
5	QUICK-RELEASE SCREW		4			46 63 7 676 995			
6	ROTARY KNOB		2			46 63 7 684 303			
7	WASHER, PLASTIC	D=25	4			46 63 7 684 306			
8	SIDE COVER, LEFT								
8	SIDE COVER, LEFT	SCHWARZ	1			46 63 7 677 515			
8	SIDE COVER, RIGHT	SCHWARZ	1			46 63 7 677 516			
9	RUBBER GROMMET		4			46 63 1 453 144			
10	TANK TRIM PANEL, LEFT								
10	TANK TRIM PANEL, LEFT		1			46 63 7 684 485			
10	TANK TRIM PANEL, RIGHT		1			46 63 7 684 486			
11	FLANGED CAP SCREW	5X16	4			46 63 7 686 286			
12	FLAT WASHER		4			46 61 2 308 594			
13	NUT	M5	4			52 53 2 308 647			
14	FLANGED CAP SCREW	M5X16	2			46 63 2 325 998			
15	FILLISTER HEAD SCREW	M5X14 SW	2			46 63 2 351 658			
16	LEFT TRIM PANEL BRACKET								
16	LEFT TRIM PANEL BRACKET		1			46 63 7 673 909			
16	RIGHT TRIM PANEL BRACKET		1			46 63 7 673 910			
17	COVERING FUEL TANK								
17	COVERING FUEL TANK	FELSROT - UMT	1			46 63 7 680 618			

Diagrams 46_0841 TRIM PANEL PARTS - MOUNTING PARTS

Series: K25 R1200 GS

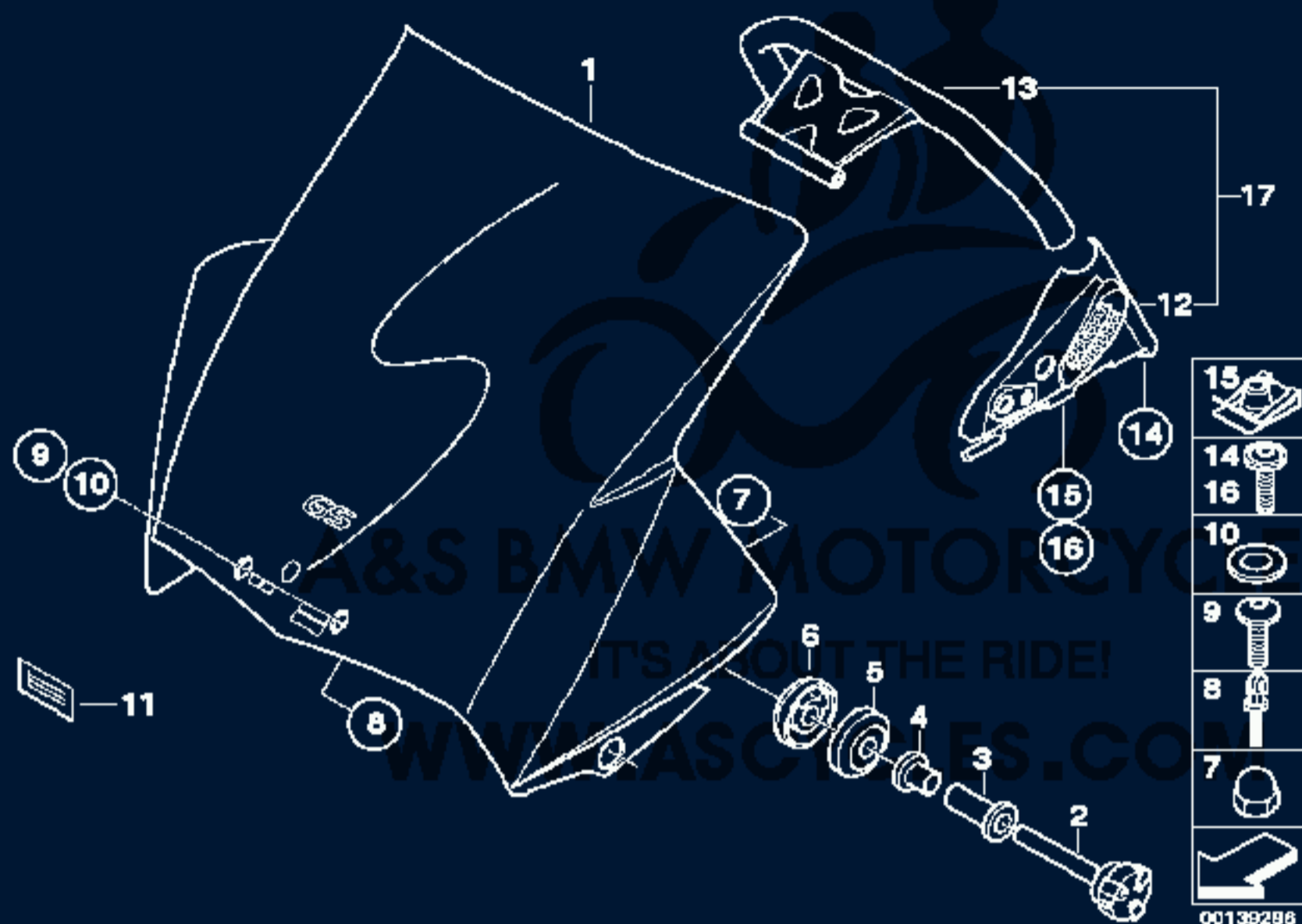


00139836

No.	Description	Supplement	Qty	From	Up To	Part Number	AT	R	TI
2	PLAQUE HOLDER, LEFT		1			46 63 7 672 095			
2	PLAQUE HOLDER, RIGHT		1			46 63 7 672 096			
3	BADGE	D=50MM	2			51 14 8 164 924			
4	CIRCLIP		8			51 71 0 301 833			
5	QUICK-RELEASE SCREW		4			46 63 7 676 995			
6	ROTARY KNOB		2			46 63 7 684 303			
7	WASHER, PLASTIC	D=25	4			46 63 7 684 306			
8	SIDE COVER, LEFT								
8	SIDE COVER, LEFT	SCHWARZ	1			46 63 7 677 515			
8	SIDE COVER, RIGHT	SCHWARZ	1			46 63 7 677 516			
9	RUBBER GROMMET		4			46 63 1 453 144			
10	TANK TRIM PANEL, LEFT								
10	TANK TRIM PANEL, LEFT		1			46 63 7 684 485			
10	TANK TRIM PANEL, RIGHT		1			46 63 7 684 486			
11	FLANGED CAP SCREW	5X16	4			46 63 7 686 286			
12	FLAT WASHER		4			46 61 2 308 594			
13	NUT	M5	4			52 53 2 308 647			
14	FLANGED CAP SCREW	M5X16	2			46 63 2 325 998			
15	FILLISTER HEAD SCREW	M5X14 SW	2			46 63 2 351 658			
16	LEFT TRIM PANEL BRACKET								
16	LEFT TRIM PANEL BRACKET		1			46 63 7 673 909			
16	RIGHT TRIM PANEL BRACKET		1			46 63 7 673 910			
17	COVERING FUEL TANK								
17	COVERING FUEL TANK	FELSROT - UMT	1			46 63 7 680 618			
17	COVERING FUEL TANK	WÜSTENGELB-I	1			46 63 7 680 619			
17	COVERING FUEL TANK	OZEANBLAU-ME	1			46 63 7 680 620			
18	C-CLIP NUT		4			46 63 7 676 994			
19	TRIM PANEL CLIP		2			46 63 7 684 304			
20	FRAME		2			46 63 7 684 305			
21	EDGE PROTECTION, TANK TRIM PANEL	SCHWARZ	2			46 63 7 684 337			

Diagrams 46_0842 WINDSHIELD

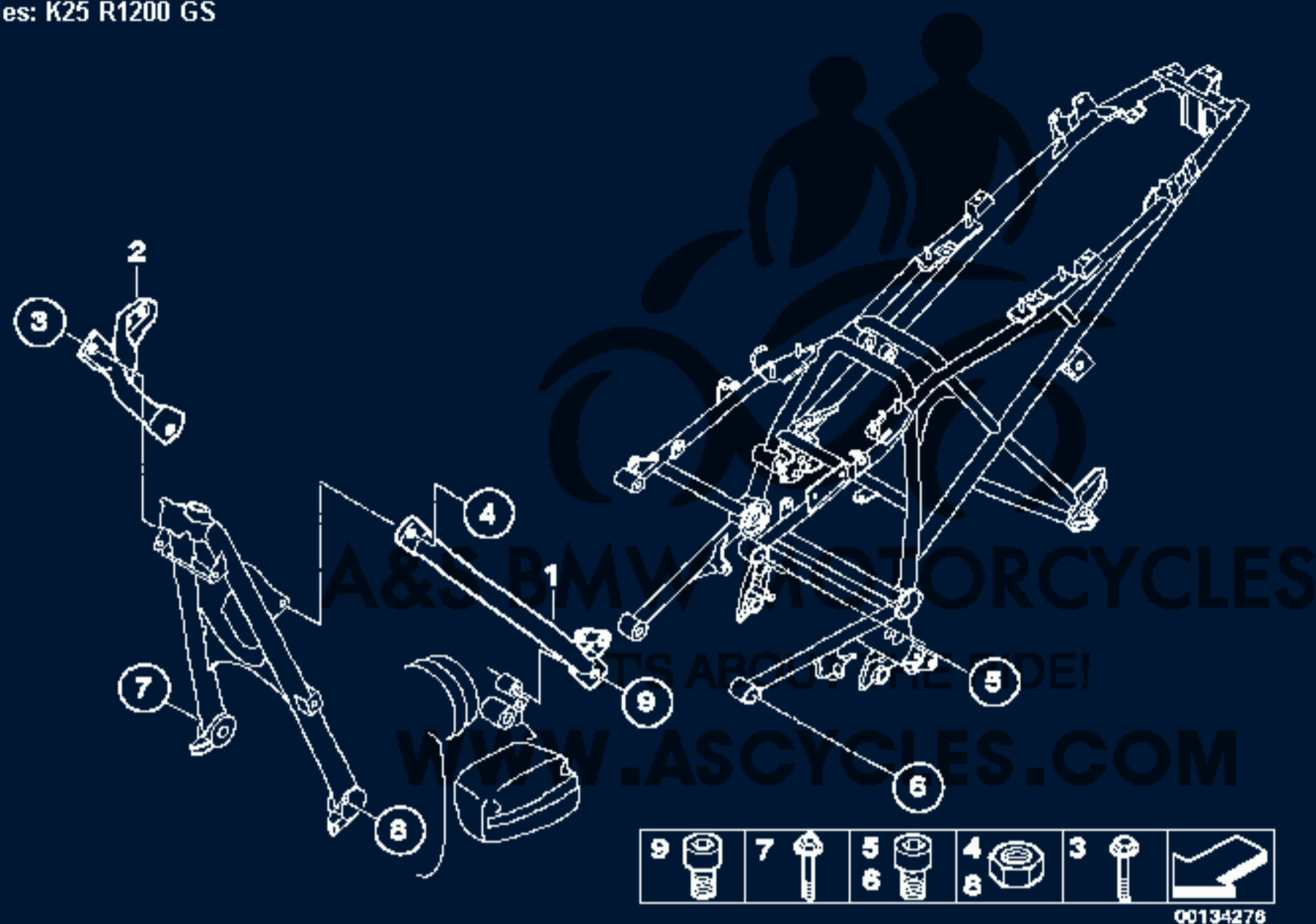
Series: K25 R1200 GS



No.	Description	Supplement	Qty	From	Up To	Part Number	AT	R	TI
1	WINDSHIELD		1			46 63 7 668 783		1	
2	CLAMPING BOLT		2			46 63 7 671 244			
3	EXTERIOR BUSH		2			46 63 7 676 997			
4	BUSH		2			46 63 7 676 996			
5	SUPPORTING PLATE LEFT								
5	SUPPORTING PLATE LEFT		1			46 63 7 673 915			
5	SUPPORTING PLATE RIGHT		1			46 63 7 673 916			
6	COVERING LEFT								
6	COVERING LEFT		1			46 63 7 673 913			
6	COVERING RIGHT		1			46 63 7 673 914			
7	CAP NUT	M6 CR	2			07 11 9 924 324			
8	WINDSHIELD BRACKET, LEFT								
8	WINDSHIELD BRACKET, LEFT		1			46 63 7 676 629			
8	WINDSHIELD BRACKET, RIGHT		1			46 63 7 676 630			
9	FILLISTER HEAD SCREW	M5X16MK	2			06 32 7 657 949			
10	FLAT WASHER		2			46 61 2 308 594			
11	LABEL		1			71 21 2 346 071			
14	FILLISTER HEAD SCREW	M5X16MK	2			06 32 7 657 949			
15	NUT	M5	4			52 53 2 308 647			
16	FLANGED CAP SCREW	5X16	4			46 63 7 686 286			
17	FRONT PANEL CARRIER		1			46 63 7 667 701			

Diagrams 46_0855 ENGINE SUSPENSION

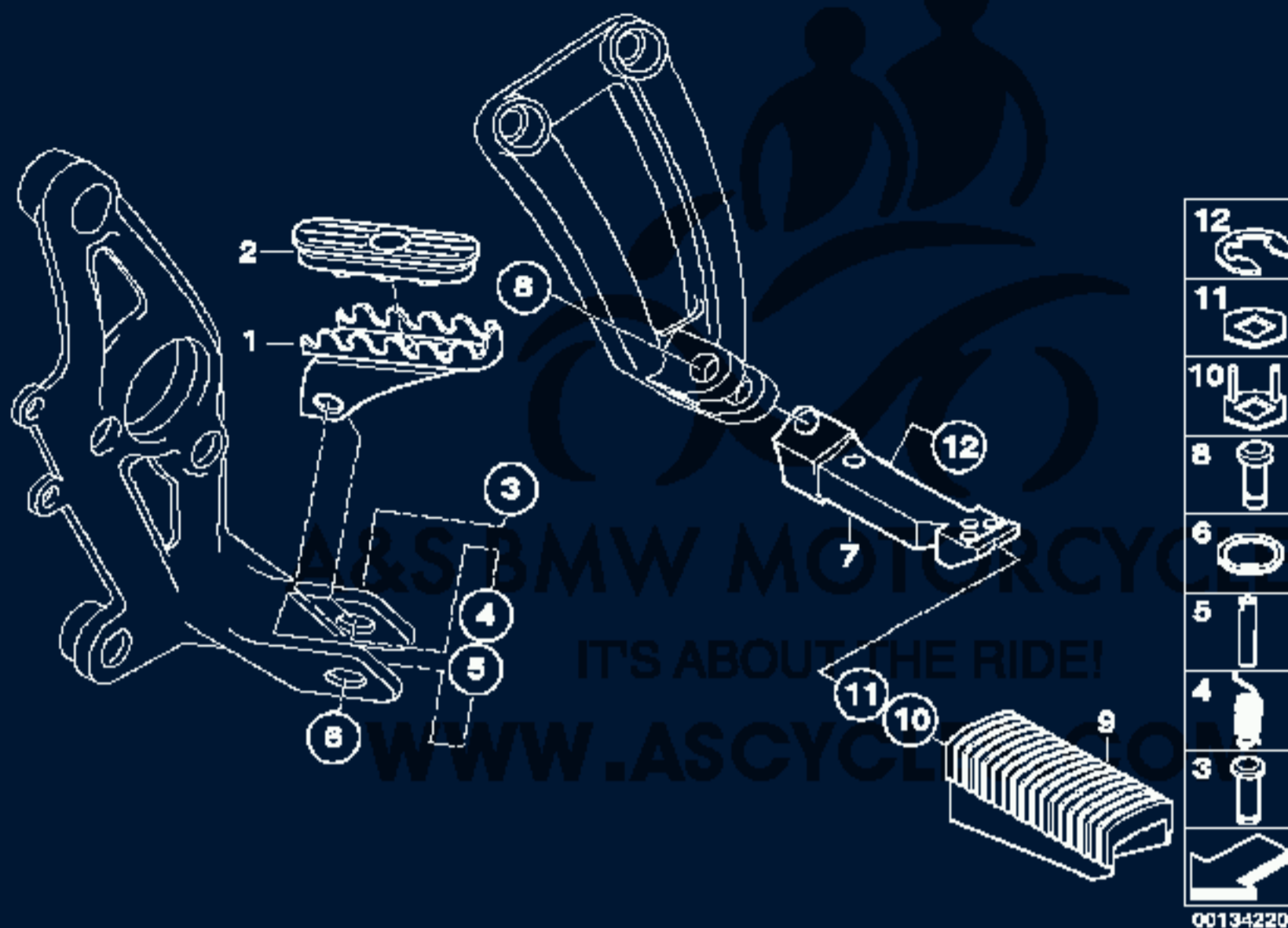
Series: K25 R1200 GS



No.	Description	Supplement	Qty	From	Up To	Part Number	AT	R	TI
1	ROD LEFT		1			46 51 7 664 151			
2	ROD RIGHT		1			46 51 7 664 152			
3	PIN	M10X106	1			46 51 7 677 562			
4	HEX NUT	M10	1			07 11 9 904 025			
5	ISA SCREW	M10X40-8.8-ZNS	2			07 12 9 903 801			
6	ISA SCREW	M12X50-8.8-ZNS	2			07 12 9 903 526			
7	HEX BOLT	M12X210	1			46 51 7 677 568			
8	HEX NUT	M12-10-ZNS3	1			07 11 9 901 589			
9	ISA SCREW	M10X40	2			07 12 9 904 632			

Diagrams 46_0854 FRONT AND REAR FOOTPEG

Series: K25 R1200 GS

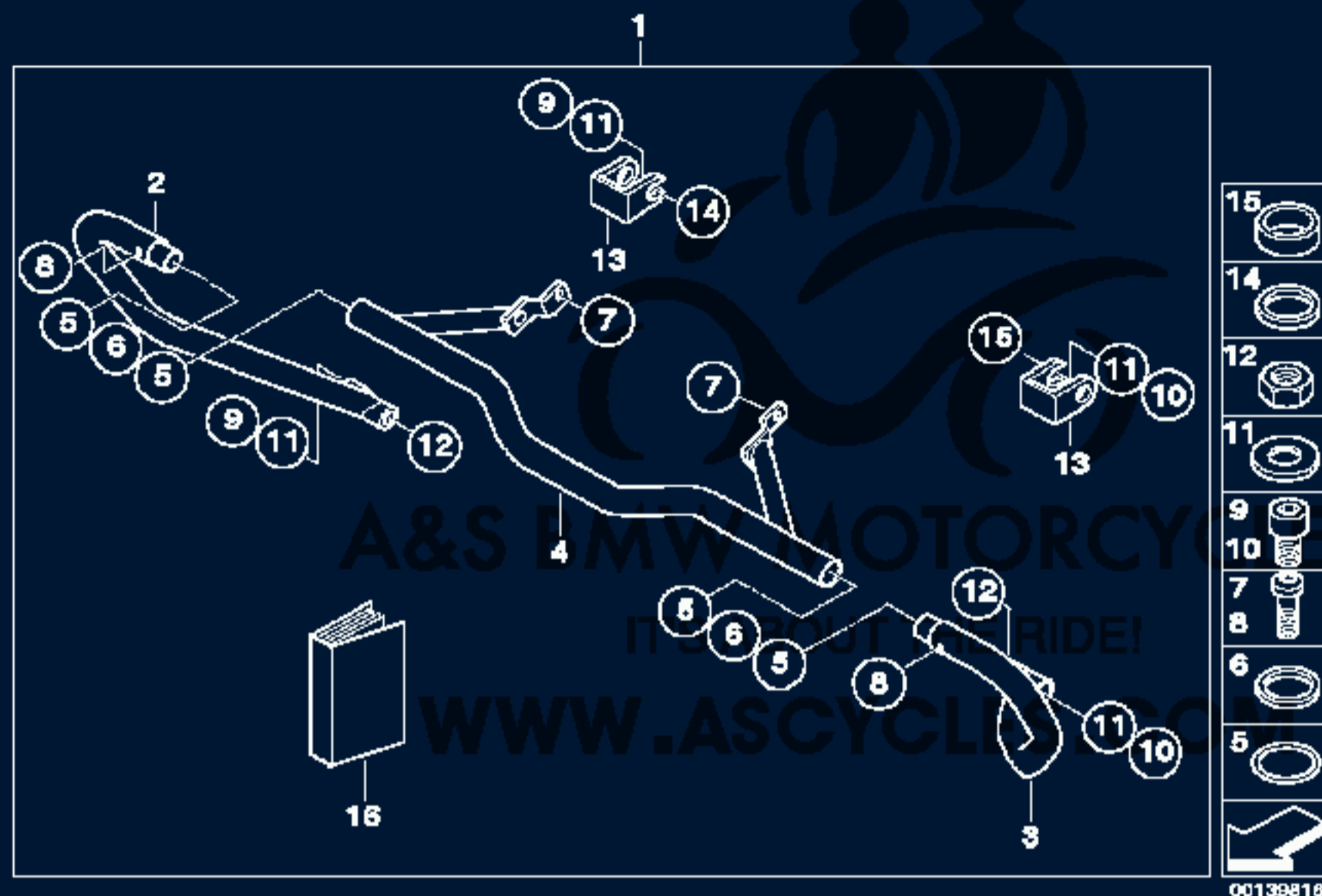


00134220

No.	Description	Supplement	Qty	From	Up To	Part Number	AT	R	TI
1	FOOTREST, LEFT								
1	FOOTREST, LEFT		1			46 71 1 242 017			
1	FOOTREST, RIGHT		1			46 71 1 242 018			
2	FOOTREST RUBBER		2			46 71 1 242 109			
3	PIN		2			46 71 7 680 530			
4	RETAINER SPRING		2			46 71 7 673 821			
5	SPACER TUBE		2			46 71 1 242 019			
6	CIRCLIP	6,0	2			07 11 9 901 545			
7	FOOTREST, LEFT								
7	FOOTREST, LEFT		1			46 71 2 310 403			
7	FOOTREST, RIGHT		1			46 71 2 310 404			
8	PIN		2			46 71 7 668 644			
9	FOOTREST RUBBER REAR		2			46 71 7 664 225			
10	SPACER LEFT								
10	SPACER LEFT		1			46 71 2 310 871			
10	SPACER RIGHT		1			46 71 2 310 872			
11	STOP DISK		2			46 71 7 670 317			
12	CIRCLIP	6,0	2			07 11 9 901 545			

Diagrams 46_0834 ENGINE PROTECTION BAR SET

Series: K25 R1200 GS

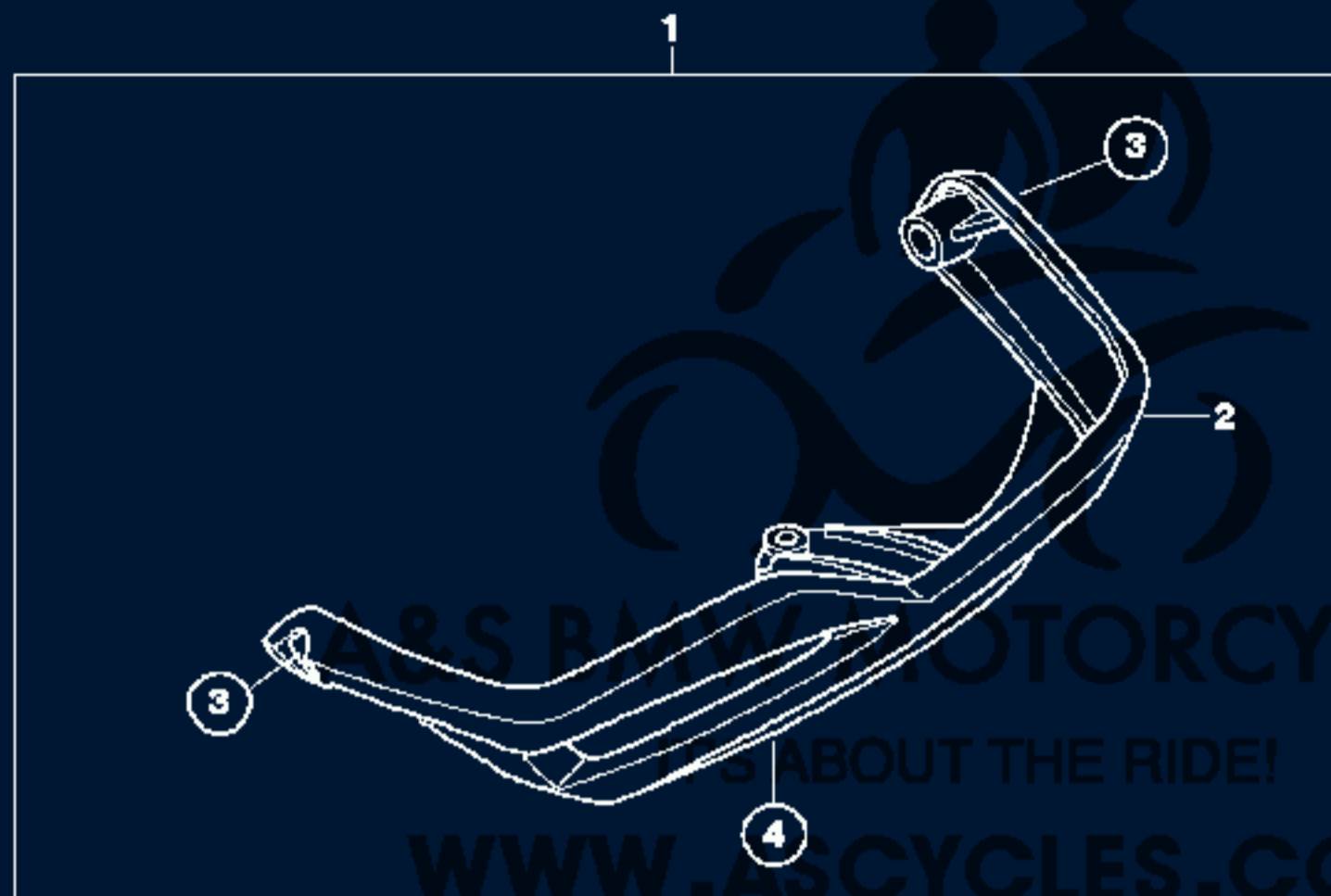


00139816

No.	Description	Supplement	Qty	From	Up To	Part Number	AT	R	TI
1	ENGINE PROTECTION BAR SET		1			71 60 7 677 270		1	
2	RIGHT ENGINE PROTECTION BAR		1			71 60 7 677 850		1	
3	LEFT ENGINE PROTECTION BAR		1			71 60 7 677 849		1	
4	ENGINE ROLL-BAR, CENTER		1			71 60 7 677 851		1	
5	O-RING	20X1,5	4			07 11 9 903 048			
6	SPACER RING	25X2X3	2			71 60 7 678 014			
7	FILLISTER HEAD SCREW	A2 M5X16 SI	2			06 32 7 651 212			
8	FILLISTER HEAD SCREW	M6X16	2			06 32 7 651 204			
9	ISA SCREW	M10X30	2			07 12 9 905 270			
10	ISA SCREW	M10X40-8.8-ZNS	2			07 12 9 903 801			
11	WASHER	A10-200 HV	4			07 11 9 904 607			
12	HEX NUT	M10	4			07 11 9 904 036			
13	SPACER HOLDER		2			71 60 7 691 696			
14	FLAT WASHER	S=5/RE	1			71 60 7 691 697			
15	FLAT WASHER	S=10/RE	1			71 60 7 691 698			
16	INSTALL.INSTRUCT., ENGINE PROTECTION BAR		1			01 29 7 691 866			

Diagrams 46_0837 LEFT SAFETY BAR, PLASTIC

Series: K25 R1200 GS

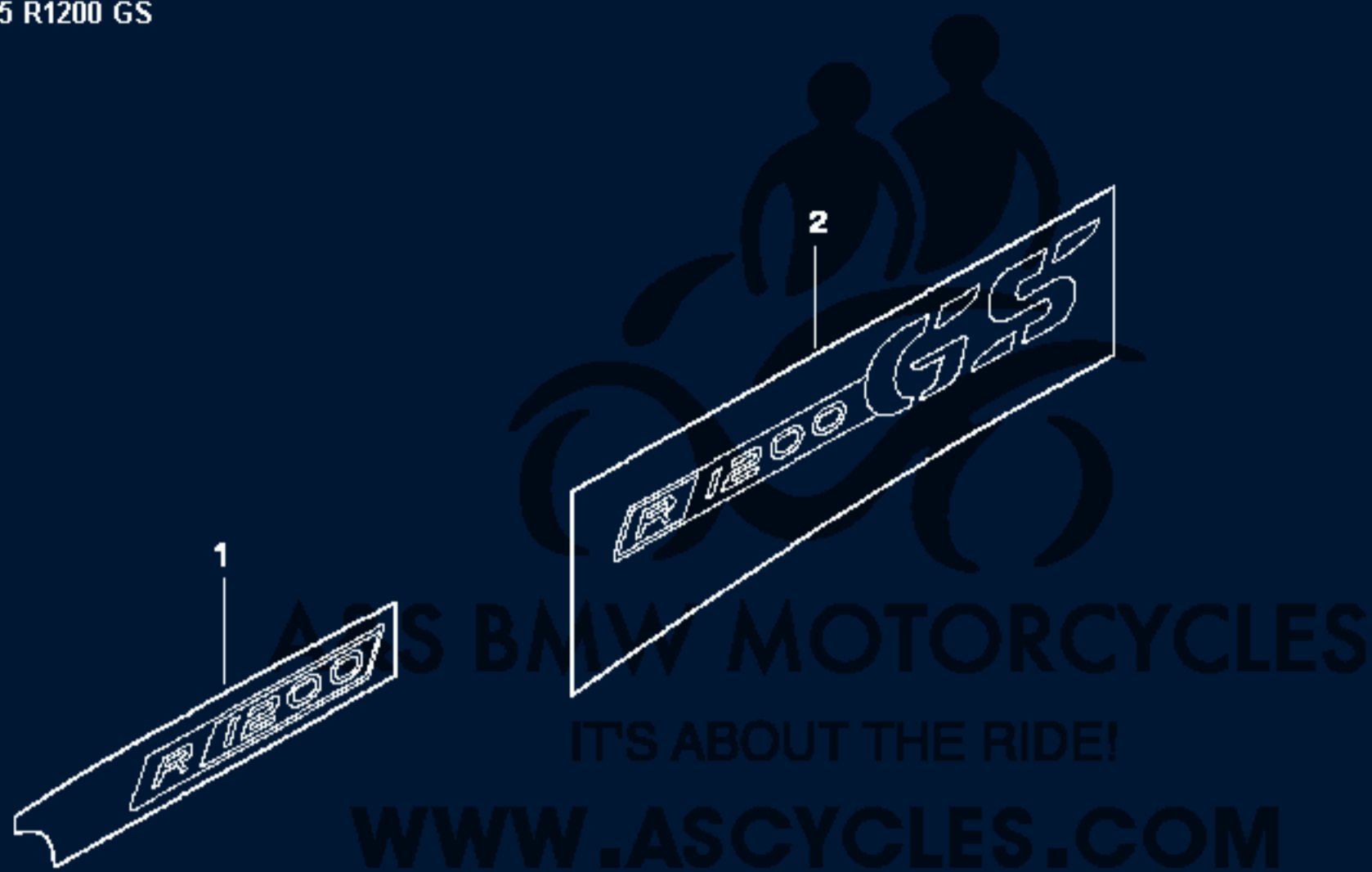


00141167

No.	Description	Supplement	Qty	From	Up To	Part Number	AT	R	TI
1	RETROFIT KIT, SAFETY BAR		1			71 60 7 685 849		1	
2	SAFETY BAR, LEFT								
2	SAFETY BAR, LEFT		1			11 12 7 684 307		1	
2	SAFETY BAR, RIGHT		1			71 60 7 684 308		1	
3	TORX SCREW	M6X20	4			07 12 9 903 979			
4	ISA SCREW	M6X25	2			07 12 9 905 003			
5	INSTALLATION INSTRUCTIONS, SAFETY BAR	R1200GS	1			71 60 7 685 850			

Diagrams 51_5350 STICKER

Series: K25 R1200 GS

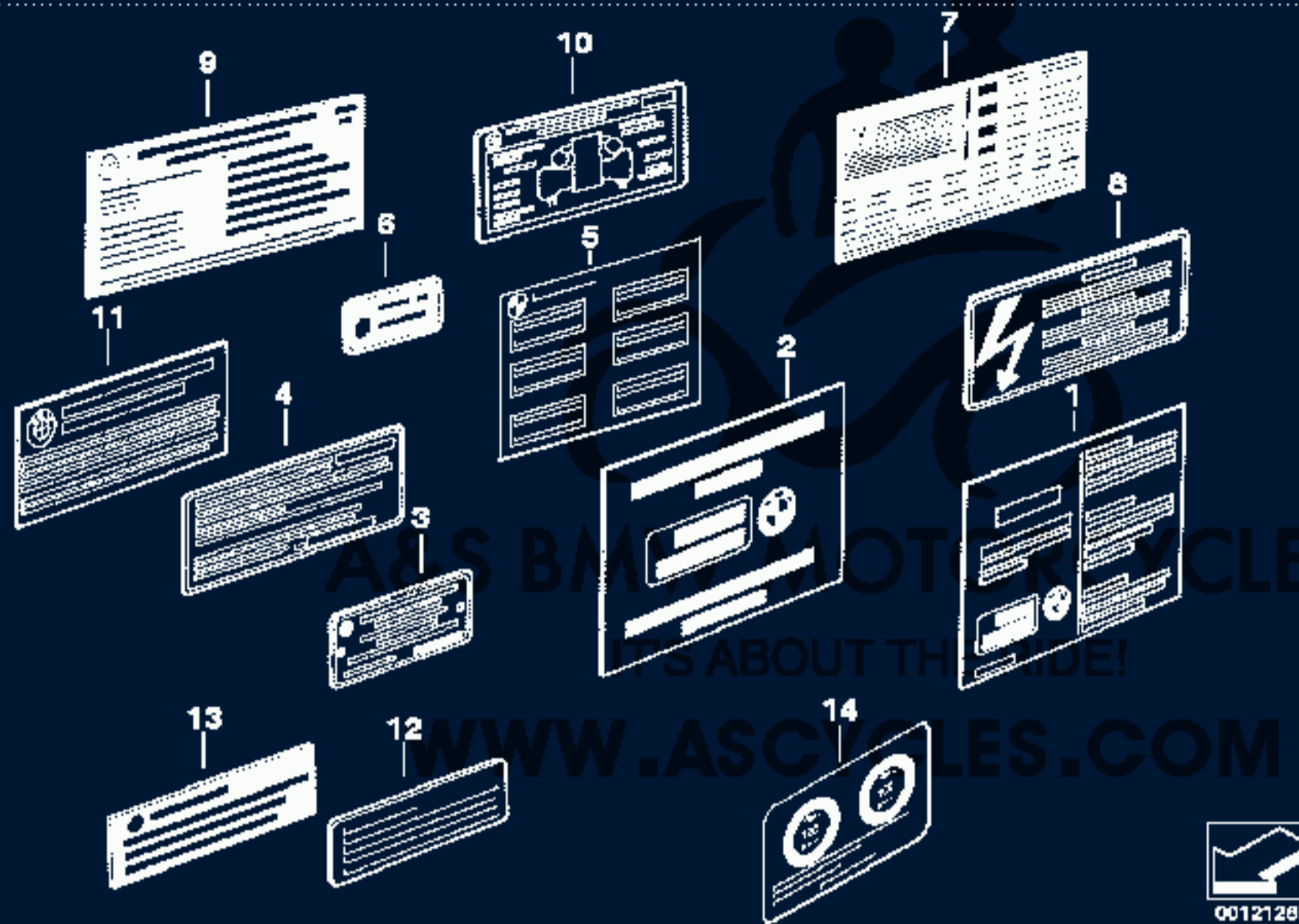


00133202

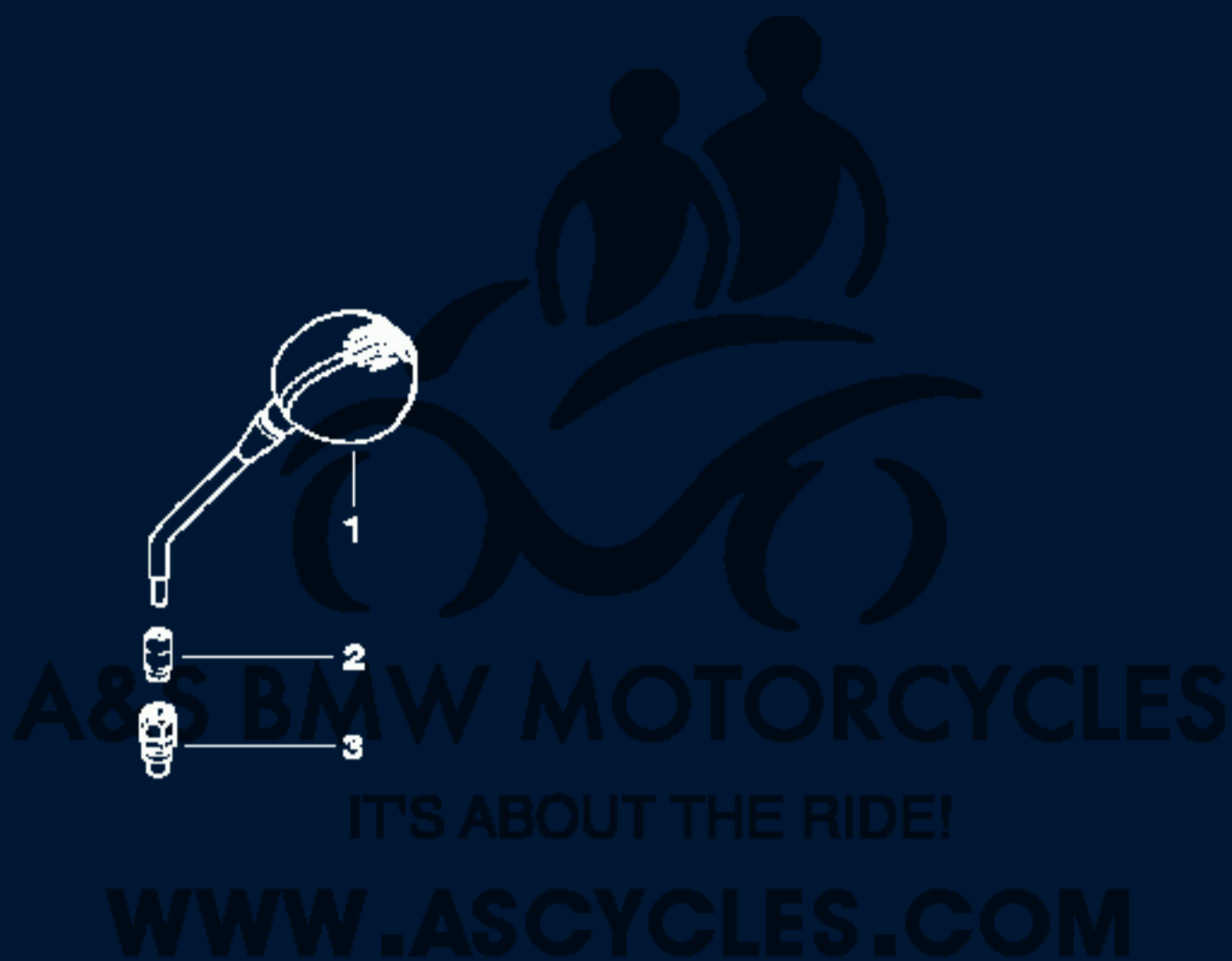
No.	Description	Supplement	Qty	From	Up To	Part Number	AT	R	TI
1	STICKER								
1	STICKER	LINKS	1			46 63 7 686 443			
1	STICKER	RECHTS	1			46 63 7 686 444			
	ONLY APPLIES TO								
--	TANK TRIM PANEL, LEFT		X			46 63 7 684 485			
--	TANK TRIM PANEL, RIGHT		X			46 63 7 684 486			
2	LETTERING LEFT R1200GS								
	FOR VEHICLES WITH								
	OZEAN-BLAU METALLIC	M947 = YES							
2	LETTERING LEFT R1200GS	BL/SW/BL	1			51 14 7 686 785			
2	LETTERING RIGHT R1200GS	BL/SW/BL	1			51 14 7 686 786			
	ONLY APPLIES TO								
--	LUGGAGE GRID	SILBER	X			46 54 7 667 672			1
	FOR VEHICLES WITH								
	FELS-ROT UNI METALLIZED	M950 = YES							
2	LETTERING LEFT R1200GS	RT/SW/RT	1			51 14 7 686 783			
2	LETTERING RIGHT R1200GS	RT/SW/RT	1			51 14 7 686 784			
	ONLY APPLIES TO								
--	LUGGAGE GRID	SILBER	X			46 54 7 667 672			1
	FOR VEHICLES WITH								
	WÜSTEN-GELB UNI METALLIZED	M952 = YES							
2	LETTERING LEFT R1200GS	GE/SW/GE	1			51 14 7 686 781			
2	LETTERING RIGHT R1200GS	GE/SW/GE	1			51 14 7 686 782			
	ONLY APPLIES TO								
--	LUGGAGE GRID	SILBER	X			46 54 7 667 672			1

Diagrams 51_3924 PLATE TYPE IDENTIFICATION/LABEL

Series: K25 R1200 GS



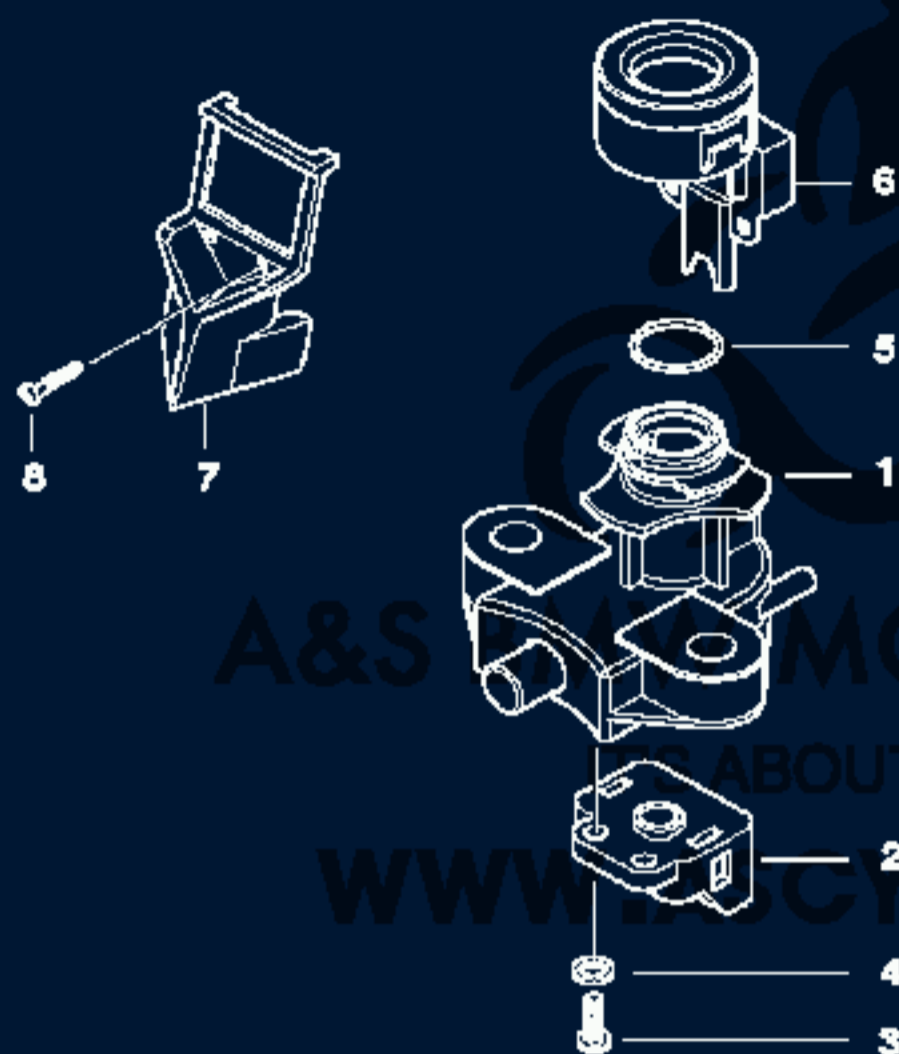
No.	Description	Supplement	Qty	From	Up To	Part Number	AT	R	TI
1	LABEL "ORIGINAL BMW TEILE"	DE/EN	1			71 21 2 335 419			
6	LABEL "UNLEADED FUEL"	US	1			71 21 7 665 885			
12	LABEL "TIRES"								
12	LABEL "TIRES"	ECE	1			71 21 7 677 463			
12	LABEL "TIRES"	US/CANADA	1			71 21 7 685 464			



No.	Description	Supplement	Qty	From	Up To	Part Number	AT	R	TI
1	MIRROR LEFT								
1	MIRROR LEFT		1			51 16 7 667 717		1	
1	MIRROR RIGHT		1			51 16 7 667 718		1	
2	COVER		2			51 16 7 673 983			
3	CLAMPING		2			51 16 7 673 982			

Diagrams 51_5341 IGNITION SWITCH AND MOUNTING PARTS

Series: K25 R1200 GS



00133110

No.	Description	Supplement	Qty	From	Up To	Part Number	AT	R	TI
1	STEERING LOCK HOUSING		1			51 25 7 675 033		1	
2	IGNITION/LIGHT SWITCH		1			61 31 7 675 111		1	
3	FRACTURE BOLT		2			51 25 2 313 544			
4	FLAT WASHER		2			07 11 9 904 919			
5	O-RING		1			51 25 2 313 185			
6	RING ANTENNA		1			65 21 7 671 272		1	
7	COVERING CAP		1			51 25 7 677 808			
8	SCREW	M3X20	2			61 11 7 651 630			

Diagrams 51_5342 PAINTED PARTS 947 OZEANBLAU

Series: K25 R1200 GS

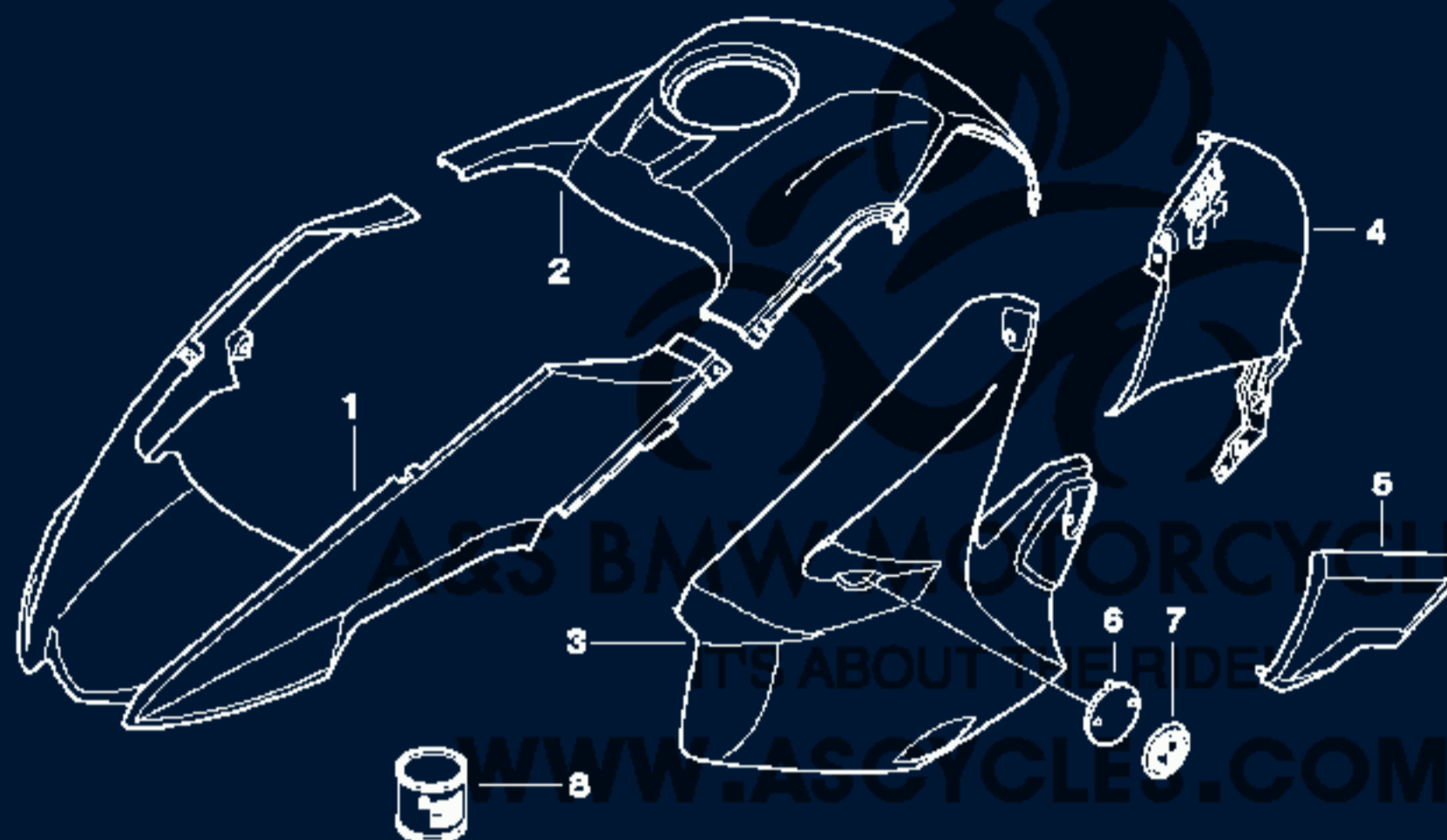


00133116

No.	Description	Supplement	Qty	From	Up To	Part Number	AT	R	TI	
	PAINT OZEANBLAU 948									
1	FRONT WHEEL MUDGUARD	OZENBLAU-MET	1			46 61 7 686 392				
2	COVERING FUEL TANK	OZEANBLAU-ME	1			46 63 7 680 620				
3	LATERAL TRIM PANEL LEFT									
3	LATERAL TRIM PANEL LEFT	GRANITGRAU-M	1			46 63 7 680 623				
3	LATERAL TRIM PANEL RIGHT	GRANITGRAU-M	1			46 63 7 680 624				
3	LATERAL TRIM PANEL LEFT	SCHWARZ	1			46 63 7 682 909				
3	LATERAL TRIM PANEL RIGHT	SCHWARZ	1			46 63 7 682 910				
4	TANK TRIM PANEL, LEFT									
4	TANK TRIM PANEL, LEFT		1			46 63 7 684 485				
4	TANK TRIM PANEL, RIGHT		1			46 63 7 684 486				
5	SIDE COVER, LEFT									
5	SIDE COVER, LEFT	SCHWARZ	1			46 63 7 677 515				
5	SIDE COVER, RIGHT	SCHWARZ	1			46 63 7 677 516				
6	PLAQUE HOLDER, LEFT									
6	PLAQUE HOLDER, LEFT		1			46 63 7 672 095				
6	PLAQUE HOLDER, RIGHT		1			46 63 7 672 096				
7	BADGE	D=50MM	2			51 14 8 164 924				
8	METALLIC PAINT OZEAN-BLUE									
8	METALLIC PAINT OZEAN-BLUE	500ML 948	X			51 91 7 682 558				
8	METALLIC PAINT SPRAY SET OZEANBLAU	948	X			51 91 7 682 559				
8	METALLIC TOUCH UP PENCIL SET OZEANBLAU	948	X			51 91 7 682 560				

Diagrams 51_5343 PAINTED PARTS 950 FELS-ROT

Series: K25 R1200 GS



00133116

No.	Description	Supplement	Qty	From	Up To	Part Number	AT	R	TI
	PAINT, FELS-RED								
1	FRONT WHEEL MUDGUARD	FELSROT-UMT	1			46 61 7 686 390			
2	COVERING FUEL TANK	FELSROT - UMT	1			46 63 7 680 618			
3	LATERAL TRIM PANEL LEFT								
3	LATERAL TRIM PANEL LEFT	GRANITGRAU-M	1			46 63 7 680 623			
3	LATERAL TRIM PANEL RIGHT	GRANITGRAU-M	1			46 63 7 680 624			
3	LATERAL TRIM PANEL LEFT	SCHWARZ	1			46 63 7 682 909			
3	LATERAL TRIM PANEL RIGHT	SCHWARZ	1			46 63 7 682 910			
4	TANK TRIM PANEL, LEFT								
4	TANK TRIM PANEL, LEFT		1			46 63 7 684 485			
4	TANK TRIM PANEL, RIGHT		1			46 63 7 684 486			
5	SIDE COVER, LEFT								
5	SIDE COVER, LEFT	SCHWARZ	1			46 63 7 677 515			
5	SIDE COVER, RIGHT	SCHWARZ	1			46 63 7 677 516			
6	PLAQUE HOLDER, LEFT								
6	PLAQUE HOLDER, LEFT		1			46 63 7 672 095			
6	PLAQUE HOLDER, RIGHT		1			46 63 7 672 096			
7	BADGE	D=50MM	2			51 14 8 164 924			
8	PAINT SPRAY SET, FELS-ROT								
8	PAINT SPRAY SET, FELS-ROT	951	X			51 91 7 680 627			
8	TOUCH UP PENCIL SETE, FELS-ROT	951	X			51 91 7 680 628			

Diagrams 51_5344 PAINTED PARTS 952 WUSTENGELB

Series: K25 R1200 GS

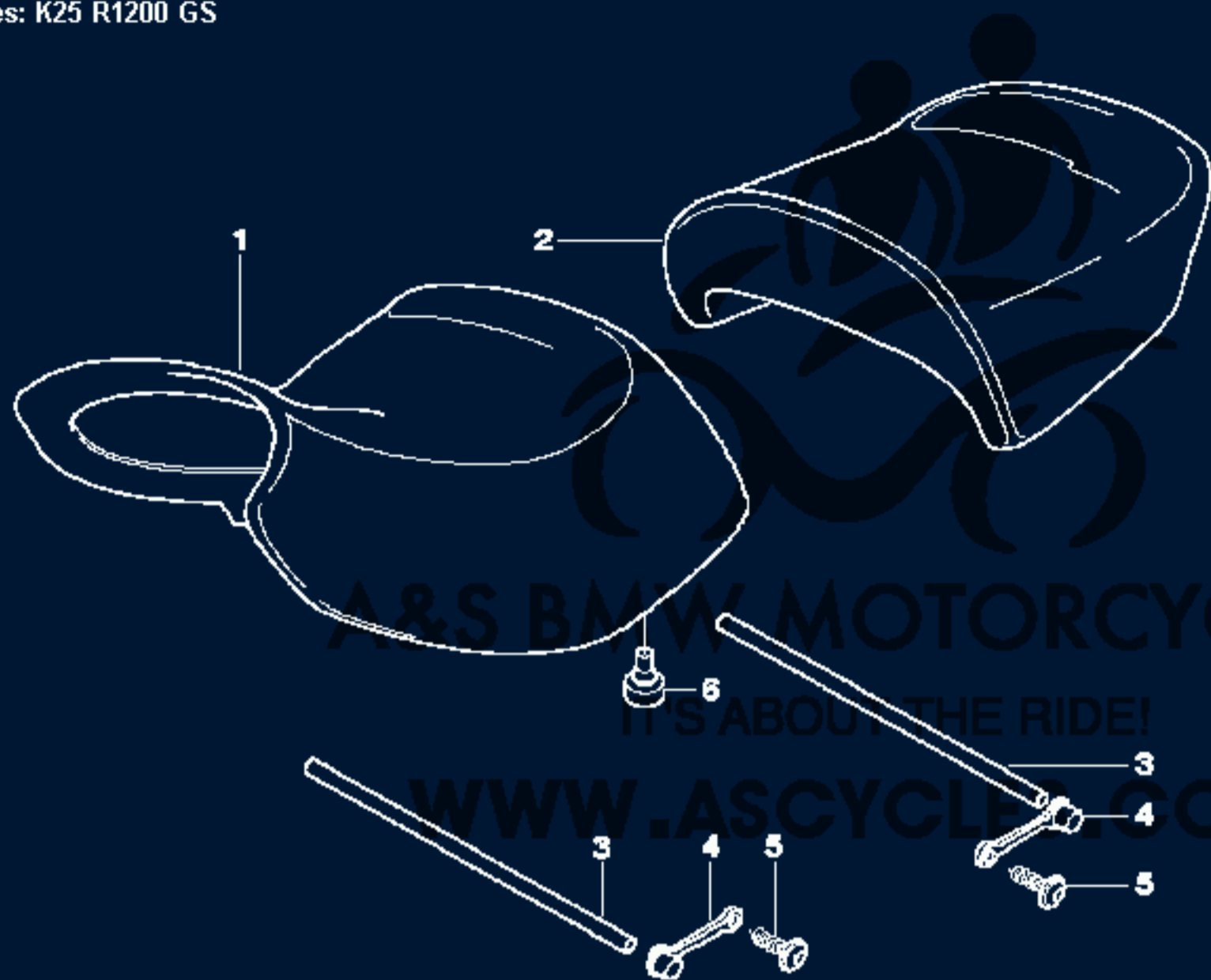


00133116

No.	Description	Supplement	Qty	From	Up To	Part Number	AT	R	TI	
	PAINT 953 WÜSTEN-YELLOW									
1	FRONT WHEEL MUDGUARD	WÜSTENGELB-I	1			46 61 7 686 391				
2	COVERING FUEL TANK	WÜSTENGELB-I	1			46 63 7 680 619				
3	LATERAL TRIM PANEL LEFT									
3	LATERAL TRIM PANEL LEFT	GRANITGRAU-M	1			46 63 7 680 623				
3	LATERAL TRIM PANEL RIGHT	GRANITGRAU-M	1			46 63 7 680 624				
3	LATERAL TRIM PANEL LEFT	SCHWARZ	1			46 63 7 682 909				
3	LATERAL TRIM PANEL RIGHT	SCHWARZ	1			46 63 7 682 910				
4	TANK TRIM PANEL, LEFT									
4	TANK TRIM PANEL, LEFT		1			46 63 7 684 485				
4	TANK TRIM PANEL, RIGHT		1			46 63 7 684 486				
5	SIDE COVER, LEFT									
5	SIDE COVER, LEFT	SCHWARZ	1			46 63 7 677 515				
5	SIDE COVER, RIGHT	SCHWARZ	1			46 63 7 677 516				
6	PLAQUE HOLDER, LEFT									
6	PLAQUE HOLDER, LEFT		1			46 63 7 672 095				
6	PLAQUE HOLDER, RIGHT		1			46 63 7 672 096				
7	BADGE	D=50MM	2			51 14 8 164 924				
8	METALLIC PAINT, DESERT-YELLOW									
8	METALLIC PAINT, DESERT-YELLOW	500ML 953	X			51 91 7 680 630				
8	PAINT SPRAY SET, DESERT-YELLOW	953	X			51 91 7 680 631				
8	TOUCH UP PENCIL SETE WÜSTEN-YELLOW	953	X			51 91 7 680 632				

Diagrams 52_3104 DUALSEAT

Series: K25 R1200 GS

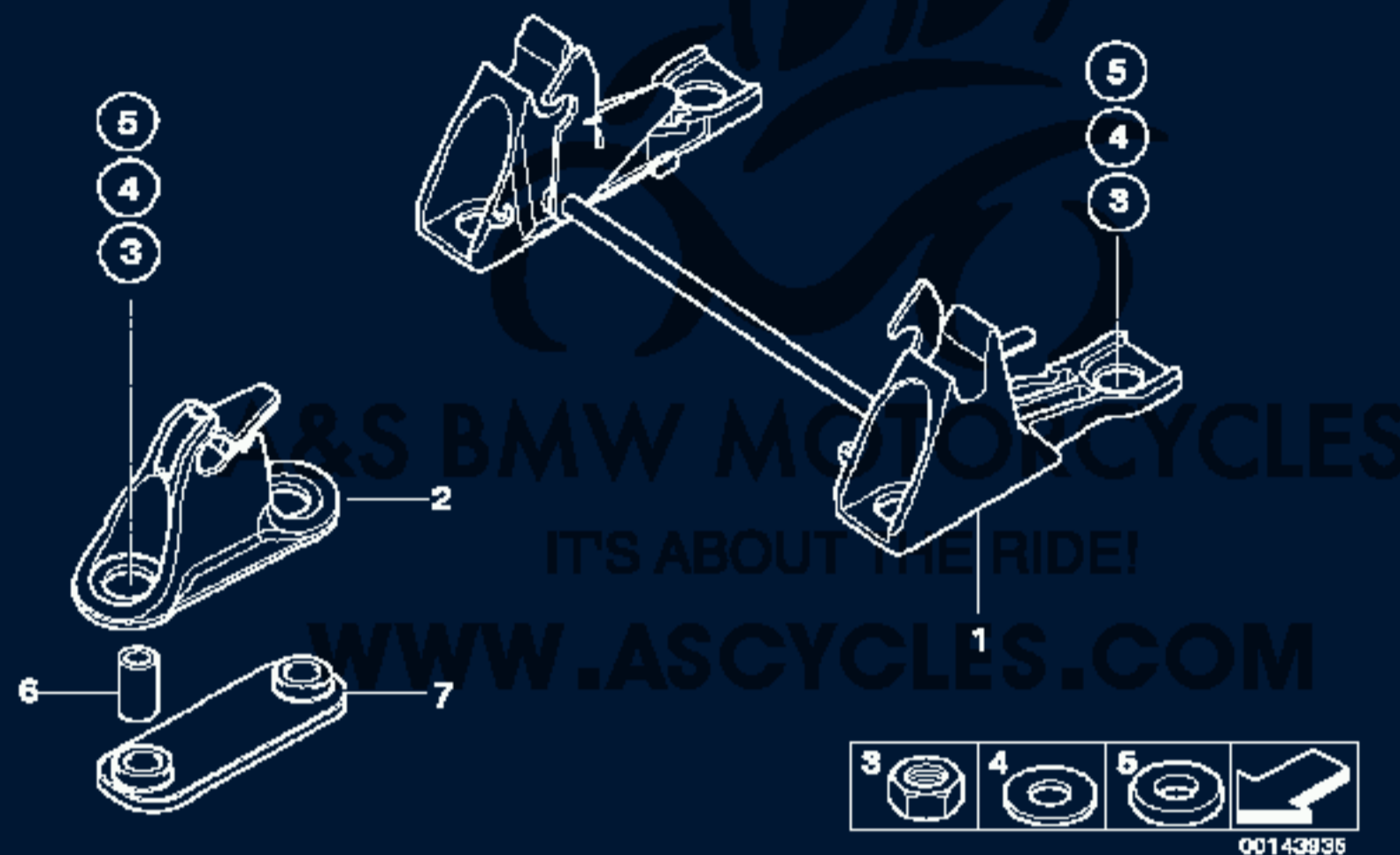


00133047

No.	Description	Supplement	Qty	From	Up To	Part Number	AT	R	TI
1	FRONT SEAT								
1	FRONT SEAT	SCHWARZ	1			52 53 7 680 637		1	
1	FRONT SEAT	GRAU	1			52 53 7 682 895		1	
1	SEAT ADJUSTABLE FRONT HIGH	SCHWARZ	1			52 53 7 681 139		1	
1	SEAT ADJUSTABLE FRONT HIGH	GRAU	1			52 53 7 681 140		1	
1	FRONT SEAT, LOW	SCHWARZ/810M	1			52 53 7 668 977	E	1	
1	FRONT SEAT, LOW	GRAU	1			52 53 7 668 981		1	
2	REAR SEAT								
2	REAR SEAT	SCHWARZ	1			52 53 7 680 639		1	
2	REAR SEAT	GRAU	1			52 53 7 682 897		1	
3	PIPE		2			52 53 7 672 353			
4	HOLDING STRAP		4			52 53 7 675 058			
5	TORX BOLT	4X14MM	4			65 75 8 207 870			
6	BUMP STOP								
6	BUMP STOP	H=10	2			52 53 1 236 128			
	ONLY APPLIES TO								
--	FRONT SEAT, LOW	SCHWARZ/810M	X			52 53 7 668 977	E	1	
--	FRONT SEAT, LOW	GRAU	X			52 53 7 668 981		1	

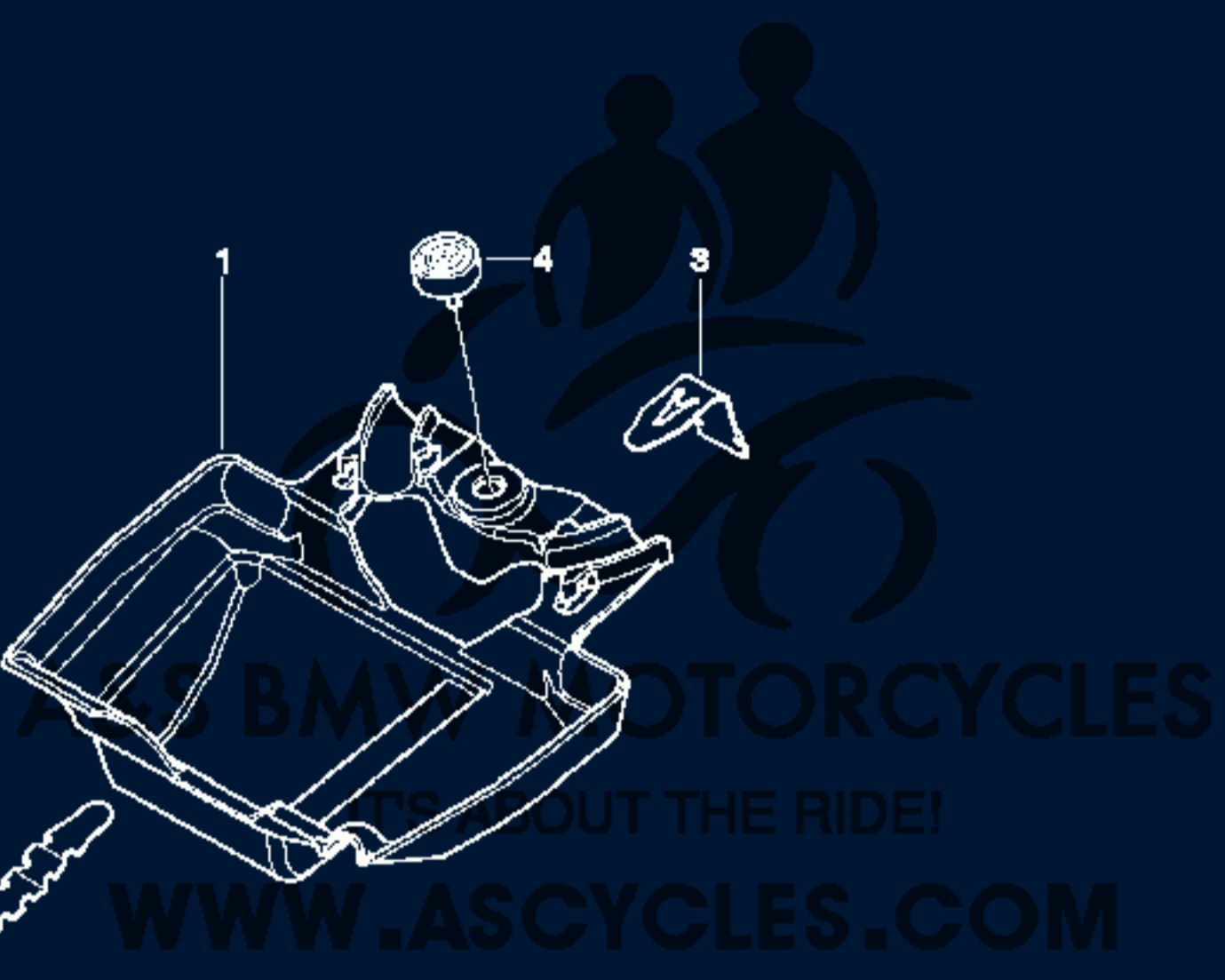
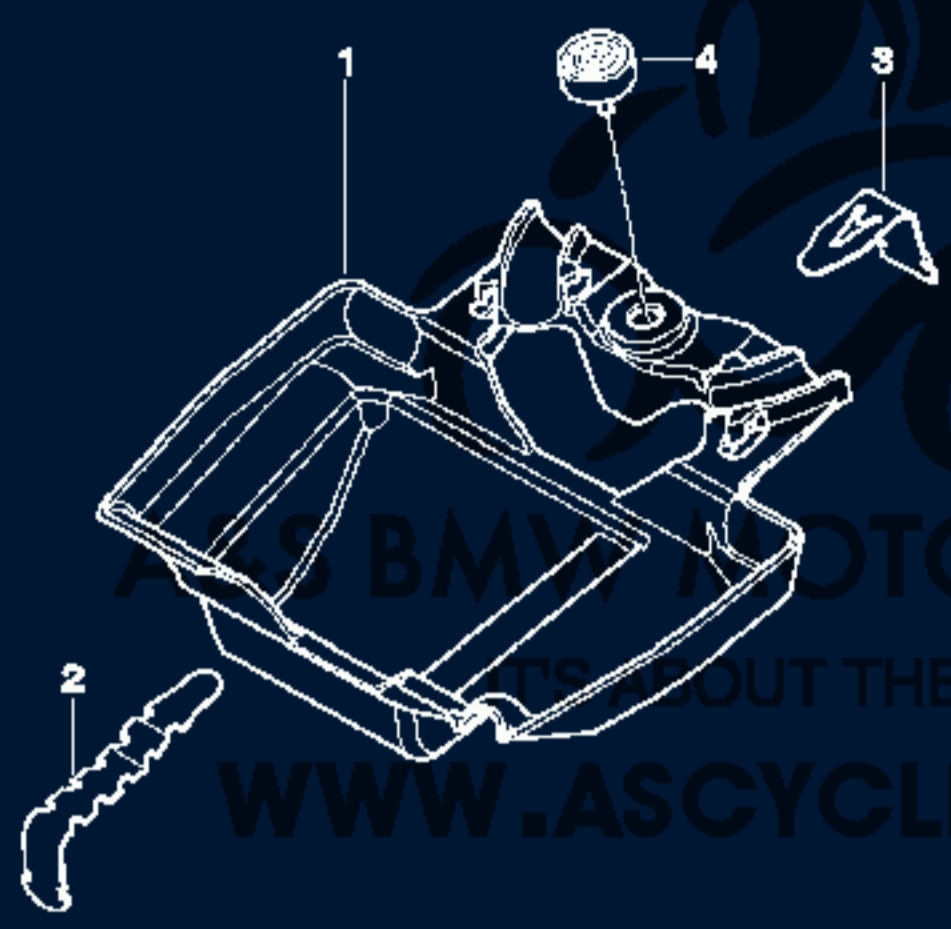
Diagrams 52_3107 DUALSEAT LOCKING MECHANISM

Series: K25 R1200 GS



No.	Description	Supplement	Qty	From	Up To	Part Number	AT	R	TI
1	DUALSEAT LOCKING MECHANISM		1			51 25 7 667 719			
2	BRACKET FRONT		2			52 53 7 686 387			
3	HEX NUT	M5	8			07 11 9 904 028			
4	FLAT WASHER	A5,3	8			07 11 9 903 598			
5	WASHER, PLASTIC		8			52 53 7 675 063			
6	BUSH	D=6MM	2			52 53 7 677 573			
7	BASE		2			52 53 7 675 059			

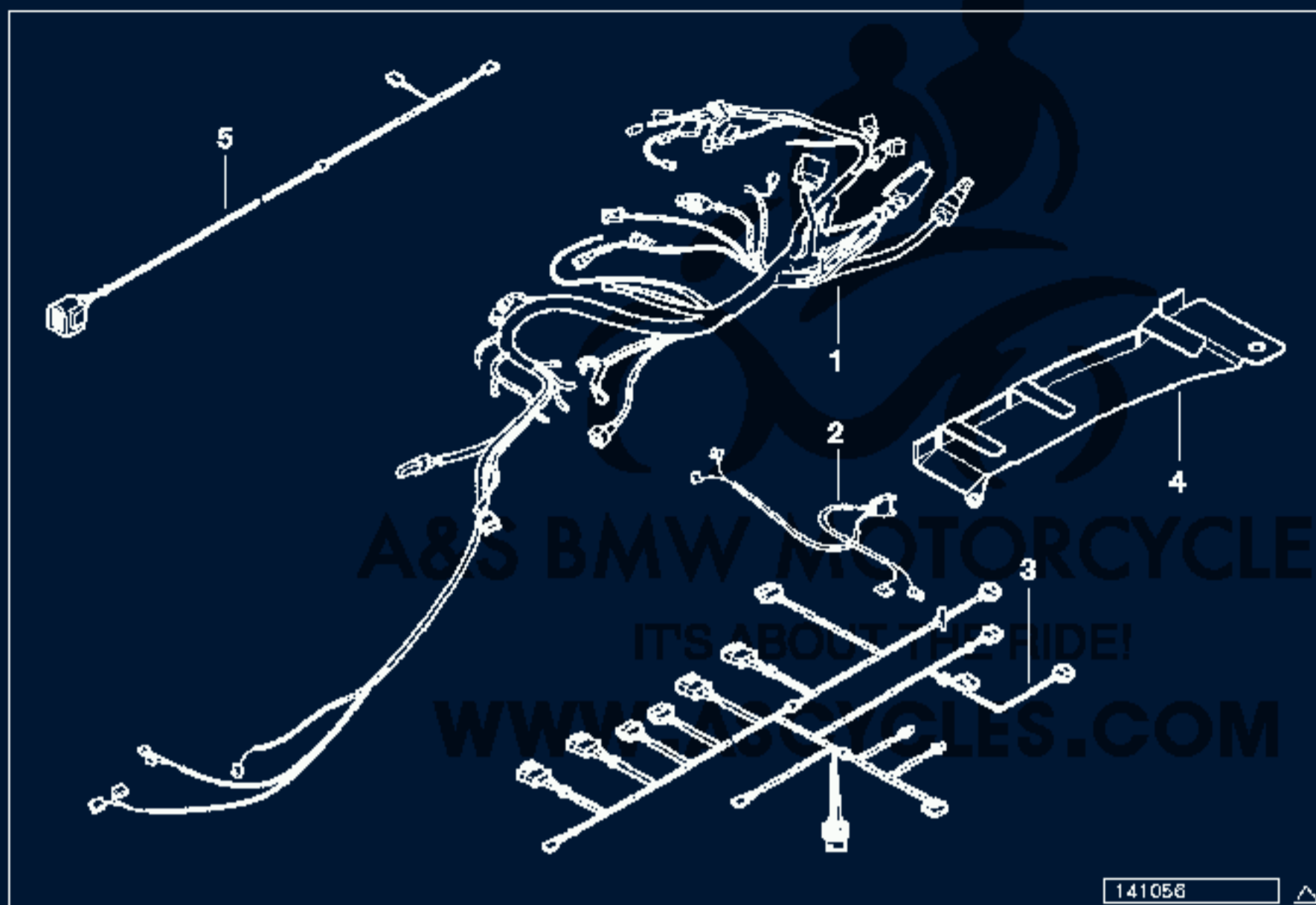
Diagrams 52_3106 TOOL BOX
 Series: K25 R1200 GS



No.	Description	Supplement	Qty	From	Up To	Part Number	AT	R	TI
1	TOOL KIT COMPARTMENT		1			46 62 7 669 977			
2	BUMP STOP		1			52 53 2 307 579			
3	TENSION BELT, FRONT		1			46 62 7 675 060			
4	TENSIONING BELT, REAR		1			46 62 7 678 074			

Diagrams 61_1288 CABLE HARNESS

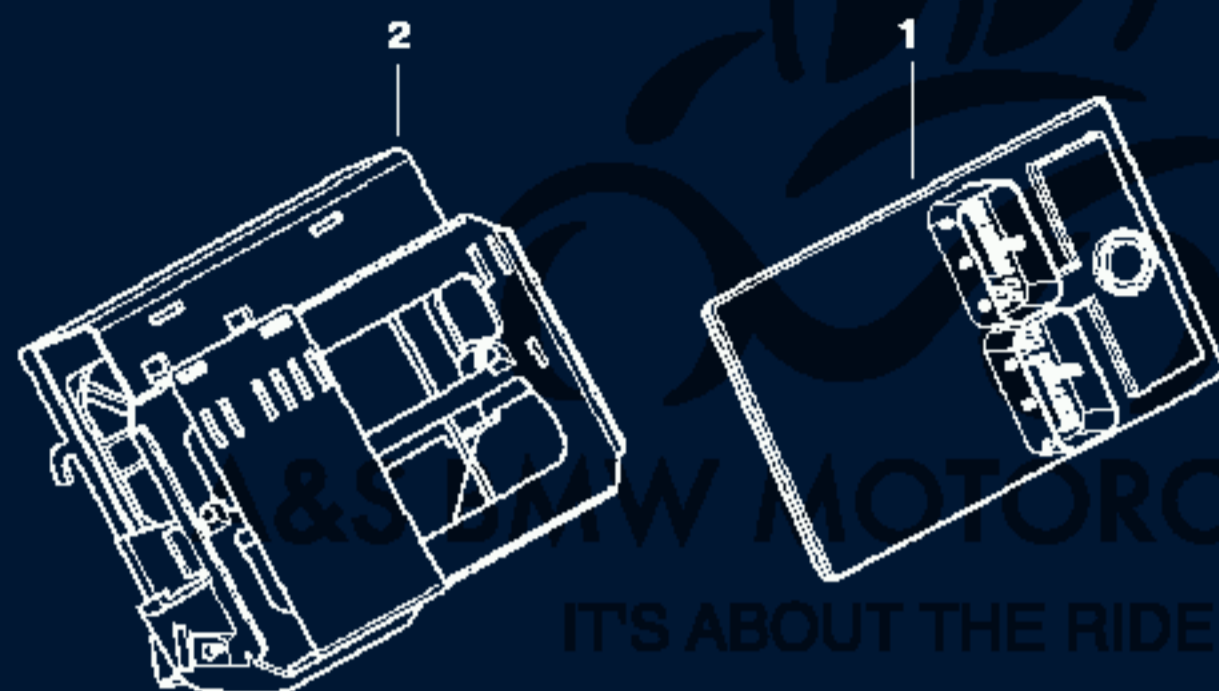
Series: K25 R1200 GS



No.	Description	Supplement	Qty	From	Up To	Part Number	AT	R	TI
1	CABLE HARNESS								
	FOR VEHICLES WITH INTEGRAL ABS	X645A = NO							
1	CABLE HARNESS		1			61 11 7 685 890		1	
	FOR VEHICLES WITH INTEGRAL ABS	X645A = YES							
1	CABLE HARNESS	ABS	1			61 11 7 685 891		1	
2	WIRING HARNESS TAIL LIGHT		1			61 11 7 685 895		1	

Diagrams 61_1875 CENTRAL VEHICLE ELECTRONICS

Series: K25 R1200 GS



WWW.ASCYCLES.COM

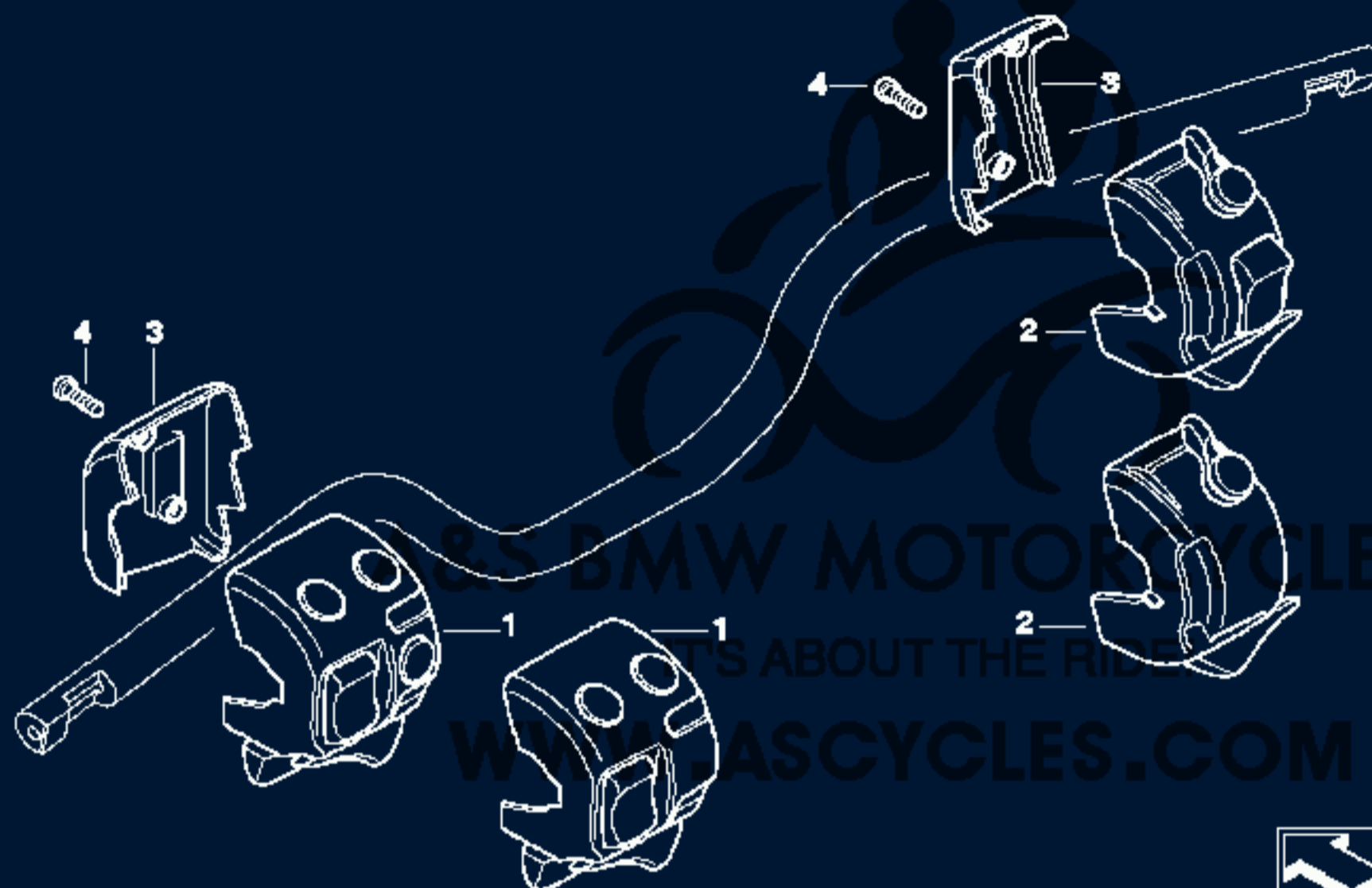


00137282

No.	Description	Supplement	Qty	From	Up To	Part Number	AT	R	TI
1	CENTRAL VEHICLE ELECTRONICS								
1	CENTRAL VEHICLE ELECTRONICS	ZFE LOW	1			61 35 7 680 890			1
1	CENTRAL VEHICLE ELECTRONICS	ZFE LOW	1			61 35 7 687 407	AE		1
1	CENTRAL VEHICLE ELECTRONICS	ZFE LOW	1			61 35 7 686 436	E		1
2	CONTROL UNIT BRACKET		1			61 35 7 675 466			

Diagrams 61_1819 COMBINATION SWITCH AT HANDLEBAR

Series: K25 R1200 GS

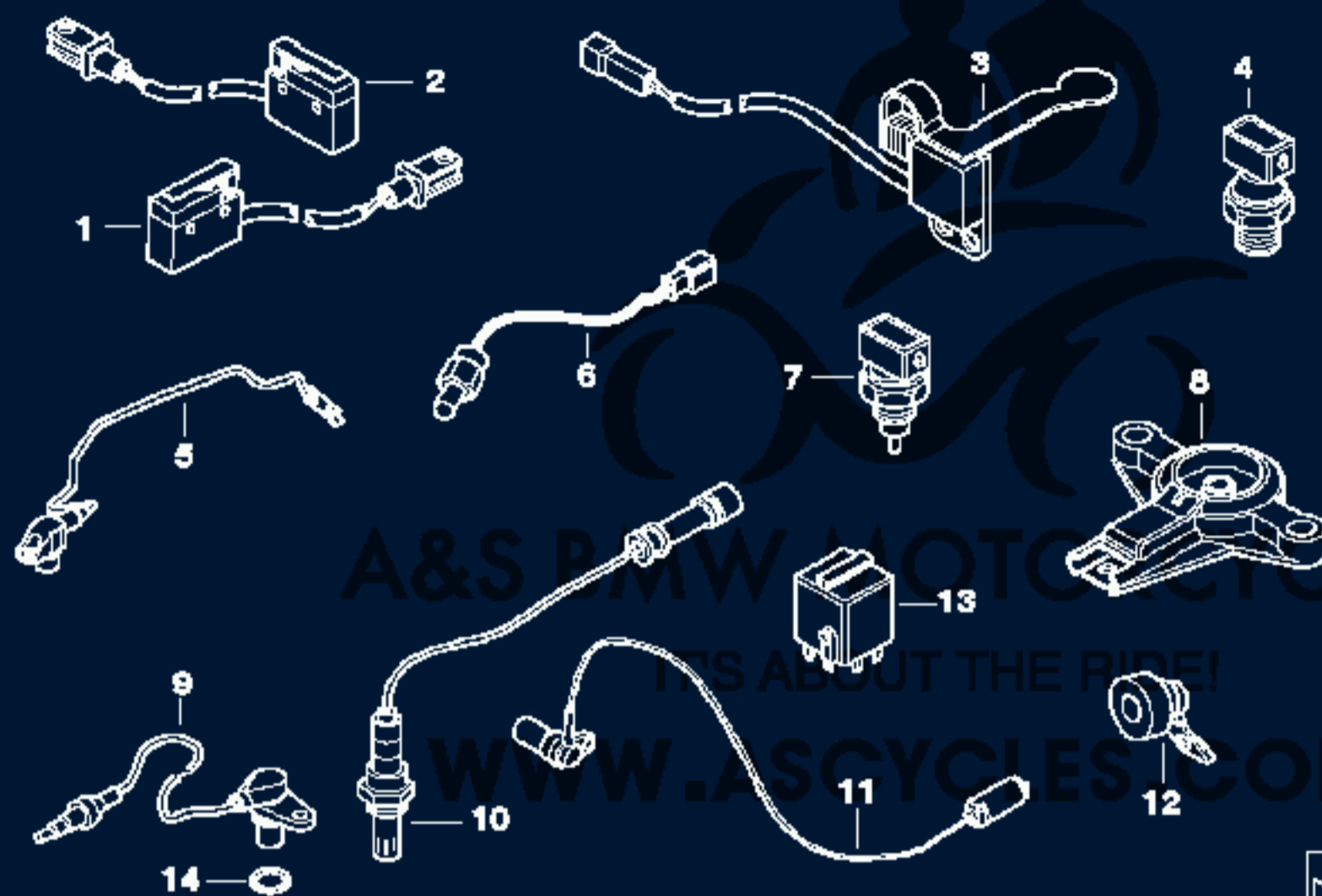


00139289

No.	Description	Supplement	Qty	From	Up To	Part Number	AT	R	TI
1	COMBINATION SWITCH TRIP, LEFT								
	FOR VEHICLES WITH INTEGRAL ABS	X645A = NO							
1	COMBINATION SWITCH TRIP, LEFT		1			61 31 7 687 757		1	
	FOR VEHICLES WITH INTEGRAL ABS	X645A = YES							
1	COMBINATION SWITCH TRIP/ABS, LEFT		1			61 31 7 687 759		1	
2	COMBINATION SWITCH RIGHT								
	FOR VEHICLES WITH HEATED HANDLEBAR GRIPS	X519A = NO							
2	COMBINATION SWITCH RIGHT		1			61 31 7 670 036		1	
	FOR VEHICLES WITH HEATED HANDLEBAR GRIPS	X519A = YES							
2	COMBINATION SWITCH F HTD HANDLEBAR GRIP		1			61 31 7 670 038		1	
3	COVERING CAP LEFT								
3	COVERING CAP LEFT		1			61 31 7 670 033			
3	COVERING CAP RIGHT		1			61 31 7 670 034			
4	FILLISTER HEAD SCREW WITH COLLAR	30X10	4			61 31 7 682 091			

Diagrams 61_1882 SWITCH / SENSORS

Series: K25 R1200 GS

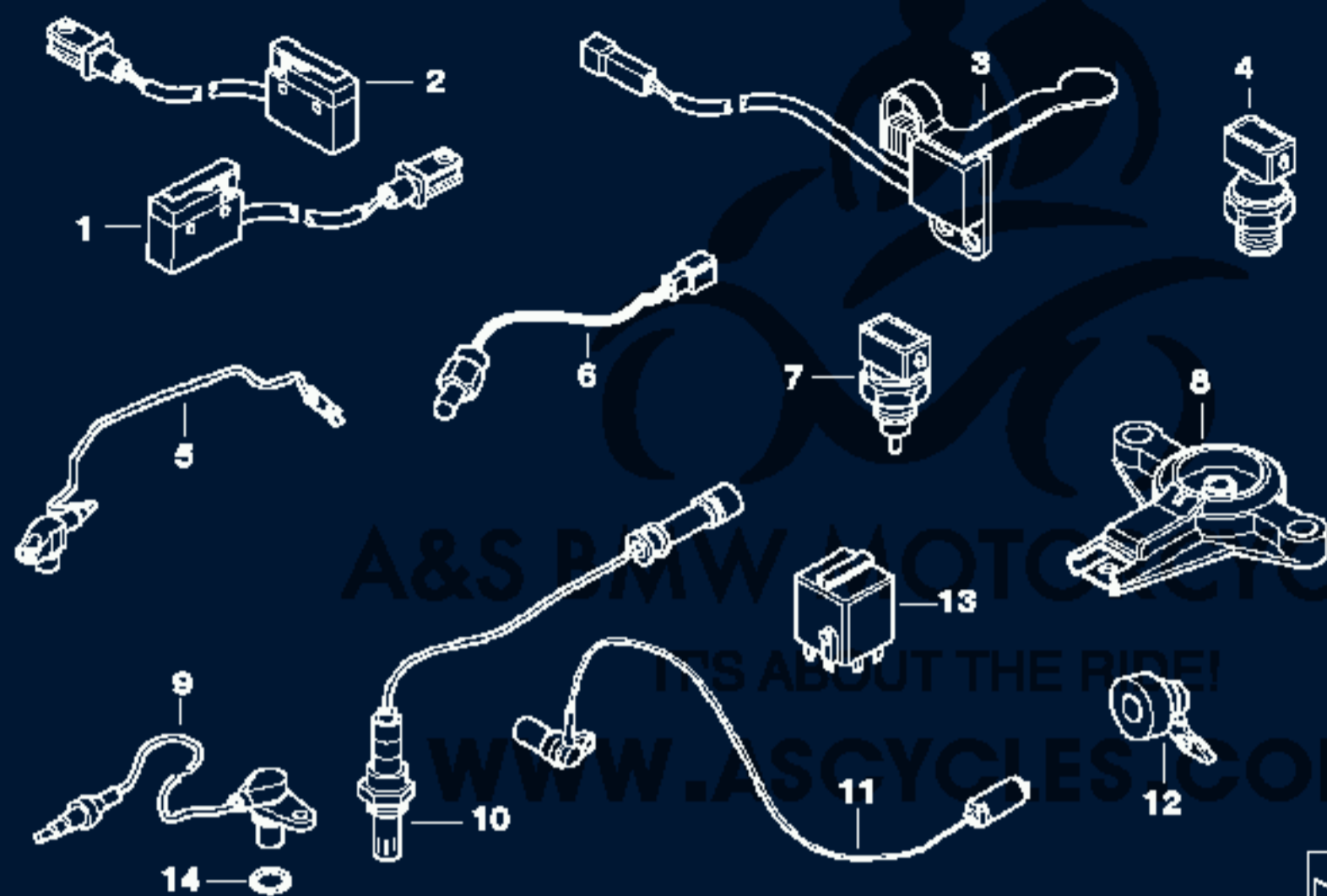


00142124

No.	Description	Supplement	Qty	From	Up To	Part Number	AT	R	TI	
1	MICROSWITCH									
	ONLY FOR REPAIR AT THE DEALER'S HAND BRAKE / CLUTCH									
1	MICROSWITCH		2			61 31 7 671 111		1		
--	ONLY IN CONJUNCTION WITH									
--	ADJUSTING SCREW		1			32 72 7 673 996				
--	SECURING PIN		1			32 72 7 675 747				
2	MICRO SWITCH									
	REAR WHEEL BRAKE									
2	MICRO SWITCH		1			61 31 2 305 988		1		
	ONLY IN CONJUNCTION WITH									
--	FILLISTER HEAD SCREW	M5X8	1			18 12 7 661 887				
3	SWITCH, KICKSTAND		1			61 31 7 654 603		1		
4	OIL PRESSURE SWITCH		1			12 61 7 686 501		1		
5	INDUCTIVE SENSOR, CRANKSHAFT									
5	INDUCTIVE SENSOR, CRANKSHAFT		1			12 72 7 674 201				
	ONLY IN CONJUNCTION WITH									
--	O-RING	14X2	1			12 72 7 694 011				
--	TORX SCREW	M6X16MM ZNS3	1			07 12 9 903 978				
6	TEMPERATURE SENSOR WITH CABLE		2			12 62 7 673 407		1		
7	TEMPERATURE SENSOR		1			11 11 7 672 505		1		
8	POTENTIOMETER		1			23 00 7 680 581		1		

Diagrams 61_1882 SWITCH / SENSORS

Series: K25 R1200 GS

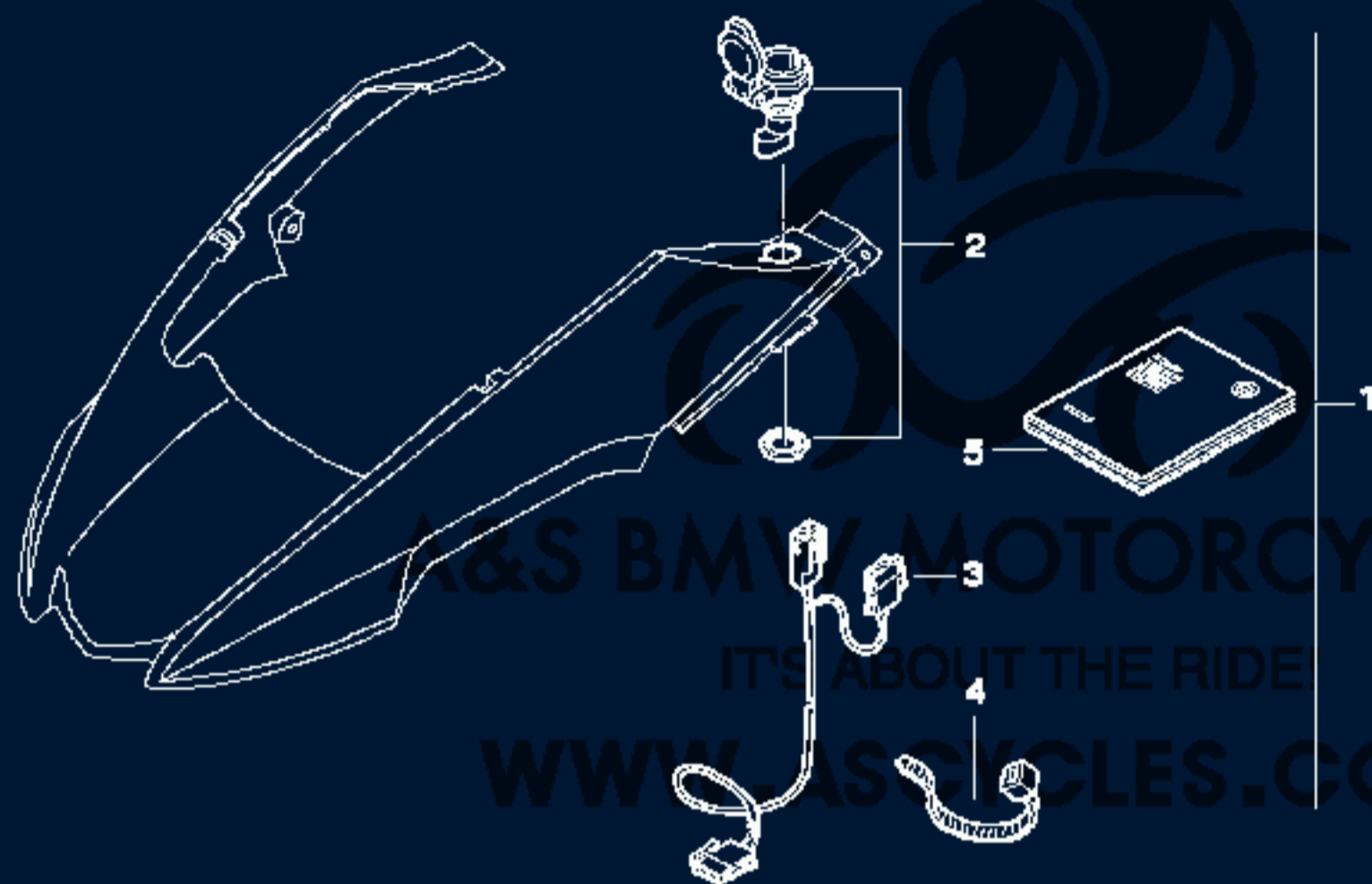


00142124

No.	Description	Supplement	Qty	From	Up To	Part Number	AT	R	TI
6	TEMPERATURE SENSOR WITH CABLE		2			12 62 7 673 407		1	
7	TEMPERATURE SENSOR		1			11 11 7 672 505		1	
8	POTENTIOMETER		1			23 00 7 680 581		1	
9	CAMSHAFT SPEED SENSOR								
9	CAMSHAFT SPEED SENSOR ONLY IN CONJUNCTION WITH		1			12 72 7 674 768		1	
--	O-RING	17X2	1			12 72 7 694 010			
--	ISA SCREW	M6X14	1			07 12 9 903 027			
10	OXYGEN SENSOR		2			11 78 7 674 452		1	
11	ABS SENSOR								
11	ABS SENSOR ONLY IN CONJUNCTION WITH		2			34 51 7 666 436		1	
--	OVAL HEAD SCREW	ISA M5X10	1			34 51 2 335 916			
12	PING SENSOR								
12	PING SENSOR ONLY IN CONJUNCTION WITH		1			11 11 7 664 361			
--	ASA-BOLT	M8X30	1			07 12 9 903 926			
13	FOR STARTER RELAY		1			61 36 1 389 105		1	
14	O-RING	14X2	1			12 72 7 694 011			

Diagrams 61_1816 RETROFIT KIT, SOCKET

Series: K25 R1200 GS

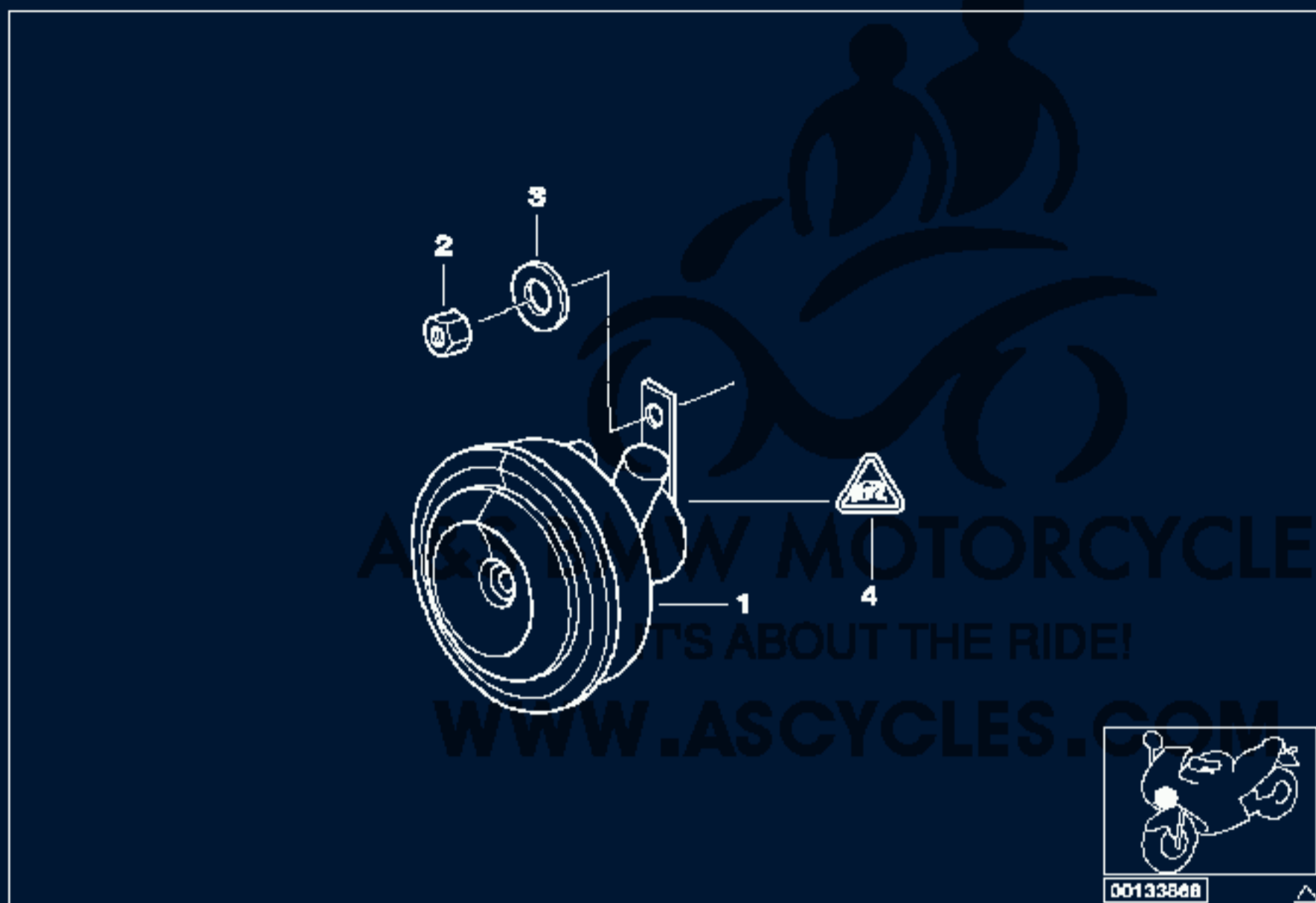


00133044

No.	Description	Supplement	Qty	From	Up To	Part Number	AT	R	TI
1	RETROFIT KIT, SOCKET		1			71 60 7 685 121		1	
2	PLUG-IN SOCKET		1			61 13 1 391 630		1	T
3	CABLE FOR SOCKET		1			71 60 7 685 624			
4	CABLE STRAP	L=200MM/B=3,6	X			61 13 1 367 599			
5	INSTALL.INSTRUCTIONS, PLUG-IN SOCKET	R1200GS	1			01 29 7 685 629			

Diagrams 61_1826 HORN

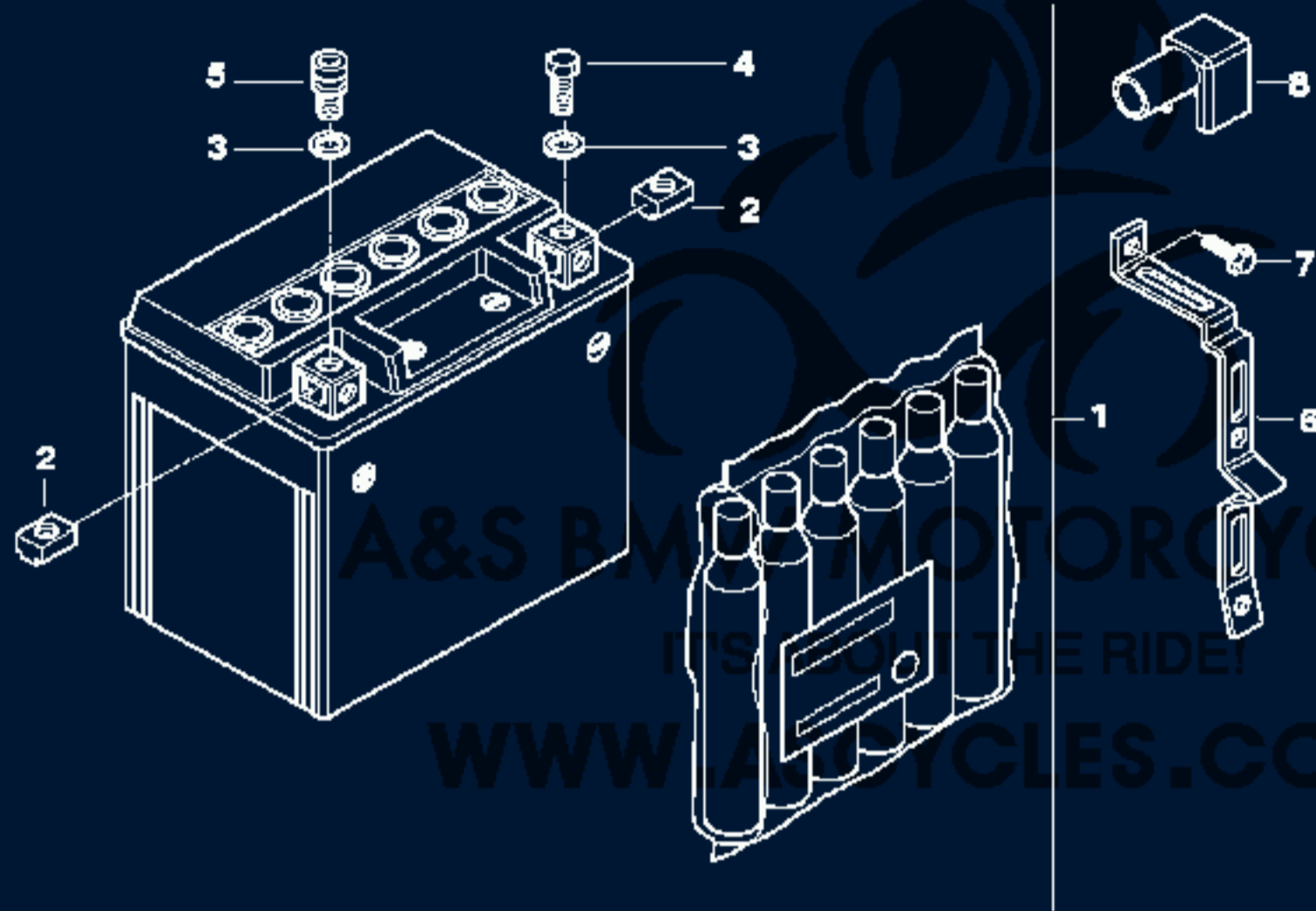
Series: K25 R1200 GS



No.	Description	Supplement	Qty	From	Up To	Part Number	AT	R	TI
1	HORN		1			61 33 7 671 268		1	
2	SELF-LOCKING HEX NUT	M6	1			07 12 9 900 191			
3	FLAT WASHER	6,4	1			07 11 9 936 440			
4	UNIVERSAL SOCKET HOUSING UNCODED	2 POL.	1			61 13 8 365 340			

Diagrams 61_1817 BATTERY

Series: K25 R1200 GS

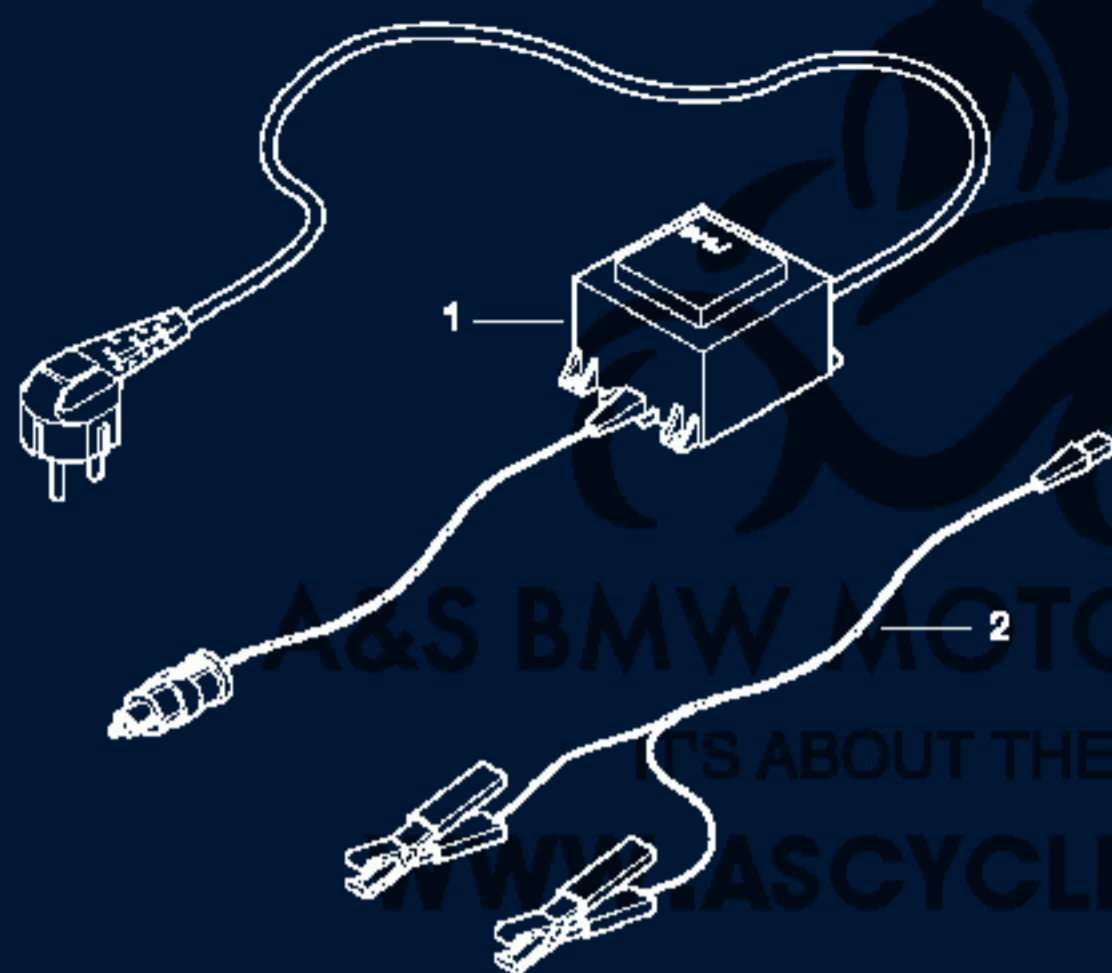


00140400

No.	Description	Supplement	Qty	From	Up To	Part Number	AT	R	TI
1	BATTERY	12V/12AH	1			61 21 7 661 896		1	T
2	SQUARE NUT	M6	2			61 21 7 674 522			
3	SPRING WASHER		2			61 21 7 670 327			
4	HEX BOLT	M6X11 PB	1			61 21 7 654 271			
5	SCREW	M6X12.5	1			61 21 7 677 983			
6	BATTERY HOLD DOWN		1			61 21 7 661 897			
7	FLANGED CAP SCREW	M5X16	1			46 63 2 325 998			
8	PROTECTION CAP, RED		1			61 21 7 677 986			

Diagrams 61_1346 CHARGING DEVICE

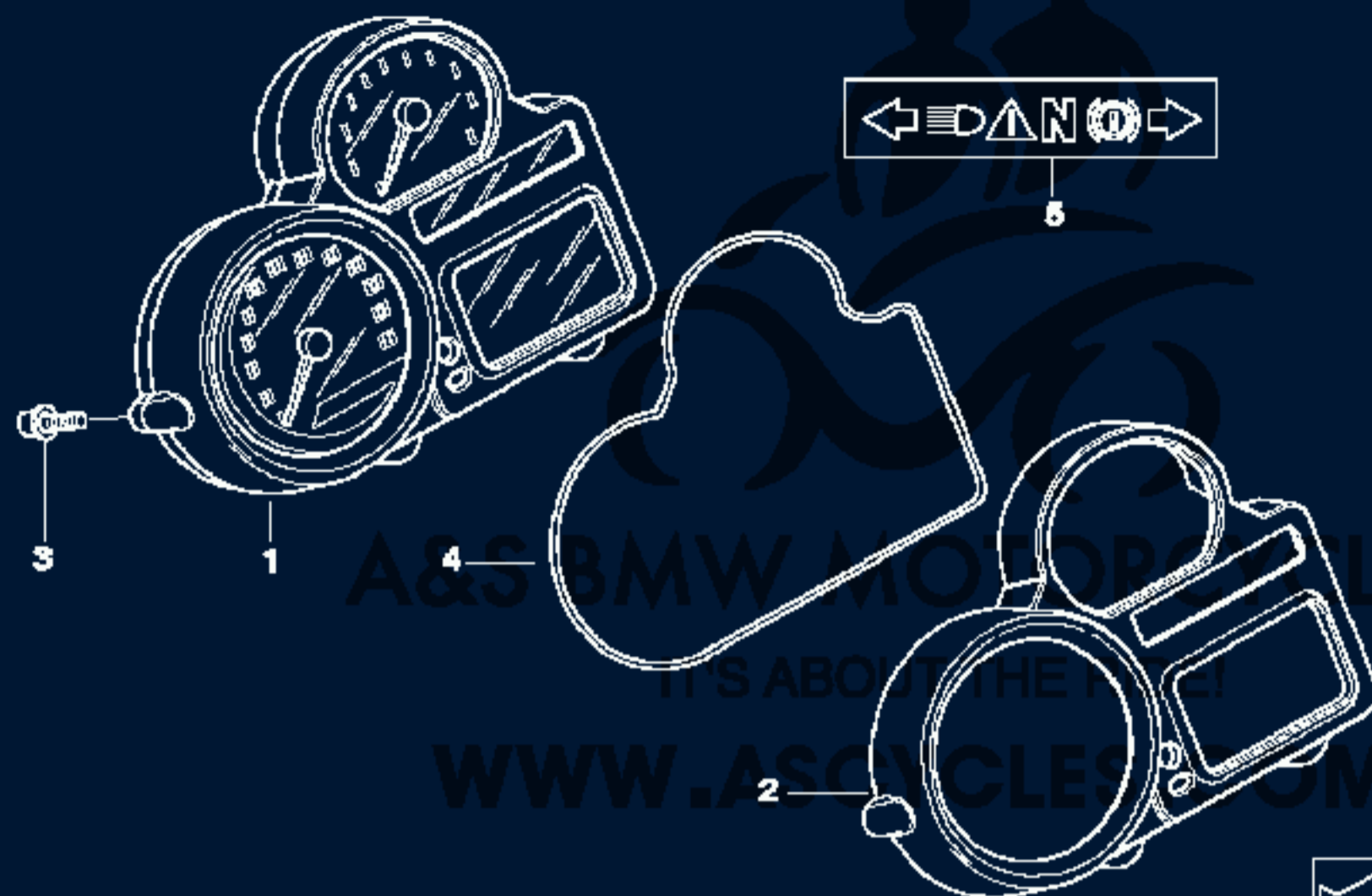
Series: K25 R1200 GS



No.	Description	Supplement	Qty	From	Up To	Part Number	AT	R	TI
1	CHARGING DEVICE	110V/60HZ	1			71 60 7 688 865		1	
2	ADAPTER LEAD F CHARGING DEVICE		1			71 60 7 690 235		1	

Diagrams 62_0466 INSTRUMENT CLUSTER

Series: K25 R1200 GS

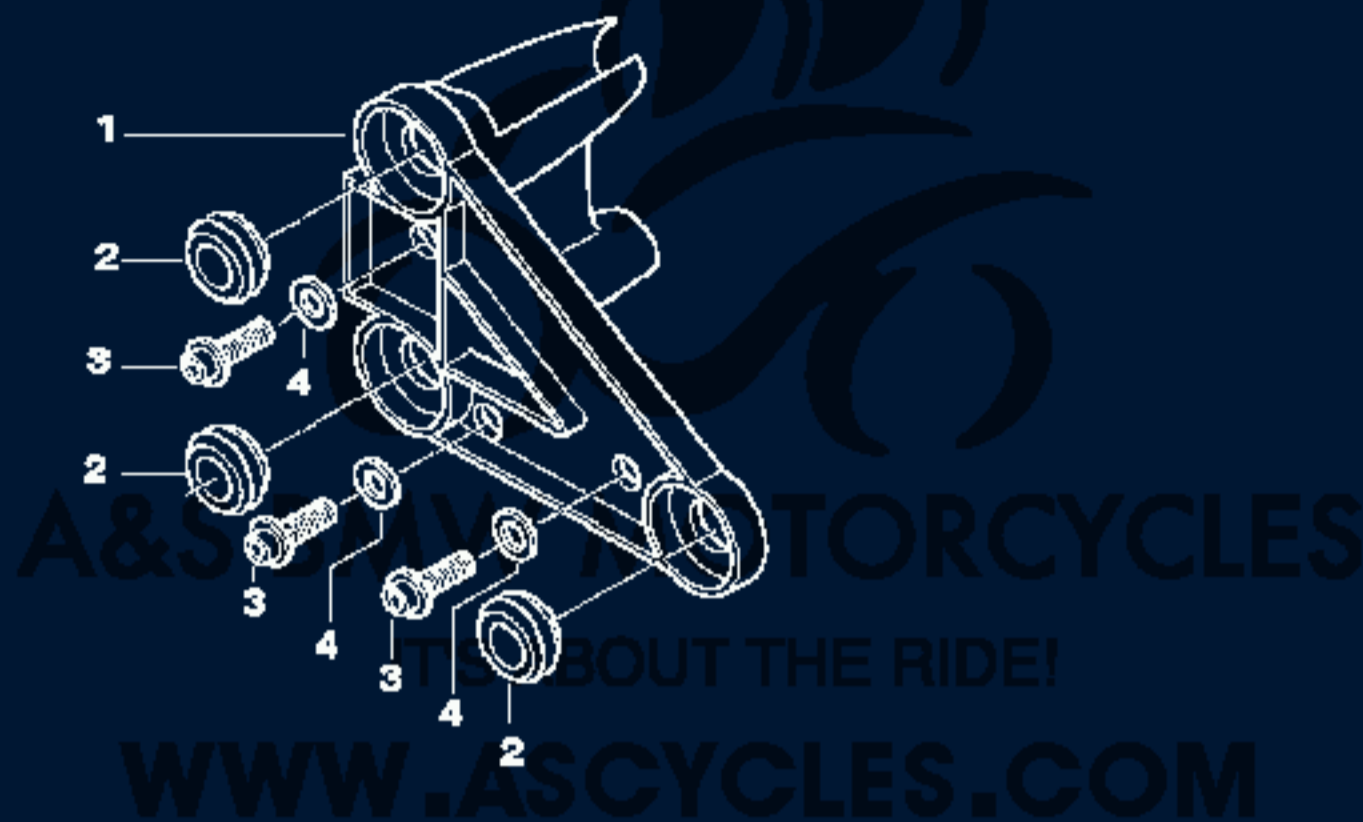


00141341

No.	Description	Supplement	Qty	From	Up To	Part Number	AT	R	TI
1	INSTRUMENT CLUSTER								
1	INSTRUMENT CLUSTER	KM/H	1			62 11 7 692 307		1	
1	INSTRUMENT CLUSTER	MPH	1			62 11 7 688 170	E	1	
1	INSTRUMENT CLUSTER	MPH	1			62 11 7 689 989	AE	1	
1	INSTRUMENT CLUSTER	MPH	1			62 11 7 692 308		1	
2	HOUSING UPPER PART								
2	HOUSING UPPER PART		1			62 11 7 692 457		1	
	FOR VEHICLES WITH								
	NATIONAL VERSION CANADA	Y732A = YES							
	OR								
	SPEEDOMETER MPH	X326A = YES							
2	HOUSING UPPER PART		1			62 11 7 688 175		1	
3	TORX BOLT		5			62 11 7 685 083			
4	ROUND CORD		1			62 11 7 685 085			
5	CONTROL SYMBOL	USA/AUS	1			62 11 7 692 455			

Diagrams 62_0469 BRACKET F INSTRUMENT CLUSTER

Series: K25 R1200 GS

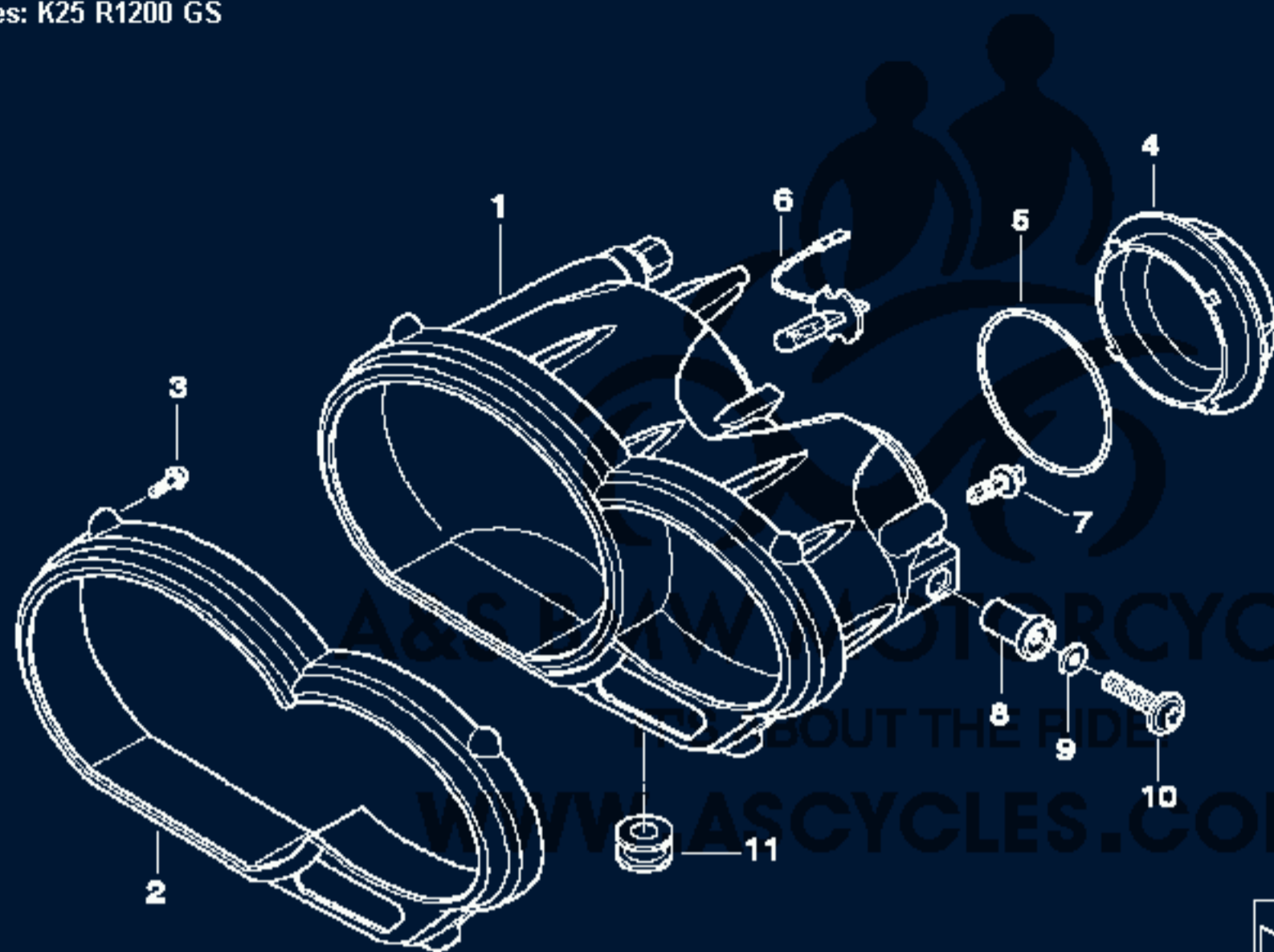


00133638

No.	Description	Supplement	Qty	From	Up To	Part Number	AT	R	TI
1	INSTRUMENT CARRIER BRACKET		1			62 21 7 666 746			
2	GROMMET		3			46 63 1 233 200			
3	SCREW	3,5X12	3			63 13 2 306 499			
4	LOCK RING	8-ZNS	3			07 12 9 902 360			

Diagrams 63_0849 HEADLIGHT

Series: K25 R1200 GS

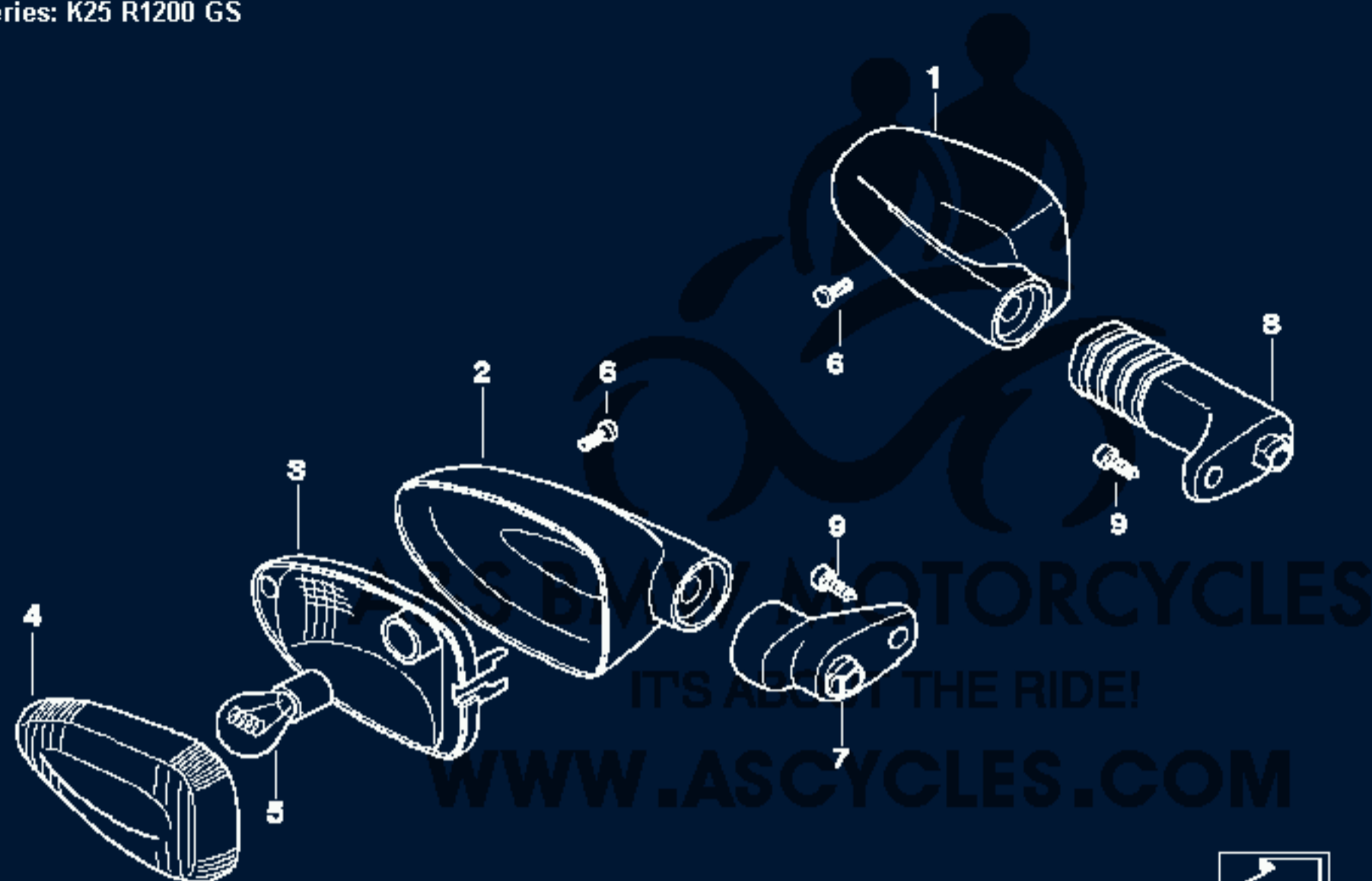


00131317

No.	Description	Supplement	Qty	From	Up To	Part Number	AT	R	TI
1	HEADLIGHT	SAE	1			63 12 7 685 565		1	
2	COVER FRAME		1			63 12 7 666 758			
3	TORX BOLT	3,0X10	4			51 16 8 108 076			
4	HEADLIGHT COVER		2			63 12 7 674 984			
5	GASKET		2			63 12 7 674 985			
6	BULB								
6	BULB	12V 55W H7	2		03/04	63 12 8 361 289	A		
6	BULB	12V 55W H7	2			63 21 6 926 910			
7	LONGLIFE BULB	12V 5W	1			63 21 6 926 927			
8	BLIND RIVET NUT	M6	2			63 12 7 674 841			
9	FLAT WASHER	6,4-ZNS	2			07 11 9 931 018			
10	TORX BOLT	M6X30	2			07 12 9 903 262			
11	GROMMET		1			46 63 1 233 200			

Diagrams 63_0851 TURN INDICATOR

Series: K25 R1200 GS

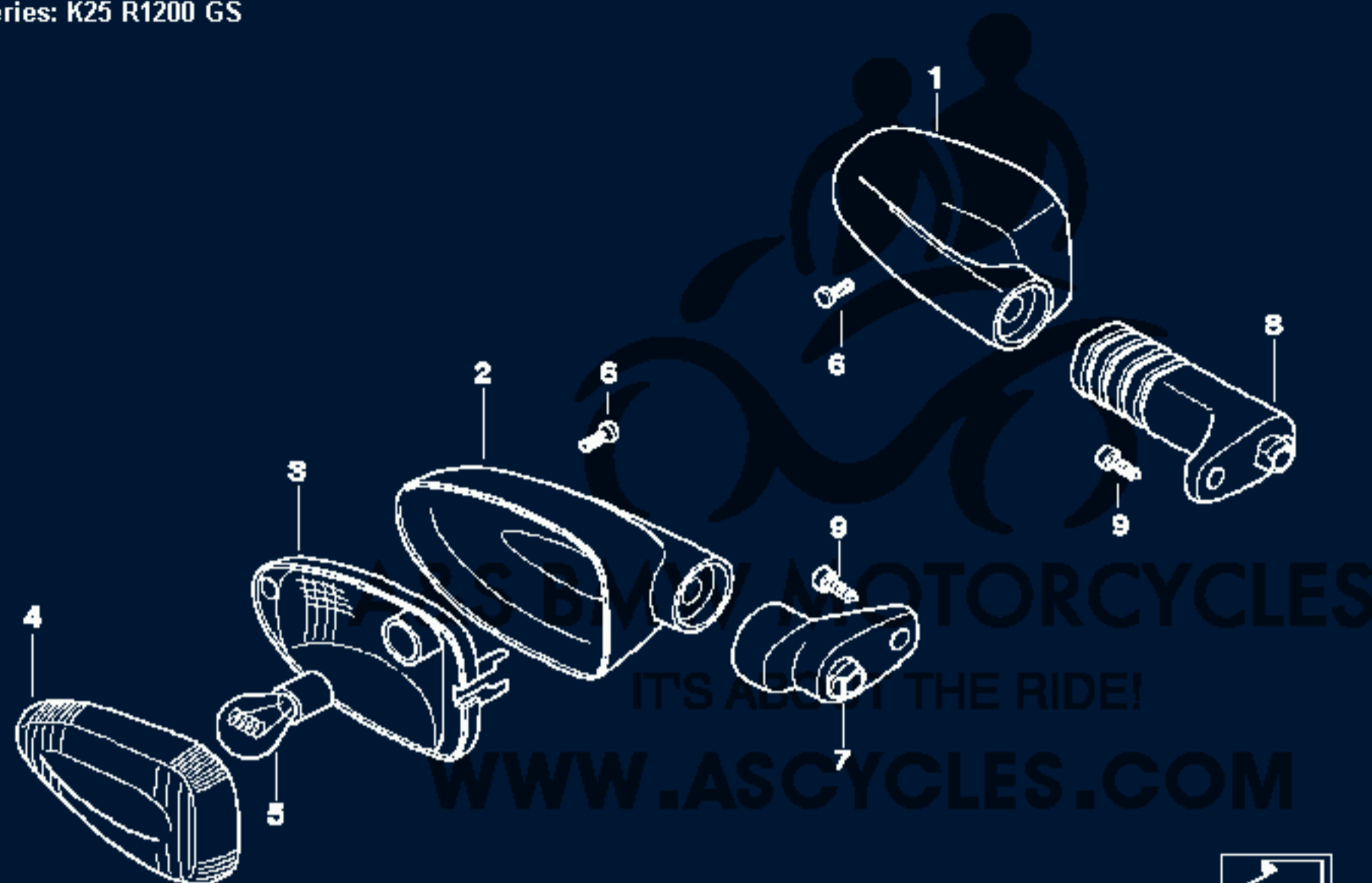


00131937

No.	Description	Supplement	Qty	From	Up To	Part Number	AT	R	TI
1	FRONT LEFT/REAR RIGHT HOUSING		2			63 13 7 667 771			
2	FRONT RIGHT/REAR LEFT HOUSING		2			63 13 7 667 772			
3	REFLECTOR		4			63 13 7 667 777			
3	REFLECTOR		4			63 13 7 667 777			
	FOR VEHICLES WITH								
	TURN SIGNAL INDICATOR LIGHTS WHITE	X588A = YES							
3	REFLECTOR	WEISS	4			63 13 7 684 950		1	
4	LAMP LENS		4			63 13 7 667 767			
4	LAMP LENS		4			63 13 7 667 767			
	FOR VEHICLES WITH								
	TURN SIGNAL INDICATOR LIGHTS WHITE	X588A = YES							
4	LAMP LENS	WEISS	4			63 13 7 684 528			
5	BULB	12V 10W	4			07 50 9 063 575			
6	FILLISTER HEAD SCREW	D=2,9X25	4			63 13 7 654 275			
7	TURN INDICATOR HOLDER, REAR		2			63 23 7 667 774			
8	TURN INDICATOR HOLDER, FRONT	US	2			63 13 7 667 768			
9	FILLISTER HEAD SCREW								
9	FILLISTER HEAD SCREW	M 6X22	2			46 61 7 673 124			
	ONLY APPLIES TO								
--	TURN INDICATOR HOLDER, REAR		X			63 23 7 667 774			

Diagrams 63_0851 TURN INDICATOR

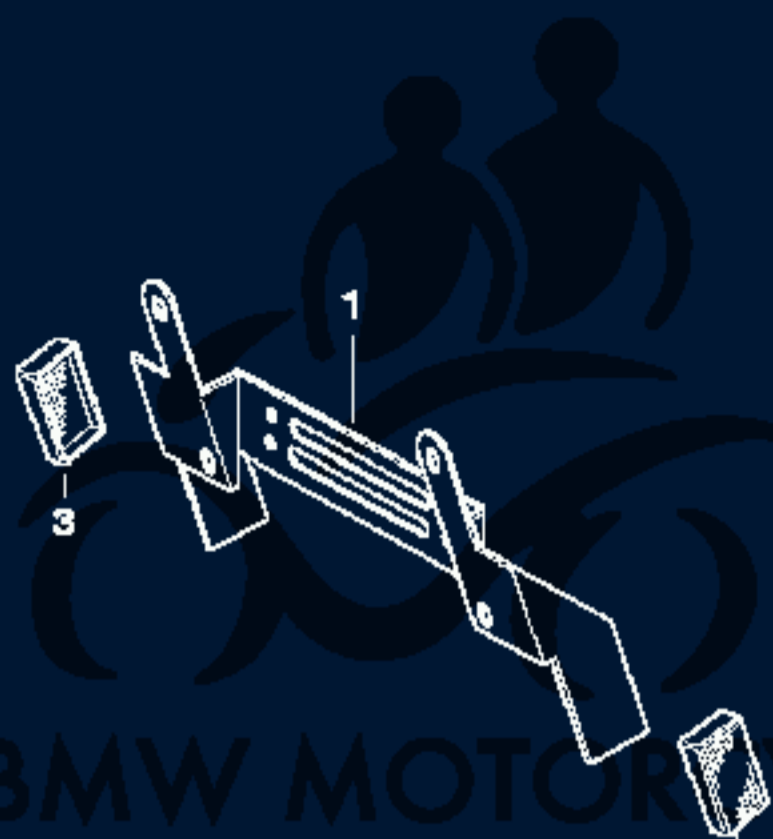
Series: K25 R1200 GS



No.	Description	Supplement	Qty	From	Up To	Part Number	AT	R	TI
2	HOUSING		2			63 13 7 667 772			
3	REFLECTOR								
3	REFLECTOR		4			63 13 7 667 777			
FOR VEHICLES WITH									
TURN SIGNAL INDICATOR LIGHTS WHITE									
3	REFLECTOR	X588A = YES WEISS	4			63 13 7 684 950		1	
4	LAMP LENS								
4	LAMP LENS		4			63 13 7 667 767			
FOR VEHICLES WITH									
TURN SIGNAL INDICATOR LIGHTS WHITE									
4	LAMP LENS	X588A = YES WEISS	4			63 13 7 684 528			
5	BULB	12V 10W	4			07 50 9 063 575			
6	FILLISTER HEAD SCREW	D=2,9X25	4			63 13 7 654 275			
7	TURN INDICATOR HOLDER, REAR		2			63 23 7 667 774			
8	TURN INDICATOR HOLDER, FRONT	US	2			63 13 7 667 768			
9	FILLISTER HEAD SCREW								
9	FILLISTER HEAD SCREW	M 6X22	2			46 61 7 673 124			
--	ONLY APPLIES TO								
--	TURN INDICATOR HOLDER, REAR		X			63 23 7 667 774			
9	FILLISTER HEAD SCREW	M6X16	2			06 32 7 651 204			
--	ONLY APPLIES TO								
--	TURN INDICATOR HOLDER, FRONT	ECE	X			63 13 7 687 008			

Diagrams 63_0902 SIDE MARKER

Series: K25 R1200 GS



A&S BMW MOTORCYCLES
IT'S ABOUT THE RIDE!
WWW.ASCYCLES.COM

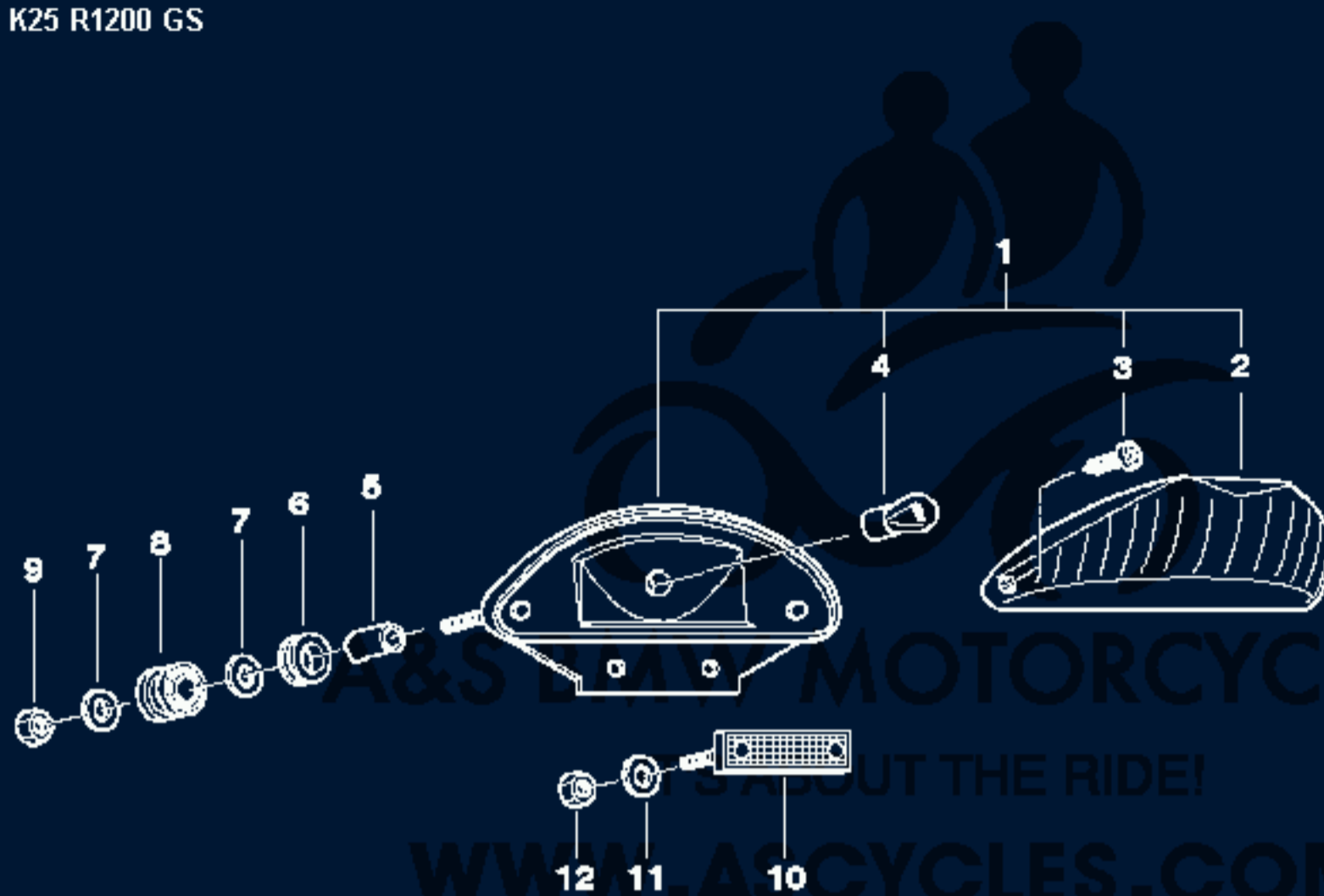


00140876

No.	Description	Supplement	Qty	From	Up To	Part Number	AT	R	TI
1	ADAPTER, LICENCE PLATE SUPPORT								
1	ADAPTER, LICENCE PLATE SUPPORT ONLY IN CONJUNCTION WITH	US	1			63 14 7 682 146			
--	HEX NUT	M5	2			07 12 9 903 287			
--	FLAT WASHER	5,3	2			07 11 9 936 439			
--	FILLISTER HEAD SCREW	A2 M5X16 SI	2			06 32 7 651 212			
2	SIDE REFLECTOR FRONT	GELB	2			63 14 2 306 808			
3	SIDE MARKER	ROT	2			46 54 2 300 047			

Diagrams 63_0857 REAR LIGHT

Series: K25 R1200 GS

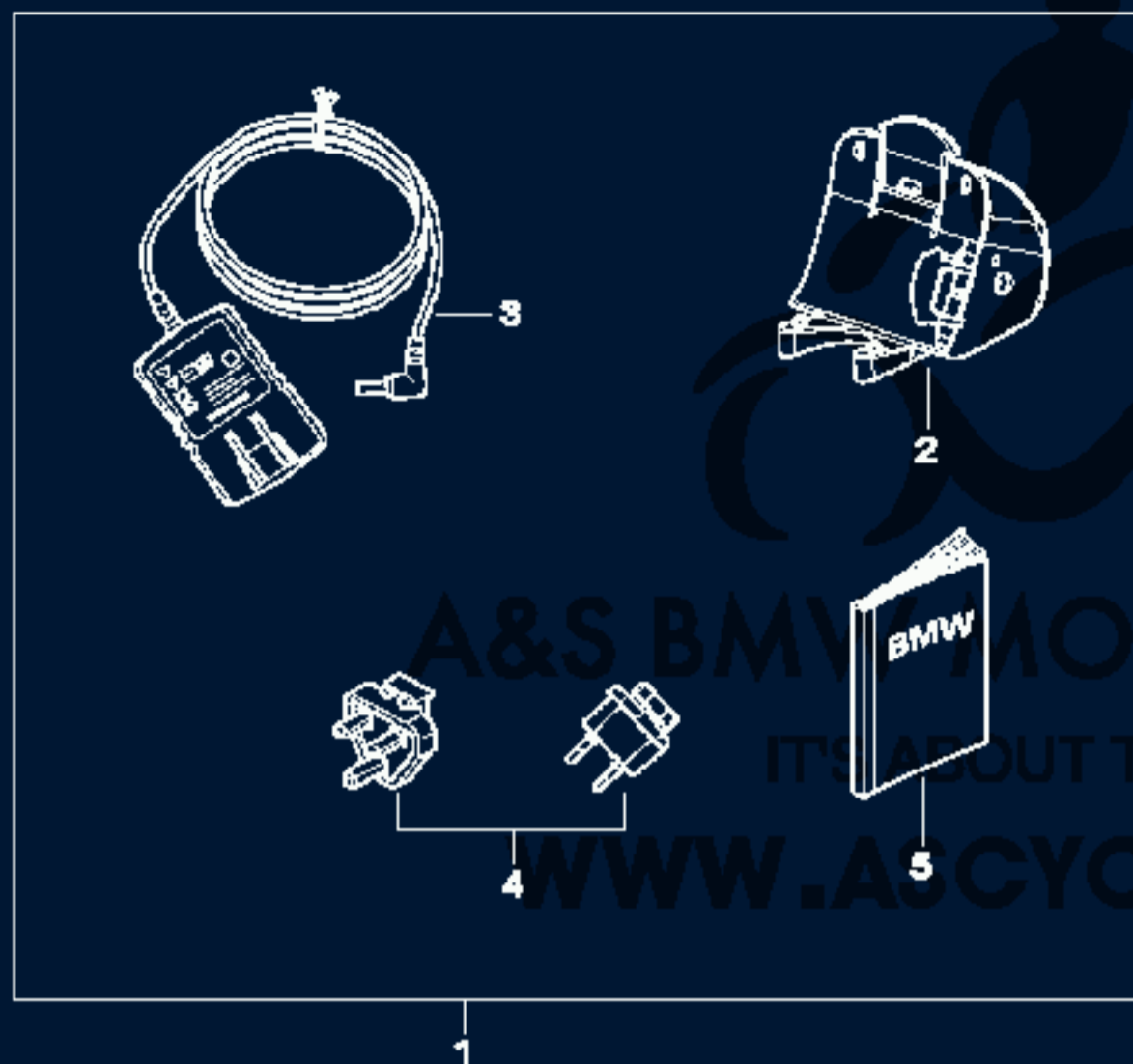


00133357

No.	Description	Supplement	Qty	From	Up To	Part Number	AT	R	TI
1	REAR LIGHT		1			63 21 7 670 324		1	
2	LAMP LENS		1			63 21 7 670 325		1	
3	COUNTERSUNK HEAD SCREW	3,9X25	2			63 21 7 654 407			
4	LONGLIFE BULB	12V 21/5W	1			63 21 6 922 174			
5	BUSH		3			63 21 2 346 564			
6	BASE		2			46 63 1 451 278			
7	FLAT WASHER	6,4	6			07 11 9 936 440			
8	RUBBER MOUNTING		3			63 21 2 346 579			
9	SELF-LOCKING HEX NUT	M6	3			07 12 9 900 191			
10	REFLECTOR		1			63 21 2 346 581			
11	FLAT WASHER	A4,3-140	2			07 11 9 931 026			
12	HEX NUT	M4-A2	2			07 12 9 903 279			

Diagrams 65_1482 ACCESSORIES BMW NAVIGATOR II

Series: K25 R1200 GS

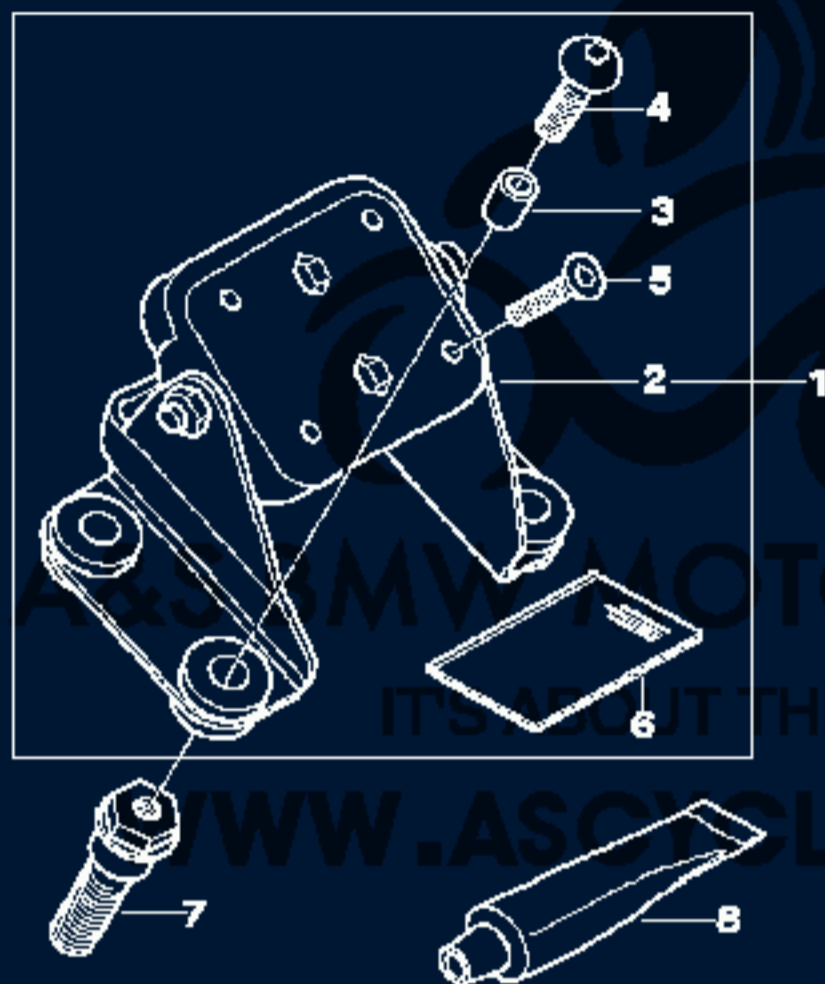


00136052

No.	Description	Supplement	Qty	From	Up To	Part Number	AT	R	TI
1	NAVIGATOR II BATTERY PACK		1			72 60 7 679 224		1	
3	CHARGING DEVICE		1			72 60 7 685 841		1	
4	ADAPTER								
4	ADAPTER	EU	1			72 60 7 685 556			
4	ADAPTER	UK	1			72 60 7 688 913			
5	OPERATING INSTRUCTIONS BATTERY PACK		1			01 29 7 685 553			
6	BAG NAVIGATOR II		1			71 60 7 683 161			

Diagrams 65_1455 MOUNTING PARTS BMW NAVIGATOR II

Series: K25 R1200 GS

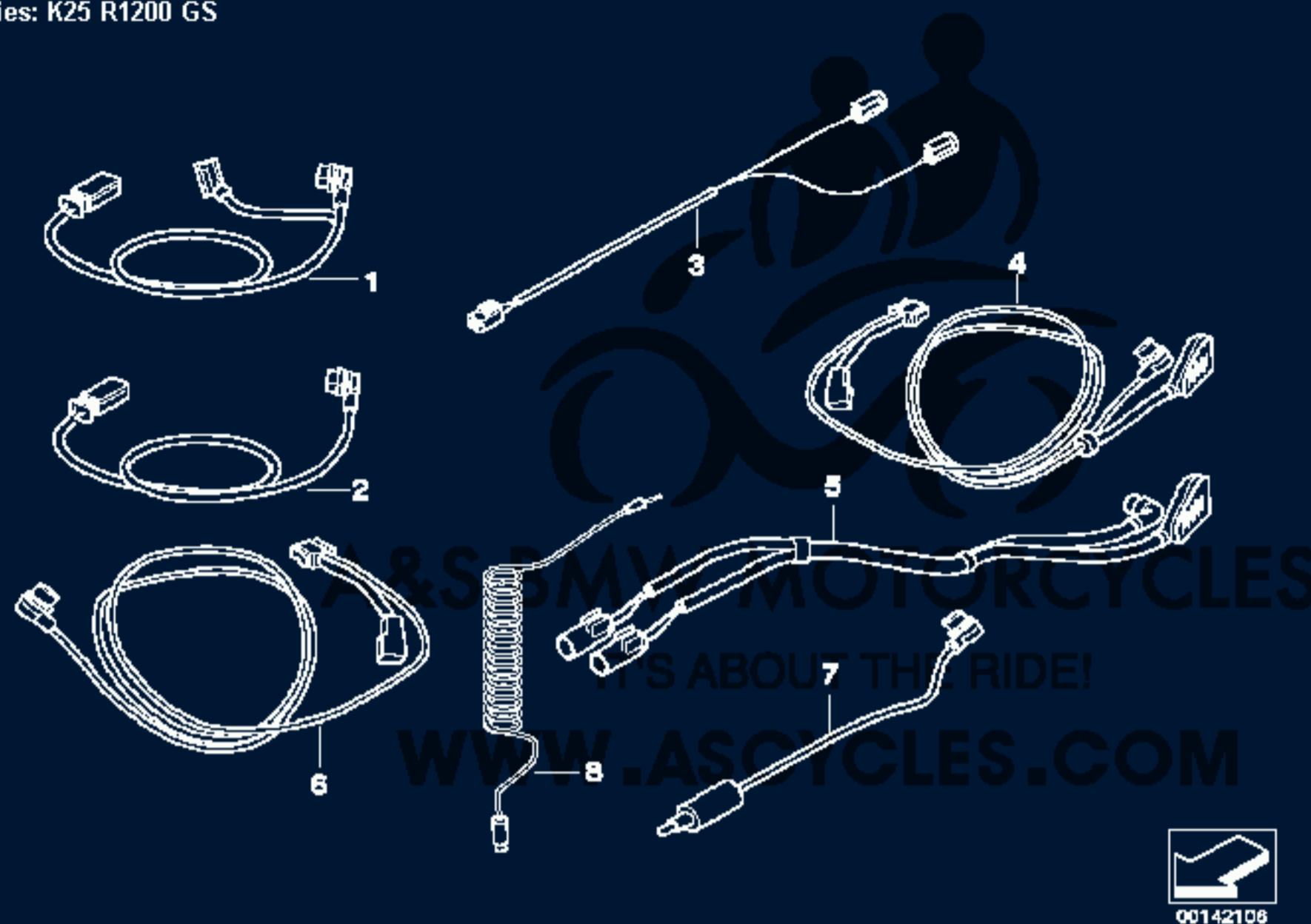


00134240

No.	Description	Supplement	Qty	From	Up To	Part Number	AT	R	TI
1	SET OF RETAINING FIXTURE, NAVIGATOR								
1	SET OF RETAINING FIXTURE, NAVIGATOR ONLY IN CONJUNCTION WITH		1			71 60 7 682 427			T
--	SCREW	M8X30	4			32 71 7 652 161			
--	LUBRICANT	MP3 100GR	1			07 55 9 062 476			I
2	NAVIGATOR HOLDER		1			71 60 7 682 428			
3	SPACER BUSHING		4			71 60 7 680 518			
4	OVAL HEAD SCREW	M5X16 SW	4			46 63 7 677 604			
5	COUNTERSUNK HEAD SCREW	M4X25	4			72 60 7 687 735			
6	INST. INSTR., HOLDER NAVIGATOR		1			01 29 7 656 912			
7	SCREW								
7	SCREW ONLY IN CONJUNCTION WITH	M8X30	4			32 71 7 652 161			
--	LUBRICANT	MP3 100GR	4			07 55 9 062 476			I
8	LUBRICANT	MP3 100GR	1			07 55 9 062 476			I

Diagrams 65_1510 CONNECT.CABLE FOR NAVIGATION SYSTEM

Series: K25 R1200 GS

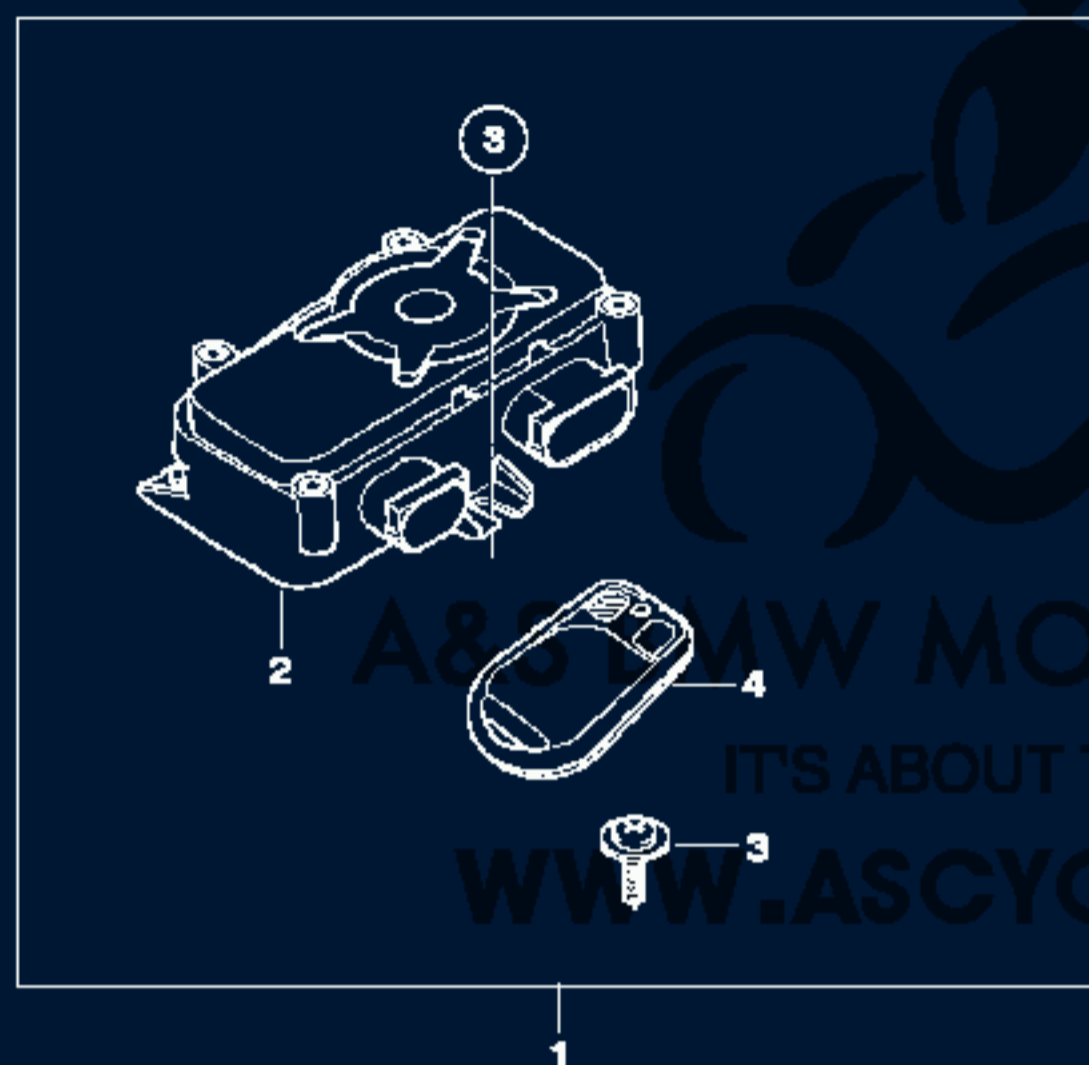


00142106

No.	Description	Supplement	Qty	From	Up To	Part Number	AT	R	TI
1	CONNECT.CABLE FOR NAVIGATION SYSTEM								
1	CONNECT.CABLE FOR NAVIGATION SYSTEM ONLY IN CONJUNCTION WITH	NAVIGATOR II	1			71 60 7 686 670			
--	CABLE STRAP	L=200MM/B=3,6	5			61 13 1 367 599			
--	INST. INSTR., VOLTAGE SUPPLY, NAVI		1			01 29 7 687 694			
2	CONNECT.CABLE FOR NAVIGATION SYSTEM								
2	CONNECT.CABLE FOR NAVIGATION SYSTEM ONLY IN CONJUNCTION WITH	NAVIGATOR I	1			71 60 7 687 693			
--	CABLE STRAP	L=200MM/B=3,6	5			61 13 1 367 599			
--	INST. INSTR., VOLTAGE SUPPLY, NAVI		1			01 29 7 687 694			
8	CONNECTION CABLE, NAVIGATOR HELMET		1			71 60 7 669 694		1	

Diagrams 65_1426 ALARM SYSTEMS

Series: K25 R1200 GS

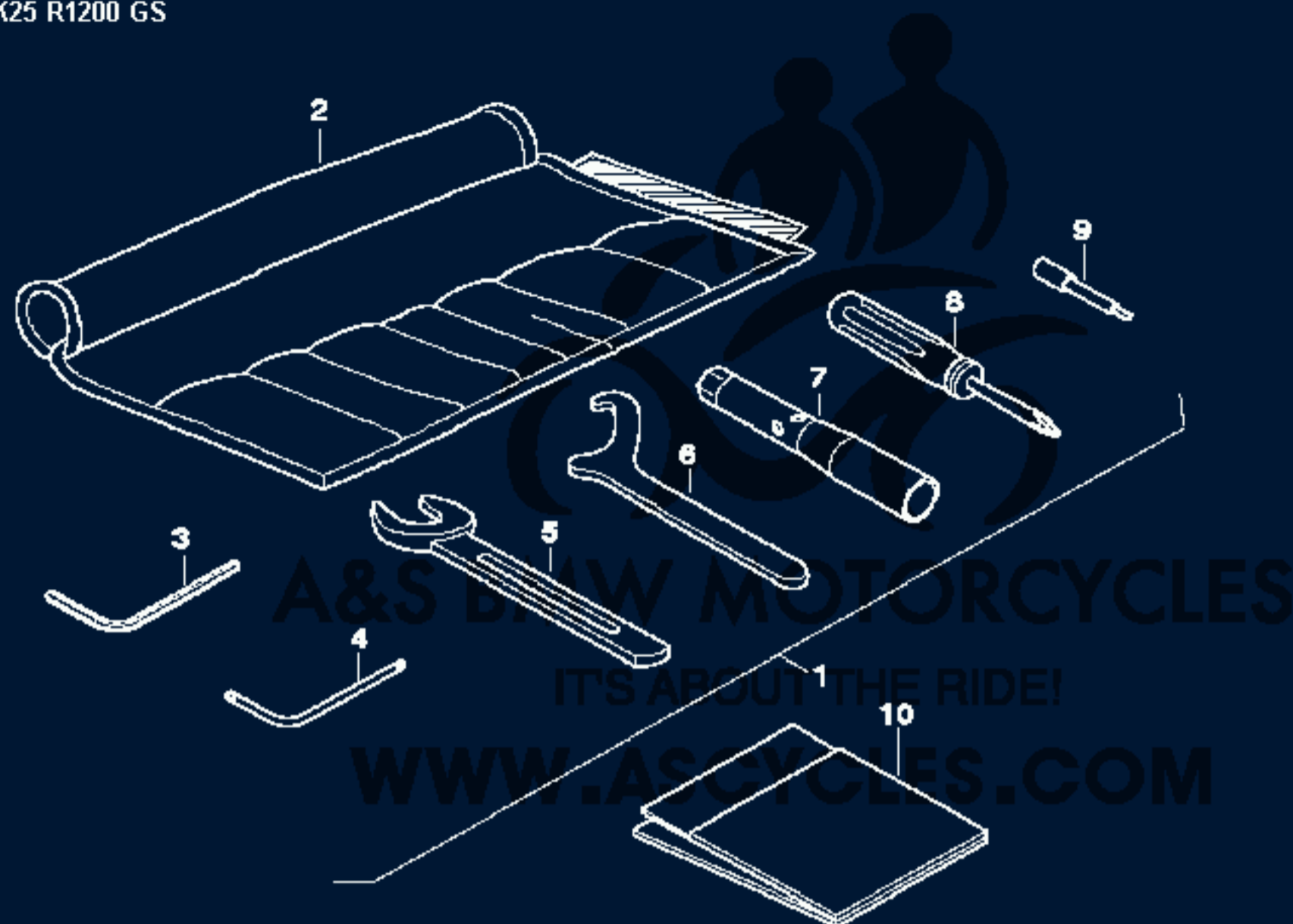


00140756

No.	Description	Supplement	Qty	From	Up To	Part Number	AT	R	TI
1	RETROFIT KIT, THEFT ALARM								
1	RETROFIT KIT, THEFT ALARM ONLY IN CONJUNCTION WITH	DWA 6 LOW	1			71 60 7 687 432		1	T
--	INSTALL.INSTRUCTIONS DWA	R1200GS	1			71 60 7 687 433			
--	OPERATING INSTRUCTIONS, ALARM SYSTEMS	US-ENGLISCH	1			01 47 7 690 847			
2	CONTROL UNIT	DWA 6 LOW 1.6	1			65 75 7 688 504		1	
3	OVAL HEAD SCREW WITH WASHER	4X12	3			51 45 8 181 514			
4	TRANSMITTER	DWA	1			65 75 2 337 407		1	
5	INSTALL.INSTRUCTIONS DWA	R1200GS	1			71 60 7 687 433			

Diagrams 71_0383 CAR TOOL

Series: K25 R1200 GS

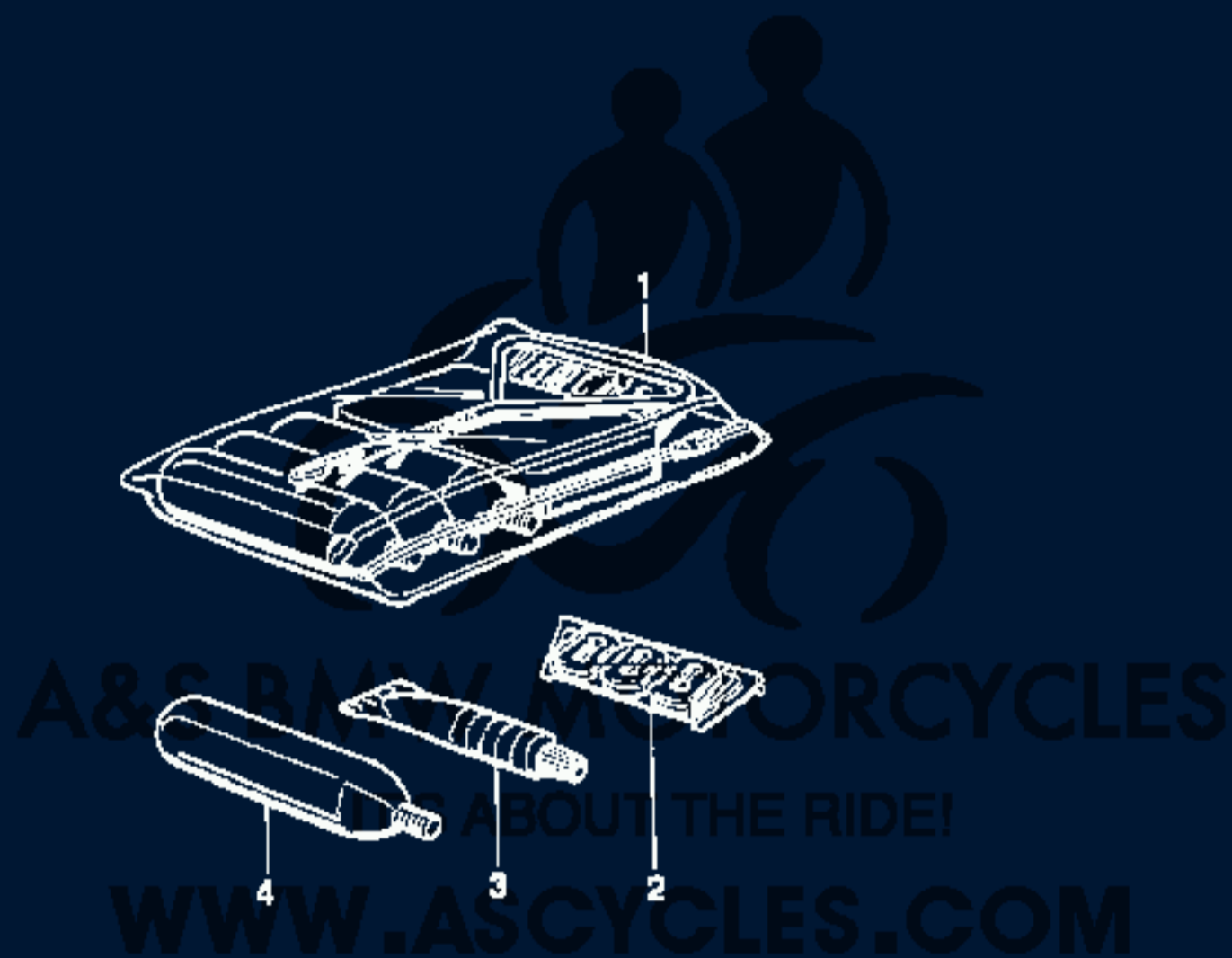


00141409

No.	Description	Supplement	Qty	From	Up To	Part Number	AT	R	TI
1	TOOL KIT		1		10/04	71 11 7 683 716		1	
2	TOOL BAG		1		10/04	71 11 7 676 888		1	
3	TORX WRENCH	40	1		10/04	52 53 7 650 966			
4	SOCKET WRENCH/TORX								
4	SOCKET WRENCH/TORX	30	1		10/04	71 11 2 328 872			
4	SOCKET WRENCH/TORX	25	1		10/04	71 11 2 347 278		1	
4	SOCKET WRENCH/TORX	45	1		10/04	71 11 7 655 301			
4	SOCKET WRENCH/TORX	50	1		10/04	71 11 7 678 001			
5	OPEN-ENDED WRENCH	17	1			71 11 7 679 771			
6	HOOK WRENCH		1			51 16 2 313 975			
7	SPARK PLUG WRENCH								
7	SPARK PLUG WRENCH		1		10/04	71 11 2 303 416		1	
7	SPARK PLUG WRENCH		1		10/04	71 11 7 676 887		1	
8	SCREWDRIVER		1			71 11 7 685 293			
9	EXTENSION		1			71 11 2 313 665			
10	PLASTIC BAG F ON-BOARD LITERATURE		1		10/04	71 11 7 684 526			

Diagrams 71_0259 REPAIR PACKAGE

Series: K25 R1200 GS

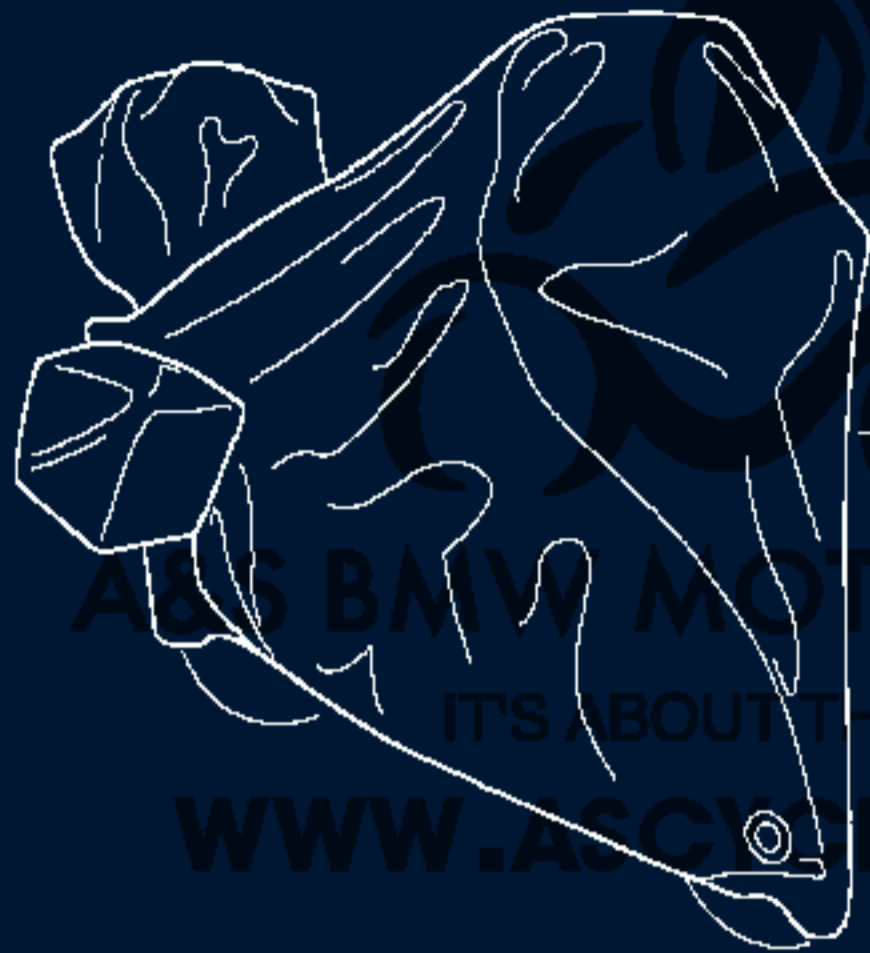


0000362

No.	Description	Supplement	Qty	From	Up To	Part Number	AT	R	TI
1	REPAIR PACKAGE		1			71 11 7 653 827			
2	PUSHROD SEAL		X			71 11 2 300 231			
3	ADHESIVE		X			71 11 2 332 084			I
4	GAS CARTRIDGE	16GR	X			71 11 2 300 236			T

Diagrams 71_0177 MOTORCYCLE TARPAULIN

Series: K25 R1200 GS



00011149

No.	Description	Supplement	Qty	From	Up To	Part Number	AT	R	TI
1	TARPAULIN		1			71 60 7 673 985	E	1	

Diagrams 71_0398 TARPAULIN

Series: K25 R1200 GS



00140117

No.	Description	Supplement	Qty	From	Up To	Part Number	AT	R	TI
1	TARPAULIN		1			71 60 7 689 674		1	