

Spare Parts Catalog

Chetak
4 STROKE
USA



NOTICE

The description and illustrations in this catalog are not to be taken as binding on the manufacturer. The essential features of the type described and illustrated herein remaining unaltered, BAJAJ AUTO LIMITED reserve the right to carry out at any moment, without being obliged to bring this catalog up-to-date, modifications on the vehicle, parts or accessories, as may be convenient and necessary.

Copying, quoting or reproducing any part of this catalog without the written permission of BAJAJ AUTO LIMITED, is expressly prohibited.

DOC. NO.: 36 0202 53

FOREWORD

We have pleasure in presenting the spare parts catalogue for Chetak 4 Stroke. This catalogue has been specially designed to assist you in selecting the correct part to maintain your vehicle in the best running condition.

The bajaj spares are subjected to the stringent quality control standards to ensure longer life of the vehicle. It is therefore necessary that only the genuine bajaj spares are used.

In a continual effort to improve performance and efficiency of the vehicle, specifications, diagrams, illustrations and part numbers can change without notice. Consequently, the description in this Spare Parts Catalogue cannot therefore be final and binding on us.

The modifications/alterations which are carried out after the issue of this catalogue, will be conveyed to you through our service circulars. You are requested to make necessary corrections in the parts catalogue as per the circulars so as to keep your catalogue up-to-date. This will ensure the appropriate and speedy delivery of the spare parts as the order placed will bear the latest part numbers.

In case, if you need any technical assistance contact our nearest authorised dealer or write to us on the following address :

**Bajaj Auto Ltd.,
Exports Dept.
Akurdi, Pune - 411 035.**



409 Littlefield Ave.
South San Francisco, CA 94080
Sole U.S. importer of selected Bajaj Auto products.

INSTRUCTIONS FOR USING THE CATALOG :

1. **How to read the catalog :** Open the catalog and from the pictorial index locate the group in which the part you want to find is present. Turn over to the concerned page number (as given by pictorial index). Now find out the figure of the part you wish to order. Jot down the part number against that particular figure number from the text.

In case, if you have the part number and you need the other details, the part index can be used. The part index (at the end of the catalog) will give you the figure and page number of the part you wish to order.

2. **How to order spare parts :** The part number and the description of the part required should be invariably mentioned in the order as per the catalog text.

The latest part number as conveyed through our service circulars should only appear on the order. In case of ordering colored components, color code of the components should be mentioned.

The quantity shown against the part number is the quantity per vehicle for that group so that particular quantity should be multiplied by the number of sets required.

3. **Part number system:** We have used 8 digit system for part numbers. The model or hardware item is indicated by first two digits or alphanumeric, the next two or four digits indicate main group and the last four or two digits indicate serial number in main group or serial number or subgroup of fastener respectively.. Thus the part numbers will be indicated by 2-2-4 or 2-4-2 digit system. Understanding this system will enable you to identify the spare parts easily.

4. **Abbreviations :** The following abbreviations are used in this catalog.

assly.	Assembly	V	Volts
N.I.	Not illustrated	W	Watts
C'case	Crankcase	accl.	Accelerator
Cyl	Cylinder	Comp.	Complete
o/s.	Over size	Fr	Front
Std.	Standard	L	Length
A/t.	Alternate	Rr	Rear
R.H.	Right hand	Hex.	Hexagonal
L.H.	Left hand	AR	As required

PLATE NO. : 1	PAGE NO.:
ENGINE AND CRANKCASE (CLUTCH SIDE)	1

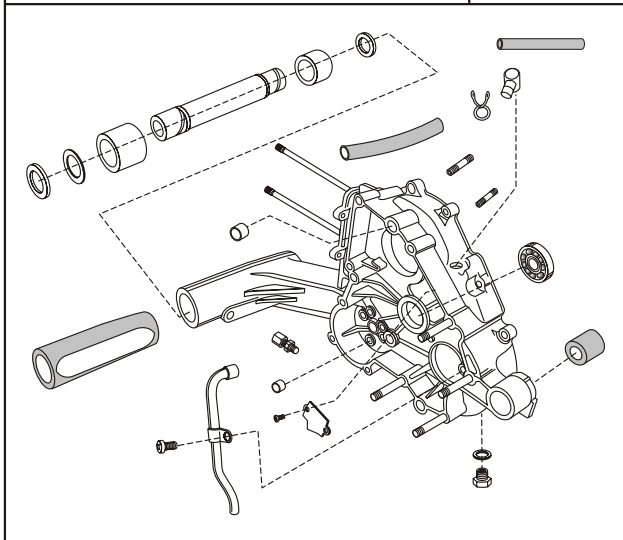


PLATE NO. : 3	PAGE NO.:
CRANKCASE COVER ASSLY.	3

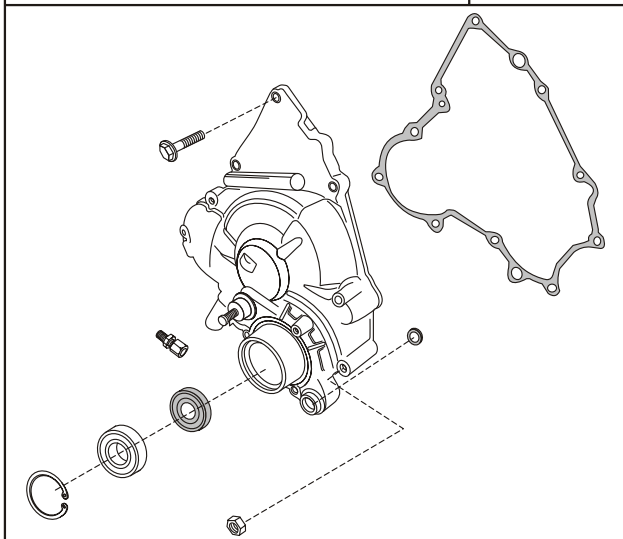


PLATE NO. : 5	PAGE NO.:
CRANK SHAFT ASSLY.	5

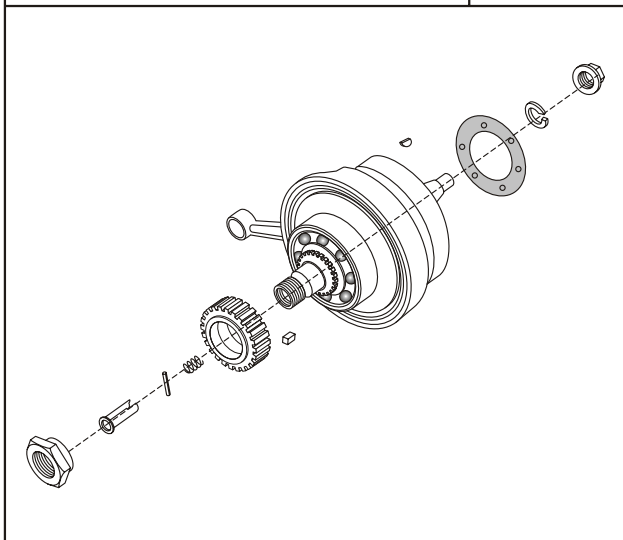


PLATE NO. : 2	PAGE NO.:
CRANKCASE MAGNETO SIDE	2

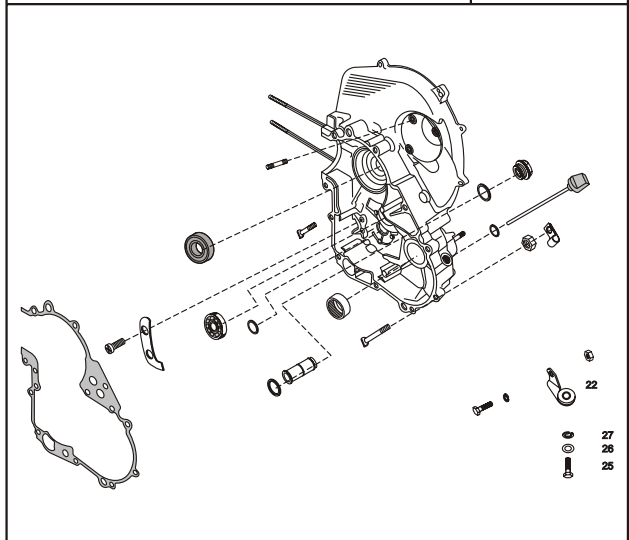


PLATE NO. : 4	PAGE NO.:
CYLINDER/PISTON ASSLY.	4

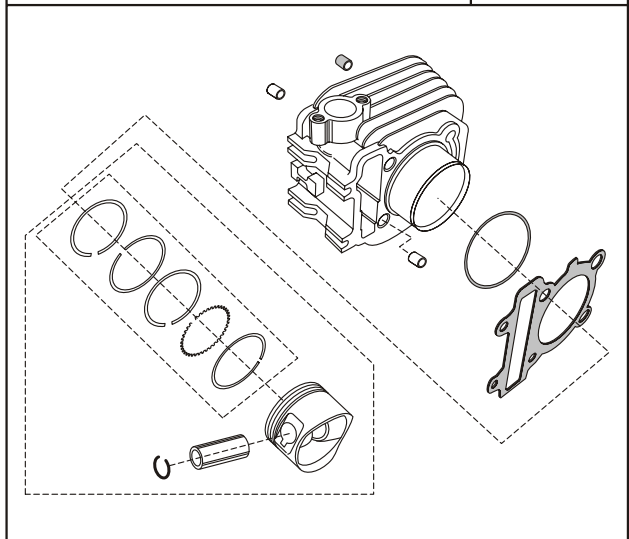


PLATE NO. : 6	PAGE NO.:
CYLINDER HEAD	6

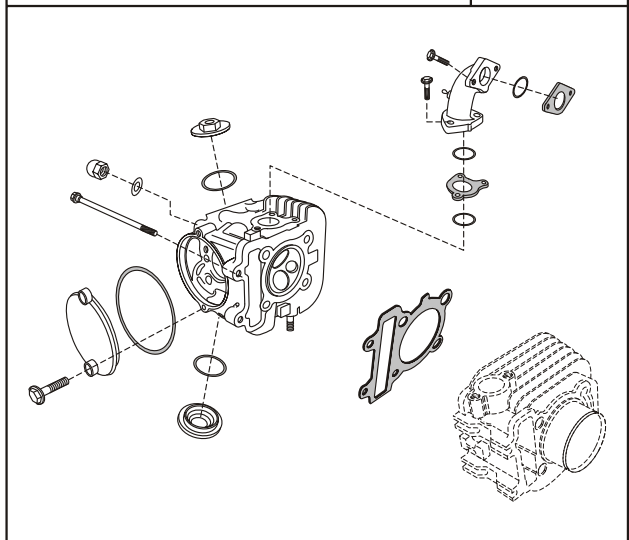


PLATE NO. : 7

PAGE NO.:

VALVE

7

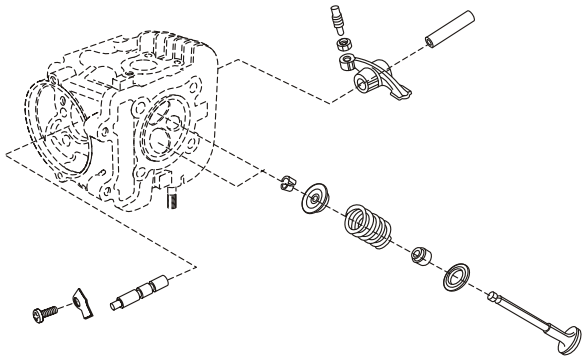


PLATE NO. : 9

PAGE NO.:

CLUTCH PLATE ASSLY.

9

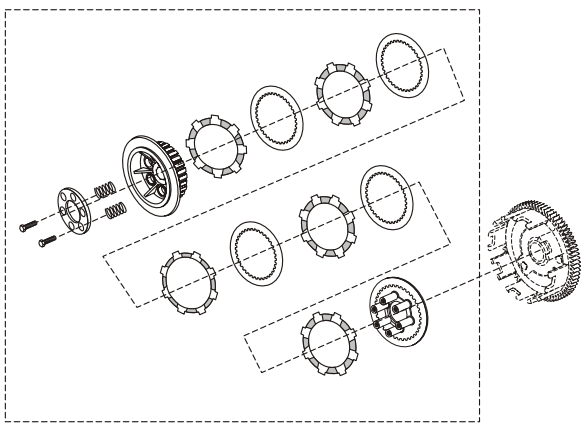


PLATE NO. : 11

PAGE NO.:

CLUTCH LEVER ASSLY.

11

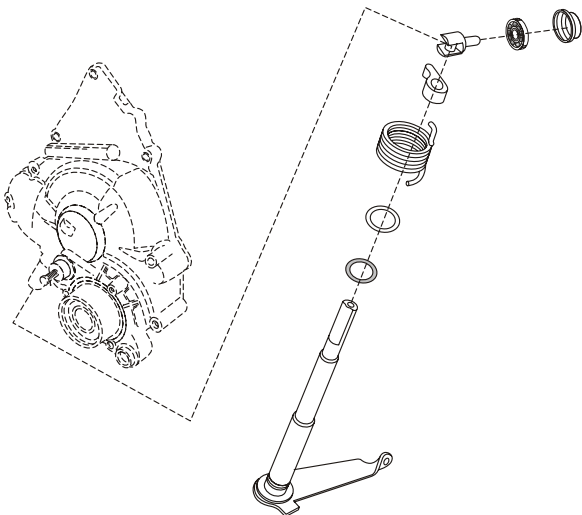


PLATE NO. : 8

PAGE NO.:

CAMSHAFT AND CHAIN TENSIONER

8

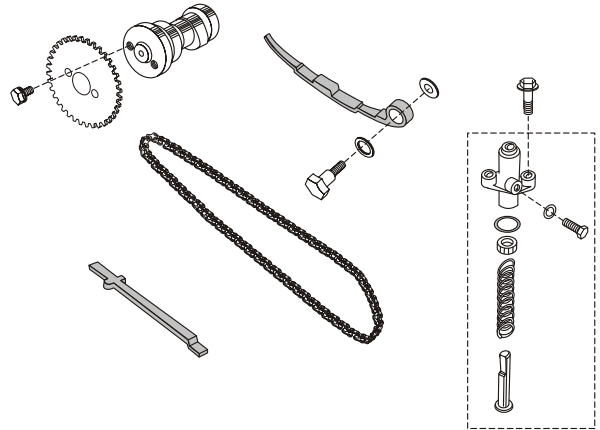


PLATE NO. : 10

PAGE NO.:

CLUTCH HOUSING COMP.

10

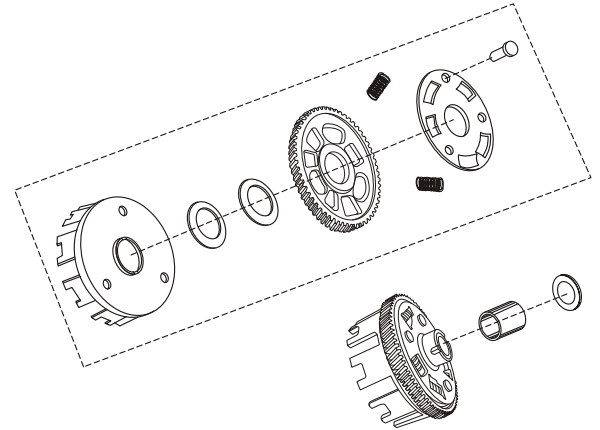


PLATE NO. : 12

PAGE NO.:

MAIN SHAFT

12

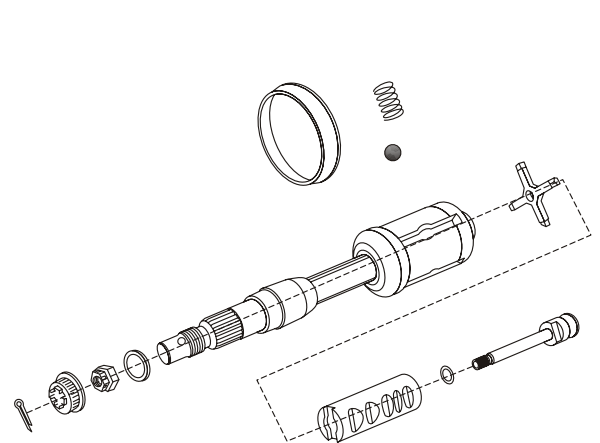


PLATE NO. : 13 **PAGE NO.:**
GEAR TRANSMISSION **13**

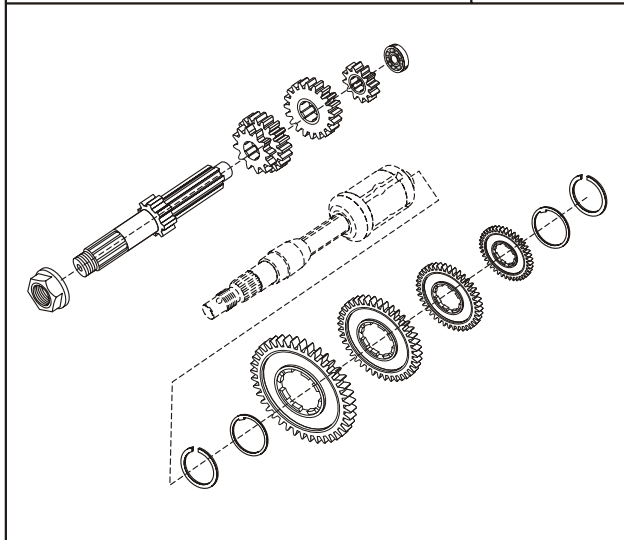


PLATE NO. : 15 **PAGE NO.:**
KICK SHAFT ASSLY. **15**

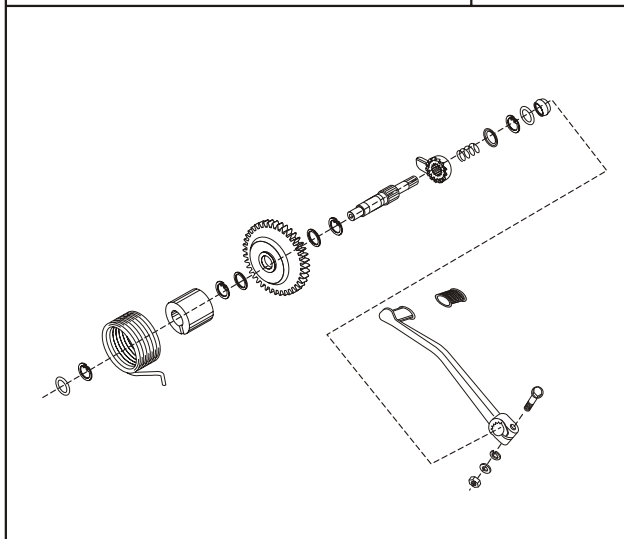


PLATE NO. : 17 **PAGE NO.:**
MAGNETO ASSLY. **17**

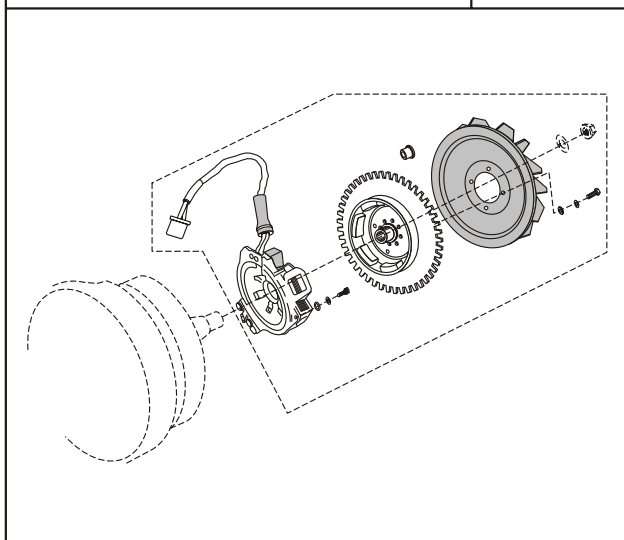


PLATE NO. : 14 **PAGE NO.:**
GEAR SHIFTER ASSLY. **14**

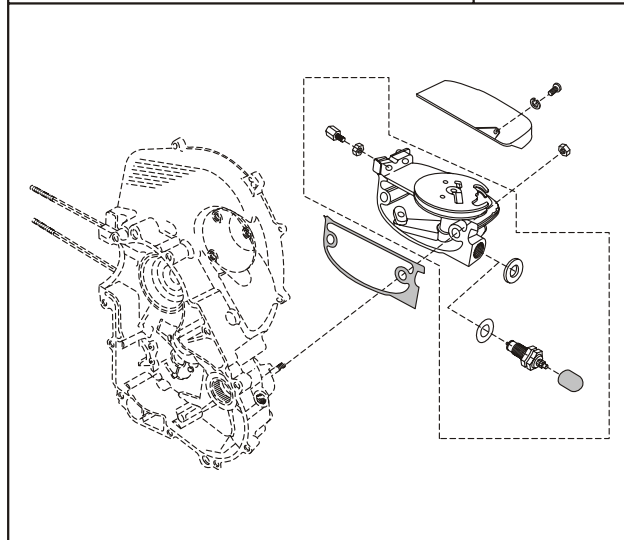


PLATE NO. : 16 **PAGE NO.:**
COWLINGS & SILENCER ASSLY. **16**

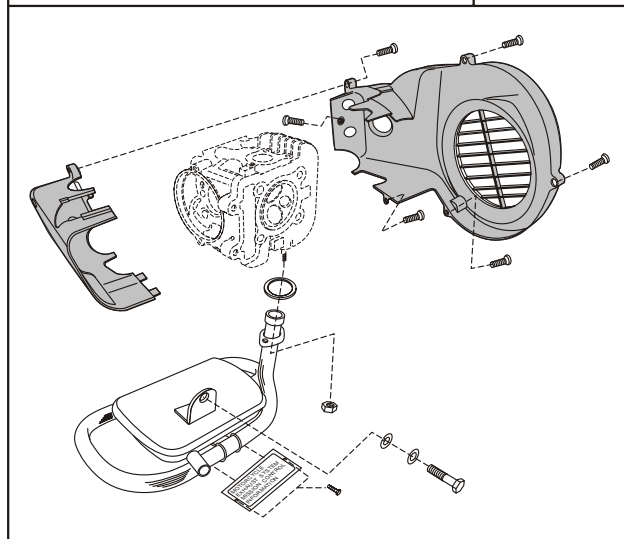


PLATE NO. : 18 **PAGE NO.:**
STATOR ASSLY. **18**

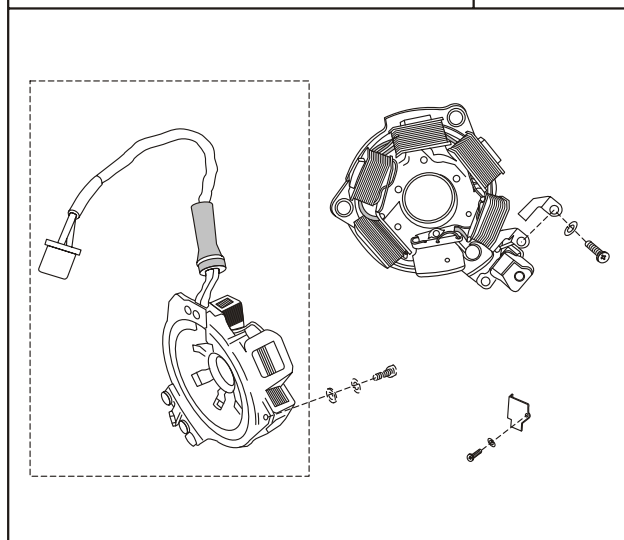


PLATE NO. : 19

PAGE NO.:

SPARK PLUG, H.T. COIL & CDI UNIT

19

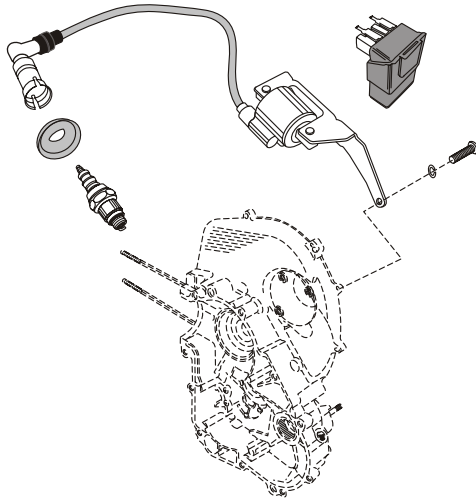


PLATE NO. : 21

PAGE NO.:

AIR FILTER ASSLY.

21

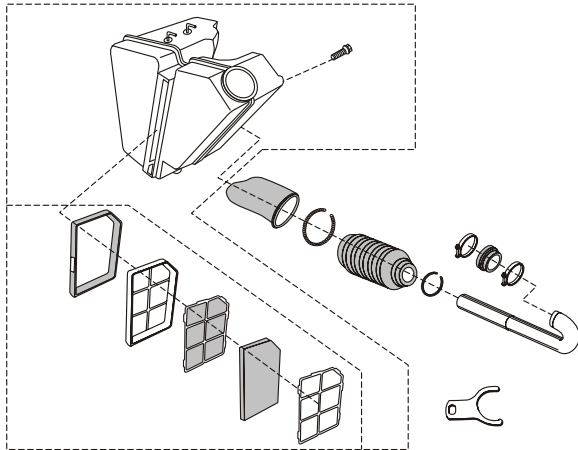


PLATE NO. : 22A

PAGE NO.:

INTEGRAL OIL PUMP ASSLY.

23

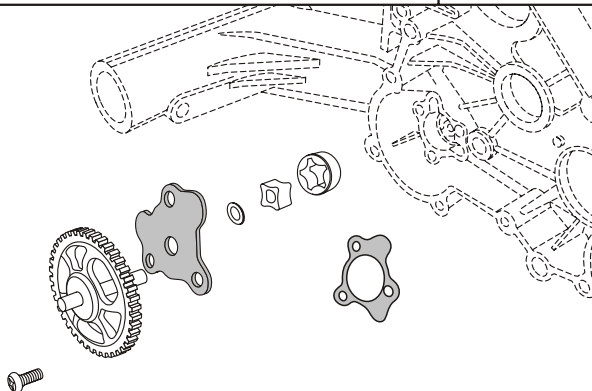


PLATE NO. : 20

PAGE NO.:

CARBURETTOR

20

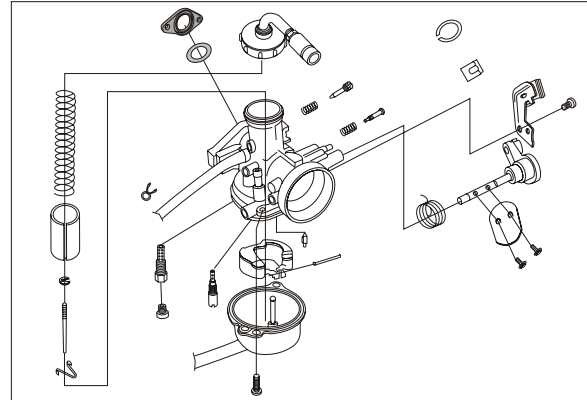


PLATE NO. : 22

PAGE NO.:

PUMP ASSLY. OIL

22

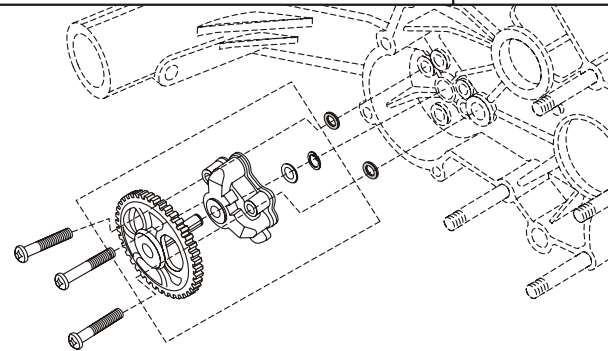


PLATE NO. : 23

PAGE NO.:

PETROL TANK ASSLY.

24

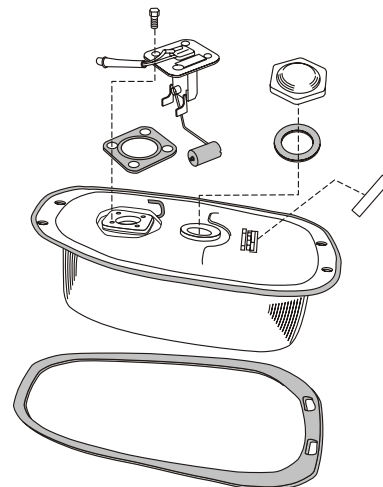


PLATE NO. : 24 **PAGE NO.:**
FUEL COCK ASSLY. **25**

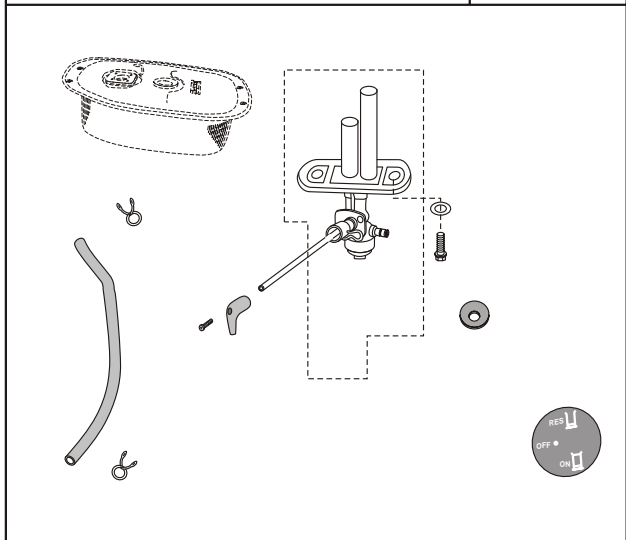


PLATE NO. : 26 **PAGE NO.:**
FRONT BRAKE PANEL ASSLY. **27**

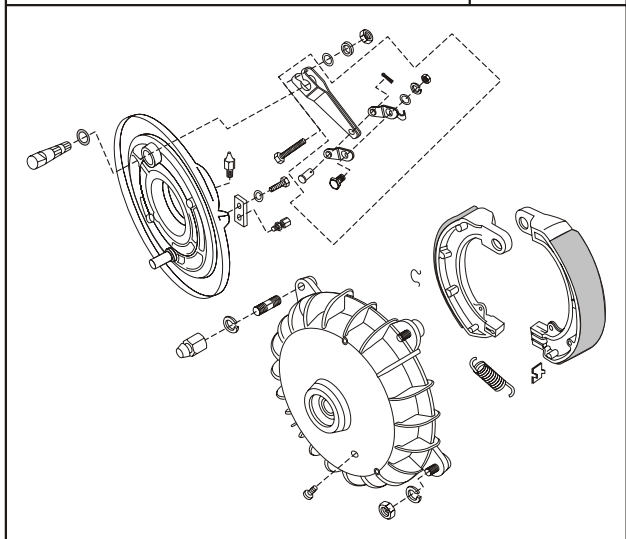


PLATE NO. : 28 **PAGE NO.:**
REAR BRAKE ASSLY. **29**

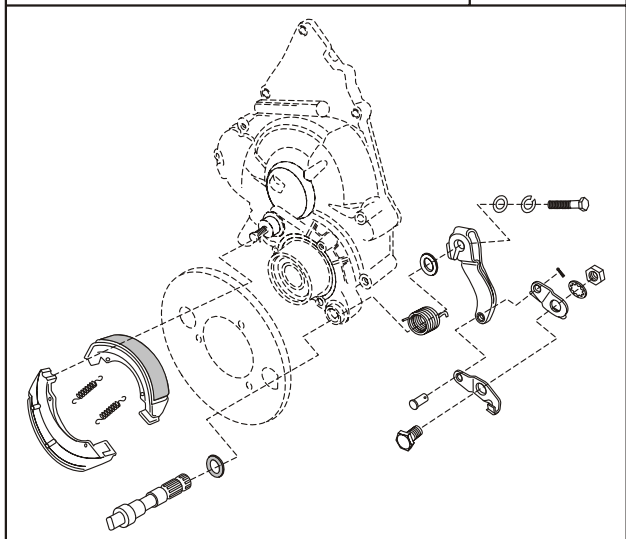


PLATE NO. : 25 **PAGE NO.:**
FRONT WHEEL HUB ASSLY. **26**

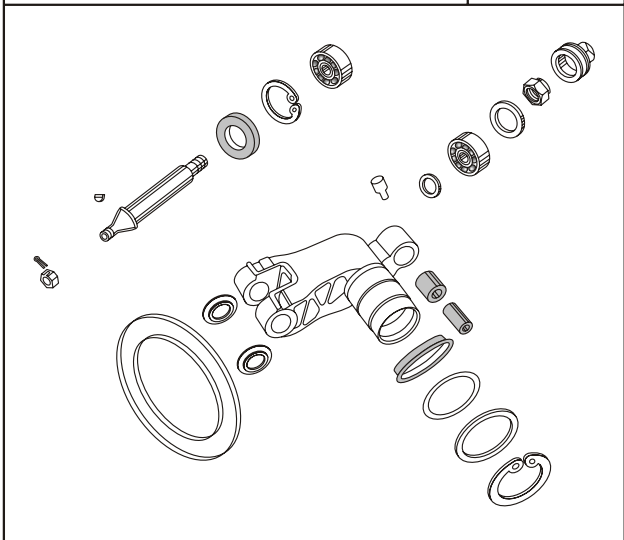


PLATE NO. : 27 **PAGE NO.:**
REAR BRAKE DRUM ASSLY. **28**

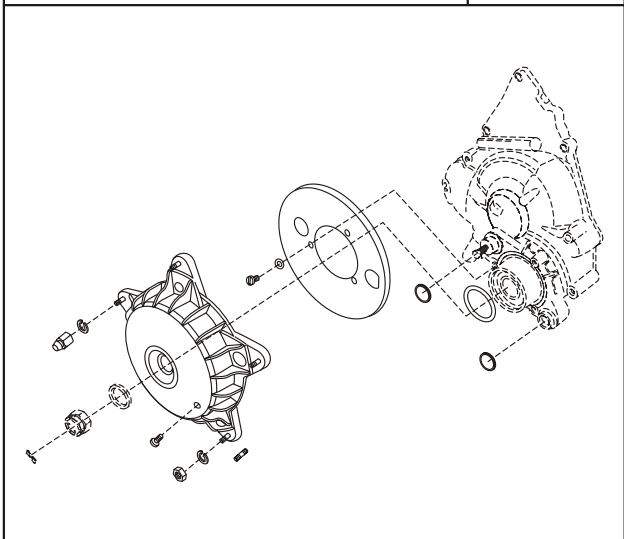


PLATE NO. : 29 **PAGE NO.:**
REAR BRAKE PEDAL ASSLY. **30**

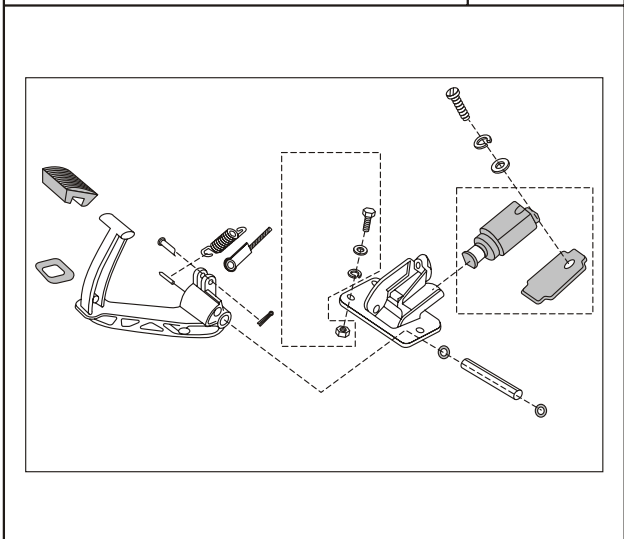


PLATE NO. : 30	PAGE NO.:
WHEEL RIM & WHEEL COVER	31

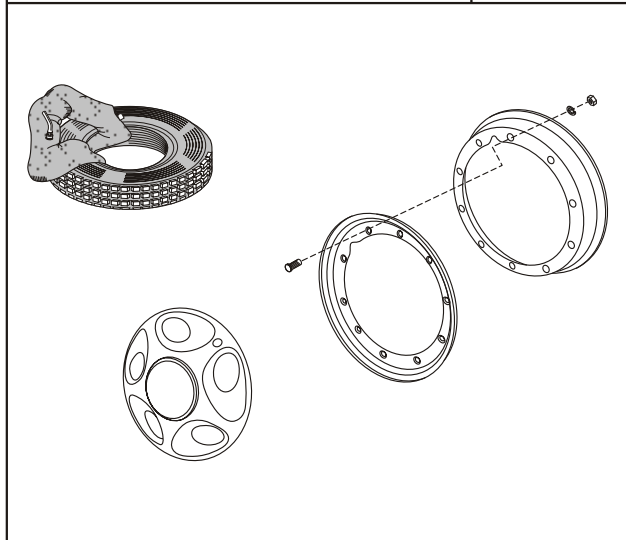


PLATE NO. : 32	PAGE NO.:
ENGINE BONNET AND TOOL BOX	33

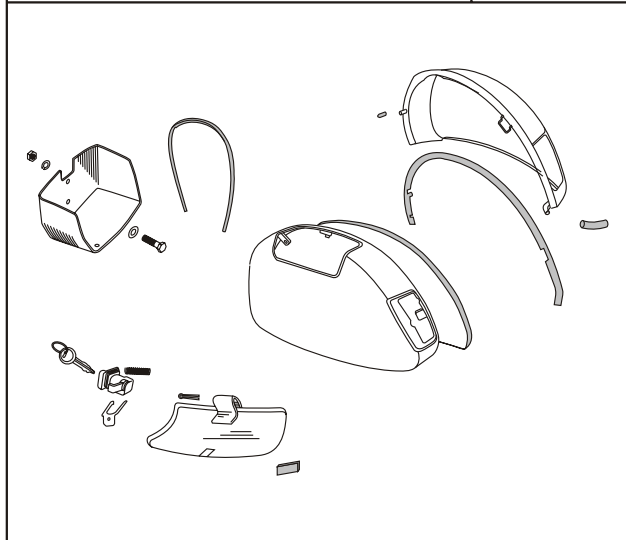


PLATE NO. : 34	PAGE NO.:
GRAB HANDLE/SPARE WHEEL BKT & CARRIER PLATE	35

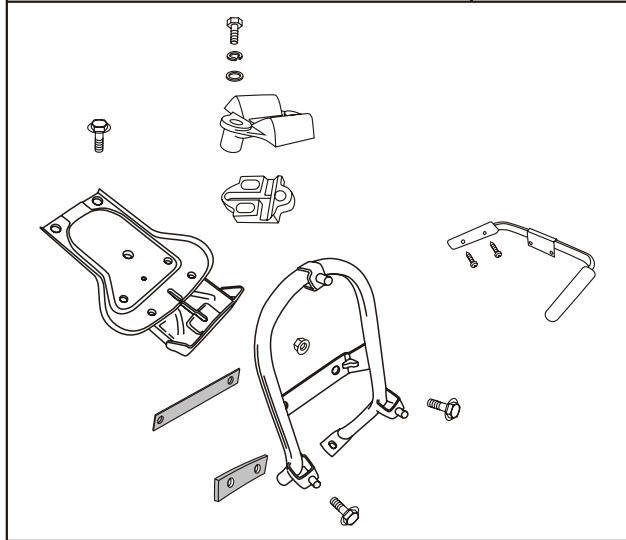


PLATE NO. : 31	PAGE NO.:
CHASSIS AND GROMMETS	32

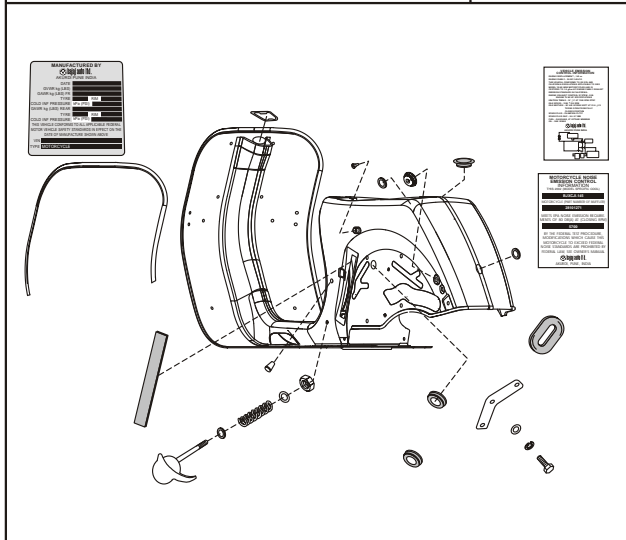


PLATE NO. : 33	PAGE NO.:
TAIL PIECE AND FRONT MUDGUARD	34

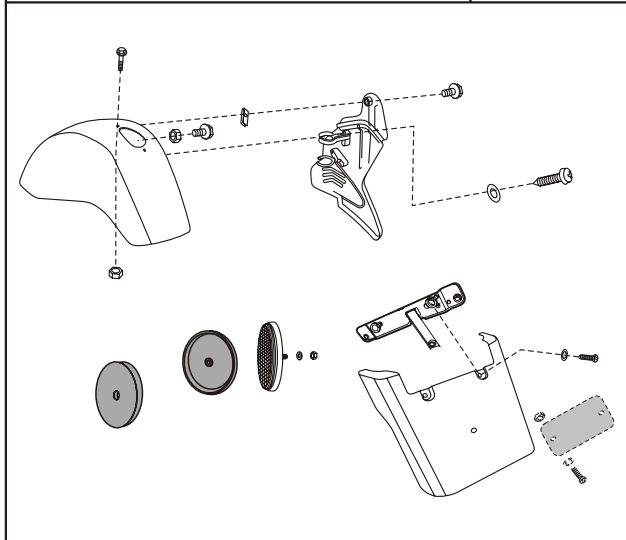


PLATE NO. : 35	PAGE NO.:
STAND / MATTINGS	36

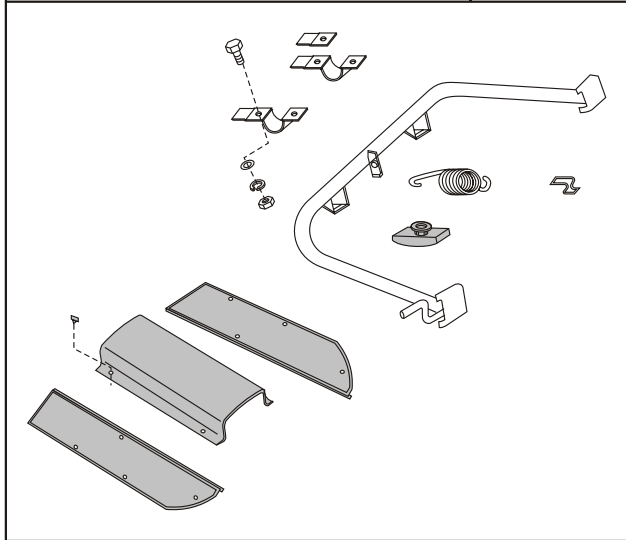


PLATE NO. : 36 **PAGE NO.:**
ENGINE LINK ASSLY. **37**

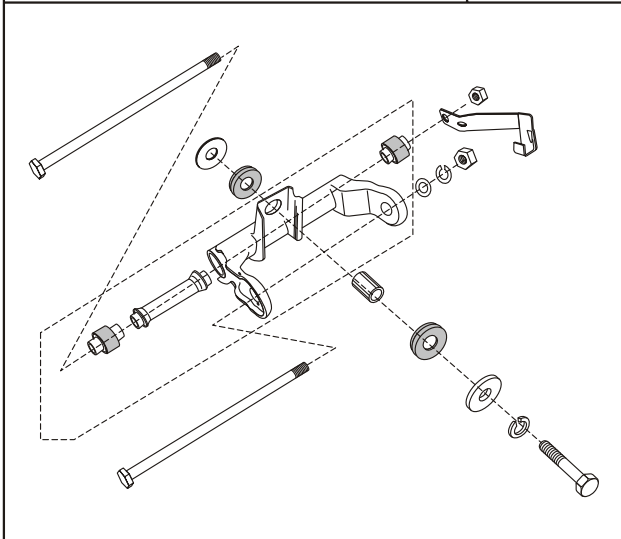


PLATE NO. : 38 **PAGE NO.:**
STEERING COLUMN ASSLY. **39**

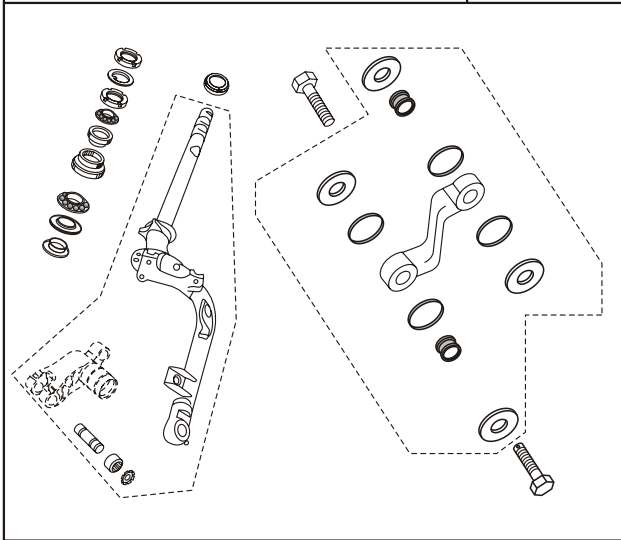


PLATE NO. : 40 **PAGE NO.:**
HANDLE BAR **41**

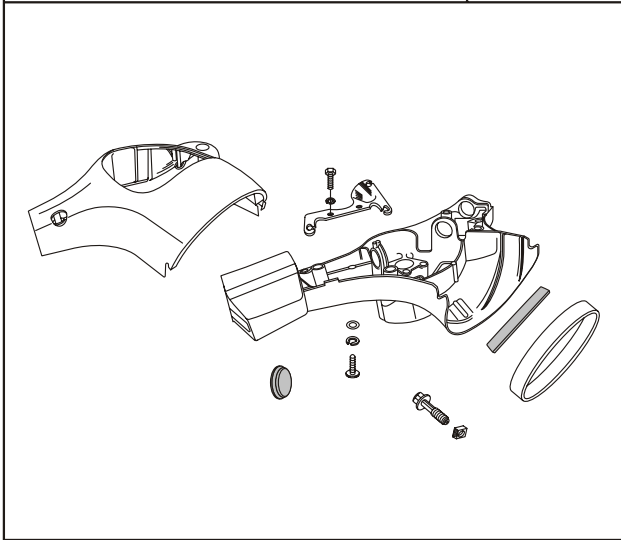


PLATE NO. : 37 **PAGE NO.:**
FRONT SHOCK ABSORBER **38**

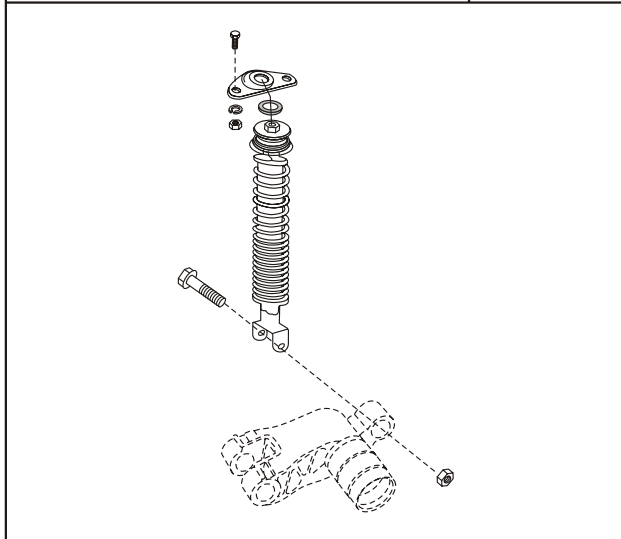


PLATE NO. : 39 **PAGE NO.:**
REAR SHOCK ABSORBER **40**

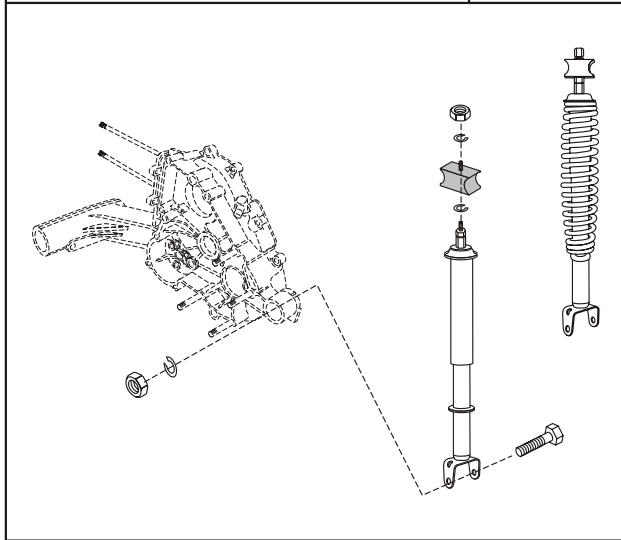


PLATE NO. : 41 **PAGE NO.:**
HANDLE BAR CONTROLS **42**

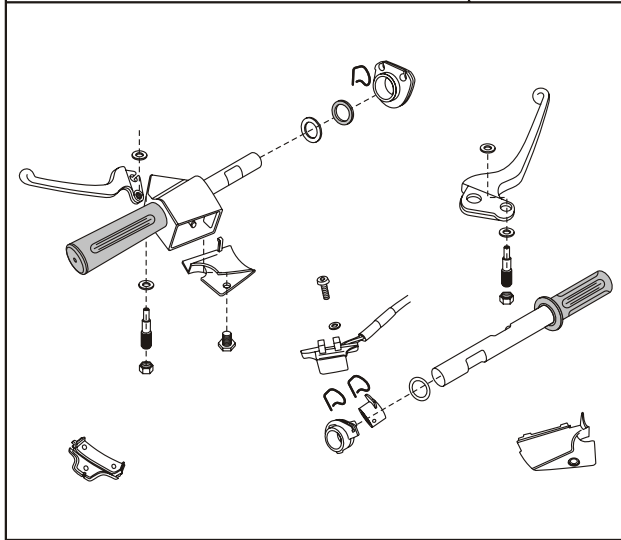


PLATE NO. : 42	PAGE NO.:
CONTROL CABLES	43

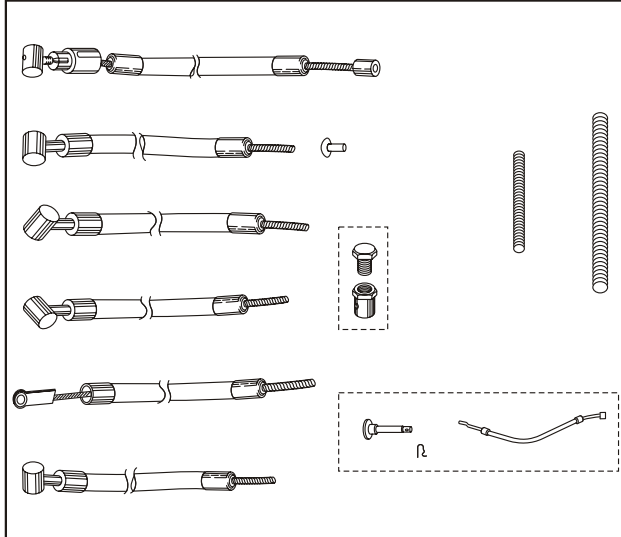


PLATE NO. : 44	PAGE NO.:
INSTRUMENT CLUSTER & SPEEDO CABLE COMP.	45

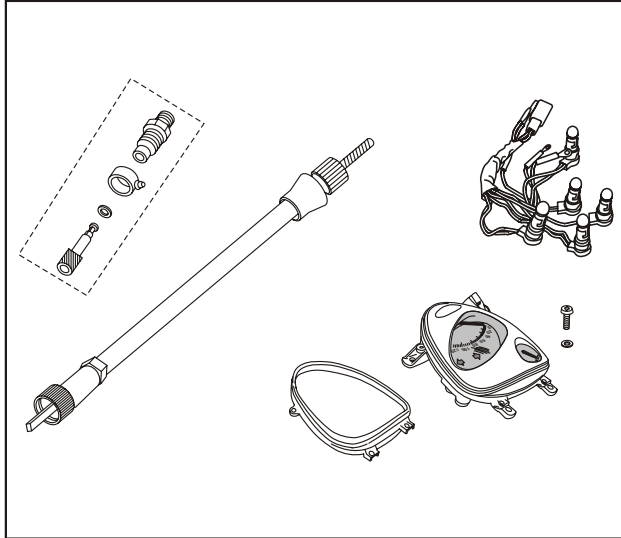


PLATE NO. : 46	PAGE NO.:
TAIL LAMP ASSLY.	47

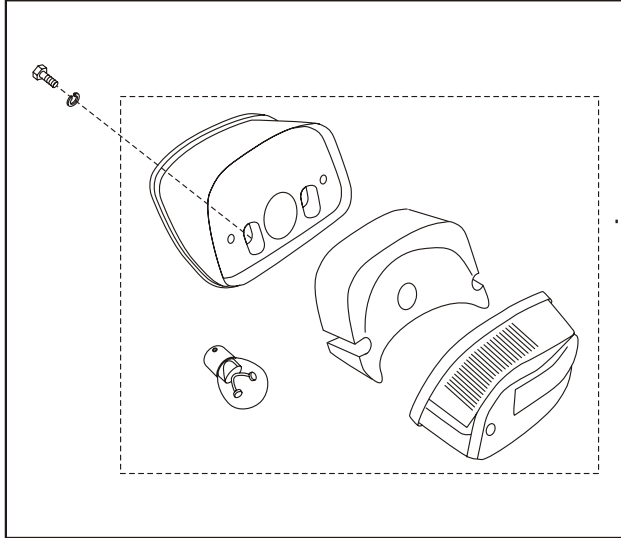


PLATE NO. : 43	PAGE NO.:
STEERING LOCK	44

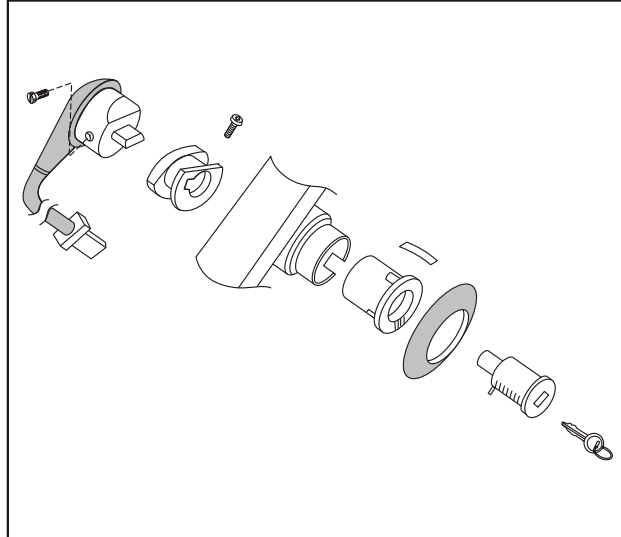


PLATE NO. : 45	PAGE NO.:
CHASSIS WIRING HARNESS & HEAD LAMP	46

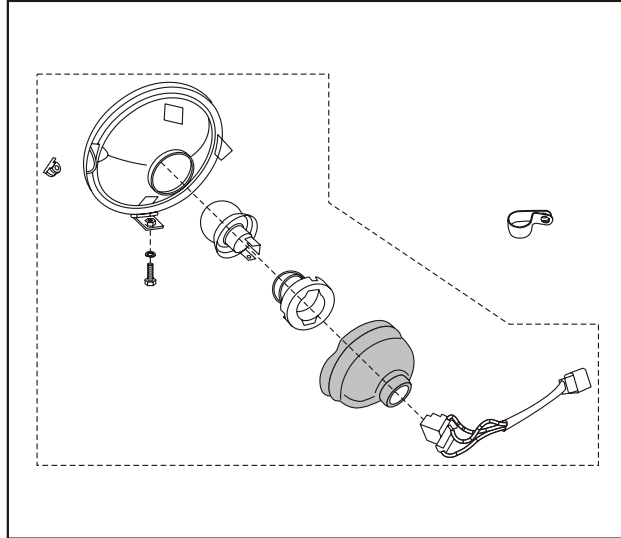


PLATE NO. : 47	PAGE NO.:
SWITCHES	48

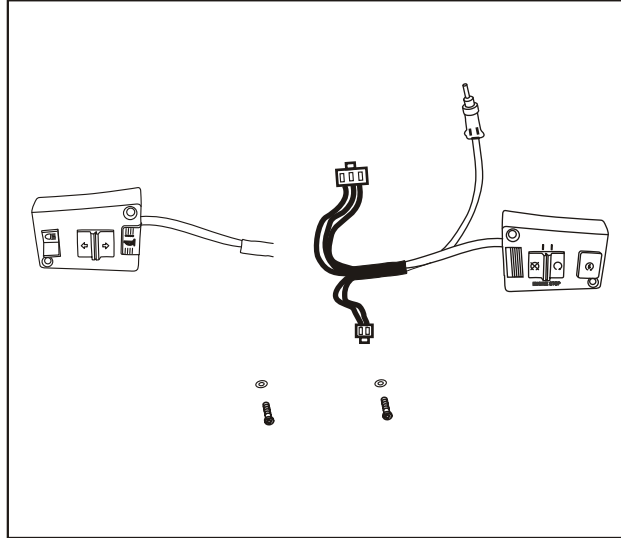


PLATE NO. : 48	PAGE NO.:
NOSE, FRONT AND REAR INDICATOR LIGHT	49

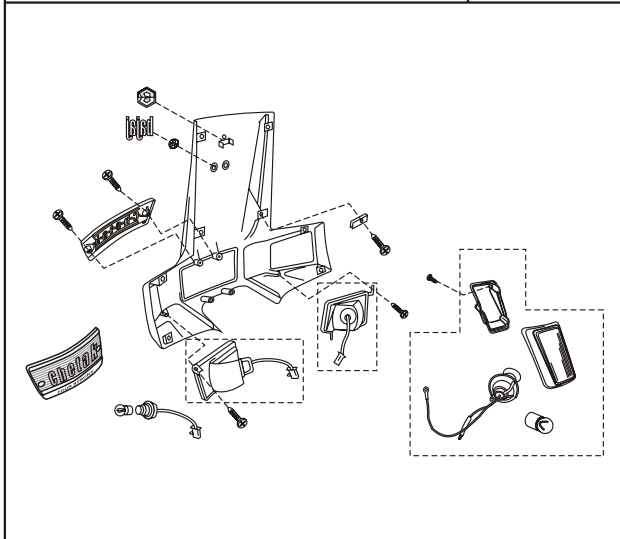


PLATE NO. : 50	PAGE NO.:
ELECTRICAL EQUIPMENTS (FOR SELF START VEHICLE)	51

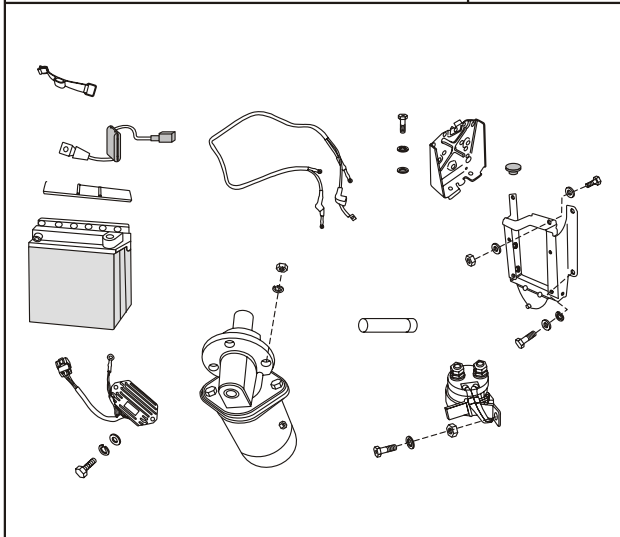


PLATE NO. : 52	PAGE NO.:
LUGGAGE BOX	53

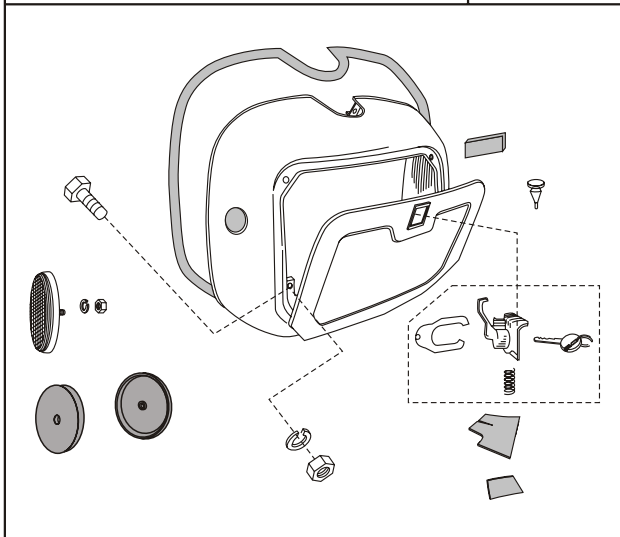


PLATE NO. : 49	PAGE NO.:
HORN, FLASHER & TURN SIGNAL BEEPER	50

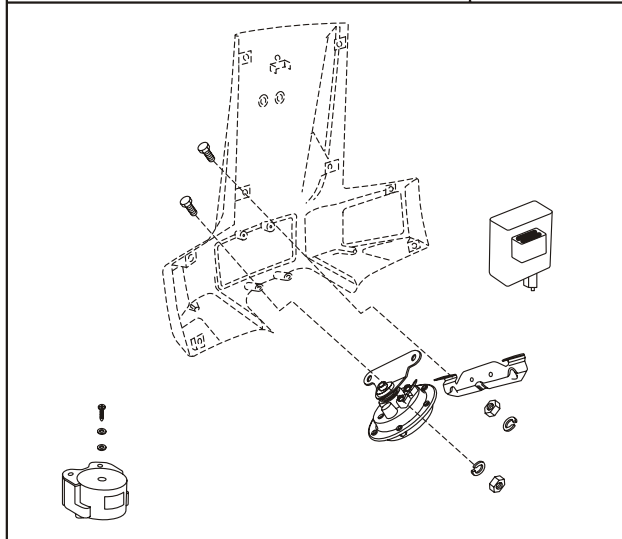


PLATE NO. : 51	PAGE NO.:
SEAT ASSLY, SPLIT SEAT KIT, LOCKING FUEL CAP, LOCKING HOOK	52

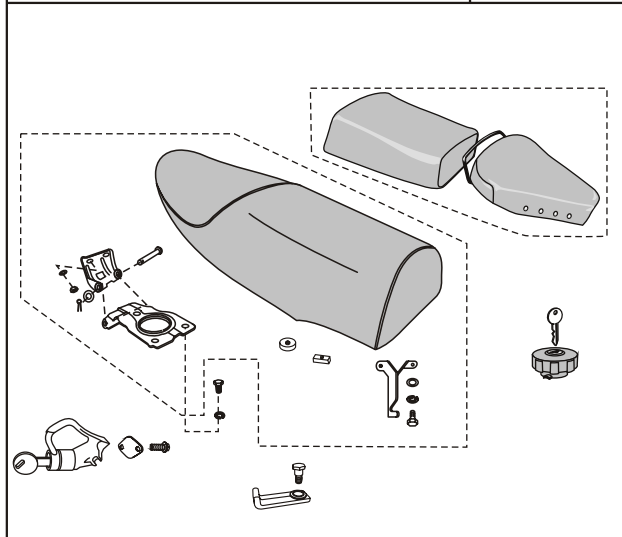


PLATE NO. : 53	PAGE NO.:
SIDE GUARDS ASSLY.	54

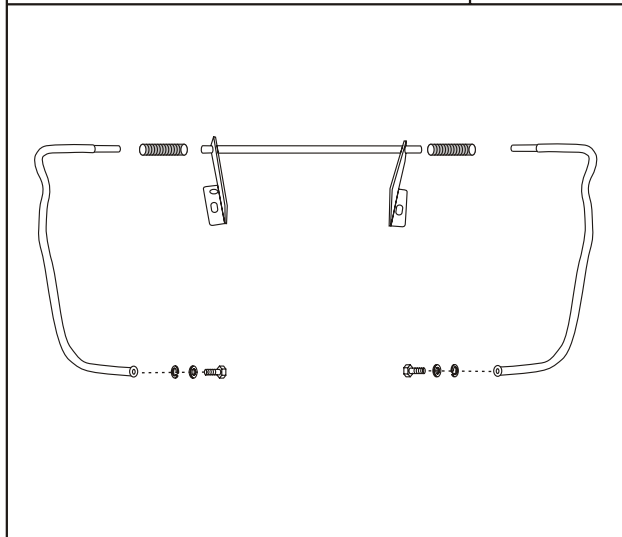


PLATE NO. : 54	PAGE NO.:
TOOL KIT & MIRRORS	55

PLATE NO. :	PAGE NO.:
--------------------	------------------

PLATE NO. :	PAGE NO.:
--------------------	------------------

PLATE NO. :	PAGE NO.:
--------------------	------------------

PLATE NO. :	PAGE NO.:
--------------------	------------------

PLATE NO. : 55	PAGE NO.:
EVAPORATIVE EMISSION CONTROL SYS.	56

PLATE NO. :	PAGE NO.:
--------------------	------------------

PLATE NO. :	PAGE NO.:
--------------------	------------------

PLATE NO. :	PAGE NO.:
--------------------	------------------

PLATE NO. :	PAGE NO.:
--------------------	------------------

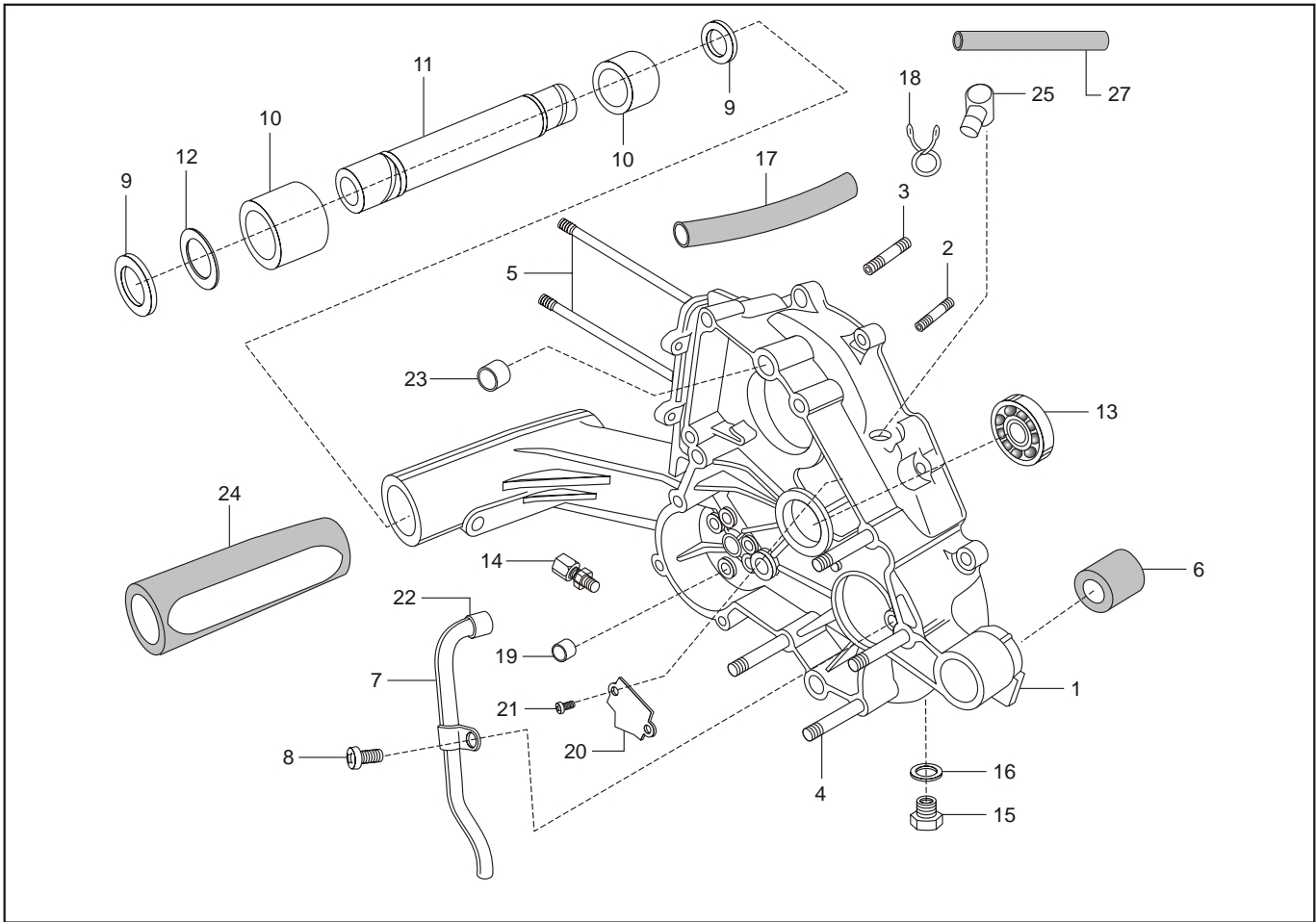


FIG. NO.	PART NO.	DESCRIPTION	QTY. PER VEH.	REMARKS
1	28 1011 81	CRANKCASE ASSLY.	1	CRANKCASE LH & RH FOR SELF START
2	39 1654 05	STUD	2	FOR JOINING CRANKCASE
3	39 1658 05	STUD	1	FOR JOINING CRANKCASE
4	39 1653 05	STUD	4	FOR CRANKCASE COVER
5	39 1652 05	STUD	2	FOR CYLINDER
6	28 1011 46	BUSH ASSLY	1	FOR REAR SHOCK ABSORBER MTG.
7	28 1011 15	TUBE ASSLY	1	OIL TUBE
8	39 0745 01	SCREW PAN CROSS	1	
9	28 1011 68	COLLAR (INNER BUSH)	2	
10	28 1010 06	OUTER BUSH	2	
11	28 1010 05	INNER BUSH	1	
12	28 1011 80	SHIM	1	
13	01 1701 11	BALL BEARING	1	SHAFT INTERMEDIATE
14	05 1510 12	ADJUSTER WITH NUT	1	FOR CLUTCH CABLE or REAR BRAKE CABLE
15	28 1011 41	OIL PLUG	1	
16	39 1796 11	PLAIN WASHER, OIL DRAIN PLUG	1	
17	28 1012 57	BREATHER TUBE ASSLY.	1	
18	28 1011 74	SPRING CLIP	1	
19	39 0999 06	HOLLOW DOWEL PIN	1	FOR OIL PUMP
20	28 1010 12	BAFFLE	1	
21	39 1414 02	CROSS REC. CH. HD. SCREW	2	
22	28 1010 80	RUBBER BUSH	1	
23	39 1922 06	HOLLOW DOWEL	4	ON CRANKCASE
24	28 1011 45	ARM COVER	1	
25	28 1010 92	BREATHER PIPE	1	
26	28 1012 67	ENGINE ASSLY COMP.	1	It consist of all parts from the plates # 1-19 & 22 & fig. # 1,2,3,4,5 & 11 on plate # 27
27	28 1210 70	BREATHER TUBE II	1	

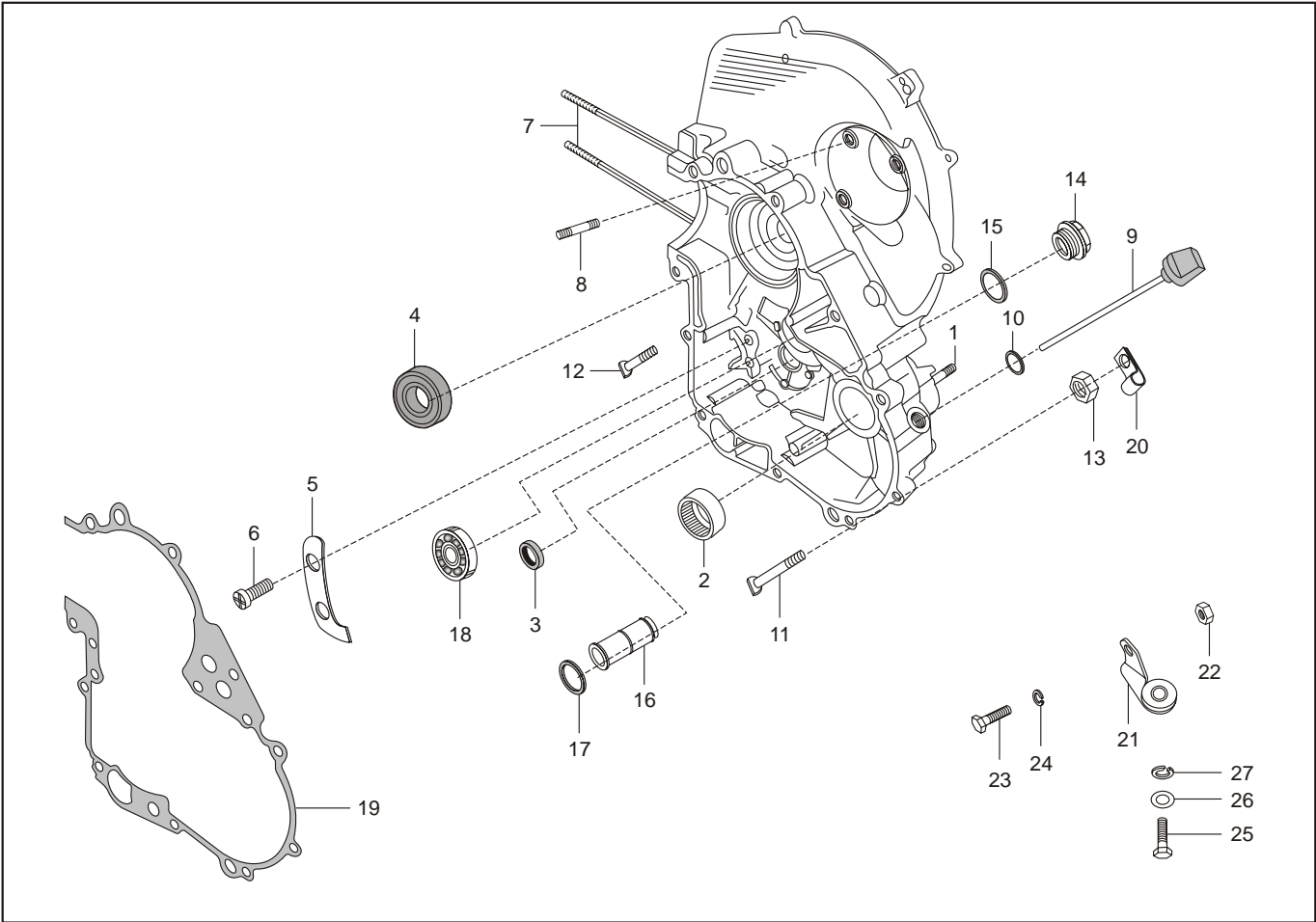


FIG. NO.	PART NO.	DESCRIPTION	QTY. PER VEH.	REMARKS
1	39 1658 05	STUD	2	GEAR SHIFTER
2	03 1003 35	NEEDLE ROLLER BEARING	1	MAIN SHAFT
3	39 2133 19	OIL SEAL, KICK STARTER	1	
4	39 1265 19	OIL SEAL, CRANKSHAFT	1	
5	28 1011 09	GUIDE KICK	1	
6	39 0892 04	HEX. BOLT	2	
7	39 1652 05	STUD	2	CYLINDER
8	23 1707 04	STUD	3	
9	28 1010 14	CAP OIL FILLER	1	
10	39 1013 21	'O' RING	1	
11	39 0444 04	'D' BOLT (LONG)	2	
12	39 1338 04	'D' BOLT (SHORT)	5	
13	39 2369 15	FLANGE NUT	11	
14	28 1010 22	CAP STRAINER	1	
15	39 1657 21	'O' RING	1	
16	28 1010 89	OIL STRAINER	1	
17	39 1574 21	'O' RING	1	
18	01 1701 10	BALL BEARING	1	SHAFT INTERMEDIATE
19	28 1010 48	GASKET (CRANKCASE)	1	
20	28 1012 47	CLIP	1	FOR BREATHER TUBE ASSLY.
21	28 1110 70	BRACKET WITH GROMMET	1	
22	39 2369 15	HEX NUT	1	FOR 28 1110 70
23	39 0089 04	'D' BOLT	1	FOR 28 1110 70
24	39 0264 12	SPRING WASHER	1	FOR 28 1110 70
25	39 0078 04	HEX. HEAD BOLT	1	FOR 28 1110 70
26	39 0198 11	PLAIN WASHER	1	FOR 28 1110 70
27	39 1826 12	SPRING WASHER	1	FOR 28 1110 70

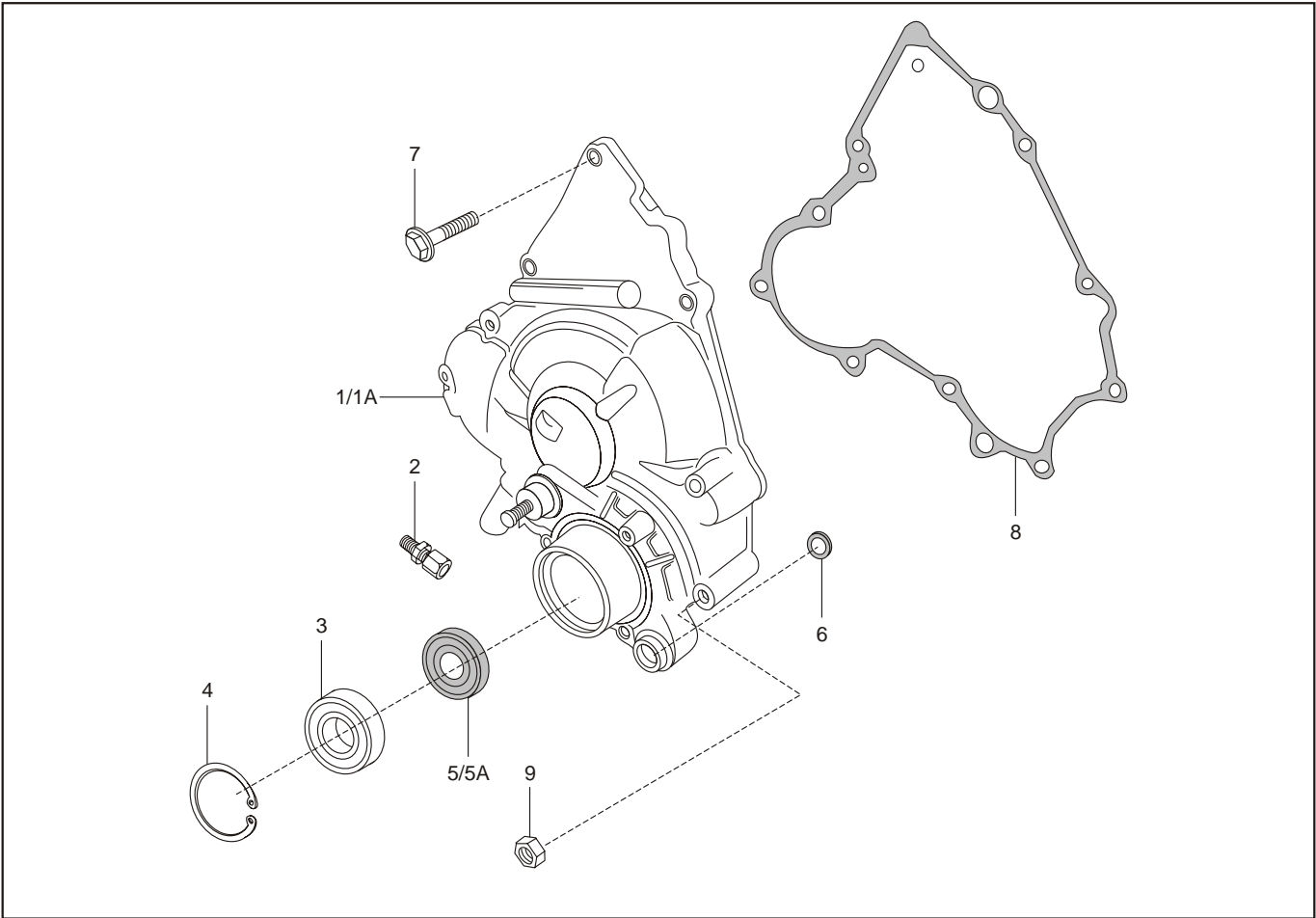


FIG. NO.	PART NO.	DESCRIPTION	QTY. PER VEH.	REMARKS
1	28 1012 36	COVER CRANKCASE WITH PIN	1	UPTO FEB. '02, ENG'S# WITH 5TH DIGIT "H"
1A	28 1012 96	COVER CRANKCASE WITH PIN	1	FROM '03, ENG'S.# 5TH DIGIT "J", "K", "L"
2	05 1510 12	ADJUSTER WITH NUT	1	FOR CLUTCH OR REAR BRAKE CABLE
3	39 1450 20	BALL BEARING	1	FOR MAIN SHAFT
4	39 0342 17	CIRCLIP	1	
5	39 1722 19	OIL SEAL 26MM X 38 X 5	1	UP TO FEB. '02, ENG'S# WITH 5TH DIGIT "H"
5A	39 2520 19	OIL SEAL 28MM X 40 X 7	1	FROM '03, ENG'S# 5TH DIGIT "J", "K", "L"
6	30 1510 38	RING 'O'	1	
7	39 1583 04	FLANGED BOLT	6	
8	28 1011 03	GASKET (COVER)	1	
9	39 2369 15	FLANGE NUT	4	

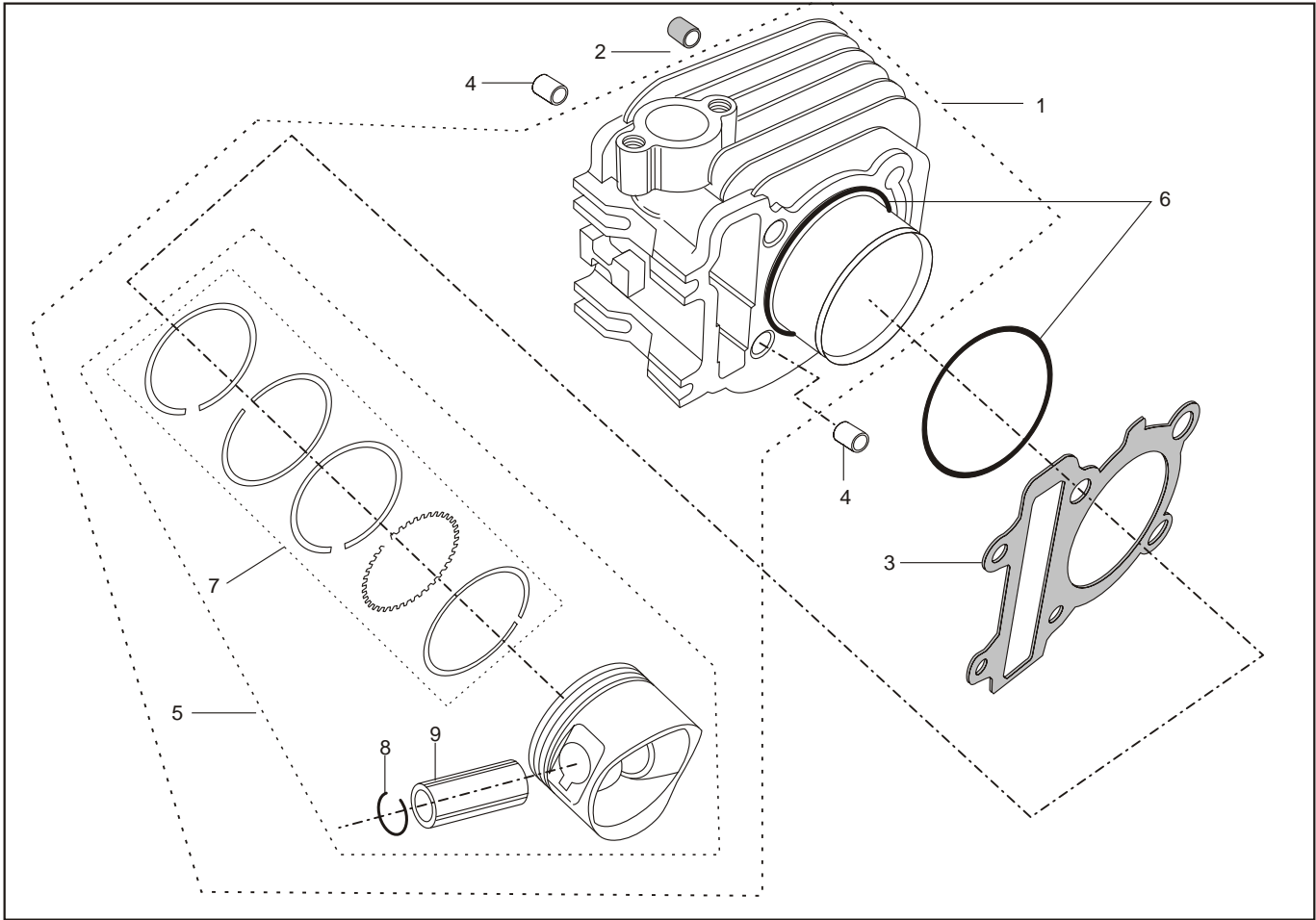


FIG. NO.	PART NO.	DESCRIPTION	QTY. PER VEH.	REMARKS
1	28 1012 07	CYLINDER BLOCK PISTON ASSLY.	1	CYLINDER, PISTON, RINGS, "O" RING
2	28 1011 18	BUSHING	1	
3	28 1010 17	GASKET, CYLINDER BLOCK	1	
4	39 1000 06	HOLLOW DOWEL PIN	4	
5	28 1010 23	PISTON ASSLY STD.	1	
6	39 1543 21	"O" RING, CYLINDER BASE	1	
7	AA 1013 34	PISTON RING SET	1	
8	39 1478 17	WIRE CIRCLIP	2	
9	AA 1010 25	PIN PISTON	1	

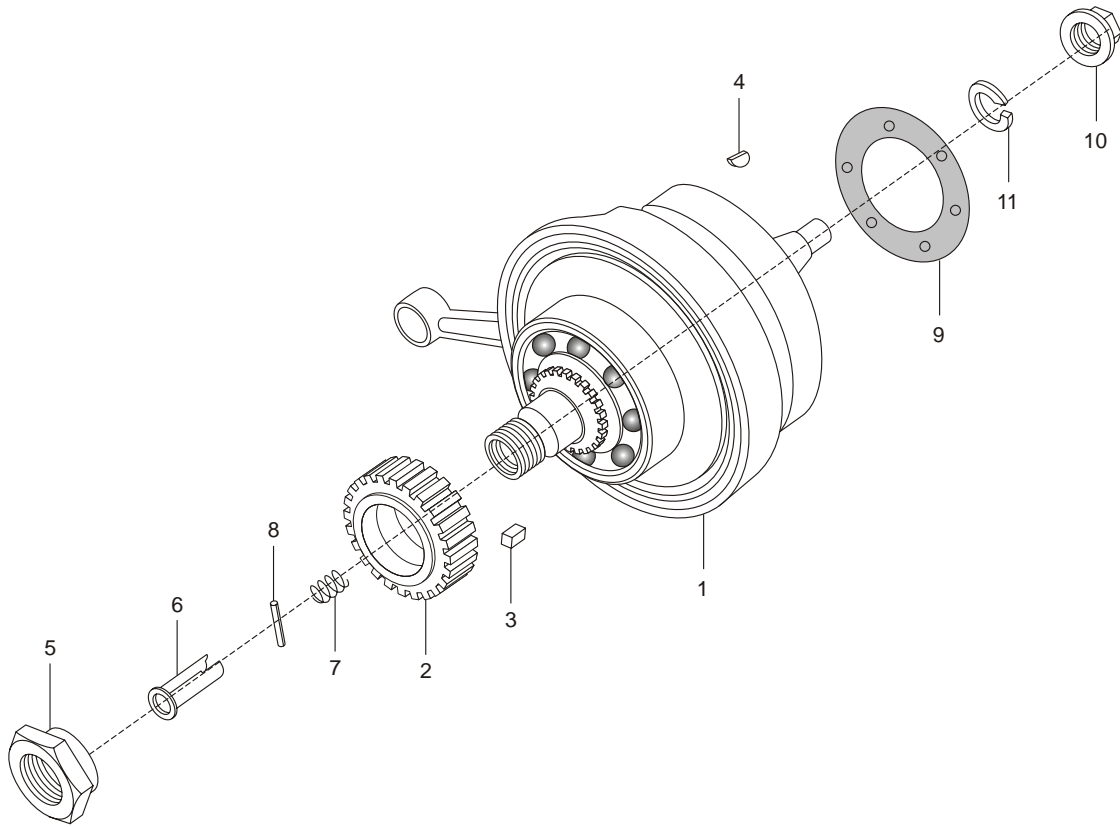


FIG. NO.	PART NO.	DESCRIPTION	QTY. PER VEH.	REMARKS
1	28 1010 25	CRANK SHAFT ASSLY	1	
2	28 1012 21	PRIMARY SPUR (I/P)	1	
3	28 1011 07	PARALLEL KEY	1	
4	01 1006 10	WOODRUFF KEY	1	
5	28 1010 11	NUT SPECIAL	1	
6	28 1010 58	PLUNGER OIL	1	
7	28 1010 49	SPRING	1	
8	39 0142 07	PARALLEL PIN	1	
9	28 1011 10	DAMPER SPRING	1	
10	39 1358 15	HEX NUT WITH FLANGE	1	
11	39 1827 12	SPRING WASHER	1	

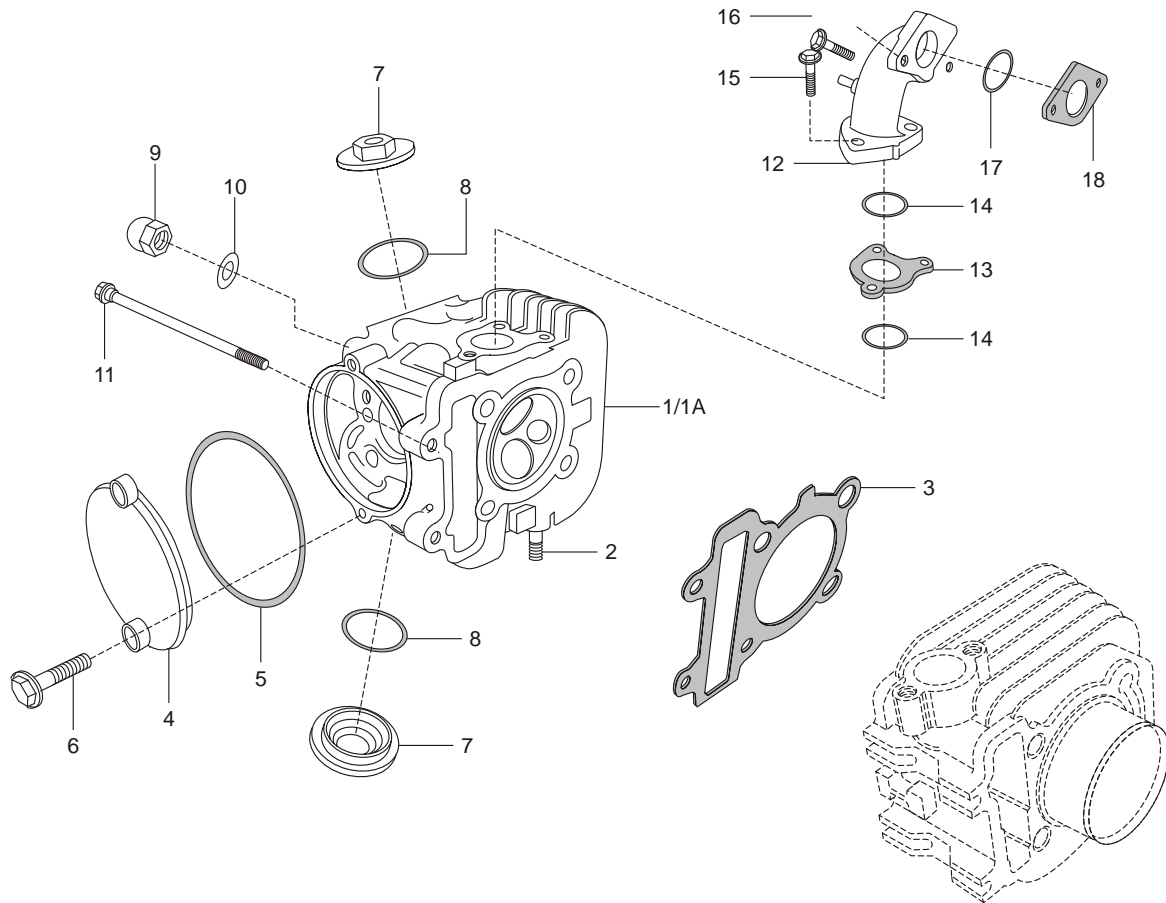


FIG. NO.	PART NO.	DESCRIPTION	QTY. PER VEH.	REMARKS
1	28 1012 06	CYLINDER HEAD	1	UPTO FEB. 03
1A	28 1011 23	CYLINDER HEAD	1	FROM MARCH 03
2	39 1660 05	STUD	2	
3	28 1011 28	HEAD GASKET	1	
4	28 1011 19	CAM SHAFT COVER	1	
5	39 1264 21	'O' RING	1	
6	39 0739 04	BOLT FLANGED	2	
7	13 1010 31	CAP	2	
8	39 1263 21	'O' RING	1	
9	39 1651 15	DOMED CAP NUT	4	
10	28 1011 78	GASKET	4	
11	39 1845 04	HEX. BOLT WITH FLANGE	2	
12	28 1011 64	MANIFOLD ASSLY	1	
13	28 1011 30	INSULATOR	1	
14	39 1283 21	'O' RING	2	
15	39 1712 04	FLANGED BOLT	3	
16	39 1553 04	FLANGED BOLT	2	
17	39 1019 21	'O' RING	1	
18	28 1210 26	INSULATOR		

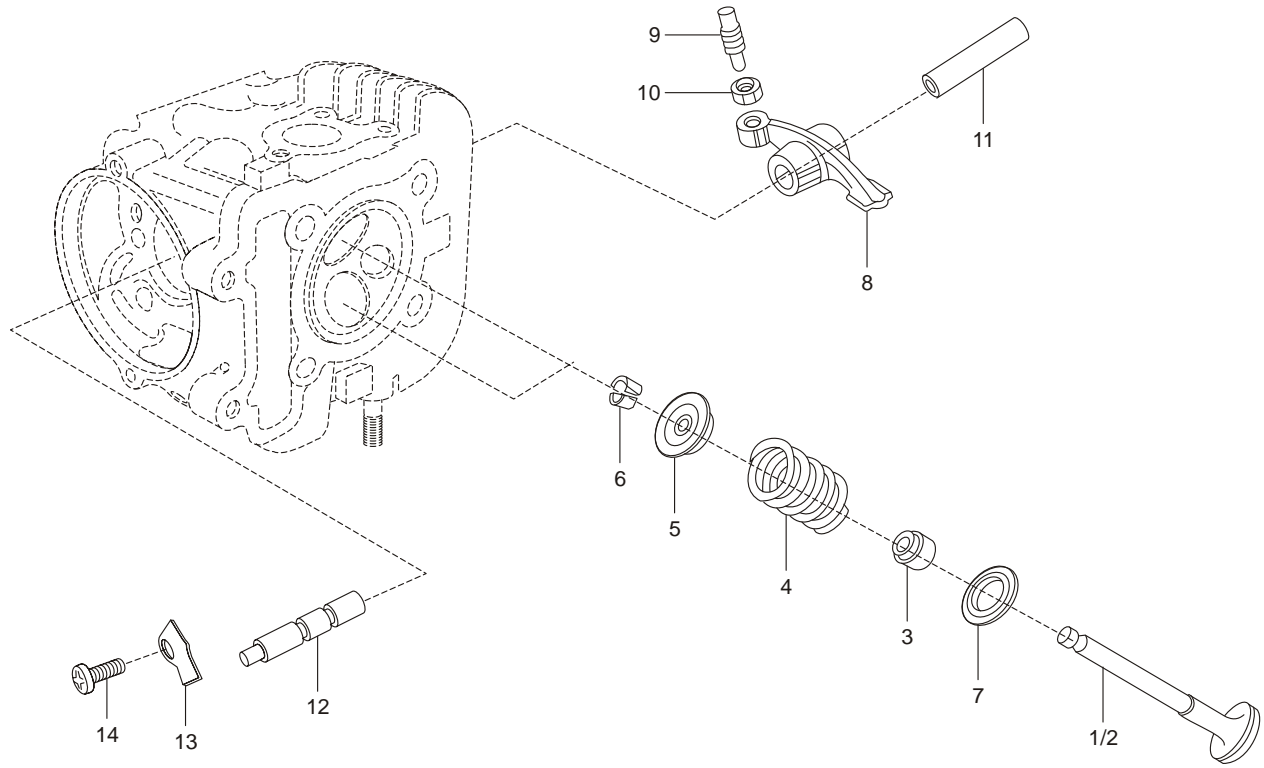


FIG. NO.	PART NO.	DESCRIPTION	QTY. PER VEH.	REMARKS
1	28 1012 42	VALVE - INTAKE	1	
2	28 1012 43	VALVE - EXHAUST	1	
3	39 1035 19	SEAL OIL	1	
4	30 1010 22	SPRING, ENGINE VALVE	2	
5	31 1010 18	RETAINER, VALVE SPRING	2	
6	31 1010 19	COLLET	4	
7	28 1011 29	SEAT, SPRING	2	
8	281010 32	ROCKER ARM	2	
9	39 1024 01	SCREW, VALVE CLEARANCE ADJUST	2	
10	39 0973 15	NUT	2	
11	28 1010 13	ROCKER ARM SHAFT (IN)	1	
12	13 1010 24	ROCKER ARM SHAFT (EX)	1	
13	28 1010 57	STOPPER	1	
14	39 0746 01	SCREW, PAN CROS.	1	

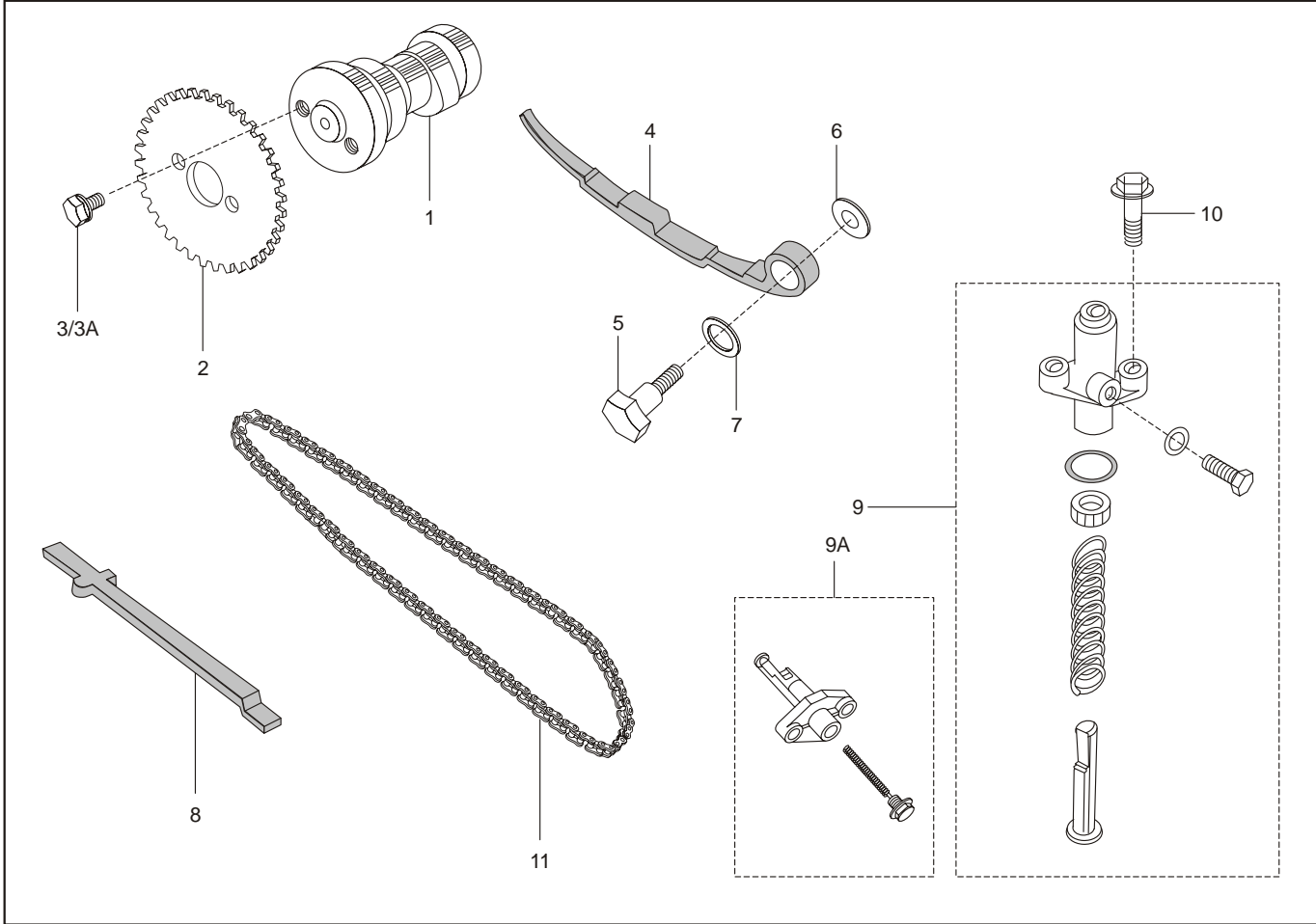


FIG. NO.	PART NO.	DESCRIPTION	QTY. PER VEH.	REMARKS
1	28 1010 19	CAMSHAFT ASSLY	1	
2	13 1010 29	CAMSHAFT SPROCKET	1	
3	22 1504 51	SCREW	2	UP TO FEB. 03
3A	28 1012 87	SCREW	2	FROM MARCH 03
4	28 1010 21	GUIDE CHAIN (SLACK)	1	
5	28 1010 91	BOLT SPECIAL	1	
6	39 1655 11	PLAIN WASHER	1	
7	39 1591 11	PLAIN WASHER	1	
8	28 1010 18	GUIDE CHAIN (TIGHT)	1	
9	28 1012 20	TENSIONER ASSLY	1	
9A	31 1011 70	TENSIONER ASSLY	1	ALTERNATE
10	39 1553 04	FLANGED BOLT	2	
11	13 1010 35	TIMING CHAIN	1	

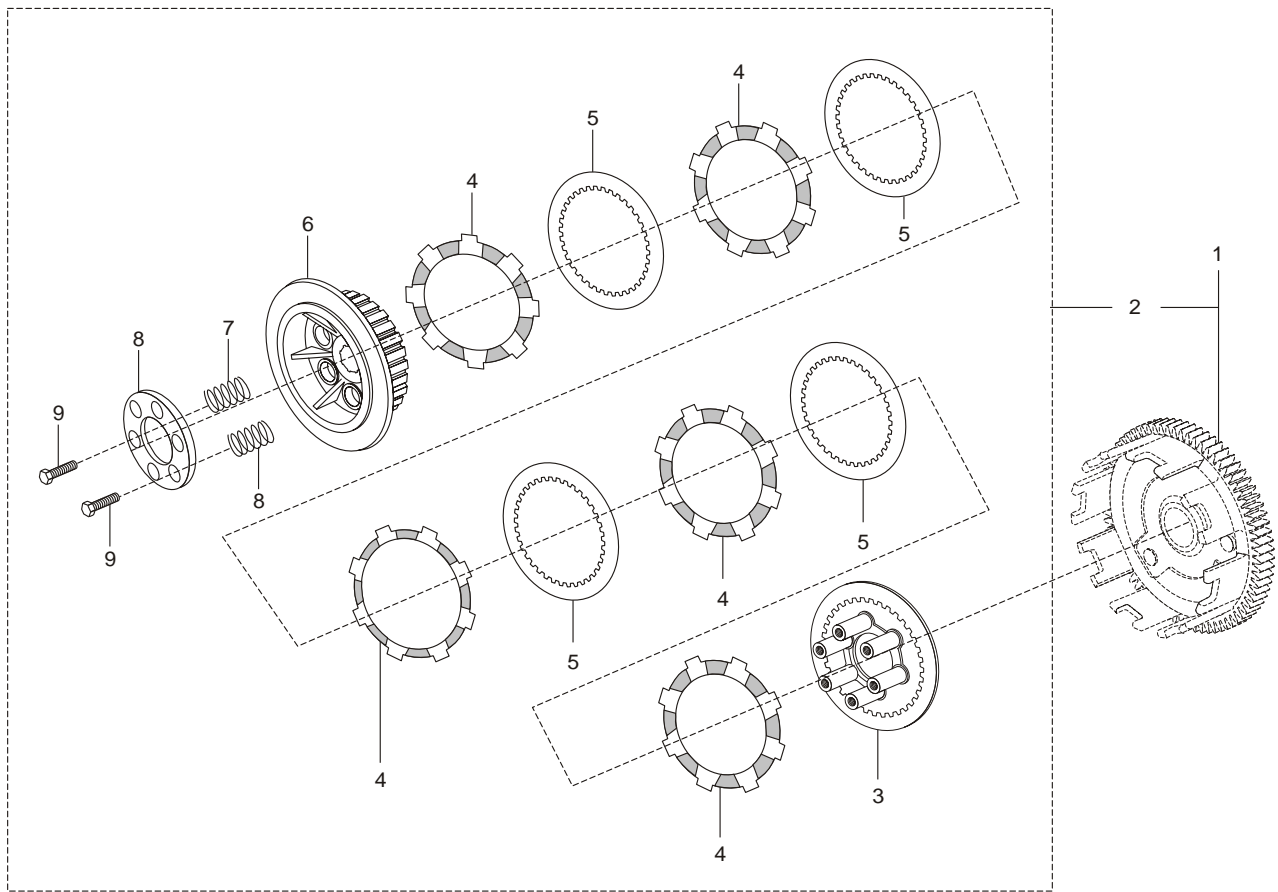


FIG. NO.	PART NO.	DESCRIPTION	QTY. PER VEH.	REMARKS
1	28 1012 34	CLUTCH COMP.	1	
2	28 1012 35	CLUTCH PLATE ASSLY	1	
3	28 1011 31	WHEEL CLUTCH	1	
4	28 1011 89	PLATE FRICTION	5	ALT. DD101099, DD101389
5	28 1011 34	PLATE CLUTCH	4	
6	28 1011 32	HUB CLUTCH	1	
7	28 1012 14	SPRING	6	
8	31 1011 37	HOLDER (CLUTCH SPRING)	1	
9	39 0980 04	HEX BOLT	6	

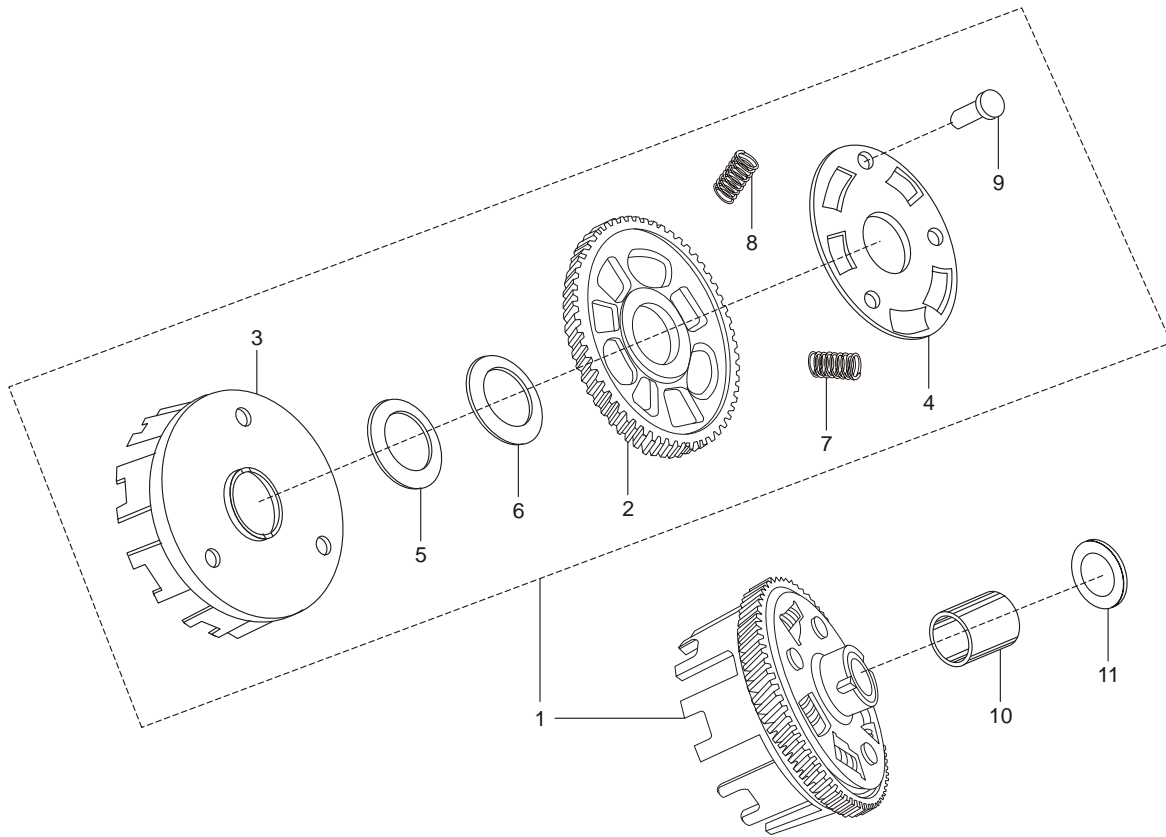


FIG. NO.	PART NO.	DESCRIPTION	QTY. PER VEH.	REMARKS
1	28 1012 33	HOUSING COMP CLUTCH	1	
2	28 1012 32	PRIMARY GEAR ASSLY	1	
3	28 1010 52	HOUSING CLUTCH	1	
4	28 1011 37	HOLDER	1	
5	39 1057 11	PLAIN WASHER	1	
6	DD 1010 68	SPRING (BELEVILLE WASHER)	1	
7	28 1010 87	SPRING (DIA. 3.0, LENGTH 19.5)	3	
8	28 1010 63	SPRING (DIA. 2.3, FREE LENGTH 22.5)	2	
9	39 1710 09	FLAT HEAD RIVETS	3	
10	28 1010 54	COLLAR	1	
11	28 1011 65	SPACER	1	

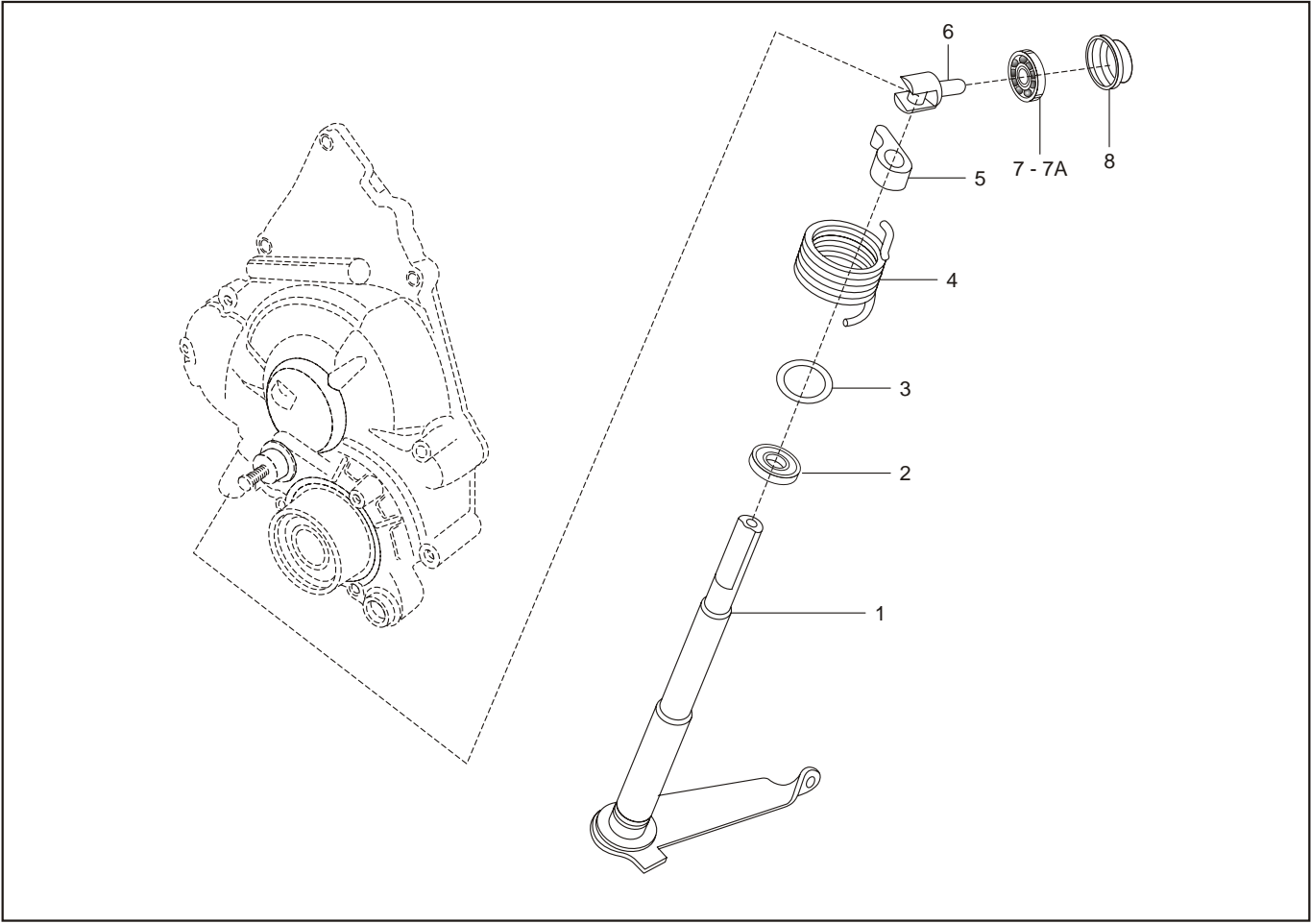


FIG. NO.	PART NO.	DESCRIPTION	QTY. PER VEH.	REMARKS
1	28 1010 59	CLUTCH SPINDLE ASSLY	1	
2	39 2137 19	OIL SEAL	1	
3	39 2136 11	PLAIN WASHER	1	
4	28 1012 37	CLUTCH LEVER RETURN SPRING	1	
5	28 1012 13	INTERNAL LEVER	1	
6	28 1011 94	PLUNGER	1	
7	39 1034 20	BALL BEARING	1	UPTO FEB. 03
7A	39 2403 20	BALL BEARING, DEEP GROOVE	1	FROM MARCH 03
8	28 1011 95	HOLDER, BEARING	1	

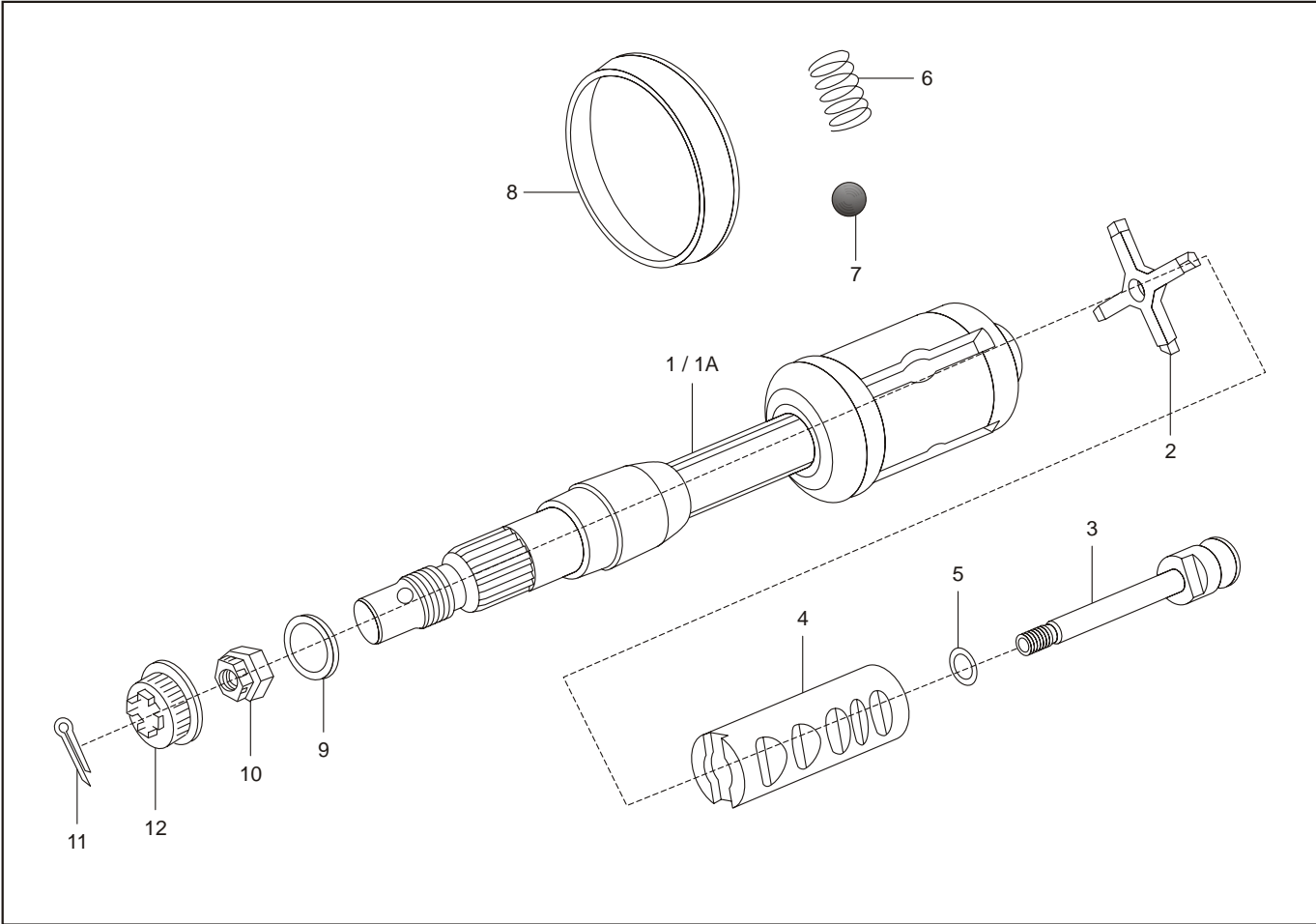


FIG. NO.	PART NO.	DESCRIPTION	QTY. PER VEH.	REMARKS
1	28 1012 88	MAIN SHAFT 28MM	1	FROM NOV. '02, 5TH ENG# DIGIT, "J", "K", "L" UP TO NOV. '02, 5TH ENG# DIGIT, "H"
1A	28 1012 17	MAIN SHAFT 26MM	1	
2	28 1010 35	CROSS	1	
3	28 1012 18	STEM	1	
4	28 1010 37	SELECTER GEAR	1	
5	39 0213 11	PLAIN WASHER	1	
6	28 1010 38	SPRING	2	
7	01 1801 23	STEEL BALL	2	
8	28 1010 39	CUP	1	
9	28 1012 50	SPACER	1	
10	39 2263 15	HEX. NUT	1	
11	39 0154 08	SPLIT PIN	1	
12	28 1012 51	CAP	1	

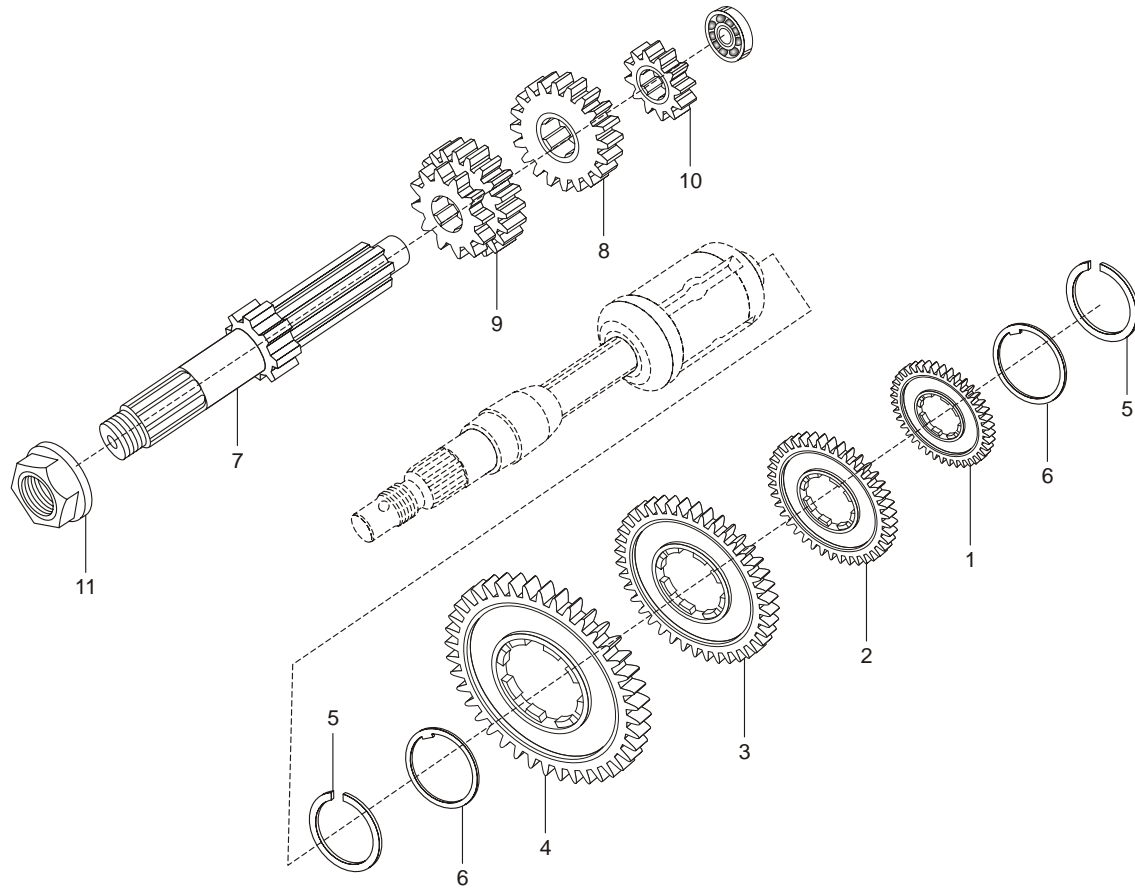


FIG. NO.	PART NO.	DESCRIPTION	QTY. PER VEH.	REMARKS
1	28 1012 24	4TH SPEED GEAR	1	
2	28 1012 44	3RD SPEED GEAR	1	
3	28 1012 26	2ND SPEED GEAR	1	
4	28 1012 27	1ST SPEED GEAR	1	
5	21 1007 11	CIRCLIP	2	
6	19 1010 16	SHOULDER RING (1.05 MM)	2	
	19 1010 17	SHOULDER RING NO. 2 (1.2 MM)	1	
	19 1010 18	SHOULDER RING NO. 3 (1.35 MM)	1	
	19 1010 19	SHOULDER RING NO. 4 (1.50 MM)	1	
	19 1010 20	SHOULDER RING NO. 5 (1.65 MM)	1	
7	28 1012 29	SHAFT INTERMEDIATE	1	
8	28 1012 30	4TH DRIVER GEAR	1	
9	28 1012 45	CLUSTER GEAR	1	
10	28 1010 93	KICK DRIVEN GEAR	1	
11	39 1786 15	HEXAGON NUT	1	

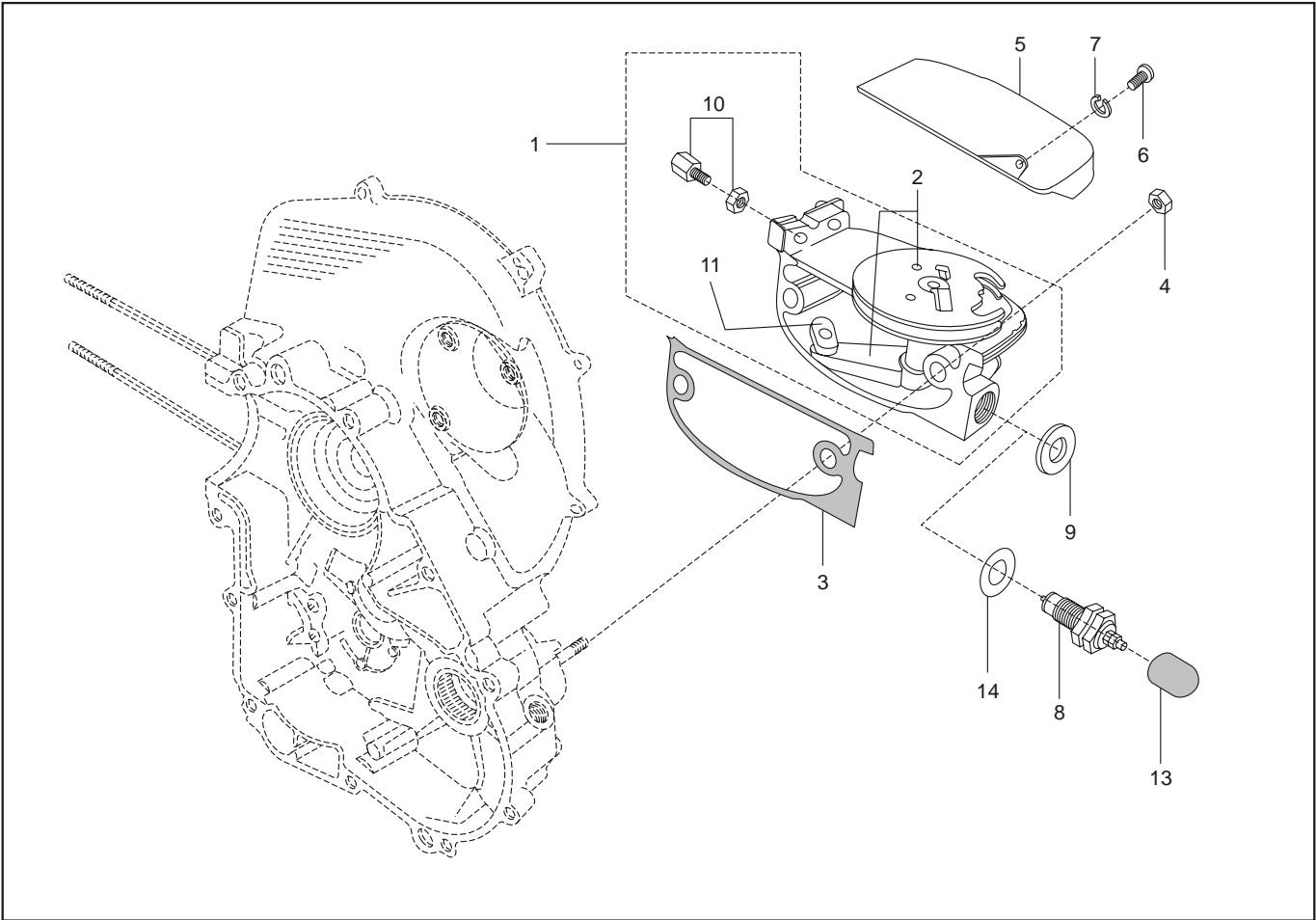


FIG. NO.	PART NO.	DESCRIPTION	QTY. PER VEH.	REMARKS
1	28 1011 82	GEAR SHIFTER ASSLY	1	
2	28 1010 64	LEVER & SECTOR COMP.	1	ALT. 28 1010 70
3	28 1010 72	GASKET (G.S.HOUSING)	1	
4	39 2369 15	FLANGED NUT	2	
5	28 1010 73	GEAR SHIFTER COVER ASSLY	1	
6	01 1011 31	SCREW	1	
7	39 1826 12	SPRING WASHER	1	
8	06 1112 66	NEUTRAL SWITCH	1	
9	20 1010 20	GASKET	1	
10	05 1010 83	ADJUSTER WITH NUT	2	
11	BA 1321 41	SLIDER BLOCK	1	
12	39 1561 21	'O' RING	1	FITTED ON STEM OF LEVER & SECTOR COMP. (N.I.)
13	06 1112 67	CAP NEUTRAL SWITCH	1	
14	39 0804 11	PLAIN WASHER	1	

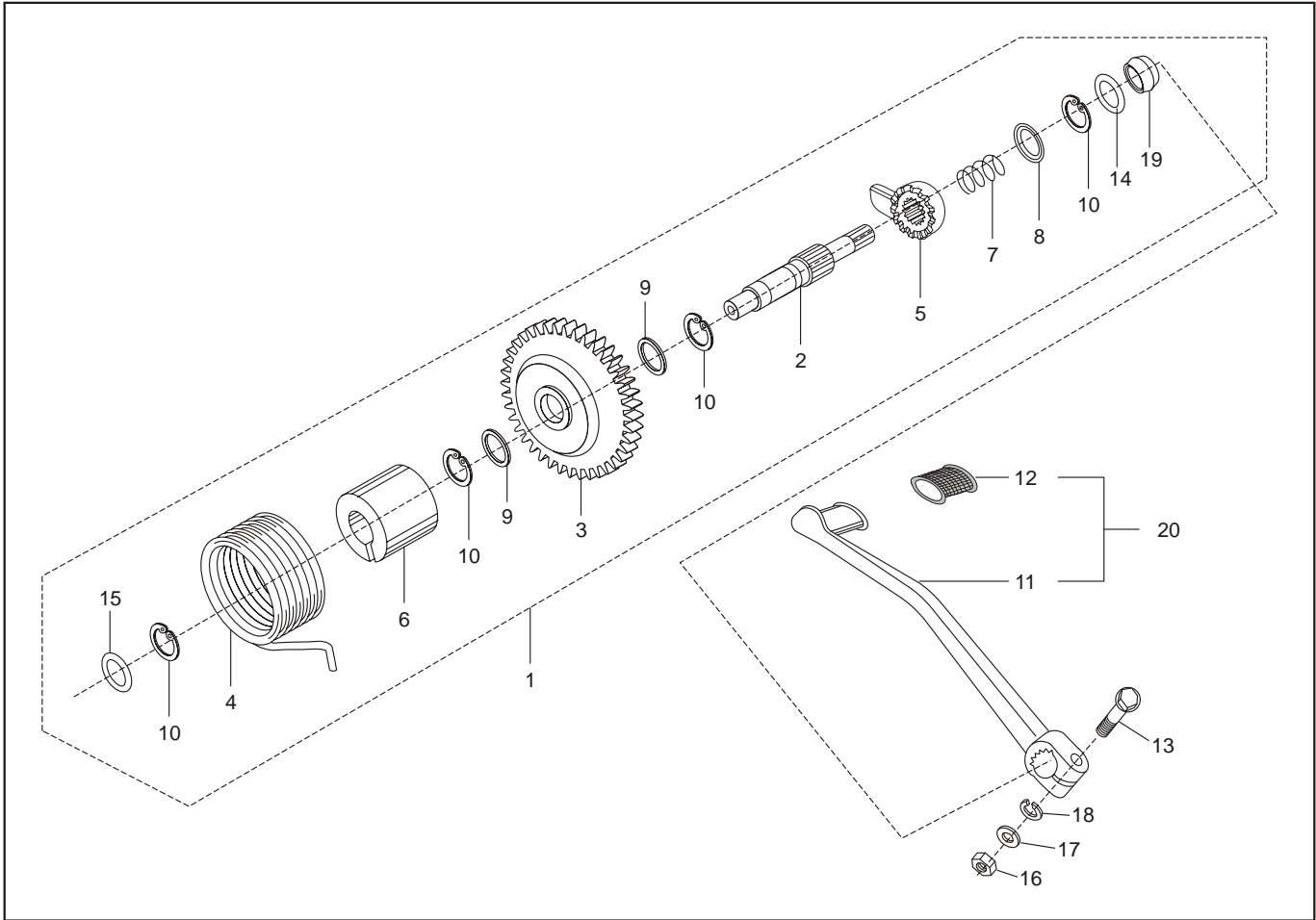


FIG. NO.	PART NO.	DESCRIPTION	QTY. PER VEH.	REMARKS
1	28 1010 76	KICK SHAFT ASSLY	1	
2	28 1010 77	SHAFT KICK	1	
3	28 1010 78	GEAR KICK	1	
4	28 1010 79	SPRING KICK RETURN	1	
5	28 1010 94	RATCHET KICK	1	
6	28 1010 95	GUIDE SPRING (NYLON)	1	
7	28 1010 96	SPRING COIL	1	
8	28 1010 97	CUP KICK SHAFT	1	
9	39 0995 11	PLAIN WASHER	2	
10	39 0738 17	CIRCLIP TYPE C	4	
11	28 1010 81	KICK STARTER	1	
12	28 1011 79	RUBBER SLEEVE	1	
13	39 1426 04	'D' BOLT	1	
14	39 1874 11	PLAIN WASHER	1	
15	39 1875 11	PLAIN WASHER	1	
16	39 0694 15	HEX. NUT	1	
17	39 0200 11	PLAIN WASHER	1	
18	39 1828 12	SPRING WASHER	1	ALT. 39026512
19	28 1012 83	RUBBER BUSH	1	
20	28 1012 95	KICK STARTER WITH RUBBER SLEEVE	1	

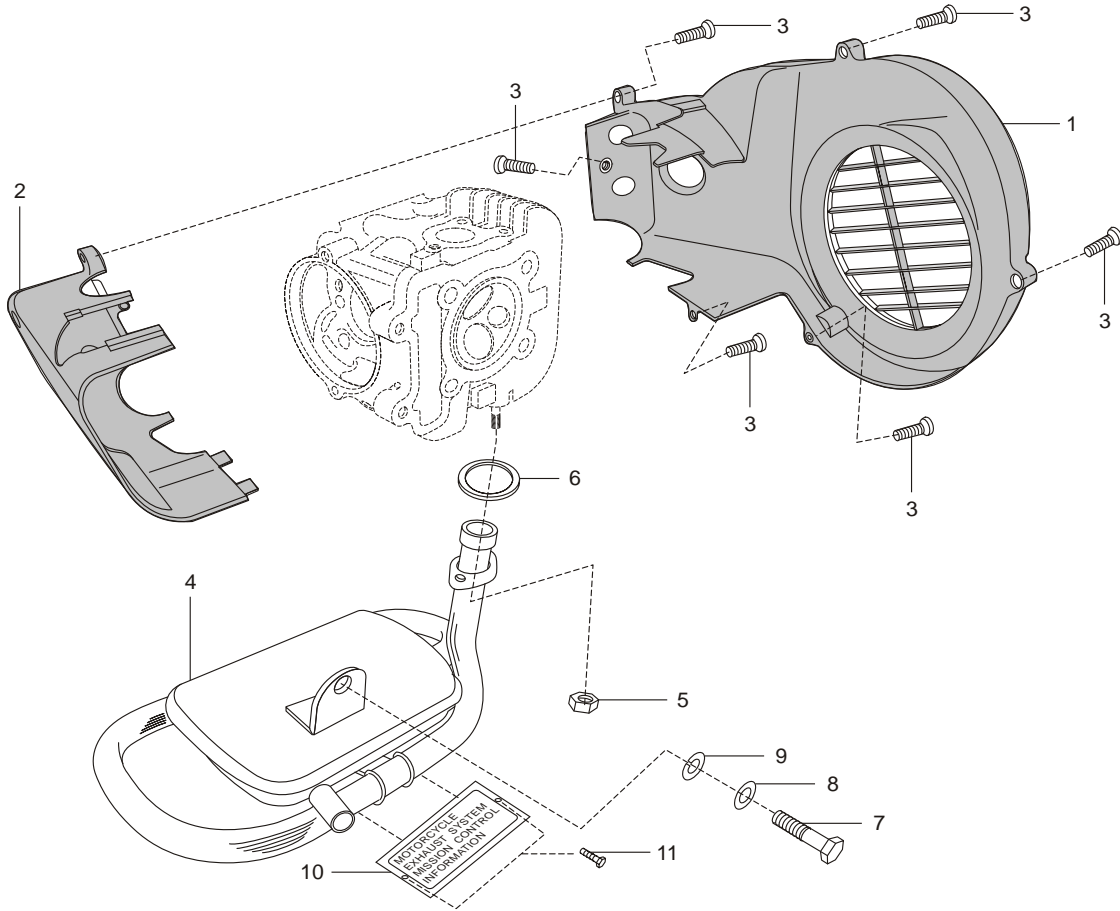


FIG. NO.	PART NO.	DESCRIPTION	QTY. PER VEH.	REMARKS
1	28 1010 84	FAN COVER ASSLY	1	
2	28 1011 36	COWLING	1	
3	39 0748 01	SCREW PAN CROSS.	6	ALT. 39074701, 39074501
4	28 1012 71	SILENCER ASSLY.	1	OLD P/N 28101259
5	39 2295 15	FLANGED NUT	2	
6	13 1011 65	GASKET	1	
7	39 0080 04	HEX HEAD BOLT	1	
8	39 0201 11	PLAIN WASHER	1	
9	39 0267 12	SPRING WASHER	1	
10	28 1611 71	EXHAUST SYSTEM LABEL	1	
11	39 1082 01	HAMMER DRIVE SCREW	2	

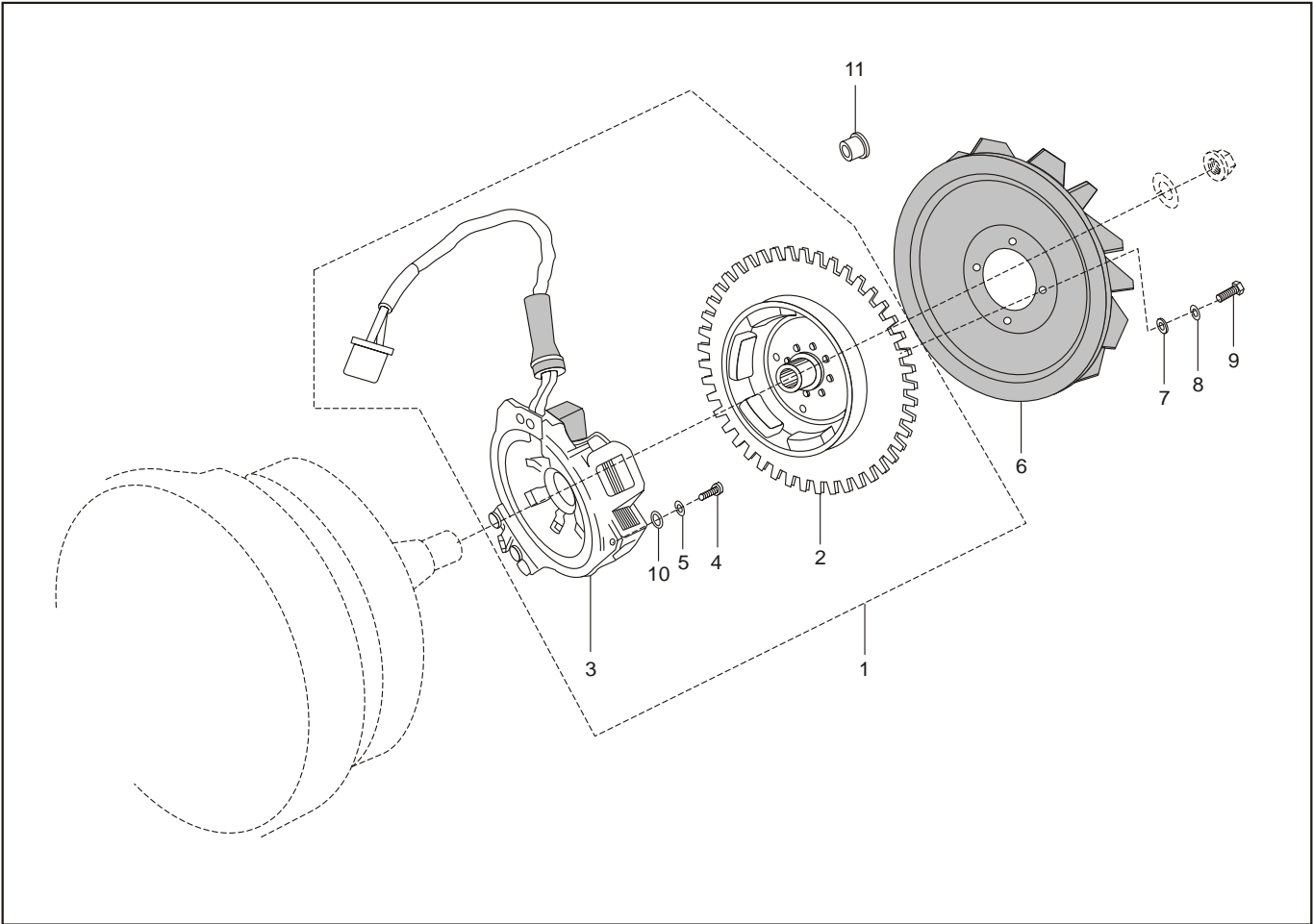


FIG. NO.	PART NO.	DESCRIPTION	QTY. PER VEH.	REMARKS
1	28 1110 65	MAGNETO ASSLY.	1	
2	CH 1110 05	ROTOR (FLYWHEEL)	1	
3	CH 1110 06	STATOR ASSLY COMP	1	OLD PN'S 28 1110 05 & 28 1110 66
4	39 0757 01	SCREW PAN CROSS	3	FOR MOUNTING STATOR PLATE ASSLY.
5	39 1830 12	SPRING WASHER	3	
6	28 1110 20	FAN	1	
7	39 0198 11	PLAIN WASHER	4	
8	39 1826 12	SPRING WASHER	4	
9	28 1012 87	BOLT	4	
10	39 0197 11	PLAIN WASHER	3	
11	CD 1110 06	PLUG	2	

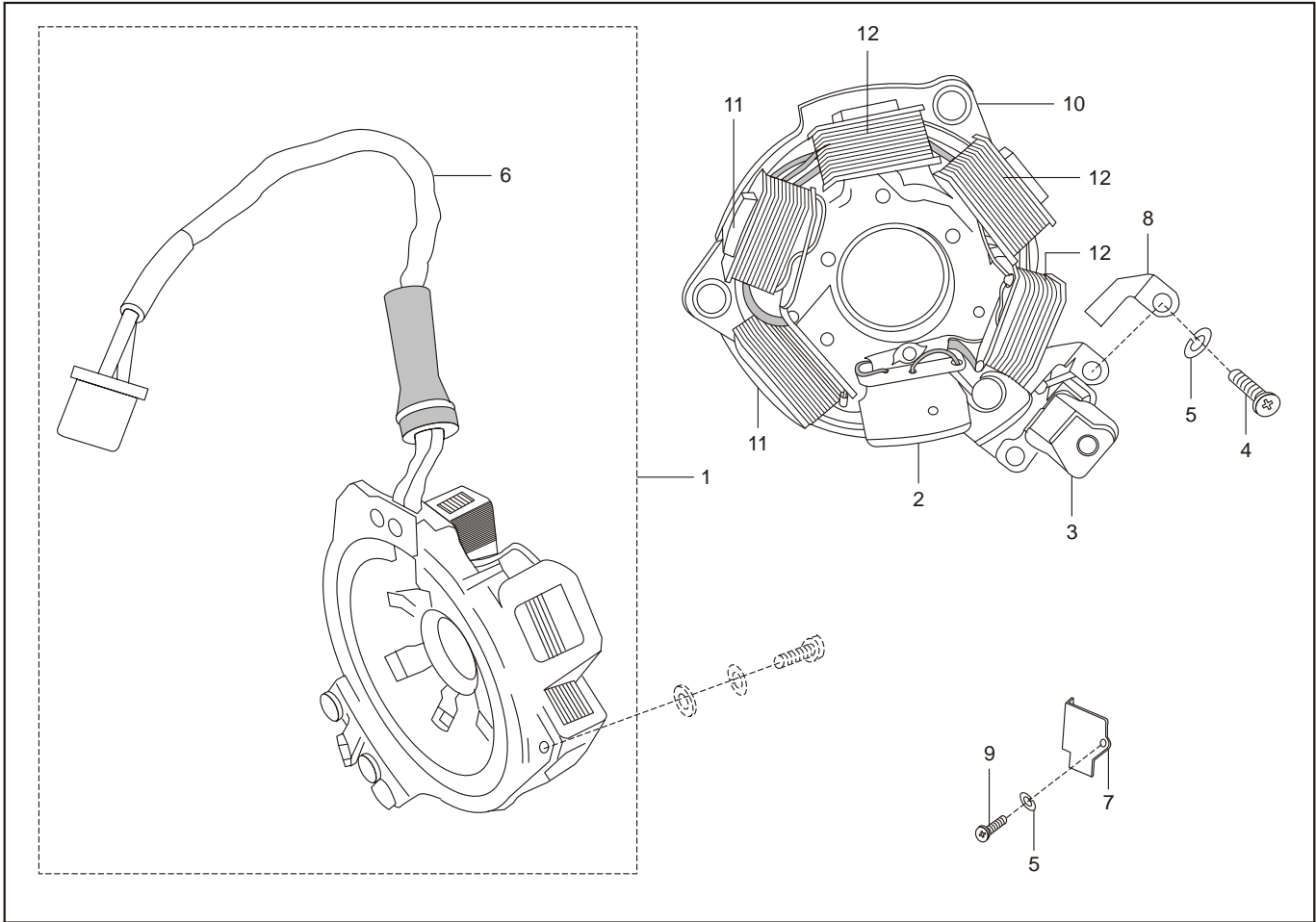


FIG. NO.	PART NO.	DESCRIPTION	QTY. PER VEH.	REMARKS
1	CH 1110 06	STATOR ASSLY. (W STATOR PLATE)	1	OLD PN'S 28 1110 05 & 28 1110 66
2	06 1112 51	EXCITER COIL (IGNITION COIL)	1	
3	28 1110 12	PULSER COIL ASSLY	1	
4	39 0761 01	SCREW PAN CROSS	2	FOR PULSER COIL & HARNESS CLAMP
5	39 0262 12	SPRING WASHER	3	
6	28 1110 19	STATOR HARNESS	1	
7	28 1110 14	CLAMP	1	
8	28 1110 52	CLAMP	1	
9	39 1242 01	SCREW PAN CROSS	1	
10	28 1110 07	STATOR PLATE ASSLY.	1	
11	06 1112 47	COIL BATTERY CHARGING	2	
12	06 1110 58	LIGHTING COIL II	3	

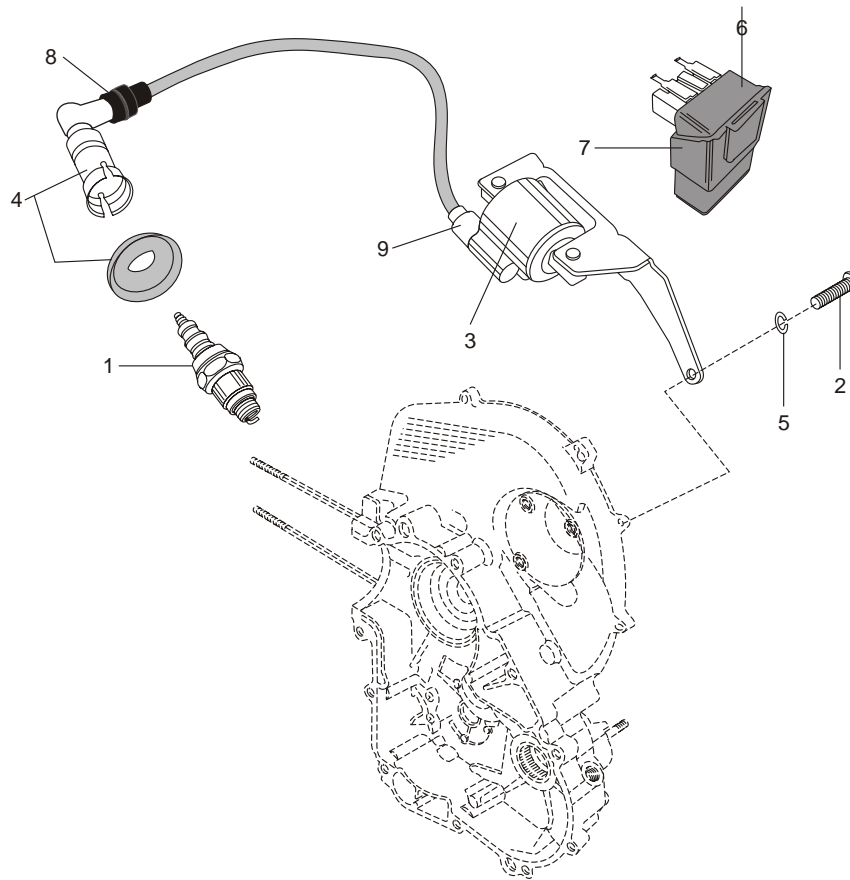
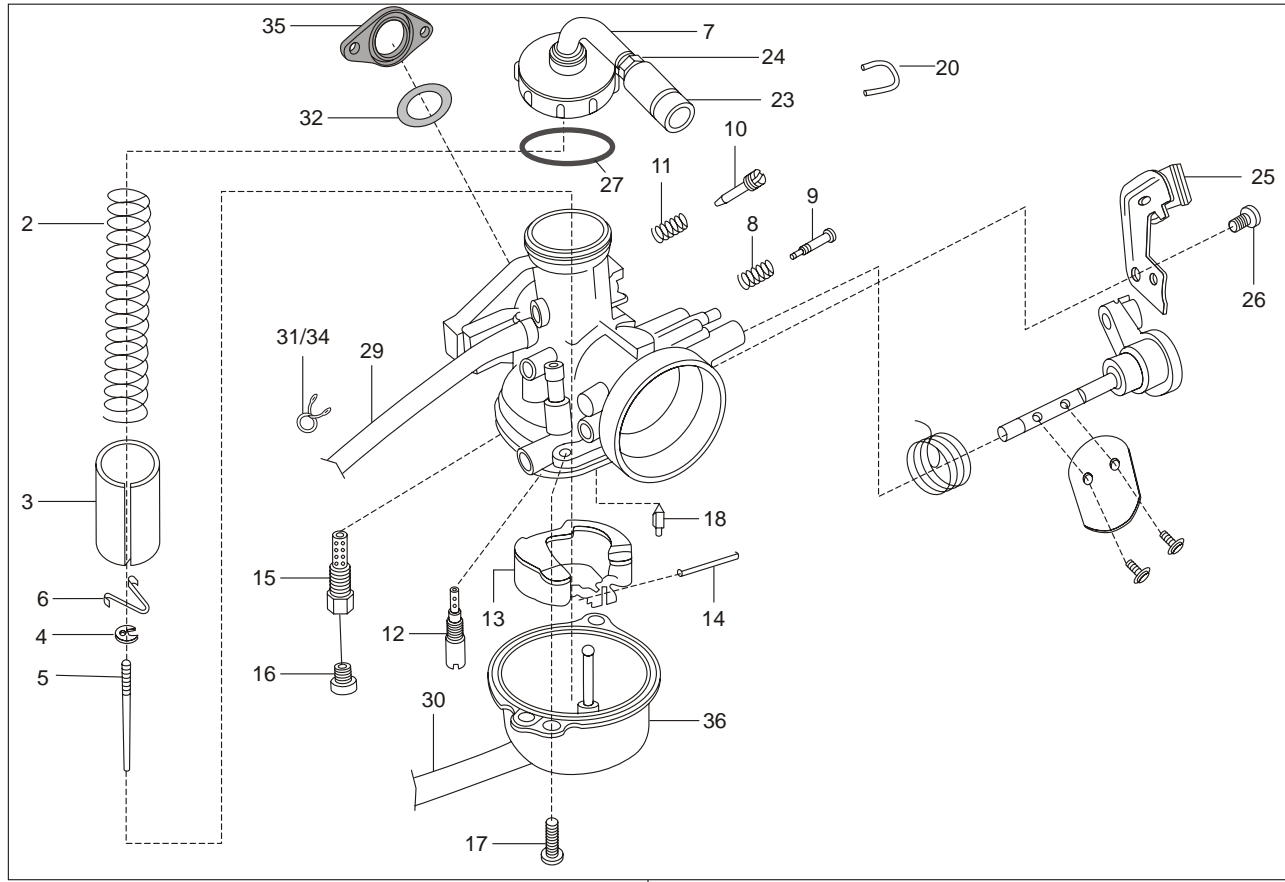


FIG. NO.	PART NO.	DESCRIPTION	QTY. PER VEH.	REMARKS
1	28 1110 21	SPARK PLUG (CHAMPION PL-7YC)	1	Alternates: Champion L87YC Bosch W5BC NGK BP7HS
2	39 0745 01	SCREW PAN HEAD CROSS.	1	
3	TE 0062 02	HIGH TENSION COIL	1	
4	28 1110 48	CAP, SPARK PLUG	1	
5	39 1826 12	SPRING WASHER	1	
6	CL 1110 21	CDI WITH DAMPER	1	
7	CL 1110 23	DAMPER	1	
8	31 1110 14	GROMMET	1	
9	24 1110 80	RUBBER CAP	1	



1

FIG. NO.	PART NO.	DESCRIPTION	QTY. PER VEH.	REMARKS
1	28 1210 96	CARBURETOR	1	
2	28 1210 28	SPRING, COMPRESSION	1	
3	28 1210 29	VALVE, THROTTLE	1	
4	28 1210 30	PLATE, NEEDLE CLIP	1	
5	28 1210 31	NEEDLE JET	1	
6	28 1210 32	CLIP BAR	1	
7	28 1210 33	TOP COMPLETE	1	
8	28 1210 34	SPRING, COMPRESSION	1	
9	28 1210 35	SCREW, ADJUST (IDLING)	1	
10	28 1210 36	SCREW, STOP	1	
11	28 1210 37	SPRING, COMPRESSION	1	
12	28 1210 38	JET, COMPLETE SLOW	1	
13	28 1210 39	FLOAT, COMPLETE	1	
14	28 1210 40	PIN ARM	1	
15	28 1210 41	HOLDER, NEEDLE JET	1	
16	28 1210 94	JET MAIN - SIZE 120	1	
17	28 1210 43	SCREW	2	
18	28 1210 44	VALVE, FLOAT	1	
20	30 1210 04	RING, SNAP, THROTTLE CABLE	1	
23	28 1210 49	ADJUSTER	1	
24	28 1210 50	HEX. NUT	1	
25	AB 1210 29	PLATE ASSLY.	1	
26	AB 1210 30	SCREW	1	
27	28 1210 51	GASKET, CAP	1	
29	28 1210 86	RUBBER PIPE, AIR VENT	1	
30	28 1210 75	RUBBER PIPE, OVER FLOW	1	
31	28 1210 55	CLIP, RUBBER PIPE	1	
32	28 1210 56	'O' RING, INSULATOR	1	
35	28 1210 26	INSULATOR	1	
36	28 1210 74	BOWL WITH OVER FLOW TUBE	1	

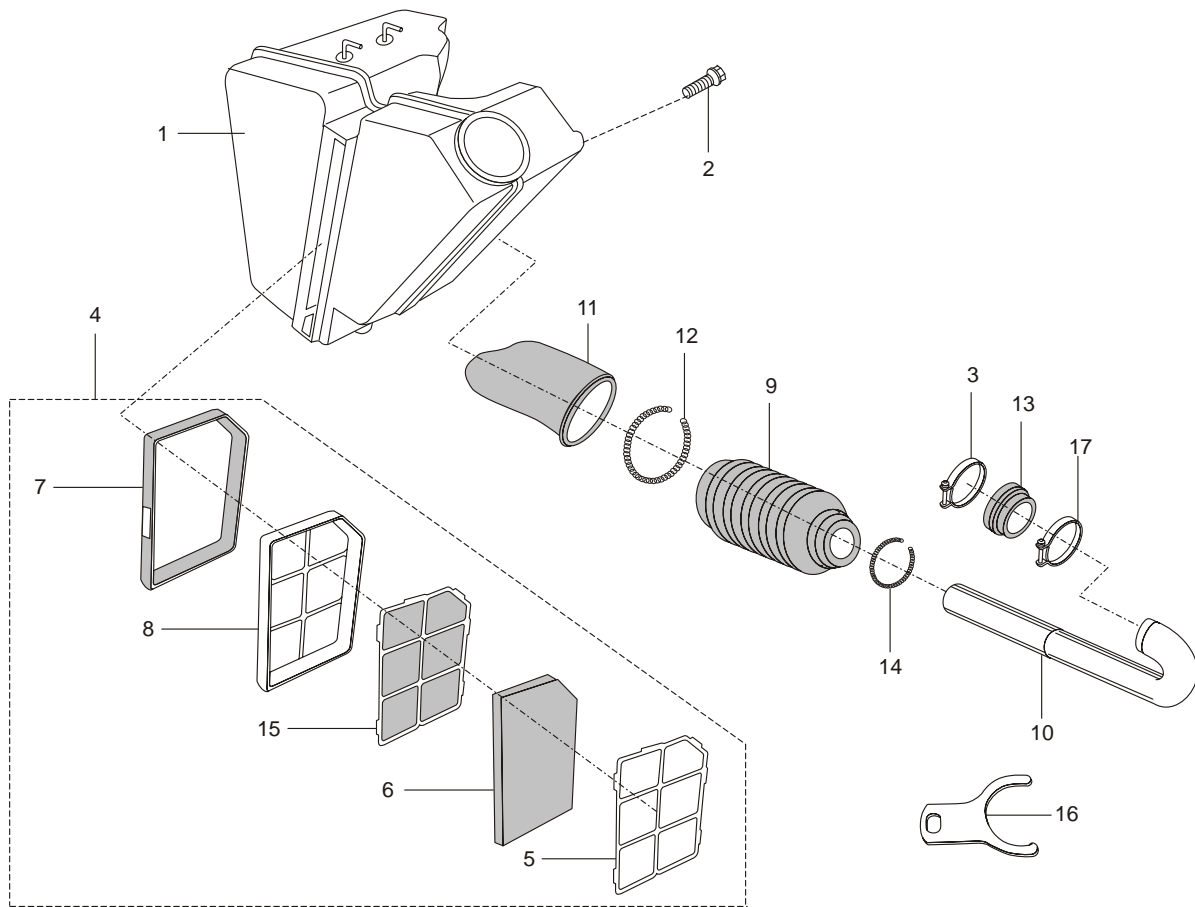


FIG. NO.	PART NO.	DESCRIPTION	QTY. PER VEH.	REMARKS
1	28 1210 67	AIR FILTER BOX	1	DOES NOT INCLUDE FILTER
2	39 1583 04	FLANGED BOLT	2	
3	AB 1210 17	CLAMP (INTAKE DUCT)	1	
4	28 1210 15	AIR FILTER CARTRIDGE ASSLY	1	
5	28 1210 16	CARTRIDGE HALF (OUTLET)	1	
6	28 1210 17	FOAM	1	
7	28 1210 18	SEAL (RUBBER)	1	
8	28 1210 20	CARTRIDGE HALF (INLET)	1	
9	28 1210 21	BELLOW	1	
10	28 1210 02	DUCT	1	
11	28 1210 19	GUIDE (DUCT)	1	
12	28 1210 22	SPRING	1	
13	28 1210 25	SLEEVE (CARBURETOR)	1	
14	28 1210 27	SPRING (BELOW TO DUCT)	1	
15	28 1210 61	FLAME ARRESTER	1	
16	28 1210 88	BRACKET FOR DUCT	1	
17	28 1210 09	CLAMP	1	

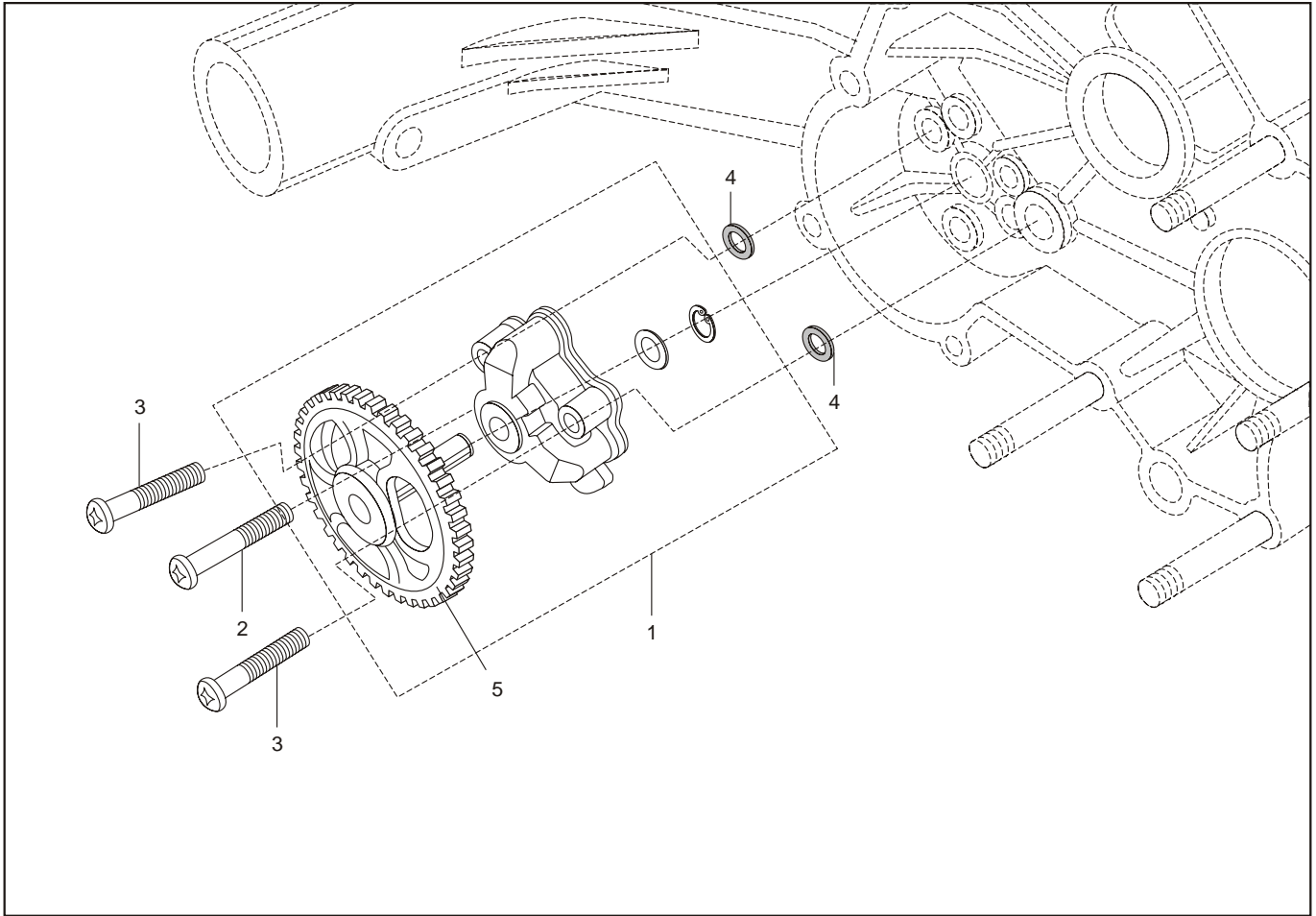


FIG. NO.	PART NO.	DESCRIPTION	QTY. PER VEH.	REMARKS
1	28 1210 63	PUMP, OIL ASSLY	1	MODEL YEAR 2002
2	39 0730 01	SCREW PAN CROSS	1	"
3	39 0748 01	SCREW PAN CROSS	2	"
4	39 1013 21	'O' RING	2	"
5	28 1210 62	GEAR, OIL PUMP	1	"

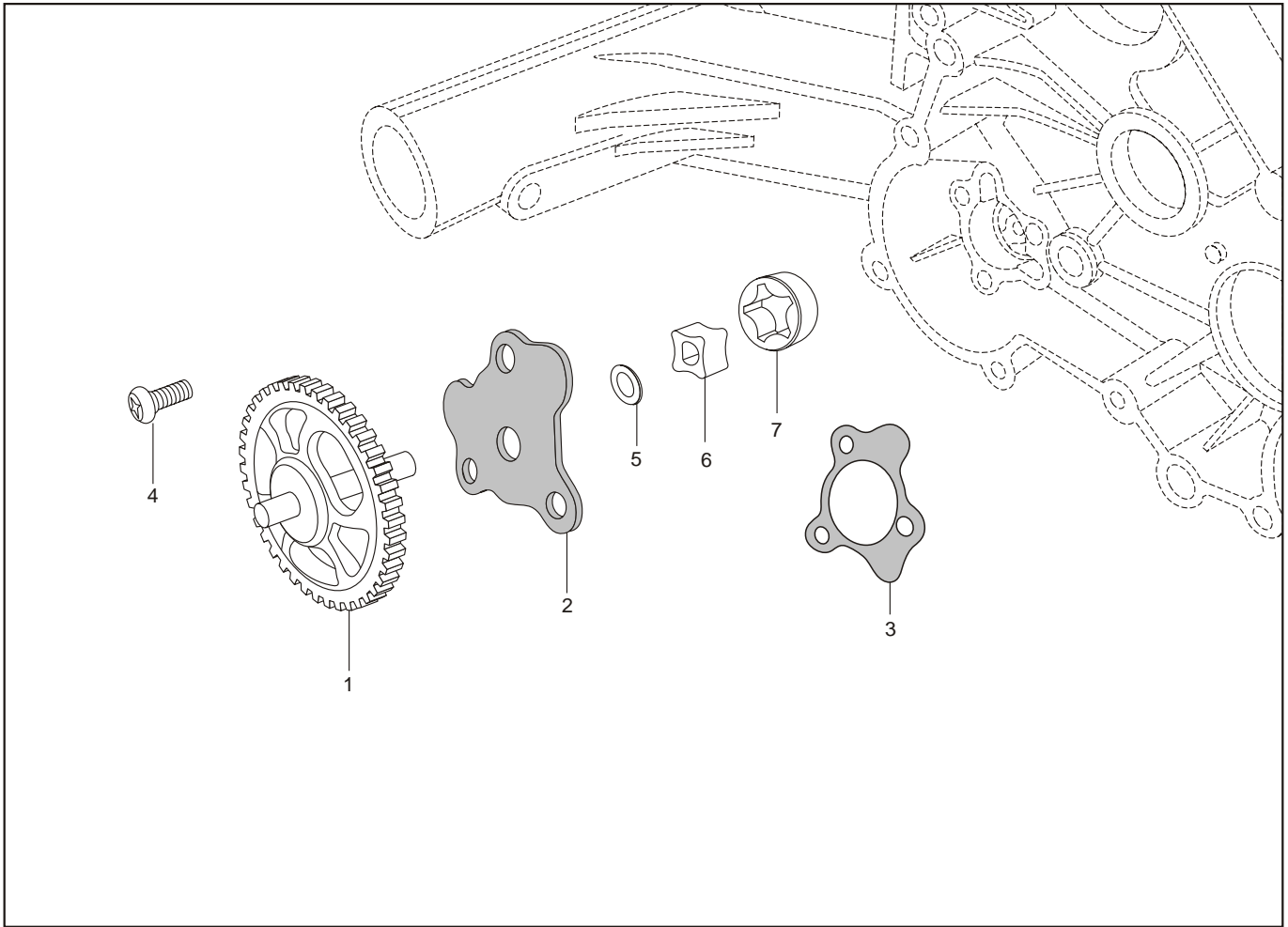


FIG. NO.	PART NO.	DESCRIPTION	QTY. PER VEH.	REMARKS
1	28 1210 82	GEAR, OIL PUMP	1	MODEL YRS. 2003+
2	28 1210 90	PLATE	1	"
3	28 1210 84	GASKET	1	"
4	39 0702 01	SCREW PAN CROSS	3	"
5	39 2439 11	WASHER (SPRING STEEL)	1	"
6	28 1210 07	GEAR, OIL PUMP INNER	1	"
7	28 1210 08	GEAR, OIL PUMP OUTER	1	"

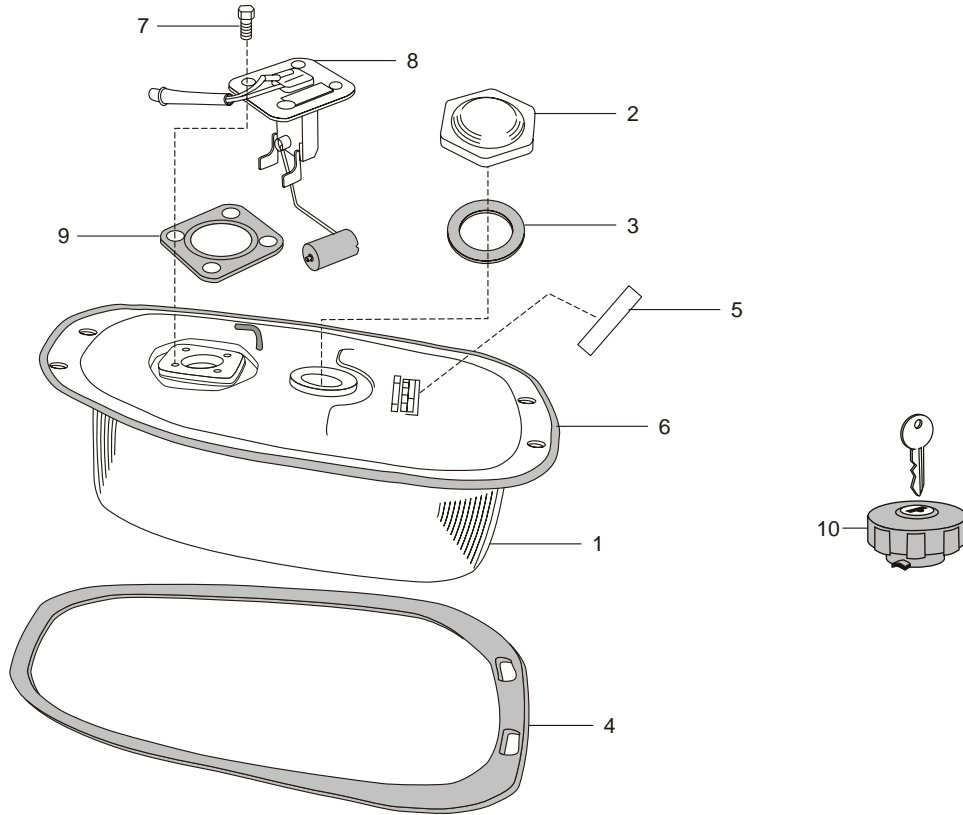


FIG. NO.	PART NO.	DESCRIPTION	QTY. PER VEH.	REMARKS
1	28 1410 35	PETROL TANK ASSLY.	1	ALT. 52 2880 19
2	28 1410 39	PETROL TANK CAP ASSLY.	1	
3	28 1410 47	GASKET, FUEL TANK CAP	1	ALT. 15 1410 07
4	28 1410 22	GASKET FOR PETROL TANK	1	
5	28 1410 21	LABEL	1	
6	35 1410 22	BEADING PETROL TANK	1	
7	30 1410 32	FLANGED BOLT	4	
8	28 2010 62	FUEL TANK UNIT	1	
9	30 1410 28	GASKET	1	
10	06 1410 08	LOCKING GAS CAP	1	OPTIONAL, USE WITH SPLIT SEATS

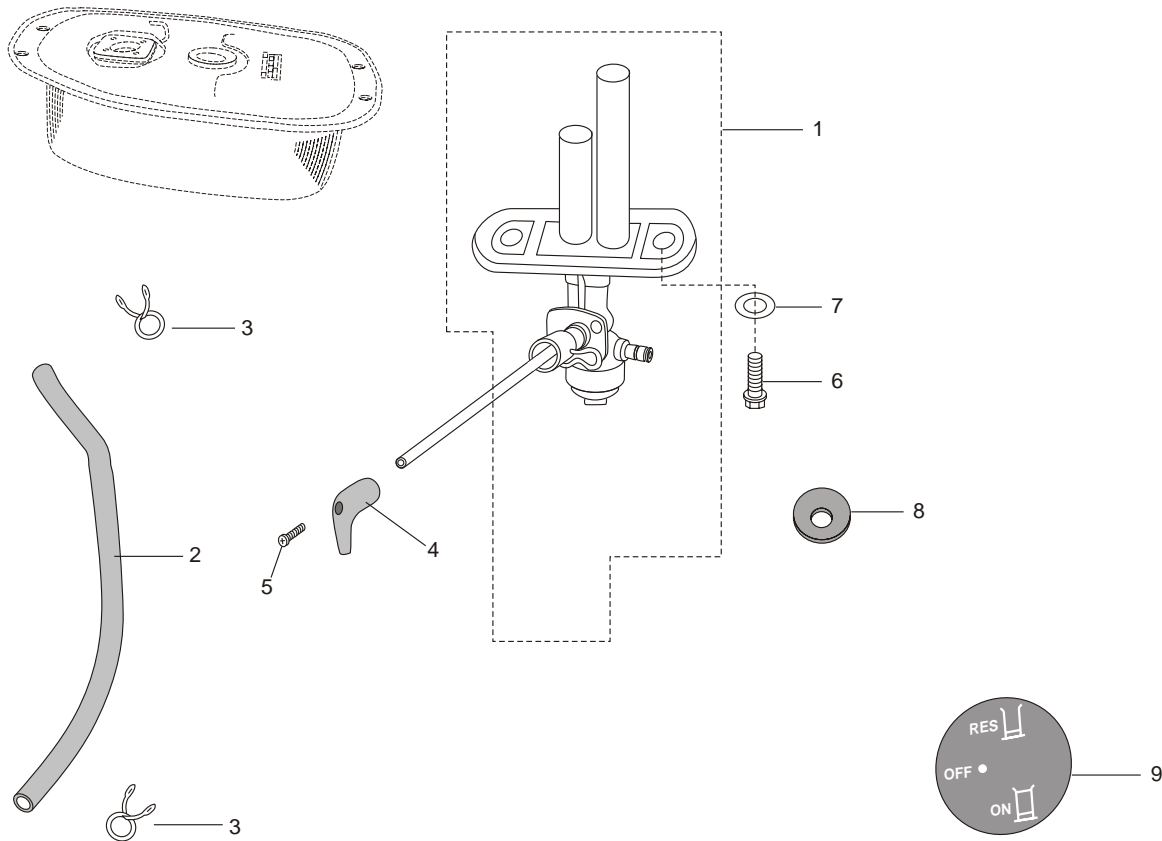


FIG. NO.	PART NO.	DESCRIPTION	QTY. PER VEH.	REMARKS
1	28 1410 55	FUEL COCK ASSLY.	1	WITH SEDIMENT BOWL
2	28 1410 31	FUEL PIPE	1	
3	BA 1220 03	PIPE CLIP	2	
4	28 1410 30	KNOB FOR FUEL COCK	1	
5	39 1472 01	SCREW WSP	1	
6	39 1062 04	BOLT, FLANGED	2	
7	39 1563 21	'O' RING	2	
8	28 1410 27	CUT GROMMET	1	

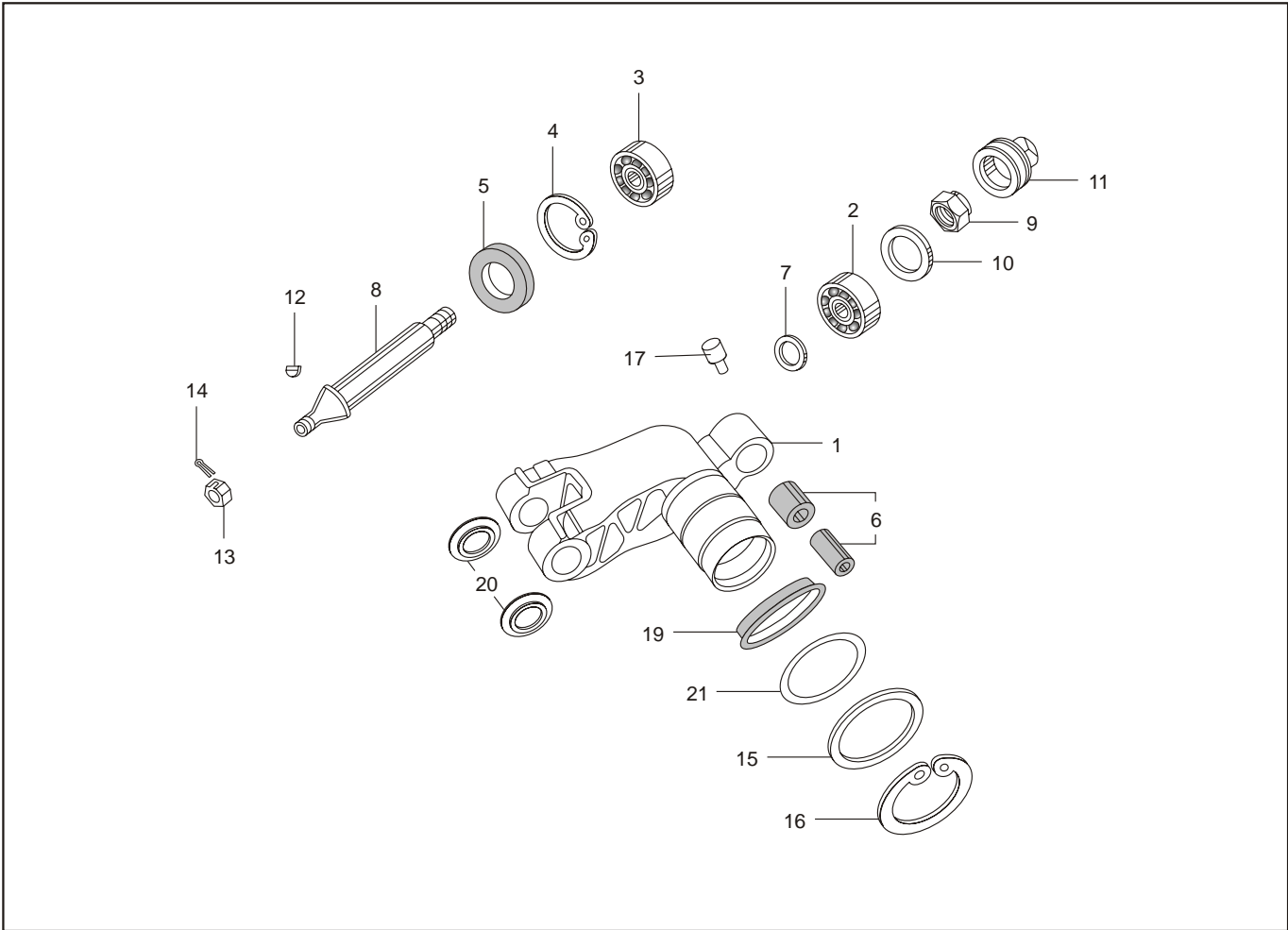


FIG. NO.	PART NO.	DESCRIPTION	QTY. PER VEH.	REMARKS
1	05 1710 51	FRONT WHEEL HUB ASSLY	1	
2	01 1701 10	BALL BEARING	1	
3	01 1701 11	BALL BEARING	1	
4	03 1701 27	CIRCLIP	1	
5	03 1701 26	OIL SEAL	1	
6	15 1710 60	BUSH ASSLY	1	
7	01 1701 17	SPACER	1	
8	06 1701 04	FR. WHEEL AXLE	1	
9	01 1701 19	NUT	1	
10	01 1701 18	SPACER	1	
11	03 1701 20	GREASE CAP NUT	1	
12	01 1006 10	WOOD RUFF KEY	1	
13	39 0307 15	CASTLE NUT	1	
14	39 0153 08	SPLIT PIN	1	
15	06 1710 14	RETAINER	1	
16	39 2120 17	EXTERNAL CIRCLIP	1	
17	03 1701 09	PIN	1	
19	05 1710 54	RUBBER BUSH	1	
20	05 1710 58	PLASTIC WASHER	2	
21	39 2119 21	'O' RING	1	

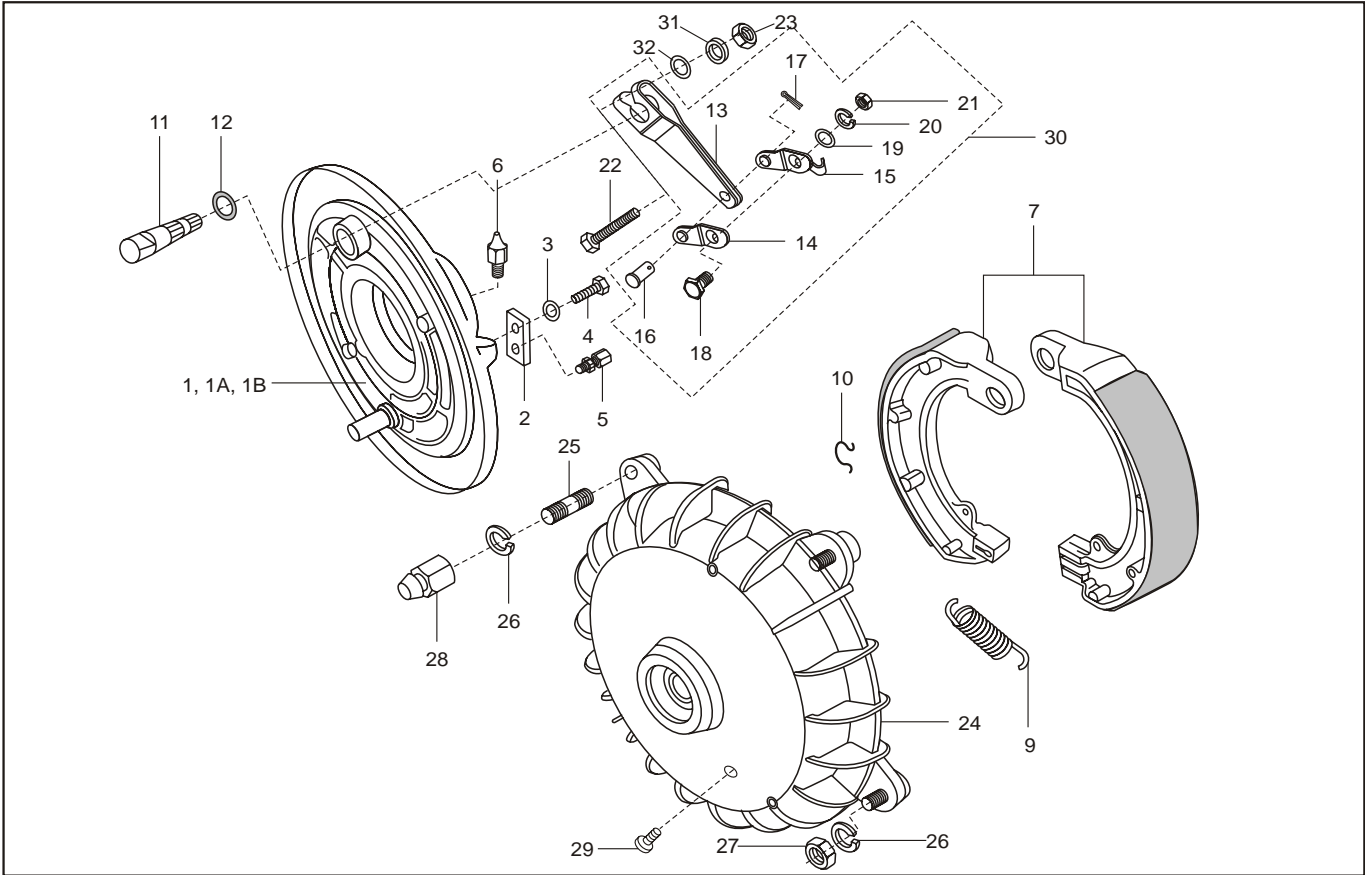


FIG. NO.	PART NO.	DESCRIPTION	QTY. PER VEH.	REMARKS
1	05 1510 34	FRONT BRAKE PANEL	1	1, 1A, 1B REQUIRED TO MAKE ASSEMBLY. STAKING OF DUST COVER TO PLATE REQUIRED
1A	06 1701 03	DUST COVER	1	
1B	39 0422 15	NYLOC NUT	1	
2	06 1510 15	PLATE FOR FRONT WHEEL HUB	1	
3	39 1825 12	SPRING WASHER	1	
4	01 1605 09	HEX. BOLT	1	
5	05 1010 83	ADJUSTER WITH NUT	1	
6	23 1613 05	GREASE NIPPLE	--	
7	06 1510 13	FR. BRAKE SHOE ASSEMBLY	2	
9	01 1501 05	RETURN SPRING	1	
10	01 1502 09	SPRING LOCK	1	
11	06 1510 10	ACTUATING SHAFT ASSLY	1	
12	39 0526 11	WASHER	1	
13	06 1610 29	FRONT BRAKE ACTUATING LEVER	1	
14	01 1501 09	FRONT BRAKE LINK	1	
15	05 1510 13	FRONT BRAKE LINK	1	
16	03 1501 11	PIN	1	
17	39 0151 08	SPLIT PIN	1	
18	39 0505 04	HEX BOLT	1	
19	39 0198 11	PLAIN WASHER	1	
20	39 1826 12	SPRING WASHER	1	
21	39 0292 15	HEX NUT	1	
22	01 1501 12	BOLT	1	
23	39 0299 15	HEX NUT	1	
24	CL 1510 05	FR. BRAKE DRUM ASSLY	1	
25	44 0500 15	STUD	5	
26	39 1828 12	SPRING WASHER	5	
27	39 0694 15	HEX LOCK NUT	3	
28	06 1510 23	SPECIAL NUT	3	
29	07 1501 03	SCREW SP.	1	
30	06 1510 29	BRAKE ACTUATING LEVER ASSEMBLY	1	
31	39 0723 11	PLAIN WASHER	1	
32	39 0526 11	WASHER	1	

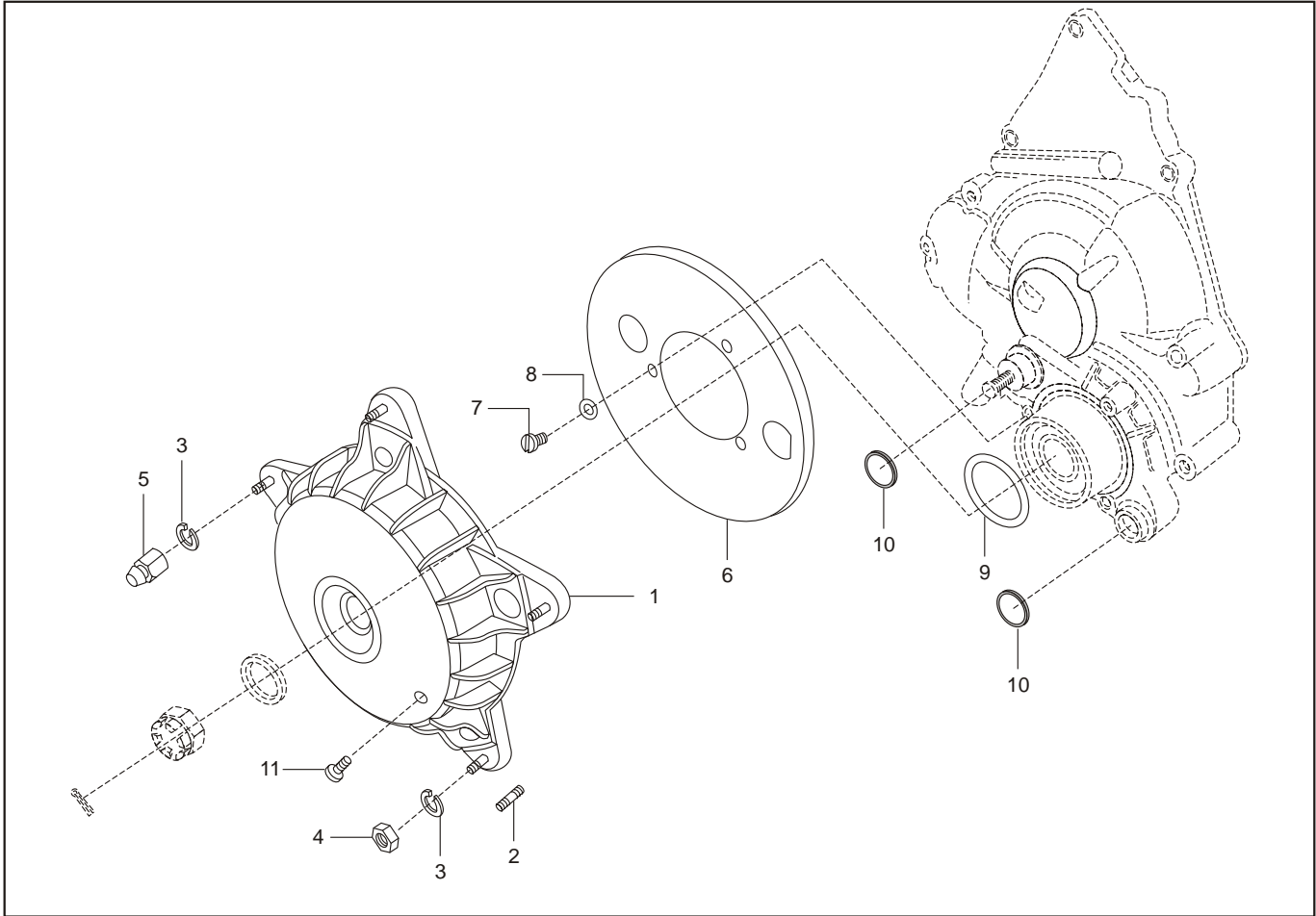


FIG. NO.	PART NO.	DESCRIPTION	QTY. PER VEH.	REMARKS
1	28 1510 28	REAR BRAKE DRUM ASSLY	1	
2	44 0500 15	STUD	5	
3	39 1828 12	SPRING WASHER	5	
4	39 0694 15	HEX LOCK NUT	2	
5	06 1510 23	SPECIAL NUT	3	
6	28 1510 03	BACK PLATE	1	
7	39 0745 01	SLOTTED CHEESE HEAD SCREW	3	
8	39 1826 12	SPRING WASHER	3	
9	03 1502 24	'O' RING	1	
10	03 1502 25	'O' RING	2	
11	07 1501 03	SPECIAL SCREW	1	

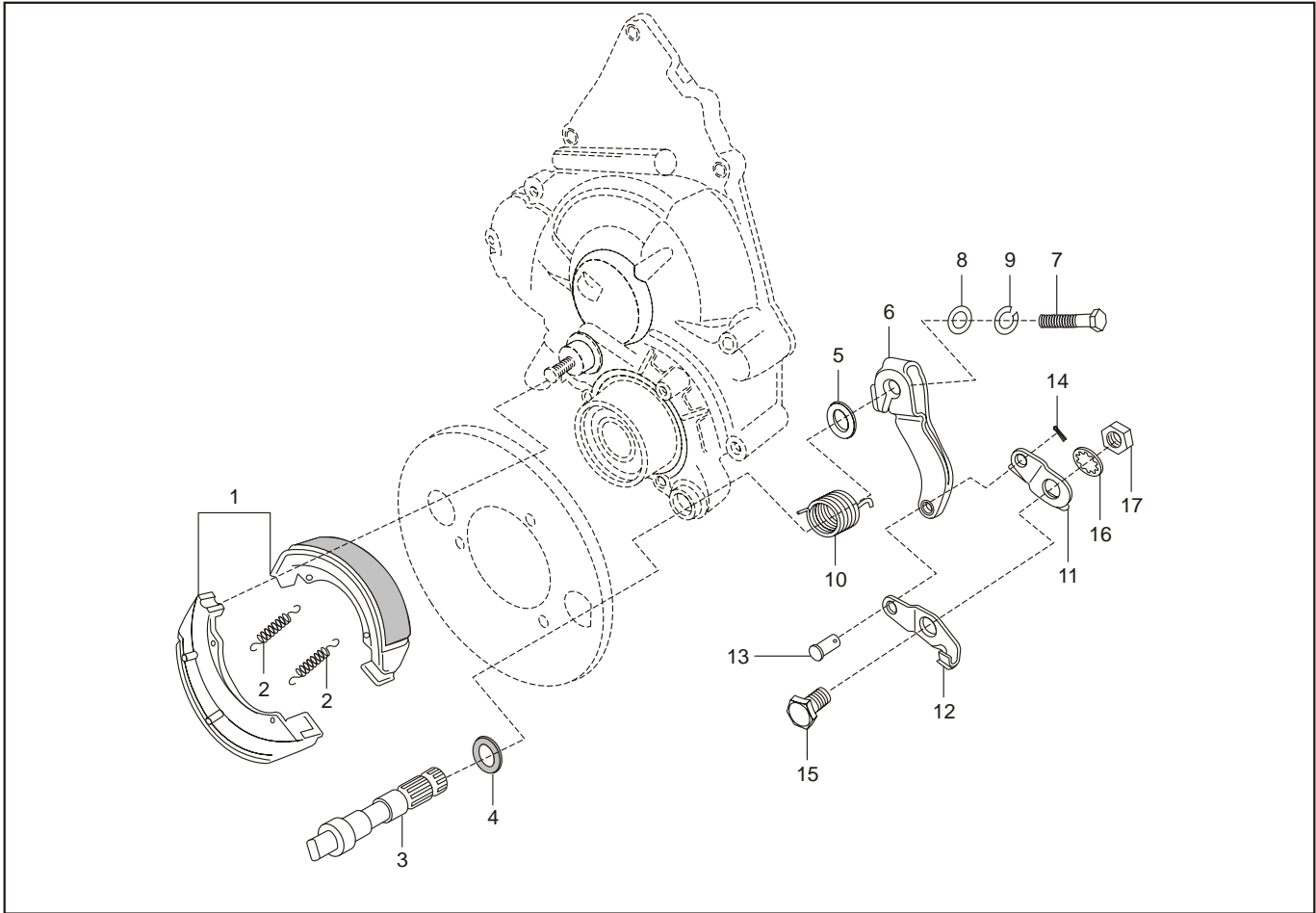


FIG. NO.	PART NO.	DESCRIPTION	QTY. PER VEH.	REMARKS
1	28 1510 32	REAR BRAKE SHOE, PAIR	1	
2	30 1510 69	SPRING	2	
3	28 1510 13	CAM, BRAKE REAR	1	
4	30 1510 38	RING 'O'	1	
5	39 0526 11	WASHER	1	
6	28 1510 10	REAR BRAKE LEVER	1	
7	39 2304 04	HEX BOLT	1	
8	39 0219 11	PLAIN WASHER	1	
9	39 1826 12	SPRING WASHER	1	
10	05 1502 08	SPRING, BRAKE LEVER RETURN	1	
11	28 1510 20	REAR BRAKE LINK	1	
12	28 1510 21	REAR BRAKE LINK	1	
13	28 1510 14	PIN	1	
14	39 0151 08	SPLIT PIN	1	
15	39 0827 04	BOLT	1	
16	39 0276 14	STAR WASHER	1	
17	39 0295 15	HEX NUT	1	

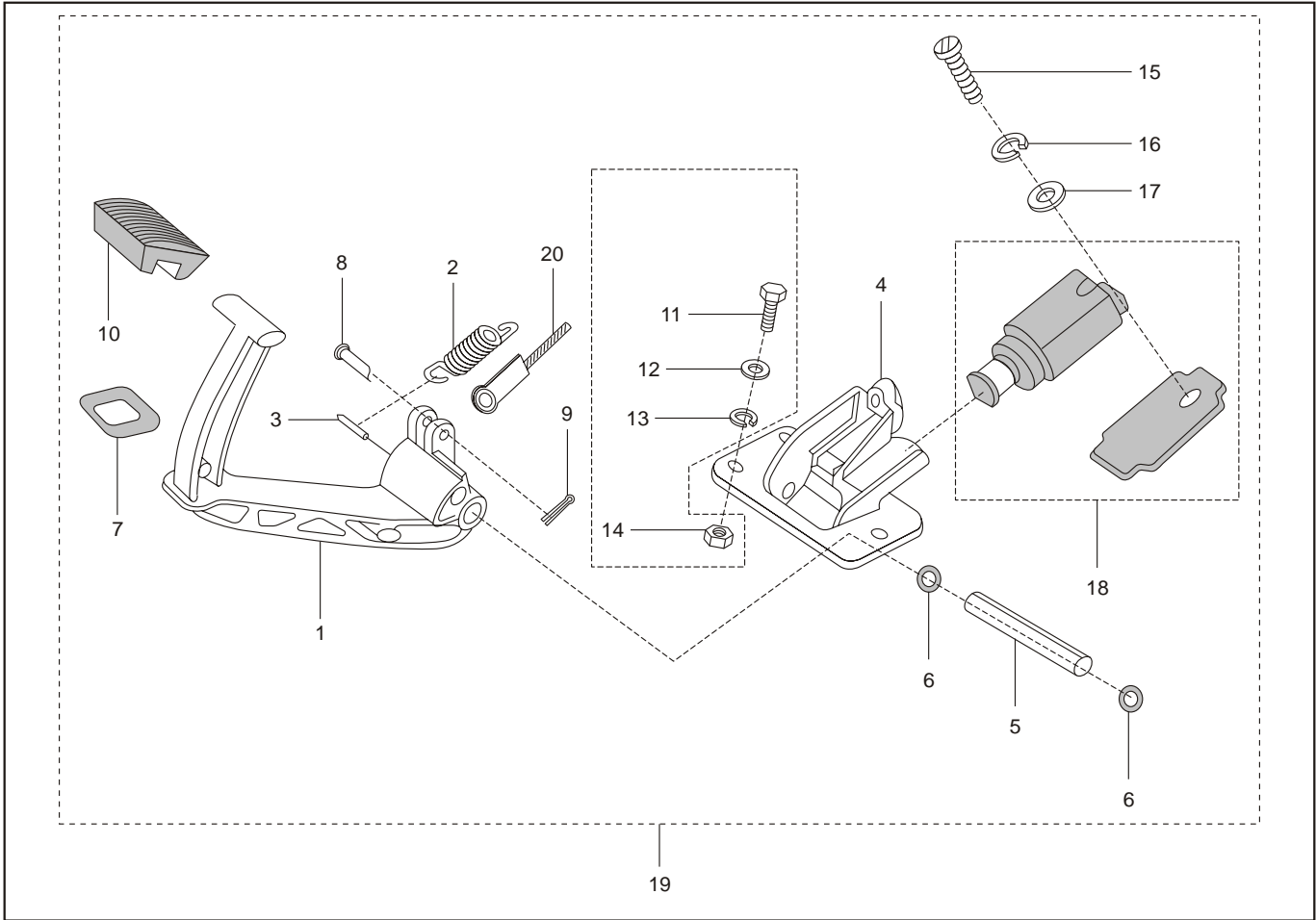


FIG. NO.	PART NO.	DESCRIPTION	QTY. PER VEH.	REMARKS
1	35 1510 12	BRAKE PEDAL	1	
2	12 1510 04	SPRING	5	
3	39 0949 09	SNAP HEAD RIVET	1	
4	12 1510 03	BRAKE SUPPORT	1	
5	12 1510 11	PIN FOR BRAKE PEDAL	1	
6	24 1011 09	'O' RING	2	
7	12 1510 12	PACKING FOR BRAKE PEDAL	1	
8	12 1510 05	PIN FOR CABLE	1	
9	39 0151 08	SPLIT PIN	1	
10	28 1510 23	SLEEVE BRAKE PEDAL	1	
11	39 1797 01	HEX SCREW	3	
12	39 0198 11	PLAIN WASHER	3	ALT. 39 0219 11
13	39 1826 12	SPRING WASHER	3	ALT. 39 0263 12
14	39 0798 15	HEX NUT M6 X 1	2	ALT. 39 0292 15
15	39 1205 01	CHEESE HEAD SCREW	1	
16	39 0261 12	SPRING WASHER	1	
17	39 0375 11	PLAIN WASHER	1	
18	12 2010 03	STOP SWITCH	1	
19	28 1510 24	REAR BRAKE PEDAL ASSLY	1	(HARDWARE 11,12,13,14 NOT INCLUDED)
20	CL 1910 44	REAR BRAKE CABLE INNER	1	

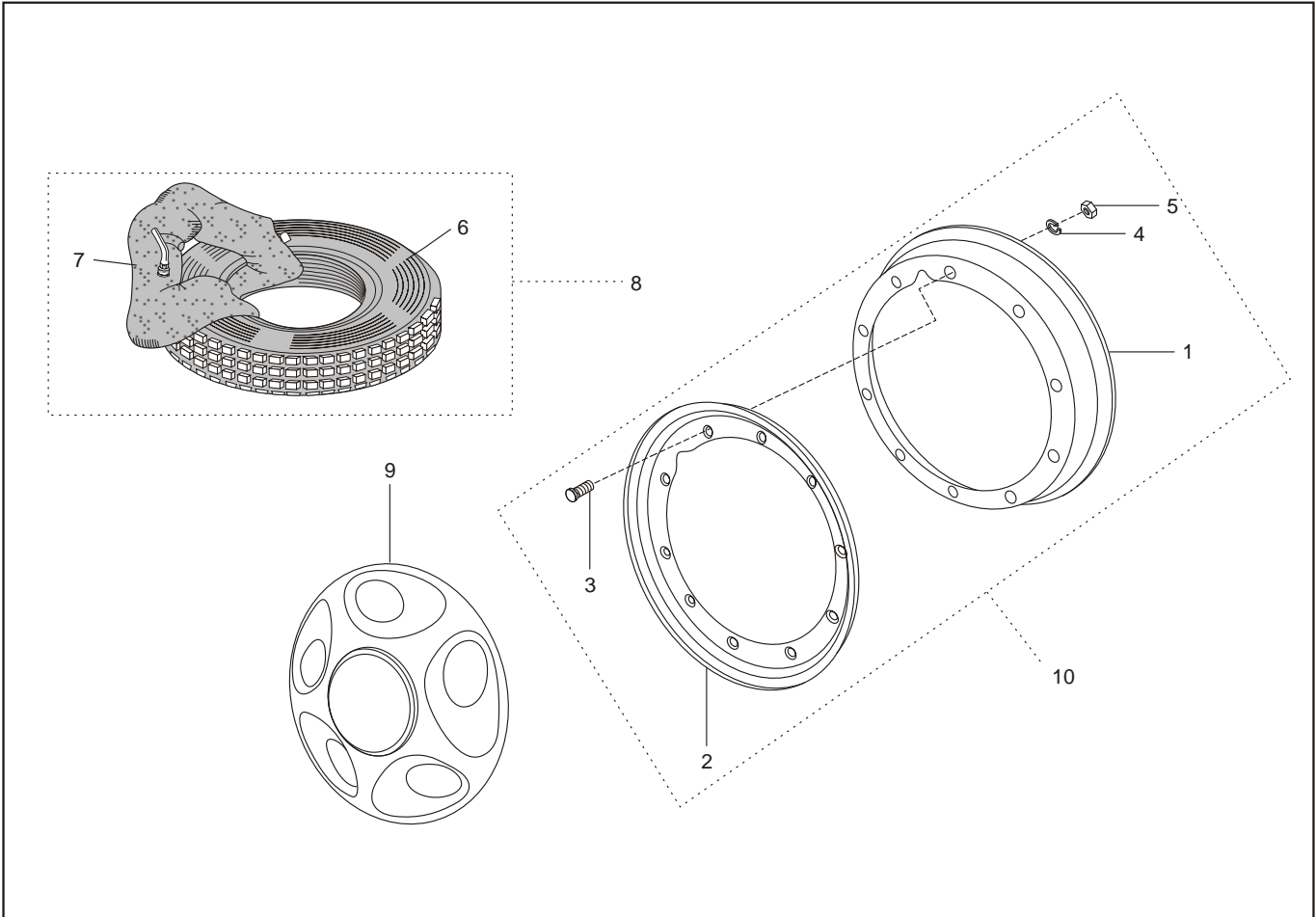
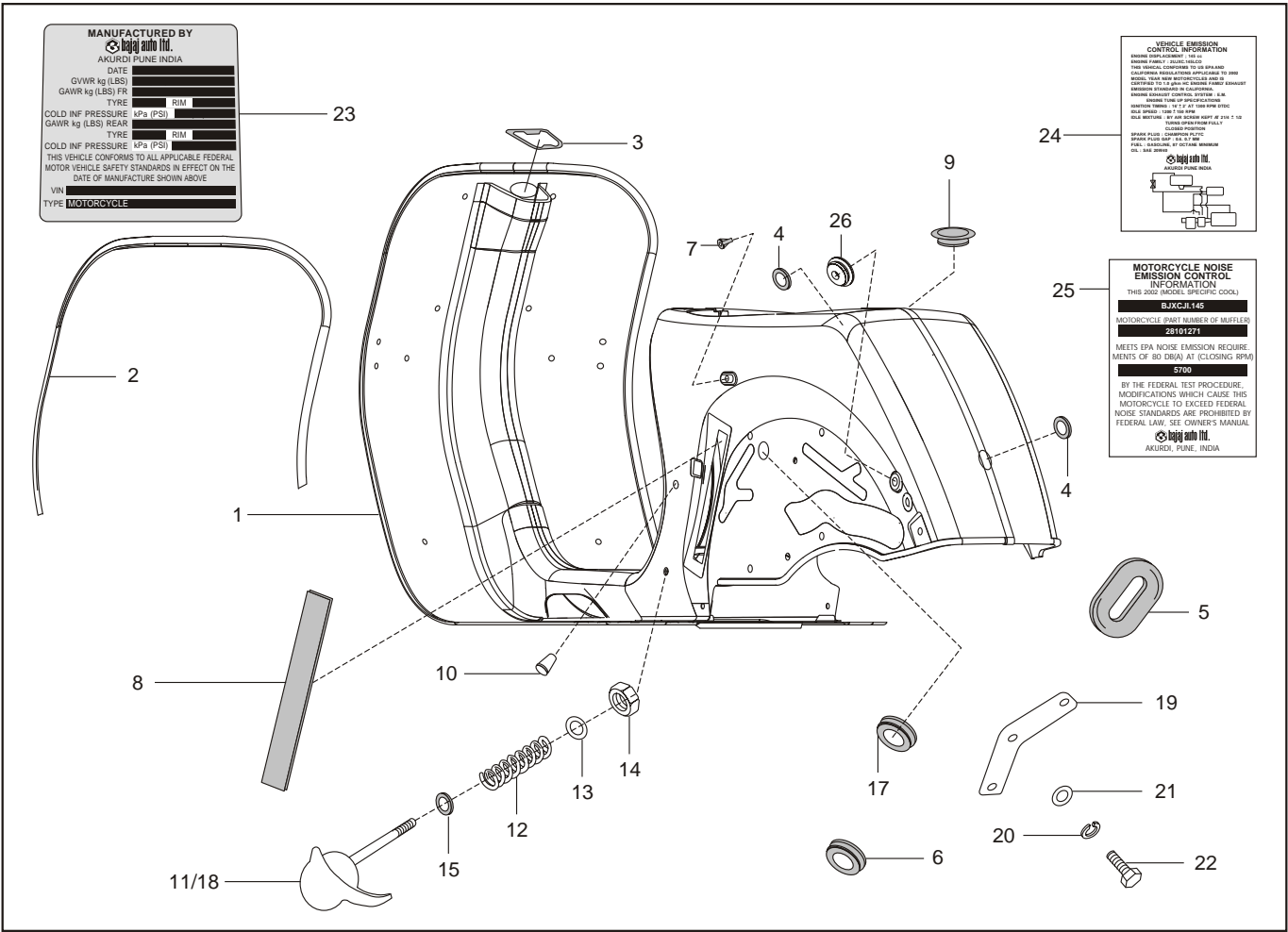


FIG. NO.	PART NO.	DESCRIPTION	QTY. PER VEH.	REMARKS
1	06 1503 03	WHEEL RIM	3	
2	06 1503 04	WHEEL FLANGE ASSLY	3	
3	39 0087 04	BOLT (ROUND HEAD)	15	
4	39 1828 12	SPRING WASHER	15	
5	39 0694 15	HEX LOCK NUT	15	
6	CH 1510 04	TIRE SIZE 3.5X10-4PR	3	
7	06 1503 07	TUBE FOR TIRE	3	
8	CH 1510 05	TIRE WITH TUBE	3	
9	35 1510 16	WHEEL COVER	3	
10	06 1503 02	WHEEL RIM SET	3	



MANUFACTURED BY

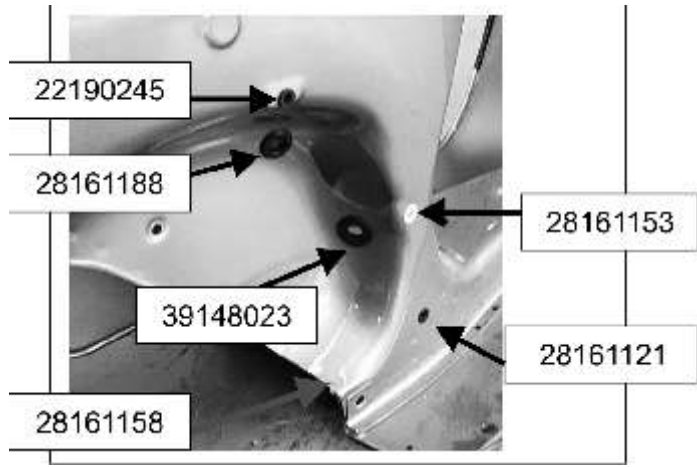
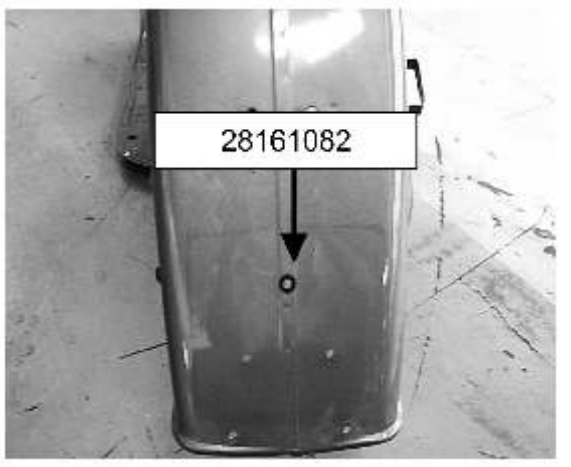
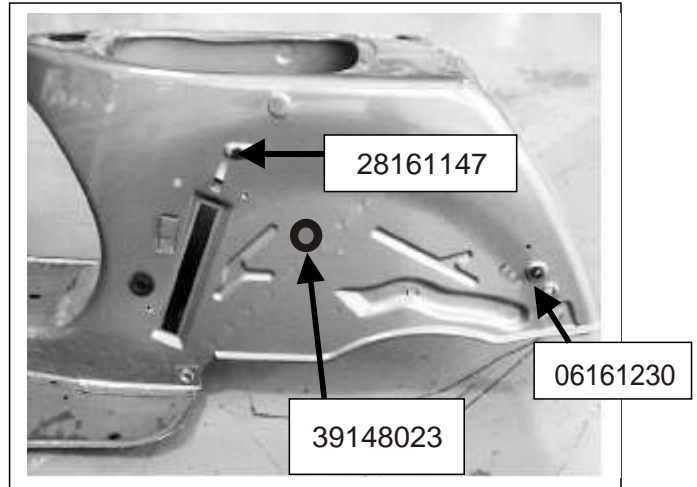
 BAJAJ AUTO LIMITED
 AKURDI PUNE INDIA
 DATE _____
 GVWR kg (LBS) _____
 GAWR kg (LBS) FR _____ RIM _____
 TYRE _____
 COLD INF PRESSURE kPa (PSI) _____
 GAWR kg (LBS) REAR _____ RIM _____
 TYRE _____
 COLD INF PRESSURE kPa (PSI) _____
 THIS VEHICLE CONFORMS TO ALL APPLICABLE FEDERAL
 MOTOR VEHICLE SAFETY STANDARDS IN EFFECT ON THE
 DATE OF MANUFACTURE SHOWN ABOVE
 VIN _____
 TYPE MOTORCYCLE

VEHICLE EMISSION CONTROL INFORMATION
 MODEL YEAR: 2002
 THIS VEHICLE CONFORMS TO CB 4DA AND
 EUROPE EMISSION STANDARDS APPLICABLE TO 2002
 MODEL YEAR MOTORCYCLES AND IS
 EQUIPPED WITH AN AERIAL CATALYTIC CONVERTER AND EXHAUST
 SYSTEM WITH AIR FLOW CONTROL SYSTEMS
 AIR FLOW CONTROL SYSTEM (A.F.C.S.)
 AIR FLOW CONTROL SYSTEM (A.F.C.S.)
 AIR FLOW CONTROL SYSTEM (A.F.C.S.)
 AIR FLOW CONTROL SYSTEM (A.F.C.S.)
 AIR FLOW CONTROL SYSTEM (A.F.C.S.)
 AIR FLOW CONTROL SYSTEM (A.F.C.S.)
 AIR FLOW CONTROL SYSTEM (A.F.C.S.)
 AIR FLOW CONTROL SYSTEM (A.F.C.S.)
 AIR FLOW CONTROL SYSTEM (A.F.C.S.)
 AIR FLOW CONTROL SYSTEM (A.F.C.S.)
 AIR FLOW CONTROL SYSTEM (A.F.C.S.)
 AKURDI PUNE INDIA

MOTORCYCLE NOISE EMISSION CONTROL INFORMATION
 THIS 2002 (MODEL SPECIFIC CODEL)
 BAJAJ CL 145
 MOTORCYCLE (PART NUMBER OF MUFFLER)
 25101374
 MEETS EPA NOISE EMISSION REQUIREMENTS OF 80 DB(A) AT (CLOSING RPM)
 5700
 BY THE FEDERAL TEST PROCEDURE, MODIFICATIONS WHICH CAUSE THIS MOTORCYCLE TO EXCEED FEDERAL NOISE STANDARDS ARE PROHIBITED BY FEDERAL LAW. SEE OWNER'S MANUAL.
 AKURDI PUNE INDIA

FIG. NO.	PART NO.	DESCRIPTION	QTY. PER VEH.	REMARKS
1	52 CL 8001	BARE CHASSIS COMP	1	
2	35 1610 66	SHIELD BEADING	1	
3	28 1611 56	CAP. (UPPER TERMINAL)	1	
4	28 1610 82	CUT GROMMET	2	
5	28 1611 58	GROMMET - DIAPHRAM BOTTOM	1	
6	28 1611 88	GROMMET - FUEL PIPE	1	
7	28 1611 47	RUBBER PLUG - A	1	
8	28 1611 26	COVER AIR FILTER SLOT	1	
9	28 1610 88	CAP FOR REAR SHOCK ABSORBER	1	
10	28 1611 53	PLUG FOR BONNET PIN	2	
11	28 1610 32	HANDLE FOR ENGINE BONNET (RH SIDE)	1	
12	35 1610 44	SPRING	2	
13	21 1204 41	PLAIN WASHER	2	
14	39 0326 15	NYLOC NUT	2	
15	28 1611 21	GROMMET	1	
16	22 1902 45	GROMMET	1	
17	39 1480 23	CUT GROMMET	2	
18	28 1610 34	HANDLE FOR LH BONNET	1	
19	28 1611 23	SUPPORT BRACKET	1	
20	39 1828 12	SPRING WASHER	3	
21	39 0211 11	PLAIN WASHER	3	
22	39 0119 04	BOLT HEX HEAD	3	
23	28 1611 70	CERTIFICATION LABLE	1	
24	28 1611 72	NOISE EMISSION LABLE	1	
25	28 1611 95	EMISSION CONTROL LABLES	1	
26	06 1612 30	GROMMET	1	

GROMMETS AND THEIR RESPECTIVE LOCATIONS



This page intentionally left blank

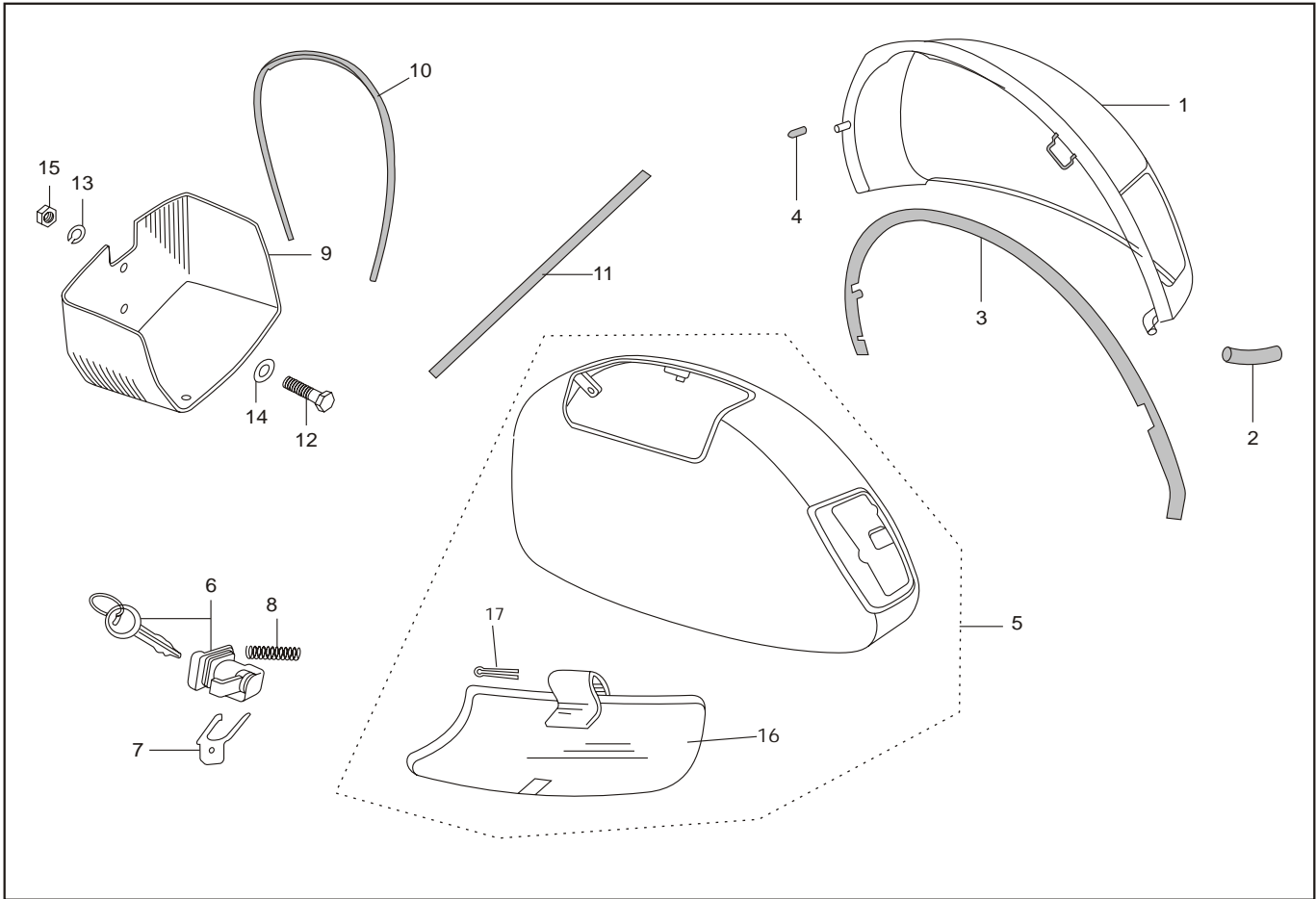


FIG. NO.	PART NO.	DESCRIPTION	QTY. PER VEH.	REMARKS
1	CM 1610 14	ENGINE BONNET (COWL) RIGHT SIDE	1	ALT. 52 CM80 02
2	28 1611 16	TUBE FOR BONNET	2	
3	28 1610 93	BEADING FOR BONNET	2	
4	28 1611 54	CAP FOR BONNET PIN	2	
5	CL 1610 49	BONNET ASSEMBLY (COWL) LEFT SIDE	1	ALT. 52 CL80 07
6	CL 1611 05	TOOL BOX LOCK COMP.	1	
7	06 1607 12	HOLDING PLATE	1	
8	06 1607 13	SPRING FOR LOCK	1	
9	CL 1610 31	PLASTIC TOOL BOX	1	
10	CL 1610 55	GASKET FOR PLASTIC TOOL BOX	2	
11	06 1613 65	FOAM STRIP - TOOL BOX DOOR	1	
12	35 1610 67	BOLT	6	
13	39 1831 12	SPRING WASHER	6	
14	39 0258 11	PLAIN WASHER	6	
15	39 0287 15	NUT	6	
16	CM 1610 20	TOOL BOX DOOR	1	
17	39 0156 08	PIN, HINGE	1	

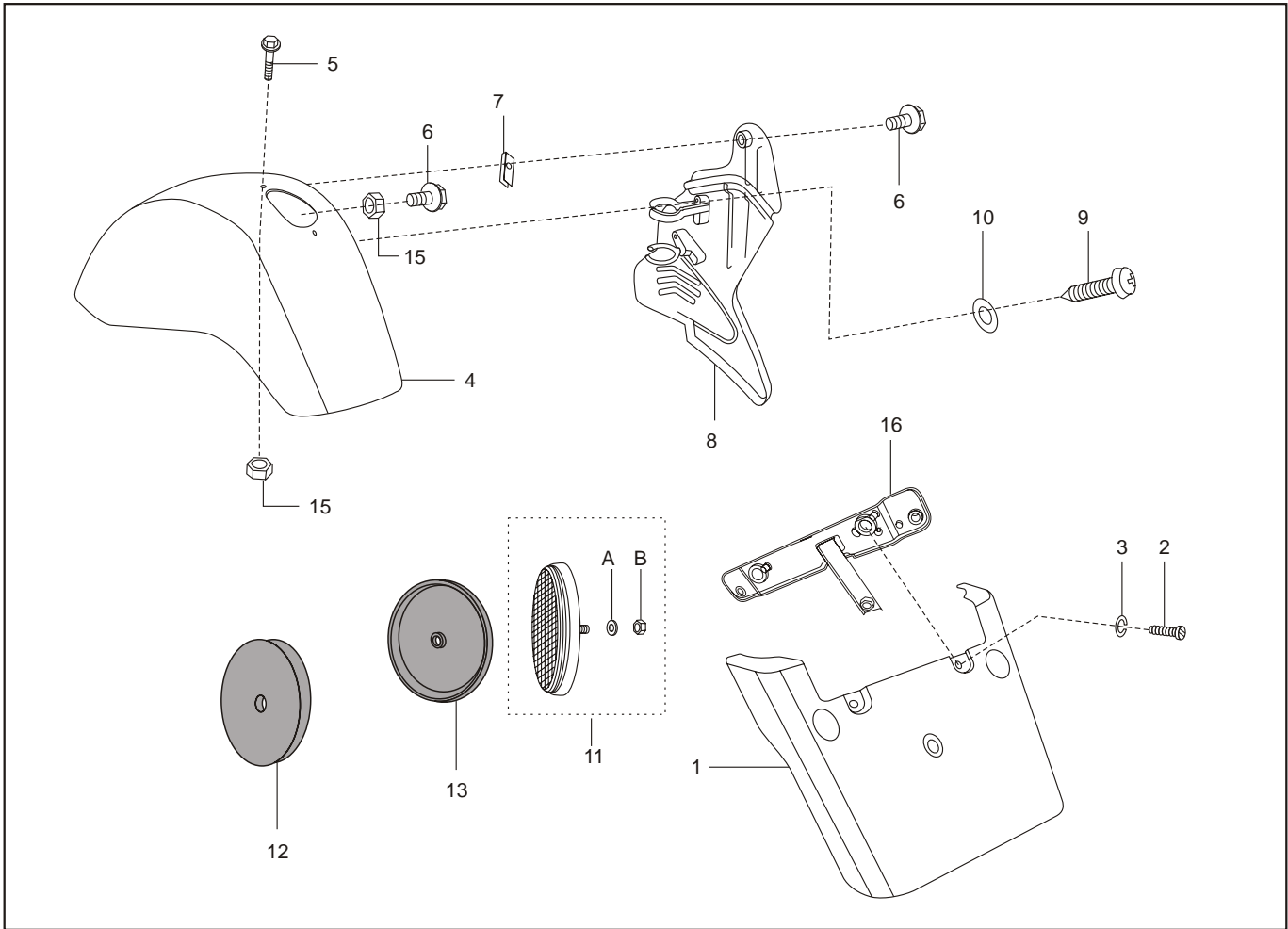


FIG. NO.	PART NO.	DESCRIPTION	QTY. PER VEH.	REMARKS
1	CL 1610 34	TAIL PIECE 2002 MODEL YEAR	1	
	CL 1610 96	TAIL PIECE 2003+ MODEL YEARS	1	ALT. CL 1611 07
2	39 2140 04	SCREW PAN CROSS	2	
3	39 1825 12	SPRING WASHER	2	
4	06 1613 56	FRONT MUDGUARD ASSLY.	1	
5	39 2062 04	FLANGED BOLT	3	TOP MOUNTING
6	39 2060 04	FLANGED BOLT	2	SIDE MOUNTING
7	35 1610 60	CLIP NUT	2	
8	CM 1610 12	SUSPENSION COVER	1	
9	39 1843 01	SCREW PAN CROSS	1	
10	39 1826 12	SPRING WASHER	1	
11	CF 2010 09	SIDE REFLEX REFLECTOR RED	2	
11A	39 0375 11	WASHER	2	
11B	39 0287 15	NUT	2	
12	CL 1610 24	REFLEX REFLECTOR BASE RR LH	1	
13	CL 1610 26	REFLEX REFLECTOR BASE RR RH	1	
15	39 0292 15	HEX NUT	4	
16	CL 1610 97	BRACKET, NUMBER PLATE	1	FITS CL 1610 96 & CL 1611 07 TAIL PIECE

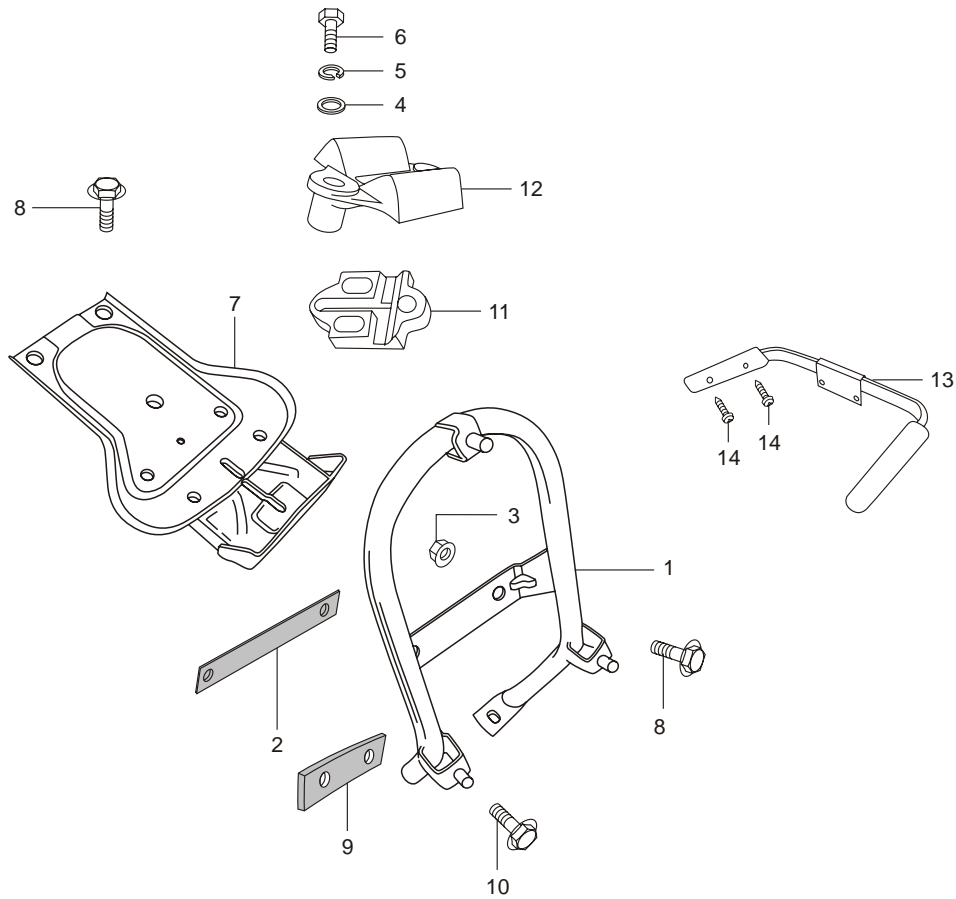


FIG. NO.	PART NO.	DESCRIPTION	QTY. PER VEH.	REMARKS
1	CM 1610 27	SPARE WHEEL BRACKET	1	
2	06 1610 78	PLATE	1	
3	39 1970 15	HEX. NUT WITH FLANGE	2	
4	39 0197 11	PLAIN WASHER	2	ALT. 39 1765 11
5	39 1825 12	SPRING WASHER	2	
6	39 1601 01	HEX. HEAD SCREW	2	
7	CL 1610 39	CARRIER PLATE ASSLY.	1	
8	39 1956 04	BOLT FLANGED SMALL	5	
9	19 1611 85	PACKING	1	
10	39 1553 04	BOLT FLANGED	2	
11	CL 1610 40	SPACER	1	
12	06 1612 49	GUIDE FOR SEAT	1	
13	CL 1610 99	GRAB HANDLE ASSLY	1	
14	39 1780 01	SCREW	4	

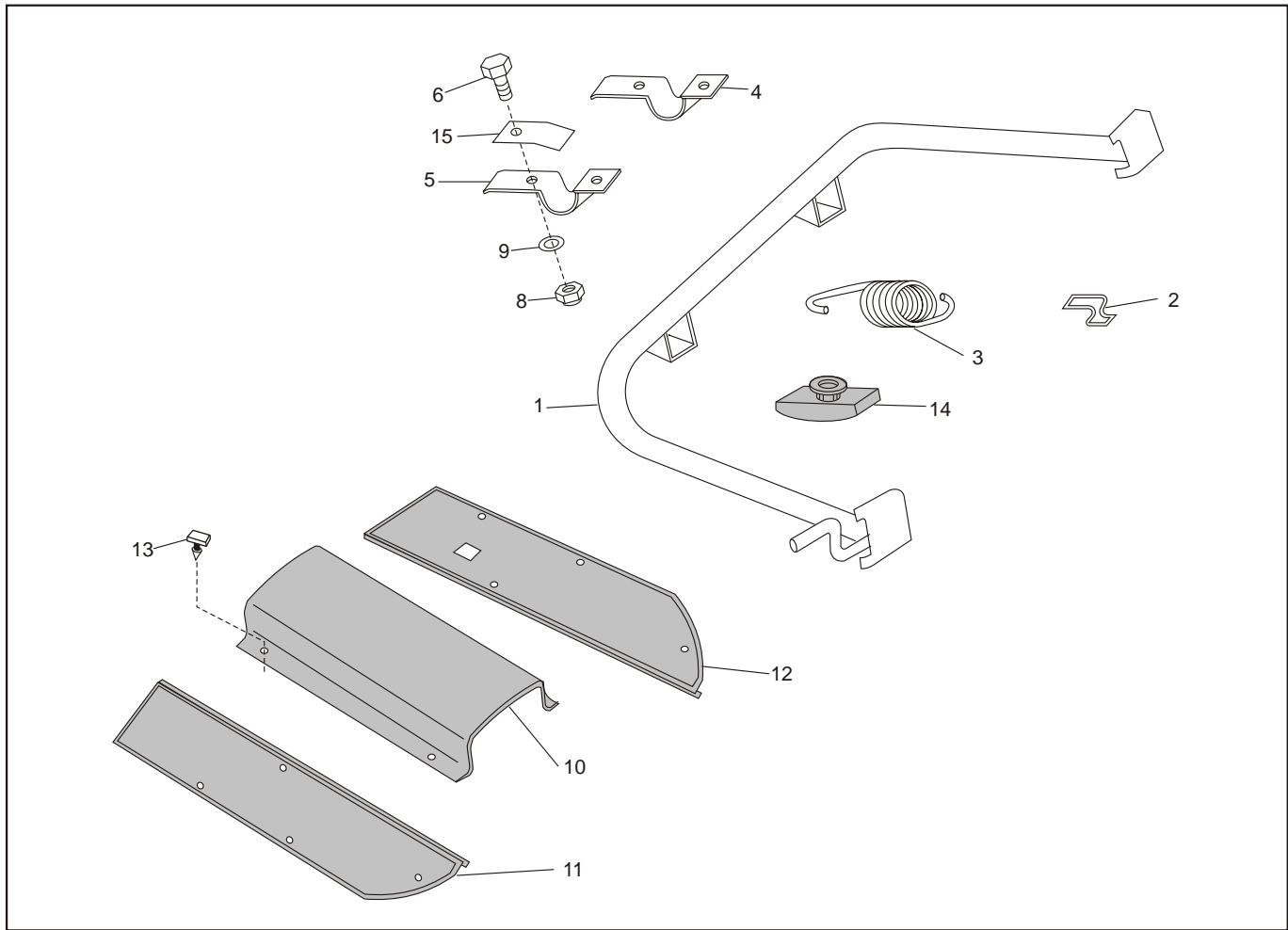


FIG. NO.	PART NO.	DESCRIPTION	QTY. PER VEH.	REMARKS
1	28 1611 75	CENTER STAND ASSLY	1	
2	02 1608 09	HOOK PLATE	2	
3	28 1611 35	SPRING FOR STAND	2	
4	28 1610 94	CLIP FOR STAND LH	1	
5	28 1610 95	CLIP FOR STAND RH	1	
6	39 1797 01	HEX HEAD SCREW M6	4	
8	39 1353 15	NYLOC NUT	4	
9	39 0198 11	PLAIN WASHER	4	ALT. 39 0219 11
10	CM 1610 23	MATTING, CENTRAL	1	
11	CM 1610 24	MATTING L.H.	1	
12	CM 1610 25	MATTING R.H.	1	
13	28 1611 07	RUBBER NAIL, MATTING	8	
14	28 1610 85	RUBBER BUMPER	2	
15	28 1611 66	SHIM, STAND, ANTI-RATTLE	2	

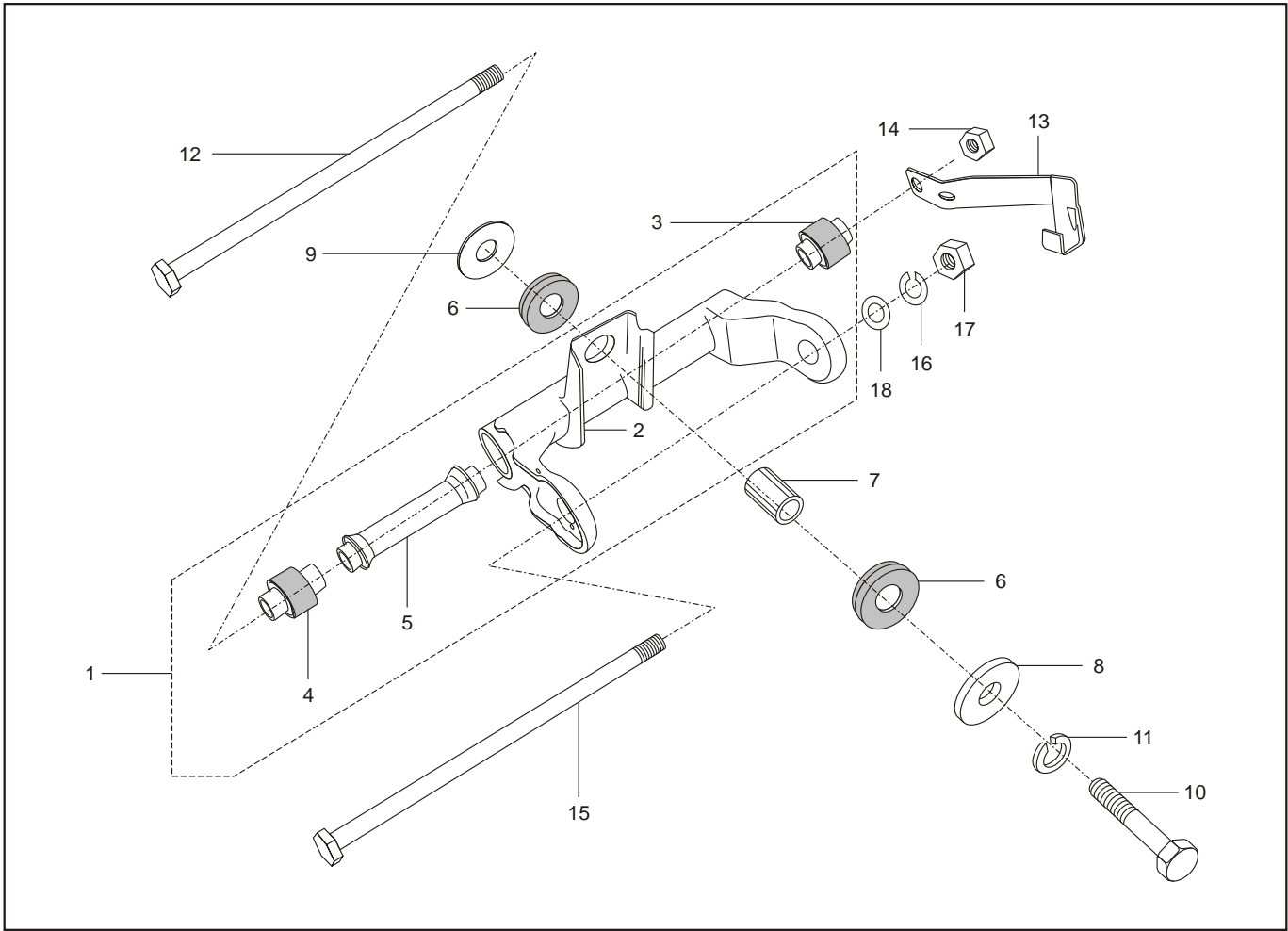


FIG. NO.	PART NO.	DESCRIPTION	QTY. PER VEH.	REMARKS
1	28 1610 26	ENGINE LINK ASSLY COMP	1	
2	28 1610 27	ENGINE LINK ASSLY.	1	
3	28 1610 28	SILENT BUSH FOR LINK	1	
4	28 1611 15	SILENT BUSH II LINK	1	
5	28 1610 76	DISTANCE PIECE ASSLY	1	
6	28 1610 61	DAMPER FOR LINK	2	
7	28 1610 62	SPACE TUBE - DAMPER	1	
8	39 1840 11	PLAIN WASHER	1	
9	39 1841 11	PLAIN WASHER	1	
10	39 1846 04	HEX BOLT	1	
11	39 1828 12	SPRING WASHER	1	
12	28 1610 30	BOLT FOR ENGINE LINK	1	
13	28 1611 18	BRACKET GEAR CABLE	1	
14	39 0422 15	NYLOCK NUT	1	
15	28 1610 29	FOUNDATION BOLT	1	
16	39 0269 12	SPRING WASHER	1	
17	39 0303 15	NUT	1	
18	39 0240 11	PLAIN WASHER	1	

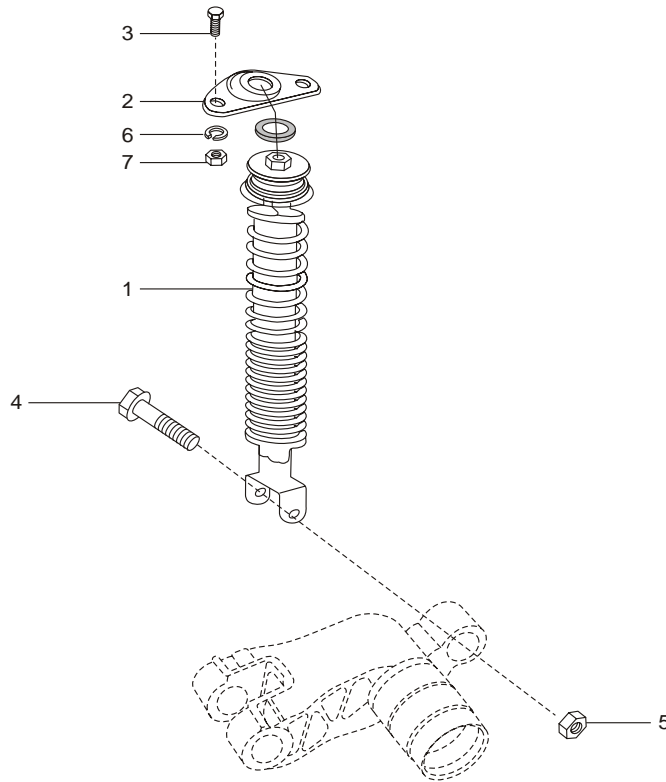


FIG. NO.	PART NO.	DESCRIPTION	QTY. PER VEH.	REMARKS
1	CM 1710 01	FRONT SHOCK ABSORBER/SPRING	1	
2	CM 1710 02	BRACKET - SHOCK ABSORBER MTG	1	
3	39 0100 04	BOLT HEX. HEAD	2	
4	39 1850 04	HEX. BOLT, FLANGED	1	
5	39 0422 15	NYLOCK NUT	1	
6	39 1828 12	SPRING WASHER	2	
7	39 0694 15	HEX NUT	2	

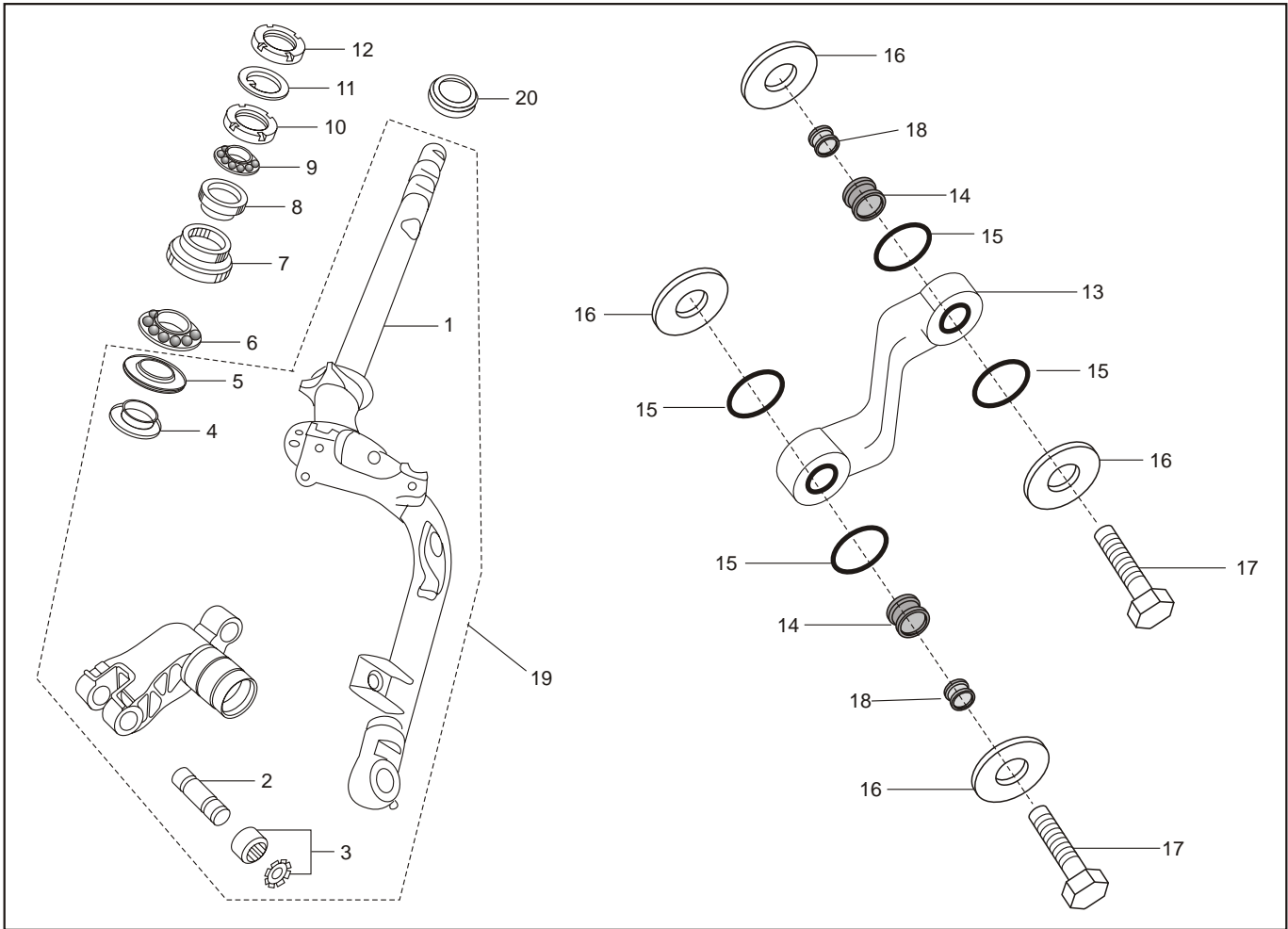


FIG. NO.	PART NO.	DESCRIPTION	QTY. PER VEH.	REMARKS
1	CM1810 02	STEERING COLUMN ASSLY.	1	
2	05 1810 37	HUB PIN	1	
3	CB 1810 50	SHELL BEARING	2	
4	07 1810 06	DUST COVER	1	
5	07 1810 04	BEARING RACE	1	
6	06 1810 68	BALL BEARINGS / SHELL CAGE, LOWER	1	
7	06 1801 08	LOWER BEARING RACE	1	
8	06 1801 07	UPPER BEARING RACE	1	
9	07 1810 07	BALL BEARINGS / SHELL CAGE, UPPER	1	
10	01 1801 28	BEARING RACE	1	
11	06 1810 70	SPACER WASHER	1	
12	01 1801 30	LOCK RING	1	
13	05 1710 56	ANTI-DIVE LINK ASSLY. WITH LARGE BUSH.	1	
14	35 1710 11	BUSHING FOR LINK, LARGE, COMPOSITE	2	
15	39 1823 21	'O' RING	4	
16	35 1710 13	CUP WASHER	4	
17	39 2059 04	FLANGED BOLT	2	
18	35 1710 12	BUSHING FOR LINK, SMALL, STEEL	2	
19	CM 1810 01	STEERING COLUMN WITH FRONT HUB ASSEMBLY	1	(CONSIST OF PART NO. 1, 2 ,3 ,4, 5 + ASSOCIATED PART #'S ON PLATE 25)
20	CL 1810 23	DUST CAP, STEERING COLUMN	1	

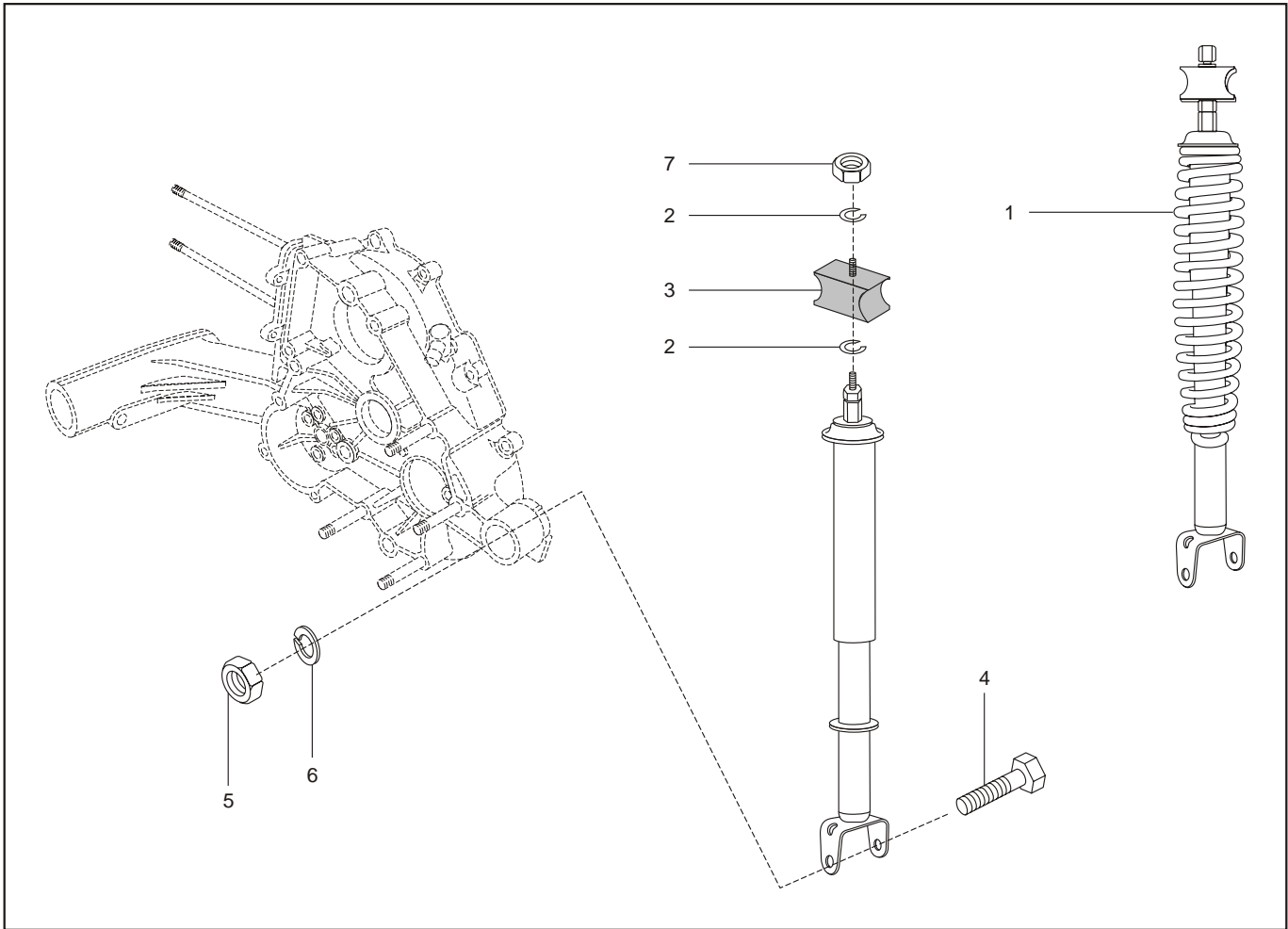


FIG. NO.	PART NO.	DESCRIPTION	QTY. PER VEH.	REMARKS
1	28 1710 05	REAR SHOCK ABSORBER ASSLY	1	
2	39 0266 12	SPRING WASHER	1	
3	03 1703 51	DAMPER BRACKET ASSLY.	1	
4	39 1793 04	HEX BOLT	1	
5	39 0295 15	HEX. NUT	1	
6	39 0266 12	SPRING WASHER	1	
7	39 0319 15	HEX.NUT	1	

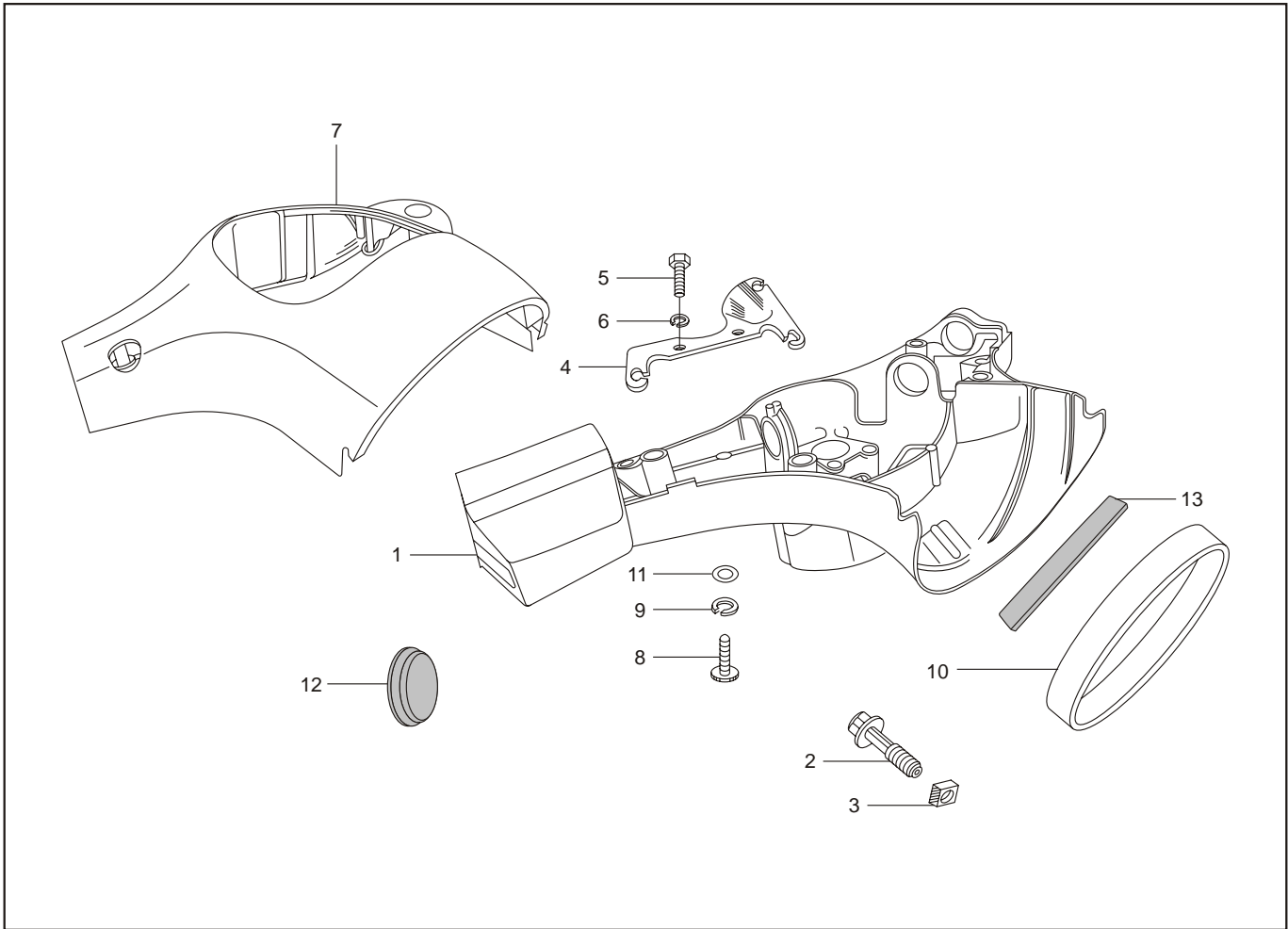


FIG. NO.	PART NO.	DESCRIPTION	QTY. PER VEH.	REMARKS
1	CL 1810 06	HANDLE BAR BODY	1	
2	39 1310 04	BOLT	1	
3	06 1802 05	SQUARE NUT	1	
4	35 1910 69	HANDLE BAR LINK	1	
5	22 1504 35	HEX BOLT/ FLANGE	2	
6	39 1825 12	SPRING WASHER	2	
7	35 1810 46	HANDLE BAR TOP COVER	1	
8	39 1381 01	SCREW	4	
9	39 1831 12	SPRING WASHER	4	
10	CL 1810 13	RIM FOR HANDLE BAR	1	
11	39 0375 11	PLAIN WASHER	4	
12	CL 1810 22	RUBBER PLUG, STEERING BOLT CLAMP	1	
13	CL 2010 24	FOAM TAPE	1	

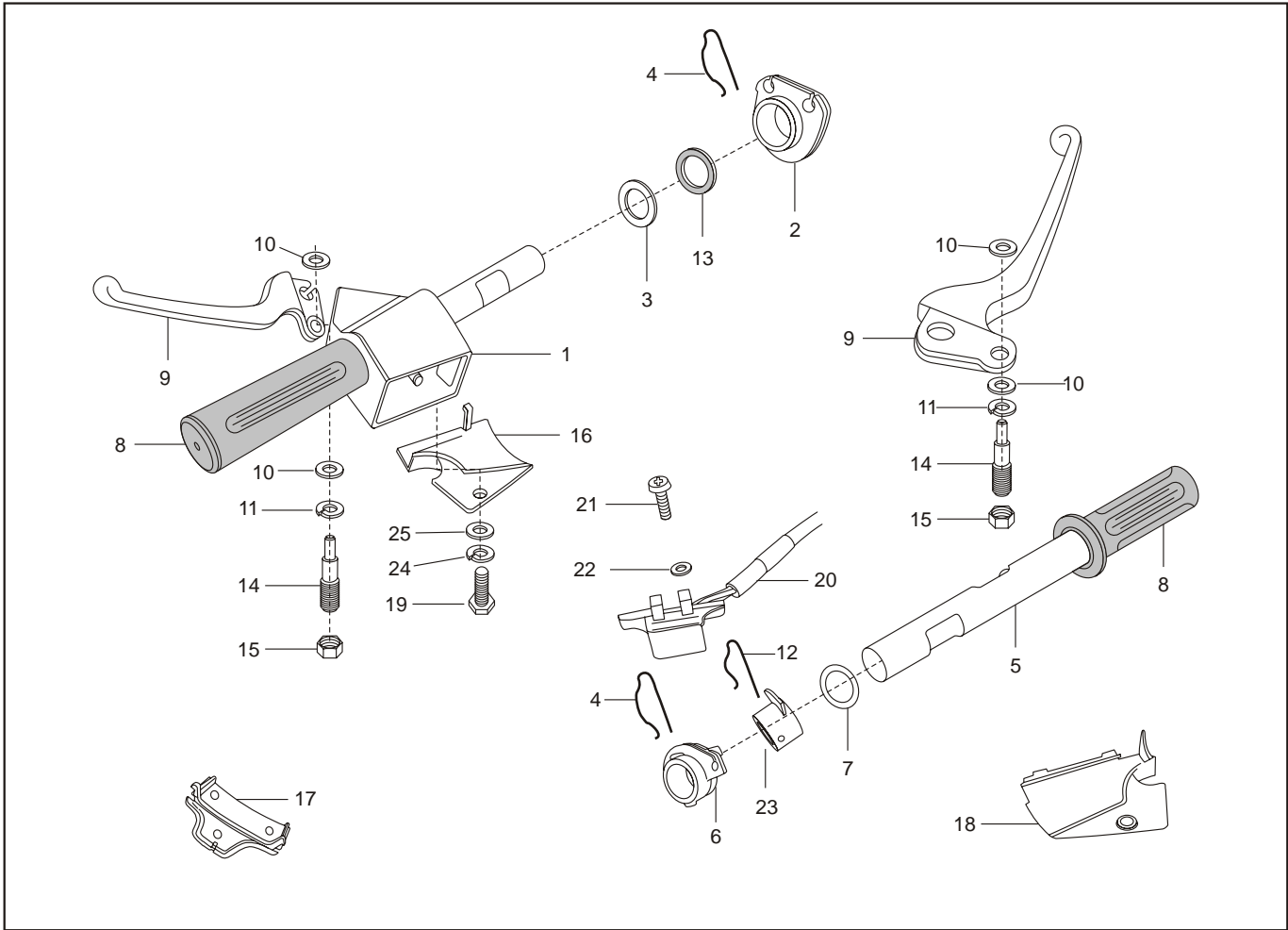


FIG. NO.	PART NO.	DESCRIPTION	QTY. PER VEH.	REMARKS
1	06 1911 32	GEAR CONTROL TUBE / SLEEVE	1	ALT. CL 1910 40
2	35 1910 23	GEAR CONTROL LINK	1	
3	39 0941 11	PLAIN WASHER	1	
4	19 1910 16	SPRING CLIP, GAS & GEAR CONTROL LINK	2	
5	CL 1810 09	GAS CONTROL TUBE ASSLY.	1	
6	35 1910 25	GAS CONTROL LINK	1	
7	39 1424 11	SPACER	1	
8	CH 1910 10	HAND GRIP	2	
9	06 1911 12	LEVER	2	
10	39 0200 11	PLAIN WASHER	4	
11	01 1902 05	SPRING WASHER	2	
12	CL 1210 12	SPRING CLIP, TRICS SECTOR	1	
13	39 0942 12	CURVED SPRING WASHER	1	
14	CL 1910 26	PIVOT PIN	2	
15	39 0690 15	NYLOCK NUT	2	
16	35 1810 41	BOTTOM COVER LH	1	
17	35 1810 44	BOTTOM COVER LH II	1	
18	35 1810 42	BOTTOM COVER RH	1	
19	39 0079 04	HEX. BLOT	2	BOTTOM COVER LH MTG.
20	CL 1110 20	THROTTLE POSITION SENSOR FOR TRICS	1	
21	39 1767 01	SCREW	2	
22	39 1505 11	PLAIN WASHER	2	
23	CL 1810 07	SECTOR FOR TRICS	1	
24	39 0261 12	LOCK WASHER	1	
24	39 0375 11	PLAIN WASHER	1	

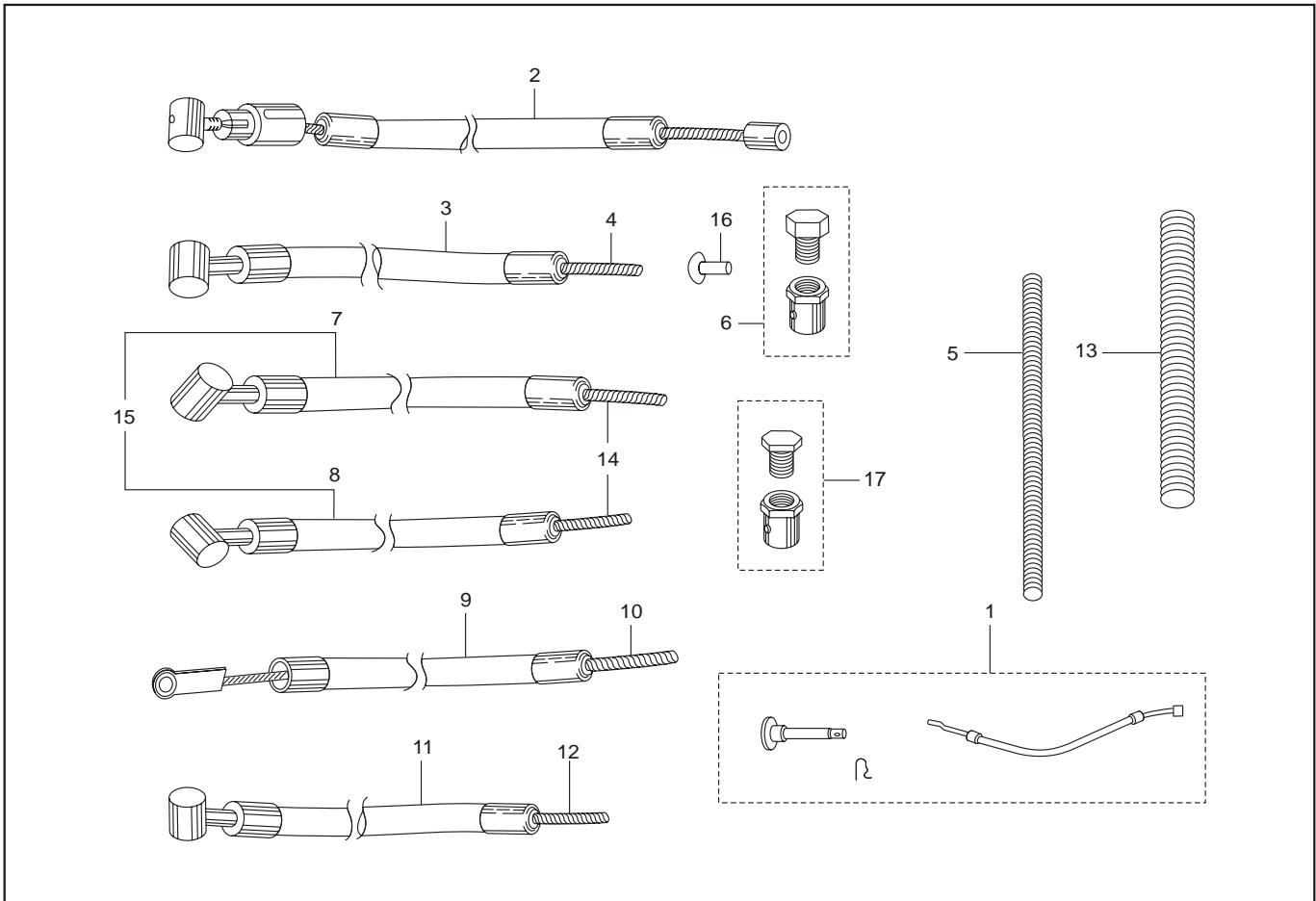


FIG. NO.	PART NO.	DESCRIPTION	QTY. PER VEH.	REMARKS
1	CL 1910 30	CHOKE CABLE ASSEMBLY	1	
2	CL 1910 31	ACCELERATOR CABLE COMPLETE	1	
3	CL 1910 33	CLUTCH CABLE COMPLETE	1	
4	CL 1910 42	CLUTCH CABLE, INNER	1	
5	28 1910 35	SPRING FOR BRAKE & CLUTCH CABLE	1	PROTECTS CABLES FROM MUFFLER HEAT
6	CR 1910 14	CABLE CLAMP, CLUTCH CABLE	1	FOR CLUTCH CABLE
7	CL 1910 35	GEAR SHIFT CABLE COMPLETE (GREY)	1	
8	CL 1910 36	GEAR SHIFT CABLE COMPLETE (BLACK)	1	
9	CL 1910 37	REAR BRAKE CABLE COMPLETE	1	
10	CL 1910 44	REAR BRAKE CABLE, INNER	1	
11	CL 1910 32	FRONT BRAKE CABLE COMPLETE	1	
12	CL 1910 45	FRONT BRAKE CABLE INNER	1	
13	30 1910 45	SPRING FOR SHIFT CABLES	1	PROTECTS CABLE FROM MUFFLER HEAT
14	CL 1910 43	GEAR SHIFT CABLE, INNER	2	
15	CL 1910 34	GEAR SHIFT CABLE SET	1	(CONSIST OF FIG. 7 & 8)
16	CL 1910 41	GUIDE FOR CLUTCH CABLE	1	REDUCES CABLE BREAKAGE FROM WEAR
17	35 1910 28	CABLE CLAMP, SHIFT CABLES	1	LOW PROFILE HEAD

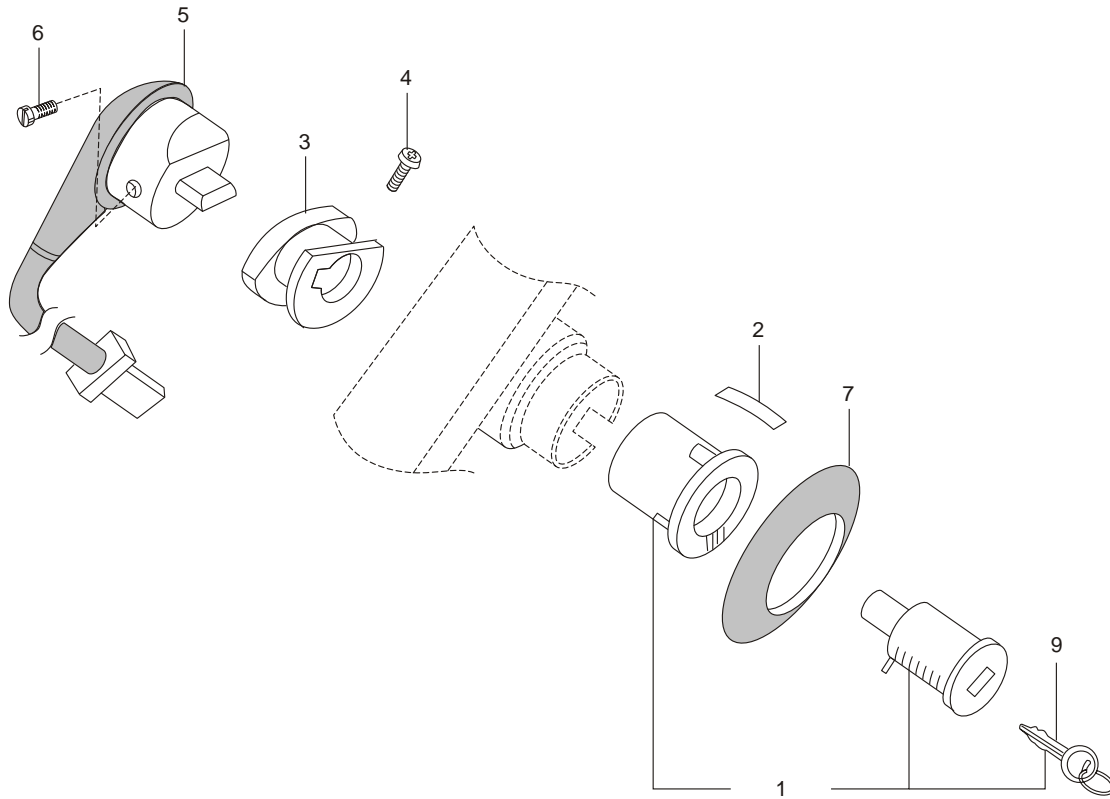


FIG. NO.	PART NO.	DESCRIPTION	QTY. PER VEH.	REMARKS
1	28 1810 41	STEERING LOCK WITH KEY	1	
2	06 1810 35	SPRING PLATE	1	
3	06 1810 49	LOCK CAM	1	
4	39 1604 01	SCREW PAN CROSS	1	
5	28 2010 73	IGNITION SWITCH	1	
6	39 0840 01	SCREW PAN CROSS	1	
7	CL 1810 05	RUBBER PACKING	1	
NI	CL 1610 80	LOCK SET 5 IN 1	1	(CONSIST OF STEERING, SEAT, LUGGAGE BOX, LOCKABLE HOOK & TOOL BOX) NOT ILLUSTRATED
9	06 1810 71	KEY BLANK	1	

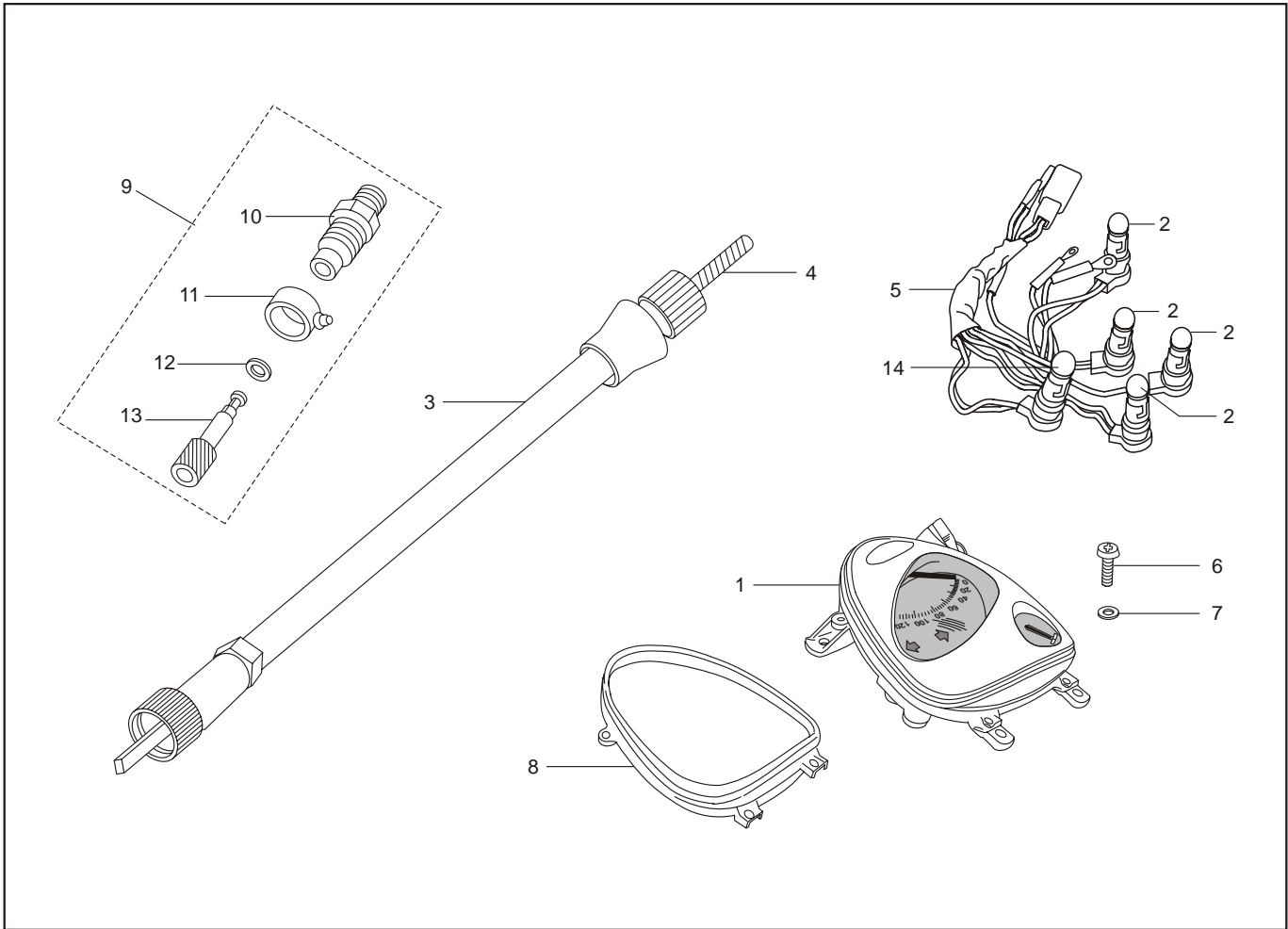


FIG. NO.	PART NO.	DESCRIPTION	QTY. PER VEH.	REMARKS
1	CL 1910 08	INSTRUMENT CLUSTER COMPLETE	1	INCLUDES WIRING & LAMPS
2	CL 2010 42	LAMP 12 V - 1.7W	4	GENERAL ILLUMINATION LAMP
3	CM 1910 17	SPEEDOMETER CABLE COMPLETE	1	
4	CM 1910 18	SPEEDOMETER CABLE INNER	1	
5	06 1911 26	LAMP HOLDER ASSLY.	1	
6	39 0503 02	SCREW	4	
7	39 1765 11	PLAIN WASHER	4	
8	35 1910 84	CRYSTAL	1	
9	20 1910 15	SPEEDO DRIVE COMPLETE	1	
10	01 1903 18	SPEEDO DRIVE SUPPORT	1	
11	06 1910 61	LUBRICATOR ASSEMBLY	1	
12	39 0235 11	PLAIN WASHER	1	
13	06 1903 10	NYLON GEAR ASSEMBLY	1	
14	DG 2010 40	LAMP 12V 3.2W	1	NEUTRAL INDICATOR
	DL 1910 20	LAMP 12V, 3W		ALT. NEUTRAL INDICATOR
	30 2010 29	LAMP 12V, 4W		ALT. NEUTRAL INDICATOR

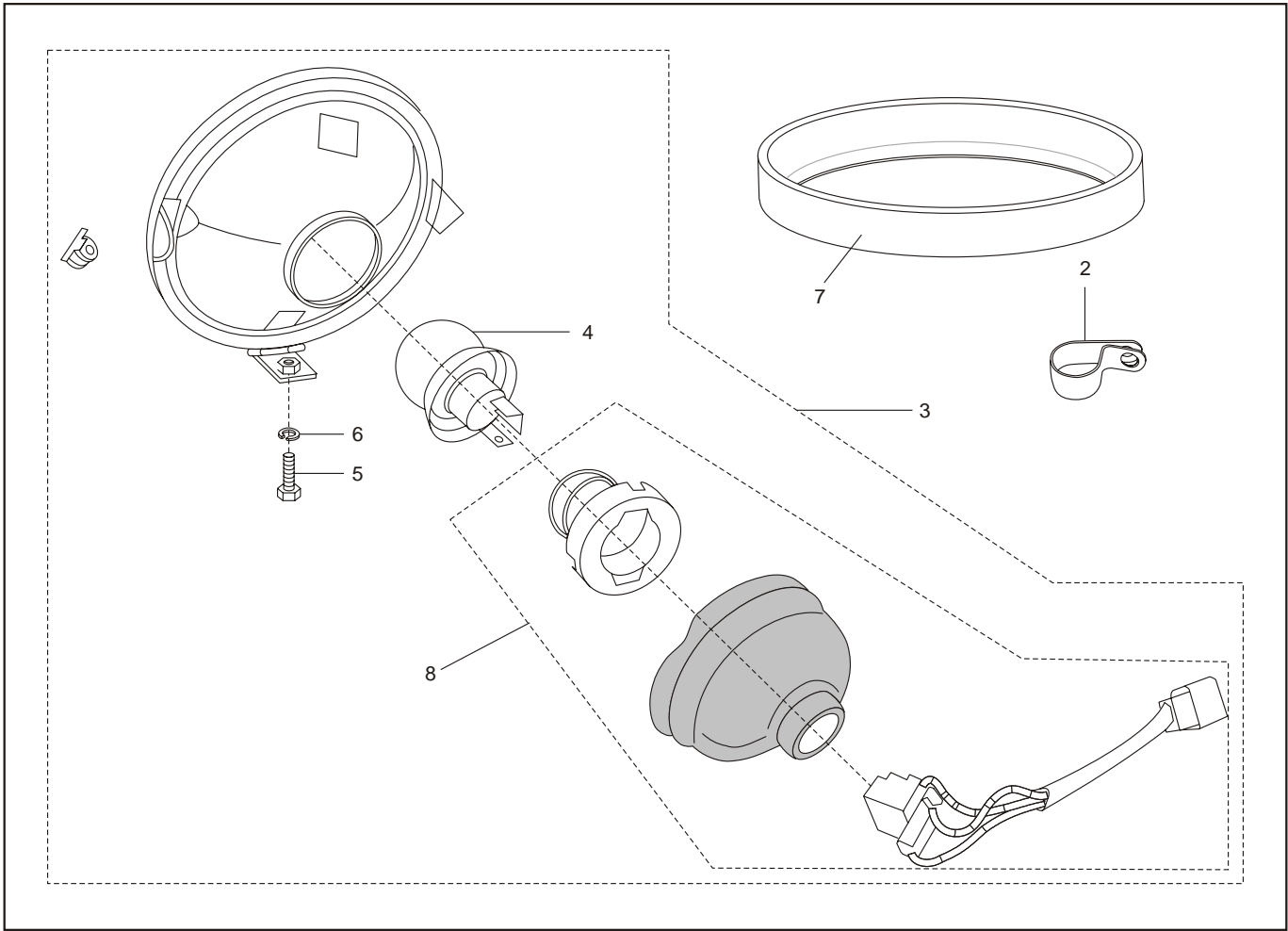


FIG. NO.	PART NO.	DESCRIPTION	QTY. PER VEH.	REMARKS
1	CL 2010 08	CHASSIS WIRING HARNESS	1	NOT ILLUSTRATED
2	28 2010 56	CLIP	2	FOR HARNESS ROUTING
3	CL 2010 19	HEAD LIGHT ASSLY / WITH LAMP	1	
4	CL 2010 23	LAMP, HALOGEN 12V 35/35W	1	
5	39 1171 01	CROSS REC. CSK SCREW	2	
6	39 0375 11	SPRING WASHER	1	
7	CL 1810 13	HEADLIGHT RIM	1	
8	06 2013 96	BULB SOCKET WITH WIRING	1	

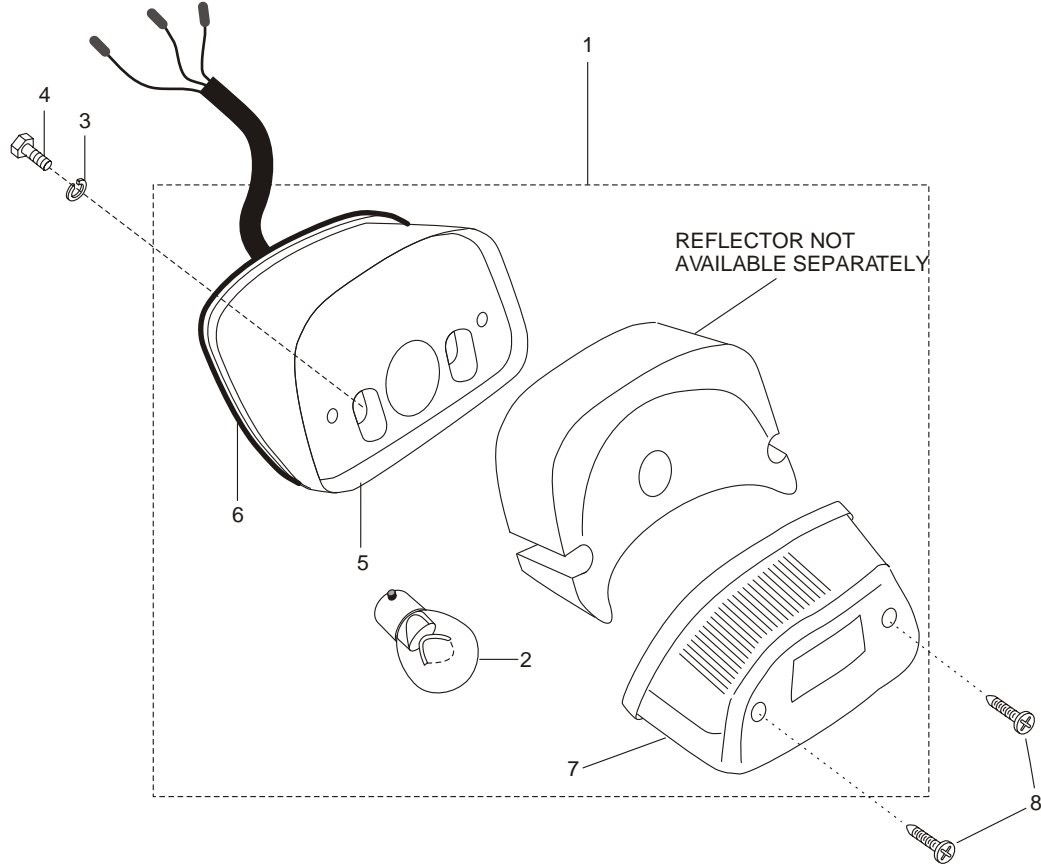


FIG. NO.	PART NO.	DESCRIPTION	QTY. PER VEH.	REMARKS
1	CL 2010 09	TAIL LIGHT ASSLY. WITH LAMP & WIRING	1	
2	20 2010 29	LAMP 12V 10/5W	1	
3	39 1826 12	SPRING WASHER	2	
4	39 0062 04	HEX. HD. SCREW	2	
5	CL 2010 11	TAIL LIGHT SPACER	1	
6	CL 1610 57	BEADING	1	
7	CL 2010 33	TAIL LIGHT LENS	1	
8	39 0810 02	SCREW, PHILLIPS HD.	2	

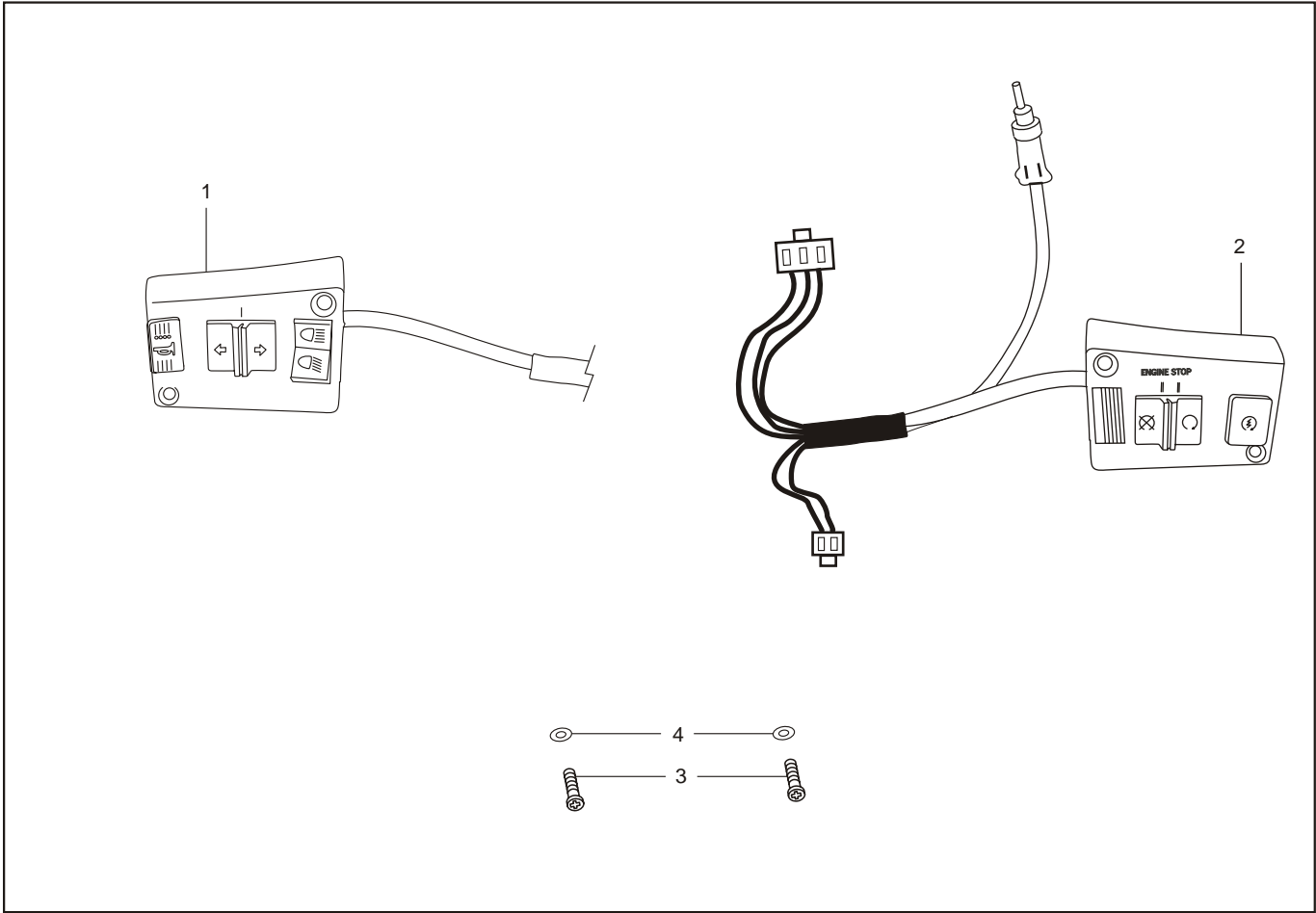


FIG. NO.	PART NO.	DESCRIPTION	QTY. PER VEH.	REMARKS
1	CL 2010 12	CONTROL SWITCH LH, WITH WIRING	1	
2	CL 2010 13	CONTROL SWITCH RH, WITH WIRING	1	
3	39 1861 01	CR. REC. CSK SCREW	4	
4	39 1831 12	PLAIN WASHER	4	

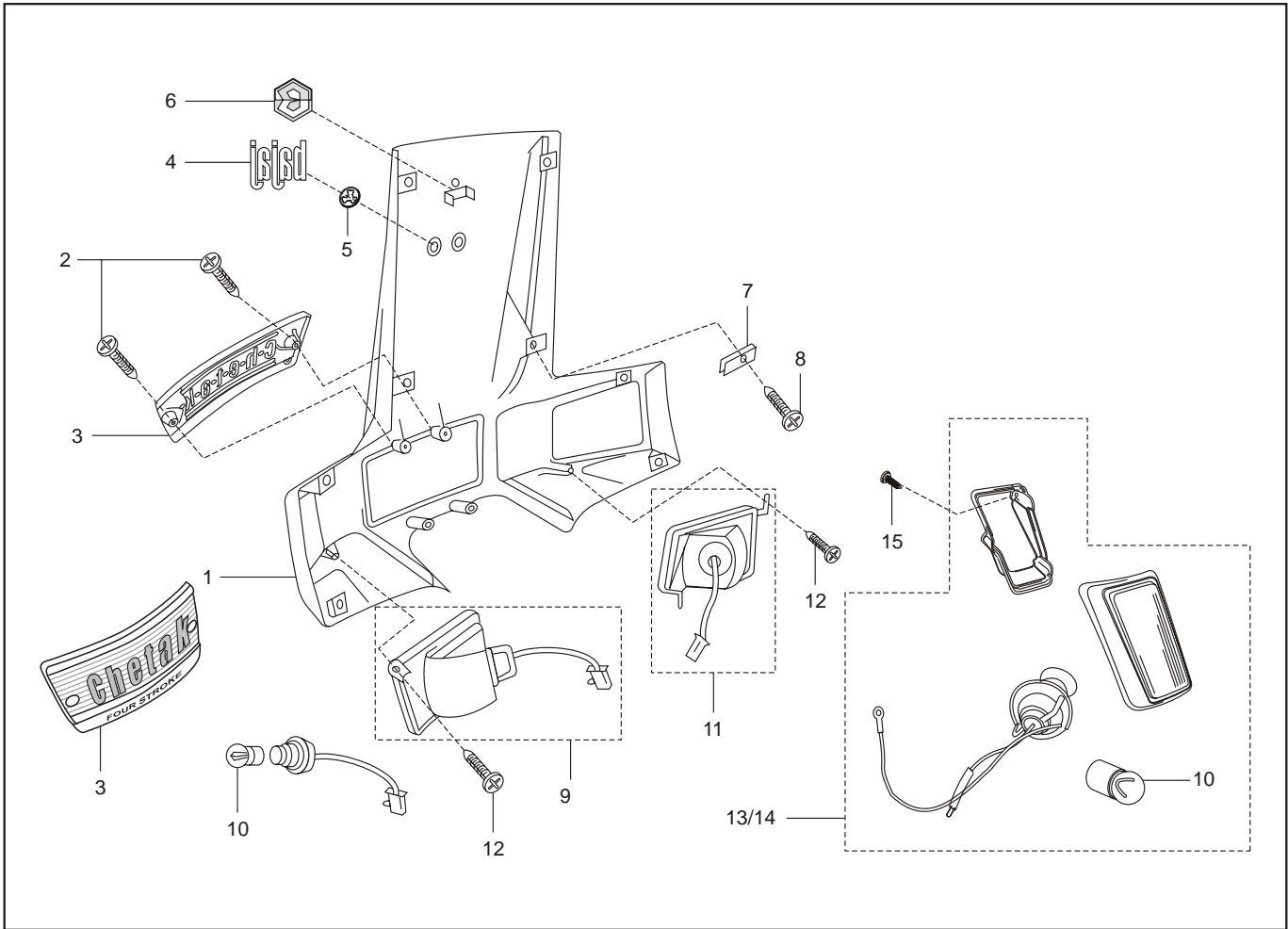


FIG. NO.	PART NO.	DESCRIPTION	QTY. PER VEH.	REMARKS
1	06 1613 61	NOSE	1	
2	39 1878 62	CROSS REC.PAN HEAD SCREW	2	
3	06 1613 62	"CHETAK 4S" NAME PLATE	1	
4	28 1611 04	"BAJAJ" NAME PLATE	1	
5	39 0508 14	LOCK WASHER	2	FOR 'B' MONOGRAM
6	28 1610 68	'B' MONOGRAM	1	
7	CB 1611 05	NUT CLIP	8	
8	39 2232 02	CROSS REC.PAN HEAD TAP SCREW	8	
9	06 2013 87	ASSLY. DIR. IND FRONT/WITH LAMP LH	1	
10	18 2010 44	LAMP 12 V-10W -	4	
11	06 2013 88	ASSLY. DIR. IND.FRONT /LAMP RH	1	
12	39 1878 02	CROSS REC. PAN HD SCREW	4	
13	CL 2010 14	ASSLY. DIR.IND. REAR LH / WITH LAMP	1	
14	CL 2010 15	ASSLY. DIR.IND. REAR RH / WITH LAMP	1	
15	39 1860 02	CROSS REC. PAN HD. SCREW	4	

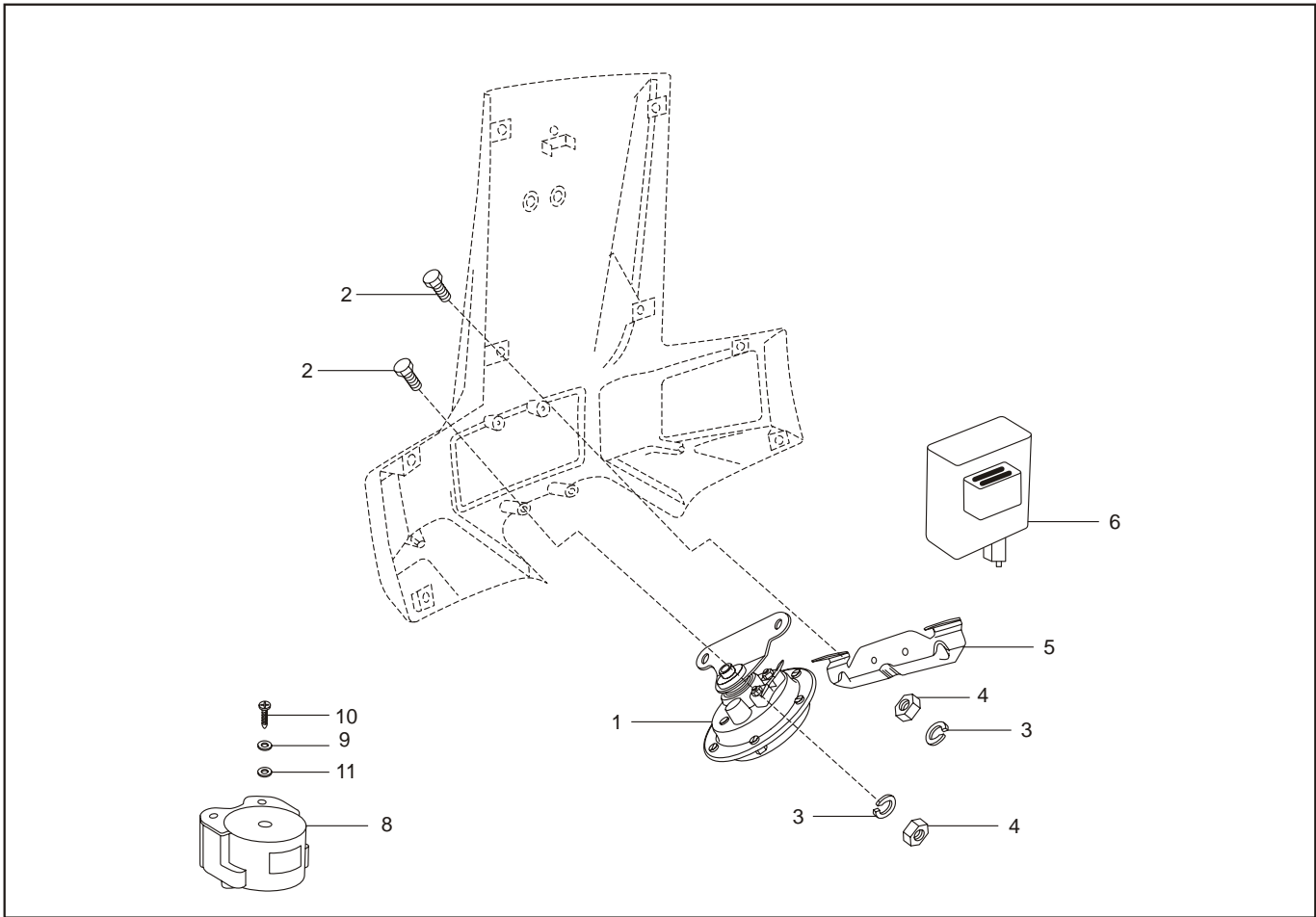


FIG. NO.	PART NO.	DESCRIPTION	QTY. PER VEH.	REMARKS
1	CL 2010 16	HORN D.C.	1	NEW
2	35 1610 67	HEX. BOLT	4	
3	39 1831 12	SPRING WASHER	4	
4	39 0287 15	HEX. NUT	4	
5	35 1611 00	BKT. ELECT. UNIT MTG.	1	
6	31 2010 03	TURN SIGNAL FLASHER	1	
8	35 2011 22	BEEPER D.C. OPERATION	1	
9	39 1918 24	WASHER	2	
10	39 0839 02	CROSS REC. PAN HEAD SCREW	2	
11	39 0223 11	PLAIN WASHER	2	

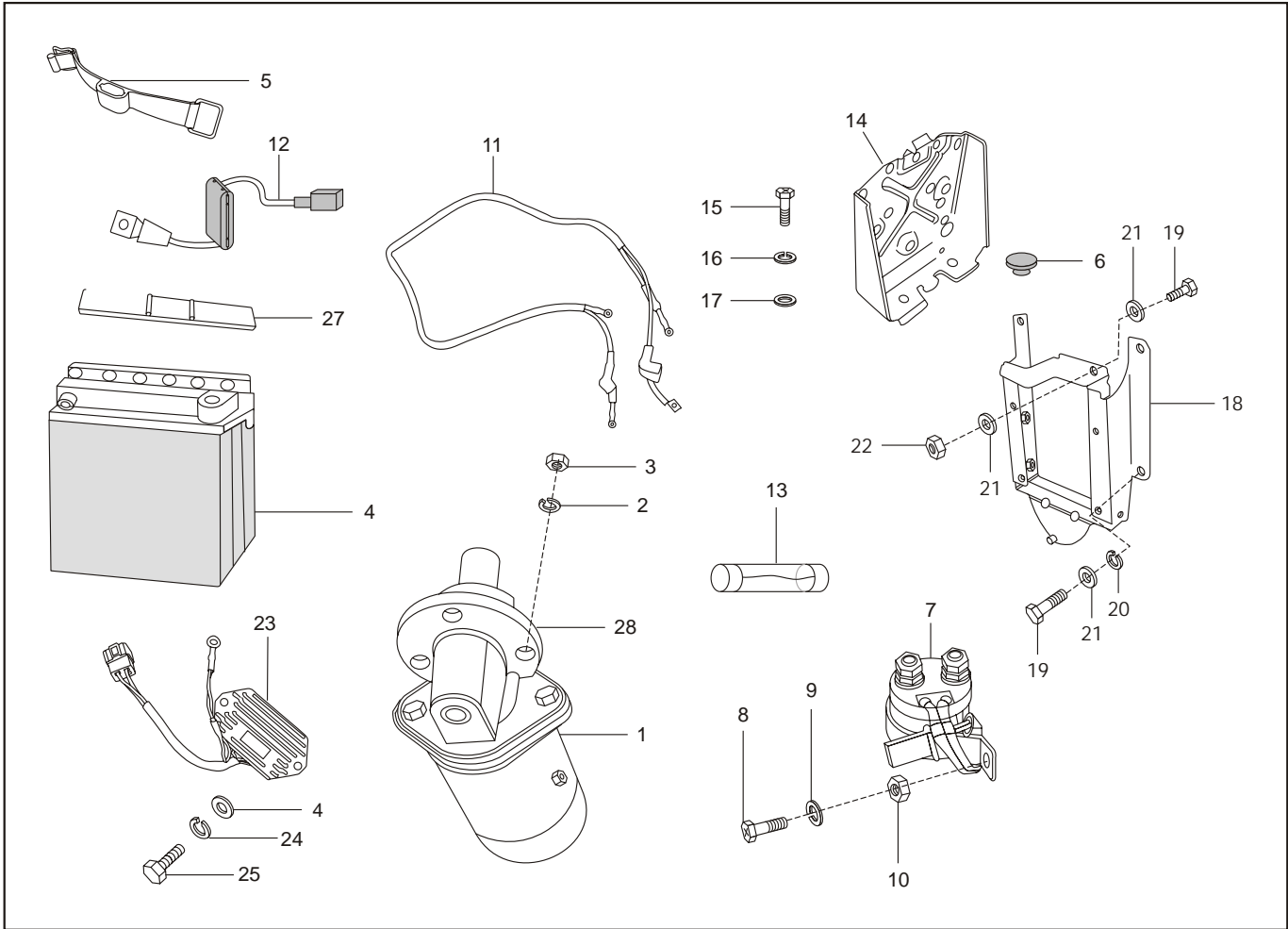


FIG. NO.	PART NO.	DESCRIPTION	QTY. PER VEH.	REMARKS
1	28 1110 45	STARTER MOTOR ASSLY WITH DRIVE	1	
2	39 1828 12	SPRING WASHER	3	
3	39 0694 15	HEXAGON NUT-M8X1.25	3	
4	06 2012 51	BATTERY 12 V -9 Ah	1	
5	28 2010 84	RUBBER STRAP	1	
6	06 1612 95	RUBBER PAD-II	6	
7	28 2010 48	STARTER RELAY	1	
8	39 0702 02	CROS. RECED. HEX SCREW	2	
9	39 1826 12	SPRING WASHER	4	
10	39 0798 15	HEXAGON NUT-M6X1	4	
11	28 2010 79	CABLE, BATTERY TO STARTER MOTOR	1	
12	28 2010 74	CABLE, RED, STARTER RELAY TO BATTERY	1	
13	AB 2010 26	FUSE 20 Amp	1	
14	28 1610 25	BATTERY BRACKET	1	
15	39 0702 02	BOLT HEX. HEAD	5	
16	39 1826 12	SPRING WASHER	5	
17	39 0198 11	PLAIN WASHER	5	
18	CL 1610 36	BATTERY MOUNTING BRACKET	1	
19	39 0119 04	BOLT	4	
20	39 1828 12	SPRING WASHER	4	
21	39 0211 11	PLAIN WASHER	7	
22	39 0694 15	HEX LOCK NUT-M8 x 1.25	3	
23	28 2010 92	REGULATOR / RECTIFIER UNIT	1	NEW
24	39 1826 12	SPRING WASHER	1	
25	39 0748 01	SCREW PAN CROSS	2	
26	39 0198 11	PLAIN WASHER	2	
27	28 2010 87	BATTERY COVER	2	
28	28 1110 77	90 DEG. DRIVE HEAD OF STARTER MOTOR	1	

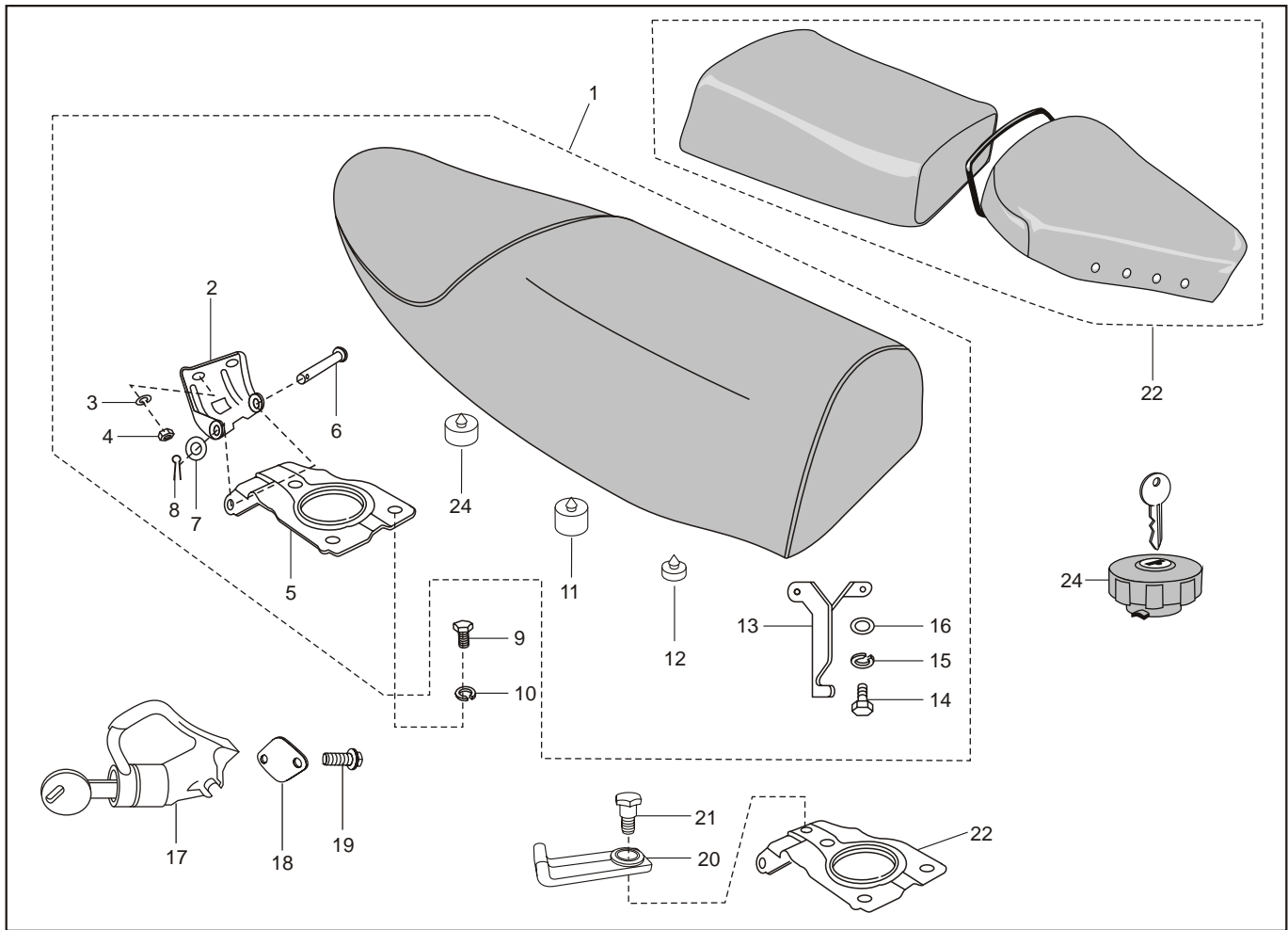


FIG. NO.	PART NO.	DESCRIPTION	QTY. PER VEH.	REMARKS
1	CL 2110 09	DUAL SEAT ASSLY.	1	
2	19 2110 86	HINGE BRACKET	2	2002 MODEL YEAR
3	39 0263 12	SPRING WASHER	4	
4	39 0292 15	HEX NUT	2	
5	CL 2110 22	HINGE BRACKET ASSLY FIXED	1	
6	15 2110 15	PIN	1	
7	39 0200 11	PLAIN WASHER	1	
8	39 0146 08	SPLIT PIN	1	
9	39 0390 04	HEX SCREW	3	
10	39 0265 12	SPRING WASHER	3	
11		DAMPER	2	30MM DIA. X 22MM H
12	28 2110 14	DAMPER	2	20MM DIA. X 9MM H
13	19 2110 70	HOOK	1	
14	39 0071 04	HEX BOLT	2	
15	39 0262 12	SPRING WASHER	2	
16	01 1106 09	PLAIN WASHER	2	
17	CH 2110 10	LOCKABLE HOOK	1	
18	28 1610 92	RUBBER PAD, LOCKABLE HOOK	1	
19	01 1605 09	HEX BOLT	2	
20	CL 2110 21	STAY	1	2003+ MODEL YEARS
21	39 2580 01	SHOULDER BOLT	1	2003+ MODEL YEARS
22	CL 2110 22	SEAT HINGE BRACKET	1	2003+ MODEL YEARS
22	36 0621 01	SPLIT SEAT KIT WITH MOUNTING PLATE	1	
23	06 1410 08	LOCKING FUEL CAP (OPTIONAL)	-	FOR USE WITH SPLIT SEATS
24	19 2110 90	DAMPER	2	30MM DIA. X 15MM H

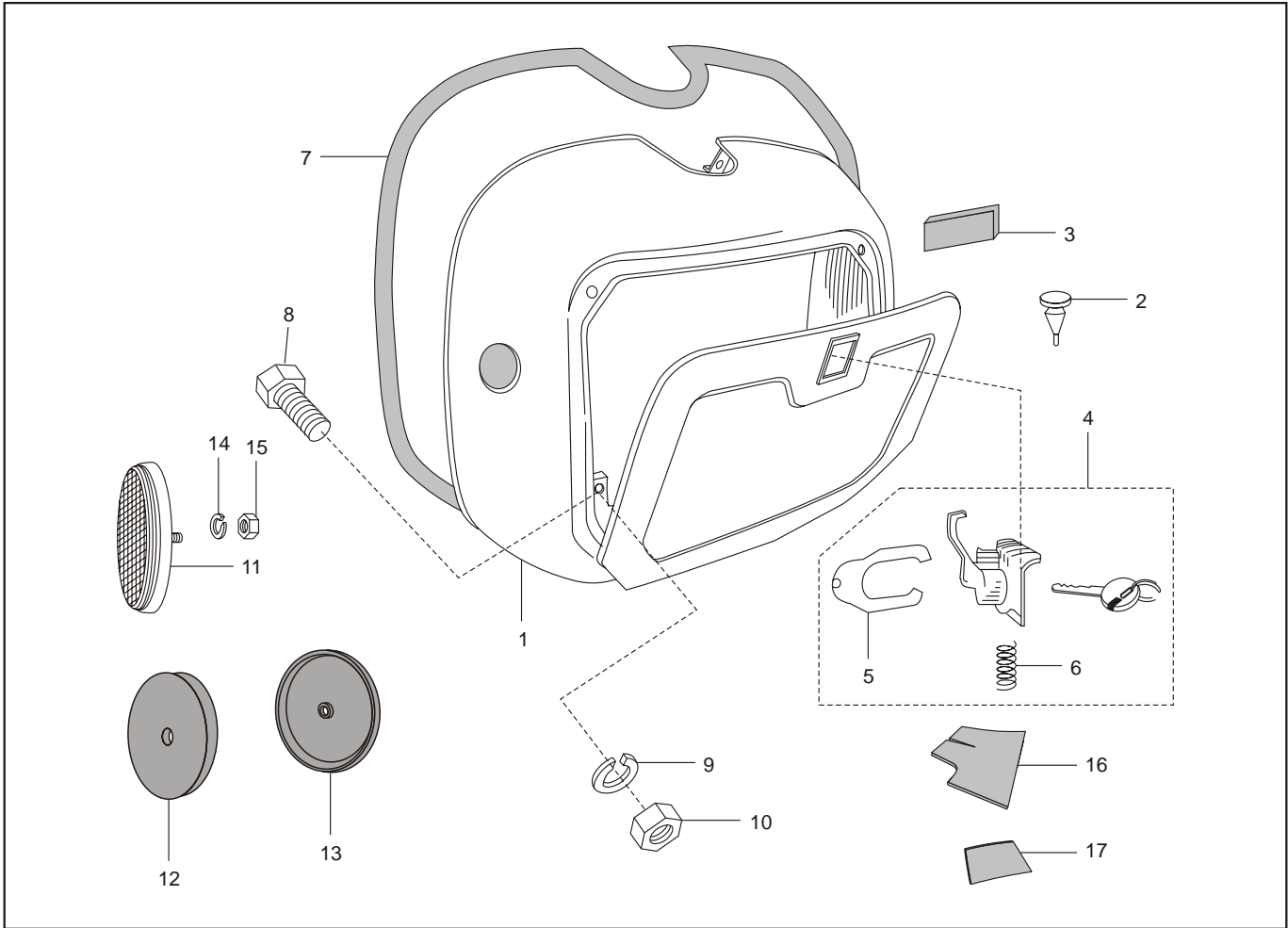


FIG. NO.	PART NO.	DESCRIPTION	QTY. PER VEH.	REMARKS
1	52 CL 8009	LUGGAGE BOX / DOOR	1	
2	06 2210 28	SHOCK PAD	2	
3	06 2210 48	FOAM STRIP	3	
4	CL 2210 29	LUGGAGE BOX LOCK COMP	1	
5	06 1607 12	HOLDING PLATE	1	
6	06 1607 13	SPRING FOR LOCK	1	
7	35 2210 03	BEADING FOR LUGGAGE BOX	1	
8	39 0505 04	HEX. BOLT	4	
9	39 1826 12	SPRING WASHER	4	
10	39 0292 15	HEX. NUT	4	
11	CF 2010 10	SIDE REFLEX REFLECTOR	2	
12	CL 2210 09	REFLEX REFLECTOR BASE FR LH	1	
13	CL 2210 10	REFLEX REFLECTOR BASE FR RH	1	
14		SPRING WASHER	2	
15		HEX NUT	2	
16	CL 2210 36	FOAM FOR TOOL KIT & JACK	1	
17	CL 2210 38	FOAM FOR TOOL KIT & JACK	1	

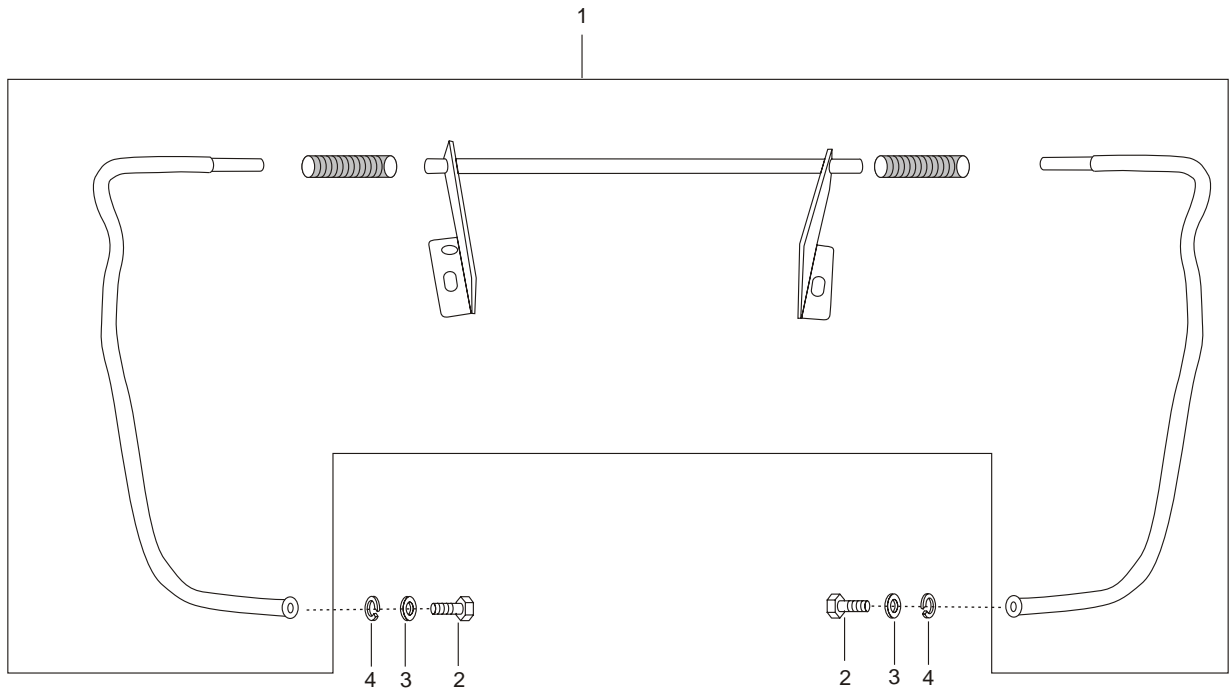


FIG. NO.	PART NO.	DESCRIPTION	QTY. PER VEH.	REMARKS
1	CL 2210 35	COWL GUARDS ASSLY COMP. (CHROMED)	1	
2	39 0119 04	BOLT	2	
3	39 0913 11	PLAIN WASHER	2	
4	39 0265 12	SPRING WASHER	2	

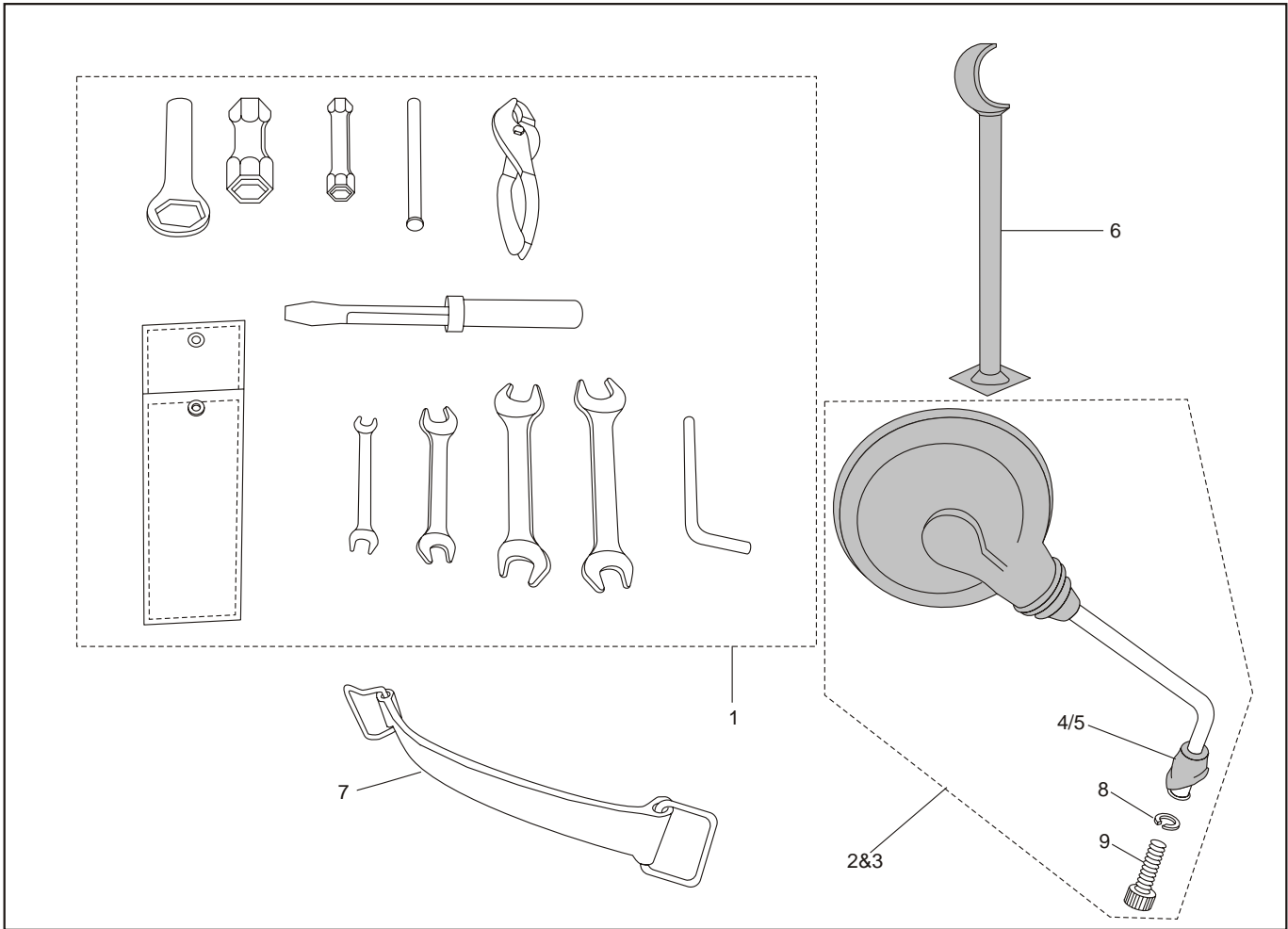


FIG. NO.	PART NO.	DESCRIPTION	QTY. PER VEH.	REMARKS
1	CL 2210 30	TOOL KIT	1	
*	*	TOOL BAG		
*	*	27MM BOX WRENCH		FOR VALVE ADJUSTER CAPS
*	*	10MM X 13MM TUBE/BOX WRENCH		FOR WHEEL RIM NUTS
*	*	21MM X 22MM TUBE/BOX WRENCH		FOR OIL STRAINER CAP / SPARK PLUG
*	*	TOMMY BAR		FOR TUBE WRENCHES
*	*	PLIERS		
*	*	SCREWDRIVER COMBO		FOR SLOTTED & PHILLIPS SCREWS
*	*	7MM X 8MM OPEN END WRENCH		
*	*	10MM X 11MM OPEN END WRENCH		
*	*	13MM X 14MM OPEN END WRENCH		
*	*	13MM X 17MM OPEN END WRENCH		
*	*	6MM ALLEN WRENCH		FOR MIRROR BOLTS
2	CL 2210 17	MIRROR ASSLY. RH.	1	
3	CL 2210 16	MIRROR ASSLY. LH	1	
NI	CL 2210 15	MIRROR SET, WITH BOLTS & WASHERS	1	
4	CL 2210 40	BOOT LH.	1	
5	CL 2210 41	BOOT RH.	1	
6	CL 2210 34	JACK	1	
7	DH 2110 06	RUBBER STRAP, TOOL KIT HOLDER	1	
8	39 0265 12	LOCK WASHER	2	
9	SHCSM8X20	ALLEN HEAD CAP SCREW	2	

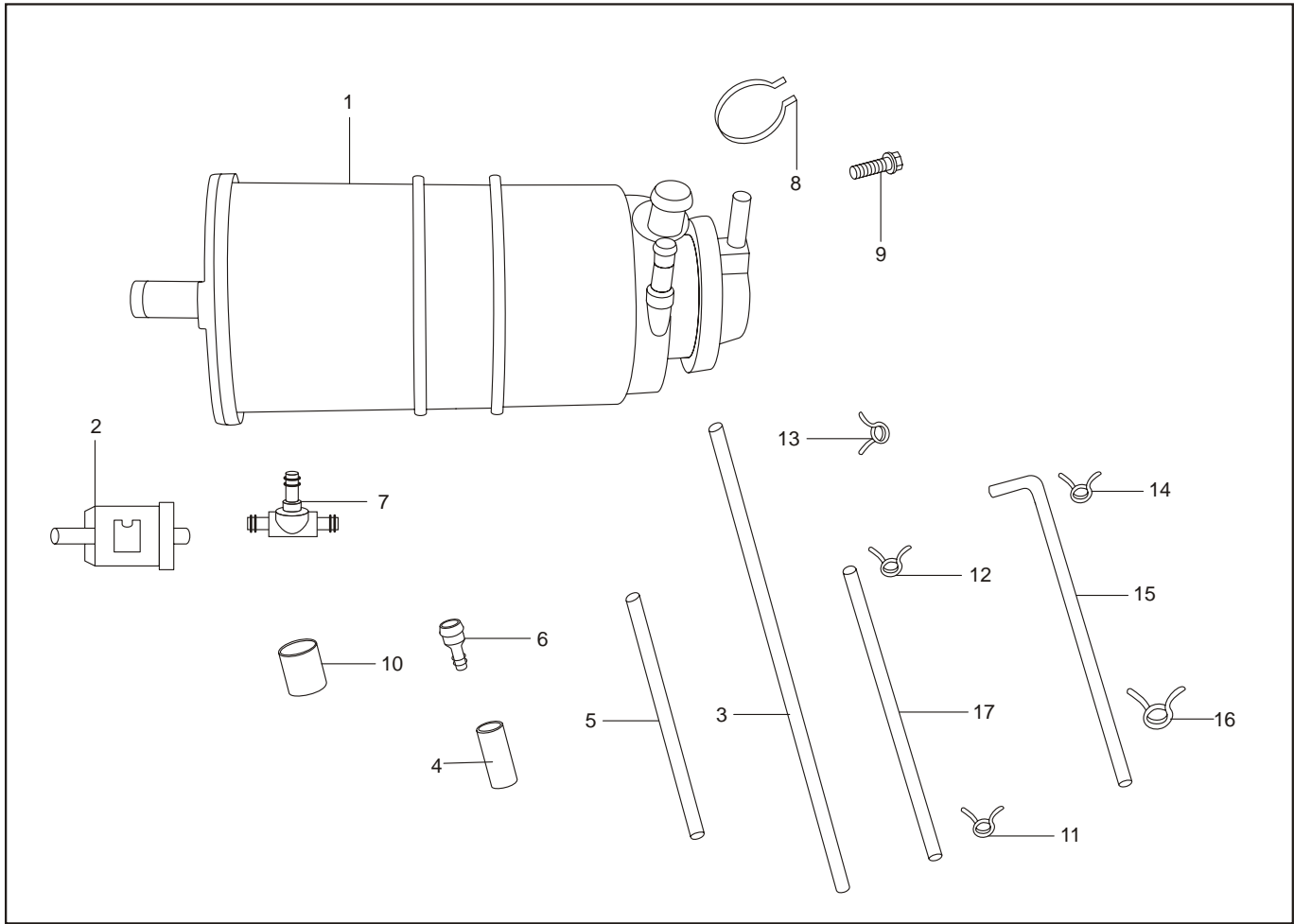
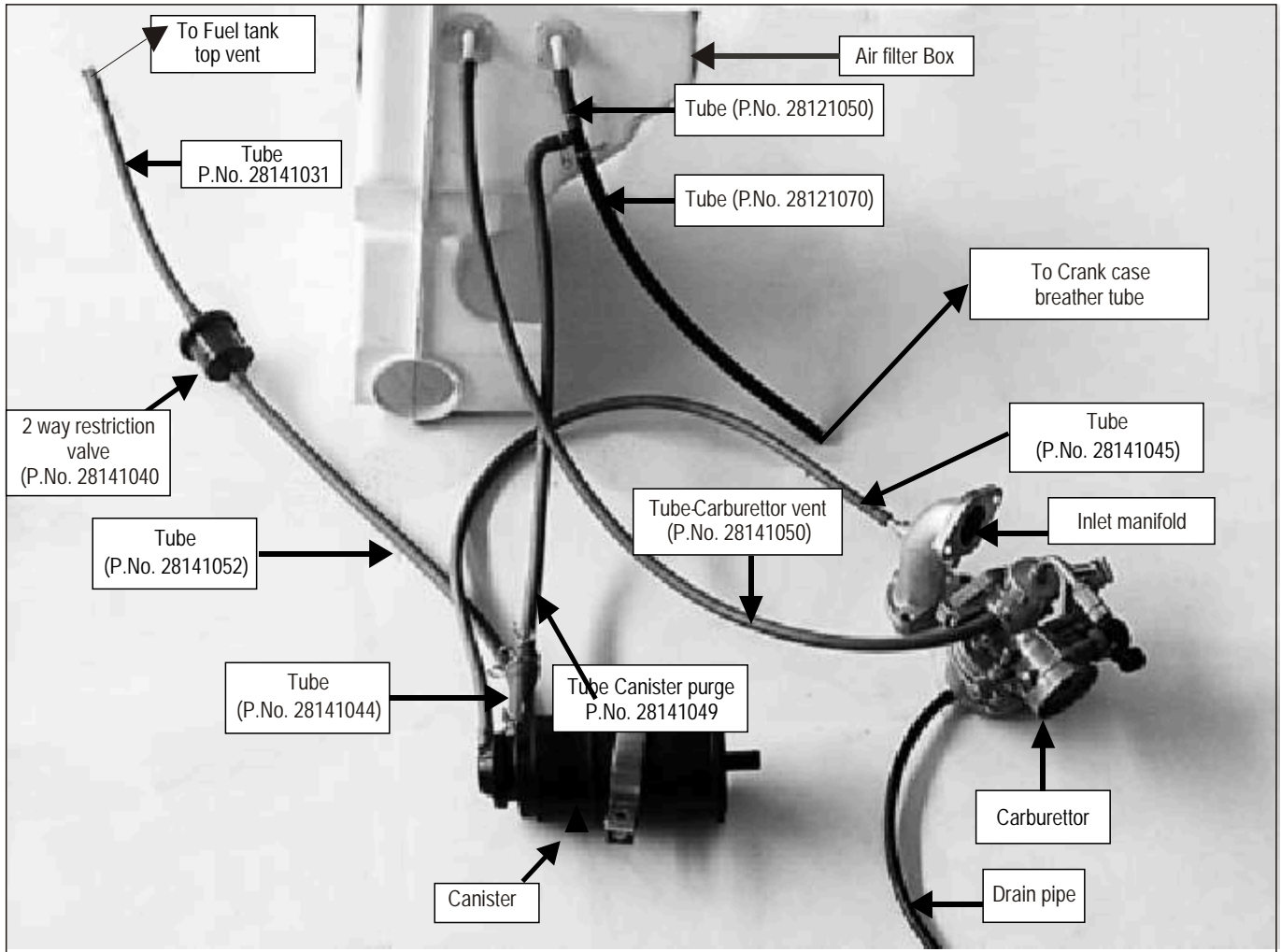
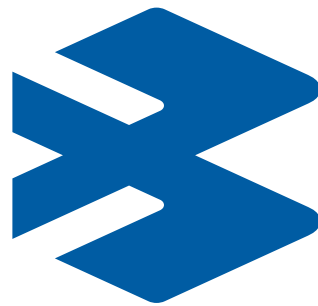


FIG. NO.	PART NO.	DESCRIPTION	QTY. PER VEH.	REMARKS
1	28 1410 41	CHARCOAL CANISTER	1	FOR EVAPORATIVE EMISSION SYSTEM
2	28 1410 40	RESTRICTION VALVE	1	
3	28 1410 50	TUBE VI (O.D. 7.5 MM, LENGTH - 550 MM)	1	
4	28 1410 44	TUBE III (O.D. 13 MM, LENGTH - 60 MM)	1	
5	28 1410 45	TUBE IV (O.D. 7.5 MM, LENGTH - 525 MM)	1	
6	28 1210 69	CONNECTOR	2	
7	DG 1210 57	"T" FITTING	2	
8	28 1611 82	STRAP FOR CANISTER	1	
9	39 2062 04	BOLT FLANGED SMALL	1	FOR CANISTER MOUNTING
10	28 1611 76	STRAP FOR R/O VALVE	1	
11	BA 1220 03	SPRING CLIP - (DIA. 10)	6	
12	34 1410 16	SPRING CLIP - (DIA. 9)	7	
13	BA 1021 47	SPRING CLIP - (DIA. 11)	1	
14	30 1210 18	SPRING CLIP - (DIA. 8)	3	
15	28 1410 49	TUBE V (O.D. - 8.5 MM, H.L. - 310 MM & V.L. - 25 MM)	1	
16	28 1011 74	SPRING CLIP - (DIA. 14MM)	2	NOT ILLUSTRATED
17	28 1410 52	TUBE VII (L-350mm, O.D.- 4.5mm)	3	

EMISSION EVAPORATIVE SYSTEM FITTED ON CHETAK 4S USA



**“ Genuine bajaj spares ensure
Optimum performance and longer life
of the vehicle.”**



BAJAJ