

Spare Parts Catalogue

Legend

USA



MODEL NO.: 00300728

NOTICE

The description and illustrations in this catalogue are not to be taken as binding on the manufacturer. The essential features of the type described and illustrated herein remaining unaltered, BAJAJ AUTO LIMITED reserve the right to carry out at any moment, without being obliged to bring this catalogue up-to-date, modifications on the vehicle, parts or accessories, as may be convenient and necessary.

Copying, quoting or reproducing any part of this catalogue without the written permission of BAJAJ AUTO LIMITED, is expressly prohibited.

DOC. NO.: 36 0202 46

REV NO.: 00, OCT '02

FOREWORD

We have pleasure in presenting the spare parts catalogue for Legend. This catalogue has been specially designed to assist you in selecting the correct part to maintain your vehicle in the best running condition.

The bajaj spares are subjected to the stringent quality control standards to ensure longer life of the vehicle. It is therefore necessary that only the genuine bajaj spares are used.

In a continual effort to improve performance and efficiency of the vehicle, specifications, diagrams, illustrations and part numbers can change without notice. Consequently, the description in this Spare Parts Catalogue cannot therefore be final and binding on us.

The modifications/alterations which are carried out after the issue of this catalogue, will be conveyed to you through our service circulars. You are requested to make necessary corrections in the parts catalogue as per the circulars so as to keep your catalogue up-to-date. This will ensure the appropriate and speedy delivery of the spare parts as the order placed will bear the latest part numbers.

In case, if you need any technical assistance contact our nearest authorised dealer or write to us on the following address :

**Bajaj Auto Ltd.,
Exports Dept.
Akurdi, Pune - 411 035.**

PHONE : 0091-20-7472851, FAX : 0091-20-7407395

INSTRUCTIONS FOR USING THE CATALOGUE :

1. **How to read the catalogue :** Open the catalogue and from the pictorial index locate the group in which the part you want to find is present. Turn over to the concerned page number (as given by pictorial index). Now find out the figure of the part you wish to order. Jot down the part number against that particular figure number from the text.

In case, if you have the part number and you need the other details, the part index can be used. The part index (at the end of the catalogue) will give you the figure and page number of the part you wish to order.

2. **How to order spare parts :** The part number and the description of the part required should be invariably mentioned in the order as per the catalogue text.

The latest part number as conveyed through our service circulars should only appear on the order. In case of ordering coloured components, colour code of the components should be mentioned.

The quantity shown against the part number is the quantity per vehicle for that group so that particular quantity should be multiplied by the number of sets required.

3. **Part number system:** We have used 8 digit system for part numbers. The model or hardware item is indicated by first two digits or alphanumeric, the next two or four digits indicate main group and the last four or two digits indicate serial number in main group or serial number or subgroup of fastener respectively.. Thus the part numbers will be indicated by 2-2-4 or 2-4-2 digit system. Understanding this system will enable you to identify the spare parts easily.

4. **Abbreviations :** The following abbreviations are used in this catalogue.

assly.	Assembly	V	Volts
N.I.	Not illustrated	W	Watts
C'case	Crankcase	accl.	Accelerator
Cyl	Cylinder	Comp.	Complete
o/s.	Over size	Fr	Front
Std.	Standard	L	Length
A/t.	Alternate	Rr	Rear
R.H.	Right hand	Hex.	Hexagonal
L.H.	Left hand	AR	As required

PICTORIAL INDEX

Legend

PLATE NO. : 1

PAGE NO.:

ENGINE AND CRANKCASE (CLUTCH SIDE)

1

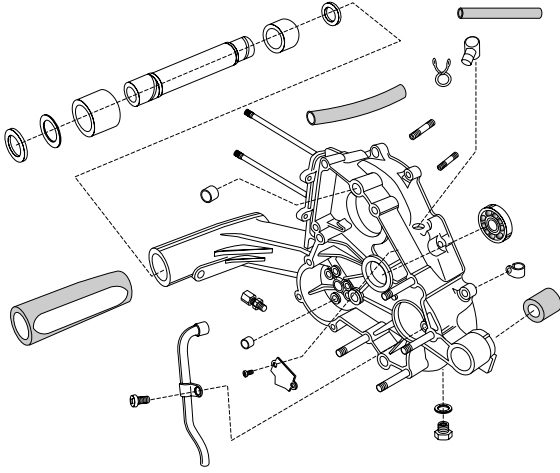


PLATE NO. : 3

PAGE NO.:

CRANKCASE COVER ASSLY.

3

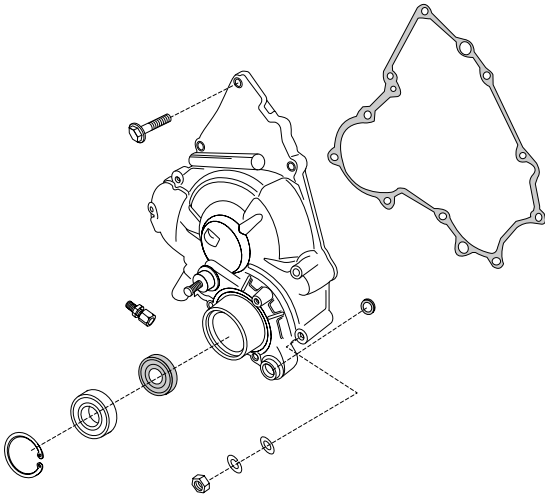


PLATE NO. : 5

PAGE NO.:

CRANK SHAFT ASSLY.

5

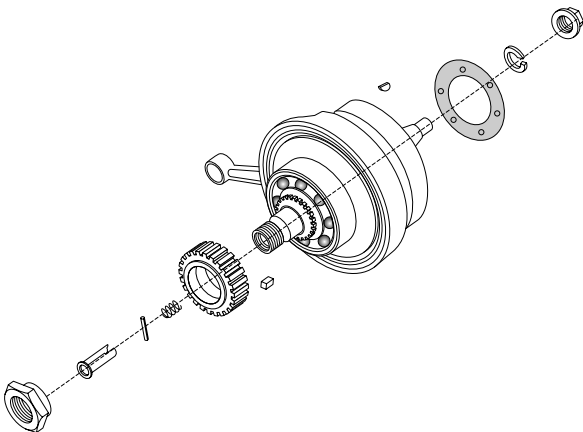


PLATE NO. : 2

PAGE NO.:

CRANKCASE MAGNETO SIDE

2

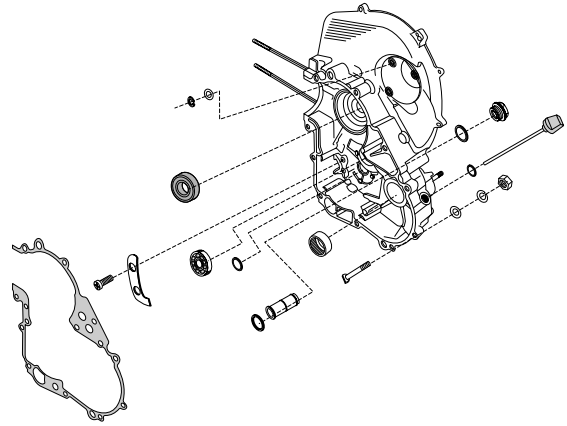


PLATE NO. : 4

PAGE NO.:

CYLINDER PISTON ASSLY.

4

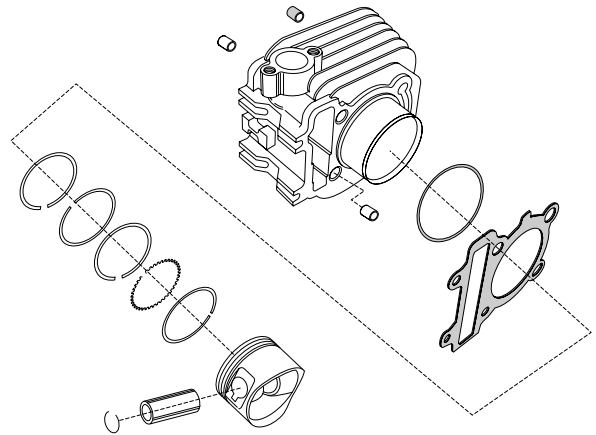


PLATE NO. : 6

PAGE NO.:

CYLINDER HEAD

6

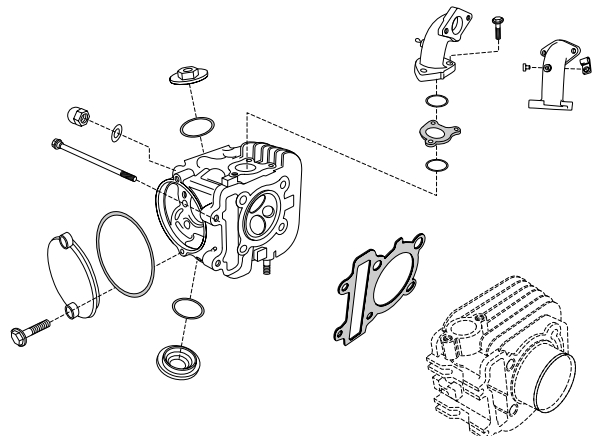


PLATE NO. : 7

PAGE NO.:

VALVE

7

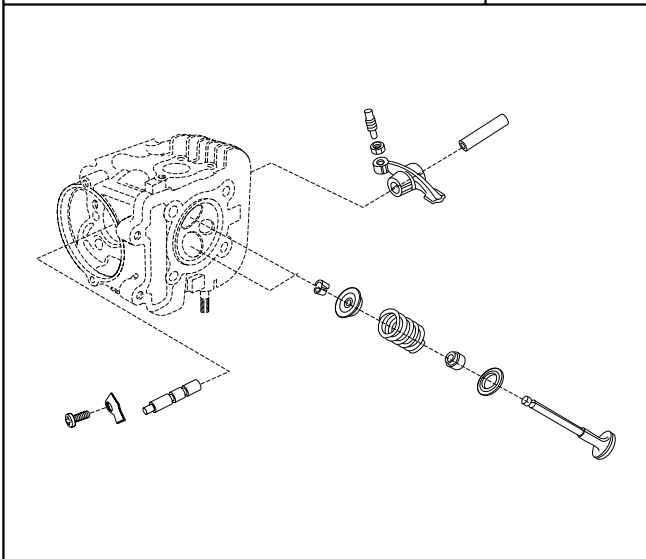


PLATE NO. : 9

PAGE NO.:

CLUTCH PLATE ASSLY.

9

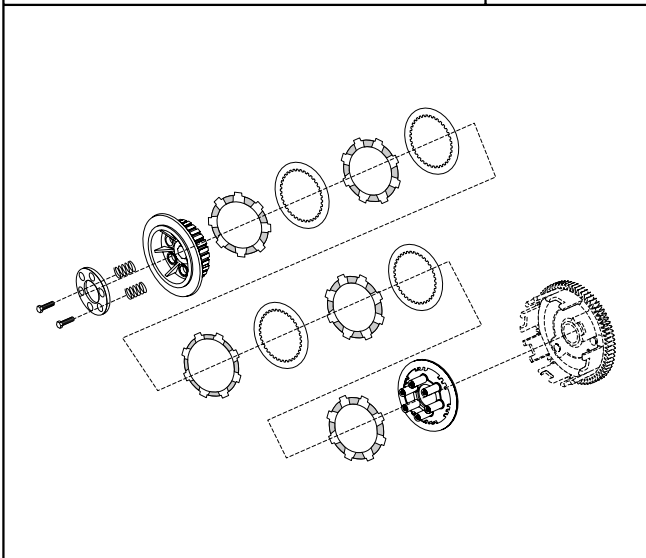


PLATE NO. : 11

PAGE NO.:

CLUTCH LEVER ASSLY.

11

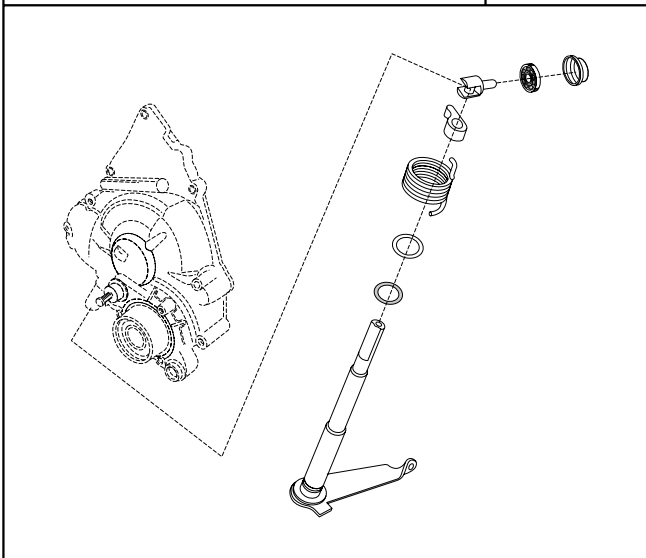


PLATE NO. : 8

PAGE NO.:

CAMSHAFT AND CHAIN TENSIONER

8

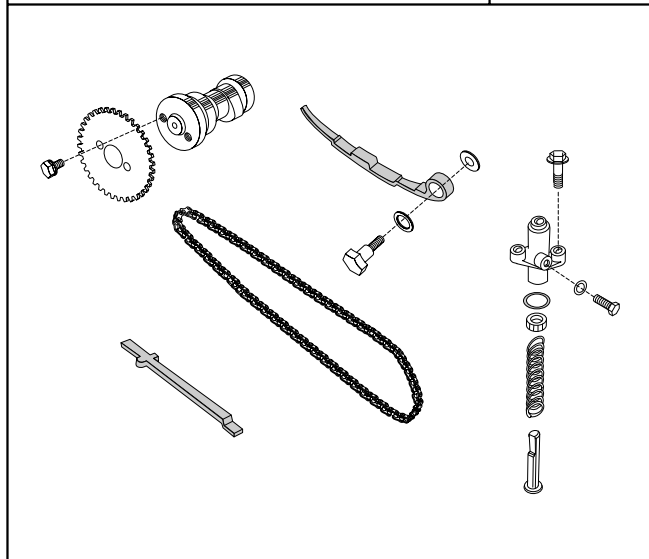


PLATE NO. : 10

PAGE NO.:

CLUTCH HOUSING COMP.

10

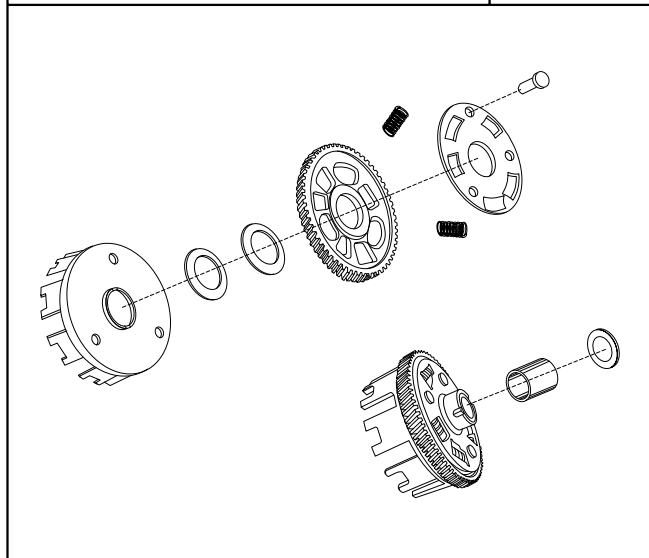
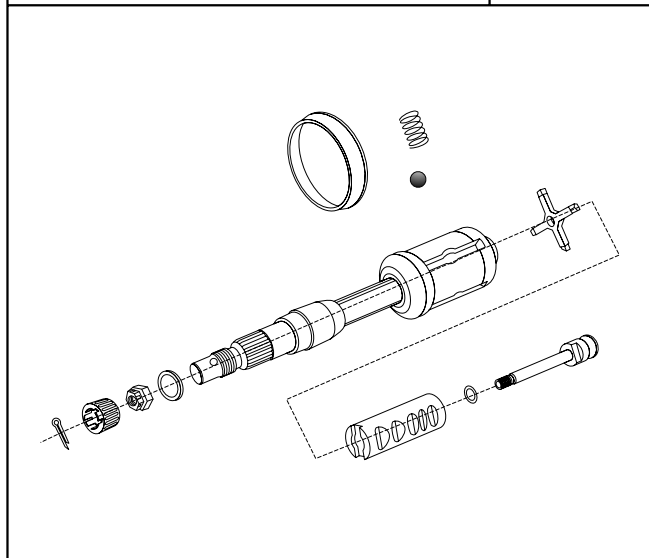


PLATE NO. : 12

PAGE NO.:

MAIN SHAFT

12



PICTORIAL INDEX

Legend

PLATE NO. : 13

PAGE NO.:

GEAR TRANSMISSION

13

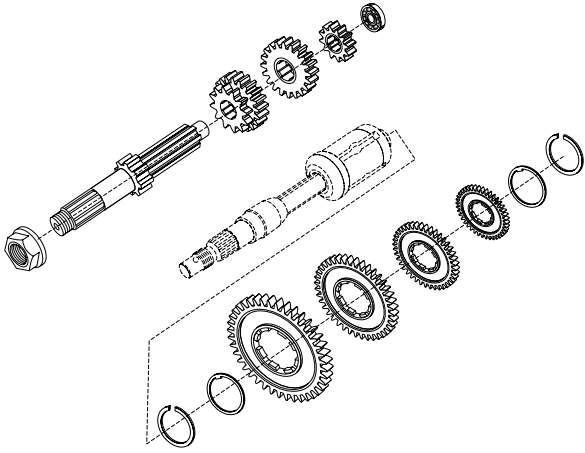


PLATE NO. : 15

PAGE NO.:

KICK SHAFT ASSLY.

15

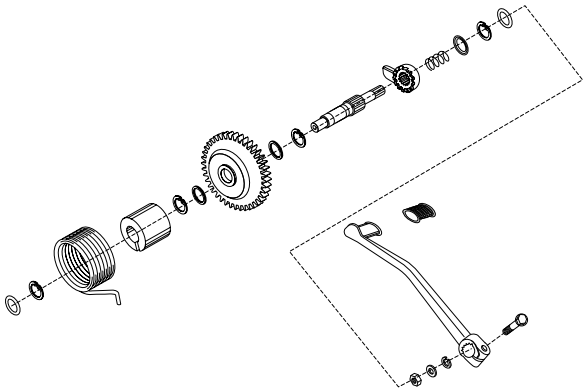


PLATE NO. : 17

PAGE NO.:

MAGNETO ASSLY.

17

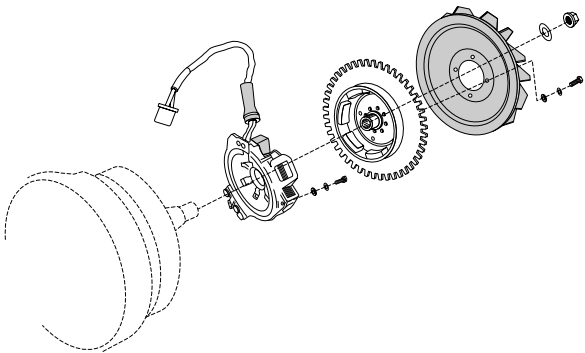


PLATE NO. : 14

PAGE NO.:

GEAR SHIFTER ASSLY.

14

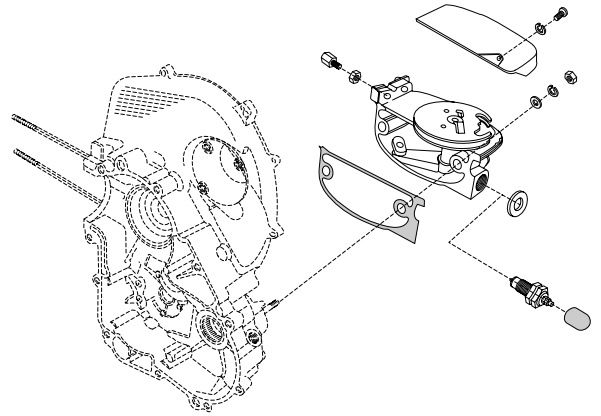


PLATE NO. : 16

PAGE NO.:

COWLINGS & SILENCER ASSLY.

16

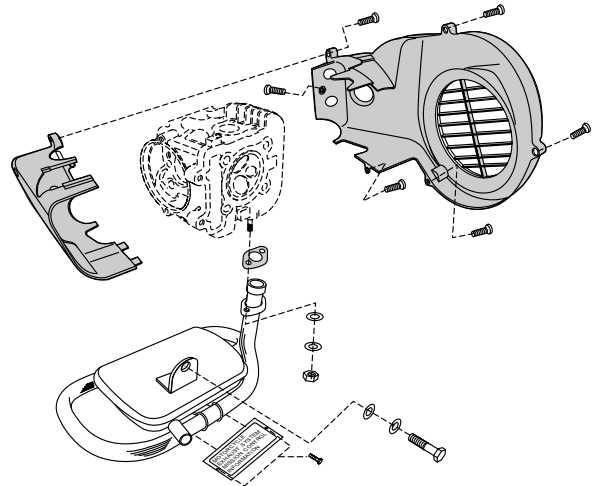
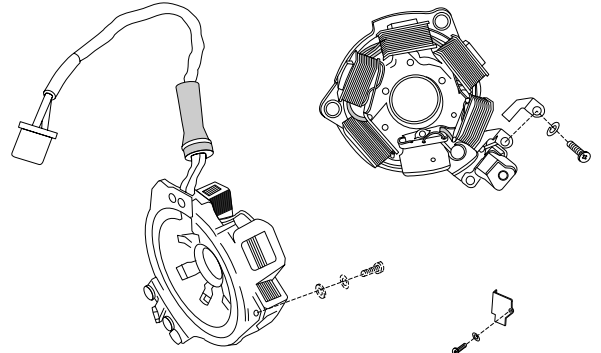


PLATE NO. : 18

PAGE NO.:

STATOR ASSLY.

18



PICTORIAL INDEX

Legend

PLATE NO. : 19

PAGE NO.:

SPARK PLUG AND H.T. COIL

19

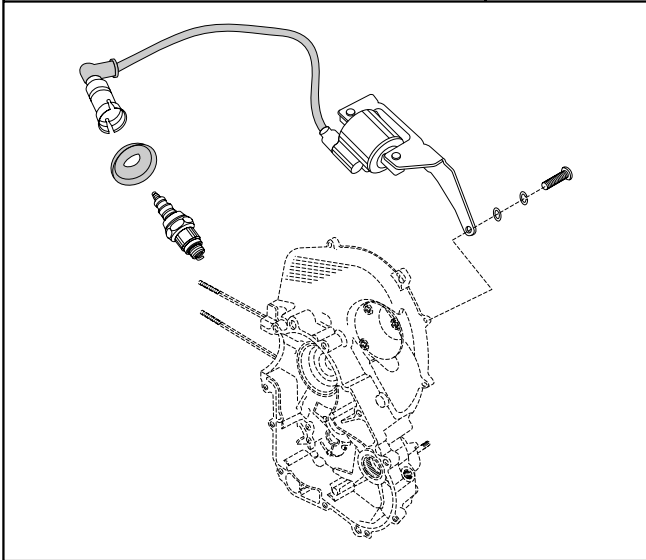


PLATE NO. : 21

PAGE NO.:

AIR FILTER ASSLY.

21

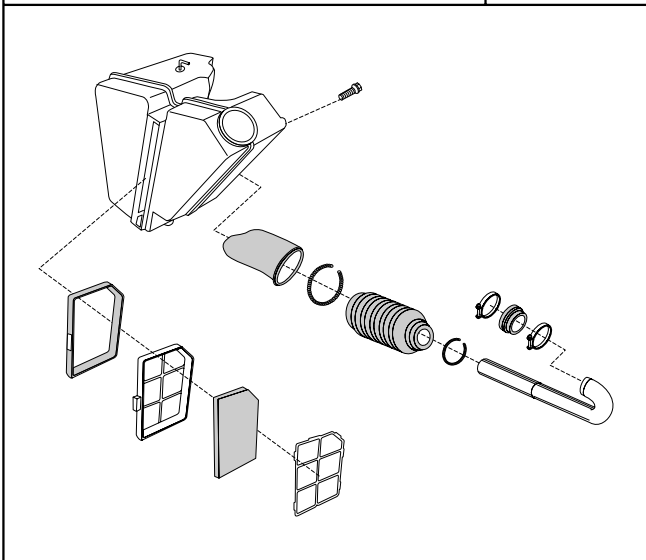


PLATE NO. : 23

PAGE NO.:

PETROL TANK ASSLY.

23

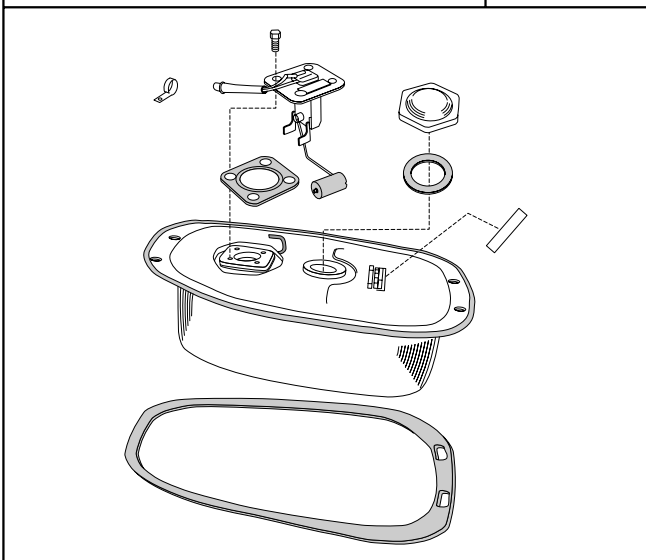


PLATE NO. : 20

PAGE NO.:

CARBURETTOR

20

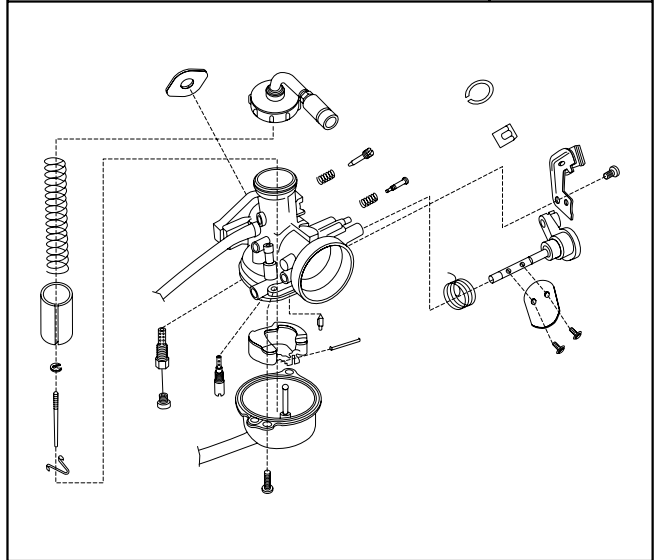


PLATE NO. : 22

PAGE NO.:

PUMP ASSLY. OIL

22

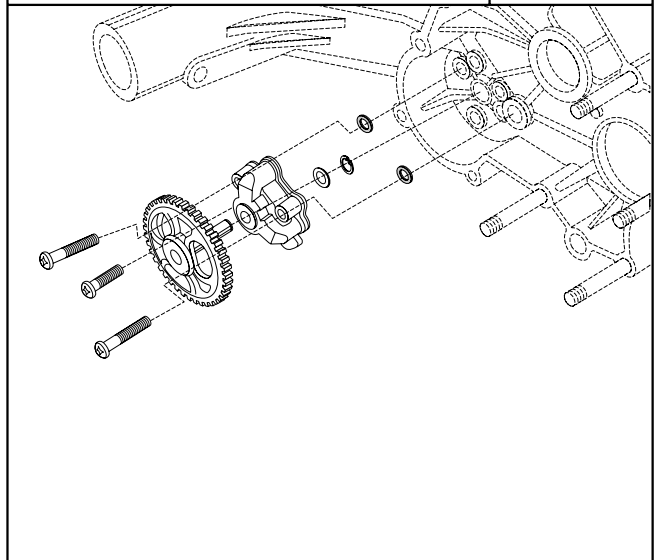
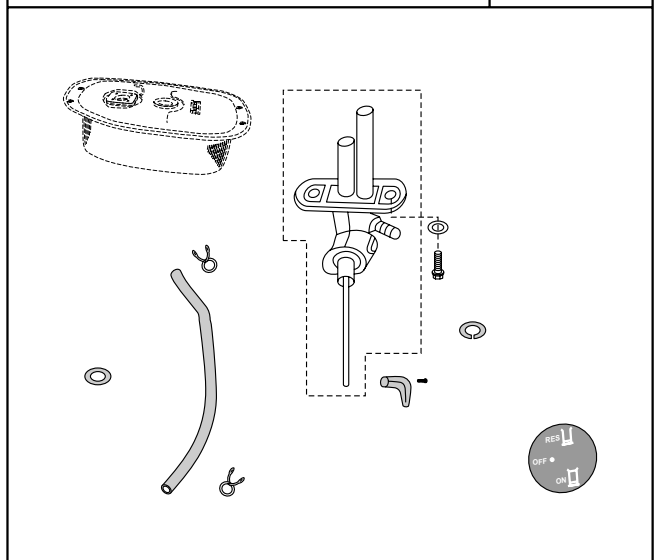


PLATE NO. : 24

PAGE NO.:

FUEL COCK ASSLY.

24



PICTORIAL INDEX

Legend

PLATE NO. : 25

PAGE NO.:

FRONT BRAKE DRUM ASSLY.

25

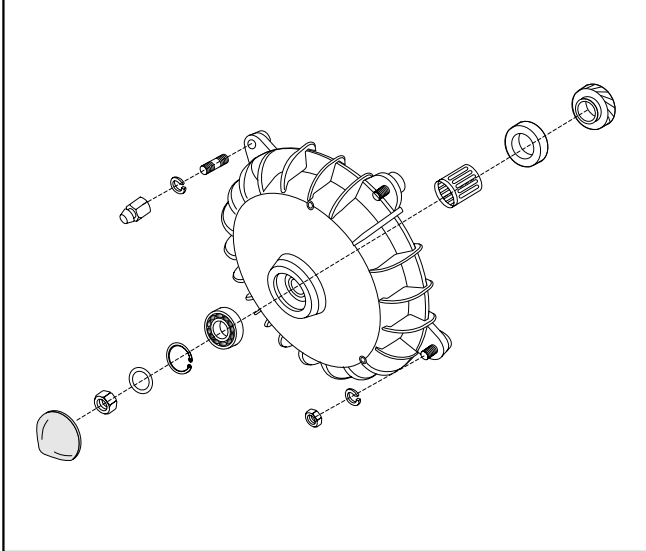


PLATE NO. : 27

PAGE NO.:

REAR BRAKE DRUM ASSLY.

27

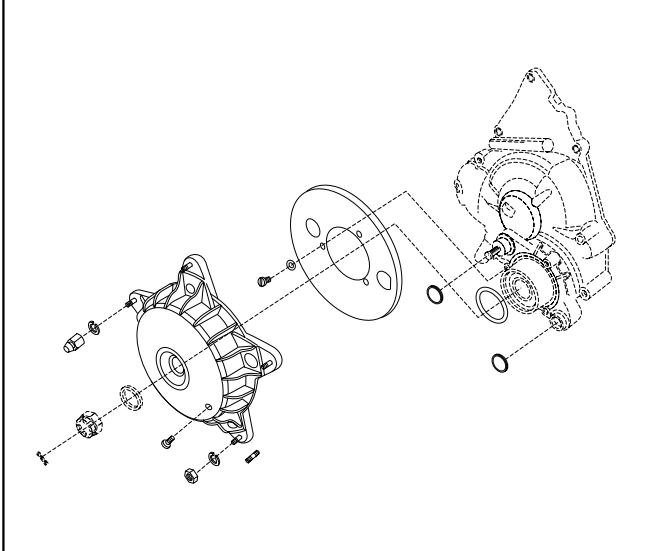


PLATE NO. : 29

PAGE NO.:

REAR BRAKE PEDAL ASSLY.

29

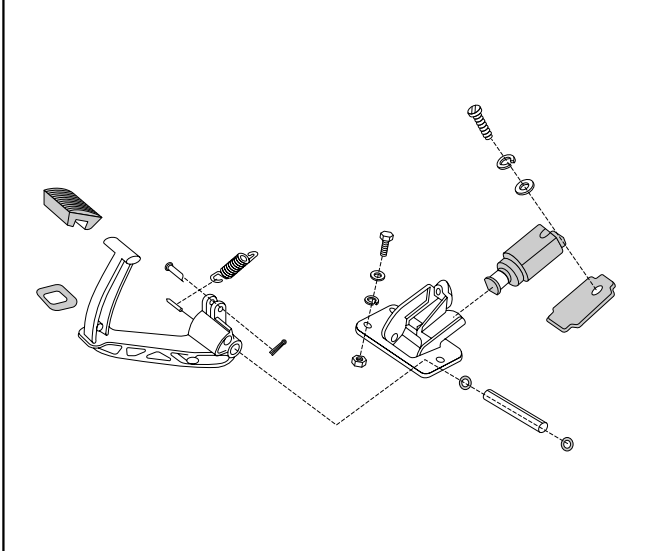


PLATE NO. : 26

PAGE NO.:

FRONT BRAKE ASSLY.

26

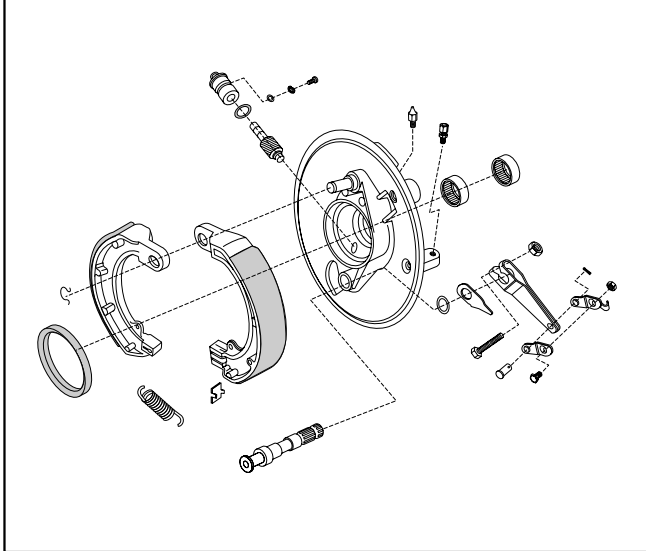


PLATE NO. : 28

PAGE NO.:

REAR BRAKE ASSLY.

28

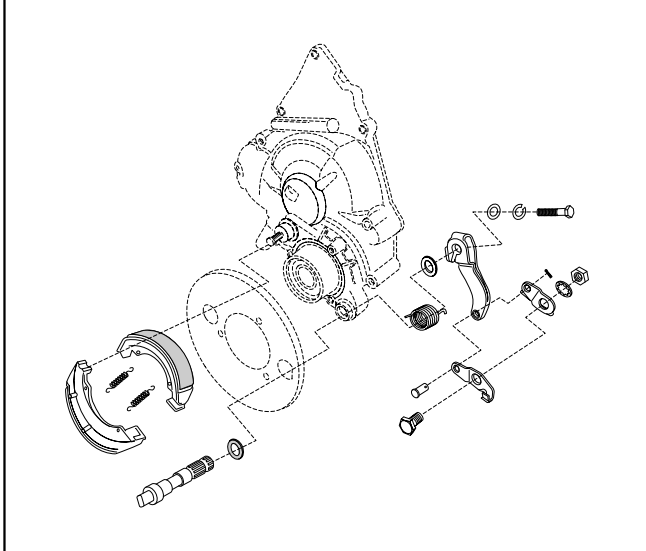


PLATE NO. : 30

PAGE NO.:

WHEEL RIM / COVERS / SPARE WHEEL

30

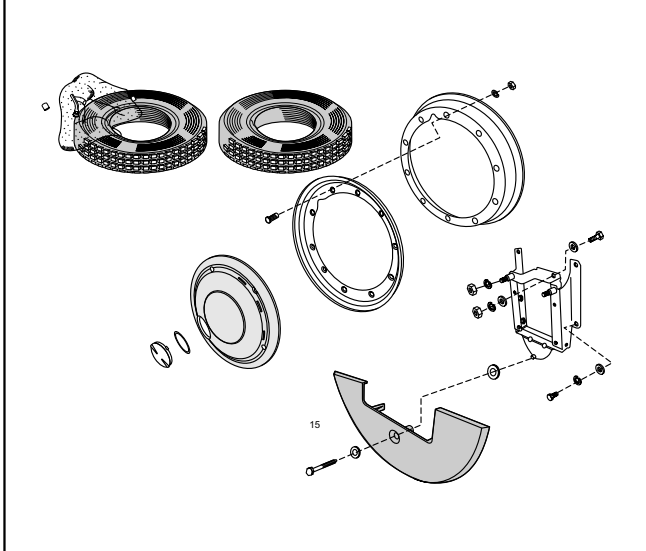


PLATE NO. : 31

PAGE NO.:

CHASSIS AND GROMMETS

31

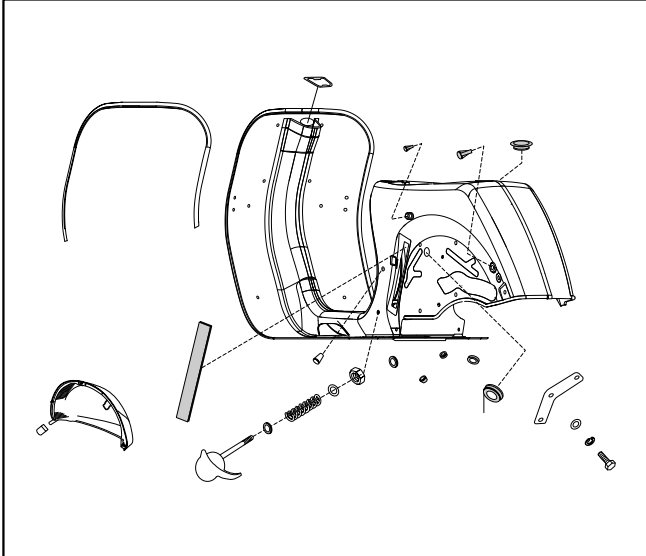


PLATE NO. : 33

PAGE NO.:

GRAB HANDLE ASSLY.

33

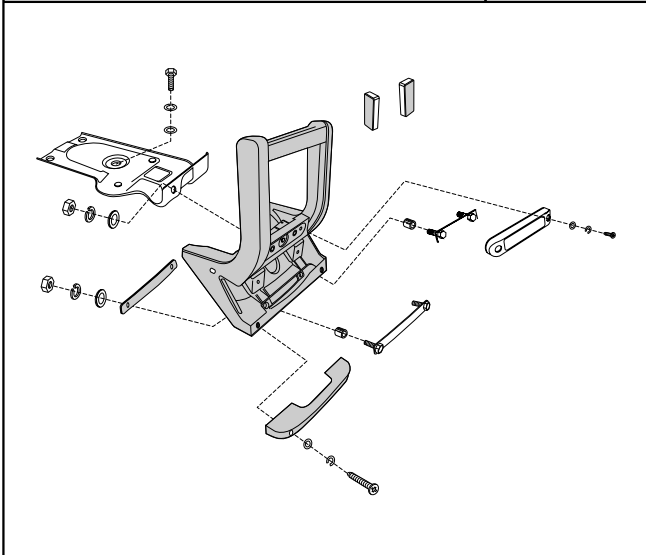


PLATE NO. : 35

PAGE NO.:

STAND / MATTINGS

35

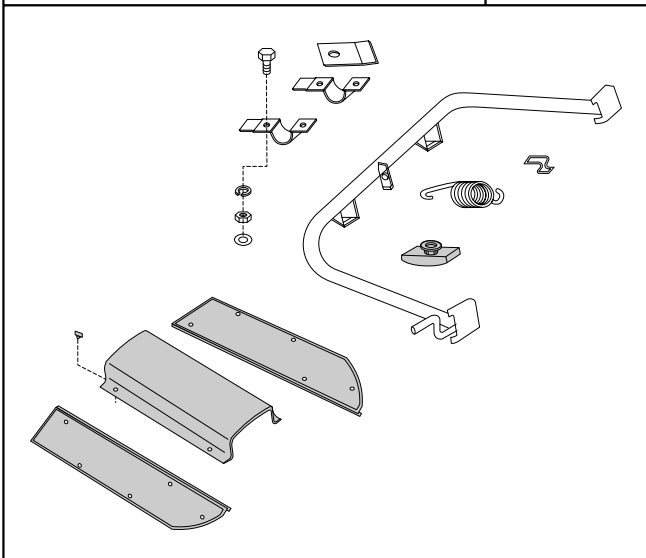


PLATE NO. : 32

PAGE NO.:

NOSE ASSLY.

32

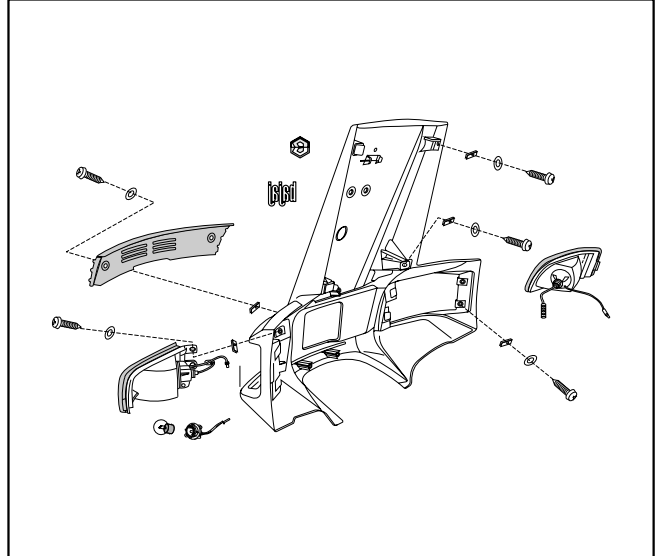


PLATE NO. : 34

PAGE NO.:

MUDGUARD/BONNETS/REAR NO. PLATE/
TAIL PIECE

34

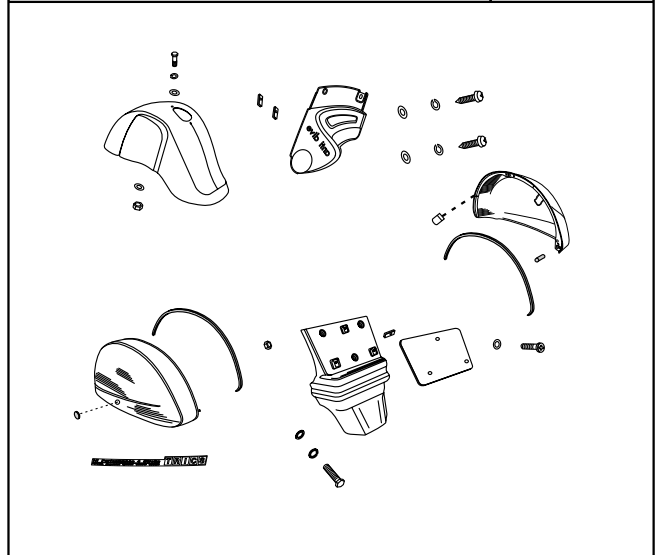
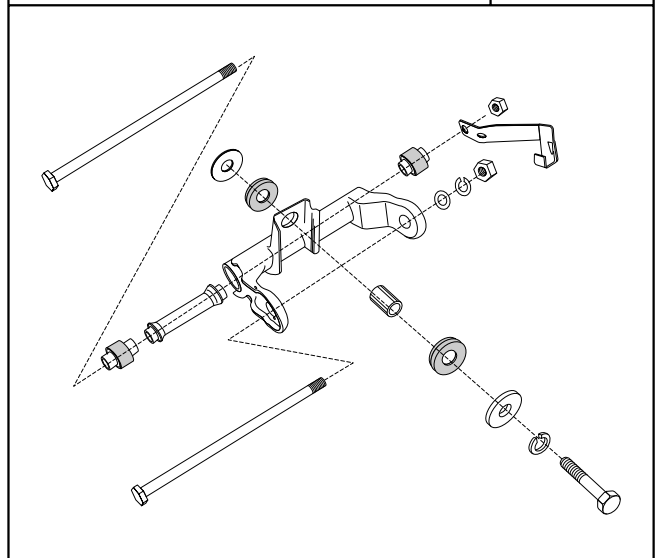


PLATE NO. : 36

PAGE NO.:

ENGINE LINK ASSLY.

36



PICTORIAL INDEX

Legend

PLATE NO. : 37
FRONT HUB ASSLY. /
FRONT SHOCK ABSORBER

PAGE NO.:
37

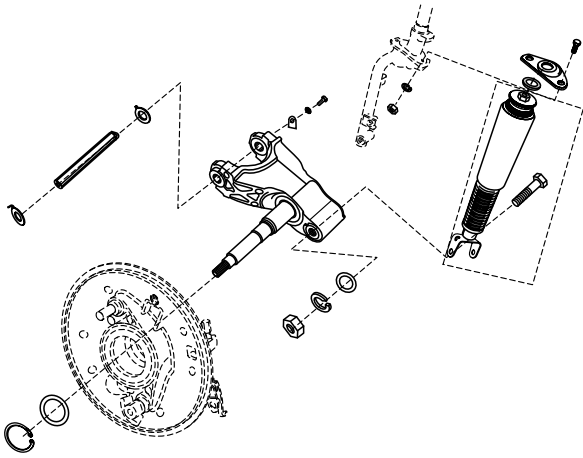


PLATE NO. : 39
REAR SHOCK ABSORBER

PAGE NO.:
39

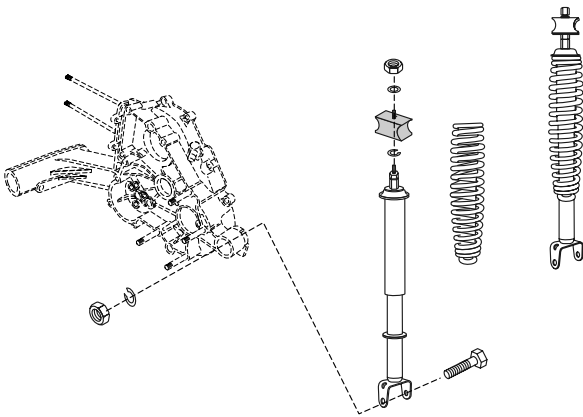


PLATE NO. : 41
HANDLE BAR / COVERS

PAGE NO.:
41

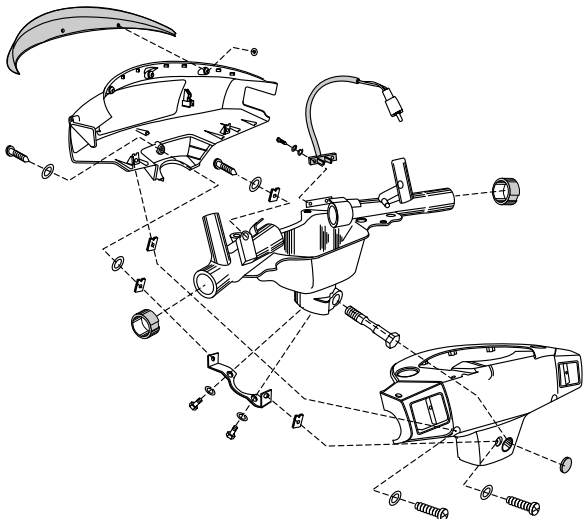


PLATE NO. : 38
ANTIDIVE LINK ASSLY.

PAGE NO.:
38

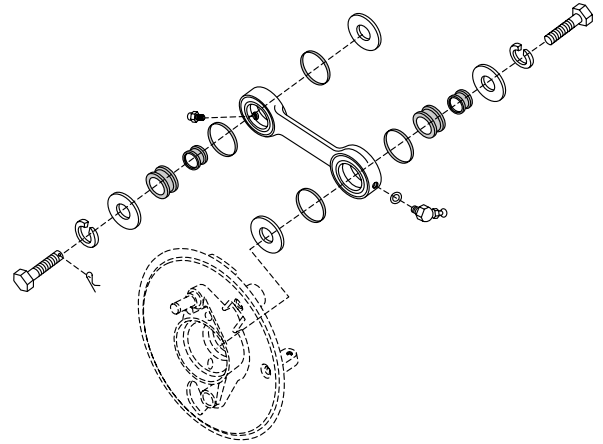


PLATE NO. : 40
STEERING COLUMN ASSLY.

PAGE NO.:
40

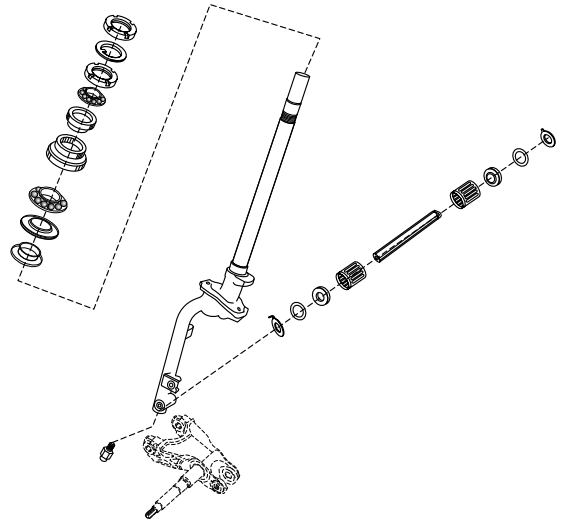


PLATE NO. : 42
HANDLE BAR CONTROLS

PAGE NO.:
42

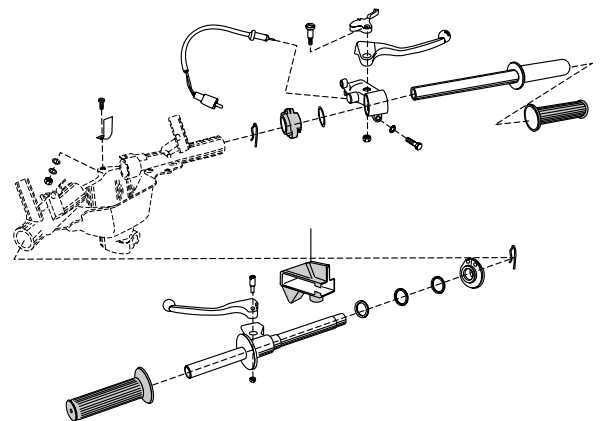


PLATE NO. : 43

PAGE NO.:

CONTROL CABLES

43

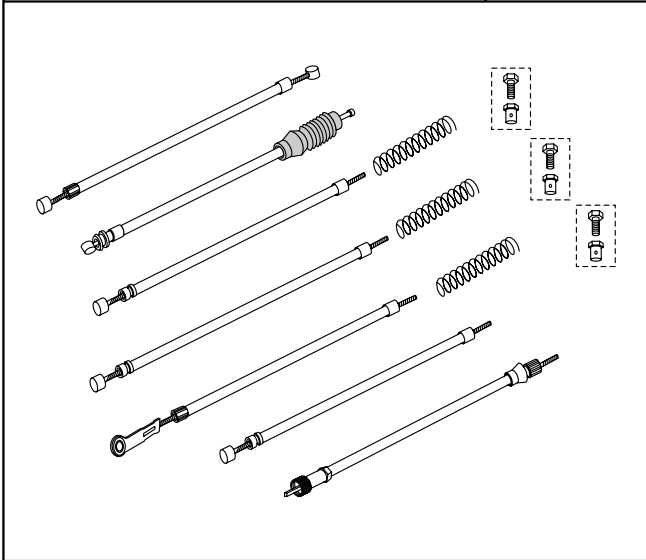


PLATE NO. : 45

PAGE NO.:

HEAD LAMP / INSTRUMENT PANEL

45

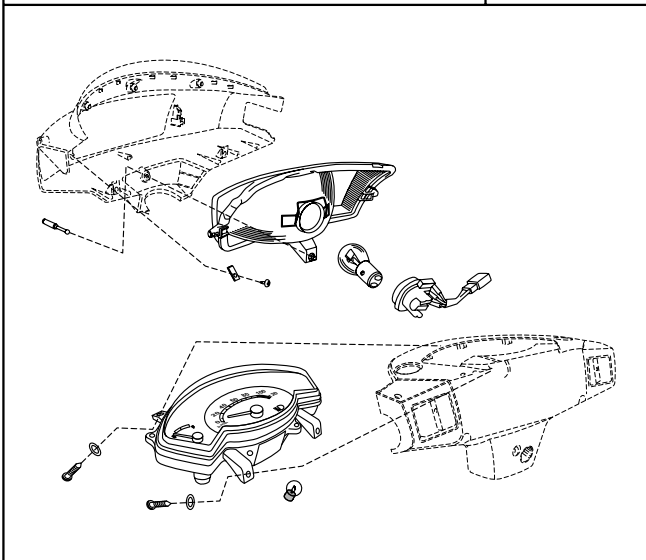


PLATE NO. : 47

PAGE NO.:

ELECTRICALS

47

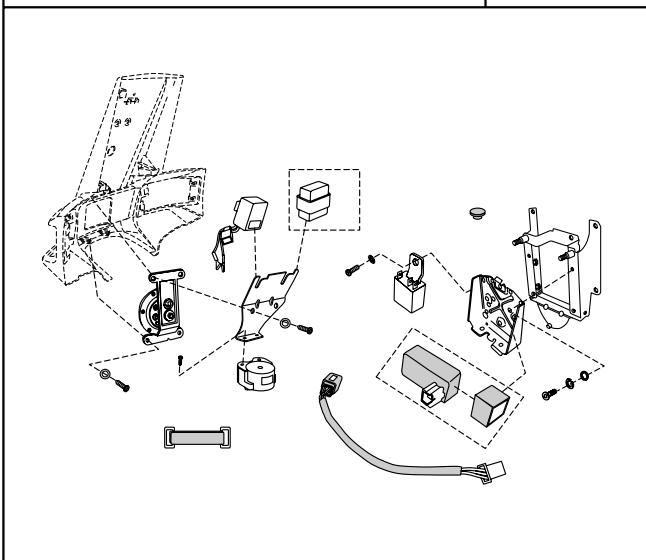


PLATE NO. : 44

PAGE NO.:

STEERING LOCK

44

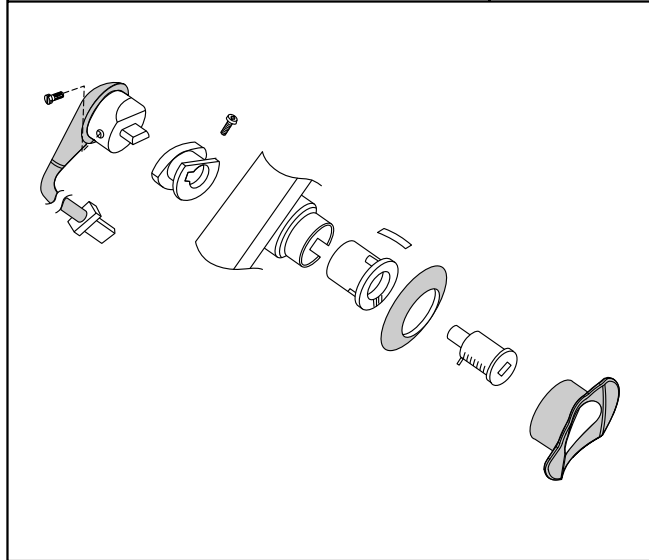


PLATE NO. : 46

PAGE NO.:

TAIL LAMP SWITCHES

46

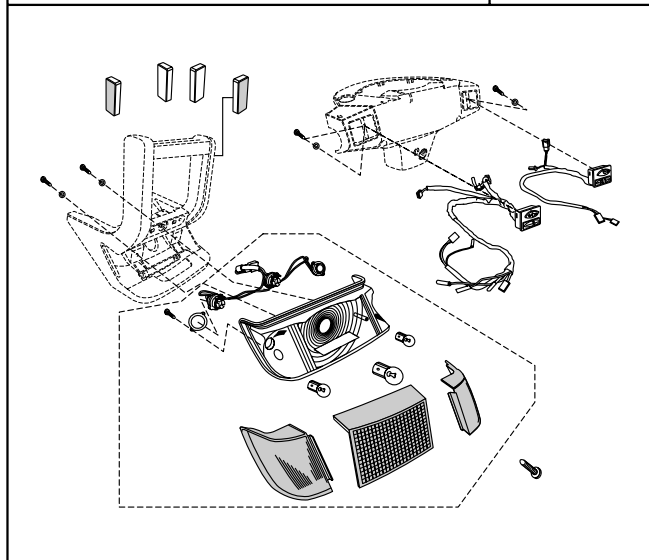
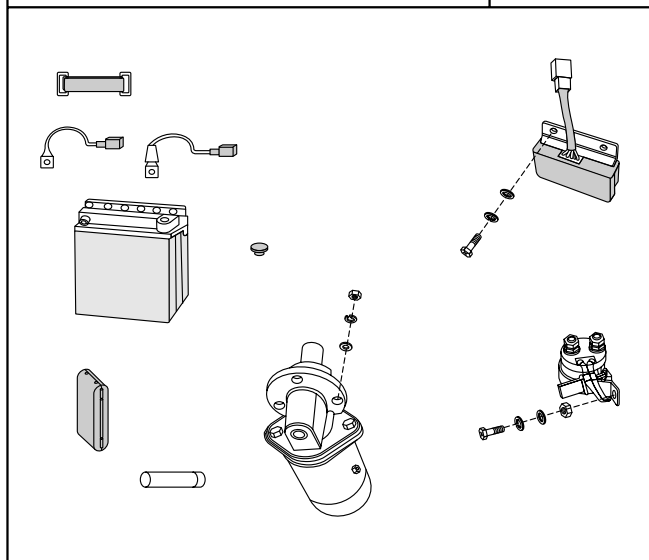


PLATE NO. : 48

PAGE NO.:

ELECTRICAL EQUIPMENTS
(FOR SELF START VEHICLE)

48



PICTORIAL INDEX

Legend

PLATE NO. : 49

PAGE NO.:

LUGGAGE BOX

49

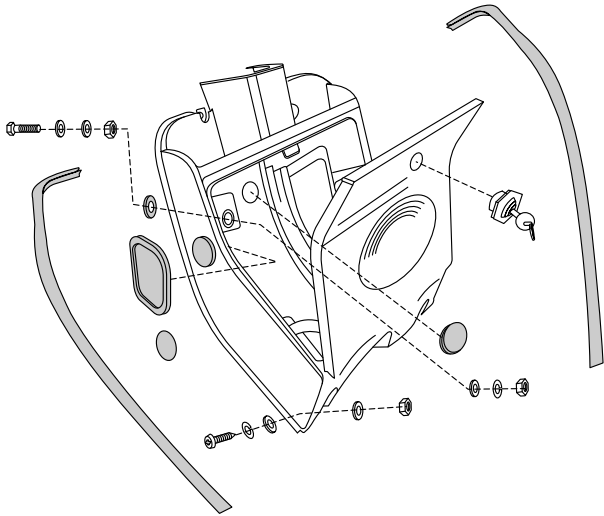


PLATE NO. : 51

PAGE NO.:

LUGGAGE HOOK / EMISSION LABELS.

51

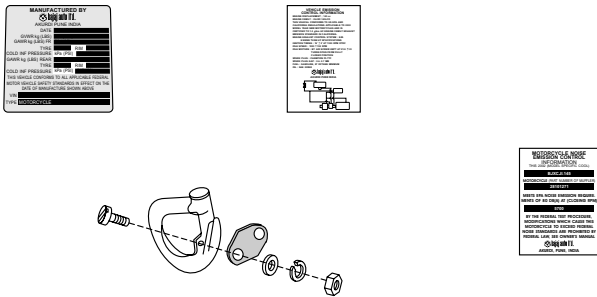


PLATE NO. : 53

PAGE NO.:

ALL ROUND FOOT REST

53

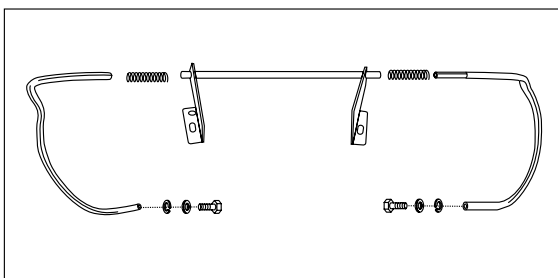


PLATE NO. : 50

PAGE NO.:

DUAL SEAT ASSLY.

50

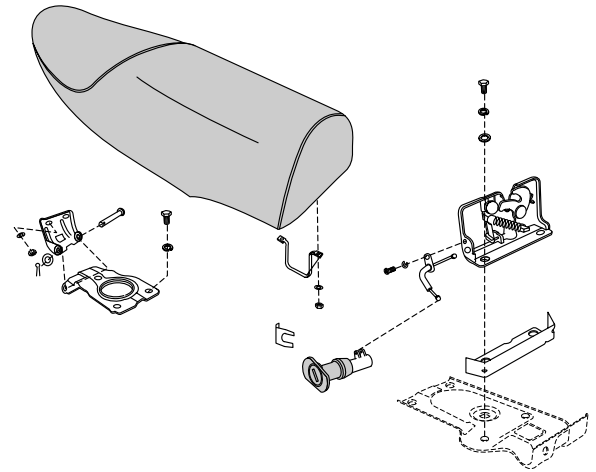


PLATE NO. : 52

PAGE NO.:

MIRROR / TOOL KIT

52

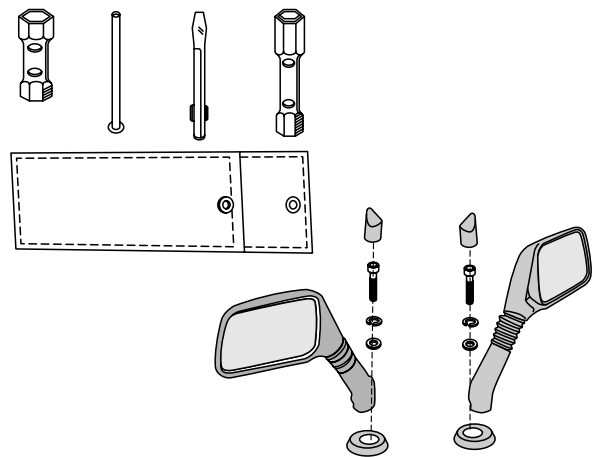
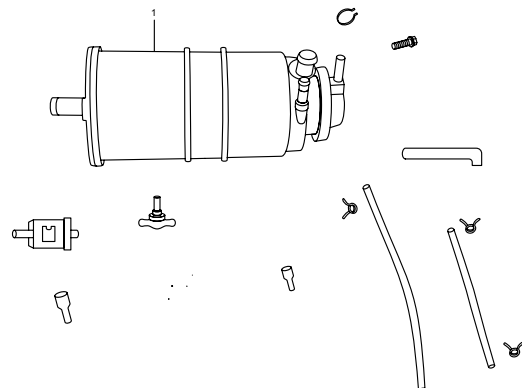


PLATE NO. : 54

PAGE NO.:

CANISTER KIT

54



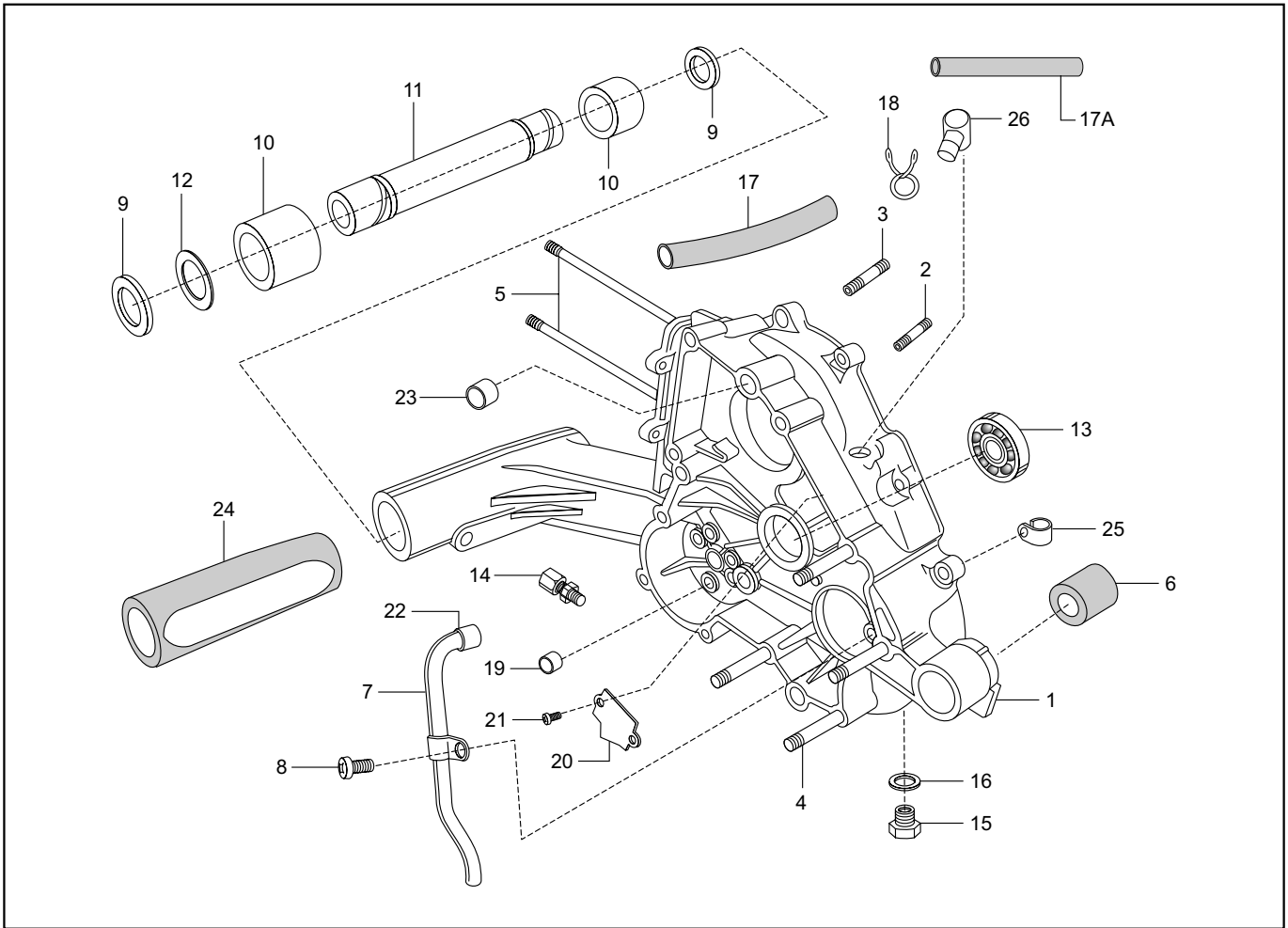


FIG. NO.	PART NO.	DESCRIPTION	QTY. PER VEH.	REMARKS
1	28101183	CRANKCASE ASSY COMPLETE	1	CRANK CASE LH & RH FOR SELF START
2	39165405	STUDM7	2	FOR JOINING CRANKCASE
3	39165805	STUDM7	1	FOR JOINING CRANKCASE
4	39165305	STUDM7	4	FOR CRANK CASE COVER
5	39165205	STUDM8	2	FOR CYLINDER
6	28101146	BUSH ASSY	1	FOR REAR SHOCK ABSORBER MOUNTING
7	28101115	TUBE ASSY	1	OIL TUBE
8	39074601	SCREW PAN CROSSM6	1	
9	28101168	COLLAR (INNER BUSH)	2	
10	28101006	OUTER BUSH	2	
11	28101005	INNER BUSH	1	
12	28101180	SHIM	1	
13	01170111	BALL BEARING	1	SHAFT INTERMEDIATE
14	35 1910 28	ADJUSTER WITH NUT	1	FOR CLUTCH CABLE
15	28101141	OIL PLUG	1	
16	39179611	PLAIN WASHER	1	
17	28101257	ASSEMBLY TUBE I	1	
17A	28121070	ASSEMBLY TUBE II	1	
18	03140101	CLIP	1	
19	39099906	HOLLOW DOWEL PIN	1	FOR OIL PUMP
20	28101012	BAFFLE	1	
21	39141402	C.RAISED CH HD SCREW	2	
22	28101080	RUBBER BUSH	1	
23	24130103	HOLLOW DOWEL	4	ON CRANK CASE
24	28101145	ARM COVER	1	
25	28101173	CLAMP BREATHER PIPE	1	
26	28101092	BREATHER PIPE	1	
NI	28101267	ENGINE ASSEMBLY COMPLETE USA	1	SELF START / NOT ILLUSTRATED

(Consist of all parts on plate no.1 to plate no.19, plate no.22, fig.no. 1, 2,6,7,8,11 on plate number 27)

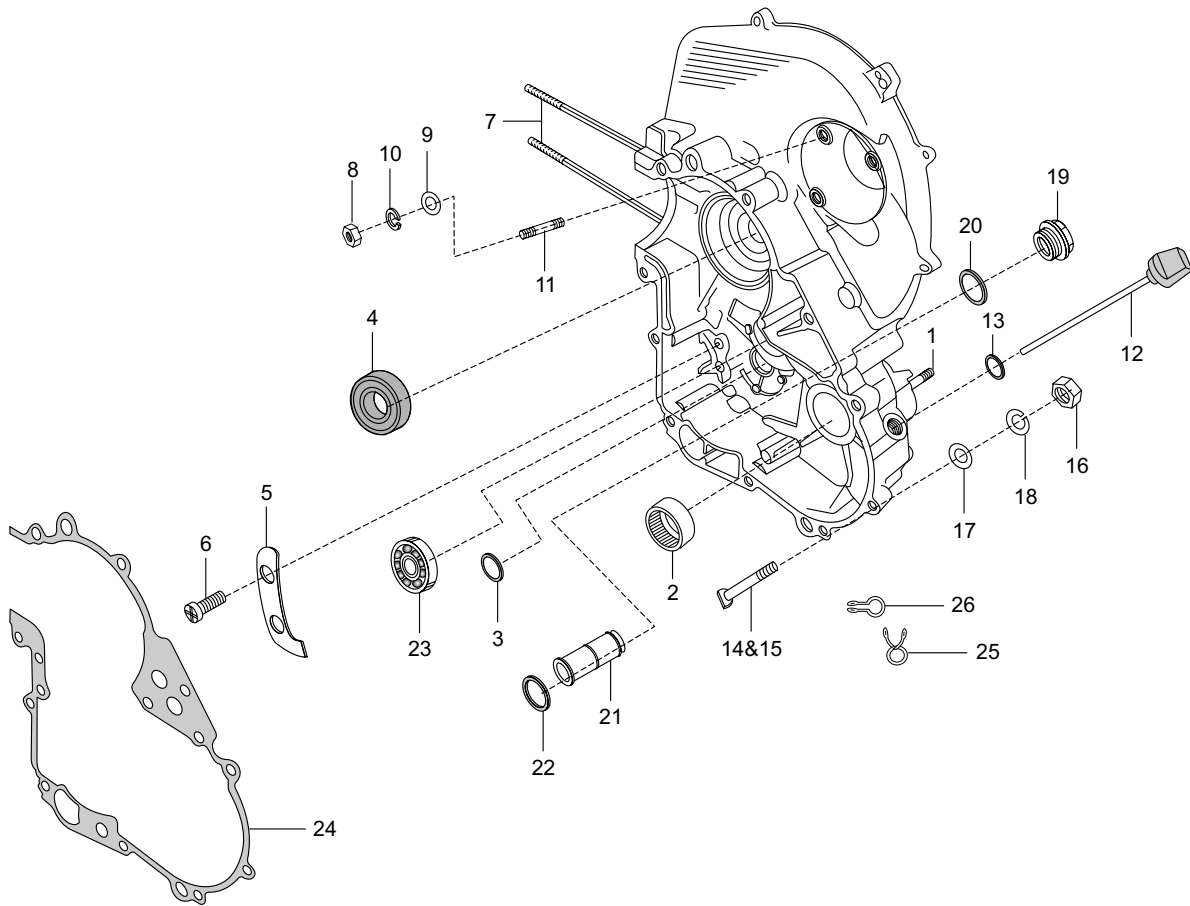


FIG. NO.	PART NO.	DESCRIPTION	QTY. PER VEH.	REMARKS
1	39165805	STUD-M7	2	FOR GEAR SHIFTER
2	03100335	NEEDLE ROLLER BEARING	1	FOR MAIN SHAFT
3	39213319	"O" RING	1	
4	39126519	OIL SEAL	1	
5	28101109	GUIDE KICK	1	
6	39089204	SCREW PAN CROS-M6	2	
7	39165205	STUD-M8	2	FOR CYLINDER
8	39069415	NUT	3	
9	39020011	PLAIN WASHER	3	
10	39026512	SPRING WASHER	3	
11	23170704	STUD	3	FOR STARTER MOTOR MOUNTING
12	28101014	CAP OIL FILLER	1	
13	39101321	"O" RING	1	
14	39044404	"D" BOLT"(Long)	2	
15	39133804	"D" BOLT"(Short)	5	
16	39029315	HEXAGON NUT-M7X1	10	
17	39019911	PLAIN WASHER	10	
18	39026412	SPRING WASHER	10	
19	28101022	CAP STRAINER	1	
20	39165721	"O" RING	1	
21	28101089	OIL STRAINER	1	
22	39157421	"O" RING	1	
23	01170110	BALL BEARING	1	FOR SHAFT INTERMEDIATE
24	28101048	GASKET (CRANKCASE)	1	
25	BA122003	PIPE CLIP	7	
26	03140101	CLIP	3	

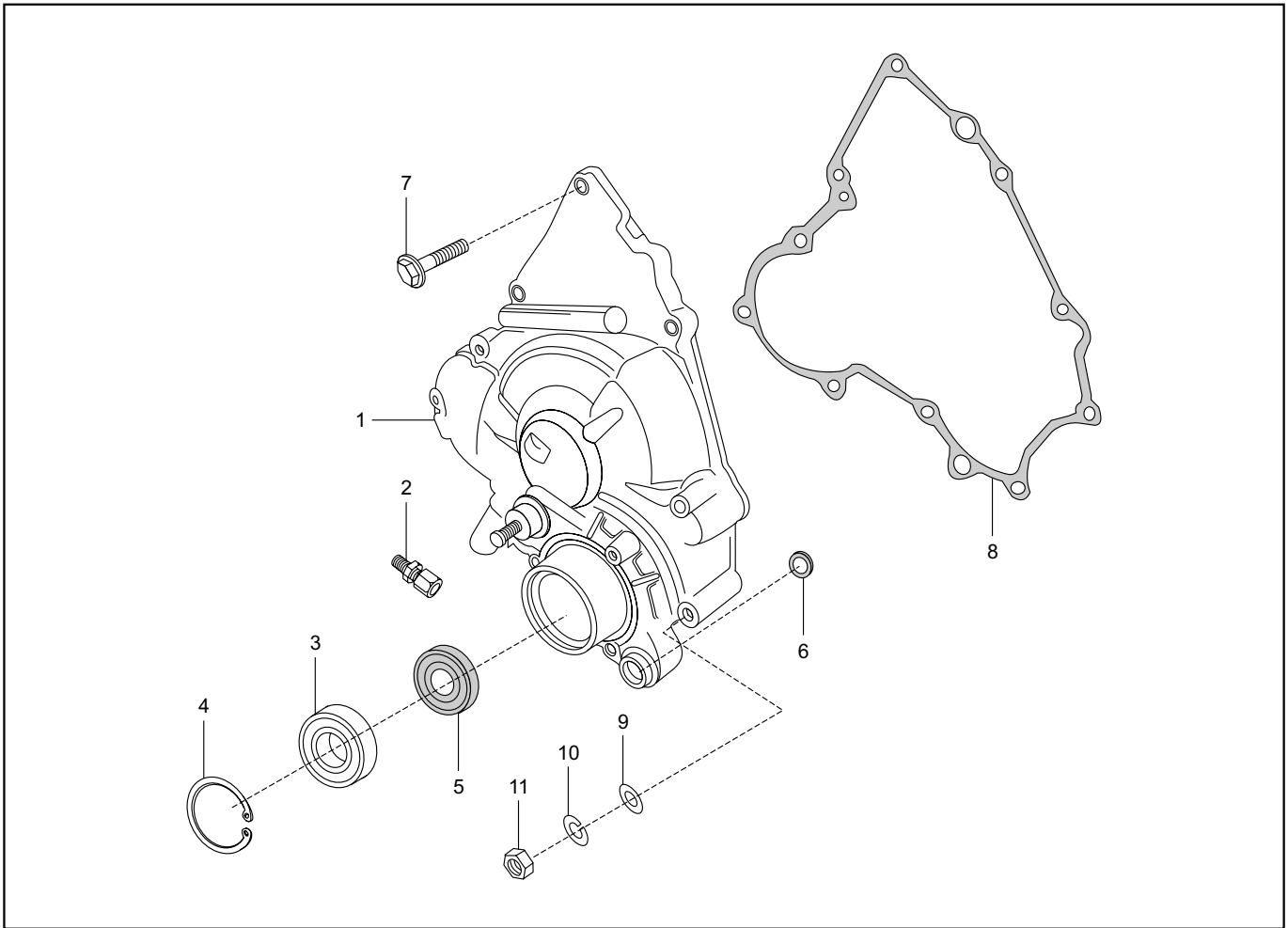


FIG. NO.	PART NO.	DESCRIPTION	QTY. PER VEH.	REMARKS
1	28101236	COVER CRANK CASE	1	
2	28191054	ADJUSTER WITH NUT	1	
3	39145020	BALL BEARIG-20X17X14	1	
4	39034217	INTERNAL CIRCLIP	1	
5	39172219	OIL SEAL	1	
6	30151038	"O" RING	1	
7	39158304	FLANGED BOLT	6	
8	28101103	GASKET (COVER)	1	
9	39019911	PLAIN WASHER	4	
10	39026412	SPRING WASHER	4	
11	39029315	HEXAGON NUT-M7X1	4	

PLATE NO. 4 : CYLINDER / PISTON ASSLY.

Legend

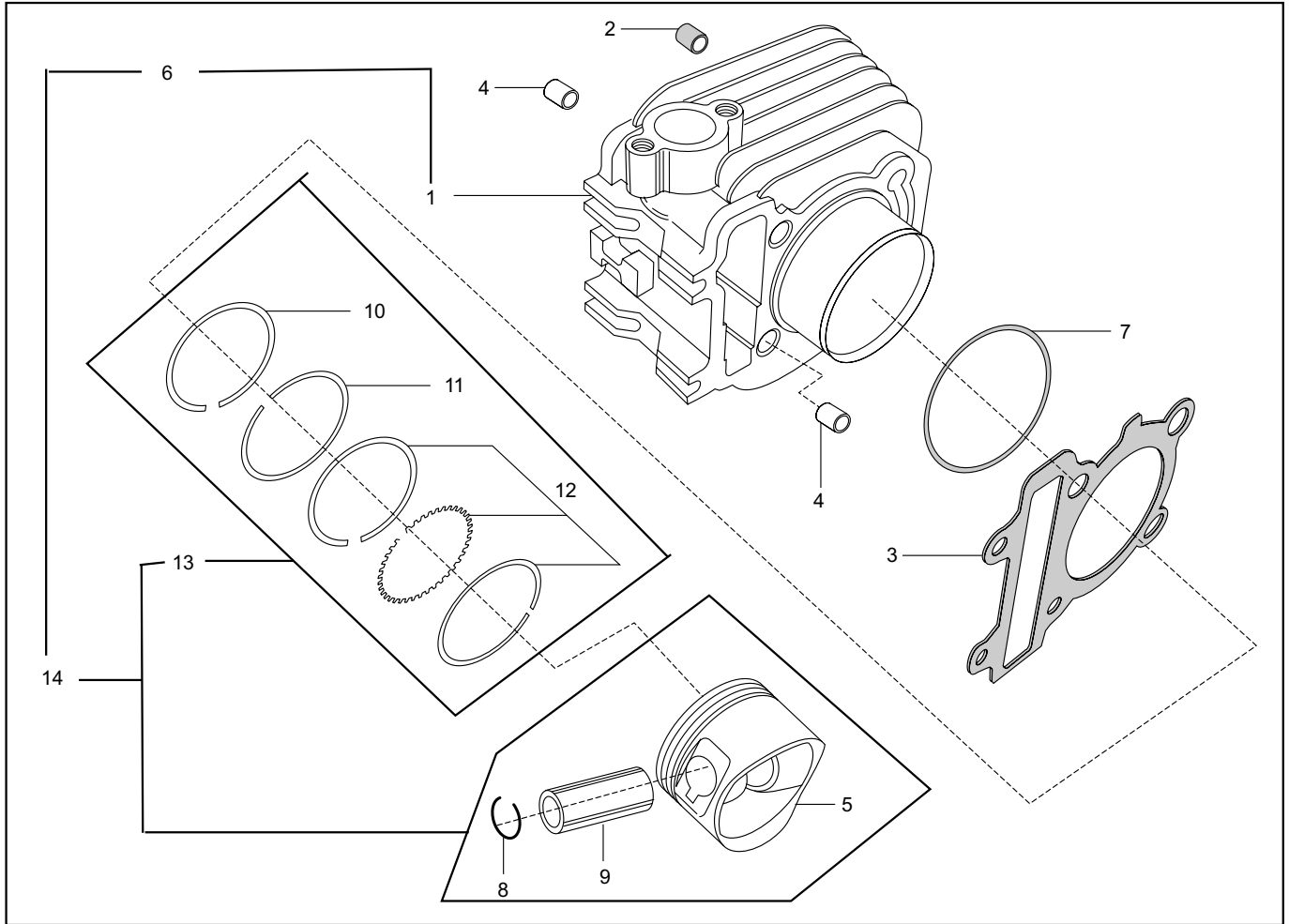


FIG. NO.	PART NO.	DESCRIPTION	QTY. PER VEH.	REMARKS
1	28101086	CYLINDER COMP.	1	
2	28101118	BUSH	1	
3	28101017	GASKET CYL. BLOCK	1	
4	39100006	HOLLOW DOWEL PIN	4	
5	28101024	PISTON STD	1	
6	28101207	CYL BLOCK PISTON ASY	1	
7	39154321	"O" RING	1	
8	39147817	WIRE CIRCLIP	2	
9	AA101025	PIN PISTON	1	
10	AA101021	RING PISTON TOP	1	NOT SERVICED SEPARATELY SERVICED AS PISTON RING SET AA 1013 34
11	AA101332	RING PISTON II	1	
12	AA101023	RING PISTON OIL	1	
13	AA101334	PISTON RING SET	1	
14	28101023	PISTON ASSLY STD	1	

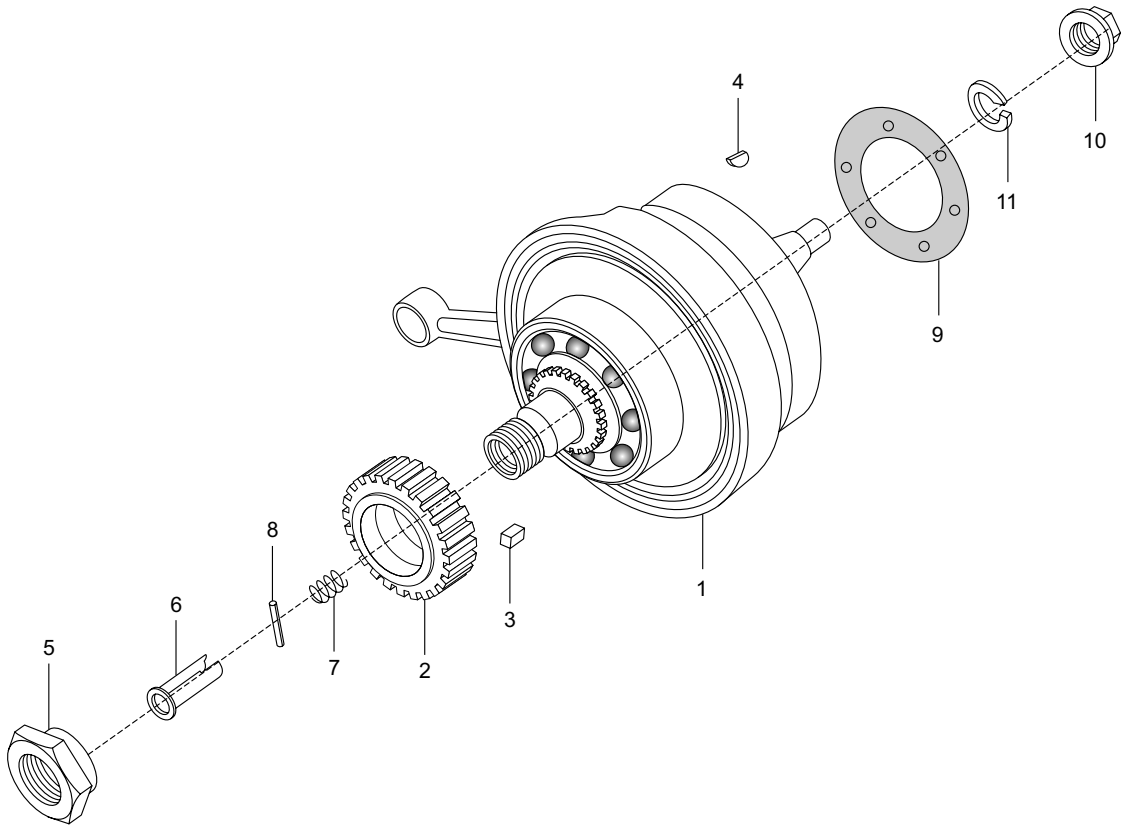


FIG. NO.	PART NO.	DESCRIPTION	QTY. PER VEH.	REMARKS
1	28101025	CRANK SHAFT ASSY.	1	
2	28101221	PRIMARY SPUR	1	
3	28101107	PARALLEL KEY	1	
4	01100610	WOODRUFF KEY	1	
5	28101011	NUT SPECIAL	1	
6	28101058	PLUNGER OIL	1	
7	28101049	SPRING	1	
8	39014207	PARALLEL PIN	1	
9	28101110	DAMPER SPRING	1	
10	39135815	HEX NUT/FLANGE-M12	1	
11	39073712	WASHER SPRING	1	

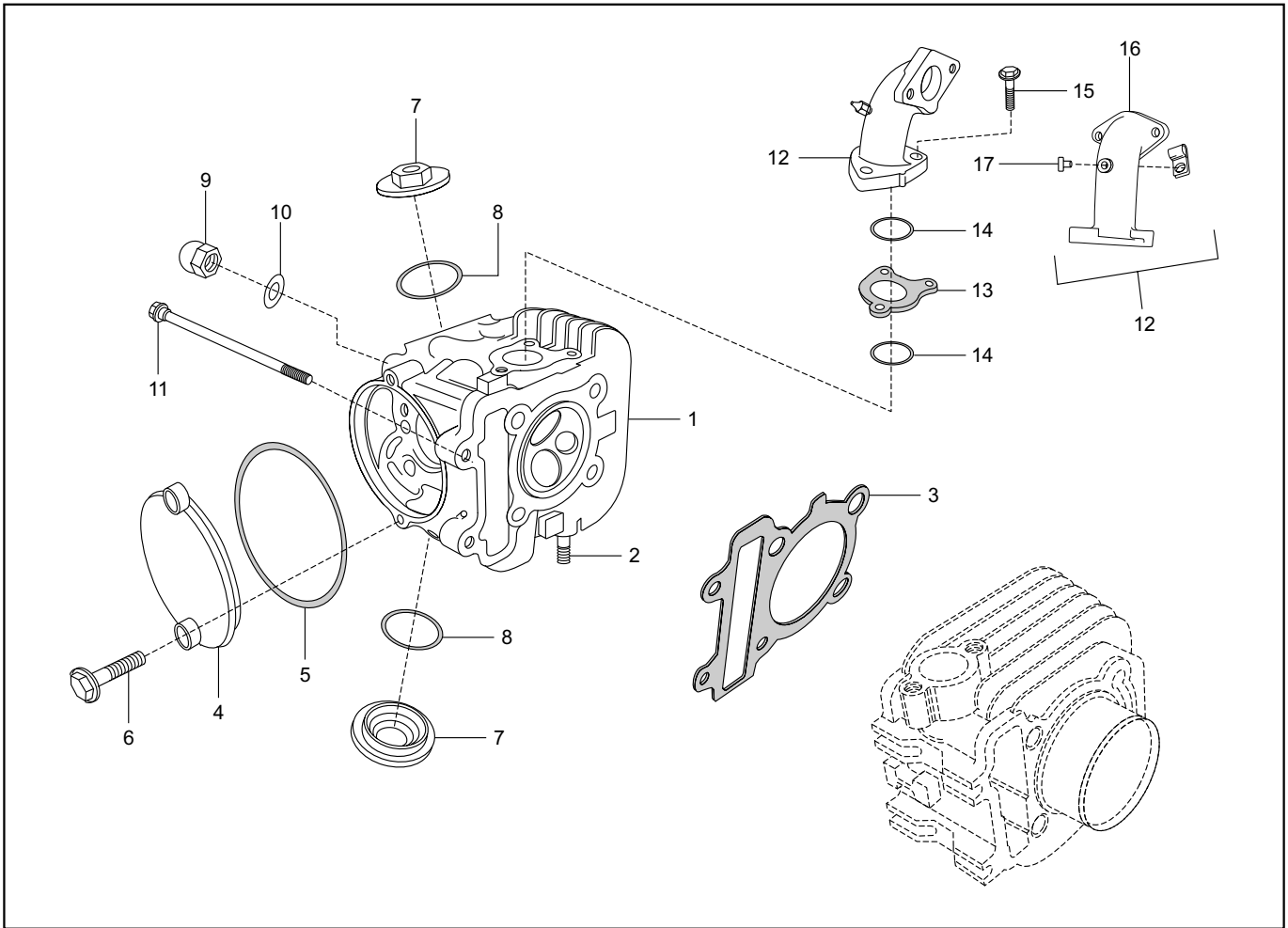


FIG. NO.	PART NO.	DESCRIPTION	QTY. PER VEH.	REMARKS
1	28101206	CYLINDER HEAD ASSY. WITH PLUG	1	
2	39166005	STUD-M8	2	
3	28101128	HEAD GASKET	1	
4	28101119	CAM SHAFT COVER	1	
5	39126421	"O" RING	1	
6	39073904	BOLT FLANGED	2	
7	13101031	CAP	2	
8	39126321	"O" RING	2	
9	39165115	DOMES CAP NUT-M8X1.25	4	
10	28101178	GASKET	4	
11	39184504	HEX. BOLT WITH FLANGE	2	
12	28101164	MANIFOLD ASSEMBLY (USA)	1	WITH NIPPLE
NI	31101239	THREAD SEALANT	1	
13	28101130	INSULATOR	1	
14	39128321	"O" RING	2	
15	39171204	FLANGED BOLT	3	
16	28101161	MANIFOLD (USA)	1	
17	28101143	NIPPLE MANIFOLD	1	

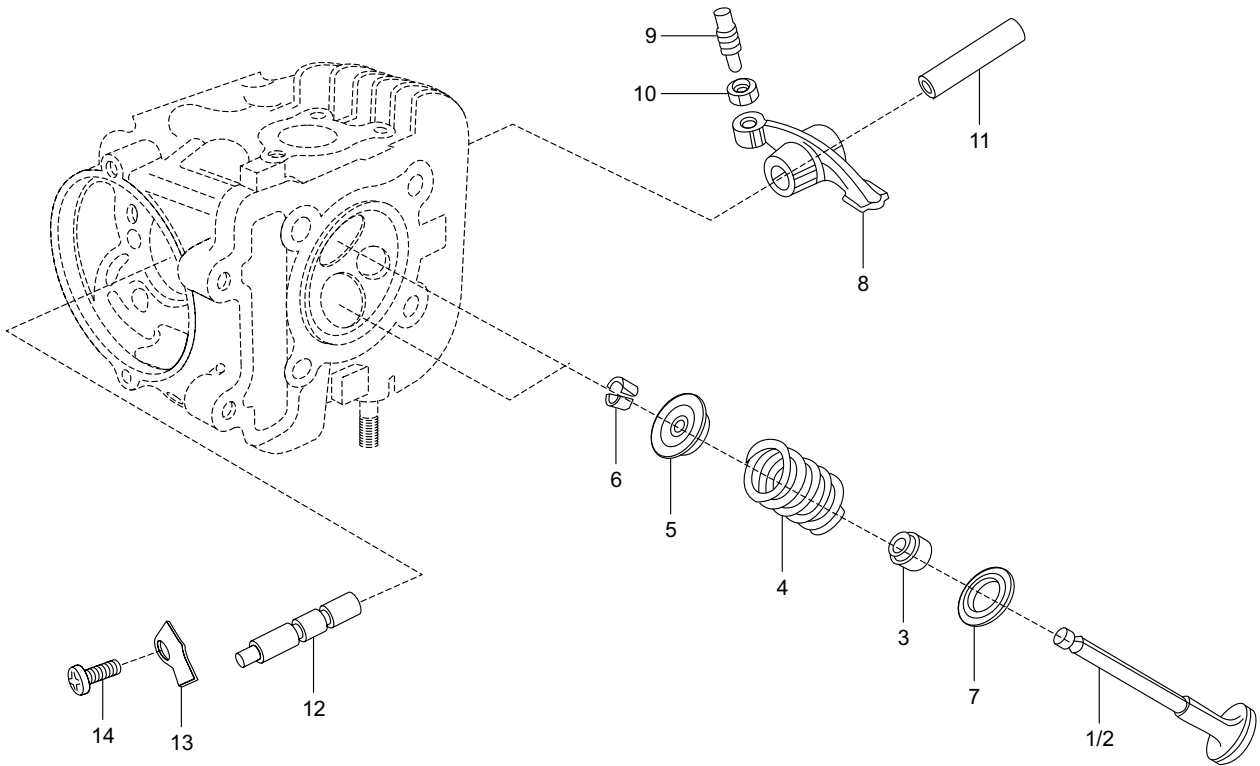


FIG. NO.	PART NO.	DESCRIPTION	QTY. PER VEH.	REMARKS
1	28101242	VALVE-INTAKE	1	
2	28101243	VALVE-EXHAUST	1	
3	39103519	SEAL OIL	2	
4	DD101211	SPRING ENGINE VALVE	2	
5	31101018	RETAINER VALVE SPRG	2	
6	31101019	COLLET	4	
7	28101129	SEAT SPRING	2	
8	28101032	ARM ROCKER	2	
9	39102401	SCREW	2	
10	39097315	HEXAGON NUT-M5X0.5	2	
11	28101013	ROCKER ARM SHAFT (IN)	1	
12	13101024	ROCKER ARM SHAFT	1	
13	28101057	STOPPER	1	
14	39074601	SCREW PAN CROSS-M6	1	

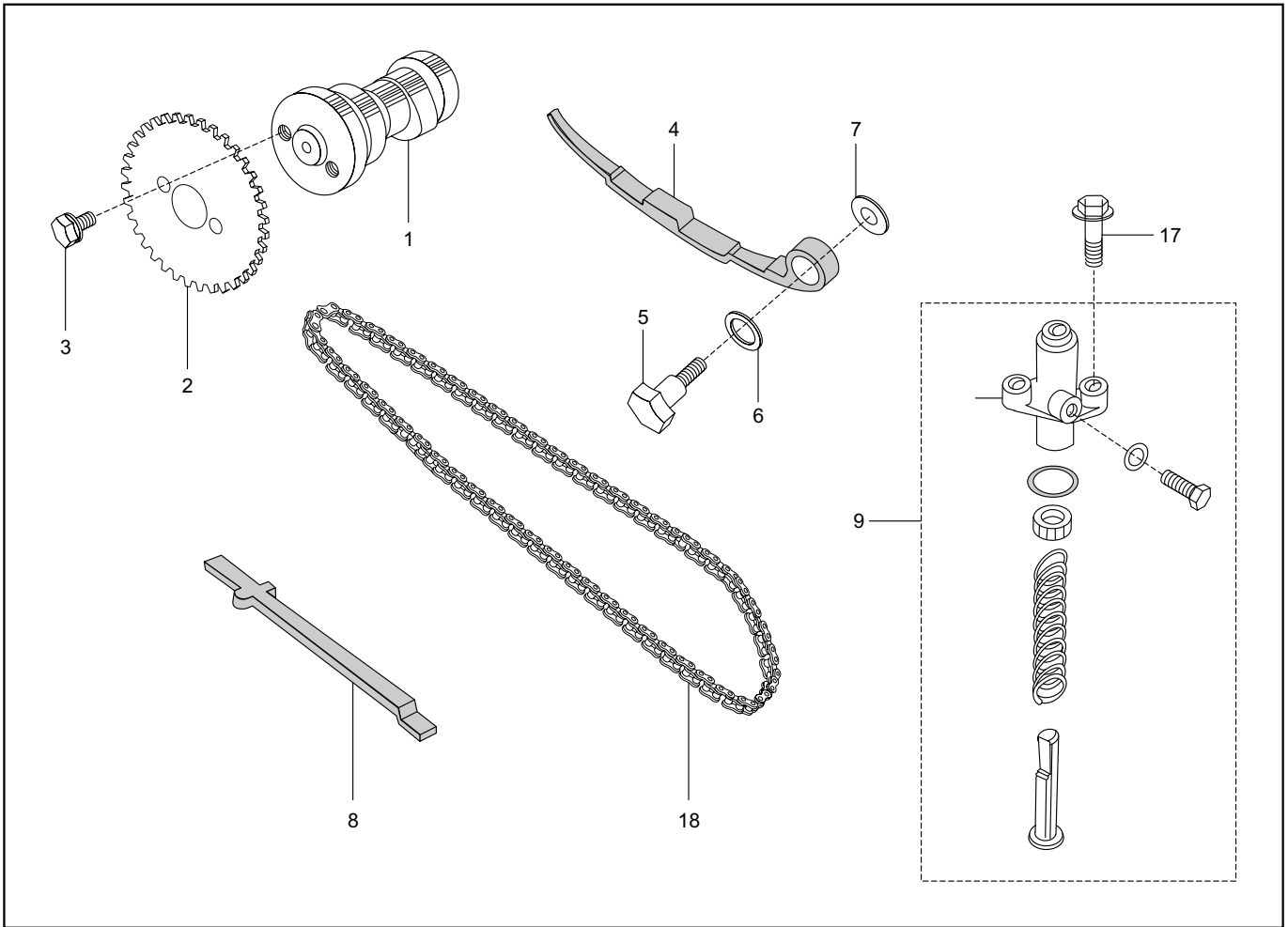


FIG. NO.	PART NO.	DESCRIPTION	QTY. PER VEH.	REMARKS
1	28101019	CAMSHAFT ASSEMBLY	1	
2	28101167	CAM SHAFT SPROCKET	1	
3	22150451	SCREW	2	
4	28101021	GUIDE CHAIN (SLACK)	1	
5	28101091	BOLT SPECIAL	1	
6	39165511	PLAIN WASHER	1	
7	39159111	PLAIN WASHER	1	
8	28101018	GUIDE CHAIN (TIGHT)	1	
9	28101220	TENSIONER ASSEMBLY	1	
17	39155304	FLANGE BOLT	2	
18	13101035	TIMING CHAIN	1	

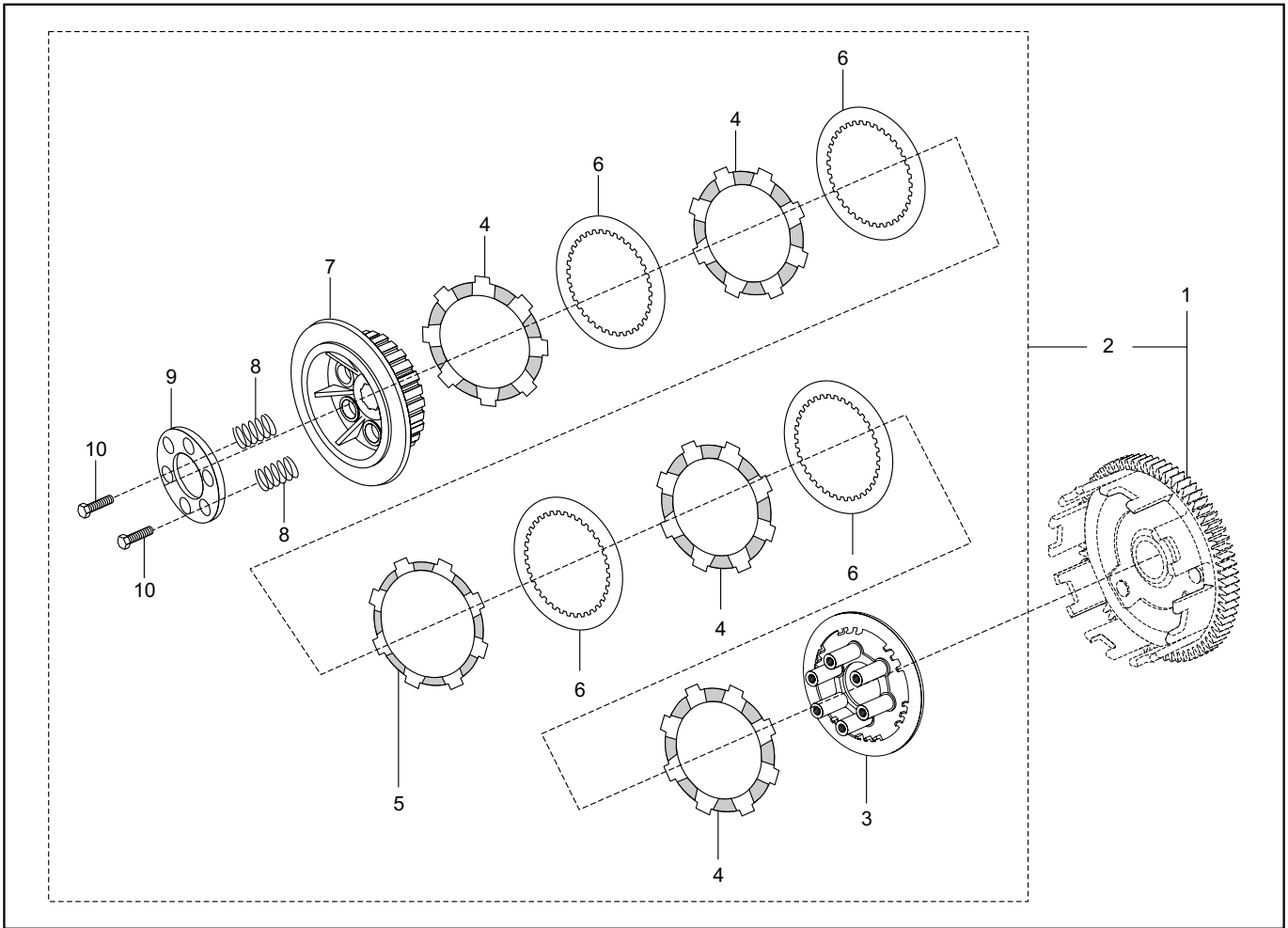


FIG. NO.	PART NO.	DESCRIPTION	QTY. PER VEH.	REMARKS
1	28101234	CLUTCH COMPLETE	1	
2	28101235	CLUTCH PLATE ASSY	1	
3	28101131	WHEEL CLUTCH	1	
4	DD101099	PLATE FRICTION	4	ALTERNATE DB 101058
5	28101184	PLATE FRICTION	1	
6	28101134	PLATE CLUTCH	4	
7	28101132	HUB CLUTCH	1	
8	28101214	SPRING	6	
9	31101137	HOLDER	1	
10	39098004	HEXAGON HEAD BOLT	6	

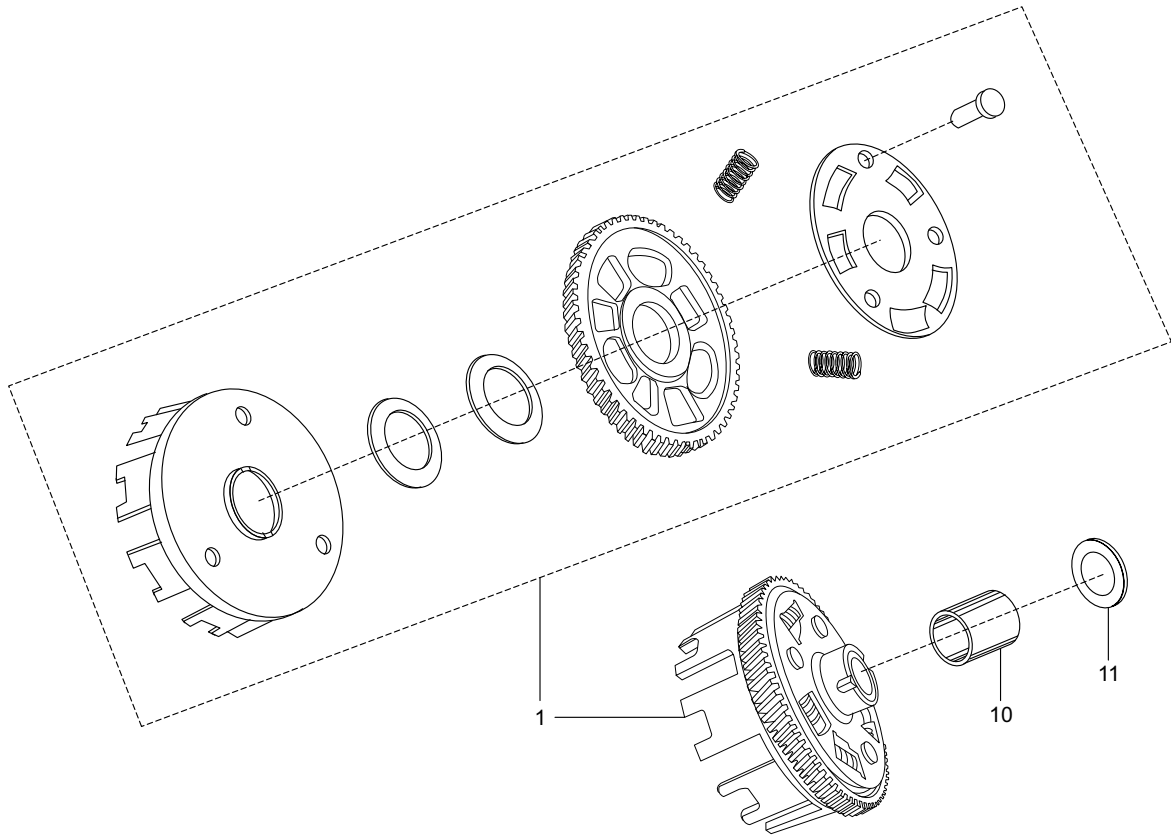


FIG. NO.	PART NO.	DESCRIPTION	QTY. PER VEH.	REMARKS
1	28101233	HOUSING COMP. CLUTCH	1	
10	28101054	COLLAR	1	
11	28101165	SPACER (FOR CLUTCH)	1	

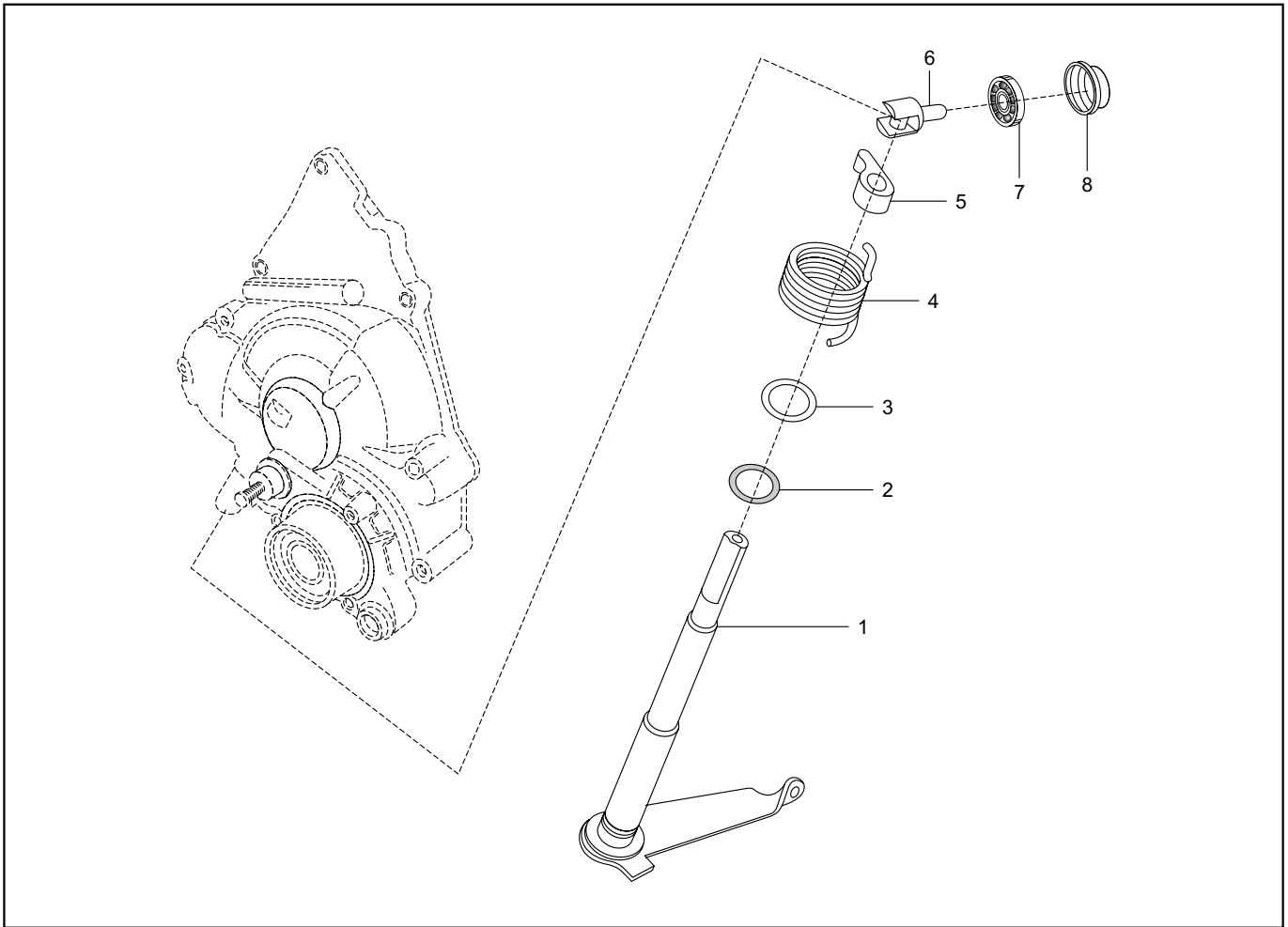


FIG. NO.	PART NO.	DESCRIPTION	QTY. PER VEH.	REMARKS
1	28101059	CLUTCH SPINDLE ASSY	1	
2	39213719	OIL SEAL	1	
3	39213611	PLAIN WASHER	1	
4	28101237	CLUTCH LEVER RETURN SPRING	1	
5	28101213	INTERNAL LEVER	1	
6	28101194	PLUNGER	1	
7	39103420	BEARING BALL-8X24X8	1	
8	28101195	HOLDER	1	

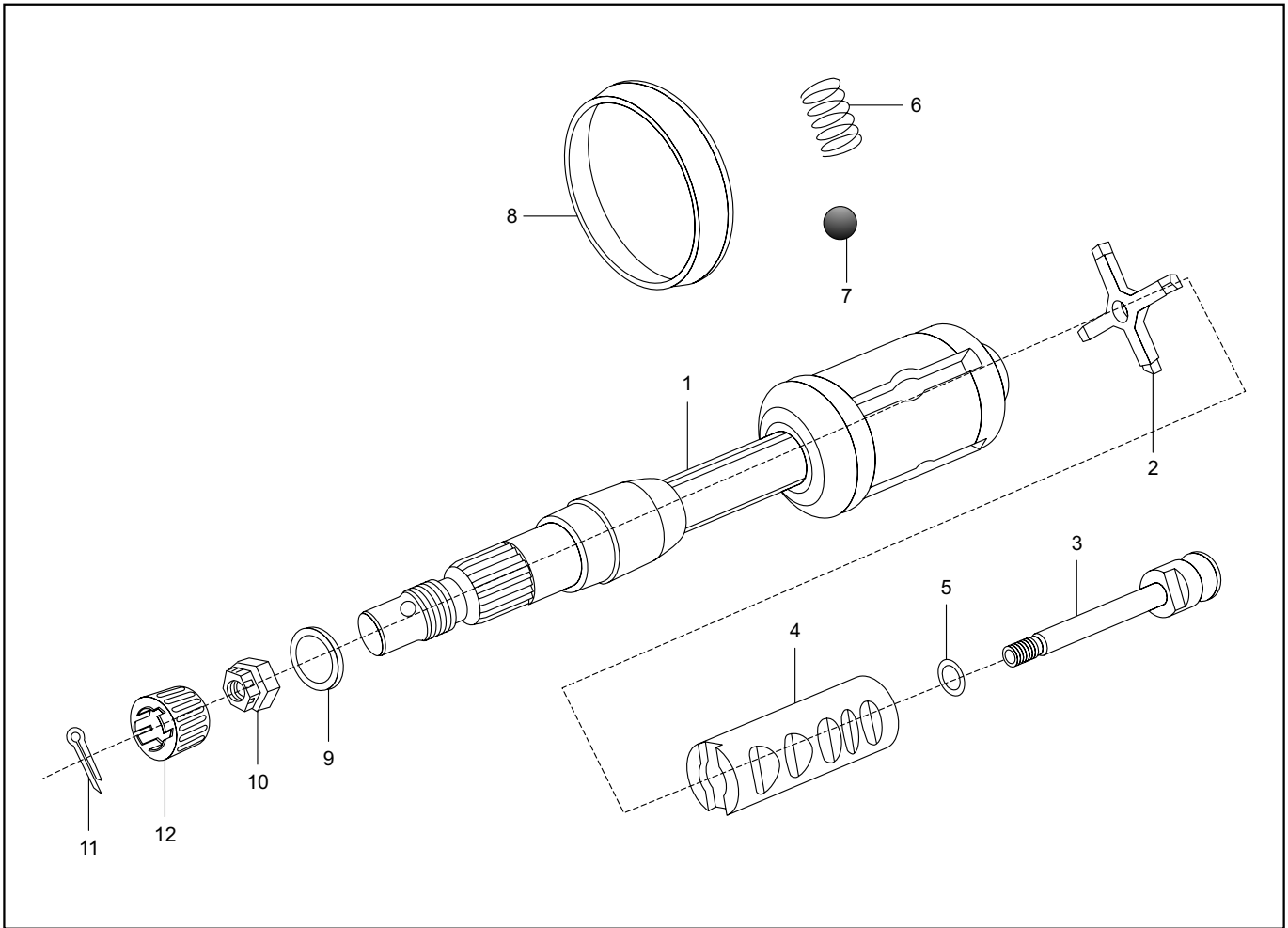


FIG. NO.	PART NO.	DESCRIPTION	QTY. PER VEH.	REMARKS
1	28101217	MAIN SHAFT	1	
2	28101035	CROSS	1	
3	28101218	STEM	1	
4	28101037	SELECTOR GEAR	1	
5	39021311	PLAIN WASHER	1	
6	28101038	SPRING	2	
7	01180123	STEEL BALL	2	
8	28101039	CUP	1	
9	28101250	SPACER (FOR MAIN SHAFT)	1	
10	39226315	HEX. CASTLE NUT-M16X1.5	1	
11	39015408	SPLIT PIN	1	
12	28101251	CAP	1	

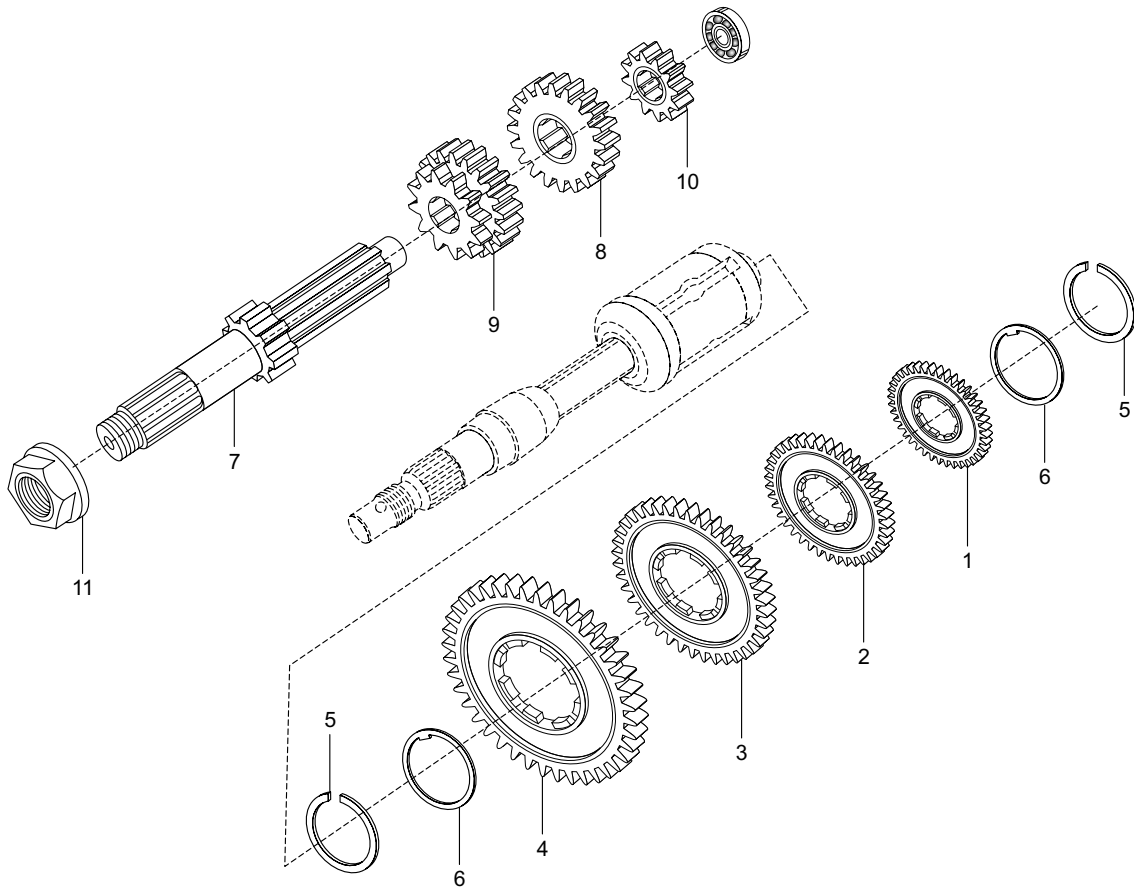


FIG. NO.	PART NO.	DESCRIPTION	QTY. PER VEH.	REMARKS
1	28101224	4th SPEED GEAR	1	
2	28101244	3rd SPEED GEAR	1	
3	28101226	2nd SPEED GEAR	1	
4	28101227	1st SPEED GEAR	1	
5	21100711	CIRCLIP	2	
6	19101020	SHOULDER RING NO 5(1.65MM)	1	
6	19101019	SHOULDER RING NO 4(1.50 MM)	1	
6	19101018	SHOULDER RING NO 3(1.35MM)	1	
6	19101017	SHOULDER RING NO 2(1.20MM)	1	
6	19101016	SHOULDER RING NO.1(1.05MM)	2	
7	28101229	SHAFT INTERMEDIATE	1	
8	28101230	4th DRIVER GEAR	1	
9	28101245	CLUSTER GEAR	1	
10	28101093	KICK DRIVEN GEAR	1	
11	39178615	HEX NUT/FLANGE-M14	1	

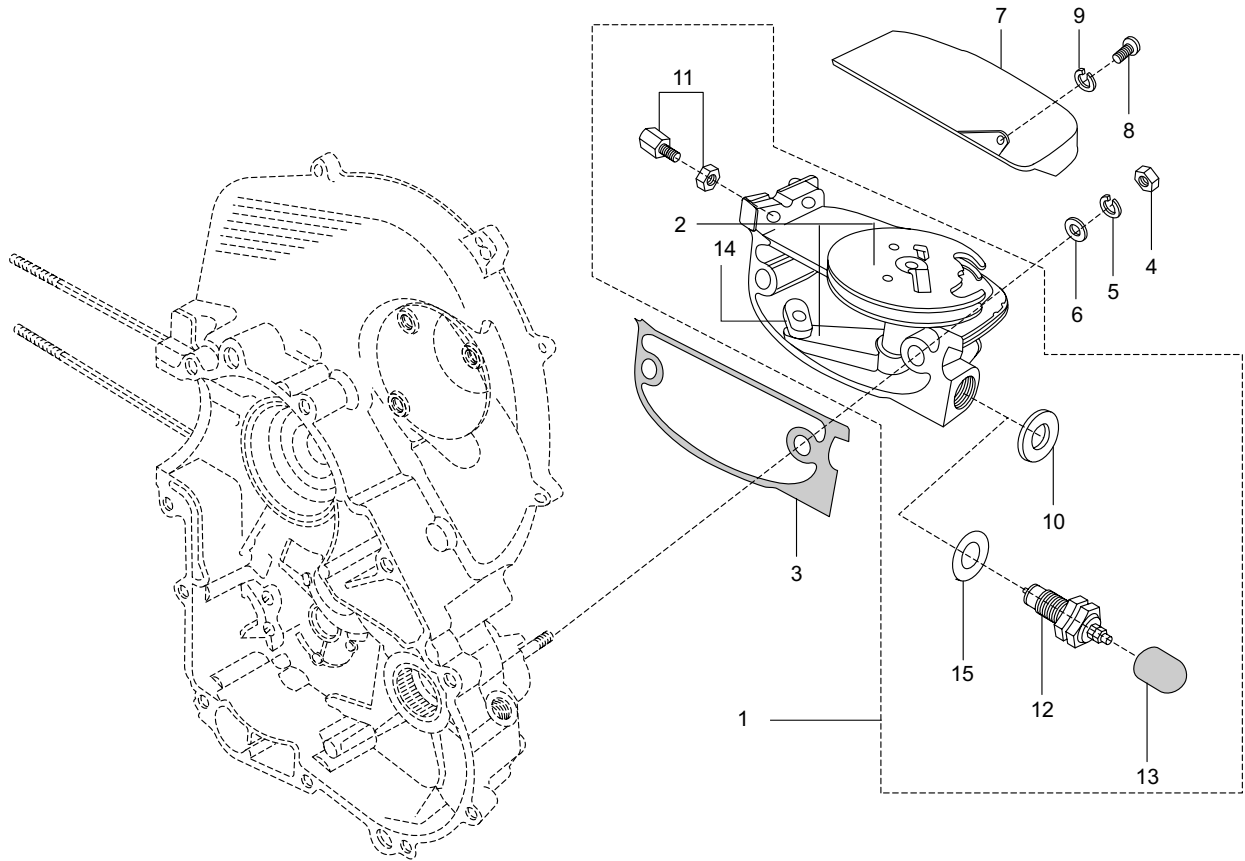


FIG. NO.	PART NO.	DESCRIPTION	QTY. PER VEH.	REMARKS
1	28101182	GEAR SHIFTER ASSEMBLY	1	FOR SELF START VEHICLE
	28101064	GEAR SHIFTER ASSEMBLY	1	FOR WITHOUT SELF START VEHICLE
2	28101070	LEVER & SECTOR COMPLETE	1	
3	28101072	GASKET (G.S.HOUSING)	1	
4	39029315	HEXAGON NUT-M7X1	2	
5	39182512	SPRING WASHER	2	
6	39019911	PLAIN WASHER	2	
7	28101073	G.SHIFTER COVER ASSY	1	
8	01101131	SCREW	1	
9	39182612	SPRING WASHER	1	
10	20101020	GASKET	1	
11	05101083	ADJUSTER WITH NUT	2	
12	06111266	SWITCH NEUTRAL	1	
13	06111267	"CAP, NEUTRAL SWITCH"	1	
14	BA132141	SLIDER BLOCK	1	
15	39080411	PLAIN WASHER	1	

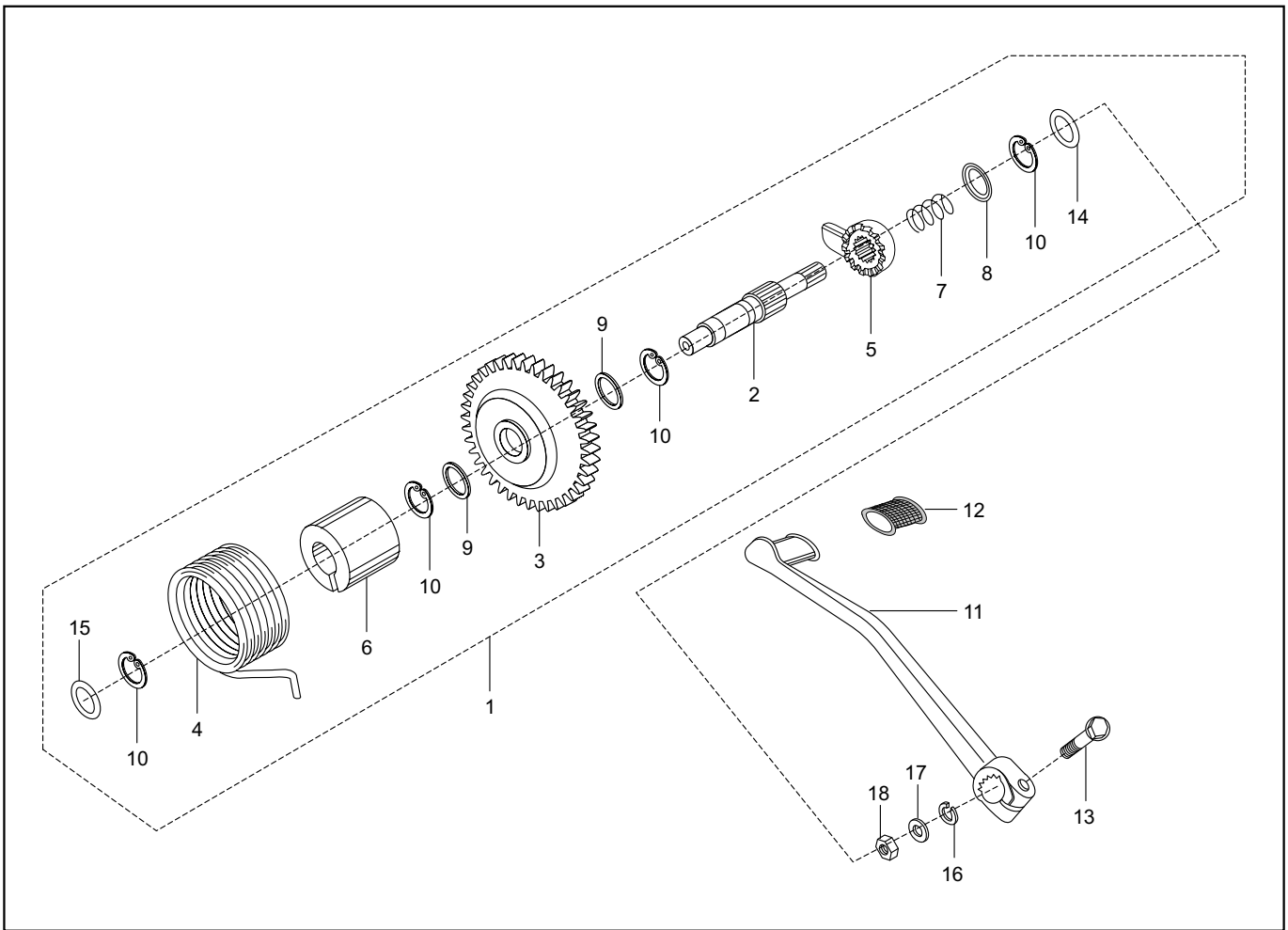


FIG. NO.	PART NO.	DESCRIPTION	QTY. PER VEH.	REMARKS
1	28101076	KICK SHAFT ASSY	1	
2	28101077	SHAFT KICK	1	
3	28101078	GEAR KICK	1	
4	28101079	SPRING KICK RETURN	1	
5	28101094	RATCHET KICK	1	
6	28101095	GUIDE SPRING (NYLON)	1	
7	28101096	SPRING COIL (COMPRES)	1	
8	28101097	CUP KICK SHAFT	1	
9	39099511	PLAIN WASHER	2	
10	39073817	EXTRN CIRCLIP TYPE C	4	
11	28101081	KICK STARTER	1	
12	28101179	RUBBER SLEEVE	1	
13	39142604	BOLT FLANGED	1	
14	39187411	PLAIN WASHER	1	
15	39187511	PLAIN WASHER	1	
16	39069415	NUT	1	
17	39020011	PLAIN WASHER	1	
18	39026512	SPRING WASHER	1	

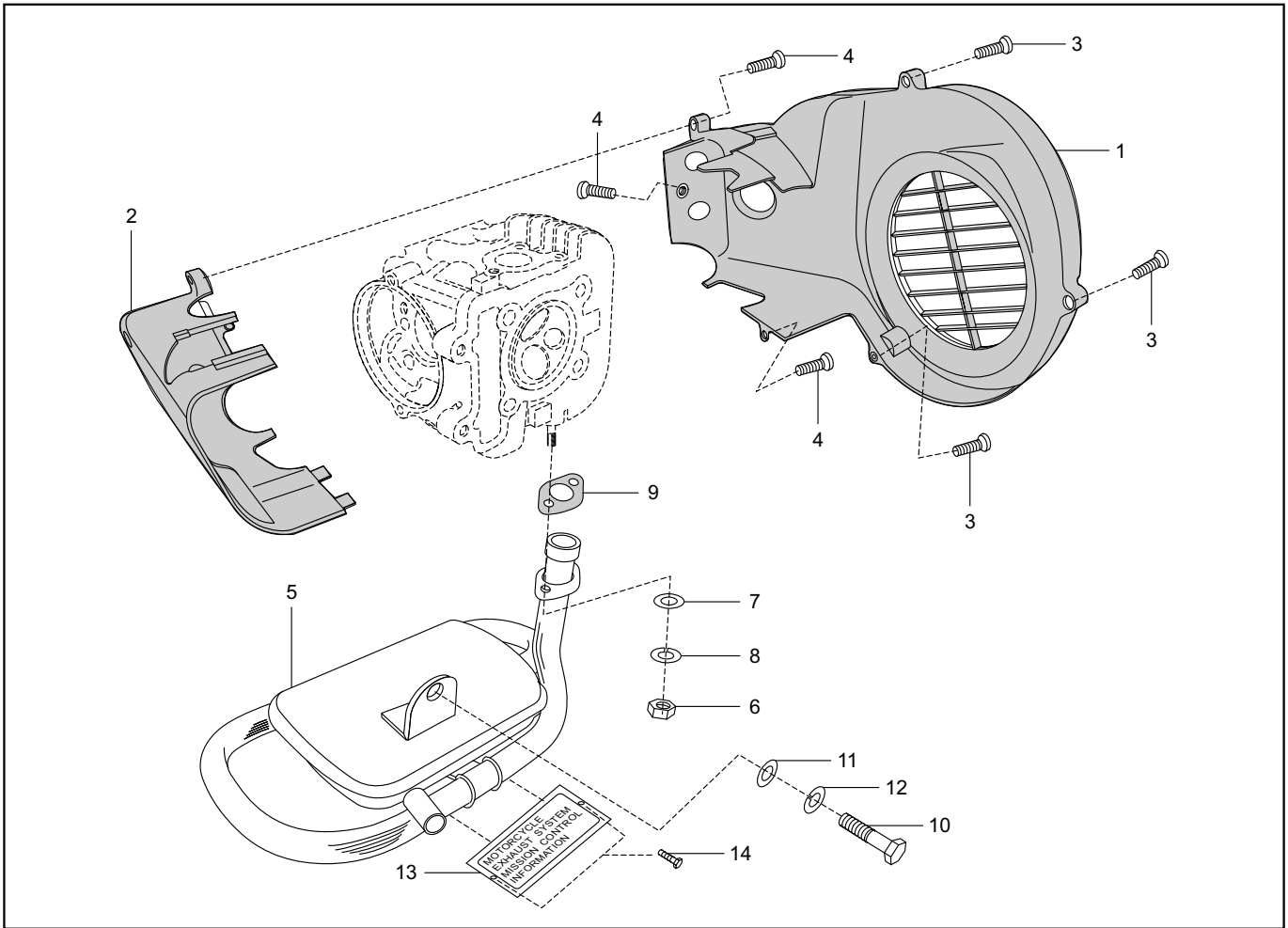


FIG. NO.	PART NO.	DESCRIPTION	QTY. PER VEH.	REMARKS
1	28101084	FAN COVER ASSY	1	
2	28101136	COWLING	1	
3	39074501	SCREW PAN CROSS-M6	3	
4	39074701	SCREW PAN CROSS-M6	3	
5	28101271	SILENCER ASSEMBLY	1	WITH EXHAUST SYSTEM LABEL
6	39069415	HEX LOCK NUT-M8X1.25	2	
7	28020011	PLAIN WASHER	2	
8	39026512	SPRING WASHER	2	
9	13101165	GASKET	1	
10	39008004	HEXAGON HEAD BOLT	1	
11	39020111	PLAIN WASHER	1	
12	39026712	SPRING WASHER	1	
13	28161171	EXHAUST SYSTEM LABEL	1	
14	39108201	HAMMER DRIVE SCREW	2	

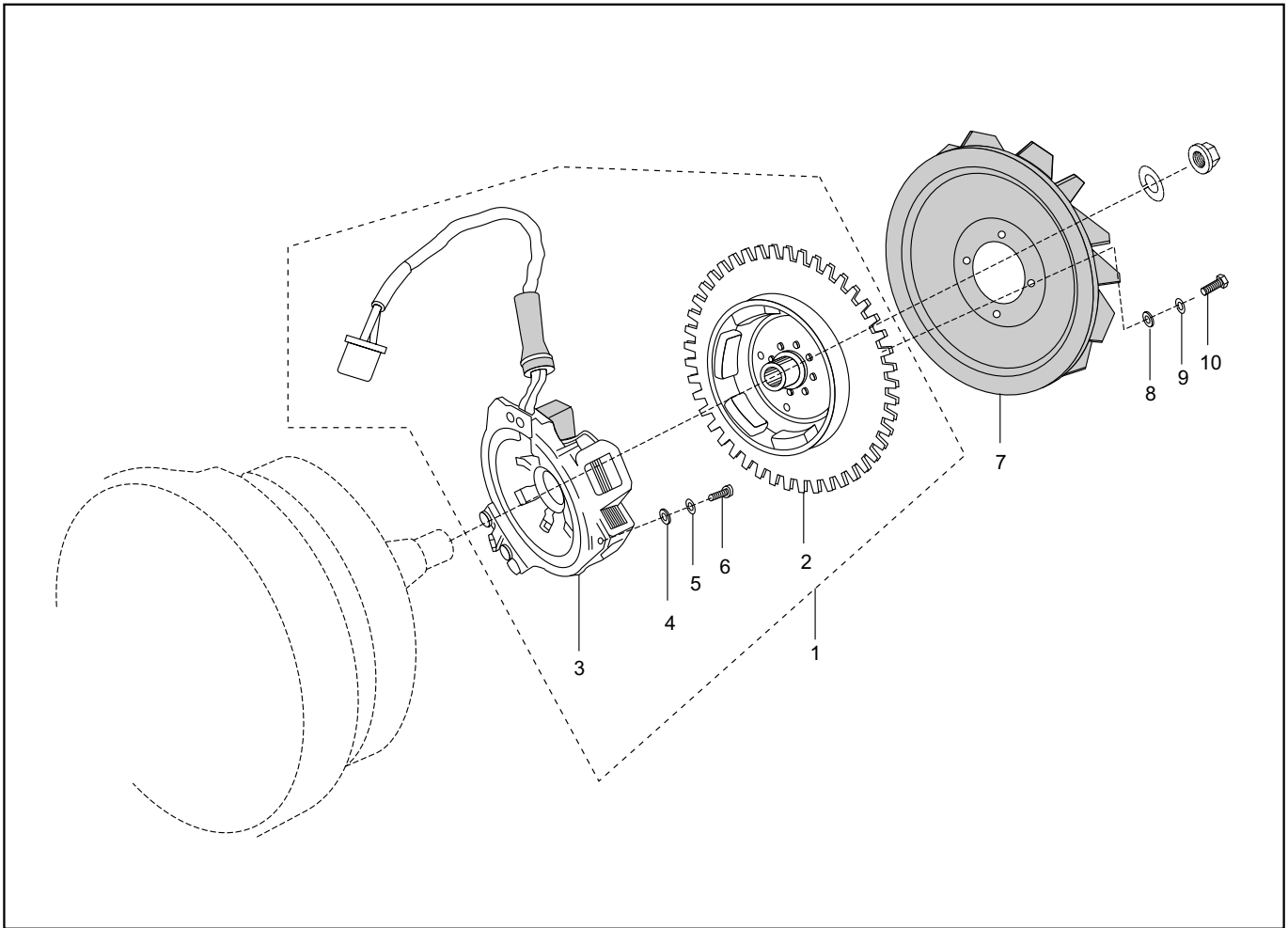


FIG. NO.	PART NO.	DESCRIPTION	QTY. PER VEH.	REMARKS
1	28111065	MAGNETO ASSEMBLY	1	DC SYSTEM FOR USA
2	CH111005	R0TOR ASSEMBLY	1	
3	28111066	STATOR ASSEMBLY COMPL.	1	
4	39019711	PLAIN WASHER	3	
5	39026212	SPRING WASHER	3	
6	39075701	SCREW PAN CROSS-M5	3	
7	28111020	FAN	1	
8	39019811	PLAIN WASHER	4	
9	39026312	SPRING WASHER	4	
10	22150451	SCREW	4	

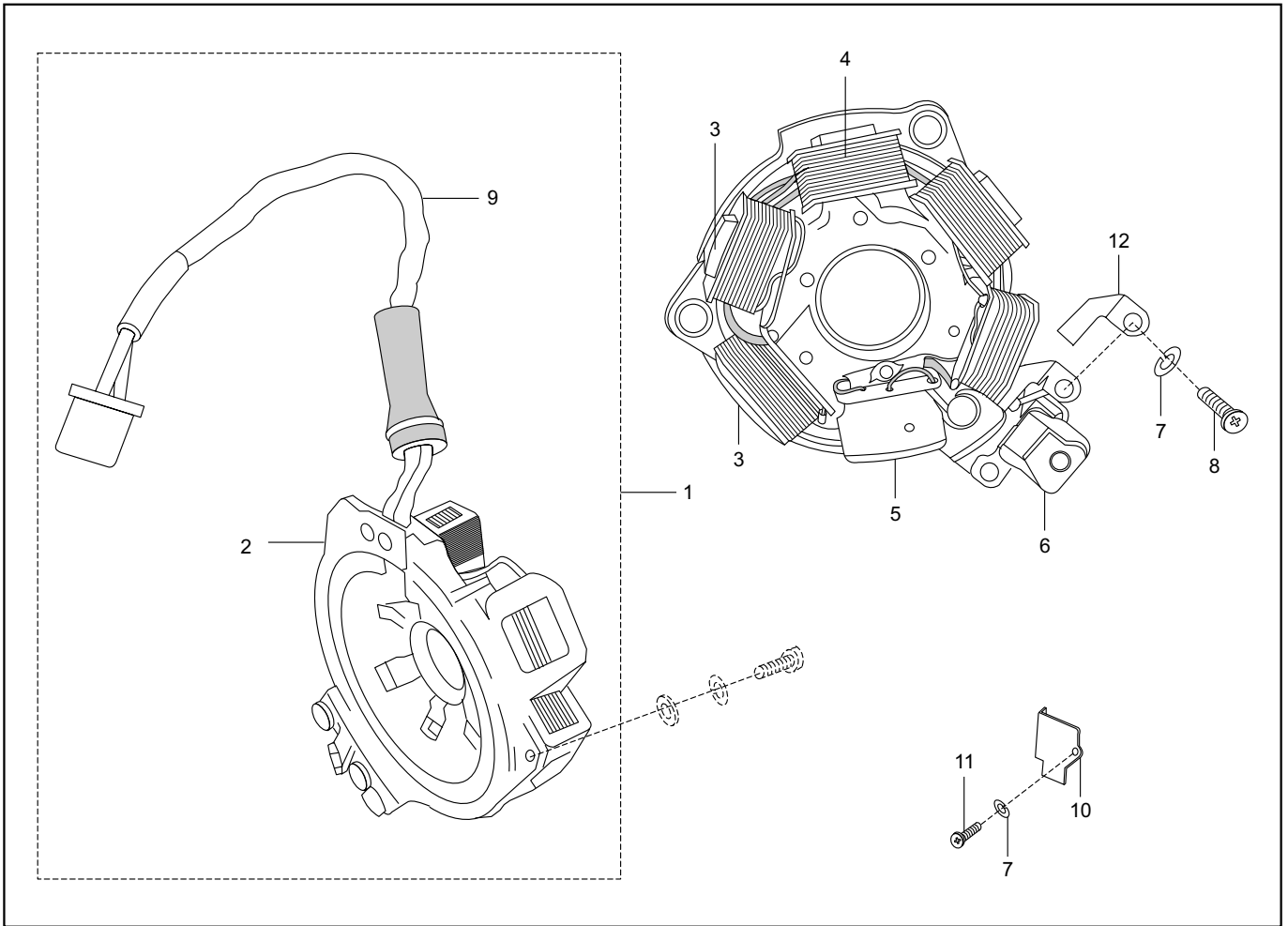


FIG. NO.	PART NO.	DESCRIPTION	QTY. PER VEH.	REMARKS
1	28111066	STATOR ASSY COMP	1	
2	28111007	STATOR PLATE ASSLY W/O COIL	1	
3	06111247	COIL BATTERY CHARGING	2	
4	06111058	LIGHTING COIL NO II	3	
5	06111251	CHARGING COIL (IGNITION COIL)	1	
6	28111012	PULSER COIL ASSEMBLY	1	
7	39 0262 12	WASHER SPRING	3	
8	39 0761 01	SCREW PAN CROSS-M4	2	
9	28111019	STATOR HARNESS	1	
10	28111014	CLAMP	1	
11	39124201	SCREW PAN CROSS-M4	1	
12	28111052	CLAMP-PULSER COIL	1	

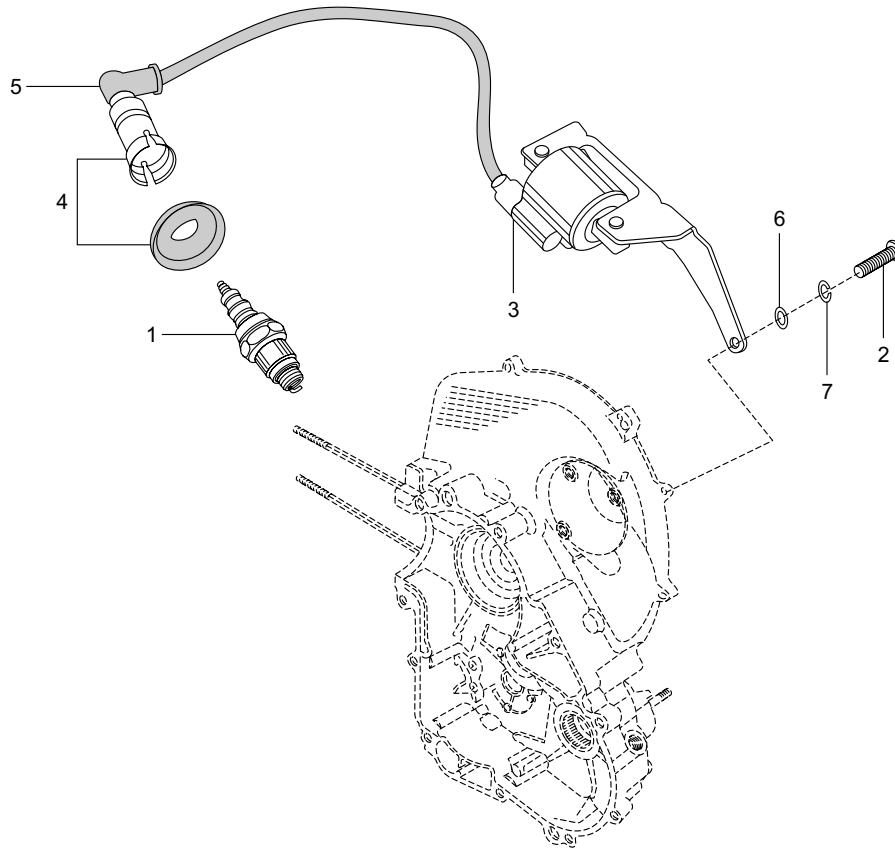


FIG. NO.	PART NO.	DESCRIPTION	QTY. PER VEH.	REMARKS
1	28111021	SPARK PLUG CHAMPION PL-7 YC	1	
2	39074501	SCREW PAN CROSS-M6	2	
3	TE006201	H.T.COIL	1	
4	28111048	CAP SPARK PLUG	1	
5	31111014	GROMMET	1	
6	39019811	PLAIN WASHER	2	
7	39026312	SPRING WASHER	2	

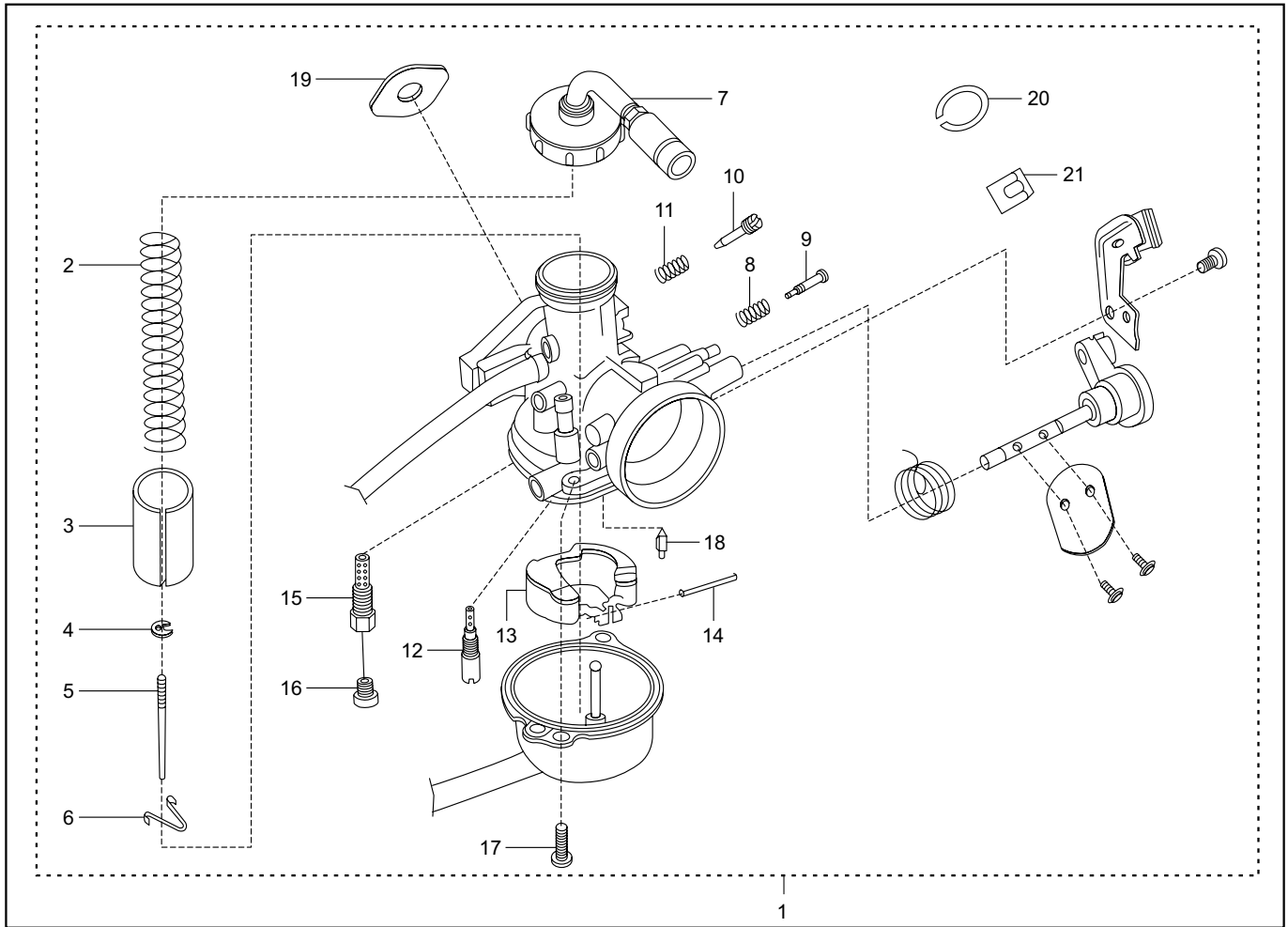


FIG. NO.	PART NO.	DESCRIPTION	QTY. PER VEH.	REMARKS
1	28121087	CARB ASSEMBLY (USA)	1	KEIHIN
2	28121028	COMPRESSION SPRING	1	CARBURETOR ASSLY. ONLY IS SOLD PARTS NOT SOLD SEPARATELY
3	28121029	VALVE THROTTLE	1	
4	28121030	PLATE NEEDLE CLIP	1	
5	28121031	NEEDLE JET	1	
6	28121032	CLIP BAR	1	
7	28121033	TOP COMPLETE	1	
8	28121034	SPRING COMPRESSION	1	
9	28121035	SCREW ADJUST	1	
10	28121036	SCREW STOP	1	
11	28121037	SPRING COMPRESSION	1	
12	28121038	JET COMP SLOW	1	
13	28121039	FLOAT COMPLETE	1	
14	28121040	PIN ARM	1	
15	28121041	HOLDER NEEDLE JET	1	
16	28121042	JET MAIN	1	
17	28121043	SCREW WASHER	2	
18	28121044	VALVE COMP FLOAT	1	
19	28121026	INSULATOR CARBURETOR	1	
20	30121004	RING SNAP (FOR CLIPPING CHOKE CABLE)	1	
21	28101247	CLIP	1	

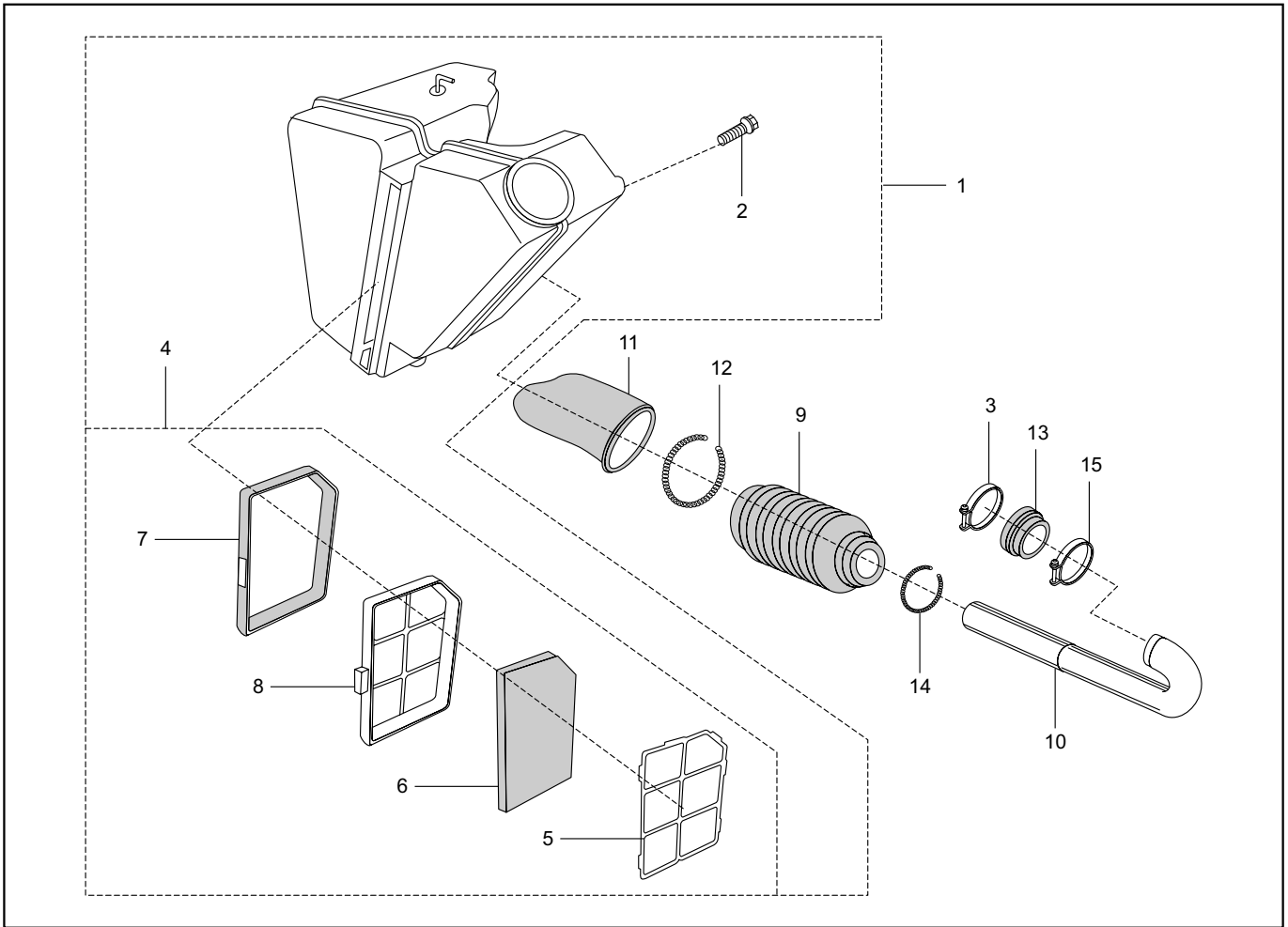


FIG. NO.	PART NO.	DESCRIPTION	QTY. PER VEH.	REMARKS
1	28121067	AIR FILTER ASSLY COMP. -KEIHIN	1	WITH NOZZLE FOR CR.'CASE BREATHER
2	39158304	FLANGED BOLT	2	
3	AB121017	CLAMP (INTAKE DUCT)	1	
4	28121015	CARTRIDGE ASSY	1	
5	28121016	CARTRIDGE HALF (OUTLET)	1	
6	28121017	FOAM	1	
7	28121018	SEAL (RUBBER)	1	
8	28121020	CARTRIDGE HALF (INLET)	1	
9	28121021	BELLOW	1	
10	28121002	DUCT	1	
11	28121019	GUIDE DUCT	1	
12	28121022	SPRING	1	
13	28121025	SLEEVE (CARBURETTOR)	1	
14	28121027	SPRING(BELLOW TO DUC	1	
15	28121009	CLAMP (INTAKE DUCT)	1	

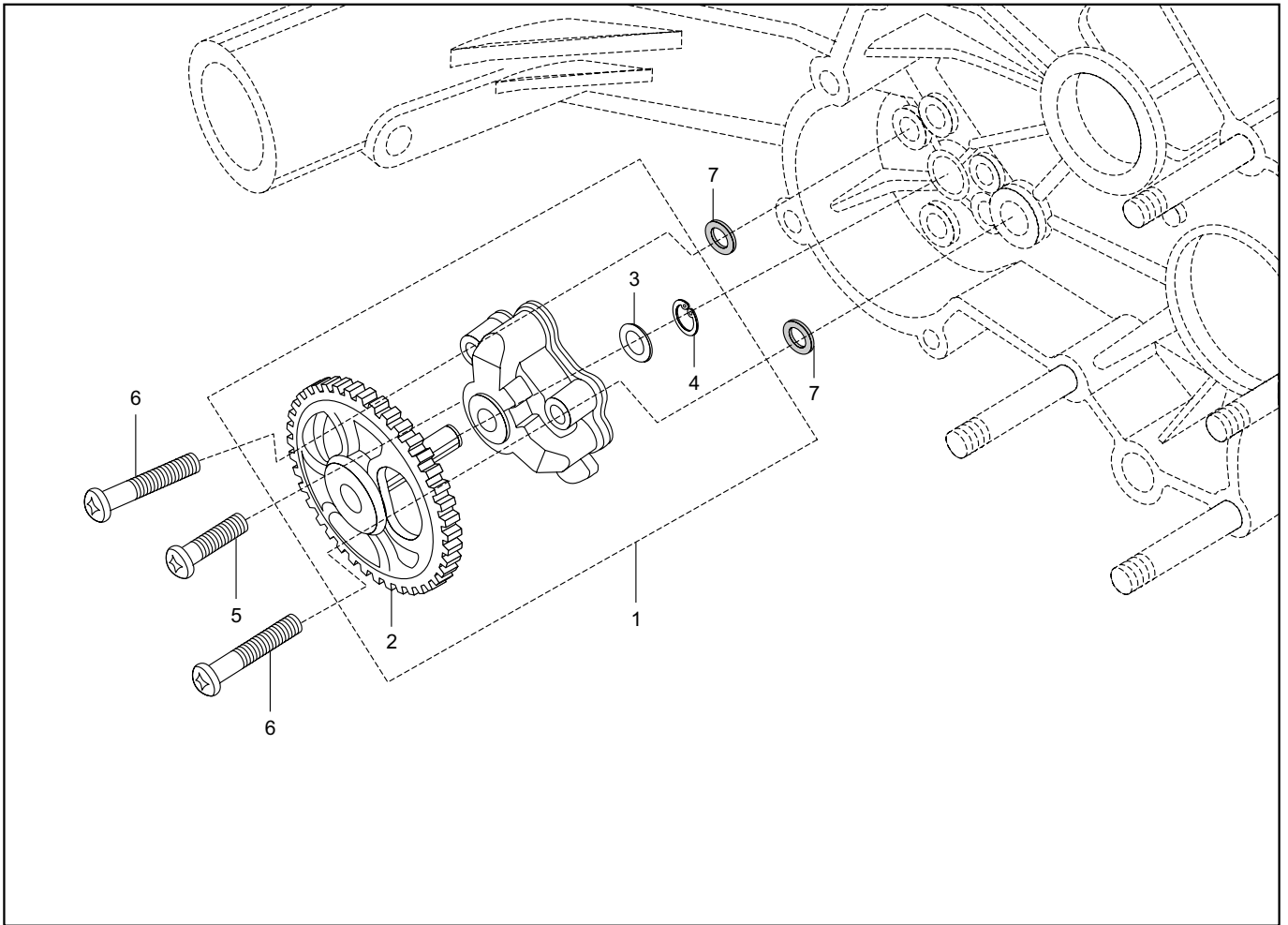


FIG. NO.	PART NO.	DESCRIPTION	QTY. PER VEH.	REMARKS
1	28121063	PUMP ASSY OIL	1	
2	28121062	GEAR OIL PUMP	1	
3	39157511	PLAIN WASHER	1	
4	39085517	E-TYPE CIRCLIP	1	
5	39073001	SCREW PAN CROSS-M6	1	
6	39074801	SCREW PAN CROSS-M6	2	
7	39101321	"O" RING	2	

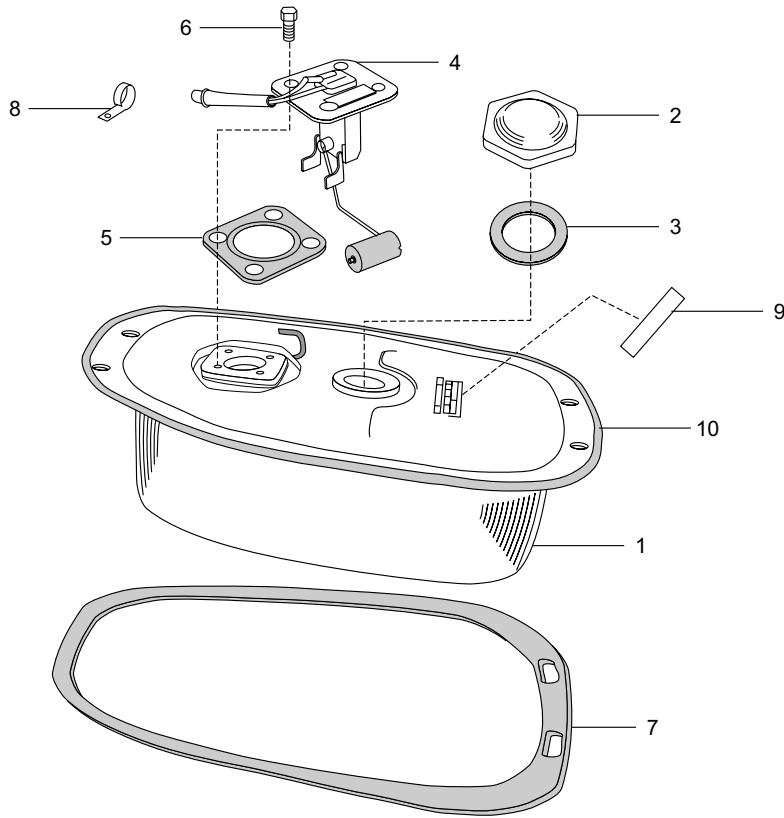


FIG. NO.	PART NO.	DESCRIPTION	QTY. PER VEH.	REMARKS
1	28141035	PETROL TANK ASSLY	1	WITH EVAPORATIVE EMISSION NOZZLE
2	28141039	PETROL TANK CAP ASSEMBLY	1	
3	15141007	GASKET	1	
4	28201062	FUEL TANK UNIT	1	
5	30141028	GASKET	1	
6	30141032	BOLT	4	
7	28141022	GASKET -PETROL TANK	1	
8	28141012	CLIP FOR HARNESS	1	
9	28141021	LABEL -FUEL TANK	1	
10	35141022	BEADING PETROL TANK	1	

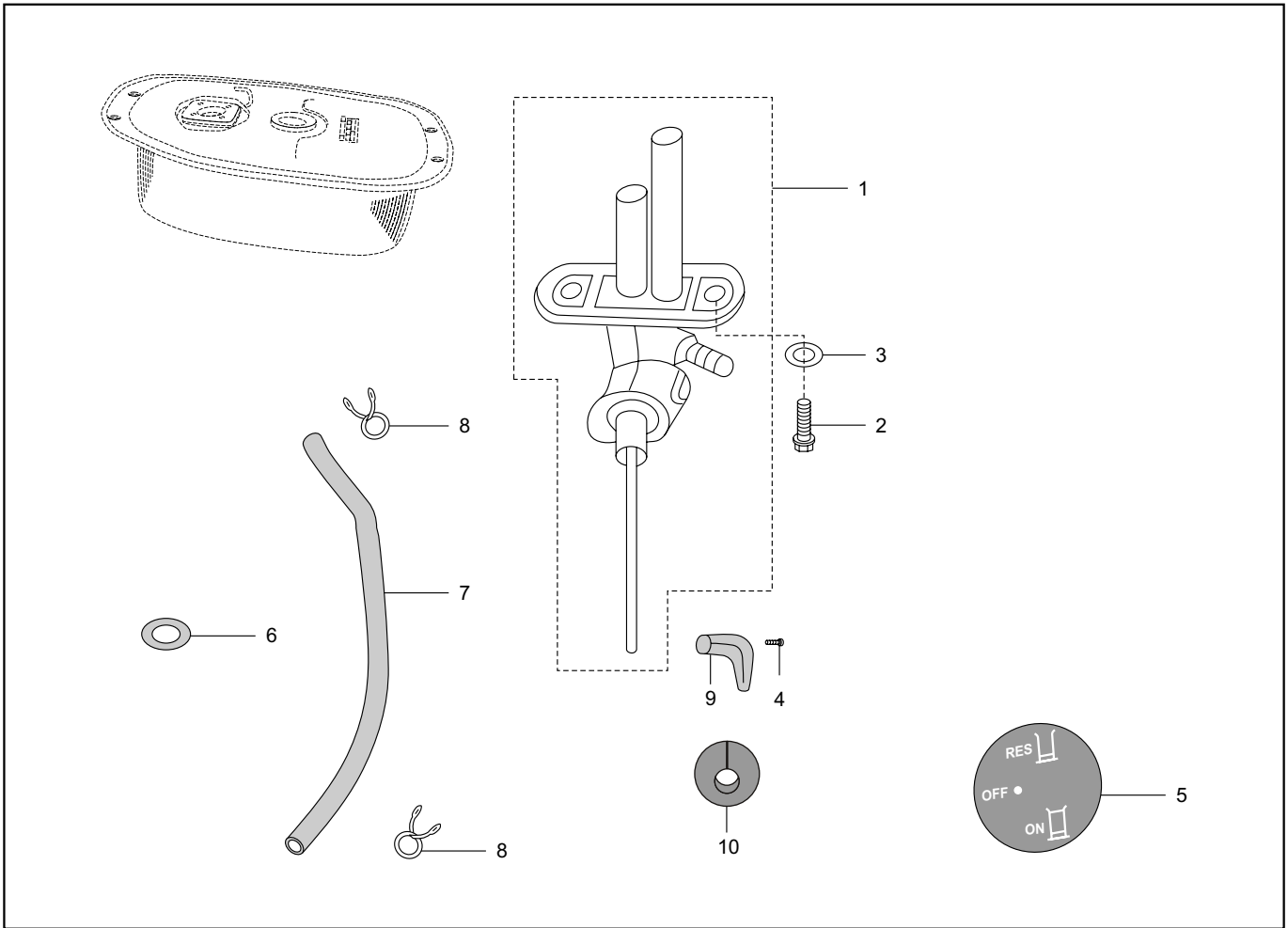


FIG. NO.	PART NO.	DESCRIPTION	QTY. PER VEH.	REMARKS
1	28141046	FUEL COCK ASSEMBLY USA	1	
2	39106204	BOLT FLANGED SMALL	2	FOR MOUNTING FUEL COCK
3	39156321	"O" RING	2	
4	39147201	SCREW - WSP - M3	1	
5	28161168	PETROL COCK LABEL	1	
6	28161188	GROMMET FOR PETROL PIPE	1	
7	28141031	FUEL PIPE	1	
8	BA122003	PIPE CLIP	2	
9	28141030	KNOB FOR FUEL COCK	1	
10	28161163	CUT GROMMET	1	

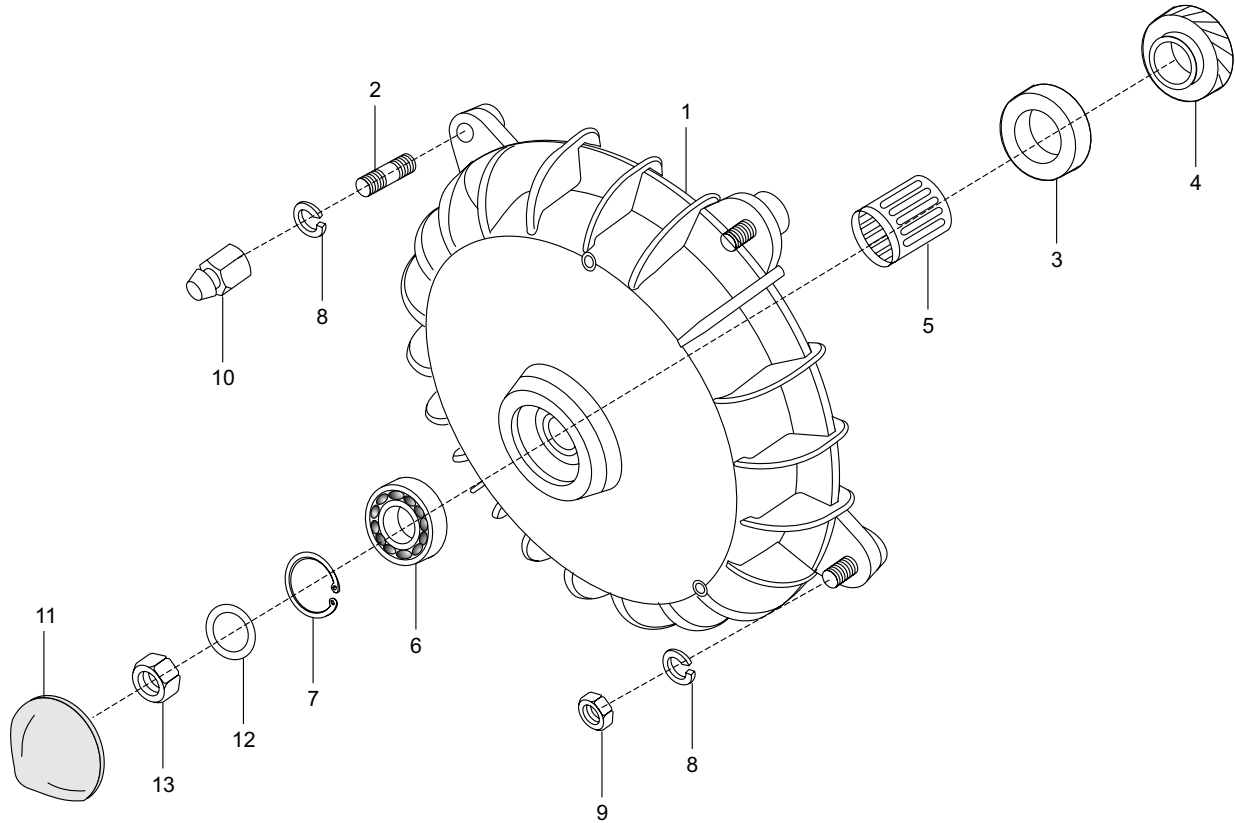


FIG. NO.	PART NO.	DESCRIPTION	QTY. PER VEH.	REMARKS
1	35151003	FRONT BRAKE DRUM ASSEMBLY	1	WITH STUDS
2	06150112	STUD	5	
3	19151005	SPACER	1	
4	35151004	SPEEDOMETER GEAR	1	
5	19151008	NEEDLE ROLLER BRG	1	
6	39127420	BALL BEARIG-12X32X10	1	
7	39093517	INTERNAL CIRCLIP	1	
8	39026512	SPRING WASHER	5	
9	39069415	HEX LOCK NUT-M8X1.25	2	
10	06151023	SPECIAL NUT	3	
11	19151022	CUP FOR BRAKE DRUM	1	
12	39020111	PLAIN WASHER	1	
13	39042215	NYLOC NUT-M10 X 1.25	1	

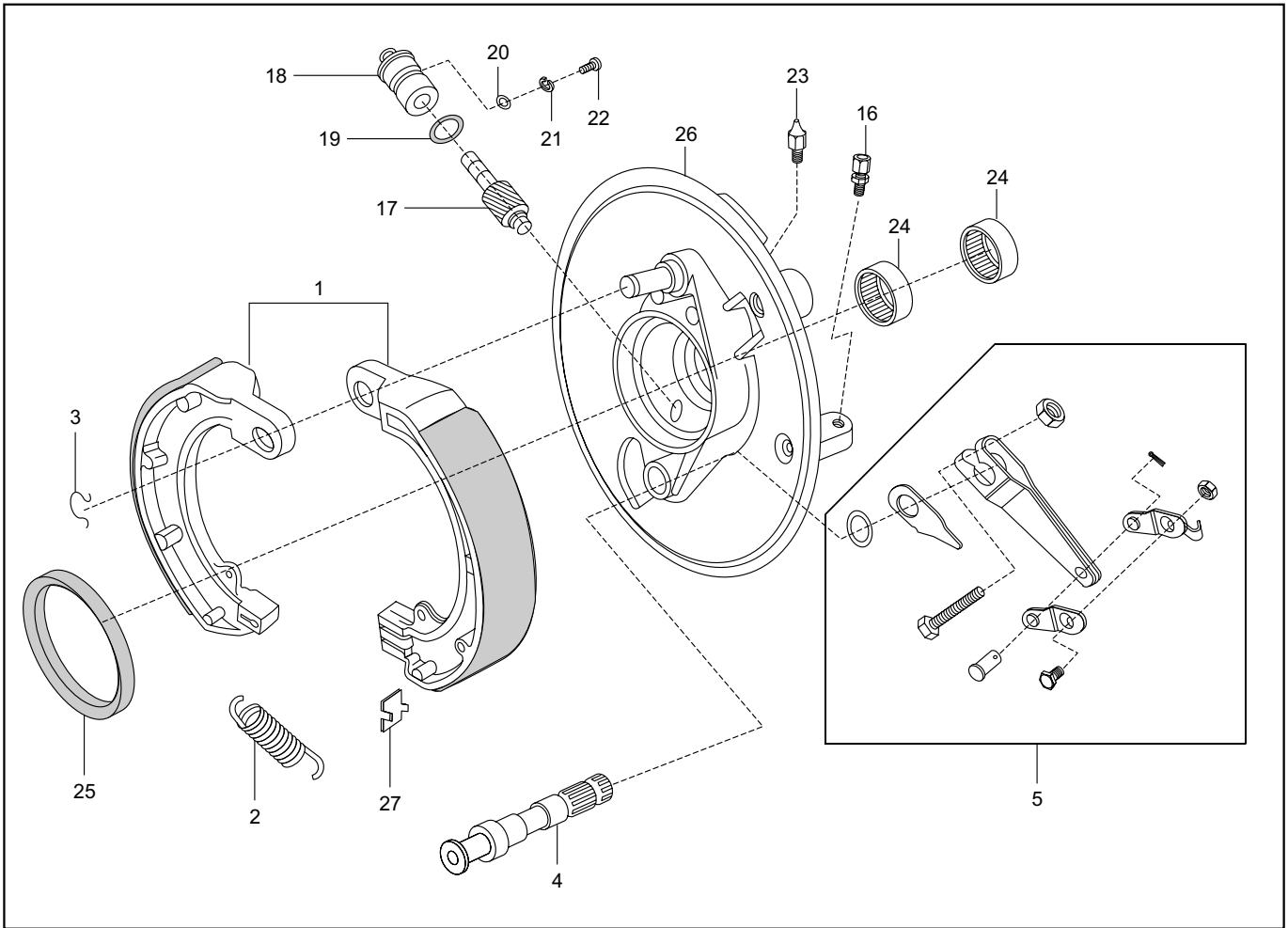


FIG. NO.	PART NO.	DESCRIPTION	QTY. PER VEH.	REMARKS
1	06150102	FRONT BRAKE SHOE ASSY	2	ALTERNATE 06 1510 13
2	01150105	RETURN SPRING	1	
3	01150209	SPRING LOCK	1	
4	35151001	FRONT BRAKE ACT SHAFT ASSY	1	
5	06151029	FRONT BRAKE ACTUATOR LEVER ASSY	1	
16	05101083	ADJUSTER WITH NUT	1	
17	35191002	SPEEDOMETER PINION	1	
18	35191030	SUPPORT	1	
19	03180116	"O" RING	1	
20	39084211	PLAIN WASHER	1	
21	39090012	WASHER SPRING	1	
22	39154501	SLOTTED CH HEAD SCREW	1	
23	35171040	GREASE NIPPLE	1	
24	39145220	NEDLE ROLLER BEARING	2	
25	19171010	GREASE SEAL	1	
26	35171007	FRONT BRAKE PANEL	1	
27	06150104	WEAR PAD	2	
NI.	39074011	PLAIN WASHER /GREA.NIPPLE	1	

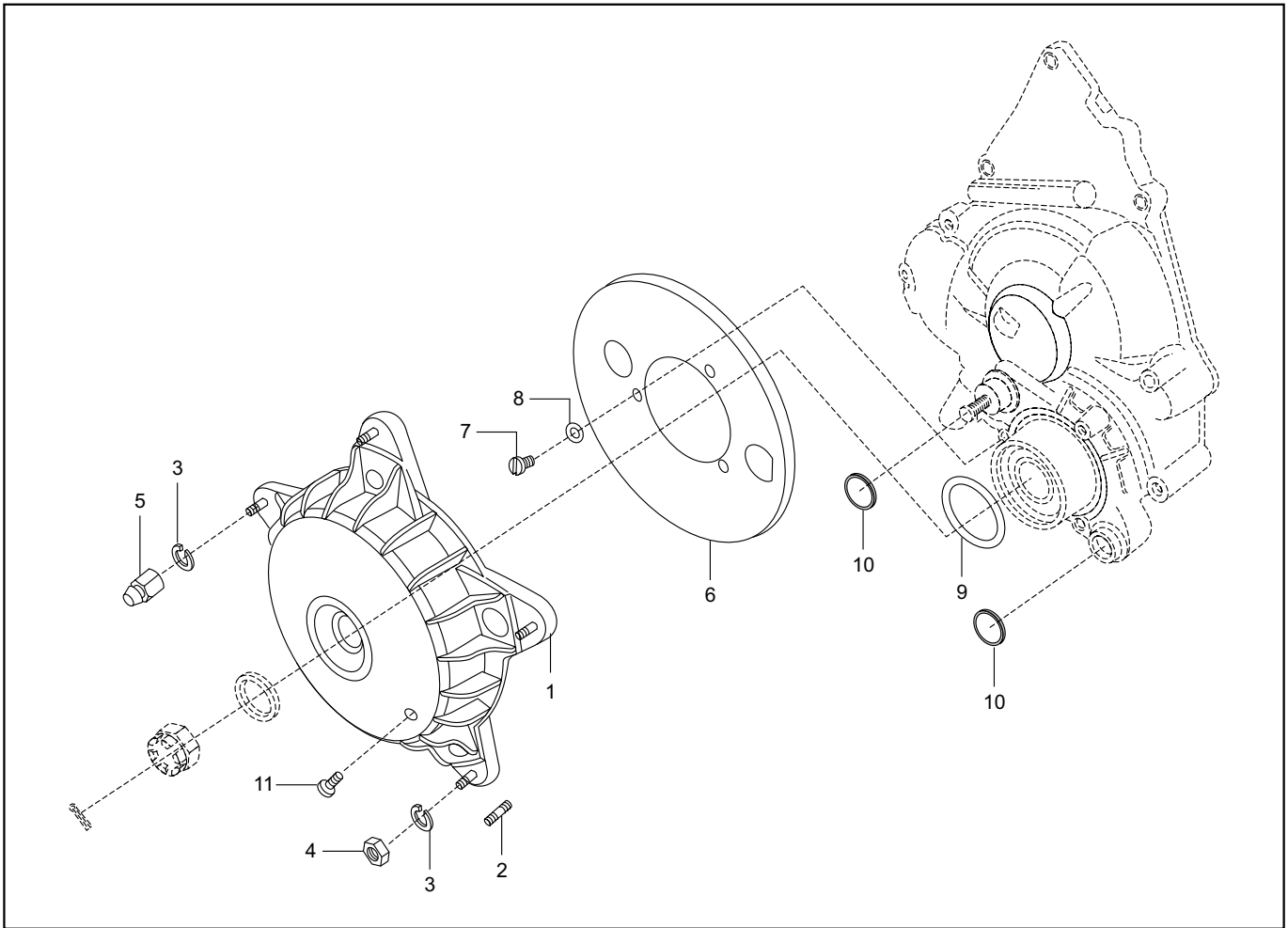


FIG. NO.	PART NO.	DESCRIPTION	QTY. PER VEH.	REMARKS
1	28151028	REAR BRAKE DRUM ASSEMBLY	1	
2	06150112	STUD	5	
3	39026512	SPRING WASHER	5	
4	39069415	HEX LOCK NUT-M8X1.25	2	
5	06151023	SPECIAL NUT	3	
6	28151003	BACK PLATE	1	
7	39128601	SLOTTED CH HEAD SCREW	3	
8	39026312	SPRING WASHER	3	
9	03150224	GASKET	1	
10	03150225	"O" RING	2	
11	07150103	SPECIAL SCREW	1	PLUG FOR INSPECTION WINDOW

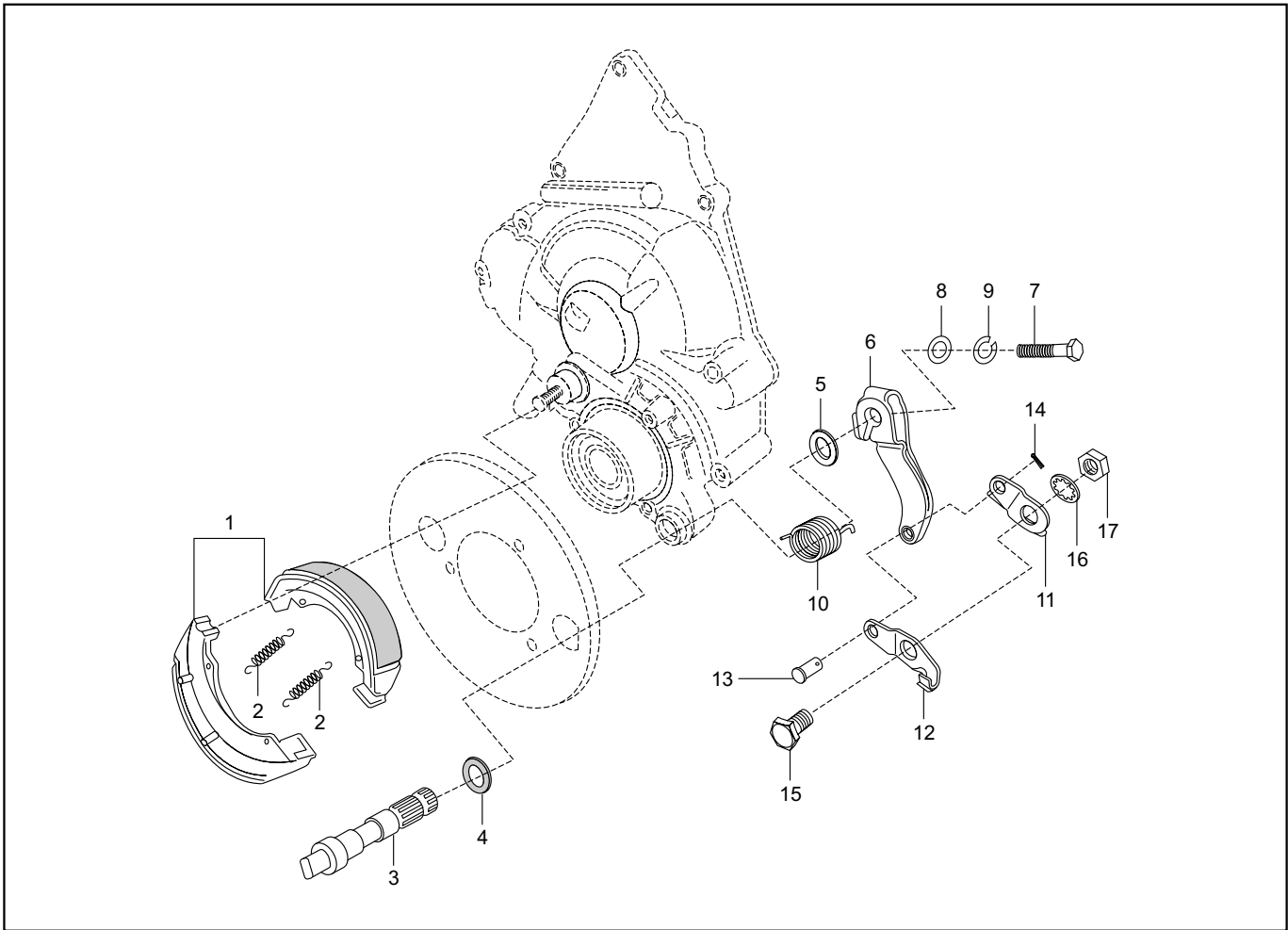


FIG. NO.	PART NO.	DESCRIPTION	QTY. PER VEH.	REMARKS
1	28151032	REAR BRAKE SHOE ASSEMBLY	2	
2	30151069	SPRING	2	
3	28151013	CAM BRAKE REAR	1	
4	30151038	"O" RING	1	
5	39052611	WASHER	1	
6	28151010	REAR BRAKE LEVER	1	
7	39185604	HEXAGON BOLT-M6X1	1	
8	39019811	PLAIN WASHER	1	
9	39026312	SPRING WASHER	1	
10	05150208	SPRING	1	
11	28151020	REAR BRAKE LINK	1	
12	28151021	REAR BRAKE LINK	1	
13	28151014	PIN	1	
14	39014608	SPLIT PIN	1	
15	39082704	BOLT	1	
16	39027614	LOCK WASHER TOOTHED	1	
17	39029515	HEXAGON NUT-M9X1.25	1	

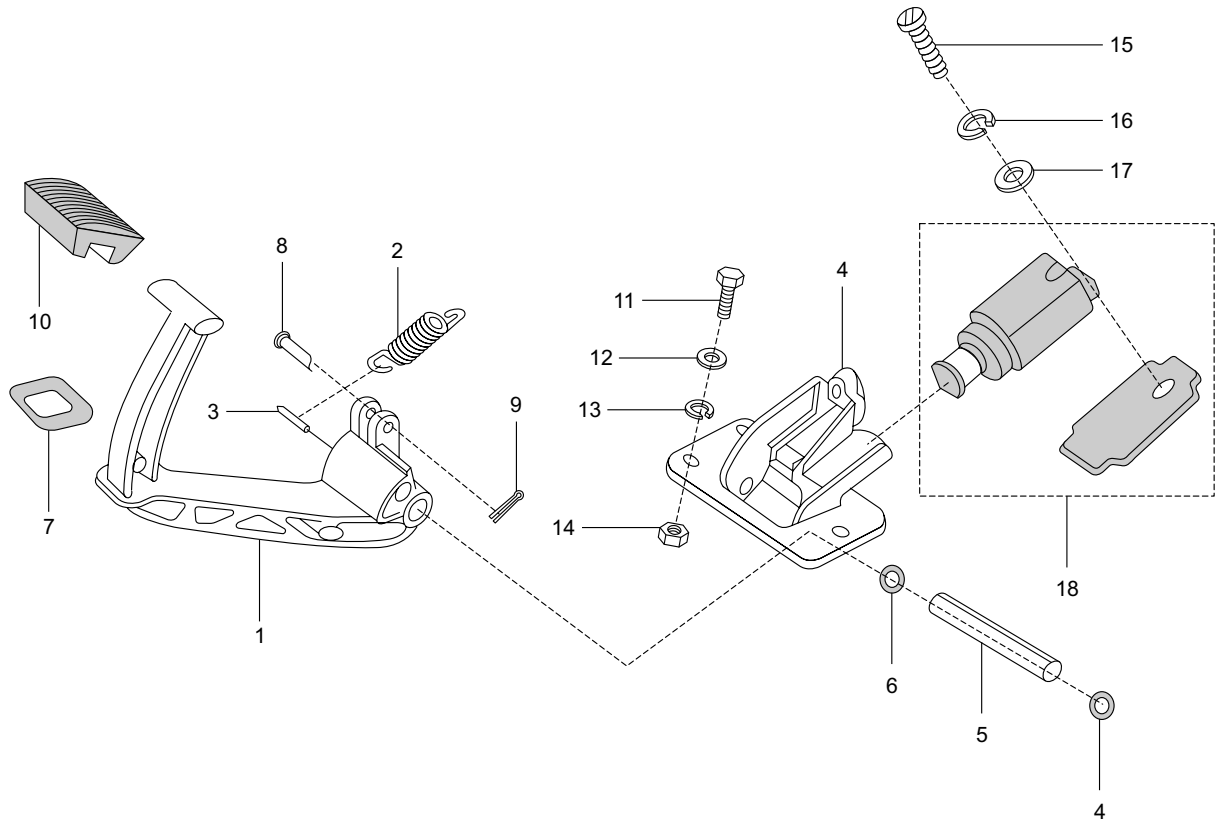


FIG. NO.	PART NO.	DESCRIPTION	QTY. PER VEH.	REMARKS
1	35151012	BRAKE PEDAL	1	
2	12151004	SPRING	1	
3	39094909	SNAP HEAD RIVET	1	
4	12151003	BRAKE SUPPORT	1	
5	12151011	PIN FOR BRAKE PEDAL	1	
6	24101109	"O" RING	2	
7	12151012	PACKING FOR BR PEDAL	1	
8	12151005	PIN FOR CABLE	1	
9	39015108	SPLIT PIN	1	
10	28151023	SLEEVE-BRAKE PEDAL	1	
11	39179701	HEXAGON SCREW	3	
12	39019811	PLAIN WASHER	3	
13	39026512	SPRING WASHER	3	
14	39029215	HEXAGON NUT-M6X1	2	
15	39120501	CHEESE HEAD SCREW	1	
16	39026112	SPRING WASHER	1	
17	39037511	PLAIN WASHER	1	
18	12201003	STOP SWITCH COMPLETE	1	
NI	28151024	REAR BRAKE PEDAL ASSLY.	1	(CONSIST OF FIG. Number 1,4,5,6,7,8,9, 15,16,17,18 and INNER REAR BRAKE CABLE P.NO. 28191002)

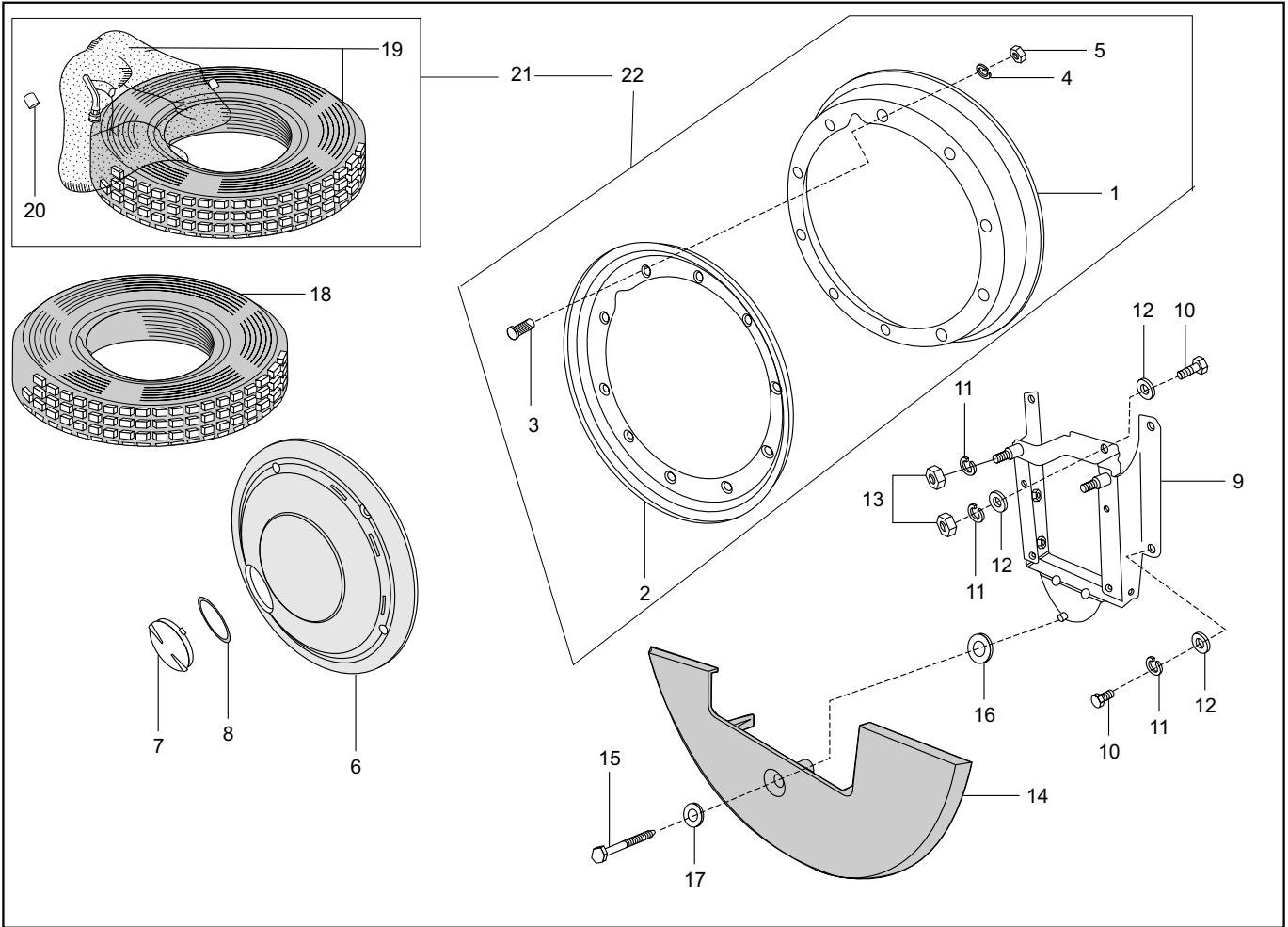


FIG. NO.	PART NO.	DESCRIPTION	QTY. PER VEH.	REMARKS
1	06150303	WHEEL RIM	3	
2	07150304	WHEEL FLANGE ASSEMBLY	3	
3	39008704	BOLT (ROUND HEAD)	15	
4	39182812	SPRING WASHER	15	
5	39069415	HEX LOCK NUT -M8X1.25	15	
6	28151011	WHEEL COVER	2	
7	28151016	CAP FOR WHEEL COVER	2	
8	39189921	"O" RING	2	
9	28161127	SPARE WHEEL BKT. ASSEMBLY	1	
10	39011904	BOLT HEXAGON HEAD	5	
11	39026512	SPRING WASHER	7	
12	39104011	PLAIN WASHER	7	
13	39069415	HEX LOCK NUT-M8X1.25	4	
14	28151015	SPARE WHEEL COVER	1	
15	28151017	SP.BOLT-SP/WH COVER	1	
16	28151019	SPECIAL NUT-SP.WHEEL	1	
17	39025411	PLAIN WASHER	1	
18	CH151004	TIRE SIZE 3.50X10 -4PL	3	
19	CH151005	TIRE WITH TUBE	3	
20	03150310	VALVE CAP	3	
21	28151031	WHEEL RIM/TIRE/TUBE ASSEMBLY	3	
22	07150302	WHEEL RIM ASSEMBLY	3	

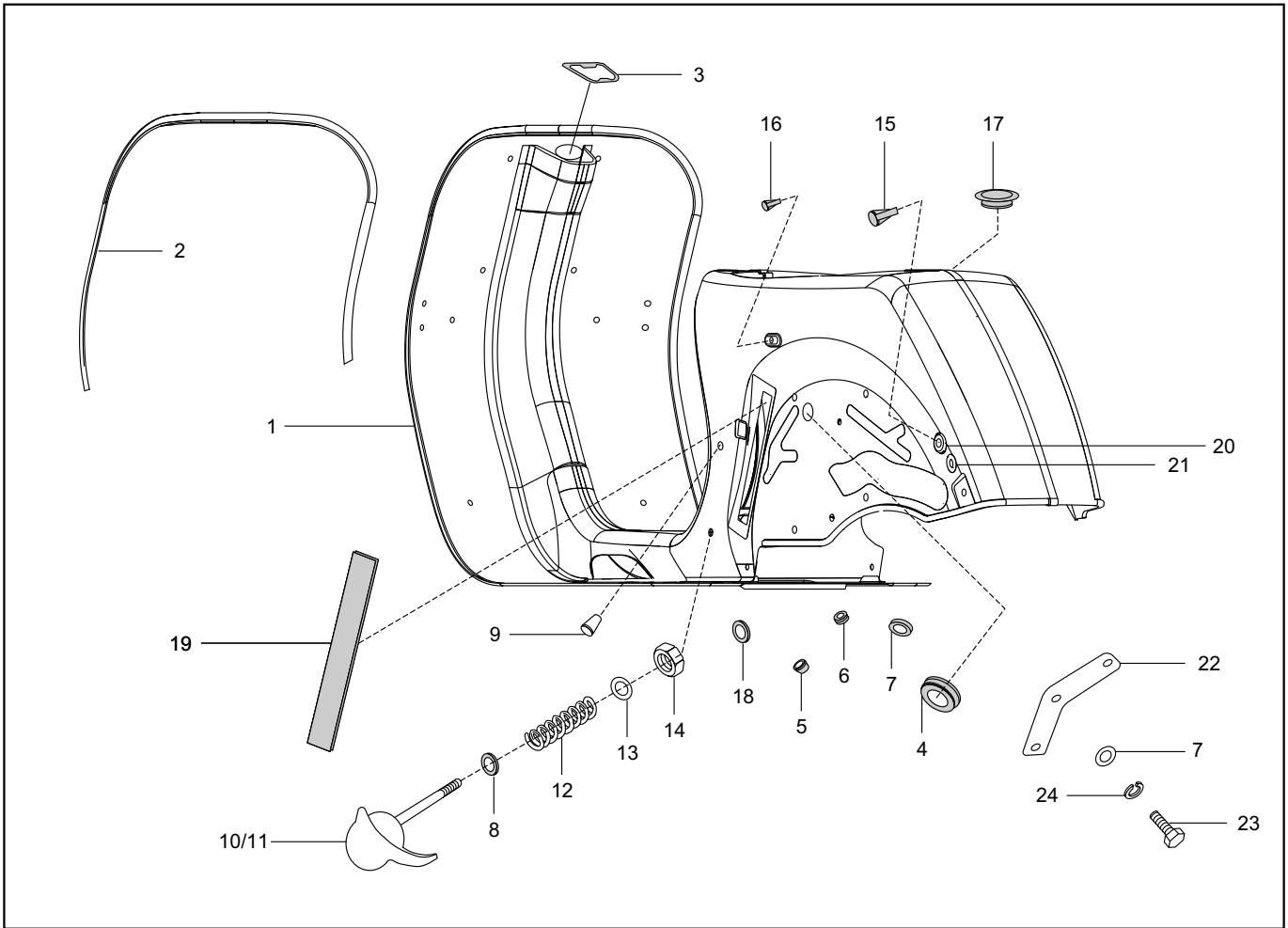


FIG. NO.	PART NO.	DESCRIPTION	QTY. PER VEH.	REMARKS
1	28161184	BARE CHASSIS COMPLETE	1	
2	35161066	SHIELD BEADING	1	
3	28161156	CAP (UPPER TERMINAL)	1	
4	39 1370 23	CUT GROMMET	1	
5	28161158	GROMMET-DIAPH.BOTTOM	1	
6	28161082	GROMMET-DIAPH.TOP	2	
7	39104011	PLAIN WASHER	3	
8	28161121	GROMMET	2	
9	28161153	PLUG FOR BONNET	2	
10	28161032	HANDLE FOR ENG BONET	1	
11	28161034	HANDLE FOR BONNET LH	1	
12	35161044	SPRING	2	
13	21120441	PLAIN WASHER	2	
14	39032615	NYLOC NUT-M5 X 0.8	2	
15	39223623	GROMMET	2	
16	35161035	PLUG-II	2	
17	28161088	CAP FOR REAR SHOXS	1	
18	39137023	CUT GROMMET (BODY HALF LH)	1	
19	28161126	COVER-AIRFILTER SLOT	1	
20	22190245	GROMMET	1	
21	28161163	PLUG	1	
22	28161123	SUPPORT BRACKET	1	
23	39011904	BOLT	3	
24	39020011	SPRING WASHER	3	

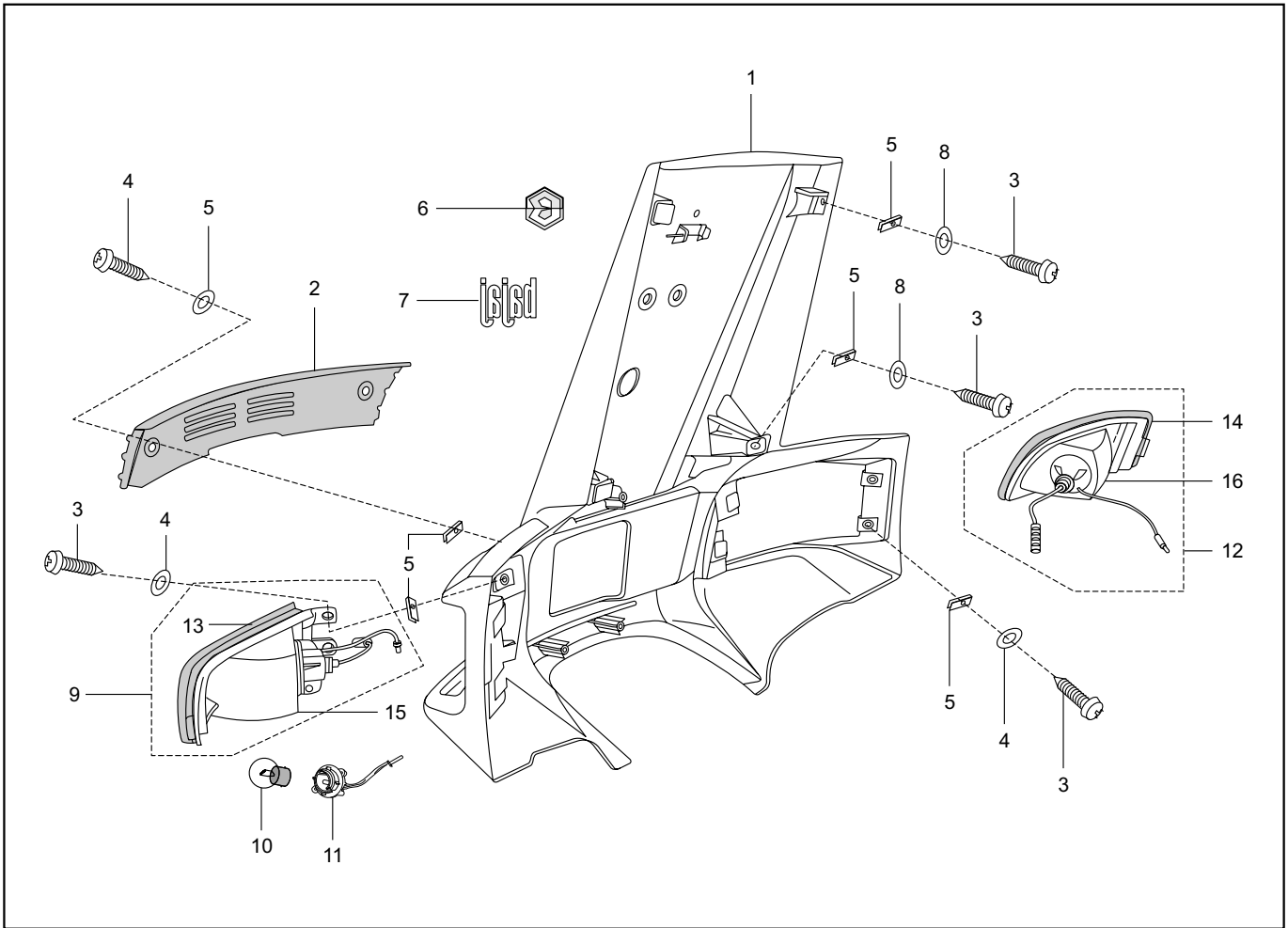


FIG. NO.	PART NO.	DESCRIPTION	QTY. PER VEH.	REMARKS
1	28161067	NOSE	1	
2	28161078	GRILL FOR NOSE	1	
3	39190002	CRS R.PN HD TP SCREW	12	FOR MOUNTING NOSE/GRILL
4	39150511	PLAIN WASHER	6	FOR MOUNTING INDICATORR/GRILL
5	CB161105	NUT CLIP 5 MM	12	FOR MOUNTING NOSE/GRILL
6	28161068	'B' MONOGRAM	1	
7	28161104	BAJAJ NAME PLATE	1	
8	39183911	PLAIN WASHER	8	FOR MOUNTING NOSE
9	28201060	FRONT SIDE INDICATOR W/LAMP LH	1	WITH IMPORTED LAMP
	28201015	FRONT SIDE INDICATOR W/O LAMP LH	1	WITHOUT LAMP
10	18201044	LAMP 12V 10W	2	
11	28201057	BULB HOLDER -FRONT INDR	2	
12	28201061	FRONT SIDE INDICATOR W/LAMP RH	1	
	28201017	FRONT SIDE INDICATOR W/O LAMP RH	1	
13	28201023	FRONT SIDE INDICATOR LENS LH	1	
14	28201024	FRONT SIDE INDICATOR LENS RH	1	
15	28201025	FRONT SIDE INDR REFLECTOR LH	1	
16	28201026	FRONT SIDE INDR REFLECTOR RH	1	

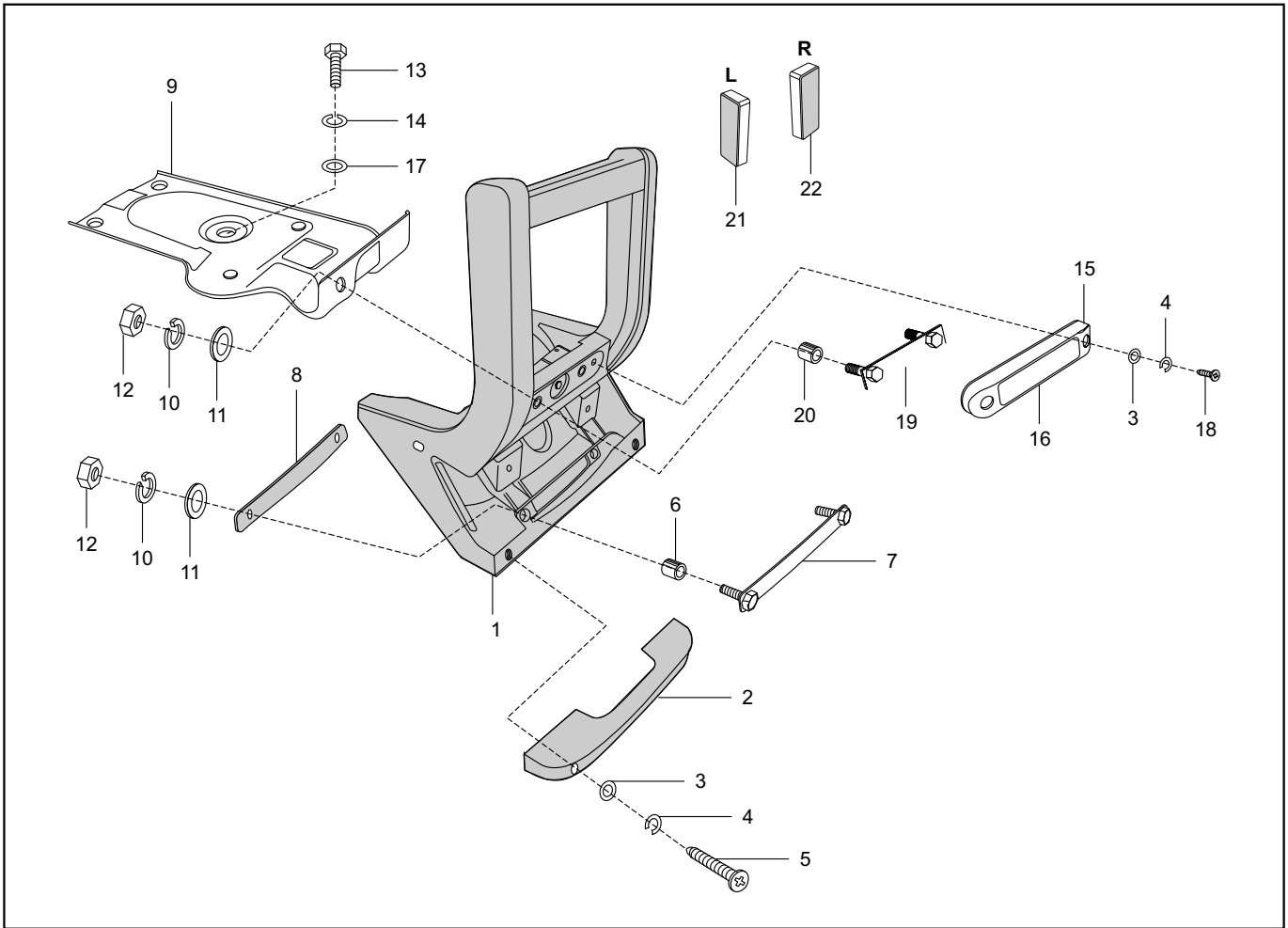


FIG. NO.	PART NO.	DESCRIPTION	QTY. PER VEH.	REMARKS
1	28161180	GRAB HANDLE	1	
2	28161113	BOTTOM PIECE GRAB HANDLE	1	
3	39150511	PLAIN WASHER	4	FOR BOTTOM PIECE MOUNTING ON THE GRAB HANDLE
4	39026212	SPRING WASHER	4	
5	39184301	SCREW PAN CROSS-M5	2	
6	28161109	SLEEVE-GRAB (BOTTOM)	2	
7	28161052	PLATE-GRAB HANDLE	1	
8	28161103	PACKING GRAB HANDLE	1	
9	28161055	CARRIER PLATE ASSY.	1	
10	39154011	PLAIN WASHER	4	FOR MOUNTING OF GRAB HANDLE, TOP AND BOTTOM
11	39182812	SPRING WASHER	4	FOR MOUNTING OF GRAB HANDLE, TOP AND BOTTOM
12	39190315	HEXAGON NUT-M8 X 1.5	4	FOR MOUNTING OF GRAB HANDLE, TOP AND BOTTOM
13	39039004	HEXAGON SCREW	3	FOR MOUNTING OF CARRIER PLATE ON CHASSIS
14	39026512	SPRING WASHER	3	
15	28201033	REFLEX REFLECTOR BASE	1	
16	28201038	REFLEX REFLECTOR LENS	1	
17	39104011	PLAIN WASHER	3	
18	39184401	SCREW PAN CROSS-M5	2	
19	28161110	PLATE GRAB HAND. TOP	1	
20	28161108	SLEEVE -GRAB (TOP)	2	
21	28201076	ASSLY REFLEX RFLECTOR RE L	1	
22	28201077	ASSLY REFLEX RFLECTOR RE R	1	

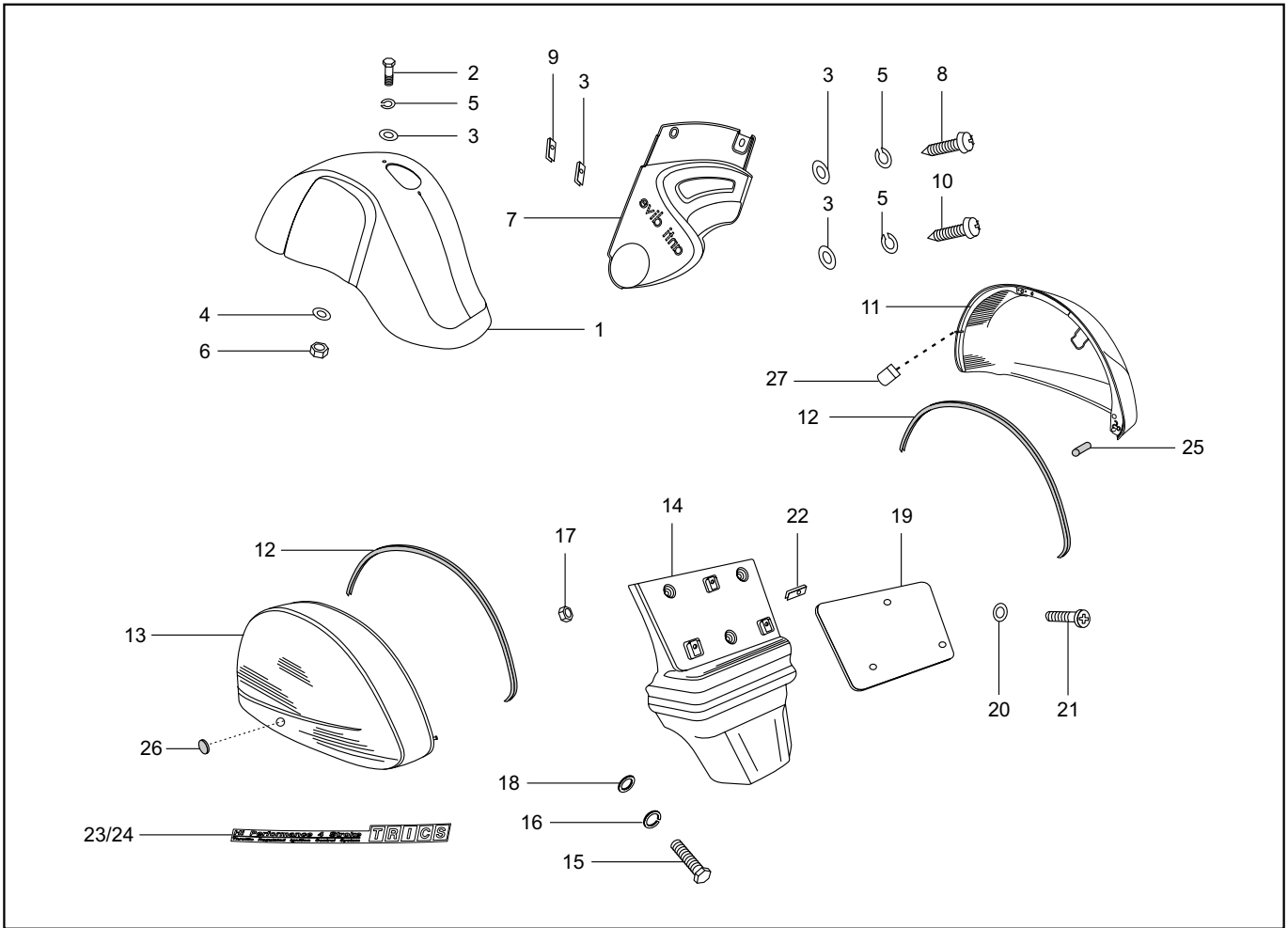


FIG. NO.	PART NO.	DESCRIPTION	QTY. PER VEH.	REMARKS
1	35161102	MUDGUARD ASSEMBLY	1	
2	39182204	HEXAGON BOLT	2	
3	39176511	PLAIN WASHER	3	
4	39019711	PLAIN WASHER	3	
5	39026212	SPRING WASHER	2	
6	39029115	HEXAGON NUT-M5	2	
7	35161056	MUDGUARD SIDE COVER	1	
8	39206004	SCREW PAN CROSS-M5	1	
9	35161060	CLIP NUT	2	
10	39206104	SCREW PAN CROSS	1	
11	28161039	ENGINE BONNET ASSY	1	
12	28161093	BEADING FOR BONNET	2	
13	28161045	BONNET LH ASSY	1	
14	28161047	TAIL PIECE	1	
15	39161101	CROS RECED HEX SCREW	3	ALT. 39 0944 04
16	39026312	SPRING WASHER	3	
17	39029215	HEXAGON NUT-M6X1	3	
18	39021911	PLAIN WASHER	3	
19	28161072	REAR NUMBER PLATE	1	
20	39150511	PLAIN WASHER	3	
21	39183602	CRS R.PN HD TP SCREW	3	
22	CB161105	NUT CLIP 5 MM	3	
23	28161138	BONNET DECAL LH SILVER	1	FOR BLUE AND RED VEHICLE
	28161136	BONNET DECAL LH BLACK	1	FOR ARISTO GOLD/ANT.SILVER
	28161132	ALT. BONNET DECAL LH SILVER	1	FOR ARISTO GOLD/ANT.SILVER
24	28161139	BONNET DECAL RH SILVER	1	FOR BLUE AND RED VEHICLE
	28161137	BONNET DECAL RH BLACK	1	FOR ARISTO GOLD/ANT.SILVER
	28161133	ALT. BONNET DECAL RH BLACK	1	FOR ARISTO GOLD/ANT.SILVER
25	28161116	TUBE FOR BONNET	1	
26	28161148	PLUG	1	
27	28161154	CAP FOR BONNET PIN	2	

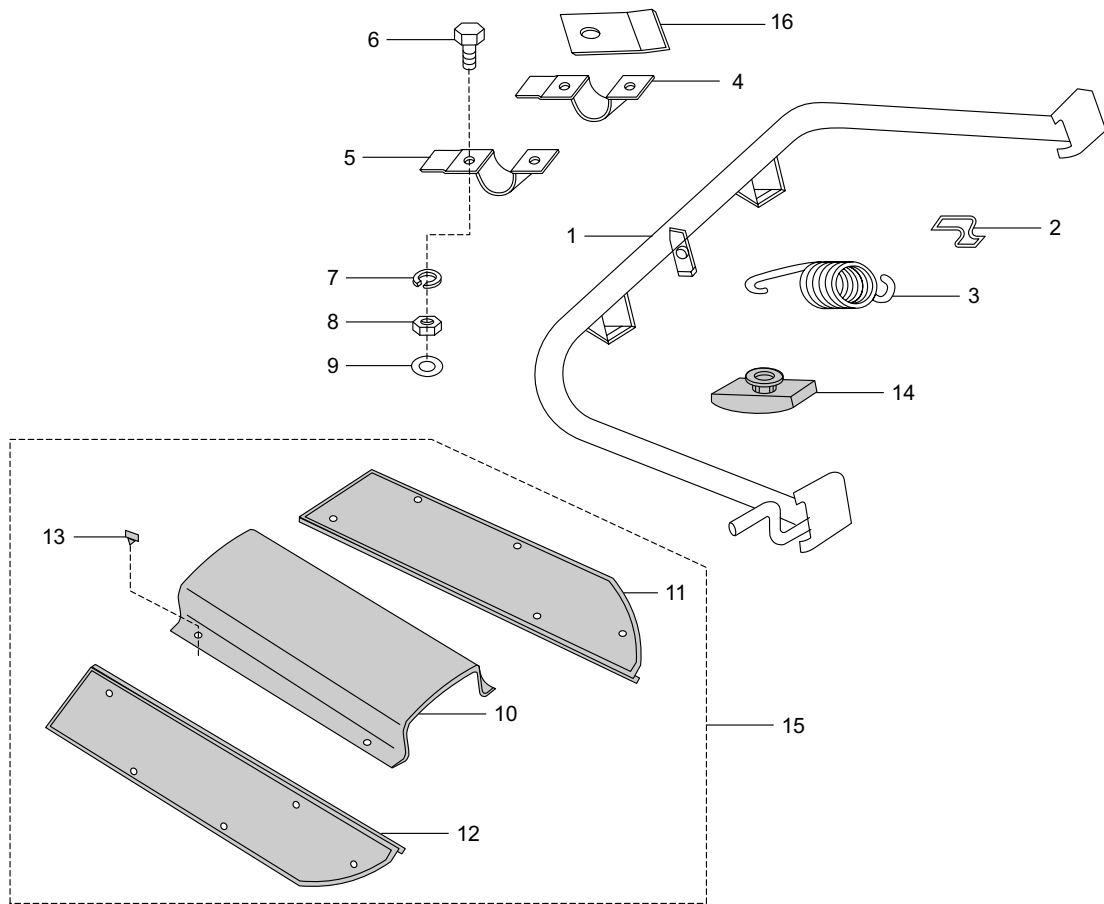


FIG. NO.	PART NO.	DESCRIPTION	QTY. PER VEH.	REMARKS
1	28161175	STAND ASSEMBLY	1	
2	02160809	HOOK PLATE	2	
3	28161135	STAND SPRING	2	
4	28161094	CLIP FOR STAND-LH	1	
5	28161095	CLIP FOR STAND-RH	1	
6	39179701	HEXAGON BOLT	4	
7	39026312	SPRING WASHER	4	
8	39 1353 15	NYLOC NUT-M6X1	4	
9	39019811	PLAIN WASHER	4	
10	28161050	MATTING CENTRAL	1	
11	28161106	MATTING-LEFT HAND	1	
12	28161105	MATTING-RIGHT HAND	1	
13	28161107	RUBBER NAIL-MATTING	10	
14	19161108	RUBBER BUFFER	1	
15	28161124	MATTING SET	1	
16	28161166	SHIM FOR STAND	2	BETWEEN CHASSIS AND CLIP 28161094/95

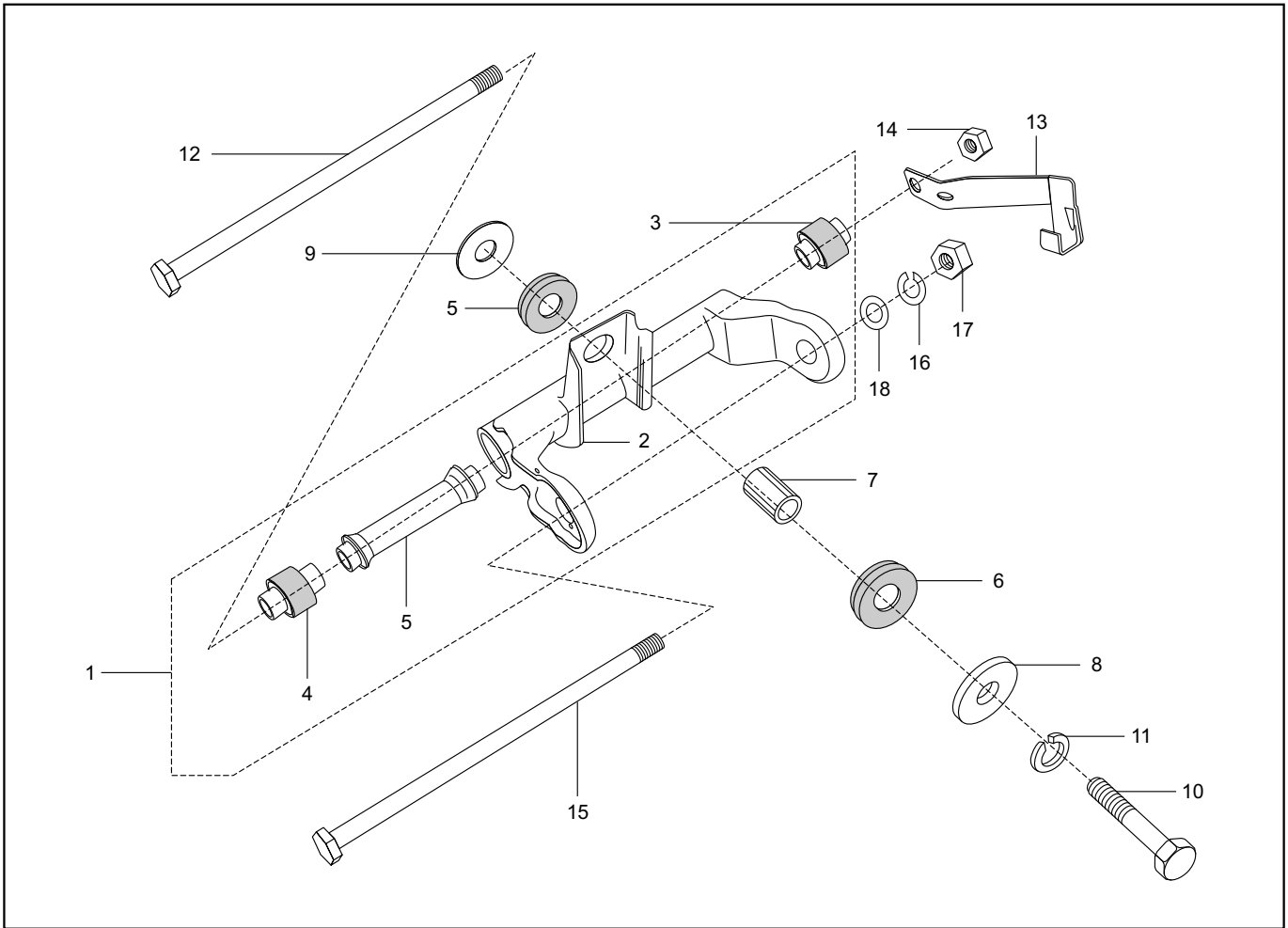


FIG. NO.	PART NO.	DESCRIPTION	QTY. PER VEH.	REMARKS
1	28161026	ENGINE LINK ASSEMBLY COMPL.	1	
2	28161027	ENGINE LINK ASSEMBLY	1	
3	28161028	SILENT BUSH FOR LINK	1	
4	28161115	SILENT BUSH II LINK	1	
5	28161076	DISTANCE PIECE ASSLY	1	
6	28161061	DAMPER FOR LINK	2	
7	28161062	SPACER TUBE -DAMPER	1	
8	39184011	PLAIN WASHER	1	
9	39184111	PLAIN WASHER	1	
10	39184604	HEX BOLT	1	
11	39026512	SPRING WASHER	1	
12	28161030	BOLT FOR ENGINE LINK	1	
13	28161118	BRACKET -GEAR CABLE	1	
14	39042215	NYLOC NUT -M 10 X 1.25	1	
15	28161029	FOUNDATION BOLT	1	
16	39026912	SPRING WASHER	1	
17	39030315	HEXAGON NUT -M 14X1.5	1	
18	39024011	PLAIN WASHER	1	

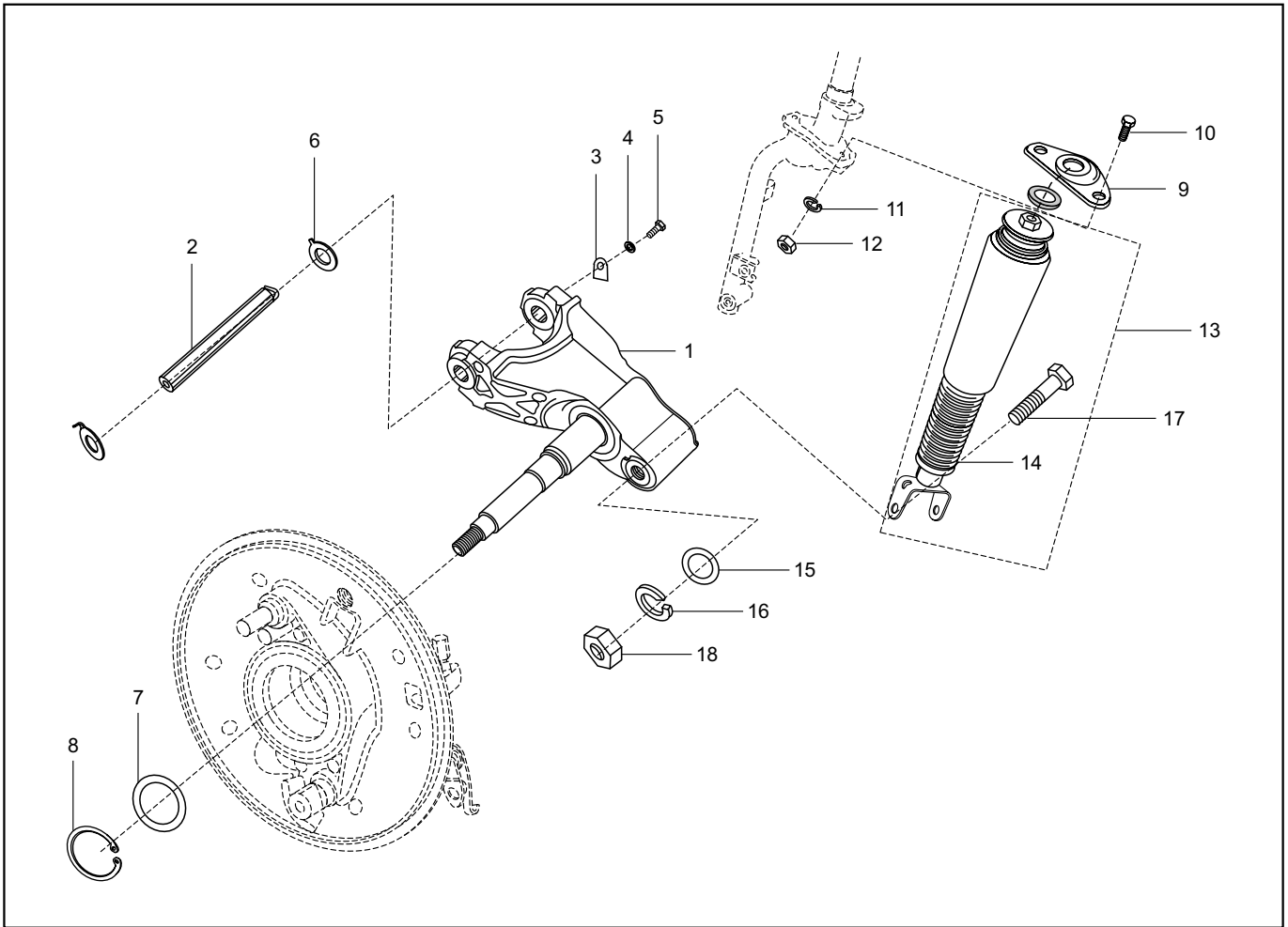


FIG. NO.	PART NO.	DESCRIPTION	QTY. PER VEH.	REMARKS
1	35171044	FRONT WHEEL HUB ASSEMBLY	1	
2	35171004	HUB PIN	1	
3	35171005	LOCK PLATE	1	
4	39026312	SPRING WASHER	1	
5	39006204	HEXAGON HD SCREW	1	
6	39145321	"O" RING	1	
7	39145411	PLAIN WASHER	1	
8	21100324	CIRCLIP	1	
9	35171014	SHOCK ABS MTG BKT	1	
10	39010004	BOLT HEXAGON HEAD	2	
11	39026512	SPRING WASHER	2	
12	39069415	HEX LOCK NUT-M8X1.25	2	
13	CD171001	FRONT SHOCK ABSORBER WITH SPRING	1	
	CD171005	FRONT SHOCK ABSORBER WITH SPRING	1	ALTERNATE
14	35171017	FR SUSPENSION SPRING	1	
15/16	15171060	BUSH ASSEMBLY	2	
17	39185004	HEX. BOLT WITH FLANGE	1	FOR MOUNTING FSA LOWER MOUNTING
18	39042215	NYLOC NUT M-10	1	

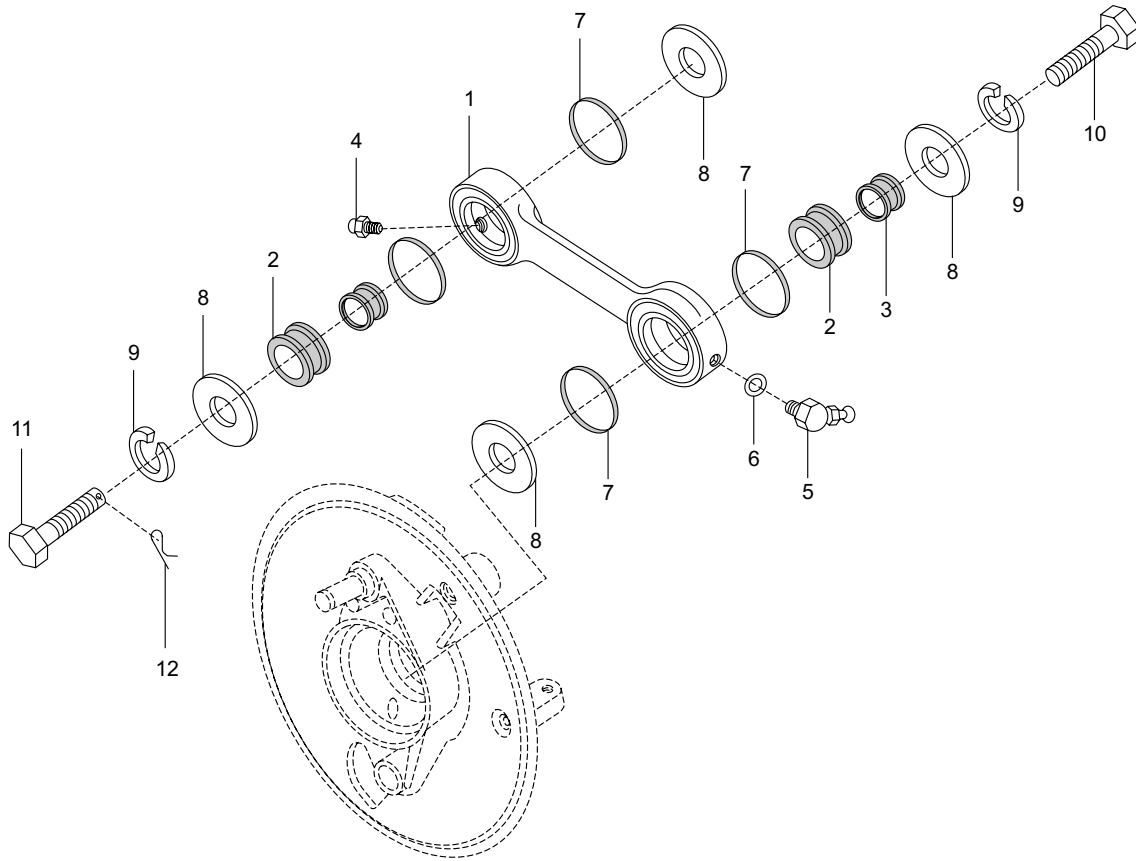


FIG. NO.	PART NO.	DESCRIPTION	QTY. PER VEH.	REMARKS
1	35171009	LINK ASSEMBLY	1	WITH BUSH FOR LINK BIG
2	35171011	BUSH FOR LINK -BIG	2	
3	35171012	BUSH FOR LINK -SMALL	2	
4	23161305	GREASE NIPPLE	1	
5	35171033	GREASE NIPPLE BM6	1	
6	39074011	WASHER (NON METALLIC)	1	
7	39101721	"O" RING	4	
8	35171013	CUP WASHER	4	
9	39026712	SPRING WASHER	2	
10	39145604	HEXAGON BOLT -M 10X1.5	1	
11	39145704	HEX HEAD BOLT -M 10	1	
12	39080708	PIN SNAP	1	

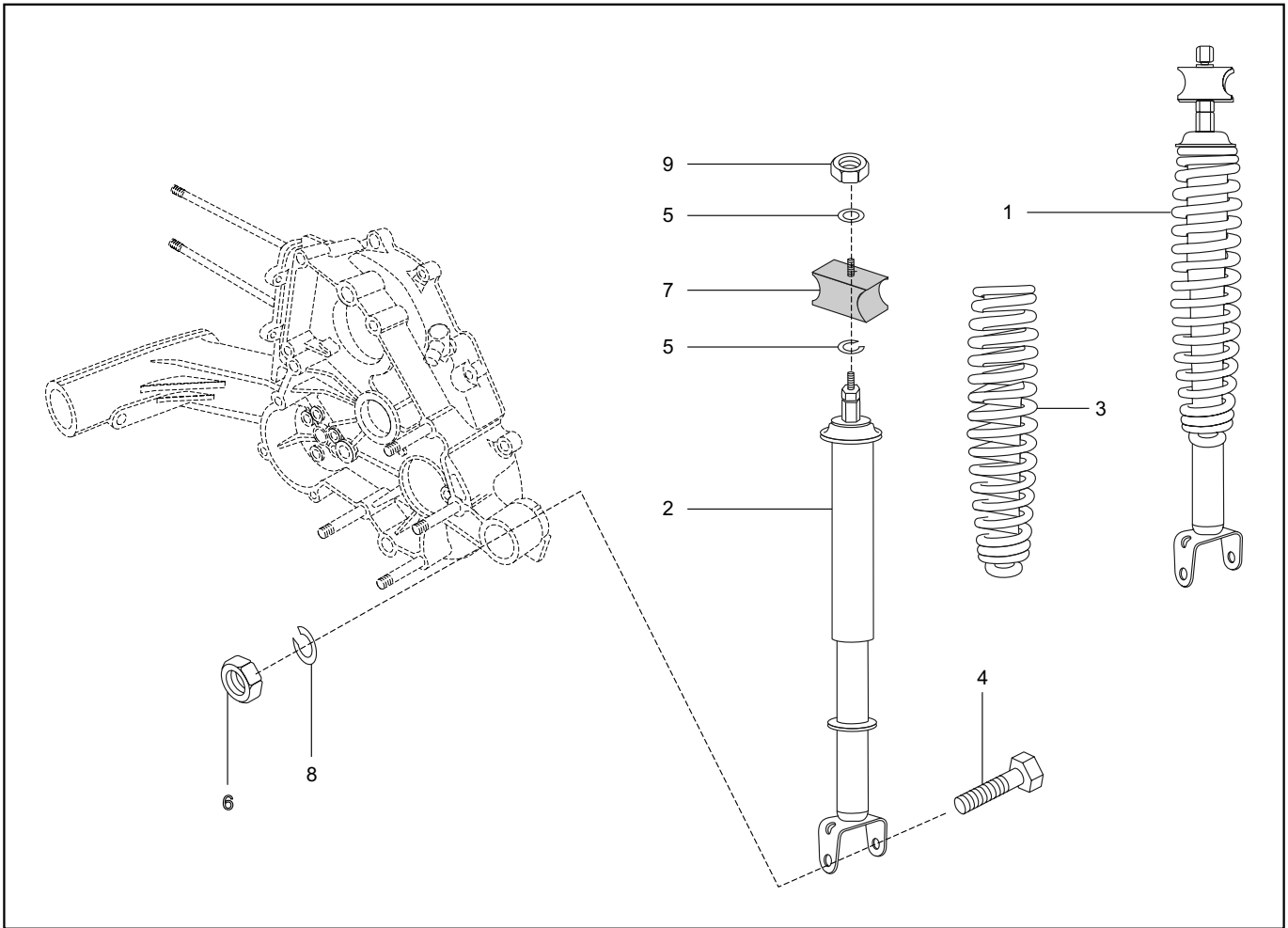


FIG. NO.	PART NO.	DESCRIPTION	QTY. PER VEH.	REMARKS
1	28171005	REAR SHOCK ABSORBER ASSY. COMPL.	1	
2	28171006	REAR SHOCK ABSORBER ASSLY	1	NOT SERVICED SEPARATELY. SERVICED AS ASSLY. 28171005
3	28171007	REAR SUSPENSION SPRING	1	NOT SERVICIABLE
4	39179304	HEXAGON BOLT-M9X1.25	1	
5	39026612	SPRING WASHER	2	
6	39029515	HEXAGON NUT-M9X1.25	1	
7	03170351	DAMPER BRACKET ASSLY	1	
8	39026512	SPRING WASHER	1	
9	39031915	HEXAGON NUT-M8X1.25	1	

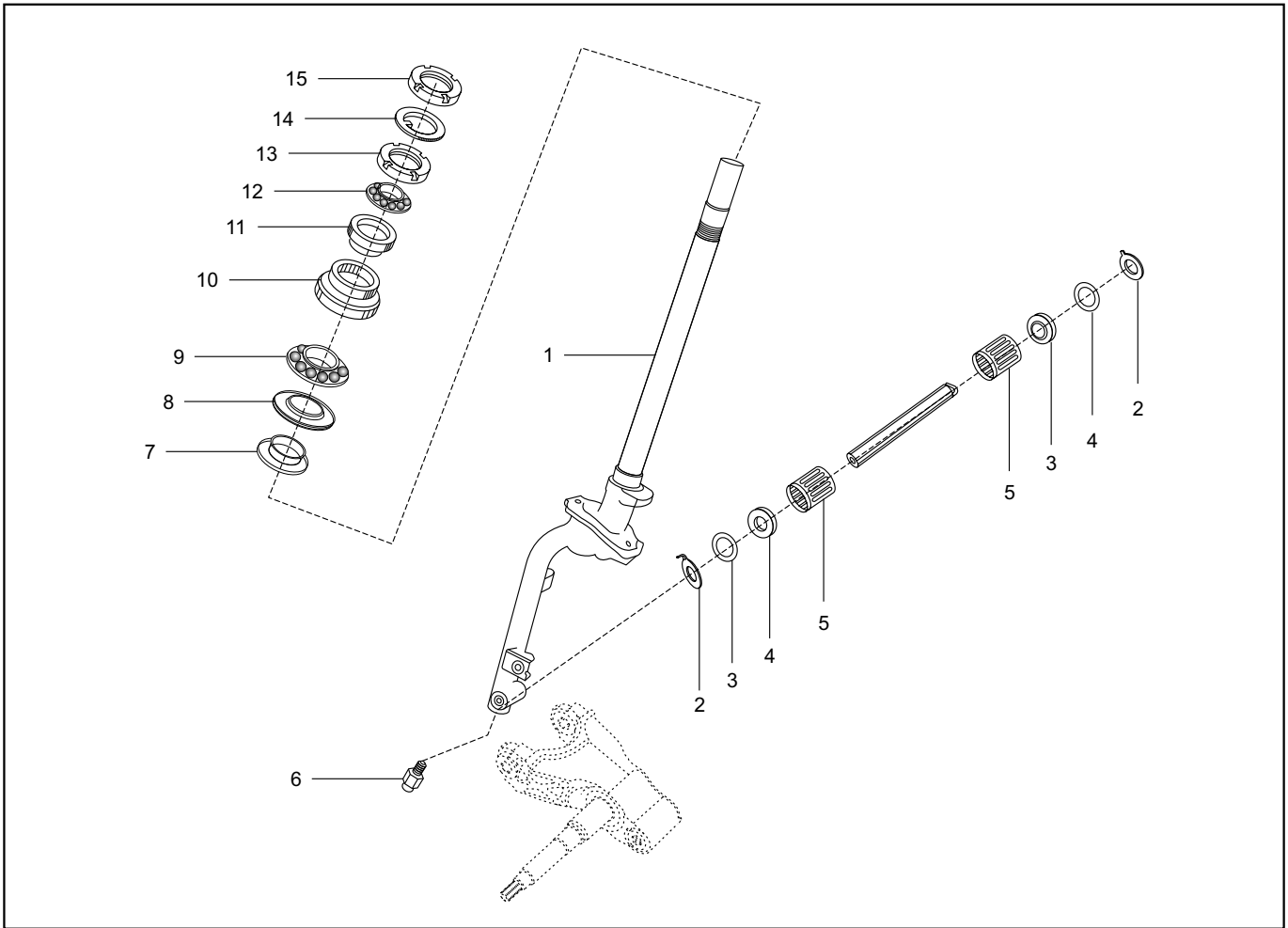


FIG. NO.	PART NO.	DESCRIPTION	QTY. PER VEH.	REMARKS
1	28181015	STEERING COLUMN ASSY	1	ALTERNATE - 35 1810 02
2	03180114	SHOULDER WASHER	2	
3	03180118	BUSH	2	
4	03180116	"O" RING	2	
5	39177220	BEARING	2	
6	35171032	GREASE NIPPLE	1	
7	07181006	DUST COVER	1	
8	07181004	BEARING RACE	1	
9	06181068	STEEL BALL WITH SHEET METAL CAGE	1	
10	06180108	LOWER BEARING RACE	1	
11	06180107	UPPER BEARING RACE	1	
12	07181007	STEEL BALL WITH SHEET METAL CAGE	1	
13	01180128	BEARING RACE	1	
14	01180129	SPACER WASHER	1	
15	01180130	LOCK RING	1	

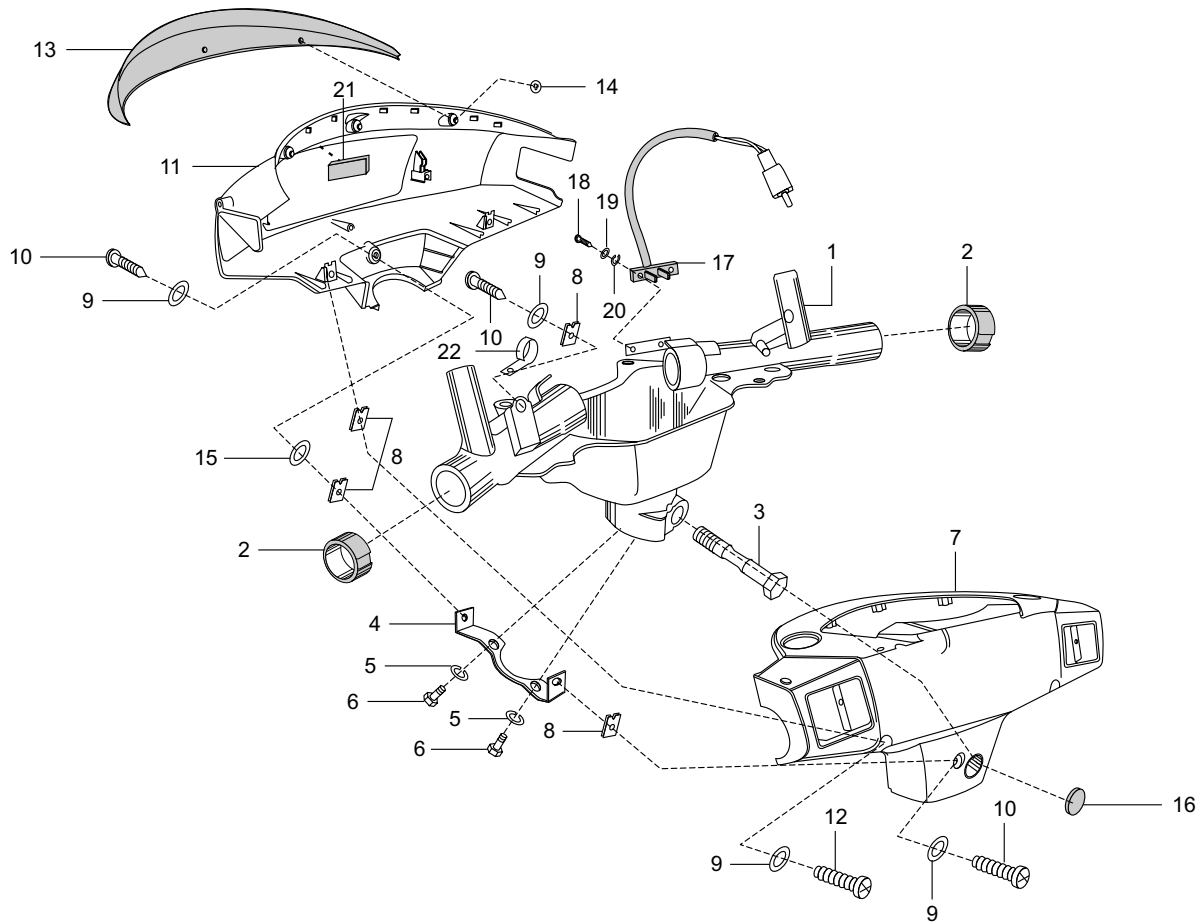


FIG. NO.	PART NO.	DESCRIPTION	QTY. PER VEH.	REMARKS
1	28181026	HANDLE BAR ASSLY.	1	
2	35191013	SILENT BUSH ASSEMBLY	4	
3	35181016	HANDLE BAR BOLT	1	
4	28181013	COVER MOUNTING BKT.	1	
5	39026212	SPRING WASHER	2	
6	22150435	HEXAGON BOLT	2	
7	28181010	H.BAR COVER REAR	1	
8	CB161105	NUT CLIP 5 MM	6	
9	39150511	PLAIN WASHER	6	
10	39190002	CRS R.PN HD TP SCREW	4	
11	28181009	H.BAR COVER FRONT	1	
12	39183802	CRS R.PN HD TP SCREW	2	
13	28181011	FAIRING-ACRYLIC	1	
14	01160508	LOCK WASHER	3	
15	39191024	NYLON WASHER	1	
16	28181025	GROMMET-H.BAR COVER	1	
17	CH 1110 09	THROTTLE SENSER	1	
18	39088601	SCREW PAN CROSS-M5	2	
19	38150511	PLAIN WASHER	2	
20	39026212	SPRING WASHER	2	
21	28181020	PACKING	2	
22	35201010	CLIP FOR CLUTCH CABLE	1	

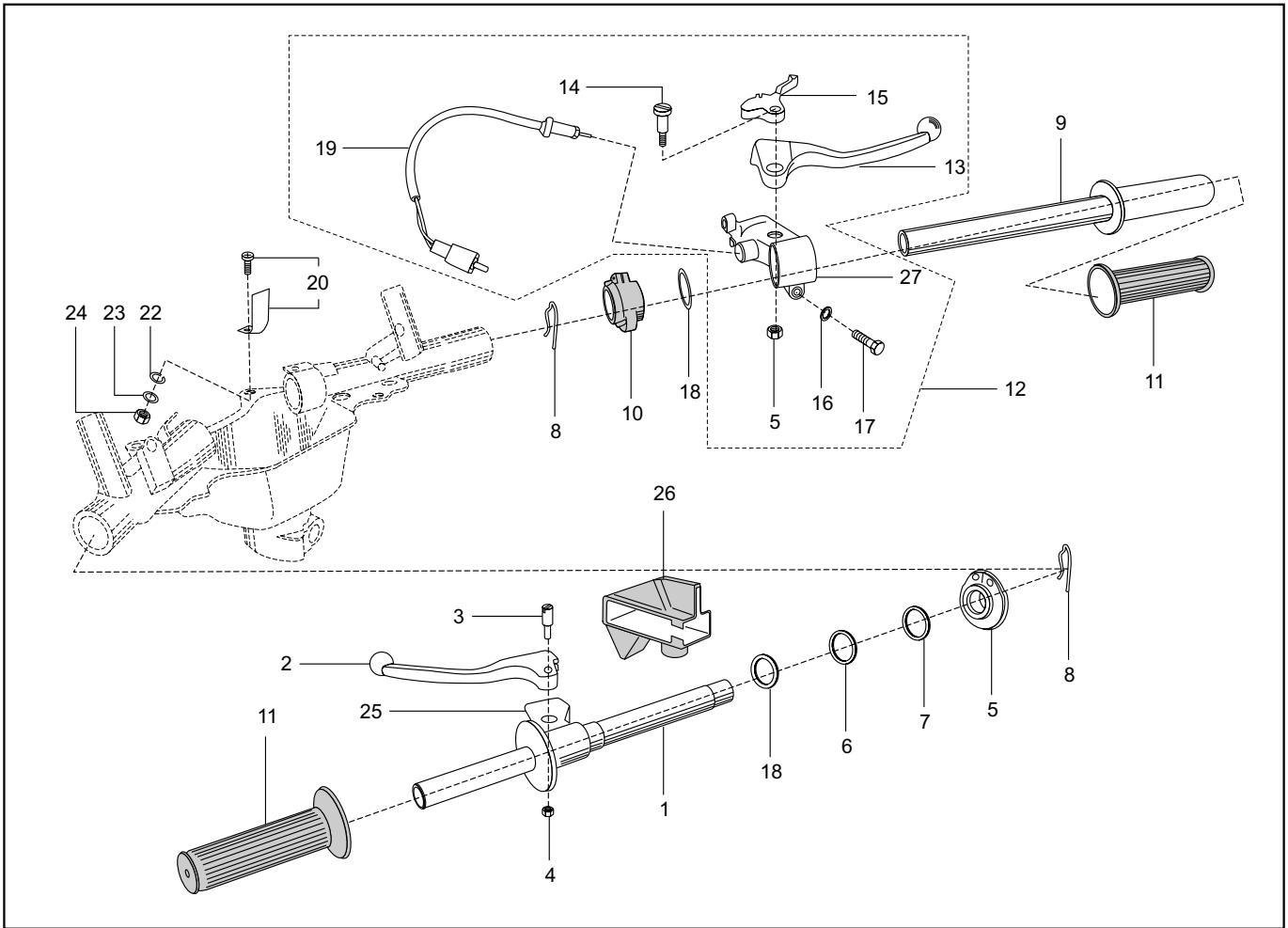


FIG. NO.	PART NO.	DESCRIPTION	QTY. PER VEH.	REMARKS
1	28191056	GEAR CONTROL TUBE ASSEMBLY	1	
2	28191051	CLUTCH LEVER	1	
3	35191015	LEVER MOUNTING BOLT	1	
4	39135315	NYLOC NUT-M6 X 1	2	
5	28191048	GEAR CONTROL LINK	1	
6	39094212	SPECIAL WASHER	1	
7	39094111	PLAIN WASHER	1	
8	19191016	SPRING CLIP	2	
9	34191013	GAS CONT TUBE ASSY	1	
10	28191036	GAS CONTROL LINK	1	
11	CH 1910 10	HAND GRIP	2	
12	28191057	HOLDER -RH ASSLY	1	
13	28191052	FRONT BRAKE LEVER	1	
14	28191023	LEVER MOUNTING BOLT	1	
15	28191013	CHOKE LEVER	1	
16	39019811	PLAIN WASHER	1	
17	39072504	HEXAGON BOLT-M6X1	1	
18	39142411	PLAIN WASHER	2	
19	35201019	FRONT BRAKE SWITCH	1	
20	31201021	CLAMP	1	FOR FRONT BRAKE CABLE
21	39074501	SCREW PAN CROSS-M6	1	
22	39019811	PLAIN WASHER	1	
23	39026312	SPRING WASHER	1	
24	39029215	HEXAGON NUT-M6X1	1	
25	28191055	HOLDER -LH	1	
26	28181033	COVER FOR HOLDER-LH	1	
27	28191026	HOLDER RH	1	

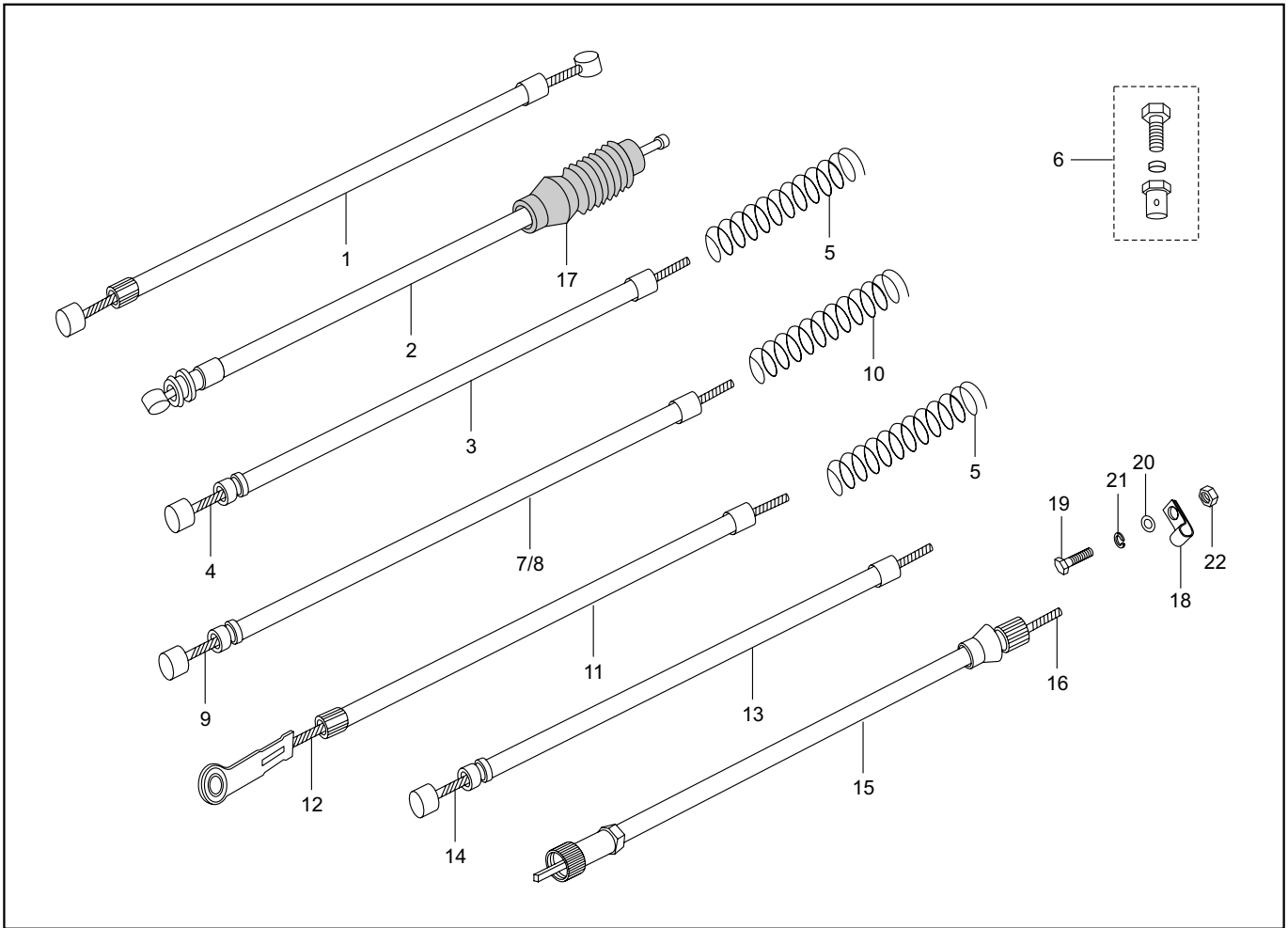


FIG. NO.	PART NO.	DESCRIPTION	QTY. PER VEH.	REMARKS
1	28191014	CHOKE CABLE ASSEMBLY	1	
2	28191030	ACCELERATOR CONTROL CABLE COMPL.	1	
3	28191046	CLUTCH CABLE ASSLY COMPLETE	1	
4	28191041	INNER CABLE CLUTCH	1	
5	28191035	SPRING FOR CABLE	2	
6	35191028	SCREW TERMINAL ASSEMBLY	3	
7	28191004	GEAR CABLE COMPLETE -GRAY	1	
8	28191007	GEAR CABLE COMPLETE -BLACK	1	
9	28191005	INNER CABLE FOR GEAR	2	
10	30191045	SPRING	1	
11	28191001	REAR BRAKE CABLE COMP	1	
12	28191002	INNER CABLE-RE BRAKE	1	
13	28191031	FRONT BRAKE CABLE COMP	1	
14	35191041	INNER CABLE FRONT BRAKE	1	
15	28191033	SPEEDO CABLE ASSLY COMPLETE	1	
16	35191052	SPEEDO CABLE INNER	1	
17	31191032	BOOT FOR ACCELERATOR CABLE	1	
18	35201010	CLIP	1	
19	39074501	SCREW	1	
20	39019811	PLAIN WASHER	1	
21	39026312	SPRING WASHER	1	
22	39029215	HEX. NUT	1	
NI	28 1910 59	CABLE GUIDE	1	

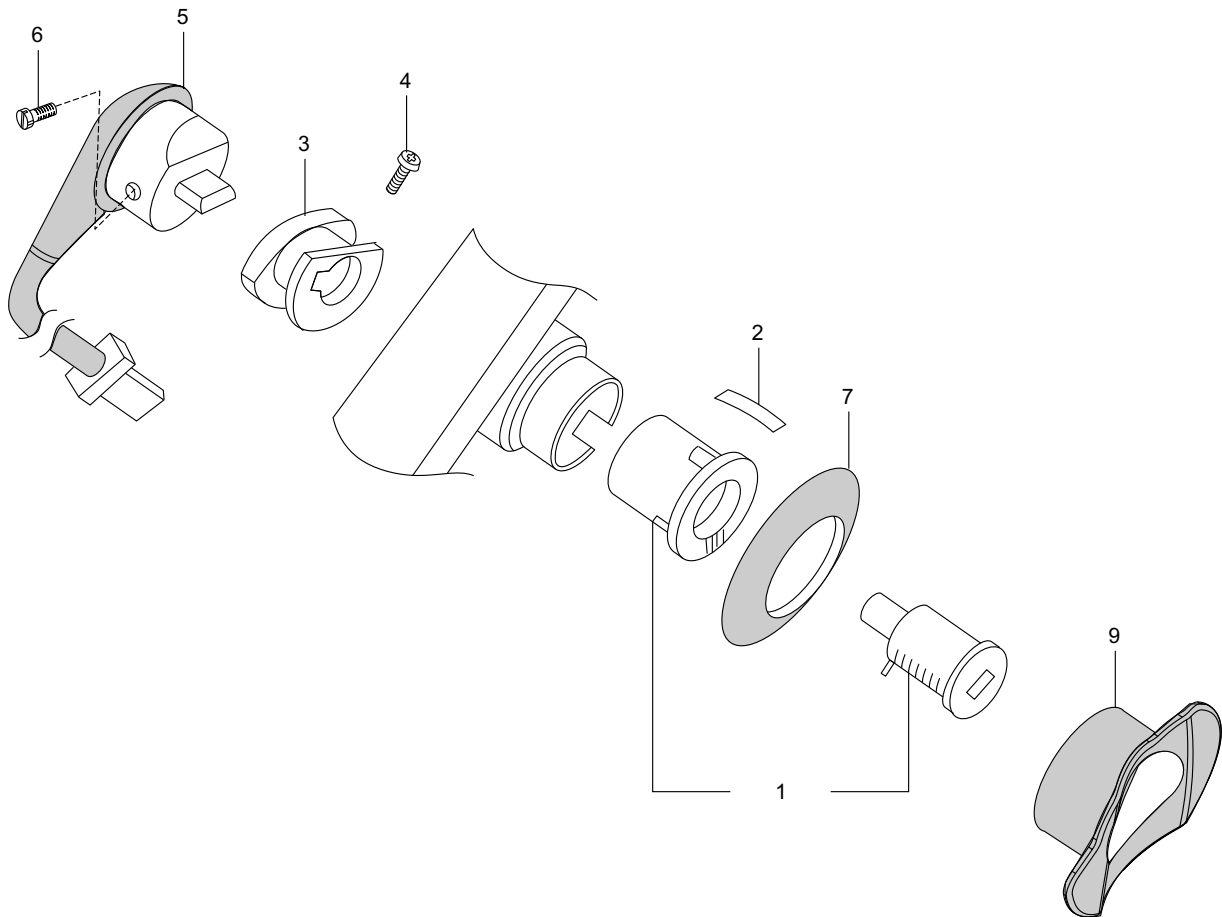


FIG. NO.	PART NO.	DESCRIPTION	QTY. PER VEH.	REMARKS
1	06181038	LOCK BAREL ASSEMBLY	1	
2	06181035	SPRING PLATE	1	
3	06181049	LOCK CAM	1	
4	39160401	SCREW PAN CROSS-M6	1	
5	28201073	IGNITION SWITCH	1	
6	39154501	SLOTTED CH HEAD SCREW	1	ALTERNATE - 39 0840 01
7	06181034	RUBBER PACKING	1	
8	28161090	LOCK SET 4 IN ONE	1	NOT ILLUSTRATED (CONSIST OF STEERING, SEAT, LOCKABLE HOOK AND LUGGAGE BOX LOCK)
9	28221022	COVER-STEERING LOCK	1	MOUNTED ON LUGGAGEBOX
NI	28181041	STEERING LOCK WITH KEY	1	(CONSIST OF LOCK BAREL ASSLY AND KEY)
NI	28181042	KEY BLANK	1	

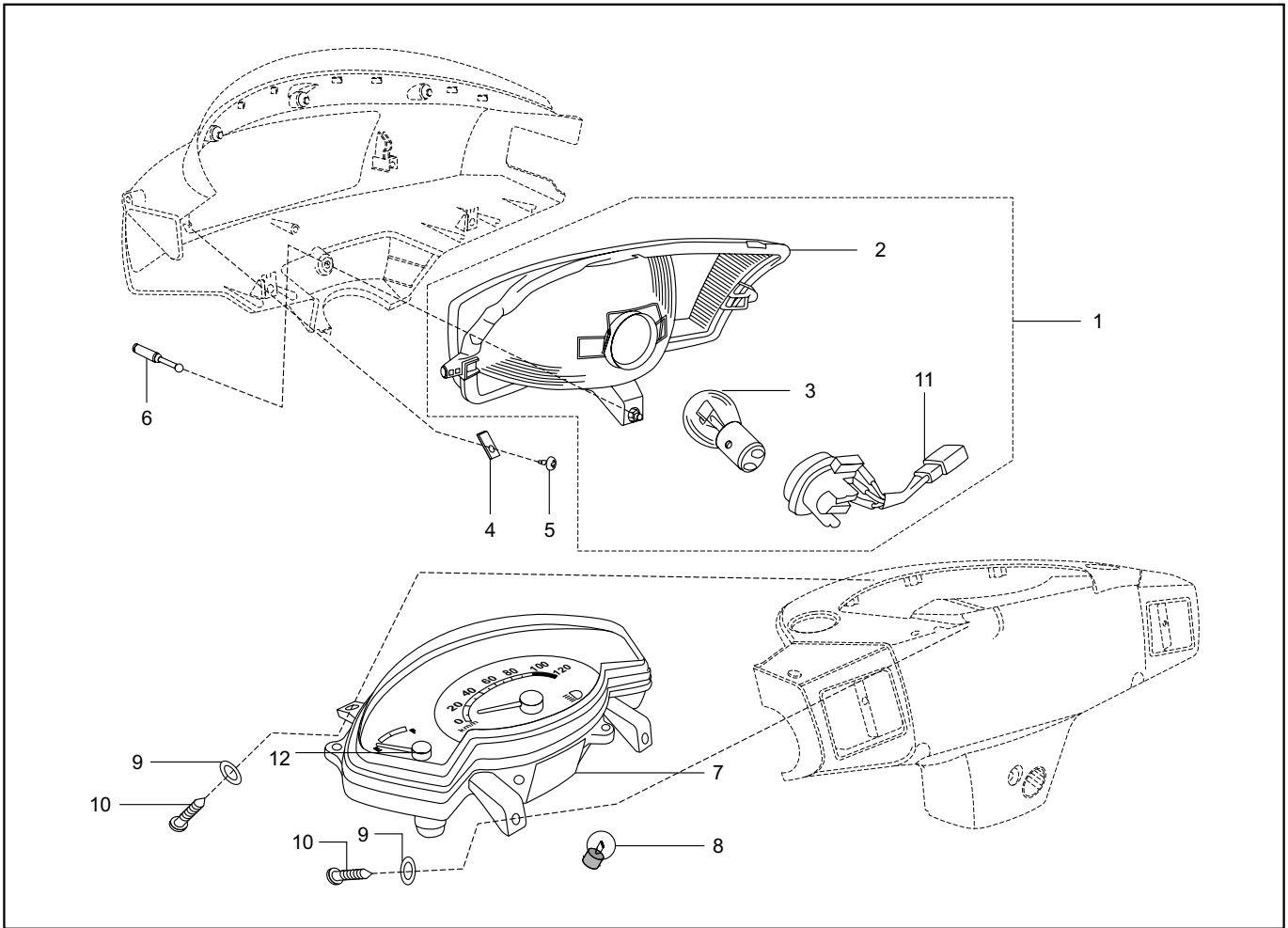


FIG. NO.	PART NO.	DESCRIPTION	QTY. PER VEH.	REMARKS
1	28201008	HEAD LIGHT/LAMP ASSLY	1	WITH DOT MARK AND IMPORTED BULB
2	28201009	HEAD LIGHT ASSEMBLY	1	WITH DOT MARK, NOT SERVICED
3	20201024	LAMP 12 V 35/35 W	1	
4	28181017	HEAD LAMP MTG. BKT.	2	
5	39177802	"TAPPING SCREW, 4 X 14"	2	
6	28181018	HEAD LAMP ADJ.SCREW	1	
7	28191061	INSTRUMENT PANEL WITH LAMP	1	
8	30201129	LAMP 12 V 2 W	4	ALTERNATE - 30 2010 29
NI	30201128	LAMP 12 V 4 W	1	ALTERNATE - 30 2010 84
9	39150511	PLAIN WASHER	5	
10	39183702	CRS R.PN HD TP SCREW	5	
11	28201042	HEAD LAMP BULB HOLDER	1	
12	28191037	FUEL METER	1	
NI	28191044	GLASS SPEEDOMETER	1	FOR SPARE PARTS

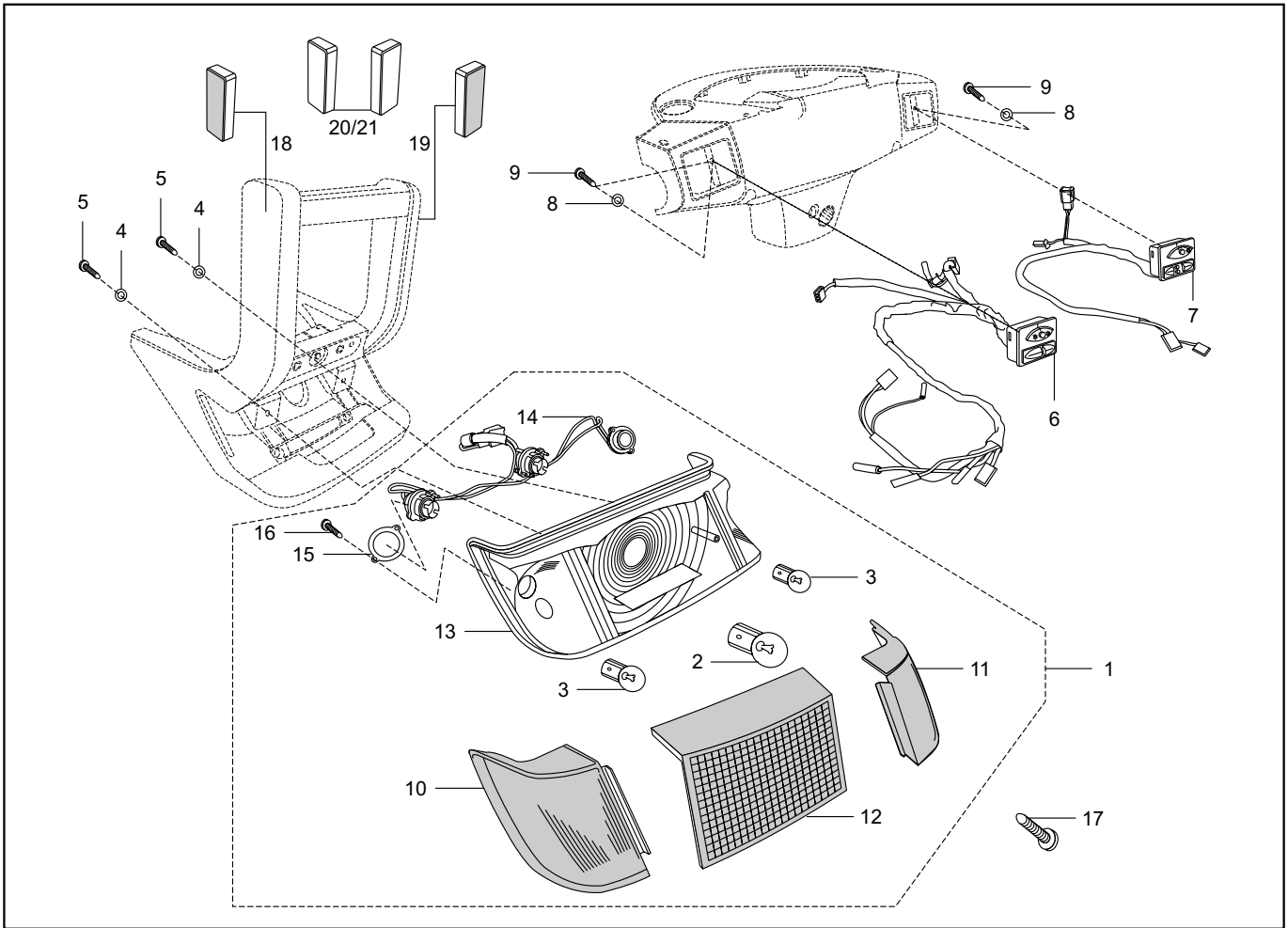


FIG. NO.	PART NO.	DESCRIPTION	QTY. PER VEH.	REMARKS
1	28201068	TAIL LIGHT / LAMP ASSEMBLY	1	WITH DOT MARKING
	28201011	TAIL LIGHT ASSEMBLY	1	WITH DOT MARKING
2	20201029	LAMP 12 V 10 / 5 W	1	
3	18201044	LAMP 12 V 10 W	2	
4	39037511	PLAIN WASHER	2	
5	39081002	CRS R.PN HD TP SCREW	2	
6	28201065	CONTROL SWITCH LH	1	
7	28201066	CONTROL SWITCH RH	1	
8	39022311	PLAIN WASHER	4	
9	39185102	CRS R.PN HD TP SCREW	4	
10	28201028	RE SIDE INDI LH LENS	1	
11	28201029	RE SIDE INDI RH LENS	1	
12	28201027	TAIL LIGHT LENS-RED	1	
13	28201030	TAIL LIGHT REFLECTOR	1	
14	28201044	TAIL LAMP BULB HOLDER	1	
15	28201045	PACKING FOR BULB HOLDER	3	
16	28201047	T/ L BULB HOLDER SCREW	6	
17	28201046	SCREW TAIL LIGHT GLASS	2	
NI	28201063	LIGHT BUTTON KNOB	1	FOR SPARE PART
NI	28201064	SIDE INDR BUTTON KNOB	1	FOR SPARE PART
18	28201076	ASSLY REFLEX REFLECTOR RE -L	1	
19	28201077	ASSLY REFLEX REFLECTOR RE - R	1	
20	28161178	REAR REFLEX REFLECTOR BASE -LH	1	
21	28161179	REAR REFLEX REFLECTOR BASE -RH	1	

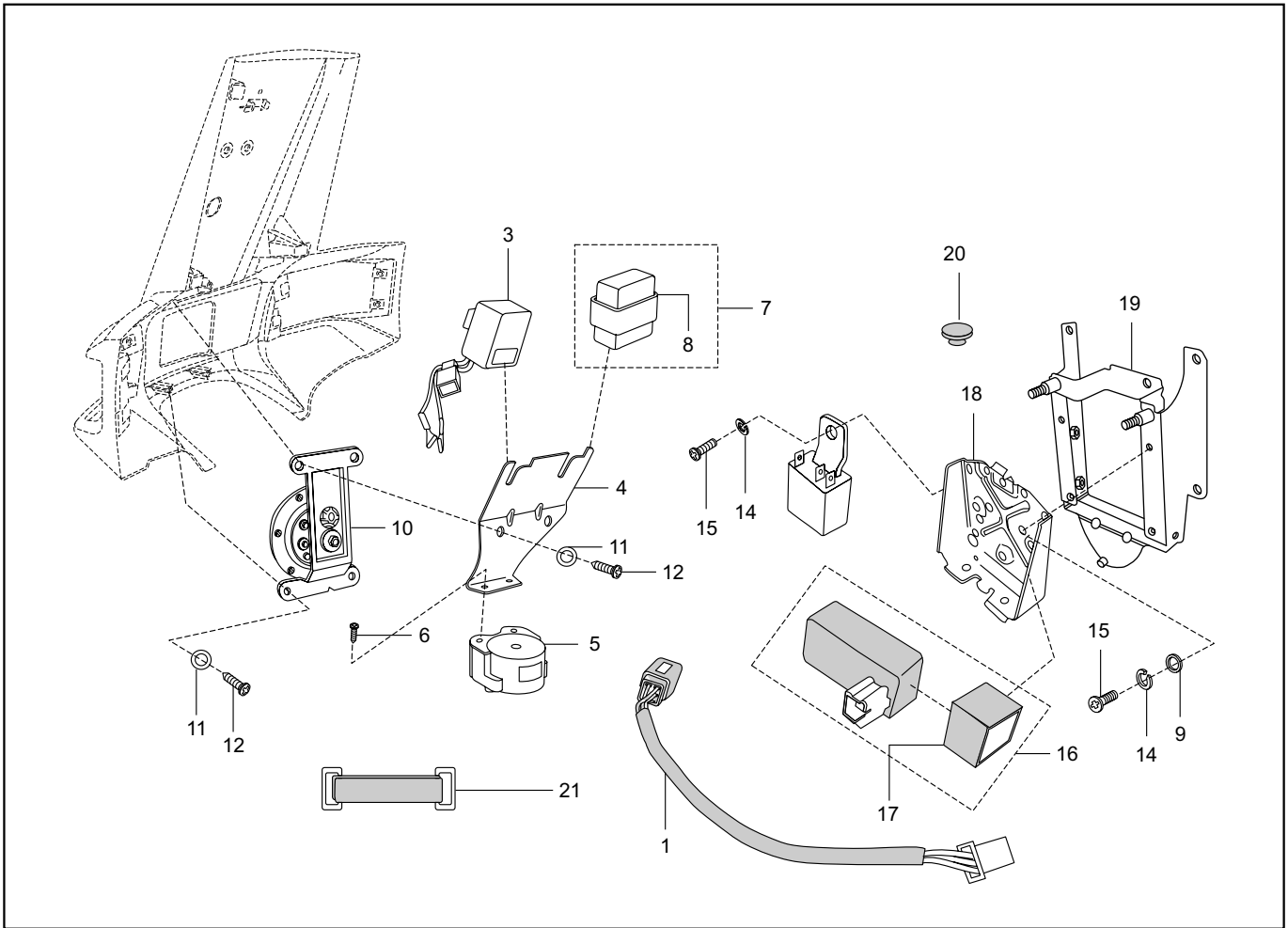


FIG. NO.	PART NO.	DESCRIPTION	QTY. PER VEH.	REMARKS
1	28201067	MAIN WIRING HARNESS	1	NOT ILLUSTRATED
2	28201056	CLAMP FOR HARNESS	2	
3	35201091	A.C. / D.C. UNIT	1	NOT APPLICABLE / FOR W/O EL.START
4	28161071	BEEPER -FLASHER BRACKET	1	
5	35201122	BEEPER -DC OPERATION	1	
6	39083902	SLOT PN HD TAP SCREW	2	
7	31201003	TURN SIGNAL RELAY ASSEMBLY	1	
8	29201032	HOLDER FOR RELAY	1	
9	39019811	PLAIN WASHER	4	
10	28201034	HORN 12 V D C	1	
11	35150511	PLAIN WASHER	4	
12	39183702	CRS R.PN HD TP SCREW	4	
14	39026312	SPRING WASHER	5	
15	39074501	SCREW PAN CROSS-M6	5	
16	28111058	C D I UNIT WITH DAMPER	1	ALTERNATE 28111072
17	22111054	DAMPER	1	
18	28 1610 25	BATTERY BRACKET	1	
19	28161127	SPARE WHEEL BRACKET	1	
20	06161295	RUBBER PLUG FOR BATTERY BRACKET	5	
21	28 2010 84	RUBBER STRAP FOR BATTERY	1	

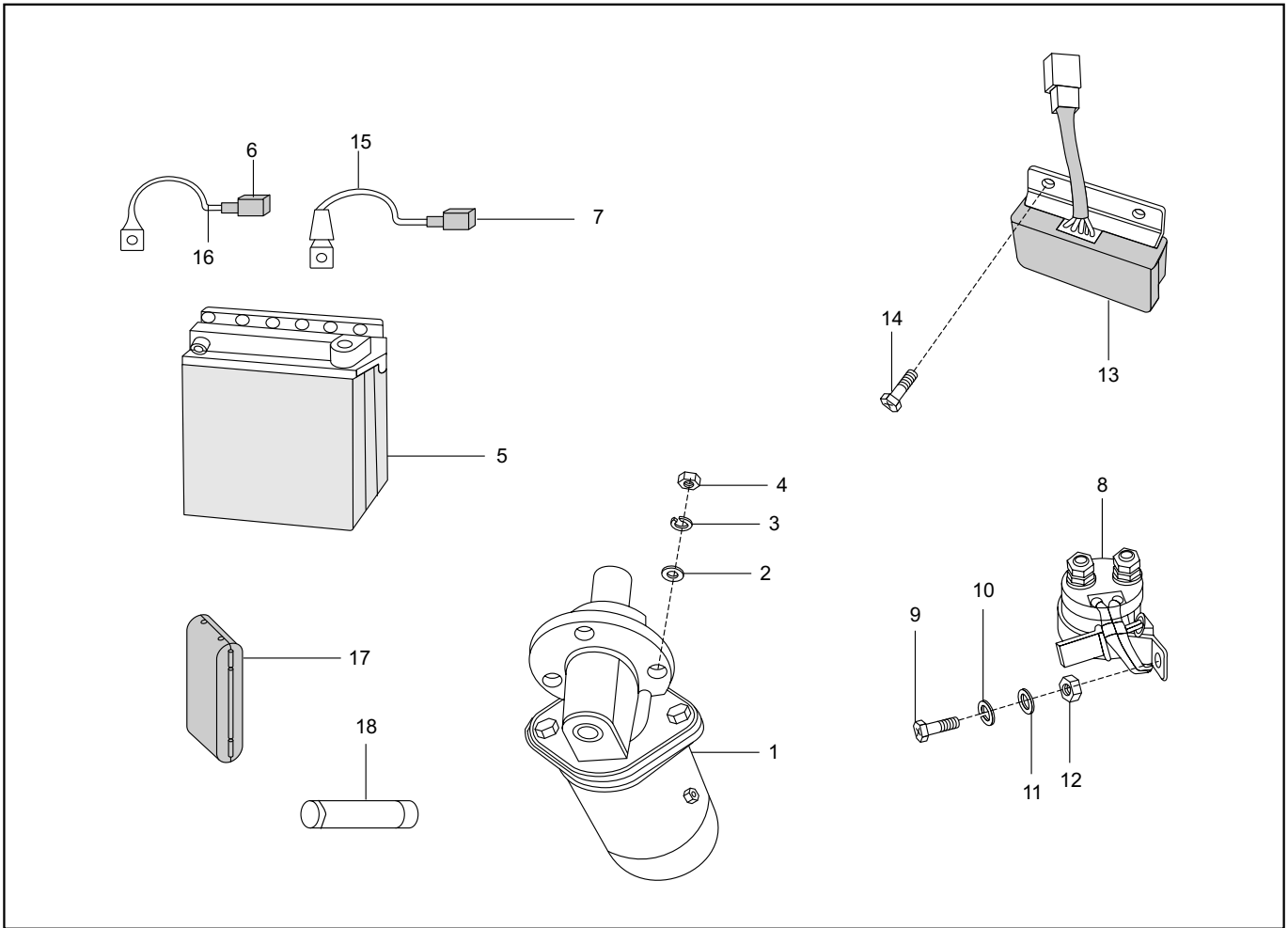


FIG. NO.	PART NO.	DESCRIPTION	QTY. PER VEH.	REMARKS
1	28111045	STARTER MOTOR	1	
2	39020011	PLAIN WASHER	3	
3	39026512	SPRING WASHER	3	
4	39029415	HEXAGON NUT-M8X1.25	3	
5	06201251	BATTERY 12 V -9 Ah (EXIDE)	1	
6	28201054	INSULATING CAP (RED)	1	
7	28201055	INSULATING CAP (BLACK)	1	
8	28201080	STARTER RELAY	1	ALTERNATE - 28 2010 48
9	39161101	CROS RECED HEX SCREW	2	
10	39026312	SPRING WASHER	4	
11	39019811	PLAIN WASHER	6	
12	39029215	HEXAGON NUT-M6X1	4	
13	CF201014	REGULATOR/RECTIFIER (RR) UNIT	1	ALTERNATE - 28201092 (NEW R/R)
14	39161101	CROS RECED HEX SCREW	2	
15	28201040	CABLE ASSEMBLY	1	BATTERY TO STARTERMOTOR
16	28201074	CABLE ASSLY RED	1	STARTER RELAY TO BATTERY
17	06201264	FUSE ASSEMBLY	1	
18	AB 2010 26	FUSE 20 Amp	1	

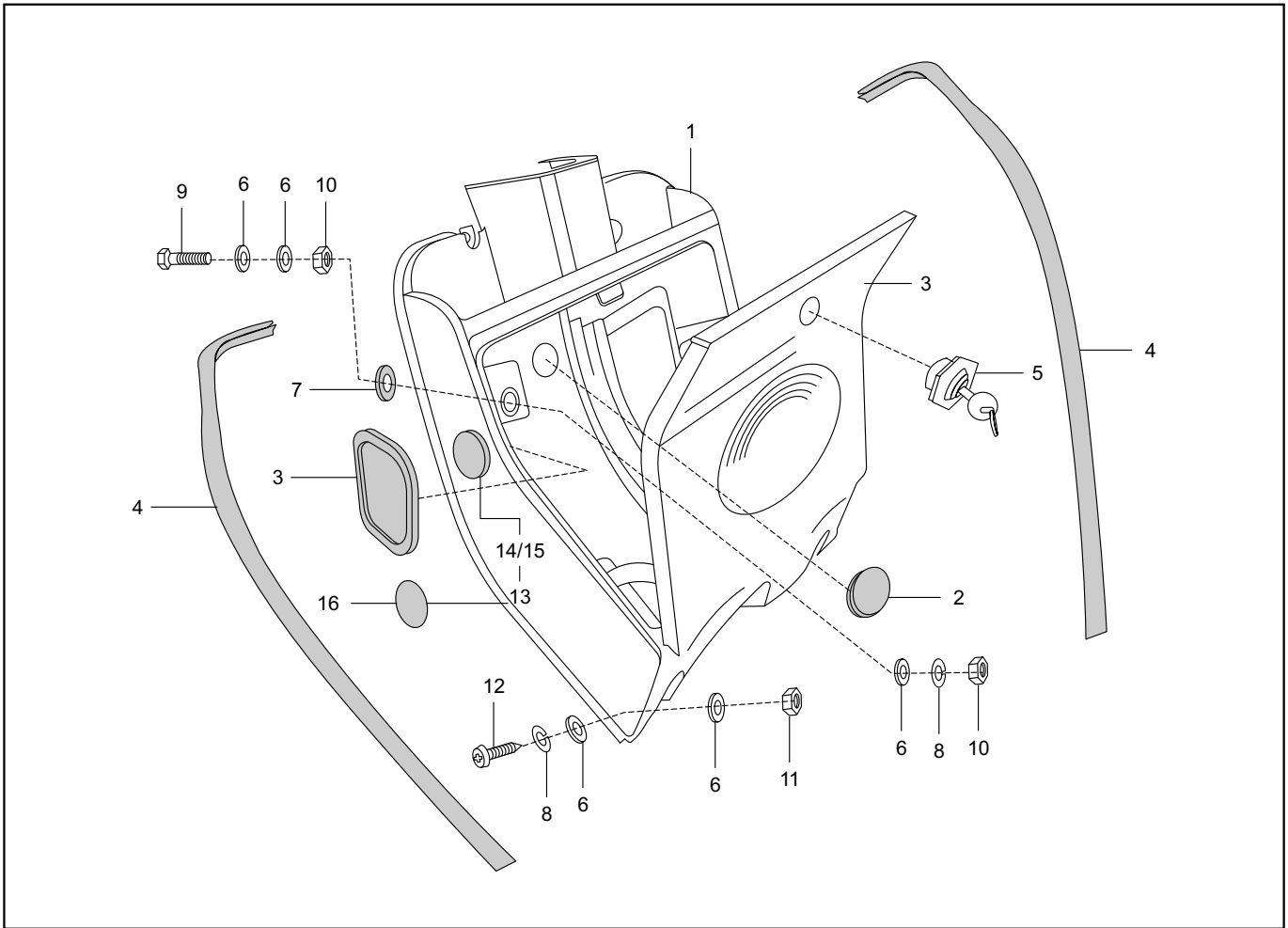


FIG. NO.	PART NO.	DESCRIPTION	QTY. PER VEH.	REMARKS
1	28221035	LUGGAGE BOX ASSEMBLY	1	
2	28221016	GROMMET FOR LUGGAGE BOX	2	
3	28221015	COVER FOR LUGGAGE BOX	2	
4	28221014	BEADING -LUGGAGE BOX	2	
5	31161006	LOCK	1	
6	01110609	PLAIN WASHER	10	
7	39121111	PLAIN WASHER	2	
8	39026212	SPRING WASHER	4	
9	39185701	HEXAGON SCREW	2	
10	39029115	HEXAGON NUT-M5	4	
11	39152815	HEXAGON NUT-M5X0.8	2	
12	39206004	SCREW PAN CROSS-M5	2	
NI	28211017	LUGGAGE BOX LOCK WITH KEY	1	FOR SPARE PART
13	28201070	SIDE REFLECTOR RE RED -	2	
14	28221031	FRONT REFLECTOR BASE -LH	1	
15	28221032	FRONT REFLECTOR BASE -RH	1	
16	CF201010	SIDE REFLEX REFLECTOR FRONT AMBER	2	

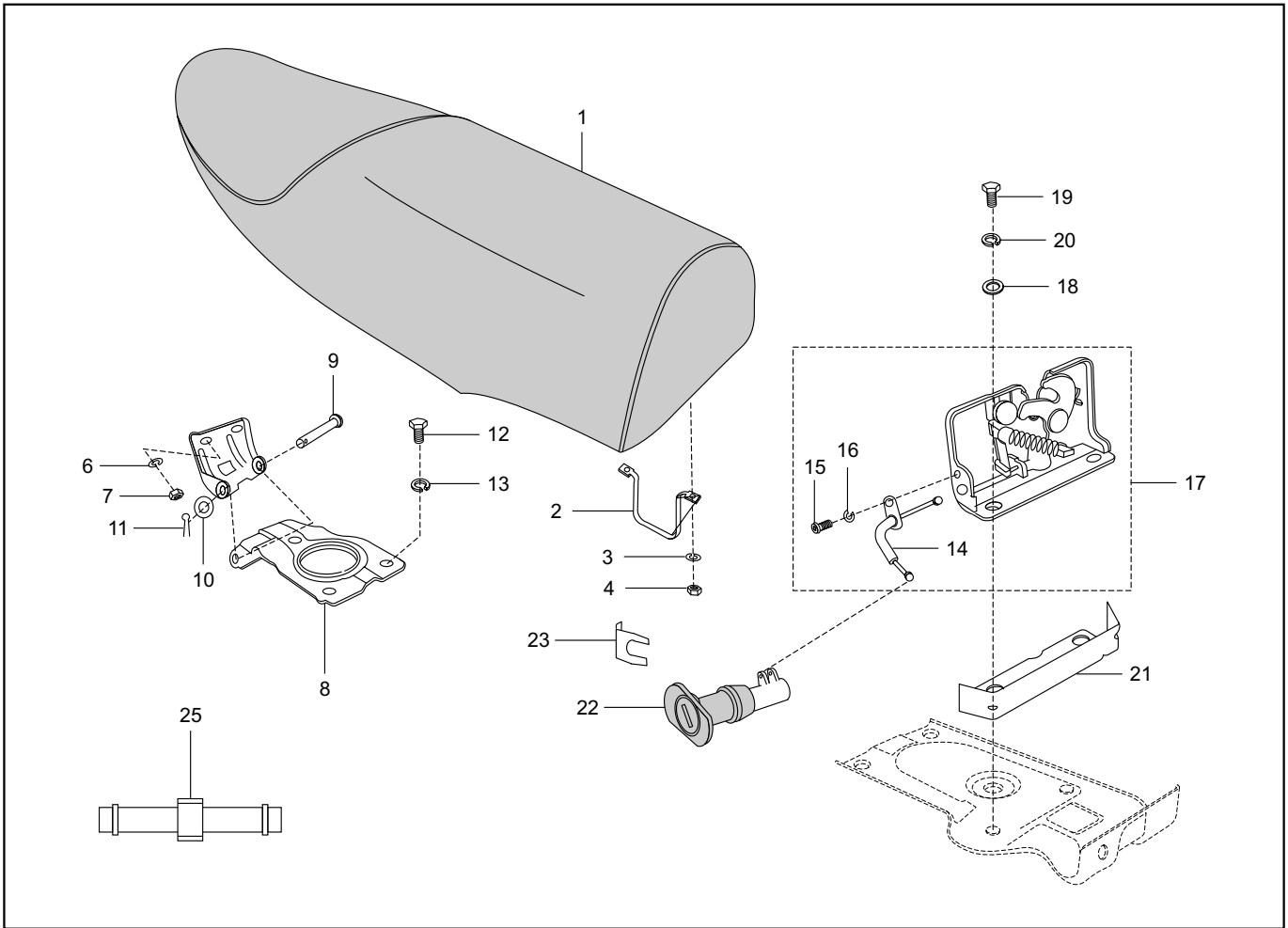


FIG. NO.	PART NO.	DESCRIPTION	QTY. PER VEH.	REMARKS
1	28211002	DUAL SEAT	1	
2	28211009	HOOK FOR SEAT LOCK	1	
3	39026212	SPRING WASHER	3	
4	39029115	HEXAGON NUT-M5	2	
5	19211086	HINGE BRACKET	2	
6	39026312	SPRING WASHER	4	
7	39029215	HEXAGON NUT-M6X1	2	
8	28211011	HINGE BKT ASSY FIXED	1	
9	15211015	PIN	1	
10	39020011	PLAIN WASHER	1	
11	39014608	SPLIT PIN	1	
12	39039004	HEXAGON SCREW	3	
13	39026512	SPRING WASHER	3	
14	28211012	CABLE SEAT LOCK	1	
15	22150435	BOLT	1	
16	39026212	SPRING WASHER	1	
17	28161129	SEAT LOCK MECH. (II)	1	
18	39019811	PLAIN WASHER	2	
19	39006204	HEXAGON HD SCREW	2	
20	39026312	SPRING WASHER	2	
21	28161122	BRACKET-SEAT LOCK	1	
22	28211007	SEAT LOCK ASSEMBLY	1	
23	29161048	CLIP FOR SEAT LOCK	1	
24	19211090	DAMPER	4	NOT ILLUSTRATED / ON SEAT
NI	28211015	SEAT LOCK WITH KEY	1	FOR SPARE PART
NI	28211001	DUAL SEAT ASSEMBLY COMPLETE	1	FOR SPARES
25	35221002	RUBBER STRAP	1	FOR TOOL KIT

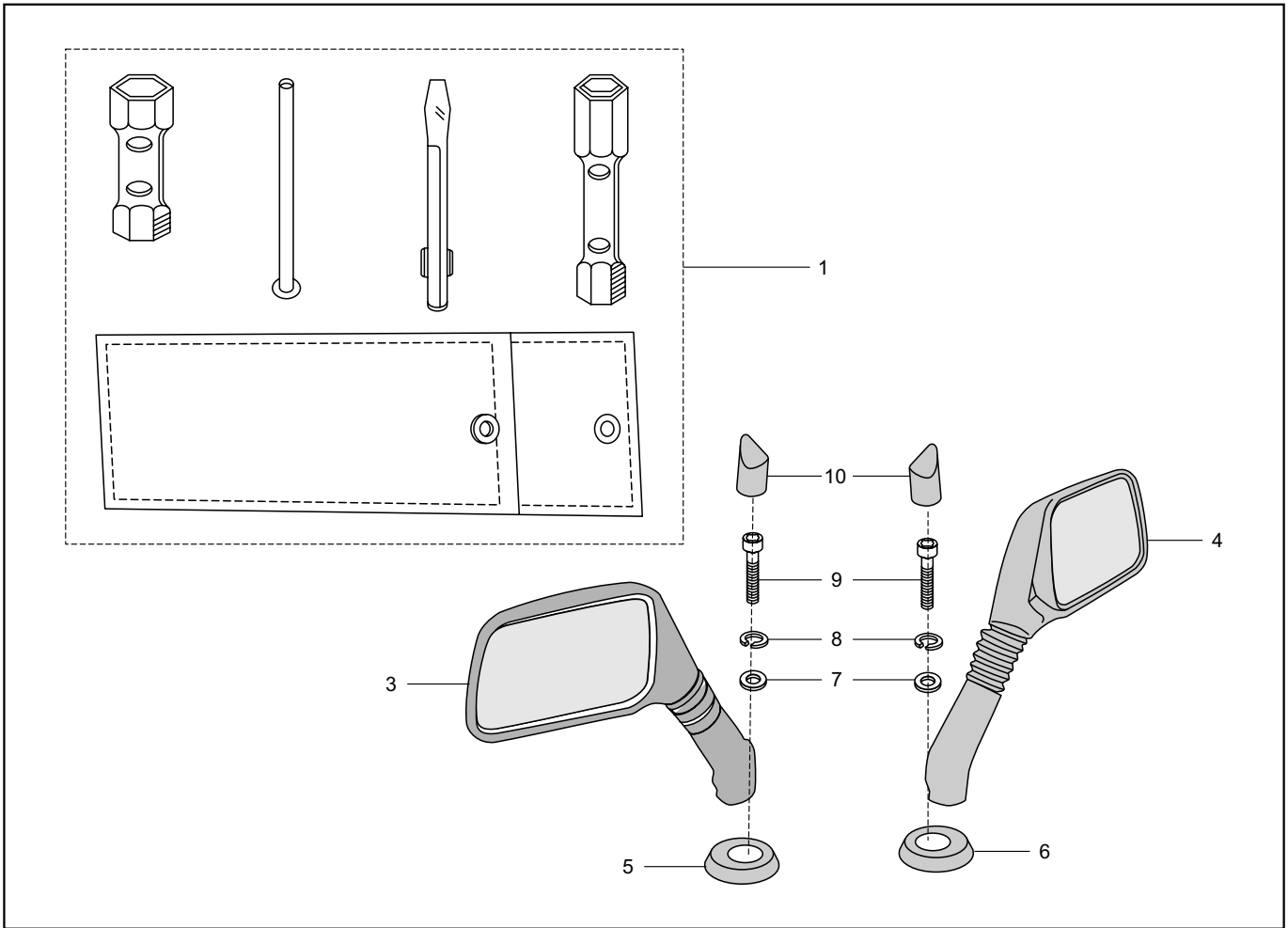


FIG. NO.	PART NO.	DESCRIPTION	QTY. PER VEH.	REMARKS
1	28 2210 28	TOOL KIT COMPLETE	1	
	30221004	TOOL DRIVER	1	NOT SERVICED / FOR REFERENCE
	05221034	TOOL BAG	1	----- do -----
	22221016	POLY ETHYLENE BAG	1	----- do -----
	05221021	BOX SPANNER 17*21	1	----- do -----
	05221023	BOX SPANNER-11 X 13	1	----- do -----
	05220206	TOMMY BAR	1	----- do -----
	15221013	FLAT SPANNER 13 * 17	1	----- do -----
2	35221002	RUBBER STRAP	1	FOR HOLDING TOOL KIT (NI)
3	28221039	MIRROR ASSLY-LH	1	
4	28221040	MIRROR ASSLY.-RH	1	
5	28221011	PACKING LH	1	
6	28221012	PACKING RH	1	
7	39020011	PLAIN WASHER	2	
8	39026512	SPRING WASHER	2	
9	39184704	HEX SOKET HD BOLT-M8	2	
10	28221011	PACKING MIRROR L/H	1	
	28221012	PACKING MIRROR R/H	1	
NI	28221038	MIRROR ASSEMBLY -SET	1	

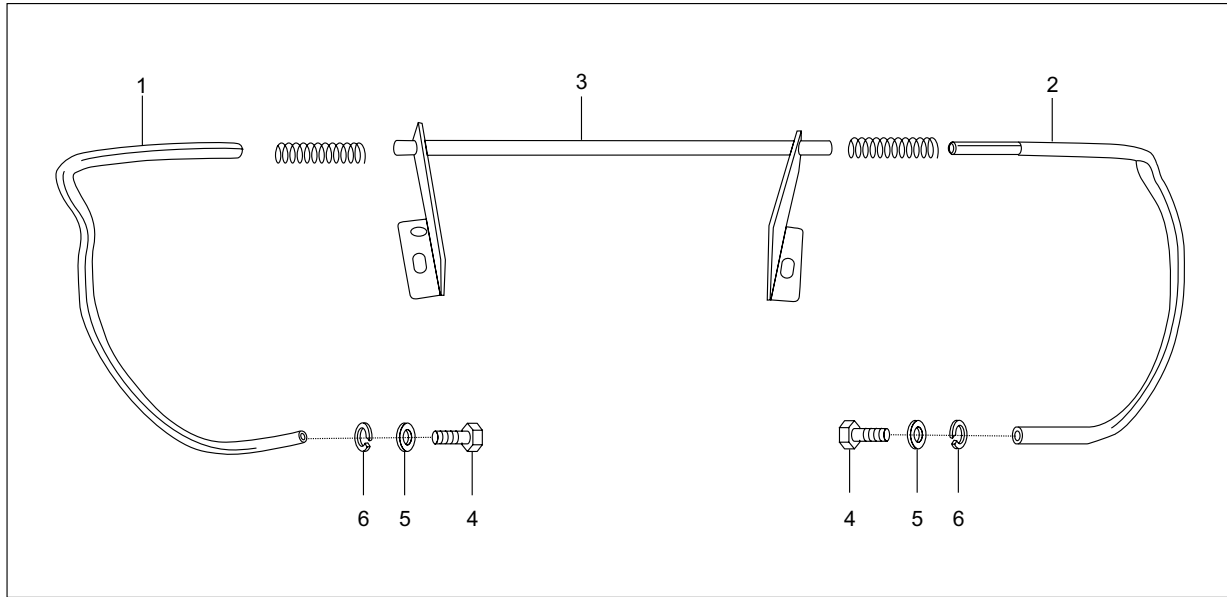


FIG. NO.	PART NO.	DESCRIPTION	QTY. PER VEH.	REMARKS
1	CL 2210 18	FOOT REST TUBE LH	1	
3	CL 2210 19	FOOTREST TUBE RH	1	
4	CL 2210 20	FOOT REST TUBE ASSLY CENTRAL	1	
5	39011904	BOLT	2	
6	39091311	PLAIN WASHER	2	
7	39026512	SPRING WASHER	2	

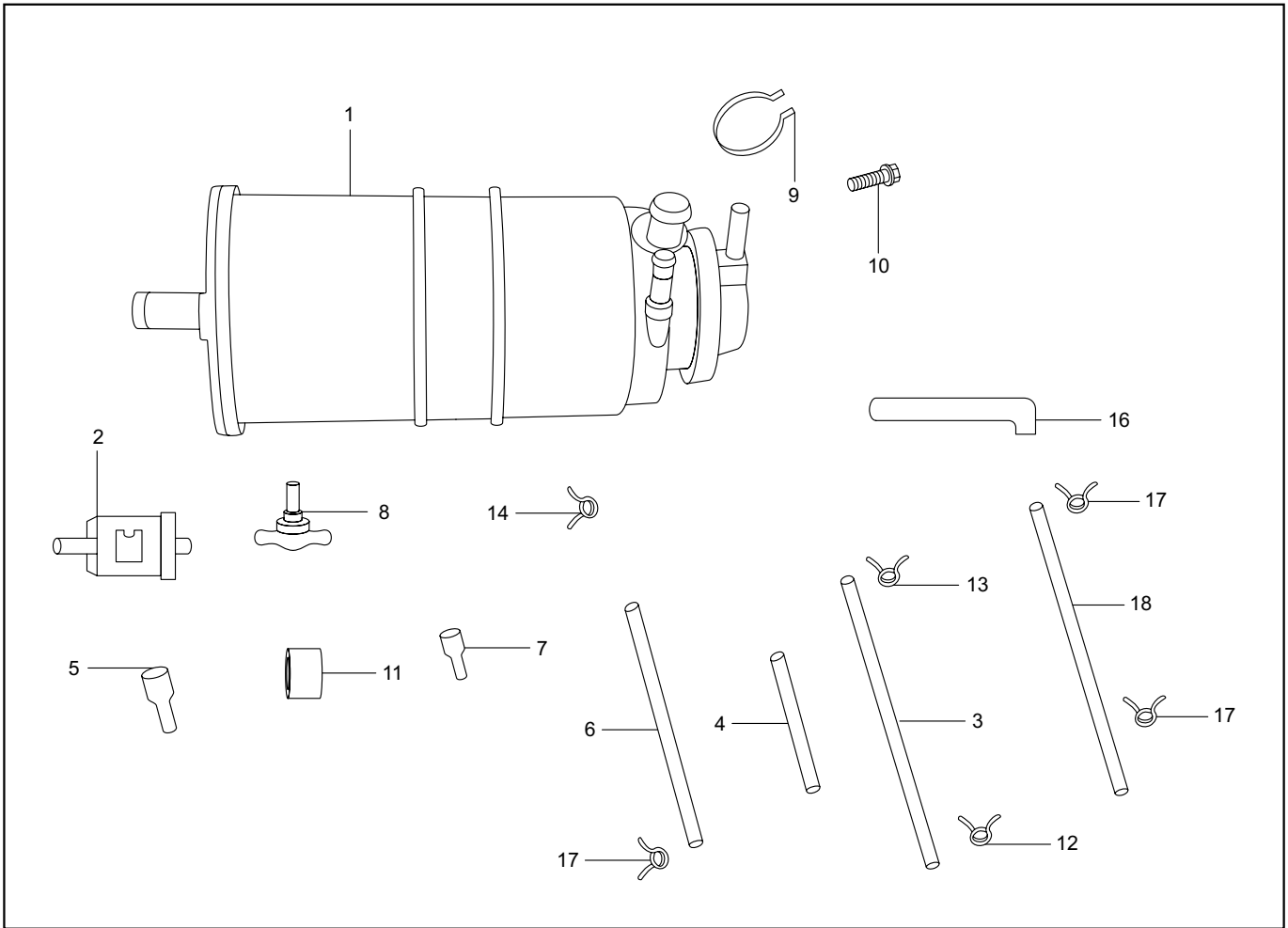


FIG. NO.	PART NO.	DESCRIPTION	QTY. PER VEH.	REMARKS
1	28 1410 41	CANISTER KIT	1	FOR EVAPORATIVE EMISSION SYSTEM
2	28 1410 40	RESTRICTION VALVE	1	do
3	28 1410 42	TUBE I (O.D. 8.5 MM & L - 350 MM)	3	do
4	28 1410 43	TUBE II (O.D. 8.5 MM & L - 35 MM)	2	do
5	28 1410 44	TUBE III (O.D. 13 MM & L - 60 MM)	1	do
6	28 1410 45	TUBE IV (O.D. 7.5 MM & L - 525 MM)	1	do
7	28 1210 69	CONNECTOR	2	do
8	DG 1210 57	FITTING	2	do
9	28 1611 82	STRAP FOR CANISTER	1	
10	39 1913 04	BOLT FLANGED SMALL	1	FOR CANISTER MOUNTING
11	28 1611 76	STRAP FOR R/O VALVE	1	
12	BA 1220 03	PIPE CLIP - (DIA. 10)	6	
13	34 1410 16	PIPE CLIP - (DIA. 9)	7	
14	BA 1021 47	PIPE CLIP - (DIA. 11)	1	
15	30 1210 18	PIPE CLIP - (DIA. 8)	3	
16	28 1410 49	TUBE V (O.D. - 8.5 MM, H.L. - 310 MM & V.L. - 25 MM)	1	
17	28 1011 74	SPRING CLIP	2	NOT ILLUSTRATED
18	28 1410 31	FUEL PIPE (O.D. - 8.5 MM & L - 415 MM)	1	NOT ILLUSTRATED
NI	28 1410 52	TUBE VII (L-350mm, O.D.- 4.5mm)	1	
NI	28 1410 50	TUBE VI (L-550mm, O.D. -7.5mm)	1	

PART INDEX

Legend

Part No.	Fig. No.	Page No.	Part No.	Fig. No.	Page No.	Part No.	Fig. No.	Page No.
01100610	4	5	06180107	11	40	22111054	17	47
01101131	8	14	06180108	10	40	22150435	6	41
01110609	2	51	06181034	7	44	22150435	15	50
01110609	6	49	06181035	2	44	22150451	3	8
01150105	2	26	06181038	1	44	22150451	10	17
01150109	10	26	06181049	3	44	22190245	20	31
01150112	14	26	06181068	9	40	22221016		52
01150209	3	26	06201251	5	48	23161305	4	38
01160508	14	41	06201264	17	48	23170704	11	2
01160509	3	51	07150103	11	27	24101109	6	29
01170110	23	2	07150302	22	30	24130103	23	1
01170111	13	1	07150304	2	30	28020011	7	16
01180123	7	12	07181004	8	40	28101005	11	1
01180128	13	40	07181006	7	40	28101006	10	1
01180129	14	40	07181007	12	40	28101011	5	5
01180130	15	40	12151003	4	29	28101012	20	1
02160809	2	35	12151004	2	29	28101013	11	7
03100335	2	2	12151005	8	29	28101014	12	2
03140101	18	1	12151011	5	29	28101017	3	4
03140101	26	2	12151012	7	29	28101018	8	8
03150111	12	26	12201003	18	29	28101019	1	8
03150224	9	27	13101024	12	7	28101021	4	8
03150225	10	27	13101031	7	6	28101022	19	2
03150310	20	30	13101035	18	8	28101023	14	4
03170351	7	39	13101165	9	16	28101024	5	4
03180114	2	40	15141007	3	23	28101025	1	5
03180116	4	40	15171060	15/16	37	28101032	8	7
03180116	19	26	15211015	9	50	28101035	2	12
03180118	3	40	15221013		52	28101037	4	12
05101083	11	14	16191036	6	43	28101038	6	12
05101083	16	26	18201044	3	46	28101039	8	12
05150208	10	28	18201044	10	32	28101048	24	2
05151013	11	26	19101016	6	13	28101049	7	5
05220206		52	19101017	6	13	28101052	3	10
05221021		52	19101018	6	13	28101054	10	10
05221023		52	19101019	6	13	28101057	13	7
05221034		52	19101020	6	13	28101058	6	5
06111058	4	18	19151005	3	25	28101059	1	11
06111247	3	18	19151008	5	25	28101063	8	10
06111251	5	18	19151022	11	25	28101064		14
06111266	12	14	19161108	14	35	28101070	2	14
06111267	13	14	19171010	25	26	28101072	3	14
06150102	1	26	19191016	8	42	28101073	7	14
06150104	27	26	19211086	5	50	28101076	1	15
06150112	2	25	19211090	24	50	28101077	2	15
06150112	2	27	20101020	10	14	28101078	3	15
06150303	1	30	20201024	3	45	28101079	4	15
06151012	7	26	20201029	2	46	28101080	22	1
06151023	5	27	21100324	8	37	28101081	11	15
06151023	10	25	21100711	5	13	28101084	1	16
06161295	20	47	21120441	13	31	28101086	1	4

PART INDEX

Legend

Part No.	Fig. No.	Page No.	Part No.	Fig. No.	Page No.	Part No.	Fig. No.	Page No.
28101087	7	10	28101221	2	5	28121032	6	20
28101089	21	2	28101224	1	13	28121033	7	20
28101091	5	8	28101226	3	13	28121034	8	20
28101092	26	1	28101227	4	13	28121035	9	20
28101093	10	13	28101229	7	13	28121036	10	20
28101094	5	15	28101230	8	13	28121037	11	20
28101095	6	15	28101232	2	10	28121038	12	20
28101096	7	15	28101233	1	10	28121039	13	20
28101097	8	15	28101234	1	9	28121040	14	20
28101103	8	3	28101235	2	9	28121041	15	20
28101107	3	5	28101236	1	3	28121042	16	20
28101109	5	2	28101237	4	11	28121043	17	20
28101110	9	5	28101242	1	7	28121044	18	20
28101115	7	1	28101243	2	7	28121062	2	22
28101118	2	4	28101244	2	13	28121063	1	22
28101119	4	6	28101245	9	13	28121067	1	21
28101128	3	6	28101247	21	20	28121069	7	54
28101129	7	7	28101250	9	12	28121070	17A	1
28101130	13	6	28101251	12	12	28121087	1	20
28101131	3	9	28101257	17	1	28141012	8	23
28101132	7	9	28101267	NI	1	28141021	9	23
28101134	6	9	28101271	5	16	28141022	7	23
28101136	2	16	28111007	2	18	28141030	9	24
28101137	4	10	28111012	6	18	28141031	7	24
28101141	15	1	28111014	10	18	28141031	18	54
28101143	17	6	28111019	9	18	28141035	1	23
28101145	24	1	28111020	7	17	28141039	2	23
28101146	6	1	28111021	1	19	28141040	2	54
28101161	16	6	28111045	1	48	28141041	1	54
28101164	12	6	28111048	4	19	28141042	3	54
28101165	11	10	28111052	12	18	28141043	4	54
28101167	2	8	28111065	1	17	28141044	5	54
28101168	9	1	28111066	1	18	28141045	6	54
28101173	25	1	28111066	3	17	28141046	1	24
28101174	17	54	28121002	10	21	28141049	16	54
28101178	10	6	28121009	15	21	28141050	NI	54
28101179	12	15	28121015	4	21	28141052	NI	54
28101180	12	1	28121016	5	21	28151003	6	27
28101182	1	14	28121017	6	21	28151010	6	28
28101183	1	1	28121018	7	21	28151011	6	30
28101184	5	9	28121019	11	21	28151013	3	28
28101194	6	11	28121020	8	21	28151014	13	28
28101195	8	11	28121021	9	21	28151015	14	30
28101206	1	6	28121022	12	21	28151016	7	30
28101207	6	4	28121025	13	21	28151017	15	30
28101213	5	11	28121026	19	20	28151019	16	30
28101214	8	9	28121027	14	21	28151020	11	28
28101217	1	12	28121028	2	20	28151021	12	28
28101218	3	12	28121029	3	20	28151023	10	29
28101219	10	8	28121030	4	20	28151024	NI	29
28101220	9	8	28121031	5	20	28151028	1	27

PART INDEX

Legend

Part No.	Fig. No.	Page No.	Part No.	Fig. No.	Page No.	Part No.	Fig. No.	Page No.
28151031	21	30	28161132		34	28191014	1	43
28151032	1	28	28161133		34	28191023	14	42
28161025	18	47	28161135	3	35	28191026	27	42
28161026	1	36	28161136		34	28191030	2	43
28161027	2	36	28161137		34	28191031	13	43
28161028	3	36	28161138	23	34	28191033	15	43
28161029	15	36	28161139	24	34	28191035	5	43
28161030	12	36	28161148	26	34	28191036	10	42
28161032	10	31	28161153	9	31	28191037	12	45
28161034	11	31	28161154	27	34	28191040		43
28161039	11	34	28161156	3	31	28191041	4	43
28161045	13	34	28161158	5	31	28191044	NI	45
28161047	14	34	28161163	10	24	28191046	3	43
28161050	10	35	28161163	21	31	28191048	5	42
28161052	7	33	28161166	16	35	28191051	2	42
28161055	9	33	28161168	5	24	28191052	13	42
28161061	6	36	28161170	8	51	28191054	2	3
28161062	7	36	28161171	13	16	28191055	25	42
28161067	1	32	28161172	9	51	28191056	1	42
28161068	6	32	28161173	10	51	28191057	12	42
28161071	4	47	28161174	7	51	28191059	NI	43
28161072	19	34	28161175	1	35	28191061	7	45
28161076	5	36	28161176	11	54	28201008	1	45
28161078	2	32	28161178	20	46	28201009	2	45
28161082	6	31	28161179	21	46	28201011		46
28161088	17	31	28161180	1	33	28201015		32
28161090	8	44	28161182	9	54	28201017		32
28161092	4	51	28161183	1	31	28201023	13	32
28161093	12	34	28161188	6	24	28201024	14	32
28161094	4	35	28171005	1	39	28201025	15	32
28161095	5	35	28171006	2	39	28201026	16	32
28161103	8	33	28171007	3	39	28201027	12	46
28161104	7	32	28181009	11	41	28201028	10	46
28161105	12	35	28181010	7	41	28201029	11	46
28161106	11	35	28181011	13	41	28201030	13	46
28161107	13	35	28181013	4	41	28201033	15	33
28161108	20	33	28181015	1	40	28201034	10	47
28161109	6	33	28181017	4	45	28201038	16	33
28161110	19	33	28181018	6	45	28201040	15	48
28161113	2	33	28181020	21	41	28201042	11	45
28161115	4	36	28181025	16	41	28201044	14	46
28161116	25	34	28181026	1	41	28201045	15	46
28161118	13	36	28181033	26	42	28201046	17	46
28161121	8	31	28181041	NI	44	28201047	16	46
28161122	21	50	28181042	NI	44	28201054	6	48
28161123	22	31	28191001	11	43	28201055	7	48
28161124	15	35	28191002	12	43	28201056	2	47
28161126	19	31	28191004	7	43	28201057	11	32
28161127	9	30	28191005	9	43	28201060	9	32
28161127	19	47	28191007	8	43	28201061	12	32
28161129	17	50	28191013	15	42	28201062	4	23

PART INDEX

Legend

Part No.	Fig. No.	Page No.	Part No.	Fig. No.	Page No.	Part No.	Fig. No.	Page No.
28201063	NI	46	30151069	2	28	35191030	18	26
28201064	NI	46	30191045	10	43	35191041	14	43
28201065	6	46	30201128	NI	45	35191052	16	43
28201066	7	46	30201129	8	45	35201010	18	43
28201067	1	47	30221004		52	35201010	22	41
28201068	1	46	31101018	5	7	35201019	19	42
28201070	13	49	31101019	6	7	35201091	3	47
28201073	5	44	31101028	11	8	35201122	5	47
28201074	16	48	31101030	12	8	35221002	2	52
28201076	18	46	31101120	13	8	35221002	25	50
28201076	21	33	31101137	9	9	38150511	19	41
28201077	19	46	31101141	6	10	39006204	5	37
28201077	22	33	31101239	NI	6	39006204	19	50
28201080	8	48	31111014	5	19	39008004	10	16
28201084	21	47	31161006	5	49	39008704	3	30
28211001	NI	50	31191032	17	43	39010004	10	37
28211002	1	50	31201003	7	47	39011904	5	53
28211007	22	50	31201021	20	42	39011904	10	30
28211009	2	50	34141016	13	54	39011904	23	31
28211011	8	50	34191013	9	42	39014207	8	5
28211012	14	50	35141022	10	23	39014608	11	50
28211013	1	51	35150511	11	47	39014608	14	28
28211015	NI	50	35151001	4	26	39015108	9	29
28211016	NI	51	35151003	1	25	39015108	13	26
28211017	NI	49	35151004	4	25	39015408	11	12
28221011	5	52	35151012	1	29	39019711	4	17
28221011	10	52	35161035	16	31	39019711	4	34
28221012	6	52	35161044	12	31	39019811	6	19
28221012		52	35161056	7	34	39019811	8	17
28221014	4	49	35161060	9	34	39019811	8	28
28221015	3	49	35161066	2	31	39019811	9	35
28221016	2	49	35161102	1	34	39019811	9	47
28221022	9	44	35171004	2	37	39019811	11	48
28221028	1	52	35171005	3	37	39019811	12	29
28221031	14	49	35171007	26	26	39019811	16	42
28221032	15	49	35171009	1	38	39019811	18	50
28221035	1	49	35171011	2	38	39019811	20	43
28221038	NI	52	35171012	3	38	39019811	22	42
28221039	3	52	35171013	8	38	39019911	6	14
28221040	4	52	35171014	9	37	39019911	9	3
29161048	23	50	35171017	14	37	39019911	17	2
29201032	8	47	35171032	6	40	39020011	2	48
30101141	15	8	35171033	5	38	39020011	7	52
30121004	20	20	35171040	23	26	39020011	9	2
30121018	15	54	35171041		37	39020011	10	50
30141028	5	23	35171044	1	37	39020011	17	15
30141032	6	23	35181016	3	41	39020011	24	31
30151005	6	26	35191002	17	26	39020111	11	16
30151038	4	28	35191013	2	41	39020111	12	25
30151038	5	26	35191015	3	42	39021311	5	12
30151038	6	3	35191028	14	1	39021911	18	34

PART INDEX

Legend

Part No.	Fig. No.	Page No.	Part No.	Fig. No.	Page No.	Part No.	Fig. No.	Page No.
39022311	8	46	39029115	6	51	39074801	6	22
39024011	18	36	39029115	10	49	39075701	6	17
39025411	17	30	39029215	7	50	39076101	8	18
39026112	16	29	39029215	12	48	39077504	8	26
39026212	3	50	39029215	14	29	39079815	9	26
39026212	4	33	39029215	17	34	39080411	15	14
39026212	5	17	39029215	22	43	39080708	12	38
39026212	5	34	39029215	24	42	39081002	5	46
39026212	5	41	39029315	4	14	39082704	15	28
39026212	5	51	39029315	11	3	39083902	6	47
39026212	7	18	39029315	16	2	39084211	20	26
39026212	8	49	39029415	4	48	39085517	4	22
39026212	16	50	39029515	6	39	39088601	18	41
39026212	20	41	39029515	17	28	39089204	6	2
39026312	4	37	39029915	15	26	39090012	21	26
39026312	6	50	39030315	17	36	39091311	6	53
39026312	7	19	39031915	9	39	39093517	7	25
39026312	7	35	39032615	14	31	39094111	7	42
39026312	8	27	39034217	4	3	39094212	6	42
39026312	9	17	39037511	4	46	39094909	3	29
39026312	9	28	39037511	17	29	39097315	10	7
39026312	10	48	39039004	12	50	39098004	10	9
39026312	14	47	39039004	13	33	39099511	9	15
39026312	16	34	39042215	13	25	39099906	19	1
39026312	20	50	39042215	14	36	39100006	4	4
39026312	21	43	39042215	18	37	39101321	7	22
39026312	23	42	39044404	14	2	39101321	13	2
39026412	10	3	39052611	5	28	39101421	16	8
39026412	18	2	39069415	4	27	39101721	7	38
39026512	3	27	39069415	5	30	39102401	9	7
39026512	3	48	39069415	6	16	39103420	7	11
39026512	7	53	39069415	8	2	39103519	3	7
39026512	8	16	39069415	9	25	39104011	7	31
39026512	8	25	39069415	12	37	39104011	12	30
39026512	8	39	39069415	13	30	39104011	17	33
39026512	8	52	39069415	16	15	39104904	14	8
39026512	10	2	39072504	17	42	39105711	5	10
39026512	11	30	39073001	5	22	39106204	2	24
39026512	11	36	39073712	11	5	39108201	14	16
39026512	11	37	39073817	10	15	39120501	15	29
39026512	13	29	39073904	6	6	39121111	7	49
39026512	13	50	39074011	6	38	39124201	11	18
39026512	14	33	39074011	NI.	26	39126321	8	6
39026512	18	15	39074501	2	19	39126421	5	6
39026612	5	39	39074501	3	16	39126519	4	2
39026712	9	38	39074501	15	47	39127420	6	25
39026712	12	16	39074501	19	43	39128321	14	6
39026912	16	36	39074501	21	42	39128601	7	27
39027614	16	28	39074601	8	1	39133804	15	2
39029115	4	50	39074601	14	7	39135315	4	42
39029115	6	34	39074701	4	16	39135315	8	35

PART INDEX

Legend

Part No.	Fig. No.	Page No.	Part No.	Fig. No.	Page No.	Part No.	Fig. No.	Page No.
39135815	10	5	39178615	11	13	BA122003	12	54
39137023	4	31	39179304	4	39	BA122003	25	2
39137023	18	31	39179611	16	1	BA132141	14	14
39141402	21	1	39179701	6	35	CB161105	5	32
39142411	18	42	39179701	11	29	CB161105	8	41
39142604	13	15	39182204	2	34	CB161105	22	34
39145020	3	3	39182512	5	14	CD171001	13	37
39145220	24	26	39182612	9	14	CD171005		37
39145321	6	37	39182812	4	30	CD201030	13	47
39145411	7	37	39182812	11	33	CF201010	16	49
39145604	10	38	39183602	21	34	CF201014	13	48
39145704	11	38	39183702	10	45	CH111005	2	17
39147201	4	24	39183702	12	47	CH111009	17	41
39147817	8	4	39183802	12	41	CH151004	18	30
39150511	3	33	39183911	8	32	CH151005	19	30
39150511	4	32	39184011	8	36	CH191010	11	42
39150511	9	41	39184111	9	36	CL111021	16	47
39150511	9	45	39184301	5	33	CL221018	1	53
39150511	20	34	39184401	18	33	CL221019	3	53
39152815	11	49	39184504	11	6	CL221020	4	53
39154011	10	33	39184604	10	36	DD101099	4	9
39154321	7	4	39184704	9	52	DD101211	4	7
39154501	6	44	39185004	17	37	DG121057	8	54
39154501	22	26	39185102	9	46	TE006201	3	19
39155304	17	8	39185604	7	28			
39156321	3	24	39185701	9	49			
39157421	22	2	39187411	14	15			
39157511	3	22	39187511	15	15			
39158304	2	21	39189921	8	30			
39158304	7	3	39190002	3	32			
39159111	7	8	39190002	10	41			
39160401	4	44	39190315	12	33			
39161101	9	48	39191024	15	41			
39161101	14	48	39191304	10	54			
39161101	15	34	39206004	8	34			
39165115	9	6	39206004	12	49			
39165205	5	1	39206104	10	34			
39165205	7	2	39213319	3	2			
39165305	4	1	39213611	3	11			
39165405	2	1	39213719	2	11			
39165511	6	8	39223623	15	31			
39165721	20	2	39226315	10	12			
39165805	1	2	AA101021	10	4			
39165805	3	1	AA101023	12	4			
39166005	2	6	AA101025	9	4			
39171009	9	10	AA101332	11	4			
39171204	15	6	AA101334	13	4			
39172219	5	3	AB121017	3	21			
39176511	3	34	AB201026	18	48			
39177220	5	40	BA102147	14	54			
39177802	5	45	BA122003	8	24			

**“ Genuine bajaj spares ensure
Optimum performance and longer life
of the vehicle.”**