

BAROSSA MOTOR INDUSTRY CO., LTD.

C O N T E N T

SPARE PARTS LIST FOR AK3

FIG 01	CYLINDER	FIG 16	FRONT SUSPENSION
FIG 02	CRANKSHAFT PISTON	FIG 17	STEERING
FIG 03	AIR SHROUD . FAN	FIG 18	FUEL TANK
FIG 04	OIL PUMP	FIG 19	FRONT FENDER WARNING
FIG 05	CARBURETOR	FIG 20	SEAT
FIG 06	INTAKE	FIG 21	FRONT WHEEL
FIG 07	CRANKCASE	FIG 22	REAR WHEEL
FIG 08	STARTER	FIG 23	REAR BRAKE
FIG 09	CLUTCH	FIG 24	STEERING HANDEL CABLE
FIG 10	TRANSMISSION	FIG 25	HANDLE SWITCH
FIG 11	GENERATOR	FIG 26	WIRE HARNESS
FIG 12	STARTING MOTOR	FIG 27	HEAD LIGHT
FIG 13	EXHAUST MUFFLER	FIG 28	REMOTE CONTRO ENGINE STOP SWITCH
FIG 14	REAR SUSPENSION	FIG 29	SPARE PARTS LIST
FIG 15	FRAME		

BMI
MODEL : AK3

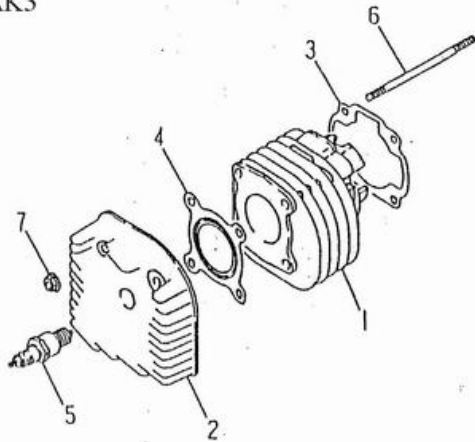


FIG.01 CYLINDER 汽缸

NO	PARTS NO.	PARTS NAME	QTY
1	11111-NAF-00B	CYLINDER	1
2	11121-NAF-00	HEAD, cylinder	1
3	11151-NAF-00	GASKET, cylinder	1
4	11181-NAF-00	GASKET, cylinder head	1
5	62210-NAF-01	PLUG, spark (NGK BPR7HS)	1
6	94717-07109-C	BOLT, stud	4
7	95401-071007-C	NUT, flange	4

BMI
MODEL : AK3

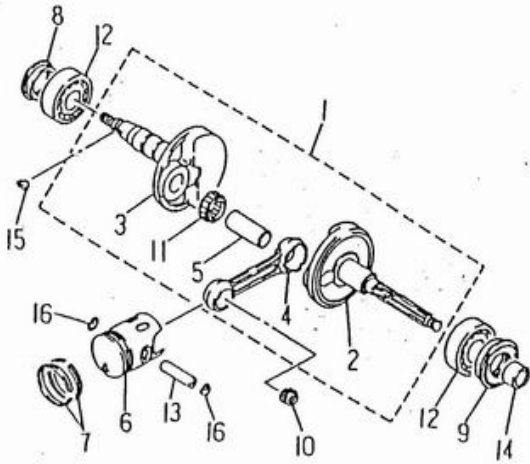


FIG.02 CRANKSHAFT.PISTON 曲軸.活塞

NO	PARTS NO.	PARTS NAME	QTY
1	11400-SK5-00	CRANKSHAFT ASSEMBLY	1
2	11412-SK5-00	.CRANK L	1
3	11422-SK5-00	.CRANK R	1
4	11451-NAF-00	.ROD, connecting	1
5	11481-NAF-00	.PIN, crank	1
6	11631-NAF-00B	PISTON (STD)	1
7	11636-SK2-00	PISTON RING SET (STD)	1
8	93110-20306	OIL SEAL	1
9	93110-20428	OIL SEAL	1
10	93310-1014125	BEARING, needle roller	1
11	93310-1622118	.BEARING, needle roller	1
12	93320-204714J	BEARING, radial ball	2
13	93510-051033	PIN, piston	1
14	93510-152012	COLLAR	1
15	94420-03013	KEY, semicircle	1
16	97050-10012	CIRCLIP	2

[MENU PAGE](#)

[PAGE UP](#)

[PAGE DOWN](#)

[ALL PARTS LIST](#)

BMI
MODEL : AK3

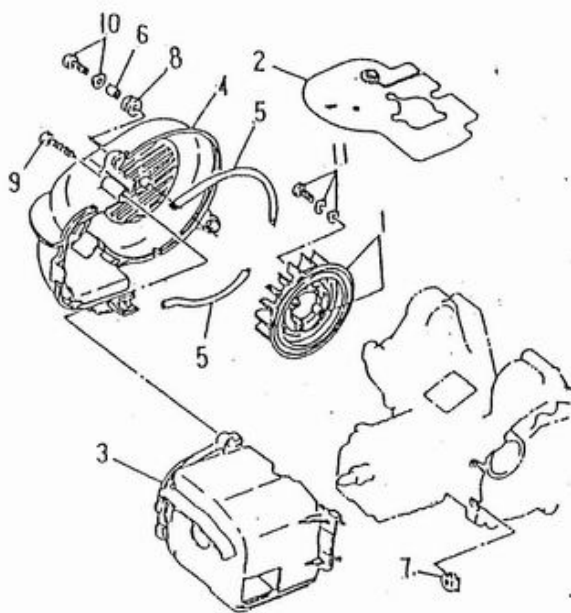


FIG.03 AIR SHROUD.FAN 空氣進氣孔.風扇

NO	PARTS NO.	PARTS NAME	QTY
1	12611-NAF-00	FAN	1
2	12631-NAF-00	DEFLECTOR	1
3	12651-NAF-00	AIR SHROUD, cylinder	1
4	12653-NAF-00	AIR SHROUD, fan	1
5	12658-NAF-00	DAMPER, air shroud	3
6	93560-68510	COLLAR	2
7	93580-41610	GROMMET	2
8	93580-81610	GROMMET	2
9	96110-64016-C	SCREW tapping	1
10	96312-06020-K	SCREW, pan head with washer	2
11	96314-06016-C	SCREW, pan head with washer	4

BMI
MODEL : AK3

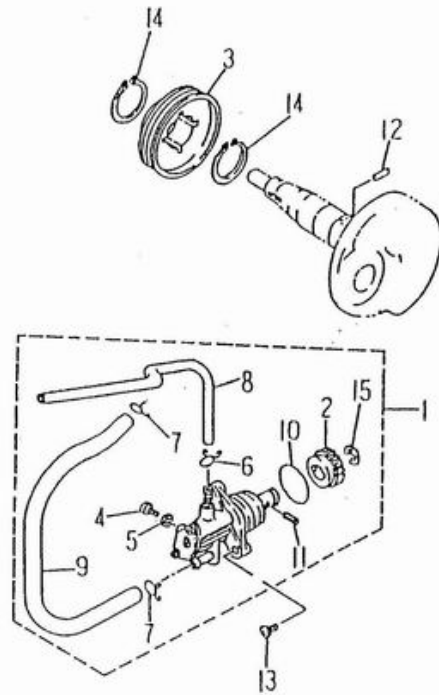


FIG.04 OIL PUMP 潤滑油泵

NO	PARTS NO.	PARTS NAME	QTY
1	13100-SK2-00	OIL PUMP ASSEMBLY	1
2	13124-NAF-00	. GEAR WORM WHEEL (40T)	1
3	13178-NAF-00	GEAR, pump drive	1
4	13185-NAF-00	.BOLT, breather	1
5	13187-NAF-00	.GASKET, breather bolt	1
6	90210-06005	.CLIP	1
7	90210-08009	.CLIP	2
8	90310-20050	.HOSE	1
9	90310-50500	.HOSE	1
10	93210-16195	O-RING	1
11	94430-30012	.PIN, dowel	1
12	94510-30012	PIN, dowel	1
13	96310-05014-C	SCREW, pan head	2
14	97010-19012	CIRCLIP	2
15	97011-07008	.CIRCLIP	1

[MENU PAGE](#)

[PAGE UP ▲](#)

[PAGE DOWN ▼](#)

[ALL PARTS LIST](#)

BMI
MODEL : AK3

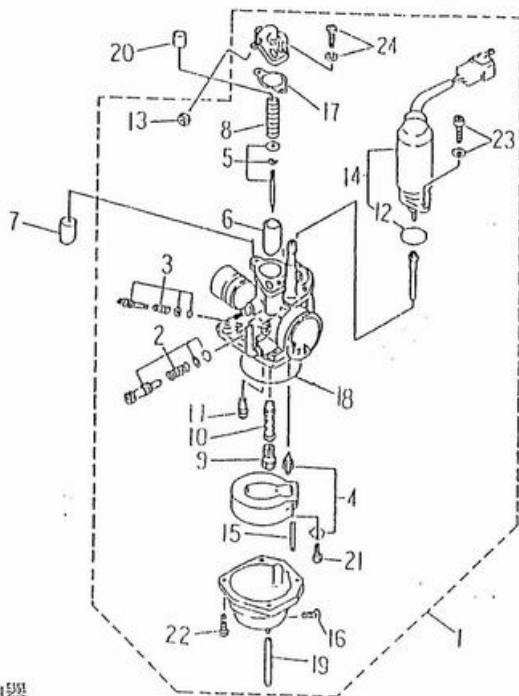
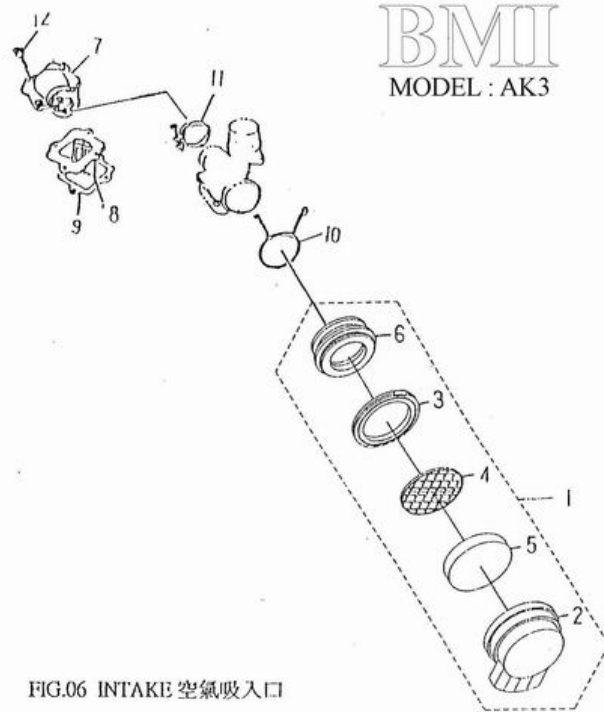


FIG.05 CARBURETOR 化油器

NO	PARTS NO.	PARTS NAME	QTY
1	13201-NAF-01	CARBURETOR ASSEMBLY	1
2	13203-NAF-00	.THROTTLE SCREW SET	1
3	13204-NAF-00	.AIR SCREW SET	1
4	13207-NAF-00	.NEEDLE VALVE SET	1
5	13211-NAF-00	.NEEDLE SET	1
6	13212-NAF-00	.VALVE, throttle	1
7	13223-NAF-00	PLUG, VALUUM	1
8	13233-NAF-00	.SPRING, throttle stop	1
9	13240-NAF-01	.JET, MAIN (#55)	1
10	13241-NAF-00	.NOZZLE, main	1
11	13242-NCF-01	.JET, pilot(#25)	1
12	13247-NAF-00	O-RING	1
13	13261-NAF-00	.NUT,cable adjusting	1
14	13271-NAF-00	.PLUNGER, starter	1
15	13286-NAF-00	.PIN, float	1
16	13291-NAF-00	.PLUNG, drain	1
17	13296-NAF-00	.GASKET	1
18	13297-NAF-00	.GASKET, float chamber	1
19	13298-NAF-00	.PIPE	1
20	93510-111411	COLLAR (11mm)	1
21	96310-03006-C	.SCREW, PAN HEAD	1
22	96312-04012-C	.SCREW, pan head with washer	4
23	96312-04008-C	.SCREW, pan head with washer	2
24	96312-04012-C	.SCREW, pan head with washer	2



NO	PARTS NO.	PARTS NAME	QTY
1	13410-SK3-00	AIR CLEANER ASSEMBLY	1
2	13411-SK3-00	CASE, AIR CLEANER	1
3	13412-SK3-00	CAP, CLEANER CASE	1
4	13433-SK3-00	PLATE, ELEMENT SET	1
5	13451-SK3-00	ELEMENT, AIR CLEANER	1
6	13453-SK2-00	JOINT, AIR CLEANER	1
7	13555-NAF-00	MAINIFOLD, INTAKE	1
8	13610-NAF-00	REED VALVE ASSEMBLY	1
9	13621-NAF-00	GASKET, VALVE SEAT	1
10	90210-23043	CLIP	1
11	90260-13325	CLANP, HOSE	1
12	96510-06020-K	BOLT, SOCKET	4

[MENU PAGE](#)

[PAGE UP ▲](#)

[PAGE DOWN ▼](#)

[ALL PARTS LIST](#)

BMOI
MODEL : AK3

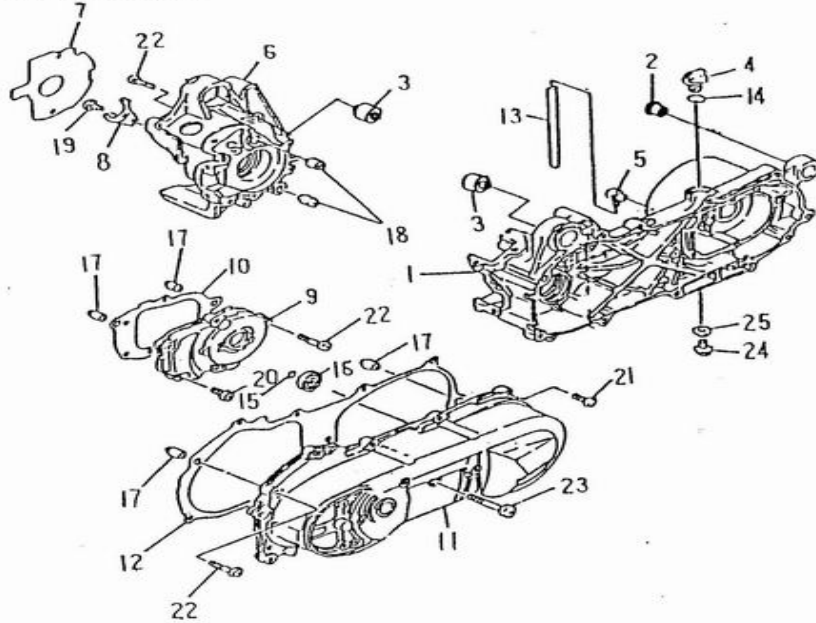


FIG.07 CRANKCASE 曲軸箱

NO	PARTS NO.	PARTS NAME	QTY
1	15111-SK5-00	CRANKCASE, LEFT	1
2	15116-SK2-00	NUT, FLANGE	1
3	15118-SK2-00	BUSH, ENGINE HANGER RUBBER	2
4	15163-NAF-00	PLUG, OIL	1
5	15171-NAF-00	BREATHER	1
6	15211-SK5-00	CRANKCASE, RIGHT	1
7	15221-NAF-01	GASKET, STATOR	1
8	15228-NAF-00	HOLDER	1
9	15311-YAN-00	COVER, GEARBOX	1
10	15351-YAN-01	GASKET, GEARBOX COVER	1
11	15411-SK9-00	COVER, CRANKCASE	1
12	15481-YAN-01	GASKET, CRANKCASE COVER	1
13	90311-50070	HOSE, BREATHER	1
14	93210-24140	O-RING	1
15	93210-31080	O-RING	1
16	93320-082809Z	BEARING, RADIAL BALL	1
17	94410-10014	PIN, DOWEL	4
18	94410-12016	PIN, DOWEL	2
19	96310-06012-C	SCREW, PAN HEAD	1
20	96310-06020-B	SCREW, PAN HEAD	3
21	96310-06025-B	SCREW, PAN HEAD	8
22	96310-06035-B	SCREW, PAN HEAD	10
23	96310-06065-B	SCREW, PAN HEAD	1
24	96414-08016-C	BOLT, FLANGE	1
25	97230-081512	WASHER, COPPER	1

BMII
MODEL : AK3

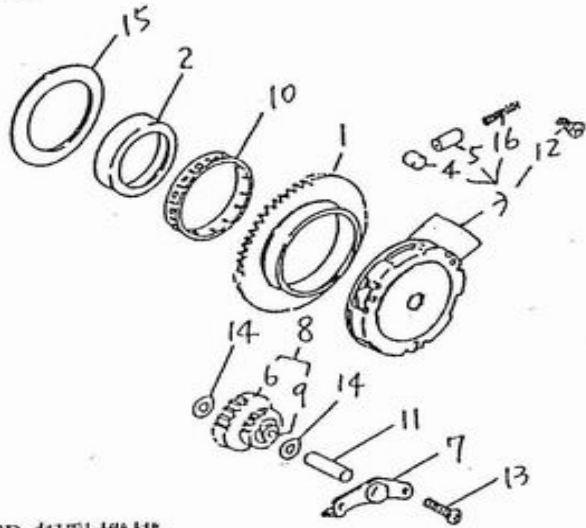


FIG.08 STARTER 起動機構

NO	PARTS NO.	PARTS NAME	QTY
1	23524-NAF-00	WHEEL, starter	1
2	23538-NAF-00	BOSS, gear	1
3	23570-NAF-00	STARTER CLUTCH ASSEMBLY	1
4	23576-NAN-00	STARTER CLUTCH ,roller	3
5	23578-NAF-00	STARTER CLUTCH, scover	3
6	23612-NAF-00	IDLE GEAR	1
7	23632-NAF-00	PLATE, idle gear	1
8	23650-NAF-00	IDLE GEAR ASSEMBLY	1
9	93310-0812100	BEARING, needle rooler	1
10	93310-5559127	BEARING, needle rooler	1
11	94510-80032	SHAFT, gear	1
12	96104-51016-C	SCREW, tapping	3
13	96310-06012-C	SCREW, pan head	2
14	97201-081620-C	WASHER, plate	2
15	97201-557606	WASHER, plate	1
16	97501-02021	STARTER CLUTCH,spring	3

[MENU PAGE](#)

[PAGE UP ▲](#)

[PAGE DOWN ▼](#)

[ALL PARTS LIST](#)

BMI
MODEL : AK3

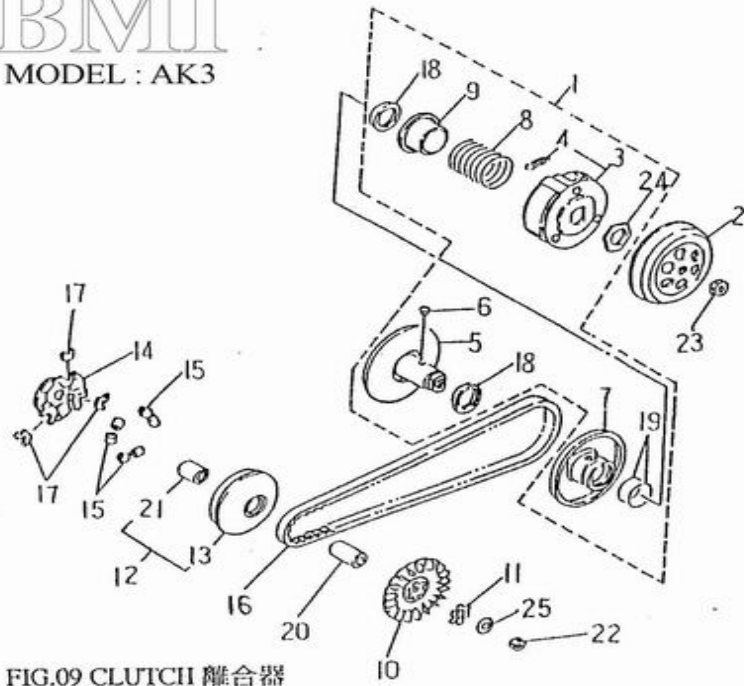


FIG.09 CLUTCH 离合器

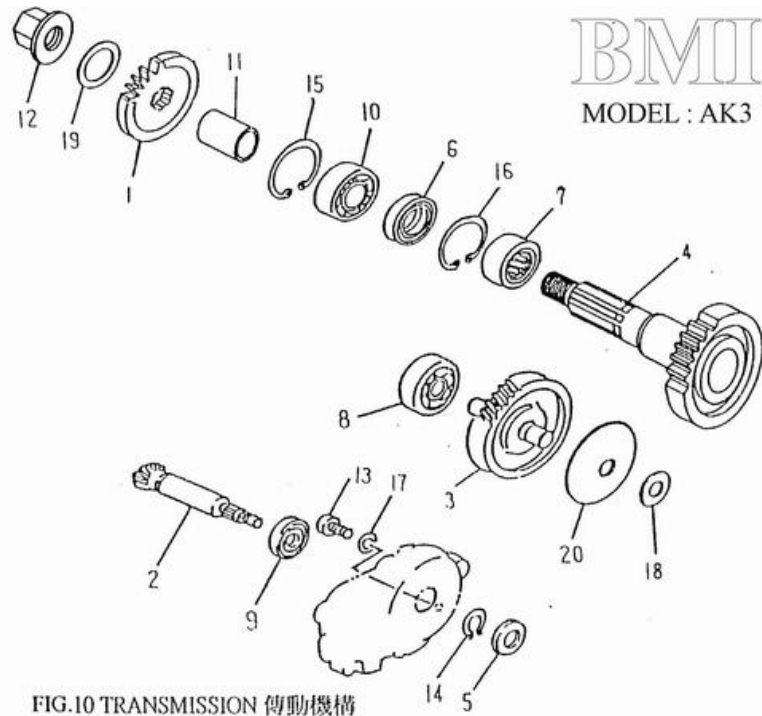
NO	PARTS NO.	PARTS NAME	QTY
1	25602-NAF-00	SECONDARY SHEAVE ASSEMBLY	1
2	25611-NAF-00	CLUTCH HOUSING COMP	1
3	25620-NAF-00	.CLUTCH CARRIER ASSEMBLY	1
4	25626-NAF-00	.SPRING,CLUTCH WEIGHT	3
5	25660-NAF-00	.SECONDARY FIXED SHEAVE COMP	1
6	25664-NAF-00	.PIN,GUIDE	2
7	25670-NAF-00	.SECONDARY SLIDING SHEAVE	1
8	25680-NAF-00	.SPRING,COMPRESSION	1
9	25684-NAF-00	.SEAT,SECONDARY SPRING	1
10	25711-NAF-00	SHEAVE,PRIMARY FIXED	1
11	25716-NAF-00	WASHER,CLAW	1
12	25720-NAF-00	PRIMARY SLIDING SHEAVE	1
13	25721-NAF-00	PRIMARY SLIDING SHEAVE	1
14	25723-NAF-00	CAM,PLATE	1
15	25732-NAF-00	WEIGHT ROLLER	6
16	25741-YAF-03	V-BELT	1
17	25753-NAF-00	SLIDER	3
18	93110-33394	.OIL SEAL	2
19	93210-20360	.O-RING	2
20	93510-131834	BUSHING,SLIDING CLUTCH	1
21	93510-182322	BUSHING,SLIDING SHEAVE	1
22	95201-101708-C	NUT,HEXAGON	1
23	95201-102406-C	NUT,HEXAGON	1
24	95201-284104-C	NUT,HEXAGON	1
25	97201-132550-C	WASHER,PLATE	1

[MENU PAGE](#)

[PAGE UP ▲](#)

[PAGE DOWN ▼](#)

[ALL PARTS LIST](#)



NO	PARTS NO.	PARTS NAME	QTY
1	25711-SK2-00	SPROCKET DRIVE 415-11T	1
2	26111-YAF-00	GEAR,PRIMARY DRIVE (13T)	1
3	26410-YAF-00	MAIN AXLE COMP (48/12T)	1
4	26420-SK2-01	DRIVE AXLE ASSEMBLY (36T)	1
5	93110-17285	OIL SEAL	1
6	93110-25356	OIL SEAL	1
7	93310-2533160	BEARING,NEEDLE ROLLER	1
8	93320-123210	BEARING,RADIAL BALL	1
9	93320-173510	BEARING,RADIAL BALL	1
10	93320-204212U	BEARING,RADIAL BALL	1
11	93510-202531-B	COLLAR	1
12	95311-142214-C	NUT,NYLON	1
13	96310-06010-B	SCREW,PAN HEAD	1
14	97010-17010-K	CIRCLIP	1
15	97012-42018-K	CIRCLIP	1
16	97013-33012-K	CIRCLIP	1
17	97201-061910-B	WASHER,PLATE	1
18	97201-122210	WASHER,PLATE	1
19	97201-152930-B	WASHER,PLATE	1
20	97310-126005	WASHER,CONICAL SPRING	1

[MENU PAGE](#)

[PAGE UP ▲](#)

[PAGE DOWN ▼](#)

[ALL PARTS LIST](#)

BMI

MODEL : AK3

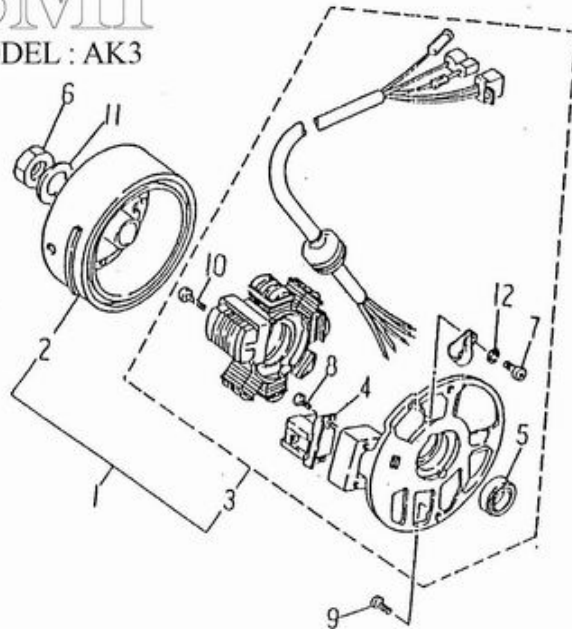


FIG.11 GENERATOR 發電機

NO	PARTS NO.	PARTS NAME	QTY
1	35500-NAF-00	GENERATOR ASSEMBLY	1
2	35550-NAF-00	.ROTOR ASSEMBLY	1
3	35560-NAF-00	.BASE ASSEMBLY	1
4	35580-NAF-00	.COIL,PULSER	1
5	93110-19265	.OIL SEAL	1
6	95201-101408-C	NUT,HEXAGON	1
7	96312-04006-C	.SCREW,PAN HEAD,WITH WASHER	1
8	96312-06010-C	.SCREW,PAN HEAD.WITH WASHER	2
9	96310-06016-C	SCREW,PAN HEAD	2
10	96312-06025-C	.SCREW,PAN HEAD,WITH WASHER	2
11	97201-101726-C	WASHER,PLATE	1

[MENU PAGE](#)

[PAGE UP ▲](#)

[PAGE DOWN ▼](#)

[ALL PARTS LIST](#)

BMI

MODEL : AK3

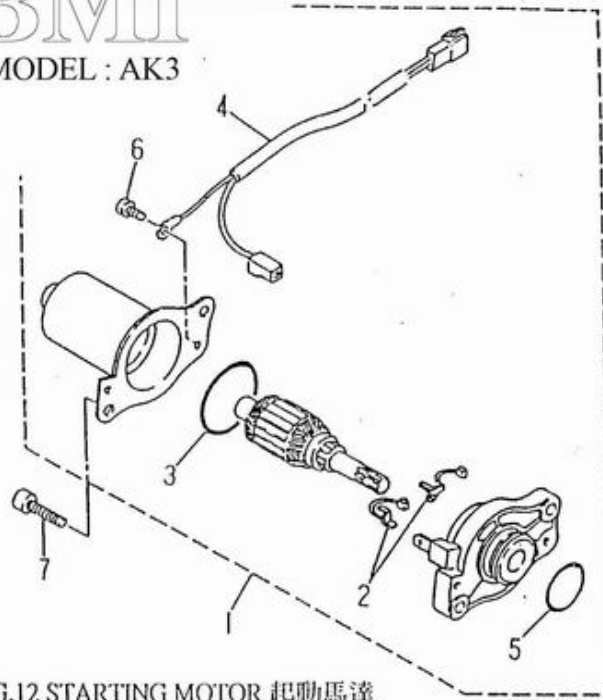


FIG.12 STARTING MOTOR 起動馬達

NO	PARTS NO.	PARTS NAME	QTY
1	35800-NAF-00	STARTING MOTOR ASSEMBLY	1
2	35801-NAF-00	.BRUSH SET	1
3	35811-NAF-00	.GASKET, YOKE	1
4	35831-NAF-00	.CORD COMP	1
5	93210-19230	.O-RING	1
6	96312-04012-C	.SCREW, PAN HEAD WITH WASHER	2
7	96510-06020-K	BOLT, SOCKET	2

[MENU PAGE](#)

[PAGE UP ▲](#)

[PAGE DOWN ▼](#)

[ALL PARTS LIST](#)

BMI
MODEL : AK3

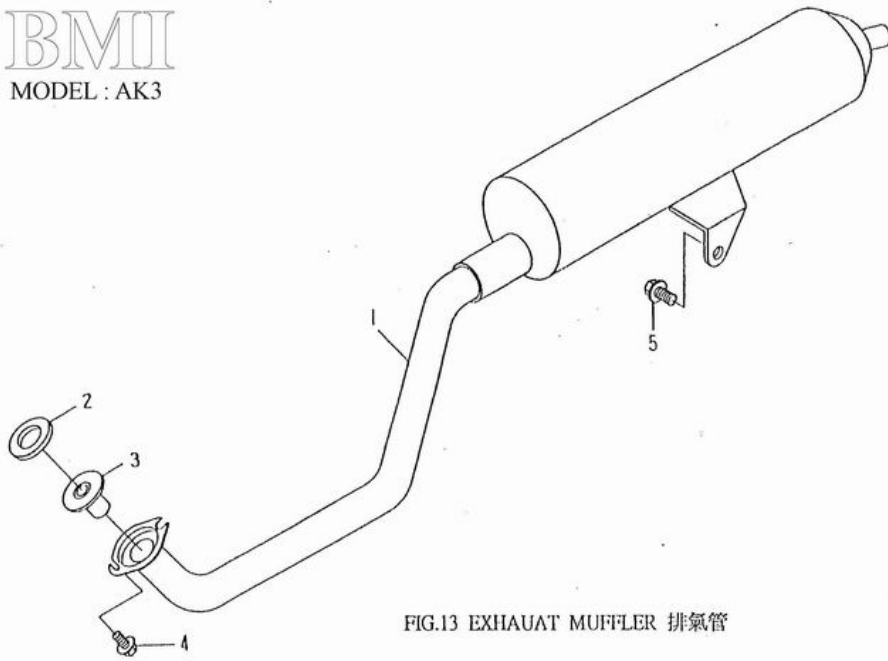


FIG.13 EXHAUAT MUFFLER 排氣管

NO	PARTS NO.	PARTS NAME	QTY
1	31610-SK2-00	EXHAUST MUFFLER ASS'Y	1
2	31613-NAF-00	GASKET,EXHAUST PIPE (25.4*34*4)	1
3	31615-NAF-02	PIPE,REDUCTION (ϕ 9)	1
4	94714-06018-C	BOLT,FLANGE	2
5	96414-08016-B	BOLT,FLANGE	1

BMI
MODEL : AK3

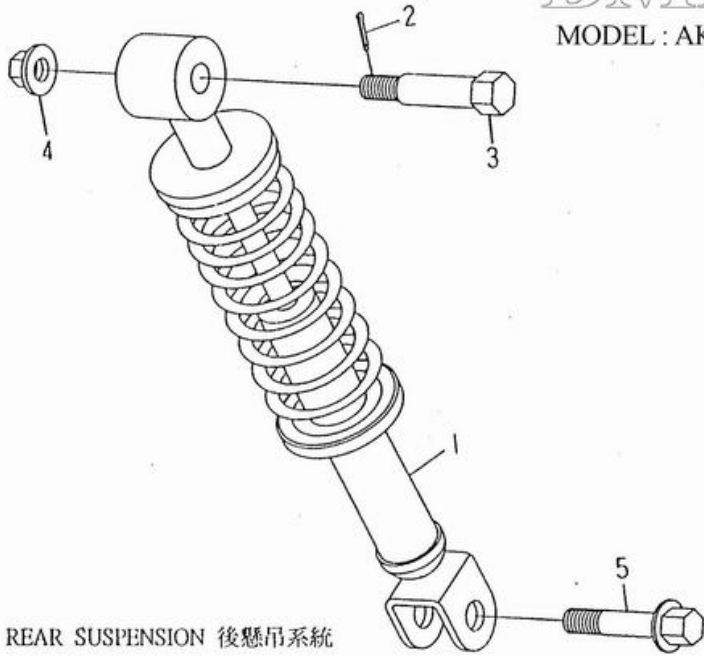


FIG.14 REAR SUSPENSION 後懸吊系統

NO	PARTS NO.	PARTS NAME	QTY
1	32210-SK2-00	SHOCK ABSORBER ASS'Y,REAR	1
2	90240-18016-B	PIN.COTTER 1.8*16	1
3	94716-08039-B	BOLT	1
4	95401-081208-B	NUT,FLANGE	1
5	96414-08035-B	BOLT,FLANGE	1

BMI

MODEL : AK3

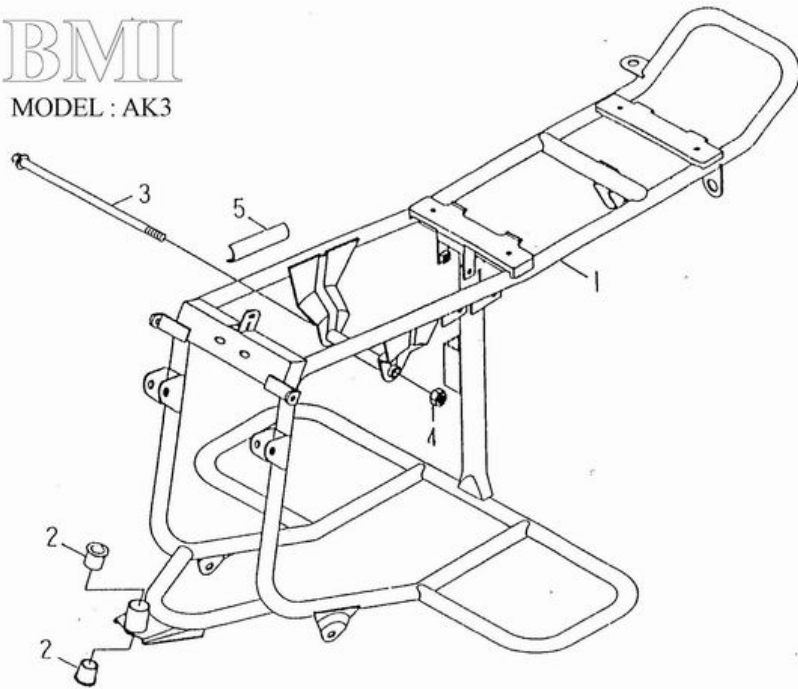


FIG.15 FRAME 車架

NO	PARTS NO.	PARTS NAME	QTY
1	41110-SK2-01	FRAME COMP	1
2	93330-152118	BUSH,SOLID	2
3	94610-10190-B	BOLT,FLANGE	1
4	95311-101710-B	NUT,NYLON	1
5	62111-CHP-00	PADDED	2

BMI
MODEL : AK3

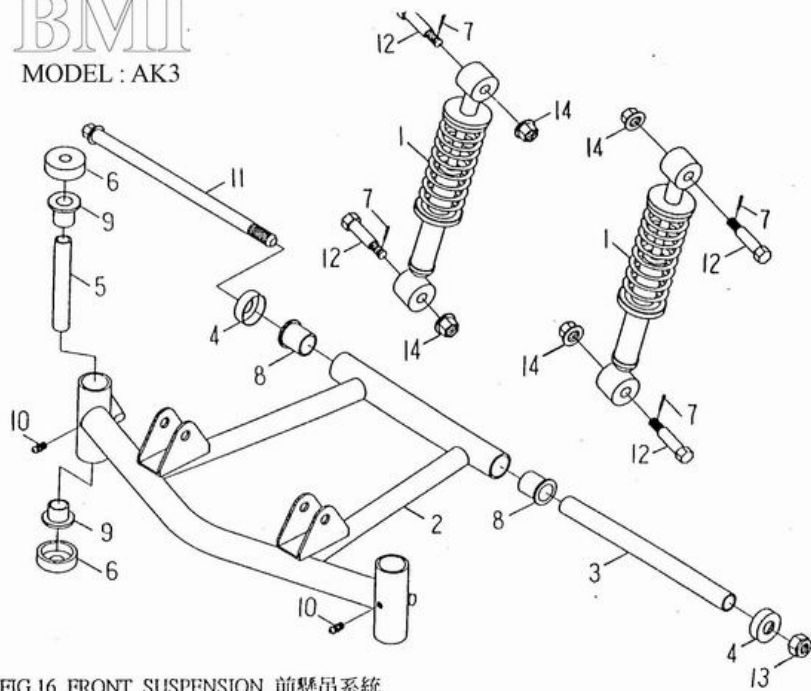


FIG.16 FRONT SUSPENSION 前懸吊系統

NO	PARTS NO.	PARTS NAME	QTY
1	42126-SK2-00	SHOCK ABSORBER ASS'Y	2
2	42161-SK2-01	FRT,ARM	1
3	42173-RAM-00	COLLAR	1
4	42183-RAM-00	COVER,THRUST	2
5	45825-SK9-00	COLLAR	2
6	45827-SK9-00	COVER,THRUST	4
7	90240-18016-B	PIN COTTER 1.8*16	4
8	93330-152118	BUSH,SOLID	2
9	93330-172330	BUSH,SOLID	4
10	94340-06010-B	NIPPLE,GREASE	2
11	94610-10197-C	BLOT,FLANGE	1
12	94716-08039-B	BLOT	4
13	95311-101710-B	NUT,NYLON	1
14	95401-081208-B	NUT,FLANGE	4

BMI
MODEL : AK3

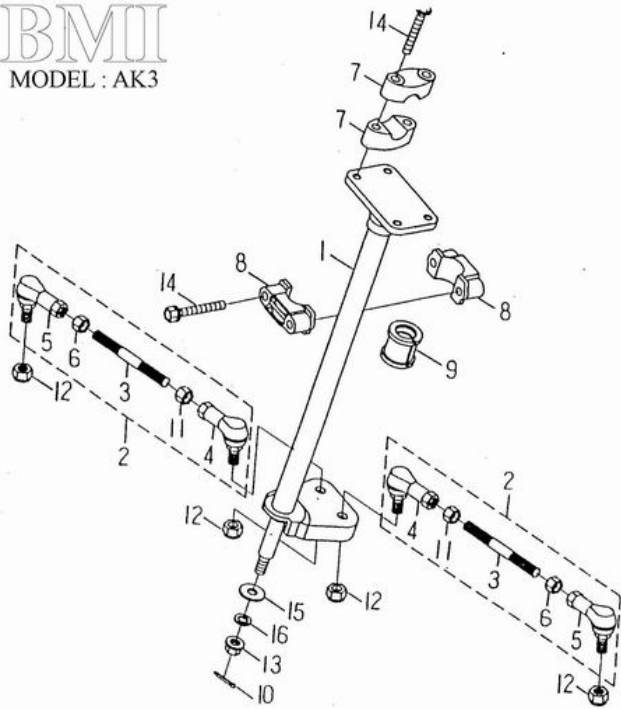


FIG.17 STEERING 轉向裝置

NO	PARTS NO.	PARTS NAME	QTY
1	42101-SK2-00	COLUMN,STEERING	1
2	42140-SK2-00	BRIDGE, TOP	2
3	42141-SK2-00	ROD, TIE	2
4	42142-SK2-00	JOINT, UNIVERSAL R	2
5	42143-SK2-00	JOINT, UNIVERSAL L	2
6	42146-SK2-00	NUT	2
7	46125-SK2-00	HOLDER, HANDLE UPR	4
8	46411-SK2-00	BEARING, STEERING	2
9	46417-SK2-00	PU BUSH	1
10	90240-23020-B	PIN, COTTER 2.3*20	1
11	95201-101408-B	NUT, HEXAGON	2
12	95311-101710-B	NUT, NYLON	4
13	95401-101409-B	NUT, FLANGE	1
14	96414-08050-B	BOLT, FLANGE	6
15	97201-102620-B	WASHER, PLATE	1
16	97301-101720-B	WASHER, SPRING	1

[MENU PAGE](#)

[PAGE UP ▲](#)

[PAGE DOWN ▼](#)

[ALL PARTS LIST](#)

BMI
MODEL : AK3

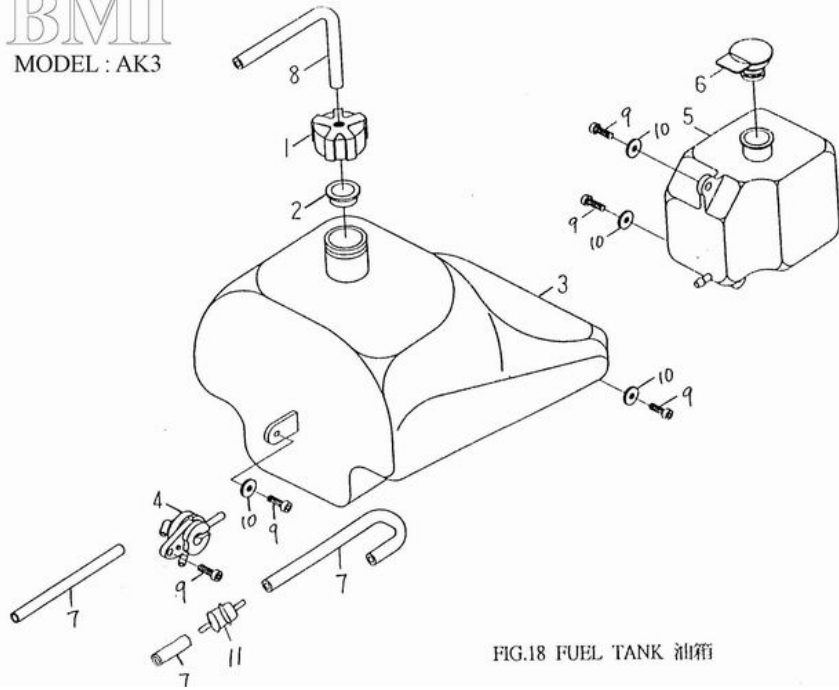


FIG.18 FUEL TANK 油箱

NO	PARTS NO.	PARTS NAME	QTY
1	43102-SK2-00	CAP ASS'Y	1
2	43103-SK2-00	CAP WASHER	1
3	43110-SK2-00	PETROL TANK	1
4	43500-SK3-00	FUEL COCK ASS'Y	1
5	43751-SK2-00	OIL TANK	1
6	43771-NAF-01	BODY,CAP	1
7	90310-50135	HOSE,FUEL 5*10*135	2
8	90310-50440	HOSE 5*8*440	1
9	96310-06016-C	SCREW,PAN HEAD	5
10	97201-061820-B	WASHER,PLATE	4
11	43570-NAF-00	FUEL FILTER	1

[MENU PAGE](#)

[PAGE UP ▲](#)

[PAGE DOWN ▼](#)

[ALL PARTS LIST](#)

BMI
MODEL : AK3

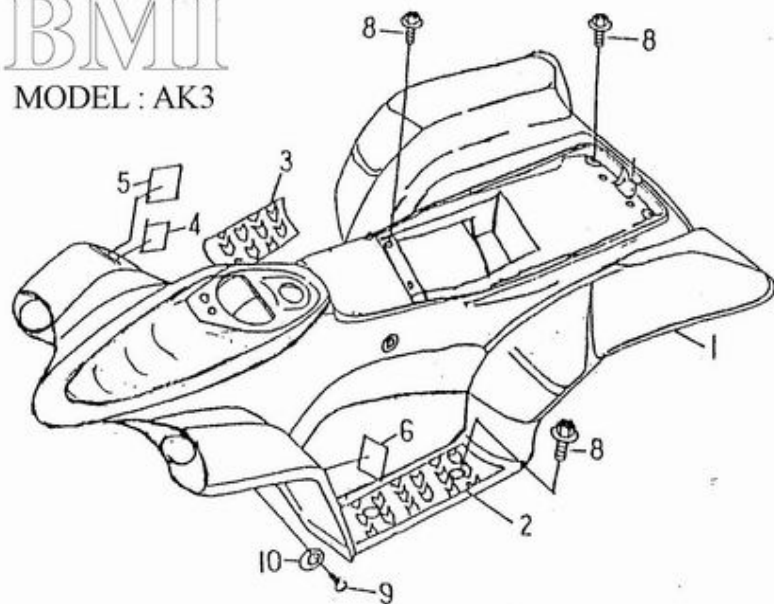


FIG.19 FRONT FENDER 前土除 警告標示

NO	PARTS NO.	PARTS NAME	QTY
1	51171-AK3-00	CARENAGE ROUGE	1
	51171-AK3-0003	CARENAGE JAUNE	
	51171-AK3-0004	CARENAGE BLEU	
2	53483-SK2-00	MAT L	1
3	53484-SK2-00	MAT R	1
4	56576-AK2-00	LABEL WARNING 3 (TIRE)	1
5	56578-AK2-00	LABEL WARNING 2 (AGE)	1
6	56781-AK2-00	LABEL WARNING 1 (OPERATION)	1
8	96218-06016-B	BOLT,HEXAGON WITH WASHER	8
9	96318-06012-B	SCREW,PAN HEAD	2
10	97321-061825-B	WASHER,FLANGE	2
	56811-AK3-00	STICKER "MINI"	
	56819-ATG-00	STICKER "BAROSSA"	

BMI
MODEL : AK3

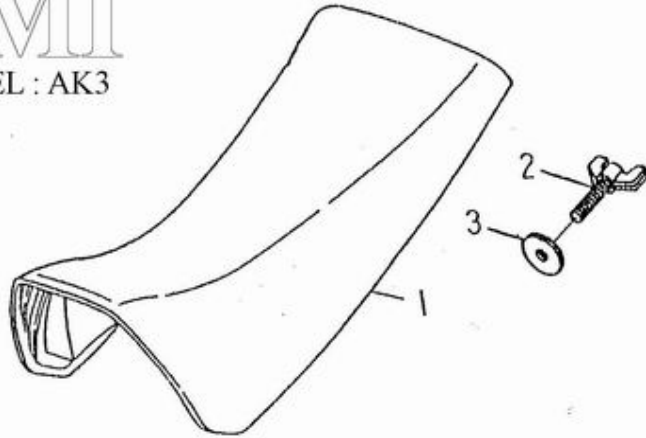


FIG.20 SEAT 座墊

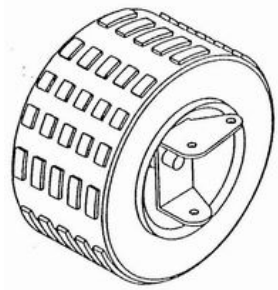
NO	PARTS NO.	PARTS NAME	Q'TY
1	52730-AK3-00	SINGLE SEAT ASS'Y	1
2	94716-06016-C	BOLT,BUTTERFLY	1
3	97201-062220-B	WASHER,PLATE	1

[MENU PAGE](#)

[PAGE UP ▲](#)

[PAGE DOWN ▼](#)

[ALL PARTS LIST](#)



BMII
MODEL : AK3

FIG.21 FRONT WHEEL 前輪

NO	PARTS NO.	PARTS NAME	QTY
1	42570-RAM-00	VALVE,RIM	2
2	42580-SK2-00	WHEEL,FRONT	2
3	42590-SK2-00	TIRE,FRONT 145/70-6	2
4	45861-SK2-00	KNUCKLE,STEERING L	1
5	45866-SK2-00	KNUCKLE,STEERING R	1
6	90240-29025-B	PIN,COTTER 2.9*25	2
7	93110-20355	OIL SEAL 20*35*5	2
8	93110-22357	OIL SEAL 22*35*7	2
9	93320-153511S	BEARING,RIDIAL BALL 6202CS05/2A	4
10	93510-152008-B	COLLAR	2
11	93510-152233-B	SPACER,BEARING	2
12	94610-10100-B	BOLT,FLANGE	2
13	95311-101710-B	NUT,NYLON	2
14	95321-142215-C	NUT,CASTLE	2
15	97201-142620-C	WASHER,PLATE 14.7*25.7*2	2

[MENU PAGE](#)

[PAGE UP ▲](#)

[PAGE DOWN ▼](#)

[ALL PARTS LIST](#)

BMI
MODEL : AK3

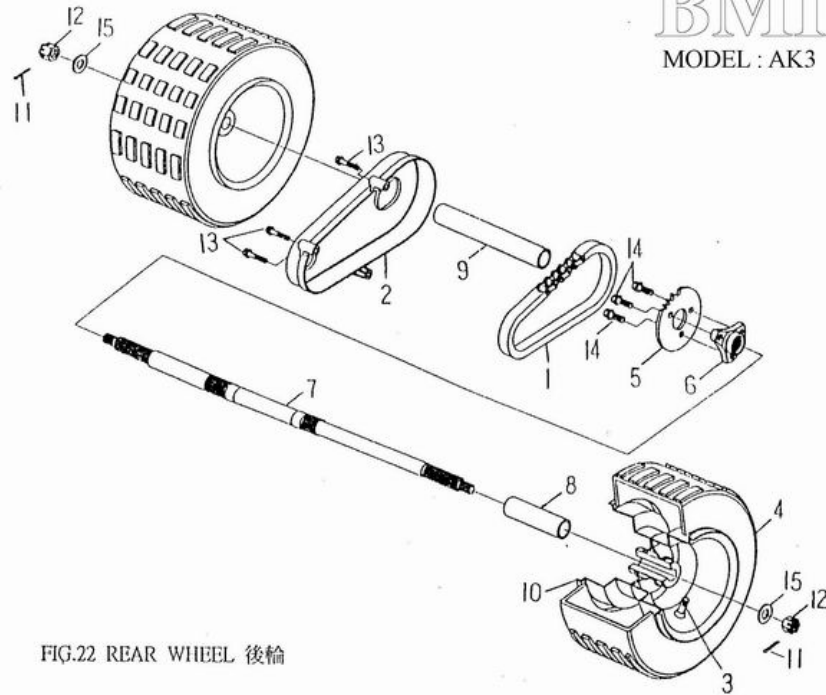


FIG.22 REAR WHEEL 後輪

NO	PARTS NO.	PARTS NAME	QTY
1	25741-SK2-00	CHAIN 415H*40L	1
2	32191-SK2-00	DRIVE CHAIN CASE	1
3	42570-RAM-00	VALVE,RIM	2
4	42590-SK2-00	TIRE,FRONT 145/70-6	2
5	42812-SK2-00	SPROCKET,DRIVEN 415-21T	1
6	42821-SK2-00	COLLAR,SPROCKET	1
7	42835-SK2-00	AXEL,WHEEL	1
8	42836-SK2-00	SPACER,BEARING L	1
9	42837-SK2-00	SPACER,BEARING R	1
10	42880-SK2-00	WHEEL,REAR	2
11	90240-29025-B	PIN,COTTER 2.9*25	2
12	95321-142215-C	NUT,CASTLE	2
13	96414-06022-B	BOLT,FLANGE	3
14	96414-08012-B	BOLT,FLANGE	3
15	97201-142620-C	WASHER,PLATE 14.7*25.7*2	2

[MENU PAGE](#)

[PAGE UP ▲](#)

[PAGE DOWN ▼](#)

[ALL PARTS LIST](#)

BMI
MODEL : AK3

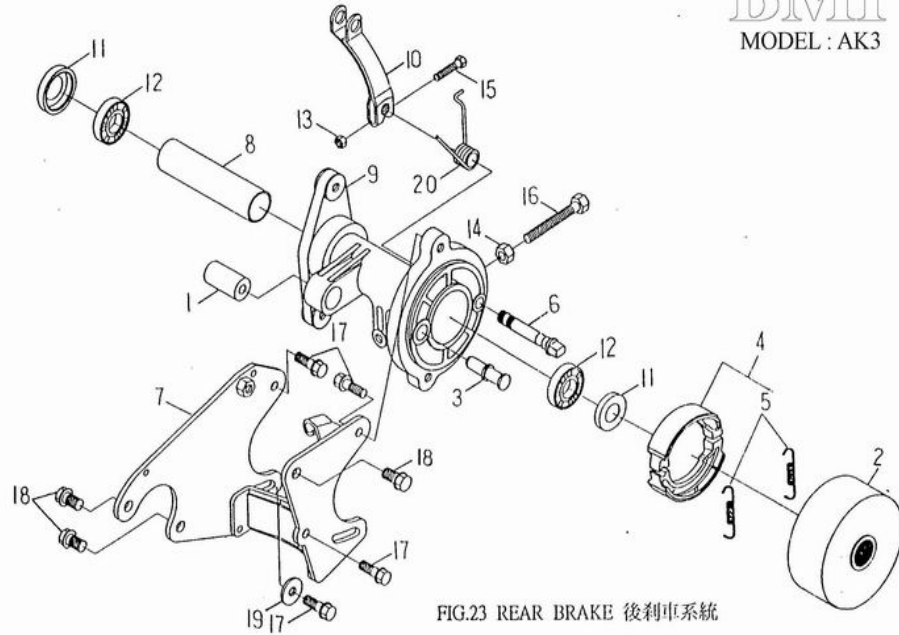


FIG.23 REAR BRAKE 後制車系統

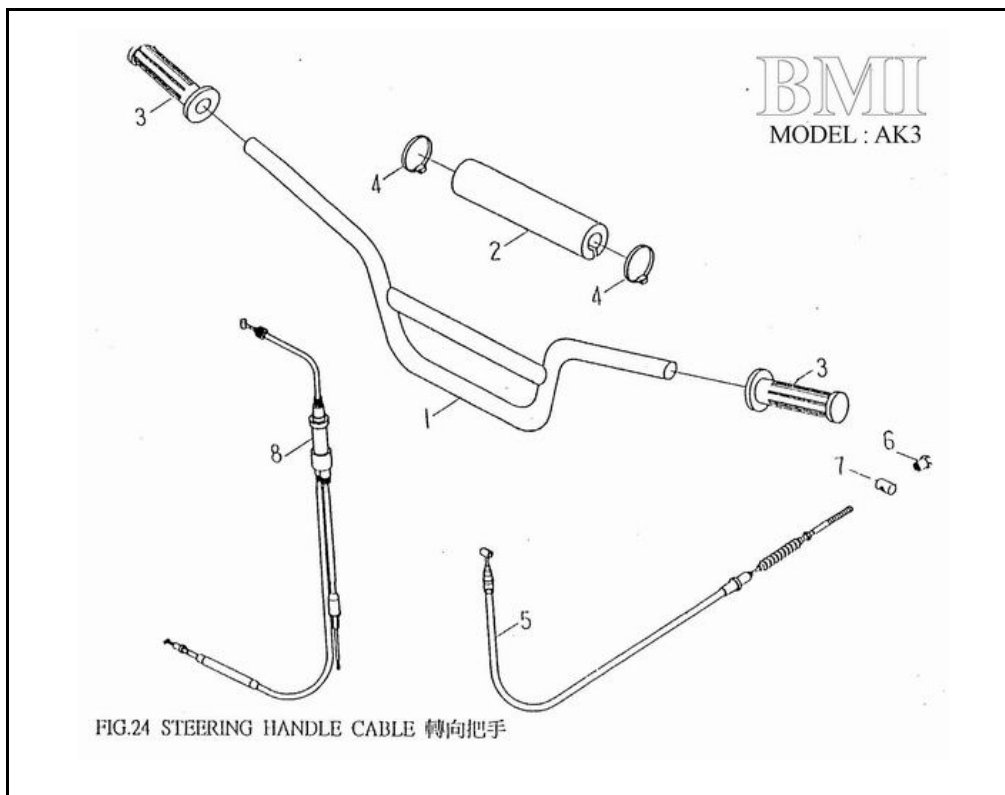
NO	PARTS NO.	PARTS NAME	QTY
1	15116-NAF-00	BUSHER,REAR SHOCK ABSORBER	1
2	32320-SK2-00	HUB,REAR BRAKE	1
3	32326-SK2-00	PIN,PIVOT	1
4	32345-SK2-00	BRAKE SHOE KIT	1
5	32346-SK2-00	.SPRING,TENSION	2
6	32351-SK2-00	CAMSHAFT	1
7	41191-SK2-00	ENGINE HANGER	1
8	42815-SK2-00	SPACER,BEARING	1
9	42881-SK2-00	HUB,REAR	1
10	45855-SK9-00	LEVER,CAMSHAFT	1
11	93110-30477	OIL SEAL 30*47*7	2
12	93320-254712	BEARING,RADIAL BALL 6005CS05/2A	2
13	95201-050804-B	NUT,HEXAGON	1
14	95201-081207-B	NUT,HEXAGON	1
15	96210-05025-B	BOLT,HEXAGON	1
16	96210-08055-B	BOLT,HEXAGON	1
17	96414-08016-B	BOLT,FLANGE	5
18	96414-10020-B	BOLT,FLANGE	3
19	97201-082420-B	WASHER,PLATE 8.7*24*2.0	2
20	97508-25155-B	SPRING TORSION	1

[MENU PAGE](#)

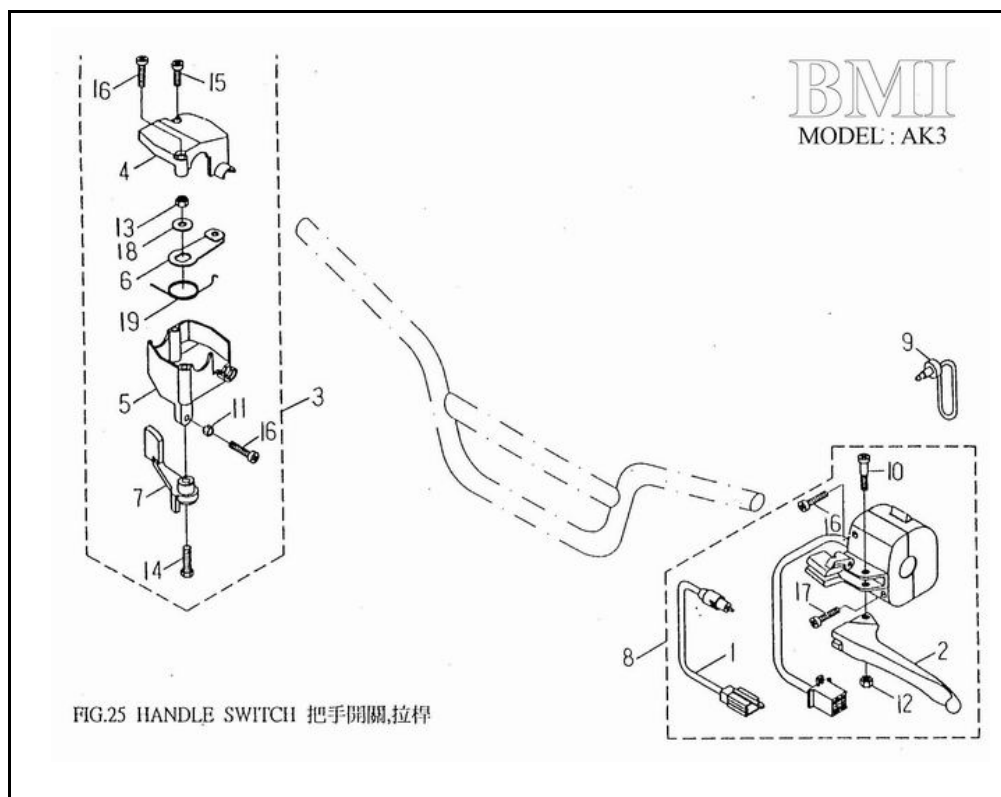
[PAGE UP ▲](#)

[PAGE DOWN ▼](#)

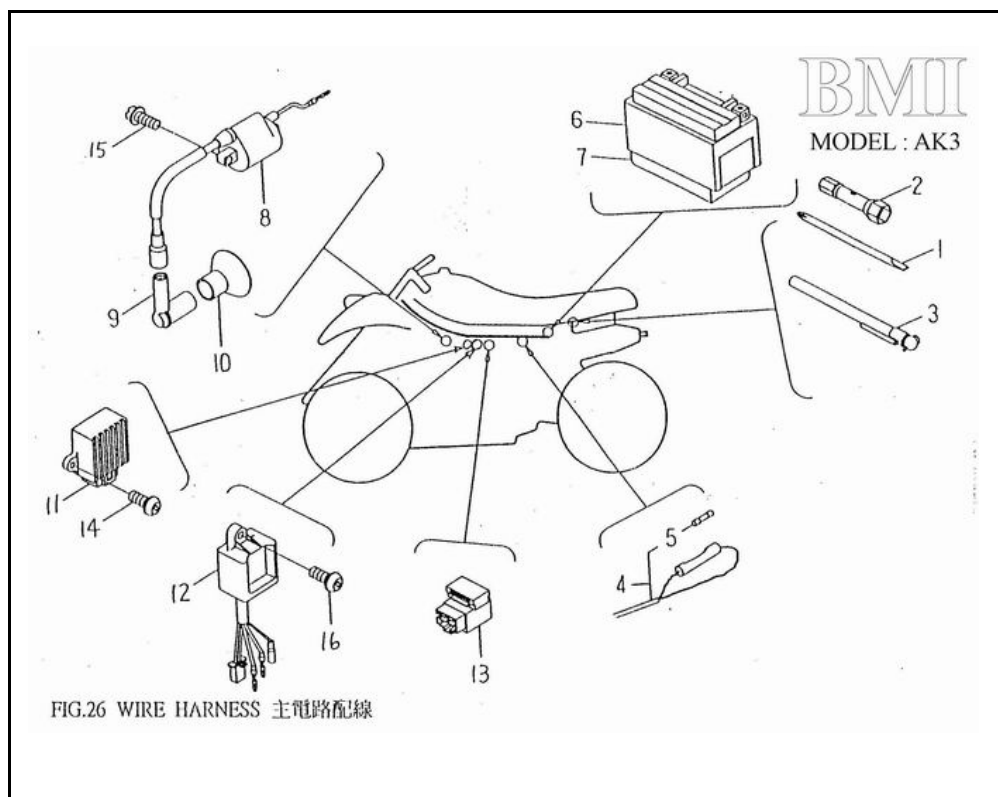
[ALL PARTS LIST](#)



NO	PARTS NO.	PARTS NAME	QTY
1	46110-SK2-00	HANDLEBAR	1
2	46117-SK2-00	PROTECTOR	1
3	46240-SK2-00	GRIP	2
4	61135-SK2-00	BANED,CORD 100mm	2
5	61320-SK2-00	CABLE,BRAKE	1
6	61379-NAF-01	NUT,ADJUST	1
7	61389-NAF-00	PIN,FIXTURE	1
8	61620-SK2-00	CABLE,THROTTLE	1



NO	PARTS NO.	PARTS NAME	QTY
1	45890-SK9-00	FRONT STOP SWITCH	1
2	62912-SK2-00	LEVER,L	1
3	62920-SK2-00	THROTTLE LEVER ASS'Y	1
4	62923-SK2-00	CAP,THROTTLE	1
5	62925-SK2-00	THROTTLE LEVER	1
6	62927-SK2-00	ARM,THROTTLE	1
7	62928-SK2-00	LEVER,THROTTLE	1
8	62930-SK2-00	HANDLE SWITCH ASS'Y L	1
9	62935-SK2-00	ENGINE STOP BELT	1
10	94710-05023-G	BOLT,LEVER	1
11	95201-050804-G	BOLT,HEXAGON	1
12	95311-050805-G	NUT,NYLON	1
13	95311-061006-G	NUT,NYLON	1
14	96210-06020-B	BOLT,HEXAGON	1
15	96310-05015-G	SCREW,PAN HEAD	1
16	96310-05020-G	SCREW,PAN HEAD	3
17	96310-05025-G	SCREW,PAN HEAD	1
18	97201-061616-C	WASHER,PLATE 6.5*16*1.6	1
19	97508-10240-B	SPRING	1



NO	PARTS NO.	PARTS NAME	QTY
1	56120-NAF-00	SCREW DRIVER	1
2	56140-SK9-00	TOOL PLUG	1
3	56190-RAM-00	GAUGE,AIR	1
4	61120-AK3-00	WIRE,HARNESS	1
5	61151-NAF-00	FUSE	1
6	62100-NAF-00	BATTERY ASS'Y (YTX4L-BS)	1
7	62111-SK9-00	BATTERY PACKING	1
8	62310-NAF-00	IGNITIN COIL ASS'Y	1
9	62320-NAF-00	PLUG CAP ASS'Y	1
10	62322-NAF-00	SEAL,PLUG CAP	1
11	62360-NAF-00	RECTIFIER & REGULATOR COMP	1
12	62540-NAF-00	C.D.I UNIT ASS'Y	1
13	62550-SK2-00	STARTER RELAY SWITCH COMP	1
14	96310-05012-B	SCREW,PAN HEAD 5*12	1
15	96312-06020-C	SCREW,PAN HEAD WITH WASHER	1
16	96310-05016-B	SCREW,PAN HEAD 5*16	1

BMI
MODEL : AK3

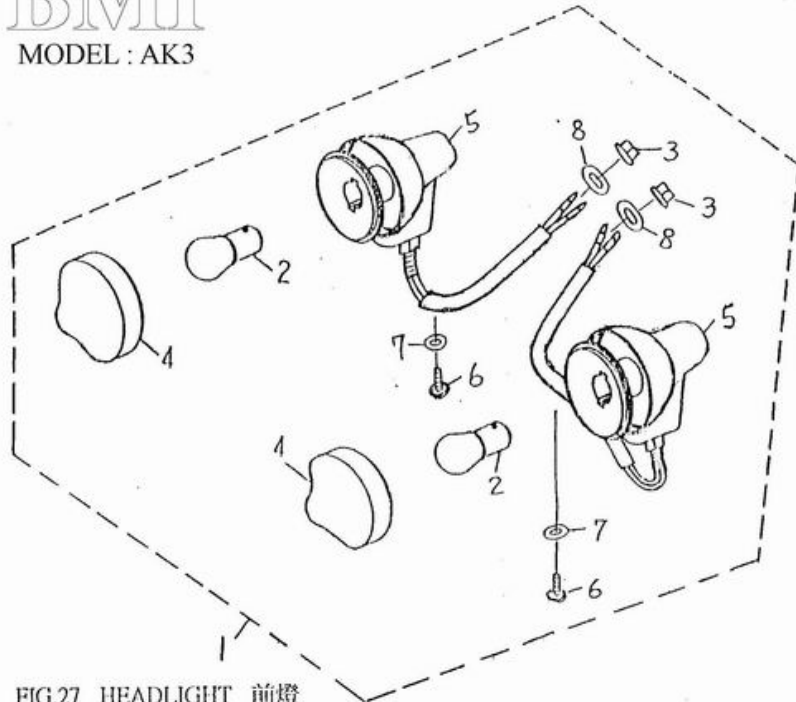


FIG.27 HEADLIGHT 前燈

NO	PARTS NO.	PARTS NAME	QTY
1	55300-AK3-00	HEAD LIGHT ASS'Y	1
2	55314-AK3-00	BULB,HEAD LIGHT 12V 10W	2
3	95401-101409-B	NUT FLANGE	2
4	55320-AK3-00	LENS ASS'Y	2
5	55340-AK3-00	SOCKEY CORD ASS'Y	1
6	96112-41218-K	SCREW,TAPPING	2
7	97201-051410-B	WASHER,PLATE 5*14*1.0	2
8	97201-102620-B	WASHER,PLATE 10*26*2.0	2

BMI
MODEL : AK3

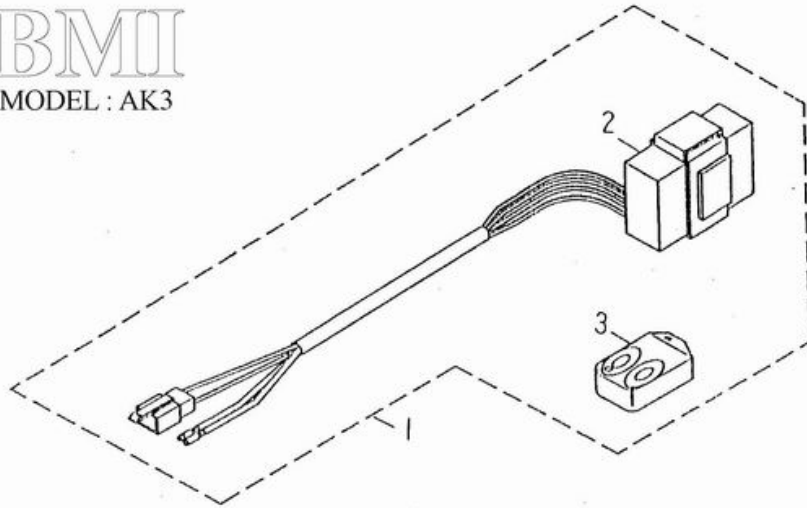


FIG.28 REMOTE CONTRO ENGINE STOP SWITCH

NO	PARTS NO.	PARTS NAME	QTY
1	62330-SK2-00	TELECONTROL INSTRUMENT ASS'Y	1
2	62331-SK2-00	RECEPTION INSTRUMENT	1
3	62332-SK2-00	non détaillé	1