

INDEX

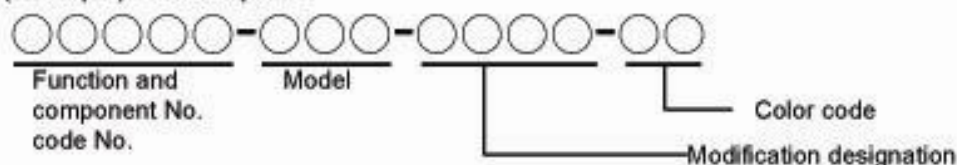
HOW TO USE THIS PARTS MANUAL.....	1
CONTENTS GROUP.....	3
PART NO INDEX.....	56

HOW TO USE THIS PARTS MANUAL

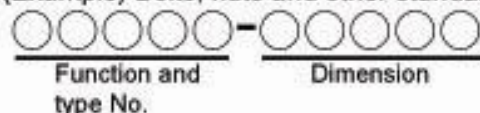
• MAKE-UP OF THE PART NUMBER

1. ENGINE GROUP
2. FRAME GROUP

(Example) General parts



(Example) Bolts, nuts and other standard parts



• ABBREVIATIONS

The following abbreviations are used in this parts manual:

ASSY.....	Assembly	MPH.....	Miles per hour
COMP.....	Complete	L (100L).....	Link (100Links)
R.....	Right	A.C.	Alternating current
L.....	Left	D.C.	Direct current
STD.....	Standard	IN.....	Inlet
MM.....	Millimeter	EX.....	Exhaust
G.....	Gram	FR.....	Front
T (22T).....	Tooth (22Teeth)	RR.....	Rear
A.....	Ampere	HEX.....	Hexagonal
V.....	Volt	A.M.....	Attaching mark
W.....	Watt	T.M.....	Transcript mark
KPH.....	Kilometers per hour		

• DIMENSIONS

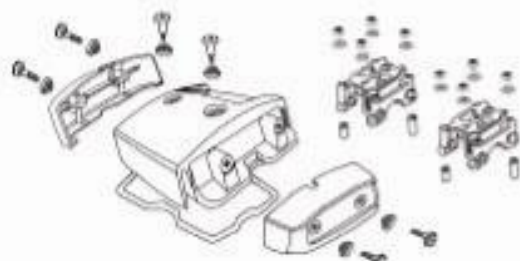
All dimensions are given in millimeters (mm) except in the case of the steel balls, tires and tire tubes.

PRATS	EXAMPLE	INTERPRETATION
Bolt (Screw)	6 x 12	6mm diameter, 12mm length
Pin	8 x 14	8mm diameter, 14mm length
O-Ring	9.5 x 1.6	9.5mm diameter, 1.6mm thickness
Oil seal	14 x 24 x 5	14mm inside diameter, 24mm outside diameter, 5mm thickness
Tube	5 x 130	5mm inside diameter, 130mm length

(CONTENTS-ENGINE GROUP)

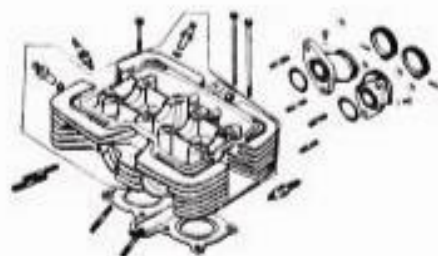
E-01 Cylinder Head Cover

P9



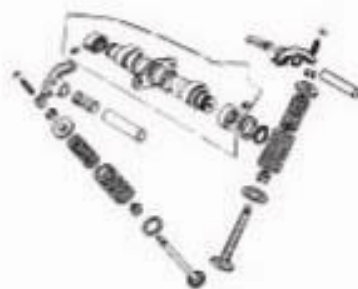
E-02 Cylinder Head

P10



E-03 Cam Shaft • Valve

P11



E-04 Cylinder

P12



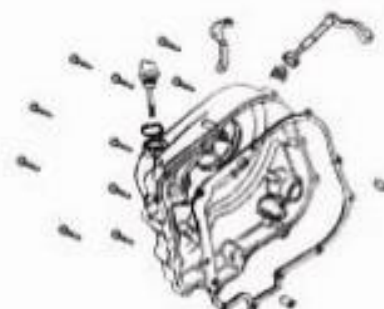
E-05 Cam Chain • Tensioned

P13



E-06 Right Crank Case Cover • Clutch Lever

P14



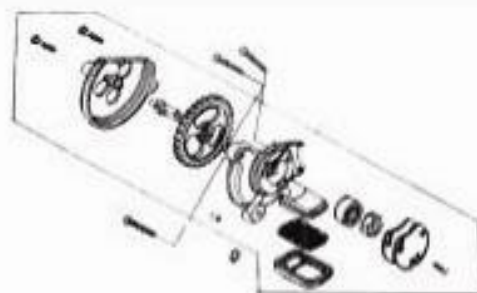
E-07 Clutch

P15



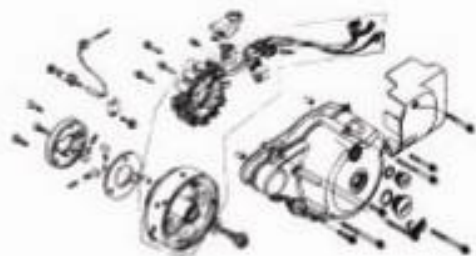
E-08 Oil pump • Oil Filter Rotor

P16



(CONTENTS-ENGINE GROUP)

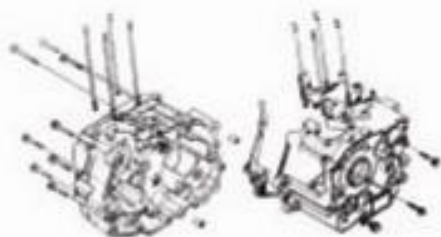
E-09 Left Crank Case Cover • A. C. G P17



E-10 Starter Motor P19



E-11 Crank Case P20



E-12 Crank Shaft • Piston P21



E-13 Transmission P23



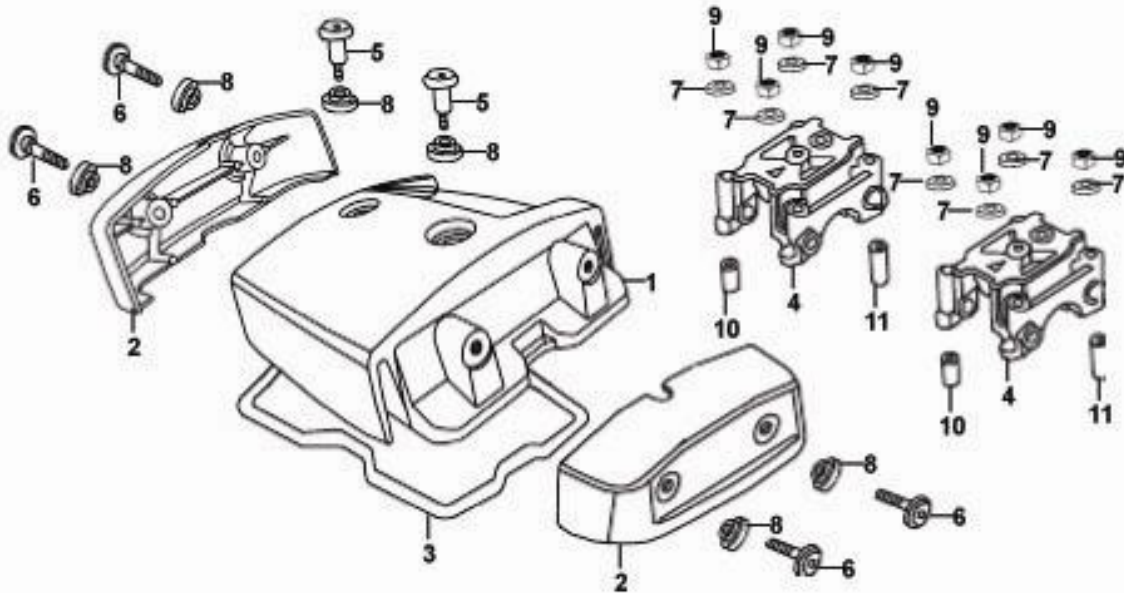
E-14 Shift Drum • Shift Fork • Shift Shaft P25



E-15 Carburetor ASSY P26

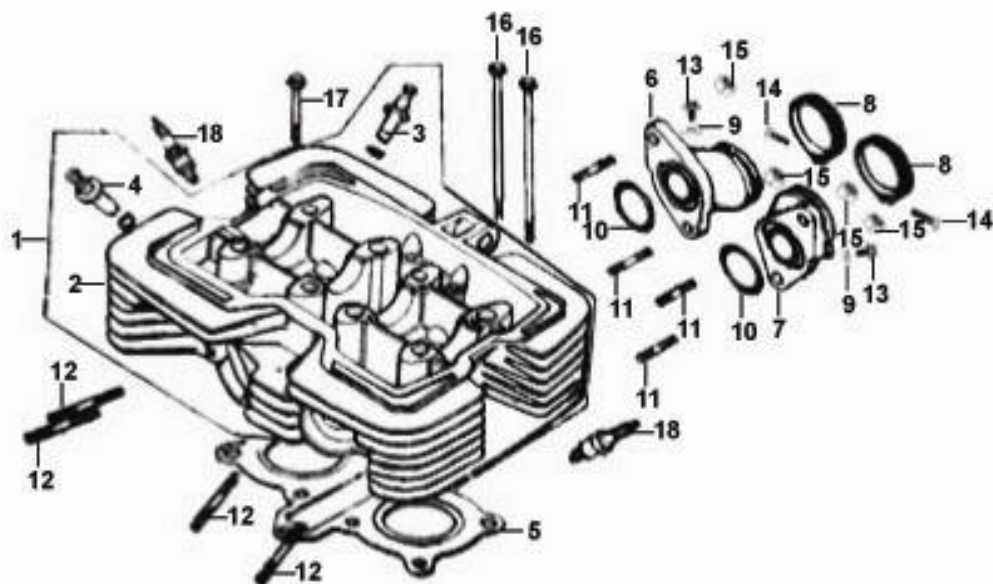


E-01 Cylinder Head Cover



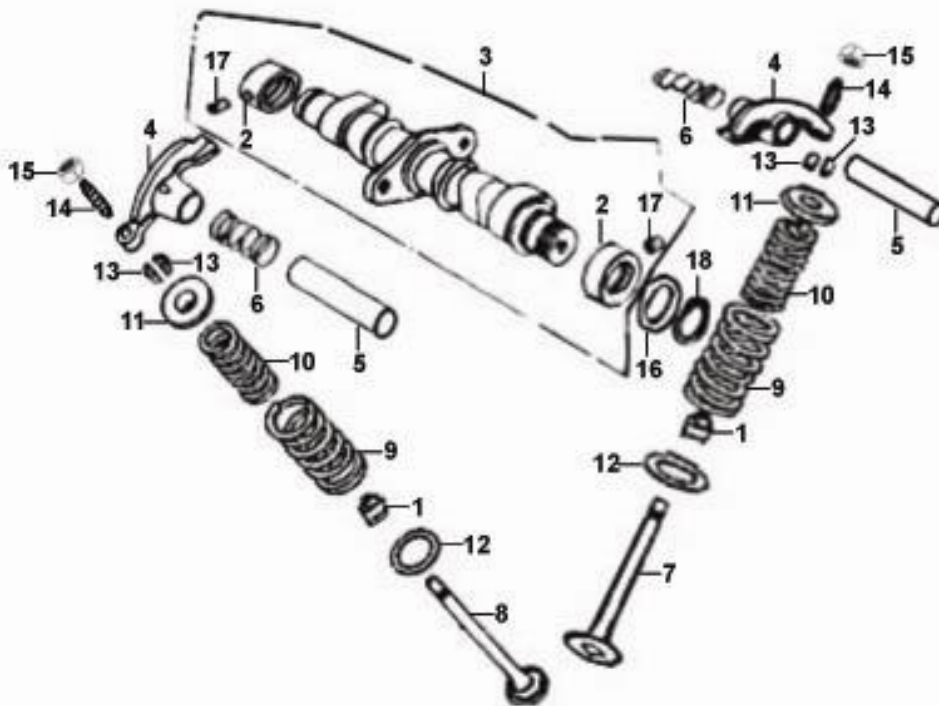
Ref. No	Part Number	Description	Reqd. No.
1	12301-NCA-0000	Cylinder head cover	1
2	12320-NCA-0000	Cylinder head side cover	2
3	12391-NCA-0000	CYL. head cover gasket	1
4	1415A-NCA-0001	Valve rocker arm seat ASSY	2
5	90002-NCA-0000	Lock bolt 6X40	2
6	90003-NCA-0000	Lock bolt 6X34	4
7	90442-028-0000	Sealing washer 8MM	8
8	90453-NCA-0000	Rubber	6
9	94050-08080	Flange nut 8MM	8
10	94301-10160	Dowel pin 10X16	2
11	94301-10280	Dowel pin 10X28	2

E-02 Cylinder Head



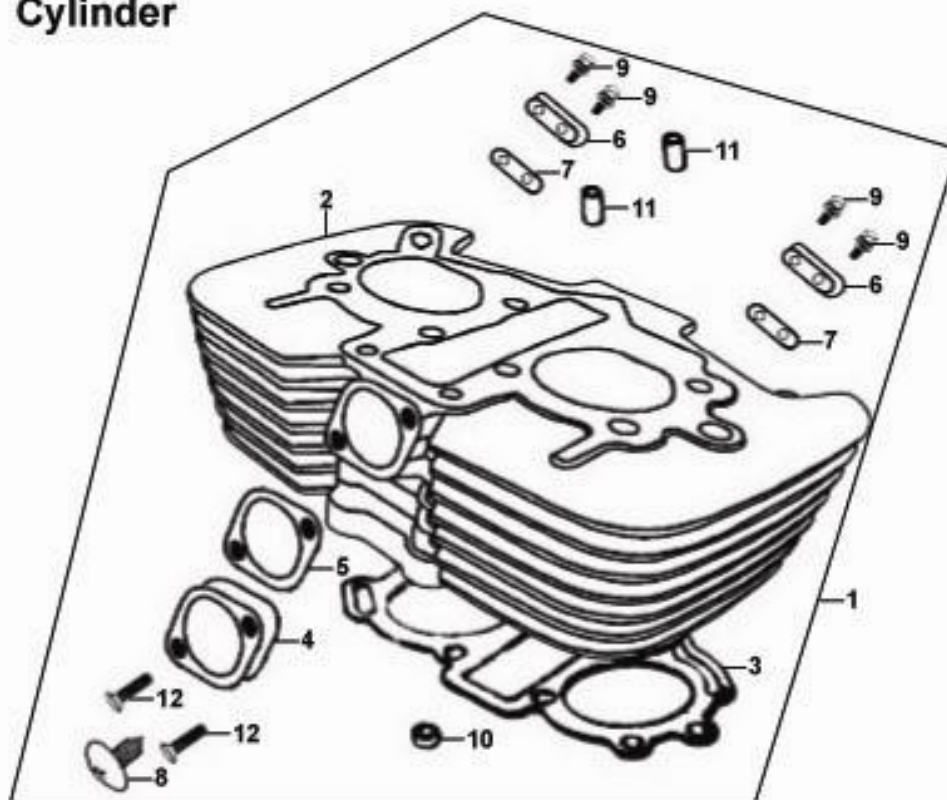
Ref. No	Part Number	Description	Reqd. No.
1	12200-NCA-B002	Cylinder head ASSY	1
2	12201-NCA-3000	Cylinder head body	1
3	12237-NCA-3000	IN. valve guide	2
4	12245-NCA-3000	EX. valve guide	2
5	12251-NCA-0000	Cylinder head gasket	1
6	16221-NCA-0000	R. inlet pipe	1
7	16222-NCA-3000	L. inlet pipe	1
8	16223-NCA-3000	Connecting tube band	2
9	90452-NCA-0000	Washer 5MM	2
10	91301-NCA-0000	O-ring 25.5X2.5	2
11	92700-A02-0001	Stud bolt 6X32	4
12	92900-NCA-0000	Stud bolt 8X45	4
13	93500-05008-08	Pan screw 5X8	2
14	93500-05028-08	Pan screw 5X28	2
15	94001-06080-02	Hex nut 6MM	4
16	95701-06145-00	Flange bolt 6X145	2
17	96001-06045-02	Flange bolt 6X45	1
18	98056-NCA-0000	Spark plug (TORCH A6RTC)	2

E-03 Cam Shaft • Valve



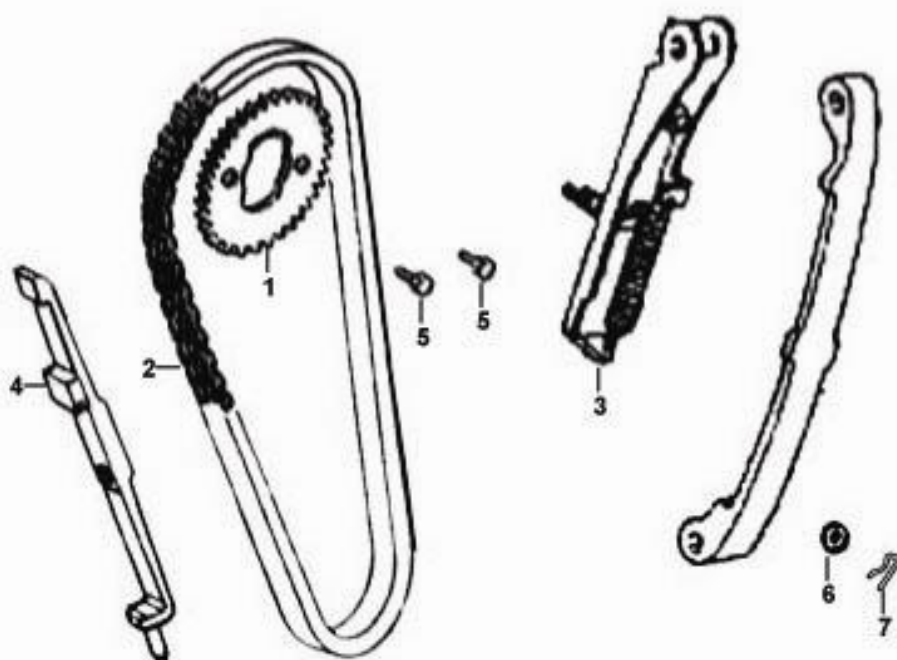
Ref. No	Part Number	Description	Reqd. No.
1	12209-B12-0000	Valve stem seal	4
2	12211-NCA-A000	Cam shaft holder	2
3	1410A-NCA-0000	Cam shaft ASSY	1
4	14431-NCA-0000	Valve rocker arm	4
5	14451-NCA-0000	Valve rocker arm shaft	4
6	14461-NCA-0000	Valve rocker arm spring	4
7	14711-NCA-0000	Inlet valve	2
8	14721-NCA-0000	Exhaust valve	2
9	14751-NCA-0000	Valve outer spring	4
10	14761-NCA-0000	Valve inner spring	4
11	14771-NCA-0000	Valve spring retainer	4
12	14775-B08-0000	Seat valve spring outer	4
13	14781-107-003A	Valve cotter	8
14	90012-H66-0000	Tappet adjusting screw	4
15	90206-H66-0000	Tappet adjusting nut	4
16	90402-NCA-0000	Cam shaft washer 20MM	1
17	90702-NCA-0000	Knock pin 5X5.5	2
18	94510-20000	EX. cir-clip 20MM	1

E-04 Cylinder



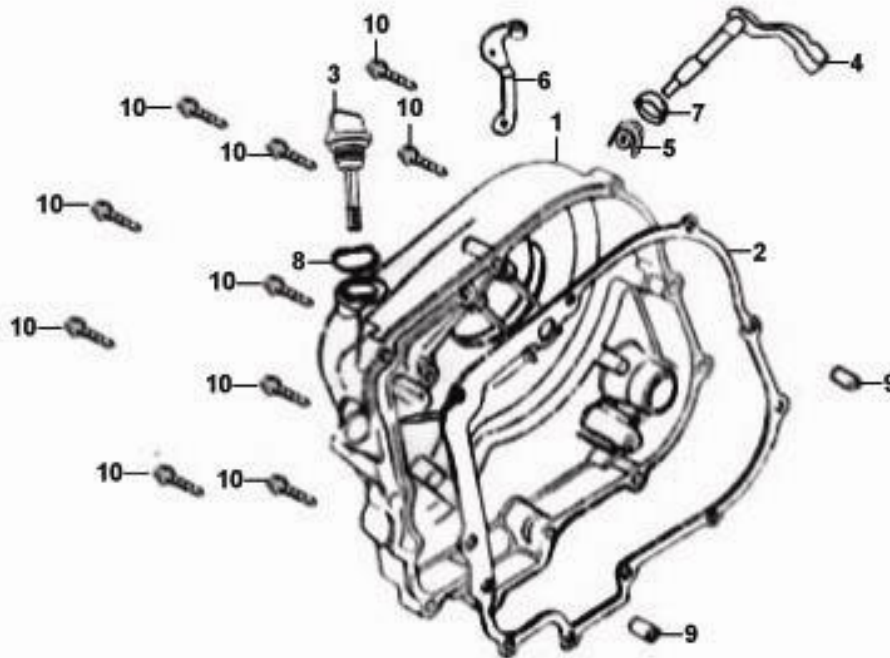
Ref. No	Part Number	Description	Reqd. No.
1	1210A-NCA-G000	Cylinder ASSY	1
2	12100-NCA-0000	Cylinder	1
3	12191-NCA-0000	CYL. gasket	1
4	14520-GY6-9011-M1	Lifter ASSY tensioner	1
5	14523-GY6-9000	Tensioner lifter gasket	1
6	18641-NCA-G000	Al. cover	2
7	18654-N14-0002	Al. pipe gasket B	2
8	90005-KW1-9000	Screw pan 6X6	1
9	93402-06016-00	Bolt washer 6X16	4
10	94001-06080-02	Hex nut 6MM	1
11	94301-08140	Dowel pin 8X14	2
12	96001-06022-08	Flange bolt SH. 6X22	2

E-05 Cam Chain • Tensioned



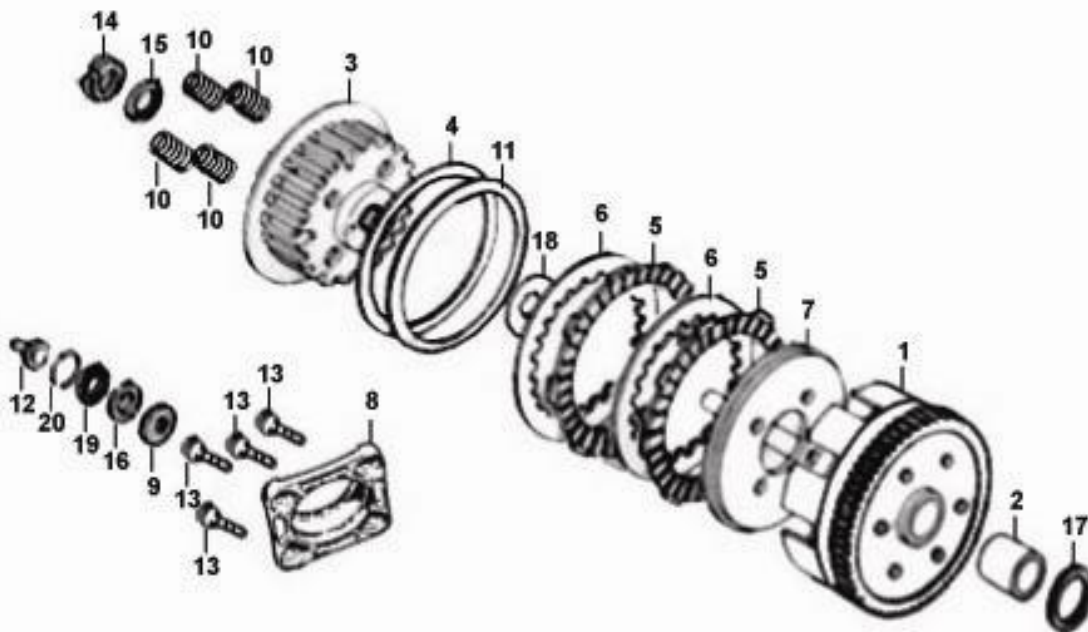
Ref. No	Part Number	Description	Reqd. No.
1	14321-NCA-0000	Cam sprocket	1
2	14401-NCA-0000	Cam chain(98L)4X5	1
3	14510-NCA-0000	Cam chain tensioner	1
4	14610-NCA-0000	Cam chain guide	1
5	90086-NCA-0000	Hex bolt 7X12	2
6	90444-NCA-0000	Washer 6.5X10X0.5	1
7	94251-NCA-0000	Lock pin	1

E-06 Right Crank Case Cover • Clutch Lever



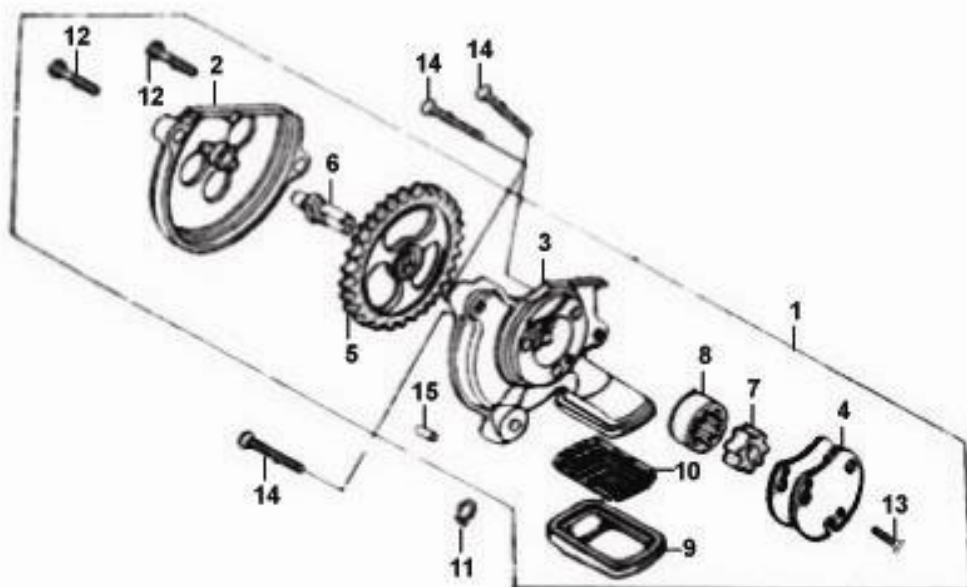
Ref. No	Part Number	Description	Reqd. No.
1	11330-NCA-0000	R. crank case cover	1
2	11393-NCA-0000	R. crank case cover gasket	1
3	15650-NCA-0001	OIL lever gauge	1
4	22810-NCA-0001	Clutch lever COMP	1
5	22815-NCA-0000	Clutch lever spring	1
6	22838-NCA-0000	Clutch wire holder	1
7	91204-NCA-0000	Clutch lever oil seal 12X18X5	1
8	91307-B06-0000	O-ring 18X3	1
9	94301-08140	Dowel pin 8X14	2
10	96001-06040-02	SH. flange bolt 6X40	10

E-07 Clutch



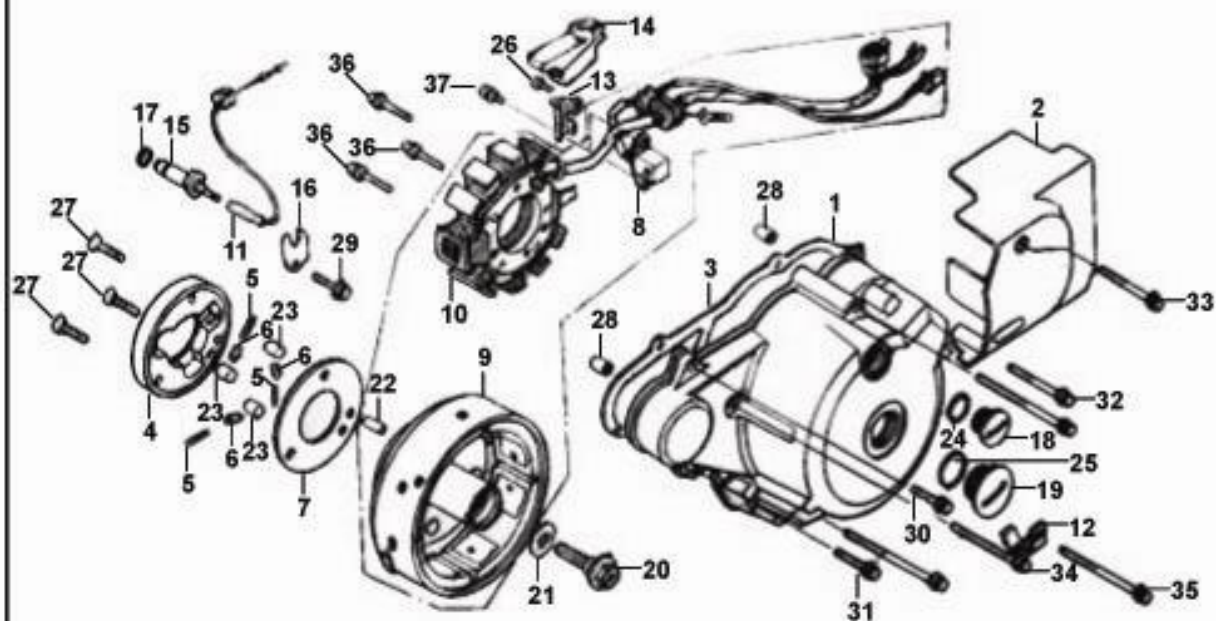
Ref. No	Part Number	Description	Reqd. No.
1	22101-NCA-3000	Clutch outer	1
2	22116-NCA-0000	Bush	1
3	22121-NCA-0000	Clutch center	1
4	22125-NCA-0000	Washer	1
5	22201-NCA-0000	Clutch friction pisk	6
6	22311-NCA-0000	Clutch plate	6
7	22350-NCA-0000	Clutch pressure plate	1
8	22361-NCA-0000	Clutch lifter plate	1
9	22362-NCA-0000	Clutch lifter bearing bush	1
10	22401-NCA-0000	Clutch spring	4
11	22402-NCA-0000	Spring washer	1
12	22820-NCA-0000	Clutch lifter pin	1
13	90050-NCA-0000	Special flange bolt 6X22	4
14	90231-NCA-0000	Lock nut 16MM	1
15	90434-NCA-0000	Spring washer	1
16	90452-NCA-0000	Washer	1
17	90459-NCA-0001	Washer 20X35X3.3	1
18	90461-B01-0001	Sprine washer 20X07X2.6	1
19	91001-NCA-0000	Clutch lifter needle bearing	1
20	91012-NCA-0000	Clutch lifter plate bear clip	1

E-08 Oil pump • Oil Filter Rotor



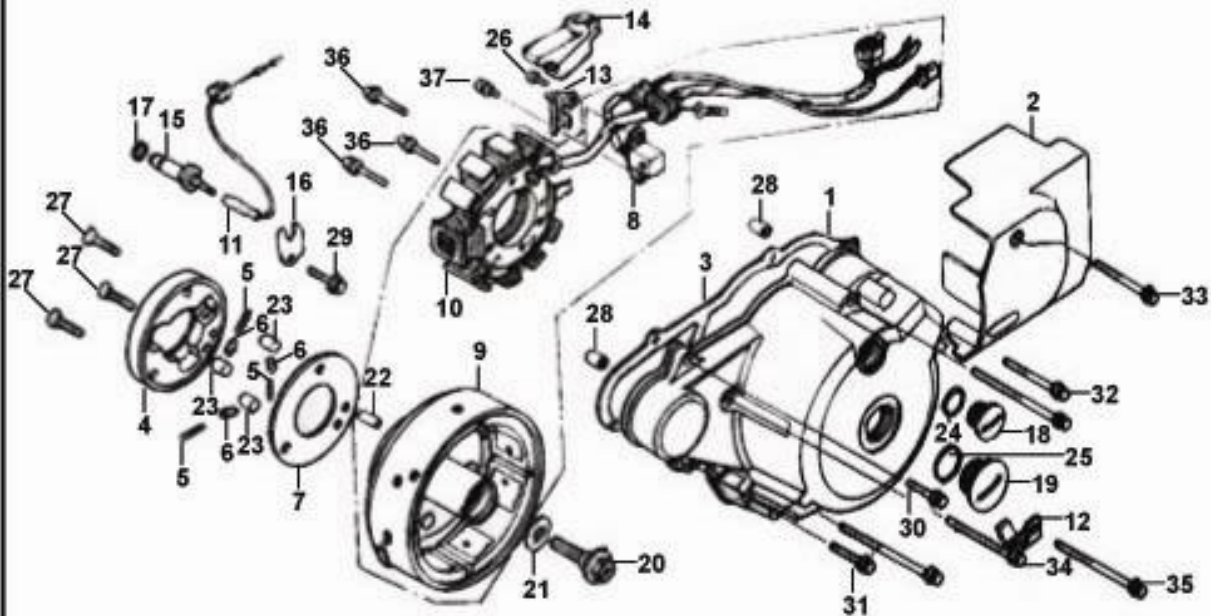
Ref. No	Part Number	Description	Reqd. No.
1	15100-NCA-0000	Oil pump ASSY	1
2	15106-NCA-0000	Oil pump gear cover COMP	1
3	15111-NCA-0000	Oil pump body	1
4	15121-NCA-0000	Oil pump plate	1
5	15131-NCA-0000	Oil pump driven gear	1
6	15136-NCA-0000	Oil pump shaft	1
7	15331-NCA-0000	Oil pump inner rotor	1
8	15332-NCA-0000	Oil pump outer rotor	1
9	15421-NCA-0000	Screen holder	1
10	15422-NCA-0000	Oil filter screen	1
11	91319-NCA-0000	O-ring 6X3	1
12	92101-05020-00	Hex bolt 5X20	2
13	93500-04012-00	Pan screw 4X12	1
14	93600-06030-08	Cross bolt 6X30	3
15	94303-04065	Dowel pin 4X6.5	1

E-09 Left Crank Case Cover • A.C.G



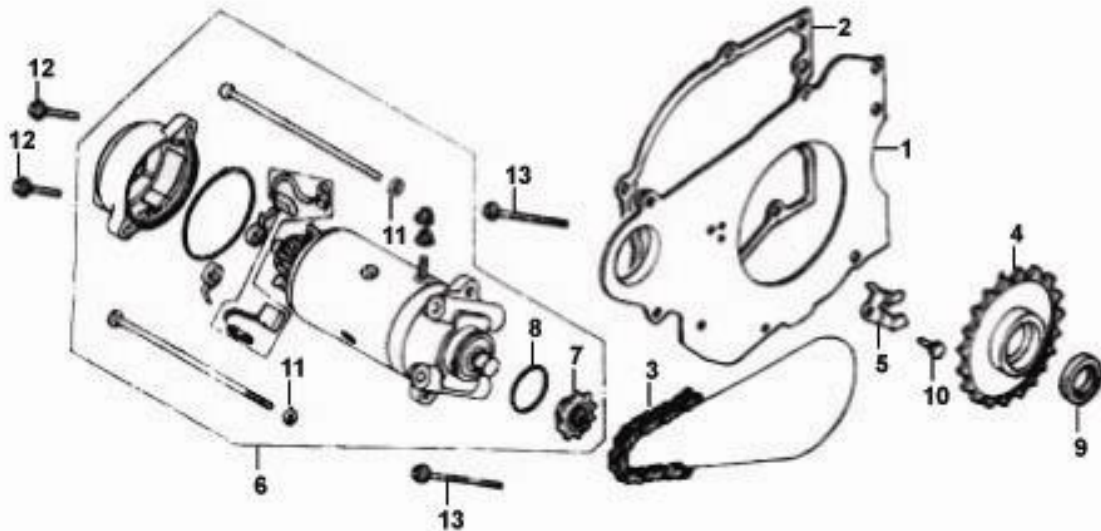
Ref. No	Part Number	Description	Reqd. No.
1	11341-NCA-0000	L. crank case cover	1
2	11361-NCA-0000	L. crank case rear COVER	1
3	11395-NCA-0000	L. crank case cover gasket	1
4	28120-NCA-0000	Clutch outer COMP	1
5	28125-NCA-0000	Starting clutch roller spring	3
6	28126-NCA-0000	Starting clutch roller SPR. cover	3
7	28128-NCA-0000	Clutch outer side plate	1
8	30300-NCA-0000	Pluser	1
9	31110-NCA-0000	Flwheel	1
10	31120-NCA-0000	Stator COMP	1
11	32111-NCA-0000	Earth cable	1
12	32911-NCA-0000	Cord clamp	1
13	32912-NCA-0000	Cord clamp	1
14	32972-NCA-0000	Groment	1
15	35750-NCA-0000	Netural switch contact	1
16	35753-NCA-3000	Netural switch plate	1
17	37551-NCA-0000	O-ring 5X1.8	1
18	90084-A01-A000	A.C.G cap 14MM	1
19	90087-A01-A000	A.C.G cap 30MM	1
20	90123-NCA-0000	SH. flange bolt 10X35	1

E-09-1 Left Crank Case Cover • A.C.G



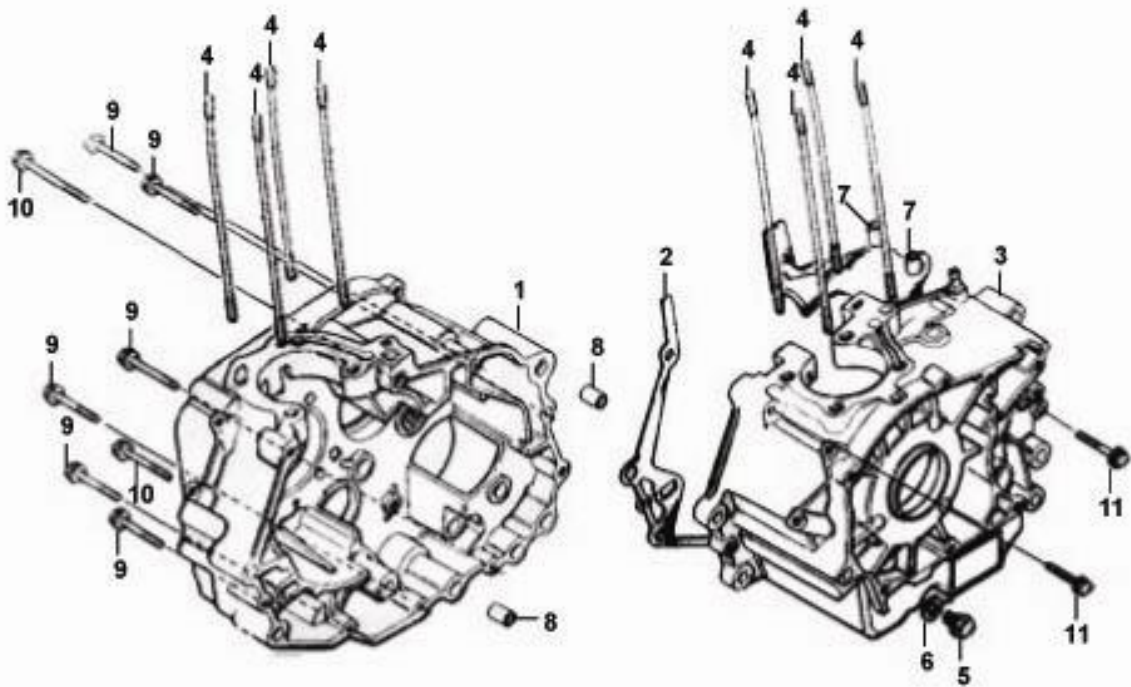
Ref. No	Part Number	Description	Reqd. No.
21	90441-NCA-0000	Washer 12.5X22X2.5	1
22	90701-NCA-0000	Starting clutch dowel pin 6X13.5	1
23	91101-NCA-0000	Clutch roller stopper 10.2X9	3
24	91303-NCA-0000	O-ring 13.8X2.5	1
25	91308-M9Q-0000	O-ring 27X2.0	1
26	96700-05010-07	Socket bolt 5X10	1
27	96700-06016-08	Cross bolt 6X16	3
28	94301-08140	Dowel pin 8X14	2
29	95701-06012-00	Flange bolt 6X12	1
30	96001-06020-02	SH.flange bolt 6X20	1
31	96001-06022-08	SH.flange bolt 6X22	1
32	96001-06050-02	SH.flange bolt 6X50	1
33	96001-06045-02	SH.flange bolt 6X45	1
34	96001-06050-02	SH.flange bolt 6X50	1
35	96001-06065-02	SH.flange bolt 6X65	1
36	96700-05030-07	Socket bolt 5X30	3
37	96700-06020-07	Socket bolt 6X20	2

E-10 Starter Motor



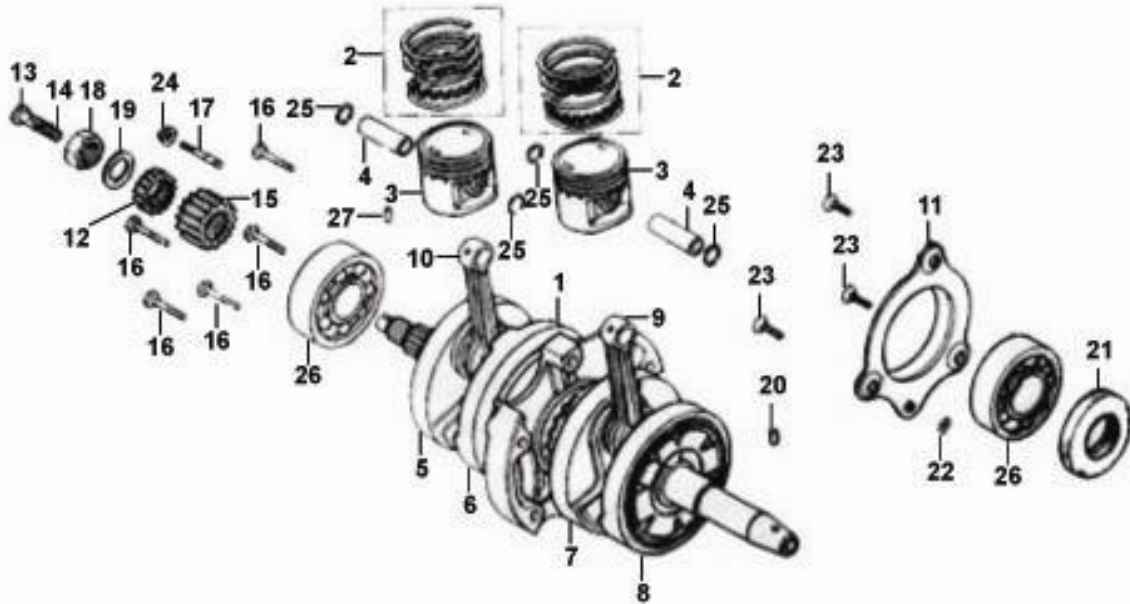
Ref. No	Part Number	Description	Reqd. No.
1	11371-NCA-0000	L. crank case cover plate	1
2	11394-NCA-0000	L. crank case cover gasket A	1
3	28101-NCA-0000	Starting chain (56L)	1
4	28110-NCA-0000	Starting sprocket COMP	1
5	28117-NCA-0000	Starting sprocket set plate	1
6	31200-NCA-0001	Stay motor ASSY	1
7	31202-NCA-0000	Starting drive sprocket COMP	1
8	53438-NCA-0000	O-ring 33.5X1.8	1
9	91202-NCA-0000	Oil seal 35X52X7	1
10	96001-06010-08	Stud bolt M6X10	1
11	94001-06080-02	Hex nut 6MM	2
12	96001-06025-02	SH. flange bolt 6X25	2
13	96001-06065-02	SH. flange bolt 6X65	2

E-11 Crank Case



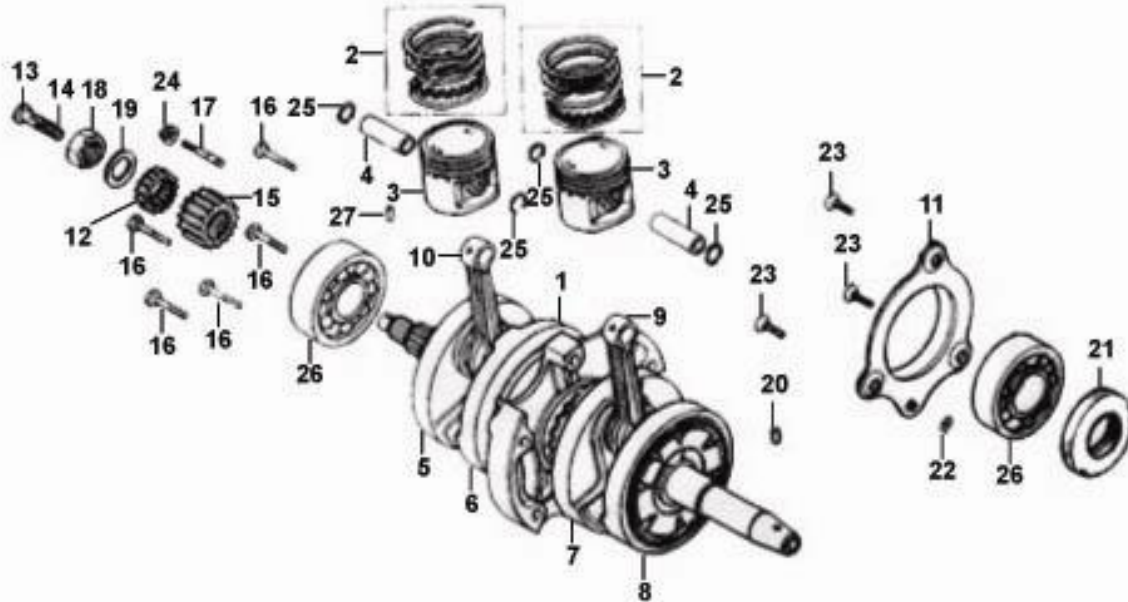
Ref. No	Part Number	Description	Reqd. No.
1	11100-NCA-0000	R. crank case COMP	1
2	11191-NCA-0000	Crank case gasket	1
3	11200-NCA-0000	L. crank case COMP	1
4	90031-NCA-0000	Stud bolt 8X215	8
5	92800-12000	Drain plug bolt 12MM	1
6	94109-12000	Drain plug washer	1
7	94301-08140	Dowel pin 8X14	2
8	94301-12200	Dowel pin 12X20	2
9	95701-06040-08	Flange bolt 6X40	8
10	95701-06065-08	Flange bolt 6X65	2
11	96001-06040-02	SH. flange bolt 6X40	2

E-12 Crank Shaft •Piston



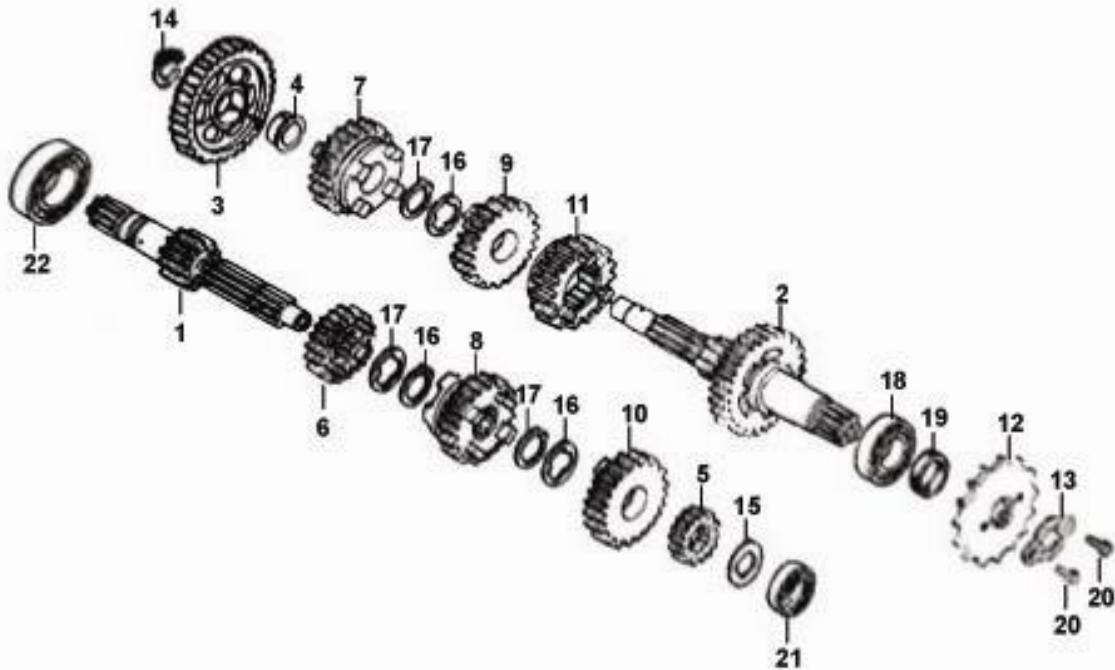
Ref. No	Part Number	Description	Reqd. No.
1	13000-NCA-0000	Crank shaft COMP	1
2	13010-NCA-0000	Piston set ring	2
3	13101-NCA-0000	Piston	2
4	13111-NCA-0000	Piston pin 15MM	2
5	13311-NCA-3000	R.R. crank shaft	1
6	13321-NCA-3000	R.L. crank shaft	1
7	13331-NCA-3000	L.R. crank shaft	1
8	13341-NCA-3000	L.L. crank shaft	1
9	13381-NCA-3000	L. crank pin	1
10	13382-NCA-3000	R. crank pin	1
11	13385-NCA-0000	Oil plate COMP	1
12	15335-NCA-0000	Oil pump drive gear (20T)	1
13	15441-NCA-0000	Oil through	1
14	15447-NCA-0000	R. crank shaft valve pin spring	1
15	23121-NCA-0000	Primary drive gear (PDG)	1
16	90001-NCA-0000	Flange bolt 8X35	5
17	90035-NCA-0000	Stud bolt 7X33	1
18	90202-NCA-0000	Primary gear nut 16MM	1
19	90441-NCA-0000	Washer 12.5X22X2.5	1
20	90703-NCA-0000	Knock pin 4X4.4	1

E-12-1 Crank Shaft •Piston



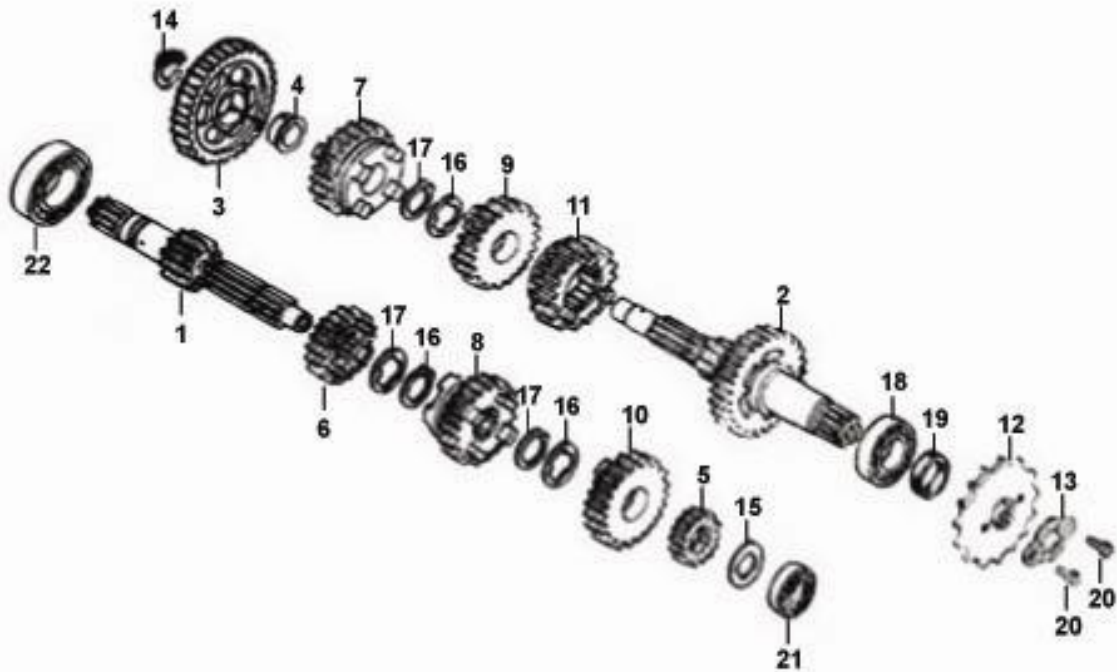
Ref. No	Part Number	Description	Reqd. No.
21	91201-NCA-0000	Oil seal 22X34X7	1
22	91319-NCA-0000	O-ring 6X3	1
23	93600-06016-0A	Flat screw 6X16	3
24	94001-07002	Flange nut 7MM	1
25	94601-15000	Piston pin clip 15	4
26	96100-63050-E1	Ball radial bearing 6305	2
27	96220-20138	Drive oil seat pin 2X13.8	1

E-13 Transmission



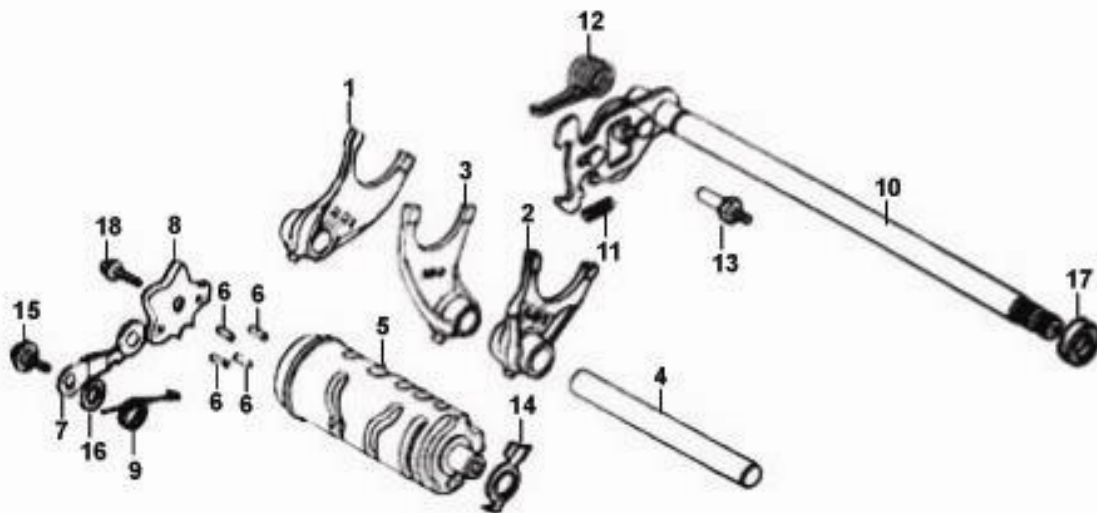
Ref. No	Part Number	Description	Reqd. No.
1	23211-NCA-3000	Main shaft (13T)	1
2	23221-NCA-0000	Counter shaft	1
3	23426-NCA-0000	C-1 gear (37T)	1
4	23427-NCA-0000	C-1 gear COLLAR	1
5	23441-NCA-0000	M-2 gear (18T)	1
6	23461-NCA-0000	M-3 gear (21T)	1
7	23471-NCA-0000	C-3 gear (28T)	1
8	23481-NCA-0000	M-4 gear (24T)	1
9	23491-NCA-0000	C-4 gear (26T)	1
10	23501-NCA-0000	M-5 gear (23T)	1
11	23511-NCA-0000	C-5 gear (21T)	1
12	23801-NCA-0001	Driver sprocket (14T)	1
13	23811-KR3-0000	Driver sprocket fixing plte	1
14	23911-NCA-0000	Thrust washer	1
15	90451-NCA-0000	Thrust washer 15MM	1
16	90455-NCA-0000	Spline washer 17.6X20X1.6MM	3
17	90605-NCA-0000	Seat ring 20MM	3
18	91107-NCA-0000	Needle bearing 12X16X10	1
19	91207-NCA-0000	Oil seal 11.6X24X10	1
20	92101-06010-00	Hex bolt 6X10	2

E-13-1 Transmission



Ref. No	Part Number	Description	Reqd. No.
21	96100-63040-00	Ball radial bearing 6304	1
22	96120-62020-00	Ball radial bearing 6202Z	1

E-14 Shift Drum • Shift Fork • Shift Shaft



Ref. No	Part Number	Description	Reqd. No.
1	24211-NCA-0000	R. gear shift fork	1
2	24221-NCA-0000	L. gear shift fork	1
3	24231-NCA-0000	Center gear shift fork	1
4	24241-NCA-0000	Shift fork guide shaft	1
5	24301-NCA-3000	Gear shift drum	1
6	24421-NCA-0000	Roller 4X13	4
7	24430-NCA-0000	Gear shift drum stopper roller PI	1
8	24435-NCA-0000	Gear shift cam	1
9	24436-NCA-0000	Shift drum stopper spring	1
10	24610-NCA-3000	Gear shift spindle	1
11	24641-NCA-0000	Gear shift return spring	1
12	24651-NCA-0000	Gear shift hook spring	1
13	24652-NCA-0000	Shift spring pin 8X35	1
14	35753-NCA-3000	Neutral switch plate	1
15	90023-NCA-0000	Setting bolt M6X12	1
16	90417-NCA-0000	Shift drum stopper washer	1
17	91208-NCA-0000	Oil seal 11.6X24X10	1
18	95701-06020-08	Flange bolt 6X20	1

PART No.	No.	PART No.	No.	PART No.	No.
11000		14451-NCA-0000	E-03	17612-NCA-0000	F-12
11100-NCA-0000	E-11	14461-NCA-0000	E-03	17613-NCA-0000	F-12
11191-NCA-0000	E-11	14510-NCA-0000	E-05	17614-NCA-0000	F-12
11200-NCA-0000	E-11	14520-GY6-9011-M1	E-04	17620-NCA-0000	F-12
11330-NCA-0000	E-06	14523-GY6-9000	E-04	17910-NCA-0000	F-03
11341-NCA-0000	E-09	14610-NCA-0000	E-05	17911-NCA-0000	F-03
11361-NCA-0000	E-09	14711-NCA-0000	E-03	17950-NCA-0000	F-03
11371-NCA-0000	E-10	14721-NCA-0000	E-03	18000	
11393-NCA-0000	E-06	14751-NCA-0000	E-03	18100-NCA-0000	F-15
11394-NCA-0000	E-10	14761-NCA-0000	E-03	18200-NCA-0000	F-15
11395-NCA-0000	E-09	14771-NCA-0000	E-03	18231-NCA-0000	F-15
12000		14775-B08-0000	E-03	18233-NCA-0000	F-15
12100-NCA-0000	E-04	14781-107-003A	E-03	18291-216-0000	F-15
1210A-NCA-G000	E-04	15000		1830A-NCA-0000	F-15
12191-NCA-0000	E-04	15100-NCA-0000	E-08	18325-NCA-0000	F-15
12200-NCA-B002	E-02	15106-NCA-0000	E-08	18353-NCA-0000	F-15
12201-NCA-3000	E-02	15111-NCA-0000	E-08	18373-NCA-0000	F-15
12209-B12-0000	E-03	15121-NCA-0000	E-08	18391-NCA-0000	F-15
12211-NCA-A000	E-03	15131-NCA-0000	E-08	18641-NCA-G000	E-04
12237-NCA-3000	E-02	15136-NCA-0000	E-08	18654-N14-0002	E-04
12245-NCA-3000	E-02	15331-NCA-0000	E-08	22000	
12251-NCA-0000	E-02	15332-NCA-0000	E-08	22101-NCA-3000	E-07
12301-NCA-0000	E-01	15335-NCA-0000	E-12	22116-NCA-0000	E-07
12320-NCA-0000	E-01	15421-NCA-0000	E-08	22121-NCA-0000	E-07
12391-NCA-0000	E-01	15422-NCA-0000	E-08	22125-NCA-0000	E-07
13000		15441-NCA-0000	E-12	22201-NCA-0000	E-07
13000-NCA-0000	E-12	15447-NCA-0000	E-12	22311-NCA-0000	E-07
13010-NCA-0000	E-12	15650-NCA-0001	E-06	22350-NCA-0000	E-07
13101-NCA-0000	E-12	16000		22361-NCA-0000	E-07
13111-NCA-0000	E-12	16100-NCA-A000	E-15	22362-NCA-0000	E-07
13311-NCA-3000	E-12	16221-NCA-0000	E-02	22401-NCA-0000	E-07
13321-NCA-3000	E-12	16222-NCA-3000	E-02	22402-NCA-0000	E-07
13331-NCA-3000	E-12	16223-NCA-3000	E-02	22810-NCA-0001	E-06
13341-NCA-3000	E-12	16910-NCA-0000	F-12	22815-NCA-0000	E-06
13381-NCA-3000	E-12	16950-NCA-0000	F-12	22820-NCA-0000	E-07
13382-NCA-3000	E-12	17000		22838-NCA-0000	E-06
13385-NCA-0000	E-12	17200-NCA-0000	F-26	23000	
14000		17500-NCA-0000	F-12	23121-NCA-0000	E-12
1410A-NCA-0000	E-03	1750A-NCA-0000	F-12	23211-NCA-3000	E-13
1415A-NCA-0001	E-01	17511-NCA-0000	F-12	23221-NCA-0000	E-13
14321-NCA-0000	E-05	17512-NCA-0000	F-12	23426-NCA-0000	E-13
14401-NCA-0000	E-05	17610-NCA-0000	F-12	23427-NCA-0000	E-13
14431-NCA-0000	E-03	17611-NCA-0000	F-12	23441-NCA-0000	E-13

PART No.	No.	PART No.	No.	PART No.	No.
23461-NCA-0000	E-13	31120-NCA-0000	E-09	33709-NCA-0000	F-21
23471-NCA-0000	E-13	31200-NCA-0001	E-10	33712-NCA-0000	F-21
23481-NCA-0000	E-13	31202-NCA-0000	E-10	33743-NCA-0000	F-21
23491-NCA-0000	E-13	31500-N1C-0000	F-23	3374A-NCA-0000	F-21
23501-NCA-0000	E-13	31600-NCA-0000	F-24	34000	
23511-NCA-0000	E-13	32000		34901-NCA-0000	F-01
23801-NCA-0001	E-13	32100-NCA-0000	F-24	34905-NCA-0000	F-22
23811-KR3-0000	E-13	32101-B08-0000	F-03	34906-M70-0000	F-21
23911-NCA-0000	E-13	32111-NCA-0000	E-09	35000	
24000		32401-NCA-0000	F-23	35150-NCA-J000	F-03
24211-NCA-0000	E-14	32601-NCA-0000	F-23	35200-NCA-J000	F-03
24221-NCA-0000	E-14	32911-NCA-0000	E-09	35330-NCA-0000	F-03
24231-NCA-0000	E-14	32912-NCA-0000	E-09	35750-NCA-0000	E-09
24241-NCA-0000	E-14	32972-NCA-0000	E-09	35753-NCA-3000	E-09
24301-NCA-3000	E-14	33000		35753-NCA-3000	E-14
24421-NCA-0000	E-14	33100-NCA-0000	F-01	35850-NCA-J000	F-23
24430-NCA-0000	E-14	33110-NCA-0000	F-01	35856-NCA-J000	F-23
24435-NCA-0000	E-14	33120-NCA-0000	F-01	37000	
24436-NCA-0000	E-14	33180-NCA-0000	F-01	37201-NCA-0000	F-02
24610-NCA-3000	E-14	33400-NCA-0000	F-22	37203-NCA-0000	F-02
24611-NCA-3000	F-16	33401-NCA-0000	F-22	3720A-NCA-0000	F-02
24612-NCA-3000	F-16	33402-NCA-0000	F-22	37210-NCA-0000	F-02
2461A-NCA-0000	F-16	33403-NCA-0000	F-22	37211-NCA-0000	F-02
24641-NCA-0000	E-14	33404-NCA-0000	F-22	37224-NCA-0000	F-02
24651-NCA-0000	E-14	33405-N02-0001	F-22	37551-NCA-0000	E-09
24652-NCA-0000	E-14	33410-NCA-0000	F-22	38000	
28000		33411-NCA-0000	F-22	38100-NCA-0000	F-24
28101-NCA-0000	E-10	33450-NCA-0000	F-22	38110-NCA-0000	F-24
28110-NCA-0000	E-10	33451-NCA-0000	F-22	38120-NCA-0000	F-28
28117-NCA-0000	E-10	33460-NCA-0000	F-22	38130-NCA-0000	F-24
28120-NCA-0000	E-09	33490-NCA-0000	F-22	38130-NCA-0000	F-28
28125-NCA-0000	E-09	33491-NCA-0000	F-22	38140-NCA-0000	F-28
28126-NCA-0000	E-09	33600-NCA-0000	F-22	38150-NCA-0000	F-28
28128-NCA-0000	E-09	33610-NCA-0000	F-22	38160-NCA-0000	F-13
30000		33650-NCA-0000	F-22	38300-35A-A000	F-24
30300-NCA-0000	E-09	33660-NCA-0000	F-22	38301-35A-A000	F-24
30400-NCA-0000	F-24	33690-NCA-0000	F-22	38306-B1W-A000	F-24
30406-NCA-0000	F-24	33691-NCA-0000	F-22	40000	
30410-NCA-0000	F-24	33700-NCA-0000	F-21	40510-NCA-0000	F-18
3051A-N1C-0000	F-24	33701-NCA-0000	F-21	40511-NCA-0000	F-18
30550-NCA-0000	F-24	33702-NCA-0000	F-21	40530-NCA-0000	F-18
31000		33703-NCA-0000	F-21	4054A-NCA-0000	F-18
31110-NCA-0000	E-09	33704-NCA-0000	F-21	41000	

PART No.	No.	PART No.	No.	PART No.	No.
84100-NCA-0000	F-20	90305-GWO-9010	F-18	92101-06010-00	E-13
84101-NCA-0000	F-20	90309-M9Q-0000	F-04	92101-08035-08	F-12
84200-NCA-0000	F-20	90309-M9Q-0000	F-25	92700-A02-0001	E-02
84201-NCA-0000	F-20	90309-M9Q-0000	F-25	92800-12000	E-11
84702-NCA-0000	F-07	90321-NCA-0000	F-03	92900-NCA-0000	E-02
87000		90402-NCA-0000	E-03	93000	
87512-NCA-0000	F-12	90417-NCA-0000	E-14	93402-06016-00	E-04
88000		90434-NCA-0000	E-07	93500-04012-00	E-08
88110-NCA-0000	F-03	90441-NCA-0000	E-09-1	93500-05008-08	E-02
88120-NCA-0000	F-03	90441-NCA-0000	E-12	93500-05028-08	E-02
89000		90442-028-0000	E-01	93600-06016-0A	E-12-1
89010-BAW-A001	F-27	90444-NCA-0000	E-05	93600-06030-08	E-08
90000		90451-NCA-0000	E-13	93700-05020-00	F-02
90001-NCA-0000	E-12	90452-NCA-0000	E-02	93901-34520	F-21
90002-NCA-0000	E-01	90452-NCA-0000	E-07	93901-34620	F-22-1
90003-NCA-0000	E-01	90453-NCA-0000	E-01	93903-45280	F-18
90005-KW1-9000	E-04	90455-NCA-0000	E-13	94000	
90012-H66-0000	E-03	90459-NCA-0001	E-07	94001-06080-02	E-02
90018-NCA-0000	F-25	90461-B01-0001	E-07	94001-06080-02	E-04
90019-NCA-0000	F-25	90503-B06-0000	F-04	94001-06080-02	E-10
90023-NCA-0000	E-14	90605-NCA-0000	E-13	94001-07002	E-12-1
90031-NCA-0000	E-11	90701-NCA-0000	E-09-1	94021-06020-0S	F-01
90035-NCA-0000	E-12	90702-NCA-0000	E-03	94021-06020-0S	F-22-1
90050-NCA-0000	E-07	90703-NCA-0000	E-12	94030-08080	F-18
90084-A01-A000	E-09	91000		94030-08800	F-18
90086-NCA-0000	E-05	91001-NCA-0000	E-07	94050-06080	F-20
90087-A01-A000	E-09	91012-NCA-0000	E-07	94050-06080	F-21
90108-NCA-0000	F-17	91101-NCA-0000	E-09-1	94050-08080	E-01
90110-NCA-0000	F-11	91107-NCA-0000	E-13	94050-08080	F-22-1
90112-NCA-0000	F-14	91201-NCA-0000	E-12-1	94101-05800	F-21
90117-NCA-000	F-09	91202-NCA-0000	E-10	94101-06800	F-07
90121-NCA-0000	F-18	91204-NCA-0000	E-06	94101-08200	F-20
90123-NCA-0000	E-09	91207-NCA-0000	E-13	94101-08800	F-04
90126-NCA-0000	F-18	91208-NCA-0000	E-14	94103-06800	F-21
90136-NCA-0000	F-03	91301-NCA-0000	E-02	94109-12000	E-11
90202-NCA-0000	E-12	91303-NCA-0000	E-09-1	94111-06800	F-07
90206-H66-0000	E-03	91307-B06-0000	E-06	94111-08800	F-18
90231-NCA-0000	E-07	91308-M9Q-0000	E-09-1	94201-16160	F-18
90304-B30-0000	F-04	91319-NCA-0000	E-08	94251-NCA-0000	E-05
90304-M9Q-0000	F-01	91319-NCA-0000	E-12-1	94301-08140	E-04
90304-M9Q-0000	F-11	91401-06800	F-10	94301-08140	E-06
90304-M9Q-0000	F-17	92000		94301-08140	E-09-1
90304-M9Q-0000	F-25	92101-05020-00	E-08	94301-08140	E-11

PART No.	No.	PART No.	No.	PART No.	No.
94301-10160	E-01	96001-06040-02	E-11		
94301-10280	E-01	96001-06045-02	E-02		
94301-12200	E-11	96001-06045-02	E-09-1		
94303-04065	E-08	96001-06050-02	E-09-1		
94510-20000	E-03	96001-06050-02	E-09-1		
94601-15000	E-12-1	96001-06065-02	E-09-1		
95000		96001-06065-02	E-10		
95002-02080	F-12	96100-63040-00	E-13-1		
95014-73100	F-16	96100-63050-E1	E-12-1		
95015-32001	F-16	96120-62020-00	E-13-1		
95015-42000	F-16	96130-63020-10	F-09		
95701-05014-08	F-21	96130-63020-10	F-11		
95701-06012-00	E-09-1	96220-20138	E-12-1		
95701-06012-08	F-02	96700-05010-07	E-09-1		
95701-06012-08	F-07	96700-05030-07	E-09-1		
95701-06016-07	F-13	96700-06016-08	E-09-1		
95701-06020-08	E-14	96700-06020-07	E-09-1		
95701-06020-08	F-24	96700-08020-02	F-04		
95701-06040-08	E-11	96700-08030-02	F-04		
95701-06065-08	E-11	98000			
95701-06145-00	E-02	98056-NCA-0000	E-02		
95701-08020-00	F-15				
95789-06016-07	F-24				
95789-06020-02	F-12				
95789-06020-07	F-22-1				
95789-06045-02	F-01				
95789-06060-02	F-02				
95789-08010-02	F-20				
95789-08016-02	F-24				
95789-08025-02	F-05				
95801-08016-07	F-13				
95801-08040-07	F-25				
95801-08070-07	F-25				
96000					
96001-06010-08	E-10				
96001-06020-02	E-09-1				
96001-06022-08	E-04				
96001-06022-08	E-09-1				
96001-06025-02	E-10				
96001-06025-07	F-03				
96001-06025-07	F-05				
96001-06035-00	F-10				
96001-06040-02	E-06				