

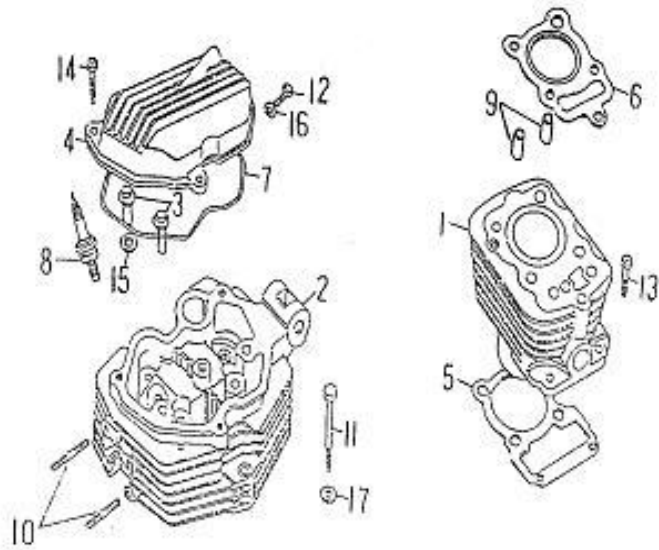
BAROSSA MOTOR INDUSTRY CO., LTD.

C O N T E N T

SPARE PARTS LIST FOR QUA170E2R

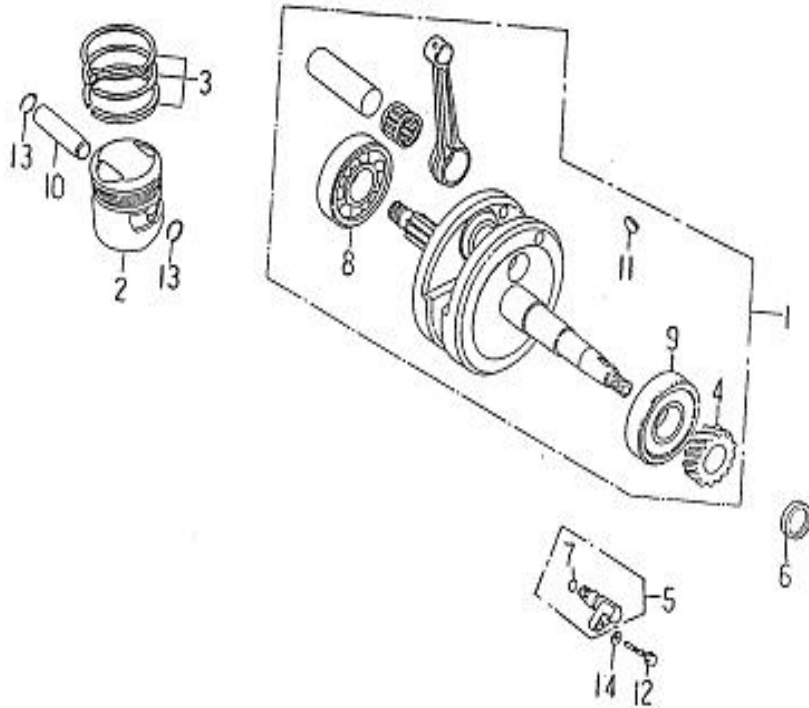
FIG 01	CYLINDER, CYLINDER HEAD	FIG 22	SEAT
FIG 02	CRANKSHAFT, PISTON	FIG 23	FRONT WHEEL
FIG 03	OIL PUMP	FIG 24	FRONT BRAKE
FIG 04	CARBURETOR	FIG 25	REAR WHEEL
FIG 05	VALVE	FIG 26	TRANSMISSION STARTER
FIG 06	CRANKCASE	FIG 27	GEAR CASE
FIG 07	LEFT CRANKCASE COVER	FIG 28	GEAR SHIFT
FIG 08	RIGHT CRANKCASE COVER	FIG 29	REVERSE GEAR LEVER
FIG 09	TRANSMISSION STARTER	FIG 30	REAR BRAKE
FIG 10	STARTING MOTOR	FIG 31	STEERING HANDLE CABLE
FIG 11	GEAR SHIFT	FIG 32	HANDLE SWITCH
FIG 12	CLUTCH	FIG 33	STAND FOOTREST
FIG 13	EXHAUST MUFFLER	FIG 34	GUARD
FIG 14	REAR ARM	FIG 35	HEAD LIGHT
FIG 15	REAR SUSPENSION	FIG 36	TAIL LIGHT
FIG 16	FRAME	FIG 37	WIRE HARNESS
FIG 17	FRONT SUSPENSION	FIG 38	SPEEDOMETER
FIG 18	STEERING	FIG 39	WARNING
FIG 19	FUEL TANK	FIG 40	CARRIER REAR
FIG 20	FRONT COVER	FIG 41	GEAR SPEEDOMETER
FIG 21	SIDE COVER	FIG 42	NUMERICAL INDEX

FIG 01 CYLINDER, CYLINDER HEAD



NO	PARTS NO.	PARTS NAME	Q'TY
1	11111-STG-00B	CYLINDER COMP	1
2	11121-STG-00	HEAD COMP, CYLINDER	1
3	11127-CHP-00	NUT, CYLINDER HEAD	4
4	11141-ROA-00	COVER, CYLINDER HEAD	1
5	11151-STG-00	GASKET, CYLINDER	1
6	11181-STG-00	GASKET, CYLINDER HEAD	1
7	11191-CHP-00	GASKET, HEAD COVER	1
8	62210-CHP-00	PLUG, SPARK (DR&EA NGK)	1
9	94410-10020	PIN, DOWEL 10*20	3
10	94717-06035-B	BOLT, STUD 6*35	2
11	96210-08079-B	BOLT, HEXAGON 8*79	1
12	96414-06012-B	BOLT, FLANGE 6*12	1
13	96414-06022-B	BOLT, FLANGE 6*22	2
14	96414-06028-B	BOLT, FLANGE 6*28	3
15	97201-122223-B	WASHER, PLATE 12.5*22*2.3	2
16	97230-061212	WASHER, COPPER 6.4*12*1.2	1
17	97230-081823	WASHER, COPPER 8.6*18*2.3	1

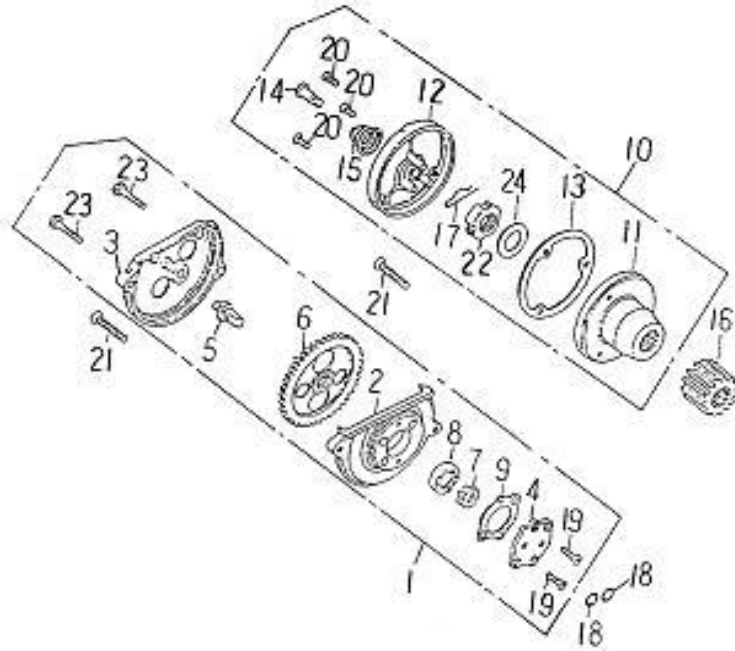
FIG 02 CRANKSHAFT PISTON



NO	PARTS NO.	PARTS NAME	Q'TY
1	11400-CHP-00	CRANKSHAFT COMP	1
2	11631-STG-00	PISTON	1
3	11636-STG-00	RING SET, PISTON	1
4	14311-CHP-00	GEAR, TIMING DRIVE (22T)	1
5	15120-CHP-00	PLUG ASS'Y, BEARING PUSH	1
6	93110-34507	OIL SEAL 34*50*7	1
7	93210-25130	O-RING 2.5*13.0	1
8	93320-286818	BEARING, RADIAL BALL 6328V4	1
9	93320-286818U	BEARINGM, RADIAL BALL 6328JR2LUA	1
10	93510-091550	PIN, PISTON	1
11	94420-04025	KEY, WOODRUFF 25*14*4	1
12	96414-06025-B	BOLT, FLANGE 6*25	1
13	97050-10017	CIRCLIP, PISTON PIN 15MM	2
14	97201-061415-B	WASHER, PLATE 6.2*14*1.5	1

FIG 03 OIL PUMP

AVANT SEPT 2005



NO	PARTS NO.	PARTS NAME	QTY
1	13100-CHI-00	PUMP ASS'Y, OIL	1
2	13111-CHP-00	BODY, OIL PUMP	1
3	13112-CHP-00	COVER, OIL PUMP GEAR	1
4	13116-CHP-00	PLATE, OIL PUMP	1
5	13121-CHP-00	SHAFT, OIL PUMP	1
6	13124-CHP-00	GEAR, OIL PUMP	1
7	13141-CHP-00	ROTOR, OIL PUMP INNER	1
8	13142-CHP-00	ROTOR, OIL PUMP OUTER	1
9	13151-CHP-00	GASKET, OIL PUMP	1
10	13301-CHP-00	OIL FILTER ROTOR ASS'Y	1
11	13310-CHP-00	ROTOR, OIL FILTER	1
12	13311-CHP-00	CAP, OIL FILTER ROTOR	1
13	13316-CHP-00	WASHER, OIL FILTER ROTOR	1
14	13321-CHP-00	THROUGH OIL	1
15	13324-CHP-00	SPRING, OIL THROUGH	1
16	25641-CHP-00	GEAR, PRIMARY DRIVER(18T)	1
17	90230-12080	COTTER PIN 1.2*8	1
18	93210-24094	O-RING 2.4*9.4	2
19	94712-04012-K	SCREW, FLAT HEAD 4*12	2
20	94712-05012-C	SCREW, FLAT HEAD 5*12	3
21	94712-06030-B	SCREW, FLAT HEAD 6*30	2
22	95601-162810	NUT, RING 16MM	1
23	96210-05020-C	BOLT, HEXAGON 5*20	2
24	97310-162720	WASHER, CONICAL SPRING 16.4*26.8*2	1

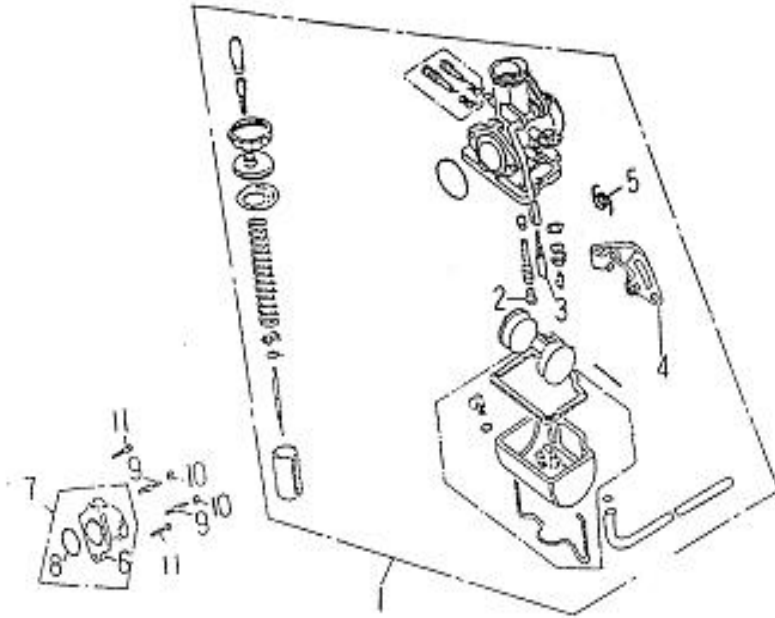
[MENU PAGE](#)

[PAGE UP](#)

[PAGE DOWN](#)

[INDEX](#)

FIG 04 CARBURETOR



NO	PARTS NO.	PARTS NAME	QTY
1	13201-STG-00	CARBURETOR ASS'Y	1
2	13240-STG-00	.JET, MAIN #108	1
3	13242-STG-00	.JET, MAIN #40	1
4	13276-RAM-00	HOLDER, CHOKE CABLE	1
5	13278-RAM-00	SPRING, TORSION	1
6	13620-ROA-00	INSULATOR, CARB COMP	1
7	13626-ROA-00	INSULATOR ASS'Y, CARB COMP	1
8	93210-30335	O-RING 3*33.5	1
9	94717-06028-B	BOLT, STUD 6*28	2
10	95401-061006-B	NUT, FLANGE 6MM	2
11	96414-06020-B	BOLT, FLANGE 6*20	2

[MENU PAGE](#)

[PAGE UP](#)

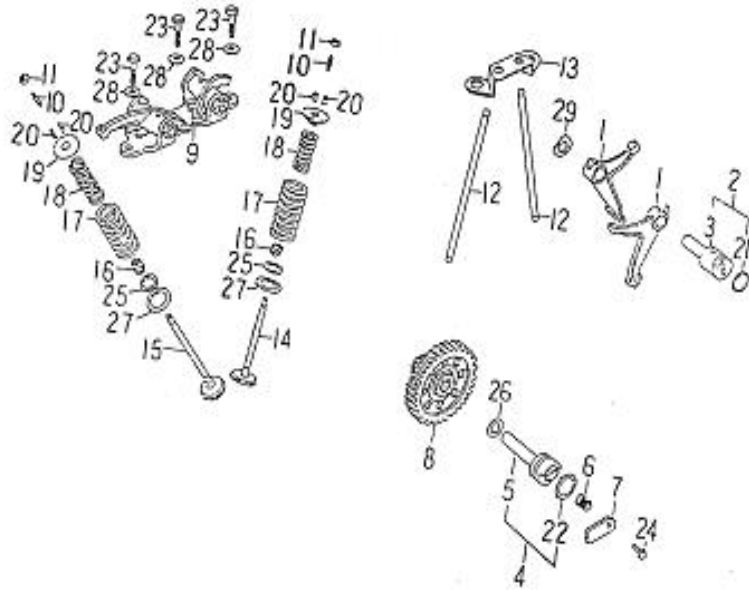


[PAGE DOWN](#)



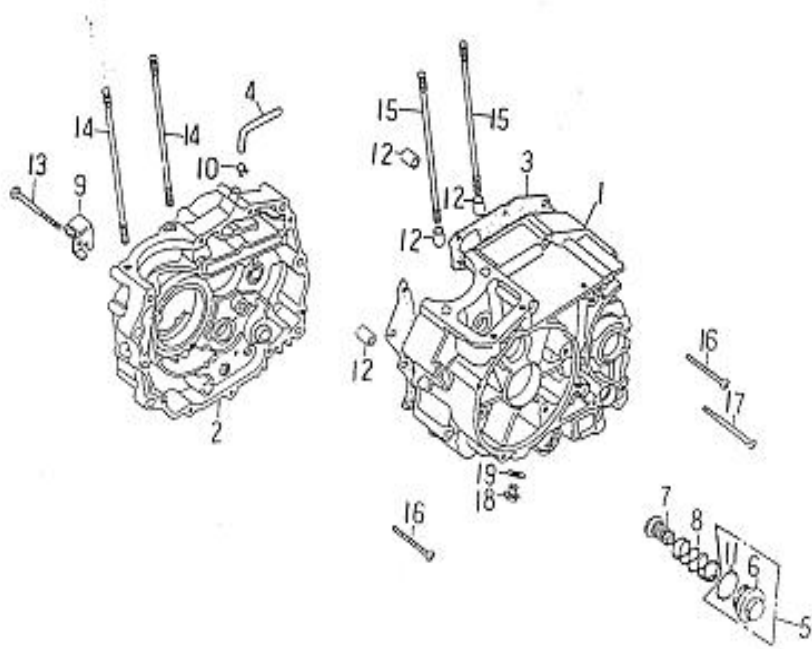
[INDEX](#)

FIG 05 VALVE



NO	PARTS NO.	PARTS NAME	Q'TY
1	14111-CHP-00	FOLLOWER, CAM	2
2	14120-CHI-00	SHAFT COMP, CAM FOLLOWER	1
3	14121-CHI-00	SHAFT, CAM FOLLOWER	1
4	14130-CHI-00	SHAFT COMP, CAM GEAR	1
5	14131-CHI-00	SHAFT, CAM GEAR	1
6	14133-CHP-00	SPRING, CAM SHAFT	1
7	14134-CHP-00	PLATE, SPG STOPPER	1
8	14136-CHP-00	CAMSHAFT COMP	1
9	14431-CHP-00	HOLDER COMP, ROCKER ARM	1
10	14436-CHP-00	SCREW, TAPPET ADJUSTING	2
11	14437-CHP-00	NUT, TAPPET ADJUSTING	2
12	14501-CHP-00	ROD, PUSH	2
13	14560-CHP-00	GUIDE PUSH ROD	1
14	14711-CHI-00	VALVE, IN	1
15	14721-CHI-00	VALVE, EX	1
16	14731-CHP-00	SEAL, VALVE STEM	2
17	14751-CHP-00	SPRING, VALVE OUTER	2
18	14761-CHP-00	SPRING, VALVE INNER	2
19	14771-CHP-00	RETAINER, VALVE SPRING	2
20	14781-CHP-00	COTTER, VALVE	4
21	93210-25170	O-RING 2.5*17	1
22	93210-25200	O-RING 2.5*20	1
23	96210-08028-B	BOLT, HEXAGON 8*28	3
24	96411-06012-B	BOLT, FLANGE 6*12	1
25	97201-121805	SEAT, VALVE SPRING INNER 12.7*17.6*)	2
26	97201-142410	WASHER, THRUST 14.3*23.8*1	1
27	97201-182610	SEAT, VALVE SPRING OUTER 18.9*26.2*1	2
28	97230-081823	WASHER, COPPER 8.6*18*2.3	3
29	97311-122102	WASHER, WAVE 12.3*21*0.2	1

FIG 06 CRANKCASE



NO	PARTS NO.	PARTS NAME	QTY
1	15111-CHI-00	CRANKCASE, LEFT	1
2	15211-CHI-00	CRANKCASE, RIGHT	1
3	15251-CHI-00	GASKET, CRANKCASE	1
4	15276-CHP-00	HOSE	1
5	15531-CHP-00	CAP ASS'Y, OIL FILTER SCREEN	1
6	15533-CHP-00	CAP, OIL FILTER SCREEN	1
7	15536-CHP-00	SCREW, OIL FILTER	1
8	15538-CHP-00	SPRING, OIL FILTER SCREEN	1
9	25793-CHP-00	HOLDER, CLUTCH WIRE	1
10	90210-10015	CLIP 1.0*14.7	1
11	93210-30350	O-RING 3.0*35	1
12	94410-10014	PIN, DOWEL 10*14	4
13	94714-06055-B	BOLT 6*55	1
14	94717-08122-C	BOLT, STUD 8*122	2
15	94717-08130-C	BOLT, STUD 8*130	2
16	96411-06050-B	BOLT, FLANGE 6*50	9
17	96411-06095-B	BOLT, FLANGE 6*95	1
18	96414-12015-B	BOLT, FLANGE 12*15	1
19	97231-122020	WASHER, ALUMINUM 12.3*20*2	1

[MENU PAGE](#)

[PAGE UP](#)

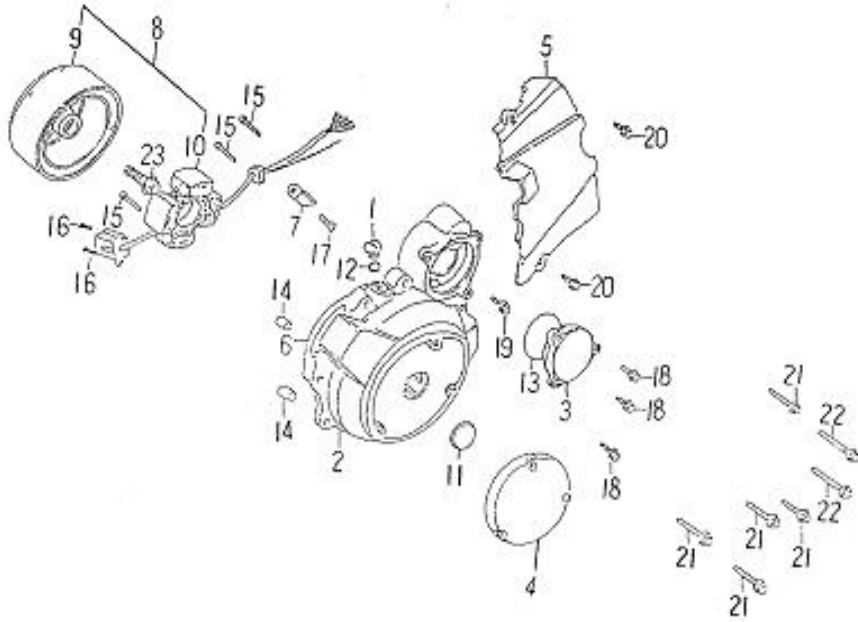


[PAGE DOWN](#)



[INDEX](#)

FIG 07 LEFT CRANKCASE COVER



NO	PARTS NO.	PARTS NAME	Q'TY
1	12655-ROA-00	CAP, A.C.G	1
2	15411-CHP-00	COVER, L CRANKCASE	1
3	15416-CHP-00	COVER, REDUCTION GEAR	1
4	15417-CHP-00	CAP, L CRANKCASE COVER	1
5	15421-RAM-01	COVER, L REAR CRANKCASE	1
6	15481-CHP-00	GASKET, L CRANKCASE COVER	1
7	15541-CHP-00	CLAMPER, WIRE HARNESS	1
8	35500-CHP-00	GENERATOR ASS'Y	1
9	35550-CHP-00	FLYWHEEL COMP	1
10	35560-CHP-00	STATOR COMP	1
	35560-CHP-01	STATOR à partir de RK4CH170E5N004394	1
11	93210-24274	O-RING 2.4*27.4	1
12	93210-25138	O-RING 2.5*13.8	1
13	93210-30630	O-RING 3.0*63	1
14	94410-10014	PIN, DOWEL 10*14	2
15	96210-05025-B	BOLT, HEXAGON 5*16	3
16	96310-05016-B	SCREW,PAN HEAD 5*16	2
17	96411-06012-B	BOLT, FLANGE 6*12	1
18	96411-06020-B	BOLT, FLANGE 6*20	3
19	96411-06025-B	BOLT, FLANGE 6*25	1
20	96411-06028-B	BOLT, FLANGE 6*28	2
21	96411-06040-B	BOLT, FLANGE 6*40	5
22	96411-06050-B	BOLT, FLANGE 6*50	2
23	96414-10036-B	BOLT, FLANGE 10*36	1

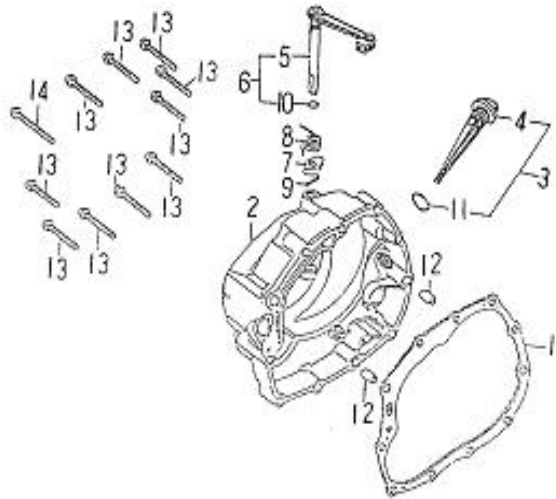
[MENU PAGE](#)

[PAGE UP ▲](#)

[PAGE DOWN ▼](#)

[INDEX](#)

FIG 08 RIGHT CRANKCASE COVER



NO	PARTS NO.	PARTS NAME	QTY
1	15221-CHP-00	GASKET, R CRANKCASE COVER	1
2	15511-RAM-00	COVER, R CRANKCASE COMP	1
	15511-RAM-02	avec embrayage modifié à partir de Sept 05	
3	15561-CHP-00	GAUGE ASS'Y OIL LEVEL	1
4	15563-CHP-00	GAUGE, OIL LEVEL	1
5	25723-CHP-00	LEVER, CLUTCH	1
6	25725-CHP-00	LEVER COMP, CLUTCH	1
7	25732-CHP-00	CAM, CLUTCH LIFTER	1
8	25753-CHP-00	SPRING, CLUTCH LEVER	1
9	90240-18016-B	PIN, SPLIT 1.8*16	1
10	93210-19068	O-RING 1.9*6.8	1
11	93210-30180	O-RING 3*18	1
12	94410-08014	PIN, DOWEL 8*14	2
13	96411-06040-B	BOLT, FLANGE 6*40	10
14	96411-06050-B	BOLT, FLANGE 6*50	1

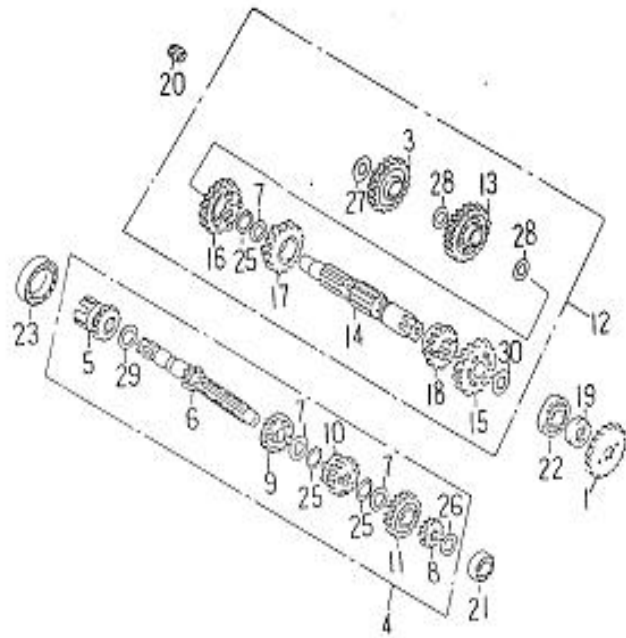
[MENU PAGE](#)

[PAGE UP](#)

[PAGE DOWN](#)

[INDEX](#)

FIG 09 TRANSMISSION STARTER



NO	PARTS NO.	PARTS NAME	QTY
1	25711-RAM-00	SPROCKET DRIVE 12T	1
	25711-RAM-01	PIGNON SORTIE BOITE Z 13	1
	25711-RAM-02	PIGNON SORTIE BOITE Z 14	1
3	25757-CHP-00	GEAR, IDLE STARTER 29T	1
4	26100-RAM-00	MAIN SHAFT ASS'Y	1
5	26110-CHP-00	GEAR, STARTER 19T	1
6	26111-CHP-00	MAIN SHAFT, TRANSMISSION 13T	1
7	26118-CHP-00	WASHER, SPLINE	3
8	26120-CHP-00	GEAR, MAIN SHAFT SECOND 17T	1
9	26130-RAM-00	GEAR, MAIN SHAFT THIRD 20T	1
10	26140-CHP-00	GEAR, MAIN SHAFT FOURTH 23T	1
11	26150-CHP-00	GEAR, MAIN SHAFT FIFTH 25T	1
12	26400-RAM-00	COUNTER SHAFT ASS'Y	1
13	26410-CHP-00	GEAR, COUNTER SHAFT LOW 36T	1
14	26411-CHP-00	COUNTER SHAFT, TRANSMISSION	1
15	26420-CHP-00	GEAR, COUNTER SHAFT SECOND 32T	1
16	26430-RAM-00	GEAR, COUNTER SHAFT THIRD 28T	1
17	26440-CHP-00	GEAR, COUNTER SHAFT FOURTH 26T	1
18	26450-CHP-00	GEAR, COUNTER SHAFT FIFTH 24T	1
19	93110-20347	OIL SEAL 20*34*7	1
20	93310-1521120	BEARING, NEEDLE HK1512	1
21	93320-153511Z	BEARING, RADIAL BALL 6202Z	1
22	93320-204714	BEARING, RADIAL BALL 6204	1
23	93320-305513	BEARING, RADIAL BALL 6006	1
25	97014-20012	CIRCLIP 20MM	3
26	97201-152510	WASHER, THRUST 15.4*24.8*1	1
27	97201-153010	WASHER, THRUST 15.2*30*1	1
28	97201-172405	WASHER, THRUST 16.8*24*0.5	2
29	97201-202705	WASHER, THRUST 20.4*26.8*0.5	1
30	97201-202710	WASHER, THRUST 20.4*26.8*1	1

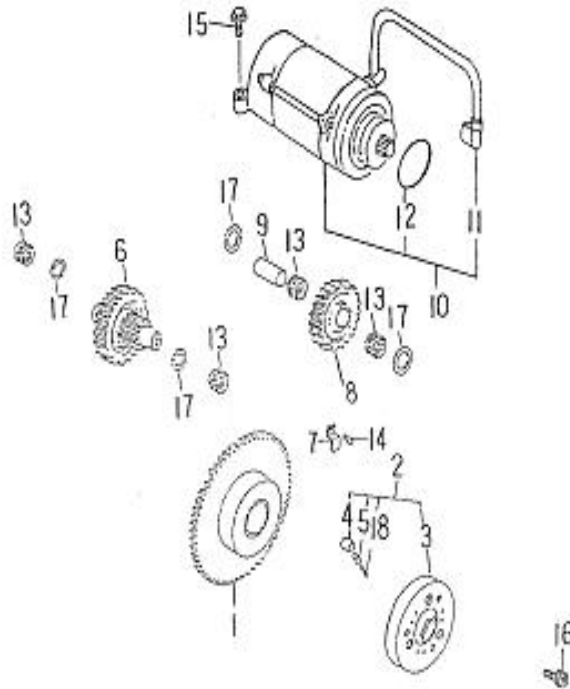
[MENU PAGE](#)

[PAGE UP](#)

[PAGE DOWN](#)

[INDEX](#)

FIG 10 STARTING MOTOR



NO	PARTS NO.	PARTS NAME	QTY
1	23524-CHP-00	GEAR COMP, STARTING CLUTCH	1
2	23570-CHP-00	STARTING CLUTCH ASS'Y	1
3	23574-CHP-00	OUTER COMP, STARTING CLUTCH	1
4	23576-CHP-00	ROLLER 10*12	3
5	23578-CHP-00	CAP, STARTING CLUTCH ROLLER SPRING	3
6	23612-CHP-00	SHAFT, STARTER GEAR	1
7	23632-CHP-00	PLATE, SET GEAR	1
8	23660-CHP-00	GEAR, REDUCTION	1
9	23663-CHP-00	SHAFT, REDUCTION GEAR 10*45	1
10	35800-CHP-00	MOTOR ASS'Y, STARTER	1
11	35831-CHP-00	CABLE, STARTER MOTOR	1
12	93210-31244	O-RING 3.1*24.4	1
13	93310-1014100	BEARING, NEEDLE (HK1010)	4
14	96411-06012-B	BOLT, FLANGE 6*12	1
15	96414-06028-B	BOLT, FLANGE 6*28	2
16	96510-08018-C	BOLT, FLANGE 8*18	3
17	97201-101805	WASHER, PLATE 10.5*18*0.5	4
18	97501-03025	SPRING, STARTING CLUTCH ROLLER	4

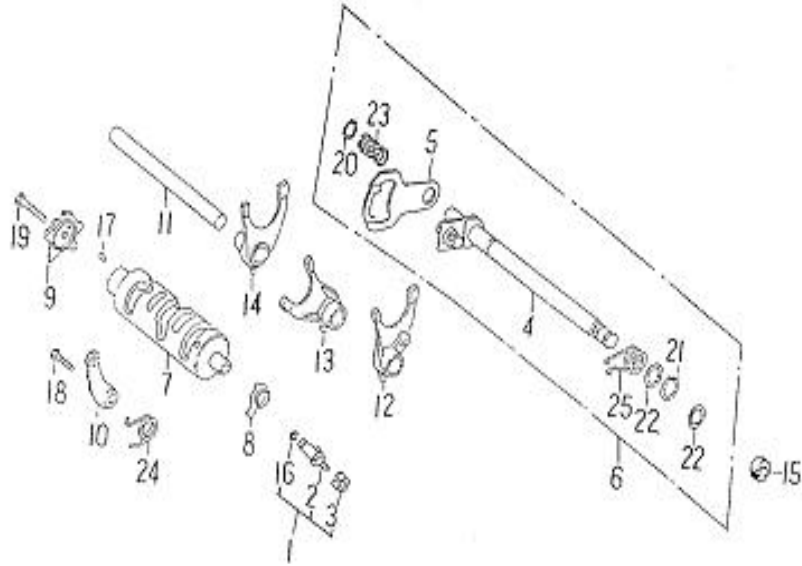
[MENU PAGE](#)

[PAGE UP](#)

[PAGE DOWN](#)

[INDEX](#)

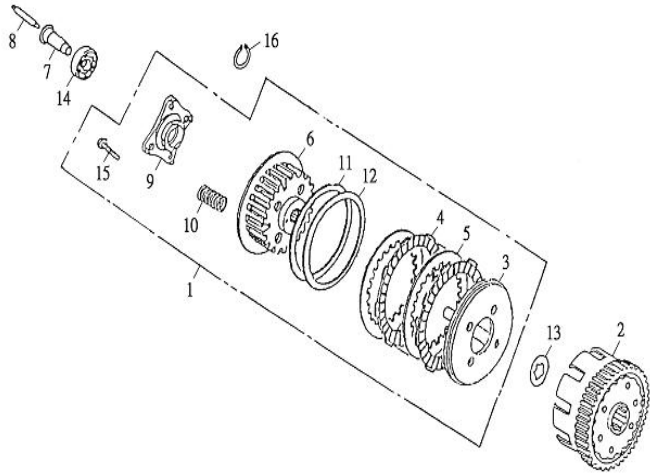
FIG 11 GEAR SHIFT



NO	PARTS NO.	PARTS NAME	QTY
1	15126-CHP-00	CONTACT ASS'Y, NEUTRAL SWITCH	1
	15126-AAM-00	à partir de RK4CH170E5N004394	1
2	15127-CHP-00	CONTACT, NEUTRAL SWITCH	1
3	15128-CHP-00	SPACER, NEUTRAL SWITCH	1
4	24201-CHP-00	. SPINDLE, GEAR SHIFT	1
5	24206-CHP-00	.PLATE, GEAR SHIFT	1
6	24210-CHP-00	SPINDLE COMP, GEAR SHIFT	1
7	24220-CHP-00	DRUM, GEAR SHIFT	1
8	24223-CHP-00	ROTOR, NEUTRAL SWITCH	1
9	24226-CHP-00	CAM, GEAR SHIFT	1
10	24228-CHP-00	STOPPER COMP, GEAR SHIFT	1
11	24236-CHP-00	SHAFT, GEAR SHIFT FORK	1
12	24237-CHP-00	FORK, L GEAR SHIFT	1
13	24238-CHP-00	FORK, CENTER GEAR SHIFT	1
14	24239-CHP-00	FORK, R GEAR SHIFT	1
15	93110-14287	OIL SEAL 14*28*7	1
16	93210-19070	O-RING 1.9*7	1
17	94510-40010	PIN, DOWEL 4*10	1
18	96210-06020-B	BOLT, HEXAGON 6*20	1
19	96210-06025-B	BOLT, HEXAGON 6*25	1
20	97010-12010	.CIRCLIP 12MM	1
21	97010-14010	.CIRCLIP 14MM	1
22	97201-142004	.WASHER, THRUST 14.3*20*0.4	2
23	97501-12013	.SPRING, GEAR SHIFT PLATE	1
24	97508-22140	SPRING, SHAFT DRUM STOPP	1
25	97510-32080	.SPRING, GEAR SHIFT RETURN	1

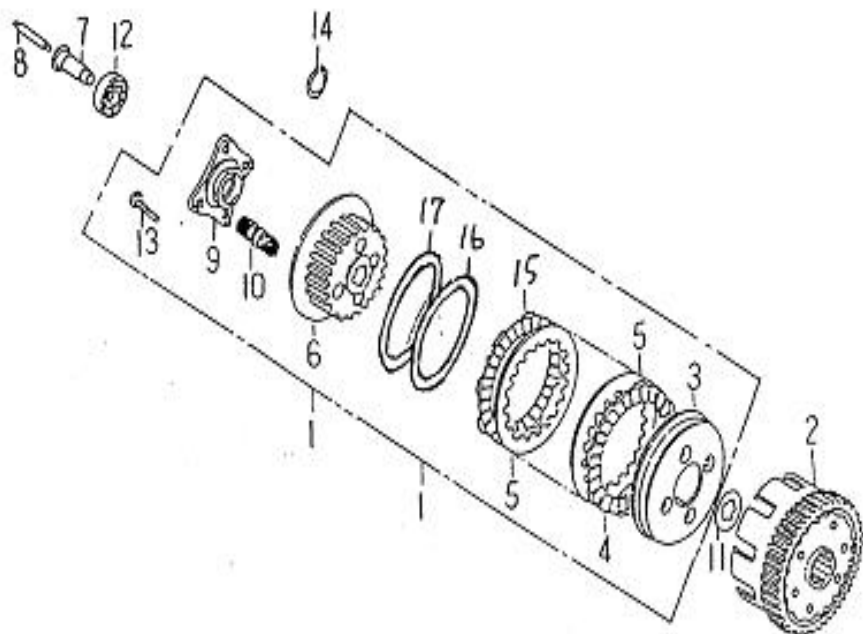
FIG 12 CLUTCH

à partir de Sept 2005



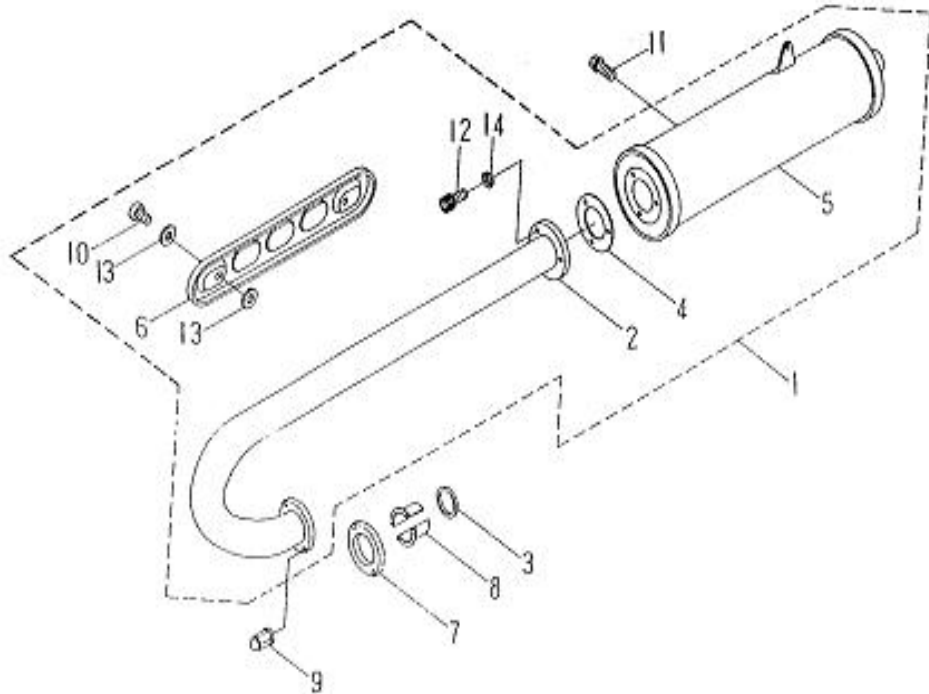
NO	PARTS NO.	PARTS NAME	QTY
1	25602-AAM-00	CLUTCH COMP	1
2	25611-AAM-00	OUTER COMP,CLUTCH	1
3	25621-CBT-00	PLATE,CLUTCH PRESSURE	1
4	25622-CHP-00	DISK,CLUTCH FRICTION	6
5	25623-CBT-00	PLATE,CLUTCH	6
6	25661-CBT-00	CENTER,CLUTCH	1
7	25664-CHP-00	PIN,CLUTCH LIFTER GUIDE	1
8	25665-CHP-00	ROD,CLUTCH LIFTER	1
9	25670-CHP-00	PLATE,CLUTCH LIFTER	1
10	25680-CBT-00	SPRING,CLUTCH	4
11	25684-CBT-00	GASKET	1
12	25686-CBT-00	WASHER	1
13	25688-CHP-00	WASHER,SPLINE	1
14	93320-122808	BEARING,RADIAL BALL 6001	1
15	96414-06025-C	BOLT,FLANGE 6*25	4
16	97010-20012	CIRCLIP 20MM	1

FIG 12 CLUTCH Jusqu'en Septembre 2005



NO	PARTS NO.	PARTS NAME	QTY
1	25602-RAM-00	CLUTCH COMP	1
2	25611-CHP-00	OUTER COMP,CLUTCH	1
3	25621-CHP-00	PLATE,CLUTCH PRESSURE	1
4	25622-CHP-00	DISK,CLUTCH FRICTION	4
5	25623-CHP-00	PLATE,CLUTCH	4
6	25661-CHP-00	CENTER,CLUTCH	1
7	25664-CHP-00	PIN,CLUTCH LIFTER GUIDE	1
8	25665-CHP-00	ROD,CLUTCH LIFTER	1
9	25670-CHP-00	PLATE,CLUTCH LIFTER	1
10	25680-CHP-00	SPRING,CLUTCH	4
11	25688-CHP-00	WASHER,SPLINE	1
12	93320-122808	BEARING,RADIAL BALL 6001	1
13	96414-06025-C	BOLT,FLANGE 6*25	4
14	97010-20012	CIRCLIP 20MM	1
15	25627-RAM-00	DISK,CLUTCH FRICTION	1
16	25686-RAM-00	WASHER	1
17	25684-RAM-00	GASKET	1

FIG 13 EXHAUST MUFFLER



NO	PARTS NO.	PARTS NAME	QTY
1	31610-RAM-01	EXHAUST MUFFLER ASS'Y	1
2	31611-RAM-00	PIPE,EXHAUST	1
3	31613-CHP-00	GASKET,EXHAUST PIPE 31.5*39.5*3.5	1
4	31614-RAM-00	GASKET,MUFFLER	1
5	31617-RAM-01	MUFFLER COMP	1
6	31618-RAM-00	PROTECTOR,EXHAUST	1
7	31621-CHP-00	JOINT,EXHAUST PIPE	1
8	31623-CHP-00	COLLAR,EXHAUST PIPE JOINT	2
9	95501-061017-B	NUT,CAP 6MM	2
10	96316-06010-K	.SCREW,PAN HEAD	2
11	96414-08016-B	BOLT,FLANGE	1
12	96510-06020-K	BOLT,SOCKET	3
13	97210-061215	WASHER,PLATE	4
14	97301-061115-K	WASHER,SPRING 6.5*11*1.5	3

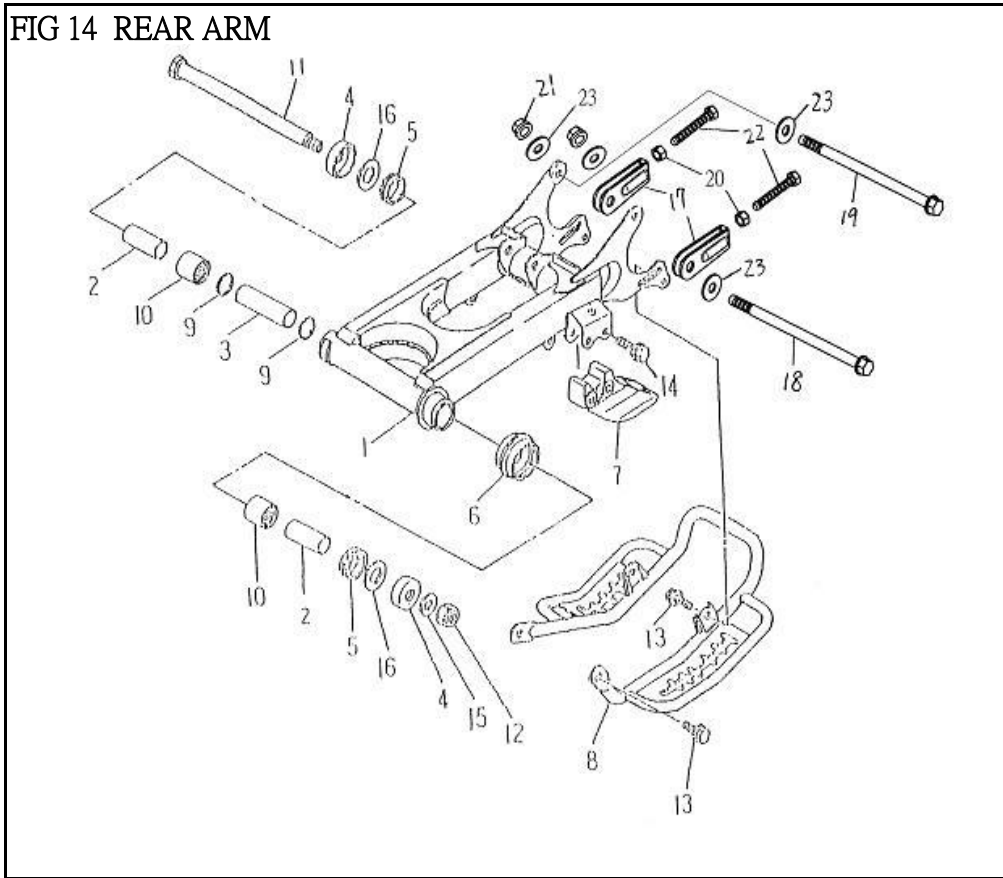
[MENU PAGE](#)

[PAGE UP](#)

[▲ PAGE DOWN ▼](#)

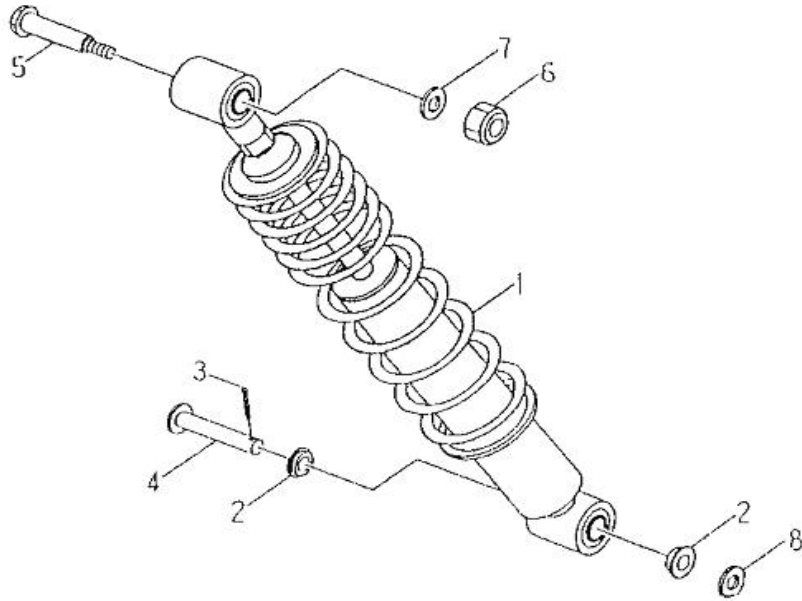
[INDEX](#)

FIG 14 REAR ARM



NO	PARTS NO.	PARTS NAME	Q'TY
1	32100-RAM-00	REAR ARM	1
	32100-RAM-01	à partir de Sept 2005	
2	32115-RAM-00	BUSH	2
3	32116-RAM-00	SPACER	1
4	32118-RAM-00	COVER,THRUST	2
5	32119-RAM-00	OIL SEAL	2
6	32160-RAM-00	SEAL,GUARD	1
7	32165-RAM-00	SUPPORT,CHAIN	1
8	32190-RAM-00	COVER	1
9	93210-25200	O-RING 2.5*20	2
10	93310-222820	BEARING,NEEDLE ROLLER HK-2220	2
11	94610-15258-B	SHAFT,PIVOT	1
12	95301-142212-B	NUT,LOCK 14MM	1
13	96414-08012-B	BOLT,FLANGE	4
14	96414-08040-B	BOLT,FLANGE	2
15	97201-142820-B	WASHER,PLATE 14.2*28.4*2.0	1
16	97201-243820	WASHER,PLATE	2
17	32120-RAM-00	ADJUSTER,CHAIN	2
18	94610-10178-B	BOLT	1
19	94610-10174-B	BOLT	1
20	95201-081207-B	NUT,HEXAGON	2
21	95301-101410-B	NUT,LOCK	2
22	96210-08055-B	BOLT,HEXAGON	2
23	97201-102620-B	WASHER,PLATE10.3*26*2.0	4

FIG 15 REAR SUSPENSION



NO	PARTS NO.	PARTS NAME	QTY
1	32210-CBT-02	SHOCK ABSORBER ASS'Y,REAR	1
2	32231-RAM-00	COVER,THRUST	2
3	90240-29025-B	PIN.COTTER 2.9*25	1
4	94610-12070-B	PIN,CLEVIS	1
5	94710-10066-B	BOLT	1
6	95311-101710-B	NUT,NYLON	1
7	97201-102220-B	WASHER.PLATE 10.5*22*2	1
8	97201-122223-B	WASHER,PLATE 12.5*22*2.3	1

[MENU PAGE](#)

[PAGE UP](#)

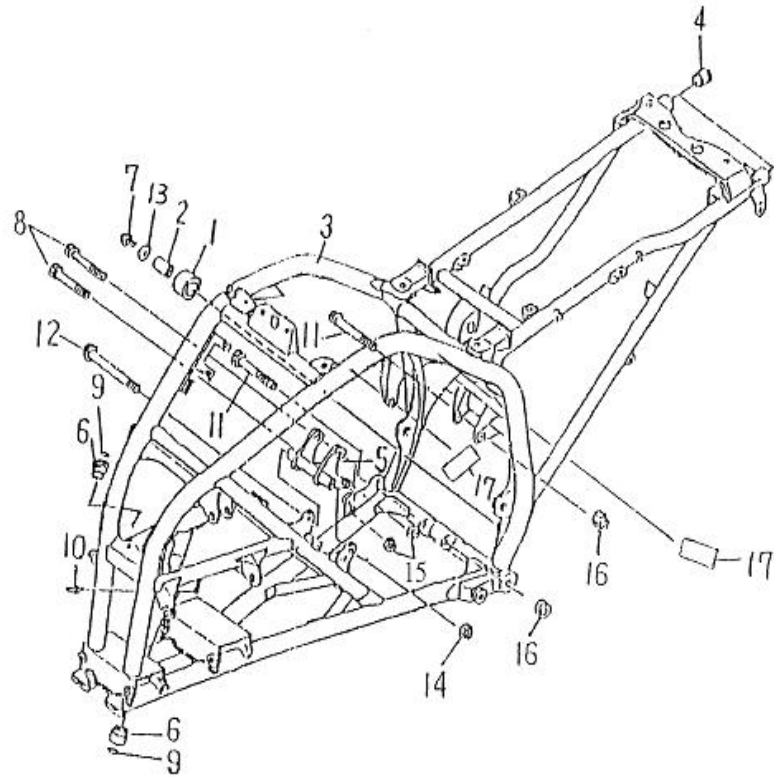


[PAGE DOWN](#)



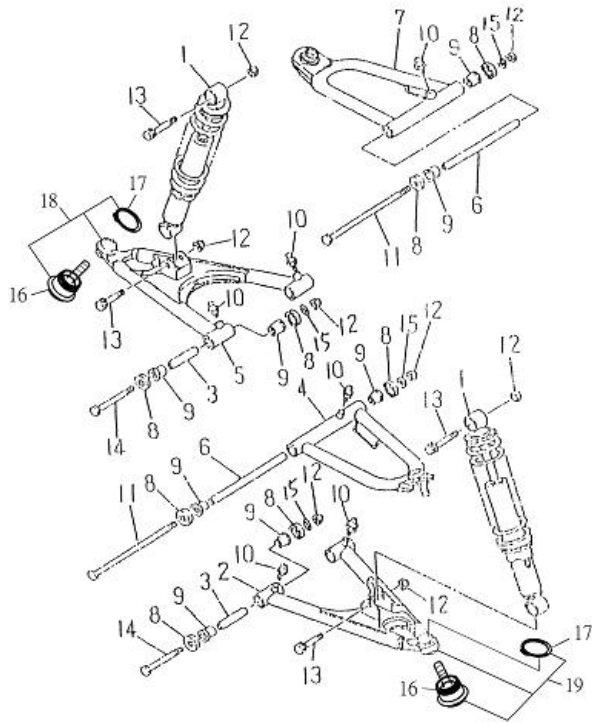
[INDEX](#)

FIG 16 FRAME



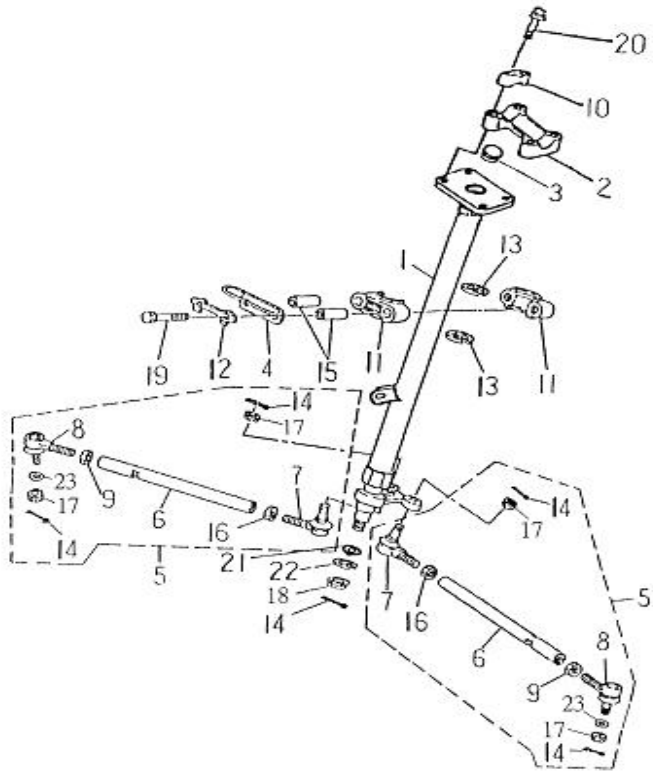
NO	PARTS NO.	PARTS NAME	QTY
1	32167-RAM-00	TENSIONER	2
2	32168-RAM-00	BUSH	2
3	41110-RAM-06	FRAME COMP	1
4	41154-RAM-00	PLUG,SPECIAL SHAPE	2
5	41181-RAM-00	ENGINE HANGER F	1
6	46412-RAM-00	BUSH,SOLID	2
7	96414-08012-B	BOLT,FLANGE	2
8	96414-08088-B	BOLT,FLANGE	2
9	93210-24148	O-RING 2.4*14.8	2
10	94340-06010-B	NIPPLE,GREASE M6*P1.0	1
11	94610-10113-B	BOLT,FLANGE	2
12	94610-12140-B	BOLT,FLANGE	1
13	97201-082420-B	WASHER,PLATE 8.7*24*2.0	2
14	95311-121912-B	NUT,NYLON	1
15	95401-081208-B	NUT,FLANGE	2
16	95401-101409-B	NUT,FLANGE	2
17	62111-CHP-00	PADDED	2

FIG 17 FRONT SUSPENSION



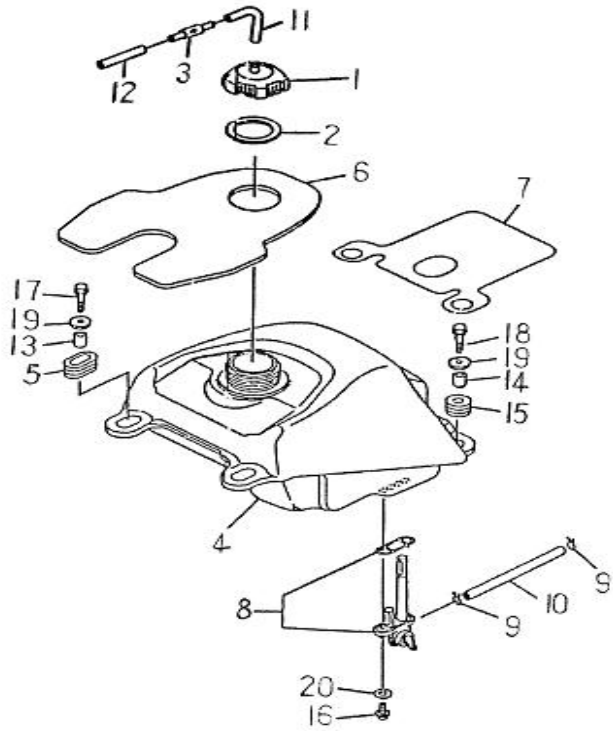
NO	PARTS NO.	PARTS NAME	QTY
1	42126-RAM-00	SHOCK ABSORBER ASS'Y	2
2	42161-QUA-01	FRT.LWR,ARM LEFT	1
3	42163-RAM-00	COLLAR	4
4	42166-QUA-00	FRT.UPPER,ARM LEFT	1
5	42171-QUA-01	FRT.LWR,ARM RIGHT	1
6	42173-AAM-00	COLLAR	2
7	42176-QUA-00	FRT.UPPER,ARM RIGHT	1
8	42183-RAM-00	COVER,THRUST	12
9	93330-152118	BUSH,SOLID	12
10	94340-06010-B	NIPPLE,GREASE M6*P1.0	6
11	94610-10208-B	SHAFT,PIVOT	2
12	95311-101710-B	NUT,NYLON	10
13	96414-10055-B	BOLT,FLANGE	4
14	96414-10080-B	BOLT,FLANGE	2
15	96414-10085-B	BOLT,FLANGE	2
16	97201-102020-B	WASHER,PLATE 10.5*20*2	2
17	42165-QUA-00	LOWER UNIVERSAL JOINT	2
18	97010-30015-K	CIRCLIP § 30	2
19	42161-QUA-01	FRT.LWR,ARM LEFT ASS'Y	1

FIG 18 STEERING



NO	PARTS NO.	PARTS NAME	QTY
1	42101-RAM-02	COLUMN,STEERING	1
2	42106-SK9-00	BRIDGE, TOP	1
3	42111-RAM-00	PLUG, TAPER	1
4	42118-RAM-00	BRACKER, STRG LOWER	1
5	42140-RAM-00	ROD, TIE ASS'Y	2
6	42141-RAM-00	ROD, TIE	2
7	42142-RAM-00	JOINT, UNIVERSAL 1	2
8	42143-RAM-00	JOINT, UNIVERSAL 2	2
9	42146-RAM-00	NUT	2
10	46125-RAM-00	HOLDER, HANDLE UPR	2
11	46411-RAM-00	BEARING, STEERING	2
12	46416-RAM-00	WASHER, LOCK	1
13	46417-RAM-00	OIL SEAL	2
14	90240-23020-B	PIN, COTTER 2.3*20	5
15	93510-081442-C	COLLAR	2
16	95201-101408-C	NUT, HEXAGON	2
17	95321-101710-C	NUT, CASTLE	4
18	95401-101409-B	NUT, NYLON	1
19	96210-08060-B	BOLT, HEXAGON	2
20	96414-08050-B	BOLT, FLANGE	4
21	97201-102620-B	WASHER, PLATE	1
22	97301-101720-B	WASHER, SPRING	1
23	97201-102020-B	WASHER, PLATE	2

FIG 19 FUEL TANK



NO	PARTS NO.	PARTS NAME	QTY
1	43102-RAM-00	CAP ASS'Y	1
2	43103-RAM-00	CAP WASHER	1
3	43108-SK5-00	CHECK, VALVE	1
4	43110-RAM-01	FUEL TANK	1
5	43151-RAM-00	GROMMET F	2
6	43153-RAM-00	TRIM, COVER PANEL	1
7	43154-RAM-00	GUARD	1
8	43500-RAM-01	FUEL COCK ASS'Y	1
9	90210-12010	CLIP	2
10	90310-50150	HOSE, FUEL	1
11	90310-50050	HOSE 5*8*50	1
12	90310-50390	HOSE 5*8*390	1
13	93510-061015-B	COLLAR F	2
14	93510-061021-B	COLLAR R	2
15	93580-102416	GROMMET R	2
16	96318-06012-B	SCREW, PAN HEAD	2
17	96414-06025-B	BOLT, FLANGE	2
18	96414-06032-B	BOLT, FLANGE	2
19	97201-062220-B	WASHER, PLATE	4
20	97210-061315	WASHER, PLATE	2

[MENU PAGE](#)

[PAGE UP](#)

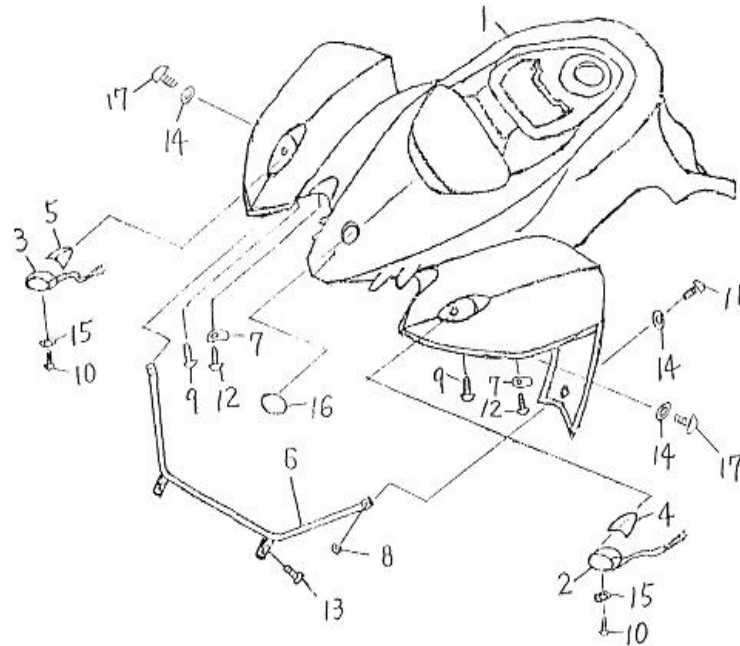


[PAGE DOWN](#)

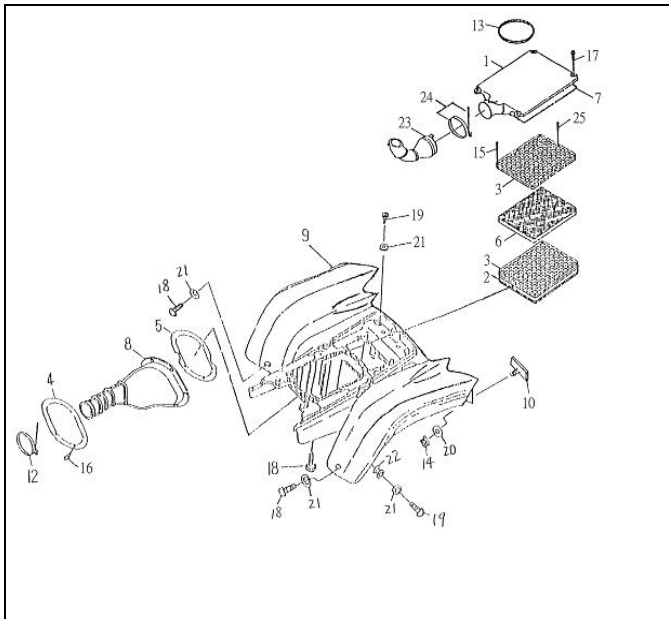


[INDEX](#)

FIG 20 FRONT COVER



NO	PARTS NO.	PARTS NAME	Q'TY
1	51161-QUA-00	COVER,FRONT RED rouge	1
	51161-QUA-0003	COVER,FRONT YELLOW jaune	1
	51161-QUA-0004	COVER,FRONT BLUE bleu	1
	51161-QUA-0007	COVER,FRONT BLACK noir	1
2	55350-QUA-00	WINKER ASS'Y,L FRONT	1
3	55360-QUA-00	WINKER ASS'Y,R FRONT	1
4	55351-QUA-00	FLASHER COVER,FRONT L	1
5	55361-QUA-00	FLASHER COVER,FRONT R	1
6	51556-QUA-00	SYAT,FENDER LOWER	1
7	55352-QUA-00	HOLDER,FRONT WINKER WIRE	2
8	95401-061006-B	NUT,FLANGE	2
9	96112-51216-K	SCREW,TAPPING	2
10	96310-05012-B	SCREW,PAN HEAD5*12	2
11	96318-06015-B	SCREW,PAN HEAD	4
12	96112-41218-K	SCREW TAPPING	2
13	96414-06016-B	BOLT,FLANGE	2
14	97321-061825-B	WASHER,FLANGE	4
15	97201-051410-B	WASHER,PLATE5*14*1.0	2
16	56812-QUA-00	POLY STICKER(BAROSSA)	1
17	96318-06012-B	SCREW,PAN HEAD	2
18	56811-QUA-06	KIT DECO	1



NO	PARTS NO.	PARTS NAME	QTY
1	13412-CBT-00	CAP,CLEANER CASE	1
2	13432-RAM-00	SEAL,ELEMENT	1
3	13433-CBT-00	PLATE,ELEMENT SET	2
4	13434-RAM-00	PLATE,JOINT	1
5	13435-RAM-00	STAY,JOINT	1
6	13451-RAM-00	ELEMENT,AIR CLEANER	1
7	13452-RAM-00	SEAL,AIR CLEANER COVER	1
8	13453-RAM-00	TUBE,AIR CLEANER JOINT	1
9	51171-QUA-00	COVER,SIDE RED rouge	1
	51171-QUA-0003	COVER, SIDE YELLOW jaune	1
	51171-QUA-0004	COVER, SIDE BLUE bleu	1
	51171-QUA-0007	COVER, SIDE BLACK noir	1
10	55722-SAF-00	REFLECTOR	2
12	90260-80047	CLAMP,HOSE	1
13	93210-35900	O-RING	1
14	95401-061006-B	NUT,FLANGE	2
15	96110-43018-K	SCREW,TAPPING	5
16	96310-05014-B	SCREW,PAN HEAD	6
17	96313-06020-K	SCREW,PAN HEAD WITH WASHER	4
18	96318-06012-B	SCREW,PAN HEAD	3
19	96318-06015-B	SCREW,PAN HEAD	8
20	97301-061215-B	WASHER,SPRING 6*11.5*1.5	2
21	97321-061825-B	WASHER,FLANGE	10
22	93580-81610	GROMMET	2
23	13437-CBT-00	GROMMET	1
24	90260-80057	CLAMP,HOSE	1
25	96110-43518-K	SCREW,TAPPING	3

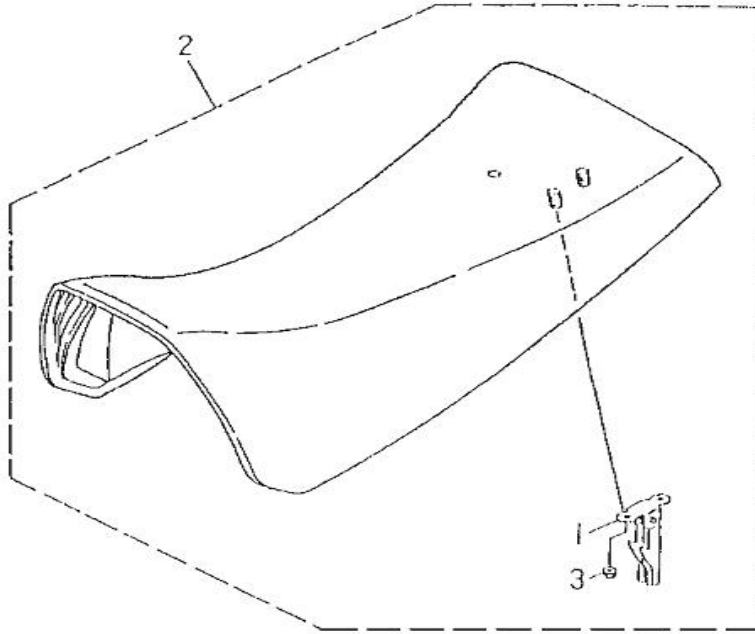
[MENU PAGE](#)

[PAGE UP ▲](#)

[PAGE DOWN ▼](#)

[INDEX](#)

FIG 22 SEAT



NO	PARTS NO.	PARTS NAME	QTY
1	52710-RAM-00	CATCH COMP,SEAT	1
2	52730-AAM-00	SINGLE SEAT ASS'Y-BAROSSA	1
3	95401-061006-C	NUT,FLANGE	2

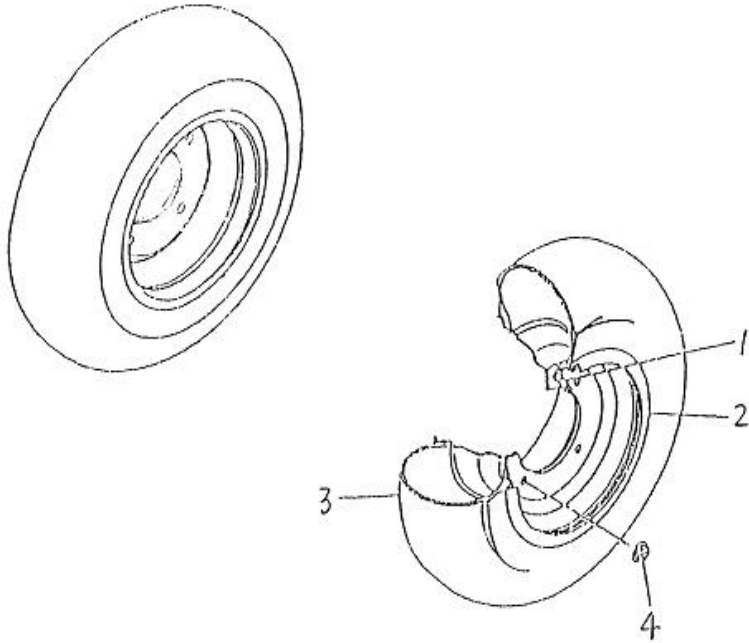
MENU PAGE

PAGE UP ▲

PAGE DOWN ▼

INDEX

FIG 23 FRONT WHEEL



NO	PARTS NO.	PARTS NAME	QTY
1	42570-RAM-00	VALVE,RIM	2
2	42582-RAM-00	WHEEL,FRONT 10*5.5AT	2
3	42590-RAM-03	TIRE,FRONT AT21*7-10	2
	42711-182-00B	PNEU AV TT HOMOLOGUE	2
4	95401-101409-C	NUT,FLANGE	8

[MENU PAGE](#)

[PAGE UP](#)

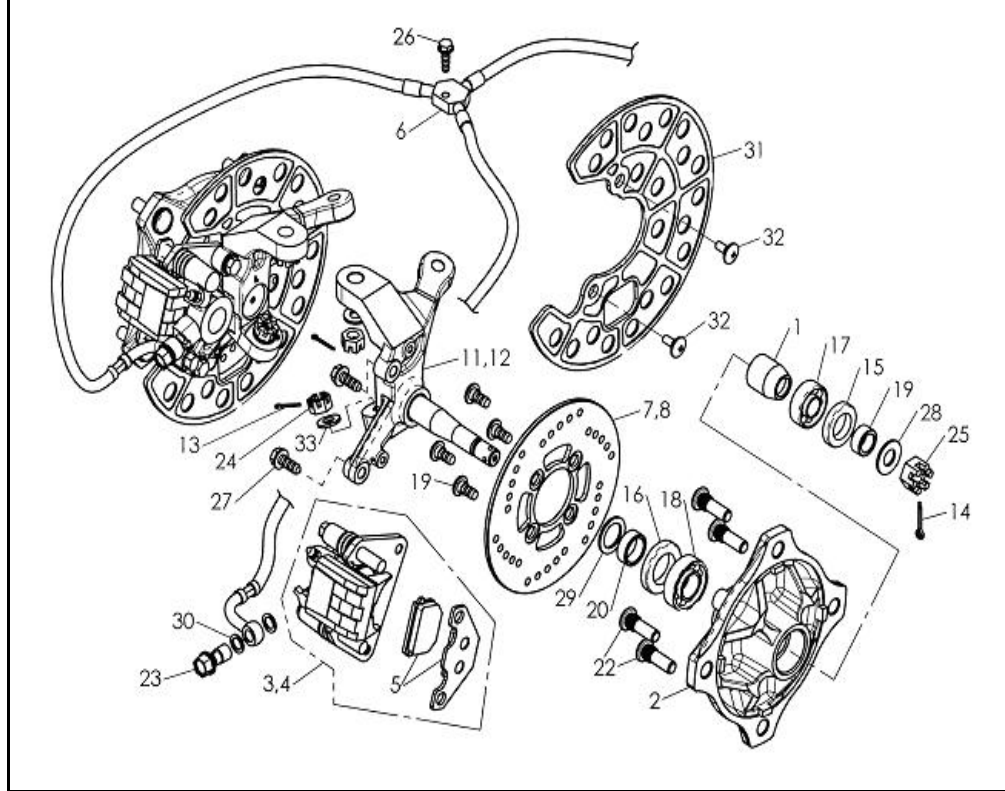


[PAGE DOWN](#)



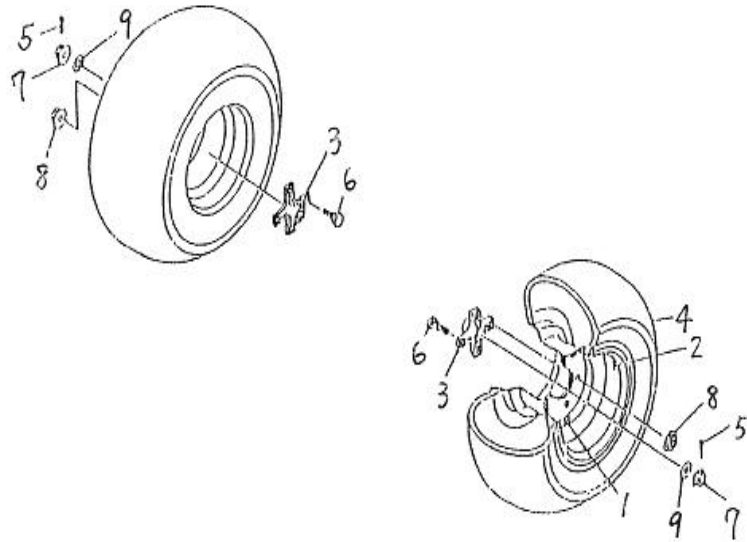
[INDEX](#)

FIG 24 FRONT BRAKE



NO	PARTS NO.	PARTS NAME	Q'TY
1	42515-QUA-00	COLLAR	2
2	42581-QUA-00	HUB,FRONT	2
3	45510-QUA-00	LEFT FRONT CALIPER ASS'Y	1
4	45520-QUA-00	RIGHT FRONT CALIPER ASS'Y	1
5	45512-QUA-00	PAD,CALIPER	2
6	45533-QUA-00	THREE WAY HOSE,BRAKE	1
7	45514-QUA-00	LEFT FRONT BRAKE DISC	1
8	45515-QUA-00	RIGHT FRONT BRAKE DISC	1
11	45860-QUA-00	KNUCKLE,STEERING L ASS'Y	1
12	45865-QUA-00	KNUCKLE,STEERING R ASS'Y	1
13	90240-23020-B	PIN,COTTER 2.3*20	4
14	90240-29025-B	PIN,COTTER 2.9*25	2
15	93110-22357	OIL SEAL SD22357	2
16	93110-26427	OIL SEAL SD26427	2
17	93320-153511Z	BEARING,RADIAL BALL 6202Z	2
18	93320-204212Z	BEARING,RADIAL BALL 6004Z	2
19	93510-152210-C	COLLAR	2
20	93510-202610-C	COLLAR	2
21	94706-08017-B	BOLT,BUTTON	8
22	94710-10032-C	BOLT,STUD	8
23	94716-10022-G	BOLT,UNION	2
24	95321-101710-C	NUT,CASTLE	4
25	95321-142215-C	NUT,CASTLE	2
26	96414-06020-B	BOLT,FLANGE6*20	1
27	96414-08020-B	BOLT,FLANGE8*20	4
28	97201-142820-C	WASHER,PLATE14*28*2.0	2
29	87201-213020-C	WASHER,PLATE21*30*2.0	2
30	97230-101512	WASHER,COPPER10.3*15*1.2	4
31	45516-QUA-00	GUARD,BRAKE DISC	2
32	96315-06016-C	SCREW	4
33	97201-102020-B	WASHER,COPPER10*20*2.0	4

FIG 25 REAR WHEEL



NO	PARTS NO.	PARTS NAME	QTY
1	42570-RAM-00	VALVE,RIM	2
2	42882-RAM-00	WHEEL,REAR8*8.0AT	2
3	42885-RAM-00	COLLAR,WHEEL	2
4	42890-RAM-04	TIRE,REAR AT21*10-8	2
	42811-182-00B	PNEU AR TT HOMOLOGUE	2
5	90240-29025-B	PIN,COTTER2.9*25	2
6	94710-10032-C	BOLT,STUD	8
7	95326-142114-C	NUT,CASTLE FLANGE	2
8	95401-101409-C	NUT,FLANGE	8
9	97201-143240-C	WASHER,PLATE14.2*32.5*4	2

[MENU PAGE](#)

[PAGE UP](#)

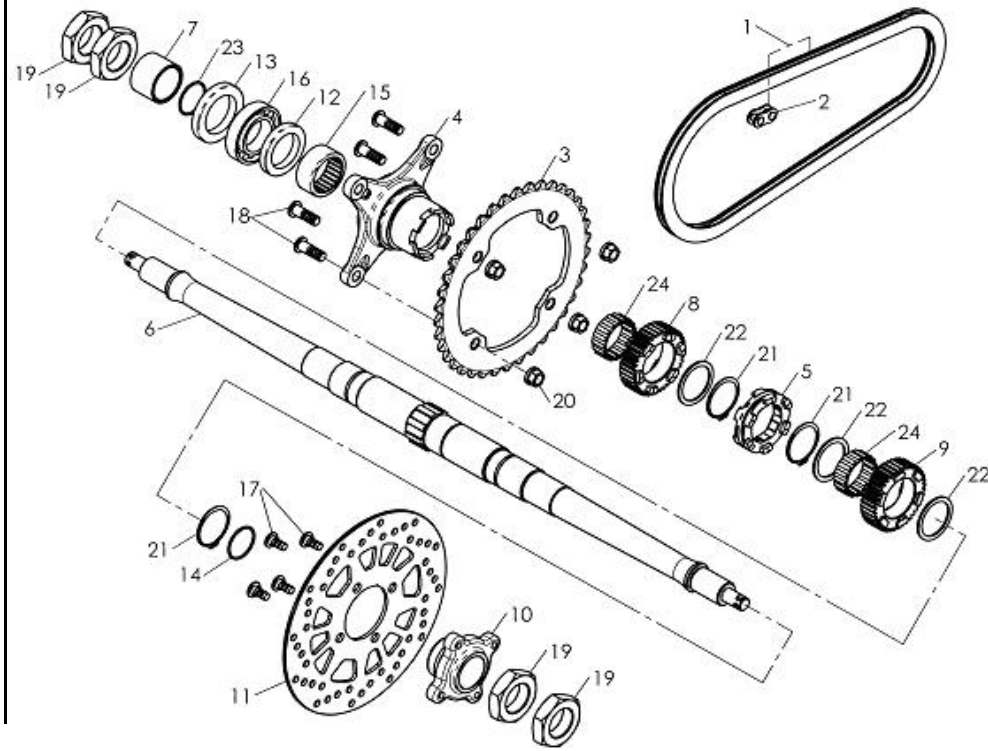


[PAGE DOWN](#)



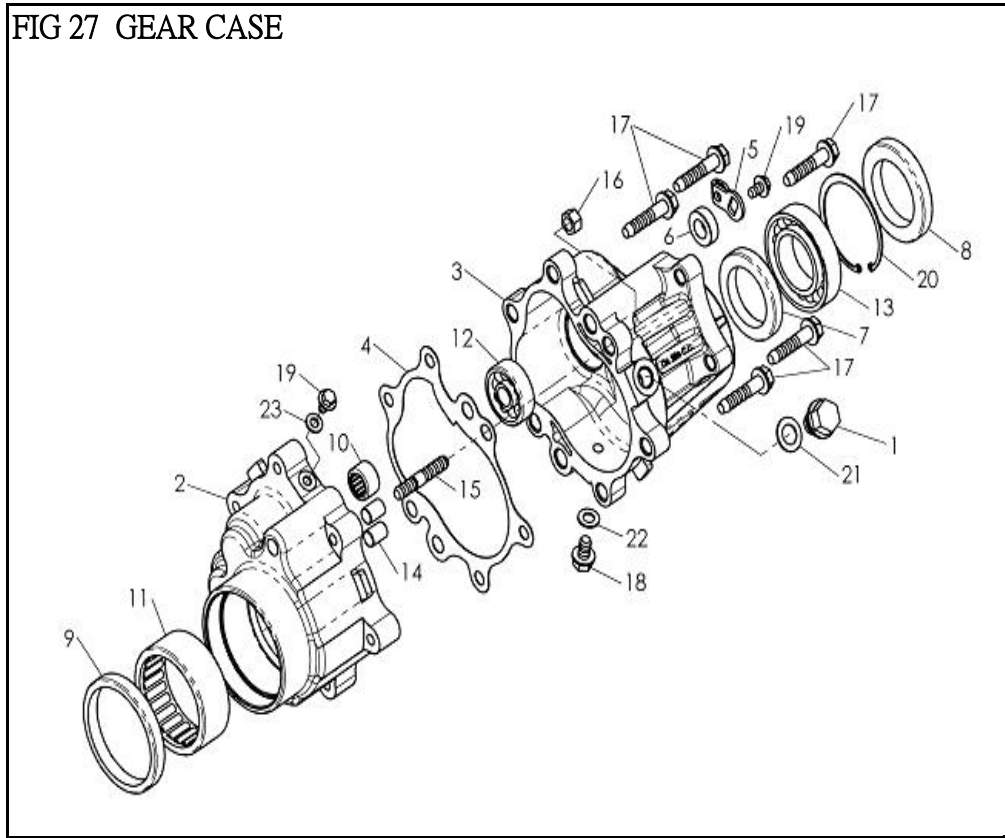
[INDEX](#)

FIG 26 TRANSMISSION STARTER



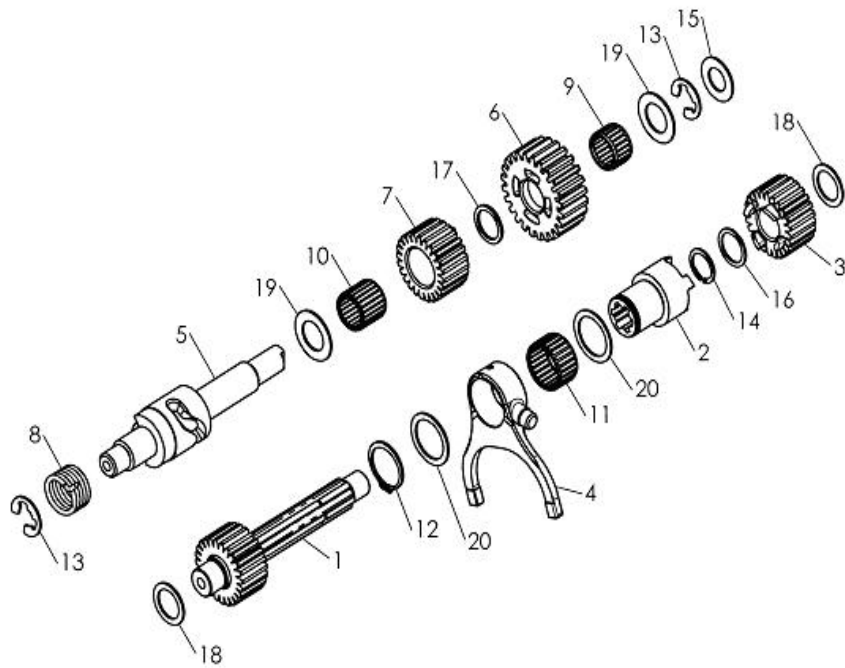
NO	PARTS NO.	PARTS NAME	Q'TY
1	25741-CBT-00	CHAIN 520H*94L	1
2	25742-RAM-00	JOINT,CHAIN	1
3	42812-QUA-02	SPROCKET,DRIVEN39T	1
4	42821-QUA-00	COLLAR,SPROCKET AXLE	1
5	42834-QUA-00	SLIDE A	1
6	42835-QUA-00	AXLE,WHEEL	1
7	42836-QUA-00	COLLAR,AXLE WHEEL	1
8	42837-QUA-00	GEAR A 40T	1
9	42838-QUA-00	GEAR D 40T	1
10	45830-QUA-00	BRACKET,DISC	1
11	45831-RAM-00	DISC,BRAKE	1
12	93110-38558	OIL SEAL TC38558	1
13	93110-42629	OIL SEAL TC42629	1
14	93210-20320	O-RING 2*32	1
15	93310-384820N	BEARING, RADIAL BALL NK3820	1
16	93320-356214Z	BEARING, RADIAL BALL 6007Z	1
17	94706-08017-B	BOLT,BUTTON8*17	4
18	94706-10029-B	BOLT,BUTTON10*29	4
19	95201-325014-C	NUT,HEXAGON	4
20	95301-101410-B	NUT,LOCK	4
21	97010-38018-K	CIRCLIP φ 38	3
22	97201-384720-K	WASHER,PLATE38*47*2.0	3
23	93210-15320	O-RING1.5*32	1
24	93310-384317K	BEARING, RADIAL BALL K384317	2

FIG 27 GEAR CASE



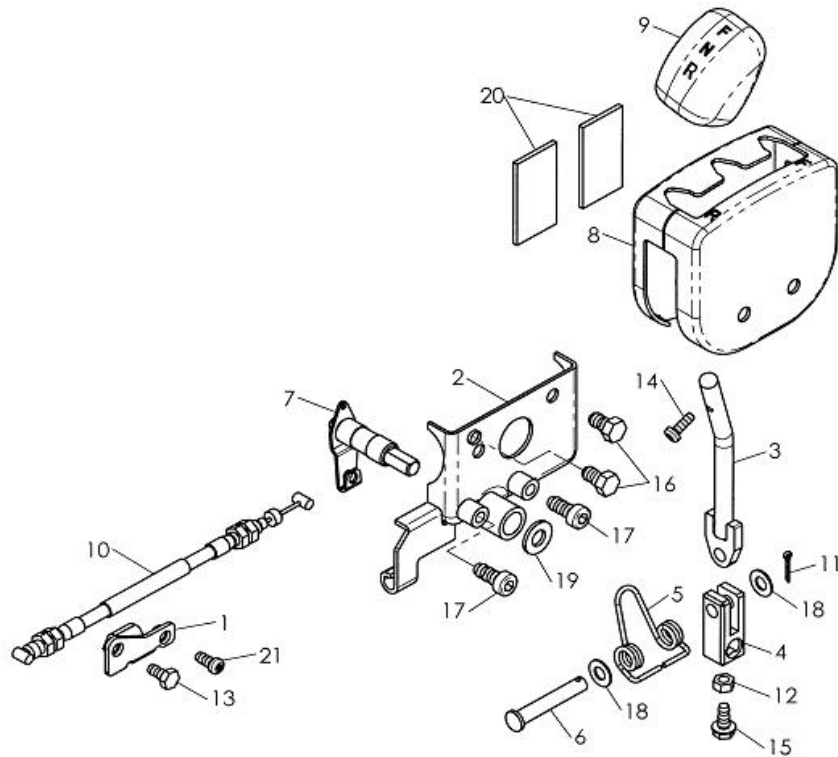
NO	PARTS NO.	PARTS NAME	QTY
1	15163-QUA-00	BOLT,FLANGE12*13	1
2	42831-QUA-00	LEFT GEAR CASE	1
3	42832-QUA-00	RIGHT GEAR CASE	1
4	42833-QUA-00	GASKET,GEAR CASE	1
5	42855-QUA-00	ROCKER ARM,REVERSE GEAR SHIFT	1
6	93110-12227	OIL SEAL TC12227	1
7	93110-38558	OIL SEALTC38558	1
8	93110-42629	OIL SEAL TC42629	1
9	93110-62729	OIL SEAL TC62729	1
10	93310-142012	BEARING,RADIAL BALL HK1412	1
11	93310-556825N	BEARING,RADIAL BALL NK5525	1
12	93320-123712A	BEARING,RADIAL BALL 6301A	1
13	93320-356214Z	BEARING,RADIAL BALL 6007Z	1
14	94410-10014	PIN,DOWEL10*14	2
15	94717-08042-C	BOLT,STUD 8*42	1
16	95201-081207-B	NUT,HEXAGON	1
17	96414-08038-B	BOLT,FLANGE 8*38	5
18	96414-08012-B	BOLT,FLANGE 8*12	1
19	96414-06010-B	BOLT,FLANGE 6*10	2
20	97012-62020-K	CIRCLIP φ 62	1
21	97230-122011	WASHER,COPPER 12*22*1.1	1
22	97230-081512	WASHER,COPPER 8*15*1.2	1
23	97230-06161212	WASHER,COPPER 6*12*1.2	1

FIG 28 GEAR SHIFT



NO	PARTS NO.	PARTS NAME	QTY
1	42846-QUA-00	COUNTER SHAFT,TRANSMISSION	1
2	42842-QUA-00	SLIDE B	1
3	42844-QUA-00	GEAR B2 17T	1
4	42845-QUA-00	FORK,GEAR SHIFT	1
5	42851-QUA-00	DRUM,REVERSE GEAR SHIFT	1
6	42852-QUA-00	GEAR C 24T	1
7	42853-QUA-00	GEAR B3 17T	1
8	42854-QUA-00	SPRING,RETURN	1
9	93310-151913K	BEARING RADIAL BALL K151913	1
10	93310-151917K	BEARING RADIAL BALL K151917	1
11	93310-202413K	BEARING RADIAL BALL K202413	1
12	97010-20012-K	CIRCLIP ϕ 20	1
13	97011-10010-K	CIRCLIP ϕ 10	2
14	97014-15010-K	CIRCLIP ϕ 15	1
15	97201-122210	WASHER,PLATE 12*22*1.0	1
16	97201-151910-K	WASHER,PLATE 15*19*1.0	1
17	97201-151914-K	WASHER,PLATE 15*19*1.4	1
18	97201-152110-K	WASHER,PLATE 15*21*1.0	2
19	97201-152510-K	WASHER,PLATE 15*25*1.0	2
20	97201-202610-K	WASHER,PLATE 20*26*1.0	2

FIG 29 REVERSE GEAR LEVER



NO	PARTS NO.	PARTS NAME	QTY
1	42856-QUA-00	PLATE,REVERSE GEAR REAR CABLE	1
2	42861-QUA-00	HOLDER SUPPORTING CABLE	1
3	42862-QUA-00	REVERSE GEAR LEVER	1
4	42863-QUA-00	HOLDER,REVERSE GEAR LEVER	1
5	42864-QUA-00	SPRING RETURN	1
6	42865-QUA-00	PIN,LEVER FIXTURE	1
7	42866-QUA-00	GEAR TURNING AXLE	1
8	42868-QUA-00	COVER,REVERSE GEAR LEVER	1
9	42869-QUA-00	LEVER HANDLE ASSY	1
10	61210-QUA-00	CABLE,GEAR SHIFT	1
11	90240-18016-B	PIN,COTTER 1.8*16	1
12	95201-061005-B	NUT,FLANGE	1
13	96210-06014-B	BOLT,HEXAGON6*14	1
14	96310-05014-B	SCREW,PAN HEAD 5*14	1
15	96414-06014-B	BOLT,FLANGE 6*14	1
16	96210-08012-B	BOLT,HEXAGON 8*12	2
17	96510-08018-B	BOLT,FLANGE 8*16	2
18	97201-081610-B	WASHER,PLATE 8*16*1.0	2
19	97201-102020-B	WASHER,PLATE 10*20*2.0	1
20	62111-CHP-00	PADDED	1
21	96310-06014-B	SCREW,PAN HEAD 6*14	1

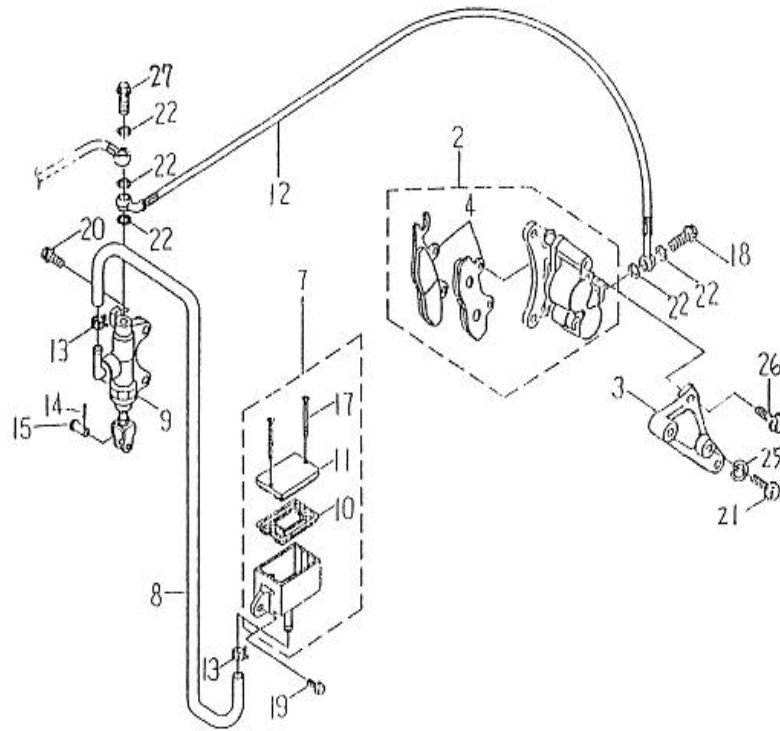
[MENU PAGE](#)

[PAGE UP](#)

[PAGE DOWN](#)

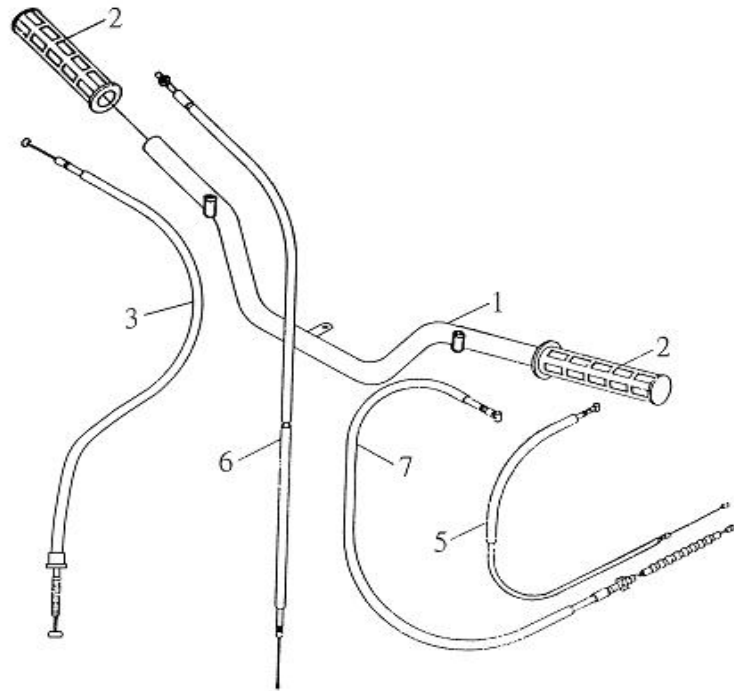
[INDEX](#)

FIG 30 REAR BRAKE



NO	PARTS NO.	PARTS NAME	Q'TY
2	45801-QUA-00	PARKING BRAKE CALIPER ASSY	1
3	45810-QUA-00	BRACKET,CALIPER	1
4	45815-QUA-00	PAD, CALIPER	1
7	45871-RAM-00	RESERVOIR	1
8	45874-RAM-00	HOSE 8*13*400	1
9	45877-RAM-01	CYLINDER KIT, MASTER	1
10	45878-NAF-00	DIAPHRAGM, RESERVOIR	1
11	45879-NAF-00	CAP, RESERVOIR	1
12	61320-RAM-00	HOSE, BRAKE	1
13	90220-80013	CLAMP	2
14	90230-12008	COTTER PIN	1
15	94610--06016-B	PIN, CLEVIS	1
17	94712-04040-K	SCREWM FLAT HEAD	2
18	94716-10022-G	BOLT, UNION	1
19	96414-06016-B	BOLT, FLANGE	1
20	96414-06022-B	BOLT, FLANGE	2
21	96414-08035-B	BOLT, FLANGE	2
22	97230-101512	WASHER,COPPER 10.3*15*1.2	5
25	97301-081420-B	WASHER,SPRING	2
26	96414-10028-B	BOLT,FLANGE	2
27	94716-10033-G	BOLT,UNION	1

FIG 31 STEERING HANDLE CABLE



NO	PARTS NO.	PARTS NAME	QTY
1	46110-RAM-01	HANDLEBAR	1
2	46240-RAM-00	GRIP	2
3	61813-QUA-00	CABLE,PARKING BRAKE	1
5	61420-RAM-00	CABLE,CLUTCH	1
6	61620-STG-00	CABLE,THROTTLE	1
7	61720-RAM-00	CABLE,CHOKE	1

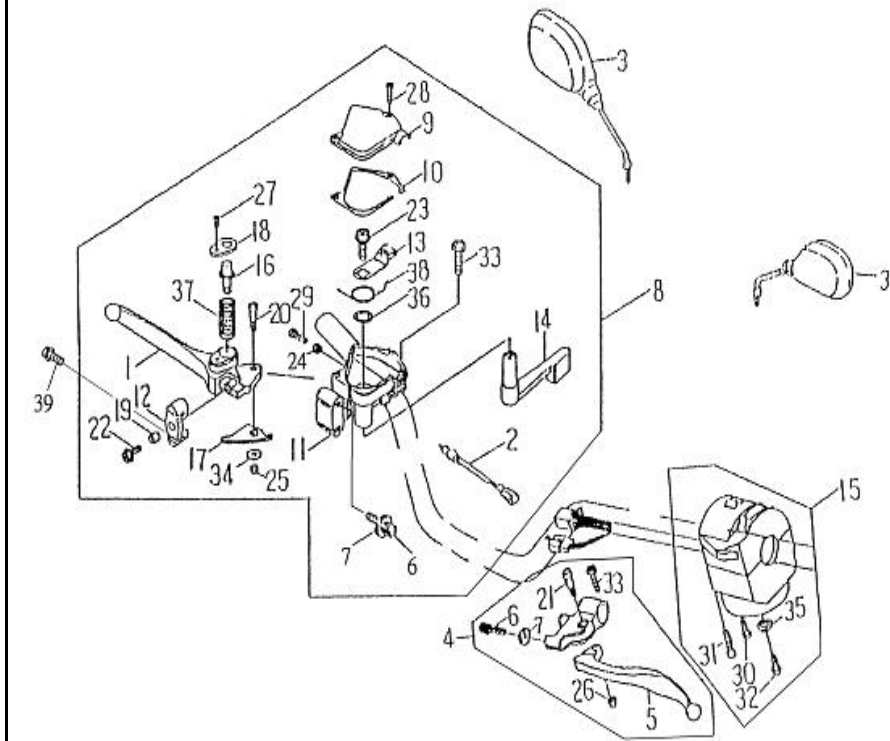
[MENU PAGE](#)

[PAGE UP ▲](#)

[PAGE DOWN ▼](#)

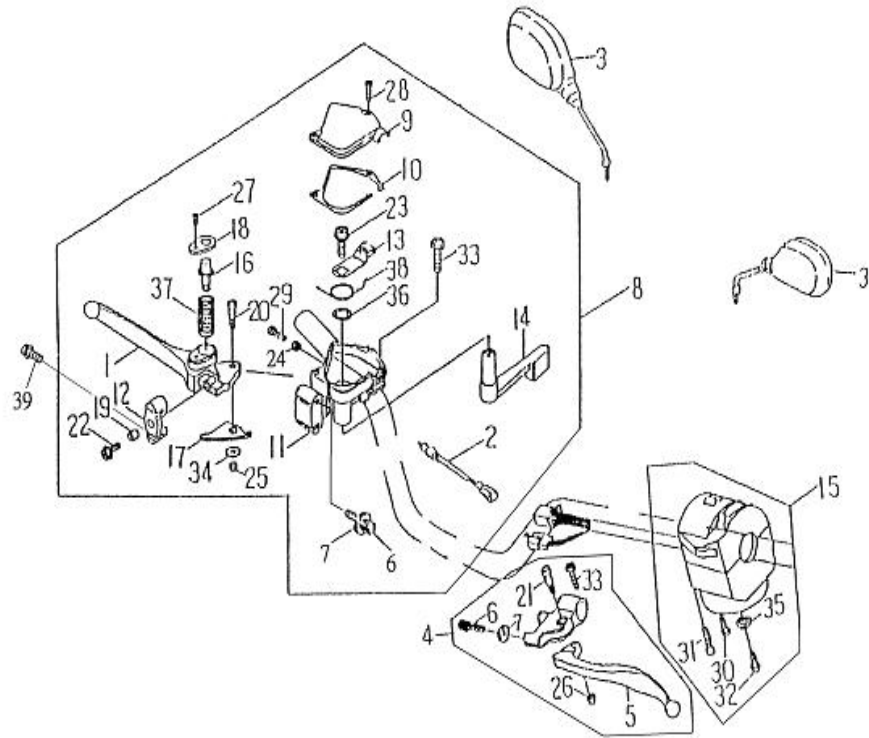
[INDEX](#)

FIG 32 HANDLE SWITCH,LEVER



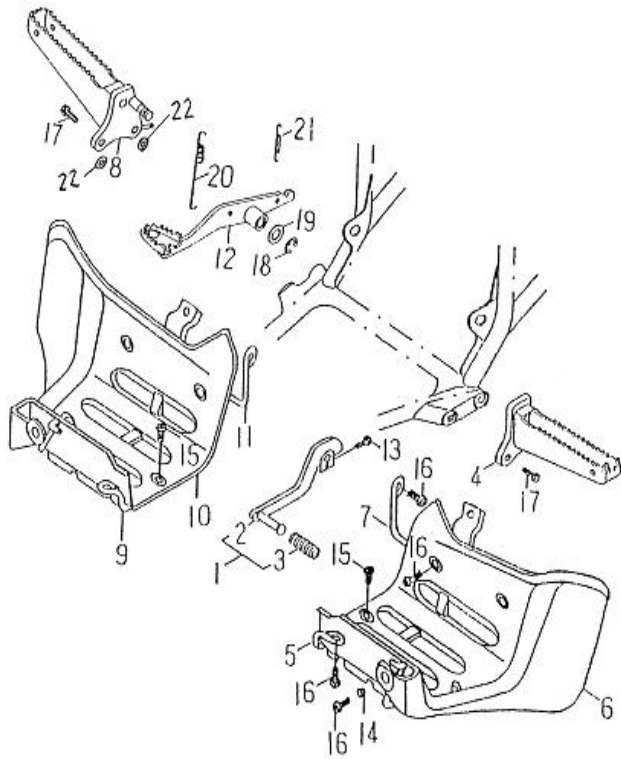
NO	PARTS NO.	PARTS NAME	Q'TY
1	45872-RAM-00	LEVER,R	1
2	45890-RAM-00	WIRING,FR STOP SWITCH	1
3	56270-ROA-00	MIRROR ASS'Y,BACK	1
4	62910-RAM-01	LEVER ASS'Y,HANDLEL	1
5	62912-SK9-01	LEVER,L	1
6	62916-RAM-00	BOLT,WIRE ADJUSTING	2
7	62917-RAM-00	NUT,WIRE ADJUSTING	2
8	62920-RAM-01	THROTTLE LEVER ASS'Y	1
9	62923-RAM-00	CAP,THROTTLE	1
10	62924-RAM-00	GASKET,THROTTLE	1
11	62925-RAM-00	THROTTLE LEVER	1
12	62926-RAM-00	JOINT,CABLE	1
13	62927-RAM-00	ARM,THROTTLE	1
14	62928-RAM-00	LEVER,THROTTLE	1
15	62930-RAM-02	HANDLE SWITCH ASS'Y L	1
16	62971-RAM-00	PIN,LOCK	1
17	62973-RAM-00	LOCK,LEVER	1
18	62976-RAM-00	COVER	1
19	93560-68507	COLLAR,LEVER 6.3*8.5*7.4	1
20	94710-05022-G	BOLT,LEVER	1
21	94710-06029-G	BOLT,LEVER	1
22	94714-06016-G	BOLT	1
23	94714-08012-G	BOLT	1
24	95201-050804-G	NUT,HEXAGON	1
25	95311-050805-K	NUT,NYLON	1
26	95311-061006-K	NUT,NYLON	1
27	96310-03008-B	SCREW,PAN HEAD	1
28	96310-04015-G	SCREW,PAN HEAD	2
29	96310-05015-G	SCREW,PAN HEAD	1
30	96310-05030-G	SCREW,PAN HEAD	1
31	96310-05040-G	SCREW,PAN HEAD	1
32	96310-06010-G	SCREW,PAN HEAD	1

FIG 32 HANDLE SWITCH,LEVER



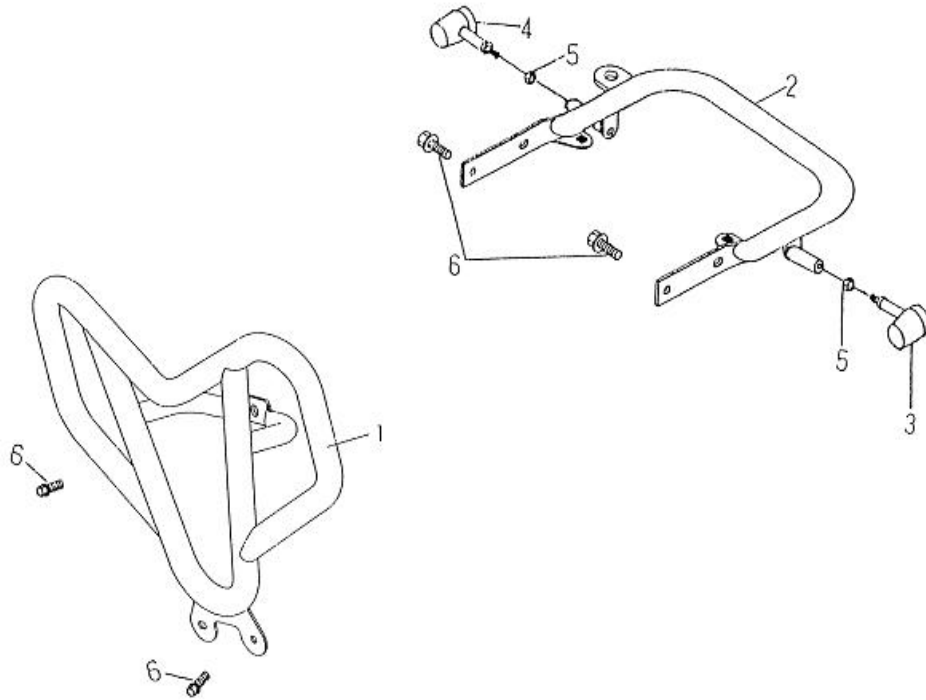
NO	PARTS NO.	PARTS NAME	QTY
33	96510-06020-G	BOLT	2
34	97201-051516-C	WASHER,PLATE 5.3*15*1.6	1
35	97201-061310-B	WASHER,PLATE 6.5*13*1.0	1
36	97201-142016-C	WASHER,PLATE 14.2*19.7*1.6	1
37	97501-08025-B	SPRING	1
38	97508-10240-B	SPRING	1
39	96414-06012-K	BOLT,FLANGE	1

FIG 33 FOOTREST



NO	PARTS NO.	PARTS NAME	Q'TY
1	53210-RAM-00	CHANGER PENDAL ASS'Y	1
2	53211-RAM-00	CHANGER PENDAL	1
3	53214-ROA-00	RUBBER,CHANGE PEDAL	1
4	53231-RAM-00	FOOTREST L	1
5	53233-RAM-00	MUDGUARD STAY L1	1
6	53234-RAM-00	MUDGUARD L	1
7	53236-QUA-00	MUDGUARD STAY L2	1
8	53241-RAM-01	FOOTREST R	1
9	53243-RAM-00	MUDGUARD STAY R1	1
10	53244-RAM-00	MUDGUARD R	1
11	53246-QUA-01	MUDGUARD STAY R2	1
12	53261-RAM-01	PEDAL,BRAKE	1
13	94714-06020-B	BOLT,FLANGE	1
14	95401-061006-B	NUT,FLANGE	1
15	96318-06012-B	SCREW,PAN HEAD	6
16	96318-06015-B	SCREW,PAN HEAD	8
17	96414-10025-B	BOLT,FLANGE	4
18	97011-12010-B	CIRCLIP 12*1.0	1
19	97201-152620-B	WASHER,PLATE 15.2*25.6*2.0	1
20	97506-12140-B	SPRING,TENSION	1
21	97506-14050-B	SPRING,TENSION	1
22	97201-122223-B	WASHER,PLATE 12.2*22*2.3	2

FIG34 GUARD



NO	PARTS NO.	PARTS NAME	QTY
1	41601-QUA-01	SHIELD,FRONT	1
2	52850-RAM-04	SHIELD,REAR	1
3	55750-RAM-00	WINKER ASS'Y,L REAR	1
4	55760-RAM-00	WINKER ASS'Y,R REAR	1
5	95201-101408-B	NUT,HEXAGON	2
6	96414-08016-B	BOLT,FLANGE	7

[MENU PAGE](#)

[PAGE UP](#)

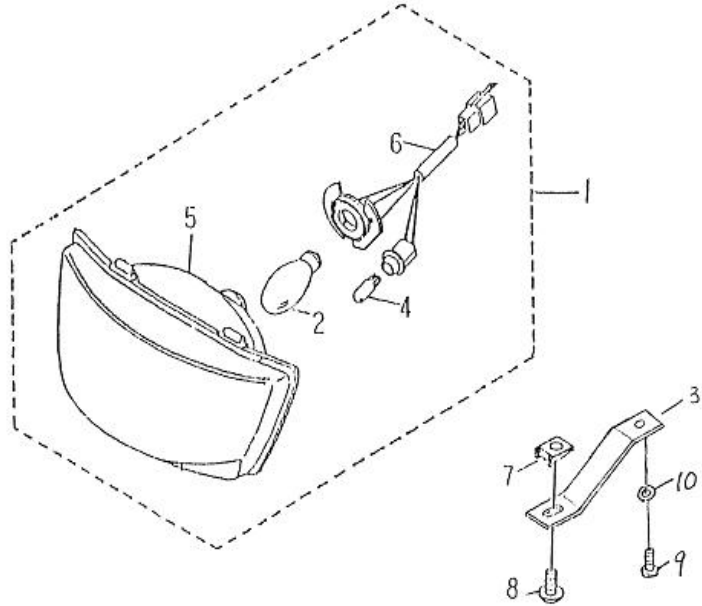


[PAGE DOWN](#)



[INDEX](#)

FIG 35 HEAD LIGHT



NO	PARTS NO.	PARTS NAME	QTY
1	55300-STG-00	HEAD LIGHT ASS'Y	1
2	55314-NFF-00	BULB,HEAD LIGHT 12V30/30W	1
3	55315-AL9-00	STAY,HEAD LIGHT	1
4	55316-NGF-00	BULB,POSITION LAMP	1
5	55320-STG-00	LENS ASS'Y	1
6	55340-STG-01	SOCKET CORD ASS'Y	1
7	95101-05012	NUT,SPRING	1
8	96112-51616-K	SCREW,TAPPING	1
9	96310-04010-B	SCREW,PAN HEAD	1
10	97201-051410-B	WASHER,PLATE 5*14*1.0	1

[MENU PAGE](#)

[PAGE UP](#)

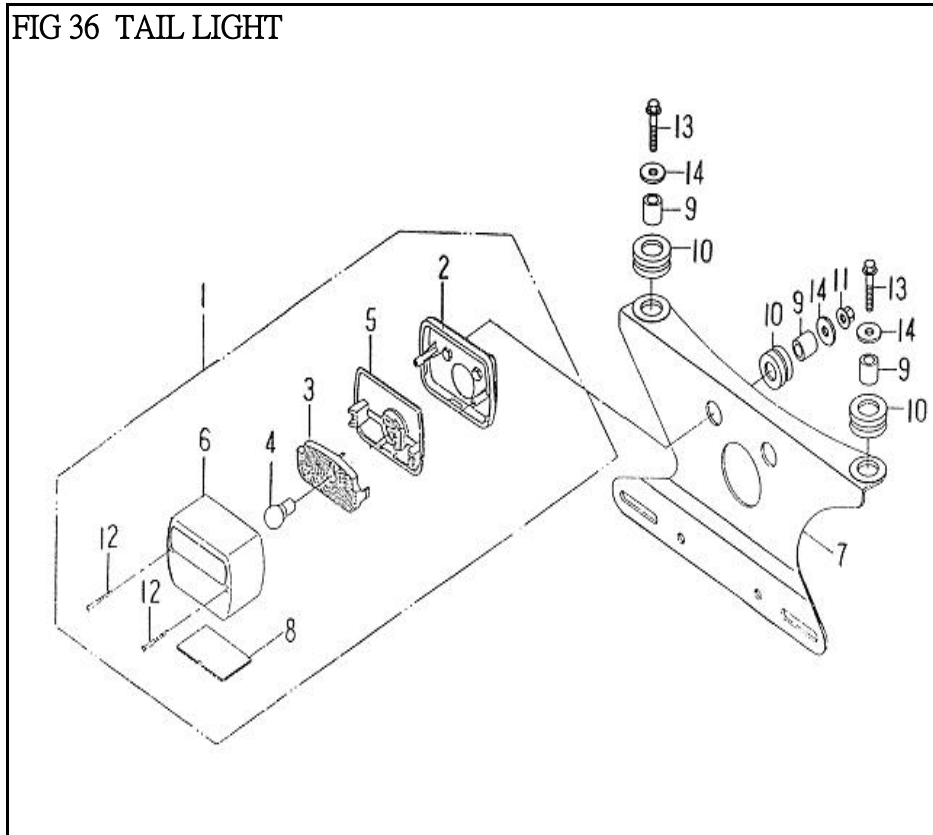


[PAGE DOWN](#)



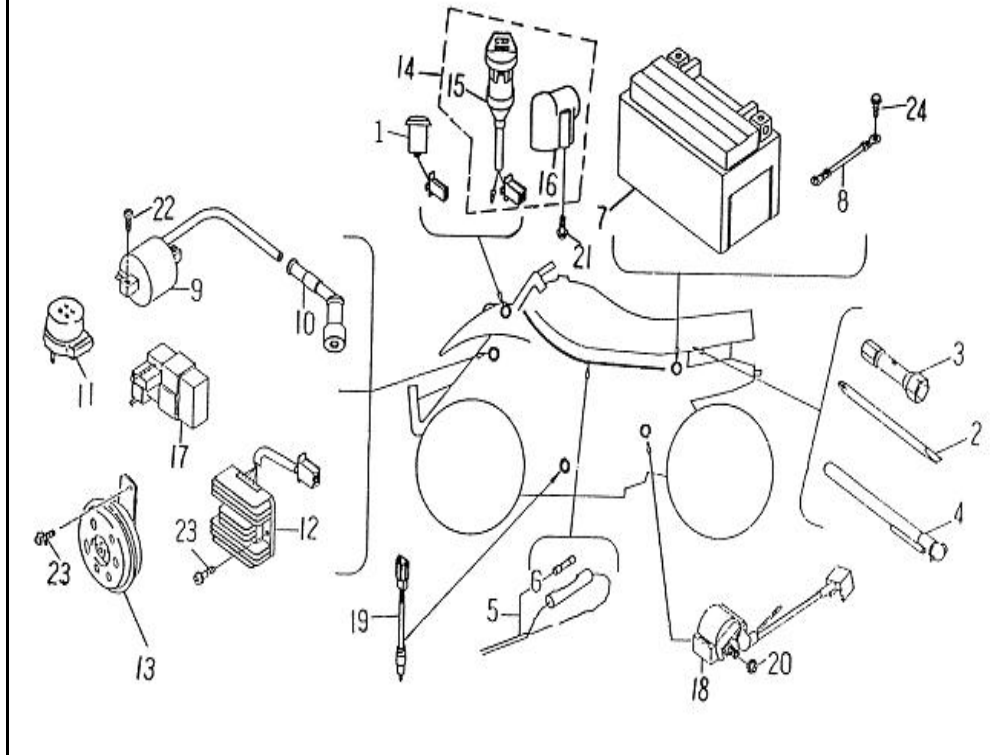
[INDEX](#)

FIG 36 TAIL LIGHT



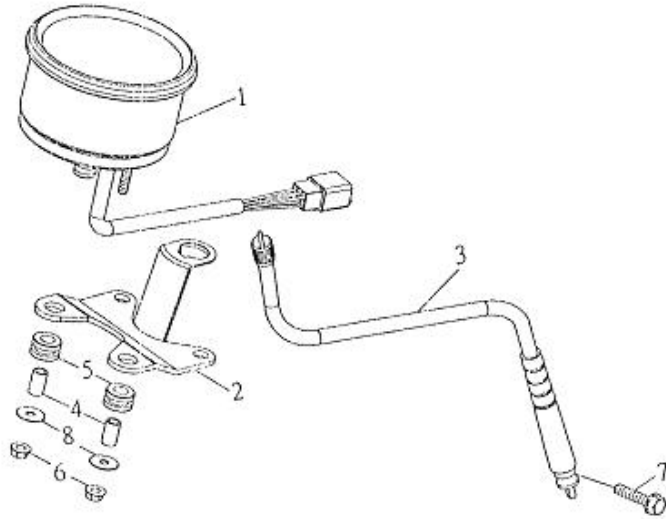
NO	PARTS NO.	PARTS NAME	Q'TY
1	55700-CHP-00	TAIL LIGHT ASS'Y	1
2	55701-CHP-00	STAND,TAIL LIGHT	1
3	55713-PAF-00	BULB STAND,TAIL LIGHT	1
4	55714-PAF-00	BULB, TAIL LIGHT	1
5	55715-PAF-00	WASHER	1
6	55721-PAF-00	LENS,TAIL LIGHT	1
7	55726-RAM-00	HOLDER,TAIL LIGHT	1
8	55743-PAF-00	LENS,LICENSE LIGHT	1
9	93510-061010	COLLAR	4
10	93580-102212	GROMMET	4
11	95401-061006-B	NUT,FLANGE	2
12	96112-43818-B	SCREW,TAPPING	2
13	96414-06020-B	BOLT,FLANGE	2
14	97201-061820-B	WASHER,PLATE	4

FIG37 WIRE HARNESS



NO	PARTS NO.	PARTS NAME	QTY
1	55550-RAM-00	NEUTRAL LIGHT ASS'Y	1
2	56120-RAM-00	SCREW DRIVER	1
3	56140-RAM-00	TOOL PLUG	1
4	56190-RAM-00	GAUGE,AIR	1
5	61120-RAM-04	WIRE,HARNESS	1
6	61151-CHP-00	FUSE (15A250V)	1
7	62100-GAT-00	BATTERY ASS'Y (YTX7A-BS)	1
8	62120-RAM-00	CABLE,EARTH	1
9	62310-ROA-00	IGNITION COIL ASS'Y	2
10	62320-CHP-00	PLUG CAP ASS'Y	1
11	62350-NAF-01	FLASHER RELAY ASSEMBLY	1
12	62360-CHP-00	RECTIFIER®ULATOR COMP	1
13	62370-NAF-00	HORN	1
14	62500-RAM-00	KEY SET	1
15	62501-RAM-00	MAIN SWITCH ASS'Y	1
16	62503-RAM-00	LOCK COMP,STEERING HANDLE	1
17	62540-RAM-01	C.D.I UNIT ASS'Y	1
18	62550-RAM-00	STARTER RELAY SWITCH COMP	1
19	62980-CHP-00	SWITCH ASS'Y,REAR STOP	1
20	95401-061006-B	NUT,FLANGE	1
21	96310-05012-B	SCREW,PAN HEAD5*12	2
22	96310-05016-B	SCREW,PAN HEAD5*16	2
23	96312-06016-K	SCREW,PAN HEAD WITH WASHER	2
24	96414-06012-B	BOLT,FLANGE	1

FIG 38 SPEEDOMETER



NO	PARTS NO.	PARTS NAME	QTY
1	55510-RAM-01	SPEEDOMETER ASS'Y	1
2	55516-RAM-01	HOLDER,SPEEDOMETER	1
3	61520-RAM-01	CABLE,SPEEDOMETER ASS'Y	1
4	93510-050814-B	COLLAR,SPEEDOMETER	2
5	93580-81615	GROMMET	2
6	95401-050805-B	NUT,FLANGE	2
7	96414-06020-B	BOLT,FLANGE 6*20	1
8	97201-051610	WASHER,PLATE 5.3*16*1	2

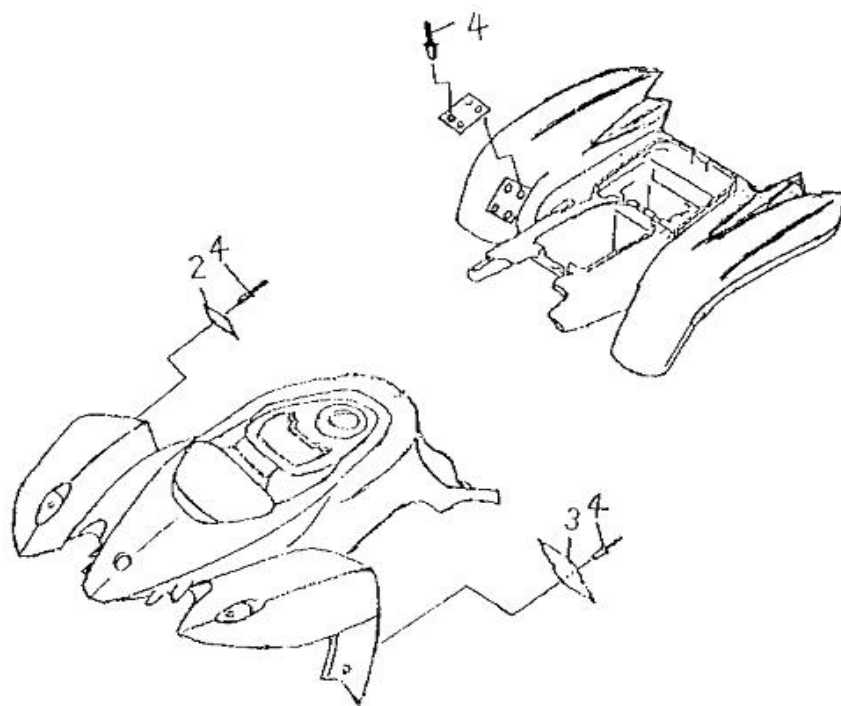
[MENU PAGE](#)

[PAGE UP](#)

[PAGE DOWN](#)

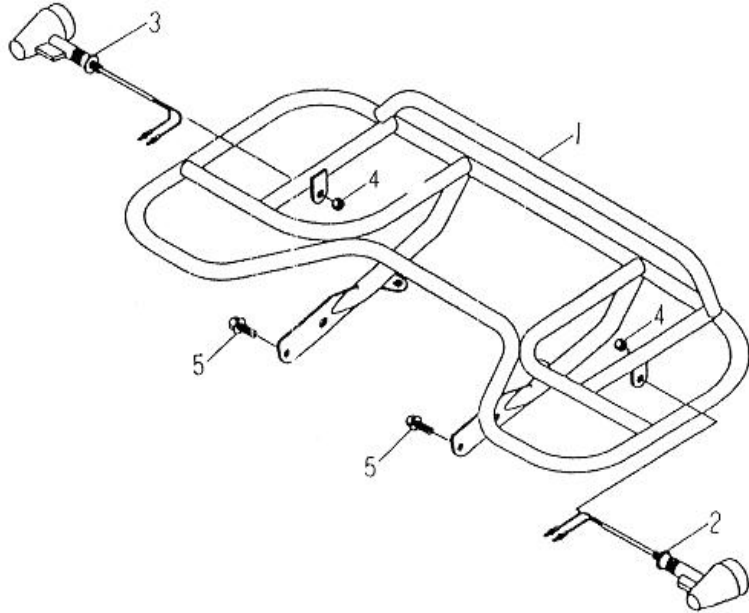
[INDEX](#)

FIG 39 WARNING



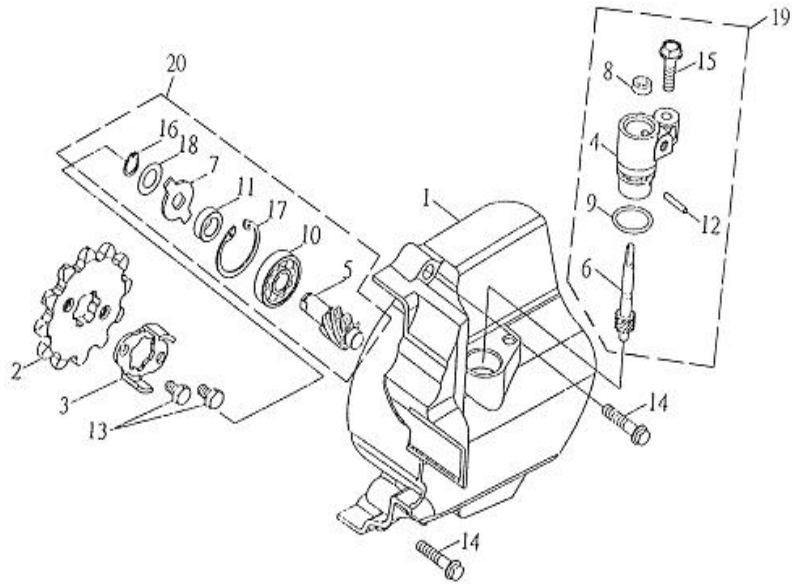
NO	PARTS NO.	PARTS NAME	QTY
1	56576-AAM-01	LABEL WARNING 3 (Tire)	1
2	56578-AAM-00E	LABEL WARNING 2 (Age)	1
3	56781-AAM-01	LABEL WARNING 1 (Operation)	1
4	94320-32096	RIVET 3.2*9.6	14

FIG 40 CARRIER,REAR



NO	PARTS NO.	PARTS NAME	QTY
1	52850-RAM-03	CARRIER,REAR	1
2	55750-RAM-00	WINKER ASS'Y,L REAR	1
3	55760-RAM-00	WINKER ASS'Y,R REAR	1
4	95201-101408-B	NUT,HEXAGON	2
5	96414-08016-B	BOLT,FLANGE	4

FIG 41 GEAR,SPEEDOMETER



NO	PARTS NO.	PARTS NAME	QTY
1	15421-RAM-01	COVER,L REAR CRANKCASE	1
2	25711-RAM-00	SPROCKET DRIVE (12T)	1
3	25716-RAM-00	PLATE,FIXING	1
4	42563-GOO-00	GEAR,SPEEDOMETER BODY	1
5	45835-RAM-00	non détaillé	1
6	45838-RAM-00	non détaillé	1
7	45849-RAM-00	non détaillé	1
8	93110-06114	OIL SEAL VC 6*11*4	1
9	93210-20190	O-RING 2.0*19	1
10	93320-103009U	BEARING,RADIAL BALL 6200LUCS05/2A	1
11	93510-101706-B	COLLAR	1
12	94510-30018	PIN,DOWEL 3*18	1
13	96210-06010-B	BOLT,HEXAGON 6*10	2
14	96411-06028-B	BOLT,FLANGE 6*28	2
15	96414-06025-B	BOLT,FLANGE 6*25	1
16	97010-10010-K	CIRCLIP STW-10	1
17	97012-30012-K	CIRCLIP RTW-30	1
18	97201-101805	WASHER,PLATE 10.5*18*0.5	1
19	42560-AAM-00	GEAR,SPEEDOMETER ASS'Y	1
20	45834-AAM-00	GEAR DRIVE ASS'Y	1

[MENU PAGE](#)

[PAGE UP](#)

[PAGE DOWN](#)

[INDEX](#)