

NACIONAL MOTOR, S.A. DERBI

C/ Barcelona, nº19 - Martorelles 08107 - BARCELONA (SPAIN)
Tel. 93 565 78 78 - Fax 93 565 78 52

SENDA SM



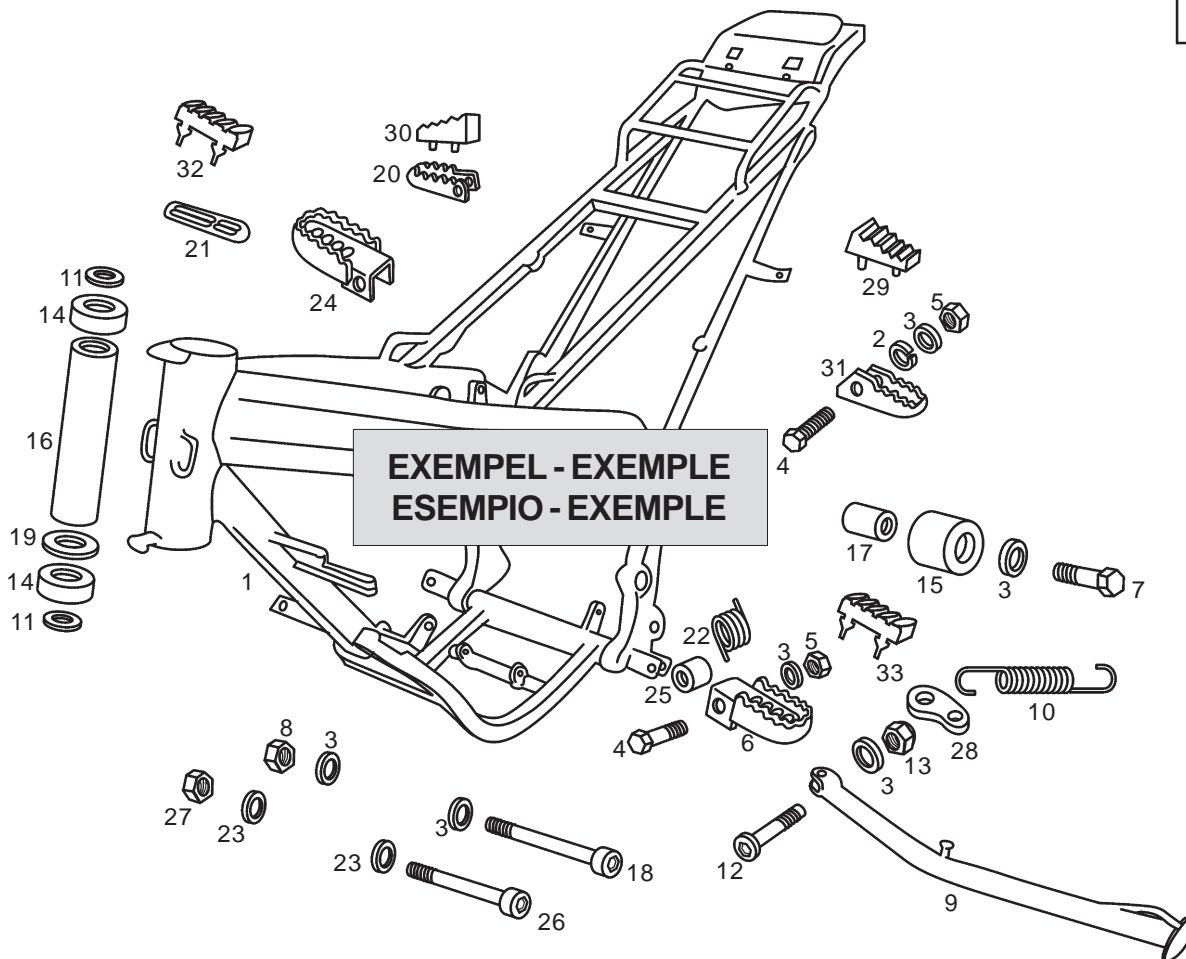
BESTIMMUNG DER VERSCHIEDENEN MODELLE IN DIESEM KATALOG

IDENTIFICAZIONE DEI MODELLI REPRESENTATI IN QUESTO CATALOGO SECONDO I NUMERI DA SEGUITO

IDENTIFICATION DES MODELOES REPRESENTES DANS CE CATALOGUE, EN FUNCTION DES CODES SUIVANTS

THE MODELS REFERRED INTO THIS CATALOGUE ARE IDENTIFIED BY FOLLOWING NUMBERS

<u>MODELL</u>	<u>BEZEICHNUNG</u>
<u>MODELLI</u>	<u>DENOMINAZIONE</u>
<u>MODELE</u>	<u>DENOMINATION</u>
<u>MODEL</u>	<u>MODEL NAME</u>
1	SENDA SM 2000 FRANCIA ROJO
2	SENDA SM 2000 FRANCIA NEGRO
3	SENDA SM 2000 FRANCIA AZUL
4	SENDA SM 2000 W.V.T.A. ROJO
5	SENDA SM 2000 W.V.T.A. NEGRO
6	SENDA SM 2000 W.V.T.A. AZUL
7	SENDA SM 2001 FRANCIA ROJO
8	SENDA SM 2001 FRANCIA NEGRO
9	SENDA SM 2001 FRANCIA AZUL
A	SENDA SM 2001 FRANCIA VERDE
B	SENDA SM 2001 W.V.T.A. ROJO
C	SENDA SM 2001 W.V.T.A. NEGRO
D	SENDA SM 2001 W.V.T.A. AZUL
E	SENDA SM 2001 W.V.T.A. VERDE



Figr.	Vers.	COD. KOD.	DENOMINAZIONE DESIGNATION	BEZEICHNUNG NAME	MOD.	N.º Telaio Nr. Rahmen N.º Cadre Frame Nr.
①	01A	00H01968601	RHAMEN COMP. TELAIO	SOUS ENSEMBLE CADRE FRAME	123 89A	7
②	01A 01	00H01968601	RHAMEN COMP. TELAIO	SOUS ENSEMBLE CADRE FRAME	123 89A	⑦ XXXXXXX
③	01A 02	00H01968601				XXXXXXX
④	01A 03	00H01968601	RHAMEN COMP. TELAIO	SOUS ENSEMBLE CADRE FRAME	123 89A	7 XXXXXXX
	⑤			⑧		⑥

1- Zeichnung - Number. 2- Ausführung. 3- Gestrichene Ersatzteilnummer. 4- Ersetzte Ersatzteilnummer. 5- Ersatzteilnummer. 6- Modell - Nummer. 7- Rhamen - order motonummer, für die ein neues teil eingesetzt wird, z.b. eine nummer, die geändert (s. para 2), order ein teil, das gestrichen wurde (s. para 3), order ein teil, das vorübergehend gestrichen war und nun wieder im programm ist (s. para 4) für verschiedene modelle (s. para 6) 8- Bezeichnung.

1- Codice di localizzazione pezzi. 2- Codice indicatore del pezzo sostituito. 3- Il pezzo precedente non si monta. 4- Codice indicatore dei pezzi che si tornano a montare. 5- Codice di identificazione del pezzo. 6- Identificazione del modello. 7- Il codice di questa casella indica che, dal numero di Telaio/ motore indicato, si monta un nuovo pezzo che sostituisce il precedente (sezione 2), che un pezzo non si monta (sezione 3), oppure che il pezzo annullato si monta di nuovo (sezione 4), facendo riferimento al modello indicato (sezione 6). 8- Denominazione del pezzo.

1- Code de localisation de la pièce. 2- Code indicateur de pièce remplace par un autre. 3- Code indicateur de pièce annulé (elle n'est plus montée). 4- Code indicateur de pièce restituée (elle se monte à nouveau). 5- Code référence de la pièce. 6- Relevé de codes d'identification. 7- Les codes de cette case indiquant qu'à partir de numero de chassis ou de moteur indiqué, un nouvelle pièce est montée en remplacement d'une autre (section 2), q'une pièce n'est plus montée (section 3) ou la pièce anulée est montée à nouveau (section 4) et concernant les modèles indiqués (section 6). 8- Denomination de la pièce.

1- Part location number. 2- Substituted part number. 3- Withdrawn part number (no longer fitted). 4- Restored part number (newly fitted going withdrawn). 5- Part reference number. 6- Model identification number. 7- Chassis or engine number from which a new part is fitted substituting a part which has been withdrawn (see para 2) or a part is withdrawn is fitted again (see para 4), in the models indicated (see para 6). 8- Part identification label.

Farbcode / Lista Parti Coloranti

Liste des Pièces Similaires Codifiées par Couleur / Color Combination Parts List

FARBE / COLORE / COLEUR / COLOUR: ROJO		
ERSATZEILNUMMER CODICE RIF. DEL PEZZO CODE RÉF. DE LA PIÈCE PART REF. NUMBER	BEZELCHNUNG / DENOMINAZIONE / DESIGNATION / NAME	
00H00404681	TANKKLAPPE SUBCOMP.CARCASSA SUP.SERB.SDA-	COUVERCLE DE RESERVOIR TOP TANK FRAME
00H00532691	SEITENDECKEL RECHTS SUBCOMP.COPERC.LAT.DES.C/C.	PLAQUE LATERAL DROITE AVEC RIGHT HAND SIDE COVER
00H00533701	SEITENDECKEL- LINKS SUBCOMP.COP.LAT.SIN.C/C.	FLANC LAT.G.AVEC DECAL LEFT HAND SIDE COVER
00H00612011	SITZBANK COMP.SELLINO	SELLE SEAT
00H02218371	SCHEINWERFERVERKLEIDUNG SUBCOMP.CARC.FARO C/C.	PLAQUE PHARE HEADLIGHT CUSING SUB-ASSEMBLY
00H04418831	KHULERVERKLEIDUNG SUBCOMP.COP.ANT.SIN.C/C	OUIE MOTEUR G. FRONT COVER LEFT SIDE
00H04420801	SEITENTEIL SUBCOMP.COP.ANT.DES.C/C.	OUIE MOTEUR D. LOWER RIGHT-HAND ADORNMENT
00H04906091	KOTFLUGEL HINTEN COLIN SELLINO	DOSSERET SELLE SEAT BASE

FARBE / COLORE / COLEUR / COLOUR: NEGRO		
ERSATZEILNUMMER CODICE RIF. DEL PEZZO CODE RÉF. DE LA PIÈCE PART REF. NUMBER	BEZELCHNUNG / DENOMINAZIONE / DESIGNATION / NAME	
00H00404684	TANKKLAPPE SUBCOMP.CARCASSA SUP.SERB.SDA-	COUVERCLE DE RESERVOIR TOP TANK FRAME
00H00532692	SEITENDECKEL RECHTS SUBCOMP.COPERC.LAT.DES.C/C.	PLAQUE LATERAL DROITE AVEC RIGHT HAND SIDE COVER
00H00533702	SEITENDECKEL- LINKS SUBCOMP.COP.LAT.SIN.C/C.	FLANC LAT.G.AVEC DECAL LEFT HAND SIDE COVER
00H00612011	SITZBANK COMP.SELLINO	SELLE SEAT
00H02218372	SCHEINWERFERVERKLEIDUNG SUBCOMP.CARC.FARO C/C.	PLAQUE PHARE HEADLIGHT CUSING SUB-ASSEMBLY
00H04404782	KHULERVERKLEIDUNG SUBCOMP.COP.ANT.SIN.C/C	OUIE MOTEUR G. FRONT COVER LEFT SIDE
00H04420802	SEITENTEIL SUBCOMP.COP.ANT.DES.C/C.	OUIE MOTEUR D. LOWER RIGHT-HAND ADORNMENT
00H04906092	KOTFLUGEL HINTEN COLIN SELLINO	DOSSERET SELLE SEAT BASE

Farbcode / Lista Parti Coloranti

Liste des Pièces Similaires Codifiées par Couleur / Color Combination Parts List

FARBE / COLORE / COLEUR / COLOUR: AZUL		
ERSATZEILNUMMER CODICE RIF. DEL PEZZO CODE RÉF. DE LA PIÈCE PART REF. NUMBER	BEZELCHNUNG / DENOMINAZIONE / DESIGNATION / NAME	
00H00404683	TANKKLAPPE SUBCOMP.CARCASSA SUP.SERB.SDA-	COUVERCLE DE RESERVOIR TOP TANK FRAME
00H00532693	SEITENDECKEL RECHTS SUBCOMP.COPERC.LAT.DES.C/C.	PLAQUE LATERAL DROITE AVEC RIGHT HAND SIDE COVER
00H00533703	SEITENDECKEL- LINKS SUBCOMP.COP.LAT.SIN.C/C.	FLANC LAT.G.AVEC DECAL LEFT HAND SIDE COVER
00H00612011	SITZBANK COMP.SELLINO	SELLE SEAT
00H02218373	SCHEINWERFERVERKLEIDUNG SUBCOMP.CARC.FARO C/C.	PLAQUE PHARE HEADLIGHT CUSING SUB-ASSEMBLY
00H04404783	KHULERVERKLEIDUNG SUBCOMP.COP.ANT.SIN.C/C	OUIE MOTEUR G. FRONT COVER LEFT SIDE
00H04420803	SEITENTEIL SUBCOMP.COP.ANT.DES.C/C.	OUIE MOTEUR D. LOWER RIGHT-HAND ADORNMENT
00H04906093	KOTFLUGEL HINTEN COLIN SELLINO	DOSSERET SELLE SEAT BASE

FARBE / COLORE / COLEUR / COLOUR: VERDE		
ERSATZEILNUMMER CODICE RIF. DEL PEZZO CODE RÉF. DE LA PIÈCE PART REF. NUMBER	BEZELCHNUNG / DENOMINAZIONE / DESIGNATION / NAME	
00H00404682	TANKKLAPPE SUBCOMP.CARCASSA SUP.SERB.SDA-	COUVERCLE DE RESERVOIR TOP TANK FRAME
00H00532694	SEITENDECKEL RECHTS SUBCOMP.COPERC.LAT.DES.C/C.	PLAQUE LATERAL DROITE AVEC RIGHT HAND SIDE COVER
00H00533704	SEITENDECKEL- LINKS SUBCOMP.COP.LAT.SIN.C/C.	FLANC LAT.G.AVEC DECAL LEFT HAND SIDE COVER
00H00612011	SITZBANK COMP.SELLINO	SELLE SEAT
00H02218374	SCHEINWERFERVERKLEIDUNG SUBCOMP.CARC.FARO C/C.	PLAQUE PHARE HEADLIGHT CUSING SUB-ASSEMBLY
00H04418834	KHULERVERKLEIDUNG SUBCOMP.COP.ANT.SIN.C/C	OUIE MOTEUR G. FRONT COVER LEFT SIDE
00H04420804	SEITENTEIL SUBCOMP.COP.ANT.DES.C/C.	OUIE MOTEUR D. LOWER RIGHT-HAND ADORNMENT
00H04906094	KOTFLUGEL HINTEN COLIN SELLINO	DOSSERET SELLE SEAT BASE

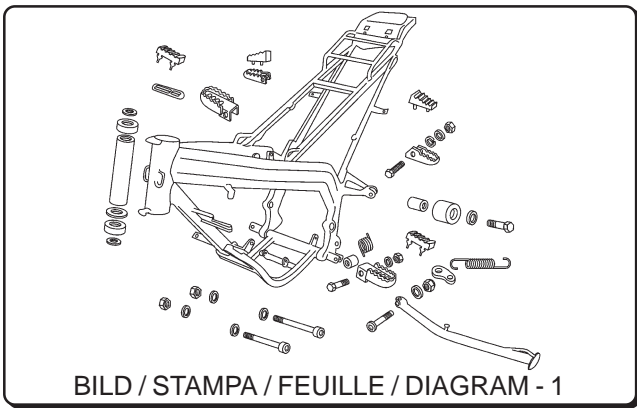


BILD / STAMPA / FEUILLE / DIAGRAM - 1

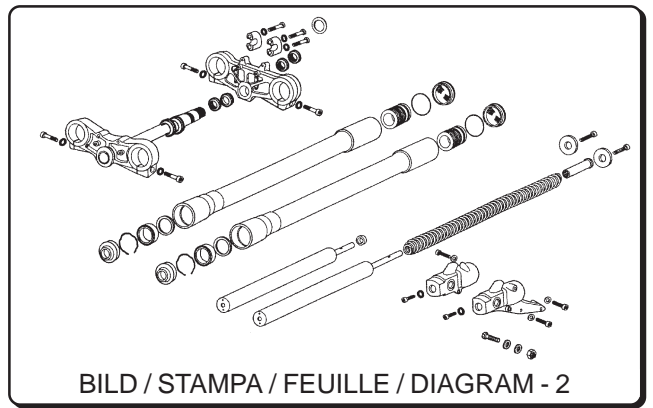


BILD / STAMPA / FEUILLE / DIAGRAM - 2

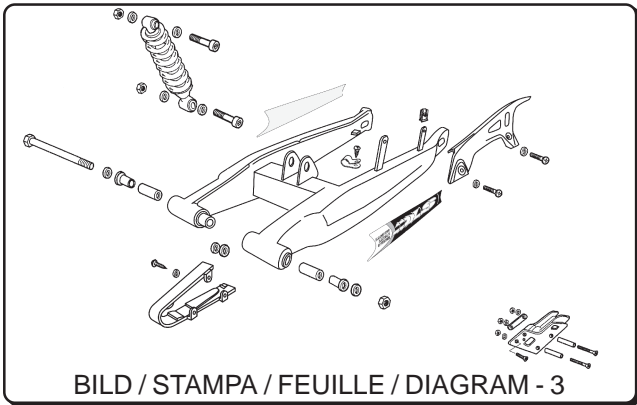


BILD / STAMPA / FEUILLE / DIAGRAM - 3

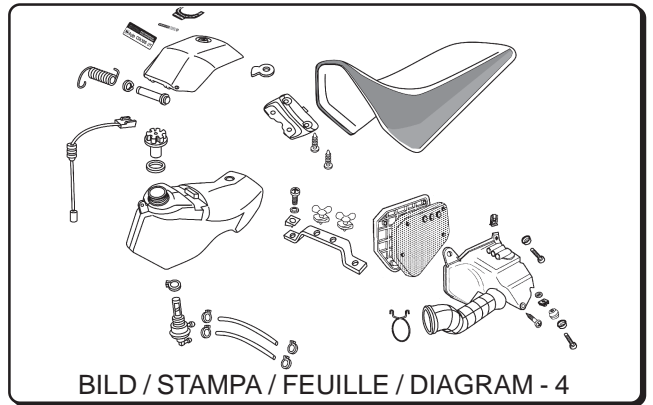


BILD / STAMPA / FEUILLE / DIAGRAM - 4

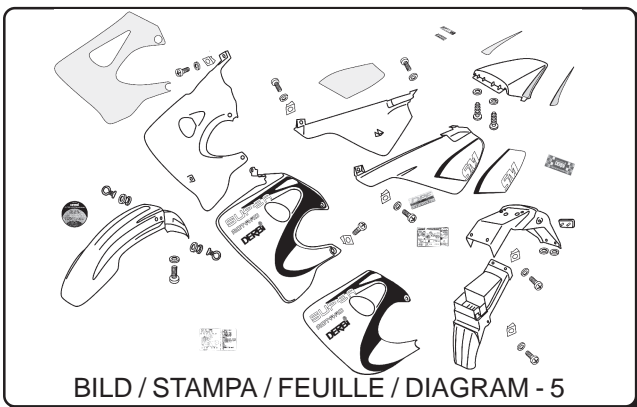


BILD / STAMPA / FEUILLE / DIAGRAM - 5

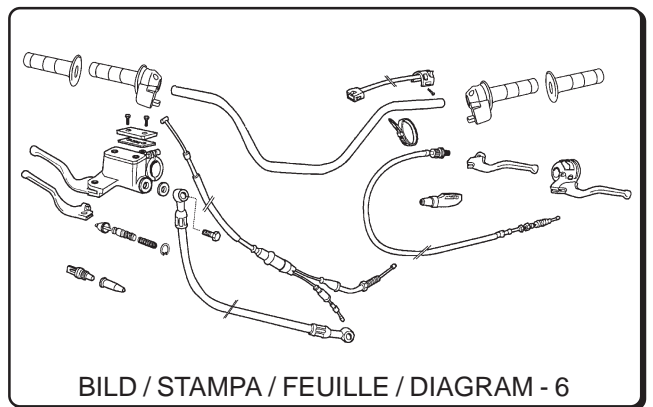


BILD / STAMPA / FEUILLE / DIAGRAM - 6

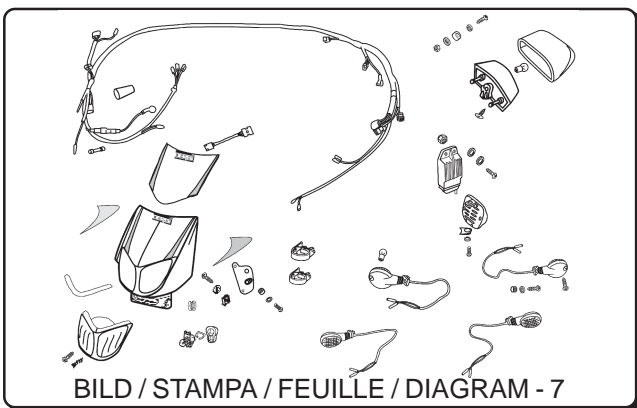


BILD / STAMPA / FEUILLE / DIAGRAM - 7

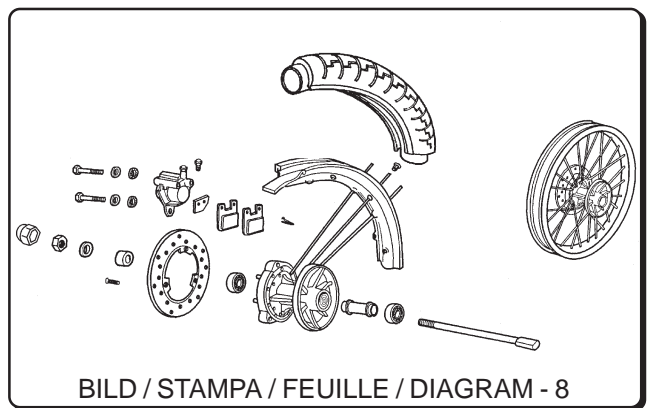


BILD / STAMPA / FEUILLE / DIAGRAM - 8

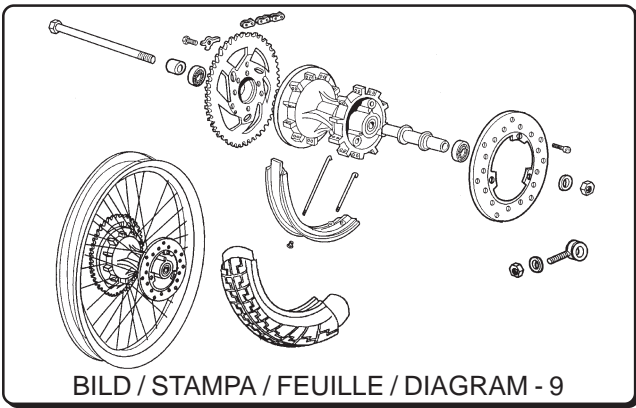


BILD / STAMPA / FEUILLE / DIAGRAM - 9

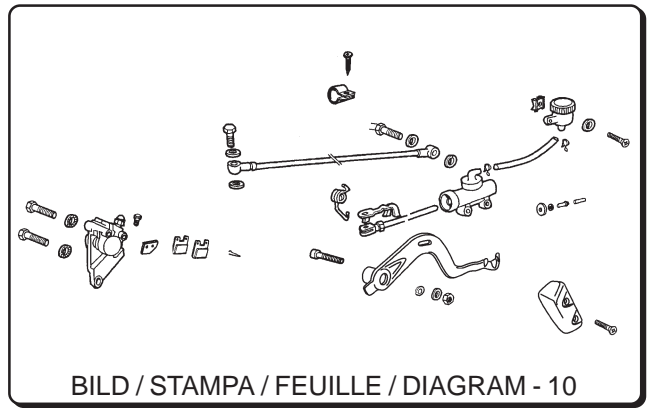


BILD / STAMPA / FEUILLE / DIAGRAM - 10

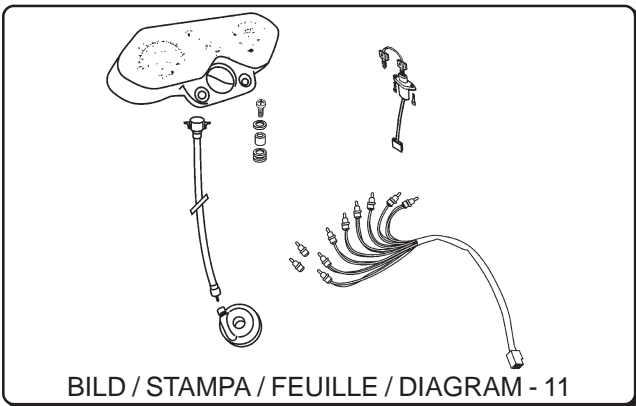


BILD / STAMPA / FEUILLE / DIAGRAM - 11

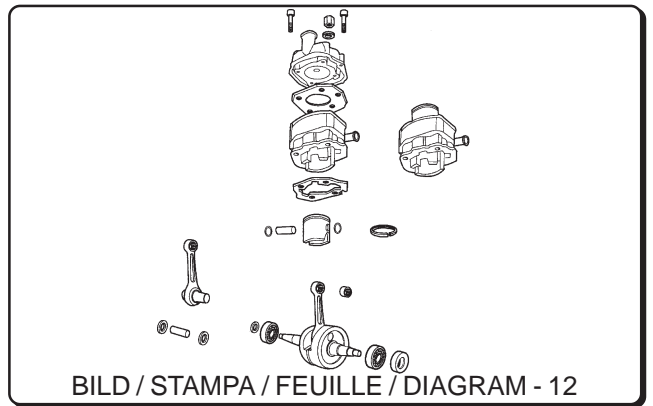


BILD / STAMPA / FEUILLE / DIAGRAM - 12

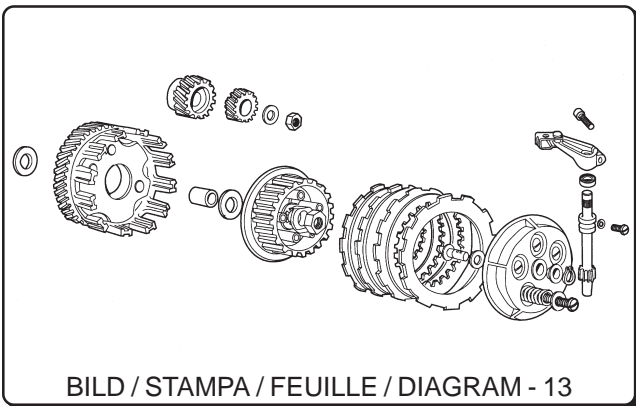


BILD / STAMPA / FEUILLE / DIAGRAM - 13

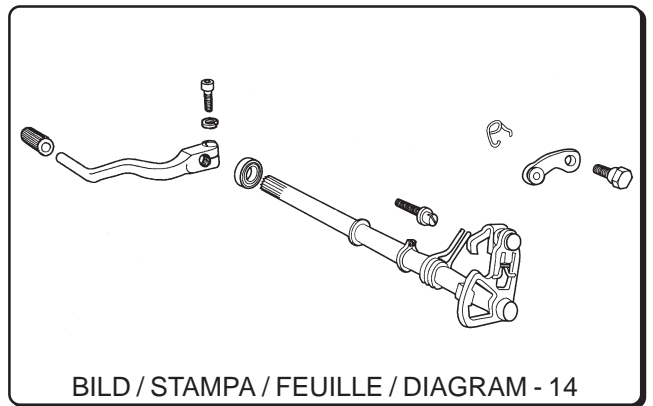


BILD / STAMPA / FEUILLE / DIAGRAM - 14

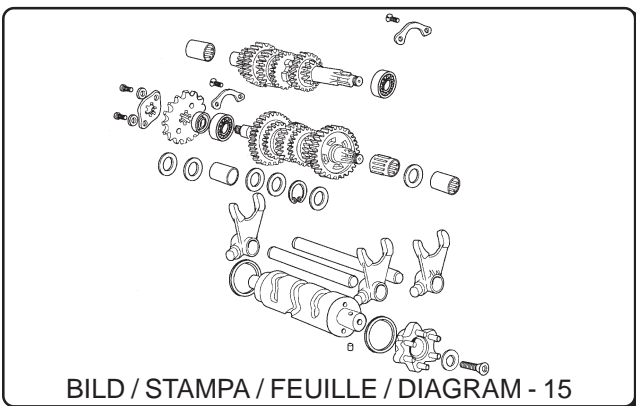


BILD / STAMPA / FEUILLE / DIAGRAM - 15

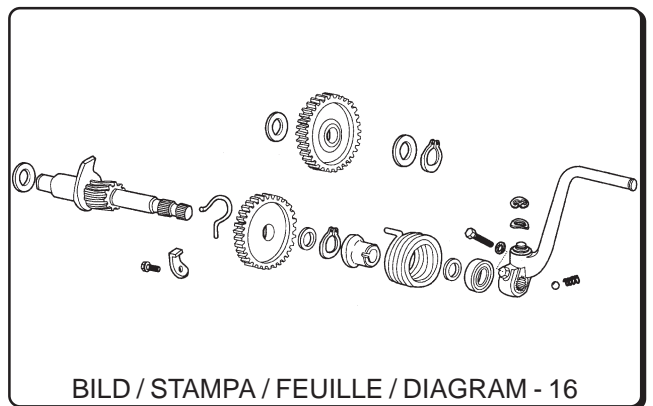
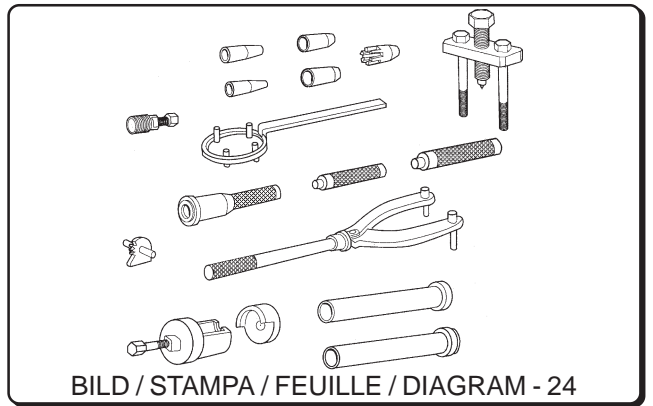
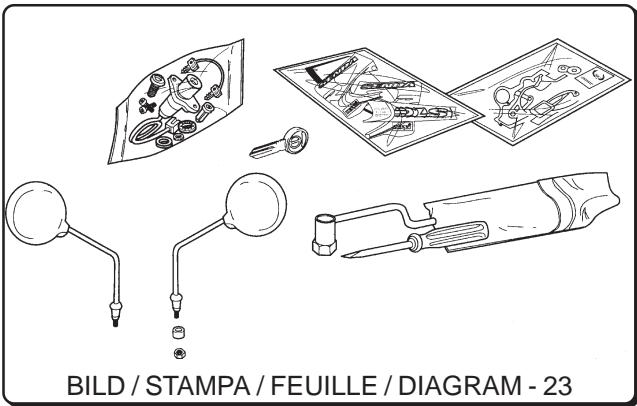
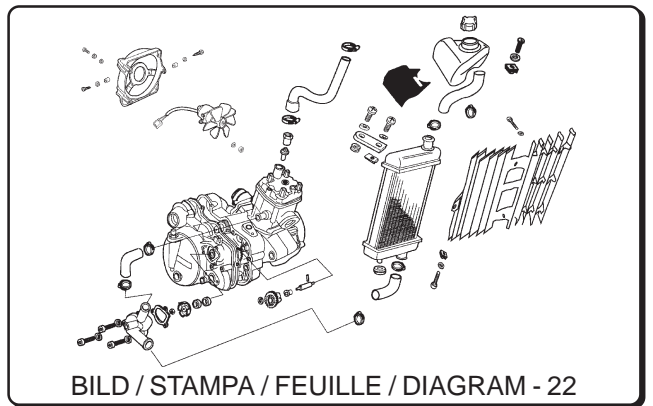
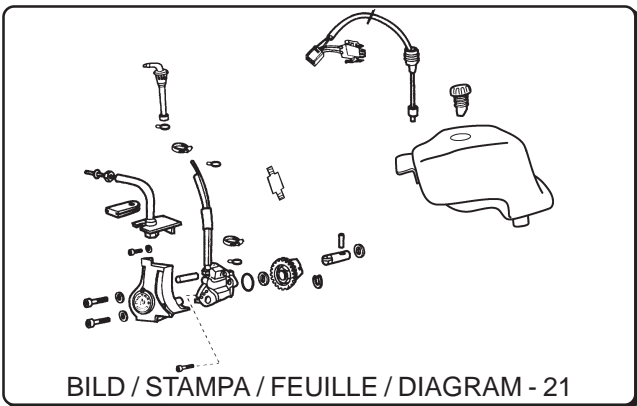
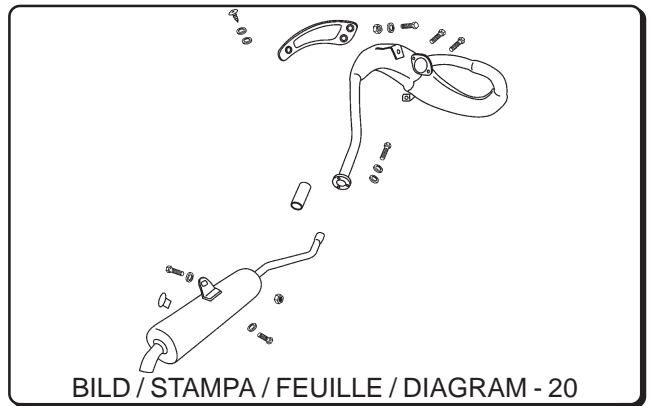
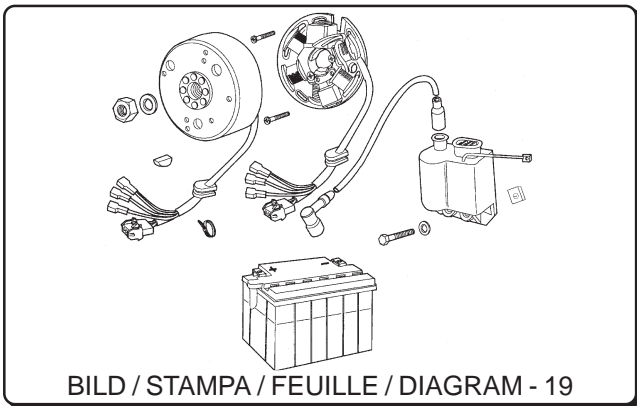
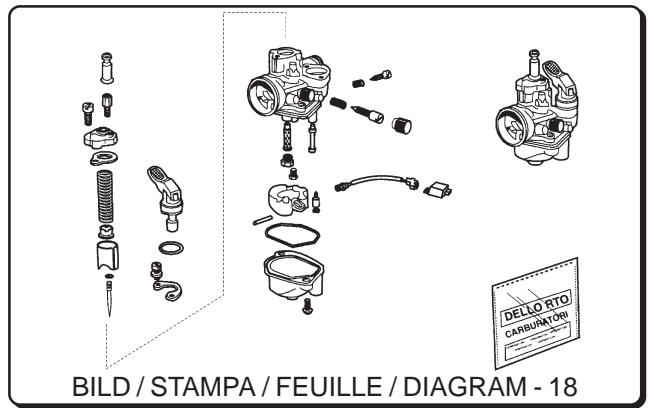
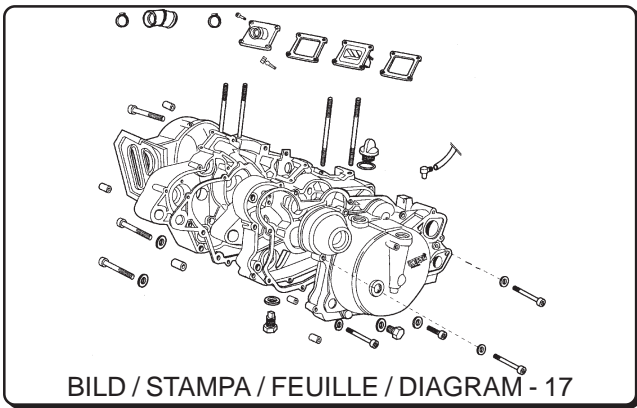
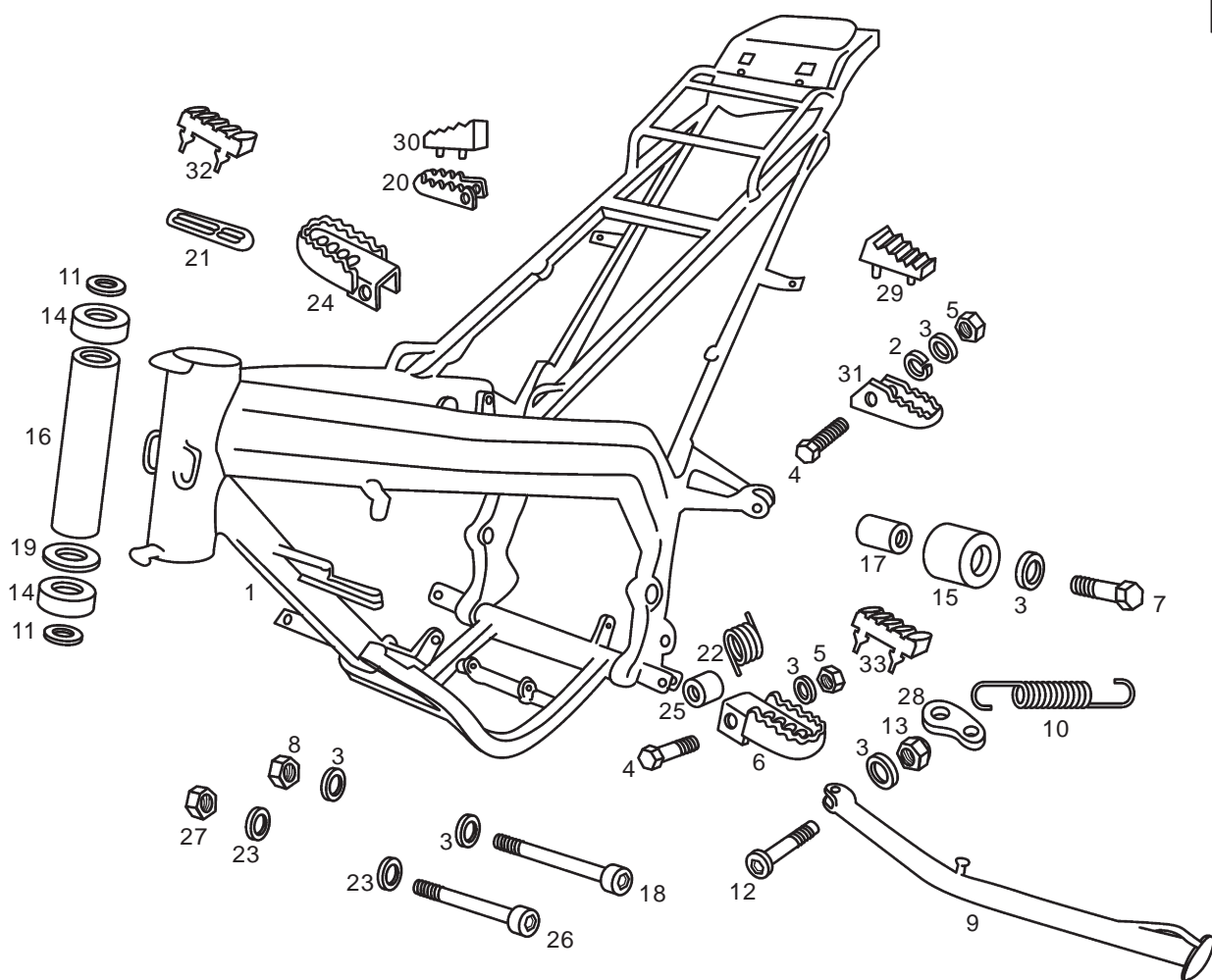
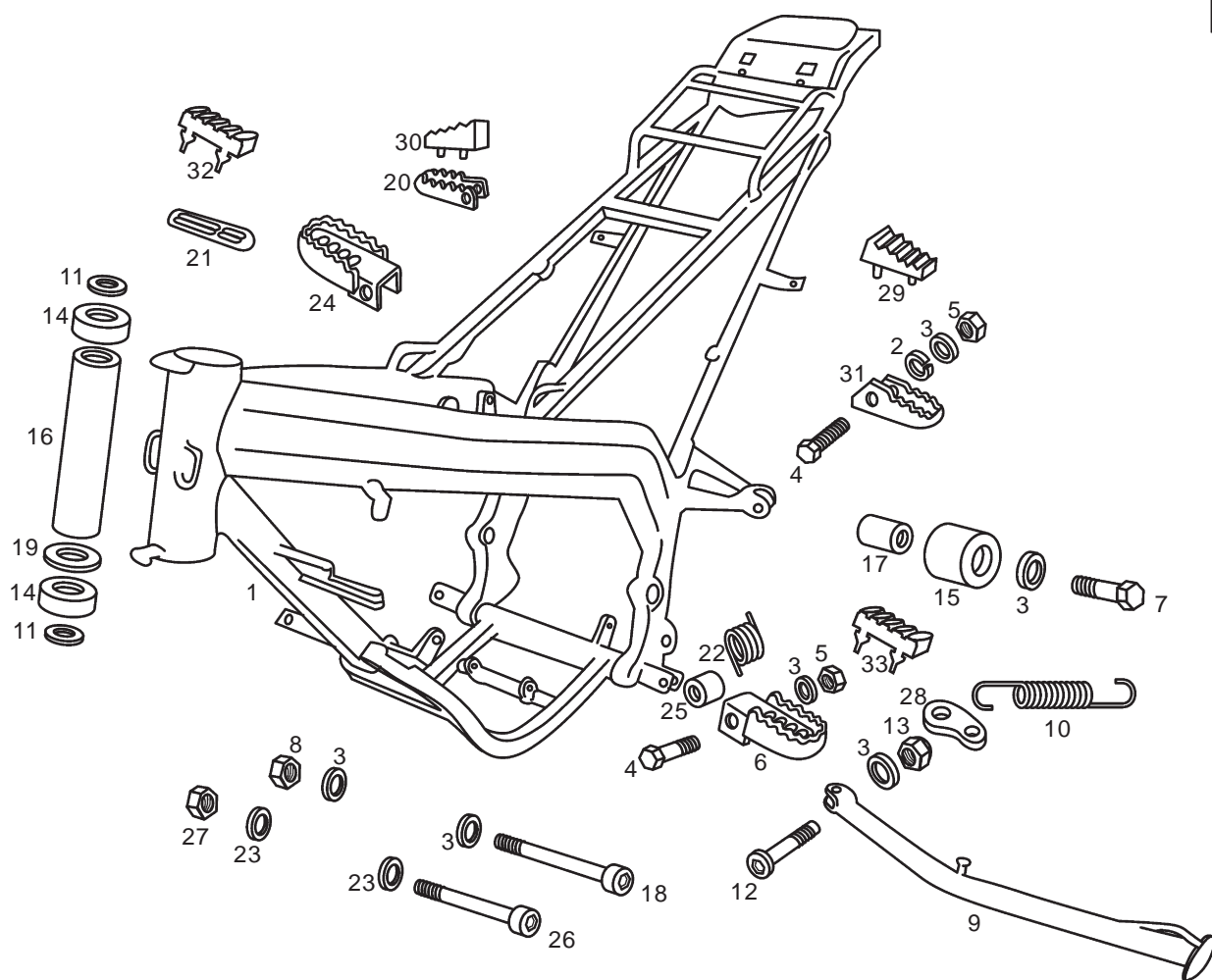


BILD / STAMPA / FEUILLE / DIAGRAM - 16

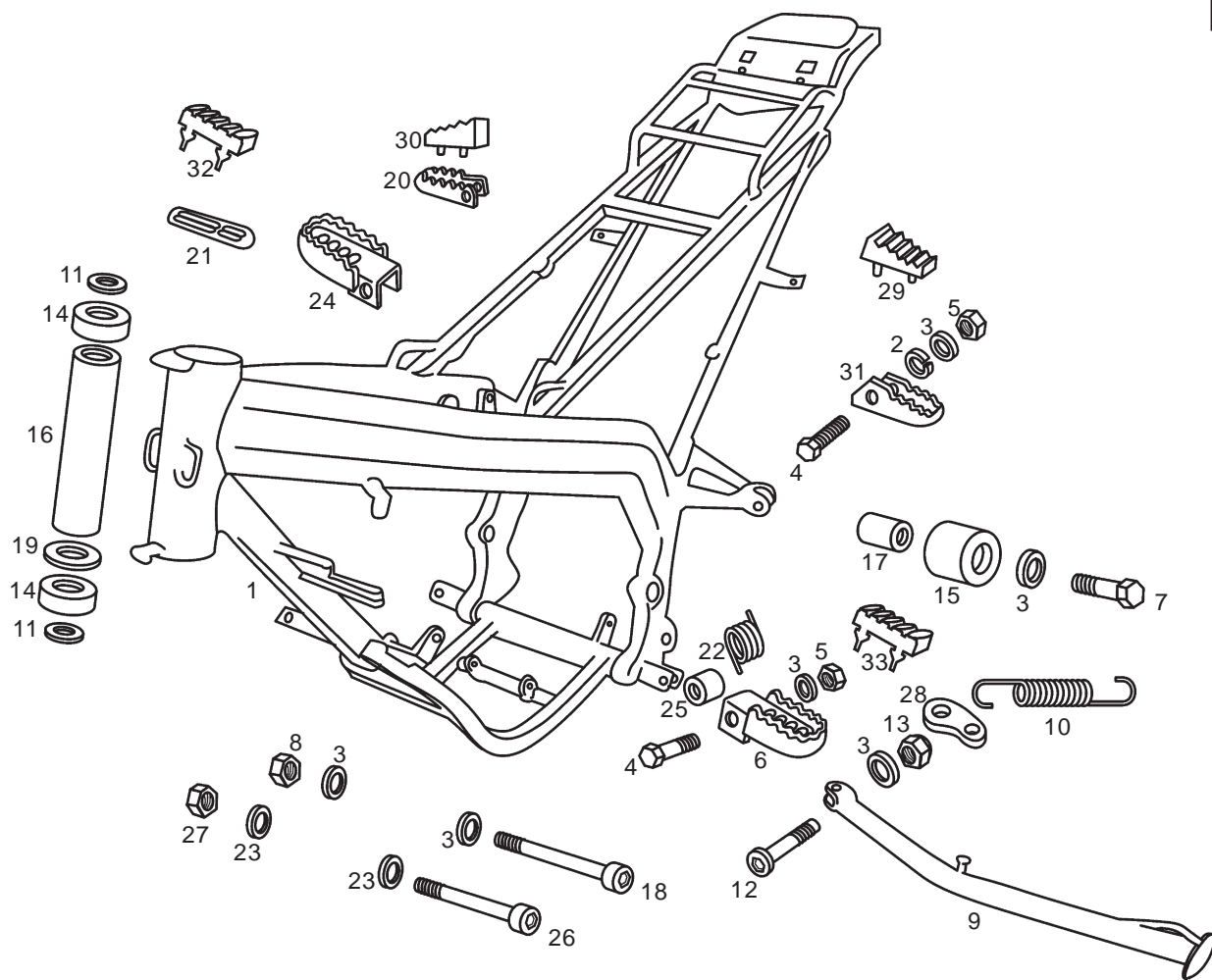




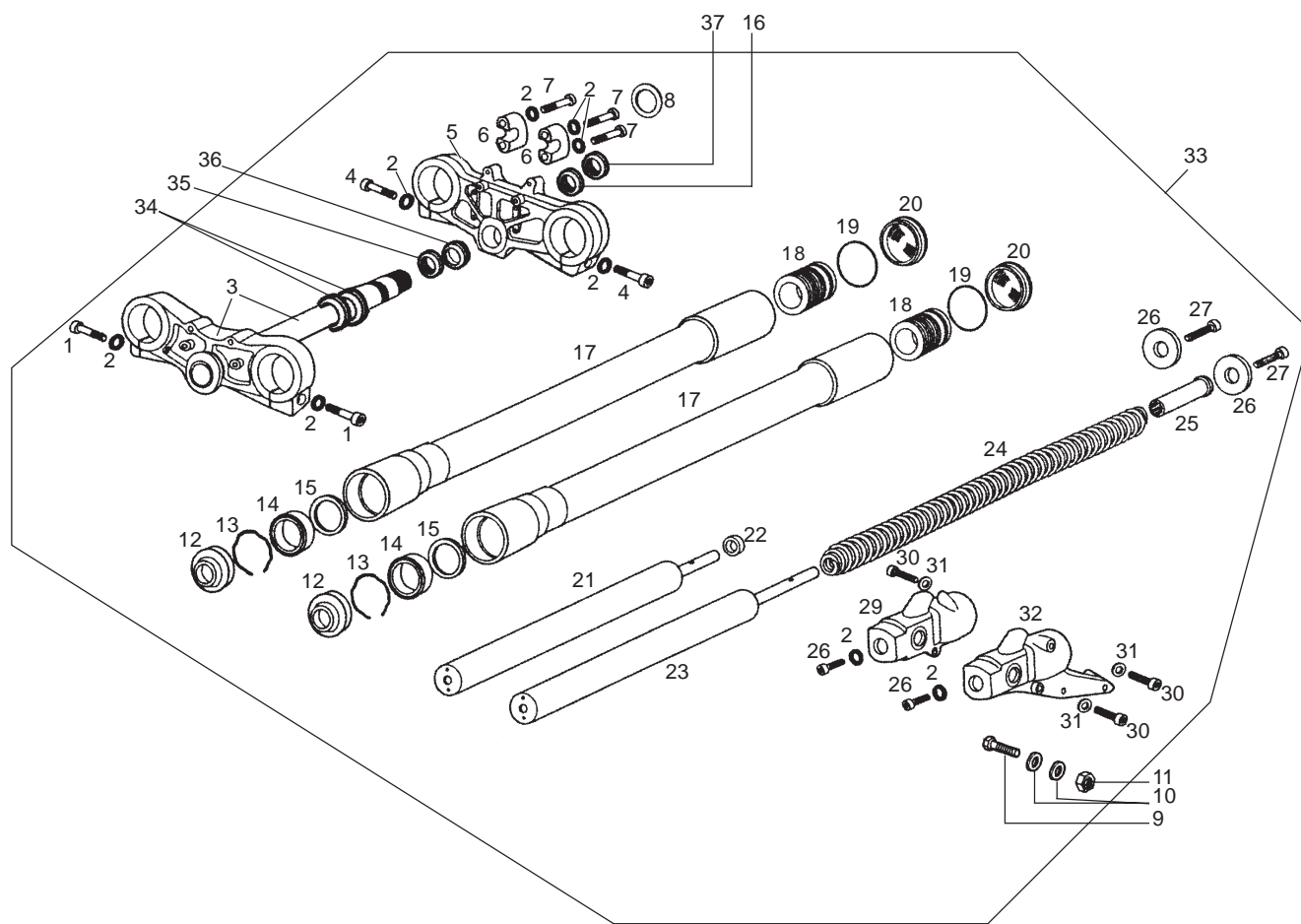
Figr.	Vers.	KOD. COD.	BEZEICHNUNG DENOMINAZIONE	DESIGNATION NAME	MOD.	Nr. Rahmen N.º Telaio N.º Cadre Frame Nr.
01A		00H01968601	RAHMEN COMP. TELAIO	SOUS ENSEMBLE CADRE FRAME	1 2 3 7 8 9 A	
01B		00H01969601	RAHMEN COMP. TELAIO	SOUS ENSEMBLE CADRE FRAME	4 5 6 B C D E	
02A		00036008000	SHEIBE D8,4 RONDELLA	RONDELLE D8,4 ENTRETOISE 8,4	1 2 3 4 5 6 7 8 9 A B C D E	
03A		00402080001	SCHEIBE RONDELLA PIATTA D8	ROND. PLATE MECANISEE MACHINED FLAT WASHER D8 DIN-12	1 2 3 4 5 6 7 8 9 A B C D E	
04A		00022084021	INBUSSCHRAUBE VITE TESTA ESAGONALE 8 X 40	VIS T. CREUSE HEX. HEAD SCREW 8 X 40	1 2 3 4 5 6 7 8 9 A B C D E	
05A		00023108000	MUTTER SELBSTS DADO AUTOBLOCCANTE 8M125	ECROU INDESSERABLE 8M125.DI SELF-LOCKING NUT M8	1 2 3 4 5 6 7 8 9 A B C D E	
06A		00H02201311	FUSSRASTER LINKS APOG. SIN.	REPOSE PIED GAUCHE LEFT FOOTREST	1 2 3 4 5 6 7 8 9 A B C D E	
07A		00022084521	INBUSSCHRAUBE VITE TESTA ESAGONALE 8M125X45.	VIS T. CREUSE HEX.HEAD SCREW 8M125X45	1 2 3 4 5 6 7 8 9 A B C D E	
08A		00262080022	MUTTER SELBSTS 8M125 DADO AUTOBLOCCANTE 8M125.DIN-9	ECROU INDESSERABLE SELF-LOCKING NUT 8M125	1 2 3 4 5 6 7 8 9 A B C D E	
09A		00H00820011	SEITENSTANDER SUBCOMPLESSO ZAMPA CAVALETTA	BEQUILLE LATERALE SIDE STAN SUB-ASSY	1 2 3 4 5 6 7 8 9 A B C D E	
10A		00H00803082	FEDER GESTELLFUSS AUSSEN MOLLA ZAMPA CAVALLETTO SENDA-A	RESSORT DE BEQUILLE SIDE STAND SPRING	1 2 3 4 5 6 7 8 9 A B C D E	
11A		00008902630	DICHTRING RONDELLA TAPPO FORCELLA	RONDELLE WASHER, FORK TUBE CAP	1 2 3 4 5 6 7 8 9 A B C D E	
12A		00H00805072	BEFESTIGUNGSSCHARAUBE STND. VITE FISSAGGIO ZAMPA CAVALLET	VIS FIXATION BEQUILLE SIDE STAND LEG SECURING SCREW	1 2 3 4 5 6 7 8 9 A B C D E	



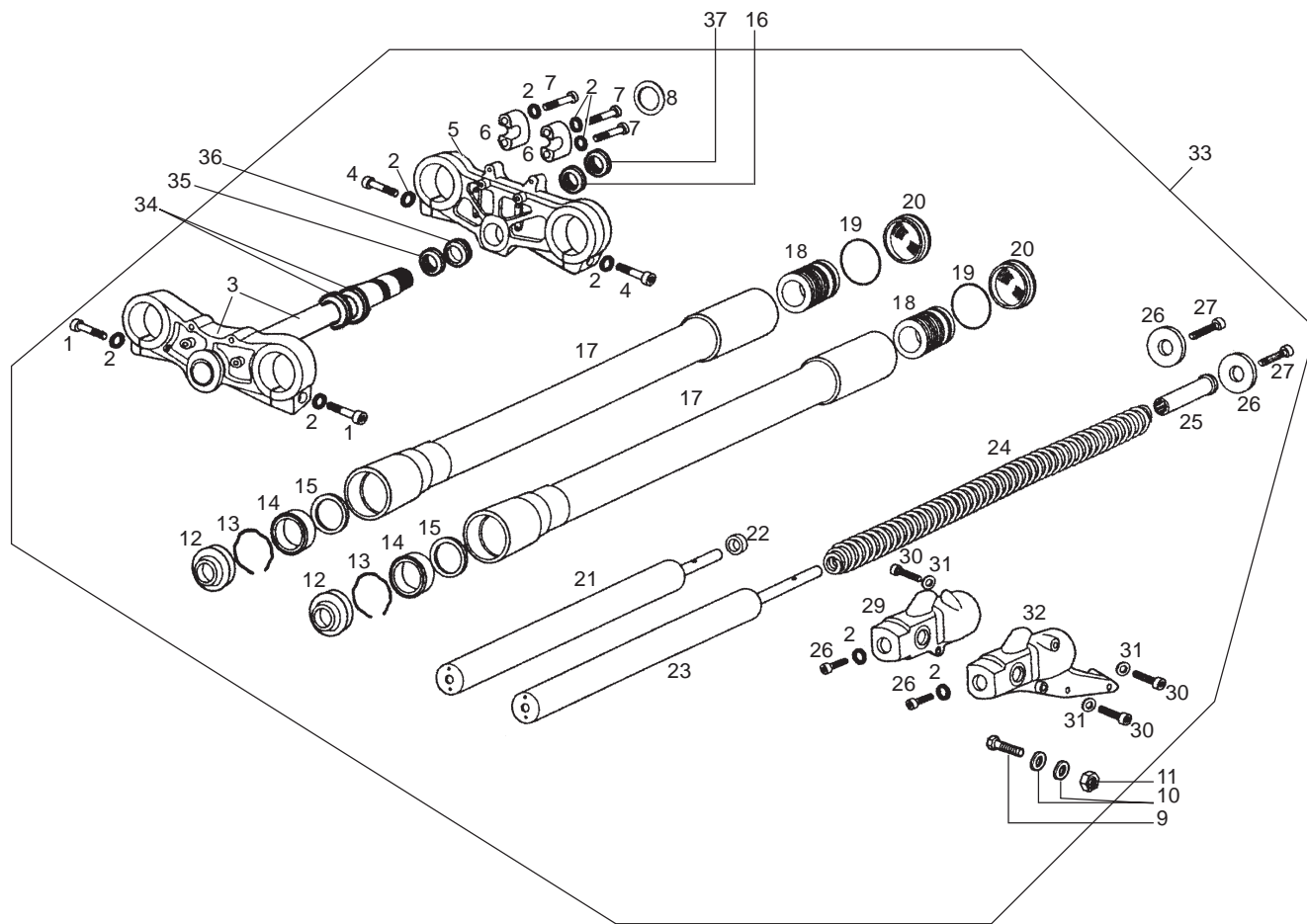
Figr.	Vers.	KOD. COD.	BEZEICHNUNG DENOMINAZIONE	DESIGNATION NAME	MOD.	Nr. Rahmen N.º Telaio N.º Cadre Frame Nr.
13A		00232080021	MUTTER 8M125 DADO ESAGONALE 8M125.D-934	ECROU HEXAGONAL 8M125. DIN- HEXAGON NUT 8M125 D934	1 2 3 4 5 6 7 8 9 ABCDE	
14A		00000056205	LAGER SKF.6205.25.52 .15 CUSCINETTO	COUSSINET SKF. 6205. 25. 52 BEARING SKF.6205.25.52.15	1 2 3 4 5 6 7 8 9 ABCDE	
15A		00H01801771	ROLLE RULLO TENSORE CATENA SENDA	ROULETTE GUIDE CHAINE CHAIN SUPPORTY GUIDE	1 2 3 4 5 6 7 8 9 ABCDE	
16A		00H06301401	DISTANZROHR LENKUNGLAGER TUBO SEPARAZIONE CUSCINETTO ST	TUBE SEPARATION ROULEMENT D STEERING BEARING SEPARATOR TUB	1 2 3 4 5 6 7 8 9 ABCDE	
17A		00002518790	DISTANZ GHIERA GUIDA CATENA C4/C7/RD/F	ENTRETOISE GUIDE CHAINE SOCKET CHAIN GUIDE	1 2 3 4 5 6 7 8 9 ABCDE	
18A		00H02500272	INBUSSCHRAUBE MOTORBEFEST. VITE FISSAGGIO INFERIORE MOTOR	VIS FIXATION MOTEUR M8 BOLT, CRANKCASE 8MM1.25X90.	1 2 3 4 5 6 7 8 9 ABCDE	
19A		00H06500451	STEERING TUBE BEARING WASHER G RONDELLA BRONZINA TUBO STERZO	RONDELLE COUSSINET TUBE DIRECT STEERING TUBE BEARING WASHER G	1 2 3 4 5 6 7 8 9 ABCDE	
20A		00D01520095	FUSSRASTER RECHTS PEDANA DESTRA	REPOSE-PIED DROIT RIGHT FOOT REST	1 2 3 4 5 6 7 8 9 ABCDE	
21A		00H01864101	HERSTELLERSCHILD PIASTRINA FABBRICANTE	PLAQUE FABRICANT MANUFACTURER'S IDENTIFICATION	1 2 3 7 8 9 A	
21B		00H01862101	HERSTELLERSCHILD PIASTRINA FABBRICANTE	PLAQUE FABRICANT MANUFACTURER'S IDENTIFICATION	4 5 6 BCDE	
22A		00H04903292	FEDER MOLLA FISSAGGIO PREDELLINO	RESSORT PILLION FOOTREST SECURING	1 2 3 4 5 6 7 8 9 ABCDE	
23A		00402100001	SCHEIBE D.10 RONDELLA PIATTA D.10	RONDELLE PLATE MECANISEE D. MACHINED FLAT WASHER D.10	1 2 3 4 5 6 7 8 9 ABCDE	
24A		00H02201302	FUSSRASTER RECHTS APPOG.DES.	REPOSE PIED DROIT RIGHT FOOTREST	1 2 3 4 5 6 7 8 9 ABCDE	



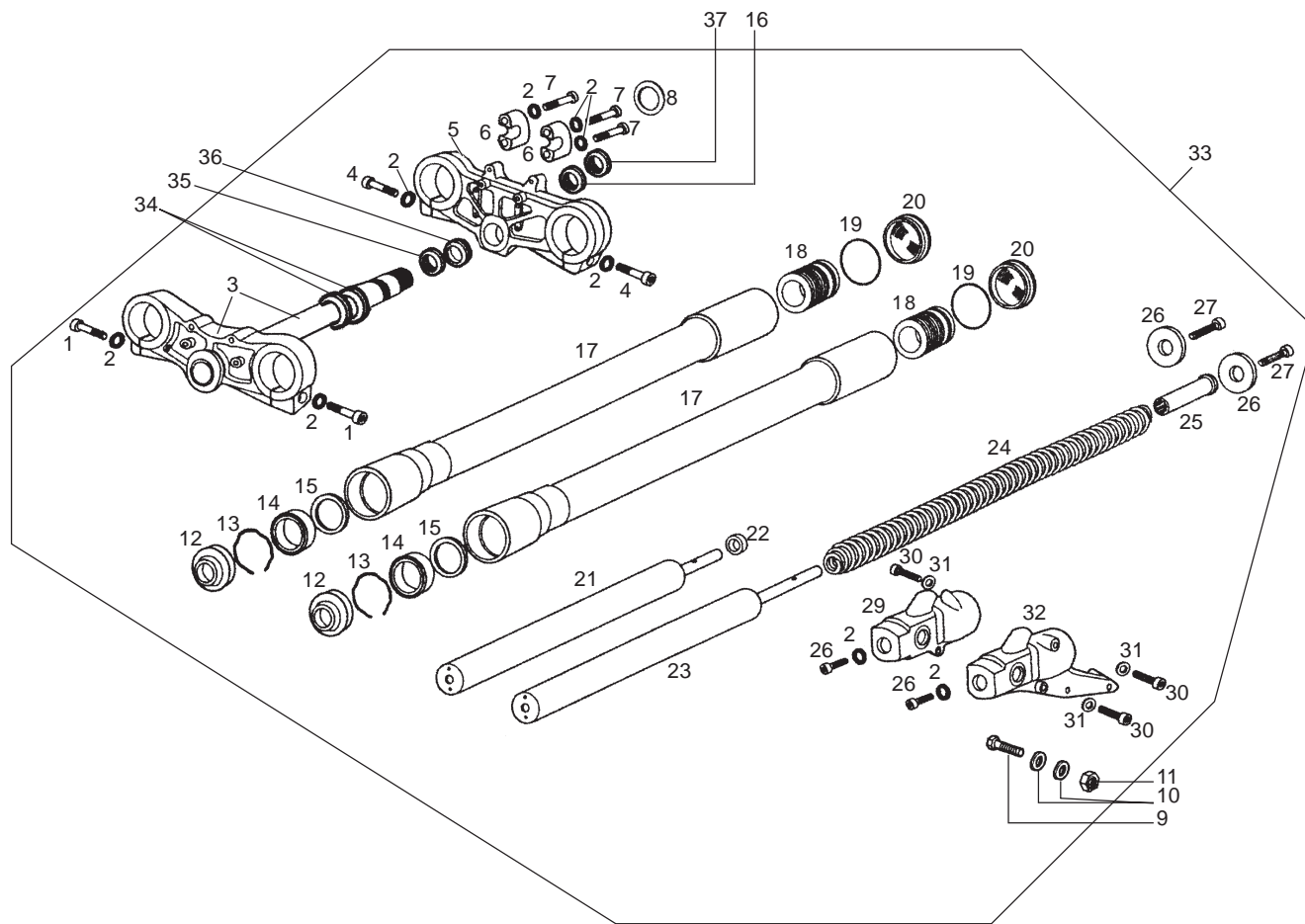
Figr.	Vers.	KOD. COD.	BEZEICHNUNG DENOMINAZIONE	DESIGNATION NAME	MOD.	Nr. Rahmen N.º Telaio N.º Cadre Frame Nr.
25A		00002215152	DICHRING GIUNTO	JOINT SEAL	1 2 3 4 5 6 7 8 9 ABCDE	
26A		00H03000272	INBUSSCHRAUBE MOTOR BEFEST VITE FISSAGGIO ANTERIORE MOTOR	VIS SCREW	1 2 3 4 5 6 7 8 9 ABCDE	
27A		00262100032	MUTTER SELBSTS 10M150 DADO AUTOBLOCC.10M150.DIN-985.	ECROU INDESSERABLE SELF-LOCKING NUT 10M150	1 2 3 4 5 6 7 8 9 ABCDE	
28A		00H00800422	PLATTE F. GESTELLRUCKFUHRU PIASTRINA RITORNO CAVALLETTO G	SUPPORT RESSORT DE BEQUILLE SPRING KIK-STAND SUPPORT	1 2 3 4 5 6 7 8 9 ABCDE	
29A		00H01502501	RASTER GUMMI LINKS PROTEZIONE STAFFA SINISTRA FDS	PROTECTEUR REPOSE-PIED GAUC LEFT FOOT REST PROTECTOR	1 2 3 4 5 6 7 8 9 ABCDE	
30A		00H01503101	RASTER GUMMI RECHTS PROTEZIONE STAFFA DESTRA FDS/8	PROTECTEUR REPOSE-PIED DROI RIGHT FOOT REST PROTECTOR	1 2 3 4 5 6 7 8 9 ABCDE	
31A		00D01540455	FUSSRASTER LINKS PEDANA SINISTRA	REPOSE-PIED GAUCHE LEFT FOOT REST	1 2 3 4 5 6 7 8 9 ABCDE	
32A		00H01502101	RASTER GUMMI RECHTS PROTEZIONE STAFFA DESTRA	PROTECTEUR REPOSE-PIED DROI RIGHT FOOT REST PROTECTOR	1 2 3 4 5 6 7 8 9 ABCDE	
33A		00H01501501	RASTER GUMMI LINKS PROTEZIONE STAFFA SINISTRA	PROTECTEUR REPOSE-PIED GAUC LEFT FOOT REST PROTECTOR	1 2 3 4 5 6 7 8 9 ABCDE	



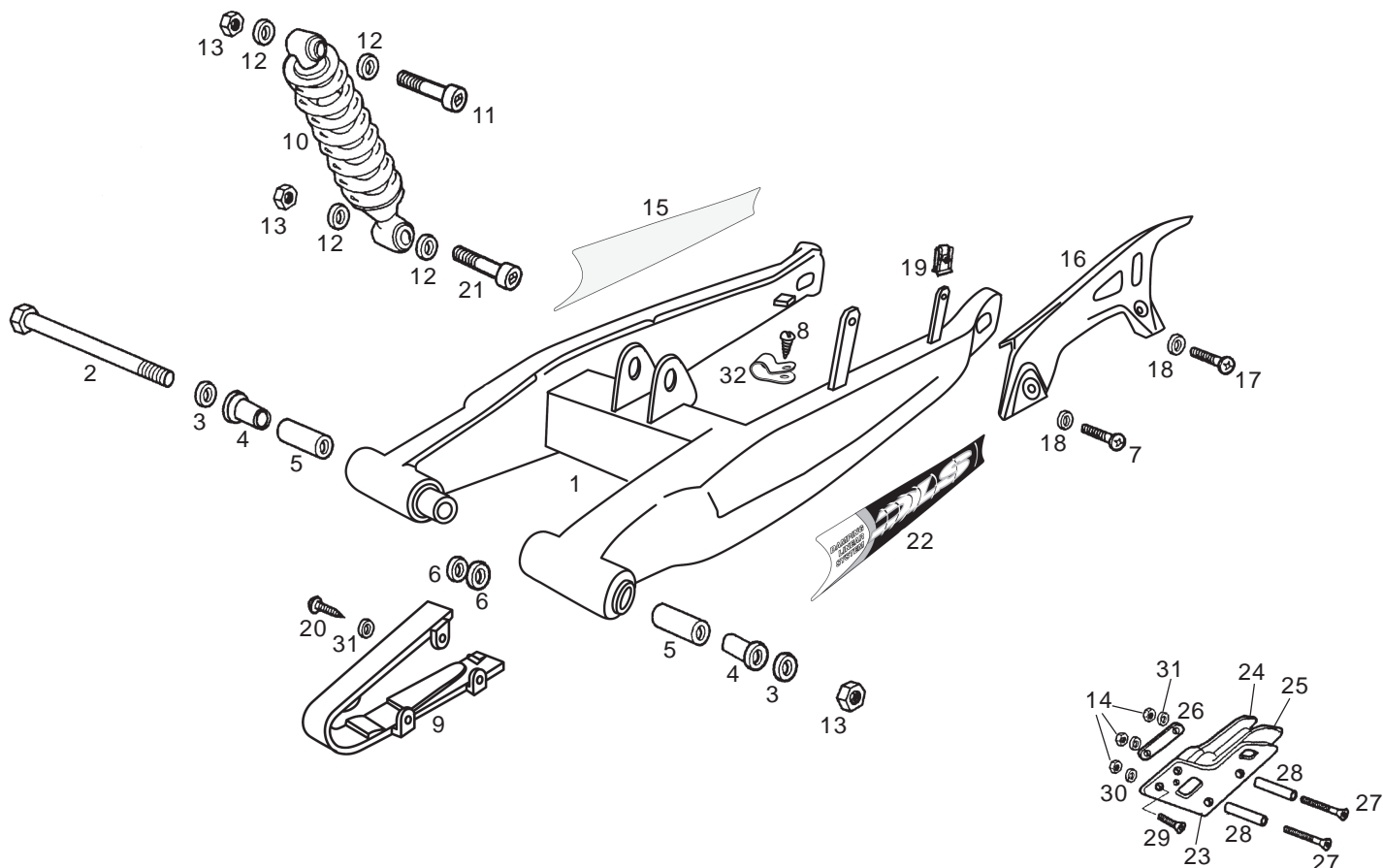
Figr.	Vers.	KOD. COD.	BEZEICHUNG DENOMINAZIONE	DESIGNATION NAME	MOD.	Nr. Rahmen N.º Telaio N.º Cadre Frame Nr.
01A		00000004835	HEX HEAD SCREW 8M125X35 VITE ALLEN 8M 125 X 35	BOULON TETE HEX.8M125X35 HEX.SOCRET-HEAD SCREW 8 X 35	1 2 3 4 5 6 7 8 9 ABCDE	
02A		00037000800	SHEIBE RONDELLA CONICA SICUREZZA D.8	RONDELLE CONICAL WASHER	1 2 3 4 5 6 7 8 9 ABCDE	
03A		00H00212011	SATTELSTANGE FUSTO PIASTRA	PLATINE INF. AVEC PIVOT LOWER TRIPLE CLAMP	1 2 3 4 5 6 7 8 9 ABCDE	
04A		00000002845	SCHRAUBE FLANGIA SUP. FORCELLA	BOULON TETE HEX.8M45 HEX.HEAD SCREW 8 X 45	1 2 3 4 5 6 7 8 9 ABCDE	
05A		00H00212091	BUGEL FLANGIA SUP. FORCELLA	ETRIER FIX GUIDON HANDLEBAR LOCK CLAMP	1 2 3 4 5 6 7 8 9 ABCDE	
06A		00H00202741	BUGEL FLANGIA FISSAGGIO MANUBRIO	ETRIER FIX GUIDON HANDLEBAR LOCK CLAMP	1 2 3 4 5 6 7 8 9 ABCDE	
07A		00000004835	HEX HEAD SCREW 8M125X35 VITE ALLEN 8M125X35	BOULON TETE HEX.8M125X35 HEX.SOCKET-HEAD SCREW 8 X 35	1 2 3 4 5 6 7 8 9 ABCDE	
08A		00H00203101	SCHEIBE Z.BEF. SATTELSTANG RONDELLA FISS.FUSTO FORC.	RONDELLE FIX PIVOT STEERING STEM WASHER	1 2 3 4 5 6 7 8 9 ABCDE	
09A		00022085021	INBUSSCHRAUBE VITE 8M125X50 D.931	VIS T. CREUSE HEX.HEAD SCREW 8X50	1 2 3 4 5 6 7 8 9 ABCDE	
10A		00402080001	SCHEIBE RONDELLA Ø8	RONDELLE WASHER	1 2 3 4 5 6 7 8 9 ABCDE	
11A		00023108000	MUTTER SELBSTS DADO AUTOB. 8M125	ECROU INDESSERABLE 8M125.DI SELF.LOCKING NUT M8	1 2 3 4 5 6 7 8 9 ABCDE	
12A		00H00201201	ZUBEOR STAUBFANGER SUPPL.PARAPOLVERE	SUPPLEMENT POUSSIERE FOURCH SUPL.DUSTGUARD FORK	1 2 3 4 5 6 7 8 9 ABCDE	
13A		00H00202181	DICHTRING ANELLO RETENZIONE GIUNTO TENUT	JOINT SPI FOURCHE SNAP RING	1 2 3 4 5 6 7 8 9 ABCDE	



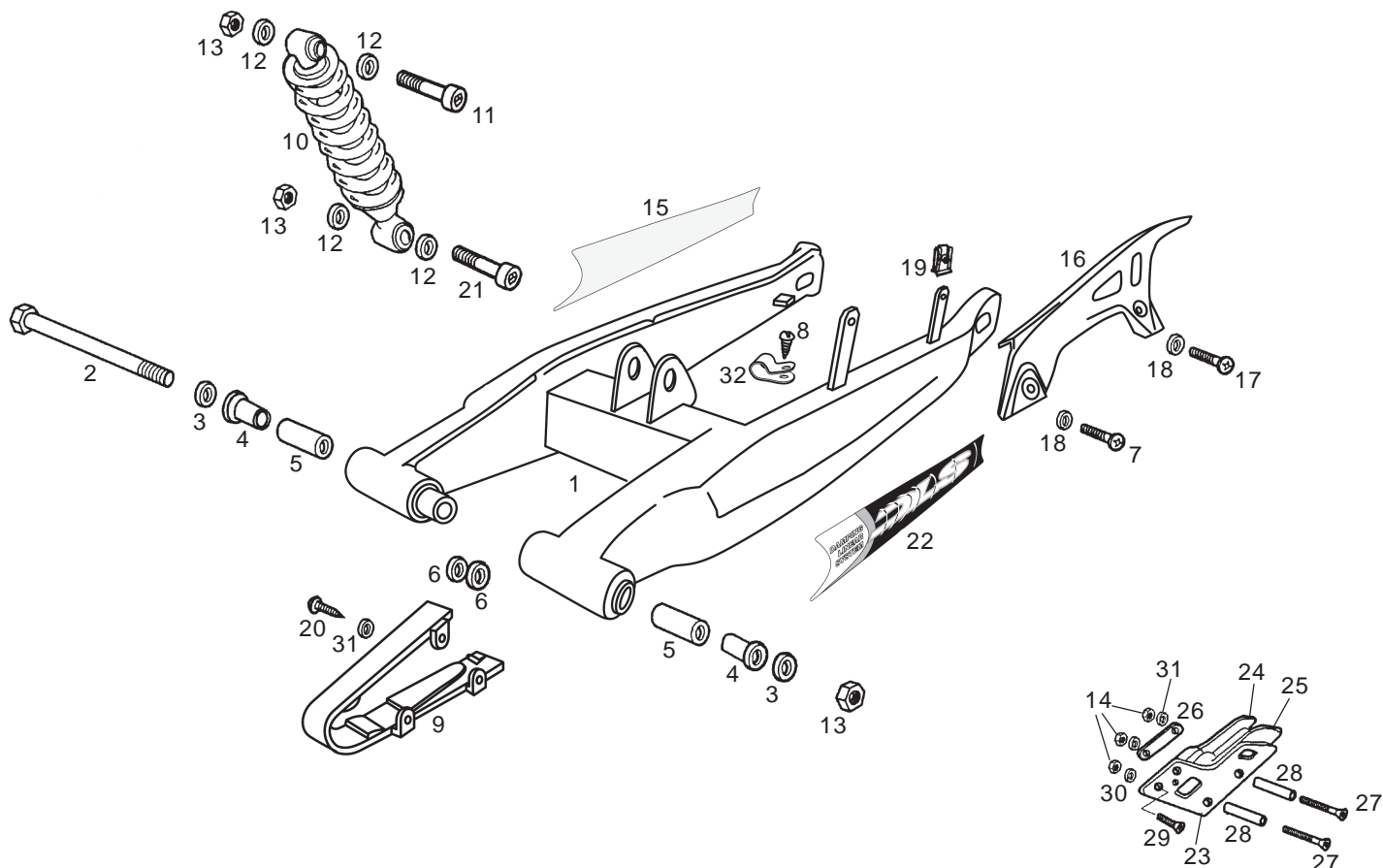
Figr.	Vers.	KOD. COD.	BEZEICHUNG DENOMINAZIONE	DESIGNATION NAME	MOD.	Nr. Rahmen N.º Telaio N.º Cadre Frame Nr.
14A		00H00202471	DICHTRING GIUNTO TENUTA GAMBA FORCELLA	JOINT SPI FOURCHE SNAP RING	1 2 3 4 5 6 7 8 9 ABCDE	
15A		00H00201331	DICHTRING ANELLO RETENZ.GAMBA FORCELLA	JOINT SPI FOURCHE SNAP RING	1 2 3 4 5 6 7 8 9 ABCDE	
16A		00H00202101	SCHEIBE RONDELLA	RONDELLE WASHER	1 2 3 4 5 6 7 8 9 ABCDE	
17A		00H00210121	PFROPFEN F. GABELSCHENKEL GAMBA FORCELLA	BOUCHON FORK TUBE LOWER	1 2 3 4 5 6 7 8 9 ABCDE	
18A		00H00203271	PFROPFEN F. GABELSCHENKEL TAPPO GAMBA FORCELLA	BOUCHON FORK TUBE CAP	1 2 3 4 5 6 7 8 9 ABCDE	
19A		00H00201501	O-RING ANELLO TORICO	JOINT DE JAUGE O-RING	1 2 3 4 5 6 7 8 9 ABCDE	
20A		00H02002541	DECKEL TAPPO GAMBA FORCELLA	BOULON BOUCHON JAMBRE FOURCHE BOLT PLUG RH.FORK LEG	1 2 3 4 5 6 7 8 9 ABCDE	
21A		00H00203921	SCHLAUCH F. GABELVENTIL TUBO VALVOLA DESTRA	TUYEAU SOUPAPE FOURCH TUBE VALVE FRONT FORK	1 2 3 4 5 6 7 8 9 ABCDE	
22A		00H00201511	SCHEIBE RONDELLA	RONDELLE WASHER	1 2 3 4 5 6 7 8 9 ABCDE	
23A		00H00204921	SCHLAUCH F. GABELVENTIL TUBO VALVOLA SIN.	TUYEAU SOUPAPE FOURCH TUBE VALVE FRONT FORK	1 2 3 4 5 6 7 8 9 ABCDE	
24A		00H00209171	GABELFEDER MOLLA FORCELLA	RESSORT DE FOURCHE FORK SPRING	1 2 3 4 5 6 7 8 9 ABCDE	
25A		00H00203191	HAUPTROHR TUBO PRINCIPALE	TUBE DE FOURCHE FORK TUBE, UPPER	1 2 3 4 5 6 7 8 9 ABCDE	
26A		00H00203601	SCHEIBE RONDELLA FERMO MOLLA FORCELL	RONDELLE WASHER	1 2 3 4 5 6 7 8 9 ABCDE	



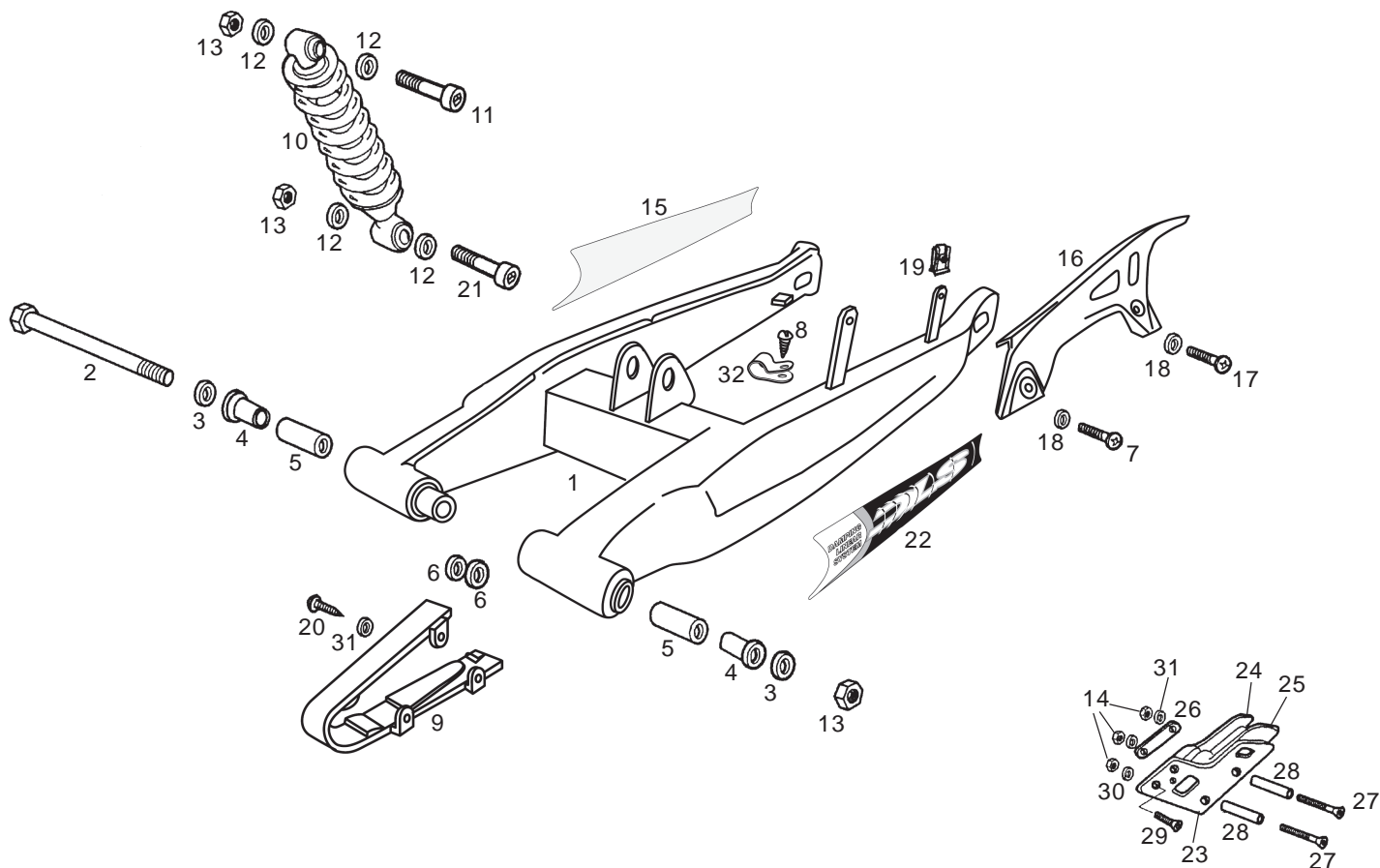
Figr.	Vers.	KOD. COD.	BEZEICHUNG DENOMINAZIONE	DESIGNATION NAME	MOD.	Nr. Rahmen N.º Telaio N.º Cadre Frame Nr.
27A		00000004125	INBUSSCHRAUBE VITE ALLEN 10 M 150 X 25	VIS T. CREUSE HEX.SOCRET-HEAD SCREW 8 X 25	1 2 3 4 5 6 7 8 9 ABCDE	
28A		00000004825	INBUSSCHRAUBE VITE ALLEN 8 M 125 X 25	VIS T. CREUSE HEX.SOCRET-HEAD SCREW 8 X 25	1 2 3 4 5 6 7 8 9 ABCDE	
29A		00H02005831	SEITENDECKEL PUNTA DESTRA FORCELLA	PLAQUE LATERAL DROITE FOURCHE RIGHT HAND SIDE FORK	1 2 3 4 5 6 7 8 9 ABCDE	
30A		00052061611	INBUSSCHRAUBE VITE TESTA ALLEN 6 X 16	VIS T. CREUSE ALLEN SCREW 6 X 16	1 2 3 4 5 6 7 8 9 ABCDE	
31A		00000031060	SCHEIBE D.6 RONDELLA PIATTA D.6	ROND. PLATE MECANISEE D6DIN WASHER D6	1 2 3 4 5 6 7 8 9 ABCDE	
32A		00H02006821	SCHLAUCH F. GABELVENTIL TUBO VALVOLA FOR.	TUYEAU SOUPAPE FOURCH TUBE VALVE FRONT FORK	1 2 3 4 5 6 7 8 9 ABCDE	
33A		00H00223001	LENKGABEL FORCELLA DIRETT	ENSEMBLE FOURCHE DIRITICE FORK ASSY	1 2 3 4 5 6 7 8 9 ABCDE	
34A		00008902630	SCHEIBE RONDELLA	RONDELLE WASHER	1 2 3 4 5 6 7 8 9 ABCDE	
35A		00D00200761	ABDECKUNG PARAPOLVERE STERZO	CACHE POUSSIERE DIRECTION DUST COVER, STEM	1 2 3 4 5 6 7 8 9 ABCDE	
36A		00H00201111	MUTTER Z. BEF.SATELSTANGE DADO FISS.CANNELLO FORCEL.	ECROU FIX PIVOT STEERING STEM NUT	1 2 3 4 5 6 7 8 9 ABCDE	
37A		00G00200112	MUTTER Z. BEF.SATELSTANGE DADO FISS.CANNELLO FORCEL.	ECROU FIX PIVOT STEERING STEM NUT	1 2 3 4 5 6 7 8 9 ABCDE	



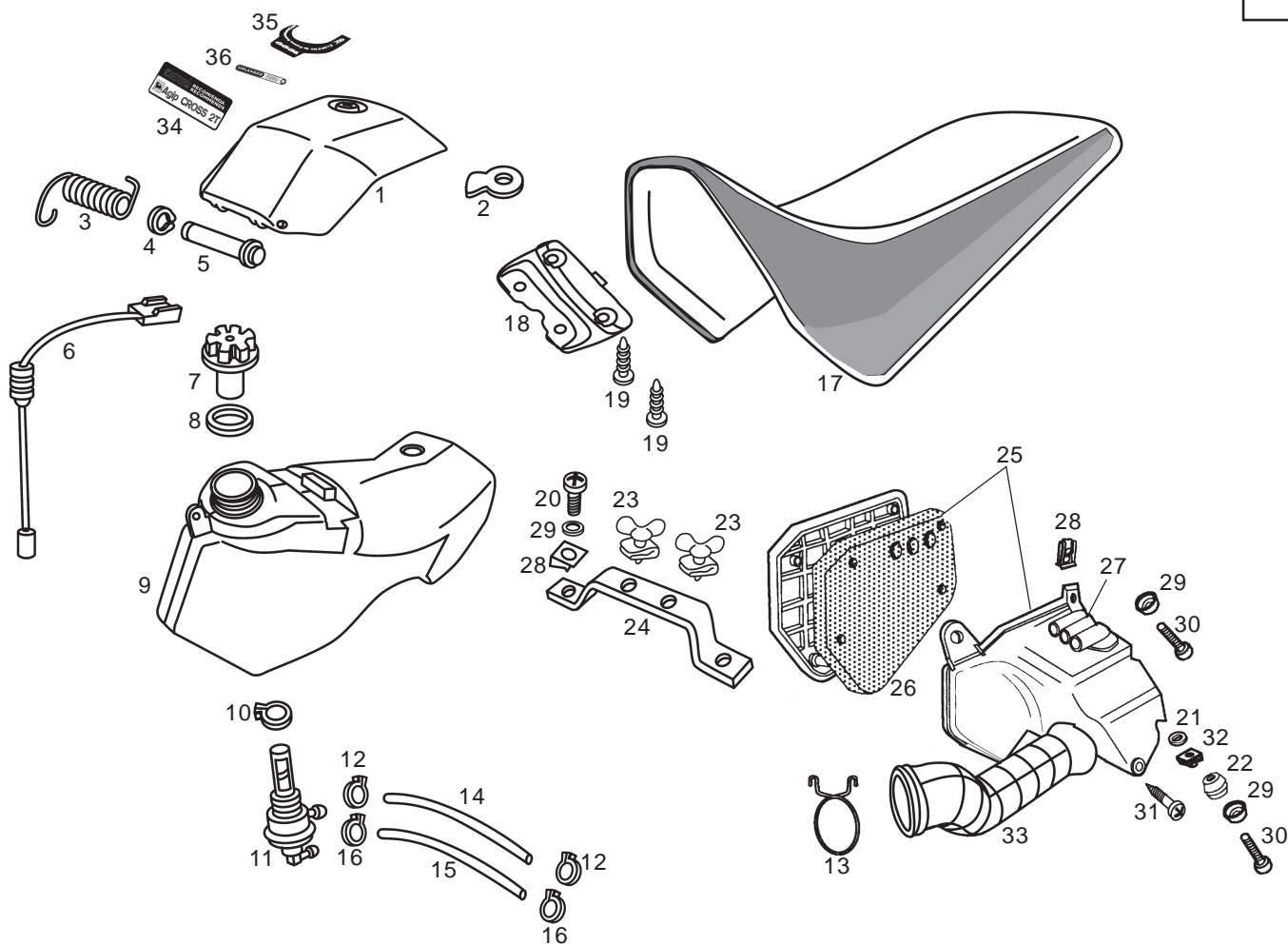
Figr.	Vers.	KOD. COD.	BEZEICHUNG DENOMINAZIONE	DESIGNATION NAME	MOD.	Nr. Rahmen N.º Telaio N.º Cadre Frame Nr.
01A		00H00308971	SCHWINGENACHSE SUBCOMPLESSO RIBALTABILE	BRAS OSCILLANT SWING ARM SUB-ASSY	1 2 3 4 5 6 7 8 9 ABCDE	
02A		00H01304202	HINTERRADACHSE SUBCOMPLESSO ASSE RUOTA POSTER	AXE ROUE ARRIERE REAR WHEEL AXLE SUB-ASSEMBLY G	1 2 3 4 5 6 7 8 9 ABCDE	
03A		00003112322	SHEIBE RADACHSE 12,25X20X2 RONDELLA ASSE RUOTA.12'25X20X2	RONDELLE AXE ROUE 12'25X20X FRONT WHEEL AXLE WASHER	1 2 3 4 5 6 7 8 9 ABCDE	
04A		00002503230	BUCHSE GHIERA ASSE RIBALTABILE C-4	ENTRETOISE AXE BRAS OSCIL SWING ARM BUSHING	1 2 3 4 5 6 7 8 9 ABCDE	
05A		00H00301401	BUCHSE GHIERA ORECCHIA MOTORE SENDA	ENTRETOISE AXE BRAS OSCIL ENGINE BRACKET BUFFER BUSHING	1 2 3 4 5 6 7 8 9 ABCDE	
06A		00D01300192	SCHEIBE RONDELLA ASSE RUOTA POSTERIORE	RONDELLE D12,5X30X2MM WHEEL AXLE WASHER	1 2 3 4 5 6 7 8 9 ABCDE	
07A		00012061200	SCHRAUBE.6M100X12.NG.D-798 VITE TESTA CROCE NERA 6 X 12	VIS A TETE RONDE A FENTES C PHILIPS SCREW 6 X 12	1 2 3 4 5 6 7 8 9 ABCDE	
08A		00011041300	SCHRAUBE 4,8X13 VITE AUTOAV. 4,8 X 13	VIS SELF-THREADING HEAD 4,8 X 13	1 2 3 4 5 6 7 8 9 ABCDE	
09A		00H01803331	KETTEN-REIBPLATTE PIASTRA ATTRITO CATENA SENDA-R	PLAQUE GLISSEMENT CHAINE CHAIN FORCHIN PLATE/FLARGE	1 2 3 4 5 6 7 8 9 ABCDE	
10A		00H01508191	FEDERBEIN COMPLESSO AMMORTIZZATORE	AMORTISSEUR SHOCK ABSORBER.	1 2 3 4 5 6 7 8 9 ABCDE	
11A		00H00302891	STOSSDMPFER BEFESTIGUNGSM VITE FISSAGGIO AMMORTIZZATORE	VIS FIXATION AMORTISSEUR 12 SHOCK ABSORBER SEC. SCREW	1 2 3 4 5 6 7 8 9 ABCDE	
12A		00003115422	SCHWINGENACHSE RONDELLA FISSAGGIO AMMORTIZZAT	BRAS OSCILLANT SWING ARM LOCK WASHER	1 2 3 4 5 6 7 8 9 ABCDE	
13A		00262120032	MUTTER SELBSTS 12M175 DADO AUTOBLOCCANTE 12M175.D-98	ECROU INDESSERABLE12M175 SELF-LOCKING NUT 12M175	1 2 3 4 5 6 7 8 9 ABCDE	



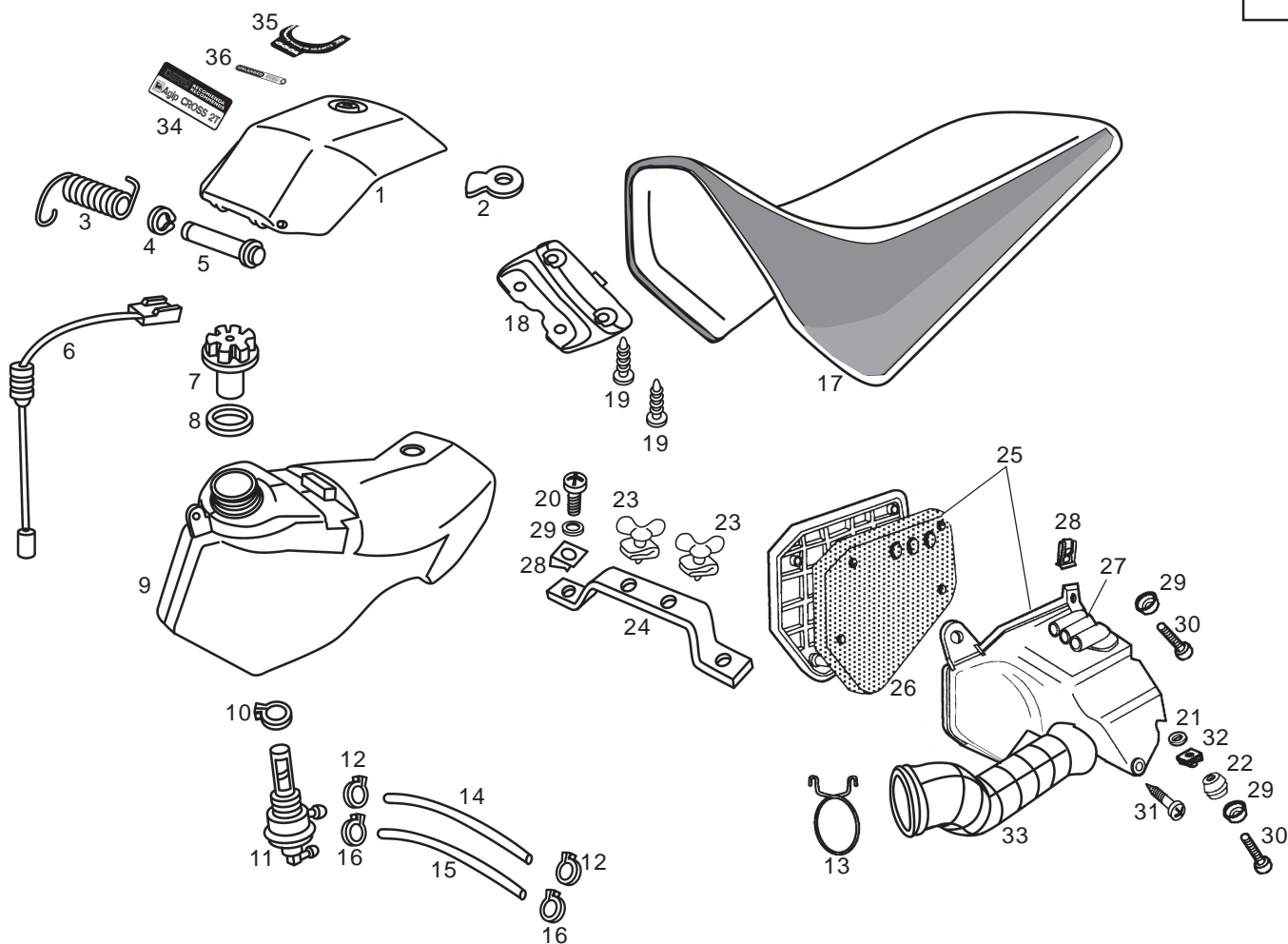
Figr.	Vers.	KOD. COD.	BEZEICHNUNG DENOMINAZIONE	DESIGNATION NAME	MOD.	Nr. Rahmen N.º Telaio N.º Cadre Frame Nr.
14A		00000023051	MUTTER SELBSTS 5M80 DIN-98 DADO AUTOBOCCANTE 5M80 DIN-982	ECROU INDESSERRABLE 5M80 DI SELF-LOCKING NUT 5M80	1 2 3 4 5 6 7 8 9 ABCDE	
15A		00H00303331	SCHRIFTZUG DECALCO RIBALTABILE	ADHESIF DECAL	1 2 3 4 5 6 7 8 9 ABCDE	
16A		00H01508181	KETTENSCHUTZ COPRICATENA SENDA	COUVRE CHAINE CHAIN COVER	1 2 3 4 5 6 7 8 9 ABCDE	
17A		00012161600	SCHRAUBE 6M100X16 D-7985 VITE TESTA CROCE NERA	VIS T.CROIX NOIR 6M100X16 D PHILIPS SCREW	1 2 3 4 5 6 7 8 9 ABCDE	
18A		00D01200171	SCHEIBE RONDELLA	RONDELLE WASHER	1 2 3 4 5 6 7 8 9 ABCDE	
19A		00D01501371	MUTTER DADO FISSAGGIO	ECROU NUT	1 2 3 4 5 6 7 8 9 ABCDE	
20A		00011141300	SCHRAUBE VITE AUTOFILETTANTE TESTA CROC	BOULON SCREW, SELF TAPPING 4.8MM13	1 2 3 4 5 6 7 8 9 ABCDE	
21A		00H00300911	SOTSSDMPFER BEFESTIGUNGSM VITE FISSAGGIO AMORT.	VIS FIXATION AMORTISSEUR SHOCK ABSORBER SEC. SCREW	1 2 3 4 5 6 7 8 9 ABCDE	
22A		00H00300621	SCHRIFTZUG DECALCO RIBALTABILE	ADHESIF DECAL	1 2 3 4 5 6 7 8 9 ABCDE	
23A		00H01801721	HALTER KETTENFUHRUNG PIASTRA SINISTRA GUIDA CATENA	PLAQUE GAUCHE LF.CHAIN GUIDE PLATE	1 2 3 4 5 6 7 8 9 ABCDE	
24A		00H01802291	HALTER KETTEN FUHRUNG PIASTRA DESTRA GUIDA CATENA SE	PLAQUE DROITE RT.CHAIN GUIDE PLATE	1 2 3 4 5 6 7 8 9 ABCDE	
25A		00H01803771	GLEITBAHN GUIDA SOSTEGNO CATENA SV/91	GUIDE CHAINE CHAIN SUPPORT GUIDE	1 2 3 4 5 6 7 8 9 ABCDE	
26A		00H01800811	HALTER KETTEN FUHRUNG PIASTRA DESTRA GUIDA CATENA SE	PLAQUE DROITE RT.CHAIN GUIDE PLATE	1 2 3 4 5 6 7 8 9 ABCDE	



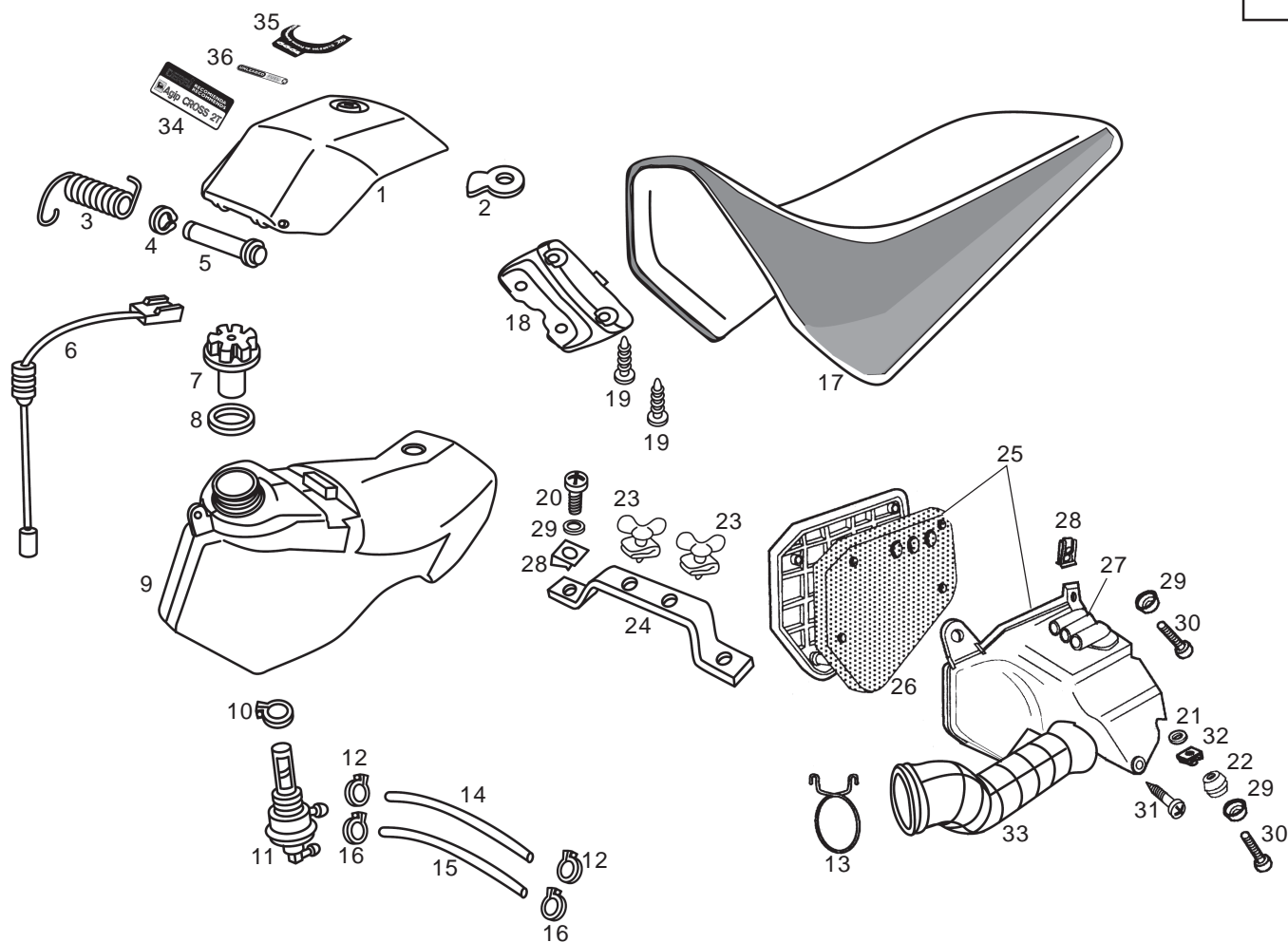
Figr.	Vers.	KOD. COD.	BEZEICHNUNG DENOMINAZIONE	DESIGNATION NAME	MOD.	Nr. Rahmen N.º Telaio N.º Cadre Frame Nr.
27A		00013054500	INBUSSCHRAUBE MOTOR BEFEST VITE	VIS SCREW	1 2 3 4 5 6 7 8 9 ABCDE	
28A		00H01801791	FUHRUNGSBUCHSE GABELSCHENK GHIERA	ENTRETOISE BUSHING	1 2 3 4 5 6 7 8 9 ABCDE	
29A		00103061212	INBUSSCHRAUBE VITE	VIS T. CREUSE SCREW, ALLEN C.SUNK 6MM1.00X12	1 2 3 4 5 6 7 8 9 ABCDE	
30A		00000031060	SCHEIBE D.6 RONDELLA PIATTA D6	ROND. PLATE MECANISEE D6DIN MACHINED FLAT WASHER D6 DIN-12	1 2 3 4 5 6 7 8 9 ABCDE	
31A		00000031050	SCHEIBE D.5 DIN-125 RONDELLA PIATTA D5	ROND.PLATE MECANISEE D.5.DI MACHINED FLAT WASHER D5	1 2 3 4 5 6 7 8 9 ABCDE	
32A		00H01501811	BEF.-SCHELLE FLANGIA	ENTRETOISE CLAMP	1 2 3 4 5 6 7 8 9 ABCDE	



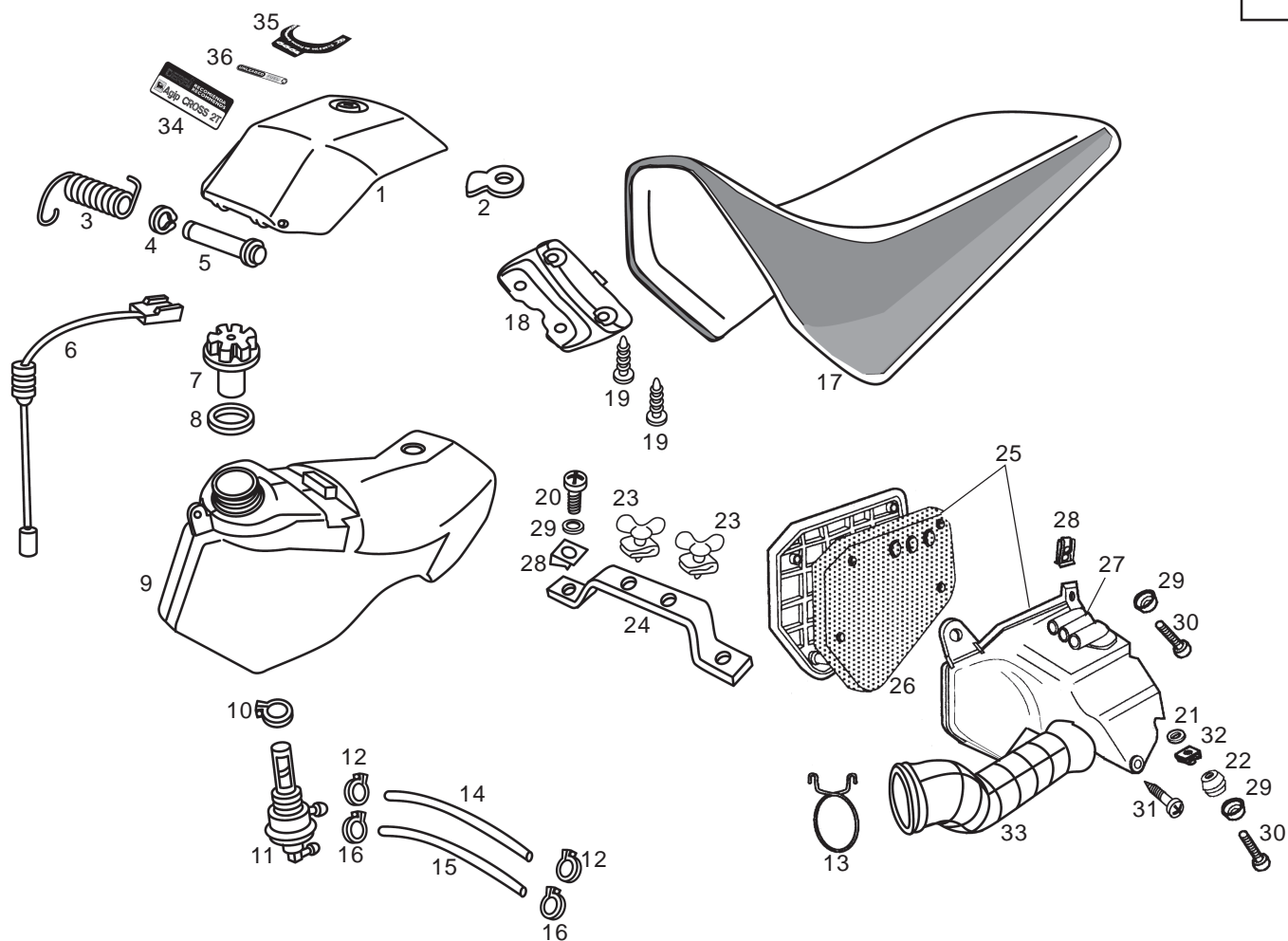
Figr.	Vers.	KOD. COD.	BEZEICHNUNG DENOMINAZIONE	DESIGNATION NAME	MOD.	Nr. Rahmen N.º Telaio N.º Cadre Frame Nr.
01A		00H00404681	TANKKLAPPE SUBCOMP.CARCASSA SUP.SERB.SDA-	COUVERCLE DE RESERVOIR TOP TANK FRAME	1 4 7 B	
01B		00H00404684	TANKKLAPPE SUBCOMP.CARCASSA SUP.SERB.SDA-	COUVERCLE DE RESERVOIR TOP TANK FRAME	2 5 8 C	
01C		00H00404683	TANKKLAPPE SUBCOMP.CARCASSA SUP.SERB.SDA-	COUVERCLE DE RESERVOIR TOP TANK FRAME	3 6 9 D	
01D		00H00404682	TANKKLAPPE SUBCOMP.CARCASSA SUP.SERB.SDA-	COUVERCLE DE RESERVOIR TOP TANK FRAME	A E	
02A		00G00601141	SCHLOSS-VERSCHLUSSHEBEL LEVA	LEVIER FERMETURE SELLE LEVER	1 2 3 4 5 6 7 8 9 ABCDE	
03A		00H06303761	RITZELFEDER MOLLA ARTIC. COPER. SUP. SERB.	RESSORT SPRING	1 2 3 4 5 6 7 8 9 ABCDE	
04A		00047030400	SICHERHEITSRING ACHSE D.4 ANELLO SICUREZZA ASSI D.4	ANNEAU SECURITE AXE D.4 PIN SECURING CIRCLIP D4. DIN-6	1 2 3 4 5 6 7 8 9 ABCDE	
05A		00H06303752	STIFT ASSE ARTIC. COPER.CUP.SERB.	AXE AXLE	1 2 3 4 5 6 7 8 9 ABCDE	
06A		00H04302181	KRAFTSTOFFSTAND COMPLESSO LIVELLO BENZINA	ENSEMBLE FLOTTEUR ESSENCE GAS LEVEL SENSOR ASSY.	1 2 3 4 5 6 7 8 9 ABCDE	
07A		00F00400131	FUEL TANK CAP ASSY TAPPO SERBATOIO BENZINA	ENS.BOUCHON RESERV.ESSENCE V.B FUEL TANK CAP ASSY	1 2 3 4 5 6 7 8 9 ABCDE	
08A		00F00400771	SCHEIBE F.TANKDECKEL RONDELLA TAPPO SERBATOIO	R-RONDELLE BOUCHON RESERVOI FUEL TANK CAP WASHER	1 2 3 4 5 6 7 8 9 ABCDE	
09A		00H00405011	BENZINTANK SERBATOIO BENZINA	RESERVOIR ESSENCE FUEL TANK	1 2 3 4 5 6 7 8 9 ABCDE	



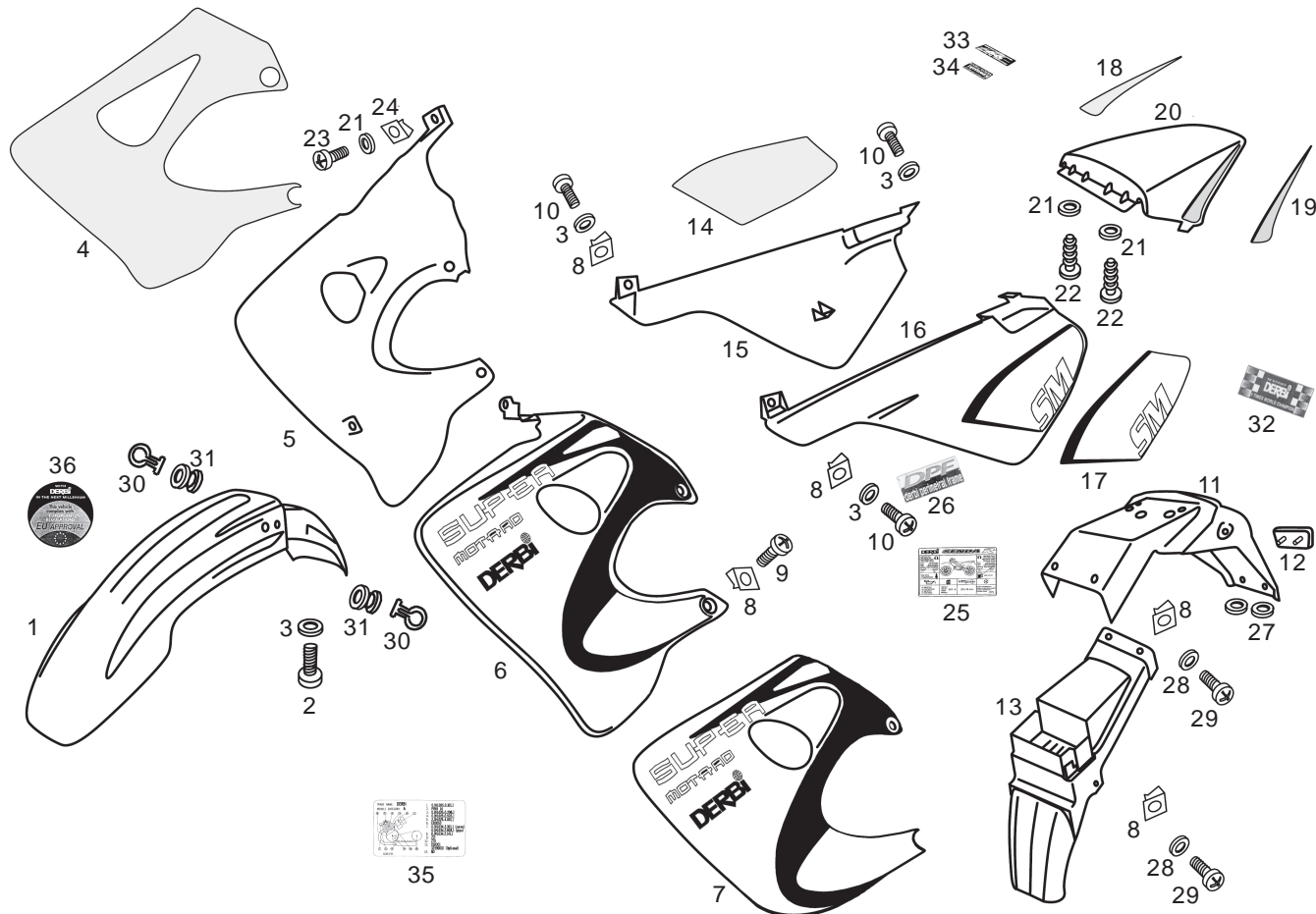
Figr.	Vers.	KOD. COD.	BEZEICHNUNG DENOMINAZIONE	DESIGNATION NAME	MOD.	Nr. Rahmen N.º Telaio N.º Cadre Frame Nr.
10A		00008204500	BEF.-SCHELLE F.HAHN 16-2 FASCETTA FISSAGGIO RUBINETTO	BRIDE FIXATION ROBINET.16-2 FUEL COCK SECURING CLAMP	1 2 3 4 5 6 7 8 9 ABCDE	
11A		00G00400181	KRAFTSTOFFHAHN UNTERDRUCK RUBINETTO BENZINA	ENSEMBLE ROBINET ESSENCE FUEL COCK ASSY	1 2 3 4 5 6 7 8 9 ABCDE	
12A		00D03700131	ELAST.KLAMMER GASLEITUNG FASCETTA ELASTICA TUBO BENZINA	CRAMPON ELASTIQUE TUBE ESSE FUEL PIPE ELASTIC CLAMP	1 2 3 4 5 6 7 8 9 ABCDE	
13A		00G03204272	SCHAUCHSCHELLE ANELLO	COLLIER CARB. AIR INTAKE TUBE	1 2 3 4 5 6 7 8 9 ABCDE	
14A		00F00403321	BENZINSCHLAUCH TUBO BENZINA	TUYAU ESSENCE FUEL PIPE	1 2 3 4 5 6 7 8 9 ABCDE	
15A		00H06201061	BENZINSCHLAUCH TUBO DEPRESSIONE	TUYAU ESSENCE DEPRESSION PIPE	1 2 3 4 5 6 7 8 9 ABCDE	
16A		00F03710131	BEF.-SCHELLE FASCETTA ELASTICA D.8'6	ENTRETOISE CLAMP	1 2 3 4 5 6 7 8 9 ABCDE	
17A		00H00612011	SITZBANK COMP.SELLINO	SELLE SEAT	1 2 3 4 5 6 7 8 9 ABCDE	
18A		00H00600341	ZUBEHOR SITZBANK SUPPLEMENTO SELLINO	SUPL.SELLE SEAT SUPPLEM.	1 2 3 4 5 6 7 8 9 ABCDE	
19A		00011051801	SELF-TAPPING SCREW VITE AUTOFILETTANTE 5,1 X 18	VIS TARAUD SELF-TAPPING SCREW	1 2 3 4 5 6 7 8 9 ABCDE	
20A		00012061200	SCHRAUBE.6M100X12.NG.D-798 VITE TONDO CROCE 6 X 12	VIS A TETE RONDE A FENTES C SCREW 6 X 12	1 2 3 4 5 6 7 8 9 ABCDE	
21A		00008915020	GUMMI PROTEZIONE CAVI	PASSE-CABLE RUBBER, CABLE PROTECTOR	1 2 3 4 5 6 7 8 9 ABCDE	



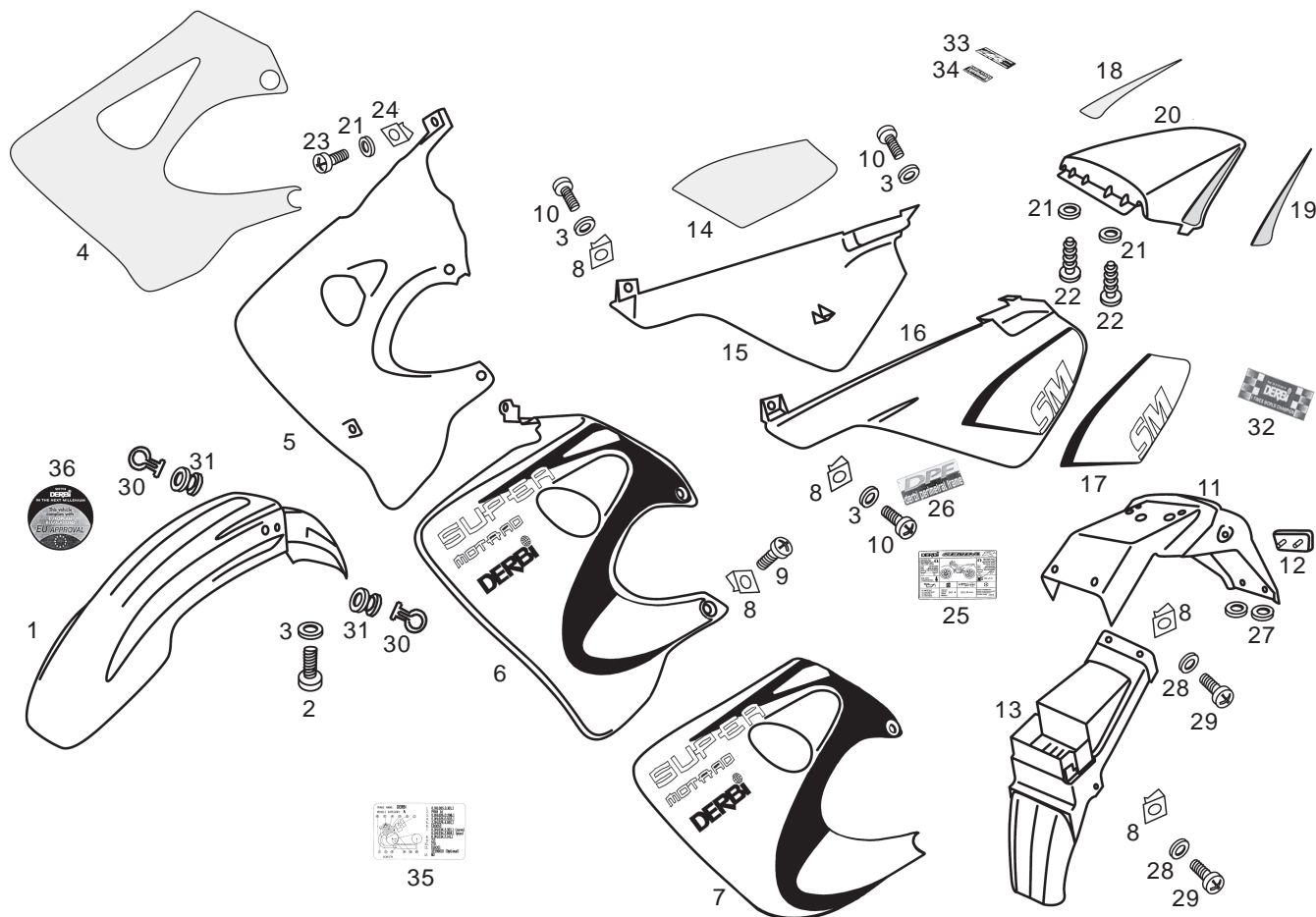
Figr.	Vers.	KOD. COD.	BEZEICHNUNG DENOMINAZIONE	DESIGNATION NAME	MOD.	Nr. Rahmen N.º Telaio N.º Cadre Frame Nr.
22A		00D01500552	ABDECKSCHEIBE SCADELLINO FISSAGGIO	CUVETTE HOUSING	1 2 3 4 5 6 7 8 9 ABCDE	
23A		00H06100261	SCHLOSS CHIUSURA SELLINO	ENSEMBLE SERRURE LOCKING ASSY	1 2 3 4 5 6 7 8 9 ABCDE	
24A		00H00404051	LOWER FUEL TANK BRACKET GPR"R" SUPPORTO INF. SERBATOIO	SUPPORT INFÉRIEUR RÉSEROIR ES LOWER FUEL TANK BRACKET	1 2 3 4 5 6 7 8 9 ABCDE	
25A		00H01800541	FILTERKASTEN COMPLESSO CASSA FILTRO SENDA	ENSEMBLE BOITE FILTRE AIR FILTER BOX	1 2 3 4 5 6 7 8 9 ABCDE	
26A		00H03201251	LUFTFILTERSCHAUM ESPANSO FILTRO ARIA SENDA	FILTRE AIR AIR FILTER MESH	1 2 3 4 5 6 7 8 9 ABCDE	
27A		00D03210491	SAUGROHR TUBO ASPIRAZIONE YUMBO FD	TUBE D'ASPIRATION AIR INTAKE	1 2 3 4 5 6 7 8 9 ABCDE	
28A		00D01501371	MUTTER DADO FISSAGGIO	ECROU NUT	1 2 3 4 5 6 7 8 9 ABCDE	
29A		00D01200171	SCHEIBE RONDELLA	RONDELLE WASHER	1 2 3 4 5 6 7 8 9 ABCDE	
30A		00012161600	SCHRAUBE 6M100X16 D-7985 VITE TESTA CROCE NERA	VIS T.CROIX NOIR 6M100X16 D PHILIPS SCREW	1 2 3 4 5 6 7 8 9 ABCDE	
31A		00073481964	SCHRAUBE VITE AUTOFILETTANTE TESTA CROC	VIS SELF-THREADING HEAD. SCR. 4,8X19	1 2 3 4 5 6 7 8 9 ABCDE	
32A		00D01500471	FUHRUNGSBUCHSE GABELSCHENK GHIERA	ENTRETOISE BUSHING	1 2 3 4 5 6 7 8 9 ABCDE	
33A		00H03207261	ENLAISRORR HUNTER TUBO AMMISSIONE	TUYAU D'ADMISSION HUNTER AIR INTAKE HOSE	1 2 3 4 5 6 7 8 9 ABCDE	



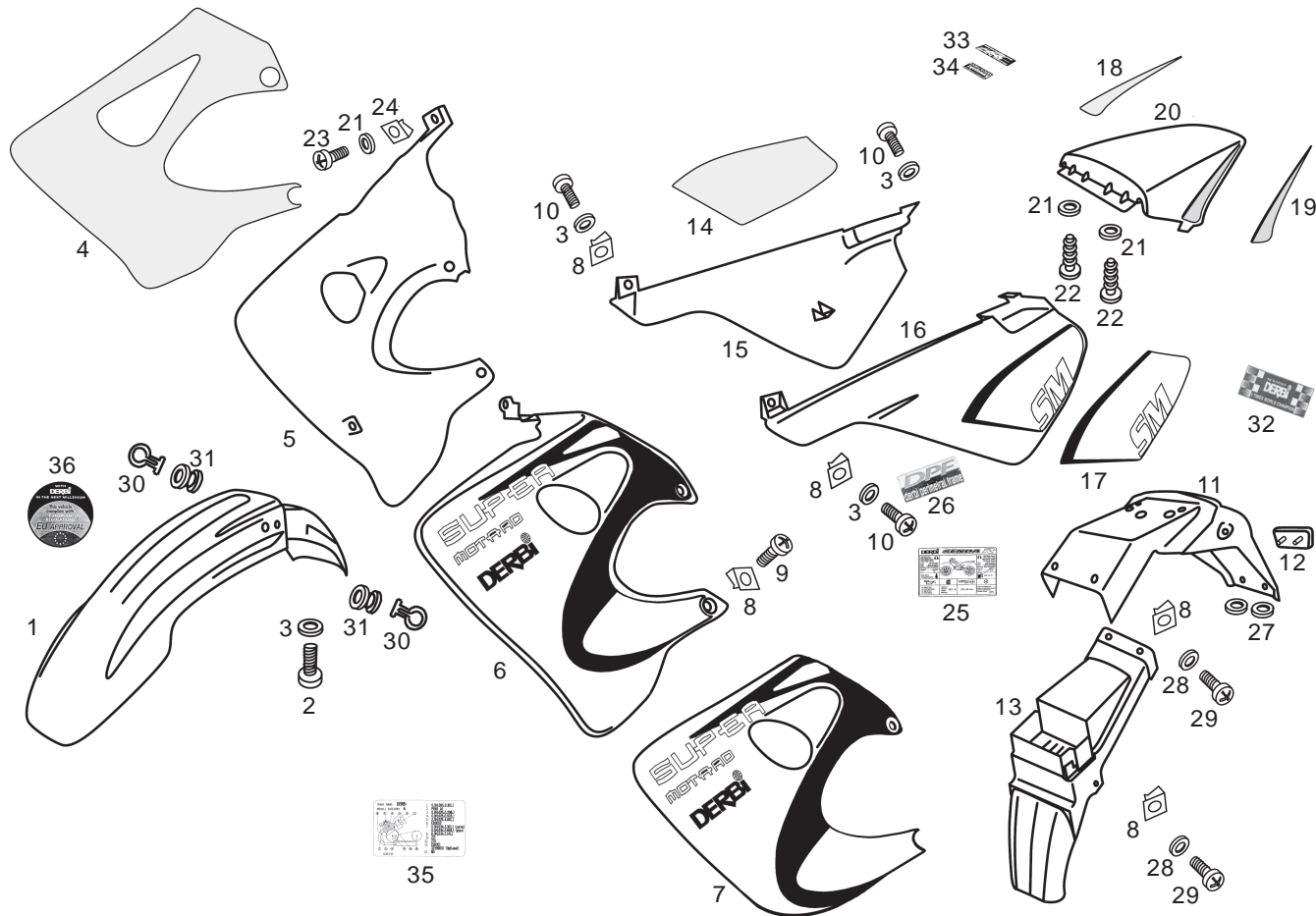
Figr.	Vers.	KOD. COD.	BEZEICHNUNG DENOMINAZIONE	DESIGNATION NAME	MOD.	Nr. Rahmen N.º Telaio N.º Cadre Frame Nr.
34A		00H00401521	SCHRIFTZUG AGIP SPEED ADESIVO AGIP	ADHESIF AGIP SPEED DECAL AGIP	1 2 3 4 5 6 7 8 9 A B C D E	
35A		00H00401471	SCHRIFTZUG ADESIVO	ADHESIF DECAL	1 2 3	
35B		00H00402471	SCHRIFTZUG ADESIVO	ADHESIF DECAL	8 9 A	7
36A		00G04401481	SCHRIFTZUG ADESIVO	ADHESIF DECAL	4 5 6 B C D E	



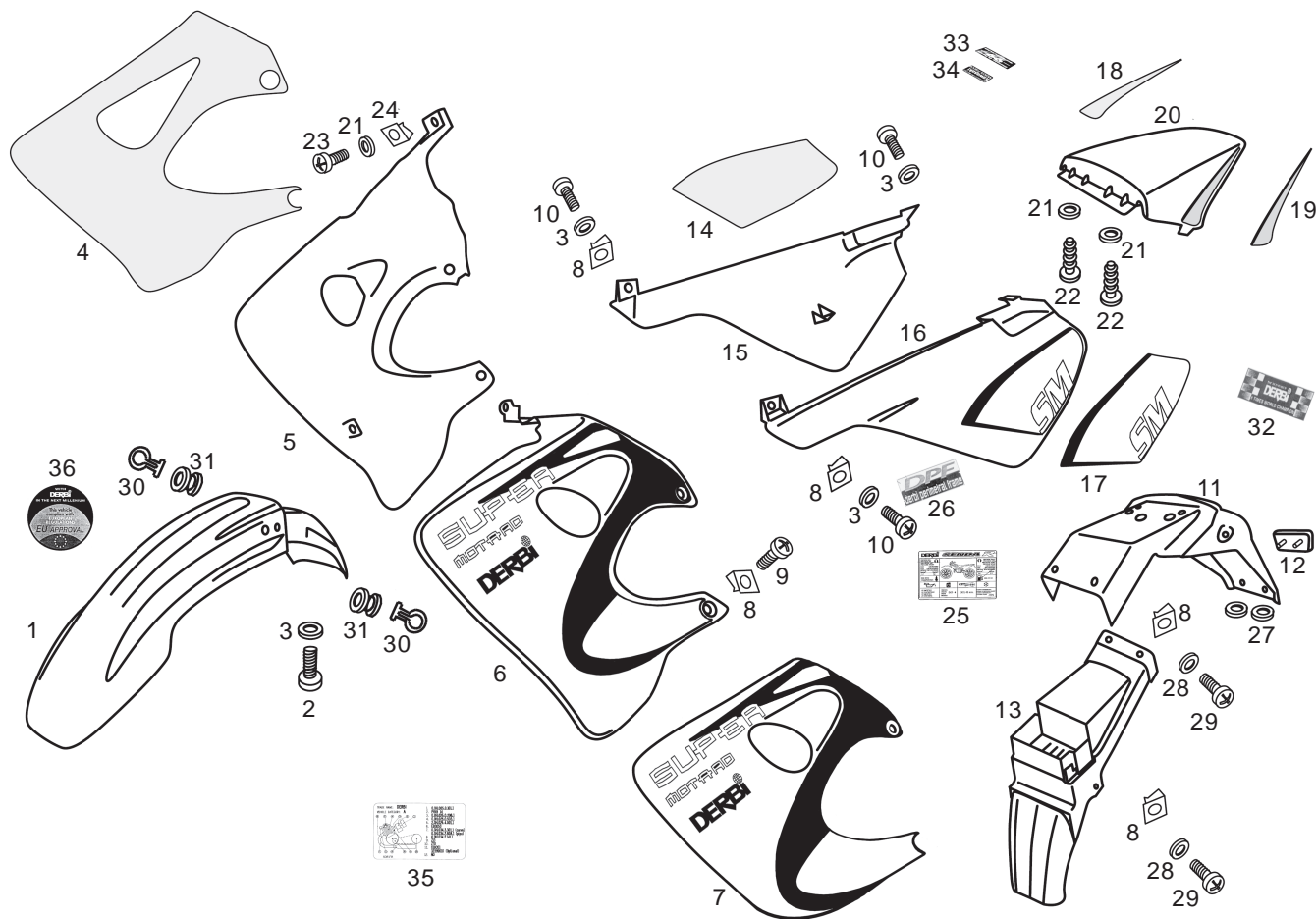
Figr.	Vers.	KOD. COD.	BEZEICHNUNG DENOMINAZIONE	DESIGNATION NAME	MOD.	Nr. Rahmen N.º Telaio N.º Cadre Frame Nr.
01A		00H00713021	KOTFLUGEL VORN PARAFANGO ANTERIORE	GARDE-BOUE AVANT RGE FRONT MUDGUARD ASSY	1 4 7 B	
01B		00H00713023	KOTFLUGEL VORN PARAFANGO ANTERIORE	GARDE-BOUE AVANT RGE FRONT MUDGUARD ASSY	2 5 8 C	
01C		00H00713022	KOTFLUGEL VORN PARAFANGO ANTERIORE	GARDE-BOUE AVANT RGE FRONT MUDGUARD ASSY	3 6 9 D	
01D		00H00713026	KOTFLUGEL VORN PARAFANGO ANTERIORE	GARDE-BOUE AVANT RGE FRONT MUDGUARD ASSY	A E	
02A		00012162000	D SCHRAUBE VITE TESTA ESAGONALE 5M80X16	BOULON TETE HEX.5M80X15 HEX.HEAD SCREW 5M80X15	1 2 3 4 5 6 7 8 9 ABCDE	
03A		00D01200171	SCHEIBE RONDELLA	RONDELLE WASHER	1 2 3 4 5 6 7 8 9 ABCDE	
04A		00H04913561	SCHRIFTZUG ADESIVO	ADHESIF DECAL	1 4 7 B	
04B		00H04913562	SCHRIFTZUG ADESIVO	ADHESIF DECAL	2 5 8 C	
04C		00H04913563	SCHRIFTZUG ADESIVO	ADHESIF DECAL	3 6 9 D	
04D		00H04913564	SCHRIFTZUG ADESIVO	ADHESIF DECAL	A E	
05A		00H04420801	SEITENTEIL SUBCOMP.COP.ANT.DES.C/C.	OUIE MOTEUR D. LOWER RIGHT-HAND ADORNMENT	1 4 7 B	
05B		00H04420802	SEITENTEIL SUBCOMP.COP.ANT.DES.C/C.	OUIE MOTEUR D. LOWER RIGHT-HAND ADORNMENT	2 5 8 C	
05C		00H04420803	SEITENTEIL SUBCOMP.COP.ANT.DES.C/C.	OUIE MOTEUR D. LOWER RIGHT-HAND ADORNMENT	3 6 9 D	



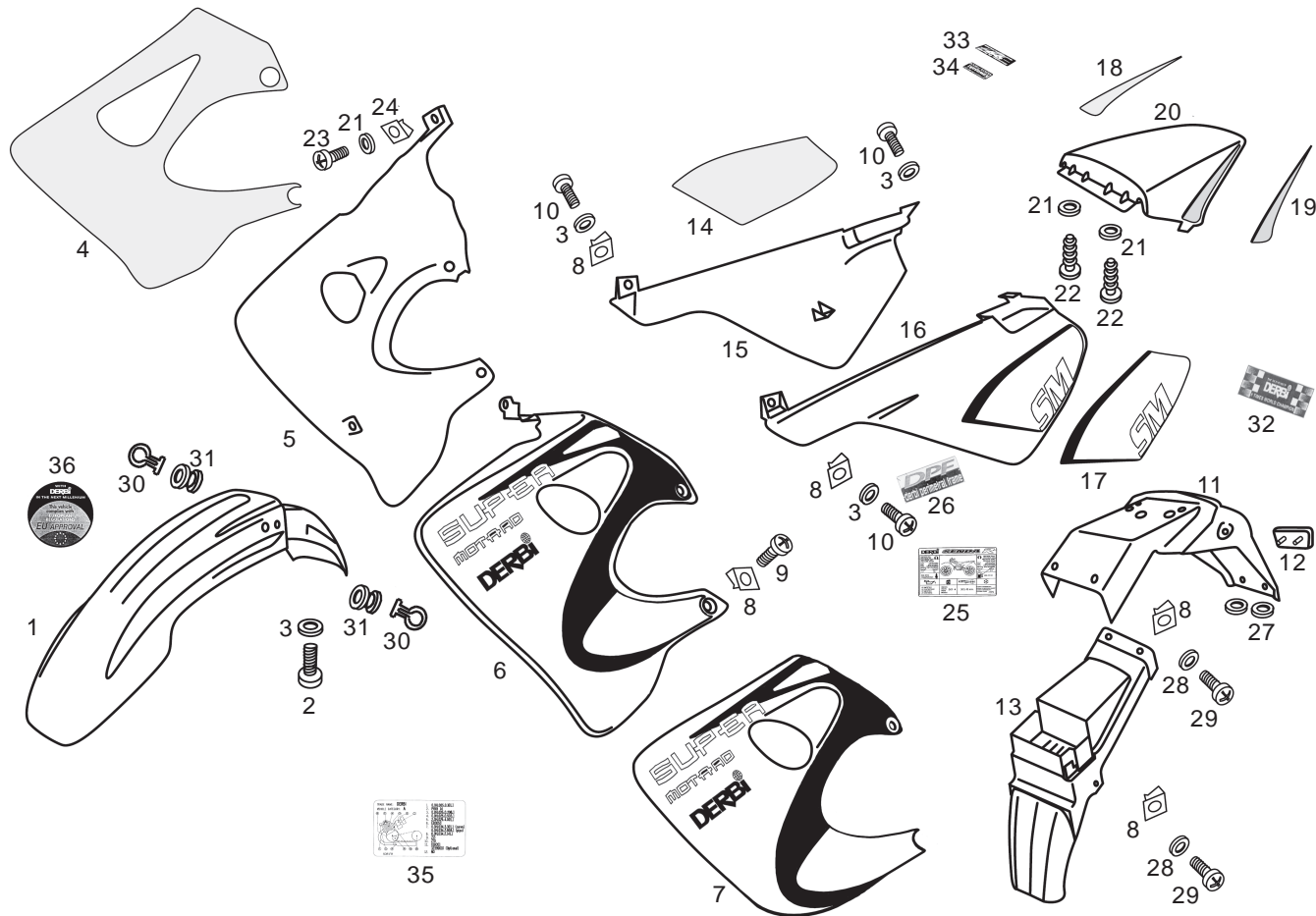
Figr.	Vers.	KOD. COD.	BEZEICHNUNG DENOMINAZIONE	DESIGNATION NAME	MOD.	Nr. Rahmen N.º Telaio N.º Cadre Frame Nr.
05D		00H04420804	SEITENTEIL SUBCOMP.COP.ANT.DES.C/C.	OUIE MOTEUR D. LOWER RIGHT-HAND ADORNMENT	A E	
06A		00H04418831	KHULERVERKLEIDUNG SUBCOMP.COP.ANT.SIN.C/C	OUIE MOTEUR G. FRONT COVER LEFT SIDE	1 4 7 B	
06B		00H04404782	KHULERVERKLEIDUNG SUBCOMP.COP.ANT.SIN.C/C	OUIE MOTEUR G. FRONT COVER LEFT SIDE	2 5 8 C	
06C		00H04404783	KHULERVERKLEIDUNG SUBCOMP.COP.ANT.SIN.C/C	OUIE MOTEUR G. FRONT COVER LEFT SIDE	3 6 9 D	
06D		00H04418834	KHULERVERKLEIDUNG SUBCOMP.COP.ANT.SIN.C/C	OUIE MOTEUR G. FRONT COVER LEFT SIDE	A E	
07A		00H04912571	SCHRIFTZUG ADESIVO COPERC.ANT.SIN	ADHESIF FRONT COVER LEFT DECAL	1 4 7 B	
07B		00H04912572	SCHRIFTZUG ADESIVO COPERC.ANT.SIN	ADHESIF FRONT COVER LEFT DECAL	2 5 8 C	
07C		00H04912573	SCHRIFTZUG ADESIVO COPERC.ANT.SIN	ADHESIF FRONT COVER LEFT DECAL	3 6 9 D	
07D		00H04912574	SCHRIFTZUG ADESIVO COPERC.ANT.SIN	ADHESIF FRONT COVER LEFT DECAL	A E	
08A		00D01501371	MUTTER DADO FISSAGGIO	ECROU NUT	1 2 3 4 5 6 7 8 9 ABCDE	
09A		00G01503701	FRONT SHIELD SECURING SCREW VITE FISSAGGIO SCUDO FRONTALE	BOULON SER. FRONTAL HUNTER FRONT SHIELD SECURING SCREW	1 2 3 4 5 6 7 8 9 ABCDE	
10A		00012161600	SCHRAUBE 6M100X16 D-7985 VITE TONDO CROCE .6M100X16.DIN	VIS T.CROIX NOIR 6M100X16 D SCREW,6M100X16	1 2 3 4 5 6 7 8 9 ABCDE	
11A		00H00712341	ZUBEHOR STAUBFANGER Hinten SUPPLEMENTO PARAFANGO POST.	SUPL. GARDE BOUE AR. SUPPLEM. REAR FENDER	1 2 3 4 5 6 7 8 9 ABCDE	



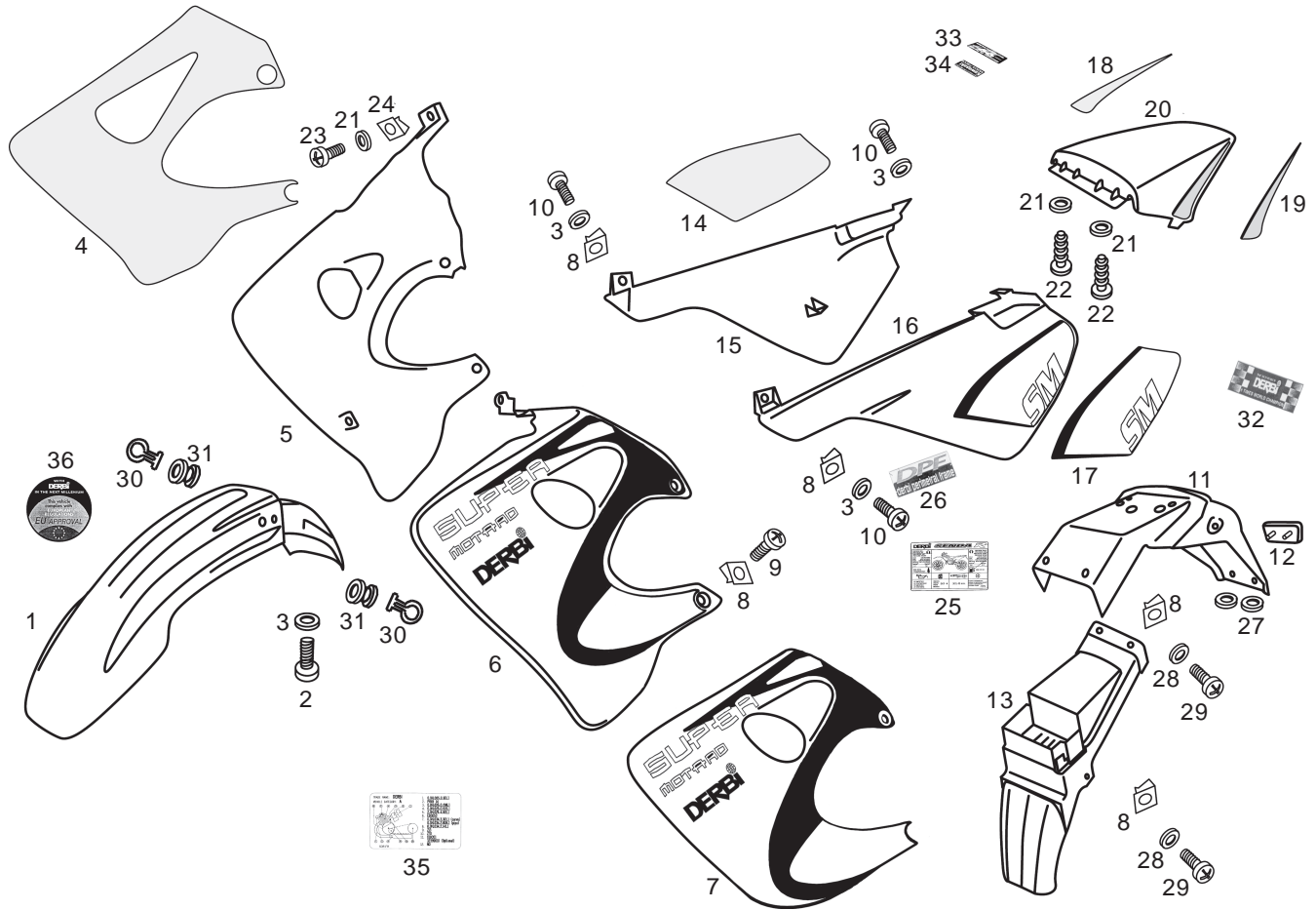
Figr.	Vers.	KOD. COD.	BEZEICHNUNG DENOMINAZIONE	DESIGNATION NAME	MOD.	Nr. Rahmen N.º Telaio N.º Cadre Frame Nr.
12A		00G04400752	RUCKS TRAHLER CATARIFRANGENTE POSTERIORE R	CATADIOPTRE ARRIERE REAR REFLECTOR	1 2 3 4 5 6 7 8 9 ABCDE	
13A		00H00705121	KOTFLUGEL HINTEN PARAFANGO POSTERIORE	GARDE BOUE ARRIERE REAR MUDGUARD	1 2 3 4 5 6 7 8 9 ABCDE	
14A		00H00533701	AUFKLEBER ADESIVO POS.COPERC.LAT.DES.	DECAL FLANC D. REAR SIDE COVER DECAL	1 4	
14B		00H00533702	AUFKLEBER ADESIVO POS.COPERC.LAT.DES.	DECAL FLANC D. REAR SIDE COVER DECAL	2 5	
14C		00H00533703	AUFKLEBER ADESIVO POS.COPERC.LAT.DES.	DECAL FLANC D. REAR SIDE COVER DECAL	3 6	
14D		00H00513191	AUFKLEBER ADESIVO POS.COPERC.LAT.DES.	DECAL FLANC D. REAR SIDE COVER DECAL		7
14E		00H00513192	AUFKLEBER ADESIVO POS.COPERC.LAT.DES.	DECAL FLANC D. REAR SIDE COVER DECAL	9 AB	DE
15A		00H00532691	SEITENDECKEL RECHTS SUBCOMP.COPERC.LAT.DES.C/C.	PLAQUE LATERAL DROITE AVEC RIGHT HAND SIDE COVER	1 4 7 B	
15B		00H00532692	SEITENDECKEL RECHTS SUBCOMP.COPERC.LAT.DES.C/C.	PLAQUE LATERAL DROITE AVEC RIGHT HAND SIDE COVER	2 5 8 C	
15C		00H00532693	SEITENDECKEL RECHTS SUBCOMP.COPERC.LAT.DES.C/C.	PLAQUE LATERAL DROITE AVEC RIGHT HAND SIDE COVER	3 6 9 D	
15D		00H00532694	SEITENDECKEL RECHTS SUBCOMP.COPERC.LAT.DES.C/C.	PLAQUE LATERAL DROITE AVEC RIGHT HAND SIDE COVER	A E	
16A		00H00533701	SEITENDECKEL- LINKS SUBCOMP.COP.LAT.SIN.C/C.	FLANC LAT.G.AVEC DECAL LEFT HAND SIDE COVER	1 4 7 B	
16B		00H00533702	SEITENDECKEL- LINKS SUBCOMP.COP.LAT.SIN.C/C.	FLANC LAT.G.AVEC DECAL LEFT HAND SIDE COVER	2 5 8 C	



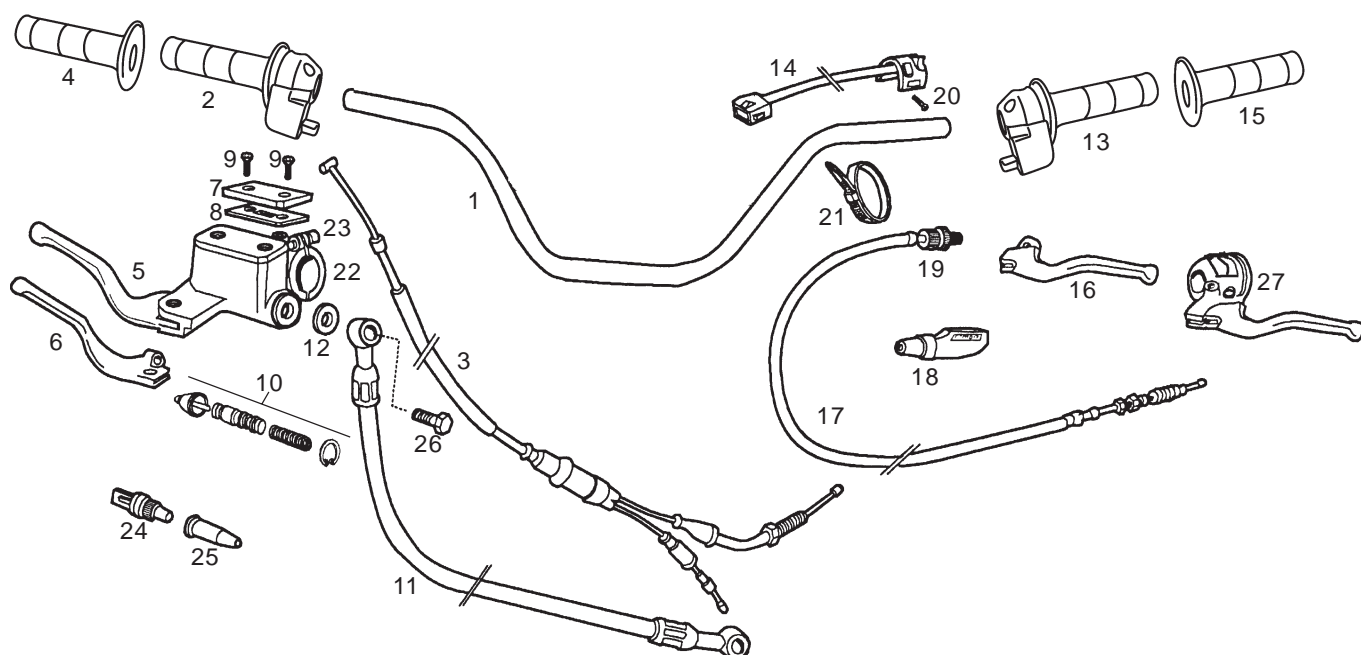
Figr.	Vers.	KOD. COD.	BEZEICHUNG DENOMINAZIONE	DESIGNATION NAME	MOD.	Nr. Rahmen N.º Telaio N.º Cadre Frame Nr.
16C		00H00533703	SEITENDECKEL- LINKS SUBCOMP.COP.LAT.SIN.C/C.	FLANC LAT.G.AVEC DECAL LEFT HAND SIDE COVER	3 6 9 D	
16D		00H00533704	SEITENDECKEL- LINKS SUBCOMP.COP.LAT.SIN.C/C.	FLANC LAT.G.AVEC DECAL LEFT HAND SIDE COVER	A E	
17A		00H00532691	AUFKLEBER ADESIVO COPERC.LATERALE SENDA	DECAL LAT. SIDE COVER DECAL	1 4	
17B		00H00532692	AUFKLEBER ADESIVO COPERC.LATERALE SENDA	DECAL LAT. SIDE COVER DECAL	2 5	
17C		00H00532693	AUFKLEBER ADESIVO COPERC.LATERALE SENDA	DECAL LAT. SIDE COVER DECAL	3 6	
17D		00H00511651	AUFKLEBER ADESIVO COPERC.LATERALE SENDA	DECAL LAT. SIDE COVER DECAL		7
17E		00H00511652	AUFKLEBER ADESIVO COPERC.LATERALE SENDA	DECAL LAT. SIDE COVER DECAL	8 C	9 AB DE
18A		00H00612601	SCHRIFTZUG ADESIVO	ADHESIF DECAL	1 4 7 B	
18B		00H00612602	SCHRIFTZUG ADESIVO	ADHESIF DECAL	23 56 89 A CDE	
19A		00H00612481	SCHRIFTZUG ADESIVO LATERALE SINISTRA CODI	ADHESIF DECAL	1 4 7 B	
19B		00H00612482	SCHRIFTZUG ADESIVO LATERALE SINISTRA CODI	ADHESIF DECAL	23 56 89 A CDE	
20A		00H04906091	KOTFLUGEL HINTEN COLIN SELLINO	DOSSERET SELLE SEAT BASE	1 4 7 B	
20B		00H04906092	KOTFLUGEL HINTEN COLIN SELLINO	DOSSERET SELLE SEAT BASE	2 5 8 C	



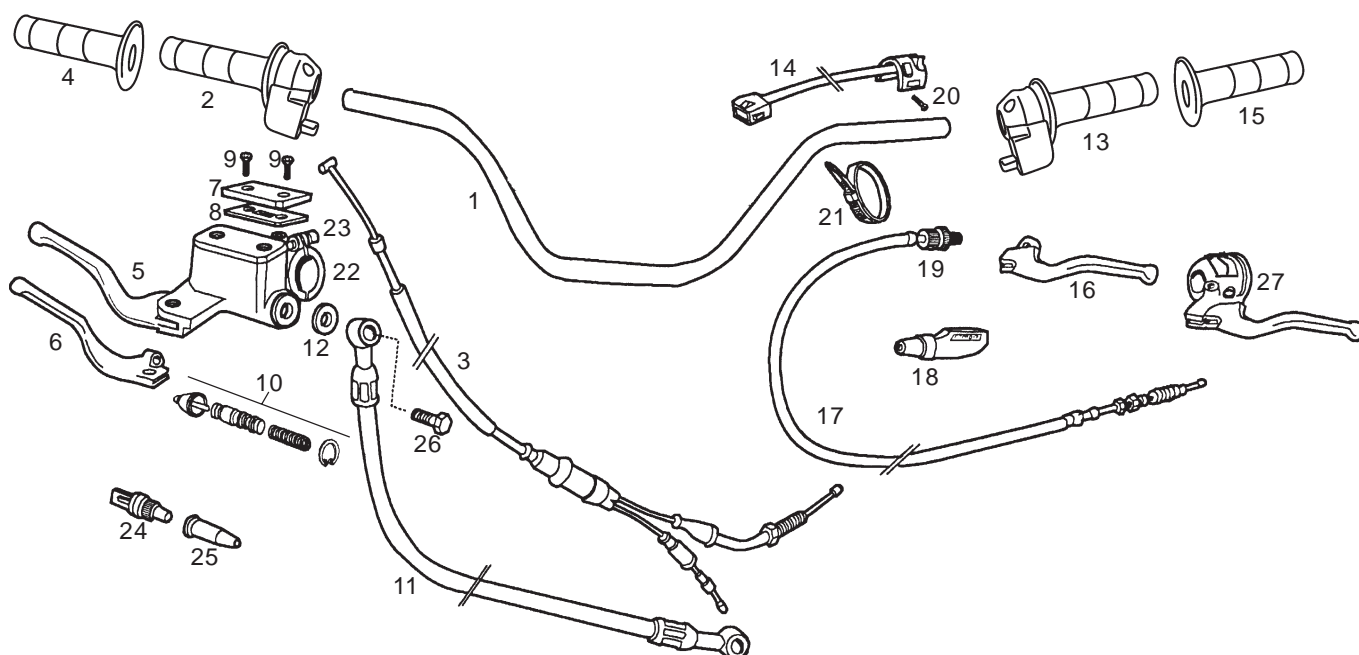
Figr.	Vers.	KOD. COD.	BEZEICHNUNG DENOMINAZIONE	DESIGNATION NAME	MOD.	Nr. Rahmen N.º Telaio N.º Cadre Frame Nr.
20C		00H04906093	KOTFLUGEL HINTEN COLIN SELLINO	DOSSERET SELLE SEAT BASE	3 6 9 D	
20D		00H04906094	KOTFLUGEL HINTEN COLIN SELLINO	DOSSERET SELLE SEAT BASE	A E	
21A		00000031050	SCHEIBE D.5 DIN-125 RONDELLA Ø 5	ROND.PLATE MECANISEE D.5.DI WASHER Ø 5	1 2 3 4 5 6 7 8 9 ABCDE	
22A		00011051601	SELF-TAPPING SCREW VITE AUTOFILETTANTE 5 X 16	VIS TARAUD 5,1X16 NOIR CL89H SELF-TAPPING SCREW	1 2 3 4 5 6 7 8 9 ABCDE	
23A		00012152000	SCHRAUBE VITE CROCE 5 X 20	VIS CRUCIFORME 5M80X20DIN798 SCREW 5 X 20	1 2 3 4 5 6 7 8 9 ABCDE	
24A		00G04401462	MUTTER PADO	ECROU NUT	1 2 3 4 5 6 7 8 9 ABCDE	
25A		00H04637141	SCHRIFTZUG ADESIVO	ADHESIF DECAL	1 2 3 4 5 6 7 8 9 ABCDE	
26A		00H02200022	SCHRIFTZUG ADESIVO	ADHESIF DECAL	1 2 3 4 5 6 8 C	
26B		00H02200021	SCHRIFTZUG ADESIVO	ADHESIF DECAL	7 9 AB DE	
27A		00G06300671	SCHEIBE RONDELLA	RONDELLE WASHER	1 2 3 4 5 6 7 8 9 ABCDE	
28A		00000031060	SCHEIBE D.6 RONDELLA PIATTA D6	ROND. PLATE MECANISEE D6DIN MACHINED FLAT WASHER D6 DIN-12	1 2 3 4 5 6 7 8 9 ABCDE	
29A		00012161600	SCHRAUBE 6M100X16 D-7985 VITE TESTA CROCE NERA	VIS T.CROIX NOIR 6M100X16 D PHILIPS SCREW	1 2 3 4 5 6 7 8 9 ABCDE	
30A		00H02201591	HALTER F. BEF. BREMSSCHLAU GUIDA CAVI	SOUS-EN.SUP.FIX.TUYAU FREIN CABLE GUIAE	1 2 3 4 5 6 7 8 9 ABCDE	



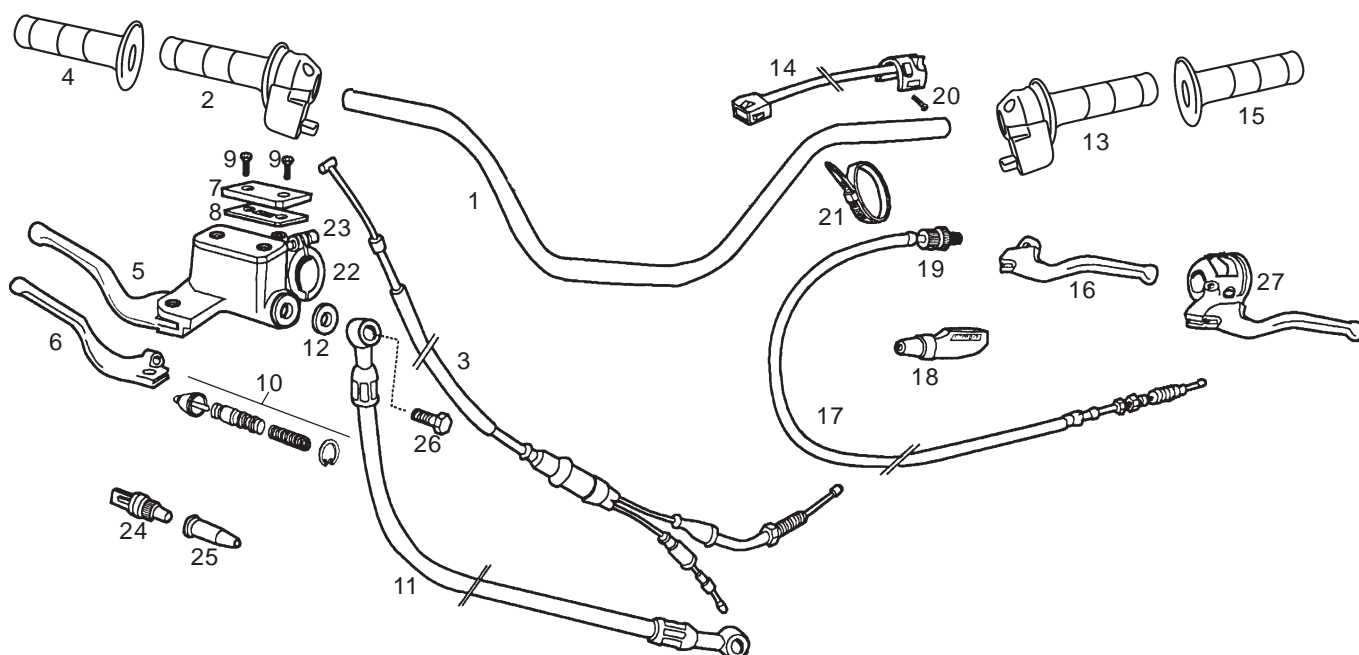
Figr.	Vers.	KOD. COD.	BEZEICHNUNG DENOMINAZIONE	DESIGNATION NAME	MOD.	Nr. Rahmen N.º Telaio N.º Cadre Frame Nr.
31A		00D01500021	GUMMI PORTACAVI PARAFANGO	CAOUTCHOUC PASSE-CABLE GROMMET	1 2 3 4 5 6 7 8 9 ABCDE	
32A		00H04900231	SCHRIFTZUG ADESIVO	ADHESIF DECAL	1 2 3 4 5 6 7 8 9 ABCDE	
33A		00G01501321	SCHRIFTZUG ADESIVO	ADHESIF DECAL	1 2 3 7 8 9 A	
34A		00H04901231	SCHRIFTZUG ADESIVO	ADHESIF DECAL	1 2 3	
34B		00H04902231	SCHRIFTZUG ADESIVO	ADHESIF DECAL	7 8 9 A	
35A		00H06322731	SCHRIFTZUG ADESIVO	ADHESIF DECAL	4 5 6 BCDE	
36A		00G04600371	SCHRIFTZUG ADESIVO	ADHESIF DECAL	4 5 6 BCDE	



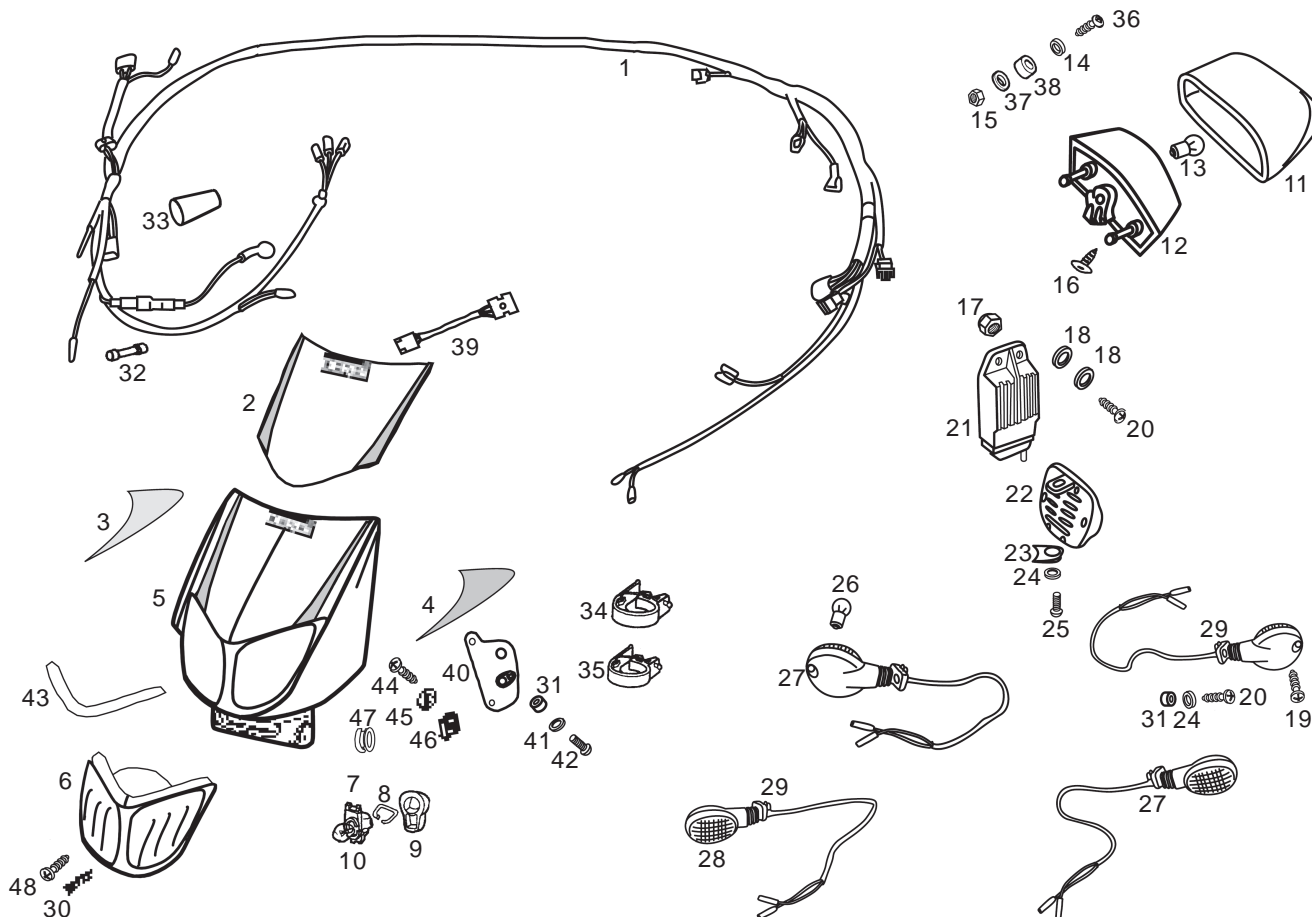
Figr.	Vers.	KOD. COD.	BEZEICHNUNG DENOMINAZIONE	DESIGNATION NAME	MOD.	Nr. Rahmen N.º Telaio N.º Cadre Frame Nr.
01A		00H00905011	LENKER MANUBRIO	GUIDON HANDLEVAR ASSY	1 2 3 4 5 6 7 8 9 A B C D E	
02A		00H02101621	GASGRIFF COMPLESSO MANOPOLA ACCELERATOR	POIGNEE DE GAZ COMPLETE THROTTLE GRIP ASSEMBLY	1 2 3 4 5 6 7 8 9 A B C D E	
03A		00H00916171	GASKABEL COMPLESSO CAVO-FODERO ACCELERA	GAINE ET CABLE DE GAZ CABLE ASSY TRHOTTLE	1 2 3 4 5 6 7 8 9 A B C D E	
04A		00H00930091	GRIFF R-MANOPOLA ACCELERATORE V.W.CH	CAOUT.DE PIGNEE GAZ GRIP, THROTTLE	1 2 3 4 5 6 7 8 9 A B C D E	
05A		00G02102081	REP.-SATZ F. PUMPE R-COMPLESSO COMANDO FRENO	R-ENSEM.KIT REPAR. POMPE SE FRONT BRAKE LEVER/MASTER CYLIN	1 2 3 4 5 6 7 8 9 A B C D E	
06A		00F00902291	BREMSHEBEL KOMPL. MANOPOLA FRENO	MANETE DU FREIN AVANT BRAKE LEVER	1 2 3 4 5 6 7 8 9 A B C D E	
07A		00H02100191	BREMSFLUESSIGKEITSBEHAELTE COPERCHIO SERBATOIO LIQUIDO	R-COUV.RESER.LIQ.FREIN AVAN BRAKE FLUID RESERVOIR CAP	1 2 3 4 5 6 7 8 9 A B C D E	
08A		00H02100861	BREMSCECKELDICHTUNG GUARNIZIONE COPERCHIO	R-JOINT COUV.RES.LIQ.FR.AV. BRAKE FLUID RESERVOIR CAP SEAL	1 2 3 4 5 6 7 8 9 A B C D E	
09A		00014041200	SCHRAUBE 4M80X12.D-965 VITE TESTA SVASATA CROCE NERO	BOULON T.NOYEE CR.N.4M80X12 COUNTERSUNK PHILIPS SCREW	1 2 3 4 5 6 7 8 9 A B C D E	
10A		00D02120811	REP.-SATZ F. PUMPE COMPLESSO KIT RIPARAZIONE	R-ENSEM.KIT REPAR. POMPE SE FRONT BRAKE MASTER CYLINDER	1 2 3 4 5 6 7 8 9 A B C D E	
11A		00H00913751	BREMSSSCHLAUCH SUBCOMP.TUBO LIQ.FRE.	FLEXIBLE DE FREIN AVANT BRAKE FLUID TUBE	1 2 3 4 5 6 7 8 9 A B C D E	
12A		00006321040	DICHTRING RONDELLA GUARNIZIONE RACCORDO	RONDELLE DE JOINT RACCORD CONNECTOR GASKET WASHER	1 2 3 4 5 6 7 8 9 A B C D E	



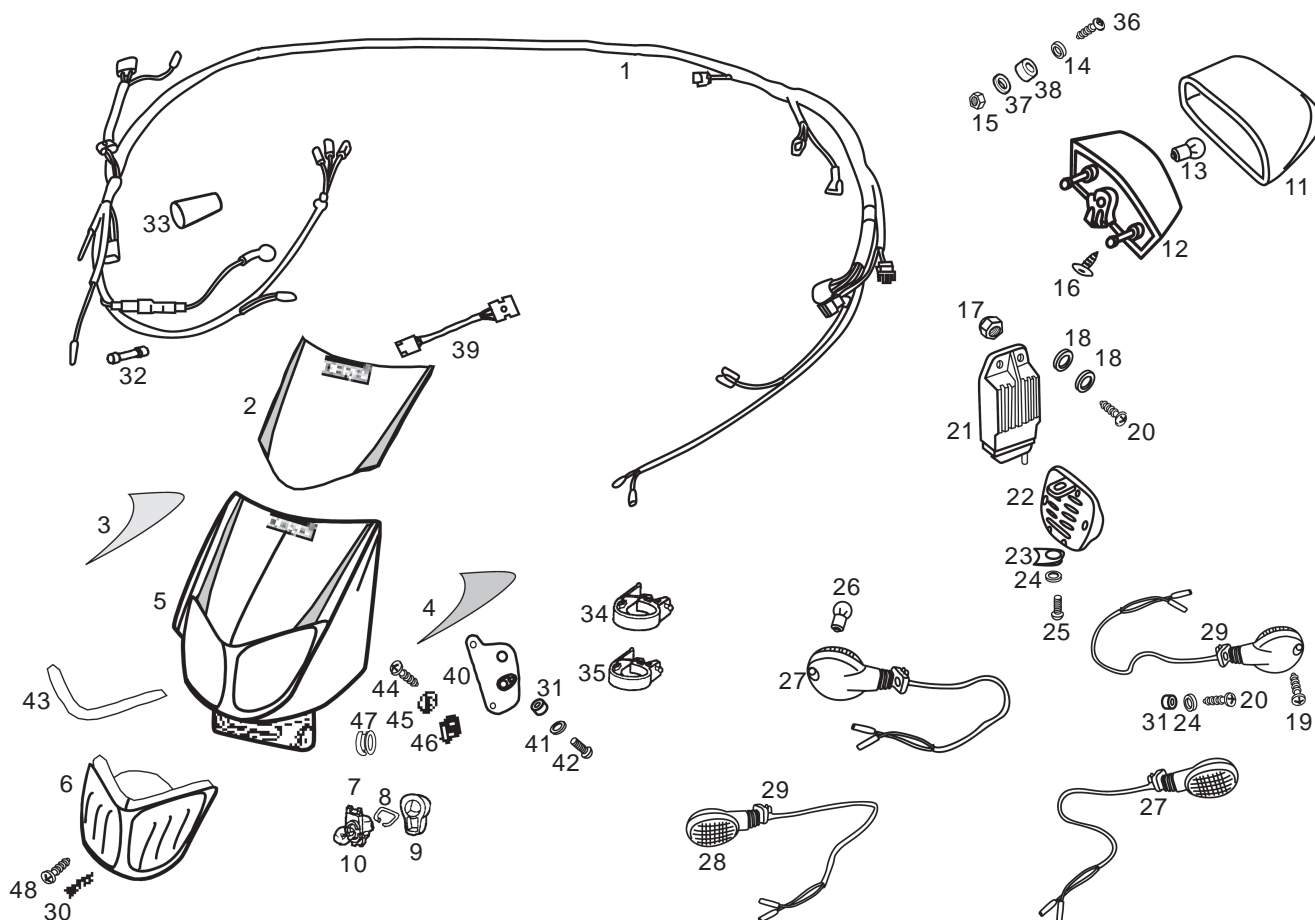
Figr.	Vers.	KOD. COD.	BEZEICHNUNG DENOMINAZIONE	DESIGNATION NAME	MOD.	Nr. Rahmen N.º Telaio N.º Cadre Frame Nr.
13A		00H01007141	LICHTSCHALTER COMPLESSO MANOPOLA LUCE SENDA	INVERSEUR AVEC CABLE LIGHT SWINTCH ASSY	1 2 3 4 5 6 7 8 9 ABCDE	
14A		00H02304381	LICHTSCHALTER COMPLESSO CONMUTATORE LUCI	INVERSEUR AVEC CABLE SWITCH	1 2 3 4 5 6 7 8 9 ABCDE	
15A		00H00930071	GRIFF R-MANOPOLA FRENO POSTERIORE 13	CAOUT.DE PIGNEE GAZ GRIP, THROTTLE	1 2 3 4 5 6 7 8 9 ABCDE	
16A		00D00940291	KUPPLUNGSHEBEL LEVIER EMBRAYAGE	LEVIER EMBRAYAGE CLUTCH LEVER	1 2 3 4 5 6 7 8 9 ABCDE	
17A		00H00902301	KUPPLUNGSZUG SUBCOM.CAVO-GUAINA FRIZ.SDA-R	GAIN ET CABLE D'EMBRAYAGE CLUTCH COVER AND CAB.SUB.ASSY.	1 2 3 4 5 6 7 8 9 ABCDE	
18A		00H02101011	GUMMIKAPPE PROTETTORE LEVA FRIZIONE SD-	PROTEGE LEVIER EMBRAY. CLUTCH LEVER PROTECTOR	1 2 3 4 5 6 7 8 9 ABCDE	
19A		00D00900351	SCHELLE TENSORE CABO	COLLIER FIX ELIERIE CLUTCH CABLE TIGHTENING DEVIC	1 2 3 4 5 6 7 8 9 ABCDE	
20A		00000012508	INBUSSCHRAUBE MOTOR BEFEST VITE TONDO CROCE 5M80X8,DIN-79	VIS SCREW	1 2 3 4 5 6 7 8 9 ABCDE	
21A		00A00900531	KABELBINDER FLANGIA UNIONE CAVI	COLLIER BLACK CABLE TIE	1 2 3 4 5 6 7 8 9 ABCDE	
22A		00D02100901	BEF.-SCHELLE CAVALLOTO FISSAGIO POMPA	ENTRETOISE CLAMP	1 2 3 4 5 6 7 8 9 ABCDE	
23A		00000004620	INBUSSCHRAUBE 6M100X20. VITE TESTA ALLEN 6M 100X20	VIS T.CREUSE 6M100X20.D-912 ALLEN SCREN 6M100X20	1 2 3 4 5 6 7 8 9 ABCDE	
24A		00D01000701	STOPCHALTER VO. INTERRUPTORE STOP	INTERRUPTEUR COMMANDE STOP SWITCH, STOP LIGHT	1 2 3 4 5 6 7 8 9 ABCDE	



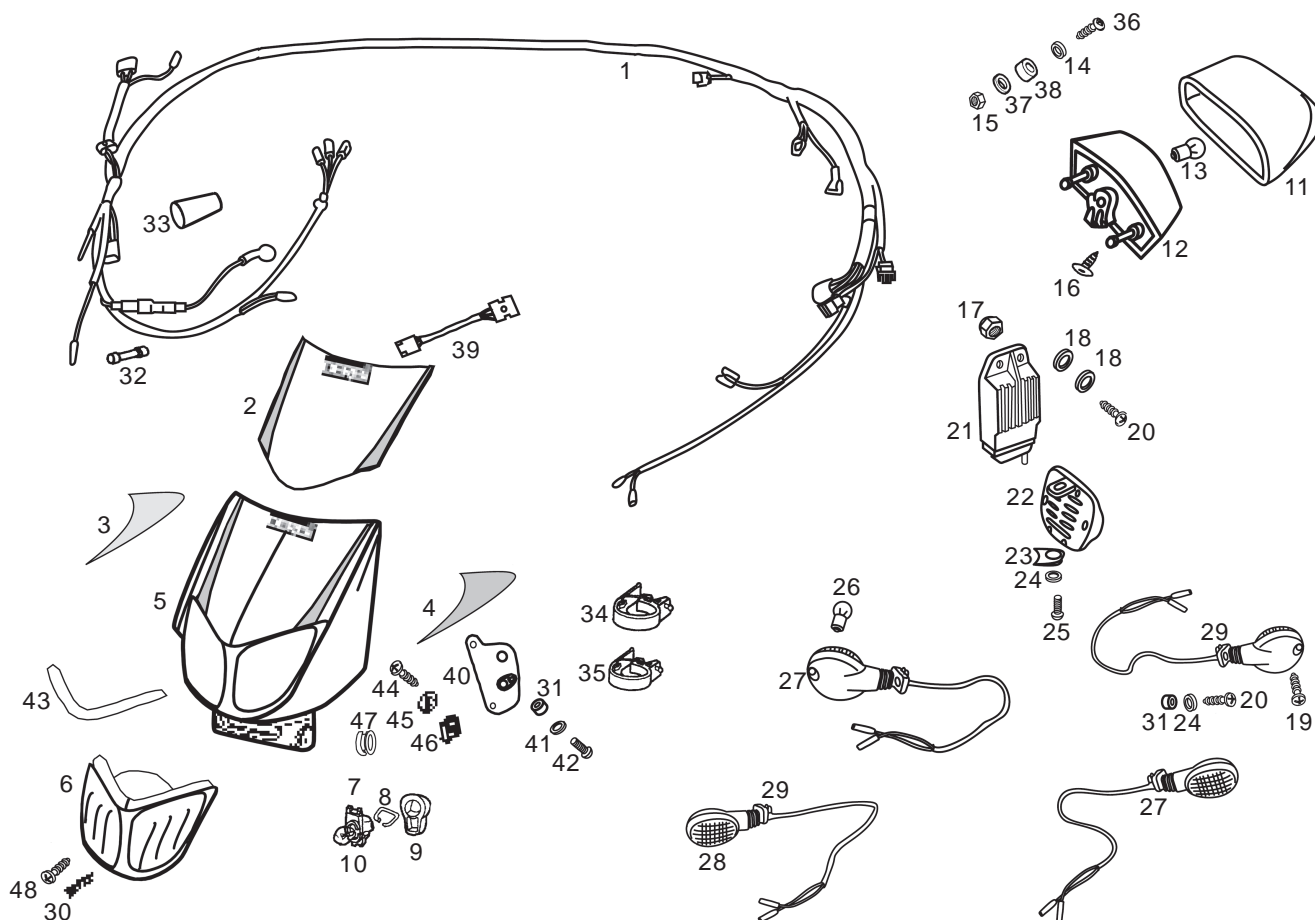
Figr.	Vers.	KOD. COD.	BEZEICHNUNG DENOMINAZIONE	DESIGNATION NAME	MOD.	Nr. Rahmen N.º Telaio N.º Cadre Frame Nr.
25A		00005010760	GUMMISCHUTZ STOPLICHTSCHAL CAPPuccio INTERRUttore STOP NE	CAPUCHON RUBBER COVER, STOP LIGHT SWITCH	1 2 3 4 5 6 7 8 9 ABCDE	
26A		00006309260	STUTZEN HIDRAULIKLEITUNG RACCORDO TUBO IDRAULICO	RACCORD TUYAU HYDRAULIQUE HYDRAULIC TUBE CONNECTOR	1 2 3 4 5 6 7 8 9 ABCDE	
27A		00H02104611	BREMSHEBEL LINKS KOMPLETT COMPLESSO PORTAMANOPOLA SINIST	ENS. PORTE-MANETTE GAUCHE LEFT LEVER BRACKET	1 2 3 4 5 6 7 8 9 ABCDE	



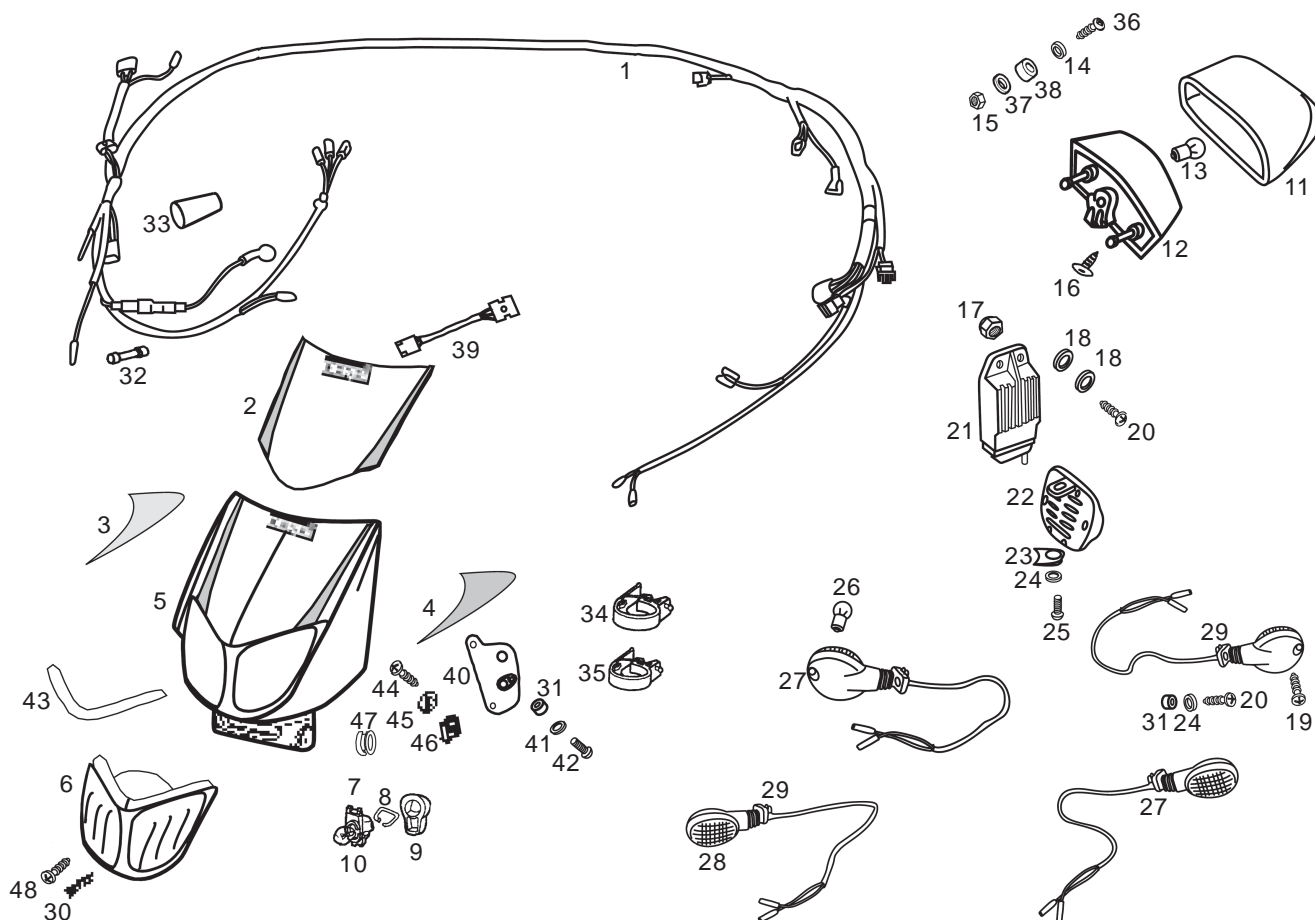
Figr.	Vers.	KOD. COD.	BEZEICHUNG DENOMINAZIONE	DESIGNATION NAME	MOD.	Nr. Rahmen N.º Telaio N.º Cadre Frame Nr.
01A		00H01022301	KOBELBAUM COMPLESSO IMPIANTO ELETTRICO S	FAISCEAU ELECTRIQUE ELECTRICAL INSTALATIONS ASSY.	1 2 3 4 5 6 7 8 9	A B C D E
02A		00H01518321	CAUFKLEVER ADESIVO PLACCA FRONTALE SENDA-	DECAL DE PLAQUE PHARE FORNT PLATE DECAL	1 4 7	B
02B		00H01518322	CAUFKLEVER ADESIVO PLACCA FRONTALE SENDA-	DECAL DE PLAQUE PHARE FORNT PLATE DECAL	2 3 5 6	8 9 C D
02C		00H01518324	CAUFKLEVER ADESIVO PLACCA FRONTALE SENDA-	DECAL DE PLAQUE PHARE FORNT PLATE DECAL		A E
03A		00H04600111	SCHRIFTZUG DECALCO	ADHESIF DECAL	1 2 3 4 5 6 7 8 9	A B C D E
04A		00H04602121	SEITEN-SCHRIFTZZUG RE.FR. DECALCO LATER.DESTRO SCUDO FRO	ADHESIF LATERAL DROIT CACHE DECAL.	1 2 3 4 5 6 7 8 9	A B C D E
05A		00H02218371	SCHEINWERFERVERKLEIDUNG SUBCOMP.CARC.FARO C/C.	PLAQUE PHARE HEADLIGHT CUSING SUB-ASSEMBLY	1 4 7	B
05B		00H02218372	SCHEINWERFERVERKLEIDUNG SUBCOMP.CARC.FARO C/C.	PLAQUE PHARE HEADLIGHT CUSING SUB-ASSEMBLY	2 5	8 C
05C		00H02218373	SCHEINWERFERVERKLEIDUNG SUBCOMP.CARC.FARO C/C.	PLAQUE PHARE HEADLIGHT CUSING SUB-ASSEMBLY	3 6	9 D
05D		00H02218374	SCHEINWERFERVERKLEIDUNG SUBCOMP.CARC.FARO C/C.	PLAQUE PHARE HEADLIGHT CUSING SUB-ASSEMBLY		A E
06A		00H01013011	SCHEINWERFER COMPLESSO FARO ANTERIORE	OPTIQUE COMPLETE HEADLIGHT LENS SUB-ASSEMBLY	1 2 3 4 5 6 7 8 9	A B C D E
07A		00003710110	LAMPENHALTER PORTA-LAMPADE	R-PORTE-LAMPES BULB HOLDER	1 2 3 4 5 6 7 8 9	A B C D E



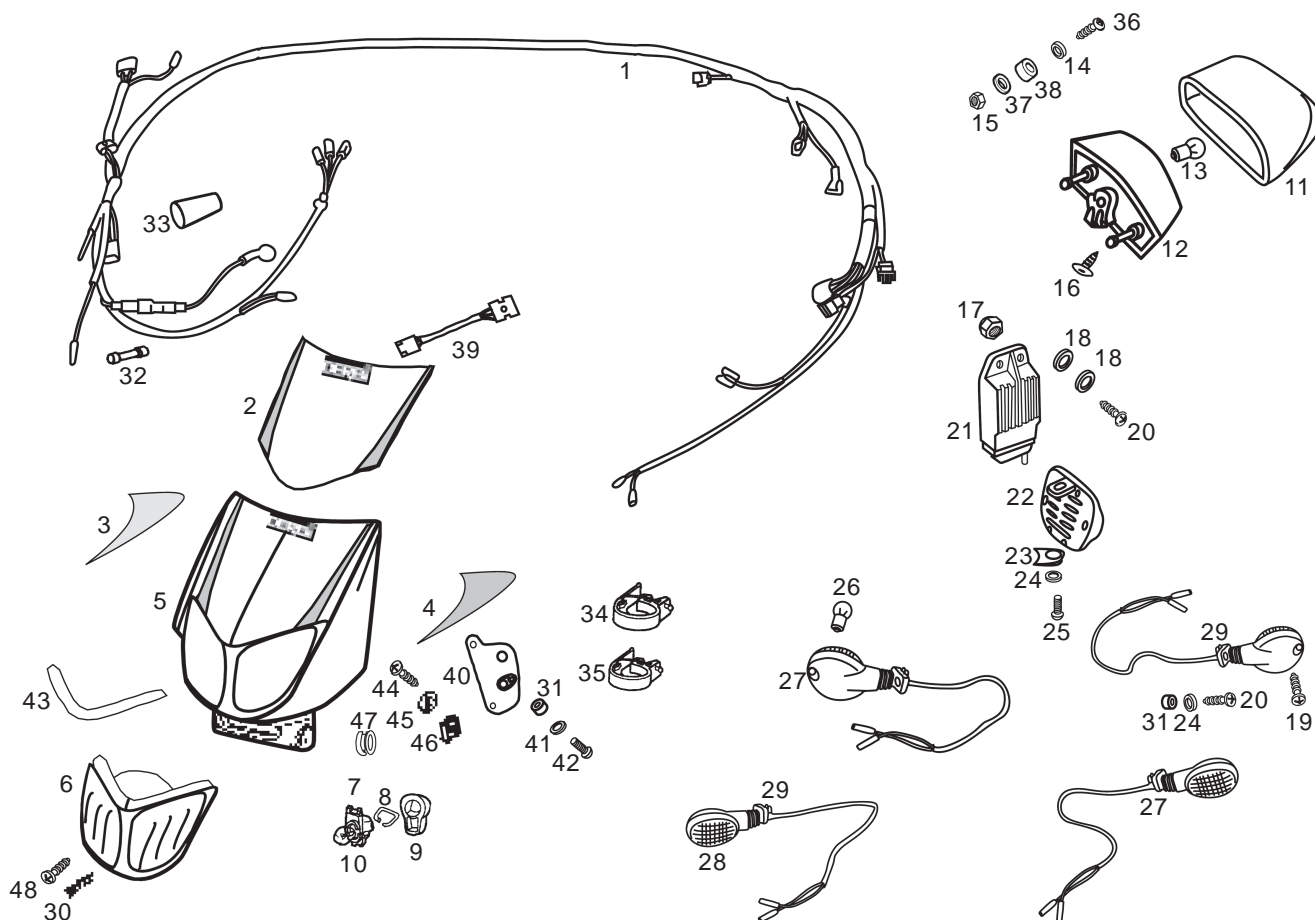
Figr.	Vers.	KOD. COD.	BEZEICHUNG DENOMINAZIONE	DESIGNATION NAME	MOD.	Nr. Rahmen N.º Telaio N.º Cadre Frame Nr.
08A		00003710120	FEDER F. LAMPENHALTER R- MOLLA PORTALAMPADE	R-RESSORT PORTE-LAMPES BULB HOLDER SPRING	1 2 3 4 5 6 7 8 9 ABCDE	
09A		00D05700141	LAMPENDECKEL R-PROTEZIONE PORTA LAMPADA FA	R-PROT.PORTE-LAMPES PHARE F HEADLAMP BULB HOLDER PROTC	1 2 3 4 5 6 7 8 9 ABCDE	
10A		00H01000131	SCHEINWERFERLAMPE 12V/35-3 LAMPADA FARO 12V 35/35W	TUBE PHARE 12V/35-35W HEADLIGHT BULB	1 2 3 4 5 6 7 8 9 ABCDE	
11A		00H01002341	RUCK LIGHTCELLONES AVANNAH VETRO SPIA/STOP	CABOCHON DE FEU ARRIERE LENS, TAILLIGHT	1 2 3 4 5 6 7 8 9 ABCDE	
12A		00H01006321	RUCKLIGHT COMPLESSO FANALINO POSTERIORE	FEU ARRIERE TAIL LIGHT ASSY	1 2 3 4 5 6 7 8 9 ABCDE	
13A		00H01000371	BIRNE BREMSLIGHT 12V 21/5 LAMPADA FANALINO POSTERIORE	LAMPE-TEMOIN-STOP 12V 21/5W BULB, TAILLIGHT/STOP	1 2 3 4 5 6 7 8 9 ABCDE	
14A		00D02600631	SCHEIBE RONDELLA	RONDELLE WASHER	1 2 3 4 5 6 7 8 9 ABCDE	
15A		00000023051	MUTTER SELBSTS 5M80 DIN-98 DADO AUTOBLOCCANTE M5	ECROU INDESSERRABLE 5M80 DI SELF-LOCKING NUT M5	1 2 3 4 5 6 7 8 9 ABCDE	
16A		00G01001571	LOCK SCREW OF TAILLIGHT LENS VITE FISSAGGIO FANALINO POST.	VIS DE FIX.DU CABOCHON LOCK SCREW OF TAILLIGHT LENS	1 2 3 4 5 6 7 8 9 ABCDE	
17A		00000021060	MUTTER 6M100 DADO ESAGONALE 6M100. DIN-	ECROU HEXAGONAL 6M100. HEXAGON NUT 6M100	1 2 3 4 5 6 7 8 9 ABCDE	
18A		00402060001	SCHEIBE RONDELLA PIATTA D6	ROND. PLATE MECANISSE MACHINED FLAT WASHER D6 DIN-12	1 2 3 4 5 6 7 8 9 ABCDE	
19A		00011021300	INBUSSCHRAUBE MOTOR BEFEST VITE AUTOAVVIT C/CROCE 2,9X13	VIS SCREW	1 2 3 4 5 6 7 8 9 ABCDE	



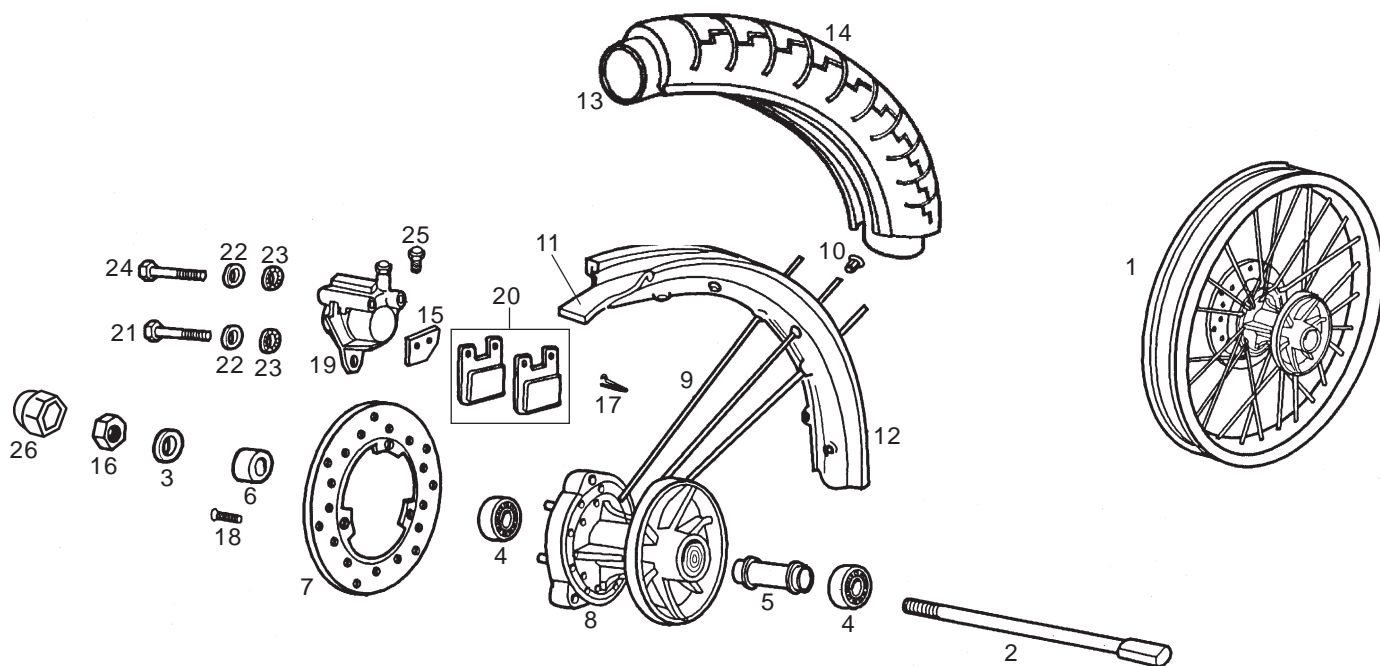
Figr.	Vers.	KOD. COD.	BEZEICHUNG DENOMINAZIONE	DESIGNATION NAME	MOD.	Nr. Rahmen N.º Telaio N.º Cadre Frame Nr.
20A		00012161600	SCHRAUBE 6M100X16 D-7985 VITE TESTA CROCE NERA	VIS T.CROIX NOIR 6M100X16 D PHILIPS SCREW	1 2 3 4 5 6 7 8 9 ABCDE	
21A		00H01004841	SPANNUNGSREGLER REGOLATORE TENSIONE	REGULATEUR AC/DC REGULATOR CA/CC	1 2 3 4 5 6 7 8 9 ABCDE	
22A		00F01001311	HUPE 12V-DC/ D450-A.SC/91 CLACSON 12V CC	KLAXON COMPLET 12V.DC/0450- HORN ASSEMBLY	1 2 3 4 5 6 7 8 9 ABCDE	
23A		00D01501371	MUTTER DADO FISSAGGIO	ECROU NUT	1 2 3 4 5 6 7 8 9 ABCDE	
24A		00D01200171	SCHEIBE RONDELLA	RONDELLE WASHER	1 2 3 4 5 6 7 8 9 ABCDE	
25A		00012061200	SCHRAUBE.6M100X12.NG.D-798 VITE TONDO CROCE 6M100X12 NERA	VIS A TETE RONDE A FENTES C SCREW M6X12	1 2 3 4 5 6 7 8 9 ABCDE	
26A		0000A517011	BLINKLICHTLAMPE 12V 10W. LAMPADA 12V 10W	TUBE PHARES CLIGNOTANTS 12V INDICATOR LIGHT BULB 12V 10W	1 2 3 4 5 6 7 8 9 ABCDE	
27A		00H01701301	BLINKR HINTEN COMPL.INDIC.DIREZIONE	GLIGNOTEURS AR. DROITE TURN SIGNAL LIGHT REAR RH	1 2 3 4 5 6 7 8 9 ABCDE	
28A		00H01704071	BLINKERGLAS VETRO INTERMITTENTE	GLACE CLIGNOTANT ARRIEGE LENS, TURN SIGNAL	1 2 3 4 5 6 7 8 9 ABCDE	
29A		00H01701391	BLINKR HINTEN COMP.INDIC.DIREZIONE	GLIGNOTEURS AR. GAUCHE TURN SIGNAL LIGHT REAR LEFT	1 2 3 4 5 6 7 8 9 ABCDE	
30A		00H02304501	SCHEINWERFER-FEDER MOLLA FARO ANTERIORE	RESSORT PHARE AVANT FRONT HEAD LIGHT SPRING	1 2 3 4 5 6 7 8 9 ABCDE	
31A		00000023060	MUTTER DADO AUTOBLOCCANTE 6M100	ECROU INDESSERRABLE 6M100.D SELF-LOCKING NUT M6	1 2 3 4 5 6 7 8 9 ABCDE	



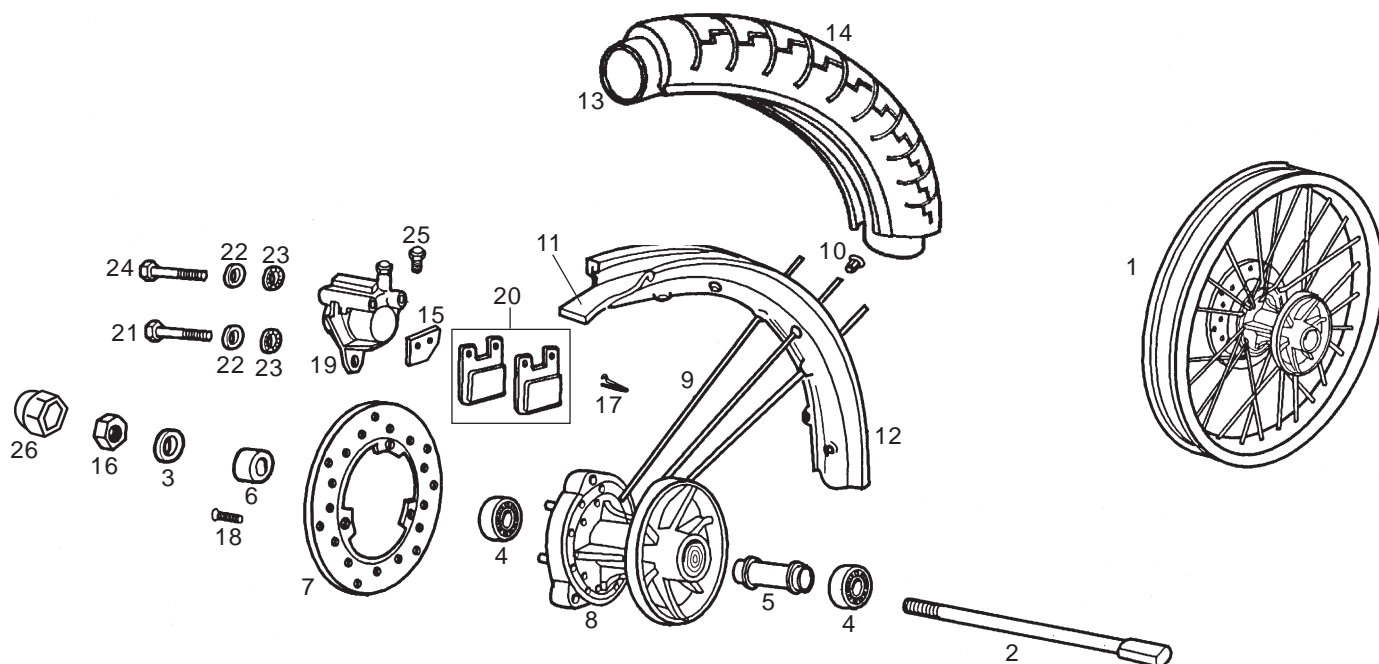
Figr.	Vers.	KOD. COD.	BEZEICHNUNG DENOMINAZIONE	DESIGNATION NAME	MOD.	Nr. Rahmen N.º Telaio N.º Cadre Frame Nr.
32A		00G01000911	FUSE, 4 A FUSIBILE 4AO.	FUSIBLE 4 AH. FUSE 4AH.	1 2 3 4 5 6 7 8 9 ABCDE	
33A		00H02301961	WIRING HARNESS CONNECTOR PROTE PROTEZIONE	PROTECTION CONNEXIONS INSTALLA WIRING HARNESS CONNECTOR	1 2 3 4 5 6 7 8 9 ABCDE	
34A		00H04606841	BEF.-SCHELLE FLANGIA	ENTRETOISE CLAMP	1 2 3 4 5 6 7 8 9 ABCDE	
35A		00H04604841	BEF.-SCHELLE FLANGIA	ENTRETOISE CLAMP	1 2 3 4 5 6 7 8 9 ABCDE	
36A		00004053500	INBUSSCHRAUBE 5M80X50 VITE 5 X 35	VIS A TETE ALLEN 5M80X50 BOLT, ALLEN 5X35	1 2 3 4 5 6 7 8 9 ABCDE	
37A		00H01002821	LAGER 6055 25.47.12 2RS GHIERA	COUSSINET 6005 25-47-12 2RS BEARING	1 2 3 4 5 6 7 8 9 ABCDE	
38A		00H06800461	SILENTBLOCK SILENTBLOCK FISS.SUPPORTO	SILENTBLOC FAIRING MOUNTING BRACKET SECUR	1 2 3 4 5 6 7 8 9 ABCDE	
39A		00H05700481	ZEITSCHALTER TEMPORIZZATORE CHECK INP.	FAISCEAU COMPTEUR TIMER CHECK INDICATOR	1 2 3 4 5 6 7 8 9 ABCDE	
40A		00H01502741	HALTERUNG SUPPORTO CARC.	SUPPORT HEADLIGHT CUSING SUPPORT	1 2 3 4 5 6 7 8 9 ABCDE	
41A		00031106000	SCHEIBE RONDELLA PIATTA MECANIZZATA	RONDELLE MACHINED FLAT WASHER	1 2 3 4 5 6 7 8 9 ABCDE	
42A		00012063000	SCHRAUBE VITE TESTA TONDA CROCE 4M70X12	VIS ROUND HEAD PHILIPS SCREW	1 2 3 4 5 6 7 8 9 ABCDE	
43A		00H05700101	ANSCHLAG SCHEINWERFER FERMO FARO	BUTEE PHARE HEADLIGHT STOP	1 2 3 4 5 6 7 8 9 ABCDE	



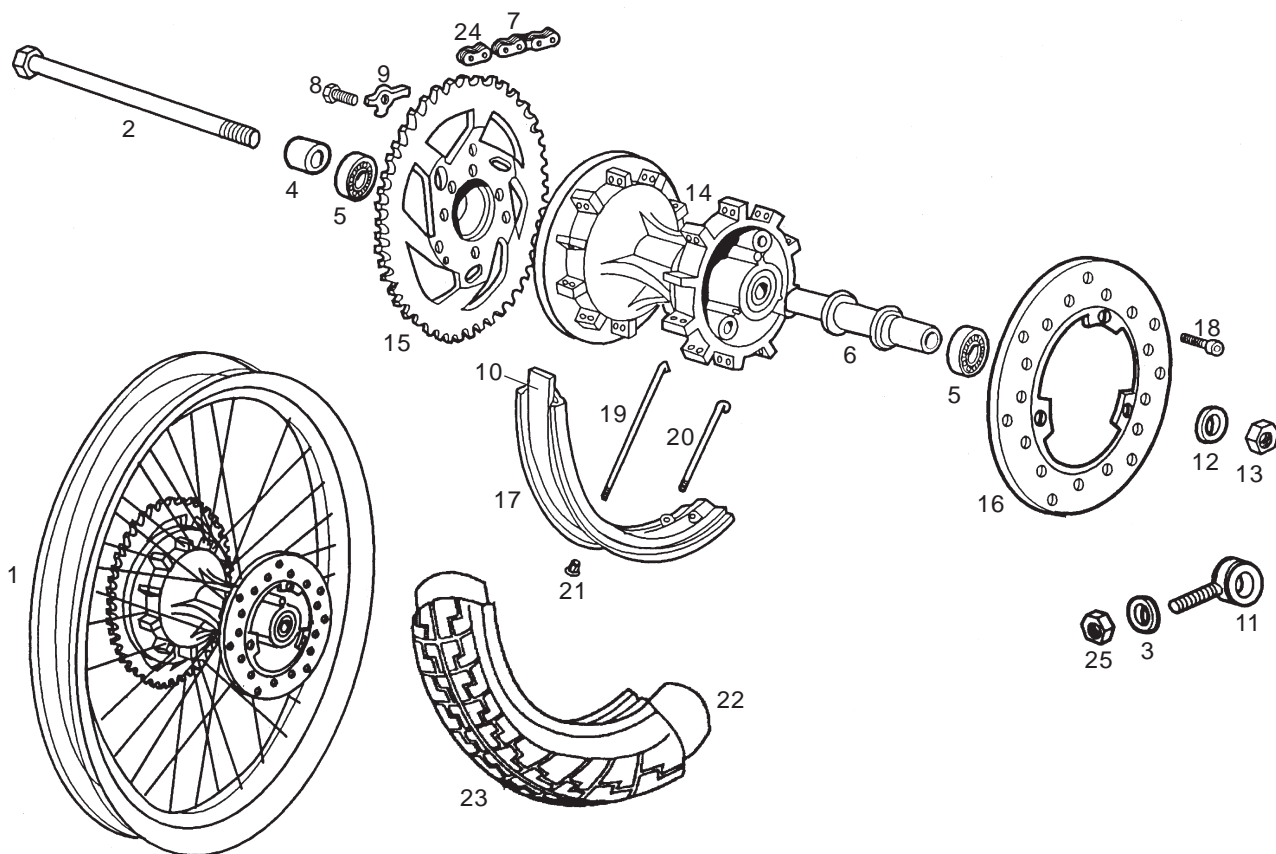
Figr.	Vers.	KOD. COD.	BEZEICHNUNG DENOMINAZIONE	DESIGNATION NAME	MOD.	Nr. Rahmen N.º Telaio N.º Cadre Frame Nr.
44A		00000012515	SCHRAUBE VITE TONDA CROCE GCR 5M80X15	VIS T. RONDE CROIX ROUND HEAD PHILIPS SCREW 5M80X15	1 2 3 4 5 6 7 8 9 ABCDE	
45A		00D02600631	SCHEIBE RONDELLA	RONDELLE WASHER	1 2 3 4 5 6 7 8 9 ABCDE	
46A		00G04401461	MUTTER DADO FISSAGGIO	ECROU NUT	1 2 3 4 5 6 7 8 9 ABCDE	
47A		00H05701061	KABELSCHUTZ PASSACAVI CARC.FARO	PASSE-CABLES HEADLIGHT COSING RUBBER	1 2 3 4 5 6 7 8 9 ABCDE	
48A		00012045000	SCREW M4X50 BOUT M5 X 50	VIS 4M70X50 SCREW M4X50	1 2 3 4 5 6 7 8 9 ABCDE	



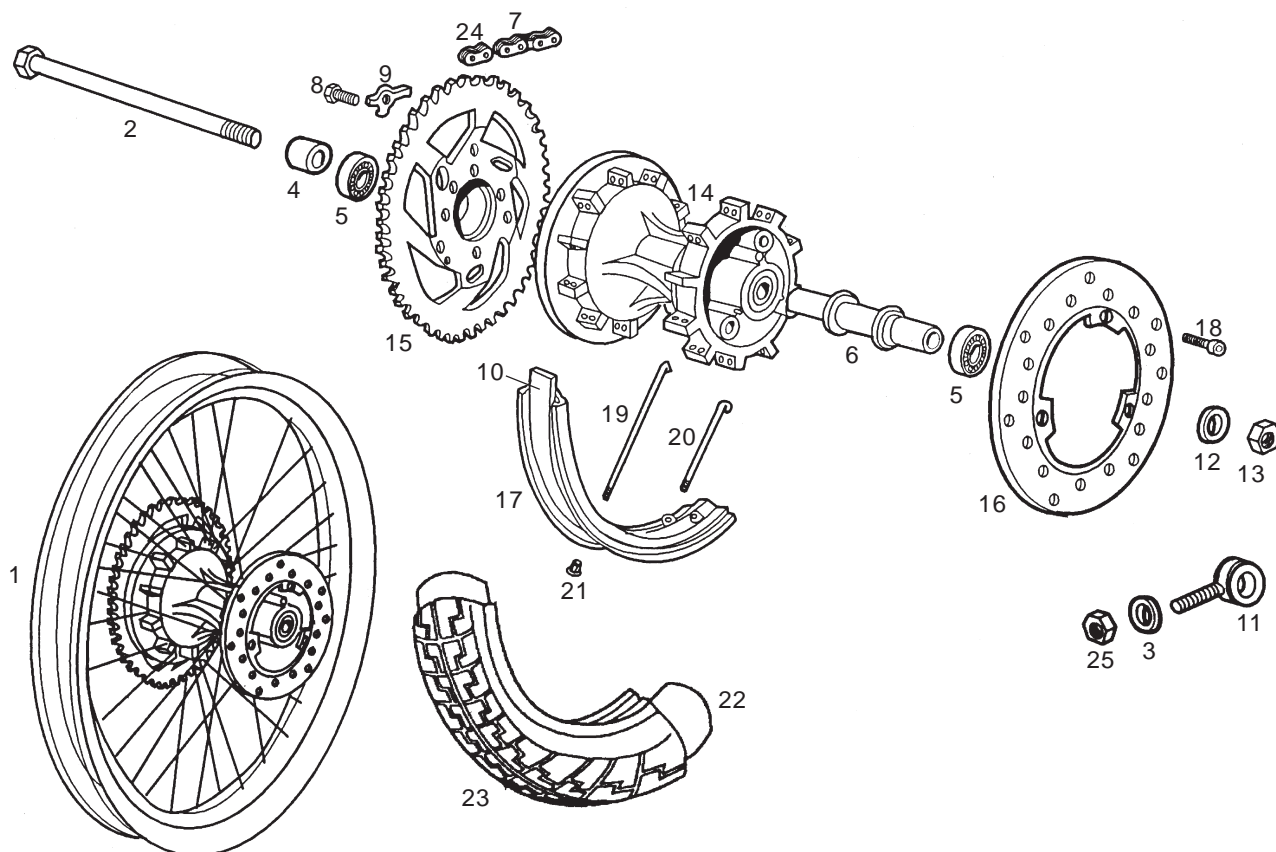
Figr.	Vers.	KOD. COD.	BEZEICHNUNG DENOMINAZIONE	DESIGNATION NAME	MOD.	Nr. Rahmen N.º Telaio N.º Cadre Frame Nr.
01A		00H04714081	VORDERRAED R-COMPL.RUOTA ANT.C/DISEGNO	ROUE AV.COMPOSITE FRONT WHEEL ASSEMBLY	1 2 3 4 5 6 7 8 9 ABCDE	
02A		00H01203272	VORDERRADADCHSE ASSE RUOTA ANTERIORE SENDA	AXE DE ROUE AV. AXLE FRONT WHEEL	1 2 3 4 5 6 7 8 9 ABCDE	
03A		00003112320	SHEIBE RADACHSE 12,25X20X2 RONDELLA ASSE RUOTA.12'25X20X2	RONDELLE AXE ROUE 12'25X20X FRONT WHEEL AXLE WASHER	1 2 3 4 5 6 7 8 9 ABCDE	
04A		00058120100	LAGER6201.C3.2RS.12.32.10 CUSCINETTO A SFERE 12X32X10	PALIER 6201.C3.2RSR.12.32.1 BEARING 6201 12X32X10	1 2 3 4 5 6 7 8 9 ABCDE	
05A		00D01300091	DISTANZHULSE SEPARATORE CUSCINETTI	ENTRETOISE SPACER	1 2 3 4 5 6 7 8 9 ABCDE	
06A		00008213182	DISTANZHULSE CHIERA LATO PIATTO	ENTRETOISE SIDEFLAGE SLEEVE	1 2 3 4 5 6 7 8 9 ABCDE	
07A		00H01208021	SCHEIBE NBREMSE VORN DISCO FRENO ANTERIORE	DISQUE FREIN AVANT FRONT BRAKE DISC	1 2 3 4 5 6 7 8 9 ABCDE	
08A		00H01205711	RADNABE MOZZO ANT.	MOYEU FRONT HUB ASSY	1 2 3 4 5 6 7 8 9 ABCDE	
09A		00H01303691	SPEICHE RAGGIO RUOTA ANT.SENDA-R	RAYON DE ROUE WHEEL ARM.	1 2 3 4 5 6 7 8 9 ABCDE	
10A		00002212070	MUTTER F.SPEICHE DADO RADIO	ECROU DE RAYON SPOKE NUT	1 2 3 4 5 6 7 8 9 ABCDE	
11A		00D01301401	FELGELBAND PROTETTORE CAMERA RUOTA ANT.21	PROTECTEUR DE CHAMBRE A AIR RIM STRIP	1 2 3 4 5 6 7 8 9 ABCDE	
12A		00H01207081	VORDERRADFELGE CERCHIONE RUOTA ANT.SENDA-R	JANTE AV. FRONT WHEEL RIM	1 2 3 4 5 6 7 8 9 ABCDE	
13A		00H01207101	SCHLAUCH VORNE CAMERA D'ARIA	CHAMBRE A AIR FRONT TUBE	1 2 3 4 5 6 7 8 9 ABCDE	



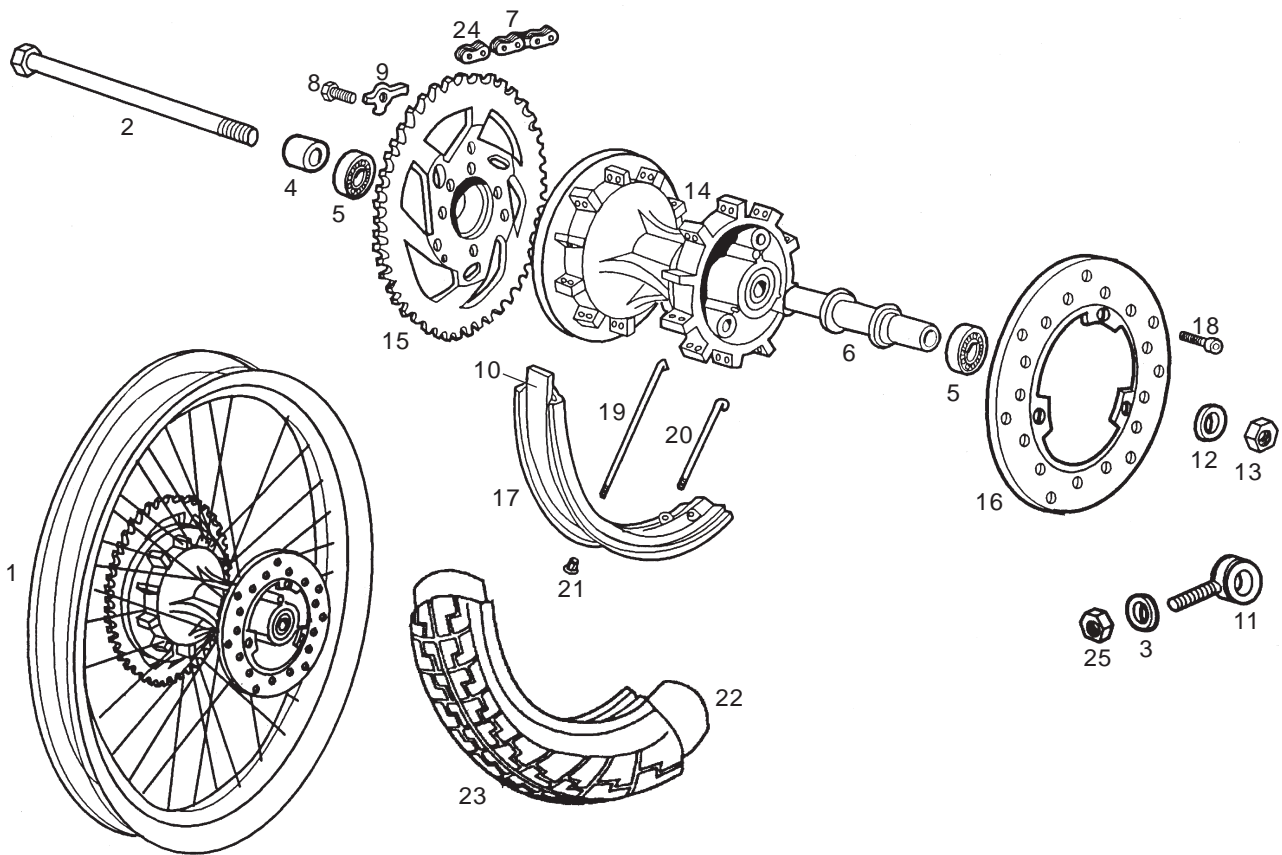
Figr.	Vers.	KOD. COD.	BEZEICHNUNG DENOMINAZIONE	DESIGNATION NAME	MOD.	Nr. Rahmen N.º Telaio N.º Cadre Frame Nr.
14A		00H01211111	REIFEN BORN COPERTORE ANT.	PNEU AV. FRONT CASING	1 2 3 4 5 6 7 8 9 ABCDE	
15A		00G04700131	SWISCHENPLATTE DES BREMSBE PIASTRA INTERM. PASTIGLIA	CALE DE PLAQU.DE FREIN ANTI INTERMED. PLATE, BRAKE PAD	1 2 3 4 5 6 7 8 9 ABCDE	
16A		00232120032	MUTTER DADO ESAGONALE 12M150	ECROU HEXAGONAL HEX NUT, 12 MM X 1.50	1 2 3 4 5 6 7 8 9 ABCDE	
17A		00H01301831	FEDER MOLLA FISSAGGIO PASTIGLIA FREN	RESSORT FIXATION PLAQUETTE REAR BRAKE PAD SECUR SPRING	1 2 3 4 5 6 7 8 9 ABCDE	
18A		00H02402282	BEF.-SCHRAUBE BREMSSCHEIBE VITE FISSAGGIO DISCO FRENO	BOUL.SER.DISQUE FR.ARR.FEN. REAR BRAKE DISC.SECURING SCREW	1 2 3 4 5 6 7 8 9 ABCDE	
19A		00H01202192	BREMSZANGE COMPLESSO GANASCIA FRENO ANTER	ENS.ETRIER DE FREIN LEFT-HAND FRONT CLIP ASSY	1 2 3 4 5 6 7 8 9 ABCDE	
20A		00G04700141	BREMSBELAG VORNE PASTIGLIE FRENO POSTERIORE	PLAQUETTE DE FREIN FRONT BRAKE PAD	1 2 3 4 5 6 7 8 9 ABCDE	
21A		00022083521	INBUSSCHRAUBE VITE TESTA ESAGONALE 8M125X35	VIS T. CREUSE HEX HEAD SCREW 8M125X35	1 2 3 4 5 6 7 8 9 ABCDE	
22A		00402080001	SCHEIBE RONDELLA PIATTA D8	ROND. PLATE MECANISEE MACHINED FLAT WASHER D8 DIN-12	1 2 3 4 5 6 7 8 9 ABCDE	
23A		00034000802	ASCHEIBE D.8 DIN 6798-J RONDELLA STELLA INTERNA D8	RONDELLE EVENTAIL INT.D8DIN INNER STAR WASHER D.8	1 2 3 4 5 6 7 8 9 ABCDE	
24A		00022086521	INBUSSCHRAUBE VITE ESAGONALE 8X65	VIS T. CREUSE HEX. HEAD SCREW 8X65	1 2 3 4 5 6 7 8 9 ABCDE	
25A		00H04700121	ABLASSHAHN R-COMPLESSO SPURGO GANASCIA FR	R-ENS.PURGEUR PINCE FREIN A FRONT BRAKE BLEED CLIP ASSY	1 2 3 4 5 6 7 8 9 ABCDE	
26A		00H01202331	ABDECKUNG PROTEZIONE	PROTECTEUR PROTECTOR	4 5 6 BCDE	



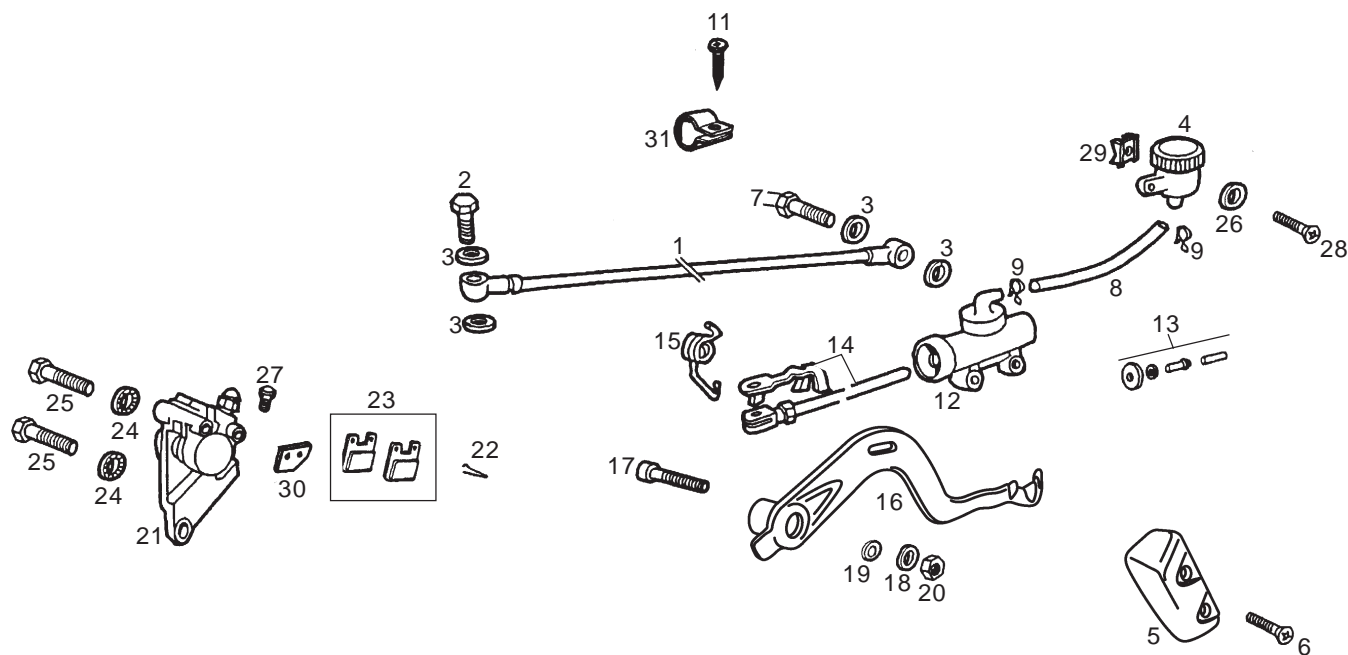
Figr.	Vers.	KOD. COD.	BEZEICHNUNG DENOMINAZIONE	DESIGNATION NAME	MOD.	Nr. Rahmen N.º Telaio N.º Cadre Frame Nr.
01A		00H02426271	HINTERRAD COMP.RUOTA POST.	ROUE ARRIERE COMPLETE REAR WHEEL ASSEMBLY	1 2 3 8 9 A	7
01B		00H02423271	HINTERRAD COMP.RUOTA POST.	ROUE ARRIERE COMPLETE REAR WHEEL ASSEMBLY	4 5 6 BCDE	
02A		00H01304202	HINTERRADACHSE SUBCOMPLESSO ASSE RUOTA POSTER	AXE ROUE ARRIE REAR WHEEL AXLE SUB-ASSEMBLY G	1 2 3 4 5 6 7 8 9 ABCDE	
03A		00402060001	SCHEIBE D.6 RONDELLA PIATTA D6	ROND. PLATE MECANISEE D6DIN MACHINED FLAT WASHER D6 DIN-12	1 2 3 4 5 6 7 8 9 ABCDE	
04A		00001113192	DISTANZHULSE GHIERA LATO PIATTO SENDA	ENTRETOISE SPACER	1 2 3 4 5 6 7 8 9 ABCDE	
05A		00058120100	LAGER6201.C3.2RS.12.32.10 CUSCINETTO A SFERE 12X32X10	PALIER 6201.C3.2RSR.12.32.1 BEARING 6201 12X32X10	1 2 3 4 5 6 7 8 9 ABCDE	
06A		00H01304091	DISTANZHULSE SEPARATORE COUSCIN.	SEPARATEUR ROULEMENTS SPACER REAR HUB BEARING	1 2 3 4 5 6 7 8 9 ABCDE	
07A		00H01502201	KETTE 130 CATENA SEZ. 130P.DR7,75.PM12,7	CHAINE TRANSMISSION 130 TRANSMISSION CHAIN	1 2 3 8 9 A	7
07B		00H01521201	KETTE 138 CATENA SEZ. 130P.DR7,75.PM12,7	CHAINE TRANSMISSION 138 TRANSMISSION CHAIN	4 5 6 BCDE	
08A		00002182000	HEXAGONAL HEAD SCREW 8M125X20 VITE TESTA ESAGONALE .8M125X20	ECROU HEXAGONAL HEAD SCREW 8M125X20	1 2 3 4 5 6 7 8 9 ABCDE	
09A		00H01302052	SCHRAUBE MITNEHMERSCHEIBE PIASTRINA VITE PIATTO TRASCINA	ARRETOIR DES BOULONS DISQUE BRAKE DISC RETAINER	1 2 3 4 5 6 7 8 9 ABCDE	
10A		00D01303401	FELGELBAND PROTEZIONE CAMERA RUOTA	PROTECTEUR DE CHAMBRE A AIR RIM STRIP	1 2 3 4 5 6 7 8 9 ABCDE	



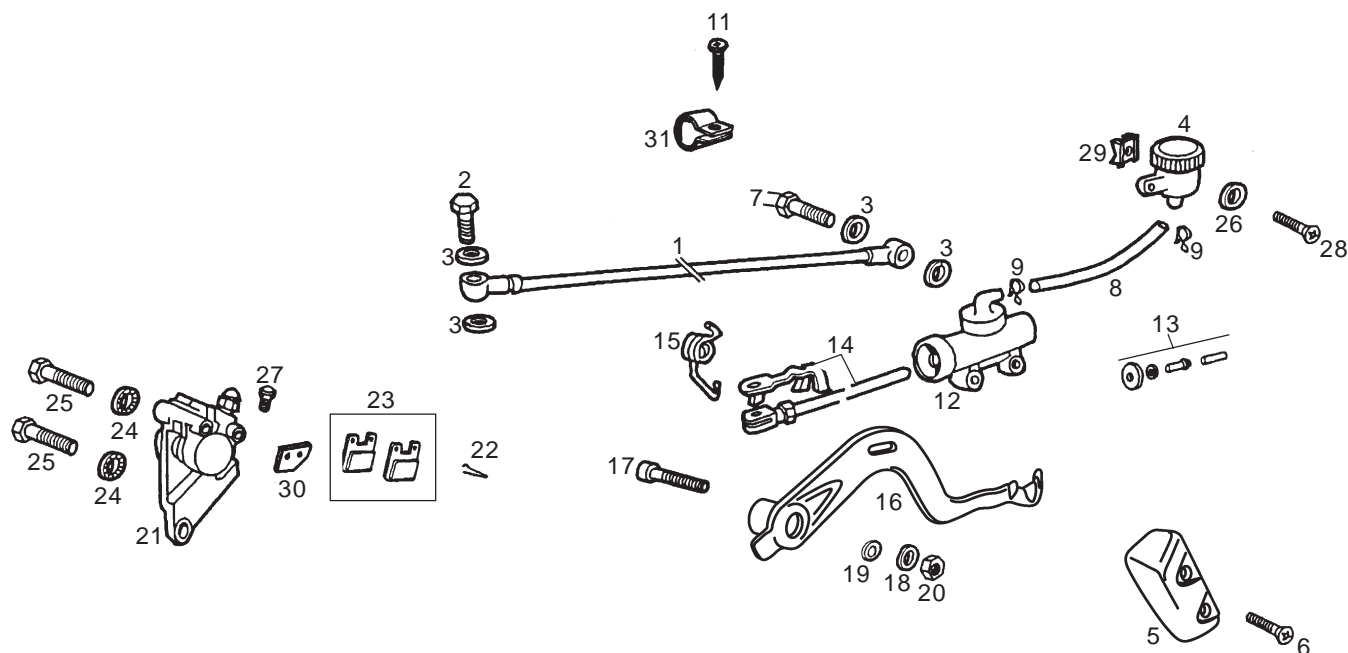
Figr.	Vers.	KOD. COD.	BEZEICHNUNG DENOMINAZIONE	DESIGNATION NAME	MOD.	Nr. Rahmen N.º Telaio N.º Cadre Frame Nr.
11A		00H01302172	HINTERRADSPANNER SUBCOMPLESSO TENSORE RUOTA SEN	TENDEUR DE ROUE ENSEMBLE ADJUSTER, REAR WHEEL	1 2 3 4 5 6 7 8 9 ABCDE	
12A		00F01210312	SCHEIBE RONDELLA ASSE RUOTA ANTERIORE	RONDELLE WASHER, AXLE	1 2 3 4 5 6 7 8 9 ABCDE	
13A		00262120032	MUTTER DADO AUTOBLOCANTE 12M150 DIN	ECROU IDESSERABLE 12M150 SELF-LOCKING NUT 12M150	1 2 3 4 5 6 7 8 9 ABCDE	
14A		00H01307821	RADNABE MOZZO POST.	MOYEU ARRIERE REAR COIL	1 2 3 4 5 6 7 8 9 ABCDE	
15A		00H01319032	MITNEHMERSCHEIBE Z-53 "PIATTO TRAINO Z-52	COURONNE ARRIERE Z-53 "DRIVE PLATE Z-52	1 2 3 4 5 6 7 8 9 ABCDE	
16A		00H01305531	BREMSSCHEIBE HINTEN DISCO FRENO POSTERIORE	DISQUE DE FREIN ARRIERE REAR BRAKE DISC	1 2 3 4 5 6 7 8 9 ABCDE	
17A		00H01306351	HINTERRADFELGE CERCHIONE POSTERIORE	JANTE ARRIERE NUE. MAGWHEEL REAR	1 2 3 4 5 6 7 8 9 ABCDE	
18A		00H02403282	BEF.-SCHRAUBE BREMSSCHEIBE VITE FISSAGGIO DISCO FRENO	BOUL. SER. DISQUE FR. ARR. FEN. REAR BRAKE DISC SECURING SCREW	1 2 3 4 5 6 7 8 9 ABCDE	
19A		00H01301731	SPEICHE RADIO POST. LATO PIATTO	RAYON ROUE ARRIERE INT. REAR INNER SPOKE	1 2 3 4 5 6 7 8 9 ABCDE	
20A		00H01303691	SPEICHE RADIO POST. DISCO	RAYON ROUE AR INT. COURT REAR SHORT INNER SPOKE	1 2 3 4 5 6 7 8 9 ABCDE	
21A		00002212070	MUTTER F. SPEICHE DADO RADIO	ECROU DE RAYON SPOKE NUT	1 2 3 4 5 6 7 8 9 ABCDE	
22A		00H01309361	SCHLAUCH CAMERA RUOTA POST	CHAMRE A AIR ARR. REAR WHEEL CAMBER	1 2 3 4 5 6 7 8 9 ABCDE	



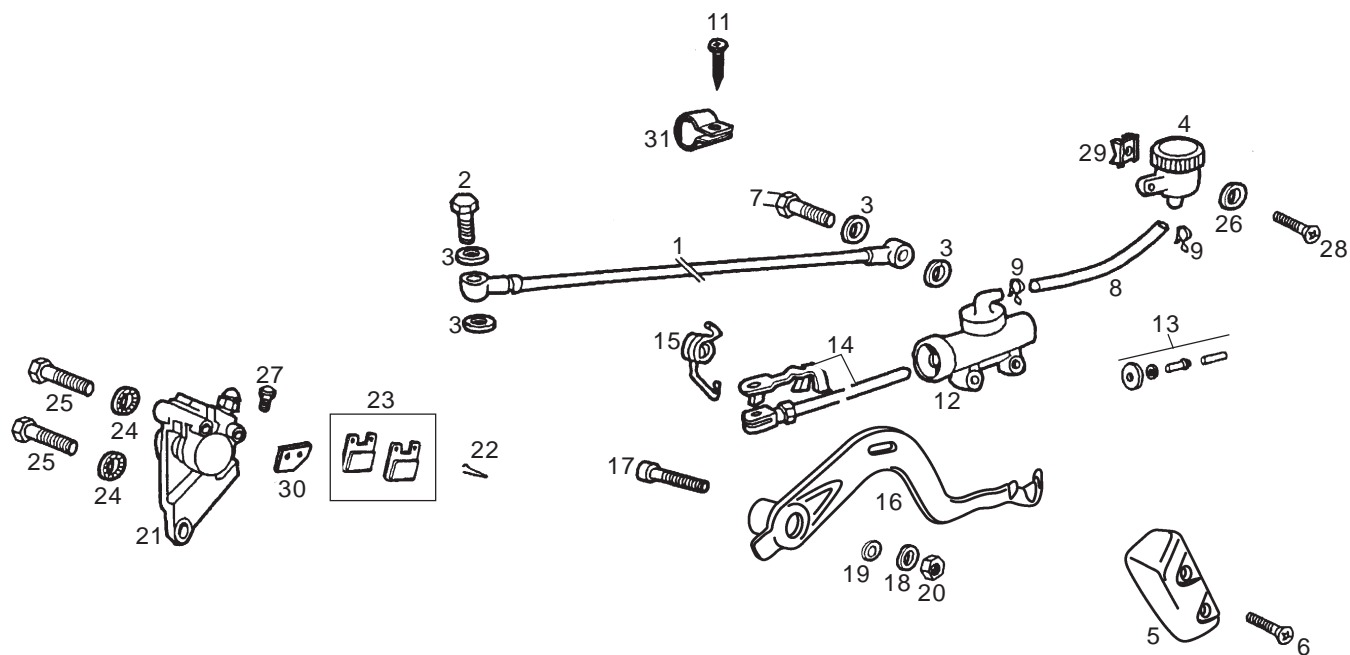
Figr.	Vers.	KOD. COD.	BEZEICHNUNG DENOMINAZIONE	DESIGNATION NAME	MOD.	Nr. Rahmen N.º Telaio N.º Cadre Frame Nr.
23A		00H01311321	REIFEB HINTEN COPERTONE POST.	PNEU ARR. REAR CASING	1 2 3 4 5 6 7 8 9 ABCDE	
24A		00H01501212	KETTENSLOSS AGGANCIAMENTO CATENA SICUREZZA	ATTACHE RAPIDE MASTER LINK	1 2 3 4 5 6 7 8 9 ABCDE	
25A		00000023060	MUTTER DADO AUTOBLOCCANTE 6M100	ECROU INDESSERRABLE 6M100.D SELF-LOCKING NUT M6	1 2 3 4 5 6 7 8 9 ABCDE	



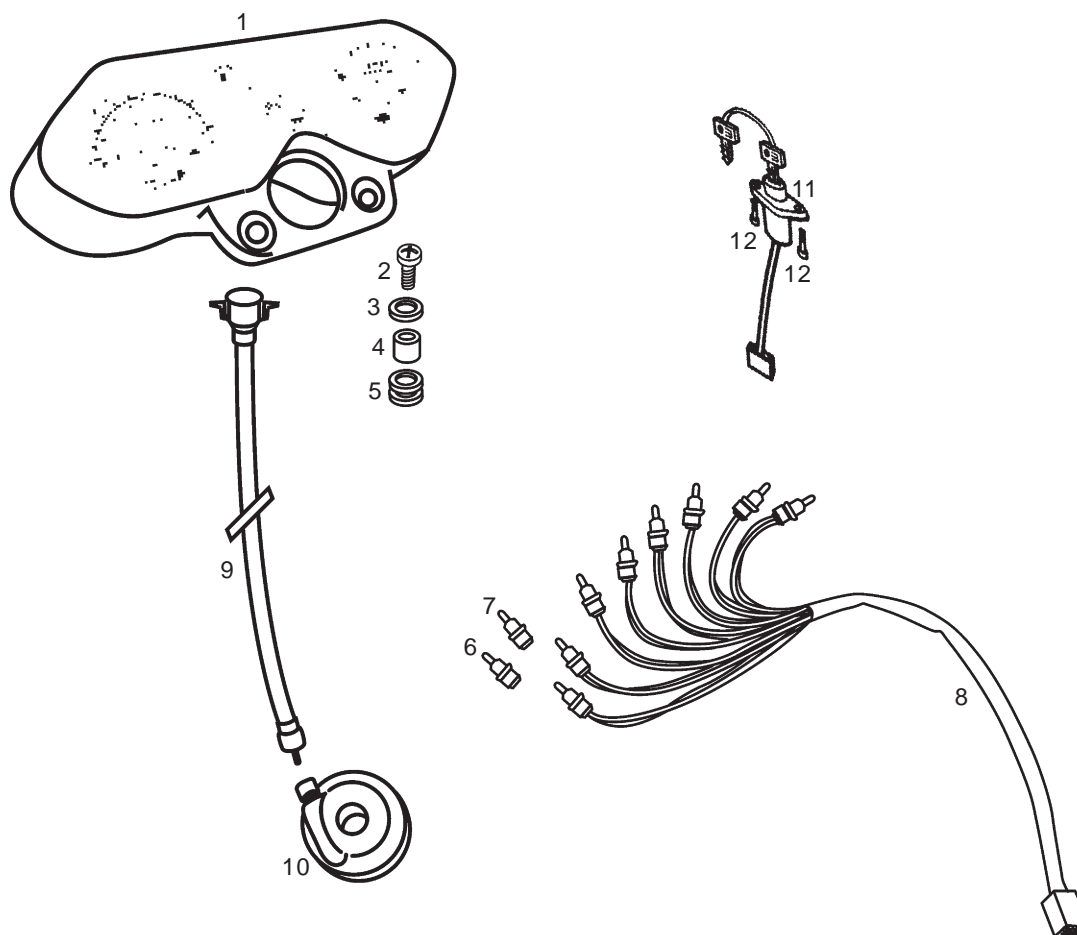
Figr.	Vers.	KOD. COD.	BEZEICHNUNG DENOMINAZIONE	DESIGNATION NAME	MOD.	Nr. Rahmen N.º Telaio N.º Cadre Frame Nr.
01A		00H01109081	BREMSSCHLAUCH TUBO LIQUIDO FRENO	TIGE DE FREIN BRAKE ROD	1 2 3 4 5 6 7 8 9 ABCDE	
02A		00006309260	STUTZEN HIDRAULIKLEITUNG RACCORDO TUBO IDRAULICO	RACCORD TUYAU HYDRAULIQUE HYDRAULIC TUBE CONNECTOR	1 2 3 4 5 6 7 8 9 ABCDE	
03A		00006321040	DICHTRING RONDELLA GUARNIZIONE RACCORDO	RONDELLE DE JOINT RACCORD CONNECTOR GASKET WASHER	1 2 3 4 5 6 7 8 9 ABCDE	
04A		00D01100201	BEHALTER COMPLESSO SERBATOIO LIQUIDO FR	RESERVOIR FLUID TUBE FLUID TUBE TANK	1 2 3 4 5 6 7 8 9 ABCDE	
05A		00H01101731	ABDECKUNG PROTEZIONE FRENO POSTERIORE	PROTECTEUR ENS.COMMANDE FRE REAR BRAKE, PROTECTOR	1 2 3 4 5 6 7 8 9 ABCDE	
06A		00G01503701	FRONT SHIELD SECURING SCREW VITE FISSAGGIO SCUDO FRONTALE	BOULON SER. FRONTAL HUNTER FRONT SHIELD SECURING SCREW	1 2 3 4 5 6 7 8 9 ABCDE	
07A		00H01001701	STOPCHALTER VO. COMP.INTERUTTORE FANALINO	INTERRUPTEUR COMMANDE STOP SWITCH, STOP LIGHT	1 2 3 4 5 6 7 8 9 ABCDE	
08A		00H01101211	SCHLAUCH TUBO SERBATOIO A POMPA FRENO P	FLEXIBLE DE FREIN ARRIERE REAR FLUID TUBE	1 2 3 4 5 6 7 8 9 ABCDE	
09A		00H03700131	SCHELLE ELAST. RONDELLA STELLA INTERIORE	COLLIER ELASTIQUE ELASTIC CLAMP	1 2 3 4 5 6 7 8 9 ABCDE	
10A		00034000802	ASCHEIBE D.8 DIN 6798-J RONDELLA STELLA INTERNA D8	RONDELLE EVENTAIL INT.D8DIN INNER STAR WASHER D.8	1 2 3 4 5 6 7 8 9 ABCDE	
11A		00011141300	SCHRAUBE VITE AUTOFILETTANTE TESTA CROC	BOULON SCREW, SELF TAPPING 4.8MM13	1 2 3 4 5 6 7 8 9 ABCDE	
12A		00H01102181	REAR BRAKE CONTROL ASSY. COMPLESSO FRENO POSTERIORE	ENSEMBLE COMMANDE FREIN ARRIER REAR BRAKE CONTROL ASSY	1 2 3 4 5 6 7 8 9 ABCDE	
13A		00H01100461	REP.-SATZBREMSZYL.HINTEN D R-COMP.KIT POMPA FR.POSTER.	ENSEM.KIT POPMPE FREIN ARR. REAR KIT CYLINDER ASSY	1 2 3 4 5 6 7 8 9 ABCDE	



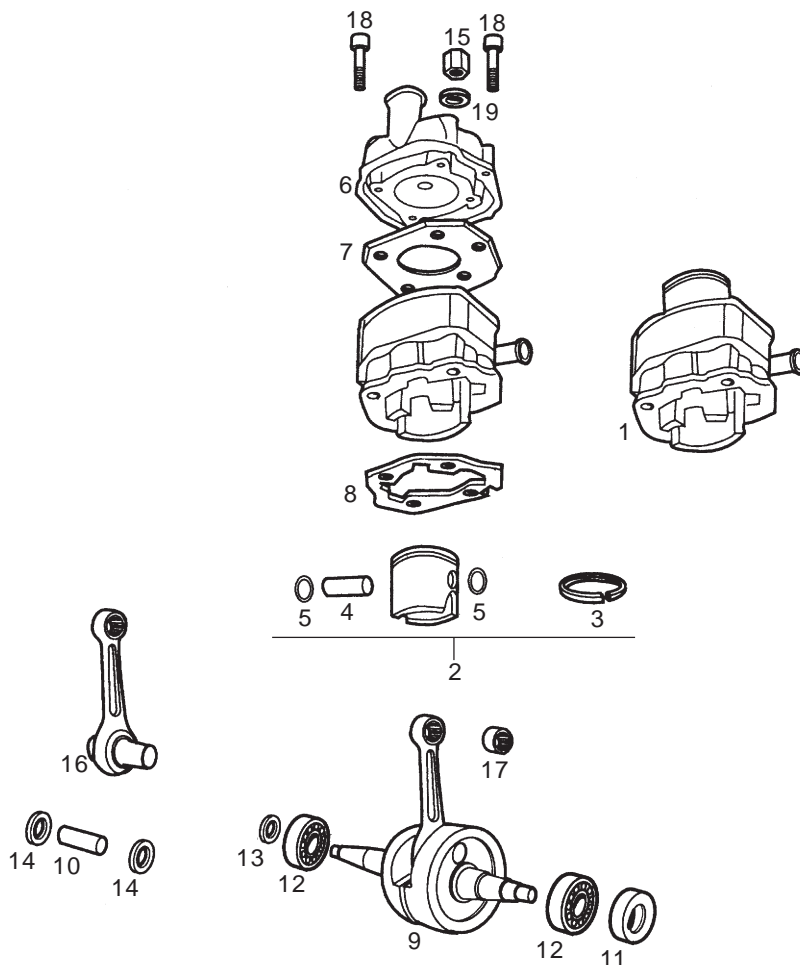
Figr.	Vers.	KOD. COD.	BEZEICHNUNG DENOMINAZIONE	DESIGNATION NAME	MOD.	Nr. Rahmen N.º Telaio N.º Cadre Frame Nr.
14A		00H01103611	BREMSSTANGE COMP.ASTA POMPA FRENO SENDA	TIGE DE FREIN ARRIERE REAR BRAKE ROD	1 2 3 4 5 6 7 8 9 ABCDE	
15A		00H01102072	FEDER MOLLA PEDALE FRENO POSTERIORE	RESSORT PEDALE FREIN SPRING PEDAL BRAKE	1 2 3 4 5 6 7 8 9 ABCDE	
16A		00H01120021	FUSSBREMSHEBEL PEDALE FRENO	PEDALE DE FREIN AR. BRAKE PEDAL	1 2 3 4 5 6 7 8 9 ABCDE	
17A		00H01100172	INBUSSCHRAUBE FUSSBREMSHEBEL VITE PEDALE FRENO	BOULON PEDALE DE FREIN BRAKE PEDAL BRAKE	1 2 3 4 5 6 7 8 9 ABCDE	
18A		00402080001	SCHEIBE RONDELLA PIATTA D8	ROND. PLATE MECANISEE MACHINED FLAT WASHER D8 DIN-12	1 2 3 4 5 6 7 8 9 ABCDE	
19A		00005527540	FUHRUNGSBUCHSE GABELSCHENK RONDELLA SNODO PEDALE FRENO	ENTRETOISE BUSHING	1 2 3 4 5 6 7 8 9 ABCDE	
20A		00023108000	MUTTER SELBSTS DADO AUTOBLOCCANTE 8M125	ECROU INDESSERABLE 8M125.DI SELF-LOCKING NUT M8	1 2 3 4 5 6 7 8 9 ABCDE	
21A		00H01102582	BREMSZANGE HINTEN COMPLESSO GANASCI A POSTERIORE	ETRIER FREIN ARR. REAR CLIP ASSEMBLY	1 2 3 4 5 6 7 8 9 ABCDE	
22A		00H01301831	FEDER MOLLA FISSAGGIO PASTIGLIA FREN	RESSORT FIXATION PLAQUETTE REAR BRAKE PAD SECUR SPR.	1 2 3 4 5 6 7 8 9 ABCDE	
23A		00G04700141	BREMSBELAG VORNE PASTIGLIE FRENO POSTERIORE FDS	PLAQUETTE DE FREIN FRONT BRAKE PAD	1 2 3 4 5 6 7 8 9 ABCDE	
24A		00034000802	ASCHEIBE D.8 DIN 6798-J RONDELLA STELLA INTERNA D8	RONDELLE EVENTAIL INT.D8DIN INNER STAR WASHER D.8	1 2 3 4 5 6 7 8 9 ABCDE	
25A		00000002840	SCHRAUBE VITE TESTA ESAGONALE 8M125X40	BOULON TETE HEX.8M125X40 D9 HEX.HEAD SCREW 8M125X40 D931	1 2 3 4 5 6 7 8 9 ABCDE	
26A		00D02600631	SCHEIBE RONDELLA PIATTA D6	RONDELLE WASHER	1 2 3 4 5 6 7 8 9 ABCDE	



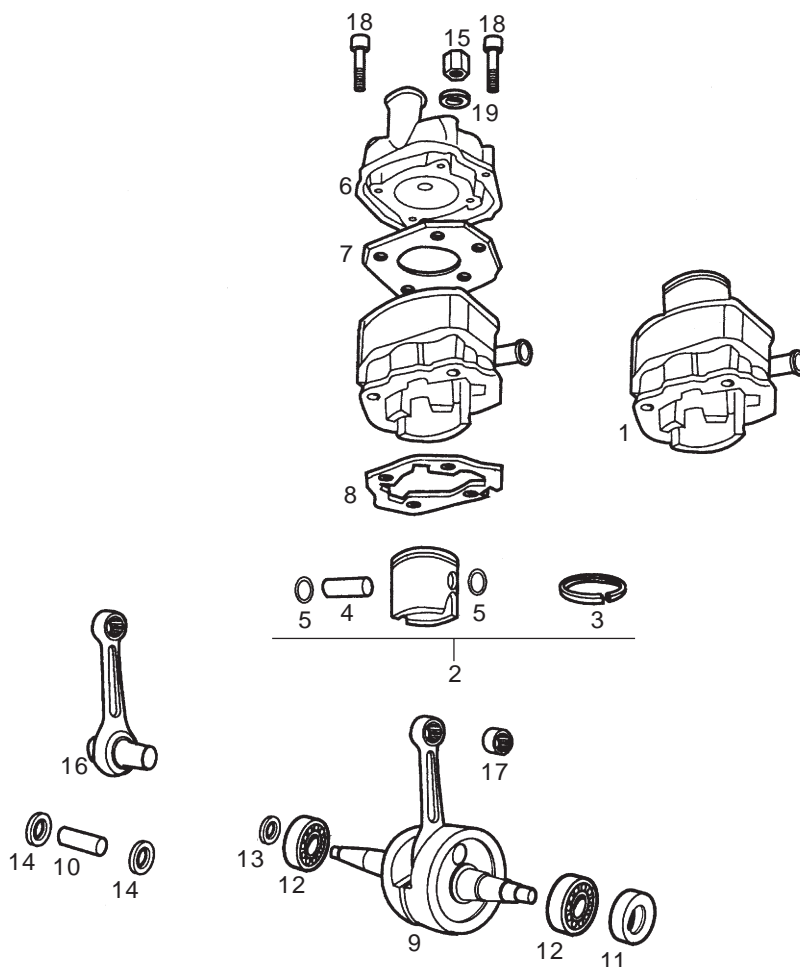
Figr.	Vers.	KOD. COD.	BEZEICHUNG DENOMINAZIONE	DESIGNATION NAME	MOD.	Nr. Rahmen N.º Telaio N.º Cadre Frame Nr.
27A		00H04701121	ABLASSHAHN SPURGO PINZA FRENO POST.	R-ENS.PURGEUR PINCE FREIN A FRONT BRAKE BLEED CLIP ASSY	1 2 3 4 5 6 7 8 9 ABCDE	
28A		00012151500	SCHRAUBE 5M8OX16.D7985NG VITE T/TON.BRUGO.6M100X16.D738	VIS A TETE RONDE A FENTES C ALLEN ROUND HEAD SCREW 6M100X1	1 2 3 4 5 6 7 8 9 ABCDE	
29A		00G04401461	MUTTER DADO FISSAGGIO	ECROU NUT	1 2 3 4 5 6 7 8 9 ABCDE	
30A		00G04700131	SWISCHENPLATTE DES BREMSBE PIASTRA INTERMEDIA PASTIGLIA	CALE DE PLAQU.DE FREIN ANTI INTERMEDIATE PLATE, BRAKE PAD	1 2 3 4 5 6 7 8 9 ABCDE	
31A		00H01501811	BEF.-SCHELLE FLANGIA	ENTRETOISE CLAMP	1 2 3 4 5 6 7 8 9 ABCDE	



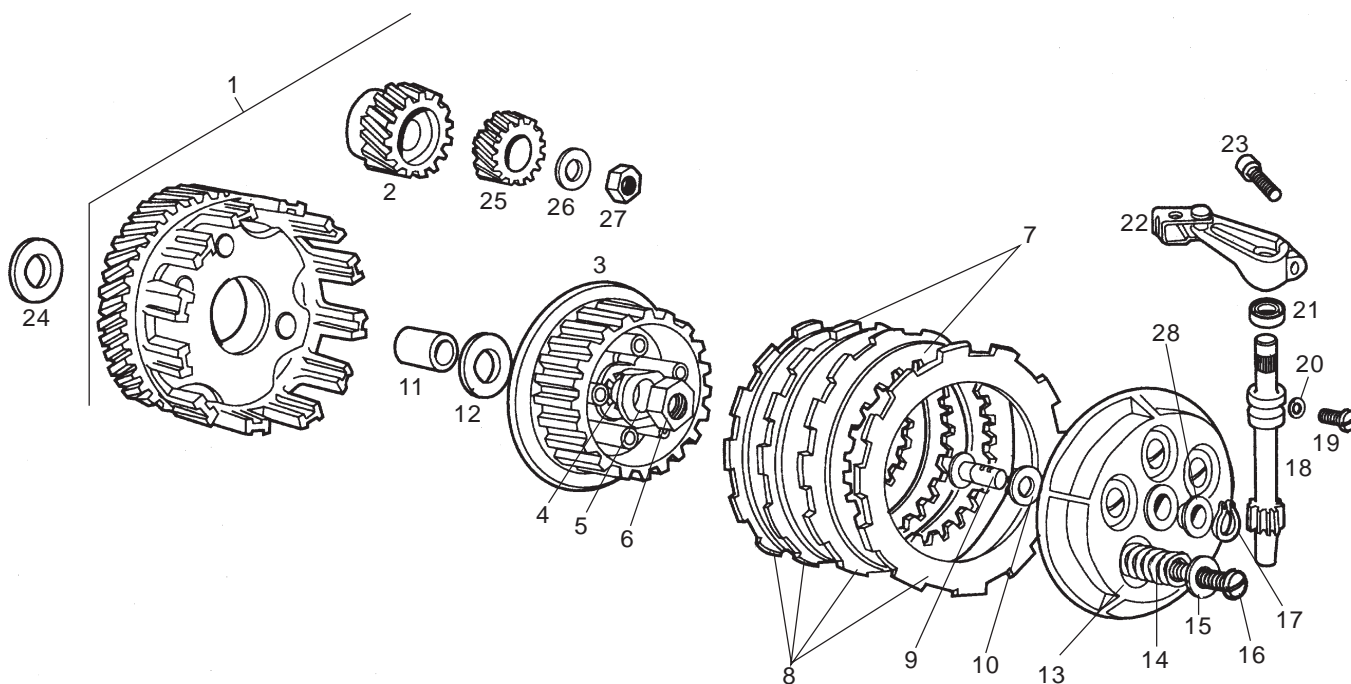
Figr.	Vers.	KOD. COD.	BEZEICHNUNG DENOMINAZIONE	DESIGNATION NAME	MOD.	Nr. Rahmen N.º Telaio N.º Cadre Frame Nr.
01A		00H01607221	INSTRUMENTERHALTER CRUSCOTTO	BOITIER TABLEAU BORD DASH ASSY	1 2 3 4 5 6 7 8 9 ABCDE	
02A		00012152000	SCHRAUBE VITE TONDQ.CROCE 5M80X20.D7985	VIS CRUCIFORME5M80X20DIN798 SCREW, 5M80X520 DIN7985	1 2 3 4 5 6 7 8 9 ABCDE	
03A		00454050001	SCHEIBE RONDELLA	RONDELLE WASHER	1 2 3 4 5 6 7 8 9 ABCDE	
04A		00H01600911	FUHRUNGSBUCHSE GABELSCHENK GHIERA SILENT.FISS.CRUSCOT.FE	ENTRETOISE BUSHING	1 2 3 4 5 6 7 8 9 ABCDE	
05A		00D01500021	GUMMI PORTACAVI IST. FARAFANGO POST.	CAOUTCHOUC PASSE-CABLE GROMMET	1 2 3 4 5 6 7 8 9 ABCDE	
06A		00G01602581	LAMPENHALTER PORTALAMPADE	R-PORTE-LAMPES BULB HOLDER AND 12V 1,2W BULB	1 2 3 4 5 6 7 8 9 ABCDE	
07A		00G01601581	LAMPENHALTER PORTALAMPADE	R-PORTE-LAMPES BULB HOLDER AND 12V 2W BULB	1 2 3 4 5 6 7 8 9 ABCDE	
08A		00H04312651	KABELBAUM COMP.INSTALL.CRUSCOT.	FAISCEAU COMPTEUR DASH INSTALATION ASSY	1 2 3 4 5 6 7 8 9 ABCDE	
09A		00H01612021	TACHOWELLE COMPLESSO CAVO-GUAINA CONTACHI	ENSEMB.CABLE-GAINE COMPTEUR CABLE, SPEEDOMETER DRIVE	1 2 3 4 5 6 7 8 9 ABCDE	
10A		00G01607051	RETURN UNIT. COMPLESSO RINVIO	RENOVI DE ROUE RETURN UNIT.	1 2 3 4 5 6 7 8 9 ABCDE	
11A		00H01610381	ZUNDSCHLOB COMPLESSO SERRATURE	SERRURE SCHLOSS	1 2 3 4 5 6 7 8 9 ABCDE	
12A		00002082021	INBUSSCHRAUBE VITE TESTA ALLEN 8 X 20	VIS T. CREUSE ALLEN HEAD SCREW 8 X 20	1 2 3 4 5 6 7 8 9 ABCDE	



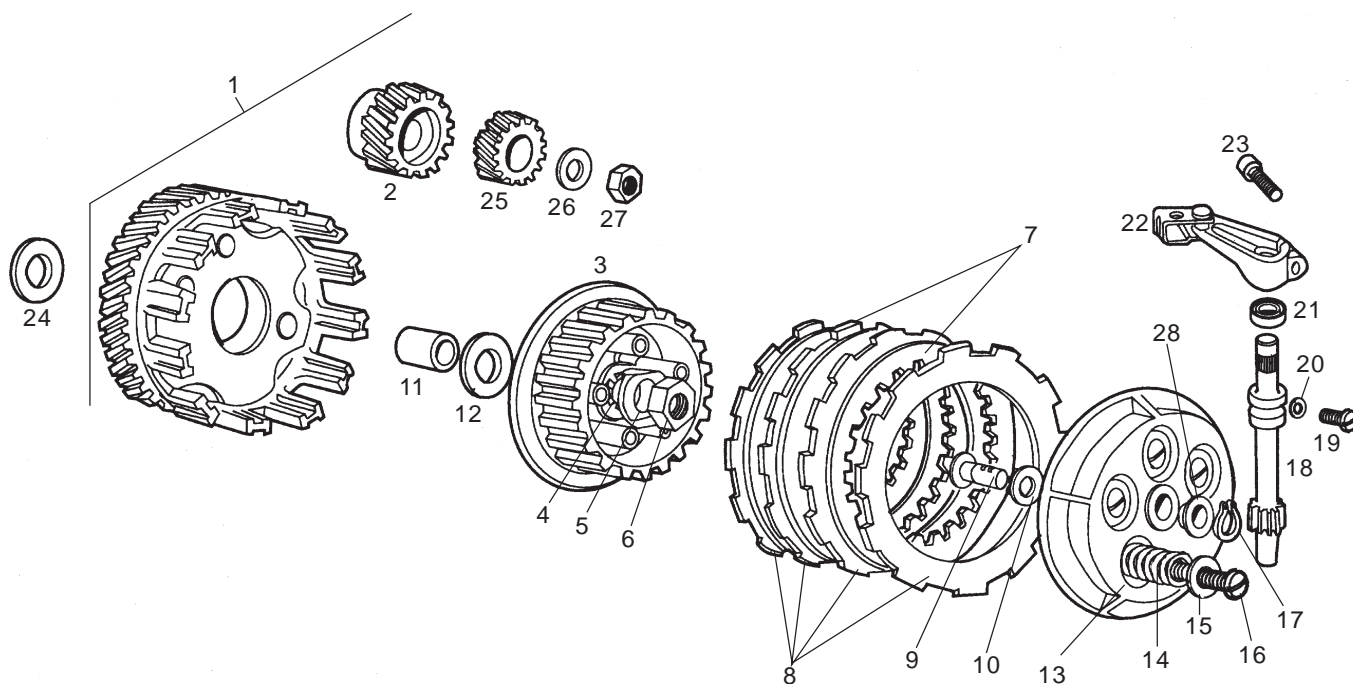
Figr.	Vers.	KOD. COD.	BEZEICHNUNG DENOMINAZIONE	DESIGNATION NAME	MOD.	Nr. Rahmen N.º Telaio N.º Cadre Frame Nr.
01A		00H05007122	ZYLINDER UND KOLBEN COMP.CILINDRO PISTONE	CYLINDRE ET PISTON COMPLET CYLINDER PISTON ASSEMBLY	1 2 3 4 5 6 7 89ABCDE	
02A		00H02512091	KOLBEN KOMPL.(A) COMPLESSO PISTONE SENDA-R(A)	PISTON-COMPLET (A) PISTON (A)	1 2 3 4 5 6 7 89ABCDE	
02B		00H02522091	KOLBEN KOMPL. (B) COMPLESSO PISTONE (B)	PISTON-COMPLET (B) PISTON (B)	1 2 3 4 5 6 7 89ABCDE	
02C		00H02532091	KOLBEN KOMPL. (C) COMPLESSO PISTONE (C)	PISTON-COMPLET (C) PISTON (C)	1 2 3 4 5 6 7 89ABCDE	
03A		00H02501111	KOLBENDICHTRING R-SEGMENTO PISTONE SENDA-R	SEGMENT DE PISTON PISTON RING	1 2 3 4 5 6 7 89ABCDE	
04A		00003125120	KOLBENBOLZEN SPINOTTO PISTONE B12/8X30.	AXE PISTON PISTON PIN	1 2 3 4 5 6 7 89ABCDE	
05A		00003125130	SICHERUNGSRING R-SEGMENTO SPINOTTO D73130PN1	CLIPS AXE PISTON CIRCLIP, PISTON PIN	1 2 3 4 5 6 7 89ABCDE	
06A		00H02505012	ZYLINDERKOPF TESTATA ABEDUL	CULASSE CYLINDER HEAD	1 2 3 4 5 6 7 89ABCDE	
07A		00H02501021	ZYLINDERKOPFDICHTUNG GUARNIZIONE TESTATA SENDA-R	JOINT DE CULASSE GASKET CYLINDER HEAD	1 2 3 4 5 6 7 89ABCDE	
08A		00H02500041	ZYLINDERPUBDICHTUNG GUARNIZIONE CILINDRO SENDA	JOINT DE CYLINDRE GASKET, CYLINDER	1 2 3 4 5 6 7 89ABCDE	
09A		00H02506141	KURBELWELLE COMPLESSO ALBERO GOMITO-BIELLA	VILEBREQUIN COMPLET CRANK SHAFT ROD.	1 2 3 4 5 6 7 89ABCDE	
10A		00002025190	PLEUEL BOLZEN ASSE COLLO ALBERO GOMITO 16.4-	AXE DE VILLEBREQUIN CRANKSHAFT PIN	1 2 3 4 5 6 7 89ABCDE	
11A		00H02500301	KURBELWELLEN DICHTUNG REC GIUNTO TENUTA ALBERO GOMITO DE	JOINT SPI VILO D. SEAL, CRANKSHAFT	1 2 3 4 5 6 7 89ABCDE	



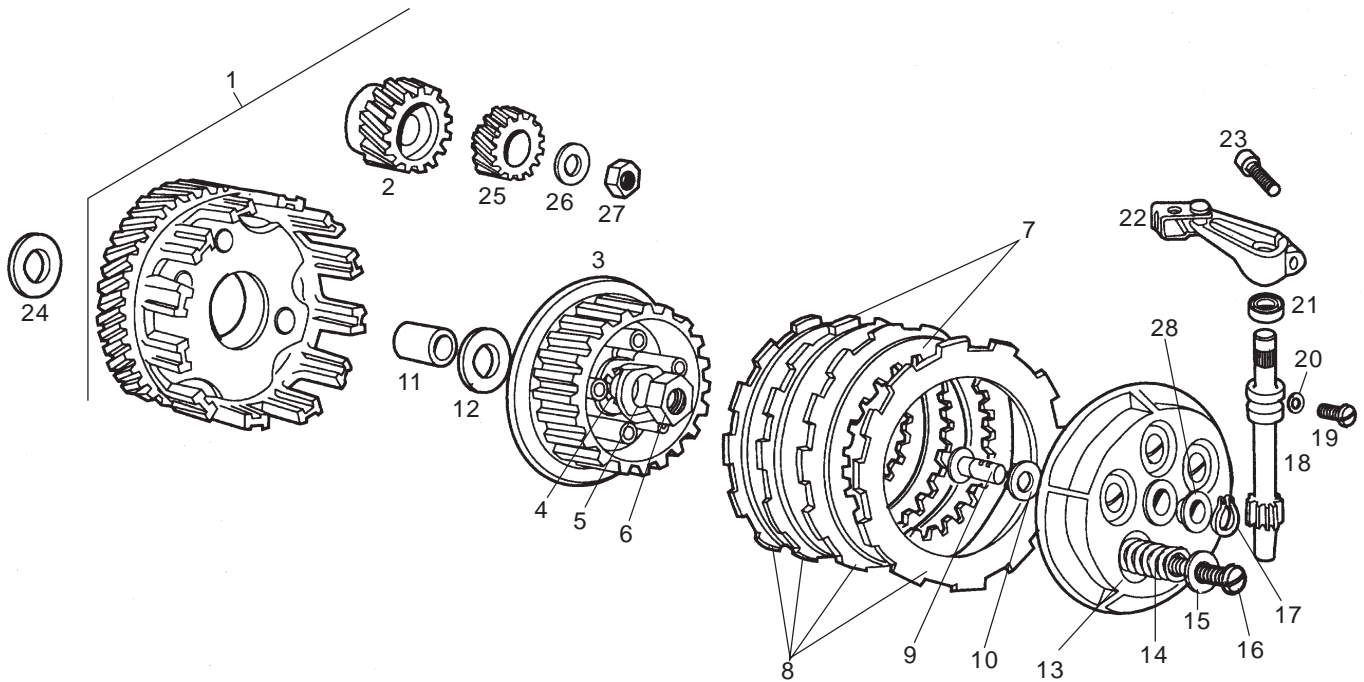
Figr.	Vers.	KOD. COD.	BEZEICHNUNG DENOMINAZIONE	DESIGNATION NAME	MOD.	Nr. Rahmen N.º Telaio N.º Cadre Frame Nr.
12A		00059220400	LAGER 6055 25.47.12 2RS CUSCINETTO 6204 PX2 V4	COUSSINET 6005 25-47-12 2RS BEARING	1 2 3 4 5 6 7 8 9 ABCDE	
13A		00E02500231	SIMMERRING GIUNTO TENUTA ALBERO GOMITO SC	JOINT SPI VILO G.20X35X7 SEAL, OUTPUT SHAFT	1 2 3 4 5 6 7 8 9 ABCDE	
14A		00002225220	SCHEIBE RONDELLA REGOLAZIONE TESTA BIE	RONDELLE TETE DE BIELLE THRUST WASHER	1 2 3 4 5 6 7 8 9 ABCDE	
15A		00008202730	MUTTER DADO FISSAGGIO .MANUBRIO-TESTA	ECROU DE FIXATION DU GUIDON HANDLEBAR LOCK NUT	1 2 3 4 5 6 7 8 9 ABCDE	
16A		00H05001011	PLEUEL R-COMPLESSO BIELLA SENDA	BIELLE AVEC CAGE ET AXE CONNECTING ROD W/BEARING AND P	1 2 3 4 5 6 7 8 9 ABCDE	
17A		00002125170	NADELLAGER GABBIA PIEDE BIELLA KBK12.15.1	CAGE A AIGUILLE DE PIED DE BEARING, PISTON PIN	1 2 3 4 5 6 7 8 9 ABCDE	
18A		00G03001091	BEF.-SCHRAUBE MOTORGEHAUSE VITE FISSAGGIO CARTER (6X35)	BOULON SERRAGE CARTERS CRANKCASE SECURING SCREW	1 2 3 4 5 6 7 8 9 ABCDE	
19A		00003125280	SCHEIBE ZYLINDERKOPF RONDELLA FISSAGGIO TESTATA	RONDELLE DE FIXATION DE LA SECURING WASHER, CYLINDER HEAD	1 2 3 4 5 6 7 8 9 ABCDE	



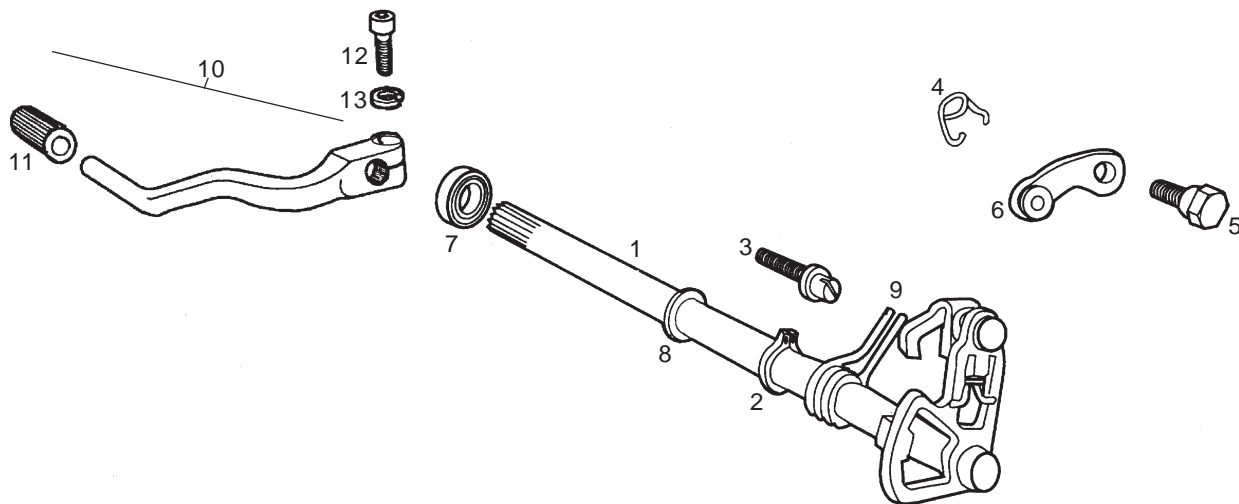
Figr.	Vers.	KOD. COD.	BEZEICHNUNG DENOMINAZIONE	DESIGNATION NAME	MOD.	Nr. Rahmen N.º Telaio N.º Cadre Frame Nr.
01A		00H03603521	KUPPLUNGSRAD R-COMPLESSO RUOTA FRIZIONE	CLOCHE EMBRAYAGE AVEC PIGNO CLUTCH HOUSING AND DAMPER	1 2 3 7 8 9 A	
01B		00H03600521	KUPPLUNGSRAD R-COMPLESSO RUOTA FRIZIONE	CLOCHE EMBRAYAGE AVEC PIGNO CLUTCH HOUSING AND DAMPER	4 5 6 BCDE	
02A		00H02601381	MOTORRITZEL PIGNONE MOTORE .Z-22.	PIGNON PRIMAIRE Z-22 PRIMAY GEAR	1 2 3 7 8 9 A	
02B		00H02602381	MOTORRITZEL PIGNONE MOTORE .Z-22.	PIGNON PRIMAIRE Z-22 PRIMAY GEAR	4 5 6 BCDE	
03A		00H02600111	GLOCKE CAMPANA GUIDATA 4-6V.A.A.	TAMBOUR EMBRAYAGE CLUTCH HUB.	1 2 3 4 5 6 7 8 9 ABCDE	
04A		00H05000281	SCHEIBE RONDELLA FERMO PIGNONE INTERM.	RONDELLE DE BUTEE THRUST PLATE	1 2 3 4 5 6 7 8 9 ABCDE	
05A		00006826230	SICHERUNG PIASTRINA DADO FRIZIONE	FREIN D'ECROU D'EMBRAYAGE WASHER, RETAINING	1 2 3 4 5 6 7 8 9 ABCDE	
06A		00000326260	MUTTER DADO FRIZIONE 4V.ANTERIORE/COP	ECROU D'EMBRAYAGE CLUTCH NUT	1 2 3 4 5 6 7 8 9 ABCDE	
07A		00H02600151	SCHEIBE DISCO GUIDATO	DISQUE EMBRAYAGE LISSE DRIVEN CLUTCH PLATE	1 2 3 4 5 6 7 8 9 ABCDE	
08A		00H02601161	KUPPLUNGSRELAG SUBCOMPLESSO DISCO GUIDA	DISQUE EMBRAYAGE GARNI CLUTCH PLATE	1 2 3 4 5 6 7 8 9 ABCDE	
09A		00H02600271	ZAHNSTANGE CREMAGLIERA SPINTA FRIZIONE.	CREMAILLETE D,EMBRAYAGE PUSHING CLUTCH	1 2 3 4 5 6 7 8 9 ABCDE	
10A		00H02600551	LAGER CUSCINETTO SFERE RADIALE CREMA	ROULEMENT AXIAL BALL BEARING	1 2 3 4 5 6 7 8 9 ABCDE	
11A		00H02601011	FUHRUNGSBUCHSE GABELSCHENK GHIERA BRONZINA FRIZIONE	ENTRETOISE BUSHING	1 2 3 4 5 6 7 8 9 ABCDE	



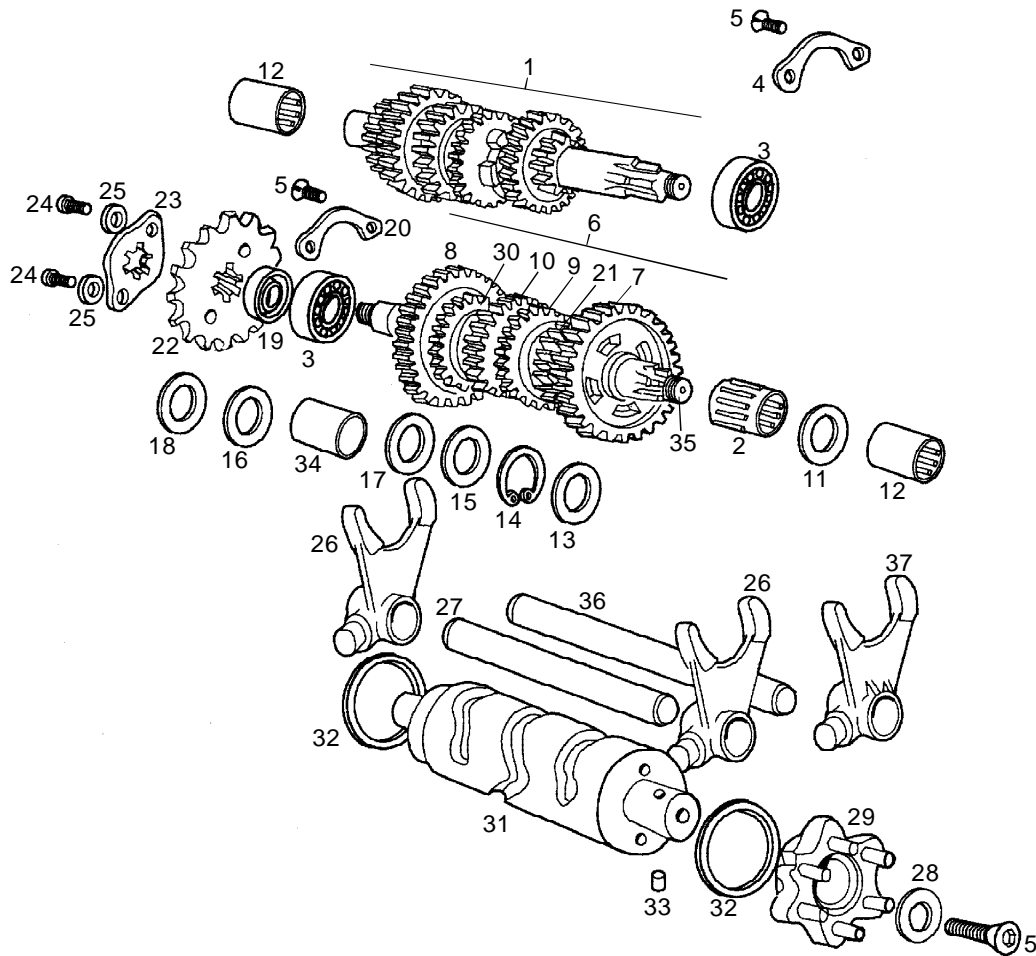
Figr.	Vers.	KOD. COD.	BEZEICHNUNG DENOMINAZIONE	DESIGNATION NAME	MOD.	Nr. Rahmen N.º Telaio N.º Cadre Frame Nr.
12A		00D02600552	SCHEIBE RONDELLA ATTRITO CAMPANA	RONDELLE ETOILEE WASHER, SPLINED	1 2 3 4 5 6 7 8 9 ABCDE	
13A		00H02600181	KUPPLINGS-VERSCHLUSSDECKEL COPERCHIO CHIUSURA FRIZIONE G.	PLATEAU EXTERIEUR D,EMBRAYA OUTER CLUTCH PLATE	1 2 3 4 5 6 7 8 9 ABCDE	
14A		00H02600211	STELLFEDER MOLLA REGOLAZIONE FRIZIONE	RESORT REGLAGE CLUTCH SPRING	1 2 3 4 5 6 7 8 9 ABCDE	
15A		00D02600631	SCHEIBE RONDELLA FERMO MOLLA FRIZIONE	ROND.BUTEE RESSORT EMBRAYA. CLUTCH SPRING STOP WASHER	1 2 3 4 5 6 7 8 9 ABCDE	
16A		00012053500	SCHRAUBE VITE TONDO CROCE.5M80X35.DIN79	VIS 5M80X35 SCREW M5X35	1 2 3 4 5 6 7 8 9 ABCDE	
17A		00000047110	SEEGERRING ANELLO SICUREZZA ASSI D10 D-47	CIRCLIP POUR AXE D10 CIRCLIP, BRAKE SHOE RETENTION	1 2 3 4 5 6 7 8 9 ABCDE	
18A		00H02610311	KUPPLUNGSACHSE ASSE DISINNESCO FRIZIONE	AXE CLUTCH SHAFT	1 2 3 4 5 6 7 8 9 ABCDE	
19A		00H02600342	BEF.-SCHRAUBE VITE FISSAGGIO DISINNESCO FRIZ	VIS SHAFT FIXING BOLT	1 2 3 4 5 6 7 8 9 ABCDE	
20A		00H03800441	SCHEIBE RONDELLA VITE SVUOTAMENTO ACQU	RONDELLE WASHER	1 2 3 4 5 6 7 8 9 ABCDE	
21A		00002027280	SIMMERRING RICHIAMO ASSE COMANDO SELETTOR	JOINT ANTI-FUITE OIL SEAL, SELECTOR SHAFT	1 2 3 4 5 6 7 8 9 ABCDE	
22A		00H02600322	KUPPLUNGSHEBEL SUBCOMPLESSO LEVA DISINNESCO F	LEVIER EMBRAYAGE CLUTCH LEVER	1 2 3 4 5 6 7 8 9 ABCDE	
23A		00052062011	INBUSSCHRAUBE VITE TESTA ALLEN 6M100X20	VIS T. CREUSE HEX.SOCKET-HEAD SCREW6M100X20	1 2 3 4 5 6 7 8 9 ABCDE	
24A		00002026020	SCHEIBE RONDELLA PROTEZIONE INTERNA BR	RONDELLE ENTRETOISE WASHER, CLUTCH HUB	1 2 3 4 5 6 7 8 9 ABCDE	



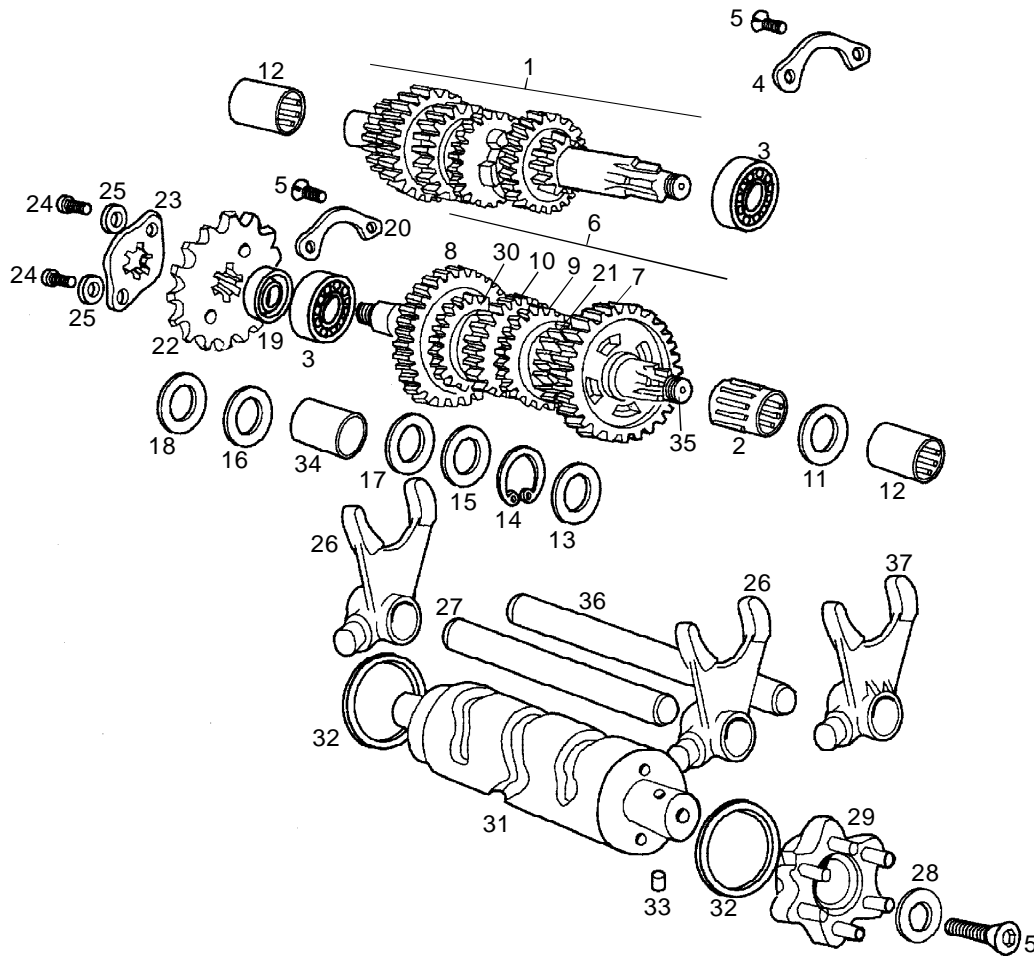
Figr.	Vers.	KOD. COD.	BEZEICHNUNG DENOMINAZIONE	DESIGNATION NAME	MOD.	Nr. Rahmen N.º Telaio N.º Cadre Frame Nr.
25A		00H03800181	RITZEL PIGNONE COMANDO POMPE .Z-14.7	PIGNON PUMP GUIDE GEAR	1 2 3 4 5 6 7 8 9 ABCDE	
26A		00H02600651	SCHEIBE RONDELLA FISSAGGIO PIGNONE MOT	RONDELLE WASHER	1 2 3 4 5 6 7 8 9 ABCDE	
27A		00H02600401	MUTTER DADO FISSAGGIO PIGNONE MOTORE	ECROU NUT CRANKSHAFT	1 2 3 4 5 6 7 8 9 ABCDE	
28A		00H05000281	SCHEIBE RONDELLA FERMO PIGNONE INTERM.	RONDELLE DE BUTEE THRUST PLATE	1 2 3 4 5 6 7 8 9 ABCDE	



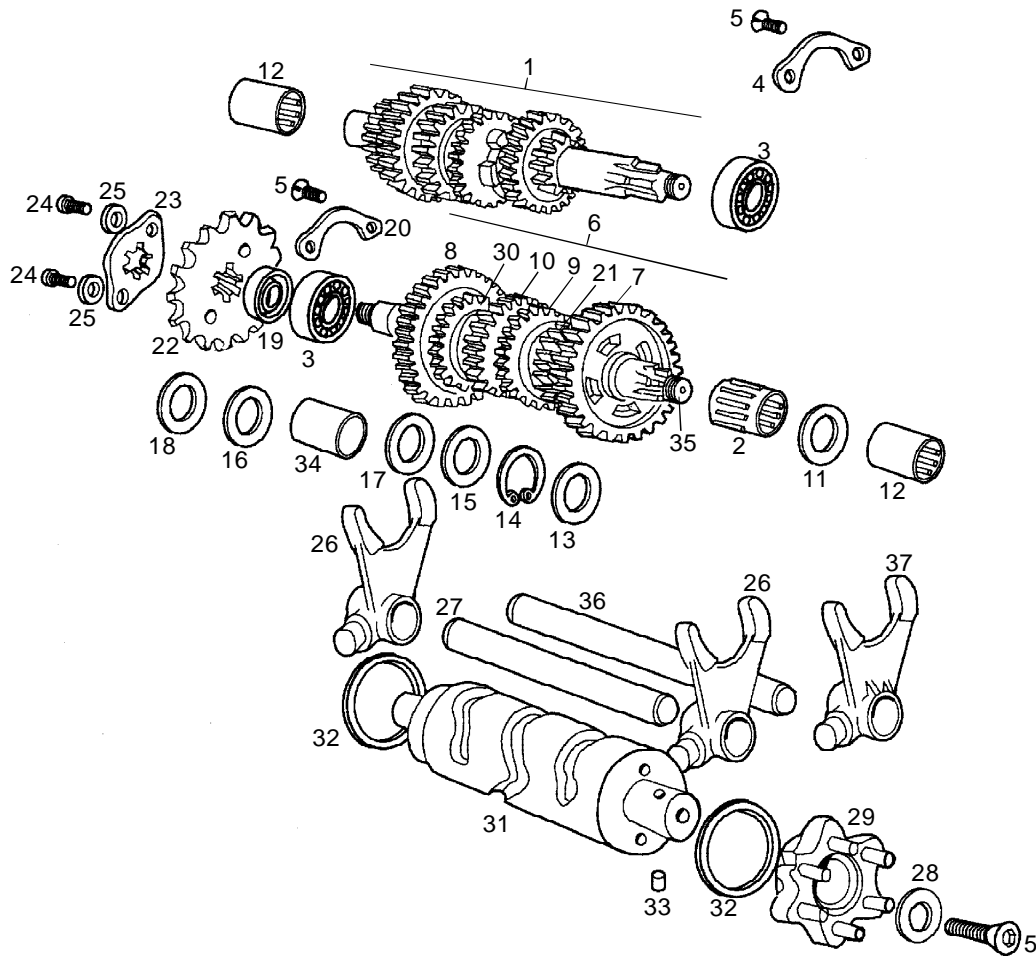
Figr.	Vers.	KOD. COD.	BEZEICHNUNG DENOMINAZIONE	DESIGNATION NAME	MOD.	Nr. Rahmen N.º Telaio N.º Cadre Frame Nr.
01A		00H02700151	SCHALTACHSE SUBCOMPLESSO ASSE SELETTORE 74	S-ENSEMBLE AXE SELECTEUR S-ASSY. SELECTOR SHAFT	1 2 3 4 5 6 7 8 9 ABCDE	
02A		00047031100	RING ANELLO SEPARATORE ASSI D12.D6	CIRCLIP POUR AXE D12 CIRCLIP, BRAKE SHOE RETENTION	1 2 3 4 5 6 7 8 9 ABCDE	
03A		00H02700231	FEDERSTIFT BULLONE MOLLA SELETTORE	AXE EXCENTRIQUE SCREW, SELECTOR SPRING ADJ.	1 2 3 4 5 6 7 8 9 ABCDE	
04A		00H02700441	BEF.-FEDER MOLLA FISSAGGIO MARCE	RESSORT GEAR FIXING SPARING	1 2 3 4 5 6 7 8 9 ABCDE	
05A		00H02700451	INBUSSCHRAUBE MOTOR BEFEST VITE GUIDA FISSAGGIO MARCE	VIS SCREW	1 2 3 4 5 6 7 8 9 ABCDE	
06A		00H02700491	GANSCHALTHEEEL SUBCOMPLESSO LEVA FISSAGGIO MA	LEVIER FIXATION PIGNONS LEVER FIXING GEARS	1 2 3 4 5 6 7 8 9 ABCDE	
07A		00002027280	SIMMERRING RICHIAMO ASSE COMANDO SELETTOR	JOINT ANTI-FUITE OIL SEAL, SELECTOR SHAFT	1 2 3 4 5 6 7 8 9 ABCDE	
08A		00002028770	SCHEIBE RONDELLA ASSICURAZIONE TAMBUR	RONDELLE WASHER	1 2 3 4 5 6 7 8 9 ABCDE	
09A		00H02700251	FEDER MOLLA SELETTORE	RESSORT SPRING, SELECTOR	1 2 3 4 5 6 7 8 9 ABCDE	
10A		00H02701421	GRUPPE GANGSCHALTHEBEL GPR "COMPLESSO LEVA CAMBIO	PEDALE DE SELECTEUR GEARSHIFT ASSY.	1 2 3 4 5 6 7 8 9 ABCDE	
11A		00003127270	RUBBER GEARSHIFT PROTETTORE APOGGIAPIEDI	CAOUTCHOUC DE SELECTEUR RUBBER GERASHIFT	1 2 3 4 5 6 7 8 9 ABCDE	
12A		00002062511	INBUSSCHRAUBE VITE TESTA ALLEN 6M100X25	VIS T. CREUSE HEX.SOCKET-HEAD SCREW 6M100X25	1 2 3 4 5 6 7 8 9 ABCDE	
13A		00442060002	FEDERRING D.6.DIN-127-B RONDELLA MOLLA D.6	RONDELLE A RESSORT D6 SPRING WASHER D6	1 2 3 4 5 6 7 8 9 ABCDE	



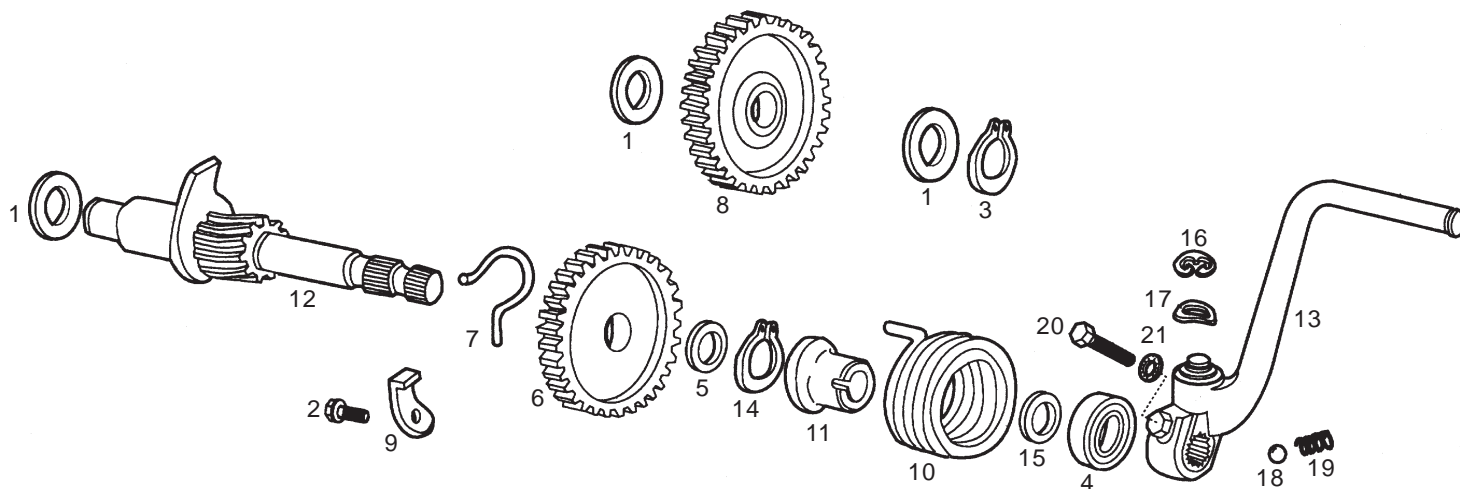
Figr.	Vers.	KOD. COD.	BEZEICHNUNG DENOMINAZIONE	DESIGNATION NAME	MOD.	Nr. Rahmen N.º Telaio N.º Cadre Frame Nr.
01A		00H02801291	PRIMARCHSE SUBCOMPLESSO ASSE PRIMARIO	AXE PRIMAIRE DRIVE SHAFT.	1 2 3 4 5 6 7 8 9 ABCDE	
02A		00D02820101	BADELLGER CORONA RULLINI PIGNONE .2-1A.K	ROULEMENT AIGUILLES NEEDLE BEARING	1 2 3 4 5 6 7 8 9 ABCDE	
03A		00057120300	LAGER 6055 25.47.12 2RS CUSCINETTO 6203-C4.17.40.12.	COUSSINET 6005 25-47-12 2RS BEARING	1 2 3 4 5 6 7 8 9 ABCDE	
04A		00H02800901	KUGELLEGERPRIMDRACHSE PIASTRINA CUSCINETTO ASSE PRIM	BUTEE DE ROULEMENT PLATE POSITION BALL BEARINGS	1 2 3 4 5 6 7 8 9 ABCDE	
05A		00000013510	SCHRAUBE VITE TESTA SVASATA ALLEN 5M80	VIS TETE FENDEU ALLEN 5M80X1 ALLEN COUN.HEA SCR.5M80X10	1 2 3 4 5 6 7 8 9 ABCDE	
06A		00H02805131	SEKUNDRACHSE COMPLESSO ASSE SECONDARIO	AXE SECONDAIRE MONTE COMPLE OUTPUT SHAFT	1 2 3 4 5 6 7 8 9 ABCDE	
07A		00H02820211	RITZEL SEKUNDRACHSE I PIGNONE SECONDARIO .I.Z-34.BI-	PIGNON SECONDAIRE I OUTPUT GEAR 1ST	1 2 3 4 5 6 7 8 9 ABCDE	
08A		00H02801221	RITZEL SEKUNDRACHSE II PIGNONE SECONDARIO II.Z-30	PIGNON SECONDAIRE II SECONDARY GEAR	1 2 3 4 5 6 7 8 9 ABCDE	
09A		00H02810231	RITZEL SEKUNDRACHSE III PIGNONE SECONDARIO .III.Z-27.6	PIGNON 3 (ARBRE SEGONDAIRE) OUTPUT GEAR 3RD.	1 2 3 4 5 6 7 8 9 ABCDE	
10A		00H02801481	RITZEL SEKUNDRACHSE II PIGNONE SECONDARIO.IV.Z-24	PIGNON SECONDAIRE II SECONDARY GEAR	1 2 3 4 5 6 7 8 9 ABCDE	
11A		00H02800181	SCHEIBE RONDELLA ATTRITO PIGNONE PRIMA	RONDELLE WASHER	1 2 3 4 5 6 7 8 9 ABCDE	
12A		00002028450	NADELLGER GHIERA RULLINI ASSI I-II.HK-1	CAGE A AIGUILLES NEEDLE BEARING, GEAR SHAFTS	1 2 3 4 5 6 7 8 9 ABCDE	
13A		00H02800251	SCHEIBE RONDELLA ATTRITO PIGNONE SECON	RONDELLE WASHER	1 2 3 4 5 6 7 8 9 ABCDE	



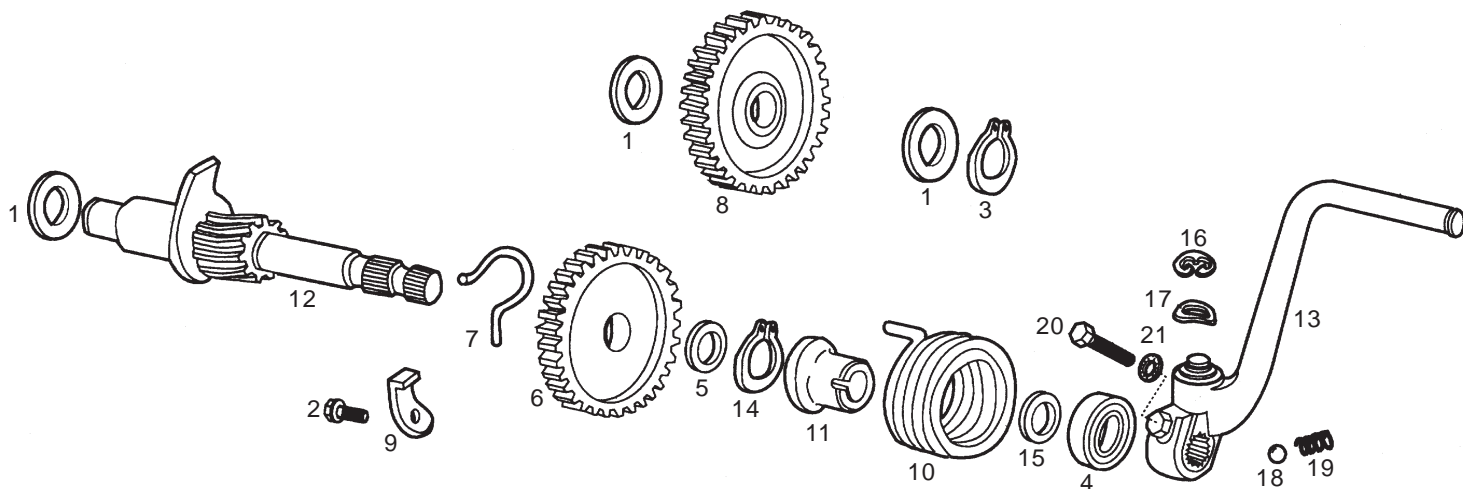
Figr.	Vers.	KOD. COD.	BEZEICHNUNG DENOMINAZIONE	DESIGNATION NAME	MOD.	Nr. Rahmen N.º Telaio N.º Cadre Frame Nr.
14A		00002028550	SICHERUNGSRING ANELLO SICUREZZA PIGNONI D18	JONC D'ARBRE CIRCLIP D 18	1 2 3 4 5 6 7 8 9 ABCDE	
15A		00H02800561	SCHEIBE RONDELLA PIGNONI SECONDARIO .I	RONDELLE WASHER	1 2 3 4 5 6 7 8 9 ABCDE	
16A		00H02810561	SCHEIBE RONDELLA ATTRITO PIGNONE PRIMA	JOUE CALAGE PIGNON WASHER.	1 2 3 4 5 6 7 8 9 ABCDE	
17A		00H02820561	SCHEIBE RONDELLA ATTRITO PIGNONE SECON	JOUE CALAGE PIGNON WASHER	1 2 3 4 5 6 7 8 9 ABCDE	
18A		00H02810181	SCHEIBE KUGELLAGER RONDELLA CUSCINETTO ASSE SECON	RONDELLE LAYSHAFT BEARING WASHER	1 2 3 4 5 6 7 8 9 ABCDE	
19A		00H02800401	DICHTRING GIUNTO TENUTA PIGNONE USCITA C	JOINT SPI PIGNON SEAL SSPROCKET	1 2 3 4 5 6 7 8 9 ABCDE	
20A		00002028900	SICHERUNG PIASTRINA CUSCINETTI ASSI PRIM	BUTEE DE ROULEMENT PLATE POSITION, BALL BEARINGS	1 2 3 4 5 6 7 8 9 ABCDE	
21A		00H02810411	RITZEL SECUNDTRACHSE V PIGNONE SECONDARIO V.Z-23	PIGNON DE 5 (ARBRE SECONDAI OUTPUT GEAR 5TH.	1 2 3 4 5 6 7 8 9 ABCDE	
22A		00H02805371	GANGSCHALTUNGS AUSGANGSRIT PIGNONE USCITA CAMBIO Z-14	PIGNON SORTIE CHANGEMENT VI GEARBOX OUTPUT PINION Z-14	1 2 3 7 8 9 A	
22B		00H02806371	GANGSCHALTUNGS AUSGANGSRIT PIGNONE USCITA CAMBIO Z-12	PIGNON SORTIE CHANGEMENT VI GEARBOX OUTPUT PINION Z-12	4 5 6 BCDE	
23A		00H02810421	RITZEL PIASTRINA PIGNONE USCITA CAMBI	RONDELLE DE SECURITE SBV. LOCKWASHER, COUNTERSHAFT SPROK	1 2 3 4 5 6 7 8 9 ABCDE	
24A		00000004512	INBUSSCHRAUBE 5M80X12 VITE TESTA ALLEN 5M80X12 NERO	VIS A TETE CREUSE 5M80X12 N ALLEN SCREW M5X12	1 2 3 4 5 6 7 8 9 ABCDE	
25A		00000031050	SCHEIBE D.5 DIN-125 RONDELLA PIATTA D5	ROND.PLATE MECANISEE D.5.DI MACHINED FLAT WASHER D5	1 2 3 4 5 6 7 8 9 ABCDE	



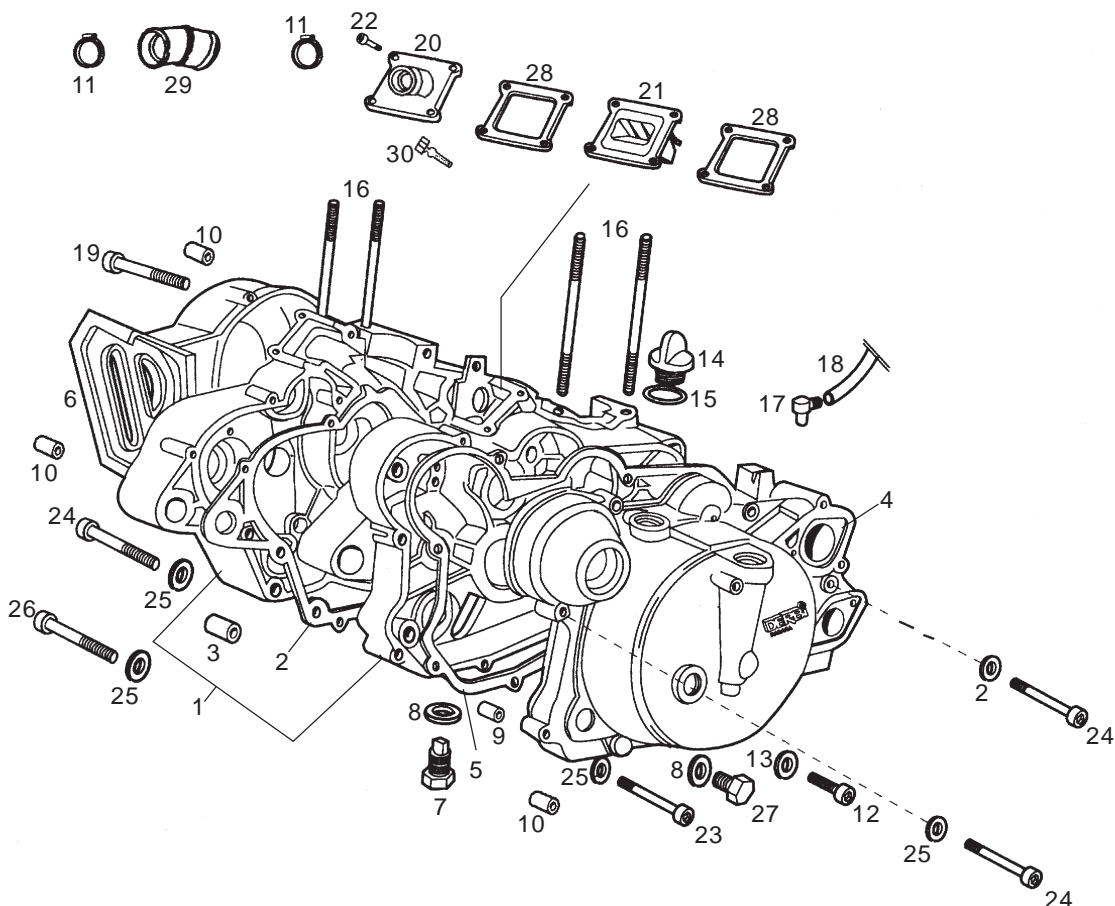
Figr.	Vers.	KOD. COD.	BEZEICHNUNG DENOMINAZIONE	DESIGNATION NAME	MOD.	Nr. Rahmen N.º Telaio N.º Cadre Frame Nr.
26A		00H02820651	SHALTGABEL FORCELLA SECONDARIA 4-6V.	FOURCHETTE FORK OUTPUT	1 2 3 4 5 6 7 8 9 ABCDE	
27A		00H02800881	GABEL SEKUNDARACHSE ASSE FORCELLA SECONDARIA	AXE SECONDARY FORK SHAFT	1 2 3 4 5 6 7 8 9 ABCDE	
28A		00H02800801	INBUSSCHRAUBE MOTOR BEFEST RONDELLA PIGNONE CONTROLLO COM	VIS SCREW	1 2 3 4 5 6 7 8 9 ABCDE	
29A		00H02810631	ESTEUERKOPF TESTA COMANDO TAMBURO	TETE TAMBOUR SELECTEUR DRUM HEAD	1 2 3 4 5 6 7 8 9 ABCDE	
30A		00H02810741	RITXEL SEKUNDARACHSE VI PIGNONE SECONDARIO VI.Z-22.6V.	PIGNON DE 6 (ARBRE SECONDAI OUTPUT GEAR 6TH.	1 2 3 4 5 6 7 8 9 ABCDE	
31A		00H02802861	VERTEILERTRONNDEL TAMBURO DISTRIBUTORE	BARILLET SHIFT DRUM	1 2 3 4 5 6 7 8 9 ABCDE	
32A		00D04000291	SCHEIBE RONDELLA TAMBURO DISTRIBUTORE	RONDELLE DE REGLAJE DU TAMB WASHER 0,5 4-6V.	1 2 3 4 5 6 7 8 9 ABCDE	
33A		00000066060	WALZE FÜR SCHA LTUNG RULLO 4X6	GALETS 4X6 ROLLER 4X6	1 2 3 4 5 6 7 8 9 ABCDE	
34A		00H02800241	FUHRUNGSBUCHSE GABELSCHENK GHIERA PIGNONE SECONDARIO .II.	ENTRETOISE BUSHING	1 2 3 4 5 6 7 8 9 ABCDE	
35A		00H02802161	SEKUNDARACHSE ASSE SECONDARIO 6V'98	AXE SECONDAIRE MONTE COMPLE OUTPUT SHAFT	1 2 3 4 5 6 7 8 9 ABCDE	
36A		00H02800891	GABEL PRIMARACHSE ASSE FORCELLA PRIMARIA 74/80CC	AXE PRIMARY FORK SHAFT	1 2 3 4 5 6 7 8 9 ABCDE	
37A		00H02820661	SHALTGABEL FORCELLA PRIMARIA V-VI.	FOURCHETTE FORK OUTPUT	1 2 3 4 5 6 7 8 9 ABCDE	



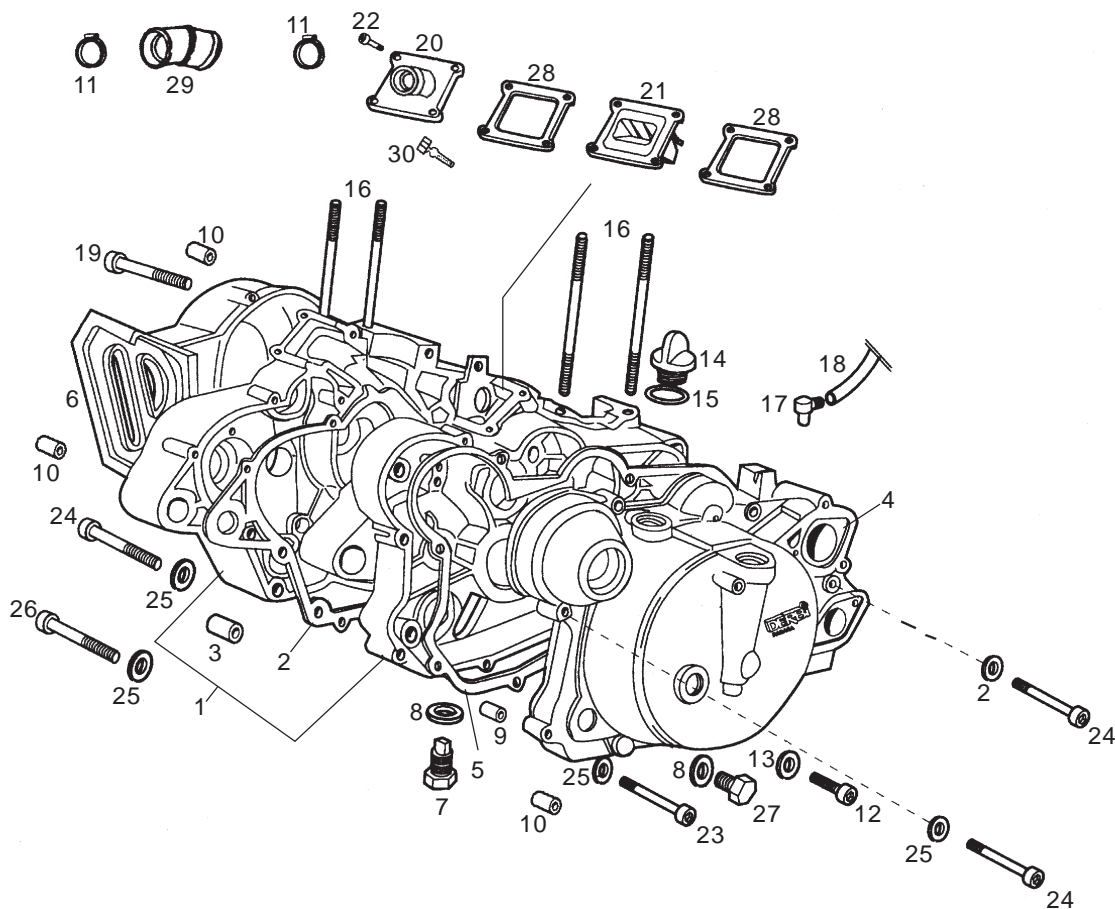
Figr.	Vers.	KOD. COD.	BEZEICHNUNG DENOMINAZIONE	DESIGNATION NAME	MOD.	Nr. Rahmen N.º Telaio N.º Cadre Frame Nr.
01A		00002028770	SCHEIBE RONDELLA ASSICURAZIONE TAMBUR	RONDELLE WASHER	1 2 3 4 5 6 7 8 9 ABCDE	
02A		00H02900761	INBUSSCHRAUBE MOTOR BEFEST VITE	VIS SCREW	1 2 3 4 5 6 7 8 9 ABCDE	
03A		00000047111	SICHERHEITSPRING ANELLO SICUREZZA ASSI D11.DIN-	CIRCLIPS ARBRE SELECTEUR CIRCLIP, SELECTOR SHAFT	1 2 3 4 5 6 7 8 9 ABCDE	
04A		00D02910131	SIMMERING ANELLO TENUTA AVVIAMENTO 15-26	JOINT ANTI-FUITE OIL SEAL 15-26-5	1 2 3 4 5 6 7 8 9 ABCDE	
05A		00005529290	SCHEIBE RONDELLA FERMO PIGNONE AVVIAME	RONDELLE WASHER	1 2 3 4 5 6 7 8 9 ABCDE	
06A		00H02900091	ANLAUFTRITZEL PIGNONE AVVIAMENTO Z-29	ROUE DE MISE EN MARCHÉ Z-29 KICKSTARTER GEAR Z-29	1 2 3 4 5 6 7 8 9 ABCDE	
07A		00H02900281	RITZELFEDER MOLLA PIGNONE AVVIAMENTO	RESSORT DE ROUE DE MISE EN SPRING, ENGAGEMENTE REAR	1 2 3 4 5 6 7 8 9 ABCDE	
08A		00H02901441	ANLAUF-ZWISCHENRITZEL PIGNONE INTERMEDIO AVVIAMENTO	ROUE INTERMEDIAIRE DRIVING GEAR	1 2 3 4 5 6 7 8 9 ABCDE	
09A		00H02901551	VERSTARUNG F.ANSCHULAG RINFORZO FERMO AVVIAMENTO	BUTEE PEDALE DE KICK KICKSTARTER LEVER STOP	1 2 3 4 5 6 7 8 9 ABCDE	
10A		00H02900041	ANLAUFFEDER MOLLA AVVIAMENTO	RESSORT DE KICK KICKSTARTER SPRING	1 2 3 4 5 6 7 8 9 ABCDE	
11A		00H02900271	FUHRUNGSPFANE SCODELLINO GUIDA MOLLA AVVIAME	RAMPE DE KICK SPRING GUIDE	1 2 3 4 5 6 7 8 9 ABCDE	
12A		00H02900011	ANLAUFACHSE SUBCOMPLESSO ASSE AVVIAMENTO S	ARBRE DE KICK KICKSTARTER SHAFT	1 2 3 4 5 6 7 8 9 ABCDE	
13A		00H02901251	KICKSTARTER COMPLESSO LEVA AVVIAMENTO FENI	LEVIER DE KICK KICKSTARTER LEVER	1 2 3 4 5 6	



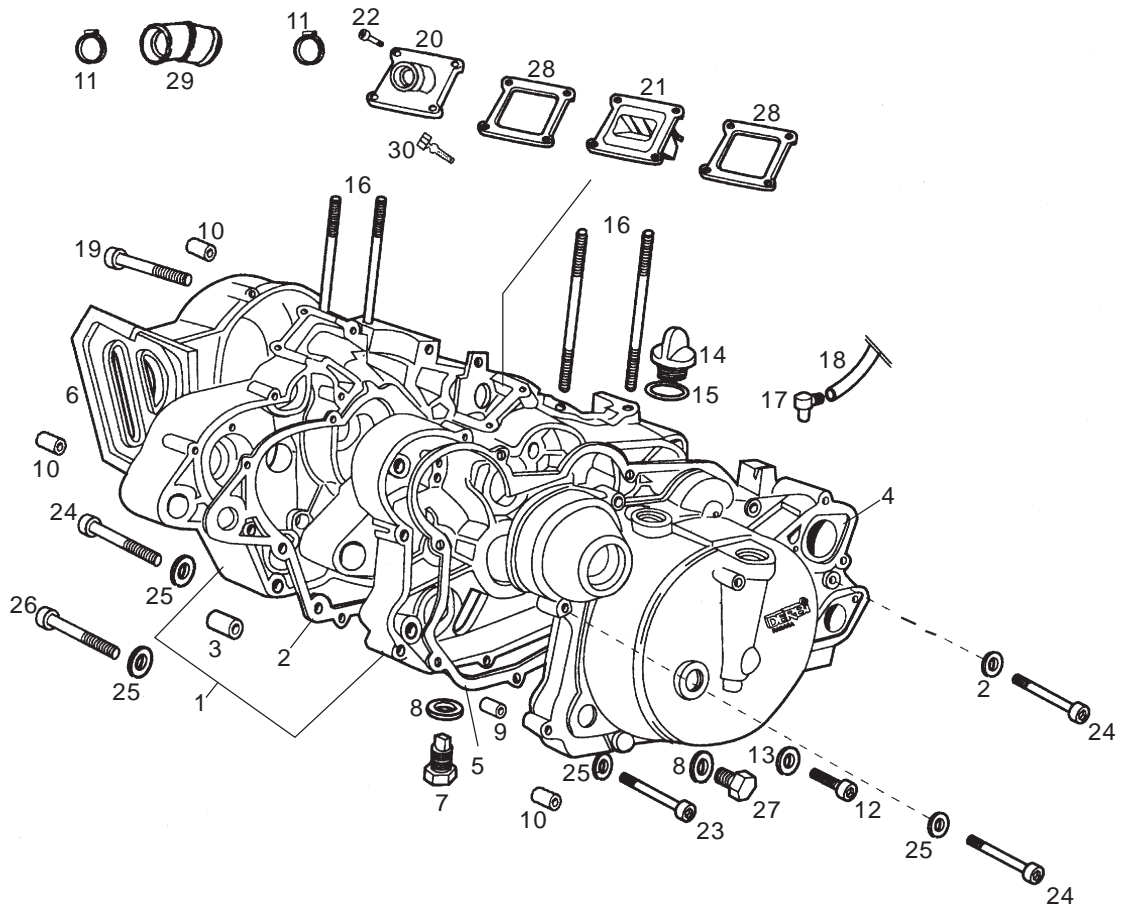
Figr.	Vers.	KOD. COD.	BEZEICHNUNG DENOMINAZIONE	DESIGNATION NAME	MOD.	Nr. Rahmen N.º Telaio N.º Cadre Frame Nr.
13B		00H02902251	KICKSTARTER COMPLESSO LEVA AVVIAMENTO FENI	LEVIER DE KICK KICKSTARTER LEVER		7 8 9 ABCDE
14A		00000047122	SICHERHEITSRING RONDELLA SICUREZZA D22.DIN-471	ANNEAU SECURITE AXES D22 CIRCLIP D22 DIN 471		1 2 3 4 5 6 7 8 9 ABCDE
15A		00002029050	SCHEIBE RONDELLA FERMO AVVIAMENTO 4-6V	RONDELLE WASHER		1 2 3 4 5 6 7 8 9 ABCDE
16A		00047030900	SICHERHEITSRING ANELLO SICUREZZA/ASSE D9-12 DI	ANNEAU SECURITE AXE D.9-12 CIRCLIP D9-12 DIN-6799		1 2 3 4 5 6 7 8 9 ABCDE
17A		00000036100	SCHEIBE RONDELLA MOLLA AB.D10,5.DIN-1	RONDELLE WASHER		1 2 3 4 5 6 7 8 9 ABCDE
18A		00000061040	KUGEL D.4,76. PALLA D.4,76	BILLE DIAMETRE 4,76. BALL, D.4,76		1 2 3 4 5 6 7 8 9 ABCDE
19A		00003127200	FEDER MOLLA GRILLETTO TORCIA	RESSORT SPRING, DETENT		1 2 3 4 5 6 7 8 9 ABCDE
20A		00G03000211	BEF.-SCHRAUBE LI.GEHAUSEH VITE	BOULON SERG.COUV.CARTER G.H LEFT CRANKCASE COVER SECURING		1 2 3 4 5 6
20B		00004162500	BEF.-SCHRAUBE LI.GEHAUSEH VITE	BOULON SERG.COUV.CARTER G.H LEFT CRANKCASE COVER SECURING		7 8 9 ABCDE
21A		00034000602	SCHEIBE RONDELLA STELLA INTERIORE.D6 D	RONDELLE EVENTAIL D 6 INNER STAR WASHER 0 6		1 2 3 4 5 6
21B		00037000600	SCHEIBE RONDELLA STELLA INTERIORE.D6 D	RONDELLE EVENTAIL D 6 INNER STAR WASHER 0 6		7 8 9 ABCDE



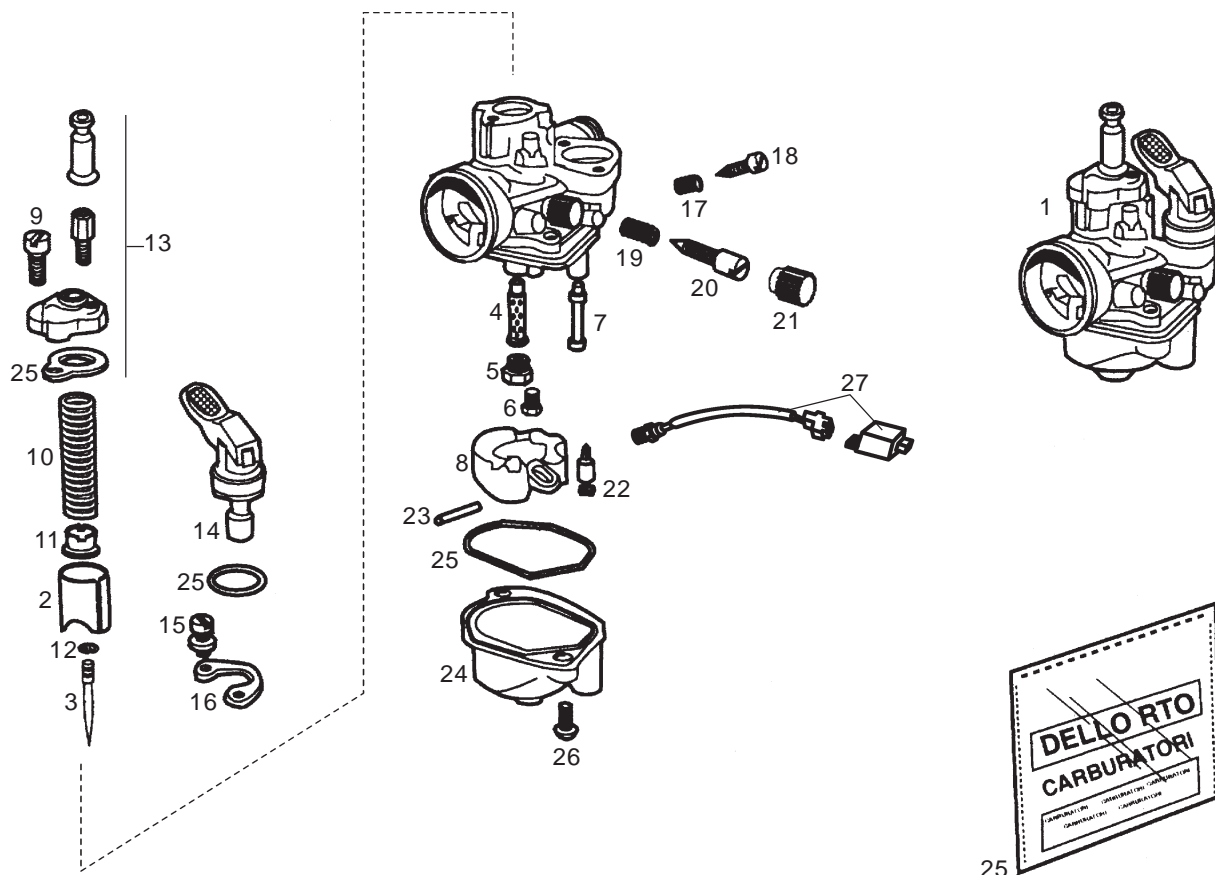
Figr.	Vers.	KOD. COD.	BEZEICHNUNG DENOMINAZIONE	DESIGNATION NAME	MOD.	Nr. Rahmen N.º Telaio N.º Cadre Frame Nr.
01A		00H03003633	MOTERGEHAUSE COMPLESSO CARTERS 50 C.C.	ENSEMBLE DES CARTERS MOTEUR CRANCKASE ASSEMBLY	1 2 3 4 5 6 7 8 9 ABCDE	
02A		00H03000031	GEHAUSEDICHTUNG GUARNIZIONE CARTERS 50CC	JOINT DE CARTERS CENTRAUX GASKET, CHANCKASE	1 2 3 4 5 6 7 8 9 ABCDE	
03A		00H03010361	FUHRUNGSBUCHSE GABELSCHENK SEPARATORE SILENTBLOCK ANTERIO	ENTRETOISE BUSHING	1 2 3 4 5 6 7 8 9 ABCDE	
04A		00H03002883	KUPPLINGSDECKEL SUBC.COP.CARTER DES.	CARTER D'EMBRAYAGE CRANCKASE COVER	1 2 3 4 5 6 7 8 9 ABCDE	
05A		00H03000141	DICHTUNG GUARNIZIONE COPERCHIO CARTER D	JOINT DE CARTER EMBRAYAGE GASKET RIGHT-HAND COVER	1 2 3 4 5 6 7 8 9 ABCDE	
06A		00H03000243	GEHD US ED EDKELLINKS COPERCHIO CARTER SINISTRO 4-6V	COUVERCLE CARTER GAUCHE CRANCKASE COVER LEFT	1 2 3 4 5 6 7 8 9 ABCDE	
07A		00A03001421	OLABLASSSCHRAUBE COMPLESSO VITE SVUOTAMENTO OL	BOUCHON DE VIDANGE DRAIN PLUG W/MAGNET	1 2 3 4 5 6 7 8 9 ABCDE	
08A		00A03000121	SCHEIBE RONDELLA SVUOTAMENTO OLIO VAR	RONDELLE FIBRE D10-VIDANGE GASKET, DRAIN PLUG	1 2 3 4 5 6 7 8 9 ABCDE	
09A		00002030020	BUCHSE CHIAVISTELLO UNIONE CARTER	PIED DE CENTRAGE DOWEL PIN, CRANCKASE	1 2 3 4 5 6 7 8 9 ABCDE	
10A		00H03000831	ZENTRIERSTUCK CENTRATORE COPERCHIO CARTER SI	CENTRAGE CARTER SPACER, CRANCKASE	1 2 3 4 5 6 7 8 9 ABCDE	
11A		00H03800451	SCHLAUCHSCHELLE FASCETTA	COLLIER WATER FILLER INLET CLAMP	1 2 3 4 5 6 7 8 9 ABCDE	
12A		00000004610	SCHRAUBE VITE TESTA ALLEN 6M100X10	VIS A TETE CREUSE 6M100X10. ALLEN SCREW M6X10	1 2 3 4 5 6 7 8 9 ABCDE	
13A		00003102280	DICHTRING RONDELLA LIVELLO OLIO D.6 TORC	RONDELLE FIBRE D 6 WASHER, SEALING	1 2 3 4 5 6 7 8 9 ABCDE	



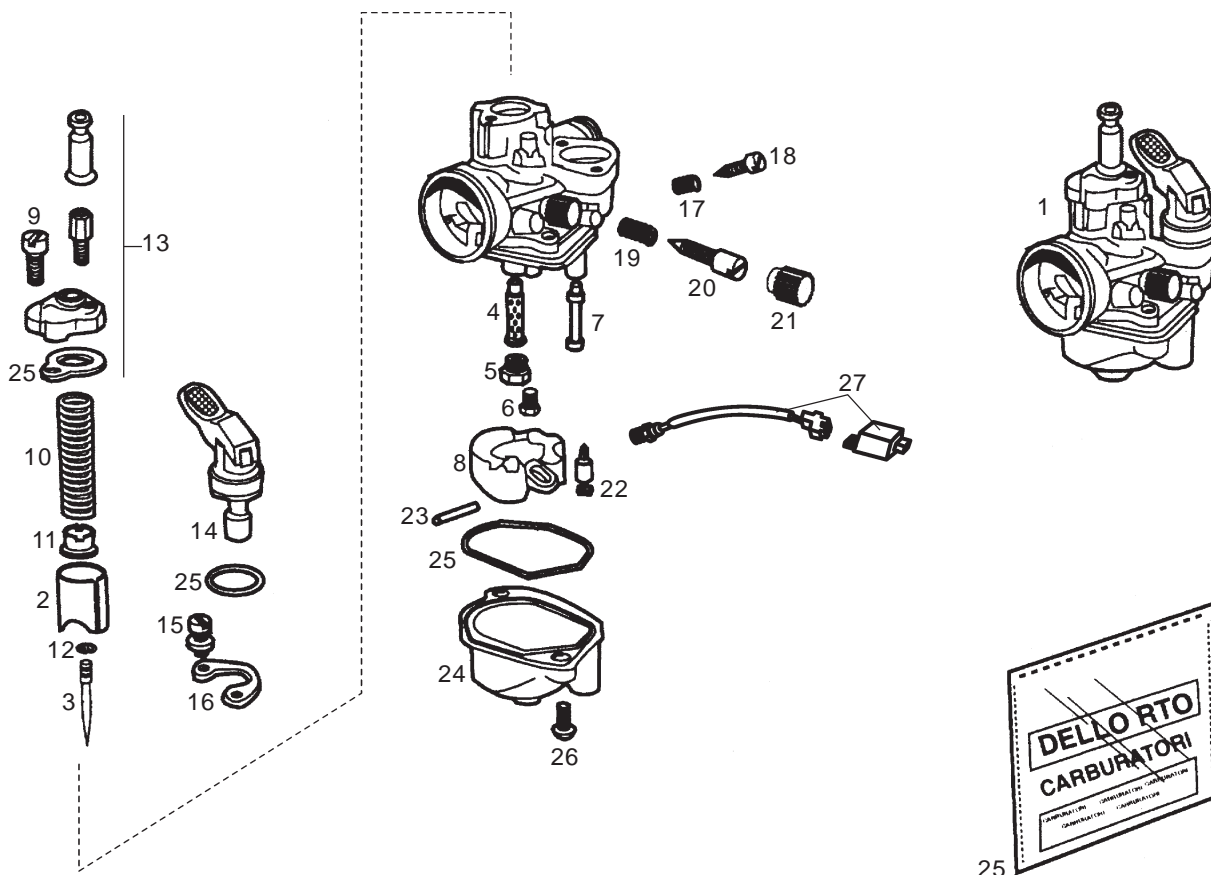
Figr.	Vers.	KOD. COD.	BEZEICHNUNG DENOMINAZIONE	DESIGNATION NAME	MOD.	Nr. Rahmen N.º Telaio N.º Cadre Frame Nr.
14A		00H03000081	OLABFULLRING VITE PIENO OLIO	BOUCHON REMP.HUILE OIL FILLER SCREW	1 2 3 4 5 6 7 8 9 ABCDE	
15A		00001130370	O-RING ANELLO TORICO TAPPO LIVELLO OL	JOINT DE JAUGE D,HUILE WASHER SEALING	1 2 3 4 5 6 7 8 9 ABCDE	
16A		00003130050	STEBOLZEN BULLONE FISSAGGIO CILINDRO TOR	GOUJON DE FIXE CYLINDRE STUD CYLINDER	1 2 3 4 5 6 7 8 9 ABCDE	
17A		00005530600	AUSGANGSSTUTZEN RACCORDI USCITA GAS CARTER .	RACCORD DE SORTIE GAZ CARTE CRANKCASE VENT RACCORD	1 2 3 4 5 6 7 8 9 ABCDE	
18A		00G03900821	ENTLUEFTUNGSSCHLAUCH TUBO RESPIRAZIONE SERBATOIO O	TUYAU RESPIRATION RESERVOIR VENT PIPE OIL TANK	1 2 3 4 5 6 7 8 9 ABCDE	
19A		00000004630	INBUSSCHRAUBE VITE TESTA ALLEN 6M100X30.DIN-	VIS T. CREUSE HEX.SOCKET-HEAD SCREW 6MX30	1 2 3 4 5 6 7 8 9 ABCDE	
20A		00H02500061	ANSAUGSTUTZEN COMPLESSO ATTACCO CARBURATORE	ENSEMB.PIPE D'ADMISSION INTAKE MANIFOLD, ASSY.	1 2 3 4 5 6 7 8 9 ABCDE	
21A		00H02510641	MEMBRANE COMPLESSO CASSA LAMINA AMMISSI	BOITE A CLAPETS INLET BOX	1 2 3 4 5 6 7 8 9 ABCDE	
22A		00000004625	INBUSSCHRAUBE 6M100X25.D-9 VITE TESTA ALLEN 6M100X25.DIN-	VIS A TETE ALLEN 6M100X25. HEX.SOCKET-HEAD SCREW 6MX25	1 2 3 4 5 6 7 8 9 ABCDE	
23A		00G03001091	BEF.-SCHRAUBE MOTORHEHÉUSE VITE TESTA ALLEN 6M100X35	BOULON SERRAGE CARTERS (6X3 ALLEN SCREW 6M100X3	1 2 3 4 5 6 7 8 9 ABCDE	
24A		00G03002091	INBUSSCHRAUBE 6M100X40 VITE TESTA ALLEN 6M100X40.DIN-	VIS 6M100X40. HEX.SOCKET-HEAD 6MX40	1 2 3 4 5 6 7 8 9 ABCDE	
25A		00000031060	SCHEIBE D.6 RONDELLA PIATTA D6	ROND. PLATE MECANISEE D6DIN MACHINED FLAT WASHER D6 DIN-12	1 2 3 4 5 6 7 8 9 ABCDE	
26A		00H03000091	SCHRAUBE 6X50 VITE TESTA ALLEN 6M100X50.D-9	VIS 6X50 HEX.SOCK-HEAD SCR.6M100X50D912	1 2 3 4 5 6 7 8 9 ABCDE	



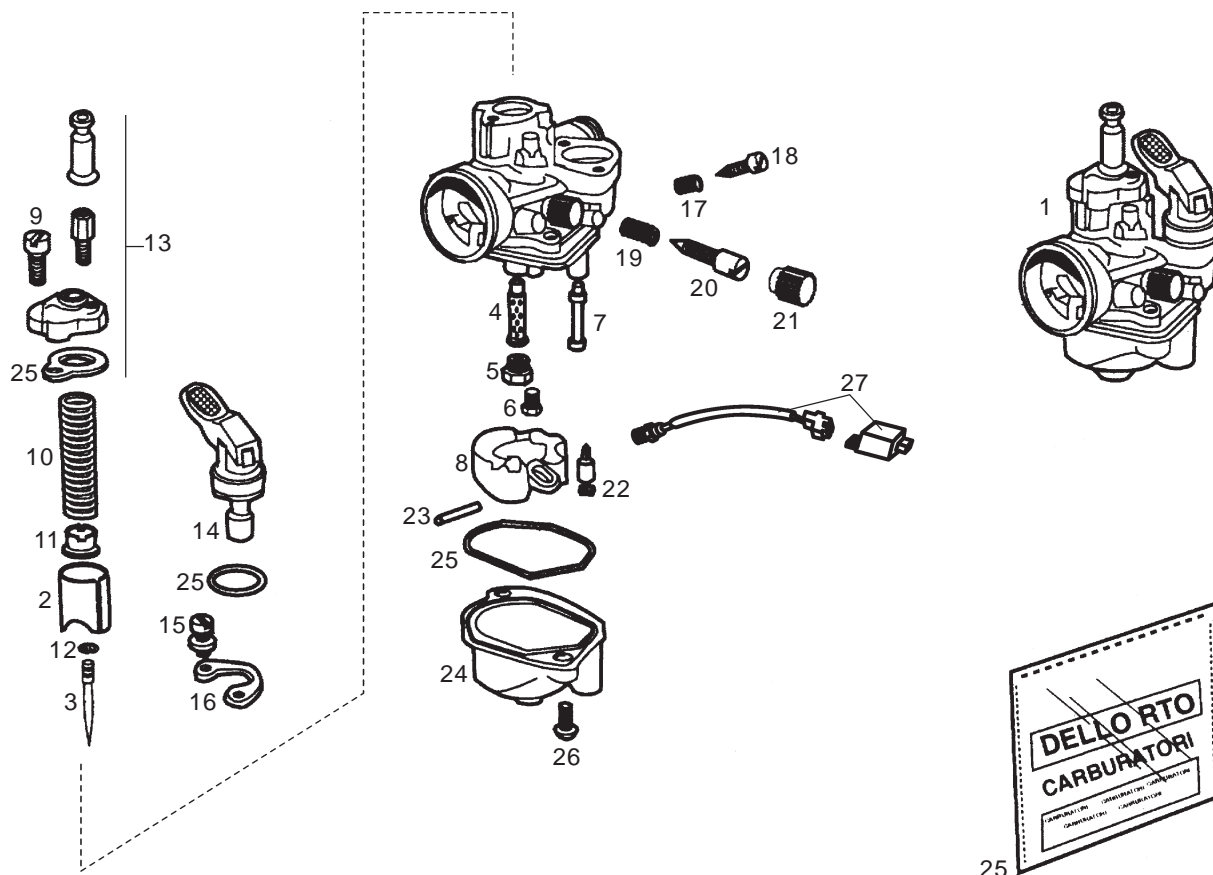
Figr.	Vers.	KOD. COD.	BEZEICHNUNG DENOMINAZIONE	DESIGNATION NAME	MOD.	Nr. Rahmen N.º Telaio N.º Cadre Frame Nr.
27A		00A03000131	SCHRAUBE VITE SVUOTAMENTO OLIO	BOUCHON DE VIDANGE PLUG, DRAIN	1 2 3 4 5 6 7 8 9 ABCDE	
28A		00H02500811	DICHTUNG VENTILHALTER GUARNIZIONE SOSTEGNO VALVOLA A	JOINT BTE.CLAPETS INLET VALVE GASKET	1 2 3 4 5 6 7 8 9 ABCDE	
29A		00H02502891	ANSAUGGUMMI GHIERA UNIONE ROC.CARB.	CONDUIT ADMISION COMPLING SLEEVE INTAKE	1 2 3 4 5 6 7 8 9 ABCDE	
30A		00F05000061	SCHRAUBE VITE FISSAGIO ATTACCO CARBUR	VIS A TETE CREUSE 6M100X10 SCREW INTAKE MANIF. WIR VALV	4 5 6 BCDE	



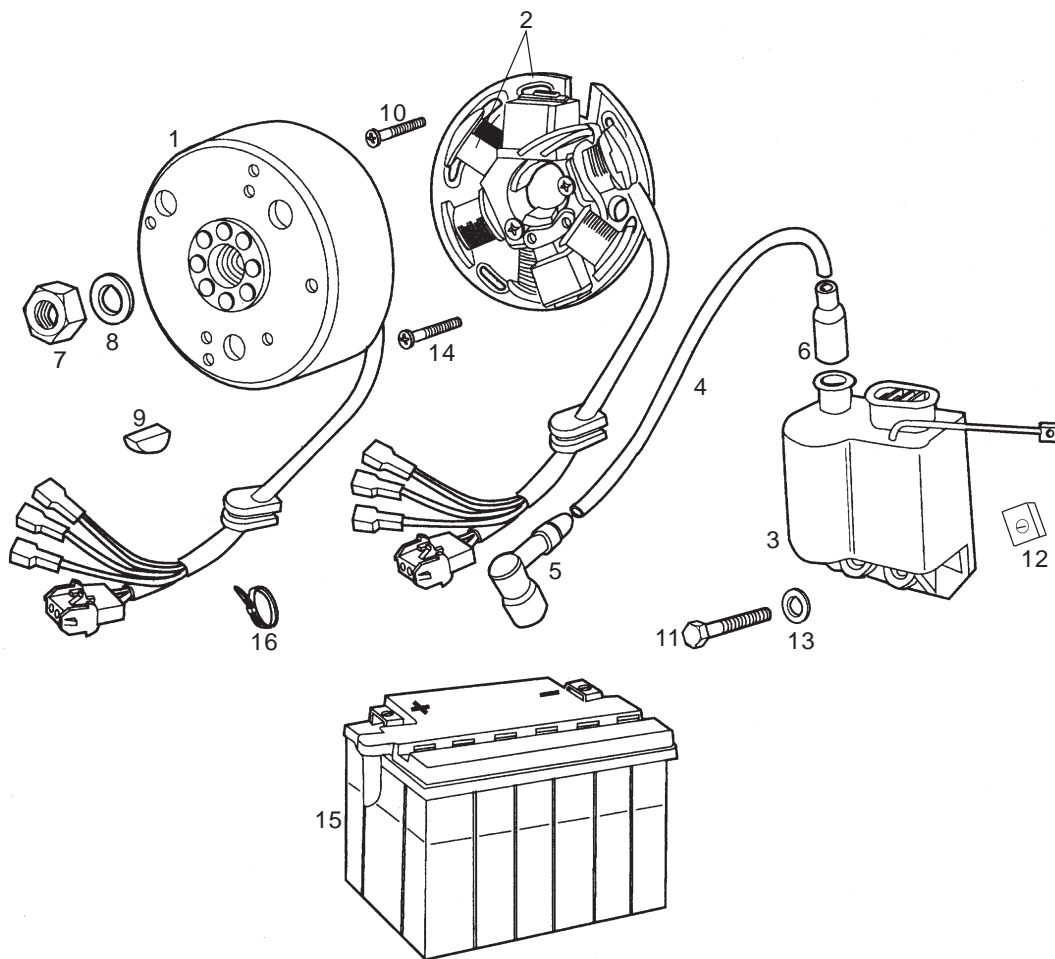
Figr.	Vers.	KOD. COD.	BEZEICHNUNG DENOMINAZIONE	DESIGNATION NAME	MOD.	Nr. Rahmen N.º Telaio N.º Cadre Frame Nr.
01A		00H03236011	VERGASER KOMPL COMPLESSO CARBURATORE	ENSEMBLE CARBURATEUR CARBURETOR	123 7 89 A	
01B		00H03239011	VERGASER KOMPL COMPLESSO CARBURATORE	ENSEMBLE CARBURATEUR CARBURETOR	456 BCDE	
02A		00H03201211	GASSCHIEBER R-VALVOLA GAS D.30	BOISSEAU SLIDE	123 7 89 A	
02B		00F03201211	GASSCHIEBER R-VALVOLA GAS D.30	BOISSEAU SLIDE	456 BCDE	
03A		00H03202431	DUESENDELUSE R-SPILLO SPRUZZATORE	AIGUILLE PULVERIZ. NEEDLE	123 7 89 A	
03B		00G03201431	DUESENDELUSE R-SPILLO SPRUZZATORE	AIGUILLE PULVERIZ. NEEDLE	456 BCDE	
04A		00F03200421	ZERSTAUBERDUSE GA210 POLVERIZZATORE GA211	PULVERISATEUR GA210 NEEDLE JET	123 7 89 A	
04B		00H03204421	ZERSTAUBERDUSE GA210 POLVERIZZATORE GA211	PULVERISATEUR GA210 NEEDLE JET	456 BCDE	
05A		00H03221031	HAUPT DUSE 73 R-GETTO MASSIMO 71	GICLEUR PRINCIPAL 73 MAIN JET 71	123 7 89 A	
05B		00G03206031	HAUPT DUSE 73 R-GETTO MASSIMO 65	GICLEUR PRINCIPAL 73 MAIN JET 65	456 BCDE	
06A		00H04101181	DUESE MIN. D.36 SENDA R R-GETTO MINIMO 32	R-GICLEUR MINIMUM. D.36 SE JET MIN D. 32	123 7 89 A	
06B		00H04106181	DUESE MIN. D.36 SENDA R R-GETTO MINIMO 36	R-GICLEUR MINIMUM. D.36 SE JET MIN 36	456 BCDE	
07A		00F03200481	LUFTEINLASS-DUSE R-GETTO INGRESSO ARIA 45	R-GICLEUR D'ENTRE D'AIR 45 IDLE JET	123 7 89 A	



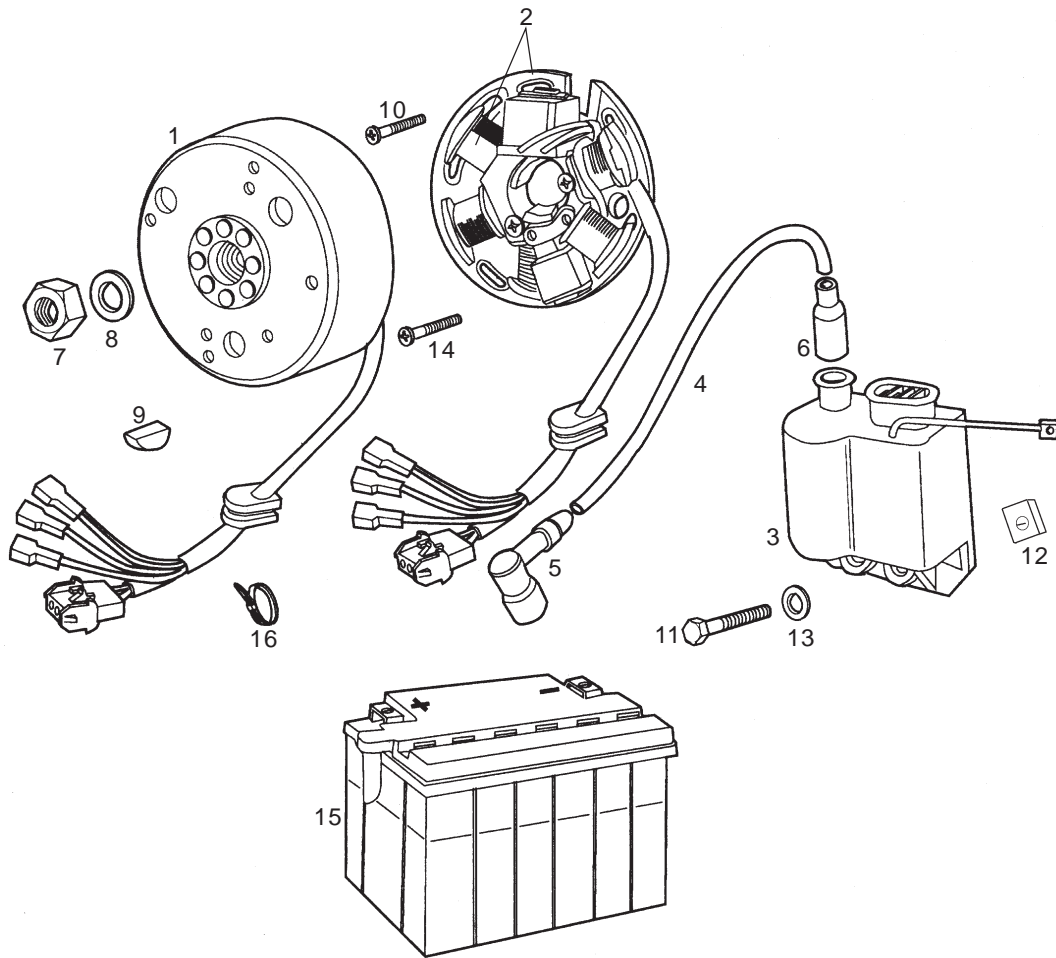
Figr.	Vers.	KOD. COD.	BEZEICHNUNG DENOMINAZIONE	DESIGNATION NAME	MOD.	Nr. Rahmen N.º Telaio N.º Cadre Frame Nr.
07B		00H03203481	LUFTEINLASS-DUSE R-GETTO INGRESSO ARIA 45	R-GICLEUR D'ENTRE D'AIR 45 IDLE JET	4 5 6 BCDE	
08A		00G03201281	SCHWIMMER VAMOS AUSTR. 40 R-GALLEGGIANTE VAMOS AUS.	R-FLOTTEUR. VAMOS AUSTR.40 K FLOAT	1 2 3 4 5 6 7 8 9 ABCDE	
09A		00G03200061	BEF.-SCHRAUBE DECKEL MISCH R-VITE FISSAGIO COPERCHIO CAM.	R-BOUL.SER.COUV.CHAMBRE MEL MIXING XAMBER COVER SEGURING	1 2 3 4 5 6 7 8 9 ABCDE	
10A		00G03201071	FEDER FUR GASVENTIL R-MOLLA VALVOLA GAS VAMOS AV	R-RESSORT VALVE ESS.VAM.AU. THROTTLE VALVE RETURN	1 2 3 4 5 6 7 8 9 ABCDE	
11A		00G03200511	BUCHSE DUESENNADEL VA.AU.4 R-GHIERA SPILLO SPRUZZATORE	R-DOUILLE AIGUI.PULVERZ.VA. NEEDLE BUSHING	1 2 3 4 5 6 7 8 9 ABCDE	
12A		00G03201371	KLAMMER DUESENNADEL VAM.AU R-MORSA SPILLO SPRUZZATORE	R-PINCE AIGUI.PULVERZ.VAM.A NEEDLE CIRCLIP	1 2 3 4 5 6 7 8 9 ABCDE	
13A		00H03204231	MISCHRAUMDECKEL R-COPERCHIO CAMARA MISCELA SE	COUVERCLE CARBURATEUR COVER CARBURETOR TOP	1 2 3 4 5 6 7 8 9 ABCDE	
13B		00H03202231	MISCHRAUMDECKEL R-COPERCHIO CAMARA MISCELA SE	COUVERCLE CARBURATEUR COVER CARBURETOR TOP	4 5 6 BCDE	
14A		00H03203711	STARTERVENTIL R-COMPLESSO STARTER SENDA	VANNE DU STARTER MANUEL CHOCKE LOCK	1 2 3 4 5 6 7 8 9 ABCDE	
15A		00G03200541	BEF.-SCHRAUBEAUTOM STARTER R-VITE FISSAGIO STARTER AV.	R-BOULON SER.START.AUTOM.VM AUTOMA.CHOCKE SEGURING SCREE	1 2 3 4 5 6 7 8 9 ABCDE	
16A		00G03200551	HALTERUNG AUTOM. STARTER A R-PLOMBAGE FIX.START.AUT.V.AV.	R-PLOMBAGE FIX.START.AUT.V. AUTOMA.CHOCKE SEGURING SCREE	1 2 3 4 5 6 7 8 9 ABCDE	
17A		00G03200721	FEDER LUFTREGLER MIN. VM. R-RESSORT REG.AIR.MIN.VM.AV 40	R-RESSORT REG.AIR MIN.VM.AU IDLE ADJUSTER	1 2 3 4 5 6 7 8 9 ABCDE	
18A		00H03200731	LUFT-REGULIERSCHRAUBE MIN. R-VIS REG.AIR.MIN.VAM.AV.40KH.	R-VIS REG.AIR MIN.VAM.AU.40 IDLE ADJUSTER SCREW	1 2 3 4 5 6 7 8 9 ABCDE	



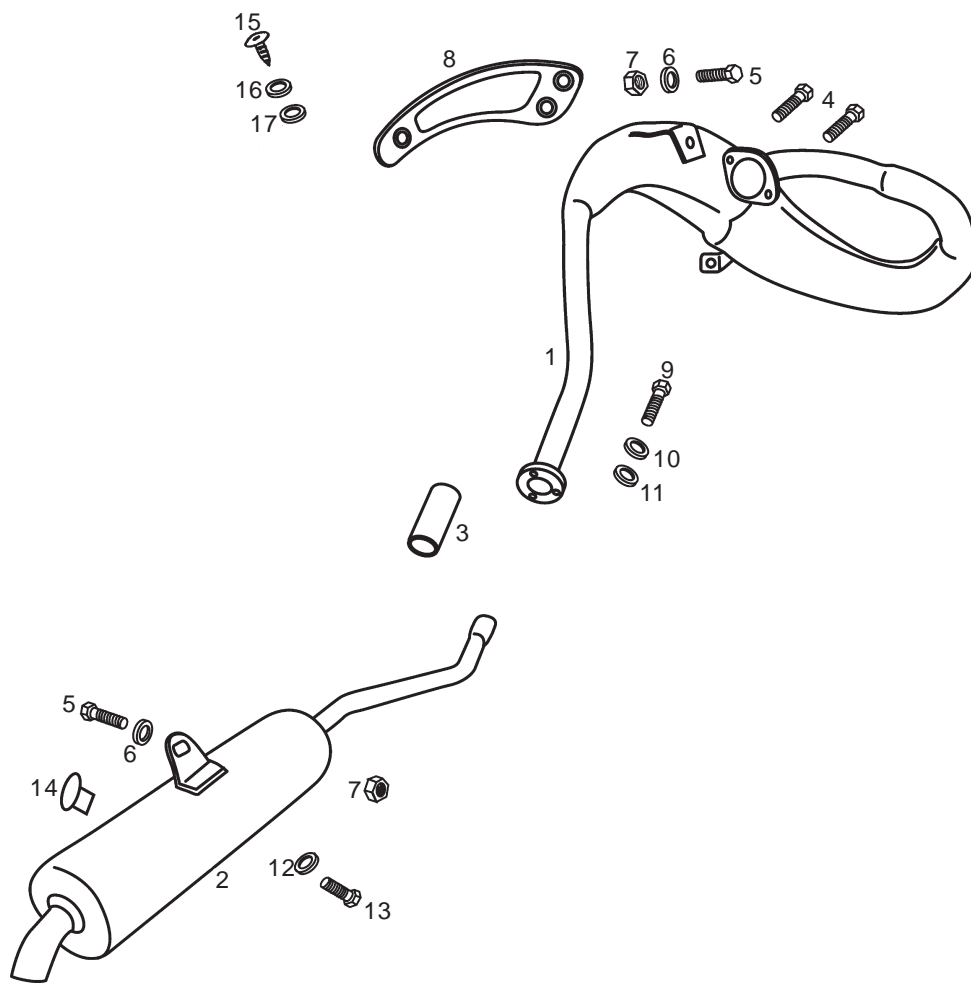
Figr.	Vers.	KOD. COD.	BEZEICHNUNG DENOMINAZIONE	DESIGNATION NAME	MOD.	Nr. Rahmen N.º Telaio N.º Cadre Frame Nr.
19A		00G03200101	FEDER GAS-VENTIL-REGELUNG R-RES.REG.VALVE ESS.VM.AU.4	R-RES.REG.VALVE ESS.VM.AU.4 THROOTLE VALVE ADJUSTE SPRING	1 2 3 4 5 6 7 8 9 ABCDE	
20A		00G04100131	SCHRAUBE GAS-VENTIL-REGELU R-BOUTON VITE REGOLAZIONE VALVOLA	R-VIS REG.VALV.ESS.VAM.AU.4 THROOTLE VALVE ADJUSTER SCREW	1 2 3 4 5 6 7 8 9 ABCDE	
21A		00G04100741	KNOPF GASVENTIL-STELLSCHRA R-BOUTON AVIS REGL.VALV.ESS.V.A.	R-BOUTON VIS REGL.VALV.ESS.V.A THROOTLE VALVE ADJUSTER SCREW	1 2 3 4 5 6 7 8 9 ABCDE	
22A		00G03201051	SCHWIMMERNADEL VAM.AU.40KH R-COMPLESSO SPILLO GALLEGGIAN	R-EN.POINT.D'ARRIVEE VAM.AU FLOAT NEEDLE ASSY	1 2 3 4 5 6 7 8 9 ABCDE	
23A		00G03201121	STIFT SCHWIMMERACHSE VA.AU R-CHIAVISTELLO ASSE GALLEGIA.	R-GOUJON AXE FLOTTEUR VA.AU FLOAT PIN	1 2 3 4 5 6 7 8 9 ABCDE	
24A		00H03201201	SCHWIMMERKAMMER R-VASCHETTA BENZZINA	CUVE INFERIEURE CARBUR. FLOAT BOWL SEET	1 2 3 4 5 6 7 8 9 ABCDE	
25A		00G04100771	DICHTUNGSATZ KOMPL. VERGAS R-COMPLESSO GUARNIZIONE CARBU.	R-ENS. JOINTS CARBUR. V.25K CARBURETOR GASKET	1 2 3 4 5 6 7 8 9 ABCDE	
26A		00G03201091	BEF.-SCHRAUBE R-VITE FISSAGIO VASCHETTA BE	R-BOUL.SERG.VASE ESSENC.VA. FLOAT CHAMBER SEGURING SCREW	1 2 3 4 5 6 7 8 9 ABCDE	
27A		00H06000151	KABELBAUN FUR HEIZUNG VERG COMPLESSO KIT RISCALDAMENTO	KIT QUI CHAUFFE CARBURATEUR KIT CARBURETTOR HEATER	4 5 6 BCDE	



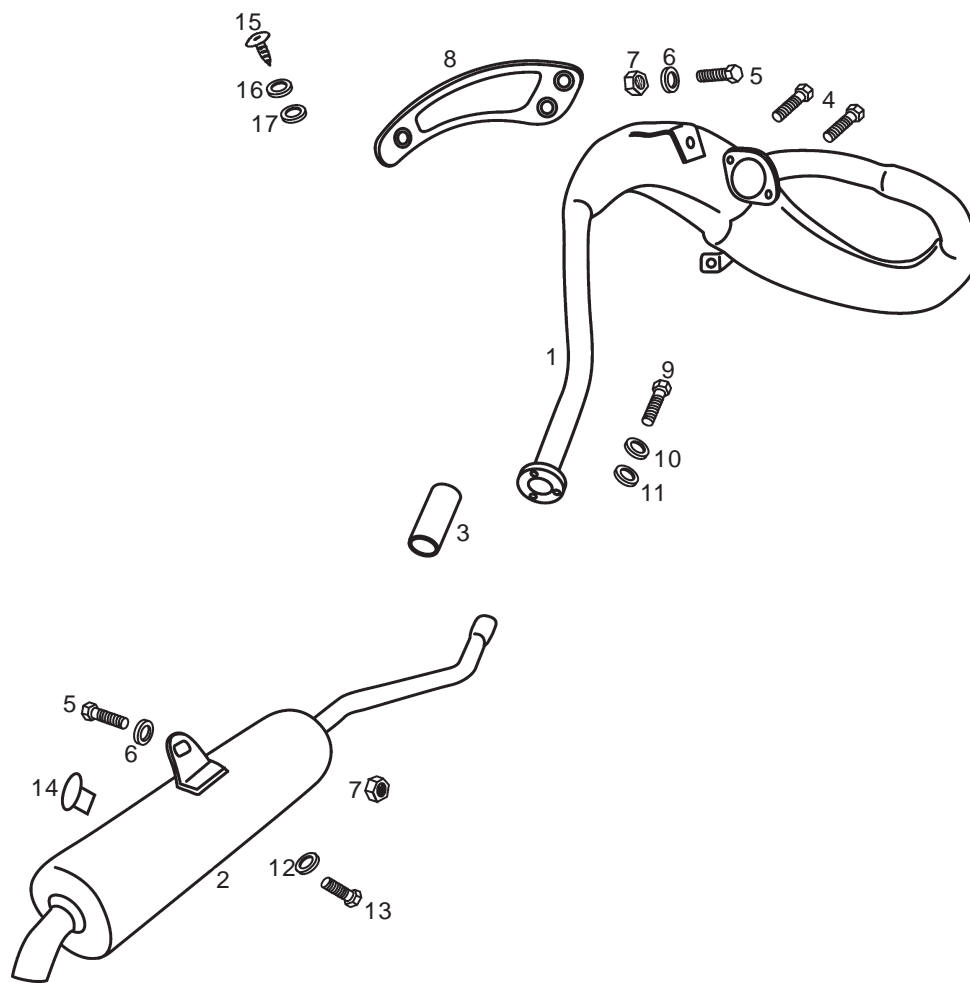
Figr.	Vers.	KOD. COD.	BEZEICHNUNG DENOMINAZIONE	DESIGNATION NAME	MOD.	Nr. Rahmen N.º Telaio N.º Cadre Frame Nr.
01A		00H03301011	LICHTMASCHINE KOMPL. COMPLESSO VOLANO ELETTRONICO	VOLANT MAGNETIQUE MAGNETO ASSEMBLY	1 2 3 4 5 6 7 8 9 ABCDE	
02A		00H03300701	STATOR R-COMPLESSO STATORE VOLANO ELE	STATOR STATOR PLATE	1 2 3 4 5 6 7 8 9 ABCDE	
03A		00H03330171	ZUNDSPULE COMPLESSO COVERTITORE ELETTRON	BOBINE AUTE TENSION COIL, PRIMARY IGNITION	1 2 3 4 5 6 7 8 9 ABCDE	
04A		00F03310741	ZUNDSPULENKABEL CAVO BOBINA START.A.E.	CABLE CABLE COIL PRIMARY IGNITION	1 2 3 4 5 6 7 8 9 ABCDE	
05A		00G03301271	ZUNDKERZENSTECRER PIPETA CANDELA	PIPE DE BOUGIE COVER, SPARK PLUG	1 2 3 4 5 6 7 8 9 ABCDE	
06A		00F03300731	KAPPE CAPPuccio CAVO BOBINA SCO-50.	CAPUCHON COIL CABLE RUBBER PROTECTOR	1 2 3 4 5 6 7 8 9 ABCDE	
07A		00H03300221	MUTTER DADO FISSAGGIO VOLANO MAGNETIC	ECROU FIXE VOLANT NUT, MAGNETO ASSEMBLY	1 2 3 4 5 6 7 8 9 ABCDE	
08A		00F03300241	BEF.-SCHEIBE RONDELLA FISSAGGIO VOLANO MAG	RONDELLE WASHER, FLYWHEEL 10MM	1 2 3 4 5 6 7 8 9 ABCDE	
09A		00003133230	KEIL SPINA VOLANO MAGNETICO .P.REC.	CLAVETTE VOLANT MAGNETIQUE KEY, FLYWHEEL	1 2 3 4 5 6 7 8 9 ABCDE	
10A		00003133260	SCHRAUBE VITE FISSAGGIO VOLANO MAGNETIC	VIS FIX VOLANT SCREW, STATOR PLATE	1 2 3 4 5 6 7 8 9 ABCDE	
11A		00012162000	SCHRAUBE VITE TESTA ESAGONALE 5M80X16 D	BOULON TETE HEX.5M80X15 HEX.HEAD SCREW 5M80X15	1 2 3 4 5 6 7 8 9 ABCDE	
12A		00D01501371	MUTTER DADO FISSAGGIO	ECROU NUT	1 2 3 4 5 6 7 8 9 ABCDE	
13A		00D01200171	SCHEIBE D.5 DIN-125 RONDELLA PIATTA D5	ROND.PLATE MECANISEE D.5.DI MACHINED FLAT WASHER D5	1 2 3 4 5 6 7 8 9 ABCDE	



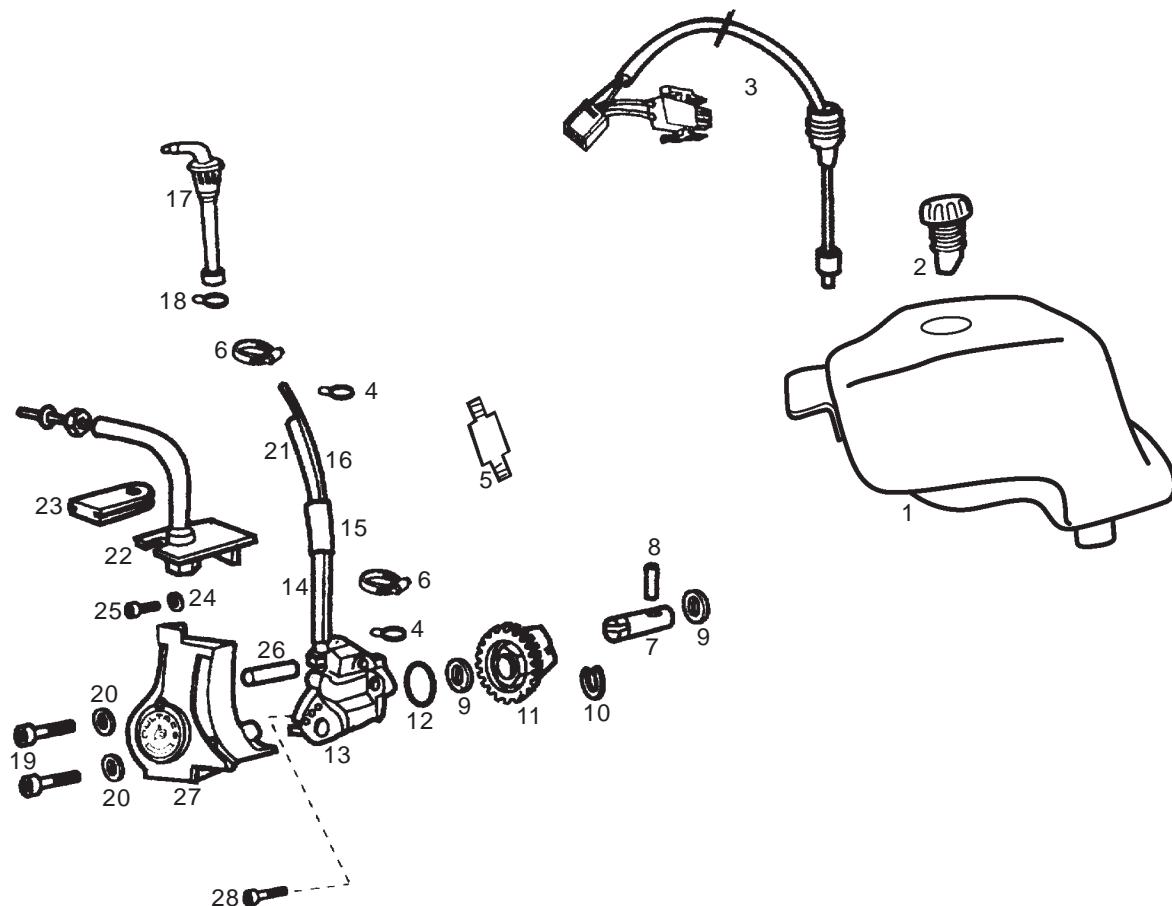
Figr.	Vers.	KOD. COD.	BEZEICHNUNG DENOMINAZIONE	DESIGNATION NAME	MOD.	Nr. Rahmen N.º Telaio N.º Cadre Frame Nr.
14A		00000012420	SCHRAUBE VITE TESTA TONDA CROCE 4M70X20	VIS T.RON.CROIX 4M70X20 D79 ROUNDHEAD PHILIPS SCREW 4MM-7	1 2 3 4 5 6 7 8 9 ABCDE	
15A		00G03301401	BATTERIE.12V. BATTERIA 12V	BATTERIE.12V. 4AH. START.A. BATTERY 12V. 4AH.	1 2 3 4 5 6 7 8 9 ABCDE	
16A		00F00900531	KABELBINDER FLANGIA UNIONE CAVI	COLLIER BLACK CABLE TIE	1 2 3 4 5 6 7 8 9 ABCDE	



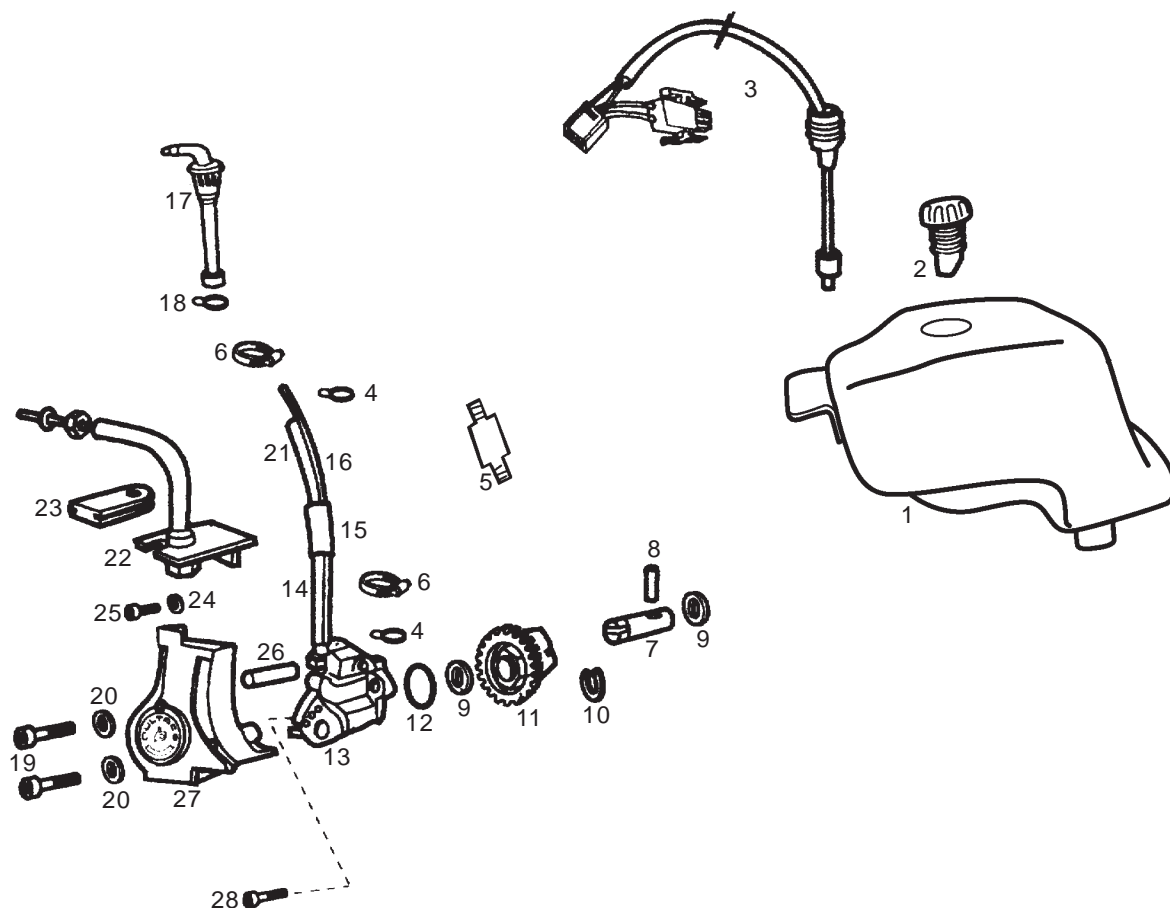
Figr.	Vers.	KOD. COD.	BEZEICHNUNG DENOMINAZIONE	DESIGNATION NAME	MOD.	Nr. Rahmen N.º Telaio N.º Cadre Frame Nr.
01A		00H03424081	AUSPUFF SUBCOMP.TUBO SCAPP-SIL.	ENSEMBLE TUBE D'ECHAPPEMENT EXHAUST PIPE AND MUFFLER	123 89 A	7
01B		00H03426081	AUSPUFF SUBCOMP.TUBO SCAPP-SIL.	ENSEMBLE TUBE D'ECHAPPEMENT EXHAUST PIPE AND MUFFLER	456 BCDE	
02A		00H03417411	SCHALLDAMPFER SUBCOMP.SORD.	SILENCIEUX D'ECHAPPEMENT EXHAUST TANK	123	
02B		00H03421411	SCHALLDAMPFER SUBCOMP.SORD.	SILENCIEUX D'ECHAPPEMENT EXHAUST TANK	456	
02C		00H03422411	SCHALLDAMPFER SUBCOMP.SORD.	SILENCIEUX D'ECHAPPEMENT EXHAUST TANK	89 A	7
02D		00H03423411	SCHALLDAMPFER SUBCOMP.SORD.	SILENCIEUX D'ECHAPPEMENT EXHAUST TANK	BCDE	
03A		00H03401321	MUFFE MANICOTTO INGRESSO GAS SORDIN	RACCORD HOSE, MUFFLER CONNECTING	123 89 A	7
04A		00002062011	INBUSSCHRAUBE 6M100X20. VITE TESTA ALLEN 6M100X20.D-91	VIS T.CREUSE 6M100X20.D-912 ALLEN SCREW M6X20	1234567 89ABCDE	
05A		00012081621	SCHRAUBE 8M125X16 8M125X16 VITE TESTA ESAGONALE 8M125X16	VISA TETE HEXAG.8M125X16 SCREW M8X16	123 89 A	7
05B		00000002816	SCHRAUBE 8M125X16 8M125X16 VITE TESTA ESAGONALE 8M125X16	VISA TETE HEXAG.8M125X16 SCREW M8X16	456 BCDE	
06A		00402080001	SCHEIBE RONDELLA PIATTA D8	ROND. PLATE MECANISEE MACHINED FLAT WASHER D8 DIN-12	123 89 A	7
06B		00000031080	SCHEIBE RONDELLA PIATTA D8	ROND. PLATE MECANISEE MACHINED FLAT WASHER D8 DIN-12	456 BCDE	
07A		00023108000	MUTTER SELBSTS DADO AUTOBLOCCANTE 8M125	ECROU INDESSERABLE 8M125.DI SELF-LOCKING NUT M8	123 89 A	7



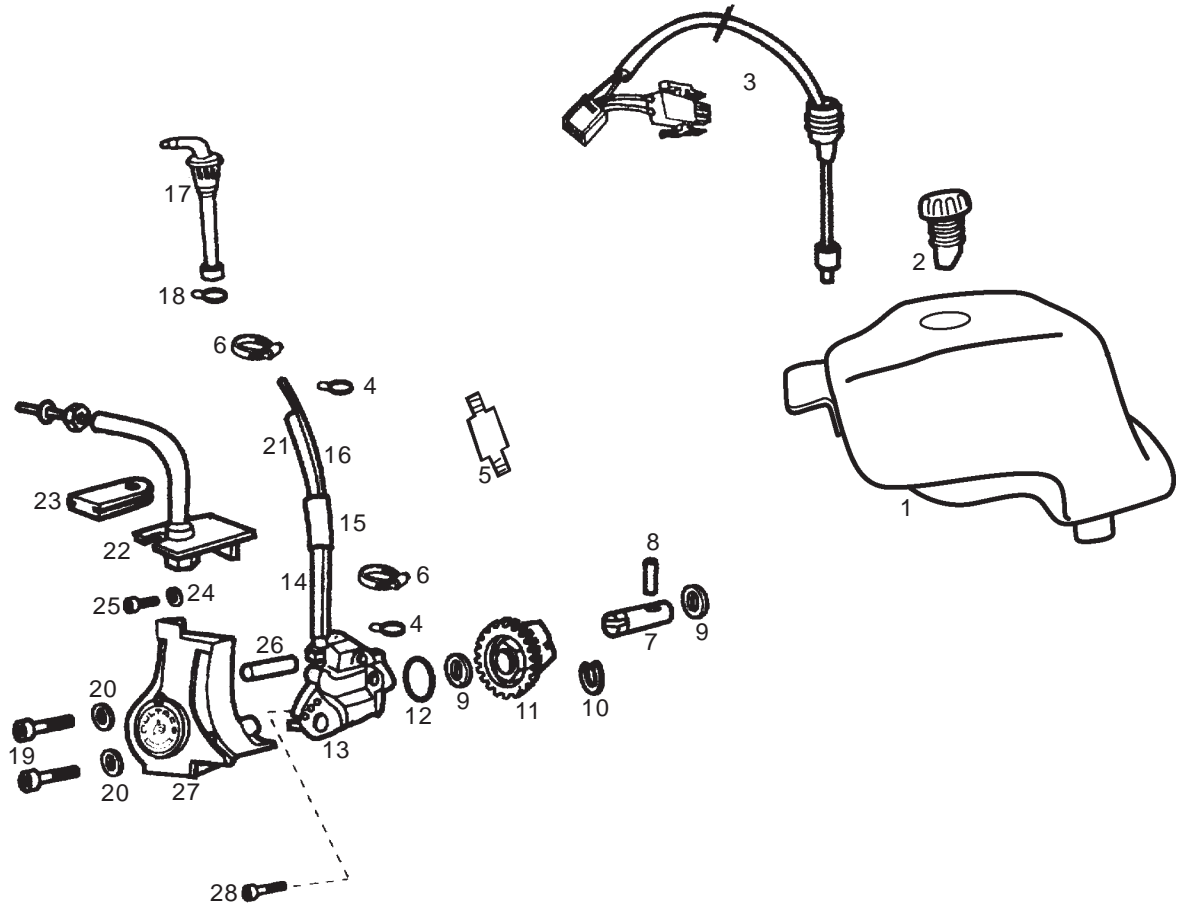
Figr.	Vers.	KOD. COD.	BEZEICHNUNG DENOMINAZIONE	DESIGNATION NAME	MOD.	Nr. Rahmen N.º Telaio N.º Cadre Frame Nr.
07B		00023208000	MUTTER SELBSTS DADO AUTOBLOCCANTE 8M125	ECROU INDESSERABLE 8M125.DI SELF-LOCKING NUT M8	4 5 6 BCDE	
08A		00H01800401	SCHALLDAEMPERSCHUTZ PROTEZIONE SILENCIATORE	PROTECT.SIL. SILENCER SHIELD	4 5 6 BCDE	
09A		00004061600	SCHRAUBE VITE FISSAGGIO	VIS SCREW	4 5 6 BCDE	
10A		00000033060	SCHEIBE D.60 RONDELLA PIATTA D6	ROND.PLATE MECANISEE D6DIN MACHINED FLAT WASHER D6 DIN	4 5 6 BCDE	
11A		00H03404321	MUFFE MANICOTTO INGRESSO GAS SORDIN	RACCORD HOSE, MUFFLER CONNECTING	4 5 6 BCDE	
12A		00003102280	DICHTRING RONDELLA LIVELLO OLIO D.6 TORC.	RONDELLE FIBRE D6 WASHER, SEALING	4 5 6 BCDE	
13A		00002061000	SCHRAUBE VITE FISSAGGIO	VIS SCREW	4 5 6 BCDE	
14A		00G01500951	GUMMISTOPPEL APPOGGIO ZAMPA CAVALLETO	APPUI BEQUILLE LATERALE SIDE STAND REST	4 5 6 BCDE	
15A		00000012415	SCHRAUBE VITE FISSAGGIO	VIS SCREW	4 5 6 BCDE	
16A		00F04201361	RIVET RIBADITURA	RIVET RIVET	4 5 6 BCDE	
17A		00D02600631	SCHEIBE RONDELLA FERMO MOLLA FRIZIONE	ROND.BUTEE RESSORT EMBRAYA. CLUTCH SPRING STOP WASHER	4 5 6 BCDE	



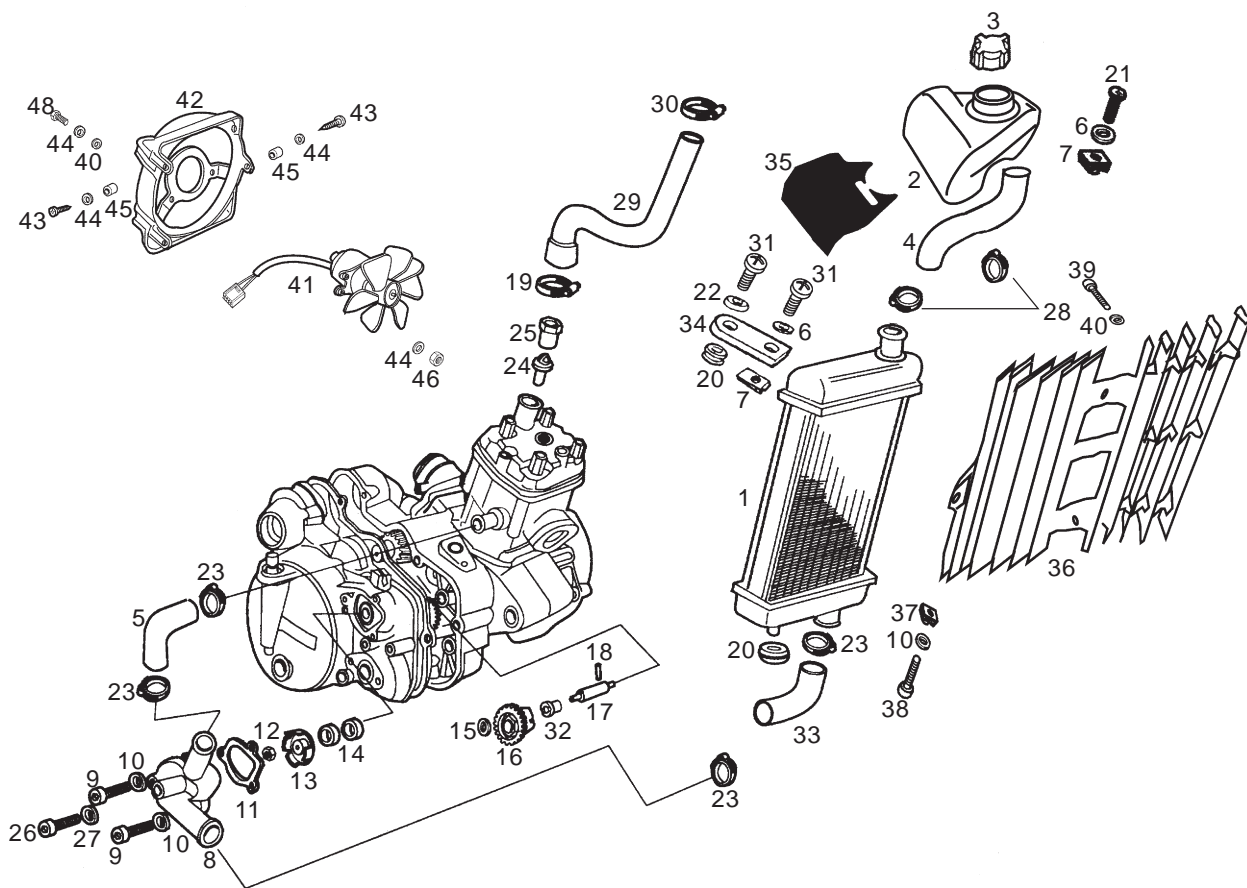
Figr.	Vers.	KOD. COD.	BEZEICHNUNG DENOMINAZIONE	DESIGNATION NAME	MOD.	Nr. Rahmen N.º Telaio N.º Cadre Frame Nr.
01A		00H03704081	OILTANK SUBCOMPLESSO SERBATOIO OLIO SE	RESERVOIR D,HUILE OIL, TANK	1 2 3 4 5 6 7 8 9 ABCDE	
02A		00F03710241	STOPFEN OELTANK TAPPO SERBATOIO OLIO	ENS. BOUCHON RESERV.HUILE S OIL RESERVOIR FILLER PLUG ASSY	1 2 3 4 5 6 7 8 9 ABCDE	
03A		00H03703051	OLSTANDSGEBER TAPPO SERBATOIO OLIO	NIVEAU DÔHUILE OIL RESERVOIR FILLER PLUG ASSY	1 2 3 4 5 6 7 8 9 ABCDE	
04A		00H00400501	ELAST.KLAMMER GASLEITUNG FASCETTA ELASTICA TUBO BENZINA	CRAMPON ELASTIQUE TUBE ESSE FUEL PIPE ELASTIC CLAMP	1 2 3 4 5 6 7 8 9 ABCDE	
05A		00G03701031	BREATHER RACCORDO UNIONE	RACCORD ENTREE D'HUILE BREATHER	1 2 3 4 5 6 7 8 9 ABCDE	
06A		00H03700211	BEF.-SHELLE GHIERA FISSAGGIO TUBO OLIO AD	BRIDE TUYAU D4HUILE COLLAR OIL FLEXIBLE TUBE	1 2 3 4 5 6 7 8 9 ABCDE	
07A		00H03700101	OLPUMPUNACHSE ASSE POMPA OLIO 74/80CC	AXE DE POMPE D,HUILLE PUMPOIL AXLE	1 2 3 4 5 6 7 8 9 ABCDE	
08A		00053030000	STIFT CHIAVISTELLO SOSTEGNO SPIRALE	GOUDILLE FORK PIN	1 2 3 4 5 6 7 8 9 ABCDE	
09A		00H05000281	SCHEIBE RONDELLA FERMO PIGNONE INTERM.	RONDELLE DE BUTEE THRUST PLATE	1 2 3 4 5 6 7 8 9 ABCDE	
10A		00000047110	SEEGERRING ANELLO SICUREZZA ASSI D10 D-47	CIRCLIP POUR AXE D10 CIRCLIP, BRAKE SHOE RETENTION	1 2 3 4 5 6 7 8 9 ABCDE	
11A		00H03800381	ZAHNRAD PIGNONE ACQUA/OLIO 80 C.C.	PIGNON POMPE D,HUILLE PUMP OIL GEAR	1 2 3 4 5 6 7 8 9 ABCDE	
12A		00H03700041	RING PFROPFENSCHRAUBE GIUNTO TORICO POMPA OLIO GPR/7	JOINT O RING	1 2 3 4 5 6 7 8 9 ABCDE	
13A		00H03701021	OLPUMPE COMPLESSO POMPA OLIO	POMPE A HUILLE OIL PUMP	1 2 3 4 5 6 7 8 9 ABCDE	



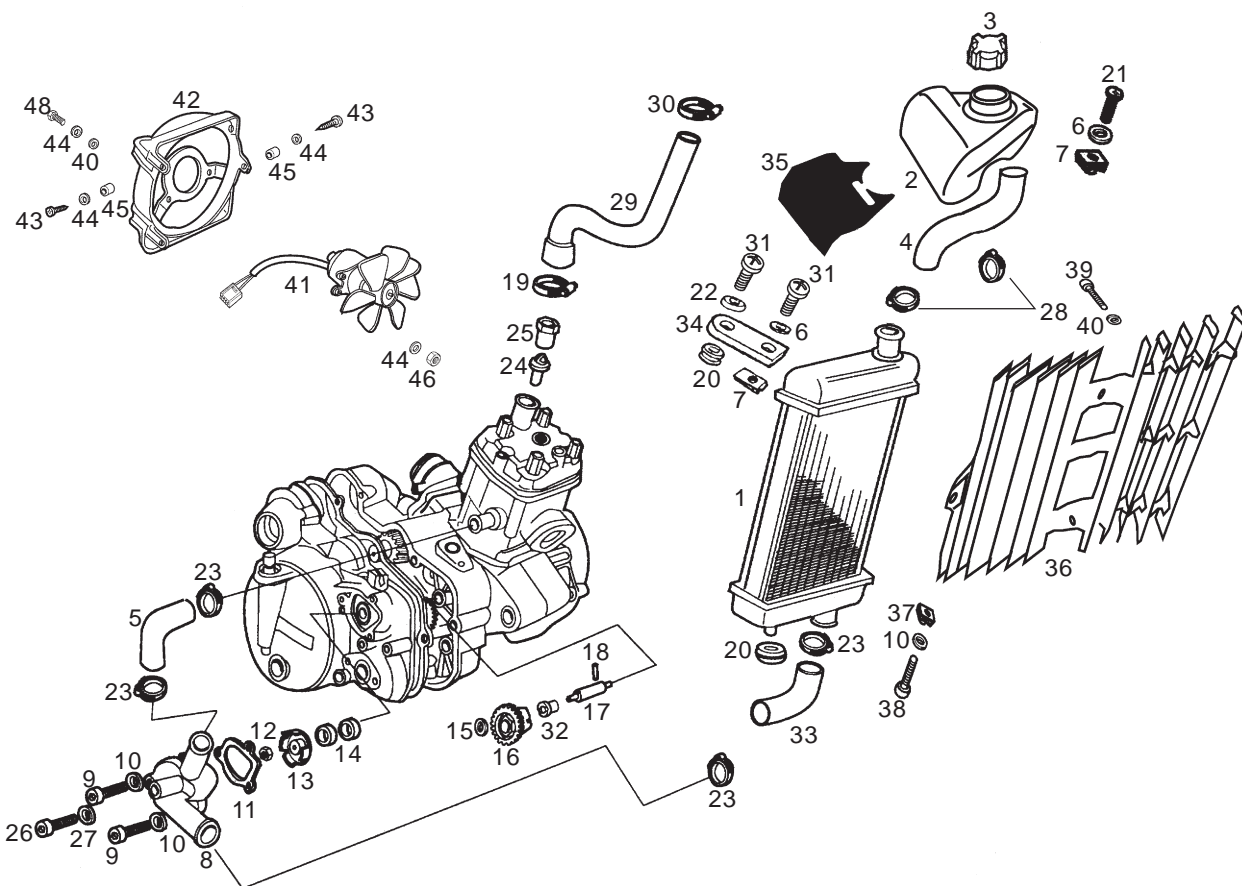
Figr.	Vers.	KOD. COD.	BEZEICHNUNG DENOMINAZIONE	DESIGNATION NAME	MOD.	Nr. Rahmen N.º Telaio N.º Cadre Frame Nr.
14A		00H00400781	AUSGANGSROHR OLBEH TUBO USCITA OLIO	TUYAU D'HUILE OIL FLEXIBLE PUMP TUBE	1 2 3 4 5 6 7 8 9 ABCDE	
15A		00H03700351	VERBINDUNG MANICOTTO UNIONE TUBO OLIO	MANCHON RACCORD TUYEAU D'HU OIL PIPE COUPLING CONNECTOR	1 2 3 4 5 6 7 8 9 ABCDE	
16A		00H03701121	OLSCHLAUCH TUBO USCITA OLIO A AD ATTACCO	TUYAU D'HUILE OIL FLEXIBLE PUMP TUBE TO ADAP	1 2 3 4 5 6 7 8 9 ABCDE	
17A		00H03701411	FILTER COMPLESSO FILTRO OLIO	FILTRE A HUILLE BY-PAS OIL FILTER	1 2 3 4 5 6 7 8 9 ABCDE	
18A		00008204500	BEF.-SCHELLE FASCETTA ELASTICA	ENTRETOISE CLAMP	1 2 3 4 5 6 7 8 9 ABCDE	
19A		00002054551	INBUSSCHRAUBE VITE TESTA ALLEN 5M80X45.	VIS T. CREUSE HEX.SOCKET-HEAD SCREW5M80X45	1 2 3 4 5 6 7 8 9 ABCDE	
20A		00000033050	SCHEIBE RONDELLA MOLLA D.5.DIN-127-B.	RONDELLE GROWER D5 D127 SPRING WASHER D5 D127	1 2 3 4 5 6 7 8 9 ABCDE	
21A		00H00500581	AUSGANGSROHR OLBEH TUBO USCITA SERBATOIO OLIO SEN	TUYAU D'HUILE OIL FLEX, PUMP	1 2 3 4 5 6 7 8 9 ABCDE	
22A		00H03700311	HALTER F. KABELFUHRUNG SUBCOMPLESSO SOSTEGNO GUIDA CA	SOUS-ENS SUPPORT CABLE HUIL OIL CABLE, SUPPORT	1 2 3 4 5 6 7 8 9 ABCDE	
23A		00H03700141	GUMMI PASSACAVI USCITA POMPA OLIO	CAOUTCHOUC RUBBER	1 2 3 4 5 6 7 8 9 ABCDE	
24A		00000031050	SCHEIBE D.5 DIN-125 RONDELLA PIATTA D5	ROND.PLATE MECANISEE D.5.DI MACHINED FLAT WASHER D5	1 2 3 4 5 6 7 8 9 ABCDE	
25A		00000004510	SCHRAUBE VITE TESTA ALLEN 5M80X10 DIN-	VIS A TETE CREUSE 5M80X10 HEX.SOCKET-HEAD SCREW M5X10	1 2 3 4 5 6 7 8 9 ABCDE	
26A		00H03700341	BUCHSE GHIERA COPERCHIO POMPA OLIO	ENTRETOISE COUVERCLE DE POM BUSHING, COVER OIL PUMP	1 2 3 4 5 6 7 8 9 ABCDE	



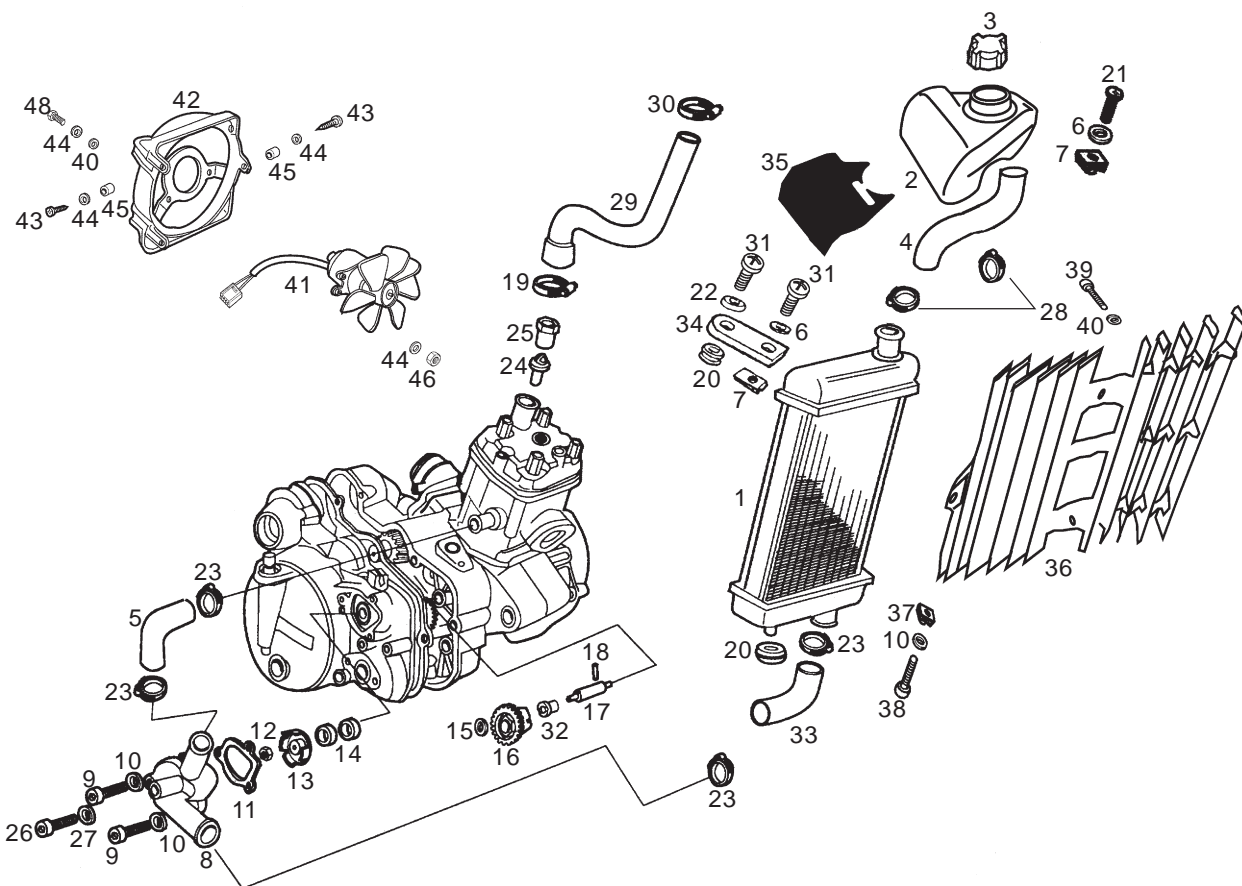
Figr.	Vers.	KOD. COD.	BEZEICHNUNG DENOMINAZIONE	DESIGNATION NAME	MOD.	Nr. Rahmen N.º Telaio N.º Cadre Frame Nr.
27A		00H03701012	ABDECKUNG CORPECHIO POMPA OLIO	COUVERCLE DE POMPE A HUILLE OIL PUMP HOUSING COVER	1 2 3 4 5 6 7 8 9 ABCDE	
28A		00000004515	INBUSSCHRAUBE 5M80X15 D912 VITE TESTA ALLEN 5M80X15.	VIS T.CREUSE 5M80X15 D912/8 ALLEN SCREW M5X15	1 2 3 4 5 6 7 8 9 ABCDE	



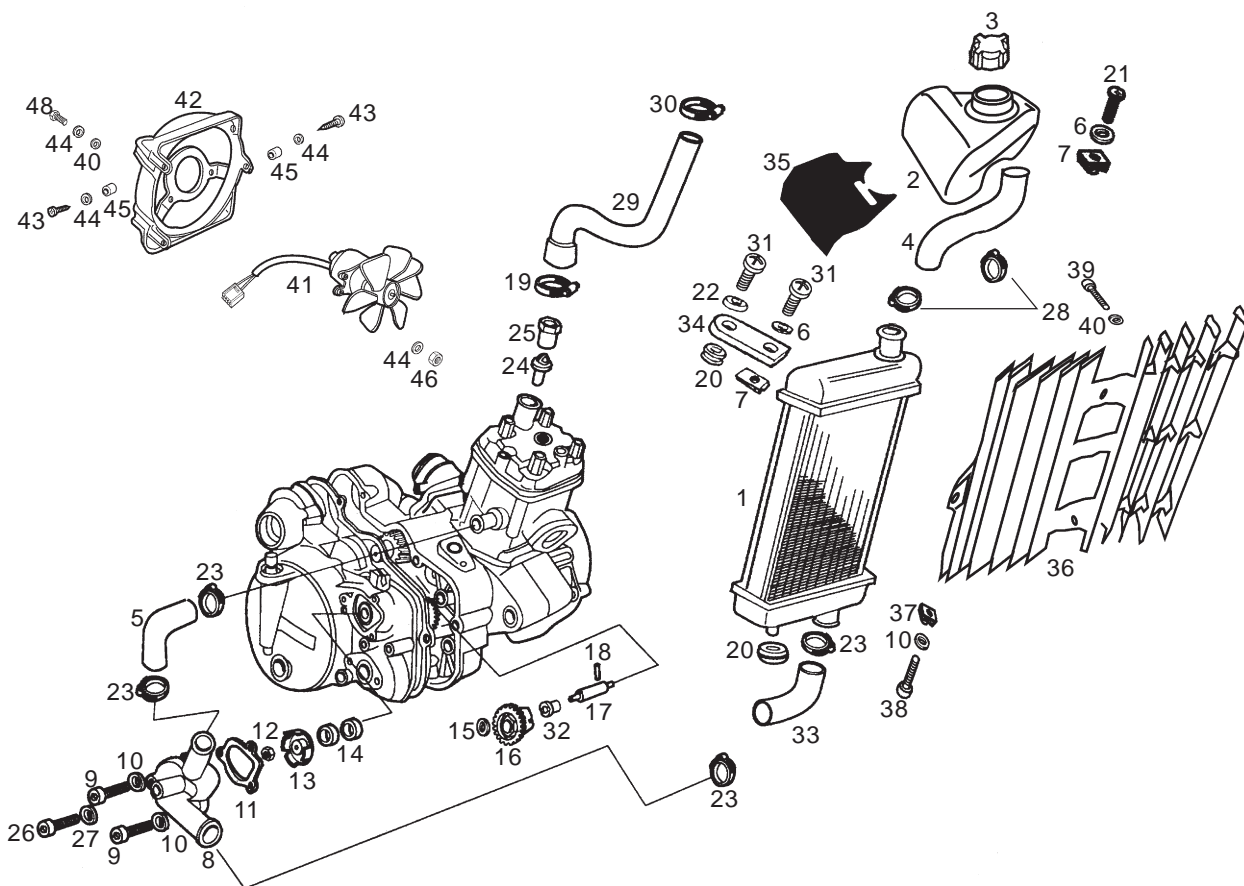
Figr.	Vers.	KOD. COD.	BEZEICHNUNG DENOMINAZIONE	DESIGNATION NAME	MOD.	Nr. Rahmen N.º Telaio N.º Cadre Frame Nr.
01A		00H03805011	RADIATOR ASSY. SUBCOMPLESSO RADIATORE	RADIATEUR RADIATOR ASSY.	1 2 3 4 5 6 7 8 9 ABCDE	
02A		00H03802501	WASSERBEHALTER SERBATOIO ACQUA RADIATORE	VASE D'EXPANSION WATER TANK	1 2 3 4 5 6 7 8 9 ABCDE	
03A		00H03802471	KUEHLERDECKEL TAPPO RADIATORE/SERBATOIO	BOUCHON DE RESERVOIR D,EAU WATER RESERVOIR/RAD CAP ASSY	1 2 3 4 5 6 7 8 9 ABCDE	
04A		00G03800601	KUHLMITTELSCHLAUCH PUMPE K TUBO REFRIGERAZIONE POMPA-RADI	TUBE POMPE-RADIATEUR RADIATOR PUMP RUBBER TUBE	1 2 3 4 5 6 7 8 9 ABCDE	
05A		00H03801041	KUHLMITTELSCHLAUCH PUMPE-Z TUBO REFRIGERAZIONE	TUBE POMPE-CYLINDRE PUMP CILINDER RUBBER TUBE	1 2 3 4 5 6 7 8 9 ABCDE	
06A		00D01200171	SCHEIBE RONDELLA	RONDELLE WASHER	1 2 3 4 5 6 7 8 9 ABCDE	
07A		00D01501371	MUTTER DADO FISSAGGIO	ECROU NUT	1 2 3 4 5 6 7 8 9 ABCDE	
08A		00H03800133	DECKEL F. WASSERPUMPE COPERCHIO POMPA ACQUA 74/80CC	COUVERCLE DE POMPE D,EAU WATER PUMP COVER	1 2 3 4 5 6 7 8 9 ABCDE	
09A		00000004515	INBUSSCHRAUBE 5M80X15 D912 VITE TESTA ALLEN 5M80X15.	VIS T.CREUSE 5M80X15 D912/8 ALLEN SCREW M5X15	1 2 3 4 5 6 7 8 9 ABCDE	
10A		00000031050	SCHEIBE D.5 DIN-125 RONDELLA PIATTA D5	ROND.PLATE MECANISEE D.5,DI MACHINED FLAT WASHER D5	1 2 3 4 5 6 7 8 9 ABCDE	
11A		00H03800141	DICHTUNG F. WASSERPUMPENDE GUARNIZIONE COPERCHIO POMPA AC	JOINT POMPE EAU GASKET	1 2 3 4 5 6 7 8 9 ABCDE	
12A		00M03800221	MUTTER DADO 5M80 OTTONE	ECROU NUT	1 2 3 4 5 6 7 8 9 ABCDE	
13A		00H03800151	LAUFER F. WASSERPUMP ROCCHETTO POMPA ACQUA 80CC	CHIGNON POMPE D,EAU WATER PUMP ROLLER	1 2 3 4 5 6 7 8 9 ABCDE	



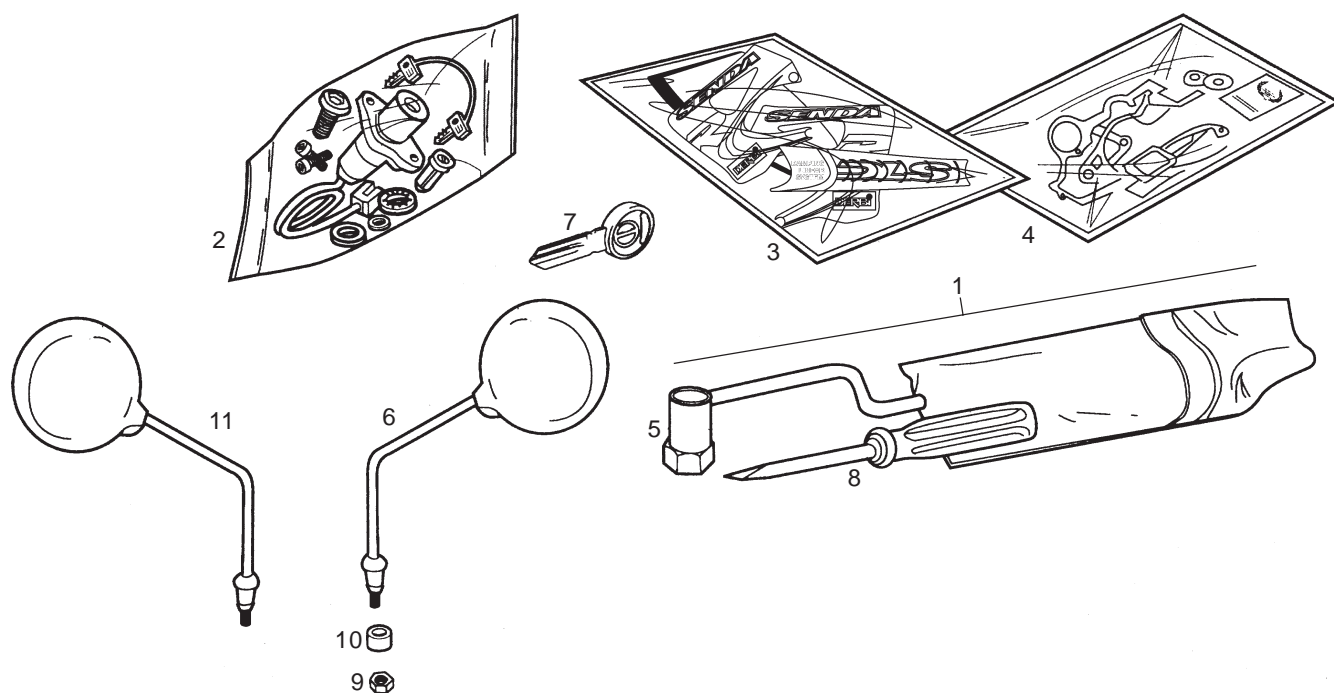
Figr.	Vers.	KOD. COD.	BEZEICHNUNG DENOMINAZIONE	DESIGNATION NAME	MOD.	Nr. Rahmen N.º Telaio N.º Cadre Frame Nr.
14A		00H03810211	DICHRING GIUNTO TENUTA POMPA ACQUA 10X2	BUTEE POMPE A EAU (UNITE) SEAL, WATER PUMP	1 2 3 4 5 6 7 8 9 ABCDE	
15A		00H05000281	SCHEIBE RONDELLA FERMO PIGNONE INTERM.	RONDELLE DE BUTEE THRUST PLATE	1 2 3 4 5 6 7 8 9 ABCDE	
16A		00H03800381	ZAHNRAD PIGNONE POMPE ACQUA/OLIO	PIGNON POMPE D,HUILLE PUMP OIL GEAR	1 2 3 4 5 6 7 8 9 ABCDE	
17A		00H03800161	WASSERPUMPENACHSE ASSE POMPA ACQUA	AXE POMPE D,AEU WATER-PUMP SHAFT	1 2 3 4 5 6 7 8 9 ABCDE	
18A		00053030000	STIFT CHIAVISTELLO SOSTEGNO SPIRALE	GOUDILLE FORK PIN	1 2 3 4 5 6 7 8 9 ABCDE	
19A		00H03800451	BEF. SCHELLE FASCETTA RUBINETTO BENZINA .	COLLIER PETROL VALVE CLAMP	1 2 3 4 5 6 7 8 9 ABCDE	
20A		00008915020	GUMMI PROTEZIONE CAVI	PASSE-CABLE RUBBER,CABLE PROTECTOR	1 2 3 4 5 6 7 8 9 ABCDE	
21A		00012161600	SCHRAUBE 6M100X16 D-7985 VITE TONDO CROCE .6M100X16.DIN	VIS T.CROIX NOIR 6M100X16 D SCREW,6M100X16	1 2 3 4 5 6 7 8 9 ABCDE	
22A		00D01500552	ABDECKSCHEIBE SCADELLINO FISSAGGIO	CUVETTE HOUSING EXHAUST PIPE SUPPORT	1 2 3 4 5 6 7 8 9 ABCDE	
23A		00H03800751	BEF.-SHELLE FASCETTA FISSAGGIO TUBO	COLLIER COBRA 21/8 W4 COBRA CLAMP	1 2 3 4 5 6 7 8 9 ABCDE	
24A		00H03800431	THERMOSTAT TERMOSTATO.74/80CC.	THERMOSTAT THERMOSTATE.	1 2 3 4 5 6 7 8 9 ABCDE	
25A		00H03810421	MUTTER DADO FISSAGGIO TERMOSTATO GP	ECROU NUT	1 2 3 4 5 6 7 8 9 ABCDE	
26A		00000004512	INBUSSCHRAUBE 5M80X12 VITE TESTA ALLEN 5M80X12 NERO	VIS A TETE CREUSE 5M80X12 N ALLEN SCREW M5X12	1 2 3 4 5 6 7 8 9 ABCDE	



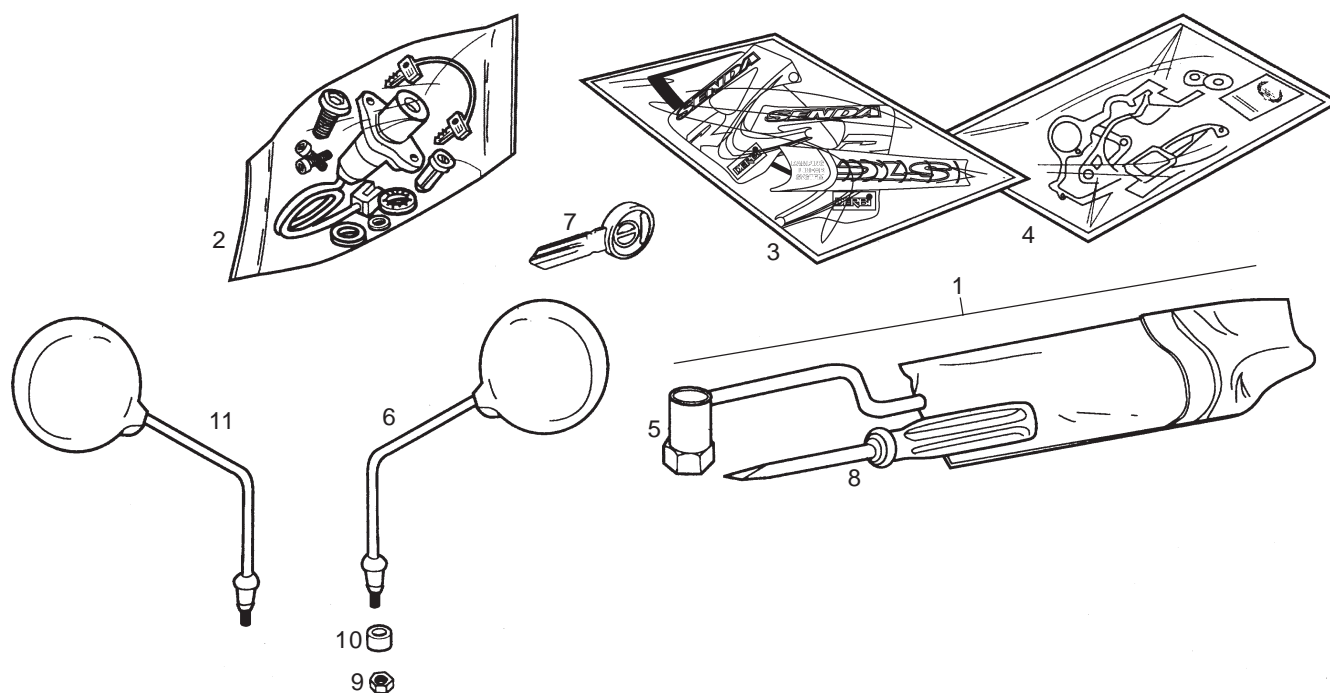
Figr.	Vers.	KOD. COD.	BEZEICHNUNG DENOMINAZIONE	DESIGNATION NAME	MOD.	Nr. Rahmen N.º Telaio N.º Cadre Frame Nr.
27A		00H03800441	SCHEIBE RONDELLA VITE SVUOTAMENTO ACQU	RONDELLE WASHER	1 2 3 4 5 6 7 8 9 ABCDE	
28A		00G03801701	OIL TANK FLANGE TUBE FASCETTA FISSAGGIO MANICA RADI	BRIDE TUBE RESPIRATION RÏSERVO CLAMP FASTERING RADIATOR BUSHI	1 2 3 4 5 6 7 8 9 ABCDE	
29A		00H03804021	WASSERSCHLAUCH TUBO TESTATA-RACCORDO TERMOCON	TUBE CYLINDER HEAD PIPE-TERMOCONTACT	1 2 3 4 5 6 7 8 9 ABCDE	
30A		00008204500	BEF.-SHELLE F. HANN FASCETTA RUBINETTO	BRIDE FIXATION ROBINET FUEL LOCK SECURING CLAMP	1 2 3 4 5 6 7 8 9 ABCDE	
31A		00092061214	SCHRAUBE.6M100X12.NG.D-798 VITE TONDO CROCE 6M100X12	VIS A TETE RONDE A FENTES C SCREW M6X12	1 2 3 4 5 6 7 8 9 ABCDE	
32A		00H03800231	BUCHSE PUMPENACHSEN GHIERA ASSI POMPE 74 CC	DOUILLES AXES POMPES PUMP SHAFT BUSHING 74CC	1 2 3 4 5 6 7 8 9 ABCDE	
33A		00H03802031	KUHLMITTELSCHLAUCH PUMPE K TUBO REFRIGERAZIONE POMPA-RADI	TUBE POMPE-RADIATEUR RADIATOR PUMP RUBBER TUBE	1 2 3 4 5 6 7 8 9 ABCDE	
34A		00G02200692	OESE KUEHLERBLOCK PIASTRA SUPPORTO SUPERIORE	OREILLE SUPERIEURE SUPPORT RAD UPPER RADIATOR SUPPORT	1 2 3 4 5 6 7 8 9 ABCDE	
35A		00H03801711	SCHRIFTZUG ADESIVO	ADHESIF DECAL	1 2 3 4 5 6 7 8 9 ABCDE	
36A		00H03805301	RADIATOR GRIGLIA RADIATORE	RADIATEUR RADIATOR GRID	1 2 3 4 5 6 7 8 9 ABCDE	
37A		00G04401461	MUTTER DADO FISSAGGIO	ECROU NUT	1 2 3 4 5 6 7 8 9 ABCDE	
38A		00012151500	SCHRAUBE 5M8OX16.D7985NG VITE T/TON.BRUGO.6M100X16.D738	VIS A TETE RONDE A FENTES C ALLEN ROUND HEAD SCREW 6M100X1	1 2 3 4 5 6 7 8 9 ABCDE	
39A		00011141300	SCHRAUBE VITE AUTOFILETTANTE TESTA CROC	BOULON SCREW, SELF TAPPING 4.8MM13	1 2 3 4 5 6 7 8 9 ABCDE	



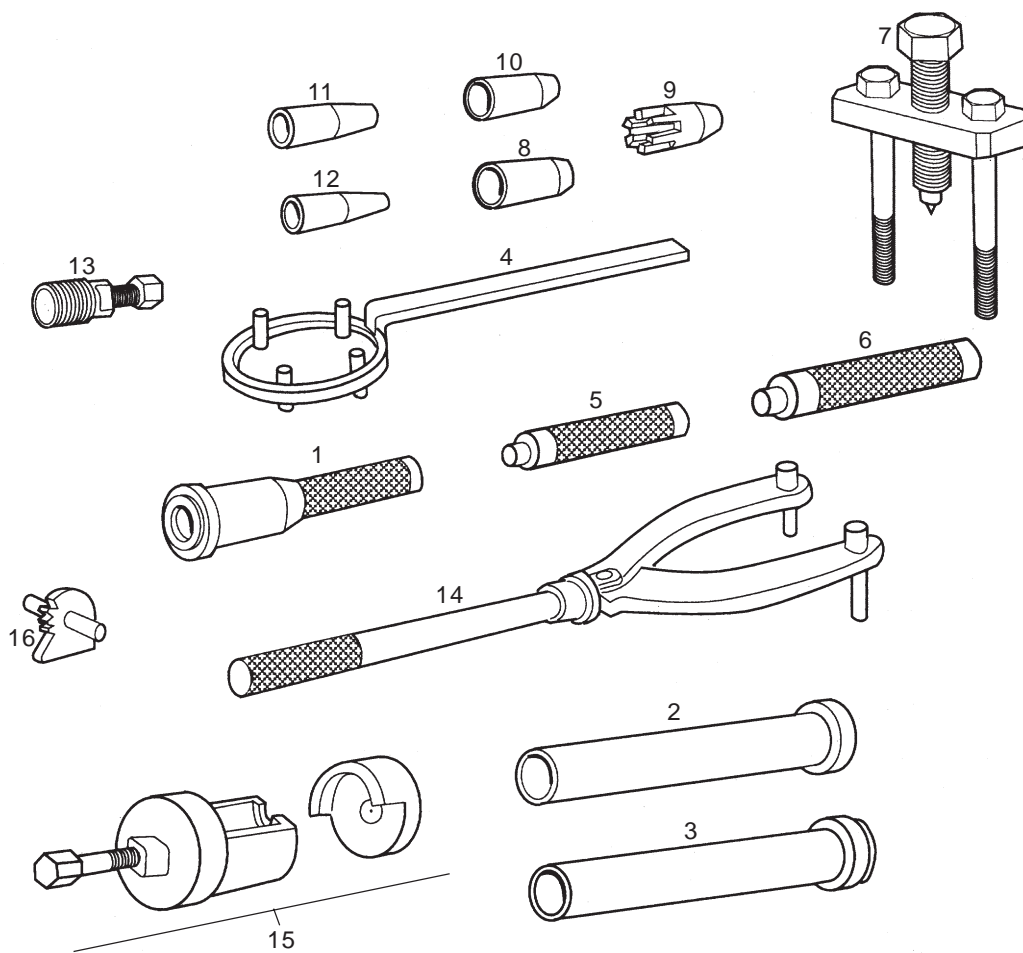
Figr.	Vers.	KOD. COD.	BEZEICHNUNG DENOMINAZIONE	DESIGNATION NAME	MOD.	Nr. Rahmen N.º Telaio N.º Cadre Frame Nr.
40A		00D02600631	SCHEIBE RONDELLA	RONDELLE WASHER	1 2 3 4 5 6 7 8 9 ABCDE	
41A		00H05700551	VENTILATOR COMPLESSO ELEVTROVENTOLA	VENTILATEUR ELECTROVENTILATOR	4 5 6 BCDE	
42A		00G06800003	VENTILATORABDCCKUNG COPERCHIO ELETROVENTOLA	CACHE VENTILATEUR RADIATOR-ELECTROVENTILATOR COV	4 5 6 BCDE	
43A		00011131300	SCHRAUBE VITE AUTOAVV.T/CROCE	VIS 3,5X13 D-7981B SELF TAPPING SCREW 3.5X13	4 5 6 BCDE	
44A		00000031040	SCHEIBE D.4 RONDELLA PIATTA MECCANIZZATA D	RONDELLE PLATE MECANISEE D4 NO MACHINED FLAT WASHER D4	4 5 6 BCDE	
45A		00H06800061	BUCHSE GHIERA DESTRA FISSAGGIO COPER.	DOVILLE BUSHING RIGHT ELECTROVENTIL	4 5 6 BCDE	
46A		00000023040	MUTTER SELBSTS DADO AUTOBOCCANTE 4M70 DIN-98	ECROU INDESSERABLE 4M70 SELF LOCKING NUT 4M70	4 5 6 BCDE	
47A		00000031040	SCHEIBE D.4 RONDELLA PIATTA MECCANIZZATA D	RONDELLE PLATE MECANISEE D4 NO MACHINED FLAT WASHER D4	4 5 6 BCDE	
48A		00000002420	SCHRAUBE VITE TONDO CROCE 4M70X20 D7985 N	VIS T. RON CROIX 4M70X20 D7985N ROUNDHEAD PHILIPS SCREW 4MM	4 5 6 BCDE	
49A		00G03800741	THEMPERATURFUHLER TERMOCONTACTO ELETTOVENTOLA	THERMOCONTACTEUR THERMOCONTACT ELECTROVENTILATO	4 5 6 BCDE	



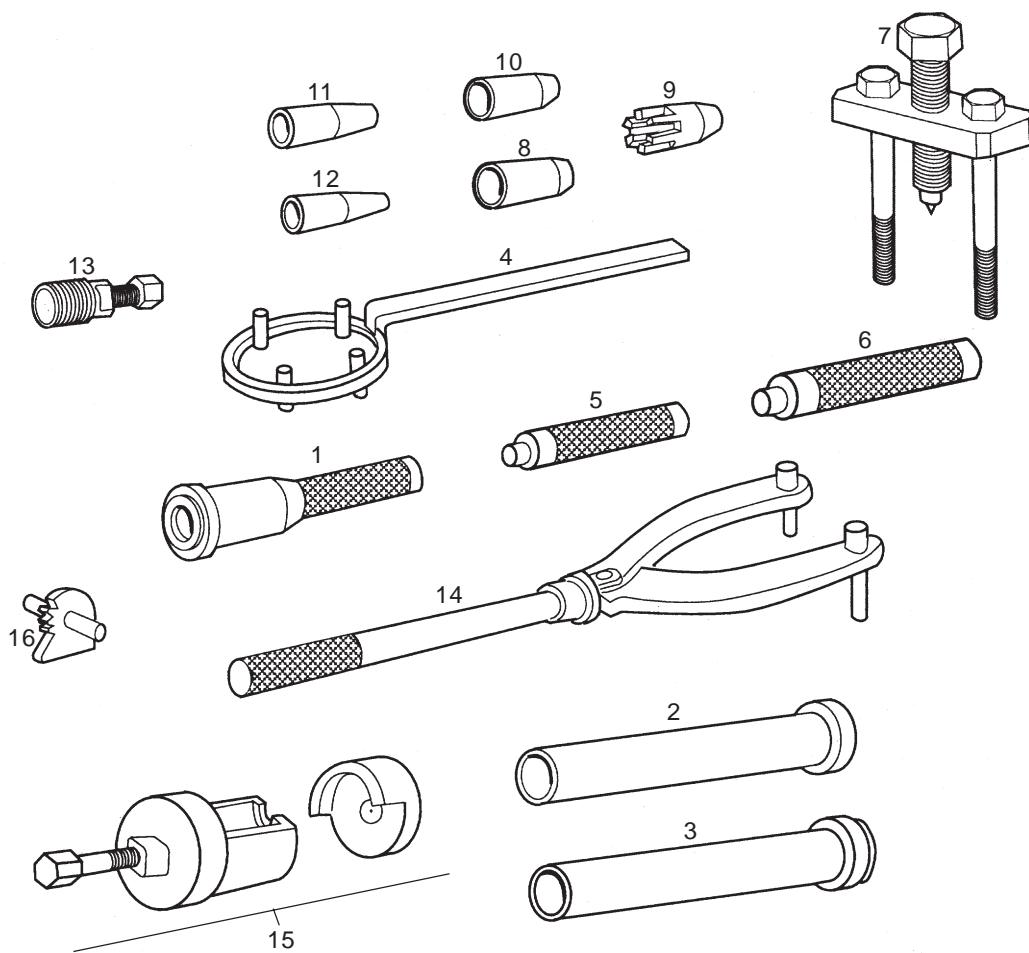
Figr.	Vers.	KOD. COD.	BEZEICHNUNG DENOMINAZIONE	DESIGNATION NAME	MOD.	Nr. Rahmen N.º Telaio N.º Cadre Frame Nr.
01A		00H05101561	WERKZEUGTASCHE COMPLESSO SACCO FERRI	TROUSSE A OUTILS TOOL POUCH	1 2 3 4 5 6 7 8 9 ABCDE	
02A		00H04603871	SCHLOOS-SATZ COMPLESSO SERRATURE	ENS.KIT SERRURES LOCK WITH KEYS	1 2 3 4 5 6 7 8 9 ABCDE	
03A		00H05132651	AUFKLEBERSATZ COMPL.ADESIVI	JEU ADHESIF DECALS ASSY	1 4 7 B	
03B		00H05132652	AUFKLEBERSATZ COMPL.ADESIVI	JEU ADHESIF DECALS ASSY	2 5 8 C	
03C		00H05132653	AUFKLEBERSATZ COMPL.ADESIVI	JEU ADHESIF DECALS ASSY	3 6 9A DE	
03D		00H05132654	AUFKLEBERSATZ COMPL.ADESIVI	JEU ADHESIF DECALS ASSY	A E	
04A		00H05203481	DICHTSATZ R-COMPLESSO GUARNIZIONI	POCHETTE DE JOINTS GASKET ASSY	1 2 3 4 5 6 7 8 9 ABCDE	
05A		00H05100011	ZUND KERZENSCHLUSSEL SUBCOMPLESSO CHIAVE CANDELA SE	CLE A BOUGIE SPARK PLUG	1 2 3 4 5 6 7 8 9 ABCDE	
06A		00H02205671	SPIEGEL RE.CHROM COMPLESSO SPECCHIETO RETROVISO	ENSEMBLE MIRROIR RETROVISEUR REAR MIRROR	1 2 3 4 5 6 7 8 9 ABCDE	
07A		00F01811411	SCHLUSSEL CHIAVE	CLEF LOCK KEYS	1 2 3 4 5 6 7 8 9 ABCDE	
08A		00005551290	SCHRAUBENZIEHER CACCIAVITE	TOURNEVIS SCREW DRIVER	1 2 3 4 5 6 7 8 9 ABCDE	
09A		00000023080	MUTTER SELBSTS DADO AUTOBLOCCANTE 8M125	ECROU INDESSERABLE 8M125.DI SELF-LOCKING NUT M8	1 2 3 4 5 6 7 8 9 ABCDE	



Figr.	Vers.	KOD. COD.	BEZEICHNUNG DENOMINAZIONE	DESIGNATION NAME	MOD.	Nr. Rahmen N.º Telaio N.º Cadre Frame Nr.
10A		00G00800261	DISTANZHULSE GHIERA SNODO ZAMPA CAVALLETTO	ENTRETOISE SPACER	1 2 3 4 5 6 7 8 9 ABCDE	
11A		00D02200671	SPIEGEL RE.CHROM COMPLESSO SPECCHIETO RETROVISO	ENSEMBLE MIRROIR RETROVISEUR REAR MIRROR	1 2 3 4 5 6 7 8 9 ABCDE	



Figr.	Vers.	KOD. COD.	BEZEICHNUNG DENOMINAZIONE	DESIGNATION NAME	MOD.	Nr. Rahmen N.º Telaio N.º Cadre Frame Nr.
01A		00H05400451	DURCHSCHLAG R-PUNTERUOLO MONTAGGIO GIUNTI	OUTIL MONTAGE ANNEAU AXE VI PUNCH FIXING CRANKCASE SEAL	1 2 3 4 5 6 7 8 9 ABCDE	
02A		00H05400581	MONTAGEHUELSE UTENSILE MONTAGGIO GIUNTI TENU	OUTIL MONTAGE ANNEAU AXE DE TOOLS FOR FIXING IN STARTING	1 2 3 4 5 6 7 8 9 ABCDE	
03A		00H05401561	MONTAGEHULSE R-UTILE MONTAGGIO GIUNTO TENUT	OUTIL MONTAGE ANNEAU AXE SE TOOL FOR FIXING SEAL IN SELEC	1 2 3 4 5 6 7 8 9 ABCDE	
04A		00H05300041	BEF.-WKZG. KUPPLUNGSGLOCKE R-COMPLESSO UTILE FISSAGGIO CA	OUTIL FIXATION EMBRAYAGE CLUTCH HOUSING HOLDER	1 2 3 4 5 6 7 8 9 ABCDE	
05A		00H05600251	MONTAGEHULSE R-UTILE MONTAGGIO GHIERA FORO	OUTIL MONTAJE TOOLS FOR FIXING BUSHING NEEDL	1 2 3 4 5 6 7 8 9 ABCDE	
06A		00H05600241	MONTAGEHULSE R-UTILE MONTAGGIO GHIERA FORO	OUTILLAGE MONTAGE DOUILLE A TOOLS FOR FIXING BUSHING NEEDL	1 2 3 4 5 6 7 8 9 ABCDE	
07A		00H05300151	WKZG.Z.MOTOR OFFNEN R-COMPLESSO UTILE APRIRE MOTOR	ENSEMBLE OUTILLAGE OUVRIR M TOOLS OPEN ENGINE ASSY	1 2 3 4 5 6 7 8 9 ABCDE	
08A		00H05300841	WKZG.Z.MOTOR OFFNEN R-COMPLESSO UTILE APRIRE MOTOR	ENSEMBLE OUTILLAGE OUVRIR M TOOLS OPEN ENGINE ASSY	1 2 3 4 5 6 7 8 9 ABCDE	
09A		00H05600351	FUHRUNGSZAPFEN PERNO GUIDA GIUNTO TENUTA ASSE	PIVOT GUIDE JOINT AXE SECON PIVOT GUIDE SECONDARY AXEL,S	1 2 3 4 5 6 7 8 9 ABCDE	
10A		00H05600341	FUHRUNGSZAPFEN PERNO GUIDA GIUNTO TENUTA ASSE	PIVOT GUIDE JOINT AXE DEMAR PIVOT GUIDE STARTING AXEL,S SE	1 2 3 4 5 6 7 8 9 ABCDE	
11A		00H05600331	FUHRUNGSZAPFEN PERNO GUIDA GIUNTO TENUTA ASSE	PIVOT GUIDE JOINT AXE DEBRA PIVOT GUIDE SEAL OF CLUTCH REL	1 2 3 4 5 6 7 8 9 ABCDE	
12A		00H05600261	FUHRUNSZAPFEN PERNO GUIDA GIUNTO TENUTA ASSE	PIVOT GUIDE JOINT POMPE D,E PIVOT GUIDE SEAL WATER PUMP	1 2 3 4 5 6 7 8 9 ABCDE	
13A		00F05300021	ABZIEHER COMPLESSO ESTRATTORE VOLANO E	EXTRACTEUR DE VOLANT FLYWHEEL ELECTR. EXTRACTOR	1 2 3 4 5 6 7 8 9 ABCDE	



Figr.	Vers.	KOD. COD.	BEZEICHNUNG DENOMINAZIONE	DESIGNATION NAME	MOD.	Nr. Rahmen N.º Telaio N.º Cadre Frame Nr.
14A		00G05300011	WERKZEUG Z.DEMONTAGE ELEKT CHIAVE VOLANO MAG./CAMPANA FR.	ENS.UTIL DEMONTER VOLANT E MAGNETO EXTRACTOR TOOL	1 2 3 4 5 6 7 8 9 ABCDE	
15A		00H05600321	RITZELHALTER COMPLESSO ESTRATTORE PIGNONE	ESSEMBLE EXTRACTEUR PIGNON COUNTERWEIGHT SPROKET PULLER	1 2 3 4 5 6 7 8 9 ABCDE	
16A		00H05600231	BEF.-ACHSEF.RITZEL R-SUBCOMPLESSO ASSE PIGNONE	ENSEMBLE AXE PIGNON CONTREP COUNTERWEIGHT SPROKET AXLE	1 2 3 4 5 6 7 8 9 ABCDE	

KOD. COD.	Bild Feuille Diagr.	Figr.	Vers.	KOD. COD.	Bild Feuille Diagr.	Figr.	Vers.	KOD. COD.	Bild Feuille Diagr.	Figr.	Vers.	KOD. COD.	Bild Feuille Diagr.	Figr.	Vers.
00006309260	006	26A		00031106000	007	41A									
00006309260	010	02A		00034000602	016	21A									
00006321040	006	12A		00034000802	008	23A									
00006321040	010	03A		00034000802	010	10A									
00006826230	013	05A		00034000802	010	24A									
00008202730	012	15A		00036008000	001	02A									
00008204500	004	10A		00037000600	016	21B									
00008204500	021	18A		00037000800	002	02A									
00008204500	022	30A		00047030400	004	04A									
00008213182	008	06A		00047030900	016	16A									
00008902630	001	11A		00047031100	014	02A									
00008902630	002	34A		00052061611	002	30A									
00008915020	004	21A		00052062011	013	23A									
00008915020	022	20A		00053030000	021	08A									
00011021300	007	19A		00053030000	022	18A									
00011041300	003	08A		00057120300	015	03A									
00011051601	005	22A		00058120100	008	04A									
00011051801	004	19A		00058120100	009	05A									
00011131300	022	43A		00059220400	012	12A									
00011141300	003	20A		00073481964	004	31A									
00011141300	010	11A		00092061214	022	31A									
00011141300	022	39A		00103061212	003	29A									
00012045000	007	48A		00232080021	001	13A									
00012053500	013	16A		00232120032	008	16A									
00012061200	003	07A		00262080022	001	08A									
00012061200	004	20A		00262100032	001	27A									
00012061200	007	25A		00262120032	003	13A									
00012063000	007	42A		00262120032	009	13A									
00012081621	020	05A		00402060001	007	18A									
00012151500	010	28A		00402060001	009	03A									
00012151500	022	38A		00402080001	001	03A									
00012152000	005	23A		00402080001	002	10A									
00012152000	011	02A		00402080001	008	22A									
00012161600	003	17A		00402080001	010	18A									
00012161600	004	30A		00402080001	020	06A									
00012161600	005	10A		00402100001	001	23A									
00012161600	005	29A		00442060002	014	13A									
00012161600	007	20A		00454050001	011	03A									
00012161600	022	21A													
00012162000	005	02A													
00012162000	019	11A													
00013054500	003	27A													
00014041200	006	09A													
00022083521	008	21A													
00022084021	001	04A													
00022084521	001	07A													
00022085021	002	09A													
00022086521	008	24A													
00023108000	001	05A													
00023108000	002	11A													
00023108000	010	20A													
00023108000	020	07A													
00023208000	020	07B													