

NACIONAL MOTOR, S.A.U. DERBI

C/ Barcelona, nº19 - Martorelles 08107 - BARCELONA (SPAIN)

Tel. 93 565 78 78 - Fax 93 565 78 52

DERBI



SENDA SM RACER 2003 E1

CÓDIGO CATALOGO
CATALOGUE NUMBER

7077CH03009

**IDENTIFICACION DE MODELOS REPRESENTADOS EN ESTE
CATALOGO SEGUN LOS DIGITOS SIGUIENTES**

**IDENTIFICAZIONE DEI MODELLI RAPPRESENTATI IN QUESTO CATALOGO
SECONDO I NUMERI A SEGUIRE**

**THE MODELS REFERRED INTO THIS CATALOGUE ARE IDENTIFIED
BY FOLLOWING NUMBERS**

BESTIMMUNG DER VERSCHIEDENEN MODELLE IN DIESEM KATALOG

**IDENTIFICATION DES MODELOES REPRESENTES DANS CE CATALOGUE,
EN FUNCTION DES CODES SUIVANTS**

MODELO MODELLI MODEL MODELL MODELE	DENOMINACION DENOMINAZIONE MODEL NAME BEZEICHNUNG DENOMINATION	CODIGO MODELO CODICE MODELLI CODE MODEL KODE MODELL CODE MODELE
1	SENDA SM RACER 2003 E1 ESPAÑA AZUL	00H00015E241
	SENDA SM RACER 2003 E1 FRANCE BLUE	00H00015F241
	SENDA SM RACER 2003 E1 ITALY BLUE	00H00015I241
2	SENDA SM RACER 2003 E1 ESPAÑA NEGRO	00H00015E281
	SENDA SM RACER 2003 E1 FRANCE BLACK	00H00015F281
	SENDA SM RACER 2003 E1 ITALY BLACK	00H00015I281
3	SENDA SM RACER 2003 E1 AUSTRIA BLUE	00H00015U241
4	SENDA SM RACER 2003 E1 AUSTRIA BLACK	00H00015U281

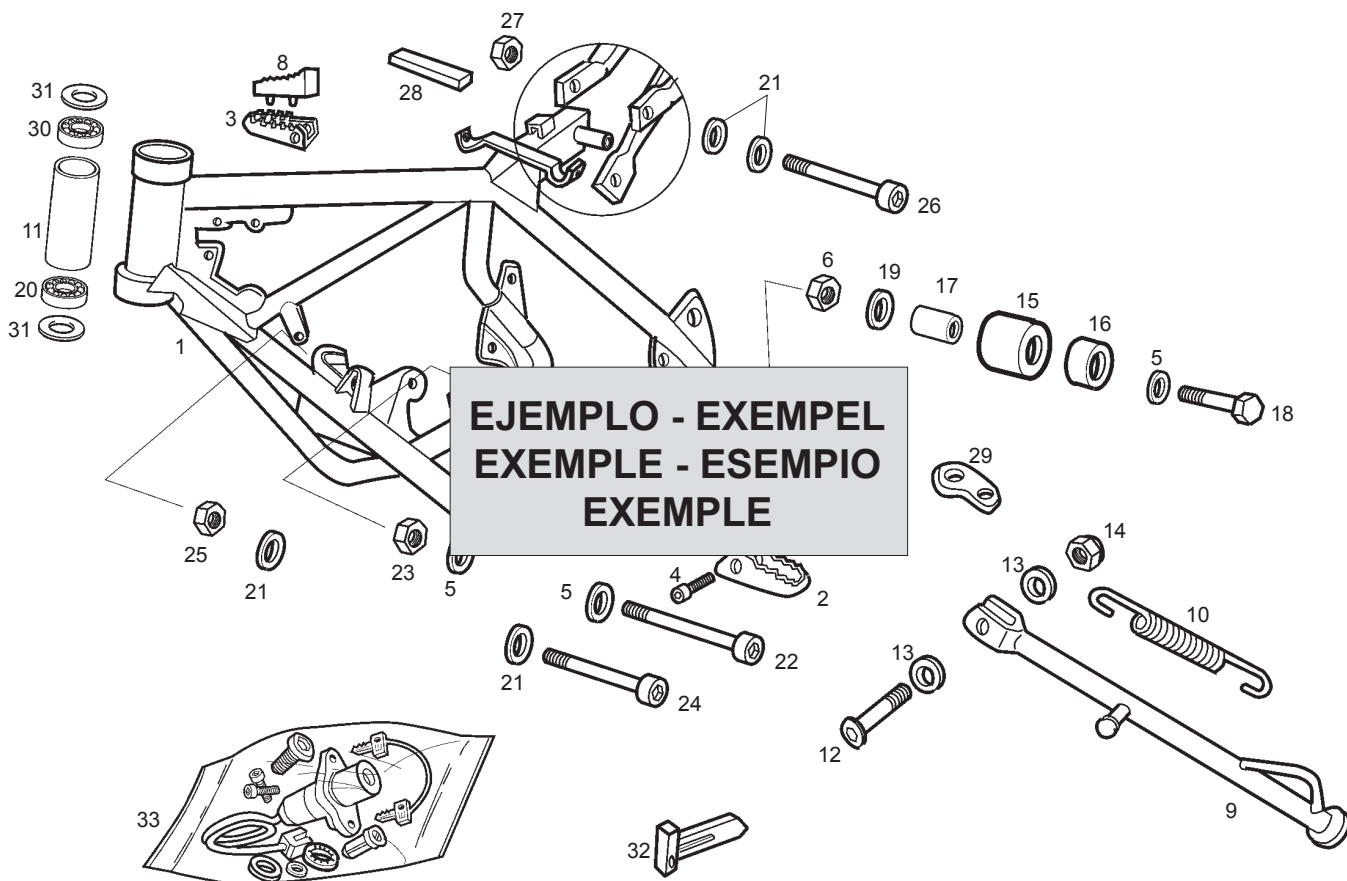


Fig.	Ver.	COD. KOD.	DESCRIPCIÓN DENOMINAZIONE NAME	BEZEICHNUNG DESIGNATION	MOD.	Nº CHASIS Nº TELAIO FRAME NUM. N.º CADRE Nr. RHAMEN
01A		00H00113013	R-CTO. CUADRO C/PLACA TELAIO FRAME	RHAMEN CADRE COMPLET	1 2 3 4	XXXXXXX
②	01	00H00113013	R-CTO. CUADRO C/PLACA TELAIO FRAME	RHAMEN CADRE COMPLET	1 2 3 4	XXXXXXX
③	02	00H00113013				
④	03	00H00113013	R-CTO. CUADRO C/PLACA TELAIO FRAME	RHAMEN CADRE COMPLET	1 2 3 4	XXXXXXX
①		⑤		⑧	⑥	⑦

1- Código de localización de piezas. 2- Código indicativo de pieza reemplazada. 3- Código indicativo de pieza anulada. 4- Código indicativo de pieza restituida (esta se monta de nuevo). 5- Código de referencia de la pieza. 6- Identificación de modelos. 7- Los códigos de esta casilla indican que, a partir del número de chasis o motor indicado dentro de esta, se monta una nueva pieza que reemplaza a la anterior (sección 2), que una pieza no se monta (sección 3), o que la pieza anulada se monta de nuevo (sección 4), y concierne a los modelos indicados (sección 6). 8- Denominación de la pieza.

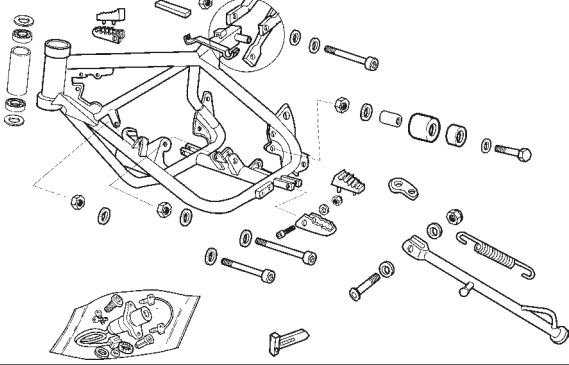
1- Codice di localizzazione pezzi. 2- Codice indicatore del pezzo sostituito. 3- Il pezzo precedente non si monta. 4- Codice indicatore dei pezzi che si tornano a montare. 5- Codice di identificazione del pezzo. 6- Identificazione del modello. 7- Il codice di questa casella indica che, dal numero di Telaio/motore indicato, si monta un nuovo pezzo che sostituisce il precedente (sezione 2), che un pezzo non si monta (sezione 3), oppure che il pezzo annullato si monta di nuovo (sezione 4), facendo riferimento al modello indicato (sezione 6). 8- Denominazione del pezzo.

1- Part location number. 2- Substituted part number. 3- Withdrawn part number (no longer fitted). 4- Restored part number (newly fitted geing withdrawn). 5- Part reference number. 6- Model identification number. 7- Chassis or engine number from which a new part is fitted substituting a part which has been withdrawn (see para 2) or a part is withdrawn is fitted again (see para 4), in the models indicated (see para 6). 8- Part identification label.

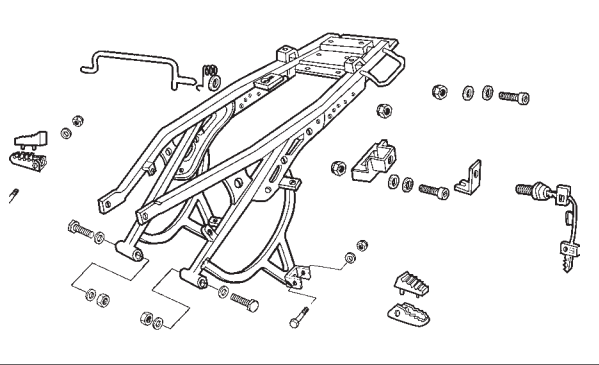
1- Zeichnung - Number. 2- Ausführung. 3- Gestrichene Ersatzteilnummer. 4- Ersetzte Ersatzteilnummer. 5- Ersatzteilnummer. 6- Modell - Nummer. 7- Rhamen - order motonummer, für die ein neues teil eingestzt wird, z.b. eine nummer, die geändert (s. para 2), order ein teil, das gestrichen wurde (s. para 3), order ein teil, das vorübergehend verschiedene modelle (s. para 6) 8- Bezeichnung.

1- Code de localisation de la pièce. 2- Code indicateur de pièce remplace par un autre. 3- Code indicateur de pièce annulé (elle n'est plus montée). 4- Code indicateur de pièce restituée (elle se monte à nouveau). 5- Code référence de la pièce. 6- Les codes de cette case indiquant qu'à partir de numero 7- Chassis ou de moteur indiqué, une nouvelle pièce est montée en remplacement d'une autre (section 2), qu'une pièce n'est plus montée (section 3) ou la pièce anulée est montée à nouveau (section 4) et concernant les modèles indiqués (section 6). 8- Denomination de la pièce.

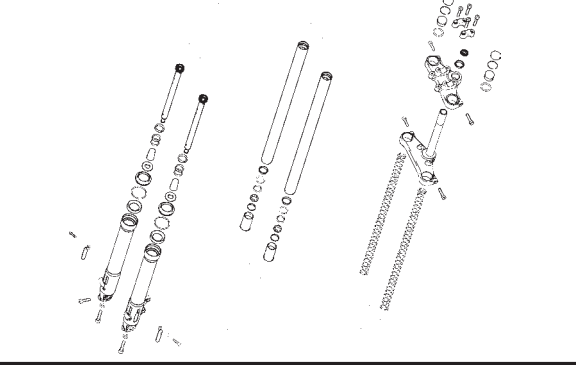
LAMINA / STAMPA / DIAGRAM / BILD / FEUILLE - 1



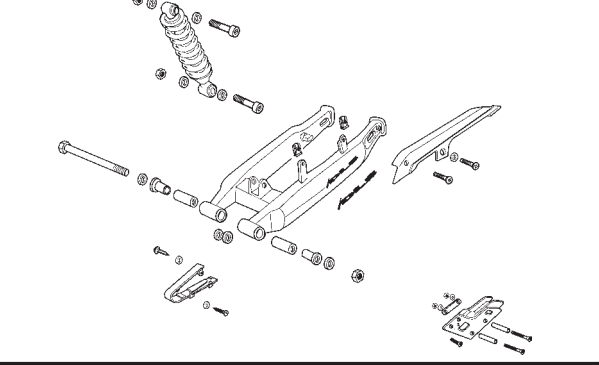
LAMINA / STAMPA / DIAGRAM / BILD / FEUILLE - 2



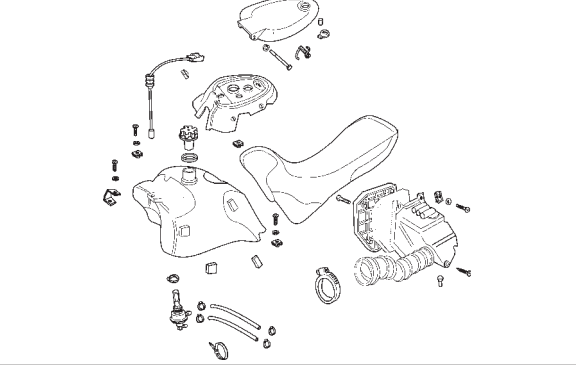
LAMINA / STAMPA / DIAGRAM / BILD / FEUILLE - 3



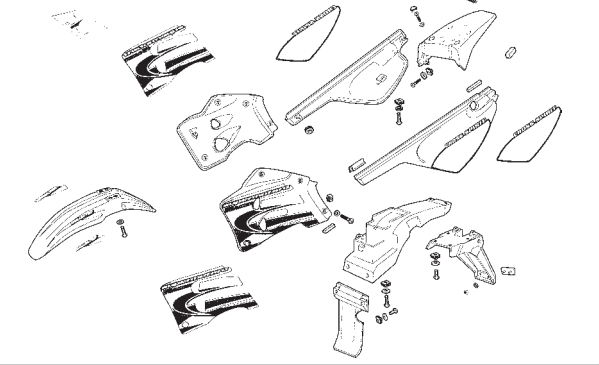
LAMINA / STAMPA / DIAGRAM / BILD / FEUILLE - 4



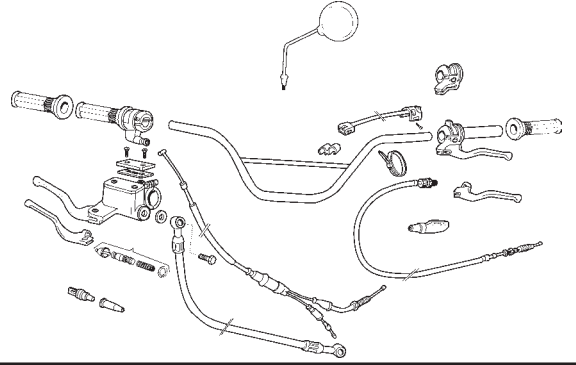
LAMINA / STAMPA / DIAGRAM / BILD / FEUILLE - 5



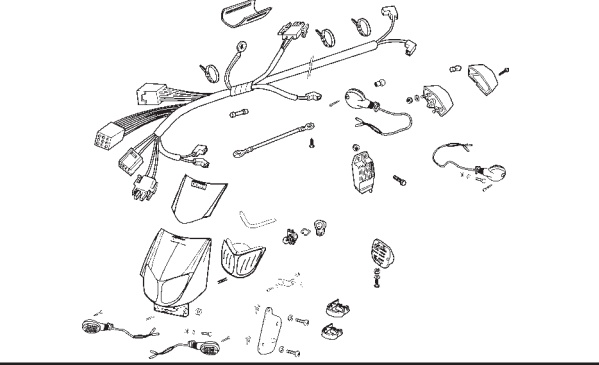
LAMINA / STAMPA / DIAGRAM / BILD / FEUILLE - 6



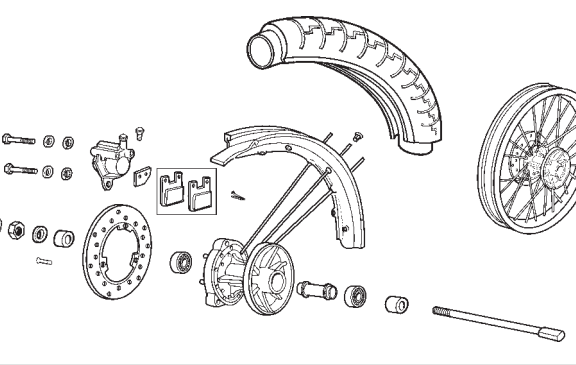
LAMINA / STAMPA / DIAGRAM / BILD / FEUILLE - 7



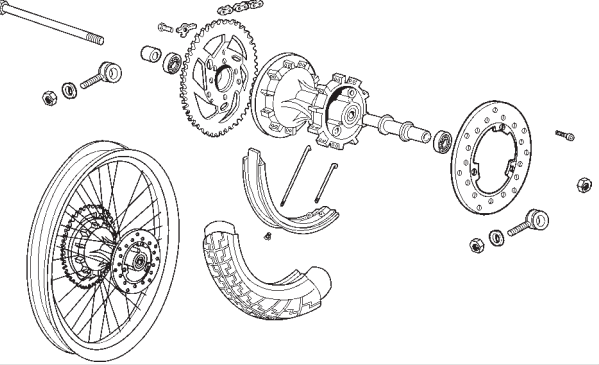
LAMINA / STAMPA / DIAGRAM / BILD / FEUILLE - 8



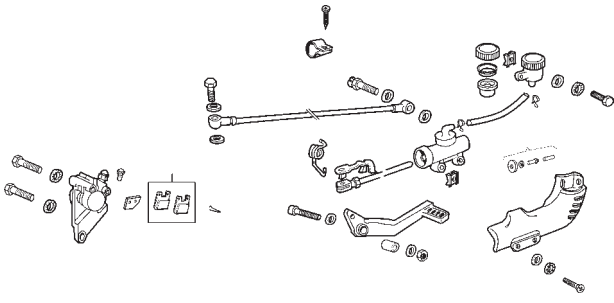
LAMINA / STAMPA / DIAGRAM / BILD / FEUILLE - 9



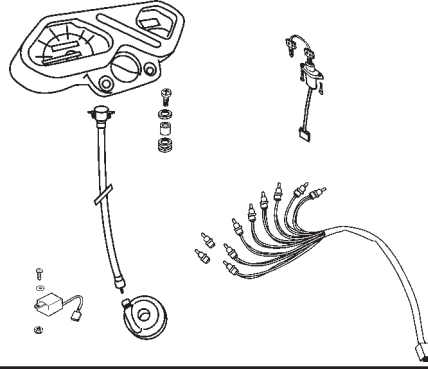
LAMINA / STAMPA / DIAGRAM / BILD / FEUILLE - 10



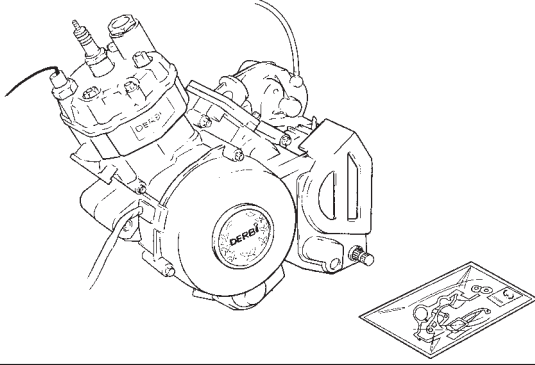
LAMINA / STAMPA / DIAGRAM / BILD / FEUILLE - 11



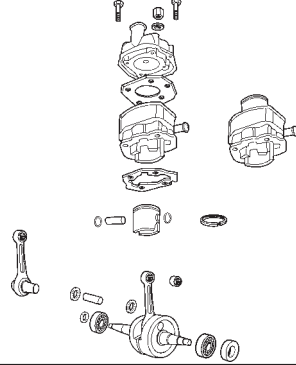
LAMINA / STAMPA / DIAGRAM / BILD / FEUILLE - 12



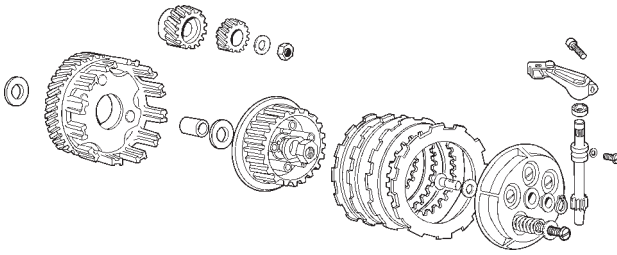
LAMINA / STAMPA / DIAGRAM / BILD / FEUILLE - 13



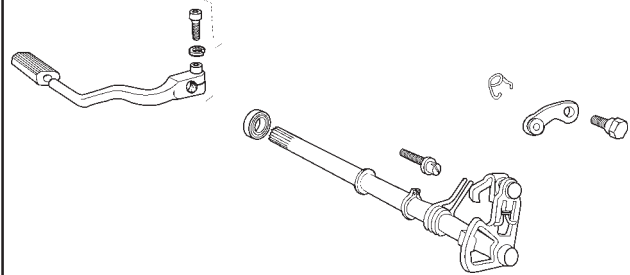
LAMINA / STAMPA / DIAGRAM / BILD / FEUILLE - 14



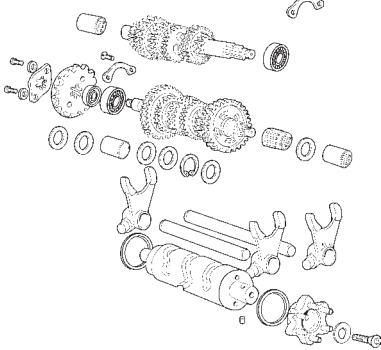
LAMINA / STAMPA / DIAGRAM / BILD / FEUILLE - 15



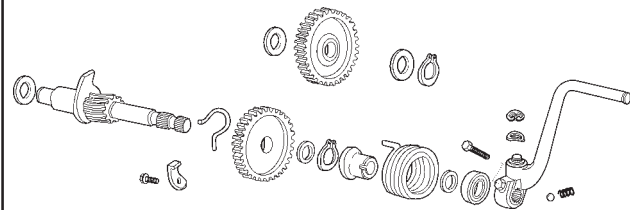
LAMINA / STAMPA / DIAGRAM / BILD / FEUILLE - 16



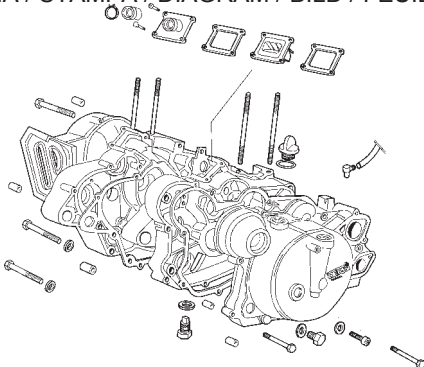
LAMINA / STAMPA / DIAGRAM / BILD / FEUILLE - 17



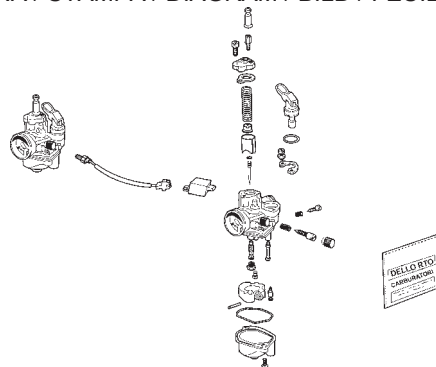
LAMINA / STAMPA / DIAGRAM / BILD / FEUILLE - 18



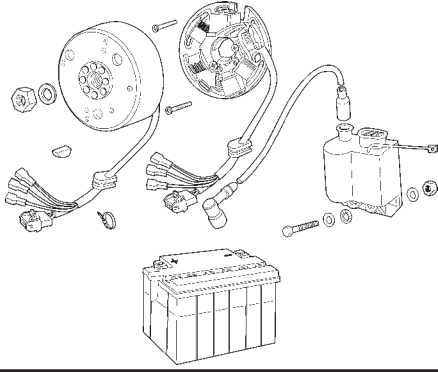
LAMINA / STAMPA / DIAGRAM / BILD / FEUILLE - 19



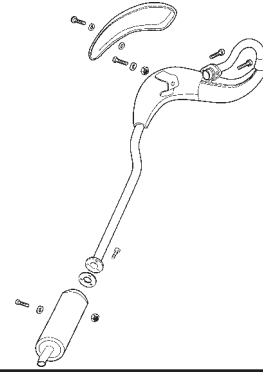
LAMINA / STAMPA / DIAGRAM / BILD / FEUILLE - 20



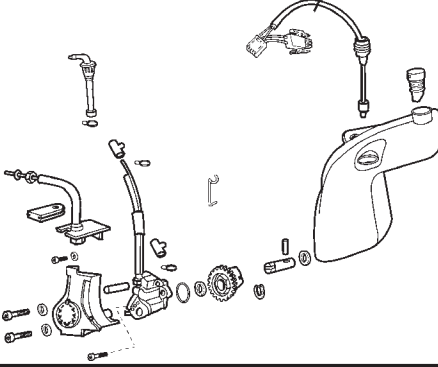
LAMINA / STAMPA / DIAGRAM / BILD / FEUILLE - 21



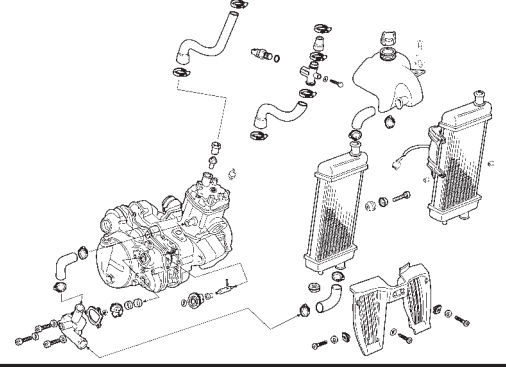
LAMINA / STAMPA / DIAGRAM / BILD / FEUILLE - 22



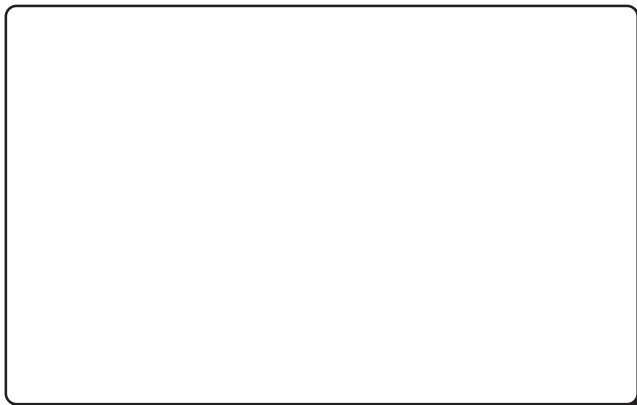
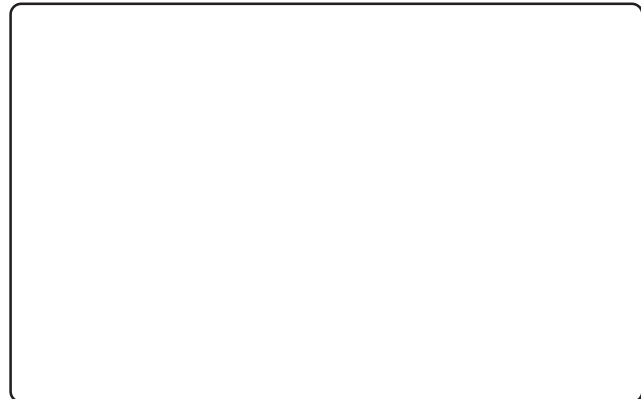
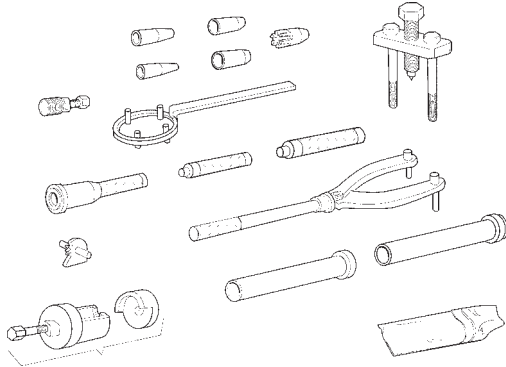
LAMINA / STAMPA / DIAGRAM / BILD / FEUILLE - 23



LAMINA / STAMPA / DIAGRAM / BILD / FEUILLE - 24



LAMINA / STAMPA / DIAGRAM / BILD / FEUILLE - 25



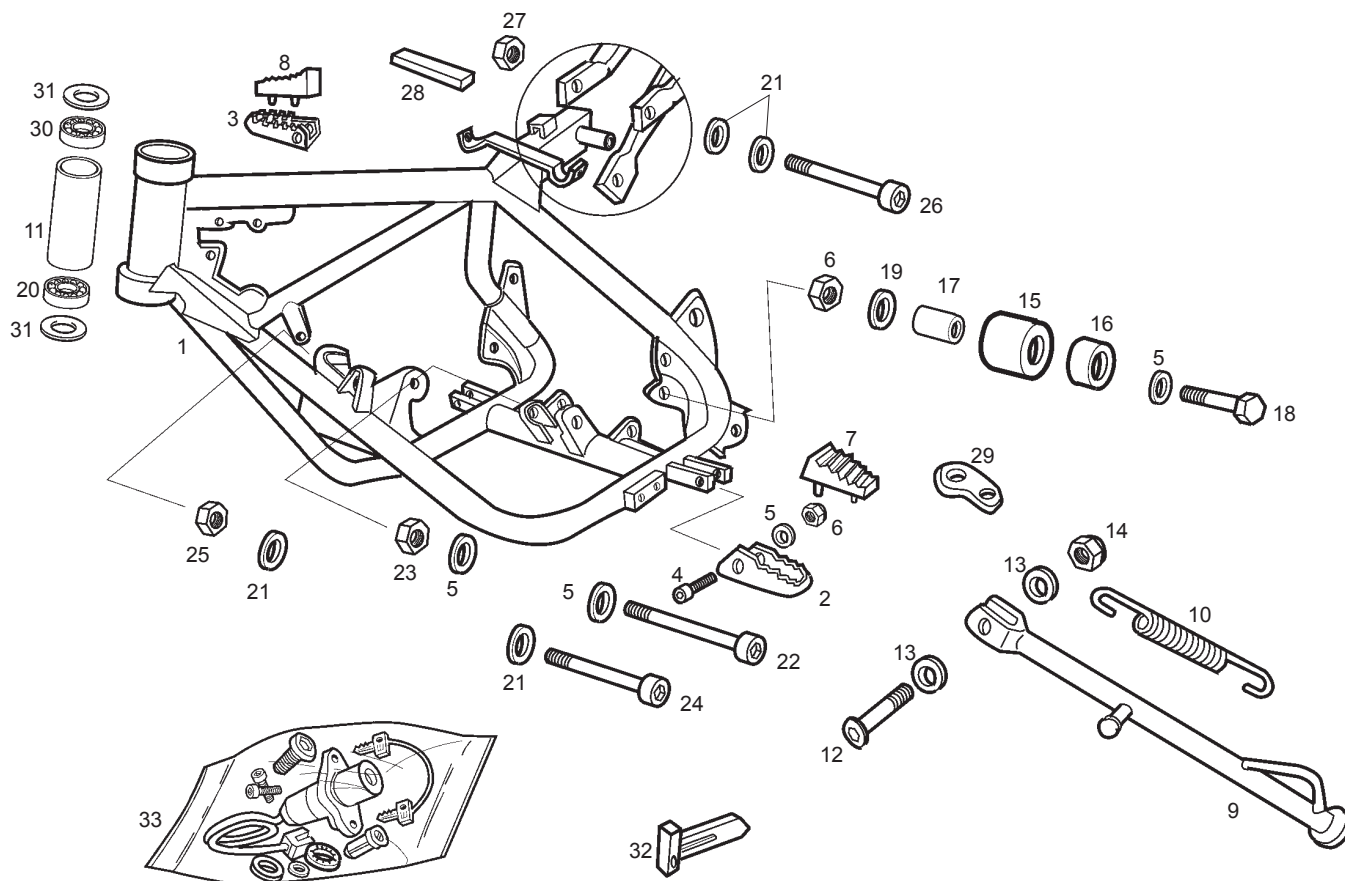


Fig.	Ver.	COD. KOD.	DESCRIPCIÓN DENOMINAZIONE NAME	BEZEICHNUNG DESIGNATION	MOD.	NOTAS NOTES NOTA MITSCHRIFT NOTES
01A		00H01973601	R-CTO. CUADRO C/RDMTOS. COMP.TELAIO FRAME	RAHMEN SOUS ENSEMBLE CADRE	1 2 3 4	
02A		00H01501456	ESTRIBERA IZQ BICROMATADA APPOG.SIN.AZZURRO AZUR.SDA-R FOOTREST LF.	FUSSRASTER LINKS REPOSE PIED ARR.GAUCHE	1 2 3 4	
03A		00H01501096	ESTRIBERA DR BICROMATADA APPOG.DES.AZZURRO AZUR.SDA-R FOOTREST RT.	FUSSRASTER RECHTS REPOSE PIED DROITE	1 2 3 4	
04A		00022084021	TORNILLO 8M125X40 ZN B VITE T/ESAGONALE 8M125X40 ZN B HEX.HEAD SCREW 8M125X40 ZN B	SCHRAUBE 8M125X40 ZN B BOULON 8M125X40 ZN B	1 2 3 4	
05A		00402080001	ARANDELA D8 ZN B RONDELLA D8 ZN B WASHER D8 ZN B	SCHEIBE D8 ZN B RONDELLE D8 ZN B	1 2 3 4	
06A		00023108000	TUERCA.AUTOBLOC. 8M125 ZN B DADO AUTOBLOCCANTE 8M125 ZN B SELF-LOCKING NUT 8M125 ZN B	MUTTER SELBSTS 8M125 ZN B ECROU INDESSERABLE 8M125 ZN B	1 2 3 4	
07A		00H01500501	PROTECTOR IZ. PROTEZIONE STAFFA SINISTRA LEFT FOOT REST PROTECTOR	RASTERGUMMI LINKE PROTECTEUR REPOSE-PIED GAUCHE	1 2 3 4	
08A		00H01501101	PROTECTOR DR. PROTEZIONE STAFFA DESTRA FDS RIGHT FOOT REST PROTECTOR	RASTERGUMMI RECHTS PROTECTEUR REPOSE-PIED DRITE	1 2 3 4	
09A		00H00815011	SCTO PATA CABALLETE SUBZAMPA CAVALLETTO SIDE STAND SUB/ASSY	SUBCOMP.PIED.CAVAL. BEQUILLE	1 2 3 4	
10A		00H00803082	MUELLE PATA CABALLETE ZnB MOLLA ZAMPA CAVALLETTO ZnB SIDE STAND SPRING ZnB	FEDER GESTELLFUSS AUSSEN ZnB RESSORT DE BEQUILLE ZnB	1 2 3 4	

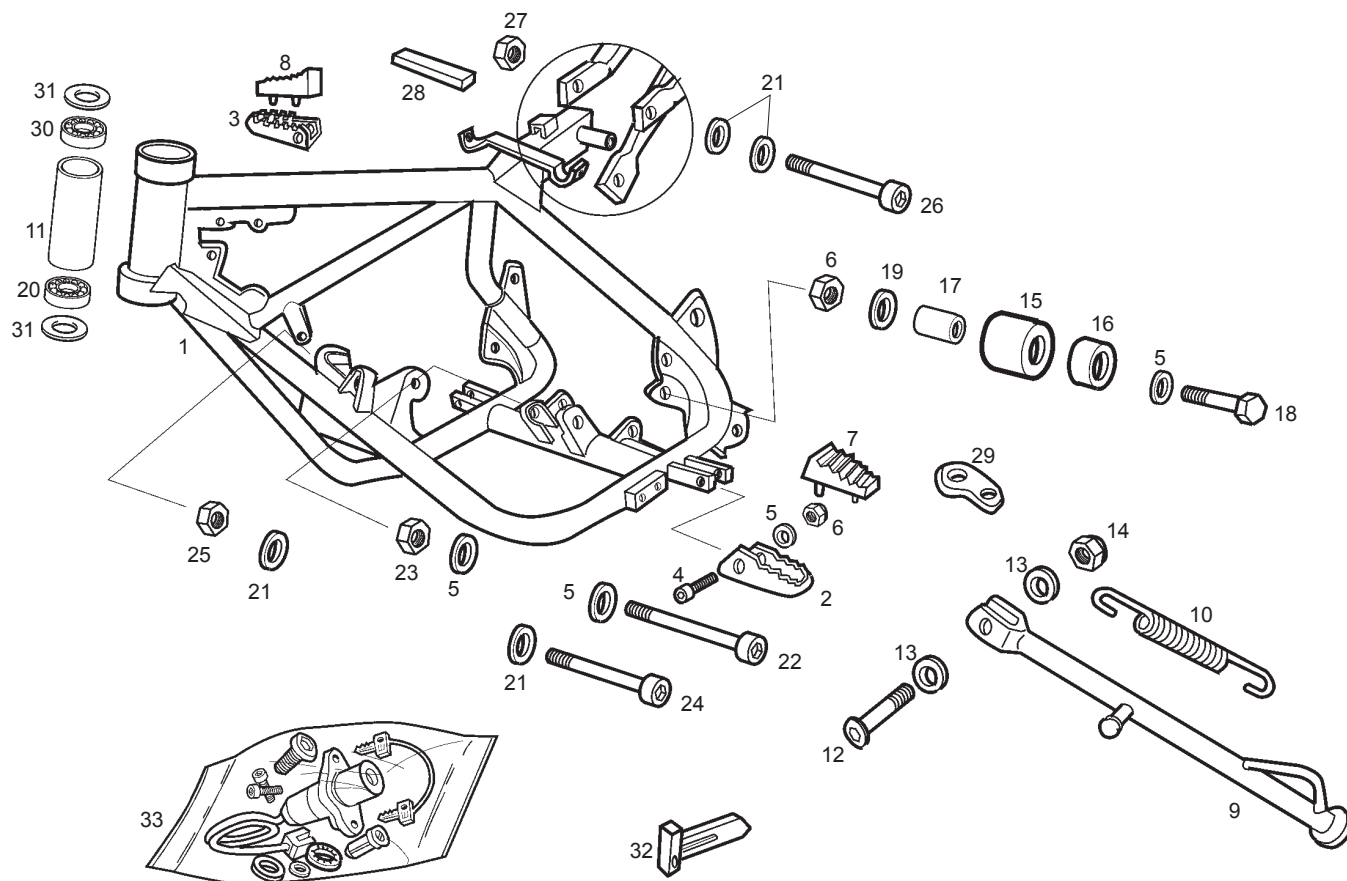


Fig.	Ver.	COD. KOD.	DESCRIPCIÓN DENOMINAZIONE NAME	BEZEICHNUNG DESIGNATION	MOD.	NOTAS NOTES NOTA MITSCHRIFT NOTES
11A		00H06301401	TUBO SEP. COJINETES DIRECCION TUBO FORK TUBE	ROHR TUBE DE FOURCHE	1 2 3 4	
12A		00H00805072	EJE GIRO PATA CABALLETE VITE FISSAGGIO ZAMPA CAVALLET SIDE STAND SECURING SCREW	STANDERBOLZEN BOULON SERRAGE JAMBE BEQUILLE	1 2 3 4	
13A		00402080001	ARANDELA D8 ZN B RONDELLA STELLA INTERIORE D8 ZN B INNER STAR WASHER D8 ZN B	SCHEIBE D8 ZN B RONDELLE EVENTAIL D8 ZN B	1 2 3 4	
14A		00262080022	TUERCA 8M125 ZN B DADO 8M125 ZN B NUT 8M125 ZN B	MUTTER 8M125 ZN B ECROU 8M125 ZN B	1 2 3 4	
15A		00H01801771	RODILLO TENSOR CADENA RULLO TENSORE CATENA SENDA CHAIN SUPPORTY GUIDE	ROLLE ROULETTE GUIDE CHAINE	1 2 3 4	
16A		00H01802781	CASQUILLO SEPARADOR GHIERA DISTANZIATRICE TENSORE TENSION ROD ARRESTER SOCKET	BUCHSE ENTRETOISE	1 2 3 4	
17A		00002518790	CASQUILLO GUIA GHIERA GUIDA CATENA C4/C7/RD/ SOCKET CHAIN GUIDE	BUCHSE ENTRETOISE GUIDE CHAINE	1 2 3 4	
18A		00000002860	TORNILLO EXAGONAL 8M125X60 VITE TESTA ESAGONALE 8M125X60 HEX.HEAD SCREW 8M125X60	SCHRAUBE BOULON TETE HEX.8M125X60	1 2 3 4	
19A		00003306570	ARANDELA RONDELLA FISSAGGIO POSTERIORE REAR NUT WASHER OF TOOL BOX	SCHEIBE RONDELLE FIX BOITE A OUTILS	1 2 3 4	
20A		00000056205	COJINETE 6205.25.52.15.2RS CUSCINETTO 6205.25.52.15.2RS BEARING 6205.25.52.15.2RS	LAGER 6205.25.52.15.2RS ROULEMENT 6205.25.52.15.2RS	1 2 3 4	

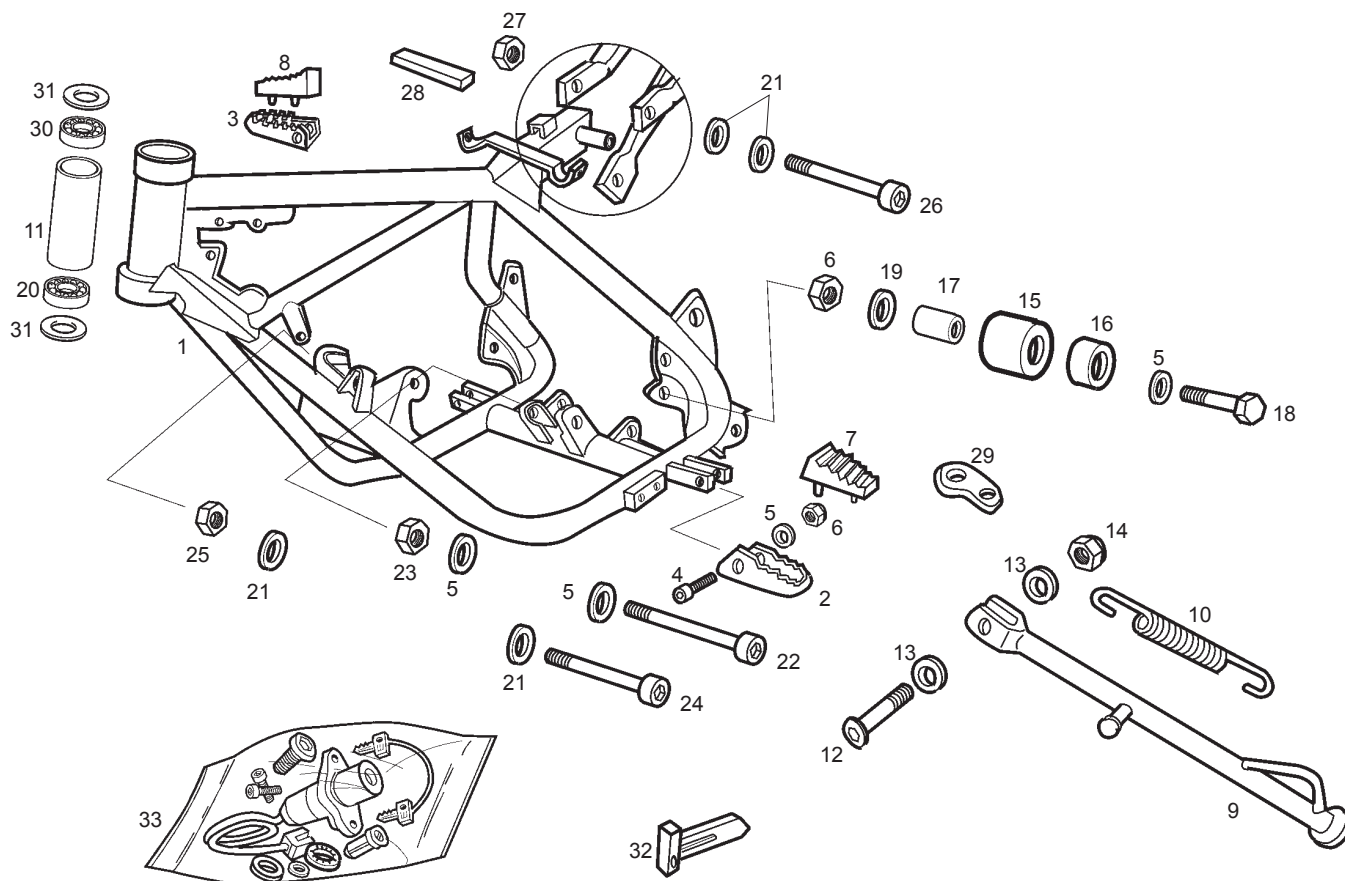


Fig.	Ver.	COD. KOD.	DESCRIPCIÓN DENOMINAZIONE NAME	BEZEICHNUNG DESIGNATION	MOD.	NOTAS NOTES NOTA MITSCHRIFT NOTES
21A		00402100001	ARANDELA D10 ZN B RONDELLA PIATTA MECCANIZZATA MACHINED FLAT WASHER D.10	SCHEIBE D.10 RONDELLE PLATE MECANISEE D.10	1 2 3 4	
22A		00H02500272	TORNILLO 8M125X90 ZN B VITE 8M125X90 ZN B SCREW 8M125X90 ZN B	SCHRAUBE 8M125X90 ZN B VIS 8M125X90 ZN B	1 2 3 4	
23A		00262080022	TUERCA 8M125 ZN B DADO 8M125 ZN B SELF-LOCKING NUT 8M125 ZN B	MUTTER SELBSTS 8M125 ZN B ECROU INDESSERABLE 8M125 ZN B	1 2 3 4	
24A		00H03000272	TORNILLO 10M150X100 ZN B VITE FISSA 10M150X100 ZN B SCREW	SCHRAUBE 10M150X100 ZN B VIS 10M150X100 ZN B	1 2 3 4	
25A		00262100032	TUERCA 10M150 ZN B DADO 10M150 ZN B SELF-LOCKING NUT 10M150 ZN B	MUTTER SELBSTS 10M150 ZN B ECROU 10M150 ZN B	1 2 3 4	
26A		00H06300171	TORNILLO VITE FISSAGGIO PARTE POSTERIO SCREW	BEFESTIGUNGSSCHRAUBE FAHRGESTE VIS ALLEN	1 2 3 4	
27A		00000023100	TUERCA AUTOBLOC. M10X150 DADO AUTOBLOCC 10.M150 DIN-98 SELF-LOCKING NUT M10	MUTTER SELBSTS. M10X150 D-985 ECROU INDESSER. 10M150 D985 8.	1 2 3 4	
28A		00G06300681	JUNTA CRISTAL INTERMITENTE GUARNIZIONE CRISTALLO INTERMI GASKETFOR INDICATOR GLASS	DICHTUNG JOINT GLACE DE CLIGNOTANTS.	1 2 3 4	
29A		00H00800422	PLACA RETORNO CABALLETE ZnP PIASTRINA RITORNO CAVALLETTO SPRING KIK-STAND SUPPORT	PLATTE F. GESTELLRUCKFUHRUNG SUPPORT RESSORT DE BEQUILLE	1 2 3 4	
30A		00057000500	COJINETE 6005 25.47.12 2RS CUSCINETTO 6005 25.47.12 2RS BEARING 6005 25.47.12 2RS	LAGER 6005 25.47.12 2RS ROULEMENT 6005 25.47.12 2RS	1 2 3 4	

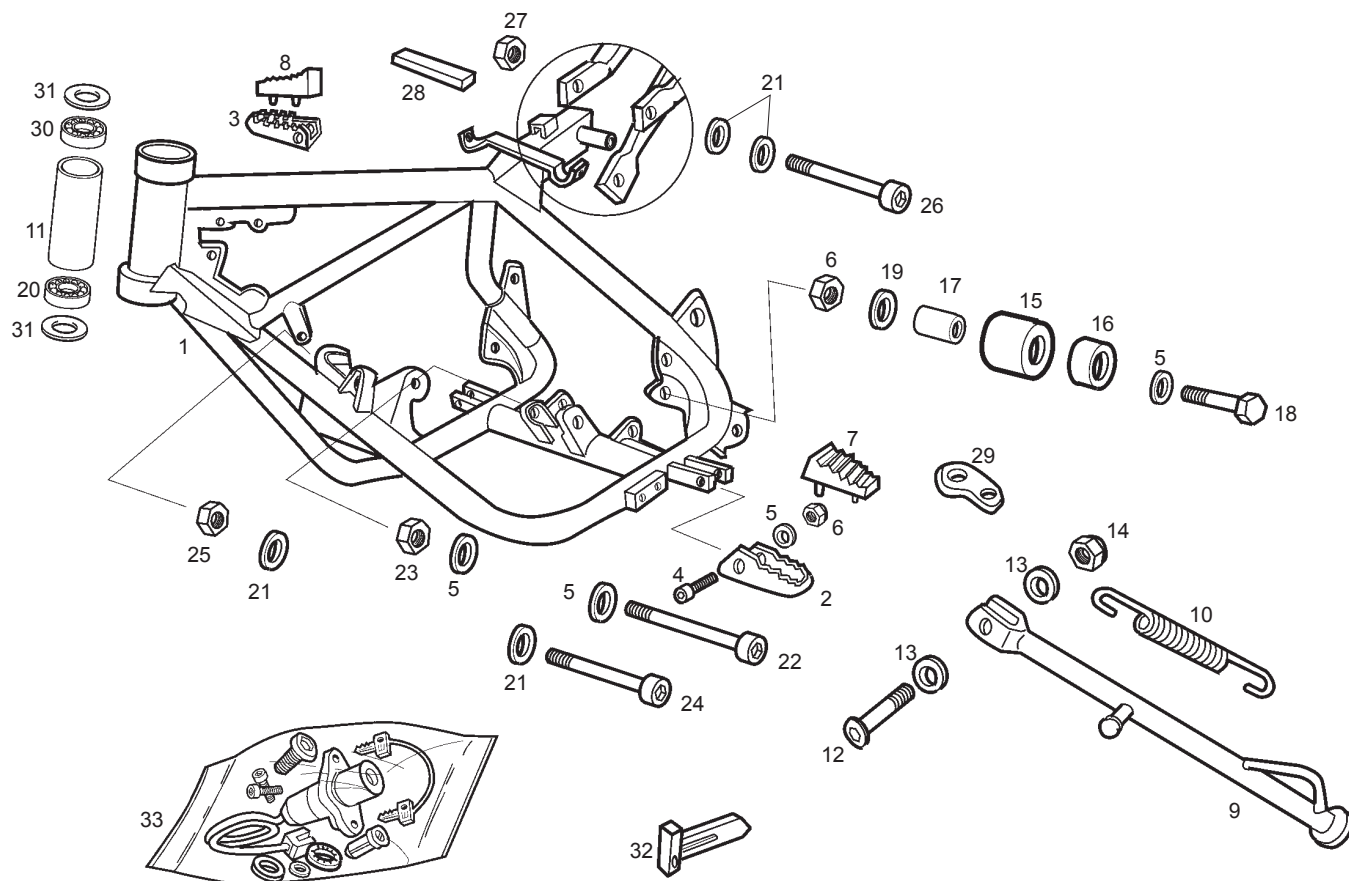


Fig.	Ver.	COD. KOD.	DESCRIPCIÓN DENOMINAZIONE NAME	BEZEICHNUNG DESIGNATION	MOD.	NOTAS NOTES NOTA MITSCHRIFT NOTES
------	------	-----------	--------------------------------	-------------------------	------	-----------------------------------

31A		00008902630	ARANDELA RONDELLA WASHER	SCHEIBE RONDELLE	1 2 3 4	
-----	--	-------------	--------------------------	------------------	---------	--

ACCESORIOS OPCIONALES / ACCESSORI OPCIONALE / OPTIONAL ACCESSORIES / WERKZEUG / OTILS FOURNIS

32A		00F01810411	R-LLAVE CERRADURAS CHIAVE LOCK KEYS	SCHLUSSEL CLEF	1 2 3 4	
33A		00H04602871	CTO. CERRADURAS SERRATURE LOCK WITH KEYS	SCHLOSSER ENSEMBLE SERRURES	1 2 3 4	

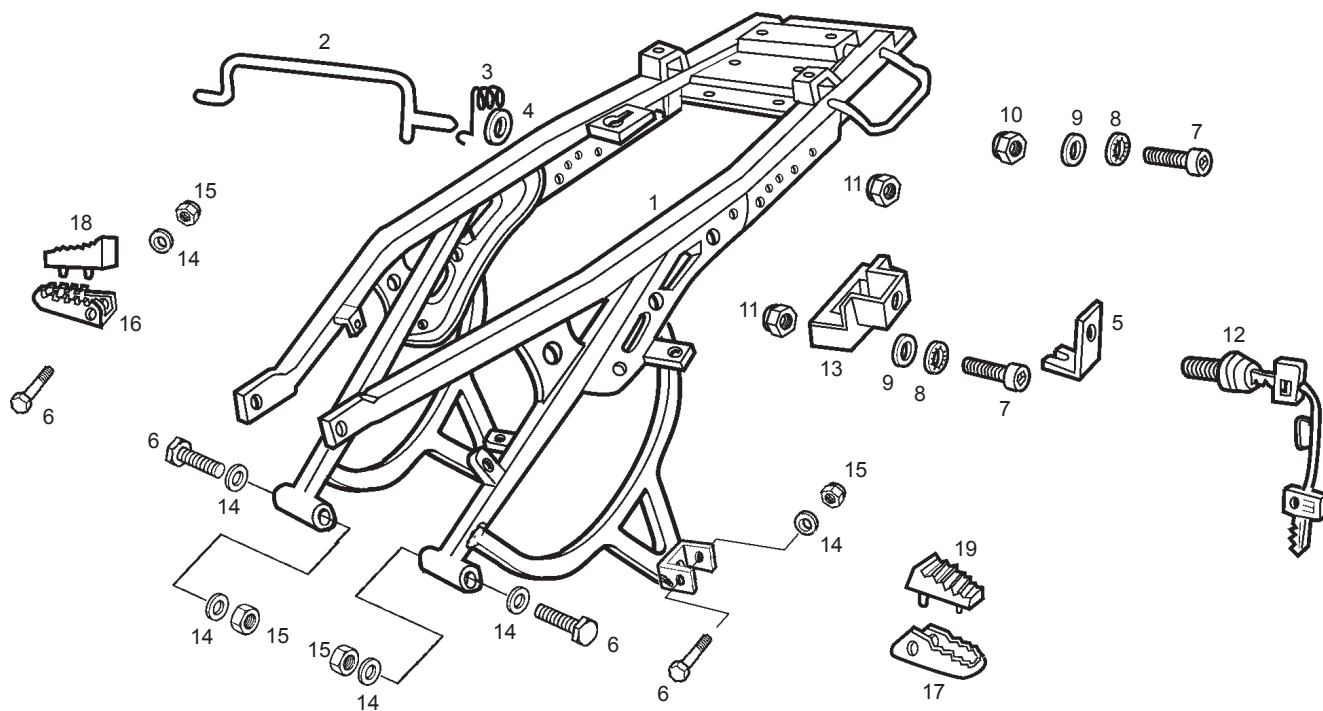


Fig.	Ver.	COD. KOD.	DESCRIPCIÓN DENOMINAZIONE NAME	BEZEICHNUNG DESIGNATION	MOD.	NOTAS NOTES NOTA MITSCHRIFT NOTES
01A		00H00107341	SCTO PARTE TRASERA CHASIS SUBCOM.PARTE POST.TEL.AZ.AZUR FRAME SUB-ASSEMBLY	RAHMENHECK ARRIERE DE CADRE	1 2 3 4	
02A		00H06100011	SCTO.VARILLA CIERRE SILLIN SUBSTECCA CHIUSURA SUPPORT SEAT	SATTEL-VERSCHLUSSTIFT SUPPORT FIX SELLE	1 2 3 4	
03A		00H00600181	MUELLE VARILLA CIERRE SILLIN MOLLA STECCA CHIUSURA SELLA SPRING	FEDER F. SATTEL-VERSCHLUSSTIF RESSORT	1 2 3 4	
04A		00H00600991	ARAND.FIJ.VARILLA CIERRE SILL. RONDELLA FISSAGGIO STECCA CHI WASHER	SCHEIBE RONDELLE	1 2 3 4	
05A		00H00601141	PALANCA CIERRE SILLIN LEVA CHIUSURA SELLA SEND/FE LEVER	SCHLOSS-VERSCHLUSSHEBEL LEVIER FERMETURE SELLE	1 2 3 4	
06A		00022084021	TORNILLO 8M125X40 ZN B VITE 8M125X40 ZN B SCREW 8M125X40 ZN B	SCHRAUBE 8M125X40 ZN B BOULON 8M125X40 ZN B	1 2 3 4	
07A		00012161600	TORNILLO 6M100X16 ZN B VITE TESTA CROCE NERA 6M100X PHILIPS SCREW	SCHRAUBE 6M100X16 D-7985 VIS T.CROIX NOIR 6M100X16 D-79	1 2 3 4	
08A		00034000602	ARAND.ESTRELL.INT.D6 RONDELLA STELLA INTERIORE.D6 INNER STAR WASHER 0 6	SCHEIBE RONDELLE EVENTAIL D 6	1 2 3 4	
09A		00000031060	ARAND.PLANA MECANIZ.D.6 RONDELLA PIATTA MECCANIZZATA MACHINED FLAT WASHER D6 DIN-1	SCHEIBE D.6. ROND. PLATE MECANISEE D6DIN125	1 2 3 4	
10A		00000021060	TUERCA EXAG. 6M100 DADO ESAGONALE 6M100. DIN- HEXAGON NUT 6M100	MUTTER 6M100. ECROU HEXAGONAL 6M100.	1 2 3 4	
11A		00000023060	TCA.AUTOBLOC. 12M150 DADO AUTOBLOCCANTE 6M100.D-98 SELF-LOCKING NUT M6	MUTTER ECROU INDESSERRABLE 6M100.DIN9	1 2 3 4	

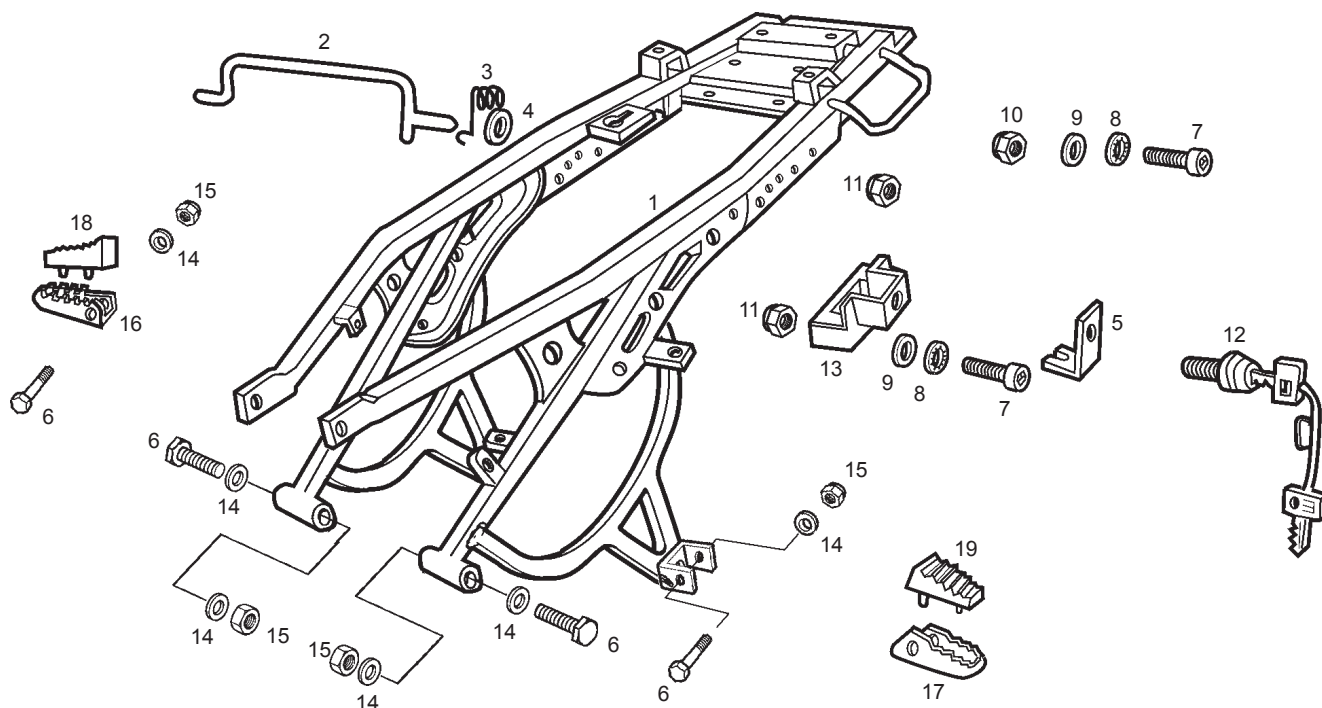


Fig.	Ver.	COD. KOD.	DESCRIPCIÓN DENOMINAZIONE NAME	BEZEICHUNG DESIGNATION	MOD.	NOTAS NOTES NOTA MITSCHRIFT NOTES
12A		00H00600681	R-CTO.CERRAD.SILLIN SERRATURA SELLA SEN LOCK ASSY, SEAT	SCHLOSS ENSEMBLE SERRURE RESERVOIR	1 2 3 4	
13A		00H00101411	SOPTC.CERRADURA SILLIN SUPPORTO SERRATURA SELLA SEND SUPPORT	HALTER F. SATTELSCHLOSS SUPPORT FERMETURE SELLE	1 2 3 4	
14A		00402080001	ARANDELA D8 ZN B RONDELLA PIATTA MECCANIZZATAZ MACHINED FLAT WASHER D8 DIN-1	SCHEIBE D.8. DIN125 ROND.PLATE MECANISEE D.8.DIN12	1 2 3 4	
15A		00023108000	TUERCA D8 ZN.B DADO D8 ZN.B NUT D8 ZN.B	MUTTER D8 ZN.B ECROU D8 ZN.B	1 2 3 4	
16A		00D01520096	ESTRIBERA DR PASAJERO ZN B APOG.DES.AZZURRO AZUR.SDA-R FOOTREST RT.	FUSSRASTER RECHTS REPOSE PIED ARR.DROITE	1 2 3 4	
17A		00D01540456	ESTRIBERA IZQ PASAJERO ZN B APOG.SIN.AZZURRO AZUR.SDA-R FOOTREST LF.	FUSSRASTER LINKS REPOSE PIED ARR.GAUCHE	1 2 3 4	
18A		00D01550101	PROTECTOR ESTRIBERA DCHA. PROTEZIONE STAFFA DESTRA FDS/ RIGHT FOOT REST PROTECTOR	RASTERGUMMI RECHTS PROTECTEUR REPOSE-PIED DROIT	1 2 3 4	
19A		00D01510501	PROTECTOR ESTRIBERA IZQ. PROTEZIONE STAFFA SINISTRA FD LEFT FOOT REST PROTECTOR	RASTERGUMMI LINKS PROTECTEUR REPOSE-PIED GAUCHE	1 2 3 4	

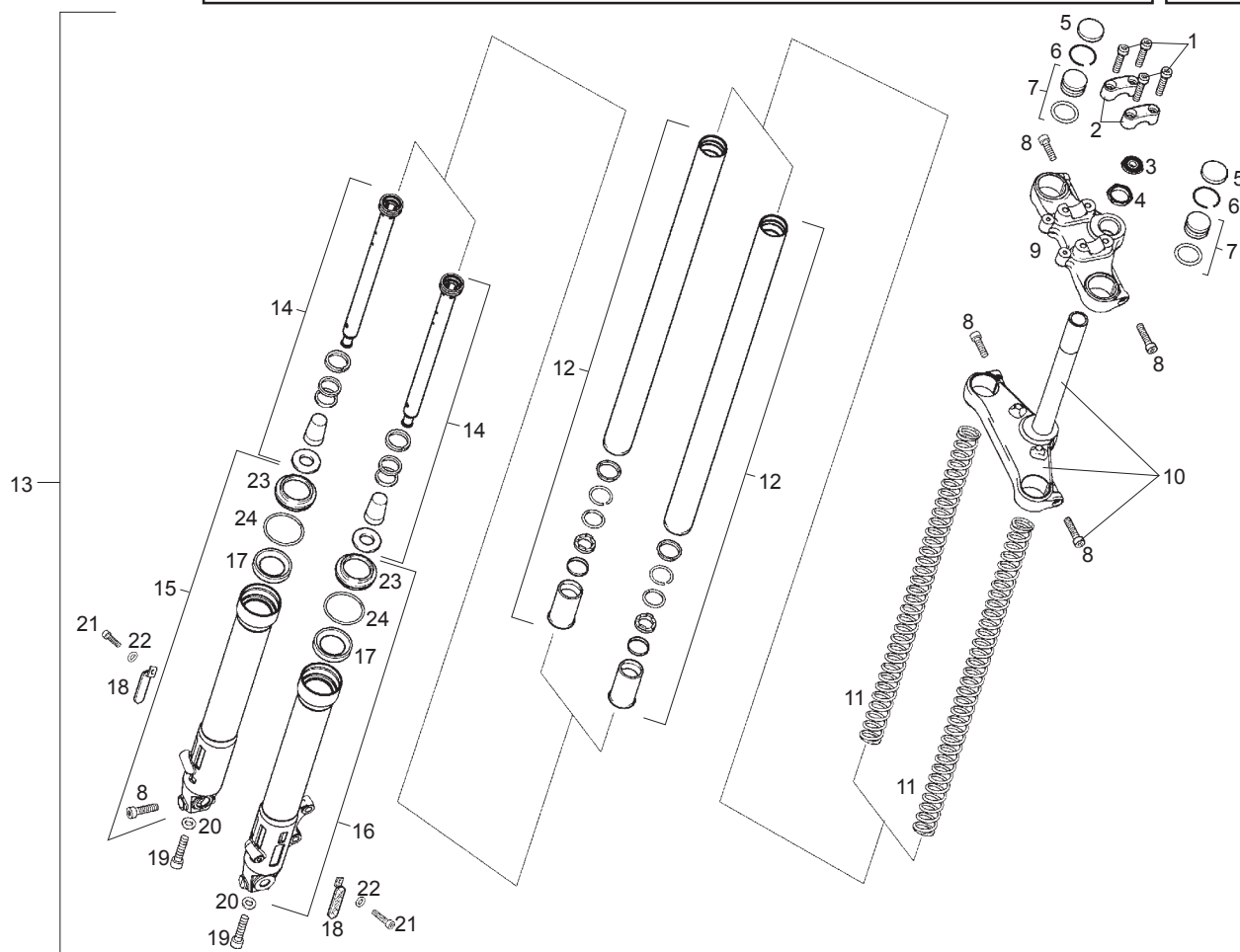


Fig.	Ver.	COD. KOD.	DESCRIPCIÓN DENOMINAZIONE NAME	BEZEICHNUNG DESIGNATION	MOD.	NOTAS NOTES NOTA MITSCHRIFT NOTES
01A		0000004840	TOR.C/ALLEN M8X40 VITE ALLEN M8X40 HEX.SOCRET-HEAD SCREW M8X40	INBUSSCHRAUBE M8X40 BOULON TETE HEX. M8X40	1 2 3 4	
02A		00H00203741	R-BRIDA FIJ. MANILLAR FLANGIA CLAMP	BEF.-SCHELLE ENTRETOISE	1 2 3 4	
03A		00H00202761	R-GUARDAPOLVO DIRECCION PARAPOLVERE SUPL.DUSTGUARD	STAUBFANGER POUSSIÈRE	1 2 3 4	
04A		00H00204601	R-ARANDELA TOPE MUELLE HORQ. ROINDELLA WASHER	SHEIBE RONDELLE	1 2 3 4	
05A		00H02003541	R-TAPA TAPON TUBO PIERNA TAPPO RESERVOIR	STOPFEN BOUCHON	1 2 3 4	
06A		00H00202501	R-ANILLO TORICO TAPON TUBO PNA. ANELLO TORICO O-RING	O-RING JOINT DE JAUGE	1 2 3 4	
07A		00H00205271	R-CTO. TAPON PNA. HORQ. TAPPO GAMBA FORCELLA FORK TUBE CAP	PFROPFEN F. GABELSCHENKEL BOUCHON	1 2 3 4	
08A		0000004835	TORNILLO M8X35 VITE M8X35 SCREW M8X35	SCHRAUBE M8X35 VIS M8X35	1 2 3 4	
09A		00H00213091	R-PLATINA SUPERIOR FLANGIA SUP. FORCELLA HANDLEBAR LOCK CLAMP	BUGEL ETRIER FIX. GUIDON	1 2 3 4	
10A		00H00211011	R-CTO. TIJA PLATINA FUSTO PIASTRA LOWER TRIPLE CLAMP	SATTELSTANGE PLATINE INF. AVEC PIVOT	1 2 3 4	
11A		00H00210171	R-MUELLE HORQUILLA MOLLA FORCELLA FORK SPRING	GABELFEDER RESSORT DE FOURCHE	1 2 3 4	

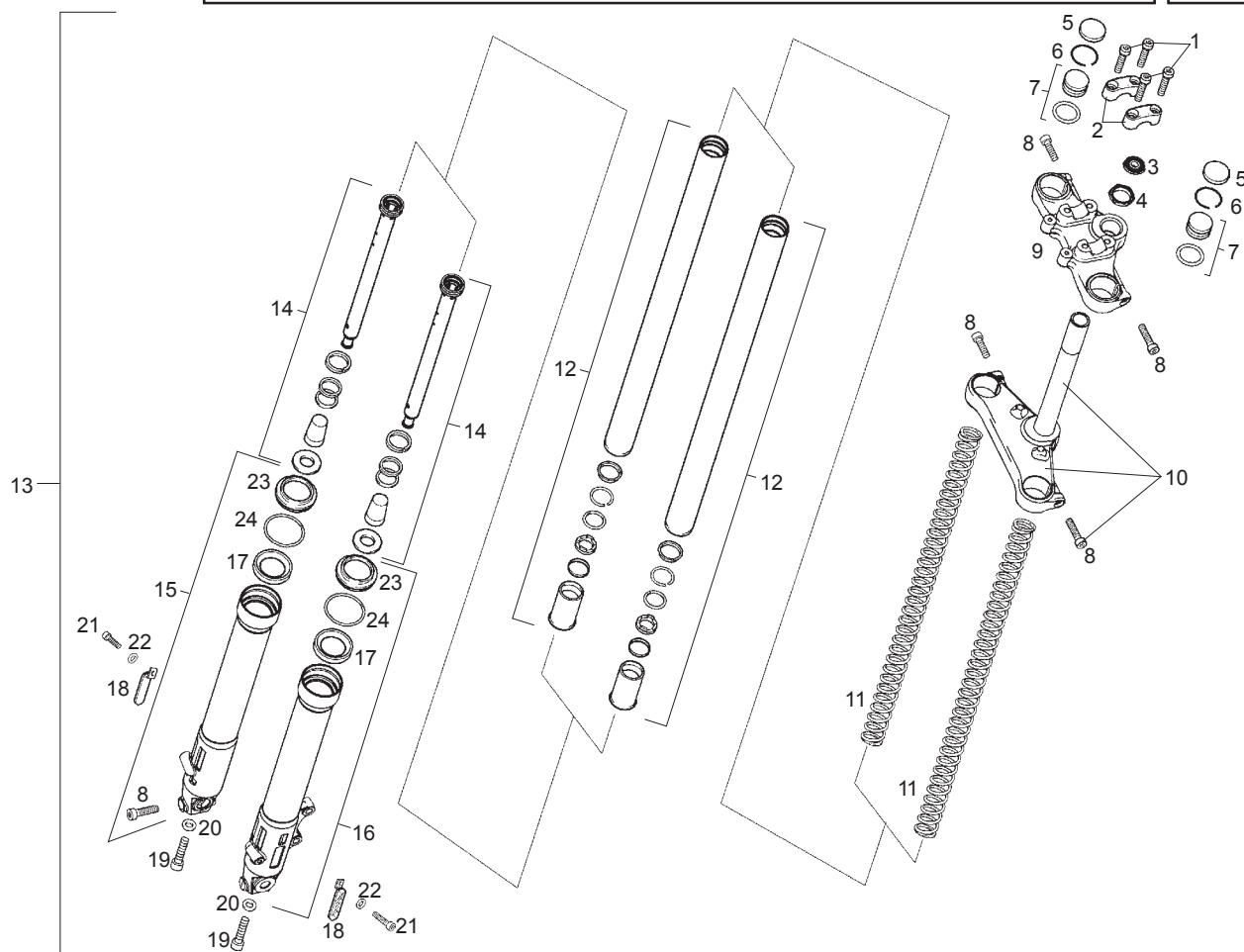


Fig.	Ver.	COD. KOD.	DESCRIPCIÓN DENOMINAZIONE NAME	BEZEICHUNG DESIGNATION	MOD.	NOTAS NOTES NOTA MITSCHRIFT NOTES
12A		00H02003871	R-CTO. BARRA HORQUILLA BARRA GAMBA FORCELLA FORK BAR	GABELSTANKE BARRÉ DE FOURCHE	1 2 3 4	
13A		00H00227001	CTO. HORQUILLA DIRECTRIZ FORCELLA DIRETT FORK ASSY	LENGGABEL FOURCHE DIRITICE	1 2 3 4	
14A		00H00202531	R-CTO. TUBO HIDRAULICO TUBO IDRAULICO DAMPER TUBE	HYDRAULIKROHR TUBE HYDRAULIQUE	1 2 3 4	
15A		00H02011031	R-PIERNA HORQUILLA DR. GAMBA FORCELLA SI. RH. FORK TUBE LOWER	PFROPFEN F. GABELSCHENKEL RE. BOUCHON DROITE	1 2 3 4	
16A		00H02011041	R-PIERNA HORQUILLA IZ. GAMBA FORCELLA DE. LH. FORK TUBE LOWER	PFROPFEN F. GABELSCHENKEL LI. BOUCHON GAUCHE	1 2 3 4	
17A		00H00204471	R-RETEN PIERNA HORQ. GIUNTA SEAL	DICHTRING JOINT	1 2 3 4	
18A		00H01802081	CAPTAFAROS CATARIFRANGENTE REFLECTOR	TRAHLER CATADIOPTRE	1 2 3 4	
19A		00004013500	TORNILLO M10X35 VITE M10X35 SCREW M10X35	SCHRAUBE M10X35 VIS TARAUD	1 2 3 4	
20A		00000031100	ARANDELA PLANA D.10 RONDELLA WASHER	SCHEIBE RONDELLE	1 2 3 4	
21A		00008061500	TOR C/RED ALLEN 6M100X16 VITE TESTA ALLEN 6M 100X16 ALLEN SCREN 6M100X16	INBUSSCHRAUBE 6M100X16 VIS ALLEN 6M100X16	1 2 3 4	
22A		00031106000	ARANDELA PLANA D6 RONDELLA PIATTA D6 MACINED FLAT WASHER D6	SCHEIBE D.6 ROND.PLATE MECANISEE D6	1 2 3 4	

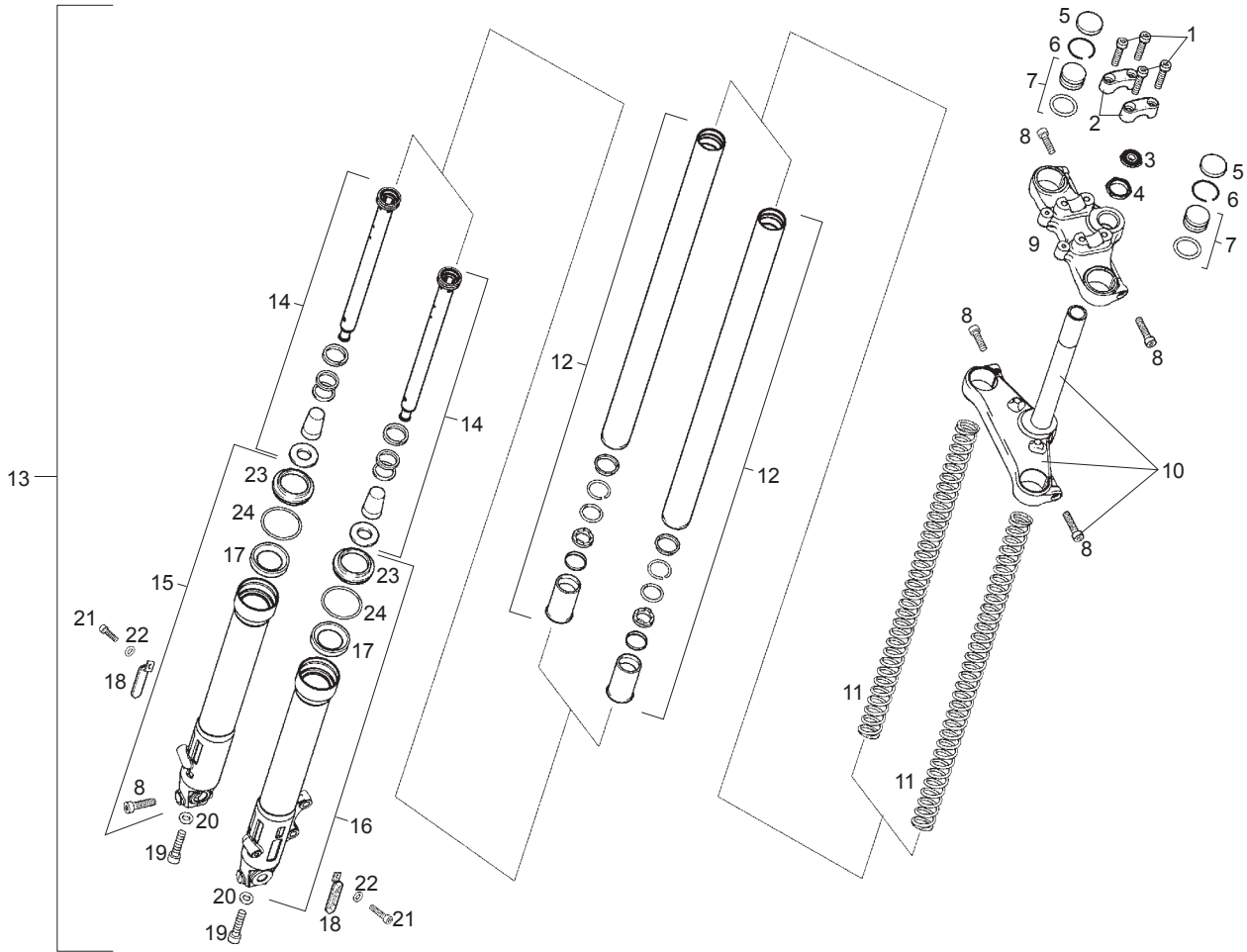


Fig.	Ver.	COD. KOD.	DESCRIPCIÓN DENOMINAZIONE NAME	BEZEICHNUNG DESIGNATION	MOD.	NOTAS NOTES NOTA MITSCHRIFT NOTES
23A		00H00204231	R-GUARDAP.PNA.HORQ.949421044 PARAPOLVERE DUSTGUARD	STAUBFANGER POUSSIÈRE	1 2 3 4	
24A		00H00201701	R-ANILLO RET.ACTE.949424012 ANELLO TORICO O-RING	O-RING JOINT DE JAUGE	1 2 3 4	

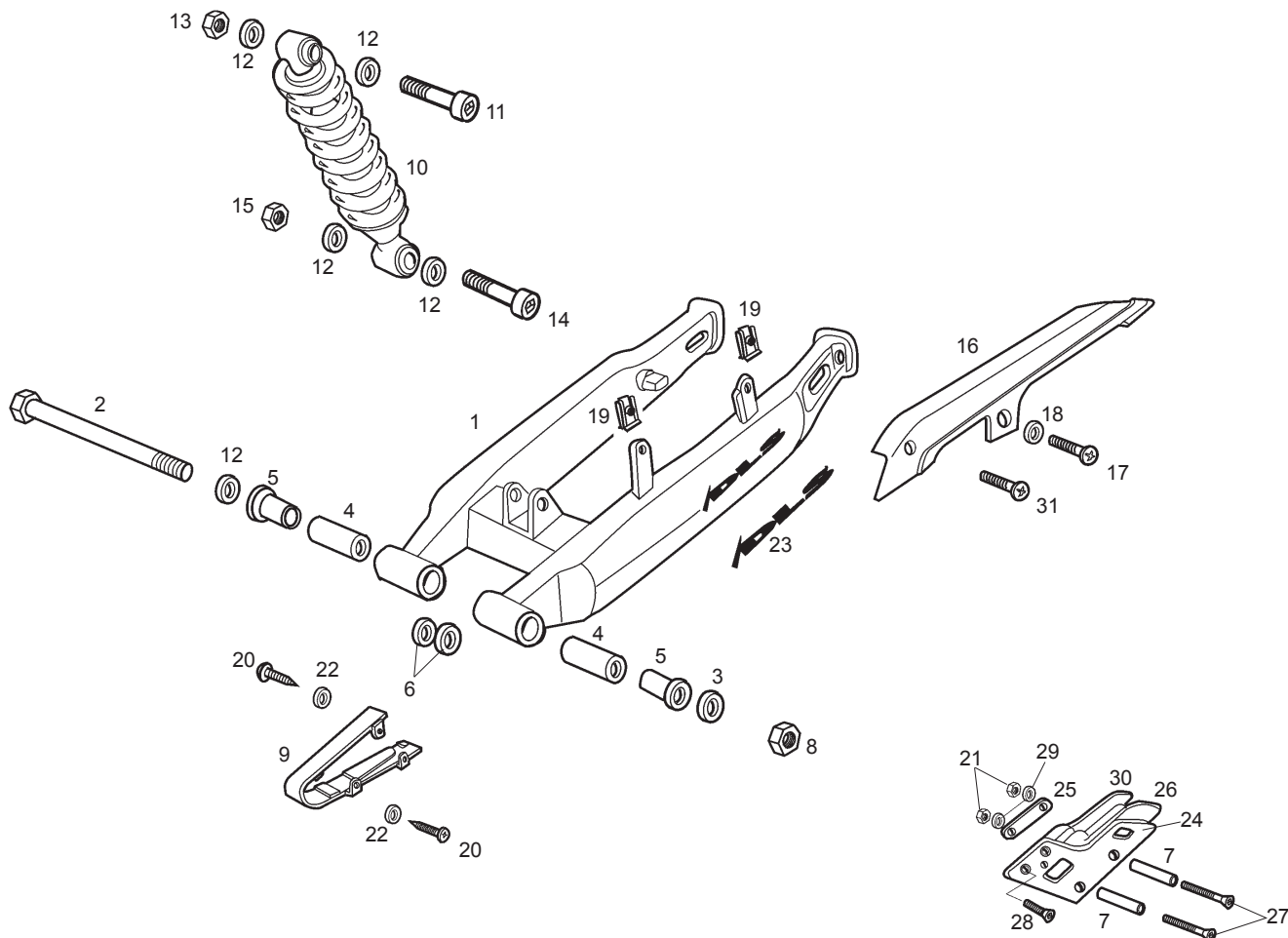


Fig.	Ver.	COD. KOD.	DESCRIPCIÓN DENOMINAZIONE NAME	BEZEICHUNG DESIGNATION	MOD.	NOTAS NOTES NOTA MITSCHRIFT NOTES
01A		00H00316971	SCTO BASCULANTE C/C R-SUBCOMPLESSO RIBALTABILE CO SWING ARM SUB-ASSY	SCHWINGE BRAS OSCILLANT	1 2 3 4	
02A		00H00304411	SCTO EJE BASCULANTE SUBCOMPLESSO ASSE RIBALTABILE SWING ARM SUB-ASSEMBLY	HINTERRADACHSE AXE DE BRAS OSCILLANT	1 2 3 4	
03A		00003112322	ARANDELA EJE RUEDA 25X20X2 ZN B RONDELLA ASSE RUOTA 25X20X2 ZN B FRONT WHEEL AXLE WASHER	SCHEIBE RADACHSE 25X20X2 ZN B RONDELLE AXE ROUE 25X20X2 ZN B	1 2 3 4	
04A		00002503230	CASQ.EJE BASCULANTE GHIERA ASSE RIBALTABILE C-4 SWING ARM BUSHING	BUCHSE ENTRETOISE AXE BRAS OSCIL	1 2 3 4	
05A		00H00301401	CASQ.CARTELA MOTOR GHIERA ORECCHIA MOTORE SENDA ENGINE BRACKET BUFFER BUSHING	BUCHSE ENTRETOISE AXE BRAS OSCIL	1 2 3 4	
06A		00D01300192	ARANDELA EJE RUEDA TRAS ZN B RONDELLA ASSE RUOTA POSTERIOR WHEEL AXLE WASHER	SCHEIBE RONDELLE D12,5X30X2MM	1 2 3 4	
07A		00H01801791	CASQUILLO GHIERA BUSHING	BUCHSE ENTRETOISE	1 2 3 4	
08A		00262120032	TUERCA 12M150 ZN B DADO 12M150 ZN B NUT 12M150 ZN B	MUTTER 12M150 ZN B ECROU 12M150 ZN B	1 2 3 4	
09A		00H01803331	PLACA ROZAMTO.CADENA PIASTRA ATTRITO CATENA SENDA-CHAIN FORCHIN PLATE/FLARGE	KETTEN-REIBPLATTE PLAQUE GLISSEMENT CHAINE	1 2 3 4	
10A		00H01503192	CTO.AMORTIGUADOR COMP.AMMORTIZZATORE SENDA R G SHOCK ABSORBER	STOSSDAMPFER AMORTISSEUR	1 2 3 4	
11A		00004115000	TOR.C/ALL.12M175X50. VITE TESTA ALLEN 12M175X50.D-HEX.SOCKET-HEAD SCREW	INBUSSCHRAUBE 12M175 VIS TETE ALLEN 12M175X50	1 2 3 4	

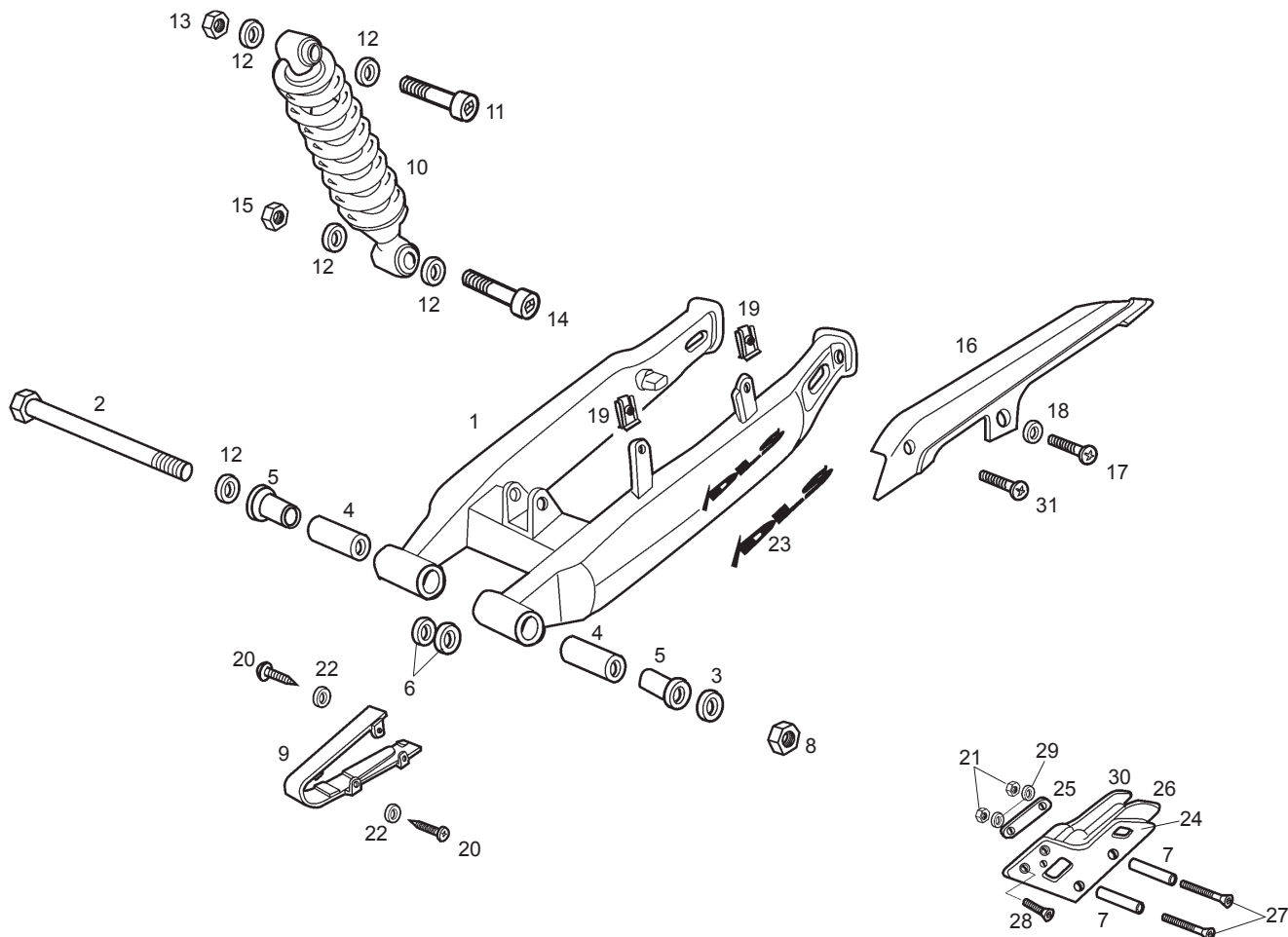


Fig.	Ver.	COD. KOD.	DESCRIPCIÓN DENOMINAZIONE NAME	BEZEICHUNG DESIGNATION	MOD.	NOTAS NOTES NOTA MITSCHRIFT NOTES
12A		00003115422	ARANDELA RONDELLA FISSAGGIO AMMORTIZZA SWING ARM LOCK WASHER	SCHEIBE RONDELLE AMORTISSEUR	1 2 3 4	
13A		00023112000	TCA.AUTOBLOC. 12M175 DADO AUTOBLOCCANTE 12M175.D-9 SELF-LOCKING NUT 12M175	MUTTER SELBSTS 12M175 ECROU INDESSERABLE 12M175	1 2 3 4	
14A		00H00302892	TORNILLO 12M175X50 ZN B VITE 12M175X50 ZN B SCREW 12M175X50 ZN B	SCHRAUBE 12M175X50 ZN B BOULON 12M175X50 ZN B	1 2 3 4	
15A		00023112000	TUERCA AUTOBLOCCANTE 12M175 ZN B DADO AUTOBLOCCANTE 12M175 ZN B SELF-LOCKING NUT 12M175 ZN B	MUTTER 12M175 ZN B ECROU IDESSERABLE 12M175 ZN B	1 2 3 4	
16A		00H01508181	CUBRECADENAS COPRICATENA CHAIN COVER	KETTENSCHUTZ COUVRE CHAINE	1 2 3 4	
17A		00012161600	TORNILLO 6M100X16 ZN B VITE 6M100X16 ZN B SCREW 6M100X16 ZN B	SCHRAUBE 6M100X16 ZN B VIS 6M100X16 ZN B	1 2 3 4	
18A		00D01200171	ARANDELA RONDELLA ASSE LEVA FISSAGGIO WASHER	SCHEIBE ROND.AXE CAME FIX.COUVRE-CHAIN	1 2 3 4	
19A		00D01501371	TUERCA FIJACION CUBRECADENAS ZNB DADO FISSAGGIO COPRICATENA .2 NUT	SICHERUNGSMUTTER BEF. KETTENSCH ECROU FIX. GARDE-CHAINE 213091	1 2 3 4	
20A		00011141300	TOR.AUT.C/CR.NG.4.8X13 VITE AUTOFIETTANTE TESTA CRO SCREW, SELF TAPPING 4.8MM13	SCHRAUBE BOULON	1 2 3 4	
21A		00000023051	TCA.AUTOBLOC. 5M80 DADO AUTOBOCCANTE 5M80 DIN-98 SELF-LOCKING NUT 5M80	MUTTER SELBSTS 5M80.DIN-982 ECROU INDESSERRABLE 5M80 DIN-9	1 2 3 4	
22A		00D02600631	ARAND.TOPE MUELLE EMBRG.4-6V. RONDELLA FERMO MOLLA FRIZIONE CLUTCH SPRING STOP WASHER	SCHEIBE ROND.BUTEE RESSORT EMBRAYA.4-6	1 2 3 4	

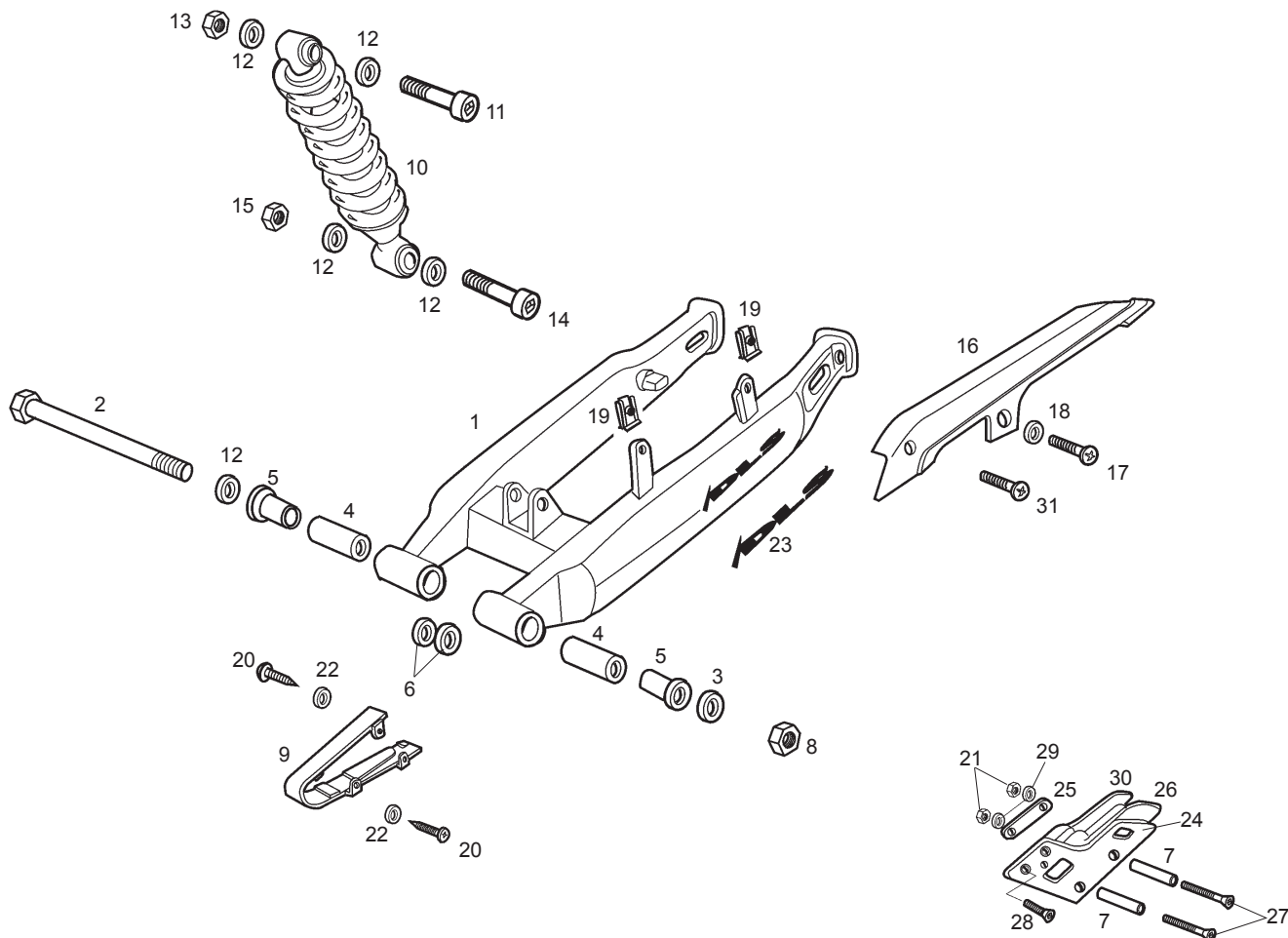


Fig.	Ver.	COD. KOD.	DESCRIPCIÓN DENOMINAZIONE NAME	BEZEICHUNG DESIGNATION	MOD.	NOTAS NOTES NOTA MITSCHRIFT NOTES
23A		00H00301331	CALCA DLS BASCTE. DECALCO DLS RIBALTABILE SENDA DECAL, DLS	ABZIEHBILD ADHESIF DLS	1 2 3 4	
24A		00H01801721	PLACA IZ.GUIA CADENA PIASTRA SINISTRA GUIDA CATENA LF.CHAIN GUIDE PLATE	HALTER KETTENFUHRUNG PLAQUE GAUCHE	1 2 3 4	
25A		00H01800811	PLACA FIJ.GUIA CADENA PIASTRA DESTRA GUIDA CATENA S RT.CHAIN GUIDE PLATE	HALTER KETTENFUHRUNG PLAQUE DROITE	1 2 3 4	
26A		00H01803771	GUIA EXT.GUIA CADENA GUIDA SOSTEGNO CATENA SV/91 CHAIN SUPPORT GUIDE	GLEITBAHN GUIDE CHAINE	1 2 3 4	
27A		00013054500	TOR.C/AVELL.ALL.5M80X45 VITE SCREW	SCHRAUBE VIS	1 2 3 4	
28A		00013061200	TOR.AV.ALL.6M100X12 VITE SCREW, ALLEN C'SUNK 6MM1.00X1	SCHRAUBE VIS	1 2 3 4	
29A		00000031050	ARAND.PLANA MEC.D.5 RONDELLA PIATTA MECCANIZZATA MACHINED FLAT WASHER D5	SCHEIBE D.5. DIN125 ROND.PLATE MECANISEE D.5.DIN12	1 2 3 4	
30A		00H01802291	GUIA INT.GUIA CADENA PIASTRA DESTRA GUIDA CATENA S RT.CHAIN GUIDE PLATE	HALTER KETTENFUHRUNG PLAQUE DROITE	1 2 3 4	
31A		00012061200	TORNILLO 6M100X12 ZN B VITE 6M100X12 ZN B SCREW 6M100X12 ZN B	SCHRAUBE 6M100X12 ZN B VIS 6M100X12 ZN B	1 2 3 4	

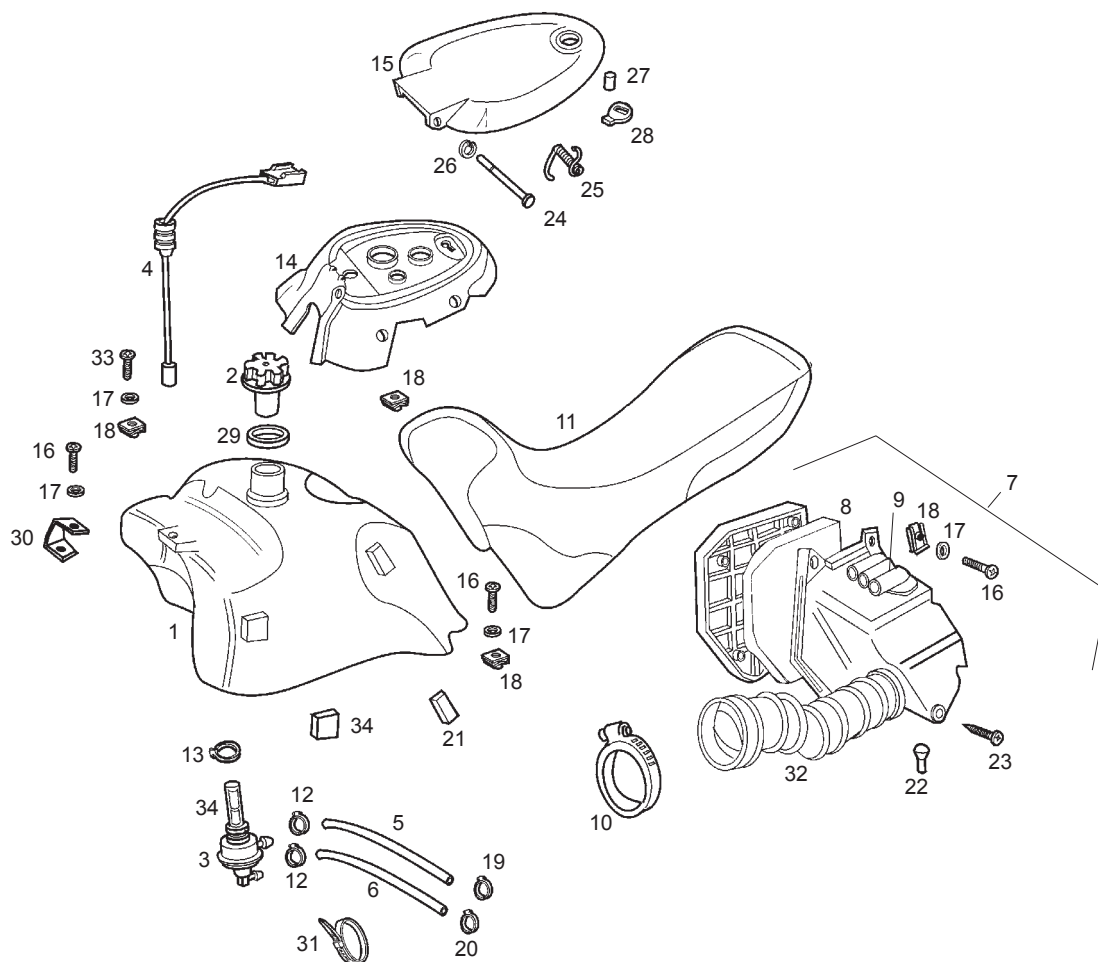


Fig.	Ver.	COD. KOD.	DESCRIPCIÓN DENOMINAZIONE NAME	BEZEICHNUNG DESIGNATION	MOD.	NOTAS NOTES NOTA MITSCHRIFT NOTES
01A		00H00401011	DEPOSITO GASOLINA SERBATOIO BENZINA SENDA FUEL TANK	BENZINTANK RESERVOIR ESSENCE	1 2 3 4	
02A		00F00400131	CTO.TAPON DEPTO.GASOLINA COMPLESSO TAPPO SERBATOIO B FUEL TANK CAP	TANKDECKEL ENS.BOUCHON RESERV.ESSENCE V.B	1 2 3 4	
03A		00G00400181	CTO.GRIFO GASOLINA. COMPLESSO RUBINETTO BENZINA FUEL COCK ASSY	KRAFTSTOFFHAHN UNTERDRUCK ENSEMBLE ROBINET ESSENCE	1 2 3 4	
04A		00H04301181	CTO.NIVEL GASOLINA COMPLESSO LIVELLO BENZINA SEN GAS LEVEL SENSOR ASSY.	KRAFTSTOFFSTAND ENSEMBLE FLOTTEUR ESSENCE	1 2 3 4	
05A		00H00400371	TUBO GASOLINA TUBO BENZINA FUEL PIPE	BENZINSCHLAUCH TUYAU ESSENCE	1 2 3 4	
06A		00H06200061	TUBO DEPRESION TUBO DEPRESSIONE DEPRESSION PIPE	BENZINSCHLAUCH TUYAU ESSENCE	1 2 3 4	
07A		00H01800541	CTO.CAJA FILTRO CASSA FILTRO. AIR FILTER BOX	FILTERKASTEN ENSEMBLE BOITE FILTRE	1 2 3 4	
08A		00H03201251	ESPUMA FILTRO AIRE ESPANSO FILTRO ARIA SENDA AIR FILTER MESH	LUFTFILTERSCHAUM FILTRE AIR	1 2 3 4	
09A		00D03210491	TUBO ASPIRACION TUBO ASPIRAZIONE AIR INTAKE	SAUGROHR TUBE D'ASPIRATION	1 2 3 4	
10A		00H03200271	ABRAZADERA FUELLE FASCETTA MANTICE AMMISSIONE CLAMP INTAKE	BEF-SHELLE COLLIER	1 2 3 4	
11A		00H00614011	SILLIN SENDA AZUL COMP.SELLINO SEAT.	SITZBANK SELLE.	1 3	

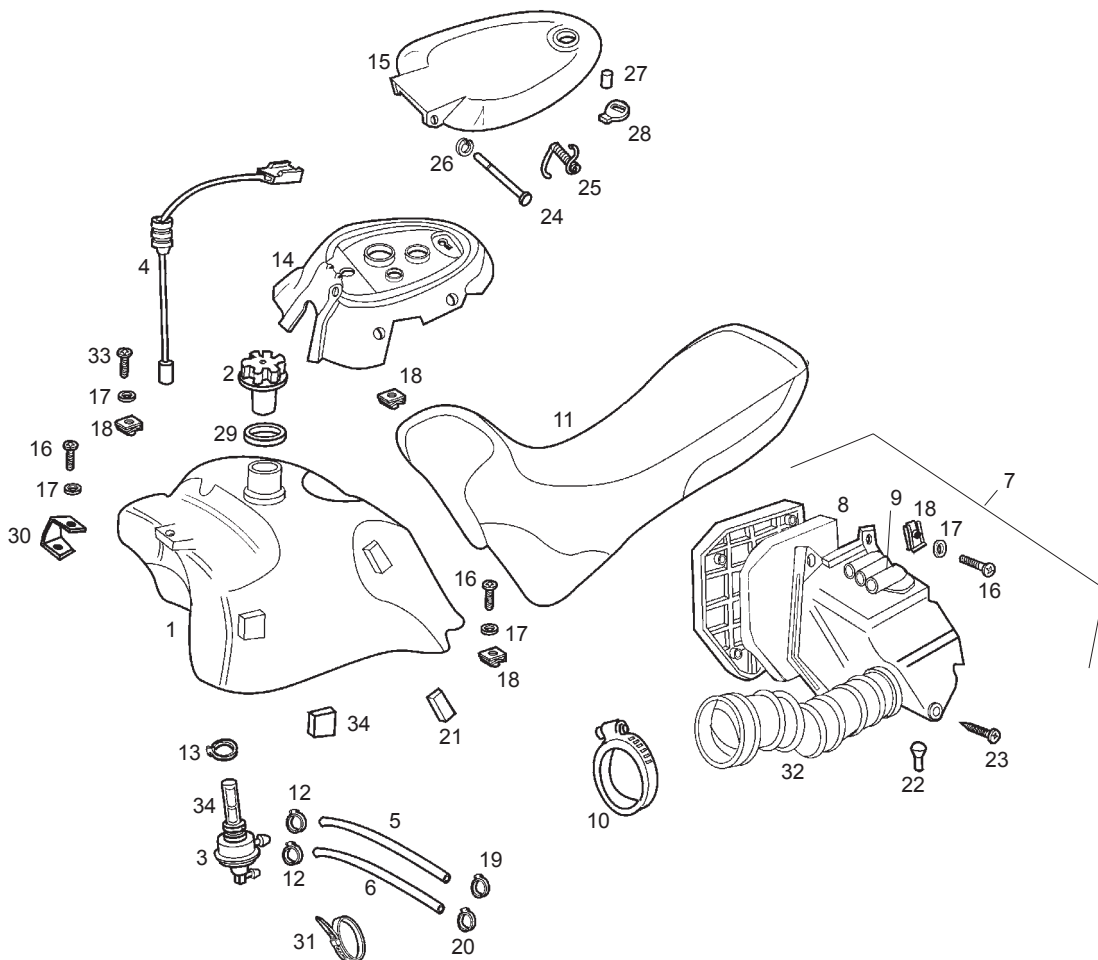


Fig.	Ver.	COD. KOD.	DESCRIPCIÓN DENOMINAZIONE NAME	BEZEICHUNG DESIGNATION	MOD.	NOTAS NOTES NOTA MITSCHRIFT NOTES
11B		00H00614012	SILLIN SENDA NEGRA COMP.SELLINO SEAT.	SITZBANK SELLE.	2 4	
12A		00H00400501	ABRAZADERA FASCETTA ELASTICATUBO BENZINA FUEL PIPE ELASTIC CLAMP	ELAST. KLAMMER GASLEITUNG CRAMPON ELASTIQUE TUBE ESSENCE	1 2 3 4	
13A		00008204500	ABRAZADERA FIJ.GRIFO FASCETTA FISSAGGIO RUBINETTO FUEL COCK SECURING CLAMP	BEF.-SCHELLE F. HAHN 16-26 BRIDE FIXATION ROBINET.16-25.	1 2 3 4	
14A		00H01515222	TAPA DEPOSITO AZUL CORPECHIO SERBATOIO PETROL TANK COVER	TANKABDECKUNG DESSUS DE RESERVOIR	1 3	
14B		00H01505226	TAPA DEPOSITO NEGRA CORPECHIO SERBATOIO PETROL TANK COVER	TANKABDECKUNG DESSUS DE RESERVOIR	2 4	
15A		00H00413681	TAPA SUPERIOR DEPTO AZUL SUCOMP.CARC.SUP.SERBATOIO TOP TANK FRAME	TANKKLAPPE COUVERCLE DE RESERVOIR	1 3	
15B		00H00402686	TAPA SUPERIOR DEPTO NEGRA SUCOMP.CARC.SUP.SERBATOIO TOP TANK FRAME	TANKKLAPPE COUVERCLE DE RESERVOIR	2 4	
16A		00012161600	TOR.C/CRUZ.NG.6M100X16 VITE TESTA CROCE NERA 6M100X PHILIPS SCREW	SCHRAUBE 6M100X16 D-7985 VIS T.CROIX NOIR 6M100X16 D-79	1 2 3 4	
17A		00D01200171	ARANDELA RONDELLA ASSE LEVA FISSAGGIO WASHER	SCHEIBE ROND.AXE CAME FIX.COUVRE-CHAIN	1 2 3 4	
18A		00D01501371	TCA.FIJ.CUBRECAD.212827 DADO FISSAGGIO COPRICATENA .2 NUT	SICHERUNGSMUTTER BEF. KETTENSCH ECROU FIX. GARDE-CHAINE 213091	1 2 3 4	
19A		00F03710131	ABRAZADERA ELASTICA FASCETTA ELASTICA CLAMP	SHELLE COLLIER ELASTIQUE	1 2 3 4	

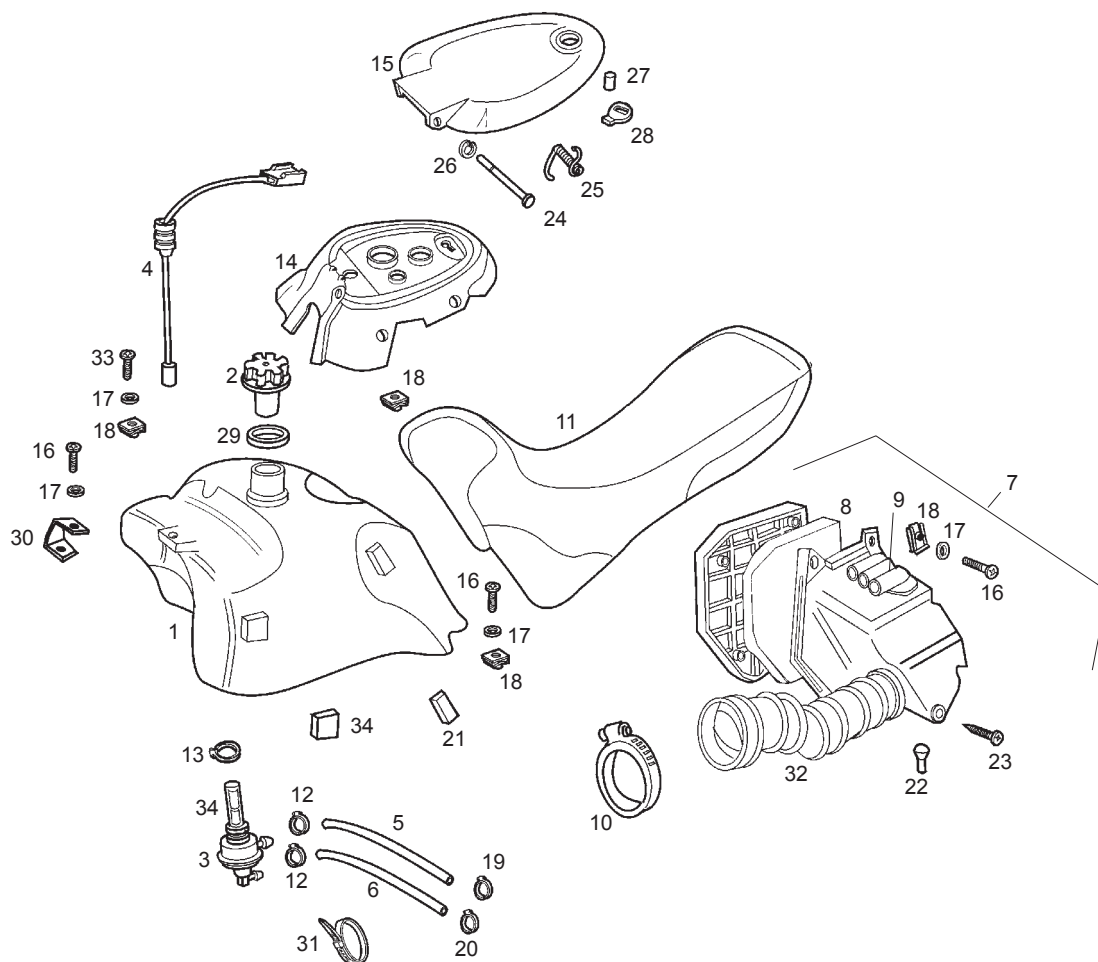


Fig.	Ver.	COD. KOD.	DESCRIPCIÓN DENOMINAZIONE NAME	BEZEICHNUNG DESIGNATION	MOD.	NOTAS NOTES NOTA MITSCHRIFT NOTES
20A		00D03700131	ABRAZADERA ELASTICA FASCETTA ELASTICA CLAMP	SHELLE COLLIER ELASTIQUE	1 2 3 4	
21A		00H06300771	TOPE LATERALES CARENADO FERMO LATERALI CARENATURA SEN SIDE STOP,S-ENDS INTEGRATED F	ANSCHLAG ARRETS LATERAL CARENAGE	1 2 3 4	
22A		00004322460	TOPE PALCA.ARRQ. FERMO LEVA AVVIAMENTO COPPA GROMMET,KICK STARTER	ANSCHLAGGUMI BUTEE CAOUTCHOUC, KICK	1 2 3 4	
23A		00011041900	TOR.AUTR.C/CRUZ.4,8X19 VITE AUTOFILETTANTE TESTA CRO SELF-THREADING HEAD.SCR.4.8X1	SCHRAUBE 4,8X19. VIS TARAUD 4,8X19.DIN-7981	1 2 3 4	
24A		00H06301751	EJE ARTICUL.TAPA SUP.DPTO. ASSE ARTIC.COPERC.SUP.SERB.FE AXLE	STIFT AXE	1 2 3 4	
25A		00H06301761	MUELLE ARTIC.TAPA SUP.DEPTO. MOLLA ARTIC.COPER.SUP.SERB.F SPRING	FEDER RESSORT	1 2 3 4	
26A		00047030400	ANILLO SEG.EJES D.4. ANELLO SICUREZZA ASSI D.4.DIN CIRCLIP D4. DIN-6799	SICHERHEITSRING ACHSE D.4. ANNEAU SECURITE AXE D.4.	1 2 3 4	
27A		00008239450	TOPE MORDAZAS. FERMO PINZE BUMPER, CLUTCH SHOE	FUTTERANSCHLAG BUTOIR MACHOIRES DE DEMARRAGE	1 2 3 4	
28A		00G00601141	PALANCA CIERRE SILLIN LEVA CHIUSURA SELLINO LEVER	SCHLIESSHEBELSILZBANK LEVIER FERMETURE SELLE	1 2 3 4	
29A		00F00400771	R-ARAND.TAPON DEPOSITO R-RONDELLA TAPPO SERBATOIO FUEL TANK WASHER	SCHEIBE F. TANKDECKEL R-RONDELLE BOUCHON RESERVOIR	1 2 3 4	
30A		00H01502051	OREJA FIJ.DT.CARC.DEPTO. ORECCHIET.FISS.ANT.CARC.SERB. LUG FASTERING PET.TANK FRAME	BUGEL LANGUETTE FIXATION	1 2 3 4	

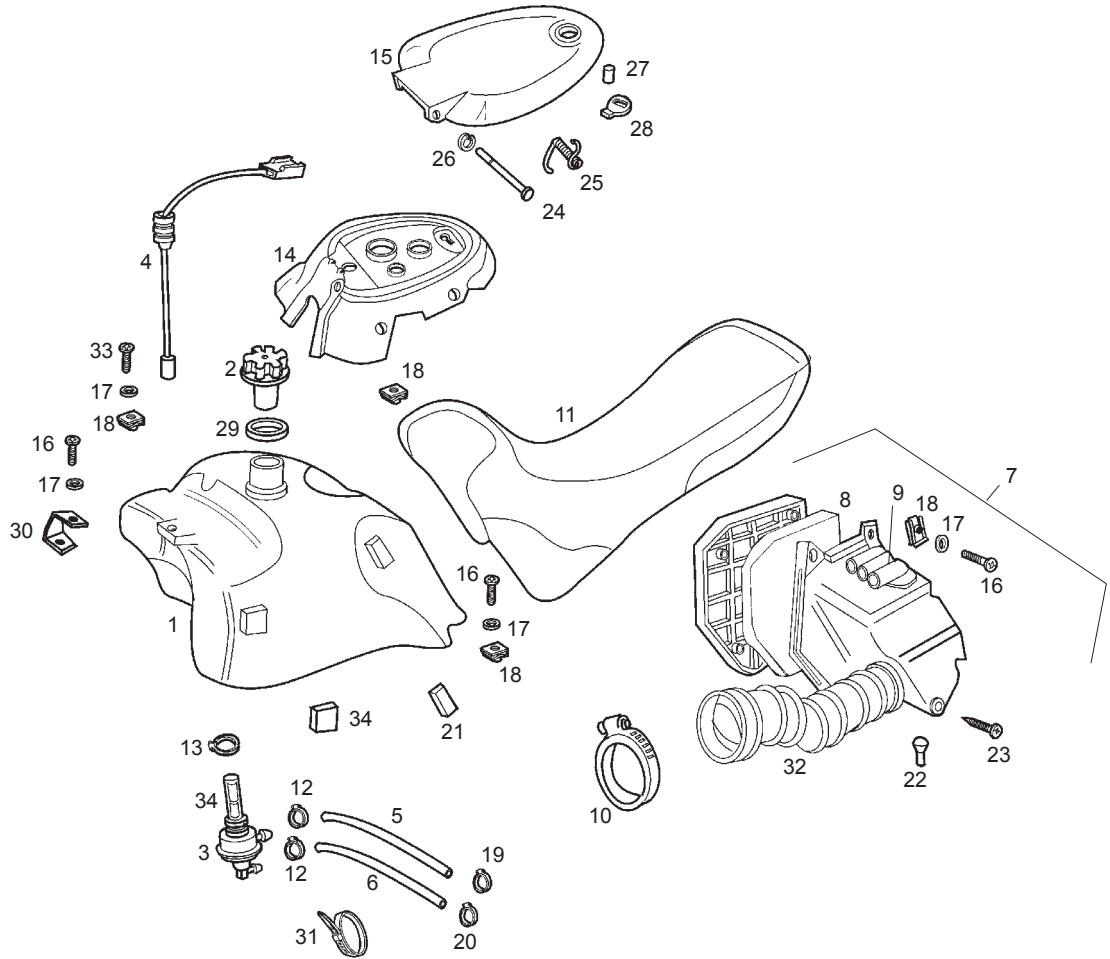


Fig.	Ver.	COD. KOD.	DESCRIPCIÓN DENOMINAZIONE NAME	BEZEICHNUNG DESIGNATION	MOD.	NOTAS NOTES NOTA MITSCHRIFT NOTES
31A		00A00900531	BRIDA UNECABLES NEGRA. FLANGIA UNIONE CAVI NERA BLACK CABLE TIE	KABELBINDER COLLIER	1 2 3 4	
32A		00H03202261	TUBO ADMISION TUBO AMMISSIONE.SENDA-R INTAKE PIPE	ANSAUGROHR TUYAU D'ADMISSION	1 2 3 4	
33A		00000012620	TOR.C/RED.CRUIZ.6M100X20 VITE TONDO CROCE .6M100X20.DI SCREW,6M100X20	SCHRAUBE 6M100X20 VIS	1 2 3 4	
34A		00H03800571	TOPE DPTO.GASOLINA FERMO SERBATOIO BENZINA FUEL TANK STOP END.	ANSCHLAGGUMMI BUTEE RESERVOIR ESSENCE	1 2 3 4	

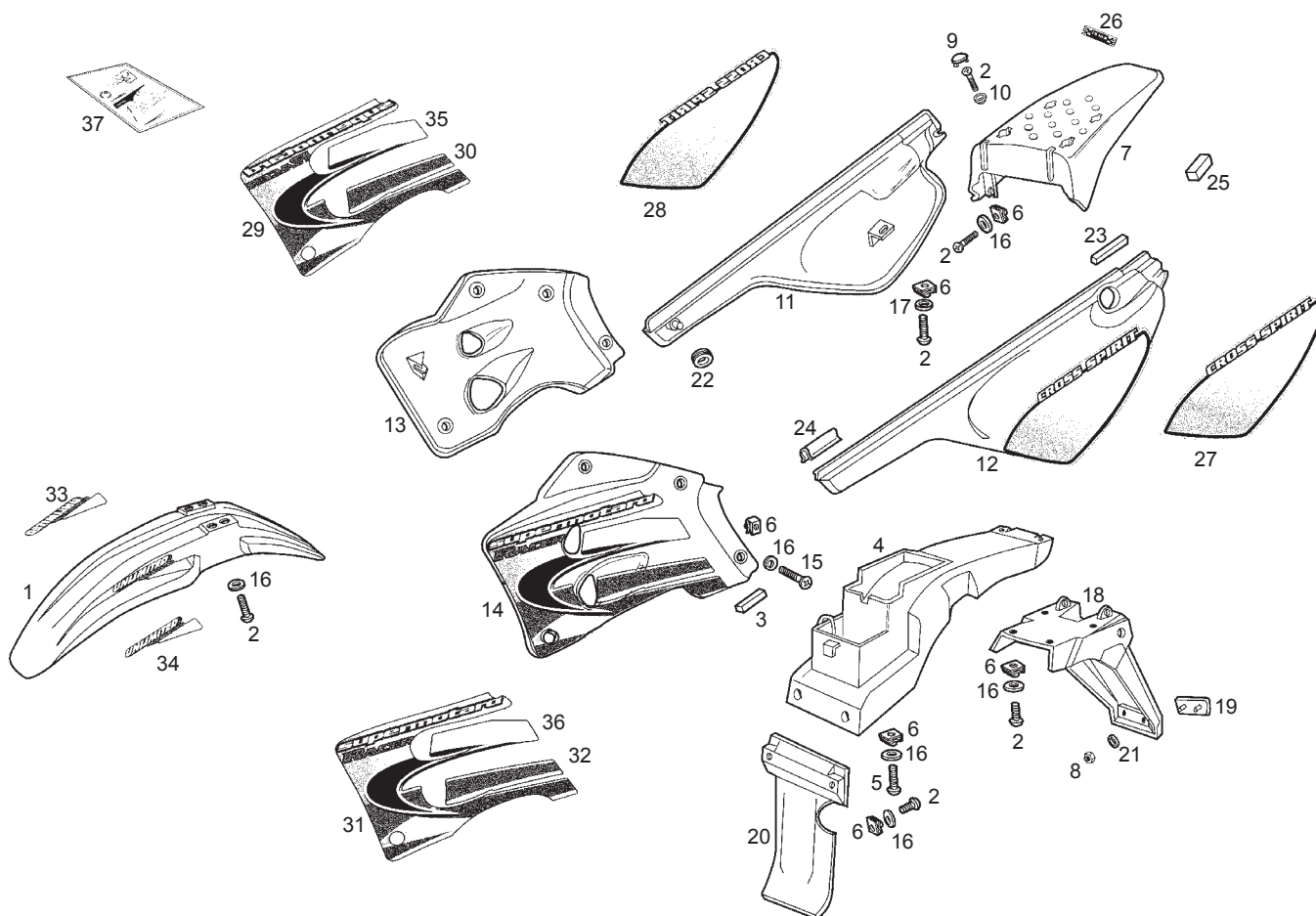


Fig.	Ver.	COD. KOD.	DESCRIPCIÓN DENOMINAZIONE NAME	BEZEICHUNG DESIGNATION	MOD.	NOTAS NOTES NOTA MITSCHRIFT NOTES
01A		00H00705028	GUARDABARRO DT AZUL PARAFANGO ANTERIORE FRONT MUDGUARD	KOTFLUGEL VORN GARDE-BOUE AVANT VERT	1 3	
01B		00H00705029	GUARDABARRO DT NEGRO PARAFANGO ANTERIORE FRONT MUDGUARD	KOTFLUGEL VORN GARDE-BOUE AVANT VERT	2 4	
02A		00012161600	TOR.C/CRUZ.NG.6M100X16 VITE TESTA CROCE NERA 6M100X PHILIPS SCREW	SCHRAUBE 6M100X16 D-7985 VIS T.CROIX NOIR 6M100X16 D-79	1 2 3 4	
03A		00H06800091	TOPE INF.TAPA DT. FERMO INF.COPERC.ANT.SENDA R STOP	AUFKLEBER ARRETSSILENTBLOC	1 2 3 4	
04A		00H00701121	GUARDAB.TRAS. PARAFANGO POSTERIORE SENDA REAR FENDER	KOTFLUGEL HINTEN GARDE BOUE ARRIERE	1 2 3 4	
05A		00012061200	TOR.C/R.CR.6M100X12.NG. VITE TONDO CROCE 6M100X12 NER SCREW M6X12	SCHRAUBE 6M100X12. VIS A TETE RONDE A FENTES CROI	1 2 3 4	
06A		00D01501371	TCA.FIJ.CUBRECAD.212827 DADO FISSAGGIO COPRICATENA .2 NUT	SICHERUNGSMUTTER BEF. KETTENSC ECROU FIX. GARDE-CHAINE 213091	1 2 3 4	
07A		00H00613162	COLIN SILLIN AZUL COLIN SELLINO SEAT BASE	KOTFLUGEL HINTEN DOSSERET SELLE	1 3	
07B		00H00603166	COLIN SILLIN NEGRO COLIN SELLINO SEAT BASE	KOTFLUGEL HINTEN DOSSERET SELLE	2 4	
08A		00000023040	TUERCA AUTOBLOCANTE 4M70 DADO ESAGONALE 4M70 HEXAGON NUT 4M70	MUTTER 4M70 ECROU HEXAGONAL 4M70	1 2 3 4	

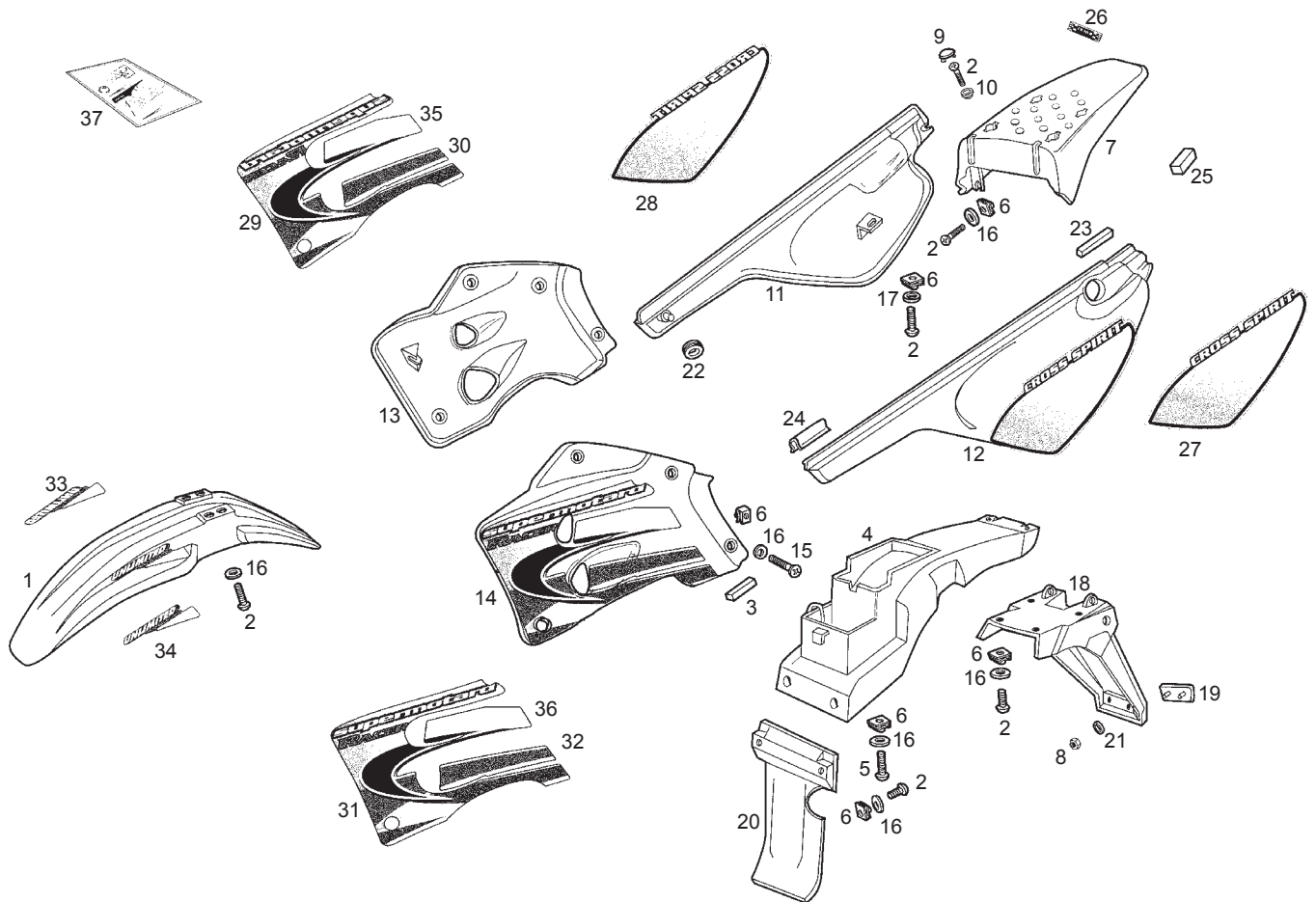


Fig.	Ver.	COD. KOD.	DESCRIPCIÓN DENOMINAZIONE NAME	BEZEICHUNG DESIGNATION	MOD.	NOTAS NOTES NOTA MITSCHRIFT NOTES
09A		00H06110102	TAPON COLIN SILLIN AZUL TAPPO TRAP.COLIN SELLINO PLUG	ABDECKUNG BOUCHON	1 3	
09B		00H06100106	TAPON COLIN SILLIN NEGRA TAPPO TRAP.COLIN SELLINO PLUG	ABDECKUNG BOUCHON	2 4	
10A		00H05901581	CASQ.FIJ.PROTECTORES PNA.HORQ. GHIERA FISS.PROTET.GAMBA FORC BUSHING	HULSEN ENTRETOISE	1 2 3 4	
11A		00H00540691	TAPA LATERAL DR AZUL SUBCOMP.COPERC.LAT.DES.C/C. RIGHT HAND SIDE COVER	SEITENDECKEL-RECHTS PLAQUE LATERAL DROITE AVEC AD.	1 3	
11B		00H00540692	TAPA LATERAL DR NEGRA SUBCOMP.COPERC.LAT.DES.C/C. RIGHT HAND SIDE COVER	SEITENDECKEL-RECHTS PLAQUE LATERAL DROITE AVEC AD.	2 4	
12A		00H00540701	TAPA LATERAL IZQ AZUL SUBCOMP.COP.LAT.SIN.C/C. LEFT HAND SIDE COVER	SEITENDECKEL-LINKS FLANC LAT.G.AVEC DECAL	1 3	
12B		00H00540702	TAPA LATERAL IZQ NEGRA SUBCOMP.COP.LAT.SIN.C/C. LEFT HAND SIDE COVER	SEITENDECKEL-LINKS FLANC LAT.G.AVEC DECAL	2 4	
13A		00H04425801	TAPA DT DR AZUL SUBCOMP.COP.ANT.DES.C/C. LOWER RIGHT-HAND ADORNMENT	SEITENTEIL OUIE MOTEUR D.	1 3	
13B		00H04425802	TAPA DT DR NEGRA SUBCOMP.COP.ANT.DES.C/C. LOWER RIGHT-HAND ADORNMENT	SEITENTEIL OUIE MOTEUR D.	2 4	
14A		00H04425831	TAPA DT IZQ AZUL SUBCOMP.COP.ANT.SIN.C/C FRONT COVER LEFT SIDE	KUHLERVERKLEIDUNG L. OUIE MOTEUR G.	1 3	

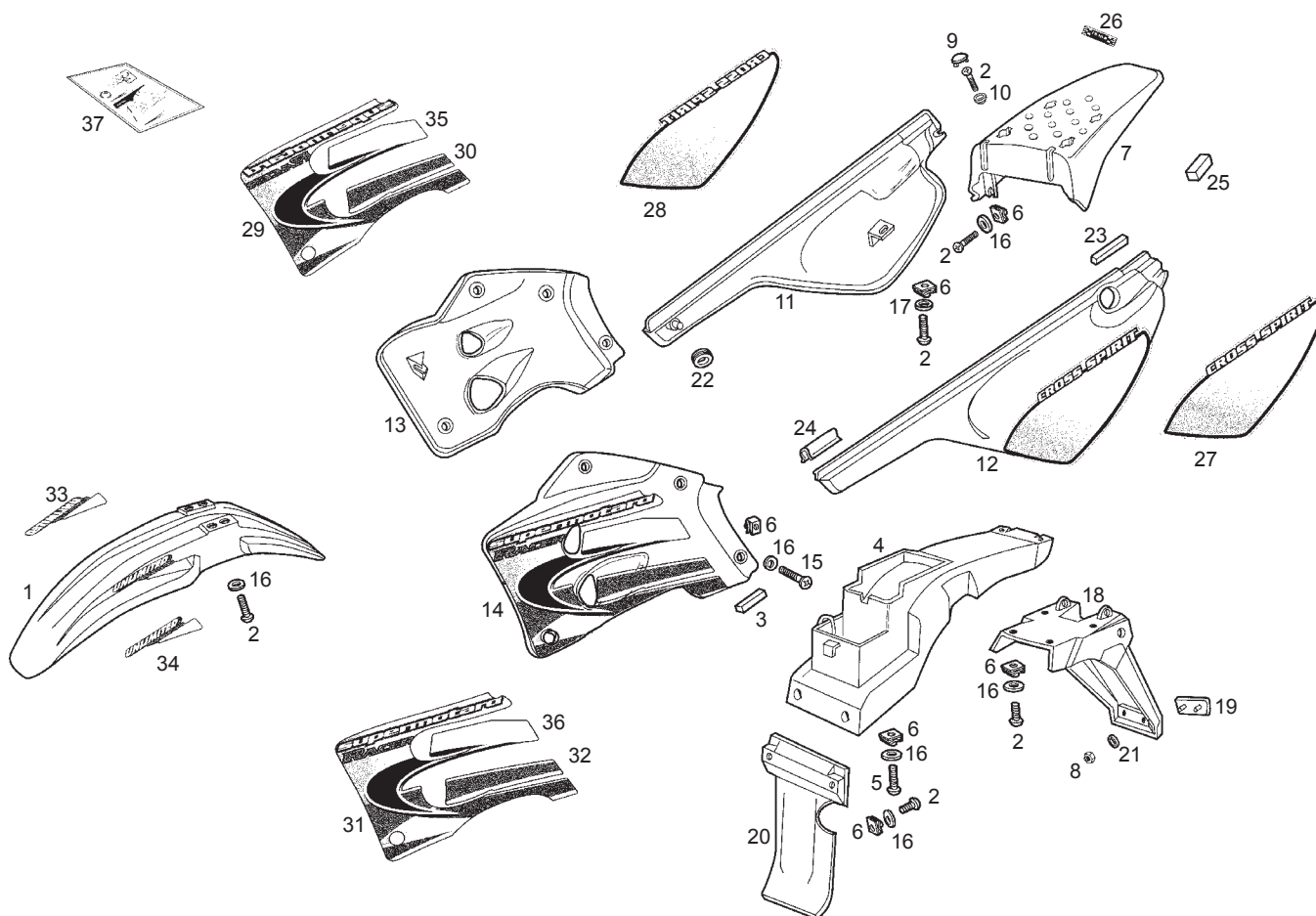


Fig.	Ver.	COD. KOD.	DESCRIPCIÓN DENOMINAZIONE NAME	BEZEICHUNG DESIGNATION	MOD.	NOTAS NOTES MITSCHRIFT NOTES
14B		00H04425832	TAPA DT IZQ NEGRA SUBCOMP.COP.ANT.SIN.C/C FRONT COVER LEFT SIDE	KUHLERVERKLEIDUNG L. OUIE MOTEUR G.	2 4	
15A		00008061500	TOR.C/RED.ALL.6M100X16 VITE T/TON.BRUGO.6M100X16.D73 ALLEN ROUND HEAD SCREW 6M100X	SCHRAUBE MIT HALBRUNDKOPF 6M10 VIS T.RONDE CREUSE 6M100X16.D7	1 2 3 4	
16A		00D01200171	ARANDELA RONDELLA ASSE LEVA FISSAGGIO WASHER	SCHEIBE ROND.AXE CAME FIX.COUVRE-CHAIN	1 2 3 4	
17A		00H00500211	ARAND.FIJ.TAPA LAT.(BICR) RONDELLA FISSAGGIO COPERCHIO WASHER	SCHEIBE RONDELLE	1 2 3 4	
18A		00H00700341	SUPLEMENTO GUARDABARRO TRASERO SUPP.PARAFANGO POST. SUPPLEM. REAR FENDER	SUPL. GARDE BOUE AR.	1 2 3 4	
19A		00H04400751	CAPTAFAROS TRASERO ROJO CATARIFRANGENTE POSTERIORE REAR REFLECTOR	RUCKSTRAHLER CATADIOPTRE ARRIERE	1 2 3 4	
20A		00H00701381	PROTECTOR AMORTIGUADOR PROTEZIONE AMMORTIZZATORI SHOCK ABSORVER ASSY.PROTECTOR	STOSSDAMPFERSCHUTZ PROTECTEUR AMORTISSEUR	1 2 3 4	
21A		00000031040	ARANDELA PLANA MECANIZ.D4 RONDELLA PIATTA MECCANIZZATA MACHINED FLAT WASHER D4	SCHEIBE D.4 RONDELLE PLATE MECANISEE D4	1 2 3 4	
22A		00H00501761	SILENT.FIJ.TAPAS LAT. SILENTBLOCK FISSAGGIO COPERCH SILENTBLOCK	SILENTBLOCK SILENTBLOC	1 2 3 4	
23A		00H01502301	TOPE POST.TAPA LAT. FERMO POST.COPERC.LAT.SENDA R LEFT HAND SIDE COVER STOP END	VERSCHLUSSDECKEL SILENTBLOC PLAQUE LATERAL G.	1 2 3 4	

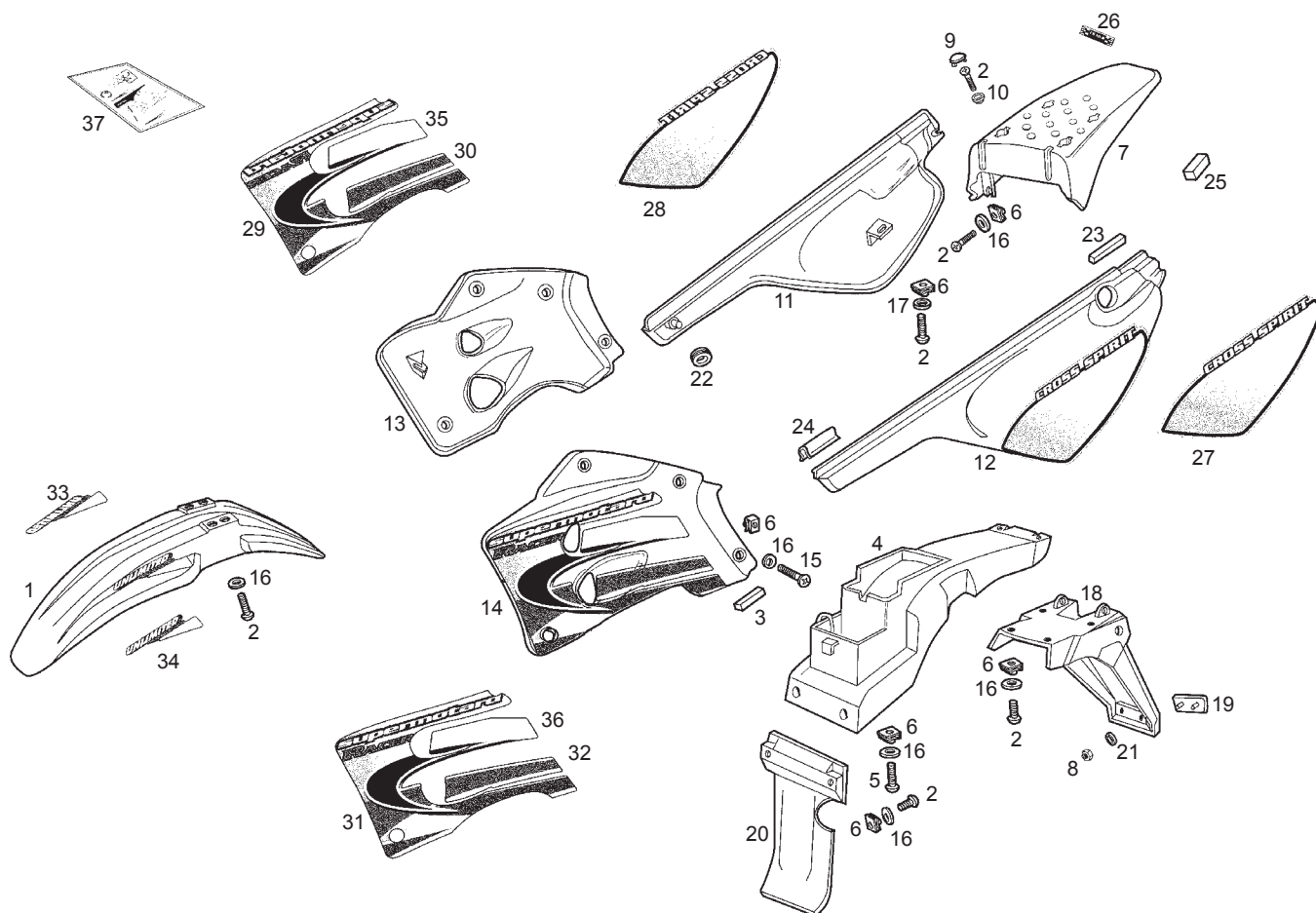


Fig.	Ver.	COD. KOD.	DESCRIPCIÓN DENOMINAZIONE NAME	BEZEICHUNG DESIGNATION	MOD.	NOTAS NOTES NOTA MITSCHRIFT NOTES
24A		00H06800091	TOPE INF.TAPA DT. FERMO INF.COPERC.ANT.SENDA R STOP	AUFKLEBER ARRETSSILENTBLOC	1 2 3 4	
25A		00000023051	TCA.AUTOBLOC. 5M80 DADO AUTOBOCCANTE 5M80 SELF-LOCKING NUT 5M80	MUTTER SELBSTS 5M80 ECROU INDESSERRABLE 5M80	1 2 3 4	
26A		00H04900231	CALCA 8 VECES ADESIVO DERBI 8 VOLTE DERBI 8 TIMES TRANSFER	DERBI-ABZIEHBILD 8-FACH CALQUE DERBI 8 FOIS	1 2 3 4	
27A		00H00516191	CALCA TAPA.LAT IZQ AZUL ADESIVO COPERC.LATERALE SIDE COVER DECAL	AUFKLEBER DECAL LAT.	1 3	
27B		00H00516192	CALCA TAPA.LAT IZQ NEGRA ADESIVO COPERC.LATERALE SIDE COVER DECAL	AUFKLEBER DECAL LAT.	2 4	
28A		00H00514651	CALCA TAPA.LAT DR AZUL ADESIVO DECAL	AUFKLEBER ADHESIF	1 3	
28B		00H00514652	CALCA TAPA.LAT DR NEGRA ADESIVO DECAL	AUFKLEBER ADHESIF	2 4	
29A		00H04916561	CALCA TAPA DT DR ANTERIOR AZUL ADESIVO DECAL	AUFKLEBER ADHESIF	1 3	
29B		00H04916562	CALCA TAPA DT DR ANTERIOR NEGRA ADESIVO DECAL	AUFKLEBER ADHESIF	2 4	
30A		00H04606091	CALCA TAPA DR DR POSTERIOR AZUL ADESIVO DECAL	AUFKLEBER ADHESIF	1 3	

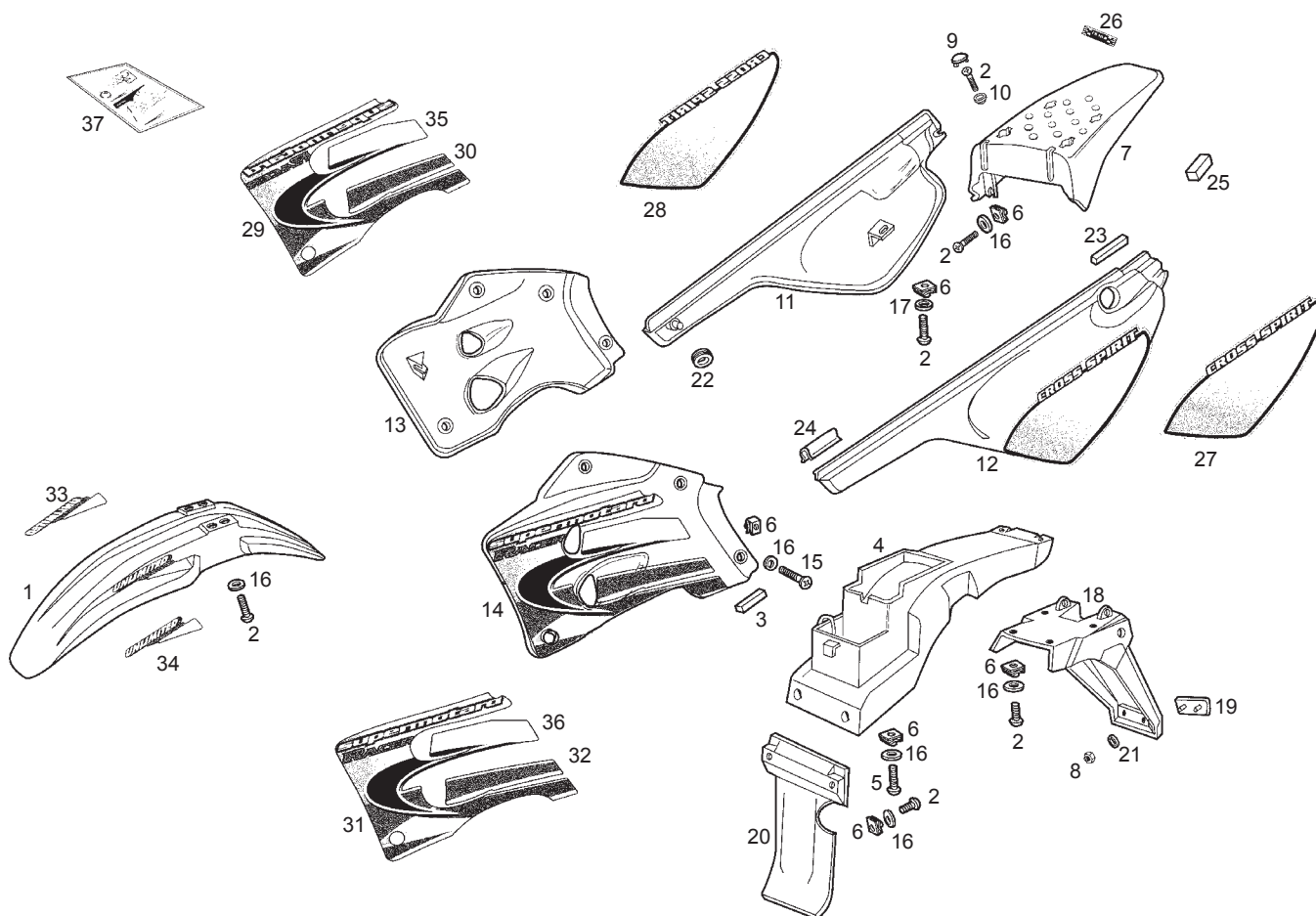


Fig.	Ver.	COD. KOD.	DESCRIPCIÓN DENOMINAZIONE NAME	BEZEICHNUNG DESIGNATION	MOD.	NOTAS NOTES NOTA MITSCHRIFT NOTES
30B		00H04606092	CALCA TAPA DR DR POSTERIOR NEGRA ADESIVO DECAL	AUFKLEBER ADHESIF	2 4	
31A		00H04916571	CALCA TAPA DT IZQ ANTERIOR AZUL ADESIVO DECAL	AUFKLEBER ADHESIF	1 3	
31B		00H04916572	CALCA TAPA DT IZQ ANTERIOR NEGRA ADESIVO DECAL	AUFKLEBER ADHESIF	2 4	
32A		00H04606101	CALCA TAPA DR IZQ POSTERIOR AZUL ADESIVO DECAL	AUFKLEBER ADHESIF	1 3	
32B		00H04606102	CALCA TAPA DR IZQ POSTERIOR NEGRA ADESIVO DECAL	AUFKLEBER ADHESIF	2 4	
33A		00H00706251	CALCA DR.GUARDAB.AZUL ADESIVO DECAL	AUFKLEBER ADHESIF	1 3	
33B		00H00706252	CALCA DR.GUARDAB.NEGRA ADESIVO DECAL	AUFKLEBER ADHESIF	2 4	
34A		00H00706271	CALCA IZQ.GUARDAB.AZUL ADESIVO DECAL	AUFKLEBER ADHESIF	1 3	
34B		00H00706272	CALCA IZQ.GUARDAB.NEGRA ADESIVO DECAL	AUFKLEBER ADHESIF	2 4	
35A		00H04614221	CALCA TAPA DT DR SUPERIOR AZUL ADESIVO DECAL	AUFKLEBER ADHESIF	1 3	

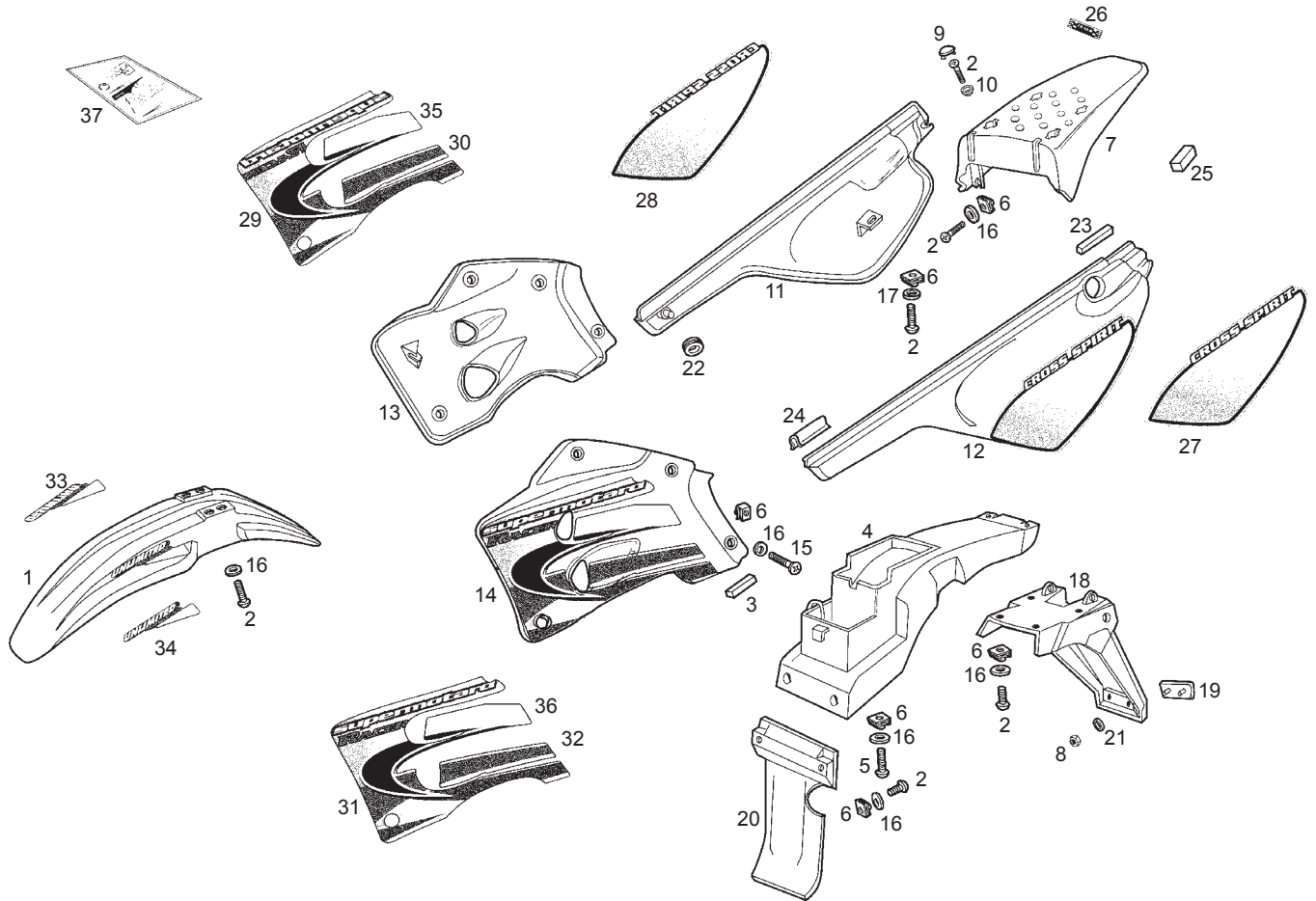


Fig.	Ver.	COD. KOD.	DESCRIPCIÓN DENOMINAZIONE NAME	BEZEICHNUNG DESIGNATION	MOD.	NOTAS NOTES NOTA MITSCHRIFT NOTES
35B		00H04614222	CALCA TAPA DT DR SUPERIOR NEGRA ADESIVO DECAL	AUFKLEBER ADHESIF	2 4	
36A		00H04614231	CALCA TAPA DT IZQ SUPERIOR AZUL ADESIVO DECAL	AUFKLEBER ADHESIF	1 3	
36B		00H04614232	CALCA TAPA DT IZQ SUPERIOR NEGRA ADESIVO DECAL	AUFKLEBER ADHESIF	2 4	

ACCESORIOS OPCIONALES / ACCESORI OPCIONALE / OPTIONAL ACCESSORIES / WERKZEUG / OTILS FOURNIS

37A		00H05141651	JUEGO CALCAS SENDA AZUL COMP.GIOCO ADESIVI DECAL ASSY	ABZIEHBILDSATZ JEU D,ADHESIF	1 3	
37B		00H05141652	JUEGO CALCAS SENDA NEGRA COMP.GIOCO ADESIVI DECAL ASSY	ABZIEHBILDSATZ JEU D,ADHESIF	2 4	

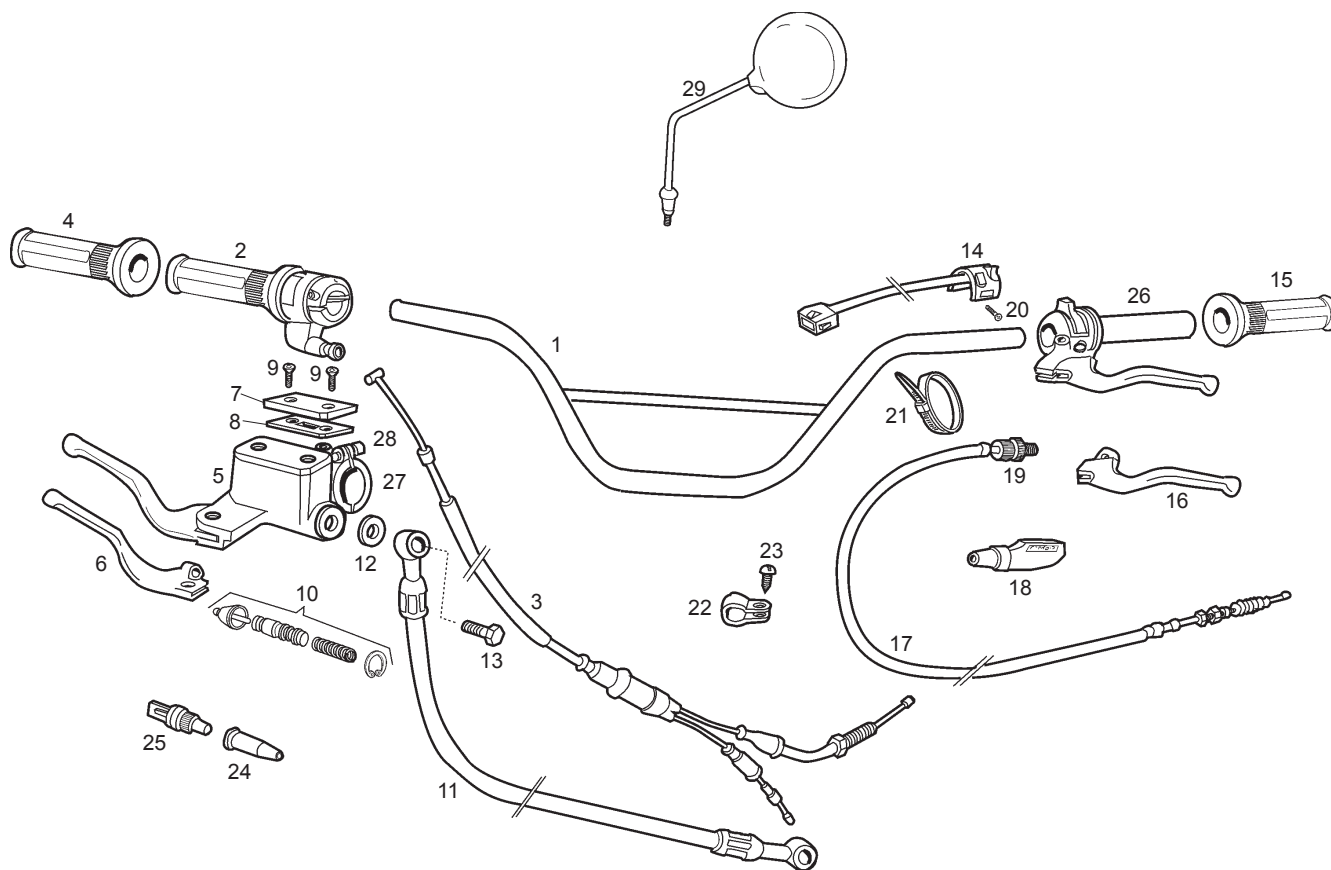


Fig.	Ver.	COD. KOD.	DESCRIPCIÓN DENOMINAZIONE NAME	BEZEICHNUNG DESIGNATION	MOD.	NOTAS NOTES NOTA MITSCHRIFT NOTES
01A		00H00908011	SCTO MANILLAR MANUBRIO GRIGIO ZIRC. HANDLEBAR, GREY	LENKER GUIDON	1 2 3 4	
02A		00H02101621	CTO PUÑO GAS MANOPOLA ACCELERATO THROTTLE GRIP ASSEMBLY	GASGRIFF POIGNEE DE GAZ COMPLETE	1 2 3 4	
03A		00H00916171	SCTO CABLE FUNDA GAS CAVO-FODERO ACCELER CABLE ASSY TRHOTTLE	GASKABEL GAINE ET CABLE DE GAZ	1 2 3 4	
04A		00H00930091	EMPUÑADURA DE GAS MANOPOLA ACCELERATORE V.W.C GRIP, THROTTLE	GRIFF CAOUT. POIGNEE DE GAZ	1 2 3 4	
05A		00G02102081	CTO MANDO FRENO DT COMANDO FRENO ANT FRONT BRAKE LEVER/CYLINDER AS	BREMSPUMPE SENDA R-ENS.COMMANDE FREIN AV.SENDA	1 2 3 4	
06A		00F00902291	MANETA FRENO LEVA FRENO ANTERIORE FRONT BRAKE LEVER	BREMSHEBEL MANETTE DU FREIN AVANT	1 2 3 4	
07A		00H02100191	R-TAPA DEPOSITO LIQ.FR.DT. COPERCHIO SERBATOIO .LIQUID FRONT BRAKE FLUID RESERVOIR C	BREMSFLUESSIGKEITSBEHAELTER R-COUV.RESER.LIQ.FREIN AVANT S	1 2 3 4	
08A		00H02100861	R-JUNTA TAP.DPT.LIQ.FR.DT. GUARNIZIONE COPERCHIO SERBA FRONT BRAKE FLUID RESERVOIR C	BREMSDECKELDICHTUNG R-JOINT COUV.RES.LIQ.FR.AV.SEN	1 2 3 4	
09A		00014041200	TOR.C/AV.CRUZ.NG.4M80X12 VITE TESTA SVASATA CROCE NERO COUNTERSUNK PHILIPS SCREW (BL	SCHRAUBE 4M80X12.D-965 BOULON T.NOYEE CR.N.4M80X12.D-	1 2 3 4	
10A		00H02104811	KIT REPARACION BOMBA FRENO KIT RIPARAZIONE . FRONT BRAKE MASTER CYLINDER R	REP.-SATZ F. PUMPE R-ENSEM.KIT REPAR. POMPE SENDA	1 2 3 4	
11A		00H00917751	TUBO LIQUIDO DE FRENOS SUBCOMP.TUBO LIQ.FRE.ANT. BRAKE FLUIT TUBE	BREMSSCHLAUCH FLEXIBLE DE FREIN AVANT	1 2 3 4	

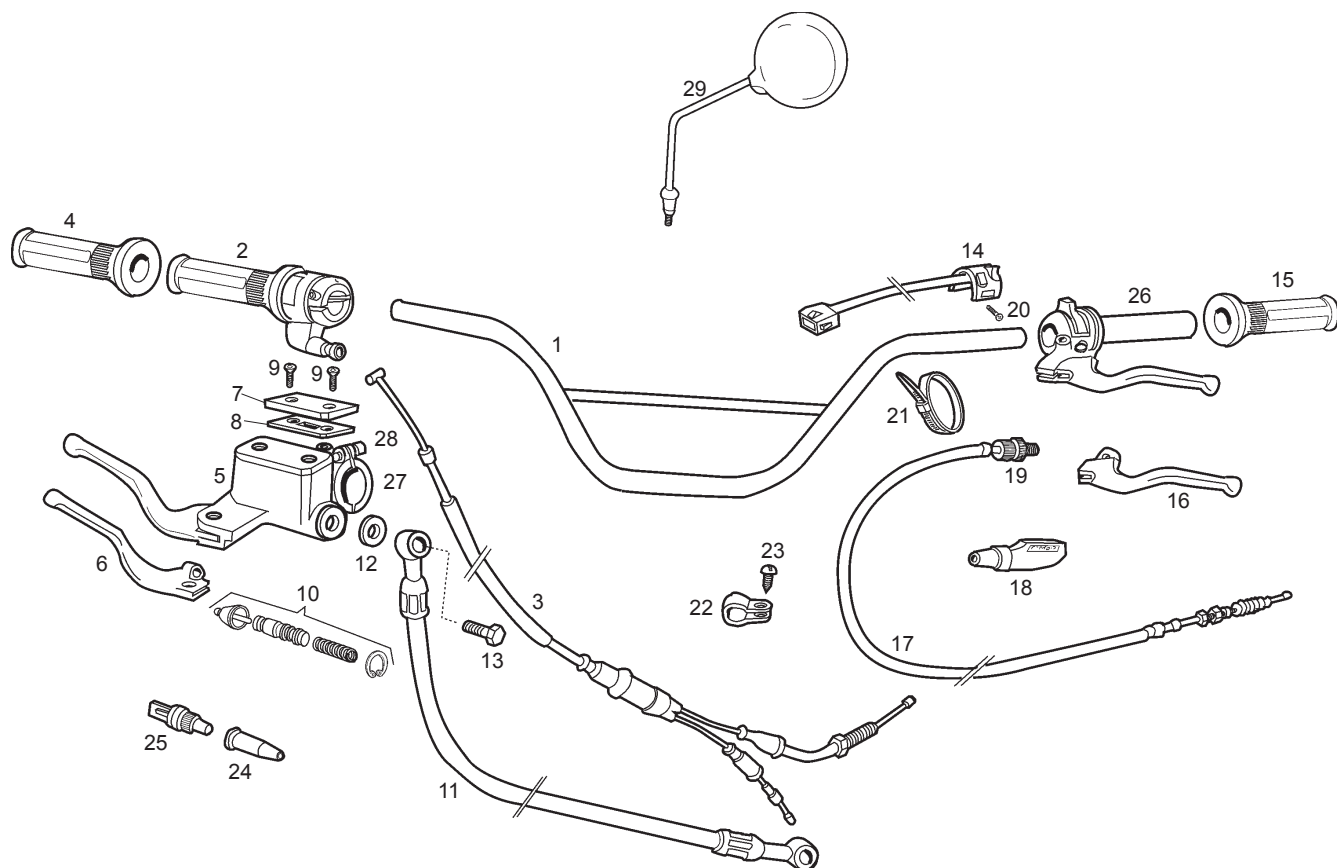


Fig.	Ver.	COD. KOD.	DESCRIPCIÓN DENOMINAZIONE NAME	BEZEICHNUNG DESIGNATION	MOD.	NOTAS NOTES NOTA MITSCHRIFT NOTES
12A		00006321040	ARAND.JUNTA RACORD RONDELLA GUARNIZIONE RACCORDO CONNECTOR GASKET WASHER	DICHRING RONDELLE DE JOINT RACCORD	1 2 3 4	
13A		00006309260	RACORD TUBO HIDRAULICO RACCORDO TUBO IDRAULICO HYDRAULIC TUBE CONNECTOR	STUTZEN HYDRAULIKLEITUNG RACCORD TUYAU HYDRAULIQUE	1 2 3 4	
14A		00H02304381	CTO CONMUTADOR LUCES C/C COMMUTATORE LUCI SWITCH	LICHTSCHALTER INVERSEUR AVEC CABLE	1 2 3 4	
15A		00H00930071	EMPUÑADURA PUÑO LUZ MANOPOLA FRENO POSTERIORE 1 GRIP, THROTTLE	GRIFFGUMMI IMPUGNATURA NEE GAZ	1 2 3 4	
16A		00F00910291	MANETA EMBRAGUE LEVA FRIZIONE FDS/89.373029 CLUTH LEVER	KUPPLUNGSHABEL LEVIER EMBRAYAGE	1 2 3 4	
17A		00H00907301	SCTO CABLE FUNDA EMBRAGUE SUBCOM.CAVO-GUAINA FRIZ.SDA-R CLUTCH COVER AND CAB.SUB.ASSY	KUPPLUNGZUG GAINE ET CABLE D'EMBRAYAGE	1 2 3 4	
18A		00H02101011	PROTECTOR MANETA EMBRAGUE PROTEZIONE LEVA FRIZIONE SD- CLUTCH LEVER PROTECTOR	GUMMIKAPPE PROTEGE LEVIER EMBRAY.	1 2 3 4	
19A		00F00920551	R-CTO.TENS.CABLE EMBRAGUE TENSORE CAVO FRIZ CLUTCH CABLE TIGHTENING DEVIC	SHELLE TENDEUR CABLE D4EMBRAYAGE	1 2 3 4	
20A		00000012508	TOR.C/RED.CRUIZ,5M80X8 VITE TONDO CROCE 5M80X8,DIN-7 SCREW	SCHRAUBE VIS	1 2 3 4	
21A		00A00900531	BRIDA UNECABLES NEGRA FLANGIA UNIONE CAVI NERA BLACK CABLE TIE	KABELBINDER COLLIER	1 2 3 4	
22A		00H01501811	SCTO.SOPTE.FIJ.TUBO FRENO DT. SOSTEGNO FISSAGG FRONT BRAKE TUBE SECURING BRA	HALTER F. BEF. BREMSSCHLAUCH SOUS-EN.SUP.FIX.TUYAU FREIN AV	1 2 3 4	

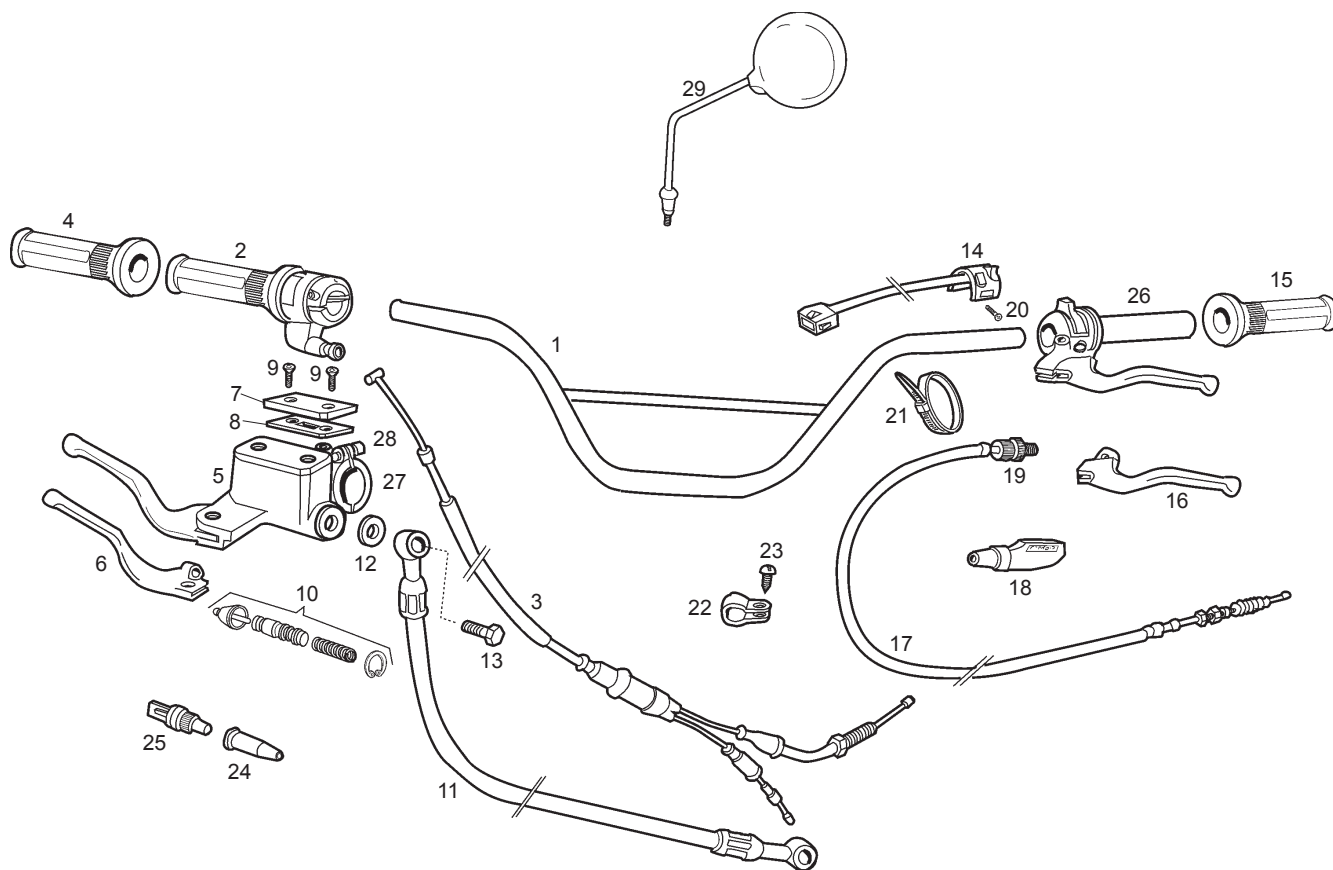


Fig.	Ver.	COD. KOD.	DESCRIPCIÓN DENOMINAZIONE NAME	BEZEICHNUNG DESIGNATION	MOD.	NOTAS NOTES NOTA MITSCHRIFT NOTES
23A		00011141300	TOR.AUT.C/CR.NG.4,8X13 VITE AUTOFILETTANTE TESTA CRO SCREW, SELF TAPPING 4.8MM13	SCHRAUBE BOULON	1 2 3 4	
24A		00005010760	CAPUCH.INTERRUP.STOP.NG CAPPUCCIO INTERRUOTORE STOP N RUBBER COVER,STOP LIGHT SWITC	GUMMISCHUTZ STOPLICHTSCHALTER CAPUCHON	1 2 3 4	
25A		00D01000701	INTERRUP.MANDO STOP. INTERRUPTORE COMANDO STOP SWITCH, STOP LIGHT	STOPSCHALTER VO. INTERRUPTEUR COMMANDEMENT STOP	1 2 3 4	
26A		00H02105611	CTO PORTAMANETA IZQ. SENDA R PORTALEVA MANOPOLA SUPPORT AND LEVER	HALTER UND HEBEL SUPPORT DE LEVIER ET LEV.GAUCH	1 2 3 4	
27A		00D02100901	R-BRIDA FIJ.MANDO FRENO. STALLA CLAMP	BUEGEL COLLIER	1 2 3 4	
28A		00000004620	TOR.C/ALLEN.6M100X20 VITE TESTA ALLEN 6M100X20.D-9 ALLEN SCREW M6X20	INBUSSCHRAUBE 6M100X20. VIS T.CREUSE 6M100X20.D-9/12/8.	1 2 3 4	

ACCESORIOS OPCIONALES / ACCESORI OPCIONALE / OPTIONAL ACCESORIES / WERKZEUG / OTILS FOURNIS

29A		00H02205671	CTO ESPEJO RETROVISOR SPECCHIO RETROVIS REAR MIRROR	SPIEGEL RETROVISEUR	1 2 3 4	
-----	--	-------------	---	------------------------	---------	--

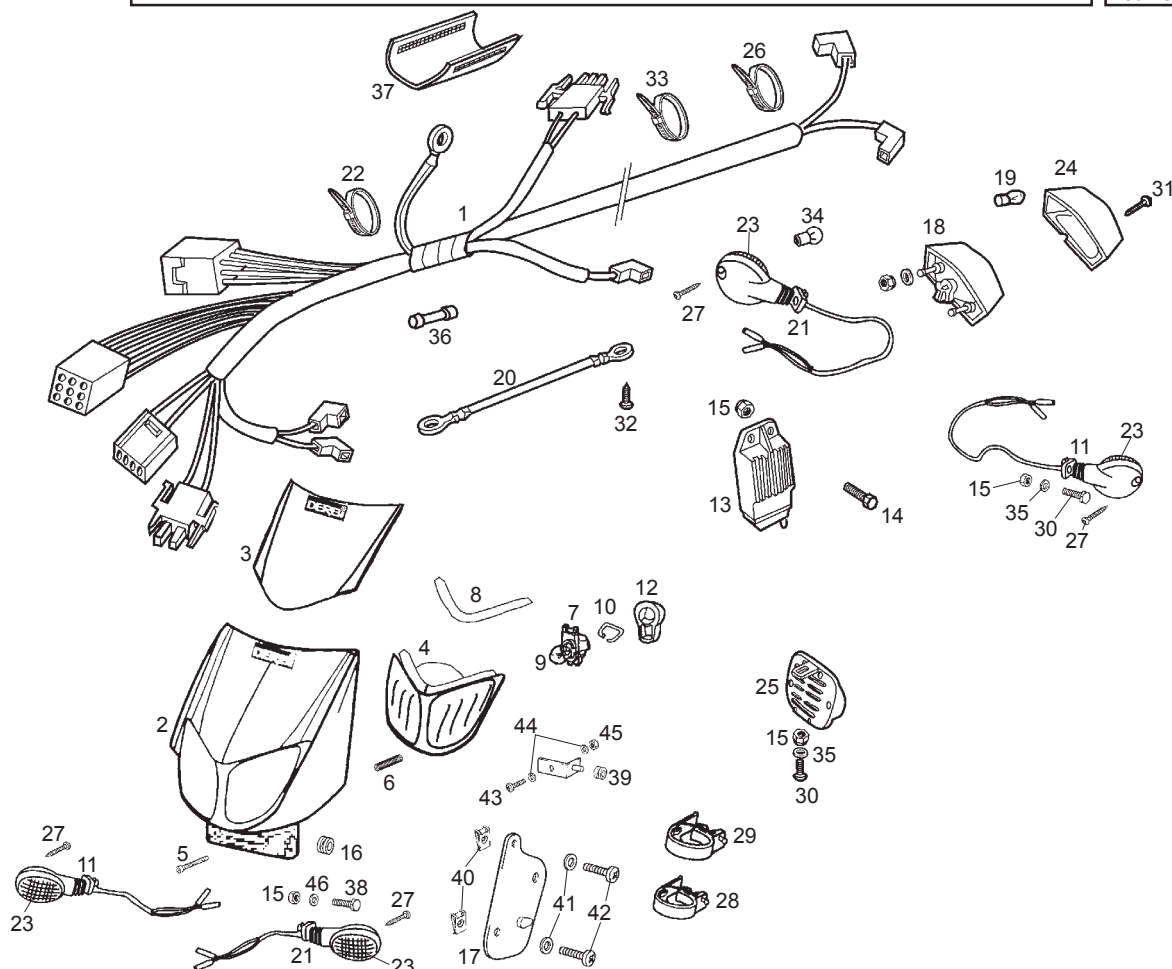


Fig.	Ver.	COD. KOD.	DESCRIPCIÓN DENOMINAZIONE NAME	BEZEICHUNG DESIGNATION	MOD.	NOTAS NOTES NOTA MITSCHRIFT NOTES
01A		00H01032301	CTO INSTALACION COMP. ISTALL. ELETTR. SENDA-R GE LOOM.	KABEL BAUM FAISCEAU PRINCIPAL	1 2 3 4	
02A		00H02229373	CARCASA FARO AZUL SUBCOMP. CARC. FARO C/C. HEADLIGHT CUSING SUB-ASSEMBL	SCHEINWERFERVERKLEIDUNG PLAQUE PHARE	1 3	
02B		00H02229374	CARCASA FARO NEGRA SUBCOMP. CARC. FARO C/C. HEADLIGHT CUSING SUB-ASSEMBL	SCHEINWERFERVERKLEIDUNG PLAQUE PHARE	2 4	
03A		00H01526323	CALCA CARCASA FARO AZUL ADESIVO PLACCA FRONTALE SENDA FORNT PLATE DECAL	AUFKLEBER DECAL DE PLAQUE PHARE	1 3	
03B		00H01526324	CALCA CARCASA FARO NEGRA ADESIVO PLACCA FRONTALE SENDA FORNT PLATE DECAL	AUFKLEBER DECAL DE PLAQUE PHARE	2 4	
04A		00H01013011	CTO FARO DT COMP. FARO ANT. SENDA-R GERMANI HEADLIGHT LENS SUB-ASSEMBLY	SCHEINWERFER VORN OPTIQUE COMPLETE	1 2 3 4	
05A		00012045000	TORNILLO C/RED CRUZ 4M70X50 R-VITE REGOLAZIONE FARO M4X30 HEADLAMP ADJUSTER SCREW	EINSTELLSCHRAUBE SCHEINWERFER R-VIS DE REGLAGE PHARE. M4X30.	1 2 3 4	
06A		00H02304501	MUELLE REGULACION FARO MOLLA REGOLAZIONE FARO SPRING, HEADLIGHT SELTING	FEDER RESSORT	1 2 3 4	
07A		00003710110	R-PORTALAMPARAS PORTA-LAMPADE BULB HOLDER	LAMPENHALTER R-PORTE-LAMPES	1 2 3 4	
08A		00H05700101	TOPE FARO DTRO. FERMO FARO HEADLIGHT STOP	ANSCHLAG SCHEINWERFER BUTEE PHARE	1 2 3 4	
09A		00H01000131	LAMPARA FARO. 12V.35/35W. LAMPADA FARO 12V 35/35W HEADLIGHT BULB	SCHEINWERFERLAMPE 12V/35-3 TUBE PHARE 12V/35-35W	1 2 3 4	

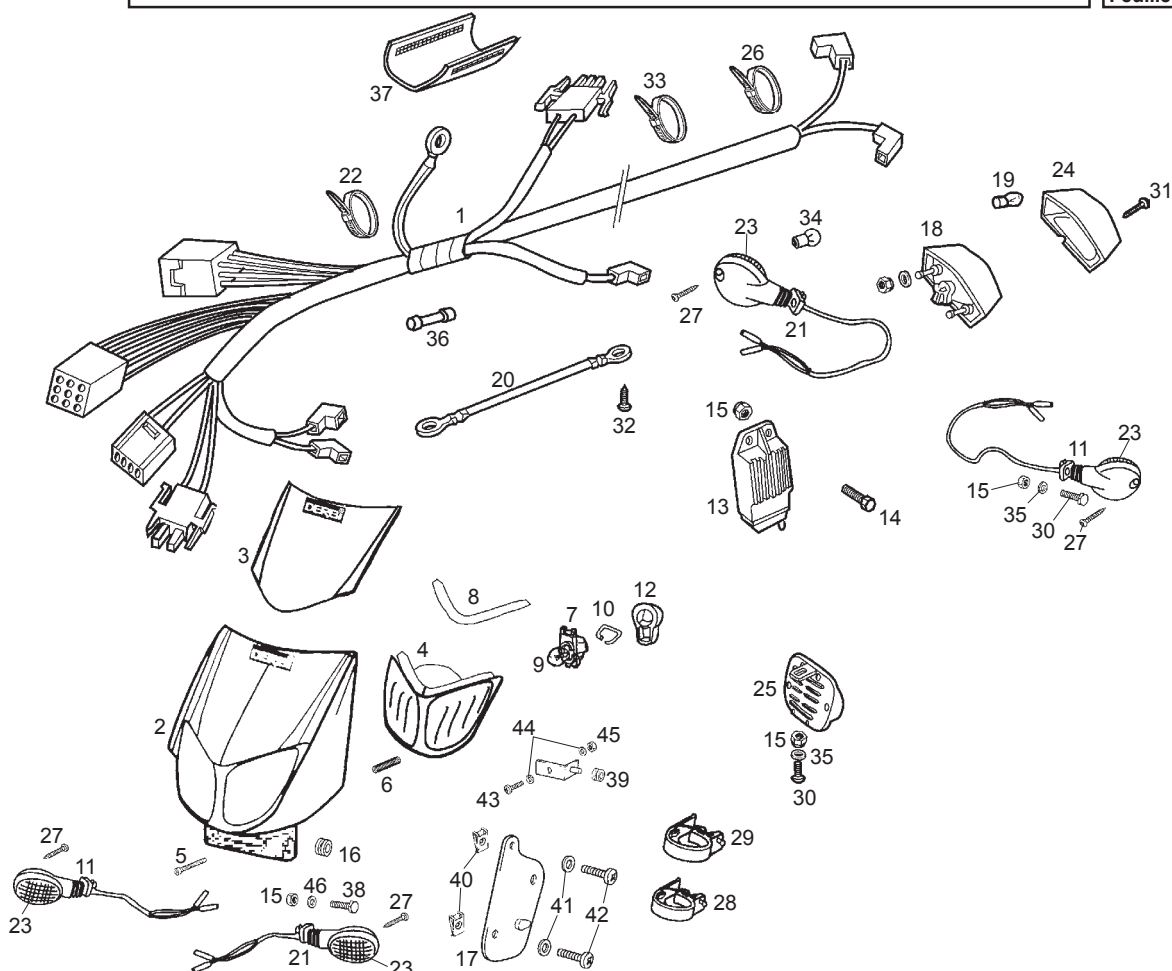


Fig.	Ver.	COD. KOD.	DESCRIPCIÓN DENOMINAZIONE NAME	BEZEICHUNG DESIGNATION	MOD.	NOTAS NOTES NOTA MITSCHRIFT NOTES
10A		00003710120	R-MUELLE PORTLAMPARAS R- MOLLA PORTALAMPADAE BULB HOLDER SPRING	FEDER F. LAMPENHALTER R-RESSORT PORTE-LAMPES	1 2 3 4	
11A		00H01701391	CTO FARO INTTE TRASERO IZQUIERDO FARO INDICATORE DIR REAR RIGHT INDICATOR LIGHT AS	BLINKER HINTEN RECHTS ENS.CLIGNOTANT ARR.DROITE HUNT	1 2 3 4	
12A		00D05700141	R-PROTECT.PORTALAMP.FARO FDS-SV R-PROTEZIONE PORTA LAMPADA FA HEADLAMP BULB HOLDER PROTC	LAMPENDECKEL R-PROT.PORTE-LAMPES PHARE F	1 2 3 4	
13A		00H01004841	REGULADOR AC-DC + CENTRAL INTTES REGOLATORE TENSIONE SENDA-R G REGULATOR	REGLER REGULATEUR	1 2 3 4	
14A		00F05900041	TORNILLO NEGRO 6M100X16 VITE TESTA ESAGONALE 5M80X16 HEX.HEAD SCREW 5M80X15	SCHRAUBE BOULON TETE HEX.5M80X15	1 2 3 4	
15A		00000023060	TUERCA AUTOBLOCANTE 6M100 ZN B DADO ESAGONALE 5M80 DIN- HEXAGON NUT 5M80	MUTTER M5 ECROU HEXAGONAL 5M80	1 2 3 4	
16A		00H05701061	PASACABLE CARCASA FARO PASSACAVI CARC.FARO HEADLIGHT COSING RUBBER	KABELSCHUTZ PASSE-CABLES	1 2 3 4	
17A		00H01502741	SOPORTE CARCASA SUPPORTO CARC. HEADLIGHT CUSING SUPPORT	HALTERUNG SUPPORT	1 2 3 4	
18A		00H01001321	CTO.FARO PILOTO FANALINO POSTERIORE TAIL LIGHT ASSY	RUCKLICHT FEU ARRIERE	1 2 3 4	
19A		00E01020371	LAMP.PILOTO-STOP.12V.21/5W LAMPADA FANALINO POSTERIORE 1 BULB	BIRNE BREMSLICHT 12V 21/5W LAMPE-TEMOIN-STOP 12V 21/5W	1 2 3 4	
20A		00A01020971	CABLE MASA FARO PILOTO CAVO MASSA FANALINO POSTERIOR GROUND CABLE, TAIL LIGAT	KABEL CABLE MASSE FEU ARRIERE	1 2 3 4	

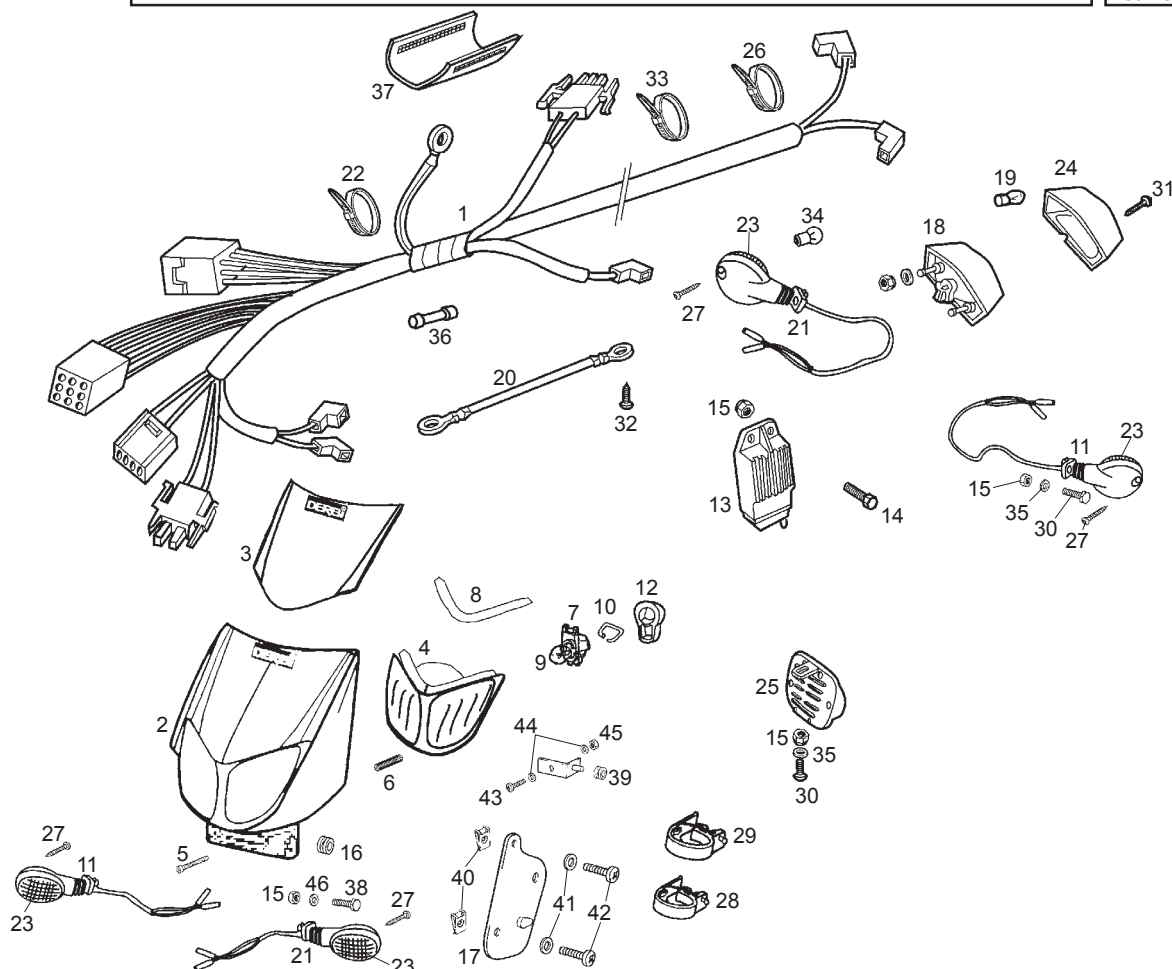


Fig.	Ver.	COD. KOD.	DESCRIPCIÓN DENOMINAZIONE NAME	BEZEICHUNG DESIGNATION	MOD.	NOTAS NOTES NOTA MITSCHRIFT NOTES
21A		00H01701301	CTO FARO INTTE TRASERO DERECHO FARO INDICATORE DIR REAR RIGHT INDICATOR LIGHT AS	BLINKER HINTEN RECHTS ENS.CLIGNOTANT ARR.DROITE HUNT	1 2 3 4	
22A		00A00900531	BRIDA UNECABLES NEGRA. FLANGIA UNIONE CAVI NERA BLACK CABLE TIE	KABELBINDER COLLIER	1 2 3 4	
23A		00H01704071	CRISTAL FARO INTERMITENTE VETRO INTERMITTENTE POST.DEST LENS, TURN SIGNAL REAR LH	BLINKERGLAS RE. HI. GLACE CLIGNOTANT ARRIERE DROIT	1 2 3 4	
24A		00D01070341	R-CRISTAL PILOTO GRUPPO OTTICO FANALINO POST LENS, TAILLIGHT	RUCKLICHTCELLONE SAVANNAH CABOCHON DE FEU ARRIERE	1 2 3 4	
25A		00F01001311	CTO.CLAXON.12V-DC/0450-A.SC/91 CLACSON 12V CC/0450 HORN ASSEMBLY	HUPE 12V-DC/0450-A.SC/91 E.AVERTISSEUR 12V.DC/0450-A.SC	1 2 3 4	
26A		00F00900531	BRIDA UNECABLES NEGRA. FLANGIA NERA UNIONE CAVI SCO. BLACK CABLE TIE	KABELBINDER BRIDE N.CONNEX.-CABLES S-EN.BL	1 2 3 4	
27A		00011021300	TORNILLO AUTOROSCANTE 2,9X13 VITE FISSAZ.VETRO LAMPEGGIANT INDICATOR LENS SECURING SCREW	BEF.-SCHRAUBE BLINKERGLAS BOULON SERRAGE GLACE CLIGNOTAN	1 2 3 4	
28A		00H04607841	BRIDA FIJACION INFERIOR CARCASA FLANGIA CLAMP	BEF. SCHELLE COLLIER	1 2 3 4	
29A		00H04608841	BRIDA FIJACION SUPERIOR CARCASA FLANGIA CLAMP	BEF. SCHELLE COLLIER	1 2 3 4	
30A		00012161600	TOR.C/CRUZ.NG.6M100X16 VITE TESTA CROCE NERA 6M100X PHILIPS SCREW	SCHRAUBE 6M100X16 D-7985 VIS T.CROIX NOIR 6M100X16 D-79	1 2 3 4	
31A		00011033800	TOR.AUTR.C/CRUZ.3,5X38 VITE AUTOAV.T/CR0.3,5X38.D-79 SELF-THREADING HEAD.SC.3,5X38	SCHRAUBE 3,5 X 38.- VIS 3,5X38.DIN-7981-B.	1 2 3 4	

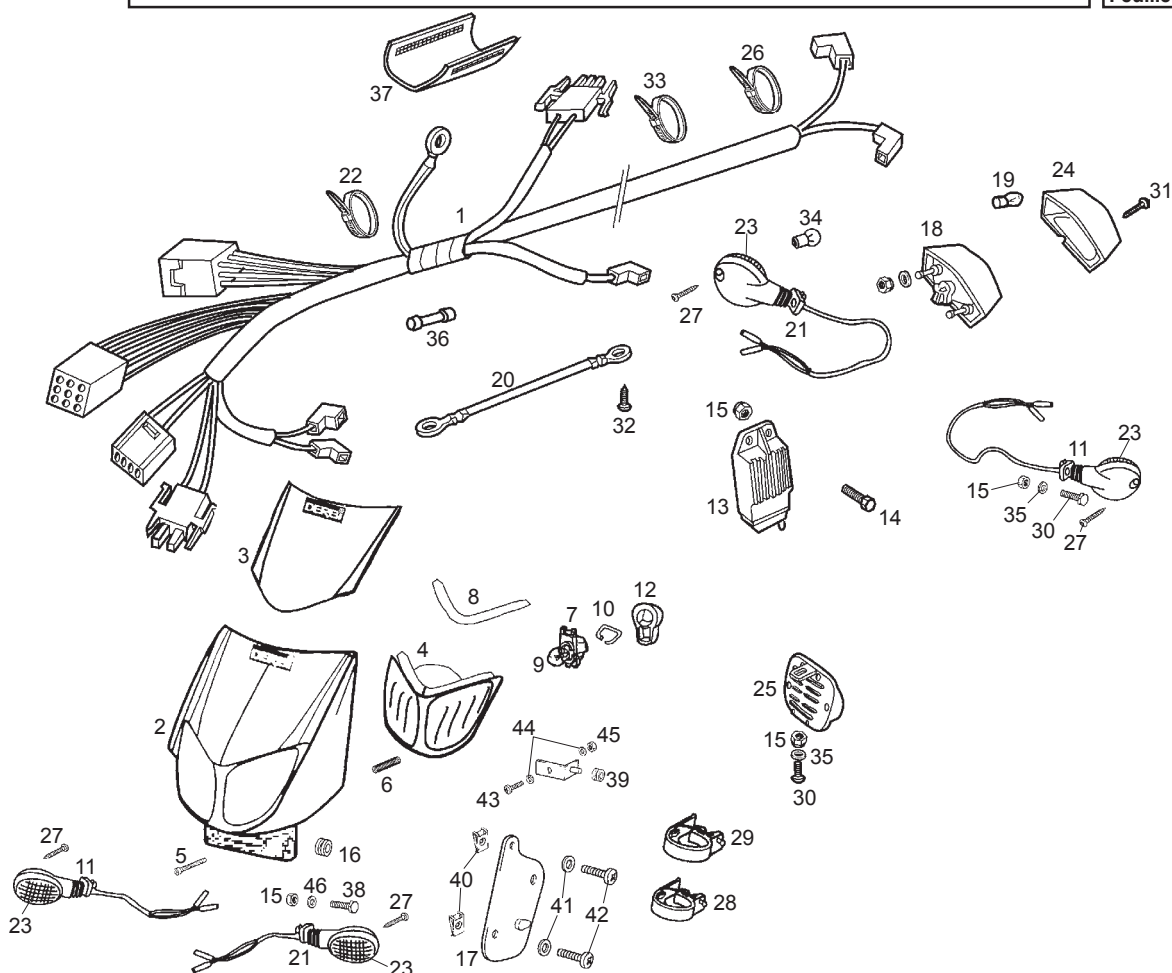


Fig.	Ver.	COD. KOD.	DESCRIPCIÓN DENOMINAZIONE NAME	BEZEICHUNG DESIGNATION	MOD.	NOTAS NOTES NOTA MITSCHRIFT NOTES
32A		00011061300	TOR.AUTR.C/CRUZ.6,3X13 VITE AUTOFILETTANTE TESTA CRO SCREW	SCHRAUBE 6,3X13 VIS	1 2 3 4	
33A		00D00900531	BRIDA UNECABLES NEGRA. FLANGIA UNISCI-CAVI NERA.ITW CABLE TIE	SHELLE COLLIER FIX EILERIE	1 2 3 4	
34A		0000A517011	LAMPARA INTERMITENTE 12V 10W LAMPADA FARO INDICATORI DIREZ INDICATOR LIGHT BULB 12V 10W	BLINKLICHTLAMPE 12V10W TUBE PHARES CLIGNOTANTS 12V 10	1 2 3 4	
35A		00D01200171	ARANDELA RONDELLA ASSE LEVA FISSAGGIO WASHER	SCHEIBE ROND.AXE CAME FIX.COUVRE-CHAIN	1 2 3 4	
36A		00F01010911	FUSIBLE 4 AH FUSIBILE 4AO SCOOTE50 ITALI FUSE, 4 A	SICHERUNG 4AH. FUSIBLE 4 AH.SCO-50.ITAL./89.	1 2 3 4	
37A		00H02300961	PROTECT.CONEXIONES INST.ELECTR PROTEZIONE COLLEGAMENTI IMPIA WIRING HARNESS CONNECTOR PROT	VERKABELUNGS-SCHUTZ PROTECTION CONNEXIONS INSTALLA	1 2 3 4	
38A		00012063000	TOR.C/RED.CRUIZ 6M100X30 VITE T/TON.CROCE 6M100X30 D79 ROUNDHEAD PHILIPS SCREW	SCHRAUBE MIT HALBRUNDKOPF 6M10 VIS T. RONDE CROIX 6M100X30 D-7	1 2 3 4	
39A		00H05701061	PASACABLES PASSACAVI RUBBER	KABELSCHUTZ PASSE-CABLES	1 2 3 4	
40A		00G04401461	TUERCA DADO NUT	MUTTER ECROU	1 2 3 4	
41A		00D02600631	ARAND.TOPE MUELLE EMBRG.4-6V. RONDELLA FERMO MOLLA FRIZIONE CLUTCH SPRING STOP WASHER	SCHEIBE ROND.BUTEE RESSORT EMBRAYA.4-6	1 2 3 4	
42A		00000012515	TORNILLO VITE SCREW	SCHRAUBE VIS	1 2 3 4	

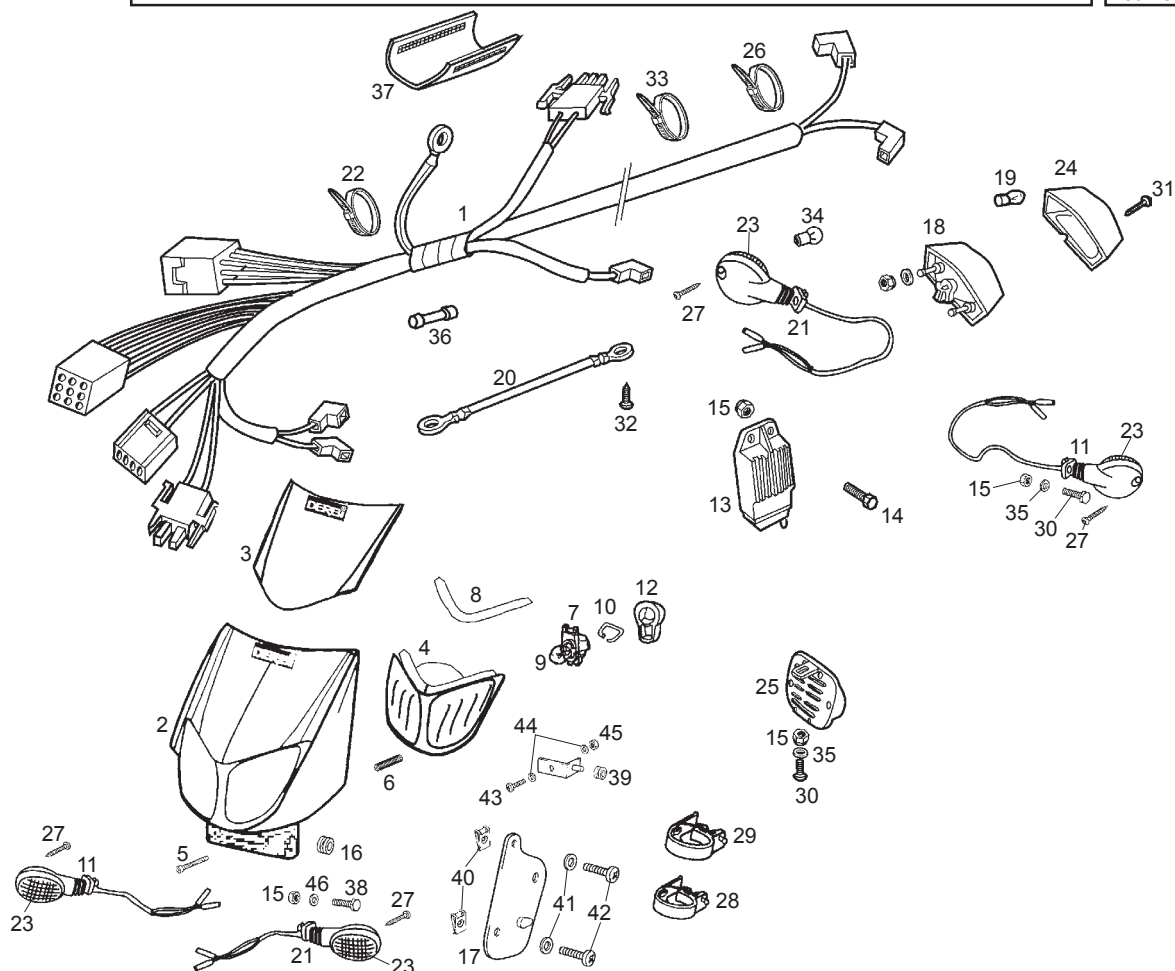


Fig.	Ver.	COD. KOD.	DESCRIPCIÓN DENOMINAZIONE NAME	BEZEICHNUNG DESIGNATION	MOD.	NOTAS NOTES NOTA MITSCHRIFT NOTES
43A		00000012410	TORNILLO C/RED. 4M70X10 VITE TONDO CROCE 4M70X10 DIN ROUNDHEAD PHILIPS SCREW	SCHRAUBE MIT HALBRUNDKOPF 4M70 VIS TETE RONDE CR.4M70X10D7985	1 2 3 4	
44A		00000031040	ARANDELA PLANA MECANIZ.D4 RONDELLA PIATTA MECCANIZZATA MACHINED FLAT WASHER D4	SCHEIBE D.4 RONDELLE PLATE MECANISEE D4 NO	1 2 3 4	
45A		00000023040	TUERCA AUTOBLOCANTE 4M70 DADO ESAGONALE 4M70 HEXAGON NUT 4M70	MUTTER 4M70 ECROU HEXAGONAL 4M70	1 2 3 4	
46A		00031106000	ARANDELA PLANA D6 RONDELLA PIATTA D6 MACINED FLAT WASHER D6	SCHEIBE D.6 ROND.PLATE MECANISEE D6	1 2 3 4	

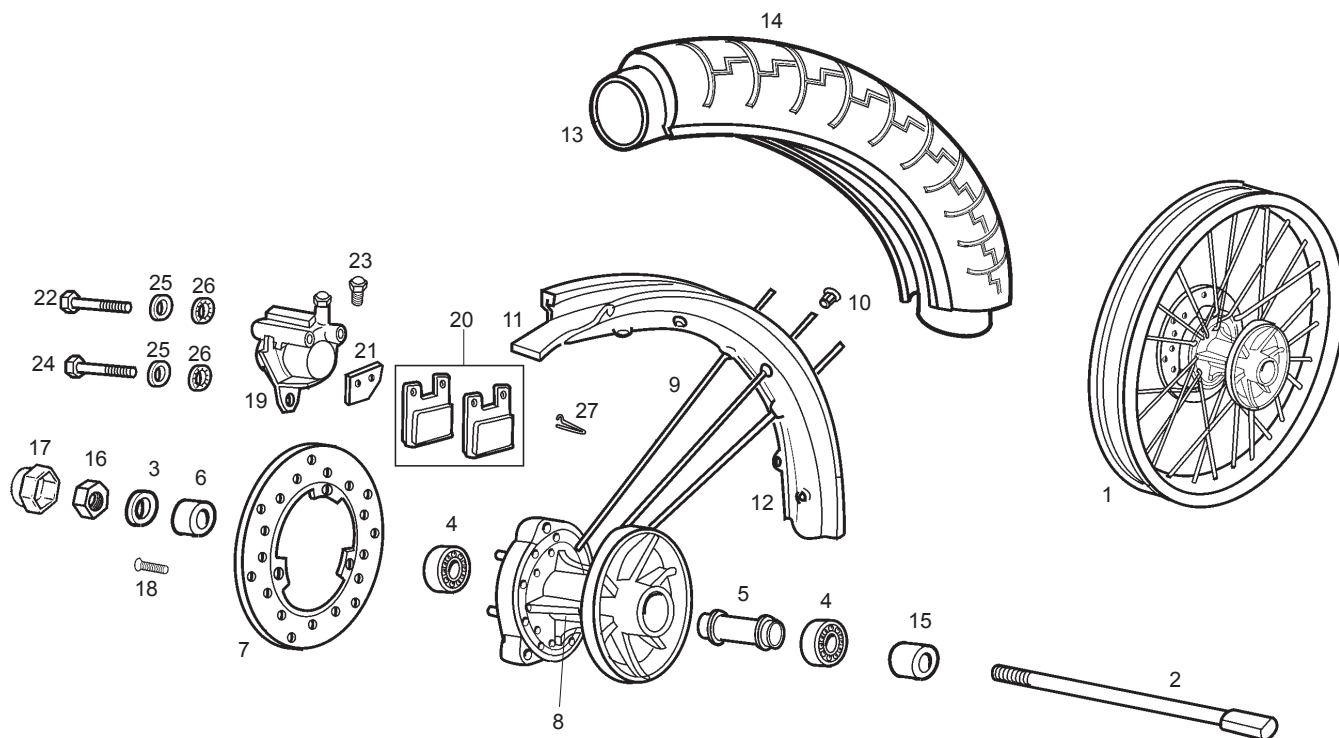


Fig.	Ver.	COD. KOD.	DESCRIPCIÓN DENOMINAZIONE NAME	BEZEICHNUNG DESIGNATION	MOD.	NOTAS NOTES NOTA MITSCHRIFT NOTES
01A		00H04714081	R-CTO.RUEDA DT C/DISCO COMPL.RUOTA ANT.C/DISEGNO FRONT WHEEL ASSEMBLY	VORDERRAD ROUE AV.COMPLETE	1 2 3 4	
02A		00H01203272	EJE RUEDA DTRA ZN B ASSE RUOTA ANTERIORE ZN B AXLE FRONT WHEEL ZN B	VORDERRADACHSE AXE DE ROUE AV.	1 2 3 4	
03A		00003112322	ARANDELA EJE RUEDA 25X20X2 ZN B RONDELLA ASSE RUOTA.12'25X20X FRONT WHEEL AXLE WASHER	SCHEIBE RADACHSE 12'25X20X2. RONDELLE AXE ROUE 12'25X20X2.	1 2 3 4	
04A		00058120100	COJINETE 6201.C3.2RS.12.32.10 CUSCINETTO 6201.C3.2RSR.12.32 BEARING 6201 12X32X10	LAGER 6201.C3.2RSR.12.32.10 PALIER 6201.C3.2RSR.12.32.10	1 2 3 4	
05A		00D01300091	SCTO SEPARADOR COJINETES RUEDA SUBSEPARATORE CUSCI SPACER, REAR HUB BEARING	DISTANZHULSE SEPARATEUR ROULEMENTS MOYEU AR	1 2 3 4	
06A		00D01320191	CASQ. LADO TAPA GHIERA LATO COPERCHIO BUSHING	BUCHSE ENTRETOISE	1 2 3 4	
07A		00H01208021	DISCO FRENO DT DISCO FRENO ANTERIORE BRAKE DISC, FDT	BREMSSCHEIBE DISQUE DE FREIN AV.	1 2 3 4	
08A		00H01205711	CTO CARRETE DT MOZZO ANT.GRIGIO COIL FRONT	RADNABE MOYEU AV.	1 2 3 4	
09A		00H01303691	RADIO RUEDA DT RAGGIO RUOTA ANT. WHEEL ARM.	SPEICHE RAYON DE ROUE	1 2 3 4	
10A		00002212070	TCA.RADIO DADO RADIO SPOKE NUT	MUTTER F. SPEICHE ECROU DE RAYON	1 2 3 4	
11A		00D01301401	PROTECT.CAMARA RDA.TRAS.18" PROTEZIONE CAMERA RUOTA POSTE RIM STRIP	FELGENBAND PROTECTEUR DE CHAMBRE A AIR	1 2 3 4	

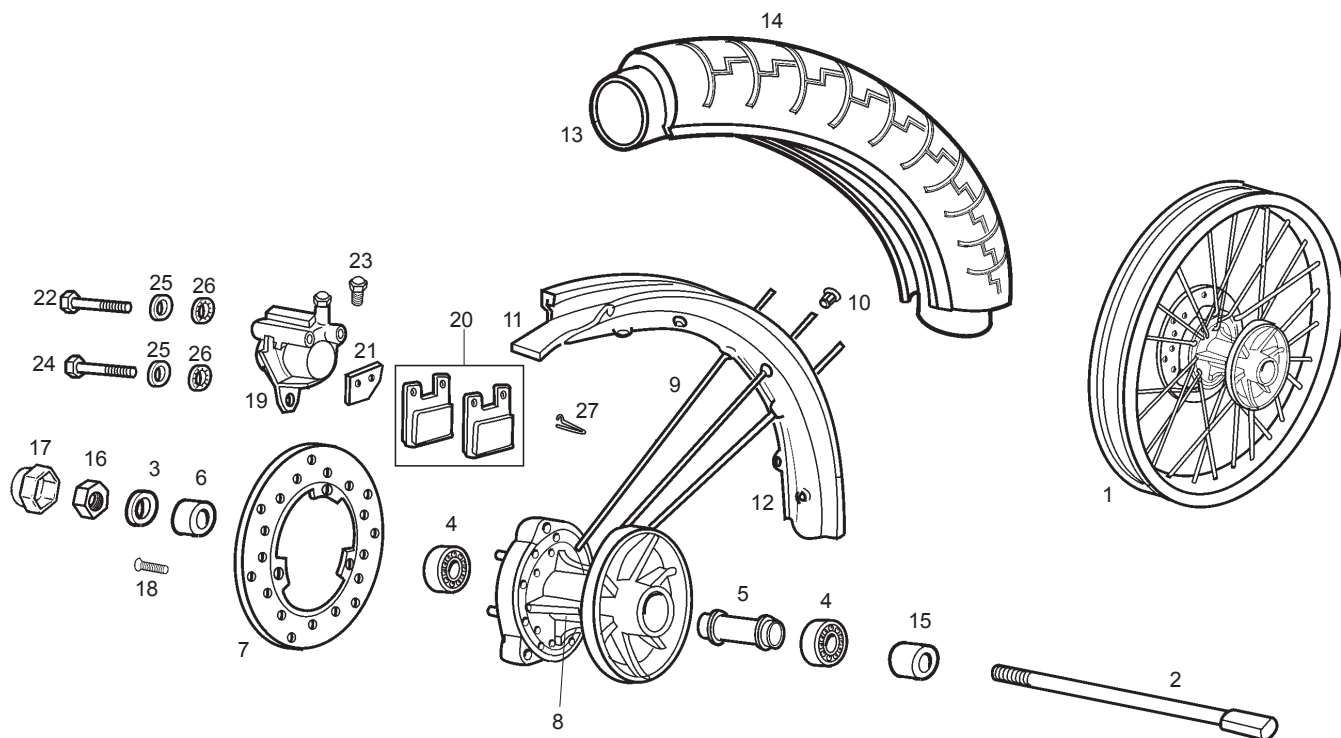


Fig.	Ver.	COD. KOD.	DESCRIPCIÓN DENOMINAZIONE NAME	BEZEICHNUNG DESIGNATION	MOD.	NOTAS NOTES NOTA MITSCHRIFT NOTES
12A		00H01211081	LLANTA DT ANODIZADA CERCHIONE RUOTA ANT. FRONT WHEEL RIM	VORDERRADFELGE JANTE AV.	1 2 3 4	
13A		00H01207101	CAMARA CAMERA D'ARIA TUBE	SCHLAUCH CHAMBRE A AIR	1 2 3 4	
14A		00H01211111	CUBIERTA COPERTORE ANT. FRONT CASING	REIFEN VORN PNEU AV.	1 2 3 4	
15A		00008213182	CASQUILLO ZN B CHIERA LATO PIATTO SIDEFLAGE SLEEVE	BUCHSE ENTRETOISE COTE COURONNE	1 2 3 4	
16A		00232120032	TUERCA 12M150 ZN B DADO ESAGONALE 12M150 DIN-934 HEX NUT, 12 MM X 1.50	SCHRAUBE 12M150 ECROU T.HEXAG.12M150.DIN934/8.	1 2 3 4	
17A		00H01202331	PROTECTOR TUERCA EJE RUEDA PROTETTORE PROTECTOR	ABDECKUNG PROTECTEUR	1 2 3 4	
18A		00H02402282	TORNILLO FIJACION DISCO FRENO VITE TESTA SVASATA 8M125X25 SCREW	SCHRAUBE BOULON	1 2 3 4	
19A		00H01202191	R-CTO.PINZA FR.DT. GANASCIA FRENO ANTE LEFT-HAND FRONT CLIP ASSY	BREMSZANGE ENS.ETRIER DE FREIN	1 2 3 4	
20A		00G04700141	R-JUEG.PAST.FR.DT.BS-S-40-GF PASTIGLIE FRENO POSTERIORE FD FRONT BRAKE PAD	BREMSBELAG VORNE PLAQUETTE DE FREIN	1 2 3 4	
21A		00G04700131	R-PLACA INTERM.PASTILLA FRENO SPESSORE INTER.PER PASTIGLIA INTERMEDIATE PLATE, BRAKE PAD	ZWISCHENPLATTE DES BREMSBELAGE CALE DE PLAQU.DE FREIN ANTI BR	1 2 3 4	
22A		00022086521	TORNILLO 8M125X65 ZN B VITE ESAGONALE 8M125X55 8.8/D HEX.HEAD SCREW 8M125X55 D931	SCHRAUBE BOULON TETE HEX.8M125X55 D931	1 2 3 4	

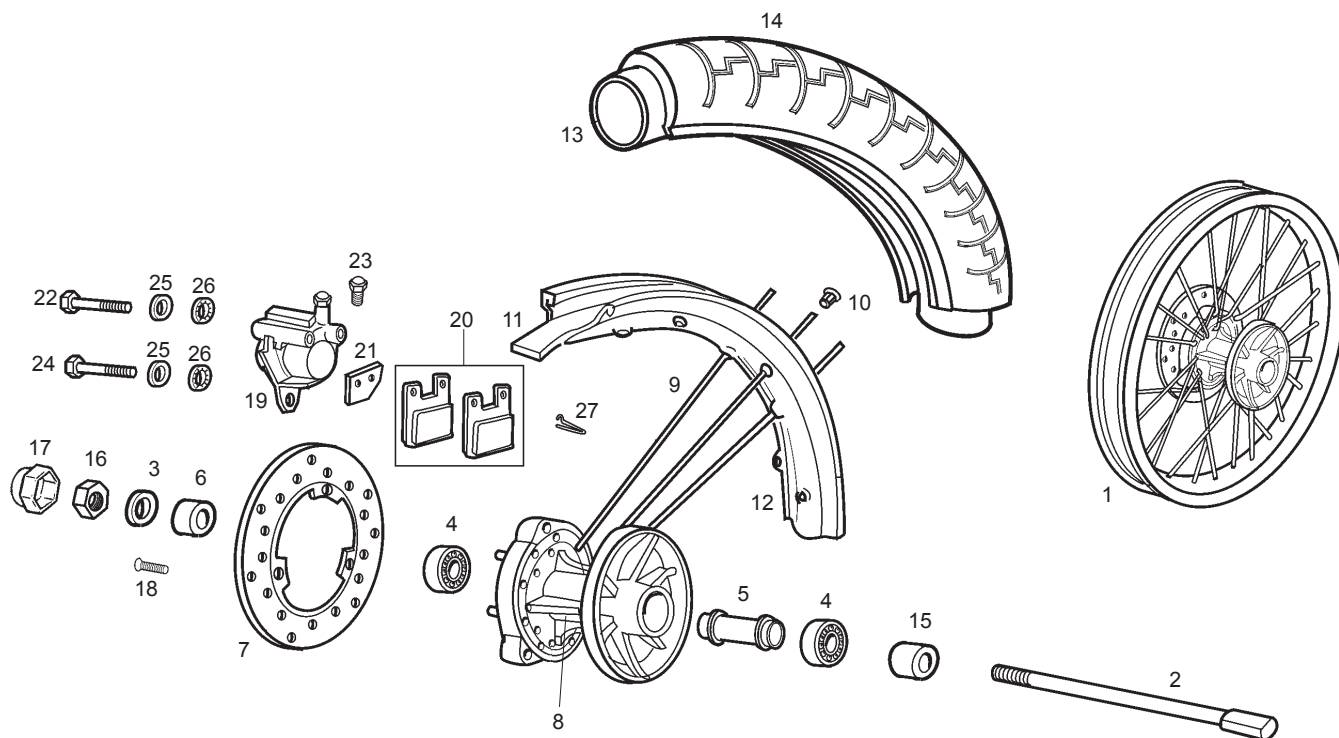


Fig.	Ver.	COD. KOD.	DESCRIPCIÓN DENOMINAZIONE NAME	BEZEICHNUNG DESIGNATION	MOD.	NOTAS NOTES NOTA MITSCHRIFT NOTES
23A		00F04700121	PURGADOR SPURGO GANASCI FR DRAIN PLIER FRONT BRAKE ASSEM	ENTLUFTUNGSVENTIL EPURATEUR	1 2 3 4	
24A		00022083521	TORNILLO 8M125X35 ZN B VITE TESTA ESAGONALE 8M125X30 HEX. HEAD SCREW 8M125X30 D933	SCHRAUBE BOULON TETE HEX.8M125X30 D933	1 2 3 4	
25A		00000031080	ARAND.PLANA MECANIZ.D.8 RONDELLA PIATTA MECCANIZZATAZ MACHINED FLAT WASHER D8 DIN-1	SCHEIBE D.8. DIN125 ROND.PLATE MECANISEE D.8.DIN12	1 2 3 4	
26A		00034000802	ARAND.ESTRELL.INT.D8 RONDELLA STELLA INTERIORE D8. INNER STAR WASHER D.8	SCHEIBE D8.DIN6798-J RONDELLE EVENTAIL INT.D8DIN679	1 2 3 4	
27A		00H01301831	MUELLE FIJ.PASTILLA FRENO TR. MOLLA SPRING	FEDER RESSORT	1 2 3 4	

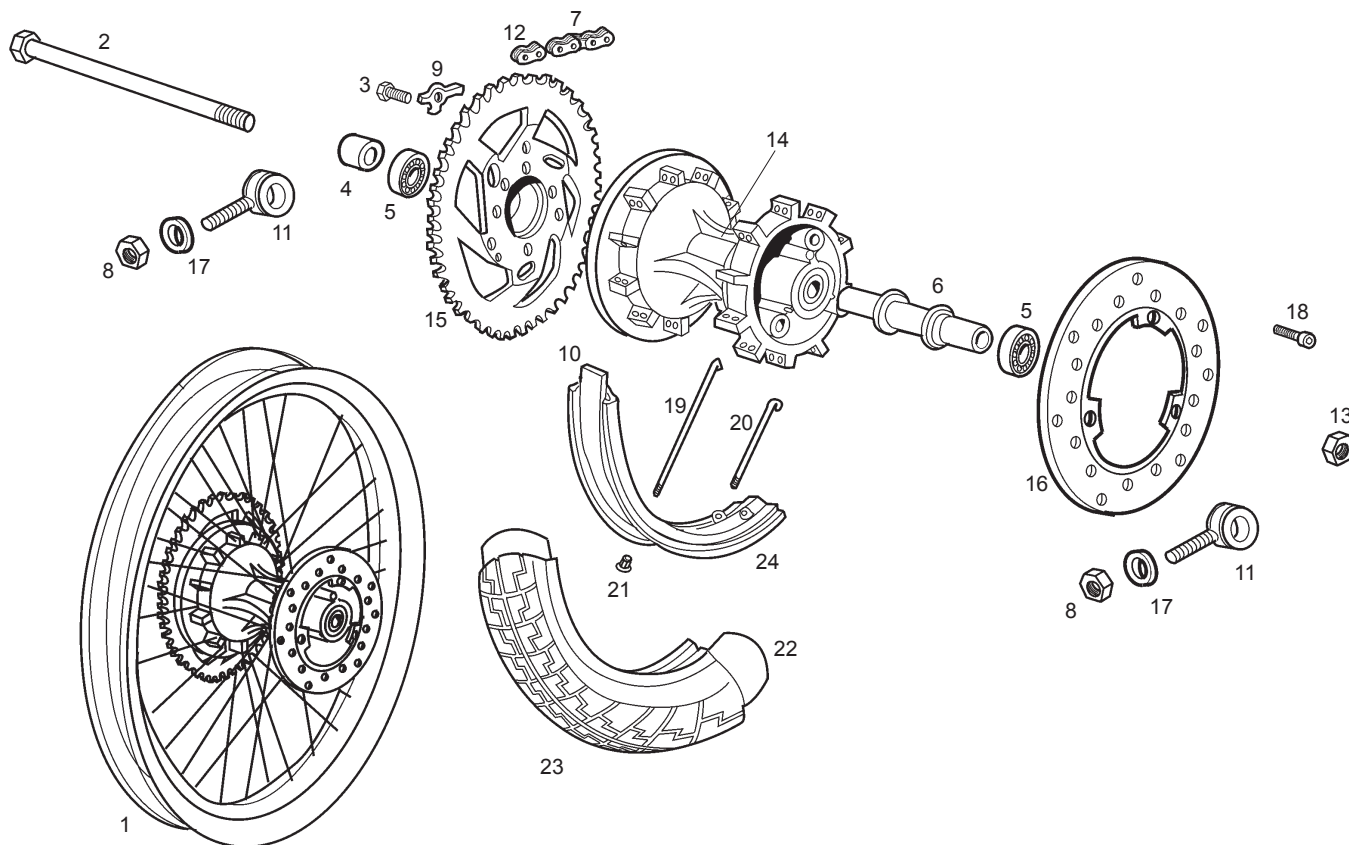


Fig.	Ver.	COD. KOD.	DESCRIPCIÓN DENOMINAZIONE NAME	BEZEICHUNG DESIGNATION	MOD.	NOTAS NOTES NOTA MITSCHRIFT NOTES
01A		00H02412271	CTO RUEDA TRASERA RUOTA POST.C/PL. REAR WHEEL ASSEMBLY	HINTERRAD ROUE ARRIERE COMPLETE	1 2 3 4	
02A		00H00304411	SCTO EJE RUEDA TRAS SUBASSE RIBALTABILE SWING ARM SUB-ASSEMBLY	HINTERRADACHSE AXE DE BRAS OSCILLANT	1 2 3 4	
03A		00002182000	TOR.C/EXAG.8M125X20 VITE TESTA ESAGONALE .8M125X2 HEXAGONAL HEAD SCREW 8M125X20	SCHRAUBE ECROU	1 2 3 4	
04A		00H01302291	CASQ.RUEDA TR.LADO DISCO GHIERA RUOTA POSTERIORE LATO SPACER	DISTANZHULSE ENTRETOISE	1 2 3 4	
05A		00058120100	COJINETE 6201.C3.2RS.12.32.10 CUSCINETTO 6201.C3.2RS.12.32.10 BEARING 6201.C3.2RS.12.32.10	LAGER 6201.C3.2RS.12.32.10 PALIER 6201.C3.2RS.12.32.10	1 2 3 4	
06A		00H01302091	SCTO.SEP.COJITES.TRAS. SEPARATORE CUSCIN BEARING SPACER	DISTANZHULSE SEPARATEUR ROULEMENTS	1 2 3 4	
07A		00H01502201	CAD.SEC.130P.DR7,75.PM12,7. CATENA SEZ. 130P.DR7,75.PM12, TRANSMISSION CHAIN	KETTE CHAINE TRANSMISSION	1 2 3 4	
08A		00000023060	TCA.AUTOBLOC. 6M100 DADO AUTOBLOCCANTE 6M100.D-98 SELF-LOCKING NUT M6	MUTTER ECROU INDESSERRABLE 6M100.DIN9	1 2 3 4	
09A		00H01302052	PRECINTO TORNILLO PLATO ARRASTRE PIASTRINA VITE PIATTO TRASCIN BRAKE DISC RETAINER	SCHRAUBE MITNEHMERSCHEIBE ARRETOIR DES BOULONS DISQUE	1 2 3 4	
10A		00D01303401	PROTECT.CAMARA RDA.TRAS.18" PROTEZIONE CAMERA RUOTA POSTE RIM STRIP	FELGENBAND PROTECTEUR DE CHAMBRE A AIR	1 2 3 4	
11A		00H01302172	SCTO TENSOR RUEDA ZN B SUBTENSORE RUOTA ZN B ADJUSTER ZN B, REAR WHEEL	KETTENSPELLER ZN B TENDEUR DE ROUE ZN B	1 2 3 4	

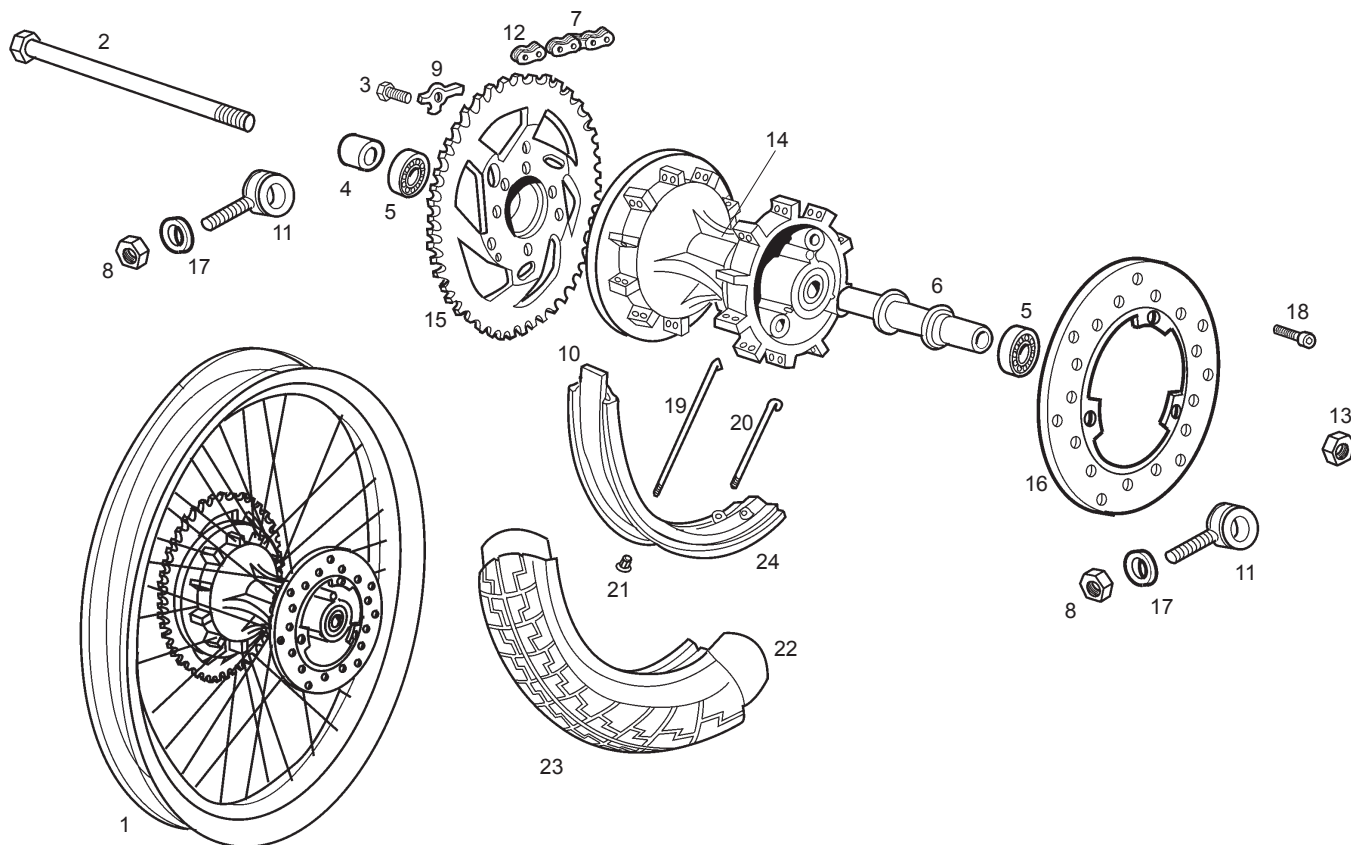


Fig.	Ver.	COD. KOD.	DESCRIPCIÓN DENOMINAZIONE NAME	BEZEICHNUNG DESIGNATION	MOD.	NOTAS NOTES NOTA MITSCHRIFT NOTES
12A		00H01501212	R-ENGANCHE DORAD.CADENA SEC. AGGANCIAMENTO CATENA SICUREZZ MASTER LINK	KETTENSCHLOSS ATTACHE RAPIDE	1 2 3 4	
13A		00262120032	TUERCA 12M150 ZN B DADO AUTOBLOCANTE 12M150 ZN B SELF-LOCKING NUT 12M150 ZN B	MUTTER 12M150 ZN B ECROU IDESSERABLE 12M150 ZN B	1 2 3 4	
14A		00H01304821	CTO.CARRETE TRAS. MOZZO POST. REAR COIL	RADNABE HINTEN MOYEU ARR.	1 2 3 4	
15A		00H01305031	PLATO ARRAST.Z-53 PIATTO TRASCINAMENTO .Z-53 SE REAR SPROKET	MITNEHMERSCHEIBE COURONNE ARR.	1 2 3 4	
16A		00H01302531	DISCO FRENO TR. DISCO FRENO POSTERIORE REAR BRAKE DISC	BREMSSCHEIBE HINTEN DISQUE DE FREIN ARRIERE	1 2 3 4	
17A		00000031060	ARAND.PLANA MECANIZ.D.6 RONDELLA PIATTA MECCANIZZATA MACHINED FLAT WASHER D6 DIN-1	SCHEIBE D.6. ROND. PLATE MECANISEE D6DIN125	1 2 3 4	
18A		00H02401282	TOR.FIJ.DISCO FR.TR. VITE FISSAGGIO DISCO FRENO P REAR BRAKE DISC SECURING SCRE	BEF.-SCHRAUBE BREMSSCHEIBE BOUL.SER.DISQUE FR.ARR.FEN.95	1 2 3 4	
19A		00H01301731	RADIO TRAS.LADO PLATO RADIO POST.LATO PIATTO REAR INNER SPOKE	SPEICHE RAYON ROUE ARRIERE INT.	1 2 3 4	
20A		00H01303691	RADIO RUEDA TR.LADO DISCO RADIO RUOTA POSTERIORE LATO D REAR SHORT OUTER SPOKE	HINTERRADSPESICHE SCHEIBE B. RAYON ROUE ARRIERE	1 2 3 4	
21A		00002212070	TCA.RADIO DADO RADIO SPOKE NUT	MUTTER F. SPEICHE ECROU DE RAYON	1 2 3 4	
22A		00H01309361	CAMARA RDA.TR. CAMERA RUOTA POST. REAR WHEEL CHAMBER	SCHLAUCH CHAMRE A AIR ARR.	1 2 3 4	

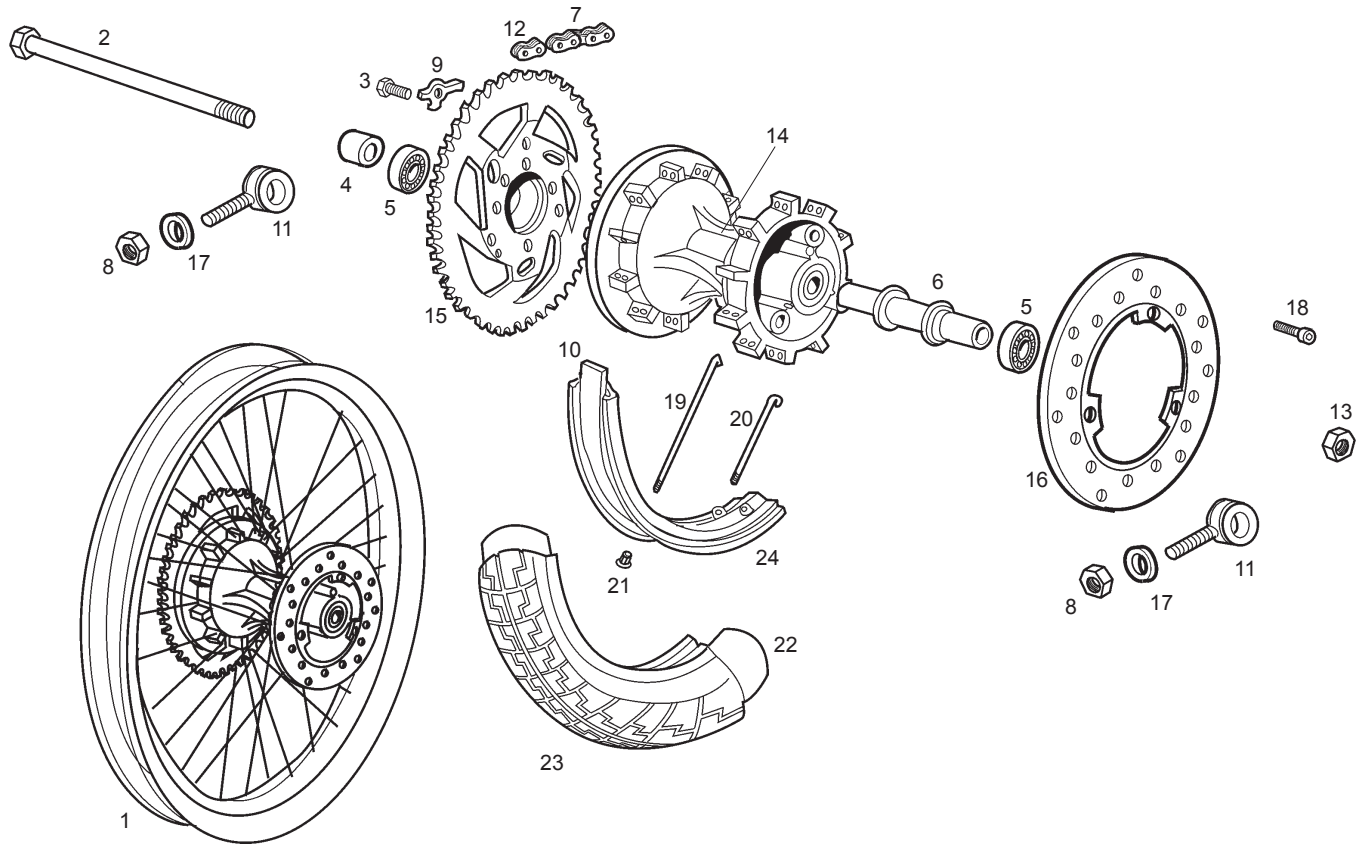


Fig.	Ver.	COD. KOD.	DESCRIPCIÓN DENOMINAZIONE NAME	BEZEICHNUNG DESIGNATION	MOD.	NOTAS NOTES NOTA MITSCHRIFT NOTES
23A		00H01311321	CUBIERTA TR. COPERTONE POST. REAR CASING	REIFEN HINTEN PNEU ARR.	1 2 3 4	
24A		00H01306351	LLANTA TR.2,15X18 (MATE) CERCHIONE POSTERIORE 2,15X18" MAGWHEEL REAR	HINTERRADFELGE JANTE ARRIERE NUE.	1 2 3 4	

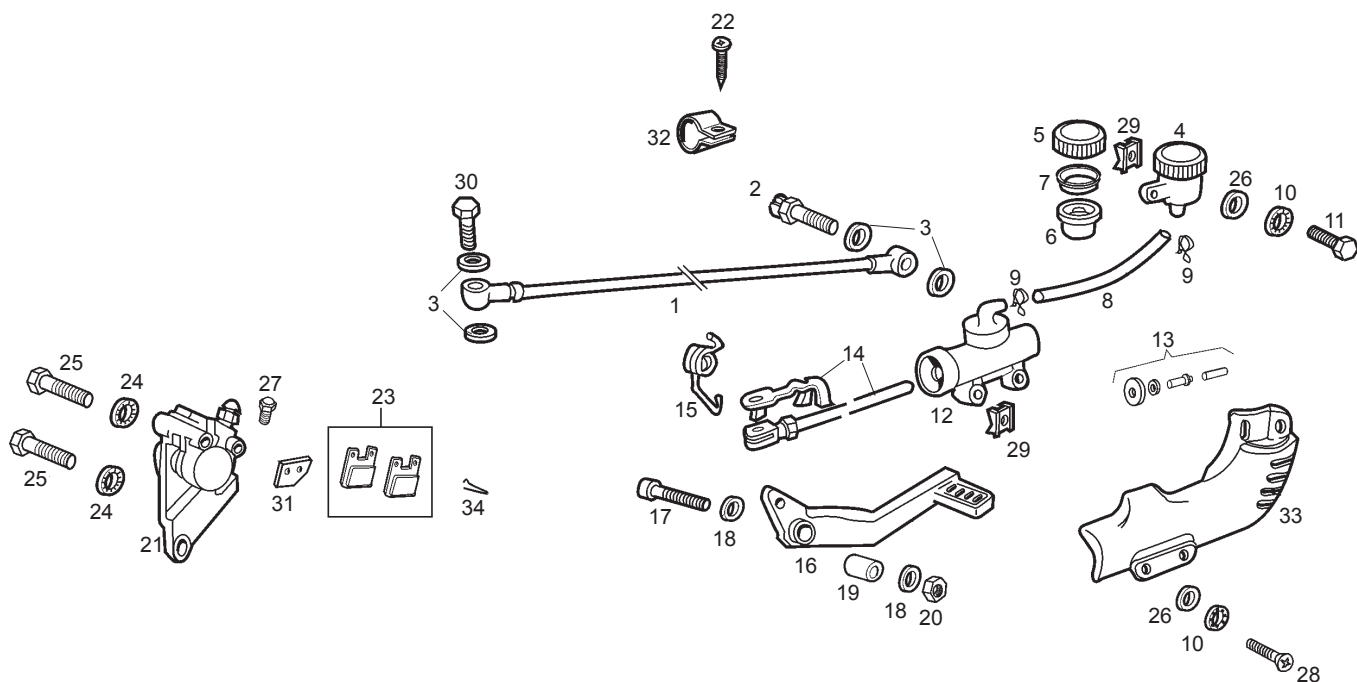


Fig.	Ver.	COD. KOD.	DESCRIPCIÓN DENOMINAZIONE NAME	BEZEICHNUNG DESIGNATION	MOD.	NOTAS NOTES NOTA MITSCHRIFT NOTES
01A		00D01130081	TUBO LIQ.FRENO TRAS.75000007. TUBO LIQUIDO FRENI POSTERIORE BRAKE ROD	HYDRAULIKSCHLAUCH TIGE DE FREIN	1 2 3 4	
02A		00006311220	CTO.INTERRUPT.STOP TRAS.485. INTERUTTORE FANALIN SWITCH,STOP LIGHT	STOPLICHTSCHALTER CONTACTEUR STOP	1 2 3 4	
03A		00006321040	ARAND.JUNTA RACORD RONDELLA GUARNIZIONE RACCORDO CONNECTOR GASKET WASHER	DICHTRING RONDELLE DE JOINT RACCORD	1 2 3 4	
04A		00D01100201	CTO.DEPTO.LIQ.FRENO TRAS. SERBATOIO LIQUIDO F FLUID TUBE TANK	BEHALTER RESERVOIR FLUID TUBE	1 2 3 4	
05A		00D01100631	R-TAPON DPTO.LIQ.FRENO TRAS. TAPPO SERBATOIO LIQUIDO FRE BRAKE FLUID RESERVOIR CAP	DECKEL BOUCHON DU RESERVOIR DU LIQ.F	1 2 3 4	
06A		00D01100651	R-CASQ.DPTO.LIQ.FR.TR.19099093 GHIERA SERBATOIO LIQUIDO FR BUSHING	BUCHSE ENTRETOISE RESERVOIR	1 2 3 4	
07A		00D01100641	R-JUNT.TAP.DPT.LIQ.FR.19099092 GUARNIZIONE TAPPO SERBATOIO GASKET BRAKE FLUID RESERV.CAP	DICHTUNG JOINT BOUCHON DU RESERV.LIQ.FR	1 2 3 4	
08A		00D01100211	TUBO DEPTO.A BOMBA FR.TRAS.AJP TUBO SERBATOIO A POMPA FRENO REAR FLUID TUBE	SCHLAUCH FLEXIBLE DE FREIN ARRIERE	1 2 3 4	
09A		00H03700131	ABRAZ.ELAST.8'8-9'3. FASCETTA ELASTICA 8'8-9'3 CLAMP	SHELLE ELAST. BRIDE ELASTIQUE 8'8-9'3.	1 2 3 4	
10A		00034000602	ARAND.ESTRELL.INT.D6 RONDELLA STELLA INTERIORE.D6 INNER STAR WASHER 0 6	SCHEIBE RONDELLE EVENTAIL D 6	1 2 3 4	

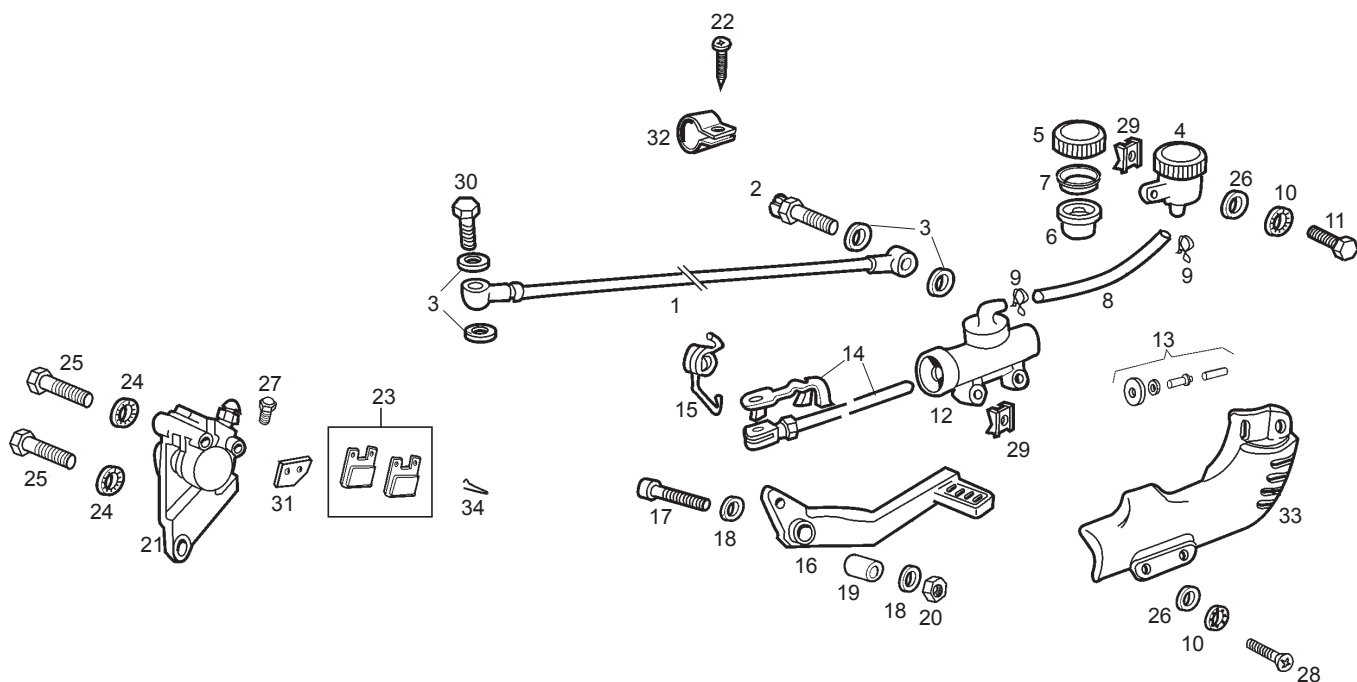


Fig.	Ver.	COD. KOD.	DESCRIPCIÓN DENOMINAZIONE NAME	BEZEICHUNG DESIGNATION	MOD.	NOTAS NOTES NOTA MITSCHRIFT NOTES
11A		00008062500	TOR.C/RED.ALLEN.6M100X25. VITE TONDO ALLEN 6M100X25 ALLEN ROUND HEAD SCR.6M100X25	SCHRAUBE BOULON BOMBEE ALLEN 6M100X25	1 2 3 4	
12A		00D01100181	R-CTO.BOMBA FR.TR. FRENO POSTERIORE REAR BRAKE CONTROL ASSY	BREMSZYLINDERPUMPE ENSEMBLE COMMANDE FREIN ARRIER	1 2 3 4	
13A		00D01100461	R-CTO.KIT BOMBA FR.TR.D.12 COMP.KIT POMPA FR.POST.D.11 REAR KIT CYLINDER ASSY.D.11	REP.-SATZ BREMSZYLIN.HINTEND11 ENSEM.KIT POPMPE FREIN ARR.D11	1 2 3 4	
14A		00H01101611	CTO.VARILLA BOMBA FRENO COMP.ASTA POMPA FRENO SENDA REAR BRAKE ROD	BREMSSTANGE TIGE DE FREIN ARRIERE	1 2 3 4	
15A		00D01100071	MUELLE PEDAL FRENO TRAS. MOLLA PEDALE FRENO POSTERIORE SPRING PEDAL BRAKE	FEDER RESSORT PEDALE FREIN	1 2 3 4	
16A		00D01130011	SCTO.PEDAL FRENO.NEGRO. SUBPEDALE FRENO NER BRAKE PEDAL SUB-ASSEMBLY	FUSSBREMSHEBEL PEDALE DE FREIN AR.	1 2 3 4	
17A		00022084021	TORNILLO 8M125X40 ZN B VITE TESTA ALLEN 8M125X40 ZN B ALLEN SCREW 8M125X40 ZN B	INBUSSCHRAUBE 8M125X40 ZN B VIS T. CREUSE 8M125X40 ZN B	1 2 3 4	
18A		00402080001	ARANDELA D8 ZN B RONDELLA PIATTA D8 ZN B MACHINED FLAT WASHER D8 ZN B	SCHEIBE D8 ZN B ROND.PLATE MECANISEE D8 ZN B	1 2 3 4	
19A		00D01110171	CASQ.ARTIC.PEDAL FRENO.4-6V. GHIERA SNODO PEDALE FRENO 4-6 BUSHING	BUCHSE ENTRETOISE	1 2 3 4	
20A		00262080022	TUERCA 8M125 ZN B DADO AUTOBLOCCANTE 8M125 ZN B SELF-LOCKING NUT 8M125 ZN B	MUTTER 8M125 ZN B ECROU INDESSERABLE 8M125 ZN B	1 2 3 4	

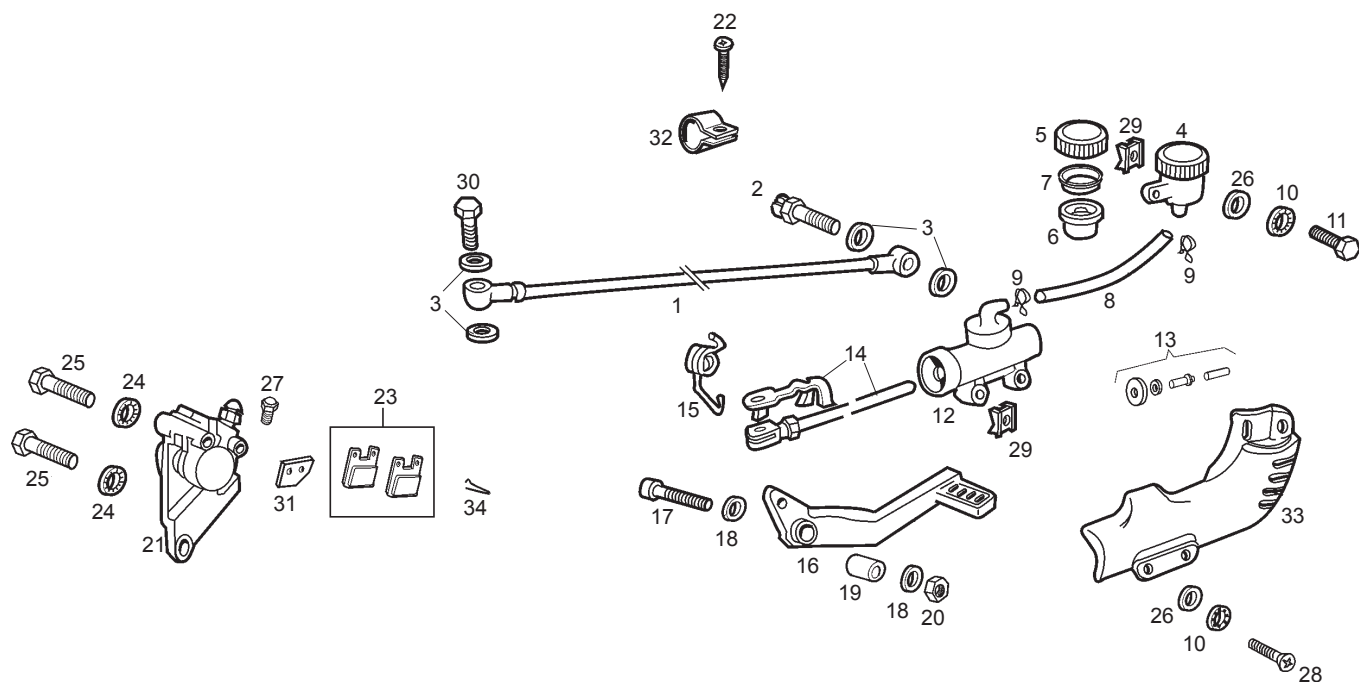


Fig.	Ver.	COD. KOD.	DESCRIPCIÓN DENOMINAZIONE NAME	BEZEICHNUNG DESIGNATION	MOD.	NOTAS NOTES NOTA MITSCHRIFT NOTES
21A		00H01102581	CTO.PINZA FR.TR. GANASCI A POSTERIOR REAR CLIP ASSEMBLY	BREMSZANGE HINTEN ETRIER FREIN ARR.	1 2 3 4	
22A		00011141300	TOR.AUT.C/CR.NG.4,8X13 VITE AUTOFILETTANTE TESTA CRO SCREW, SELF TAPPING 4.8MM13	SCHRAUBE BOULON	1 2 3 4	
23A		00G04700141	R-JUEG.PAST.FR.DT.BS-S-40-GF PASTIGLIE FRENO POSTERIORE FD FRONT BRAKE PAD	BREMSBELAG VORNE PLAQUETTE DE FREIN	1 2 3 4	
24A		00034000802	ARAND.ESTRELL.INT.D8 RONDELLA STELLA INTERIORE D8. INNER STAR WASHER D.8	SCHEIBE D8.DIN6798-J RONDELLE EVENTAIL INT.D8DIN679	1 2 3 4	
25A		00000002840	TOR.C/EXAG. 8M125X40 VITE TESTA ESAGONALE 8M125X4 HEX.HEAD SCREW 8M125X40 D931	SCHRAUBE BOULON TETE HEX.8M125X40 D931	1 2 3 4	
26A		00000031060	ARAND.PLANA MECANIZ.D.6 RONDELLA PIATTA MECCANIZZATA MACHINED FLAT WASHER D6 DIN-1	SCHEIBE D.6. ROND. PLATE MECANISEE D6DIN125	1 2 3 4	
27A		00F04700121	R-CTO.PURGADOR PINZA FR.TR SPURGO GANASCIA F FRONT BRAKE BLEED CLIP ASSY	ABLASSHAHN R-ENS.PURGEUR PINCE FREIN AV.F	1 2 3 4	
28A		00008062000	TORNILLO VITE TONDO ALLEN 6M100X20. ALLEN ROUND HEAD SCR.6M100X20	SCHRAUBE BOULON BOMBEE ALLEN 6M100X20	1 2 3 4	
29A		00D01501371	TCA.FIJ.CUBRECAD.212827 DADO FISSAGGIO COPRICATENA .2 NUT	SICHERUNGSMUTTER BEF. KETTENSCH ECROU FIX. GARDE-CHAINE 213091	1 2 3 4	
30A		00006309260	RACORD TUBO HIDRAULICO RACCORDO TUBO IDRAULICO HYDRAULIC TUBE CONNECTOR	STUTZEN HYDRAULIKLEITUNG RACCORD TUYAU HYDRAULIQUE	1 2 3 4	

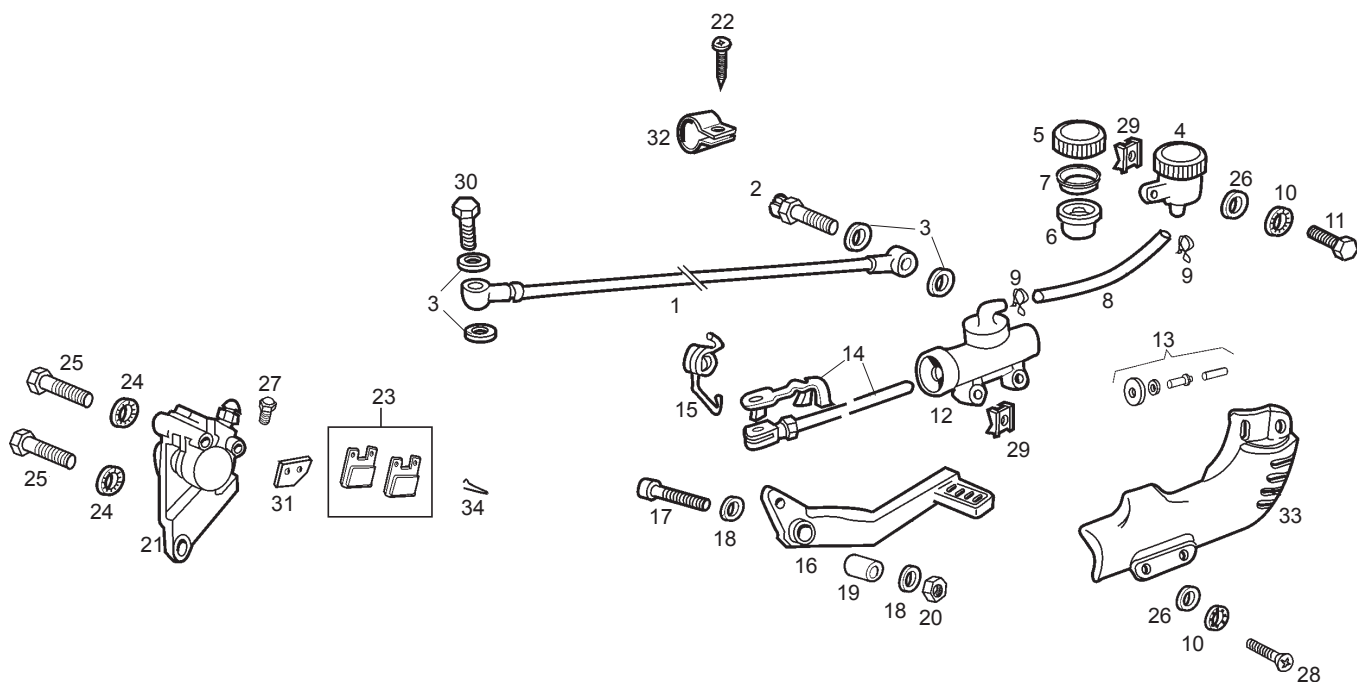


Fig.	Ver.	COD. KOD.	DESCRIPCIÓN DENOMINAZIONE NAME	BEZEICHUNG DESIGNATION	MOD.	NOTAS NOTES NOTA MITSCHRIFT NOTES
31A		00G04700131	R-PLACA INTER.PASTILLA FRENO SPESSORE INTER.PER PASTIGLIA INTERMEDIATE PLATE, BRAKE PAD	ZWISCHENPLATTE DES BREMSBELAGE CALE DE PLAQU.DE FREIN ANTI BR	1 2 3 4	
32A		00H01501811	BRIDA FIJ.CABLE FR.TR. FLANGIA CLAMP	STECKMUTTER COLLIER	1 2 3 4	
33A		00H01100731	PROTECT.DPSTO.LIQ.FR.TR. PROTEZIONE FRENO POSTERIORE REAR BRAKE, PROTECTOR	ABDECKUNG PROTECTEUR ENS.COMMANDE FREIN	1 2 3 4	
34A		00H01301831	MUELLE FIJ.PASTILLA FRENO TR. MOLLA SPRING	FEDER RESSORT	1 2 3 4	

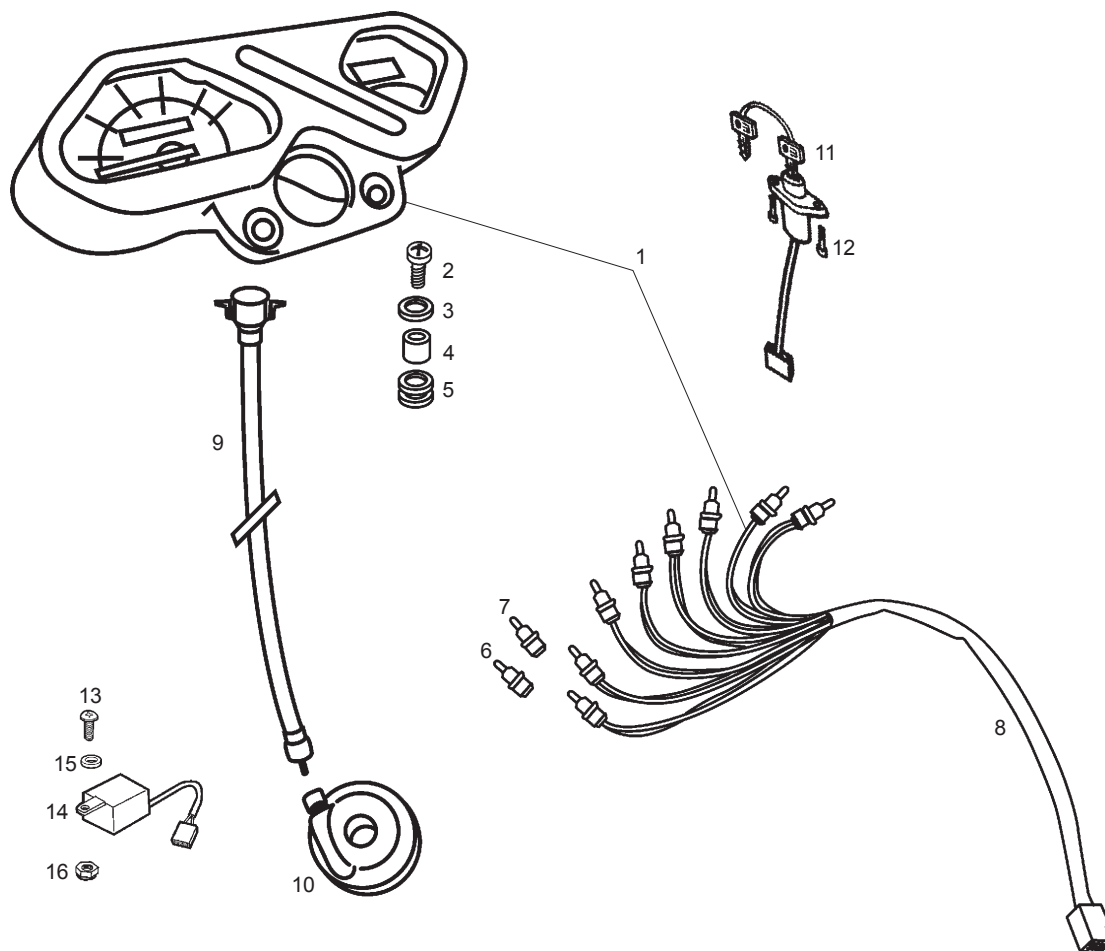


Fig.	Ver.	COD. KOD.	DESCRIPCIÓN DENOMINAZIONE NAME	BEZEICHNUNG DESIGNATION	MOD.	NOTAS NOTES NOTA MITSCHRIFT NOTES
01A		00H01615521	CTO TABLIER CRUSCOTTO DASH ASSY	INSTRUMENTERHALTER BOITIER TABLEAU BORD	1 2 3 4	
02A		00012152000	TOR.C/RED.CRUZ 5M80X20 D7985NE VITE TONDQ.CROCE 5M80X20.D7985 SCREW, 5M80X520 DIN7985	SCHRAUBE VIS CRUCIFORME5M80X20DIN798	1 2 3 4	
03A		00454050001	ARAND.D9021 15/5, 3X1,5 RONDELLA WASHER	SCHEIBE RONDELLE	1 2 3 4	
04A		00H01600911	CASQ. SILENTBLOC FIJ. TABLIER GHIERA SILENT.FISS.CRUSCOT.FE BUSHING	FUHRUNGSBUCHSE GABELSCHENK ENTRETOISE	1 2 3 4	
05A		00D01500021	PASACABL. INST.GUARD.TR.FDS/89 PORTACAVI IST. FARAFANGO POST. GROMMET	GUMMI CAOUTCHOUC PASSE-CABLE	1 2 3 4	
06A		00G01602581	R-CTO. PORTALAMP/LAMP. 12V 1,2 W PORTALAMPADE BULB HOLDER AND 12V 1,2W BULB	LAMPENHALTER R-PORTE-LAMPES	1 2 3 4	
07A		00G01601581	R-CTO. PORTALAMP/LAMP. 12V 2 W PORTALAMPADE BULB HOLDER AND 12V 2W BULB	LAMPENHALTER R-PORTE-LAMPES	1 2 3 4	
08A		00H04316651	CTO INSTALACION TABLIER COMP.INSTALL.CRUSCOT. DASH INSTALATION ASSY	KABELBAUM FAISCEAU COMPTEUR	1 2 3 4	
09A		00H01612021	CTO CABLE FUNDA CUENTA KM COMPLESSO CAVO-GUAINA CONTACHI CABLE, SPEEDOMETER DRIVE	TACHOWELLE ENSEMB.CABLE-GAINE COMPTEUR	1 2 3 4	
10A		00G01607051	CTO REENVIO COMPLESSO RINVIO RETURN UNIT.	RETURN UNIT. RENVOI DE ROUE	1 2 3 4	
11A		00H01610381	CTO. CERRADURA CONTACTO COMPLESSO SERRATURE SCHLOSS	ZUNDSCHLOB SERRURE	1 2 3 4	

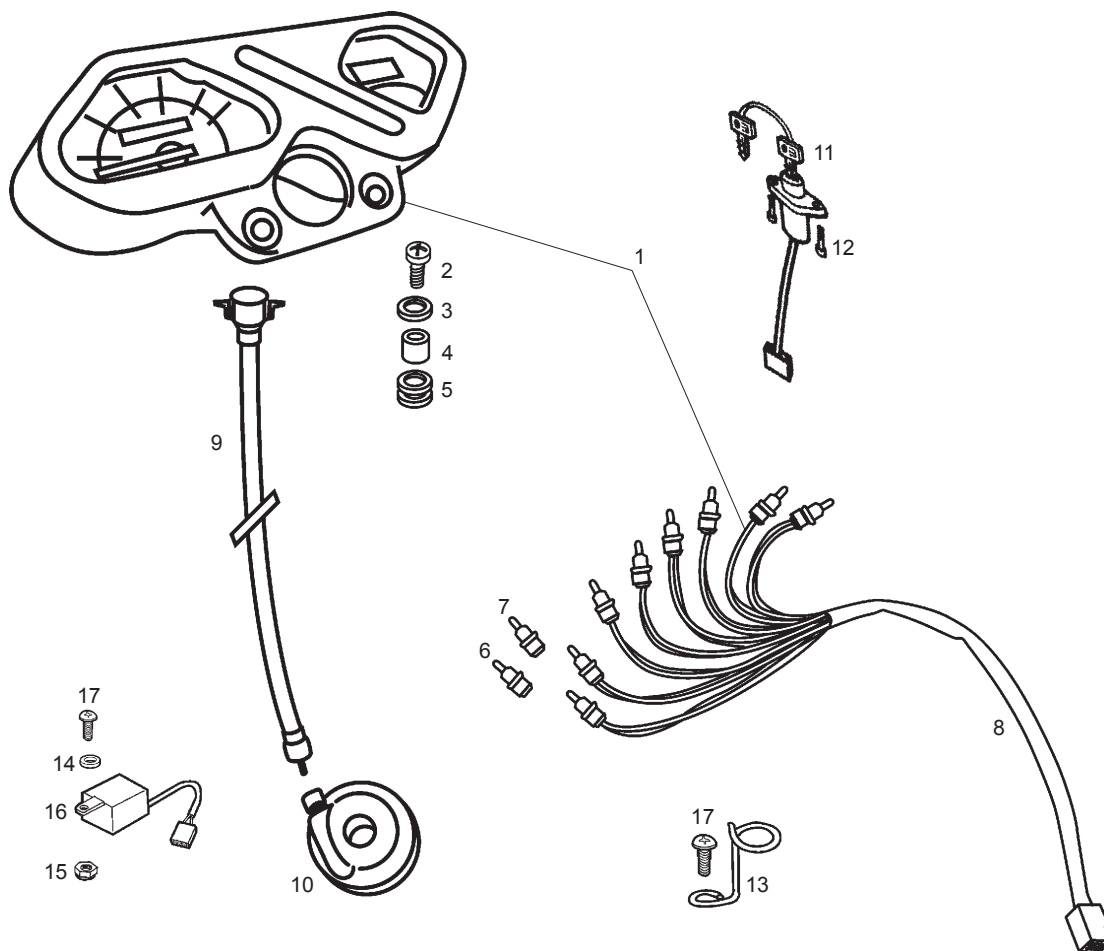


Fig.	Ver.	COD. KOD.	DESCRIPCIÓN DENOMINAZIONE NAME	BEZEICHNUNG DESIGNATION	MOD.	NOTAS NOTES NOTA MITSCHRIFT NOTES
12A		00002082021	TOR. C/ALLEN 8 X 20 VITE TESTA ALLEN 8 X 20 ALLEN HEAD SCREW 8 X 20	INBUSSCHRAUBE VIS T. CREUSE	1 2 3 4	
13A		00012061200	TORNILLO 6M100X12 ZN B VITE TONDO CROCE 6M100X12 NER SCREW M6X12	SCHRAUBE 6M100X12. VIS A TETE RONDE A FENTES CROI	1 2 3 4	
14A		00H05700481	CTO.TEMPORIZADOR CHECK INDICAD TEMPORIZZATORE CHEC TIMER CHECK INDICATOR ASSEMBL	ZEITSCHALTER FAISCEAU COMPTEUR	1 2 3 4	
15A		00000031060	ARANDELA RONDELLA PIATTA MECCANIZZATA MACHINED FLAT WASHER D6 DIN-1	SCHEIBE D.6. ROND. PLATE MECANISEE D6DIN125	1 2 3 4	
16A		00000023060	TCA.AUTOBLOC. 6M10 DADO AUTOBLOCCANTE 6M100.D-98 SELF-LOCKING NUT M6	MUTTER ECROU INDESSERRABLE 6M100.DIN9	1 2 3 4	

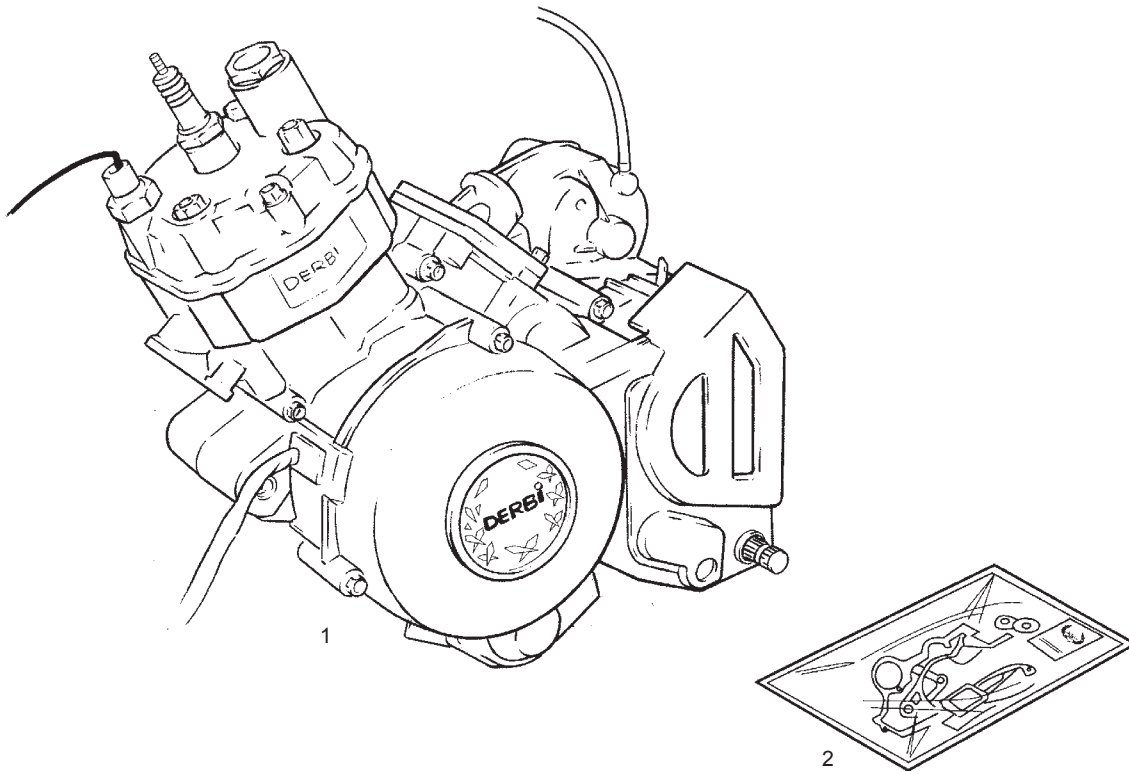


Fig.	Ver.	COD. KOD.	DESCRIPCIÓN DENOMINAZIONE NAME	BEZEICHNUNG DESIGNATION	MOD.	NOTAS NOTES NOTA MITSCHRIFT NOTES
01A		00H99927U005	MOTOR MOTORE ENGINE	MOTOR MOTEUR	1 2 3 4	

ACCESORIOS OPCIONALES / ACESORI OPCIONALE / OPTIONAL ACCESSORIES / WERKZEUG / OTILS FOURNIS

02A		00H05205481	CTO JUEGO JUNTAS GUARNIZIONI GASKET ASSY	DICHTSATZ POCHETTE DE JOINTS	1 2 3 4	
-----	--	-------------	--	---------------------------------	---------	--

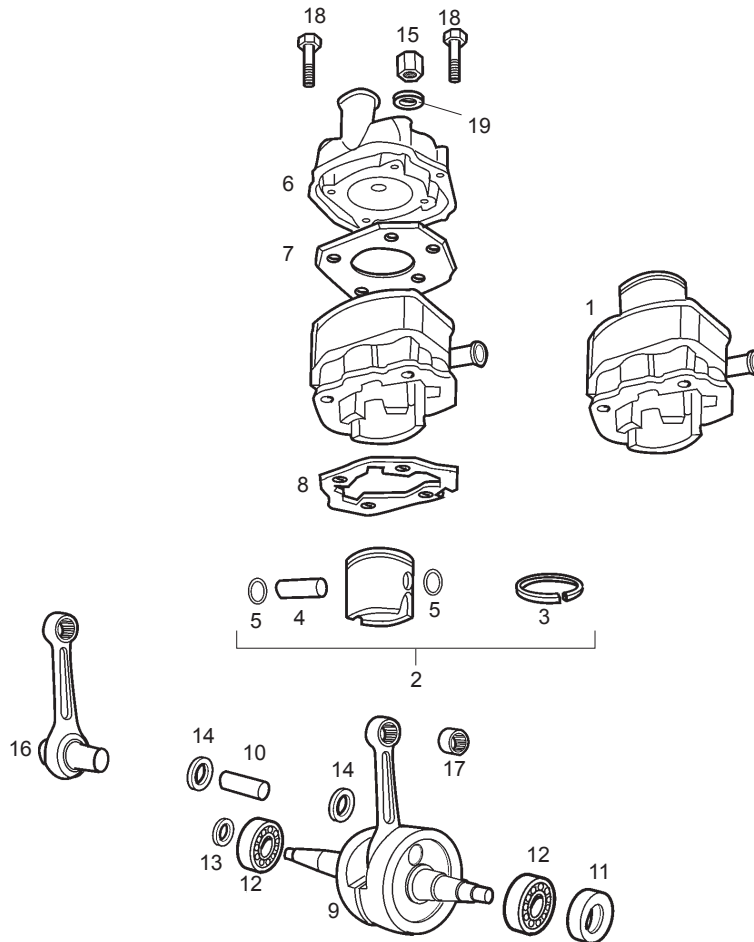


Fig.	Ver.	COD. KOD.	DESCRIPCIÓN DENOMINAZIONE NAME	BEZEICHUNG DESIGNATION	MOD.	NOTAS NOTES NOTA MITSCHRIFT NOTES
01A		00H05007123	R-CTO.CILINDRO-PISTON CILINDRO-PISTONE CYLINDER PISTON ASSEMBLY	ZYLINDER UND KOLBEN CYLINDRE ET PISTON COMPLET	1 2 3 4	
02A		00H02542091	CTO PISTON (A) PISTONE (A) PISTON (A)	KOLBEN KOMPL.(A) PISTON-COMPLET (A)	1 2 3 4	
02B		00H02552091	CTO PISTON (B) PISTONE (B) PISTON (B)	KOLBEN KOMPL.(B) PISTON-COMPLET (B)	1 2 3 4	
02C		00H02562091	CTO PISTON (C) PISTONE (C) PISTON (C)	KOLBEN KOMPL.(C) PISTON-COMPLET (C)	1 2 3 4	
02D		00H02572091	CTO PISTON (D) PISTONE (D) PISTON (D)	KOLBEN KOMPL.(D) PISTON-COMPLET (D)	1 2 3 4	
03A		00H02502111	R-ARO PISTON SEGMENTO PISTONE PISTON RING	KOLBENDICHTRING SEGMENT DE PISTON	1 2 3 4	
04A		00H02502121	R-BULON PISTON SPINOTTO PISTONE PISTON PIN	KOLBENBOLZEN AXE PISTON	1 2 3 4	
05A		00H02501131	R-ANILLO BULON SEGMENTO SPINOTTO CIRCLIP, PISTON PIN	SICHERUNGSRING CLIPS AXE PISTON	1 2 3 4	
06A		00H02512013	CULATA TESTATA CYLINDER HEAD	ZYLINDERKOPF CULASSE	1 2 3 4	
07A		00H02505021	JUNTA CULATA GUARNIZIONE TESTATA GASKET CYLINDER HEAD	ZYLINDERKOPFDICHTUNG JOINT DE CULASSE	1 2 3 4	
08A		00H02500041	JUNTA CILINDRO GUARNIZIONE CILINDRO GASKET, CYLINDER	ZYLINDERFUBDICHTUNG JOINT DE CYLINDRE	1 2 3 4	

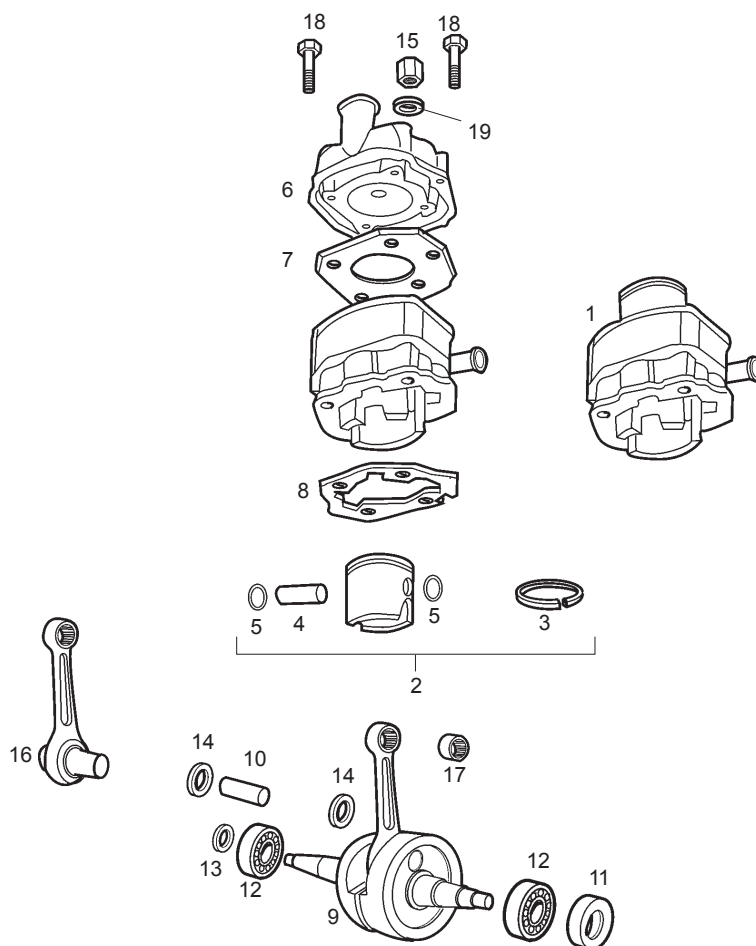


Fig.	Ver.	COD. KOD.	DESCRIPCIÓN DENOMINAZIONE NAME	BEZEICHNUNG DESIGNATION	MOD.	NOTAS NOTES NOTA MITSCHRIFT NOTES
09A		00H02506141	CTO CIGÜEÑAL-BIELA ALBERO GOMITO-BIELL CRANK SHAFT ROD.	KURBELWELLE VILBEBREQUIN COMPLET	1 2 3 4	
10A		00002025190	EJE CUELLO CIGÜEÑAL 16.4-6V. ASSE COLLO ALBERO GOMITO 16.4 CRANKSHAFT PIN	PLEUEL BOLZEN AXE DE VILBEBREQUIN	1 2 3 4	
11A		00H02500301	RETEN CIGÜEÑAL DCH.20.35.7. GIUNTO TENUTA ALBERO GOMITO D SEAL, CRANKSHAFT	KURBELWELLEN-DICHTRING RECHTS JOINT SPI VILO D.	1 2 3 4	
12A		00059220400	COJINETE 6204 PX2 V4 CUSCINETTO 6204 PX2 V4 BEARING	KUGELLAGER 6204 PX2 V4 PALIER 6204 PX2 V4	1 2 3 4	
13A		00E02500231	RETEN CIGÜEÑAL GIUNTO TENUTA ALBERO GOMITO S SEAL, OUTPUT SHAFT	SIMMERRING JOINT SPI VILO G.20X35X7	1 2 3 4	
14A		00002225220	ARANDELA RONDELLA REGOLAZIONE TESTA BI THRUST WASHER	SCHEIBE RONDELLE TETE DE BIELLE	1 2 3 4	
15A		00008202730	TCA.FIJ.MANILL.-CULATA DADO FISSAGGIO .MANUBRIO-TEST HANDLEBAR LOCK NUT	MUTTER ECROU DE FIXATION DU GUIDON	1 2 3 4	
16A		00H05001011	R-CTO.BIELA. BIELLA SENDA CONNECTING ROD W/BEARING AND	PLEUEL BIELLE AVEC CAGE ET AXE	1 2 3 4	
17A		00002125170	JAULA PIE BIELA.KBK-12.15.15. GABBIA PIEDE BIELLA KBK12.15. BEARING, PISTON PIN	NADELLAGER CAGE A AIGUILLE DE PIED DE BIE	1 2 3 4	
18A		00G03001091	TOR.FIJ.CARTERS M6X35 VITE TESTA ALLEN 6M100X35.DIN ALLEN SCREW 6M100X3	INBUSSCHRAUBE 6M100X35.D-912/8 VIS TETE CREUSE 6M100X35 D912/	1 2 3 4	
19A		00003125280	ARANDELA RONDELLA FISSAGGIO TESTATA SECURING WASHER, CYLINDER HEA	SCHEIBE ZYLINDERKOPF RONDELLE DE FIXATION DE LA CUL	1 2 3 4	

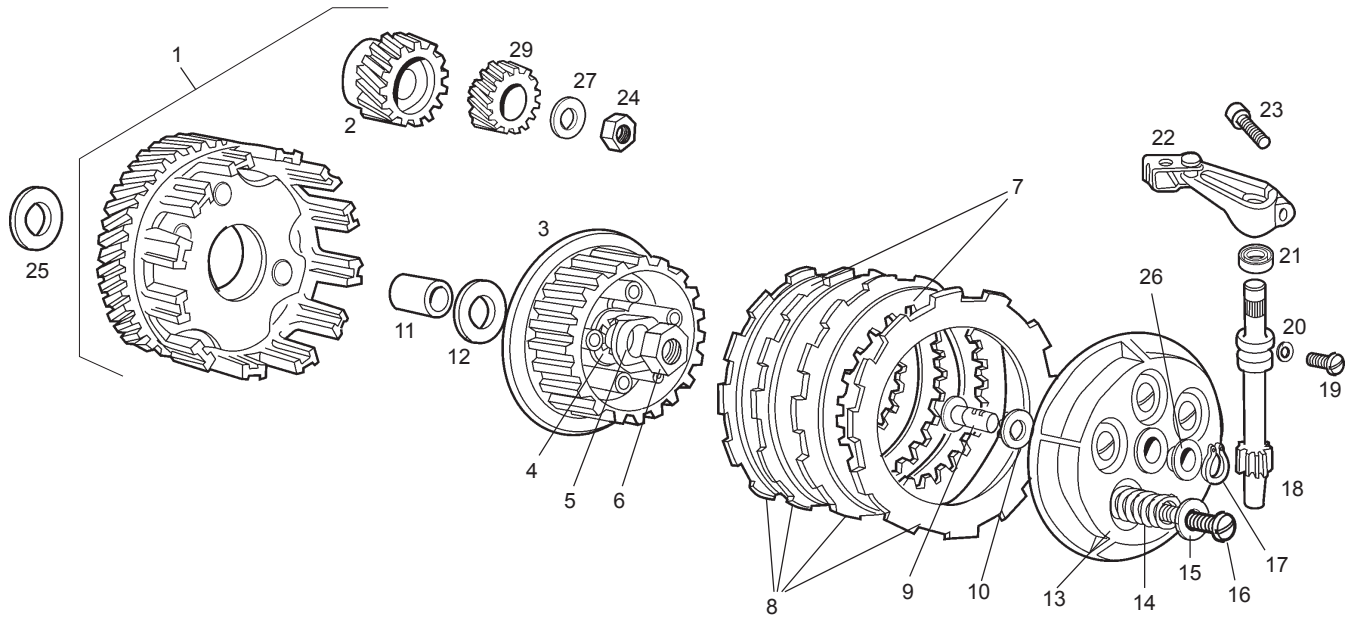


Fig.	Ver.	COD. KOD.	DESCRIPCIÓN DENOMINAZIONE NAME	BEZEICHNUNG DESIGNATION	MOD.	NOTAS NOTES NOTA MITSCHRIFT NOTES
01A		00H03603521	R-CTO.RUEDA AMORT.EMBRAG.S RUOTA FRIZIONE CLUTCH HOUSING AND DAMPER	KUPPLUNGSRAD CLOCHE EMBRAYAGE AVEC PIGNON	1 2 3 4	
02A		00H02601381	PIÑÓN MOTOR.Z-22. PIGNONE MOTORE .Z-22 PRIMAY GEAR	MOTORRITZEL PIGNON PRIMAIRE Z-22	1 2 3 4	
03A		00H02600111	CAMPANA CONDUCIDA.4-6V.A.A. CAMPANA GUIDATA 4-6V.A.A. CLUTCH HUB.	GLOCKE TAMBOUR EMBRAYAGE	1 2 3 4	
04A		00H03800181	PIÑÓN MANDO BOMBAS.Z-14 PIGNONE COMANDO POMPE .Z-14. PUMP GUIDE GEAR	RITZEL PIGNON	1 2 3 4	
05A		00006826230	PRECTO.TCA.EMBRG. PIASTRINA DADO FRIZIONE WASHER, RETAINING	SICHERUNG FREIN D'ECROU D'EMBRAYAGE	1 2 3 4	
06A		00000326260	TCA.EMBRG.4V DADO FRIZIONE 4V.ANTERIORE/CO CLUTCH NUT	MUTTER ECROU D'EMBRAYAGE	1 2 3 4	
07A		00H02600151	DISCO CONDUCIDO DISCO GUIDATO 74/80CC DRIVEN CLUTCH PLATE	SCHEIBE DISQUE EMBRAYAGE LISSE	1 2 3 4	
08A		00H02601161	SCTO.DISCO CONDUCTOR SUBDISCO GUIDA 50CC DRIVING PLATE	KUPPLUNGSBELAG DISQUE EMBRAYAGE GARNI	1 2 3 4	
09A		00H02600271	CREMALLERA EMPUJE EMBRG. CREMAGLIERA SPINTA FRIZIONE.7 PUSHING CLUTCH	ZAHNSTANGE CREMAILLETE D,EMBRAYAGE	1 2 3 4	
10A		00H02600551	RODAMTO.AXIAL CREMALL.EMBRG. CUSCINETTO SFERE RADIALE CREM BALL BEARING	LAGER ROULEMENT AXIAL	1 2 3 4	
11A		00H02601011	CASQ.BUJE EMBRAGUE GHIERA BRONZINA FRIZIONE SEND BUSHING	BUCHSE ENTRETOISE	1 2 3 4	

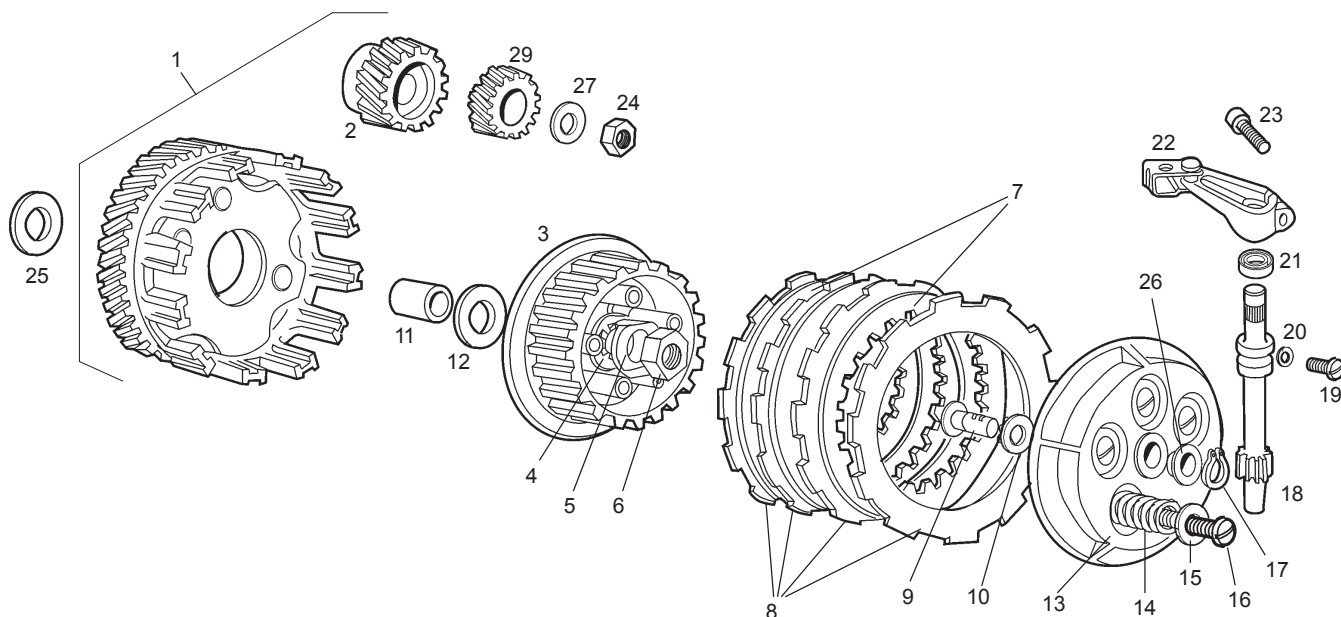


Fig.	Ver.	COD. KOD.	DESCRIPCIÓN DENOMINAZIONE NAME	BEZEICHNUNG DESIGNATION	MOD.	NOTAS NOTES NOTA MITSCHRIFT NOTES
12A		00D02600552	ARAND.ROZAMTO.CAMPANA RONDELLA ATTRITO CAMPANA WASHER, SPLINED	SCHEIBE RONDELLE ETOILEE	1 2 3 4	
13A		00H02600181	TAPA CIERRE EMBRAG.6V COPERCHIO CHIUSURA FRIZIONE G OUTER CLUTCH PLATE	KUPPLUNGS-VERSCHLUSSDECKEL PLATEAU EXTERIEUR D,EMBAYAGE	1 2 3 4	
14A		00H02600211	MUELLE REGULAC.EMBRAGUE MOLLA REGOLAZIONE FRIZIONE 74 CLUTCH SPRING	STELLFEDER RESORT REGLAGE	1 2 3 4	
15A		00D02600631	ARAND.TOPE MUELLE EMBRG.4-6V. RONDELLA FERMO MOLLA FRIZIONE CLUTCH SPRING STOP WASHER	SCHEIBE ROND.BUTEE RESSORT EMBRAYA.4-6	1 2 3 4	
16A		00012053500	TOR.C/RED.CRUIZ.5M80X35 VITE TONDO CROCE.5M80X35.DIN7 SCREW M5X35	SCHRAUBE VIS 5M80X35	1 2 3 4	
17A		00000047110	ANILLO SEG.EJES D10 ANELLO SICUREZZA ASSI D10 DIN CIRCLIP, BRAKE SHOE RETENTION	SEEGERRING CIRCLIP POUR AXE D10	1 2 3 4	
18A		00H02610311	EJE DESEMBRAGUE ASSE DISINNESCO FRIZIONE 74CC CLUTCH SHAFT	KUPPLUNGSACHSE AXE	1 2 3 4	
19A		00H02600342	TORNILLO FIJ. DESEMBRAGUE ZN B VITE FISSAGGIO DISINNESCO FRI SHAFT FIXING BOLT	BEF.- SCHRAUBE VIS	1 2 3 4	
20A		00H03800441	ARAND.TOR.VACIADO AGUA RONDELLA VITE SVUOTAMENTO ACQ WASHER	SCHEIBE RONDELLE	1 2 3 4	
21A		00002027280	RET.EJE MANDO SELEC.12.20.5 RICHIAMO ASSE COMANDO SELETO OIL SEAL, SELECTOR SHAFT	SIMMERRING JOINT ANTI-FUITE	1 2 3 4	
22A		00H02600322	SCTO PALANCA DESEMBRAGUE ZN B SUBLEVA DISINNESCO CLUTCH LEVER	KUPPLUNGSHEBEL VIS HELICOIDALE AVEC LEVIER	1 2 3 4	

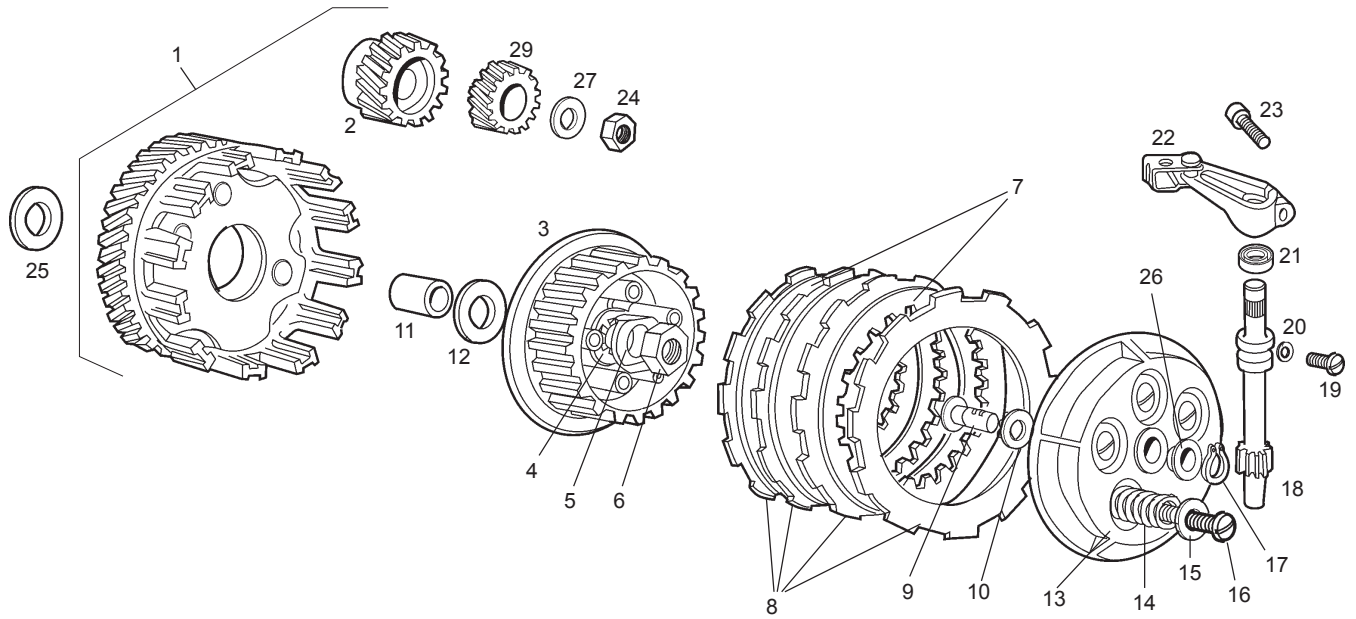


Fig.	Ver.	COD. KOD.	DESCRIPCIÓN DENOMINAZIONE NAME	BEZEICHNUNG DESIGNATION	MOD.	NOTAS NOTES NOTA MITSCHRIFT NOTES
23A		00052062011	TORNILLO 6M100X20 ZN.B VITE TESTA ALLEN 6M100X20 ZN.B SCREW 6M100X20 ZN.B	INBUSSCHRAUBE 6M100X20 ZN.B VIS TETE ALLEN 6M100X20 ZN.B	1 2 3 4	
24A		00H02600401	TCA.FIJ.PIÑON MOTOR.74CC.A.A. DADO FISSAGGIO PIGNONE MOTORE NUT CRANKSHAFT	MUTTER ECROU	1 2 3 4	
25A		00002026020	ARAND.PROTEC.INT.BUJE EMBRAG. RONDELLA PROTEZIONE INTERNA B WASHER, CLUTCH HUB	SCHEIBE RONDELLE ENTRETOISE	1 2 3 4	
26A		00H05000281	ARAND.TOPE PIÑON INTERMD. RONDELLA FERMO PIGNONE INTERM THRUST PLATE	SCHEIBE RONDELLE DE BUTEE	1 2 3 4	
27A		00H02600651	ARAND.FIJ.PIÑON MOTOR RONDELLA FISSAGGIO PIGNONE MO WASHER	BEF.- SCHEIBE RONDELLE	1 2 3 4	

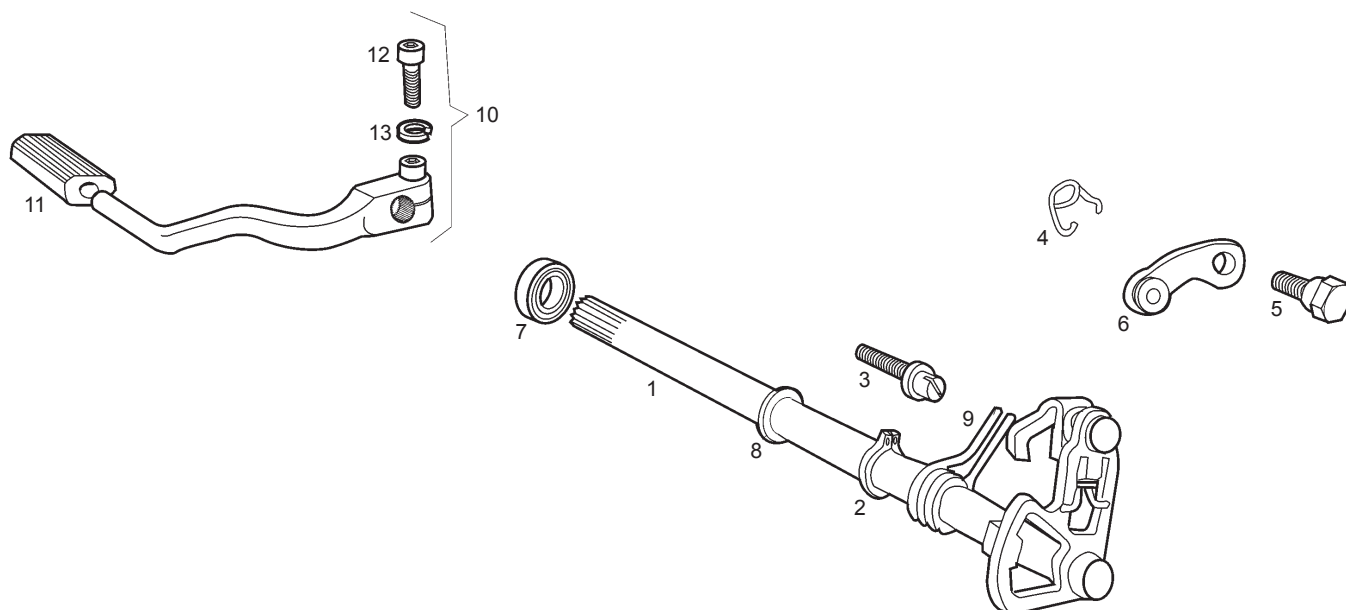


Fig.	Ver.	COD. KOD.	DESCRIPCIÓN DENOMINAZIONE NAME	BEZEICHNUNG DESIGNATION	MOD.	NOTAS NOTES NOTA MITSCHRIFT NOTES
01A		00H02700151	SCTO.EJE SELECTOR SUBASSE SELETTORE 7 S-ASSY. SELECTOR SHAFT	SCHALTACHSE S-ENSEMBLE AXE SELECTEUR	1 2 3 4	
02A		00047031100	ANIL.S.EJES D12.D6799.111013-2 ANELLO SEPARATORE ASSI D12.D CIRCLIP, BRAKE SHOE RETENTION	RING CIRCLIP POUR AXE D12	1 2 3 4	
03A		00H02700231	ESPARRG.MUELLE SELEC. BULLONE MOLLA SELETTORE 74/80 SCREW, SELECTOR SPRING ADJ.	FEDERSTIFT AXE EXCENTRIQUE	1 2 3 4	
04A		00H02700441	MUELLE FIJ.MARCHAS. MOLLA FISSAGGIO MARCE 74/80CC GEAR FIXING SPARING	BEF.- FEDER RESSORT	1 2 3 4	
05A		00H02700451	TOR.GUIA FIJ.MARCHAS VITE GUIDA FISSAGGIO MARCE 74 SCREW	SCHRAUBE VIS	1 2 3 4	
06A		00H02700491	SCTO.PALANCA FIJ.MARCHA SUBLEVA FISSAGGIO M LEVER FIXING GEARS	GANGSCHALTHEBEL LEVIER FIXATION PIGNONS	1 2 3 4	
07A		00002027280	RETE.EJE MANDO SELEC.12.20.5 RICHIAMO ASSE COMANDO SELETO OIL SEAL, SELECTOR SHAFT	SIMMERRING JOINT ANTI-FUITE	1 2 3 4	
08A		00002028770	ARAND.SEGURO TAMBOR RONDELLA ASSICURAZIONE TAMB WASHER	SCHEIBE JOUE CALAGE ARBRE SECONDAIRE	1 2 3 4	
09A		00H02700251	MUELLE SELECTOR MOLLA SELETTORE 74/80CC SPRING, SELECTOR	FEDER RESSORT	1 2 3 4	
10A		00H02703421	CTO.PALANCA CAMBIO LEVA CAMBIO SENDA GEARSHIFT ASSY	GANGSCHALTHEBELOHNE GUMMI PEDALE DE SELECTEUR	1 2 3 4	
11A		00003127270	PROTECT.APOYAP.PLNCA.CAMBIO.4V PROTETTORE APOGGIAPIEDI LEV RUBBER GEARSHIFT	SCHALTGUMMI CAOUTCHOUC DE SELECTEUR	1 2 3 4	

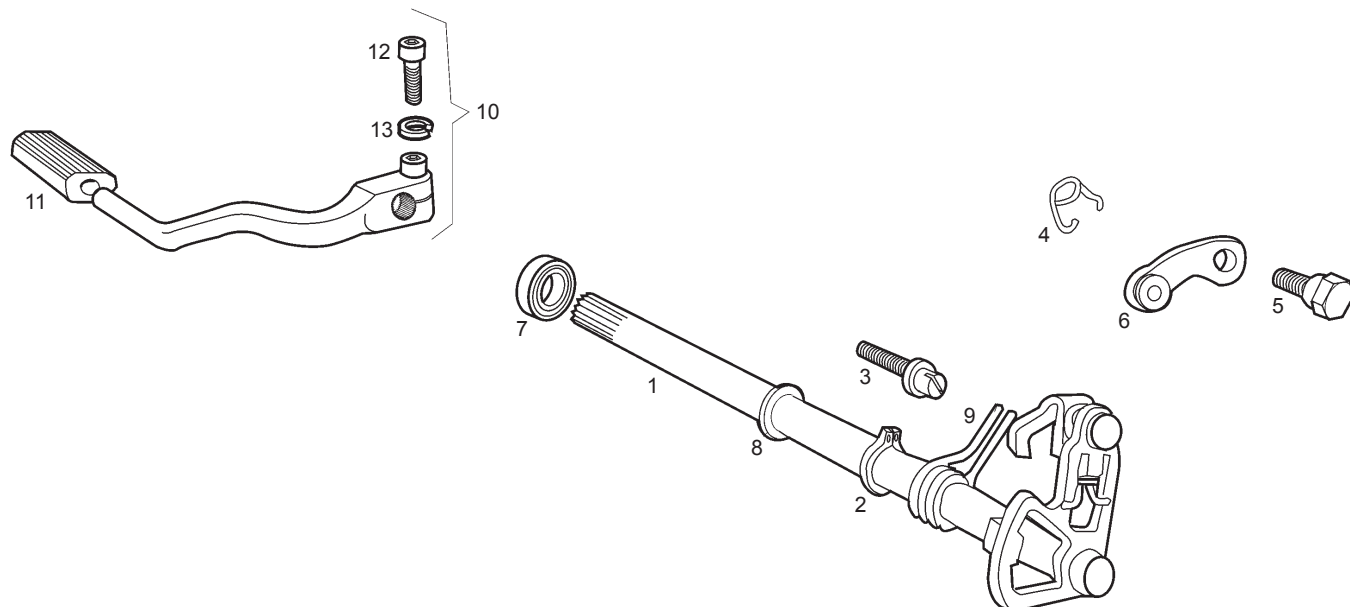


Fig.	Ver.	COD. KOD.	DESCRIPCIÓN DENOMINAZIONE NAME	BEZEICHNUNG DESIGNATION	MOD.	NOTAS NOTES NOTA MITSCHRIFT NOTES
12A		00002062511	TORNILLO 6M125X25 ZN B VITE TESTA ALLEN 6M100X25.DIN HEX.SOCKET-HEAD SCREW 6MX25	INBUSSCHRAUBE 6M100X25.D-912. VIS A TETE ALLEN 6M100X25.	1 2 3 4	
13A		00442060002	ARANDELA D6 ZN B RONDELLA MOLLA D.6.D-127-B. SPRING WASHER D6	FEDERRING D.6.DIN-127-B RONDELLE A RESSORT D6 D-127-B.	1 2 3 4	

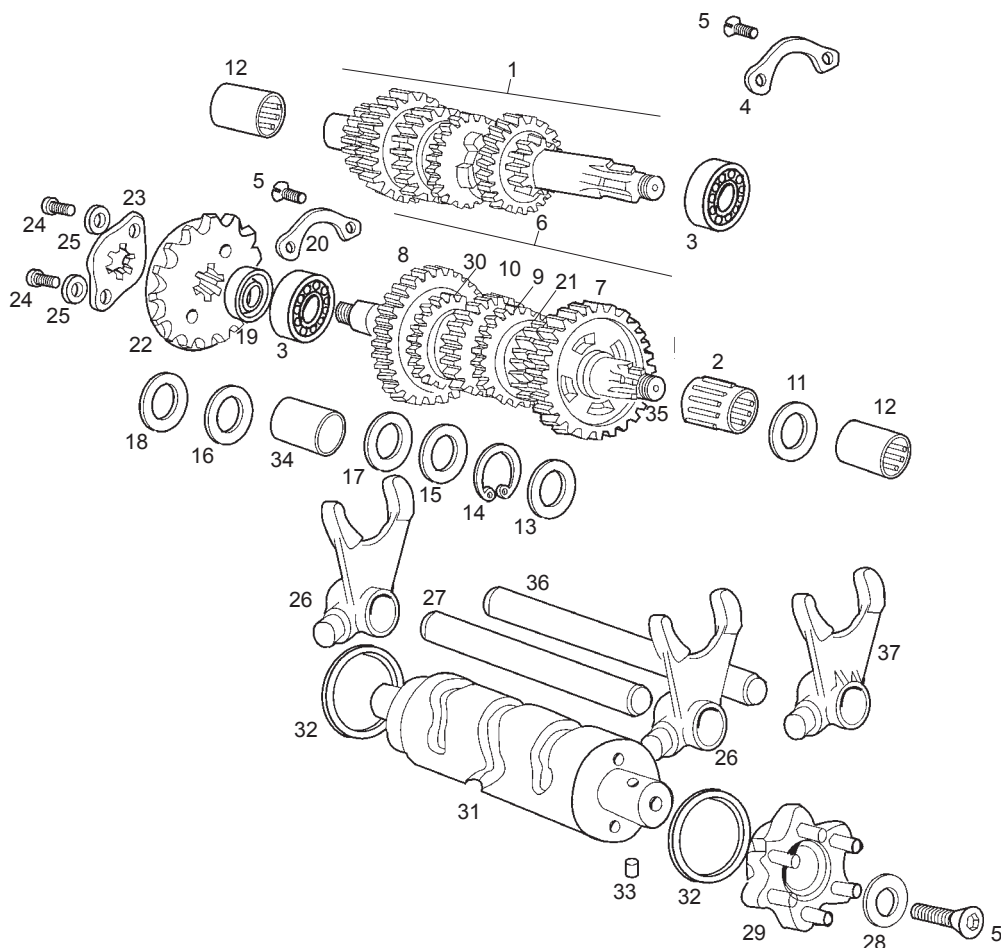


Fig.	Ver.	COD. KOD.	DESCRIPCIÓN DENOMINAZIONE NAME	BEZEICHUNG DESIGNATION	MOD.	NOTAS NOTES NOTA MITSCHRIFT NOTES
01A		00H02801291	SCTO.EJE PRIMARIO SUBASSE PRIMARIO DRIVE SHAFT	PRIMARACHSE AXE PRIMAIRE COMPLET	1 2 3 4	
01B		00H02803291	SCTO.EJE PRIMARIO 6V.GMM SUBASSE PRIMARIO DRIVE SHAFT	PRIMARACHSE AXE PRIMAIRE COMPLET	1 2 3 4	SINCE ENGINE 230060
02A		00D02820101	CORONA AGUJ.PIÑ.2-1A.K14X18X8F CORONA RULLINI PIGNONE .2-1A. NEEDLE BEARING	NADELLAGER ROULEMENT AIGUILLES	1 2 3 4	
03A		00059120300	COJINETE 6203-C4.17.40.12 R1.5 CUSCINETTO 6203-C4.17.40.12. BEARING	KUGELLAGER 6203-C4.17.40.12-V. COUSSINET 6203-C4.17.40.12-V-E	1 2 3 4	
04A		00H02800901	PREC.COJINETE EJE PRIM. PIASTRINA CUSCINETTO ASSE PRI PLATE POSITION BALL BEARINGS	KUGELLAGER PRIMDRACHSE BUTEE DE ROULEMENT	1 2 3 4	
05A		00000013510	TOR.AV.ALL.5M80X10 VITE TESTA SVASATA ALLEN 5M80 ALLEN COUNT HEAD SCR.5M80X10	SCHRAUBE VIS TETE FENDEU ALLEN5M80X10	1 2 3 4	
06A		00H02805131	CTO.EJE SECUNDARIO 6V ASSE SECONDARIO OUTPUT SHAFT	SEKUNDRACHSE AXE SECONDAIRE MONTE COMPLET	1 2 3 4	
06B		00H02807131	CTO.EJE SECUNDARIO 6V GMM ASSE SECONDARIO OUTPUT SHAFT	SEKUNDRACHSE AXE SECONDAIRE MONTE COMPLET	1 2 3 4	SINCE ENGINE 229976
07A		00H02820211	PIÑON SEC.I.Z-34.BI-3. PIGNONE SECONDARIO .I.Z-34.BI OUTPUT GEAR 1ST	RITZEL SEKUNDRACHSE I PIGNON SECONDAIRE I	1 2 3 4	
08A		00H02801221	PIÑON SECUND.II.Z-30 PIGNONE SECONDARIO II.Z-30 SE SECONDARY GEAR	RITZEL SEKUNDRACHSE II PIGNON SECONDAIRE II	1 2 3 4	
09A		00H02810231	PIÑON SECUND.III.Z-27.6V. PIGNONE SECONDARIO .III.Z-27. OUTPUT GEAR 3RD.	RITZEL SEKUNDRACHSE III PIGNON 3 (ARBRE SECONDAIRE)	1 2 3 4	

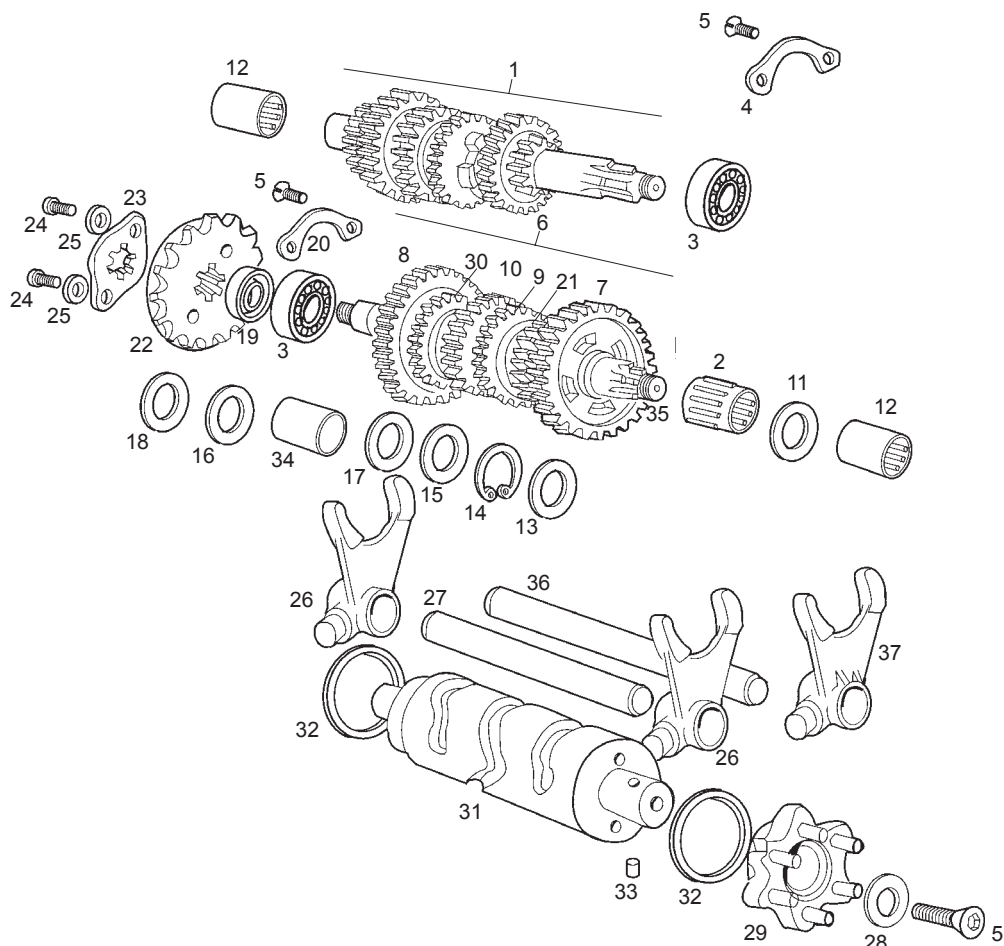


Fig.	Ver.	COD. KOD.	DESCRIPCIÓN DENOMINAZIONE NAME	BEZEICHUNG DESIGNATION	MOD.	NOTAS NOTES NOTA MITSCHRIFT NOTES
10A		00H02801481	PIÑÓN SECUND.IV.Z-24 PIGNONE SECONDARIO.IV.Z-24 SE SECONDARY GEAR	RITZEL SEKUNDARACHSE IV PIGNON SECONDAIRE IV	1 2 3 4	
11A		00H02800181	ARAND.REGLAJE EJE SECUNDARIO RONDELLA ATTRITO PIGNONE PRIM WASHER	SCHEIBE RONDELLE	1 2 3 4	
12A		00002028450	CASQ.AGUJAS EJES I-II.HK-1412. GHIERA RULLINI ASSI I-II.HK- NEEDLE BEARING, GEAR SHAFTS	NADELLAGER CAGE A AIGUILLES	1 2 3 4	
13A		00H02800251	ARAND.ROZAMTO.PIÑÓN SECUND.I RONDELLA ATTRITO PIGNONE SECO WASHER	SCHEIBE RONDELLE	1 2 3 4	
14A		00002028550	ANILLO SEG.PIÑONES.D18. ANELLO SICUREZZA PIGNONI D18 CIRCLIP D 18	SICHERUNGSRING JONC D'ARBRE	1 2 3 4	
15A		00H02800561	ARAND.PIÑS.SECUND.III/IV.A.A. RONDELLA PIGNONI SECONDARIO WASHER	SCHEIBE SEKUNDARACHSENLAGER RONDELLE	1 2 3 4	
16A		00H02810561	ARAND.ROZMTO.PIÑ.PRIM. RONDELLA ATTRITO PIGNONE PRIM WASHER.	SCHEIBE JOUE CALAGE PIGNON	1 2 3 4	
17A		00H02820561	ARAND.ROZAMT.PIÑÓN SEC.II. RONDELLA ATTRITO PIGNONE SECO WASHER.	SCHEIBE JOUE CALAGE PIGNON	1 2 3 4	
18A		00H02810181	ARAND.COJINT.EJE SECUNDARIO RONDELLA CUSCINETTO ASSE SECO LAYSHAFT BEARING WASHER	SCHEIBE KUGELLAGER RONDELLE	1 2 3 4	
19A		00H02800401	RETEN.PIÑÓN SALIDA CAMB. GIUNTO TENUTA PIGNONE USCITA SEAL Ssprocket	DICHTRING JOINT SPI PIGNON	1 2 3 4	
20A		00H02800901	PREC.COJINETE EJE PRIM. PIASTRINA CUSCINETTI ASSI PRI PLATE POSITION, BALL BEARINGS	SICHERUNG BUTEE DE ROULEMENT	1 2 3 4	

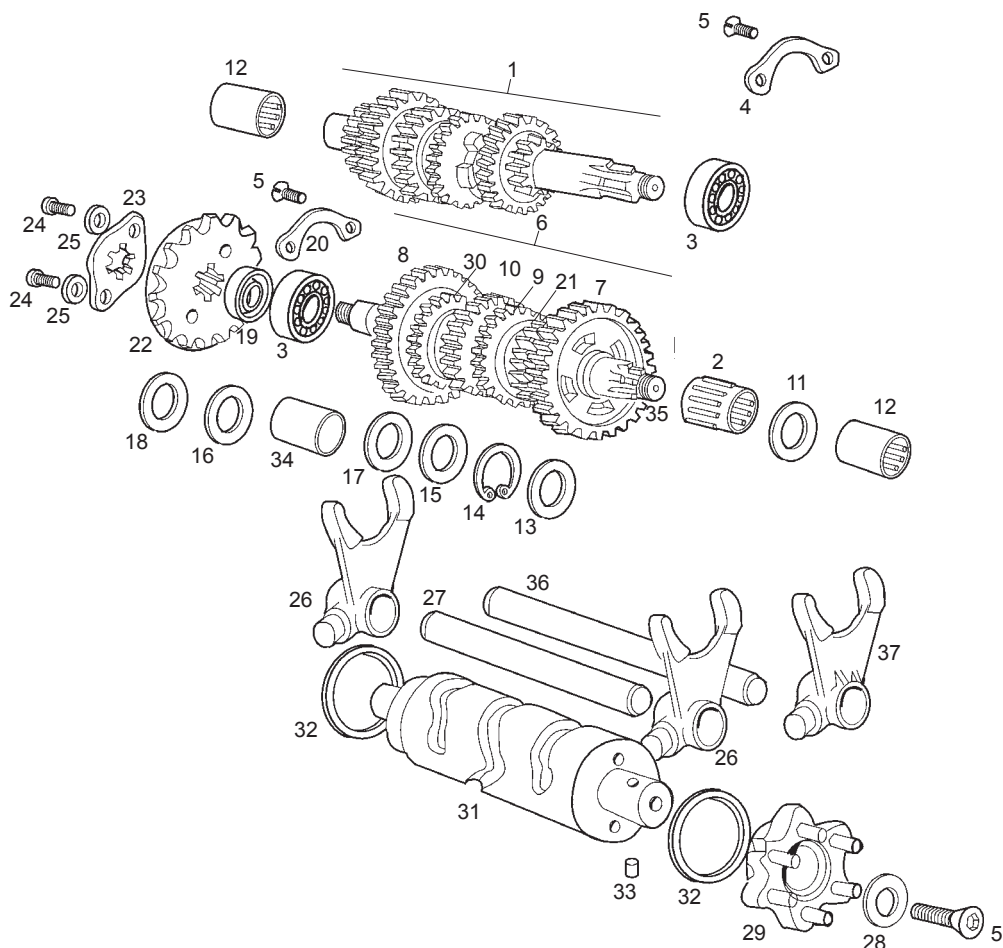


Fig.	Ver.	COD. KOD.	DESCRIPCIÓN DENOMINAZIONE NAME	BEZEICHNUNG DESIGNATION	MOD.	NOTAS NOTES NOTA MITSCHRIFT NOTES
21A		00H02810411	PIÑÓN SECUND.V.Z-23.6V PIGNONE SECONDARIO V.Z-23 OUTPUT GEAR 5TH.	RITZEL SECUNDRACHSE V PIGNON DE 5 (ARBRE SECONDAIRE)	1 2 3 4	
22A		00H02805371	PIÑÓN SALIDA CAMBIO Z-14 PIGNONE USCITA CAMBIO .Z-14 SPROCKET, COUNTERSHAFT	AUSLAUFKITZEL PIGNON DE SORTIE	1 2 3 4	
23A		00H02810421	PREC.PIÑÓN SALIDA CAMB.50.4V PIASTRINA PIGNONE USCITA CAMB LOCKWASHER, COUNTERSHAFT SPRO	RITZEL RONDELLE DE SECURITE SBV.	1 2 3 4	
24A		00000004510	TORNILLO C/ALLEN 5M80X10 VITE TESTA ALLEN 5M80X10 ALLEN SCREW 5M80X10	INBUSSCHRAUBE 5M80X10 VIS A TETE CREUSE 5M80X10	1 2 3 4	
25A		00000031050	ARAND.PLANA MEC.D.5 RONDELLA PIATTA MECCANIZZATA MACHINED FLAT WASHER D5	SCHEIBE D.5. DIN125 ROND.PLATE MECANISEE D.5.DIN12	1 2 3 4	
26A		00H02820651	HORQ.SECUNDARIA.4-6V. FORCELLA SECONDARIA 4-6V. FORK OUTPUT	SCHALTGABEL FOURCHETTE	1 2 3 4	
27A		00H02800881	EJE HORQ.SECUNDARIA ASSE FORCELLA SECONDARIA 7/8 SECONDARY FORK SHAFT	GABEL-SEKUNDRACHSE AXE	1 2 3 4	
28A		00H02800801	ARAND.PIÑ.CONTR/MAND.TAMBOR RONDELLA PIGNONE CONTROLLO CO SCREW	SCHEIBE VIS	1 2 3 4	
29A		00H02810631	CABEZA MANDO TAMBOR TESTA COMANDO TAMBORO 74CC. DRUM HEAD	STEUERKOPF TETE TAMBOR SELECTEUR	1 2 3 4	
30A		00H02810741	PIÑÓN SECUND.VI.Z-22.6V. PIGNONE SECONDARIO VI.Z-22.6V OUTPUT GEAR 6TH.	RITZEL SEKUNDRACHSE VI PIGNON DE 6 (ARBRE SECONDAIRE)	1 2 3 4	
31A		00H02802861	TAMBOR DISTRIBUIDOR TAMBORO DISTRIBUTORE SENDA L- SHIFT DRUM	VERTEILERTROMMEL BARILLET	1 2 3 4	

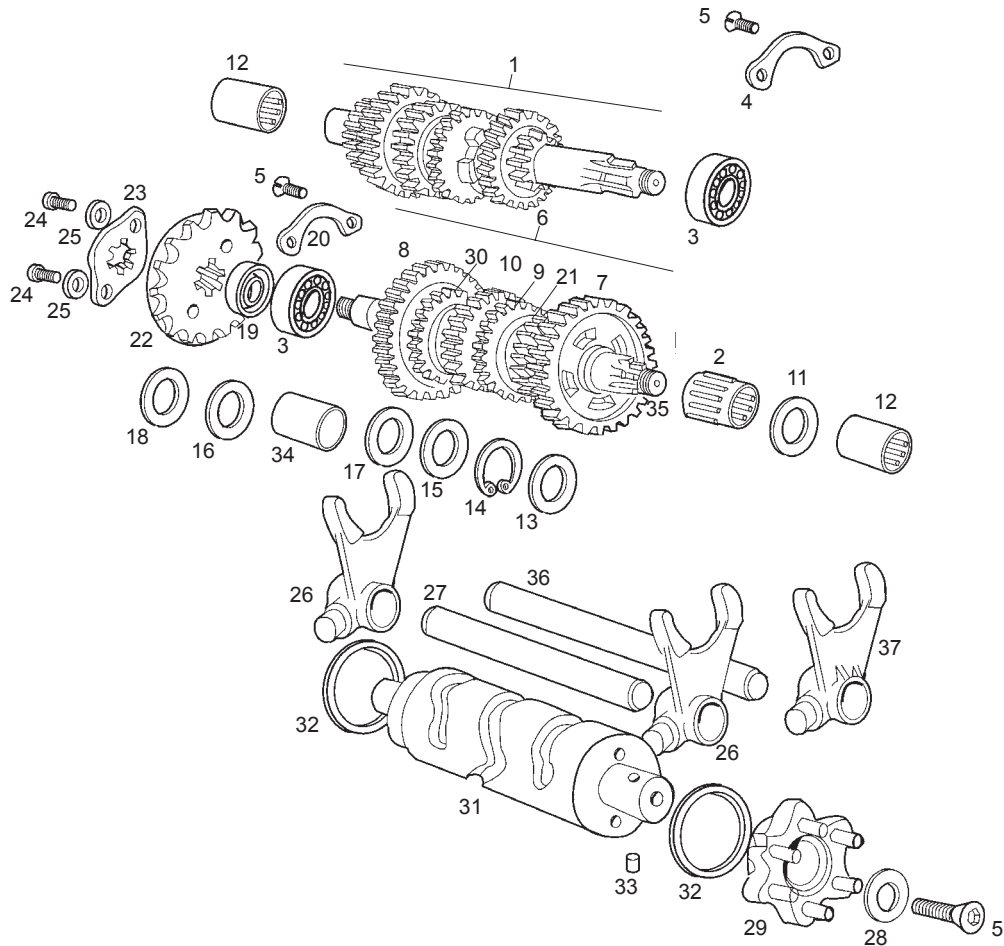


Fig.	Ver.	COD. KOD.	DESCRIPCIÓN DENOMINAZIONE NAME	BEZEICHUNG DESIGNATION	MOD.	NOTAS NOTES NOTA MITSCHRIFT NOTES
32A		00D04000291	ARAND.TAMBOR DISTRIBD.0,5.4/6V RONDELLA TAMBORO DISTRIBUTORE WASHER 0,5 4-6V.	SCHEIBE RONDELLE DE REGLAJE DU TAMBOR	1 2 3 4	
33A		00000066060	RODILLO.4X6. RULLO 4X6 ROLLER 4X6	WALZE FUR SCHALTUNG GALETS 4X6	1 2 3 4	
34A		00H02800241	CASQ.PIÑON SECUND.II. GHIERA PIGNONE SECONDARIO .II BUSHING	HULSE ENTRETOISE	1 2 3 4	
35A		00H02802161	EJE SECUNDARIO 6V ASSE SECONDARIO OUTPUT SHAFT	SEKUNDARACHSE AXE SECONDAIRE	1 2 3 4	
35B		00H02803161	EJE SECUNDARIO 6V GMM ASSE SECONDARIO OUTPUT SHAFT	SEKUNDARACHSE AXE SECONDAIRE	1 2 3 4	SINCE ENGINE 229976
36A		00H02800891	EJE HORQ.PRIMARIA. ASSE FORCELLA PRIMARIA 74/80C PRIMARY FORK SHAFT	GABEL-PRIMARACHSE AXE	1 2 3 4	
37A		00H02820661	HORQ.PRIMARIA.V-VI. FORCELLA PRIMARIA V-VI.74CC FORK OUTPUT	SCHALTGABEL FOURCHETTE	1 2 3 4	

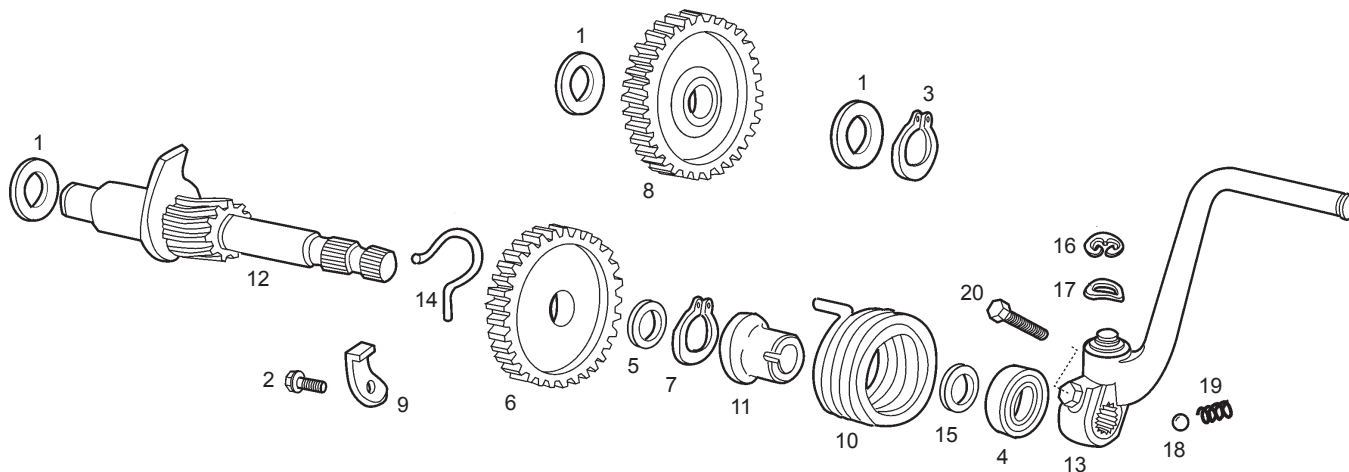


Fig.	Ver.	COD. KOD.	DESCRIPCIÓN DENOMINAZIONE NAME	BEZEICHUNG DESIGNATION	MOD.	NOTAS NOTES NOTA MITSCHRIFT NOTES
01A		00002028770	ARAND.SEGURO TAMBOR RONDELLA ASSICURAZIONE TAMBUR WASHER	SCHEIBE JOUE CALAGE ARBRE SECONDAIRE	1 2 3 4	
02A		00H02900761	TOR.FIJ.TOPE ARRQ. VITE SCREW	SCHRAUBE VIS	1 2 3 4	
03A		00000047111	ANILLO SEG.EJES ANELLO SICUREZZA ASSI D11.DIN CIRCLIP, SELECTOR SHAFT	SICHERHEITSRING CIRCLIPS ARBRE SELECTEUR	1 2 3 4	
04A		00D02910131	RETEN EJE ARRANQUE 15-26-5 ANELLO TENUTA AVVIAMENTO 15-2 OIL SEAL 15-26-5	SIMMERRING JOINT ANTI-FUITE	1 2 3 4	
05A		00005529290	ARAND.TOPE PIÑ.ARRQ. RONDELLA FERMO PIGNONE AVVIAM WASHER	SCHEIBE RONDELLE	1 2 3 4	
06A		00H02900091	PIÑON ARRANQUE Z-29 PIGNONE AVVIAMENTO Z-29 KICKSTARTER GEAR Z-29	ANLAUFTRITZEL ROUE DE MISE EN MARCHÉ Z-29	1 2 3 4	
07A		00000047122	ANILLO SEG.EJES D22 RONDELLA SICUREZZA D22.DIN-47 CIRCLIP D22 DIN 471	SICHERHEITSRING D22. ANNEAU SECURITE AXES D22.	1 2 3 4	
08A		00H02901441	PIÑON INTERMED.ARRQ. PIGNONE INTERMEDIO AVVIAMENTO DRIVING GEAR	ANLAUF-ZWISCHENRITZEL ROUE INTERMEDIAIRE	1 2 3 4	
09A		00H02901551	REFZO.TOPE ARRQ. RINFORZO FERMO AVVIAMENTO KICKSTARTER LEVER STOP	VERSTARKUNG F. ANSCHLAG BUTEE PEDALE DE KICK	1 2 3 4	
10A		00H02900041	MUELLE ARRANQUE, MOLLA AVVIAMENTO KICKSTARTER SPRING	ANLAUFFEDER RESSORT DE KICK	1 2 3 4	
11A		00H02900271	CAZLTA.GUIA MUELLE ARRQ. SCODELLINO GUIDA MOLLA AVVIAM SPRING GUIDE	FUHRUNGSPFANNE RAMPE DE KICK	1 2 3 4	

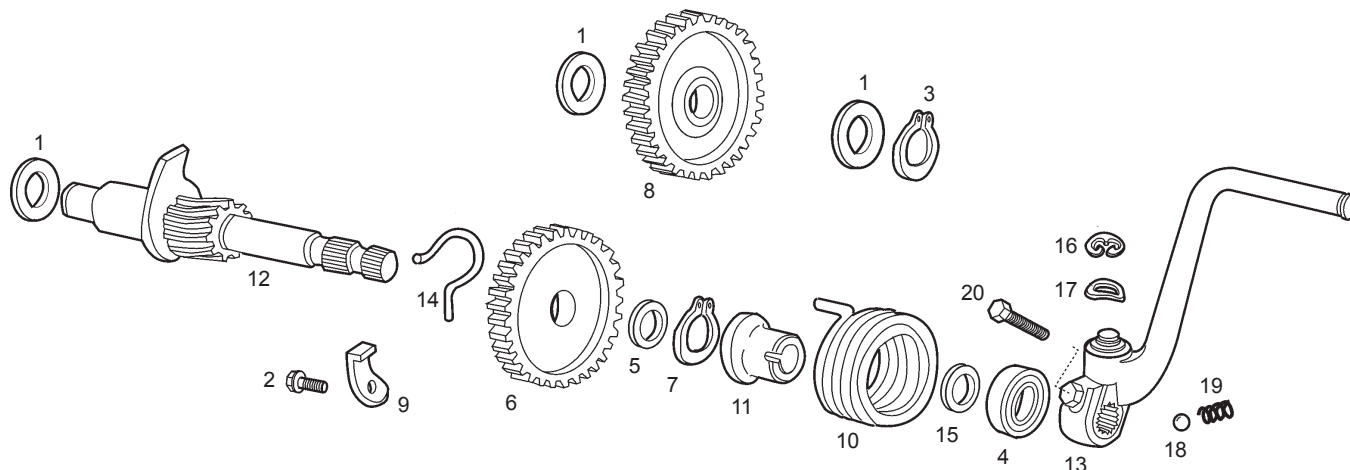


Fig.	Ver.	COD. KOD.	DESCRIPCIÓN DENOMINAZIONE NAME	BEZEICHNUNG DESIGNATION	MOD.	NOTAS NOTES NOTA MITSCHRIFT NOTES
12A		00H02900011	SCTO.EJE ARRANQUE, ASSE AVVIAMENTO KICKSTARTER SHAFT	ANLAUFACHSE ARBRE DE KICK	1 2 3 4	
13A		00H02902251	CTO.PALANCA ARRQ. LEVA AVVIO FENIX KICKSTARTER SHAFT	KICKSTARTER LEVIER DE KICK	1 2 3 4	
14A		00H02900281	MUELLE PIÑON ARR. MOLLA PIGNONE AVVIAMENTO SPRING, ENGAGEMENTE REAR	RITZELFEDER RESSORT DE ROUE DE MISE EN MAR	1 2 3 4	
15A		00002029050	ARAND.TOPE ARRQ.4-6V. RONDELLA FERMO AVVIAMENTO 4-6 WASHER	SCHEIBE RONDELLE	1 2 3 4	
16A		00047030900	ANILL.SEG/EJ.D9-12 ANELLO SICUREZZA/ASSE D9-12 D CIRCLIP D9-12 DIN-6799	SICHERHEITSRING ANNEAU SECURITE AXE D.9-12.	1 2 3 4	
17A		00000036100	ARAND.MUELLE AB.D10,5. RONDELLA MOLLA AB.D10,5.DIN- WASHER	FEDERRING RONDELLE	1 2 3 4	
18A		00000061040	BOLA.D.4,76. PALLA D.4,76 BALL, D.4,76	KUGEL D.4,76. BILLE DIAMETRE 4,76.	1 2 3 4	
19A		00003127200	MUELLE GATILLOS. MOLLA GRILLETTO TORCIA SPRING, DETENT	FEDER RESSORT	1 2 3 4	
20A		00G03000211	TORNILLO C/EXAG. VITE TESTA ESAGONALE.6M100X25 HEX. HEAD SCREW M6X25	SCHRAUBE 6M100X25. VIS A TETE HEXAGONALE 6M100X25	1 2 3 4	

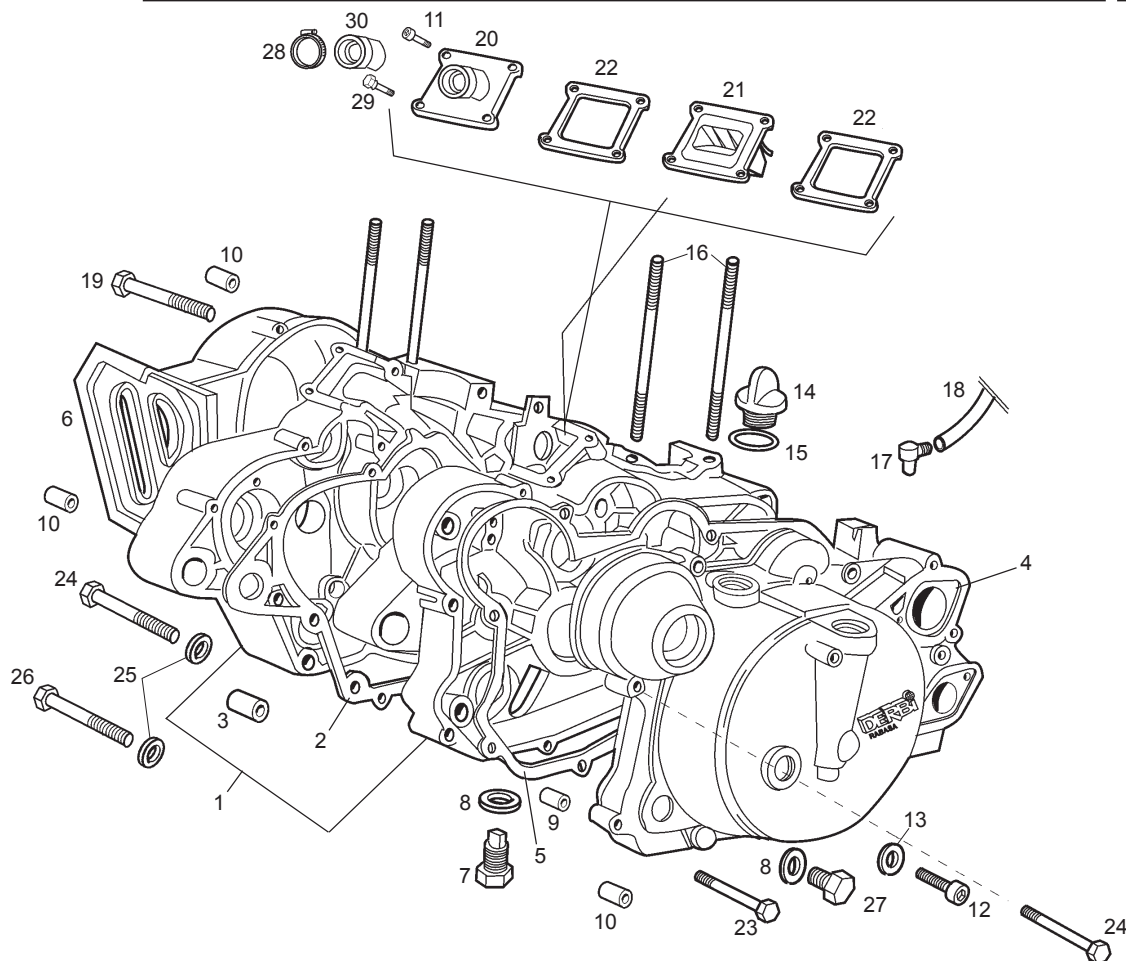


Fig.	Ver.	COD. KOD.	DESCRIPCIÓN DENOMINAZIONE NAME	BEZEICHNUNG DESIGNATION	MOD.	NOTAS NOTES NOTA MITSCHRIFT NOTES
01A		00H03003634	CTO.CARTERS CARTERS SENDA-R/95 CRANKCASE ASSEMBLY	MOTORGEHAUSE ENSEMBLE DES CARTERS MOTEUR	1 2 3 4	
02A		00H03000031	JUNTA CARTERS GUARNIZIONE CARTERS 50CC GASKET, CHANKCASE	GEHAUSEDICHTUNG JOINT DE CARTERS CENTRAUX	1 2 3 4	
03A		00H03010361	SEPARAD.SILENT.DT.CARTER SEPARATORE SILENTBLOCK ANTERI BUSHING	DISTANZ SILENTBLOCK ENTRETOISE	1 2 3 4	
04A		00H03002884	SCTO.TAPA CARTER DR. SUBC.COP.CARTER DES.SDA-R GER CRANKCASE COVER	KUPPLUNGSDECKEL CARTER D'EMBRAYAGE	1 2 3 4	
05A		00H03000141	JUNTA TAPA CARTER DR. GUARNIZIONE COPERCHIO CARTER GASKET RIGHT-HAND COVER	DICHTUNG JOINT DE CARTER EMBRAYAGE	1 2 3 4	
06A		00H03000242	TAPA CARTER IZ. COPERCHIO CARTER SINISTRO SE CRANK CASE COVER LEFT	ZUNDUNGSDECKEL COUVERCLE CARTER GAUCHE	1 2 3 4	
07A		00A03001422	CTO TORNILLO VACIADO ACEITE VITE SVUOTAMENTO O DRAIN PLUG W/MAGNET	OLABLASSSCHRAUBE BOUCHON DE VIDANGE	1 2 3 4	
08A		00A03000121	ARAND.VACDO.ACTE. RONDELLA SVUOTAMENTO OLIO VA GASKET, DRAIN PLUG	SCHEIBE RONDELLE FIBRE D10-VIDANGE	1 2 3 4	
09A		00002030020	PASADOR UNION CARTER. CHIAVISTELLO UNIONE CARTER DOWEL PIN, CRANCKASE	BUCHSE PIED DE CENTRAGE	1 2 3 4	
10A		00H03000831	CENTRAD.TAPA CART.IZ.49/74/80 CENTRATORE COPERCHIO CARTER S SPACER, CRANCKASE	ZENTRIERSTUCK CENTRAGE CARTER	1 2 3 4	
11A		00G03000211	TORNILLO 6X25 VITE 6X25 SCREW 6MX25	SCHRAUBE 6X25 VIS 6X25	1 2 3 4	

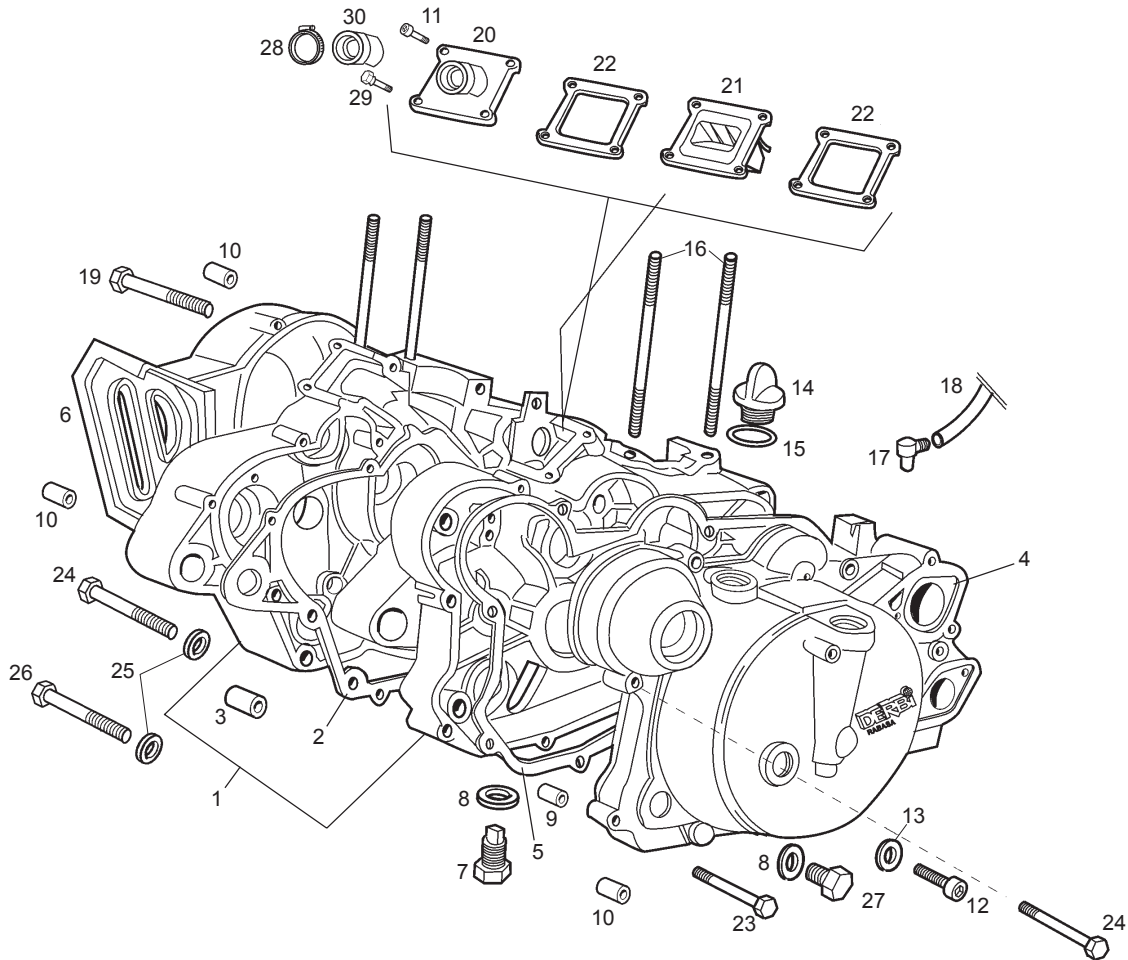


Fig.	Ver.	COD. KOD.	DESCRIPCIÓN DENOMINAZIONE NAME	BEZEICHUNG DESIGNATION	MOD.	NOTAS NOTES NOTA MITSCHRIFT NOTES
12A		00002061011	TORNILLO 6M100X10 ZN B VITE 6M100X10 ZN B SCREW 6M100X10 ZN B	SCHRAUBE 6M100X10 ZN B VIS 6X25 6M100X10 ZN B	1 2 3 4	
13A		00003102280	ARAND.NIVEL ACEITE.D.6 RONDELLA LIVELLO OLIO D.6 TOR WASHER, SEALING	DICHTRING RONDELLE FIBRE D 6	1 2 3 4	
14A		00H03000081	TOR.LLENADO ACEITE VITE PIENO OLIO 74/80CC OIL FILLER SCREW	OLABFULLRING BOUCHON REM.P.HUILE	1 2 3 4	
15A		00001130370	ANILLO TORICO TAPON NIV.ACTE. ANELLO TORICO TAPPO LIVELLO O WASHER SEALING	O-RING JOINT DE JAUGE D,HUILE	1 2 3 4	
16A		00003130050	ESPARRG.FIJ.CILINDRO. BULLONE FISSAGGIO CILINDRO TO STUD CYLINDER	STEBBOLZEN GOUJON DE FIXE CYLINDRE	1 2 3 4	
17A		00005530600	RACORD SALIDA GASES CART.4-6V. RACCORDI USCITA GAS CARTER CRANKCASE VENT RACCORD	AUSGANGSSTUTZEN RACCORD DE SORTIE GAZ CARTER	1 2 3 4	
18A		00H03700461	TUBO RESPIR.DPTO.ACTE. TUBO RESPIRAZIONE SERBATOIO VENT PIPE OIL TANK	ENTLUEFTUNGSSCHLAUCH TUYAU RESPIRATION RESERVOIR HU	1 2 3 4	
19A		00G03900821	TOR.C/EXAG.6M100X30 VITE TESTA ALLEN 6M100X30.DIN HEX.SOCKET-HEAD SCREW 6MX30	INBUSSCHRAUBE 6M100X30.D-912. VIS A TETE ALLEN 6M100X30.	1 2 3 4	
20A		00H02507061	ATTACCO CARBURATORE INTAKE MANIFOLD, ASSY.	ANSAUGSTUTZEN ENSEMB.PIPE D'ADMISSION	1 2 3 4	
21A		00H02510641	CTO.CAJA LAM.ADM.74/80CC.2 CASSA LAMINA AMMISS INLET BOX	MEMBRANE BOITE A CLAPETS	1 2 3 4	
22A		00H02500811	JUNTA SOPTE.VALVULA ADMIS. GUARNIZIONE SOSTEGNO VALVOLA INLET VALVE GASKET	DICHTUNG VENTILHALTER JOINT BTE.CLAPETS	1 2 3 4	

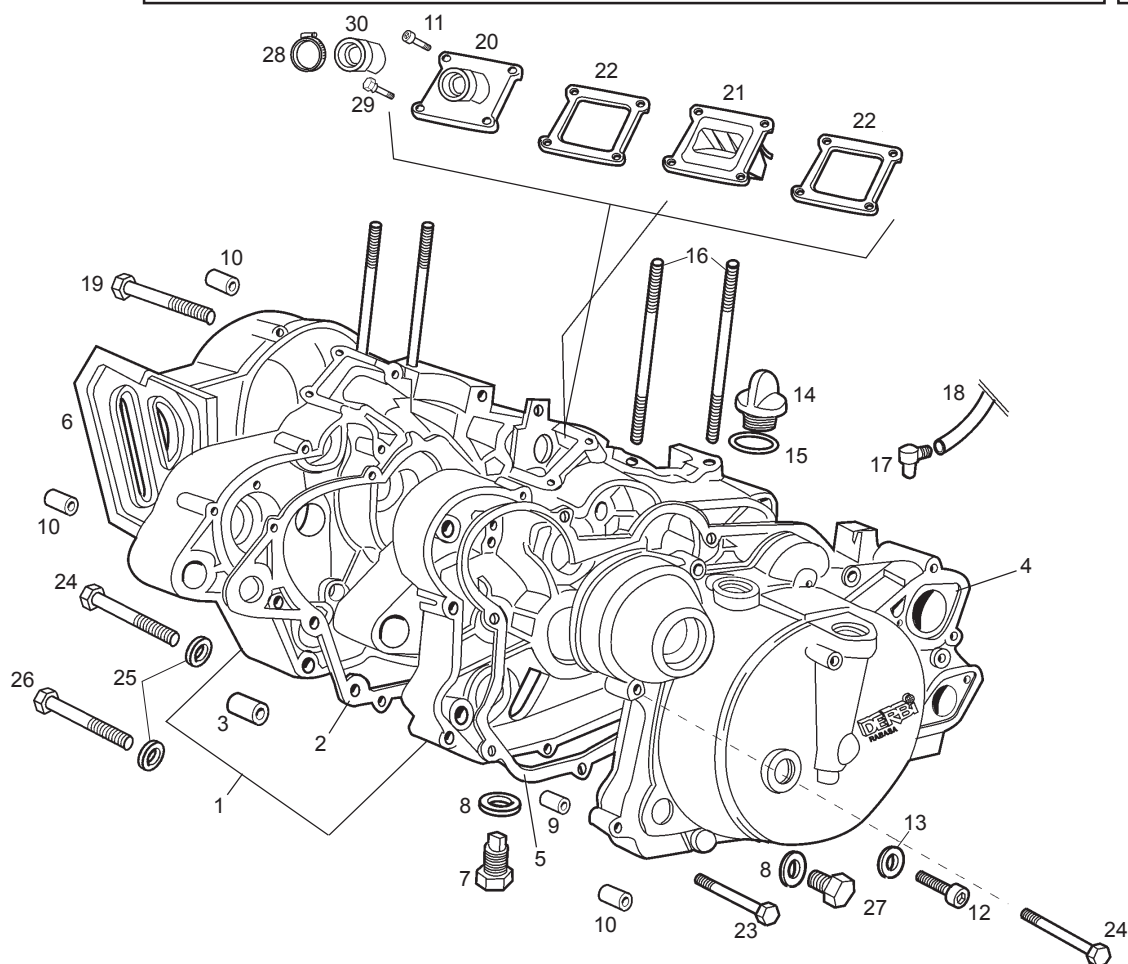


Fig.	Ver.	COD. KOD.	DESCRIPCIÓN DENOMINAZIONE NAME	BEZEICHNUNG DESIGNATION	MOD.	NOTAS NOTES NOTA MITSCHRIFT NOTES
23A		00G03001091	TOR.FIJ.CARTERS M6X35 VITE TESTA ALLEN 6M100X35.DIN ALLEN SCREW 6M100X3	INBUSSCHRAUBE 6M100X35.D-912/8 VIS TETE CREUSE 6M100X35 D912/	1 2 3 4	
24A		00G03002091	TOR.C/EXAG.6M100X40 VITE TESTA ALLEN 6M100X40.DIN HEX.SOCKET-HEAD 6MX40	INBUSSCHRAUBE 6M100X40.D-912. VIS A TETE ALLEN 6M100X40.	1 2 3 4	
25A		00000031060	ARAND.PLANA MECANIZ.D.6 RONDELLA PIATTA MECCANIZZATA MACHINED FLAT WASHER D6 DIN-1	SCHEIBE D.6. ROND. PLATE MECANISEE D6DIN125	1 2 3 4	
26A		00H03000091	TOR.C/EXAG.6M100X50 VITE TESTA ALLEN 6M100X50.D- HEX.SOCK-HEAD SCR.6M100X50D91	SCHRAUBE VIS TETE ALLEN 6M100X50 D912	1 2 3 4	
27A		00A03000132	TORNILLO VACIADO ACEITE VITE SVUOTAMENTO OLIO PLUG, DRAIN	SCHRAUBE BOUCHON DE VIDANGE	1 2 3 4	
28A		00H03800451	ABRAZADERA FASCETTA BOCCA PIENO ACQUA CLAMP	SCHLAUCHSCHELLE COLLIER	1 2 3 4	
29A		00F05000061	TORNILLO ROMPIENTE VITE FISSAGGIO ATTACCO CARBUR SCREW INTAKE MANIF.W/R.VALVE	SCHRAUBE ANSAUGSTUTZEN BOULON BUSE CARBURATEUR	1 2 3 4	
30A		00H02502891	CASQUILLO UNION BOQ. CARBURADOR GHIERA UNIONE BOC.CARB. COMPLING SLEEVE INTAKE MANIFO	ANSAUGGUMMI CONDUIT ADMISSION	1 2 3 4	

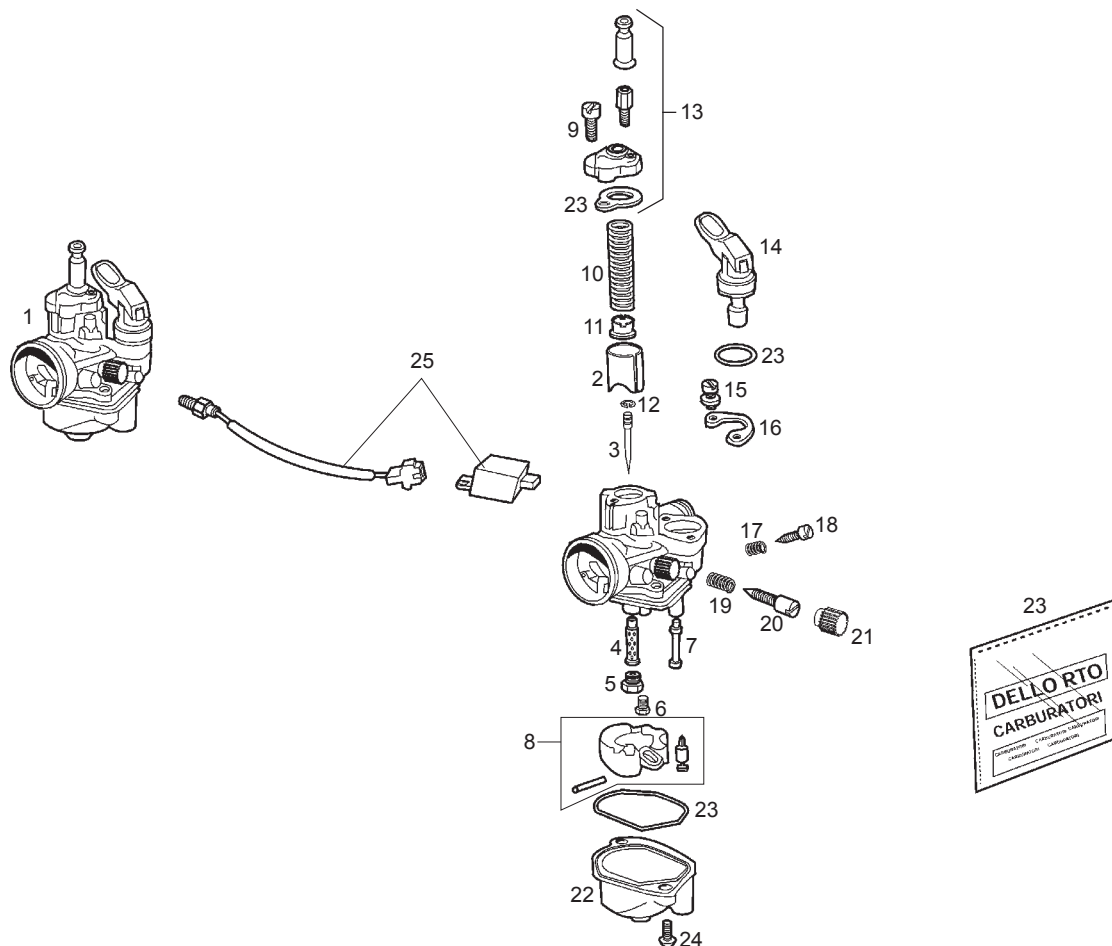


Fig.	Ver.	COD. KOD.	DESCRIPCIÓN DENOMINAZIONE NAME	BEZEICHUNG DESIGNATION	MOD.	NOTAS NOTES NOTA MITSCHRIFT NOTES
01A		00H03245011	CTO. CARBURADOR CARBURATORE CARBURETOR	VERGASER KOMPL ENSEMBLE CARBURATEUR	1 2 3 4	
02A		00F03201211	R-COMPUERTA GAS D.30 R-VALVOLA GAS D.30 SLIDE	GASSCHIEBER BOISSEAU	1 2 3 4	
03A		00G03201431	AGUJA PULVERIZADOR R-SPILLO SPRUZZATORE NEEDLE	DUESENNADELUSE AIGUILLE PULVERIZ.	1 2 3 4	
04A		00H03204421	R-PULVERIZADOR GA210 POLVERIZZATORE GA211 NEEDLE JET	ZERSTAUBERDUSE GA210 PULVERISATEUR GA210	1 2 3 4	
05A		00G03208031	R-SURTIDOR MAX.55 R-GETTO MASSIMO 55 MAIN JET 55	HAUPT DUSE 55 GICLEUR PRINCIPAL 55	1 2 3 4	
06A		00H04106181	R-SURTIDOR MIN. 36 R-GETTO MINIMO 36 JET MIN 36	DUESE MIN. D.36 R-GICLEUR MINIMUM. D.36	1 2 3 4	
07A		00H03203481	R-SURTIDOR ENTR. AIRE R-GETTO INGRESSO ARIA 45 IDLE JET	LUFTEINLASS-DUSE R-GICLEUR DIENTRE DIAIR 45	1 2 3 4	
08A		00H03202281	R-FLOTADOR VAMOS AUS.40K/H R-GALLEGGIANTE VAMOS AUS. FLOAT	SCHWIMMER R-FLOTTEUR.	1 2 3 4	
09A		00G03200061	R-TOR.FIJ.TAPA CAM. MEZCLA VM.AUS. R-VITE FISSAGIO COPERCHIO CAM. MIXING XAMBER COVER SECURING	BEF.-SCHRAUBE DECKEL MISCH R-BOUL.SER.COUV.CHAMBRE MEL	1 2 3 4	
10A		00G03201071	R-MUELLE VALV.GAS VAM.AUS.40KH R-MOLLA VALVOLA GAS VAMOS AV THROTTLE VALVE RETURN	FEDER FUR GASVENTIL R-RESSORT VALVE ESS.	1 2 3 4	
11A		00G03200511	R-CASC.AGUJA PULV.VAM.AU.40 R-GHIERA SPILLO SPRUZZATORE NEEDLE BUSHING	BUCHSE DUESENNADEL R-DOUILLE AIGUI.PULVERZ.	1 2 3 4	

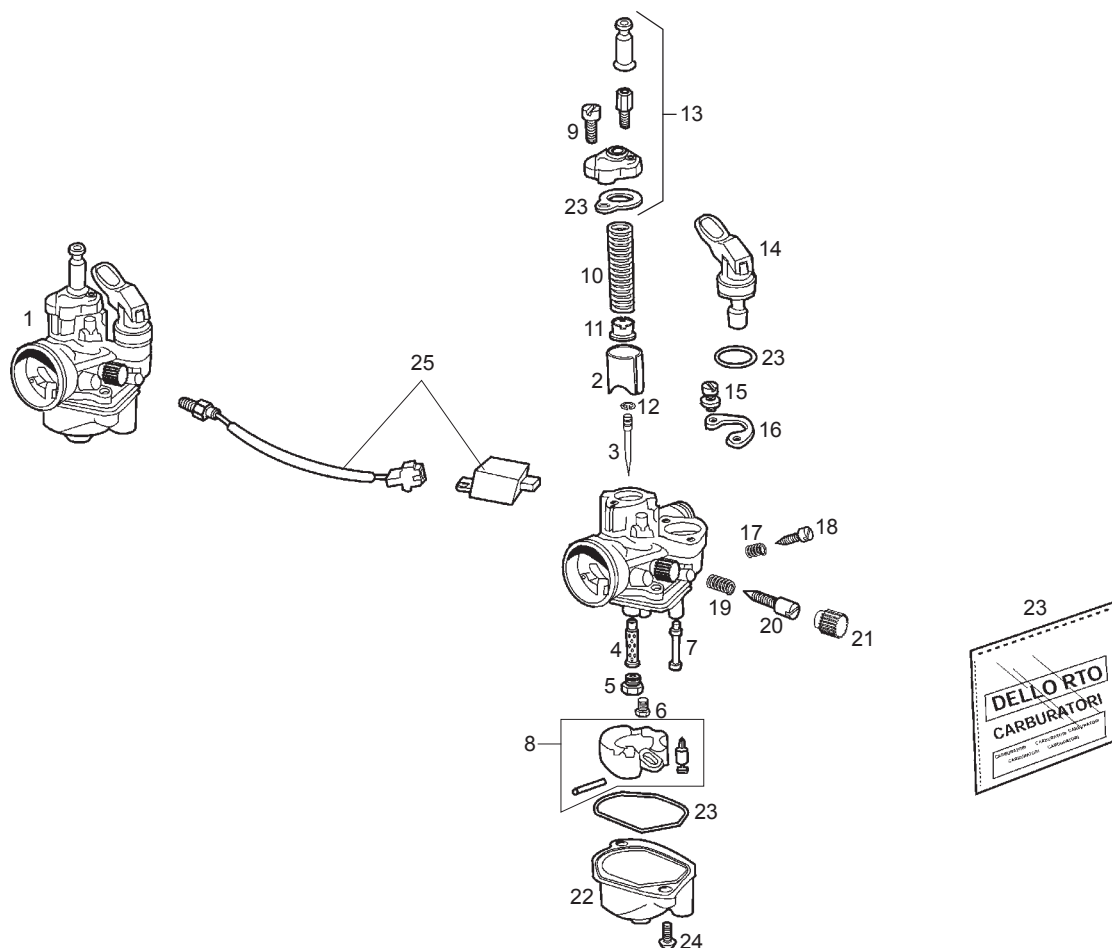


Fig.	Ver.	COD. KOD.	DESCRIPCIÓN DENOMINAZIONE NAME	BEZEICHNUNG DESIGNATION	MOD.	NOTAS NOTES NOTA MITSCHRIFT NOTES
12A		00G03201371	R-PINZA AGUJA PULVER.VAM.AV.40 R-MORSA SPILLO SPRUZZATORE NEEDLE CIRCLIP	KLAMMER DUESENNADEL R-PINCE AIGUI.PULVERZ.	1 2 3 4	
13A		00H03204231	R-TAPA CAMARA MEZCLA R-COPERCHIO CAMARA MISCELA SE COVER CARBURETOR TOP	MISCHRAUMDECKEL COUVERCLE CARBURATEUR	1 2 3 4	
13B		00H03202231	R-TAPA CAMARA MEZCLA R-COPERCHIO CAMARA MISCELA SE COVER CARBURETOR TOP	MISCHRAUMDECKEL COUVERCLE CARBURATEUR	1 2 3 4	
14A		00H03203711	R-CTO.STARTER R-STARTER CHOCKE LOCK	STARTERVENTIL VANNE DU STARTER MANUEL	1 2 3 4	
15A		00G03200541	R-TOR.FIJ.START.AUTOM.VM.AV.40 R-VITE FISSAGIO STARTER AV. AUTOMA.CHOCKE SEGURING SCREE	BEF.-SCHRAUBEAUTOM STARTER R-BOULON SER.START.AUTOM.	1 2 3 4	
16A		00G03200551	R-PRCTO.FIJ.STAR.AUT.V.AV.40 R-PLOMBAGE FIX.START.AUT.V.AV. AUTOMA.CHOCKE SEGURING SCREE	HALTERUNG AUTOM. STARTER A R-PLOMBAGE FIX.START.AUT.	1 2 3 4	
17A		00G03200721	R-MUELLE REG.AIRE MIN.VM.AV.40 R-RESSORT REG.AIR.MIN.VM.AV 40 IDLE ADJUSTER	FEDER LUFTREGLER MIN. R-RESSORT REG.AIR MIN.	1 2 3 4	
18A		00G03200731	R-TOR.REG.AIRE MIN. R-VIS REG.AIR.MIN.VAM.AV.40KH. IDLE ADJUSTER SCREW	LUFT-REGULIERSCHRAUBE MIN. R-VIS REG.AIR MIN.	1 2 3 4	
19A		00G03200101	R-MUELLE REG.VALV.GAS VM.AV 40 R-RES.REG.VALVE ESS.VM.AV.40 THROTTLE VALVE ADJUSTE SPRING	FEDER GAS-VENTIL-REGELUNG R-RES.REG.VALVE ESS.	1 2 3 4	
20A		00G04100131	R-TOR.REG.VALV.GAS VAM.AV.40 KH R-BOUTON VITE REGOLAZIONE VALVOLAR-VIS REG.VALV.ESS. THROTTLE VALVE ADJUSTER SCREW	SCHRAUBE GAS-VENTIL-REGELU R-BOUTON VIS REGL.VALV.ESS.	1 2 3 4	
21A		00G04100741	R-BOTON.TOR.REG.VAL.GAS V.AV. R-BOUTON AVIS REGL.VALV.ESS.V.A. THROTTLE VALVE ADJUSTER SCREW	KNOPF GASVENTIL-STELLSCHRA R-BOUTON VIS REGL.VALV.ESS.	1 2 3 4	

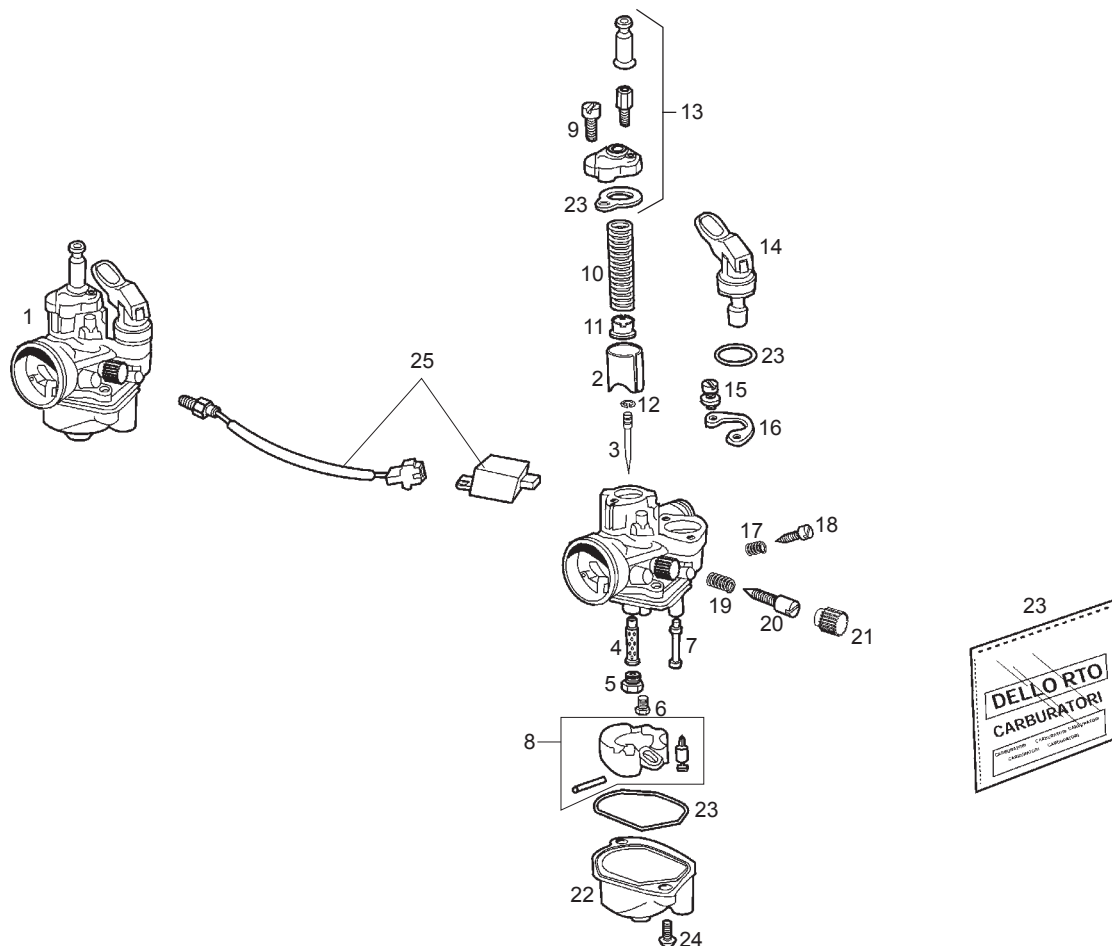


Fig.	Ver.	COD. KOD.	DESCRIPCIÓN DENOMINAZIONE NAME	BEZEICHNUNG DESIGNATION	MOD.	NOTAS NOTES NOTA MITSCHRIFT NOTES
22A		00H03201201	R-VASO GASOLINA R-VASCHETTA BENZZINA FLOAT BOWL SEET	SCHWIMMERKAMMER CUVE INFÉRIEURE CARBUR.	1 2 3 4	
23A		00G04100771	R-CTO.JUNTAS CARBU.V.25K/H.AL. R-GUARNIZIONE CARBU. CARBURETOR GASKET	DICHTUNGSATZ KOMPL. VERGAS R-ENS. JOINTS CARBUR.	1 2 3 4	
24A		00G03201091	R-TOR.FIJ.VASO GASOL.VA.AV.40K R-VITE FISSAGIO VASCHETTA BE FLOAT CHAMBER SECURING SCREW	BEF.-SCHRAUBE R-BOUL.SERG.VASE ESSENC.	1 2 3 4	
25A		00H06001151	CTO. CALENTADOR KIT RISCALDAMENTO KIT CARBURETTOR HEATER	KABELBAUN FUR HEIZUNG VERG KIT QUI CHAUFFE CARBURATEUR	3 4	

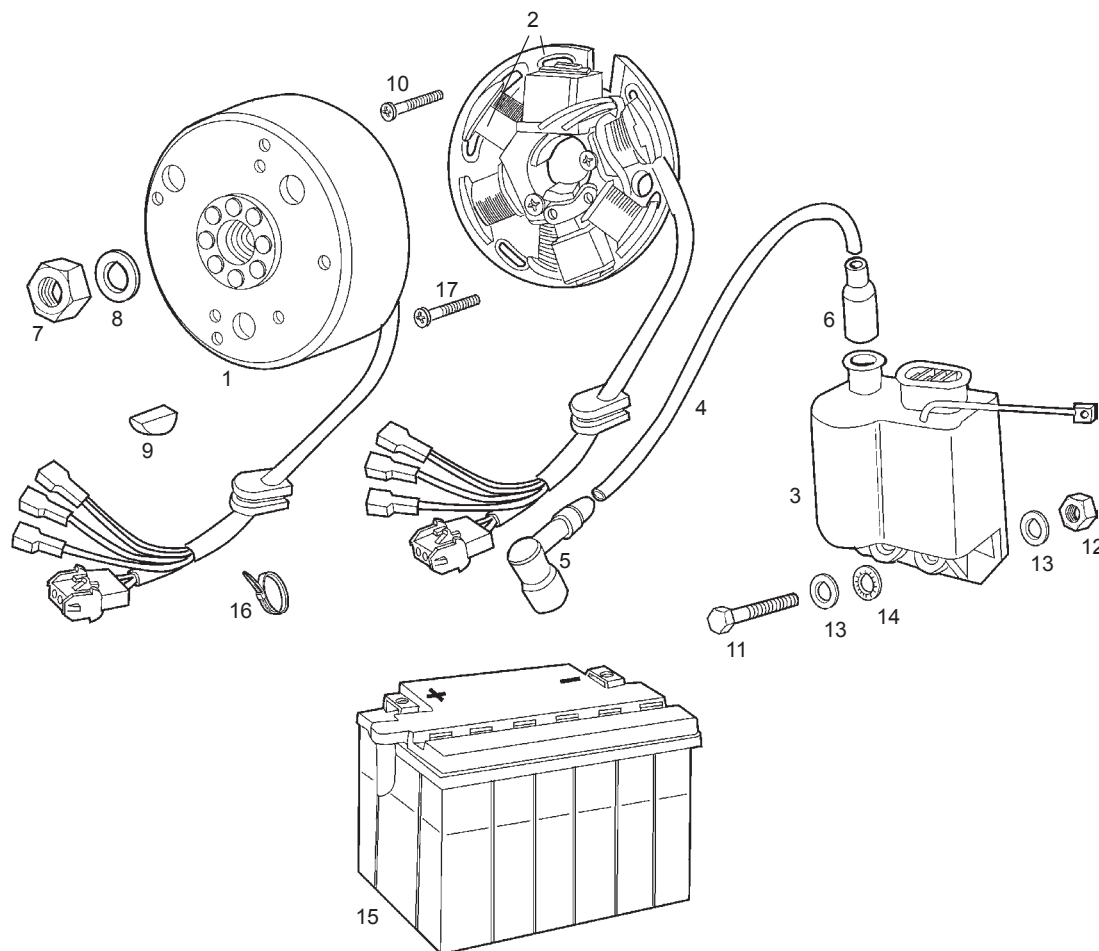


Fig.	Ver.	COD. KOD.	DESCRIPCIÓN DENOMINAZIONE NAME	BEZEICHNUNG DESIGNATION	MOD.	NOTAS NOTES NOTA MITSCHRIFT NOTES
01A		00H03307011	VOLANTE MAGNETICO LEONELLI VOLANO ELETTRONICO MAGNETO ASSEMBLY	LICHTMASCHINE KOMPL. VOLANT MAGNETIQUE	1 2 3 4	
01B		00H03301011	VOLANTE MAGNETICO DUCATI VOLANO ELETTRONICO MAGNETO ASSEMBLY	LICHTMASCHINE KOMPL. VOLANT MAGNETIQUE	1 2 3 4	SINCE FRAME 3H208004
02A		00H03300701	R-CTO.STATOR VOL.ELECTR. LEONELLI STATORE VOLANO EL STATOR PLATE	STATOR STATOR	1 2 3 4	ONLY LEONELLI
03A		00H03331171	CONVERSION ELECTRONICO LEONELLI COVERTITORE ELETTRICO COIL, PRIMARY IGNITION	ZUNDSPULE BOBINE HAUTE TENSION AVEC FIL	1 2 3 4	
03B		00H03330171	CONVERSION ELECTRONICO DUCATI COVERTITORE ELETTRICO COIL, PRIMARY IGNITION	ZUNDSPULE BOBINE HAUTE TENSION AVEC FIL	1 2 3 4	SINCE FRAME 3H208004
04A		00F03310741	CABLE BOBINA.START.A.E. CAVO BOBINA START.A.E. CABLE COIL PRIMARY IGNITION	ZUNDSPULENKABEL CABLE	1 2 3 4	
05A		00G03301271	CTO.PIPA BUJIA (MTA) PIPA CANDELA SCO-5 COVER, SPARK PLUG	ZUNDKERZENSTECKER PIPE DE BOUGIE	1 2 3 4	
06A		00F03300731	CAPUCHON CABLE BOBINA CAPPUCCIO CAVO BOBINA SCO-50. COIL CABLE RUBBER PROTECTOR	KAPPE CAPUCHON	1 2 3 4	
07A		00H03300221	TCA.FIJ.VOLTE.MAGN. DADO FISSAGGIO VOLANO MAGNETI NUT,MAGNETO ASSEMBLY	MUTTER ECROU FIXE VOLANT	1 2 3 4	
08A		00F03300241	ARAND.FIJ.VOLTE.MAGN. RONDELLA FISSAGGIO VOLANO MA WASHER, FLYWHEEL 10MM	BEF.- SCHEIBE RONDELLE	1 2 3 4	
09A		00003133230	CHAVETA VOLTE.MAGN.P.REC.MCH. SPINA VOLANO MAGNETICO .PREC KEY, FLYWHEEL	KEIL CLAVETTE VOLANT MAGNETIQUE	1 2 3 4	

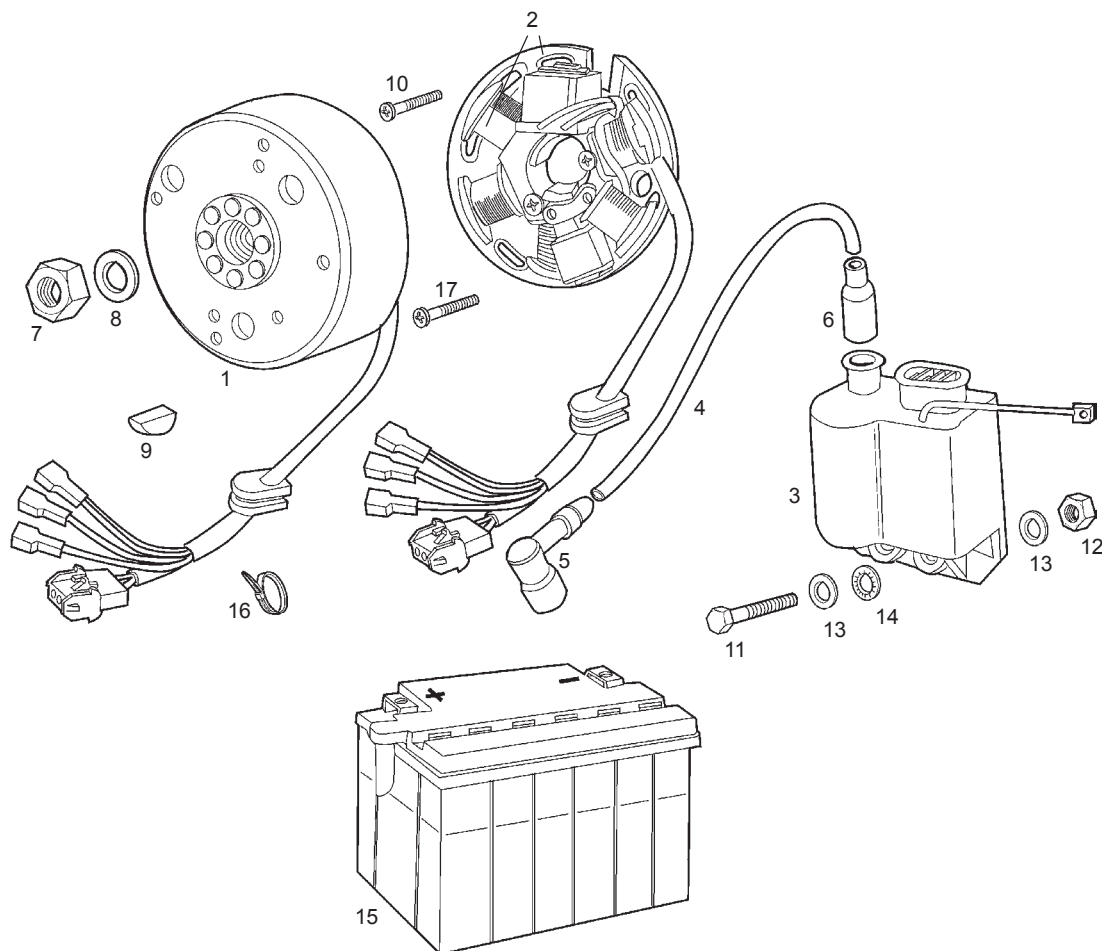


Fig.	Ver.	COD. KOD.	DESCRIPCIÓN DENOMINAZIONE NAME	BEZEICHNUNG DESIGNATION	MOD.	NOTAS NOTES NOTA MITSCHRIFT NOTES
10A		00003133260	TOR.FIJ.VOLTE.MAGN.5M80X10 VITE FISSAGGIO VOLANO MAGNETI SCREW, STATOR PLATE	SCHRAUBE VIS FIX VOLANT	1 2 3 4	
11A		00000002515	TOR.C/EXAG. 5M80X16 VITE TESTA ESAGONALE 5M80X16 HEX.HEAD SCREW 5M80X15	SCHRAUBE BOULON TETE HEX.5M80X15	1 2 3 4	
12A		00000021050	TCA.EXAG. 5M80 DADO ESAGONALE 5M80 DIN- HEXAGON NUT 5M80	MUTTER M5 ECROU HEXAGONAL 5M80	1 2 3 4	
13A		00000031050	ARAND.PLANA MEC.D.5 RONDELLA PIATTA MECCANIZZATA MACHINED FLAT WASHER D5	SCHEIBE D.5. DIN125 ROND.PLATE MECANISEE D.5.DIN12	1 2 3 4	
14A		00000034050	ARAND.ESTRELL.INT.D5 RONDELLA STELLA INTERIORE D5- INNER WASHER DIN6797	SCHEIBE RONDELLE INT.DIN6797	1 2 3 4	
15A		00G03301401	BATERIA.12V.4AH.START.A.EL. BATERIA 12V. 4 A0 STARTER AV BATTERY 12V.4AH.	BATTERIE 12V. 4AH. BATTERIE 12V. 4AH. START.A.EL.	1 2 3 4	
16A		00A00900531	BRIDA UNECABLES NEGRA. FLANGIA UNIONE CAVI NERA BLACK CABLE TIE	KABELBINDER COLLIER	1 2 3 4	
17A		00000012420	TOR.C/RED.CRUIZ 4M70X20 VITE TONDO CROCE 4M70X20 D79 ROUNDHEAD PHILIPS SCREW 4MM-	SCHRAUBE VIS T.RON.CROIX 4M70X20 D7985N	1 2 3 4	

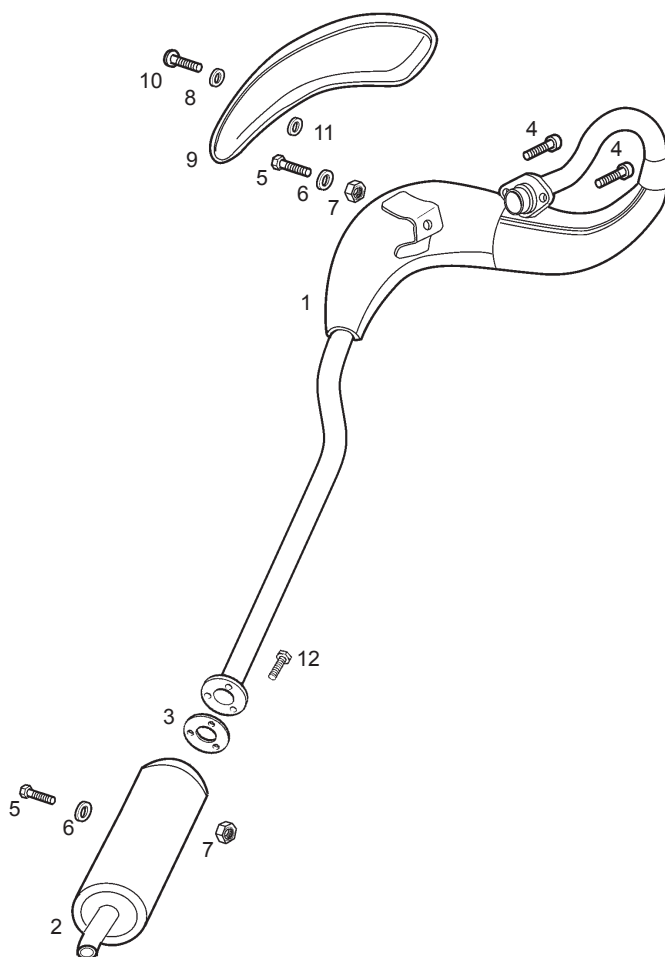


Fig.	Ver.	COD. KOD.	DESCRIPCIÓN DENOMINAZIONE NAME	BEZEICHNUNG DESIGNATION	MOD.	NOTAS NOTES NOTA MITSCHRIFT NOTES
01A		00H03441081	SCTO TUBO ESCAPE SUBSERBATOIO OLIO S OIL, TANK	OLTANK RESERVOIR D,HUILE	1 2 3 4	
02A		00H03426411	SCTO SORDINA TAPPO SERBATOIO OLI OIL FILLER PLUG	STOPFEN OELTANK ENS. BOUCHON RESERV.HUILE SCO/	1 2 3 4	
03A		00H03404321	JUNTA ESCAPE A SORDINA GUARNIZIONE GASKET	DICHTUNG JOINT	1 2 3 4	
04A		00002062011	TORNILLO 6M100X20 ZN B VITE TESTA ALLEN 6M100X20.D-9 ALLEN SCREW M6X20	INBUSSCHRAUBE 6M100X20. VIS T.CREUSE 6M100X20.D-912/8.	1 2 3 4	
05A		00012081621	TORNILLO 8X125X16 ZN B VITE TESTA ESAGONALE 8M125X1 SCREW M8X16	SCHRAUBE 8M125X16 VISATETE HEXAG.8M125X16	1 2 3 4	
06A		00402080001	ARANDELA D8 ZN B RONDELLA PIATTA MECCANIZZATAZ MACHINED FLAT WASHER D8 DIN-1	SCHEIBE D.8. DIN125 ROND.PLATE MECANISEE D.8.DIN12	1 2 3 4	
07A		00023108000	TUERCA AUTOBLOCANTE 8M125 DADO AUTOBLOCCANTE 8M125.D-98 SELF-LOCKING NUT M8	MUTTER SELBSTS ECROU INDESSERABLE 8M125.DIN98	1 2 3 4	
08A		00000031040	ARANDELA RONDELLA WASHER	SCHEIBE RONDELLE	1 2 3 4	
09A		00H01805391	PROTECT.SILENCIOSO PROTEZIONE MARMITTA SILENCER PROTECTOR	SCHALLDAMPFERSCHUTZ PROTECTEUR DE SILENCIEUX	1 2 3 4	
10A		00000012410	TORNILLO C/RED. 4M70X10 VITE TONDO ALLEN 4M70X10. SCREW.4M70X10.	SCHRAUBE BOULON.4M70X10.	1 2 3 4	

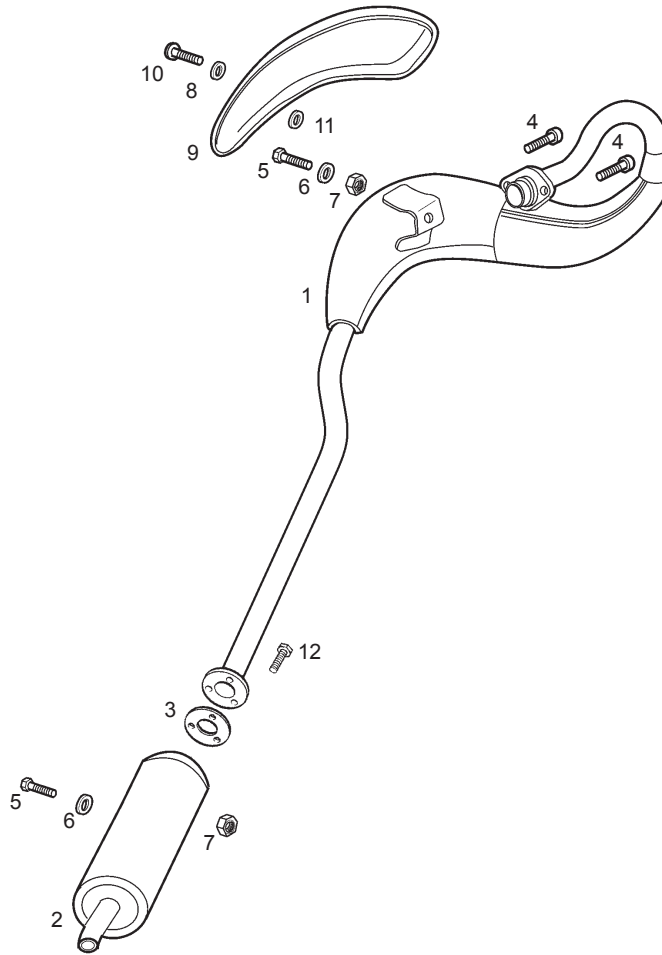


Fig.	Ver.	COD. KOD.	DESCRIPCIÓN DENOMINAZIONE NAME	BEZEICHUNG DESIGNATION	MOD.	NOTAS NOTES NOTA MITSCHRIFT NOTES
11A		00G04200361	ARANDELA RONDELLA FISSAGGIO PROTEZIONE WASHER	SCHEIBE RONDELLE	1 2 3 4	
12A		00D05910081	TORNILLO 6M100X16 ZN B VITE 6M100X16 ZN B SCREW 6M100X16 ZN B	INBUSSCHRAUBE 6M100X16 ZN B VIS 6M100X16 ZN B	1 2 3 4	

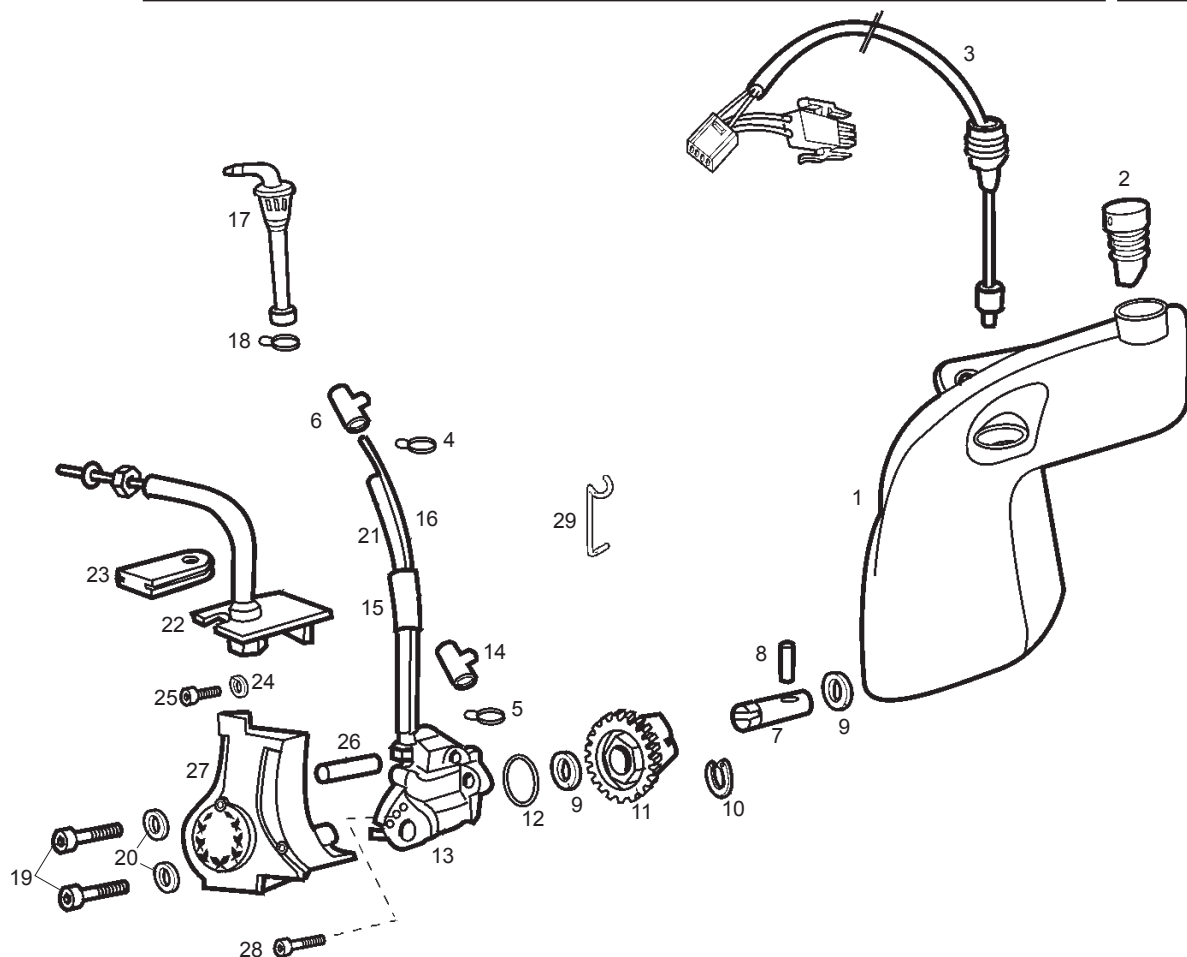


Fig.	Ver.	COD. KOD.	DESCRIPCIÓN DENOMINAZIONE NAME	BEZEICHUNG DESIGNATION	MOD.	NOTAS NOTES NOTA MITSCHRIFT NOTES
01A		00H03701081	SCTO.DEPOSITO ACEITE SUBSERBATOIO OLIO S OIL, TANK	OLTANK RESERVOIR D,HUILLE	1 2 3 4	
02A		00F03710241	CTO.TAPON DEPTO. ACEITE TAPPO SERBATOIO OLI OIL FILLER PLUG	STOPFEN OELTANK ENS. BOUCHON RESERV.HUILLE SCO/	1 2 3 4	
03A		00H03701051	CTO.INDIC.NIVEL ACEITE SPIA LIVELLO SENDA LEVEL PLUG	OLSTANDSGEBER NIVEAU D,HUILLE	1 2 3 4	
04A		00H00400501	ABRAZ.ELAST.TUBO GAS. FASCETTA ELASTICATUBO BENZINA FUEL PIPE ELASTIC CLAMP	ELAST. KLAMMER GASLEITUNG CRAMPON ELASTIQUE TUBE ESSENCE	1 2 3 4	
05A		00F03710131	ABRAZADERA FASCETTA ELASTICA D.8'6 CLAMP	SHELLE COLLIER ELASTIQUE	1 2 3 4	
06A		00H03700211	BRIDA FIJ.TUBO ACT.A BOQ. GHIERA FISSAGGIO TUBO OLIO AD COLLAR OIL FLEXIBLE TUBE	BEF.-SHELLE BRIDE TUYAU D4HUILLE	1 2 3 4	FRANCE ITALY AUSTRIA
07A		00H03700101	EJE BOMBA ACEITE ASSE POMPA OLIO 74/80CC PUMPOIL AXLE	OLPUMPENACHSE AXE DE POMPE D,HUILLE	1 2 3 4	
08A		00053030000	PASAD.SUJ.ESPIR.3,-X20.D-7343. CHIAVISTELLO SOSTEGNO SPIRALE FORK PIN	STIFT GOUDILLE	1 2 3 4	
09A		00H05000281	ARAND.TOPE PIÑON INTERM. RONDELLA FERMO PIGNONE INTERM THRUST PLATE	SCHEIBE RONDELLE DE BUTEE	1 2 3 4	
10A		00000047110	ANILLO SEGEJES D10 ANELLO SICUREZZA ASSI D10 DIN CIRCLIP, BRAKE SHOE RETENTION	SEEGERRING CIRCLIP POUR AXE D10	1 2 3 4	
11A		00H03800381	PIÑON BOMBAS AGUA/ACEITE PIGNONE POMPE ACQUA/OLIO 80C PUMP OIL GEAR	ZAHNRAD PIGNON POMPE D,HUILLE	1 2 3 4	

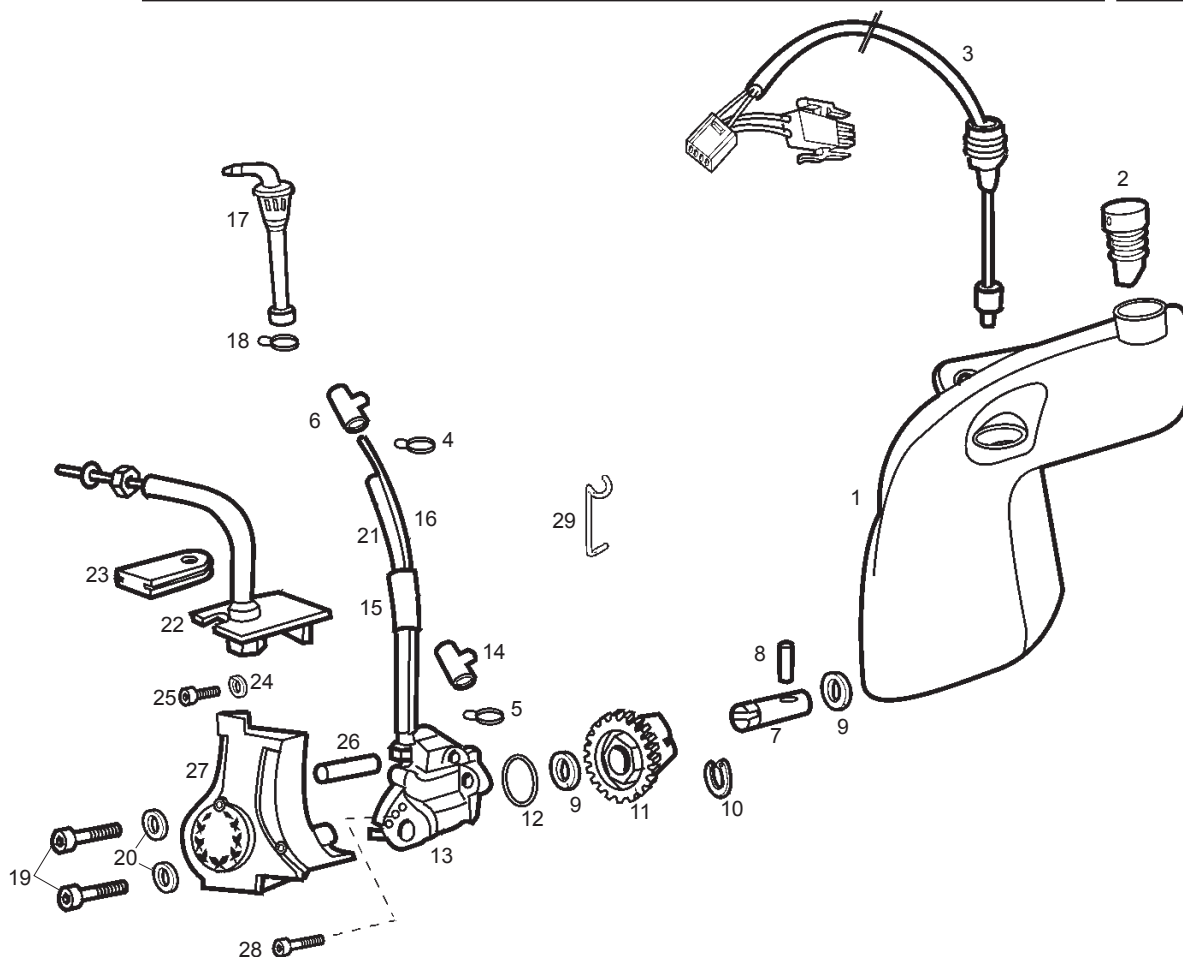


Fig.	Ver.	COD. KOD.	DESCRIPCIÓN DENOMINAZIONE NAME	BEZEICHUNG DESIGNATION	MOD.	NOTAS NOTES NOTA MITSCHRIFT NOTES
12A		00H03701041	JUNTA TORICA GIUNTO TORICO POMPA OLIO GPR/ O RING	DICHTRING JOINT DE PUMPE D,HUILLE	1 2 3 4	
13A		00H03704021	CTO BOMBA ACEITE E1 POMPA OLIO SENDA GE OIL PUMP	OLPUMPE POMPE A HUILLE	1 2 3 4	
14A		00H03700211	BRIDA FIJ.TUBO ACT.A BOQ.GPR75 GHIERA FISSAGGIO TUBO OLIO AD COLLAR OIL FLEXIBLE TUBE	BEF.-SCHELLE BRIDE TUYAU D4HUILLE	1 2 3 4	
15A		00H03700351	MANGUITO UNION TUB.ACTE. MANICOTTO UNIONE TUBO OLIO 74 OIL PIPE COUPLING CONNECTOR	VERBINDUNG MANCHON RACCORD TUYEAU D'HUILE	1 2 3 4	
16A		00H03700121	TUBO SALIDA ACTE.A BOQ. TUBO USCITA OLIO A AD ATTACCO OIL FLEXIBLE PUMP TUBE TO ADA	OLSCHLAUCH TUYAU D4HUILLE	1 2 3 4	
17A		00H03701411	CTO.FILTRO ACEITE FILTRO OLIO SENDA G BY-PAS OIL FILTER	FILTER FILTRE A HUILLE	1 2 3 4	
18A		00008204500	ABRAZADERA FASCETTA FISSAGGIO RUBINETTO FUEL COCK SECURING CLAMP	BEF.-SCHELLE F. HAHN 16-26 BRIDE FIXATION ROBINET.16-25.	1 2 3 4	
19A		00002054551	TORNILLO 5M80X45 ZN B VITE TESTA ALLEN 5M80X45 ZN B HEX.SOCKET-HEAD SCREW5M80X45 ZN B	SCHRAUBE 5M80X45 ZN B VIS TETE ALLEN 5M80X45 ZN B	1 2 3 4	
20A		00000033050	ARANDELA MUELLE D5 RONDELLA MOLLA D.5.DIN-127-B. SPRING WASHER D5 D127	SCHEIBE RONDELLE GROWER D5 D127	1 2 3 4	
21A		00H03701111	TUBO SALIDA. DPTO.ACEITE TUBO USCITA SERBATOIO OLIO SE OIL FLEX, PUMP	AUSGANGSROHR OLBEH. TUYAU D,HUILLE	1 2 3 4	
22A		00H03700311	SCTO. SOPTE. GUIA CABLES SUBSOSTEGNO GUIDA C OIL CABLE, SUPPORT	HALTER F. KABELFUHRUNG SOUS-ENS SUPPORT CABLE HUILLE	1 2 3 4	

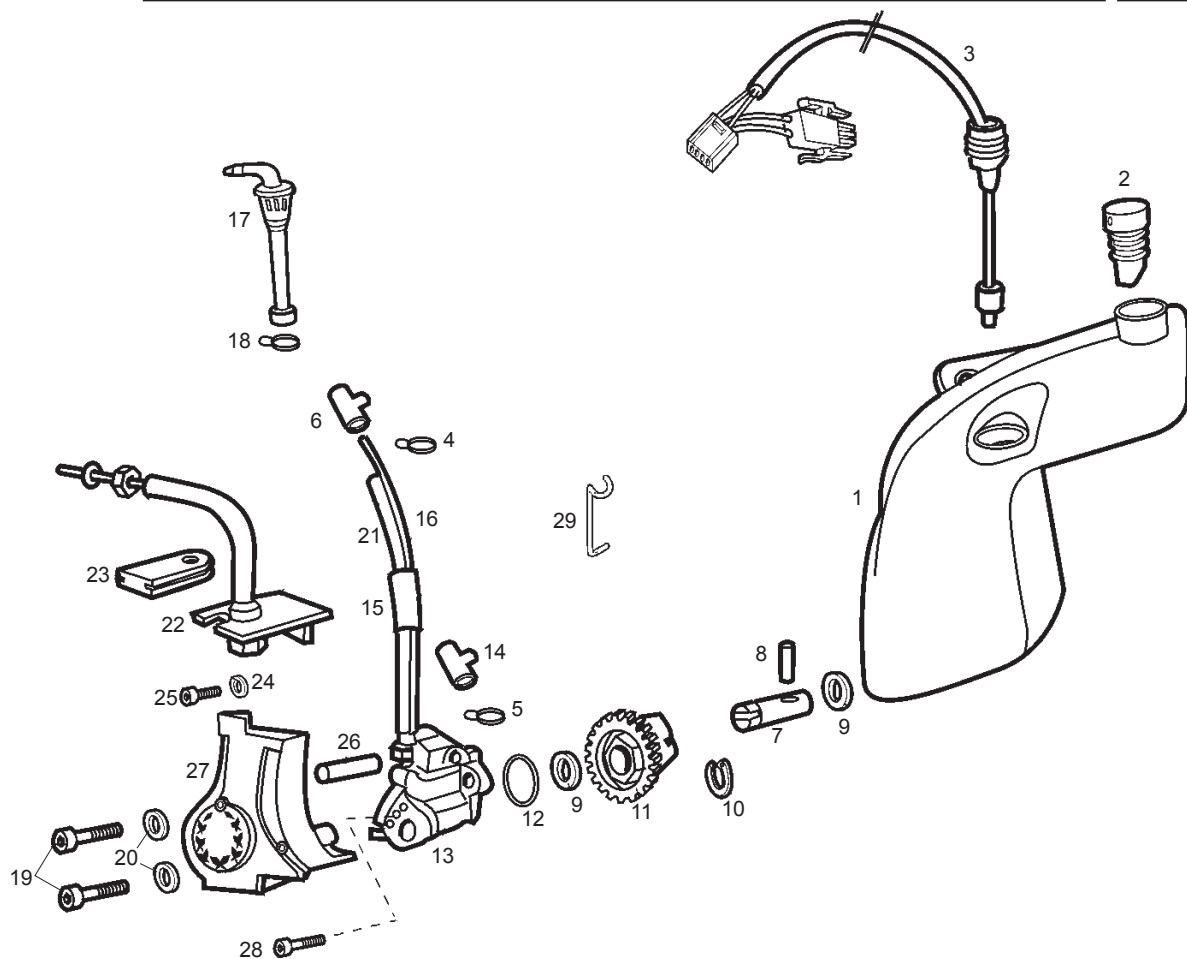


Fig.	Ver.	COD. KOD.	DESCRIPCIÓN DENOMINAZIONE NAME	BEZEICHNUNG DESIGNATION	MOD.	NOTAS NOTES NOTA MITSCHRIFT NOTES
23A		00H03700141	PASACAB.SAL.BOMBA ACTE. PASSACAVI USCITA POMPA OLIO RUBBER	GUMMI CAOUTCHOUC	1 2 3 4	
24A		00000031050	ARAND.PLANA MEC.D.5 RONDELLA PIATTA MECCANIZZATA MACHINED FLAT WASHER D5	SCHEIBE D.5. DIN125 ROND.PLATE MECANISEE D.5.DIN12	1 2 3 4	
25A		00002052051	TORNILLO 5M80X20 ZN B VITE TESTA ALLEN 5M80X10 DIN- HEX.SOCKET-HEAD SCREW M5X10	SCHRAUBE VIS A TETE CREUSE 5M80X10	1 2 3 4	
26A		00H03700341	CASQ.TAPA BOMBA ACEITE GHIERA COPERCHIO POMPA OLIO 7 BUSHING, COVER OIL PUMP	BUCHSE ENTRETOISE COUVERCLE DE POMPE	1 2 3 4	
27A		00H03701012	TAPA BOMBA ACEITE COPERCHIO POMPA OLIO SENDA-R OIL PUMP COVER	OLPUMPENDECKEL CARTER POMPE HUILE	1 2 3 4	
28A		00000004515	TORNILLO 5M80X15 VITE TESTA ALLEN 5M80X15 ALLEN SCREW M5X15	INBUSSCHRAUBE 5M80X15 D912/8.8 VIS T.CREUSE 5M80X15 D912/8.8	1 2 3 4	
29A		00H03700201	MUELLE MOLLA SPRING	FEDER RESSORT	1 2 3 4	

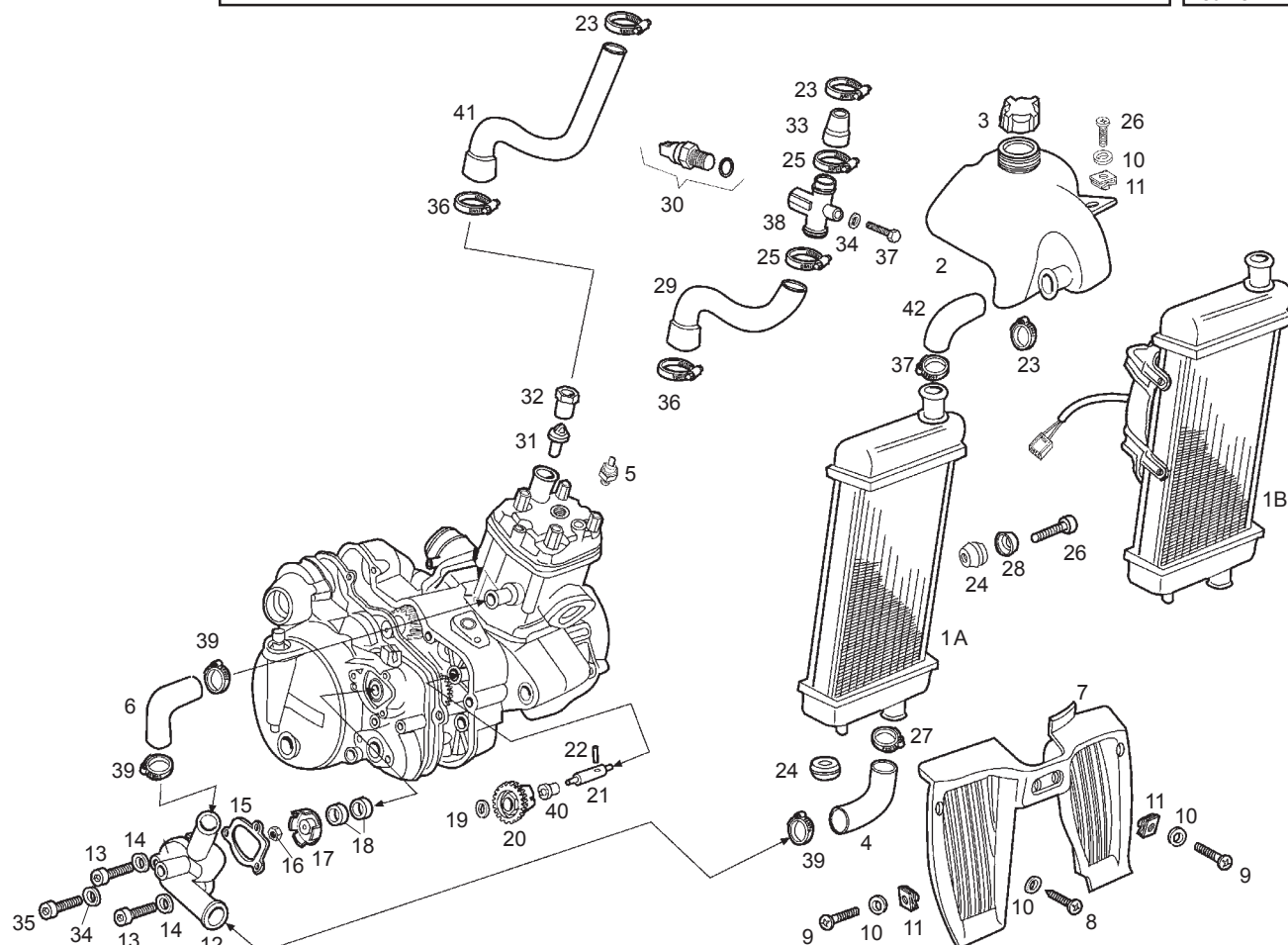


Fig.	Ver.	COD. KOD.	DESCRIPCIÓN DENOMINAZIONE NAME	BEZEICHUNG DESIGNATION	MOD.	NOTAS NOTES NOTA MITSCHRIFT NOTES
01A		00H03803012	SCTO RADIADOR LOBITO SUBRADIATORE SENDA- RADIATOR ASSY.	KUEHLER RADIATEUR	1 2	
01B		00H03801541	CTO RADIADOR C/ELECTROVENTILADOR SUBRADIATORE SENDA- RADIATOR ASSY.	KUEHLER RADIATEUR	3 4	
02A		00H03801501	DEPOSITO AGUA RADIADOR SERBATOIO ACQUA RADIATORE SEN WATER TANK	WASSERBEHALTER VASE D'EXPANSION	1 2 3 4	
03A		00H03802471	CTO.TAPON RADIAD/DEP.AG TAPPO RADIATORE GPR WATER TANK CAP	KUEHLERDECKEL BOUCHON DE RESERVOIR D,EAU	1 2 3 4	
04A		00H03801031	TUBO REFRIG.BOMBA-RADIADOR TUBO REFRIGERAZIONE POMPA-RAD RADIATOR PUMP RUBBER TUBE	KUHLMITTELSCHLAUCH PUMPE-KUHLE TUBE POMPE-RADIATEUR	1 2 3 4	
05A		00H02303441	TERMOCONTACTO TERMOCONTATTO TERMOCONTACT	THERMOKONTAKT TERMO-CONTATC	1 2 3 4	
06A		00H03801041	TUBO REFR.BOMBA-CILIND. TUBO REFRIGERAZIONE PUMP CYLINDER RUBBER TUBE	KUHLMITTELSCHLAUCH PUMPE-ZYLIN TUBE POMPE-CYLINDRE	1 2 3 4	
07A		00H03803301	REJILLA RADIADOR GRIGLIA RADIATORE SENDA-R RADIATOR GRID	KUHLERSCHUTZ GRILLE RADIATEUR	1 2 3 4	
08A		00012063000	TOR.C/RED.CRUIZ 6M100X30 VITE T/TON.CROCE 6M100X30 D79 ROUNDHEAD PHILIPS SCREW	SCHRAUBE MIT HALBRUNDKOPF 6M10 VIS T.RONDE CROIX 6M100X30 D-7	1 2 3 4	
09A		00008061500	TOR.C/RED.ALL.6M100X16 VITE T/TON.BRUGO.6M100X16.D73 ALLEN ROUND HEAD SCREW 6M100X	SCHRAUBE MIT HALBRUNDKOPF 6M10 VIS T.RONDE CREUSE 6M100X16.D7	1 2 3 4	
10A		00D01200171	ARAND.EJE LEVA-FIJ.CUBRECAD. RONDELLA ASSE LEVA FISSAGGIO WASHER	SCHEIBE ROND.AXE CAME FIX.COUVRE-CHAIN	1 2 3 4	

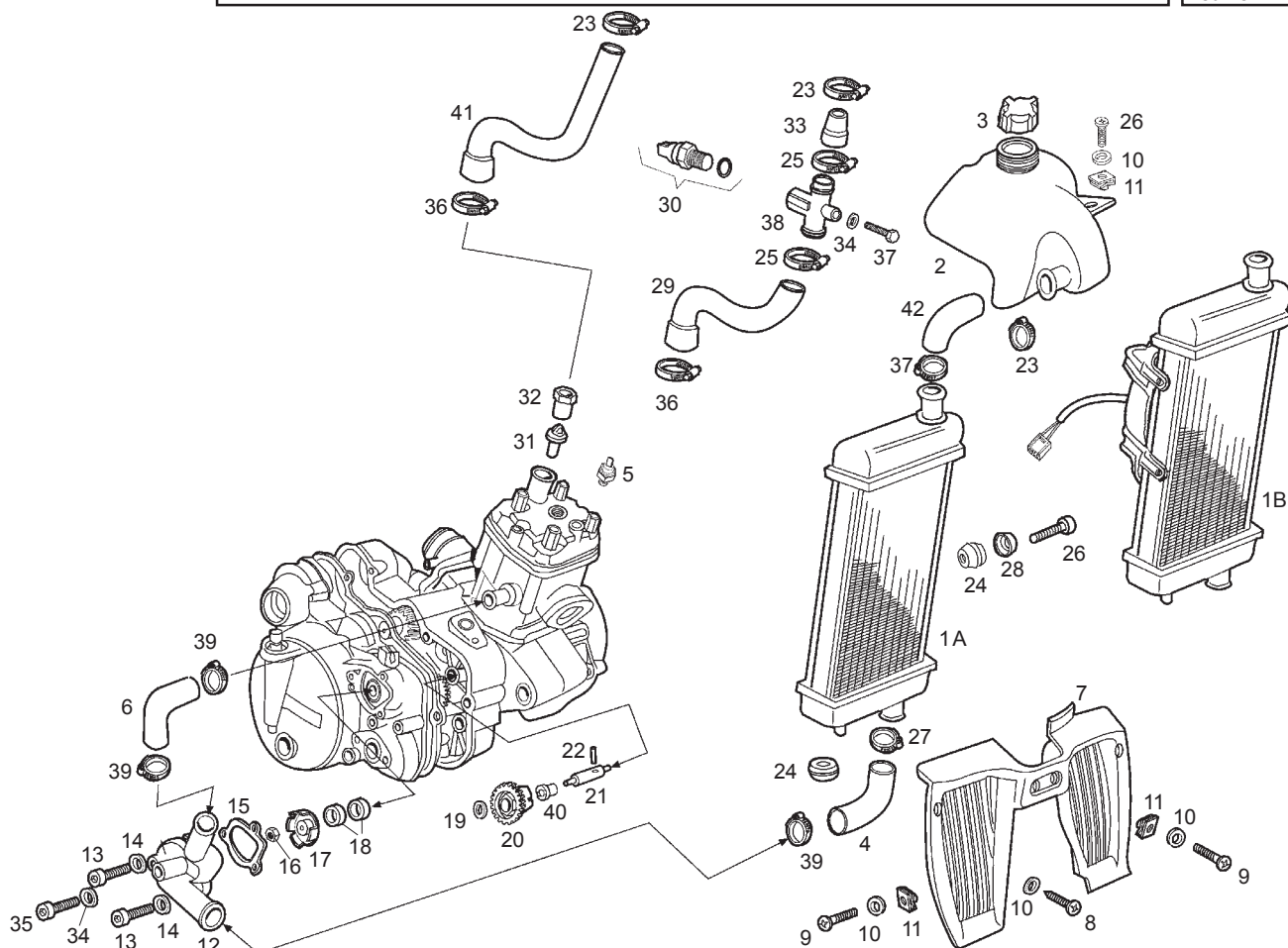


Fig.	Ver.	COD. KOD.	DESCRIPCIÓN DENOMINAZIONE NAME	BEZEICHUNG DESIGNATION	MOD.	NOTAS NOTES NOTA MITSCHRIFT NOTES
11A		00D01501371	TCA.FIJ.CUBRECAD.212827 DADO FISSAGGIO COPRICATENA .2 NUT	SICHERUNGSMUTTER BEF. KETTENSCH ECROU FIX. GARDE-CHAINE 213091	1 2 3 4	
12A		00H03800134	TAPA BOMBA AGUA GRIS ZIRC. COPERCHIO POMPA ACQUA GRIGIO WATER PUMP COVER	DECKEL F. WASSERPUMPE COUVERCLE DE POMPE D,EAU	1 2 3 4	
13A		00002052051	TORNILLO 5M80X20 ZN B VITE TESTA ALLEN 5M80X15.DIN- ALLEN SCREW M5X15	INBUSSCHRAUBE 5M80X15 D912/8.8 VIS T.CREUSE 5M80X15 D912/8.8	1 2 3 4	
14A		00000031050	ARAND.PLANA MEC.D.5 RONDELLA PIATTA MECCANIZZATA MACHINED FLAT WASHER D5	SCHEIBE D.5. DIN125 ROND.PLATE MECANISEE D.5.DIN12	1 2 3 4	
15A		00H03800141	JUNTA TAPA BOMBA AGUA GUARNIZIONE COPERCHIO POMPA A GASKET	DICHTUNG F. WASSERPUMPENDECKEL JOINT POMPE EAU	1 2 3 4	
16A		00M03800221	TCA.5M80 DE LATON DADO 5M80 OTTONE NUT	MUTTER ECROU ROUGE CENTRIFUGE	1 2 3 4	
17A		00H03800151	RODETE BOMBA AGUA ROCCHETTO POMPA ACQUA 80CC WATER PUMP ROLLER	LAUFER F. WASSERPUMPE CHIGNON POMPE D,EAU	1 2 3 4	
18A		00H03810211	RETEN EJE BOMBA AGUA 10X24X6 GIUNTO TENUTA POMPA ACQUA 10X SEAL, WATER PUMP	DICHTRING BUTEE POMPE A EAU (UNITE)	1 2 3 4	
19A		00H05000281	ARAND.TOPE PIÑON INTERMD. RONDELLA FERMO PIGNONE INTERM THRUST PLATE	SCHEIBE RONDELLE DE BUTEE	1 2 3 4	
20A		00H03800381	PIÑON BOMBAS AGUA/ACEITE PIGNONE POMPE ACQUA/OLIO 80C PUMP OIL GEAR	ZAHNRAD PIGNON POMPE D,HUILLE	1 2 3 4	
21A		00H03800161	EJE BOMBA AGUA ASSE POMPA ACQUA 74/80CC WATER-PUMP SHAFT	WASSERPUMPENACHSE AXE POMPE D,AEU	1 2 3 4	

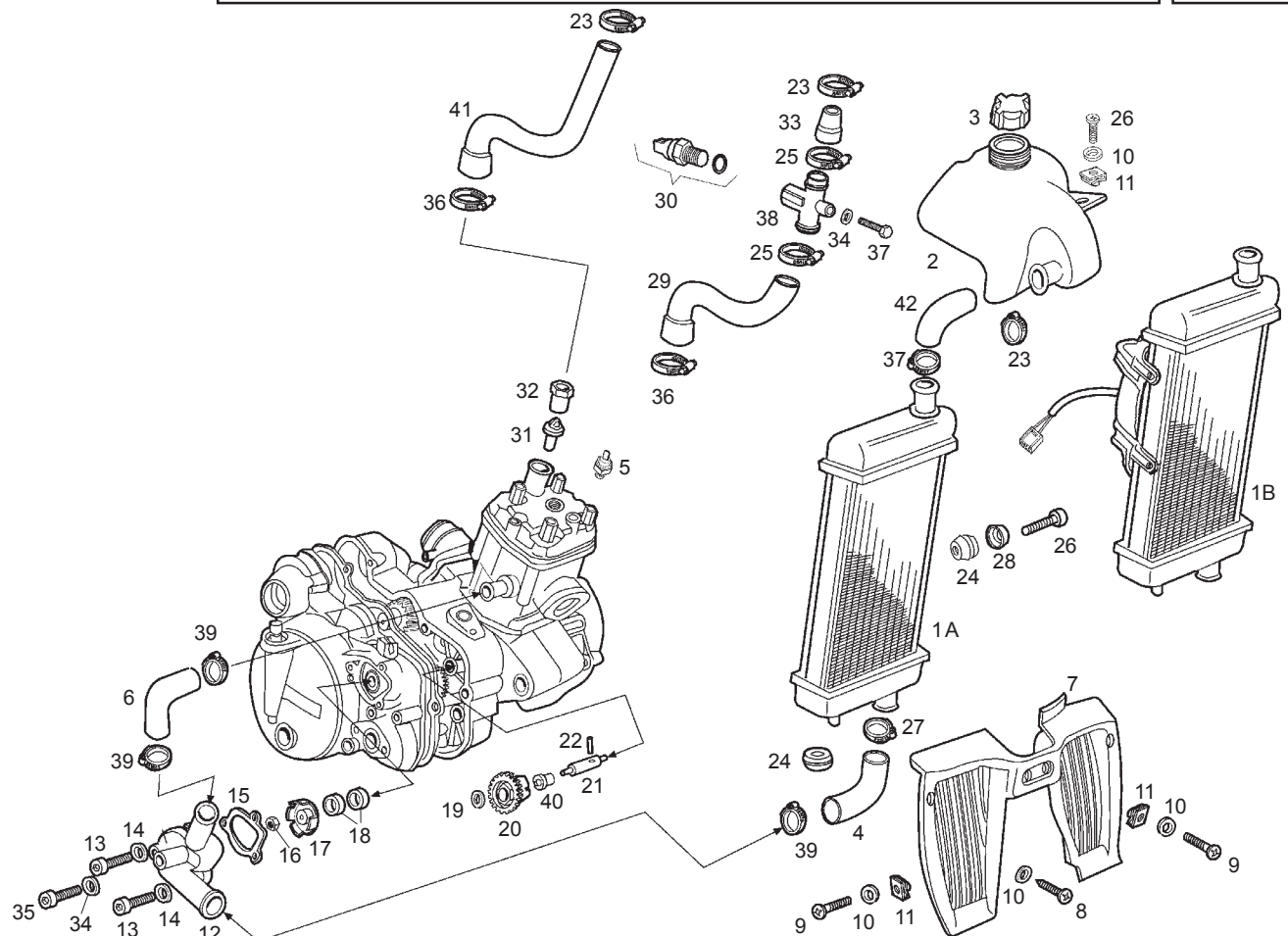


Fig.	Ver.	COD. KOD.	DESCRIPCIÓN DENOMINAZIONE NAME	BEZEICHNUNG DESIGNATION	MOD.	NOTAS NOTES NOTA MITSCHRIFT NOTES
22A		00053030000	PASAD.SUJ.ESPIR.3,-X20.D-7343. CHIAVISTELLO SOSTEGNO SPIRALE FORK PIN	STIFT GOUDILLE	1 2 3 4	
23A		00008204500	ABRAZADERA FASCETTA RUBINETTO BENZINA .D PETROL VALVE CLAMP	BEF.-SCHELLE COLLIER	1 2 3 4	
24A		00008915020	PROTECCION CABLES PROTEZIONE CAVI RUBBER,CABLE PROTECTOR	GUMMI PASSE-CABLE	1 2 3 4	
25A		00H03801091	BRIDA FIJACION TUBO REFRIG A RACORD FLANGIA FISSAGGIO TUBO REFRIG COOLING PIPE-RADIATOR FASTENI	BEF.-SCHELLE BRIDE	3 4	
26A		00012061200	TOR.C/R.CR. 6M100X12NG VITE TONDO CROCE 6M100X12 NER SCREW M6X12	SCHRAUBE 6M100X12. VIS A TETE RONDE A FENTES CROI	1 2 3 4	
27A		00H03800091	ABRAZ. FIJ. MANG. RADIADOR FASCETTA FISSAGGIO MANICA RAD CLAMP FASTERING RADIATOR BUSH	BEF.-SCHELLE COLLIER	1 2 3 4	
28A		00D01500551	CAZLTA.FIJ.SILENC. SCODELINO FISSAGGIO SILENZIAT HOUSING EXHAUST PIPE SUPPORT	ABDECKSCHEIBE CUVETTE	1 2 3 4	
29A		00H03800051	TUBO CULATA RACORD TERMOCONT. TUBO REFRIGERAZIONE TESTATA-R CYLINDER HEAD PIPE-TERMOCONTA	WASSERSCHLAUCH TUBE	3 4	
30A		00H03800741	TERMOCONTACTO TERMOCONTACTO TERMOCONTACT	THERMOKONTAKT TERMO-CONTATC	3 4	
31A		00H03800431	TERMOSTATO TERMOSTATO TERMOSTATE	THERMOSTAT THERMOSTAT	1 2 3 4	
32A		00H03810421	TCA.FIJ.TERMOSTATO DADO FISSAGGIO TERMOSTATO NUT	BEF.- MUTTER ECROU FIXATION THERMOSTAT	1 2 3 4	

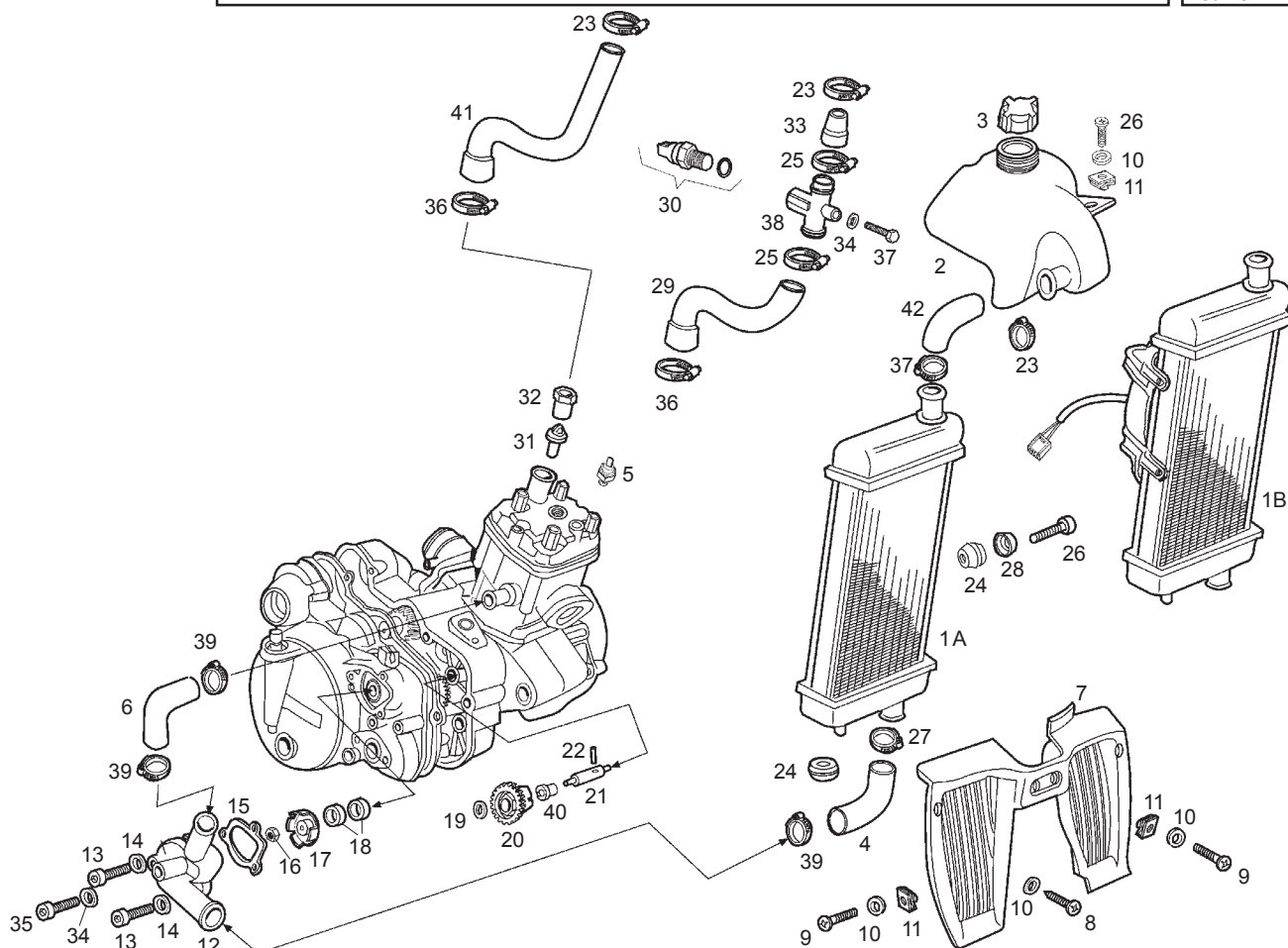


Fig.	Ver.	COD. KOD.	DESCRIPCIÓN DENOMINAZIONE NAME	BEZEICHUNG DESIGNATION	MOD.	NOTAS NOTES NOTA MITSCHRIFT NOTES
33A		00H03800211	TUBO REFRIG. RACORD-RADIADOR TUBO REFRIGERAZIONE RACCORDO COUPLING COOLING PIPE-RADIATO	WASSERSCHLAUCH TUBE	3 4	
34A		00H03800441	ARANDELA TORNILLO VACIADO RONDELLA VITE SVUOTAMENTO ACQ WASHER	SCHEIBE RONDELLE	3 4	
35A		00002051251	TORNILLO 5M80X12 ZN B VITE TESTA ALLEN 5M80X12 NERO ALLEN SCREW M5X12	INBUSSCHRAUBE 5M80X12 VIS A TETE CREUSE 5M80X12 NOIR	1 2 3 4	
36A		00H03800451	ABRAZADERA FASCETTA BOCCA PIENO ACQUA CLAMP	SCHLAUCHSCHELLE COLLIER	1 2 3 4	
37A		00000002510	TOR C/EXAGONAL 5M80X10 NG VITE TESTA ESAGONALE .5M80X10 HEXAGONAL HEAD SCREW 5M80X10	SCHRAUBE BOULON TETE HEX.5M80X10	3 4	
38A		00H03800731	RACORD UNION TUBOS REFRIGERACION RACCORDO UNIONE TUBI REFRIGER COOLING PIPES UNION JOINT	VERTEILERSTUCK RACCORD DE THERMOCONTACTEUR	3 4	
39A		00H03800751	ABRAZ.FIJ.MANGA CILINDRO D21 FASCETTA FISSAGGIO MANICA A C CLAPM FASTENING CASING TO SYL	BEF.-SCHELLE COLLIER	1 2 3 4	
40A		00H03800231	CASQ.EJES BOMBAS GHIERA ASSI POMPE 74 CC PUMP SHAFT BUSHING 74CC	BUCHSE PUMPENACHSEN DOUILLES AXES POMPES 74CC.	1 2 3 4	
41A		00H03801021	TUBO REFRIGERACION TUBO REFRIGERAZIONE CYLINDER HEAD PIPE	WASSERSCHLAUCH TUBE	1 2	
42A		00H03801491	TUBO REFRIGERACION TUBO REFRIGERAZIONE CYLINDER HEAD PIPE	WASSERSCHLAUCH TUBE	1 2 3 4	

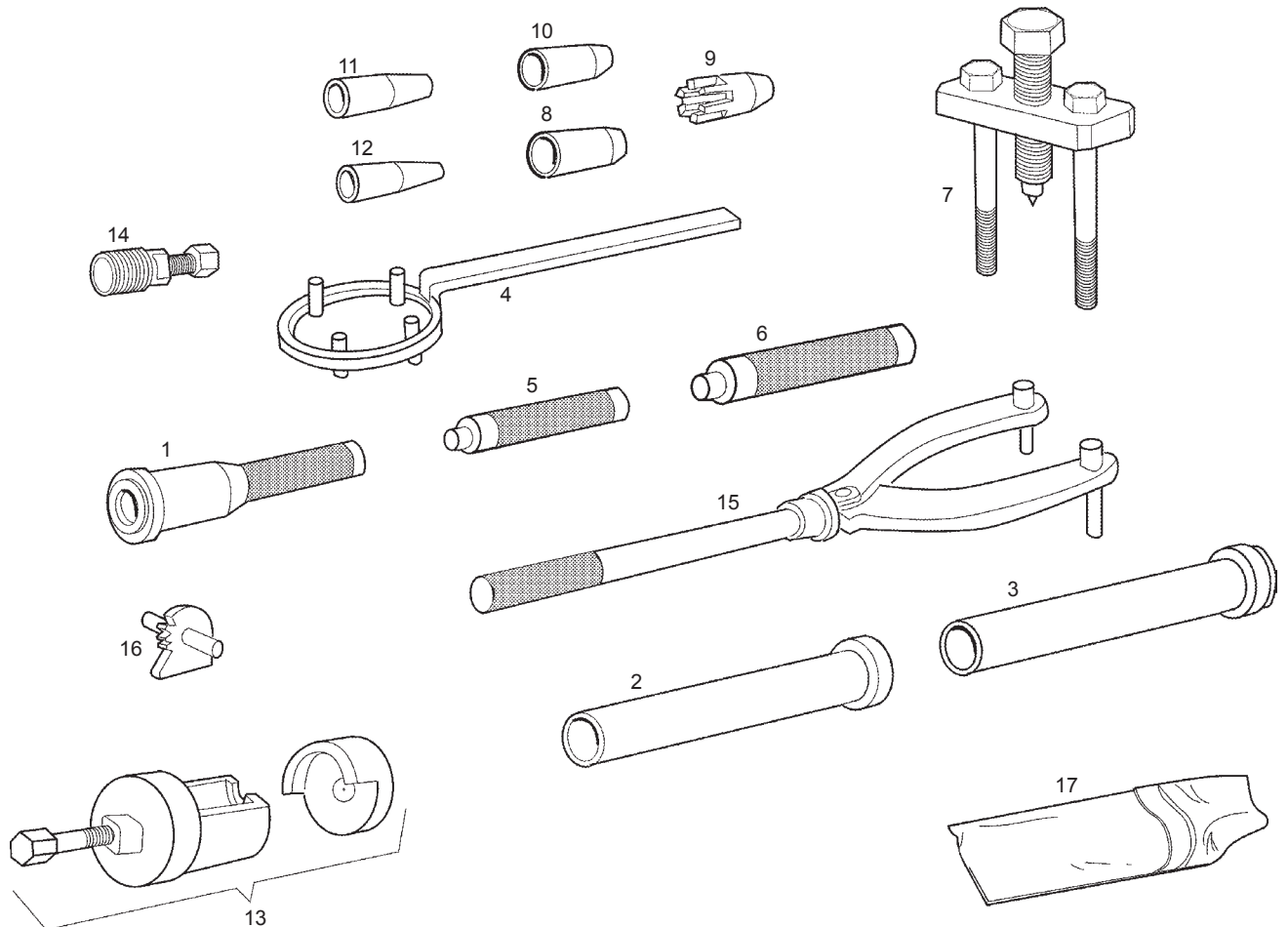


Fig.	Ver.	COD. KOD.	DESCRIPCIÓN DENOMINAZIONE NAME	BEZEICHUNG DESIGNATION	MOD.	NOTAS NOTES NOTA MITSCHRIFT NOTES
01A		00H05400451	R-PUNZON MONT.RETENES CIGÑ. R-PUNTERUOLO MONTAGGIO GIUNTI PUNCH FIXING CRANKCASE SEAL	DURCHSCHLAG OUTIL MONTAGE ANNEAU AXE VILEB	1 2 3 4	
02A		00H05400581	R-UTIL MONTAR RETEN EJE ARRQ. UTENSILE MONTAGGIO GIUNTI TEN TOOLS FOR FIXING IN STARTING	MONTAGEHULSE OUTIL MONTAGE ANNEAU AXE DEMAR	1 2 3 4	
03A		00H05401561	R-UTIL MONT.RETEN EJE SELECT. R-UTILE MONTAGGIO GIUNTO TENU TOOL FOR FIXING SEAL IN SELEC	MONTAGEHULSE OUTIL MONTAGE ANNEAU AXE SELEC	1 2 3 4	
04A		00H05300041	R-CTO.UTIL.FIJ.CAMPNA EMBG. UTILE FISSAGGIO C CLUTCH HOUSING HOLDER	BEF.- WKZG. KUPPLUNGSGLOCKE OUTIL FIXATION EMBRAYAGE	1 2 3 4	
05A		00H05600251	R-UTIL MONT.CASQ.AGUJ.PIÑ.INTM R-UTILE MONTAGGIO GHIERA FORO TOOLS FOR FIXING BUSHING NEED	MONTAGEHULSE OUTIL MONTAGE	1 2 3 4	
06A		00H05600241	R-UTIL MONT.CASQ.AGUJ.EJE 1P. R-UTILE MONTAGGIO GHIERA FORO TOOLS FOR FIXING BUSHING NEED	MONTAGEHULSE OUTILLAGE MONTAGE DOUILLE AIGU	1 2 3 4	
07A		00H05300151	R-CTO.UTIL.ABRIR MOTOR UTILE APRIRE MOTO TOOLS OPEN ENGINE ASSY	WKZG. Z. MOTOR OFFNEN ENSEMBLE OUTILLAGE OUVRIR MOTE	1 2 3 4	
08A		00H05300841	CASQ.GUIA RETEN CIGÑ. GHIERA GUIDA GINTO TENUTA ALB BUSHING GUIDE CRANKCASE SEAL	FUHRUNGSBUCHSE DOUILLE GUIDE JOINT DU VILEBRE	1 2 3 4	
09A		00H05600351	PIVOTE GUIA RET.EJE SECUND. PERNO GUIDA GIUNTO TENUTA ASS PIVOT GUIDE SECONDARY AXEL,S	FUHRUNGSZAPFEN PIVOT GUIDE JOINT AXE SECONDAI	1 2 3 4	
10A		00H05600341	PIVOTE GUIA RET.EJE ARRQ. PERNO GUIDA GIUNTO TENUTA ASS PIVOT GUIDE STARTING AXEL,S S	FUHRUNGSZAPFEN PIVOT GUIDE JOINT AXE DEMARRAG	1 2 3 4	
11A		00H05600331	PIVOTE GUIA RET.EJE DESEMB. PERNO GUIDA GIUNTO TENUTA ASS PIVOT GUIDE SEAL OF CLUTCH RE	FUHRUNGSZAPFEN PIVOT GUIDE JOINT AXE DEBRAYAG	1 2 3 4	

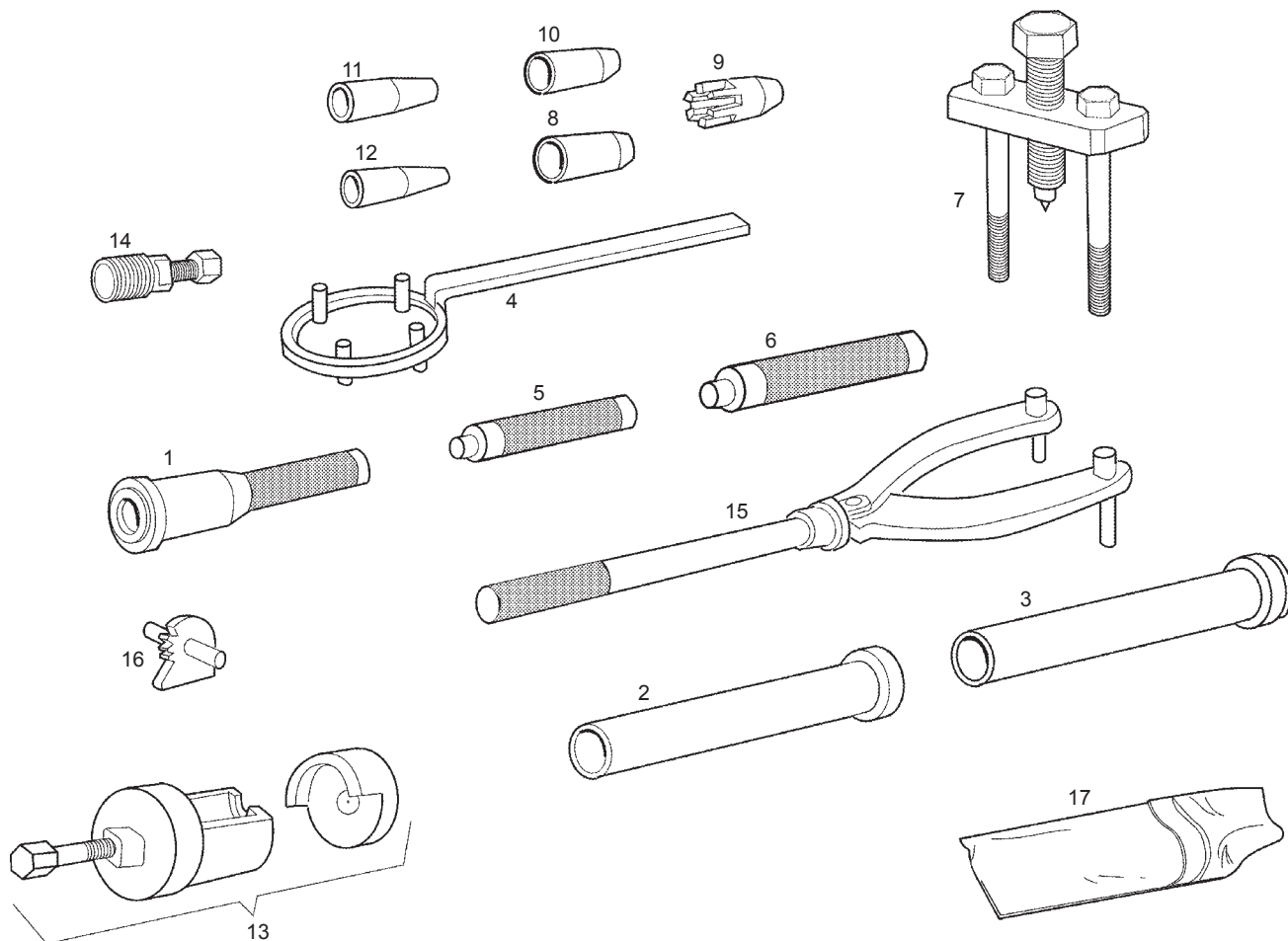


Fig.	Ver.	COD. KOD.	DESCRIPCIÓN DENOMINAZIONE NAME	BEZEICHNUNG DESIGNATION	MOD.	NOTAS NOTES NOTA MITSCHRIFT NOTES
12A		00H05600261	PIVOTE GUIA RET.EJE BOMBA AGUA PERNO GUIDA GIUNTO TENUTA ASS PIVOT GUIDE SEAL WATER PUMP	FUHRUNGSZAPFEN PIVOT GUIDE JOINT POMPE D,EAU	1 2 3 4	
13A		00H05600321	EXTRAC.VOLTE.ELECTR.DCT. ESTRATTORE PIGNONE COUNTERWEIGHT SPROCKET PULLER	RITZELHALTER ESSEMBLE EXTRACTEUR PIGNON CO	1 2 3 4	
14A		00F05300021	CTO.UTIL DESMTAR.VOLTE.ELECTR. ESTRATTORE VOLANO FLYWHEEL ELECTR. EXTRACTOR	ABZIEHER EXTRACTEUR DE VOLANT	1 2 3 4	
15A		00G05300011	CTO.EXTRACT.PIÑON CONTRAP. UTENSILE SMONTAGGIO MAGNETO EXTRACTOR TOOL	WERKZEUG Z. DEMONTAGE ELEKTR. ENS.UTIL DEMONTER VOLANT ELEC	1 2 3 4	
16A		00H05600231	R-SCTO.EJE FIJ.PIÑON CONTRAP. ASSE PIGNONE C COUNTERWEIGHT SPROCKET AXLE A	BEF.- ACHSE F. RITZEL ENSEMBLE AXE PIGNON CONTREPOID	1 2 3 4	
17A		00H05101561	CTO.BOLSA HERRTAS. SACCO FERRI TOOL POUCH	WERKZEUGTASCHE TROUSSE A OUTILS	1 2 3 4	

CODIGO CODE	Lám. Diagr.	Figr.	Vers.	CODIGO CODE	Lám. Diagr.	Figr.	Vers.	CODIGO CODE	Lám. Diagr.	Figr.	Vers.	CODIGO CODE	Lám. Diagr.	Figr.	Vers.
00A00900531	005	31A		00F00920551	007	19A		00H00204601	003	04A		00H01102581	011	21A	
00A00900531	007	21A		00F01001311	008	25A		00H00205271	003	07A		00H01202191	009	19A	
00A00900531	008	22A		00F01010911	008	36A		00H00210171	003	11A		00H01202331	009	17A	
00A00900531	021	16A		00F01810411	001	32A		00H00211011	003	10A		00H01203272	009	02A	
00A01020971	008	20A		00F03201211	020	02A		00H00213091	003	09A		00H01205711	009	08A	
00A03000121	019	08A		00F03300241	021	08A		00H00227001	003	13A		00H01207101	009	13A	
00A03000132	019	27A		00F03300731	021	06A		00H00301331	004	23A		00H01208021	009	07A	
00A03001422	019	07A		00F03310741	021	04A		00H00301401	004	05A		00H01211081	009	12A	
00D00900531	008	33A		00F03710131	005	19A		00H00302892	004	14A		00H01211111	009	14A	
00D01000701	007	25A		00F03710131	023	05A		00H00304411	004	02A		00H01301731	010	19A	
00D01070341	008	24A		00F03710241	023	02A		00H00304411	010	02A		00H01301831	009	27A	
00D01100071	011	15A		00F04700121	009	23A		00H00316971	004	01A		00H01301831	011	34A	
00D01100181	011	12A		00F04700121	011	27A		00H00400371	005	05A		00H01302052	010	09A	
00D01100201	011	04A		00F05000061	019	29A		00H00400501	005	12A		00H01302091	010	06A	
00D01100211	011	08A		00F05300021	025	14A		00H00400501	023	04A		00H01302172	010	11A	
00D01100461	011	13A		00F05900041	008	14A		00H00401011	005	01A		00H01302291	010	04A	
00D01100631	011	05A		00G00400181	005	03A		00H00402686	005	15B		00H01302531	010	16A	
00D01100641	011	07A		00G00601141	005	28A		00H00413681	005	15A		00H01303691	009	09A	
00D01100651	011	06A		00G01601581	012	07A		00H00500211	006	17A		00H01303691	010	20A	
00D01110171	011	19A		00G01602581	012	06A		00H00501761	006	22A		00H01304821	010	14A	
00D01130011	011	16A		00G01607051	012	10A		00H00514651	006	28A		00H01305031	010	15A	
00D01130081	011	01A		00G02102081	007	05A		00H00514652	006	28B		00H01306351	010	24A	
00D01200171	004	18A		00G03000211	018	20A		00H00516191	006	27A		00H01309361	010	22A	
00D01200171	005	17A		00G03000211	019	11A		00H00516192	006	27B		00H01311321	010	23A	
00D01200171	006	16A		00G03001091	014	18A		00H00540691	006	11A		00H01500501	001	07A	
00D01200171	008	35A		00G03001091	019	23A		00H00540692	006	11B		00H01501096	001	03A	
00D01200171	024	10A		00G03002091	019	24A		00H00540701	006	12A		00H01501101	001	08A	
00D01300091	009	05A		00G03200061	020	09A		00H00540702	006	12B		00H01501212	010	12A	
00D01300192	004	06A		00G03200101	020	19A		00H00600181	002	03A		00H01501456	001	02A	
00D01301401	009	11A		00G03200511	020	11A		00H00600681	002	12A		00H01501811	007	22A	
00D01303401	010	10A		00G03200541	020	15A		00H00600991	002	04A		00H01501811	011	32A	
00D01320191	009	06A		00G03200551	020	16A		00H00601141	002	05A		00H01502051	005	30A	
00D01500021	012	05A		00G03200721	020	17A		00H00603166	006	07B		00H01502201	010	07A	
00D01500551	024	28A		00G03200731	020	18A		00H00613162	006	07A		00H01502301	006	23A	
00D01501371	004	19A		00G03201071	020	10A		00H00614011	005	11A		00H01502741	008	17A	
00D01501371	005	18A		00G03201091	020	24A		00H00614012	005	11B		00H01503192	004	10A	
00D01501371	006	06A		00G03201371	020	12A		00H00700341	006	18A		00H01505226	005	14B	
00D01501371	011	29A		00G03201431	020	03A		00H00701121	006	04A		00H01508181	004	16A	
00D01501371	024	11A		00G03208031	020	05A		00H00701381	006	20A		00H01515222	005	14A	
00D01510501	002	19A		00G03301271	021	05A		00H00705028	006	01A		00H01526323	008	03A	
00D01520096	002	16A		00G03301401	021	15A		00H00705029	006	01B		00H01526324	008	03B	
00D01540456	002	17A		00G03900821	019	19A		00H00706251	006	33A		00H01600911	012	04A	
00D01550101	002	18A		00G04100131	020	20A		00H00706252	006	33B		00H01610381	012	11A	
00D02100901	007	27A		00G04100741	020	21A		00H00706271	006	34A		00H01612021	012	09A	
00D02600552	015	12A		00G04100771	020	23A		00H00706272	006	34B		00H01615521	012	01A	
00D02600631	004	22A		00G04200361	022	11A		00H00800422	001	29A		00H01701301	008	21A	
00D02600631	008	41A		00G04401461	008	40A		00H00803082	001	10A		00H01701391	008	11A	
00D02600631	015	15A		00G04700131	009	21A		00H00805072	001	12A		00H01704071	008	23A	
00D02820101	017	02A		00G04700131	011	31A		00H00815011	001	09A		00H01800541	005	07A	
00D02910131	018	04A		00G04700141	009	20A		00H00907301	007	17A		00H01800811	004	25A	
00D03210491	005	09A		00G04700141	011	23A		00H00908011	007	01A		00H01801721	004	24A	
00D03700131	005	20A		00G05300011	025	15A		00H00916171	007	03A		00H01801771	001	15A	
00D04000291	017	32A		00G06300681	001	28A		00H00917751	007	11A		00H01801791	004	07A	
00D05700141	008	12A		00H00101411	002	13A		00H00930071	007	15A		00H01802081	003	18A	
00D05910081	022	12A		00H00107341	002	01A		00H00930091	007	04A		00H01802291	004	30A	
00E01020371	008	19A		00H00201701	003	24A		00H01000131	008	09A		00H01802781	001	16A	
00E02500231	014	13A		00H00202501	003	06A		00H01001321	008	18A		00H01803331	004	09A	
00F00400131	005	02A		00H00202531	003	14A		00H01004841	008	13A		00H01803771	004	26A	
00F00400771	005	29A		00H00202761	003	03A		00H01013011	008	04A		00H01805391	022	09A	
00F00900531	008	26A		00H00203741	003	02A		00H01032301	008	01A		00H02003541	003	05A	
00F00902291	007	06A		00H00204231	003	23A		00H01100731	011	33A		00H02003871	003	12A	
00F00910291	007	16A		00H00204471	003	17A		00H01101611	011	14A		00H02011031	003	15A	

CODIGO CODE	Lám. Diagr.	Figr.	Vers.	CODIGO CODE	Lám. Diagr.	Figr.	Vers.	CODIGO CODE	Lám. Diagr.	Figr.	Vers.	CODIGO CODE	Lám. Diagr.	Figr.	Vers.
00H02011041	003	16A		00H02800891	017	36A		00H03441081	022	01A		00H04606092	006	30B	
00H02100191	007	07A		00H02800901	017	04A		00H03603521	015	01A		00H04606101	006	32A	
00H02100861	007	08A		00H02800901	017	20A		00H03700101	023	07A		00H04606102	006	32B	
00H02101011	007	18A		00H02801221	017	08A		00H03700121	023	16A		00H04607841	008	28A	
00H02101621	007	02A		00H02801291	017	01A		00H03700131	011	09A		00H04608841	008	29A	
00H02104811	007	10A		00H02801481	017	10A		00H03700141	023	23A		00H04614221	006	35A	
00H02105611	007	26A		00H02802161	017	35A		00H03700201	023	29A		00H04614222	006	35B	
00H02205671	007	29A		00H02802861	017	31A		00H03700211	023	06A		00H04614231	006	36A	
00H02229373	008	02A		00H02803161	017	35B		00H03700211	023	14A		00H04614232	006	36B	
00H02229374	008	02B		00H02803291	017	01B		00H03700311	023	22A		00H04714081	009	01A	
00H02300961	008	37A		00H02805131	017	06A		00H03700341	023	26A		00H04900231	006	26A	
00H02303441	024	05A		00H02805371	017	22A		00H03700351	023	15A		00H04916561	006	29A	
00H02304381	007	14A		00H02807131	017	06B		00H03700461	019	18A		00H04916562	006	29B	
00H02304501	008	06A		00H02810181	017	18A		00H03701012	023	27A		00H04916571	006	31A	
00H02401282	010	18A		00H02810231	017	09A		00H03701041	023	12A		00H04916572	006	31B	
00H02402282	009	18A		00H02810411	017	21A		00H03701051	023	03A		00H05000281	015	26A	
00H02412271	010	01A		00H02810421	017	23A		00H03701081	023	01A		00H05000281	023	09A	
00H02500041	014	08A		00H02810561	017	16A		00H03701111	023	21A		00H05000281	024	19A	
00H02500272	001	22A		00H02810631	017	29A		00H03701411	023	17A		00H05001011	014	16A	
00H02500301	014	11A		00H02810741	017	30A		00H03704021	023	13A		00H05007123	014	01A	
00H02500811	019	22A		00H02820211	017	07A		00H03800051	024	29A		00H05101561	025	17A	
00H02501131	014	05A		00H02820561	017	17A		00H03800091	024	27A		00H05141651	006	37A	
00H02502111	014	03A		00H02820651	017	26A		00H03800134	024	12A		00H05141652	006	37B	
00H02502121	014	04A		00H02820661	017	37A		00H03800141	024	15A		00H05205481	013	02A	
00H02502891	019	30A		00H02900011	018	12A		00H03800151	024	17A		00H05300041	025	04A	
00H02505021	014	07A		00H02900041	018	10A		00H03800161	024	21A		00H05300151	025	07A	
00H02506141	014	09A		00H02900091	018	06A		00H03800181	015	04A		00H05300841	025	08A	
00H02507061	019	20A		00H02900271	018	11A		00H03800211	024	33A		00H05400451	025	01A	
00H02510641	019	21A		00H02900281	018	14A		00H03800231	024	40A		00H05400581	025	02A	
00H02512013	014	06A		00H02900761	018	02A		00H03800381	023	11A		00H05401561	025	03A	
00H02542091	014	02A		00H02901441	018	08A		00H03800381	024	20A		00H05600231	025	16A	
00H02552091	014	02B		00H02901551	018	09A		00H03800431	024	31A		00H05600241	025	06A	
00H02562091	014	02C		00H02902251	018	13A		00H03800441	015	20A		00H05600251	025	05A	
00H02572091	014	02D		00H03000031	019	02A		00H03800441	024	34A		00H05600261	025	12A	
00H02600111	015	03A		00H03000081	019	14A		00H03800451	019	28A		00H05600321	025	13A	
00H02600151	015	07A		00H03000091	019	26A		00H03800451	024	36A		00H05600331	025	11A	
00H02600181	015	13A		00H03000141	019	05A		00H03800571	005	34A		00H05600341	025	10A	
00H02600211	015	14A		00H03000242	019	06A		00H03800731	024	38A		00H05600351	025	09A	
00H02600271	015	09A		00H03000272	001	24A		00H03800741	024	30A		00H05700101	008	08A	
00H02600322	015	22A		00H03000831	019	10A		00H03800751	024	39A		00H05700481	012	14A	
00H02600342	015	19A		00H03002884	019	04A		00H03801021	024	41A		00H05701061	008	16A	
00H02600401	015	24A		00H03003634	019	01A		00H03801031	024	04A		00H05701061	008	39A	
00H02600551	015	10A		00H03010361	019	03A		00H03801041	024	06A		00H05901581	006	10A	
00H02600651	015	27A		00H03200271	005	10A		00H03801091	024	25A		00H06001151	020	25A	
00H02601011	015	11A		00H03201201	020	22A		00H03801491	024	42A		00H06100011	002	02A	
00H02601161	015	08A		00H03201251	005	08A		00H03801501	024	02A		00H06100106	006	09B	
00H02601381	015	02A		00H03202231	020	13B		00H03801541	024	01B		00H06110102	006	09A	
00H02610311	015	18A		00H03202261	005	32A		00H03802471	024	03A		00H06200061	005	06A	
00H02700151	016	01A		00H03202281	020	08A		00H03803012	024	01A		00H06300171	001	26A	
00H02700231	016	03A		00H03203481	020	07A		00H03803301	024	07A		00H06300771	005	21A	
00H02700251	016	09A		00H03203711	020	14A		00H03810211	024	18A		00H06301401	001	11A	
00H02700441	016	04A		00H03204231	020	13A		00H03810421	024	32A		00H06301751	005	24A	
00H02700451	016	05A		00H03204421	020	04A		00H04106181	020	06A		00H06301761	005	25A	
00H02700491	016	06A		00H03245011	020	01A		00H04301181	005	04A		00H06800091	006	03A	
00H02703421	016	10A		00H03300221	021	07A		00H04316651	012	08A		00H06800091	006	24A	
00H02800181	017	11A		00H03300701	021	02A		00H04400751	006	19A		00H99927U005	013	01A	
00H02800241	017	34A		00H03301011	021	01B		00H04425801	006	13A		00M03800221	024	16A	
00H02800251	017	13A		00H03307011	021	01A		00H04425802	006	13B		0000A517011	008	34A	
00H02800401	017	19A		00H03330171	021	03B		00H04425831	006	14A		00000002510	024	37A	
00H02800561	017	15A		00H03331171	021	03A		00H04425832	006	14B		00000002515	021	11A	
00H02800801	017	28A		00H03404321	022	03A		00H04602871	001	33A		00000002840	011	25A	
00H02800881	017	27A		00H03426411	022	02A		00H04606091	006	30A		00000002860	001	18A	

CODIGO CODE	Lám. Diagn.	Figr.	Vers.	CODIGO CODE	Lám. Diagn.	Figr.	Vers.	CODIGO CODE	Lám. Diagn.	Figr.	Vers.	CODIGO CODE	Lám. Diagn.	Figr.	Vers.
0000004510	017	24A		00002052051	024	13A		00012061200	012	13A					
0000004515	023	28A		00002054551	023	19A		00012061200	024	26A					
0000004620	007	28A		00002061011	019	12A		00012063000	008	38A					
0000004835	003	08A		00002062011	022	04A		00012063000	024	08A					
0000004840	003	01A		00002062511	016	12A		00012081621	022	05A					
00000012410	008	43A		00002082021	012	12A		00012152000	012	02A					
00000012410	022	10A		00002125170	014	17A		00012161600	002	07A					
00000012420	021	17A		00002182000	010	03A		00012161600	004	17A					
00000012508	007	20A		00002212070	009	10A		00012161600	005	16A					
00000012515	008	42A		00002212070	010	21A		00012161600	006	02A					
00000012620	005	33A		00002225220	014	14A		00012161600	008	30A					
00000013510	017	05A		00002503230	004	04A		00013054500	004	27A					
00000021050	021	12A		00002518790	001	17A		00013061200	004	28A					
00000021060	002	10A		00003102280	019	13A		00014041200	007	09A					
00000023040	006	08A		00003112322	004	03A		00022083521	009	24A					
00000023040	008	45A		00003112322	009	03A		00022084021	001	04A					
00000023051	004	21A		00003115422	004	12A		00022084021	002	06A					
00000023051	006	25A		00003125280	014	19A		00022084021	011	17A					
00000023060	002	11A		00003127200	018	19A		00022086521	009	22A					
00000023060	008	15A		00003127270	016	11A		00023108000	001	06A					
00000023060	010	08A		00003130050	019	16A		00023108000	002	15A					
00000023060	012	16A		00003133230	021	09A		00023108000	022	07A					
00000023100	001	27A		00003133260	021	10A		00023112000	004	13A					
00000031040	006	21A		00003306570	001	19A		00023112000	004	15A					
00000031040	008	44A		00003710110	008	07A		00031106000	003	22A					
00000031040	022	08A		00003710120	008	10A		00031106000	008	46A					
00000031050	004	29A		00004013500	003	19A		00034000602	002	08A					
00000031050	017	25A		00004115000	004	11A		00034000602	011	10A					
00000031050	021	13A		00004322460	005	22A		00034000802	009	26A					
00000031050	023	24A		00005010760	007	24A		00034000802	011	24A					
00000031050	024	14A		00005529290	018	05A		00047030400	005	26A					
00000031060	002	09A		00005530600	019	17A		00047030900	018	16A					
00000031060	010	17A		00006309260	007	13A		00047031100	016	02A					
00000031060	011	26A		00006309260	011	30A		00052062011	015	23A					
00000031060	012	15A		00006311220	011	02A		00053030000	023	08A					
00000031060	019	25A		00006321040	007	12A		00053030000	024	22A					
00000031080	009	25A		00006321040	011	03A		00057000500	001	30A					
00000031100	003	20A		00006826230	015	05A		00058120100	009	04A					
00000033050	023	20A		00008061500	003	21A		00058120100	010	05A					
00000034050	021	14A		00008061500	006	15A		00059120300	017	03A					
00000036100	018	17A		00008061500	024	09A		00059220400	014	12A					
00000047110	015	17A		00008062000	011	28A		00232120032	009	16A					
00000047110	023	10A		00008062500	011	11A		00262080022	001	14A					
00000047111	018	03A		00008202730	014	15A		00262080022	001	23A					
00000047122	018	07A		00008204500	005	13A		00262080022	011	20A					
00000056205	001	20A		00008204500	023	18A		00262100032	001	25A					
00000061040	018	18A		00008204500	024	23A		00262120032	004	08A					
00000066060	017	33A		00008213182	009	15A		00262120032	010	13A					
00000326260	015	06A		00008239450	005	27A		00402080001	001	05A					
00001130370	019	15A		00008902630	001	31A		00402080001	001	13A					
00002025190	014	10A		00008915020	024	24A		00402080001	002	14A					
00002026020	015	25A		00011021300	008	27A		00402080001	011	18A					
00002027280	015	21A		00011033800	008	31A		00402080001	022	06A					
00002027280	016	07A		00011041900	005	23A		00402100001	001	21A					
00002028450	017	12A		00011061300	008	32A		00442060002	016	13A					
00002028550	017	14A		00011141300	004	20A		00454050001	012	03A					
00002028770	016	08A		00011141300	007	23A									
00002028770	018	01A		00011141300	011	22A									
00002029050	018	15A		00012045000	008	05A									
00002030020	019	09A		00012053500	015	16A									
00002051251	024	35A		00012061200	004	31A									
00002052051	023	25A		00012061200	006	05A									