

DUCATI 750 PASO

SPARE PARTS CATALOGUE

PARTS MICROFICHE P/N
M985230034

BEGINNING VIN:
ZDMIDA3NX00351001

- Air filter.....E-5
- Alternator.....C-5,6
- Brake pedal.....E-2
- Camshafts.....B-8,9,10,11
- Carburetor.....B-12,13
- Chain & guards.....D-6,7
- Clutch.....B-4,5
- Clutch master cylinder.....D-11
- Crankcase LH.....C-5,6
- Crankcase RH.....C-3,4
- Crankcase breather.....E-5
- Crankshaft.....B-6
- Cylinders.....B-6
- Cylinder head, vert.....B-8,9
- Cylinder head, horiz.....B-10,11
- Electrical equipment.....D-2,3
- Fairing & lowers.....E-9,10
- Fenders.....E-7,8
- Footrests.....E-6
- Frame & fittings.....E-4
- Front calipers.....D-10
- Front fork.....D-12,13
- Front master cylinder.....D-10
- Fuel pump.....E-7,8
- Fuel tank.....E-7,8
- Gearchange mechanism.....B-3
- Handlebar.....D-11
- Headlight.....D-8,9
- Hubs, fr & rr.....E-3
- Ignition.....C-7
- Ignition coils.....D-2,3
- Ignition switch.....D-8,9
- Meters.....D-8,9
- Mufflers.....D-4
- Oil coolers.....D-5
- Oil pump & filters.....C-2
- Pistons.....B-6
- Rear caliper.....E-2
- Rear master cylinder.....E-2
- Seat.....E-7,8
- Shifter.....E-6
- Shock absorber.....D-6,7
- Side covers.....E-9,10
- Stands.....E-4
- Starter motor.....C-7
- Swing arm.....D-6,7
- Taillight.....D-8,9
- Timing.....B-7
- Tools, owner.....E-7,8
- Tools, service.....B-2
- Transmission.....B-4,5
- Turn signals, fr.....E-9,10
- Turn signals, rr.....E-7,8
- Valves.....B-8,9,10,11
- Wheels.....E-3
- Windscreen.....E-9,10

INFORMAZIONI GENERALI

Questo catalogo è stato preparato per richiedere con esattezza le parti di RICAMBIO dei motocicli 750 PASO.

Nelle ordinazioni indicare sempre e soltanto:

- 1) il numero dei particolari, seguita dalla descrizione;
- 2) il colore per i pezzi verniciati o comunque colorati;
- 3) il numero d'identificazione (matricola) del motociclo.

Le indicazioni di destra e sinistra si riferiscono ai due lati della macchina rispetto al guidatore seduto in sella.

GENERAL INFORMATION

This catalogue has been prepared for your convenience when ORDERING PARTS for 750 PASO motorcycle.

The following instructions should be followed very carefully when ordering parts:

- 1) indicate part number and description;
- 2) indicate colour for painted parts;
- 3) indicate V.F.N. number.

Right side and left side indicated in this catalogue are referred to rider seating on motorcycle.

INFORMATIONS GÉNÉRALES

Ce catalogue a été préparé pour faciliter le client dans sa commande de pièces de RÉCHANGE pour les motocyclettes 750 PASO.

Pour toute commande, indiquer toujours et seulement:

- 1) le numéro de la pièce suivi de sa description;
- 2) la couleur des pièces peintes;
- 3) le numéro d'identification (matricule) de la motocyclette.

Les indications de droite et gauche se rapportent aux deux côtés de la motocyclette par rapport au conducteur assis sur la selle.

ALLGEMEINE INFORMATIONEN

Dieser Katalog wurde vorbereitet um die Möglichkeit zu geben, dass die ERSATZTEILE mit höchster Genauigkeit angefordert werden können und zwar für das Motorrad 750 PASO.

Den Aufträgen ist immer und nur folgendes anzugeben:

- 1) Ersatzteilnummer und Bezeichnung;
- 2) die Farbe für die lackierten Teile;
- 3) die Herstellungsnummer des Motorrades.

Die Angaben für rechts und links beziehen sich auf die beiden Seiten des Motorrades und zwar so gesehen, wie es der Fahrer sieht, wenn er auf dem Sattel sitzt.

NOTE - LIST - NOTES - NOTE:

F.m.: Fino al telaio matricola - Up to frame number - Jusqu'au cadre numéro - Bis zum Fahrgestellnummer

D.m.: Dal telaio matricola - From frame number - Du cadre numéro - Ab Fahrgestellnummer

F.m.m.: Fino al motore matricola - Up to engine number - Jusqu'au moteur matricule - Bis zum Motor-Nr.

D-A.m.: Dal motore matricola - From engine number - Du moteur matricule - Ab Motor-Nr.

D : Germania, Germany, Allemagne, Deutschland

CH : Svizzera, Switzerland, Suisse, Schweiz

F : Francia, France, France, Frankreich

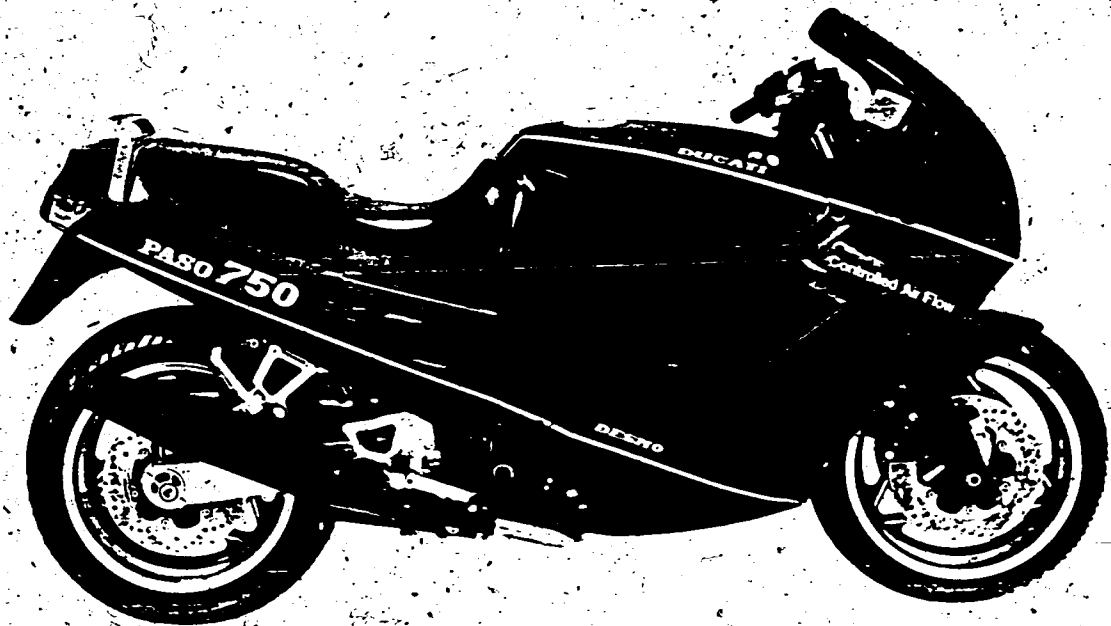
USA : Stati Uniti d'America, United States of America, Etats Unis d'Amérique, Vereinigte Staaten von Amerika.

Dati indicativi soggetti a modifiche senza impegno di preavviso.

All data are subject to modification without prior notice.

Données indicatives sujettes à modifications sans obligation de préavis.

Änderungen vorbehalten.



TECHNICAL DATACAGIVA/DUCATI 750cc PASO

ENGINE TYPE 90 degree V-Twin

COOLING SYSTEM Air cooled. Cooling intakes located in areas of low pressure in fairing

BORE AND STROKE 88 X 61.5mm

COMPRESSION RATIO 10-1

MAX HORSEPOWER 73.5 Kw @ 7900 rpm

MAX TORQUE 75 N.m @ 63500

MAX R.P.M. 10,000 rpm

LUBRICATION Gear pressure pump

OIL CAPACITY 3.5 Litres incl. filter and radiators

IGNITION Kokusan electronic

ALTERNATOR 12V - 300W

BATTERY 12V - 14Ah

STARTING SYSTEM Electric

SPARK PLUGS Champion RA6YC

CARBURETOR WEBER 44 DCFN 107

EXHAUST Dual silencers with compensator

CYLINDERS Aluminum cylinders (2) with Gilnisil coated liners

CONNECTING RODS Forged steel with bronze bushings

VALVE SIZE Intake: 41mm Exhaust: 35mm

CLUTCH Multi-disc, hydraulically operated

CLUTCH PLATES 13 disc, running dry

PRIMARY DRIVE Straight cut gears, ratio: 71/36

TRANSMISSION

5 - Speed

1st : 40/16
 2nd : 36/21
 3rd : 32/24
 4th : 29/27
 5th : 28/29

FINAL DRIVE

Regina type DA-OR 136, 5/8 x 3/8" chain, 15/38 ratio

FRAME

Square tube perimeter frame, 25Cr Mo4 chrom-moly

FRONT SUSPENSION

Marzocchi M1R, 42mm telescopic, externally adjustable, with anti-dive. 140mm travel

REAR SUSPENSION

Single shock, "Soft-Damp"

REAR SHOCK

Ohlins type CA 508 with 78mm travel. 136mm wheel travel

FRONT WHEEL

6 spoke OSCAM alloy 3.75 X 16"

REAR WHEEL

6 spoke OSCAM alloy 5.00 X 16"

TIRESPIRELLI radials, tubeless
 Front: 130/60 X 16"
 Rear: 160/60 X 16"BRAKESBREMBO drilled, Front: 2 @ 280mm
 Rear: 1 @ 270mmCALIPERSBREMBO, Front: P2F08N dual piston
 Rear: P2108N dual pistonMAX LENGTH

2032mm

HANDLEBAR WIDTH

655mm

MAX HEIGHT

1150mm

WHEELBASE

1453mm

SEAT HEIGHT

780mm

GROUND CLEARANCE

165mm

STEERING ANGLE

25 degrees

FUEL TANK

22 Litre cap. with 4 liter reserve. steel const.

FAIRING/BODY

Plastic, red or white color

ENGINE WEIGHT

60 Kg.

TOTAL WEIGHT

185 Kg.



SERVICE INFORMATION

DATE: April 6, 1987

YEAR: 1987

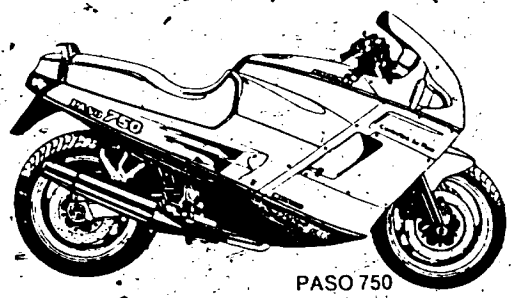
MODEL: PASO750

DATE: April 1, 1987

YEAR: 1987

MODEL: PASO 750

The PASO 750 has had the engine break-in oil installed at the factory: DO NOT drain this oil out during motorcycle set up. This is a special oil and should remain in the engine until the first scheduled service at approx. 500 miles. Refer to the Owner's Manual for engine oil type and capacity.



PASO 750

IDLE SPEED CARBURETOR ADJUSTMENT

To correctly carry out this operation we suggest the removal of the fuel tank and two-half fairings. Connect the fuel supply hose to an auxiliary tank and proceed with the following steps, with the engine warm.

- 1.- Remove screws(A in Fig.1) on both sides of the intake manifold.
- 2.- Insert in the 'A' screw holes the special pipe unions (B in Fig.2) and connect these to the hoses on a set of vacuum mercury gauges.
- 3.- Loosen the nuts and close the two air adjustment screws. Turn the throttle opening screw (D in Fig.3) to bring the minimum idle speed to 1000-1200 rpm. Check on which of the two ducts the reading is higher on the mercury gauge. Open the air adjusting screw (C in Fig.3) corresponding to the higher column and balance the two. Tighten the nuts on both screws. It is important that one of these screws always remains closed.
- 4.- Adjust the mixture by turning the idle mixture screws (E in Fig.4) by screwing in the mixture is weakened, by unscrewing the mixture is enriched.
- 5.- Go back and again adjust the throttle opening screw to bring the idle speed to the proper level (1000-1200 rpm). Then again adjust the mixture as in step 4.

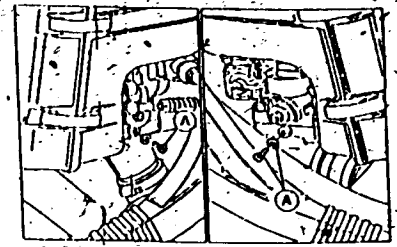


Fig. 1

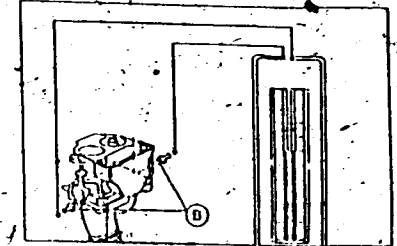


Fig. 2

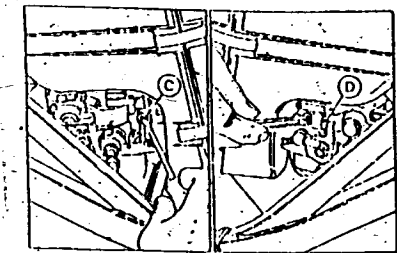


Fig. 3

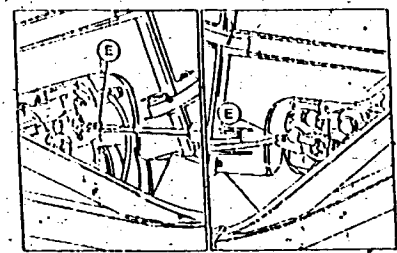
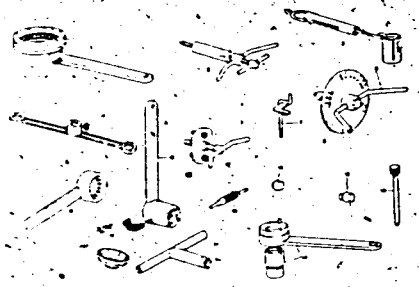


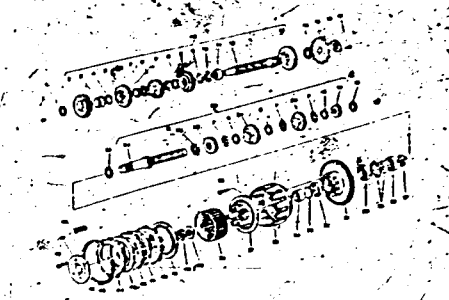
Fig. 4



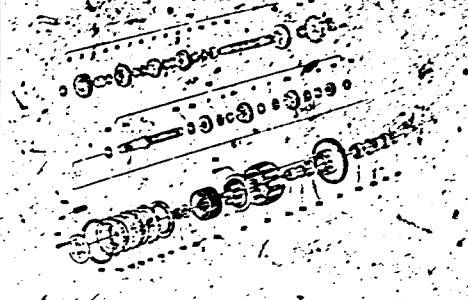
Special Tools.....B-2



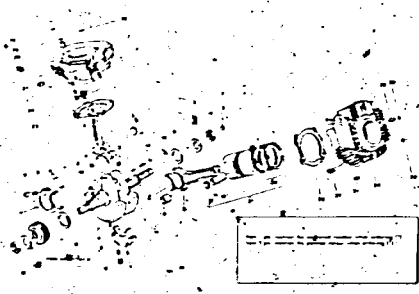
Gearchange.....B-3



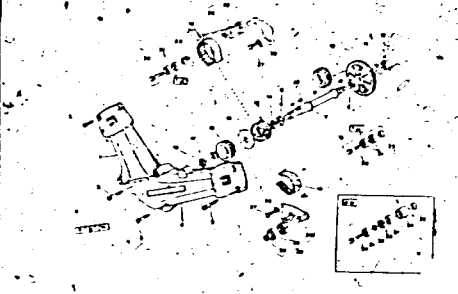
Transmission, Clutch(1/2).....B-4



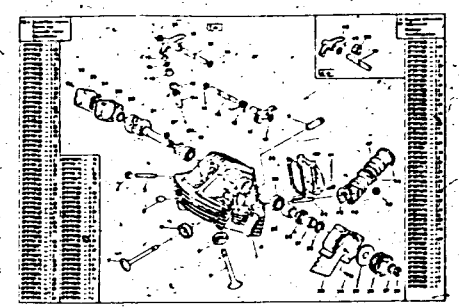
Transmission, Clutch(2/2).....B-5



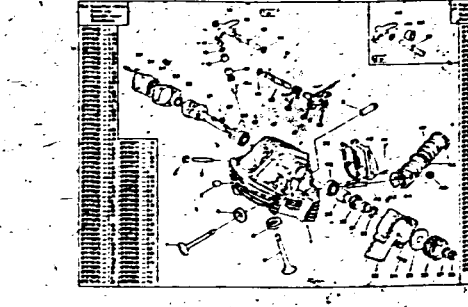
Cylinders,Piston,Crankshaft.....B-6



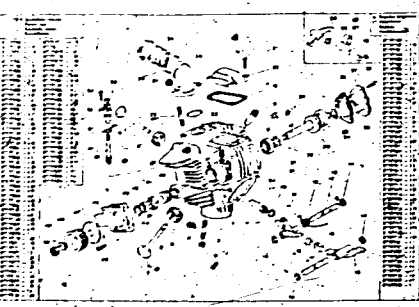
Timing.....B-7



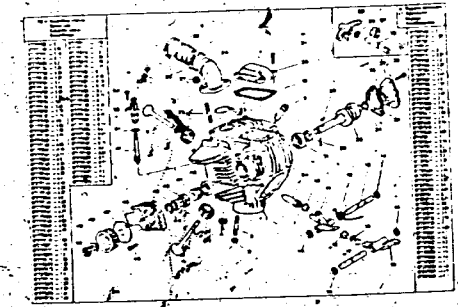
Cylinder head vert.(1/2).....B-8



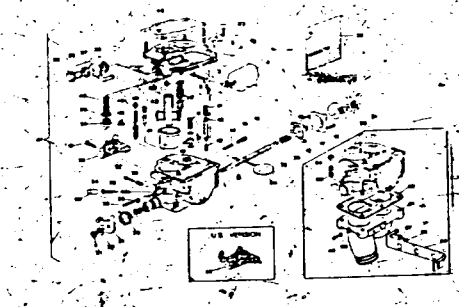
Cylinder head vert.(2/2).....B-9



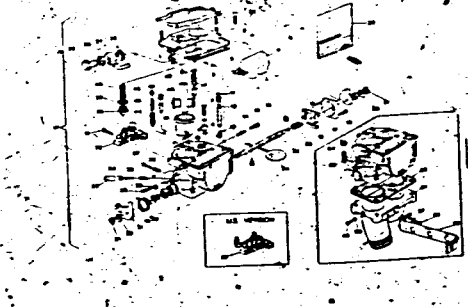
Cylinder head horiz(1/2).....B-10



Cylinder head horiz.(2/2).....B-11

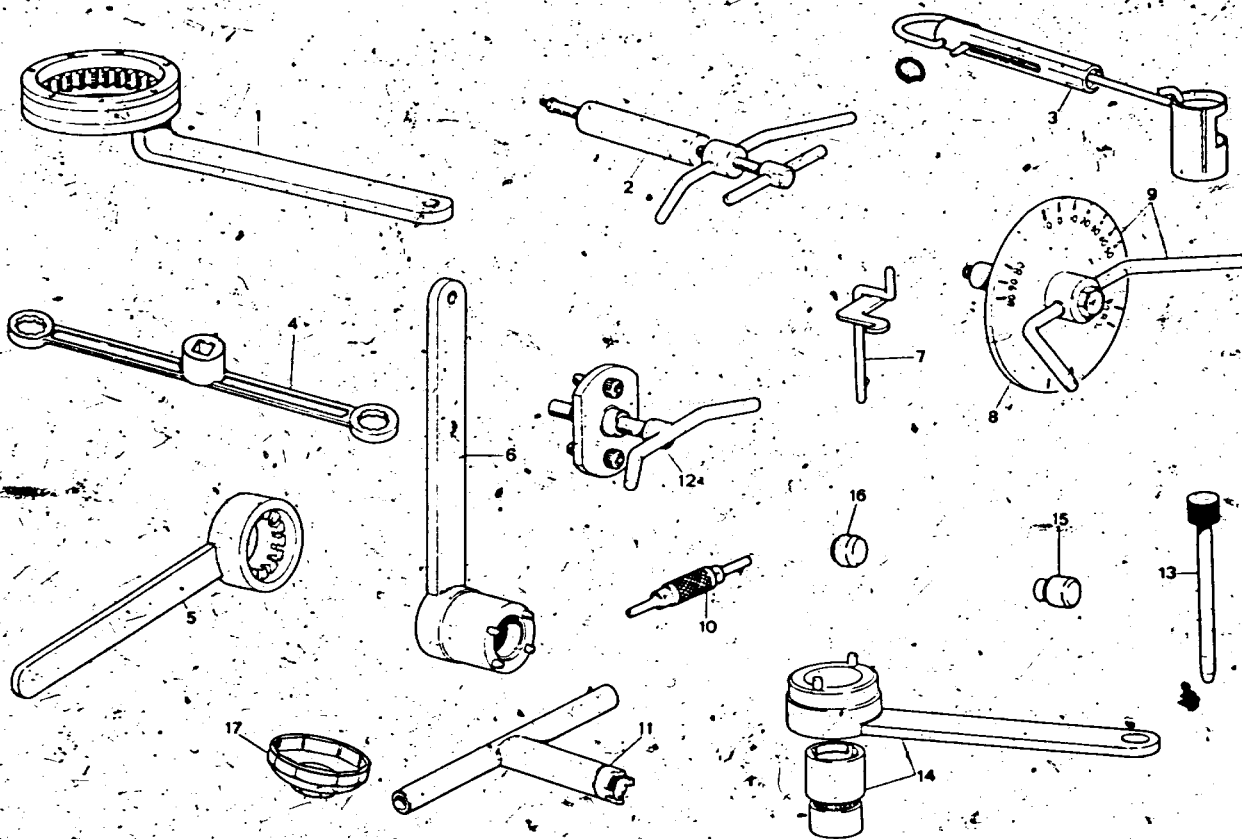


Carburetor (1/2).....B-12



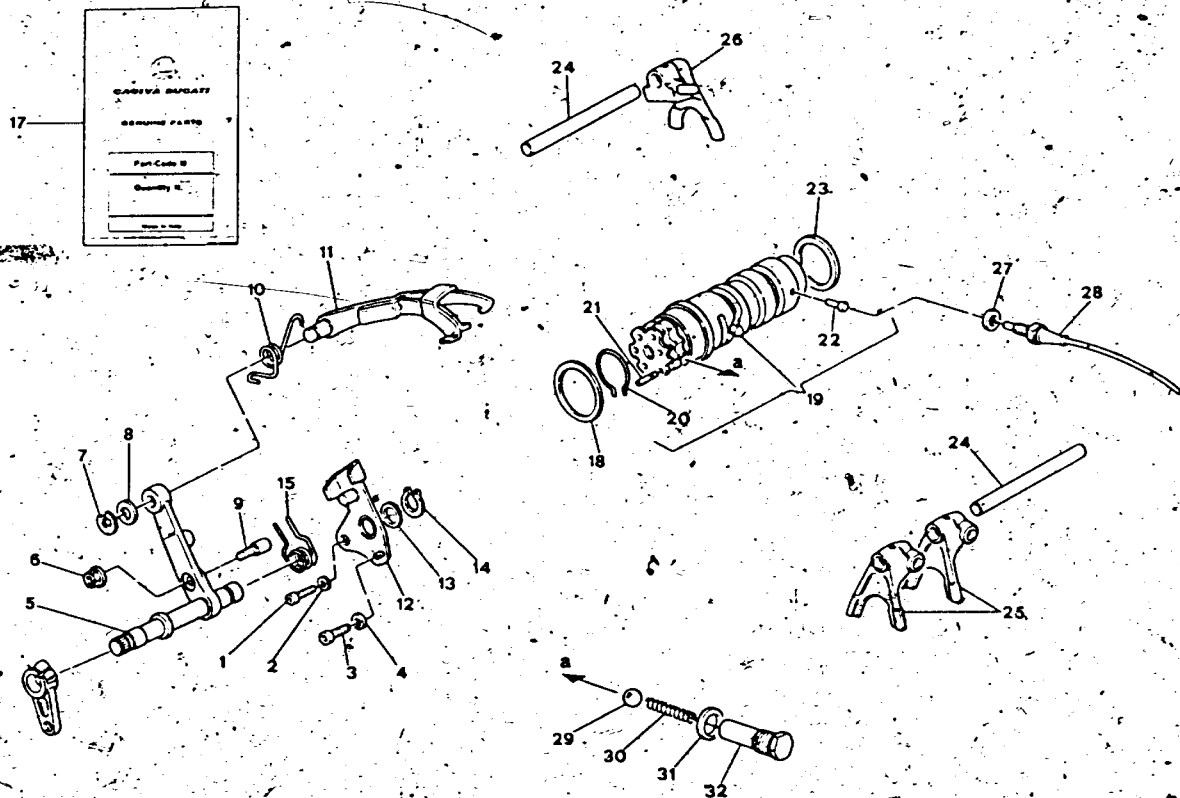
Carburetor (2/2).....B-13

DUCATI 750 PASO



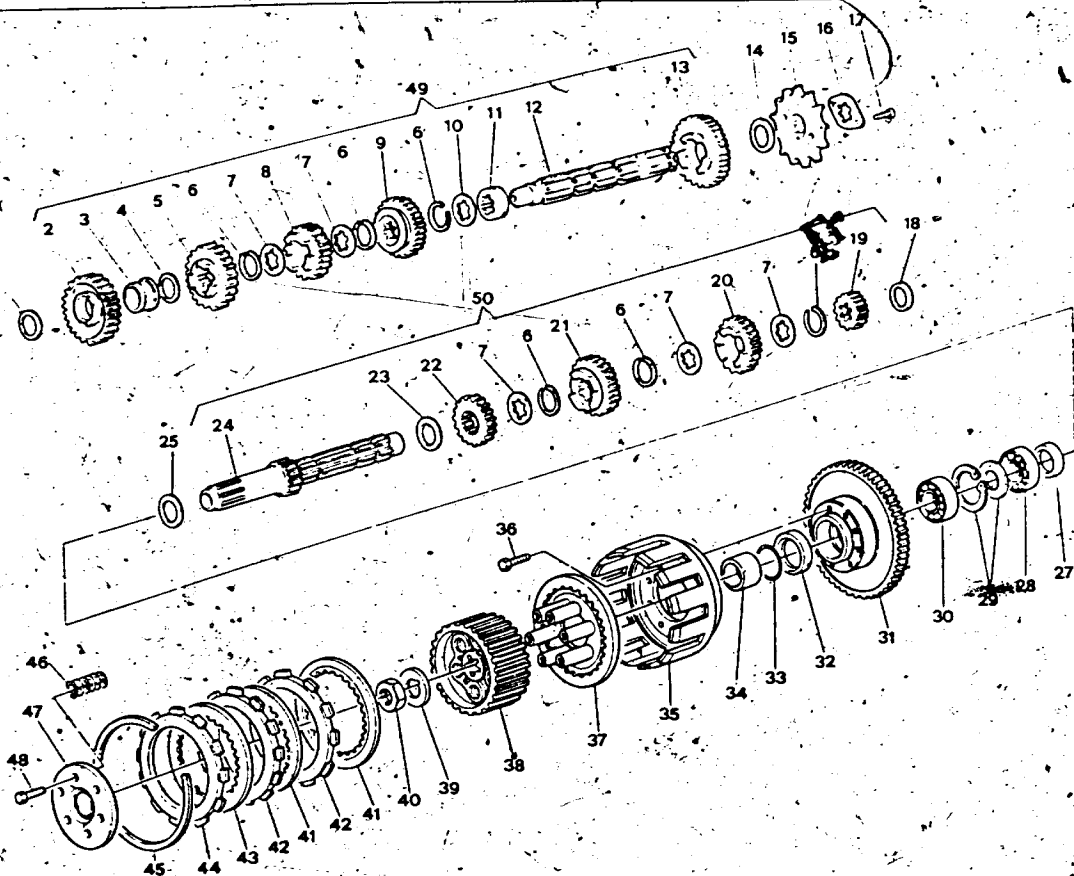
POS. N°	N° CODICE CODE NO. BY CODE CODE N°	DESCRIPTION	VALORI VALUTATI VALUTATI GALIC	QUANTITÀ QUANTITÀ QUANTITÀ MISURE
1	887130140	Clutch drum locking wrench		1
2	887130120	Rocker pin extractor		1
3	887130748	Timing belt tensioner		1
4	887130768	Wrench for cylinder-head nut		1
5	887130710	Alternator retain. wrench for nut locking		1
6	887130137	Crankshaft gear retaining wrench for nut locking		1
7	887130143	Closing rocker & spring assembling tool		1
8	981120002	Graduated disc		1
9	887130123	Graduated disc bearing tool for advance checking with disc		1
10	887130114	Connector pins removing tool		1
11	887130139	Chain cover removing tool		1
12	887130144	Tool for removal of chain cover		1
13	887130262	Rocker assembling pin		1
14	887005644	Timing pulley retaining wrench		1
15	000044119	Lower spacer		1
16	000044120	Lower spacer		1
17	067503210	Cartridge removing key		1
18		Carburettor adjustment tool		1

DUCATI 750 PASO



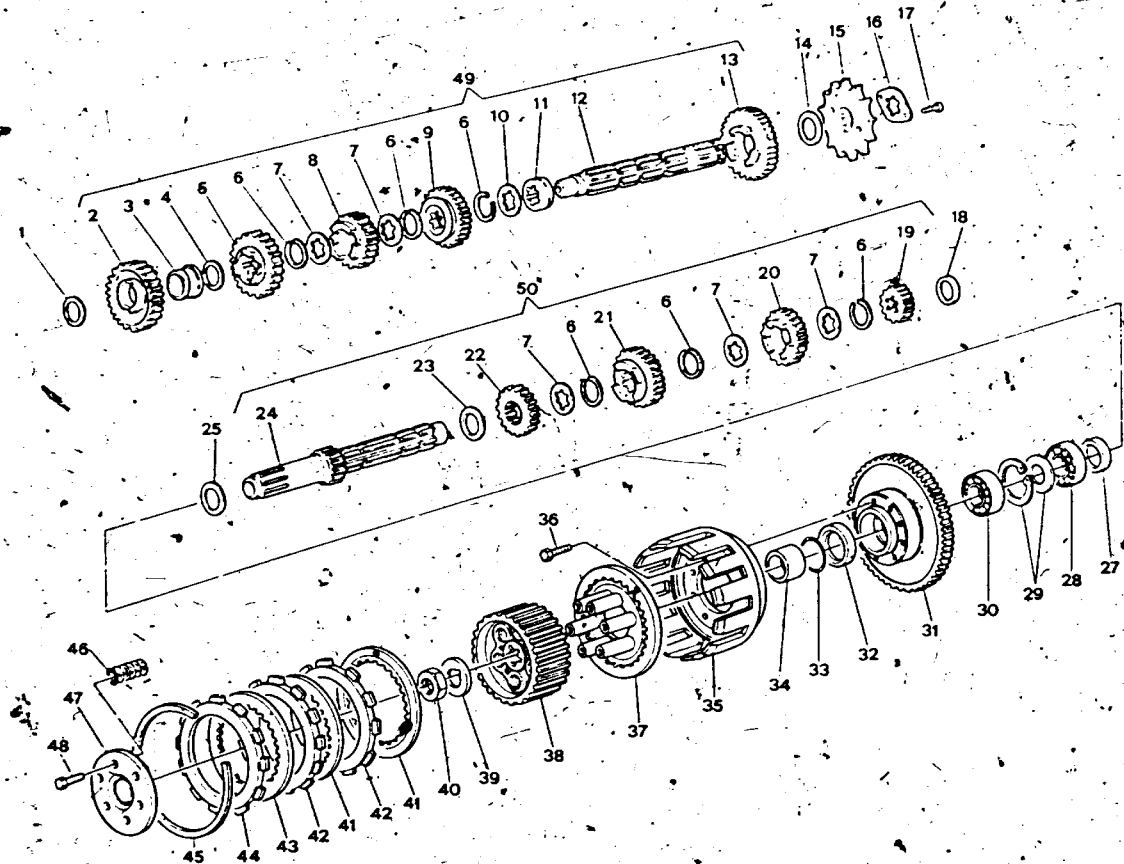
POS. N.	N. CODICE CODE NO. BY CODE CODE NO.	DESCRIPTION	VALORI VALORI VALORI	QUANTITÀ QUANTITÀ QUANTITÀ
1	715021631	Screw		1
2	732806001	Washer		2
3	715022125	Screw		1
4	732808001	Washer		1
5	066013160	Pin with lever		1
6	079913095	Nut		1
7	021407350	Ideal ring		1
8	040009050	Washer		1
9	066013165	Gearlever pin		1
10	066013170	Return spring		1
11	066013200	Control fork		1
12	066013250	Plate		1
13	040029126	Thrust washer		1
14	735001542	Seeger ring		1
15	079913110	Return spring		1
17	067551101	Rubber and gasket set		1
18	066013061	Thrust washer 0,2		1
-	066013062	Thrust washer 0,3		1
-	066013060	Thrust washer 1		1
19	067013400	Compl. drum		1
20	066013057	Stop ring		1
21	066013050	Roller		6
22	066013045	Warn. light control pin		1
23	066013066	Thrust washer		1
-	066013067	Thrust washer		1
-	066013065	Thrust washer		1
24	066013070	Fork pin		2
25	067013075	Fork (1,3-2)		2
26	067013080	Fork (4,5)		1
27	42020008A	Gasket		1
-	050403085	Gasket		1
28	067049750	Warn. light switch		1
29	768351134	Ball		1
30	066013143	Spring		1
31	027291090	Gasket		1
32	066013133	Peg holder		1

DUCATI 750 PASO



POS. N.	N. CODICE / CODE NO. / CODE N°	DESCRIPTION	VALIDITÀ / VALIDITE / VALITE	QUANTITÀ / QUANTITE / QUANTITE
1	067016183	Washer $\varnothing 17,3 \times \varnothing 31 \times 0,8$		1
—	067016184	Washer $\varnothing 17,3 \times \varnothing 31 \times 1$		1
—	067016185	Washer $\varnothing 17,3 \times \varnothing 31 \times 1,2$		1
2	067016050	Drive gear 1 st vel.		1
3	067016220	Bush 1 st vel.		1
4	067016155	Washer $\varnothing 22,3 \times \varnothing 32 \times 1$		1
5	067016080	Driven gear 4 th vel.		1
6	067016145	Ring 6		1
7	067016015	Washer $\varnothing 32,5$		5
8	067016070	Driven gear 3 rd vel.		1
9	067016085	Driven gear 5 th vel.		1
10	067016140	Washer $\varnothing 36$		1
11	067016230	Bush 2 nd vel.		1
12	067016115	Layshaft A		1
13	067016060	Driven gear 2 nd vel.		1
14	067016170	Washer $\varnothing 25,3 \times \varnothing 36 \times 0,8$		1
—	067016171	Washer $\varnothing 25,3 \times \varnothing 36 \times 1$		1
—	067016172	Washer $\varnothing 25,3 \times \varnothing 36 \times 1,2$		1
15	037016090	Chain sprocket Z=15	f.m. 750130	1
—	037016093	Chain sprocket Z=15	d.m. 750131	1
16	067016105	Pigto		1
17	715081201	Screw		2
18	067016163	Washer $\varnothing 17,3 \times \varnothing 31 \times 1,8$		1
—	067016164	Washer $\varnothing 17,3 \times \varnothing 31 \times 2$		1
—	067016165	Washer $\varnothing 17,3 \times \varnothing 31 \times 2,2$		1
19	067016023	Driving gear 2 nd vel.		1
20	067016045	Driving gear 5 th vel.		1
21	067016030	Driving gear 3 rd vel.		1
22	067016040	Driving gear 4 th vel.		1
23	067016150	Washer $28,3 \times \varnothing 36 \times 0,5$		1
24	067016013	Main shaft		1
25	025147050	Washer $\varnothing 25,2 \times \varnothing 32,5 \times 1$		1
—	015016030	Washer $\varnothing 25,2 \times \varnothing 32,5 \times 0,5$		1
—	050447060	Washer $\varnothing 25,2 \times \varnothing 32,5 \times 0,3$		1
—	050447050	Washer $\varnothing 25,2 \times \varnothing 32,5 \times 0,2$		1
27	066016620	Distance piece		1
28	46370226A	Bearing		1
29	066188630	Seeger ring - Distance piece		1
30	751132566	Bearing		1
31	067016900	Clutch/crankshaft gears	f.m. 751447	1
—	037016900	Clutch/crankshaft gears	d.m. 751448	1

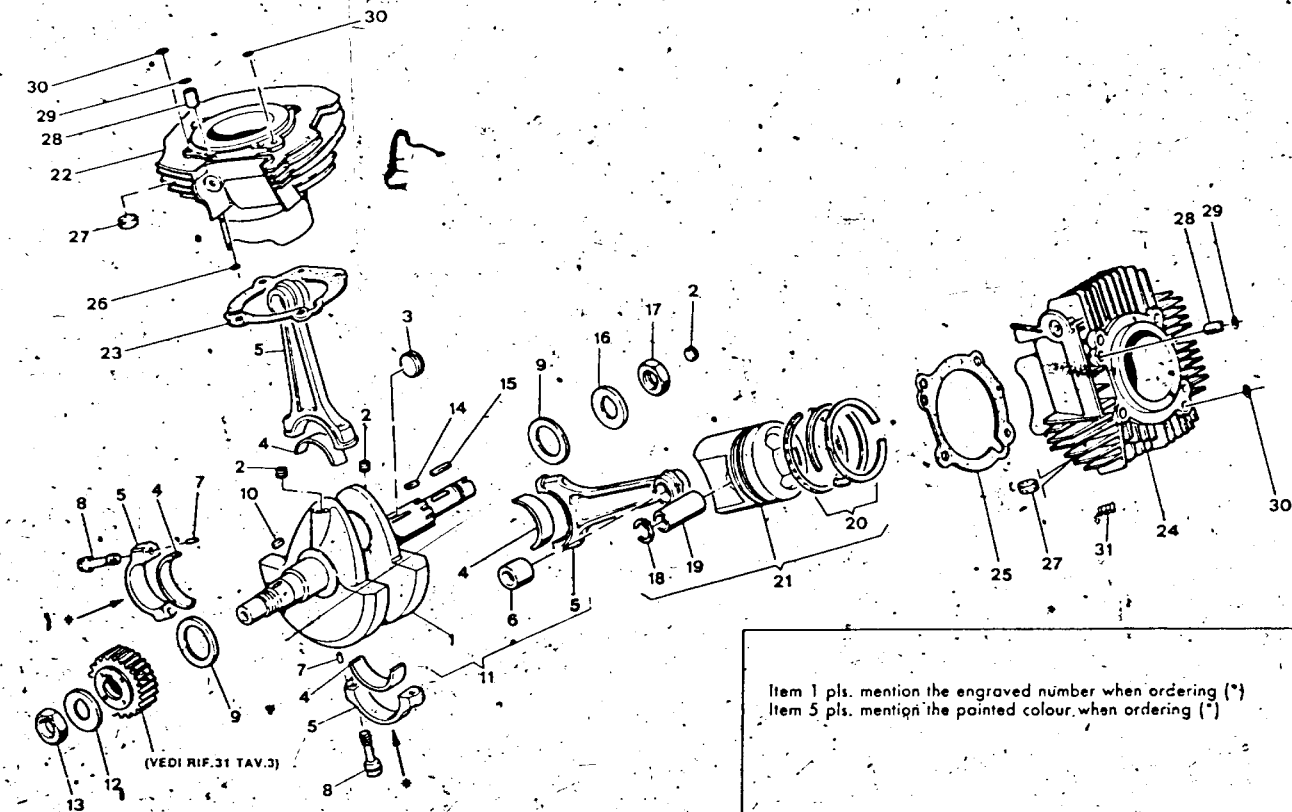
DUCATI 750 PASO



POS. N.	N. COOKE CODE NO. N° CODE CODE N°	DESCRIPTION	VALIDITÀ QUANTITÀ VALIDITÀ CUL TIC	QUANTITÀ QUANTITÀ QUANTITÀ MENSIC
32	46340269A	Seal ring		1
33	46320537A	O-Ring		1
34	066516625	Spacer		1
35	066516860	Clutch housing		1
36	706108120	Screw		8
37	066516630	Pressure plate		1
38	067016610	Steel clutch drum		1
39	037716640	Washer		1
40	040047040	Hex. nut		1
41	067516530	Disc		2
42	067616670	Driving disc		6
43	066116530	Driven disc		5
44	066516690	Driving disc		1
45	066116573	Stop ring		1
46	065916568	Clutch spring		6
47	066516703	Clutch control disc		1
48	706106025	Screw		6
49	067088210	Layshaft		1
50	067088203	Main shaft		1
51	067016203	Gear-box (49+50)		1

DUCATI 750 PASO

TAV. 4

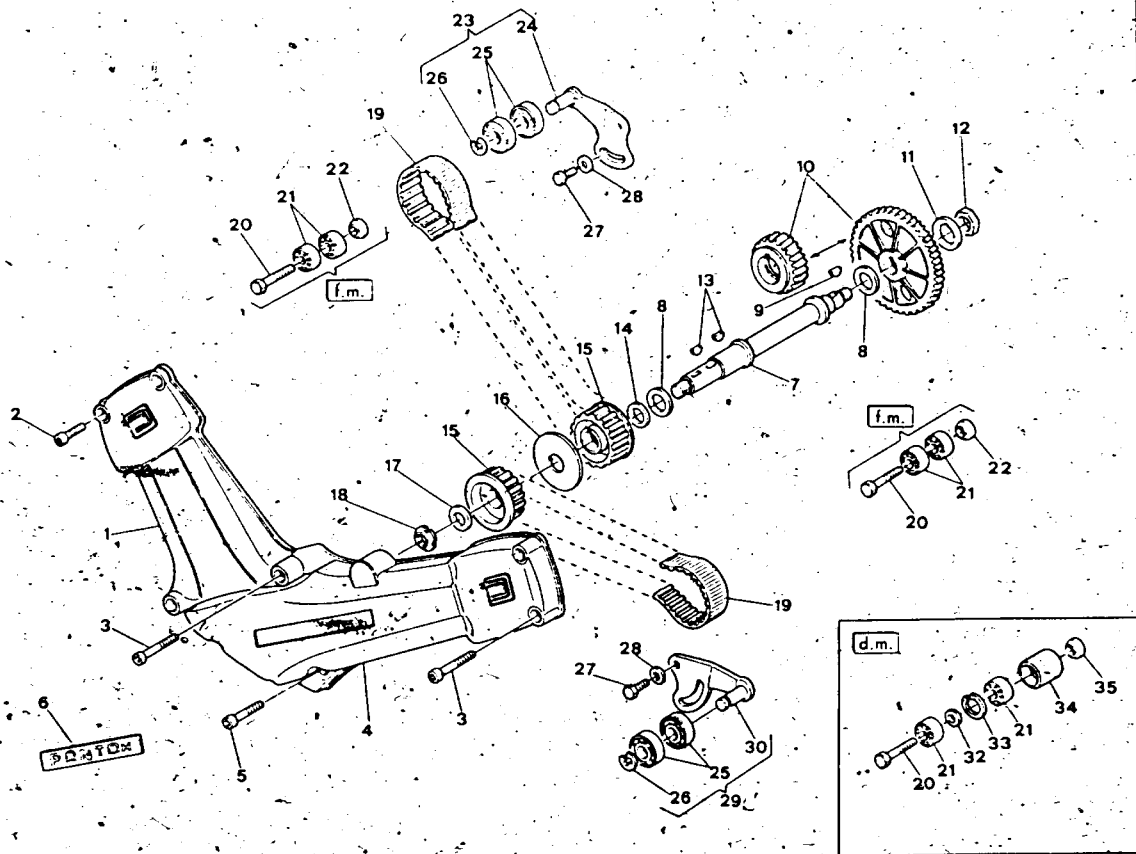


POS. N.	N. CODICE CODE NO. NR. CODE CODE N°	DESCRIPTION	VALIDITA' VALIDITE VALUITE CAS. TIC	QUANTITA' QUANTITY QUANTITE MENSA
1	067047150	Bare crankshaft (2-3 included)		1
2	721212106	Dowel		3
3	066047220	Plug		1
4	066047230	Standard half-bearing		4
—	066047235	Unders. half-bearing 0,25		4
—	066047236	Unders. half-bearing 0,50		4
5	066047350	Con.rod assembly (6-7-8 included)		2
6	066047290	Standard bush		2
—	066047295	Oversized bush		2
7	742240570	Split pin		4
8	061947288	Screw		4
9	075547050	Thrust washer 0,2		1
—	075647060	Thrust washer 0,3		1
—	075547070	Thrust washer 0,5		1
10	061947050	Woodruff key		1
11	067047100	Crankshaft assembly		1
12	061947030	Tab washer		1
13	066047040	Hex. nut		1
14	741010770	Key		1
15	075929190	Woodruff key		1
16	040047020	Washer		1
17	040047040	Hex. nut		1
18	067547460	Gridip		2
19	067547450	Gudgeon pin		2
20	090547490	Piston ring set		2
21	067047400	Compl. piston		2
22	036917110	Vertical cylinder		1
—	037017500	Vert. cylinder-piston assembly		1
23	067517010	Vert. cylinder-crankcase gasket		1
24	036917210	Horizontal cylinder		1
—	037017600	Hor. cylinder-piston assembly		1
25	067517020	Hor. cyl.-crankcase gasket		1
26	938232037	GACO ring.		1
27	067017395	Rubber		61
28	075517125	Bush		2
29	040017030	GACO ring		2
30	46320196A	GACO ring		3
31	066049260	Inserted thread		2

Item 1 pls. mention the engraved number when ordering (*)
 Item 5 pls. mention the painted colour when ordering (*)

DUCATI 750 PASO

TAV. 5



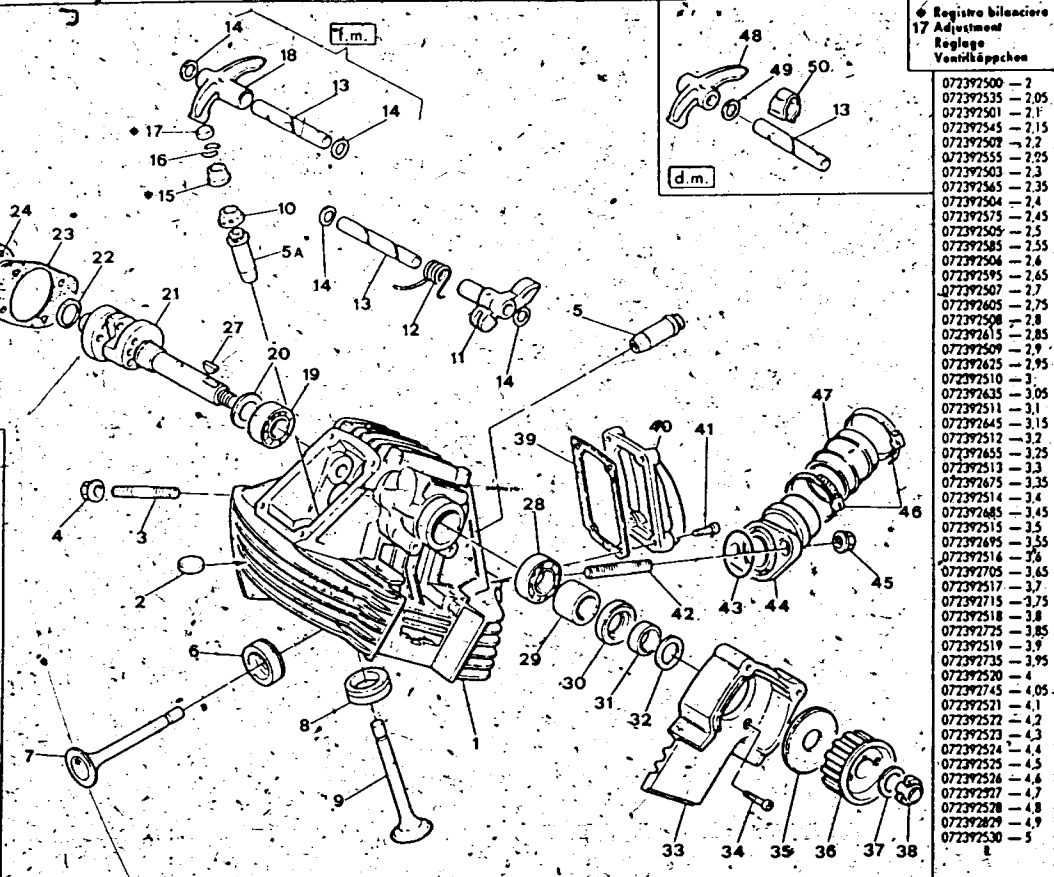
POS. N.	N. CODICE CODE No. CODE CODE N°	DESCRIPTION	VALIDITÀ VALORI CLATIC	QUANTITÀ QUANTITIE MENGE
1	036729140	Vert. timing belt cover		1
2	715021624	Screw		2
3	040029110	Screw		2
4	036729160	Hor. timing belt cover		1
5	715021631	Screw		1
6	067029170	PANTAH plate		1
7	066029115	Shaft		1
8	075529169	Thrust washer		1
9	075529165	Thrust washer		1
10	075529025	Woodruff key		1
11	066029900	Timing gears		2
12	040029040	Washer		1
13	012440060	Nut		1
14	741721008	Woodruff key		2
15	061916120	Washer		1
16	036729050	Timing pulley		2
17	066029125	Washer		1
18	079769040	Washer		1
19	729431542	Elastic-stop ring		1
20	066029090	Toothed belt Z=68		2
21	066529310	Stretching pin		2
22	751710827	Bearing	f.m.	4
23	066529315	Distance piece		2
24	066029210	Vert. cyl. complete tensioner		1
25	066029220	Vert. cyl. bore tensioner		1
26	751661237	Bearing		4
27	021407350	Ideal ring		2
28	040009010	Screw		4
29	066029280	Washer		1
30	066029250	Hor. cyl. complete tensioner		1
31	066029260	Horizontal cyl. bore tensioner		1
32	015092050	Screw		2
33	037029325	Washer	d.m.	2
34	735032259	Seeger ring	d.m.	2
35	037029320	Bearing sleeve	d.m.	2
36	037029315	Distance piece	d.m.	2

DUCATI 750 PASO

TAV. 6

15 ● Scodellina ritorno
Return cap
Coupelle retour
Einstellhülse

072792050	- 5	
072792150	- 5,05	
072792051	- 5,10	
072792151	- 5,15	
072792052	- 5,2	
072792152	- 5,25	
072792053	- 5,30	
072792153	- 5,35	
072792054	- 5,4	
072792154	- 5,45	
072792055	- 5,50	
072792155	- 5,55	
072792056	- 5,6	
072792156	- 5,65	
072792057	- 5,70	
072792157	- 5,75	
072792058	- 5,8	
072792158	- 5,85	
072792059	- 5,90	
072792159	- 5,95	
072792060	- 6	
072792160	- 6,05	
072792061	- 6,10	
072792161	- 6,15	
072792062	- 6,2	072792077 - 7,70
072792162	- 6,25	072792177 - 7,75
072792063	- 6,30	072792078 - 7,8
072792163	- 6,35	072792178 - 7,85
072792064	- 6,4	072792079 - 7,90
072792164	- 6,45	072792179 - 7,95
072792065	- 6,50	072792080 - 8
072792165	- 6,55	072792180 - 8,05
072792066	- 6,6	072792181 - 8,15
072792067	- 6,70	072792082 - 8,2
072792167	- 7,25	072792182 - 8,25
072792068	- 6,8	072792083 - 8,3
072792168	- 6,85	072792183 - 8,35
072792069	- 6,90	072792084 - 8,4
072792169	- 6,95	072792184 - 8,45
072792070	- 7	072792085 - 8,5
072792170	- 7,05	072792185 - 8,55
072792071	- 7,10	072792086 - 8,6
072792171	- 7,15	072792186 - 8,65
072792072	- 7,2	072792087 - 8,7
072792172	- 7,25	072792187 - 8,75
072792073	- 7,30	072792088 - 8,8
072792173	- 7,35	072792188 - 8,85
072792074	- 7,4	072792089 - 8,9
072792174	- 7,45	072792189 - 8,95
072792075	- 7,50	072792090 - 9
072792175	- 7,55	072792092 - 9,2
072792076	- 7,6	072792094 - 9,4
072792176	- 7,65	072792096 - 9,6

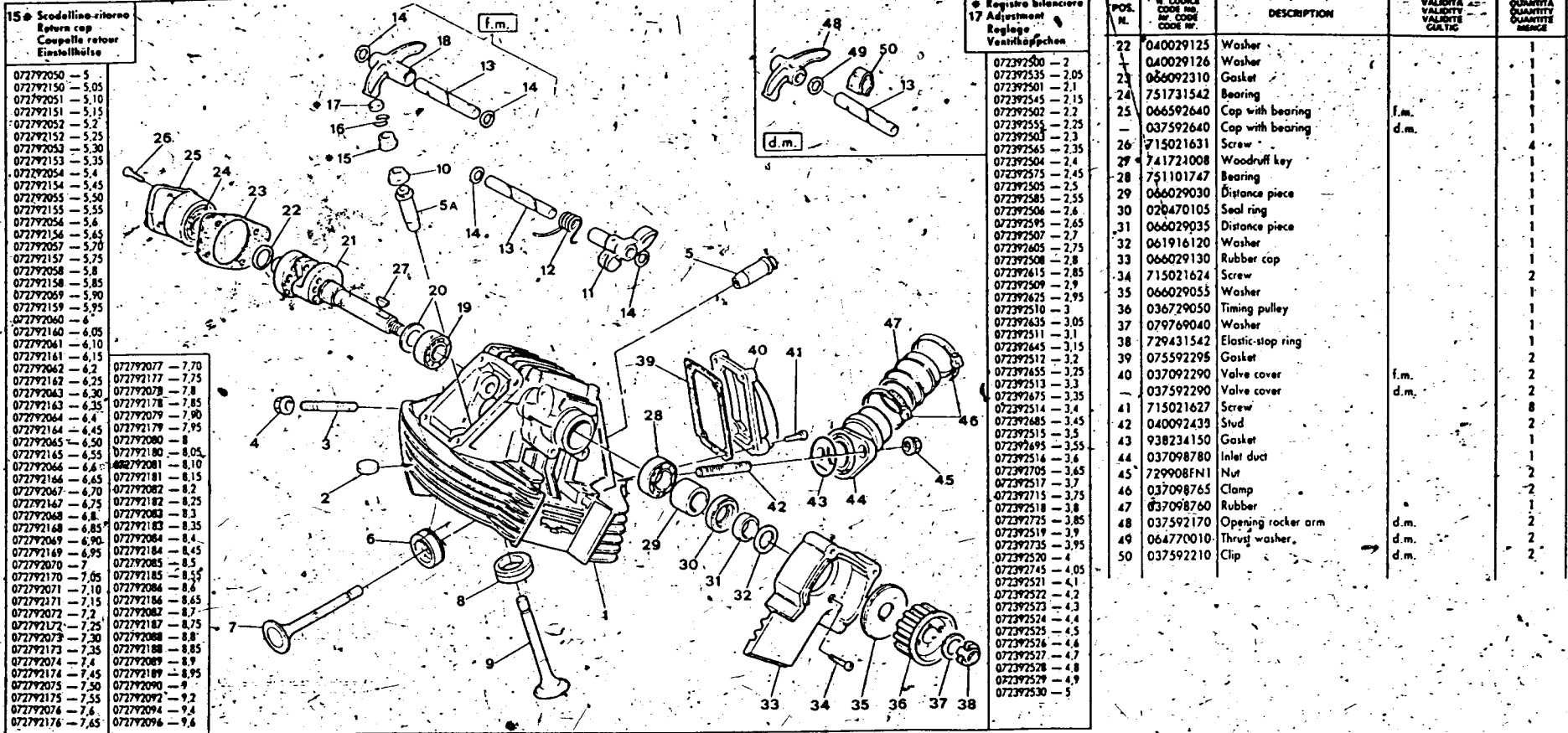


● Registro bilanciere
17 Adjustment
Reglage
Ventilklappchen

POS. N.	N. CODICE CODE NO. CODE NO.	DESCRIPTION	VALORI A VALIDITY VALEUR CALC.	QUANTITÀ QUANTITY QUANTITE PIECE
1	037092350	Bore vert. head		1
1	037092021	Comp. vert. head		1
2	067017395	Rubber		20
3	037092050	Stud		2
4	040402390	Nut		2
5	066192390	Cast iron valve guide		1
1	066192395	Valve guide 0,03		1
1	066192396	Valve guide 0,06		1
1	066192397	Valve guide 0,09		1
5A	037092390	Bronze Valve guide		1
1	037092395	Valve guide 0,03		1
1	037092396	Valve guide 0,06		1
1	037092397	Valve guide 0,09		1
6	067092370	Inlet valve seat		1
1	067092371	Inlet valve seat 0,03		1
1	067092372	Inlet valve seat 0,06		1
7	067092110	Inlet valve		1
8	067092380	Exhaust valve seat		1
1	067092381	Exhaust valve seat 0,03		1
1	067092382	Exhaust valve seat 0,06		1
9	067092120	Exhaust valve		1
10	066092150	Valve rubber		2
11	066092183	Clos. rocker arm		2
12	061992150	Spring		2
13	066092240	Rocker arm pin		4
4	066092245	Rocker arm pin 0,02		4
14	076592195	Thrust washer 0,1		2
2	076592205	Thrust washer 0,2		2
2	061992180	Thrust washer 0,3		2
2	076592190	Thrust washer 0,5		2
2	076592185	Thrust washer 1		2
8	067092190	Thrust washer 2		8
15	072792750	See table		
76	072792260	Half-ring		4
17	072792370	See table		
18	066092173	Open rocker arm		2
19	751102054	Bearing		1
20	040016190	Washer		1
21	037029010	Vert. head camshaft		1

TAV. 6

DUCATI 750 PASO



15 Scodellina-ritorno
Return cap
Coupelle retour
Einstellhülse

072792050	-5
072792150	-5,05
072792051	-5,10
072792151	-5,15
072792052	-5,2
072792152	-5,25
072792053	-5,30
072792153	-5,35
072792054	-5,4
072792154	-5,45
072792055	-5,50
072792155	-5,55
072792056	-5,6
072792156	-5,65
072792057	-5,70
072792157	-5,75
072792058	-5,8
072792158	-5,85
072792059	-5,90
072792159	-5,95
072792060	-6
072792160	-6,05
072792061	-6,10
072792161	-6,15
072792062	-6,2
072792162	-6,25
072792063	-6,30
072792163	-6,35
072792064	-6,4
072792164	-6,45
072792065	-6,50
072792165	-6,55
072792066	-6,6
072792166	-6,65
072792067	-6,70
072792167	-6,75
072792068	-6,8
072792168	-6,85
072792069	-6,90
072792169	-6,95
072792070	-7
072792170	-7,05
072792071	-7,10
072792171	-7,15
072792072	-7,2
072792172	-7,25
072792073	-7,30
072792173	-7,35
072792074	-7,4
072792174	-7,45
072792075	-7,50
072792175	-7,55
072792076	-7,6
072792176	-7,65

072792077	-7,70
072792177	-7,75
072792078	-7,8
072792178	-7,85
072792079	-7,90
072792179	-7,95
072792080	-8
072792180	-8,05
072792081	-8,10
072792181	-8,15
072792082	-8,2
072792182	-8,25
072792083	-8,3
072792183	-8,35
072792084	-8,4
072792184	-8,45
072792085	-8,5
072792185	-8,55
072792086	-8,6
072792186	-8,65
072792087	-8,7
072792187	-8,75
072792088	-8,8
072792188	-8,85
072792089	-8,9
072792189	-8,95
072792090	-9
072792091	-9,05
072792092	-9,1
072792093	-9,15
072792094	-9,2
072792095	-9,25
072792096	-9,3

17 Registro bilanciere
Adjustment
Reglage
Ventilrippchen

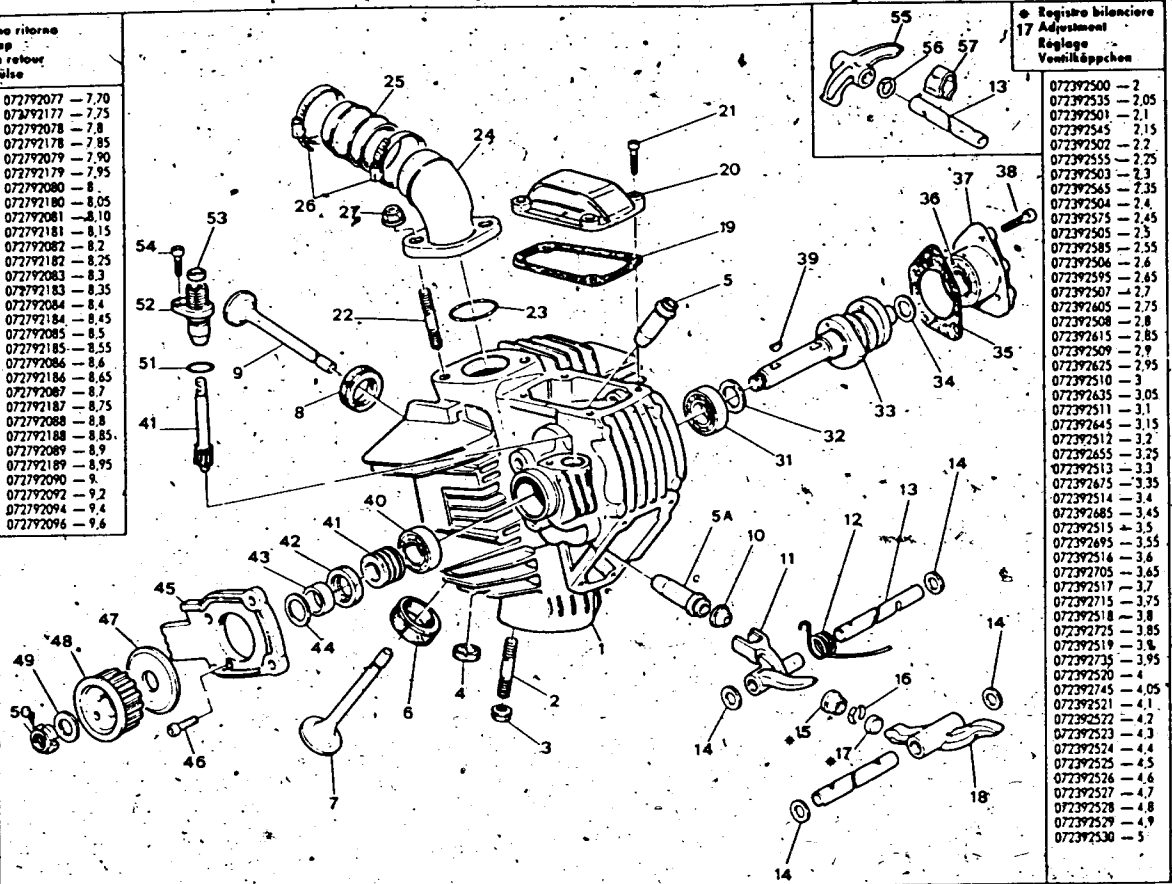
072392500	-2
072392535	-2,05
072392501	-2,1
072392545	-2,15
072392502	-2,2
072392555	-2,25
072392503	-2,3
072392545	-2,35
072392504	-2,4
072392575	-2,45
072392505	-2,5
072392585	-2,55
072392506	-2,6
072392595	-2,65
072392507	-2,7
072392605	-2,75
072392508	-2,8
072392615	-2,85
072392509	-2,9
072392625	-2,95
072392510	-3
072392635	-3,05
072392511	-3,1
072392645	-3,15
072392512	-3,2
072392655	-3,25
072392513	-3,3
072392675	-3,35
072392514	-3,4
072392685	-3,45
072392515	-3,5
072392695	-3,55
072392516	-3,6
072392705	-3,65
072392517	-3,7
072392715	-3,75
072392518	-3,8
072392725	-3,85
072392519	-3,9
072392735	-3,95
072392520	-4
072392745	-4,05
072392521	-4,1
072392752	-4,2
072392522	-4,2
072392763	-4,3
072392524	-4,4
072392775	-4,5
072392526	-4,6
072392787	-4,7
072392528	-4,8
072392799	-4,9
072392530	-5

POS. N.	N. CODICE CODE NO. CODE CODE NO.	DESCRIPTION	VALIDITA VALIDITY VALIDITE VALIDITE	QUANTITA QUANTITY QUANTITE QUANTITE
22	040029125	Washer		1
23	040029126	Washer		1
23	066092310	Gasket		1
24	751731542	Bearing		1
25	066592640	Cop with bearing	f.m.	1
26	037592640	Cop with bearing	d.m.	1
26	715021631	Screw		4
27	741721008	Woodruff key		1
28	751101747	Bearing		1
29	066029030	Distance piece		1
30	020470105	Seal ring		1
31	066029035	Distance piece		1
32	061916120	Washer		1
33	066029130	Rubber cap		1
34	715021624	Screw		2
35	066029055	Washer		1
36	036729050	Timing pulley		1
37	079769040	Washer		1
38	729431542	Elastic-stop ring		1
39	075592295	Gasket		2
40	037092290	Valve cover	f.m.	2
41	037592290	Valve cover	d.m.	2
41	715021627	Screw		8
42	040024239	Stud		2
43	938234150	Gasket		1
44	037098780	Inlet duct		1
45	729908FN1	Nut		1
46	037098765	Clamp		2
47	037098760	Rubber		1
48	037592170	Opening rocker arm	d.m.	2
49	064770010	Thrust washer	d.m.	2
50	037592210	Clip	d.m.	2

DUCATI 750 PASO

TAV. 7

15 • Scodellina ritorno Return cap Coupelle retour Einstellboise	
072792050	-5
072792150	-5,05
072792051	-5,10
072792151	-5,15
072792052	-5,2
072792152	-5,25
072792053	-5,30
072792153	-5,35
072792054	-5,4
072792154	-5,45
072792055	-5,50
072792155	-5,55
072792056	-5,6
072792156	-5,65
072792057	-5,70
072792157	-5,75
072792058	-5,8
072792158	-5,85
072792059	-5,90
072792159	-5,95
072792060	-6
072792160	-6,05
072792061	-6,10
072792161	-6,15
072792062	-6,2
072792162	-6,25
072792063	-6,30
072792163	-6,35
072792064	-6,4
072792164	-6,45
072792065	-6,50
072792165	-6,55
072792066	-6,6
072792166	-6,65
072792067	-6,70
072792167	-6,75
072792068	-6,8
072792168	-6,85
072792069	-6,90
072792169	-6,95
072792070	-7
072792170	-7,05
072792071	-7,10
072792171	-7,15
072792072	-7,2
072792172	-7,25
072792073	-7,30
072792173	-7,35
072792074	-7,4
072792174	-7,45
072792075	-7,50
072792175	-7,55
072792076	-7,6
072792176	-7,65

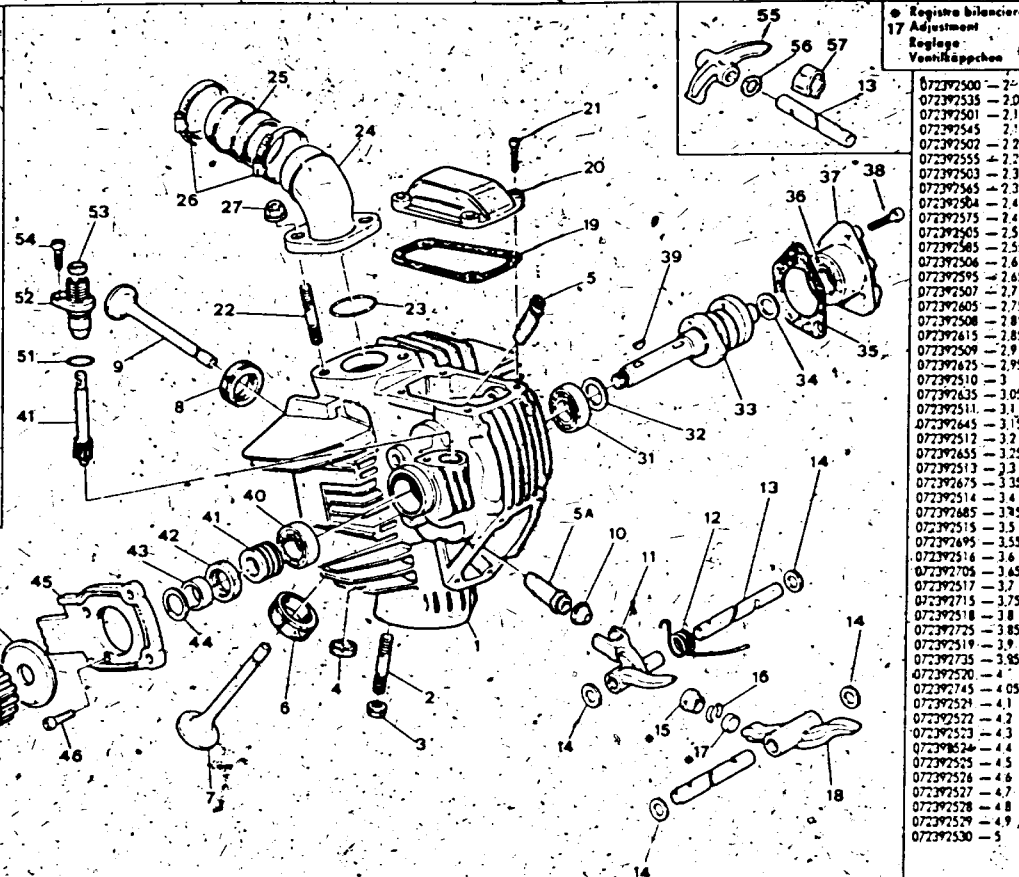


POS. N.	N. CODICE CODE CODE CODE N°	DESCRIPTION	VALIDITÀ VALIDITE VALIDITE GALTYC	QUANTITÀ QUANTITY QUANTITE MENCE
1	067092355	Bore hor. head		1
2	037092022	Compl. hor. head		1
3	037092050	Stod		2
4	040402390	Nut		2
5	067017395	Rubber		23
6	066192390	Cast iron valve guide		1
7	066192395	Valve guide 0,03		1
8	066192396	Valve guide 0,06		1
9	066192397	Valve guide 0,09		1
5A	037092390	Bronze valve guide		1
6	037092395	Valve guide 0,03		1
7	037092396	Valve guide 0,06		1
8	037092397	Valve guide 0,09		1
6	067092370	Inlet valve seat		1
7	067092371	Inlet valve seat 0,03		1
8	067092372	Inlet valve seat 0,06		1
9	067092110	Inlet valve		1
10	067092380	Exhaust valve seat		1
11	067092381	Exhaust valve seat 0,03		1
12	067092382	Exhaust valve seat 0,06		1
9	067092120	Exhaust valve		1
10	066092150	Valve rubber		2
11	066092183	Clos. rocker arm		2
12	061992150	Spring		2
13	066092240	Rocker arm pin		4
14	066092245	Rocker arm pin 0,02		4
14	076592395	Thrust washer 0,1		2
15	076592205	Thrust washer 0,2		2
16	061992180	Thrust washer 0,3		2
17	076592190	Thrust washer 0,5		2
18	076592185	Thrust washer 1		2
19	067092190	Thrust washer 2		8
15		See table		
16	072792260	Half-ring		4
17		See table		
18	066092173	Opening rocker arm		2
19	075592295	Valve cover gasket		2
20	037092290	Valve cover	f.m.	2
21	037592290	Valve cover	d.m.	2
21	715021627	Screw		8

TAV. 7

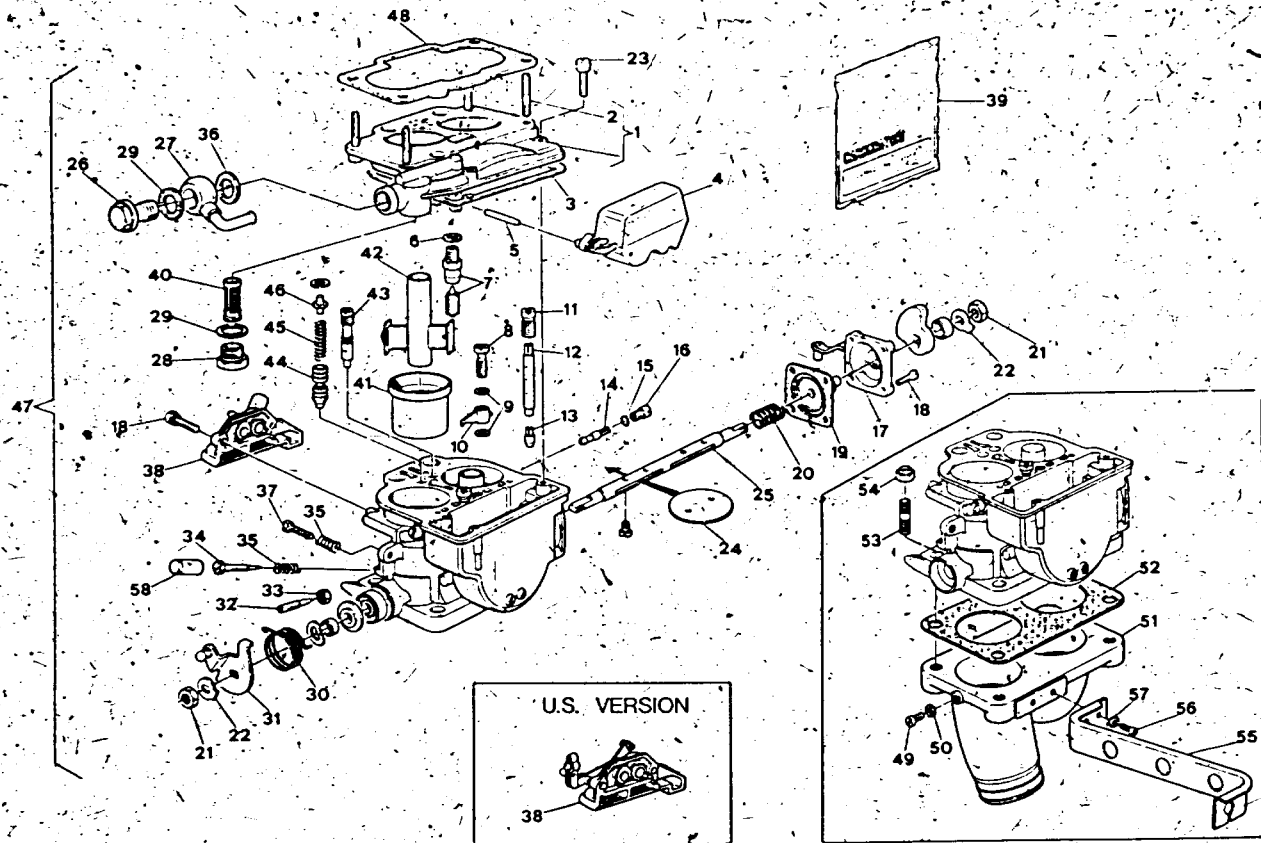
DUCATI 750 PASO

15 Scodellino ritorno Return cap Coupette retour Einstellhülse		
072792050 - 5	072792077 - 7,70	
072792150 - 5,05	072792177 - 7,5	
072792051 - 5,10	072792078 - 7,8	
072792151 - 5,15	072792178 - 7,85	
072792052 - 5,2	072792079 - 7,90	
072792152 - 5,25	072792179 - 7,95	
072792053 - 5,30	072792080 - 8	
072792153 - 5,35	072792180 - 8,05	
072792054 - 5,4	072792081 - 8,10	
072792154 - 5,45	072792181 - 8,15	
072792055 - 5,50	072792082 - 8,2	
072792155 - 5,55	072792182 - 8,25	
072792056 - 5,6	072792083 - 8,3	
072792156 - 5,65	072792183 - 8,35	
072792057 - 5,70	072792084 - 8,4	
072792157 - 5,75	072792184 - 8,45	
072792058 - 5,8	072792085 - 8,5	
072792158 - 5,85	072792185 - 8,55	
072792059 - 5,90	072792086 - 8,6	
072792159 - 5,95	072792186 - 8,65	
072792060 - 6	072792087 - 8,7	
072792160 - 6,05	072792187 - 8,75	
072792061 - 6,10	072792088 - 8,8	
072792161 - 6,15	072792188 - 8,85	
072792062 - 6,2	072792089 - 8,9	
072792162 - 6,25	072792189 - 8,95	
072792063 - 6,30	072792090 - 9	
072792163 - 6,35	072792090 - 9	
072792064 - 6,4	072792091 - 9,1	
072792164 - 6,45	072792091 - 9,1	
072792065 - 6,50	072792094 - 9,4	
072792165 - 6,55	072792094 - 9,4	
072792066 - 6,6		
072792166 - 6,65		
072792067 - 6,70		
072792167 - 6,75		
072792068 - 6,8		
072792168 - 6,85		
072792069 - 6,90		
072792169 - 6,95		
072792070 - 7		
072792170 - 7,05		
072792071 - 7,10		
072792171 - 7,15		
072792072 - 7,2		
072792172 - 7,25		
072792073 - 7,30		
072792173 - 7,35		
072792074 - 7,4		
072792174 - 7,45		
072792075 - 7,50		
072792175 - 7,55		
072792076 - 7,6		
072792176 - 7,65		



POS. N.	N. CODICE CODE N° / CODE N°	DESCRIPTION	VALIDITÀ VALIDITY VALIDITE	QUANTITÀ QUANTITY QUANTITE
22	040092433	Stud		2
23	938234150	Gasket		1
24	037098780	Inlet duct		1
25	037098760	Rubber		1
26	037098765	Clamp		2
27	729908FN1	Nut		2
31	751102054	Bearing		1
32	040016190	Washer		1
33	037029020	Hor. head camshaft		1
34	040029125	Washer 1		1
—	040029126	Washer 0,5		1
35	066092310	Gasket		1
36	751731542	Bearing		1
37	D66592640	Cap with bearing		1
—	037592640	Cap with bearing	d.m.	1
38	715021631	Screw		1
39	741721008	Woodruff key		1
40	751101747	Bearing		1
41	D66792160	Rev. counter gears		1
42	020470105	Seal ring		1
43	066029035	Pulley spacer		1
44	061916120	Washer		1
45	066029150	Rubber cap		1
46	715021624	Screw		2
47	066029055	Washer		1
48	036729050	Timing pulley		1
49	079769040	Washer		1
50	729431452	Elastic stop ring		1
51	064792170	GACO ring		1
52	066092150	Bush		1
53	937830812	Seal ring		1
54	715021616	Screw		2
55	037592170	Open rocker arm	d.w.	2
56	064770510	Thrust washer	d.m.	2
57	037592210	Clamp	d.m.	2
	072392500 - 7,5			
	072392538 - 2,05			
	072392501 - 2,1			
	072392545 - 2,15			
	072392502 - 2,2			
	072392555 - 2,25			
	072392503 - 2,3			
	072392545 - 2,35			
	072392504 - 2,4			
	072392575 - 2,45			
	072392605 - 2,5			
	072392568 - 2,55			
	072392506 - 2,6			
	072392595 - 2,65			
	072392507 - 2,7			
	072392605 - 2,75			
	072392508 - 2,8			
	072392615 - 2,85			
	072392509 - 2,9			
	072392625 - 2,95			
	072392510 - 3			
	072392635 - 3,05			
	072392511 - 3,1			
	072392645 - 3,15			
	072392512 - 3,2			
	072392635 - 3,25			
	072392513 - 3,3			
	072392675 - 3,35			
	072392514 - 3,4			
	072392685 - 3,45			
	072392515 - 3,5			
	072392695 - 3,55			
	072392516 - 3,6			
	072392705 - 3,65			
	072392517 - 3,7			
	072392715 - 3,75			
	072392518 - 3,8			
	072392725 - 3,85			
	072392519 - 3,9			
	072392735 - 3,95			
	072392520 - 4			
	072392745 - 4,05			
	072392521 - 4,1			
	072392527 - 4,2			
	072392533 - 4,3			
	072392534 - 4,4			
	072392525 - 4,5			
	072392526 - 4,6			
	072392527 - 4,7			
	072392528 - 4,8			
	072392529 - 4,9			
	072392530 - 5			

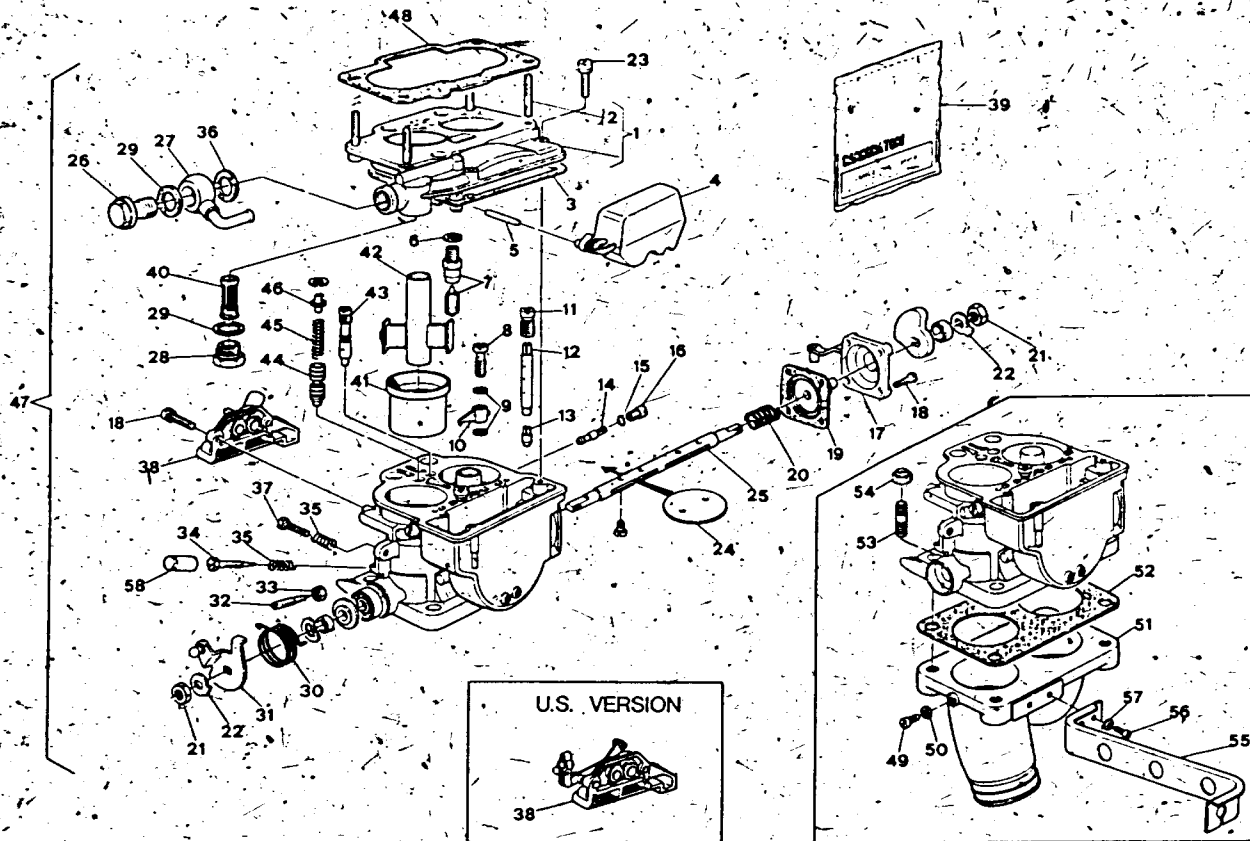
DUCATI 750 PASO



POS. N.	N. CODICE CODE IN CODICE CODE N.	DESCRIPTION	VALIDITÀ VALIDITE VALIDITE VALIDITE	QUANTITÀ QUANTITE QUANTITE QUANTITE
1	037027003	Cover		1
2	037027025	Stud		4
3	o	Gasket		1
4	037027015	Float		1
5	037027020	Pin		1
6	o	Gasket		1
7	037027010	Needle valve seat		1
8	037027035	Pump del. valve		1
9	o	Gasket		2
10	037027045	Pump jet		1
11	037027046	Pump jet (USA)		1
12	037027050	Air correct jet		2
13	037027051	Air correct jet (USA)		2
14	037027055	Emulsifying tube		2
15	037027056	Emulsifying tube (USA)		2
16	037027090	Main jet		2
17	037027081	Main jet (USA)		2
18	037027085	Idle jet		2
19	037027086	Idle jet (USA)		2
20	o	Gasket		2
21	037027090	Jet-holder		2
22	037027095	Pump cover		1
23	712651030	Screw		6
24	037027100	Pump diaphragm		1
25	037027105	Spring		1
26	017080283	Nut		2
27	037027110	Washer		2
28	713211315	Screw		4
29	037027115	Throttle		2
30	037027120	Throttle shaft		1
31	037027195	Pipe union		1
32	037027125	Fuel connection		1
33	037027200	Plug		1
34	o	Gasket		2
35	037027130	Spring		1
36	037027135	Lever		1
37	037027140	Screw		2
38	001102020	Nut		2
39	037027145	Idling mixture adj. screw		2
40	037027150	Spring		1
41	o	Gasket		1

DUCATI 750 PASO

TAV. 8

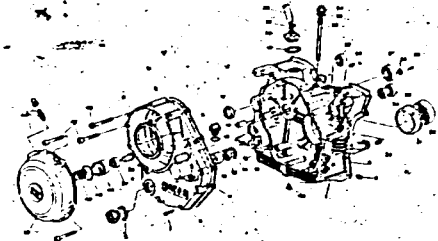


POS. N.	R. CODICE CODE NO. BY CODE CODE N°	DESCRIPTION	VALIDITÀ VALIDITY VALIDITE GÄLTIG	QUANTITÀ QUANTITY QUANTITE MENGE
37	037027030	Throttles adj. screw		1
38	037022155	Cover		1
—	037027156	Cover (USA)		1
39	037051102	Rubber and gasket set		1
40	—	Filter		1
41	037027166	Diffuser		2
—	037027166	Diffuser (USA)		2
42	037027170	Auxiliary venturi		2
43	037027175	Starting jet		2
44	037027180	Valve		2
45	037027185	Spring		2
46	037027190	Bush		2
47	037098700	Carburetor		1
—	037098705	Carburetor (USA) Weber 44DCNF110		1
48	037095010	Gasket		1
49	712641298	Screw		2
50	025070223	Gasket		2
51	037098790	Inlet duct		1
52	037098770	Gasket		1
53	705508225	Stud		4
54	729808NN1	Nut		4
55	037098750	Bracket		1
56	715021624	Screw		2
57	732806002	Washer		2
58	037027205	Plug (USA)		4
o	—	Parts included in gasket set		—

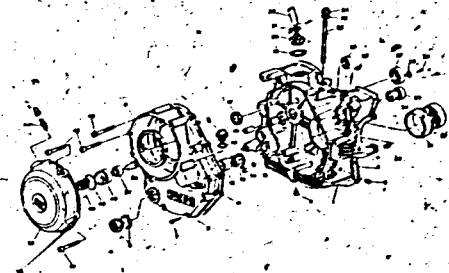


Oil pump & filter.....C-2

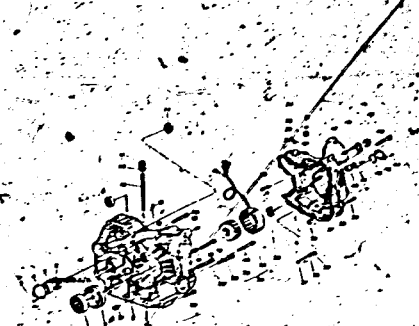
C1



Crankcase RH(1/2):.....C-3



Crankcase RH(2/2).....C-4

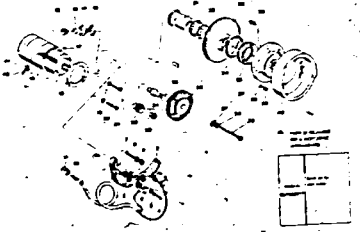


Crankcase LH, alternator(1/2).....C-5

A6

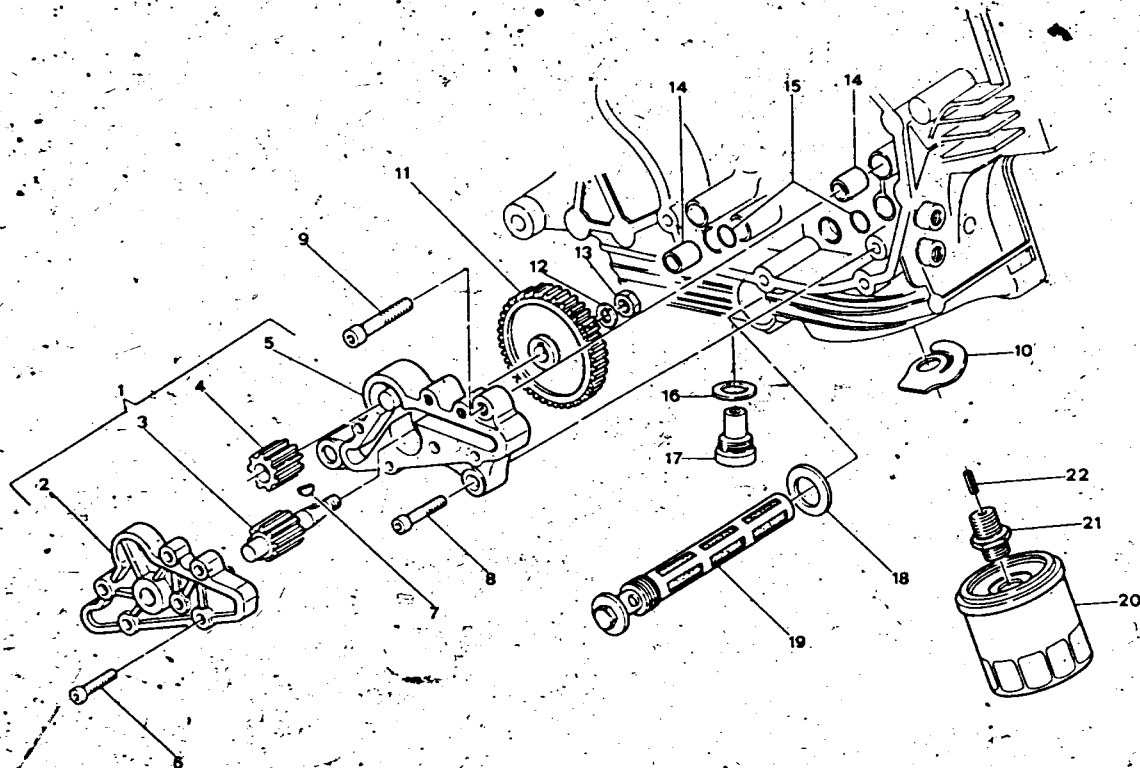


Crankcase LH, alternator(2/2).....C-6



Starter & Ignition.....C-7

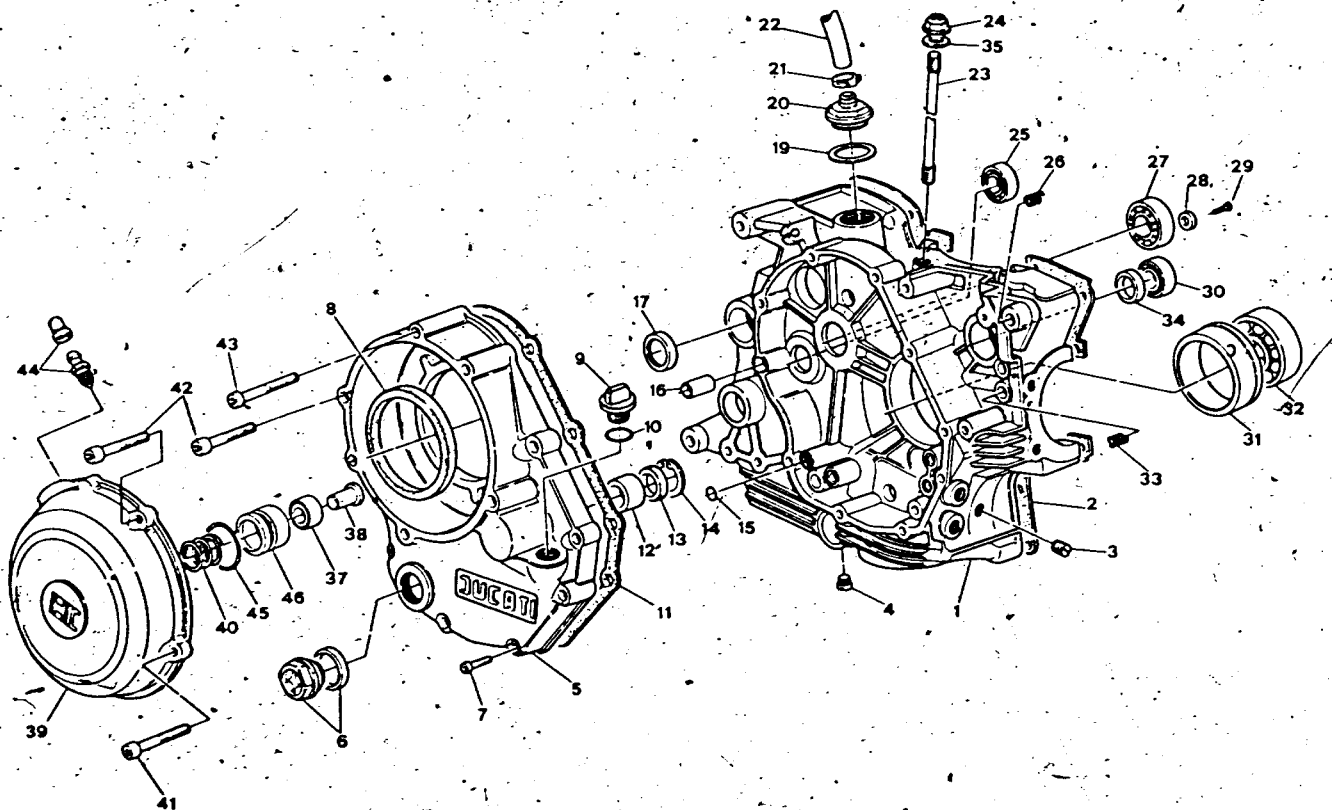
DUCATI 750 PASO



POS. N.	N. CODICE CODE NO. NF. CODICE CODE N°.	DESCRIPTION	VALIDITÀ VALIDITE VALIDITE VALIDITE	QUANTITÀ QUANTITY QUANTITE QUANTITE
1	066770200	Compl. oil pump		1
2	066070110	Pump cover		1
3	090570220	Driven gear		1
4	066070065	Driven gear		1
5	066770250	Pump body		1
6	715021631	Screw		6
7	741210580	Woodruff key		1
8	015092050	Screw		2
9	715022144	Screw		1
10	067049920	Spring		1
11	066770060	Pump gear	f.m.m. 751447	1
-	037070060	Pump gear	d.m.m. 751448	1
12	022402085	Washer		1
13	006212180	Hex. nut		1
14	075949280	Bush		2
15	938232037	Gasket		2
16	22032083A	Gasket		1
17	066049033	Oil drain. plug		1
18	22032055A	Gasket		1
19	066049800	Oil filter		1
20	090549960	Oil cartridge		1
21	067049910	Nipple		1
22	742230574	Pin		1

TAV. 10

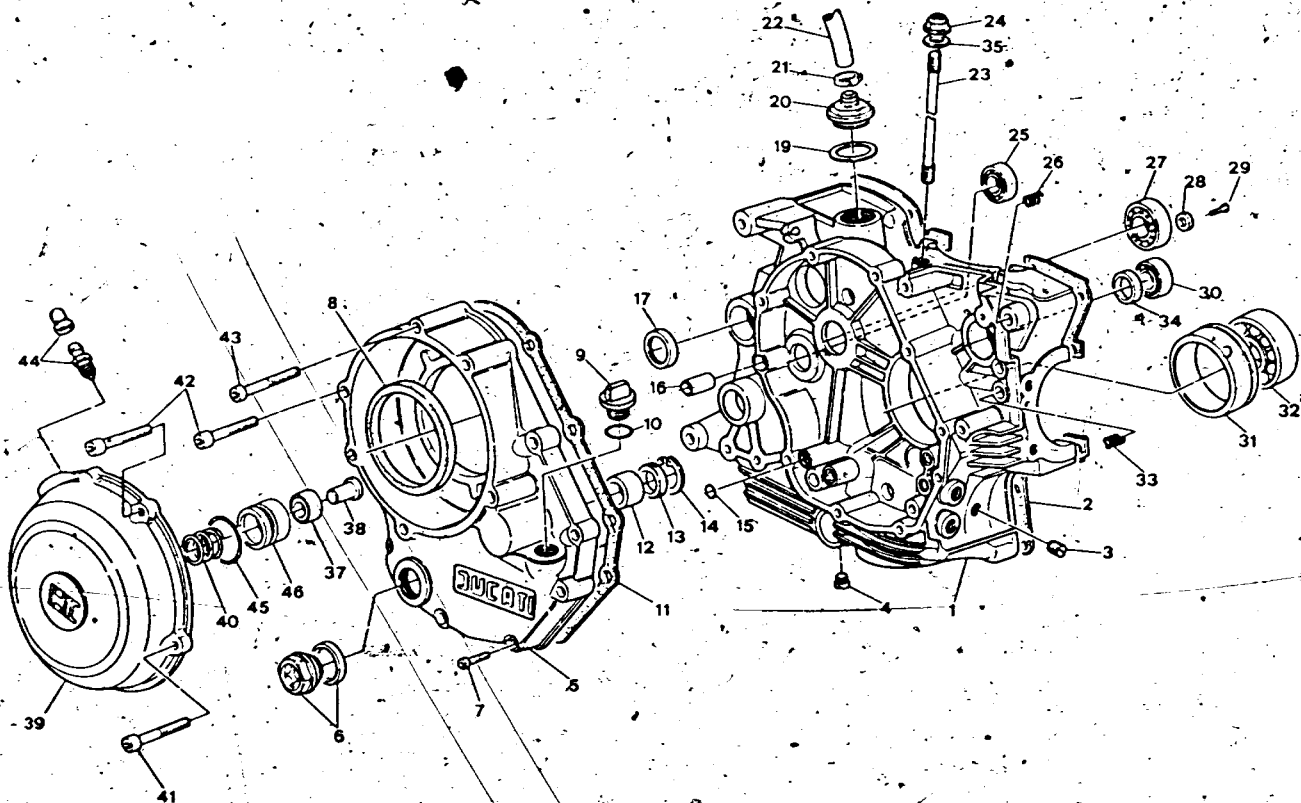
DUCATI 750 PASO



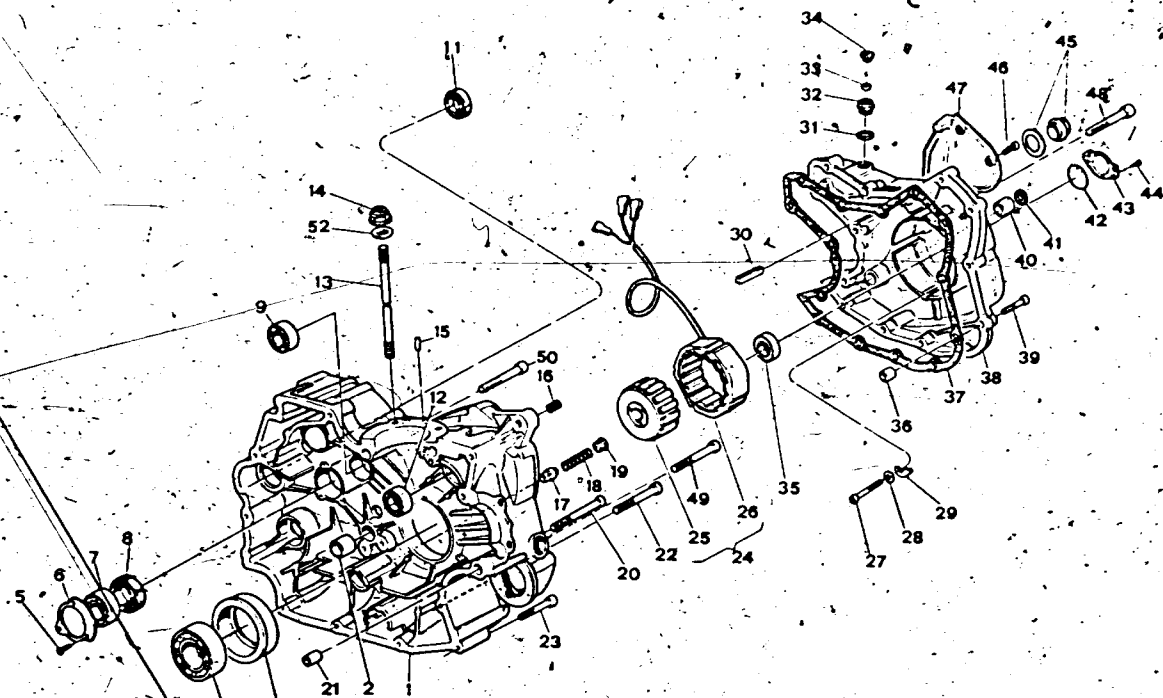
POS. N.	N. CODICE CODICE BY CODICE CODE N°	DESCRIPTION	VALIDITA' VALIDITÄ VALIDITE VALIDTE	QUANTITA' QUANTITÄ QUANTITE QUANTITE
1	037049590	Compl. half-crankcase		1
2	066749165	Gasket		1
3	067089350	Plug		1
4	066049355	Plug		1
5	066549603	Clutch side cover		1
6	066049183	Oil insp. cap		1
7	706206025	Screw		8
8	46340477A	Seal ring		1
9	066149170	Oil filling cap		1
10	938232082	Gasket		1
11	836749130	Gasket		1
12	066549680	Bush		1
13	937842030	Seal ring		1
14	735033075	Seeger ring		1
15	938232037	GAÇO ring		1
16	040049240	Locat. dowel		1
17	937831526	Seal ring		1
18				
19	066049920	Gasket		1
20	066029910	Cap		1
21	000035754	Clamp		1
22	037095510	Breather pipe		1
23	037749270	Stud		4
24	067092010	Nut		4
25	757911747	Bearing		1
26	066049260	Inserted thread		1
27	751202567	Bearing		1
28	000017718	Washer		2
29	706108016	Screw		2
30	751102054	Bearing		1
31	066749305	Bush		1
32	751433380	Bearing		1
33	066049387	Inserted thread		4
34	937852035	Seal ring		1
35	067092015	Washer		4
36	067049310	Bush		1
37	751740827	Bearing		1
38	067016730	Pin	f.m.	1
39	037016730	Pin	d.m.	1
39	037049610	Clutch cover		1

DUCATI 750 PASO

POS. N.	N. CODICE CODE NO. W. CODE CODE N°	DESCRIPTION	VALIDITA' VALORITE' GALTIC	QUANTITA' QUANTITY QUANTITE
40	066516440	Spring		1
41	715021631	Screw		2
42	706206070	Screw		3
43	715021664	Screw		1
44	066116490	Drain		1
45	938272210	oOo Ring		1
46	037016460	Piston		1



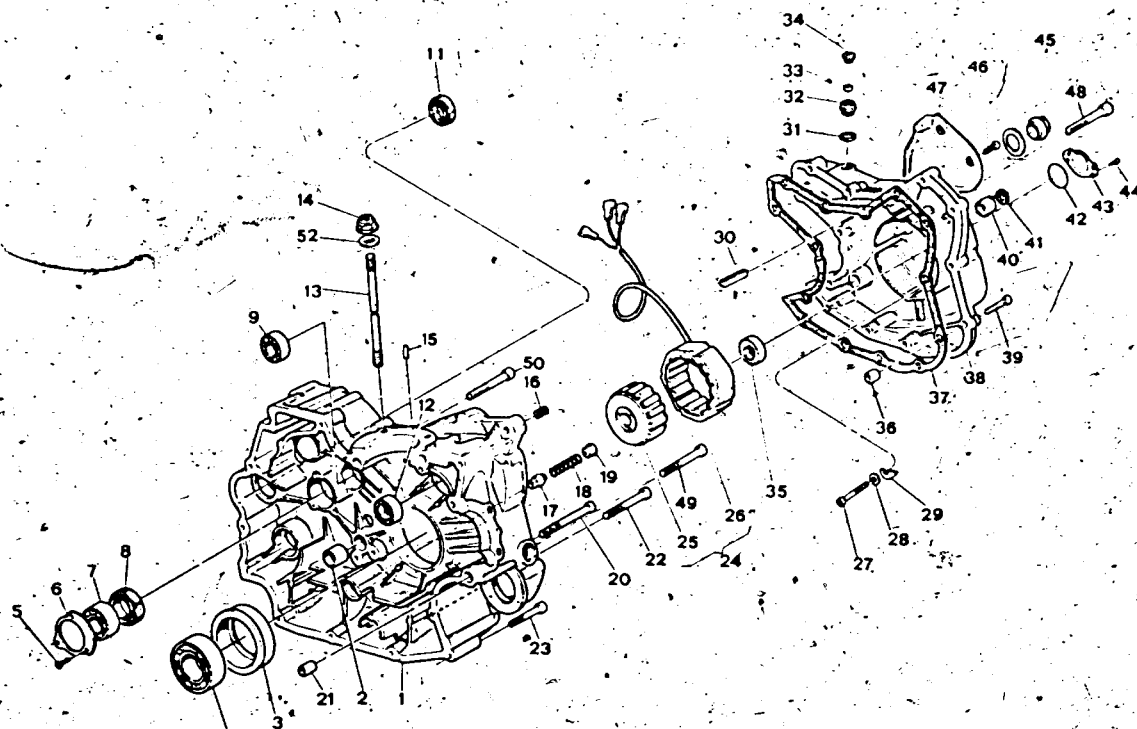
DUCATI 750 PASO



POS. N.	K. CODICE CODICE BY CODE CODE N°	DESCRIPTION	VALIDITA' VALIDITE VALIDITE VALIDITE	QUANTITA' QUANTITY QUANTITE QUANTITE
1	037049590	Compl. half-crankcases		1
2	774993421	Bush		1
3	066049240	Bush		1
4	751423380	Bearing		1
5	720941616	Screw		3
6	036749275	Stop plate		1
7	751202567	Bearing		1
8	066049268	Seal ring		1
9	757911747	Bearing		1
10				
11	937831526	Seal ring		1
12	751102054	Bearing		1
13	037749270	Stud		4
14	067092010	Nut		4
15	001152010	Dowel		2
16	066049260	Inserted thread		1
17	066049020	By-pass valve		1
18	061949178	By-pass spring		1
19	066049010	By-pass plug		1
20	715022158	Screw		5
21	066049320	Locat. dowel		3
22	040049050	Screw		1
23	00029110	Screw		5
24	080546408	Alternator		1
25	080546450	Rotor		1
26	080546413	Stator		1
27	040049045	Screw		2
28	732806001	Washer		2
29	066046410	Plate		2
30	066049520	Rybbet		1
31	22032083A	Gasket		1
32	067046050	Ring nut		1
33	067046030	Rubber		1
34	067046040	Cap		1
35	751107747	Bearing		1
36	040049240	Locat. dowel		2
37	066049135	Gasket		1
38	036749500	Chain side cover		1
39	015092050	Screw		2
40	774993421	Bush		1
41	937831524	Seal ring		1

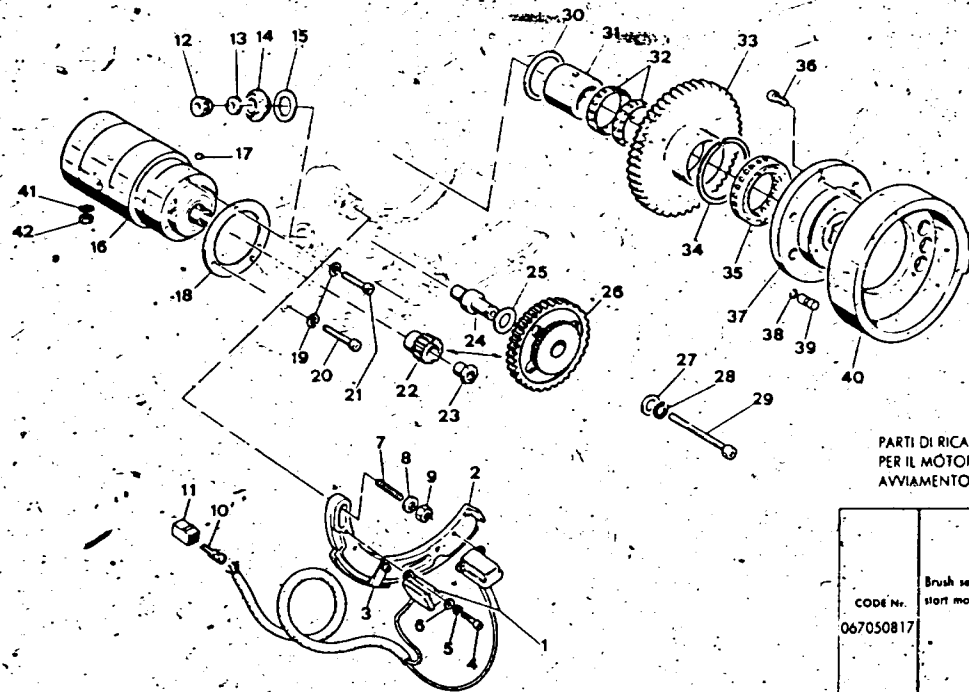
TAV. 11

DUCATI 750 PASO

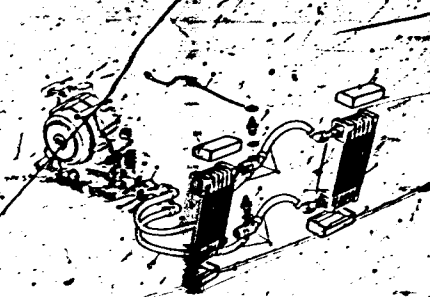
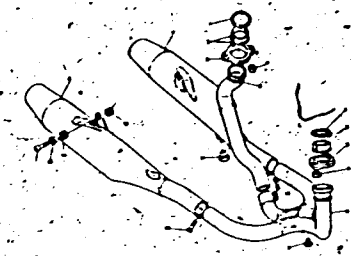
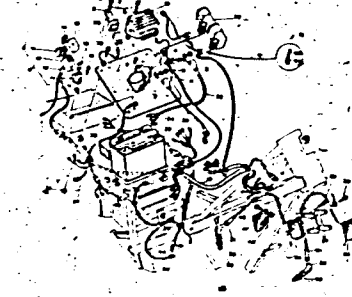
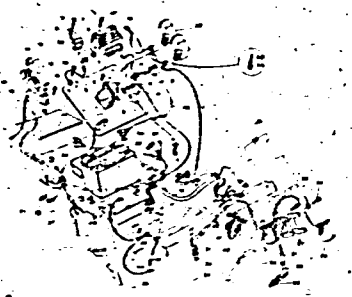


POS. N.	N. CODICE CODE NO. NF. CODE CODE Nr.	DESCRIPTION	VALORITA VALENTIA VALENTI G.A.T.C.	QUANTITA QUANTITA QUANTITE MENCE
42	938232131	Gasket		1
43	036749030	Cover		1
44	040049030	Screw		2
45	066049183	Ignition insp. cap		1
46	715021624	Screw		3
47	037049190	Chain cover		1
48	706206025	Screw		12
49	706208090	Screw		1
50	715022156	Screw		1
52	067092015	Washer		4

DUCATI 750 PASO



POS. N.	N. COCCIA CODE N° CODE N°	DESCRIPTION	VALIDITÀ VALIDITÀ VALIDITÀ CATEG.	QUANTITÀ QUANTITÀ QUANTITÀ MISURA
1	036946260	Pick-up with cables		1
2	036946270	Pick-up support		1
3	036946285	Plate		1
4	60M102463	Screw		5
5	732805002	Lock washer		5
6	001102030	Washer		5
7	705531637	Stud		2
8	075549310	Washer		2
9	079913095	Nut		2
10	036938530	Terminal		4
11	036946290	Male connector		1
12	067046040	Plug		1
13	067046030	Rubber		1
14	067046050	Ring nut		1
15	22032083A	Gasket		1
16	067050800	El. start motor (17-22-23 included)		1
17	741720676	Woodruff key		1
18	067050035	Gasket		1
19	732806001	Washer		3
20	706206025	Screw		1
21	715021632	Screw		2
22	066050010	Sprocket		1
23	066050015	Fix. nut		1
24	066050020	Gear pin		1
25	007240050	Washer		1
26	067050050	Gear assy.		1
27	012440050	Washer		1
28	735001440	Seeger ring		1
29	048049053	Screw		1
30	061950065	Washer		1
31	066047070	Inner ring		1
32	061950075	Roller cage		2
33	066050030	Driven gear		1
34	762664429	Circlip		1
35	079950195	Free wheel		1
36	715021616	Screw		5
37	066046460	Connect. flange		1
38	064729040	Stop ring		1
39	064729045	Locat. pin		1
40	036946470	Electronic ignition fly-wheel		1
41	732806002	Washer		1
42	724306001	Nut		1

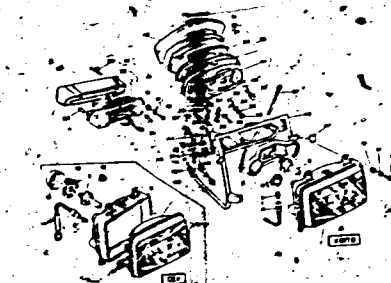
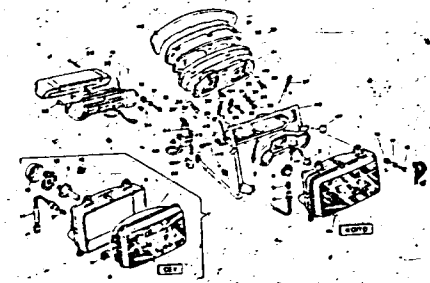
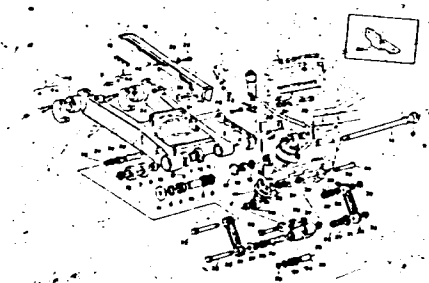
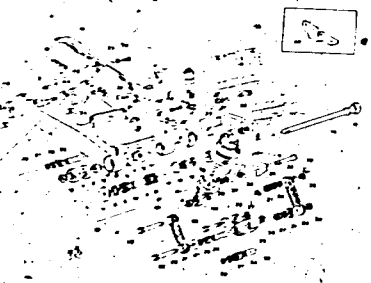


Electrical system (1/2).....D-2

Electrical system (2/2).....D-3

Mufflers.....D-4

Oil cooler.....D-5

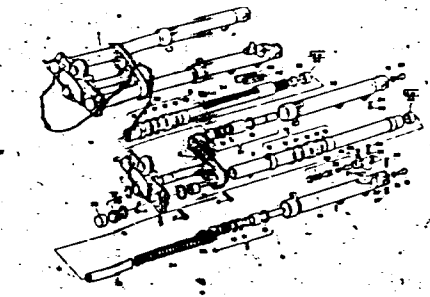
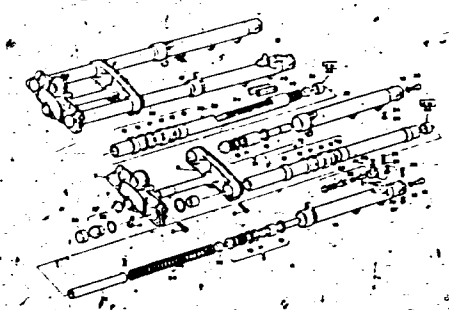
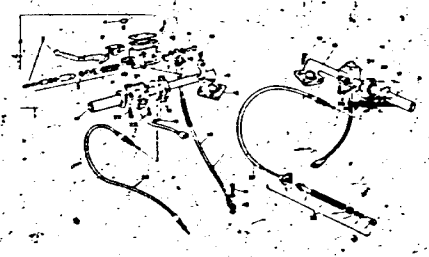


Swing arm, shocks, chain(1/2)...D-6

Swing arm, shocks, chain(2/2)...D-7

Headlight, taillight, meters...D-8

Headlight, taillight, meters...D-9



Front master cyl. & calipers...D-10

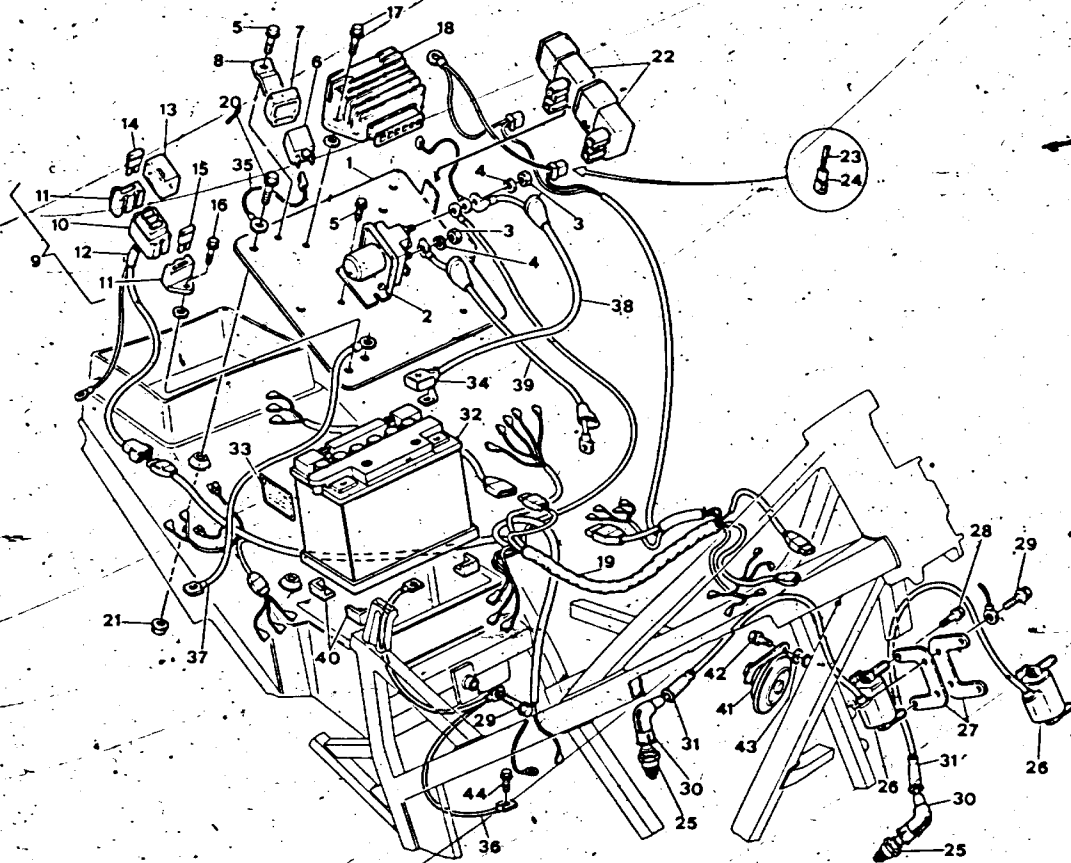
Handlebars & cl. master cyl....D-11

Front fork (1/2).....D-12

Front fork (2/2).....D-13

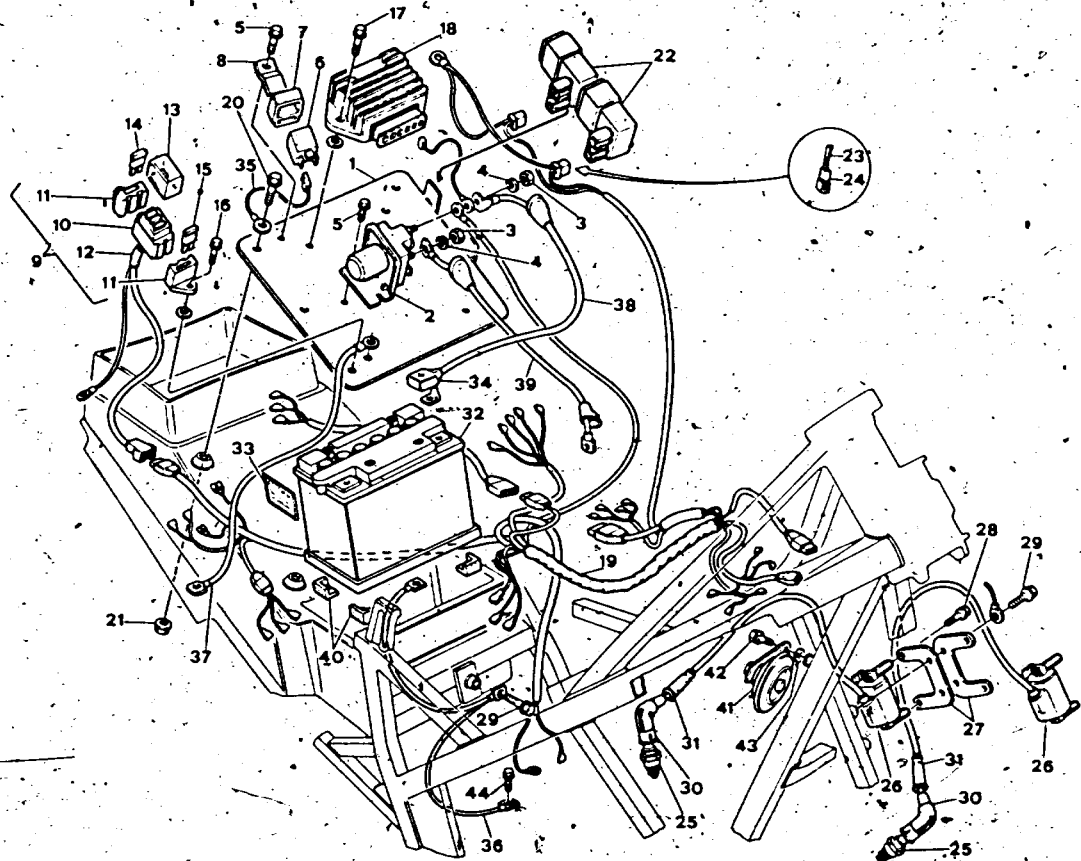
TAV. 13

DUCATI 750 PASO



POS. N.	N. CODICE CODE NO. OR CODE CODE N°	DESCRIPTION	VALERITA. VALERITA. VALERITA. CLATIC	QUANTITA. QUANTITA. QUANTITA. BRACCIA
1	037038440	Plate		1
2	082038460	Remote switch		1
3	082038463	Nut		2
4	041249825	Washer		2
5	707205070	Screw		3
6	036138350	Flash device		1
7	036138360	Flash holder		1
8	037038370	Pipe		3
9	037038475	Fibre box		1
10	067038480	Block		1
11	067037481	Support		2
12	037038482	Cable		1
13	067037483	Cover		1
14	037038484	Fuse 15A		2
15	067038485	Fuse 7,5A		2
16	707205016	Screw		2
17	707206018	Screw		2
18	037038500	Regulator		1
19	037038430	Wiring harness	f.m. 750055	1
—	037038436	Wiring harness	d.m. 750056	1
20	707206023	Screw		4
21	729906FNI	Nut		4
22	036938610	Electronic device		2
23	036938550	Male coupling		6
24	036938540	Connector		2
25	067046090	Spark plug		2
26	036938520	Coil		2
27	037038490	Plate		2
28	707205012	Screw		4
29	707206016	Screw		3
30	000C26548	Pipe		2
31	000021615	Cap		2
32	066046100	Battery	12V-14A	1
33	037038850	Warning label		1
34	067038930	Cap		1
35	037038405	Cable		1
36	037038410	Cable		1
37	037038415	Cable		1
38	037038420	Cable		1
39	037038430	Cable		1
40	037072080	Buffer		4

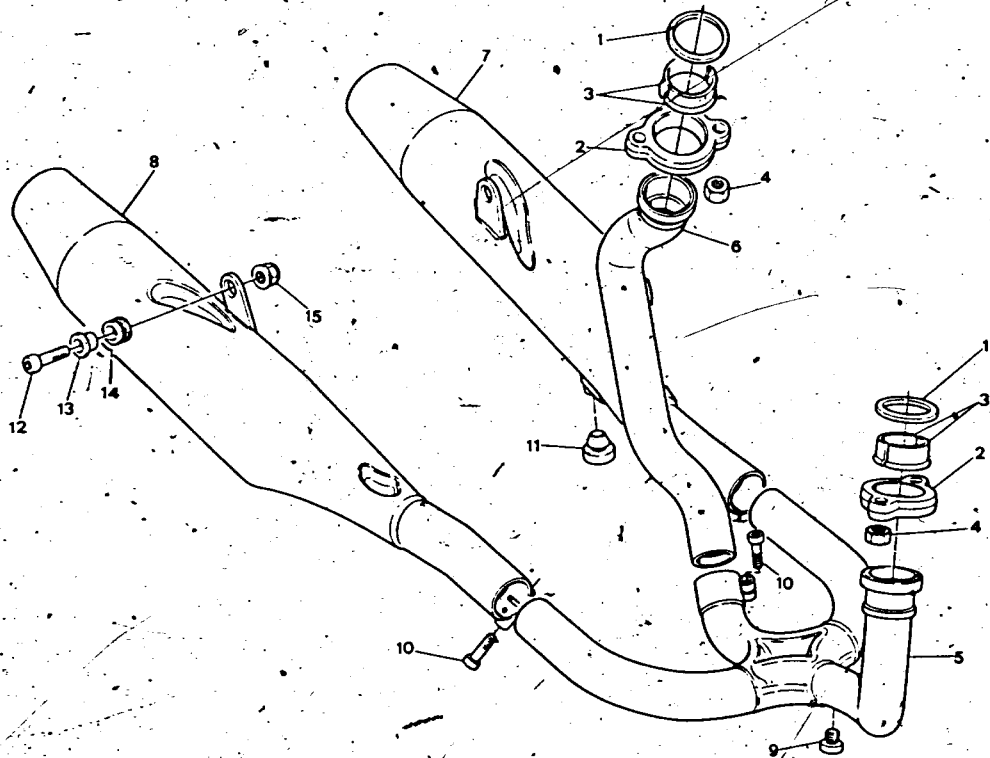
DUCATI 750 PASO



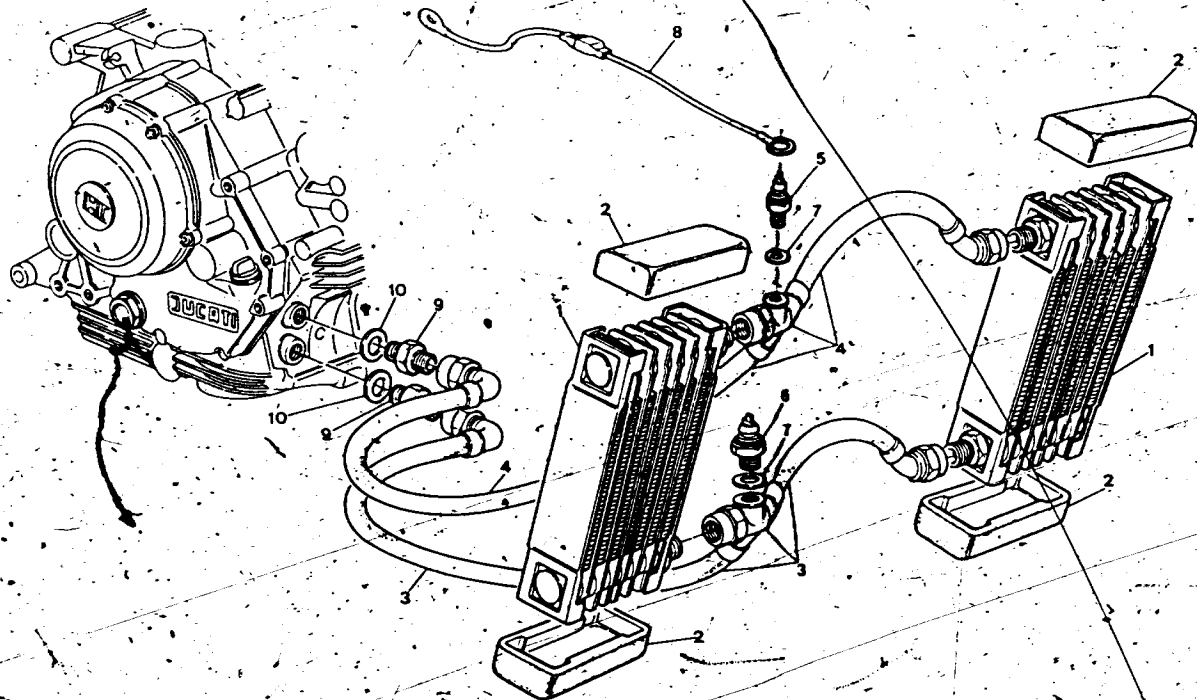
POS. N.	N. CODICE CODE NO. P. CODICE CODE NO.	DESCRIPTION	VALIDITA' VALERITA' DATA	QUANTITA' QUANTITE
41	027038050	Horn		1
42	707208012	Screw		1
43	732708001	Washer		1
44	709112109	Screw		1

DUCATI 750 PASO

POS. N.	N. CODICE CODE NO. CODE NO. CODE NO.	DESCRIPTION	VALIDITA' VALIDITE VALIDITE CALTIC	QUANTITA' QUANTITY QUANTITY MENGE
1	067084025	Gasket		2
2	067084010	Ring nut		2
3	061984015	Half bush		4
4	040402390	Nut		4
5	037084020	R.H. exhaust pipe	f.m.	1
-	037084023	R.H. exhaust pipe	d.m.	1
-	037084220	R.H. exhaust pipe (USA)		1
6	037084030	L.H. exhaust pipe	f.m.	1
-	037084033	L.H. exhaust pipe	d.m.	1
7	037084110	L.H. silencer		1
-	037084210	L.H. silencer (USA)		1
8	037084115	R.H. silencer		1
-	037084215	R.H. silencer (USA)		1
9	000047113	Plug (USA)		2
10	715021630	Screw		3
11	000041039	Rubber		1
12	707006030	Screw		2
13	037084185	Bush		2
14	037084180	Silent-block		2
15	729906FN0	Nut		2



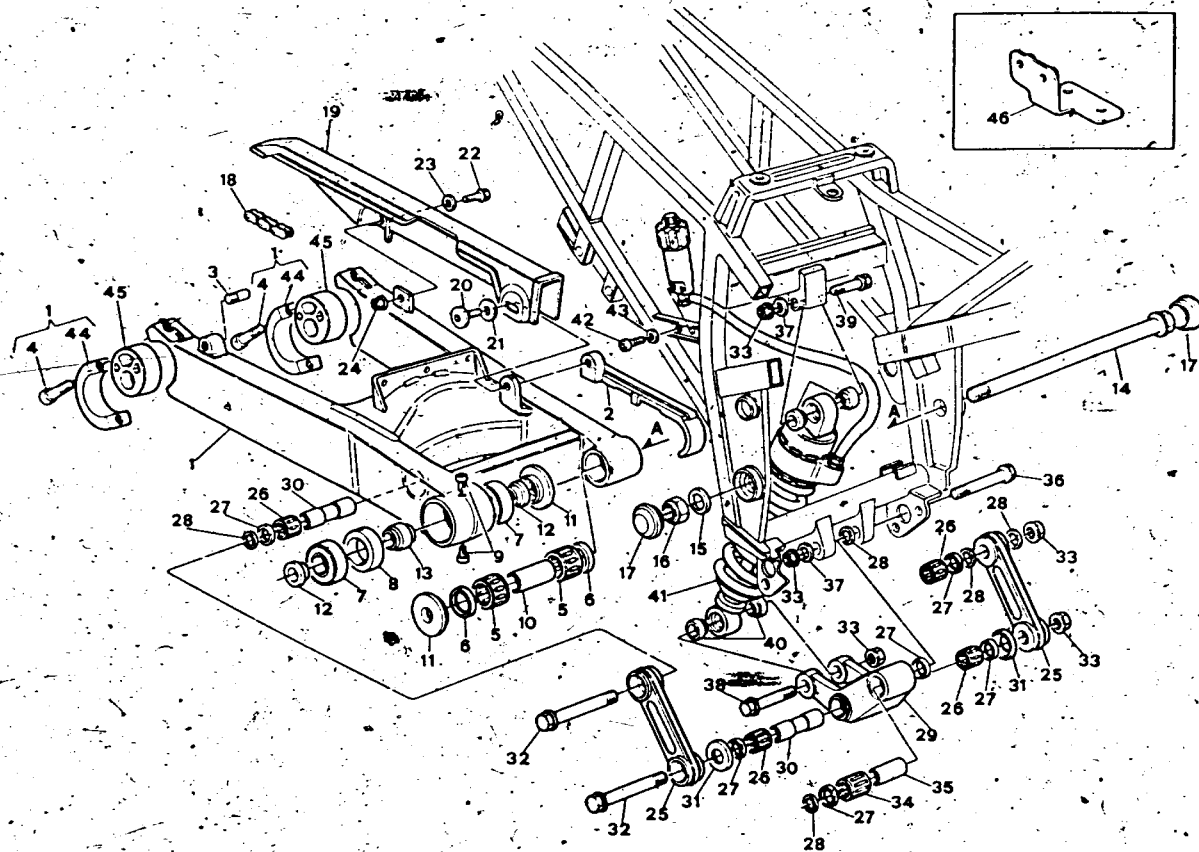
DUCATI 750 PASO



POS. N.	N. COOKE CODE NO. M. CODE CODE NO.	DESCRIPTION	UNITA MISURA MTC	QUANTITA QUANTITA MISURE
1	037093100	Oil radiator	d.m.	2
-	037089100	Oil radiator	f.m.	2
2	037093130	Buffer	f.m.	4
3	037093140	Pipe	f.m.	1
-	037093143	Pipe	d.m.	1
4	037093160	Pipe	f.m.	1
-	037093163	Pipe	d.m.	1
5	037093180	Temperature switch	f.m.	1
6	46062002A	Pressure switch	f.m.	1
7	42020010A	Gasket	f.m.	2
8	037093190	Dead ground cable	f.m.	1
9	067049360	Union	f.m.	2
10.	22020176A	Gasket	f.m.	2

DUCATI 750 PASO

TAV. 16



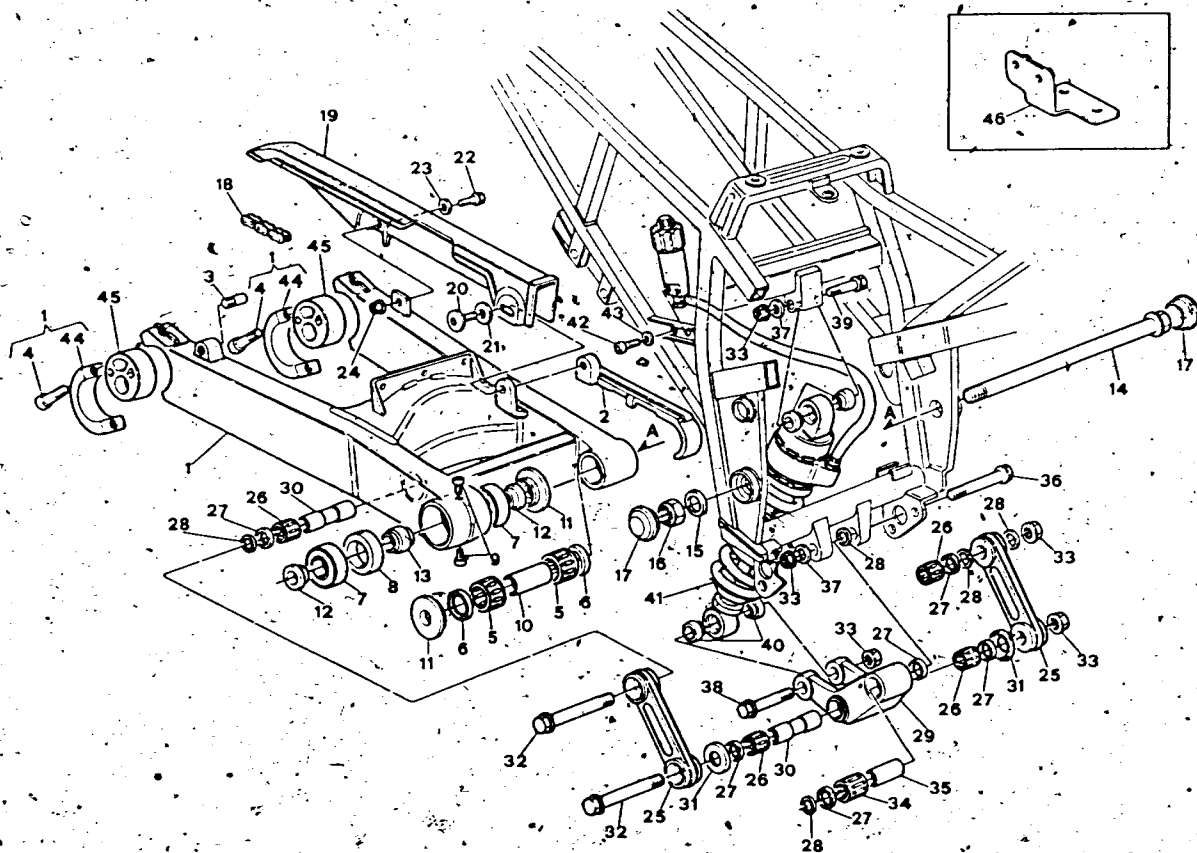
POS. N.	N. CODICE COD. NO. N. COD. CODE N.	DESCRIPTION	VALIDITA' VALIDITE VALIDITE VALIDITE	QUANTITA' QUANTITY QUANTITE MENGE
1	037040200	Rear fork		1
2	037040230	Slider		1
3	037040240	Pin		1
4	715032600	Screw		4
5	764000001	Bearing needle		2
6	041202295	Seal ring		2
7	751632054	Bearing		2
8	037040245	Distance piece		1
9	715022112	Screw		2
10	037040250	Distance piece		1
11	037040255	Distance piece		2
12	037040260	Distance piece		2
13	037040265	Distance piece		1
14	037040270	Fork pin		1
15	037040290	Washer		1
16	729814NF1	Nut		1
17	037037040	Plug		2
18	037014103	Chain	f.m. 750130	1
19	037014100	Chain cover	d.m. 750131	1
20	037014200	Chain cover		1
21	037014220	Screw		1
22	037014230	Washer		1
23	707206418	Screw		1
24	037014240	Washer		1
25	729906FN1	Nut		1
26	037059010	Connecting rod		2
27	764000002	Bearing needle		4
28	075549265	Seal ring		6
29	079913090	Washer		4
30	037059015	Arm		1
31	037059020	Distance piece		2
32	000043314	Return cap		2
33	037059030	Pin		2
34	729912FF1	Nut		5
35	764000003	Bearing needle		1
36	037059060	Distance piece		1
37	037059070	Pin		1
38	082340070	Washer		2
39	037059080	Pin		1
40	037059120	Pin		1
40	037059130	Distance piece		4

D7

SWING ARM, SUSPENSION, SHOCK ABSORBER, DRIVE CHAIN & GUARDS (2/2)

TAV. 16

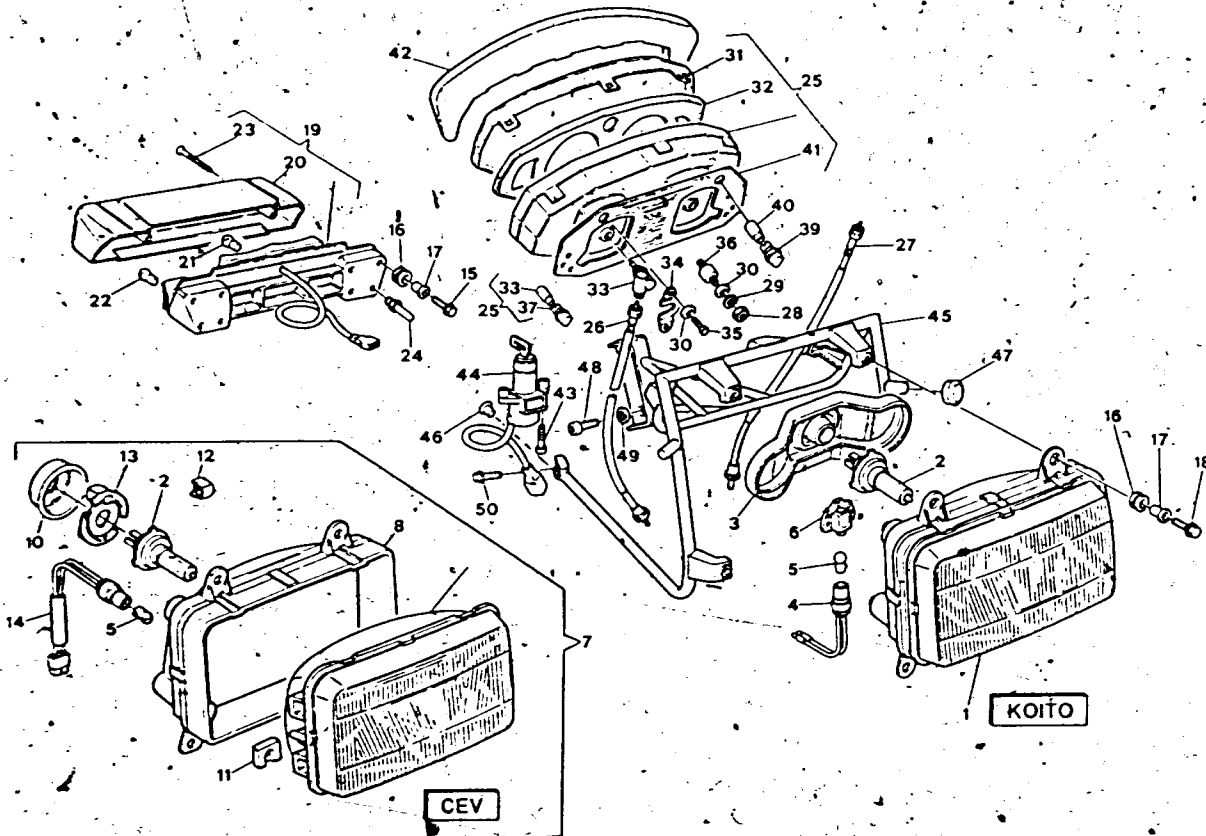
DUCATI 750 PASO



POS. N.	N. CODICE CODE NO. BY CODE CODE NO.	DESCRIPTION	VALIDITA' VALIDITE VALIDITE	QUANTITA' QUANTITE QUANTITE
41	037059100	Shock-absorber	I.m. 750979	1
—	037059105	Shock-absorber	d.m. 750980	1
42	707006N01	Screw		2
43	734006N01	Washer		2
44	037040225	U-Bolt		2
45	037080070	Chain adjuster		2
46	037059140	Mounting	d.m. 750980	1

TAV. 17

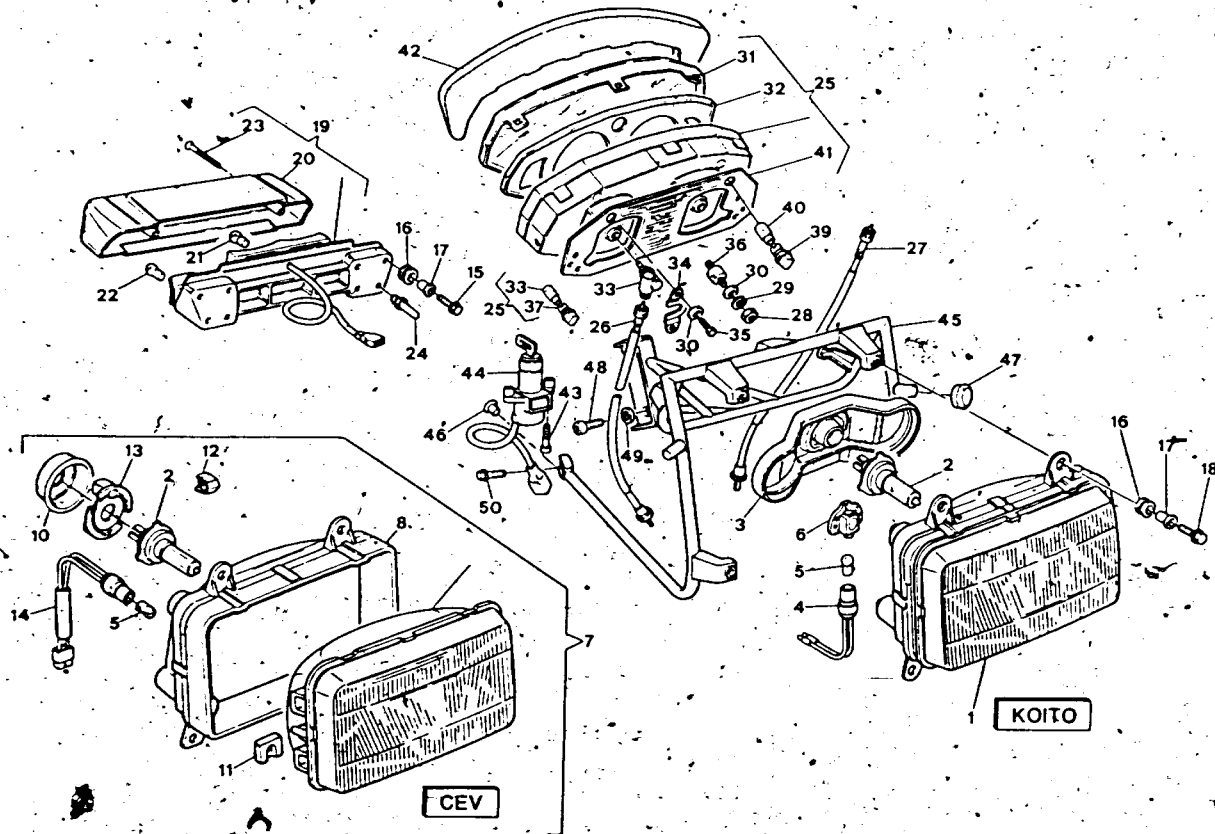
DUCATI 750 PASO



POS. N.	N. CODICE CODE NO. IN CODE CODE N°	DESCRIPTION	VALORI VALORI QUANTITÀ QUANTITÀ	QUANTITÀ QUANTITÀ QUANTITÀ QUANTITÀ
1	037032210	Complete head-light		1
2	037032215	L.H. complete headlight		1
3	037032235	Guard		1
4	037032240	Lamp holder		1
5	065938226	Lamp		1
6	037032230	Ring-nut		1
7	037032600	Complete head-light		1
8	037032605	Complete head-light (USA)		1
8	037032610	R.H. drive complete head-light		1
8	037032620	Head-light body		1
10	037032680	Guard		1
11	037032690	Plate		1
12	037032685	Lock		1
13	067538222	Ring nut		1
14	037032625	Wiring harness		1
15	707206025	Screw		4
16	037072020	Silent-block		8
17	037072030	Bush		8
18	707206030	Screw		4
19	037072406	Tail-light		1
20	037032503	Tail-light (USA)		1
21	037099415	Cup		1
22	037032383	Cup (USA)		1
23	037099415	Lamp		2
24	054074290	Lamp		2
25	722370655	Screw		2
26	037032390	Pin		4
27	037032600	Complete dashboard		1
28	037033605	Complete dashboard (USA)		1
29	037038710	Speedometer cable		1
30	037038720	Rev. counter cable		1
31	724304001	Nut		3
32	734630449	Washer		3
33	001061660	Washer		7
34	037033620	Protection		1
35	037033625	Instrument's panel		1
36	000043141	Angle drive		2
37	000043142	Plate		2
38	040446065	Screw		4
39	037033630	Silent-block		3

DUCATI 750 PASO

POS. N.	N. CODICE CODE NO. OF CODE CODE NO.	DESCRIPTION	VALORI VALORI QUANTITÀ QUANTITÀ	QUANTITÀ QUANTITÀ QUANTITÀ QUANTITÀ
37	037033640	Lamp holder		9
38	000020602	Lamp		9
39	037033641	Lamp holder		2
40	037033645	Lamp		2
41	037033650	Printed circuit		1
42	037099815	Panel		1
43	715021624	Screw		2
44	067038690	Key switch		1
45	037091400	Support		1
46	037091440	Rubber		2
47	000017847	Rubber		2
48	715022121	Screw		2
49	732808002	Washer		2
50	707206016	Screw		2



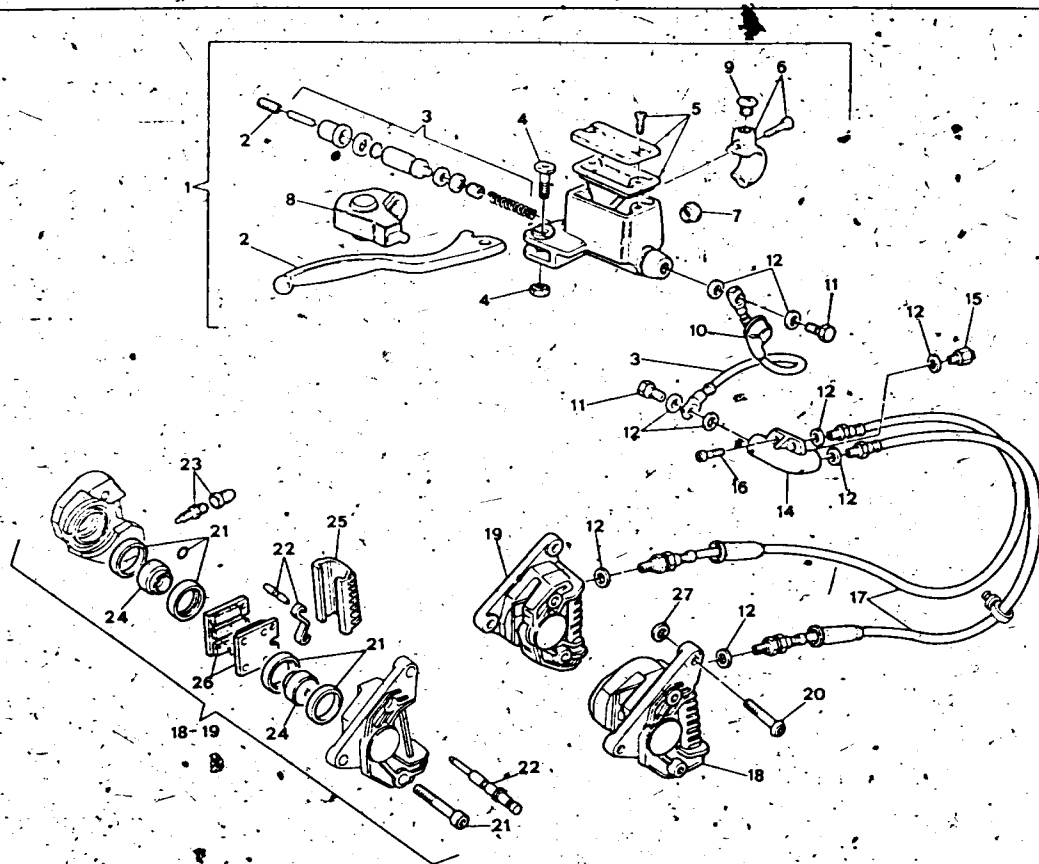
KOITO

CEV

D10 FRONT MASTER CYLINDER & CALIPERS

DUCATI 750 PASO

TAV. 18

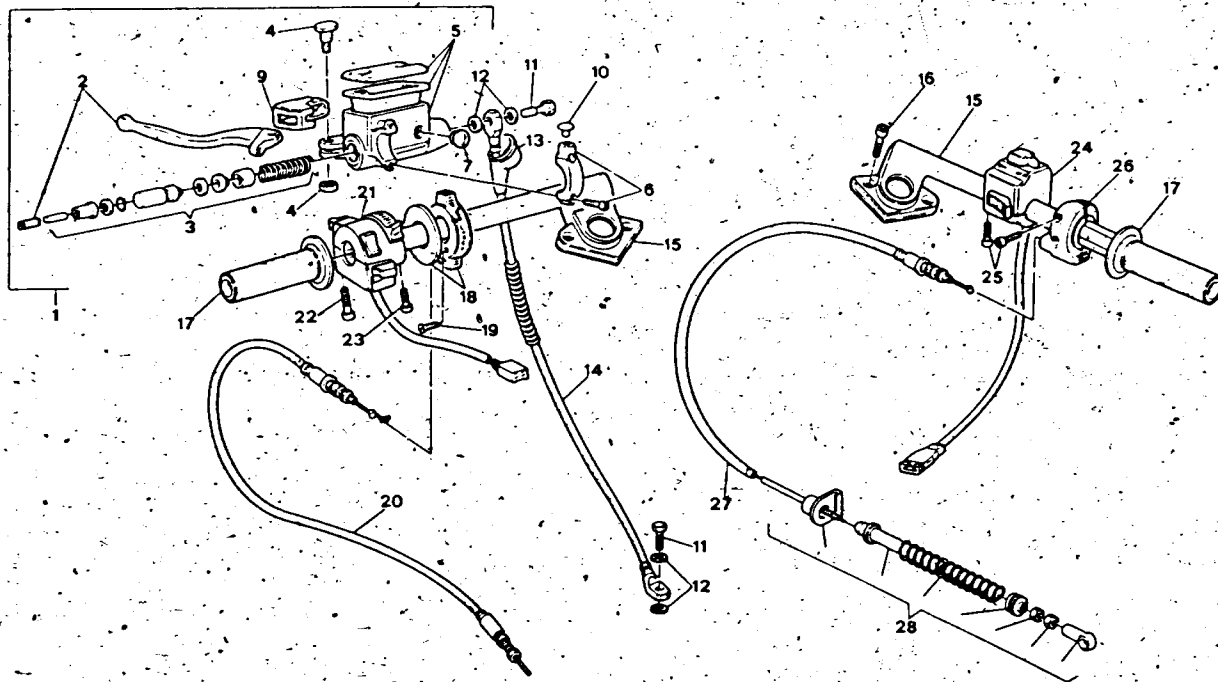


POS. N.	N. COCCIA OR CODE CODE N°	DESCRIPTION	VALIDITA' VALIDITE GALTE	QUANTITA' QUANTITE MEGGE
1	037054330	Front brake pump		1
2	000047225	Lever assy		1
3	037054340	Gasket repl. set		1
4	000046664	Pin, lever kit		1
5	000046665	Plug kit		1
6	000047420	U-bolt kit		1
7	000049654	Check plug kit		1
8	000046667	Cop.		1
9	000033017	Plug		1
10	080554190	Cop		1
11	079654184	Special screw		2
12	42020010A	Washer		9
13	037054160	Pipe		1
14	079654174	Twin control		1
15	079654116	Stop switch		1
16	715021631	Screw		2
17	037054175	Pipe		2
18	037037800	L.H. brake caliper		1
19	037037805	R.H. brake caliper		1
20	707310425	Screw		4
21	079539741	Gasket repl. set		2
22	037039742	Pin repl. set		2
23	066116490	Drain set		2
24	079739752	Piston		2
25	080139657	Cover		2
26	037039766	Brake pads pair		2
27	079537092	Thrust washer = 0,2		2
-	079537094	Thrust washer = 0,3		2
-	079537096	Thrust washer = 0,5		2
-	079537098	Thrust washer = 0,8		2

D11 HANDLEBARS, CONTROLS & CLUTCH MASTER CYLINDER

DUCATI 750 PASO

TAV. 19

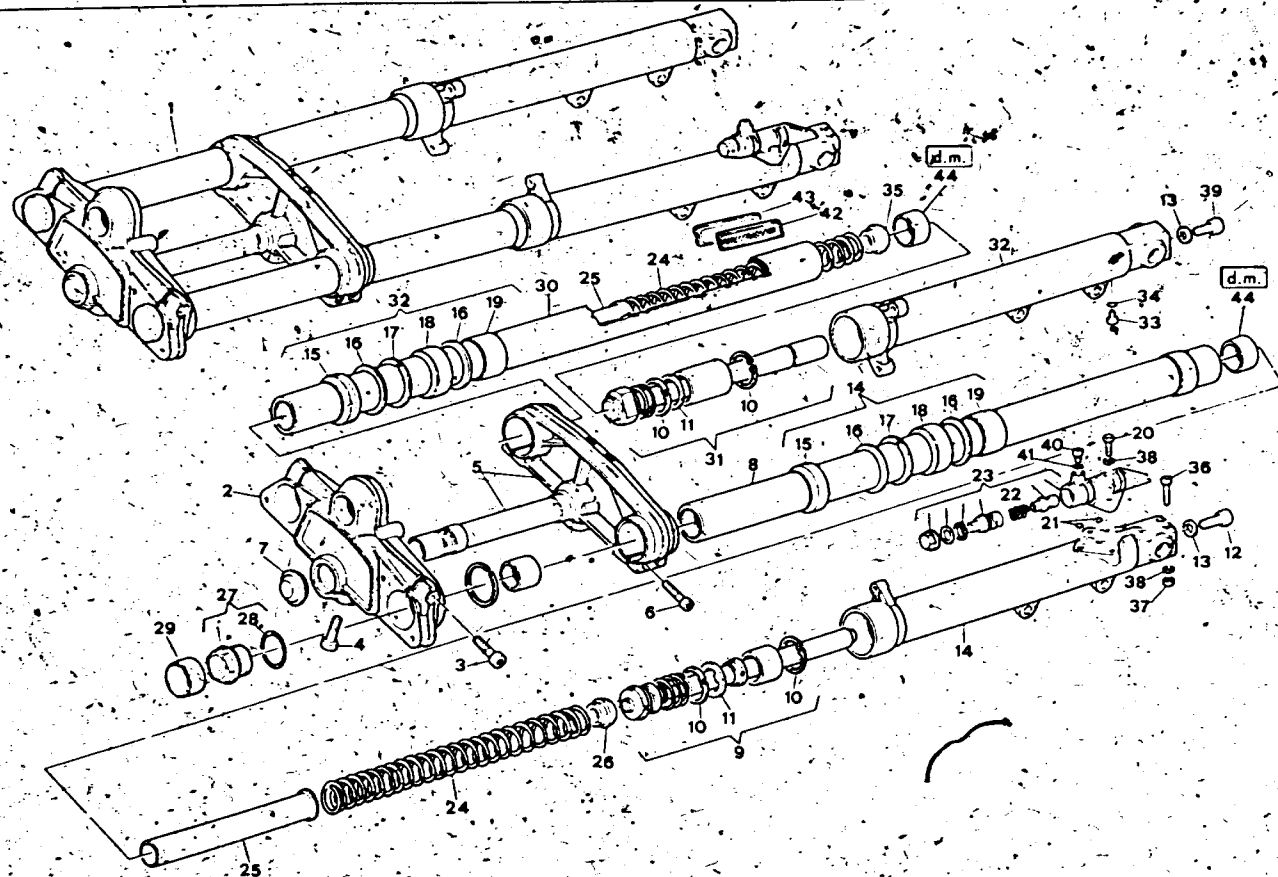


POS. N.	N. CODICE CODE NO. REF. CODE CODE REF.	DESCRIPTION	VALIDITA' VALIDITE VALIDITE G.A.T.H.	QUANTITA' QUANTITE QUANTITE MISURE
1	037054300	Clutch pump		1
2	000047225	Lever assy.		1
3	000047226	Gasket repl. set		1
4	000046664	Pin repair kit		1
5	000046665	Cap assy.		1
6	000047420	U-bolt		1
7	000049654	Check plug kit		1
8	60N107330	Screw		2
9	000049540	Cap		1
10	000033017	Plug		1
11	079654184	Special screw		2
12	42020010A	Washer		4
13	080554190	Cap.		1
14	037054310	Pipe		1
15	037054920	Half-handlebars pair	f.m.	1
16	037054923	Half-handlebars pair	d.m.	1
17	707008020	Screw	f.m.	4
18	707008420	Screw	d.m.	4
19	037054910	Grip pair		1
20	036154120	Starter control		1
21	717430690	Screw		2
22	037054130	Starter control transm.		1
23	036138456	L.H. switch		1
24	706205040	Screw		2
25	715021306	Screw		1
26	036138466	R.H. switch	f.m. 750055	1
27	037138466	R.H. switch	d.m. 750056	1
28	60N107330	Screw		2
29	037054960	Throttle control		1
30	037054950	Throttle wire-sheath		1
31	037054965	Cable return assy		1

D12 FRONT FORK (1/2)

DUCATI 750 PASO

TAV. 20

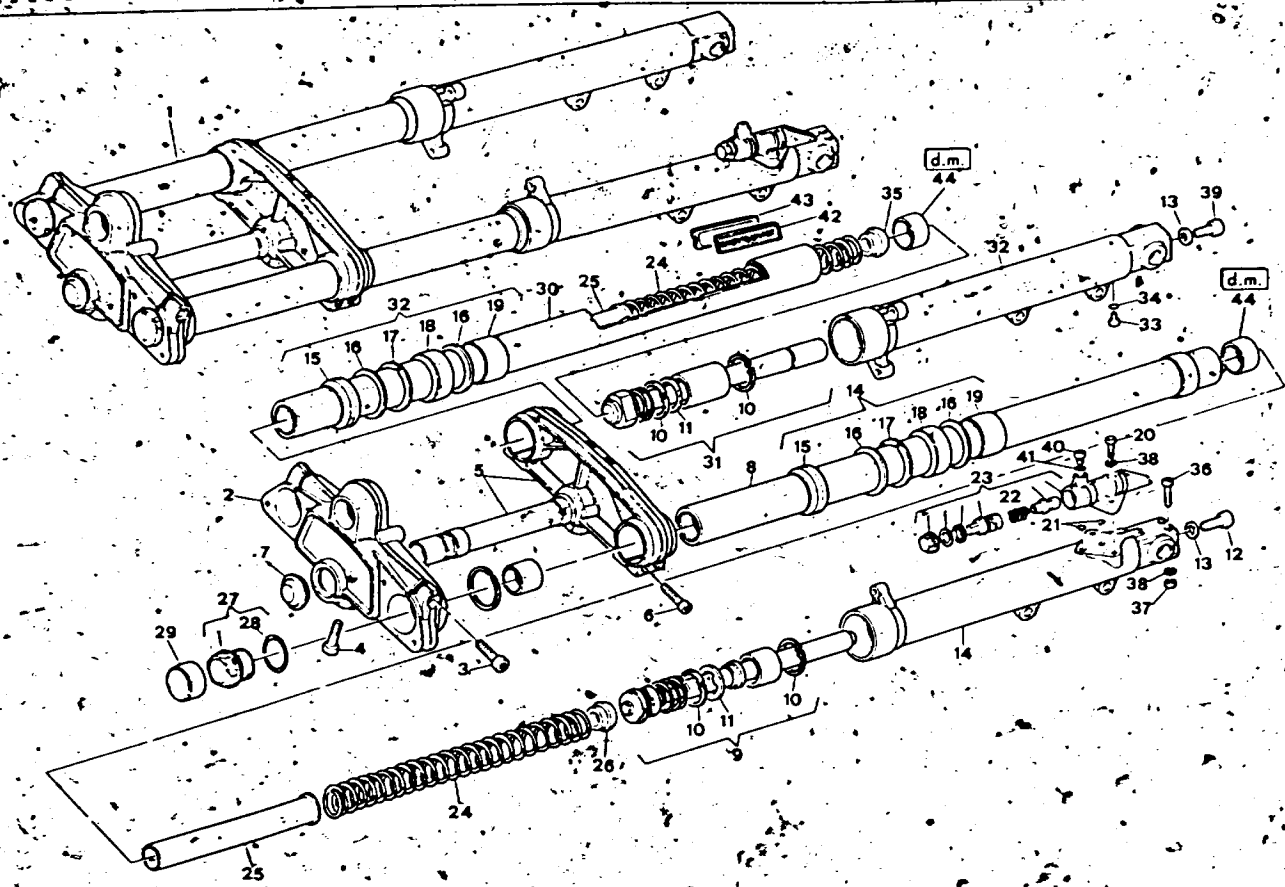


POS. N.	CODE CODE NO. CODE	DESCRIPTION	VALORI VALORI VALORI	QUANTITA QUANTITA QUANTITA
			SALVITIC	MANCATE
1	037037100	Compl. front fork	f.m.	1
-	037037403	Compl. front fork	d.m. - f.m.	1
-	037037405	Compl. front fork	d.m.	1
2	037037140	Upper linking plate	f.m.	1
-	037037143	Upper linking plate	d.m.	1
3	715022609	Screw		2
4	715022605	Screw		1
5	037037610	Steering crown	f.m.	1
-	037037613	Steering crown	d.m.	1
6	715022140	Screw		4
7	037037040	Plug	f.m.	1
8	037037450	R.H. tube	f.m.	1
-	037037453	R.H. tube	d.m.	1
9	037037405	R.H. load variation assy		1
10	735031747	Stop ring		2
11	037037420	Stop ring		2
12	037037480	Screw		2
13	036137490	Gasket		2
14	037037200	R.H. slider assy		1
15	000048396	Dust scraper		2
16	000041392	Washer		2
17	000041393	Stop ring		2
18	000041394	Junk ring		2
19	000048395	Bush		2
20	715021637	Screw		2
21	938230114	O.Ring		2
22	037037245	Spring		1
23	037037240	Linkage adjuster set		1
24	037037320	Spring		2
25	037037340	Spring tube		2
26	037037335	R.H. holder spring		1
27	037037350	Compl. plug		2
28	46320200A	O.Ring		2
29	000037969	Plug		2
30	037037445	L.H. tube	f.m.	1
-	037037448	L.H. tube	d.m.	1
31	037037400	L.H. load variation assy		1
32	037037250	L.H. slider assy		1
33	000043353	Screw		2
34	938232021	O.Ring		2
35	037037330	L.H. holder spring		1

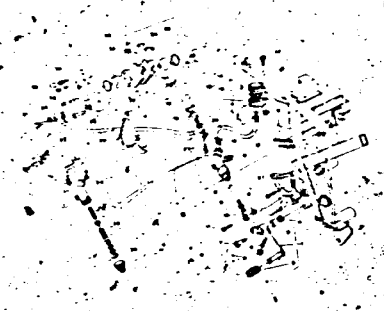
TAV. 20

D13 FRONT FORK (2/2)

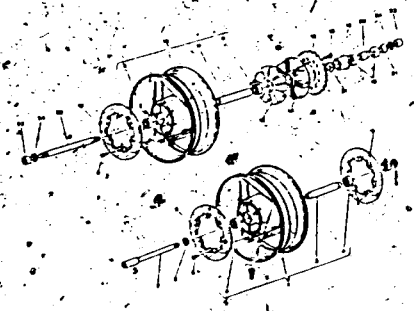
DUCATI 750 PASO



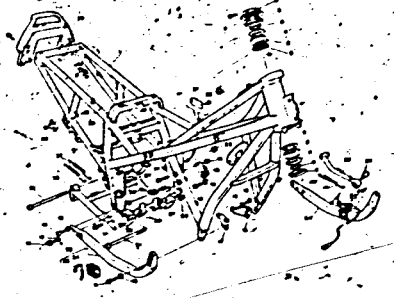
POS. N.	N. CODE CODE INT. CODE NR.	DESCRIPTION	VALIDITA' VALIDITA' GALIC	QUANTITA' QUANTITA' MISCE
36	706206450	Screw		2
37	005691050	Nut		2
38	732706001	Washer		4
39	036137480	Screw		1
40	715021613	Screw		1
41	033591155	O-Ring		1
42	037437180	Side reflector (USA)		2
43	037437190	Support (USA)		2
44	037037470	Bush	d.m.	2



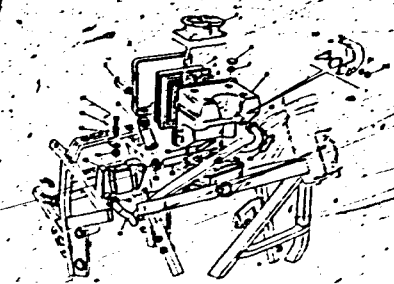
Rear master cyl. & caliper.....E-2



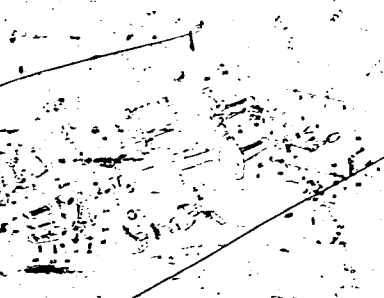
Wheels & hubs.....E-3



Frame & stand.....E-4



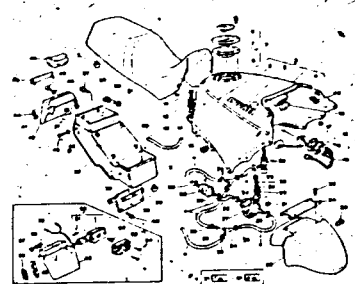
Air filter.....E-5



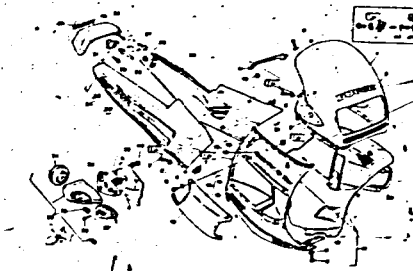
Footrests & shifter.....E-6



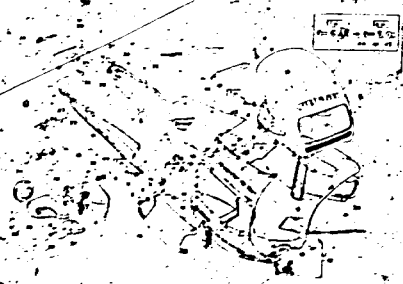
Fuel tank; fenders, RR sign....E-7



Fuel tank, fenders, RR sign....E-8



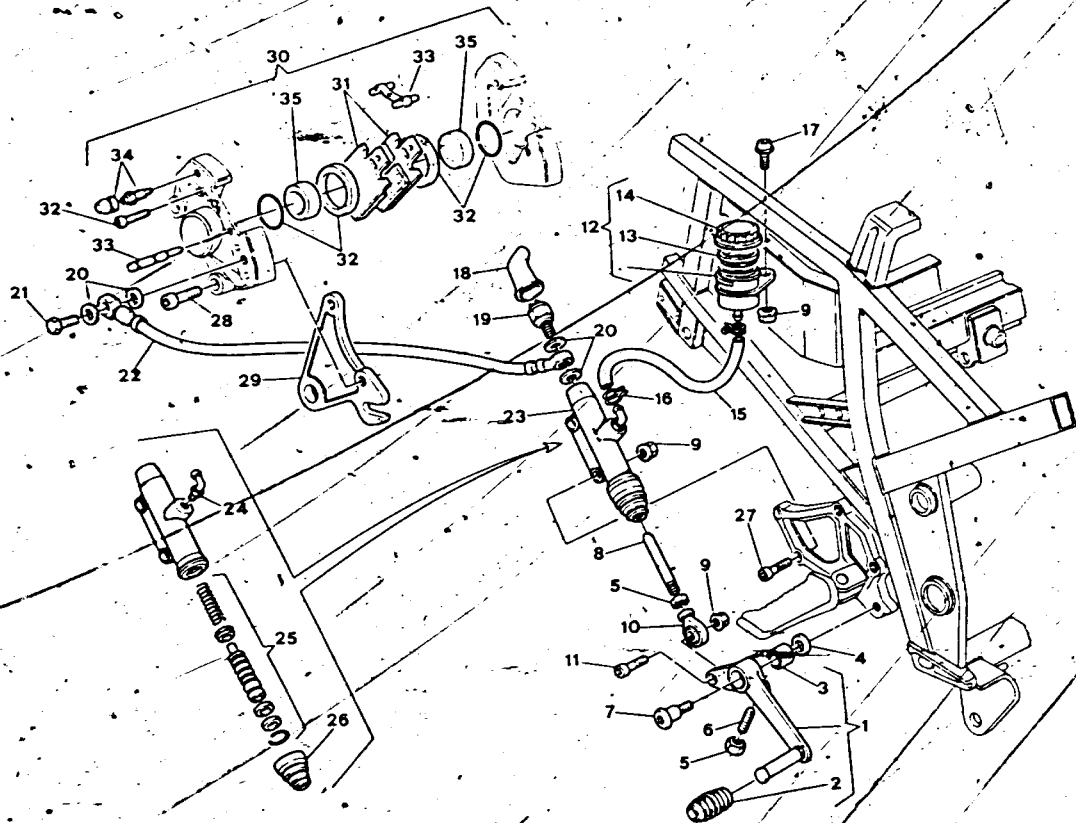
Fairing, side covers FR sign....E-9



Fairing, side covers, FR sign..E-10

DUCATI 750 PASO

TAV. 21



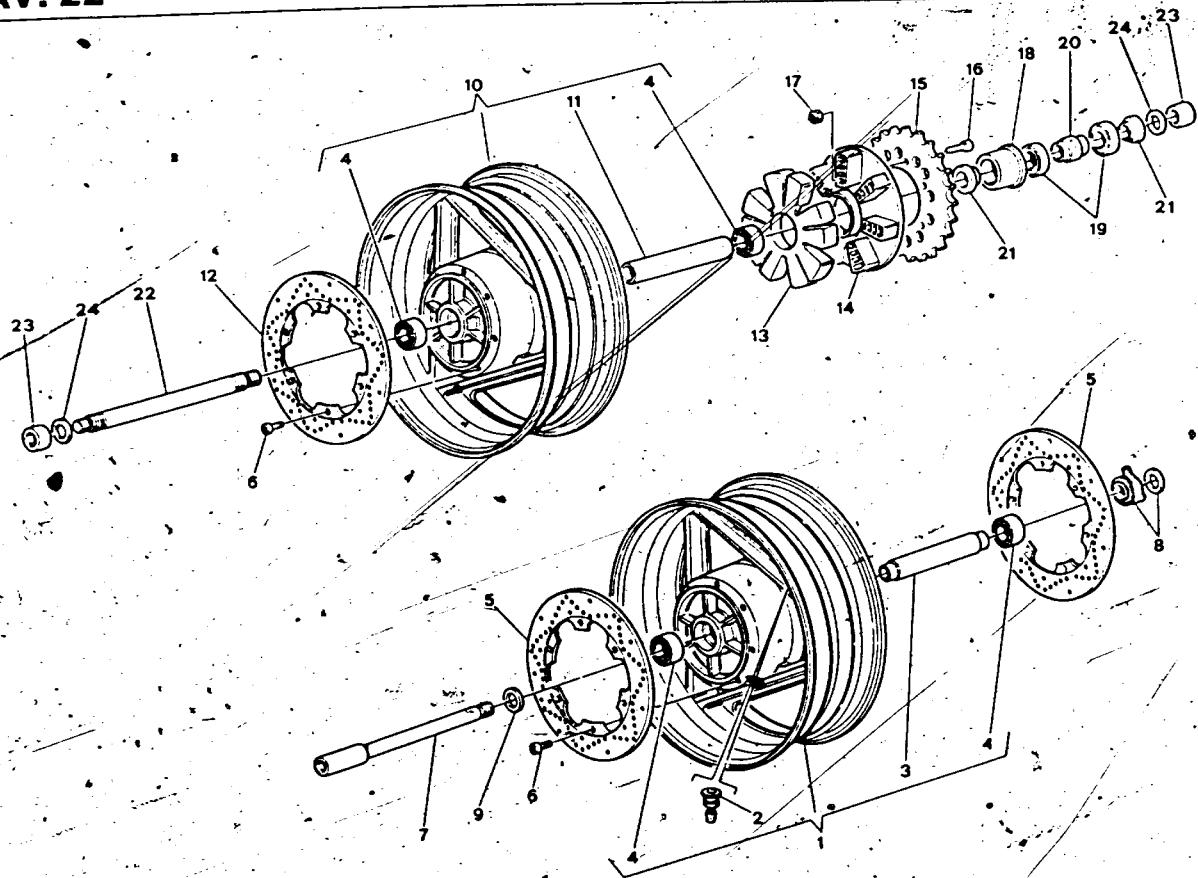
POS. N.	N. CODICE CODE No. NF. CODE CODE Nr.	DESCRIPTION	UNIT VOLUME VOLUME CHIE	QUANTITÀ QUANTITÀ QUANTITÀ MISCE
1	037069555	Brake control lever		1
2	000026343	Rubber		1
3	037069525	Bush		1
4	040070120	Washer		1
5	724506001	Nut		2
6	721301631	Screw		1
7	037069530	Pin		1
8	037069560	Brake control rod		1
9	729906FN1	Nut		4
10	764010001	Articulated joint end		1
11	707006020	Screw		1
12	000042346	Oil tank assy.		1
13	082039711	Bellow		1
14	082039676	Cap		1
15	037041440	Flex. pipe		1
16	000040433	Clamp		2
17	707206014	Screw		1
18	041246575	Cap		1
19	079654114	Hydr. stop switch		1
20	42020010A	Washer		4
21	079654184	Screw		1
22	037041430	Flex. pipe		1
23	066441300	Rear brake pump		1
24	066439727	Kit		1
25	066439732	Pump gasket set		1
26	066439741	Dust cover		1
27	707006035	Screw		2
28	787310425	Screw		2
29	037080050	Flare		1
30	037080800	Brake caliper		1
31	037039760	Brake pads pair		1
32	037039770	Caliper gasket set		1
33	037039790	Pin repl set		1
34	066116490	Drain repl set		1
35	079739752	Piston repl set		1

TAV. 22

E3

WHEELS & HUBS

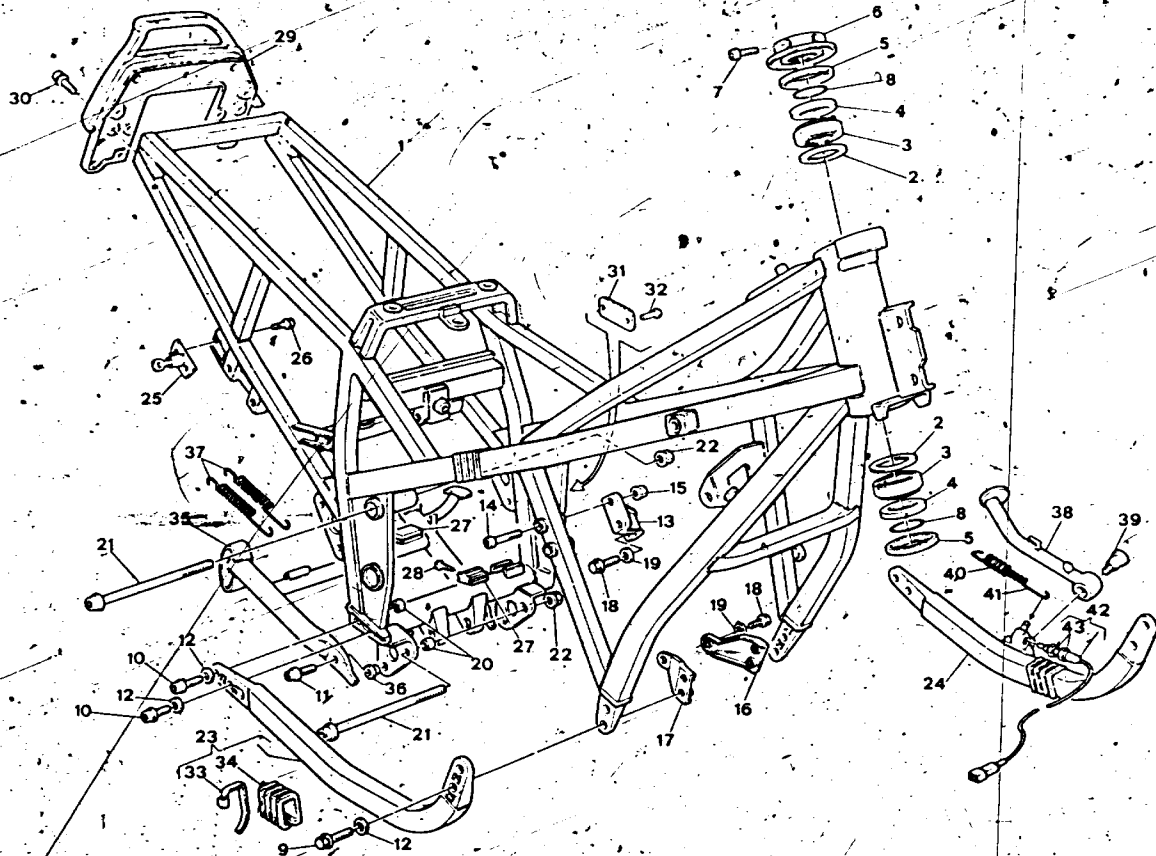
DUCATI 750 PASO



POS. N.	N. CODICE CODE NO. OR CODE CODE N°	DESCRIPTION	VALIDITA VALORITE CULTIC	QUANTITA QUANTITY QUANTITE
1	037077158	Front wheel		1
2	080377010	Valve		2
3	037077293	Distance piece		1
4	751632054	Bearing		4
5	037077340	Front brake disc		2
6	707008320	Screw		18
7	037077330	Pin		1
8	037077730	Speedo angle-drive		1
9	037077310	Washer		1
10	037080158	Rear wheel		1
11	037080290	Distance piece		1
12	037080340	Rear brake disc		1
13	079580230	Rubber		1
14	037080240	Flange		1
15	037880438	Crown Z=38	f.m. 750130	1
-	037780238	Crown Z=38	d.m. 750131	1
16	715282140	Screw		5
17	729808NN1	Nut		5
18	079780245	Bush		1
19	751622566	Bearing		2
20	037080260	Distance piece		1
21	037080270	Distance piece		2
22	037080350	Pin		1
23	037080360	Nut		2
24	037080370	Washer		2

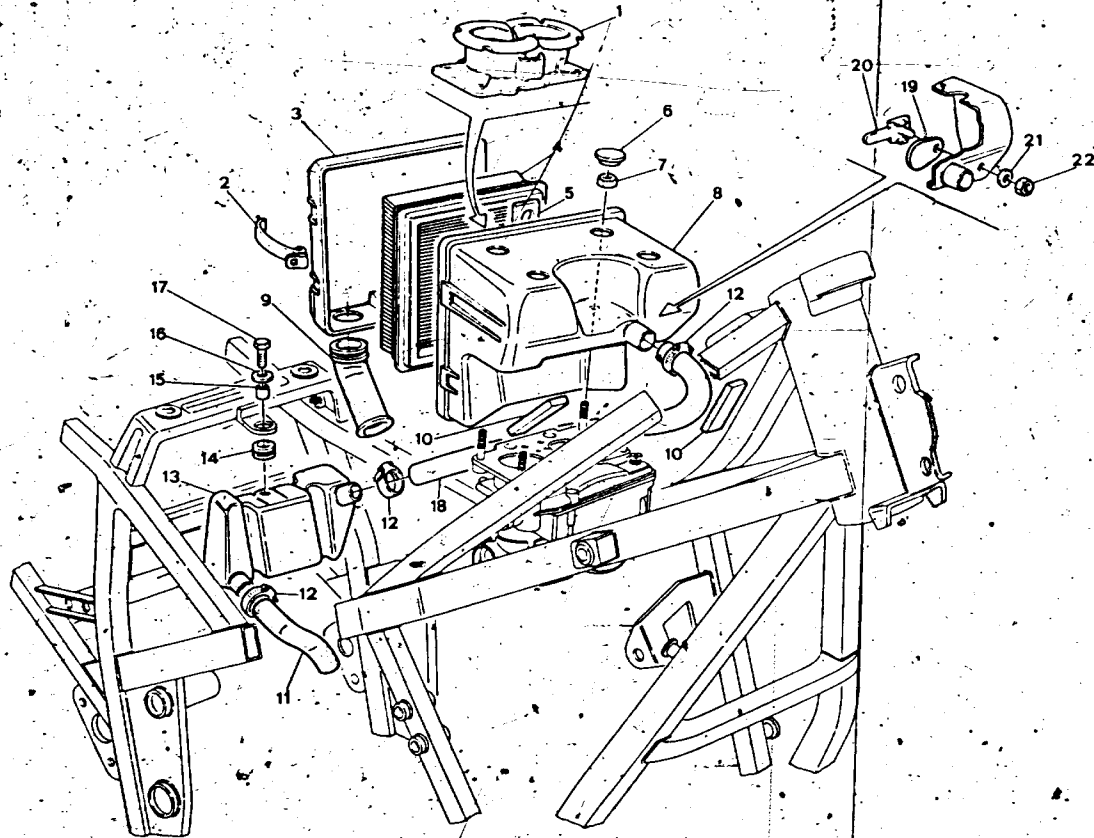
DUCATI 750 PASO

TAV. 23



POS. N.	N. COOCCIA CODE NO. OR CODE CODE N°	DESCRIPTION	VALIDITA' VALIDITE VALIDTE	QUANTITA' QUANTITY QUANTITE
1	037091200	Framg		1
2	036191020	Washer		2
3	762604606	Bearing		2
4	037037020	Distance piece		2
5	937817081	Junl ring		2
6	037037030	Ring nut		1
7	707006020	Screw		1
8	46320046A	O-Ring		2
9	707310435	Screw		2
10	707310425	Screw		6
11	707310430	Screw		2
12	064770010	Washer		8
13	037091010	Plate		1
14	707008055	Screw		2
15	729908FN1	Nut		2
16	037091030	Plate		1
17	037091050	Plate		1
18	707210030	Screw		4
19	732710001	Washer		7
20	037091060	Distance piece		2
21	037091088	Screw		2
22	729910FF1	Nut		4
23	037091240	R.H. cradle		1
24	037091245	L.H. cradle		1
25	067591230	Helmet lock		1
26	707206010	Screw		2
27	037091070	Slider		2
28	722370654	Screw		2
29	037091980	Handle		1
30	715021624	Screw		4
31	037091215	Marking plate		1
32	41820013A	Rivet		2
33	069191030	Clamp		2
34	037083020	Rubber buffer		4
35	037012100	Central stand		1
36	037012150	Distance piece		2
37	037012160	Spring		2
38	037012500	Side stand		1
39	037012520	Rim		1
40	037012530	Spring		1
41	037012540	Spring		1
42	037012590	Side stand switch		1
43	006212180	Nut		2

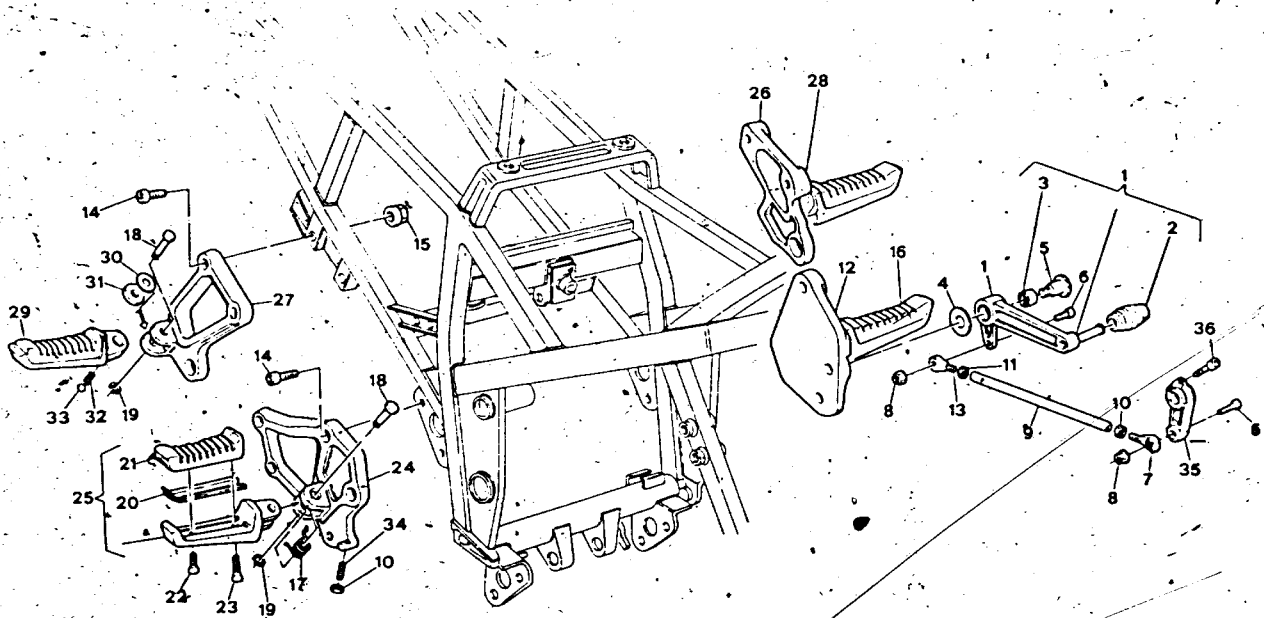
DUCATI 750 PASO



POS. N.	N. CODICE CODE NO. CODE NO.	DESCRIPTION	VALIDITA' VALIDITA' QUANTITA' QUANTITA'	QUANTITA' QUANTITA' QUANTITA' QUANTITA'
1	037095650	Air inlet horn		1
2	037095660	Elastic clamp		4
3	037095640	Cover		1
4	037098610	Air filter		1
5	037095620	Plate		1
6	037095620	Rubber		4
7	729905FN1	Nut		4
8	037095600	Air filter box		1
9	037095680	Pipe		2
10	067583590	Rubber		2
11	037095510	Pipe		1
12	000035751	Clamp		4
13	037095520	Oil tank		1
14	079772068	Rubber		1
15	096074040	Distance piece		1
16	069067060	Washer		1
17	706106016	Screw		1
18	037095530	Pipe		1
19	037095543	Bellow		1
20	037095553	Plate		1
21	001061660	Washer		1
22	082391050	Nut		1

TAV. 25

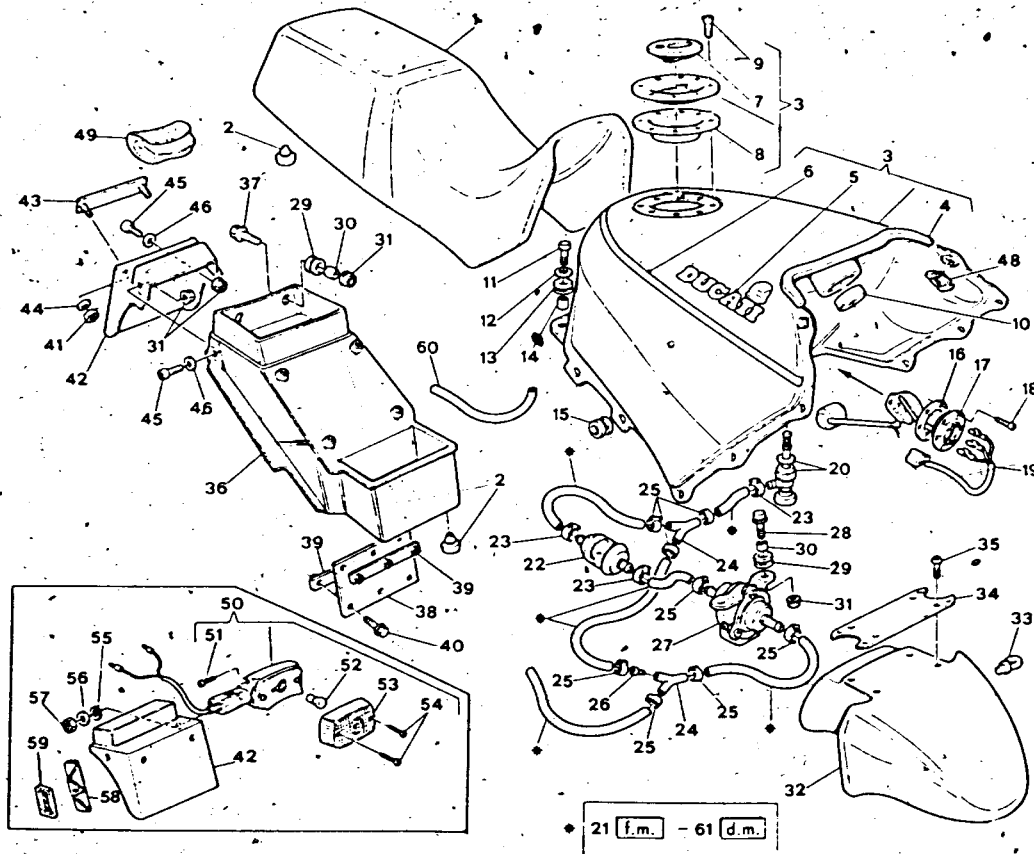
DUCATI 750 PASO



POS. N.	N. CODICE CODE NO. for CODE CODE N°.	DESCRIPTION	QUANTITÀ QUANTITY QUANTITY	QUANTITÀ QUANTITY QUANTITY
1	037069510	Gearchange lever	1	1
2	000026343	Lever rubber	1	1
3	037069525	Bush	1	1
4	040070120	Washer	1	1
5	037069530	Pin	1	1
6	707006020	Screw	2	2
7	764010002	Articuled joint end	1	1
8	729906FN1	Nut	2	2
9	037069540	Gearchange rod	1	1
10	724506001	Nut	2	2
11	725140624	Nut	1	1
12	037069205	Front L.H. plate	1	1
13	764010003	Articuled joint end	1	1
14	715022128	Screw	8	8
15	729908FN1	Nut	8	8
16	037069950	L.H. foot-rest	1	1
17	037069910	Spring	2	2
18	037069920	Pin	4	4
19	735000827	Seeger rings	4	4
20	037069930	Plate	4	4
21	037069940	Rubber	4	4
22	707505010	Screw	4	4
23	707505014	Screw	4	4
24	037069210	Front R.H. plate	2	2
25	037069955	R.H. foot-rest	1	1
26	037069215	Rear L.H. plate	1	1
27	037069220	Rear R.H. plate	1	1
28	037069960	Rear L.H. foot-rest	1	1
29	037069965	Rear R.H. foot-rest	1	1
30	037069970	Plate	2	2
31	037069980	Plate	2	2
32	037069990	Spring	2	2
33	768350659	Ball	2	2
34	721301631	Screw	1	1
35	037069020	Gear control lever	1	1
36	707006018	Screw	1	1

TAV. 26

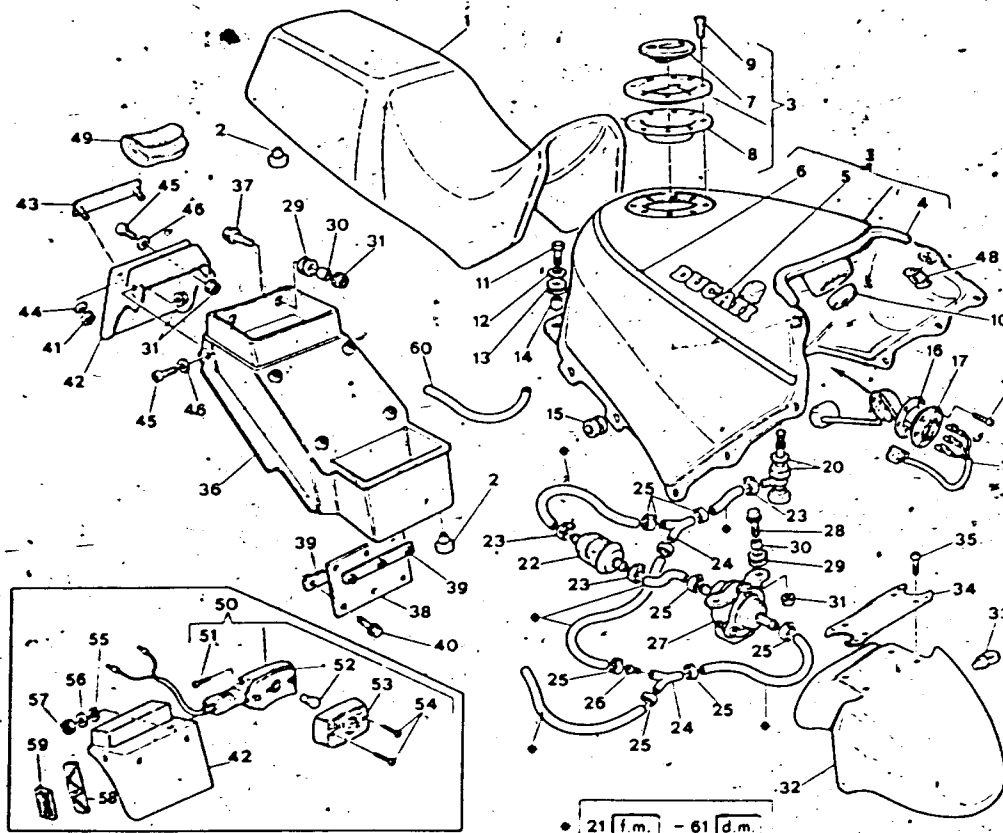
DUCATI 750 PASO



POS. N	N. CODICE CODE N° N. CODICE CODE N°	DESCRIPTION	VALIDITÀ VALIDITY VALIDITY VALIDITY	QUANTITÀ QUANTITY QUANTITY QUANTITY
1	037085300	Seat		1
2	000041039	Silent-block		9
3	037083253	Fuel tank		1
	037083255	Fuel tank		1
4	037083010	Gasket -		1
5	067083225	R.H. transfer		1
	067083230	L.H. transfer		1
6	037083210	L.H. transfer		1
	037083215	R.H. transfer		1
7	067088560	Tank cap		1
	067588563	Tank cap USA		1
8	037083570	Gasket		1
9	720941303	Screw		8
10	036183050	Rubber		1
11	707206030	Screw		2
12	002383090	Washer		2
13	000041582	Silent-block		2
14	037083030	Distance piece		2
15	000041874	Silent-block		5
16	037083110	Gasket		8
17	037083100	Fuel level float		1
18	715021023	Screw		6
19	037083120	Cable		1
20	000045184	L.H. fuel cock		1
21	037083300	Pipe assy	f.m.	1
22	037083350	Filter		1
23	036183070	Clamp		6
24	036183060	Union		2
25	036183075	Clamp		6
26	042027717	Jet		1
27	037098905	Fuel pump		1
28	707206025	Screw		2
29	037072020	Silent-block		6
30	037072030	Bush		6
31	729906FN1	Nut		2
32	037067200	Front mudguard		1
33	079791070	Rubber		1
34	037067220	Guard		1
35	037067240	Screw		8
36	037072200	Rear mudguard		1
37	015092050	Screw		2

TAV. 26

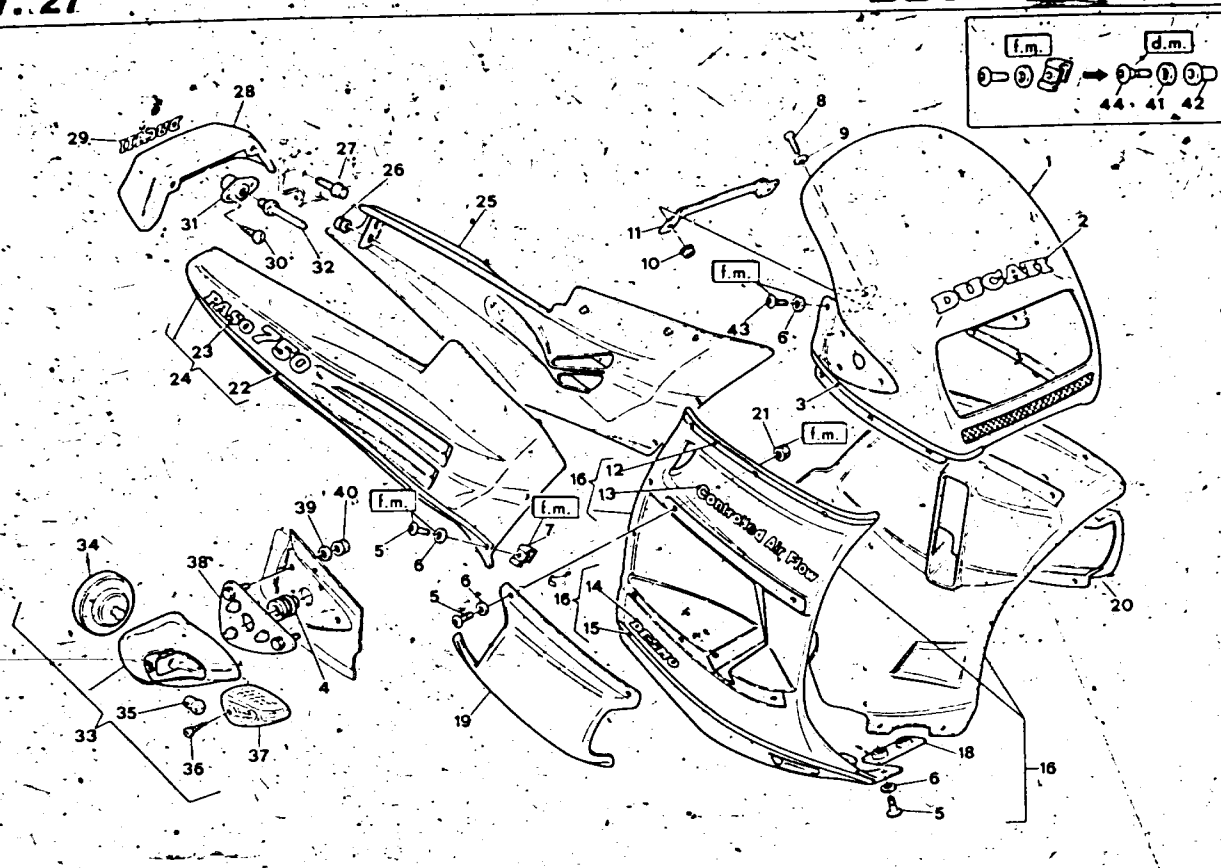
DUCATI 750 PASO



POS. N.	N. CODICE CODE BY CODE CODE N.	DESCRIPTION	UNITA QUANTITA' QUANTITA' MENSILE	QUANTITA' QUANTITA' MENSILE
38	037072050	Guard		1
39	037072060	Plate		2
40	707205012	Screw		6
41	082391050	Nut		2
42	037074400	Plate holder		1
43	037074430	Reflector		1
44	001061660	Washer		2
45	715021631	Screw		2
46	069067060	Washer		4
47	715021624	Screw		2
48	724200001	Nut		2
49	037003200	Tools bag		1
50	000046194	R.H. blinker (USA)		1
-	000046195	L.H. blinker (USA)		1
51	000036241	Screw (USA)		4
52	079503420	Lamp (USA)		2
53	000042937	Cup (USA)		2
54	722370721	Screw (USA)		4
55	60N115541	Spring washer (USA)		2
56	60N115508	Washer (USA)		2
57	60N115088	Nut (USA)		2
58	037032810	R.H. support		1
-	037032820	L.H. support		1
59	036132480	Side reflector (USA)		2
60	037083280	Pipe		1
60	036132480	Reflector (USA)		2
61	037083305	Pipe assy	d.m.	1

DUCATI PASO 750

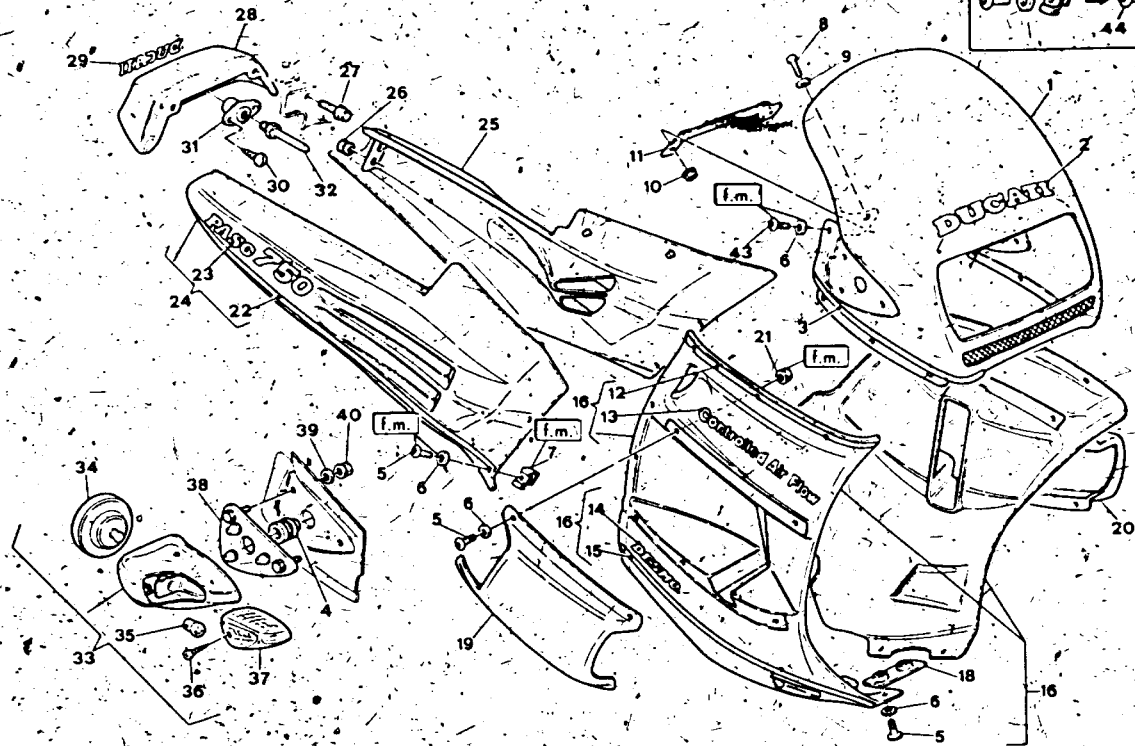
TAV. 27



POS. N.	N. COOCCIA E M. CODE N. CODE	DESCRIPTION	VALIDITA' VALIDITE GALTE	QUANTITA' QUANTITY QUANTITE
1	037099763	Fairing		1
2	037099850	"DUCATI" transfer		1
3	037099830	L.H. transfer		1
4	037099835	R.H. transfer		1
5	000007051	Rubber		2
6	037099010	Screw	f.m.	30
7	037099020	Washer	f.m.	30
8	724200002	Nut		4
9	037099825	Screw		2
10	096091765	Washer		2
11	729908FN1	Nut		2
12	037099820	Panel		1
13	037099840	Upper L.H. transfer		1
14	037099845	Upper L.H. transfer		1
15	037099851	Transfer		2
16	067085796	"DESMO" Transfer		2
17	037099841	Lower L.H. transfer.		1
18	037000846	Lower R.H. transfer		1
19	037099770	R.H./L.H. half fairing	f.m.	1
20	037099773	R.H./L.H. half fairing	d.m.	1
21	037099030	Plate		2
22	037099730	R.H. air conveyor		1
23	037099720	L.H. air conveyor		1
24	729908FN1	Nut	f.m.	10
25	037099875	R.H. transfer		1
26	037099870	L.H. transfer		1
27	037099853	R.H. "PASO 750" transfer		1
28	037099852	L.H. "PASO 750" transfer		1
29	037099890	R.H. side panel		1
30	037099880	L.H. side panel		1
31	037072020	Silent-block		4
32	707206025	Screw		2
33	037085500	Seat terminal		1
34	037085510	"DUCATI" transfer		1
35	722371074	Screw		1
36	037085100	Seat lock		1
37	037085120	Pin		1
38	037099405	R.H. Driving mirror		1
39	037099400	L.H. Driving mirror		1
40	037099410	Mirror		2
41	037099415	Lamp		2

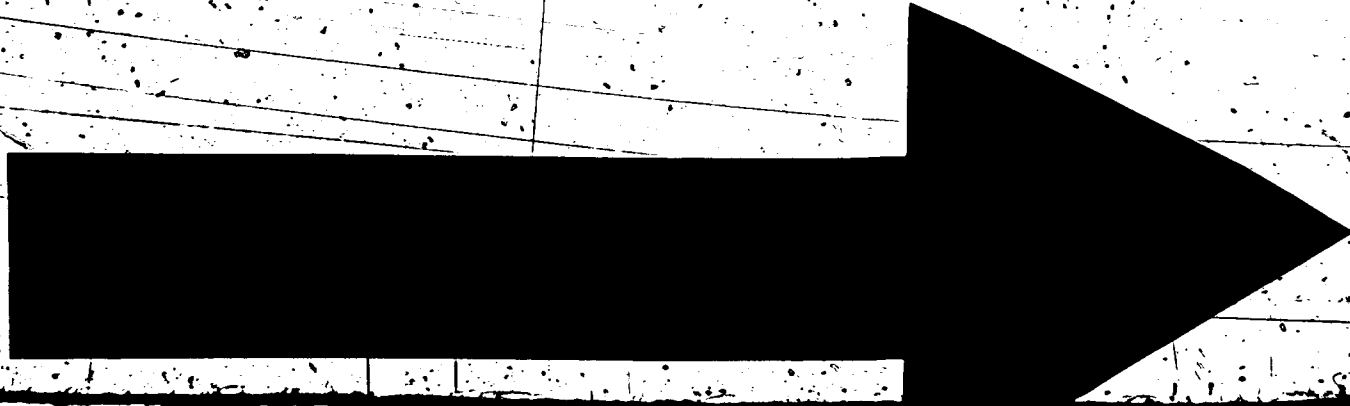
TAV. 27

DUCATI 750 PASO



POS. N.	N. CODICE CODE no. or CODE CODE N°	DESCRIPTION	VALIDITÀ VALIDITY QUANTITÀ QUANTITY	QUANTITÀ QUANTITY QUANTITÀ QUANTITY
36	722310871	Screw		2
37	037099420	R.H. cup		1
37	037099425	L.H. cup		1
38	037099440	R.H. plate		1
38	037099430	L.H. plate		1
39	040016560	Washer		6
40	729905FN	Nut		6
41	036499710	Washer		26
42	036499020	Nut		26
43	037099015	Screw		2
44	037099013	Screw		26

INDEX





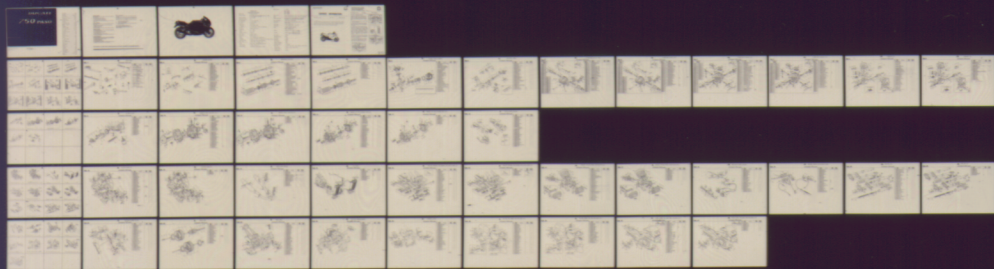
CAGIVA

DUCATI PASO 750

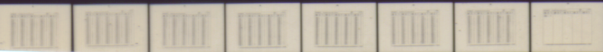
1987

PART NO. M985230034

APR. 1987



INDEX



DUCATI	INDICE GENERALE - INDEX - CONTENTS - VERZEICHNIS	TAVOLA DRAWING TABLE BILD	750 PASO

N. CODICE CODE No. No. CODE CODENr.	TAV. Drwg. Table Bild	POS. N.	N. CODICE CODE No. No. CODE CODENr.	TAV. Drwg. Table Bild	POS. N.	N. CODICE CODE No. No. CODE CODENr.	TAV. Drwg. Table Bild	POS. N.	N. CODICE CODE No. No. CODE CODENr.	TAV. Drwg. Table Bild	POS. N.	N. CODICE CODE No. No. CODE CODENr.	TAV. Drwg. Table Bild	POS. N.
000007051	27	4	000047225	18	2	036137490	20	13	C37012500	23	38	037027410	8	22
000017718	10	28	000047225	19	2	036138350	13	6	C37012503	23	52	037027115	8	24
000017847	17	47	000047226	19	3	036138360	13	7	C37012510	23	51	037027120	8	25
000020602	17	38	000047420	18	6	036138456	19	21	037012520	23	39	037027125	8	27
000021615	13	31	000047420	19	6	036138466	19	24	037012523	23	49	037027130	8	30
000026343	21	2	000048395	20	19	036154120	19	18	C37012530	23	40	037027135	8	31
000026343	25	2	000048396	20	15	036183050	26	10	C37012540	23	41	037027140	8	32
000026548	13	30	000049540	19	9	036183060	26	24	C37012590	23	42	037027145	8	34
000033017	19	10	000049654	18	7	036183070	26	23	037014100	16	18	037027150	8	35
000033017	18	9	000049654	19	7	036183075	26	25	C37014103	16	18	037027155	8	38
000035751	24	12	001061660	26	44	036191020	23	2	037014200	16	19	037027158	8	38
000035751	10	21	001061660	24	21	036499020	27	42	037014230	16	20	037027165	8	41
000036241	26	51	001061660	17	30	036499710	27	41	037014220	16	21	037027168	8	39
000037969	20	29	001102020	8	33	036729050	6	36	C37014240	16	23	037027170	8	42
000040433	21	16	001102030	12	16	036729050	7	48	C37016090	3	15	037027175	8	43
000041039	26	2	001152010	11	15	036729050	5	15	037016093	3	15	037027180	8	44
000041039	14	11	002383990	26	12	036729140	5	1	C37016460	10	46	037027185	8	45
000041196	23	50	005691050	20	37	036729160	5	4	C37016730	10	38	037027190	8	46
000041392	20	16	006212180	9	13	036749030	11	43	C37016900	3	31	037027195	8	26
000041393	20	17	006212180	23	43	036749130	10	11	C37027005	8	1	037027200	8	28
000041394	20	18	007240050	12	25	036749275	11	6	C37027010	8	7	037027205	8	58
000041582	26	13	012440050	12	27	036749500	11	38	C37027015	8	4	037029010	6	21
000041874	26	15	012440060	5	12	036917110	4	22	C37027020	8	5	037029020	7	33
000042346	21	12	015016030	3	25	036917210	4	24	C37027025	8	2	037029315	5	35
000042937	26	53	015092050	5	31	036917500	4	22	037027030	8	37	037029320	5	34
000043141	17	33	015092050	11	39	036917600	4	24	C37027035	8	8	037029325	5	32
000043142	17	34	015092050	26	37	036938520	13	26	C37027045	8	10	037032210	17	1
000043314	16	31	015092050	9	8	036938530	12	10	C37027048	8	10	037032215	17	1
000043353	20	33	017080283	8	21	036938530	13	23	C37027050	8	11	037032230	17	6
000044119	1	15	020470105	7	42	036938540	13	24	037027051	8	11	037032235	17	3
000044120	1	16	020470105	6	30	036938610	13	22	C37027055	8	12	037032240	17	4
000045184	26	20	021407350	5	26	036946260	12	1	037027058	8	12	037032380	17	20
000046194	26	50	021407350	2	7	036946270	12	2	C37027080	8	13	037032383	17	20
000046195	26	50	022402085	9	12	036946285	12	3	037027081	8	13	037032390	17	24
000046664	18	4	025070223	8	50	036946290	12	11	C37027085	8	14	037032503	17	19
000046664	19	4	025147050	3	25	036946470	12	40	037027086	8	14	037032600	17	7
000046665	19	5	027291090	2	31	037003200	26	49	C37027090	8	16	037032605	17	7
000046665	18	5	033591155	20	41	037012100	23	35	037027095	8	17	037032610	17	7
000046667	18	8	036132480	26	59	037012150	23	36	037027100	8	19	037032620	17	8
000047113	14	9	036137480	20	39	037012160	23	37	C37027105	8	20	037032625	17	14

DUCATI

INDICE GENERALE - INDEX - CONTENTS - VERZEICHNIS

TAVOLA
DRAWING
TABLE
BILD

750 PASO

N. CODICE CODE No. CODE No.	TAV. Drawg Table	POS. N.	N. CODICE CODE No. CODE No.	TAV. Drawg Table	POS. N.	N. CODICE CODE No. CODE No.	TAV. Drawg Table	POS. N.	N. CODICE CODE No. CODE No.	TAV. Drawg Table	POS. N.	N. CODICE CODE No. CODE No.	TAV. Drawg Table	POS. N.
037032680	17	10	037037610	20	5	037049190	11	47	037069510	25	3	037080158	22	10
037032685	17	12	037037613	20	5	037049590	11	1	037069525	25	1	037080240	22	14
037032690	17	11	037037800	18	18	037049590	10	1	037069525	21	3	037080260	22	20
037032810	25	58	037037805	18	19	037049610	10	39	037069530	21	7	037080270	22	21
037032820	25	58	037038050	13	41	037051102	8	39	037069530	25	5	037080290	22	11
037033605	17	25	037038370	13	8	037054130	19	20	037069545	25	9	037080340	22	12
037033620	17	31	037038405	13	35	037054160	18	13	037069550	21	1	037080350	22	22
037033625	17	32	037038410	13	36	037054175	18	17	037069560	21	8	037080360	22	23
037033630	17	36	037038415	13	37	037054300	19	1	037069910	25	17	037080370	22	24
037033640	17	37	037038420	13	38	037054310	19	14	037069920	25	18	037080438	22	15
037033641	17	39	037038430	13	39	037054330	18	1	037069930	25	20	037080800	21	30
037033655	17	40	037038440	13	1	037054340	18	3	037069940	25	21	037083010	26	4
037033650	17	41	037038450	13	19	037054910	19	17	037069950	25	16	037083020	23	34
037037020	23	4	037038455	13	19	037054920	19	15	037069955	25	25	037083030	26	14
037037030	23	6	037038475	13	9	037054923	19	15	037069950	25	28	037083020	26	14
037037040	20	7	037038482	13	12	037054960	19	27	037069960	25	29	037083100	26	17
037037040	16	17	037038484	13	14	037054960	19	26	037069970	25	30	037083110	26	16
037037100	20	1	037038490	13	27	037054965	19	28	037069980	25	31	037083120	26	19
037037103	20	1	037038600	17	25	037059010	16	25	037069980	25	32	037083210	26	6
037037105	20	1	037038710	17	26	037059015	16	29	037069990	25	31	037083215	26	6
037037140	20	2	037038720	17	27	037059020	16	30	037070060	9	11	037083255	26	3
037037143	20	1	037038850	13	33	037059030	16	32	037072020	12	16	037083255	26	3
037037200	20	2	037039742	18	22	037059060	16	35	037072020	26	29	037083280	26	60
037037240	20	23	037039766	21	31	037059070	16	36	037072020	17	26	037083300	26	21
037037245	20	22	037039770	21	32	037059080	16	38	037072030	27	47	037083305	26	61
037037250	20	32	037039790	21	33	037059100	16	41	037072030	26	30	037083350	26	22
037037320	20	24	037040200	16	1	037059105	16	41	037072050	26	38	037083570	26	8
037037330	20	35	037040225	16	44	037059120	16	39	037072060	26	39	037084020	14	5
037037335	20	26	037040230	16	2	037059120	16	40	037072080	13	40	037084023	14	5
037037340	20	25	037040240	16	3	037059130	16	40	037072200	26	36	037084030	14	6
037037350	20	37	037040245	16	8	037059140	16	46	037074100	17	19	037084033	14	6
037037400	20	31	037040250	16	10	037067200	26	32	037074400	26	42	037084110	14	7
037037405	20	9	037040255	16	11	037067220	26	34	037074430	26	43	037084115	14	8
037037420	20	11	037040260	16	12	037067240	26	35	037077158	22	1	037084180	14	14
037037445	20	30	037040265	16	11	037069200	25	35	037077293	22	3	037084185	14	13
037037448	20	8	037040270	16	14	037069205	25	12	037077310	22	9	037084210	14	7
037037450	20	8	037040290	16	15	037069210	25	24	037077330	22	7	037084215	14	8
037037453	20	8	037041430	21	22	037069215	25	26	037077340	22	5	037084220	14	5
037037470	20	44	037041440	21	15	037069220	25	27	037077350	22	8	037085100	27	31
037037480	20	12				037069300	23	44	037080050	21	29	037085120	27	32
						037069345	23	47	037080070	16	45	037085300	26	1

DUCATI	INDICE GENERALE - INDEX - CONTENTS - VERZEICHNIS	TAVOLA DRAWING TABLE BILD	750 PASO

N. CODICE CODE No. Nr. CODE CODE Nr.	TAV. Draw. Table Bild	POS. N.	N. CODICE CODE No. Nr. CODE CODE Nr.	TAV. Draw. Table Bild	POS. N.	N. CODICE CODE No. Nr. CODE CODE Nr.	TAV. Draw. Table Bild	POS. N.	N. CODICE CODE No. Nr. CODE CODE Nr.	TAV. Draw. Table Bild	POS. N.	N. CODICE CODE No. Nr. CODE CODE Nr.	TAV. Draw. Table Bild	POS. N.
037085500	27	28	037095510	10	22	037099720	27	20	040016190	5	20	061916120	5	14
037085510	27	29	037095510	24	11	037099730	27	19	040016560	27	39	061947030	4	12
037089100	15	1	037095520	24	13	037099763	27	1	040017030	4	29	061947050	4	10
037091010	23	13	037095530	24	18	037099770	27	16	040029040	5	11	061947288	4	8
037091030	23	16	037095543	24	19	037099773	27	16	040029110	5	3	061949178	11	18
037091050	23	17	037095553	24	20	037099815	17	42	040029110	11	23	061950065	12	30
037091060	23	20	037095600	24	8	037099820	27	11	040029125	6	22	061950075	12	32
037091070	23	27	037095620	24	5	037099825	27	8	040029125	7	34	061984015	14	3
037091080	23	21	037095640	24	3	037099830	27	3	040029126	6	22	061992150	6	12
037091200	23	1	037095650	24	1	037099835	27	3	040029126	7	34	061992150	7	12
037091215	23	31	037095660	24	2	037099840	27	12	040029126	2	13	061992180	7	14
037091240	23	23	037095670	24	6	037099841	27	15	040027030	4	16	061992180	6	14
037091245	23	24	037095680	24	9	037099845	27	12	040047040	4	17	064729040	12	38
037091400	17	45	037095610	24	4	037099846	27	15	040047040	3	40	064729045	12	39
037091440	17	46	037098700	8	47	037099850	27	2	040049030	11	44	064770010	5	49
037091980	23	29	037098705	8	47	037099851	27	13	040049045	18	27	064770010	7	56
037092021	6	1	037098750	8	55	037099852	27	23	040049050	11	22	064770010	23	12
037092022	7	1	037098760	6	47	037099853	27	23	040049240	10	16	064792170	7	51
037092050	6	3	037098760	7	25	037099870	27	22	040049240	11	36	065916558	3	46
037092050	7	2	037098765	6	46	037099875	27	22	040070120	21	4	065938226	17	5
037092290	7	20	037098765	7	26	037099880	27	25	040070120	25	4	066013045	2	22
037092290	6	40	037098770	8	52	037099890	27	24	040052433	6	42	066013050	2	21
037092350	6	1	037098780	6	44	037099895	19	24	040052433	7	22	066013057	2	20
037092390	7	5A	037098780	7	24	037437180	20	42	040042390	6	4	066013060	2	18
037092390	6	5A	037098790	8	51	037437190	20	43	040042390	7	3	066013061	2	18
037092395	7	5A	037098905	26	27	037592170	6	48	040042390	14	4	066013062	2	18
037092395	6	5A	037099010	27	5	037592170	7	55	040046065	17	35	066013065	2	23
037092396	7	5A	037099013	27	44	037592210	6	50	041202295	16	6	066013066	2	23
037092396	6	5A	037099015	27	43	037592210	7	57	041246575	21	18	066013067	2	23
037092397	7	5A	037099020	27	6	037592290	7	20	041249825	13	4	066013070	2	24
037092397	6	5A	037099030	27	18	037592290	6	40	042227717	26	26	066013133	2	32
037093100	15	1	037099400	27	33	037592640	6	25	048C49P55	12	43	066013143	2	30
037093130	15	2	037099405	27	33	037592640	7	37	0504C3085	2	27	066013160	2	5
037093140	15	3	037099410	27	34	037716640	3	39	050447050	3	25	066013165	2	9
037093143	15	3	037099415	27	35	037749270	10	23	050447060	3	25	066013170	2	10
037093160	15	4	037099415	17	21	037749270	11	13	050474290	17	22	066013200	2	11
037093163	15	4	037099420	27	37	037780238	22	15	060392150	6	10	066013250	2	12
037093180	15	5	037099425	27	37	040009010	5	27	060392150	7	10	066016620	3	27
037093190	15	8	037099430	27	38	040009050	2	8	061916120	7	44	066029030	6	29
037095010	8	48	037099440	27	38	040016190	7	32	061916120	6	32	066029035	7	43

DUCATI			INDICE GENERALE - INDEX - CONTENTS - VERZEICHNIS			TAVOLA DRAWING TABLE BILD			750 PASO		
N. CODICE CODE No. CODE Nr.	TAV. Drawg. Table Bild	POS. N.	N. CODICE CODE No. CODE Nr.	TAV. Drawg. Table Bild	POS. N.	N. CODICE CODE No. CODE Nr.	TAV. Drawg. Table Bild	POS. N.	N. CODICE CODE No. CODE Nr.	TAV. Drawg. Table Bild	POS. N.
066029035	6	31	066049520	11	30	066516440	10	40	067016165	3	18
066029055	7	47	066049800	9	19	066516625	3	34	067016170	3	14
066029055	6	35	066049910	10	20	066516630	3	37	067016171	3	14
066029090	5	19	066049920	10	19	066516690	3	44	067016172	3	14
066029115	5	7	066050010	12	22	066516703	3	47	067016183	3	1
066029125	5	16	066050015	12	23	066516860	3	35	067016184	3	1
066029130	8	33	066050020	12	24	066529310	5	20	067016185	3	1
066029150	7	45	066050030	12	33	066529315	5	22	067016203	3	51
066029210	5	23	066070065	9	4	066529315	10	5	067016220	3	3
066029220	5	24	066070110	9	2	066549603	10	12	067016230	3	11
066029250	5	29	066092150	7	52	066549680	10	12	067016610	3	38
066029260	5	30	066092173	6	18	066592640	6	25	067016730	10	38
066029280	5	28	066092173	7	18	066592640	7	37	067016900	9	31
066029900	5	10	066092183	6	11	066749165	10	2	067017395	7	4
066046100	13	32	066092183	6	11	066749305	10	31	067017395	6	2
066046410	11	29	066092240	6	13	066770060	9	11	067017395	4	27
066046460	12	37	066092240	7	13	066770200	9	1	067029170	5	6
066047040	4	13	066092280	7	13	066770250	9	5	067038480	13	10
066047070	12	31	066092245	6	13	066792160	7	41	067038481	13	11
066047220	4	3	066092245	7	13	067013075	2	25	067038483	13	13
066047230	4	4	066092310	6	23	067013080	2	26	067038483	13	15
066047235	4	4	066092310	7	35	067013400	3	19	067038690	17	44
066047236	4	4	066116490	21	34	067016013	3	24	067038930	13	34
066047290	4	6	066116490	10	34	067016015	3	7	067046030	11	33
066047295	4	6	066116490	18	23	067016023	3	19	067046030	12	13
066047350	4	5	066116530	3	43	067016030	3	21	067046040	12	12
066049010	11	19	066116573	3	45	067016040	3	22	067046040	11	34
066049020	11	17	066149170	10	9	067016045	3	20	067046050	11	32
066049053	9	17	066188630	3	29	067016050	3	2	067046050	12	14
066049135	11	37	066192390	7	5	067016060	3	13	067046090	13	25
066049183	10	6	066192390	6	5	067016070	9	8	067047100	4	11
066049183	11	45	066192395	6	5	067016080	3	5	067047150	4	1
066049240	11	3	066192395	6	5	067016085	3	9	067047400	4	21
066049260	10	26	066192396	6	5	067016105	3	16	067049310	10	36
066049260	4	31	066192396	-7	5	067016115	3	12	067049360	15	9
066049260	11	16	066192397	6	5	067016140	3	10	067049750	2	28
066049268	11	8	066192397	7	5	067016145	3	6	067049910	9	21
066049320	11	21	066439727	21	24	067016150	3	23	067049920	9	10
066049355	10	4	066439732	21	25	067016155	3	4	067050035	12	18
066049387	10	33	066439741	21	26	067016163	3	18	067050060	12	26
			066441300	21	23	067016164	3	18			

DUCATI

INDICE GENERALE - INDEX - CONTENTS - VERZEICHNIS

TAVOLA
DRAWING
TABLE
BILD

750 PASO

N. CODICE CODE No. No. CODE CODE Nr.	TAV. Dwg. Table Bild	POS. N.	N. CODICE CODE No. No. CODE CODE Nr.	TAV. Dwg. Table Bild	POS. N.	N. CODICE CODE No. No. CODE CODE Nr.	TAV. Dwg. Table Bild	POS. N.	N. CODICE CODE No. No. CODE CODE Nr.	TAV. Dwg. Table Bild	POS. N.	N. CODICE CODE No. No. CODE CODE Nr.	TAV. Dwg. Table Bild	POS. N.
067551101	2	17	072392516	7	17	072392585	7	17	072792054	7	15	072792074	7	15
067583590	24	10	072392516	6	17	072392585	6	17	072792054	6	15	072792074	6	15
067588563	26	7	072392517	6	17	072392595	7	17	072792055	6	15	072792075	7	15
067591230	23	25	072392517	7	17	072392595	6	17	072792055	7	15	072792075	6	15
067616670	3	42	072392518	6	17	072392605	7	17	072792056	7	15	072792076	7	15
069067060	26	46	072392518	7	17	072392605	6	17	072792056	6	15	072792076	7	15
069067060	24	16	072392519	7	17	072392616	7	17	072792057	7	15	072792077	6	15
069191030	23	33	072392519	6	17	072392616	6	17	072792057	6	15	072792077	7	15
072392500	6	17	072392520	6	17	072392625	7	17	072792058	6	15	072792078	6	15
072392500	7	17	072392520	7	17	072392625	6	17	072792058	7	15	072792078	7	15
072392501	7	17	072392521	7	17	072392635	6	17	072792059	6	15	072792079	7	15
072392501	6	17	072392521	6	17	072392635	7	17	072792059	7	15	072792079	6	15
072392502	7	17	072392522	7	17	072392645	6	17	072792060	7	15	072792080	6	15
072392502	6	17	072392522	6	17	072392645	7	17	072792060	6	15	072792080	7	15
072392503	6	17	072392523	6	17	072392655	6	17	072792061	7	15	072792081	6	15
072392503	7	17	072392523	7	17	072392655	7	17	072792061	6	15	072792081	7	15
072392504	7	17	072392524	6	17	072392675	6	17	072792062	6	15	072792082	7	15
072392504	6	17	072392524	7	17	072392675	7	17	072792062	7	15	072792082	6	15
072392505	6	17	072392525	7	17	072392685	6	17	072792063	6	15	072792083	6	15
072392505	7	17	072392525	6	17	072392685	7	17	072792063	7	15	072792083	7	15
072392506	6	17	072392526	7	17	072392695	6	17	072792064	7	15	072792084	7	15
072392506	7	17	072392526	6	17	072392695	7	17	072792064	6	15	072792084	6	15
072392507	7	17	072392527	6	17	072392705	7	17	072792065	7	15	072792085	7	15
072392507	6	17	072392527	7	17	072392705	6	17	072792065	6	15	072792085	6	15
072392508	6	17	072392528	6	17	072392715	7	17	072792066	6	15	072792086	6	15
072392508	7	17	072392528	7	17	072392715	6	17	072792066	7	15	072792086	7	15
072392509	7	17	072392529	7	17	072392725	7	17	072792067	6	15	072792087	7	15
072392509	6	17	072392529	6	17	072392725	6	17	072792067	7	15	072792087	6	15
072392510	7	17	072392530	7	17	072392735	7	17	072792068	7	15	072792088	6	15
072392510	6	17	072392530	6	17	072392735	6	17	072792068	6	15	072792088	7	15
072392511	6	17	072392535	6	17	072392745	7	17	072792069	7	15	072792089	6	15
072392511	7	17	072392535	7	17	072392745	6	17	072792069	6	15	072792089	7	15
072392512	7	17	072392545	6	17	072792050	6	15	072792070	6	15	072792090	7	15
072392512	6	17	072392545	7	17	072792050	7	15	072792070	7	15	072792090	6	15
072392513	6	17	072392555	7	17	072792051	7	15	072792071	7	15	072792092	6	15
072392513	7	17	072392555	6	17	072792051	6	15	072792071	6	15	072792092	7	15
072392514	7	17	072392565	7	17	072792052	6	15	072792072	6	15	072792094	7	15
072392514	6	17	072392565	6	17	072792052	7	15	072792072	7	15	072792094	6	15
072392515	6	17	072392575	7	17	072792053	6	15	072792073	6	15	072792096	7	15
072392515	7	17	072392576	6	17	072792053	7	15	072792073	7	15	072792096	6	15

DUCATI

INDICE GENERALE - INDEX - CONTENTS - VERZEICHNIS

TAVOLA
DRAWING
TABLE
BILD

750 PASO

N. CODICE CODE No. Nr. CODE CODENr.	TAV. Drawg Table Bild	POS. N.	N. CODICE CODE No. Nr. CODE CODENr.	TAV. Drawg Table Bild	POS. N.	N. CODICE CODE No. Nr. CODE CODENr.	TAV. Drawg Table Bild	POS. N.	N. CODICE CODE No. Nr. CODE CODENr.	TAV. Drawg Table Bild	POS. N.	N. CODICE CODE No. Nr. CODE CODENr.	TAV. Drawg Table Bild	POS. N.
072792150	7	15	072792170	7	15	072792260	6	16	079769040	7	49	2020010A	21	20
072792150	6	15	072792170	6	15	072792260	7	16	079769040	5	17	2020010A	18	12
072792151	6	15	072792171	6	15	075507350	23	46	079769040	6	37	2020010A	19	7
072792151	7	15	072792171	7	15	075517125	4	28	079772068	24	14	460E2002A	15	6
072792152	7	15	072792172	7	15	075529025	5	9	079780245	22	18	46320046A	23	8
072792152	6	15	072792172	6	15	075529165	5	8	079791070	26	33	46320196A	4	30
072792153	6	15	072792173	6	15	075529169	5	8	0797913090	16	28	46320200A	20	28
072792153	7	15	072792173	7	15	075547050	4	9	0797913095	2	6	46320537A	3	33
072792154	7	15	072792174	6	15	075547060	4	9	0797913095	12	9	46340269A	3	32
072792154	6	15	072792174	7	15	075547070	4	9	0797913110	2	15	46340477A	10	8
072792155	6	15	072792175	7	15	075549265	16	27	0797950195	12	35	46370226A	3	28
072792155	7	15	072792175	6	15	075549310	12	8	080139657	18	25	60N102463	12	4
072792156	6	15	072792176	6	15	075559225	7	19	080377010	22	5	60N107330	19	8
072792156	7	15	072792176	7	15	075559229	6	39	080546408	11	24	60N107330	19	25
072792157	6	15	072792177	6	15	075929190	4	15	080546413	11	26	60N115088	26	57
072792157	6	45	072792177	7	15	075949280	9	14	080546450	41	25	60N115508	26	56
072792158	6	15	072792178	6	15	076592185	6	14	080546758	13	18	60N115541	26	55
072792158	7	15	072792178	7	15	076592185	7	14	080554190	19	13	637831526	11	11
072792159	7	15	072792179	6	15	076592190	6	14	080554190	18	10	705508225	8	53
072792159	6	15	072792179	7	15	076592190	7	14	080554790	13	2	70551637	12	7
072792160	6	15	072792180	7	15	076592195	6	14	080554790	18	10	706106016	24	17
072792160	7	15	072792180	6	15	076592195	7	14	082038463	13	3	706106016	10	29
072792161	7	15	072792181	6	15	076592205	6	14	082039676	21	14	706106025	3	48
072792161	6	15	072792181	7	15	076592205	7	14	082039711	21	13	706106025	3	36
072792162	6	15	072792182	6	15	076592205	6	14	082340070	16	37	706106120	3	36
072792162	7	15	072792182	7	15	079503420	26	52	082391050	26	41	706205040	19	22
072792163	6	15	072792183	6	15	079537092	18	27	082391050	24	22	706206025	12	20
072792163	7	15	072792183	7	15	079537094	18	27	090547490	4	20	706206025	10	7
072792164	7	15	072792184	6	15	079537096	18	27	090549960	9	20	706206025	11	48
072792164	6	15	072792184	7	15	079537098	18	27	090570220	9	3	706206070	10	42
072792165	7	15	072792185	6	15	079539741	18	21	096074040	24	15	706206450	20	36
072792165	6	15	072792185	7	15	079580230	22	13	096091765	27	9	706208090	11	49
072792166	6	15	072792186	6	15	079638305	17	2	22020176A	15	10	707006013	25	36
072792166	7	15	072792186	7	15	079654114	21	19	22032055A	9	18	707006020	25	6
072792167	7	15	072792187	6	15	079654116	18	15	22032083A	12	15	707006020	21	11
072792167	6	15	072792187	7	15	079654174	18	14	22032083A	9	16	707006020	23	7
072792168	6	45	072792188	6	15	079654184	21	21	22032083A	11	31	707006030	14	12
072792168	7	15	072792188	7	15	079654184	19	11	41810206A	20	38	707006035	21	27
072792169	6	15	072792189	6	15	079654184	18	11	41820013A	23	32	707006061	16	42
072792169	7	15	072792189	7	15	079739752	18	24	42020008A	2	27	707008020	19	16
072792169	7	15	072792189	6	15	079739752	21	35	42020010A	19	12	707008055	23	14

DUCATI

INDICE GENERALE - INDEX - CONTENTS - VERZEICHNIS

TAVOLA
DRAWING
TABLE
BILD

750 PASO

N. CODICE CODE No. CODE Nr.	TAV. Draw- Table Bild	POS. N.	N. CODICE CODE No. CODE Nr.	TAV. Draw- Table Bild	POS. N.	N. CODICE CODE No. CODE Nr.	TAV. Draw- Table Bild	POS. N.	N. CODICE CODE No. CODE Nr.	TAV. Draw- Table Bild	POS. N.	N. CODICE CODE No. CODE Nr.	TAV. Draw- Table Bild	POS. N.
707008320	22-	6	715021624	23	30	722370654	23	28	732806002	12	41	757911747	11	9
707008420	19	16	715021624	8	56	722370655	17	23	732808002	2	4	762604606	23	3
707205010	13	5	715021624	17	43	722370721	26	54	732808002	17	49	762654429	12	34
707205012	13	28	715021624	7	46	722371074	27	38	734006000	43	43	764000001	16	5
707205012	26	40	715021624	6	34	724200001	26	48	734630449	17	29	764000002	16	26
707205016	13	16	715021624	7	21	724200002	27	7	735000827	25	19	764000003	16	34
707206010	23	26	715021627	6	41	724304001	17	28	735001440	12	28	764010001	21	10
707206014	21	17	715021631	10	41	724306001	12	42	735001542	2	14	764010002	25	7
707206016	13	29	715021631	2	1	724506001	25	10	735031747	20	10	764010003	25	-13
707206016	17	50	715021631	26	45	724506001	21	5	735032259	5	33	768350659	25	33
707206018	13	17	715021631	9	6	725140824	25	11	735033075	10	14	768351134	2	29
707206025	27	27	715021631	18	16	729431452	7	50	741010770	4	14	774993421	11	2
707206025	26	28	715021631	5	5	729431542	5	18	741210580	9	7	774993421	11	40
707206025	17	15	715021631	14	10	729431542	6	38	741720676	12	17	887005644	1	14
707206025	13	20	715021631	7	38	729808NN1	8	54	741721008	6	27	887130114	1	10
707206030	17	18	715021631	6	26	729808NN1	22	17	741721008	7	39	887130120	1	2
707206030	26	11	715021632	12	21	729814NF1	16	16	741721008	5	13	887130123	1	9
707206418	16	22	715021637	20	20	729905FN1	24	7	742230574	9	22	887130137	1	6
707208012	13	42	715021664	10	43	729905FN1	27	40	742240570	4	7	887130139	1	11
707210030	23	18	715022112	15	9	729906FN1	16	24	751101747	11	35	887130723	1	7
707310425	23	10	715022121	17	48	729906FN1	35	8	751101747	7	40	887130144	1	12
707310425	21	28	715022125	2	3	729906FN1	27	10	751101747	6	28	887130146	1	1
707310425	18	20	715022128	25	14	729906FN1	21	9	751102054	6	19	887130262	1	13
707310430	23	11	715022136	23	48	729906FN1	14	15	751102054	11	12	887130710	1	5
707310435	23	9	715022140	20	6	729906FN1	26	31	751102054	10	30	887130748	1	3
707505010	25	22	715022144	9	9	729906FN1	13	21	751102054	7	31	887130768	1	4
707505014	25	23	715022158	11	20	729908FN1	27	21	751132566	3	30	887130781	23	5
707806516	23	45	715022605	20	4	729908FN1	23	15	751202567	10	27	937830812	7	53
709112109	13	44	715022609	20	3	729908FN1	25	15	751202567	11	7	937831524	11	41
712541298	8	49	715022609	20	3	729908FN1	6	45	751423380	11	4	937831526	10	17
712651030	8	18	715032600	16	4	729908FN1	7	27	751433380	10	32	937842030	10	13
713211315	8	23	715081301	3	17	729910FF1	23	22	751463256	22	19	937852035	10	34
715021023	26	18	715282140	22	16	729912FF1	16	33	751622566	22	4	938230114	20	21
715021306	19	23	717430690	19	19	732708001	13	43	751632054	16	7	938230201	20	34
715021613	20	40	720941303	26	9	732710001	23	19	751661237	5	25	938232037	10	15
715021616	7	54	720941616	11	5	732805002	12	5	751710827	5	21	938232037	4	26
715021616	12	36	721212106	4	2	732806001	11	28	751731542	7	36	938232037	9	15
715021624	5	2	721301631	21	6	732806001	2	2	751731542	6	24	938232082	10	10
715021624	11	46	721301631	25	34	732806001	12	19	751740827	10	37	938232131	11	42
715021624	26	47	722310871	27	36	732806002	8	57	757911747	10	25	998234150	6	43

DUCATI

INDICE GENERALE - INDEX - CONTENTS - VERZEICHNIS

TAVOLA
DRAWING
TABLE
Bild

750 PASO

N. CODICE CODE No. CODE Nr.	TAV. Drawg. Table Bild	POS. N.	N. CODICE CODE No. CODE Nr.	TAV. Drawg. Table Bild	POS. N.	N. CODICE CODE No. CODE Nr.	TAV. Drawg. Table Bild	POS. N.	N. CODICE CODE No. CODE Nr.	TAV. Drawg. Table Bild	POS. N.
938234150	7	23									
938272210	10	45									
981120002	1	8									