





Spare parts catalogue ***848 U.S.A.***

DUCATI *SUPERBIKE*

DUCATIMOTOR HOLDING  848	M.Y. '08	U.S.A.
Spare Parts Department P.N. 91512701B	Luglio - July '07	Edizione - Edition 00
DUCATIMOTOR HOLDING  848	M.Y. '08	U.S.A.
Spare Parts Department P.N. 91512701B	Luglio - July '07	Edizione - Edition 00
DUCATIMOTOR HOLDING  848	M.Y. '08	U.S.A.
Spare Parts Department P.N. 91512701B	Luglio - July '07	Edizione - Edition 00
DUCATIMOTOR HOLDING  848	M.Y. '08	U.S.A.
Spare Parts Department P.N. 91512701B	Luglio - July '07	Edizione - Edition 00

GENERAL INFORMATION

The present spare parts order exactly the right spare parts

When ordering specify:

1) the part's code number followed by its description; quantity needed;

2) the motorcycle's serial number, stamped on the steering head.

Reference to right and left apply to the vehicle in terms of its direction of movement.

Spare parts drawings are general and do not represent the part.

The contents of this catalogue are general and can undergo changes without prior notice.

VALIDITY

f.m. Until V.I.N.
d.m. From V.I.N.
f.m.m. Up to engine number
d.m.m. From engine number

LIST

CAL California
CND Canada

*Ducati Motor Holding S.p.A.
Commercial and Administration Office:
Via A. Cavalieri Ducati n. 3
40132 Bologna, Italy
Telefono 051 6413111
Fax 051 406580
Internet www.ducati.com*

CATALOGUE No: 915.1.270.1B
ISSUED: 07 - 07

CATALOGUE No: 915.1.270.1B
ISSUED: 07 - 07

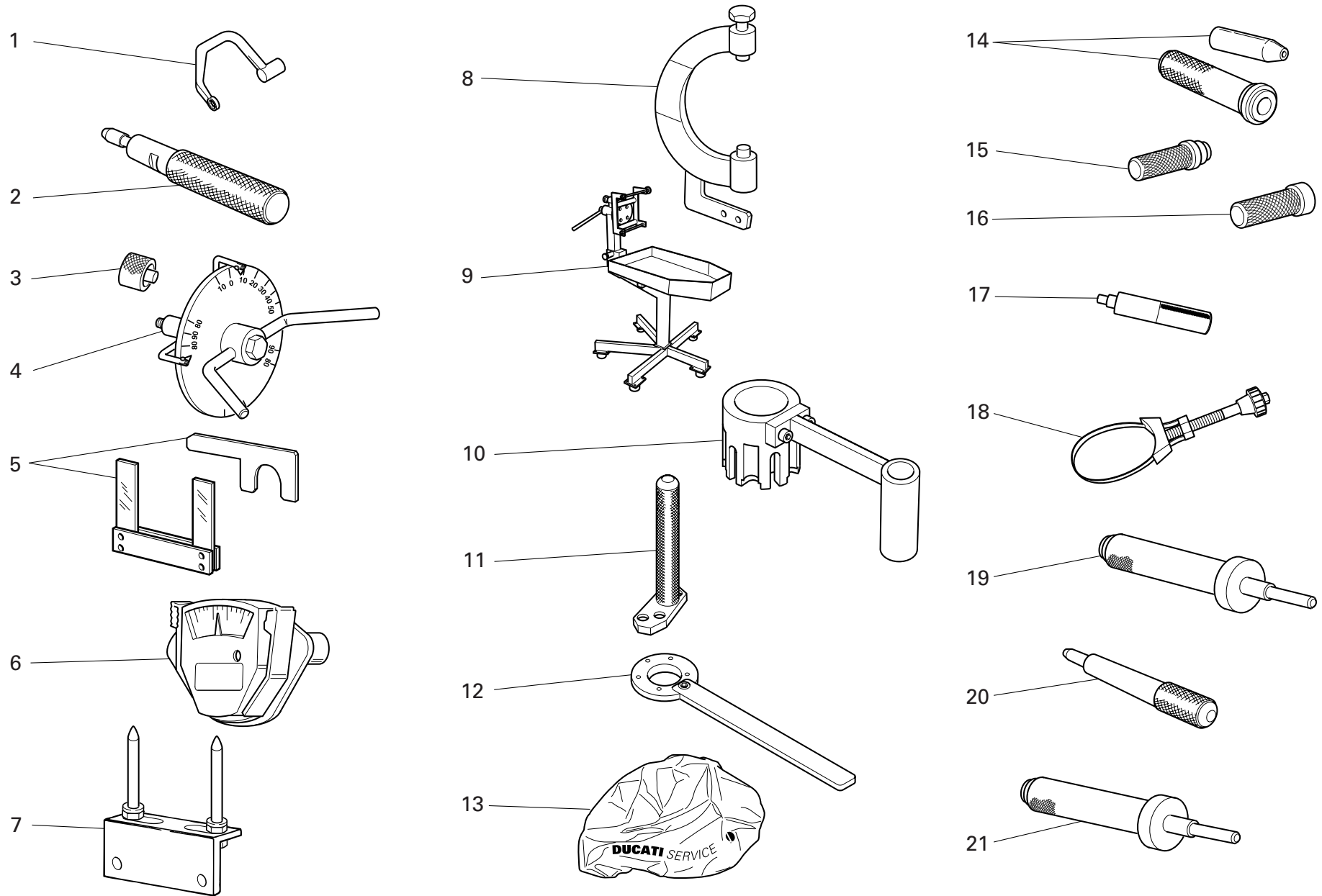
PAINTS

Paint	Code
"Rosso Anniversary DUCATI"	(PPG) F_473.101
"Bianco Perla"	(PPG) *0040
"Trasparente"	(PPG) 228.880




page	CONTENTS
4	001 WORKSHOP SERVICE TOOLS
6	001a WORKSHOP SERVICE TOOLS
8	001b WORKSHOP SERVICE TOOLS
10	001c DDS TESTER
12	001d WORKSHOP SERVICE TOOLS
14	002 GEARCHANGE CONTROL
16	003 GEARBOX
18	004 CLUTCH
20	005 CLUTCH-SIDE CRANKCASE COVER
22	006 CONNECTING RODS
24	007 CYLINDERS - PISTONS
26	008 TIMING SYSTEM
28	009 FILTERS AND OIL PUMP
30	010 CRANKCASE HALVES
32	010a CRANKCASE HALVES
34	011 WATER PUMP-ALTR-SIDE CRNKCE COVER
36	012 ELECTRIC STARTING AND IGNITION
38	013 CYLINDER HEAD : TIMING SYSTEM
40	014 VERTICAL CYLINDER HEAD
42	015 HORIZONTAL CYLINDER HEAD
44	016 OIL COOLER
46	017 THROTTLE BODY
48	018 BATTERY SUPPORT
50	018a ELECTRICAL SYSTEM
52	019 EXHAUST SYSTEM
54	020 HEADLIGHT & INSTR. PANEL
56	021 HANDLEBARS AND CONTROLS
58	021a FRONT FORKS
60	022 FRAME
62	022a STAND
64	023 CLUTCH CONTROL
66	024 FRONT BRAKE
68	025 REAR BRAKE
70	026 FRONT AND REAR WHEELS
72	026a REAR WHEEL AXLE
74	027 REAR SUBFRAME
76	027a NUMBER PLATE HOLDER
78	028 REAR SUSPENSION
80	028a SWINGARM
82	029 AIR INTAKE - OIL BREATHER
84	030 RADIATOR
86	031 COOLING SYSTEM
88	032 FUEL TANK
90	032a FUEL SYSTEM
92	033 SEAT
94	034 HEADLIGHT FAIRING
96	034a FAIRING
98	035 EVAPORATIVE EMISSIONS CANISTER
100	036 DATA PLATE POSITIONS

DRAWING 001 WORKSHOP SERVICE TOOLS



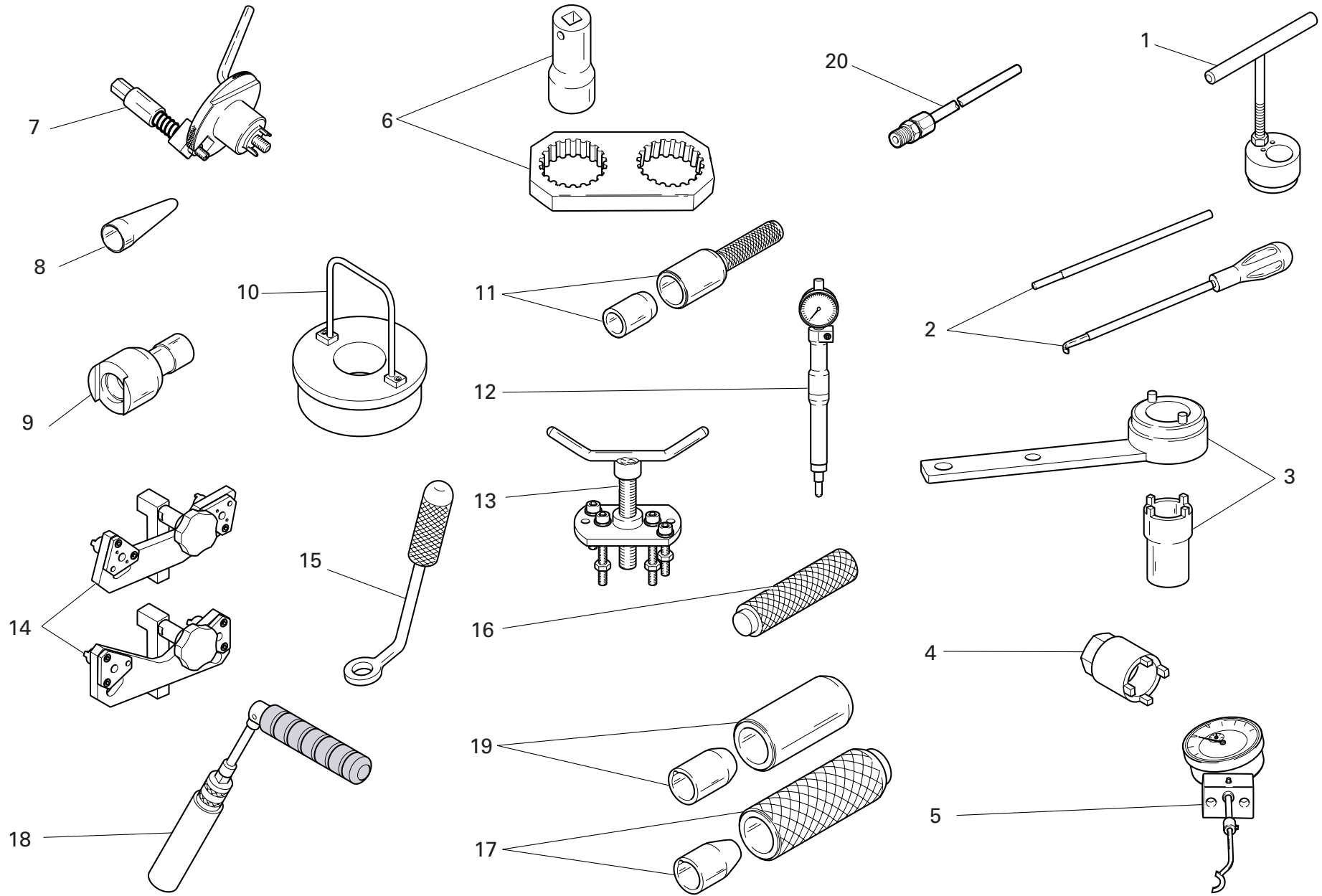
DRAWING 001

WORKSHOP SERVICE TOOLS


NOTES NO.	CODE NO.	DESCRIPTION	VALIDITY	Q.TY 
1	88713.2676	Head nuts holder wrench		1
2	88713.2442	Seal ring driving tool		1
3	88765.1298	Spacer for checking lower valve shim		1
4	88713.0123	Degree wheel holder tool for ignition advance check		1
5	88713.2878	Spacer and fork feeler gauge 0,2/0,3 mm		1
6	88765.0999	Timing belt control gauge		1
7	88713.2103	Head mounting base		1
8	88713.2874	Flywheel Wrench		1
9	88713.1832	Bench for engine repair		1
10	88713.2651	Reaction tool for wet "FCC" clutch		1
11	88713.2827	Plate for positioning gear engagement fork		1
12	88713.2423	Torque wrench		1
13	88713.1886	Engine canvas		1
14	88700.5749	Crankcases assembling cap		1
15	88713.0869	Tool for assembling water pump front seal		1
16	88713.0870	Tool for assembling water pump front seal		1
17	88713.2669	Roller cage fitting tool on primary shaft		1
18	88713.2906	Wrench to tighten oil filter cartridge		1
19	88713.2847	Tool to fit intake valve seat		1
20	88713.2842	Tool to fit intake/exhaust valve guide		1
21	88713.2846	Tool to fit exhaust valve seat		1

NOTES NO.	CODE NO.	DESCRIPTION	VALIDITY	Q.TY 
-----------	----------	-------------	----------	--

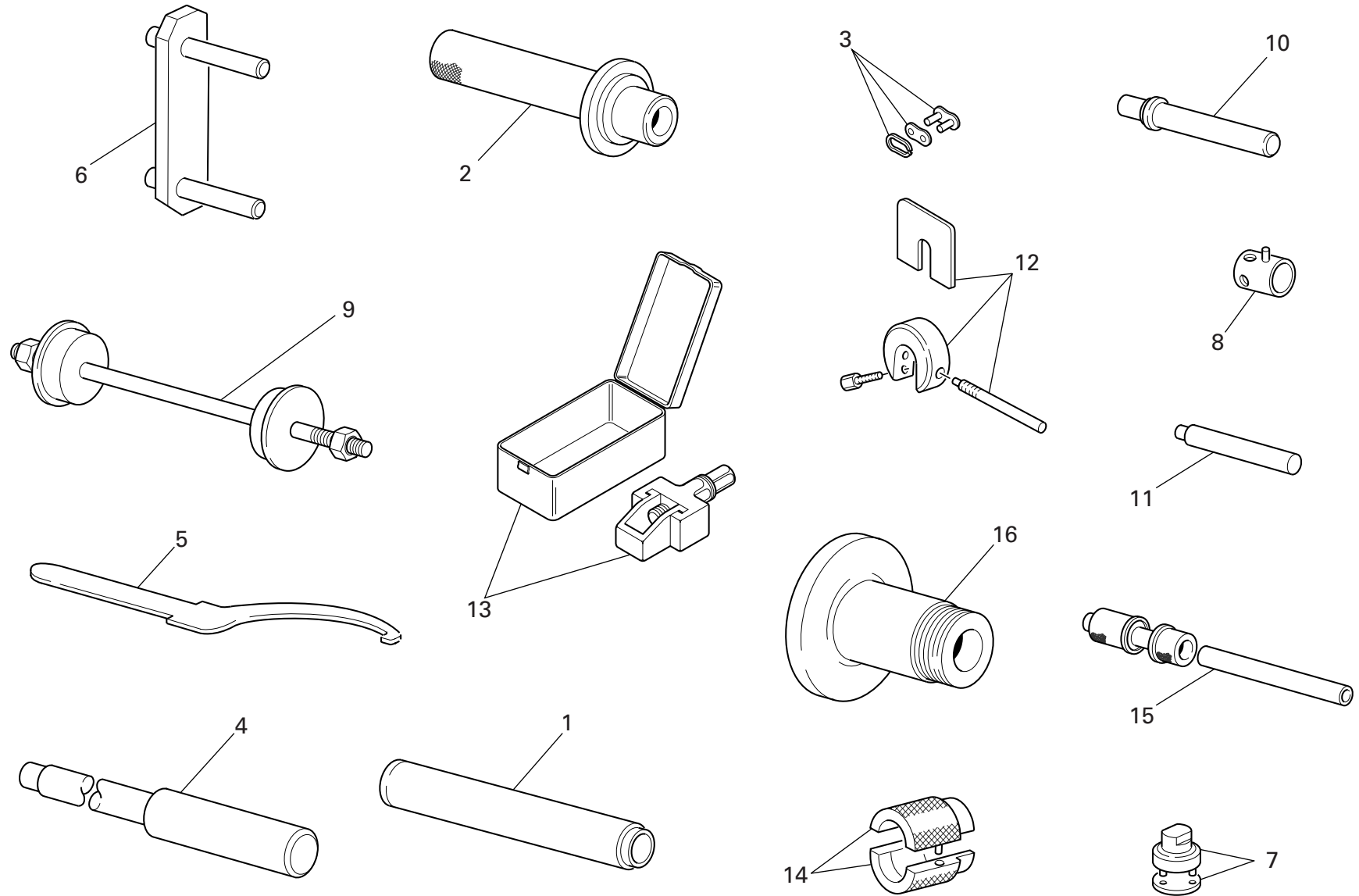
DRAWING 001a WORKSHOP SERVICE TOOLS



DRAWING 001a WORKSHOP SERVICE TOOLS

NOTES NO.	CODE NO.	DESCRIPTION	VALIDITY	Q.TY 
1	88713.2832	Wrench for tensioning mobile belt tensioner		1
2	88713.2069	Rocker spring pre-load compound kit		1
3	88713.1805	Driving roller tightening tool		1
4	88713.2422	Wrench for tightening primary transmission ring nut		1
5	88765.1518	Valve lift gauge		1
6	88713.1806	Reaction tool for belt roller tightening		1
7	88713.2011	Tool to hold crankshaft in TDC position		1
8	88713.1920	Tool to fit O-rings onto stud bolts		1
9	88713.1821	Wrench to tighten tensioning bolts		1
10	88713.2870	Con-rod guiding tool		1
11	88713.2060	Seal ring driving tool		1
12	88765.1188	T.D.C. control gauge		1
13	88713.1749	Drive roller puller		1
14	88765.1524	Belt roller timing tool		1
15	88713.1904	Half-rings mounting punch tool		1
16	88713.1980	Drift to drive retainers onto shafts		1
17	88713.2834	Snap ring installation tool		1
18	88713.2877	Spark plug tool		1
19	88713.2861	Tool to fit seals on camshafts		1
20	88713.1010	Union for exhaust gas suction		1

NOTES NO.	CODE NO.	DESCRIPTION	VALIDITY	Q.TY 
-----------	----------	-------------	----------	--

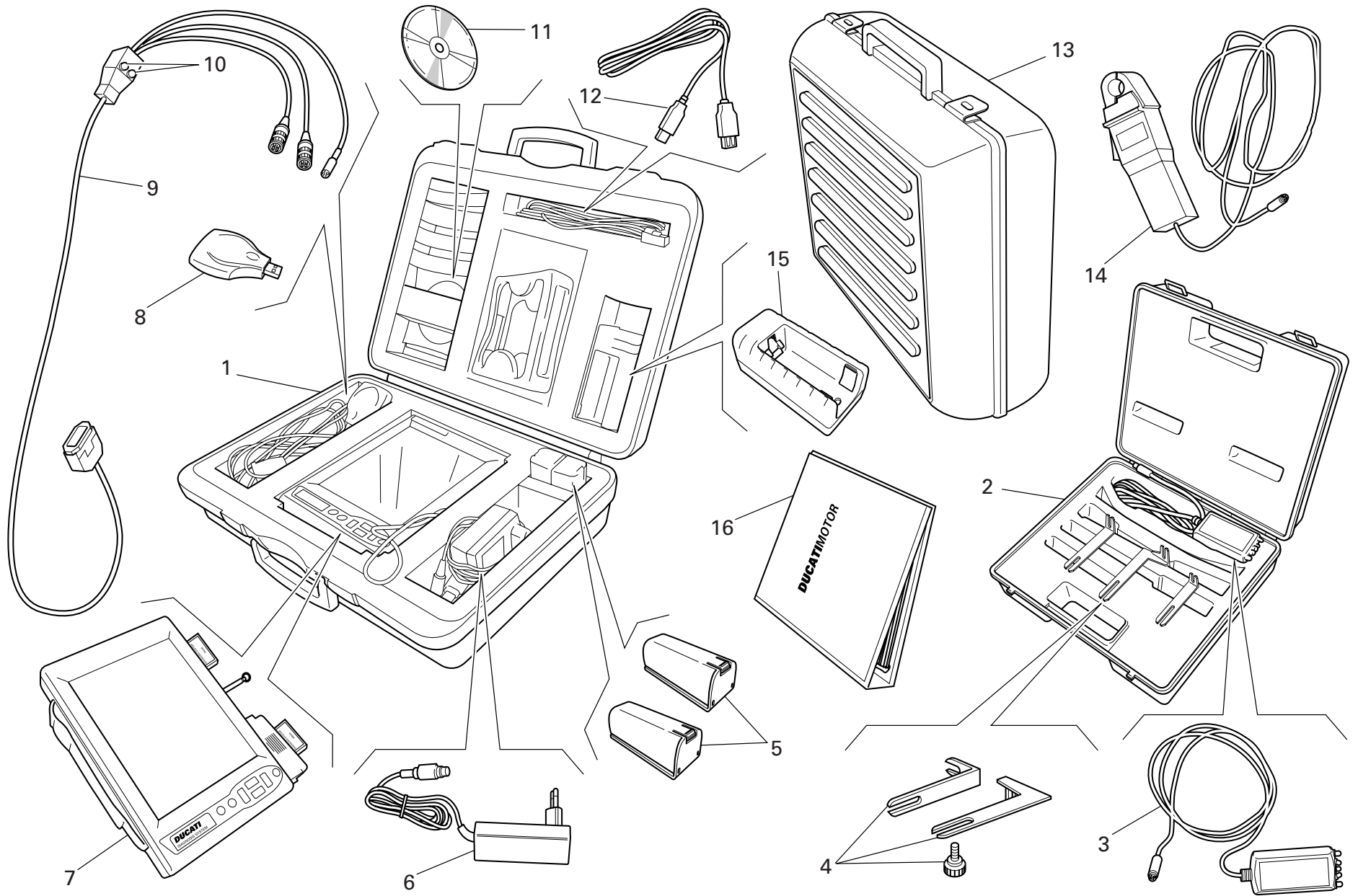


DRAWING 001b WORKSHOP SERVICE TOOLS


NOTES NO.	CODE NO.	DESCRIPTION	VALIDITY	Q.TY 
1	88713.1072	Stopper for driving the half bearing of the steering head base		1
2	88713.1068	Stopper for assembling the rear fork roller bearings		1
3	677.4.003.1A	Coupling		1
4	88713.1074	Stopper for disassembling the swingarm pivot		1
5	88713.1038	Wrench for adjusting the eccentric hub		1
6	88713.1515	Frame/engine mount		1
7	88713.1058	Wrench for assembling the steering head cap		1
8	8000.70139	Wrench for front wheel spindle		1
9	88713.1062	Tool for assembling the steering head bearings		1
10	88713.1071	Stopper for assembling the rocker needle bearings		1
11	88713.1057	Stopper for inserting the steering damper bearing		1
12	88713.0957	Tool for holding SHOWA fork spacer		1
13	88713.2562	Tool for assembling chain		1
14	88713.1096	Tool for overhauling SHOWA forks - assembling seal ring		1
15	88713.2409	Tool for assembling the swingarm ball bearings		1
16	88713.2951	Tool for balancing rear wheel		1

NOTES NO.	CODE NO.	DESCRIPTION	VALIDITY	Q.TY 
-----------	----------	-------------	----------	--

DRAWING 001c DDS TESTER

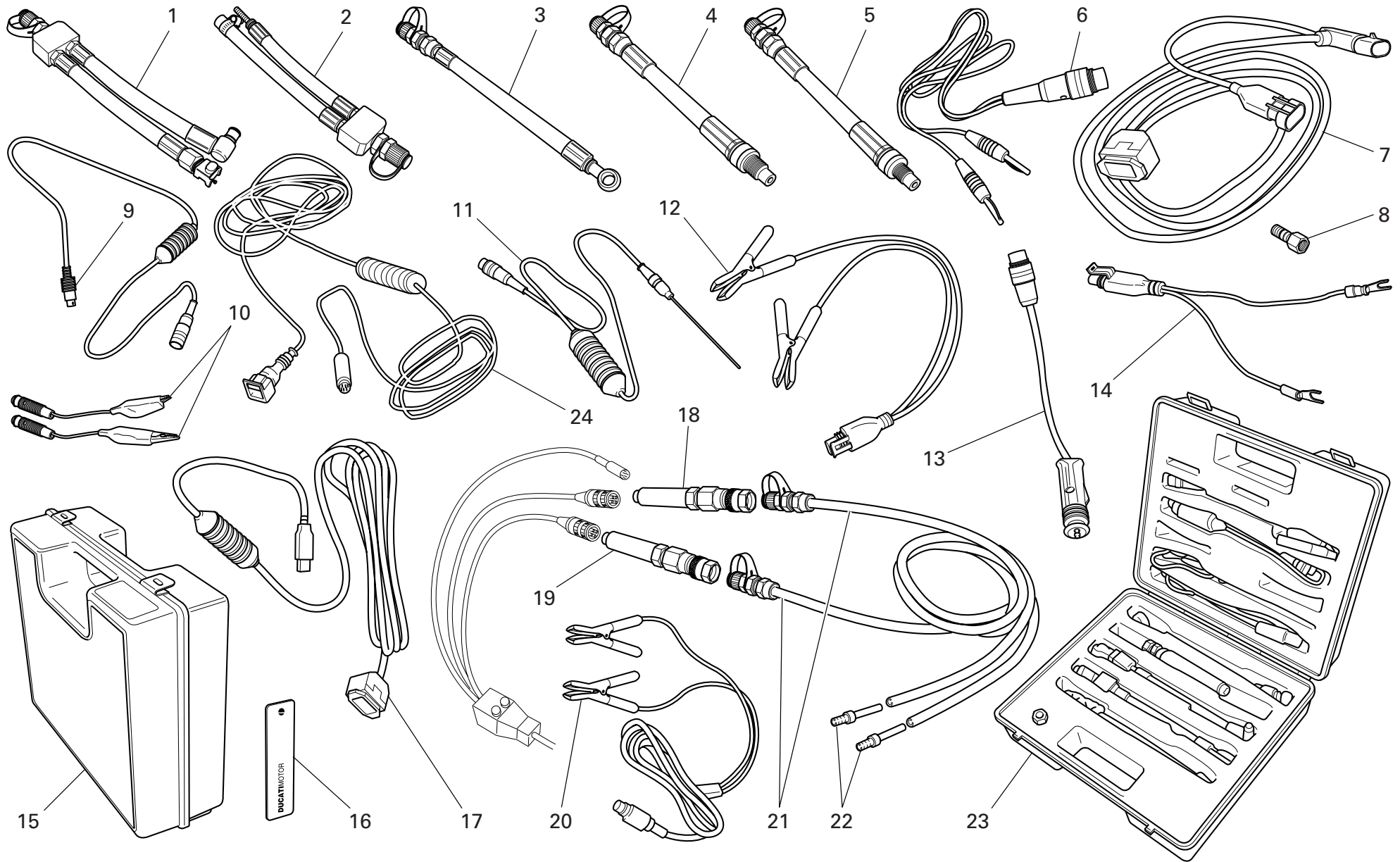


DRAWING 001c DDS TESTER

NOTES NO.	CODE NO.	DESCRIPTION	VALIDITY	Q.TY 
1	97900.0215	DDS (Ducati Diagnosis System) + manifold vacuum meter. kit		1
2	97900.0002	Belt tensioning kit		1
3	88765.1371	Sensor		1
4	88765.1374	Bracket		1
5	97900.0216	Battery		2
6	97900.0224	Feeder		1
7	97900.0211	Bare DDS		1
8	97900.0225	(USB) Memory card reader		1
9	97900.0222	Main cable 1060838		1
10	97900.0219	Fuse		2
11	97900.0223	Software DDS CD		1
12	97900.0226	(USB) Cable extension		1
13	97900.0229	Black case with sponge rubber		1
14	88765.1126V	Amperometer plier		1
15	97900.0217	Battery charger		1
16	97900.0232	DDS manual		1

NOTES NO.	CODE NO.	DESCRIPTION	VALIDITY	Q.TY 
-----------	----------	-------------	----------	--

DRAWING 001d WORKSHOP SERVICE TOOLS



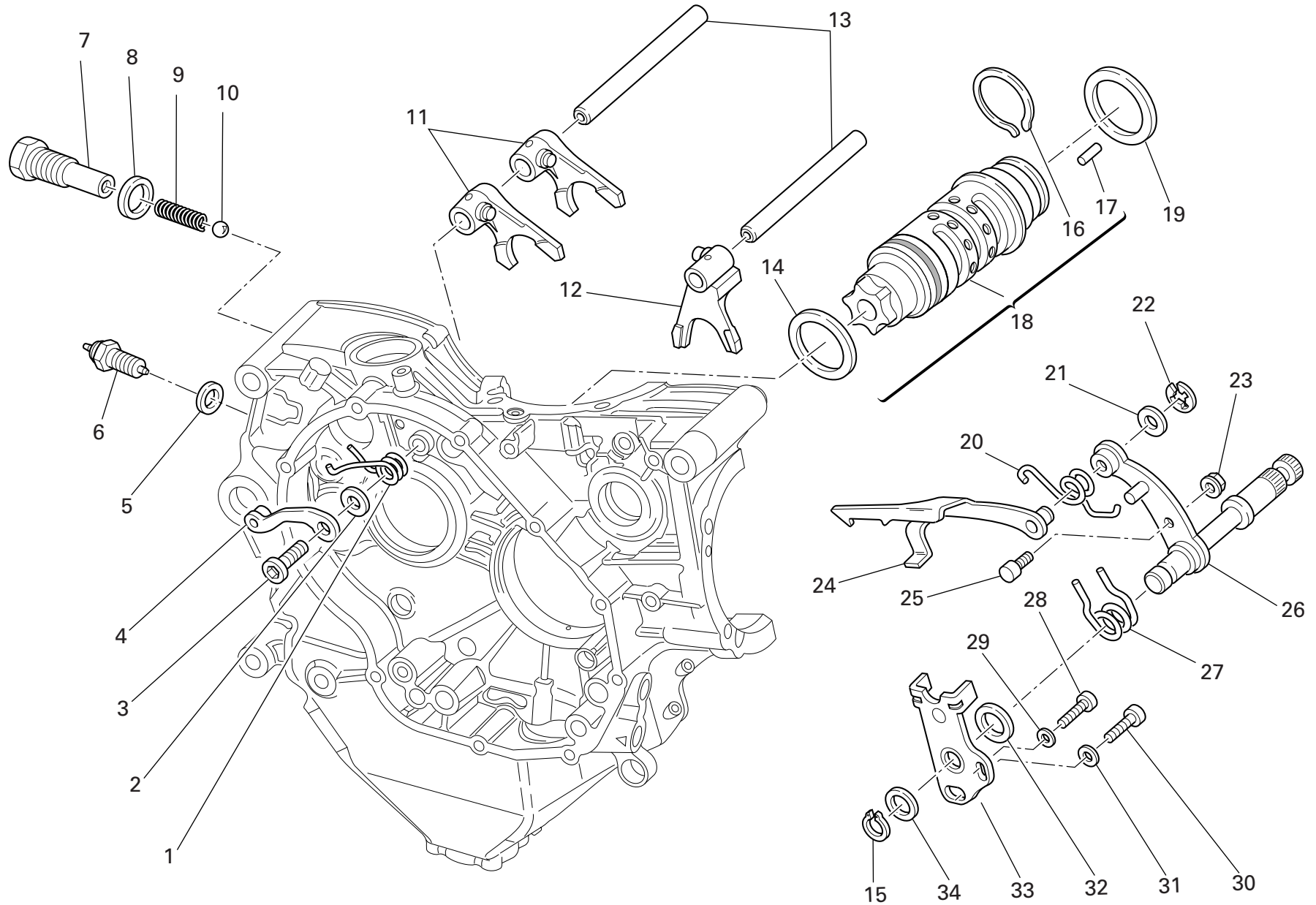
DRAWING 001d WORKSHOP SERVICE TOOLS

NOTES NO.	CODE NO.	DESCRIPTION	VALIDITY	Q.TY 
1	590.1.189.1A	Fuel pressure line HS.		1
2	590.1.190.1A	Fuel pressure line ST/SS/M.		1
3	875.1.065.1A	Oil pressure line		1
4	552.1.037.1A	Fitting - cylinder compression M12		1
5	552.1.038.1A	Fitting - cylinder compression M10		1
6	514.1.037.1A	Cable Volt PF DUC 21		1
7	97900.0227	Main cable D607		1
8	814.1.114.1A	Oil pressure fitting		1
9	514.1.032.1A	Cable for supplementary tests		1
10	514.1.035.1A	Red clamp cable		1
10	514.1.036.1A	Black clamp cable		1
11	552.1.040.1A	Temperature probe		1
12	97900.0228	Battery connection adapter		1
13	514.1.033.1A	Electric lighter connection adapter (ST)		1
14	514.1.038.1A	Battery connection adapter		1
15	698.1.033.1A	Red case with sponge rubber		1
16	88765.1126T	DUCATI sticker RH/LH side		2
17	97900.0231	(USB) Adaptor		1
18	97900.0218	Depressure sensor		1
19	552.1.039.1A	Pressure sensor		1
20	97900.0230	Feeder		1
21	97900.0220	Depressure/pressure line		2
22	97900.0221	Union		4
23	97900.0003	Pressure kit		1
24	88765.1126C	Cable for potentiometer adjustment		1

NOTES NO.	CODE NO.	DESCRIPTION	VALIDITY	Q.TY 
-----------	----------	-------------	----------	--


DRAWING 002

GEARCHANGE CONTROL



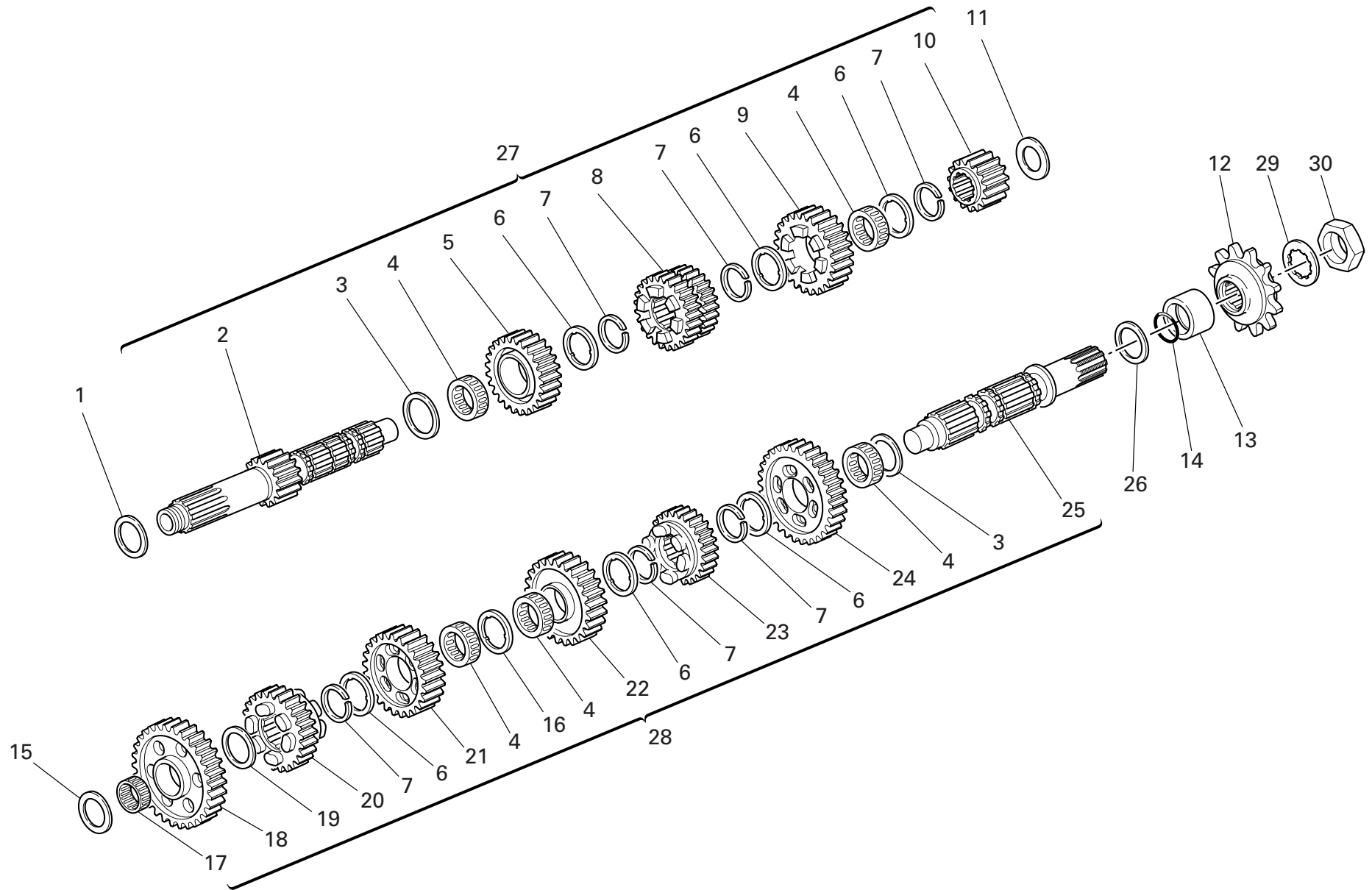
DRAWING 002 GEARCHANGE CONTROL

NOTES NO.	CODE NO.	DESCRIPTION	VALIDITY	Q.TY 
1	799.1.049.1A	Return spring		1
2	852.1.053.2A	Washer		1
3	779.1.039.1A	Special screw		1
4	455.2.003.1A	Gear stopper assembly		1
5	852.5.024.1A	Gasket th.1		1
6	539.1.021.1B	Switch		1
7	779.1.203.3A	Special screw		1
8	0272.91.090	Gasket		1
9	0660.13.143	Gear selector spring		1
10	76835.1134	Ball		1
11	180.1.001.1A	1st,4th-2nd,3rd gear selector fork		2
12	180.1.002.1A	5th,6th gear selector fork		1
13	821.1.268.1A	Fork pin		2
14	852.1.005.1A	Shim th. 1		1
15	73500.1542	Circlip		1
16	882.1.006.1A	Needle retaining ring (square cross-section)		1
17	821.1.070.1A	Pin		6
18	182.2.028.1A	Complete gearbox drum		1
19	0660.13.060	Shim th. 1		1
19	852.1.094.1A	Shim th. 0.9		1
20	799.1.025.1A	Fork return spring		1
21	0400.09.050	Shim th. 0.5		1
21	0765.92.205	Shim th. 0.2		2
22	884.5.034.1A	Ring		1
23	748.1.040.1A	Nut		1
24	180.1.008.1A	Gearbox drum control fork		1
25	0660.13.165	Gearchange lever pin		1

NOTES NO.	CODE NO.	DESCRIPTION	VALIDITY	Q.TY 
26	821.1.001.1A	Pin with gearchange lever		1
27	0799.13.110	Gearchange lever return spring		1
28	771.1.026.3A	Screw		1
29	852.1.172.1A	Washer		1
30	771.5.123.8B	Screw		1
31	852.1.174.1A	Washer		1
32	881.1.012.1A	Centering ring		1
33	826.1.009.1A	Stopper plate		1
34	0400.29.125	Shim th. 0.2		2
34	0400.29.126	Shim th. 0.5		1


CATALOGUE No: 915.1.270.1B
ISSUED: 07 - 07


CATALOGUE No: 915.1.270.1B
ISSUED: 07 - 07



DRAWING 003

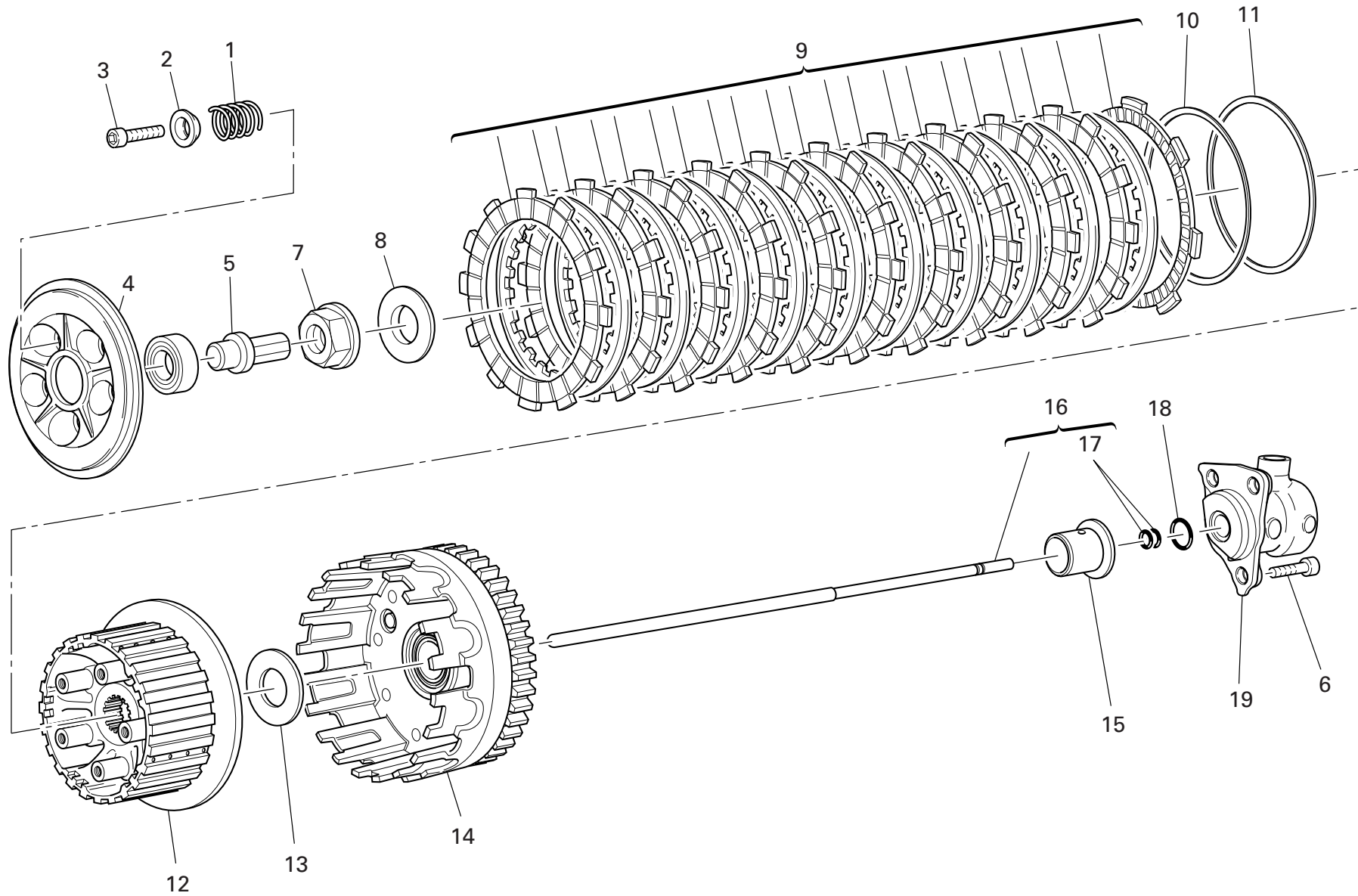
GEARBOX

NOTES NO.	CODE NO.	DESCRIPTION	VALIDITY	Q.TY 
1	0251.47.054	Shim th. 1.2		1
2	149.1.046.1A	Gearbox main shaft		1
3	0670.16.150	Shim th. 0.5		2
4	701.4.005.1A	Needle bearing		5
5	172.1.004.3C	Driving gear 5th sp.		1
6	856.1.001.1A	Grooved washer th. 0.5		6
7	0670.16.145	Snap ring		6
8	172.1.003.3C	Driving gear 3rd/4th sp.		1
9	172.1.005.3C	Driving gear 6th sp.		1
10	172.1.002.1B	Driving gear 2nd sp.		1
11	713.1.014.1E	Shim th. 1.6		1
12	449.A.045.1A	Chain sprocket Z=15		1
13	713.1.393.1A	Spacer		1
14	930.4.023.1A	O-ring		1
15	713.1.266.1A	Spacer th. 3,15		1
16	856.1.031.1A	Grooved washer th. 0.5		1
17	76402.0002	Needle bearing		1
18	172.1.218.2A	Driven gear 1st sp.		1
19	0670.16.155	Shim th. 1		1
20	172.1.010.3C	Driven gear 5th sp.		1
21	172.1.009.1C	Driven gear 4th sp.		1
22	172.1.008.1C	Driven gear 3rd sp.		1
23	172.1.011.3C	Driven gear 6th sp.		1
24	172.1.219.2A	Driven gear 2nd sp.		1
25	149.1.061.1A	Gearbox lay shaft		1
26	0670.16.170	Shim th. 0.8		1
27	150.2.098.2A	Complete main shaft		1

NOTES NO.	CODE NO.	DESCRIPTION	VALIDITY	Q.TY 
28	150.2.092.3A	Complete lay shaft		1
29	851.1.004.1A	Lock washer		1
30	750.1.007.1A	Nut		1

CATALOGUE No: 915.1.270.1B
ISSUED: 07 - 07

CATALOGUE No: 915.1.270.1B
ISSUED: 07 - 07



DRAWING 004

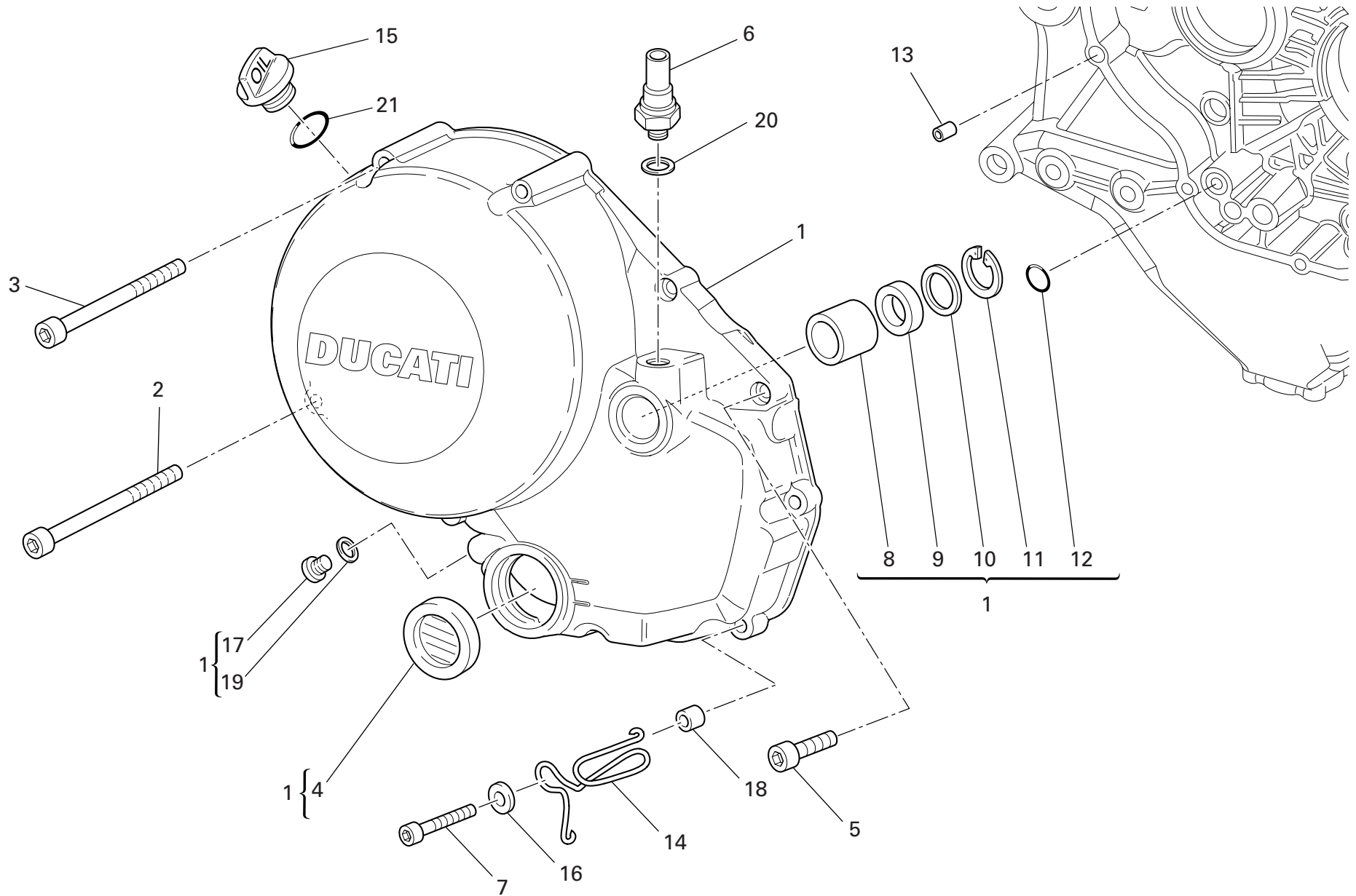
CLUTCH

NOTES NO.	CODE NO.	DESCRIPTION	VALIDITY	Q.TY 
1	797.1.032.1A	Clutch spring		5
2	841.1.046.1A	Retainer		5
3	771.5.072.8C	Screw		5
4	194.1.027.1A	Pressure plate "FCC"		1
5	818.1.016.1A	Clutch control pin "FCC"		1
6	771.5.065.2BB	Screw		3
7	748.1.013.1A	Hexagon nut		1
8	799.5.001.2A	Spring washer		1
9	190.2.013.1A	Clutch plates set		1
10	799.1.191.1A	Spring washer "FCC"		1
11	190.1.017.1A	Spring		1
12	196.1.035.1A	Plate holder hub "FCC"		1
13	713.1.309.1A	Spacer		1
14	198.2.036.1A	Clutch housing		1
15	713.1.237.1A	Spacer		1
16	117.2.007.1A	Clutch control rod		1
17	93823.2018	O-ring		2
18	886.4.043.1A	O-ring		1
19	195.4.003.1A	Piston assembly		1

NOTES NO.	CODE NO.	DESCRIPTION	VALIDITY	Q.TY 
-----------	----------	-------------	----------	--

DRAWING 005

CLUTCH-SIDE CRANKCASE COVER

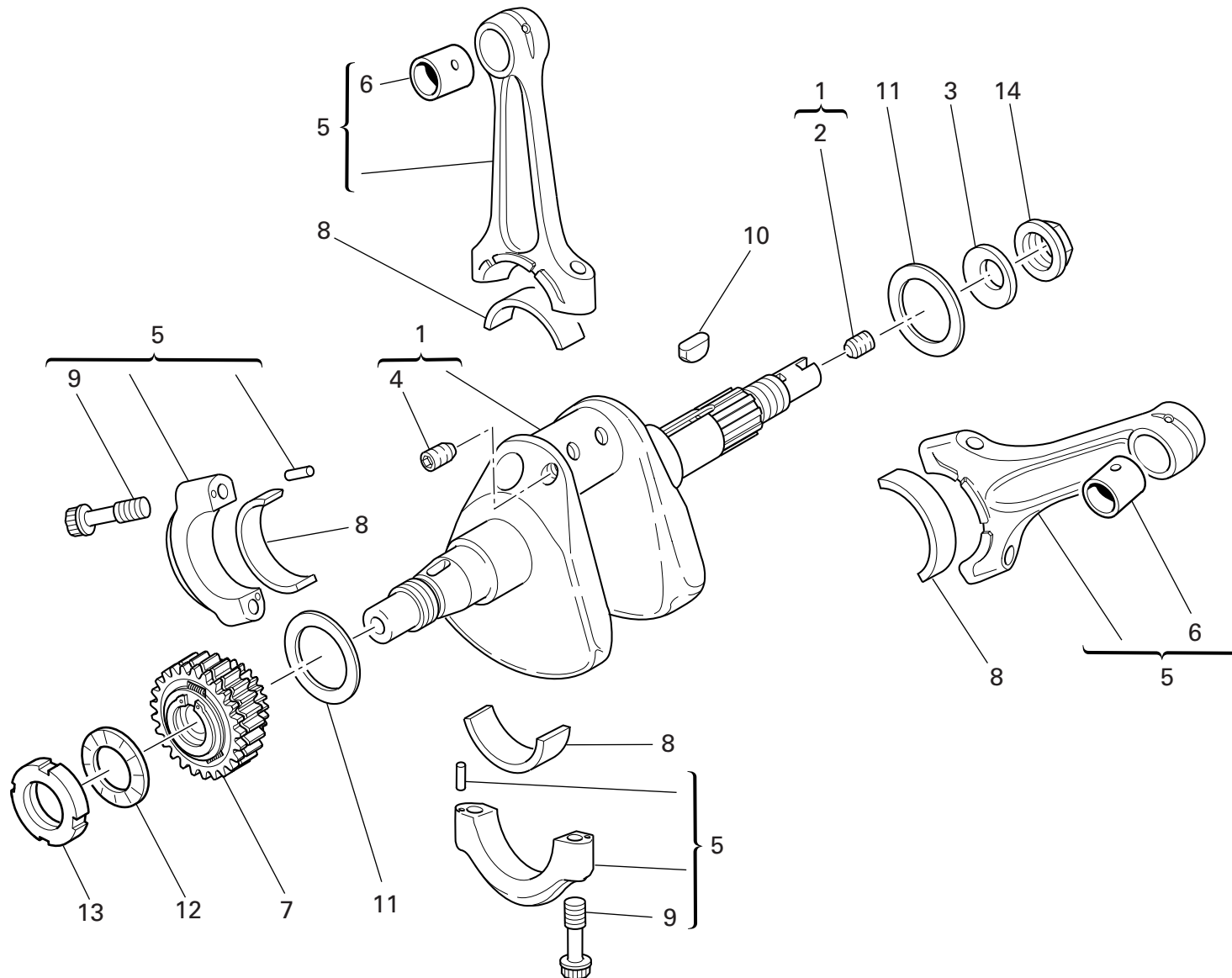


DRAWING 005


CLUTCH-SIDE CRANKCASE COVER


NOTES NO.	CODE NO.	DESCRIPTION	VALIDITY	Q.TY 
1	243.2.118.1AB	Cover clutch side		1
2	771.5.083.8B	Screw		1
3	771.5.081.8B	Screw		3
4	254.4.001.2A	Oil level sight glass		1
5	771.5.069.8B	Screw		4
6	539.4.030.2A	Switch		1
7	771.5.072.8B	Screw		1
8	0665.49.680	Bush		1
9	930.4.021.1A	Seal ring		1
10	852.1.135.1A	Shim th. 1		1
11	884.5.013.1A	Circlip		1
12	93827.0114	O-ring		1
13	711.1.160.1A	Locating bush		1
14	881.1.051.1A	Holder		1
15	893.1.012.1A	Cap		1
16	852.5.028.1A	Washer		1
17	780.5.001.1A	Cap		1
18	713.1.365.1A	Spacer		1
19	852.5.024.1A	Gasket th.1		1
20	852.1.195.1A	Gasket th.2		1
21	886.4.089.1A	O-ring		1

NOTES NO.	CODE NO.	DESCRIPTION	VALIDITY	Q.TY 
-----------	----------	-------------	----------	--



DRAWING 006 CONNECTING RODS

NOTES NO.	CODE NO.	DESCRIPTION	VALIDITY	Q.TY 
1	146.2.146.1A	Crankshaft		1
2	779.1.109.1A	Special screw		1
3	799.1.051.2A	Spring washer		1
4	779.1.547.1A	Special screw		2
5	158.2.020.2A	Connecting rods pair		1
6	711.1.089.1A	Bush		2
7	170.2.081.1A	Primary drive front sprocket		1
8	112.1.012.1AB	Half-bearing (BLUE)		2
8	112.1.012.1AC	Half-bearing (YELLOW)		2
9	779.1.007.2A	Special screw		4
10	0755.29.025	Woodruff key		1
11	852.1.104.1H	Shim th. 2.25		2
11	852.1.104.1A	Shim th. 1.9		2
11	852.1.104.1B	Shim th. 1.95		2
11	852.1.104.2C	Shim th. 2		2
11	852.1.104.2D	Shim th. 2,05		2
11	852.1.104.2E	Shim th. 2,1		2
11	852.1.104.2F	Shim th. 2,15		2
11	852.1.104.2G	Shim th. 2.2		2
11	852.1.104.2I	Shim th. 2.3		2
11	852.1.104.2J	Shim th. 2.35		2
11	852.1.104.1K	Shim th. 2,4		2
11	852.1.104.1L	Shim th. 2,45		2
11	852.1.104.1M	Shim th. 2.5		2
11	852.1.104.1N	Shim th. 2.55		2
12	851.4.003.1A	Lock washer		1
13	750.1.113.1A	Ring nut		1

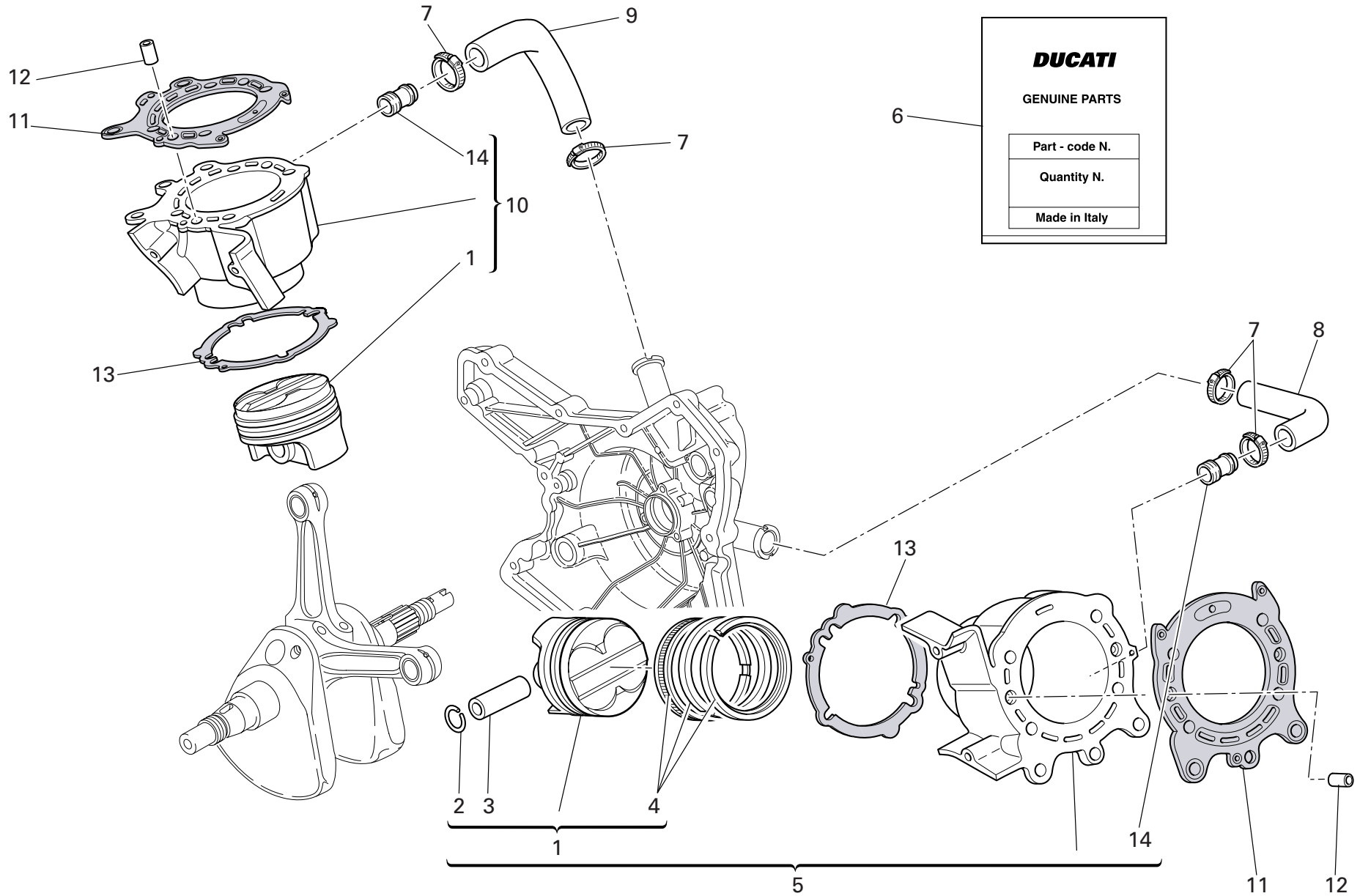
NOTES NO.	CODE NO.	DESCRIPTION	VALIDITY	Q.TY 
14	750.1.012.2A	Nut		1

CATALOGUE No: 915.1.270.1B
ISSUED: 07 - 07

CATALOGUE No: 915.1.270.1B
ISSUED: 07 - 07


DRAWING 007

CYLINDERS - PISTONS

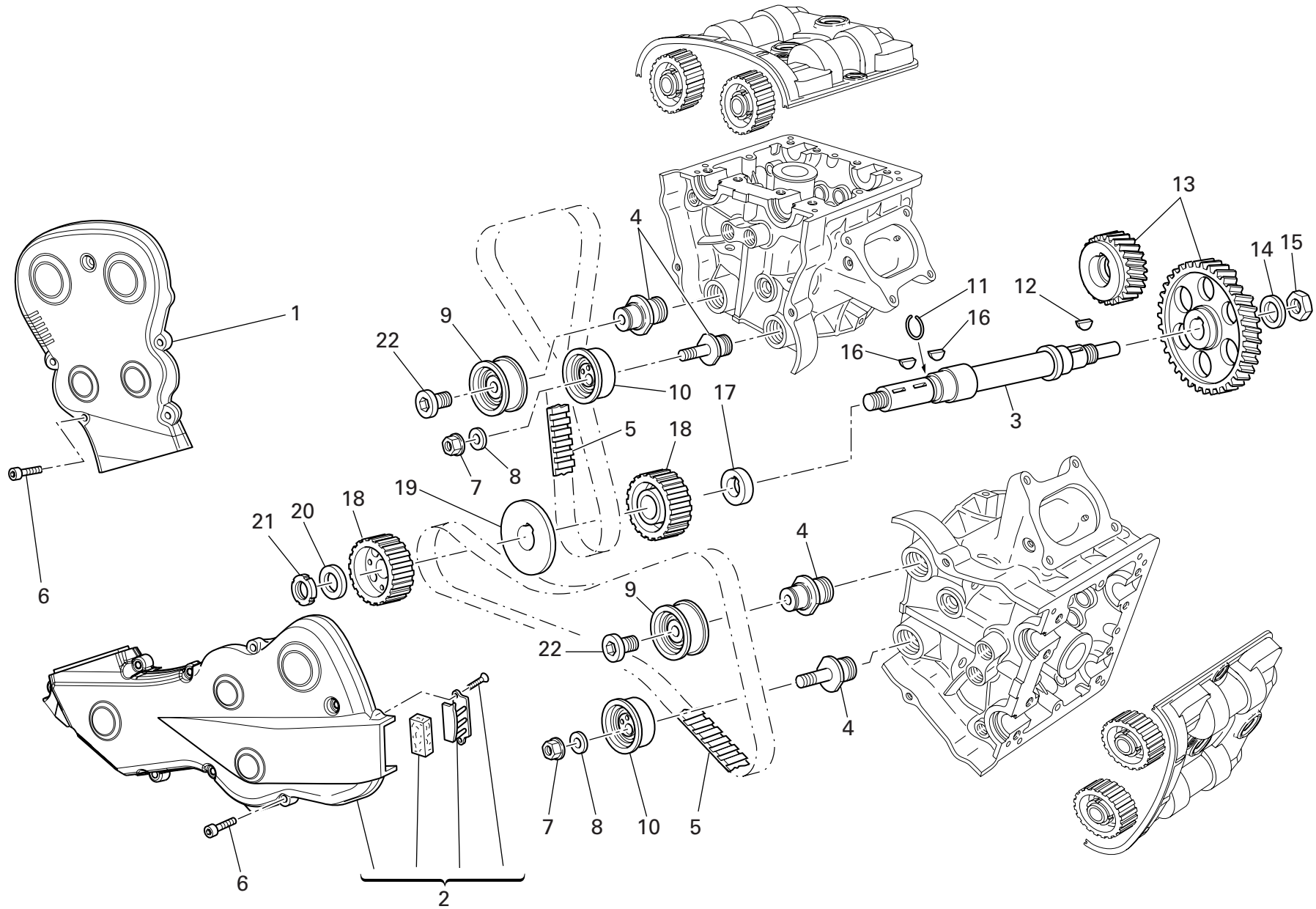


DRAWING 007

CYLINDERS - PISTONS

NOTES NO.	CODE NO.	DESCRIPTION	VALIDITY	Q.TY 
1	122.2.155.2A	Complete piston		2
2	121.1.079.1A	Piston pin circlip		4
3	121.1.078.2A	Piston pin		2
4	121.2.040.1A	Piston rings set		2
5	120.2.152.2A	Cylinder-piston fit (horizontal)		1
6	791.2.045.1A	Gaskets set		1
7	741.4.002.1A	Hose guide		4
8	800.1.123.1A	Horizontal cylinder water inlet hose		1
9	800.1.122.1A	Vertical cylinder water inlet hose		1
10	120.2.153.2A	Cylinder-piston fit (vertical)		1
11	786.1.096.1A	Head-cylinder gasket		2
12	711.1.219.1A	Bush		4
13	786.1.094.1A	Cylinder-crankcase gasket		2
14	668.1.001.4A	Water pump delivery filler		2

NOTES NO.	CODE NO.	DESCRIPTION	VALIDITY	Q.TY 
-----------	----------	-------------	----------	--



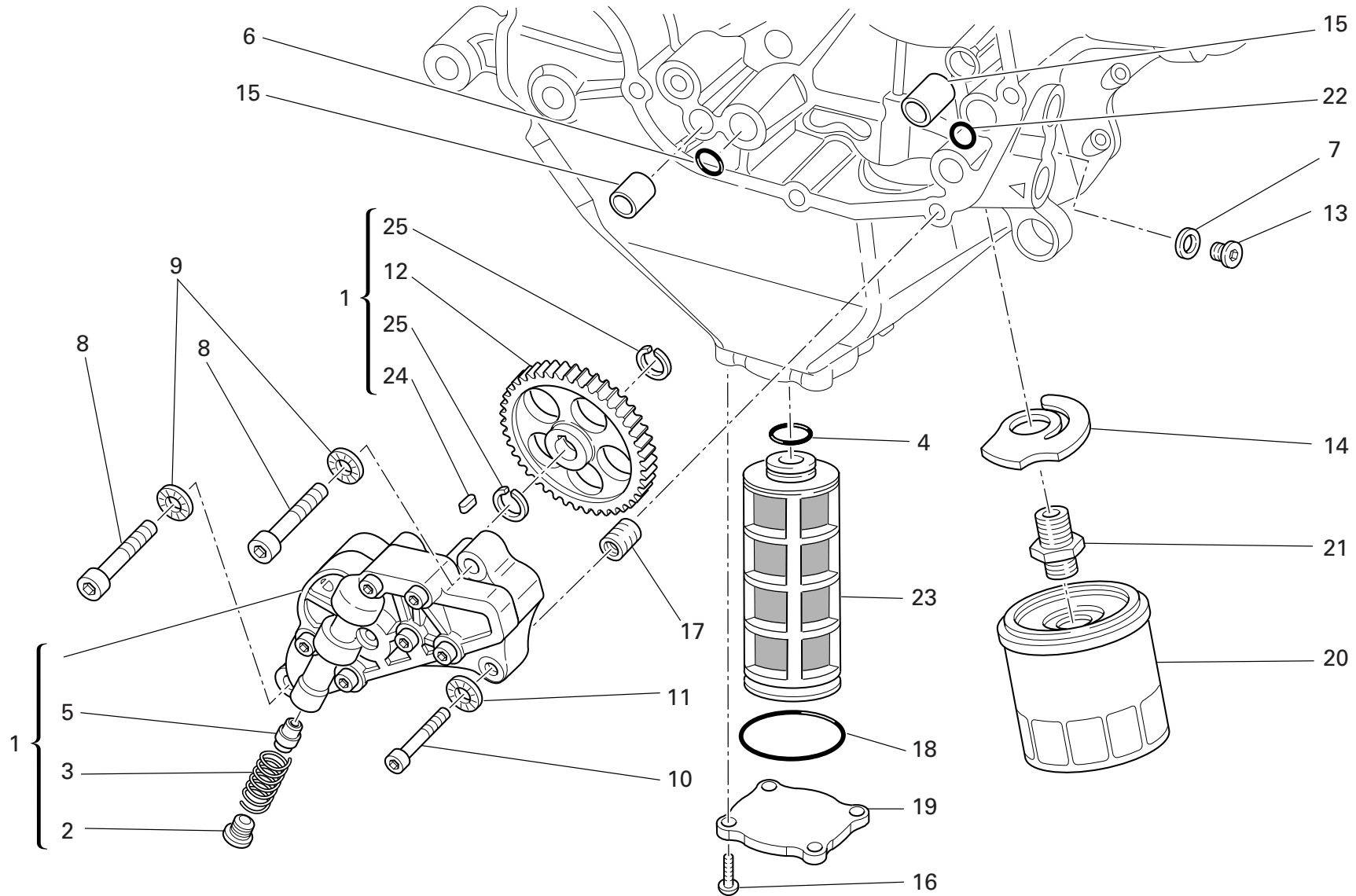
DRAWING 008 TIMING SYSTEM

NOTES NO.	CODE NO.	DESCRIPTION	VALIDITY	Q.TY 
1	245.1.071.2A	Vertical belt outer cover		1
2	245.2.070.2A	Horizontal belt outer cover assembly		1
3	147.1.014.2A	Timing lay shaft		1
4	451.1.044.1A	Tensioner roller pin		4
5	737.4.025.1A	Timing drive toothed belt		2
6	771.1.049.1A	Screw		13
7	749.4.008.1A	Nut		2
8	852.1.174.1A	Washer		2
9	451.2.018.5A	Complete fixed tensioner roller		2
10	451.2.019.5B	Complete movable tensioner roller		2
11	882.1.003.1A	Snap ring		1
12	0755.29.025	Woodruff key		1
13	171.2.075.1B	Timing gears pair		1
14	851.1.013.1A	Lock washer		1
15	0124.40.060	Hexagon nut		1
16	74172.1008	Woodruff key		2
17	716.1.128.1A	Spacer		1
18	255.1.010.3B	Timing belt roller		2
19	856.1.062.2A	Belt roller separating washer		1
20	716.1.072.2A	Spacer		1
21	703.5.006.2A	Elastic-stop ring nut		1
22	779.1.187.1A	Setscrew		2

NOTES NO.	CODE NO.	DESCRIPTION	VALIDITY	Q.TY 
-----------	----------	-------------	----------	--

DRAWING 009

FILTERS AND OIL PUMP



DRAWING 009 FILTERS AND OIL PUMP

NOTES NO.	CODE NO.	DESCRIPTION	VALIDITY	Q.TY 
1	174.2.038.1A	Complete oil pump		1
2	780.1.018.1A	Bypass cap		1
3	799.1.055.1A	Bypass spring		1
4	886.4.033.1A	O-ring		1
5	593.1.018.1A	Bypass valve		1
6	886.4.037.1A	O-ring		1
7	852.1.195.1A	Gasket th.2		1
8	771.5.129.8B	Screw		2
9	852.1.174.1A	Washer		2
10	771.5.069.8B	Screw		1
11	852.1.172.1A	Washer		1
12	174.1.038.1A	Pump drive gear		1
13	779.1.162.2A	Cap		1
14	799.2.077.2A	Bypass spring		1
15	0759.49.280	Locating bush		2
16	779.4.116.1A	Screw		4
17	0670.49.310	Reduction bush		1
18	886.4.034.1A	O-ring		1
19	247.1.290.1A	Cover		1
20	444.4.003.4A	Oil filter cartridge		1
21	815.1.028.1A	Nipple		1
22	93827.0114	O-ring		1
23	894.1.020.1A	Oil net filter		1
24	680.1.001.1B	Woodruff key		1
25	884.5.039.1A	Circlip		2

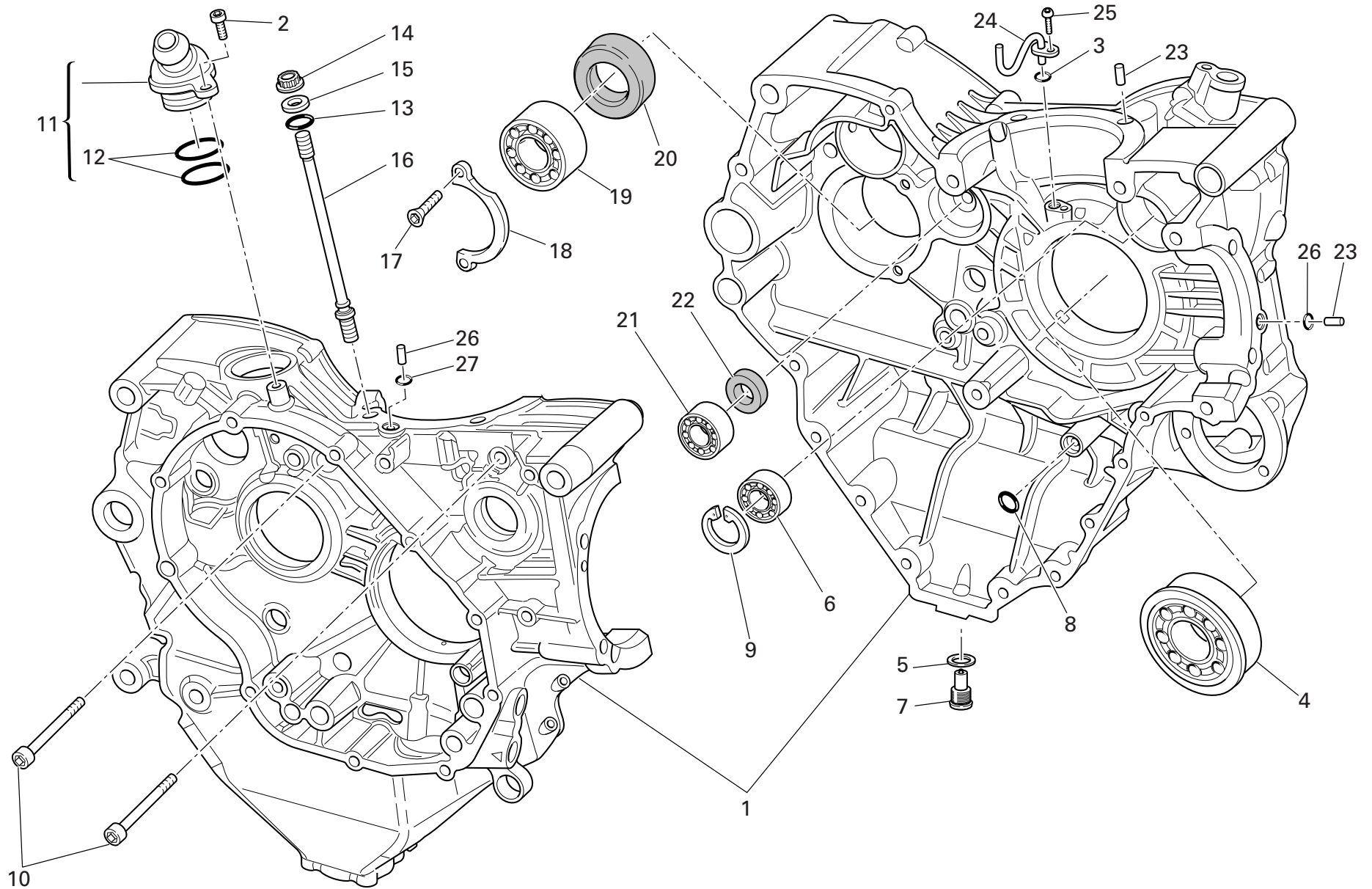
NOTES NO.	CODE NO.	DESCRIPTION	VALIDITY	Q.TY 
-----------	----------	-------------	----------	--

CATALOGUE No: 915.1.270.1B
ISSUED: 07 - 07


CATALOGUE No: 915.1.270.1B
ISSUED: 07 - 07

DRAWING 010

CRANKCASE HALVES



DRAWING **010** CRANKCASE HALVES

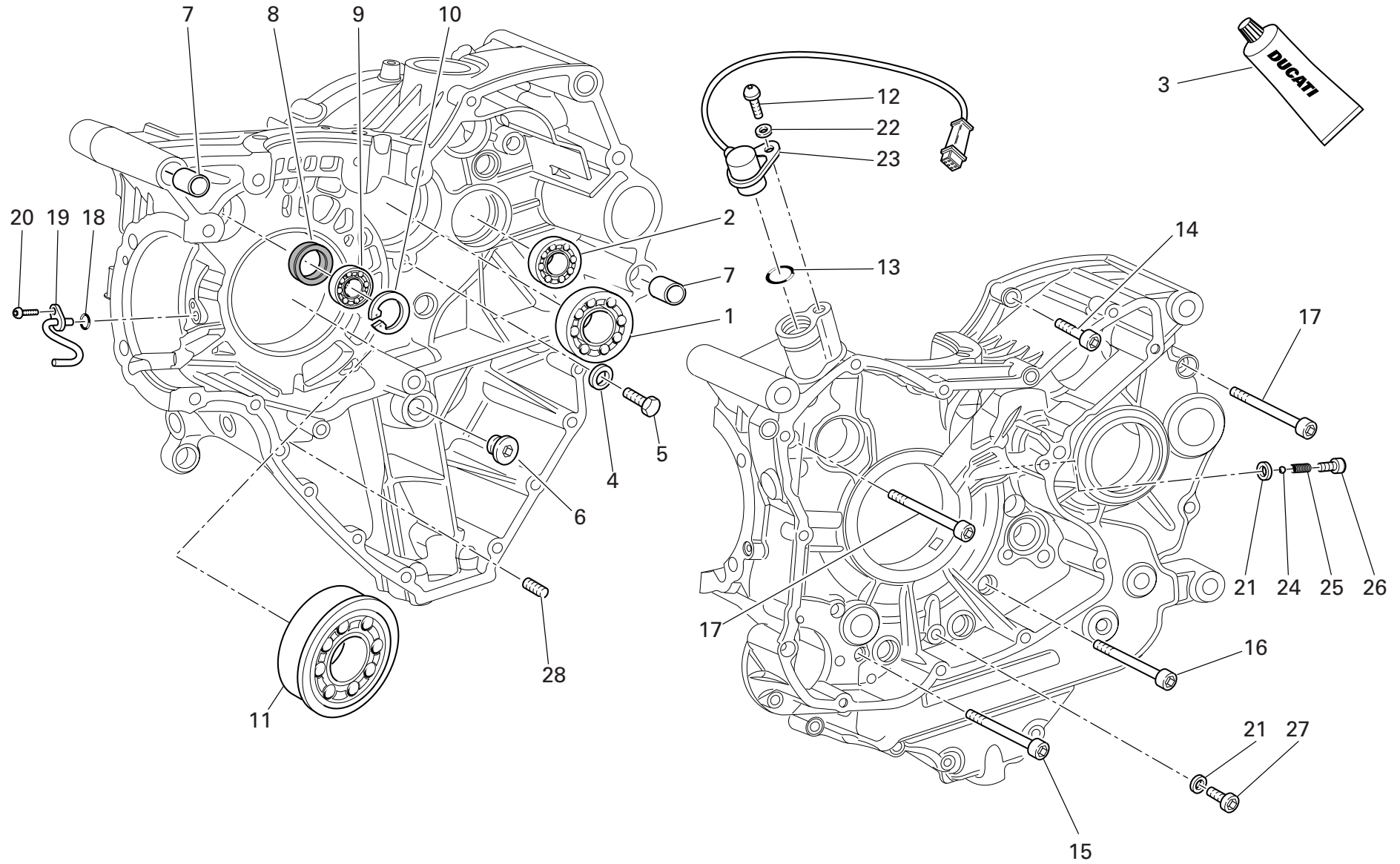
NOTES NO.	CODE NO.	DESCRIPTION	VALIDITY	Q.TY 
1	225.2.206.1A	Complete half-crankcases pair		1
2	771.5.065.8B	Screw		1
3	886.5.013.1A	O-Ring		1
4	702.4.092.1A	Bearing		1
5	852.5.026.1A	Aluminium gasket th.1,5		1
6	702.5.008.1A	Bearing		1
7	893.2.006.2A	Cap		1
8	93827.0114	O-ring		1
9	73503.3380	Circlip		1
10	771.5.136.8B	Screw		3
11	593.2.042.1A	Breather valve		1
12	463.2.022.2A	O-Ring		2
13	886.4.118.1A	O-ring		8
14	748.1.050.1A	Nut		8
15	856.1.064.2A	Special washer		8
16	766.1.055.2B	Stud bolt for fastening head cylinder		8
17	72094.1616	Screw		2
18	826.1.012.1A	Keep plate		1
19	702.4.013.1A	Bearing		1
20	930.4.022.1A	Seal ring		1
21	702.4.033.1A	Bearing		1
22	463.4.001.1A	Seal ring		1
23	860.1.005.1A	Locating dowel		4
24	875.1.123.1A	Tube		1
25	775.1.031.1B	Screw		1
26	886.1.024.1A	O-Ring		2
27	860.1.004.1A	Locating dowel		2

NOTES NO.	CODE NO.	DESCRIPTION	VALIDITY	Q.TY 
-----------	----------	-------------	----------	--


CATALOGUE No: 915.1.270.1B
ISSUED: 07 - 07


CATALOGUE No: 915.1.270.1B
ISSUED: 07 - 07

DRAWING 010a CRANKCASE HALVES



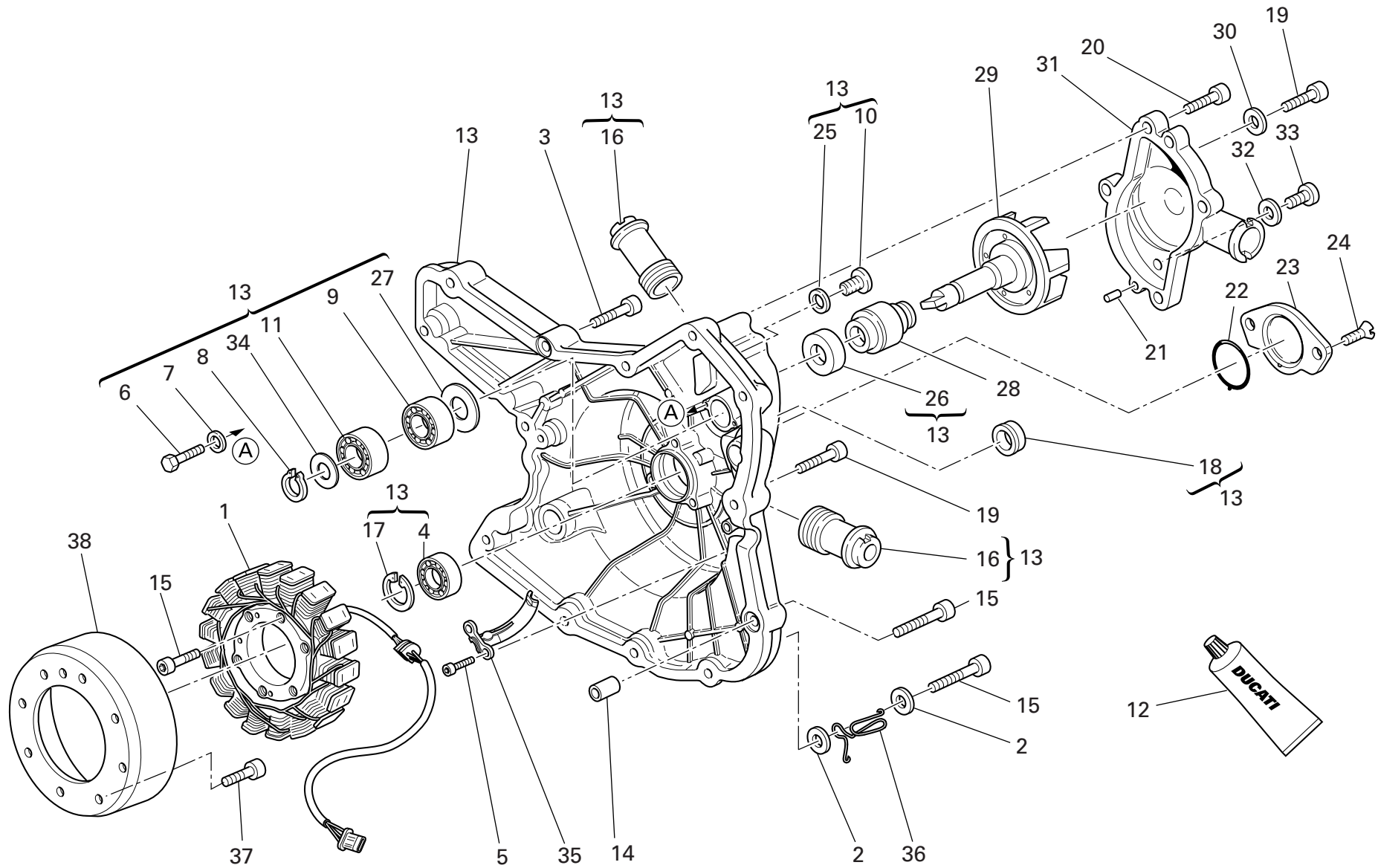
DRAWING 010a CRANKCASE HALVES

NOTES NO.	CODE NO.	DESCRIPTION	VALIDITY	Q.TY 
1	702.5.019.1A	Bearing		1
2	702.4.033.1A	Bearing		1
3	94247.0014	Fluid sealant		1
4	713.1.140.1A	Spacer		2
5	770.5.250.8B	Screw		2
6	780.1.005.1A	Cap		1
7	711.1.095.1A	Bush		2
8	93785.1830	Seal ring		1
9	75794.1542	Bearing		1
10	73503.3380	Circlip		1
11	702.4.093.1A	Bearing		1
12	771.1.051.8B	Screw		1
13	886.4.033.1A	O-ring		2
14	771.5.072.8B	Screw		8
15	771.5.080.8B	Screw		2
16	771.5.136.8B	Screw		1
17	771.5.139.8B	Screw		4
18	886.5.013.1A	O-Ring		1
19	875.1.123.1A	Tube		1
20	775.1.031.1B	Screw		1
21	852.5.023.1A	Gasket		2
22	853.1.003.1A	Spring washer		1
23	552.4.132.1A	Sensor		1
24	847.4.006.1A	Ball		1
25	799.1.211.1A	Spring		1
26	771.1.032.1A	Special screw		1
27	773.5.061.8B	Screw		1

NOTES NO.	CODE NO.	DESCRIPTION	VALIDITY	Q.TY 
28	778.5.016.1A	Threaded dowel		1


CATALOGUE No: 915.1.270.1B
ISSUED: 07 - 07


CATALOGUE No: 915.1.270.1B
ISSUED: 07 - 07



DRAWING 011

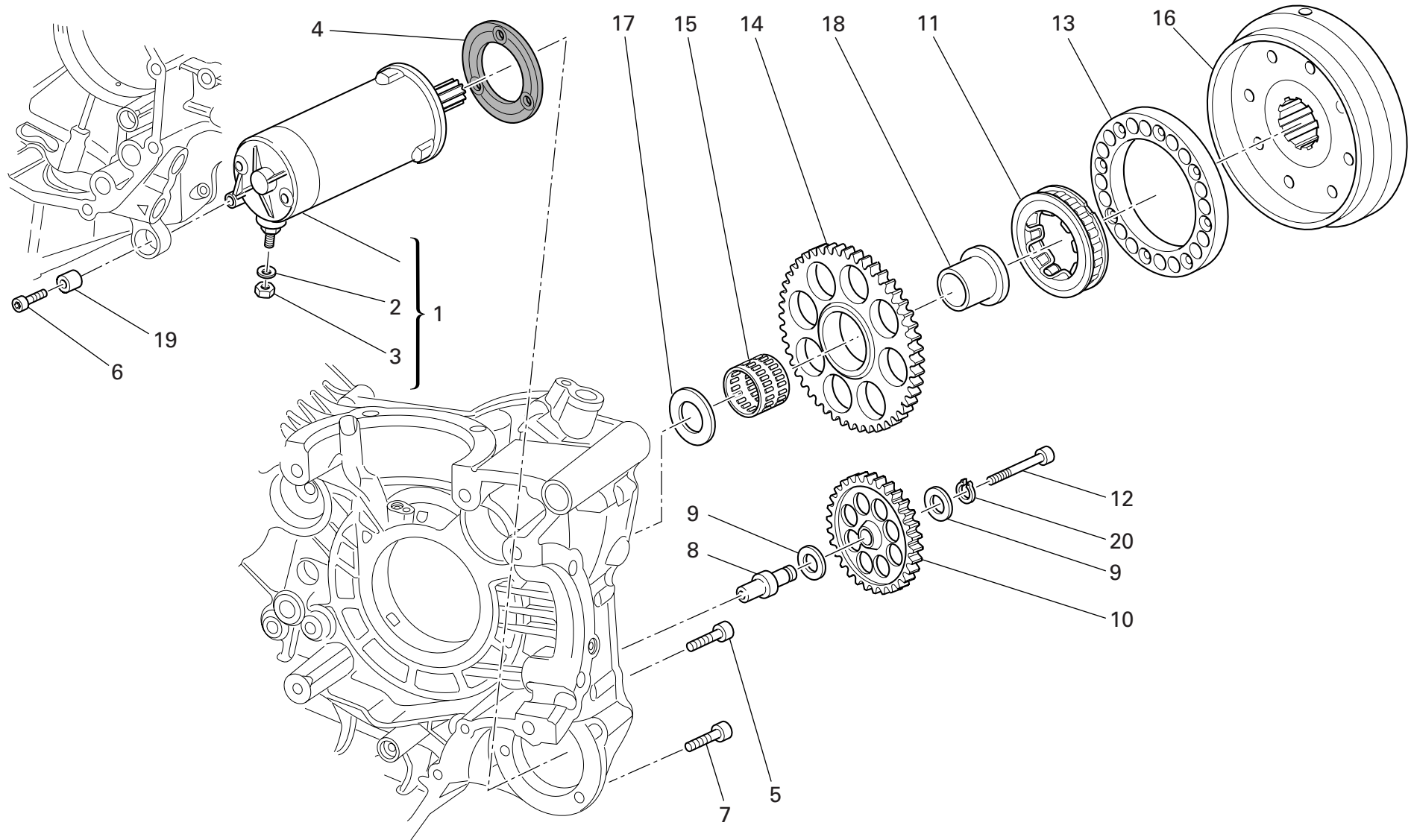
WATER PUMP-ALTR-SIDE CRNKCSSE COVER

NOTES NO.	CODE NO.	DESCRIPTION	VALIDITY	Q.TY 
1	264.4.052.1A	Stator		1
2	852.5.028.1A	Washer		2
3	771.5.067.8B	Screw		2
4	702.5.008.1A	Bearing		1
5	771.5.064.8B	Screw		2
6	770.5.250.8B	Screw		2
7	852.1.172.1A	Washer		2
8	884.5.011.1A	A 10 Ring		1
9	702.4.010.2A	Bearing		1
10	779.1.026.2A	Screw		1
11	702.4.009.1A	Bearing		1
12	94247.0014	Fluid sealant		1
13	242.2.074.1AB	Generator cover		1
14	711.1.160.1A	Locating bush		2
15	771.5.071.8B	Screw		6
16	668.1.001.4A	Water pump delivery filler		2
17	73503.3380	Circlip		1
18	93783.1524	Seal ring		1
19	771.5.069.8B	Screw		9
20	771.5.066.8B	Screw		5
21	860.1.004.1A	Locating dowel		2
22	886.1.095.1A	O-ring		1
23	247.1.305.1AG	Cover		1
24	777.5.049.8B	Screw		2
25	852.5.026.1A	Aluminium gasket th.1,5		1
26	930.5.005.1A	Seal		1
27	713.1.128.1B	Spacer		1

NOTES NO.	CODE NO.	DESCRIPTION	VALIDITY	Q.TY 
28	930.5.006.2B	Mechanical seal		1
29	251.2.008.1A	Water pump fan		1
30	852.5.023.1A	Gasket		1
31	247.2.130.1AB	Complete water pump cover		1
32	852.5.024.1A	Gasket th.1		1
33	780.5.001.1A	Cap		1
34	852.1.114.1A	Washer		1
35	830.1.235.1A	Bracket		1
36	850.4.043.1A	Quik fastening		1
37	779.4.075.1A	Screw		8
38	264.4.053.1A	Rotor		1

CATALOGUE No: 915.1.270.1B
ISSUED: 07 - 07

CATALOGUE No: 915.1.270.1B
ISSUED: 07 - 07



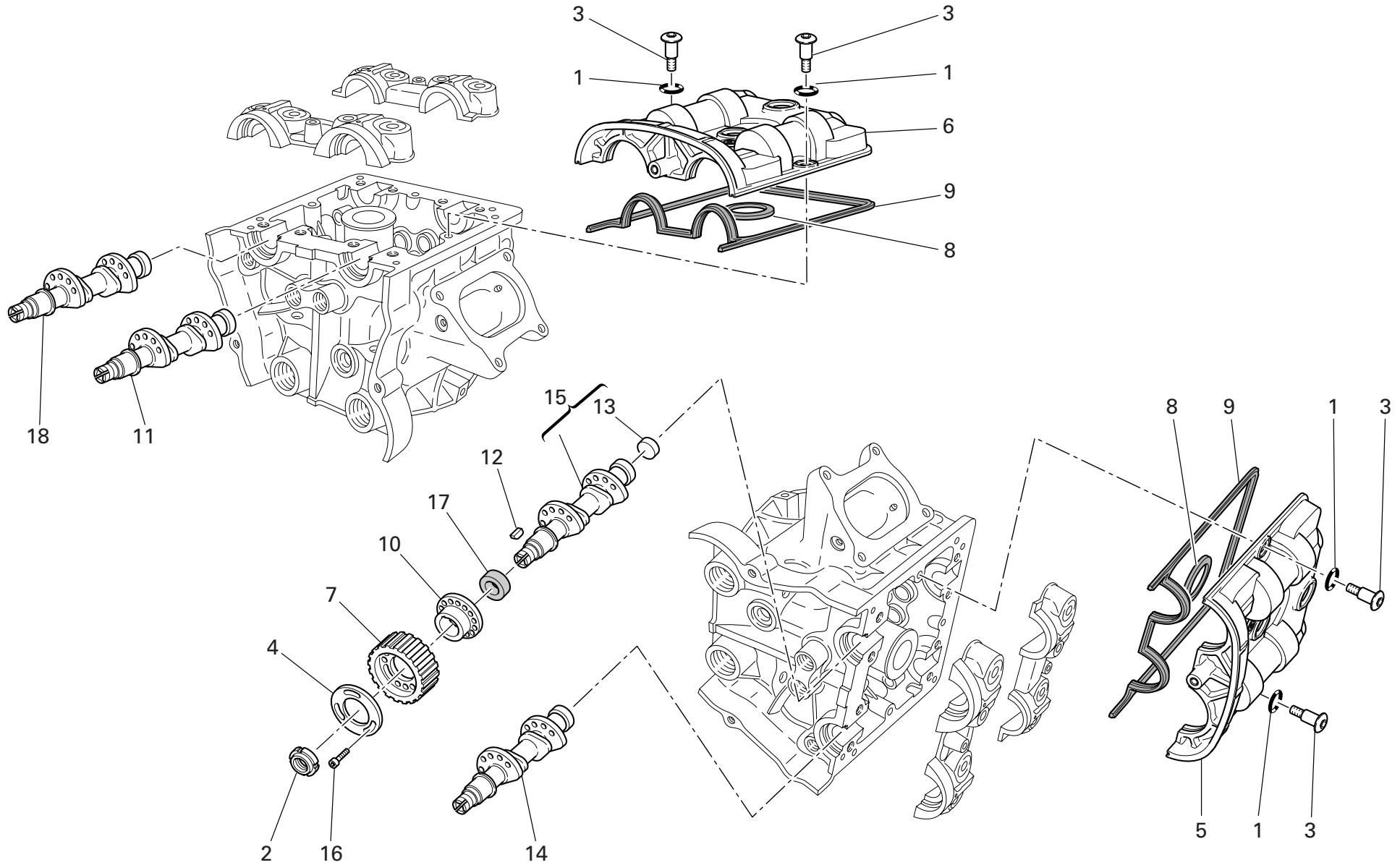
DRAWING **012** ELECTRIC STARTING AND IGNITION

NOTES NO.	CODE NO.	DESCRIPTION	VALIDITY	Q.TY 
1	270.4.010.1A	Complete starter motor		1
2	853.1.003.1A	Spring washer		1
3	750.1.121.1A	Nut		1
4	788.1.054.2A	Starter motor gasket		1
5	771.1.049.1A	Screw		2
6	771.1.052.1A	Screw		1
7	771.5.069.8B	Screw		1
8	821.1.309.1A	Intermediate gear pin		1
9	856.1.071.1A	Washer		2
10	176.1.020.1A	Intermediate gear assembly		1
11	701.4.008.1A	Starter clutch		1
12	771.5.078.8B	Screw		1
13	160.1.370.1A	Flange		1
14	173.1.022.1A	Electric starter driven gear		1
15	702.4.018.1A	Needle bearing		1
16	276.1.044.1A	Ignition flywheel		1
17	856.1.075.1A	Shim		1
18	881.1.034.1A	Inner ring		1
19	700.1.036.1A	Flexible bush		1
20	73500.1440	Circlip		1

NOTES NO.	CODE NO.	DESCRIPTION	VALIDITY	Q.TY 
-----------	----------	-------------	----------	--

DRAWING 013

CYLINDER HEAD : TIMING SYSTEM



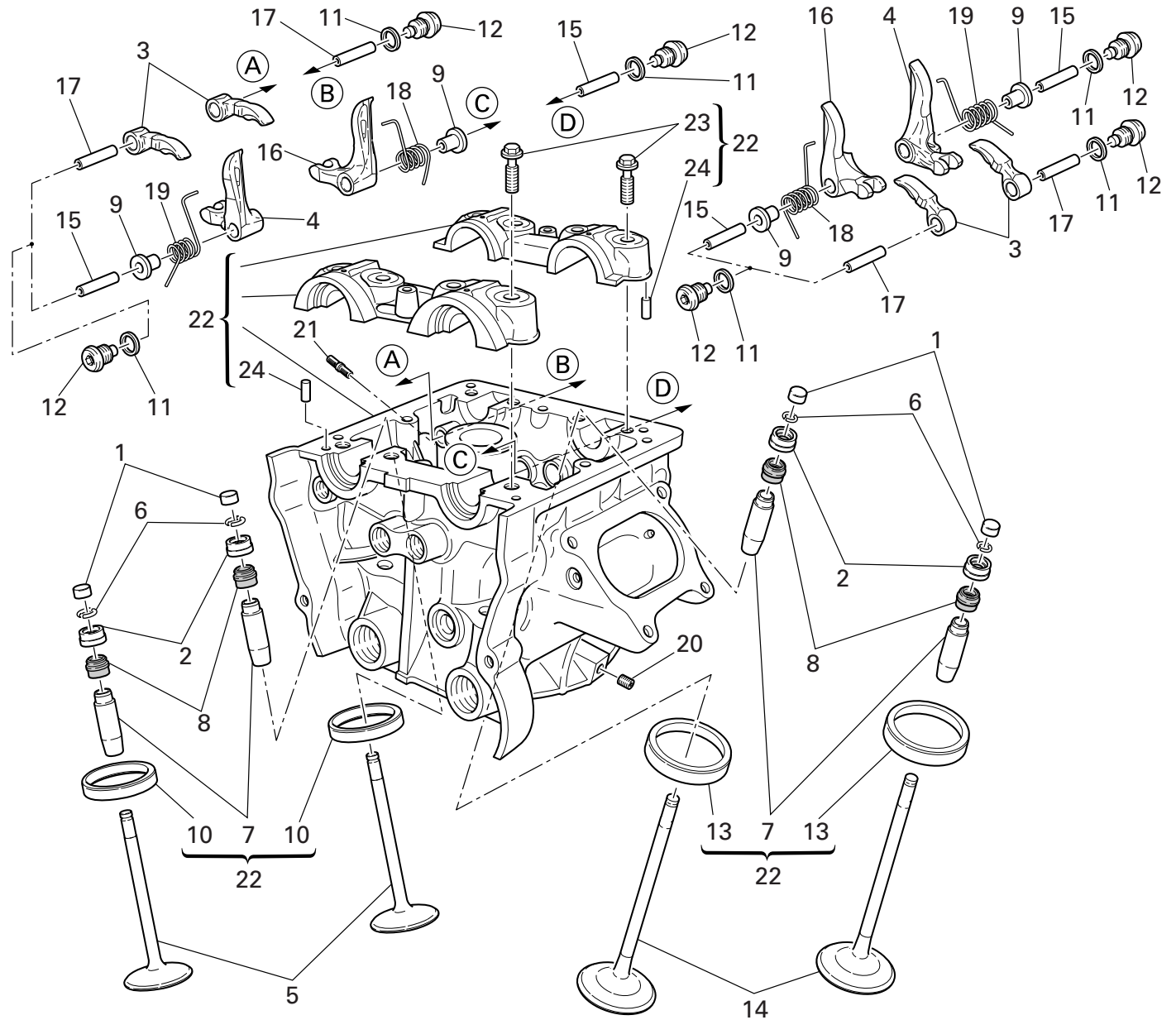
DRAWING 013

CYLINDER HEAD : TIMING SYSTEM


NOTES NO.	CODE NO.	DESCRIPTION	VALIDITY	Q.TY 
1	886.5.051.1A	O-ring		8
2	703.5.002.2A	Ring nut		4
3	779.1.509.1A	Special screw		8
4	856.1.074.2A	Special washer		4
5	247.1.287.1B	Horizontal cover		1
6	247.1.288.1B	Vertical cover		1
7	255.1.019.3A	Timing belt roller		4
8	788.1.094.1A	Gasket		2
9	788.1.093.1A	Head gasket		2
10	160.1.094.1A	Spacer		4
11	148.2.311.1B	Vertical intake camshaft		1
12	680.5.006.1A	Woodruff key		4
13	873.1.005.1A	Cap		4
14	148.2.312.1B	Horizontal exhaust camshaft		1
15	148.2.310.1B	Horizontal intake camshaft		1
16	779.5.030.2A	Screw		12
17	930.5.007.1A	Seal ring		4
18	148.2.313.1B	Vertical exhaust camshaft		1


NOTES NO.	CODE NO.	DESCRIPTION	VALIDITY	Q.TY 
-----------	----------	-------------	----------	--

1	2
Registro bilanc. apertura	Registro bilanc. chiusura
Adjustment	Adjustment
Réglage	Réglage
Ventilkäppchen	Ventilkäppchen
840.1.031.1A - 1,8	840.1.041.2B - 2,2
840.1.032.1A - 1,85	840.1.042.2B - 2,25
840.1.033.1A - 1,9	840.1.043.2B - 2,3
840.1.034.1A - 1,95	840.1.044.2B - 2,35
840.1.001.1A - 2,0	840.1.045.2B - 2,4
840.1.002.1A - 2,05	840.1.046.2B - 2,45
840.1.003.1A - 2,1	840.1.047.2B - 2,5
840.1.004.1A - 2,15	840.1.048.2B - 2,55
840.1.005.1A - 2,2	840.1.049.2B - 2,6
840.1.006.1A - 2,25	840.1.050.2B - 2,65
840.1.007.1A - 2,3	840.1.051.2B - 2,7
840.1.008.1A - 2,35	840.1.052.2B - 2,75
840.1.009.1A - 2,4	840.1.053.2B - 2,8
840.1.010.1A - 2,45	840.1.054.2B - 2,85
840.1.011.1A - 2,5	840.1.055.2B - 2,9
840.1.012.1A - 2,55	840.1.056.2B - 2,95
840.1.013.1A - 2,6	840.1.057.2B - 3,0
840.1.014.1A - 2,65	840.1.058.2B - 3,05
840.1.015.1A - 2,7	840.1.059.2B - 3,1
840.1.016.1A - 2,75	840.1.060.2B - 3,15
840.1.017.1A - 2,8	840.1.061.2B - 3,2
840.1.018.1A - 2,85	840.1.062.2B - 3,25
840.1.019.1A - 2,9	840.1.063.2B - 3,3
840.1.020.1A - 2,95	840.1.064.2B - 3,35
840.1.021.1A - 3,0	840.1.065.2B - 3,4
840.1.022.1A - 3,05	840.1.066.2B - 3,45
840.1.023.1A - 3,1	840.1.067.2B - 3,5
840.1.024.1A - 3,15	840.1.068.2B - 3,55
840.1.025.1A - 3,2	840.1.069.2B - 3,6
840.1.026.1A - 3,25	840.1.070.2B - 3,65
840.1.027.1A - 3,3	840.1.071.2B - 3,7
840.1.028.1A - 3,35	840.1.072.2B - 3,75
840.1.029.1A - 3,4	840.1.073.2B - 3,8
840.1.030.1A - 3,45	840.1.074.2B - 3,85
	840.1.075.2B - 3,9
	840.1.076.2B - 3,95
	840.1.077.2B - 4,0
	840.1.078.2B - 4,05
	840.1.079.2B - 4,1
	840.1.080.2B - 4,15
	840.1.081.2B - 4,2
	840.1.082.2B - 4,25
	840.1.083.2B - 4,3
	840.1.084.2B - 4,35
	840.1.085.2B - 4,4
	840.1.086.2B - 4,45
	840.1.087.2B - 4,5



DRAWING **014** VERTICAL CYLINDER HEAD

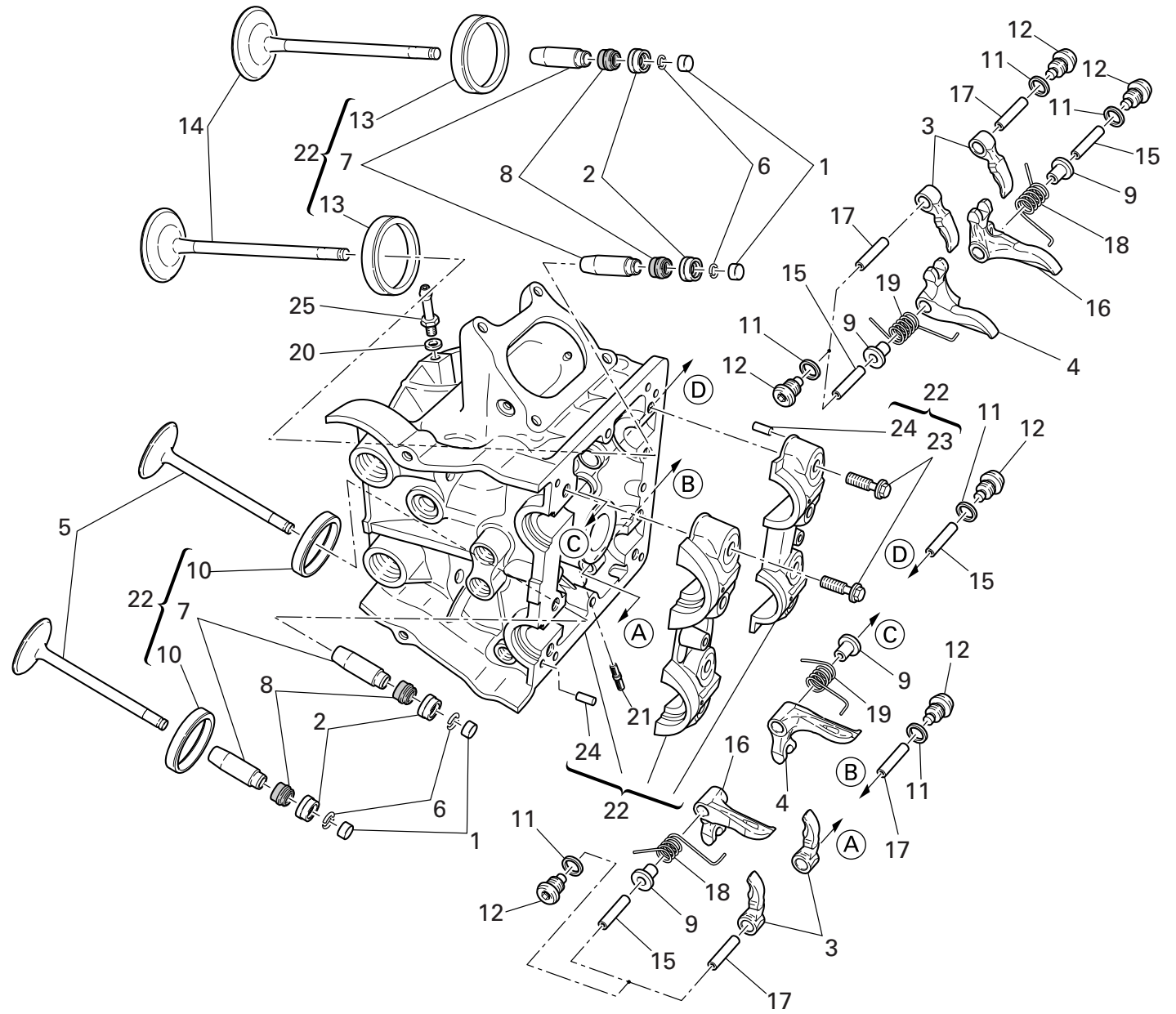
NOTES NO.	CODE NO.	DESCRIPTION	VALIDITY	Q.TY 
1	840.2.001.1A	See table		4
2	840.2.002.2B	See table		4
3	208.1.029.1A	Opening rocker		4
4	209.1.036.1A	Closing rocker (L.H.)		2
5	211.1.074.1A	Exhaust valve		2
6	669.1.001.1E	Split rings		4
7	303.1.051.1BB	Oversize valve guide 0.03		4
7	303.1.051.1BC	Oversize valve guide 0.06		4
7	303.1.051.1BD	Oversize valve guide 0.09		4
8	764.1.002.1A	Rubber pad		4
9	713.1.292.1A	Spacer		4
10	304.1.066.1A	Exhaust valve seat		2
10	304.1.066.1AB	Oversize exhaust valve seat 0.03		2
10	304.1.066.1AC	Oversize exhaust valve seat 0.06		2
11	852.5.026.1A	Aluminium gasket th.1,5		8
12	780.1.051.1A	Cap		8
13	304.1.065.1B	Intake valve seat		2
13	304.1.065.1BB	Oversize intake valve seat 0.03		2
13	304.1.065.1BC	Oversize intake valve seat 0.06		2
14	210.1.074.1C	Intake valve		2
15	821.1.223.1B	Closing rocker shaft		4
16	209.1.035.1A	Closing rocker (R.H.)		2
17	821.1.222.1B	Opening rocker shaft		4
18	799.1.486.1A	Valve return spring (R.H.)		2
19	799.1.485.1A	Valve return spring (L.H.)		2
20	417.6.011.3A	Threaded dowel		1
21	766.4.019.1A	Stud bolt		3

NOTES NO.	CODE NO.	DESCRIPTION	VALIDITY	Q.TY 
22	301.2.241.3B	Complete vertical head		1
23	779.1.421.1A	Special screw		8
24	860.5.006.1A	Pin		4

CATALOGUE No: 915.1.270.1B
ISSUED: 07 - 07


CATALOGUE No: 915.1.270.1B
ISSUED: 07 - 07


1	2
Registro bilanc. apertura	Registro bilanc. chiusura
Adjustment	Adjustment
Réglage	Réglage
Ventilkäppchen	Ventilkäppchen
840.1.031.1A - 1,8	840.1.041.2B - 2,2
840.1.032.1A - 1,85	840.1.042.2B - 2,25
840.1.033.1A - 1,9	840.1.043.2B - 2,3
840.1.034.1A - 1,95	840.1.044.2B - 2,35
840.1.001.1A - 2,0	840.1.045.2B - 2,4
840.1.002.1A - 2,05	840.1.046.2B - 2,45
840.1.003.1A - 2,1	840.1.047.2B - 2,5
840.1.004.1A - 2,15	840.1.048.2B - 2,55
840.1.005.1A - 2,2	840.1.049.2B - 2,6
840.1.006.1A - 2,25	840.1.050.2B - 2,65
840.1.007.1A - 2,3	840.1.051.2B - 2,7
840.1.008.1A - 2,35	840.1.052.2B - 2,75
840.1.009.1A - 2,4	840.1.053.2B - 2,8
840.1.010.1A - 2,45	840.1.054.2B - 2,85
840.1.011.1A - 2,5	840.1.055.2B - 2,9
840.1.012.1A - 2,55	840.1.056.2B - 2,95
840.1.013.1A - 2,6	840.1.057.2B - 3,0
840.1.014.1A - 2,65	840.1.058.2B - 3,05
840.1.015.1A - 2,7	840.1.059.2B - 3,1
840.1.016.1A - 2,75	840.1.060.2B - 3,15
840.1.017.1A - 2,8	840.1.061.2B - 3,2
840.1.018.1A - 2,85	840.1.062.2B - 3,25
840.1.019.1A - 2,9	840.1.063.2B - 3,3
840.1.020.1A - 2,95	840.1.064.2B - 3,35
840.1.021.1A - 3,0	840.1.065.2B - 3,4
840.1.022.1A - 3,05	840.1.066.2B - 3,45
840.1.023.1A - 3,1	840.1.067.2B - 3,5
840.1.024.1A - 3,15	840.1.068.2B - 3,55
840.1.025.1A - 3,2	840.1.069.2B - 3,6
840.1.026.1A - 3,25	840.1.070.2B - 3,65
840.1.027.1A - 3,3	840.1.071.2B - 3,7
840.1.028.1A - 3,35	840.1.072.2B - 3,75
840.1.029.1A - 3,4	840.1.073.2B - 3,8
840.1.030.1A - 3,45	840.1.074.2B - 3,85
	840.1.075.2B - 3,9
	840.1.076.2B - 3,95
	840.1.077.2B - 4,0
	840.1.078.2B - 4,05
	840.1.079.2B - 4,1
	840.1.080.2B - 4,15
	840.1.081.2B - 4,2
	840.1.082.2B - 4,25
	840.1.083.2B - 4,3
	840.1.084.2B - 4,35
	840.1.085.2B - 4,4
	840.1.086.2B - 4,45
	840.1.087.2B - 4,5



DRAWING 015

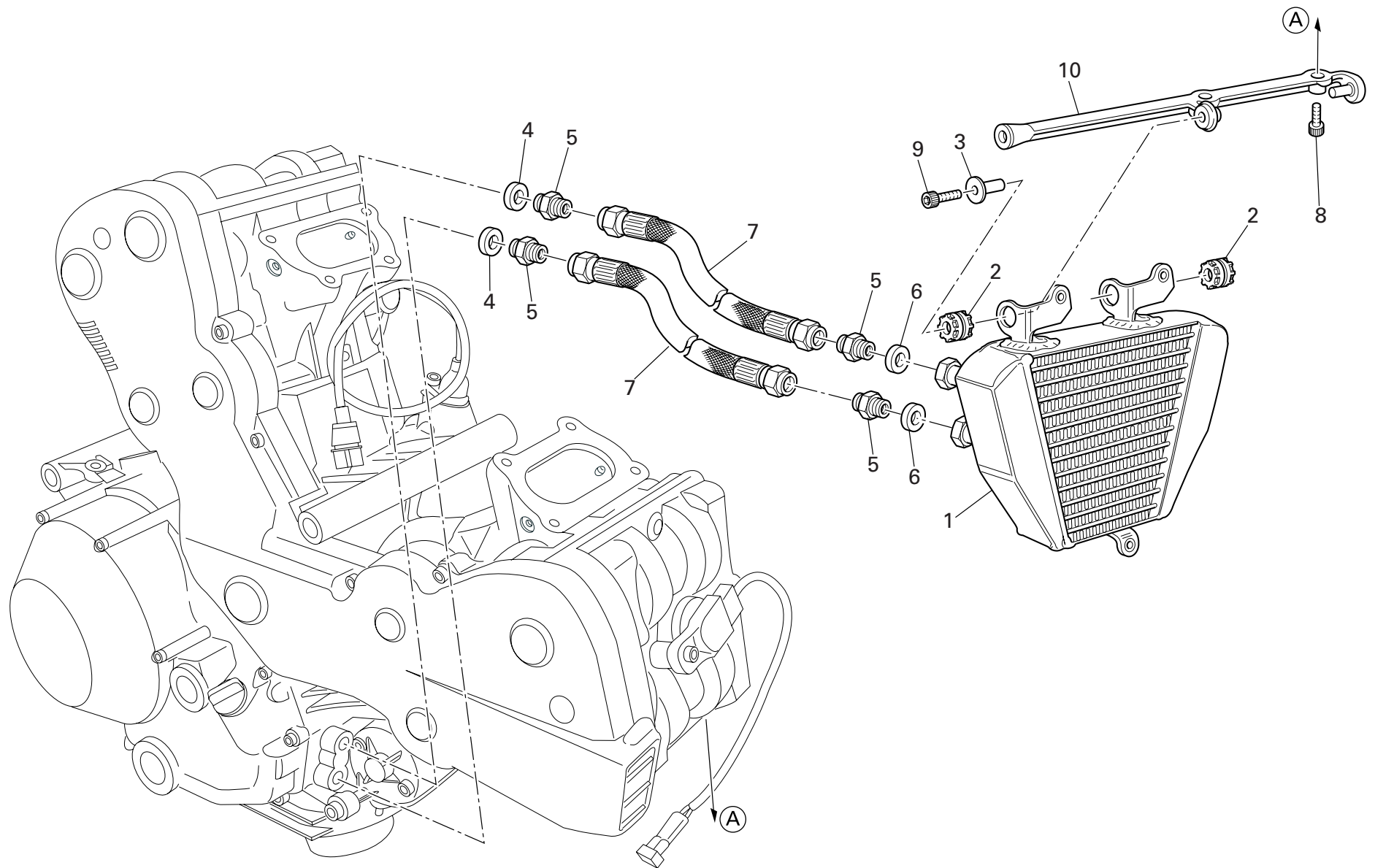
HORIZONTAL CYLINDER HEAD

NOTES NO.	CODE NO.	DESCRIPTION	VALIDITY	Q.TY 
1	840.2.001.1A	See table		4
2	840.2.002.2B	See table		4
3	208.1.029.1A	Opening rocker		4
4	209.1.036.1A	Closing rocker (L.H.)		2
5	211.1.074.1A	Exhaust valve		2
6	669.1.001.1E	Split rings		4
7	303.1.051.1BB	Oversize valve guide 0.03		4
7	303.1.051.1BC	Oversize valve guide 0.06		4
7	303.1.051.1BD	Oversize valve guide 0.09		4
8	764.1.002.1A	Rubber pad		4
9	713.1.292.1A	Spacer		4
10	304.1.066.1A	Exhaust valve seat		2
10	304.1.066.1AB	Oversize exhaust valve seat 0.03		2
10	304.1.066.1AC	Oversize exhaust valve seat 0.06		2
11	852.5.026.1A	Aluminium gasket th.1,5		8
12	780.1.051.1A	Cap		8
13	304.1.065.1B	Intake valve seat		2
13	304.1.065.1BB	Oversize intake valve seat 0.03		2
13	304.1.065.1BC	Oversize intake valve seat 0.06		2
14	210.1.074.1C	Intake valve		2
15	821.1.223.1B	Closing rocker shaft		4
16	209.1.035.1A	Closing rocker (R.H.)		2
17	821.1.222.1B	Opening rocker shaft		4
18	799.1.486.1A	Valve return spring (R.H.)		2
19	799.1.485.1A	Valve return spring (L.H.)		2
20	852.5.023.1A	Gasket		1
21	766.4.019.1A	Stud bolt		3


NOTES NO.	CODE NO.	DESCRIPTION	VALIDITY	Q.TY 
22	301.2.240.3B	Complete horizontal head		1
23	779.1.421.1A	Special screw		8
24	860.5.006.1A	Pin		4
25	814.1.188.1A	Union		1

CATALOGUE No: 915.1.270.1B
ISSUED: 07 - 07

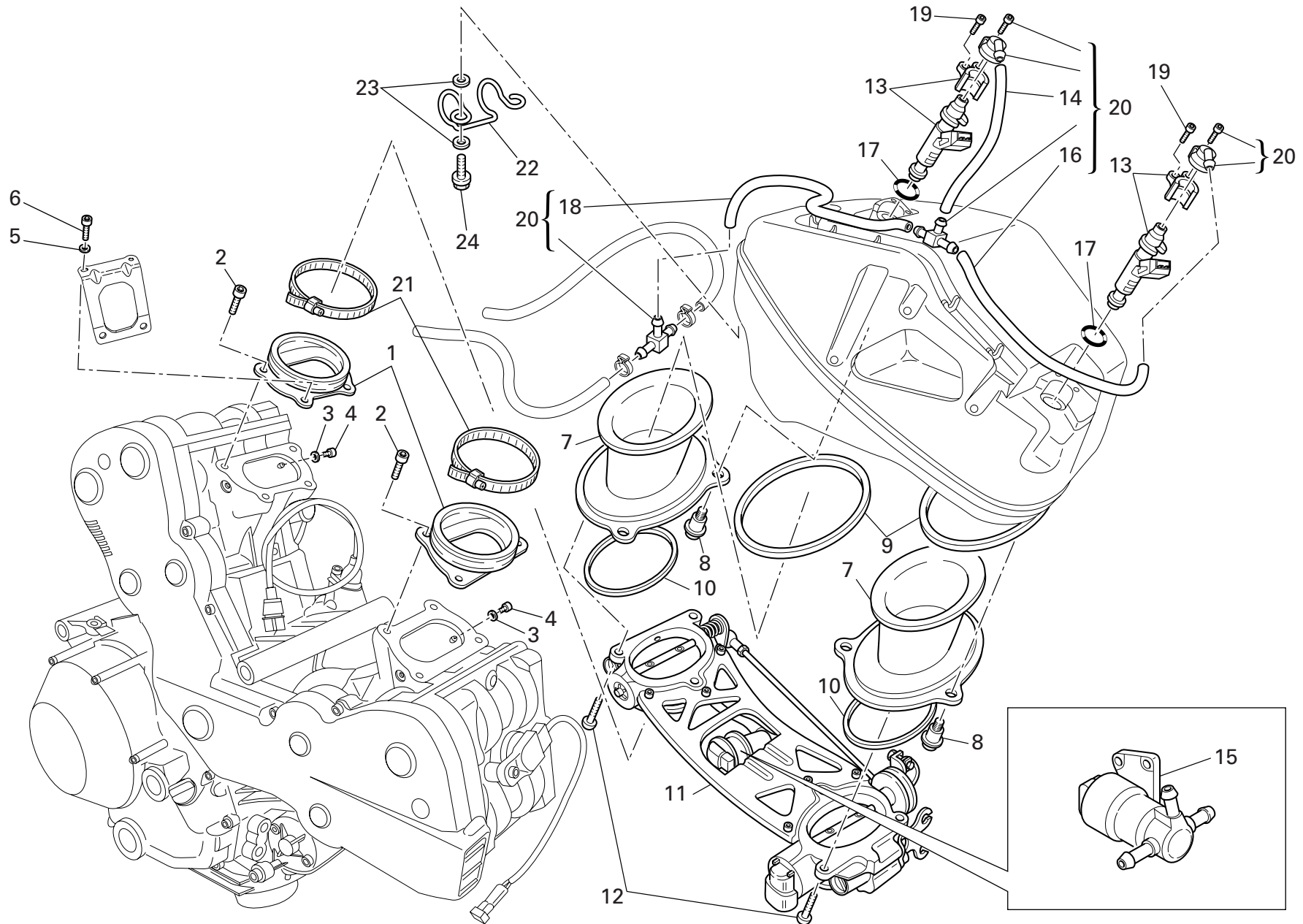
CATALOGUE No: 915.1.270.1B
ISSUED: 07 - 07



DRAWING **016** OIL COOLER

NOTES NO.	CODE NO.	DESCRIPTION	VALIDITY	Q.TY 
1	548.4.078.1A	Oil cooler		1
2	764.1.022.1A	Vibration damper pad		2
3	716.1.003.1A	Spacer		1
4	787.1.011.1A	Aluminium gasket th.2		2
5	815.1.022.1A	Nipple		4
6	420.2.006.4A	Aluminium gasket		2
7	549.1.030.1A	Oil delivery pipe		2
8	771.5.064.8B	Screw		2
9	771.5.069.8B	Screw		1
10	830.1.409.1A	Bracket		1

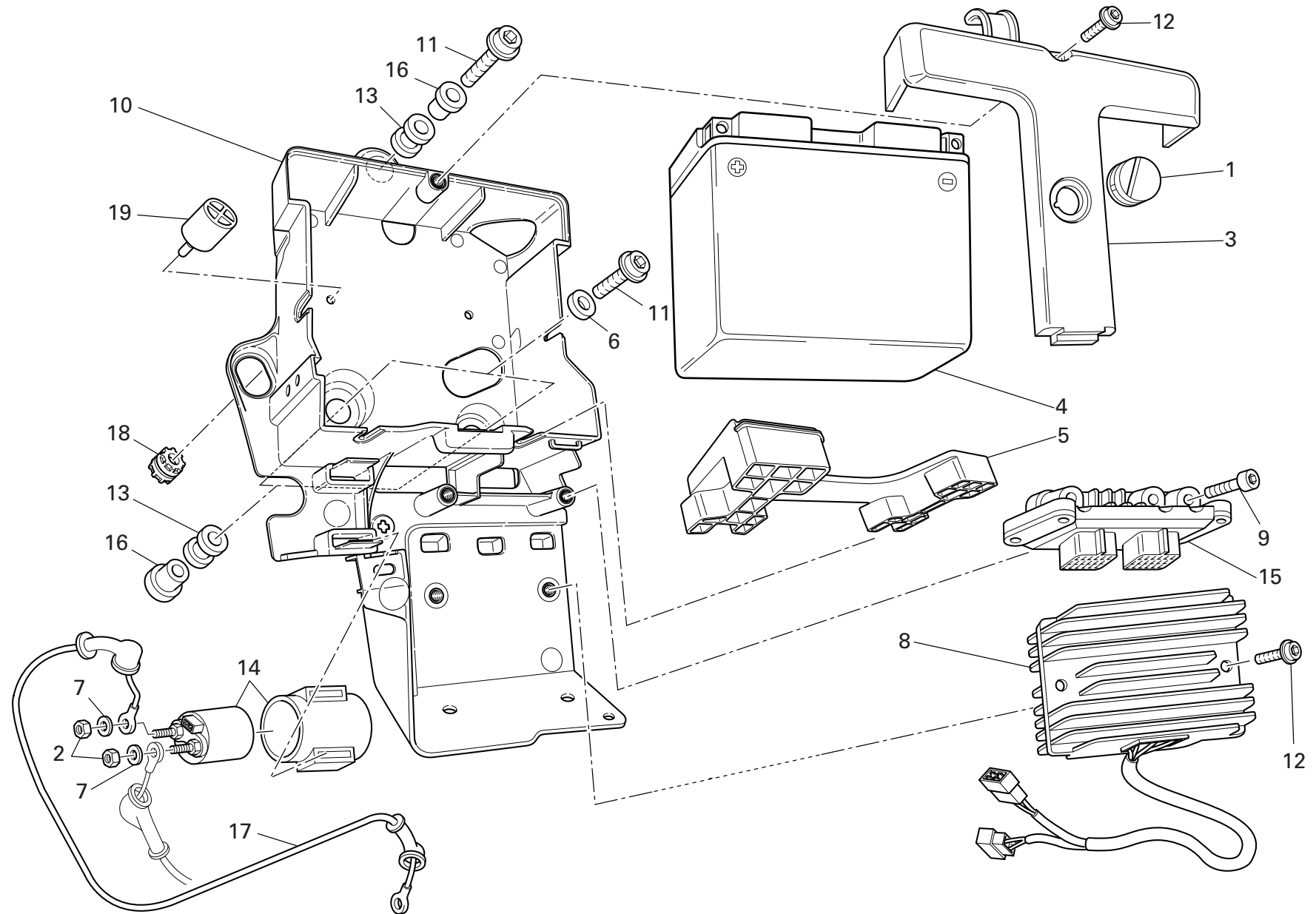
NOTES NO.	CODE NO.	DESCRIPTION	VALIDITY	Q.TY 
-----------	----------	-------------	----------	--




DRAWING 017 THROTTLE BODY

NOTES NO.	CODE NO.	DESCRIPTION	VALIDITY	Q.TY 
1	140.1.050.1B	Intake manifold		2
2	771.5.065.8B	Screw		8
3	852.5.023.1A	Gasket		4
4	773.5.061.8B	Screw		4
5	852.1.176.1A	Washer		2
6	771.5.066.8B	Screw		2
7	135.1.033.1A	Intake duct		2
8	772.1.085.1A	Special screw		6
9	788.1.096.2A	Gasket		2
10	788.1.101.1A	Gasket		2
11	282.4.080.1A	Complete throttle body		1
12	775.1.017.1B	Screw		6
13	280.4.016.1A	Injector		2
14	590.1.293.1A	Tube (vertical)		1
15	283.4.011.1A	Stepper motor		1
16	590.1.292.1A	Tube (horizontal)		1
17	886.4.089.1A	O-ring		2
18	590.1.294.1A	Tube		1
19	773.5.018.8B	Screw		4
20	590.2.026.1A	Complete pipe set		1
21	741.4.166.1A	Clamp		2
22	758.1.039.2A	Hose guide		1
23	852.4.013.1A	Washer		2
24	772.1.045.1A	Screw		2

NOTES NO.	CODE NO.	DESCRIPTION	VALIDITY	Q.TY 
-----------	----------	-------------	----------	--

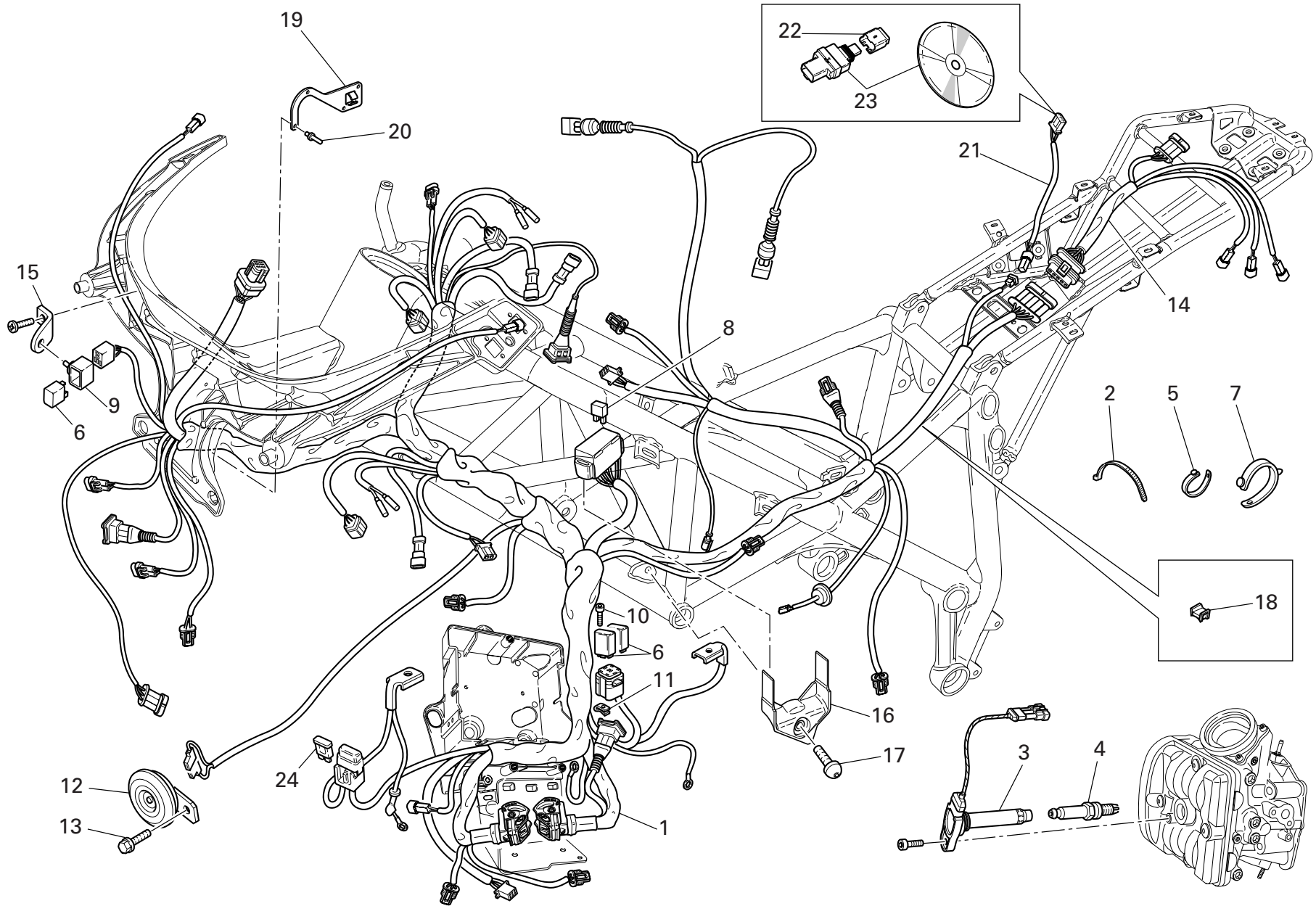


DRAWING 018 BATTERY SUPPORT


NOTES NO.	CODE NO.	DESCRIPTION	VALIDITY	Q.TY 
1	764.1.062.1A	Rubber pad		1
2	750.5.005.1A	Nut		2
3	247.1.297.1A	Cover		1
4	395.2.013.1C	Battery		1
5	866.1.078.1A	Battery resting buffer		1
6	852.5.029.1A	Washer		2
7	853.5.010.1A	Spring washer		2
8	540.4.027.1A	Regulator		1
9	771.5.672.1B	Screw		2
10	829.1.939.1A	Battery box mount		1
11	771.5.667.8B	Screw		3
12	771.5.669.8B	Screw		3
13	764.1.090.1A	Rubber pad		3
14	397.4.003.1B	Remote switch		1
15	286.4.157.1A	Injection control unit		1
16	716.1.106.1A	Spacer		3
17	514.1.051.1A	Solenoid starter - starter motor cable		1
18	764.1.022.1A	Vibration damper pad		1
19	866.1.079.1A	Pad		2

NOTES NO.	CODE NO.	DESCRIPTION	VALIDITY	Q.TY 
-----------	----------	-------------	----------	--

DRAWING 018a ELECTRICAL SYSTEM



DRAWING **018a** ELECTRICAL SYSTEM

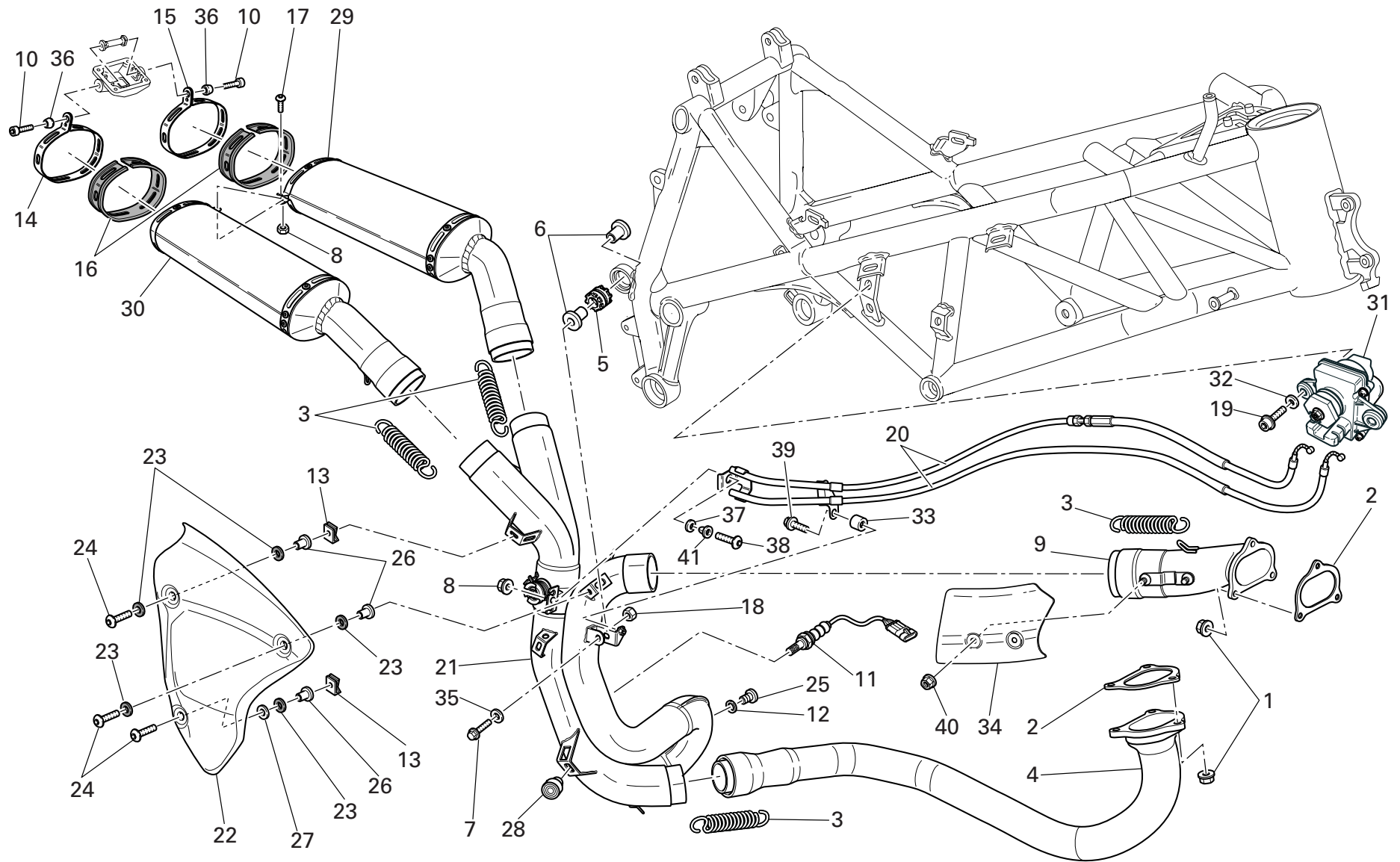
NOTES NO.	CODE NO.	DESCRIPTION	VALIDITY	Q.TY 
1	510.1.477.3B	Electric wiring		1
2	741.4.038.1A	Hose guide		11
3	380.1.014.4B	Coil		2
4	670.4.038.1A	Spark plug		2
5	741.1.010.1A	Hose guide		1
6	541.4.007.1A	Relay		3
7	8000.53724	Hose guide		5
8	389.4.019.1A	Fuse 5A		1
8	389.4.020.1A	Fuse 10A		1
8	389.4.021.1A	Fuse 15A		1
8	389.4.022.1A	Fuse 20A		1
8	389.4.024.1A	Fuse 7.5A		1
9	829.1.190.1A	Rubber holder		1
10	771.1.053.1A	Screw		1
11	850.4.047.1A	Quik fastening		1
12	516.4.001.1AB	Horn		1
13	772.1.074.1A	Screw		1
14	510.1.577.1B	Rear wiring		1
15	827.1.430.1A	Plate		1
16	829.1.756.1A	Plate		1
17	772.1.089.1B	Screw		1
18	850.4.067.1A	Clamp		4
19	830.1.435.1A	Bracket		1
20	736.4.012.1A	Shear rivet		4
21	510.1.570.1A	Data acquisition cable		1
22	872.1.053.1A	Cap		1
23	286.2.040.1A	Data acquisition kit		1

NOTES NO.	CODE NO.	DESCRIPTION	VALIDITY	Q.TY 
24	389.4.023.1A	Fuse 30A		1


CATALOGUE No: 915.1.270.1B
ISSUED: 07 - 07

CATALOGUE No: 915.1.270.1B
ISSUED: 07 - 07


DRAWING 019 EXHAUST SYSTEM



DRAWING 019 EXHAUST SYSTEM

NOTES NO.	CODE NO.	DESCRIPTION	VALIDITY	Q.TY 
1	748.1.024.1A	Nut		6
2	790.1.015.1A	Exhaust gasket		2
3	799.1.048.2A	Spring		4
4	570.1.261.1A	Horizontal head exhaust pipe		1
5	764.1.024.1A	Vibration damper pad		1
6	713.1.082.1A	Spacer		2
7	772.5.038.1AB	Screw		1
8	748.1.035.1B	Nut		1
9	160.1.367.1A	Exhaust manifold		1
10	771.5.127.8B	Screw		2
11	552.1.111.1A	Lambda sensor		1
12	852.5.024.1A	Gasket th.1		2
13	850.4.055.1A	Quik fastening		2
14	741.1.037.1A	Clamp (R.H.)		1
15	741.1.038.1A	Clamp (L.H.)		1
16	788.1.100.1A	Clamp gasket		2
17	775.1.033.1A	Screw		1
18	749.4.031.1A	Nut		1
19	779.5.011.1B	Screw		2
20	732.2.021.2A	Cables unit		1
21	570.1.260.2B	Centre exhaust pipe		1
22	460.1.256.2B	Heat guard		1
23	852.1.072.1A	Washer		5
24	772.1.088.1B	Screw		3
25	780.1.007.1A	Cap		2
26	716.1.146.1A	Spacer		3
27	852.1.232.1A	Washer		1

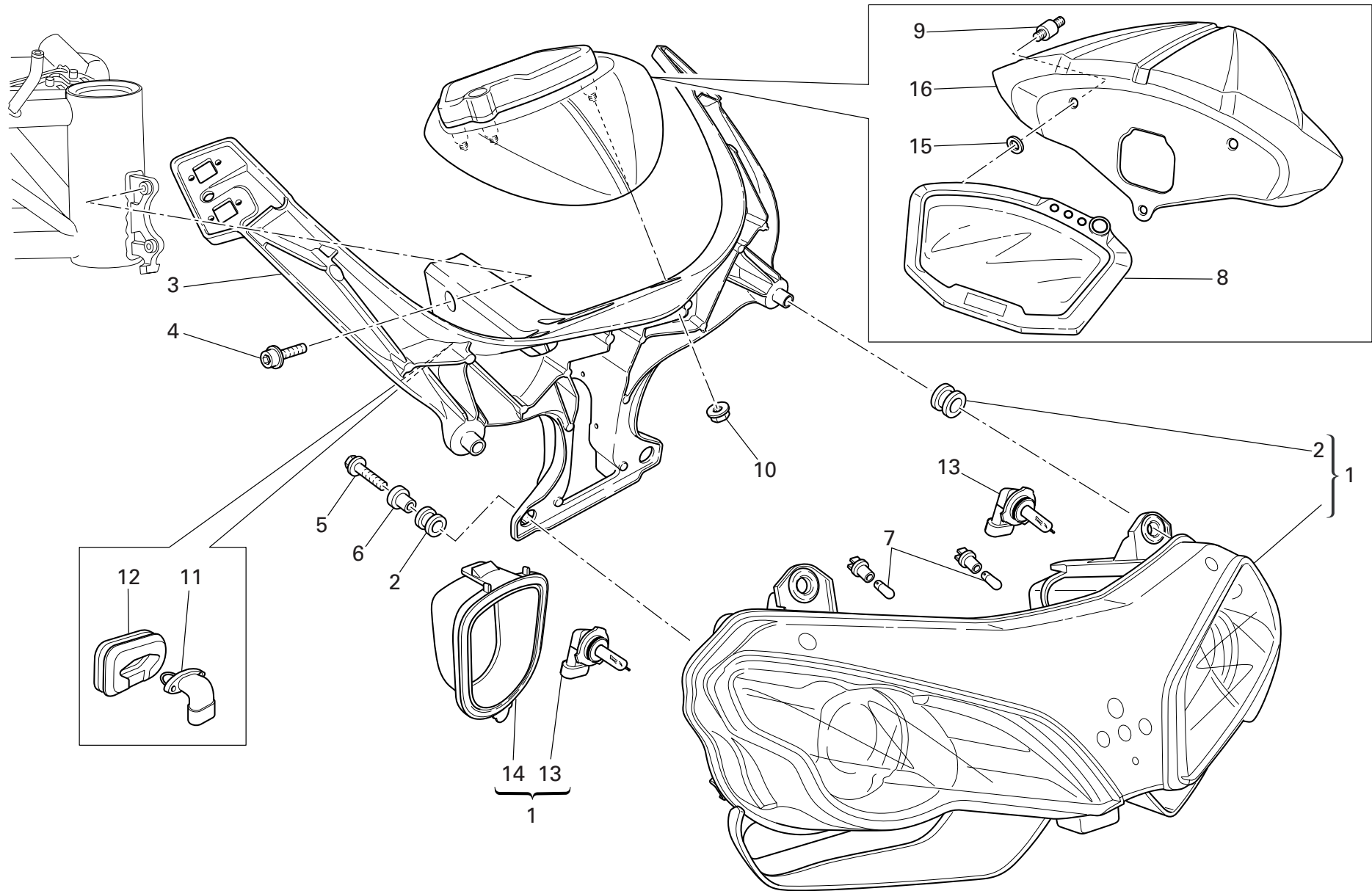
CATALOGUE No: 915.1.270.1B
ISSUED: 07 - 07

NOTES NO.	CODE NO.	DESCRIPTION	VALIDITY	Q.TY 
28	764.1.063.1A	Rubber pad		2
29	574.1.096.1C	Silencer (L.H.)		1
30	573.1.099.1C	Silencer (R.H.)		1
31	593.4.030.1A	Exhaust valve engine		1
32	852.5.009.1A	Washer		2
33	713.1.241.1A	Spacer		1
34	460.1.286.1B	Heat guard		1
35	852.1.186.1A	Washer		1
36	841.1.052.1A	Retainer		2
37	799.4.009.1A	Spring washer		2
38	775.1.004.1A	Screw		1
39	772.1.062.1A	Screw		1
40	748.1.036.1A	Nut		2
41	716.1.144.1A	Spacer		1


CATALOGUE No: 915.1.270.1B
ISSUED: 07 - 07

DRAWING 020

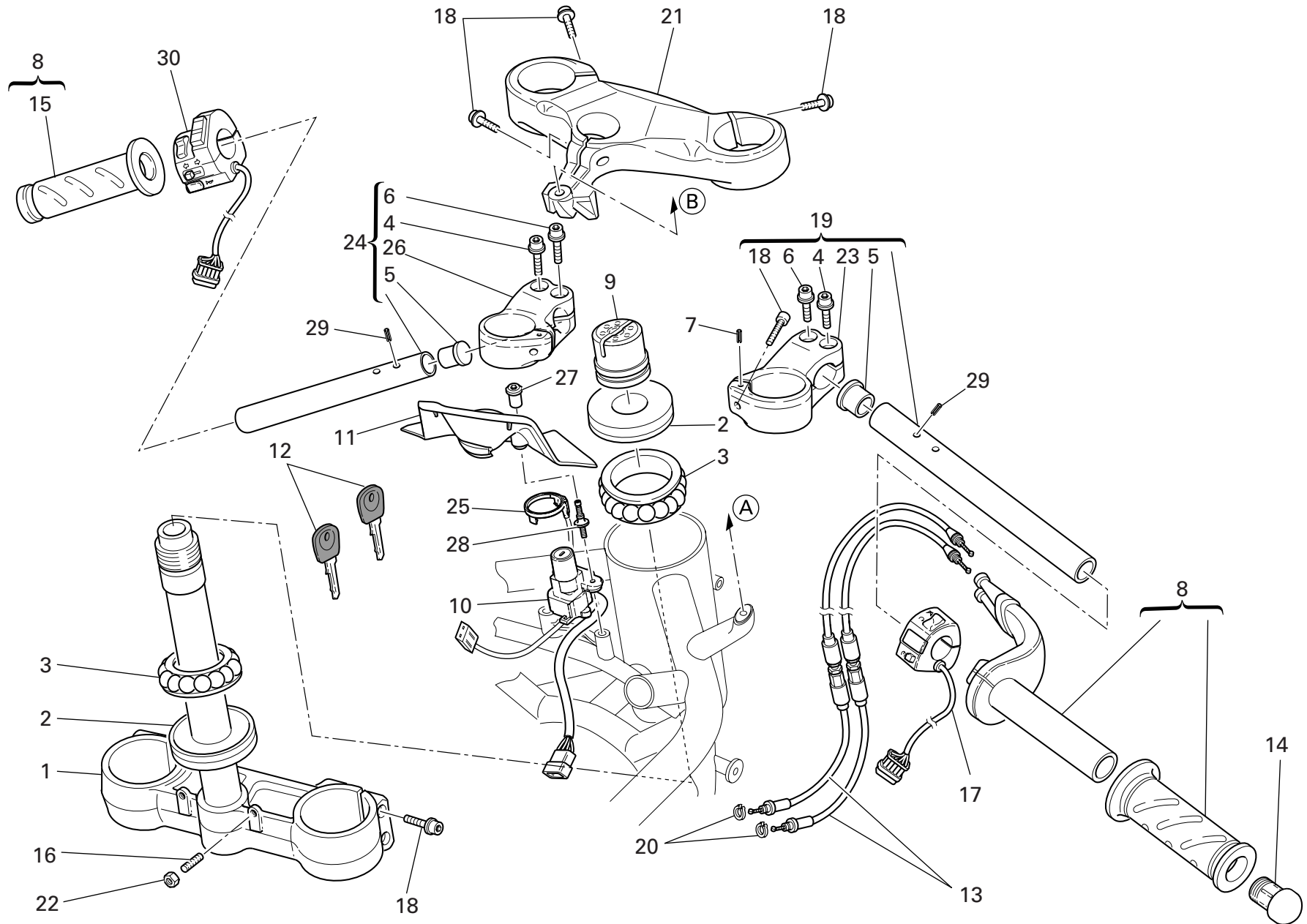
HEADLIGHT & INSTR. PANEL



DRAWING **020** HEADLIGHT & INSTR. PANEL


NOTES NO.	CODE NO.	DESCRIPTION	VALIDITY	Q.TY 
1	520.1.015.2A	Headlight		1
2	764.1.090.1A	Rubber pad		4
3	829.2.943.2A	Headlight holder		1
4	771.1.041.1A	Screw		2
5	772.5.031.1B	Screw		2
6	716.1.022.1B	Spacer		2
7	390.4.019.1A	Bulb 12V-6W		2
8	406.1.060.2A	Complete instrument panel		1
9	700.1.043.1A	Spacer		3
10	748.4.038.1A	Nut		3
11	552.4.012.1A	Air temperature sensor		1
12	764.1.097.1A	Rubber pad		1
13	390.4.020.1A	Bulb 12V-55W		2
14	390.4.022.1A	Cover		2
15	462.4.046.1A	Spring washer		3
16	460.1.276.1A	Instrument panel cover		1


NOTES NO.	CODE NO.	DESCRIPTION	VALIDITY	Q.TY 
-----------	----------	-------------	----------	--



DRAWING 021

HANDLEBARS AND CONTROLS

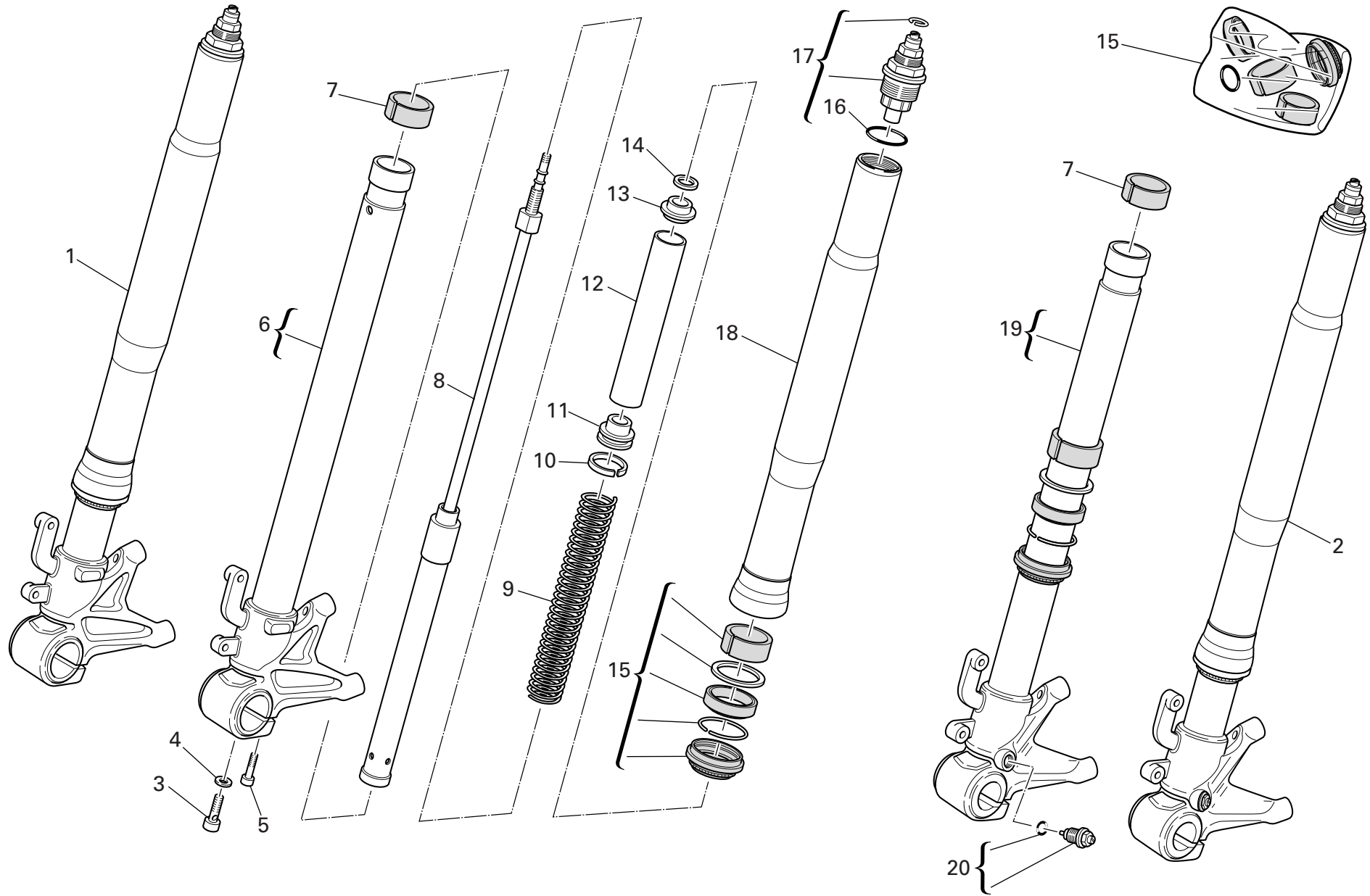
NOTES NO.	CODE NO.	DESCRIPTION	VALIDITY	Q.TY 
1	342.2.028.1A	Steering head base assembly		1
2	930.1.004.1A	Seal ring		2
3	702.4.004.1A	Bearing		2
4	771.5.667.8B	Screw		2
5	872.1.048.1A	Cap		2
6	771.5.669.8B	Screw		2
7	462.4.001.1A	Spring pin		2
8	654.2.016.1A	Throttle control		1
9	703.1.013.1A	Ring nut		1
10	652.4.012.1A	Key-operated switch		1
11	460.1.263.1A	Cover		1
12	598.4.024.1A	Wrench with Transponder		1
13	656.2.003.1A	Cables unit		1
14	872.1.015.1A	Cap		2
15	361.1.002.1A	Grip		1
16	779.1.099.1B	Special screw		2
17	650.1.008.1A	Switch (R.H.)		1
18	771.5.725.8B	Screw		9
19	360.2.088.1A	Handlebar (R.H.)		1
20	0170.91.730	Ring		2
21	341.1.063.2A	Steering head		1
22	747.5.007.1A	Nut		2
23	360.1.086.1B	Clamp (R.H.)		1
24	360.2.089.1A	Handlebar (L.H.)		1
25	518.4.004.2B	Antenna		1
26	360.1.087.1B	Clamp (L.H.)		1
27	750.1.149.1A	Nut		2

NOTES NO.	CODE NO.	DESCRIPTION	VALIDITY	Q.TY 
28	771.1.050.1A	Screw		2
29	861.5.022.1A	Spring pin		2
30	651.1.008.1A	Switch (L.H.)		1


CATALOGUE No: 915.1.270.1B
ISSUED: 07 - 07

CATALOGUE No: 915.1.270.1B
ISSUED: 07 - 07

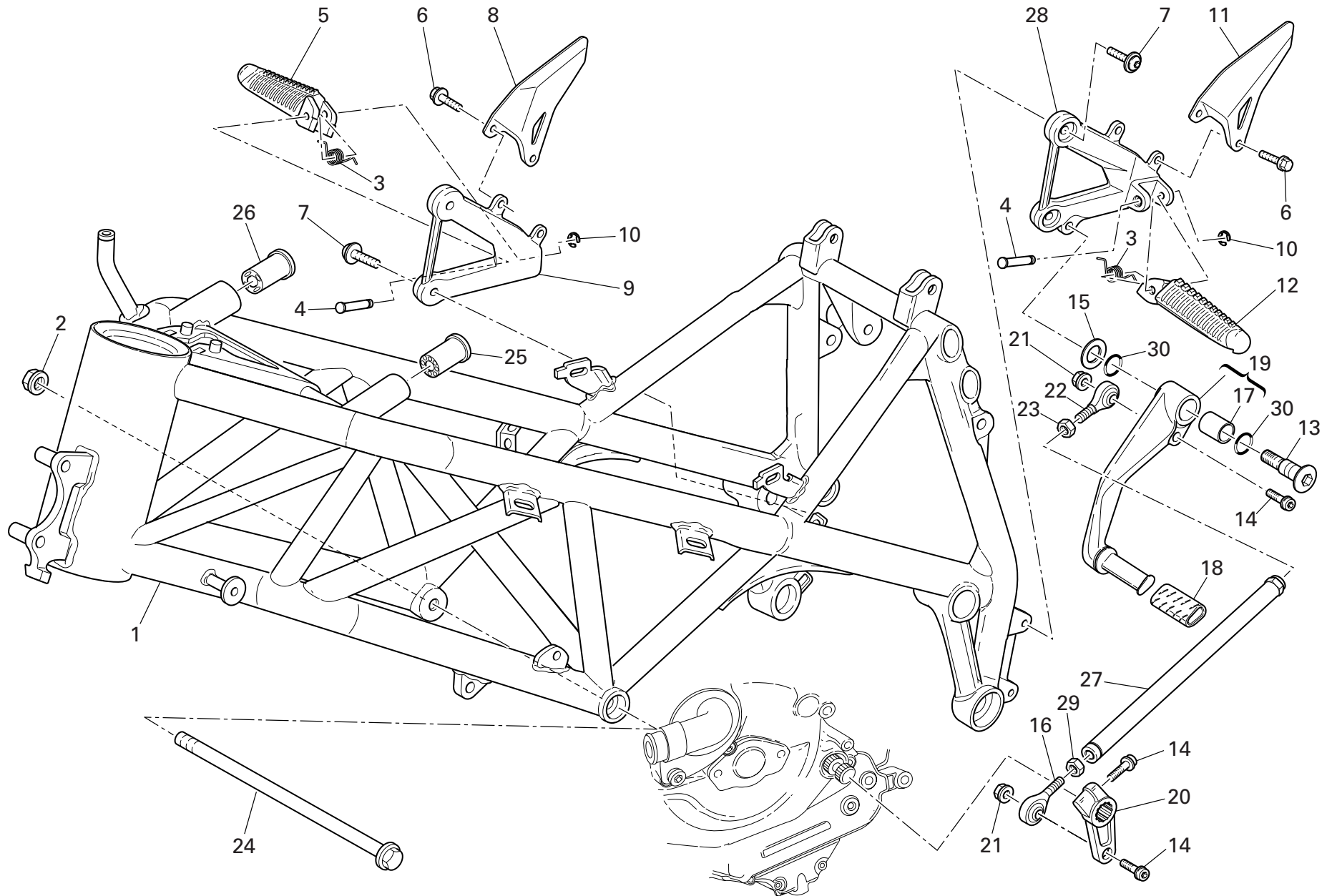
DRAWING 021a FRONT FORKS




DRAWING 021a FRONT FORKS


NOTES NO.	CODE NO.	DESCRIPTION	VALIDITY	Q.TY 
1	345.2.016.1B	R.H. fork leg assembly		1
2	344.2.016.1B	L.H. fork leg assembly		1
3	349.1.209.1A	Special screw		2
4	349.1.060.1B	Special washer		2
5	771.5.727.8B	Screw		4
6	349.1.210.1A	Complete R.H. slider		1
7	349.1.104.1A	Bush		2
8	349.1.181.1A	Damper tube		2
9	349.1.183.1A	Spring		2
10	349.1.212.1A	Seal ring		2
11	349.1.213.1A	Coupling		2
12	349.1.184.1A	Spring coupling		2
13	349.1.064.1A	Damper tube		2
14	349.1.065.1A	Rubber cush drive hub		2
15	349.2.043.1A	Overhaul kit		2
16	349.1.214.1A	O-Ring		2
17	349.2.041.1A	Complete cap		1
18	349.1.111.1A	Stanchion tube		2
19	349.1.211.1A	Complete L.H. slider		2
20	349.2.042.1A	Adjusting screw		2

NOTES NO.	CODE NO.	DESCRIPTION	VALIDITY	Q.TY 
-----------	----------	-------------	----------	--



DRAWING **022** FRAME

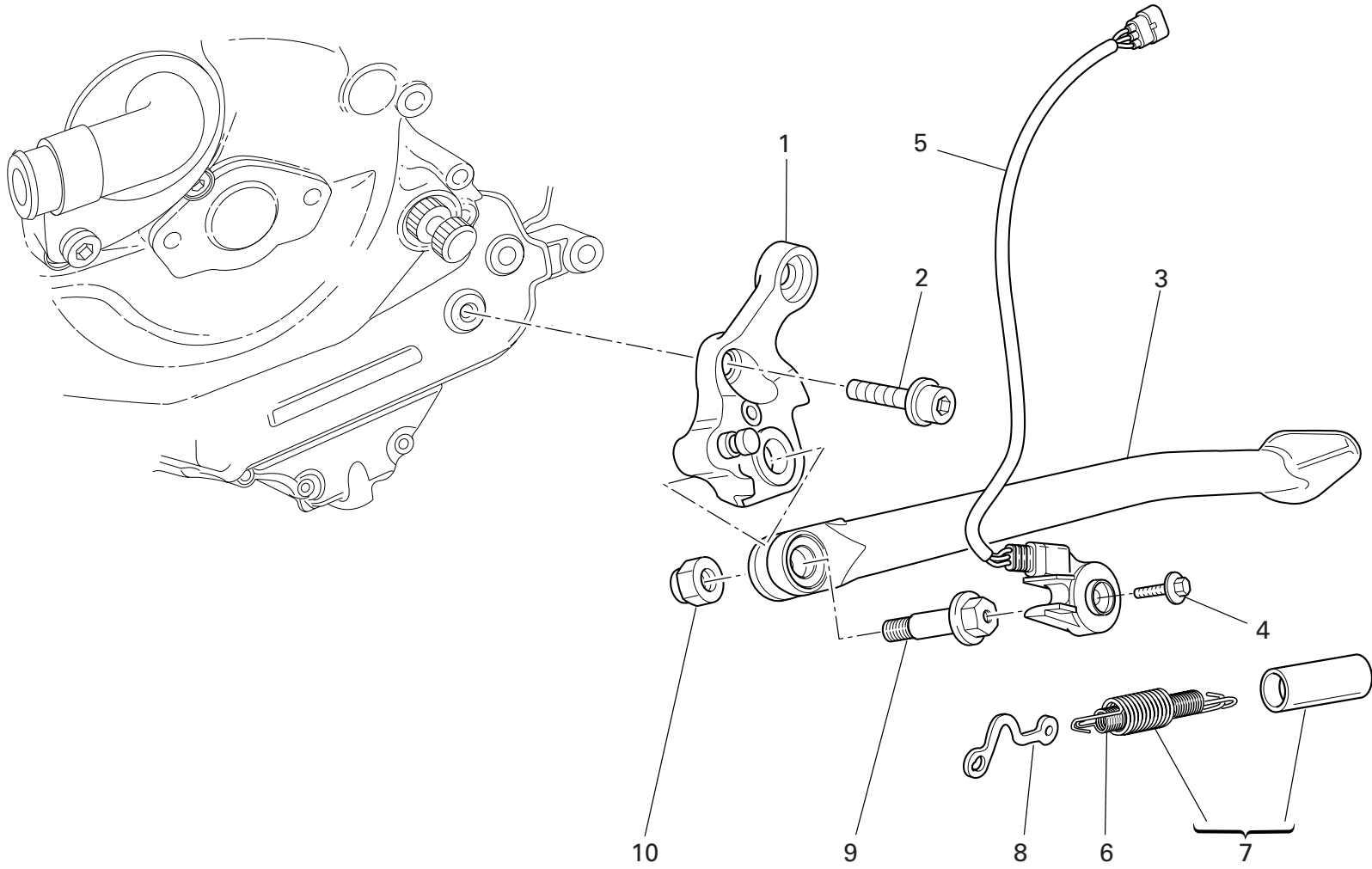
NOTES NO.	CODE NO.	DESCRIPTION	VALIDITY	Q.TY 
1	470.1.189.1AA	Frame (RED)		1
1	470.1.189.1AT	Frame (RACINGREY)		1
2	748.4.002.1A	Nut		2
3	799.1.166.1A	Spring		2
4	821.1.051.1AB	Pin		2
5	464.1.006.1A	Foot peg (front) (R.H.)		1
6	772.1.046.1B	Screw		4
7	772.1.077.1A	Screw		4
8	247.1.300.1B	Protection (front) (R.H.)		1
9	824.1.123.1A	Foot peg holder plate (front) (R.H.)		1
10	884.5.003.1A	Ring		2
11	247.1.299.1B	Protection (front) (L.H.)		1
12	464.1.005.1A	Foot peg (front) (L.H.)		1
13	821.1.170.1A	Pin		1
14	771.5.667.8B	Screw		3
15	852.1.053.2A	Washer		1
16	848.5.001.1A	Ball joint		1
17	712.1.034.1A	Bush		1
18	764.1.011.2A	Rubber pad		1
19	456.2.047.1A	Gearchange lever		1
20	456.1.046.1B	Gearchange control lever		1
21	749.4.004.1A	Nut		2
22	848.5.002.1A	Ball joint		1
23	747.5.010.1A	Nut		1
24	779.1.484.2B	Special screw		2
25	764.1.051.1A	Rubber pad		1
26	764.1.050.1A	Rubber pad		1

NOTES NO.	CODE NO.	DESCRIPTION	VALIDITY	Q.TY 
27	117.1.088.2A	Gearbox transmission rod		1
28	824.1.122.1A	Foot peg holder plate (front) (L.H.)		1
29	747.5.001.1AB	Nut		1
30	0000.01199	O-ring		2


CATALOGUE No: 915.1.270.1B
ISSUED: 07 - 07

CATALOGUE No: 915.1.270.1B
ISSUED: 07 - 07

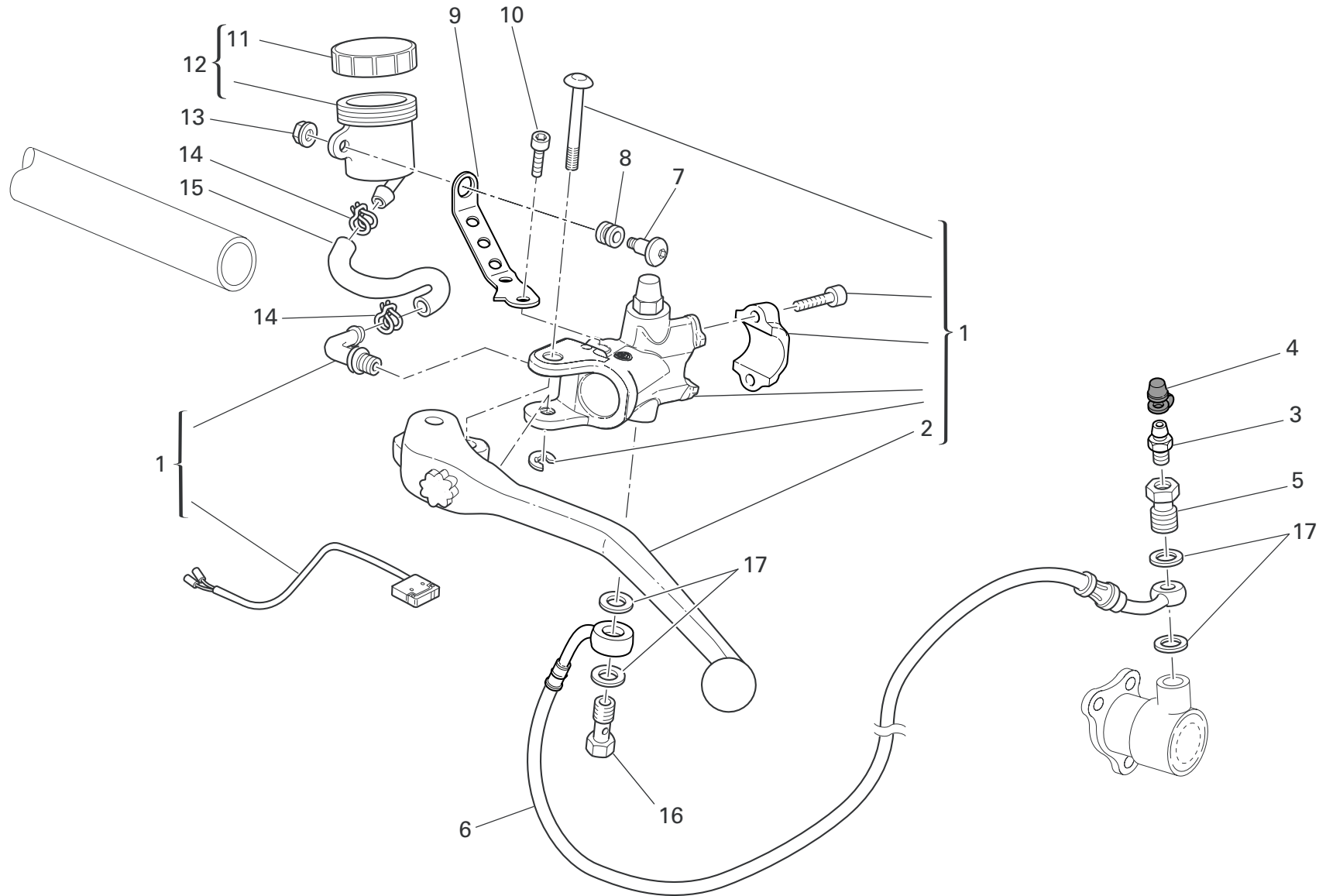
DRAWING 022a STAND




DRAWING 022a STAND

NOTES NO.	CODE NO.	DESCRIPTION	VALIDITY	Q.TY 
1	556.2.034.1A	Plate		1
2	771.1.043.1A	Screw		2
3	556.1.046.2A	Side stand		1
4	779.4.005.2A	Screw		1
5	539.1.022.1A	Switch		1
6	799.1.158.1A	Inner spring		1
7	799.2.159.1A	Complete spring		1
8	829.1.260.2A	Plate		1
9	821.1.103.1A	Pin		1
10	750.1.048.1A	Nut		1

NOTES NO.	CODE NO.	DESCRIPTION	VALIDITY	Q.TY 
-----------	----------	-------------	----------	--

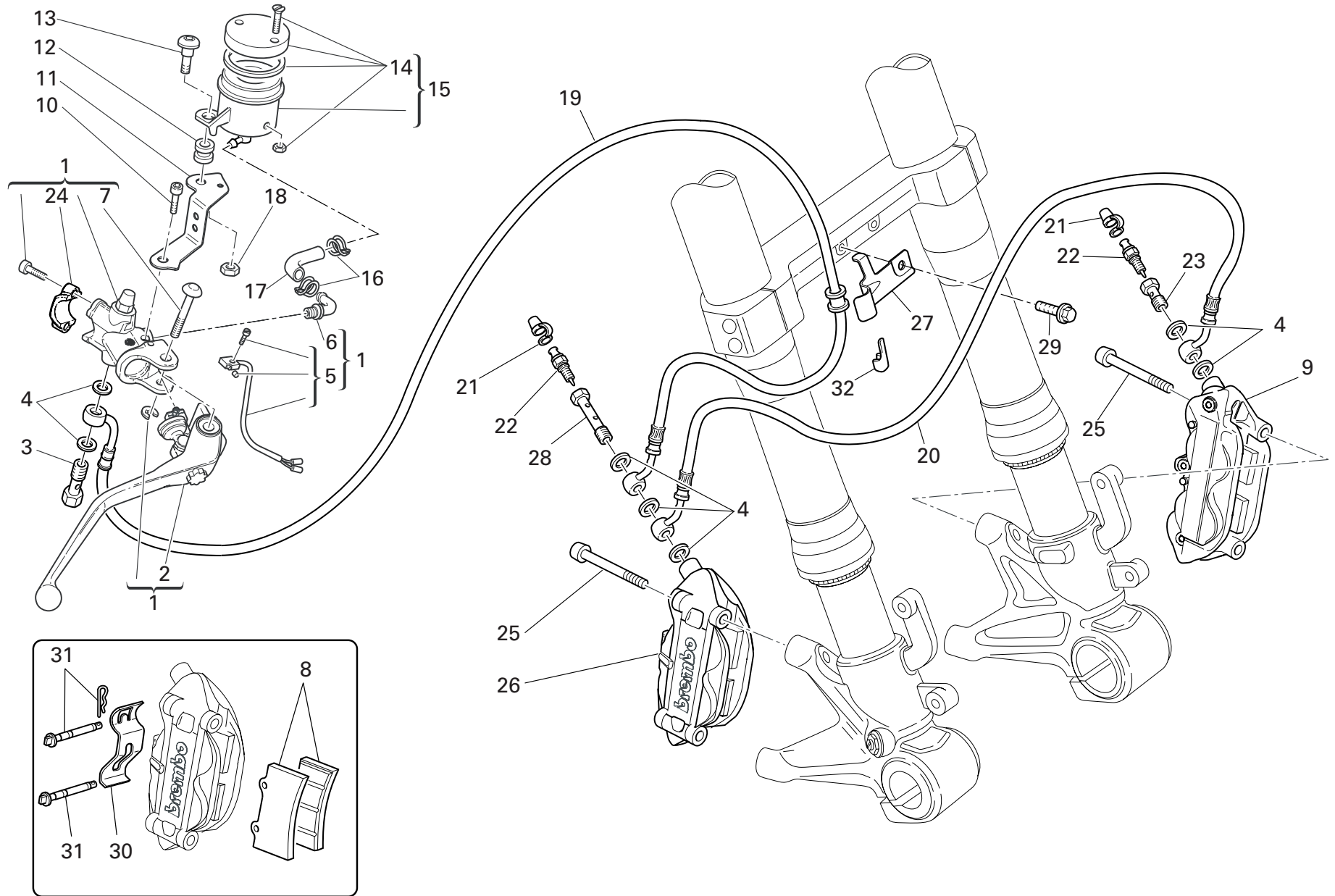


DRAWING **023** CLUTCH CONTROL


NOTES NO.	CODE NO.	DESCRIPTION	VALIDITY	Q.TY 
1	630.4.043.1A	Clutch drive pump		1
2	631.4.034.1A	Clutch control lever		1
3	187.1.002.1A	Bleed		1
4	612.4.005.1A	Dust seal		1
5	779.1.082.1AB	Special screw		1
6	632.1.042.1A	Clutch control pipe (METAL PLAITED)		1
7	779.1.092.1A	Screw		1
8	0370.72.020	Vibration damper pad		1
9	829.1.945.1A	Bracket		1
10	779.5.059.1A	Screw		1
11	893.4.005.1A	Cap		1
12	585.4.008.1A	Complete oil tank		1
13	8000.56443	Nut		1
14	741.4.043.1A	Hose guide		2
15	877.1.113.1A	Tube		1
16	779.1.397.1A	Special screw		1
17	852.5.024.1A	Gasket th.1		4


NOTES NO.	CODE NO.	DESCRIPTION	VALIDITY	Q.TY 
-----------	----------	-------------	----------	--

DRAWING 024 FRONT BRAKE



DRAWING **024** FRONT BRAKE

NOTES NO.	CODE NO.	DESCRIPTION	VALIDITY	Q.TY 
1	624.4.052.1A	Front brake pump		1
2	631.4.033.1A	Brake control lever		1
3	779.1.366.1AB	Special screw		1
4	852.5.024.1A	Gasket th.1		7
5	539.4.035.1A	Microswitch		1
6	631.4.008.1A	Spare union		1
7	626.4.032.1A	Pin		1
8	613.4.079.1A	Pads pair		1
9	610.4.099.1A	Brake caliper (L.H.)		1
10	779.5.059.1A	Screw		1
11	829.1.946.1A	Bracket		1
12	0370.72.020	Vibration damper pad		1
13	779.1.092.1A	Screw		1
14	0000.68490	Spare cap		1
15	585.4.009.1A	Complete oil tank		1
16	741.4.043.1A	Hose guide		2
17	877.1.114.1A	Tube		1
18	8000.56443	Nut		1
19	618.4.080.1A	Caliper pump pipe (METAL PLAITED)		1
20	618.4.081.1A	Front brake line		1
21	612.4.005.1A	Dust seal		2
22	187.1.002.1A	Bleed		2
23	779.1.551.1A	Special screw		1
24	626.4.044.1A	Bracket		1
25	779.1.511.1A	Screw		4
26	610.4.100.1A	Brake caliper (R.H.)		1
27	830.1.462.1A	Bracket		1

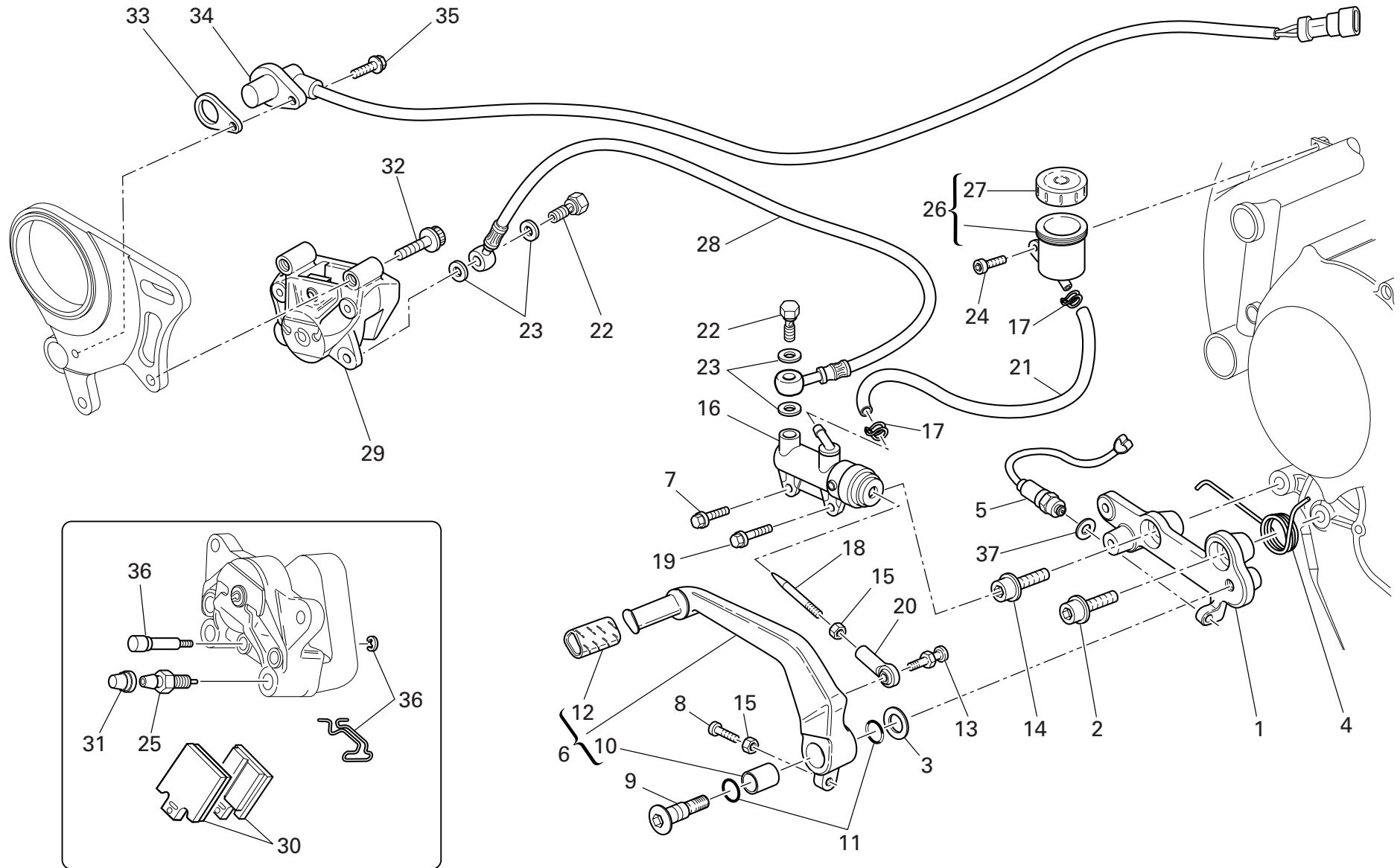
NOTES NO.	CODE NO.	DESCRIPTION	VALIDITY	Q.TY 
28	779.1.465.1A	Special screw		1
29	772.1.050.1A	Screw		1
30	612.4.037.1A	Spring		1
31	612.4.014.1A	Spare pins and spring		1
32	829.1.141.1C	Fairlead		1

CATALOGUE No: 915.1.270.1B
ISSUED: 07 - 07


CATALOGUE No: 915.1.270.1B
ISSUED: 07 - 07


DRAWING 025

REAR BRAKE



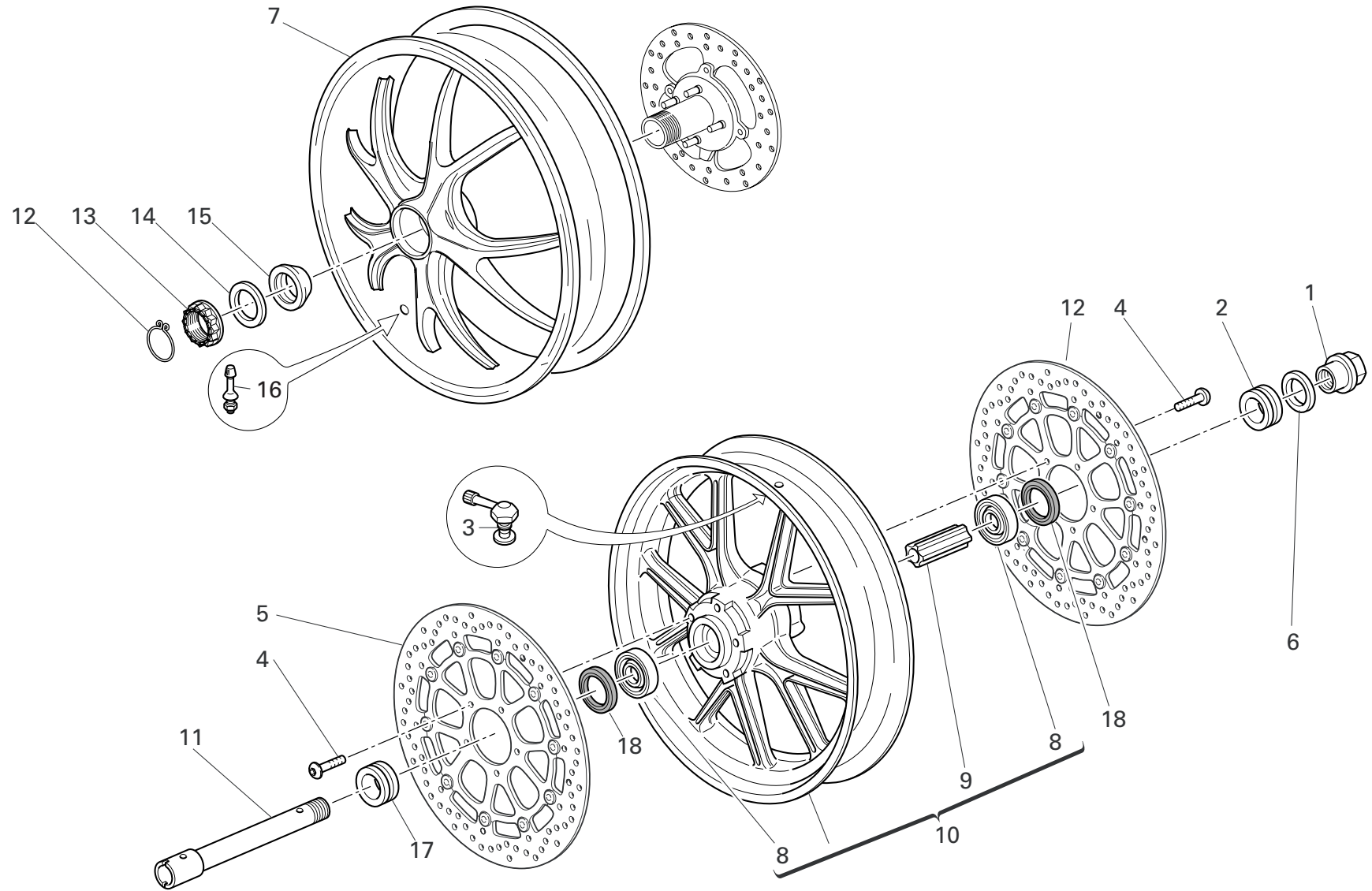
DRAWING **025** REAR BRAKE

NOTES NO.	CODE NO.	DESCRIPTION	VALIDITY	Q.TY 
1	829.1.942.1A	Plate		1
2	771.5.754.8B	Screw		1
3	852.1.053.2A	Washer		1
4	799.1.256.1A	Spring		1
5	539.4.003.1B	Switch		1
6	457.2.042.1A	Brake control lever		1
7	772.1.060.1A	Screw		1
8	779.1.237.1B	Adjusting screw		1
9	821.1.170.1A	Pin		1
10	712.1.034.1A	Bush		1
11	0000.01199	O-ring		2
12	764.1.011.2A	Rubber pad		1
13	821.1.273.1A	Pin		1
14	779.1.493.1A	Special screw		1
15	747.5.003.1A	Nut		2
16	625.4.021.1A	Rear brake pump		1
17	741.4.043.1A	Hose guide		2
18	117.1.044.1A	Adjuster rod		1
19	772.1.063.1A	Screw		1
20	184.1.010.2A	Ball joint		1
21	877.1.091.1A	Tube		1
22	779.1.366.1AB	Special screw		2
23	852.5.024.1A	Gasket th.1		4
24	779.5.056.8B	Screw		1
25	631.4.016.1A	Bleed		1
26	585.4.001.1A	Complete oil tank		1
27	893.4.005.1A	Cap		1


NOTES NO.	CODE NO.	DESCRIPTION	VALIDITY	Q.TY 
28	619.4.034.1A	Rear brake line (METAL PLAITED)		1
29	611.4.020.1A	Rear brake caliper		1
30	613.4.038.1A	Pads pair		1
31	612.4.008.1A	Dust seal		1
32	771.5.723.8B	Screw		2
33	713.1.192.1A	Spacer		1
34	552.4.037.1E	Sensor		1
35	772.5.029.1A	Screw		1
36	612.4.016.1A	Spare pins and spring		1
37	420.2.000.8A	Copper gasket sp. 1		1

CATALOGUE No: 915.1.270.1B
ISSUED: 07 - 07

CATALOGUE No: 915.1.270.1B
ISSUED: 07 - 07

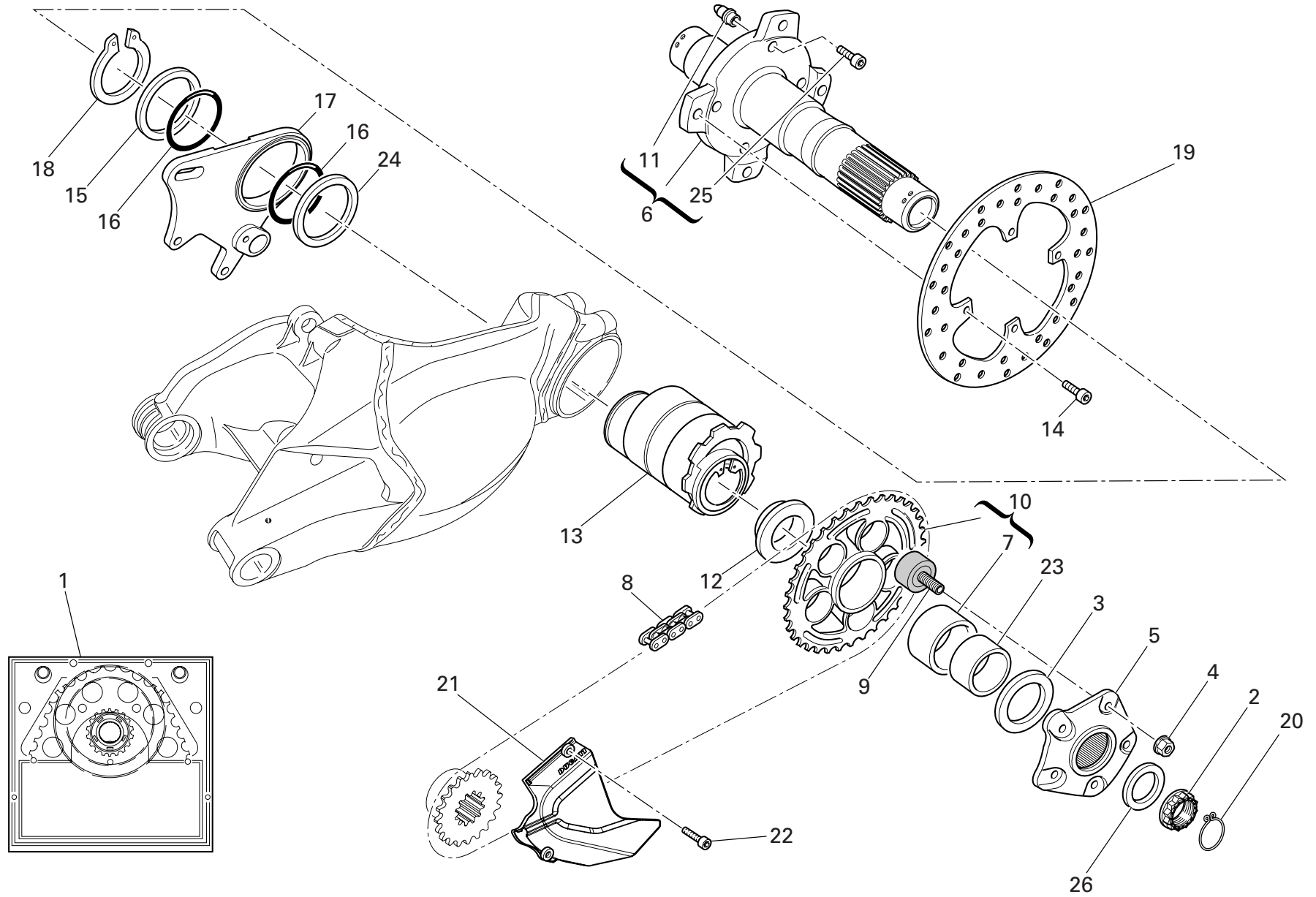


DRAWING **026** FRONT AND REAR WHEELS

NOTES NO.	CODE NO.	DESCRIPTION	VALIDITY	Q.TY 
1	748.1.065.1A	Nut		1
2	713.1.197.3A	L.H. spacer		1
3	497.2.001.2A	Valve		1
4	779.1.399.1A	Screw		10
5	492.4.085.1A	Brake disc		2
6	852.1.222.1A	Washer		1
7	502.2.124.1AB	Rear wheel rim		1
8	702.5.045.1A	Bearing		2
9	714.1.047.1A	Inner spacer		1
10	501.2.116.1AB	Wheel rim (front)		1
11	819.1.060.1A	Wheel spindle (front)		1
12	759.1.009.1A	Clip		1
13	750.1.140.1A	Nut		1
14	852.1.057.1A	Washer		1
15	714.1.027.1A	Special washer		1
16	497.2.003.1A	Valve		1
17	713.1.196.1A	R.H. spacer		1
18	930.4.052.1A	Seal ring		2

NOTES NO.	CODE NO.	DESCRIPTION	VALIDITY	Q.TY 
-----------	----------	-------------	----------	--

DRAWING 026a REAR WHEEL AXLE



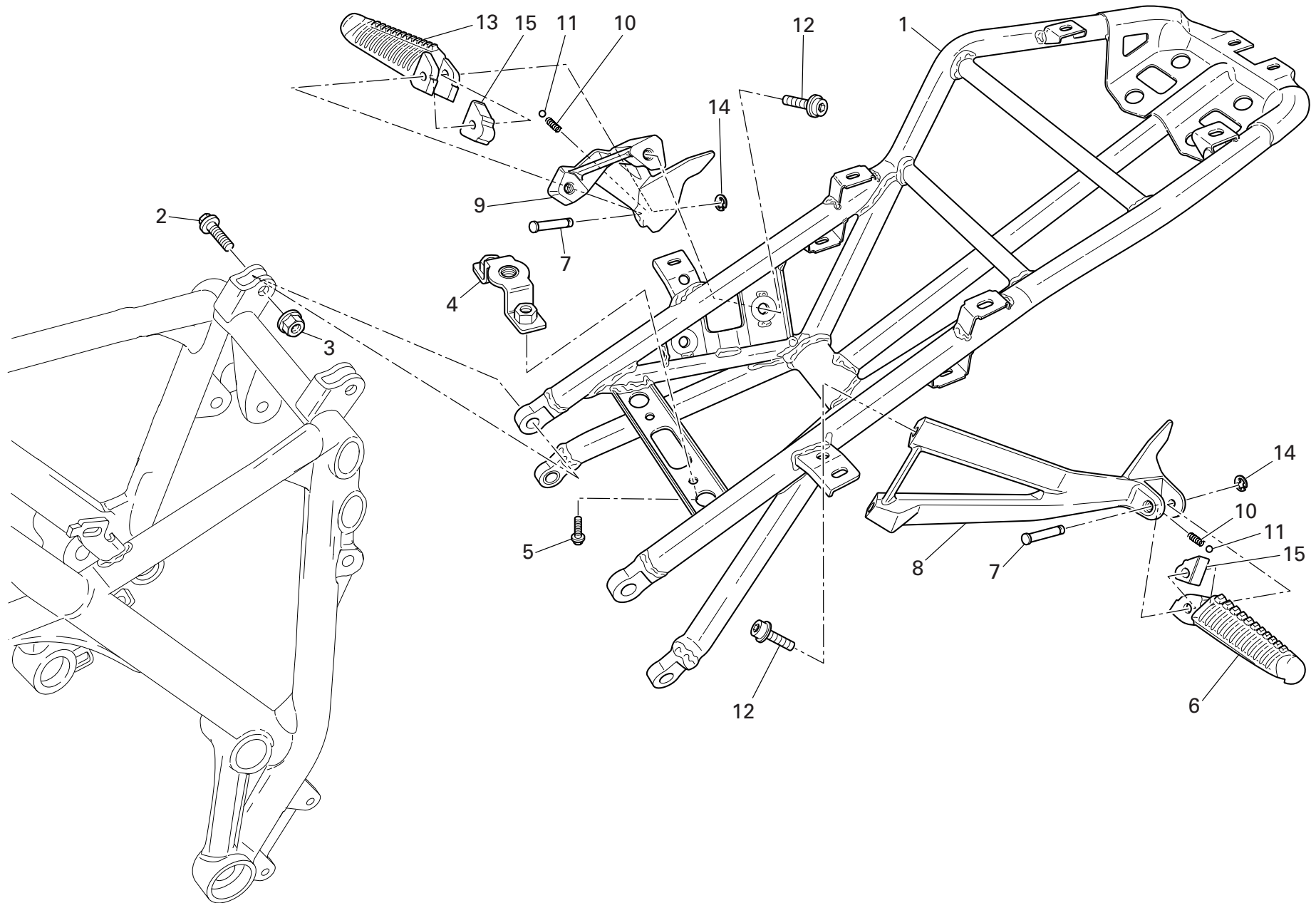
DRAWING **026a** REAR WHEEL AXLE

NOTES NO.	CODE NO.	DESCRIPTION	VALIDITY	Q.TY 
1	676.2.069.1A	Final drive kit		1
2	750.1.018.1C	Nut		1
3	852.1.058.2A	Washer		1
4	748.4.024.1AB	Nut		5
5	160.1.377.1A	Rear sprocket flange		1
6	819.2.038.1C	Wheel spindle (rear)		1
7	712.1.018.1A	Bush		1
8	676.4.069.1A	Chain		1
9	700.9.055.1A	Rubber cush drive hub		6
10	494.2.138.1A	Ring gear		1
11	863.1.001.1D	Pin		4
12	714.1.083.1A	Spacer		1
13	756.2.008.1A	Hub		1
14	771.5.266.8B	Screw		4
15	852.1.159.1A	Washer		1
16	886.5.003.1A	O-Ring		2
17	825.1.038.1A	Caliper holder plate		1
18	884.5.004.1A	Circlip		1
19	492.4.076.1A	Rear brake disc		1
20	759.1.008.1A	Clip		1
21	460.1.255.1A	Chain cover		1
22	773.5.065.8B	Screw		2
23	711.1.067.1A	Bush		1
24	852.1.233.1A	Washer		1
25	772.1.005.1B	Screw		4
26	852.1.055.1A	Washer		1


NOTES NO.	CODE NO.	DESCRIPTION	VALIDITY	Q.TY 
-----------	----------	-------------	----------	--

CATALOGUE No: 915.1.270.1B
ISSUED: 07 - 07

CATALOGUE No: 915.1.270.1B
ISSUED: 07 - 07

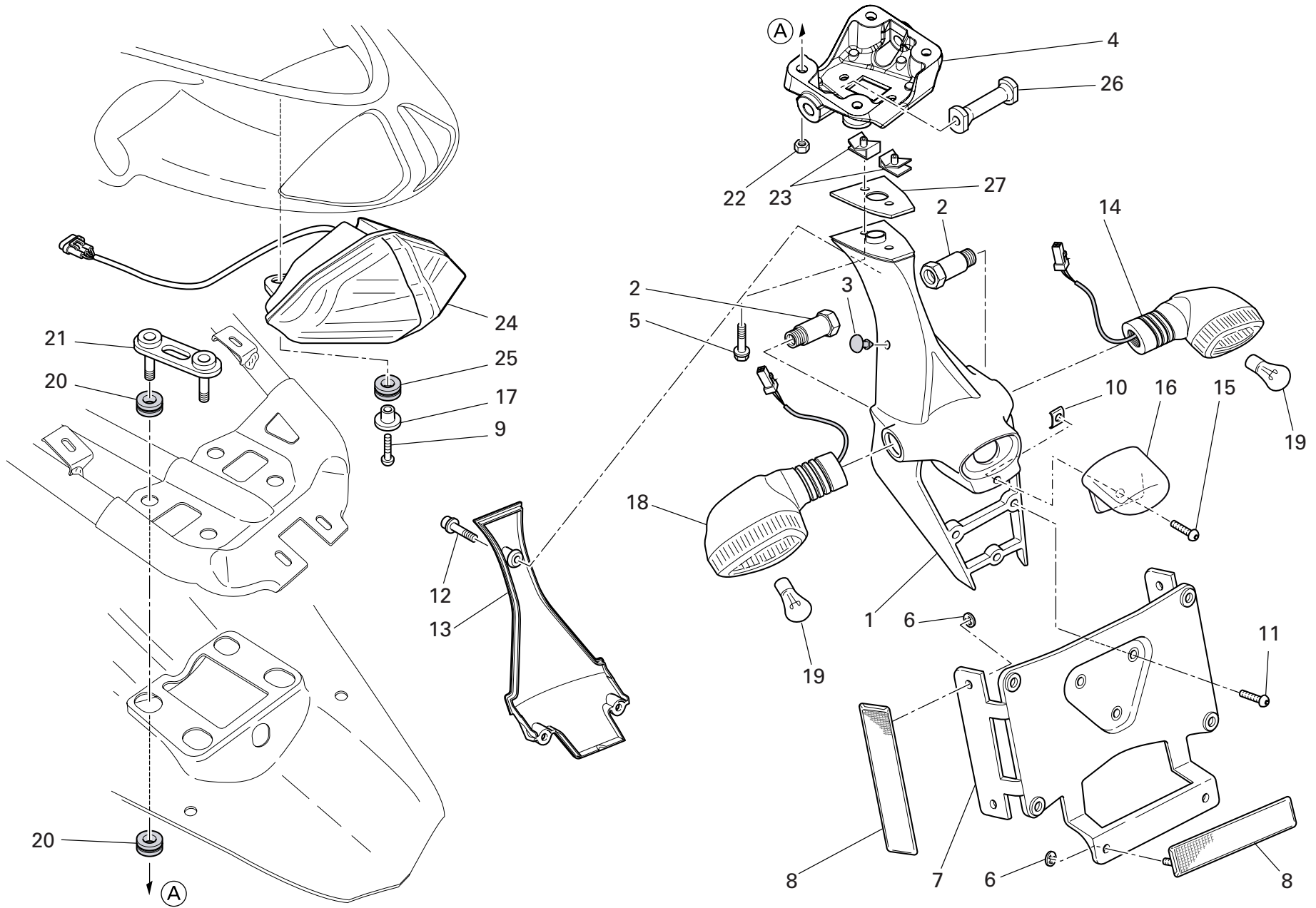


DRAWING **027** REAR SUBFRAME


NOTES NO.	CODE NO.	DESCRIPTION	VALIDITY	Q.TY 
1	470.1.190.2A	Rear frame		1
2	772.1.087.1A	Screw		4
3	749.4.008.1A	Nut		4
4	830.1.418.1A	Bracket		1
5	772.1.050.1C	Screw		2
6	464.1.005.1A	Foot peg (rear) (L.H.)		1
7	821.1.051.1AB	Pin		2
8	824.1.125.1A	Foot peg holder plate (L.H.)		1
9	824.1.124.1A	Foot peg holder plate (R.H.)		1
10	799.1.024.1A	Spring		2
11	847.4.002.1A	Ball		2
12	771.5.723.8B	Screw		4
13	464.1.006.1A	Foot peg (rear) (R.H.)		1
14	884.5.003.1A	Ring		2
15	696.1.012.1A	Block		2

NOTES NO.	CODE NO.	DESCRIPTION	VALIDITY	Q.TY 
-----------	----------	-------------	----------	--

DRAWING 027a NUMBER PLATE HOLDER



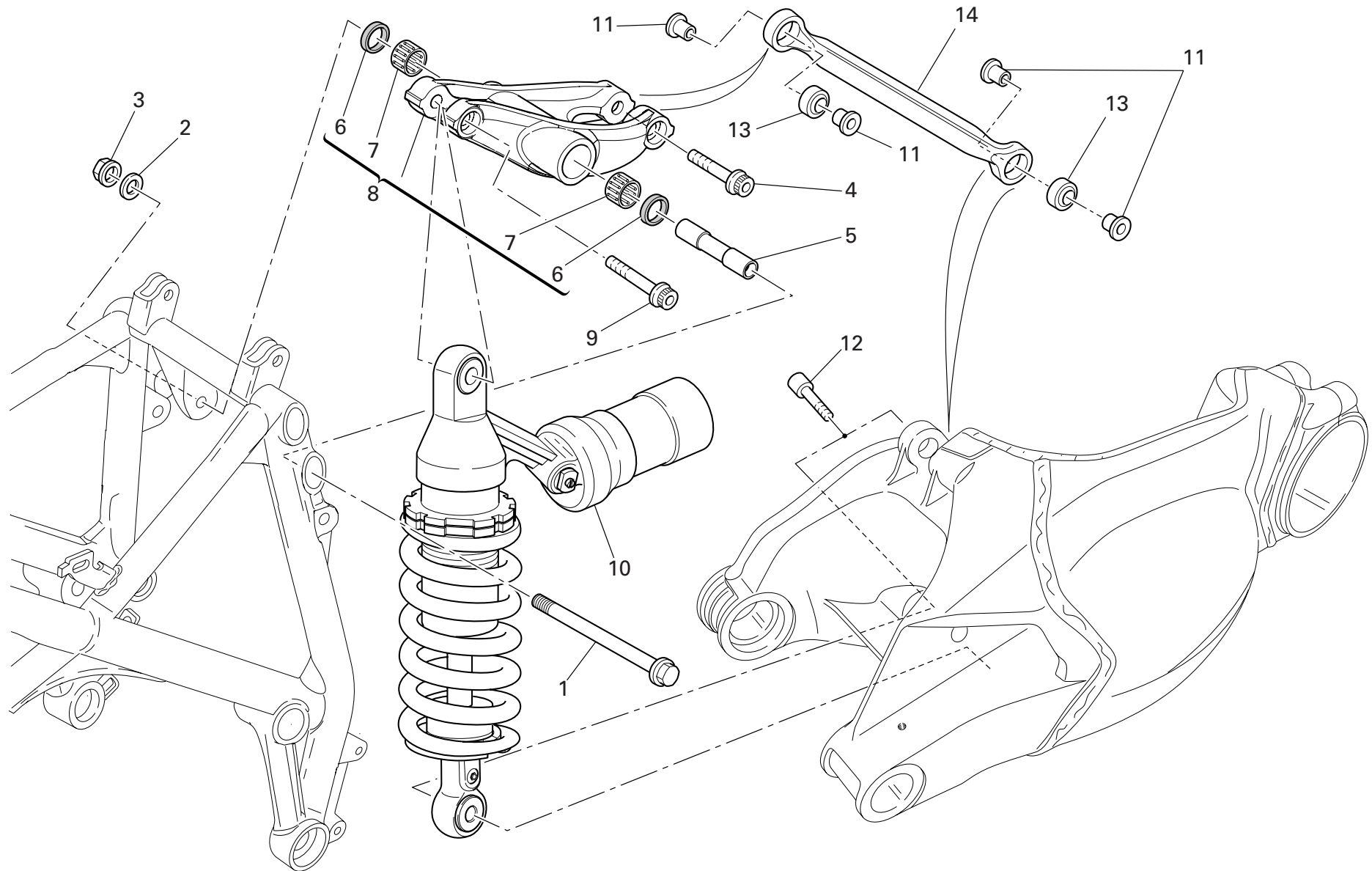
DRAWING **027a** NUMBER PLATE HOLDER

NOTES NO.	CODE NO.	DESCRIPTION	VALIDITY	Q.TY 
1	561.1.025.1A	Number plate holder		1
2	750.1.150.1A	Nut		2
3	866.1.075.1A	Pad		2
4	829.1.947.1A	Holder		1
5	771.1.039.1A	Screw		2
6	850.4.052.1A	Quik fastening		6
7	561.1.027.1A	Plate		1
8	529.1.010.1A	Reflector		3
9	775.1.011.1B	Screw		2
10	850.4.102.1A	Quik fastening		1
11	775.5.013.1A	Screw		3
12	771.5.639.8B	Screw		3
13	247.1.306.1A	Cover		1
14	530.1.021.1B	Turn indicator (rear) (R.H.)		1
15	775.5.001.3C	Screw		1
16	525.1.031.1A	Number plate light		1
17	716.1.143.1A	Spacer		2
18	530.1.020.1B	Turn indicator (rear) (L.H.)		1
19	390.4.021.1A	Bulb		2
20	764.1.098.1A	Vibration damper pad		8
21	827.1.431.1A	Flange		2
22	749.4.031.1A	Nut		4
23	850.4.038.1A	Quik fastening		2
24	525.1.032.1A	Tail light		1
25	764.1.090.1A	Rubber pad		2
26	713.1.373.1A	Spacer		1
27	827.1.442.1A	Plate		1


NOTES NO.	CODE NO.	DESCRIPTION	VALIDITY	Q.TY 
-----------	----------	-------------	----------	--

CATALOGUE No: 915.1.270.1B
ISSUED: 07 - 07

CATALOGUE No: 915.1.270.1B
ISSUED: 07 - 07

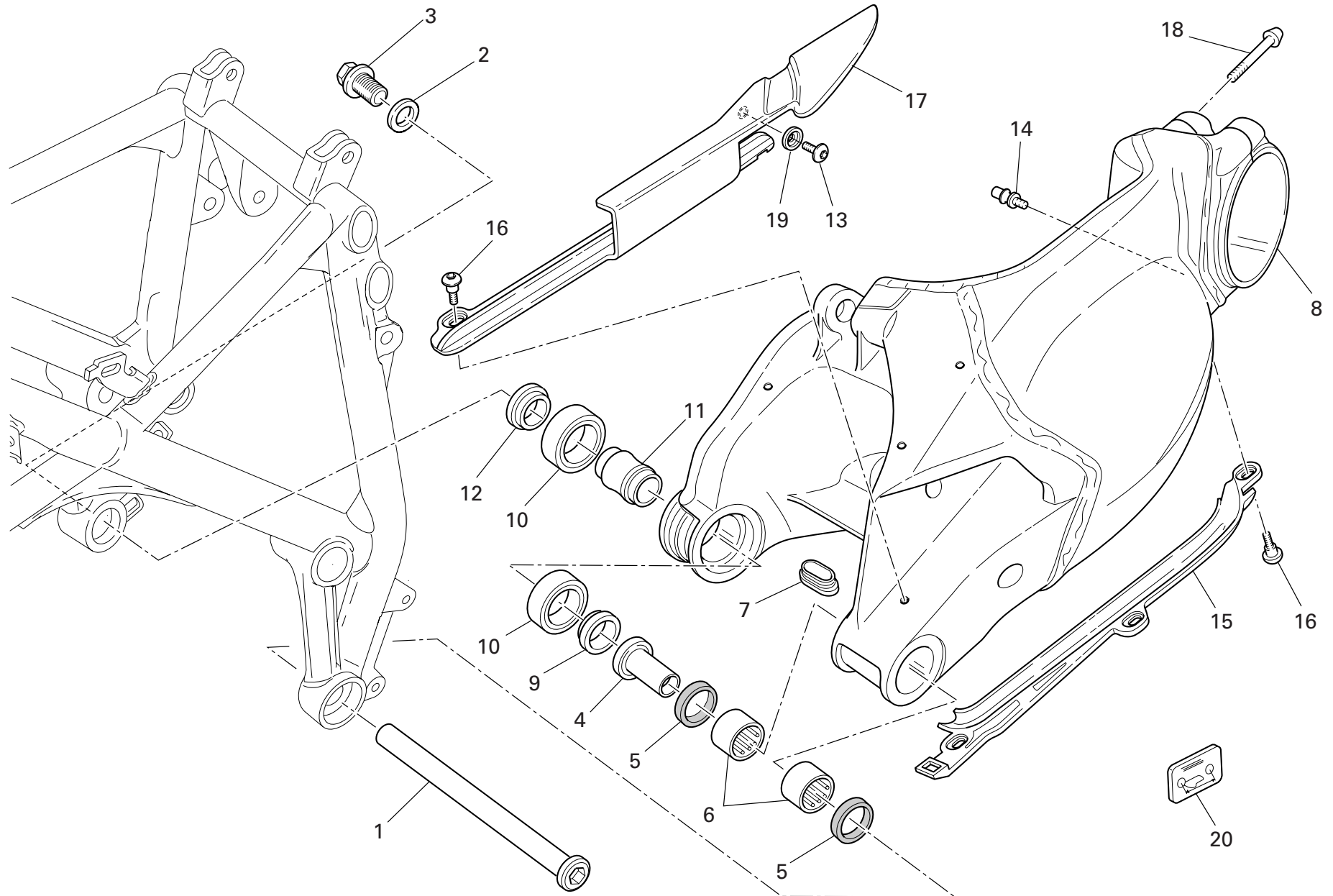


DRAWING 028 REAR SUSPENSION


NOTES NO.	CODE NO.	DESCRIPTION	VALIDITY	Q.TY 
1	771.1.031.1A	Screw		1
2	713.1.239.1A	Washer		1
3	748.4.037.1AB	Nut		1
4	771.5.937.8B	Screw		1
5	715.1.003.1A	Spacer		1
6	930.4.011.1A	Seal ring		2
7	701.4.004.1A	Needle bearing		2
8	372.2.062.1A	Rocker assembly		1
9	771.5.938.8B	Screw		1
10	365.2.074.1A	Shock absorber		1
11	710.1.132.1A	Bush		4
12	779.1.504.1A	Screw		2
13	848.4.011.1A	Ball joint		2
14	372.2.068.1A	Reaction rod		1

NOTES NO.	CODE NO.	DESCRIPTION	VALIDITY	Q.TY 
-----------	----------	-------------	----------	--

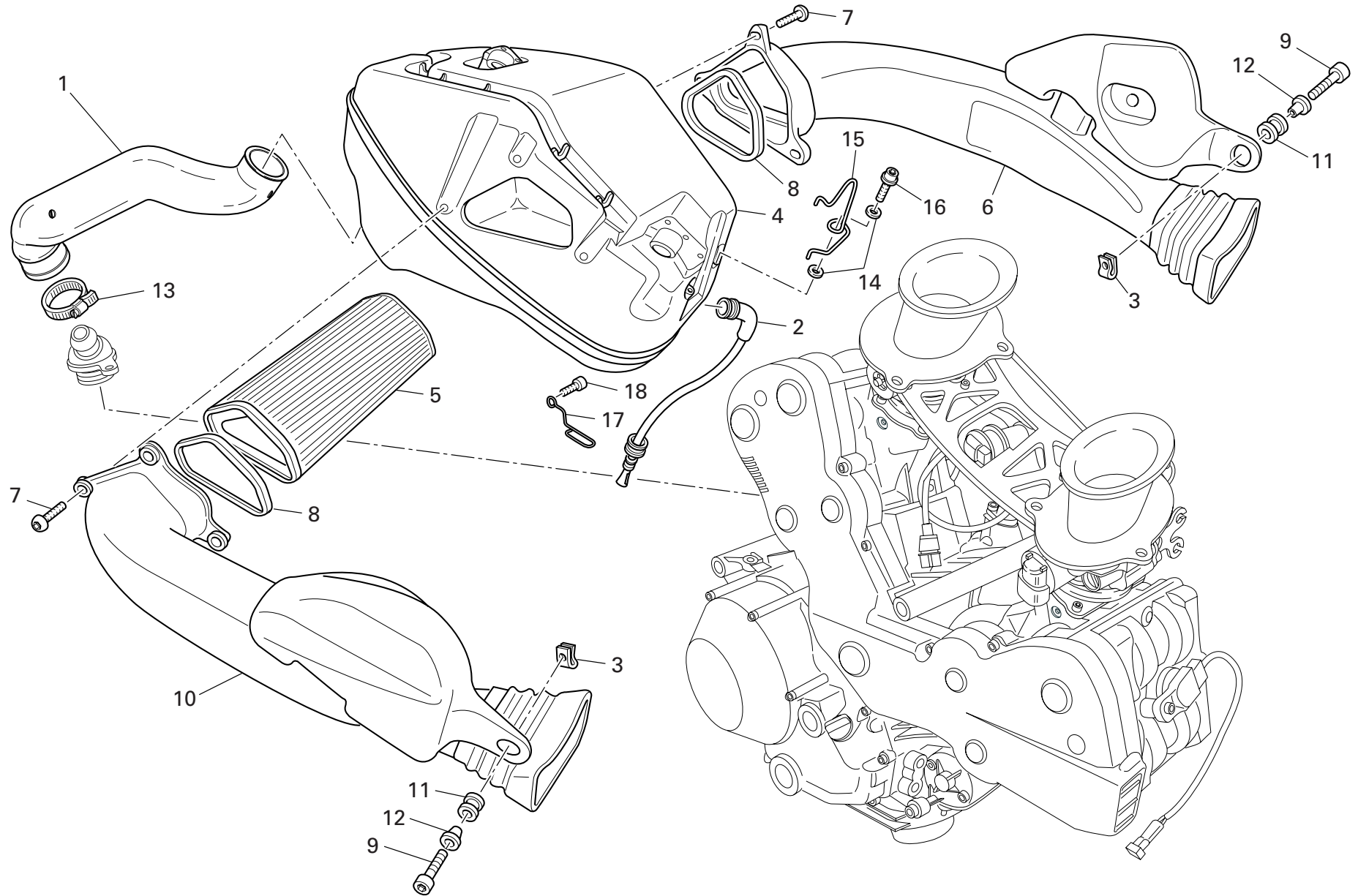
DRAWING 028a SWINGARM




DRAWING 028a SWINGARM

NOTES NO.	CODE NO.	DESCRIPTION	VALIDITY	Q.TY 
1	369.1.120.1A	Swingarm pivot		1
2	852.1.216.1A	Washer		1
3	772.1.078.1A	Nut		1
4	710.1.109.1A	Bush		1
5	930.5.012.1A	Seal ring		2
6	701.4.017.1A	Needle bearing		2
7	872.1.054.1A	Cap		1
8	370.2.076.2C	Complete swingarm		1
9	712.1.029.1A	Spacer		1
10	702.5.045.1A	Bearing		2
11	713.1.187.1A	Spacer		1
12	712.1.030.1A	Spacer		1
13	775.1.019.1A	Screw		1
14	832.1.047.1A	Pin		1
15	447.1.069.1A	Lower chain sliding shoe		1
16	779.1.440.2A	Special screw		4
17	447.1.070.1A	Upper chain sliding shoer		1
18	779.1.503.1A	Screw		2
19	841.1.050.1A	Retainer		1
20	433.1.342.1A	Chain adjustment sticker		1

NOTES NO.	CODE NO.	DESCRIPTION	VALIDITY	Q.TY 
-----------	----------	-------------	----------	--



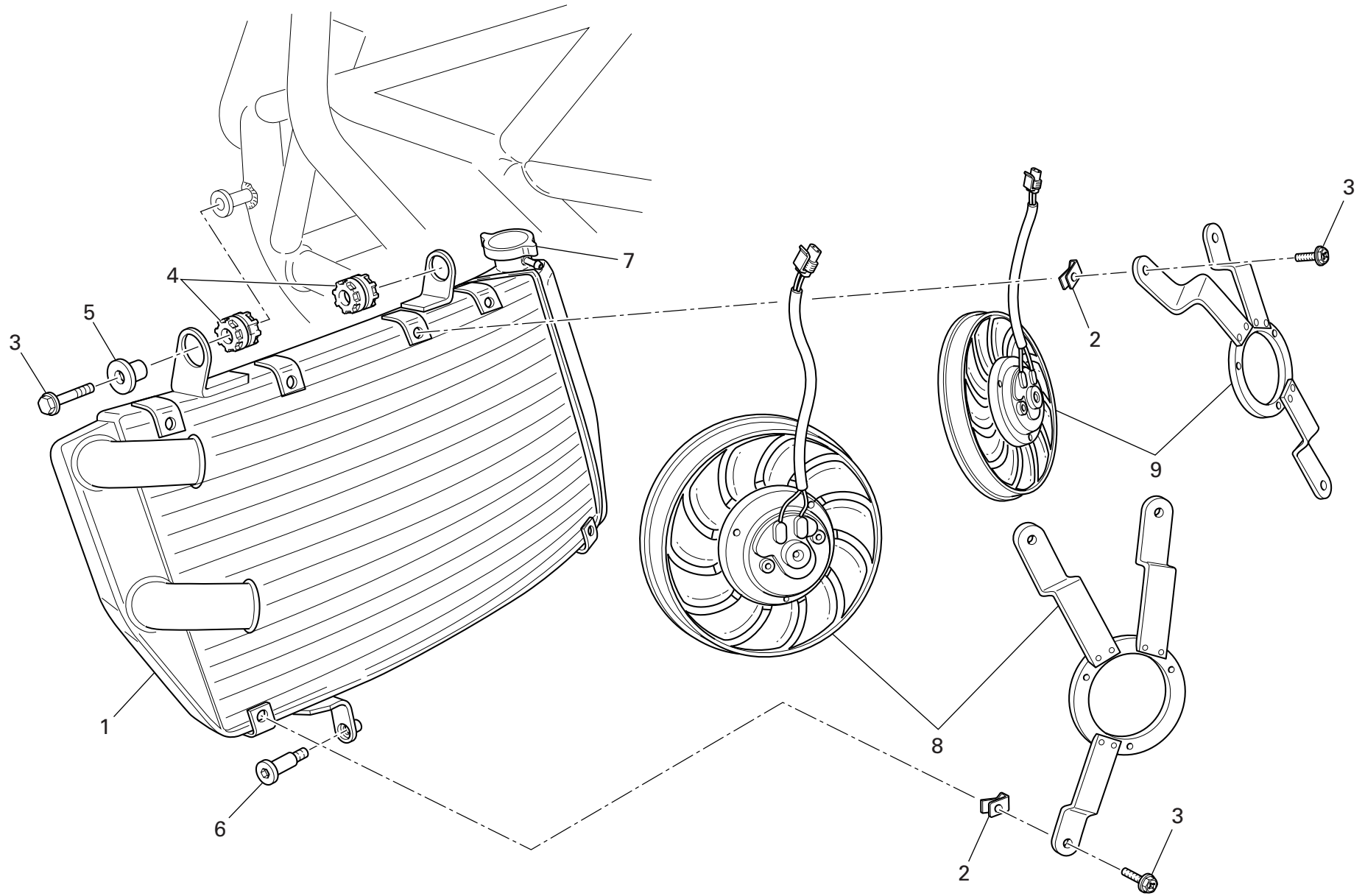
DRAWING 029 AIR INTAKE - OIL BREATHER

NOTES NO.	CODE NO.	DESCRIPTION	VALIDITY	Q.TY 
1	876.1.102.2B	Exhaust pipe		1
2	877.2.006.1B	Tube		1
3	850.4.038.1A	Quik fastening		2
4	442.1.139.1B	Air filter box		1
5	426.1.020.1A	Air filter		1
6	442.1.148.2A	Air manifold (L.H.)		1
7	772.1.042.2A	Screw		6
8	788.1.098.1A	Gasket		2
9	772.5.038.1AB	Screw		2
10	442.1.149.2A	Air manifold (R.H.)		1
11	764.1.056.1B	Rubber pad		2
12	716.1.043.1B	Spacer		4
13	741.4.025.1A	Clamp		1
14	852.1.024.1B	Washer		2
15	758.1.036.1A	Fairlead		1
16	773.5.018.8B	Screw		1
17	829.1.073.3A	Holder		1
18	771.5.071.8B	Screw		1

NOTES NO.	CODE NO.	DESCRIPTION	VALIDITY	Q.TY 
-----------	----------	-------------	----------	--


DRAWING 030

RADIATOR

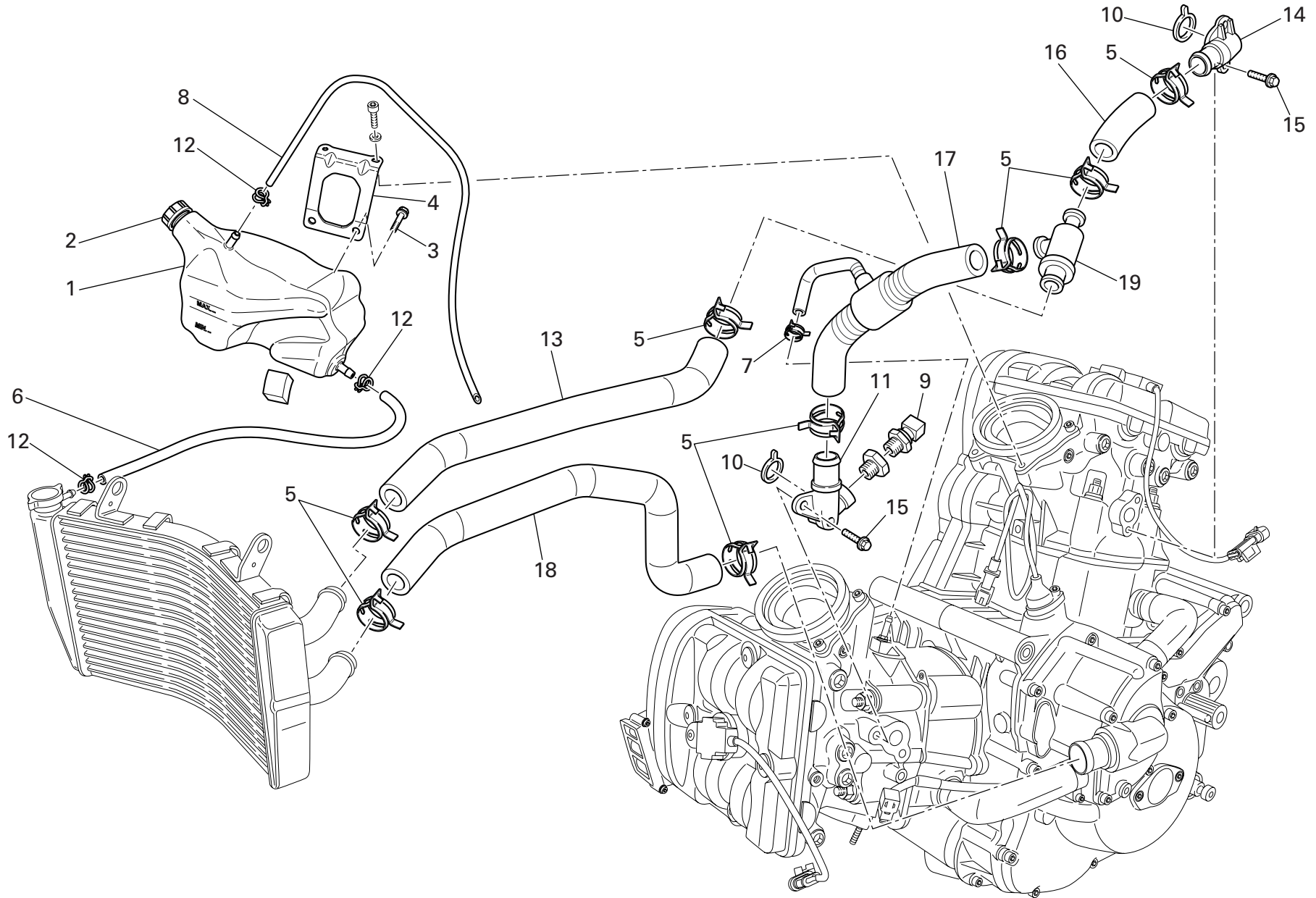


DRAWING 030


RADIATOR

NOTES NO.	CODE NO.	DESCRIPTION	VALIDITY	Q.TY 
1	548.4.074.1B	Water radiator		1
2	850.1.197.1A	Quik fastening		4
3	772.5.033.1A	Screw		6
4	764.1.022.1A	Vibration damper pad		2
5	713.1.304.1A	Spacer		1
6	779.1.202.1A	Special screw		1
7	872.4.060.1A	Cap		1
8	550.4.018.1A	Electric fan (L.H.)		1
9	550.4.017.1A	Electric fan (R.H.)		1

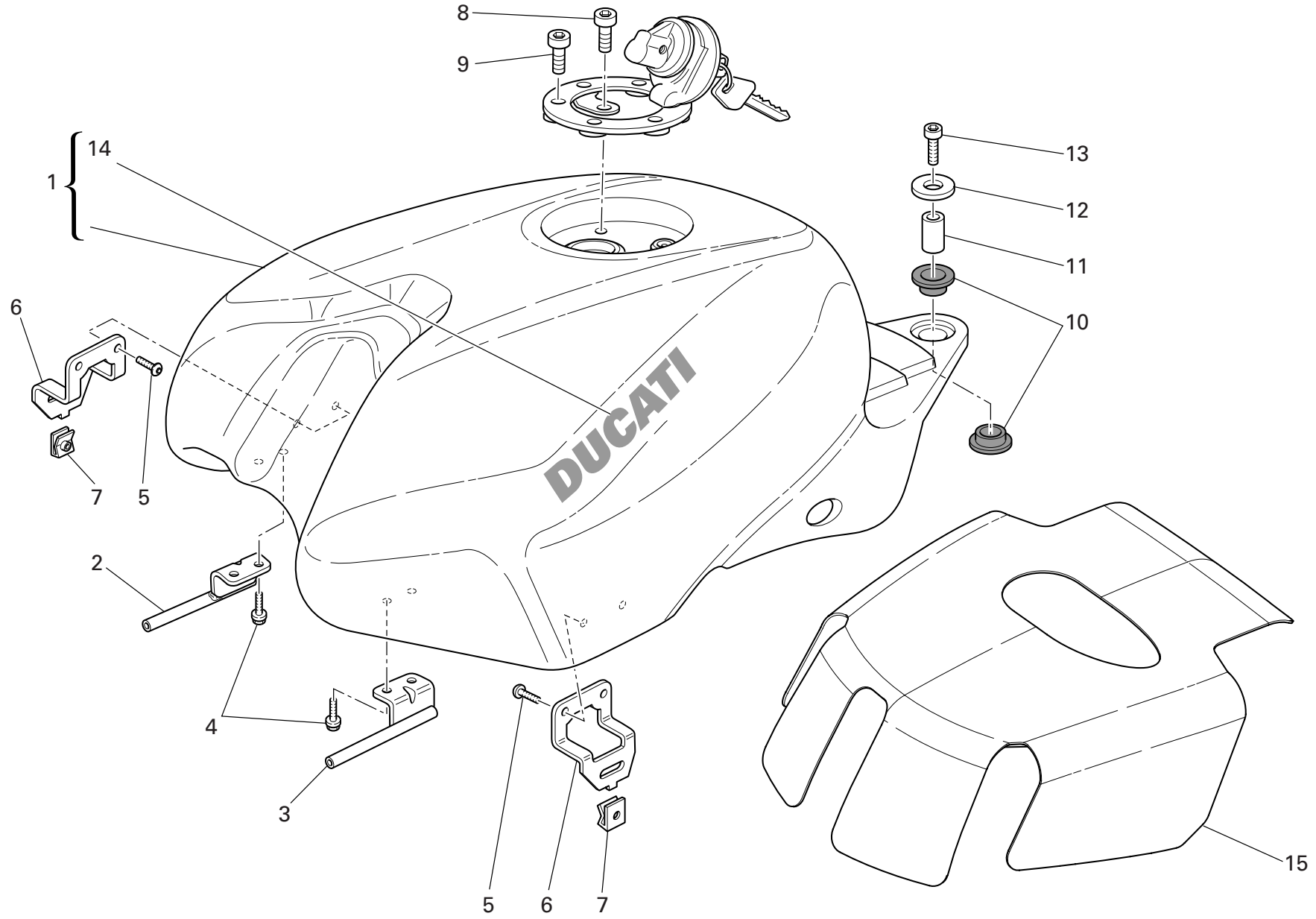
NOTES NO.	CODE NO.	DESCRIPTION	VALIDITY	Q.TY 
-----------	----------	-------------	----------	--




DRAWING **031** COOLING SYSTEM

NOTES NO.	CODE NO.	DESCRIPTION	VALIDITY	Q.TY 
1	585.1.057.2A	Water tank		1
2	893.1.007.1A	Tank cap		1
3	772.5.032.1A	Screw		2
4	830.1.429.1A	Bracket		1
5	741.4.025.1A	Clamp		8
6	934.1.005.1A	Breather pipe		1
7	741.4.001.1A	Hose guide		1
8	934.1.006.1A	Breather pipe		1
9	552.4.013.1A	Sensor		1
10	886.4.103.1A	O-ring		2
11	814.1.236.1B	Water outlet union (horizontal)		1
12	741.4.171.1A	Clamp		3
13	800.1.152.1A	Hose		1
14	814.1.235.1A	Water outlet union (vertical)		1
15	772.1.062.1A	Screw		4
16	800.1.151.1A	Hose		1
17	800.1.150.1A	Hose		1
18	800.1.153.1A	Hose		1
19	553.4.004.1A	Thermostat		1

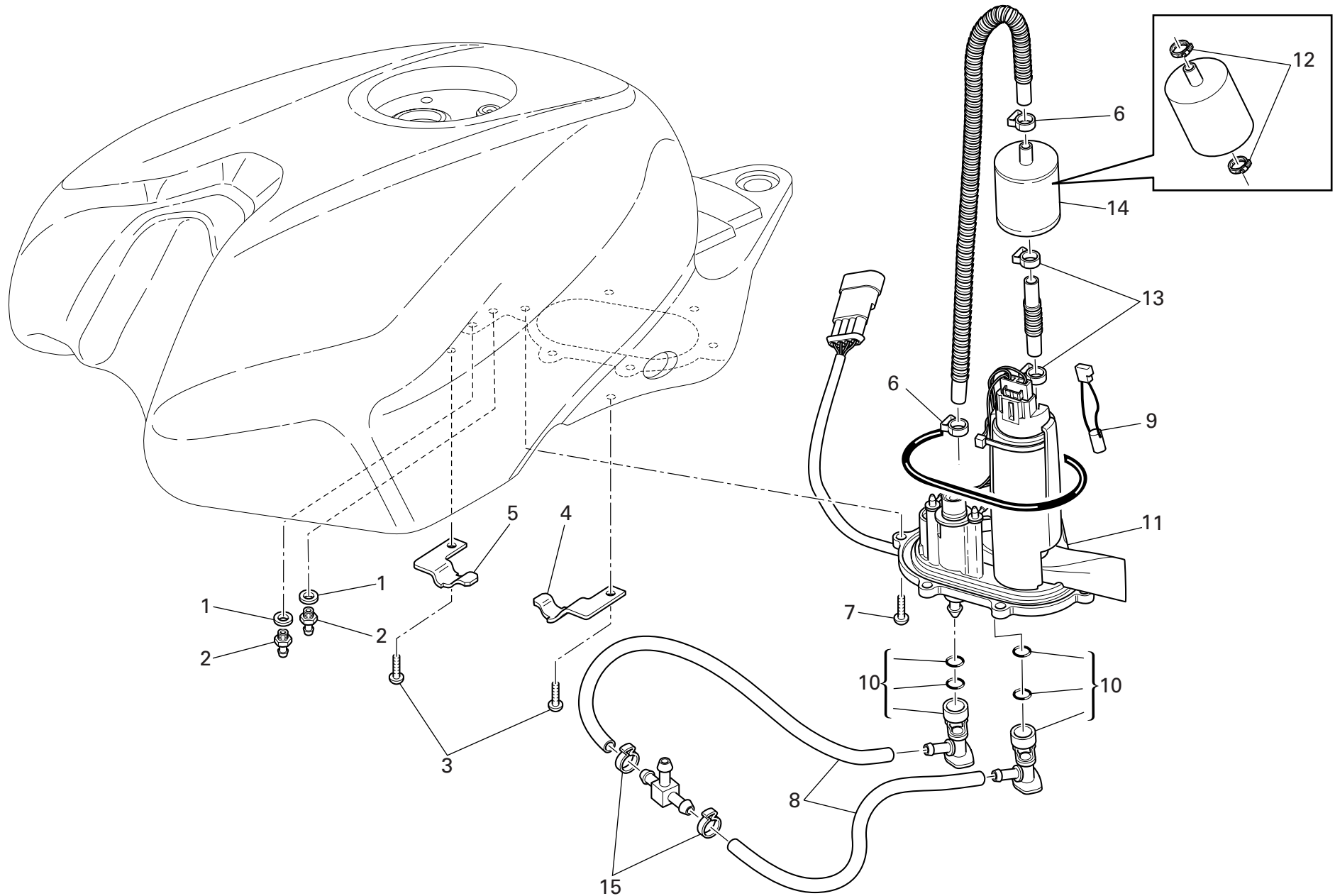
NOTES NO.	CODE NO.	DESCRIPTION	VALIDITY	Q.TY 
-----------	----------	-------------	----------	--




DRAWING **032** FUEL TANK

NOTES NO.	CODE NO.	DESCRIPTION	VALIDITY	Q.TY 
1	586.1.160.1AA	Tank (RED)		1
1	586.1.160.2AW	Tank (WHITE)		1
2	587.1.051.2A	Tank front connection (R.H.)		1
3	587.1.052.2A	Tank front connection (L.H.)		1
4	772.1.050.1C	Screw		4
5	775.1.051.1A	Screw		6
6	830.1.431.1A	Holder		2
7	850.4.055.1A	Quik fastening		2
8	771.5.040.8B	Screw		1
9	771.5.045.7E	Screw		3
10	764.1.001.1A	Rubber pad		2
11	713.1.330.1A	Spacer		1
12	852.1.099.1A	Washer		1
13	771.5.728.8B	Screw		1
14	438.1.365.1AA	Sticker "DUCATI" (for RED)		2
14	438.1.365.1AT	Sticker "DUCATI" (for WHITE)		2
15	486.1.075.2A	Panel		1

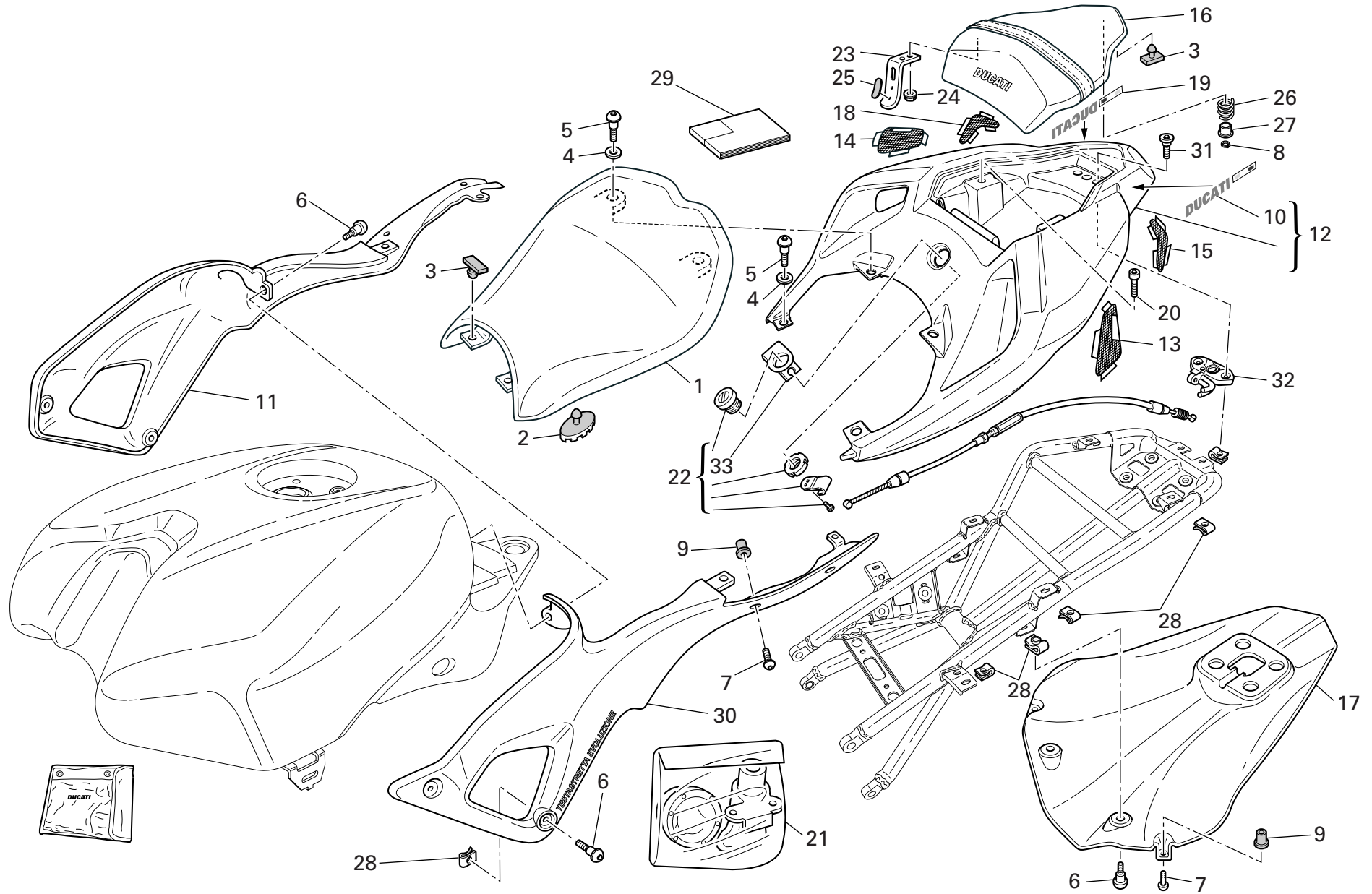
NOTES NO.	CODE NO.	DESCRIPTION	VALIDITY	Q.TY 
-----------	----------	-------------	----------	--




DRAWING **032a** FUEL SYSTEM

NOTES NO.	CODE NO.	DESCRIPTION	VALIDITY	Q.TY 
1	886.1.013.1A	Gasket		2
2	850.1.006.1A	Union		2
3	775.1.051.1A	Screw		2
4	830.1.433.1A	Plate		1
5	830.1.432.1A	Plate		1
6	741.4.092.1A	collar		2
7	775.1.017.1B	Screw		6
8	590.1.300.1A	Tube		2
9	552.4.048.1A	Thermistor		1
10	814.4.010.1A	Quick-coupling union		2
11	160.2.366.1A	Flange		1
12	699.2.345.1A	Clamps kit		1
13	741.4.158.1A	Clamp		2
14	425.4.004.1B	Fuel filter		1
15	287.4.024.1B	Clamp		2

NOTES NO.	CODE NO.	DESCRIPTION	VALIDITY	Q.TY 
-----------	----------	-------------	----------	--



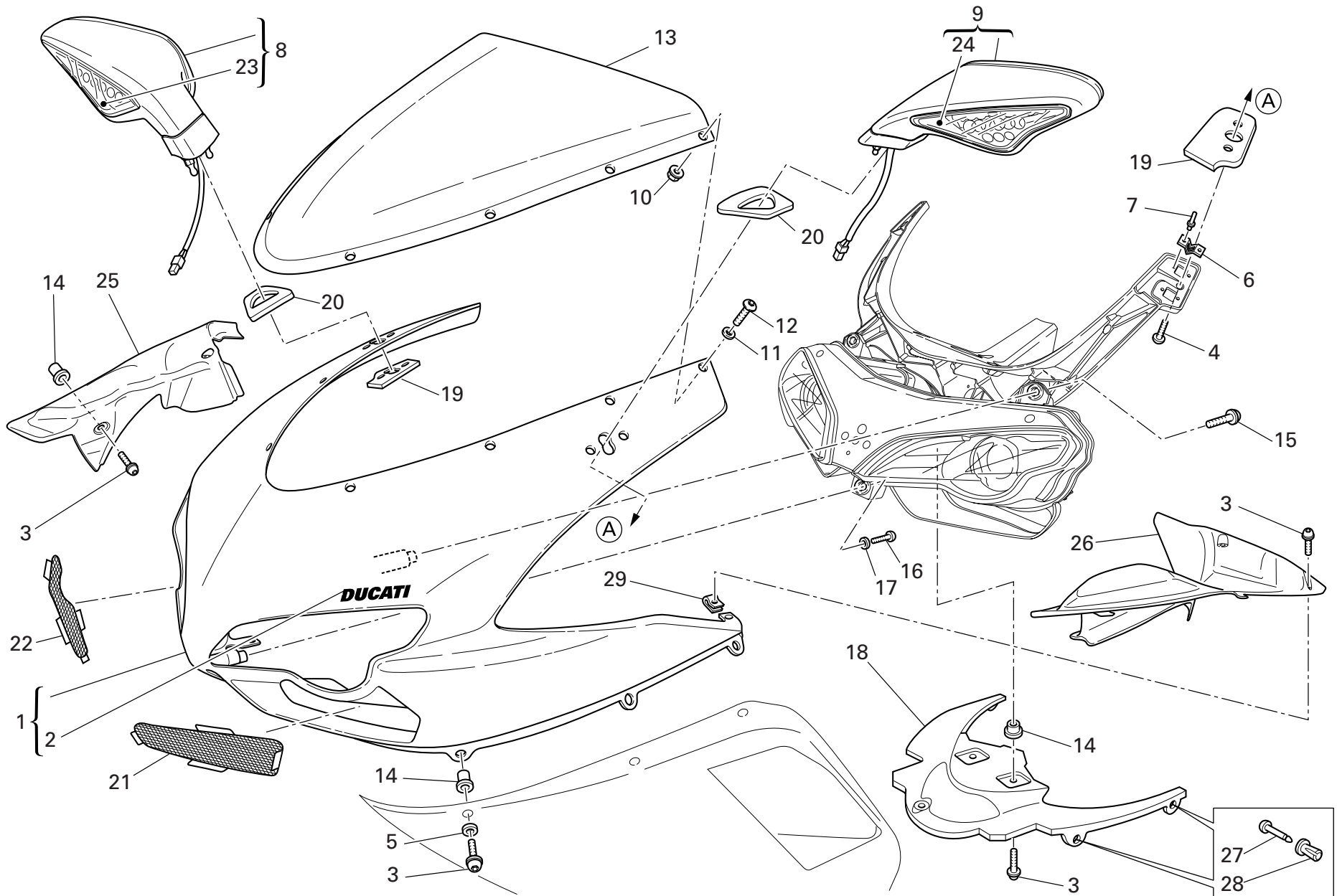
DRAWING 033 SEAT

NOTES NO.	CODE NO.	DESCRIPTION	VALIDITY	Q.TY 
1	595.1.080.1A	Seat		1
2	866.1.020.1A	Rubber pad (big)		4
3	866.1.030.1A	Rubber pad (little)		10
4	852.1.218.1A	Nylon washer		6
5	772.1.084.1A	Special screw		8
6	772.1.085.1B	Special screw		7
7	772.1.086.1B	Special screw		6
8	884.4.025.1A	Circlip		2
9	850.4.082.1A	Insert		6
10	438.1.439.1AB	Sticker "DUCATI" (L.H.) (for RED)		1
10	438.1.439.1AN	Sticker "DUCATI" (L.H.) (for WHITE)		1
11	482.1.140.1A	Body panel (R.H.)		1
12	483.2.160.1AA	Tail guard (RED)		1
12	483.2.160.1AW	Tail guard (WHITE)		1
13	460.1.259.1A	Net (front) (L.H.)		1
14	460.1.260.1A	Net (front) (R.H.)		1
15	460.1.261.1A	Net (rear) (L.H.)		1
16	595.1.081.1A	Pillion rider seat		1
17	460.1.246.1A	Tail guard thermal protection		1
18	460.1.262.1A	Net (rear) (R.H.)		1
19	438.1.436.1AB	Sticker "DUCATI" (R.H.) (for RED)		1
19	438.1.436.1AN	Sticker "DUCATI" (R.H.) (for WHITE)		1
20	779.1.499.1A	Special screw		2
21	598.2.054.1A	Locks kit		1
22	598.2.023.1A	Seat lock		1
23	830.1.425.1A	Hook		2
24	749.4.004.1A	Nut		4


CATALOGUE No: 915.1.270.1B
ISSUED: 07 - 07


NOTES NO.	CODE NO.	DESCRIPTION	VALIDITY	Q.TY 
25	764.1.054.1A	Rubber pad		4
26	799.1.175.1A	Spring		2
27	841.1.037.1A	Retainer		2
28	850.4.055.1A	Quik fastening		14
29	913.7.120.1B	Owner's manual		1
30	482.1.139.1A	Body panel (L.H.)		1
31	779.1.498.1A	Special screw		2
32	598.1.011.1A	Latch		1
33	830.1.440.1A	Bracket		1

CATALOGUE No: 915.1.270.1B
ISSUED: 07 - 07



DRAWING **034** HEADLIGHT FAIRING

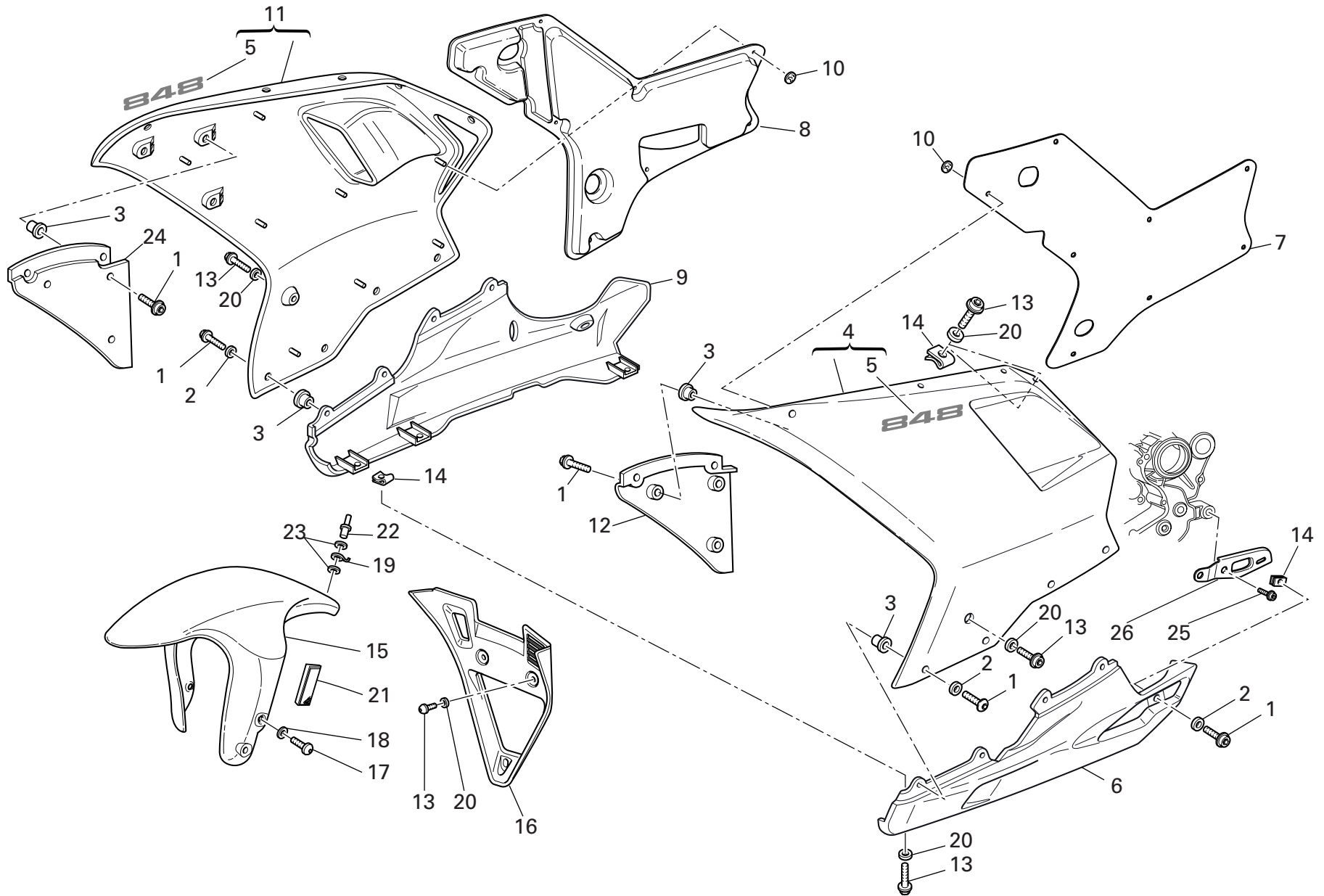
NOTES NO.	CODE NO.	DESCRIPTION	VALIDITY	Q.TY 
1	481.2.041.1AA	Complete headlight fairing (RED)		1
1	481.2.041.1AW	Complete headlight fairing (WHITE)		1
2	434.1.007.1AB	Sticker "DUCATI" (for RED)		1
2	434.1.007.1AN	Sticker "DUCATI" (for WHITE)		1
3	772.1.086.1B	Special screw		15
4	779.1.544.1A	Screw		2
5	0000.63161	Washer		6
6	799.1.228.1A	Spring		4
7	736.4.012.1A	Shear rivet		8
8	523.2.020.1D	Mirror - turn indicator (R.H.)		1
9	523.2.021.1D	Mirror - turn indicator (L.H.)		1
10	750.1.028.1A	Nut		8
11	852.1.024.1A	Nylon washer		8
12	775.1.007.1AB	Special screw		8
13	487.1.039.2A	Windshield		1
14	850.4.082.1A	Insert		11
15	772.5.031.1B	Screw		2
16	779.5.046.1A	Screw		1
17	852.5.029.1A	Washer		1
18	460.1.247.1A	Mudflap		1
19	866.1.076.1A	Pad		2
20	866.1.077.1A	Pad		2
21	460.1.278.1A	Protection (L.H.)		1
22	460.1.277.1A	Protection (R.H.)		1
23	530.1.019.1B	Turn indicator (R.H.)		1
24	530.1.018.1B	Turn indicator (L.H.)		1
25	460.1.253.1A	Protection (R.H.)		1

NOTES NO.	CODE NO.	DESCRIPTION	VALIDITY	Q.TY 
26	460.1.254.1A	Protection (L.H.)		1
27	850.4.104.1A	Pin		4
28	850.4.105.1A	Bush		4
29	850.4.047.1A	Quik fastening		4


CATALOGUE No: 915.1.270.1B
ISSUED: 07 - 07

CATALOGUE No: 915.1.270.1B
ISSUED: 07 - 07


DRAWING 034a FAIRING



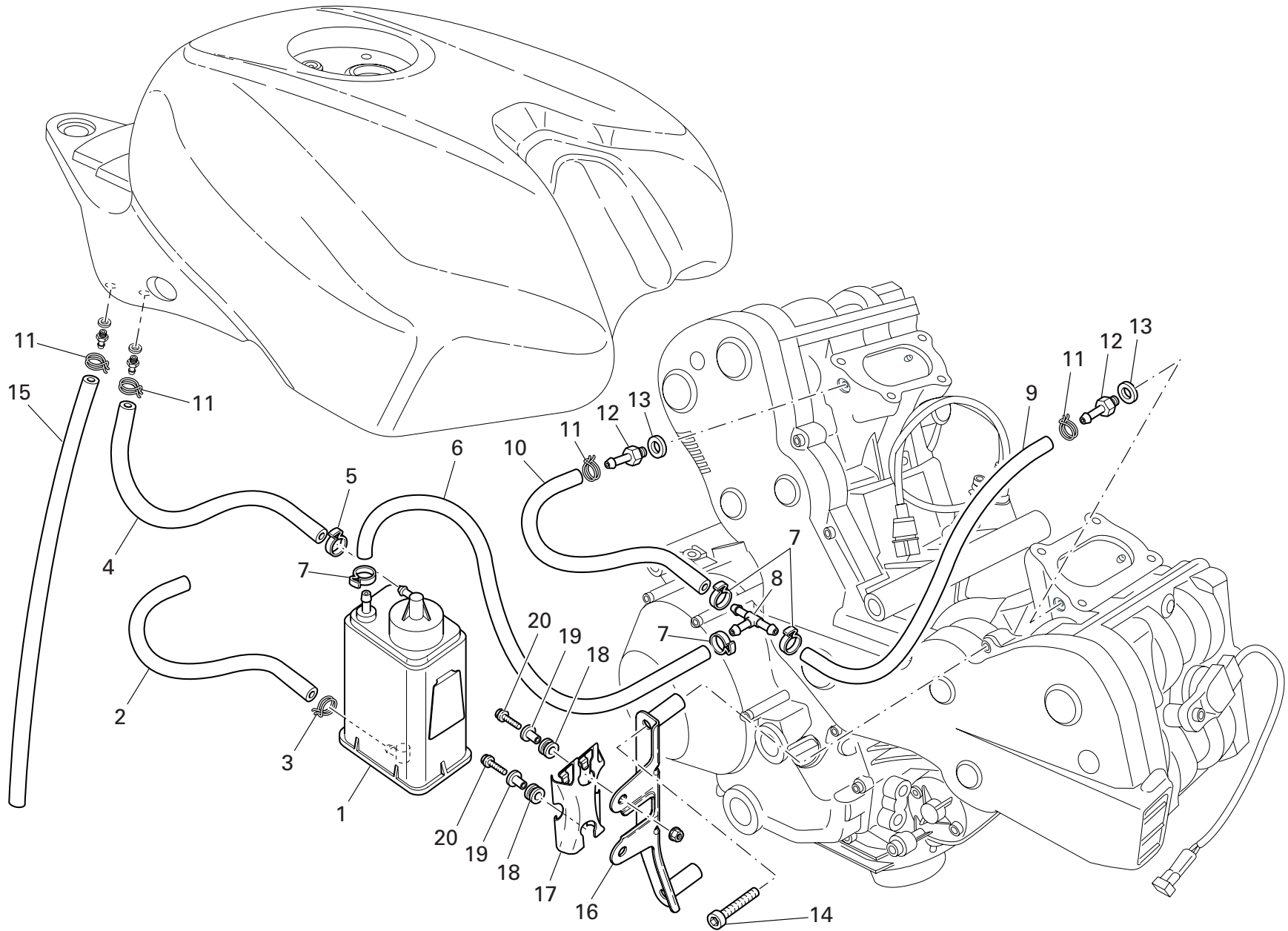
DRAWING 034a FAIRING

NOTES NO.	CODE NO.	DESCRIPTION	VALIDITY	Q.TY 
1	772.1.086.1B	Special screw		14
2	0000.63161	Washer		8
3	850.4.082.1A	Insert		14
4	480.1.247.2AA	Upper half-fairing (L.H.) (RED)		1
4	480.1.247.2AW	Upper half-fairing (L.H.) (WHITE)		1
5	437.1.187.1A	Sticker "DUCATI 848" (for RED)		2
5	437.1.187.1AN	Sticker "DUCATI 848" (for WHITE)		1
6	480.1.228.1AG	Lower half-fairing (L.H.)		1
7	486.1.073.2A	Panel (L.H.)		1
8	486.1.074.2A	Panel (R.H.)		1
9	480.1.230.2AG	Lower half-fairing (R.H.)		1
10	850.4.109.1A	Washer		16
11	480.1.249.2AA	Upper half-fairing (R.H.) (RED)		1
11	480.1.249.2AW	Upper half-fairing (R.H.) (WHITE)		1
12	460.1.249.1A	Panel (L.H.)		1
13	772.1.085.1A	Special screw		14
14	850.4.055.1A	Quik fastening		8
15	564.2.061.1AN	Front mudguard assembly		1
16	484.1.060.1AG	Air manifold		1
17	772.1.089.1A	Screw		4
18	856.1.042.1A	Nylon washer		4
19	850.1.003.1A	Clip		1
20	852.1.218.1A	Nylon washer		12
21	529.1.008.1AB	Cat's eye (AMBER)		2
22	736.4.013.1B	Shear rivet		1
23	852.1.075.1B	Washer		2
24	460.1.248.1A	Panel (R.H.)		1

CATALOGUE No: 915.1.270.1B
ISSUED: 07 - 07


NOTES NO.	CODE NO.	DESCRIPTION	VALIDITY	Q.TY 
25	771.5.752.8B	Screw		1
26	830.1.468.1A	Bracket		1

CATALOGUE No: 915.1.270.1B
ISSUED: 07 - 07



DRAWING 035

EVAPORATIVE EMISSIONS CANISTER

NOTES NO.	CODE NO.	DESCRIPTION	VALIDITY	Q.TY 
1	426.1.007.1A	Canister filter		1
2	590.1.307.1A	Tube		1
3	741.4.057.1A	Hose guide		1
4	590.1.254.1A	Filter/fuel tank outlet pipe		1
5	741.4.063.1A	Hose guide		1
6	590.1.309.1A	Tube		1
7	741.4.058.1A	Hose guide		4
8	814.1.183.1A	Shunt valve		1
9	590.1.308.1A	Tube		1
10	590.1.310.1A	Tube		1
11	741.4.043.1A	Hose guide		4
12	814.1.111.3B	Union		2
13	852.5.023.1A	Gasket		2
14	771.5.074.8B	Screw		2
15	934.1.007.1A	Breather pipe		1
16	830.1.448.1A	Bracket		1
17	827.1.157.1A	Plate		1
18	764.1.029.1A	Rubber pad		2
19	716.1.043.1B	Spacer		2
20	775.5.013.1A	Screw		2

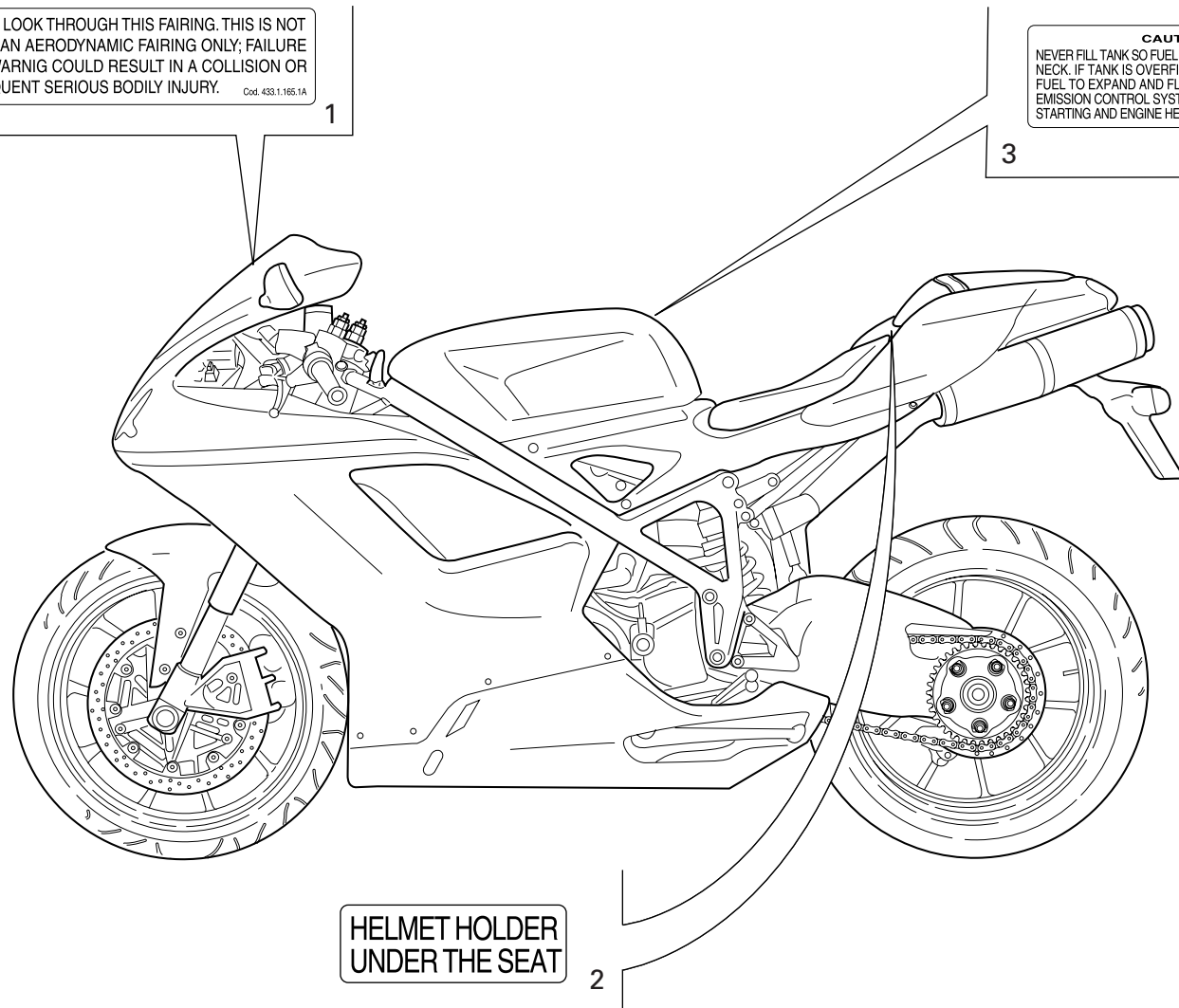
NOTES NO.	CODE NO.	DESCRIPTION	VALIDITY	Q.TY 
-----------	----------	-------------	----------	--

DO NOT ATTEMPT TO LOOK THROUGH THIS FAIRING. THIS IS NOT A WINDSHIELD, BUT AN AERODYNAMIC FAIRING ONLY; FAILURE TO OBSERVE THIS WARNING COULD RESULT IN A COLLISION OR UPSET AND CONSEQUENT SERIOUS BODILY INJURY. Cod. 433.1.165.1A

1

CAUTION
NEVER FILL TANK SO FUEL LEVEL RISES INTO FILLER NECK. IF TANK IS OVERFILLED, HEAT MAY CAUSE FUEL TO EXPAND AND FLOW INTO EVAPORATIVE EMISSION CONTROL SYSTEM RESULTING IN HARD STARTING AND ENGINE HESITATION. Doc. 935.17814

3




HELMET HOLDER
UNDER THE SEAT

2

DRAWING 036

DATA PLATE POSITIONS

NOTES NO.	CODE NO.	DESCRIPTION	VALIDITY	Q.TY 
1	433.1.165.1A	Sticker		1
2	433.1.170.1A	Sticker		1
3	433.1.164.1A	Sticker		1

NOTES NO.	CODE NO.	DESCRIPTION	VALIDITY	Q.TY 
-----------	----------	-------------	----------	--

INDEX

CODE No.	Drwg.	POS. N.	CODE No.	Drwg.	POS. N.	CODE No.	Drwg.	POS. N.	CODE No.	Drwg.	POS. N.	CODE No.	Drwg.	POS. N.
0000.01199	022	30	0799.13.110	002	27	160.1.370.1A	012	13	190.2.013.1A	004	9	247.1.306.1A	027a	13
0000.01199	025	11	112.1.012.1AB	006	8	160.1.377.1A	026a	5	194.1.027.1A	004	4	247.2.130.1AB	011	31
0000.63161	034	5	112.1.012.1AC	006	8	160.2.366.1A	032a	11	195.4.003.1A	004	19	251.2.008.1A	011	29
0000.63161	034a	2	117.1.044.1A	025	18	170.2.081.1A	006	7	196.1.035.1A	004	12	254.4.001.2A	005	4
0000.68490	024	14	117.1.088.2A	022	27	171.2.075.1B	008	13	198.2.036.1A	004	14	255.1.010.3B	008	18
0124.40.060	008	15	117.2.007.1A	004	16	172.1.002.1B	003	10	208.1.029.1A	014	3	255.1.019.3A	013	7
0170.91.730	021	20	120.2.152.2A	007	5	172.1.003.3C	003	8	208.1.029.1A	015	3	264.4.052.1A	011	1
0251.47.054	003	1	120.2.153.2A	007	10	172.1.004.3C	003	5	209.1.035.1A	014	16	264.4.053.1A	011	38
0272.91.090	002	8	121.1.078.2A	007	3	172.1.005.3C	003	9	209.1.035.1A	015	16	270.4.010.1A	012	1
0370.72.020	023	8	121.1.079.1A	007	2	172.1.008.1C	003	22	209.1.036.1A	014	4	276.1.044.1A	012	16
0370.72.020	024	12	121.2.040.1A	007	4	172.1.009.1C	003	21	209.1.036.1A	015	4	280.4.016.1A	017	13
0400.09.050	002	21	122.2.155.2A	007	1	172.1.010.3C	003	20	210.1.074.1C	014	14	282.4.080.1A	017	11
0400.29.125	002	34	135.1.033.1A	017	7	172.1.011.3C	003	23	210.1.074.1C	015	14	283.4.011.1A	017	15
0400.29.126	002	34	140.1.050.1B	017	1	172.1.218.2A	003	18	211.1.074.1A	014	5	286.2.040.1A	018a	23
0660.13.060	002	19	146.2.146.1A	006	1	172.1.219.2A	003	24	211.1.074.1A	015	5	286.4.157.1A	018	15
0660.13.143	002	9	147.1.014.2A	008	3	173.1.022.1A	012	14	225.2.206.1A	010	1	287.4.024.1B	032a	15
0660.13.165	002	25	148.2.310.1B	013	15	174.1.038.1A	009	12	242.2.074.1AB	011	13	301.2.240.3B	015	22
0665.49.680	005	8	148.2.311.1B	013	11	174.2.038.1A	009	1	243.2.118.1AB	005	1	301.2.241.3B	014	22
0670.16.145	003	7	148.2.312.1B	013	14	176.1.020.1A	012	10	245.1.071.2A	008	1	303.1.051.1BB	014	7
0670.16.150	003	3	148.2.313.1B	013	18	180.1.001.1A	002	11	245.2.070.2A	008	2	303.1.051.1BB	015	7
0670.16.155	003	19	149.1.046.1A	003	2	180.1.002.1A	002	12	247.1.287.1B	013	5	303.1.051.1BC	014	7
0670.16.170	003	26	149.1.061.1A	003	25	180.1.008.1A	002	24	247.1.288.1B	013	6	303.1.051.1BC	015	7
0670.49.310	009	17	150.2.092.3A	003	28	182.2.028.1A	002	18	247.1.290.1A	009	19	303.1.051.1BD	014	7
0755.29.025	006	10	150.2.098.2A	003	27	184.1.010.2A	025	20	247.1.297.1A	018	3	303.1.051.1BD	015	7
0755.29.025	008	12	158.2.020.2A	006	5	187.1.002.1A	023	3	247.1.299.1B	022	11	304.1.065.1B	014	13
0759.49.280	009	15	160.1.094.1A	013	10	187.1.002.1A	024	22	247.1.300.1B	022	8	304.1.065.1B	015	13
0765.92.205	002	21	160.1.367.1A	019	9	190.1.017.1A	004	11	247.1.305.1AG	011	23	304.1.065.1BB	014	13

CATALOGUE No: 915.1.270.1B
ISSUED: 07 - 07

CATALOGUE No: 915.1.270.1B
ISSUED: 07 - 07

INDEX

CODE No.	Drwg.	POS. N.	CODE No.	Drwg.	POS. N.	CODE No.	Drwg.	POS. N.	CODE No.	Drwg.	POS. N.	CODE No.	Drwg.	POS. N.
304.1.065.1BB	015	13	349.2.041.1A	021a	17	417.6.011.3A	014	20	451.1.044.1A	008	4	463.4.001.1A	010	22
304.1.065.1BC	014	13	349.2.042.1A	021a	20	420.2.000.8A	025	37	451.2.018.5A	008	9	464.1.005.1A	022	12
304.1.065.1BC	015	13	349.2.043.1A	021a	15	420.2.006.4A	016	6	451.2.019.5B	008	10	464.1.005.1A	027	6
304.1.066.1A	014	10	360.1.086.1B	021	23	425.4.004.1B	032a	14	455.2.003.1A	002	4	464.1.006.1A	022	5
304.1.066.1A	015	10	360.1.087.1B	021	26	426.1.007.1A	035	1	456.1.046.1B	022	20	464.1.006.1A	027	13
304.1.066.1AB	014	10	360.2.088.1A	021	19	426.1.020.1A	029	5	456.2.047.1A	022	19	470.1.189.1AA	022	1
304.1.066.1AB	015	10	360.2.089.1A	021	24	433.1.164.1A	036	3	457.2.042.1A	025	6	470.1.189.1AT	022	1
304.1.066.1AC	014	10	361.1.002.1A	021	15	433.1.165.1A	036	1	460.1.246.1A	033	17	470.1.190.2A	027	1
304.1.066.1AC	015	10	365.2.074.1A	028	10	433.1.170.1A	036	2	460.1.247.1A	034	18	480.1.228.1AG	034a	6
341.1.063.2A	021	21	369.1.120.1A	028a	1	433.1.342.1A	028a	20	460.1.248.1A	034a	24	480.1.230.2AG	034a	9
342.2.028.1A	021	1	370.2.076.2C	028a	8	434.1.007.1AB	034	2	460.1.249.1A	034a	12	480.1.247.2AA	034a	4
344.2.016.1B	021a	2	372.2.062.1A	028	8	434.1.007.1AN	034	2	460.1.253.1A	034	25	480.1.247.2AW	034a	4
345.2.016.1B	021a	1	372.2.068.1A	028	14	437.1.187.1A	034a	5	460.1.254.1A	034	26	480.1.249.2AA	034a	11
349.1.060.1B	021a	4	380.1.014.4B	018a	3	437.1.187.1AN	034a	5	460.1.255.1A	026a	21	480.1.249.2AW	034a	11
349.1.064.1A	021a	13	389.4.019.1A	018a	8	438.1.365.1AA	032	14	460.1.256.2B	019	22	481.2.041.1AA	034	1
349.1.065.1A	021a	14	389.4.020.1A	018a	8	438.1.365.1AT	032	14	460.1.259.1A	033	13	481.2.041.1AW	034	1
349.1.104.1A	021a	7	389.4.021.1A	018a	8	438.1.436.1AB	033	19	460.1.260.1A	033	14	482.1.139.1A	033	30
349.1.111.1A	021a	18	389.4.022.1A	018a	8	438.1.436.1AN	033	19	460.1.261.1A	033	15	482.1.140.1A	033	11
349.1.181.1A	021a	8	389.4.023.1A	018a	24	438.1.439.1AB	033	10	460.1.262.1A	033	18	483.2.160.1AA	033	12
349.1.183.1A	021a	9	389.4.024.1A	018a	8	438.1.439.1AN	033	10	460.1.263.1A	021	11	483.2.160.1AW	033	12
349.1.184.1A	021a	12	390.4.019.1A	020	7	442.1.139.1B	029	4	460.1.276.1A	020	16	484.1.060.1AG	034a	16
349.1.209.1A	021a	3	390.4.020.1A	020	13	442.1.148.2A	029	6	460.1.277.1A	034	22	486.1.073.2A	034a	7
349.1.210.1A	021a	6	390.4.021.1A	027a	19	442.1.149.2A	029	10	460.1.278.1A	034	21	486.1.074.2A	034a	8
349.1.211.1A	021a	19	390.4.022.1A	020	14	444.4.003.4A	009	20	460.1.286.1B	019	34	486.1.075.2A	032	15
349.1.212.1A	021a	10	395.2.013.1C	018	4	447.1.069.1A	028a	15	462.4.001.1A	021	7	487.1.039.2A	034	13
349.1.213.1A	021a	11	397.4.003.1B	018	14	447.1.070.1A	028a	17	462.4.046.1A	020	15	492.4.076.1A	026a	19
349.1.214.1A	021a	16	406.1.060.2A	020	8	449.A.045.1A	003	12	463.2.022.2A	010	12	492.4.085.1A	026	5

CATALOGUE No: 915.1.270.1B
ISSUED: 07 - 07

CATALOGUE No: 915.1.270.1B
ISSUED: 07 - 07

INDEX

CODE No.	Drwg.	POS. N.	CODE No.	Drwg.	POS. N.	CODE No.	Drwg.	POS. N.	CODE No.	Drwg.	POS. N.	CODE No.	Drwg.	POS. N.
494.2.138.1A	026a	10	530.1.021.1B	027a	14	561.1.027.1A	027a	7	593.2.042.1A	010	11	631.4.008.1A	024	6
497.2.001.2A	026	3	539.1.021.1B	002	6	564.2.061.1AN	034a	15	593.4.030.1A	019	31	631.4.016.1A	025	25
497.2.003.1A	026	16	539.1.022.1A	022a	5	570.1.260.2B	019	21	595.1.080.1A	033	1	631.4.033.1A	024	2
501.2.116.1AB	026	10	539.4.003.1B	025	5	570.1.261.1A	019	4	595.1.081.1A	033	16	631.4.034.1A	023	2
502.2.124.1AB	026	7	539.4.030.2A	005	6	573.1.099.1C	019	30	598.1.011.1A	033	32	632.1.042.1A	023	6
510.1.477.3B	018a	1	539.4.035.1A	024	5	574.1.096.1C	019	29	598.2.023.1A	033	22	650.1.008.1A	021	17
510.1.570.1A	018a	21	540.4.027.1A	018	8	585.1.057.2A	031	1	598.2.054.1A	033	21	651.1.008.1A	021	30
510.1.577.1B	018a	14	541.4.007.1A	018a	6	585.4.001.1A	025	26	598.4.024.1A	021	12	652.4.012.1A	021	10
514.1.032.1A	001d	9	548.4.074.1B	030	1	585.4.008.1A	023	12	610.4.099.1A	024	9	654.2.016.1A	021	8
514.1.033.1A	001d	13	548.4.078.1A	016	1	585.4.009.1A	024	15	610.4.100.1A	024	26	656.2.003.1A	021	13
514.1.035.1A	001d	10	549.1.030.1A	016	7	586.1.160.1AA	032	1	611.4.020.1A	025	29	668.1.001.4A	007	14
514.1.036.1A	001d	10	550.4.017.1A	030	9	586.1.160.2AW	032	1	612.4.005.1A	023	4	668.1.001.4A	011	16
514.1.037.1A	001d	6	550.4.018.1A	030	8	587.1.051.2A	032	2	612.4.005.1A	024	21	669.1.001.1E	014	6
514.1.038.1A	001d	14	552.1.037.1A	001d	4	587.1.052.2A	032	3	612.4.008.1A	025	31	669.1.001.1E	015	6
514.1.051.1A	018	17	552.1.038.1A	001d	5	590.1.189.1A	001d	1	612.4.014.1A	024	31	670.4.038.1A	018a	4
516.4.001.1AB	018a	12	552.1.039.1A	001d	19	590.1.190.1A	001d	2	612.4.016.1A	025	36	676.2.069.1A	026a	1
518.4.004.2B	021	25	552.1.040.1A	001d	11	590.1.254.1A	035	4	612.4.037.1A	024	30	676.4.069.1A	026a	8
520.1.015.2A	020	1	552.1.111.1A	019	11	590.1.292.1A	017	16	613.4.038.1A	025	30	677.4.003.1A	001b	3
523.2.020.1D	034	8	552.4.012.1A	020	11	590.1.293.1A	017	14	613.4.079.1A	024	8	680.1.001.1B	009	24
523.2.021.1D	034	9	552.4.013.1A	031	9	590.1.294.1A	017	18	618.4.080.1A	024	19	680.5.006.1A	013	12
525.1.031.1A	027a	16	552.4.037.1E	025	34	590.1.300.1A	032a	8	618.4.081.1A	024	20	696.1.012.1A	027	15
525.1.032.1A	027a	24	552.4.048.1A	032a	9	590.1.307.1A	035	2	619.4.034.1A	025	28	698.1.033.1A	001d	15
529.1.008.1AB	034a	21	552.4.132.1A	010a	23	590.1.308.1A	035	9	624.4.052.1A	024	1	699.2.345.1A	032a	12
529.1.010.1A	027a	8	553.4.004.1A	031	19	590.1.309.1A	035	6	625.4.021.1A	025	16	700.1.036.1A	012	19
530.1.018.1B	034	24	556.1.046.2A	022a	3	590.1.310.1A	035	10	626.4.032.1A	024	7	700.1.043.1A	020	9
530.1.019.1B	034	23	556.2.034.1A	022a	1	590.2.026.1A	017	20	626.4.044.1A	024	24	700.9.055.1A	026a	9
530.1.020.1B	027a	18	561.1.025.1A	027a	1	593.1.018.1A	009	5	630.4.043.1A	023	1	701.4.004.1A	028	7

CATALOGUE No: 915.1.270.1B
ISSUED: 07 - 07

CATALOGUE No: 915.1.270.1B
ISSUED: 07 - 07

INDEX

CODE No.	Drwg.	POS. N.	CODE No.	Drwg.	POS. N.	CODE No.	Drwg.	POS. N.	CODE No.	Drwg.	POS. N.	CODE No.	Drwg.	POS. N.
701.4.005.1A	003	4	711.1.219.1A	007	12	714.1.047.1A	026	9	741.4.001.1A	031	7	748.1.065.1A	026	1
701.4.008.1A	012	11	712.1.018.1A	026a	7	714.1.083.1A	026a	12	741.4.002.1A	007	7	748.4.002.1A	022	2
701.4.017.1A	028a	6	712.1.029.1A	028a	9	715.1.003.1A	028	5	741.4.025.1A	029	13	748.4.024.1AB	026a	4
702.4.004.1A	021	3	712.1.030.1A	028a	12	716.1.003.1A	016	3	741.4.025.1A	031	5	748.4.037.1AB	028	3
702.4.009.1A	011	11	712.1.034.1A	022	17	716.1.022.1B	020	6	741.4.038.1A	018a	2	748.4.038.1A	020	10
702.4.010.2A	011	9	712.1.034.1A	025	10	716.1.043.1B	029	12	741.4.043.1A	023	14	749.4.004.1A	022	21
702.4.013.1A	010	19	713.1.014.1E	003	11	716.1.043.1B	035	19	741.4.043.1A	024	16	749.4.004.1A	033	24
702.4.018.1A	012	15	713.1.082.1A	019	6	716.1.072.2A	008	20	741.4.043.1A	025	17	749.4.008.1A	008	7
702.4.033.1A	010	21	713.1.128.1B	011	27	716.1.106.1A	018	16	741.4.043.1A	035	11	749.4.008.1A	027	3
702.4.033.1A	010a	2	713.1.140.1A	010a	4	716.1.128.1A	008	17	741.4.057.1A	035	3	749.4.031.1A	019	18
702.4.092.1A	010	4	713.1.187.1A	028a	11	716.1.143.1A	027a	17	741.4.058.1A	035	7	749.4.031.1A	027a	22
702.4.093.1A	010a	11	713.1.192.1A	025	33	716.1.144.1A	019	41	741.4.063.1A	035	5	750.1.007.1A	003	30
702.5.008.1A	010	6	713.1.196.1A	026	17	716.1.146.1A	019	26	741.4.092.1A	032a	6	750.1.012.2A	006	14
702.5.008.1A	011	4	713.1.197.3A	026	2	72094.1616	010	17	741.4.158.1A	032a	13	750.1.018.1C	026a	2
702.5.019.1A	010a	1	713.1.237.1A	004	15	732.2.021.2A	019	20	741.4.166.1A	017	21	750.1.028.1A	034	10
702.5.045.1A	026	8	713.1.239.1A	028	2	73500.1440	012	20	741.4.171.1A	031	12	750.1.048.1A	022a	10
702.5.045.1A	028a	10	713.1.241.1A	019	33	73500.1542	002	15	74172.1008	008	16	750.1.113.1A	006	13
703.1.013.1A	021	9	713.1.266.1A	003	15	73503.3380	010	9	747.5.001.1AB	022	29	750.1.121.1A	012	3
703.5.002.2A	013	2	713.1.292.1A	014	9	73503.3380	010a	10	747.5.003.1A	025	15	750.1.140.1A	026	13
703.5.006.2A	008	21	713.1.292.1A	015	9	73503.3380	011	17	747.5.007.1A	021	22	750.1.149.1A	021	27
710.1.109.1A	028a	4	713.1.304.1A	030	5	736.4.012.1A	018a	20	747.5.010.1A	022	23	750.1.150.1A	027a	2
710.1.132.1A	028	11	713.1.309.1A	004	13	736.4.012.1A	034	7	748.1.013.1A	004	7	750.5.005.1A	018	2
711.1.067.1A	026a	23	713.1.330.1A	032	11	736.4.013.1B	034a	22	748.1.024.1A	019	1	756.2.008.1A	026a	13
711.1.089.1A	006	6	713.1.365.1A	005	18	737.4.025.1A	008	5	748.1.035.1B	019	8	75794.1542	010a	9
711.1.095.1A	010a	7	713.1.373.1A	027a	26	741.1.010.1A	018a	5	748.1.036.1A	019	40	758.1.036.1A	029	15
711.1.160.1A	005	13	713.1.393.1A	003	13	741.1.037.1A	019	14	748.1.040.1A	002	23	758.1.039.2A	017	22
711.1.160.1A	011	14	714.1.027.1A	026	15	741.1.038.1A	019	15	748.1.050.1A	010	14	759.1.008.1A	026a	20

CATALOGUE No: 915.1.270.1B
ISSUED: 07 - 07

CATALOGUE No: 915.1.270.1B
ISSUED: 07 - 07

INDEX

CODE No.	Drwg.	POS. N.	CODE No.	Drwg.	POS. N.	CODE No.	Drwg.	POS. N.	CODE No.	Drwg.	POS. N.	CODE No.	Drwg.	POS. N.
759.1.009.1A	026	12	770.5.250.8B	010a	5	771.5.069.8B	012	7	771.5.723.8B	027	12	772.1.086.1B	034	3
764.1.001.1A	032	10	770.5.250.8B	011	6	771.5.069.8B	016	9	771.5.725.8B	021	18	772.1.086.1B	034a	1
764.1.002.1A	014	8	771.1.026.3A	002	28	771.5.071.8B	011	15	771.5.727.8B	021a	5	772.1.087.1A	027	2
764.1.002.1A	015	8	771.1.031.1A	028	1	771.5.071.8B	029	18	771.5.728.8B	032	13	772.1.088.1B	019	24
764.1.011.2A	022	18	771.1.032.1A	010a	26	771.5.072.8B	005	7	771.5.752.8B	034a	25	772.1.089.1A	034a	17
764.1.011.2A	025	12	771.1.039.1A	027a	5	771.5.072.8B	010a	14	771.5.754.8B	025	2	772.1.089.1B	018a	17
764.1.022.1A	016	2	771.1.041.1A	020	4	771.5.072.8C	004	3	771.5.937.8B	028	4	772.5.029.1A	025	35
764.1.022.1A	018	18	771.1.043.1A	022a	2	771.5.074.8B	035	14	771.5.938.8B	028	9	772.5.031.1B	020	5
764.1.022.1A	030	4	771.1.049.1A	008	6	771.5.078.8B	012	12	772.1.005.1B	026a	25	772.5.031.1B	034	15
764.1.024.1A	019	5	771.1.049.1A	012	5	771.5.080.8B	010a	15	772.1.042.2A	029	7	772.5.032.1A	031	3
764.1.029.1A	035	18	771.1.050.1A	021	28	771.5.081.8B	005	3	772.1.045.1A	017	24	772.5.033.1A	030	3
764.1.050.1A	022	26	771.1.051.8B	010a	12	771.5.083.8B	005	2	772.1.046.1B	022	6	772.5.038.1AB	019	7
764.1.051.1A	022	25	771.1.052.1A	012	6	771.5.123.8B	002	30	772.1.050.1A	024	29	772.5.038.1AB	029	9
764.1.054.1A	033	25	771.1.053.1A	018a	10	771.5.127.8B	019	10	772.1.050.1C	027	5	773.5.018.8B	017	19
764.1.056.1B	029	11	771.5.040.8B	032	8	771.5.129.8B	009	8	772.1.050.1C	032	4	773.5.018.8B	029	16
764.1.062.1A	018	1	771.5.045.7E	032	9	771.5.136.8B	010	10	772.1.060.1A	025	7	773.5.061.8B	010a	27
764.1.063.1A	019	28	771.5.064.8B	011	5	771.5.136.8B	010a	16	772.1.062.1A	019	39	773.5.061.8B	017	4
764.1.090.1A	018	13	771.5.064.8B	016	8	771.5.139.8B	010a	17	772.1.062.1A	031	15	773.5.065.8B	026a	22
764.1.090.1A	020	2	771.5.065.2BB	004	6	771.5.266.8B	026a	14	772.1.063.1A	025	19	775.1.004.1A	019	38
764.1.090.1A	027a	25	771.5.065.8B	010	2	771.5.639.8B	027a	12	772.1.074.1A	018a	13	775.1.007.1AB	034	12
764.1.097.1A	020	12	771.5.065.8B	017	2	771.5.667.8B	018	11	772.1.077.1A	022	7	775.1.011.1B	027a	9
764.1.098.1A	027a	20	771.5.066.8B	011	20	771.5.667.8B	021	4	772.1.078.1A	028a	3	775.1.017.1B	017	12
76402.0002	003	17	771.5.066.8B	017	6	771.5.667.8B	022	14	772.1.084.1A	033	5	775.1.017.1B	032a	7
766.1.055.2B	010	16	771.5.067.8B	011	3	771.5.669.8B	018	12	772.1.085.1A	017	8	775.1.019.1A	028a	13
766.4.019.1A	014	21	771.5.069.8B	005	5	771.5.669.8B	021	6	772.1.085.1A	034a	13	775.1.031.1B	010	25
766.4.019.1A	015	21	771.5.069.8B	009	10	771.5.672.1B	018	9	772.1.085.1B	033	6	775.1.031.1B	010a	20
76835.1134	002	10	771.5.069.8B	011	19	771.5.723.8B	025	32	772.1.086.1B	033	7	775.1.033.1A	019	17

CATALOGUE No: 915.1.270.1B
ISSUED: 07 - 07

CATALOGUE No: 915.1.270.1B
ISSUED: 07 - 07

INDEX

CODE No.	Drwg.	POS. N.	CODE No.	Drwg.	POS. N.	CODE No.	Drwg.	POS. N.	CODE No.	Drwg.	POS. N.	CODE No.	Drwg.	POS. N.
775.1.051.1A	032	5	779.1.465.1A	024	28	780.5.001.1A	011	33	799.1.485.1A	014	19	818.1.016.1A	004	5
775.1.051.1A	032a	3	779.1.484.2B	022	24	786.1.094.1A	007	13	799.1.485.1A	015	19	819.1.060.1A	026	11
775.5.001.3C	027a	15	779.1.493.1A	025	14	786.1.096.1A	007	11	799.1.486.1A	014	18	819.2.038.1C	026a	6
775.5.013.1A	027a	11	779.1.498.1A	033	31	787.1.011.1A	016	4	799.1.486.1A	015	18	821.1.001.1A	002	26
775.5.013.1A	035	20	779.1.499.1A	033	20	788.1.054.2A	012	4	799.2.077.2A	009	14	821.1.051.1AB	022	4
777.5.049.8B	011	24	779.1.503.1A	028a	18	788.1.093.1A	013	9	799.2.159.1A	022a	7	821.1.051.1AB	027	7
778.5.016.1A	010a	28	779.1.504.1A	028	12	788.1.094.1A	013	8	799.4.009.1A	019	37	821.1.070.1A	002	17
779.1.007.2A	006	9	779.1.509.1A	013	3	788.1.096.2A	017	9	799.5.001.2A	004	8	821.1.103.1A	022a	9
779.1.026.2A	011	10	779.1.511.1A	024	25	788.1.098.1A	029	8	800.1.122.1A	007	9	821.1.170.1A	022	13
779.1.039.1A	002	3	779.1.544.1A	034	4	788.1.100.1A	019	16	800.1.123.1A	007	8	821.1.170.1A	025	9
779.1.082.1AB	023	5	779.1.547.1A	006	4	788.1.101.1A	017	10	800.1.150.1A	031	17	821.1.222.1B	014	17
779.1.092.1A	023	7	779.1.551.1A	024	23	790.1.015.1A	019	2	800.1.151.1A	031	16	821.1.222.1B	015	17
779.1.092.1A	024	13	779.4.005.2A	022a	4	791.2.045.1A	007	6	800.1.152.1A	031	13	821.1.223.1B	014	15
779.1.099.1B	021	16	779.4.075.1A	011	37	797.1.032.1A	004	1	800.1.153.1A	031	18	821.1.223.1B	015	15
779.1.109.1A	006	2	779.4.116.1A	009	16	799.1.024.1A	027	10	8000.53724	018a	7	821.1.268.1A	002	13
779.1.162.2A	009	13	779.5.011.1B	019	19	799.1.025.1A	002	20	8000.56443	023	13	821.1.273.1A	025	13
779.1.187.1A	008	22	779.5.030.2A	013	16	799.1.048.2A	019	3	8000.56443	024	18	821.1.309.1A	012	8
779.1.202.1A	030	6	779.5.046.1A	034	16	799.1.049.1A	002	1	8000.70139	001b	8	824.1.122.1A	022	28
779.1.203.3A	002	7	779.5.056.8B	025	24	799.1.051.2A	006	3	814.1.111.3B	035	12	824.1.123.1A	022	9
779.1.237.1B	025	8	779.5.059.1A	023	10	799.1.055.1A	009	3	814.1.114.1A	001d	8	824.1.124.1A	027	9
779.1.366.1AB	024	3	779.5.059.1A	024	10	799.1.158.1A	022a	6	814.1.183.1A	035	8	824.1.125.1A	027	8
779.1.366.1AB	025	22	780.1.005.1A	010a	6	799.1.166.1A	022	3	814.1.188.1A	015	25	825.1.038.1A	026a	17
779.1.397.1A	023	16	780.1.007.1A	019	25	799.1.175.1A	033	26	814.1.235.1A	031	14	826.1.009.1A	002	33
779.1.399.1A	026	4	780.1.018.1A	009	2	799.1.191.1A	004	10	814.1.236.1B	031	11	826.1.012.1A	010	18
779.1.421.1A	014	23	780.1.051.1A	014	12	799.1.211.1A	010a	25	814.4.010.1A	032a	10	827.1.157.1A	035	17
779.1.421.1A	015	23	780.1.051.1A	015	12	799.1.228.1A	034	6	815.1.022.1A	016	5	827.1.430.1A	018a	15
779.1.440.2A	028a	16	780.5.001.1A	005	17	799.1.256.1A	025	4	815.1.028.1A	009	21	827.1.431.1A	027a	21

CATALOGUE No: 915.1.270.1B
ISSUED: 07 - 07

CATALOGUE No: 915.1.270.1B
ISSUED: 07 - 07

INDEX

CODE No.	Drwg.	POS. N.	CODE No.	Drwg.	POS. N.	CODE No.	Drwg.	POS. N.	CODE No.	Drwg.	POS. N.	CODE No.	Drwg.	POS. N.
827.1.442.1A	027a	27	840.1.002.1A	14/15	1	840.1.029.1A	14/15	1	840.1.062.2B	14/15	2	840.2.001.1A	015	1
829.1.073.3A	029	17	840.1.003.1A	14/15	1	840.1.030.1A	14/15	1	840.1.063.2B	14/15	2	840.2.002.2B	014	2
829.1.141.1C	024	32	840.1.004.1A	14/15	1	840.1.031.1A	14/15	1	840.1.064.2B	14/15	2	840.2.002.2B	015	2
829.1.190.1A	018a	9	840.1.005.1A	14/15	1	840.1.032.1A	14/15	1	840.1.065.2B	14/15	2	841.1.037.1A	033	27
829.1.260.2A	022a	8	840.1.006.1A	14/15	1	840.1.033.1A	14/15	1	840.1.066.2B	14/15	2	841.1.046.1A	004	2
829.1.756.1A	018a	16	840.1.007.1A	14/15	1	840.1.034.1A	14/15	1	840.1.067.2B	14/15	2	841.1.050.1A	028a	19
829.1.939.1A	018	10	840.1.008.1A	14/15	1	840.1.041.2B	14/15	2	840.1.068.2B	14/15	2	841.1.052.1A	019	36
829.1.942.1A	025	1	840.1.009.1A	14/15	1	840.1.042.2B	14/15	2	840.1.069.2B	14/15	2	847.4.002.1A	027	11
829.1.945.1A	023	9	840.1.010.1A	14/15	1	840.1.043.2B	14/15	2	840.1.070.2B	14/15	2	847.4.006.1A	010a	24
829.1.946.1A	024	11	840.1.011.1A	14/15	1	840.1.044.2B	14/15	2	840.1.071.2B	14/15	2	848.4.011.1A	028	13
829.1.947.1A	027a	4	840.1.012.1A	14/15	1	840.1.045.2B	14/15	2	840.1.072.2B	14/15	2	848.5.001.1A	022	16
829.2.943.2A	020	3	840.1.013.1A	14/15	1	840.1.046.2B	14/15	2	840.1.073.2B	14/15	2	848.5.002.1A	022	22
830.1.235.1A	011	35	840.1.014.1A	14/15	1	840.1.047.2B	14/15	2	840.1.074.2B	14/15	2	850.1.003.1A	034a	19
830.1.409.1A	016	10	840.1.015.1A	14/15	1	840.1.048.2B	14/15	2	840.1.075.2B	14/15	2	850.1.006.1A	032a	2
830.1.418.1A	027	4	840.1.016.1A	14/15	1	840.1.049.2B	14/15	2	840.1.076.2B	14/15	2	850.1.197.1A	030	2
830.1.425.1A	033	23	840.1.017.1A	14/15	1	840.1.050.2B	14/15	2	840.1.077.2B	14/15	2	850.4.038.1A	027a	23
830.1.429.1A	031	4	840.1.018.1A	14/15	1	840.1.051.2B	14/15	2	840.1.078.2B	14/15	2	850.4.038.1A	029	3
830.1.431.1A	032	6	840.1.019.1A	14/15	1	840.1.052.2B	14/15	2	840.1.079.2B	14/15	2	850.4.043.1A	011	36
830.1.432.1A	032a	5	840.1.020.1A	14/15	1	840.1.053.2B	14/15	2	840.1.080.2B	14/15	2	850.4.047.1A	018a	11
830.1.433.1A	032a	4	840.1.021.1A	14/15	1	840.1.054.2B	14/15	2	840.1.081.2B	14/15	2	850.4.047.1A	034	29
830.1.435.1A	018a	19	840.1.022.1A	14/15	1	840.1.055.2B	14/15	2	840.1.082.2B	14/15	2	850.4.052.1A	027a	6
830.1.440.1A	033	33	840.1.023.1A	14/15	1	840.1.056.2B	14/15	2	840.1.083.2B	14/15	2	850.4.055.1A	019	13
830.1.448.1A	035	16	840.1.024.1A	14/15	1	840.1.057.2B	14/15	2	840.1.084.2B	14/15	2	850.4.055.1A	032	7
830.1.462.1A	024	27	840.1.025.1A	14/15	1	840.1.058.2B	14/15	2	840.1.085.2B	14/15	2	850.4.055.1A	033	28
830.1.468.1A	034a	26	840.1.026.1A	14/15	1	840.1.059.2B	14/15	2	840.1.086.2B	14/15	2	850.4.055.1A	034a	14
832.1.047.1A	028a	14	840.1.027.1A	14/15	1	840.1.060.2B	14/15	2	840.1.087.2B	14/15	2	850.4.067.1A	018a	18
840.1.001.1A	14/15	1	840.1.028.1A	14/15	1	840.1.061.2B	14/15	2	840.2.001.1A	014	1	850.4.082.1A	033	9

CATALOGUE No: 915.1.270.1B
ISSUED: 07 - 07

CATALOGUE No: 915.1.270.1B
ISSUED: 07 - 07

INDEX

CODE No.	Drwg.	POS. N.	CODE No.	Drwg.	POS. N.	CODE No.	Drwg.	POS. N.	CODE No.	Drwg.	POS. N.	CODE No.	Drwg.	POS. N.
850.4.082.1A	034	14	852.1.104.1M	006	11	852.1.233.1A	026a	24	856.1.031.1A	003	16	875.1.065.1A	001d	3
850.4.082.1A	034a	3	852.1.104.1N	006	11	852.4.013.1A	017	23	856.1.042.1A	034a	18	875.1.123.1A	010	24
850.4.102.1A	027a	10	852.1.104.2C	006	11	852.5.009.1A	019	32	856.1.062.2A	008	19	875.1.123.1A	010a	19
850.4.104.1A	034	27	852.1.104.2D	006	11	852.5.023.1A	010a	21	856.1.064.2A	010	15	876.1.102.2B	029	1
850.4.105.1A	034	28	852.1.104.2E	006	11	852.5.023.1A	011	30	856.1.071.1A	012	9	877.1.091.1A	025	21
850.4.109.1A	034a	10	852.1.104.2F	006	11	852.5.023.1A	015	20	856.1.074.2A	013	4	877.1.113.1A	023	15
851.1.004.1A	003	29	852.1.104.2G	006	11	852.5.023.1A	017	3	856.1.075.1A	012	17	877.1.114.1A	024	17
851.1.013.1A	008	14	852.1.104.2I	006	11	852.5.023.1A	035	13	860.1.004.1A	010	27	877.2.006.1B	029	2
851.4.003.1A	006	12	852.1.104.2J	006	11	852.5.024.1A	002	5	860.1.004.1A	011	21	881.1.012.1A	002	32
852.1.005.1A	002	14	852.1.114.1A	011	34	852.5.024.1A	005	19	860.1.005.1A	010	23	881.1.034.1A	012	18
852.1.024.1A	034	11	852.1.135.1A	005	10	852.5.024.1A	011	32	860.5.006.1A	014	24	881.1.051.1A	005	14
852.1.024.1B	029	14	852.1.159.1A	026a	15	852.5.024.1A	019	12	860.5.006.1A	015	24	882.1.003.1A	008	11
852.1.053.2A	002	2	852.1.172.1A	002	29	852.5.024.1A	023	17	861.5.022.1A	021	29	882.1.006.1A	002	16
852.1.053.2A	022	15	852.1.172.1A	009	11	852.5.024.1A	024	4	863.1.001.1D	026a	11	884.4.025.1A	033	8
852.1.053.2A	025	3	852.1.172.1A	011	7	852.5.024.1A	025	23	866.1.020.1A	033	2	884.5.003.1A	022	10
852.1.055.1A	026a	26	852.1.174.1A	002	31	852.5.026.1A	010	5	866.1.030.1A	033	3	884.5.003.1A	027	14
852.1.057.1A	026	14	852.1.174.1A	008	8	852.5.026.1A	011	25	866.1.075.1A	027a	3	884.5.004.1A	026a	18
852.1.058.2A	026a	3	852.1.174.1A	009	9	852.5.026.1A	014	11	866.1.076.1A	034	19	884.5.011.1A	011	8
852.1.072.1A	019	23	852.1.176.1A	017	5	852.5.026.1A	015	11	866.1.077.1A	034	20	884.5.013.1A	005	11
852.1.075.1B	034a	23	852.1.186.1A	019	35	852.5.028.1A	005	16	866.1.078.1A	018	5	884.5.034.1A	002	22
852.1.094.1A	002	19	852.1.195.1A	005	20	852.5.028.1A	011	2	866.1.079.1A	018	19	884.5.039.1A	009	25
852.1.099.1A	032	12	852.1.195.1A	009	7	852.5.029.1A	018	6	872.1.015.1A	021	14	886.1.013.1A	032a	1
852.1.104.1A	006	11	852.1.216.1A	028a	2	852.5.029.1A	034	17	872.1.048.1A	021	5	886.1.024.1A	010	26
852.1.104.1B	006	11	852.1.218.1A	033	4	853.1.003.1A	010a	22	872.1.053.1A	018a	22	886.1.095.1A	011	22
852.1.104.1H	006	11	852.1.218.1A	034a	20	853.1.003.1A	012	2	872.1.054.1A	028a	7	886.4.033.1A	009	4
852.1.104.1K	006	11	852.1.222.1A	026	6	853.5.010.1A	018	7	872.4.060.1A	030	7	886.4.033.1A	010a	13
852.1.104.1L	006	11	852.1.232.1A	019	27	856.1.001.1A	003	6	873.1.005.1A	013	13	886.4.034.1A	009	18

INDEX

CODE No.	Drwg.	POS. N.	CODE No.	Drwg.	POS. N.	CODE No.	Drwg.	POS. N.	CODE No.	Drwg.	POS. N.	CODE No.	Drwg.	POS. N.
886.4.037.1A	009	6	88713.1805	001a	3	88713.2870	001a	10	930.4.023.1A	003	14	97900.0222	001c	9
886.4.043.1A	004	18	88713.1806	001a	6	88713.2874	001	8	930.4.052.1A	026	18	97900.0223	001c	11
886.4.089.1A	005	21	88713.1821	001a	9	88713.2877	001a	18	930.5.005.1A	011	26	97900.0224	001c	6
886.4.089.1A	017	17	88713.1832	001	9	88713.2878	001	5	930.5.006.2B	011	28	97900.0225	001c	8
886.4.103.1A	031	10	88713.1886	001	13	88713.2906	001	18	930.5.007.1A	013	17	97900.0226	001c	12
886.4.118.1A	010	13	88713.1904	001a	15	88713.2951	001b	16	930.5.012.1A	028a	5	97900.0227	001d	7
886.5.003.1A	026a	16	88713.1920	001a	8	88765.0999	001	6	934.1.005.1A	031	6	97900.0228	001d	12
886.5.013.1A	010	3	88713.1980	001a	16	88765.1126C	001d	24	934.1.006.1A	031	8	97900.0229	001c	13
886.5.013.1A	010a	18	88713.2011	001a	7	88765.1126T	001d	16	934.1.007.1A	035	15	97900.0230	001d	20
886.5.051.1A	013	1	88713.2060	001a	11	88765.1126V	001c	14	93783.1524	011	18	97900.0231	001d	17
88700.5749	001	14	88713.2069	001a	2	88765.1188	001a	12	93785.1830	010a	8	97900.0232	001c	16
88713.0123	001	4	88713.2103	001	7	88765.1298	001	3	93823.2018	004	17			
88713.0869	001	15	88713.2409	001b	15	88765.1371	001c	3	93827.0114	005	12			
88713.0870	001	16	88713.2422	001a	4	88765.1374	001c	4	93827.0114	009	22			
88713.0957	001b	12	88713.2423	001	12	88765.1518	001a	5	93827.0114	010	8			
88713.1010	001a	20	88713.2442	001	2	88765.1524	001a	14	94247.0014	010a	3			
88713.1038	001b	5	88713.2562	001b	13	893.1.007.1A	031	2	94247.0014	011	12			
88713.1057	001b	11	88713.2651	001	10	893.1.012.1A	005	15	97900.0002	001c	2			
88713.1058	001b	7	88713.2669	001	17	893.2.006.2A	010	7	97900.0003	001d	23			
88713.1062	001b	9	88713.2676	001	1	893.4.005.1A	023	11	97900.0211	001c	7			
88713.1068	001b	2	88713.2827	001	11	893.4.005.1A	025	27	97900.0215	001c	1			
88713.1071	001b	10	88713.2832	001a	1	894.1.020.1A	009	23	97900.0216	001c	5			
88713.1072	001b	1	88713.2834	001a	17	913.7.120.1B	033	29	97900.0217	001c	15			
88713.1074	001b	4	88713.2842	001	20	930.1.004.1A	021	2	97900.0218	001d	18			
88713.1096	001b	14	88713.2846	001	21	930.4.011.1A	028	6	97900.0219	001c	10			
88713.1515	001b	6	88713.2847	001	19	930.4.021.1A	005	9	97900.0220	001d	21			
88713.1749	001a	13	88713.2861	001a	19	930.4.022.1A	010	20	97900.0221	001d	22			