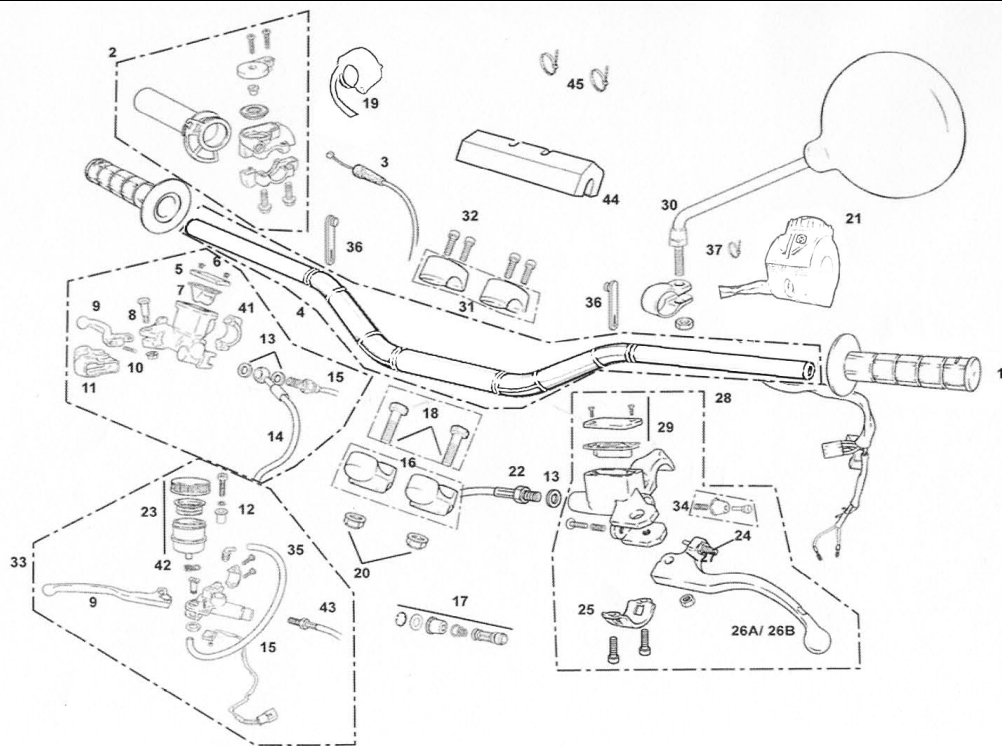


DESPIECE // PART LIST
EC / SM 4T
450-515



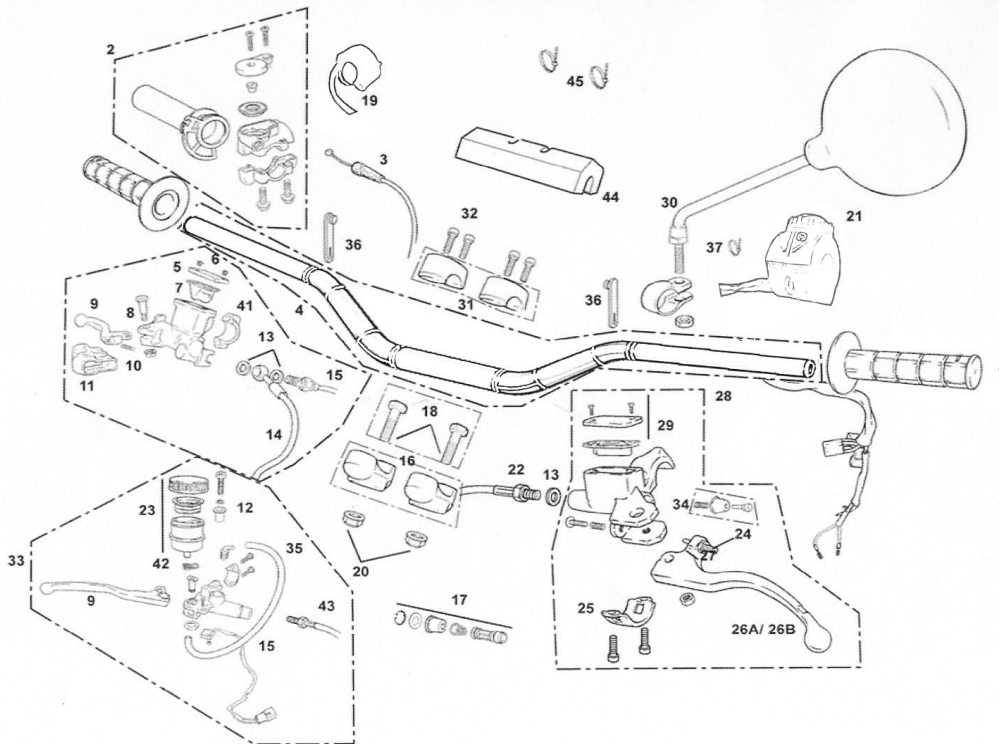
2009



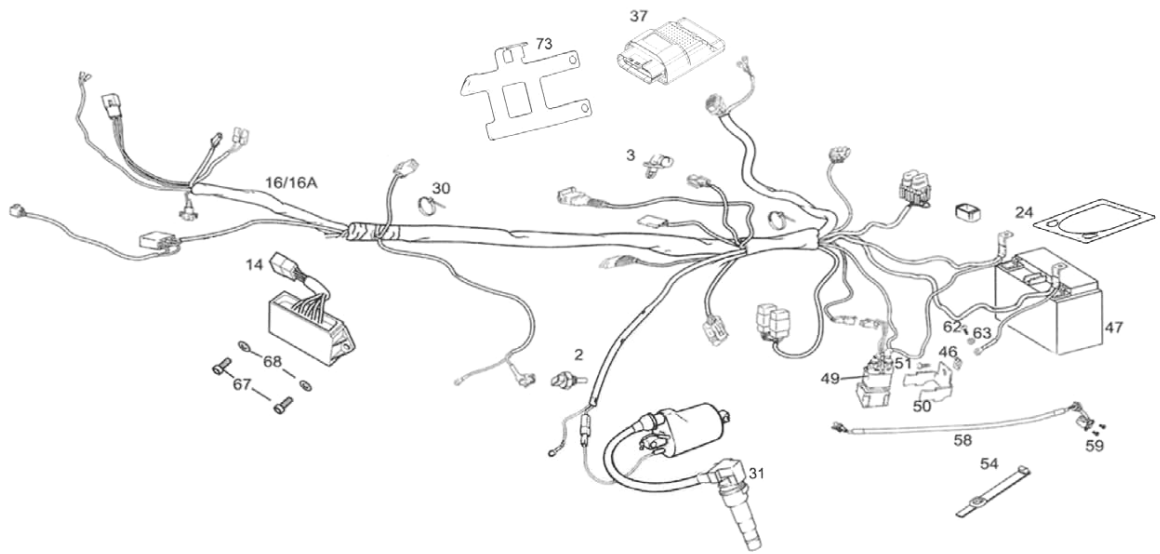
Nº	DESCRIPCION / DESCRIPTION	EC 2009	SM 2009	Cant.
1	JUEGO DE EMPUÑADURAS / HANDLEBAR GRIP (PAIR)	BE250236002		1
2	PUÑO DE GAS / TWIST GRIP	BE25724007		1
3	CABLE DE GAS / THROTTLE CABLE	BFS450524008		1
4	MANILLAR COMPLETO / STEERING HANDLEBAR SET	BE250624001		1
5	TAPA BOMBA FRENO / BRAKE PUMP COVER	BC25922210		1
6	TORNILLO TAPA BOMBA / BRAKE PUMP SCREW	BC25922217		2
7	GOMA ANTIESPUMANTE / NO-FOAM RUBBER	BC25922216		1
8	TORNILLO ESPECIAL / SPECIAL SCREW	BC25922212		1
9	MANETA FRENO DELANTERO / FRONT BRAKE LEVER	BC250022045	BE250122045SM	1
10	TENSOR MANETA BOMBA / PUMP LEVER TENSOR	BC25922218		1
11	GUARDAPOLVO / DUST COVER	BC25922213		1
12	CASQUILLO SILENTBLOCK SILENCIADOR / EXHAUST SILENTBLOCK BUSHING	-	BE250026000	1
13	ARANDELA LATIGUILLO 10X14X1 / 10X14X1 HOSE WASHER	BE25622008		3
14	LATIGUILLO FRENO DELANTERO / FRONT BRAKE HOSE	BE250422002	BE250222002SM	1
15	INTERRUPTOR 23.024/1 STOP BOMBA NISSIN / NISSIN PUMP STOP 23.024/1 SWITCH	BE250034003/2	BE250134003SM	1
16	BRIDA SUJECIÓN MANILLAR INFERIOR / HANDLEBAR CLAMP (LOWER)	BE250614013		2
17	KIT PISTÓN BOMBA FRENO "A" / "A" BRAKE PUMP PISTON KIT	BC25922219		1
18	TORNILLO ESPECIAL 10 X 45 / SPECIAL SCREW 10 X 45	T0201045		2
19	CONMUTADOR ARRANQUE / STARTING COMMAND	BFS450734033		1
20	TUERCA AUTOBLOCANTE BAJA M10 CON ARANDELA / M10 SELF-LOCKING NUT	M01613001		2
21	CONMUTADOR LUZ HALÓGENA / LIGHT SWITCH HALOGEN	EFS602004509		1
22	LATIGUILLO EMBRAGUE / CLUTCH HOSE	BFS450522003		1
23	DEPÓSITO LÍQUIDO FRENO SM / SM BRAKE FLUID TANK	-	BE250110016SM	1
24	TORNILLO REGULACIÓN MANETA / ADJUSTING LEVER SCREW	BT27922046		1
25	SOPORTE BOMBA EMBRAGUE / CLUTCH PUMP CLAMP	BE250022211		1
26A	MANETA EMBRAGUE CORTA / SHORT CLUTCH LEVER	BT27922040		1
26B	MANETA EMBRAGUE LARGA (SERIE) / LONG CLUTCH LEVER (STANDARD)	E200801		1
27	TUERCA M6 BAJA / M6 LOW NUT	T2006001		1
28	BOMBA EMBRAGUE HIDRÁULICO / HYDRAULIC CLUTCH PUMP	BE250522009		1
29	KIT TAPA BOMBA FRENO Y EMBRAGUE / CLUTCH AND BRAKE PUMP COVER KIT	BE250522210		1
30	ESPEJO RETROVISOR / REAR-VIEW MIRROR	L300760		1
31	BRIDA SUJECIÓN MANILLAR SUPERIOR / HANDLEBAR CLAMP (UPPER)	BE250614012		2
32	TORNILLO SUJECIÓN BRIDA MANILLAR 8X30 / 8X30 CLAMP SCREW	T0308030		4
33	BOMBA FRENO DELANTERO / FRONT BRAKE PUMP	BC25922008		1

GAS GAS

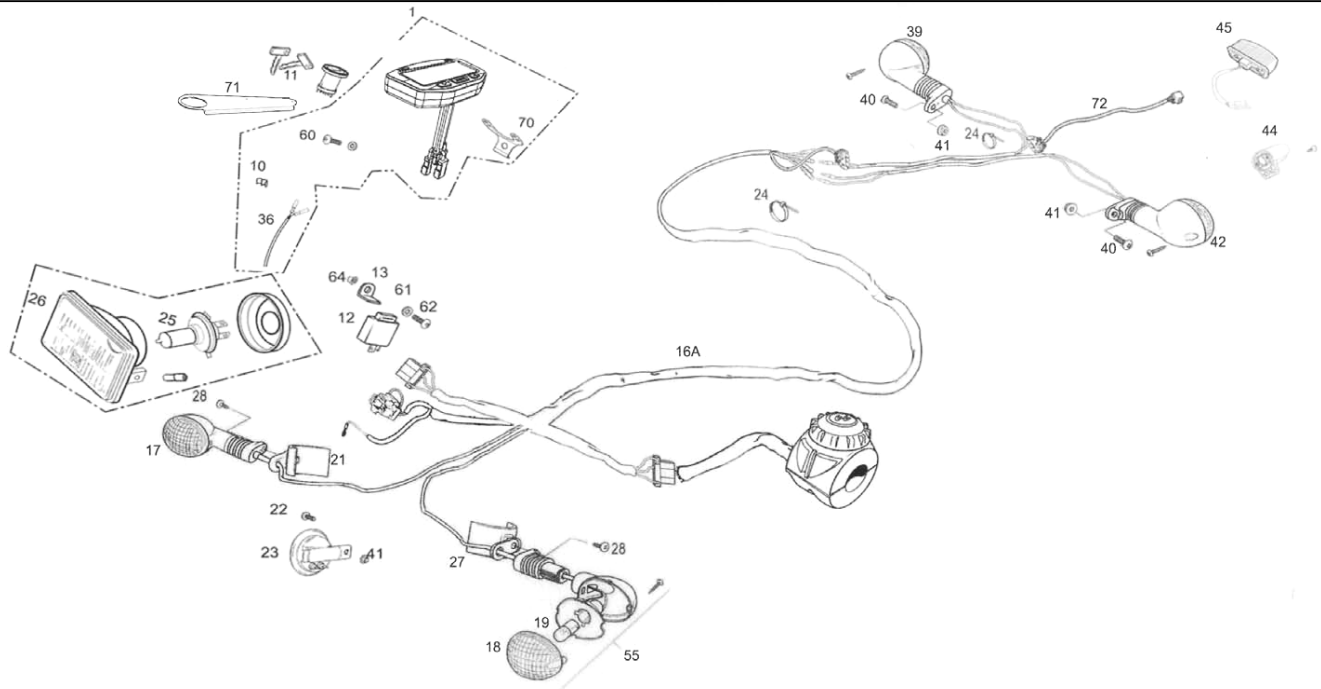
Chasis 1



Nº	DESCRIPCION / DESCRIPTION	EC 2009	SM 2009	Cant.
34	KIT REPARACIÓN / REPAIRATION KIT	BE250522208	BE250122008SM	1
35	TUBO LÍQUIDO FRENO A BOMBA / BRAKE TO PUMP LIQUID HOSE	-	BFS400310116SM	1
36	GOMA SUJECCIÓN CABLEADO / CABLE-HOLDING BAND	BFS450320067		2
37	BRIDA PEQUEÑA / LITTLE CLAMP	BE25634010		1
41	BRIDA / CLAMP	BC25922211	R361700	1
42	ABRAZADERA MUELLE / SPRING CLAMP	BE25610044		2
43	LATIGUILLO FRENO DELANTERO / FRONT BRAKE HOSE	-	BFS450322002SM	1
44	PROTECCIÓN MANILLAR / HANDLEBAR STEERING PROTECTION	BE250724004		1
45	BRIDAS SERRETA / CLAMP	BE25634007		2



Nº	DESCRIPCION / DESCRIPTION	EC 2009	SM 2009	Cant.
2	SENSOR AGUA / WATER SENSOR	MFS400180004		1
3	SENSOR AIRE / AIR SENSOR	MFS400180003		1
14	REGULADOR / REGULATOR	EFS550004508		1
16	INSTALACIÓN ELÉCTRICA FSE / ELECTRICAL INSTALLATION	EFS100004508		1
30	BRIDA UNEX 4,8X36 / UNEX CLAMP 4.8X36	BE25634007		2
31	BOBINA ELDOR / ELDOR COIL	EFS500004508		1
37	CENTRALITA / SWITCHBOARD	EFS501004508		1
46	TUERCA RÁPIDA M6 / M6 FAST NUT	T2606000		1
47	BATERÍA EC400-4T / EC400 4T BATTERY	BFS400134080/3		1
49	RELÉ ARRANQUE / STARTING RELAY	BFS400134075/2		1
50	SOPORTE RELÉ ARRANQUE / STARTING RELAY SUPPORT	BFS400334076		1
51	ULS 6X16	T0506016		1
54	GOMA SUJECCIÓN CDI / CDI ELASTIC BAND	BE250034100		1
58	SENSOR GIRO / TURN SENSOR	MFS450680005		1
59	ALLEN 5x9 / 5x9 ALLEN SCREW	T0505009		2
67	ALLEN 6X16 / 6X16 ALLEN SCREW	T0306016		2
68	ARANDELA PLANA 6X12X1,5 / PLAIN WASHER 6X12X1.5	T4006012		2
73	SOPORTE ECU / ECU SUPORT	EE551002508		1
24	ESPUMA FIJACION CAJA BATERIA / BATTERY FOAM	BFS450734090		1



Nº	DESCRIPCION / DESCRIPTION	EC 2009	SM 2009	Cant.
1	CTO. MULTIFUNCIÓN ENDURO 2003 FSE / 2003 ENDURO MULTIFUNCTION	EE600002508		1
10	PASACABLES CTA. KM. ENDURO 2003 / CABLE PASS SPEED COUNTER	BE250334053		2
11	CERRADURA CONTACTO CIERRE / CONTACT LOCK WITH CATCH		BFS450334032	1
12	CAJA INTERMITENCIAS / INTERMITENT BOX	BFS450434055	BFS450334055	1
13	SOPORTE CAJA INTERMITENCIAS / INTERMITENT BOX SUPPORT	BFS450334057	BFS450334057	1
16A	INSTALACIÓN LUZ / LGHT INSTALLATION	EFS205004508	EFS205004508	1
18	TAPA INTERMITENTE / INDICATOR COVER	BE250634120		4
19	BOMBILLA / LAMP	L200118		4
22	TORNILLO 6X14 ARAND. INC./ 6X14 SCREW WITH WASHER	T0556014		1
23	CLAXON / HORN	BIE500134020		1
25	BOMBILLA 12V45- 45W / 12V45 - 45W BULB	L300125		1
26	ÓPTICA HALÓGENA / OPTIC HALOGEN	EE200002508		1
27	SOP. INTERMITENTE DELANTERO IZQUIERDO / LEFT FRONT INDICATOR HOLDER	BE250134020		1
28	TORNILLO CHAPA 6.3X16 / SPECIAL SCREW	T0706316		2
17	INTERMITENTE DERECHO DEL. / RIGHT FRONT INDICATOR	BE250634018		1
39	INTERMITENTE DERECHO TRASERO / RIGHT REAR INDICATOR	BE250634021		1
40	ULS 6X16 NEGRO / 6X16 BLACK ULS	T0506016N		2
42	INTERMITENTE IZQUIERDO TRASERO / LEFT REAR INDICATOR	BE250634022		1
44	LUZ MATRICULA /	BE250734124		1
45	PILOTO TRASERO / REAR LIGHT	BE250734015		1
55	INTERMITENTE IZQUIERDO DELANTERO / LEFT FRONT INDICATOR	BE250634019		1
60	ULS 6X16 / 6X16 ULS SCREW	T0506016		1
61	ARANDELA 6X18X1.5 / 6X18X1.5 WASHER	T4006018		2
64	TUERCA M6 AUTOBLOCANTE BAJA / LOWER M6 SELF-LOCKING NUT	T2106001		2
70	SOPORTE MULTIFUNCIÓN / MULTIFUNCTION SUPPORT	BFS450634045		1
71	PLATINA SOPORTE CONMUTADOR / SWITH SUPPORT		BFS450634072	1
72	ALARGO INSTALACIÓN PORTA MATRÍCULA / PLATE SUPPORT EXTEND INSTALLATION	BE250734016		1
41	TUERCA M6 CON ARAND./M6 NUT	T2206000		3

GAS GAS

Chasis 2A



3

Nº	DESCRIPCION / DESCRIPTION	EC	Cant.
1	CTO. FARO DELANTERO / FRONT HEADLAMP SET	BE90500CT2508	1
2	GUARDABARROS DELANTERO EC2008 / EC2008 FRONT FENDER	BE91000CT2509	1
3	TAPA LATERAL RADIADOR DERECHO / RIGHT SIDE RADIATOR COVER	BE91500CT2509	1
4	TAPA LATERAL RADIADOR IZQUIERDO / LEFT SIDE RADIATOR COVER	BE92000CT2509	1
5	TAPA CAJA FILTRO DRCHA.	BE92600CT2509	1
6	TAPA CAJA FILTRO IZQ.	BE93100CT2509	1
7	GUARDABARROS TRASERO / REAR FENDER	BE93500CT2509	1
10	GUIA LATIGUILLO / GUIDE COVER	BE905502508	1
Nº	ADH.	EC	
8	KIT ADHESIVO BASCULANTE / SET TILTING ADHESIVE	BFS95500CT4509	1
9	KIT ADHESIVO PROTECTOR BARRA / SET ADHESIVE PROTECTIVE BAR		1
--	KIT ADHESIVO COMPLETO / SET ADHESIVE	BE950003009	1

GAS GAS Chasis 3

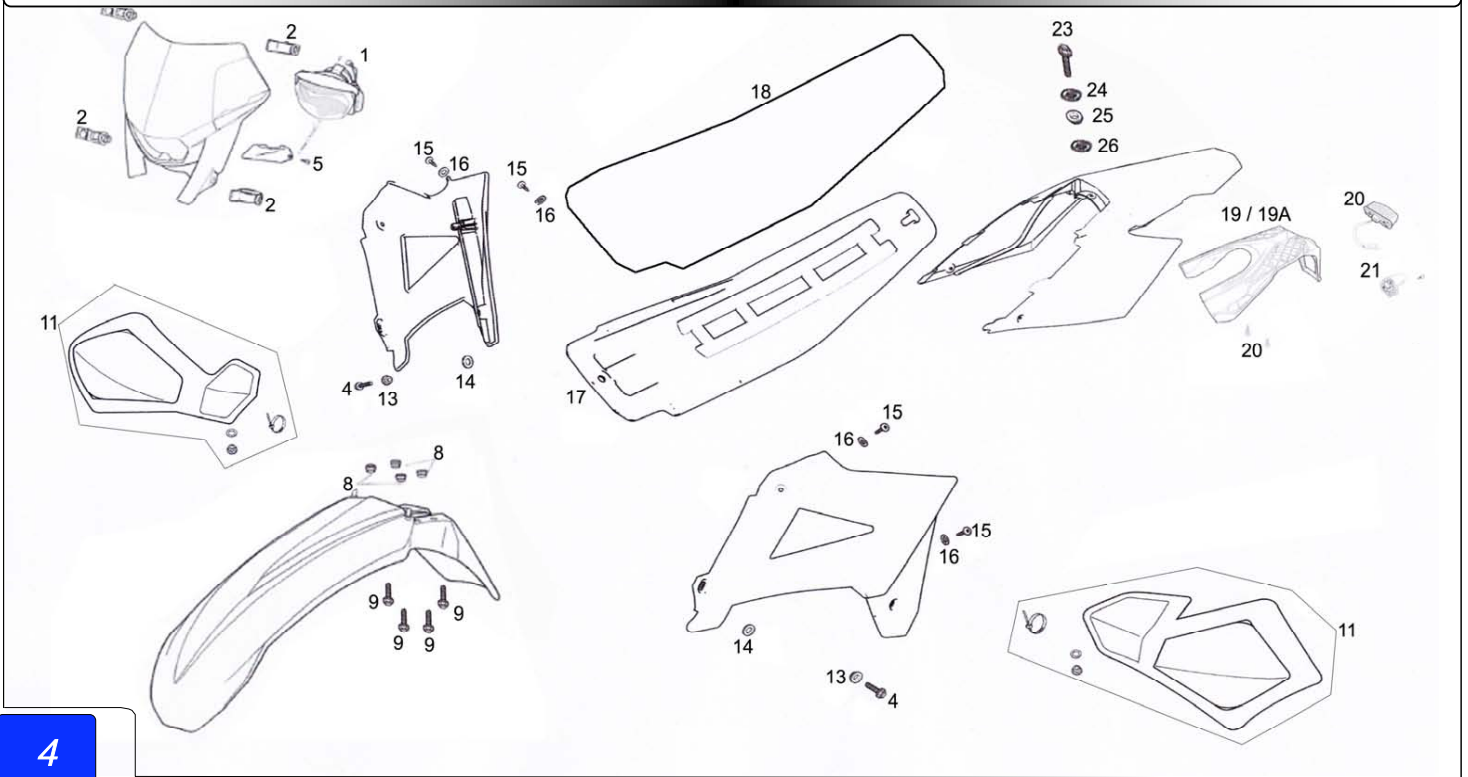


Nº	DESCRIPCION / DESCRIPTION	EC	Cant.	
1	CTO. FARO DELANTERO / FRONT HEADLAMP SET	BE90500RCCT2509	1	
2	GUARDABARROS DELANTERO EC2008 / EC2008 FRONT FENDER	BE91000RCCT2509	1	
3	TAPA LATERAL RADIADOR DERECHO / RIGHT SIDE RADIATOR COVER	BE91500RCCT2509	1	
4	TAPA LATERAL RADIADOR IZQUIERDO / LEFT SIDE RADIATOR COVER	BE92000RCCT2509	1	
5	TAPA CAJA FILTRO DRCHA.	BE92600CT2509	1	
6	TAPA CAJA FILTRO IZQ.	BE93100CT2509	1	
7	GUARDABARROS TRASERO / REAR FENDER	BE93500RCCT2509	1	
10	GUIA LATIGUILLO / GUIDE COVER	BE90550RC2509	1	
Nº	ADH.	EC515	EC450	
8	KIT ADHESIVO BASCULANTE / SET TILTING ADHESIVE	BFS95500RCCT5009	BFS95500RCCT4509	1
9	KIT ADHESIVO PROTECTOR BARRA / SET ADHESIVE PROTECTIVE BAR			1
--	KIT ADHESIVO COMPLETO / SET ADHESIVE		BFS95000RC4509	1

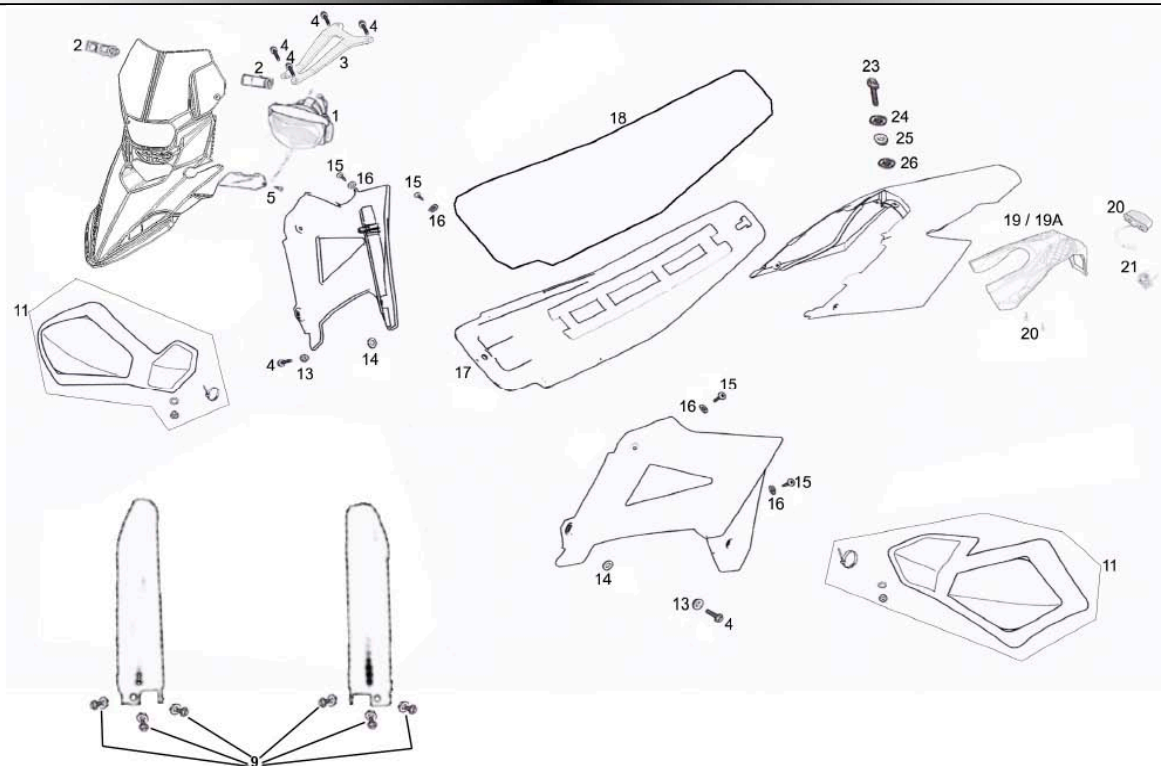
GAS GAS *Chasis 3A*



3B



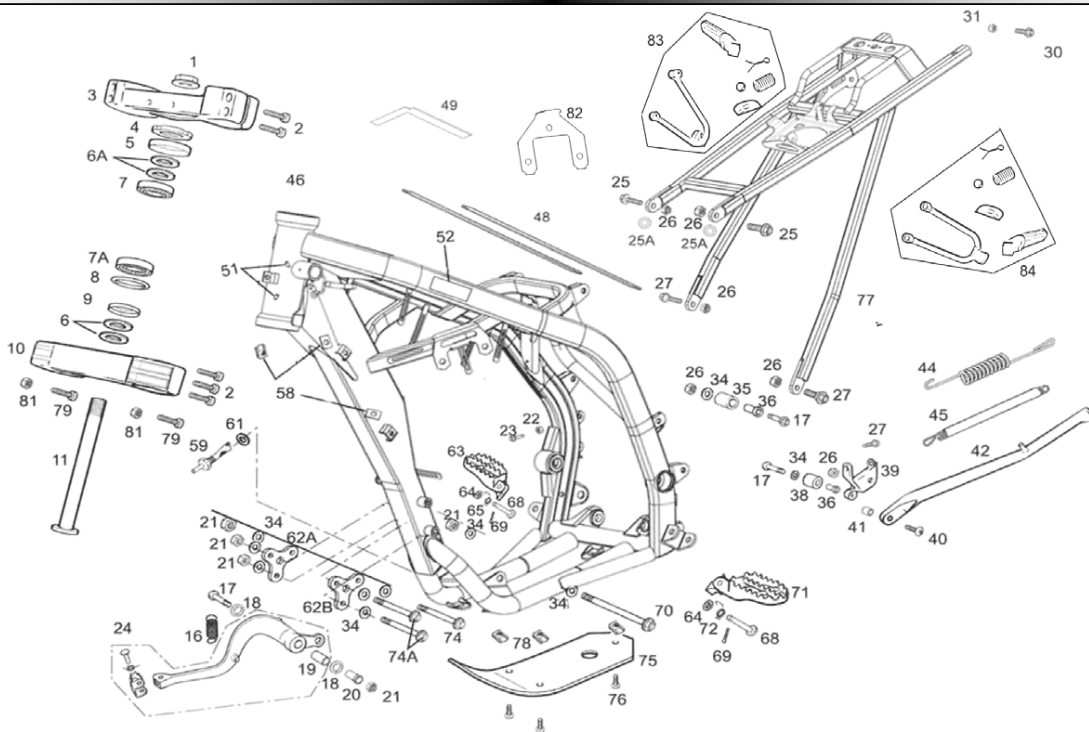
Nº	DESCRIPCION / DESCRIPTION	EH	Cant.
1	OPTICA / OPTIC	EE200002508	1
2	GOMA FARO / RUBBER LIGHTHOUSE	BE25636015	4
5	TORN. PLASTICO / PLASTIC SCREW	BE250420063/2	1
8	CASQUILLO GUARDABARROS VALONA / FRONT FENDER BUSHING	BE2500141018	4
9	TORN. ESPECIAL 6X20 ARAND. / 6X20 SCREW WASHER	T0606020	4
11	CTO. PARAMANOS / JOINT PROTECTOR HANDS	BE94500SM2508	1
13	CASQUILLO TAPA RADIADOR / RADIATOR CAP LID	BE250032060	2
14	ARANDELA NYLON / NYLON WASHER	T06065017	2
15	TORNILLO PLASSTICO 4,6X12 / 4,6X12 PLASTIC SCREW	T0804612/2	4
16	ARANDELA ALUMINIO / ALUMINIUM WASHER	BE250511002	4
17	SILLIN / SEAT	BE940002508	1
18	FUNDA SILLIN / SEAT COVER	BE940012508	1
19	CTO. PORTAMATRICULAS / REAR LICENSE PLATE HOLDER SET	BE250720003CT	1
19A	PORTAMATRICULAS / REAR LICENSE PLATE HOLDER	BE250720003	1
20	LUZ DE FRENO / BRAKE LIGHT	BE250734015	1
21	LUZ MATRICULA / LIGHT OF PLATE	BE250734124	1
22	TORN. ESPECIAL 6X20 / 6X20 SCREW	T0206020	2
23	TORN. PHILIPS 6X25 / PHILIPS SCREW 6X25	T0706025	1
24	CASQUILLO / CAP	BE25610007	1
25	ARANDELA / WASHER	BE940502509	1
26	ARANDELA NEGRA / BLACK WASHER	BE250710213	1



4A

Nº	DESCRIPCION / DESCRIPTION	SM	Cant.
1	OPTICA / OPTIC	EE200002508	1
2	GOMA FARO / RUBBER LIGHTHOUSE	BE25636015	2
3	SOPORTE FARO SM / SM SUPPORT LIGHTHOUSE	BEH90510SM1209	1
5	TORN. PLASTICO / PLASTIC SCREW	BE250420063/2	1
9	TORN. ESP. CON CASQUILLO 6X13 / SPECIAL SCREW CAP 6X13	T0316013	6
11	CTO. PARAMANOS SM / JOINT PROTECTOR HANDS	BEH94500SM1209	1
13	CASQUILLO TAPA RADIADOR / RADIATOR CAP LID	BE250032060	2
14	ARANDELA NYLON / NYLON WASHER	T06065017	2
15	TORNILLO PLASSTICO 4,6X12 / 4,6X12 PLASTIC SCREW	T0804612/2	4
16	ARANDELA ALUMINIO / ALUMINIUM WASHER	BE250511002	4
17	SILLIN / SEAT	BE940002508	1
18	FUNDA SILLIN / SEAT COVER	BE940012508	1
19	CTO. PORTAMATRICULAS / REAR LICENSE PLATE HOLDER SET	BE250720003CT	1
19A	PORTAMATRICULAS / REAR LICENSE PLATE HOLDER	BE250720003	1
20	LUZ DE FRENO / BRAKE LIGHT	BE250734015	1
21	LUZ MATRICULA / LIGHT OF PLATE	BE250734124	1
22	TORN. ESPECIAL 6X20 / 6X20 SCREW	T0206020	2
23	TORN. PHILIPS 6X25 / PHILIPS SCREW 6X25	T0706025	1
24	CASQUILLO / CAP	BE25610007	1
25	ARANDELA / WASHER	BE940502509	1
26	ARANDELA NEGRA / BLACK WASHER	BE250710213	1
25	ARANDELA / WASHER	BE940502509	1
26	ARANDELA NEGRA / BLACK WASHER	BE250710213	1

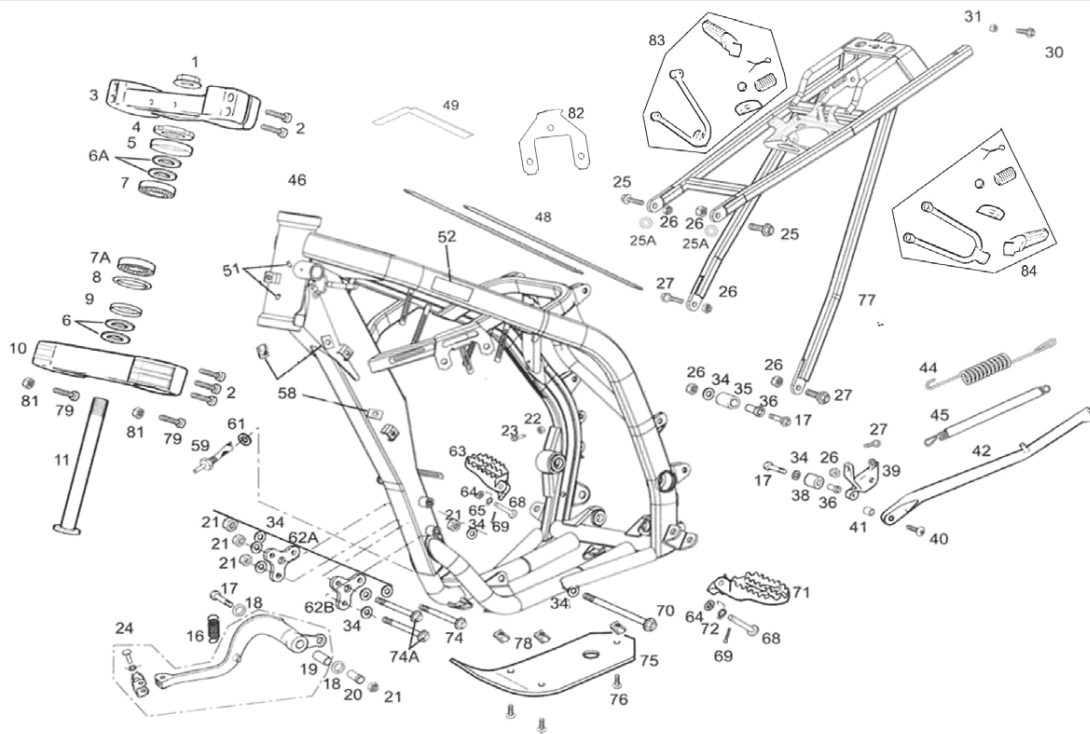
GAS GAS **Chasis 4A**



Nº	DESCRIPCION / DESCRIPTION	EC 2009	Cant.
1	TUERCA DIRECCIÓN / STEERING SHAFT NUT	BE25610030	1
2	ALLEN 7X30 / 7X30 ALLEN SCREW	T0307030	10
3	BRIDA SUPERIOR SUSPENSIÓN CROSS / CROSS FORK CLAMP (UPPER)	BFS22000RC4509	1
4	TUERCA DIRECCIÓN INFERIOR / LOWER STEERING SHAFT NUT	BE25610029	1
5	GUARDAPOLVO COJINETE DIRECCIÓN / BEARING DUST COVER	BE25610126	1
6	ARANDELA DIRECCIÓN / STEERING WASHER	BE250610028	1
6A	ARANDELA DIRECCIÓN / STEERING WASHER	BE25610028	2
7	COJINETE DIRECCIÓN / STEERING BEARING	BE25610008	11
7A	COJINETE DIRECCIÓN / STEERING BEARING	BE250610008	1
8	TÓRICA DIRECCIÓN 50X5 / 50X5 STEERING O'RING	BE25610012	1
9	CAZOLETA DIRECCIÓN / STEERING CAP	BE250610026	1
10	BRIDA INFERIOR SUSPENSIÓN CROSS / CROSS FORK CLAMP (LOWER)	BFS21000RC4509	1
11	TIJA DIRECCIÓN / STEERING SHAFT	BE250614003	1
16	MUELLE PEDAL FRENO / BRAKE PEDAL SPRING	BE25610023	1
17	TORNILLO ESPECIAL 8X45 / 8X45 SPECIAL SCREW	T0208045	3
18	TÓRICA PEDAL / PEDAL O'RING	ME250036063	2
19	GLACIER PEDAL FRENO / BRAKE PEDAL BEARING	BE250010009	1
20	CASQUILLO SOPORTE PEDAL FRENO / BRAKE PEDAL SUP. BUSHING	BE250210916	1
21	TUERCA AUTOBLOCANTE CON ARANDELA M8 / M8 SELF-LOCKING NUT	T2208002	5
22	TUERCA HEXAGONAL M6 BAJA / M6 LOW HEXAGONAL NUT	T2106001	2
24	CTO. PEDAL FRENO / BRAKE PEDAL SET	BE250522016CT	1
25	TORNILLO ESPECIAL 8X30 / 8X30 SPECIAL SCREW	T0208030	2
25A	DISTANCIADOR GOMA DEPÓSITO / TANK RUBBER SPACER	BE250714036	2
26	TUERCA AUTOBLOCANTE M8 BAJA / LOW M8 SELF-LOCKING NUT	T2108001	6
27	TORNILLO ESPECIAL 8X20 / 8X20 SPECIAL SCREW	T0208020	3
30	ALLEN 8X25 / 8X25 ALLEN SCREW	T0308025	2
31	TUERCA AUTOBLOCANTE M8 CON ARANDELA / SELF-LOCKING M8 NUT	T2208002	2
34	ARANDELA 8X20X1,5 / 8X20X1,5 WASHER	T4008020	17
35	RODILLO GUÍA CADENA SUPERIOR / UPPER CHAIN ROLL	BE25610014	1
36	CASQUILLO RODILLO 6.25X12X25 / 6.25X12X25 BUSHING	BE25612016	2
38	RODILLO GUÍA CADENA 13.5X32X23.5 / 13.5X32X23.5 LOWER CHAIN ROLL	BE25610032	1
39	SOPORTE CABALLETE / SIDE STAND HOLDER	BE250212023	1

GAS GAS

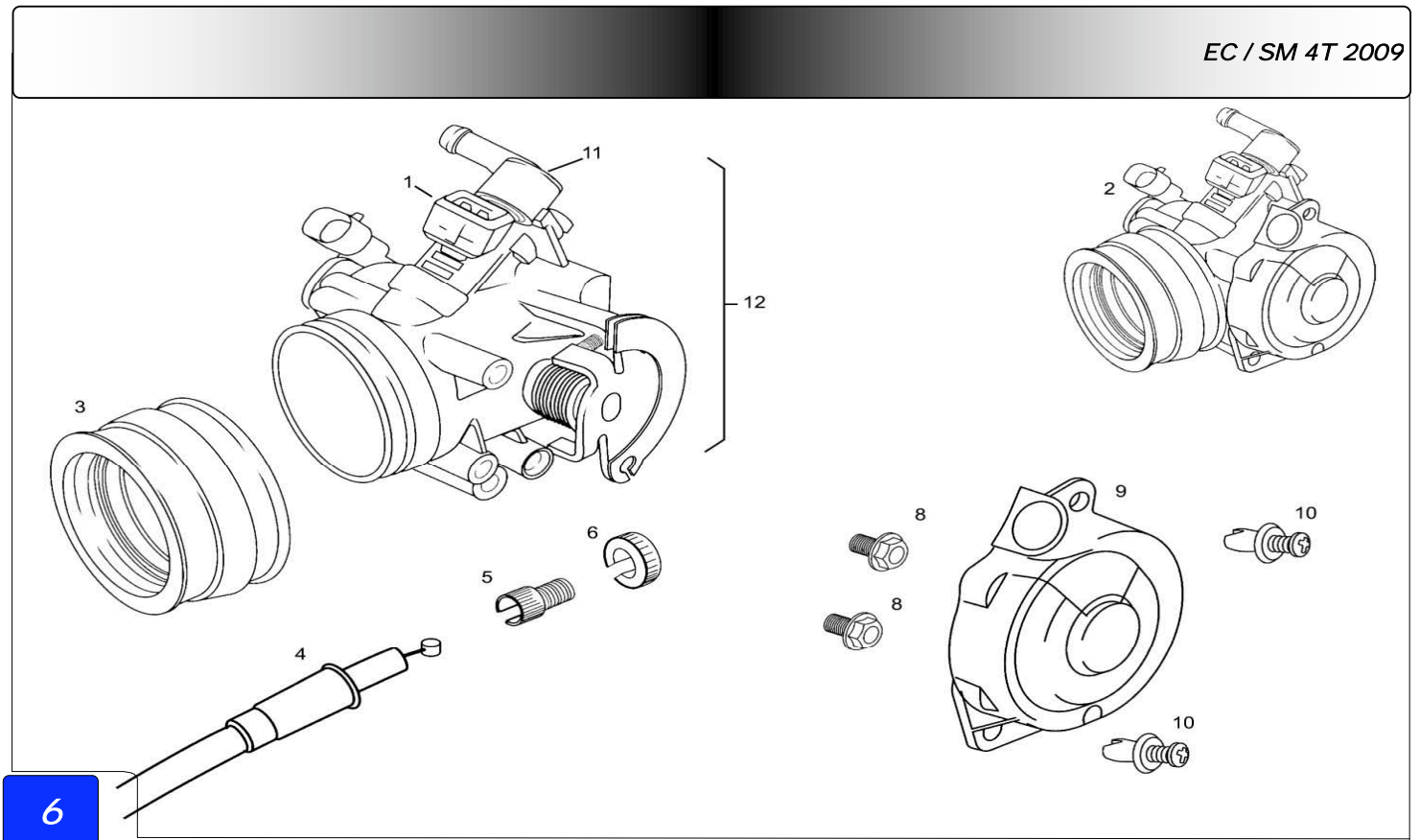
Chasis 5



Nº	DESCRIPCION / DESCRIPTION	EC 2008	SM 2009	Cant.
40	ULS 8X30 / 8X30 ULS SCREW	T0508030		1
41	CASQUILLO CABALLETE / SIDE STAND BUSHING	BE250112011		1
42	CABALLETE / SIDE STAND BRACKET	BE250512010	BE250512010SM	1
44	MUELLE EXTERIOR CABALLETE / SUPPORT OUTER SPRING	BE250510039		1
45	MUELLE CABALLETE / SIDE STAND BRACKET SPRING	BE250410039		1
46	CHASIS ENDURO 450-2008 4T / 450-2008 4T FRAME	BFS100004508		1
48	TIRA GOMA ADH. LATERAL / LATERAL RUBBER STICKER	BFS450738019		2
49	TIRA GOMA ADH. TRASERA / REAR RUBBER STICKER	BFS450738018		1
51	ANTI-ROBO / STEERING LOCK	BE250010075		1
52	AD. TRANSPARENTE Nº BASTIDOR / FRAME NUMBER CLEAR STICKER	PU000138015		1
58	TUERCA NUT M6 / M6 NUT	T2606000		4
59	RACORD CON FILTRO / RACORD WITH FILTER	BFS450632209CT		1
61	ARANDELA 18.2X24X1.5 / 18.2X24X1.5 WASHER	T4006008		1
62A	SOPORTE MOTOR IZQUIERDO / LEFT ENGINE SUPPORT	BFS450610990		1
62B	SOPORTE MOTOR DERECHO / RIGTH ENGINE SUPPORT	BFS450510989		1
63	ESTRIBO DERECHO / RIGHT FOOTREST	BE250010002		1
64	ARANDELA / WASHER	T4001021		2
65	MUELLE ESTRIBO DERECHO / RIGHT FOOTREST SPRING	BE25610037		1
68	CASQUILLO ESTRIBO / FOOTREST BUSHING	BE25610006		2
69	CLAVILLA ZINC / ZINC PIN	BE25622022		2
70	TORNILLO ESPECIAL M8X103 / 8X103 SPECIAL SCREW	T0208103		1
71	ESTRIBO IZQUIERDO / LEFT FOOTREST	BE250010003		1
72	MUELLE ESTRIBO IZQUIERDO / LEFT FOOTREST SPRING	BE25610038		1
74	TORNILLO ESPECIAL M8X103 / M8X103 SPECIAL SCREW	T0208103		1
74A	TORNILLO ESPECIAL M8X85 / M8X85 SPECIAL SCREW	T0208085		2
75	PROTECTOR CÁRTER / CARTER PROTECTOR	BFS450510930		1
76	ULS 8X20 / 8x20 ULS SCREW	T0508020		3
77	COLA CHASIS / FRAME TAIL	BFS120004508	BFS12000SM4508	1
78	TUERCA NUT M8 RÁPIDA / M8 FAST LOCK NUT	BT280010041		3
79	ALLEN 8X20 / 8X20 ALLEN SCREW	T0308020		2
80	ARANDELA 6X18X1.5 / 6X18X1.5 WASHER	T4006018		1
81	TUERCA M8 / M8 NUT	T2008002		2
82	SOPORTE BOBINA KOKUSAN / SUPORT COIL	EFS550004508		1
83	ESTRIBO PASAJERO DRCH. / FLEETING STIRRUP STRAIGHT		BPS141004508	1
84	ESTRIBO PASAJERO IZQ. / LEFT FLEETING STIRRUP		BPS141054508	1

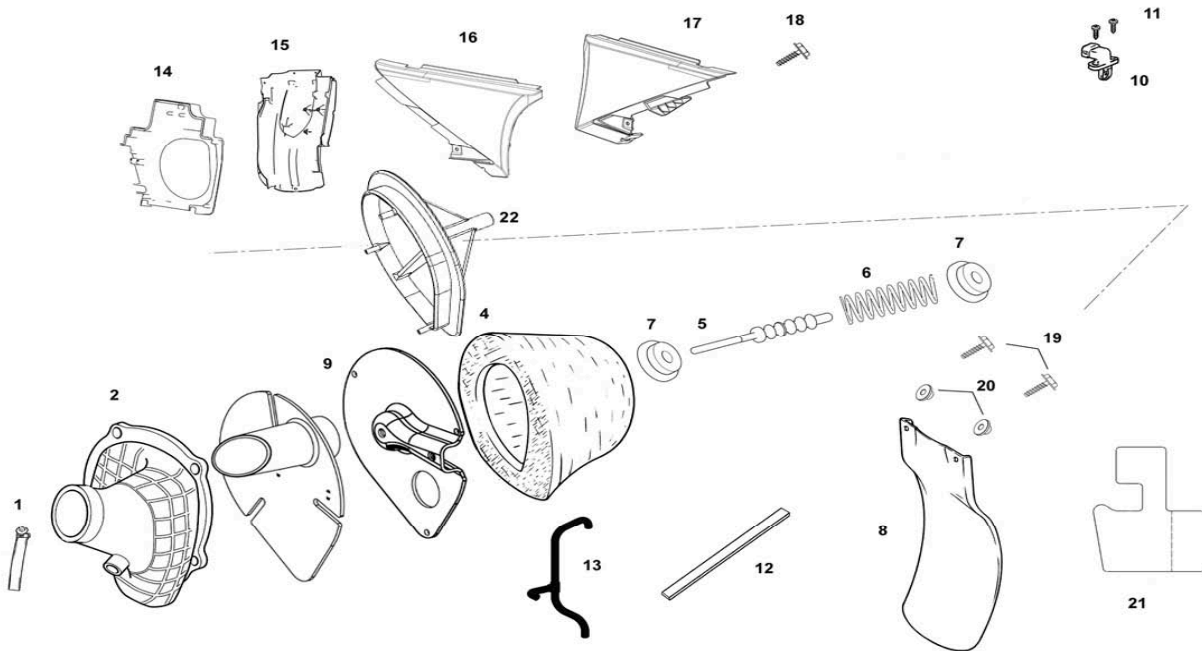
GAS GAS

Chasis 5



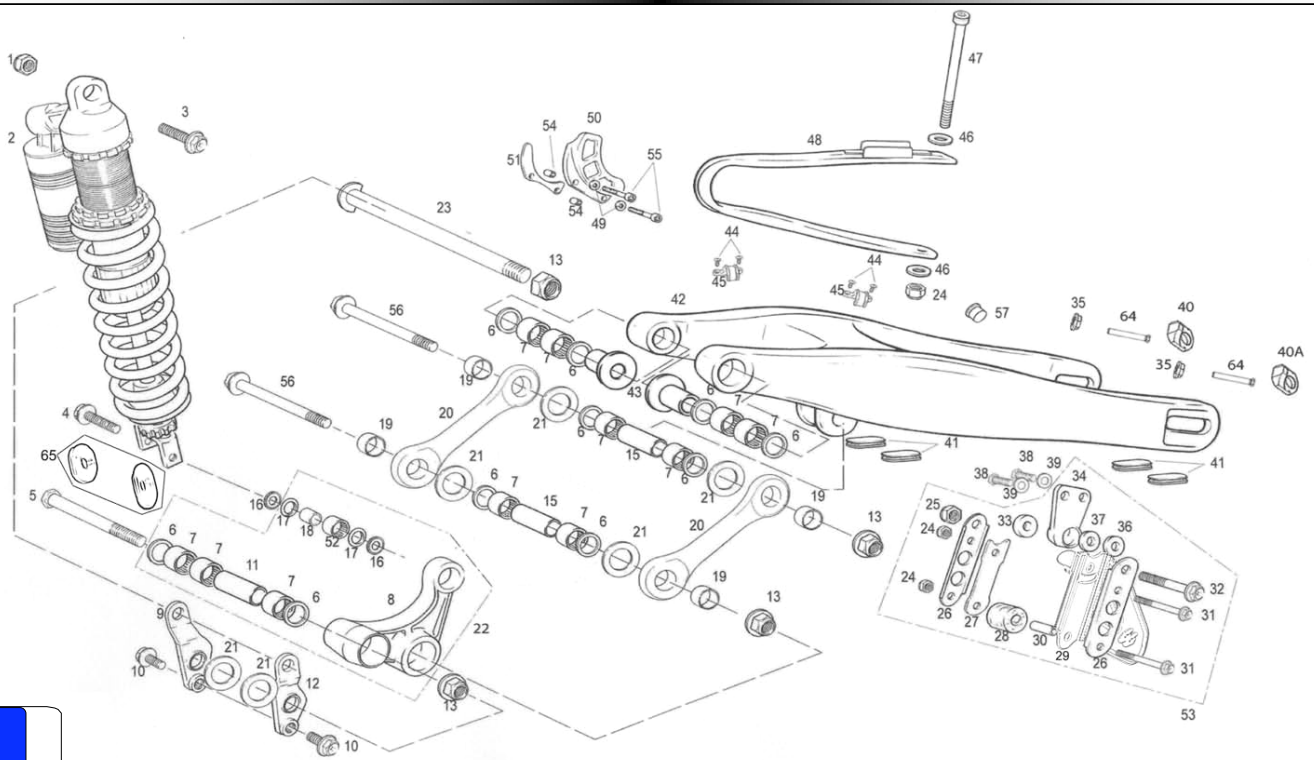
Nº	DESCRIPCION / DESCRIPTION	EC 2009	Cant.
1	INYECTOR FSR / FSR INJECTOR	BFS781004508	1
2	POTENCIÓMETRO INYECTOR / INJECTOR TRIM - POT	MFS450380010	1
3	TUBERA ADMISIÓN / INTAKE RUBBER	MFS400116131	1
4	CABLE GAS / THROTTLE CABLE	BFS450524008	1
5	TUERCA TENSOR CABLE GAS / THROTTLE GAS TENSOR NUT	BFS400124013	1
6	TENSOR CABLE GAS / THROTTLE GAS TENSOR	BFS450524012	1
8	TORNILLO ESP. 5X10 / SPECIAL 5X10 SCREW	T0205010	2
9	TAPA CABLE GAS / THROTTLE GAS COVER	MFS450580007	1
10	CLIPS FIJACIÓN TAPA / COVER CLIPS	MFS450580013	2
11	ENTRADA INYECTOR CUERPO MARIPOSA / BUTTERFLY VALVE BODY INJECTOR INTAKE	MFS450480003	1
12	CUERPO MARIPOSA 45 CFE1 / 45 CFE1 BUTTERFLY VALVE BODY	BFS780004508	1

GAS GAS Chasis 6



Nº	DESCRIPCION / DESCRIPTION	EC 2009	Cant.
1	ABRAZADERA 40-60 / 40-60 CLAMP	L200047	2
2	GOMA TUBERA CAJA FILTRO EC450 2005 / EC450 2005 BOX FILTER RUBBER	BFS450728017	1
3	JAULA FILTRO AIRE / AIR FILTER CARRIER	BE250628002	1
4	FILTRO AIRE / AIR FILTER	BFS450728000	1
5	VARILLA PALOM FILTRO / FILTER SCREW	BE250728003	1
6	MUELLE VARILLA CAJA FILTRO / FILTER BOX SCREW SPRING	BE250728051	1
7	ARANDELA NYLON TOPE MUELLE / SPRING END NYLON WASHER	BE250728052	2
8	PROTECTOR SUSPENSIÓN TRASERA / REAR SHOCK ABSORBER PROTECTOR	BE25620008	1
9	RESTRICTOR AIRE CAJA FILTRO / FILTER BOX AIR RESTRICTOR	BE250728014	1
10	SENSOR AIRE / AIR SENSOR	MFS400180003	1
11	TORNILLO 3X8 / 3X8 SCREW	T1003009	2
12	ESPUMA / FOAM	*BFS795004508	1
13	TUBO DESVAPORIZADOR / STEAM HOSE	MFS450716103	1
14	TAPA CAJA FILTRO DELANTERA / FRONT FILTER BOX COVER	BE250728054	1
15	TAPA CAJA FILTRO TRASERA / REAR FILTER BOX COVER	BE250728055	1
16	TAPA CAJA FILTRO DERECHA / RIGHT FILTER BOX COVER	BE250728056	1
17	TAPA CAJA FILTRO IZQUIERDA / LEFT FILTER BOX COVER	BE250728057	1
18	TORN. ROSCA PLÁSTICO 4.5 X 14 / PLASTIC SCREW 4.5 X 14	BE250420063	4
19	TORN. ROSCA PLÁSTICO 4.5 X 20 / PLASTIC SCREW 4.5 X 20	BE250728058	2
20	CASQ. FRONTAL AMORTIGUADOR / FRONT SHOCK ABSORBER BUSHING	BE250728059	2
21	ADHESIVO CAJA FILTRO / FILTER BOX DECAL	BFS450728053	1
22	ARAÑA FILTRO / FILTER SPIDER	*BE795012508	1

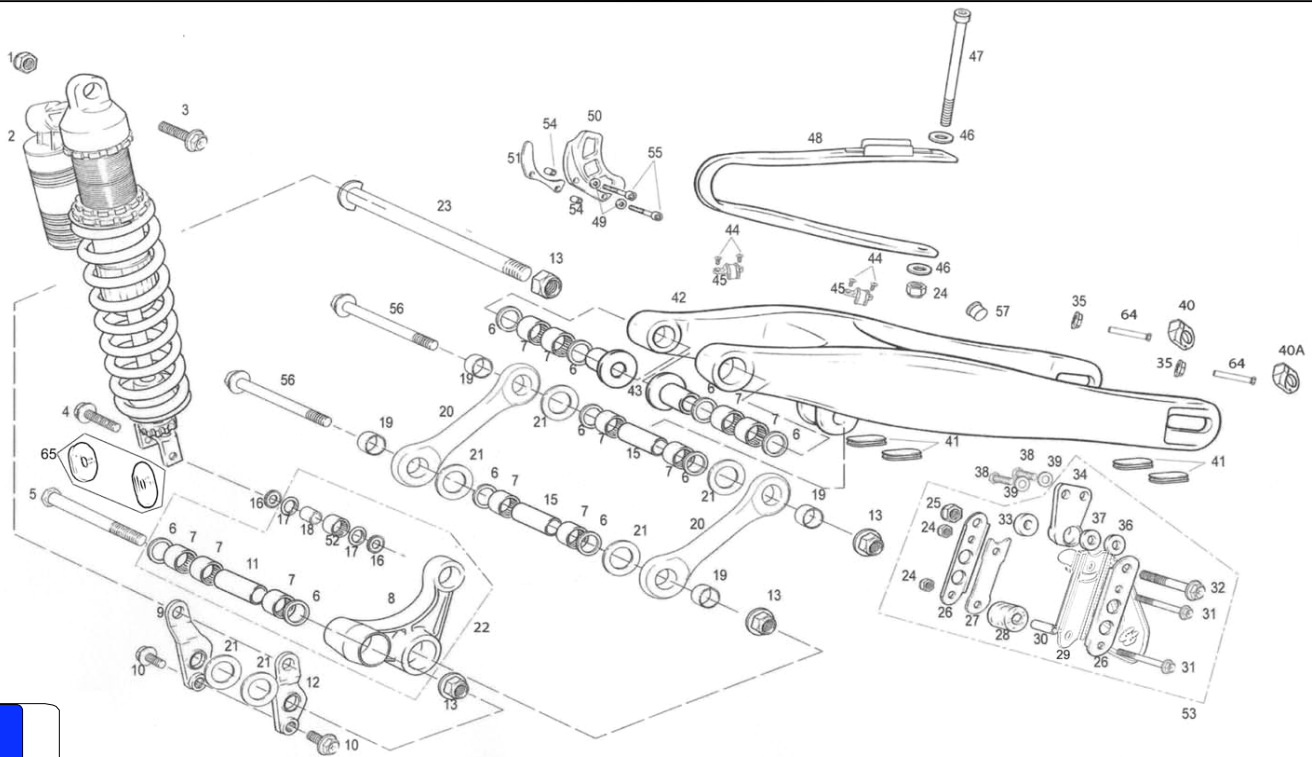
GAS GAS *Chasis 7*



Nº	DESCRIPCION / DESCRIPTION	EC 2009	Cant.
1	TUERCA AUTOBLOCANTE M10+C41 / SELF-LOCKING NUT M10	T3110002	1
2	AMORTIGUADOR TRASERO / REAR SHOCK ABSORBER	BFS30004509	1
3	TORNILLO ESPECIAL M10X55 / SPECIAL SCREW M10X55	T0210055	1
4	TORNILLO M10X40X1,25 / BOLT M10X40X1.25	T0110042	1
5	TORNILLO ESPECIAL 14X110 / SPECIAL SCREW 14X110	T0214110	1
6	TÓRICA 3.5X21 / 3.5X21 O'RING	BE250510011	10
7	JAULA AGUJAS 22BM2816 / 22BM2816 NEEDLES BEARING	BE25614010	11
8	BALANCÍN / ROCKER ARM	BE25614005	1
9	SOPORTE BALANCÍN DERECHO / RIGHT ROCKER ARM SUPPORT	BE250314006	1
10	TORNILLO ESPECIAL 12X25X1,25 / SPECIAL SCREW 12X25X1.25	T02012025	2
11	CASQUILLO 14X22X62,5 / BUSHING 14X22X62.5	BE25612005	1
12	SOPORTE BALANCÍN IZQUIERDO / LEFT ROCKER ARM SUPPORT	BE250314007	1
13	TUERCA BASCULANTE TT / NUT	BE25612009	4
15	CASQUILLO 14X22X57 / BUSHING 14X22X57	BE25612014	2
16	ARANDELA REGLAJE 21X10,2X1 / SETTING WASHER 21X10.2X1	T4001022	2
17	TÓRICA BIELETA 15X3,5 / CONNECTING ROD O'RING	BE25814015	2
18	CASQUILLO INFERIOR AMORTIG. D.16X21X10 / SHOCK ABSORBER BUSHING (LOWER)	BE25642005	1
19	CASQUILLO BIELETA / CONNECTING ROD BUSHING	BE25642002	4
20	BIELETA / CONNECTING ROD	BC250014008	2
20A	BIELETA SM 125 / CONNECTING ROD	BE120114008	2
21	ARANDELA 22,4X36X0,7 REGLAJE / SETTING WASHER 22.4X36X0.7	T4022036	6
22	BALANCÍN EC COMPLETO / EC ROCKER ARM SET	BE250514005CT	1
23	EJE BASCULANTE / SWINGARM SHAFT	BE250312008	1
24	TUERCA AUTOBLOCANTE M6 ALTA / HIGH SELF LOCKING NUT M6	T2106002	3
25	TUERCA AUTOBLOCANTE M8 BAJA / LOW SELF LOCKING NUT M8	T2108001	1
26	PLATINA GUÍA CADENA / CHAIN GUIDE BRACKET	BE25912017	2
27	TIRA NYLON ANTIRUIDO / ANTI-NOISE NYLON BAND	BE25612022	1
28	RODILLO GUÍA CADENA 13,55X32X23,5 / CHAIN GUIDE ROLLER 13.55X32X23.5	BE25610032	1
29	PROTECTOR CADENA / CHAIN PROTECTOR	BE450202509	1
30	CASQUILLO GUÍA CADENA / CHAIN GUIDE BUSHING	BE25610025	1
31	TORNILLO ESPECIAL 6X45 / SPECIAL SCREW 6X45	T0206045	2
32	TORNILLO ESPECIAL 8X45 / SPECIAL SCREW 8X45	T0208045	1
33	DISTANCIADOR SOP. GUÍA CADENA GRANDE / BIG CHAIN GUIDE SUPPORT SPACER	BE25612021	1

GAS GAS

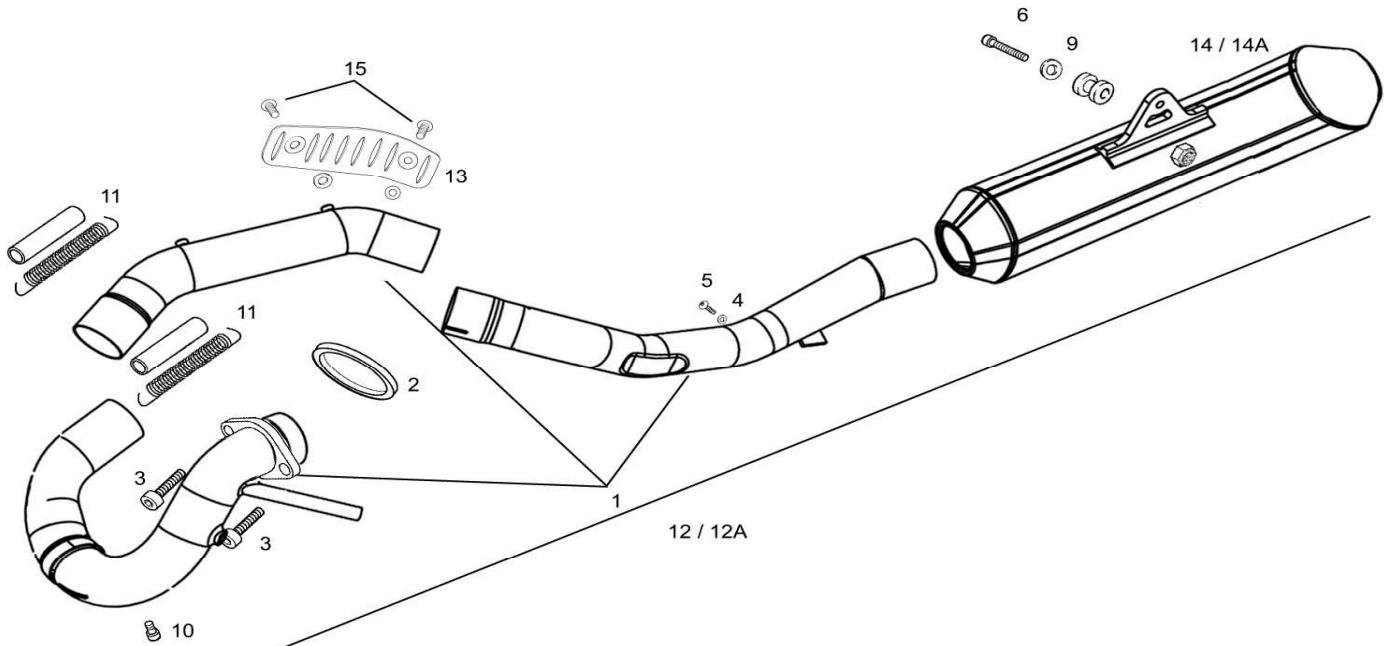
Chasis 8



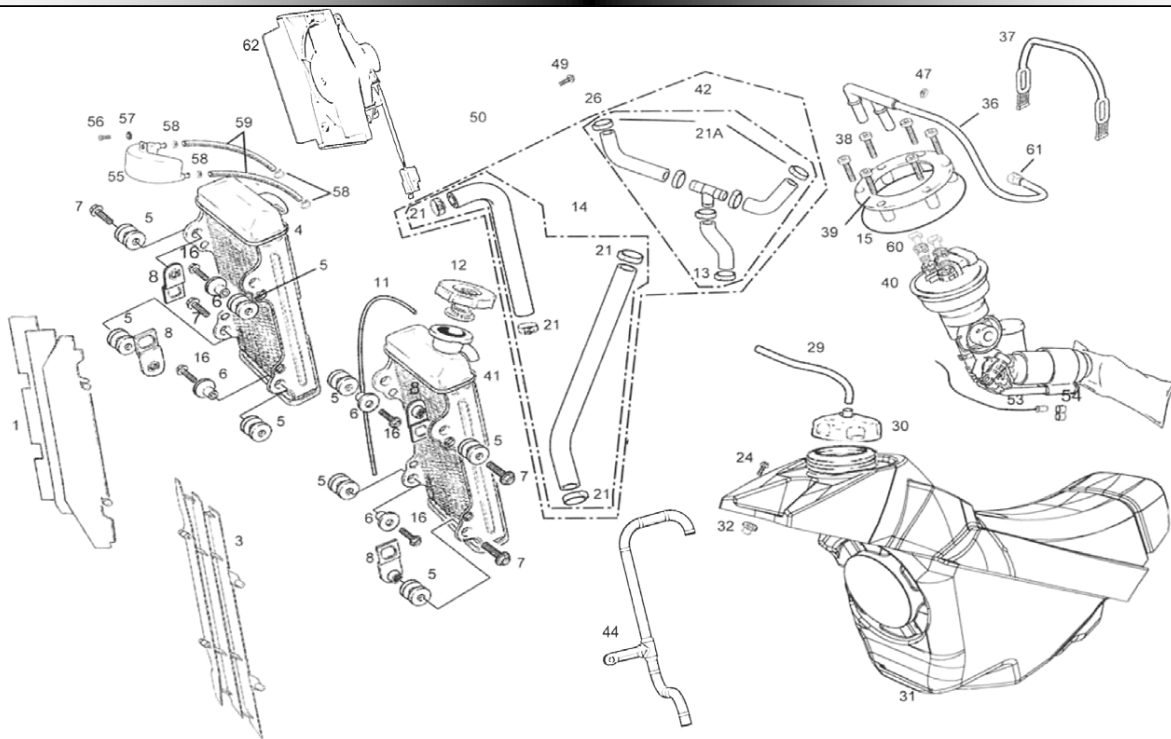
Nº	DESCRIPCION / DESCRIPTION	EC 2009	Cant.
34	SOPORTE GUÍA CADENA / CHAIN GUIDE SUPPORT	BE25612018	1
35	TUERCA CILINDRO 8.8 ESP 10/150 C3 / CYLINDER NUT 8.8 ESP 10/150 C3	ME25616031	2
36	DISTANCIADOR SOPORTE GUÍA CADENA PEQ. / SMALL CHAIN GUIDE SUPPORT SPACER	BE25612020	1
37	SILENTBLOCK SOPORTE GUÍA CADENA / CHAIN GUIDE SUPPORT SILENTBLOCK	BE25612019	1
38	HEXAGONAL 8X20 / HEX. BOLT 8X20	T0108020	2
39	ARANDELA 8X16X1.5 / WASHER 8X16X1.5	T4008016	2
40	TENSOR RUEDA DERECHA / RIGHT WHEEL TENSOR	BFS44000R4509	1
40A	TENSOR RUEDA IZQUIERDA / LEFT WHEEL TENSOR	BFS44000L4509	1
41	GOMA PROTECTOR BASCULANTE / SWINGARM PROTECTOR RUBBER	BE25836005	4
42	BASCULANTE / SWINGARM	BE250612002RC	1
43	CASQUILLO BASCULANTE / SWINGARM BUSHING	BE250312007	2
44	ULS 5X12 / ULS BOLT 5X12	T0505012	4
45	SUJECCIÓN LATIGUILLO SOBRE BASCULANTE / SWINGARM HOSE HOLDER	BE25612006	2
46	ARANDELA 6X18X1.5 / WASHER 6X18X1.5	T4006018	2
47	ALLEN 6X100 / 6X100 ALLEN BOLT	T03060100	1
48	PATÍN CADENA / CHAIN SLIDER	BE250112015	1
49	ARANDELA PLANA 6X12X1.5 / PLAIN WASHER 6X12X1.5	T4006012	2
50	PROTECCIÓN PIÑÓN PLÁSTICO ENDURO / ENDURO PLASTIC PINION PROTECTION	BE486002508	1
51	PLATINA PROTECTOR PIÑÓN / PINION PROTECTOR BRACKET	ME25636021	1
52	JAUJA AGUJAS AL1216 / AL 1216 NEEDLES BEARING	BE25614009	1
53	CTO. TENSOR CADENA / CHAIN TIGHTER SET	BE42000CT2509	1
54	CASQUILLO DISTANCIADOR PIÑÓN / SPACER PINION BUSHING	ME250036019	2
55	ALLEN 6X45 / 6X45 ALLEN BOLT	T0306045	2
56	TORNILLO ESPECIAL M14X95 / M14X95 SPECIAL SCREW	T0201495	2
57	TAPÓN BASCULANTE BLANCO / WHITE SWINGARM CAP	BE250436001	4
58	MUELLE TENSOR RUEDA TRAS.	BE250718122	1
64	TORNILLO TENSOR RUEDA / WHEEL TENSOR SCREW	BFS450722212	2
65	CTO. EXCENTRICA AMORT. STANDARD / KIT INSERT REAR SHOCK STANDARD	BE30500CT2509	1
65A	CTO. EXCENTRICA AMORT RACING /KIT INSERT REAR SHOCK +2mm	BFS30500CT4509	1

GAS GAS

Chasis 8



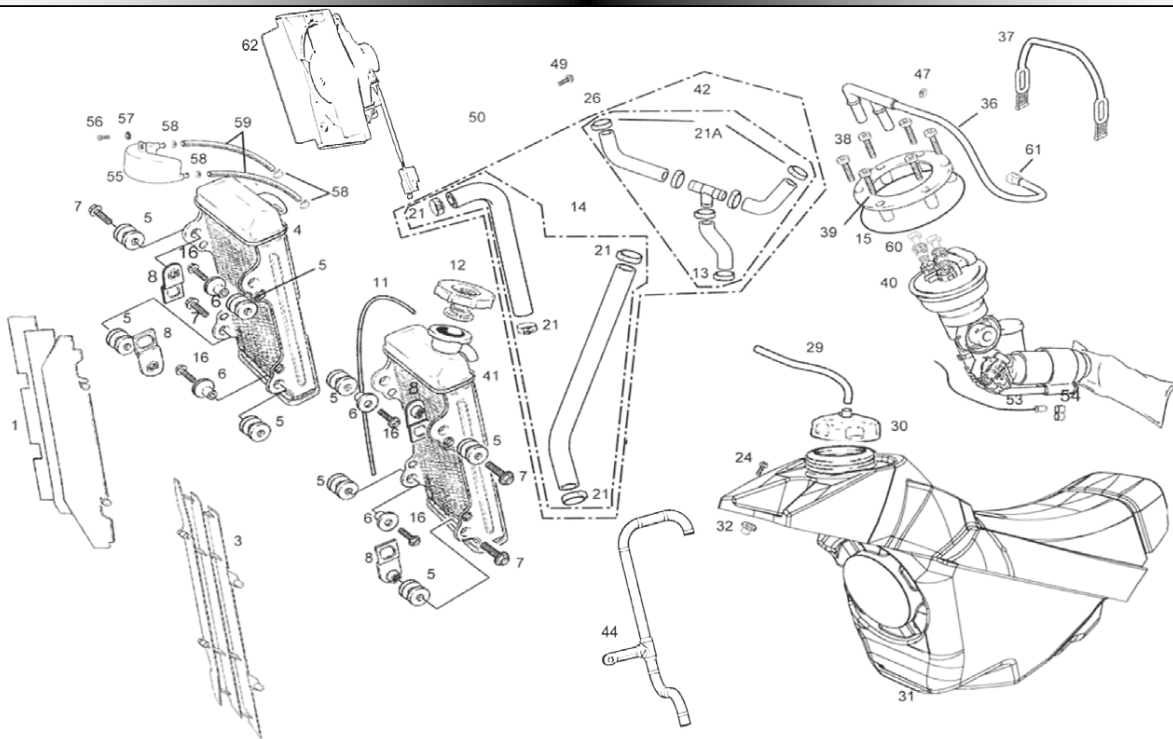
Nº	DESCRIPCION / DESCRIPTION	EC 2009	Cant.
1	TUBO ESCAPE / EXHAUST	BFS450526001	1
2	JUNTA EC4T / EXHAUST GASKET	MFS400144012	1
3	ALLEN 8X20 / 8X20 ALLEN SCREW	T0308020	2
4	ARANDELA 8X16X1,5 / 8X16X1,5 WASHER	T4008016	1
5	ULS 8X16 / 8X16 ULS SCREW	T0508016	1
6	ALLEN 8X45	T0308045	1
7	TUERCA CON ARANDELA / NUT WITH WASHER	T2208002	1
9	ARANDELA 8X24X2 / 8X24X2 WASHER	T4008024	1
10	TAPON SENSOR Co / SENSOR CAP	BFS400126054	1
11	MUELLE ESCAPE 4T / FSE EXHAUST SPRING	BFS400110042	2
12	CTO. ESCAPE RACING COLOR TITANIO/ COLOR TITANIUM RACING EXHAUST SET	BFS85000RCCT4508	1
12A	CTO. ESCAPE / EXHAUST SET	BFS85000CT4508	1
13	PROTECTOR ESCAPE / EXHAUST TUBE PROTECTOR	BFS4500526002	1
14	ESCAPE FINAL STANDARD / QUIET EXHAUST	BFS870004508	1
14A	ESCAPE FINAL TITANIO / TITANIUM QUIET EXHAUST	BFS87000RC4508	1
15	TORNILLO / SCREW	T0556010	2



Nº	DESCRIPCION / DESCRIPTION	EC 2009	Cant.
1	REJILLA RADIADOR DERECHO / RIGHT RADIATOR RACK	BFS450720001	1
3	REJILLA RADIADOR IZQUIERDO / LEFT RADIATOR RACK	BFS250720002	1
4	RADIADOR DERECHO / RIGHT RADIATOR	BFS450732000	1
5	SILENTBLOCK RADIADOR / RADIATOR SILENTBLOCK	BE250026005	8
6	CASQUILLO RADIADOR / RADIATOR BUSHING	BE25832040	4
7	TORNILLO ESPECIAL 6X16 / 6X16 SPECIAL SCREW	T0206016	4
8	PLÁSTICO LATERAL RADIADOR / RADIATOR PROTECTOR	BE25632015	4
11	TUBO SOBRANTE RADIADOR / RADIATOR BREATHE HOSE	BE25632009	1
12	TAPÓN RADIADOR 1.8BAR / RADIATOR TAP 1.8BAR	BFS400132032	1
13	ABRAZADERA COBRA 25 / 25 CLAMP	BE120132052	1
14	TUBO RADIADORES	BFS450732020	1
15	TÓRICA BOMBA INYECCIÓN / INJECTION PUMP O'RING	MFS400180105	1
16	ALLEN 6X20 / 6X20 ALLEN SCREW	T0306020	4
21	ABRAZADERA COBRA 21 / 21 CLAMP	L200046	2
21A	ABRAZADERA COBRA 20 / 20 CLAMP	L200035	2
24	TORNILLO ESPECIAL 6X20 / 6X20 SPECIAL SCREW	T0206020	1
26	CONJUNTO TUBOS RADIADOR / RADIATOR HOSE SET	BFS450532050	1
29	TUBO DESVAPORIZADOR TAPÓN GASOLINA / FUEL HOSE TO PUMP	BE250520011	1
30	TAPÓN DEPÓSITO GASOLINA / FUEL TANK CAP	BE250520010	1
31	DEPÓSITO / FUEL TANK	BFS760004508	1
32	CASQUILLO DEPÓSITO / FUEL TANK BUSHING	BE25610007	1
36	CTO.TUBOS BOMBA INYECCIÓN FSE450-2005 / FSE 450 2005 FUEL INJECTION HOSE SET	BFS450580115	1
37	TIRA SUJ. DEPÓSITO EC 2001 / FUEL TANK RUBBER BAND HOLDER	BE250136020	1
38	ALLEN 5X25 / 5X25 ALLEN SCREW	T0305025	6
39	TAPA BOMBA INYECCIÓN / INJECTION PUMP COVER	MFS400180106	1
40	BOMBA GASOLINA / FUEL PUMP	MFS400180100	1
41	RADIADOR IZQUIERDO / LEFT RADIATOR	BFS450732001	1
42	CTO. TUBOS RADIADOR A BOMBA AGUA / RADIATOR TO WATER PUMP HOSE	BFS400132020/2	1
44	TUBO DESVAPORIZADOR MOTOR / ENGINE BOX BREATHER TUBE	MFS450716103	1
47	ABRAZADERA D.12.9-13.6 AMARILLA / 12.9-13.6 YELLOW CLAMP	BE250210047	4
49	TORNILLO HEXAGONAL 4X10 / 4X10 HEXAGONAL SCREW	T0104010	3
53	SENSOR GASOLINA / FUEL SENSOR	MFS450580113	1

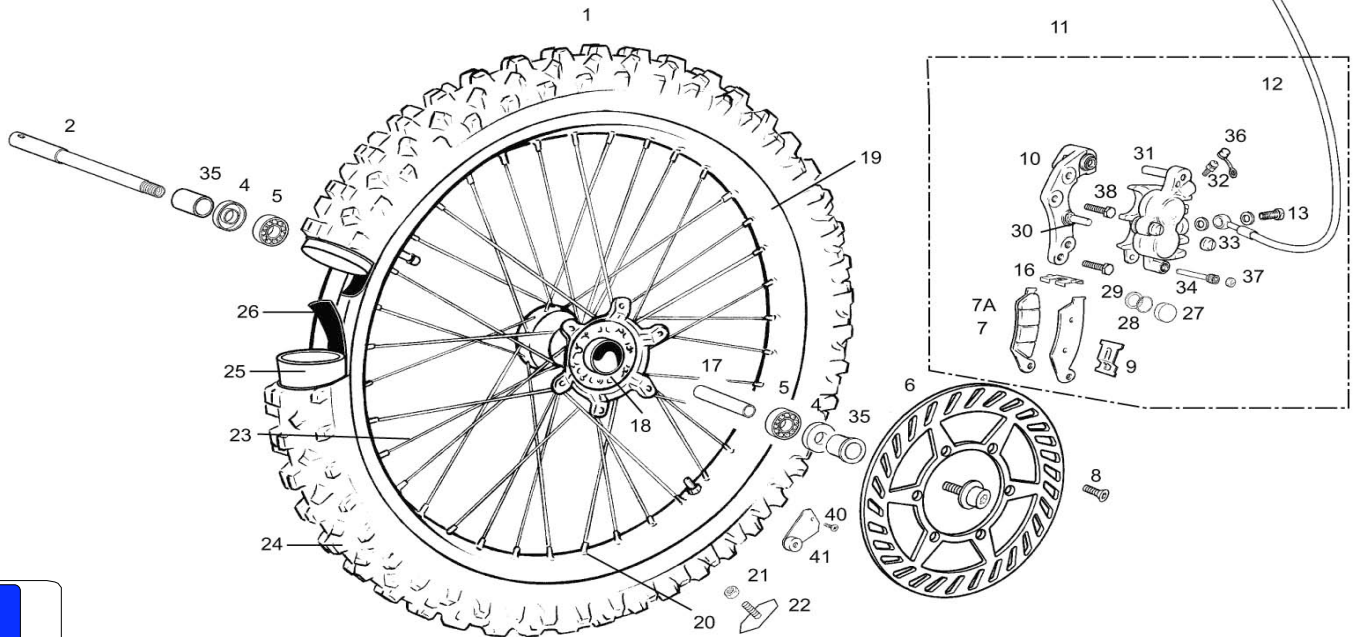
GAS GAS

Chasis 10



N°	DESCRIPCION / DESCRIPTION	EC 2009	Cant.
54	CLIP FIJACIÓN SENSOR BOMBA INYECCIÓN / FUEL SENSOR SUPPORT CLIP	MFS450380112	1
55	VASO EXPANSION EC-2001 / EC-2001 EXPANSION RESERVOIR	BE250132005	1
56	TORNILLO ULS 6 x16 / ULS 6 x16 SCREW	T0506016	1
57	ARANDELA 6x12x1,5 / 6X12X1,5 WASHER	T4006012	2
58	ABRAZADERA MUELLE / SPRING CLAMP	BE250210047	4
59	TUBO.RAD. AL VASO EXPANSIÓN / RADIATOR HOSE TO EXPANSION RESERVOIR	BE25632008	2
60	CONECTOR JOHN GUEST / JOHN GUEST CONNECTOR	MFS400180116	2
61	ENTRADA INYECTOR CUERPO MARIPOSA / BUTTERFLY BODY INJECTOR ENTER	MFS450480003	1
62	ELECTROVENTILADOR / VENTILATOR	BFS720004509	1

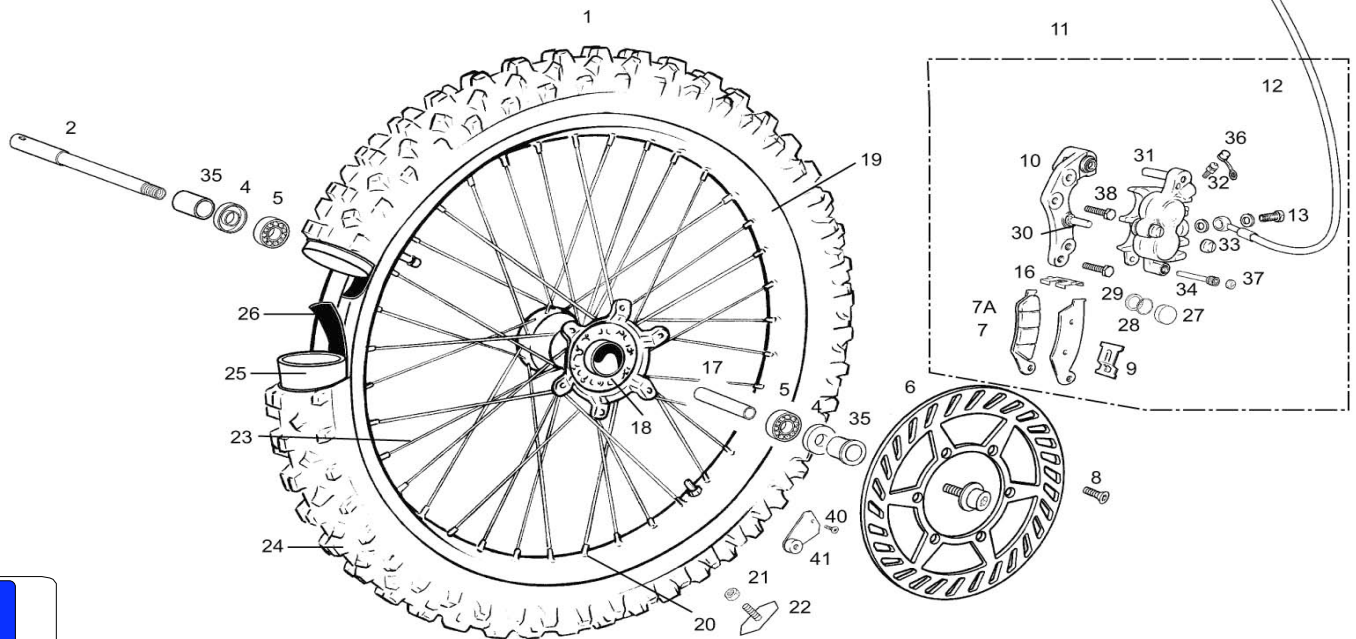
GAS GAS
Chasis 10

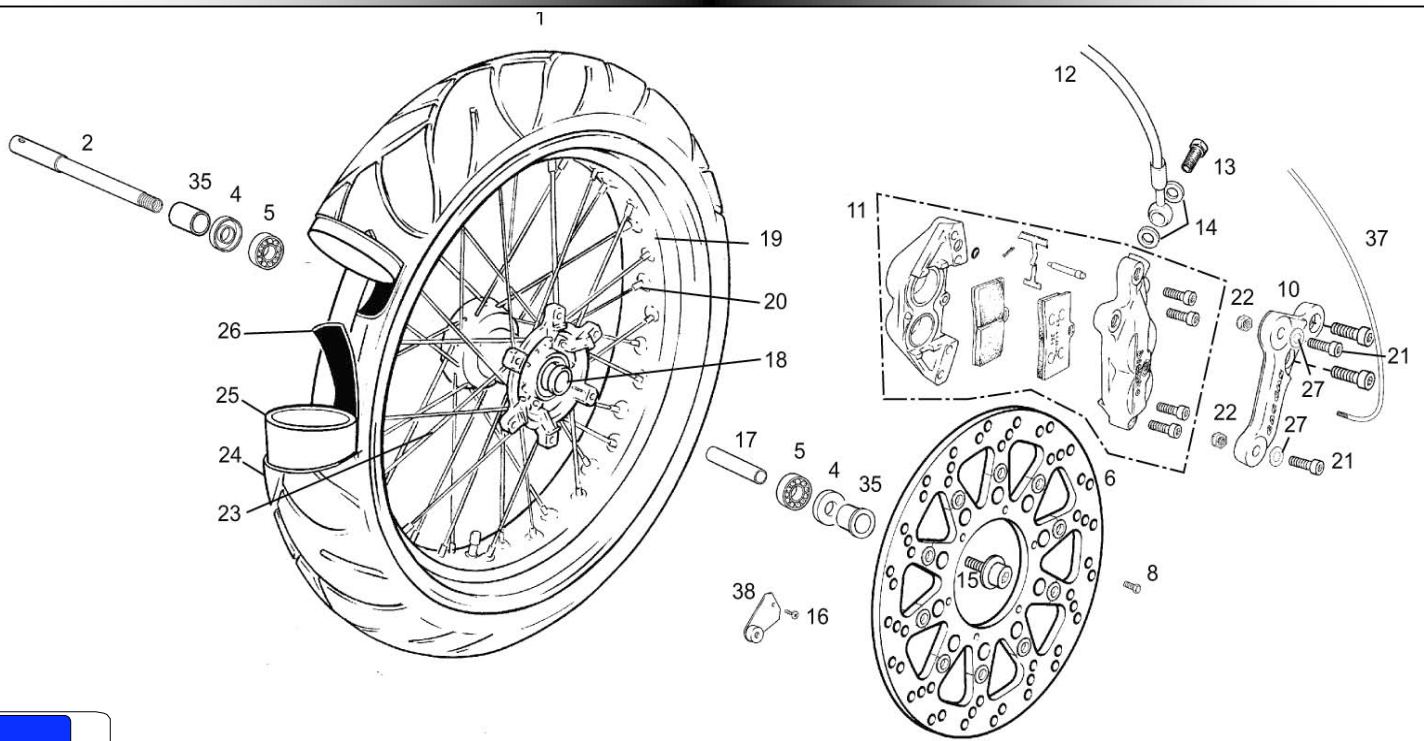


Nº	DESCRIPCION / DESCRIPTION	EC 2009	Cant.
1	RUEDA DELANTERA / FRONT WHEEL	BFS50000CT4509	1
2	EJE RUEDA DELANTERA / FRONT WHEEL AXIS	BC250718017	1
4	RETÉN RUEDA DELANTERA / FRONT WHEEL GASKET	BE250418057	2
5	COJINETE 6905 2RSR / BEARING	ME120136055	2
6	DISCO FRENO DELANTERO / FRONT BRAKE DISC	BE250222011	1
7	PASTILLAS DE FRENO DELANTERO / FRONT BRAKE PADS	BC250022065	1
7A	PASTILLAS DE FRENO / BRAKE PADS	BE250022065	1
8	ALLEN 6X16 / ALLEN SCREW 6X16	T0306016	6
9	PLATINA (A) SUJ. PASTILLAS DEL. / FRONT BRAKE PADS HOLDER BRACKET (A)	BE250022063	1
10	SOPORTE PINZA DELANTERO / FRONT CALIPER SUPPORT	BE250022110	1
11	PINZA FRENO DELANT. / FRONT BRAKE CALIPER	BE250822000	1
12	LATIGUILLO FRENO DELANTERO / FRONT BRAKE HOSE	BE250022002	1
13	RACORD SUJ. LATIGUILLO 10X1,25 / HOSE HOLDER RACORD 10X1,25	BC25722007	1
16	PLATINA (B) SUJ. PASTILLAS DELANT. / FRONT BRAKE PADS HOLDER BRACKET (B)	BE250022064	1
17	DISTANCIADOR / SPACER	BE250418058	1
18	CUBO RUEDA DELANTERO SEP. INT. ALUM. / FRONT WHEEL HUB	BC250018007	1
19	LLANTA 1,60X21 NEGRA / BLACK RIM 1.60X21	BE540002508	1
20	TUERCA RADIO DELANTERO / FRONT SPOKE NUT	BE250218010	36
21	TUERCA CON ARANDELA ESTRIADA M8 / NUT WITH LOCK WASHER M8	BE25818060	1
22	AGARRE CUBIERTA DELANTERA / FRONT TIRE HOLDER	BE505002509	1
23	RADIO DELANTERO 243X3,5 / FRONT SPOKE 243X3,5	BE250218009	36
24	NEUMÁTICO DELANTERO 90/90-21 / FRONT TIRE 90/90-21	BE25618102	1
25	CÁMARA DELANTERA / FRONT AIR HOSE	BE25618001	1
26	PROTECTOR BANDA DELANTERA / FRONT RIM BAND	BE25618028	1
27	PISTÓN COMP. PINZA FRENO DELANTERO / FRONT BRAKE CALIPER PISTON	BE250022042	4
28	TÓRICA PISTÓN PINZA FRENO DELANTERO / FRONT BRAKE CALIPER PISTON O'RING	BE250022032	4
29	RETÉN PINZA FRENO DELANTERO / FRONT BRAKE CALIPER SEAL	BE250022033	4
30	TORNILLO CLAVIJA PINZA FRENO DELANTERO / FRONT BRAKE CALIPER SCREW	BE250022034	1
31	TORNILLO CLAVIJA A PINZA FRENO DELANTERO / FRONT BRAKE TO CALIPER SCREW	BE250022043	1
32	SANGRADOR PINZA FRENO DELANTERO / FRONT BRAKE CALIPER BLEEDER	BE250022038	1
33	PROTEC. TORNILLO PINZA FRENO DEL. / FRONT BRAKE CALIPER SCREW PROT.	BE250022039	1
34	PASADOR PASTILLAS PINZA FRENO DELANTERO / FRONT BRAKE PADS PIN	BE250022041	1
35	CASQUILLO RUEDA DELANTERA / FRONT WHEEL BUSHING	BC250418019	2
36	TAPÓN SANGRADOR / BLEEDER CAP	BE250022055	1

GAS GAS

Chasis 11

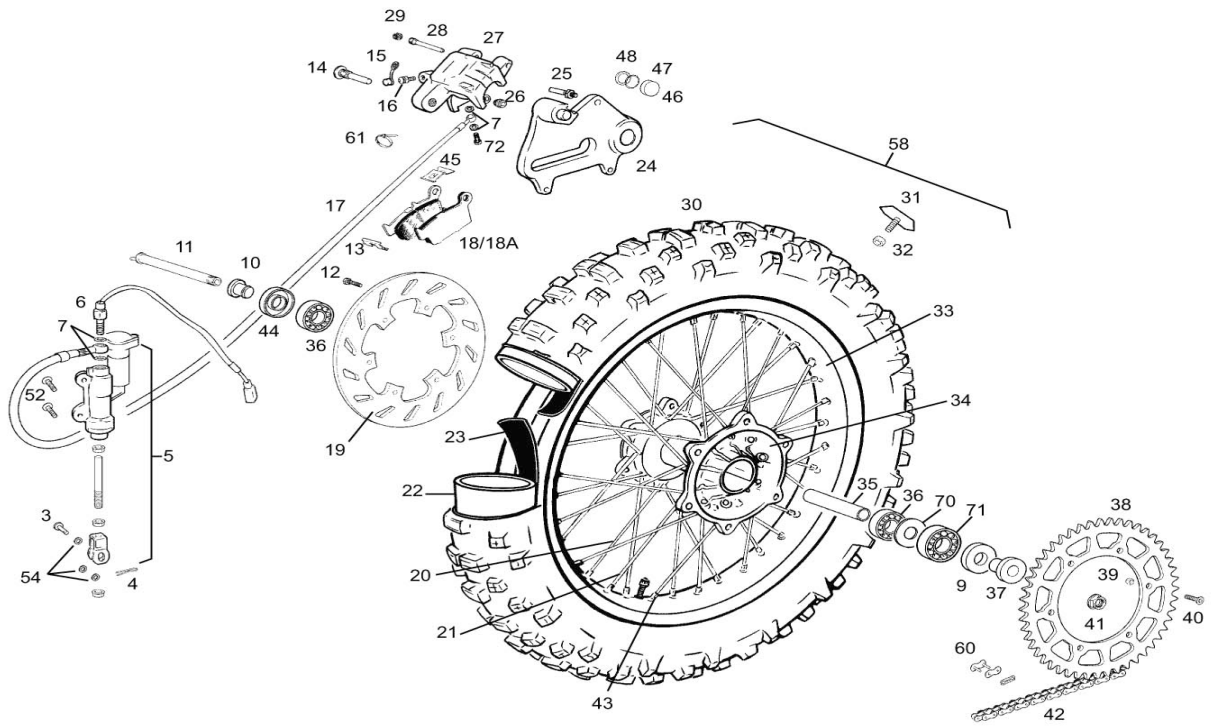




Nº	DESCRIPCION / DESCRIPTION	SM 2009	Cant.
1	RUEDA DELANTERA SM / SM FRONT WHEEL	BFS5000SMCT4509	1
2	EJE RUEDA DELANTERA / FRONT WHEEL AXIS	BC250418017	1
4	RETÉN RUEDA DELANTERA / FRONT WHEEL GASKET	BE250418057	2
5	COJINETE / BEARING	ME120136055	2
6	DISCO FRENO DELANTERO / FRONT BRAKE DISC	BE250122011SM	1
8	HEXAGONAL 6X14 / HEXAGONAL SCREW 6X14	T020601412	6
10	SOPORTE PINZA DELANTERO / FRONT CALIPER SUPPORT	BE250122110SM	1
11	PINZA FRENO DELANTERO / FRONT BRAKE CALIPER	BE250122000SM	1
12	LATIGUILLO FRENO DELANTERO / FRONT BRAKE HOSE	BE250522002SM	1
13	RACORD SUJECCIÓN LATIGUILLO 10X1,25 / HOSE HOLDER RACORD 10X1,25	R320000	1
14	ARANDELA LATIGUILLO 10X14X2 / HOSE WASHER 10X14X2	BE25622057	2
15	TORNILLO EJE RUEDA DELANTERA / FRONT WHEEL AXIS SCREW	BT280418026	1
16	ULS 3X10 NEGRO CON ARANDELA / BLACK 3X10 ULS WITH WASHER	T0323010	1
17	DISTANCIADOR / SPACER	BE250418058	1
18	CUBO RUEDA DELANTERA SEP. INT. ALUMINIO / FRONT WHEEL HUB	BC250018007	1
19	LLANTA NEGRA / BLACK RIM	BFS54000SM4509	1
20	TUERCA RADIO DELANTERO / FRONT SPOKE NUT	BT27718016	36
21	TORNILLO ESPECIAL 8X45 / 8X45 SPECIAL SCREW	T0208045	2
22	TUERCA M8 AUTOBLOCANTE CON ARANDELA / M8 SELF-LOCKING NUT WITH WASHER	T2208002	2
23	RADIO DELANTERO 185X3,5 / FRONT SPOKE 185X3,5	BE250118009SM	36
24	NEUMÁTICO DELANTERO 120/60 ZR 17 / FRONT TIRE	BE2501180102SM	1
25	CÁMARA DELANTERA SUPERMOTARD / SUPERMOTARD FRONT AIR HOSE	BE250118001SM2	1
26	PROTECTOR BANDA DELANTERA / FRONT RIM BAND	BE250118028SM	1
27	ARANDELA 8X16X1,5 / 8X16X1,5 WASHER	T4008016	2
35	DISTANCIADOR RUEDA DELANTERA / FRONT WHEEL SPACER	BC250018019	2
37	CABLE MULTIFUNCIÓN TT 2003 / MULTIFUNCTION CABLE	BE250334050	1
38	CTO. SOPORTE CON IMAN C.K. / SUPPORT WITH C.K. MAGNET SET	BE250334008	1

GAS GAS

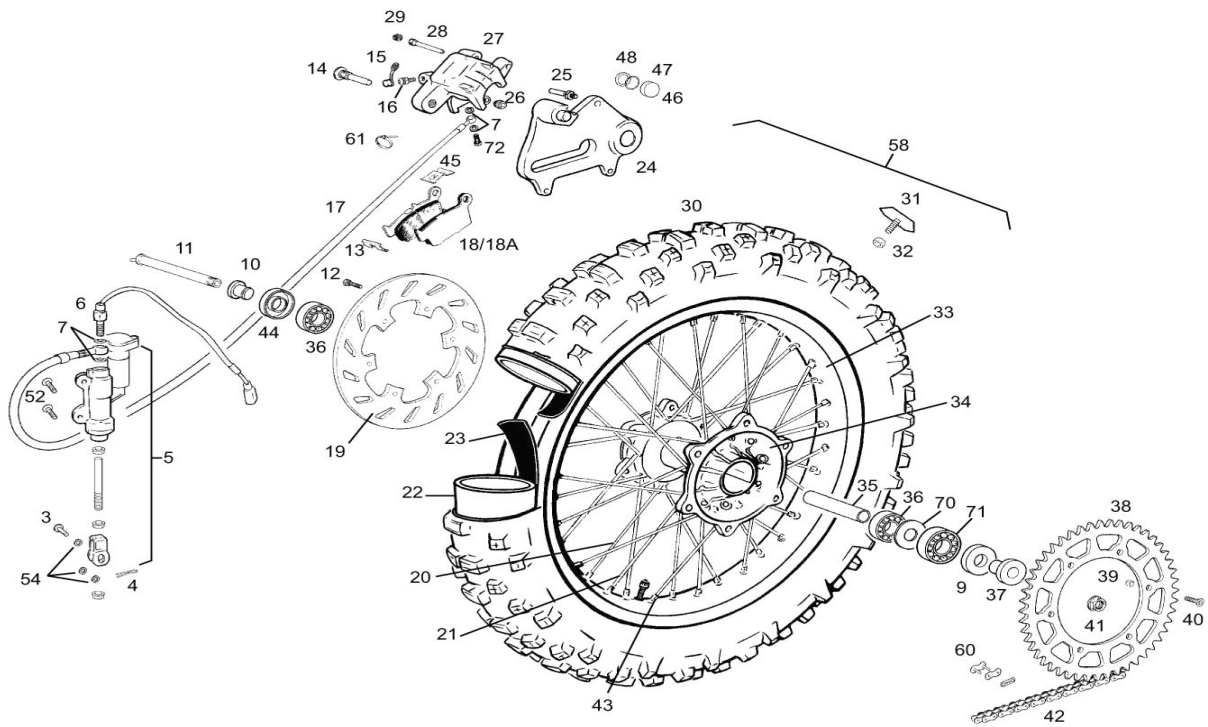
Chasis 12



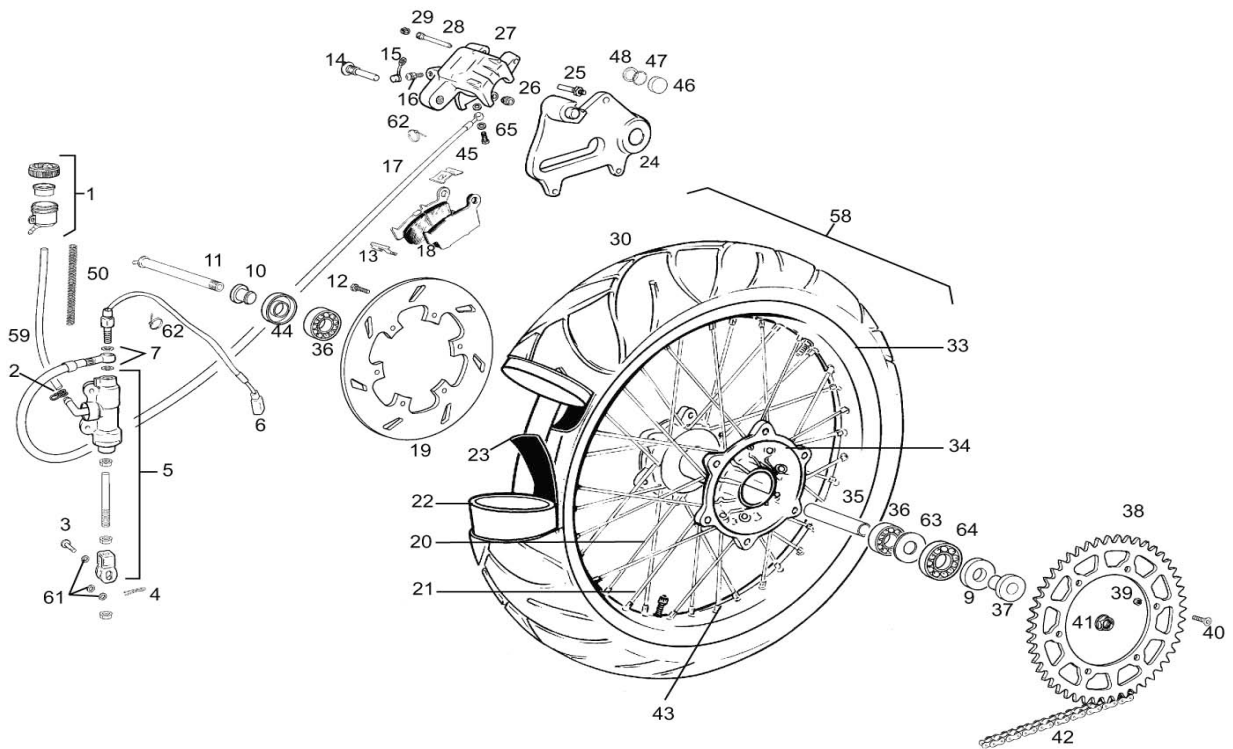
Nº	DESCRIPCION / DESCRIPTION	EC 2009	Cant.
3	PASADOR 8X20 PEDAL FRENO / BRAKE PEDAL PIN 8X20	BE25622026	1
4	CLAVILLA PASADOR FRENO 2X20 / BRAKE PEDAL PIN STOPPER	BE25622027	1
5	BOMBA FRENO TRASERO NISSIN / NISSIN REAR BRAKE PUMP	BE660002509	1
6	INTERRUPTOR STOP BOMBA NISSIN / NISSIN BRAKE PUMP STOP SWITCH	BE250334003	1
7	ARANDELA LATIGUILLO 10X14X1 / HOSE WASHER 10X14X1	BE25622007	4
9	RETÉN RUEDA TRASERA / REAR WHEEL SEAL	BE250318055	1
10	DISTANCIADOR RUEDA TRASERA CORTO / SHORT REAR WHEEL SPACER	BE250018025	1
11	EJE RUEDA TRASERA / REAR WHEEL AXIS	BE25618020	1
12	TORNILLO HEXAGONAL 6X16 DISCO TRAS. / R. DISC BRAKE HEX. SCREW 6X16	BE250018029	6
13	PLATINA (A) SUJ. PASTILLAS TRAS. / REAR BRAKE PADS HOLDER BRACKET (A)	BE250022090	1
14	TORNILLO SUJECCIÓN PINZA / CALIPER HOLDER SCREW	BE250022096	1
15	TAPÓN SANGRADOR / BLEEDER CAP	BE250022055	1
16	SANGRADOR / BLEEDER	BE250022060	1
17	LATIGUILLO FRENO TRASERO NISSIN / NISSIN REAR BRAKE HOSE	BE661002509	1
18	PASTILLAS DE FRENO TRASERO / REAR BRAKE PADS	BE250022068	1
18A	PASTILLAS DE FRENO TRASERO NISSIN / NISSIN REAR BRAKE PADS	BE250422068	1
19	DISCO FRENO TRAS.EC250-2004 / EC250-2004 REAR BRAKE DISC	BE250422012	1
20	RADIO 192X4.5 LADO FRENO 18" / 18" BRAKE-SIDE SPOKE 192X4.5	BE250018015	18
21	RADIO 188X4.5 LADO CORONA 18" / 18" SPROCKET-SIDE SPOKE 188X4.5	BE250018014	18
22	CÁMARA TRASERA 18 CR / REAR AIR HOSE 18 CR	BE25618004	1
23	PROTECTOR BANDA TRASERA 18 / REAR RIM BAND	BE25618003	1
24	SOPORTE PINZA TRASERA / REAR CALIPER SUPPORT	BE671002509	1
25	TORNILLO GUIA / GUIDE SCREW	BE250022092	1
26	GUARDAPOLVO / DUST COVER	BE675802509	1
27	PINZA FRENO TRASERO / REAR BRAKE CALIPER	BE250322001	1
28	PASADOR PASTILLAS / BRAKE PADS PIN	BE250022094	1
29	PROTECCIÓN PASADOR / PIN PROTECTION	BE250022095	1
30	NEUMÁTICO TRAS.140/80-18 70R END.COMP.III / REAR TYRE 140/80-18 70R END.COMP.III	BE25618005	1
31	AGARRE CUBIERTA TRASERA / REAR TYRE HOLDER	BE555002509	1
32	TUERCA CON ARANDELA ESTRIADA M8 / NUT WITH LOCK WASHER M8	BE25818060	1
33	LLANTA TRAS.V TYPE 18X2.15 ENDURO 2005 / V TYPE 18X2.15 ENDURO 2005 RIM	BE590002508	1
34	CUBO RUEDA TRASERA / REAR WHEEL HUB	BE250318027	1
35	DISTANCIADOR RUEDA TRASERA INTE. / REAR WHEEL SPACER	R575700	1
36	COJINETE 6004 2RSR / BEARING 6004 2RSR	C160001	2

GAS GAS

Chasis 13



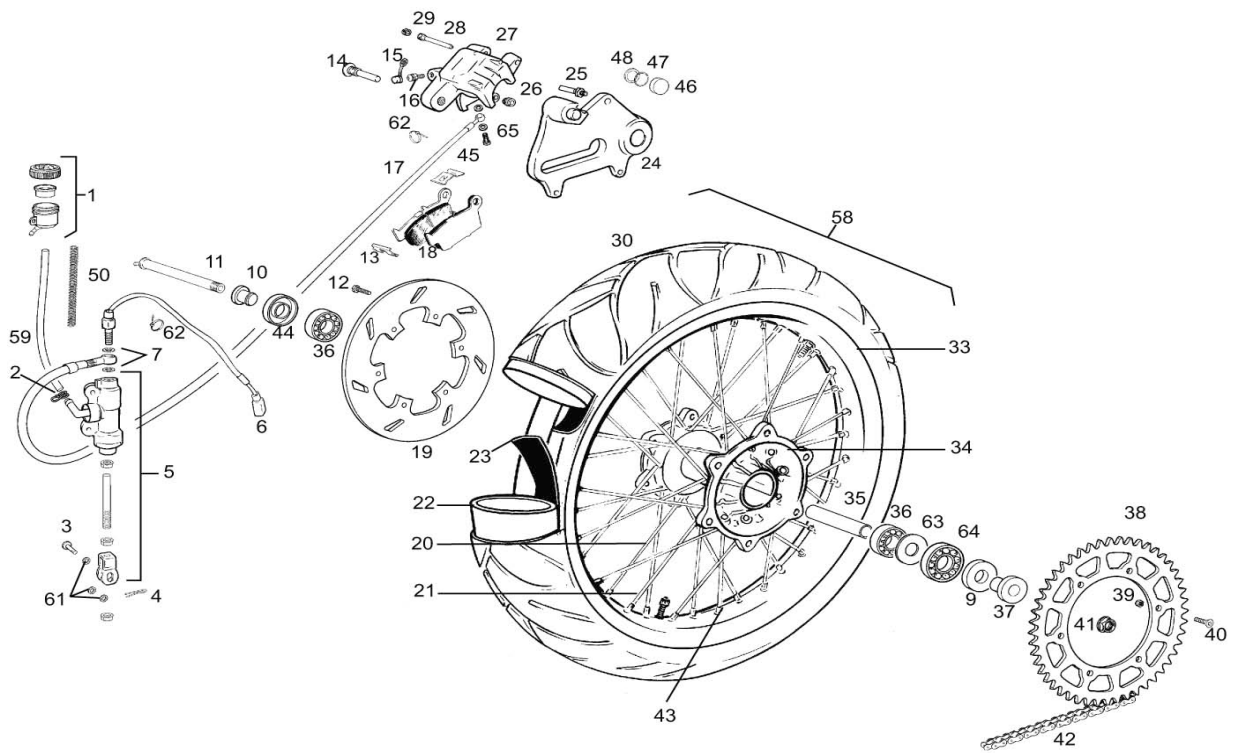
Nº	DESCRIPCION / DESCRIPTION	EC 2009	Cant.
37	DISTANCIADOR RUEDA DELANTERA LARGO / LONG WHEEL SPACER	BE250318021	1
38	CORONA Z-48 ENDURO 2004 / Z-48 ENDURO 2004 SPROCKET	BE250418034	1
39	TUERCA AUTOBLOCANTE M8 ALTA / HIGH SELF-LOCKING SPROCKET NUT M8	T2108002	6
40	ALLEN CÓNICO 8X30 / CONIC ALLEN SCREW 8X30	T0408030	6
41	TUERCA AUTOBLOCANTE RUEDA TRASERA / REAR WHEEL SELF-LOCKING NUT	BE25618023	1
42	CADENA REGINA / CHAIN REGINA	BE250310036	1
43	TUERCA RADIO TRASERO / REAR SPOKE NUT	BE250018016	36
44	RETÉN / SEAL	C160710	1
45	PLATINA (B) SUJ. PAST. TRASERAS / REAR BRAKE PADS HOLDER BRACKET (B)	BE250022091	2
46	PISTÓN PINZA FRENO TRASERO / REAR BRAKE CALIPER PISTON	BE250022044	2
47	TÓRICA PISTÓN PINZA FRENO TRASERO / REAR BRAKE CALIPER PISTON O'RING	BE250022047	2
48	RETÉN PISTÓN PINZA FRENO TRASERO / REAR BRAKE CALIPER PISTON SEAL	BE250022048	1
52	ULS 6X20 CON ARANDELA PLATA / 6X20 ULS WITH WASHER	T0556020	2
54	ARANDELA 8X16X1 / 8X16X1 WASHER	T4008018	3
58	RUEDA TRASERA / REAR WHEEL SET	BE250518100	1
60	ENGANCHE CADENA / CHAIN SPLIT LINK	BE250310066	1
61	BRIDA UNEX CORTA / SHORT CLAMP	BE25634010	3
70	ARANDELA INTERIOR CUBO / INTERIOR HUB WASHER	BE250318056	1
71	COJINETE RUEDA 6005-25R1 C3 / WHEEL BEARING	BE250318054	1
72	RACORD SUJ. LATIGUILLO 10X1,25 / HOSE HOLDER RACORD 10X1,25	BC25722007	1



Nº	DESCRIPCION / DESCRIPTION	SM 2009	Cant.
1	DEPÓSITO LÍQUIDO DE FRENOS / BRAKE FLUID TANK	L200010	1
2	ABRAZADERA MUELLE M-11.6X12.03 ROSA / M-11.6 SPRING CLAMP	BE25610044	1
3	PASADOR 8X20 PEDAL FRENO / BRAKE PEDAL PIN 8X20	BE25622026	1
4	CLAVILLA PASADOR FRENO 2X20 / 2X20 BRAKE PEDAL PIN STOPPER	BE25622027	1
5	BOMBA FRENO TRASERO NISSIN R2MRC019 / R2MRC019 NISSIN REAR BRAKE PUMP R2MRC019	BE660002509	1
6	INTERRUPTOR 23.024/1 STOP BOMBA NISSIN / 23.024/1 NISSIN BRAKE PUMP STOP SWITCH	BE250034003/2	1
7	ARANDELA LATIGUILLO 10X14X1 / 10X14X1 HOSE WASHER	BE25622007	4
9	RETÉN RUEDA TRASERA / REAR WHEEL SEAL	BE250318055	1
10	DISTANCIADOR RUEDA TRASERA CORTO / SHORT REAR WHEEL SPACER	BE250018025	1
11	EJE RUEDA TRASERA / REAR WHEEL AXIS	BE25618020	1
12	HEXAGONAL 6X16 DISCO TRASERO / 6X16 REAR DISC BRAKE HEX. SCREW	BE250018029	6
13	PLATINA (A) SUJ. PASTILLAS TRASERAS / REAR BRAKE PADS HOLDER (A) BRACKET	BE250022090	1
14	TORNILLO SUJECIÓN PINZA / CALIPER HOLDER SCREW	BE250022096	1
15	TAPÓN SANGRADOR / BLEEDER CAP	BE250022055	1
16	SANGRADOR / BLEEDER	BE250022060	1
17	LATIGUILLO FRENO TRASERO NISSIN / NISSIN REAR BRAKE HOSE	BE661002509	1
18	PASTILLAS DE FRENO TRASERO / REAR BRAKE PADS	BE250022068	1
19	DISCO FRENO TRASERO / REAR BRAKE DISC	BE250222012	1
20	RADIO 170X4 LADO FRENO / BRAKE-SIDE SPOKE 170X4	BE250118015SM	18
21	RADIO 168X4 LADO CORONA / SPROCKET-SIDE SPOKE 168X4	BE250118014SM	18
22	CÁMARA TRASERA 17 CG / REAR AIR HOSE 17 CG	BE250118004SM	1
23	PROTECTOR BANDA TRASERA 18 / 18 REAR RIM BAND	BE250118028SM	1
24	SOPORTE PINZA TRASERA / REAR CALIPER SUPPORT	BE671002509	1
25	TORNILLO GUIA / GUIDE SCREW	BE250022092	1
26	GUARDAPOLVO / DUST COVER	BE675802509	1
27	PINZA FRENO TRASERO CON SOPORTE EC2003 / EC2003 REAR BRAKE CALIPER	BE250322001	1
28	PASADOR PASTILLAS / BRAKE PADS PIN	BE250022094	1
29	PROTECCIÓN PASADOR / PIN PROTECTION	BE250022095	1
30	NEUMÁTICO TRASERO 150/60 ZR17 / 150/60 ZR17 REAR TYRE	BE250118005SM	1
33	LLANTA 2.15X18 / 2.15X18 RIM	BE59000SM4509	1
34	CUBO RUEDA TRASERA / REAR WHEEL HUB	BE250318027	1
35	DISTANCIADOR RUEDA TRASERA INT. ALUMINIO / ALUMINIUM REAR WHEEL SPACER	R575700	1
36	COJINETE 6004 2RSR / 6004 2RSR BEARING	C160001	2
37	DISTANCIADOR RUEDA TRASERA LARGO / LONG WHEEL SPACER	BE250318021	2

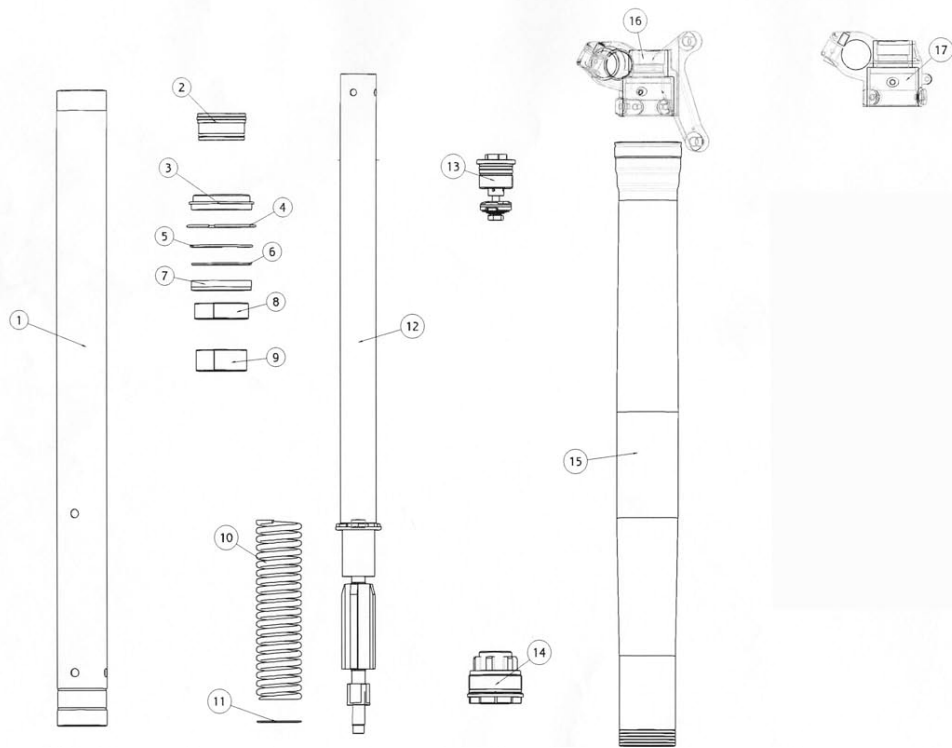
GAS GAS

Chasis 14

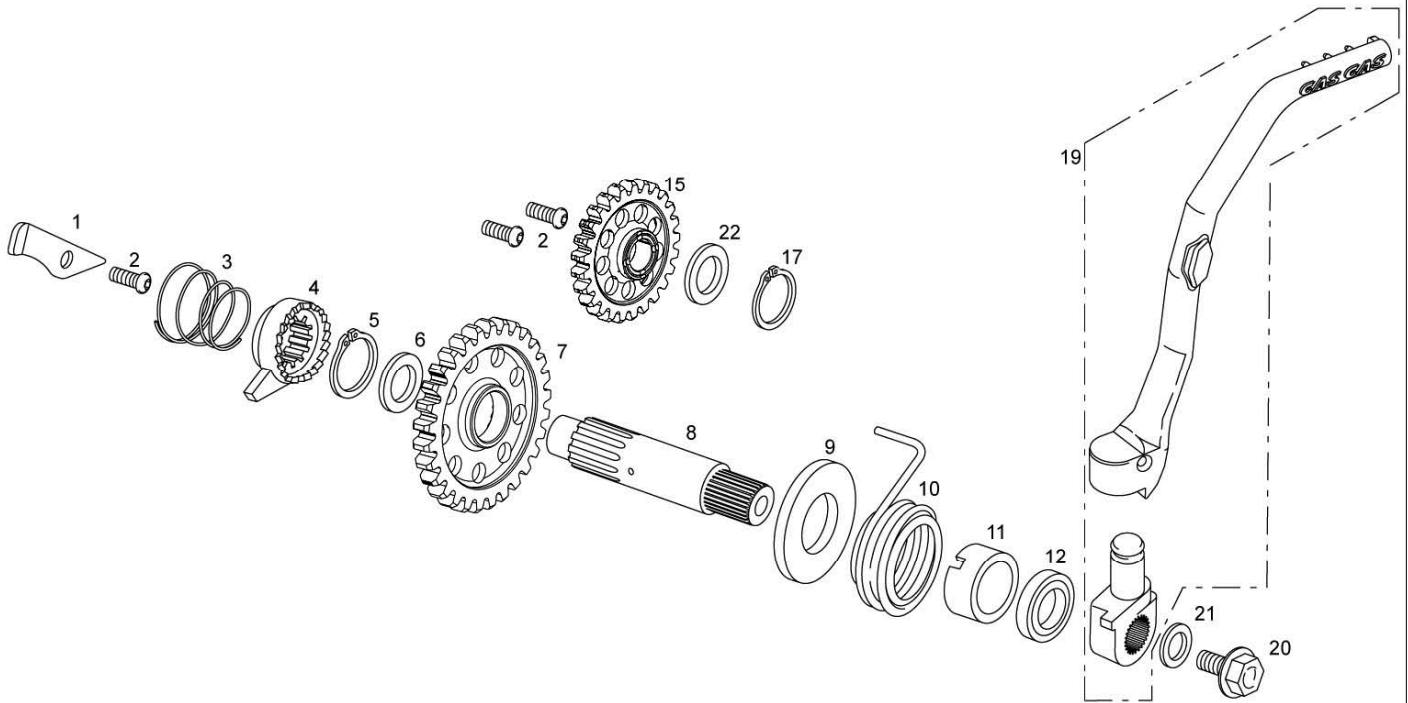


Nº	DESCRIPCION / DESCRIPTION	SM 2009	Cant.
38	CORONA Z-42 / Z-42 SPROCKET	BE250118034SM	1
39	TUERCA AUTOBLOCANTE M8 ALTA CORONA / M8 HIGH SELF-LOCKING SPROCKET NUT	T2108002	6
40	ALLEN CÓNICO 8X30 / 8X30 CONIC ALLEN SCREW	T0408030	6
41	TUERCA AUTOBLOCANTE RUEDA TRASERA / REAR WHEEL SELF-LOCKING NUT	BE25618023	1
42	CADENA 108 / 108 CHAIN	BE250110036SM	1
43	TUERCA RADIO TRASERA / REAR SPOKE NUT	BE250118016SM	36
44	RETÉN / SEAL	C160710	1
45	PLATINA (B) SUJECCIÓN PASTILLAS TRASERAS / REAR BRAKE PADS HOLDER BRACKET (B)	BE250022091	1
46	PISTÓN PINZA FRENO TRASERA / REAR BRAKE CALIPER PISTON	BE250022044	2
47	TÓRICA PISTÓN PINZA FRENO TRASERA / REAR BRAKE CALIPER PISTON O'RING	BE250022047	2
48	RETÉN PISTÓN PINZA FRENO TRASERA / REAR BRAKE CALIPER PISTON SEAL	BE250022048	2
50	MUELLE DESVAPORIZADOR / BREATHE SPRING	M150000	1
58	RUEDA TRASERA SM / SM REAR WHEEL SET	BFS55000SMCT4509	1
59	TUBO LÍQUIDO FRENO / BRAKE FLUID TUBE	BE250010116	1
61	ARANDELA 8X16X1 / 8X16X1 WASHER	T4008018	3
62	BRIDA UNEX CORTA 2.5X98 / 2.5X98 SHORT CLAMP	BE25634010	2
63	ARANDELA INTERIOR CUBO / INTERIOR HUB WASHER	BE250318056	1
64	COJINETE RUEDA 6005-25R1 C3 / 6005-25R1 WHEEL BEARING	BE250318054	1
65	RACORD SUJ. LATIGUILLO 10X1,25 / HOSE HOLDER RACORD 10X1.25	BC25722007	1

GAS GAS **Chasis 14**



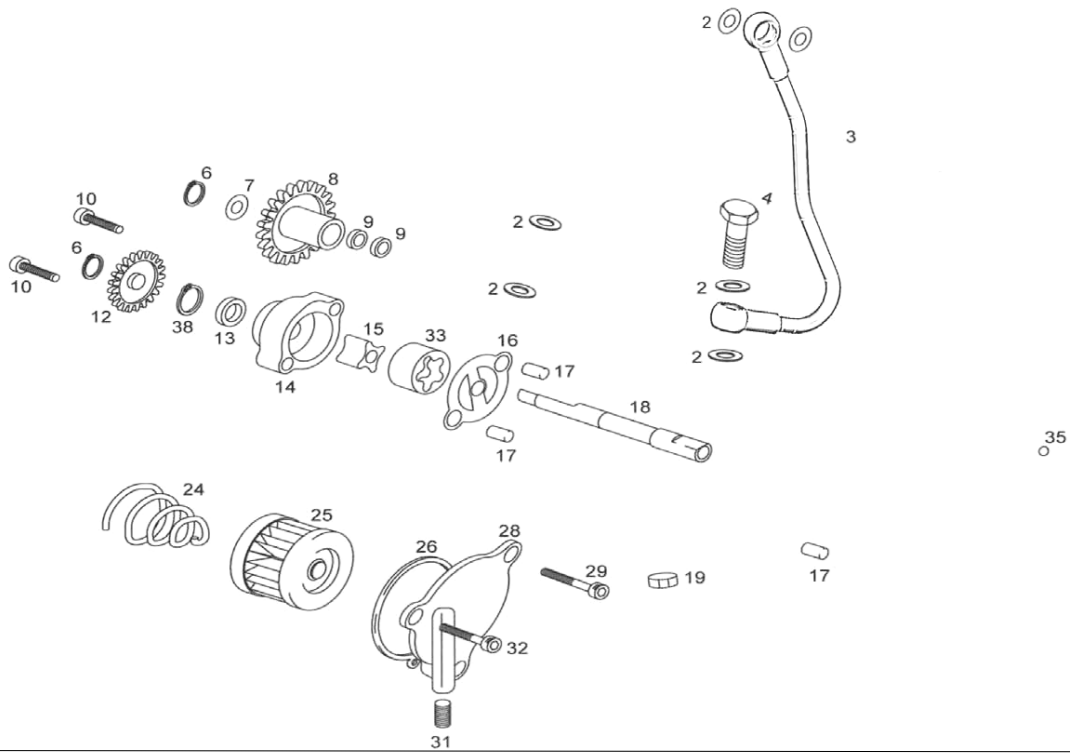
Nº	DESCRIPCION / DESCRIPTION	EC 2009	Cant.
1	BARRA SUSPENSION	BE201852509	2
2	CASQUILLO INTERMEDIO MAS TORICA	BE200552509	2
3	GUARDAPOLVO	BE200502509	2
4	SEGER 64,5	BE200352509	2
5	SEGER 58,45	BE200402509	2
6	ARANDELA ESPESOR	BE200202509	2
7	RETEN	BE203702509	2
8	CASQUILLO FRICCION 52/48 L15	BE200252509	2
9	CASQUILLO FRICCION 49/47 L20	BE200302509	2
10	MUELLE	BFS201704509	2
11	ARANDELA	BE200652509	2
12	CTO. HIDRAULICO EXTENSION	BFS200604509	2
13	TAPON REGULADOR COMPRESION	BFS201254509	2
14	CTO. TAPON MAS REGULADOR EXTENSION	BFS201304509	2
15	TUBO EXTERIOR ALUMINIO	BE201002509	2
16	PUNTERA IZQ. CON SOPORTE FRENO	BE201102509	1
17	PUNTERA DRCH.	BE201202509	1



1

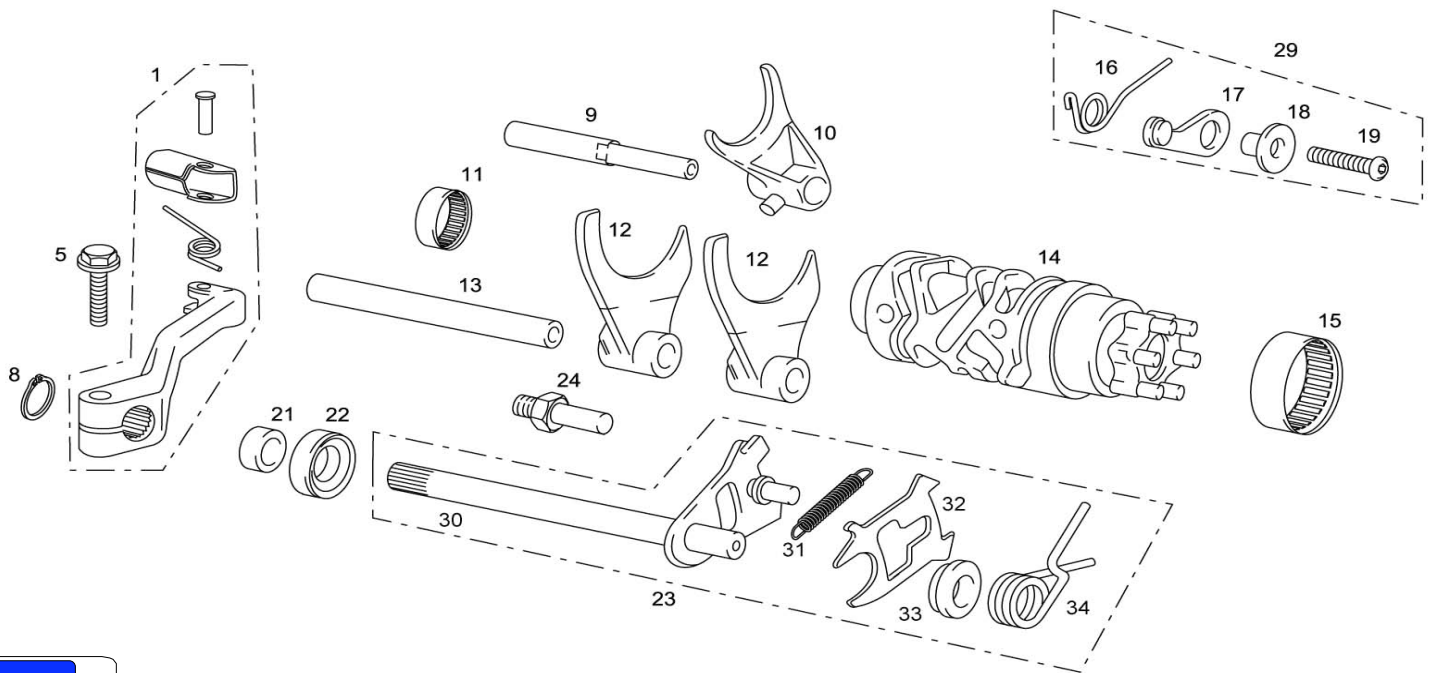
Nº	DESCRIPCION / DESCRIPTION	EC 2009	Cant.
1	PLATINA TRINQUETE ARRANQUE / KICKSTARTER GUIDE	MFS400136005	1
2	ULS 6X12 / 6X12 ULS	T0506012	3
3	MUELLE TRINQUETE ARRANQUE / KICKSTARTER SPRING	ME25636006	1
4	TRINQUETE ARRANQUE / KICKSTARTER	ME120126004	1
5	SEEGER DE 20 ARRANQUE / CIRCLIP	ME25636052	1
6	ARANDELA TOPE 20.2X27X1 / END WASHER 20,2X27X1	ME25636000	1
7	PIÑÓN ARRANQUE / KICKDRIVE GEAR	MFS852004508	1
8	EJE ARRANQUE / KICKSTARTER SHAFT	ME250126003	1
9	ARANDELA ARRANQUE 20X40X1 / KICKSTARTER WASHER 20X40X1	ME25636051	1
10	MUELLE ARRANQUE / KICKSTARTER SPRING	ME25636007	1
11	CASQUILLO CENTRADOR MUELLE ARRANQUE / KICKSTARTER SPRING BUSHING	ME250136053	1
12	RETÉN PEDAL ARRANQUE 20X30X7 / KICKSTARTER OIL SEAL 20X30X7	ME25632021	1
15	PIÑÓN INTERMEDIO ARRANQUE / KICKSTART INTERMEDIATE PINION	MFS852014508	1
17	SEEGER EJE 15 EMBRAGUE / CLUTCH AXLE SEEGER 15	ME25632017	1
19	CTO. PEDAL ARRANQUE ALUM. MUÑ. D.18 / KICKSTARTER LEVER SET	MFS450526060	1
20	TORNILLO PEDAL ARRANQUE / KICK STARTER SCREW	BE250036062	1
21	TÓRICA PEDAL ARRANQUE / KICK STARTER O-RING	ME250036063	1
22	VOLANDERA PIÑÓN ARRANQUE 24 x 15.15 x 0.8 / KICKSTARTER PINION WASHER 24 x 15.15 x 0.8	ME25636012	1

GAS GAS Motor 1

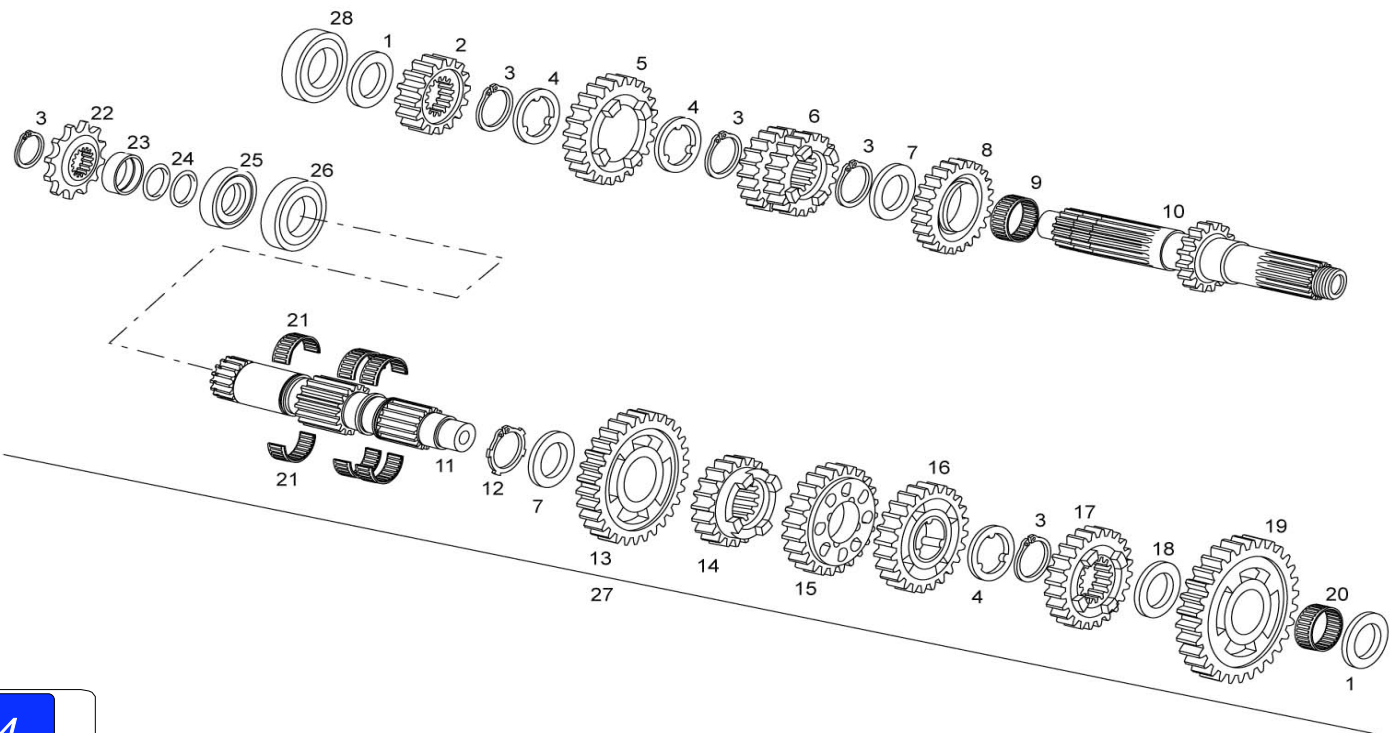


Nº	DESCRIPCION / DESCRIPTION	EC 2009	Cant.
2	ARANDELA COBRE 8X12X1,5 / 8X12X1,5 WASHER	T4008112	4
3	DISTRIBUIDOR ACEITE / OIL SUPPLY	MFS450710856	1
4	RACOR CIRCUITO ACEITE 10X26 / 10X26 OIL RACORD	MFS450522570/175	1
6	SEEGER D.8 EJE BOMBA ACEITE / OIL AXIS SEEGER	MFS400122305	2
7	ARANDELA REGLAJE 8,1X17X0,2 / 8,1X17X0,2 WASHER	ST950705	1
8	PIÑÓN INTERMEDIO BOMBA DE ACEITE / OIL PUMP INTERMEDIATE SPROCKET	MFS400122450	1
9	COJINETE HK 0808 / HK 0808 BEARING	MFS400126535/2	2
10	TORNILLO 6X35 / 6X35 SCREW	T0306035	2
12	PIÑÓN BOMBA ACEITE / OIL PUMP PINION	MFS400122400	1
13	COJINETE 508Z / 508Z BEARING	ME25616032	1
14	CUERPO BOMBA ACEITE PRESIÓN / OIL PUMP BODY	MFS400122230	1
15	ROTOR BOMBA ACEITE / OIL PUMP ROTOR	MFS400122105	1
16	JUNTA BOMBA ACEITE / OIL PUMP GASKET	MFS400122410	1
17	CASQUILLO CENTRADOR / CENTRER BUSHING	MFS400116066	4
18	EJE BOMBA ACEITE / OIL PUMP AXLE	MFS450622300	1
19	ABRAZADERA COBRA 21 / 21 CLAMP	L200046	1
24	MUELLE APRETADOR FILTRO ACEITE / OIL FILTER SPRING	MFS400122560	1
25	CONJ. CAMPANA ASPIRACIÓN FSE 450 2007 / FSE 450 2007 ASPIRATION SET	MFS450622565CT	1
26	TÓRICA TAPA FILTRO ACEITE / OIL FILTER COVER O'RING	MFS450522555	1
28	TAPA FILTRO ACEITE / AIR FILTER COVER	MFS450522551	1
29	TORN. ESPECIAL 6X50 / SPECIAL SCREW 6X50	T0206050	1
31	TORNILLO ESPECIAL M8 / SPECIAL SCREW M8	T0208103	1
32	TORN. ESPECIAL 6X55 / SPECIAL SCREW 6X55	T0206055	1
33	ANILLO BOMBA EATON PRESIÓN / EATON PRESSURE PUMP RING	MFS400122110	1
35	TÓRICA CENTRIFUGO 6X2 / 6X2 O'RING	ME25616045	1
38	SEEGER RODAMIENTO / BEARING SEEGER	MFS450422240	1

GAS GAS *Motor 2*

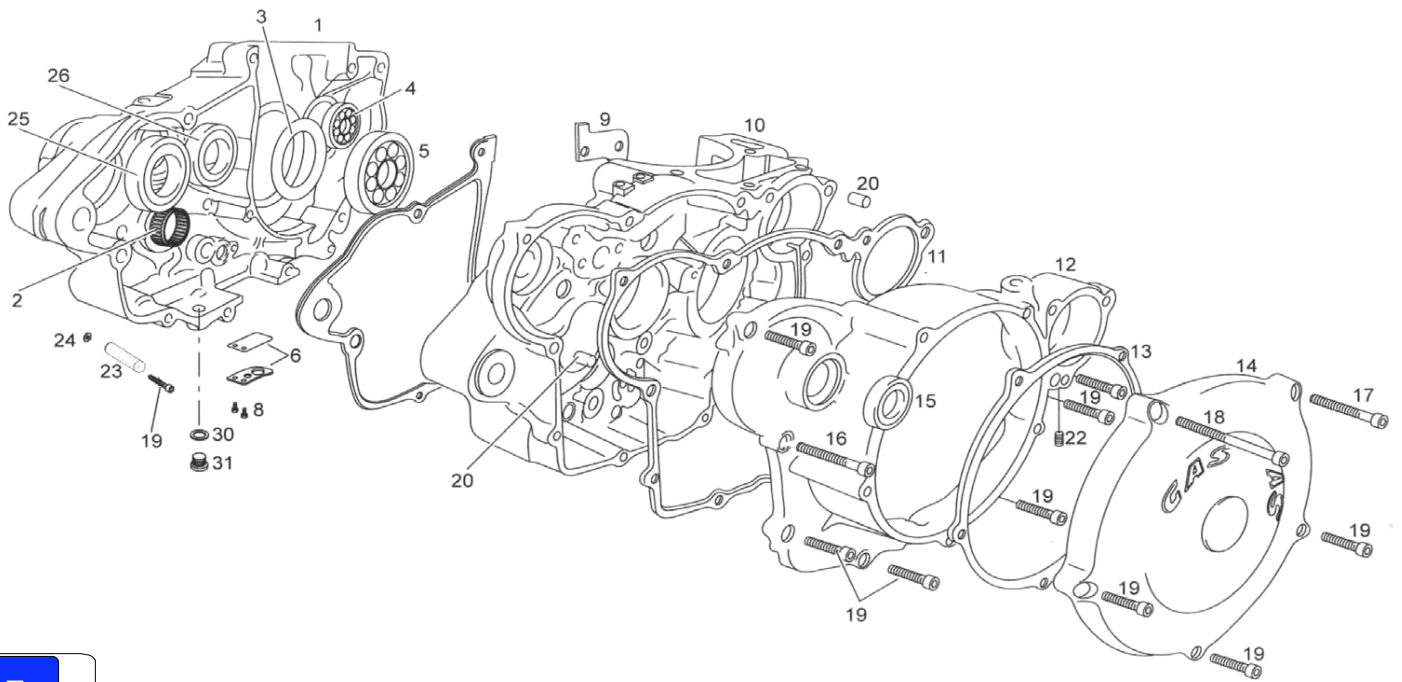


Nº	DESCRIPCION / DESCRIPTION	EC 2009	Cant.
1	CTO. PEDAL CAMBIO / GEAR LEVER SET	ME250036026R	1
5	HEXAGONAL 6X20 / HEXAGONAL SCREW 6X20	T0106025	1
8	SEEGER 12X1 EXTERIOR EJE SELECTOR / SEEGER 12X1	ME25636043	1
9	EJE HORQUILLA 5-6 / 5-6 FORK AXIS	MFS400136045	1
10	HORQUILLA 5-6 / SHIFT FORK 5-6	ME25636009	1
11	RODAMIENTO HK2512 DESMODRÓMICO / SHIFT CAM BEARING	ME25636055	1
12	HORQUILLA 1-2-3-4 / SHIFT FORK 1-2-3-4	ME25636008	1
13	EJE HORQUILLA 1-2-3-4 / 1-2-3-4 FORK AXIS	ME25636044	2
14	DESMODRÓMICO / SHIFT CAM	MFS450536031	1
15	RODAMIENTO HK3512 DESMODRÓMICO / SHIFT CAM BEARING	ME25636054	1
16	MUELLE FIJADOR MARCHAS / GEAR FASTEN SPRING	MFS400136034	1
17	FIJADOR MARCHAS / GEAR FASTEN	MFS400136033	1
18	CASQUILLO PLATINA FIJADOR MARCHAS / GEAR BUSHING	MFS400136047	1
19	ULS 6X16 / 6X16 ULS	T0506016	1
21	RETÉN SELECTOR 12-22-7 / SEAL 12-22-7	ME25636048	1
22	CASQUILLO EJE SELECTOR / AXIS BUSHING	ME250136050	1
23	EJE SELECTOR COMPLETO FSE 450 / FSE 450 COMPLET SELECTOR AXIS	MFS450436038CT	1
24	TORNILLO CENTRADOR MUELLE SELECTOR / SELECTOR SPRING SCREW	ME25636042	1
29	CTO. FIJADOR MARCHAS / GEAR FASTEN SET	MFS400136033CT	1
30	EJE SELECTOR / SELECTOR AXIS	ME250236038	1
31	MUELLE ESCORPIÓN / SCORPION SPRING	ME25636039	1
32	ESCORPIÓN / SCORPION	ME250236036	1
33	CASQUILLO CENTRADOR / CENTRE BUSHING	ME250236041	1
34	MUELLE SELECTOR / SELECTOR SPRING	ME25636035	1



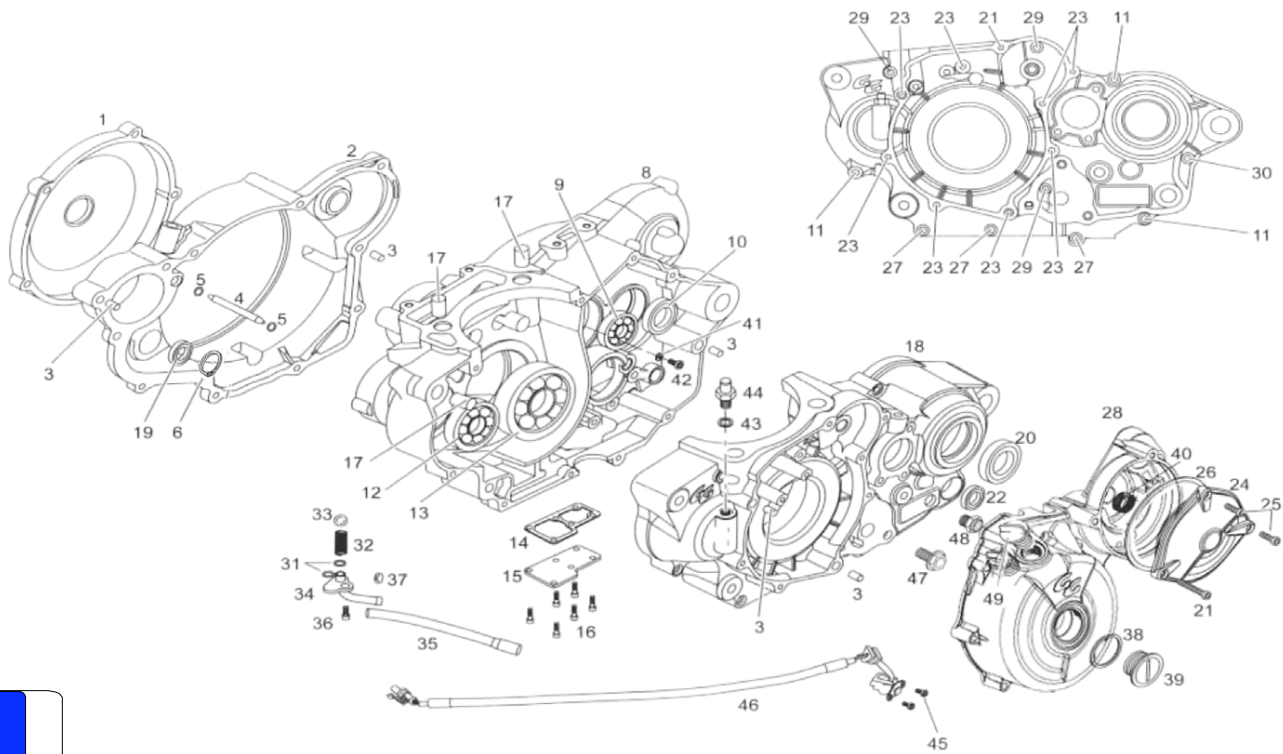
Nº	DESCRIPCION / DESCRIPTION	EC 2009	Cant.
1	ARANDELA 18x40x0,6 / 18X40X0,6 WASHER	T4001840	2
2	PIÑÓN PRIMARIO II / PRIMARY II PINION	ME25636071	1
3	CIRCLIP D.25 DIN 471 REBAJADO / DIN 471 CIRCLIP	ME25636084	5
4	ARANDELA 31,5x(25x22)x1 ESTRIADA / 31,5x(25x22)x1 GROOVING WASHER	ME25636091	3
5	PIÑÓN PRIMARIO VI / PRIMARY VI PINION	ME25636074	1
6	PIÑÓN PRIMARIO III Y IV / PRIMARY III AND IV PINION	ME25636072	1
7	ARANDELA 25,2x31,5x1 CAMBIO / 25,2x31,5x1 GEAR WASHER	ME25636017	2
8	PIÑÓN PRIMARIO V / PRIMARY V PINION	ME25636073	1
9	COJINETE AGUJAS K25-29-10 / K25-29-10 NEEDLES BEARING	M02616000	1
10	EJE PRIMARIO / PRIMARY AXIS	MFS450336070	1
11	EJE SECUNDARIO / SECONDARY AXIS	MFS450336075	1
12	CIRCLIP D.25 DIN 983 / DIN 983 CIRCLIP	ME25636095	1
13	PIÑÓN SECUNDARIO II / SECONDARY II PINION	ME25636077	1
14	PIÑÓN SECUNDARIO VI / SECONDARY VI PINION	ME250136081	1
15	PIÑÓN SECUNDARIO III / SECONDARY III PINION	ME25636078	1
16	PIÑÓN SECUNDARIO IV / SECONDARY IV PINION	ME25636079	1
17	PIÑÓN SECUNDARIO V / SECONDARY V PINION	ME25636080	1
18	ARANDELA 20,8x29x1 CAMBIO / 20,8x29x1 GEAR WASHER	ME25636016	1
19	PIÑÓN SECUNDARIO I / SECONDARY I PINION	ME25636076	1
20	RODAMIENTO AGUJAS K20x24x10 / K20x24x10 NEEDLES BEARING	ME25636059	1
21	RODAMIENTO AGUJAS K25x22x9,8 / K25x22x9,8 NEEDLES BEARING	ME250236102	6
22	PIÑÓN SALIDA Z. 13 / Z13 EXIT PINION	ME25636025	1
23	DOLLA RETÉN SALIDA CAMBIO / GEAR EXIT SEAL	ME25636046	1
24	TÓRICA 25x2 NBR PIÑÓN SALIDA / EXIT PINION SEAL	ME25632025	2
25	RETÉN 25X40X7 / 25X40X7 SEAL	M01217001A	1
26	RODAMIENTO CAMBIO 6205 C3 / GEAR 6205 C3 BEARING	ME25636056	1
27	GRUPO CAMBIO COMPLETO / GEAR SET	MFS450636010	1
28	COJINETE 6305 2Z C3 CAMBIO / GEAR 6305 2RSH BEARING	MFS400136167	1

GAS GAS **Motor 4**



Nº	DESCRIPCION / DESCRIPTION	EC 2009	Cant.
1	CÁRTER IZQUIERDO / LEFT CARTER	MQ450710001	1
2	RODAMIENTO HK2512 / HK2512 BEARING	ME25636055	1
3	ARANDELA OBTURACIÓN / WASHER	MFS400112027	1
4	RODAMIENTO 6303 C3 / 6303 C3 BEARING	MFS400112030	1
5	COJINETE 6306 C4 / 6306 C4 BEARING	ME256120072	1
6	CTO. LÁMINAS OBTURACIÓN PASO ACEITE / OIL OBTURATION REED KIT	MFS400110120	1
8	PHILIPS TORNILLO 3X5 / 3X5 SCREW PHILIPS	T0703005	2
9	JUNTA CÁRTER CENTRAL / CENTRAL CRANKCASE GASKET	MQ450544001	1
10	CÁRTER DERECHO / RIGHT CRANKCASE	MQ450710000	1
11	JUNTA TAPA EMBRAGUE / CLUTCH COVER GASKET	MQ450544002	1
12	TAPA EMBRAGUE / CLUTCH COVER	MFS450732001	1
13	JUNTA TAPA DISCOS EMBRAGUE / DISCS COVER GASKET	ME25644003	1
14	TAPA DISCOS EMBRAGUE / DISCS CLUTCH COVER	MFS450732002	1
15	RETÉN 20/30/7/AI / 20/30/7/AI SEAL	ME25632021	1
16	TORN. ESPECIAL 6X30 / 6X30 SPECIAL SCREW	T0206030	1
17	TORN. ESPECIAL 6X60 / 6X60 SPECIAL SCREW	T0206060	1
18	TORN. ESPECIAL 6X80 / 6X80 SPECIAL SCREW	T0206080	1
19	TORN. ESPECIAL 6X25 / 6X25 SPECIAL SCREW	T0206025	8
20	CASQUILLO CENTRADOR CÁRTER / CRANKCASE BUSHING	ME25610018	2
22	TORNILLO ESPECIAL M6 / M6 SPECIAL SCREW	MFS400136065	1
23	CAMPANA ASPIRACIÓN ACEITE / OIL ASPIRATE	MFS4506565CT	1
24	TÓRICA 11.2X15X1.4 / 11.X15X1.4 O RING	MFS400110026	1
25	COJINETE 6203 2Z C3 / 6203 2Z C3 BEARING	MFS400136168	1
26	COJINETE 6205 C3 2RSH / 6205 C3 2RSH BEARING	ME25636056	1
30	ARANDELA COBRE 12X18X1.5 / 12X18X1.5 WASHER	ME25810030	1
31	TAPÓN VACIADO ACEITE CON IMÁN / OIL DRAIN CAP WITH MAGNE	ME25610017	1

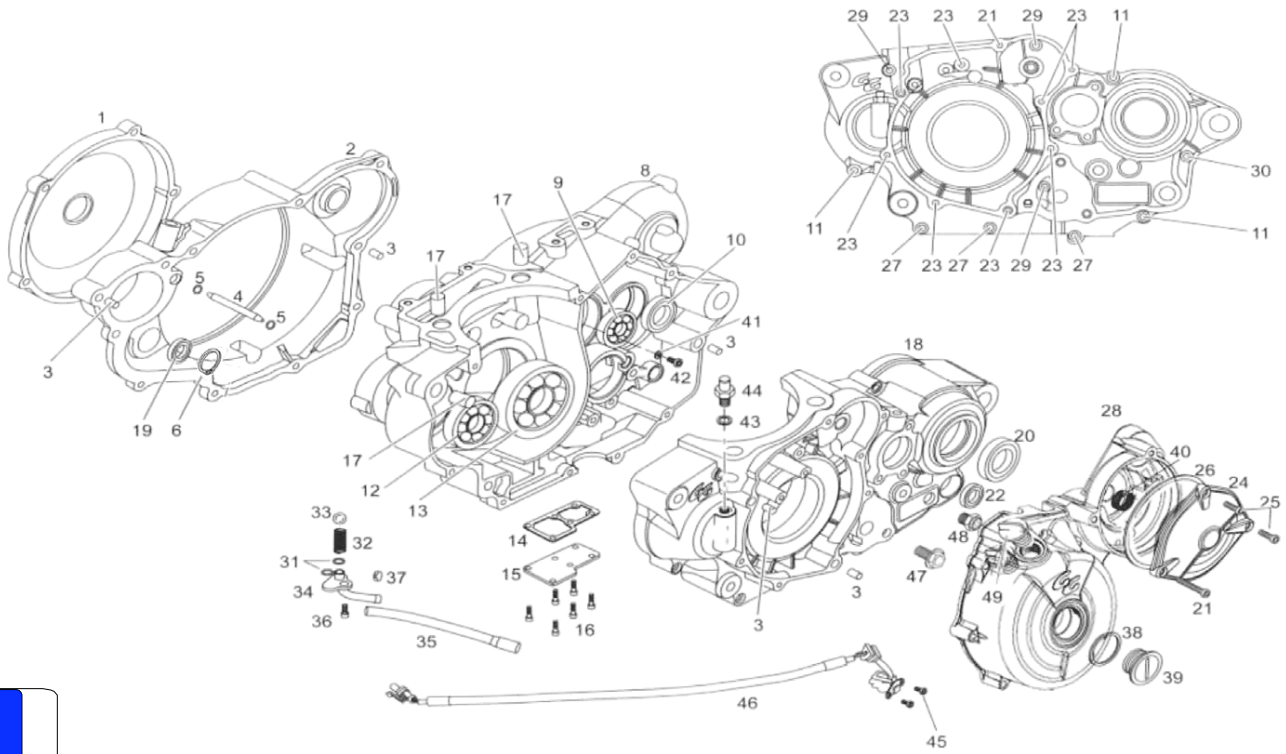
GAS GAS *Motor 5*

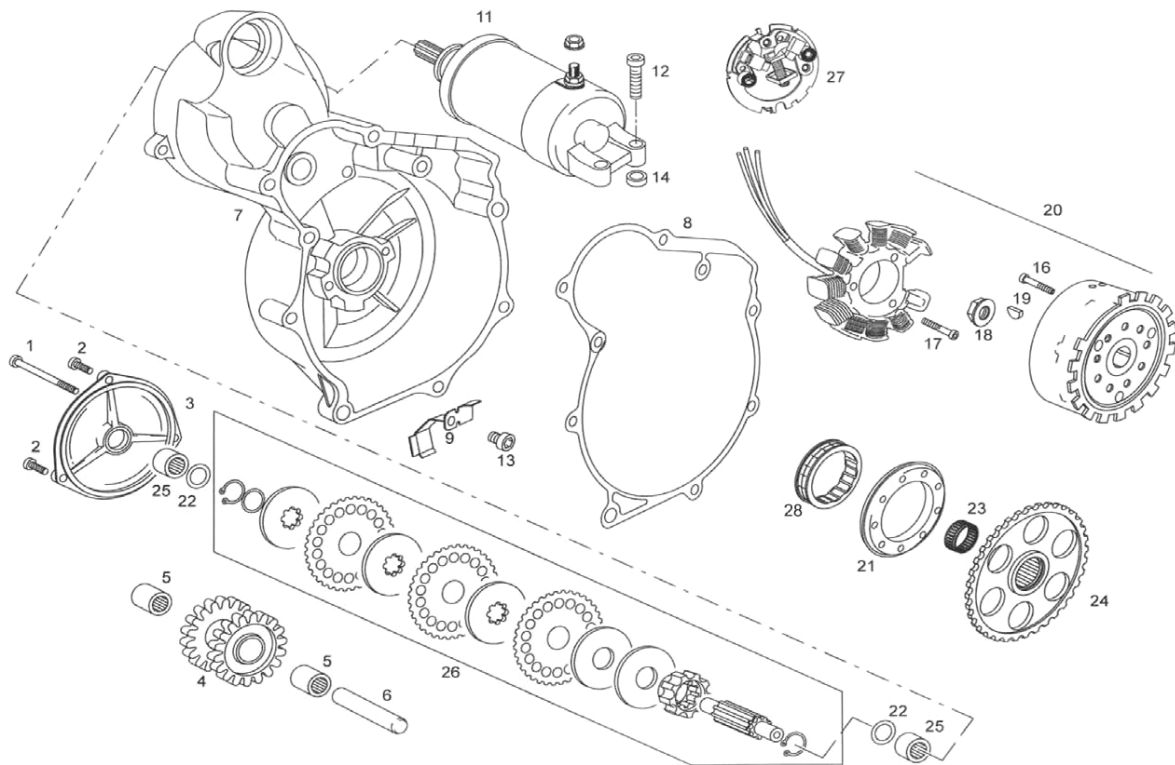


Nº	DESCRIPCION / DESCRIPTION	EC 2009	Cant.
1	TAPA DISCOS EMBRAGUE / CLUTCH DISCS COVER	ME250532002	1
2	TAPA EMBRAGUE EC400 4T / CLUTCH COVER	MFS450632001	1
3	CASQUILLO CENTRADOR CÁRTER / CRANKCASE BUSHING	ME25610018	5
4	CONDUCTO ACEITE D.3X8 PISTÓN / OIL PISTON PIPE	MFS450610023	1
5	TÓRICA 9X2 / 9X2 O'RING	MFS400110025	2
6	SEEGER DIAM 25 /SEEGER DIAM. 25	MFS450736084	1
8	CÁRTER DERECHO ALUMINIO EC400 4T / EC400 4T RIGHT ALUMINIUM CRANKCASE	MFS450510000	1
9	RODAMIENTO 6205 C3 2RSH / 6205 C3 2RSH BEARING	ME25636056	1
10	RODAMIENTO 6203 2Z C3 / 6203 2Z C3 BEARING	MFS400136168	1
11	ALLEN 6X35 / 6X35 ALLEN SCREW	T0306035	3
12	RODAMIENTO 6303 C3 SKF / 6303 C3 SKF BEARING	MFS400112030	1
13	RODAMIENTO 6306 C4 KOYO / 6306 C4 KOYO BEARING	ME256120072	1
14	JUNTA TAPA ACCESO INFERIOR CÁRTER / INFERIOR CRANKCASE COVER GASKET	MFS400110123/2	1
15	TAPA ACCESO INFERIOR CÁRTER / INFERIOR CRANKCASE COVER	MFS450610122	1
16	ALLEN 6X16 / 6X16 ALLEN SCREW	T0306016	6
17	CENTRADOR CULATA L18 EC400 4T / CYL. HEAD BUSHING	MFS400116066	3
18	CÁRTER IZQUIERDO ALUMINIO EC400 4T / EC400 4T LEFT ALUMINIUM CRANKCASE	MFS450510001	1
19	RETÉN 24X14X7AS.P-NB / 24X14X7AS.P-NB SEAL	MFS450712008	1
20	RETÉN SALIDA CAMBIO 25X40X7 / 25X40X7 GEAR SEAL	M01217001A	1
21	ALLEN 5X75 / 5X75 ALLEN SCREW	T0305075	1
22	RETÉN EJE SELECTOR 12-22-7 AS-CC / 12-22-7 AS-CC SELECTOR AXIS SEAL	ME25636048	1
23	ALLEN 5X35 / 5X35 ALLEN SCREW	T0305035	8
24	SUB-TAPA ARRANQUE FSE 450-2005 / FSE 450-2005 STARTER COVER	MFS450510028	1
25	ALLEN 5X16 / 5X16 ALLEN SCREW	T0305016	2
26	TÓRICA 80X2 SUB-TAPA ARRANQUE FSE450-2005 / FSE450-2005 80X2 STARTER COVER	MFS450510029	1
27	ALLEN 6X45 / 6X45 ALLEN SCREW	T0306045	3
28	TAPA VOLANTE MAGNÉTICO / IGNITION COMP. COVER	MQ450710004	1
29	ALLEN 6X55 / 6X55 ALLEN SCREW	T0306055	3
30	ALLEN 6X65 / 6X65 ALLEN SCREW	T0306065	1
31	TÓRICA 1.78x7.94 TAPA ENTRADA ACEITE CÁRTER / 1.78x7.94 O'RING	T0306060	2
32	MUELLE RETORNO ACEITE EC400-4T / EC400-4T OIL RETURN SPRING	MFS400122311	1
33	BOLA CENTRÍFUGO EMB.DE 8 m/m. / 8 mm BALL	MFS400122315	1
34	TAPA ENTRADA ACEITE CÁRTER / OIL INNER COVER	ME25616033	1
35	TUBO VACIADOR DEPÓSITO ACEITE EC400-4T / EC400-4T OIL HOSE EMPTIER	MFS400122310	1

GAS GAS

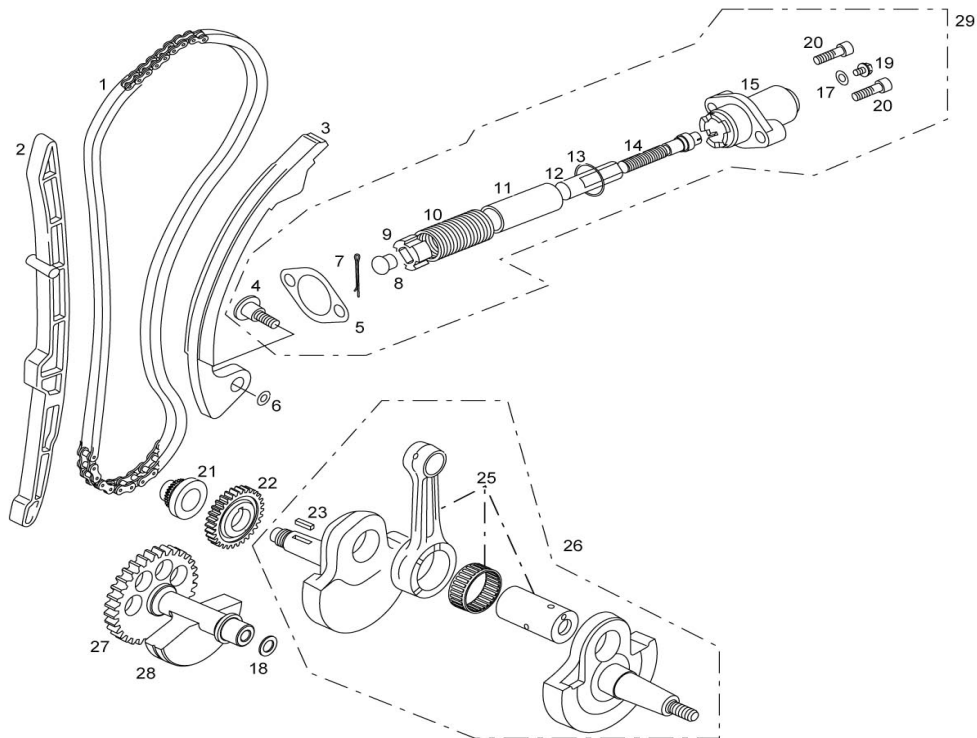
Motor 6





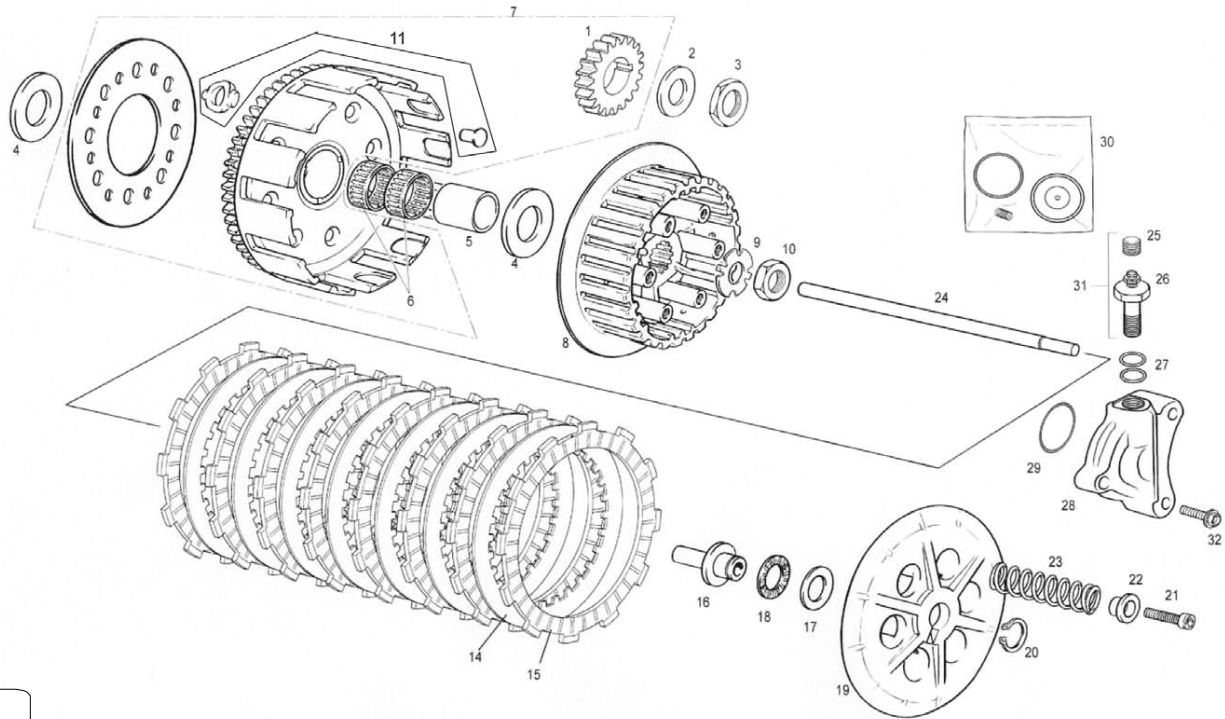
Nº	DESCRIPCION / DESCRIPTION	EC 2009	Cant.
1	ALLEN 5X75 / 5X75 ALLEN SCREW	T0305075	1
2	ALLEN 5X16 / 5X16 ALLEN SCREW	T0305016	2
3	SUB-TAPA ARRANQUE FSE 450-2005 / FSE 450-2005 START COVER	MFS450510028	1
4	PIÑÓN INTERMEDIO ARRANQUE ELÉCTRICO 24X21 / 24X21 ELECTRIC STARTER INTERMEDIATE SPROCKET	MFS450626520	1
5	RODAMIENTO AGUJAS HK1012 / HK1012 NEEDLES BEARING	MFS400326023	2
6	EJE PIÑÓN ARRANQUE INTERMEDIO / INTERMEDIATE STARTER SPROCKET AXIS	MFS450626505	1
7	TAPA VOLANTE MAGNÉTICO / IGNITION COVER	MQ450710004	1
8	JUNTA TAPA VOLANTE FSE450-2005 / FSE450-2005 IGNITION COVER GASKET	MFS450544004	1
9	PLETINA SOPORTE CABLES MOTOR ENCENDIDO FSE 2005 / FSE 2005 IGNITION CABLING HOLDER	MFS450534019	1
11	MOTOR DE ARRANQUE FSE 450-2005 / FSE 450-2005 START ENGINE	MFS450526500	1
12	ALLEN 6X25 / 6X25 ALLEN SCREW	T0305025	2
13	ALLEN 5X6 / 5X6 ALLEN SCREW	T0305006	1
14	CASQUILLO DISTANCIADOR ARRANQUE / STARTER SPACER BUSHING	R233000	2
16	ALLEN 6X16 / 6X16 ALLEN SCREW	T0306016	9
17	ALLEN 5X25 / 5X25 ALLEN SCREW	T0305025	2
18	TUERCA VOLANTE / IGNITION NUT	MFS400134011	1
19	CHAVETA VOLANTE / IGNITION PIN	MFS400134016	1
20	VOLANTE MAGNÉTICO / IGNITION MOBILE	MFS600004508	1
21	ANILLO RUEDA LIBRE ENCENDIDO / IGNITION FREE WHEEL RING	MFS851004508	1
22	ARANDELA 10X19X0,5 / 10X19X0,5 WASHER	MFS450526516	2
23	RODAMIENTO DE AGUJAS ARRANQUE / STARTER NEEDLE BEARING	MFS400126020	1
24	CORONA DE ARRANQUE / STARTER SPROCKET	MFS450626540	1
25	RODAMIENTO AGUJAS HK 1010 EC400-4T / HK 1010 EC400-4T NEEDLES BEARING	MFS400126022	2
26	CTO. PIÑÓN ARRANQUE EMBRAGUE / CLUTCH STARTER SPROCKET SET	MFS450526510CT	1
27	ESCOBILLAS MOTOR ARRANQUE / STARTER ENGINE BRUSHES	MFS400326501	1
28	BORG WARNER	MFS851204508	1

GAS GAS *Motor 7*



Nº	DESCRIPCION / DESCRIPTION	EC 515 2009	EC 450 2009	Cant.
1	CADENA DISTRIBUCIÓN / CAM SHAFT DRIVE CHAIN		MFS400116360	1
2	GUÍA CADENA DISTRIBUCIÓN DELANTERA / CAM CHAIN GUIDE		MFS450616364	1
3	GUÍA CADENA DISTRIBUCIÓN TRASERA / CAM CHAIN TENSIONER		MFS400116363	1
4	TORNILLO FIJACIÓN PATILLA GUÍA CADENA DISTRIBUCIÓN / CHAIN GUIDE SCREW		MFS400116365	1
5	JUNTA TENSOR DISTRIBUCIÓN FSE 4T / CHAIN TENSOR GASKET		MFS400144025	1
6	ARANDELA 6,25X21X1 / 6,25X21X1 WASHER		MFS450410107	1
7	PASADOR ELÁSTICO D2X12 FSE 4T / D2X12 FSE 4T ELASTIC PIN		MFS400116409	1
8	APRETADOR TENSOR CADENA DISTRIBUCIÓN / CHAIN TENSOR PUSHER		MFS400116403	1
9	CRUZ TENSOR CADENA DISTRIBUCIÓN / CHAIN TENSOR BUSHING		MFS400116402	1
10	MUELLE TORSIÓN TENSOR CADENA / CHAIN TENSOR SPRING		MFS400116410	1
11	TUBO TENSOR CADENA DISTRIBUCIÓN / CAM SHAFT CHAIN TENSOR HOSE		MFS400116404	1
12	TUERCA EMPUJADOR TENSOR CADENA / CHAIN TENSOR PUSHER WASHER		MFS400116405	1
13	ANILLO ELÁSTICO TENSOR CADENA / CHAIN TENSOR ELASTIC RING		MFS400116411	1
14	TORNILLO EMPUJADOR TENSOR CADENA / CHAIN TENSOR PUSHER SCREW		MFS400116406	1
15	TENSOR CADENA DISTRIBUCIÓN / CHAIN TENSOR		MFS400116400	1
17	ARANDELA KLINGERIT 6X15X0,5 / 6X15X0,5 WASHER		MFS400116407	1
18	ARANDELA 17,5X25,8X0,5 / 17,5X25,8X0,5 WASHER		M03625000	1
19	TORNILLO HEXAGONAL 6X8 / HEXAGONAL SCREW 6X8		T0106008	1
20	ALLEN 6X25 / 6X25 ALLEN SCREW		T0306025	2
21	PIÑÓN CADENA DISTRIBUCIÓN / CAM CHAIN DRIVE SPROCKET		MFS400116361	1
22	ENGRANAJE ÁRBOL DE LEVAS FSE 4T / FSE 4T CAMSHAFT SPROCKET		MFS400116370	1
23	CHAVETA LADO EMBRAGUE FSE 4T / FSE 4T CLUTCH SIDE KEY		MFS450612010	1
25	CONJUNTO BIELA / CONNECTING ROD		MFS400112100	1
26	CONJUNTO CIGÜEÑAL / CRANKSHAFT SET	MFS450512000	MFS450612000	1
27	PIÑÓN EJE DE BALANCE / DRIVE GEAR		MFS450512001	1
28	CONJUNTO EJE DE BALANCE / CRANK BALANCER SET		MFS450512003	1
29	CONJUNTO TENSOR CADENA / CHAIN TENSION ADJUSTER SET		MFS400116420	1

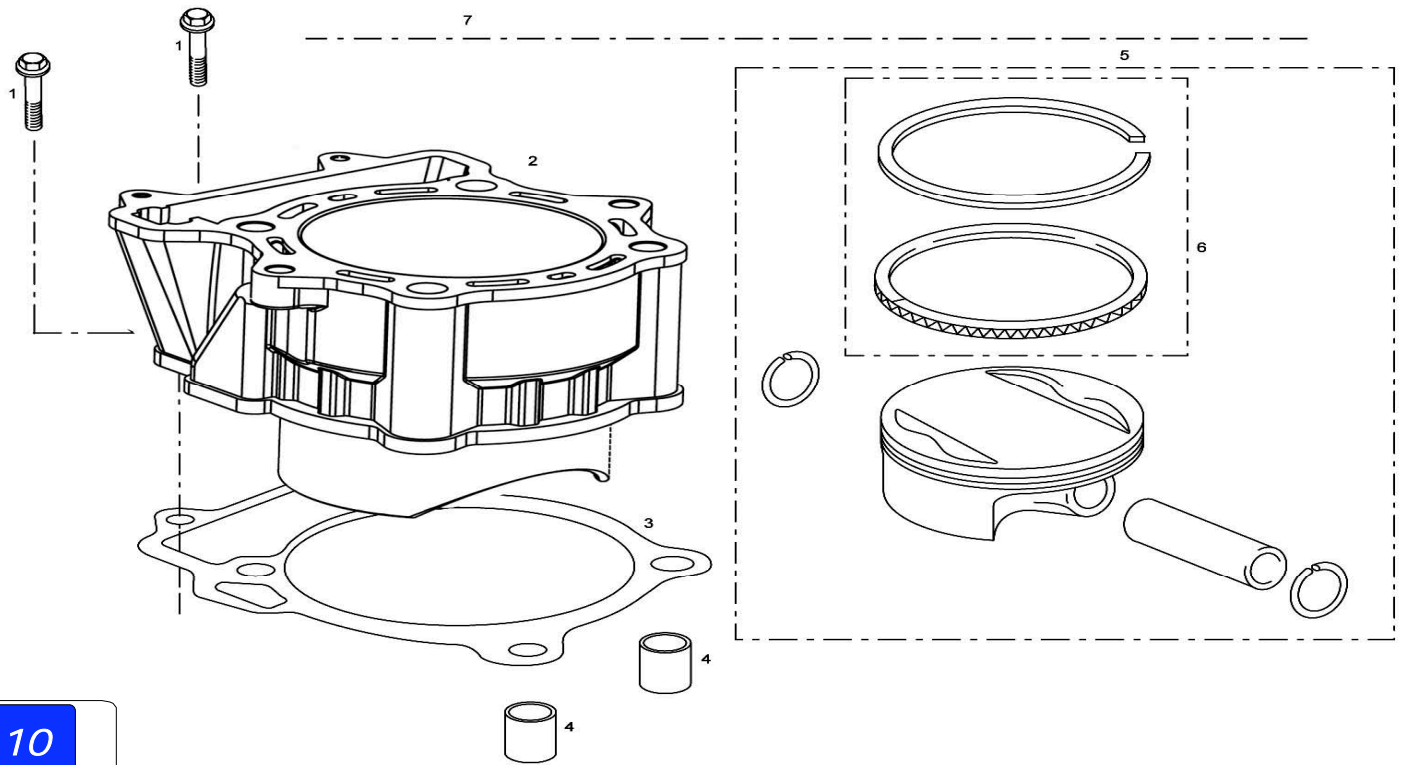
GAS GAS **Motor 8**

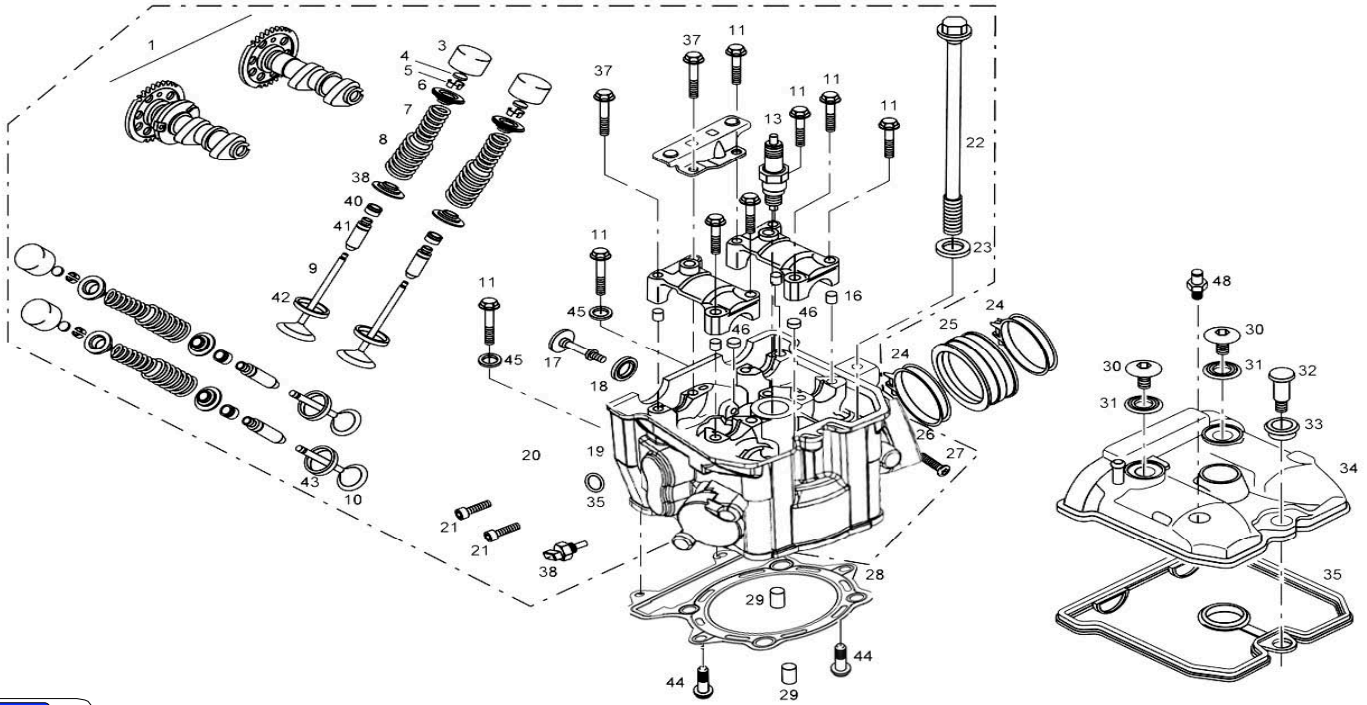


Nº	DESCRIPCION / DESCRIPTION	EC 2009	Cant.
1	PIÑÓN CIGÜEN. TRANS PRIM. / PRIMARY TRANSMISION CRANK SHAFT PINION	MFS120044508	1
2	ARANDELA BISELADA DE. 20/125 / WASHER 20/125	ME25632019	1
3	TUERCA BLOCAJE PIÑÓN CIGÜEÑAL / CRANK SHAFT PINION LOCKING NUT	ME25003298	1
4	ARANDELA CAMPANA EMBRAGUE 22.1X42X2.8 / WASHER 22.1X42X2.8	ME25632011	2
5	CASQUILLO CAMPANA EMBRAGUE / PRIMARY DRIVEN GEAR BUSHING	ME25632012	1
6	COJINETE CAMPANA EMBRAGUE / PRIMARY DRIVEN GEAR BEARING	ME25632029	2
7	CTO. CORONA CAMPANA EMBRAGUE / PRIMARY DRIVEN GEAR SET	MFS21000CT4508	1
8	CUBO EMBRAGUE / CLUTCH BOSS	ME25632005	1
9	ARANDELA PRECINTO EMBRAGUE / CLUTCH LOCK WASHER	ME25632022	1
10	TUERCA FIJ. CUBO EMBRAGUE / CLUTCH BOSS NUT	ME25632028	1
11	KIT SILENBLOCK Y REMACHES /SILENBLOCK AND RIVET SET	MFS24300CT4509	1
14	DISCO EMBRAGUE HIERRO / IRON CLUTCH DISK	ME25632037	7
15	DISCO EMBRAGUE FERRADO / COVERED CLUTCH DISK	ME25632007	8
16	BOLET EMBRAGE / CLUTCH PIN	ME25632014	1
17	PLACA AGUJA Y VALV. ESCAPE / EXHAUST PIN WASHER	ME25632016	1
18	JAULA AGUJA VALV. ESCAPE / NEEDLES BEARING	ME25632046	1
19	PRENSA EMBRAGUE / PRESSURE PLATE	ME25632006	1
20	SEEGER EJE 15 EMBRAGUE / CLUTCH SEEGER AXLE 15	ME25632017	1
21	ALLEN 6X20 TA. EMBRAGUE.CART.SUSP. / ALLEN SCREW 6X20	T0306020	6
22	CASQ. MUELLE EMBRAGUE ALUMINIO / ALUMINIUM CLUTCH SPRING BUSHING	ME250032020	6
23	MUELLE EMBRAGUE VERDE / GREEN CLUTCH SPRING	MFS450332015	6
24	VARILLA EMBRAGUE / CLUTCH ROD	ME25632040	1
25	TAPÓN SANGRADOR / BLEEDER CAP	BE256622055	1
26	SANGRADOR / BLEEDER	BE25622060	1
27	ARANDELA LATIGUILLO / HOSE WASHER	BE25622007	2
28	PINZA EMBRAGUE HIDRA. / HYDRAULIC CLUTCH CALIPER	ME25632026	1
29	TÓRICA BOMBA EMBRAGUE / CLUTCH PUMP O'RING	ME25632024	1
30	KIT PINZA EMBRAGUE / CLUTCH CALIPER KIT	BE25622050	1
31	RACORD PINZA EMBRAGUE / RACORD CLUTCH CALIPER	M01060000	1
32	TORNILLO ESPECIAL 6X20 / SPECIAL SCREW	T0206020	1

GAS GAS

Motor 9

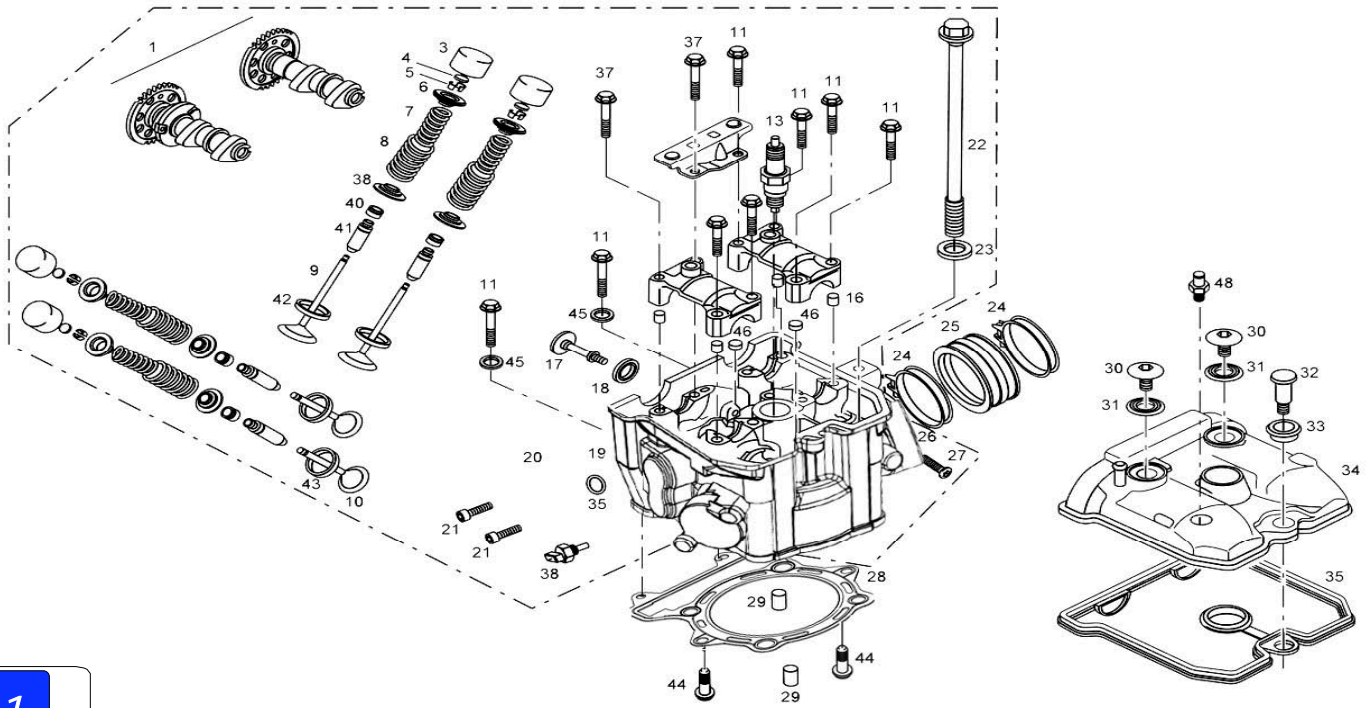


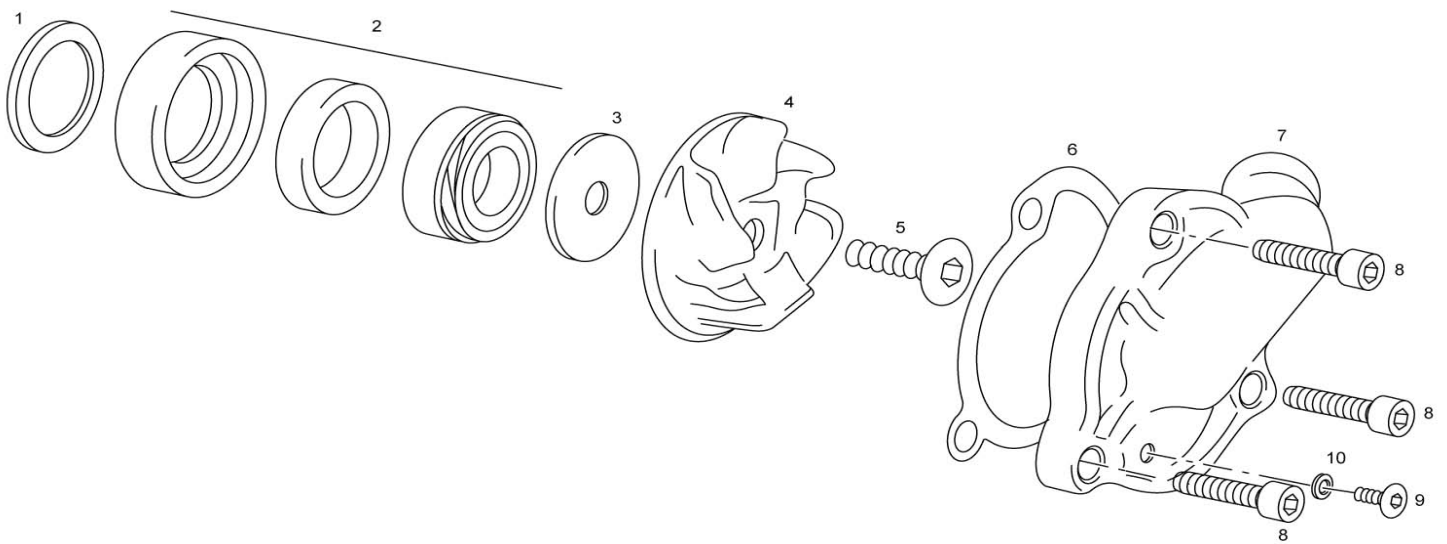


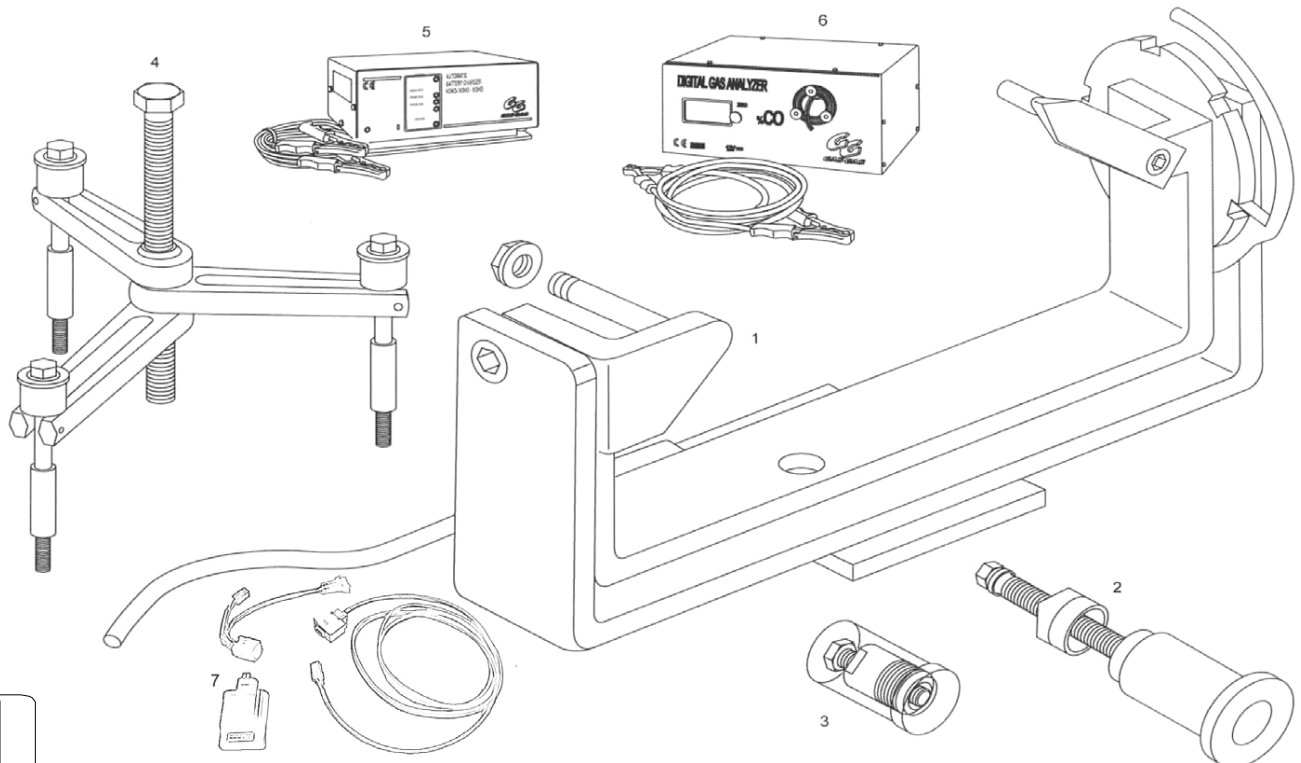
Nº	DESCRIPCION / DESCRIPTION	EC 515 2009	EC 450 2009	Cant.
1	ÁRBOL DE LEVAS ADMISIÓN Y ESCAPE / INTAKE EXHAUST CAMSHAFT		MFS8000CT4508	1
3	VASO EMPUJADOR VÁLVULA / TAPPET		MFS400116300	4
4	PASTILLA REGLAJE BASE VÁLVULA / TAPPET SHIM		MFS400116044	4
5	SEMICONO / VALVE COTTER		MFS400116048	8
6	PLATILLO SEMICONO / SPRING RETAINER		MFS400116047	4
7	MUELLE VÁLVULA INTERIOR / INTERIOR VALVE SPRING		MFS400116059	4
8	MUELLE VÁLVULA EXTERIOR / EXTERIOR VALVE SPRING		MFS400116058	4
9	VÁLVULA ADMISIÓN / INTAKE VALVE		MFS400116043	2
10	VÁLVULA ESCAPE / EXHAUST VALVE		MFS400116015	2
11	TORNILLO 6X40 / 6X40 SCREW		MFS400116351	8
12	GUÍA CADENA DISTRIBUCIÓN SUPERIOR / UPPER CAM SHAFT GUIDE		MFS400116362/2	1
13	BUJÍA NGK CR8 E / NGK CR8 E SPARK PLUG		MFS400134000	1
16	CASQUILLO CENTRADOR TAPA ÁRBOL LEVAS / CAMSHAFT COVER CENTERING PIN		MFS400116350	4
17	TORNILLO ESPECIAL CULATA M7 / M7 CYLINDER HEAD SPECIAL SCREW		MFS400116067	1
18	ARANDELA CULATA 11X25X4 / 11X25X4 CYLINDER HEAD WASHER		T4001126	1
19	CULATA / CYLINDER HEAD	MFS7500CT5008	MFS7500CT4508	1
20	CTO. SALIDA TUBOS RADIADOR CULATA / CYL. HEAD OUT TUBE SET		BFS450616104CT	1
21	ALLEN NEGRO 5X30 / 5X30 BLACK ALLEN SCREW		T0305030N	2
22	TORNILLO M10X175 / M10X175 SCREW		T0201070	4
23	ARANDELA 10,5X19X2 / 10,5X19X2 WASHER		MFS450516099	4
24	ABRAZADERA 40-60 / 40-60 CLAMP		L200047	2
25	TUBERA ADMISIÓN / INTAKE		MFS400116131	1
26	ARANDELA 8X16X1,5 / 8X16X1,5 WASHER		T4008016	1
27	ULS 8X12 / 8X12 ULS SCREW		T0508012	1
28	JUNTA CULATA / CYLINDER HEAD GASKET	MFS943005008	MFS943004508	1
29	CASQUILLO CENTRADOR CULATA / CYLINDER HEAD BUSHING		MFS400116066	2
30	TORNILLO ESPECIAL 7X15,3 / 7X15,3 SPECIAL SCREW		T0207017	2
31	ARANDELA TAPA CULATA 11X25X2 / 11X25X2 WASHER		T4001125	2
32	TORNILLO ESPECIAL 7X31 / 7X31 SPECIAL SCREW		T0207031	1
33	ARANDELA TAPA CULATA 12X23X5/7,5 / 12X23X5/7,5 CYLINDER HEAD WASHER		T4001223	1
34	TAPA CULATA / CYLINDER HEAD COVER		MFS81000CT4508	1
35	JUNTA TAPA CULATA / CYLINDER HEAD GASKET		MFS400144015	1
36	TÓRICA 24X2 TUBERA SALIDA AGUA CULATA / WATER EXIT GASKET		MFS400116105	1
37	TORNILLO M6X45 TAPA ÁRBOL LEVAS LARGO / 6X45 SCREW		MFS400116352	2

GAS GAS

Motor 11









DESPIECE // PART LIST
EC / SM 4T
450-515

2009