

**DESPIECE // PART LIST
HALLEY 4T EH
125**

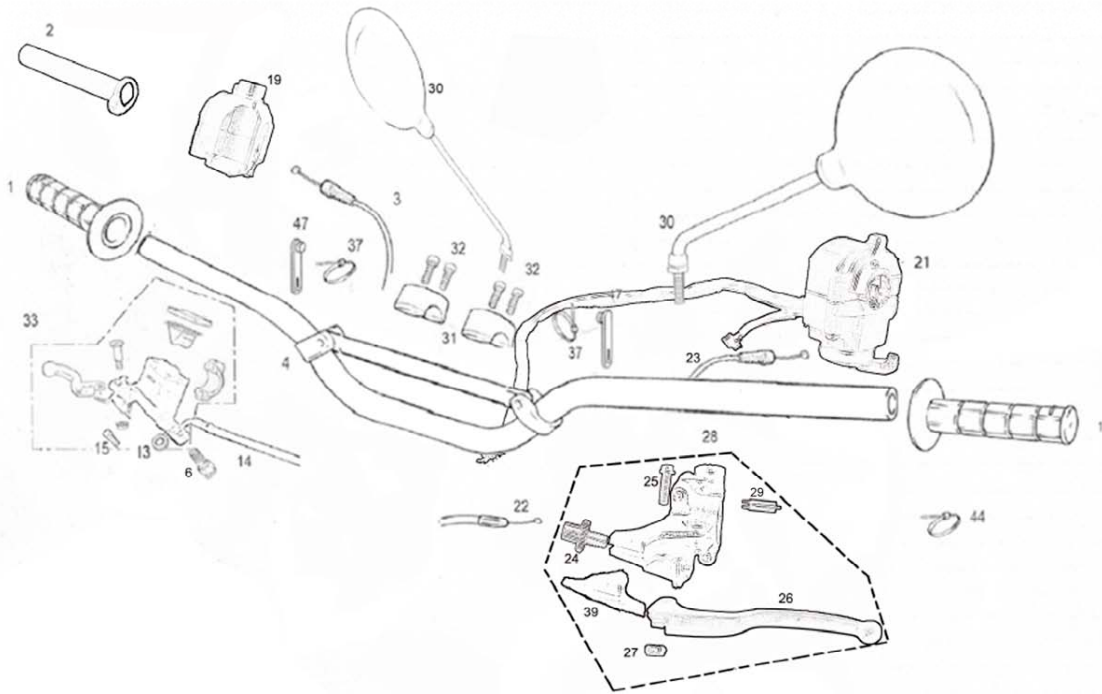


2009

DESPIECE // PART LIST
HALLEY 4T EH
125

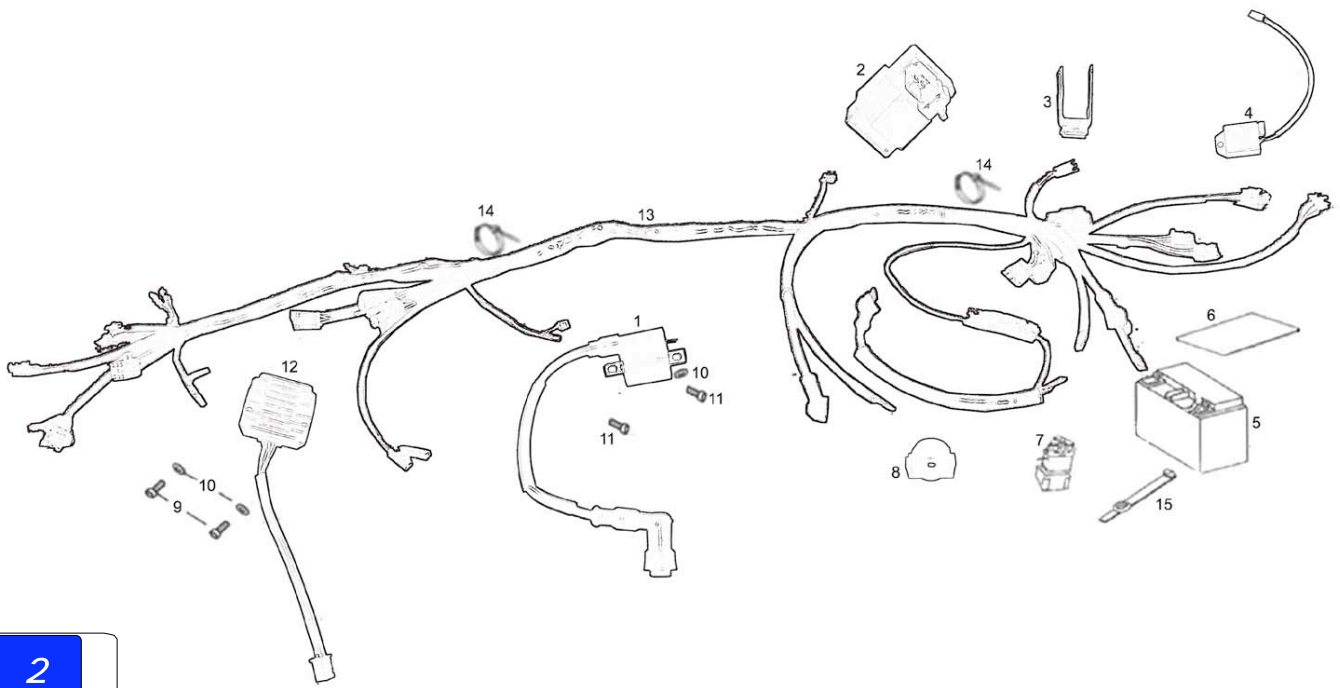
2009





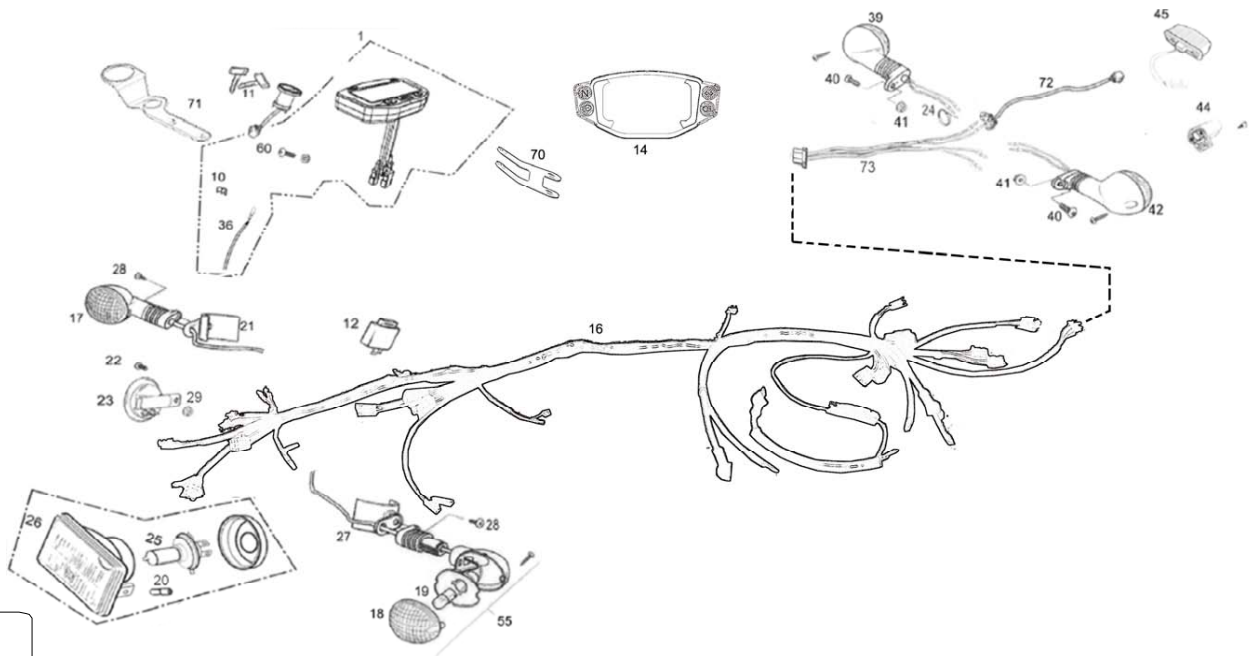
Nº	DESCRIPCION / DESCRIPTION		Cant.
1	JUEGO DE EMPUÑADURAS / C798HANDLEBAR GRIP (PAIR)	BE250736002	1
2	PUÑO DE GAS / TWIST GRIP	BP120724007	1
3	CABLE DE GAS / THROTTLE CABLE	BP120724008	1
4	MANILLAR COMPLETO / STEERING HANDLEBAR SET	BP120724001	1
6	TORN. LATERAL BOMBA FRENO DEL. / LATERAL SREW PUMP FRONT BRAKE	R320000	1
13	ARANDELA LATIGUILLO 10X14X1 / HOSE WASHER 10X14X1	BE25622007	2
14	LATIGUILLO FRENO DELANTERO / FRONT BRAKE HOSE	BEH611001209	1
15	INTERRUPTOR STOP BOMBA / PUMP STOP SWITCH	L300066	1
19	CONMUTADOR ARRANQUE / STARTING COMMAND	BP120734027	1
21	CONMUTADOR LUZ / LIGHT SWITCH	BP120734001	1
22	CABLE EMBRAGUE / CABLE CLUTCH	BP120722079	1
23	CABLE STARTER / STARTER CABLE	BP120734082	1
24	TENSOR CABLE EMBRAGUE / TENSOR CABLE CLUTCH	BP120722050	1
25	TORN. ESPECIAL 6X20 / 6X20 SPECIAL SCEW	T0206020	1
26	MANETA EMBRAGUE / CLUTCH LEVER	BP120722040	1
27	TUERCA M6 BAJA / M6 LOW NUT	T2006001	1
28	CTO. MANETA EMBRAGUE / CLUTCH LEVER SET	BP120722005	1
29	INTERRUPTOR SEGURIDAD / SAFETY SWICH	BP120722020	1
30	ESPEJO RETROVISOR / REAR-VIEW MIRROR	BP120710095	2
31	BRIDA SUJECIÓN MANILLAR SUPERIOR / HANDLEBAR CLAMP (UPPER)	BEH257001209	2
32	TORNILLO SUJECIÓN BRIDA MANILLAR 8X30 / CLAMP SCREW 8X30	T0308030	4
33	BOMBA FRENO DELANTERO / FRONT BRAKE PUMP SET	BEH610001209	1
37	BRIDA GRANDE / BIG CLAMP	BE25634009	2
39	GUARDAPOLVO CABLE EMBRAGUE / DUST COVER CABLE CLUTCH	BP120722093	1
44	BRIDA UNEX CORTA 2221-0 2.5X98 / SHORT UNEX CLAMP 2221-0 2.5X98	BE25634010	1
47	GOMA SUJECIÓN CABLEADO / CABLED RUBBER HOLDER	BFS450320067	2

GAS GAS *Chasis 1*



Nº	DESCRIPCION / DESCRIPTION			Cant.
1	BOBINA / COIL		BP120734006	1
2	CDI		BP1200734007	1
3	SOPORTE CDI / CDI SUPPORT		BP120734107	1
4	LIMITADOR ENCENDIDO / LIMITER ON		EP722101208	1
5	BATERIA EC400-4T / EC400 4T BATTERY		BFS400134080/3	1
6	ESPUMA FIJACION CAJA BATERIA / BATTERY FOAM		EH450104509	1
7	RELE ARRANQUE / STARTING RELAY		BP120734075	1
8	GOMA SOPORTE RELE ARRANQUE / RUBBER SUPPORT RELAY STARTER		BP120734077	1
9	ALLEN 5X16 / 5X16 ALLEN		T0305016	2
10	ARANDELA 5X12X1.5 / 5X12X1.5 WASHER		T4005012	3
11	ALLEN 5X20 / 5X20 ALLEN		T0305020	2
12	REGULADOR / REGULATOR		BP120734009	1
13	INSTALACION ELECTRICA / ELECTRICAL INSTALLATION		EH100011209	1
14	BRIDA UNEX / UNEX CLAMP		BE25634007	2
15	GOMA SUJECCION BATERIA / ELASTIC BAND BATTERY		BFS450734100CT	1

Downloaded from www.Manualslib.com manuals search engine



2A

Nº	DESCRIPCION / DESCRIPTION		Cant.
1	CTO. MULTIFUNCIÓN / MULTIFUNCTION	EH60001209	1
10	PASACABLES CTA. KM. ENDURO 2003 / CABLE PASS SPEED COUNTER	BE250334053	2
11	CERRADURA CONTACTO CIERRE / CONTACT LOCK WITH CATCH	EH601001209	1
12	CAJA INTERMITENCIAS / INTERMITENT BOX	BP120734055	1
14	CTO. TESTIGOS MULTIFUNCIÓN / MULTI-WITNESSES	EH600501209	1
16	INSTALACIÓN ELECTRICA / ELECTRICAL INSTALLATION	EH100011209	1
17	INTERMITENTE DERECHO DELANTERO / RIGHT FRONT INDICATOR	BE250634018	1
18	TAPA INTERMITENTE / INDICATOR COVER	BE250134120	4
19	BOMBILLA / LAMP	L200118	4
20	LAMPARA POSICION / POSITION BULB	L300126	1
21	SOP. INTERMITENTE DELANTERO DERECHO /RIGHT FRONT INDICATOR HOLDER	BE250134017	1
22	TORNILLO ESPECIAL 6X14/ SPECIAL SCREW 6X14	T0206014	1
23	CLAXON / HORN	EFS204004508	1
25	BOMBILLA HALOGENA 35/35 12V / 12V 35/35 BULB	L300125	1
26	ÓPTICA HALÓGENA / OPTIC HALOGEN	EE200002508	1
27	SOP. INTERMITENTE DELANTERO IZQUIERDO / LEFT FRONT INDICATOR HOLDER	BE250134020	1
28	TORNILLO CHAPA 6.3X16 / SPECIAL SCREW	T0706316	2
29	TUERCA AUTOBL. M6 / M6 SELF-NUT	T2106002	1
36	CABLE MULTIFUNCIÓN TT 2003 / MULTIFUNCTION CABLE	BE250634050	1
39	INTERMITENTE DERECHO TRASERO / RIGHT REAR INDICATOR	BE250634021	1
40	ULS 6X16 NEGRO / 6X16 BLACK ULS	T0506016N	2
41	TUERCA M6 ESTRIADA / STRIPED NUT M6	T2206000	2
42	INTERMITENTE IZQUIERDO TRASERO / LEFT REAR INDICATOR	BE250634022	1
44	LUZ MATRICULA /	BE250734124	1
45	PILOTO TRASERO / REAR LIGHT	BE250734015	1
55	INTERMITENTE IZQUIERDO DELANTERO / LEFT FRONT INDICATOR	BE250634019	1
60	ULS 6X16 / 6X16 ULS SCREW	T0506016	1
70	SOPORTE MULTIFUNCIÓN / MULTIFUNCTION SUPPORT	EH650001209	1
71	PLATINA SOPORTE CONMUTADOR / SWITH SUPPORT	EH651001209	1
72	ALARGO INSTALACIÓN PORTA MATRÍCULA / PLATE SUPPORT EXTEND INSTALLATION	BE250734016	1
73	CABLE ADAPTADOR INTERMITENTES / INTERMITTENT CABLE ADAPTER	BFS450734121	1

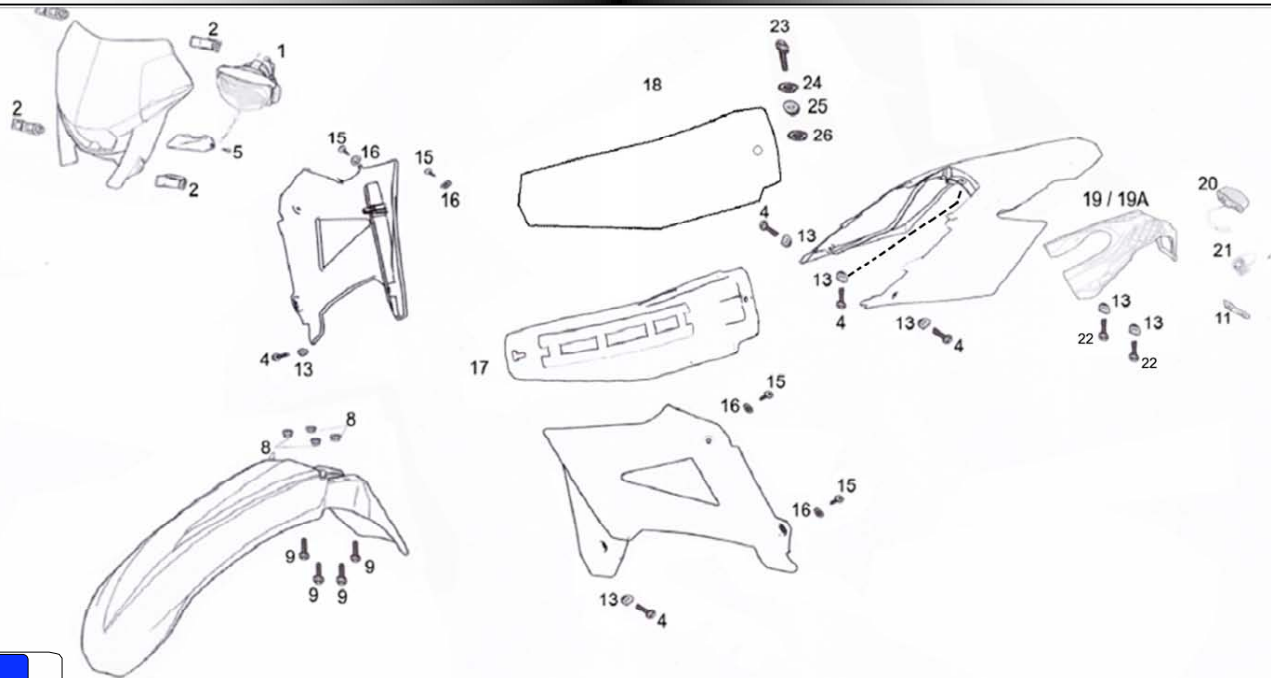
GAS GAS

Chasis 2A

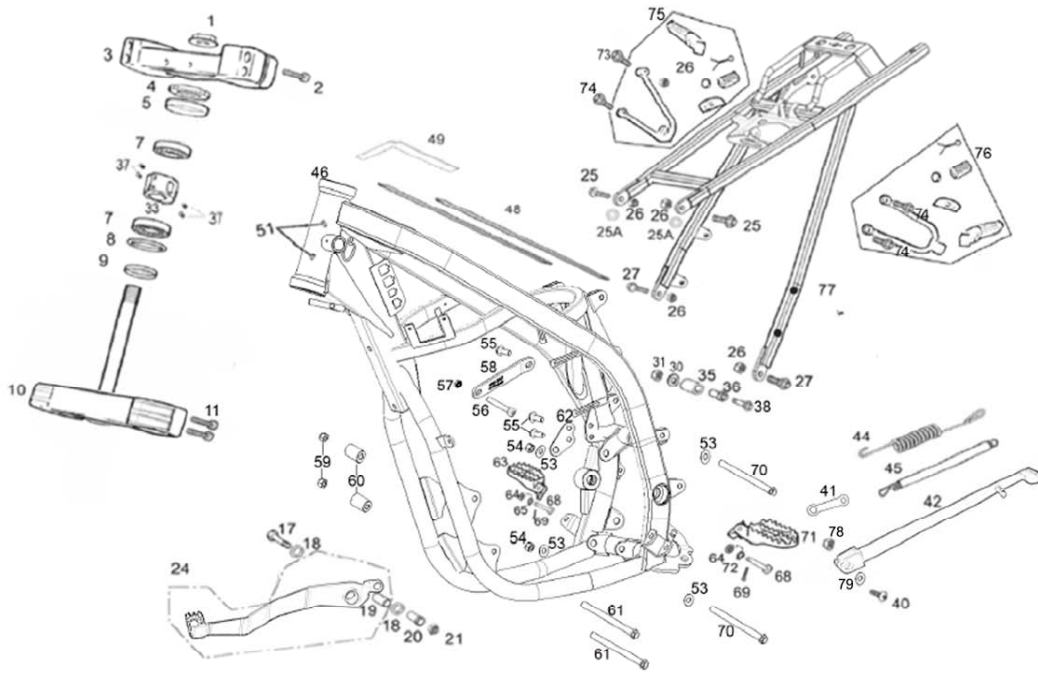


Nº	DESCRIPCION / DESCRIPTION		Cant.
1	CTO. FARO DELANTERO / FRONT HEADLAMP SET	BEH90500CT4509	1
2	GUARDABARROS DELANTERO EC2008 / EC2008 FRONT FENDER	BEH910001209	1
3	TAPA LATERAL RADIADOR DERECHO / RIGHT SIDE RADIATOR COVER	BEH91500CT4509	1
4	TAPA LATERAL RADIADOR IZQUIERDO / LEFT SIDE RADIATOR COVER	BEH92000CT4509	1
5	TAPA CAJA FILTRO DRCHA.	BE92600/22509	1
6	TAPA CAJA FILTRO IZQ.	BE93100/22509	1
7	GUARDABARROS TRASERO / REAR FENDER	BEH93500CT4509	1
10	GUIA LATIGUILLO / GUIDE COVER	BE905502508	1
Nº ADH.			
8	KIT ADHESIVO BASCULANTE / SET TILTING ADHESIVE	BEH95500CT1209	1
9	KIT PROTECTOR BARRA / SET PROTECTIVE BAR	BC250514040/2	1
--	KIT ADHESIVO COMPLETO / SET ADHESIVE	BEH950001209	1

Chasis 3



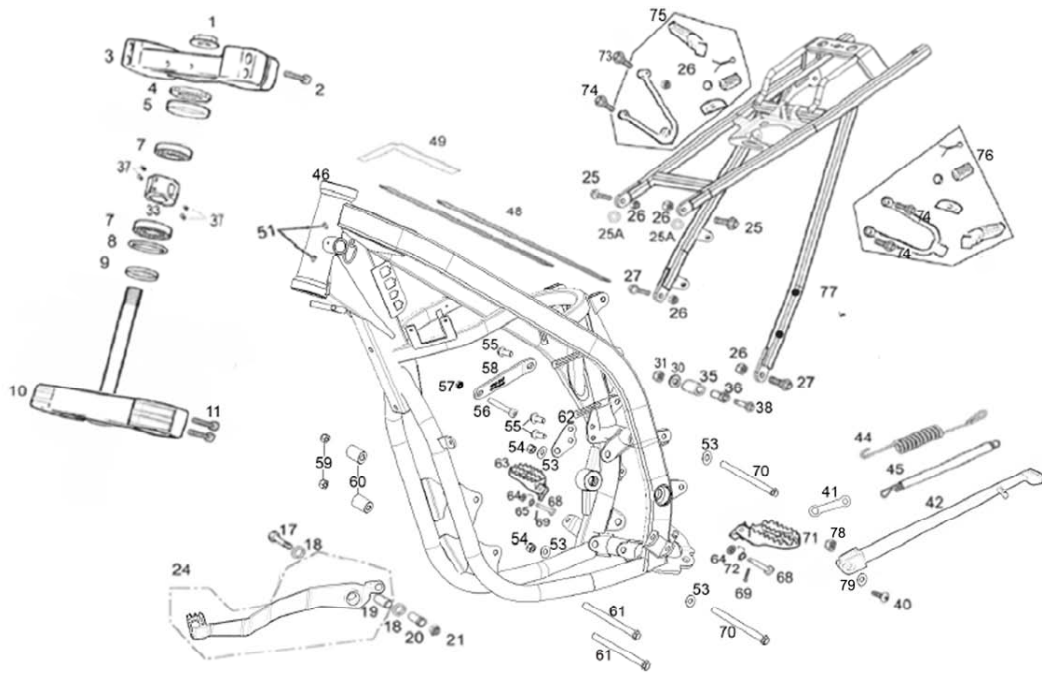
Nº	DESCRIPCION / DESCRIPTION		Cant.
1	OPTICA / OPTIC	EE200002508	1
2	GOMA FARO / RUBBER LIGHTHOUSE	BE25636015	4
4	TORNILLO ESPECIAL 6X14 / SPECIAL SCREW 6X14	T0206014	3
5	TORN. PLASTICO / PLASTIC SCREW	BE250420063/2	1
8	CASQUILLO GUARDABARROS VALONA / FRONT FENDER BUSHING	BE2500141018	4
9	TORN. ESPECIAL 6X20 ARAND. / 6X20 SCREW WASHER	T0606020	4
11	CATADIOPTRICO	BQ300234125/2	1
13	CASQUILLO TAPA RADIADOR / RADIATOR CAP LID	BE250032060	5
15	TORNILLO PLASSTICO 4.6X12 / 4.6X12 PLASTIC SCREW	T0804612/2	4
16	ARANDELA ALUMINIO / ALUMINIUM WASHER	BE250511002	4
17	SILLIN / SEAT	BE940002508	1
18	FUNDA SILLIN / SEAT COVER	BE940012508	1
19	CTO. PORTAMATRICULAS / REAR LICENSE PLATE HOLDER SET	BE250720003CT	1
19A	PORTAMATRICULAS / REAR LICENSE PLATE HOLDER	BE250720003	1
20	LUZ DE FRENO / BRAKE LIGHT	BE250734015	1
21	LUZ MATRICULA / LIGHT OF PLATE	BE250734124	1
22	TORN. ESPECIAL 6X20 / 6X20 SCREW	T0206020	2
23	TORN. PHILIPS 6X25 / PHILIPS SCREW 6X25	T0706025	1
24	CASQUILLO / CAP	BE25610007	1
25	ARANDELA / WASHER	BE940502509	1
26	ARANDELA NEGRA / BLACK WASHER	BE250710213	1



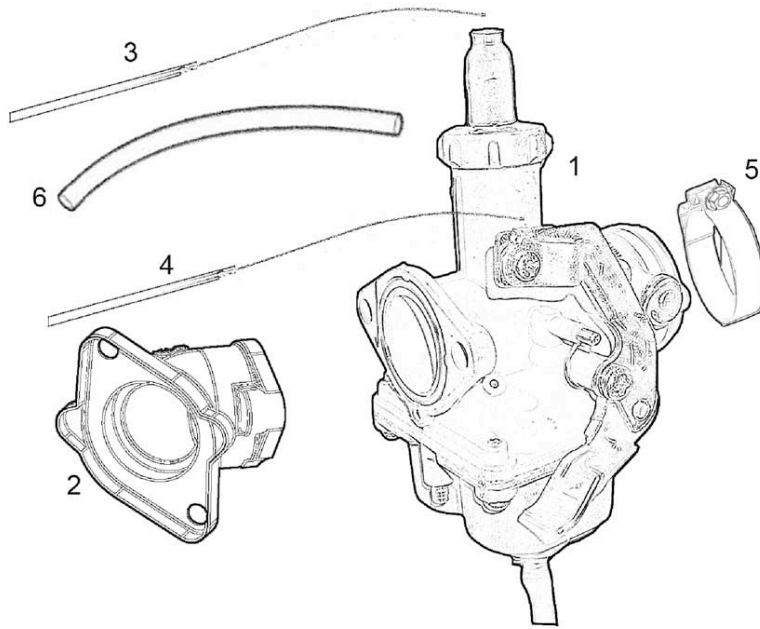
Nº	DESCRIPCION / DESCRIPTION		Cant.
1	TUERCA DIRECCIÓN / STEERING SHAFT NUT	BEH243001209	1
2	ALLEN 8X35 / 8X35 ALLEN SCREW	T0308035	2
3	BRIDA SUPERIOR SUSPENSIÓN CROSS / CROSS FORK CLAMP (UPPER)	BEH220001209	1
4	TUERCA DIRECCIÓN INFERIOR / LOWER STEERING SHAFT NUT	BEH233001209	1
5	GUARDAPOLVO COJINETE DIRECCIÓN / BEARING DUST COVER	BE25610126	1
7	COJINETE DIRECCIÓN / STEERING BEARING	BE25610008	2
8	TÓRICA DIRECCIÓN 50X5 / 50X5 STEERING O'RING	BE25610012	1
9	CAZOLETA DIRECCIÓN / STEERING CAP	BE25610026	1
10	BRIDA INFERIOR SUSPENSIÓN CROSS / CROSS FORK CLAMP (LOWER)	BEH210001209	1
11	ALLEN 8X30 / 8X30 ALLEN SCREW	T0308030	4
17	TORNILLO ESPECIAL 8X45 / 8X45 SPECIAL SCREW	T0208045	1
18	TÓRICA PEDAL / PEDAL O'RING	ME250036063	2
19	GLACIER PEDAL FRENO / BRAKE PEDAL BEARING	BE250010009	1
20	CASQUILLO SOPORTE PEDAL FRENO / BRAKE PEDAL SUP. BUSHING	BE250210916	1
21	TUERCA AUTOBLOCANTE CON ARANDELA M8 / M8 SELF-LOCKING NUT	T2208002	1
24	CTO. PEDAL FRENO / BRAKE PEDAL SET	BP120722016	1
25	TORNILLO ESPECIAL 8X30 / 8X30 SPECIAL SCREW	T0208030	2
25A	DISTANCIADOR GOMA DEPÓSITO / TANK RUBBER SPACER	BE250714036	2
26	TUERCA AUTOBLOCANTE M8 BAJA / LOW M8 SELF-LOCKING NUT	T2108001	6
27	TORNILLO ESPECIAL 8X20 / 8X20 SPECIAL SCREW	T0208020	2
30	ARANDELA 6X18 / 6X18 WASHER	T4006018	1
31	TUERCA AUTOBLOCANTE M6 CON ARANDELA / SELF-LOCKING M6 NUT	T2206002	1
33	CASQUILLO ANTIRROBO EJE DIRECCIÓN / STEERING AXLE ANTI-THEFT BUSHING	BE25910072	1
35	RODILLO GUÍA CADENA SUPERIOR / UPPER CHAIN ROLL	BE25610014	1
36	CASQUILLO RODILLO 6,25X12X25 / 6,25X12X25 BUSHING	BE250712016	1
37	TORNILLO PRISIONERO M6X8 / SET SCREW M6X8	BE250310073	4
38	TORNILLO ESPECIAL 6X45 / M6X45 SPECIAL SCREW	T0206045	1
40	TORNILLO GUIA CABALLETE / SCREW GUIDE EASEL	BP120712011	1
41	ESCENTRICA MUELLE CABALLETE / SUPPORT PIER EASEL	BP120712025	1
42	CABALLETE / SIDE STAND BRACKET	BP120712010	1
44	MUELLE EXTERIOR CABALLETE / SUPPORT OUTER SPRING	BE250510039	1
45	MUELLE CABALLETE / SIDE STAND BRACKET SPRING	BE250410039	1
46	CHASIS HALLEY 125 4T / HALLEY 125 4T FRAME	BEH100011209	1
48	TIRA GOMA ADH. LATERAL / LATERAL RUBBER STICKER	BP120738018	2
49	TIRA GOMA ADH. TRASERA / REAR RUBBER STICKER	BE25638018	1

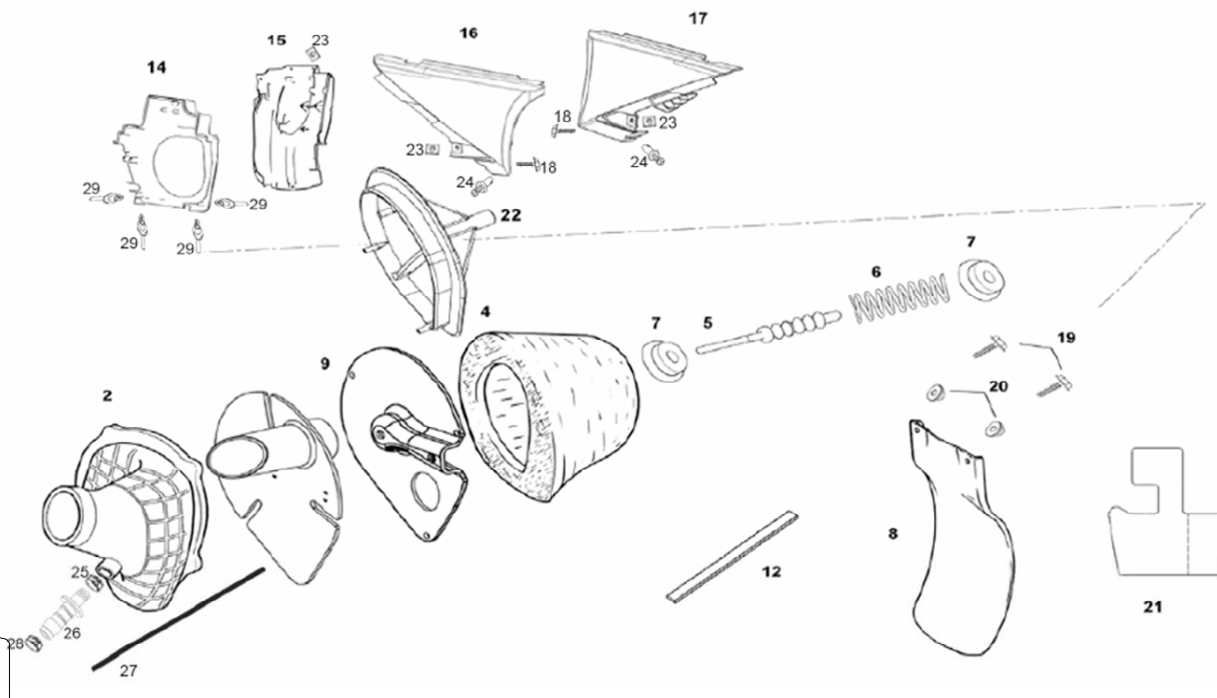
GAS GAS

Chasis 5

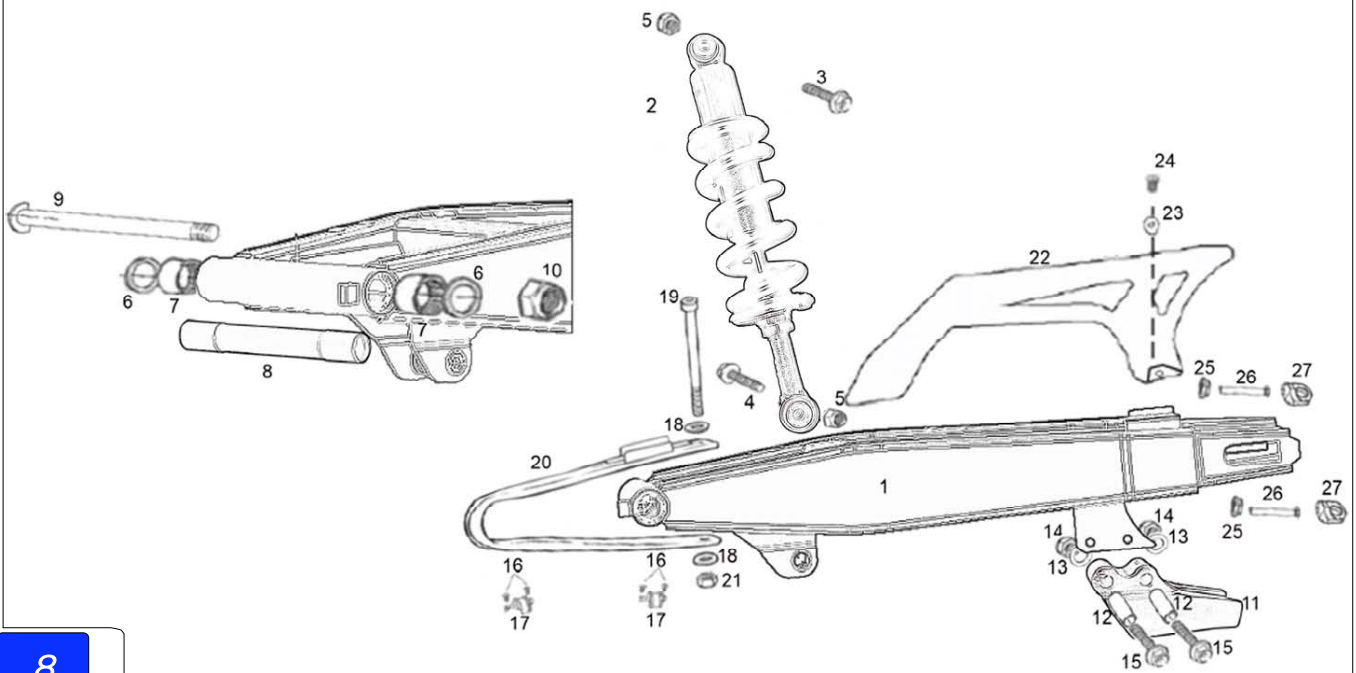


Nº	DESCRIPCION / DESCRIPTION		Cant.
51	ANTI-ROBO / STEERING LOCK	BE250010075	1
53	ARANDELA 10X19 / 10X19 WASHER	T4010019	4
54	TUERCA M10 / M10 NUT	T3110002	2
55	TORN. ESPECIAL 8X15 / M8X15 SPECIAL SCREW	T0208015	3
56	ALLEN 8X60 / M8X60 ALLEN	T0308060	1
57	TUERCA M8 ESTRIADA / M8 STRIAE NUT	T2208001	1
58	TIRANTE CULATA /	BP120710050	1
59	TUERCA AUTOBL. ALTA M8 / M8 SELF-LOCKING NUT	T2108002	2
60	DISTANCIADOR MOTOR / DISTANCE MOTOR	BP160001208	2
61	TORNILLO ESPECIAL M8X115 / M8X115 SPECIAL SCREW	T0208115	2
62	SOPORTE MOTOR DERECHO / RIGH ENGINE SUPPORT	BP120710993	1
63	ESTRIBO DERECHO / RIGHT FOOTREST	BE250010002	1
64	ARANDELA / WASHER	T4001021	2
65	MUELLE ESTRIBO DERECHO / RIGHT FOOTREST SPRING	BE25610037	1
68	CASQUILLO ESTRIBO / FOOTREST BUSHING	BE25610006	2
69	CLAVILLA ZINC / ZINC PIN	BE25622022	2
70	TORNILLO ESPECIAL M10X115 / 10X115 SPECIAL SCREW	T02010115	2
71	ESTRIBO IZQUIERDO / LEFT FOOTREST	BE250010003	1
72	MUELLE ESTRIBO IZQUIERDO / LEFT FOOTREST SPRING	BE25610038	1
73	ALLEN 8X35 / 8X35 ALLEN	T0308035	1
74	ALLEN 8X20 / 8X20 ALLEN SCREW	T0308020	5
75	ESTRIBO PASAJERO DRCH. / FLEETING STIRRUP STRAIGHT	BPS141004508	1
76	ESTRIBO PASAJERO IZO. / LEFT FLEETING STIRRUP	BPS141054508	1
77	COLA CHASIS / FRAME TAIL	BFS120005M4508	1
78	TUERCA M10 / M10 NUT	T21010003	1
79	ARANDELA 15X25 / 15X25 WASHER	T40115025	1

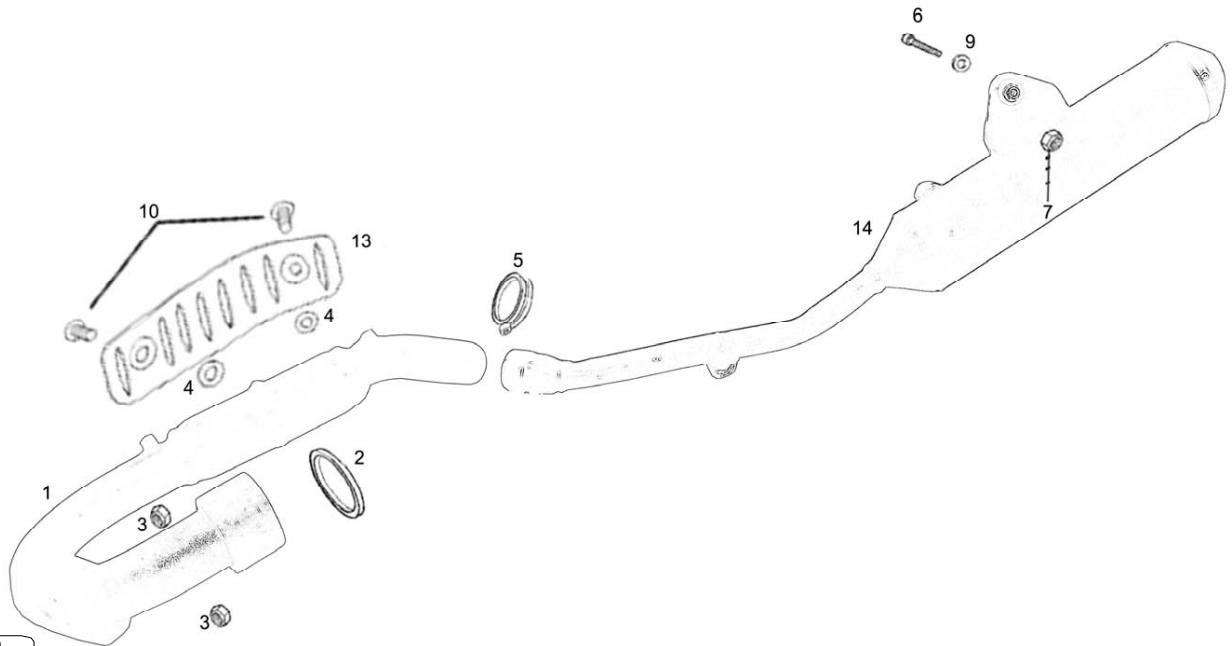




Nº	DESCRIPCION / DESCRIPTION		Cant.
2	GOMA TUBERA CAJA FILTRO EC450 2005 / EC450 2005 BOX FILTER RUBBER	BFS450728017	1
3	JAULA FILTRO AIRE / AIR FILTER CARRIER	BE250628002	1
4	FILTRO AIRE / AIR FILTER	BFS450728000	1
5	VARILLA PALOM FILTRO / FILTER SCREW	BE250728003	1
6	MUELLE VARILLA CAJA FILTRO / FILTER BOX SCREW SPRING	BE250728051	1
7	ARANDELA NYLON TOPE MUELLE / SPRING END NYLON WASHER	BE250728052	2
8	PROTECTOR SUSPENSIÓN TRASERA / REAR SHOCK ABSORBER PROTECTOR	BE25620008	1
9	RESTRICTOR AIRE CAJA FILTRO / FILTER BOX AIR RESTRICTOR	BE250728014	1
12	ESPUMA / FOAM	*BFS795004508	1
14	TAPA CAJA FILTRO DELANTERA / FRONT FILTER BOX COVER	BE250728054	1
15	TAPA CAJA FILTRO TRASERA / REAR FILTER BOX COVER	BE250728055	1
16	TAPA CAJA FILTRO DERECHA / RIGHT FILTER BOX COVER	BE250728056	1
17	TAPA CAJA FILTRO IZQUIERDA / LEFT FILTER BOX COVER	BE250728057	1
18	TORN. ROSCA PLÁSTICO 4.5 X 14 / PLASTIC SCREW 4.5 X 14	BE250420063	4
19	TORN. ROSCA PLÁSTICO 4.5 X 20 / PLASTIC SCREW 4.5 X 20	BE250728058	2
20	CASQ. FRONTAL AMORTIGUADOR / FRONT SHOCK ABSORBER BUSHING	BE250728059	2
21	ADHESIVO CAJA FILTRO / FILTER BOX DECAL	BFS450728053	1
22	ARAÑA FILTRO / FILTER SPIDER	*BE795012508	1
23	TUERCA NUT M6 / M6 NUT	T2606000	3
24	CLIP TORNILLO 1021 / SCREW CLIP 1021	MFS450580013	2
25	ABRAZADERA 15 / 15 CLAMP	L200053	1
26	RACORD	BFS450628048	1
27	TUBO DESVAPORIZADOR	MFS450616103	1
28	ABRAZADERA / CLAMP	MFS400110031	1
29	REMACHE / RIVET	T4514012	4

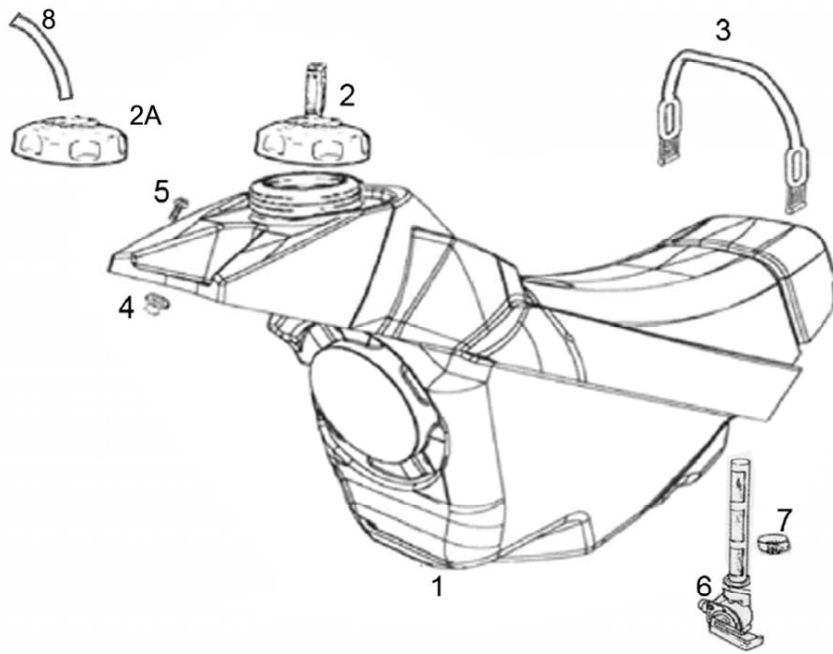


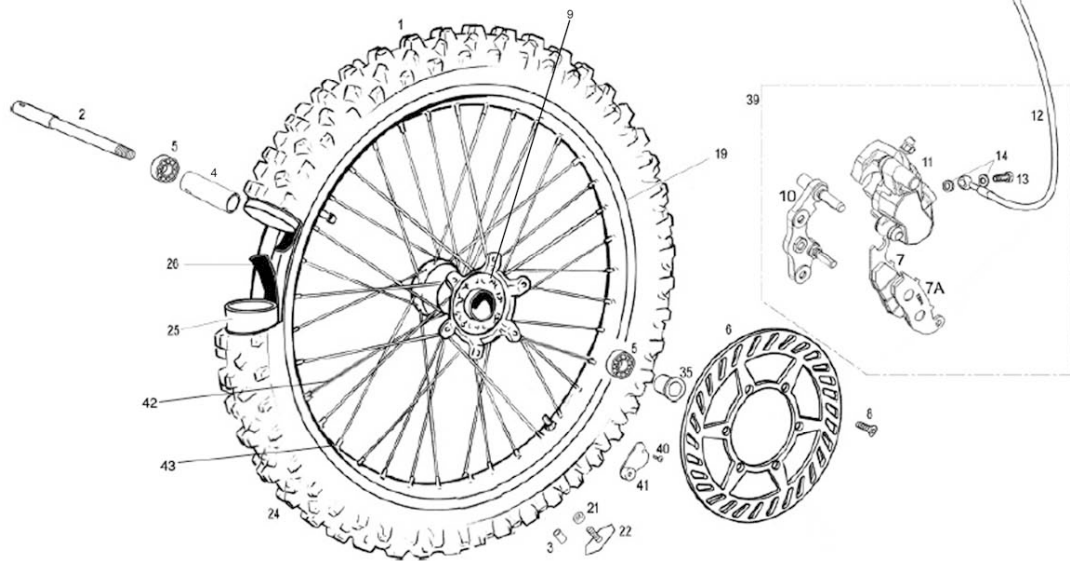
Nº	DESCRIPCION / DESCRIPTION		Cant.
1	BASCULANTE / SWINGARM	BP400001208	1
2	AMORTIGUADOR TRASERO / REAR SHOCK ABSORBER	BP300001208	1
3	TORNILLO ESPECIAL M10X45 / SPECIAL SCREW M10X45	T0310045	1
4	TORNILLO M10X60 / BOLT M10X60	T0310060	1
5	TUERCA AUTOBL M10 / M10 SELF-LOCKING NUT	T2110002	2
6	RETEN EJE BASCULANTE / HOLD AXIS TILT	BE25610011	2
7	JAUJA AGUJAS / NEEDLES BEARING	BP1207120032	2
8	CASQUILLO BASCULANTE / SWINGARM BUSCHING	BP120712007	1
9	EJE BASCULANTE / SWINGARM SHAFT	BE250312008	1
10	TUERCA BASCULANTE TT / NUT	BE25612009	1
11	GUIA CADENA / CHAIN GUIDE	BP120712028	1
12	CASQUILLO GUIA CADENA / CHAIN GUIDE BUSHING	BP120712128	2
13	ARANDELA 6X16 / 6X16 WASHER	T4006016	2
14	TUERCA M6 / M6 NUT	T2106001	2
15	ULS 6X35 / 6X35 ULS	T0506035	2
16	ULS 5X12 / 5X12 ULS	T0505012	2
17	SUJECCION LATIGUILLO BASCULANTE / SWINGARM HOSE HOLDER	BE25612006	2
18	ARANDELA 6X18X1.5 / 6X18X1.5 WASHER	T4060018	2
19	ALLEN 6X100 / 6X100 ALLEN	T0360100	1
20	PATIN CADENA / CHAIN SLIDER	BE250112015	1
21	TUERCA M6 / M6 NUT	T2106002	1
22	PROTECTOR CADENA / PROTECTIVE CHAIN	BE250328011	1
23	CASQUILLO / BUSH	BE25610007	1
24	ULS 6X16 / 6X16 ULS	T0506016	1
25	TUERCA M8 ARANDELA / M8 WASHER NUT	T2208001	2
26	TORNILLO M8 / M8 BOLT	BFS450722212	2
27	SENSOR RUEDA / WHEEL SENSOR	BP120718022	2



Nº	DESCRIPCION / DESCRIPTION		Cant.
1	CURVA ESCAPE / EXHAUST	BP850001208	1
2	JUNTA / EXHAUST GASKET	MP120744012	1
3	TUERCA M6 / M6 NUT	T2206001	2
4	ARANDELA GLASMIDE / GLASMIDE WASHER	T4006715	4
5	ABRAZADERA / CLAMP	BP120726010	1
6	TORNILLO ESPECIAL 8X40 / 8X40 SPECIAL SCREW	T0208040	1
7	TUERCA M8 / M8 NUT	T2108002	1
9	ARANDELA 8X24X2 / 8X24X2 WASHER	T4008024	1
10	TORNILLO / SCREW	T0556010	2
13	PROTECTOR ESCAPE / EXHAUST TUBE PROTECTOR	BFS4500526002	1
14	ESCAPE FINAL STANDARD / QUIET EXHAUST	BP870001208	1

GAS GAS Chasis 9

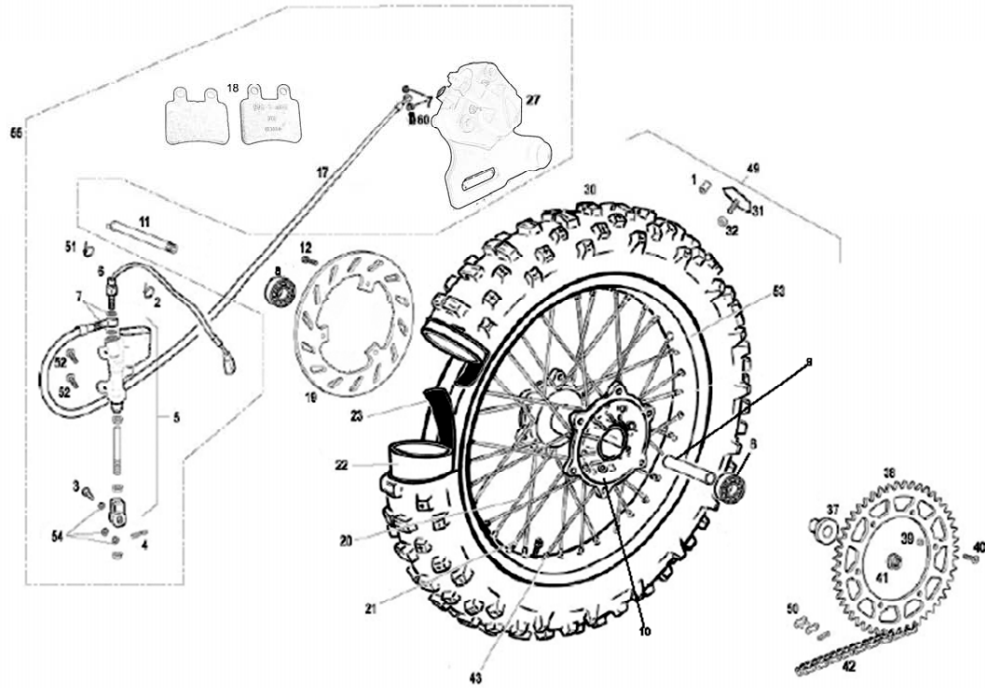




Nº	DESCRIPCION / DESCRIPTION		Cant.
1	RUEDA DELANTERA / FRONT WHEEL	BEH50001CT1209	1
2	EJE RUEDA DELANTERA / FRONT WHEEL AXIS	BEH530001209	1
3	CASQUILLO AGARRE CUBIERTA DELANTERA / FRONT TIRE HOLDING BUSHING	BE250518048	1
4	CASQUILLO SEPARADOR / CAP SEPARATOR	BEH512001209	1
5	COJINETE 6003 2RS/ BEARING 6003 2RS	BEH510001209	2
6	DISCO FRENO DELANTERO / FRONT BRAKE DISC	BEH520001209	1
7	PASTILLA DE FRENO DELANTERO INTERIOR/ FRONT BRAKE PAD	BEH620651209	1
7A	PASTILLA DE FRENO DELANTERO EXTERIOR / FRONT BRAKE PAD	BEH620661209	1
8	TORNILLO ESPECIAL TORX M6 / M6 SPECIAL SCREW TORX	BEH521001209	6
9	BUJE DELANTERO / FRONT WELL HUB	BEH541001209	1
10	SOPORTE PINZA DELANTERO / FRONT CALIPER SUPPORT	BEH620101209	1
11	PINZA FRENO DELANT. / FRONT BRAKE CALIPER	BEH620001209	1
12	LATIGUILLO FRENO DELANTERO / FRONT BRAKE HOSE	BEH611001209	1
13	RACORD SUJ. LATIGUILLO 10X1 / HOSE HOLDER RACORD 10X1	R320000	2
14	ARANDELA LATIGUILLO 10X14X1 / HOSE WASHER 10X14X1	BE25622007	2
19	LLANTA / RIM	BEH540001209	1
21	TUERCA AUTOBLOCANTE M8 BAJA / M8 NUT SELF-LOCKING LOWER	T2108001	1
22	AGARRE CUBIERTA DELANTERA / FRONT TIRE HOLDER	BE505002509	1
24	NEUMÁTICO 2.75/21 45P / TIRE 2.75/21 45P	BP120718002	1
25	CÁMARA DELANTERA / FRONT AIR HOSE	BIE500118001	1
26	PROTECTOR BANDA DELANTERA / FRONT RIM BAND	BIE500118028	1
35	CASQUILLO RUEDA DELANTERA / FRONT WHEEL BUSHING	BEH531001209	1
39	CTO. FRENO DELANTERO PURGADO / FRONT BRAKE SET	BEH60000CT1209	1
40	ULS 3X10 NEGRO CON ARANDELA / BLACK 3X10 ULS WITH WASHER	T0323010	1
41	CTO. SOPORTE CON IMAN C.K. / SUPPORT WITH MAGNET SET	BP120734008CT	1
42	RADIO DELANTERO / FRONT SPOKE	BEH542001209	36
43	TUERCA RADIO / SPOKE NUT	BEH542501209	36

GAS GAS

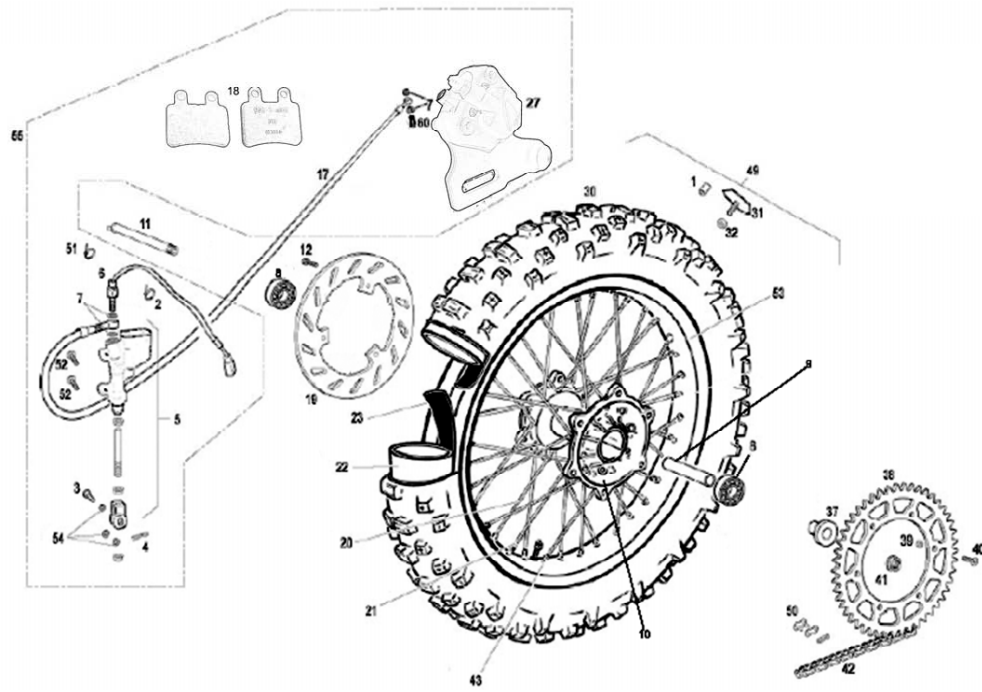
Chasis 11



Nº	DESCRIPCION / DESCRIPTION		Cant.
1	CASQUILLO AGARRE CUBIERTA DELANTERA / FRONT TIRE HOLDING BUSHING	BE250518048	1
2	BRIDA UNEX 2244 16/102 4.8X36 / CLAMP 2244 16/102 4.8X36	BE25634007	1
3	PASADOR 8X20 PEDAL FRENO / BRAKE PEDAL PIN 8X20	BE25622026	1
4	CLAVILLA PASADOR FRENO 2X20 / BRAKE PEDAL PIN STOPPER	BE25622027	1
5	BOMBA FRENO TRASERO / REAR BRAKE PUMP	BEH660001209	1
6	INTERRUPTOR STOP BOMBA / BRAKE PUMP STOP SWITCH	BEF250234003	1
7	ARANDELA LATIGUILLO 10X14X1 / HOSE WASHER 10X14X1	BE25622007	4
8	COJINETE 6003 2RS / BEARING 6003 2RS	BEH510001209	2
11	EJE RUEDA TRASERA / REAR WHEEL AXIS	BP120718020	1
12	TORNILLO HEXAGONAL M8 DISCO TRAS. / R. DISC BRAKE HEX. SCREW M8	BEH571001209	3
17	LATIGUILLO FRENO TRASERO NISSIN / NISSIN REAR BRAKE HOSE	BEH661001209	1
18	PASTILLA DE FRENO TRASERO INT. / INT. REAR BRAKE PAD	BEH675001209	1
18A	PASTILLA DE FRENO TRASERO EXT. / EXT. REAR BRAKE PAD	BEH675011209	1
19	DISCO FRENO TRASERO / REAR BRAKE DISC	BEH570001209	1
20	RADIO 192X4.5 LADO FRENO 18" / 18" BRAKE-SIDE SPOKE 192X4.5	BEH592001209	18
21	RADIO 188X4.5 LADO CORONA 18" / 18" SPROCKET-SIDE SPOKE 188X4.5	BEH592101209	18
22	CAMARA TRASERA / REAR AIR HOSE	BIE500118004	1
23	PROTECTOR BANDA TRASERA / REAR RIM BAND	BIE500118003	1
27	PINZA FRENO TRASERO / REAR BRAKE CALIPER	BP120722001	1
30	NEUMÁTICO TRASERO 4.10/18 6 PR / REAR TYRE 4.10/18 6 PR	BP120718005	1
31	AGARRE CUBIERTA TRASERA / REAR TYRE HOLDER	BE555002509	1
32	TUERCA AUTOBLOCANTE M8 BAJA / SELF-LOCKING NUT M8	T2108001	1
37	DISTANCIADOR RUEDA TRAS. / WHEEL SPACER	BP120718021	1
38	CORONA Z33 SERIE / Z33 SERIAL SPROCKET	BP573001208	1
38A	CORONA Z38 / Z38 SPROCKET	BP120718024	1
39	TUERCA / NUT	T02108001	6
40	TORNILLO / SCREW	T0208035	6
41	TUERCA AUTOBLOCANTE /SELF-LOCKING NUT	BP120718023	1
42	CADENA 104 520HTP / 104 520 HTTP CHAIN	BF250610036	1
43	TUERCA RADIO TRASERO / REAR SPOKE NUT	BE250018016	36
49	RUEDA TRASERA / REAR WHEEL SET	BEH55000CT1208	1
50	ENGANCHE CADENA / CHAIN SPLIT LINK	BE250310066	1

GAS GAS

Chasis 12



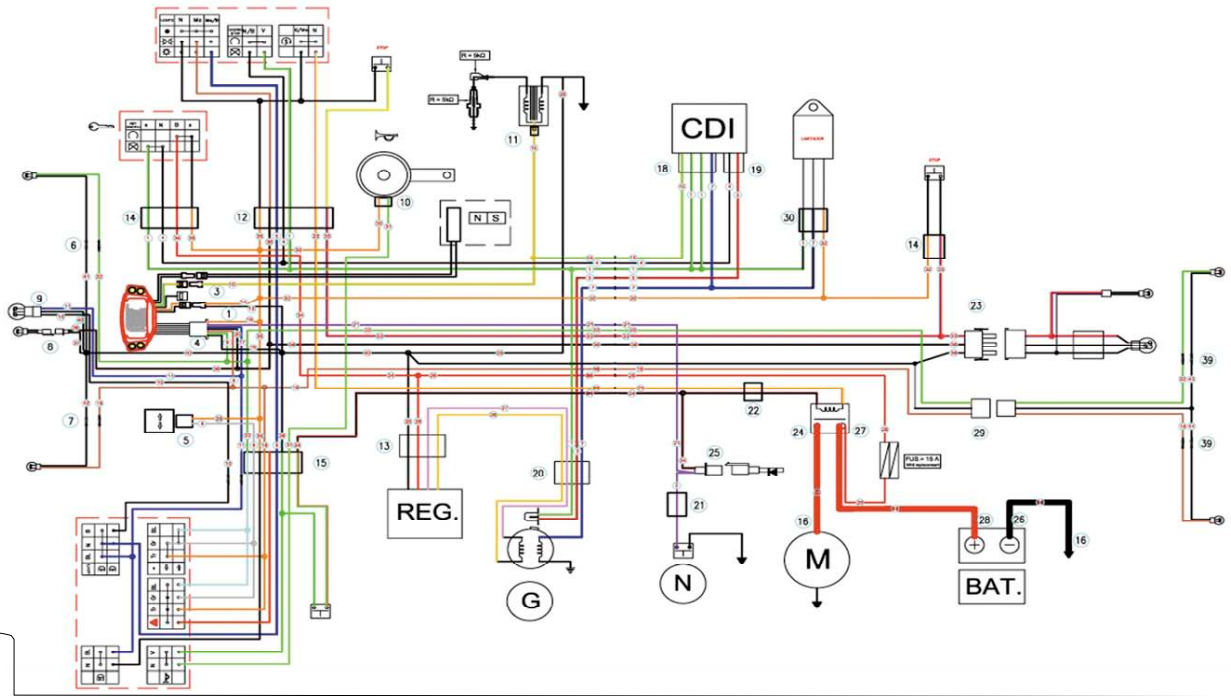
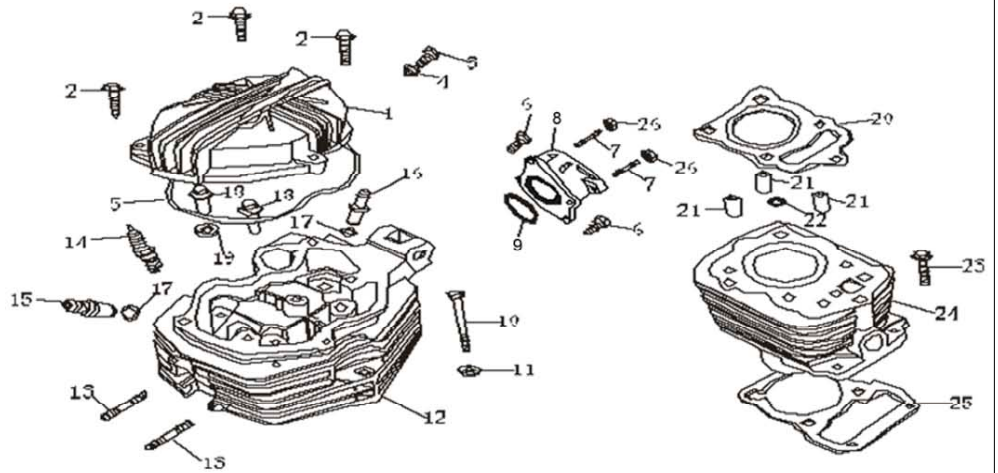
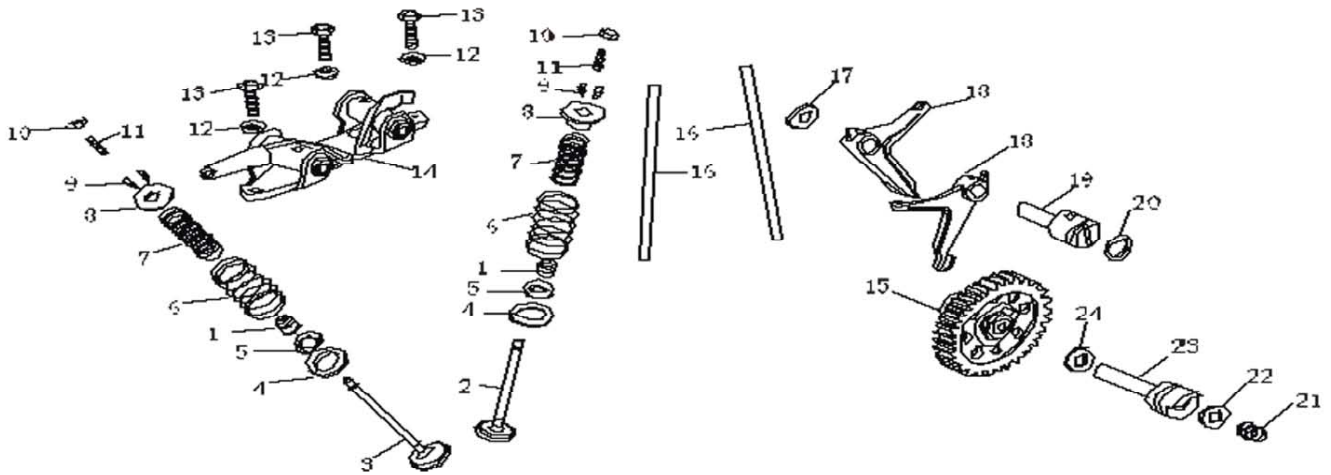


TABLE COLOR	TABLE WIRE				TABLE WIRE			
	Nr. Wire	Section	Color	Conn.	Nr. Wire	Section	Color	Conn.
B — BLACK	1	0.75	G/B	12/14/18/20/30/GND	25	2	B	13-11-GND
BL — BLUE	2	0.75	L	21-25	26	2	Y	13-20
BR — BROWN	3	0.75	R/B	19-20	27	2	P	13-20
BS — BLUE SKY	4	0.75	B/W	12-14-19	28	2	R	13-27
G — GREEN	5	0.75	BL/W	12-15	29	0.75	O	5-KEY+
GL — GREEN LIGHT	6	0.75	GR	5-15	30	0.75	O	10-KEY+
GR — GREY	7	0.75	W/BL	18-20-30	31	0.75	GL	10-15
L — LILAC	8	0.5	BR	4-7	32	0.75	O	17-32-KEY+
O — ORANGE	9	0.5	G	4-6	33	0.75	BL/R	12-17-23
P — PINK	10	0.75	W	9-15	34	1.5	R	13-14
R — RED	11	0.75	BL	9-15	35	1.5	O	12-14-15
W — WHITE	12				36	0.75	BR/W	8-12-23
Y — YELLOW	13	0.5	B	1-GND	37	0.75	B	8-GND
	14	0.5	O	2-KEY+OR WIRE 35	38	0.75	B	23-GND
	15	0.75	Y/G	3-11-18-COIL	39	0.75	B	15-GND
	16	0.5	B	4-GND	40	0.75	B	9-GND
	17	0.5	BL	4-15	41	0.75	B	6-GND
	18	0.75	BR	7-15-29	42	0.75	B	7-GND
	19	0.5	O	4-KEY+	43	0.75	B	29-GND
	20	0.5	BR/W	4-12	44	0.75	B	29-GND
	21	0.5	L	4-25	45	12	B	16-26
	22	0.75	G	4-6-15-29	46	12	R	16-24
	23	0.75	Y/R	12-22	47	12	R	27-28
	24	0.75	W/R	15-22-25				



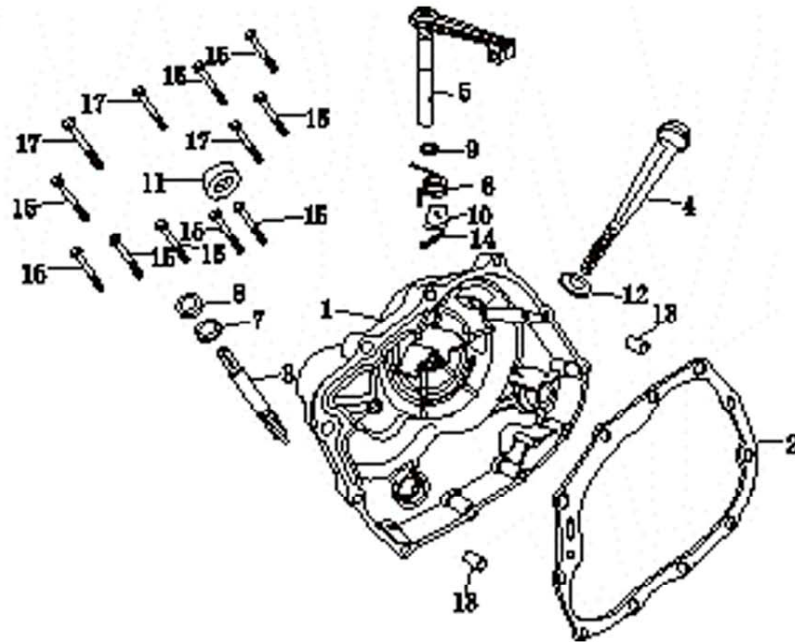
Nº	DESCRIPCION / DESCRIPTION		Cant.
1	CYLINDER HEAD COVER	102231-I200-00	1
2	BOLT M6*28	SA0628-DL	3
3	BOLT M6*12	SB0612-DL	1
4	WASHER	T21900-061320	1
5	WASHER,CYLINDER COVER	102249-I200-00	1
6	BOLT M6*20	SB0620-DL	2
7	STUD	Z20616-ABZ	2
8	INLET PIPE	MP120716131	1
9	O-RING	T51150-300335	1
10	BOLT M8*78	T11218-208078	1
11	WASHER	081825	1
12	CYLINDER HEAD	102210-I200-00	1
13	STUD	T14314-206021	2
14	SPARK PLUG	305300-I100-00	1
15	GUIDE,EX.VALVE	102215-I200-00001	1
16	GUIDE,IN VALVE	102214-I200-00001	1
17	O-RING	T51150-180100	2
18	BOLT M6*12	102246-I200-00	4
19	WASHER	T22721-I02005	4
20	GASKET,CYLINDER	102299-1200-00	1
21	PIN	T41100-010200	2
22	O-RING	T51150-160100	1
23	BOLT M6*25	SB0625-DL	2
24	CYLINDER BODY COMP	102110-I200-00	1
25	CYLINDER GASKET	102199-I200-00	1
26	NUT	M10600-DL	2

GAS GAS *Motor 1*



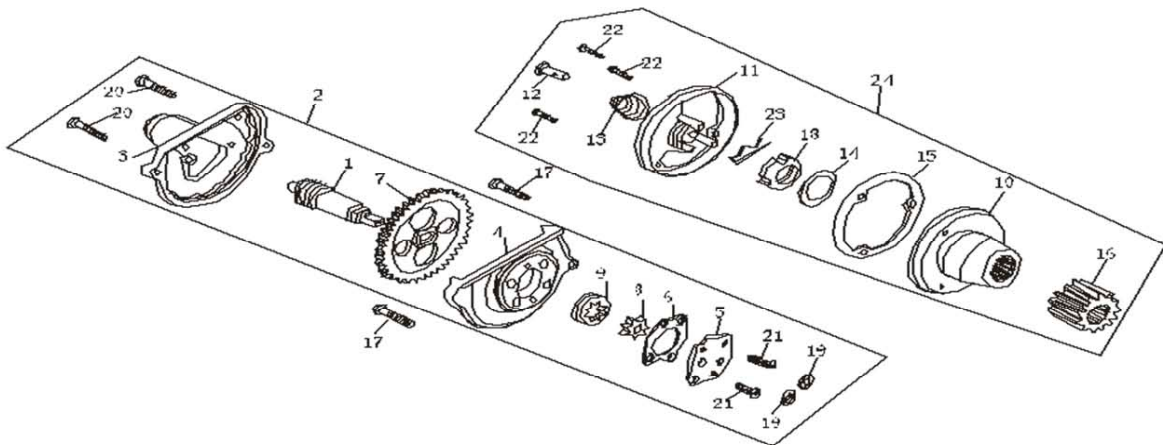
Nº	DESCRIPCION / DESCRIPTION		Cant.
1	SEALV. ALVE STEM	104399-1100-00	2
2	INLET VALVE	104311-1200-00	1
3	OUTLET VALVE	104312-1200-00	1
4	OUTER,SPRING SEAT VALVE	104396-1100-00	2
5	INNER SPRING SEAT VALVE	104395-1100-00	2
6	OUTER SPRING	104322-1200-00	2
7	INNER SPRING	104321-1200-00	2
8	SPRING SEAT VALVE	104397-1200-00	2
9	LOCK PLATES	104398-1200-00	4
10	ADJUSTING NUT,VALVE CLEARANDE	104414-1200-00	2
11	ADJUSTING SCREW,VALVE CLEARANCE	104413-1200-00	2
12	WASHER	T21104-081825	3
13	BOLT M8*28	S60828-YH	3
14	ROCKER ARM COMP	104410-1200-00	1
15	CAM SHAFT COMP	104110-1200-00	1
16	PUSH LEVER COMP	104150-1200-00	2
17	WAVE WASHER	102186-1200-00	1
18	LOWER ROCKER	104430-1200-00	2
19	SHAFT,LOWER ROCKER	104439-1200-00	1
20	O-RING2.5*17	T51150-250170	1
21	SPRING	104113-1200-00	1
22	O-RING2.5*20	T51150-250200	1
23	SHAFT	104114-1200-00	1
24	THRUST WASHER12*20*2	T21904-122020	1

GAS GAS *Motor 2*



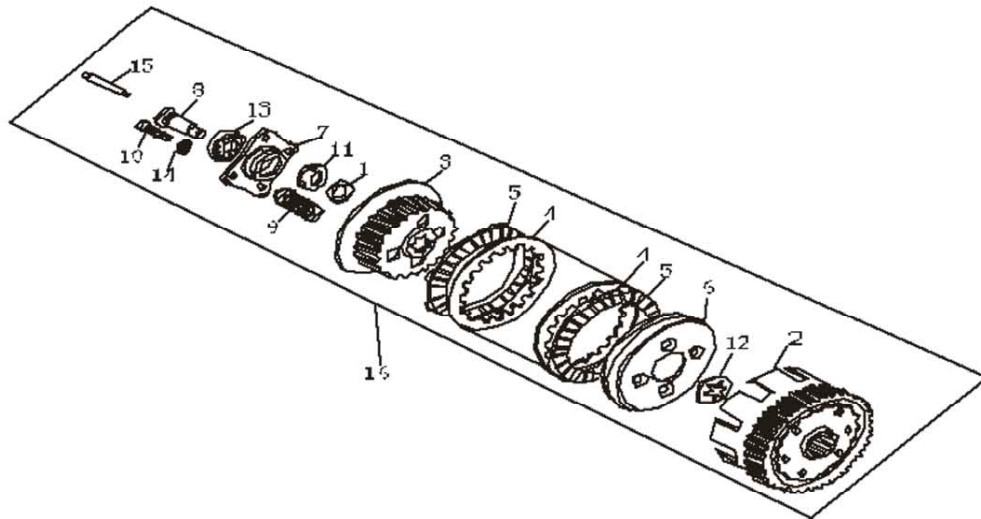
Nº	DESCRIPCION / DESCRIPTION		Cant.
1	R.CRANKCASE COVER	101411-I200-600	1
2	GASKET,R.CRANKCASE COVER	101499-I200 - 00	1
3	SHAFT, ENGINE OUTPUT	102292I20000	1
4	OIL-RULER	105301-I200-00	1
5	CLUTCH LEVER	106310-I200-00	1
6	CLUTCH LEVER ASSY	106321-I200-00	1
7	CLUTCH LEVER SPRING	T22721-6A1410	1
8	OIL SEAL 12*22*25	102291-I100-00	1
9	OIL SEAL 6.5*14.5*7	T51550-190068	1
10	OIL SEAL 16*28*7	109397-I100-00	1
11	CLUTCH SEPERATING CAM	106322-I200-00	1
12	O-RING	105302-I100-00	1
13	POSITION PIN	T41100-008140	2
14	COTTER PIN		1
15	BOLT M6*25		9
16	BOLT M6*35		2
17			1

GAS GAS Motor 3

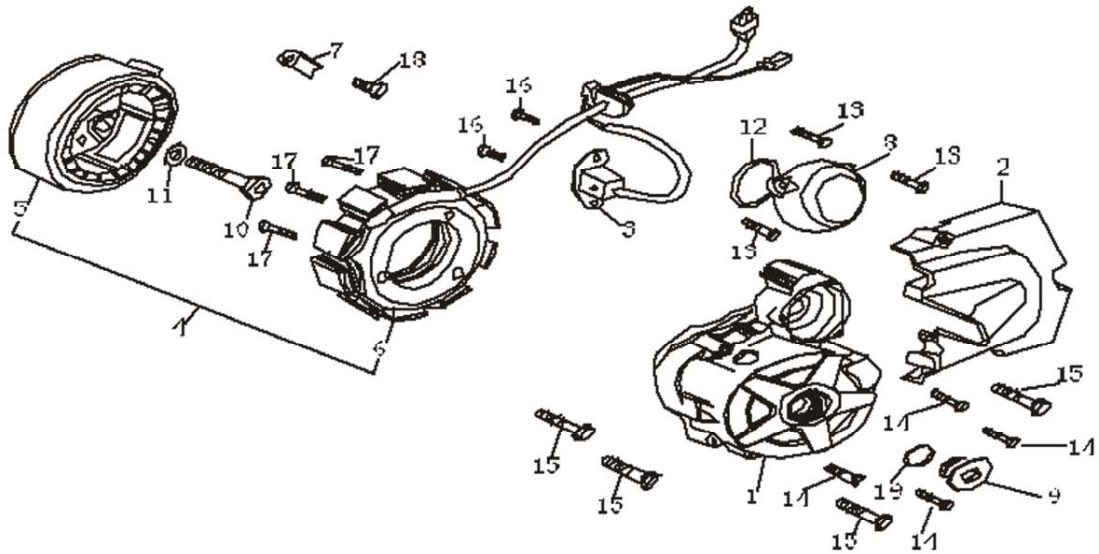


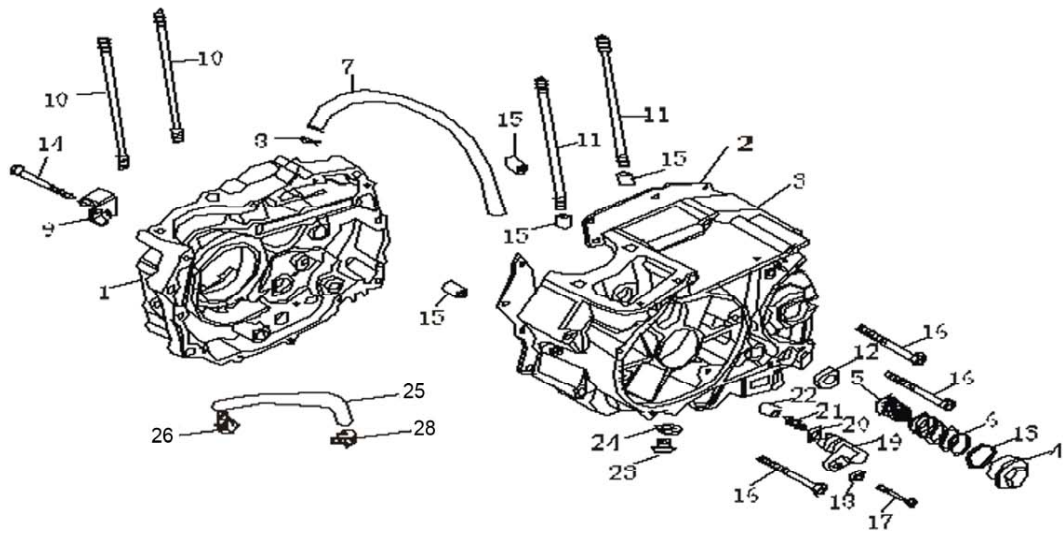
Nº	DESCRIPCION / DESCRIPTION		Cant.
1	TACHOMETER DRIVEN GEAR	105105-1200	1
2	OIL PUMP ASSY	105100-1200	1
3	COVER, OIL PUMP GEAR	105106-1200	1
4	OIL PUMP CASE	105101-1200	1
5	OIL PUMP COVER	105117-1200	1
6	GASKET,OIL PUMP	105107-1200	1
7	DRIVE GEAR,OIL PUMP	105104-1200	1
8	LNNER ROTOR,OIL PUMP	105102-1200	1
9	OUTER ROTOR,OIL PUMP	105103-1200	1
10	ROTOR,OIL FILTER	105221-1100	1
11	COVER,OIL FILTER	105223-1100	1
12	EX.OIL TUBE	105224-1100	1
13	EX.OIL TUBE	105225-1100	1
14	SPRING,EX.OIL TUBE	106296-1100	1
15	WASHERGASKET,OIL FILTER COVER	105286-1100	1
16	PRIMARY DRIVE GEAR	106101-1200	1
17	SCREW M4x12	D30630	2
18	O-RING	106296-1100	1
19	O-RING9.4x2.4	T51110-240094	2
20	SCREW M5x20	S60520	2
21	SCREW M4x12	D30412	2
22	SCREW M5x12	D30512	3
23	COTTER PIN	X00216	1
24	OIL FILTER COMP		1

GAS GAS **Motor 4**

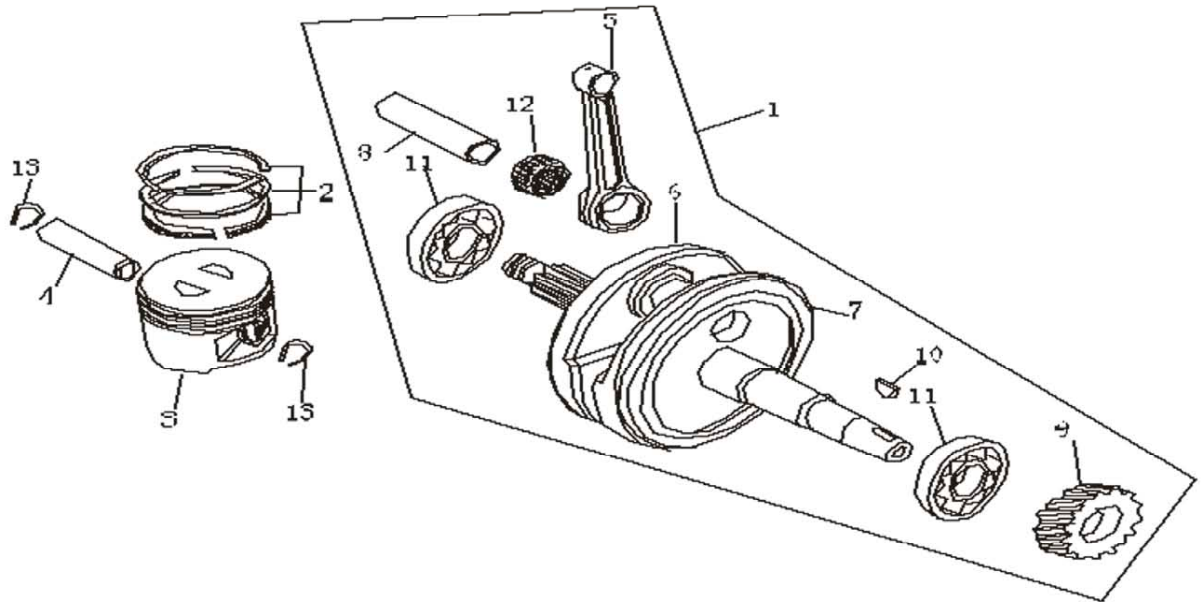


Nº	DESCRIPCION / DESCRIPTION		Cant.
1	CLUTDH COMP	T2382-162720	1
2	COVER ASSY, CLUTCH	106212-I200-00	1
3	CLUTCH CENTER PIECE	106230-I200	1
4	FRICTION PLATE, DRIVE	106233-I200	5
5	FRICTION PLATE, DRIVEN	106234-I200	4
6	CLAMP PLATE	106235-I200	1
7	LIFT PLATE	106247-I200-00	1
8	TAPPET	106239-I200	1
9	SPRING,CLUTCH	106237-I100	4
10	BOLT	S60622	4
11	NUT	106296-I100-00	1
12	SPLINE WASHER MAIN AXLE	T25721-203726	1
13	BEARING,CLUTCH COVER	C0-16001	1
14	WASHER 6	T22721-202705	4
15	ASLE SLEEVE,SEPARATING	106299-I200	1
16	CLUTCH COMP		1



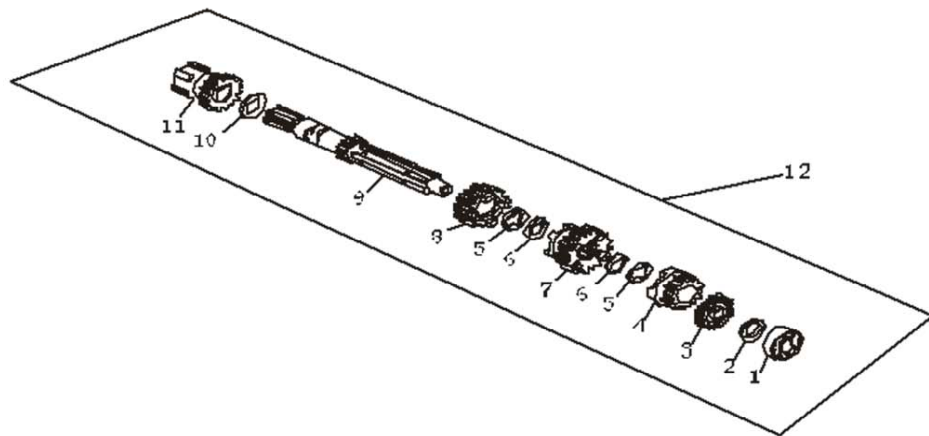


Nº	DESCRIPCION / DESCRIPTION		Cant.
1	R.CRANKCASE ASSY	101210-I200	1
2	GASKET,CRANKCASE	101199-I200	1
3	L.CRANKCASE ASSY	101110-I200	1
4	SCREW COVER	102294-I100	1
5	FILTER ELEMENT COMP	105211-I100	1
6	SPRING,OIL FILTER ELEMENT	105212-I100	1
7	BREATH PIPE	105401-I100-10	1
8	CLAMP	105403-I100	1
9	CLUTSH CABLE STAND	106399-I200-00	1
10	STUDA	101193-I200	2
11	STUDB	101194-I200	2
12	OIL SEAL 14*28*7	109397-I100	1
13	O-RING	T51110-300350	1
14	BOLT M6*60	SB0660	1
15	POSITION	T41100-010140	4
16	BOLT M6*50	Sb0650	10
17	BOLT M6*25	D30625	1
18	SEAKING WAHSER	T21900-122015	1
19	PRESSING PIN	104170-I200	1
20	O-RING	T51150-250130	1
21	WPRING	101171-I200	1
22	PIN	104173-I200	1
23	SCREW COVER	105099-F100	1
24	SEAKING WAHSER	T21900-122015	1
25	PIPE		1
26	CLAMP		2



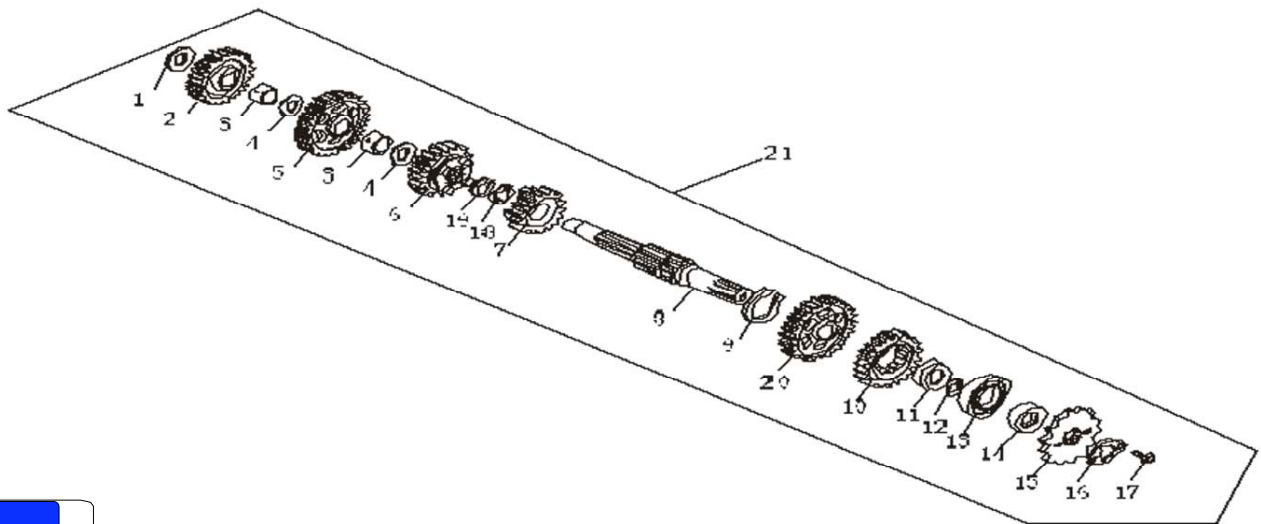
Nº	DESCRIPCION / DESCRIPTION		Cant.
1	CRANKSHAFT PISTON CONNETING ROD COMP	103200-I200-00	1
2	PISTON RING	103120-I200	1
3	PISTON	103101-I200-00	1
4	PISTON PIN	103111-I100-00	1
5	CONNETING ROD	103201-I100	1
6	CRANKSHAFT	103221-I200	1
7	CRANKSHAFT	103211-I200	1
8	CRANK PIN	103251-I100	1
9	CRANKSHAFT TIMING GEAR	103215-I200	1
10	SEMI CIRCLAR KEY	T44210-251445	1
11	CRANKSHAFT ROLLING BEARING	103229-I100	2
12	NEEDLE BEARING	103261-I100	1
13	CIRCLIP,PISTON PIN	103115-I100	2

GAS GAS **Motor 8**

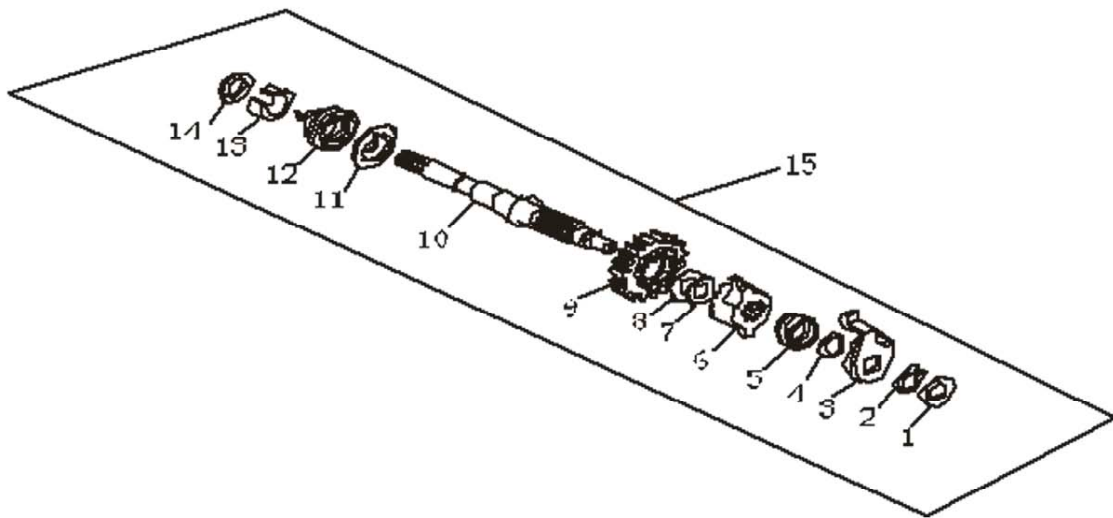


Nº	DESCRIPCION / DESCRIPTION		Cant.
1	BEARING	C1-HK152312	1
2	THRUST WASHER	T2272-152510	1
3	DRIVING GEAR2ND	107121-1100	1
4	DRIVING GEAR5TH	107151-1100	1
5	CIRCLIPGEARSHIFT PLATE	T34821-020012	1
6	CIRCLIP	T24721-2A2616	1
7	DRIVING GEAR4TH	107141-1100	1
8	DRIVING GEAR3RD	107131-1100	1
9	MAINSHAFT,TRANSMISSION	107101-1200	1
10	CIRCLIP	T22721-202705	1
11	STARTING GEAR COMP	107170-1200	1
12	MAINSHAFT,TRANSMISSION ASSY		1

GAS GAS Motor 9

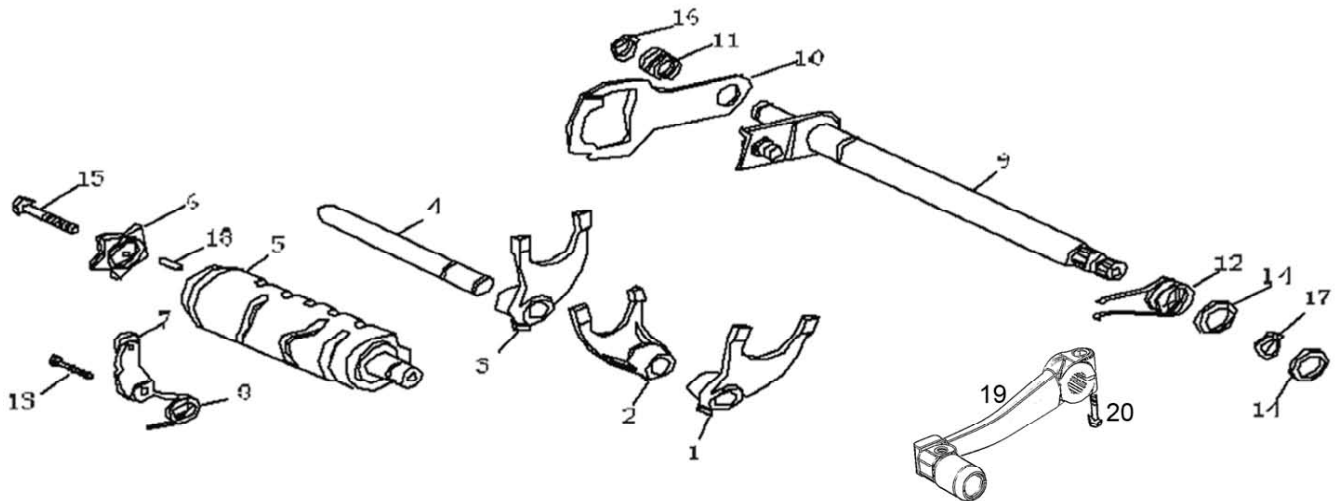


Nº	DESCRIPCION / DESCRIPTION		Cant.
1	CIRCLIP	722721-153010	1
2	STARTING IDLE GEAR	107271-I200	1
3	BUSHST ARTING IDLE GEAR	107272-I100	2
4	THRUST WASHER	722721-162405	2
5	DRIVN GEAR1ST	107211-I100	1
6	DRIVEN GEAR3RD	107231-I100	1
7	DRIVEN GEAR4TH	107241-I100	1
8	COUNTERSHAFT	107201-I100	1
9	SPLINED CLAMP	T24721-2A2616	1
10	DRIVEN GEAR5TH	107251-I200	1
11	OIL SEALCOUNTERSHAFT	107299-I100	1
12	WASHER	T22721-203010	1
13	BEAR	C0-6204	1
14	OIL SEALCOUNTERSHAFT	107299-I100	1
15	DRIVING SPROCKET	107281-I200-00	1
16	FIXTURE PLATE	107282-I100	1
17	BOLT M6	S50610	1
18	WASHER	T22824-162410	1
19	WASHER	A21600	1
20	DRIVEN GEAR2ND	107225-I100-00	1
21	COUNTERSHAFT ASSY		1



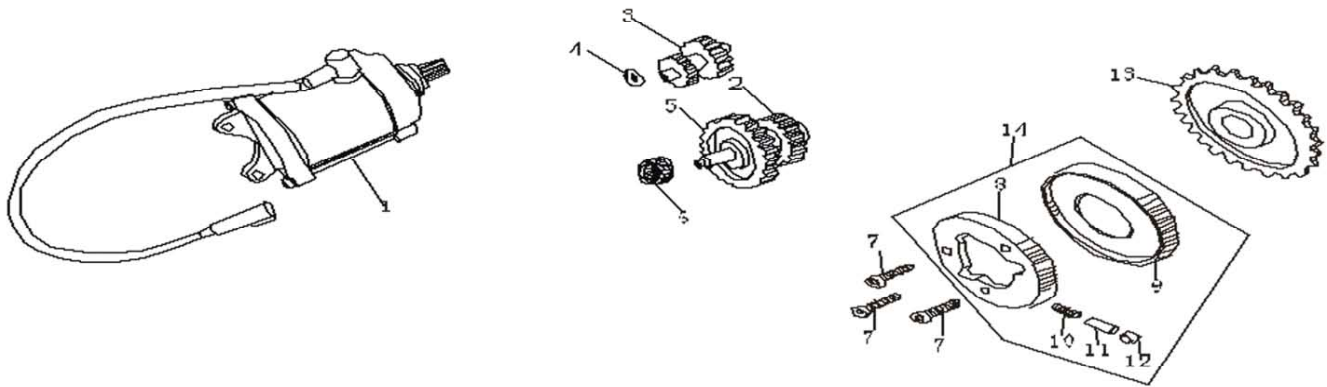
Nº	DESCRIPCION / DESCRIPTION		Cant.
1	WASHER	T22824-162410	1
2	CIRCLIP	A21600	1
3	RATCHET GUIDE PLATE	109320-I200	1
4	RETAINER,KICK SPRING	109399-I200	1
5	SPRINGRA TCHET	109304-I200	1
6	RATCHET,STARTER DRIVE	109303-I200	1
7	SPRINGCIRCLIP	T35721-020120	1
8	THRUST WASHER	T22721-202705	1
9	STARTING GEAR	109302-I200	1
10	SPINDLE,KICK STARTER	109301-I200	1
11	SPRING SEAT	109399-I200	1
12	RETURN SPRINGST ARTOR	109306-I200	1
13	SPRING BUSHING	109322-I200	1
14	THRUST WASHER	A21600	1
15	SPINDLE,KICK STARTER	109300-I200	1

GAS GAS Motor 11



Nº	DESCRIPCION / DESCRIPTION		Cant.
1	FORK1	108131-1100-00	1
2	FORK2	108132-1100-00	1
3	FORK3	108133-1100-00	1
4	FORKSHAFT	108134-1100-00	1
5	SHIFT DRUM	108111-1200-00	1
6	SHIFT CAM	108121-1200-00	1
7	STOPPER LEVER	108150-1200-00	1
8	THRUST SPRING	108199-1200-00	1
9	GEAR SHIFT	108210-1200-00	1
10	GEAR CHANGE PLATE	108214-1200-00	1
11	SPRINGGEAR CHANGE PLA. TE	108235-1100-00	1
12	RUTURN SPRINGGEAR SHIFT	108215-1100-00	1
13	BOLT M6*22	S60622-YH	1
14	PUSH WASHER14*20*0.5	T22721-142005	2
15	BOLT M6*25	S60625-YH	1
16	CIRCLIP 12	A21200-YH	1
17	CIRCLIP 14	A21400-YH	1
18	PIN B 4*10	X20410	1
19	PEDAL CHANGE	MP120736026	1
20	BOLT M6X20	T0206020	1

GAS GAS *Motor 12*



Nº	DESCRIPCION / DESCRIPTION		Cant.
1	STARTING MOTOR	37600-I200-00	1
2	GEAR,STARTING IDLE,BIG	109201-I200-00	1
3	GEAR,STARTING IDLE,SMALL	109202-I200-00	1
4	THRUST WASHER	T22721-102005	1
5	SHAFT	109230-I200-00	1
6	O-RING	C1-HK101410	2
7	SCREW M8*18	D00616-YH	3
8	HOUSINGST ARTING CLUTCH	109111-I200-00	1
9	SIDE COVERST ARTING CLUTCH	109112-I200-00	1
10	SPRING,STARTING CLUTCH ROLLERH	109198-I200-00	3
11	SPRING SLEEVEST ARTING CLUTCH	109199-I200-00	3
12	ROLLERST ARTING CLUTCH	109197-I200-00	3
13	GEARST ARTING CLUTCH	109210-I200-00	1
14	STARTING CLUTCH ASSY	109110-I200-00	1