

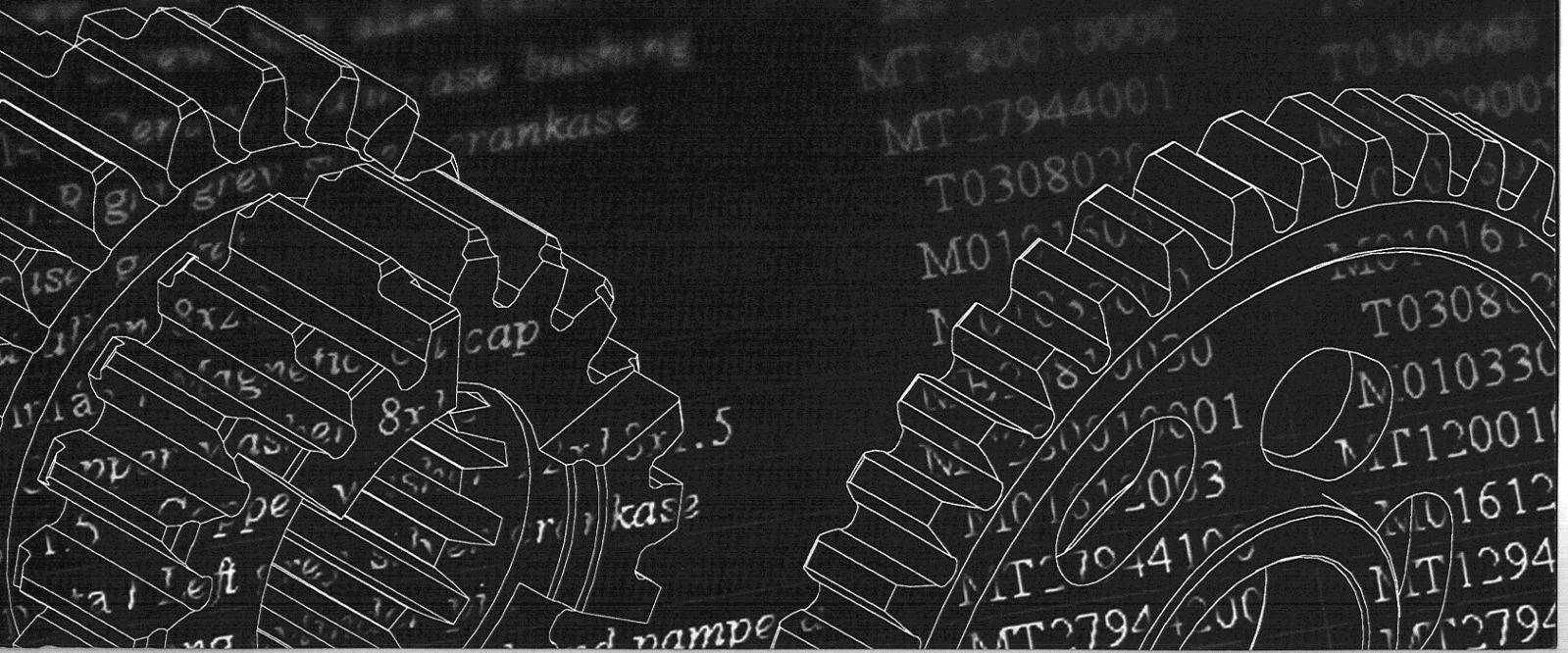
GAS GAS

d e s p i e c e

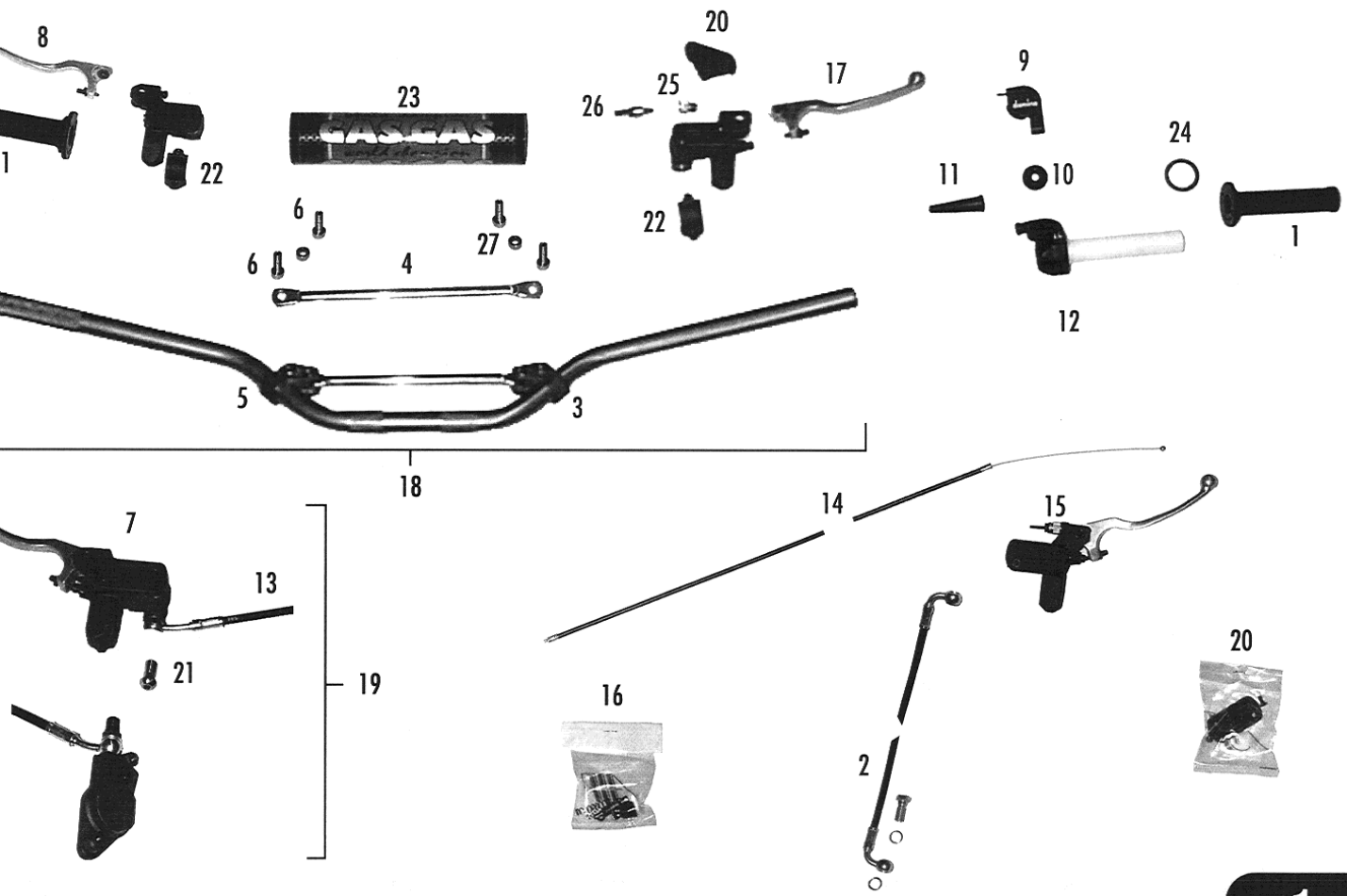
p a r t l i s t

T X T 2 0 0 1

125 / 200 / 249 / 280 / 321 cc.



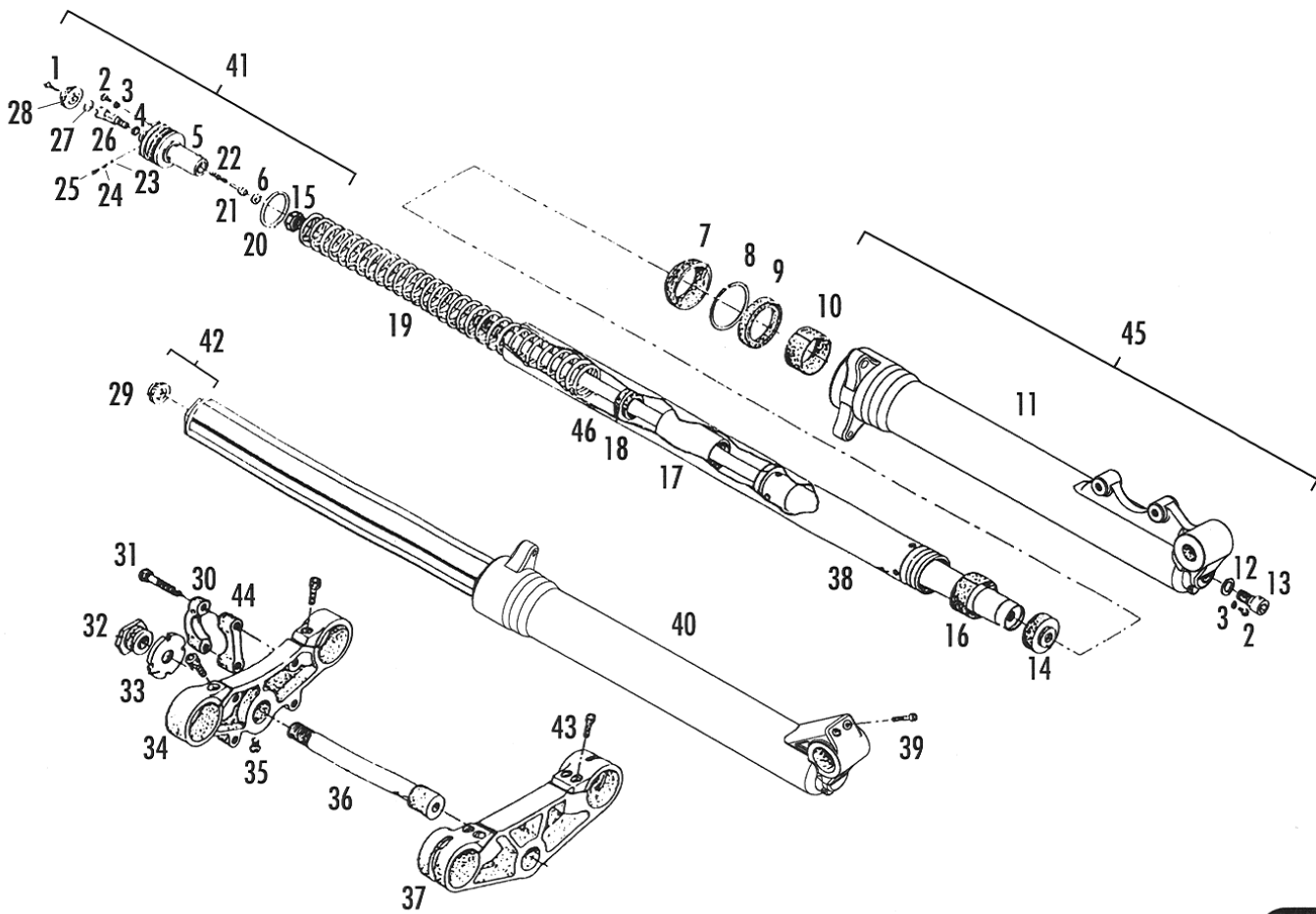
Manillar / Handlebar



| | 280cc. | 125cc. | 200cc. | 249cc. | 321cc. | Cant |
|--|--------------|-------------|-------------|--------------|--------------|------|
| as / Handlebar grip (pair) | BT27936002 | | | | | 1 |
| l. negro / Front brake black hose | BT280022002 | | | | | 1 |
| an. drcho/ Clamp crossbrace H/bar | BT27924015 | | | | | 1 |
| / Crossbrace handlebars | B650003 | | | | | 1 |
| an izq./ Clamp crossbrace H/bar left | BT27924016 | | | | | 1 |
| b. Cart. Susp. / Screw/bolt allen | TO306025 | | | | | 4 |
| hidraulico / Clutch M/CYL | BT280022009 | | | | | 1 |
| hidraulica / Lever clutch short | E200701 | | | | | 1 |
| trial / Lever clutch trial | BT27922040 | | | | | Re |
| Cover twist grip | E140000 | | | | | 1 |
| s / Roller twist grip | E119000 | | | | | 1 |
| gas / Dust cover throttle cable | G600000 | | | | | 1 |
| 676-03 / Cpt. Twist grip 1676-03 | E100001 | | | | | 1 |
| ae negro / Clutch tube black | BT27722003 | | | | | 1 |
| ole throttle 994-96 | BT27924008 | | | | | 1 |
| a. Con inter. / Front brake M/CYL | BT280022008 | | | | | 1 |
| l. y embr. / Kit repair front brake | BT27722208 | | | | | 1 |
| ntero / Lever brake short | R390002PL | | | | | Re |
| / Lever brake trial | BT27922045 | | | | | 1 |
| ot. Pipe steering handle | BT280024001C | BT27724001C | BT27724001C | BT280024001C | BT280024001C | 1 |
| trial / Cpt.clutch M/CYL caliper tube | BT280022005 | | | | | 1 |
| no y emb./ Kit cov. pump brake | BT27722210 | | | | | 1 |
| tig. a bomb/ Screw supp. preasure pipe | BT27722212 | | | | | 2 |
| a AJP / Clamp M/CYL black | BE250022211 | | | | | 2 |
| trial / Trial handlebars protector | BT27824004 | | | | | 1 |
| as / Twist grip washer | BT27922078 | | | | | 1 |
| del. / Front push button brake bushing | BT27922079 | | | | | 1 |
| . / Front push button brake | L300066 | | | | | 1 |
| orte barra / Clamp crossbrace bushing | BT27924011 | | | | | 2 |

Chasis 1

spensión / Front fork



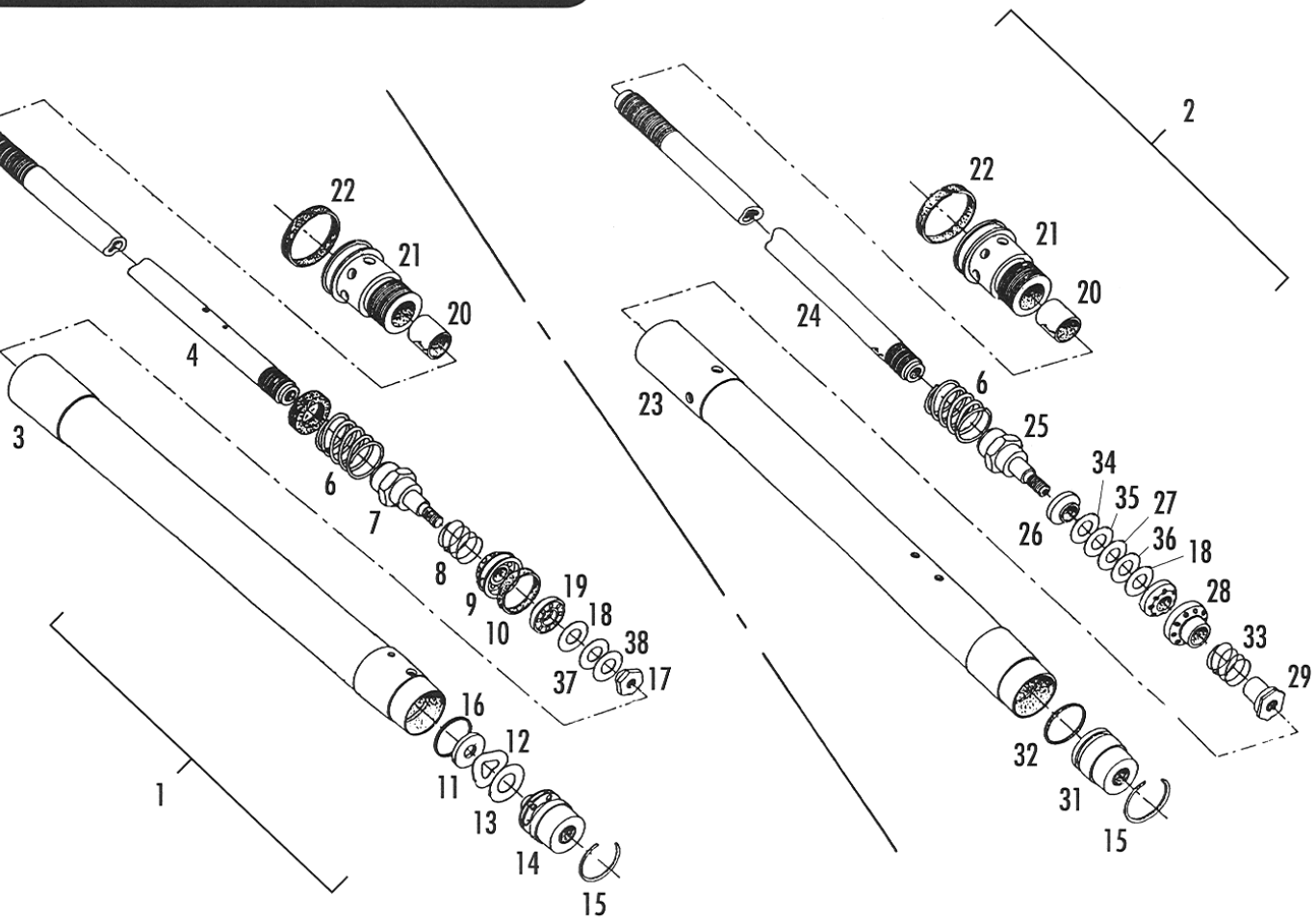
| | 280cc. | 125cc. | 200cc. | 249cc. | 321cc. | Cant. |
|------------------------------------|-------------|--------|--------|--------|--------|-------|
| N 7991 / Cone allen screw | T0403012 | | | | | 2 |
| 5 / Screw bolt DIN 7985 M3x0.5 | T0610305 | | | | | 4 |
| 1.60 / Washer oil drain | ST950200 | | | | | 4 |
| 1.80 / O'ring seal 3.68x1.80 | ST950202 | | | | | 2 |
| n / Front fork cap | BT27914105 | | | | | 2 |
| / Washer adjuster | ST950506 | | | | | 2 |
| ust seal 48 trial-99 | ST950219A | | | | | 2 |
| l / Trial front fork seeger | BT280114211 | | | | | 2 |
| k seal 38x48x10 | ST950220 | | | | | 2 |
| 8x41x20 / Tube glacier bush | ST950213 | | | | | 2 |
| / Left outer tube | BT280114019 | | | | | 1 |
| x / Front fork washer seal | ST950208 | | | | | 2 |
| / Allen 10x25 DIN 92 | TO310025 | | | | | 2 |
| co / Spacer bush | ST950522 | | | | | 2 |
| dra. / Adjuster nut | ST950507 | | | | | 2 |
| 0 / Glacier bush 37x39x20 | ST950212 | | | | | 2 |
| stic pre-load spring | ST950203 | | | | | 2 |
| 9x24x9x33 / Front fork spacer | ST950217 | | | | | 2 |
| ront fork spring | ST950703 | | | | | 2 |
| 5x2 / Front fork o'ring plug | ST950216 | | | | | 2 |
| áulico / Hydraulic adjuster piston | ST950505 | | | | | 2 |
| lico / Spring pressure hydraulic | ST950702 | | | | | 2 |
| co D.03 / Adjuster locating ball | ST950201 | | | | | 2 |
| ra. / Spring adjuster hydraulic | ST950700 | | | | | 2 |
| . DIN916KN 4x4 / Locating pin | ST950904 | | | | | 2 |
| dor / Hydraulic regulator valve | ST950504 | | | | | 2 |
| / Seal top adjuster | ST950701 | | | | | 2 |
| pr. / Adjuster top compression | ST950501 | | | | | 1 |

Chasis 2

| | 280cc. | 125cc. | 200cc. | 249cc. | 321cc. | Cant. |
|-------------------------------|-------------|-------------|-------------|-------------|-------------|-------|
| kt. / Adjuster top return | ST950502 | | | | | 1 |
| Support handlebar clamp | BT27914012 | | | | | 2 |
| M8x55 | T0308055 | | | | | 4 |
| Top steering axle cap | ST950523 | | | | | 1 |
| Under top clamp | BT27910029 | | | | | 1 |
| Triple top (yoke) | ST950300 | | | | | 1 |
| o. fil. / Screw bolt ULS 6x12 | T0506010 | | | | | 1 |
| axle | ST950400 | | | | | 1 |
| Triple clamp (yoke) | ST950800 | | | | | 1 |
| Front fork inner tube | ST950415TI | ST950415 | ST950415 | ST950415TI | ST950415TI | 1 |
| K. / Special allen 6x25 | T0316025 | | | | | 2 |
| ial / Right outer tube | BT280114009 | | | | | 1 |
| Adjusting compression cap | S950103 | | | | | 1 |
| s. / Adjusting return cap | S950104 | | | | | 1 |
| ew bolt allen 8x30 | T0308030 | | | | | 6 |
| Lower handlebar clamp | BT27914013 | | | | | 2 |
| 01/ Trial 2001 suspension set | BT280114000 | BT250114000 | BT250114000 | BT280114000 | BT280114000 | 1 |
| . / Axle com. shock absorber | ST950509 | | | | | 1 |

Chasis 2

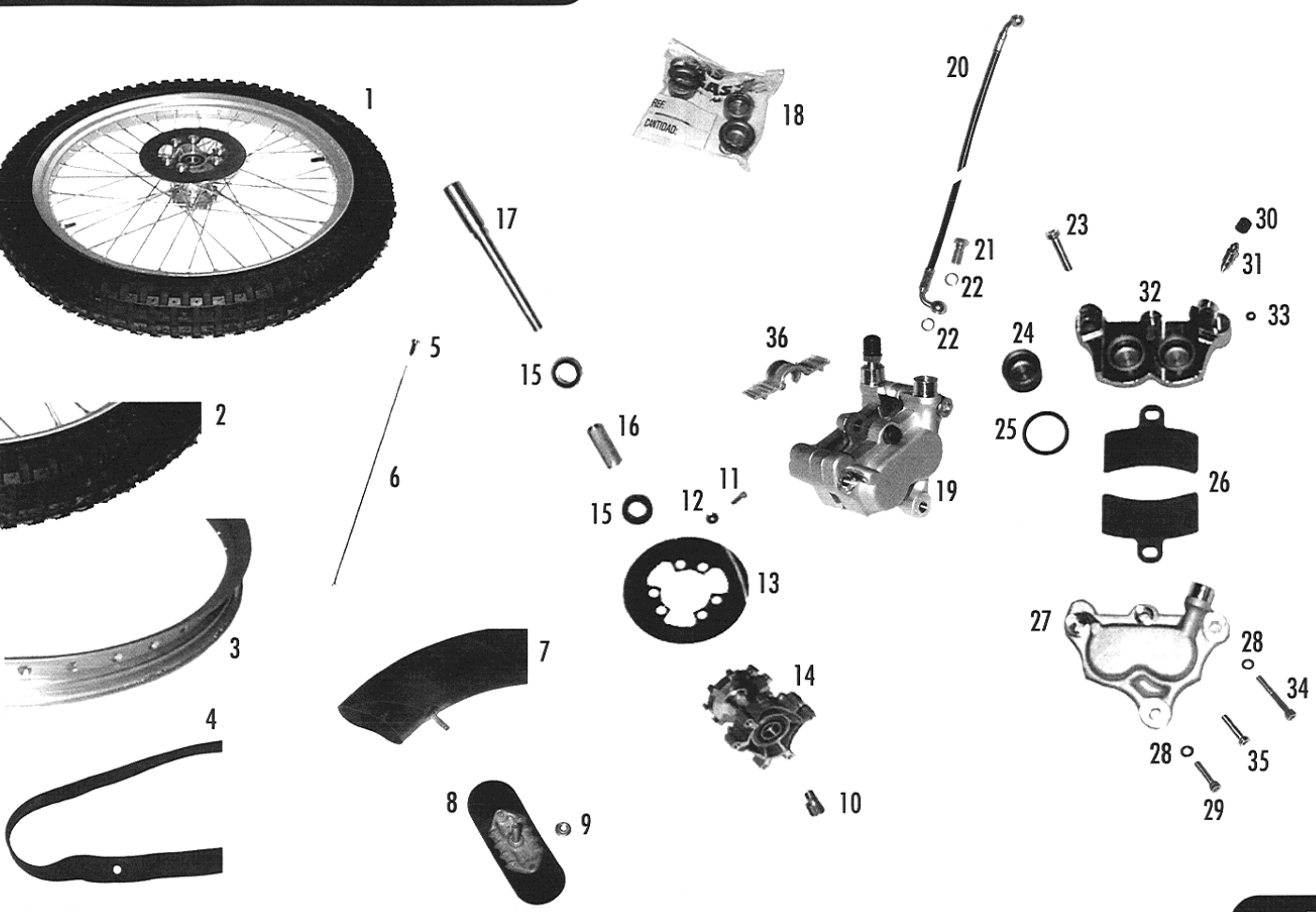
suspensión / Front fork



| | 280cc. | 125cc. | 200cc. | 249cc. | 321cc. | Cant |
|----------------------------------|-------------|--------|--------|--------|--------|------|
| / Comp.Hydraulic damper return | S950100 | | | | | 1 |
| / Comp.hydraulic damper compr. | S950101 | | | | | 1 |
| ext./ Tube hydra. damper return | BT27914124 | | | | | 1 |
| Extensión / Damper rod return | BT27914116 | | | | | 1 |
| Spring top out return | ST950714 | | | | | 2 |
| . D.2 / Valve assy return | ST950512 | | | | | 1 |
| 5x15x0.5/ Spring valve control | BT27914147 | | | | | 2 |
| Extensión / Control valve return | ST950517 | | | | | 1 |
| 20.4x22.4 / Nylon seal damp rod | ST950205 | | | | | 1 |
| exten 2.5 / Washer valve return | ST950710 | | | | | 1 |
| 20x0.1 / Washer shim | ST950709 | | | | | 1 |
| reglaje / Washer valve regulator | ST950708 | | | | | 1 |
| End cap damper assy | ST950521 | | | | | 1 |
| / Clip damper | ST950711 | | | | | 2 |
| O'ring damper | ST950207 | | | | | 1 |
| a exten. / Nut damper rod return | ST950519 | | | | | 1 |
| 1x17x0,1 / Washer shim damper | ST950704 | | | | | 2 |
| /valve assy, return | BT280014161 | | | | | 1 |
| freno-sus. / Glacier bush | ST950210 | | | | | 2 |
| o / Top valve | ST950510 | | | | | 2 |
| 29x33.3x5 / Seal piston nylon | ST950204 | | | | | 2 |
| compres. / Tube damper assy | ST950403 | | | | | 1 |
| ón / Rod damper compresion | BT27914117 | | | | | 1 |
| mp. / Valve assy, compresion | ST950511 | | | | | 1 |
| compre. / Top valve assy compre. | ST950513 | | | | | 1 |
| 1x16x0.15 / Adjusting washer | ST950715 | | | | | 1 |
| Compres. / Valve compresion | ST950515 | | | | | 1 |
| compre. / Nut valve assy compre. | ST950516 | | | | | 1 |
| / Valve compresion | BT280014160 | | | | | 1 |
| mpresión / Top valve compresion | ST950520 | | | | | 1 |
| 7x1.78 / O-ring | ST950206 | | | | | 1 |
| a 14x15x1 / Valve close spring | BT27914147 | | | | | 1 |

Chasis 3

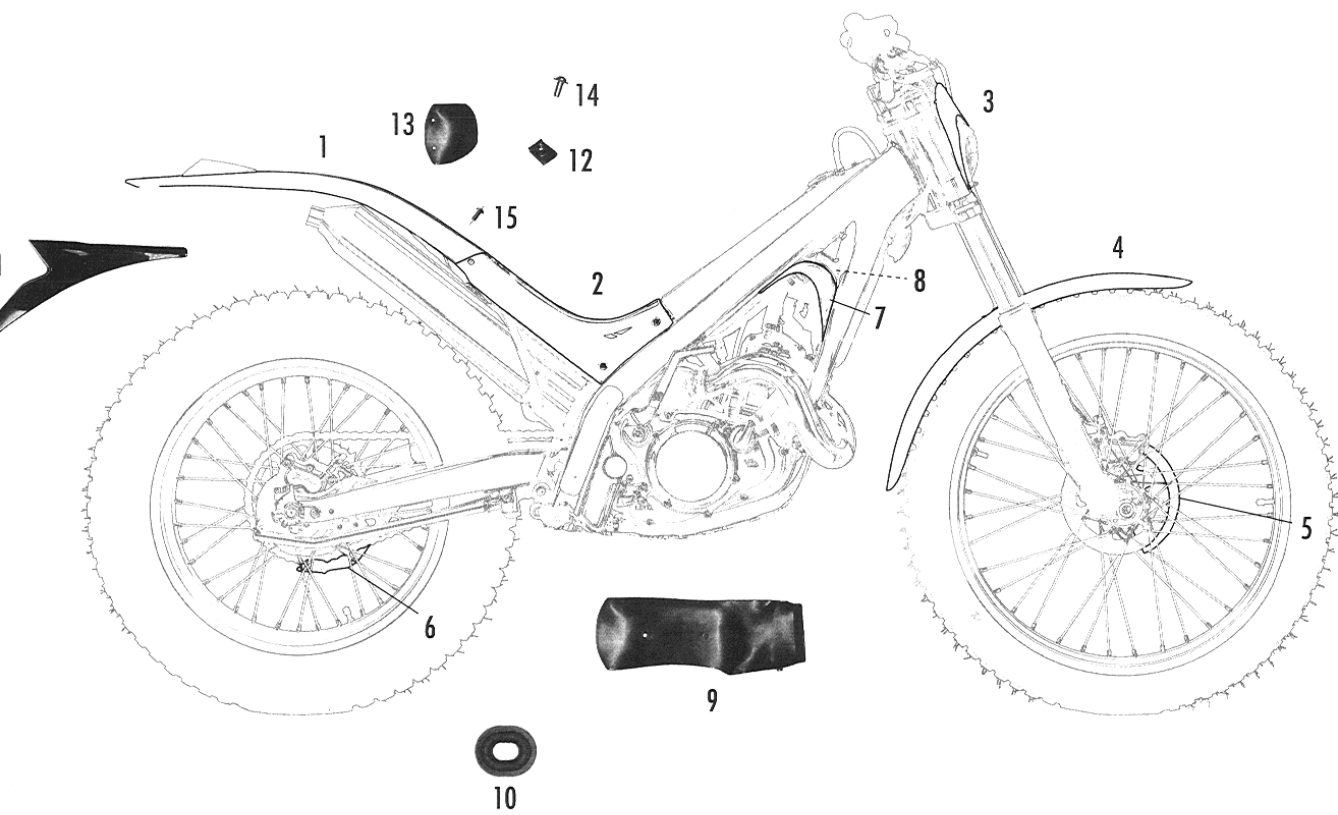
rueda delantera / Front wheel



| | 280cc. | 125cc. | 200cc. | 249cc. | 321cc. | Cant. |
|--------------------------------|-------------|--------|--------|--------|--------|-------|
| / Front wheel 99 set | BT27918000 | | | | | 1 |
| 21 / Tyre, front | N140000 | | | | | 1 |
| / Rim front trial 99 | BT27718006 | | | | | 1 |
| tico 2,75x21 / Flap tyre | N100000 | | | | | 1 |
| da del./Nut spoke front wheel | BT27718001 | | | | | 36 |
| antera / Front wheel spoke | BT27718009 | | | | | 36 |
| 21 / Tube front | N120000 | | | | | 1 |
| 25618027 / Clamp tyre | R120000 | | | | | 1 |
| / Flange nut M8 | BE25818060 | | | | | 6 |
| 99 / Front wheel spacer 99 | BT27718018 | | | | | 1 |
| sc.del./Hexa. screw disc front | T0208007 | | | | | 6 |
| 2x6 / Distance-Spacer special | BT27918019 | | | | | 1 |
| 85 / Brake disk front | BT27922011 | | | | | 1 |
| al 99 / Hub rear trial 99 | BT27718007 | | | | | 1 |
| earing | C160001 | | | | | 2 |
| ntero / Spacer, int. Hub front | BT27718051 | | | | | 1 |
| le front wheel | R550103 | | | | | 1 |
| s. /Kit rear and front caliper | BT27922201 | | | | | 1 |
| pt. front caliper | BT27922000 | | | | | 1 |
| ro / Front brake tube black | BT280022002 | | | | | 1 |
| el./ Screw-bolt pressure hose | R320000 | | | | | 1 |
| sher | BT27922072 | | | | | 2 |
| en screw | TO318035 | | | | | 1 |
| ton | BT27922069 | | | | | 4 |
| uido freno) / Seal | BT27922052 | | | | | 4 |
| a / Brake pad sint. | BT280022065 | | | | | 2 |
| Semi calip. front with support | BT27922066 | | | | | 1 |
| asher | T4008017 | | | | | 2 |
| Inf./ Screw front brake inf. | BT280022071 | | | | | 1 |
| bleeder | BT27922055 | | | | | 1 |

Chasis 4

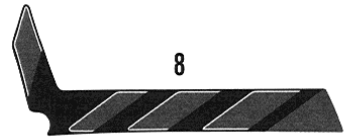
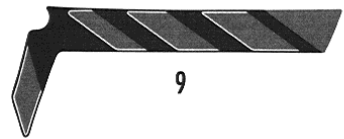
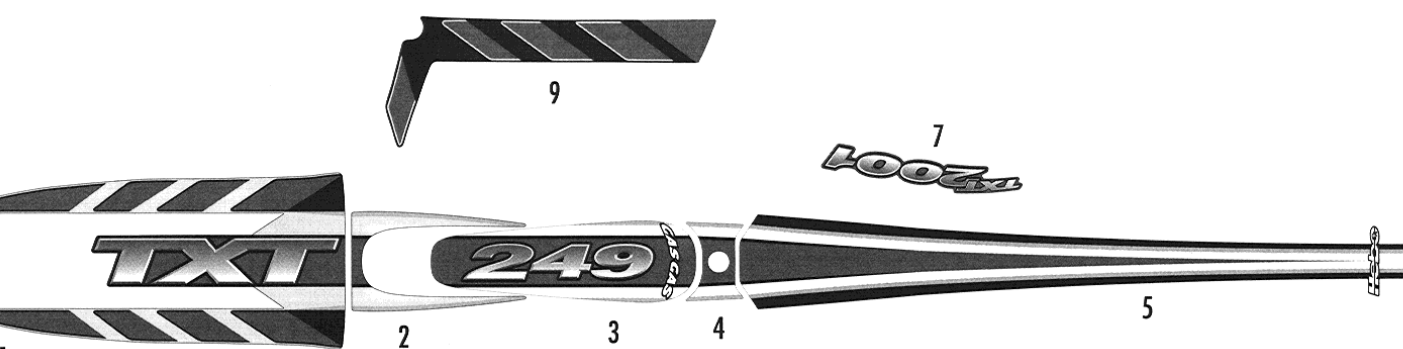
Plásticos / Plastics



| | 280cc.(red) | 125cc. | 200cc. | 249cc. (red) | 321cc. | Cant. |
|-----------------------------------|---------------------|---------------|---------------|----------------------|---------------|--------------|
| / Rear fender | BT280120007 | BT200120007 | BT200120007 | BT280120007 | BT320120007 | 1 |
| 1 2001/ Seat structure | BT280110019 | BT200110019 | BT200110019 | BT280110019 | BT320110019 | 1 |
| y | BT280120020 | BT200120020 | BT200120020 | BT280120020 | BT320120020 | 1 |
| fender | BT280120006 | BT200120006 | BT200120006 | BT280120006 | BT320120006 | 1 |
| . / Front brake protector | BT280120045 | | | | | 1 |
| ar brake protector | BT280128012 | | | | | 1 |
| er side right | BT280120012 | BT200120012 | BT200120012 | BT280120012 | BT320120012 | 1 |
| r side left | BT280120013 | BT200120013 | BT200120013 | BT280120013 | BT320120013 | 1 |
| hock absorber protector | BT280020008 | | | | | 1 |
| d./ Rubber fender rear | BT280020102 | | | | | 2 |
| ado / License plate holder | BT280120003 | | | | | 1 |
| at M6 | T2606000 | | | | | 1 |
| / Air filter box protector | BT280128028 | | | | | 1 |
| egro / Black ULS 6x14 with washer | T0556014N | | | | | 1 |
| tic rivet | T4503270 | | | | | 4 |
| | 280cc.(blue) | | | 249cc. (blue) | | |
| / Rear fender | BT320120007 | | | BT320120007 | | 1 |
| 1 2001/ Seat structure | BT320010019 | | | BT320010019 | | 1 |
| y | BT320120020 | | | BT320120020 | | 1 |
| fender | BT320120006 | | | BT320120006 | | 1 |
| . / Front brake protector | BT280120045 | | | BT280120045 | | 1 |
| ar brake protector | BT280128012 | | | BT280128012 | | 1 |
| er side right | BT320120012 | | | BT320120012 | | 1 |
| r side left | BT320120013 | | | BT320120013 | | 1 |
| hock absorber protector | BT280020008 | | | BT280020008 | | 1 |
| d./ Rubber fender rear | BT280020102 | | | BT280020102 | | 1 |
| ado / License plate holder | BT280120003 | | | | | 1 |

Chasis 5

Adhesivos / Stickers



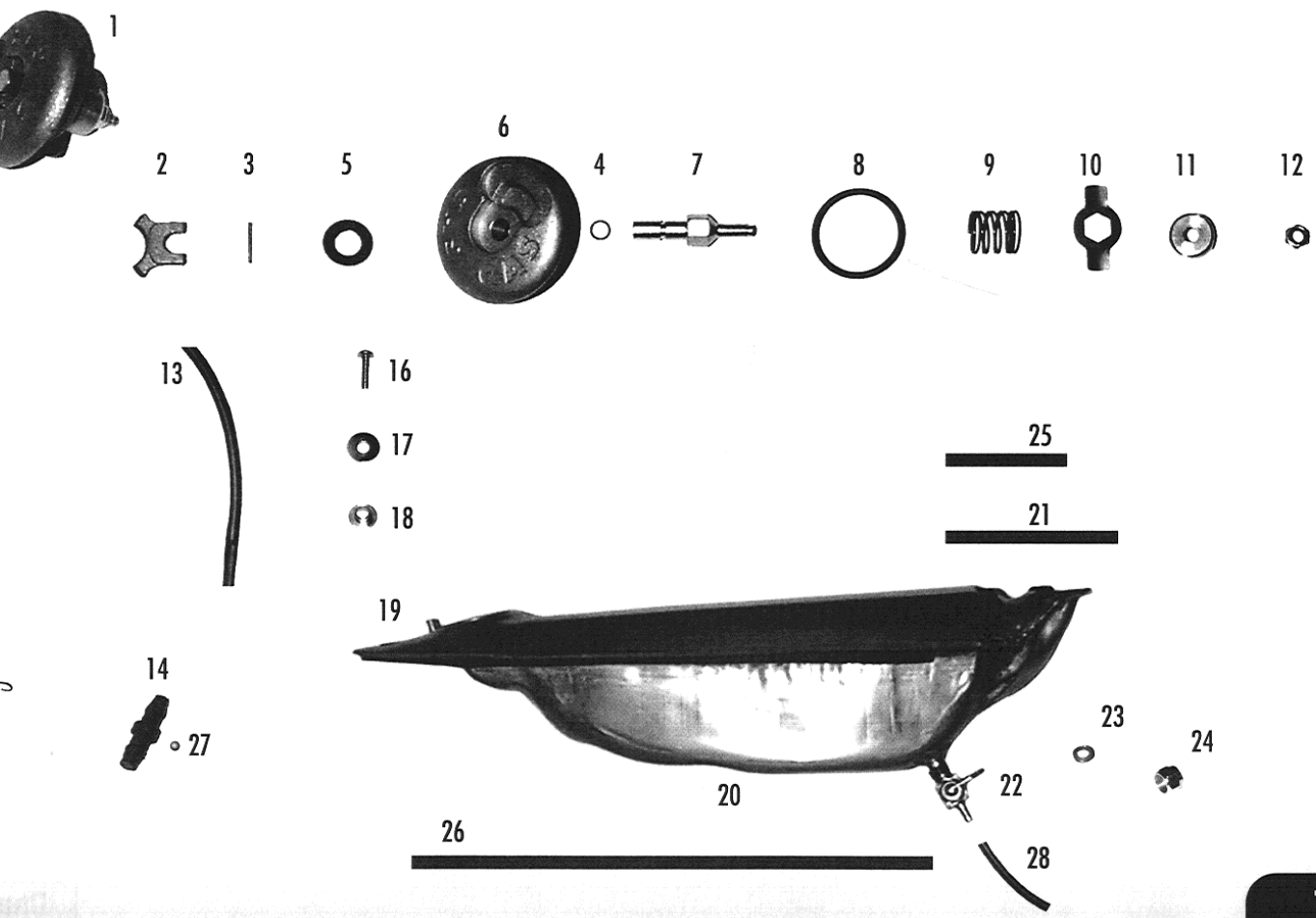
| | 280cc.(red) | 125cc. | 200cc. | 249cc. (red) | 321cc. | Cant. |
|---------------------------------------|-------------|-------------|-------------|--------------|-------------|-------|
| al / Fuel tank main sticker | BT280138022 | BT200138022 | BT200138022 | BT280138022 | BT320138022 | 1 |
| / Front seat sticker | BT280138034 | BT200138034 | BT200138034 | BT280138034 | BT320138034 | 1 |
| icker | BT280110015 | BT120110015 | BT200110015 | BT250110015 | BT320110015 | 1 |
| n / Rear seat sticker | BT280138038 | BT200138038 | BT200138038 | BT280138038 | BT320138038 | 1 |
| traseo / Rear fender sticker | BT280138032 | BT200138032 | BT200138032 | BT280138032 | BT320138032 | 1 |
| ros tras. / Left rear fender sticker | BT280138036 | BT200138036 | BT200138036 | BT280138036 | BT320138036 | 1 |
| ros tras. / Right rear fender sticker | BT280138035 | BT200138035 | BT200138035 | BT280138035 | BT320138035 | 1 |
| zq. / Left seat base sticker | BT280138031 | BT200138031 | BT200138031 | BT280138031 | BT320138031 | 1 |
| er. / Right seat base sticker | BT280138030 | BT200138030 | BT200138030 | BT280138030 | BT320138030 | 1 |
| delantero / Front fender sticker | BT280138027 | BT200138027 | BT200138027 | BT280138027 | BT320138027 | 1 |
| / Head light sticker | BT280138001 | BT200138001 | BT200138001 | BT280138001 | BT320138001 | 1 |
| e body sticker | BT280038021 | | | | | 2 |
| Generator cover sticker | BT280138040 | BT200138040 | BT200138040 | BT280138040 | BT320138040 | 1 |
| Generator cover GG sticker | PU000038000 | | | | | 1 |
| l. trasero / Rear fender GG sticker | PU000138001 | | | | | 1 |
| derecha / Right front fork sticker | BT280038043 | | | | | 1 |
| izq. / Left front fork sticker | BT280038042 | | | | | 1 |
| "Unleaded only" sticker | PU000138002 | | | | | 1 |
| n / Pressure clean sticker | PU000138009 | | | | | 1 |
| Warning sticker | PU000038003 | | | | | 1 |
| ickers set | BT280138000 | BT120138000 | BT200138000 | BT250138000 | BT320138000 | 1 |
| tidor / Frame number clear sticker | PU000038005 | | | | | 1 |

Chasis 6

| | 280cc.(blue) . 249cc. (blue) | | Cant. |
|--|------------------------------|--------------|-------|
| ral / Fuel tank main sticker | BT320138022 | BT320138022 | 1 |
| / Front seat sticker | BT320138034 | BT320138034 | 1 |
| icker | BT280110015A | BT250110015A | 1 |
| n / Rear seat sticker | BT320138038 | BT320138038 | 1 |
| traseo / Rear fender sticker | BT320138032 | BT320138032 | 1 |
| rros tras. / Left rear fender sticker | BT320138036 | BT320138036 | 1 |
| rros tras. / Right rear fender sticker | BT320138035 | BT320138035 | 1 |
| izq. / Left seat base sticker | BT320138031 | BT320138031 | 1 |
| der. / Right seat base sticker | BT320138030 | BT320138030 | 1 |
| delantero / Front fender sticker | BT320138027 | BT320138027 | 1 |
| o / Head light sticker | BT320138001 | BT320138001 | 1 |
| e body sticker | BT280038021 | | 2 |
| Generator cover sticker | BT320138040 | BT280138040 | 1 |
| / Generator cover GG sticker | PU000038000 | | 1 |
| d. trasero / Rear fender GG sticker | PU000138001 | | 1 |
| derecha / Right front fork sticker | BT280038043 | | 1 |
| izq. / Left front fork sticker | BT280038042 | | 1 |
| / "Unleaded only" sticker | PU000138002 | | 1 |
| n / Pressure clean sticker | PU000138009 | | 1 |
| Warning sticker | PU000038003 | | 1 |
| ickers set | BT280138000A | BT250138000A | 1 |
| tidor / Frame number clear sticker | PU000038005 | | 1 |

Chasis 6

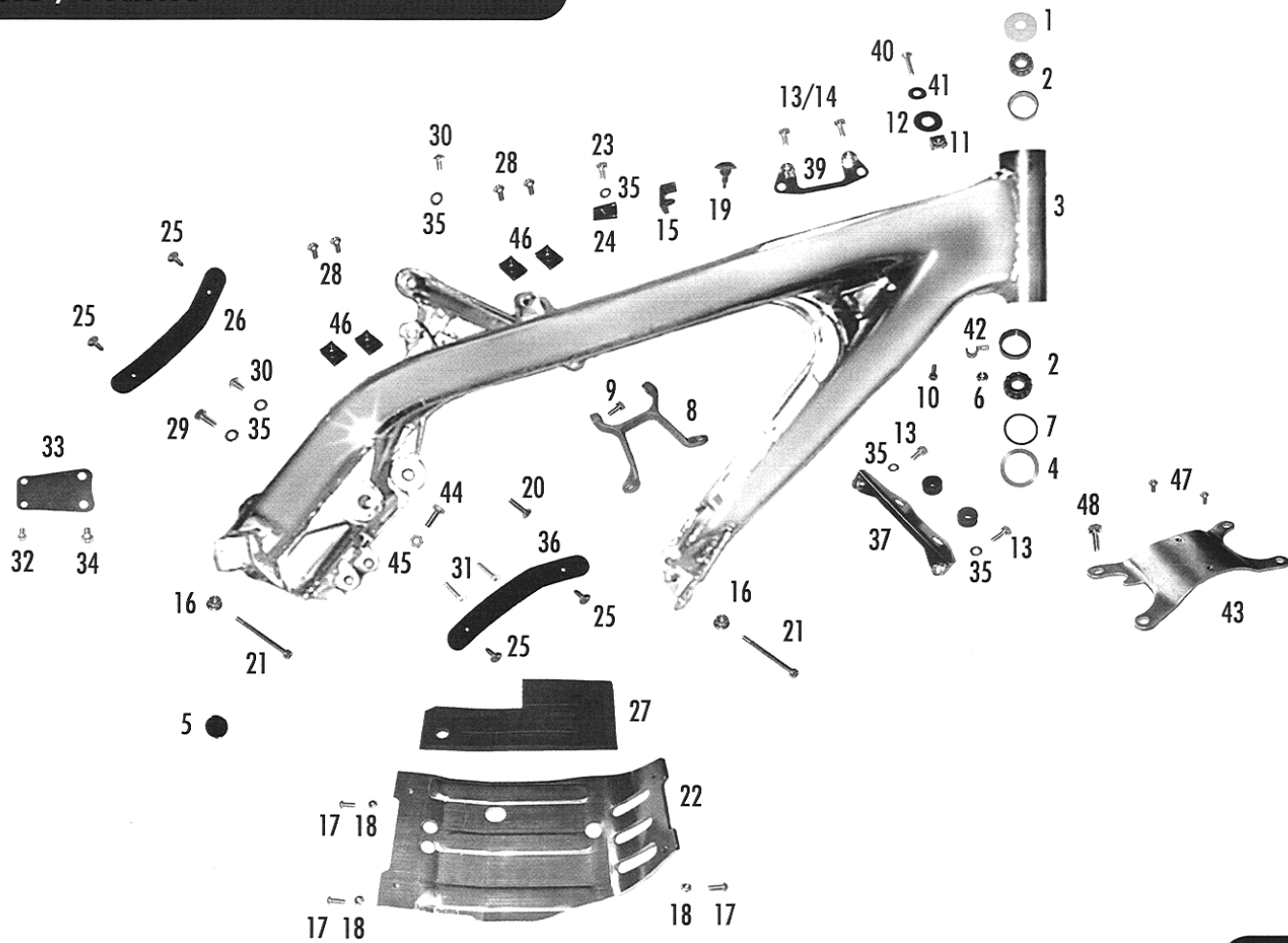
ósito / Fuel tank



| | 280cc. | 125cc. | 200cc. | 249cc. | 321cc. | Cant. |
|-----------------------------------|--------|--------|--------|--------|--------|-------|
| Cpt. Plug, fuel-petrol | | | | | | 1 |
| Close plug tank | | | | | | 1 |
| Pin close plug | | | | | | 1 |
| O'ring axle plug 5x1 | | | | | | 1 |
| Adura / Washer unweat close | | | | | | 1 |
| Ósito / Ext. body plug tank | | | | | | 1 |
| Close plug tank | | | | | | 1 |
| Close o-ring 29x3 | | | | | | 1 |
| Spring plug tank | | | | | | 1 |
| to / Bayonet plug tank | | | | | | 1 |
| Ósito / O-ring press plug tank | | | | | | 1 |
| M5 / Self-locking M5 | | | | | | 1 |
| cm / Tank unsteamer hose | | | | | | 1 |
| ner valve | | | | | | 1 |
| Spring clamp | | | | | | 1 |
| Subj. Dep./ Screw,bolt subj.tank | | | | | | 1 |
| illo / Protector rubber | | | | | | 1 |
| ushing tank | | | | | | 1 |
| Rubber prot. Pressure hose | | | | | | 1 |
| cial | | | | | | 1 |
| 25x10 / Gasket tank, frame | | | | | | 1 |
| ap fuel-petrol c/90 | | | | | | 1 |
| ol Washer tank tap | | | | | | 1 |
| Nut tank tap | | | | | | 1 |
| k10/ Sticker tank gasket | | | | | | 1 |
| asis / Sticker tank gasket, frame | | | | | | 2 |
| izador / Valve ball | | | | | | 1 |
| ose | | | | | | 1 |

Chasis 7

asis / Frame



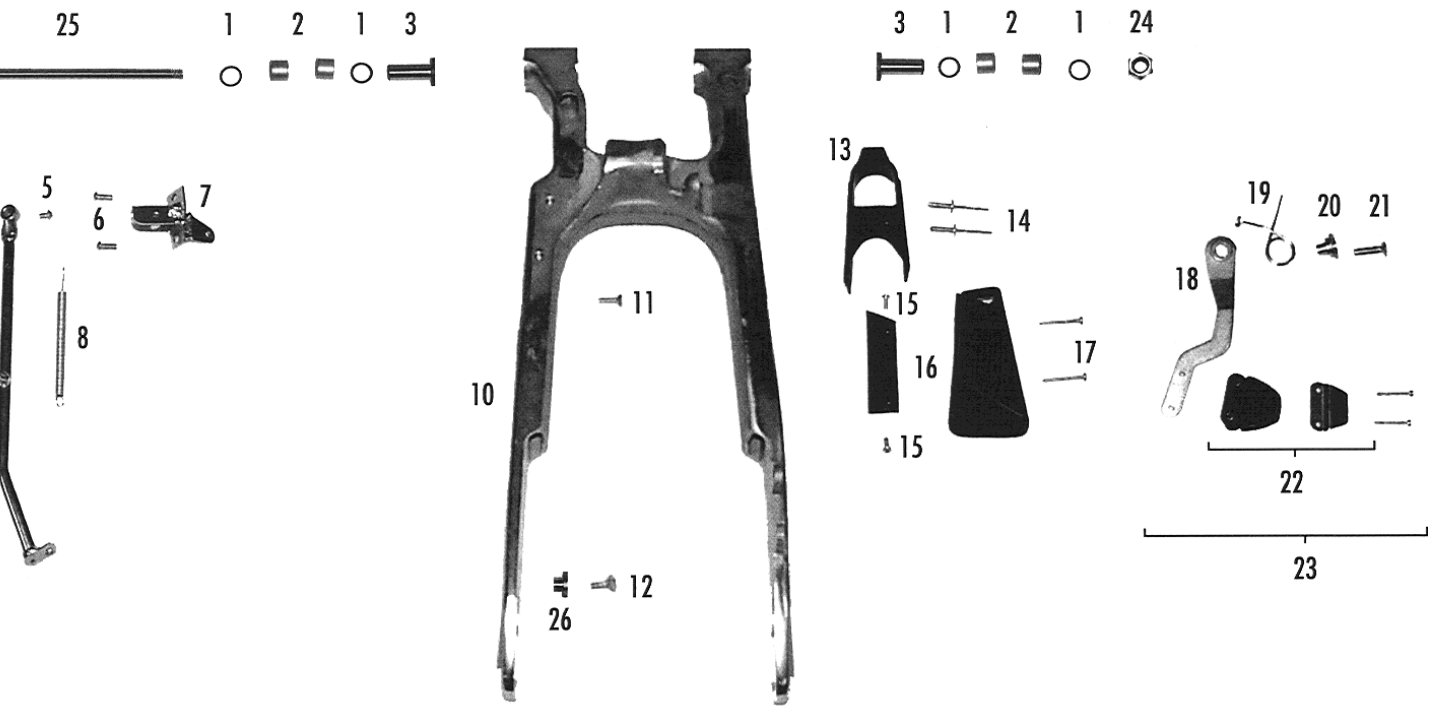
| | 280cc. | 125cc. | 200cc. | 249cc. | 321cc. | Cant. |
|-----------------------------|-------------|----------|----------|------------|------------|-------|
| ión / Seal bearing steering | BT27910026 | | | | | 1 |
| 3 / Bearing steering head | C140100 | | | | | 2 |
| body | BT280110000 | | | | | 1 |
| n zinc / Steering washer | BT280010026 | | | | | 1 |
| g arm cap | G230000 | | | | | 2 |
| / Nut with washer M6 | T2206000 | | | | | 1 |
| g direcc. 34,59x2,62 | C300100 | | | | | 1 |
| cylinder | BT27710050 | | | BT27710050 | BT27710050 | 1 |
| allen 8x16 | T0308016 | | | | | 2 |
| s / Scew, bolt allen 6x16 | T0306016 | | | | | 1 |
| nut | T2005010 | | | | | 1 |
| ate washer | T4001026 | | | | | 1 |
| allen 6x12 | T0306012 | T0306012 | T0306012 | T0306012 | T0306012 | 6 |
| allen 6x20 | T0306020 | | | | T0306020 | 2 |
| o / Rubber protector tank | BT27936026 | | | | | 2 |
| e/ Nut M10 locknut | T2210000 | | | | | 2 |
| ULS 8x20 | T0508020 | | | | | 4 |
| / Nut locknut | T2108002 | | | | | 4 |
| ubber side stand | G410000 | | | | | 2 |
| crew, bolt allen 8x35 | T0408030 | | | | | 1 |
| otor screw, bolt allen | T0310100 | | | | | 2 |
| Plate motor protection | BT27910005 | | | | | 1 |
| allen 6x14 | T0306014 | | | | | 1 |
| a M6 / Cage nut M6 | T2606000 | | | | | 1 |
| Screw plate | T259349 | | | | | 4 |
| rotector frame body left | BT280020031 | | | | | 1 |
| / Rubber protector motor | BT27936029 | | | | | 1 |
| ULS 8x16 | T0508016N | | | | | 4 |
| allen 6x14 | T0306014 | | | | | 3 |
| / ULS 6x10 with washer | T0556010 | | | | | 2 |

Chasis 8

| | 280cc. | 125cc. | 200cc. | 249cc. | 321cc. | Cant. |
|-------------------------------------|-------------|------------|------------|------------|--------|-------|
| crew, bolt allen | T0406035 | | | | | 2 |
| :12 | T0306012 | | | | | 2 |
| ankcase brace frame body | BT27910053 | | | | | 1 |
| 8.8 | T0508012 | | | | | 2 |
| (DIN 125) / Washer plane | T4006012 | | | | | 5 |
| ot. frame body right | BT280020030 | | | | | 1 |
| Brace subjec. Lat. radiator | BT27910058 | | | | | 1 |
| radiator | G220000 | | | | | 2 |
| support | | BT20934026 | BT20934026 | BT20934026 | | 1 |
| uj. dep. / Special bolt with washer | BT280010078 | | | | | 1 |
| / Washer plane | T4006016 | | | | | 1 |
| | BT27710041 | | | | | 1 |
| ension bridge | BT280110055 | | | | | 1 |
| rew, bolt hexagonal 6x15 | T0106015 | | | | | 1 |
| low | T2006001 | | | | | 1 |
| / Cage nut M8 | BT280010041 | | | | | 4 |
| LS 5x10 | T0505010 | | | | | 2 |
| andela / Hex. bolt with washer | T0206014 | | | | | 4 |

Chasis 8

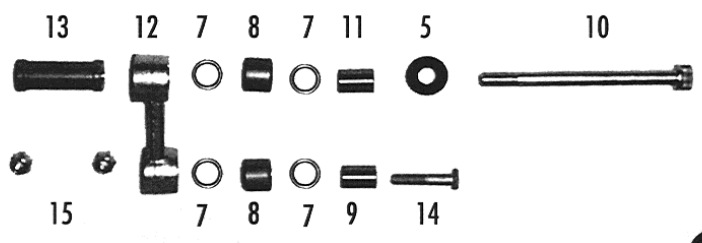
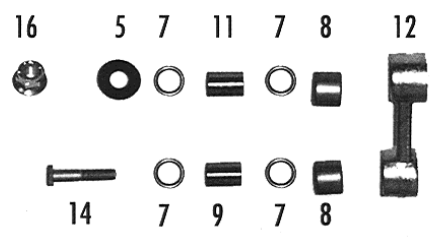
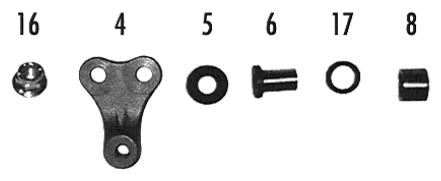
oscillante / Swing arm



| | 280cc. | 125cc. | 200cc. | 249cc. | 321cc. | Cant. |
|--------------------------------|-------------|-------------|-------------|-------------|-------------|-------|
| sc./ Oil seal 20-26-4 | C220001 | | | | | 4 |
| / Beraing needles HK 2020 | C100001 | | | | | 4 |
| ivot, bush swinging arm | B220002 | | | | | 2 |
| / Push, pivot side stand trial | BT27712011 | | | | | 1 |
| 12 | T0508012 | | | | | 1 |
| WLS 8x20 | T0508020 | | | | | 2 |
| nd bracket | BT280012023 | | | | | 1 |
| g side stand | M120000 | | | | | 1 |
| stand bracket | BT27912010 | | | | | 1 |
| | BT280112002 | BT280012002 | BT280012002 | BT280112002 | BT280112002 | 1 |
| asc. / Screw, bolt Hexa. 6x16 | T0106016 | | | | | 1 |
| e allen 8x20 | T0408020 | | | | | 2 |
| ide | G180002 | | | | | 1 |
| 4.8x21 / Rivet 14x14.8x21 | T4505016 | | | | | 1 |
| WLS 5x12 | T0505012 | | | | | 2 |
| a guard | BT27728011 | | | | | 1 |
| s 4x38 / Screw, bolt philips | T0604038 | | | | | 2 |
| nsioner chain arm | B520102 | | | | | 1 |
| pring tensioner chain | M122000 | | | | | 1 |
| / Pivot, bush chain tensioner | B560000 | | | | | 1 |
| d. / Screw, bolt allen conic | T0408030 | | | | | 1 |
| ubber tensioner chain | G180010 | | | | | 1 |
| t. chain tensioner | BT280010078 | | | | | 1 |
| wing arm axle nut | B260001 | | | | | 1 |
| / Swing arm axle | BT280012008 | | | | | 1 |
| o tras. / Centerer bushing | BT280022090 | | | | | 1 |

Chasis 9

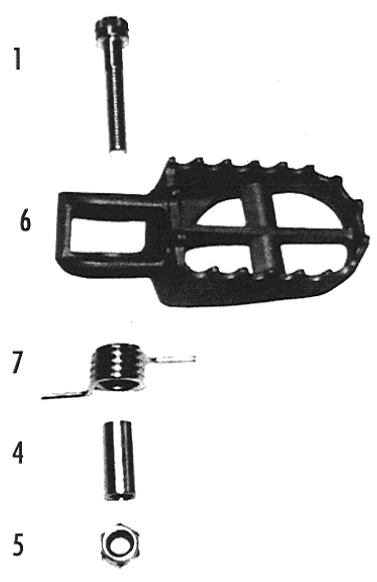
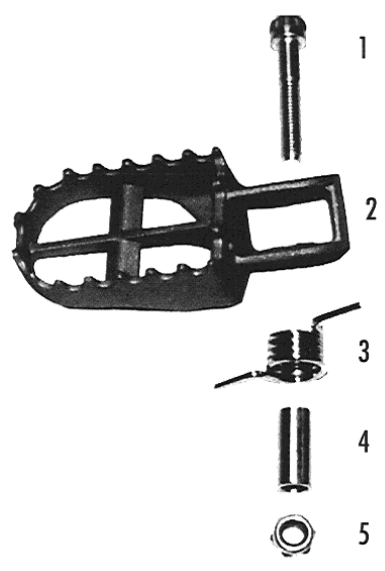
ensión trasera / *Rear shock absorber*



| | 280cc. | 125cc. | 200cc. | 249cc. | 321cc. | Cant. |
|----------------------------------|--------|--------|--------|--------|--------|-------|
| bolt allen 10x45 | | | | | | 2 |
| rear shock assy/aluminium | | | | | | 1 |
| Balan. / Screw, bolt allen 10x80 | | | | | | 1 |
| rocker arm | | | | | | 1 |
| 2x6x0.5 / Regulate washer | | | | | | 4 |
| rocker arm bushing | | | | | | 2 |
| 15x21x2 | | | | | | 8 |
| 6 / Firing-pin ball bearing | | | | | | 6 |
| 8 / Bushing top diam. 8 | | | | | | 2 |
| bolt 10x110 | | | | | | 1 |
| 10 / Bushing diam. 10 | | | | | | 2 |
| susp. | | | | | | 2 |
| Rocker arm spacer | | | | | | 1 |
| Screw, bolt special 8x38 | | | | | | 2 |
| Nut nylock M8 tall | | | | | | 2 |
| Arand. / Nut nylock M10 | | | | | | 1 |
| | | | | | | 2 |

Chasis 10

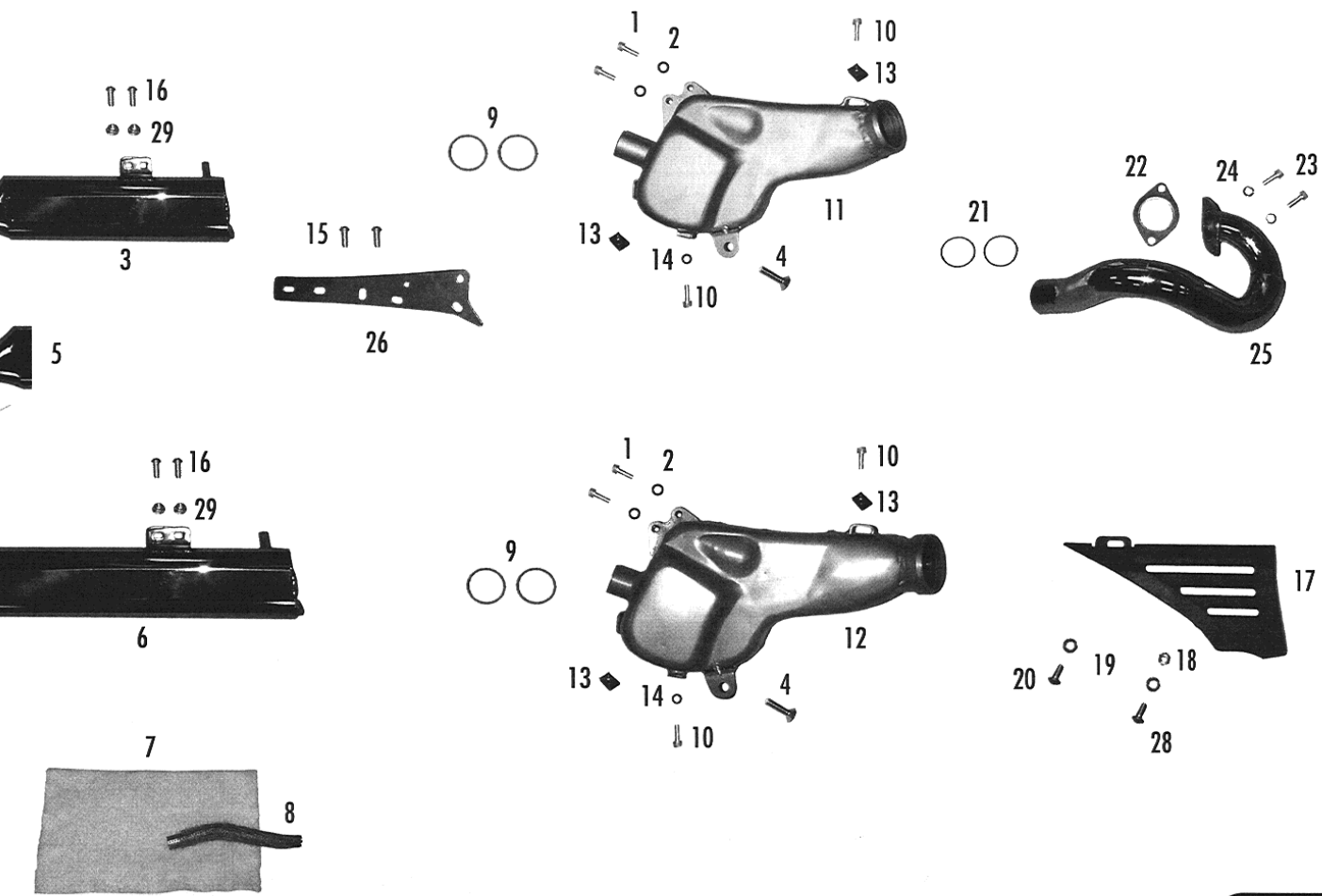
tribos / Footrests



| | 280cc | 125cc | 200cc | 249cc | 321cc | Cant. |
|-----------------------------------|------------|-------|-------|-------|-------|-------|
| <i>rew, bolt allen</i> | T0308045 | | | | | 2 |
| <i>rest, left</i> | BT27910003 | | | | | 1 |
| <i>lo / Spring footrest, left</i> | M100004 | | | | | 1 |
| <i>h footrest</i> | BT27910006 | | | | | 2 |
| <i>8 baja / Nut nylock</i> | T2108002 | | | | | 2 |
| <i>rest, right</i> | BT27910002 | | | | | 1 |
| <i>/ Spring footrest, right</i> | M100003 | | | | | 1 |

Chasis 11

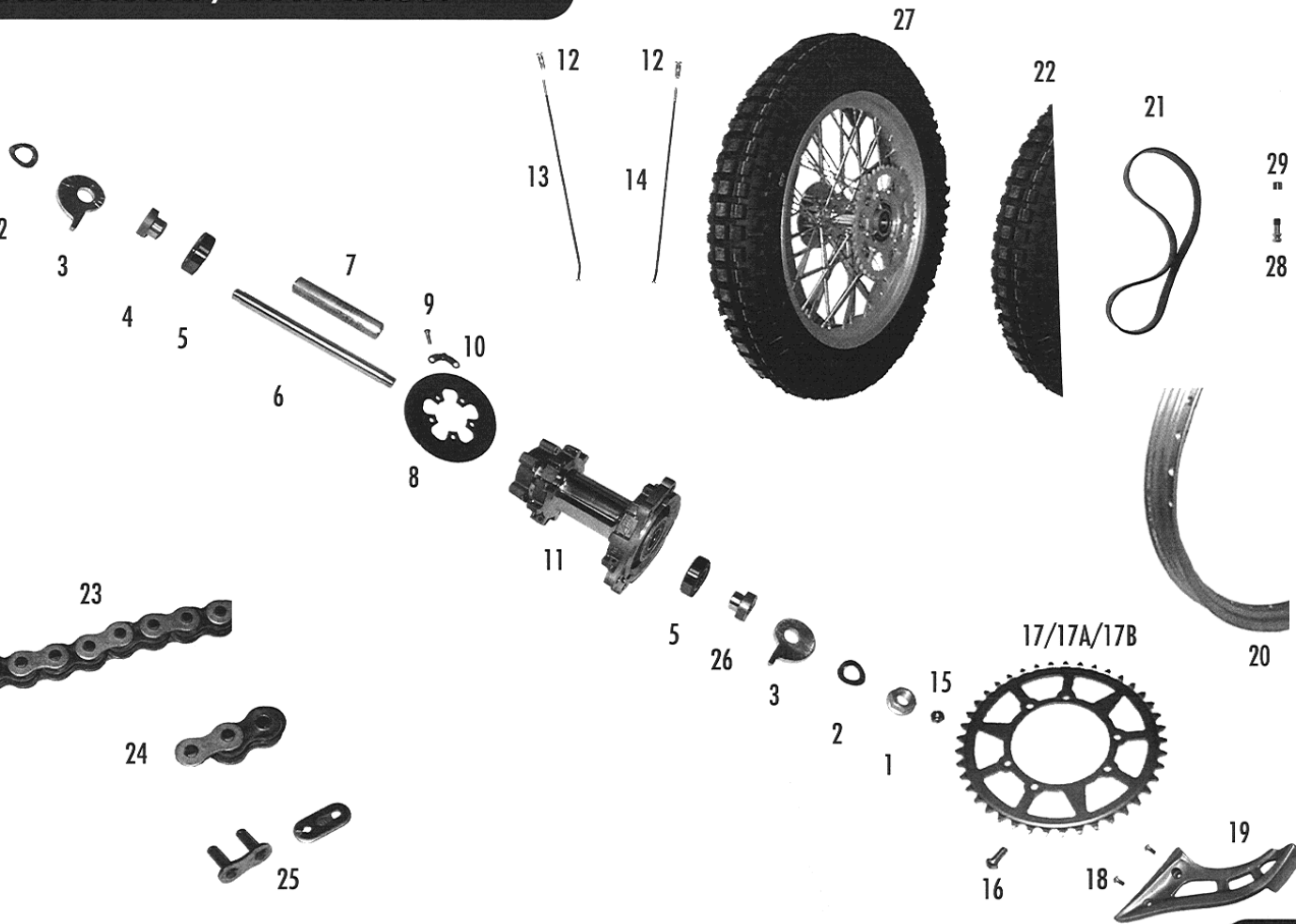
Exhaust



| | 280cc | 125cc | 200cc | 249cc | 321cc | Cant. |
|---------------------------------------|-------------|-------------|-------------|-------------|-------------|-------|
| bolt allen 6x20 | T0306020 | | | | | 2 |
| 1,5 / Flat washer 6x12x1.5 | T4006012 | | | | | 2 |
| silencer | | BT250126002 | BT250126002 | BT250126002 | | 1 |
| screw, bolt allen 8x30 | T0408030 | | | | | 2 |
| bracket / Cazoleta silencer final | BT280126100 | | | | | 1 |
| silencer | BT280126002 | | | | BT280126002 | 1 |
| silencer fibre | BT280026108 | BT250026108 | BT250026108 | BT250026108 | BT280026108 | 1 |
| silencer inside tube | BT280026107 | BT250026107 | BT250026107 | BT250026107 | BT280026107 | 1 |
| B 27. 5x3 / O'ring silencer | C280002 | | | | | 2 |
| bolt allen 6x14 | T0306014 | | | | | 2 |
| silencer interval | | BT120126020 | BT120126020 | | | 1 |
| silencer interval | BT280126020 | | | BT280126020 | BT280126020 | 1 |
| M6 / Cage nut M6 | T2606000 | | | | | 2 |
| washer 6x16 | T4006016 | | | | | 1 |
| bolt ULS 6x14 | T0556014 | | | | | 2 |
| bolt ULS 6x20 | T0556020 | | | | | 2 |
| exhaust protector | BT280026021 | | | | | 1 |
| | T2005002 | | | | | 1 |
| washer 5x12 | T4005012 | | | | | 2 |
| bolt ULS 5x12 | T0505012 | | | | | 1 |
| 5x3.53/ O'ring interval silencer | C290000 | | | | | 2 |
| exhaust gasket | BT27926003 | | | | | 1 |
| bolt allen 8x20 | T0308020 | | | | | 2 |
| 2x2 / Glober washer 8x14x2 | T4008314 | | | | | 2 |
| bracket | BT280026001 | BT200026001 | BT20826001 | BT280026001 | BT280026001 | 1 |
| bracket / Silencer trial alum. suport | BT280126018 | | | | | 1 |
| bracket / Rivet end cazoleta | BE250026032 | | | | | 4 |
| bolt ULS 5x16 | T0505016 | | | | | 1 |
| M6 / Flange nut M6 | T2206000 | | | | | 2 |

Chasis 12

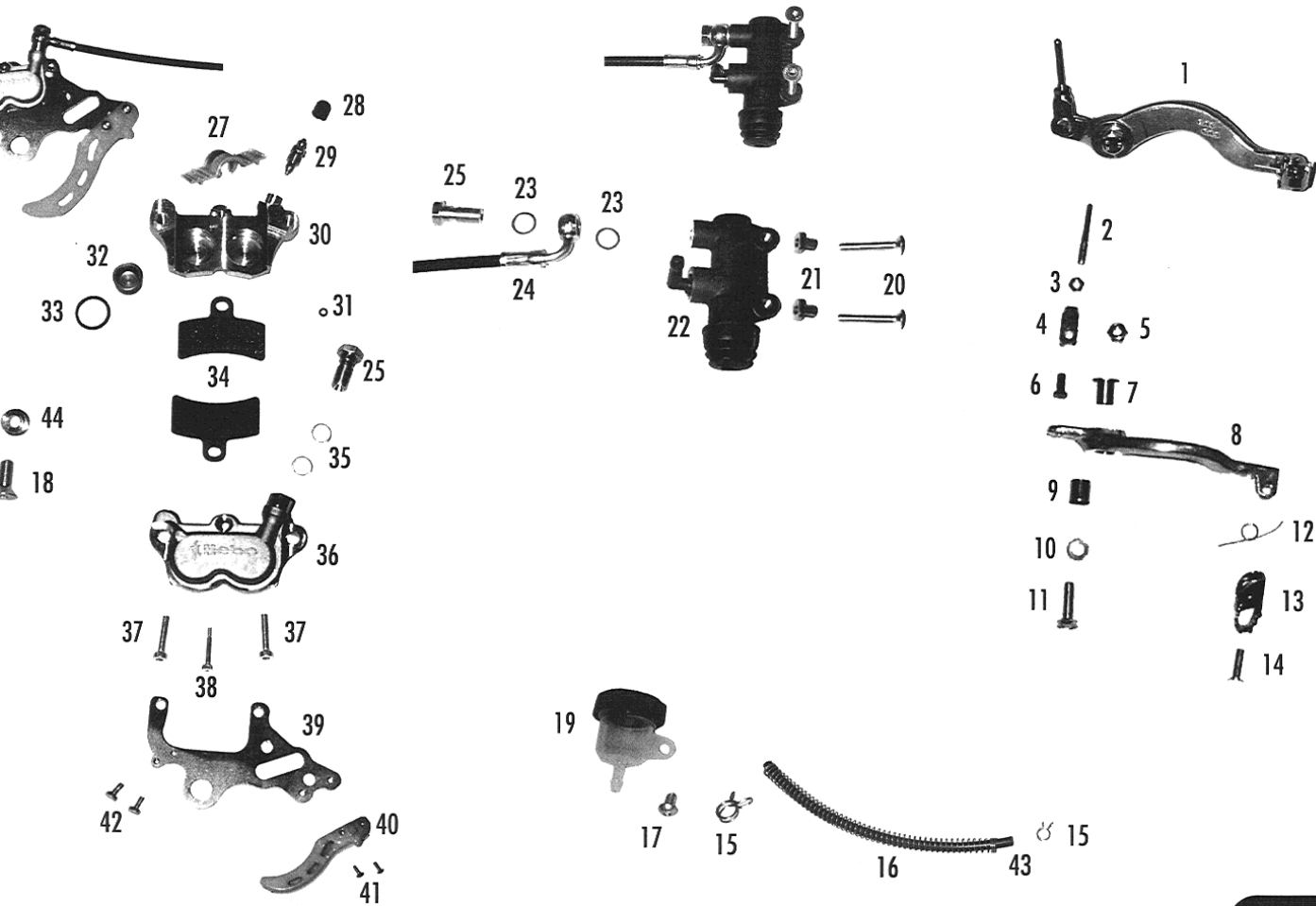
rueda trasera / Rear wheel



| | 280cc. | 125cc. | 200cc. | 249cc. | 321cc. | Cant. |
|--|-------------|-------------|-------------|-------------|-------------|-------|
| Nut axle wheel rear. | R640001 | | | | | 2 |
| 0x1.5 / Washer axle rear | T4017030 | | | | | 2 |
| il cam adjuster rear | R620001 | | | | | 2 |
| acer right | BT27718021 | | | | | 1 |
| g hub | C160001 | | | | | 2 |
| heel rear | R590003 | | | | | 1 |
| ero / Spacer, int. Hub, rear | BT27718052 | | | | | 1 |
| o / Brake disk rear | BT280122012 | | | | | 1 |
| lt 6x18 | T0316018 | | | | | 1 |
| m. / Magnet support speedmeter | BT27934012 | | | | | 1 |
| 7 / Cpt. hub rear trial | BT27718027 | | | | | 1 |
| Rueda tras / Nut spoke, wheel rear | BT27718016 | | | | | 36 |
| tras. / Spoke 215x3.5 wheel rear | BT27718014 | | | | | 18 |
| tras. / Spoke 208x3.5 wheel rear | BT27718015 | | | | | 18 |
| ja / Nut M8 low locknut | T2108001 | | | | | 6 |
| Screw/bolt ULS 8x20 | T0508020 | | | | | 6 |
| ocket Z-41 | R840001 | | | R840001 | R840001 | 1 |
| o) / Sprocket Z-40 (spare) | R840000 | | | | | 1 |
| o) / Sprocket Z-44 (spare) | | R840002 | R840002 | | | 1 |
| t ULS 5x10 | T0505010 | | | | | 2 |
| Protector sprocket rear. | BT280120029 | | | | | 1 |
| Rim rear trial 97 | BT27718011 | | | | | 1 |
| rim rear | R500115 | | | | | 1 |
| 8 TBLs / Tyre wheel rear, TBLs | N200100 | | | | | 1 |
| ain 100 link | B480101 | | | | | 1 |
| adena trial / half mesh split link chain | B500001 | | | | | 1 |
| it link chain | B500000 | | | | | 1 |
| e left | BT27918036 | | | | | 1 |
| ear wheel set | BT280118100 | BT120118100 | BT120118100 | BT280118100 | BT280118100 | 1 |
| S / Special valve TBLs | N200110 | | | | | 1 |
| S / Valve bushing | R500125 | | | | | 1 |

Chasis 13

eno trasero / Rear brake



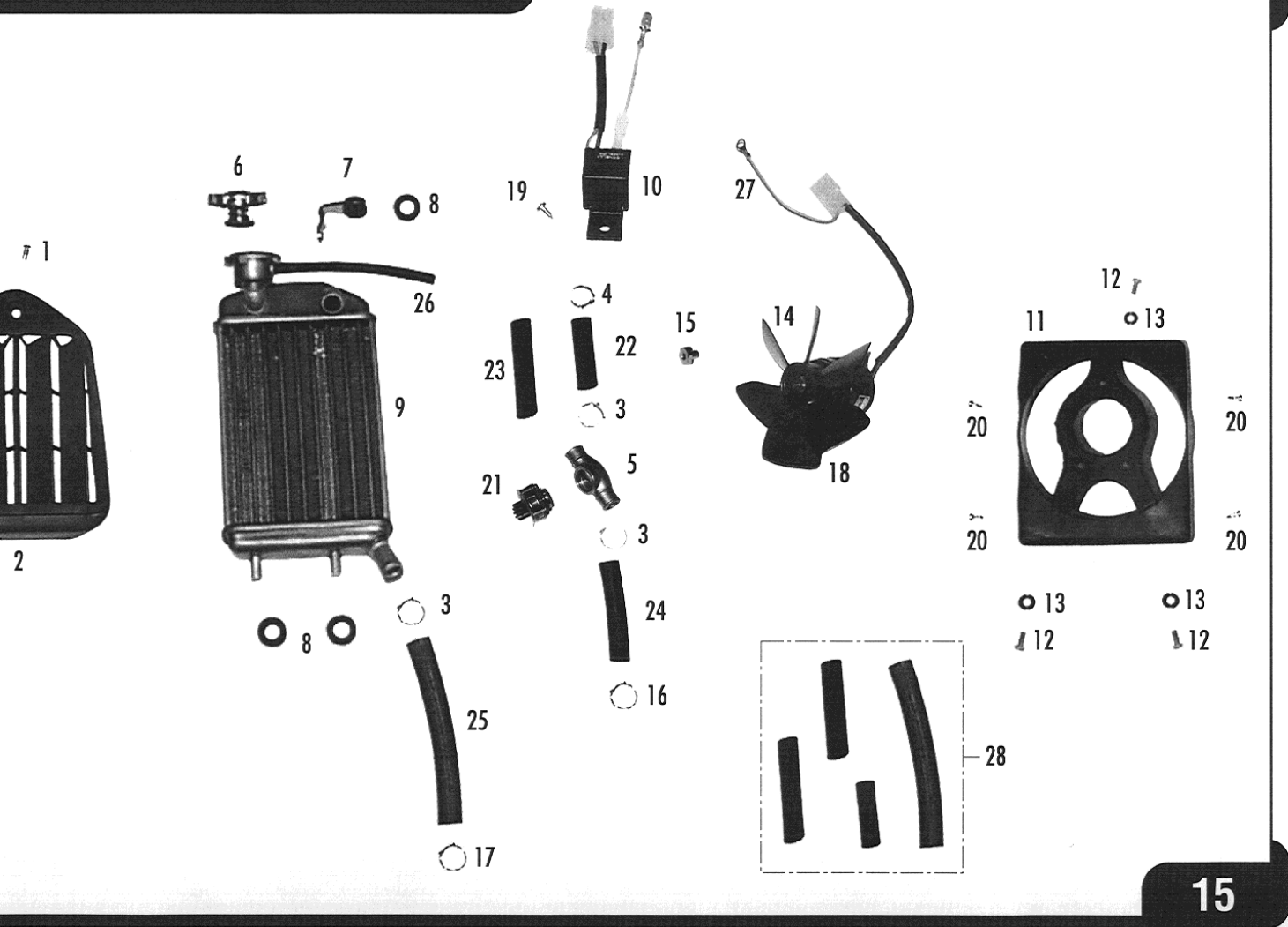
| | 280cc. | 125cc. | 200cc. | 249cc. | 321cc. | Cant. |
|--|--------|--------|--------|--------|--------|-------|
| <i>Brake lever set</i> | | | | | | 1 |
| <i>Rod brake, rear</i> | | | | | | 1 |
| <i>M6 low</i> | | | | | | 1 |
| <i>/ Joint, brake rod</i> | | | | | | 1 |
| <i>M8 alta / Nut nylock</i> | | | | | | 1 |
| <i>Retainer, adjuster brake</i> | | | | | | 1 |
| <i>Washers. / Spacer, puls. Brake</i> | | | | | | 1 |
| <i>Pedal brake trial 99</i> | | | | | | 1 |
| <i>Glacier pedal brake</i> | | | | | | 1 |
| <i>Washer 1.5 / Washer plane 8x17x1.5</i> | | | | | | 1 |
| <i>Screw, bolt hexagonal M8x25</i> | | | | | | 1 |
| <i>Bracket / Spring pedal, end gear clever</i> | | | | | | 1 |
| <i>Bracket 98 / Toe pedal brake trial 98</i> | | | | | | 1 |
| <i>Rivet zincado / Iron rivet 5x18 zincate</i> | | | | | | 1 |
| <i>Spring / Spring clevis</i> | | | | | | 2 |
| <i>Spring / Spring breather</i> | | | | | | 1 |
| <i>Screw/bolt ULS 5x12</i> | | | | | | 1 |
| <i>Screw, allen bolt 8x20</i> | | | | | | 1 |
| <i>Reservoir / Tank, liquid brakes</i> | | | | | | 1 |
| <i>Screw bolt allen 6x35</i> | | | | | | 2 |
| <i>Spacer / Rear brake pump spacer</i> | | | | | | 2 |
| <i>Rear brake pump</i> | | | | | | 1 |
| <i>Washer 1 / Washer copper pad</i> | | | | | | 2 |
| <i>Bracket negro / Brake pipe rear, black</i> | | | | | | 1 |
| <i>Washer / Screw/ bolt pressure hose</i> | | | | | | 2 |
| <i>Bracket / Cpt. caliper brake rear</i> | | | | | | 1 |
| <i>Bracket / Plastic cover brake pad</i> | | | | | | 1 |
| <i>Bracket / Top, caliper bleeder</i> | | | | | | 1 |
| <i>Screw bleeder caliper brake front</i> | | | | | | 1 |

Chasis 14

| | 280cc. | 125cc. | 200cc. | 249cc. | 321cc. | Cant. |
|---|--------|--------|--------|--------|--------|-------|
| <i>mi caliper rear interior</i> | | | | | | 1 |
| <i>EPDM / Small seal</i> | | | | | | 1 |
| <i>on</i> | | | | | | 4 |
| <i>(do freno) / Seal</i> | | | | | | 4 |
| <i>pad galfer</i> | | | | | | 2 |
| <i>her</i> | | | | | | 2 |
| <i>mi caliper rear ext.</i> | | | | | | 1 |
| <i>allen 8x35</i> | | | | | | 2 |
| <i>JPS M5 / Unbrako type bolt M5</i> | | | | | | 1 |
| <i>rear support</i> | | | | | | 1 |
| <i>ar brake disc protector</i> | | | | | | 1 |
| <i>o. Fil / Screw/bolt ULS 6x12</i> | | | | | | 2 |
| <i>crew, bolt esp. 4x9</i> | | | | | | 2 |
| <i>Tube tank; brakes</i> | | | | | | 1 |
| <i>freno tras/ Bushing caliper rear</i> | | | | | | 1 |

Chasis 14

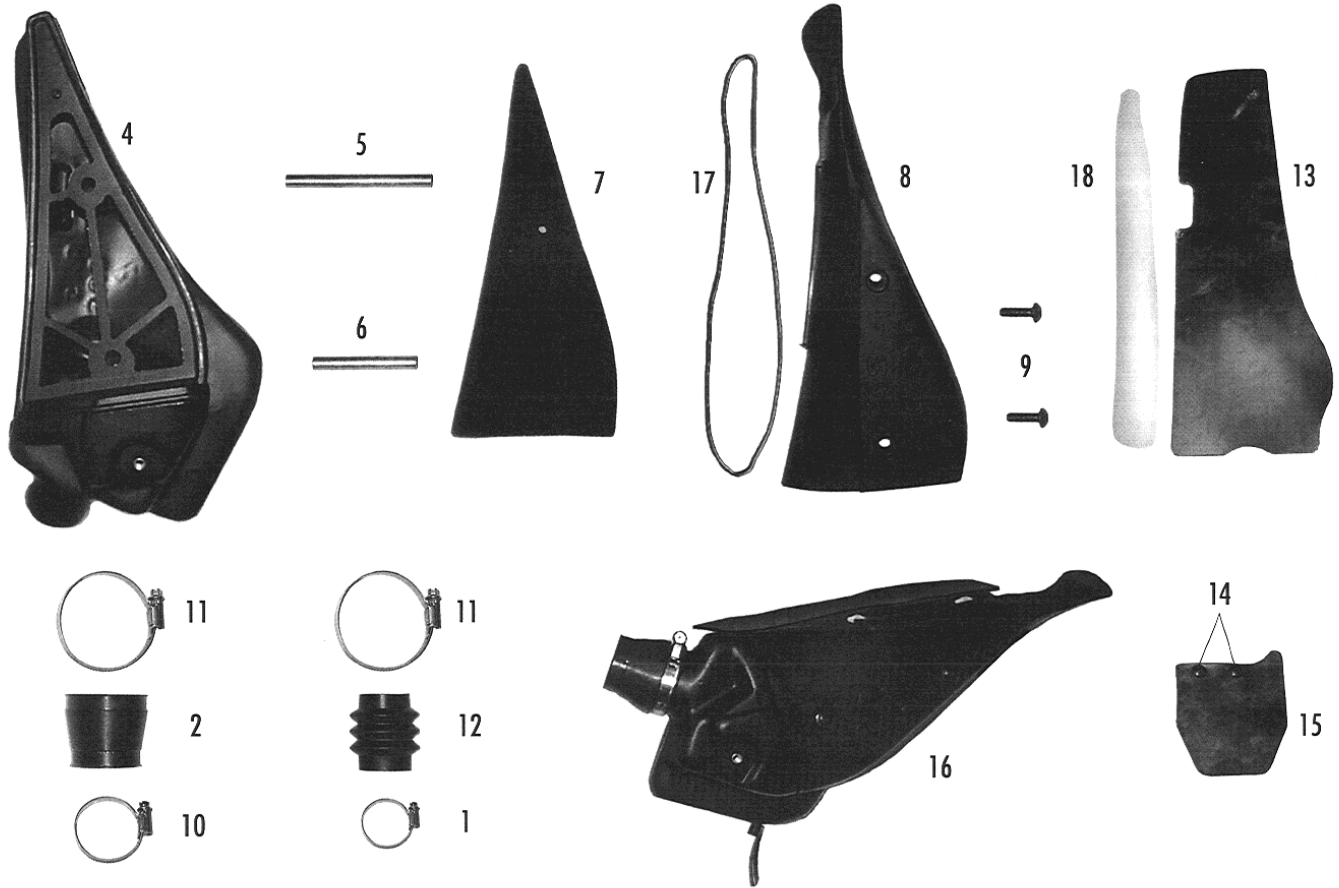
Radiator / Radiator



| | | 280cc. | 125cc. | 200cc. | 249cc. | 321cc. | Cant. |
|--------------------------------|------------|--------|---------|---------|---------|---------|-------|
| ULS bolt 6x12 with washer | T0556014 | | | | | | 1 |
| e rack | BT27820001 | | | | | | 1 |
| cobra-23 | L200041 | | | | | | 3 |
| cobra-22 | L200038 | | | | | | 1 |
| Termo-contact support | L200057 | | | | | | 1 |
| r cap | L200110 | | | | | | 1 |
| or support | BT27932015 | | | | | | 1 |
| or rubber | G220000 | | | | | | 3 |
| | L200102 | | | | | | 1 |
| tilator module | L300021 | | | | | | 1 |
| tilator protector | L300011 | | | | | | 1 |
| olt hexagonal 4x10 | T0104010 | | | | | | 3 |
| Washer plane 4x12x1 | T4004012 | | | | | | 3 |
| ventilator blade loose | L300002 | | | | | | 1 |
| Ventilator bushing | L300016 | | | | | | 2 |
| cobra-21 | L200046 | | | | | | 1 |
| cobra-19 | L200043 | | | | | | 1 |
| lator D-120 | L300001 | | | | | | 1 |
| 0 / Screw, bolt philips 4,2x10 | T0604210 | | | | | | 1 |
| crew thread 3x9 | T1003009 | | | | | | 4 |
| contact | M01020003 | | | | | | 1 |
| adiator tube 60mm long | L200006 | | | | L200006 | L200006 | 1 |
| adiator tube 80mm long | | | L200009 | L200009 | | | 1 |
| Radiator tube 110mm long | L200005 | | | | | | 1 |
| Radiator tube 160mm long | L200007 | | | | | | 1 |
| x8 / Radiator excess tube hose | G460000 | | | | | | 1 |
| an cable | L300006 | | | | | | 1 |
| adiator tube set | BT27832050 | | | | | | 1 |

Chasis 15

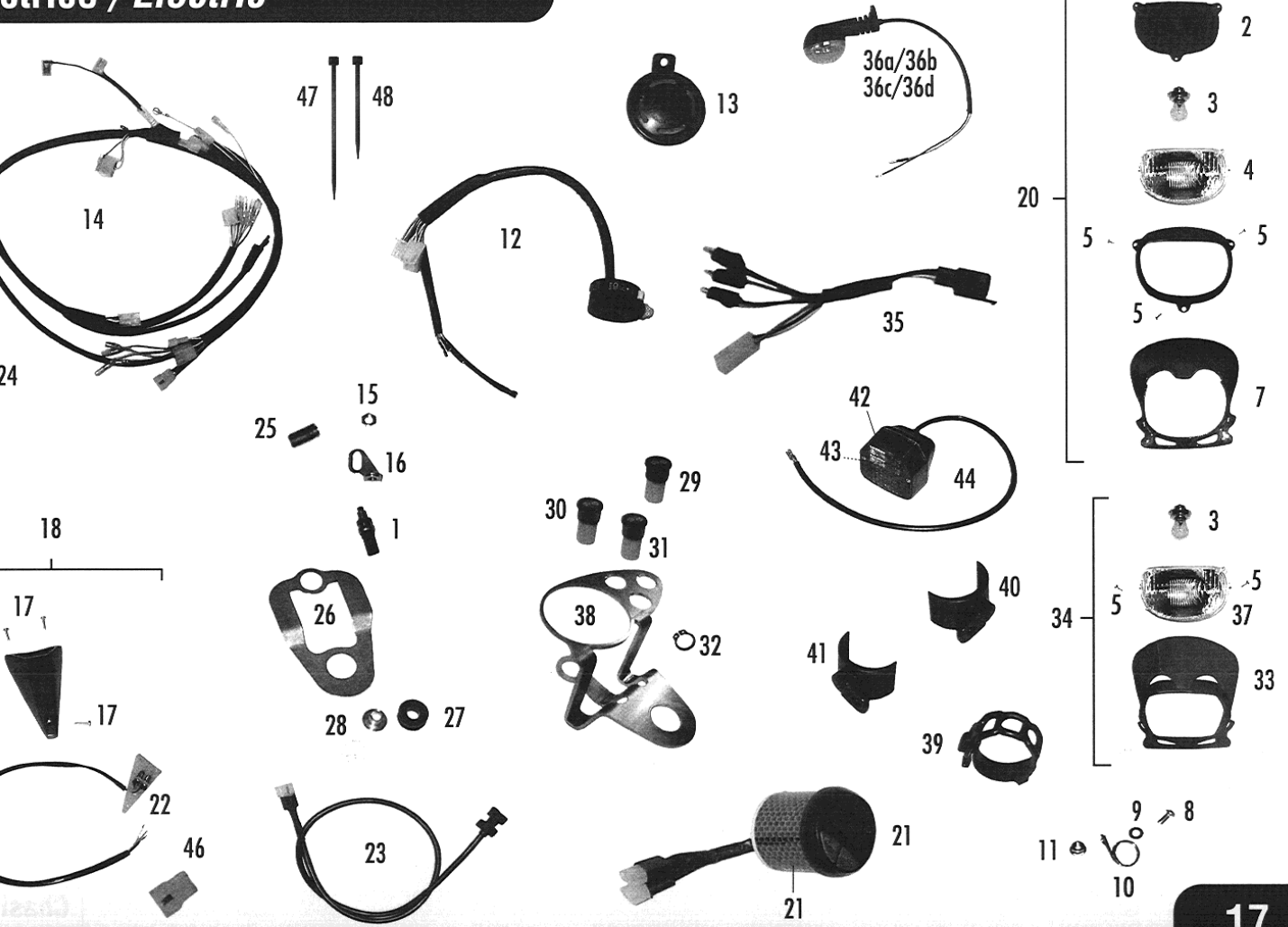
tro de aire / Air filter



| | 280cc. | 125cc. | 200cc. | 249cc. | 321cc. | Cant. |
|-----------------------------------|--------------|---------|---------|------------|-------------|-------|
| 40 | | B640001 | B640001 | | | 1 |
| Air cleaner connecting | BT280036010 | | | BT27836010 | BT280036010 | 1 |
| Screw, bolt philips 6x15 | T0706015 | | | | | 2 |
| Housing | BT280028001 | | | | | 1 |
| Cap. in air clean. housing large | BT280028005 | | | | | 1 |
| Cap. in air clean. housing, short | BT280028004 | | | | | 1 |
| | BT280028000 | | | | | 1 |
| Filter cover | BT280028010 | | | | | 1 |
| Filter / Screw, bolt ULS 6x16 | T0556016N | | | | | 2 |
| Clamp 30-45 | B640005 | | | B640005 | B640005 | 1 |
| Clamp 40-60/9 w2 | L200047 | | | | | 1 |
| Tube, air clean. Connect. | | G520002 | G520002 | | | 1 |
| Upper protection rubber | BT280028022 | | | | | 1 |
| Philips screw 3x9 | T0604210 | | | | | 2 |
| Air filter box lower protector | BT280128023 | | | | | 1 |
| Air cleaner | BT280028001C | | | | | 1 |
| Filter box cap rubber | BT280028019 | | | | | 1 |
| Capa filtro / Rubber sticker | BT280028024 | | | | | 1 |

Chasis 16

ctrico / Electric



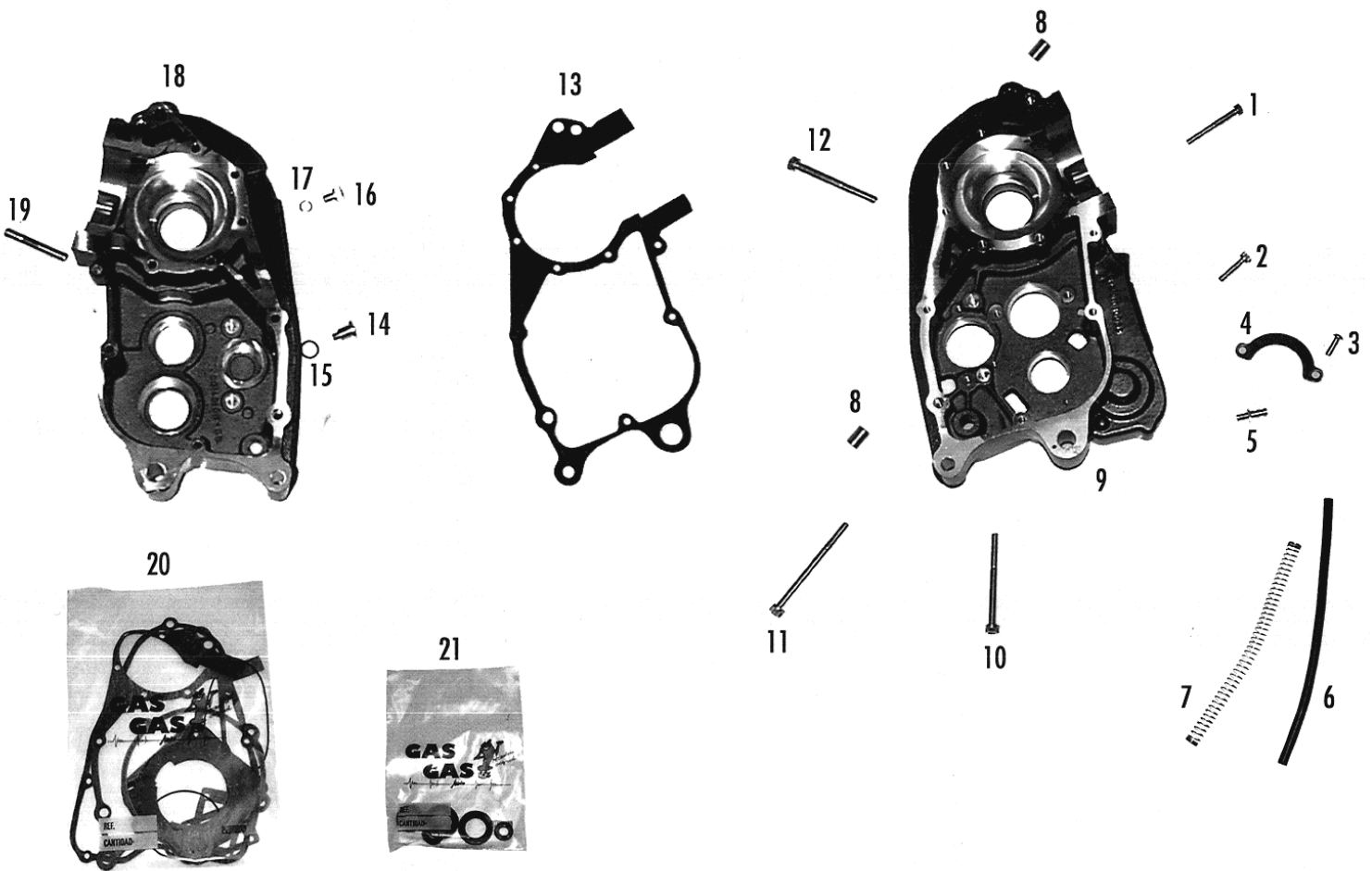
| | 280cc. | 125cc. | 200cc. | 249cc. | 321cc. | Cant. |
|-----------------------------------|-------------|-------------|-------------|-------------|-------------|-------|
| Top push-button small | L300066 | | | | | 2 |
| / Support optic cover rear | BT27820027 | | | BT27820027 | BT27820027 | 1 |
| Light / Lamp 12V15W | L300115 | | | | | 1 |
| Optic | BT27820022 | | | | | 1 |
| Thread 3x9 | T1003009 | | | | | 3 |
| Support | BT27820028 | | | BT27820028 | BT27820028 | 1 |
| Front | BT280020020 | BT200020020 | BT200020020 | BT280020020 | BT320020020 | 1 |
| / Washer plane | T4006012 | | | | | 1 |
| LS 6x12 | T0556014 | | | | | 1 |
| Washer hook | M130000 | | | | | 1 |
| Flange nut M6 | T2206000 | | | | | 1 |
| Switch | BE25734001 | | | | | 1 |
| | L300105 | | | | | 1 |
| Installation | BT280134014 | | | | | 1 |
| Hexagonal nut R-1/4 F. | L300098 | | | | | 1 |
| Switch support stop | L300097 | | | | | 1 |
| / Sheet screw, bolt 4x13 | T0604016 | | | | | 3 |
| Headlight rear | BT27934015 | | | | | 1 |
| Group | BT280020120 | BT200020120 | BT200020120 | BT280020120 | BT320020120 | 1 |
| Light | BT27934005 | | | | | 1 |
| 12V 3 W | L300119 | | | | | 2 |
| Ball | BT280034050 | | | | | 1 |
| / Electric decal support | BT280028006 | | | | | 2 |
| / Bushing, push-button rear brake | BT27822029 | | | | | 1 |
| Light / Trial sensor support | BT27934045 | | | | | 1 |
| / Hose protector rubber | G200000 | | | | | 1 |
| | B560040 | | | | | 1 |

Chasis 17

| | 280cc. | 125cc. | 200cc. | 249cc. | 321cc. | Cant. |
|---------------------------------|--------------|--------|--------|--------|--------|-------|
| s / Indicators light | BE250134036 | | | | | 1 |
| Short light indicator | BE250134037 | | | | | 1 |
| Light indicator | BE250134038 | | | | | 1 |
| | BE250134042 | | | | | 3 |
| gado / Homologated headlight | BT280120020H | | | | | 1 |
| Homologated headlight set | BT280120120H | | | | | 1 |
| Lights sub-installation | BT280134025 | | | | | 1 |
| lantero / Right front indicator | BE250134018 | | | | | 1 |
| lantero / Left front indicator | BE250134019 | | | | | 1 |
| lantero / Right rear indicator | BE250134021 | | | | | 1 |
| lantero / Left rear indicator | BE250134022 | | | | | 1 |
| o / Homologated optical | BT280120022 | | | | | 1 |
| Hom. / Speedmeter holder | BT280134045H | | | | | 1 |
| Clamp elastic band | BE25636015 | | | | | 2 |
| recho / Right indicator holder | BE250134017 | | | | | 1 |
| q. / Left indicator holder | BE250134020 | | | | | 1 |
| Car light cap | BP25734115 | | | | | 1 |
| 12V5-21W bulb | L300116 | | | | | 1 |
| set | BP25734015 | | | | | 1 |
| ntaKm. / Speedmeter sticker | BT27938040 | | | | | 1 |
| MS / 3-way conector PM | BT280034060 | | | | | 1 |
| x20 / Black UNEX clamp | P380001 | | | | | 4 |
| 221-0 / Short black UNEX clamp | P380003 | | | | | 6 |

Chasis 17

Carter / Crankcase



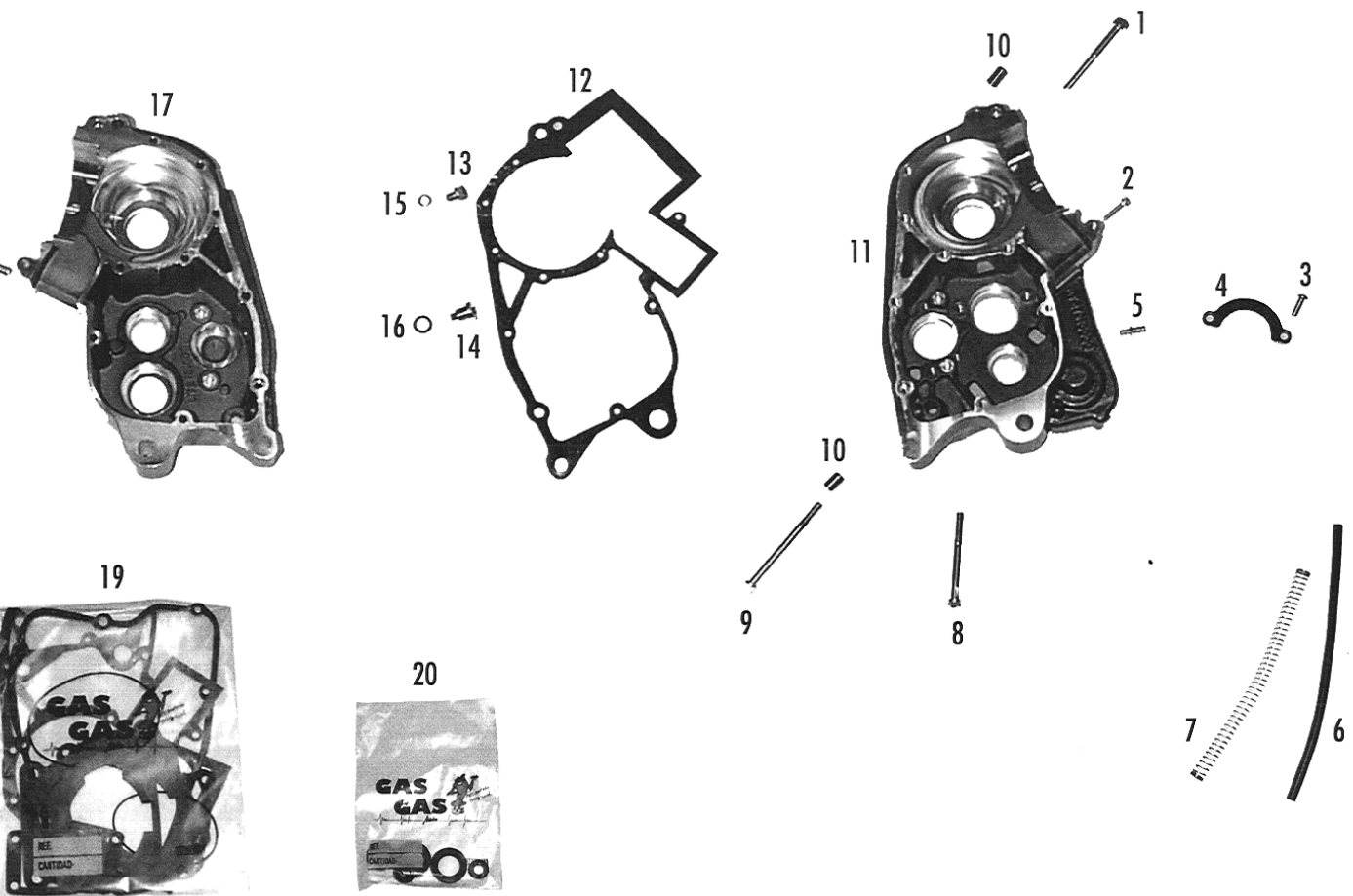
125 cc. / 200 cc

1

| | 280cc. | 125cc. | 200cc. | 249cc. | 321cc. | Cant. |
|-------------------------------------|--------|-------------|-------------|--------|--------|-------|
| carter / Screw, bolt allen 6x50 | | T0306050 | T0306050 | | | 4 |
| bolt allen 6x35 | | T0306035 | T0306035 | | | 1 |
| bolt ULS 6x16 | | T0506016 | T0506016 | | | 2 |
| cap, kickstart | | M02628001 | M02628001 | | | 1 |
| cap / Crankcase breather | | M01032001 | M01032001 | | | 1 |
| cap / Breather tube 5x8 | | G460000 | G460000 | | | 1 |
| cap / Breather spring | | M150000 | M150000 | | | 1 |
| cap 9x14 / Bush. Central. crankcase | | M01017000 | M01017000 | | | 2 |
| cap / Crankcase, right grey silver | | MT120010000 | MT120010000 | | | 1 |
| cap / Screw, bolt allen 6x70 | | T0306070 | T0306070 | | | 5 |
| carter / Screw, bolt allen 6x80 | | T0306080 | T0306080 | | | 1 |
| bolt allen 6x60 | | T0306060 | T0306060 | | | 2 |
| crankcase gasket | | M04429005 | M04429005 | | | 1 |
| cap / Oil cap oil with magnet | | M01016005 | M01016005 | | | 1 |
| cap 12x2x / O'ring level plug | | M01016100 | M01016100 | | | 1 |
| bolt 8x20 | | T0308020 | T0308020 | | | 1 |
| cap / Washer copper 8x12 | | M01033000 | M01033000 | | | 1 |
| cap / Left grey silver crankcase | | MT120010001 | MT120010001 | | | 1 |
| cap / Stud, bolt cylinder | | M01612005 | M01612005 | | | 4 |
| cap gaskets trial 8 | | MT12944100 | MT12944100 | | | 1 |
| cap oil seal trial | | MT27944200 | MT27944200 | | | 1 |

Motor 1

ter / Crankcase

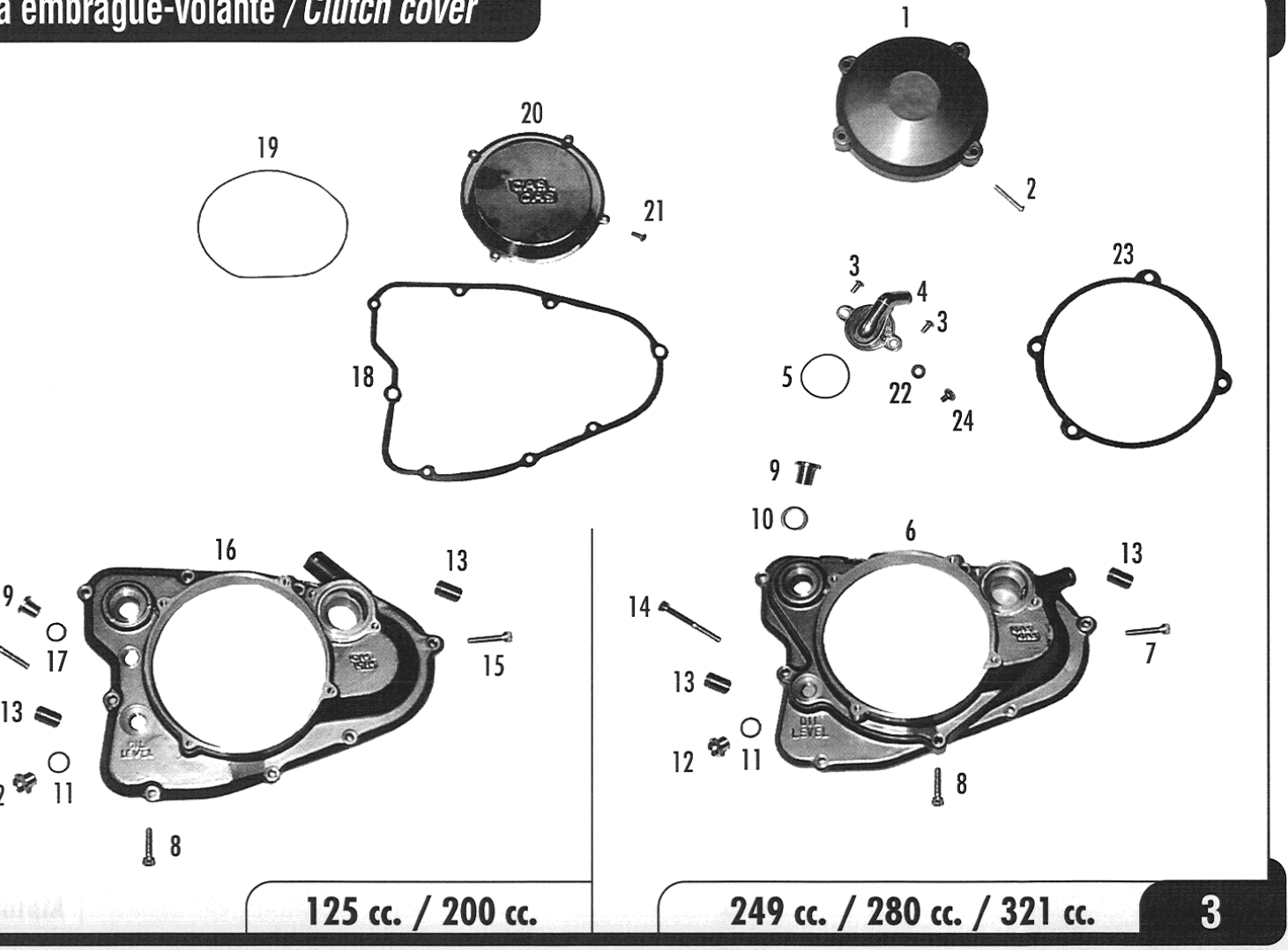


249 cc. / 280 cc. / 321 cc.

| | 280cc. | 125cc. | 200cc. | 249cc. | 321cc. | Cant. |
|--|-------------|--------|--------|-------------|-------------|-------|
| Arter / Screw, bolt allen 6x50 | T0306050 | | | T0306050 | T0306050 | 4 |
| Bolt allen 6x25 | T0306025 | | | T0306025 | T0306025 | 1 |
| Bolt ULS 6x16 | T0506016 | | | T0506016 | T0506016 | 2 |
| Cap, kickstart | M02628001 | | | M02628001 | M02628001 | 1 |
| Cap / Breather crankcase | M01032001 | | | M01032001 | M01032001 | 1 |
| Cap / Tube, breather 5x8 | G460000 | | | G460000 | G460000 | 1 |
| Cap / Spring breather | M150000 | | | M150000 | M150000 | 1 |
| Cap / Screw, bolt allen 6x70 | T0306070 | | | T0306070 | T0306070 | 5 |
| Arter / Screw, bolt allen 6x80 | T0306080 | | | T0306080 | T0306080 | 1 |
| Cap x14 / Bushing centralize crankcase | M01017000 | | | M01017000 | M01017000 | 2 |
| Cap / Crankcase, right grey silver | MT280010000 | | | MT280010000 | MT280010000 | 1 |
| Cap / Crankcase gasket | MT27944001 | | | MT27944001 | MT27944001 | 1 |
| Bolt allen 8x20 | T0308020 | | | T0308020 | T0308020 | 1 |
| Cap / Empty cap oil with magnet | M01016005 | | | M01016005 | M01016005 | 1 |
| Cap / Washer copper 8x12 | M01033000 | | | M01033000 | M01033000 | 1 |
| Cap / Washer copper 12x18x1.5 | ME25810030 | | | ME25810030 | ME25810030 | 1 |
| Cap / Crankcase, left grey silver | MT280010001 | | | MT280010001 | MT280010001 | 1 |
| Cap / Stud, blot cylinder | M01612003 | | | M01612003 | M01612003 | 4 |
| Cap / Kit gaskets trial and pampera | MT27944100 | | | MT27944100 | MT27944100 | 1 |
| Cap / Oil seal trial | MT27944200 | | | MT27944200 | MT27944200 | 1 |

Motor 2

embrague-volante / Clutch cover



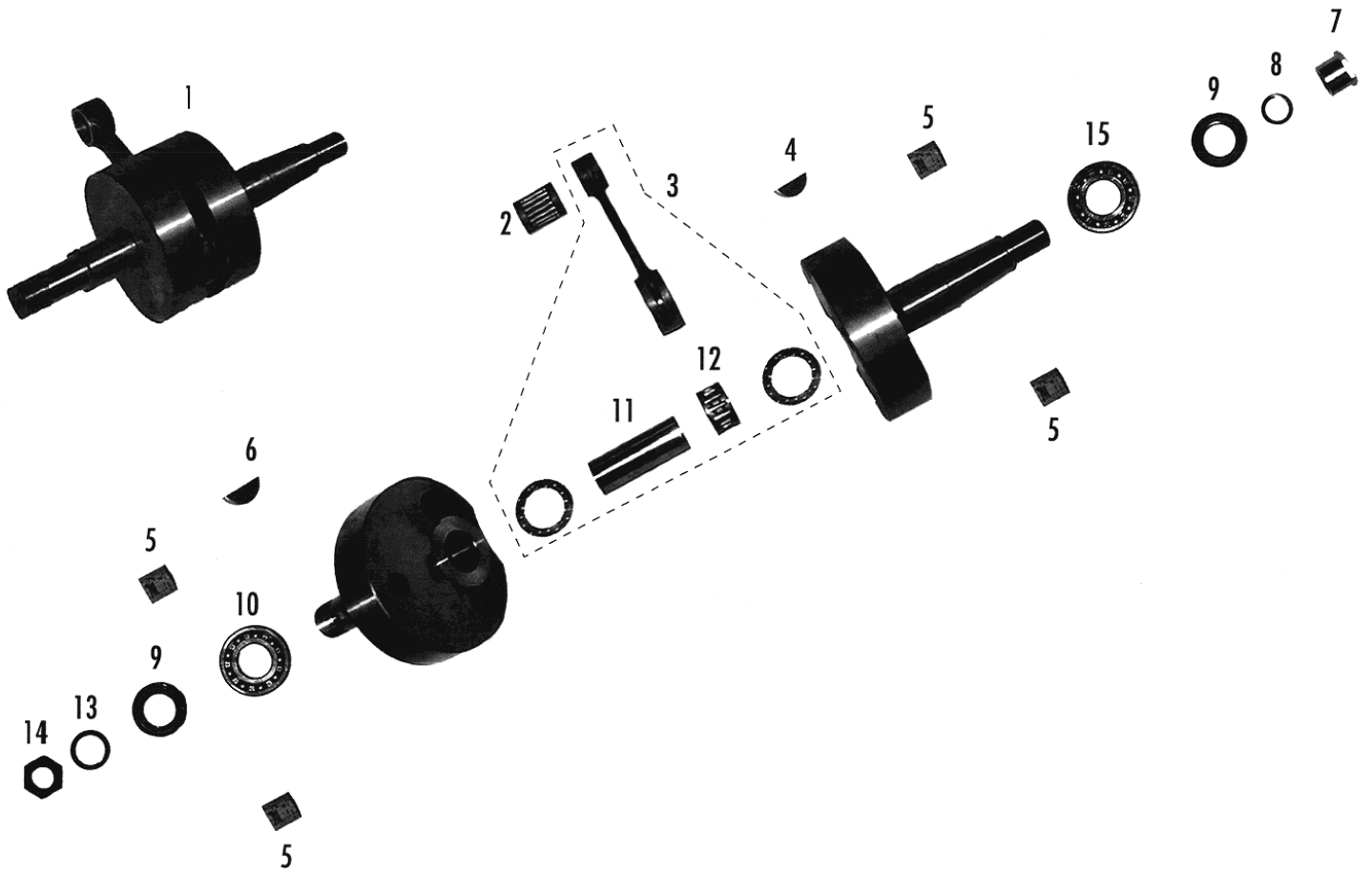
125 cc. / 200 cc.

249 cc. / 280 cc. / 321 cc.

| | 280cc. | 125cc. | 200cc. | 249cc. | 321cc. | Cant. |
|-----------------------------------|-------------|--------------|--------------|-------------|-------------|-------|
| er, fly-wheel | MT280110004 | | | | | 1 |
| bolt allen 6x35 | T0506035 | | | | | 4 |
| n / Screw, bolt allen 6x10 | T0506010 | | | | | 2 |
| na / Water pump cover | MT280010008 | M01012110 | M01012110 | MT280010008 | MT280010008 | 1 |
| agua / O'ring water pump cover | M04433000 | | | | | 1 |
| / Clutch cover | MT27932001 | | | MT27932001 | MT27932001 | 1 |
| , bolt allen 6x30 | T0306030 | | | | | 1 |
| , bolt allen 6x25 | T0306025 | | | | | 4 |
| plug | M01016002 | | | | | 1 |
| 12x18x1.5 / Copper washer | ME25810030 | | | ME25810030 | ME25810030 | 1 |
| 14x1.5 / Fiber washer | M01033005 | | | | | 1 |
| n aluminio / Oil level clear plug | M01016110 | | | | | 1 |
| 6x9x14 / Bushi. central. Crank. | M01017000 | | | | | 2 |
| , bolt allen 6x55 | T0308045 | | | | | 1 |
| , bolt allen 6x35 | T0306035 | | | | | 1 |
| 00, 98 / Cover clutch 125-200 | | MT27732001CA | MT27732001CA | | | 1 |
| 12x16x1.5 / O'ring oil plug | | M01016100 | M01016100 | | | 1 |
| e / Cover clutch gasket | M04430002 | | | | | 1 |
| ue / O'ring clutch cover | M04434000 | | | | | 1 |
| ña pulida / Cover clutch minor | M01012250 | | | | | 1 |
| bolt ULS 5x12 | T0505012 | | | | | 4 |
| 10 tapa bomba/ Washer fiber M5x10 | T4005008 | | | | | 1 |
| Gasket fly-wheel cover | M04431000 | MT27844004 | MT27844004 | M04431000 | M04431000 | 1 |
| ix8/ Screw, bolt philips M5x8 | T0705080 | | | | | 1 |

Motor 3

Cigüeñal / Crankshaft



125 cc. / 200 cc.

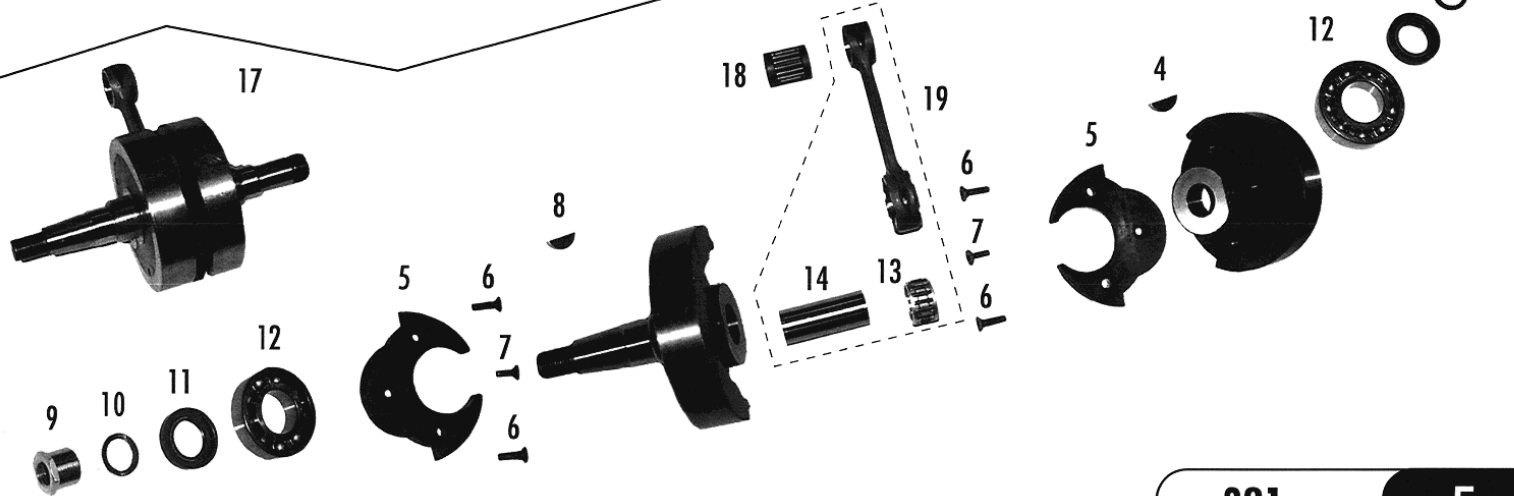
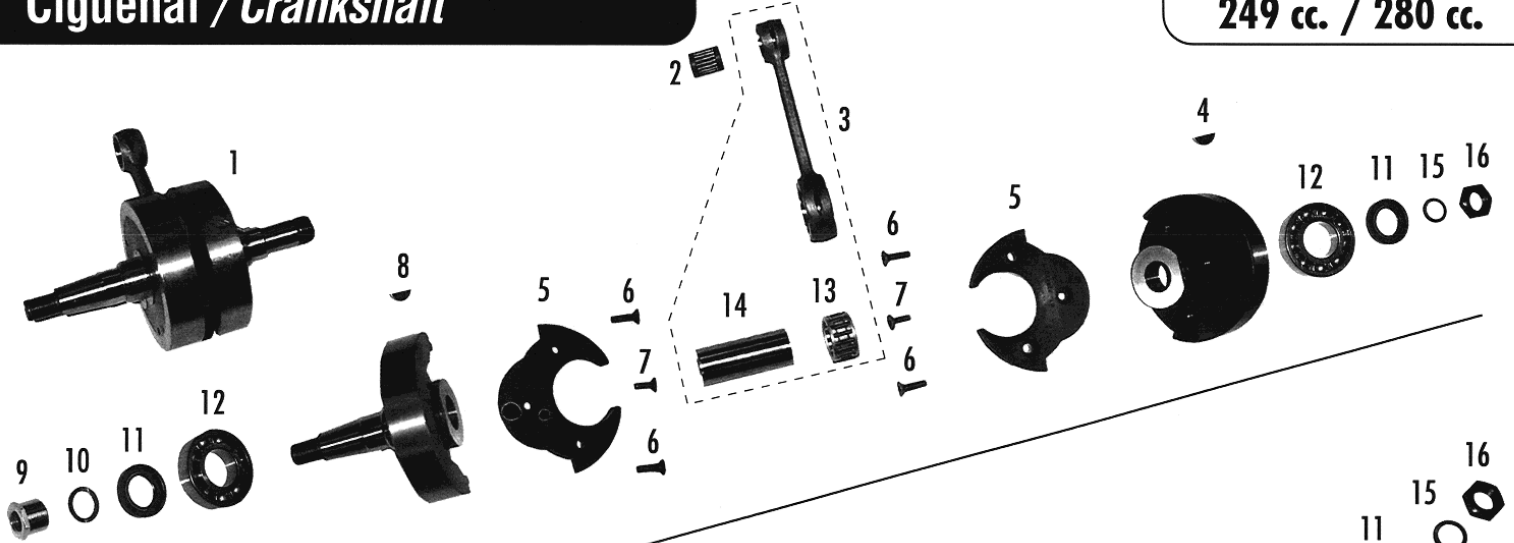
4

| | 280cc. | 125cc. | 200cc. | 249cc. | 321cc. | Cant. |
|--|--------|------------|------------|--------|--------|-------|
| 200 trial / Crank shaft assembly set | | M01210001 | M01210001 | | | 1 |
| 20x23 / Small end bearing | | M01411100 | M01411100 | | | 1 |
| / Cpt. con rod assembly | | M01218110 | M01218110 | | | 1 |
| rapeso / Key. pinion | | M01223000 | M01223000 | | | 1 |
| 20 125-200 / Crank shaft stopper | | MT12712021 | MT12712021 | | | 4 |
| Key. ignition | | M01224000 | M01224000 | | | 1 |
| Nut ignition | | M01222000 | M01222000 | | | 1 |
| magn. / Washer ignition magn. | | M01221000 | M01221000 | | | 1 |
| 10-8ASFP / Oil seal crank shaft | | M01217001 | M01217001 | | | 2 |
| C3 / Bearing crank shaft | | M01216002 | M01216002 | | | 1 |
| crank shaft pin | | M01414002 | M01414002 | | | 1 |
| 24x30x16.8 / Bearing big end | | M01415001 | M01415001 | | | 1 |
| intr. D.20 / Washer pinion crank shaft | | M01219000 | M01219000 | | | 1 |
| rapeso / Nut pinion crank shaft | | M01220000 | M01220000 | | | 1 |
| 205 ETN9/C4 / Crankshaft bearing | | M012160021 | M012160021 | | | 1 |

Motor 4

Cigüeñal / Crankshaft

249 cc. / 280 cc.



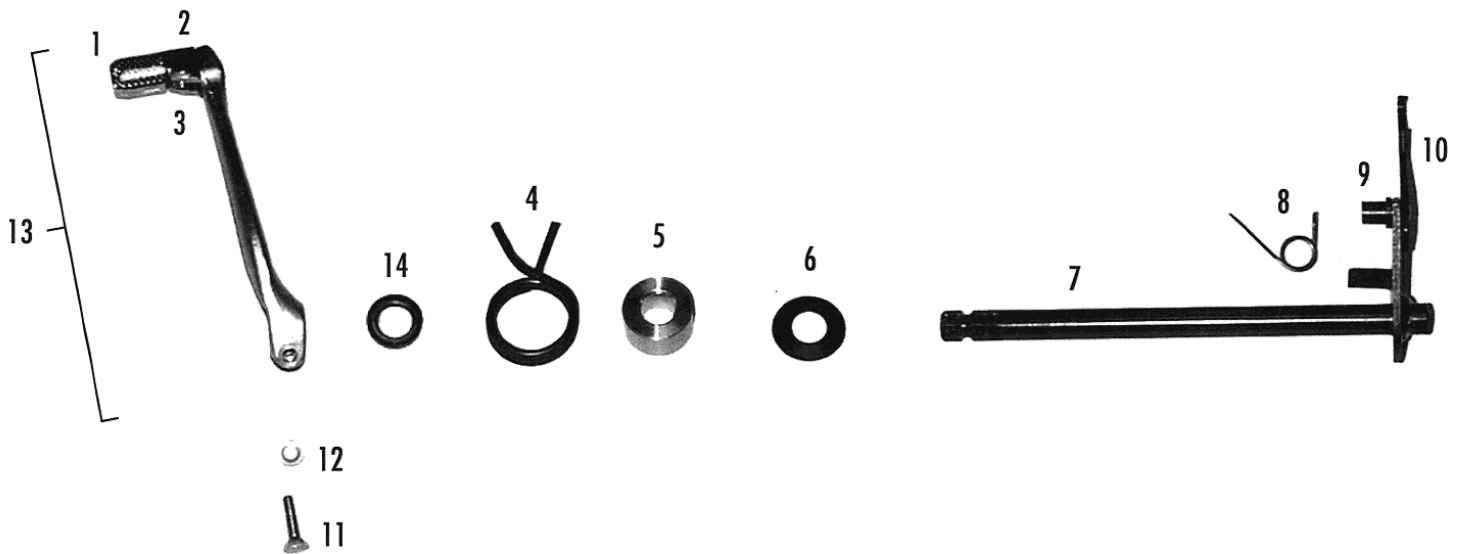
321 cc.

5

| | 280cc. | 125cc. | 200cc. | 249cc. | 321cc. | Cant. |
|---|------------|--------|--------|------------|------------|-------|
| 270 trial / <i>Cpt.crank shaft assembly</i> | MT27912000 | | | MT27912000 | | 1 |
| e biela 16x20x23 / <i>Small end bearing</i> | M01411100 | | | M01411100 | | 1 |
| 0 / <i>Cpt. con rod assembly</i> | MT27812100 | | | MT27812100 | | 1 |
| trapeso / <i>Key. Counterweight pinion</i> | M01223000 | | | M01223000 | M01223000 | 1 |
| / <i>Counterweight nylon</i> | MT32912021 | | | MT32912021 | MT32912021 | 2 |
| <i>Screw, bolt con. 6x20</i> | T0406020 | | | T0406020 | T0406020 | 4 |
| <i>Screw, bolt con. 6x16</i> | T0406016 | | | T0406016 | T0406016 | 1 |
| <i>Key. Ignition</i> | M01224000 | | | M01224000 | M01224000 | 1 |
| <i>lut ignition</i> | M01222000 | | | M01222000 | M01222000 | 1 |
| magnético / <i>Washer ignition magn.</i> | M01221000 | | | M01221000 | M01221000 | 1 |
| -40-8 ASFP / <i>Oil seal crank shaft</i> | M01217001 | | | M01217001 | M01217001 | 2 |
| 6206 C3 / <i>Bearing crank shaft</i> | M01216001 | | | M01216001 | M01216001 | 2 |
| biela 24x30x16.8 / <i>Bearing big end</i> | M01415001 | | | M01415001 | M01415001 | 1 |
| <i>Crank shaft pin</i> | M01414001 | | | M01414001 | M01414001 | 1 |
| intr. D.20 / <i>Washer pinion crank shaft</i> | M01219000 | | | M01219000 | M01219000 | 1 |
| trapeso / <i>Nut pinion crank shaft</i> | M01220000 | | | M01220000 | M01220000 | 1 |
| trial / <i>Cpt. crank shaft assembly 321</i> | | | | | MT32912000 | 1 |
| e biela 20x24x29.5 / <i>Small end bearing</i> | | | | | M01411000 | 1 |
| <i>pt. crank shaft assembly</i> | | | | | M01218002 | 1 |

Motor 5

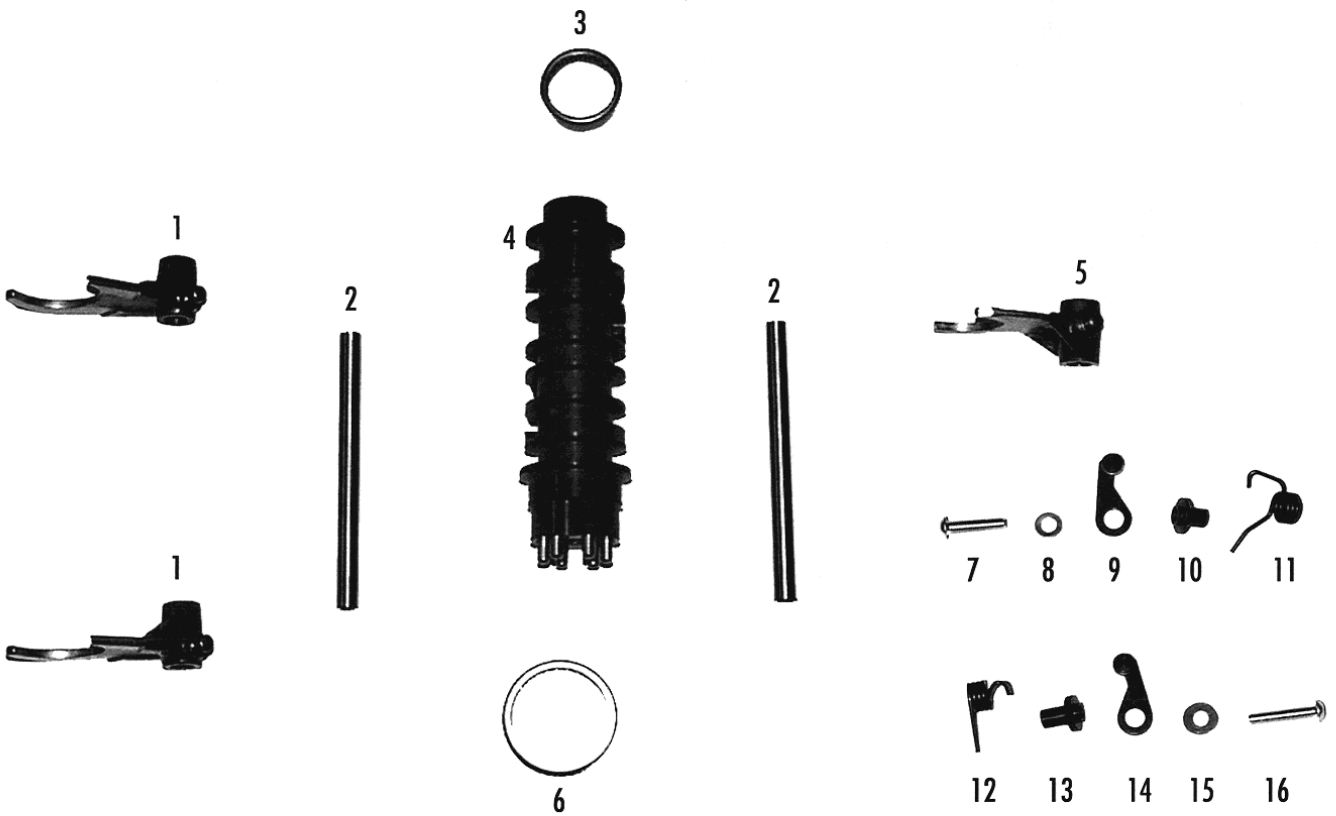
Pedal cambio / Gear lever



| | 280cc. | 125cc. | 200cc. | 249cc. | 321cc. | Cant. |
|---------------------------------------|-------------|-----------|-----------|--------|--------|-------|
| bio 5644010 / Pedal, end gear lever | M03810050 | | | | | 1 |
| ambio 6x18 / Rivet pedal, end | M03810010 | | | | | 1 |
| amb. / Spring pedal, end gear lever | M121000 | | | | | 1 |
| ector / Spring, come back gear lever | M03812000 | M03812000 | M03812000 | | | 1 |
| ector / Pivot, bush spring gear lever | M03813000 | | | | | 1 |
| 6x12.2x0.3 / Washer change | M03810015 | | | | | 1 |
| Cpt. gear lever axle | M03811001 | | | | | 1 |
| orpión / Scorpion work table spring | M03817301 | | | | | 1 |
| orpión / Scorpion rivet work table | M03811005 | | | | | 1 |
| / Scorpion work table | M03811100 | | | | | 1 |
| Hexagonal 6x20 | T0106020 | | | | | 1 |
| 2x1,5 / Washet plane 6x12x1.5 | T4006012 | | | | | 1 |
| Cpt. pedal change | MT27936026C | | | | | 1 |
| ector oil seal | M03821000 | | | | | 1 |

Motor 6

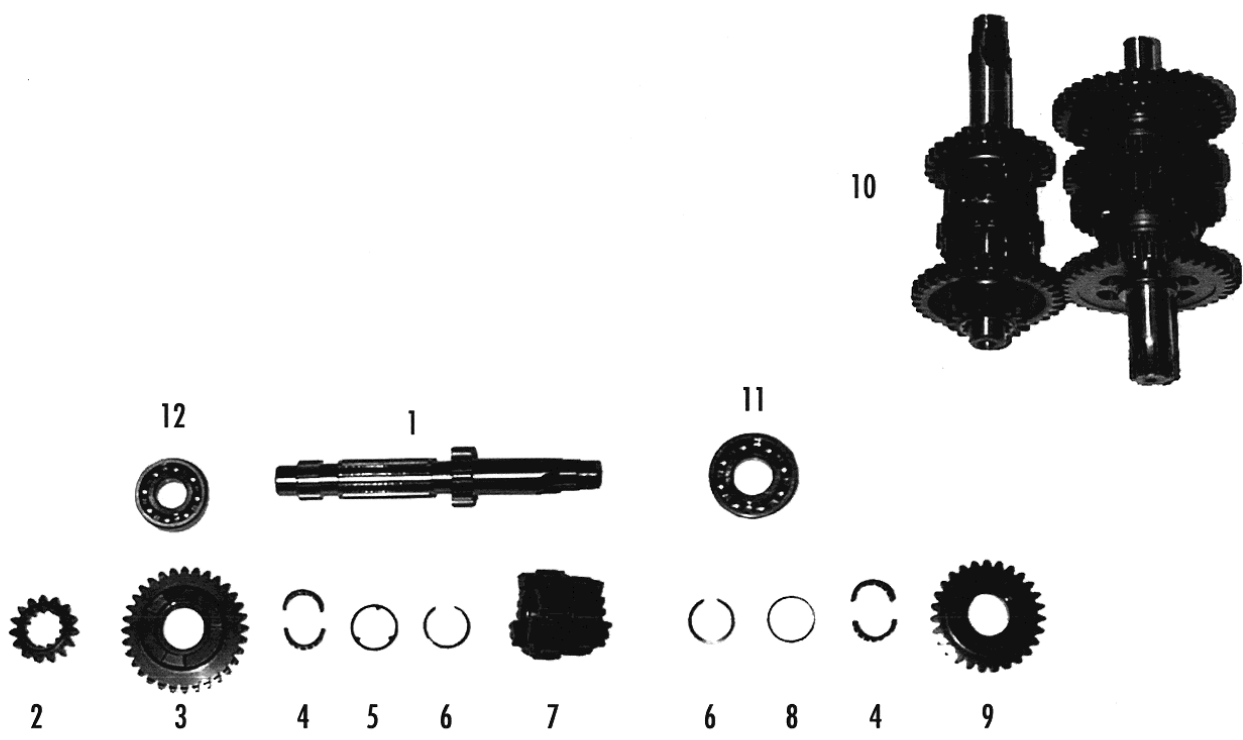
Grupo selector / Shift cam



| | 280cc. | 125cc. | 200cc. | 249cc. | 321cc. | Cant. |
|--|-----------|--------|--------|--------|--------|-------|
| / Selector fork | M03639001 | | | | | 2 |
| K10/ Axle selector fork | M03638001 | | | | | 2 |
| K25-12/ Bearing needles | M03645000 | | | | | 1 |
| Selector barrel | M03637001 | | | | | 1 |
| Selector fork | M03640000 | | | | | 1 |
| K 35-12 / Bearing needles | M03650000 | | | | | 1 |
| Washer, bolt uls 6x25 | T0506025 | | | | | 1 |
| Washer 6x12x1.5/ Washer plane 6x12x1.5 | T4006012 | | | | | 1 |
| Punto muerto / Cpt. neutral fasten | M03815110 | | | | | 1 |
| Punto muerto / Neutral fasten bushing | M03818103 | | | | | 1 |
| Punto muerto / Neutral fasten spring | M03817201 | | | | | 1 |
| Marchas / Fasten gear spring | M03817100 | | | | | 1 |
| Marchas / Fasten gear bushing | M03818104 | | | | | 1 |
| Marchas / Cpt. fasten gear | M03815210 | | | | | 1 |
| Washer 6x20 | T4006020 | | | | | 1 |
| Bolt ULS 6x30 | T0506030 | | | | | 1 |

Motor 7

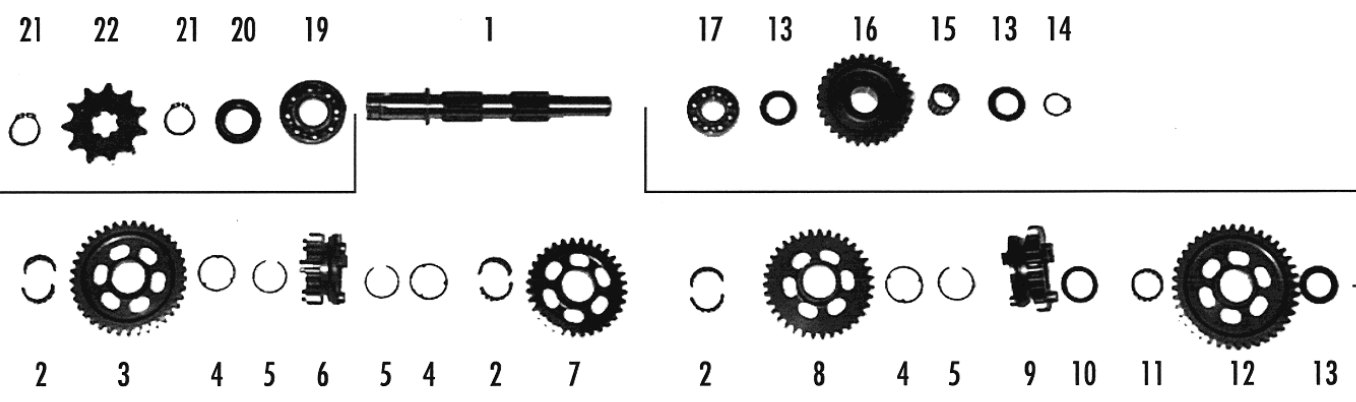
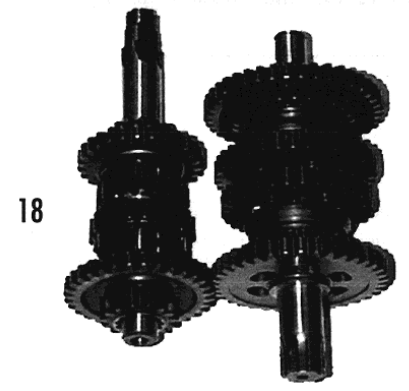
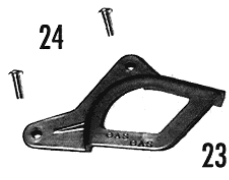
Cambio / Gear



| | 280cc. | 125cc. | 200cc. | 249cc. | 321cc. | Cant. |
|---|------------|--------|--------|--------|--------|-------|
| axle prim. pinion | MT27836070 | | | | | 1 |
| ion 2 nd prim. | MT27836071 | | | | | 1 |
| ion 6 th prim. | MT27836074 | | | | | 1 |
| 22x10 / Bearing needles 18x22x10 | M03670000 | | | | | 2 |
| 22x1 / Washer secund. 28x22x1 | MT27836091 | | | | | 1 |
| m. Cam. / Clip secund. 22 mm. | MT27836084 | | | | | 2 |
| ion 3 rd / 4 th prim. | MT27836072 | | | | | 1 |
| 26x0.5 / Washer gear 15x26x0.5 | MT27836093 | | | | | 1 |
| ion 5 th prim. | MT27836073 | | | | | 1 |
| plete gear | MT27836000 | | | | | 1 |
| 204) / Bearing 20x47x4 | M03610001 | | | | | 1 |
| 203) / Bearing 17x40x12 | M03620000 | | | | | 1 |

Motor 8

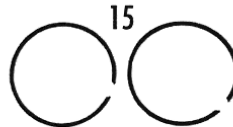
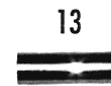
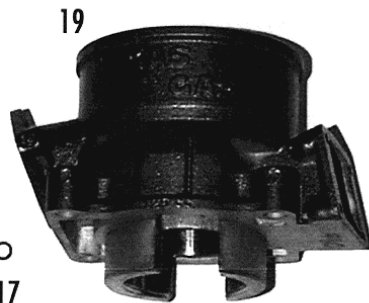
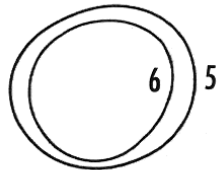
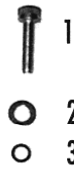
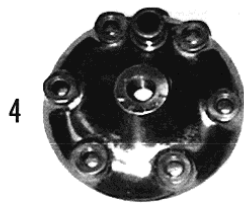
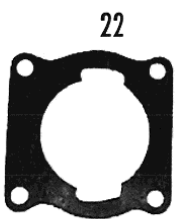
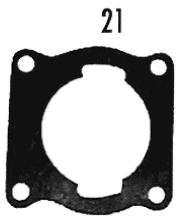
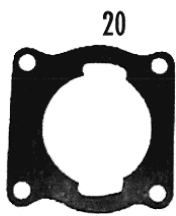
Cambio / Gear



| | 280cc. | 125cc. | 200cc. | 249cc. | 321cc. | Cant. |
|---|-------------|-----------|-----------|-----------|-----------|-------|
| <i>Axle secondary</i> | MT27836075 | | | | | 1 |
| 8x22x10 / <i>Bearing needles 18x22x10</i> | M03670000 | | | | | 3 |
| o de 2ª / <i>Secondary pinion 2nd</i> | MT27836077 | | | | | 1 |
| aria 28x22x1 / <i>Washer secondary 28x22x1</i> | MT27836091 | | | | | 3 |
| de 22 mm. Cam. / <i>Secondary clip 22 mm.</i> | MT27836084 | | | | | 3 |
| <i>Secun. Pinion 6th</i> | MT27836081 | | | | | 1 |
| <i>Secun. Pinion 4th</i> | MT27836079 | | | | | 1 |
| <i>Secun. Pinion 3rd</i> | MT27836078 | | | | | 1 |
| <i>Secun. Pinion 5th</i> | MT27836080 | | | | | 1 |
| nt. 15x26x0.5 / <i>Washer int. Pinion</i> | MT27836093 | | | | | 1 |
| 7x21x10/ <i>Bearing needles 17x21x10</i> | M03660000 | | | | | 1 |
| ri / <i>Secondary pinion 1st</i> | MT27836076 | | | | | 1 |
| nt. 15x26x0.5 / <i>Pinion int. Washer</i> | M02622001 | | | | | 3 |
| ñón int. Arra. / <i>Pinion clip 15 mm.</i> | M02623000 | | | | | 1 |
| nt. Arra.K-15-19-17 / <i>Bearing int. Pinion</i> | M02621001 | | | | | 1 |
| aque / <i>Int. Pinion</i> | M02620003 | | | | | 1 |
| 11 (6202) / <i>Bearing 15x35x11</i> | M03621000 | | | | | 1 |
| <i>Complete gear</i> | MT27836000 | | | | | 1 |
| 14 (6204) / <i>Bearing 20x47x14</i> | M03610001 | | | | | 1 |
| 32-7 827S / <i>Oil seal external 20-32-7 827S</i> | M03633000 | | | | | 1 |
| salida / <i>Pinion clip 20</i> | MT27836052 | | | | | 2 |
| ut pinion | M03634000 | M03634002 | M03634002 | M03634000 | M03634000 | 1 |
| salida / <i>Output pinion protector</i> | MT280136021 | | | | | 1 |
| w, bolt ULS 5x16 | T0505016 | | | | | 2 |

Motor 9

Cilindro / Cylinder

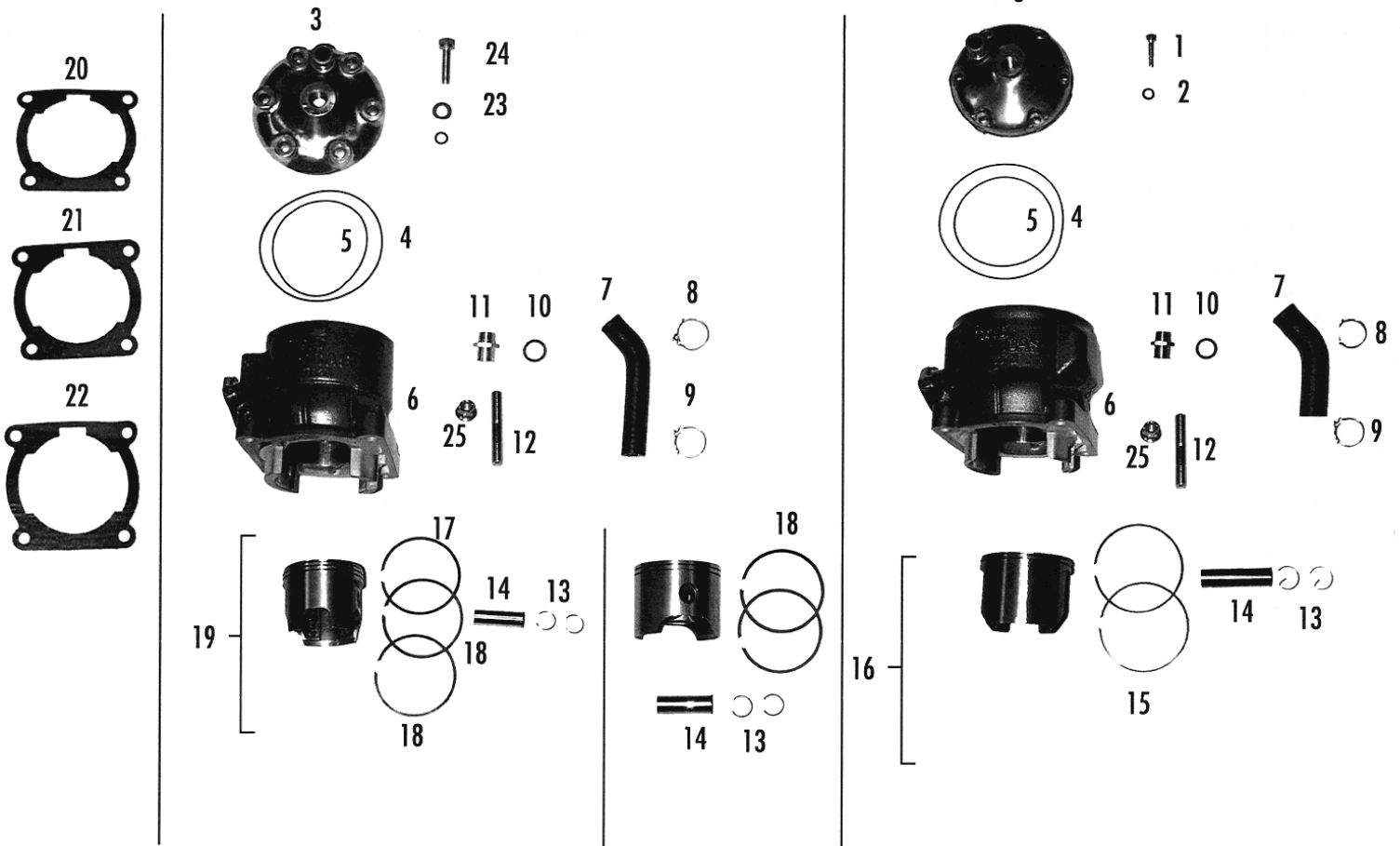


125 cc. / 200 cc.

| | 280cc. | 125cc. | 200cc. | 249cc. | 321cc. | Cant. |
|-----------------------------------|--------|-------------|-------------|--------|--------|-------|
| bolt allen 8x30 | | T0308030 | T0308030 | | | 6 |
| 7x1.5 / Washer plane 8x17x1.5 | | T4008017 | T4008017 | | | 6 |
| 7x2 | | M01612010 | M01612010 | | | 6 |
| head | | MT12716000 | MT20716000 | | | 1 |
| g cyl. Ext. | | M01619135 | M01619135 | | | 1 |
| r / O'ring cyl. Int. | | M01619130 | M01619130 | | | 1 |
| racord cylinder | | M01612021 | M01612021 | | | 1 |
| 0x2 racord / Washer fibre 15x20x2 | | M01612026 | M01612026 | | | 1 |
| e 19 / Copper clamp 19 | | L200043 | L200043 | | | 1 |
| 0 / Copper clamp 20 | | L200035 | L200035 | | | 1 |
| / Curver water tube | | L200008 | L200008 | | | 1 |
| orto / Stud, bolt cylinder | | M01612005 | M01612005 | | | 4 |
| piston | | M01419002 | MT20716125 | | | 2 |
| piston | | M01417052 | MT20716126 | | | 2 |
| on ring plan | | M01417003 | MT20716040 | | | 1 |
| ot. piston | | M01410003 | MT20716020 | | | 1 |
| x1.5 / Washer fiber 6x10x1.5 | | T4006010 | T4006010 | | | 1 |
| bolt ULS 6x10 | | T0506010 | T0506010 | | | 1 |
| | | MT120016022 | MT200016022 | | | 1 |
| m. / Gasket cylinder | | M04411003 | M04411003 | | | 1 |
| m. / Gasket cylinder | | MT20844000 | MT20844000 | | | 1 |
| . / Gasket cylinder | | MT20844010 | MT20844010 | | | 1 |
| 0/150 / Cylinder nut M10/150 | | M01613001 | M01613001 | | | 1 |

Motor 10

Cilindro / Cylinder



249 cc.

280 cc.

321 cc.

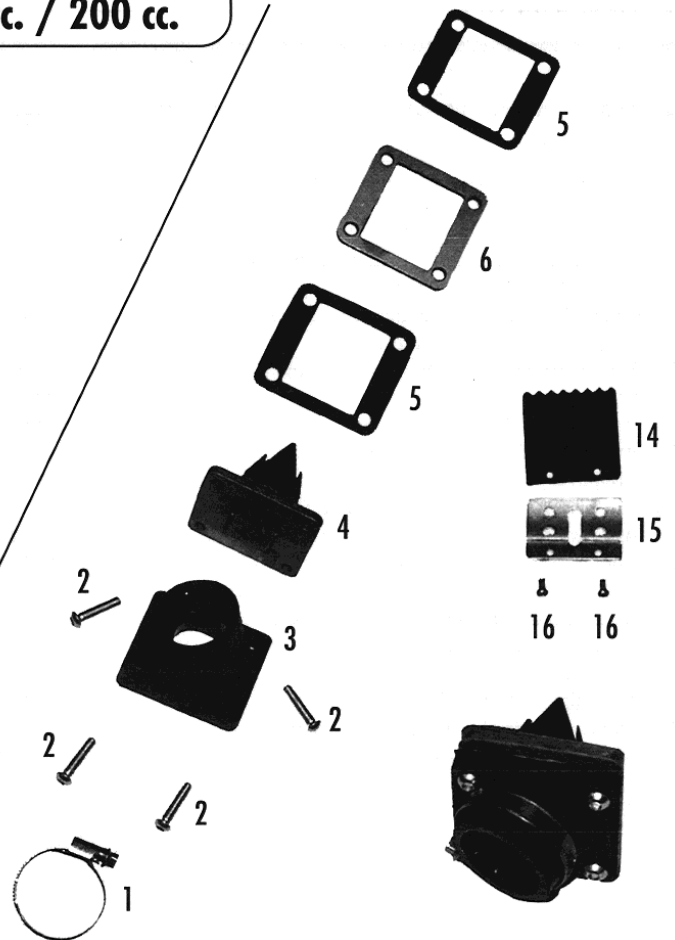
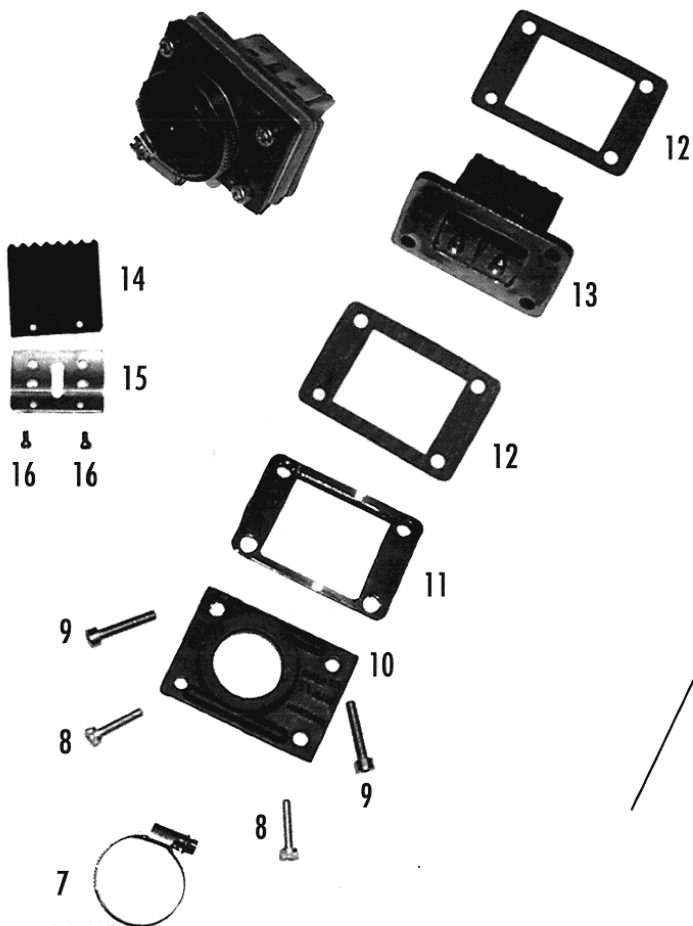
11

| | 280cc. | 125cc. | 200cc. | 249cc. | 321cc. | Cant. |
|-----------------------------------|-------------|--------|--------|-------------|-------------|-------|
| bolt allen 6x25 | | | | | T0306025 | 6 |
| opper washer | | | | | T4006713 | 6 |
| ead | MT280116000 | | | MT250116000 | MT320016000 | 1 |
| g cyl. Ext. | MT27816060 | | | MT27816060 | M01619211 | 1 |
| / O'ring cyl. Int. | M01619215 | | | M01619215 | M01619216 | 1 |
| | MT280016022 | | | MT250016022 | MT320016022 | 1 |
| ro / Cylinder-radiator water tube | BT27832007 | | | BT27832007 | BT27832007 | 1 |
| 19 / Clamp, clip | L200043 | | | L200043 | L200043 | 1 |
| 20 / Clamp, clip | L200035 | | | L200035 | L200035 | 1 |
| 6x2 racord / Washer fibre | M01612026 | | | M01612026 | M01612026 | 1 |
| cord cylinder | M01612021 | | | M01612021 | M01612021 | 1 |
| argo / Stud, bolt cylinder | M01612003 | | | M01612003 | M01612003 | 4 |
| ton | MT280016126 | | | M01417051 | M01417050 | 2 |
| iston | MT280016125 | | | M01419001 | M01419004 | 1 |
| iston ring type L | | | | | M01417000 | 2 |
| t. piston | | | | | M01410103 | 1 |
| iston ring tipe L | | | | MT25916240 | | 1 |
| o / Piston ring plane | MT280016241 | | | MT25916241 | | 2 |
| pt. piston* | MT280016020 | | | MT25916020 | | 1 |
| n. / Gasket cylinder | MT27844010 | | | MT27844010 | MT27844010 | 1 |
| n. / Gasket cylinder | MT27844009 | | | MT27844009 | MT27844009 | 1 |
| n. / Gasket cylinder | MT27844000 | | | MT27844000 | MT27844000 | 1 |
| / Washer copper | T4006713 | | | T4006713 | | 6 |
| bolt allen 6x25 | T0306025 | | | T0306025 | | 6 |
| 150 / Cylinder nut | M01613001 | | | M01613001 | M01613001 | 4 |
| pe piston | MT280016121 | | | | | 1 |
| pe piston | MT280016122 | | | | | 1 |
| pe piston | MT280016123 | | | | | 1 |

Motor 11

Caja láminas / Reed block

125 cc. / 200 cc.



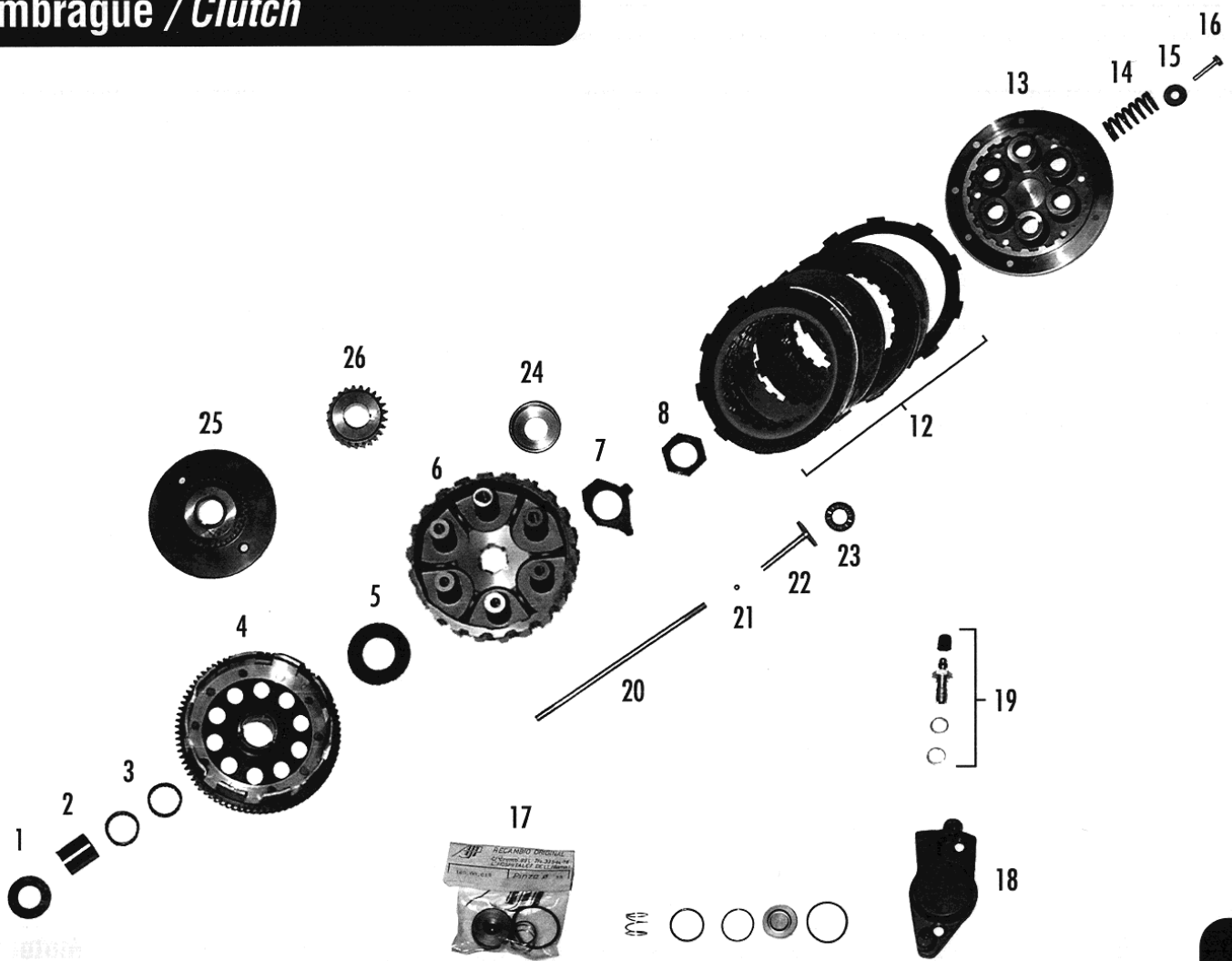
249 cc. / 280 cc. / 321 cc.

12

| | 280cc. | 125cc. | 200cc. | 249cc. | 321cc. | Cant. |
|--|-----------|-----------|-----------|-----------|-----------|-------|
| <i>/ Clamp 30-45</i> | B640005 | | | B640005 | B640005 | 1 |
| <i>bolt ULS 6x25</i> | T0506025 | | | T0506025 | T0506025 | 4 |
| <i>Inlet manifold</i> | M01615004 | | | M01615004 | M01615004 | 1 |
| <i>Reed block assembly</i> | M01617200 | | | M01617200 | M01617200 | 1 |
| <i>Gasket inlet manifold</i> | M04416003 | | | M04416003 | M04416003 | 1 |
| <i>149-270-321/ Distan. Reed block assy.</i> | M01614005 | | | M01614005 | M01614005 | 1 |
| <i>/ Clamp 24-40</i> | | B640001 | B640001 | | | 1 |
| <i>, bolt allen 5x20</i> | | T0305020 | T0305020 | | | 2 |
| <i>, bolt allen 5x25</i> | | T0305025 | T0305025 | | | 2 |
| <i>125-200 / Inlet manifold</i> | | M01615003 | M01615003 | | | 1 |
| <i>125-200 / Distan reed block assy. 125-200</i> | | M01618000 | M01618000 | | | 1 |
| <i>125-200 / Gasket inlet manifold 125-200</i> | | M04416002 | M04416002 | | | 1 |
| <i>125-200 / Reed block assembly 125-200</i> | | M01617000 | M01617000 | | | 1 |
| <i>Reeds set</i> | M01616000 | | | | | 1 |
| <i>Reed plate reeds petal</i> | M01616010 | | | | | 2 |
| <i>Washers M4x8 / Screw, bolt philips reeds</i> | T0604008 | | | | | 4 |

Motor 12

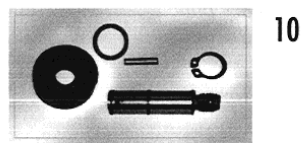
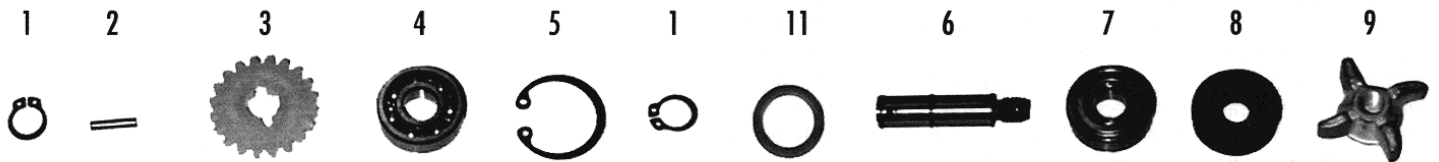
Embrague / Clutch



| | 280cc. | 125cc. | 200cc. | 249cc. | 321cc. | Cant. |
|---|------------|-----------|-----------|------------|------------|-------|
| x3.25 / Washer cover | M03226000 | | | | | 1 |
| e 20x26x28.6 / Pivot, bush clutch | M03224000 | | | | | 1 |
| 5-30-13 / Bearing needles | M03225000 | | | | | 2 |
| Helical gear set assy | M03210002 | | | | | 1 |
| o 17.5x34x1 / Washer intermediate | M03223000 | | | | | 1 |
| / Hub, clutch | MT27832005 | | | | | 1 |
| ubo / washer lock hub | | M03222001 | M03222001 | | | 1 |
| o bal.piñon / Nut fij. Hub bal. pinion | M03221000 | | | | | 1 |
| e 98 / Cpt. clutch disk | MT27732050 | | | | | 1 |
| / Clutch plate | MT27832006 | | | | | 1 |
| Clutch spring | M03216002 | | | | | 6 |
| nb. 17x5x1.5 / Washer clutch spring | M03218001 | | | | | 6 |
| 2.9) DIN 933 / Hexagonal | T0105020 | | | | | 6 |
| hidr. / Kit caliper clutch hydraulic | M01059000 | | | | | 1 |
| ráulico / Caliper clutch hydraulic | M01050000 | | | | | 1 |
| ague hidrau. / Bleed screw, union bolt | M01060000 | | | | | 1 |
| idráulico / Push rod clutch hydraulic | M03228002 | | | | | 1 |
| ue 5mm / Ball bearing clutch | M03235001 | | | | | 1 |
| ague / Mushroom adjuster clutch | M03233000 | | | | | 1 |
| e AX1022 / Bearing clutch end plate | M03234001 | | | | | 1 |
| embr. / Bushing centralize clutch press | MT27832052 | | | MT27832052 | MT27832052 | 1 |
| Counterweight pinion | M03210000 | | | | | 1 |
| primaria / Transmission primary pinion | M03210001 | | | | | 1 |

Motor 13

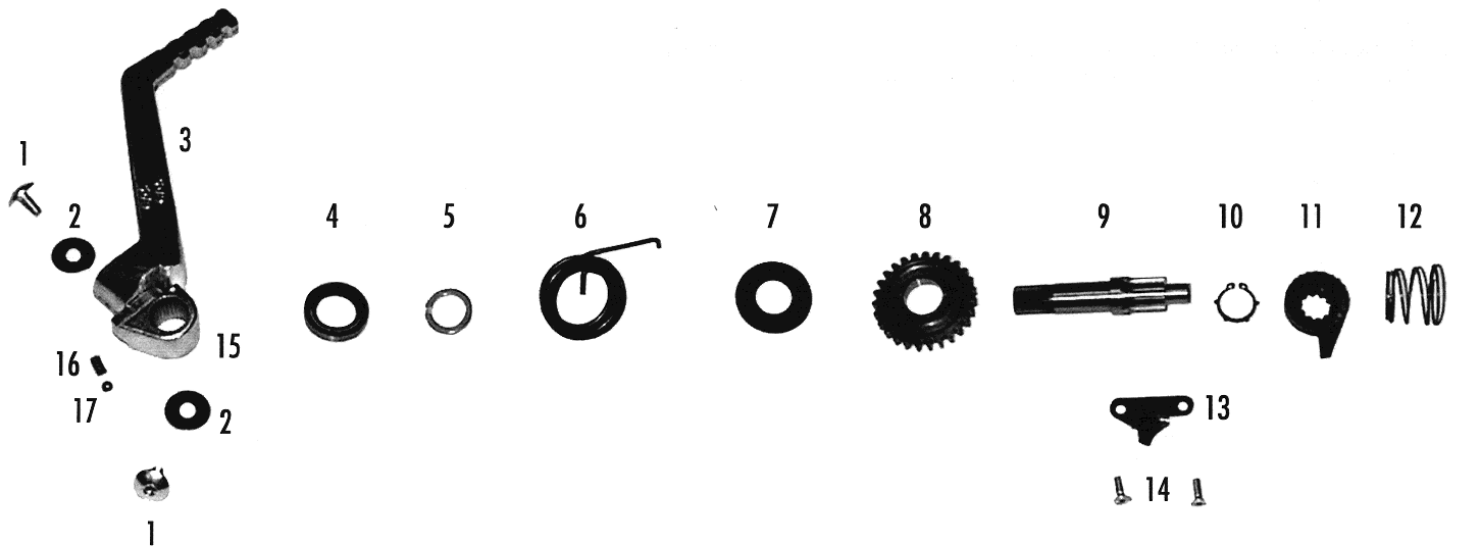
Conjunto bomba / Water pump set



| | 280cc. | 125cc. | 200cc. | 249cc. | 321cc. | Cant. |
|--|--------|--------|--------|--------|--------|-------|
| mba / <i>Spindle pump, seeger 10</i> | | | | | | 2 |
| a agua / <i>Pump water roller 3x14</i> | | | | | | 1 |
| a agua / <i>Control pinion water</i> | | | | | | 1 |
| 00C3 bom. / <i>Turbine bearing 600C3</i> | | | | | | 1 |
| pe cojinetes / <i>Int. Seeger 26</i> | | | | | | 1 |
| e turbine 98 | | | | | | 1 |
| mb. agua / <i>Bearing water pump</i> | | | | | | 1 |
| FPM Viton / <i>Water pump seal</i> | | | | | | 1 |
| | | | | | | 1 |
| 0-97 / <i>Turbine axle kit from 90-97</i> | | | | | | 1 |
| or eje turbina / <i>Turbine axle spacer washer</i> | | | | | | 1 |

Motor 14

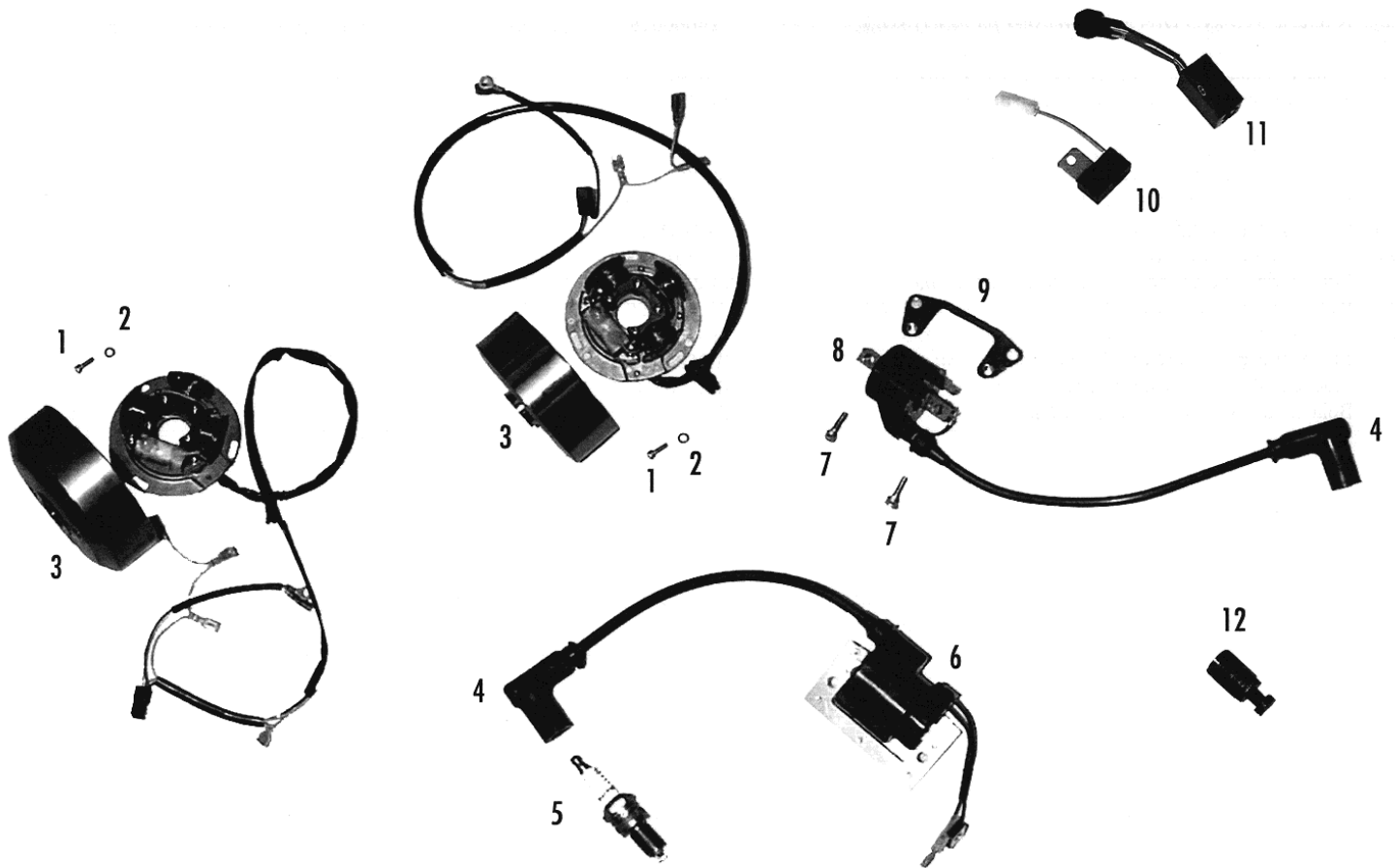
Pedal arranque / Kickstart



| N | 280cc. | 125cc. | 200cc. | 249cc. | 321cc. | Cant. |
|--|-------------|-----------|-----------|------------|------------|-------|
| ota tork / Screw, bolt allen special | T0316012 | | | | | 2 |
| 5 DIN 9021 / Washer plane 6x18x1.5 | T4006018 | | | | | 2 |
| e alum.y muñ. / Cpt. Kickstart pedal | ME250036060 | | | | | 1 |
| 3-28-7 822N / Oil seal kickstart | M02627001 | | | | | 1 |
| 5x18x25 arran. / Top aluminium kickstart | M02612002 | | | | | 1 |
| dal / Pedal come back spring | MT27836007 | M02613001 | M02613001 | MT27836007 | MT27836007 | 1 |
| e 46x18.6x1 / Washer kickstart | M02614002 | | | | | 1 |
| Pinion kickstart | MT27836002 | | | | | 1 |
| Kickstart axle | MT27836003 | | | | | 1 |
| 83 / Seeger E20 | MT27836052 | | | | | 1 |
| e / Kickstart pawl | ME250126004 | | | | | 1 |
| arranque / Kickstart pawl spring | ME25636006 | | | | | 1 |
| arranque 98 / Kickstart pawl worktable | MT27836005 | | | | | 1 |
| 12.9) DIN 933 / Hexagonal 5x20 | T0105020 | | | | | 2 |
| arranque / Kickstart trunnion | ME250036061 | | | | | 1 |
| a / Kickstart base spring | ME250036066 | | | | | 1 |
| Kickstart base ball | ME250036062 | | | | | 1 |

Motor 15

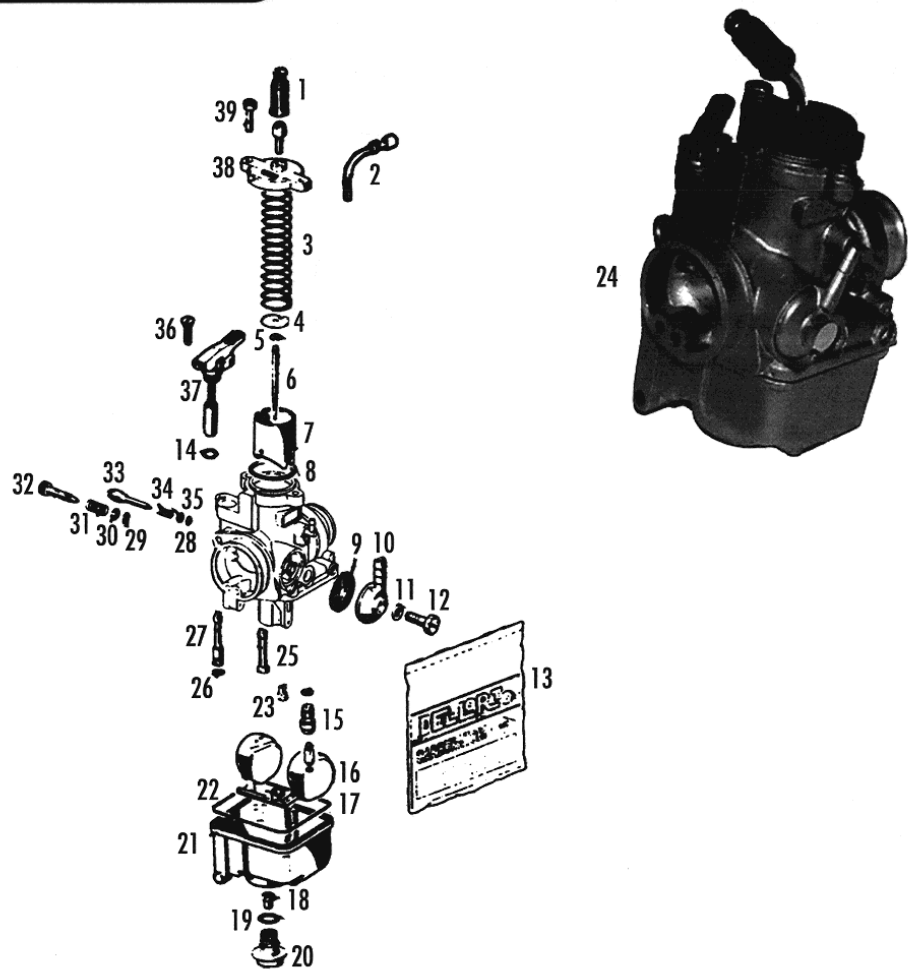
Encendido / Ignition



| ION | 280cc. | 125cc. | 200cc. | 249cc. | 321cc. | Cant. |
|---|------------|------------|------------|------------|------------|-------|
| 3 / Screw, bolt allen | T0305015 | | | | | 3 |
| 5x1 DIN 125 / Washer 5x10x1 | T4005010 | | | | | 3 |
| Condido / Ignition comp. | M02810110 | M02810120 | M02810125 | M02810110 | M02810110 | 1 |
| Cap. Spark plug | BT27934000 | | | | | 1 |
| PR5 ES / Spark plug | M04012000 | | | | | 1 |
| 21/ Ignition coil 270-321 | MT27834006 | | | | MT27834006 | 1 |
| crew, bolt allen | | T0306014 | T0306014 | T0306014 | | 2 |
| 00-249/ Ignition coil 125-200-249 | | M02812110 | M02812110 | M02812110 | | 1 |
| Ignition coil support | | BT20934026 | BT20934026 | BT20934026 | | 1 |
| arnador 415 C / Alternator regulator | L300031 | | | | | 1 |
| | M02812103 | | | | | 1 |
| nte magnético / Extractor ignition mag. | M04015001 | | | | | 1 |

Motor 16

Carburador / Carburetor



| | 280cc. | 125cc. | 200cc. | 249cc. | 321cc. | Cant. |
|---|------------|------------|------------|------------|------------|-------|
| ole gas / Adjuster tension cable gas | M09001055 | | | | | 1 |
| ensioner cable gas | M09001032 | | | | | 1 |
| Spring slide, valve | M09001015 | | | | | 1 |
| ole gas / Plate subjection | M09001010 | | | | | 1 |
| edle | M09001020 | | | | | 1 |
| / Needle D36 | M09003136 | M09003136 | M09003136 | M09003136 | Aguja D34 | 1 |
| lide, valve D-60 | M09002060 | M09002050 | M09002050 | M09002060 | M09002060 | 1 |
| lor / O'ring cover carburettor | M09001050 | | | | | 1 |
| a / Pipette fuel seal | M09001095 | | | | | 1 |
| ina / Pipette entry fuel | M09001135 | | | | | 1 |
| / Gasket screw, bolt pipette | M09001100 | | | | | 1 |
| ew, bolt pipette | M09001140 | | | | | 1 |
| r / Kit gasket carburettor | M09001101 | | | | | 1 |
| ings starter | M09001065 | | | | | 1 |
| loat valve | M09001200 | | | | | 1 |
| Float 2x2, 8gr. | M09008036 | | | | | 2 |
| axle | M09001145 | | | | | 1 |
| / Main jet | M09006120 | M09006116 | M09006116 | M09006118 | M09006118 | 1 |
| / O'ring cover dish | M09001090 | | | | | 1 |
| na / Cover dish fuel | M09001155 | | | | | 1 |
| el dish | M09001150 | | | | | 1 |
| na / O'ring fuel dish | M09001085 | | | | | 1 |
| et, slow 30 | M09004031 | M09004036 | M09004036 | M09004030 | M09004033 | 1 |
| 5 / Carburettor PHBL 26 | MT28009000 | MT20990000 | MT20990000 | MT25990000 | MT32990000 | 1 |
| | M09005271 | M09005268 | M09005268 | M09005271 | M09005271 | 1 |
| / O'ring jet starter | M09001070 | | | | | 1 |
| t starter 60 | M09007060 | | | | | 1 |
| ador aire / O'ring screw, bolt reg. air | M09001075 | | | | | 1 |
| np. / O'ring screw, bolt reg. Slide valve | M09001060 | | | | | 1 |

Motor 17

| | 280cc. | 125cc. | 200cc. | 249cc. | 321cc. | Cant. |
|---|--------|--------|--------|--------|--------|-------|
| Compt. / Washer screw reg. Slide, valve | | | | | | 1 |
| Comp. / Spring screw, bolt reg. slide | | | | | | 1 |
| Compuerta / Screw, bolt reg. slide | | | | | | 1 |
| caire / Screw, bolt reg. entrance | | | | | | 1 |
| ador aire / Spring screw, bolt reg. air | | | | | | 1 |
| Aire / Washer screw, bolt reg. air | | | | | | 1 |
| arter / Screw, bolt subjection starter | | | | | | 1 |
| ontrol starter | | | | | | 1 |
| cover carburettor | | | | | | 1 |
| ador / Screw, bolt cover carburettor | | | | | | 2 |

Motor 17