

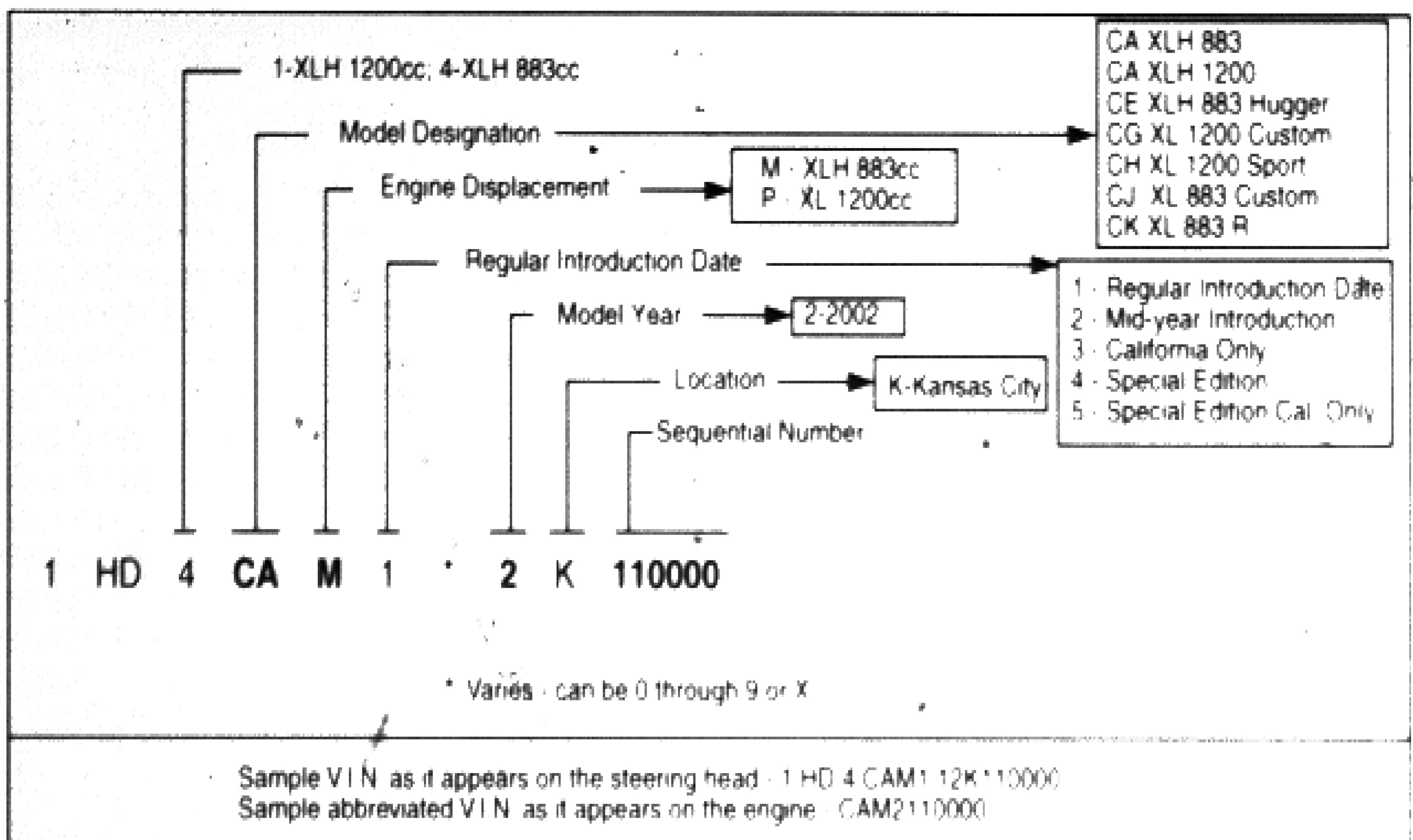
GENERAL INFORMATION

This Parts Catalog has been prepared for your convenience when ordering parts for the 2002 XLH EVOLUTION SPORTSTER models. This format allows you to compare the parts usage on all Sportster model motorcycles. Refer to the Glossary at the end of the book for unfamiliar abbreviations. A complete Hardware Listing is also featured. Index numbers shown in the illustrations correspond to index numbers in parts lists. Consult the illustrations when ordering parts so you are sure to get the part required. The number in parenthesis following description of parts is the quantity needed for complete assembly. If there is no number in parenthesis, only one is used. Prices of parts in this catalog are published separately.

The following instructions should be followed carefully when ordering parts:

- Specify the correct part number for each item. Check the "MODEL" column of the parts list which shows the model on which the part fits. Whenever in doubt, refer to the Vehicle Identification Number (VIN). A 17 digit VIN is stamped on the front of the frame and frame right downtube label. An abbreviated VIN is stamped on the left engine crankcase.

Always give one of these numbers when ordering parts or making any inquiry about your motorcycle.



- An asterisk (*) in the "Used On" column indicates part is used through the current model year.

- Orders may be placed via your computer for all parts. Please review your system documentation for details on placing orders electronically. All non-warranty replacement crankcase orders require return of the complete left crankcase half with VIN. All non-warranty replacement frame orders require return of the steering neck with VIN. Non-compliance will result in a fine. See non-warranty frame and crankcase policy or contact your SPOC team for details.

THIS IS NOT AN ASSEMBLY MANUAL AND SHOULD NOT BE USED AS SUCH

- The following model designations are located in each of the models column:

(STD) = Sportster 883 Standard

(HUG) = Sportster 883 Hugger

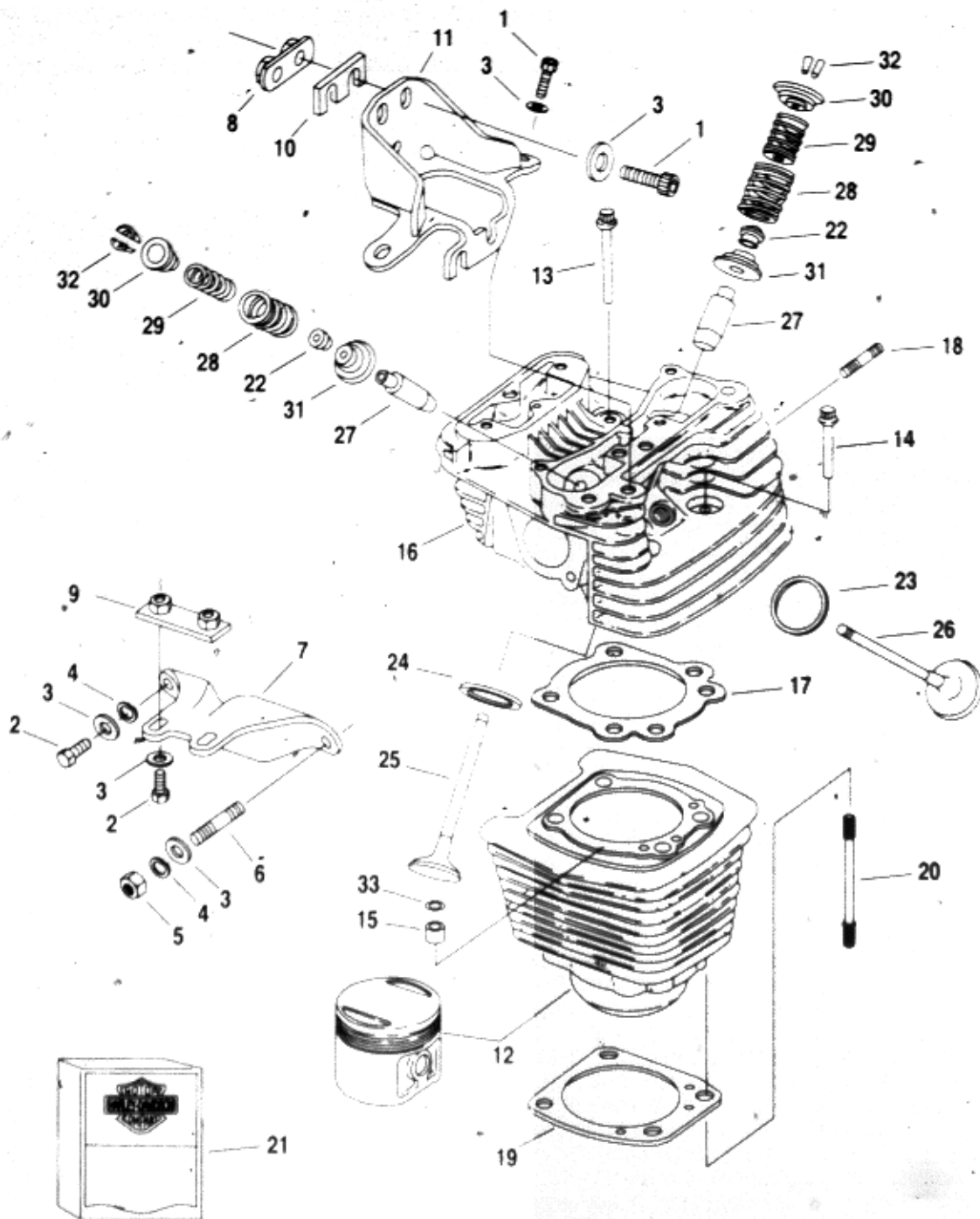
(883R) = Sportster 883 R

(1200) = Sportster 1200

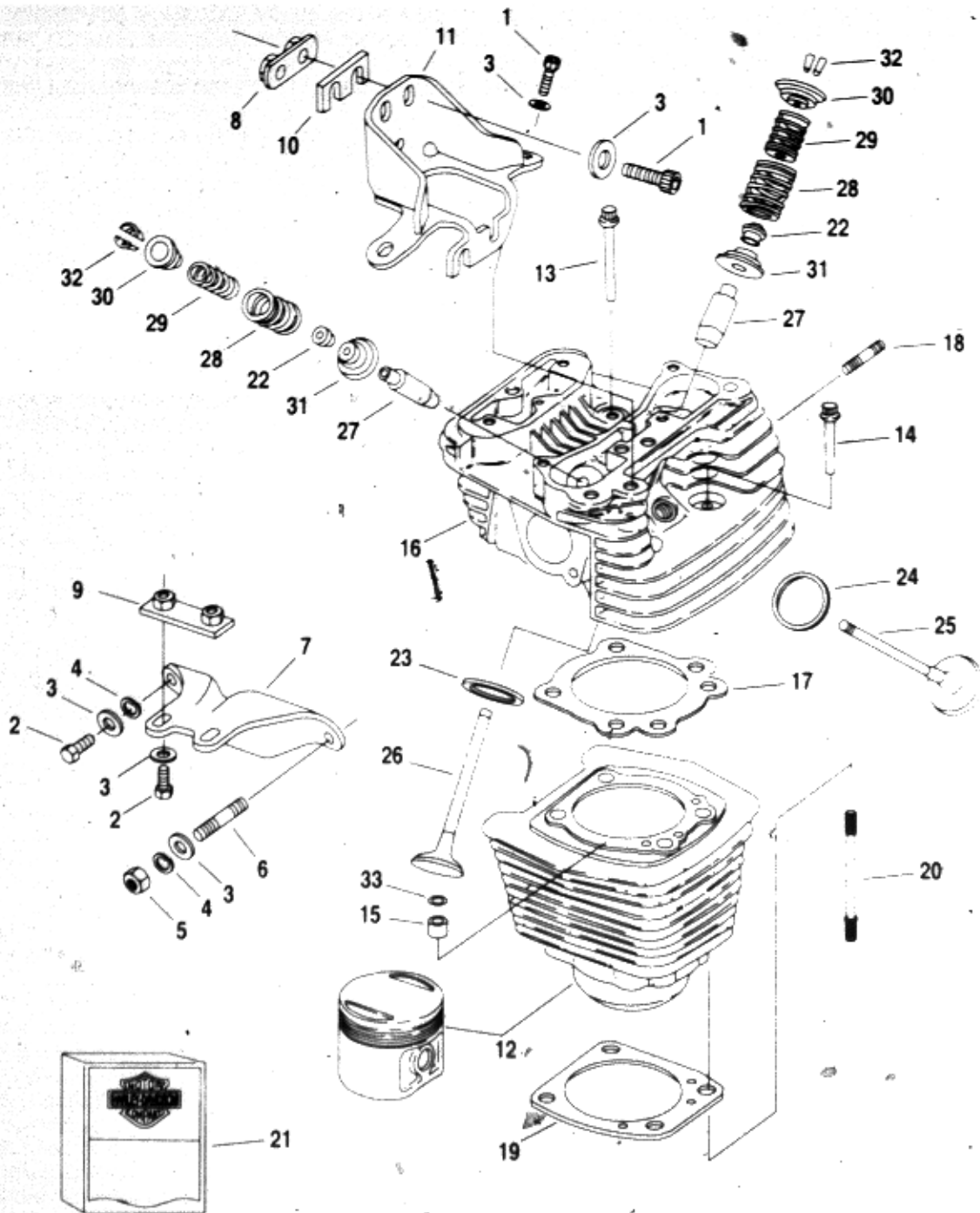
(1200S) = Sportster 1200 Sport

(1200C) = Sportster 1200 Custom

(883C) = Sportster 883 Custom



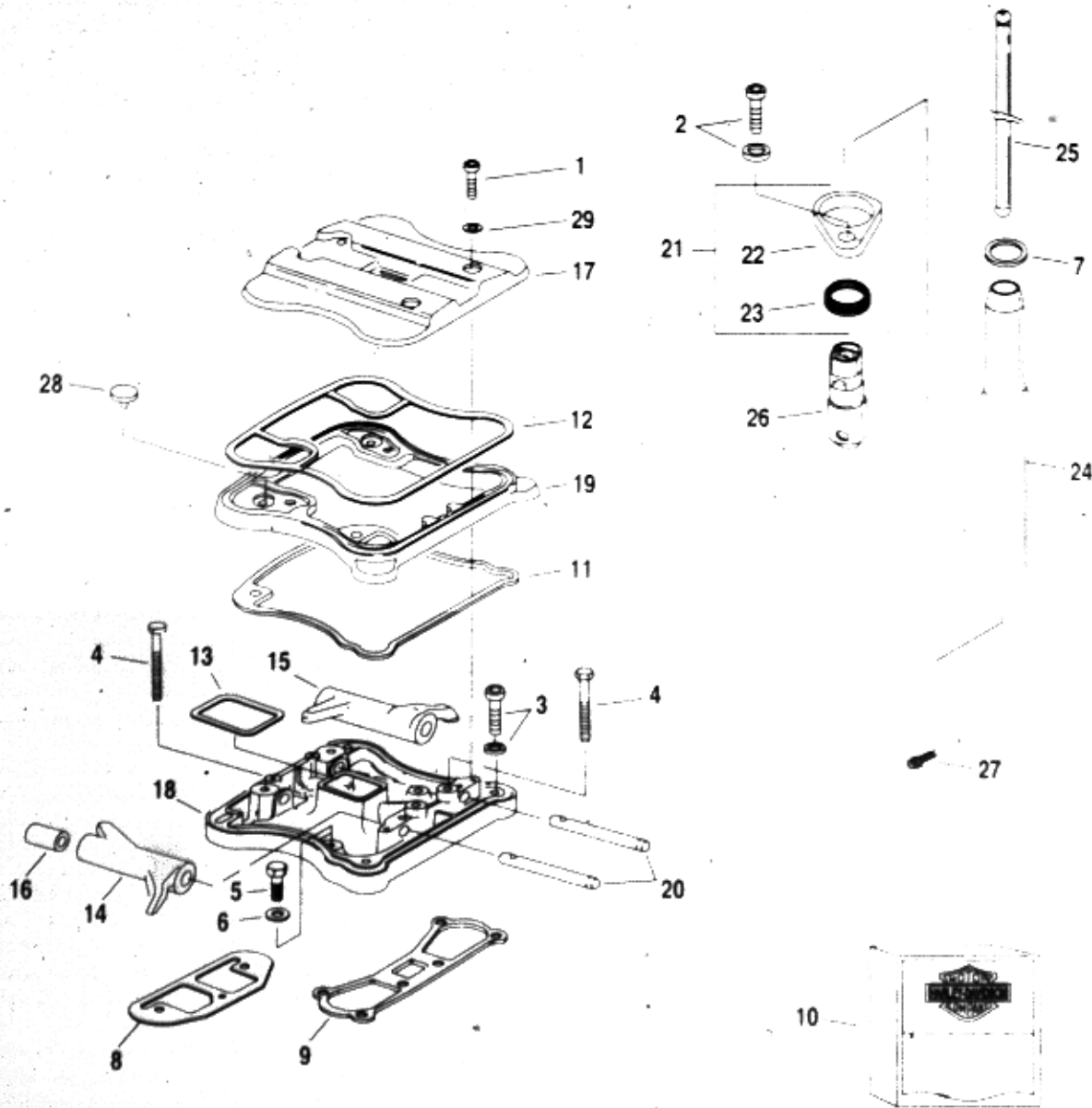
INDEX NO.	PART NO.	DESCRIPTION	MODELS
1	4748	SCREW (4)	2002-All Models
2	4716W	BOLT (3)	2002-All Models
3	6701	WASHER (8)	2002-All Models
4	7038	LOCKWASHER (2)	2002-All Models
5	7861	NUT	2002-All Models
6	11727A	STUD, left front	2002-All Models
	16051-02	ENGINE ASM., complete (1200cc)	2002-1200
	16052-02	ENGINE ASM., complete (883cc)	2002-STD
	16054-02	ENGINE ASM., complete (1200cc)(Cal only)	2002-1200
	16055-02	ENGINE ASM., complete (883cc)(Cal only)	2002-STD
	16061-02	ENGINE ASM., complete (883cc)	2002-HUG
	16062-02	ENGINE ASM., complete (883cc)(Cal only)	2002-HUG
	16068-02	ENGINE ASM., complete (1200cc)	2002-1200C
	16069-02	ENGINE ASM., complete (1200cc)(Cal only)	2002-1200C
	16074-02*	ENGINE ASM., complete (1200cc)	2002-1200S
	16075-02	ENGINE ASM., complete (1200cc)(Cal only)	2002-1200S
	16079-02	ENGINE ASM., complete (883cc)	2002-883C
	16080-02	ENGINE ASM., complete (883cc) (Cal only)	2002-883C
	16188-02	ENGINE ASM., complete (883cc)	2002-883R
	16189-02	ENGINE ASM., complete (883cc) (Cal only)	2002-883R
7	16214-86	BRACKET, upper front	2002-883R1200-C S
	16222-86	BRACKET, upper front	2002-STD/HUG-883C
8	16226-94	NUT PLATE	2002-All Models
9	16228-86A	NUT PLATE	2002-All Models
10	16233-86	SHIM, 0.030 (as required)	2002-All Models
11	16278-95B	BRACKET, center eng mount	2002-All Models
12	16446-86B	CYLINDER WITH PISTON (883 cc)(2)	2002-STD/HUG-883C
	16447-88A	CYLINDER WITH PISTON (1200 cc)(2)	2002-1200-C S
	16449-02	CYLINDER WITH PISTON (883 cc) (2)	2002-883R
13	16478-85A	SCREW, internal thread (4)	2002-All Models
14	16480-92	SCREW, internal thread (4)	2002-All Models
15	16573-83	INSERT, cylinder stud (4)	2002-All Models
16	16660-89B	HEAD, rear cylinder - w/valve guides & seats	2002-STD/HUG-883C
	16661-89B	HEAD, front cylinder - w/valve guides & seats	2002-STD/HUG-883C
	16865-02	HEAD, rear cylinder - w/valve guides & seats	2002-883R
	16867-02	HEAD, front cylinder - w/valve guides & seats	2002-883R
	16688-90A	HEAD, front cylinder - w/valve guides & seats	2002-1200-C
	16698-90A	HEAD, rear cylinder - w/valve guides & seats	2002-1200-C
	16630-98	HEAD, front cylinder - w/valve guides & seats	2002-1200S
	16633-98	HEAD, rear cylinder - w/valve guides & seats	2002-1200S
17	16664-86B	GASKET, cylinder head (2)	2002-STD/HUG-883C R
	16770-84D	GASKET, cylinder head (2)	2002-1200-C S
18	16715-83	STUD, exhaust port (4)	2002-All Models
19	16774-86D	GASKET, cylinder base (2)	2002-All Models
20	16832-86C	STUD, cylinder base (8)	2002-All Models



INDEX NO.	PART NO.	DESCRIPTION	MODELS
21	17026-91B	GASKET KIT, engine overhaul	2002-All Models
	17032-91	GASKET KIT, top overhaul	2002-All Models
	17036-91	GASKET KIT, rocker covers	2002-All Models
22	18001-83B	SEAL, valve (4)	2002-All Models
23	18011-87A	INSERT, exhaust valve seat (2)	2002-1200/C
	18012-87A	INSERT, exhaust valve seat (2)	2002-STD/HUG/883C/R
	18022-96YA	INSERT, exhaust valve seat (2)	2002-1200S
24	18020-87B	INSERT, intake valve seat (2)	2002-1200/C/S
	18021-87A	INSERT, intake valve seat (2)	2002-STD/HUG/883C/R
25	18023-87	INTAKE VALVE (2)	2002-1200/C/S
	18031-86	INTAKE VALVE (2)	2002-STD/HUG/883C/R
26	18024-87	EXHAUST VALVE (2)	2002-1200/C/S
	18030-86	EXHAUST VALVE (2)	2002-STD/HUG/883C/R
27	18112-92A	VALVE GUIDE, int & exh (4)	2002-STD/HUG/883C/R 1200/C
	18130-83D	VALVE GUIDE, int & exh -0.001 O/S (4)	2002-STD/HUG/883C/R 1200-C
	18131-83D	VALVE GUIDE, int & exh -0.003 O/S (4)	2002-STD/HUG/883C/R 1200/C
	18133-83B	VALVE GUIDE, int & exh -0.002 O/S (4)	2002-STD/HUG/883C/R 1200/C
	18113-96YA	VALVE GUIDE, int & exh (4)	2002-1200S
	18652-96YA	VALVE GUIDE, int & exh -0.001 O/S (4)	2002-1200S
	18653-96YA	VALVE GUIDE, int & exh -0.002 O/S (4)	2002-1200S
18654-96YA	VALVE GUIDE, int & exh -0.003 O/S (4)	2002-1200S	
28	18201-83	VALVE SPRING, outer (4)	2002-All Models
29	18202-83	VALVE SPRING, inner (4)	2002-All Models
30	18219-83A	COLLAR, valve spring - upper (4)	2002-All Models
31	18222-83A	COLLAR, valve spring - lower (4)	2002-All Models
32	18229-83	RETAINER, valve collar (8)	2002-All Models
33	26432-76A	O-RING, cylinder stud insert (4)	2002-All Models
H-D INTERNATIONAL ONLY			
	16063-02	ENGINE ASM, complete (1200cc)(HDI Aust)	2002-1200
	16064-02	ENGINE ASM, complete (883cc)(HDI only)	2002-STD
	16066-02	ENGINE ASM, complete (883cc)(HDI only)	2002-HUG
	16071-02	ENGINE ASM, complete (1200cc)(HDI Aust)	2002-1200C
	16076-02	ENGINE ASM, complete (1200cc)(HDI only)	2002-1200S
	16078-02	ENGINE ASM, complete (883cc)(HDI only)	2002-883C
	16198-02	ENGINE ASM, complete (883cc)(HDI only)	2002-883R

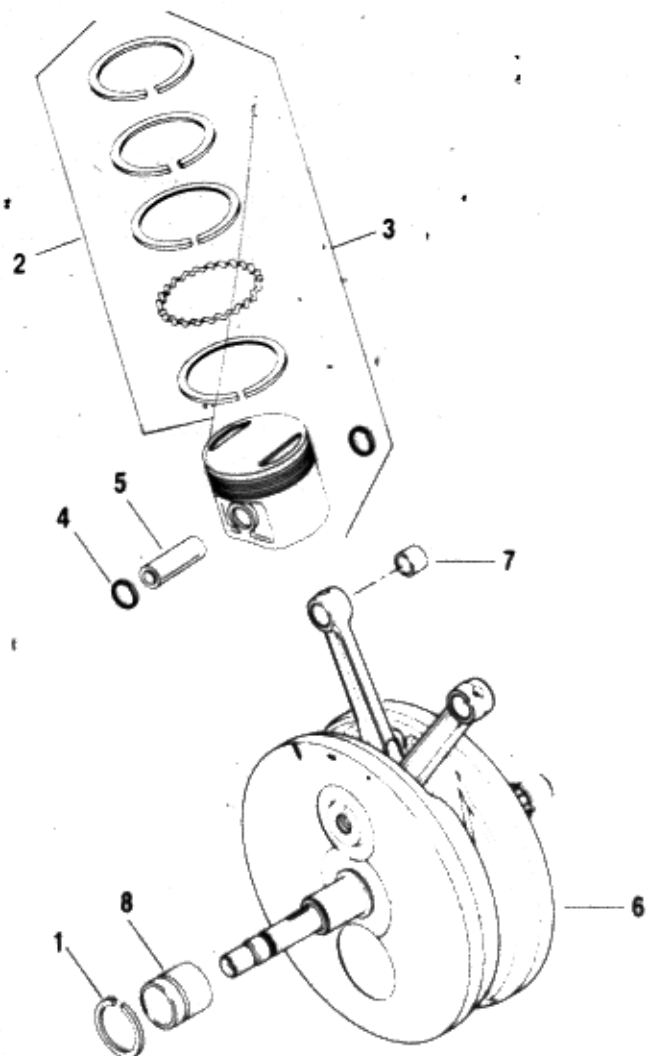
ROCKER ARMS, COVERS, & PUSH RODS

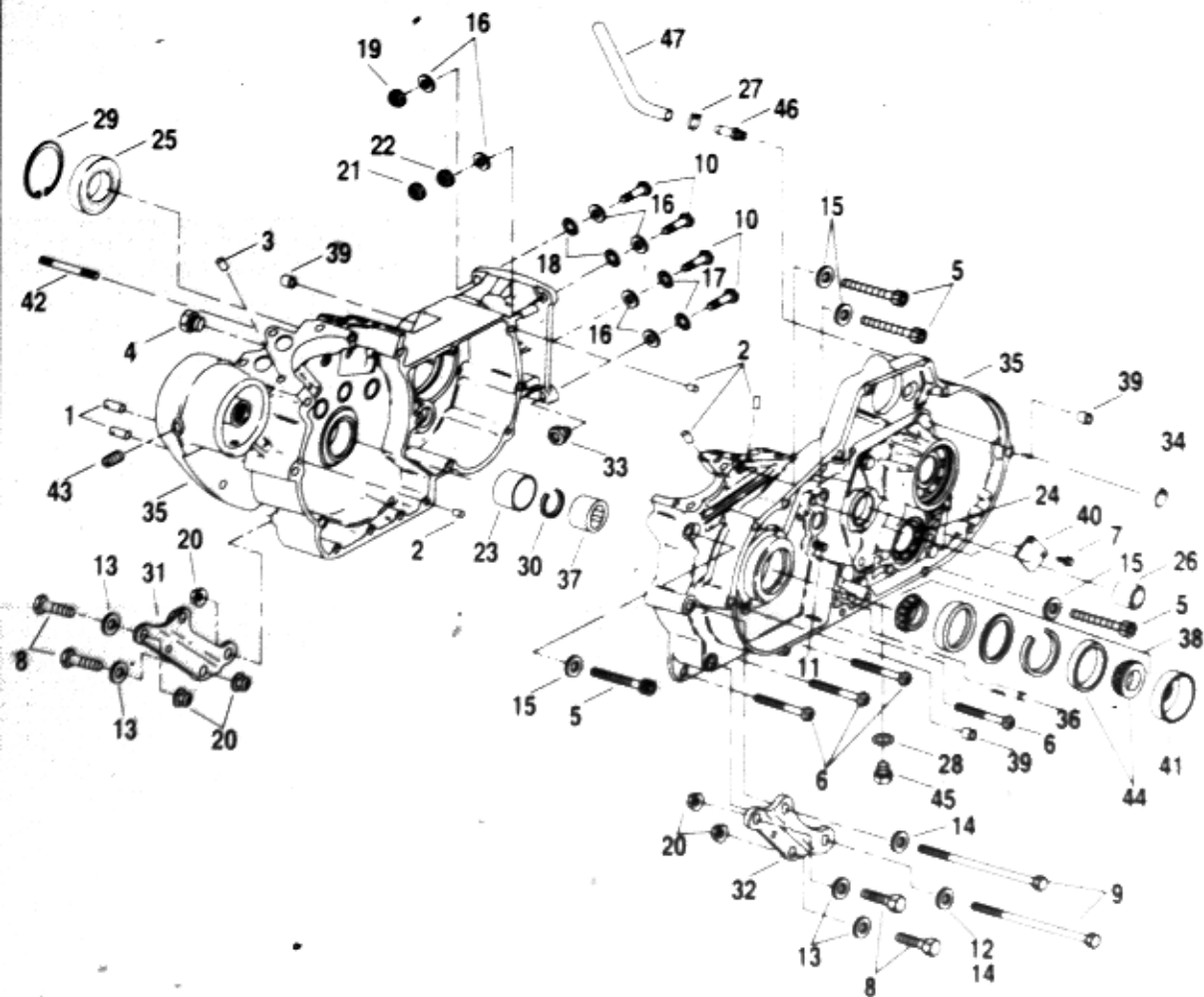
m0002b



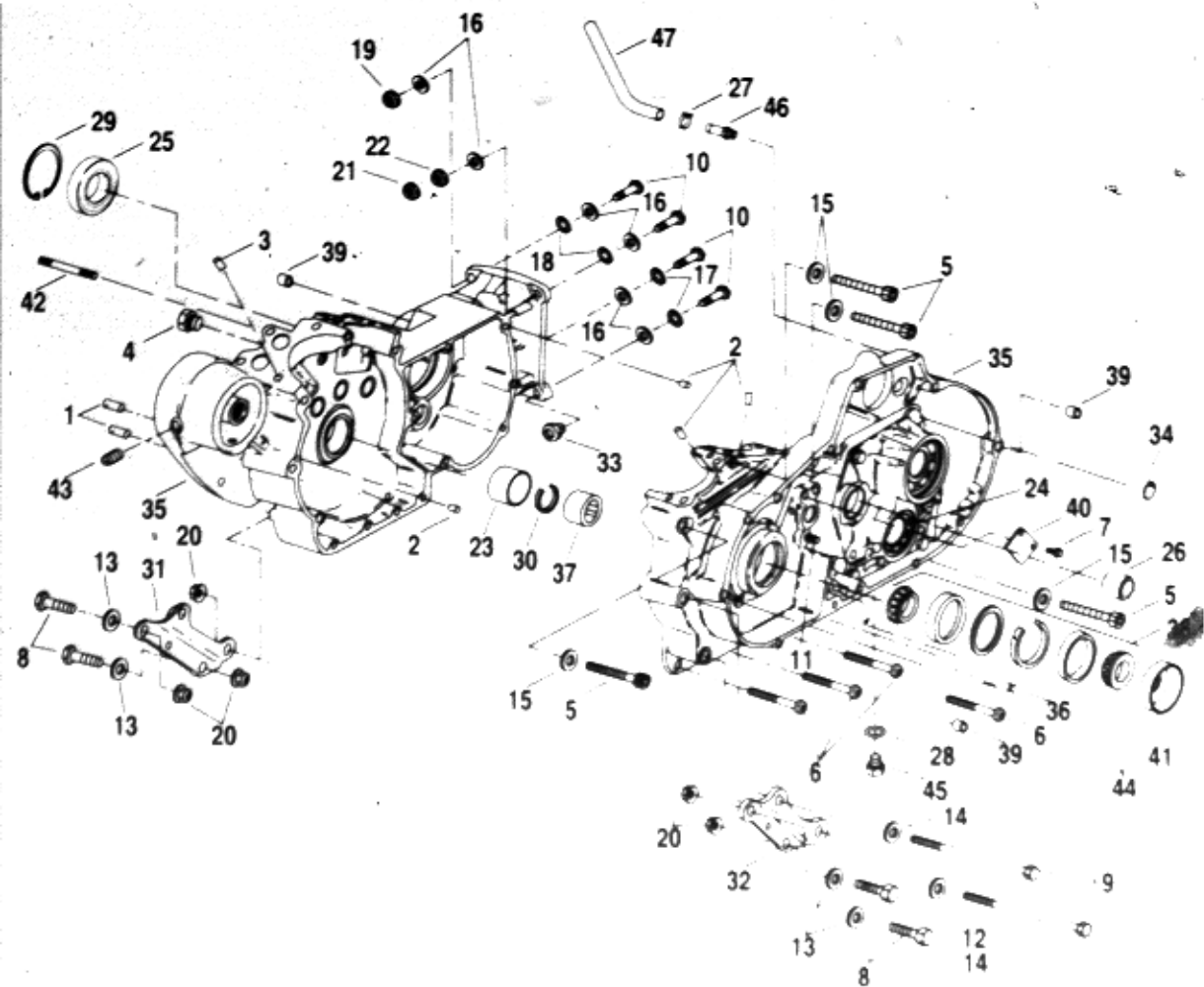
INDEX NO.	PART NO.	DESCRIPTION	MODELS
1	882	SCREW (8)	2002-All Models
2	3228	SCREW, w/washer (4)	2002-All Models
3	4718A	SCREW, w/washer (4)	2002-All Models
4	1039	BOLT (8)	2002-All Models
5	3997A	BOLT (6)	2002-All Models
6	6736	WASHER (6)	2002-All Models
7	11190	O-RING, push rod cover-upper (4)	2002-All Models
8	16778-84B	GASKET, cylinder head-right (2)	2002-All Models
9	16779-84D	GASKET, cylinder head-left (2)	2002-All Models
10	17036-91	GASKET KIT, rocker covers	2002-All Models
11	17353-89	GASKET, rocker cover - lower (2)	2002-All Models
12	17354-89	GASKET, rocker cover - upper (2)	2002-All Models
13	17358-84A	GASKET, rocker cover - inner (2)	2002-All Models
14	17360-83A	ROCKER ARM, front intake & rear exhaust (2)	2002-All Models
15	17375-83A	ROCKER ARM, front exhaust & rear intake (2)	2002-All Models
16	17428-57	BUSHING, rocker arm (8)	2002-All Models
17	17501-86B	ROCKER COVER, outer (2)	2002-STD/HUG/883C/R/1200
	17551-96	ROCKER COVER, outer (2)	2002-1200C
	17527-98	ROCKER COVER, outer, silver (2)	2002-1200S
18	17532-86B	ROCKER COVER, inner (2)	2002-STD/HUG/883C/R/1200
	17537-96	ROCKER COVER, inner (2)	2002-1200C
	17614-98	ROCKER COVER, inner, silver (2)	2002-1200S
19	17533-90A	SPACER, rocker cover (2)	2002-STD/HUG/883C/1200S
	17535-02	SPACER, rocker cover (2)	2002-833R
	17538-96	SPACER, rocker cover (2)	2002-1200C
	17535-02	SPACER, rocker cover (2)	2002-883R
20	17611-83	SHAFT, rocker arm (4)	2002-All Models
21	17952-91	SEAL PLATE ASSEMBLY front int & rear exh w/cover & seal (2)	2002-All Models
	17953-91	SEAL PLATE ASSEMBLY front exh & rear int w/cover & seal (2)	2002-All Models
22	17942-89	COVER PUSHROD SEAL (4)	2002-All Models
23	17944-89	SEAL, push rod cover (4)	2002-All Models
24	17946-89	COVER, push rod (4)	2002-All Models
25	17897-89	PUSH ROD, intake (2)	2002-All Models
	17904-89	PUSH ROD, exhaust (2)	2002-All Models
26	18538-99A	TAPPET, with roller (4)	2002-All Models
27	18532-00	SCREW, anti-rotation (4)	2002-All Models
28	26856-89	VALVE, umbrella (2)	2002-All Models
29	63858-49	GASKET (8)	2002-All Models

INDEX NO.	PART NO.	DESCRIPTION	MODELS
1	11177A	RETAINING RING	2002-All Models
2	21920-83	PISTON RING SET - standard (2)	2002-1200/C/S
	21921-83	PISTON RING SET - 0.005 O.S. (2)	2002-1200/C/S
	21922-83	PISTON RING SET - 0.010 O.S. (2)	2002-1200/C/S
	21923-83	PISTON RING SET - 0.020 O.S. (2)	2002-1200/C/S
	21924-83	PISTON RING SET - 0.030 O.S. (2)	2002-1200/C/S
	22266-86	PISTON RING SET - standard (2)	2002-STD/HUG/883C/R
3	22261-86	PISTON RING SET - 0.010 O.S. (2)	2002-STD/HUG/883C/R
	22262-86	PISTON RING SET - 0.020 O.S. (2)	2002-STD/HUG/883C/R
	22263-86	PISTON RING SET - 0.030 O.S. (2)	2002-STD/HUG/883C/R
	22271-86	PISTON RING SET - 0.005 O.S. (2)	2002-STD/HUG/883C/R
	22242-86A	PISTON AND RINGS ASM - standard (2)	2002-STD/HUG/883C/R
	22201-86A	PISTON AND RINGS ASM - 0.005 O.S. (2)	2002-STD/HUG/883C/R
4	22253-86A	PISTON AND RINGS ASM - 0.010 O.S. (2)	2002-STD/HUG/883C/R
	22254-86A	PISTON AND RINGS ASM - 0.020 O.S. (2)	2002-STD/HUG/883C/R
	22255-86A	PISTON AND RINGS ASM - 0.030 O.S. (2)	2002-STD/HUG/883C/R
	22243-88A	PISTON AND RINGS ASM - standard (2)	2002-1200/C/S
	22205-88A	PISTON AND RINGS ASM - 0.005 O.S. (2)	2002-1200/C/S
	22216-88A	PISTON AND RINGS ASM - 0.010 O.S. (2)	2002-1200/C/S
	22220-88A	PISTON AND RINGS ASM - 0.020 O.S. (2)	2002-1200/C/S
	22225-88A	PISTON AND RINGS ASM - 0.030 O.S. (2)	2002-1200/C/S
4	22589-83B	LOCK RING, piston pin (4)	2002-All Models
5	22719-85	PISTON PIN (2)	2002-STD/HUG/883C/R
	22765-88	PISTON PIN (2)	2002-1200/C/S
6	23905-00	SET OF FLYWHEELS AND SHAFTS WITH RODS	2002-All Models
7	24331-36	BUSHING, piston pin - standard (2)	2002-All Models
	24332-36	BUSHING, piston pin - 0.01 O.S. (2)	2002-All Models
8	24658-87	INNER RING	2002-All Models





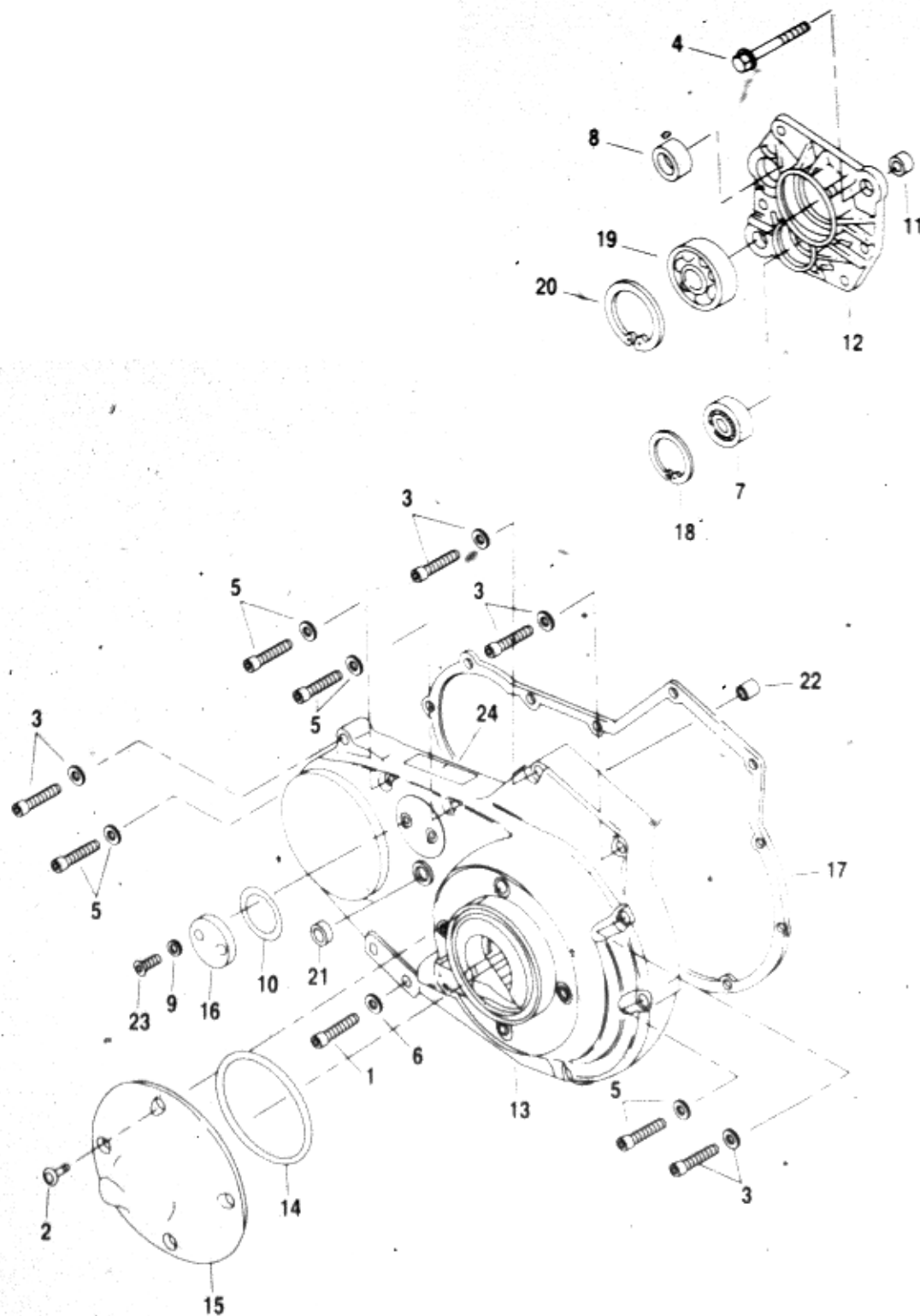
INDEX NO.	PART NO.	DESCRIPTION	MODELS
1	215	DOWEL PIN (2)	2002-All Models
2	358	DOWEL PIN (4)	2002-All Models
3	604	ROLL PIN (4)	2002-All Models
4	720	PLUG, timing	2002-All Models
5	876A	SCREW (4)	2002-All Models
6	3696	SCREW (4)	2002-All Models
7	4091	SCREW (2)	2002-All Models
8	4337W	BOLT (4)	2002-All Models
9	4413	BOLT (2)	2002-All Models
10	4435W	BOLT (4)	2002-All Models
11	5226B	STUD (2)	2002-All Models
12	6019	WASHER	2002-883C/1200C
13	6026	WASHER (4)	2002-All Models
14	6152	SPACER (2- STD/HUG/1200/S)	2002-All Models
15	6314W	WASHER (4)	2002-All Models
16	6701	WASHER (6)	2002-All Models
17	7038	WASHER, star (2)	2002-All Models
18	7145W	WASHER, star (2)	2002-All Models
19	7775	LOCKNUT	2002-All Models
20	7780	LOCKNUT (5)	2002-All Models
21	7789	LOCKNUT	2002-All Models
22	7861	LOCKNUT	2002-All Models
23	8881	BEARING RACE	2002-All Models
24	8977	BEARING CLOSED END	2002-All Models
25	8996A	BEARING	2002-All Models
26	9151	BEARING CLOSED END	2002-All Models

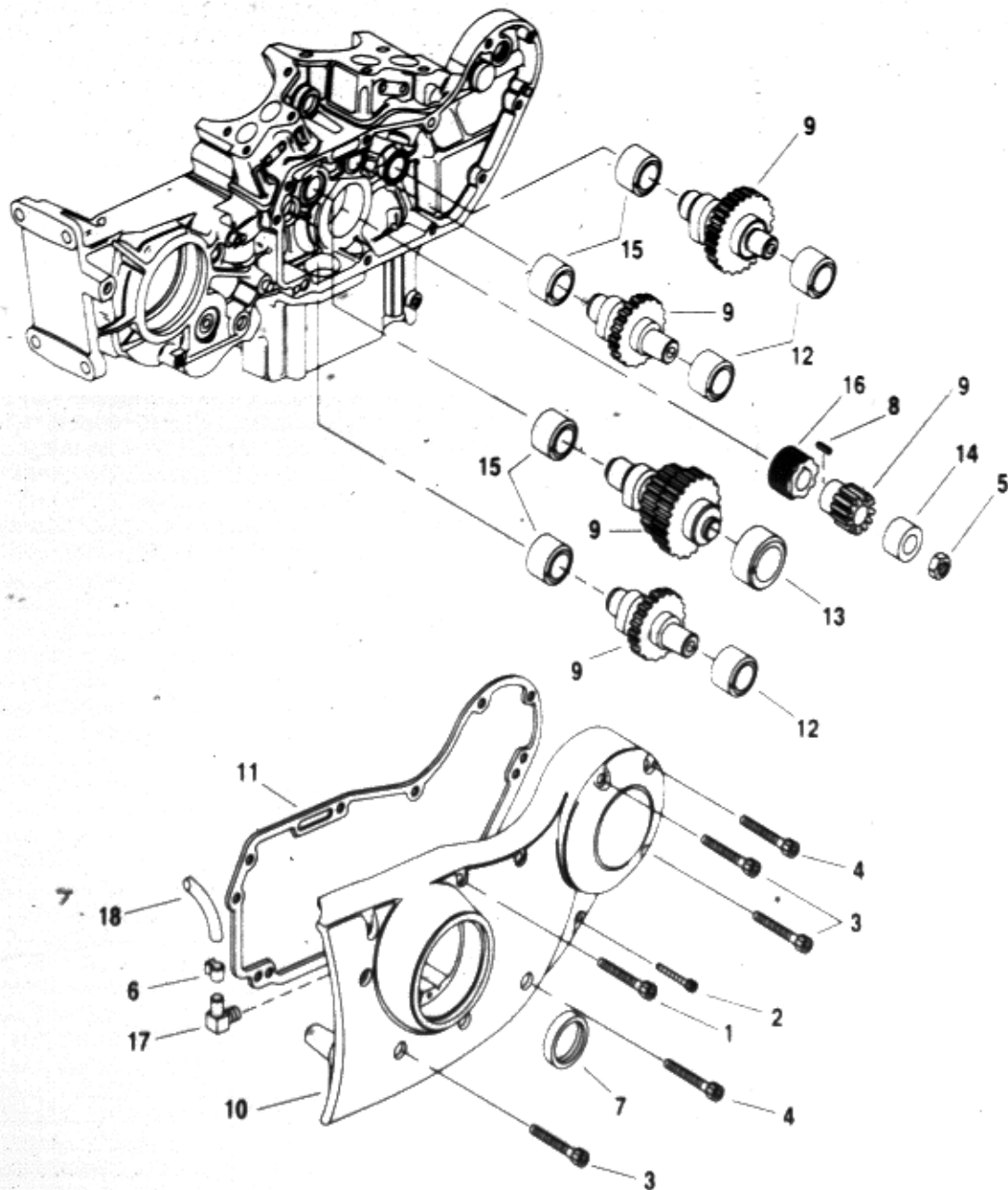


INDEX-NO.	PART NO.	DESCRIPTION	MODELS
27	10080	CLAMP	2002-All Models
28	11105	O-RING	2002-All Models
29	11161	RETAINING RING	2002-All Models
30	11177A	RETAINING RING	2002-All Models
31	16210-84A	MOUNTING PLATE, lower right - front	2002-STD-HUG R 1200 S
	16294-99	MOUNTING PLATE, lower right - front	2002-883C 1200C
32	16212-84	MOUNTING PLATE, lower left - front	2002-STD-HUG R 1200 S
	16297-99	MOUNTING PLATE, lower left - front	2002-883C 1200C
33	16240-82	BUSHING (2)	2002 All Models
34	16573-83	DOWEL (2)	2002-All Models
35	24470-00	CRANKCASE SET w/bearings	2002-STD HUG 883C 1200 S
	24466-00	CRANKCASE SET w/bearings (black)	2002-883R 1200C
36	24530-90	PIN GROOVED	2002 All Models
37	24647-87	BEARING, gear shaft (blue)	2002-All Models
	24650-87	BEARING, gear shaft (red)	2002-All Models
	24659-87	BEARING, gear shaft (white/grey)	2002-All Models
	24660-87	BEARING, gear shaft (green)	2002-All Models
38	24729-74	BEARING ASSEMBLY	2002-All Models
39	24754-75	DOWEL PIN (3)	2002 All Models
40	29950-91	COVER, stator wires	2002-All Models
41	35151-74A	OIL SEAL	2002 All Models
42	42449-80A	STUD	2002-All Models
43	45830-48	PLUG PIPE	2002-All Models
44	48302-85	BEARING, complete (2) w # 48348-70 & 48315-60	2002 All Models
45	60348-65B	DRAIN PLUG KIT with o-ring	2002 All Models
46	63533-41A	FITTING STRAIGHT	2002 All Models
		NOTE: Hose is sold in bulk length under the following part number. Cut to required length.	
47	63500-68	HOSE 3/8 I.D. x 5/8 O.D. rubber, 25 ft lg.	2002 All Models

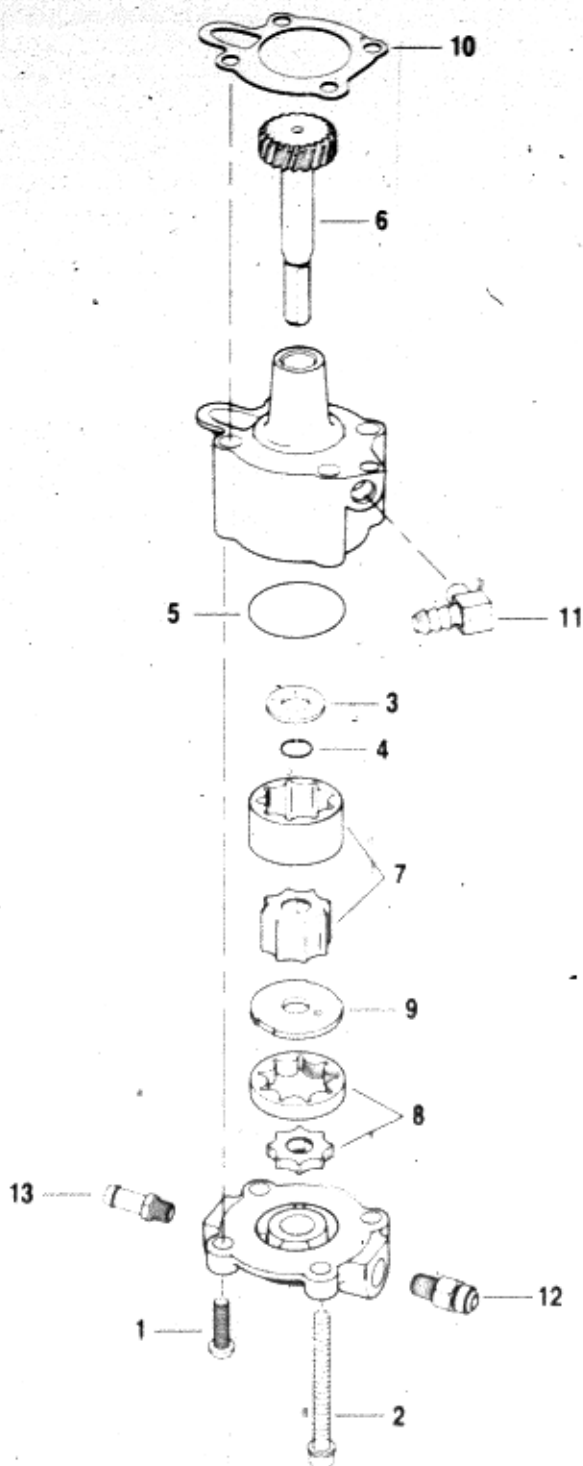
ACCESS DOOR AND PRIMARY COVER

INDEX NO.	PART NO.	DESCRIPTION	MODELS
1	1029	SCREW (2)	2002-883C/1200C
2	943	SCREW (4)	2002-All Models
3	4820A	SCREW (7)	2002-All Models
4	3610	BOLT, flange (5)	2002-All Models
5	4717A	SCREW, SEMS (4)	2002-All Models
6	6702	WASHER (2)	2002-883C/1200C
7	8998	BEARING	2002-All Models
8	9187	BUSHING	2002-All Models
9	11171	O-RING, inspection cover screws (2)	2002-All Models
10	11188	O-RING, chain insp. cover	2002-All Models
11	16573-83	INSERT, access door (2)	2002-All Models
12	25238-94	ACCESS DOOR ASM, transmission - w/#7, 8, 18, 19 & 20	2002-All Models
13	25430-94A	PRIMARY COVER (polished)	2002-STD/HUG, 1200
	25460-94	PRIMARY COVER (chrome)	2002-1200C
	25471-97Y	PRIMARY COVER (silver)	2002-883C, 1200S
	25574-99Y	PRIMARY COVER (black)	2002-883R
14	25463-94	GASKET, clutch cover	2002-All Models
15	34992-94	INSPECTION COVER, clutch	2002-STD/HUG/883C, 1200, S
	34760-94	INSPECTION COVER, clutch (chrome)	2002-1200C
	34790-01Y	INSPECTION COVER, clutch (black)	2002-883R
16	34993-90	INSPECTION COVER, chain	2002-STD/HUG/883C, 1200, S
	34761-94	INSPECTION COVER, chain (chrome)	2002-1200C
	34794-01Y	INSPECTION COVER, chain (black)	2002-883R
17	34955-89A	GASKET, primary cover	2002-All Models
18	35021-89	RETAINING RING	2002-All Models
19	35030-89	BEARING	2002-All Models
20	35038-89	RETAINING RING	2002-All Models
21	37101-84	OIL SEAL	2002-All Models
22	40520-63	BUSHING	2002-All Models
23	41191-74A	SCREW, inspection covers (2)	2002-All Models
24	14270-92	H-D INTERNATIONAL ONLY DECAL, shift pattern (Japan)	2002-All Models

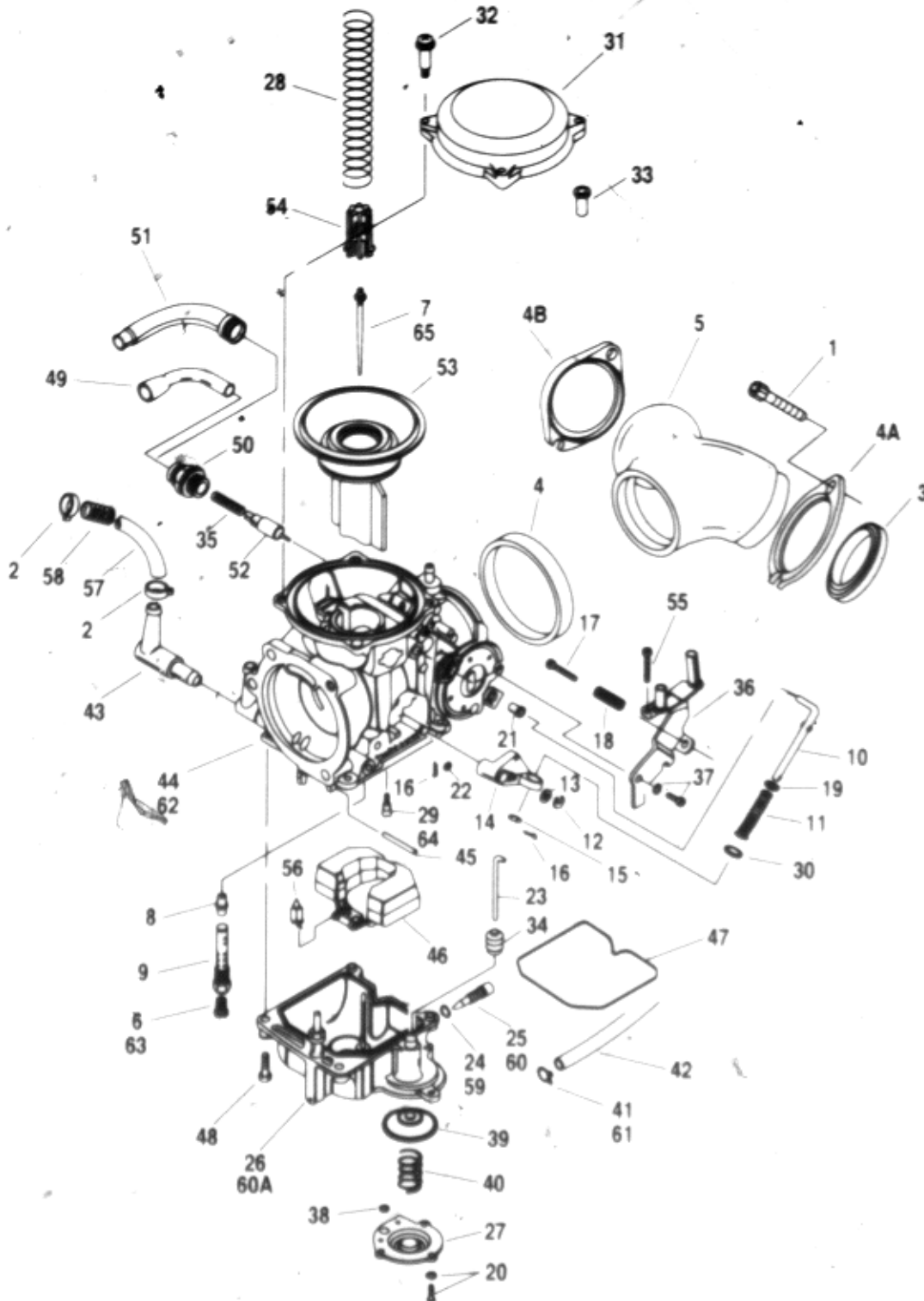




INDEX NO.	PART NO.	DESCRIPTION	MODELS
1	3480A	SCREW (3)	2002-All Models
2	4740A	SCREW	2002-All Models
3	4717A	SCREW (5)	2002-All Models
4	4820A	SCREW (2)	2002-All Models
5	7916A	NUT	2002-All Models
6	10117	CLAMP	2002-All Models
7	11124	SEAL	2002-All Models
8	11317	T-KEY	2002-All Models
9	25193-00A	CAM GEAR SET, complete w/pinion gear	2002-STD/HUG/883C/1200/C
	25194-00A	CAM GEAR SET, complete w/pinion gear	2002-1200S
10	25219-91C	COVER ASM, gearcase (polished) w/# 7, 17 & bushings	2002-STD/HUG/883C/1200
	25213-96B	COVER ASM, gearcase (chrome) w/# 7, 17 & bushings	2002-1200C
	25252-97YB	COVER ASM, gearcase (silver) w/# 7, 17 & bushings	2002-1200S
	25307-99YA	COVER ASM, gearcase (black) w/# 7, 17 & bushings	2002-883R
11	25263-90C	GASKET, gearcase cover	2002-All Models
12	25586-37	OUTER BUSHING, cam gear shafts (3)	2002-All Models
13	25588-91	BUSHING, rear intake cam gear shaft	2002-All Models
14	25593-74	BUSHING, flywheel gear shaft	2002-All Models
15	25598-91	INNER BUSHING, camshaft gear (4)	2002-All Models
16	26318-88A	DRIVE GEAR, oil pump	2002-All Models
17	62375-57	FITTING, oil vent hose	2002-All Models
18	63501-68A	NOTE: Hoses are sold in bulk length under the following part number. Cut to required length. HOSE, 1.4 I.D. x 1.2 O.D. (rubber)	2002-All Models

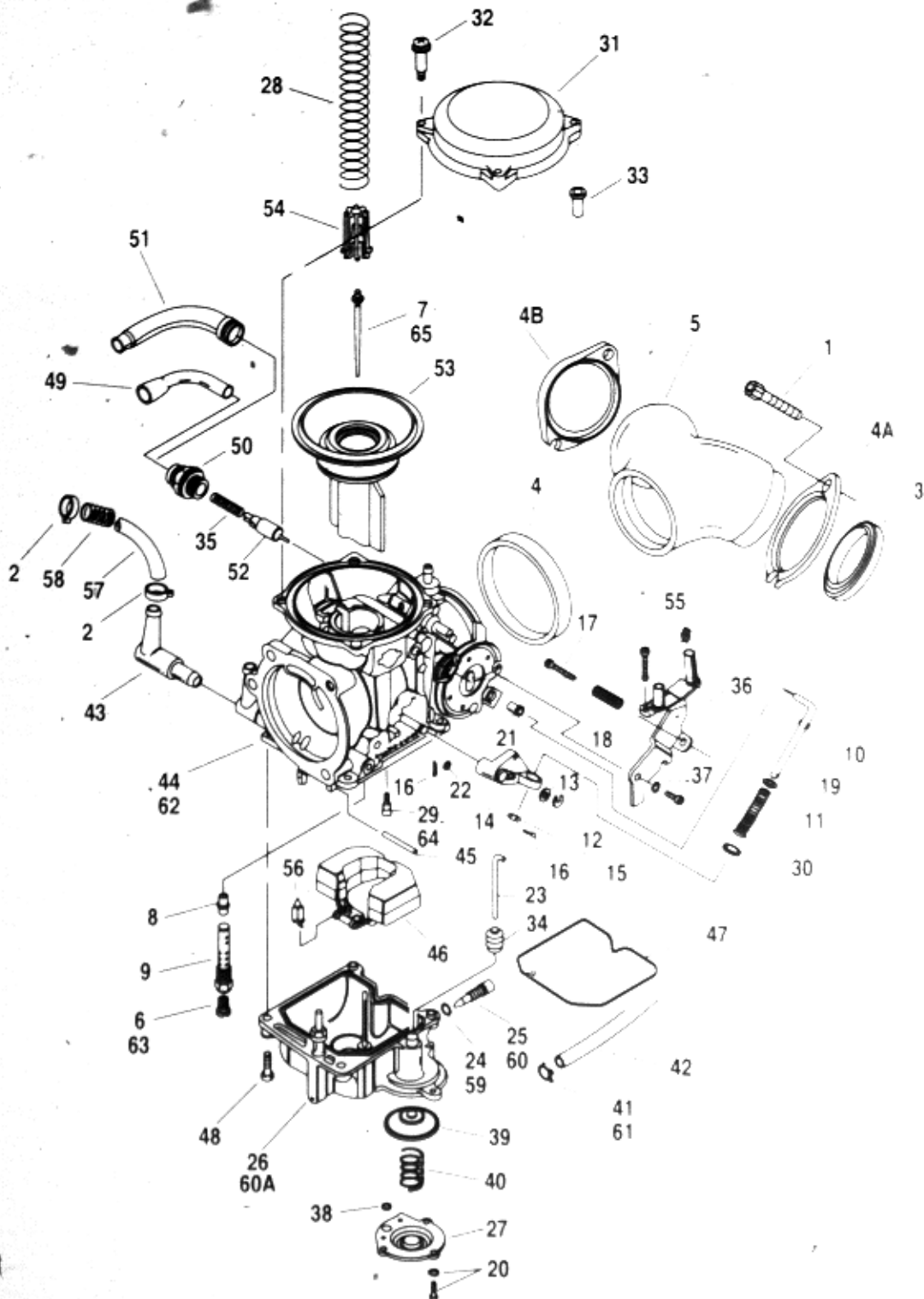


INDEX NO.	PART NO.	DESCRIPTION	MODELS
1	4132	SCREW (2)	2002-All Models
2	4765	SCREW, w/washer (2)	2002-All Models
3	6157	THRUST WASHER	2002-All Models
4	11002	RETAINING RING	2002-All Models
	26204-91A	OIL PUMP, complete	2002-All Models
5	26434-91	O-RING	2002-All Models
6	26488-98	GEAR SHAFT	2002-All Models
7	26491-98	GEROTOR SET, return	2002-All Models
8	26492-91	GEROTOR SET, feed	2002-All Models
9	26493-91	SEPARATOR PLATE	2002-All Models
10	26495-89A	GASKET, pump mounting	2002-All Models
11	26496-75	FITTING, 90 degree	2002-All Models
12	62601-91A	FITTING, connector - front	2002-All Models
13	63533-41A	FITTING, connector - rear	2002-All Models

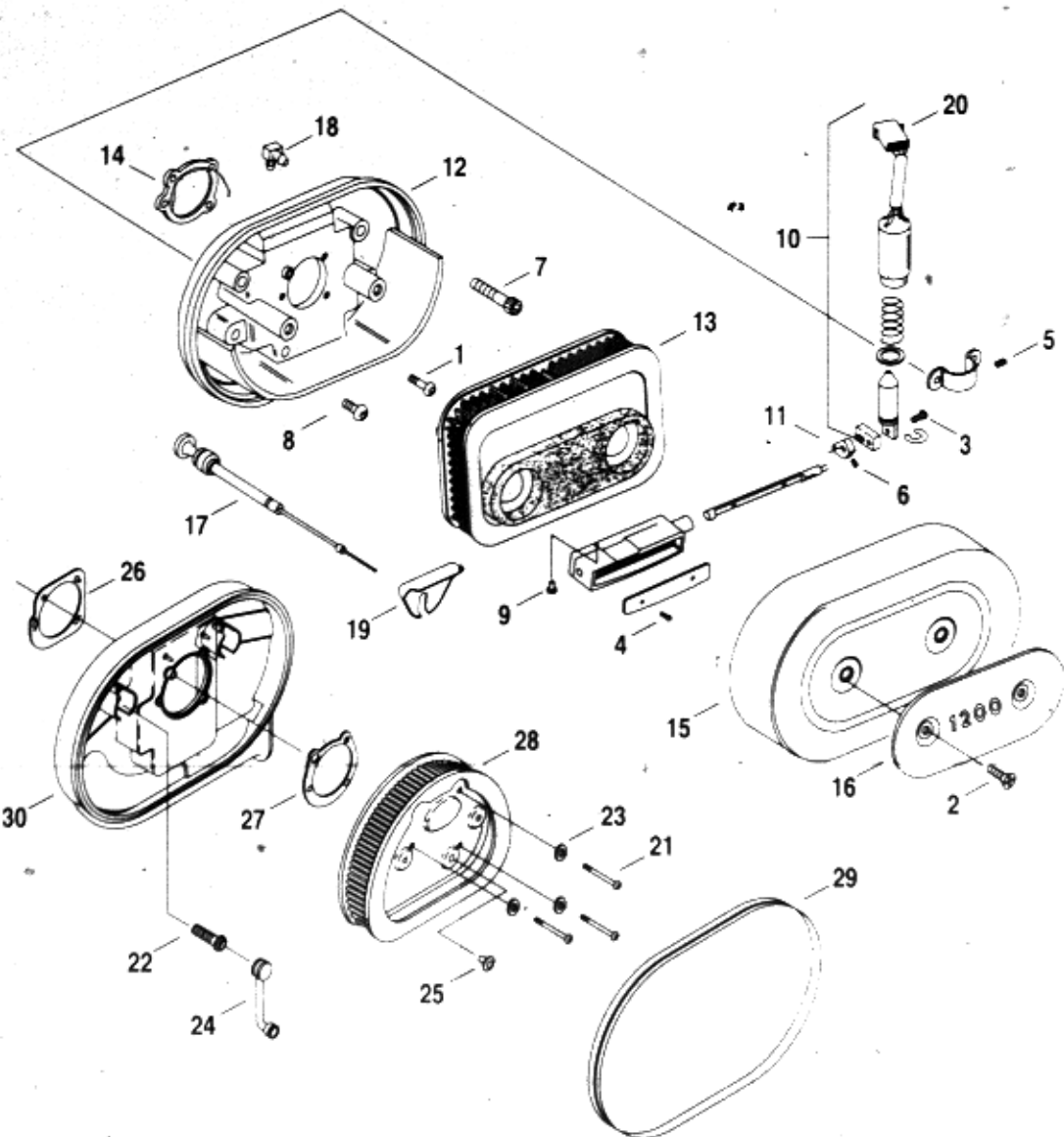


m0008b

INDEX NO.	PART NO.	DESCRIPTION	MODELS
1	3275	SCREW (4)	2002-All Models
2	10014	CLAMP	2002-All Models
3	26995-86B	SEAL, intake manifold	2002-All Models
4	27002-89	SEAL RING, carburetor	2002-All Models
4A	27009-86A	FLANGE, mounting - front	2002-All Models
4B	27010-86A	FLANGE, mounting - rear	2002-All Models
5	27004-88A	INTAKE MANIFOLD KIT w/#3 & 4	2002-All Models
6	27115-88	MAIN JET (Cal. STD/HUG/883C)	2002-1200/C
	27275-96Y	MAIN JET (Cal. 1200S)	2002-1200S
	27152-89	MAIN JET	2002-STD/HUG/883C/R
	27185-90	MAIN JET (Cal. only)	2002-1200/C
7	27241-95	JET, needle (Cal. STD/HUG/883C)	2002-STD/HUG/883C/R/1200/C
	27656-98	JET, needle	2002-1200S
	27279-93	JET, needle (Cal. only 1200/C)	2002-1200/C
	27254-96	JET, needle (Cal. only 1200S)	2002-1200S
8	27100-88	NEEDLE JET	2002-All Models
9	27101-88	NEEDLE JET HOLDER	2002-All Models
10	27122-89	ROD	2002-All Models
11	27123-89A	SPRING	2002-All Models
12	27124-89	E-CLIP	2002-All Models
13	27125-89	WASHER	2002-All Models
14	27126-89	LEVER	2002-All Models
15	27127-89	WASHER	2002-All Models
16	27128-89	PIN (2)	2002-All Models
17	27130-90	IDLE SCREW	2002-All Models
18	27136-90	SPRING	2002-All Models
19	27137-81	WASHER (3)	2002-All Models
20	27146-89	SCREW w/washer (3)	2002-All Models
21	27147-89	COLLAR	2002-All Models
22	27148-89	WASHER	2002-All Models
23	27156-89	ROD	2002-All Models
24	27157-89	O-RING	2002-STD/HUG/883C/R/1200/C
25	27158-89	DRAIN SCREW	2002-STD/HUG/883C/R/1200/C
26	27159-92	FLOAT CHAMBER ASM	2002-STD/HUG/883C/R/1200/C
	27380-98	FLOAT CHAMBER ASM	2002-1200S
27	27160-89	PUMP HOUSING	2002-All Models
28	27162-89	SPRING	2002-All Models
29	27171-89	SLOW JET	2002-All Models
30	27231-98	COLLAR	2002-All Models
31	27261-96	TOP, carburetor	2002-All Models
32	27262-96	SCREW, top (3)	2002-All Models
33	27263-96	COLLAR	2002-All Models
34	27311-76	CAP, accelerator pump (rubber)	2002-All Models
35	27315-88A	SPRING	2002-All Models
36	27316-88	BRACKET	2002-All Models



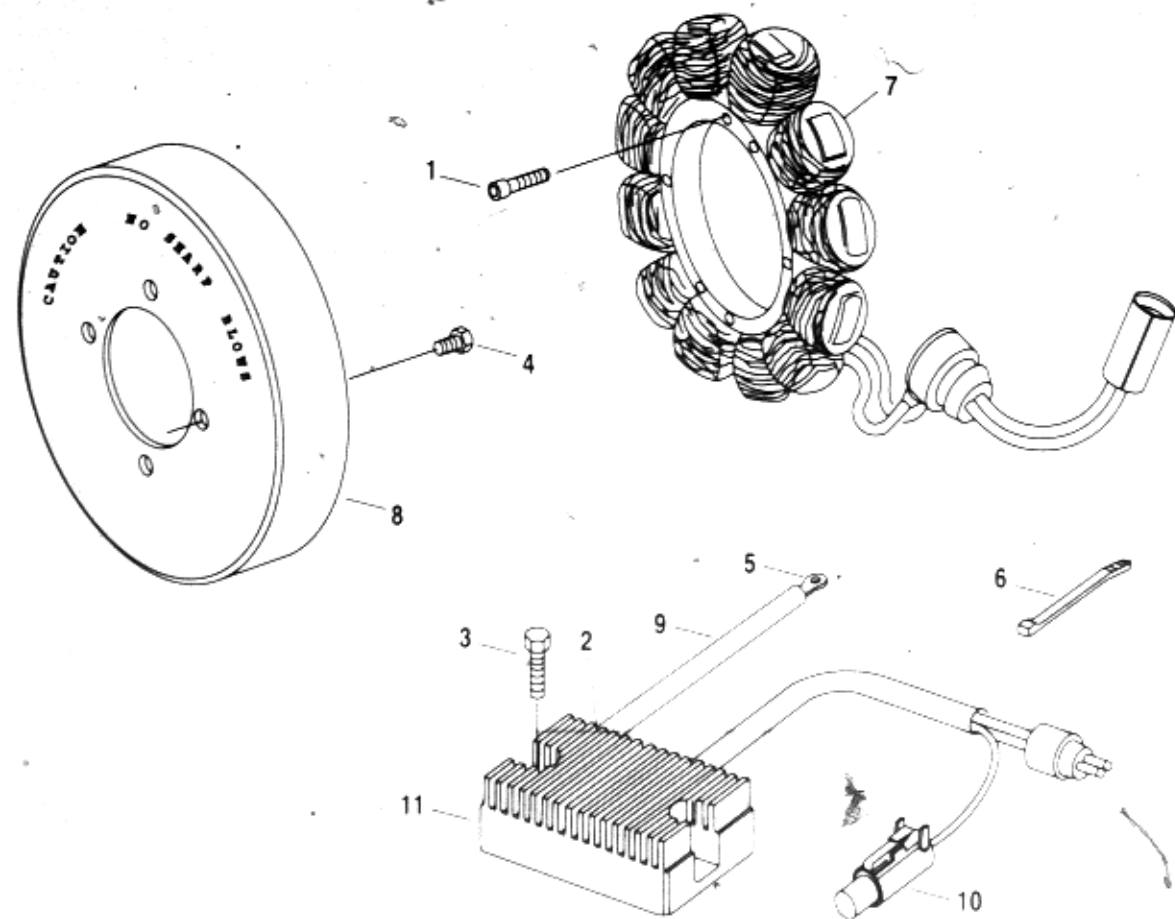
INDEX NO.	PART NO.	DESCRIPTION	MODELS
37	27317-88	SCREW	2002-All Models
38	27360-76	O-RING	2002-All Models
39	27361-76	DIAPHRAGM, accelerator pump	2002-All Models
40	27362-76	SPRING, diaphragm	2002-All Models
41	27368-76	CLIP, overflow hose	2002-STD/HUG/883C/R/1200/C
42	27363-88	HOSE, overflow	2002-All Models
43	27371-76	FITTING	2002-All Models
44	27498-96A	CARBURETOR (Cal. only)	2002-1200/C
	27480-97A	CARBURETOR	2002-1200/C
	27732-98A	CARBURETOR (Cal. only)	2002-1200S
	27731-98A	CARBURETOR	2002-1200S
	27495-96A	CARBURETOR (Cal. only)	2002-STD/HUG/883C/R
	27490-96A	CARBURETOR	2002-STD/HUG/883C/R
45	27575-88A	PIN	2002-All Models
46	27576-92	FLOAT	2002-All Models
47	27577-92	O-RING	2002-All Models
48	27579-88A	SCREW (4)	2002-All Models
49	27580-88	CABLE GUIDE	2002-All Models
50	27581-88	STARTER CAP	2002-All Models
51	27582-88	CABLE SEALING CAP	2002-All Models
52	27583-88	STARTER VALVE	2002-All Models
53	27585-88	VACUUM PISTON	2002-All Models
54	27586-88	SPRING SEAT	2002-All Models
55	27587-88	SCREW	2002-All Models
56	27886-78A	VALVE, with clip	2002-All Models
NOTE: Hose is sold only in bulk length under the following part number. Cut to required length			
57	63501-68A	HOSE, 1/4 I.D. x 1/2 O.D. (rubber)(25 ft. lg.)	2002-All Models
58	63505-84	INSULATOR, 1/2 I.D. nylon (8 ft. lg.)	2002-All Models
H-D INTERNATIONAL ONLY			
59	27157-89	O-RING (1200S, HDI/Aust./Eng./Japan only)	2002-1200S
60	27158-89	DRAIN SCREW (1200S, HDI/Aust./Eng./Japan only)	2002-1200S
60A	27256-01	FLOAT CHAMBER ASM (HDI)	2002-1200S
61	27368-76	CLIP, overflow hose (1200S, HDI/Aust./Eng./Japan only)	2002-1200S
62	27076-95A	CARBURETOR (HDI/Aust./Eng./Japan)	2002-1200C
	27749-01A	CARBURETOR (HDI/Aust./Eng./Japan)	2002-1200S
	27031-95A	CARBURETOR (Aust.)	2002-STD/HUG/883C/R
	27465-01A	CARBURETOR (HDI/Eng./Japan)	2002-STD/HUG/883C/R
63	27243-95	MAIN JET (Aust./1200/C HDI/Aust./Eng./Japan)	2002-STD/HUG/883C/R/1200C
	27116-88	MAIN JET (HDI/Eng./Japan)	2002-STD/HUG/883C/R
	27185-90	MAIN JET (HDI/Aust./Eng./Japan)	2002-1200S
64	27171-89	SLOW JET (HDI)	2002-All Models
65	27241-95	JET, needle (HDI/Aust./Eng./Japan)	2002-1200/C
	27242-95	JET, needle (Aust.)	2002-STD/HUG/883C/R
	27647-01	JET, needle (HDI/Aust./Eng./Japan)	2002-1200S
	28013-01	JET, needle (HDI/Eng./Japan)	2002-STD/HUG/883C/R



INDEX NO.	PART NO.	DESCRIPTION	MODELS
1	869	SCREW (3)	2002-All Models
2	2405A	SCREW (2)	2002-All Models
3	2711	SCREW (Cal. only)	2002-All Models
4	2737	SCREW (2) (Cal. only)	2002-All Models
5	3206B	SET SCREW (Cal. only)	2002-All Models
6	3221	SET SCREW (Cal. only)	2002-All Models
7	3534B	SCREW, breather (2)	2002-All Models
8	3652	SCREW (2) (Cal. only)	2002-All Models
9	8535	RIVET (2) (Cal. only)	2002-All Models
10	28827-96A	SOLENOID (Cal. only)	2002-All Models
11	28842-89	LINK (Cal. only)	2002-All Models
12	29367-97A	BACKPLATE, air cleaner	2002-All Models
	29018-97	BACKPLATE ASM. (Cal. only)	2002-All Models
13	29331-96	FILTER ELEMENT	2002-All Models
14	29059-88A	GASKET, carburetor intake.	2002-All Models
15	29084-73	COVER, air cleaner	2002-STD/HUG/883C 1200/C/S
	29370-02	COVER, air cleaner	2002-883R
16	29111-88	TRIM, air cleaner	2002-1200
	29100-96	TRIM, air cleaner	2002-1200C
	29300-98	TRIM, air cleaner	2002-1200S
	29488-98	TRIM, air cleaner	2002-883C
	29257-02	TRIM, air cleaner	2002-883R
17	29238-92A	CABLE, enrichment	2002-All Models
18	61107-92	FITTING (Cal. only)	2002-All Models
19	69037-95A	COVER, enrichment cable	2002-STD/HUG/883C R 1200S
20	73153-96BK	HOUSING, socket 3 pin (Cal. only)	2002-All Models
	73191-96	SOCKET CONTACT 16-20 gal (Cal. only)	2002-All Models
H-D INTERNATIONAL ONLY			
21	946	SCREW (3) (HDI)	2002-1200-C S
22	3534B	SCREW, breather (HDI)	2002-1200-C S
23	6410	WASHER (3) (HDI)	2002-1200-C S
24	24922-93	BREATHER CONNECTOR (2) (HDI)	2002-1200-C S
25	24925-95	PLUG, threaded (HDI)	2002-1200-C S
26	29062-95B	GASKET, carburetor intake (HDI)	2002-1200-C S
27	29313-95	GASKET, filter element (HDI)	2002-1200-C S
28	29325-95A	FILTER ELEMENT, with #25 & 27 (HDI)	2002-1200-C S
29	29315-95	MOLDING, air cleaner cover (HDI)	2002-1200-C S
30	29316-95C	BACKPLATE ASM. (HDI)	2002-1200-C S

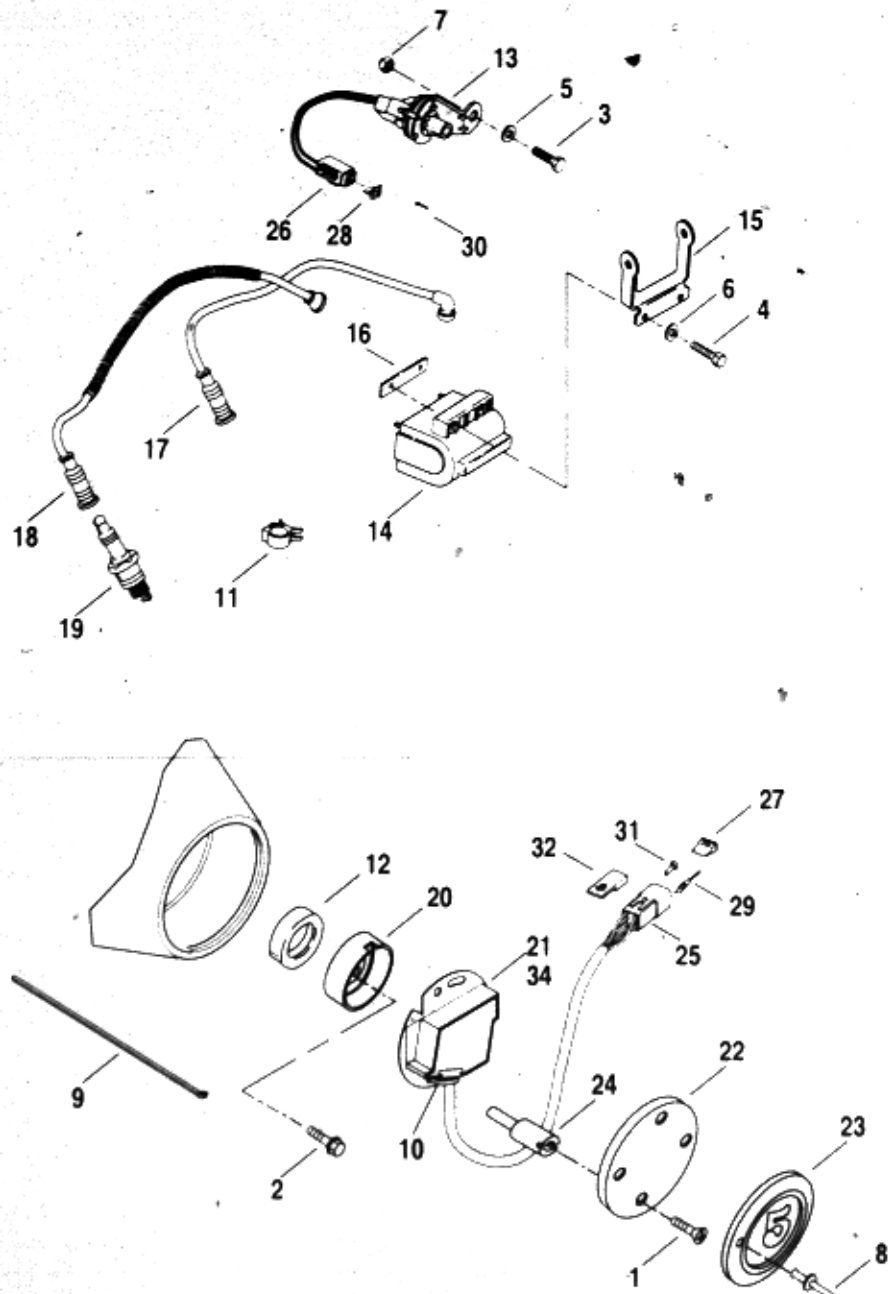
ALTERNATOR AND REGULATOR

m0010a



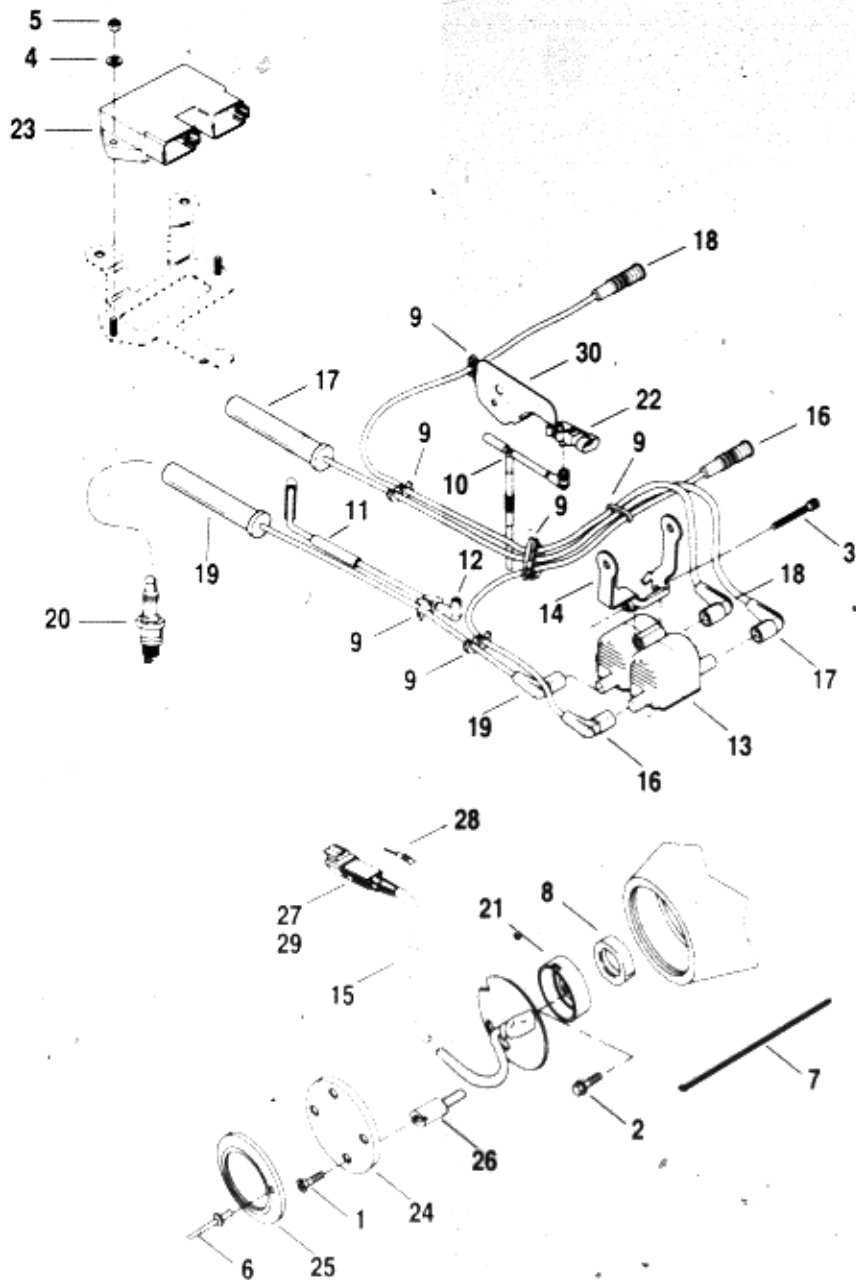
INDEX NO.	PART NO.	DESCRIPTION	MODELS
1	3029	SCREW (4)	2002-All Models
2	4134	SCREW	2002-All Models
3	4329	SCREW (2)	2002-All Models
4	4751	SCREW (4)	2002-All Models
5	9840	TERMINAL RING	2002-All Models
6	10065	STRAP, cable	2002-All Models
7	29967-89A	STATOR	2002-All Models
8	32413-92A	ROTOR w/ #3	2002-All Models
9	70444-00	WIRE ASSEMBLY, ground	2002-All Models
10	72197-94	TERMINAL SOCKET	2002-All Models
11	74523-94B	REGULATOR	2002-All Models

ELECTRONIC IGNITION SYSTEM



m0011b

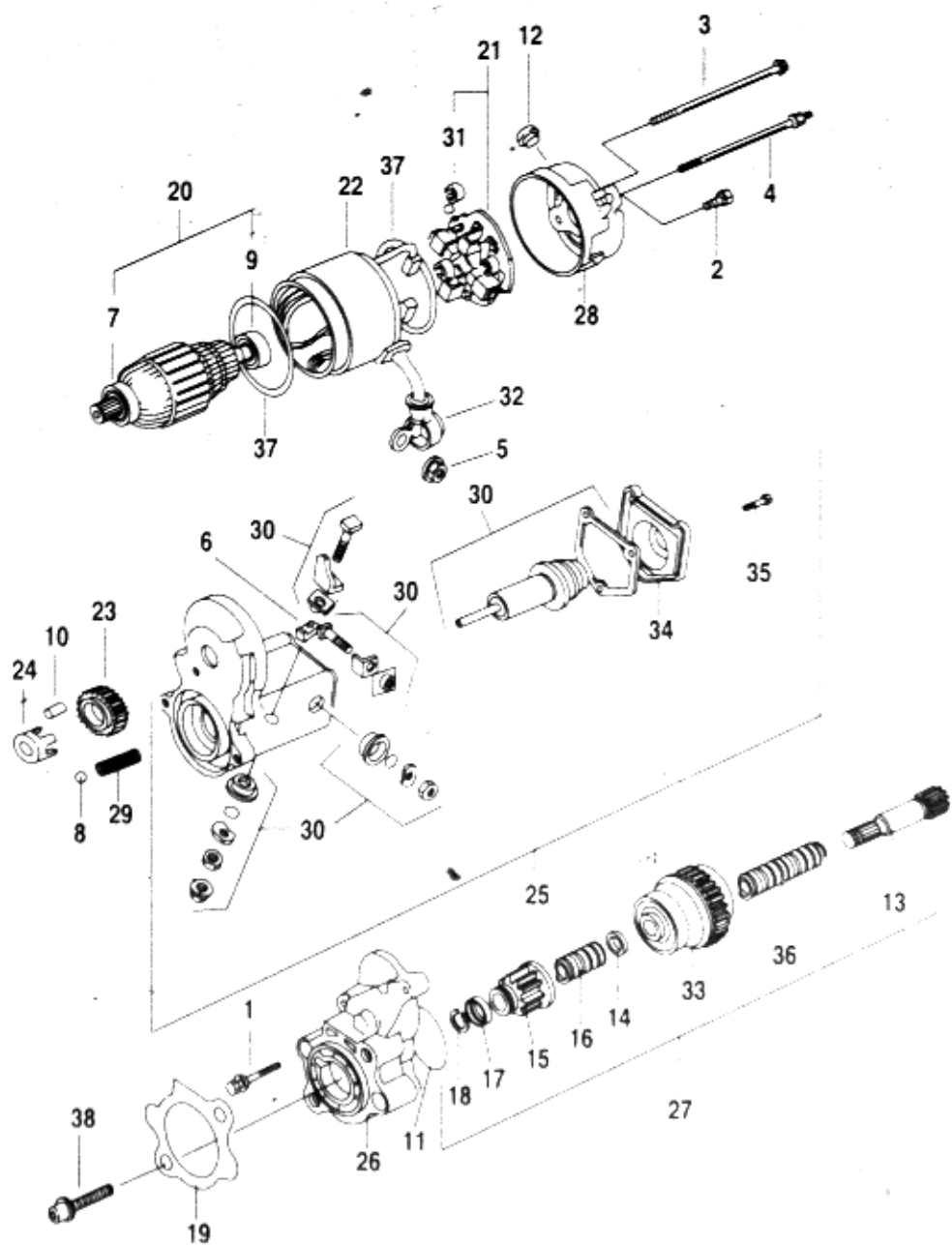
INDEX NO.	PART NO.	DESCRIPTION	MODELS
1	1601	SCREW (2)	2002-STD/HUG/883C/R/1200/C
2	2611C	SCREW	2002-STD/HUG/883C/R/1200/C
3	3987	BOLT	2002-STD/HUG/883C/R/1200/C
4	3993	BOLT (2)	2002-STD/HUG/883C/R/1200/C
5	6702	WASHER	2002-STD/HUG/883C/R/1200/C
6	7036	LOCKWASHER (2)	2002-STD/HUG/883C/R/1200/C
7	7531	LOCKNUT	2002-STD/HUG/883C/R/1200/C
8	8699	POP RIVET (2)	2002-STD/HUG/883C/R/1200/C
9	10039	CABLE STRAP	2002-STD/HUG/883C/R/1200/C
10	10065	CABLE STRAP	2002-STD/HUG/883C/R/1200/C
11	10108	CLIP	2002-STD/HUG/883C/R/1200/C
12	11124	SEAL	2002-STD/HUG/883C/R/1200/C
13	26558-94A	VACUUM SWITCH, with electrical connector asm.	2002-STD/HUG/883C/R/1200/C
14	31614-83A	IGNITION COIL	2002-STD/HUG/883C/R/1200/C
15	31738-00	BRACKET, ignition coil mounting	2002-STD/HUG/883C/R/1200/C
16	31727-85	PLATE, ignition coil mounting	2002-STD/HUG/883C/R/1200/C
17	31986-86	CABLE, spark plug - 6 1/2"	2002-STD/HUG/883C/R/1200/C
18	31996-86A	CABLE, spark plug - 20" (front)	2002-STD/HUG/883C/R/1200/C
19	32317-86A	SPARK PLUG, No. 6R12 (2) w/conduit (rear)	2002-STD/HUG/883C/R/1200/C
20	32402-83	TRIGGER ROTOR	2002-STD/HUG/883C/R/1200/C
21	32465-98	IGNITION MODULE, integrated sensor	2002-1200/C
	32466-98	IGNITION MODULE, integrated sensor	2002-STD/HUG/883C/R
22	32504-80	INNER COVER	2002-STD/HUG/883C/1200/C
23	32506-90	COVER, timer	2002-STD/HUG/883C/1200/C/S
	32554-02	COVER, timer	2002-883R
24	32606-82	STUD, timer plate (2)	2002-STD/HUG/883C/R/1200/C
25	72106-94BK	CONNECTOR 6-way (black)	2002-STD/HUG/883C/R/1200/C
26	72112-94BK	CONNECTOR 2-way (black)	2002-STD/HUG/883C/R/1200/C
27	72146-94	SECONDARY LOCK, 6-pin	2002-STD/HUG/883C/R/1200/C
28	72152-94	SECONDARY LOCK, 2-pin	2002-STD/HUG/883C/R/1200/C
29	72190-94	TERMINAL, pin (5)	2002-STD/HUG/883C/R/1200/C
30	72191-94	TERMINAL, socket (2)	2002-STD/HUG/883C/R/1200/C
31	72195-94	PIN SEAL	2002-STD/HUG/883C/R/1200/C
32	72199-94	ATTACHMENT CLIP	2002-STD/HUG/883C/R/1200/C
H-D INTERNATIONAL ONLY			
33	32475-00	IGNITION MODULE (HDI Australia)	2002-STD/HUG/883C/R



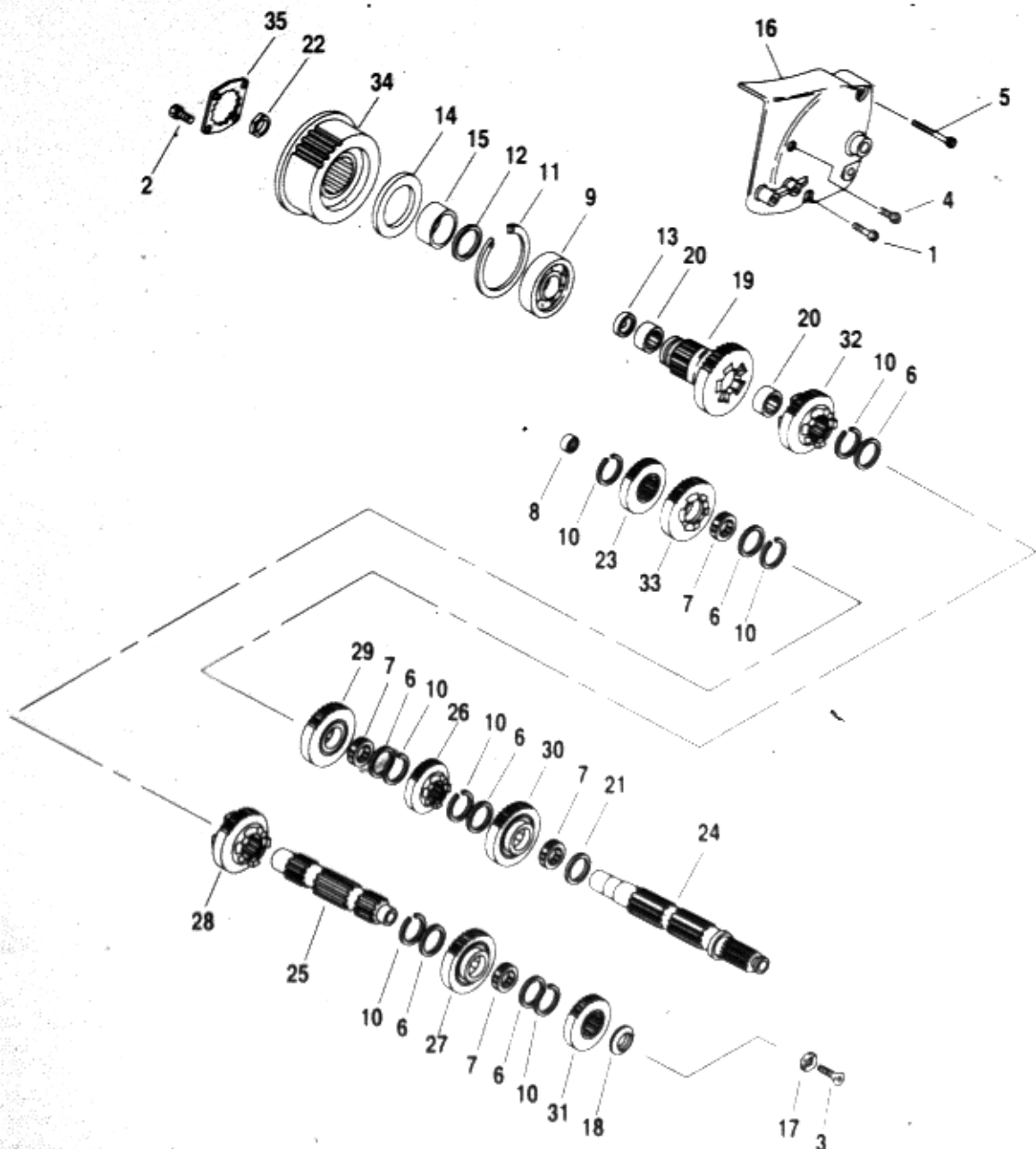
INDEX NO.	PART NO.	DESCRIPTION	MODELS
1	1601	SCREW (2)	2002-1200S
2	2611C	SCREW	2002-1200S
3	4820A	SCREW	2002-1200S
4	6716	WASHER (2)	2002-1200S
5	7966	NUT (2)	2002-1200S
6	8699	POP RIVET (2)	2002-1200S
7	10039	CABLE STRAP	2002-1200S
8	11124	SEAL	2002-1200S
9	10214	PLUG WIRE RETENTION KIT	2002-1200S
10	26556-98	HOSE ASSEMBLY, vacuum	2002-1200S
11	27067-98	TUBE, tank to valve w/#12	2002-1200S
12	27250-96A	CONNECTOR, elbow 90 degree	2002-1200S
13	31646-98	IGNITION COIL, quad tower	2002-1200S
14	31732-98	BRACKET ASSEMBLY, coil (black)	2002-1200S
15	32400-94	SENSOR ASSEMBLY w/#29	2002-1200S
16	32043-98	CABLE SPARK PLUG, front left	2002-1200S
17	32044-98	CABLE SPARK PLUG, front chimney	2002-1200S
18	32045-98	CABLE SPARK PLUG, rear left	2002-1200S
19	32046-98	CABLE SPARK PLUG, rear chimney	2002-1200S
20	32317-86A	SPARK PLUG No 6R12 (4)	2002-1200S
21	32422-98	TRIGGER ROTOR	2002-1200S
22	32424-98	MAP SENSOR, w/o seal	2002-1200S
23	32480-01	MODULE, electronic ignition dual plug	2002-1200S
24	32504-80	INNER COVER	2002-1200S
25	32549-98	COVER, timer	2002-1200S
26	32606-82	STUD, timer plate (2)	2002-1200S
27	72103-94BK	CONNECTOR, 3-way	2002-1200S
28	72190-94	TERMINAL, pin (3)	2002-1200S
29	72199-94	ANCHOR	2002-1200S
30	72375-98	BRACKET, map sensor	2002-1200S

STARTER MOTOR

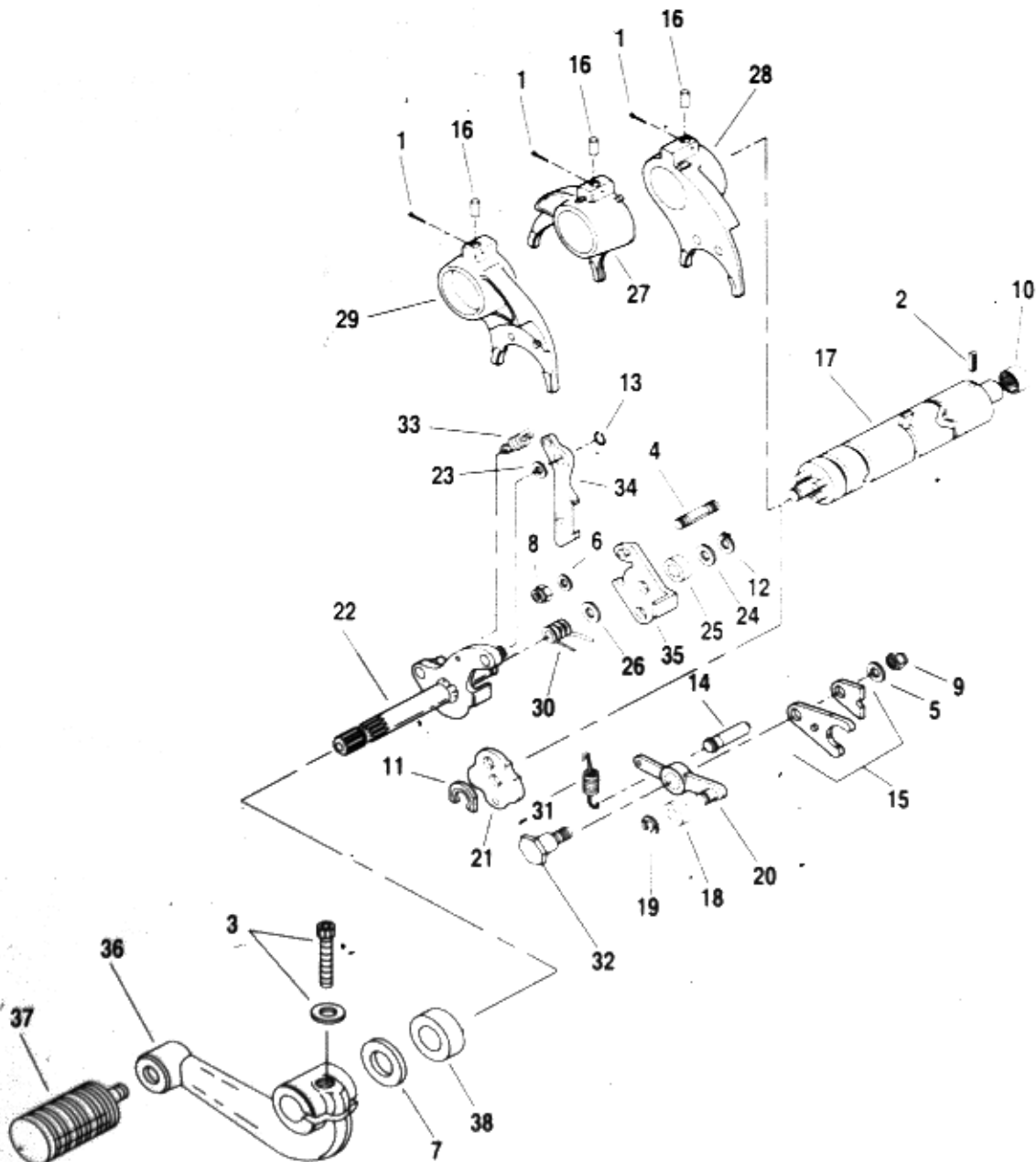
m0012b



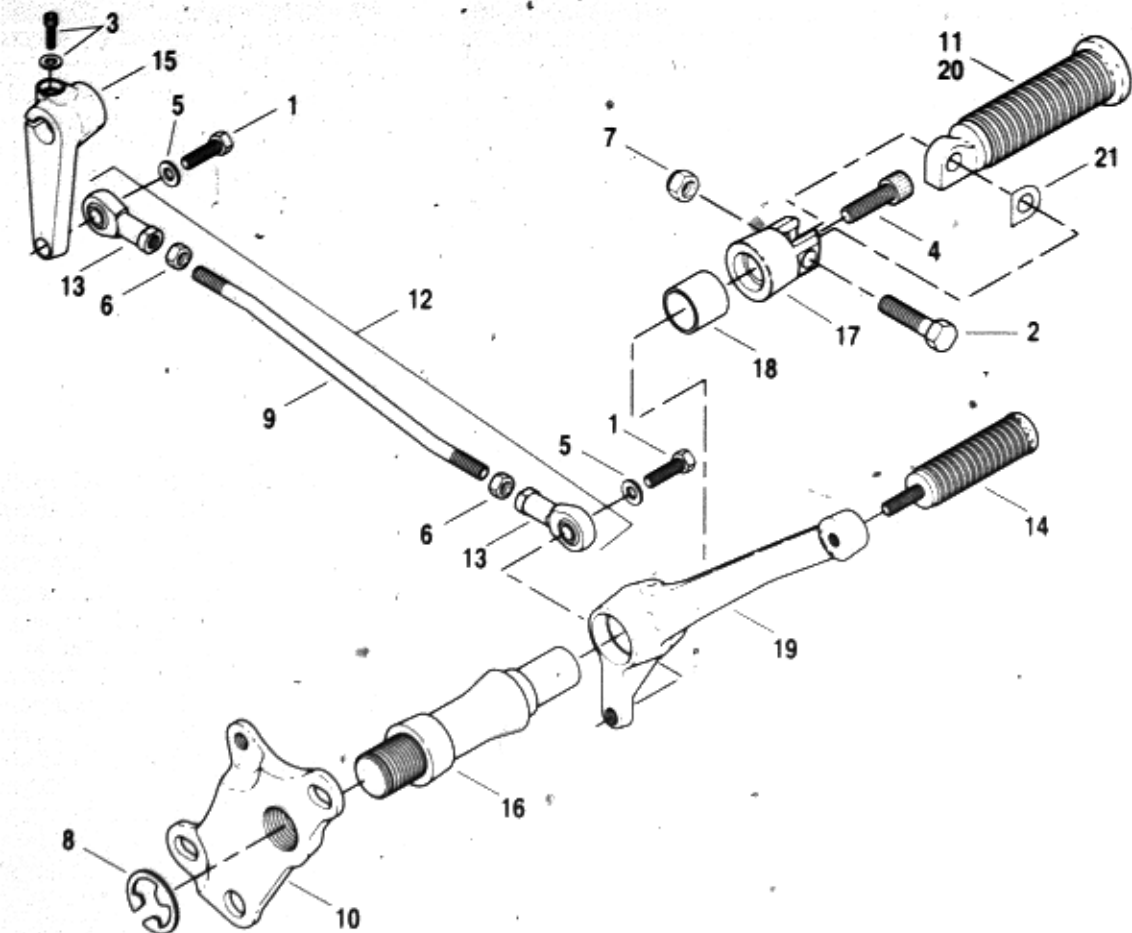
INDEX NO.	PART NO.	DESCRIPTION	MODELS
1	928	BOLT, starter (2)	2002-All Models
2	929A	SCREW w/ O-RING (2)	2002-All Models
3	3350	BOLT, through	2002-All Models
4	3559	BOLT, through	2002-All Models
5	3403	FLANGE NUT	2002-All Models
6	6217	WASHER	2002-All Models
7	8871	BALL BEARING	2002-All Models
8	8879	BALL	2002-All Models
9	8883	BALL BEARING	2002-All Models
10	9077	CLUTCH ROLLER (5)	2002-All Models
11	11116	O-RING	2002-All Models
12	31322-91	COVER	2002-All Models
13	31323-91	SHAFT	2002-All Models
14	31324-91	RETAINER, snap	2002-All Models
15	31325-91	PINION, starter	2002-All Models
16	31326-91	SPRING, compression coil	2002-All Models
17	31327-91	NUT, pinion stop	2002-All Models
18	31328-91	RING, snap	2002-All Models
	31390-91B	STARTER MOTOR, complete	2002-All Models
19	31488-81A	GASKET, starter motor	2002-All Models
20	31515-90	ARMATURE ASM	2002-All Models
21	31518-90	HOLDER ASM, starter brush	2002-All Models
22	31521-98	YOKE ASM	2002-All Models
23	31525-90	GEAR, idler	2002-All Models
24	31530-90	RETAINER, idler	2002-All Models
25	31537-98	SWITCH ASSEMBLY, magnetic	2002-All Models
26	31539-91	HOUSING ASM.	2002-All Models
27	31556-91A	CLUTCH SUB-ASM, w/#31330-91	2002-All Models
28	31599-91	FRAME, starter end	2002-All Models
29	31600-90	SPRING, return	2002-All Models
30	31603-91	STARTER SOLENOID REPAIR KIT	2002-All Models
31	31661-90	SPRING, starter (4)	2002-All Models
32	31662-90	CAP TERMINAL, rubber	2002-All Models
33	31663-90	CLUTCH, starter	2002-All Models
34	31688-90	COVER, solenoid	2002-All Models
35	31689-90	BOLT w/ washer (3)	2002-All Models
36	31692-90	SPRING	2002-All Models
37	31695-90	O-RING, yoke (2)	2002-All Models
38	45902-00	SCREW (2)	2002-All Models



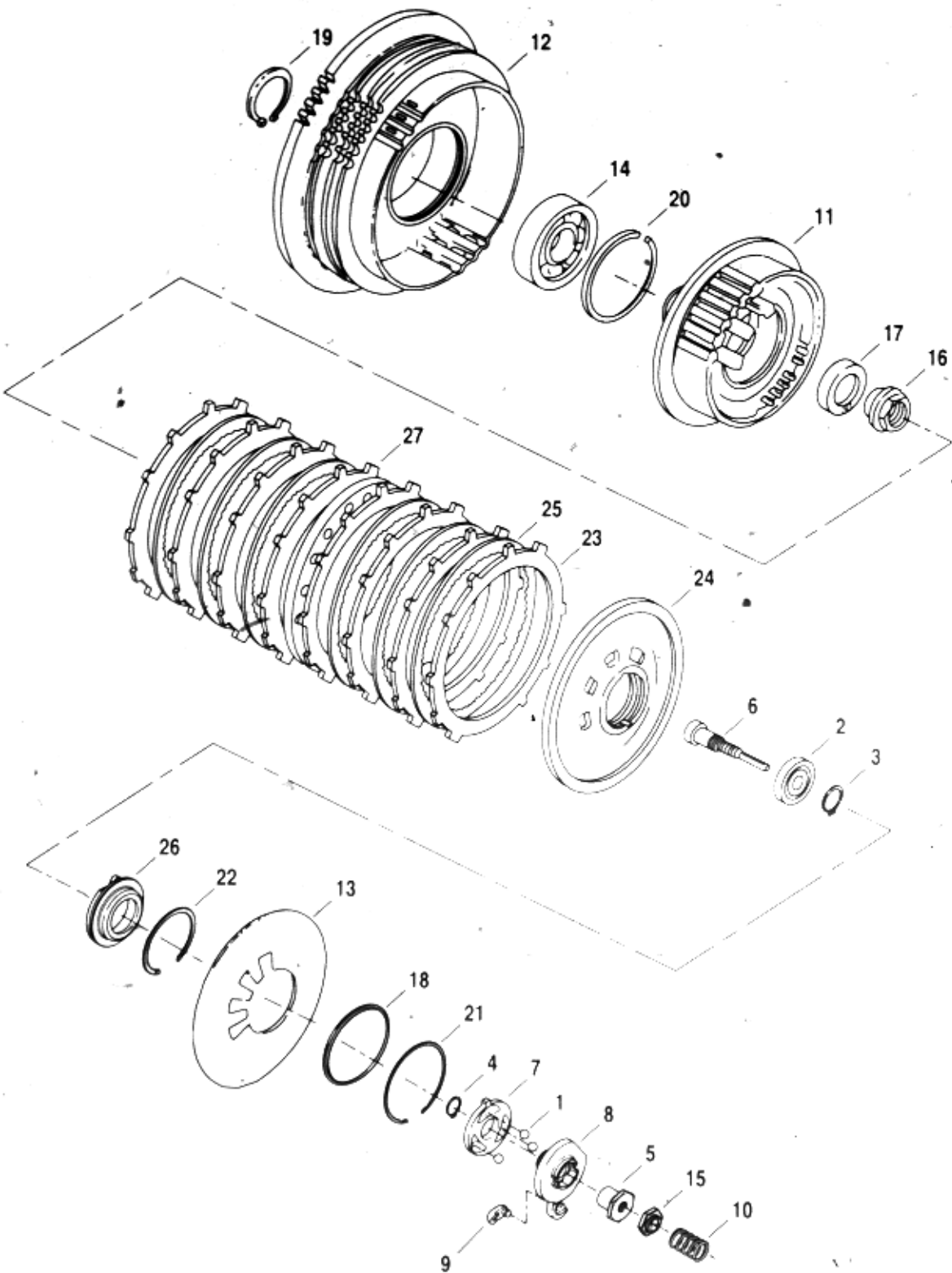
INDEX NO.	PART NO.	DESCRIPTION	MODELS
1	3480A	SCREW, SEMS	2002-All Models
2	3594	SCREW (2)	2002-All Models
3	3675	SCREW	2002-All Models
4	4820A	SCREW, SEMS	2002-All Models
5	4826	SCREW, SEMS	2002-All Models
6	6003	THRUST WASHER (6)	2002-All Models
7	8876A	BEARING (4)	2002-All Models
8	8977	BEARING, closed end	2002-All Models
9	8996A	BEARING, ball	2002-All Models
10	11067	RETAINING RING (7)	2002-All Models
11	11161	RETAINING RING	2002-All Models
12	11165	QUAD SEAL	2002-All Models
13	12030	OIL SEAL	2002-All Models
14	12067A	OIL SEAL	2002-All Models
15	33344-94	SPACER	2002-All Models
16	34911-91A	SPROCKET COVER	2002-STD/HUG/1200
	34932-96	SPROCKET COVER	2002-1200C
	34938-98	SPROCKET COVER	2002-883C/1200S
	34943-02	SPROCKET COVER (black)	2002-883R
17	35020-89	RETAINER, countershaft	2002-All Models
18	35022-89A	SPACER	2002-All Models
19	35034-94	GEAR ASM. w/#13 & 20, fifth-mainshaft	2002-All Models
20	35051-89	BEARING, needle (2)	2002-All Models
21	35063-89	SPACER	2002-All Models
22	35211-91A	NUT, sprocket	2002-All Models
23	35633-94	GEAR, fifth-countershaft	2002-All Models
24	35640-89	MAINSHAFT	2002-All Models
25	35641-89	COUNTERSHAFT	2002-All Models
26	35762-89A	GEAR, first-mainshaft	2002-All Models
27	35763-89A	GEAR, first-countershaft	2002-All Models
28	35771-94	GEAR, third-countershaft	2002-All Models
29	35772-94	GEAR, third-mainshaft	2002-All Models
30	35773-94	GEAR, fourth-mainshaft	2002-All Models
31	35775-94	GEAR, fourth-countershaft	2002-All Models
32	35796-00	GEAR, second-mainshaft	2002-All Models
33	35797-00	GEAR, second-countershaft	2002-All Models
34	40202-91B	SPROCKET KIT - 29T (belt) w/# 2,12,14,15,22,35, & #40205-95	2002-1200/C/S
	40205-95	SPROCKET - 29T (belt)	2002-1200/C/S
	40285-91B	SPROCKET KIT - 27T (belt) w/# 2,12,14,15,22,35, & #40288-95	2002-STD/HUG/883C R
	40288-95	SPROCKET - 27T (belt)	2002-STD/HUG/883C R
35	40251-92A	RETENTION PLATE	2002-All Models



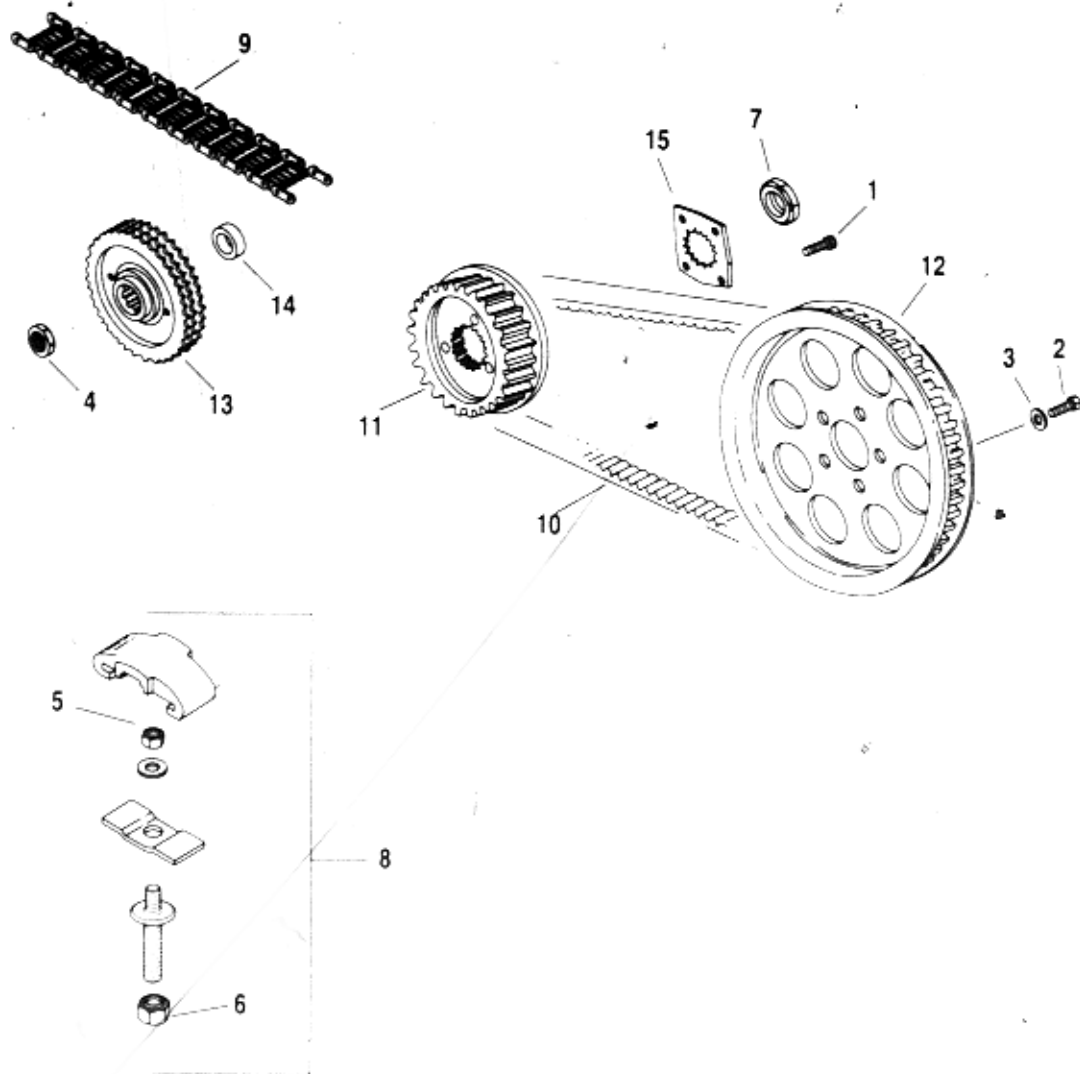
INDEX NO.	PART NO.	DESCRIPTION	MODELS
1	515	COTTER PIN (3)	2002-All Models
2	601	ROLL PIN	2002-All Models
3	4741A	SCREW w/ washer	2002-STD/HUG/R/1200/S
4	5226B	STUD (2)	2002-All Models
5	6702	WASHER	2002-All Models
6	6099	WASHER (2)	2002-All Models
7	7019	WASHER (rubber)	2002-All Models
8	7683	NUT (2)	2002-All Models
9	7739	LOCKNUT, detent arm	2002-All Models
10	9151	BEARING, closed end	2002-All Models
11	11019	RETAINING RING	2002-All Models
12	11031	RETAINING RING	2002-All Models
13	11185	RETAINING RING	2002-All Models
14	24530-90	PIN, spring	2002-All Models
15	33178-90B	PLATE, shift drum, kit w/#s 33178-98 & 33204-98	2002-All Models
16	33319-90	ROLLER (3)	2002-All Models
17	33634-91	SHIFTER DRUM ASM., w/#2	2002-All Models
18	33652-90	ROLLER, detent	2002-All Models
19	33653-90	RETAINING RING	2002-All Models
20	33655-90	DETENT ARM	2002-All Models
21	33656-90A	PLATE, detent	2002-All Models
22	34015-91	SHIFTER SHAFT	2002-All Models
23	34073-91	SPACER, pawl	2002-All Models
24	34075-89	WASHER	2002-All Models
25	34076-89	BUSHING	2002-All Models
26	34077-91	WASHER	2002-All Models
27	34142-89C	SHIFTER FORK, first & second	2002-All Models
28	34144-89C	SHIFTER FORK, third & fifth	2002-All Models
29	34147-89C	SHIFTER FORK, fourth	2002-All Models
30	34481-91A	SPRING	2002-All Models
31	34483-90	SPRING	2002-All Models
32	34486-90	SCREW, detent arm	2002-All Models
33	34491-91	SPRING	2002-All Models
34	34492-91	SHIFTER PAWL	2002-All Models
35	34560-91	BASEPLATE	2002-All Models
36	34615-94	SHIFT LEVER, foot (chrome)	2002-STD/HUG/R/1200/S
37	34611-65	SHIFTER PEG	2002-STD/HUG/R/1200/S
38	37101-84	OIL SEAL	2002-All Models



INDEX NO.	PART NO.	DESCRIPTION	MODELS
1	4017	SCREW, hex hd. (2)	2002-883C/1200C
2	4721	SCREW, hex hd.	2002-883C/1200C
3	4741A	SCREW, w/washer	2002-883C/1200C
4	4748	SCREW, hex socket hd.	2002-883C/1200C
5	6702	WASHER (2)	2002-883C/1200C
6	7744	NUT (2)	2002-883C/1200C
7	7778	NUT, lock	2002-883C/1200C
8	11302	RING RETAINING	2002-883C/1200C
9	11763	ROD, shifter	2002-883C/1200C
10	16297-99	ENGINE MOUNT - lower, (LH)	2002-883C/1200C
11	33216-99	RUBBER, footpeg	2002-883C/1200C
12	33735-99	ROD ASSEMBLY w/#s 6, 9, & 13	2002-883C/1200C
13	38871-85A	ROD END (2)	2002-883C/1200C
14	34611-65	SHIFTER PEG	2002-883C/1200C
15	34963-99	SHIFTER LEVER	2002-883C/1200C
16	42420-99	FOOTREST SUPPORT, forward control	2002-883C/1200C
17	42426-99	CLEVIS, footrest mtg.	2002-883C/1200C
18	42443-80	BUSHING, brake pedal	2002-883C/1200C
19	42582-99	SHIFTER LEVER ASSY w/#18	2002-883C/1200C
20	33032-99	FOOTREST ASSY.	2002-883C/1200C
21	50912-72	SPRING WASHER	2002-883C/1200C



INDEX NO.	PART NO.	DESCRIPTION	MODELS
1	8873	BALL (3)	2002-All Models
2	8885	BEARING	2002-All Models
3	11046	RETAINING RING	2002-All Models
4	11250	RETAINING RING	2002-All Models
5	11730A	WELL NUT	2002-All Models
6	11752	ADJUSTMENT SCREW	2002-All Models
7	25453-87A	RAMP, inner	2002-All Models
8	25409-94A	RAMP, outer	2002-All Models
9	34920-86A	COUPLING, clutch cable	2002-All Models
10	36715-94	SPRING, clutch adjustment	2002-All Models
11	36785-91	CLUTCH HUB	2002-All Models
12	36790-91	CLUTCH SHELL & SPROCKET w/#14 & 20	2002-All Models
13	36792-91	SPRING, diaphragm	2002-All Models
14	36799-91	BALL BEARING	2002-All Models
15	36802-84B	LOCKPLATE, well type	2002-All Models
16	37495-91	NUT, main shaft	2002-All Models
17	37870-91	SPRING WASHER	2002-All Models
18	37872-90	SEAT, spring-inner	2002-All Models
19	37904-90	RETAINING RING	2002-All Models
20	37905-90	RETAINING RING	2002-All Models
21	37908-90	RETAINING RING	2002-All Models
22	37909-90	RETAINING RING	2002-All Models
23	37911-90	FRICTION PLATE (paper) (8)	2002-All Models
24	37912-91	PRESSURE PLATE	2002-All Models
25	37913-90	STEEL PLATE (6)	2002-All Models
26	37918-91	RELEASE PLATE	2002-All Models
27	37977-90	SPRING PLATE	2002-All Models

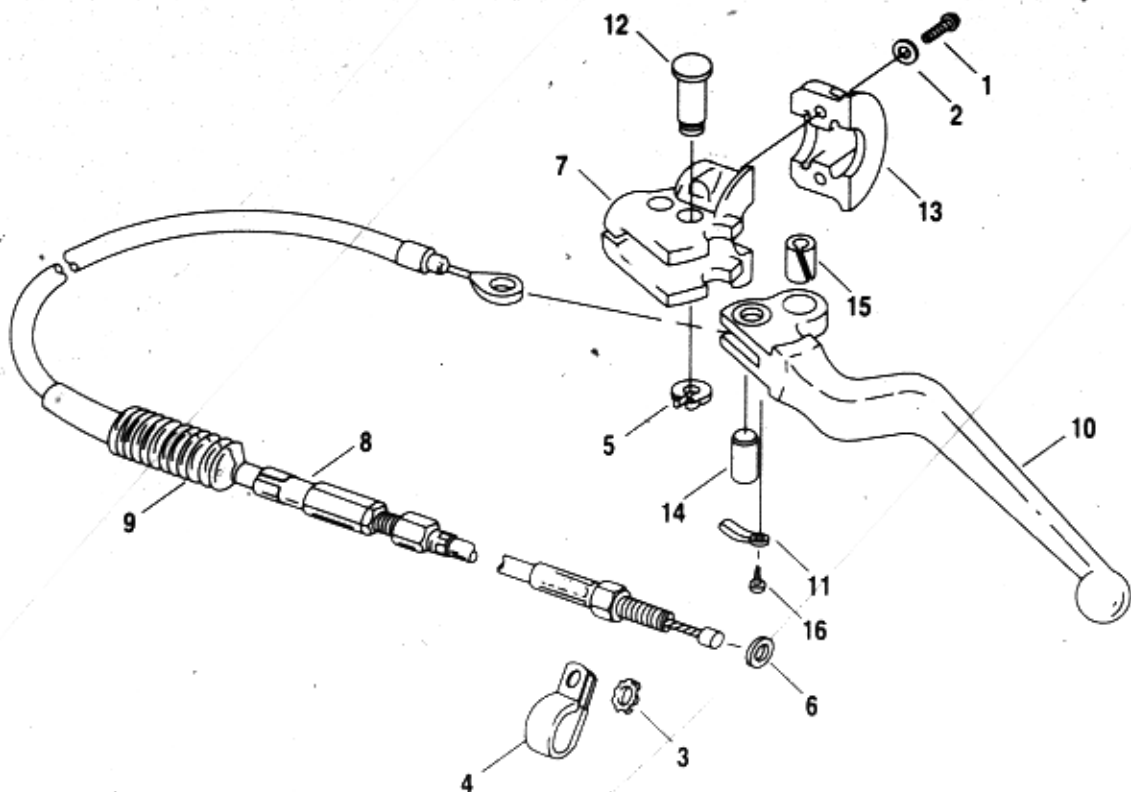


INDEX NO.	PART NO.	DESCRIPTION	MODELS
1	3594	SCREW (2)	2002-All Models
2	3899	BOLT (5)	2002-All Models
3	6516HW	WASHER (5)	2002-All Models
4	7839	NUT, engine sprocket	2002-All Models
5	7667	LOCKNUT	2002-All Models
6	7804	NUT, sealing	2002-All Models
7	35211-91A	NUT, transmission sprocket	2002-All Models
8	39975-90A	CHAIN ADJUSTER ASSEMBLY	2002-All Models
9	40005-57B	PRIMARY CHAIN	2002-All Models
10	40022-91	BELT - 128T	2002-All Models
11	40202-91B	SPROCKET KIT, transmission - 29T (belt) w/#1, 7, 15, seal and spacer	2002-1200/C/S
	40285-91B	SPROCKET KIT, transmission - 27T (belt) w/#1, 7, 15, seal and spacer	2002-STD/HUG/883CR
	40205-95	SPROCKET, transmission - 29T	2002-1200/C/S
	40288-95	SPROCKET, transmission - 27T	2002-STD/HUG/883C/R
12	40213-00	SPROCKET, rear wheel - 61T (belt) (black)	2002-STD/HUG/1200/C
	40227-00	SPROCKET, rear wheel - 61T (belt)(silver)	2002-STD/HUG/883C/R/1200S
13	40235-89A	ENGINE SPROCKET - 35T	2002-All Models
14	40240-89	SPACER, sprocket	2002-All Models
15	40251-92A	RETENTION PLATE	2002-All Models

CLUTCH CONTROL

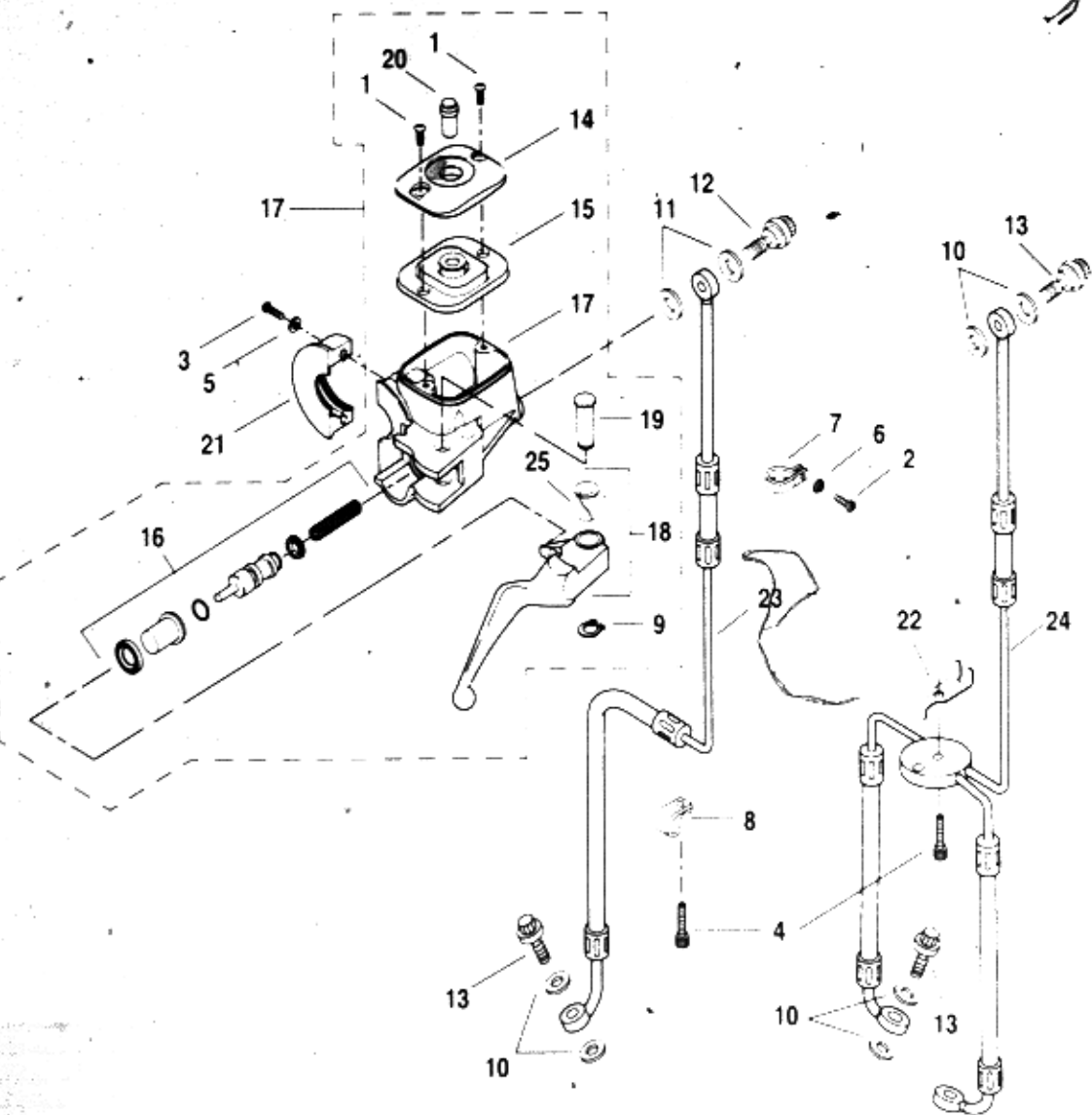
m0017

INDEX NO.	PART NO.	DESCRIPTION	MODELS
1	4132	SCREW (2)	2002-All Models
2	6101	WASHER (2)	2002-All Models
3	7145W	LOCKWASHER	2002-All Models
4	10123	CLIP	2002-All Models
5	11143	RETAINING RING	2002-All Models
6	11179	O-RING	2002-All Models
7	38608-96	BRACKET, clutch lever	2002-All Models
8	38662-00	CABLE ASSEMBLY	2002-HUG/883C/1200
	38663-00	CABLE ASSEMBLY	2002-STD/883R/1200C/S
9	38630-88	BOOT, clutch cable	2002-All Models
10	45017-93	HAND LEVER w/#11, 15, & 16	2002-All Models™
11	45021-86	SPRING, anti-rattle	2002-All Models
12	45032-82	PIVOT PIN	2002-All Models
13	45044-96	CLAMP, clutch control	2002-All Models
14	45036-88	PIN, clutch cable	2002-All Models
15	45423-92	BUSHING	2002-All Models
16	90770-79	SCREW, spring - clutch lever	2002-All Models

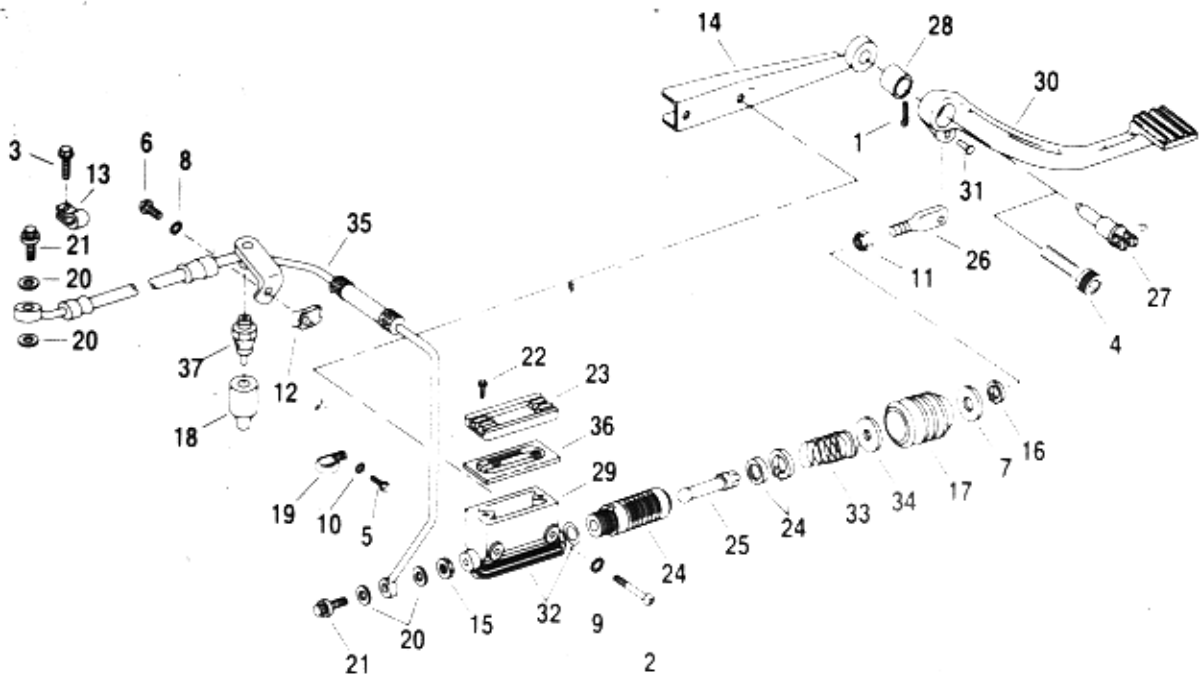


FRONT BRAKE CONTROL

m0018b



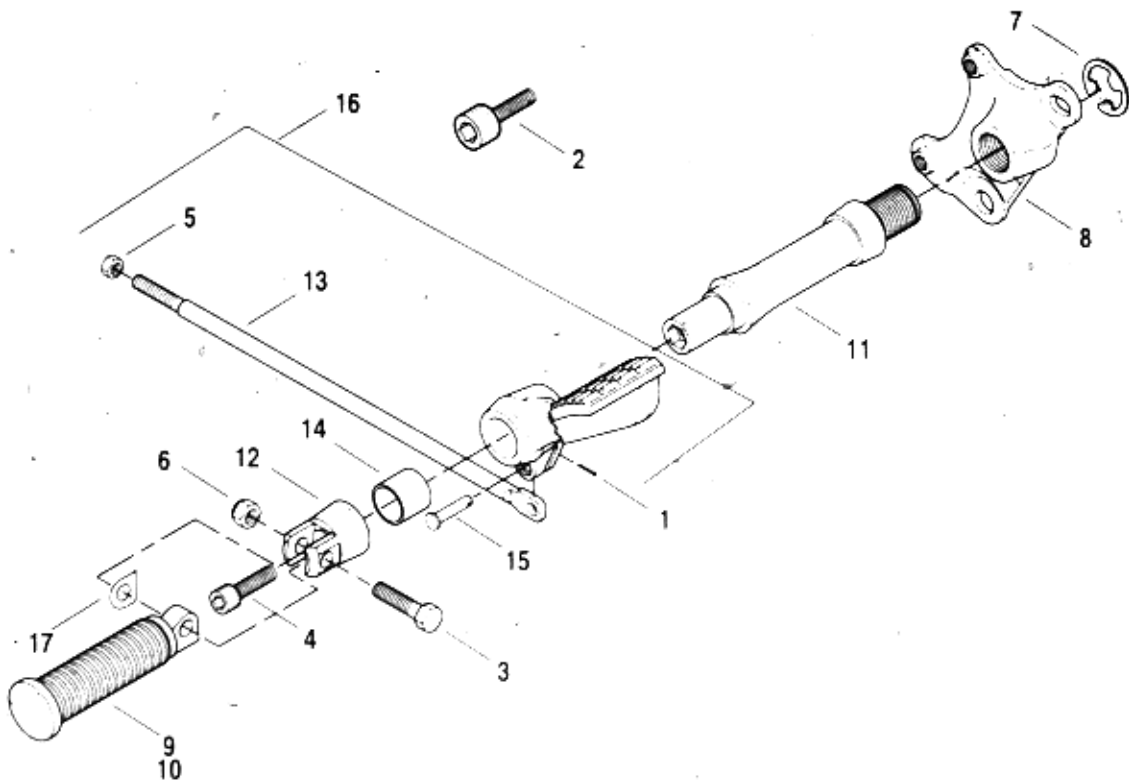
INDEX NO.	PART NO.	DESCRIPTION	MODELS
1	2579A	SCREW (2)	2002-All Models
2	4240	SCREW	2002-All Models
3	4132	SCREW (2)	2002-All Models
4	4741A	SCREW	2002-All Models
5	6101	WASHER (2)	2002-All Models
6	7220	LOOKWASHER	2002-All Models
7	10031	CLAMP	2002-All Models
8	10053	CLAMP	2002-STD/HUG/883C/R/ 1200/C
9	11143	RETAINING RING, external	2002-All Models
10	41731-01	GASKET, brake line (2, 6 - 1200S)	2002-All Models
11	41733-88	GASKET, master cylinder top (2)	2002-STD/HUG/883C/R/ 1200/C
12	41739-84A	BOLT, master cylinder top	2002-STD/HUG/883C/R/ 1200/C
13	41747-82A	BOLT, brake line (3 - 1200S)	2002-All Models
14	45004-96	COVER, master cylinder	2002-All Models
15	45005-96	GASKET, master cylinder cover	2002-All Models
16	45006-96A	REPAIR KIT, master cylinder	2002-STD/HUG/883C/R/ 1200/C
	45072-96A	REPAIR KIT, master cylinder	2002-883R/1200S
17	45013-96A	MASTER CYLINDER ASSEMBLY	2002-883R/1200S
	45019-96A	MASTER CYLINDER ASSEMBLY	2002-STD/HUG/883C/R/ 1200/C
18	45016-96	LEVER ASSEMBLY brake	2002-All Models
19	45032-82	PIN, hand lever	2002-All Models
20	45042-96	SIGHT GLASS	2002-All Models
21	45044-96	CLAMP, master cylinder	2002-All Models
22	45074-95	GUIDE, anti rotation	2002-883R/1200S
23	45121-96	BRAKE LINE, front	2002-HUG/1200C
	45143-88B	BRAKE LINE, front	2002-STD/883C/1200C
24	45148-96	BRAKE LINE, front	2002-1200S
	45194-99	BRAKE LINE, front	2002-883R
25	45423-96	BUSHING, pivot lever	2002-All Models



INDEX NO.	PART NO.	DESCRIPTION	MODELS
1	515	COTTER PIN	2002-HUG/STD/R/1200/S
2	853A	SCREW (2)	2002-All Models
3	2501A	SCREW (2)	2002-All Models
4	3549A	SCREW	2002-883C/1200C
5	4240	SCREW	2002-All Models
6	3201WA	SCREW	2002-All Models
7	6366	WASHER	2002-All Models
8	6702	WASHER	2002-All Models
9	7042	LOCKWASHER (2)	2002-All Models
10	7220	LOCKWASHER	2002-All Models
11	7744	JAM NUT	2002-HUG/STD/R/1200/S
12	8144	CLIPNUT	2002-All Models
13	10031	CLAMP (2)	2002-All Models
14	34909-90 34933-96	STIFFENER, master cylinder STIFFENER, master cylinder	2002-STD/HUG/883C/R/1200/S 2002-1200C
15	35078-79	LOCKNUT	2002-All Models
16	40903-87	RETAINING RING	2002-All Models
17	40922-87	BOOT, push rod	2002-All Models
18	41642-82	BOOT, brake switch	2002-All Models
19	41713-86	CLAMP	2002-All Models
20	41731-01	GASKET (4)	2002-All Models
21	41747-82A	BOLT (2)	2002-All Models
22	42375-87	BOLT (2)	2002-All Models
23	42381-87	COVER, master cylinder	2002-All Models
24	42382-87C	REPAIR KIT, master cylinder	2002-All Models
25	42436-87	PUSH ROD	2002-All Models
26	42437-87	ROD END	2002-HUG, STD, R 1200-S
27	42441-90A	CLEVIS, footrest mounting	2002-HUG, STD, R 1200 S
28	42443-80A	BUSHING	2002-HUG, STD, R 1200 S
29	42456-87C	MASTER CYLINDER	2002-All Models
30	42447-96	PEDAL ASSEMBLY w/#1 26, 28 & 31	2002-HUG, STD, R 1200 S
31	42460-80B	CLEVIS PIN	2002-HUG, STD, R 1200 S
32	42472-87	REPAIR KIT, master cylinder body	2002-All Models
33	42479-90	SPRING	2002-All Models
34	44126-87	RETAINER, spring	2002-All Models
35	44438-87B	HOSE, rear brake	2002-All Models
36	45005-85	GASKET, master cylinder cover	2002-All Models
	45042-82	REPAIR KIT, sight glass	2002-All Models
37	72023-51C	STOPLIGHT SWITCH	2002-All Models

REAR BRAKE CONTROL - 883/1200 CUSTOM

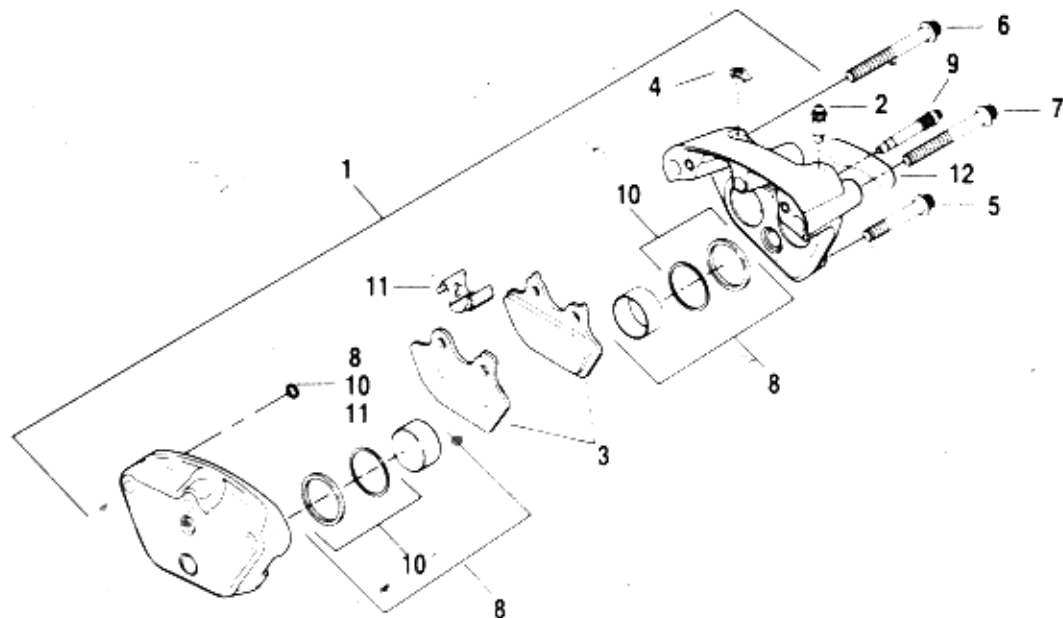
m0057



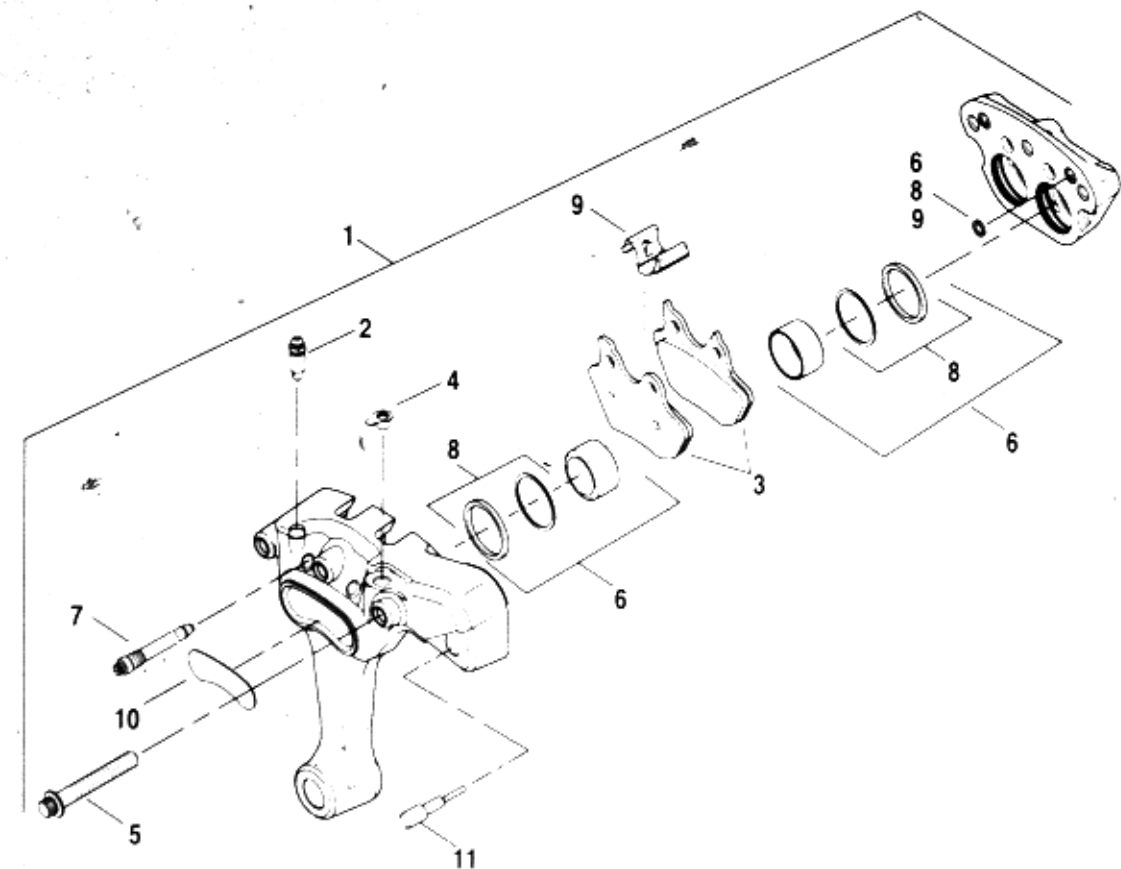
INDEX NO.	PART NO.	DESCRIPTION	MODELS
1	515	COTTER PIN	2002-883C/1200C
2	3549A	SCREW, hex socket hd.	2002-883C/1200C
3	4721	SCREW, hex hd	2002-883C/1200C
4	4748	SCREW, hex socket hd	2002-883C/1200C
5	7744	NUT (2)	2002-883C/1200C
6	7778	NUT, lock	2002-883C/1200C
7	11302	RING RETAINING	2002-883C/1200C
8	16294-99	ENGINE MOUNT - lower (RH)	2002-883C/1200C
9	33032-99	FOOTPEG ASSEMBLY	2002-883C/1200C
10	33216-99	RUBBER, footpeg	2002-883C/1200C
11	42421-99	FOOTREST SUPPORT, foward control	2002-883C/1200C
12	42426-99	CLEVIS, footrest mtg	2002-883C/1200C
13	42432-99	ROD, rear brake	2002-883C/1200C
14	42443-80A	BUSHING, brake pedal	2002-883C/1200C
15	42460-80B	PIN, clevis	2002-883C/1200C
16	42579-99	PEDAL ASSEMBLY, rear brake w/#s 1,5,13,14.&15	2002-883C/1200C
17	50912-72	SPRING WASHER	2002-883C/1200C

FRONT BRAKE CALIPER

m0020a



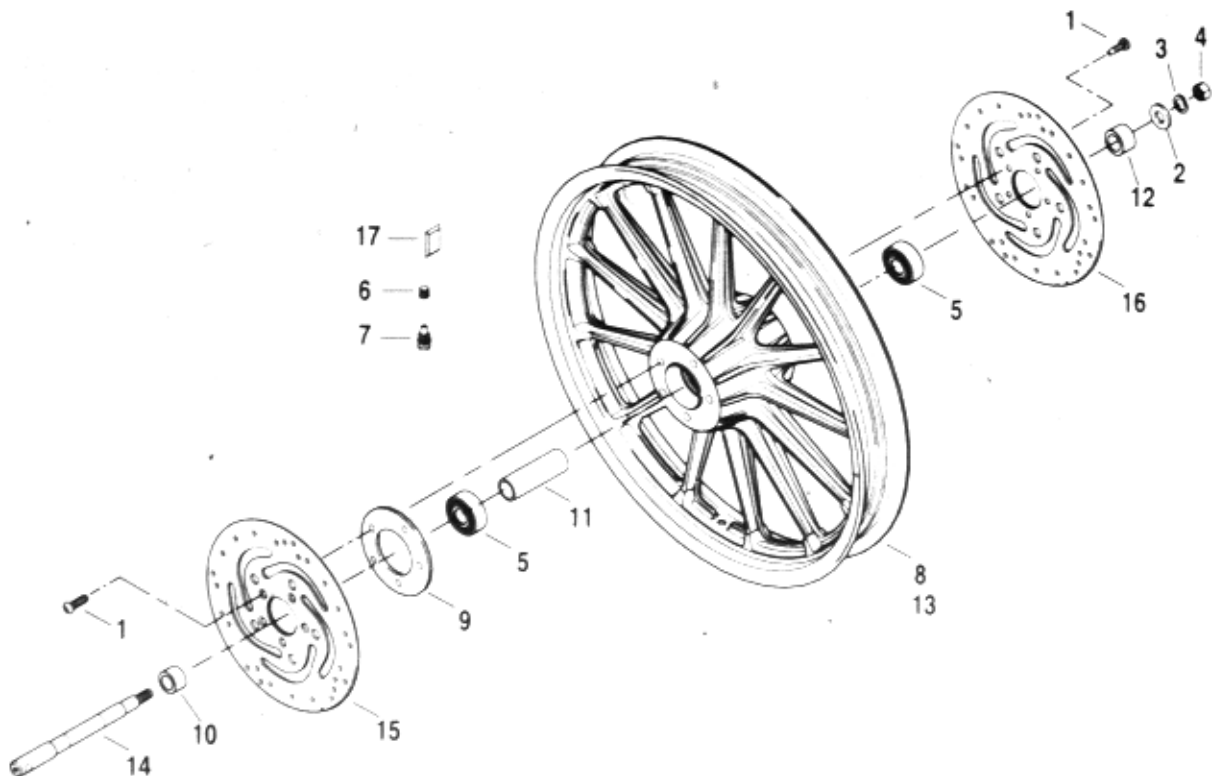
INDEX NO.	PART NO.	DESCRIPTION	MODELS
1	44023-00	CALIPER ASSEMBLY, right	2002-1200S
	44046-00	CALIPER ASSEMBLY, left	2002-STD/HUG/883C/1200/C/S
	44451-01	CALIPER ASSEMBLY, right	2002-883R
	44452-01	CALIPER ASSEMBLY, left	2002-883R
2	44048-83	BLEEDER FITTING (2-1200S)	2002-All Models
3	44082-00A	PAD KIT	2002-All Models
4	44147-87A	CAP BLEEDER (2-1200S)	2002-All Models
5	44160-00	BOLT, caliper mounting - lower (2-1200S)	2002-All Models
6	44163-00	BOLT, caliper mounting - upper (2-1200S)	2002-All Models
7	44177-00	BOLT, bridge (2 : 4-1200S)	2002-All Models
8	44313-01	PISTON KIT	2002-All Models
9	44314-00	PAD PIN KIT	2002-All Models
10	44315-00	SEAL KIT	2002-All Models
11	44337-00A	SPRING KIT, anti rattle	2002-All Models
12	44338-00	DECAL (2-1200S)	2002-All Models



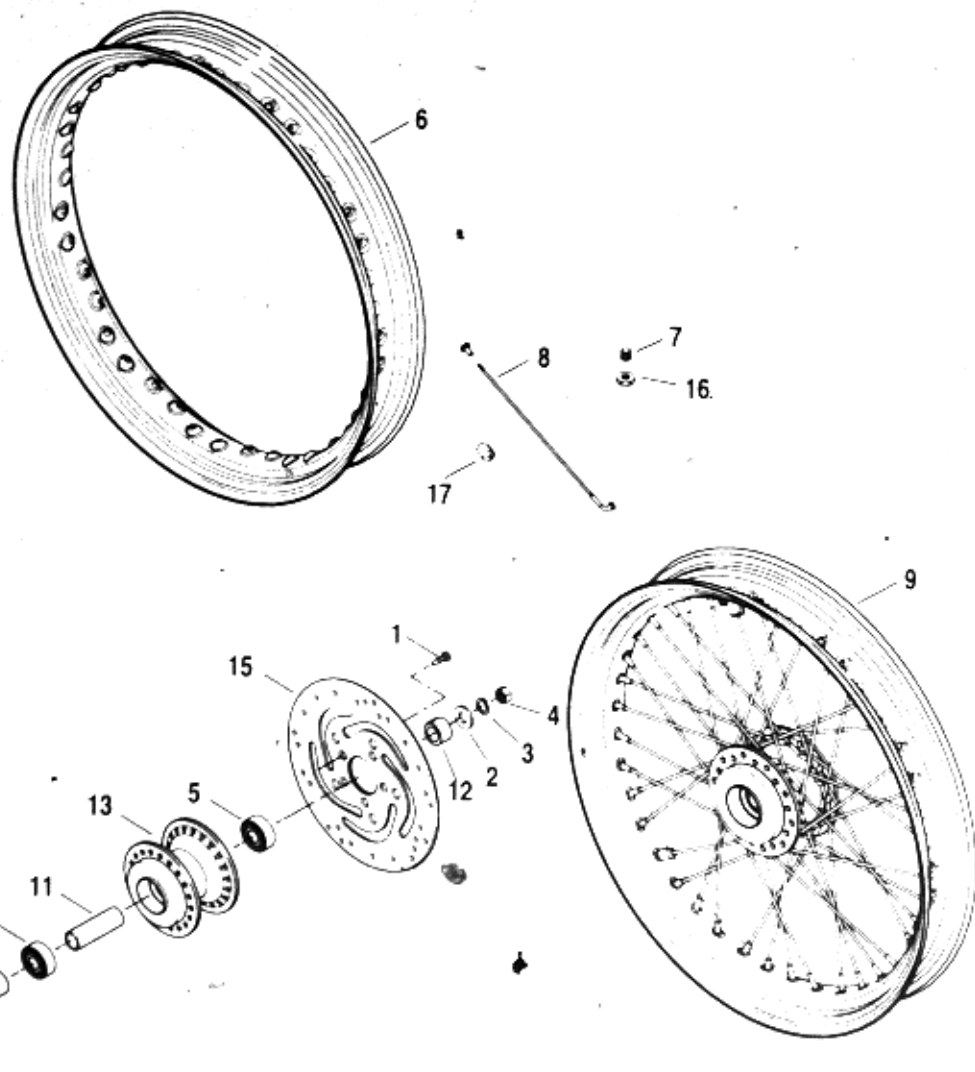
INDEX NO.	PART NO.	DESCRIPTION	MODELS
1	40925-00	CALIPER ASSEMBLY	2002-HUG/STD/C/1200/C/S
	40965-02	CALIPER ASSEMBLY, silver	2002-883R
2	44048-83	SCREW, bleeder	2002-All Models
3	44082-00A	PAD KIT	2002-All Models
4	44147-87A	CAP, bleeder screw	2002-All Models
5	44177-00	BOLT, bridge (3)	2002-All Models
6	44313-01	PISTON KIT	2002-All Models
7	44314-00	PAD PIN KIT	2002-All Models
8	44315-00	SEAL KIT	2002-All Models
9	44337-00A	SPRING KIT, anti rattle	2002-All Models
10	44338-00	DECAL	2002-All Models
11	44351-00	BUMPER	2002-All Models

FRONT WHEEL - CAST

m0022b



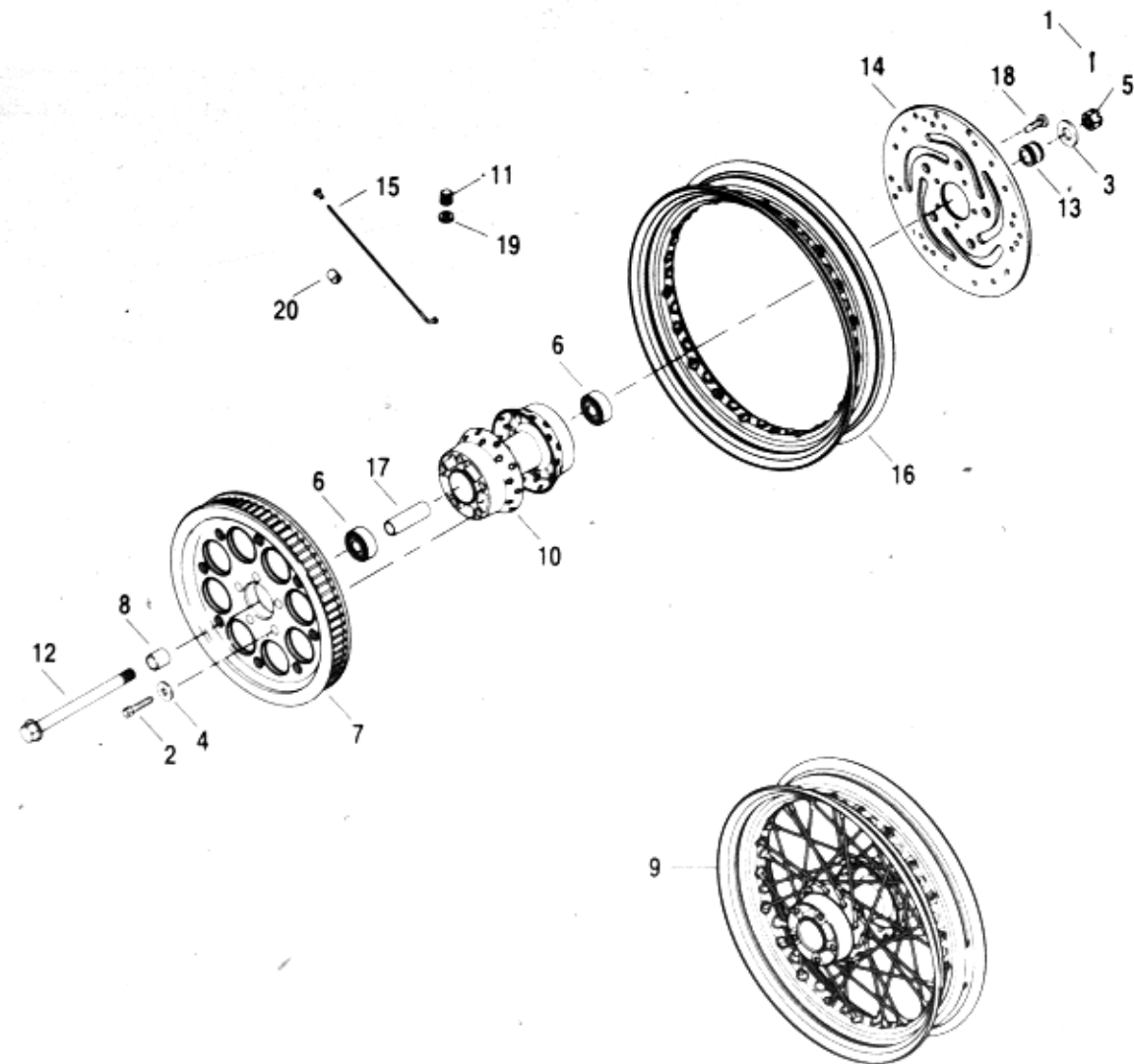
INDEX NO.	PART NO.	DESCRIPTION	MODELS
1	3655A	SCREW (5) (10-1200S)	2002-All Models
2	6590HW	WASHER	2002-All Models
3	7068	LOCKWASHER	2002-All Models
4	7956	NUT	2002-All Models
5	9267	ROLLER BEARING (2)	2002-All Models
6	41123-79	VALVE CAP	2002-All Models
7	43157-83A	VALVE STEM ASSY.	2002-STD/HUG/R/1200/S
8	43338-00	WHEEL ASSEMBLY, 19" (13 spoke)(silver)	2002-STD/HUG/R/1200S
9	43355-00	HUB PLATE (black)	2002-1200
	43359-00	HUB PLATE (silver)	2002-STD/HUG/R
10	43358-00	SPACER, bearing	2002-All Models
11	43613-00	SPACER, hub	2002-All Models
12	43617-00	SPACER, bearing	2002-All Models
13	43626-00	WHEEL ASSEMBLY, 19" (13 spoke)(black)	2002-1200
14	43895-00	FRONT AXLE	2002-All Models
15	44136-00	DISC, brake - R H	2002-1200S/883R
16	44156-00	DISC, brake - L.H.	2002-STD/HUG/R/1200/S
17	95594-84	WHEEL WEIGHT, 1/4 oz (black)	2002-1200/S
	95595-84	WHEEL WEIGHT, 1/4 oz (silver)	2002-STD/HUG/R



INDEX NO.	PART NO.	DESCRIPTION	MODELS
1	3655A	SCREW (5)	2002-All Models
2	6590HW	WASHER	2002-All Models
3	7068	LOCKWASHER	2002-All Models
4	7956	NUT	2002-All Models
5	9267	ROLLER BEARING (2)	2002-All Models
6	43001-79	RIM, 19" chrome	2002-STD/HUG/1200
	43662-80B	RIM, 21" chrome	2002-883C/1200C
7	41123-79	VALVE CAP	2002-All Models
8	43024-73C	SPOKE AND NIPPLE KIT, 19" rim - short (20)	2002-STD/HUG/1200
	43025-73C	SPOKE AND NIPPLE KIT, 19" rim - long (20)	2002-STD/HUG/1200
	43020-87A	SPOKE AND NIPPLE KIT, 21" rim - short (20)	2002-883C/1200C
	43035-87A	SPOKE AND NIPPLE KIT, 21" rim - long (20)	2002-883C/1200C
9	43312-00A	WHEEL ASSEMBLY, 19"	2002-STD/HUG/1200
	43557-00A	WHEEL ASSEMBLY, 21"	2002-883C/1200C
10	43358-00	SPACER, bearing	2002-All Models
11	43613-00	SPACER, hub	2002-All Models
12	43617-00	SPACER, bearing	2002-All Models
13	43619-00A	WHEEL HUB ASSEMBLY	2002-STD/HUG/1200
	43610-00A	WHEEL HUB ASSEMBLY	2002-883C/1200C
14	43895-00	FRONT AXLE	2002-All Models
15	44156-00	DISC, brake	2002-STD/HUG/883C/1200-C
16	54321-85	NUT, valve stem	2002-All Models
17	95578-41	WHEEL WEIGHT, 1/2 oz	2002-STD/HUG/883C/1200-C
	95581-47	WHEEL WEIGHT, 3/4 oz	2002-STD/HUG/883C/1200-C
	95582-47	WHEEL WEIGHT, 1 oz	2002-STD/HUG/883C/1200-C

REAR WHEEL - LACED

m0025a

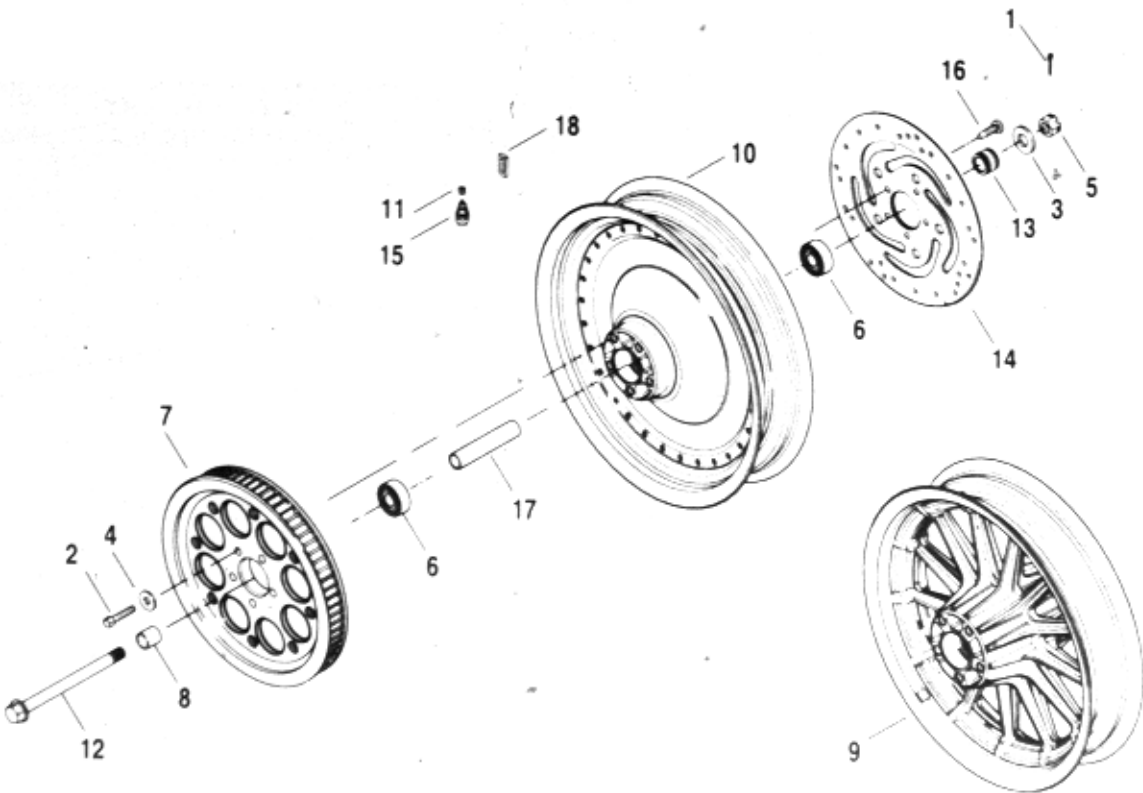


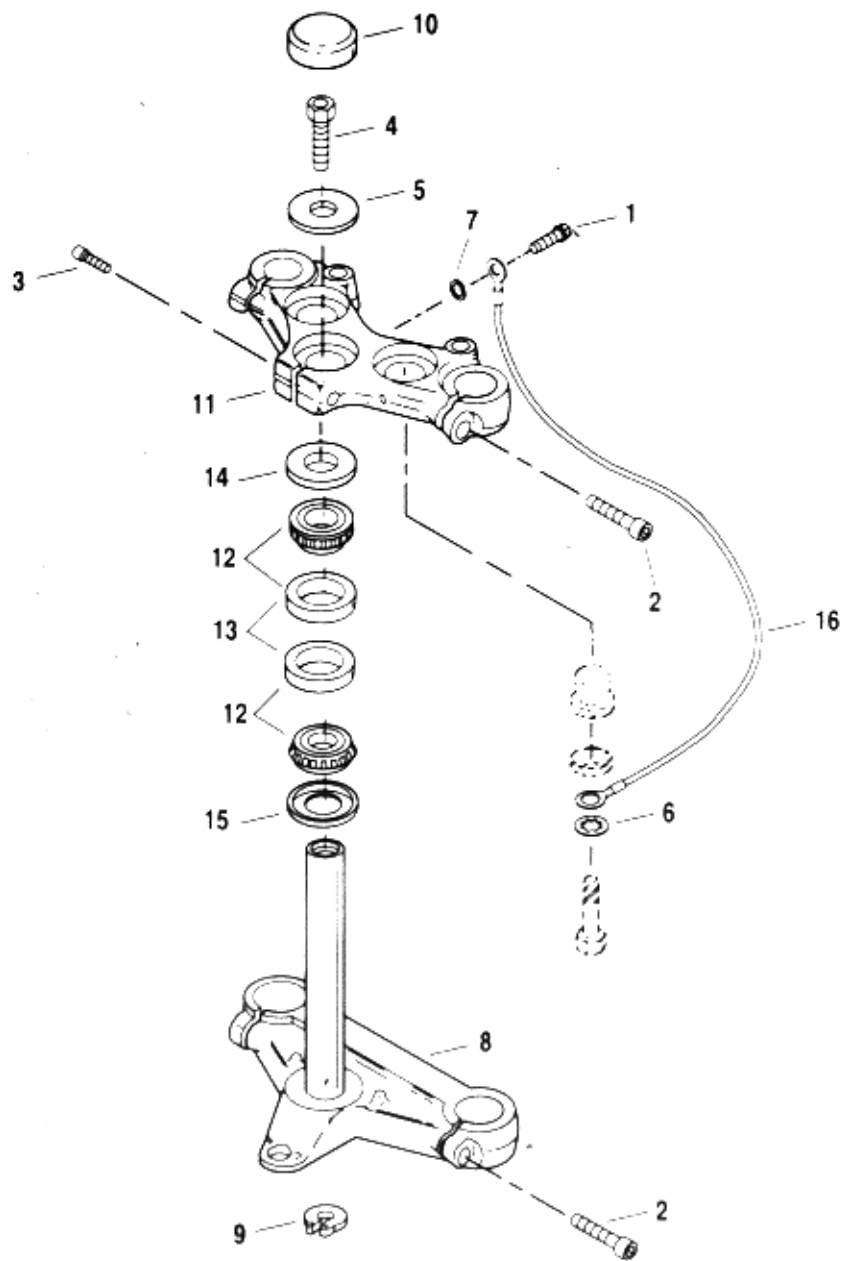
INDEX NO.	PART NO.	DESCRIPTION	MODELS
1	511	COTTER PIN	2002-STD/HUG/1200
2	3899	BOLT (5)	2002-STD/HUG/1200
3	5756	SPACER	2002-STD/HUG/1200
4	6516HW	WASHER (5)	2002-STD/HUG/1200
5	7987	CASTLE NUT	2002-STD/HUG/1200
6	9267	WHEEL BEARING (2)	2002-STD/HUG/1200
7	40213-00	SPROCKET - 61T. (belt) (black)	2002-STD/HUG/1200
8	40910-00	SPACER, wheel bearing, sprocket side	2002-STD/HUG/1200
9	40975-00	WHEEL ASSEMBLY, 16" (chrome)	2002-STD/HUG/1200
10	40976-00	HUB ASSEMBLY, rear, 16"	2002-STD/HUG/1200
11	41123-79	VALVE CAP	2002-STD/HUG/1200
12	41563-77A	AXLE ASSEMBLY	2002-STD/HUG/1200
13	43654-00	SPACER, disk side	2002-STD/HUG/1200
14	41797-00	BRAKE DISC	2002-STD/HUG/1200
15	43032-40B	SPOKE AND NIPPLE KIT, 16" rim (20)	2002-STD/HUG/1200
16	43085-97	RIM, 16" (chrome)	2002-STD/HUG/1200
17	43608-00	SLEEVE WHEEL BEARING, spacer	2002-STD/HUG/1200
18	43567-92	SCREW, brake disc (5)	2002-STD/HUG/1200
19	54321-85	NUT, valve stem	2002-STD/HUG/1200
20	95578-41	WHEEL WEIGHT, 1/2 oz.	2002-STD/HUG/1200
	95581-47	WHEEL WEIGHT, 3/4 oz.	2002-STD/HUG/1200
	95582-47	WHEEL WEIGHT, 1 oz.	2002-STD/HUG/1200

REAR WHEEL - CAST

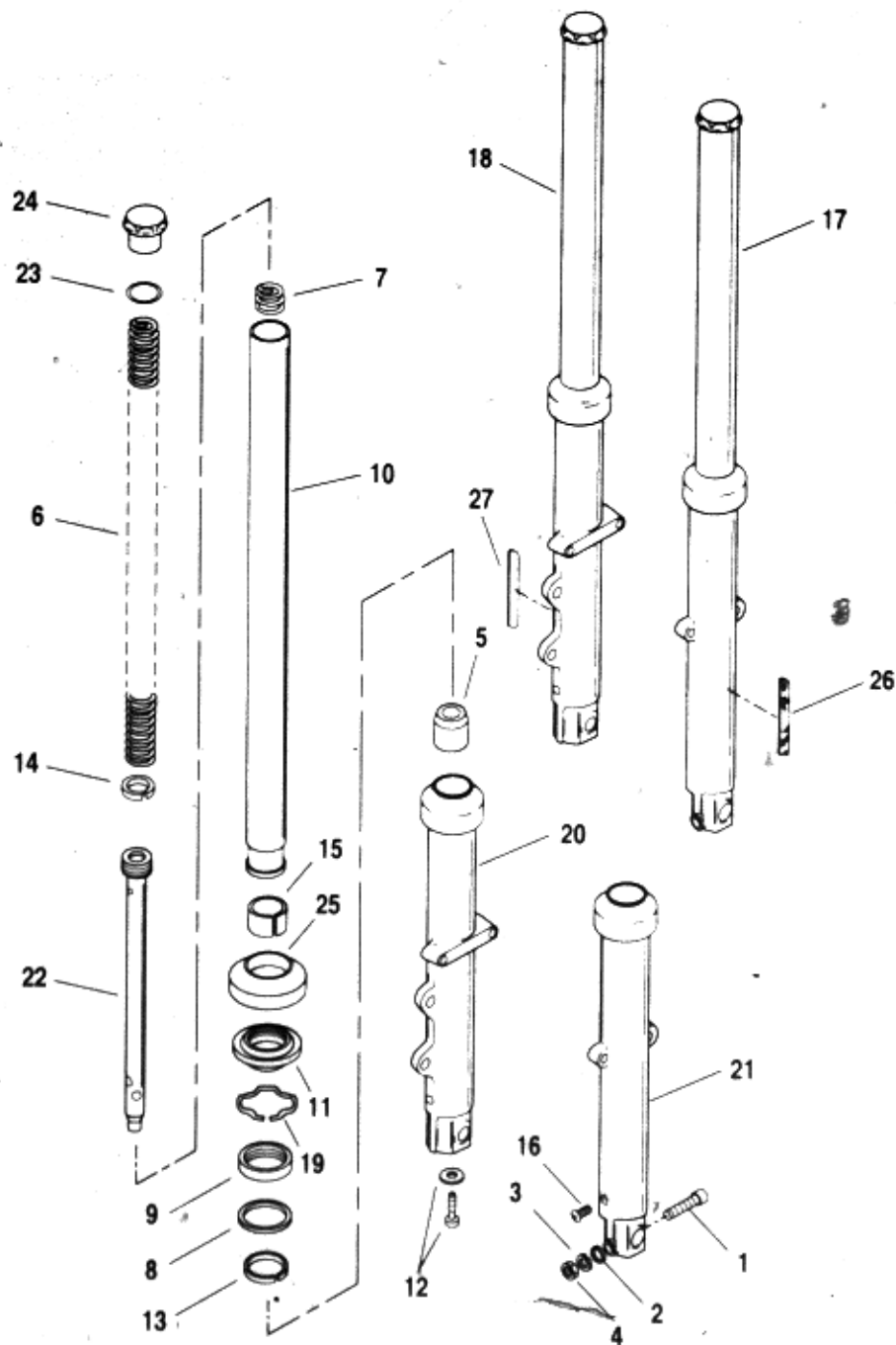
m0024a

INDEX NO.	PART NO.	DESCRIPTION	MODELS*
1	511	COTTER PIN	2002-All Models
2	3899	BOLT (5)	2002-All Models
3	5756	SPACER	2002-All Models
4	6516HW	WASHER (5)	2002-All Models
5	7987	CASTLE NUT	2002-All Models
6	9267	ROLLER BEARING (2)	2002-All Models
7	40213-00	SPROCKET - 61T (belt) (black)	2002-STD/HUG/1200/C
	40227-00	SPROCKET - 61T (belt) (silver)	2002-STD/HUG/883C/R/1200S
8	40910-00	SPACER, sprocket side	2002-All Models
9	40983-00	WHEEL ASSEMBLY - 16" (13 spoke)(silver)	2002-STD/HUG/1200S
	41015-00	WHEEL ASSEMBLY - 16" (13 spoke)(black)	2002-1200
10	41017-00	WHEEL ASSEMBLY, solid with slots (chrome)	2002-1200C
	41008-00	WHEEL ASSEMBLY, solid disc	2002-883C
11	41123-79	VALVE CAP	2002-All Models
12	41563-77A	AXLE ASSEMBLY	2002-All Models
13	43654-00	SPACER, disk side	2002-All Models
14	41797-00	BRAKE DISC	2002-All Models
15	43157-83A	VALVE STEM	2002-All Models
16	43567-92	SCREW, brake disc (5)	2002-All Models
17	43608-00	SLEEVE WHEEL BEARING, spacer	2002-All Models
18	95595-84	WHEEL WEIGHT, 1/4 oz (4)	2002-All Models

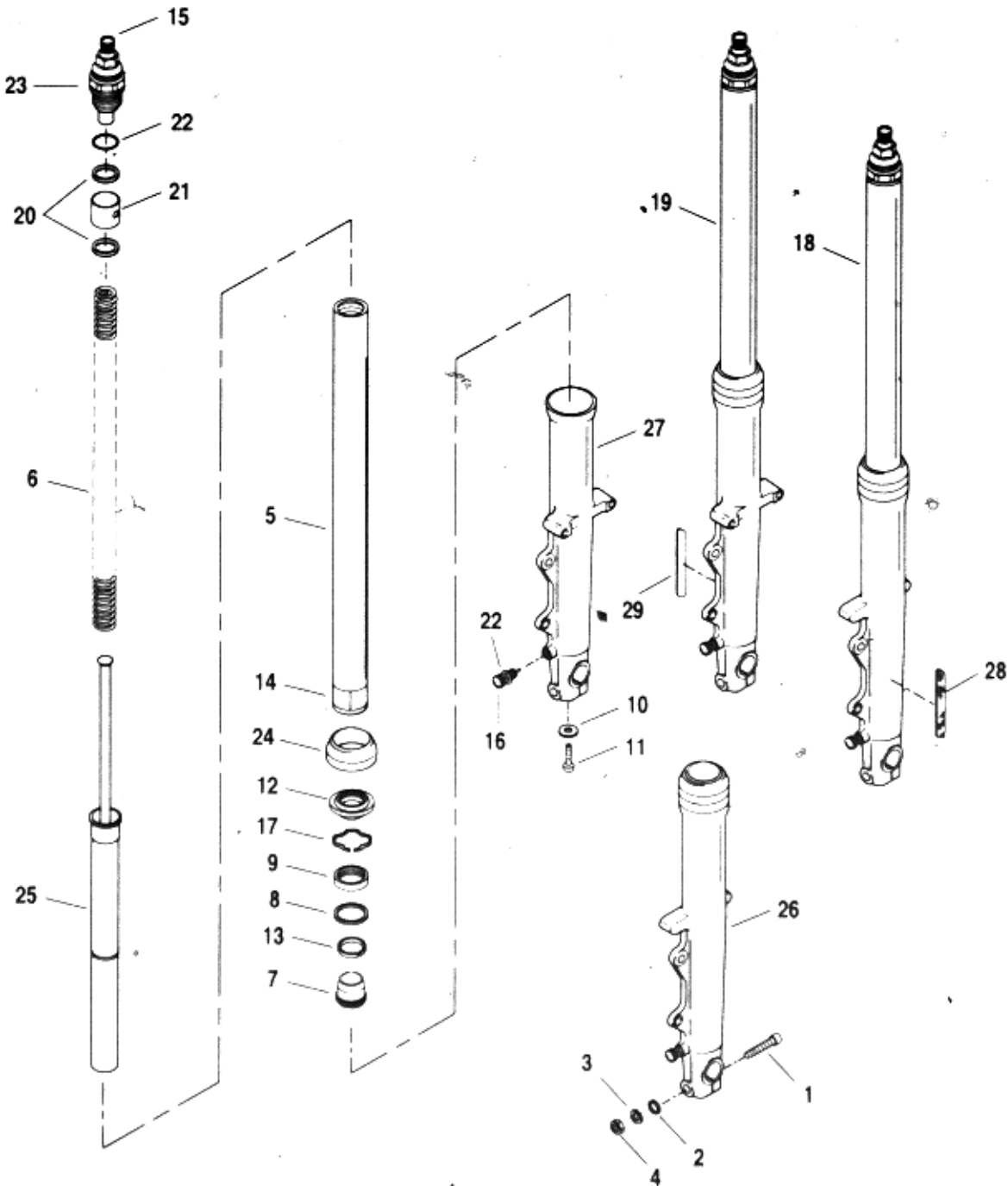




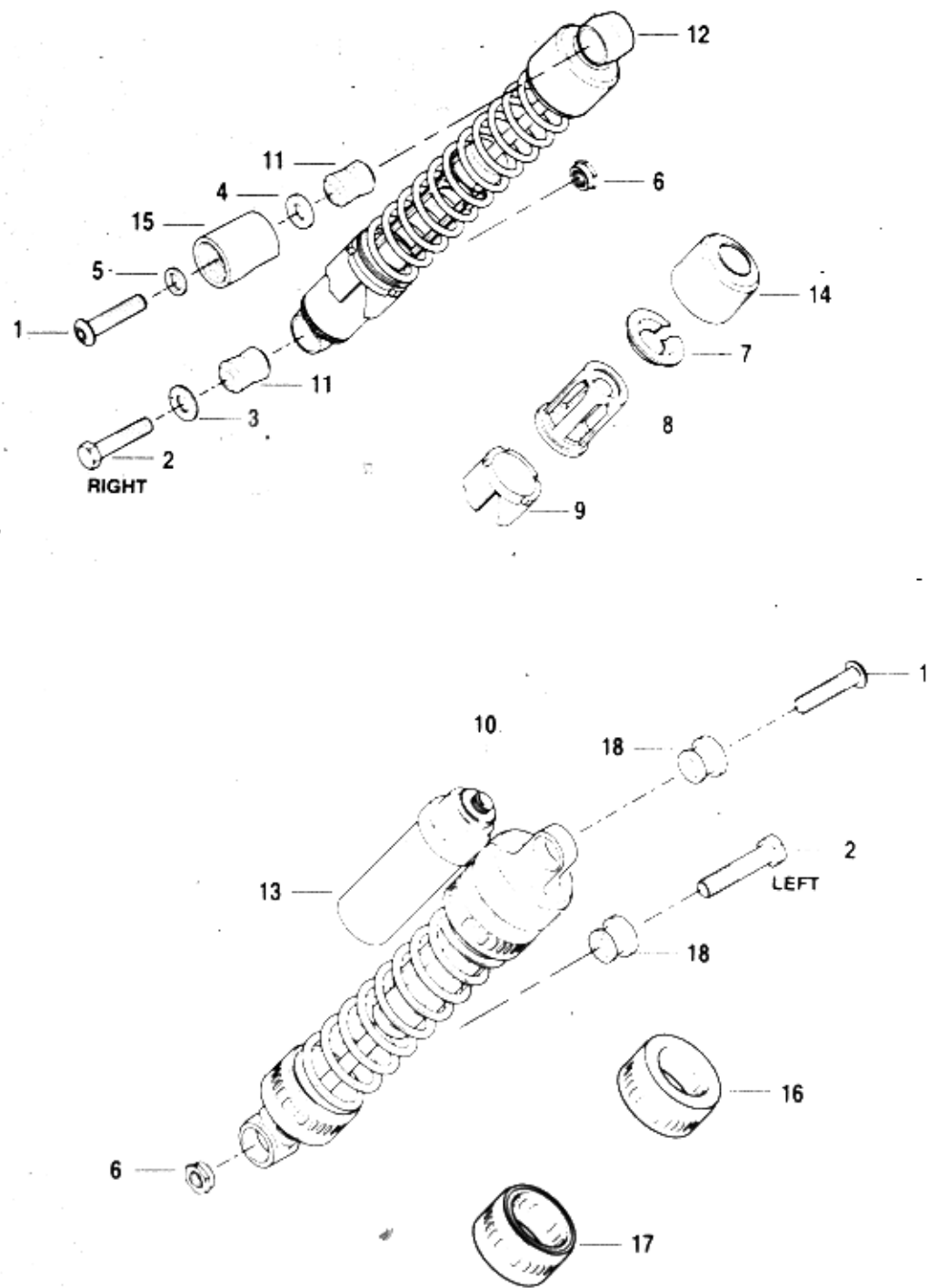
INDEX NO.	PART NO.	DESCRIPTION	MODELS
1	4240	SCREW	2002-All Models
2	4351	SCREW, (4)	2002-All Models
3	4352	SCREW	2002-All Models
4	4453	BOLT, tapped	2002-1200/S
	4460	BOLT	2002-STD/HUG/883G/R/1200C
5	6655	WASHER	2002-All Models
6	7129	LOCKWASHER	2002-All Models
7	7220	LOCKWASHER	2002-All Models
8	45563-87	BRACKET, lower with stem	2002-STD/HUG//R/200/S
	45561-87	BRACKET, lower with stem	2002-883C/1200C
9	45611-86	RETAINING RING	2002-All Models
10	45668-90	CAP, fork stem	2002-1200/S
11	45739-87	BRACKET, upper	2002-All Models
12	48300-60	ROLLER BEARING, with cup (2)	2002-All Models
13	48315-60	BEARING CUP (2)	2002-All Models
14	48361-80	DUST SHIELD, upper	2002-All Models
15	48365-48A	DUST SHIELD, lower	2002-All Models
16	70191-73A	GROUND WIRE	2002-All Models



INDEX NO.	PART NO.	DESCRIPTION	MODELS
1	4029A	SCREW	2002-STD/HUG/883C/R/1200/C
2	6701	WASHER	2002-STD/HUG/883C/R/1200/C
3	7038	LOCKWASHER	2002-STD/HUG/883C/R/1200/C
4	7783	NUT	2002-STD/HUG/883C/R/1200/C
5	45361-90	LOWER STOP (2)	2002-STD/HUG/883C/R/1200/C
6	45372-92	SPRING (2)	2002-HUG
	45376-97	SPRING (2)	2002-STD//833C/R/1200/C
7	45374-87	SPRING, slider (2)	2002-STD/HUG/883C/R/1200/C
8	45377-87	SPACER, oil seal (2)	2002-STD/HUG/883C/R/1200/C
9	45378-87	OIL SEAL (2)	2002-STD/HUG/883C/R/1200/C
10	45395-97	SLIDER TUBE (2)	2002-STD/883C/R/1200/C
	45395-92	SLIDER TUBE (2)	2002-HUG
11	45401-87	SEAL, dust (2)	2002-STD/HUG/883C/R/1200/C
12	45405-75A	SCREW WITH WASHER (2)	2002-STD/HUG/883C/R/1200/C
13	45461-87	BUSHING, upper (2)	2002-STD/HUG/883C/R/1200/C
14	45460-90	RING, damper tube (2)	2002-STD/HUG/883C/R/1200/C
15	45465-87	BUSHING, slider tube (2)	2002-STD/HUG/883C/R/1200/C
16	45790-80	DRAIN SCREW, w/washer (2)	2002-STD/HUG/883C/R/1200/C
17	45900-00	FORK SLIDER AND TUBE ASSEMBLY - right	2002-STD/883C/1200/C
	45928-00	FORK SLIDER AND TUBE ASSEMBLY - right	2002-HUG
	45974-02	FORK SLIDER AND TUBE ASSEMBLY - right	2002-883R
18	45901-00	FORK SLIDER AND TUBE ASSEMBLY - left	2002-STD/883C/R/1200/C
	45929-00	FORK SLIDER AND TUBE ASSEMBLY - left	2002-HUG
19	45905-87	RETAINING RING, oil seal (2)	2002-STD/HUG/883C/R/1200/C
20	45921-00	SLIDER ASSEMBLY, left	2002-STD/HUG/883C/R/1200/C
21	45923-00	SLIDER ASSEMBLY, right	2002-STD/HUG/883C/1200/C
	45922-00	SLIDER ASSEMBLY, right	2002-883R
22	45925-97	DAMPER TUBE (2)	2002-STD/883C/R/1200/C
	45938-92	DAMPER TUBE w/45460-90 (2)	2002-HUG
23	45984-87	O-RING (2)	2002-STD/HUG/883C/R/1200/C
24	45996-87	CAP, slider tube (2)	2002-STD/HUG/883C/R/1200/C
25	46002-87	COVER, slider (2)	2002-STD/HUG/883C/R/1200/C
26	59481-00	REFLECTOR, amber - right	2002-STD/HUG/883C/R/1200/C
27	59482-00	REFLECTOR, amber - left	2002-STD/HUG/883C/R/1200/C



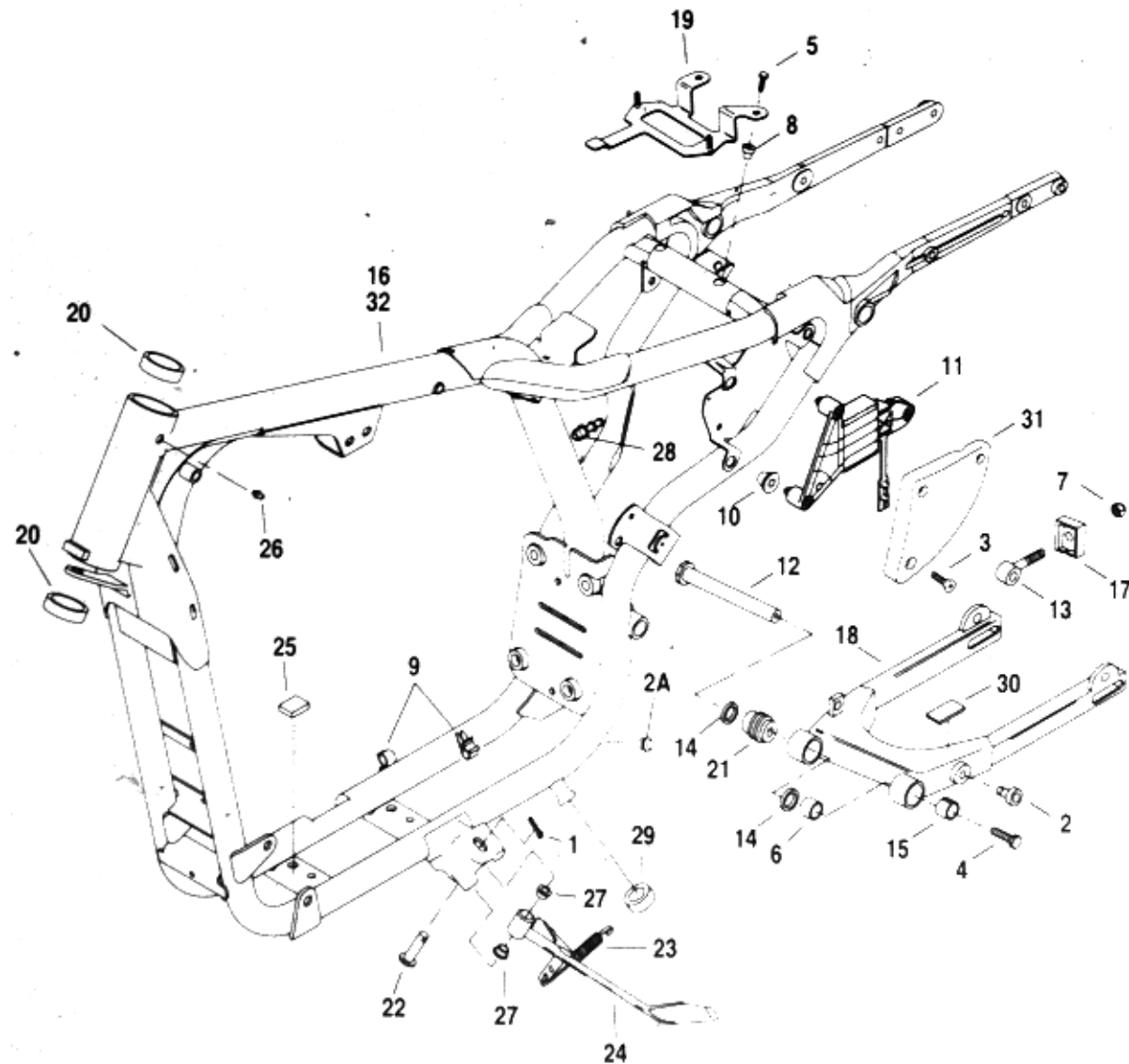
INDEX NO. -	PART NO.	DESCRIPTION	MODELS
1	4029A	SCREW	2002-1200S
2	6701	WASHER	2002-1200S
3	7038	LOCKWASHER	2002-1200S
4	7783	NUT	2002-1200S
5	45366-96	SLIDER TUBE ASSEMBLY (2)	2002-1200S
6	45367-96	SPRING (2)	2002-1200S
7	45368-96	LOWER STOP (2)	2002-1200S
8	45377-87	SPACER, oil seal (2)	2002-1200S
9	45378-87	OIL SEAL (2)	2002-1200S
10	45398-96	WASHER (2)	2002-1200S
11	45399-96	SCREW (2)	2002-1200S
12	45401-87	SEAL, dust (2)	2002-1200S
13	45461-87	BUSHING, upper (2)	2002-1200S
14	45465-87	SLIDE BUSHING (2)	2002-1200S
15	45723-96	KNOB ADJUSTER (2)	2002-1200S
16	45726-96	PLUG BOLT (2)	2002-1200S
17	45905-87	RETAINING RING, oil seal (2)	2002-1200S
18	45943-00	FORK SLIDER AND TUBE ASSEMBLY - right	2002-1200S
19	45944-00	FORK SLIDER AND TUBE ASSEMBLY - left	2002-1200S
20	45980-96	SPACER (4)	2002-1200S
21	45981-96	SPRING COLLAR (2)	2002-1200S
22	45985-96	O-RING, kit (2)	2002-1200S
23	45986-96	CAP ADJUSTABLE, slider tube (2)	2002-1200S
24	46002-87	COVER, slider (2)	2002-1200S
25	46024-96	DAMPER TUBE (2)	2002-1200S
26	46022-00	SLIDER ASSEMBLY - right	2002-1200S
27	46023-00	SLIDER ASSEMBLY - left	2002-1200S
28	59481-00	REFLECTOR, amber - right	2002-1200S
29	59482-00	REFLECTOR, amber - left	2002-1200S



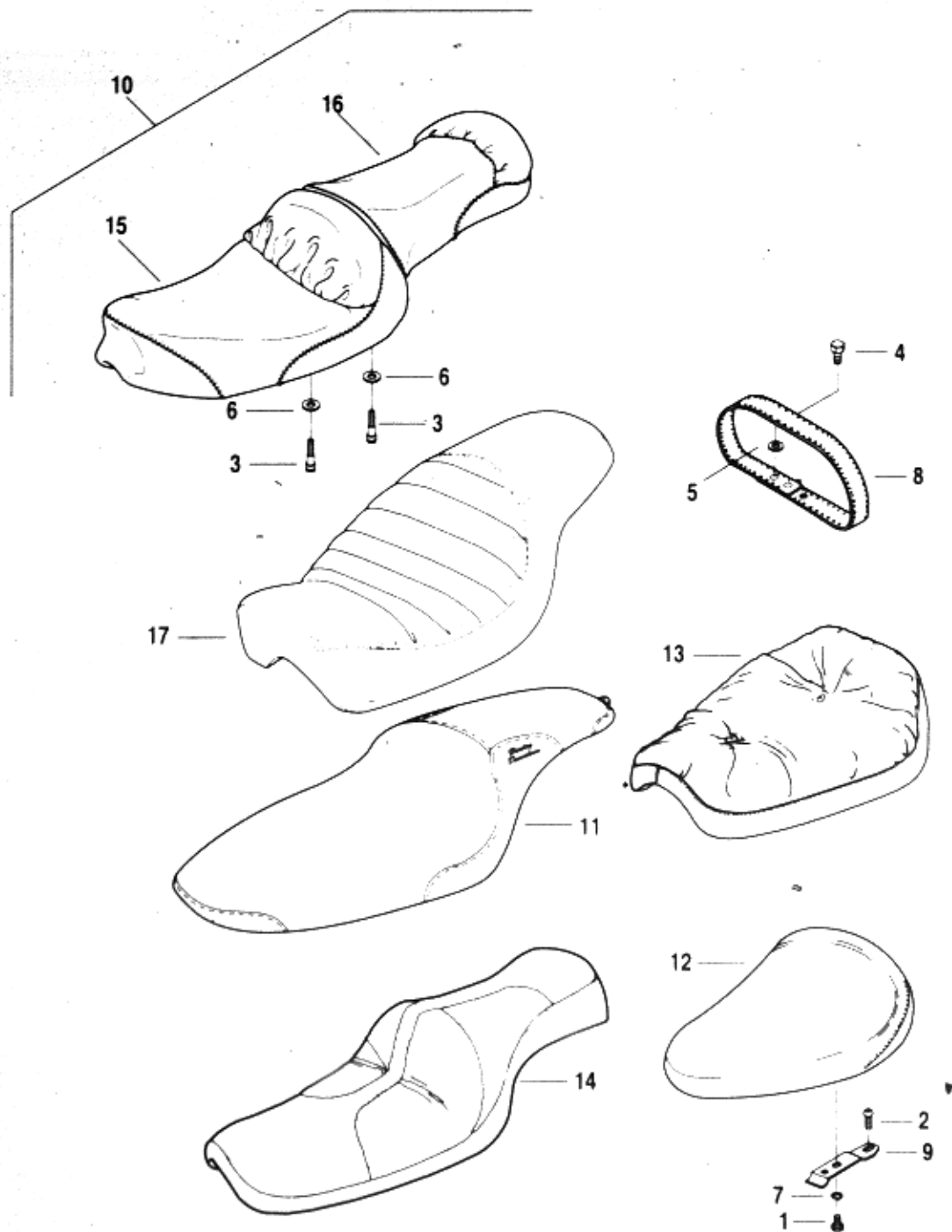
INDEX NO.	PART NO.	DESCRIPTION	MODELS
1	3820	SCREW (2)	2002-All Models
2	3958	BOLT, left	2002-All Models
	4743	BOLT, right	2002-All Models
3	6012	WASHER (2)	2002-All Models
4	6718	WASHER (2)	2002-All Models
5	6738	WASHER (2)	2002-STD/HUG/883C/R/1200/C
6	7824	NUT (2)	2002-All Models
7	54473-79	SEAT, spring - upper (2)	2002-STD/HUG/883C/R/1200/C
8	54475-79	SPRING GUIDE, lower (2)	2002-STD/HUG/883C/R/1200/C
9	54476-82	ADJUSTER, spring (2)	2002-STD/R/1200
	54474-79	ADJUSTER, spring (2)	2002-HUG/883C/1200C
10	54481-96	KNOB, rear shock (2)	2002-1200S
11	54556-84	BUSHING, damper (4)	2002-STD/HUG/883C/1200/C
12	54566-97	SHOCK ABSORBER, complete (standard) (2)	2002-STD/R/1200
	54568-92	SHOCK ABSORBER, complete (low) (2)	2002-HUG/883C/1200C
13	54552-96A	SHOCK ABSORBER, complete, right (adjustable)	2002-1200S
	54542-96A	SHOCK ABSORBER, complete, left (adjustable)	2002-1200S
14	54701-82	COVER, shock absorber (2)	2002-STD/HUG/883C/R/1200/C
15	54705-00	COVER, shock absorber stud (2)	2002-STD/HUG/883C/R/1200/C
16	54713-96	COVER, upper (2)	2002-1200S
17	54714-96	COVER, lower (2)	2002-1200S
18	54715-96	BUSHING, damper (4)	2002-1200S

FRAME, REAR FORK, AND JIFFY STAND

m0030d

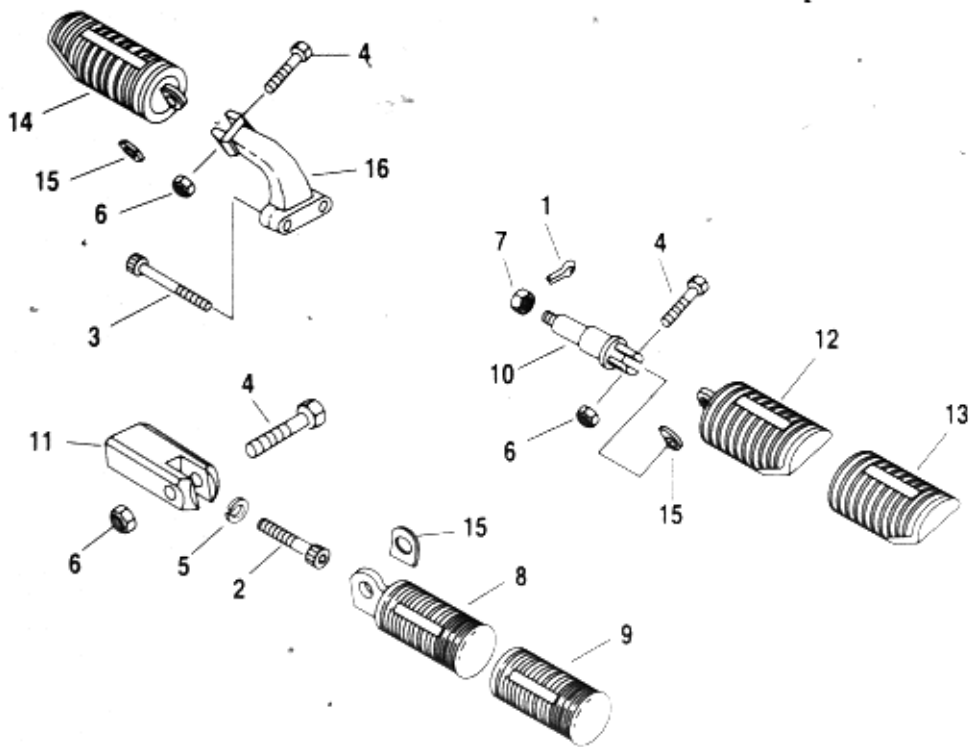


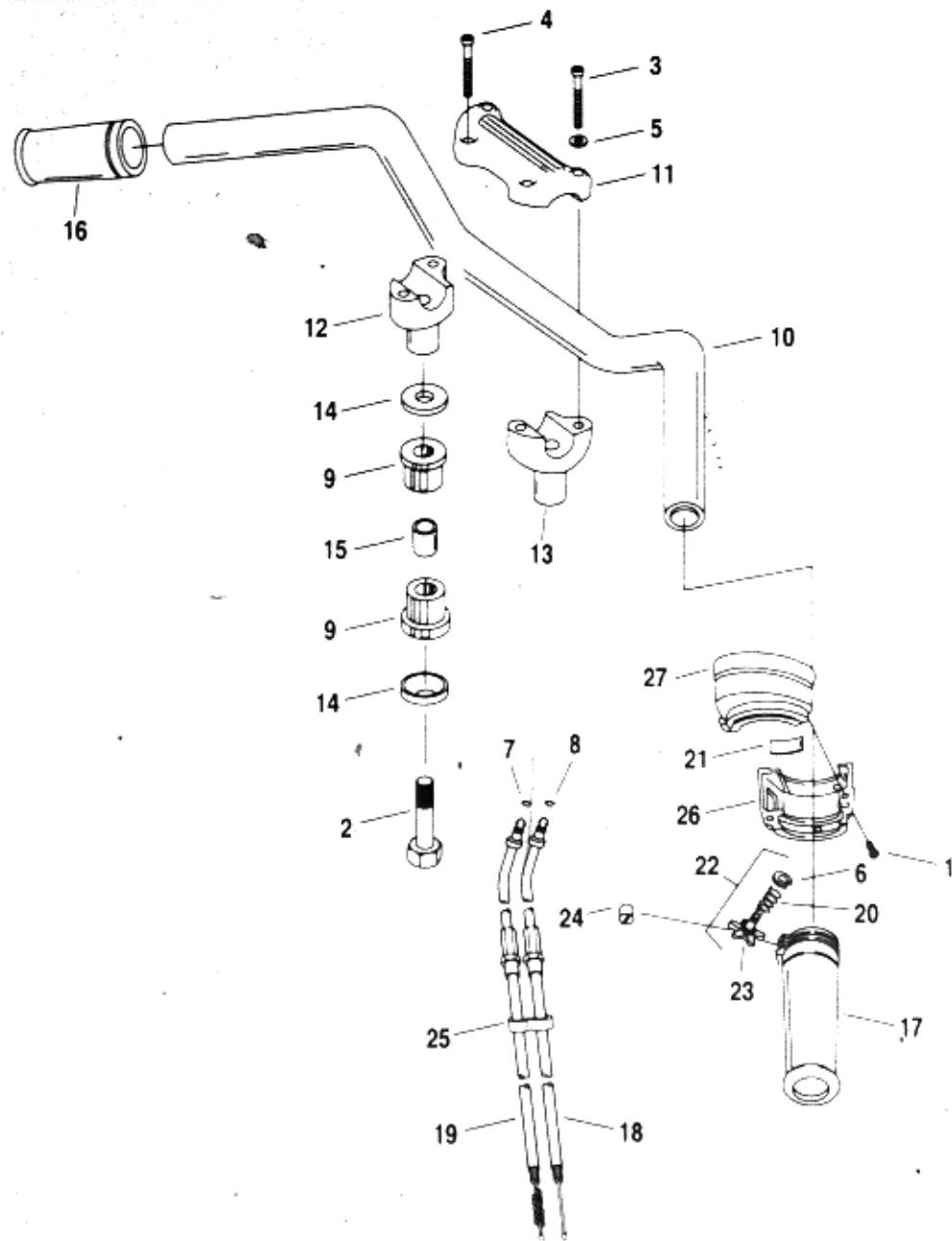
INDEX NO.	PART NO.	DESCRIPTION	MODELS
1	554	COTTER PIN	2002-All Models
2	740	HOLE PLUG (2)	2002-STD/HUG/883R
2A	767A	PLUG, frame (2)	2002-All Models
3	1392	SCREW (3)	2002-All Models
4	2925A	SCREW	2002-All Models
5	3802W	SCREW (2)	2002-1200S
6	5741	SPACER, pivot bolt	2002-All Models
7	7778	LOCKNUT (2)	2002-All Models
8	8099	WELL NUT (2)	2002-1200S
9	10110	CLIP (2)	2002-All Models
	10235	CABLE STRAP, for main harness (2) (not illustrated)	2002-All Models
10	11491	GROMMET, electrical bracket (3)	2002-All Models
11	27266-98	COVER, fuse block	2002-All Models
12	41568-81B	PIVOT BOLT, rear fork w/#4 & 6	2002-All Models
13	41573-97	ADJUSTER, rear axle (2)	2002-All Models
14	41579-81	DUST SHIELD, bearing (2)	2002-All Models
15	47083-81A	BUSHING, rear fork - left	2002-All Models
16	47150-00	FRAME	2002-All Models
17	47554-73A	END COVER, rear fork (2)	2002-All Models
18	47587-00	REAR FORK with bearings	2002-All Models
19	47937-98	BRACKET, ignition asm electrical	2002-1200S
20	48315-60	BEARING CUP, steering head (2)	2002-All Models
21	48367-98	BEARING, rear fork - right	2002-All Models
22	50003-89B	PIN, clevis	2002-All Models
23	50005-85A	SPRING, jiffy stand	2002-All Models
24	50006-89	JIFFY STAND	2002-STD-883C R 1200-C S
	50072-92	JIFFY STAND	2002-HUG
25	50101-91	DECKING BUMPER	2002-All Models
26	50972-75	FITTING, lubrication	2002-All Models
27	53158-98	BUSHING (2)	2002-All Models
28	61131-92	VENT LINE CONNECTOR	2002-All Models
29	62122-89	BUMPER	2002-All Models
30	66042-79A	LABEL, warning	2002-All Models
31	66325-82	SIDE COVER, electrical bracket (black)	2002-All Models
H-D INTERNATIONAL ONLY			
32	47209-00	FRAME (HDI)	2002-All Models



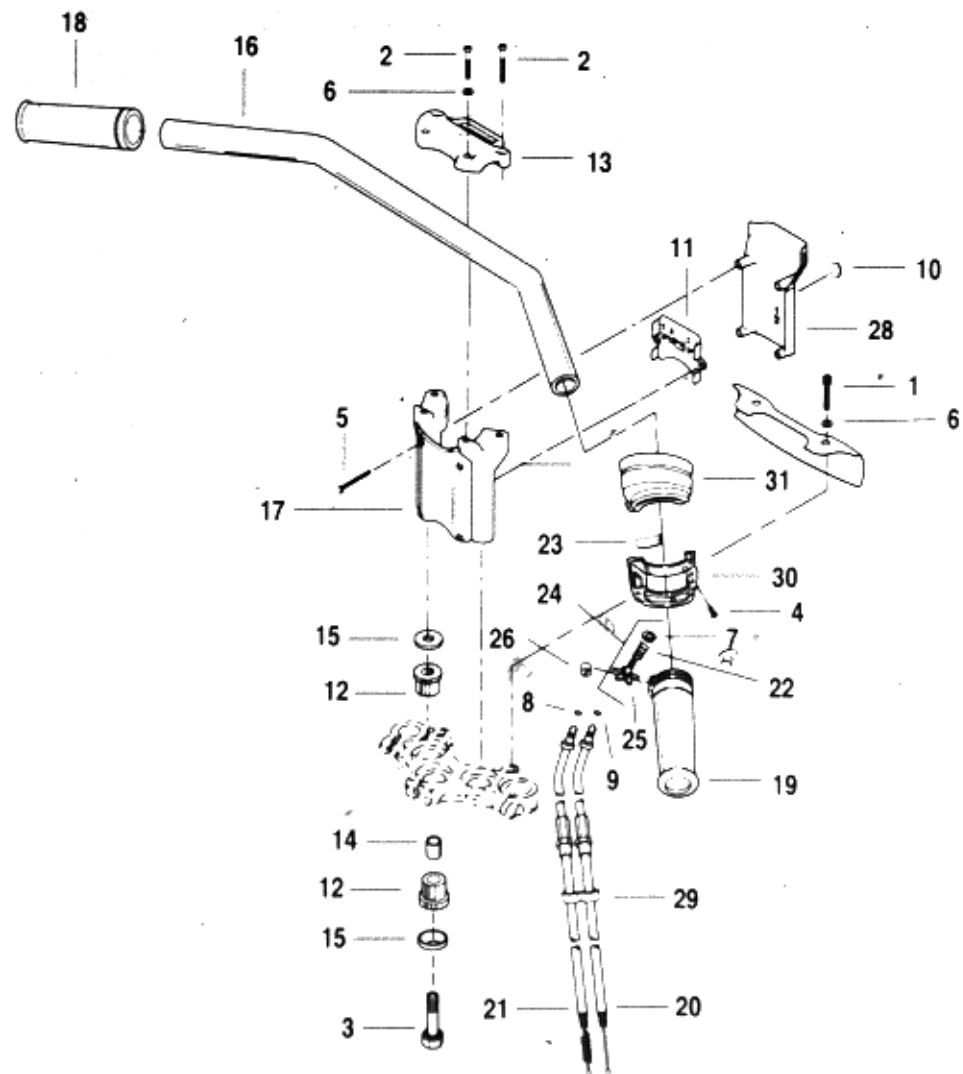
INDEX NO.	PART NO.	DESCRIPTION	MODELS
1	923	SCREW (2)	2002-STD/HUG/883R1200/C
2	2952	SCREW, seat mounting	2002-All Models
3	3594	SCREW (2)	2002-883R1200
4	3767B	SCREW	2002-883C/1200/C/S
5	6036	WASHER	2002-883C/1200/C/S
6	6703	WASHER (2)	2002-883R/1200
7	7124	LOCKWASHER (2)	2002-STD/HUG/883R1200/C
8	52968-98	PASSENGER STRAP, short	2002-883C/1200S
	51187-94A	PASSENGER STRAP, long	2002-883R/1200/C
9	51652-97	BRACKET, seat mounting	2002-STD/HUG/883R/1200/C
10	52004-84G	SEAT, two-up w/#s 15 & 16	2002-1200
11	52136-98	SEAT, two-up	2002-883C/1200S
12	52129-92C	SEAT, solo	2002-STD
13	52132-94A	SEAT, solo - ruffle	2002-HUG
14	52577-96	SEAT, two up (smooth cover)	2002-1200C
15	52357-97	SEAT, solo (front)	2002-1200
16	52358-97	SEAT, pillow (rear)	2002-1200
17	51926-02	SEAT	2002-883R

INDEX NO.	PART NO.	DESCRIPTION	MODELS
1	534	COTTER PIN	2002-STD/HUG/883R/1200/S
2	855B	SCREW (2)	2002-883C/R/1200/C/S
3	879A	SCREW (2)	2002-STD/HUG/883R/1200/S
4	4721	BOLT (2 - STD/HUG/883C/1200C, 4 - 1200/S)	2002-All Models
5	7045	LOCKWASHER (2)	2002-883C/R/1200/C/S
6	7778	LOCKNUT (2 - STD/HUG/883C/1200C, 4 - 883R/1200/S)	2002-All Models
7	7824	LOCKNUT	2002-All Models
8	33048-72	FOOTREST, with cover (2)	2002-883C/R/1200/C/S
9	33189-63	COVER, footrest (2)	2002-883C/R/1200/C/S
10	42441-90A	CLEVIS, footrest mtg - right	2002-STD/HUG/883R/1200/S
11	50615-83	FOOTREST SUPPORT (2)	2002-883C/R/1200/C/S
12	50643-82	FOOTREST, with cover - right	2002-STD/HUG/883R/1200/S
13	50646-82	COVER, footrest (2)	2002-STD/HUG/883R/1200/S
14	50647-82	FOOTREST, with cover - left	2002-STD/HUG/883R/1200/S
15	50912-72	SPRING WASHER (2 - STD/HUG/883C/1200C, 4 - 883R/1200/S)	2002-All Models
16	50951-90	FOOTREST SUPPORT, left	2002-STD/HUG/883R/1200/S

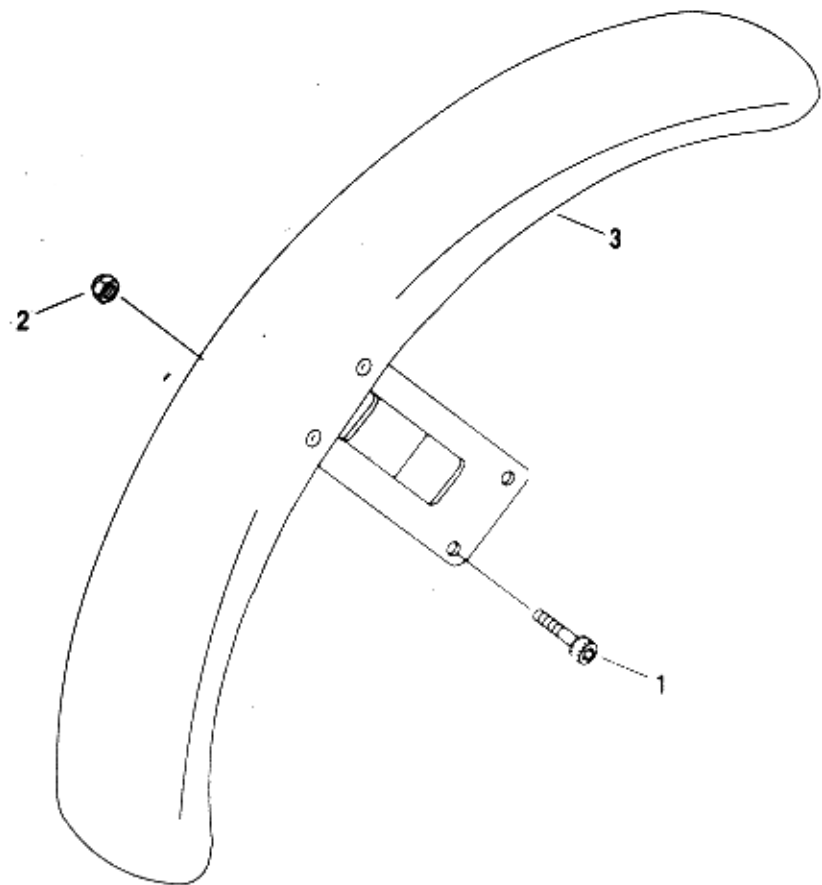




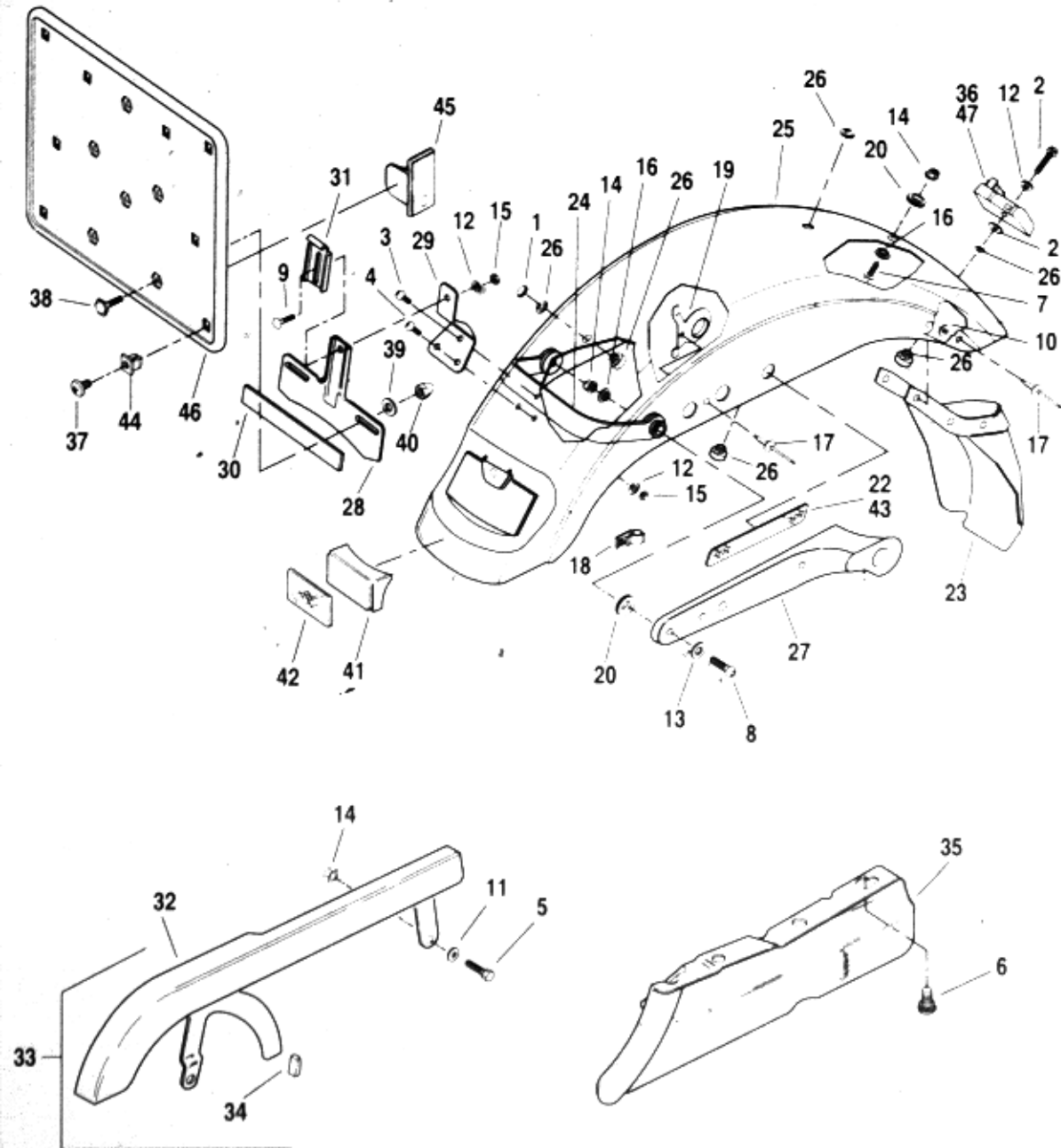
INDEX NO.	PART NO.	DESCRIPTION	MODELS
1	3658	SCREW (2)	2002-STD/HUG/883R/1200/S
2	3498	BOLT (2)	2002-STD/HUG/883R/1200/S
3	4326A	SCREW (2)	2002-STD/HUG/883R/1200/S
4	4816A	SCREW (2)	2002-STD/HUG/883R/1200/S
5	6702	WASHER (2)	2002-STD/HUG/883R/1200/S
6	11155	RETAINING RING	2002-STD/HUG/883R/1200/S
7	11271	RING, retainer - idle	2002-STD/HUG/883R/1200/S
8	11272	RING, retainer - throttle	2002-STD/HUG/883R/1200/S
9	53156-86	RUBBER BUSHING, handlebar mounting (4)	2002-STD/HUG/883R/1200/S
10	56081-82A	HANDLEBAR, buckhorn	2002-HUG/1200
	56082-83	HANDLEBAR, flat	2002-STD
	56110-98	HANDLEBAR, flat (black)	2002-1200S
	56085-83A	HANDLEBAR (black)	2002-883R
11	56115-95	CLAMP, handlebar - upper (black)	2002-STD/HUG/883R/1200/S
12	56116-82A	CLAMP, handlebar - lower left	2002-STD/HUG/883R/1200/S
13	56117-82A	CLAMP, handlebar - lower right	2002-STD/HUG/883R/1200/S
14	56159-73	CUP WASHER, handlebar mounting (4)	2002-STD/HUG/883R/1200/S
15	56153-73	SPACER (2)	2002-STD/HUG/883R/1200/S
16	56206-96	HANDLEBAR GRIP	2002-STD/HUG/883R/1200/S
17	56220-94A	GRIP AND SLEEVE, throttle	2002-STD/HUG/883R/1200/S
18	56308-96	THROTTLE CONTROL ASSEMBLY	2002-HUG/883R/1200
	56400-96	THROTTLE CONTROL ASSEMBLY	2002-STD/1200S
19	56309-96	IDLE CONTROL ASSEMBLY	2002-HUG/883R/1200
	56401-96	IDLE CONTROL ASSEMBLY	2002-STD/1200S
20	56394-74	SPRING, adjusting screw	2002-STD/HUG/883R/1200/S
21	56396-74A	FRICTION SPRING, throttle grip	2002-STD/HUG/883R/1200/S
22	56397-74C	KIT, throttle adjusting screw, w/#7, 22 & 25	2002-STD/HUG/883R/1200/S
23	56402-83A	ADJUSTING SCREW, throttle	2002-STD/HUG/883R/1200/S
24	56508-76	FERRULE (2)	2002-STD/HUG/883R/1200/S
25	70504-81	CLIP, throttle cables	2002-STD/HUG/883R/1200/S
26	71563-96	HOUSING, switches & throttle control - lower	2002-STD/HUG/883R/1200/S
27	71564-96	HOUSING, switches & throttle control - upper	2002-STD/HUG/883R/1200/S



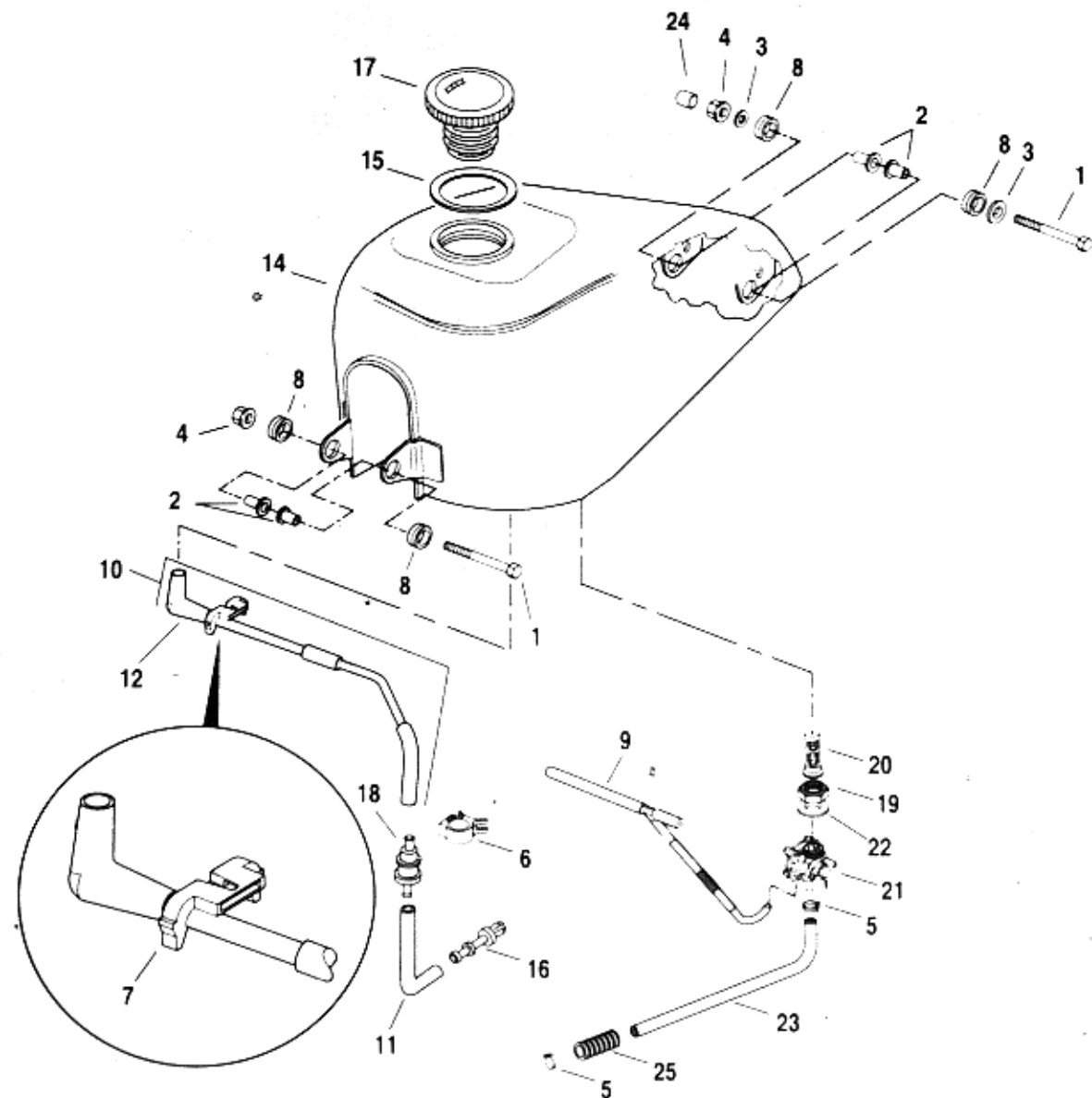
INDEX NO.	PART NO.	DESCRIPTION	MODELS
1	3201WA	SCREW (2)	2002-883C/1200C
2	3210A	SCREW (4)	2002-883C/1200C
3	3498	BOLT	2002-883C/1200C
4	3658	SCREW (2)	2002-883C/1200C
5	3923	SCREW (4)	2002-883C/1200C
6	6702	WASHER (4)	2002-883C/1200C
	10006	CABLE STRAP (2) (not illustrated)	2002-883C/1200C
7	11155	RETAINING RING	2002-883C/1200C
8	11271	RING RETAINER (idle)	2002-883C/1200C
9	11272	RING RETAINER (throttle)	2002-883C/1200C
10	14448-94	LOGO BAR & SHIELD	2002-883C/1200C
11	46991-99	PANEL ELECTRICAL BRACKET	2002-883C/1200C
12	53156-86	RUBBER BUSHING, handlebar mounting (4)	2002-883C/1200C
13	56074-96	CLAMP, handlebar - upper (chrome)	2002-883C/1200C
14	56153-73	SPACER (2)	2002-883C/1200C
15	56159-73	CUP WASHER, handlebar mounting (4)	2002-883C/1200C
16	56185-98A	HANDLEBAR, drag style	2002-883C/1200C
17	56192-01	RISER ASSEMBLY, handle bar (one piece)	2002-883C/1200C
18	56206-96	HANDLEBAR GRIP	2002-883C/1200C
19	56220-94A	GRIP AND SLEEVE, throttle	2002-883C/1200C
20	56400-96	THROTTLE CONTROL ASSEMBLY	2002-883C/1200C
21	56401-96	IDLE CONTROL ASSEMBLY	2002-883C/1200C
22	56394-74	SPRING, adjusting screw	2002-883C/1200C
23	56396-74A	FRICTION SPRING, throttle grip	2002-883C/1200C
24	56397-74C	KIT, throttle adjusting screw, w/#8, 25, & 28	2002-883C/1200C
25	56402-83A	ADJUSTING SCREW, throttle	2002-883C/1200C
26	56508-76	FERRULE (2)	2002-883C/1200C
27	67861-96	COVER, bracket upper	2002-883C/1200C
28	68030-96	COVER, front	2002-883C/1200C
29	70504-81	CLIP, throttle cables	2002-883C/1200C
30	71563-96	HOUSING, switches & throttle control - lower	2002-883C/1200C
31	71564-96	HOUSING, switches & throttle control - upper	2002-883C/1200C



INDEX NO.	PART NO.	DESCRIPTION	MODELS
NOTE: REFER TO PAINTED PARTS BOOK FOR PAINTED PART NUMBERS.			
1	3210A	SCREW (4)	2002-All Models
2	7531	LOCKNUT (4)	2002-All Models
3	58998-83C	FRONT FENDER, prime	2002-All Models



INDEX NO.	PART NO.	DESCRIPTION	MODELS
NOTE: REFER TO PAINTED PARTS BOOK FOR PAINTED PART NUMBERS.			
1	761	PLUG, black	2002-STD/HUG
2	2551W	SCREW	2002-All Models
3	2607	SCREW	2002-All Models
4	2773	SCREW (2)	2002-All Models
5	3201WA	SCREW	2002-All Models
6	3579A	SCREW (3)	2002-All Models
7	3987	SCREW	2002-All Models
8	4767	SCREW (4)	2002-All Models
9	5403B	CARRIAGE BOLT	2002-All Models
10	6192	WASHER (4)	2002-All Models
11	6702	WASHER	2002-All Models
12	6703	WASHER (4)	2002-All Models
13	6798	WASHER (4)	2002-All Models
14	7531	NUT (6)	2002-All Models
15	7792	NUT, *keps (4)	2002-All Models
16	7882	TEE SPACER (5)	2002-All Models
17	8692	RIVET (6)	2002-All Models
18	10183	CLIP (7)	2002-All Models
19	10200	BRACKET, wire retention (2)	2002-All Models
20	11474	GROMMET (7)	2002-All Models
21	11512	DAMPNER, vibration	2002-All Models
22	59287-92	REFLECTOR, right (red)	2002-All Models
	59288-92	REFLECTOR, left (red)	2002-All Models
23	59594-82C	REAR FENDER EXTENSION	2002-All Models
24	59671-98	FENDER SUPPORT KIT	2002-All Models
25	59674-99	REAR FENDER (prime)	2002-All Models
26	59768-97	KIT FENDER SEAT NUT ASSY (3)	2002-All Models
27	59853-98	COVER, rear fender support - right (black)	2002-1200S
	59854-98	COVER, rear fender support - left (black)	2002-1200S
	59896-94	COVER, rear fender support - right (chrome)	2002-STD/HUG;883C.R.1200/C
	59897-94	COVER, rear fender support - left (chrome)	2002-STD/HUG;883C.R.1200/C
28	59984-73	BRACKET, license plate	2002-All Models
29	59986-75	SUPPORT, license plate bracket	2002-All Models
30	59900-98	REFLECTOR, license plate bracket	2002-All Models
31	60001-55	CLAMP, license plate bracket	2002-All Models
32	60337-00	BELT GUARD	2002-All Models
33	60381-00	BELT GUARD, KIT (black) w/#s 60337-00 & 60419-91	2002-All Models
34	60419-91	BUMPER	2002-All Models
35	60436-91	DEBRIS DEFLECTOR	2002-All Models
36	68540-96	TURN SIGNAL CANCELLER, w/ connector assembly	2002-All Models
H-D INTERNATIONAL ONLY			
37	2731W	SCREW (4) (HDI)	2002-All Models
38	3689	BOLT, license plate (3) (HDI)	2002-All Models
39	6703	WASHER, license plate (3) (HDI)	2002-All Models
40	31589-80	NUT ACORN, license plate (3) (HDI)	2002-All Models
41	59251-90	REFLECTOR ASM., with #40 (red) (HDI)	2002-All Models
42	59259-90	REFLECTOR (red)(HDI)	2002-All Models
43	59289-92	REFLECTOR, left (amber) (HDI)	2002-All Models
	59290-92	REFLECTOR, right (amber) (HDI)	2002-All Models
44	59292-94	NUT, license plate backing (HDI) (4)	2002-All Models
45	59483-00	REFLECTOR, amber (2) (HDI)	2002-All Models
46	60026-97	LICENSE PLATE BRACKET (HDI)	2002-All Models
47	68441-00	TURN SIGNAL CANCELLER, w/ connector assembly (HDI)	2002-All Models



INDEX NO.	PART NO.	DESCRIPTION	MODELS
NOTE: REFER TO PAINTED PARTS BOOK FOR PAINTED PART NUMBERS.			
1	4758A	BOLT (2)	2002- All Models
2	5787	T-SPACER (4)	2002- All Models
3	6333	WASHER (2)	2002- All Models
4	7531	LOCKNUT (2)	2002- All Models
	10006	STRAP CABLE (vent hose to tank routing) (not illustrated)	2002- All Models
5	10014	CLAMP, fuel hose (2)	2002- All Models
6	10108	CLIP, vapor valve	2002- All Models
7	10214	CLIP	2002-1200S
8	11473	GROMMET (4)	2002- All Models
9	26559-95	HOSE ASM., vacuum	2002-STD/HUG/883C/R/1200/C
	26556-98	HOSE ASM., vacuum	2002-1200S
10	27067-98	TUBE, tank to valve, w/# 12	2002- All Models
11	27096-94	TUBE, valve to atmosphere	2002- All Models
12	27250-96A	CONNECTOR, elbow 90 degree	2002- All Models
13	59589-02	PROTECTIVE TAPE (not shown)	2002-883R
14	61348-98A	FUEL TANK ASM (prime)	2002- All Models
15	61109-85D	GASKET	2002- All Models
16	61131-92	VENT LINE CONNECTOR	2002- All Models
17	61272-92B	FILLER CAP	2002- All Models
18	62150-85	VAPOR VALVE	2002- All Models
19	62161-02	NUT, fuel valve	2002- All Models
20	62166-02	FILTER, fuel valve	2002- All Models
21	62169-02	FUEL VALVE with gasket	2002- All Models
22	62172-02	GASKET, fuel valve	2002- All Models
23	62347-95	HOSE, fuel	2002- All Models
	70118-97	WIRE GROUND, fuel tank (not illustrated)	2002- All Models
24	89579-91	CAP, protective	2002- All Models
NOTE: Hose insulator is sold only in bulk length under the following part number. Cut to required length			
25	63505-84	INSULATOR, 1/2 I.D. (nylon)(8 ft lg.)	2002- All Models

Harley-Davidson

Harley-Davidson

Harley-Davidson
USA

Harley-Davidson
1200



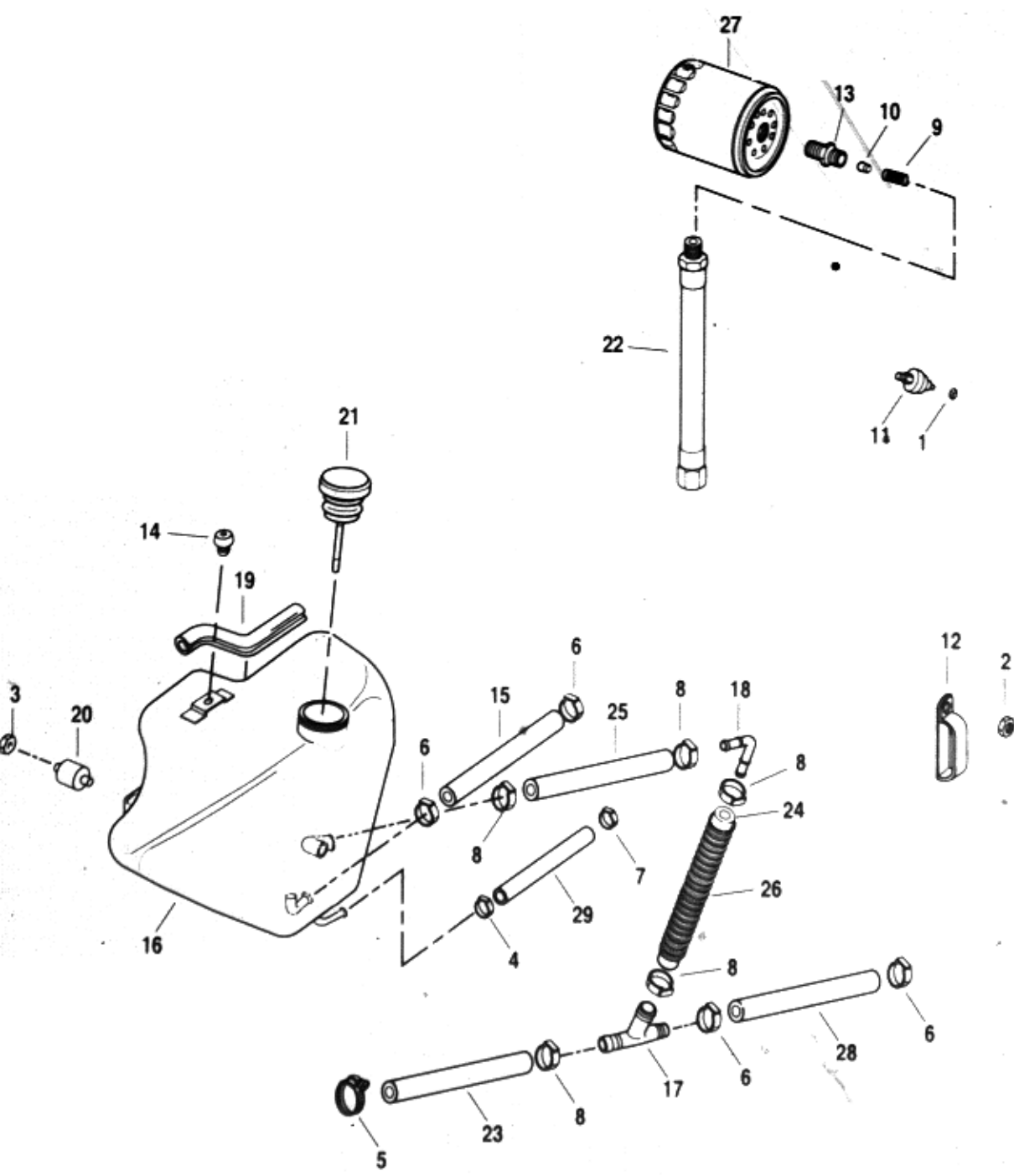
m0059b

FUEL TANK TRIM

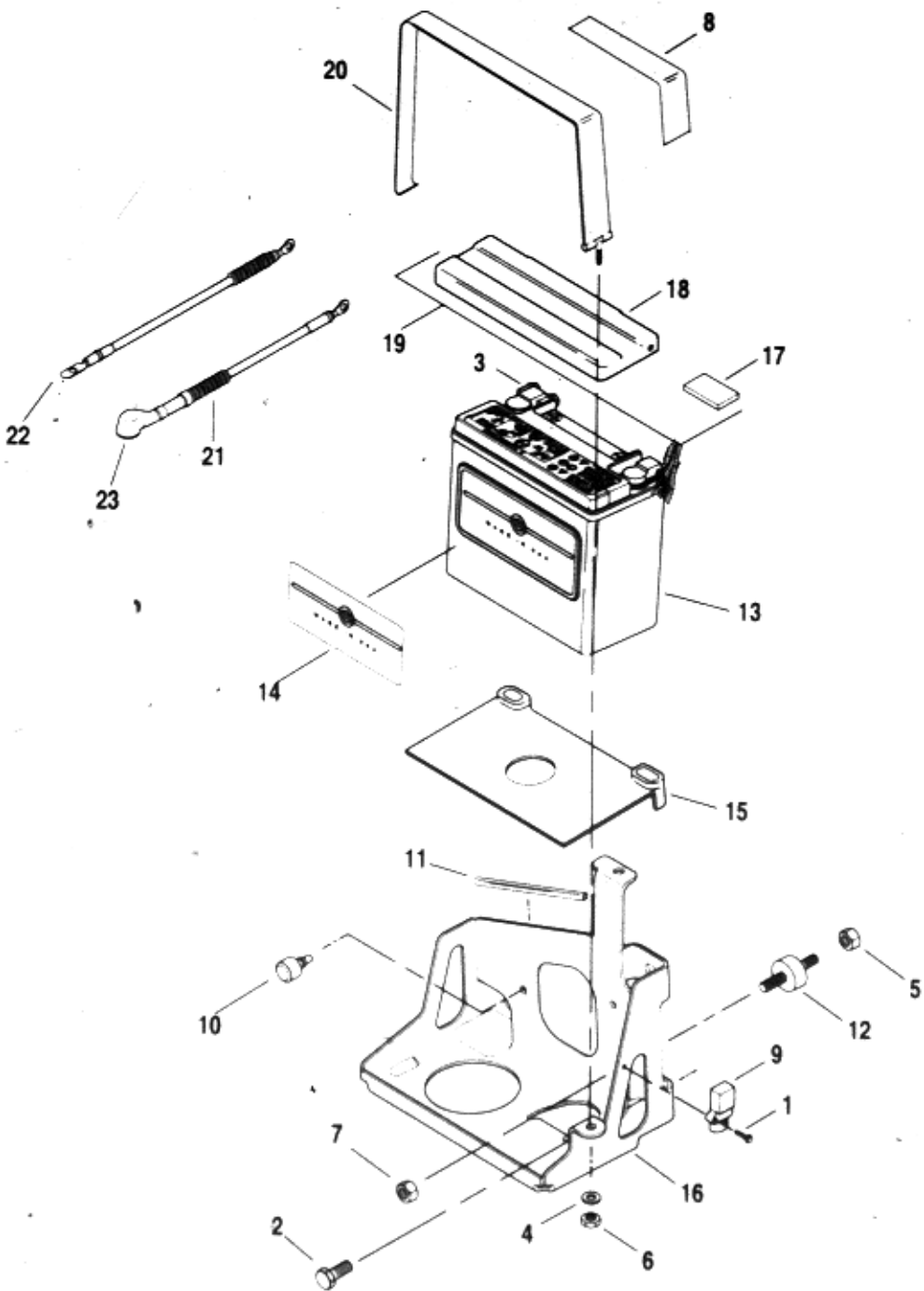
INDEX NO.	PART NO.	DESCRIPTION	MODELS
1	13538-02	DECAL, left	2002-883R
	13539-02	DECAL, right	2002-883R
2	13540-02	DECAL (2)	2002-STD/HUG
3	13541-02	DECAL, vivid black, real red, luxury rich red	2002-1200
	13542-02	DECAL, luxury blue	2002-1200
4	13543-02	DECAL, left - white pearl, vivid black, real red	2002-1200S
	13544-02	DECAL, right - white pearl, vivid black, real red	2002-1200S
	13545-02	DECAL, left - impact blue, jade sunglo	2002-1200S
	13546-02	DECAL, right - impact blue, jade sunglo	2002-1200S
5	13750-00	DECAL, (for vivid black tanks)	2002-883C
	13751-00	DECAL, real red, luxury rich red, real teal, white pearl & concord purple tanks	2002-883C
	13752-00	DECAL, impact blue tanks	2002-883C
	13754-00	DECAL, concord purple tanks	2002-883C
6	61799-96	MEDALLION, left - vivid black, luxury rich red, concord purple, white pearl, luxury rich red/vivid black, real red/diamond ice tanks	2002-1200C
	61800-96	MEDALLION, right - vivid black, luxury rich red, concord purple, white pearl, luxury rich red/vivid black, real red/diamond ice tanks	2002-1200C
	61811-99	MEDALLION, left - luxury blue, impact blue, luxury blue/diamond ice tanks	2002-1200C
	61812-99	MEDALLION, right - luxury blue, impact blue, luxury blue/diamond ice tanks	2002-1200C
	62192-01	MEDALLION, left - jade sunglo tanks	2002-1200C
	62193-01	MEDALLION, right - jade sunglo tanks	2002-1200C

OIL TANK & FILTER

m0038b



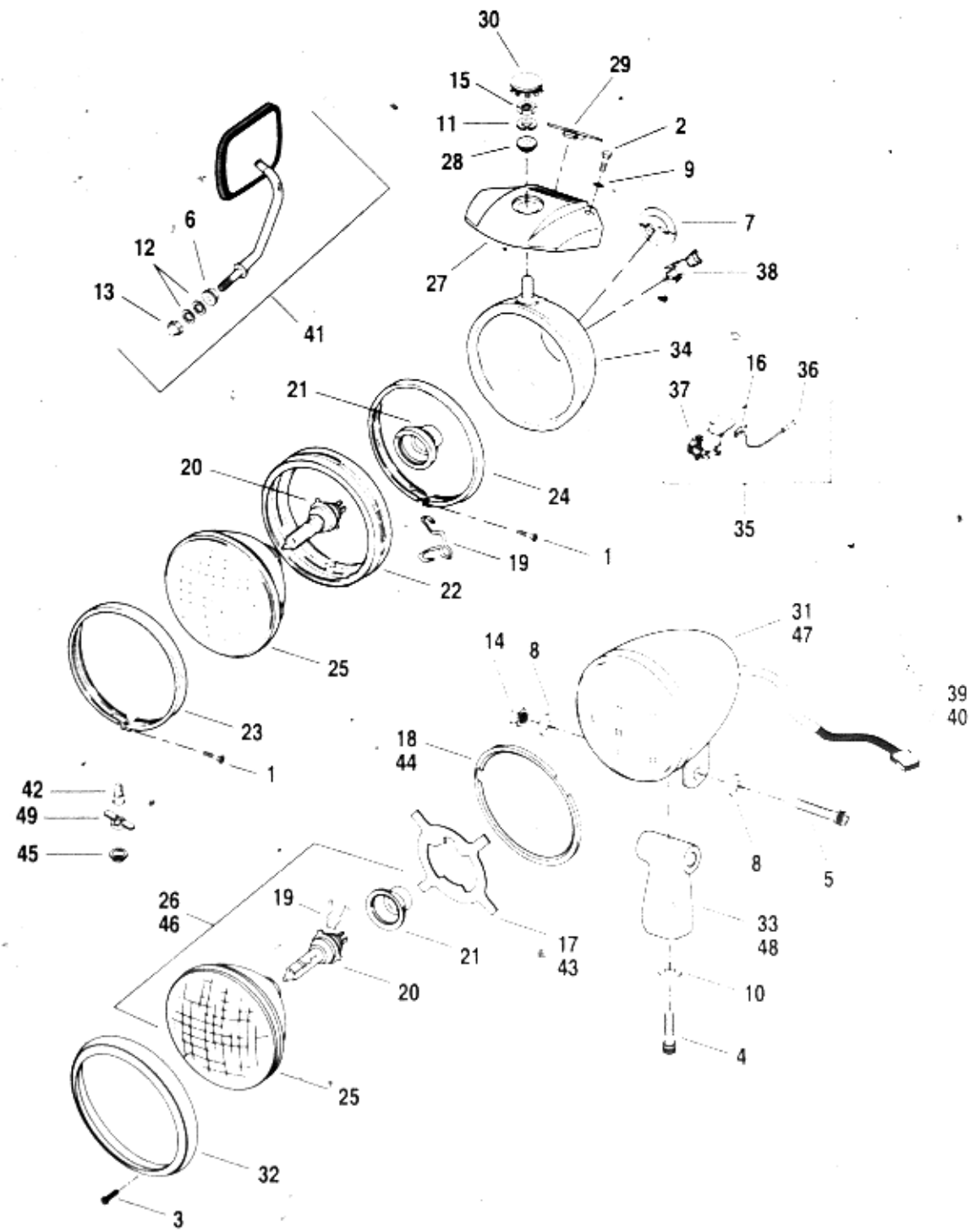
INDEX NO.	PART NO.	DESCRIPTION	MODELS
1	7629	NUT	2002-All Models
2	7624	NUT	2002-All Models
3	7686	LOCKNUT (3)	2002-All Models
4	10014	CLAMP, crankcase vent hose	2002-All Models
5	9969	CLAMP, oil drain hose	2002-All Models
	10006	STRAP CABLE (2) (not illustrated)	2002-All Models
6	10080	CLAMP, oil hose (4)	2002-All Models
7	10117	CLAMP, crankcase vent hose	2002-All Models
8	10142	CLAMP, oil hose (5)	2002-All Models
9	26436-90A	SPRING	2002-All Models
10	26437-86B	BALL	2002-All Models
11	26554-77	SWITCH, oil pressure indicator	2002-All Models
12	31532-94	CLIP	2002-All Models
13	33117-91A	ADAPTOR, oil filter	2002-All Models
14	60439-98	RUBBER BUMPER	2002-1200S
15	62361-94	HOSE, oil return to tank	2002-All Models
16	62888-99	OIL TANK ASM	2002-All Models
17	62493-89	TEE, oil hose	2002-All Models
18	62494-94B	ELBOW, 90 degree	2002-All Models
19	62540-83	TRIM STRIP (3)	2002-All Models
20	62563-65	MOUNT, oil tank (3)	2002-All Models
21	62634-84A	FILLER CAP with dipstick w/#s 6703 & 8126A	2002-All Models
22	62631-91	HOSE, oil pump to filter	2002-All Models
23	63504-94	HOSE, oil drain	2002-All Models
24	63542-94A	HOSE, oil drain/feed	2002-All Models
26	63564-94A	HOSE, oil drain/feed	2002-All Models
26	63576-95	SHEILD, hose 1" conv tubing	2002-All Models
27	63805-80A	OIL FILTER (black)	2002-STD/HUG/883C/R/1200.S
	63796-77A	OIL FILTER (chrome)	2002-1200C
NOTE: Hoses are sold only in bulk length under the following part numbers. Cut to required length			
28	63500-68	HOSE, 3/8 I.D. x 5/8 O.D. (rubber)(25 ft lg.)	2002-All Models
29	63501-68A	HOSE, 1/4 I.D. x 1/2 O.D. (rubber)(25 ft lg.)	2002-All Models



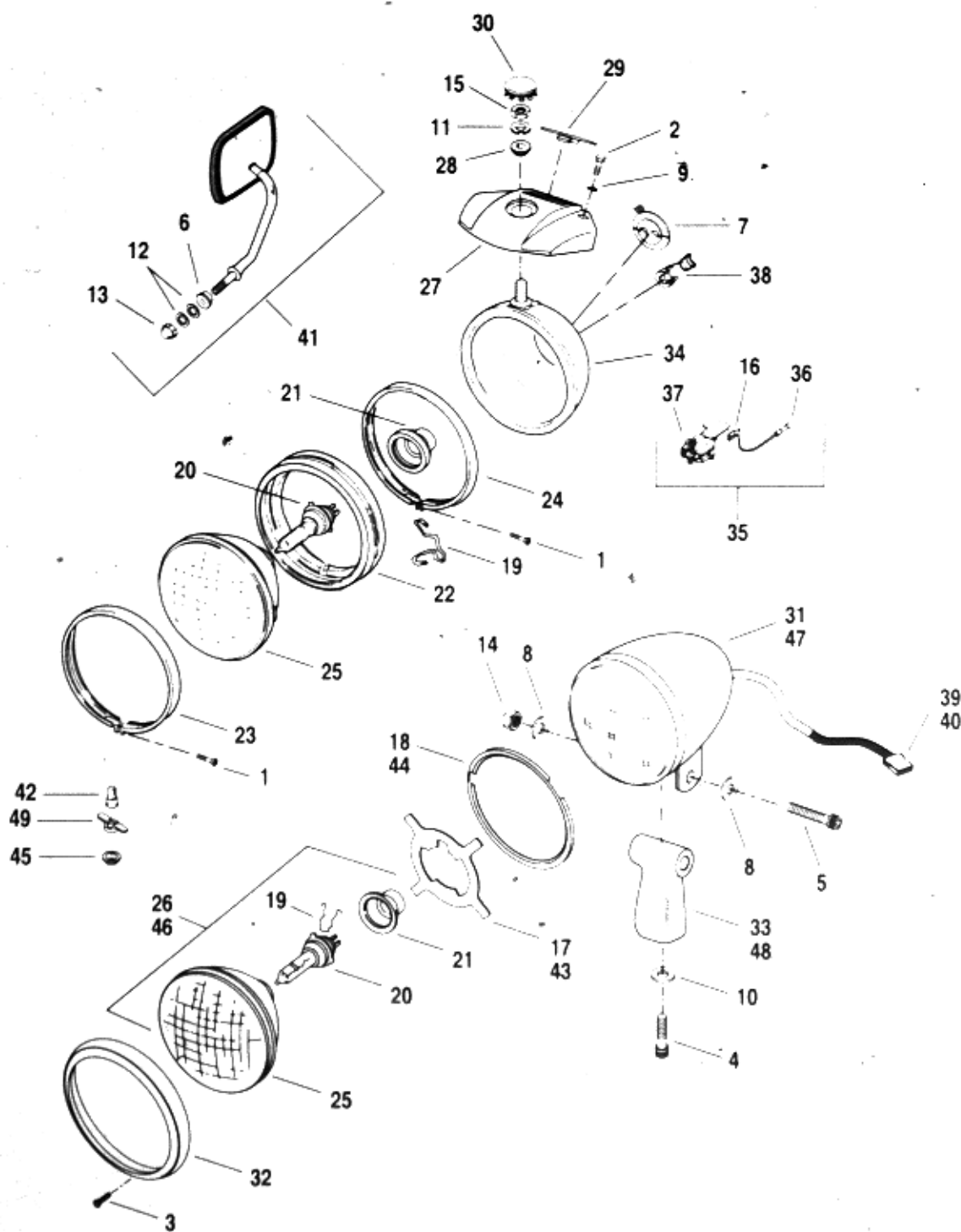
INDEX NO.	PART NO.	DESCRIPTION	MODELS
1	2362	SCREW	2002-All Models
2	3930A	BOLT (3)	2002-All Models
3	4312	BOLT (2) w/battery	2002-All Models
4	6220W	WASHER	2002-All Models
5	7686	LOCKNUT	2002-All Models
6	7688	NUT	2002-All Models
7	7739	LOCKNUT	2002-All Models
8	29112-83	WARNING LABEL	2002-All Models
9	32495-98	SENSOR, bank angle	2002-All Models
10	60429-97	BUMPER (2)	2002-All Models
11	62540-83	TRIM STRIP	2002-All Models
12	62569-94	MOUNT, battery tray	2002-All Models
13	65989-97A	BATTERY	2002-All Models
14	66040-00	DECAL, battery	2002-883C/1200C
15	66214-97	PAD, battery	2002-All Models
16	66194-98	TRAY, battery	2002-All Models
17	66352-65	PAD, cover - large	2002-All Models
18	66376-97	COVER, chrome	2002-1200/S
	66380-97	COVER, black	2002-STD/HUG/883C/R/1200C
19	66359-97	COVER, battery-top assy (black)	2002-STD/HUG/883C/R/1200C
	66367-97	COVER, battery-top assy (chrome)	2002-1200/S
20	66476-98	STRAP, battery	2002-All Models
21	70076-97	CABLE BATTERY, positive w/boot	2002-All Models
22	70097-97	CABLE BATTERY, negative	2002-All Models
23	70578-89	BOOT, insulating	2002-All Models

HEADLAMP & MIRROR

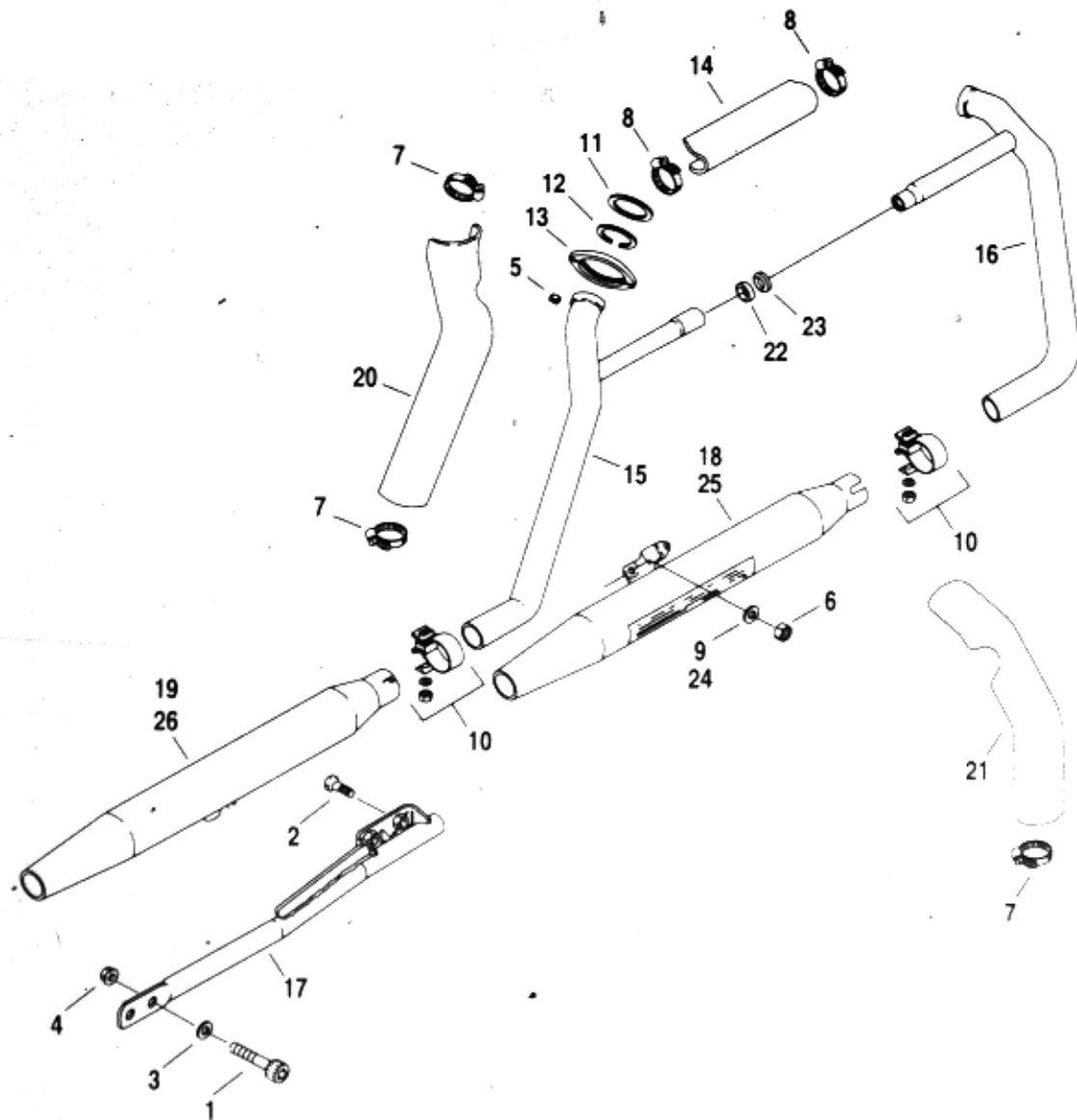
m0040b



INDEX NO.	PART NO.	DESCRIPTION	MODELS
1	2566	SCREW (2)	2002-STD/HUG/883R/1200 S
2	2708A	BOLT (2)	2002-STD/HUG/883R/1200 S
3	3514	SCREW	2002-883C/1200C
4	4350A	BOLT	2002-883C/1200C
5	4420	BOLT	2002-883C/1200C
6	5774	SPACER (2)	2002-All Models
7	6272	GROMMET	2002-STD/HUG/883R/1200 S
8	6701	WASHER (2)	2002-883C/1200C
9	6702	WASHER (2)	2002-STD/HUG/883R/1200 S
10	7045	WASHER	2002-883C/1200C
11	7068	LOCKWASHER	2002-STD/HUG/883R/1200 S
12	7127	LOCKWASHER (2)	2002-All Models
13	7736	ACORN NUT (2- STD/SPORT)	2002-All Models
14	7778	NUT	2002-883C/1200C
15	7880	NUT	2002-STD/HUG/883R/1200 S
16	9847	WIRE TERMINAL, female spade-R.H.	2002-All Models
	9848	WIRE TERMINAL, female spade-L.H. (2)	2002-All Models
17	67601-94	GASKET, headlamp	2002-883C/1200C
18	67603-94	ADAPTER RING	2002-883C/1200C
19	67685-92	CLIP, bulb	2002-All Models
20	67697-81	BULB, halogen	2002-All Models
21	67705-92	BOOT, headlamp	2002-All Models
22	67719-63	MOUNTING RING (rubber)	2002-STD/HUG/883R/1200 S
23	67725-63	MOLDING RING, outer	2002-STD/HUG/883R/1200 S
24	67744-75	MOLDING RING, inner	2002-STD/HUG/883R/1200 S
25	67757-92	LENS, headlamp w/#19	2002-All Models
26	67698-81C	LENS ASM. w/#19, 20, 21, & 25	2002-All Models
27	67805-92	BRACKET, headlamp	2002-STD/HUG/1200
	67963-98	BRACKET, headlamp, (black)	2002-883R/1200S
28	67815-59A	WASHER, headlamp mounting	2002-STD/HUG/883R/1200 S
29	67834-83	DECAL, TRIM	2002-STD/HUG/1200
	67972-98	DECAL, TRIM	2002-883R/1200S



INDEX NO.	PART NO.	DESCRIPTION	MODELS
30	67865-89	PLUG, headlamp bracket	2002-STD/HUG/1200
	67973-98	PLUG, headlamp bracket (black)	2002-883R/1200S
31	67881-96	HEADLIGHT ASM.	2002-883C/1200C
32	67894-93	TRIM RING (chrome)	2002-883C/1200C
33	67919-96	HEADLAMP MOUNTING	2002-883C/1200C
34	68061-94B	HOUSING, headlamp	2002-STD/HUG/883R/1200/S
35	68705-93A	CONNECTOR ASM., headlamp - w/ wires, terminals & splice conn	2002-All Models
36	70586-93	CONNECTOR, butt splice, 16-22 gauge (4)	2002-All Models
37	72056-92	CONNECTOR, spade terminal (three-way)	2002-All Models
38	72507-94	GROMMET	2002-STD/HUG/883R/1200/S
39	73154-96BK	SOCKET HOUSING, 4-position	2002-883C/1200C
40	73191-96	CONTACT SOCKET, (16-20 gauge)	2002-883C/1200C
41	91875-88A	MIRROR KIT, right-short	2002-HUG/1200
	91892-88A	MIRROR KIT, left-short	2002-HUG/1200
	91989-99A	MIRROR KIT, right (black)	2002-883R
	91990-99A	MIRROR KIT, left (black)	2002-883R
	91902-88A	MIRROR KIT, left-long	2002-STD/883C/1200C
	91904-88A	MIRROR KIT, right-long	2002-STD/883C/1200C
	91909-90A	MIRROR KIT, right	2002-1200S
	91910-90A	MIRROR KIT, left	2002-1200S
		H-D INTERNATIONAL ONLY	
	9898	TERMINAL, female flag - #14-16 wire (HDI) (not illustrated)	2002-All Models
42	53438-92	BULB, position lamp (HDI)	2002-All Models
43	67602-94	GASKET, headlight (HDI)	2002-883C/1200C
44	67604-94	RETAINING RING, headlight (HDI)	2002-883C/1200C
45	67691-92	GROMMET (HDI)	2002-STD/HUG/883R/1200/S
46	67763-92	LENS ASM w/#19, 20, 21 & 25 - right dip (HDI)	2002-STD/HUG/883R/1200/S
	67781-92	LENS ASM w/#19, 20, 21 & 25 - left dip (HDI)	2002-STD/HUG/883R/1200/C/S
47	67882-96	HEADLIGHT ASM., left dip (HDI)	2002-883C/1200C
	67901-96	HEADLIGHT ASM., right dip (HDI)	2002-883C/1200C
48	67850-96	HEADLAMP MOUNTING (HDI)	2002-883C/1200C
49	68650-92	SOCKET, bulb (HDI)	2002-All Models

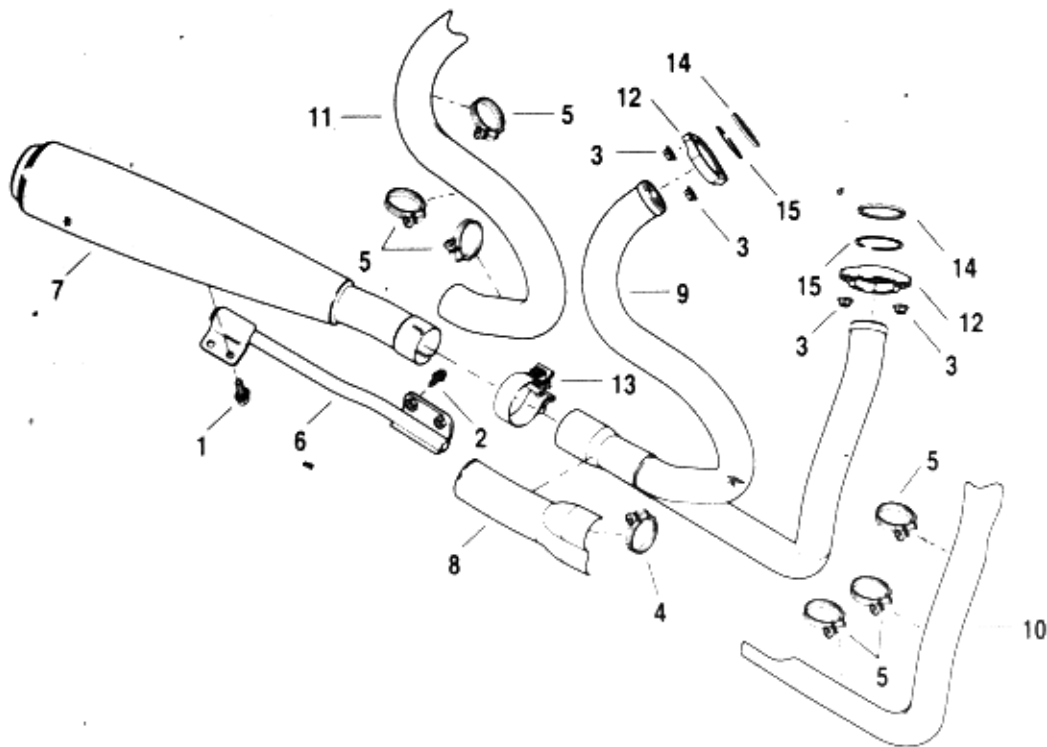


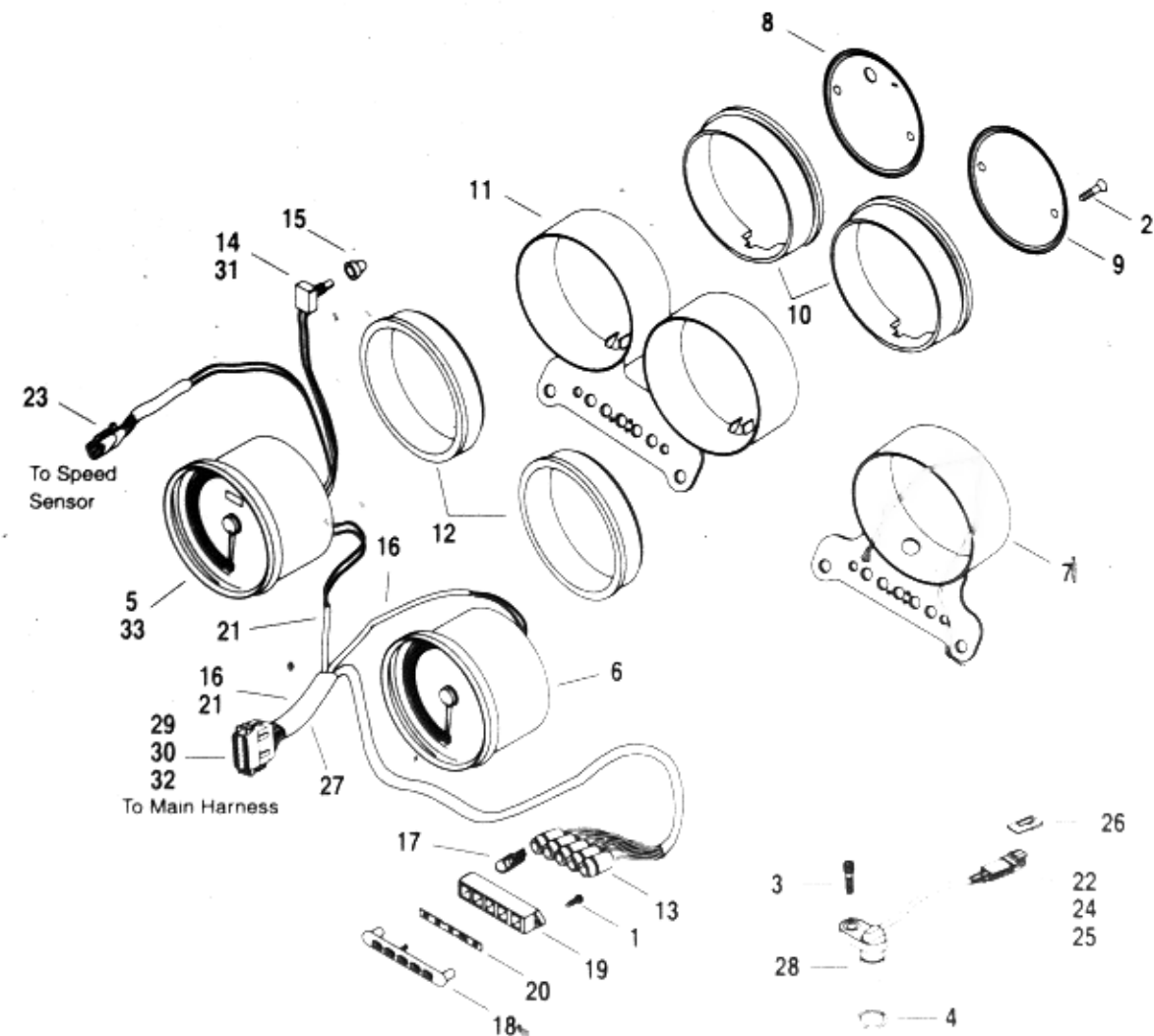
INDEX NO.	PART NO.	DESCRIPTION	MODELS
1	3201WA	SCREW	2002-STD/HUG/883C/1200/C/S
2	4377	BOLT (2)	2002-All Models
3	6702	WASHER	2002-STD/HUG/883C/1200/C/S
4	7531	LOCKNUT	2002-STD/HUG/883C/1200/C/S
5	7593	NUT (4)	2002-All Models
6	7844	LOCKNUT	2002-All Models
7	9955	CLAMP, heat shield (4)	2002-All Models
8	10048	CLAMP, crossover pipe shield(2)	2002-STD/HUG/883C/1200/C/S
9	45596-93	WASHER	2002-1200S
10	65283-94	CLAMP, muffler (2)	2002-STD/HUG/883C/1200/C/S
11	65324-83A	GASKET, exhaust port (2)	2002-All Models
12	65325-83A	RETAINING RING, exhaust gasket (2)	2002-All Models
13	65184-02	CLAMP, exhaust pipe to manifold	2002-All Models
14	65419-86	HEAT SHIELD, crossover pipe (chrome)	2002-STD/HUG/883C/1200/C
	65600-00	HEAT SHIELD, crossover pipe (black)	2002-1200S
15	65568-86A	EXHAUST PIPE, rear (chrome)	2002-STD/HUG/883C/1200/C
	65575-00	EXHAUST PIPE, rear (black)	2002-1200S
16	65569-86A	EXHAUST PIPE, front (chrome)	2002-STD/HUG/883C/1200/C
	65573-00	EXHAUST PIPE, front (black)	2002-1200S
17	65599-80D	SUPPORT KIT, rear muffler w/#1 & 2	2002-STD/HUG/883C/1200/C/S
18	65605-97	MUFFLER, front (chrome) (49st., Cal., Canada)	2002-STD/HUG/883C/1200/C
	65576-00	MUFFLER, front (black) (49st., Cal., Canada)	2002-1200S
19	65613-97	MUFFLER, rear (chrome) (49st., Cal., Canada)	2002-STD/HUG/883C/1200/C
	65584-00	MUFFLER, rear (black) (49st., Cal., Canada)	2002-1200S
20	65712-95	HEAT SHIELD, rear (chrome)	2002-STD/HUG/883C/1200/C
	65596-00	HEAT SHIELD, rear (black)	2002-1200S
21	65719-95	HEAT SHIELD, front (chrome)	2002-STD/HUG/883C/1200/C
	65590-00	HEAT SHIELD, front (black)	2002-1200S
22	65781-82	GASKET	2002-STD/HUG/883C/1200/C/S
23	65782-82	WASHER	2002-STD/HUG/883C/1200/C/S
H-D INTERNATIONAL ONLY			
24	45596-93	WASHER (HDI only)	2002-883C/1200S
25	65193-98A	MUFFLER, front (chrome)(HDI, Eng., Japan)	2002-1200/C
	65585-00A	MUFFLER, front (black)(HDI, Eng., Australia, Japan)	2002-1200S
	65173-00	MUFFLER, front (chrome)(Australia)	2002-STD/HUG/883C/1200/C
	65171-98A	MUFFLER, front (chrome)(Japan)	2002-STD/HUG/883C/1200/C
26	65312-98A	MUFFLER, rear (chrome)(HDI, Eng., Japan)	2002-1200/C
	65589-00A	MUFFLER, rear (black)(HDI, Eng., Australia, Japan)	2002-1200S
	65179-00	MUFFLER, rear (chrome)(Australia)	2002-STD/HUG/883C/1200/C
	65177-98A	MUFFLER, rear (chrome)(Japan)	2002-STD/HUG/883C/1200/C

EXHAUST SYSTEM - 883R

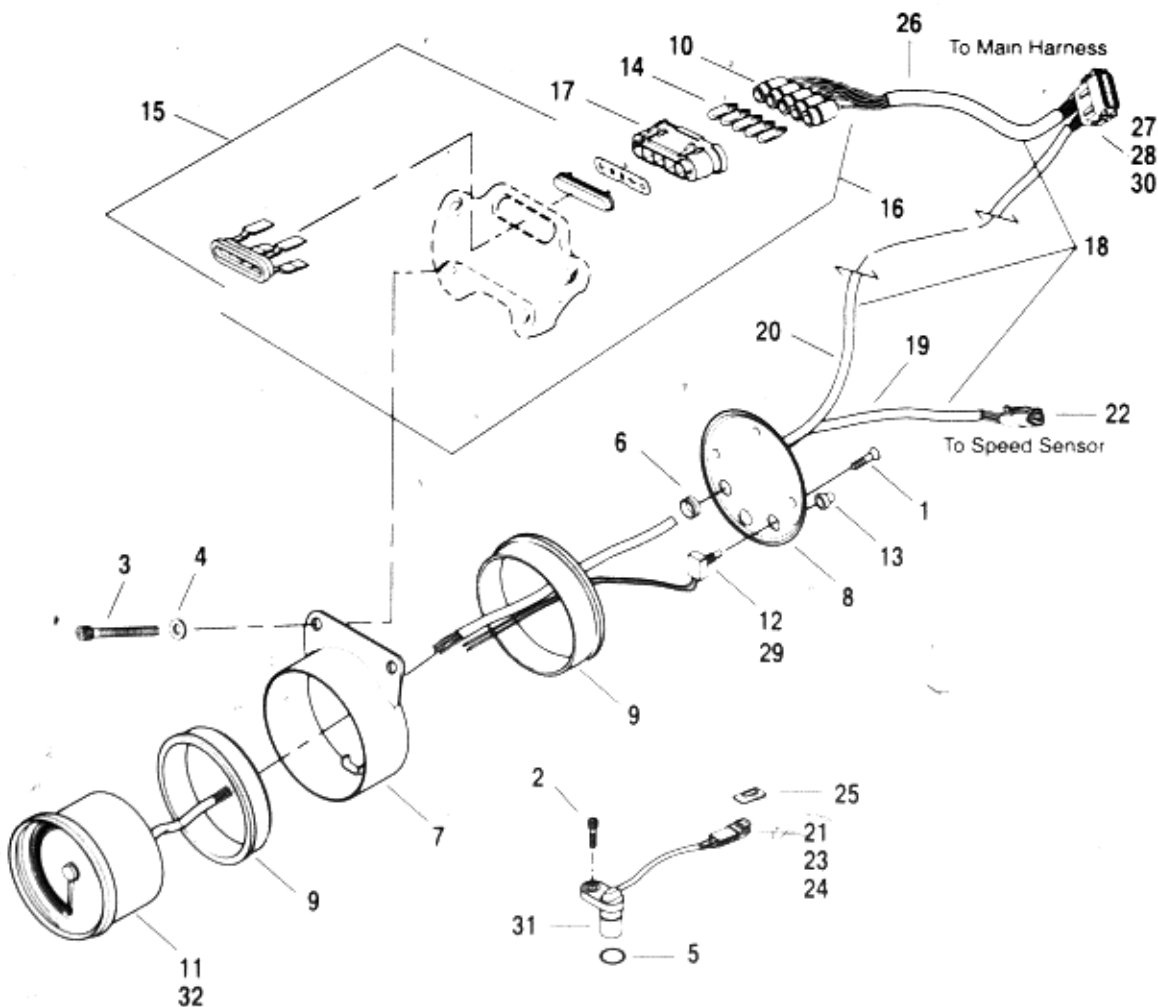
m0062a

INDEX NO.	PART NO.	DESCRIPTION	MODELS
1	3546	SCREW (2)	2002-883R
2	4377	SCREW (2)	2002-883R
3	7593	NUT (4)	2002-883R
4	9954	CLAMP	2002-883R
5	9955	CLAMP (6)	2002-883R
6	64780-02	SUPPORT BAR	2002-883R
7	64783-02	MUFFLER, chrome - includes support bracket	2002-883R
8	64784-02	HEAT SHIELD, collector	2002-883R
9	64785-02	HEADER ASSEMBLY	2002-883R
10	64860-99	HEAT SHIELD, front	2002-883R
11	64861-99	HEAT SHIELD, rear	2002-883R
12	65184-02	EXHAUST FLANGE (2)	2002-883R
13	65221-02	CLAMP	2002-883R
14	65324-83A	GASKET, exhaust port (2)	2002-883R
15	65325-83A	RETAINING RING (2)	2002-883R

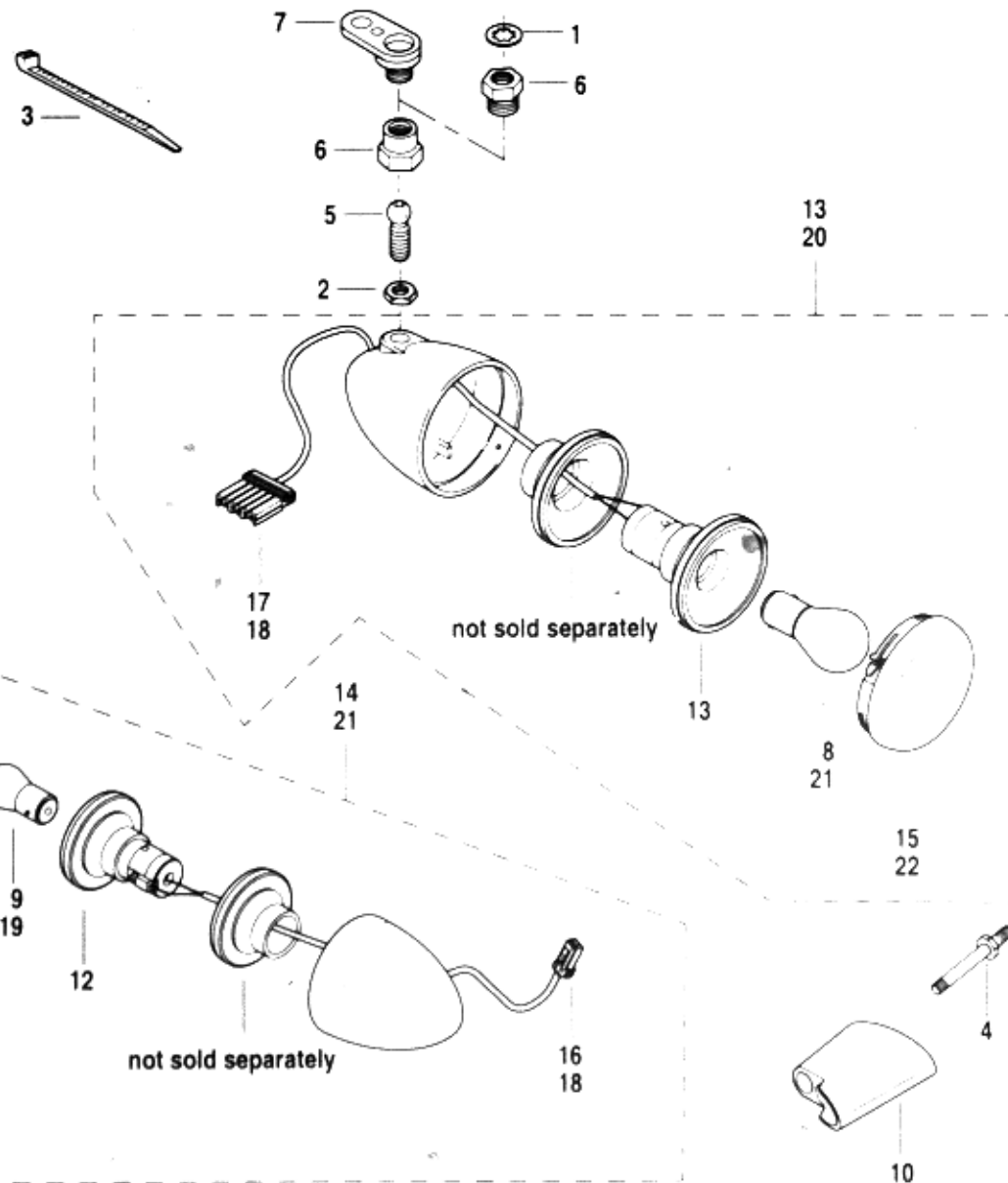




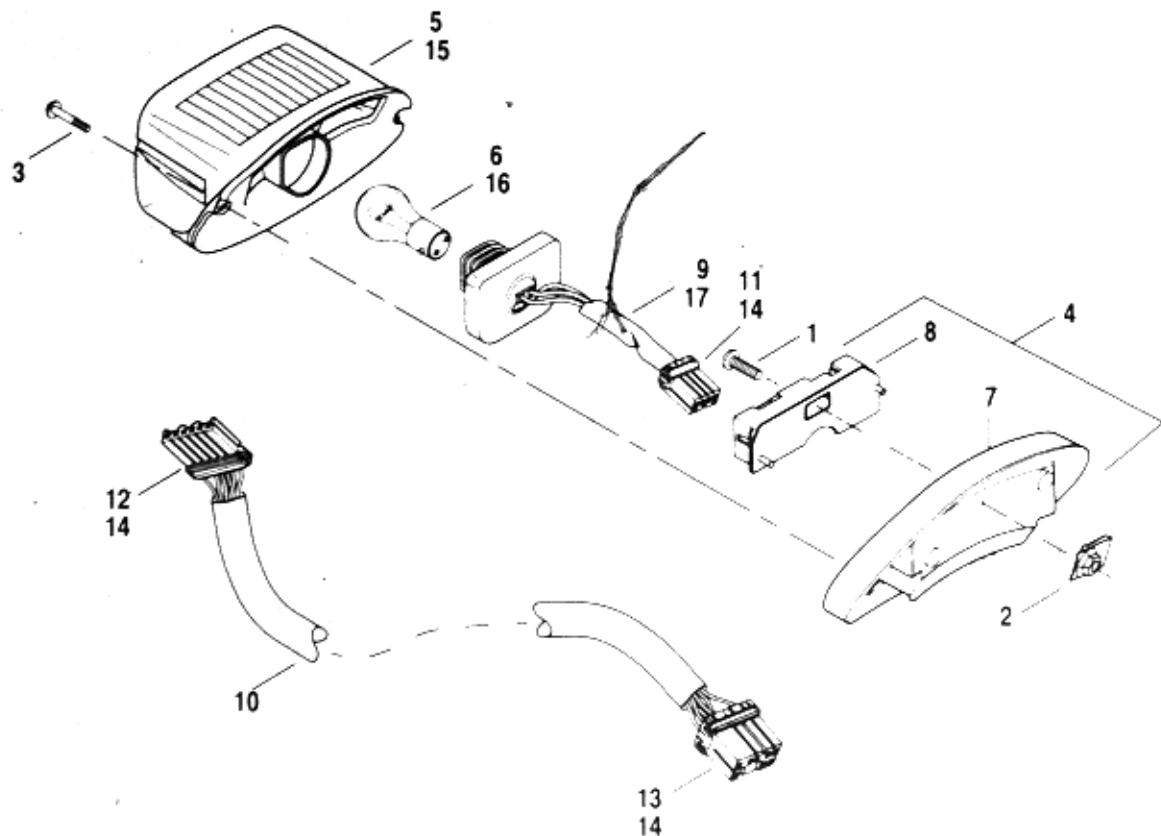
INDEX NO.	PART NO.	DESCRIPTION	MODELS
1	2325	SCREW (2)	2002-STD/HUG/883R/1200/S
2	2361	SCREW (2-883, 4-1200/S)	2002-STD/HUG/883R/1200/S
3	3594	SCREW	2002-STD/HUG/883R/1200/S
	10065	CABLE STRAP w/#68813-98 (not illustrated)	2002-STD/HUG/883R/1200/S
4	11289	O-RING	2002-STD/HUG/883R/1200/S
5	67025-99A	SPEEDOMETER, mph (49st./Cal.)	2002-1200
	67037-98B	SPEEDOMETER, mph (49st./Cal.)	2002-STD/HUG/883R
	67283-99A	SPEEDOMETER, mph (49st./Cal.)	2002-1200S
6	67042-99	TACHOMETER	2002-1200/S
7	67053-95	BRACKET, speedometer	2002-STD/HUG/883R
8	67085-95	COVER, speedometer back (chrome rim)	2002-1200/S
	67320-95	COVER, speedometer back (black)	2002-STD/HUG/883R
9	67103-95	COVER, tachometer back (chrome rim)	2002-1200/S
10	67104-95	CUSHION, rear	2002-STD/HUG/883R
	67344-97	CUSHION, rear (2)	2002-1200/S
11	67338-97	BRACKET, speedo & tach.	2002-1200/S
12	67121-95	CUSHION, front	2002-STD/HUG/883R
	67345-97	CUSHION, front (2)	2002-1200/S
13	67184-94	SOCKET, indicator lamps (5)	2002-STD/HUG/883R/1200/S
14	67854-98	SWITCH, reset	2002-STD/HUG/883R/1200/S
15	67880-94	BOOT, reset switch	2002-STD/HUG/883R/1200/S
16	68806-99	HARNES, assembly tachometer	2002-1200/S
	68811-01	HARNES, warning lamp assembly	2002-1200/S
	68813-01	HARNES, warning lamp assembly	2002-STD/HUG/883R
17	68024-94	BULB, indicator lamps (5)	2002-STD/HUG/883R/1200/S
18	68513-95	TRIM PLATE, indicator lamps	2002-STD/HUG/883R/1200/S
19	68516-95	HOUSING, indicator lamps	2002-STD/HUG/883R/1200/S
20	68551-95	LENS, indicator lamps	2002-STD/HUG/883R/1200/S
21	68820-98	HARNES, assembly speedometer	2002-STD/HUG/883R/1200/S
	68841-98	HARNES, assy speedo w/67854-98 & 70585-93	2002-STD/HUG/883R/1200/S
	70585-93	CONNECTOR, (switch reset) (not illustrated) (2)	2002-STD/HUG/883R/1200/S
22	72143-94	SECONDARY LOCK, 3-way receptacle	2002-STD/HUG/883R/1200/S
23	72153-94	SECONDARY LOCK	2002-STD/HUG/883R/1200/S
24	72163-94BK	RECEPTACLE, 3-way pin	2002-STD/HUG/883R/1200/S
25	72190-94	TERMINAL, pin (3)	2002-STD/HUG/883R/1200/S
26	72199-94	ATTACHMENT CLIP	2002-STD/HUG/883R/1200/S
27	72266-94	SHRINK TUBE	2002-STD/HUG/883R/1200/S
28	74402-95	SENSOR, speed	2002-STD/HUG/883R/1200/S
29	74119-98BK	HOUSING, 12-way (black)	2002-STD/HUG/883R/1200/S
30	74159-98	SOCKET LOCK, 12-way	2002-STD/HUG/883R/1200/S
31	74191-98	TERMINAL, socket - reset switch	2002-STD/HUG/883R/1200/S
32	74193-98	TERMINAL, socket	2002-STD/HUG/883R/1200/S
H-D INTERNATIONAL ONLY			
33	67041-98B	SPEEDOMETER, kph (Can./HDI/Aust./Japan)	2002-STD/HUG/883R
	67285-99A	SPEEDOMETER, kph (Can./HDI/Aust./Japan)	2002-1200/S
	67290-98B	SPEEDOMETER, mph (Gt. Brit.)	2002-STD/HUG/883R
	67284-99A	SPEEDOMETER, mph (Gt. Brit.)	2002-1200/S



INDEX NO.	PART NO.	DESCRIPTION	MODELS
1	2548	SCREW (2)	2002-883C/1200C
2	3594	SCREW	2002-883C/1200C
3	3210A	SCREW (2)	2002-883C/1200C
4	6702	WASHER (2)	2002-883C/1200C
5	10065	CABLE STRAP, w/#68814-99 (not illustrated)	2002-883C/1200C
6	11289	O-RING	2002-883C/1200C
7	11496	GROMMET	2002-883C/1200C
8	67084-96	BRACKET, speedometer	2002-883C/1200C
9	67088-96	COVER, speedometer back	2002-883C/1200C
10	67121-95	CUSHION, front and rear (2)	2002-883C/1200C
11	67184-94	SOCKET, indicator lamps (5)	2002-883C/1200C
12	67283-99A	SPEEDOMETER, mph (49st./Cal.)	2002-1200C
13	67436-99A	SPEEDOMETER, mph (49st./Cal./Can.)	2002-883C
14	67854-98	SWITCH, reset	2002-883C/1200C
15	67880-94	BOOT, reset switch	2002-883C/1200C
16	68024-94	BULB, indicator lamps (5)	2002-883C/1200C
17	68382-96	BEZEL, LENS & JEWEL ASM., indicator lamp	2002-883C/1200C
18	68715-96	INDICATOR LAMP ASSEMBLY	2002-883C/1200C
19	68792-96	HOUSING, indicator lamp, w/#68788-96	2002-883C/1200C
20	68814-01	HARNES, warning light assy.	2002-883C/1200C
21	68820-98	HARNES ASSEMBLY, speedometer	2002-883C/1200C
22	68841-98	HARNES ASSEMBLY, speedometer	2002-883C/1200C
23	70585-93	CONNECTOR, (switch reset) (not illustrated)	2002-883C/1200C
24	72143-94	SECONDARY LOCK, 3-way receptacle	2002-883C/1200C
25	72153-94	SOCKET LOCK, sec 3-way	2002-883C/1200C
26	72163-94BK	RECEPTACLE, 3-way plug	2002-883C/1200C
27	72190-94	TERMINAL, pin (3)	2002-883C/1200C
28	72199-94	ATTACHMENT CLIP	2002-883C/1200C
29	72266-94	SHRINK TUBE	2002-883C/1200C
30	74119-98BK	PLUG 12-way (black)	2002-883C/1200C
31	74159-98	SECONDARY LOCK, 12-way	2002-883C/1200C
32	74191-98	SOCKET TERMINAL, reset switch	2002-883C/1200C
	74193-98	TERMINAL, socket (11)	2002-883C/1200C
	74402-95	SENSOR, speed	2002-883C/1200C
H-D INTERNATIONAL ONLY			
32	67285-99A	SPEEDOMETER, kph (Can./HDI/Aust./Japan)	2002-1200C
	67416-99A	SPEEDOMETER, kph (HDI/Aust./Japan)	2002-883C
	67284-99A	SPEEDOMETER, mph/ kph (Great Britain)	2002-1200C
	67415-99A	SPEEDOMETER, mph/ kph (Great Britain)	2002-883C

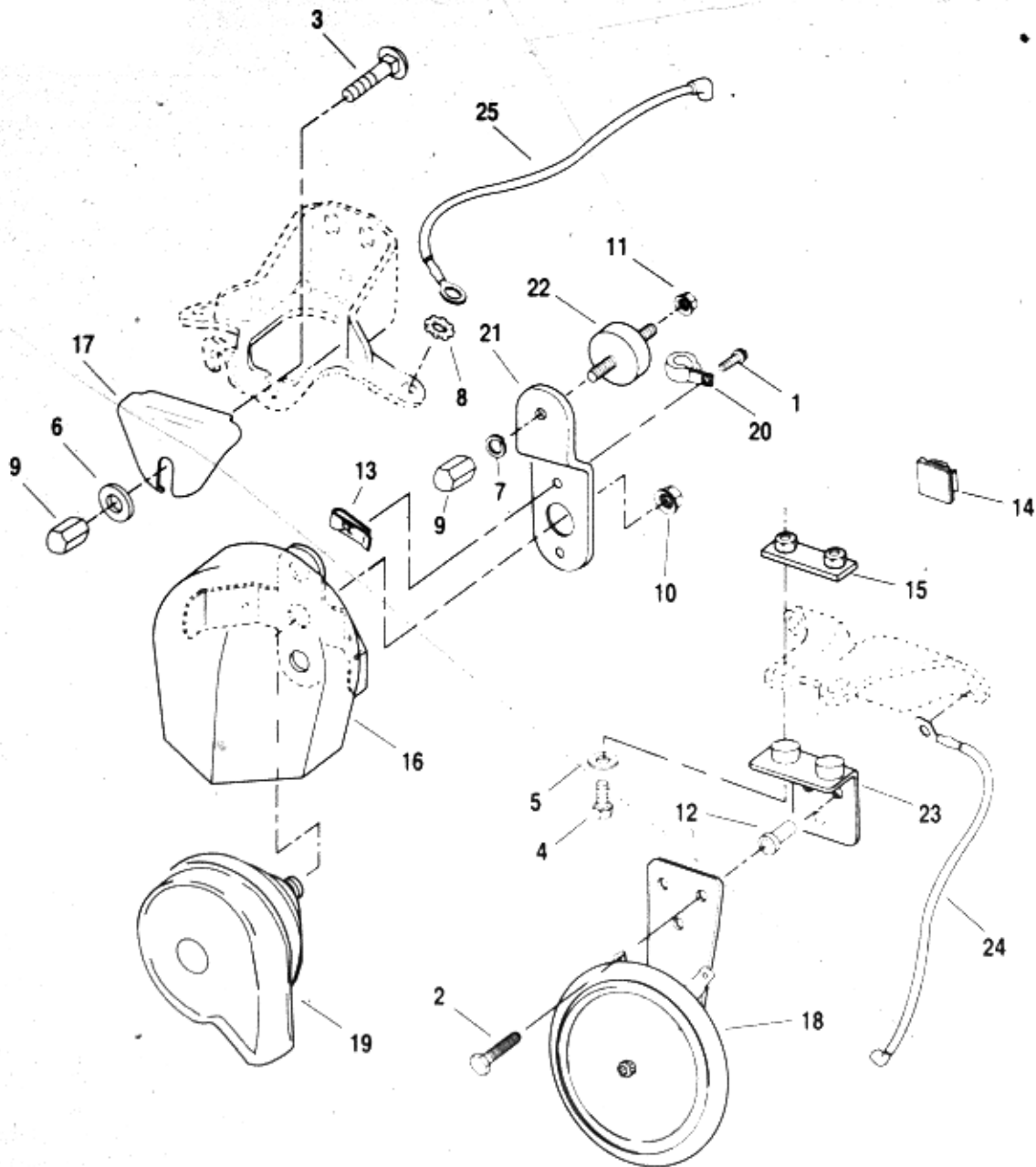


INDEX NO.	PART NO.	DESCRIPTION	MODELS
1	7127	LOCKWASHER	2002-All Models
2	7744	JAM NUT (2)	2002-All Models
3	10065	CABLE STRAP (2)	2002-All Models
4	56104-02	STUD, rear turn signal (2)	2002-All Models
5	67822-88	BALL STUD (2)	2002-All Models
6	67827-88A	CLAMP, ball stud (2)	2002-All Models
7	67828-88A	RETAINER, right	2002-All Models
	67829-88	RETAINER, left	2002-All Models
8	68168-89	BULB, front turn signal (2)	2002-All Models
9	68572-64B	BULB, rear turn signal (2)	2002-All Models
10	68480-02	SUPPORT, rear turn signal (2)	2002-All Models
11	68904-00	SOCKET ASSEMBLY, front	2002-All Models
12	68905-00	SOCKET ASSEMBLY, rear	2002-All Models
13	68972-00	TURN SIGNAL ASSEMBLY, front (amber) (2)	2002-All Models
14	68977-00	TURN SIGNAL ASSEMBLY, rear (amber) (2)	2002-All Models
15	68973-00	LENS (4)	2002-All Models
16	73152-96BK	SOCKET HOUSING, 2-place	2002-All Models
17	73156-96BK	SOCKET HOUSING, 6-place	2002-All Models
18	73191-96	PIN, #16 (20 gauge) (left & right turn signals) (as required)	2002-All Models
H-D INTERNATIONAL ONLY			
19	68163-84	BULB, turn signal (4) (HDI)	2002-All Models
20	68975-00	TURN SIGNAL ASSEMBLY, front (amber) (HDI) (2)	2002-All Models
21	68978-00	TURN SIGNAL ASSEMBLY, rear (amber) (HDI) (2)	2002-All Models
22	68976-00	LENS, front (amber) (2) (HDI)	2002-All Models
23	68979-00	LENS, rear (amber) (2) (HDI)	2002-All Models

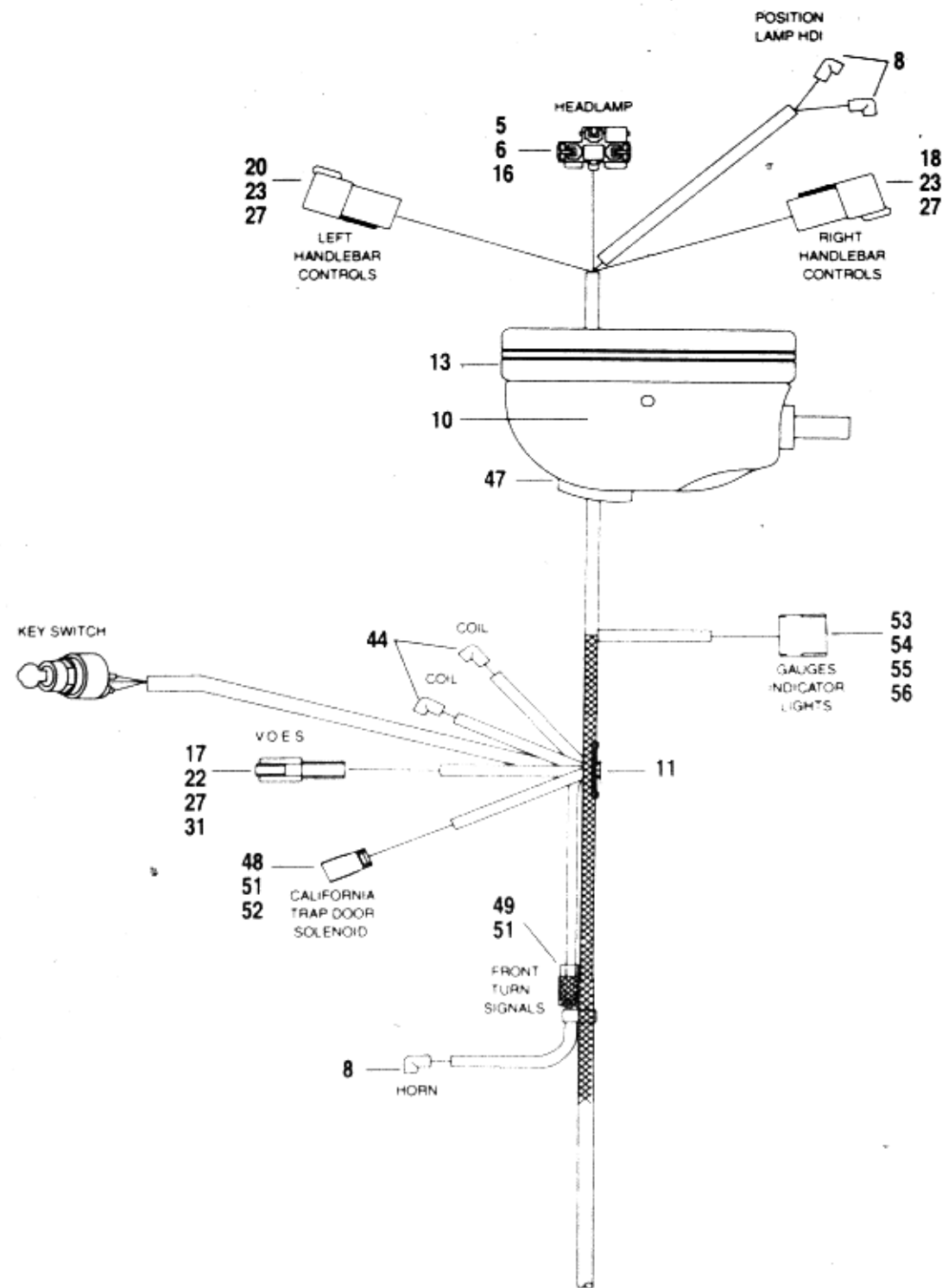


INDEX NO.	PART NO.	DESCRIPTION	MODELS
1	2420	SCREW	2002-All Models
2	7964	CLIP NUT	2002-All Models
3	68026-99	SCREW, tail lamp (2)	2002-All Models
4	68066-99	BASE ASSEMBLY, chromed	2002-All Models
5	68140-99A	LENS, tail lamp	2002-All Models
6	68168-89A	BULB, tail lamp	2002-All Models
7	68296-99	BASE TAIL LAMP, chrome	2002-All Models
8	68830-99	CIRCUIT BOARD/COVER ASSEMBLY	2002-All Models
9	68832-99	BULB SOCKET ASSEMBLY	2002-All Models
10	68899-99	HARNES REAR LIGHTING	2002-All Models
11	73154-96BK	SOCKET HOUSING 4-place	2002-All Models
12	73156-96BK	SOCKET HOUSING 6-place	2002-All Models
13	73158-96BK	SOCKET HOUSING 8-place	2002-All Models
14	73191-96	CONTACT SOCKET, 16-20 ga. (as required)	2002-All Models
H-D INTERNATIONAL ONLY			
15	68141-99A	LENS, tail lamp (HDI only)	2002-All Models
16	68169-90A	BULB, tail lamp (HDI only)	2002-All Models
17	68833-99	BULB SOCKET ASSEMBLY (HDI only)	2002-All Models

m0046d

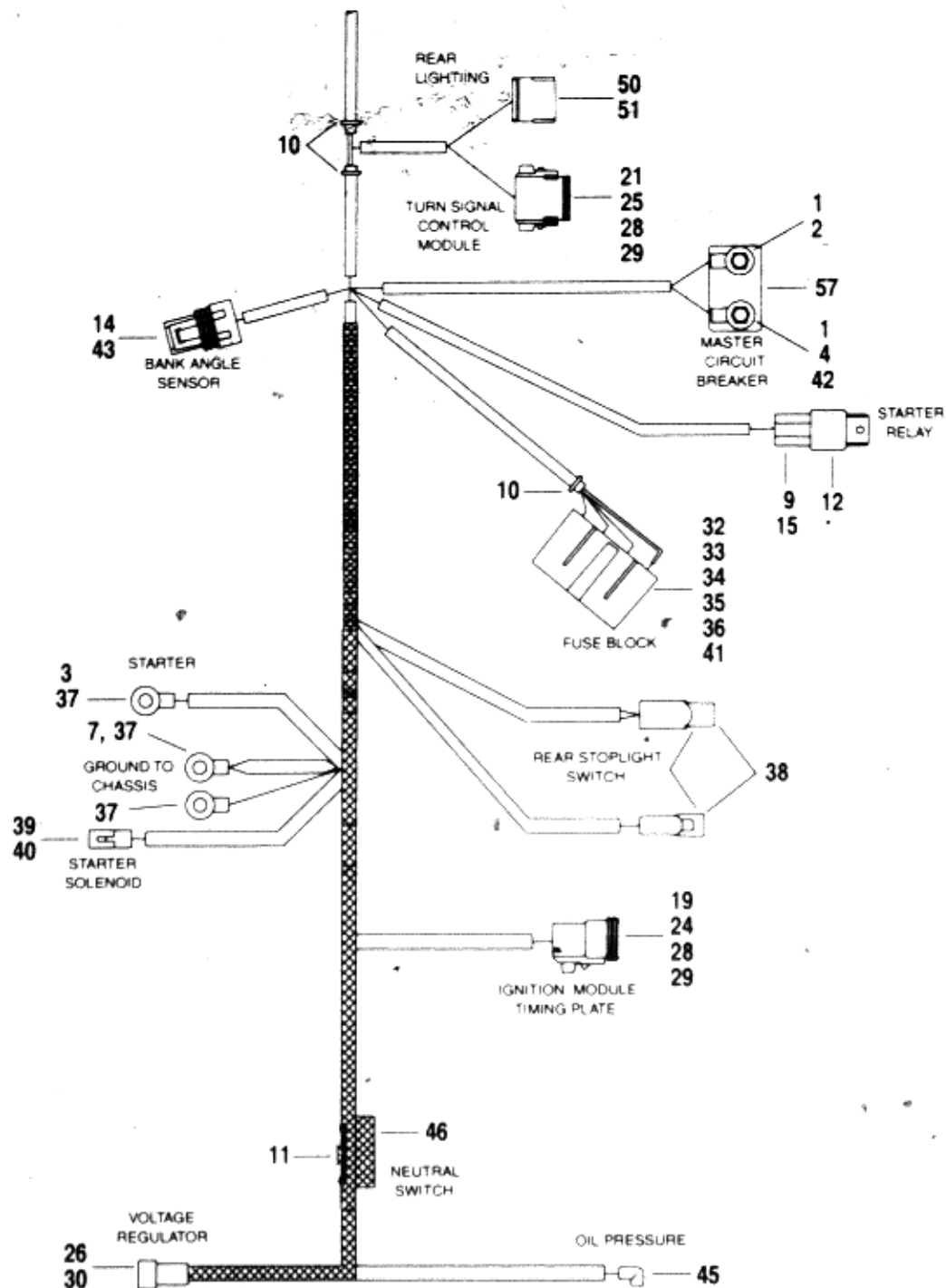


INDEX NO.	PART NO.	DESCRIPTION	MODELS
1	3563	SCREW (2)	2002-1200/C
2	3606	SCREW (3)	2002-STD/HUG/883C/R/1200S
3	3987	CARRIGE BOLT	2002-STD/HUG/883C/R/1200S
4	4716W	BOLT (2)	2002-All Models
5	6701	WASHER (2)	2002-All Models
6	6702	WASHER	2002-STD/HUG/883C/R/1200S
7	7041	LOCKWASHER	2002-1200/C
8	7145W	LOCKWASHER	2002-1200/C
9	7481	ACORN NUT	2002-All Models
10	7495	NUT	2002-1200/C
11	7531	LOCKNUT	2002-1200/C
12	8098	NUT, well (3)	2002-STD/HUG/883C/R/1200S
13	8108	CLIP NUT (2)	2002-1200/C
14	10120	CLIP	2002-STD/HUG/883C/R/1200S
15	16228-86A	NUT PLATE	2002-All Models
16	69012-93A	COVER, horn (chrome)	2002-1200/C
17	69037-95A	COVER, enrichment cable	2002-STD/HUG/883C/R/1200S
18	69043-96A	HORN, complete w/ bracket, ᵇ	2002-STD/HUG/883C/R/1200S
19	69060-90D	HORN	2002-1200/C
20	69062-91A	CLAMP, horn wire	2002-1200/C
21	69120-91	HORN BRACKET	2002-1200/C
22	69123-92	RUBBER MOUNT	2002-1200/C
23	69135-96A	HORN BRACKET	2002-STD/HUG/883C/R/1200S
24	70068-96	WIRE GROUND, horn	2002-STD/HUG/883C/R/1200S
25	70087-95	WIRE GROUND, horn	2002-1200/C

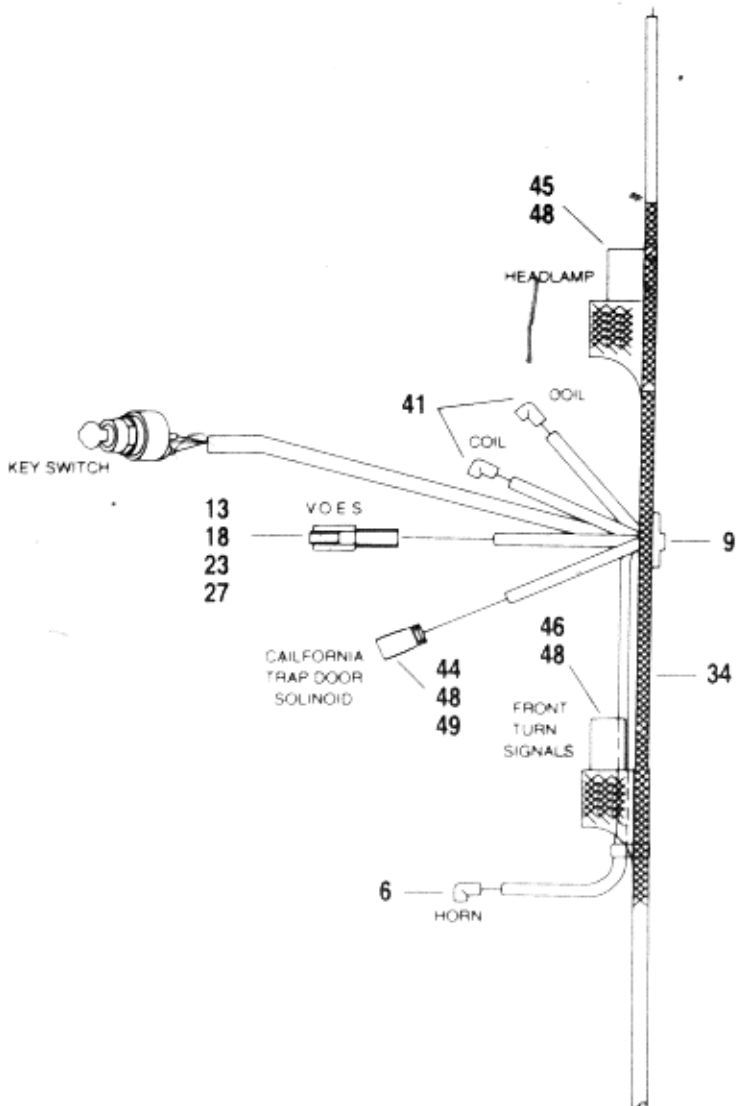
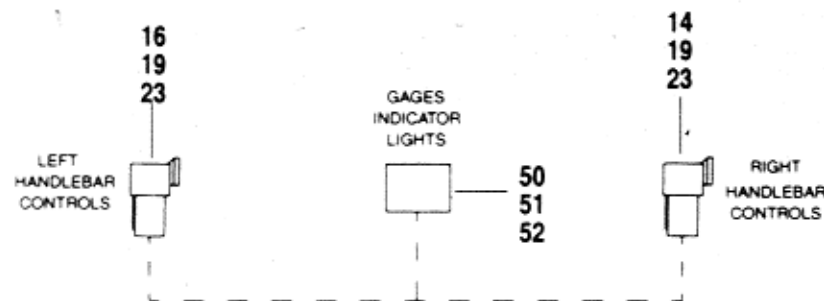


CONTINUED ON NEXT PAGE

INDEX NO.	PART NO.	DESCRIPTION	MODELS
	70135-99	MAIN WIRING HARNESS Includes The Following Parts	2002-STD/HUG/883R/1200
1	7629	NUT (2)	2002-STD/HUG/883R/1200
2	9840	TERMINAL, ring	2002-STD/HUG/883R/1200
3	9842	TERMINAL, ring - 5/16 stud (10-12 gauge)	2002-STD/HUG/883R/1200
4	9843	TERMINAL, ring - #10 (10-12 gauge)	2002-STD/HUG/883R/1200
5	9847	TERMINAL, R.H.	2002-STD/HUG/883R/1200
6	9848	TERMINAL, L.H. (2)	2002-STD/HUG/883R/1200
7	9869	TERMINAL, ring - 3/8 (12 gauge)	2002-STD/HUG/883R/1200
8	9898	TERMINAL, female - 1/4 (3)	2002-STD/HUG/883R/1200
9	9937	TERMINAL, female spade type, 1/4 slot (4)	2002-STD/HUG/883R/1200
10	10065	CABLE STRAP (4)	2002-STD/HUG/883R/1200
11	10136	ANCHOR, T-stud (2)	2002-STD/HUG/883R/1200
12	31504-91A	RELAY	2002-STD/HUG/883R/1200
13	67719-63	MOUNTING RING (rubber)	2002-STD/HUG/883R/1200
14	72033-93	SOCKET TERMINAL (3)	2002-STD/HUG/883R/1200
15	72056-92	CONNECTOR, spade terminal (3-way)	2002-STD/HUG/883R/1200
16	72046-79	SOCKET HOUSING, 5-way	2002-STD/HUG/883R/1200
17	72102-94BK	RECEPTACLE, 2-way (black)	2002-STD/HUG/883R/1200
18	72106-94BK	CONNECTOR, 6-way (black)	2002-STD/HUG/883R/1200
19	72116-94BK	SOCKET HOUSING, 6-way	2002-STD/HUG/883R/1200
20	72126-94GY	SOCKET HOUSING, 6-way	2002-STD/HUG/883R/1200
21	72138-94GY	SOCKET HOUSING, 8-way (gray)	2002-STD/HUG/883R/1200
22	72142-94	SECONDARY LOCK, 2-way receptacle (3)	2002-STD/HUG/883R/1200
23	72146-94	SECONDARY LOCK, 6-way pin (2)	2002-STD/HUG/883R/1200
24	72156-94	SOCKET LOCK 6-way	2002-STD/HUG/883R/1200
25	72158-94	SECONDARY LOCK, 8-way	2002-STD/HUG/883R/1200
26	72180-94	RECEPTACLE, 1 pin	2002-STD/HUG/883R/1200
27	72190-94	TERMINAL, pin (14)	2002-STD/HUG/883R/1200
28	72191-94	TERMINAL, socket (12)	2002-STD/HUG/883R/1200
29	72195-94	SEAL PIN (2)	2002-STD/HUG/883R/1200
30	72196-94	TERMINAL, pin	2002-STD/HUG/883R/1200



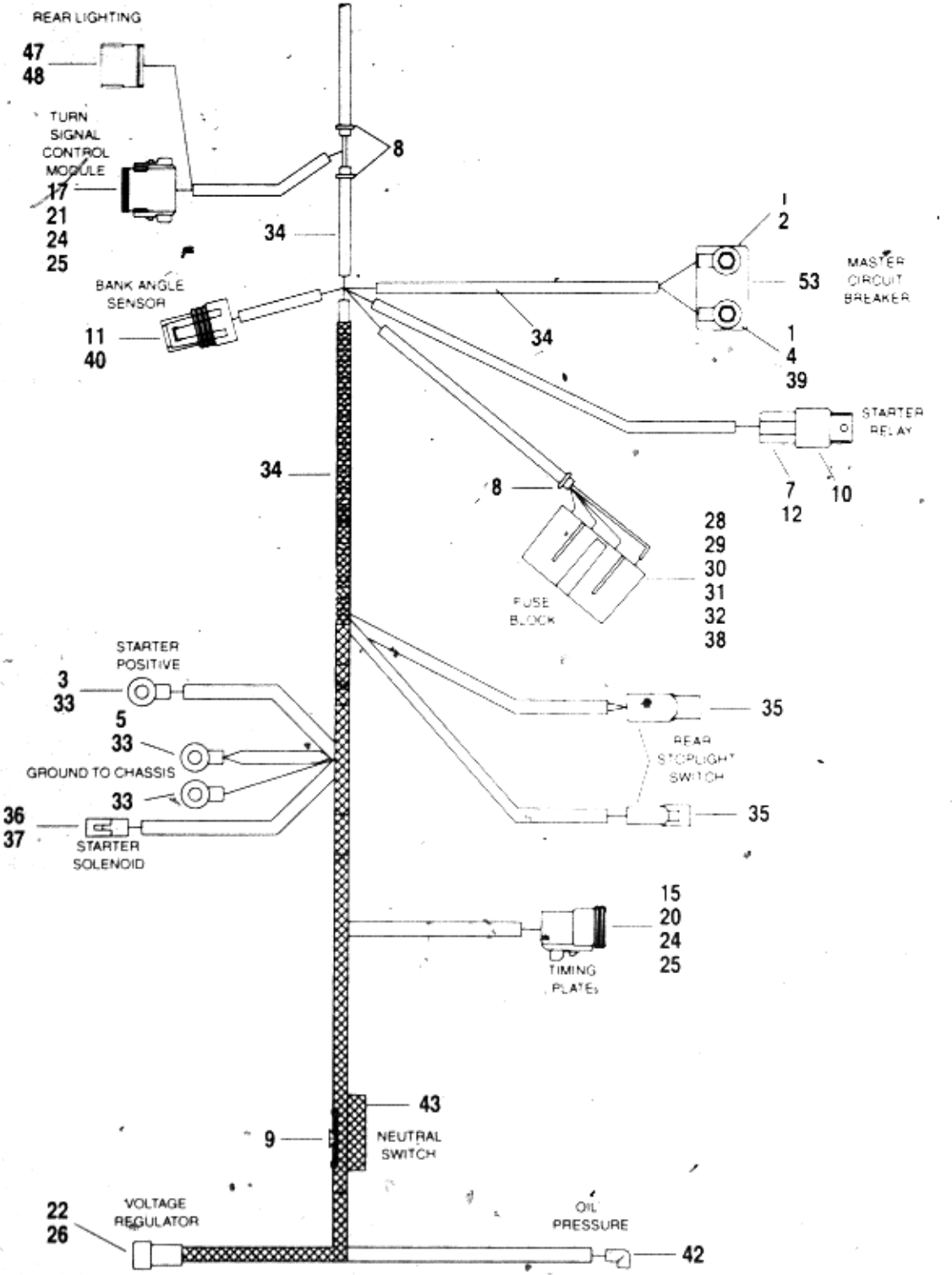
INDEX NO.	PART NO.	DESCRIPTION	MODELS
	70135-99	MAIN WIRING HARNESS (CONTINUED) Includes The Following Parts	2002-STD/HUG/883R/1200
31	72199-94	CONNECTOR ANCHOR	2002-STD/HUG/883R/1200
32	72216-94	FUSE BLOCK	2002-STD/HUG/883R/1200
33	72217-94	TERMINAL, auto fuse (18-20 gauge)	2002-STD/HUG/883R/1200
34	72218-94	TERMINAL, auto fuse (14-16 gauge) (2)	2002-STD/HUG/883R/1200
35	72219-94	TERMINAL, auto fuse (18 gauge)	2002-STD/HUG/883R/1200
36	72220-94	TERMINAL, auto fuse (14-16 gauge) (4)	2002-STD/HUG/883R/1200
37	72249-94	HEAT SHRINK TUBING, 0.3 X 1 inch (3)	2002-STD/HUG/883R/1200
38	72290-94	TERMINAL, female (18 gauge) (2)	2002-STD/HUG/883R/1200
39	72291-94	TERMINAL, female spade (14-16 gauge)	2002-STD/HUG/883R/1200
40	72295-94	TERMINAL HOUSING 1-way	2002-STD/HUG/883R/1200
41	72347-94	FUSE 15amp (4)	2002-STD/HUG/883R/1200
42	72366-95	HEAT SHRINK TUBING, yellow	2002-STD/HUG/883R/1200
43	72399-98	CONNECTOR 3-way	2002-STD/HUG/883R/1200
44	72405-98BK	TERMINAL, push on right angle (2)	2002-STD/HUG/883R/1200
45	72405-98GN	TERMINAL, push on #18awg	2002-STD/HUG/883R/1200
46	72445-99TN	TERMINAL, female #18awg (tan)	2002-STD/HUG/883R/1200
47	72507-94	GROMMET	2002-STD/HUG/883R/1200
48	73103-96BK	CONNECTOR, 3-way (black)	2002-STD/HUG/883R/1200
49	73106-96BK	CONNECTOR, 6-way (black)	2002-STD/HUG/883R/1200
50	73108-96BK	PIN HOUSING, 8-way (black)	2002-STD/HUG/883R/1200
51	73190-96	TERMINAL, pin ((20-16 gauge) (17)	2002-STD/HUG/883R/1200
52	73198-96	CONNECTOR ANCHOR (2)	2002-STD/HUG/883R/1200
53	74109-98BK	PIN HOUSING, 12-way (black)	2002-STD/HUG/883R/1200
54	74149-98	PIN LOCK, 12-way	2002-STD/HUG/883R/1200
55	74190-98	PIN TERMINAL, (11)	2002-STD/HUG/883R/1200
56	74195-98	SEAL PIN	2002-STD/HUG/883R/1200
57	74599-77B	CIRCUIT BREAKER 30A	2002-STD/HUG/883R/1200



CONTINUED ON NEXT PAGE

INDEX NO.	PART NO.	DESCRIPTION	MODELS
	70153-99	MAIN WIRING HARNESS 883 & 1200 CUSTOM Includes The Following Parts	2002-883C/1200C
1	7629	NUT (2)	2002-883C/1200C
2	9840	TERMINAL, ring	2002-883C/1200C
3	9842	TERMINAL, ring - 5/16 stud (10-12 gauge)	2002-883C/1200C
4	9843	TERMINAL, ring - #10 (10-12 gauge)	2002-883C/1200C
5	9869	TERMINAL, ring - 3/8 (12 gauge)	2002-883C/1200C
6	9898	TERMINAL, flag	2002-883C/1200C
7	9937	TERMINAL, female spade type, 1/4 slot (4)	2002-883C/1200C
8	10065	CABLE STRAP (3)	2002-883C/1200C
9	10136	ANCHOR, T-stud (2)	2002-883C/1200C
10	31504-91A	RELAY	2002-883C/1200C
11	72033-93	SOCKET TERMINAL (3)	2002-883C/1200C
12	72046-79	SOCKET HOUSING, 5-way	2002-883C/1200C
13	72102-94BK	RECEPTACLE, 2-way (black)	2002-883C/1200C
14	72106-94BK	RECEPTACLE, 6-way (black)	2002-883C/1200C
15	72116-94BK	SOCKET HOUSING 6-way	2002-883C/1200C
16	72126-94GY	SOCKET HOUSING 6-way	2002-883C/1200C
17	72138-94GY	SOCKET HOUSING, 8-way	2002-883C/1200C
18	72142-94	SECONDARY LOCK, 2-way receptacle	2002-883C/1200C
19	72146-94	SECONDARY LOCK, 6-way (2)	2002-883C/1200C
20	72156-94	SOCKET LOCK 6-way	2002-883C/1200C
21	72158-94	SECONDARY LOCK, 8-way	2002-883C/1200C
22	72180-94	RECEPTACLE, 1 pin	2002-883C/1200C
23	72190-94	PIN (14)	2002-883C/1200C
24	72191-94	TERMINAL, socket (12)	2002-883C/1200C
25	72195-94	SEAL PIN (3)	2002-883C/1200C
26	72196-94	CONTACT PIN	2002-883C/1200C
27	72199-94	CONNECTOR ANCHOR	2002-883C/1200C

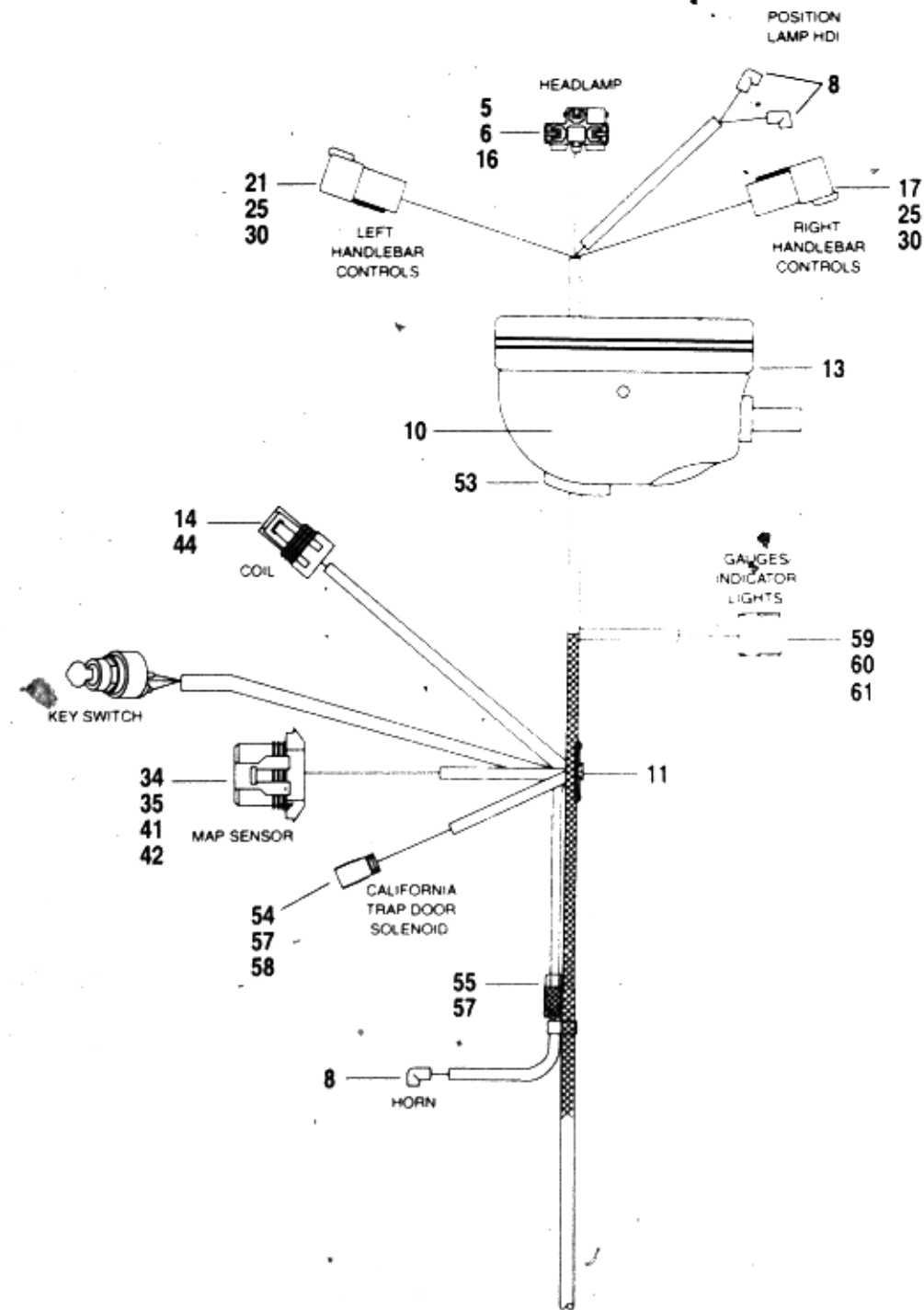
m0053c



INDEX NO.	PART NO.	DESCRIPTION	MODELS
	70153-99	MAIN WIRING HARNESS 883 & 1200 CUSTOM (CONTINUED) Includes The Following Parts	2002-883C/1200C
28	72216-94	FUSE BLOCK	2002-883C/1200C
29	72217-94	TERMINAL, auto fuse (18-20 gauge)	2002-883C/1200C
30	72218-94	TERMINAL, auto fuse (14-16 gauge) (2)	2002-883C/1200C
31	72219-94	TERMINAL, auto fuse (18 gauge) (2)	2002-883C/1200C
32	72220-94	TERMINAL, auto fuse (14-16 gauge) (4)	2002-883C/1200C
33	72249-94	HEAT SHRINK TUBING, 0.3 X 1 inch (3)	2002-883C/1200C
34	72266-94	HEAT SHRINK TUBING, 3 X 1 (5)	2002-883C/1200C
35	72290-94	TERMINAL, insulated (2)	2002-883C/1200C
36	72291-94	TERMINAL, female spade (14-16 gauge)	2002-883C/1200C
37	72295-94	HOUSING, starter connector	2002-883C/1200C
38	72347-94	FUSE 15 amp. (4)	2002-883C/1200C
39	72366-95	HEAT SHRINK TUBING, yellow	2002-883C/1200C
40	72399-98	CONNECTOR 3-way	2002-883C/1200C
41	72405-98BK	TERMINAL, push on right angle (2)	2002-883C/1200C
42	72405-98GN	TERMINAL, push on #18awg	2002-883C/1200C
43	72445-99TN	TERMINAL, female #18 awg (tan)	2002-883C/1200C
44	73103-96BK	PIN HOUSING, 3-way (black)	2002-883C/1200C
45	73104-96BK	TAB HOUSING, 4-way (black)	2002-883C/1200C
46	73106-96BK	TAB HOUSING, 6-way (black)	2002-883C/1200C
47	73108-96BK	PIN HOUSING, 8-way (black)	2002-883C/1200C
48	73190-96	PIN #15 (20 gauge) (21)	2002-883C/1200C
49	73198-96	CONNECTOR ANCHOR	2002-883C/1200C
50	74109-98BK	PIN HOUSING, 12-way (black)	2002-883C/1200C
51	74149-98	PIN LOCK, 12-way	2002-883C/1200C
52	74190-98	PIN TERMINAL (12)	2002-883C/1200C
53	74599-77B	CIRCUIT BREAKER 30A	2002-883C/1200C

MAIN WIRING HARNESS - 1200 SPORT

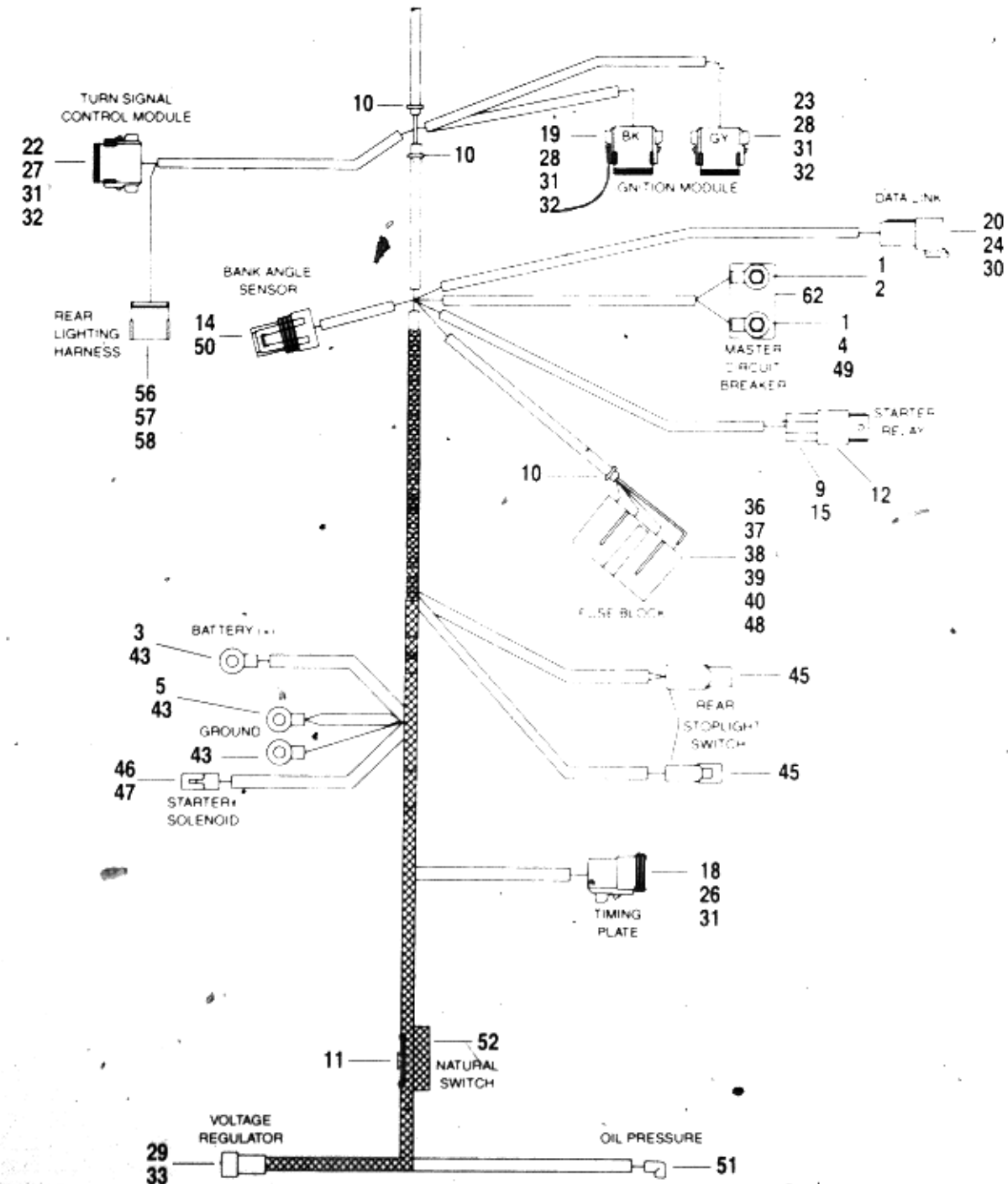
m0054a



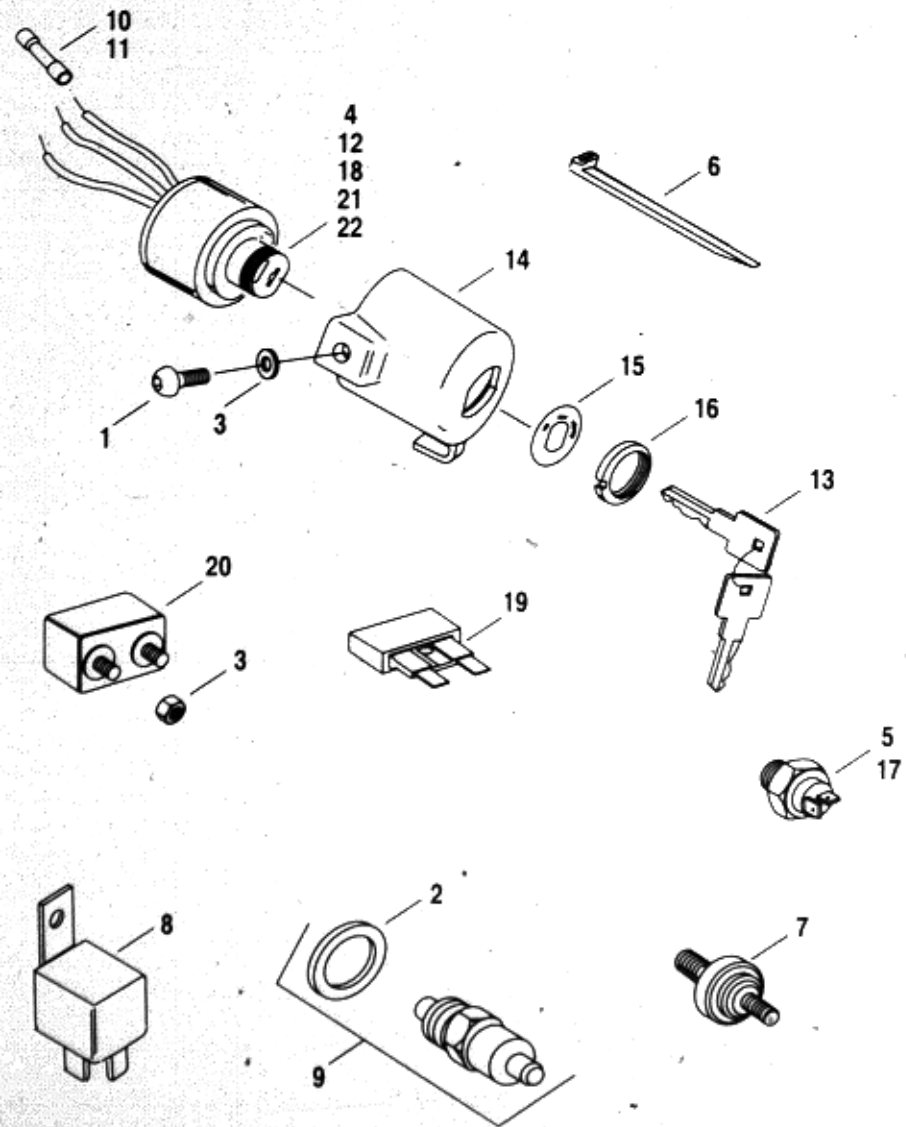
CONTINUED ON NEXT PAGE

INDEX NO.	PART NO.	DESCRIPTION	MODELS
	70139-99	MAIN WIRING HARNESS 1200 SPORT Includes The Following Parts	2002-1200S
1	7629	NUT (2)	2002-1200S
2	9840	TERMINAL, ring	2002-1200S
3	9842	TERMINAL, ring - 5/16 stud (10-12 gauge)	2002-1200S
4	9843	TERMINAL, ring - #10 (10-12 gauge)	2002-1200S
5	9847	TERMINAL, R.H.	2002-1200S
6	9848	TERMINAL, L.H. (2)	2002-1200S
7	9869	TERMINAL, ring - 3/8 (12 gauge)	2002-1200S
8	9898	TERMINAL, flag (3)	2002-1200S
9	9937	TERMINAL, female spade type, 1/4 slot (4)	2002-1200S
10	10065	CABLE STRAP (4)	2002-1200S
11	10136	ANCHOR, T-stud (2)	2002-1200S
12	31504-91A	RELAY	2002-1200S
13	67719-63	HEADLAMP MOUNTING RING	2002-1200S
14	72033-93	SOCKET TERMINAL (6)	2002-1200S
15	72046-79	SOCKET HOUSING, 5-way	2002-1200S
16	72056-92	HOUSING, 3-way	2002-1200S
17	72106-94BK	RECEPTACLE, 6-way (black)	2002-1200S
18	72113-94BK	SOCKET HOUSING, 3-way (black)	2002-1200S
19	72119-94BK	SOCKET HOUSING, 12-way (black)	2002-1200S
20	72124-94GY	SOCKET HOUSING, 4-way (gray)	2002-1200S
21	72126-94GY	SOCKET HOUSING, 6-way (gray)	2002-1200S
22	72138-94GY	SOCKET HOUSING, 8-way (gray)	2002-1200S
23	72139-94GY	SOCKET HOUSING, 12-way (gray)	2002-1200S
24	72144-94	SECONDARY LOCK, 4-way	2002-1200S
25	72146-94	SECONDARY LOCK, 6-way (2)	2002-1200S
26	72153-94	SECONDARY LOCK, 3-way	2002-1200S
27	72158-94	SECONDARY LOCK, 8-way	2002-1200S
28	72159-94	SECONDARY LOCK, 12-way (2)	2002-1200S
29	72180-94	RECEPTACLE, 1 pin	2002-1200S
30	72190-94	PIN (16)	2002-1200S
31	72191-94	TERMINAL, socket (25)	2002-1200S

CONTINUED FROM PREVIOUS PAGE



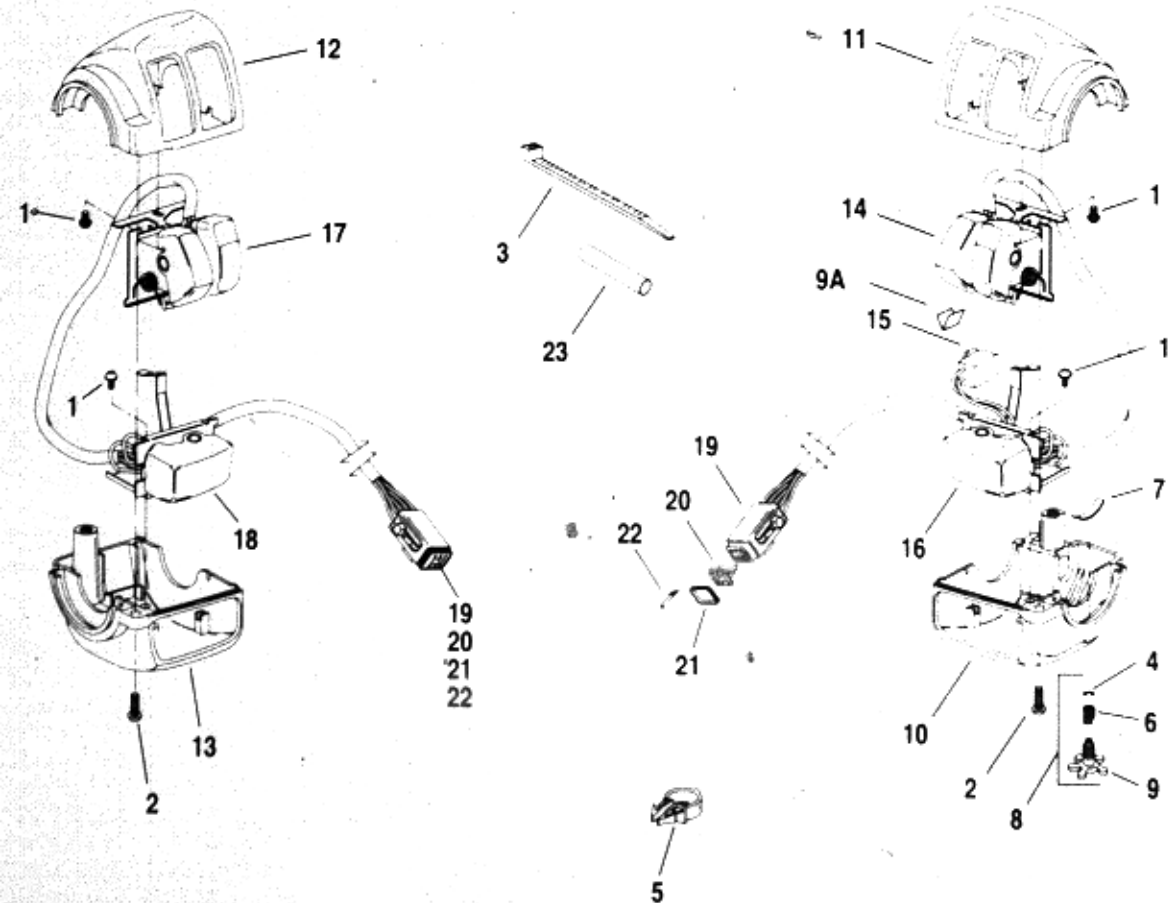
INDEX NO.	PART NO.	DESCRIPTION	MODELS
	70139-99	MAIN WIRING HARNESS 1200 SPORT (CONTINUED) Includes The Following Parts	2002-1200S
32	72195-94	SEAL PIN (11)	2002-1200S
33	72196-94	CONTACT PIN	2002-1200S
34	72213-94	TERMINAL, socket (3)	2002-1200S
35	72214-94	CABLE SEAL (3)	2002-1200S
36	72216-94	FUSE BLOCK	2002-1200S
37	72217-94	TERMINAL, auto fuse (18-20 gauge)	2002-1200S
38	72218-94	TERMINAL, auto fuse (14-16 gauge) (2)	2002-1200S
39	72219-94	TERMINAL, auto fuse (18 gauge)	2002-1200S
40	72220-94	TERMINAL, auto fuse (14-16 gauge) (4)	2002-1200S
41	72230-98	HOUSING SOCKET, 3-way	2002-1200S
42	72231-98	SECONDARY LOCK, 3-way	2002-1200S
43	72249-94	HEAT SHRINK TUBING, 0.3 X 1 inch (3)	2002-1200S
44	72280-95	CONNECTOR 3-way	2002-1200S
45	72290-94	TERMINAL, insulated (2)	2002-1200S
46	72291-94	TERMINAL, female spade (14-16 gauge)	2002-1200S
47	72295-94	HOUSING, starter connector	2002-1200S
48	72347-94	FUSE 15 amp (4)	2002-1200S
49	72366-95	HEAT SHRINK TUBING, yellow	2002-1200S
50	72399-98	CONNECTOR 3-way	2002-1200S
51	72405-98GN	TERMINAL, push on #18awg	2002-1200S
52	72445-99TN	TERMINAL, female #18awg (tan)	2002-1200S
53	72507-94	GROMMET	2002-1200S
54	73103-96BK	PIN HOUSING, 3-way (black)	2002-1200S
55	73106-96BK	TAB HOUSING, 6-way (black)	2002-1200S
56	73108-96BK	PIN HOUSING, 8-way (black)	2002-1200S
57	73190-96	PIN #16 (20 gauge) (17)	2002-1200S
58	73198-96	CONNECTOR ANCHOR (2)	2002-1200S
59	74109-98BK	PIN HOUSING, 12-way (black)	2002-1200S
60	74149-98	PIN LOCK, 12-way	2002-1200S
61	74190-98	PIN TERMINAL, (12)	2002-1200S
62	74599-77B	CIRCUIT BREAKER 30A	2002-1200S



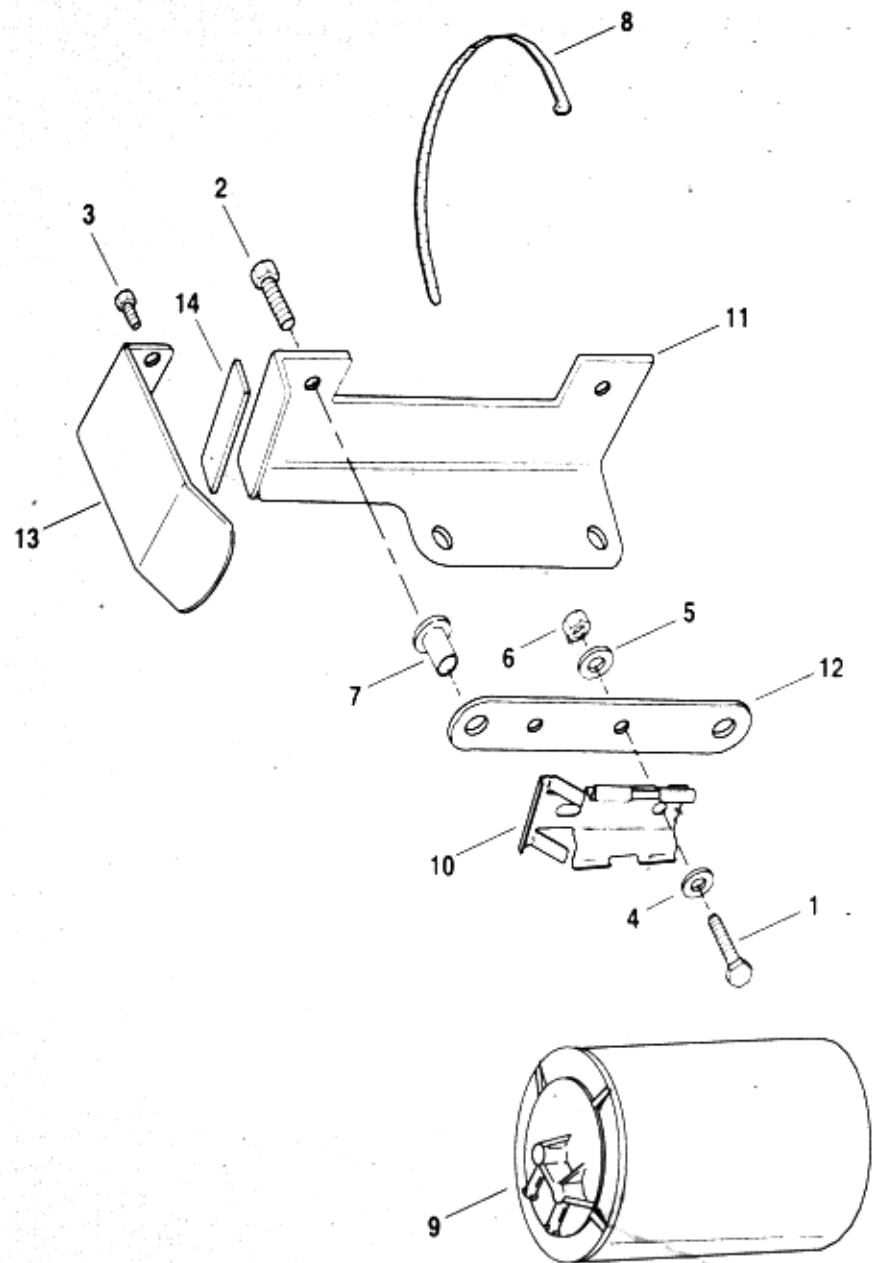
INDEX NO.	PART NO.	DESCRIPTION	MODELS
1	2528	SCREW	2002-All Models
2	6288	WASHER	2002-All Models
3	7220	WASHER	2002-All Models
4	9862	TERMINAL RING (3)	2002-All Models
5	9898	TERMINAL (2)	2002-All Models
6	10039	CABLE STRAP	2002-All Models
7	26554-77	SWITCH, oil pressure indicator	2002-All Models
8	31504-91A	STARTER RELAY	2002-All Models
9	33900-99	SWITCH, neutral indicator - with washer	2002-All Models
	70227-99	JUMPER WIRE ASSEMBLY, neutral switch (not illustrated)	2002-All Models
10	70586-93	CONNECTOR, butt splice - blue (3)	2002-All Models
11	70587-93	CONNECTOR, butt splice - yellow (2)	2002-All Models
12	71441-94	LOCK SET ASSEMBLY, ignition w/key	2002-All Models
13	71451-94A	KEY SET, ignition switch (specify key code)	2002-All Models
14	71510-95	COVER, ignition switch	2002-All Models
15	71550-94	LABEL, ignition switch	2002-All Models
16	71552-94	FACE NUT, ignition switch	2002-All Models
17	72023-51C	STOPLIGHT SWITCH, rear brake w/#4	2002-All Models
18	72268-94	SHRINK TUBE	2002-All Models
19	72347-94	FUSE 15 amp (6)	2002-All Models
	72373-97	FUSE PULLER (not illustrated)	2002-All Models
20	74599-77B	CIRCUIT BREAKER, 30 amp.	2002-All Models
H-D INTERNATIONAL ONLY			
21	48151-99A	LOCKSET ASM (HDI)	2002-All Models
22	43595-99	SPRING, forklock (HDI)	2002-All Models

HANDLEBAR SWITCHES

m0050b



INDEX NO.	PART NO.	DESCRIPTION	MODELS
1	2955	SCREW (4)	2002-All Models
2	3658	SCREW (4)	2002-All Models
3	10181	CABLE TIE (as required)	2002-All Models
4	11155	RETAINING RING	2002-All Models
5	70345-84	RETAINER, wiring harness (4)	2002-STD/HUG/883R/1200/S
6	56394-74	SPRING, throttle adjusting screw	2002-All Models
7	56396-74A	PAD, throttle adjusting	2002-All Models
8	56397-74C	KIT, throttle adjusting screw, w/#4.6. & 9	2002-All Models
9	56402-83A	ADJUSTING SCREW	2002-All Models
9A	71509-00	CLIP	2002-All Models
10	71563-96	HOUSING, lower right	2002-All Models
11	71564-96	HOUSING, upper right	2002-All Models
12	71567-96	HOUSING, upper left	2002-All Models
13	71568-96	HOUSING, lower left	2002-All Models
14	71589-96B	SWITCH ASSEMBLY, engine stop & start, w/#3. & 23	2002-All Models
15	71590-96	STOPLIGHT SWITCH	2002-All Models
16	71591-00	SWITCH ASSEMBLY, right directional, w/#3. & 23	2002-All Models
17	71597-96B	SWITCH ASSEMBLY, dimmer & horn, w/#3. & 23	2002-All Models
18	71598-00	SWITCH ASSEMBLY, left directional, w/#3. & 23	2002-All Models
19	72116-94BK	PLUG, 6-way, right (black) (2)	2002-All Models
20	72156-94	SECONDARY LOCK, 6-way (2)	2002-All Models
21	72176-94	SEAL, front (6-way plug) (2)	2002-All Models
22	72191-94	TERMINAL, socket (as required)	2002-All Models
23	72266-94	SHRINK TUBE	2002-All Models



INDEX NO.	PART NO.	DESCRIPTION	MODELS
NOTE: These parts are for 2002 and later XLH model motorcycles sold for use in the state of California			
1	3767B	SCREW, mounting bracket (2)	2002-All Models
2	3802W	BOLT, bracket to plate (2)	2002-All Models
3	4240	SCREW (2)	2002-All Models
4	6099	WASHER (2, 4 - XLH 1200)	2002-All Models
5	6703	WASHER (2)	2002-All Models
6	7686	LOCKNUT (2)	2002-All Models
7	8099	WELL NUT (2)	2002-All Models
8	10006	CABLE STRAP (2)	2002-All Models
9	27042-84A	CANISTER	2002-All Models
10	27047-84A	BRACKET, canister mounting	2002-All Models
11	28857-90	BRACKET, canister	2002-All Models
12	28859-90	PLATE, canister mounting	2002-All Models
13	28860-89	GUARD, evaporative canister	2002-All Models
	28875-95	HOSE, canister to a/c backplate (not illustrated)	2002-All Models
	32440-97	WIRING HARNESS, solenoid (not illustrated)	2002-All Models
14	67133-98	PAD (vinyl foam)	2002-All Models
	27138-90	HOSE 3/16" I.D. (10 ft. lg.) (black) (not illustrated)	2002-All Models

NOTE: Hose is sold only in bulk length under the following part numbers. Cut to length.

HOSE 3/16" I.D. (10 ft. lg.) (black) (not illustrated)

HARDWARE LISTING

853A	SCREW, 5/16-18 X 2-1/4 knurled socket hd.	3029	SCREW, #10-24 X 1-1/8 socket head torx head w/adhesive threads
855B	SCREW, 3/8-16 X 2 knurled socket hd.		
869	SCREW, 1/4-20 X 1-1/4 socket button hd.	3201WA	SCREW, 5/16-18 X 1-1/4 knurled soc. hd.
876A	SCREW, 5/16-18 X 2-1/2 socket hd. (Grade 5 steel)	3206B	SCREW, No. 8-32 X 1-7/8 (headless brass)
879A	SCREW, 5/16-18 X 3-1/2 knurled socket hd.	3210A	SCREW, 5/16-18 X 1-1/4 knurled soc. hd.
882	SCREW, 1/4-20 X 7/8 knurled socket hd (Grade 8 steel)	3221	SCREW, No. 4-16 X 3/16 set screw (Grade 8 steel)
897	SCREW, 5/16-18 X 3 0 hex socket head cap (grade 8)	3228	SCREW, 5/16-18 X 3/4 hex socket hd. (w/washer)(Grade 8 steel)
923	SCREW, 1/4-20 X 21/32 socket pan hd.	3275	SCREW, 3/12-18 X 3/4 hex socket head cap (Grade 8 steel)
929A	SCREW, M4-0.7 X 9.1	3350	BOLT, M5 X 0.87 X 115
943	SCREW, 1/4-20 X 5/8 socket button hd.	3403	LOCKNUT, M8 X 7 X 12mm hex.
946	SCREW, 1/4-20 X 2-1/4 Torx button hd. (Grade 8 steel)	3427	BOLT, 5/16-18 X 3-1/2 hex head (grade 5)
1392	SCREW, mach. oval hd. 1/4-20 X 3/4 (s.s)	3480A	SCREW, 1/4-20 X 1-3/4 knurled socket hd (Grade 8 steel)
1601	SCREW, No. 8-32 X 1/2 Pozidriv flat ctsk. hd. (Grade 2 steel)	3498	SCREW, 1/2-13 X 3 hex hd (Grade 5 steel) (w/lockpatch)
2325	SCREW, No. 6 X 3/4 cross recess pan hd. (self-tapping)	3500A	BOLT, 5/16-18 X 2-3/4 hex hd.(Grade 8 steel)
2361	SCREW, No. 8-32 X 3/8 socket flat ctsk. hd. (w/ locking adhesive)	3501A	BOLT, 5/16-18 X 2-1/2 hex hd (Grade 8 steel)
2362	SCREW, No. 10 X 3/4 hex. hd (self-tapping)	3514	SCREW, 7/16-40 X 2-13/16 hex cap (Grade 8)
2405A	SCREW, 5/16-18 X 3/4 Phillips oval hd (Chrome)	3534B	SCREW, 1/2-13 X 2-1/2 socket hd (Grade 8 steel)
2501A	SCREW, #8-32 X 3/8 hex washer head (self tapping)	3549A	SCREW, 1/2-20 X 1-1/2 knurled socket head
2420	SCREW, 1/4-20 X 3/4 truss hd. (Grade 2 steel)	3563	SCREW, 1/4-20 X 3-9/16 large flange hex head (grade 5)
2528	SCREW, No. 10-24 X 1/2 socket button hd	3579A	SCREW, 1/4-28 X 1 4 hex head sems tapping (Grade 2 steel)
2548	SCREW, NO 8-32 X 3/4 sckt hd (w/lockpatch)	3594	SCREW, 1/4-20 X 5/8 knurled socket hd (Grade 8 steel)
2551W	BOLT, 1/4-20 X 1 hex. hd. (Grade 2 steel)	3606	SCREW, #10-24 X B60 hex head machine (Grade 2 steel)
2566	SCREW, 8-32 X 7/8 self tapping	3610	SCREW, 5/16-18 X 3-3/4 hex flange hd (Grade 5 steel)
2579A	SCREW, No. 8-32 X 6-1/4 mach oval hd. (brass) (Grade 2 steel)	3652	SCREW, 1/4-20 X 3/8 socket hd (chrome)
2607	SCREW, 1/4-20 X 3/4 pozidriv pan hd (Grade 2 steel)	3655A	SCREW, 5/16-18 X 7/8 pan hd torx (grade 8)
2611C	BOLT, No. 10-32 X 3/4 hex. washer hd (Grade 5 steel)	3658	SCREW, #10-24 X 1.2 hex socket head torx head (Grade 5)
2708A	SCREW, 5/16-18 X 1 socket hd	3666A	SCREW, #10-24 X 1.500 torx recessed round washer hd
2711	SCREW, No. 4-40 X 3/8 pan hd (self-tapping)	3675	SCREW, 5/16-18 X 1 torx hd lock (Grade 8 steel)
2720	SCREW, No. 10-24 X 1 Torx hd. (w/ locking adhesive)	3689	BOLT, leveling 1/4-20 X 5/8 (Grade 2 steel)
2731W	SCREW, #10 X 3/8 phillips truss hd (self-tapping)	3696	SCREW, 5/16 thd X 3/4 pan head torx (Grade 5 steel)
2737	SCREW, 1/4-20 X 1/4 pan hd.	3767B	BOLT, 1/4-20 X 5/8 hex hd.(Grade 5 steel)
2773	SCREW, 1/4-20 X 1/2 Pozidriv pan hd. (Grade 2 steel)	3820	SCREW, 1/2-13 X 2-1/4 hex socket button head (grade 8)
2925A	SCREW, 7/16-20 X 1 hex. socket hd. (Grade 8 steel)	3802W	BOLT, 1/4-20 X 7/8 hex hd (Grade 5 steel)
2952	SCREW, 1/4-20 X .485 sems truss hd. (Grade 2 steel) (chrome)	3899	SCREW, 7/16-14 X 1-3/4 hex hd w/lock patch
2955	SCREW, #6-32 X 1/4 pan head phillips machine lock washer	3930A	SCREW, 5/16-18 X 3/4 hex. washer hd (self-tapping)
		3958	BOLT, 1/2-20 X 2-1/4 hex. hd.(Grade 5 steel)

HARDWARE LISTING

HARDWARE LISTING

3987	BOLT, 5/16-18 X 3/4 hex. hd.(Grade 5 steel)	6003	WASHER, 1-3/16 X 1-3/8 X 5/64	7686	LOCKNUT, 1/4-20 X 5/16 X 7/16 hex.
3993	BOLT, 1/4-20 X 1-1/4 hex. hd.(Grade 5 steel)	6012	WASHER, 1/2 X 1-3/16 X 1/16	7688	NUT, 1/4-20 X 7/32 X 7/16 hex.(Grade 2 steel)
3997A	BOLT, 1/4-20 X 1-1/4 hex. hd. (grade 8)	6016	WASHER, 11/32 X 11/16 X 1/16	7716	LOCKNUT, 1/4-20 X 15/64 X 7/16 hex.
4017	BOLT, 5/16-18 X 1 hex. head (grade 5 steel)	6019	WASHER, 3/8 X 29/32 X 1/16	7736	ACORN NUT, 5/16-24 X 19/32 X 1/2 hex. (Grade 2 steel)(chrome)
4029A	SCREW, 3/8-16 X 2-1/4 socket hd. (black)	6026	WASHER, 3/8 X 7/8 X 7/64	7739	LOCKNUT, 5/16-18 X 11/32 X 1/2 hex.
4091	BOLT, #10-24 X 1/2 hex washer hd. (self tapping)	6036	WASHER, 17/64 X 1 X 1/16	7744	JAM NUT, 5/16-24 X 3/16 X 1/2 hex (Grade 2 steel)
4104	SCREW, No. 10-24 X 1/2 hex. washer hd	6099	WASHER, 1/4 X 7/16 X 1/16	7775	LOCKNUT, 3/8-24 X 7/16 X 9/16 hex.
4132	SCREW, 1/4-20 X 1 1/8 hex socket button head (Grade 5. steel)	6101	WASHER, 17/64 X 27/64 X 1/16	7778	LOCKNUT, 3/8-16 X 7/16 X 9/16 hex.
4312	BOLT, M6 X 1 0 X 12 flange head	6152	SPACER, 13/32 X 1 0 X 5/16	7780	LOCKNUT, 3/8-24 X 13/32 X 11/16 hex
4326A	SCREW, 5/16-18 X 2 hex. soc. hd.	6157	WASHER, 27/64 X 5/8 X 1/64 heat treated	7783	NUT, 3/8-16 X 5/16 X 9/16 hex.(Grade 2 steel)
4329	SCREW, 1/4-20 X 3/4 hex. washer hd	6192	WASHER, No 8 X 7/16 X 3/64	7789	LOCKNUT, 3/8-24 X 7/32 X 9/16
4337W	SCREW, 3/8-24 X 1-1/4 hex cap (grade 5)	6220W	WASHER, 1/4 X 7/16 X 1/32	7792	NUT, 1/4-20 X 1/4 hex. (Grade 2 steel)
4350A	SCREW, 3/8-16 X 1 500 hex. socket cap (Grade 8 steel)	6288	WASHER, 17/32 X 25/32 X 1/32	7804	NUT, 1/2-13 X 15/32 X 7/8 (sealing)
4351	SCREW, 3/8 X 1-1/2 Torx button hd. (self-tapping) (Grade 8 steel)	6314W	WASHER, 21/64 X 9/16 X 1/8	7824	LOCKNUT, 1/2-20 X 1/4 hex. (Grade 2 steel)
4352	SCREW, 3/8-16 X 1-1/2 Torx socket (self-tapping) (Grade 8 steel)	6333	WASHER, 5/16 X 7/8 X 5/64	7839	FLANGE NUT, 3/4-16 X 21/32 (Grade 2 steel)
4377	SCREW, 3/8-16 X 2 0 hex w/washer self tapping	6366	WASHER, 1/2 X 1-1/4 X 3/32	7844	NUT, 1/2-13 X 5/16 X 3/4
4413	SCREW, 3/8-24 X 5-1/2 hex cap (grade 5)	6410	WASHER, 1/4 X 9/16 X 1-16 (nylon)	7861	NUT, 3/8-24
4420	SCREW, 3/8-16 X 2 75 hex. cap (Grade 5 steel)	6516HW	WASHER, 7/16 X 1-1/8 X 1 8	7880	NUT, 1/2-13 X 7/16 X 3/4 hex (Grade 2 steel)
4435W	BOLT, 3/8-24 X 3-1/2 hex hd (Grade 5 steel)	6590HW	WASHER, 1/2 X 1-1/8 X 3/32	7916A	JAM NUT, 5/8-18 (locking)
4453	BOLT, 1/4-20 X 7/8 hex hd.	6655	WASHER, 5/8 X 1-1/2 X 3/32	7956	NUT, 1/2 X 20
4460	BOLT, 5/8-18 X 1 hex hd (Grade 5 steel)	6701	WASHER, 3/8 X 13/16 X 1 16	7966	LOCKNUT 10-32 X 15/64 X 6/8 hex w/nylon insert
4716W	BOLT, 3/8-16 X 1-1/4 hex hd (Grade 5 steel)	6702	WASHER, 5/16 X 11/16 X 1 16	7987	CASTLE NUT 5/8-18 X 15/16 hex (Grade 8 steel)
4717A	SCREW, 1/4-20 X 2-1/4 knurled socket hd (w/lockpatch)	6703	WASHER, 1/4 X 5/8 X 1 16	8108	SPEED NUT, 11/32 dia
4718A	SCREW, 1/4-20 X 1-1/2 SEM HEXSOC. CAP (Grade 8 steel)	6716	WASHER, #10 X 1 2 X 3/64	8144	NUT CLIP, 5/16
4721	BOLT, 3/8-16 X 1-1/2 hex hd (Grade 5 steel)	6718	WASHER, 1/2 X 1-1/16 X 3/32		
4740A	SCREW, 1/4-20 X 1-1/4 knurled socket hd (w/lockpatch & lockwasher)(Grade 8 steel)	6736	WASHER, 9/32 X 5/8 X 1 16		
4741A	SCREW, 1/4-20 X 1 hex socket hd (w/lockpatch)	6738	WASHER, 17/32 X 7/8 X 7/64		
4743	SCREW, 1/2-20 X 2-5/8 hex. hd (Grade 5 steel)	6758	WASHER, 3/8 X 9/16 X 7/64		
4748	SCREW, 3/8-16 X 1-1/8 hex socket hd (Grade 8 steel)	6798	WASHER, 31 X 50 X .03		
4751	SCREW, 1/4-20 X 3/4 hex. hd (w/lockpatch) (Grade 8 steel)	6812	WASHER, 13/32 X 11/16 X 1 16		
4758	SCREW, 3/12-18 X 3.48 hex. socket cap (Grade 8 steel)	7019	WASHER, 1 2 X 3.4 X 1 4 (rubber)		
4765	SCREW, 1/4-20 X 2-5/8 cap screw hex socket head w/ flat (Grade 8 steel)	7036	LOCKWASHER, 1 4		
4767	SCREW, 5/16-18 X 1-1/4 button head s s	7038	LOCKWASHER, 3/8		
4771	SCREW, 5/16-18 X 4-1/4 hex socket head cap (grade 5)	7041	LOCKWASHER, 5/16		
4816A	SCREW, 5/16-18 X 1-1/2 socket hd	7042	LOCKWASHER, 5/16 (high collar)		
4820A	SCREW, 1/4-20 X 2 hex. socket	7045	LOCKWASHER, 3/8(high collar)		
4826	SCREW, 1/4-20 X 2-1/2 hex. socket hd. (w/washer)	7068	LOCKWASHER, 1/2		
5403B	CARRIAGE BOLT, 1/4-20 X 3/8	7124	LOCKWASHER, 1/4 internal tooth		
		7127	LOCKWASHER, 5/16 internal tooth		
		7129	LOCKWASHER, 1/2 internal tooth		
		7145W	LOCKWASHER, 3/8 external tooth		
		7220	LOCKWASHER, No. 10 external tooth		
		7481	ACORN NUT, 5/16-18 chrome		
		7495	NUT, No 6 hex		
		7531	LOCKNUT, 5/16-18 X 9/32 X 1/2 hex		
		7593	FLANGE NUT, 5/16-24		
		7624	LOCKNUT, No 10-24 X 1/4 X 3/8 hex		
		7629	NUT, No. 10-32 X 3/8 hex (keps)		
		7667	NUT, 3/8-16 X 9/32 X 9/16 hex (w/nylon insert)		
		7683	LOCKNUT, 1/4-28 X 5/16 X 7/16 hex.		