

SabMag/VFR List Microfiche & Manuals Electronic Reader Project

The microfiche and manuals contained herein are provided as a service to the Internet mailing-list community for non-commercial use only. No warranties, express or implied, are given for the accuracy of this material. All materials contained on this CD are in Adobe Portable Document Format (PDF). You may freely copy this information provided it is used in its entirety and includes this message. The free Adobe Acrobat Reader® for each of the supported computer platforms is included to allow reading. Separate license agreements are provided for this software by Adobe and included in the installation package.

**Back to
Index**

**Continue
To next page**

HONDA

PARTS CATALOG

VF750F '83
V45 Interceptor

VF750F '84
750 Interceptor

AMERICAN HONDA MOTOR CO., INC.

© AMERICAN HONDA MOTOR CO., INC. 1983

H182D

TABLE OF CONTENTS

HOW TO USE THIS CATALOG	1-A 2	II
SERIAL NUMBERS	1-A 3	IV
CONSTRUCTION OF VEHICLE IDENTIFICATION NUMBER (V.I.N.)... 1-A 3		V
COLOR TABLES	1-A 4	VI
MANUALS	1-A 6	X
SPECIFICATIONS	1-A 7	XII
BULK HOSE	1 A 9	XVI
COMMONLY REQUIRED REPLACEMENT PARTS.....	1 A 10	XVIII
CONTENTS BY PAGE NO. SEQUENCE	1-A 11	XX
PART GROUPS		
ENGINE GROUP	1-B 1	2
FRAME GROUP	1-D 1	50
INDEX		
PART NUMBER INDEX	1-H 1	128
DESCRIPTION INDEX	1-I 1	140

GRID

A-1

HOW TO USE THIS CATALOG

This parts catalog is to be used when ordering replacement parts for the model(s) specified on the microfiche title strip.

CATALOG PAGE BREAKDOWN

MODEL(S)	MODEL		APPLICATION						AREA CODE	ENGINE SERIAL NUMBER	QTY REQ	PART NUMBER	HONDA CODE
	1	1	1	1	1	1	1						
	9	9	9	9	9	9	9						
	8	8	8	8	8	8	8	8					
	4	5	6	7	4	5	6	7					
Ref. No.	BLOCK NO.	E-1								FROM	TO		
	DESCRIPTION												



1. Ref No.—Reference number corresponding with the reference numbers on the illustrations. *

* All illustrations are representative only and do not necessarily correspond exactly to the actual part. "N" signifies the part is not illustrated.

2. DESCRIPTION—Describes the part for the related part number.

Abbreviations			
ASSY	Assembly	MPH	Miles Per Hour
COMP	Complete	L (100L)	Link (100 Links)
R	Right	A.C	Alternating Current
L	Left	D.C	Direct Current
STD	Standard	IN	Inlet
MM	Millimeter	EX	Exhaust
G	Gram	FR	Front
T 22T	Tooth	RR	Rear
A	Ampere	HEX	Hexagonal
V	Volt	A.M.	Attaching Mark
W	Watt	T.M	Transcript Mark
KPH	Kilometer Per Hour	C.D.I	Capacitive Discharge Ignition

Decision for 'R' or 'L'.

'R' or 'L' in the description of a part stands for the Right hand side or the Left hand side which is decided by the forward direction of travel of the vehicle.

3. Model Application—Model application for the various models listed within the catalog. Single model applications will not require this section.

Model Year Guide—A guide to the part application (prior to 1976 the guide reference is the model designation ie. K0, K1 etc.. For 1976 and above the guide reference is the last digit of the model year ie. 1976 = 6; 1977 = 7; 1985 = 5 etc.). Other unique designations may be used in catalogs listing different models.

4. AREA CODE—Area codes for parts that are unique to a particular area. Area codes are defined in the Serial Number application chart when applicable. This column will not be used in catalogs which do not include unique area codes.

5. SERIAL NUMBER—Applies to Engine or Frame serial numbers depending on the section.

The serial number of the vehicle (frame, engine, carburetor) should be checked prior to ordering parts for a specific unit. In cases where a part has been modified, the serial number of the vehicle bearing the modification is listed in the 'SERIAL NUMBER' column.

The modification parts are controlled by each pertinent serial number below:

Engine serial number - Engine group parts (Block numbers beginning with 'E').

Carburetor identification number - Carburetor component parts.

Frame serial numbers - Frame group parts (Block numbers beginning with 'F').

HOW TO USE THIS CATALOG

Serial number application chart and Serial number locations are provided.

Note: Some models may be controlled by one serial number only.

6. QTY REQ—Quantity required per unit as specified.

A. 'AR' in place of the quantity indicates AS REQUIRED.

B. '()' Parenthesis in the quantity required column indicates 'optional'. (only the open parenthesis will appear if the quantity required is over 5).

7. PART NUMBER—Part number corresponding to the reference numbers and application. Several part numbers may be listed under one (1) reference number. For your convenience the current supersede chain, as of print date, has been listed for you. Supersede chains are subject to change without notice.

MAKE-UP OF PART NUMBERS

All parts are classified into two groups consisting of 'GENERAL PARTS' and 'STANDARD PARTS'. All parts are numbered in accordance with system described below:

General Parts

Example:

Fork comp. Fr. Part No 51105-GR1-700ZA
 Function No 51
 Component No 105
 Parts Classification No -GR1-
 Classification No 700
 * Color Code ZA

Standard Parts

Example:

Screw, Pan 4 x 20 Part No 93500-04020-1A
 Function No 93
 Type No 500
 Dimensions -04020-
 ISO Standard Designation
 Chemical Surface Treatment A

The color code at the end of a General Part's part number indicate the color. However, color codes such as ZA, ZB, ZC onward except ZZ, do not indicate the color directly but refer to the notes " " in the Description Column of this Parts Catalog Microfiche. If the color description is not indicated in the description, refer to the color table.

8. H/C—The Honda Code is listed to the right of each Part Number.

A. Additional Information—The table of contents located at the right of each microfiche grid lists sectioned titles in alphabetical order. Some microfiche will require separate tables of contents for the Engine and frame sections which will be noted in a sub-heading.

NOTE:

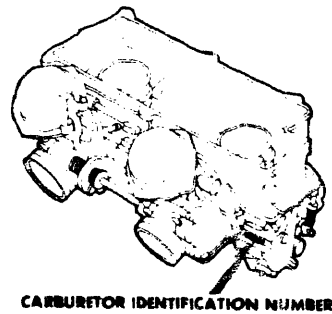
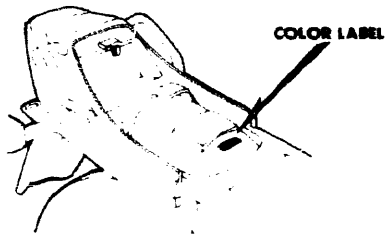
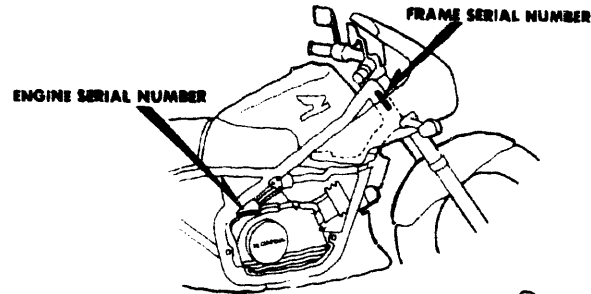
- The Block No. listed in the upper right hand corner of the Description heading refers to a complete illustration page and it's text, and should not be confused with the GRID NO. when using microfiche.
- Rear view mirrors are standard equipment on all street legal models.

SERIAL NUMBERS

Models and applicable serial numbers

Models and applicable serial Nos. given in this parts catalog can be identified as follows.

Model	Area Code	Unique Area	Applicable Engine Serial No.	Applicable Frame Serial No.	Applicable Carburetor Identification No.
VF750F '83	A		RC15E-2000022 To 2008111	RC150-DM000017 To DM008120	VD52A
VF750F '84	A	EXCEPT CALIFORNIA	RC15E-2100012 To 2103474	RC150-EM100006 To EM103270	VD52C
VF750F '84	AC	CALIFORNIA	RC15E-2102802 To 2103712	RC151-EM100002 To EM100437	VD05A



CONSTRUCTION OF VEHICLE IDENTIFICATION NUMBER (V.I.N.)

(Example) W.M.I. J H 2 V.D.S. R C 0 4 0 * V.I.S. B M 2 0 0 0 0

W.M.I. ... World manufacturer identifier
V.D.S. ... Vehicle descriptor section
V.I.S. ... Vehicle indicator section

Sequential Production number

Plant representation

C...SAITAMA Factory in JAPAN
K...KUMAMOTO Factory in JAPAN
M...HAMAMATSU Factory in JAPAN
S...SUZUKA Factory in JAPAN
A...OHIO Factory in U.S.A.
B...AALST Factory in BELGIUM
R...MANAUS Factory in BRAZIL
D...GUADALAJARA Factory in MEXICO

Model year

(Example)
B...1981 C...1-d2 D...1983 ... X...1999

Check digit

This code is used to detect errors in the V.I.N. and consists of a single-digit number (0-9) or a letter "X". It has no direct bearing upon the V.D.S. and V.I.S.

Vehicle description code

(Example) RC040..CB750F NC030...CB400T
Refer to: SERIAL NUMBERS

Make and Type of vehicle

JH2...HONDA, Motorcycle (Manufactured in JAPAN)
1HF...HONDA, Motorcycle (Manufactured in U.S.A.)
YC1...HONDA, Motorcycle (Manufactured in BELGIUM)
9C2...HONDA, Motorcycle (Manufactured in BRAZIL)
3H1...HONDA, Motorcycle (Manufactured in MEXICO)
JH3...HONDA, all-terrain vehicle (Manufactured in JAPAN)

Any change or modification of parts is directly related to the V.D.S. and V.I.S.
A V.I.S. number will appear in the "Serial No." column of the Parts Catalog if a part is changed or modified.

COMMENT:

This example is generic and applies to 1981 and newer vehicles. 1980 models and prior are referred to as "FRAME NUMBERS" and the construction is designed by using the model designation or code followed by a sequential number.

COLOR TABLES

Color chart

- (WL) = Stripes and labels other than caution labels are included in parts whose part name end in (WL).
- (WOL) = Stripes and labels are not included in parts whose part name end in (WOL).

COLOR CODE TABLE (Color descriptions omitted from the main text of the catalog)

TYPE OF PARTS	COLOR CODE	COLOR DESCRIPTION
PAINTED PARTS	A	WHITE
	B	BLACK
	C	SCARLET
	E	ROYAL BLUE
	N	DARK BLUE
	Q	MARQUEM BLUE
	R	IVORY YELLOW
	S	DARK SILVER
	Y	METALLIC SILVER
	XW	CHROME
	Z	PRIMER
	ZZ	PRIMER
	VINYL PARTS	A
B		BLUE
D		LIGHT BLUE
E		SCARLET
G		DARK ROSE
N		ELEPHANT GRAY & IVORY
Q		WHITE
V		IVORY

COLOR TABLES

Color application chart

- When ordering a part of a particular color or type refer to the chart below for the model color and color label application.
- (WL) = Stripes and labels other than caution labels are included in parts whose part name end in (WL).
- (WOL) = Stripes and labels are not included in parts whose part name end in (WOL).

MODEL	VF750F ₀ '83	
COLOR	Candy Aleutian Blue	Candy Bourgogne Red
COLOR CODE	PB-127C-U	R-107C-U
TANK SET, FUEL	PB127CU	R107CU
COVER COMP., R. SIDE	PB127CU	R107CU
COVER COMP., L. SIDE	PB127CU	R107CU
COWL COMP., RR. SEAT	PB127CU	R107CU
COWL COMP., FR.	PB127CU	R107CU
FENDER COMP., FR.	NH121PA	NH121PA
COWL COMP., UNDER	NH121PA	NH121PA
SEAT ASSY. DOUBLE	NH1	NH1
SUB FRAME COMP.	NH104MU	NH10MU
BODY COMP., FRAME	NH104MU	NH10MU
STRIPE, FUEL TANK	TYPE 1	TYPE 2
MARK, R. FUEL TANK	TYPE 1	TYPE 2
MARK, L. FUEL TANK	TYPE 1	TYPE 2
STRIPE, RR. COWL	TYPE 1	TYPE 2
STRIPE, R. SIDE COVER	TYPE 1	TYPE 2
STRIPE, L. SIDE COVER	TYPE 1	TYPE 2
STRIPE, R. FR. COWL	TYPE 1	TYPE 2
STRIPE, L. FR. COWL	TYPE 1	TYPE 2
MARK, WIND SCREEN	TYPE 1	TYPE 1
MARK, UNDER COWL	TYPE 1	TYPE 1
MARK, RR. COWL	TYPE 1	TYPE 1
EMBLEM, SIDE COVER	TYPE 1	TYPE 2
LABEL, FR. FORK CAUTION	A03	A03
MARK, DRIVE CAUTION	A03	A03

Note: When applicable, "From" and "To" followed by a Serial Number in the Descriptor column indicates the application range when present; "A C" followed by a code indicates the Area Code

VII

GRID

A-4

COLOR TABLES

Color application chart

- When ordering a part of a particular color or type, refer to the chart below for the model color and color label application.
- (WL) = Stripes and labels other than caution labels are included in parts whose part name end in (WL)
- (WOL) = Stripes and labels are not included in parts whose part name end in (WOL)

MODEL	VF750F _E '84	
	Candy Aleutian Blue	Candy Bourgogne Red
	COLOR CODE	
TANK SET, FUEL A/C: A	PB127CU	R107CU
TANK SET, FUEL A/C: AC	PB127CU	R107CU
COVER COMP., SIDE	PB127CU	R107CU
COVER COMP., L SIDE	PB127CU	R107CU
COWL COMP., RR SEAT	PB127CU	R107CU
COWL COMP., FR A/C: A	PB127CU	R107CU
COWL COMP., FR A/C: AC	PB127CU	R107CU
FENDER COMP., FR	NH121PA	NH121PA
COWL COMP., UNDER	NH121PA	NH121PA
SEAT ASSY, DOUBLE	NH1	NH1
SUB FRAME COMP.	NH104MU	NH104MU
BODY COMP., FRAME	NH104MU	NH104MU
STRIPE, FUEL TANK	TYPE 1	TYPE 2
MARK, R FUEL TANK	TYPE 1	TYPE 2
MARK, L FUEL TANK	TYPE 1	TYPE 2
STRIPE, RR COWL	TYPE 1	TYPE 2
STRIPE, FR COWL A/C: A	TYPE 1	TYPE 2
STRIPE, FR COWL A/C: AC	TYPE 1	TYPE 2
STRIPE, R SIDE COVER	TYPE 1	TYPE 2
STRIPE, L SIDE COVER	TYPE 1	TYPE 2
STRIPE, R FR COWL A/C: A	TYPE 1	TYPE 2
STRIPE, L FR COWL	TYPE 1	TYPE 2

(Continued)

COLOR TABLES

Color application chart

- When ordering a part of a particular color or type, refer to the chart below for the model color and color label application.
- (WL) = Stripes and labels other than caution labels are included in parts whose part name end in (WL).
- (WOL) = Stripes and labels are not included in parts whose part name end in (WOL).

MODEL	VF750F _E '84	
	Candy Aleutian Blue	Candy Bourgogne Red
	COLOR CODE	
MARK, WIND SCREEN	TYPE 1	TYPE 1
MARK, UNDER COWL	TYPE 1	TYPE 1
MARK, RR COWL	TYPE 1	TYPE 1
EMBLEM, SIDE COVER	TYPE 1	TYPE 1
LABEL, FR FORK CAUTION	A03	A03
MARK, DRIVE CAUTION	A03	A03

Note: When applicable, "From" and "To," followed by a Serial Number in the Description column, indicates the application range when present. "A/C," followed by a code indicates the Area Code.

MANUALS

DESCRIPTION	MANUAL NUMBER	H/C
VF750F '83-'84 SERVICE MANUAL	61MB203	1844497
VF750F '83 OWNER'S MANUAL	31MB2600	1377001
VF750F '84 OWNER'S MANUAL	31MB2610	1708585

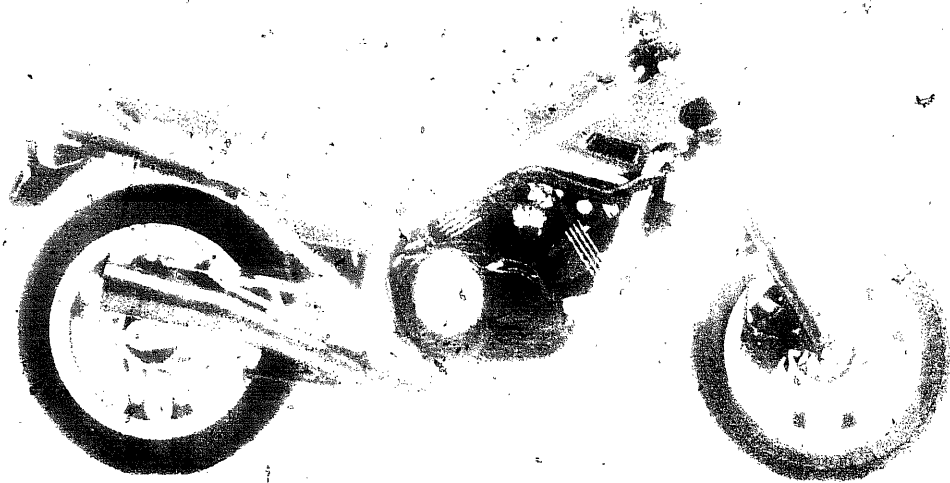
x

xi

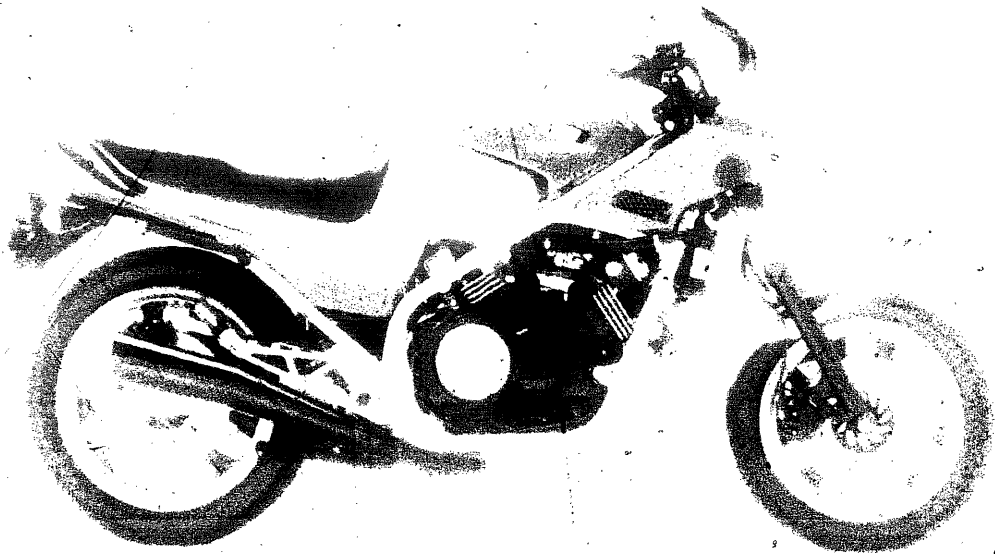
GRID

A-6

MODEL ID PHOTO



VF750F'83 V45 INTERCEPTOR



VF750F'84 750 INTERCEPTOR

SPECIFICATIONS

SECTION/SUBJECT	VF750F'83	VF750F'84
ENGINE		
Cylinder	Four Cylinders	Four Cylinders
Strokes	4-Stroke	4-Stroke
Cooling	Liquid Cooled	Liquid Cooled
Camshaft	OHV	OHV
Valves per cylinder	4	4
Displacement	748cc	748cc
Lubrication system	Wet Sump	Wet Sump
Carburetor	C.V.:VD52B.32 30mm	C.V.:VD52C
Main jet	Pri. # 128 Sec. # 128	49st. # 112 # 110-CAL. # 128
Slow jet	# 38	CA # 38 (49st. # 38)
TRANSMISSION		
Transmission type	Manual	Manual
Transmission speeds	5 Speed	5 Speed
Clutch	Manual	Manual
Shift pattern	1-N-2-3-4-5	1-N-2-3-4-5
CHASSIS		
Fuel tank capacity (Std)	5.8gal	5.8gal
Fuel tank capacity (Res)	1.1gal	1.1gal
Air filter type	Paper	Paper
Countershaft sprocket	17T	17T
Rear wheel sprocket	44T	44T
Drive chain	50-110L	50-110L
Front Brake	Double Disc	Double Disc
Rear Brake	Single Disc	Single Disc
Front tire	120 80 X 16	120 80 X 16
Tire pressure	32PSI	32PSI
Rear tire	130 80 X 18	130 80 X 18
Tire pressure	40PSI	40PSI
SERVICE/TUNING		
Valve clearance:		
Intake	0.12mm (0.005")	0.12mm (0.005")
Exhaust	0.12mm (0.005")	0.12mm (0.005")
Ignition type	CDI	CDI
Spark plug gap	0.8-0.9mm (0.031-0.035")	0.8-0.9mm (0.031-0.035")
LUBRICATION		
Recommended fuel	86+ Octane	86+ Octane

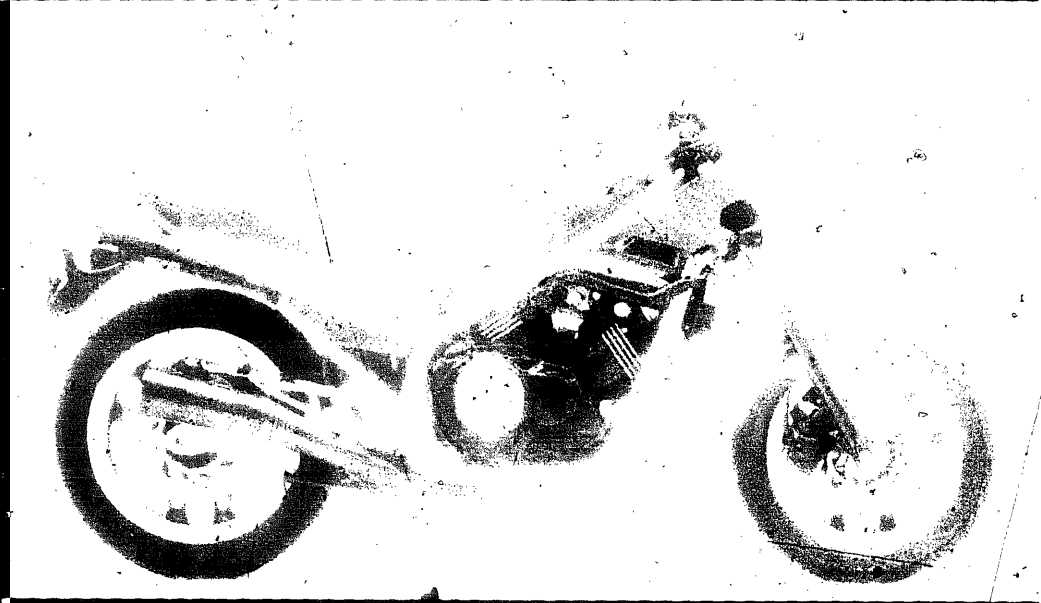
(Continued)

XIII

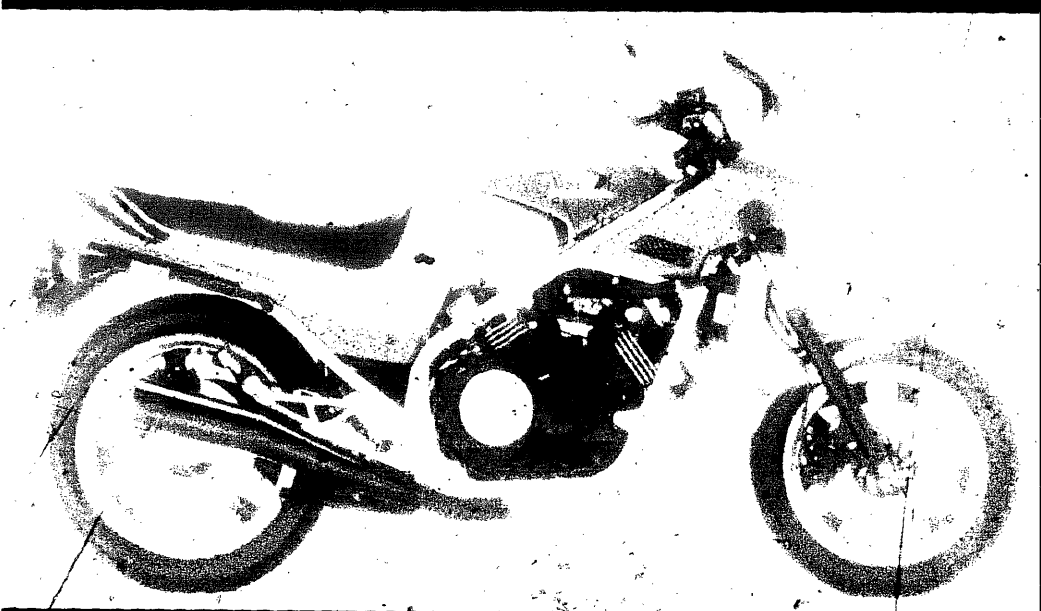
GRID

A-7

MODEL ID PHOTO



VF750F'83 V45 INTERCEPTOR



VF750F'84 750 INTERCEPTOR

SPECIFICATIONS

SECTION SUBJECT	VF750F'83	VF750F'84
LUBRICATION (continued)		
Engine oil - Pro Honda: GN4 10W40	P N 08206-0001	P N 08206-0001
GN4 20W50	P N 08206-0002	P N 08206-0002
Engine oil capacity: After draining	3.1qts	3.1qts
After reassembly	3.2qts	3.2qts
Coolant type	P N CUO8730	P N CUO8730
Coolant ratio	50 50	50 50
Chain lubricant: Pro Honda chain lube	P N 08209-0002	P N 08209-0002
Fork oil: Pro Honda	P N 08208-0010	P N 08208-0010
Viscosity	10W	10W
Capacity after draining	R H 360cc L H-380cc	R H-360cc L H-380cc
Brake fluid - Pro Honda DOT 4	P N 08203-0004	P N 08203-0004

BULK HOSE

BULK HOSE CROSS REFERENCE CHART

To convert a cut hose part number to the equivalent of roll hose simply match the two part numbers using the following chart, cutting the required length indicated by the cut hose part number.

FUEL HOSE		VACUUM HOSE	
CURRENT CATALOG LISTING	BULK HOSE PART NUMBER	CURRENT CATALOG LISTING	BULK HOSE PART NUMBER
95001-35 --- 2 ---	95001-35003-20M	95005-35 --- 2 ---	95005-35008
95001-35 --- 4 ---	95001-35003-40M	95005-35 --- 3 ---	
95001-45 --- 2 ---	95001-45003-20M	95005-35 --- 1 ---	
95001-45 --- 4 ---	95001-45008-40M	95005-45 --- 2 ---	95005-45008-10M
95001-55 --- 2 ---	95001-55008-20M	95005-45 --- 3 ---	
95001-55 --- 4 ---	95001-55008-40M	95005-50 --- 3 ---	95005-50003-30M
95001-75 --- 4 ---	95001-75008-40M	95005-55 --- 2 ---	95005-55003-20M
		95005-70 --- 3 ---	95005-70003-30M
		95005-75 --- 1 ---	95005-75003-10M
		95005-75 --- 2 ---	
		95005-80 --- 1 ---	95005-80008-10M
		95005-80 --- 2 ---	
		95005-80 --- 3 ---	
		95005-12 --- 2 ---	95005-12003-10M

ORDERING INFORMATION

FUEL HOSE

PART NUMBER	H/C	INSIDE DIAMETER	ROLL LENGTH
95001-35003-20M	2380533	3.5 mm	3M (9.9ft)
95001-35003-40M	2380541	3.5 mm	3M (9.9ft)
95001-45003-20M	2380558	4.5 mm	3M (9.9ft)
95001-45008-30M	2324986	4.5 mm	8M (26.4ft)
95001-55008-20M	2386134	5.3 mm	8M (26.4ft)
95001-55008-30M	2385896	5.3 mm	8M (26.4ft)
95001-75003-20M	2385094	7.5 mm	3M (9.9ft)
95001-75003-30M	2385904	7.5 mm	3M (9.9ft)

VACUUM HOSE

PART NUMBER	H/C	INSIDE DIAMETER	ROLL LENGTH
95005-35008-10M	2325058	3.5 mm	8M (26.4ft)
95005-45008-10M	2325082	4.5 mm	8M (26.4ft)
95005-50003-30M	2380608	5.0 mm	3M (9.9ft)
95005-55008-10M	2386886	5.5 mm	8M (26.4ft)
95005-65003-20M	2380624	6.5 mm	3M (9.9ft)
95005-75003-10M	2380640	7.3 mm	3M (9.9ft)
95005-80008-10M	2325108	8.0 mm	8M (26.4ft)
95005-12003-10M	2380657	12.0 mm	3M (9.9ft)
95005-14003-20M	2380665	14.0 mm	3M (9.9ft)

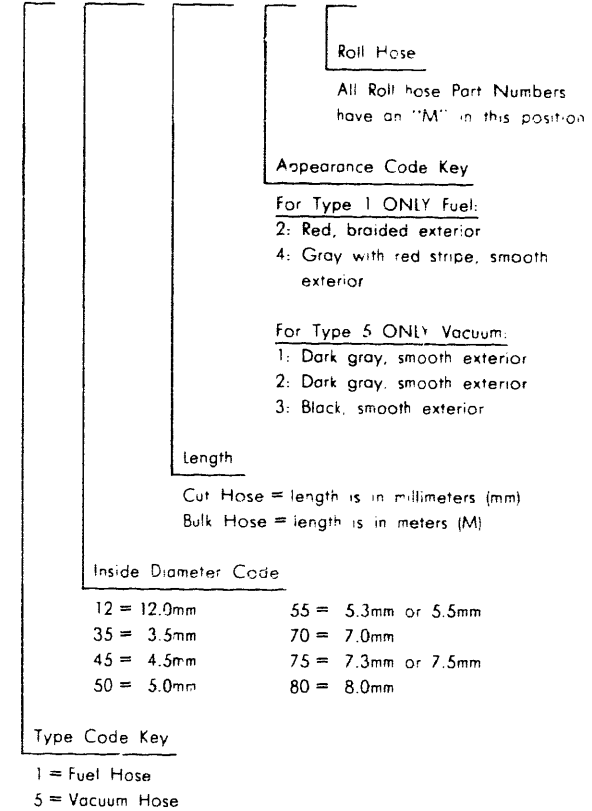
CAUTION: Damage to vacuum hose will result from contact with fuel. Do not use vacuum hose in place of fuel hose.

BULK HOSE

CONSTRUCTION OF FUEL AND VACUUM HOSE PART NUMBER

Part Number
(Example)

9 5 0 0 1 - 7 5 0 0 8 - 4 0 M



CAUTION: Damage to vacuum hose will result from contact with fuel. Do not use vacuum hose in place of fuel hose.

COMMONLY REQUIRED REPLACEMENT PARTS

VF750F '83 VF750F '84		V F 7 5 0 F	V F 7 5 0 F	A R E A	Q T Y	SERIAL NUMBER FROM TO	PART NUMBER	HONDA CODE
REF NO	DESCRIPTION	3	4	C O D E	R E Q			
	BATTERY (12V 14AH YUASA)	3	4		1	31500-MB1-872	3046406	
	BULB, HEADLIGHT (H4 JA12V60/55W)	3	4		1	34901-MC7-601	1288612	
	BULB, TURN SIGNAL (12V23/9W)	3	4		2	34905-425-671	0824326	
	BULB, TURN SIGNAL (12V23W)	3	4		2	34905-288-671	0145318	
	CABLE COMP. CHOKE	3	-		1	17950-MB2-000	1427723	
	CABLE COMP. CHOKE	-	4		1	17950-MB2-700	1698463	
	CABLE, SPEEDOMETER INNER	-	4		1	44831-KJ9-000	2522969	
	CABLE, SPEEDOMETER INNER	3	-		1	44831-371-000	1435270	
	CYLINDER ASSY FR BRAKE MASTER	3	4		1	45500-MB4-573	1666874	
	DISK CLUTCH FRICTION	3	4		7	22201-MB0-303	1242551	
	FILTER, OIL	3	4		1	15410-MJ0-004	3481355	
	FLOAT SET	3	4		4	16013-MB0-671	1241751	
	FUSE B (10A)	3	4		2	98200-21000	0562793	
	FUSE B (15A)	3	4		5	98200-21500	0252387	
	FUSE F (30A)	3	4		1	98200-53000	0412676	
	GASKET KIT A	3	4		1	061A1-MB2-000	1431758	
	GASKET KIT B	3	4		1	061B1-MB2-010	1708015	
	GASKET SET	3	-		4	16010-MB0-871	3516416	
	GASKET SET	-	4	AC	4	16010-MB0-871	3516416	
	GASKET SET	-	4	A	4	16010-MB6-681	2076382	
	GASKET, EX PIPE	3	4		4	18291-216-000	0028241	
	GASKET, HEAD COVER	3	4		2	12391-MB0-010	2594035	
	GRIP, L HANDLEBAR	3	4		1	53166-390-780	0483438	
	GRIP, R HANDLEBAR	3	4		1	53165-390-780	0483420	
	HEADLIGHT ASSY (12V 60.55W)	3	4		1	33100-MB2-671	1432236	
	HEADLIGHT UNIT	3	4		1	33120-MB0-771	1437144	
	KEY SET	3	-		1	35010-MB2-030	2680629	
	KEY SET	-	4	A	1	35010-MB2-700	1700335	
	KEY SET	-	4	AC	1	35010-MB2-880	1700343	
	LEVER COMP L HANDLEBAR	3	4		1	53178-KE8-006	1373992	

(Continued)

COMMONLY REQUIRED REPLACEMENT PARTS

(Continued)

VF750F '83 VF750F '84		V F 7 5 0 F	V F 7 5 0 F	A R E A	Q T Y	SERIAL NUMBER FROM TO	PART NUMBER	HONDA CODE
REF NO	DESCRIPTION	3	4	C O D E	R E Q			
	LEVER COMP, R HANDLEBAR	3	4		1	53175-MJ6-006	1776590	
	MIRROR, L	3	4		1	88120-MB2-003	1431030	
	MIRROR, R	3	4		1	68110-MB2-003	1431022	
	PAD COMP, RR (ASK) (KIT P/N. 431A0-MB4-307)	3	4		2	43105-MB4-007	1287745	
	PLUG, SPARK (DPR7EA-9 NGK)	3	4		(2)	98069-57916	1103076	
	PLUG, SPARK (DPR8EA-9 NGK)	3	4		2	98069-58916	1103081	
	PLUG, SPARK (DPR9EA-9 NGK)	3	4		(2)	98069-59916	1103092	
	PLUG, SPARK (X22EPR-U9 ND)	3	4		(2)	98069-57926	1096817	
	PLUG, SPARK (X24EPR-U9 ND)	3	4		2	98069-58926	1096825	
	PLUG, SPARK (X27EPR-U9 ND)	3	4		(2)	98069-59926	1096833	
	RUBBER, SHIFT PEDAL	3	4		1	24705-KE8-000	145536	
	SPROCKET, DRIVE (17T)	3	4		1	23801-438-000	1051838	
	TIRE ASSY, FR. (BS)	3	4		1	44710-MB2-671	1435049	
	TIRE ASSY, FR. (DUNLOP)	3	4		1	44710-MB2-672	1435064	
	TIRE ASSY, RR. (BS)	3	4		1	42710-MB2-671	1435072	
	TIRE ASSY, RR. (DUNLOP)	3	4		1	42710-MB2-672	1435080	
	WEIGHT, BALANCE (20G)	3	4		N	42705-MB0-000	1247881	
	WEIGHT, BALANCE (30G)	3	4		N	42706-MB0-000	1247899	

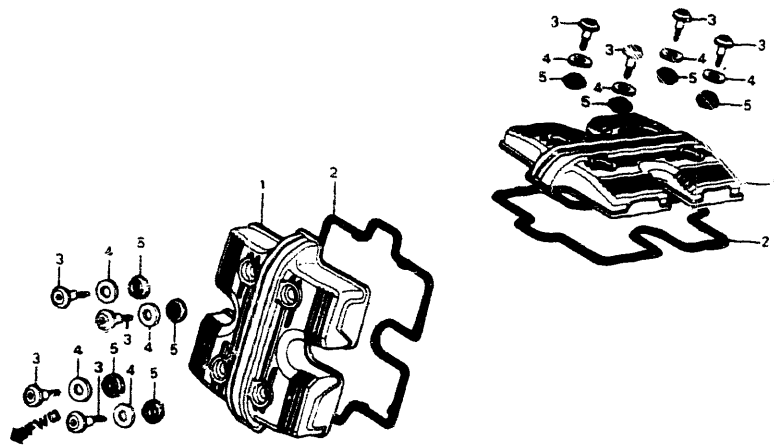
CONTENTS BY PAGE NO. SEQUENCE

PAGE TITLE	PAGE	GRID	PAGE TITLE	PAGE	GRID
CYLINDER HEAD COVER	2	1-B 1	TOP BRIDGE	60	1-D 6
CYLINDER HEAD, FR.	3	1-B 1	STEERING STEM	64	1-D 8
CYLINDER HEAD, RR.	6	1-B 3	HORN	64	1-D 8
CRANKSHAFT	8	1-B 4	FENDER, FR.	65	1-D 8
VALVE	8	1-B 4	FRONT SHOCK ABSORBER	66	1-D 9
CAM CHAIN	10	1-B 5	BRAKE CALIPER, FR.	70	1-D 11
TENSIONER	10	1-B 5	WHEEL, FR.	72	1-D 12
CRANKCASE COVER, R.	12	1-B 6	BRAKE MASTER CYL. RR.	74	1-E 1
CLUTCH	13	1-B 6	BRAKE CALIPER, RR.	76	1-E 2
PULSE GENERATOR	15	1-B 7	WHEEL, RR.	78	1-E 3
STARTING CLUTCH	15	1-B 7	FUEL TANK	80	1-E 4
ALTERNATOR	17	1-B 8	SEAT	82	1-E 5
CRANKCASE COVER, L.	19	1-B 9	COWL, RR.	82	1-E 5
WATER PUMP	19	1-B 9	SIDE COVER	84	1-E 6
STARTER MOTOR	22	1-B 11	BATTERY	84	1-E 6
OIL FILTER	23	1-B 11	FUEL PUMP	87	1-E 7
OIL PAN	23	1-B 11	AIR CLEANER	90	1-E 9
OIL PUMP	23	1-B 11	MUFFLER, EXHAUST	92	1-E 10
CYLINDER BLOCK	26	1-C 1	PEDAL, BRAKE	94	1-E 11
CRANKSHAFT	28	1-C 2	PEDAL, GEARSHIFT	94	1-E 11
PISTON	28	1-C 2	STEP	95	1-E 11
TRANSMISSION	34	1-C 5	STAND	97	1-F 1
GEARSHIFT DRUM	36	1-C 6	SWINGARM	98	1-F 1
WATER PIPE	38	1-C 7	SHOCK ABSORBER, RR.	100	1-F 2
THERMOSTAT	38	1-C 7	FENDER, RR.	102	1-F 3
CARBURETOR MASSY LINKS	40	1-C 8	TURN SIGNAL	104	1-F 4
CARBURETOR COMPONENTS	43	1-C 9	TAILLIGHT	106	1-F 5
GASKET KIT A	46	1-C 11	WIRE HARNESS	108	1-F 6
GASKET KIT B	47	1-C 11	IGNITION COIL	108	1-F 6
HEADLIGHT	50	1-D 1	RADIATOR	110	1-F 7
INSTRUMENTS	51	1-D 1	FRAME BODY	113	1-F 8
CONTROL LEVERS	54	1-D 3	TOOLS	116	1-F 10
SWITCHES	54	1-D 3	COWL	118	1-F 11
FLATBARS	54	1-D 3	CANISTER	121	1-F 12
BRAKE MASTER CYLINDER	56	1-D 4	RIDGE CONTROL VALVE	121	1-F 12
CLUTCH MASTER CYLINDER	58	1-D 5	STRIPES	124	1-G 2
HANDLEBAR	60	1-D 6	EMBLEMS	124	1-G 2

CONTENTS BY PAGE NO. SEQUENCE

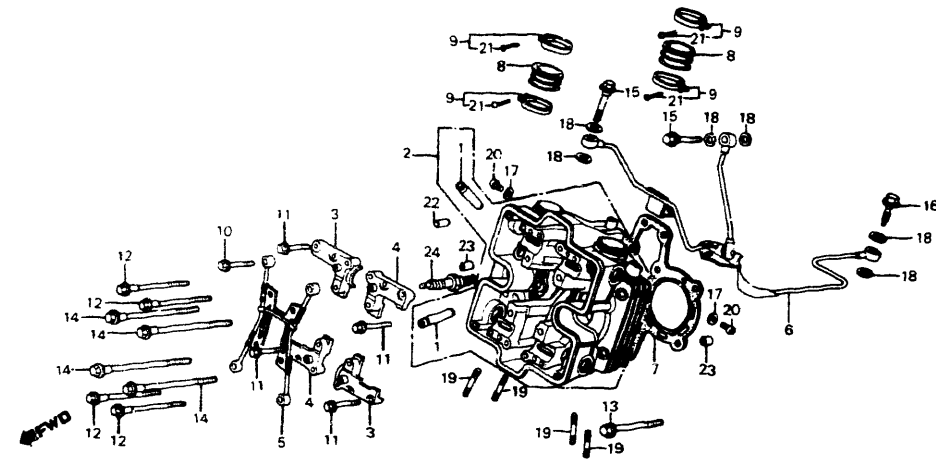
PAGE TITLE	PAGE	GRID	PAGE TITLE	PAGE	GRID
LABELS	124	1-G 2			

CYLINDER HEAD COVER



REF NO	DESCRIPTION	VF750F 83		VF750F 84		AREA CODE	SERIAL NUMBER FROM TO	QTY REQ	PART NUMBER	HONDA CODE
		3	4	3	4					
				V	V				G39-BMB2-1	BLOCK NO E-1
1	COVER A, CYLINDER HEAD	3	4					2	12311-MB0-000	1240985
2	GASKET, HEAD COVER	3	4					2	12391-MB0-000	1241017
	GASKET, HEAD COVER	3	4					2	12391-MB0-010	2094035
3	BOLT, SPECIAL, 6X29	3	4					8	90017-MB0-000	1243427
4	WASHER, MOUNTING RUBBER	3	4					8	90541-MB0-000	1243690
5	RUBBER, MOUNTING	3	4					8	90542-MB0-000	1243708

CYLINDER HEAD (FRONT)



REF NO	DESCRIPTION	VF750F 83		VF750F 84		AREA CODE	SERIAL NUMBER FROM TO	QTY REQ	PART NUMBER	HONDA CODE
		3	4	3	4					
				V	V				G39-BMB2-2	BLOCK NO E-2
1	GUIDE VALVE (OS.)	3	4					8	12204-MB0-405	1393087
2	HEAD COMP., FR. CYLINDER	3	-					1	12210-MB2-000	1426469
	HEAD COMP., FR. CYLINDER	3	-					1	12210-MB2-305	2079135
	HEAD COMP., FR. CYLINDER	-	4					1	12210-MB2-010	1708031
	HEAD COMP., FR. CYLINDER	-	4					1	12210-MB2-020	1853472
	HEAD COMP., FR. CYLINDER	-	4					1	12210-MB2-030	2006336
	HEAD COMP., FR. CYLINDER	-	4					1	12210-MB2-040	2134310
	HEAD COMP., FR. CYLINDER	-	4					1	12210-MB2-050	2134328
3	HOLDER A, CAMSHAFT	3	4					2	12211-MB0-771	1455831
	HOLDER A, CAMSHAFT	3	4					2	12211-MB0-772	1853480
	HOLDER A, CAMSHAFT	3	4					2	12211-MB0-773	2001485
4	HOLDER B, CAMSHAFT	3	4					2	12212-MB0-771	1455849
	HOLDER B, CAMSHAFT	3	4					2	12212-MB0-773	2016830
5	PIPE A, OIL PATH	3	4					1	12230-MB0-000	1240951
	PIPE A, OIL PATH	3	4					1	12230-MB0-010	2016863
6	PIPE B, OIL PATH	3	4					1	12240-MB2-000	1426485
7	GASKET, CYLINDER HEAD	3	4					1	12251-MB0-003	1240977
8	INSULATOR B, CARBURETOR	3	-					2	16212-MB0-770	1290089
	INSULATOR, CARBURETOR	-	4					2	16211-MB0-000	1242106
9	BAND, INSULATOR	3	4					4	16219-MB0-770	1312701

CONTENTS

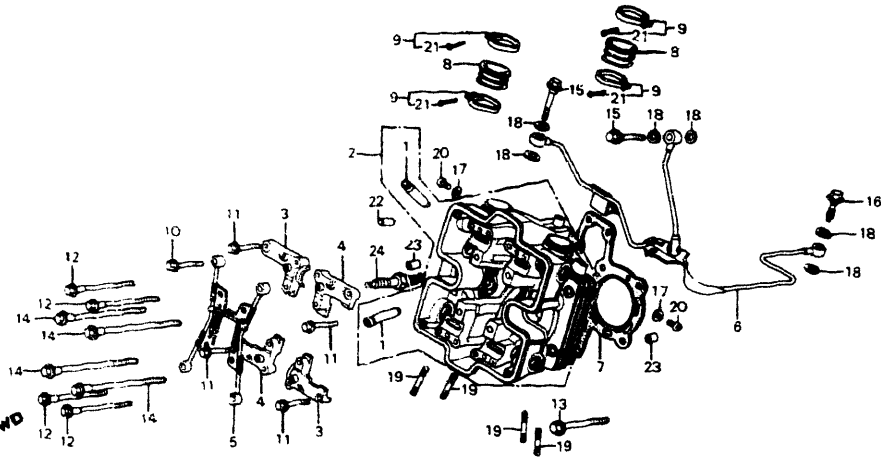
TITLE	GRID
AIR CLEANER	1-E9
ALTERNATOR	1-B8
BATTERY	1-E6
BRAKE CALIPER FR	1-D11
BRAKE CALIPER RR	1-E2
BRAKE MASTER CYL FR	1-D4
BRAKE MASTER CYL RR	1-E1
CABLES	1-D3
CAM CHAIN	1-B5
CAMSHAFT	1-B4
CAMISTER	1-F12
CARBURETOR (ASSY LINK)	1-C8
CARBURETOR COMPONENTS	1-C9
CLUTCH	1-B6
CLUTCH MASTER CYLINDER	1-D5
CONTROL LEVERS	1-D3
COWL	1-F11
COWL, RR	1-E5
CRANKCASE COVER L	1-B9
CRANKCASE COVER R	1-B6
CRANKSHAFT	1-C2
CYLINDER BLOCK	1-C1
CYLINDER HEAD COVER	1-B1
CYLINDER HEAD FR	1-B1
CYLINDER HEAD RR	1-B3
EMBLEMS	1-G2
FENDER FR	1-D8
FENDER RR	1-F3
FRAME BODY	1-F8
FRONT SHOCK ABSORBER	1-D9
FUEL PUMP	1-E7
FUEL TANK	1-E4
GASKET KIT B	1-C11
GASKET KIT A	1-C11
GEARSHIFT DRUM	1-C6
HANDLEBAR	1-D6
HEADLIGHT	1-D1
HORN	1-D8
IGNITION COIL	1-F6
INSTRUMENTS	1-D1
LABELS	1-G2
MUFFLER EXHAUST	1-E10
OIL FILTER	1-B11
OIL PAN	1-B11
OIL PUMP	1-B11
PEDAL, BRAKE	1-E11
PEDAL GEARSHIFT	1-E11
PISTON	1-C2
PULSE GENERATOR	1-B7
PURGE CONTROL VALVE	1-F12
RADIATOR	1-F7
SEAT	1-E5
SHOCK ABSORBER RR	1-F2
SIDE COVER	1-E6
STAND	1-E12
STARTER MOTOR	1-B11
STARTING CLUTCH	1-B7
STEERING STEM	1-D8
STEP	1-E11
STRIPES	1-G2
SWINGARM	1-F1
SWITCHES	1-D2
TAILLIGHT	1-F5
TENSIONER	1-B5
THERMOSTAT	1-C7
TOOLS	1-F10
TOP BRIDGE	1-D6
TRANSMISSION	1-C5
TURN SIGNAL	1-F4
VALVE	1-B4
VALVE	1-B4
WATER PIPE	1-C7
WATER PUMP	1-B9
WHEEL FR	1-D12
WHEEL RR	1-E3
WIRE HARNESS	1-F6

GRID NO.

1-B 1

RC15E ENGINE NO. 2000022 TO 2008111
 RC15E ENGINE NO. 2100012 TO 2103474
 RC15E ENGINE NO. 2102392 TO 2103712

CYLINDER HEAD (FRONT)



VF750F 83
VF750F 84

VF750F 83
VF750F 84

AREA
CODE

BLOCK NO E-2

CONTENTS

TITLE	GRID
AIR CLEANER	1-E9
ALTERNATOR	1-B8
BATTERY	1-E6
BRAKE CALIPER FR	1-D11
BRAKE CALIPER RR	1-E2
BRAKE MASTER CYL FR	1-D4
BRAKE MASTER CYL RR	1-E1
CABLES	1-D3
CAM CHAIN	1-B5
CAMSHAFT	1-B4
CANISTER	1-F12
CARBURETOR (ASSY LINK)	1-C8
CARBURETOR COMPONENTS	1-C9
CLUTCH	1-B6
CLUTCH MASTER CYLINDER	1-D6
CONTROL LEVERS	1-D3
COWL	1-F11
COWL RR	1-E5
CRANKCASE COVER	1-B9
CRANKCASE COVER R	1-B6
CRANKSHAFT	1-C2
CYLINDER BLOCK	1-C1
CYLINDER HEAD COVER	1-B1
CYLINDER HEAD FR	1-B*
CYLINDER HEAD RR	1-B3
EMBLEMS	1-G2
FENDER FR	1-D8
FENDER RR	1-F3
FRAME BODY	1-F8
FRONT SHOCK ABSORBER	1-D9
FUEL PUMP	1-E7
FUEL TANK	1-E4
GASKET KIT B	1-C11
GASKIT KIT A	1-C11
GEARSHIFT DRUM	1-C6
HANDLEBAR	1-D6
HEADLIGHT	1-D1
HORN	1-D8
IGNITION COIL	1-F6
INSTRUMENTS	1-D7
LABELS	1-G2
MUFFLER EXHAUST	1-E10
OIL FILTER	1-B11
OIL PAN	1-B1
OIL PUMP	1-B11
PEDAL BRAKE	1-E11
PEDAL GEARSHIFT	1-E11
PISTON	1-C2
PULSE GENERATOR	1-B7
PURGE CONTROL VALVE	1-F12
RADIATOR	1-F7
SEAT	1-E5
SHOCK ABSORBER RR	1-F2
SIDE COVER	1-E6
STAND	1-E12
STARTER MOTOR	1-B11
STARTING CLUTCH	1-B7
STEERING STEM	1-D8
STEP	1-E11
STRIPES	1-G2
SWINGARM	1-F1
SWITCHES	1-D3
TAILLIGHT	1-F5
TENSIONER	1-B5
THERMOSTAT	1-C7
TOOLS	1-F10
TOP BRIDGE	1-D6
TRANSMISSION	1-C5
TURN SIGNAL	1-F4
VALVE	1-B4
WATER PIPE	1-C7
WATER PUMP	1-B9
WHEEL FR	1-D12
WHEEL RR	1-E3
WIRE HARNESS	1-F6

REF NO	DESCRIPTION	QTY REQ	SERIAL NUMBER FROM	PART NUMBER	HONDA CODE
23	PIN, DOWEL, 12X20	6	-----	94301-12200	0165324
24	PLUG, SPARK (DPR7EA-9 NGK)	(2)	-----	98069-57916	1103076
	PLUG, SPARK (X22EPR-U9 ND)	(2)	-----	98069-57926	1096817
	PLUG, SPARK (DPR8EA-9 NGK)	2	-----	98069-58916	1103084
	PLUG, SPARK (X24EPR-U9 ND)	2	-----	98069-58926	1096825
	PLUG, SPARK (DPR9EA-9 NGK)	(2)	-----	98069-59916	1103092
	PLUG, SPARK (X27EPR-U9 ND)	(2)	-----	98069-59926	1096833

REF NO	DESCRIPTION	QTY REQ	SERIAL NUMBER FROM TO	PART NUMBER	HONDA CODE
10	BOLT, FLANGE, 6X52	4	-----	90001-MB0-000	1243336
11	BOLT, FLANGE, 6X54	4	-----	90003-MB0-770	1292077
12	BOLT, UBS, 8X151	4	-----	90006-MB0-000	1243351
	BOLT, UBS, 8X151	4	-----	90006-MB0-010	1762137
13	BOLT, UBS, 9X91	4	-----	90011-MB0-770	1292085
14	BOLT, UBS, 9X177	4	-----	90012-MB0-003	1243385
15	BOLT, OIL	2	-----	90025-MB0-771	1316975
16	BOLT, OIL CONTROL	1	-----	90045-MB2-000	1539014
17	WASHER, THRUST 5MM	2	-----	90452-323-000	0255224
18	WASHER, OIL BOLT	6	-----	90545-300-000	0189902
19	BOLT, STUD, 6X45	4	-----	92700-06045	0156943
	BOLT, STUD, 6X45	4	-----	92700-06045-0B	1296987
	BOLT, STUD, 6X45	4	-----	92900-06032-0B	2601912
	BOLT, STUD, 6X45	4	-----	92900-06032-0E	2532687
	BOLT, STUD, 6X50	4	-----	90063-235-000	0171454
	BOLT, STUD, 6X45	4	-----	92700-06045-0E	0167163
20	SCREW, PAN, 5X8	2	-----	93500-05008-0G	0331363
21	SCREW, PAN, 5X25	4	-----	93500-05025-0G	0477471
	SCREW, PAN, 5X28	4	-----	93500-05028-0G	0923821
22	PIN, DOWEL, 8X14	4	-----	94301-08140	0069310

4
RC15E ENGINE NO 2000022 TO 2008111
RC15E ENGINE NO 2100012 TO 2103474
RC15E ENGINE NO 2102802 TO 2103712

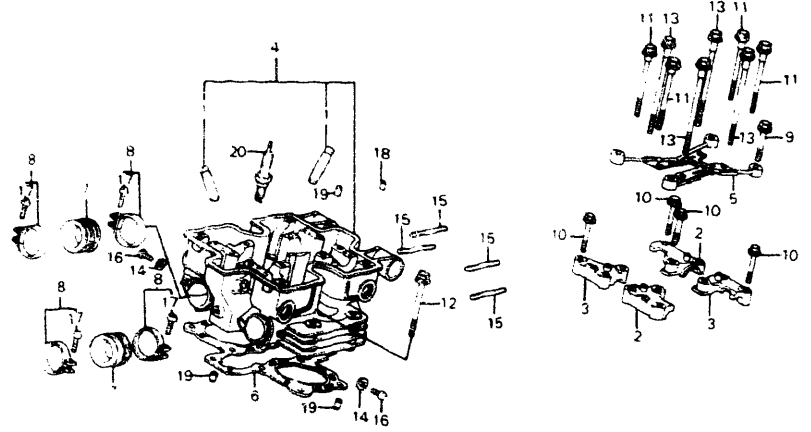
1-B 2

5

GRID NO.

1-B 2

CYLINDER HEAD (REAR)



REF NO	DESCRIPTION	VF750F 83		VF750F 84		QTY REQ	PART NUMBER	HONDA CODE
		3	4	3	4			
12	BOLT, UBS. 9X91	3	4			4	90011-MB0-770	1292085
13	BOLT, UBS. 9X177	3	4			4	90012-MB0-003	1243385
14	WASHER THRUST. 5MM	3	4			2	90452-323-000	0255224
15	BOLT, STUD. 6X45	3	-			4	92700-06045	0156943
	BOLT, STUD. 6X45	3	-			4	92700-06045-0B	1296987
	BOLT, STUD. 6X45	3	-			4	92900-06032-0B	2601912
	BOLT, STUD. 6X45	3	-			4	92900-06032-0E	2532687
	BOLT, STUD. 6X50	-	4			4	90063-235-000	0171454
	BOLT, STUD. 6X45	-	4			4	92700-06045-0E	0167163
16	SCREW, PAN. 5X8	3	4			2	93500-05008-0G	0331363
17	SCREW, PAN. 5X25	3	-			4	93500-05025-0G	0477471
	SCREW, PAN. 5X28	-	4			4	93500-05028-0G	0923821
18	PIN, DOWEL. 8X14	3	4			4	94301-08140	0069310
19	PIN, DOWEL. 12X20	3	4			6	94301-12200	0165324
20	PLUG, SPARK (DPR7EA-9 NGK)	3	4			(2)	98069-57916	1103076
	PLUG, SPARK (X22EPR-U9 ND)	3	4			(2)	98069-57926	1096817
	PLUG, SPARK (DPR8EA-9 NGK)	3	4			2	98069-58916	1103084
	PLUG, SPARK (X24EPR-U9 ND)	3	4			2	98069-58926	1096825
	PLUG, SPARK (DPR9EA-9 NGK)	3	4			(2)	98069-59916	1103092
	PLUG, SPARK (X27EPR-U9 ND)	3	4			(2)	98069-59926	1096833

BLOCK NO E-2-1

CONTENTS

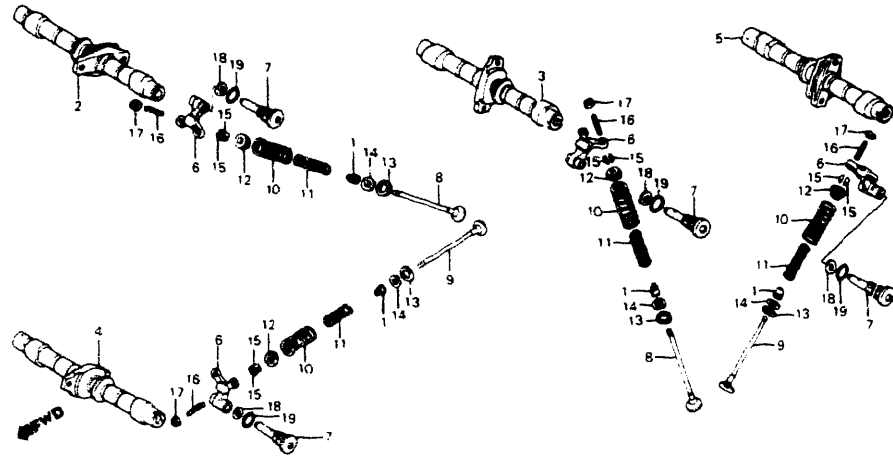
TITLE	GRID
AIR CLEANER	1-E9
ALTERNATOR	1-B8
BATTERY	1-E6
BRAKE CALIPER FR	1-D11
BRAKE CALIPER RR	1-E2
BRAKE MASTER CYL FR	1-D4
BRAKE MASTER CYL RR	1-E1
CABLES	1-D3
CAM CHAIN	1-B5
CAMSHAFT	1-B4
CANISTER	1-F12
CARBURETOR ASSY LINK	1-C6
CARBURETOR COMPONENTS	1-C9
CLUTCH	1-B6
CLUTCH MASTER CYLINDER	1-D5
CONTROL LEVERS	1-D3
COVER	1-F11
COVER RR	1-E5
CRANKCASE COVER L	1-B9
CRANKCASE COVER R	1-B8
CRANKSHAFT	1-C2
CYLINDER BLOCK	1-C1
CYLINDER HEAD COVER	1-B1
CYLINDER HEAD FR	1-B1
CYLINDER HEAD RR	1-B3
EMBLEMS	1-G2
FENDER FR	1-D8
FENDER RR	1-F3
FRAME BODY	1-F8
FRONT SHOCK ABSORBER	1-D9
FUEL PLUG	1-E7
FUEL TANK	1-E4
GASKIT KIT A	1-C11
GASKIT KIT B	1-C11
GEARSHIFT DRUM	1-C6
HANDLEBAR	1-D6
HEADLIGHT	1-D1
HORN	1-D8
IGNITION COIL	1-F6
INSTRUMENTS	1-D1
LABELS	1-G2
MUFFLER EXHAUST	1-E10
OIL FILTER	1-B11
OIL PAN	1-B11
OIL PUMP	1-B11
PEDAL BRAKE	1-E11
PEDAL GEARSHIFT	1-E11
PISTON	1-C2
PULSE GENERATOR	1-B7
PURGE CONTROL VALVE	1-F12
RADIATOR	1-F7
SEAT	1-E5
SHOCK ABSORBER RR	1-F2
SIDE COVER	1-E6
STAND	1-E12
STARTER MOTOR	1-B11
STARTING CLUTCH	1-B7
STEERING STEM	1-D8
STEP	1-E11
STRIPES	1-G2
SWINGARM	1-F1
SWITCHES	1-D3
TAILLIGHT	1-F5
TENSIONER	1-B5
THERMOSTAT	1-C7
TOOLS	1-F10
TOP BRIDGE	1-D6
TRANSMISSION	1-C5
TURN SIGNAL	1-F4
VALVE	1-B4
WATER PIPE	1-C7
WATER PUMP	1-B9
WHEEL FR	1-D12
WHEEL RR	1-E3
WIRE HARNESS	1-F6

REF NO	DESCRIPTION	VF750F 83		VF750F 84		QTY REQ	PART NUMBER	HONDA CODE
		3	4	3	4			
1	GUIDE VALVE (OS)	3	4			8	12204-MB0-405	1390087
2	HOLDER A CAMSHAFT	3	4			2	12211-MB0-771	1455831
	HOLDER A CAMSHAFT	3	4			2	12211-MB0-772	1853480
	HOLDER A CAMSHAFT	3	4			2	12211-MB0-773	2001485
3	HOLDER B CAMSHAFT	3	4			2	12212-MB0-771	1455849
	HOLDER B CAMSHAFT	3	4			2	12212-MB0-773	2016830
4	HEAD COMP RR CYLINDER	3	4			1	12220-MB2-010	1853506
	HEAD COMP RR CYLINDER	3	4			1	12220-MB2-020	2006344
	HEAD COMP RR CYLINDER	3	4			1	12220-MB2-030	2107639
	HEAD COMP RR CYLINDER	3	4			1	12220-MB2-040	2107647
5	PIPE A OIL PATH	3	4			1	12230-MB0-000	1240951
	PIPE A OIL PATH	3	4			1	12230-MB0-010	2016863
6	GASKET CYLINDER HEAD	3	4			1	12251-MB0-003	1240977
7	INSULATOR B CARBURETOR	3	-			2	16212-MB0-770	1290089
	INSULATOR CARBURETOR	-	4			2	16211-MB0-000	1242106
8	BAND INSULATOR	3	4			4	16219-MB0-770	1312701
9	BOLT FLANGE 6X52	3	4			4	90001-MB0-000	1243336
10	BOLT FLANGE 6X54	3	4			4	90003-MB0-770	1292077
11	BOLT UBS 8X151	3	-			4	90006-MB0-000	1243351
	BOLT UBS 8X151	-	4			4	90006-MB0-010	1762137

6
 RC15E ENGINE NO 2000022 TO 2008111
 RC15E ENGINE NO 2100012 TO 2133474
 RC15E ENGINE NO 2102802 TO 2103712
 1-B-3

7
 GRID NO.
1-B-3

CAMSHAFT • VALVE



VF750F 83 VF750F 84		V F 7 5 0 F	V F 7 5 0 F	A R E A C O D E	G39-BM80 4 BLOCK NO E-3	
REF NO	DESCRIPTION	3	4		QTY REQ	HONDA CODE
1	SEAL VALVE STEM	3	4		16	12209-422-005 0688887
2	CAMSHAFT COMP FR IN	3	4		1	04101-MB2-000 2521409
	CAMSHAFT COMP FR IN	3	4		1	14111-MB2-020 1696954
3	CAMSHAFT COMP RR IN	3	4		1	04102-MB2-000 2521417
	CAMSHAFT COMP RR IN	3	4		1	14121-MB2-020 1538974
4	CAMSHAFT COMP FR EX	3	4		1	04103-MB2-000 2521425
	CAMSHAFT COMP FR EX	3	4		1	14131-MB2-020 1696962
5	CAMSHAFT COMP RR EX	3	4		1	04104-MB2-000 2521433
	CAMSHAFT COMP RR EX	3	4		1	14141-MB2-020 1539006
6	ARM VALVE ROCKER	3	4		8	14611-MB0-000 1241595
7	SHAFT VALVE ROCKER ARM	3	4		8	14631-KE8-000 1289271
8	VALVE IN	3	4		8	14711-MB2-000 1426915
9	VALVE EX	3	4		8	14721-MB2-000 1426949
10	SPRING VALVE OUTER	3	4		16	14751-MB2-003 1431766
11	SPRING VALVE INNER	3	4		16	14761-MB2-003 1431774
12	RETAINER VALVE SPRING	3	4		16	14771-MB4-000 1386374
13	SEAT VALVE SPRING	3	4		16	14775-422-000 0689018
14	SEAT VALVE SPRING INNER	3	4		16	14776-MB0-770 1289420
15	COTTER VALVE	3	4		32	14781-MB4-000 1416932
16	SCREW TAPPET ADJUSTING	3	4		16	90017-414-000 1117803

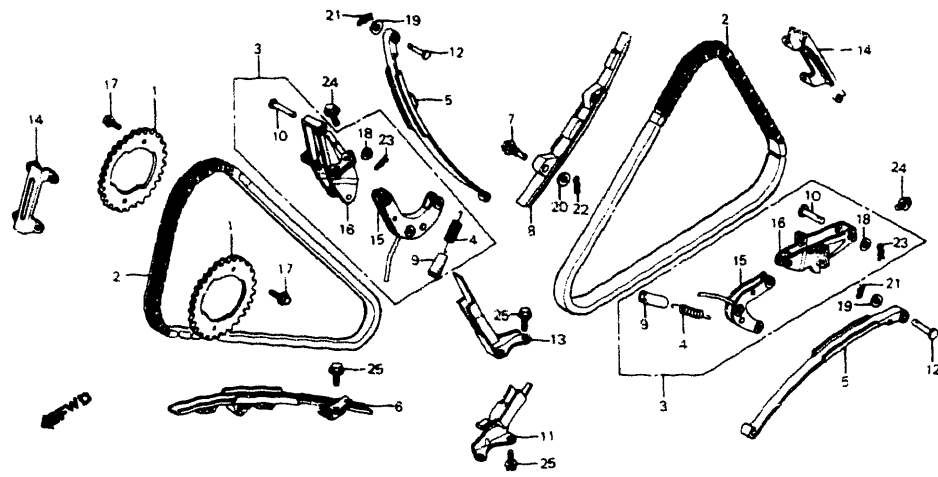
VF750F 83 VF750F 84		V F 7 5 0 F	V F 7 5 0 F	A R E A C O D E	BLOCK NO E-3		
REF NO	DESCRIPTION	3	4		SERIAL NUMBER FROM TO	QTY REQ	HONDA CODE
17	NUT TAPPET ADJUSTING	3	4			16	90206-590-000 0347815
18	WASHER WAVE .2MM	3	4			8	90402-428-000 0684878
19	O-RING 21 5X2	3	4			8	91310-KE8-003 1425602

CONTENTS

TITLE	GRID
AIR CLEANER	1-E9
ALTERNATOR	1-B8
BATTERY	1-E6
BRAKE CALIPER FR	1-D11
BRAKE CALIPER RR	1-E2
BRAKE MASTER CYL FR	1-D4
BRAKE MASTER CYL RR	1-E1
CABLES	1-D3
CAM CHAIN	1-B5
CAMSHAFT	1-B4
CANISTER	1-F12
CARBURETOR (ASSY LINK)	1-C8
CARBURETOR COMPONENTS	1-C9
CLUTCH	1-B6
CLUTCH MASTER CYLINDER	1-D5
CONTROL LEVERS	1-D3
COVER	1-F11
COVER RR	1-E5
CRANKCASE COVER L	1-B9
CRANKCASE COVER R	1-B6
CRANKSHAFT	1-C2
CYLINDER BLOCK	1-C1
CYLINDER HEAD COVER	1-B1
CYLINDER HEAD FR	1-B3
CYLINDER HEAD RR	1-B3
EMBLEMS	1-G2
FENDER FR	1-D8
FENDER RR	1-F3
FRAME BODY	1-F8
FRONT SHOCK ABSORBER	1-D9
FUEL PUMP	1-E7
FUEL TANK	1-E4
GASKET KIT B	1-C11
GASKET KIT A	1-C11
GEARSHIFT DRUM	1-C6
HANDLEBAR	1-D6
HEADLIGHT	1-D1
HORN	1-D8
IGNITION COIL	1-F6
INSTRUMENTS	1-D1
LABELS	1-G2
MUFFLER EXHAUST	1-F10
OIL FILTER	1-B11
OIL PAN	1-B11
OIL PUMP	1-B11
PEDAL BRAKE	1-E11
PEDAL GEARSHIFT	1-E11
PISTON	1-C2
PULSE GENERATOR	1-B7
PURGE CONTROL VALVE	1-F12
RADIATOR	1-F1
SEAT	1-E5
SHOCK ABSORBER RR	1-F2
SIDE COVER	1-E6
STAND	1-E12
STARTER MOTOR	1-B11
STARTING CLUTCH	1-B7
STEERING STEM	1-D8
STRIPES	1-E11
STEP	1-G2
SWINGARM	1-F1
SWITCHES	1-D3
TAILLIGHT	1-E5
TENSIONER	1-B5
THERMOSTAT	1-C7
TOOLS	1-F10
TOP BRIDGE	1-D6
TRANSMISSION	1-C5
TURN SIGNAL	1-F4
VALVE	1-B4
WATER PIPE	1-C7
WATER PUMP	1-B9
WHEEL FR	1-D12
WHEEL RR	1-E3
WIRE HARNESS	1-F6

8
RC15E ENGINE NO 2000022 TO 2008111
RC15E ENGINE NO 2100012 TO 2103474
RC15E ENGINE NO 2102802 TO 2103712

CAM CHAIN • TENSIONER



VF750F 83 VF750F 84		V F 7 5 0 F	V F 7 5 0 F	A R E A C O D E	Q T Y R E Q	G39 BMB2 4	BLOCK NO E-4
REF NO	DESCRIPTION	3	4			PART NUMBER	HONDA CODE
1	SPROCKET CAM	3	4		4	14321-MB0-000	1241405
2	CHAIN CAM	3	4		2	14401-MB0-003	1241413
3	BRACKET ASSY CAM CHAIN TENSIONER	3	-		2	14510-MB0-000	1241421
	BRACKET ASSY CAM CHAIN TENSIONER	3	4		2	14510-MB0-870	1708049
	BRACKET ASSY CAM CHAIN TENSIONER	3	4		2	14510-MB0-871	1961861
	BRACKET ASSY CAM CHAIN TENSIONER	3	4		2	14510-MB0-872	2246999
	BRACKET ASSY CAM CHAIN TENSIONER	3	4		2	14510-MB0-873	2737831
	BRACKET ASSY CAM CHAIN TENSIONER	3	4		2	14510-MB0-874	2585347
	BRACKET ASSY CAM CHAIN TENSIONER	3	4		2	14510-MK3-000	2017164
	BRACKET ASSY CAM CHAIN TENSIONER	3	4		2	14510-MN0-000	2524320
4	SPRING TENSIONER	3	4		2	14514-MB0-000	1241447
5	TENSIONER CAM CHAIN	3	4		2	14515-MB0-000	1241454

10

RC15E ENGINE NO 2000022 TO 2008111
 RC15E ENGINE NO 2100012 TO 2103474
 RC15E ENGINE NO 2102802 TO 2103712

1-8 5

VF750F 83 VF750F 84		V F 7 5 0 F	V F 7 5 0 F	A R E A C O D E	Q T Y R E Q	Serial Number From To	Part Number	Honda Code
5	TENSIONER, CAM CHAIN	3	4		2	14515-MB0-010	2247005	
6	GUIDE COMP. A, CAM CHAIN	3	4		1	14520-MB2-000	1426873	
7	BOLT, CAM CHAIN GUIDE A	3	4		1	14521-MB0-000	1241496	
8	GUIDE A, CAM CHAIN	3	4		1	14522-MB0-003	1241504	
9	TUBE, TENSIONER SPRING	3	-		2	14525-MB0-000	1241512	
	TUBE TENSIONER SPRING	3	4		2	14525-MB0-010	1707785	
10	PIN, 8X43.2	3	4		2	14526-MB0-000	1241520	
11	HOLDER ASSY. A, CAM CHAIN TENSIONER	3	4		1	14530-MB2-000	1426881	
12	PIN A, TENSIONER ARM	3	4		2	14533-MB0-000	1241546	
13	HOLDER ASSY B, CAM CHAIN TENSIONER	3	4		1	14540-MB2-000	1426899	
14	GUIDE B, CAM CHAIN	3	4		2	14541-MB0-000	1241561	
15	ARM COMP, CAM CHAIN TENSIONER	3	-	A	2	14550-MB0-000	1241579	
	ARM COMP, CAM CHAIN TENSIONER	-	4	AC	2	14550-MB0-870	1708056	
	ARM COMP, CAM CHAIN TENSIONER	-	4	AC	2	14550-MB0-871	2247021	
16	BRACKET COMP, CAM CHAIN TENSIONER HOLDER	3	-	A	2	14560-MB0-000	1241587	
	BRACKET COMP, CAM CHAIN TENSIONER HOLDER	-	4	AC	2	14560-MB0-870	1780956	
	BRACKET COMP, CAM CHAIN TENSIONER HOLDER	-	4	AC	2	14560-MB0-871	2011245	
	BRACKET COMP, CAM CHAIN TENSIONER HOLDER	-	4	AC	2	14560-MB0-872	2247039	
17	BOLT, UBS, 7X15	3	4		8	90026-ME9-000	1370915	
18	WASHER, 8MM	3	4		2	90405-463-000	0886168	
19	WASHER, 6MM	3	4		2	90485-286-000	0155077	
20	WASHER, 7MM	3	4		1	90486-MB0-000	1243658	
21	PIN, SPECIAL LOCK, 6MM	3	4		2	90704-MB0-000	1243740	
22	PIN, LOCK, 6MM	3	4		1	94251-06000	0058487	
23	PIN, LOCK, 8MM	3	4		2	94251-08000	0115527	
24	BOLT, FLANGE, 6X16	3	4		8	95700-06016-00	0496653	
	BOLT, FLANGE, 6X16	3	4		8	95701-06016-00	2410892	
25	BOLT, FLANGE, 6X14	3	4		6	96000-06014-00	0782854	
	BOLT, FLANGE, 6X40	3	4		6	96001-06014-00	2154672	

11

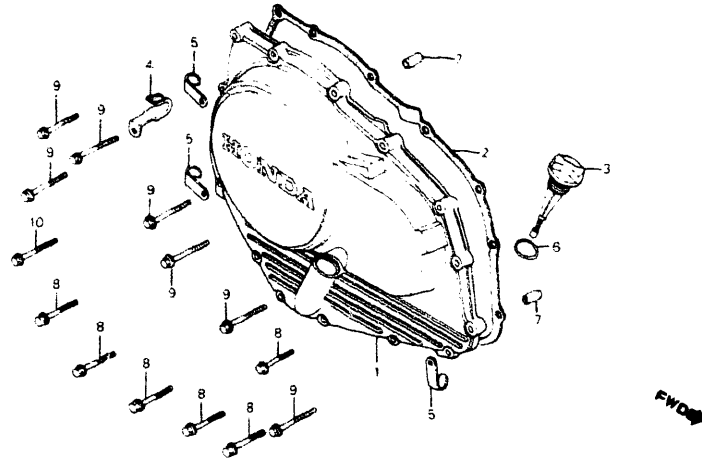
CONTENTS

TITLE	GRID
AIR CLEANER	1-E9
ALTERNATOR	1-B8
BATTERY	1-E6
BRAKE CALIPER FR	1-D11
BRAKE CALIPER RR	1-E2
BRAKE MASTER CYL FR	1-D4
BRAKE MASTER CYL RR	1-E1
CABLES	1-D3
CAM CHAIN	1-B5
CAMSHAFT	1-B4
CANISTER	1-F12
CARBURETOR (ASSY LINK)	1-C8
CARBURETOR COMPONENTS	1-C9
CLUTCH	1-B6
CLUTCH MASTER CYLINDER	1-D5
CONTROL LEVERS	1-D3
CONV	1-F11
CONV RR	1-E5
CRANKCASE COVER L	1-B9
CRANKCASE COVER R	1-B6
CRANKSHAFT	1-C2
CYLINDER BLOCK	1-C1
CYLINDER HEAD COVER	1-B1
CYLINDER HEAD FR	1-B1
CYLINDER HEAD RR	1-B3
EMBLEMS	1-G2
FENDER FR	1-D8
FENDER RR	1-F3
FRAME BODY	1-F8
FRONT SHOCK ABSORBER	1-D9
FUEL PUMP	1-E7
FUEL TANK	1-E4
GASKET KIT B	1-C11
GASKET KIT A	1-C11
GEARSHIFT DRUM	1-C6
HANDLEBAR	1-D6
HEADLIGHT	1-D1
HORN	1-D8
IGNITION COIL	1-F6
INSTRUMENTS	1-D1
LABELS	1-G2
MUFFLER EXHAUST	1-E10
OIL FILTER	1-B11
OIL PAN	1-B11
OIL PUMP	1-B11
PEDAL BRAKE	1-E11
PEDAL GEARSHIFT	1-E11
PISTON	1-C2
PULSE GENERATOR	1-B7
PURGE CONTROL VALVE	1-F12
RADIATOR	1-F7
SEAT	1-E5
SHOCK ABSORBER RR	1-F2
SIDE COVER	1-E6
STAND	1-E12
STARTER MOTOR	1-B11
STEERING CLUTCH	1-B7
STEERING STEM	1-D8
STEP	1-E11
STRIPES	1-G2
SWINGARM	1-F1
SWITCHES	1-D3
TAIL LIGHT	1-F5
TENSIONER	1-B5
THERMOSTAT	1-C7
TOOLS	1-F10
TOP BRIDGE	1-D6
TRANSMISSION	1-C5
TURN SIGNAL	1-F4
VALVE	1-B4
WATER PIPE	1-C7
WATER PUMP	1-B9
WHEEL FR	1-D12
WHEEL RR	1-E3
WIRE HARNESS	1-F6

GRID NO.

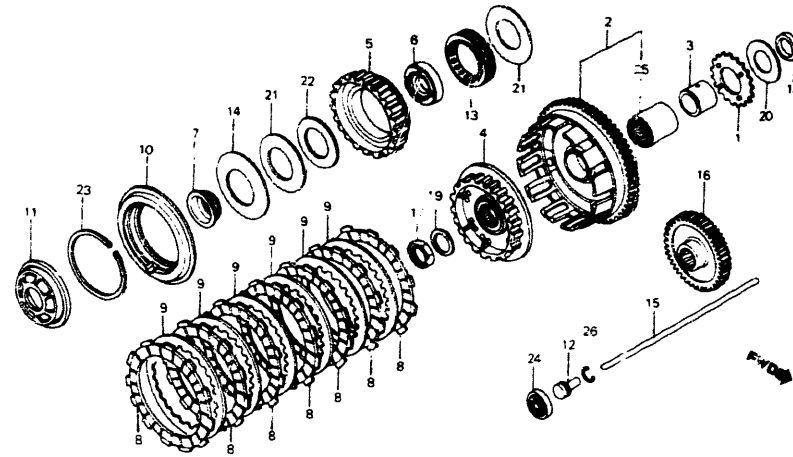
1-B 5

RIGHT CRANKCASE COVER



VF750F 83 VF750F 84		VF750F 83	VF750F 84	AREA CODE	QTY REQ	PART NUMBER	HONDA CODE
REF NO	DESCRIPTION	3	4				
1	COVER R CRANKCASE	3	4		1	11331-MB2-000	1426303
2	GASKET R COVER	3	4		1	11394-MB0-000	1240860
3	GAUGE, OIL LEVEL	3	4		1	15650-MB2-000	1427087
4	CLAMP, PULSER WIRE	3	4		1	30301-MB0-000	1243070
5	CLAMP, SWITCH WIRE	3	4		3	35211-443-760	1390160
6	O-RING, 21 5MM	3	4		1	91301-250-000	0035287
7	PIN DOWEL 8X14	3	4		2	94301-08140	0069310
8	BOLT FLANGE 6X28	3	4		6	96000-06028-07	0807339
	BOLT FLANGE 6X28	3	4		6	96001-06028-07	2106011
9	BOLT FLANGE 6X32	3	4		7	96000-06032-07	1292242
	BOLT FLANGE 6X32	3	4		7	96001-06032-07	2458750
10	BOLT FLANGE 6X35	3	4		1	96000-06035-07	0807362
	BOLT FLANGE 6X35	3	4		1	96001-06035-07	2533891

CLUTCH



VF750F 83 VF750F 84		VF750F 83	VF750F 84	AREA CODE	QTY REQ	PART NUMBER	HONDA CODE
REF NO	DESCRIPTION	3	4				
1	SPROCKET, OIL PUMP DRIVE	3	4		1	15131-MB0-000	1241645
2	OUTER COMP. CLUTCH	3	4		1	22100-MB2-003	1428192
3	GUIDE, CLUTCH OUTER	3	4		1	22116-MB0-000	1242536
4	CENTER, CLUTCH (A)	3	4		1	22120-MB2-003	1428200
5	CENTER B, CLUTCH	3	4		1	22131-MB0-770	1291020
6	INNER, ONE WAY CLUTCH	3	4		1	22141-MB0-770	1291046
7	PLATE, SPRING SETTING	3	4		1	22151-MB0-770	1291053
8	DISK, CLUTCH FRICTION	3	4		7	22201-MB0-003	1242551
9	PLATE B, CLUTCH	3	4		6	22321-283-000	0075705
10	PLATE, CLUTCH PRESSURE	3	-		1	22351-MB0-771	1536077
	PLATE, CLUTCH PRESSURE	3	-		1	22351-MB0-771	1536077
11	PLATE, CLUTCH LIFTER	3	4		1	22351-MB2-000	1434570
12	PIECE, CLUTCH JOINT	3	4		1	22352-MB0-770	1291095
13	CLUTCH, ONE WAY	3	4		1	22366-MB0-000	1242577
14	SPRING, CLUTCH	3	4		1	22425-MB0-772	1316503
15	ROD, CLUTCH LIFTER	3	4		1	22441-MB2-003	1432194
16	GEAR, PRIMARY DRIVE (33T)	3	4		1	22850-MB2-000	1428234
17	NUT, LOCK, 22MM	3	4		1	23103-MB2-000	1428275
18	COLLAR, 25 2X7	3	4		1	90201-MB0-770	1375450
						90203-MB0-000	1243542

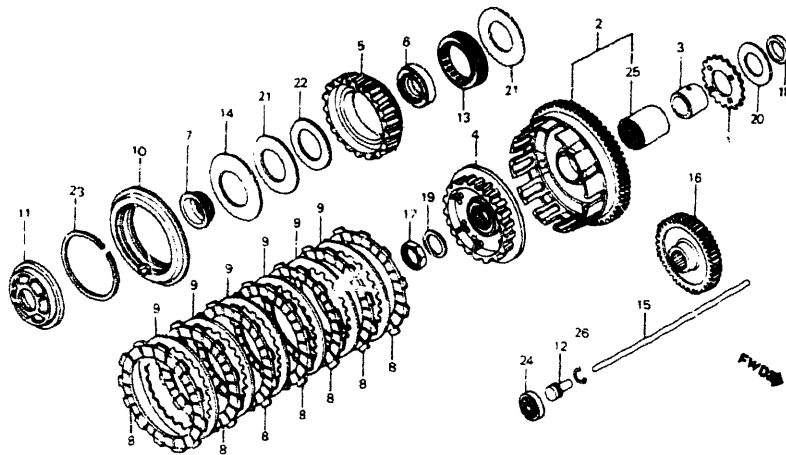
CONTENTS

TITLE	GRID
AIR CLEANER	1-E9
ALTERNATOR	1-B8
BATTERY	1-E6
BRAKE CALIPER FR	1-D11
BRAKE CALIPER RR	1-E2
BRAKE MASTER CYL FF	1-04
BRAKE MASTER CYL RF	1-E1
CABLES	1-03
CAM CHAIN	1-B5
CRANKSHAFT	1-B4
CRANKSHAFT	1-F12
CARBURETOR (ASSY LINK)	1-C8
CARBURETOR COMPONENTS	1-C9
CLUTCH	1-E6
CLUTCH MASTER CYLINDER	1-D5
CONTROL LEVERS	1-D3
COWL	1-F11
COWL RR	1-E5
CRANKCASE COVER L	1-B9
CRANKCASE COVER R	1-B6
CRANKSHAFT	1-C2
CYLINDER BLOCK	1-C1
CYLINDER HEAD COVER	1-B1
CYLINDER HEAD FR	1-B1
CYLINDER HEAD RR	1-B3
EMBLEMS	1-C2
FENDER FR	1-D6
FENDER RR	1-F3
FRAME BODY	1-F8
FRONT SHOCK ABSORBER	1-E4
FUEL PUMP	1-E2
FUEL TANK	1-E4
GASKET KIT B	1-C11
GASKET KIT A	1-C11
GEARSHIFT DRUM	1-C6
HANDLEBAR	1-D6
HEADLIGHT	1-D1
HORN	1-D8
IGNITION COIL	1-F6
INSTRUMENTS	1-D1
LABELS	1-G2
MUFFLER EXHAUST	1-E10
OIL FILTER	1-B11
OIL PAN	1-B11
OIL PUMP	1-B11
PLUG, BRAKE	1-E11
PEDAL, GEARSHIFT	1-E11
PISTON	1-C2
PULSE GENERATOR	1-B7
PURGE CONTROL VALVE	1-F12
RADIATOR	1-F7
SEAT	1-E5
SHOCK ABSORBER, RR	1-F2
SLIDE COVER	1-E6
STAND	1-E12
STARTER MOTOR	1-B11
STARTING CLUTCH	1-B7
STEERING STEM	1-D8
STEP	1-E11
STRIPES	1-F1
SWINGARM	1-F1
SWITCHES	1-D3
TAILLIGHT	1-F5
TENSOMETER	1-B5
TEMPERATURE	1-C7
TOOLS	1-F10
TOP BRIDGE	1-D6
TRANSMISSION	1-C5
TURN SIGNAL	1-F4
VALVE	1-B4
WATER PIPE	1-C7
WATER PUMP	1-B9
WHEEL FR	1-D12
WHEEL RR	1-E3
WIRE HARNESS	1-F6

GRID NO.

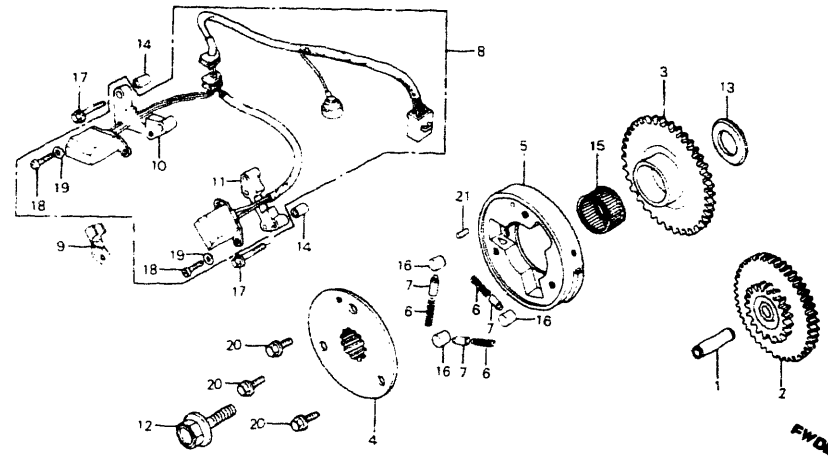
1-B 6

CLUTCH



VF750F 83 VF750F 84		V F 7 5 0 F	V F 7 5 0 F	A R E A C O D E	SERIAL NUMBER FROM TO	Q T Y R E Q	PART NUMBER	HONDA CODE
REF NO	DESCRIPTION	3	4					
19	WASHER SPRING 22MM	3	4			1	90432-MB0-000	1243583
	WASHER SPRING 22MM	3	4			1	90432-MB0-010	2408615
20	WASHER THRUST 25MM	3	4			1	90459-MB0-000	1243641
21	WASHER 44X85X1 6	3	4			2	90461-MB0-770	1292135
22	WASHER 44X74X3 2	3	4			1	90462-MB0-770	1292143
23	CIRCLIP INTERNAL 95	3	-		2002371	1	90601-MB0-771	1536549
	CIRCLIP INTERNAL 95	3	-		2002370	1	90601-MB4-000	1390186
	CIRCLIP INTERNAL 95	3	-		2002370	1	90601-MB4-010	1436948
24	BEARING RADIAL BALL 16003	3	4			1	91008-362-G00	0334854
25	BEARING NEEDLE 35X42X30	3	4			1	91024-MB0-003	1243807
	BEARING NEEDLE 35X42X30	3	4			1	91024-MB0-004	1243815
26	CLIP PISTON PIN 15MM	3	4			1	94601-15000	0156018

PULSE GENERATOR • STARTING CLUTCH



VF750F 83 VF750F 84		V F 7 5 0 F	V F 7 5 0 F	A R E A C O D E	SERIAL NUMBER FROM TO	Q T Y R E Q	PART NUMBER	HONDA CODE
REF NO	DESCRIPTION	3	4					
1	PIN PISTON	3	4			1	13111-GK8-000	1709104
	PIN, PISTON 10X33	3	4			1	13111-122-000	0360024
2	GEAR, STARTER REDUCTION (21T/82T)	3	4			1	28101-MB0-000	1243013
3	GEAR COMP, STARTER CLUTCH	3	4			1	28110-MB0-000	1243021
	GEAR COMP, STARTER CLUTCH	3	4			1	28110-MB0-010	2019503
4	FLANGE, STARTING CLUTCH	3	4			1	28115-MB2-000	1428549
5	OUTER COMP, STARTING CLUTCH	3	4			1	28120-MB2-000	1428556
6	SPRING, STARTER CLUTCH ROLLER	3	4			3	28125-516-030	0192708
7	CAP, STARTER CLUTCH ROLLER SPRING	3	4			3	28126-415-000	1243054
8	GENERATOR ASSY, PULSE (TOYO)	3	4			1	30300-MB0-154	1243062
	GENERATOR ASSY, PULSE (TOYO)	3	4			1	30300-MB0-174	1974831
9	CLIP, PULSER WIRE	3	4			1	30301-MB4-010	1708312
10	STAY A, PULSE GENERATOR (TOYO)	3	4			1	30310-MB0-154	1243088
11	STAY B, PULSE GENERATOR (TOYO)	3	4			1	30320-MB0-154	1243096
12	BOLT, FLANGE, 12X40	3	4			1	90023-HA7-670	2104685
	BOLT, FLANGE, 12X40	3	4			1	90023-428-000	0684803
13	WASHER, THRUST	3	4			1	90510-107-720	1243682
14	PIN, DOWEL, 8X8	3	4			4	90702-MB0-000	1243724

CONTENTS

TITLE	GRID
AIR CLEANER	1-E9
ALTERNATOR	1-B8
BATTERY	1-E6
BRAKE CALIPER FR	1-D11
BRAKE CALIPER RR	1-E2
BRAKE MASTER CYL FR	1-D4
BRAKE MASTER CYL RR	1-E1
CABLES	1-D3
CAM CHAIN	1-B5
CAMSHAFT	1-B4
CANISTER	1-F12
CARBURETOR (ASSY LINK)	1-C8
CARBURETOR COMPONENTS	1-C9
CLUTCH	1-B6
CLUTCH MASTER CYLINDER	1-D5
CONTROL LEVERS	1-D3
COWL	1-F11
COWL RR	1-E5
CRANKCASE COVER L	1-B9
CRANKCASE COVER R	1-B6
CRANKSHAFT	1-C2
CYLINDER BLOCK	1-C1
CYLINDER HEAD COVER	1-B1
CYLINDER HEAD FR	1-B1
CYLINDER HEAD RR	1-B3
EMBLEMS	1-G2
FENDER FR	1-D8
FENDER RR	1-F3
FRAME BODY	1-F8
FRONT SHOCK ABSORBER	1-D9
FUEL PUMP	1-E7
FUEL TANK	1-E4
GASKET KIT B	1-C11
GASKIT KIT A	1-C11
GEARSHIFT DRUM	1-C6
HANDLEBAR	1-D6
HEADLIGHT	1-D1
IGNITION COIL	1-D2
INSTRUMENTS	1-F6
LABELS	1-G2
MUFFLER EXHAUST	1-E0
OIL FILTER	1-B11
OIL PAN	1-B11
OIL PUMP	1-B11
PEDAL BRAKE	1-E11
PEDAL GEARSHIFT	1-E11
PISTON	1-C2
PULSE GENERATOR	1-B7
PURGE CONTROL VALVE	1-F7
RADIATOR	1-F7
SEAT	1-E5
SHOCK ABSORBER, RR	1-F2
SIDE COVER	1-E6
STAND	1-B12
STARTER MOTOR	1-B11
STARTING CLUTCH	1-B7
STEERING STEM	1-D8
STEP	1-E11
STRIPES	1-G2
SWINGARM	1-F7
SWITCHES	1-D3
TAILLIGHT	1-F5
TENSIONER	1-B5
THERMOSTAT	1-C7
TOOLS	1-F10
TOP BRIDGE	1-D6
TRANSMISSION	1-C5
TURN SIGNAL	1-F4
VALVE	1-C7
WATER PIPE	1-B9
WATER PUMP	1-B9
WHEEL FR	1-D12
WHEEL RR	1-E3
WIRE HARNESS	1-F6

14
RC15E ENGINE NO 2000022 TO 208111
RC15E ENGINE NO 2100012 TO 2103474
RC15E ENGINE NO 2102802 TO 2103712

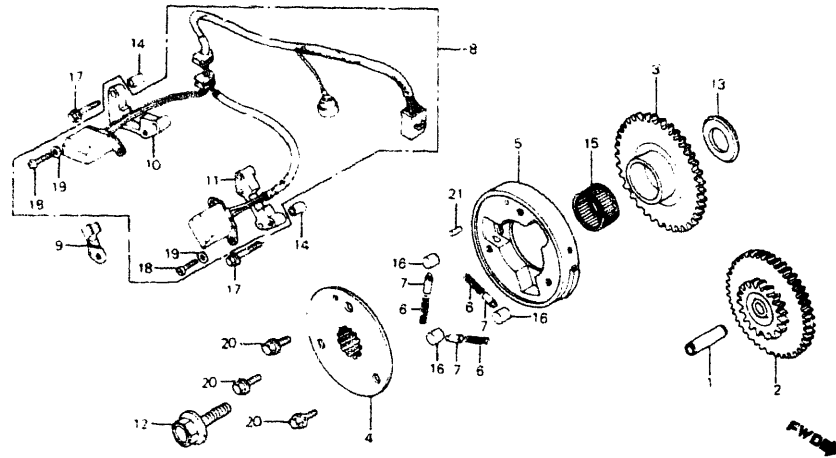
1-B 7

15

GRID NO.

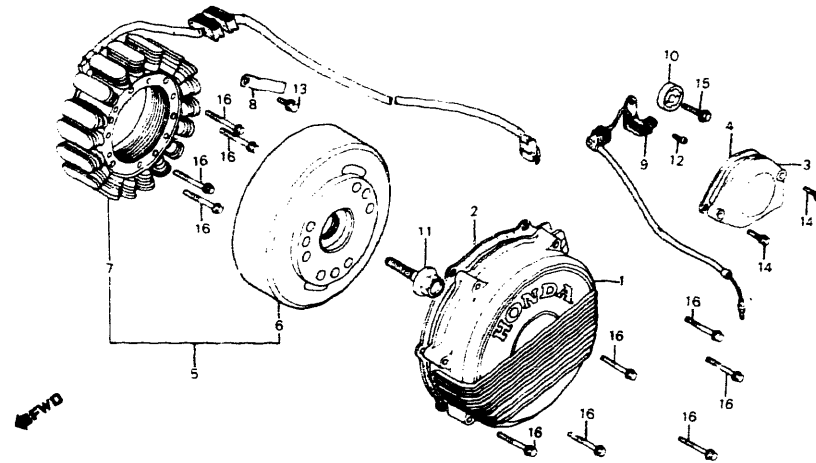
1-B 7

PULSE GENERATOR • STARTING CLUTCH



VF750F 83 VF750F 84	VF750F 83 VF750F 84	AREA CODE	QTY REQ	GJ9 BMB2-7	BLOCK NO E-7
REF NO	DESCRIPTION	SERIAL NUMBER FROM TO	PART NUMBER	HONDA CODE	
15	BEARING, NEEDLE, 30X35X17		1	91022-MB0-003	1243781
	BEARING, NEEDLE, 30X35X17		1	91022-MB0-004	1243799
16	ROLLER 15X13		3	91101-516-000	0192732
17	BOLT-WASHER 6X25		4	93401-06025-00	2866879
	BOLT-WASHER, 6X25		4	93491-06025-00	0843441
18	SCREW, PAN 4X10		4	93500-04010-0H	0262964
19	WASHER SPRING 4MM		4	94111-04800	0346114
20	BOLT, FLANGE 9X14		3	95700-08014-08	0417949
21	ROLLER 6X15		1	96220-60150	1244011

ALTERNATOR



VF750F 83 VF750F 84	VF750F 83 VF750F 84	AREA CODE	QTY REQ	G39 BMB2-8	BLOCK NO E-8
REF NO	DESCRIPTION	SERIAL NUMBER FROM TO	PART NUMBER	HONDA CODE	
1	COVER, ALTERNATOR		1	11631-MB2-000	1426345
	COVER, ALTERNATOR		1	11631-MB2-010	1791870
2	GASKET ALTERNATOR COVER		1	11636-MB0-000	1240886
3	COVER INDICATOR SWITCH		1	11641-MB2-000	1426352
4	GASKET INDICATOR SWITCH COVER		1	11642-MB0-000	1240902
5	ALTERNATOR ASSY		1	31100-MB2-004	1428838
	ALTERNATOR ASSY		1	31100-MB2-691	1853779
6	ROTOR COMP		1	31110-MB2-004	1428879
	ROTOR COMP		1	31110-MB2-690	1792076
7	STATOR COMP		1	31120-MB2-004	1428887
	STATOR COMP		1	31120-MB2-690	1792084
	STATOR COMP		1	31120-MB2-691	184112*
8	CLAMP ALTERNATOR WIRE		1	31130-MB0-000	1243138
	CLAMP ALTERNATOR WIRE		1	31130-MB4-000	1434752
9	SWITCH ASSY NEUTRAL		1	35610-MB2-003	1439223
10	ROTOR NEUTRAL SWITCH		1	35753-MB2-000	1429125
	ROTOR NEUTRAL SWITCH		1	35753-MB2-010	1853878
11	BOLT, FLANGE 12X40		1	90023-HA7-670	2104685
	BOLT, FLANGE 12X40		1	90023-428-000	0684803
12	SCREW, PAN 6X12		2	93500-06012-0A	0182360

CONTENTS

TITLE	GRID
AIR CLEANER	1-E9
ALTERNATOR	1-B8
BATTERY	1-E6
BRAKE CALIPER, FR	1-D*1
BRAKE CALIPER, RR	1-E2
BRAKE MASTER CYL, FR	1-D4
BRAKE MASTER CYL, RR	1-E*1
CABLES	1-D3
CAM CHAIN	1-B5
CAMSHAFT	1-B4
CANISTER	1-F12
CARBURETOR (ASSY LINK)	1-C8
CARBURETOR COMPONENTS	1-C9
CLUTCH	1-B6
CLUTCH MASTER CYLINDER	1-D5
CONTROL LEVERS	1-D3
COWL	1-F11
COWL, RR	1-E5
CRANKCASE COVER, L	1-B9
CRANKCASE COVER, R	1-B8
CRANKSHAFT	1-C2
CYLINDER BLOCK	1-C1
CYLINDER HEAD COVER	1-B1
CYLINDER HEAD, FR	1-B1
CYLINDER HEAD, RR	1-B3
EMBLEMS	1-G2
FENDER, FR	1-D8
FENDER, RR	1-F3
FRAME BODY	1-F8
FRONT SHOCK ABSORBER	1-D9
FUEL PUMP	1-E7
FUEL TANK	1-E4
GASKET KIT B	1-C11
GASKET KIT A	1-C11
GEARSHIFT DRUM	1-C6
HANDLEBAR	1-D6
HEADLIGHT	1-D1
HORN	1-D8
IGNITION COIL	1-F6
INSTRUMENTS	1-D1
LABELS	1-G2
MUFFLER EXHAUST	1-E10
OIL FILTER	1-B1
OIL PAN	1-B11
OIL PUMP	1-B11
PEDAL, BRAKE	1-E11
PEDAL, GEARSHIFT	1-E11
PISTON	1-C2
PULSE GENERATOR	1-B7
PURGE CONTROL VALVE	1-F*2
RADIATOR	1-F7
SEAT	1-E5
SHOCK ABSORBER, RR	1-F2
SIDE COVER	1-E6
STAND	1-E12
STARTER MOTOR	1-B11
STARTING CLUTCH	1-B7
STEERING STEM	1-D8
STEP	1-E11
STRIPES	1-G2
SWINGARM	1-F1
SWITCHES	1-D3
TAILLIGHT	1-F*
TENSIONER	1-E5
THERMOSTAT	1-C7
TOOLS	1-F10
TOP BRIDGE	1-D6
TRANSMISSION	1-C5
TURN SIGNAL	1-F4
VALVE	1-B4
WATER PIPE	1-C7
WATER PUMP	1-B9
WHEEL, FR	1-D12
WHEEL, RR	1-F3
WIRE HARNESS	1-F6

GRID NO.

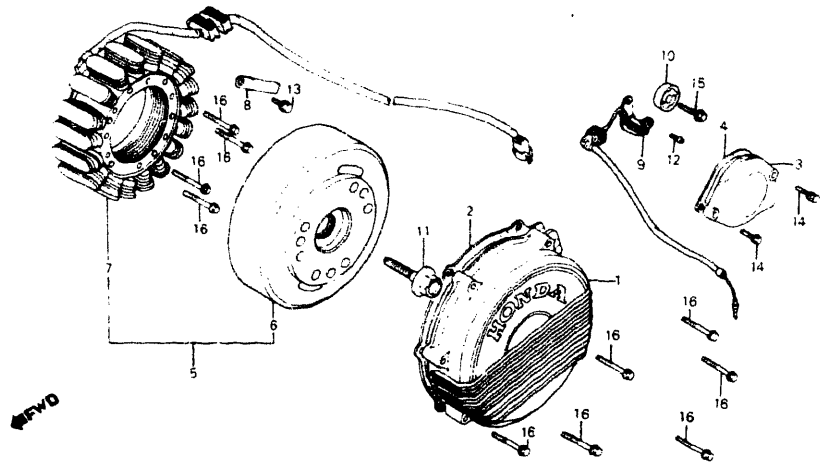
1-B 8

16
RC15E ENGINE NO 2000022 TO 2008111
RC15E ENGINE NO 2100012 TO 2103474
RC15E ENGINE NO 2102802 TO 2103712

1-8 8

17

ALTERNATOR



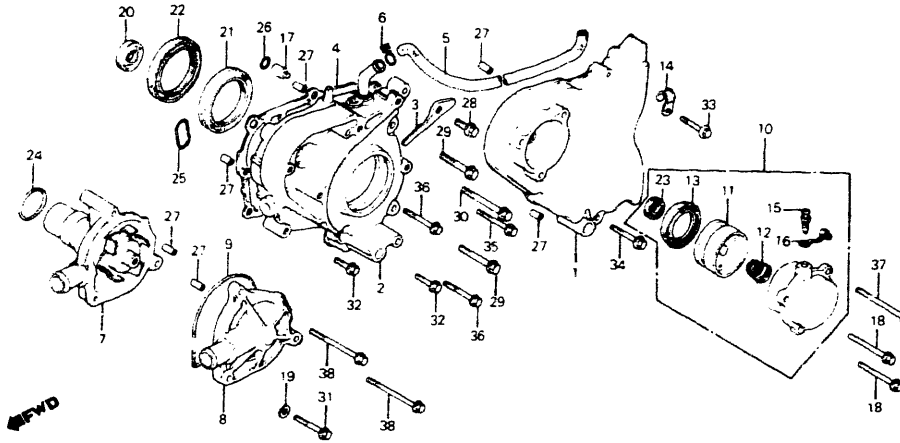
VF750F '83 VF750F '84		V F 7 5 0 F	V F 7 5 0 F	A R E A C O D E	Q T Y R E Q	G39-BMB2 8	BLOCK NO E-8	
REF NO	DESCRIPTION	3	4	E	FROM	TO	PART NUMBER	HONDA CODE
13	BOLT FLANGE 6X12	3	4		1		96000-06012-00	0823666
	BOLT FLANGE 6X12	3	4		1		96001-06012-00	2105930
14	BOLT FLANGE 6X18	3	4		2		96000-06018-07	1435108
	BOLT FLANGE 6X18	3	4		2		96001-06018-07	2737757
15	BOLT FLANGE 6X20	3	4		1		96000-06020-00	0913806
	BOLT FLANGE 6X20	3	4		1		96001-06020-00	2529154
16	BOLT FLANGE 6X35	3	4		10		96000-06035-00	0799080
	BOLT FLANGE 6X35	3	4		10		96001-06035-00	2112209

18

RC15E ENGINE NO 2000022 TO 2008111
RC15E ENGINE NO 2100012 TO 2103474
RC15E ENGINE NO 2102802 TO 2103712

1-8 9

LEFT CRANKCASE COVER • WATER PUMP



VF750F '83 VF750F '84		V F 7 5 0 F	V F 7 5 0 F	A R E A C O D E	Q T Y R E Q	G39-BMB2 9	BLOCK NO E-9	
REF NO	DESCRIPTION	3	4	E	FROM	TO	PART NUMBER	HONDA CODE
1	COVER, L. CRANKCASE	3	4		1		11651-MB2-000	1426360
2	COVER COMP., L. INNER	3	4		1		11661-MB2-000	1426378
3	GUIDE, DRIVE CHAIN	3	4		1		11663-MB2-000	1426386
4	GASKET, L. INNER COVER	3	4		1		11666-MB2-000	1426394
5	TUBE B, BREATHER	3	4		1		11668-MB2-000	1426410
6	CLIP, BREATHER TUBE	3	4		1		17316-611-000	0340984
7	PUMP COMP., WATER	3	4		1		19200-MB2-000	1427962
	PUMP COMP., WATER	3	4		1		19200-MB2-010	2817005
8	COVER, WATER PUMP	3	4		1		19221-MB2-000	1427970
9	GASKET, WATER PUMP COVER	3	4		1		19226-MB2-000	1427988
10	CYLINDER ASSY., CLUTCH SLAVE	3	4		1		22860-MB2-003	1428242
11	PISTON, SLAVE CYLINDER	3	4		1		22863-MB0-003	1242627
12	SPRING, SLAVE CYLINDER	3	4		1		22864-MB0-003	1242635
13	CUP, PISTON	3	4		1		22865-MB0-003	1242643
14	CLAMP, WIRE	3	4		1		32922-MB2-000	1424928
15	SCREW, BLEEDER	3	4		1		43352-568-003	0505735
16	CAP, BLEEDER	3	4		1		43353-461-771	0954230
17	ORIFICE, OIL CONTROL	3	4		1		90049-MB0-000	1243484
18	BOLT, FLANGE 6X55	3	4		2		90051-MB2-000	1431113
19	WASHER, 11MM	3	4		1		90425-300-000	0189795

19

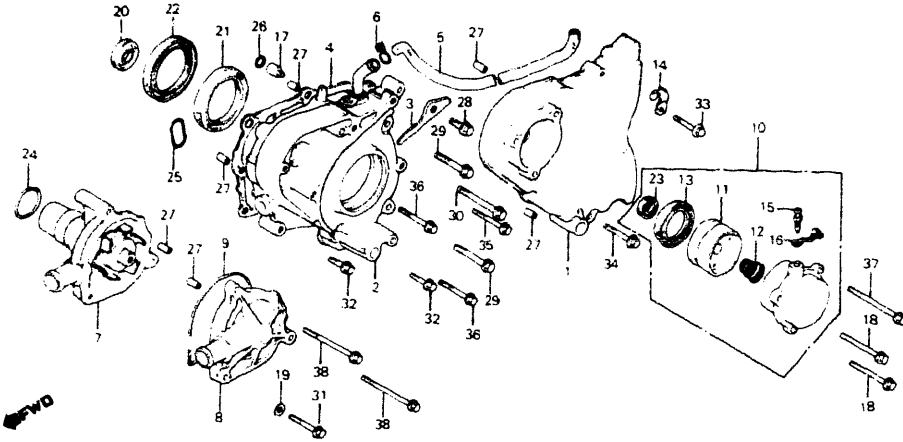
CONTENTS

TITLE	GRID
AIR CLEANER	1-E9
ALTERNATOR	1-B8
BATTERY	1-E6
BRAKE CALIPER FR	1-D1
BRAKE CALIPER RR	1-E7
BRAKE MASTER CYL FR	1-D4
BRAKE MASTER CYL RR	1-D1
CABLES	1-D3
CAM SHAFT	1-B4
CAMSHAFT	1-B5
CANISTER	1-F12
CARBURETOR (ASSY LINK)	1-C8
CARBURETOR COMPONENTS	1-C9
CLUTCH	1-B6
CLUTCH MASTER CYLINDER	1-D5
CONTROL LEVERS	1-D3
CONV	1-F11
CONV. RR	1-E5
CRANKCASE COVER L	1-D9
CRANKCASE COVER R	1-B6
CRANKSHAFT	1-C2
CYLINDER BLOCK	1-C1
CYLINDER HEAD COVER	1-B1
CYLINDER HEAD FR	1-B1
CYLINDER HEAD RR	1-B3
EMBLEMS	1-G2
FENDER FR	1-D8
FENDER RR	1-F3
FRAME BODY	1-D6
FRONT SHOCK ABSORBER	1-D9
FUEL PUMP	1-E7
FUEL TANK	1-E4
GASKET KIT B	1-C11
GASKIT KIT A	1-C11
GEARSHIFT DRUM	1-C6
HANDLEBAR	1-D6
HEADLIGHT	1-D1
HORN	1-D8
IGNITION COIL	1-F6
INSTRUMENTS	1-D1
LABELS	1-G2
MUFFLER EXHAUST	1-E10
OIL FILTER	1-B11
OIL PAN	1-B11
OIL PUMP	1-B11
PEDAL BRAKE	1-E11
PEDAL, GEARSHIFT	1-E11
PISTON	1-C2
PULSE GENERATOR	1-B7
PURGE CONTROL VALVE	1-F12
RADIATOR	1-F7
SEAT	1-E5
SHOCK ABSORBER, RR	1-F2
SIDE COVER	1-E6
STAND	1-E12
STARTER MOTOR	1-B11
STARTING CLUTCH	1-B7
STEERING STEM	1-D8
STEP	1-E11
STRIPES	1-G2
SWINGARM	1-F1
SWITCHES	1-D3
TAILLIGHT	1-F5
TENSIONER	1-B5
THERMOSTAT	1-G7
TOOLS	1-F10
TOP BRIDGE	1-D6
TRANSMISSION	1-C5
TURN SIGNAL	1-F4
VALVE	1-B4
WATER PIPE	1-C7
WATER PUMP	1-B9
WHEEL, FR	1-D12
WHEEL, RR	1-E3
WIRE HARNESS	1-F6

GRID NO.

1-B 9

LEFT CRANKCASE COVER • WATER PUMP



VF750F '83 VF750F '84		VF750F VF750F		AREA CODE	QTY REQ	G39 BMB2 9	BLC-K. NO. E-9
REF NO	DESCRIPTION	3	4				
20	OIL SEAL, 8X25X8	3	4	-----	1	91204-MB0-003	1331099
	OIL SEAL, 8X25X8	3	4	-----	1	91204-MB0-013	2952943
21	OIL SEAL, 40X58X9	3	4	-----	1	91206-MB2-000	1477769
	OIL SEAL, 40X58X9	3	4	-----	1	91206-MB2-003	1431360
	OIL SEAL, 40X58X9	3	4	-----	1	91206-MB2-004	1709569
22	OIL SEAL, 40X62X6	3	4	-----	1	91207-MB2-003	1431378
	OIL SEAL, 40X62X6	3	4	-----	1	91207-MB2-004	1477777
23	OIL SEAL, 8X18X5	3	4	-----	1	91209-MB0-003	1243872
24	O-RING, 32 95X2 62	3	4	-----	1	91302-MB0-013	1435114
25	O-RING, 10 6X20 6X2 5 (ARAI)	3	4	-----	1	91303-MB2-003	1431402
	O-RING, 10 6X20 6X2 5 (NIPPON)	3	4	-----	1	91303-MB2-004	1494939
25	O-RING, 5 7X2 2 (ARAI)	3	4	-----	1	91308-MB0-003	1260835
27	PIN, DOWEL, 8X14	3	4	-----	6	94301-08140	0069310
28	BOLT, FLANGE, 8X20	3	4	-----	1	95700-08020-00	0477463
	BOLT, FLANGE, 8X20	3	4	-----	1	95701-08020-00	2552552
29	BOLT, FLANGE, 8X35	3	4	-----	2	95700-08035-08	0673442
	BOLT, FLANGE, 8X35	3	4	-----	2	95701-08035-08	2563260
30	BOLT, FLANGE, 8X70	3	4	-----	1	95700-08068-08	0252361
	BOLT, FLANGE, 8X70	3	4	-----	1	95700-08070-08	0525519
31	BOLT, FLANGE, 6X25	3	4	-----	1	96000-06025-07	1251941

20

1-B 10

RC15E ENGINE NO. : 2000027 TO 2008111
 RC15E ENGINE NO. : 2100012 TO 2103474
 RC15E ENGINE NO. : 2102802 TO 2103712

VF750F '83 VF750F '84		VF750F VF750F		AREA CODE	QTY REQ	SERIAL NUMBER FROM TO	PART NUMBER	HONDA CODE
REF NO	DESCRIPTION	3	4					
32	BOLT, FLANGE, 6X28	3	4	-----	2	96000-06028-00	0799072	
	BOLT, FLANGE, 6X28	3	4	-----	2	96001-06028-00	2106003	
33	BOLT, FLANGE, 6X32	3	4	-----	1	96000-06032-07	1292242	
	BOLT, FLANGE, 6X32	3	4	-----	1	96001-06032-07	2458760	
34	BOLT, FLANGE, 6X35	3	4	-----	1	96000-06035-07	0807352	
	BOLT, FLANGE, 6X35	3	4	-----	1	96001-06035-07	2423891	
35	BOLT, FLANGE, 6X40	3	4	-----	1	96000-06040-00	082870	
	BOLT, FLANGE, 6X40	3	4	-----	1	96001-06040-00	2106037	
36	BOLT, FLANGE, 6X45	3	4	-----	2	96000-06045-00	0807370	
	BOLT, FLANGE, 6X45	3	4	-----	2	96001-06045-00	2106045	
37	BOLT, FLANGE, 6X60	3	4	-----	1	96000-06060-07	1244003	
	BOLT, FLANGE, 6X60	3	4	-----	1	96001-06060-07	2831659	
38	BOLT, FLANGE, 6X65	3	4	-----	2	96000-06065-07	1417815	
	BOLT, FLANGE, 6X65	3	4	-----	2	96001-06065-07	2479665	

BLOCK NO E-9

21

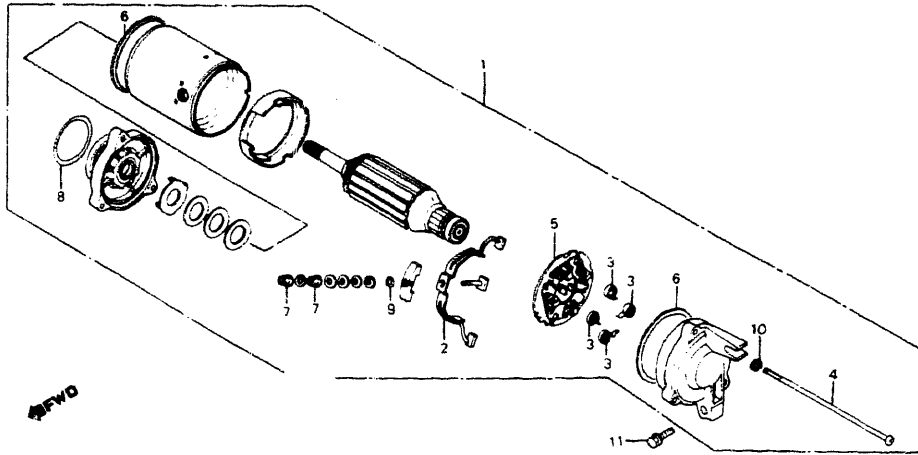
CONTENTS

TITLE	GRID
AIR CLEANER	1-E9
ALTERNATOR	1-B8
BATTERY	1-E6
BRAKE CALIPER FR	1-D11
BRAKE CALIPER RR	1-E2
BRAKE MASTER CYL FR	1-D4
BRAKE MASTER CYL RR	1-E1
CABLES	1-D3
CAM CHAIN	1-B5
CAMSHAFT	1-B4
CANISTER	1-F12
CARBURETOR (ASSY LINK)	1-C8
CARBURETOR COMPONENTS	1-C9
CLUTCH	1-B6
CLUTCH MASTER CYLINDER	1-D5
CONTROL LEVERS	1-D3
COWL	1-F11
COWL RR	1-E5
CRANKCASE COVER, L	1-B9
CRANKCASE COVER, R	1-B6
CRANKSHAFT	1-C2
CYLINDER BLOCK	1-B1
CYLINDER HEAD COVER	1-B1
CYLINDER HEAD, FR	1-B1
CYLINDER HEAD, RR	1-B3
EMBLEMS	1-G2
FENDER, FR	1-D8
FENDER, RR	1-F3
FRAME BODY	1-F8
FRONT SHOCK ABSORBER	1-D9
FUEL PUMP	1-E7
FUEL TANK	1-E4
GASKET KIT B	1-C11
GASKET KIT A	1-C11
GEARSHIFT DRUM	1-C6
HANDLEBAR	1-D6
HEADLIGHT	1-D1
HORN	1-D8
IGNITION COIL	1-F5
INSTRUMENTS	1-D1
LABELS	1-G2
MUFFLER, EXHAUST	1-E10
OIL FILTER	1-B11
OIL PAN	1-B11
OIL PUMP	1-B11
PEDAL, BRAKE	1-E11
PEDAL, GEARSHIFT	1-E11
PISTON	1-C2
PULSE GENERATOR	1-B7
PURGE CONTROL VALVE	1-F12
RADIATOR	1-F7
SEAT	1-E5
SHOCK ABSORBER, RR	1-F2
SIDE COVER	1-E6
STAND	1-E12
STARTER MOTOR	1-B11
STARTING CLUTCH	1-B7
STEERING STEM	1-D8
STEP	1-E11
STRIPES	1-G2
SWINGARM	1-F1
SWITCHES	1-D3
TAILLIGHT	1-F5
TENSIONER	1-B5
THERMOSTAT	1-C7
TOOLS	1-F10
TOP BRIDGE	1-D6
TRANSMISSION	1-C5
TURN SIGNAL	1-F4
VALVE	1-B4
WATER PIPE	1-C7
WATER PUMP	1-B9
WHEEL, FR	1-D12
WHEEL, RR	1-E3
WIRE HARNESS	1-F6

GRID NO.

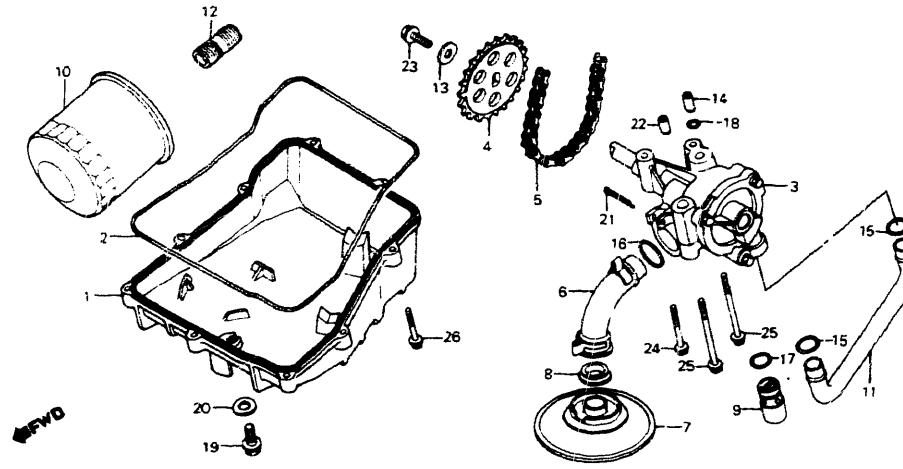
1-B 10

STARTER MOTOR



VF750F'83 VF750F'84		V F 7 5 0 F	V F 7 5 0 F	A R E A C O D E	Q T Y R E Q	G39-BM80-11	BLOCK NO E-10
REF NO	DESCRIPTION	3	4			SERIAL NUMBER FROM TO	HONDA CODE
1	MOTOR ASSY STARTER	3	4		1	31200-MB2-008	1428895
2	TERMINAL SET, BRUSH	3	4		1	31201-KG7-000	1718576
	TERMINAL SET, BRUSH	3	4		1	31201-MA6-000	1243153
3	SPRING, BRUSH	3	4		4	31204-MA6-000	1243161
4	SCREW, PAN, 5X115	3	4		3	31205-MB0-000	1260314
5	HOLDER SET, BRUSH	3	4		1	31206-KG7-000	1718592
	HOLDER SET, BRUSH	3	4		1	31206-MA6-00	1243179
6	RING, SEAL	3	4		2	31207-179-711	1063858
7	NUT-WASHER, 6MM	3	4		2	90071-MB0-000	1243534
8	O-RING	3	4		1	91309-MA6-000	1243922
9	O-RING	3	4		1	91320-MB0-000	1292184
10	WASHER, SPRING, 5MM	3	4		3	94111-05000	0058966
11	BOLT, FLANGE, 6X25	3	4		2	96000-06025-00	0782862
	BOLT, FLANGE, 6X25	3	4		2	96001-06025-00	2105989

OIL FILTER • OIL PAN • OIL PUMP



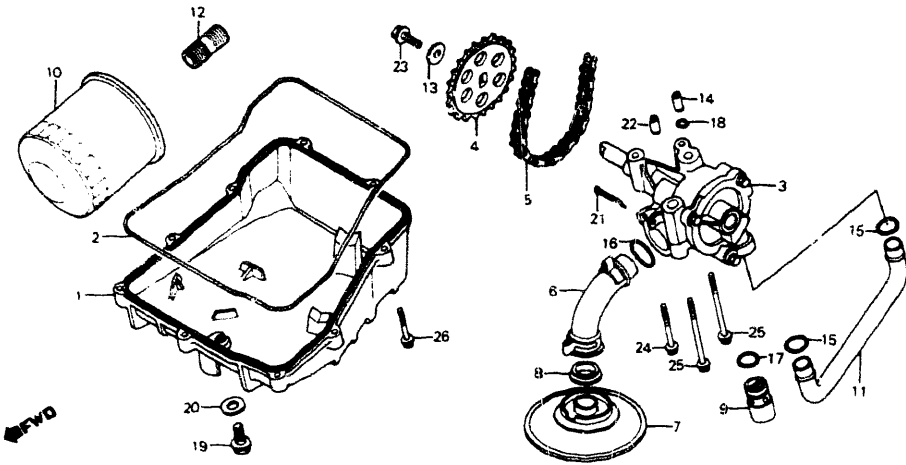
VF750F'83 VF750F'84		V F 7 5 0 F	V F 7 5 0 F	A R E A C O D E	Q T Y R E Q	G39-BM82-10	BLOCK NO F-11
REF NO	DESCRIPTION	3	4			SERIAL NUMBER FROM TO	HONDA CODE
1	PAN, OIL	3	-		1	2004887	11210-MB2-000
	PAN, OIL	3	-		1	2004888	11210-MB2-010
2	GASKET, OIL PAN	3	4		1	11210-MB2-010	1541259
3	PUMP ASSY, OIL	3	4		1	11315-MB0-010	1441724
4	SPROCKET, OIL PUMP DRIVEN	3	-		1	15134-MB0-000	1241652
	SPROCKET, OIL PUMP DRIVEN	3	4		1	15134-MB0-010	1780964
5	CHAIN, OIL PUMP	3	4		1	15136-MB0-003	1241660
6	PIPE, OIL STRAINER	3	4		1	15151-MB2-000	1427046
7	STRAINER, OIL	3	-		1	2004887	15153-MB0-000
	STRAINER, OIL	3	-		1	2004888	15153-MB2-000
		3	-		1	15153-MB2-000	1441740
8	GASKET, OIL STRAINER	3	4		1	15153-MB2-000	1441740
9	VALVE ASSY, RELIEF	3	4		1	15154-425-000	0716191
10	FILTER, OIL	3	4		1	15220-MB0-010	1416064
	FILTER, OIL	3	4		1	15410-MB0-003	1241702
	FILTER, OIL	3	4		1	15410-MB3-003	1811058
	FILTER, OIL	3	4		1	15410-MJO-003	1689611
	FILTER, OIL	3	4		1	15410-MJO-004	3481355
11	PIPE, OIL	3	4		1	15511-MB0-000	1241710
12	BOSS, OIL FILTER	3	4		1	90019-MB0-000	1243435

CONTENTS

TITLE	GRID
AIR CLEANER	1-E9
ALTERNATOR	1-B8
BATTERY	1-E6
BRAKE CALIPER FR	1-D11
BRAKE CALIPER RR	1-E2
BRAKE MASTER CYL FR	1-D4
BRAKE MASTER CYL RR	1-E1
CABLES	1-D3
CAM CHAIN	1-B5
CAMSHAFT	1-B4
CANISTER	1-F12
CARBURETOR (ASSY LINK)	1-C8
CARBURETOR COMPONENTS	1-C9
CLUTCH	1-B6
CLUTCH MASTER CYLINDER	1-D5
CONTROL LEVERS	1-E3
COWL	1-F11
COWL RR	1-E5
CRANKCASE COVER L	1-B9
CRANKCASE COVER R	1-B6
CRANKSHAFT	1-C2
CYLINDER BLOCK	1-C1
CYLINDER HEAD COVER	1-B1
CYLINDER HEAD FR	1-B1
CYLINDER HEAD RR	1-B3
EMBLEMS	1-G2
FENDER FR	1-D8
FENDER RR	1-F3
FRAME BODY	1-F8
FRONT SHOCK ABSORBER	1-D9
FUEL PUMP	1-E7
FUEL TANK	1-E4
GASKET KIT B	1-C11
GASKET KIT A	1-C11
GEARSHIFT DRUM	1-C6
HANDLEBAR	1-D6
HEADLIGHT	1-D1
HORN	1-F6
IGNITION COIL	1-D1
INSTRUMENTS	1-G2
LABELS	1-E0
MUFFLER EXHAUST	1-B11
OIL FILTER	1-B11
OIL PAN	1-B11
OIL PUMP	1-B11
PEDAL BRAKE	1-E11
PEDAL GEARSHIFT	1-E11
PISTON	1-C7
PULSE GENERATOR	1-B7
PURGE CONTROL VALVE	1-F12
RADIATOR	1-F7
SEAT	1-F2
SHOCK ABSORBER RR	1-E6
SIDE COVER	1-E12
STAND	1-E12
STARTER MOTOR	1-B11
STARTING CLUTCH	1-B7
STEERING STEM	1-D8
STEP	1-E11
STRIPES	1-G2
SWINGARM	1-F1
SWITCHES	1-D3
TAILLIGHT	1-F5
TENSIONER	1-B5
THERMOSTAT	1-C7
TOOLS	1-F10
TOP BRIDGE	1-D6
TRANSMISSION	1-C5
TURN SIGNAL	1-F4
VALVE	1-B4
WATER PIPE	1-C7
WATER PUMP	1-B9
WHEEL FR	1-D12
WHEEL RR	1-E3
WIRE HARNESS	1-F6

22
RC15E ENGINE NO.: 2000022 TO 2008111
RC15E ENGINE NO.: 2100012 TO 2103474
RC15E ENGINE NO.: 2102802 TO 2103712

OIL FILTER • OIL PAN • OIL PUMP



VF750F '83 VF750F '84	V F 7 5 0 F	V F 7 5 0 F	A R E A C O D E	Q T Y R E C	DESCRIPTION	PART NUMBER	HONDA CODE
	8	8			G39 8MB2 '10		BLOCK NO. E-11
REF NO	3	4			SERIAL NUMBER FROM TO		
13	3	4		1	WASHER, SHIFT DRUM STOPPER WASHER, 6X2 3	90487-M80-000	1243E66
14	3	4		1	PIN KNOCK 8X14	90488-ME0-000	1243E66
15	3	4		2	O-RING 14 6X3 7 (ARAI)	90701-M84-000	1385509
16	3	4		1	O-RING 18 5X2 4 (ARAI)	91309-M30-003	1260843
17	3	4		1	O-RING 14 7X2 2	91211-M80-003	1260850
18	3	4		1	O-RING 14 7X2 2	91313-MB0-003	1260868
19	3	4		1	BOLT DRAIN PLUG 12MM	91313-MG7-004	3353620
20	3	4		1	GASKET DRAIN PLUG	91308-283-000	0076497
21	3	4		1	PIN SPLIT 2 0X25	91313-393-003	0446922
22	3	4		1	PIN SPLIT 2 0X32	92800-12000	0053975
23	3	4		1	BOLT FLANGE 6X14	94109-12000	0171868
24	3	4		1	BOLT FLANGE 6X14	94201-20250	0058370
25	3	4		1	BOLT HEX 6X16	94201-20320	0145607
26	3	4		1	BOLT FLANGE 6X45	94201-20350	0058388
	3	4		1	BOLT FLANGE 6X45	94301-08140	0069310
	3	4		1	BOLT FLANGE 6X14	95700-06014-08	0840587
	3	4		1	BOLT FLANGE 6X14	95701-06014-08	2374742
	3	4		1	BOLT HEX 6X16	90021-KE8-000	1768290
	3	4		1	BOLT FLANGE 6X45	95700-06045-00	0687830
	3	4		1	BOLT FLANGE 6X45	95701-06045-00	2529089

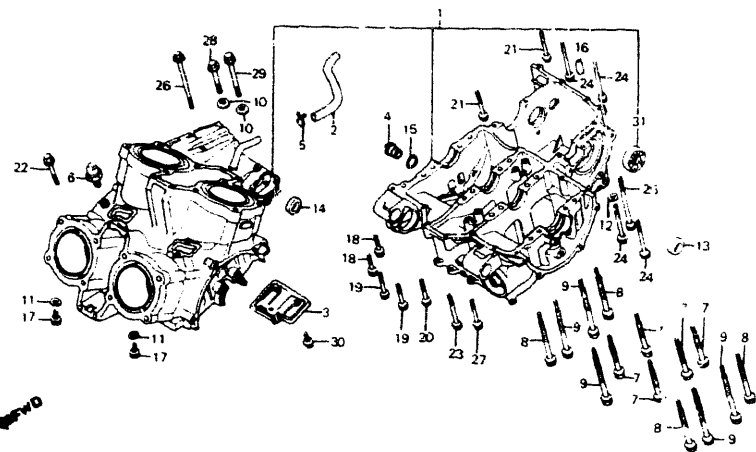
24
RC15E ENGINE NO 2000022 TO 2008111
RC15E ENGINE NO 2100012 TO 2103474
RC15E ENGINE NO 2102802 TO 2103712

VF750F '83 VF750F '84	V F 7 5 0 F	V F 7 5 0 F	A R E A C O D E	Q T Y R E Q	DESCRIPTION	SERIAL NUMBER FROM TO	PART NUMBER	HONDA CODE
	8	8						BLOCK NO E-11
REF NO	3	4			SERIAL NUMBER FROM TO			
24	3	4		1	BOLT, FLANGE 6X45	-----	95701-06045-07	2410967
25	3	4		2	BOLT, FLANGE, 6X70 BOLT, FLANGE, 6X70	-----	95700-06070-00	0698720
26	3	4		9	BOLT, FLANGE, 6X28 BOLT, FLANGE, 6X28	-----	95701-06070-00	2427284
	3	4		9		-----	96000-06028-00	0799072
	3	4		9		-----	96001-06028-00	2106003

CONTENTS

TITLE	GRID
AIR CLEANER	1-E9
ALTERNATOR	1-B8
BATTERY	1-E6
BRAKE CALIPER FR	1-D11
BRAKE CALIPER RR	1-E2
BRAKE MASTER CYL FR	1-D4
BRAKE MASTER CYL RR	1-E1
CABLES	1-D3
CAM CHAIN	1-B5
CAMSHAFT	1-B4
CAMISTER	1-F12
CARBURETOR (ASSY LINK)	1-C8
CARBURETOR COMPONENTS	1-C9
CLUTCH	1-B6
CLUTCH MASTER CYLINDER	1-D5
CONTROL LEVERS	1-D3
COWL	1-F11
COWL RR	1-E5
CRANKCASE COVER L	1-B9
CRANKCASE COVER R	1-B6
CRANKSHAFT	1-C2
CYLINDER BLOCK	1-C1
CYLINDER HEAD COVER	1-B1
CYLINDER HEAD FR	1-B1
CYLINDER HEAD RR	1-B3
EMBLEMS	1-G2
FENDER FR	1-D8
FENDER RR	1-F3
FRAME BODY	1-F8
FRONT SHOCK ABSORBER	1-D9
FUEL PUMP	1-E7
FUEL TANK	1-E4
GASKET KIT B	1-C11
GASKET KIT A	1-C11
GEARSHIFT DRUM	1-C6
HANDLEBAR	1-D6
HEADLIGHT	1-D1
HORN	1-D8
IGNITION COIL	1-F6
INSTRUMENTS	1-D1
LABELS	1-G2
MUFFLER, EXHAUST	1-E10
OIL FILTER	1-B11
OIL PAN	1-B11
OIL PUMP	1-B11
PEDAL BRAKE	1-E11
PEDAL GEARSHIFT	1-E11
PISTON	1-C2
PULSE GENERATOR	1-B7
PURGE CONTROL VALVE	1-F12
RADIATOR	1-F7
SEAT	1-E5
SHOCK ABSORBER RR	1-F2
SIDE COVER	1-E6
STAND	1-E12
STARTER MOTOR	1-B11
STARTING CLUTCH	1-B7
STEERING STEM	1-D8
STEP	1-E11
STRIPES	1-G2
SWINGARM	1-F1
SWITCHES	1-D3
TAILLIGHT	1-F5
TENSIONER	1-B5
THERMOSTAT	1-C7
TOOLS	1-F10
TOP BRIDGE	1-D6
TRANSMISSION	1-C5
TURN SIGNAL	1-F4
VALVE	1-B4
WATER PIPE	1-C7
WATER PUMP	1-B9
WHEEL FR	1-D12
WHEEL RR	1-E3
WIRE HARNESS	1-F6

CYLINDER BLOCK



VF750F 83 VF750F 84	VF750F 83	VF750F 84	AREA CODE	QTY REC	DESCRIPTION	HONDA CODE
1	3	-		1	BLOCK SET CYLINDER	1401546
	3	-		1	BLOCK SET CYLINDER	1708023
	-	4		1	BLOCK SET CYLINDER 2103273	1708023
	3	4		1	BLOCK SET CYLINDER	2395739
	-	4		1	BLOCK SET CYLINDER 2103274	2395721
2	3	4		1	TUBE A. BREATHER	1426261
3	3	4		1	PLATE OIL SEPARATE	1240761
4	3	4		1	CAP. MAIN GALLERY	1240779
5	3	4		1	CLIP BREATHER TUBE	1260264
6	3	4		1	SWITCH ASSY OIL PRESSURE	1087204
	3	4		1	SWITCH ASSY OIL PRESSURE	1734599
	3	4		1	SWITCH ASSY OIL PRESSURE	1851935
	3	4		1	SWITCH ASSY OIL PRESSURE	1976721
7	3	-		5	BOLT. UBS. 9X78	1243393
	-	4		5	BOLT. UBS. 9X88	1708536
8	3	4		4	BOLT. UBS. 9X98	1243401
9	3	4		5	BOLT. UBS. 9X108	1243419
10	3	-		2	WASHER SEALING 6MM	1243617
11	3	4		2	WASHER SEALING 6MM	0353215
12	3	4		1	WASHER RR BRAKE ARM	0094839

VF750F 83 VF750F 84	VF750F 83	VF750F 84	AREA CODE	QTY REQ	DESCRIPTION	HONDA CODE
13	3	4		1	OIL SEAL. 12 5X25X8	10E7024
14	3	4		1	OIL SEAL. 14X24X6	1260793
	3	4		1	OIL SEAL. 14X24X6	2248359
15	3	4		1	O-RING. 18X2 8	1260876
16	3	4		1	PIN. DOWEL. 8X14	0069317
17	3	4		2	BOLT. FLANGE. 6X12	0487025
	3	4		2	BOLT. FLANGE. 6X12	2105799
18	3	4		2	BOLT. FLANGE. 6X28	0483933
	3	4		2	BOLT. FLANGE. 6X28	2105849
19	3	4		2	BOLT. FLANGE. 6X32	0484477
	3	4		2	BOLT. FLANGE. 6X32	2105856
20	3	4		1	BOLT. FLANGE. 6X40	0483966
	3	4		1	BOLT. FLANGE. 6X40	2410942
21	3	4		2	BOLT. FLANGE. 6X45	0687830
	3	4		2	BOLT. FLANGE. 6X45	2529089
	3	4		2	BOLT. FLANGE. 6X45	2410967
22	3	4		1	BOLT. FLANGE. 6X45	0799023
23	3	4		1	BOLT. FLANGE. 6X50	0483974
	3	4		1	BOLT. FLANGE. 6X50	2410975
24	3	4		4	BOLT. FLANGE. 6X60	0687848
	3	4		4	BOLT. FLANGE. 6X60	2791119
25	3	4		1	BOLT. FLANGE. 6X90	0484014
	3	4		1	BOLT. FLANGE. 6X90	2533842
26	3	4		1	BOLT. FLANGE. 6X100	1113612
27	3	4		1	BOLT. FLANGE. 8X45	0496497
	3	4		1	BOLT. FLANGE. 8X45	2533859
28	3	4		1	BOLT. FLANGE. 8X50	0687871
	3	4		1	BOLT. FLANGE. 8X50	2935740
29	3	4		1	BOLT. FLANGE. 8X80	0484048
30	3	4		3	BOLT. FLANGE. 6X12	0823666
	3	4		3	BOLT. FLANGE. 6X12	2105930
31	3	4		1	BEARING. RADIAL BALL. 6304	G341644

BLOCK NO E-12

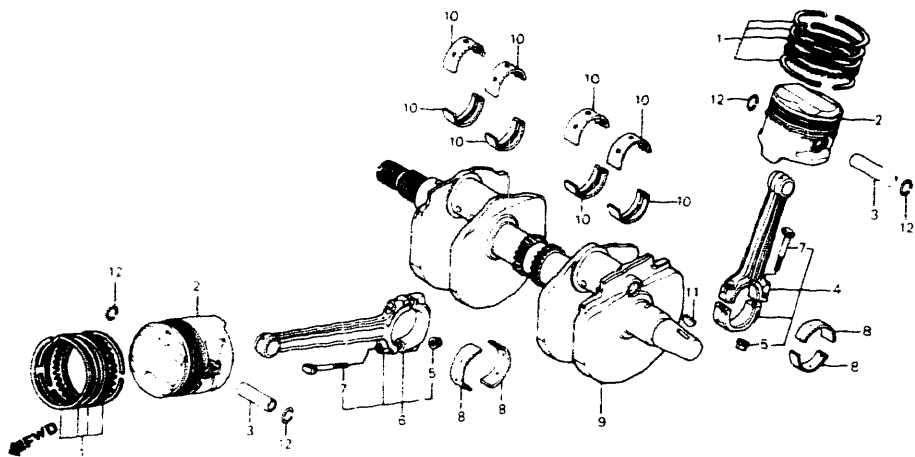
CONTENTS

TITLE	GRID
AIR CLEANER	1-E9
ALTERNATOR	1-B8
BATTERY	1-E6
BRAKE CALIPER FR	1-D11
BRAKE CALIPER RR	1-E2
BRAKE MASTER CYL FR	1-D4
BRAKE MASTER CYL RR	1-E1
CABLES	1-D3
CAM CHAIN	1-B5
CAKSHAFT	1-B4
CANISTER	1-F12
CARBURETOR (ASSY LINK)	1-C8
CARBURETOR COMPONENTS	1-B6
CLUTCH	1-DE
CLUTCH MASTER CYLINDER	1-DE
CONTROL LEVERS	1-D3
COWL	1-F11
COWL RR	1-E5
CRANKCASE COVER	1-B9
CRANKCASE COVER R	1-B6
CRANKSHAFT	1-C2
CYLINDER BLOCK	1-C1
CYLINDER HEAD COVER	1-B1
CYLINDER HEAD FR	1-B1
CYLINDER HEAD RR	1-B3
EMBLEMS	1-G2
FENDER FR	1-DB
FENDER RR	0483966
FRAME BODY	1-F8
FRONT SHOCK ABSORBER	1-DB
FUEL PUMP	1-E7
FUEL TANK	1-E4
GASKET KIT A	1-C11
GASKET KIT B	1-C11
GASKET KIT C	1-C11
GEARSHIFT DRUM	1-C6
HANDLEBAR	1-DB
HEADLIGHT	1-D1
HORN	1-DB
IGNITION COIL	1-F6
INSTRUMENTS	1-D1
LABELS	1-G2
MUFFLER EXHAUST	1-E10
OIL FILTER	1-B11
OIL PAN	1-B11
OIL PUMP	1-B11
PEDAL BRAKE	1-E11
PEDAL GEARSHIFT	1-E11
PISTON	1-C2
PULSE GENERATOR	1-B7
PURGE CONTROL VALVE	1-F12
RADIATOR	1-F7
SEAT	1-E5
SHOCK ABSORBER RR	1-F2
SIDE COVER	1-E6
STAND	1-E12
STARTER MOTOR	1-B1
STARTING CLUTCH	1-B7
STEERING STEM	1-DB
STEP	1-E11
STRIPES	1-G2
SWINGARM	1-F1
SWITCHES	1-D3
TAILLIGHT	1-F5
TENSIONER	1-B5
THERMOSTAT	1-C7
TOOLS	1-F10
TOP BRIDGE	1-DB
TRANSMISSION	1-C5
TURN SIGNAL	1-F4
VALVE	1-B4
WATER PIPE	1-C7
WATER PUMP	1-B9
WHEEL FR	1-D12
WHEEL RR	1-E3
WIRE HARNESS	1-F6

GRID NO.

1-C 1

CRANKSHAFT • PISTON



Crankshaft bearing selection
(13300-MB0-010 ~2001586)

(Oil clearance 28~52 μm)

Crankshaft D: 360	Crankshaft D: 360			
	A	B	C	D
1	+0.008	Green	D	0.008
2	+0.008	Green	B	0.016
3	+0.016	Brown	A	0.024
4	+0.016	B	A	0.024

Crankshaft bearing selection
(13300-MB0-020, 2001587~)

(Oil clearance 20~44 μm)

Crankshaft D: 390	Crankshaft D: 360			
	A	B	C	D
1	+0.008	Green	D	0.008
2	+0.008	Green	C	0.016
3	+0.016	Brown	B	0.024
4	+0.024	Brown	A	0.024

Connecting rod bearing selection

(Oil clearance 28~52 μm)

Connecting rod: D 390	Crankshaft D: 360		
	A	B	C
1	0	E	D
2	+0.008	Green	C
3	+0.016	Green	B
4	+0.016	C	A

G39 BMB0 14*AB

CRANKSHAFT • PISTON

Connecting rod selection table

#1, #2 Connecting rods					#3, #4 Connecting rods						
#2 Rod code	A	B	C	D	E	#4 Rod code	A	B	C	D	E
A				•	•	A				•	•
B			•	•	•	B			•	•	•
C		•	•	•		C		•	•	•	
D	•	•	•			D	•	•	•		
E	•	•				E	•	•			

VF750F 83
VF750F 84

V
F
7
5
0
F
8
3
4

V
F
7
5
0
F
8
3
4

A
R
E
A
C
O
D
E

S
E
R
I
A
L
N
U
M
B
E
R
F
R
O
M
T
O

Q
T
Y
R
E
Q
U
I
R
E
D

P
A
R
T
N
U
M
B
E
R

H
O
N
D
A
C
O
D
E

G39 BMB0 14*AB

BLOCK NO E-13

REF
NO

DESCRIPTION

1 RING SET, PISTON (STD)
(NIPPON)
RING SET, PISTON (STD)
(TEIKOKU)
RING SET, PISTON (STD.)
(NIPPON)
RING SET, PISTON (0 25)
(NIPPON)
RING SET, PISTON (0 25)
(TEIKOKU)
RING SET, PISTON (0 25)
(TEIKOKU)
RING SET, PISTON (0 50)
(NIPPON)
RING SET, PISTON (0 50)
(TEIKOKU)
RING SET, PISTON (0 50)
(TEIKOKU)
RING SET, PISTON (0 75)
(NIPPON)

3 4
3 4
3 4
3 4
3 4
3 4
3 4
3 4
3 4
3 4
3 4
3 4
3 4
3 4
3 4

4
4
4
4
4
4
4
4
4
4
4
4
4
4
4

13011-MB0-003
13011-MB0-004
13011-MB0-014
13021-MB0-003
2005051
13021-MB0-014
13031-MB0-003
2005051
13031-MB0-014
3041-MB0-003

1241025
1241033
1513738
1241078
1241041
1513746
1241058
1241066
1513753
1241074

CONTENTS

TITLE	GRID
AIR CLEANER	1-E9
ALTERNATOR	1-B8
BATTERY	1-E6
BRAKE CALIPER FR	1-D1
BRAKE CALIPER RR	1-E2
BRAKE MASTER CYL FR	1-D4
BRAKE MASTER CYL RR	1-E1
CABLES	1-D3
CAM SHAFT	1-B4
CAMISTER	1-F2
CARBURETOR ASSEMBLY LINK	1-C8
CARBURETOR COMPONENTS	1-C9
CLUTCH	1-B6
CLUTCH MASTER CYLINDER	1-D5
CONTROL LEVERS	1-F11
COWL	1-E5
COWL RR	1-B9
CRANKCASE COVER L	1-B6
CRANKCASE COVER R	1-C2
CRANKSHAFT	1-C1
CYLINDER BLOCK	1-B1
CYLINDER HEAD COVER	1-B3
CYLINDER HEAD FR	1-B2
CYLINDER HEAD RR	1-G2
EMBLEMS	1-D8
FENDER FR	1-F3
FENDER RR	1-F8
FRAME BODY	1-D9
FRONT SHOCK ABSORBER	1-E1
FUEL PUMP	1-E4
FUEL TANK	1-E11
GASKET KIT A	1-C11
GASKET KIT B	1-C11
GASKET KIT C	1-C11
GEARSHIFT DRUM	1-C6
HANDLEBAR	1-D6
HEADLIGHT	1-D7
HORN	1-D8
IGNITION COIL	1-F6
INSTRUMENTS	1-D1
LABELS	1-G2
MUFFLER EXHAUST	1-E10
OIL FILTER	1-B11
OIL PAN	1-B11
OIL PUMP	1-B11
PEDAL BRAKE	1-E11
PEDAL GEARSHIFT	1-E11
PISTON	1-C2
PULSE GENERATOR	1-B7
PURGE CONTROL VALVE	1-F12
RADIATOR	1-F7
SEAT	1-E5
SHOCK ABSORBER RR	1-F2
SIDE COVER	1-E6
STAND	1-E12
STARTER MOTOR	1-B11
STARTING CLUTCH	1-B7
STEERING STEM	1-D6
STEP	1-E11
STRIPES	1-G2
SWINGARM	1-F4
SWITCHES	1-D3
TAIL LIGHT	1-E6
TENSIONER	1-B5
THERMOSTAT	1-C7
TOOLS	1-F10
TOP BRIDGE	1-D6
TRANSMISSION	1-C5
TURN SIGNAL	1-F4
VALVE	1-E4
WATER PIPE	1-C7
WATER PUMP	1-B9
WHEEL FR	1-D12
WHEEL RR	1-E3
WIRE HARNESS	1-F6

GRID NO.

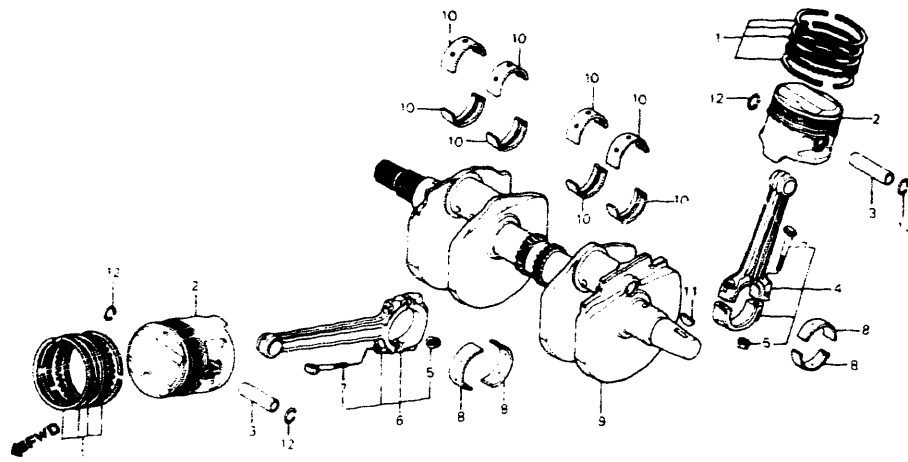
1-C 2

28
RC15E ENGINE NO 2000022 TO 2008111
RC15E ENGINE NO 2100012 TO 2103474
RC15E ENGINE NO 2102802 TO 2103712

1-C 2

29

CRANKSHAFT • PISTON



Crankshaft bearing selection
(13300-MB0-010, ~2001586)

(Oil clearance 28~52 μm)

Crankshaft D 360	Crankshaft D 360		
	1	2	3
A	0 +0.008	0 0.006 Green	0 0.006 Brown
B	0 +0.008 +0.016	0 Brown	0 Blue
	0 +0.016 +0.024	0 Black	0 Blue

Crankshaft bearing selection
(13300-MB0-020, 2001587~)

(Oil clearance 20~44 μm)

Crankshaft D 360	Crankshaft D 360		
	1	2	3
A	0 +0.008	0 0.006 Yellow	0 0.006 Green
B	0 +0.008 +0.016	0 Green	0 Black
C	0 +0.016 +0.024	0 Brown	0 Blue

Connecting rod bearing selection

(Oil clearance 28~52 μm)

Connecting rod D 360	Crankshaft D 360		
	A	B	C
1	0 +0.008	0 0.008 Yellow	0 0.016 Green
2	0 +0.008 +0.016	0 Green	0 Black
3	0 +0.016 +0.024	0 Brown	0 Blue

133 8MB0 147 B.5

1-C 3

VF750F 83
VF750F 84

REF NO	DESCRIPTION	V F 7 5 0 F		A R E A C O D E	S E R I A L N U M B E R F R O M T O	Q T Y R E Q	P A R T N U M B E R	H O N D A C O D E
		3	4					
1	RING SET PISTON (0 75) (TEIKOKU)	3	-		2005051	4	13041-MB0-004	1241082
	RING SET PISTON (0 75) (TEIKOKU)	3	4			4	13041-MB0-014	1513761
	RING SET PISTON (1 00) (NIPPON)	3	4			4	13051-MB0-003	1239276
	RING SET PISTON (1 00) (TEIKOKU)	3	-		2005051	4	13051-MB0-004	1244086
	RING SET PISTON (1 00) (TEIKOKU)	3	4			4	13051-MB0-014	1513779
2	PISTON (STD)	3	4			4	13101-MB0-010	1319300
	PISTON (0 25)	3	4			4	13102-MB0-010	1365071
	PISTON (0 50)	3	4			4	13103-MB0-010	1365089
	PISTON (0 75)	3	4			4	13104-MB0-010	1365097
	PISTON (1 00)	3	4			4	13105-MB0-010	1435122
3	PIN PISTON	3	4			4	13111-MB0-000	1241140
4	ROD ASSY A. CONNECTING	3	4			2	13201-MB0-010	1435130
	ROD ASSY B. CONNECTING	3	4			2	13202-MB0-010	1437623
	ROD ASSY C. CONNECTING	3	4			2	13203-MB0-010	1437631
	ROD ASSY D. CONNECTING	3	4			2	13204-MB0-010	1437649
	ROD ASSY E. CONNECTING	3	4			2	13205-MB0-010	1437656
5	NUT CONNECTING ROD	3	4			8	13205-634-010	0549493
6	ROD ASSY A. CONNECTING	3	4			2	13206-MB0-010	1437664
	ROD ASSY B. CONNECTING	3	4			2	13207-MB0-010	1437672
	ROD ASSY C. CONNECTING	3	4			2	13208-MB0-010	1435205
	ROD ASSY D. CONNECTING	3	4			2	13209-MB0-010	1435213
	ROD ASSY E. CONNECTING	3	4			2	13210-MB0-010	1435221
7	BOLT CONNECTING ROD (NAGOYA NEJI)	3	4			8	13204-689-004	0725416
	BOLT CONNECTING ROD (NAGOYA NEJI)	3	4			8	13213-422-004	0690792
8	BEARING A. CONNECTING ROD (BLUE)	3	4			8	13224-MB0-003	1260116
	BEARING A. CONNECTING ROD (BLUE)	3	4			8	13224-MB0-305	1853514
	BEARING A. CONNECTING ROD (BLUE)	3	4			8	13224-MB0-891	2053999
	BEARING A. CONNECTING ROD (BLUE)	3	4			8	13224-MB0-892	3255692
	BEARING B. CONNECTING ROD (BLACK)	3	4			8	13225-MB0-003	1260124

BLOCK NO E-13

CONTENTS

TITLE	GRID
AIR CLEANER	1-E9
ALTERNATOR	1-B8
BATTERY	1-E6
BRAKE CALIPER FR	1-D11
BRAKE CALIPER RR	1-E2
BRAKE MASTER CYL FR	1-D4
BRAKE MASTER CYL RR	1-E1
CABLES	1-D3
CAM CHAIN	1-B5
CAMSHAFT	1-B4
CANISTER	1-E4
CARBURETOR ASSY LINK	1-F8
CARBURETOR COMPONENTS	1-C9
CLUTCH	1-B6
CLUTCH MASTER CYLINDER	1-D5
CONTROL LEVERS	1-D3
COWL	1-F11
COWL RR	1-E5
CRANKCASE COVER L	1-B9
CRANKCASE COVER R	1-B6
CRANKSHAFT	1-C2
CYLINDER BLOCK	1-C1
CYLINDER HEAD COVER	1-B1
CYLINDER HEAD FR	1-B1
CYLINDER HEAD RR	1-B3
EMBLEMS	1-G2
FENDER FR	1-G6
FENDER RR	1-E3
FRAME BODY	1-F8
FRONT SHOCK ABSORBER	1-D9
FUEL PUMP	1-E7
FUEL TANK	1-E4
GASKET KIT B	1-C11
GASKET KIT A	1-C11
GEARSHIFT DRUM	1-C6
HANDLEBAR	1-D6
HEADLIGHT	1-D1
HORN	1-D8
IGNITION COIL	1-F6
INSTRUMENTS	1-D1
LABELS	1-G2
MUFFLER EXHAUST	1-E10
OIL FILTER	1-B11
OIL PAN	1-B11
OIL PUMP	1-B11
SEAT	1-E11
SEAT BRACE	1-E11
PEDAL GEARSHIFT	1-E11
PISTON	1-C2
PULSE GENERATOR	1-B7
PURGE CONTROL VALVE	1-F12
RADIATOR	1-E7
SEAT	1-E5
SHOCK ABSORBER RR	1-E2
SIDE COVER	1-E6
STAND	1-E12
STARTER MOTOR	1-B11
STARTING CLUTCH	1-B7
STEERING STEM	1-D8
STRIP	1-E11
STRIPES	1-E1
SWINGARM	1-D3
SWITCHES	1-D3
TAILLIGHT	1-E5
TENSIONER	1-B5
THERMOSTAT	1-C7
TOOLS	1-F10
TOP BRIDGE	1-D6
TRANSMISSION	1-C5
TURN SIGNAL	1-F4
VALVE	1-B4
WATER PIPE	1-C7
WATER PUMP	1-B9
WHEEL FR	1-D12
WHEEL RR	1-E3
WIRE HARNESS	1-F6

GRID NO.

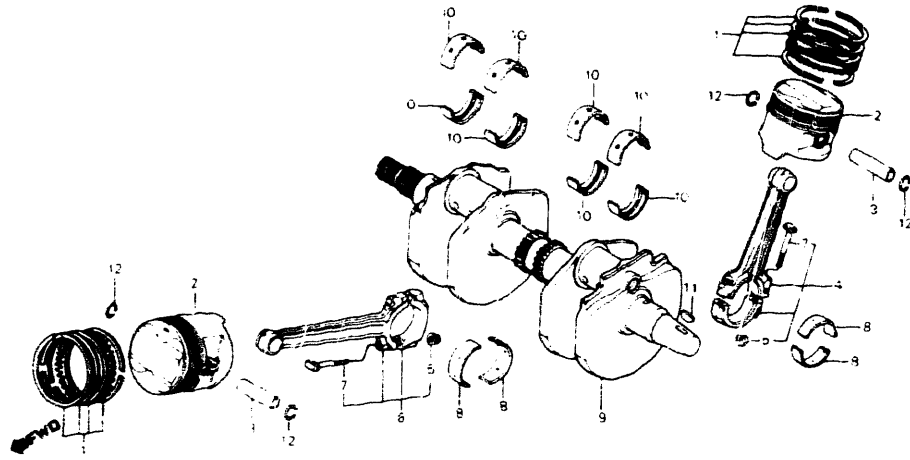
1-C 3

31

30

RC15E ENGINE NO 2000022 TO 2008111
RC15E ENGINE NO 2100012 TO 2103474
RC15E ENGINE NO 2102802 TO 2103712

CRANKSHAFT • PISTON



**Crankshaft bearing selection
(13300-MB0-010, ~2001586)**

(Oil clearance 28~52 μm)

Crankshaft O.D. 390		Crankpin O.D. 360		
	0	1	2	3
A	+0.008	Green	(Brown)	Black
B	+0.008	C	B	A
	+0.016	(Brown)	(Black)	(Blue)
	+0.024	B	A	(Blue)

**Crankshaft bearing selection
(13300-MB0-020, 2001587~)**

(Oil clearance 20~44 μm)

Crankshaft O.D. 390		Crankpin O.D. 360		
	0	1	2	3
A	+0.008	Green	(Brown)	(Blue)
B	+0.008	D	C	B
	+0.016	(Green)	(Brown)	(Black)
	+0.024	C	B	A

Connecting rod bearing selection

(Oil clearance 28~52 μm)

Connecting rod O.D. 390		Crankpin O.D. 360		
	0	A	B	C
1	+0.008	(Yellow)	(Green)	(Brown)
2	+0.008	D	C	B
	+0.016	(Green)	(Brown)	(Black)
3	+0.016	C	B	A
	+0.024	(Brown)	(Black)	(Blue)

619-BM80-11743-0

VF750F 83
VF750F 84

REF NO	DESCRIPTION	QTY	UNIT	MATERIAL	SERIAL NUMBER FROM TO	PART NUMBER	HONDA CODE	BLOCK NO
								E-13
8	BEARING B CONNECTING ROD (BLACK)	3	1			8 13225-MB0-891	20E4005	
	BEARING B CONNECTING ROD (BLACK)	3	4			8 13225-MB0-892	3045499	
	BEARING C CONNECTING ROD (BROWN)	3	4			8 13226-MB0-C03	260132	
	BEARING C CONNECTING ROD (BROWN)	3	4			8 13226-MB0-891	2054013	
	BEARING C CONNECTING ROD (BROWN)	3	4			8 13226-MB0-892	2986613	
	BEARING D CONNECTING ROD (GREEN)	3	4			8 13227-MB0-003	1260140	
	BEARING D CONNECTING ROD (GREEN)	3	4			8 13227-MB0-891	2064021	
	BEARING D CONNECTING ROD (GREEN)	3	4			8 13227-MB0-892	2956621	
	BEARING E CONNECTING ROD (YELLOW)	3	4			8 13228-MB0-003	1260157	
	BEARING E CONNECTING ROD (YELLOW)	3	4			8 13228-MB0-891	2054039	
	BEARING E CONNECTING ROD (YELLOW)	3	4			9 13228-MB0-892	2937829	
9	CRANKSHAFT COMP	3	-		2001586	13300-MB0-010	1458957	
	CRANKSHAFT COMP	3	4			1 13300-MB0-020	1506971	
	CRANKSHAFT COMP	3	4			1 13300-MB0-030	2317048	
	CRANKSHAFT COMP	3	4			1 13300-MB0-040	2424521	
10	BEARING A CRANKSHAFT (BLUE)	3	4			8 13314-MB0-003	1260165	
	BEARING A CRANKSHAFT (BLUE)	3	4			8 13314-MB0-013	2016962	
	BEARING B CRANKSHAFT (BLACK)	3	4			8 13315-MB0-003	1260173	
	BEARING B CRANKSHAFT (BLACK)	3	4			8 13315-MB0-013	2016970	
	BEARING C CRANKSHAFT (BROWN)	3	4			8 13316-MB0-003	1260181	
	BEARING C CRANKSHAFT (BROWN)	3	4			8 13316-MB0-013	2016988	
	BEARING D CRANKSHAFT (GREEN)	3	4			8 13317-MB0-003	1260199	
	BEARING D CRANKSHAFT (GREEN)	3	4			8 13317-MB0-013	2016996	
	BEARING E CRANKSHAFT (YELLOW)	3	4			8 13318-MB0-003	1250207	
11	KEY WOODRUFF	3	4			1 90741-413-000	0957571	
12	CLIP PISTON PIN, 18MM	3	4			8 94601-18000	317305	

1-C 4

BLOCK NO E-13

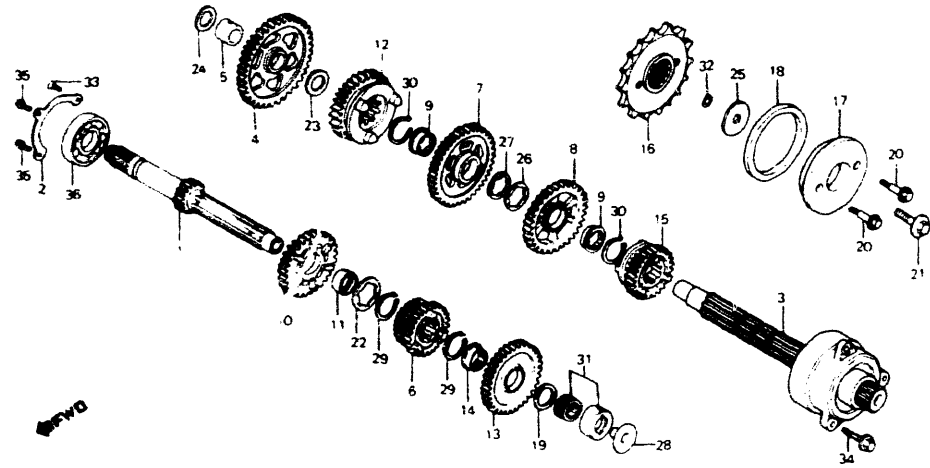
CONTENTS

TITLE	GRID
AIR CLEANER	1-E9
ALTERNATOR	1-E8
BATTERY	1-E6
BRAKE CALIPER FR	1-D11
BRAKE CALIPER RR	1-E2
BRAKE MASTER CYL FR	1-D4
BRAKE MASTER CYL RR	E1
CABLES	1-D3
CAM CHAIN	1-E5
CAMSHAFT	1-B4
CAVISTER	1-E7
CARBURETOR ASSY LINK	1-C8
CARBURETOR COMPONENTS	1-C9
CLUTCH	1-B6
CLUTCH MASTER CYLINDER	1-D5
CONTROL LEVERS	1-F11
CONV	1-E5
CONV RR	1-E5
CRANKCASE COVER L	1-B9
CRANKCASE COVER R	1-B6
CRANKSHAFT	1-C2
CYLINDER BLOCK	1-C1
CYLINDER HEAD COVER	1-B1
CYLINDER HEAD FR	1-B1
CYLINDER HEAD RR	1-B3
EMBLEMS	1-G2
FENDER FR	1-D8
FENDER RR	1-F3
FRAME BODY	1-F8
FRONT SHOCK ABSORBER	1-D9
FUEL PUMP	1-E7
FUEL TANK	1-E4
GASKET KIT B	1-C11
GASKET KIT L	1-C11
GEARSHIFT DRUM	1-C6
HANDLEBAR	1-D6
HEADLIGHT	1-D1
HORN	1-D8
IGNITION COIL	1-F6
INSTRUMENTS	1-D1
LABELS	1-G2
MUFFLER EXHAUST	1-E10
Oil FILTER	1-B11
Oil PAN	1-B11
Oil PUMP	1-B11
PEDAL BRAKE	1-E11
PEDAL GEARSHIFT	1-E11
PISTON	1-C2
PULSE GENERATOR	1-F7
PIRGE CONTROL VALVE	1-F11
RADIATOR	1-F7
SEAT	1-E5
SHOCK ABSORBER RR	1-F2
SIDE COVER	1-E6
STAND	1-E12
STARTER MOTOR	1-B11
STARTING CLUTCH	1-B7
STEERING STEM	1-D8
STEP	1-E11
STRIPES	1-G2
SWINGARM	1-F1
SWITCHES	1-D3
TAIL LIGHT	1-E5
TENSIONER	1-C7
WASHERS AT	1-F5
WAXES	1-F10
WIPER BRUSH	1-D6
WIPER MOTOR	1-C5
WIPER SIGNAL	1-F4
VALVE	1-B4
WATER PUMP	1-C7
WATER PUMP	1-B9
WHEEL FR	1-E3
WHEEL RR	1-E3
WIRE HARNESS	1-F6

GRID NO.

1-C 4

TRANSMISSION



VF750F 83 VF750F 84	VF750F 83	VF750F 84	AREA CODE	QTY REQ	G.39 B.M. 12	BLOCK NO E-14	
REF NO	DESCRIPTION	3	4	SERIAL NUMBER FROM TO	PART NUMBER	HONDA CODE	
1	MAINSHAFT (15T)	3	4	-----	1 23211-MB2-000	1428283	
2	PLATE BEARING SETTING	3	-	-----	1 23212-MB0-000	1242684	
	PLATE BEARING SETTING	3	4	-----	1 23212-MB0-010	1781582	
3	COUNTERSHAFT COMP	3	-	-----	1 23220-MB2-000	1428291	
		-	4	-----	2103112	1 23220-MB2-000	1428291
	COUNTERSHAFT COMP	3	4	-----	1 23220-MB2-020	1850247	
	COUNTERSHAFT COMP	3	4	-----	1 23220-MB6-680	2499143	
4	GEAR COUNTERSHAFT LOW (41T)	3	-	-----	1 23421-MB2-000	1428309	
		-	4	-----	1 23421-MB2-000	1428309	
	GEAR COUNTERSHAFT LOW (41T)	-	4	AC	-----	1 23421-MB6-000	1698950
5	COLLAR 22X13 6	3	4	-----	1 23422-MB2-000	1428317	
6	GEAR MAINSHAFT SECOND & THIRD (19T 22T)	3	4	-----	1 23431-MB2-000	1428325	
7	GEAR COUNTERSHAFT SECOND (36T)	3	-	-----	1 23441-MB2-000	1428333	
		-	4	A	-----	1 23441-MB2-000	1428333
	GEAR COUNTERSHAFT SECOND (36T)	-	4	AC	-----	1 23441-MB6-000	1698984
8	GEAR COUNTERSHAFT THIRD (33T)	3	4	-----	1 23461-MB2-000	1428341	
9	COLLAR SPLINE, 28X15 5	3	4	-----	2 23462-MB2-010	2053486	

VF750F 83 VF750F 84	VF750F 83	VF750F 84	AREA CODE	QTY REQ	SERIAL NUMBER FROM TO	PART NUMBER	HONDA CODE
10	GEAR MAINSHAFT FOURTH (25T)	3	4	-----	1 23471-MB2-000	1428366	
11	COLLAR, 25X14	3	4	-----	1 23472-MB2-000	1428374	
12	GEAR COUNTERSHAFT FOURTH (31T)	3	-	-----	1 23481-MB2-000	1428382	
		-	4	A	-----	1 23481-MB2-000	1428382
	GEAR COUNTERSHAFT FOURTH (31T)	-	4	AC	-----	1 23481-MB6-000	1698992
13	GEAR MAINSHAFT FIFTH (27T)	3	4	-----	1 23491-MB2-000	1428390	
14	COLLAR, SPLINE, 25X18 5	3	4	-----	1 23492-MB2-000	1428408	
15	GEAR COUNTERSHAFT FIFTH (29T)	3	4	-----	1 23501-MB2-000	1428416	
16	SPROCKET DRIVE (17T)	3	4	-----	1 23801-438-000	1051838	
17	GUIDE RING	3	4	-----	1 23820-438-003	1051846	
18	RING DAMPER	3	4	-----	1 23821-MB2-000	1441807	
19	PLATE A, THRUST 1.45MM	3	4	-----	1 23901-567-319	0768572	
20	BOLT, FLANGE 6X20	3	4	-----	2 90020-438-000	0766493	
21	BOLT, SPECIAL, 10MM	3	4	-----	1 90037-422-003	1053032	
22	WASHER, THRUST, 25MM	3	4	-----	1 90451-MB2-000	1431329	
23	WASHER, THRUST, 22MM	3	4	-----	1 90453-704-000	0417238	
24	WASHER, THRUST, 20MM	3	4	-----	1 90454-428-000	0684902	
	WASHER THRUST, 20X0 90	3	4	-----	1 90456-MB0-770	1312750	
25	WASHER, 10 2MM	3	4	-----	1 90459-422-000	0691287	
26	WASHER THRUST, 29MM	3	4	-----	1 90461-MB2-000	1434612	
27	WASHER, LOCK, 28MM	3	4	-----	1 90462-MB2-000	1434620	
28	ORIFICE, PLATE	3	4	-----	1 90558-MB0-000	1251396	
29	CIRCLIP, 25MM	3	4	-----	2 90601-300-000	0193482	
30	CIRCLIP, 28MM	3	4	-----	2 90601-422-000	0691303	
31	BEARING, NEEDLE, 20MM	3	4	-----	1 91022-415-008	0670976	
32	O-RING, 9 8X2 4	3	4	-----	1 91305-422-000	0688986	
33	SCREW, FLAT, 6X16	3	4	-----	1 93600-06016-OA	0805358	
34	BOLT, FLANGE, 8X28	3	4	-----	3 95700-08028-C8	0412601	
35	BOLT, FLANGE 6X16	3	4	-----	2 96000-06016-00	1113687	
	BOLT, FLANGE, 6X16	3	4	-----	2 96001-06016-00	2105955	
36	BEARING, RADIAL BALL, 6305	3	4	-----	1 96100-63050-00	0674408	

BLOCK NO E-14

CONTENTS

TITLE	GRID
AIR CLEANER	1-E9
ALTERNATOR	1-E9
BATTERY	1-E6
BRAKE CALIPER FR	1-D11
BRAKE CALIPER RR	1-E2
BRAKE MASTER CYL FR	1-D4
BRAKE MASTER CYL RR	1-E1
CABLES	1-D3
CAM CHAIN	1-B5
CAMSHAFT	1-B4
CAMISTER	1-F2
CARBURETOR ASSY LINK	1-C8
CARBURETOR COMPONENTS	1-C9
CLUTCH	1-B6
CLUTCH MASTER CYLINDER	1-D5
CONTROL LEVERS	1-D3
COWL	1-F11
COWL RR	1-E5
CRANKCASE COVER L	1-B9
CRANKCASE COVER R	1-B6
CRANKSHAFT	1-C2
CYLINDER BLOCK	1-C1
CYLINDER HEAD COVER	1-B1
CYLINDER HEAD FR	1-B1
CYLINDER HEAD RR	1-B3
EMBLEMS	1-G2
FENDER FR	1-D6
FENDER RR	1-F3
FRAME BODY	1-F8
FRONT SHOCK ABSORBER	1-D9
FUEL PUMP	1-E7
FUEL TANK	1-E4
GASKET KIT B	1-C11
GASKET KIT A	1-C11
GEARSHIFT DRUM	1-C6
HANDLEBAR	1-D6
HEADLIGHT	1-D1
HORN	1-D8
IGNITION COIL	1-F6
INSTRUMENTS	1-D1
LABELS	1-G2
MUFFLER EXHAUST	1-E10
OIL FILTER	1-B11
OIL PAN	1-B11
OIL PUMP	1-B11
PEDAL BRAKE	1-E11
PEDAL GEARSHIFT	1-E11
PISTON	1-C2
PULSE GENERATOR	1-B7
PURGE CONTROL VALVE	1-F12
RADIATOR	1-F7
SEAT	1-E5
SHOCK ABSORBER RR	1-F2
SIDE COVER	1-E6
STAND	1-E12
STARTER MOTOR	1-B11
STARTING CLUTCH	1-B7
STEERING STEM	1-D8
STEP	1-E11
STRIPES	1-G2
SWINGARM	1-F1
SWITCHES	1-D3
TAILLIGHT	1-F5
TENSIONER	1-B5
THERMOSTAT	1-L7
TOOLS	1-F10
TOP BRIDGE	1-D6
TRANSMISSION	1-C5
TURN SIGNAL	1-F4
VALVE	1-B4
WATER PIPE	1-C7
WATER PUMP	1-B9
WHEEL FR	1-D12
WHEEL RR	1-E3
WIRE HARNESS	1-F6

34
 RC15E ENGINE NO 2000022 TO 2008111
 RC15E ENGINE NO 2100012 TO 2103474
 RC15E ENGINE NO 2102802 TO 2103712

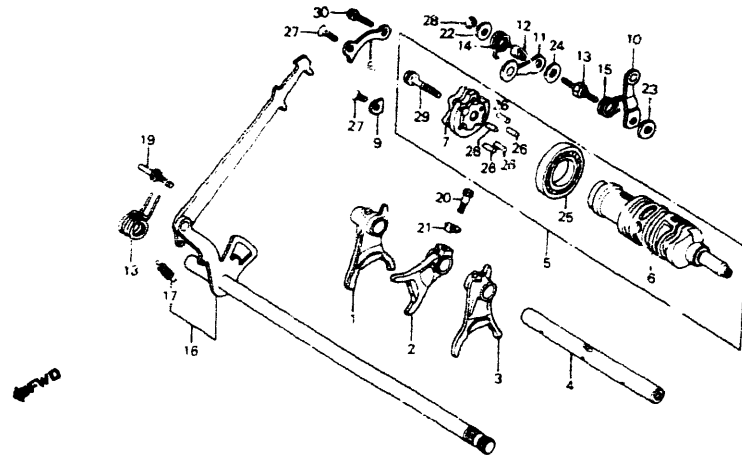
1-C 5

35

GRID NO.

1-C 5

GEARSHIFT DRUM



VF750F 83
VF750F 84

V
F
7
5
0
F
8
3
4

V
F
7
5
0
F
8
3
4

A
R
E
A
C
O
D
E

SERIAL NUMBER
FROM TO

Q
T
Y

R
E
Q

PART NUMBER

HONDA
CODE

BLOCK NO E-15

REF NO	DESCRIPTION	3	4	QTY	PART NUMBER	HONDA CODE
11	ARM COMP. SHIFT DRUM STOPPER	3	4	1	24430-MB0-000	1242940
12	COLLAR, GEARSHIFT DRUM STOPPER	3	4	1	24432-413-000	0494336
13	SHAFT, SHIFT DRUM STOPPER PIVOT	3	4	1	24434-MB0-000	1242957
14	SPRING, SHIFT DRUM STOPPER	3	4	1	24435-MB0-000	1242965
15	SPRING, NEUTRAL STOPPER	3	4	1	24436-MB0-000	1242973
16	SPINDLE COMP. GEARSHIFT	3	4	1	24610-MB2-000	1428499
17	SPRING, GEARSHIFT ARM	3	-	1	24641-MB0-000	1242999
	SPRING, GEARSHIFT ARM	3	4	1	24641-MB0-010	1554047
18	SPRING, GEARSHIFT RETURN	3	4	1	24651-MB0-000	1243005
19	PIN, SHIFT RETURN SPRING	3	4	1	24652-259-000	0039461
20	BOLT, SPECIAL, 7X18	3	4	1	90041-MB0-000	1243468
21	WASHER, LOCK	3	4	1	90407-MB0-000	1243575
22	WASHER, SHIFT DRUM STOPPER	3	4	1	90487-MB0-000	1243666
23	WASHER, 6X2.3	3	4	1	90488-MB0-000	1243674
24	WASHER, SPECIAL, 6MM	3	4	1	90489-MB0-000	1266097
25	BEARING, 16005	3	4	1	91051-719-003	1243823
26	ROLLER, 4X13.8	3	4	5	91101-MB0-003	1243831
27	SCREW, FLAT 6X16	3	4	2	93600-06016-OA	0805358
28	NUT, HEX, 6MM	3	4	1	94002-06200	1317015
29	BOLT, FLANGE, 8X32	3	4	1	95800-08032-00	0768879
30	BOLT, FLANGE, 6X16	3	4	1	96000-06016-00	1113667
	BOLT, FLANGE, 6X16	3	4	1	96001-06016-00	2105955

CONTENTS

TITLE	GRID
AIR CLEANER	1-E8
ALTERNATOR	1-B8
BATTERY	1-E6
BRAKE CALIPER FR	1-D11
BRAKE CALIPER RR	1-E2
BRAKE MASTER CYL FR	1-E4
BRAKE MASTER CYL RR	1-E1
CABLES	1-D3
CAM CHAIN	1-B5
CAMSHAFT	1-B4
CANISTER	1-F2
CARBURETOR ASSY LINK	1-C8
CARBURETOR COMPONENTS	1-C9
CLUTCH	1-B6
CLUTCH MASTER CYLINDER	1-D5
CONTROL LEVERS	1-D3
COVER, RR	1-F11
CRANKCASE COVER L	1-E5
CRANKCASE COVER R	1-B9
CRANKSHAFT	1-C2
CYLINDER BLOCK	1-C1
CYLINDER HEAD COVER	1-B1
CYLINDER HEAD FR	1-B1
CYLINDER HEAD RR	1-B3
EMBLEMS	1-G2
FENDER FR	1-D8
FENDER RR	1-F3
FRAME BODY	1-F8
FRONT SHOCK ABSORBER	1-D9
FUEL PUMP	1-E7
FUEL TANK	1-E4
GASKET KIT B	1-C11
GASKET KIT A	1-C11
GEARSHIFT DRUM	1-C6
HANDLEBAR	1-D6
HEADLIGHT	1-D1
HORN	1-D8
IGNITION COIL	1-F6
INSTRUMENTS	1-D1
LABELS	1-G2
MUFFLER EXHAUST	1-E10
OIL FILTER	1-B11
OIL PAN	1-B11
OIL PUMP	1-B11
PEDAL BRAKE	1-E11
PEDAL GEARSHIFT	1-E11
PISTON	1-C2
PULSE GENERATOR	1-B7
PURGE CONTROL VALVE	1-F12
RADIATOR	1-F7
SEAT	1-E5
SHOCK ABSORBER RR	1-F2
SIDE COVER	1-E6
STAND	1-E12
STARTER MOTOR	1-B11
STARTING CLUTCH	1-B7
STEERING STEM	1-D8
STEP	1-E11
STRIPES	1-G2
SWINGARM	1-F1
SWITCHES	1-D3
TAILLIGHT	1-F5
TENSIONER	1-B5
THERMOSTAT	1-C7
TOOLS	1-F10
TOP BRIDGE	1-D6
TRANSMISSION	1-C5
TURN SIGNAL	1-F4
VALVE	1-B4
WATER PIPE	1-C7
WATER PUMP	1-B9
WHEEL FR	1-D12
WHEEL RR	1-E3
WIRE HARNESS	1-F6

GRID NO.

1-C 6

VF750F 83
VF750F 84

V
F
7
5
0
F
8
3
4

V
F
7
5
0
F
8
3
4

A
R
E
A
C
O
D
E

SERIAL NUMBER
FROM TO

Q
T
Y

PART NUMBER

HONDA
CODE

G39-8MB2-13

BLOCK NO E-15

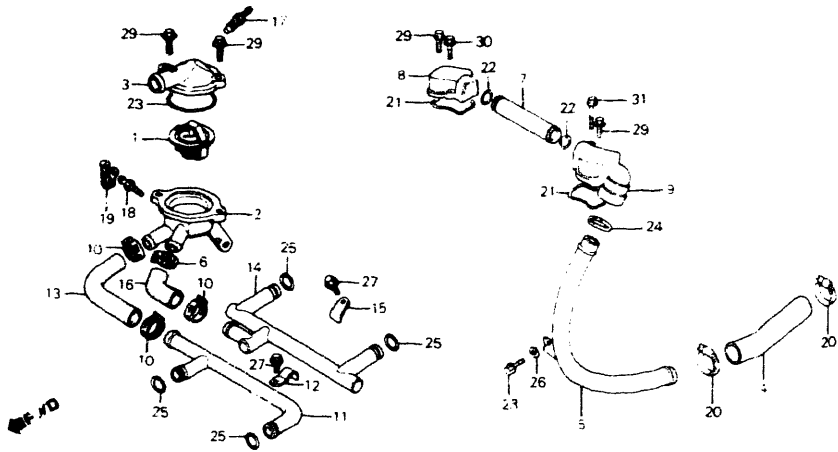
REF NO	DESCRIPTION	3	4	QTY	PART NUMBER	HONDA CODE
1	FORK, R GEARSHIFT	3	-	1	24211-MB2-000	1423424
	FORK, R GEARSHIFT	-	4	1	24211-MB2-000	1423424
	FORK, R GEARSHIFT	-	4	1	24211-MB0-870	1715026
2	FORK, CENTER GEARSHIFT	3	4	1	24212-MB2-000	1423432
3	FORK, L GEARSHIFT	3	-	1	24213-MB2-000	1423440
	FORK, L GEARSHIFT	-	4	1	24213-MB2-000	1423440
	FORK, L GEARSHIFT	-	4	1	24213-MB6-000	1703270
4	SHAFT COMP, GEARSHIFT FORK	3	4	1	24261-MB2-000	1423457
5	DRUM ASSY, GEARSHIFT	3	-	1	24300-MB2-000	1428465
	DRUM ASSY, GEARSHIFT	-	4	1	24300-MB2-000	1428465
	DRUM ASSY, GEARSHIFT	-	4	1	24300-MB6-000	1708288
6	DRUM, GEARSHIFT	3	-	1	24302-MB2-300	1428473
	DRUM, GEARSHIFT	-	4	1	24302-MB2-300	1428473
	DRUM, GEARSHIFT	-	4	1	24302-MB6-000	1708296
7	PLATE, DRUM CAM	3	-	1	24305-MB2-000	1428481
	PLATE, DRUM CAM	-	4	1	24305-MB2-000	1428481
	PLATE, DRUM CAM	-	4	1	24305-M36-000	1708304
8	PLATE A, DRUM SETTING	3	4	1	24320-MB0-000	1242916
9	PLATE B, DRUM SETTING	3	4	1	24321-MB0-000	1242924
10	ARM COMP, NEUTRAL STOPPER	3	4	1	24420-MB0-000	1242932

1-C 6

37

36
RC15E ENGINE NO 2000022 TO 2008111
RC15E ENGINE NO 2100012 TO 2103474
RC15E ENGINE NO 2102802 TO 2103712

WATER PIPE • THERMOSTAT



VF750F 83 VF750F 84		VF750F 83	VF750F 84	AREA CODE	QTY REQ	DESCRIPTION	PART NUMBER	HONDA CODE
1	THERMOSTAT	3	4		1	19300-MB0-003	1242155	
2	CASE, THERMOSTAT				1	19311-MB2-000	1427996	
3	COVER, THERMOSTAT				1	19311-MB2-010	1E05874	
4	HOSE, CONNECTING	3	4		1	19502-MB2-000	1428010	
5	PIPE, WATER OUTLET, CONNECTING	3	4		1	19504-MB0-000	1242197	
6	CLAMP, WATER HOSE	3	4		1	19506-KA4-000	1039635	
7	PIPE, CONNECTING	3	4		1	19507-MB0-000	1242205	
8	CAP, A, CONNECTING PIPE	3	4		1	19508-MB0-000	1242213	
9	CAP, B, CONNECTING PIPE	3	4		1	19509-MB0-000	1242221	
10	CLAMP, WATER HOSE	3	4		3	19514-ME9-000	1368291	
11	PIPE, A, WATER	3	4		1	19520-MB2-000	1428085	
12	CLAMP, A, WATER PIPE	3	4		1	19524-MB0-000	1242254	
13	HOSE, A, WATER	3	4		1	19526-MB2-000	1428033	
14	PIPE, B, WATER	3	4		1	19530-MB2-000	1428101	
15	CLAMP, B, WATER PIPE	3	4		1	19534-MB2-000	1428119	
16	HOSE, B, WATER	3	4		1	19536-MB2-000	1428127	
17	SENDING UNIT, WATER TEMPERATURE	3	4		1	37750-PC1-004	1130780	
18	SCREW, BLEEDER	3	4		1	43352-568-003	0605735	

38

1-C 7

BLOCK NO E-16

VF750F 83 VF750F 84		VF750F 83	VF750F 84	AREA CODE	QTY REQ	DESCRIPTION	PART NUMBER	HONDA CODE
19	CAP, BLEEDER	3	4		1	43353-461-771	0954230	
20	CLAMP, WATER HOSE	3	4		2	50228-MB0-000	1243328	
21	GASKET, CONNECTING CAP	3	4		2	91301-MB0-000	1243880	
22	O-RING, 18 3X2 3	3	4		2	91301-147-023	1005453	
23	O-RING, 54X2	3	4		1	91307-MB0-003	1260827	
24	SEAL, WATER PIPE	3	4		1	91315-MB0-013	1435239	
25	O-RING, 13X2 5	3	4		4	91335-567-000	0422428	
26	WASHER, FLAT, 6MM	3	4		1	94101-06000	0059071	
	WASHER, PLAIN, 6MM	3	4		1	94101-06080	3136074	
	WASHER, PLAIN, 6MM	3	4		1	94101-06800	0345900	
27	BOLT, FLANGE, 6X14	3	4		2	96000-06014-00	0782854	
	BOLT, FLANGE, 6X40	3	4		2	96001-06014-00	2154672	
28	BOLT, FLANGE, 6X16	3	4		1	96000-06016-00	1113687	
	BOLT, FLANGE, 6X16	3	4		1	96001-06016-00	2105955	
29	BOLT, FLANGE, 6X22	3	4		4	96000-06022-07	1292234	
	BOLT, FLANGE, 6X22	3	4		4	96001-06022-07	2105971	
30	BOLT, FLANGE, 6X25	3	4		1	96000-06025-07	1251941	
31	BOLT, FLANGE, 6X35	3	4		1	96000-06035-07	0807362	
	BOLT, FLANGE, 6X35	3	4		1	96001-06035-07	2533891	

39

CONTENTS

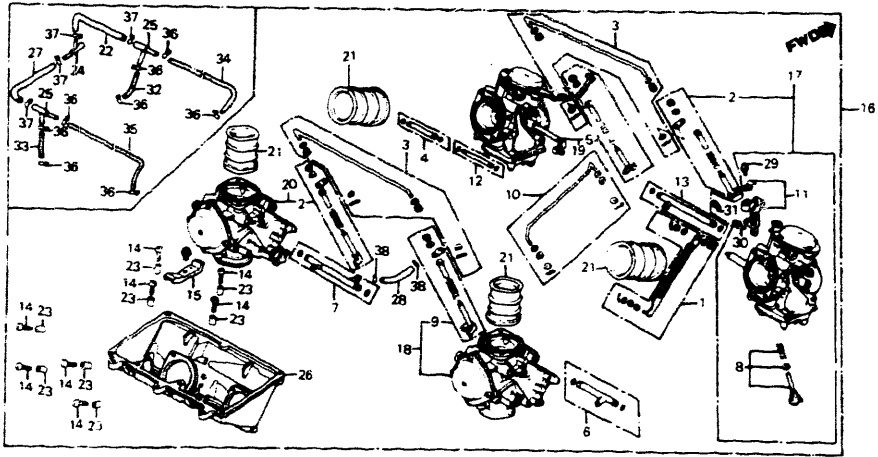
TITLE	GRID
AIR CLEANER	1-E9
ALTERNATOR	1-B8
BATTERY	1-E6
BRAKE CALIPER, FR	1-D11
BRAKE CALIPER, RR	1-E2
BRAKE MASTER CYL, FR	1-D4
BRAKE MASTER CYL, RR	1-E1
CABLES	1-D3
CAM CHAIN	1-B5
CAMSHAFT	1-B4
CANISTER	1-F 2
CARBURETOR, ASSY, LINK	1-C8
CARBURETOR COMPONENTS	1-C9
CLUTCH	1-B6
CLUTCH MASTER CYLINDER	1-D5
CONTROL LEVERS	1-D3
COWL	1-F11
COWL, RR	1-E5
CRANKCASE COVER, L	1-B9
CRANKCASE COVER, R	1-B6
CRANKSHAFT	1-C2
CYLINDER BLOCK	1-C1
CYLINDER HEAD COVER	1-B1
CYLINDER HEAD, FR	1-B1
CYLINDER HEAD, RR	1-B3
EMBLEMS	1-G2
FENDER, FR	1-D8
FENDER, RR	1-E3
FRAME BODY	1-B8
FRONT SHOCK ABSORBER	1-D9
FUEL PUMP	1-E7
FUEL TANK	1-E4
GASKET KIT, A	1-C11
GASKET KIT, B	1-C11
GEARSHIFT DRUM	1-C6
HANDLEBAR	1-D6
HEADLIGHT	1-D1
HORN	1-D8
IGNITION COIL	1-F6
INSTRUMENTS	1-D1
LABELS	1-G2
MUFFLER, EXHAUST	1-E10
OIL FILTER	1-B11
OIL PAN	1-B11
OIL PUMP	1-B11
PEDAL, BRAKE	1-E11
PEDAL, GEARSHIFT	1-E11
PISTON	1-C2
PULSE GENERATOR	1-B7
PURGE CONTROL VALVE	1-E11
RADIATOR	1-F7
SEAT	1-E5
SHOCK ABSORBER, RR	1-F2
SIDE COVER	1-E6
STAND	1-E12
STARTER MOTOR	1-B11
STARTING CLUTCH	1-B7
STEERING STEM	1-D8
STEP	1-E11
STRIPES	1-G2
SWINGARM	1-F1
SWITCHES	1-D3
TAILLIGHT	1-E5
TENSIONER	1-B5
THERMOSTAT	1-C7
TOP CASE	1-F10
TOP BRIDGE	1-D6
TRANSMISSION	1-C5
TURN SIGNAL	1-F4
VALVE	1-B4
WATER PIPE	1-C7
WATER PUMP	1-B9
WHEEL, FR	1-D12
WHEEL, RR	1-E3
WIRE HARNESS	1-F6

GRID NO.

1-C 7

RC15E ENGINE NO 2000022 TO 2008111
 RC15E ENGINE NO 2100012 TO 2103474
 RC15E ENGINE NO 2102802 TO 2103712

CARBURETOR (ASSY. LINK)



VF750F 83
VF750F 84

REF NO	DESCRIPTION	SERIAL NUMBER		QTY REQ	PART NUMBER	HONDA CODE
		FROM	TO			
16	CARBURETOR ASSY	3	2007711	1	16100-MB2-672	1541267
	CARBURETOR ASSY	3	2007712	1	16100-MB2-673	1708072
	CARBURETOR ASSY	4	A	1	16100-MB2-771	1698067
	CARBURETOR ASSY	4	AC	1	16100-MB2-881	1708106
17	CARBURETOR ASSY	3	VD52A A	1	16101-MB2-671	1431824
	CARBURETOR ASSY	3	VD52A B	1	16101-MB2-672	1541275
	CARBURETOR ASSY	4	A	1	16101-MB2-771	1698075
	CARBURETOR ASSY	4	AC	1	16101-MB2-881	1708114
18	CARBURETOR ASSY	3	VD52A A	1	16102-MB2-671	1431832
	CARBURETOR ASSY	3	VD52A B	1	16102-MB2-672	1541283
	CARBURETOR ASSY	4	A	1	16102-MB2-771	1698083
	CARBURETOR ASSY	4	AC	1	16102-MB2-881	1708122
19	CARBURETOR ASSY	3	VD52A A	1	16103-MB2-671	1431816
	CARBURETOR ASSY	3	VD52A B	1	16103-MB2-672	1541291
	CARBURETOR ASSY	4	A	1	16103-MB2-771	1698091
	CARBURETOR ASSY	4	AC	1	16103-MB2-881	1708130
20	CARBURETOR ASSY	3	VD52A A	1	16104-MB2-671	1431840
	CARBURETOR ASSY	3	VD52A B	1	16104-MB2-672	1541309
	CARBURETOR ASSY	4	A	1	16104-MB2-771	1698109
	CARBURETOR ASSY	4	AC	1	16104-MB2-881	1708148
21	FUNNEL, AIR	3		4	16141-MB0-672	1317064
22	TUBE	4	AC	1	16143-MB2-881	1708163
23	PIN, KNOCK	3		8	16178-MB0-671	1244177
24	JOINT (T)	4	AC	1	16179-MB2-881	1708189
25	JOINT (T)	4	AC	2	16180-MB2-881	1707868
26	BASE, AIR CLEANER	3		1	16188-MB2-671	1431873
	BASE, AIR CLEANER	3	VD52A C	1	16188-MB2-672	1708205
	BASE, AIR CLEANER	4	AC	1	16188-MB2-672	1708205
	BASE, AIR CLEANER	4	A	1	16188-MB2-014	1708197
27	TUBE	4	AC	1	16198-MB2-881	1708213
28	TUBE, AIR VENT	4	A	1	16199-MB4-621	1426057
29	SCREW-WASHER, 4X10	3		1	93892-04010-00	0962985
30	SCREW-WASHER, 4X14	3		1	93892-04014-00	0692046
31	SCREW-WASHER, 5X12	3		1	93892-05012-00	0691808
32	TUBE, FUEL 3 5X70 (BULK HOSE 95001-35003-40M)	4	AC	1	95001-35070-40	0451807
33	TUBE, FUEL, 3 5X80 (BULK HOSE 95001-35003-40M)	4	AC	1	95001-35080-40	0692087
34	TUBE, FUEL 3 5X180 (BULK HOSE 95001-35003-40M)	4	AC	1	95001-35180-40	0335109
35	TUBE, FUEL 3 5X210 (BULK HOSE 95001-35003-40M)	4	AC	1	95001-35210-40	0299768

BLOCK NO E-17

CONTENTS

TITLE	GRID
AIR CLEANER	1-E9
ALTERNATOR	1-B8
BATTERY	1-E6
BRAKE CALIPER FR	1-D11
BRAKE CALIPER RR	1-E2
BRAKE MASTER CYL FR	1-D4
BRAKE MASTER CYL RR	1-E1
CABLES	1-D3
CAM CHAIN	1-B5
CAMSHAFT	1-B4
CANISTER	1-F12
CARBURETOR (ASSY LINK)	1-C8
CARBURETOR COMPONENTS	1-C9
CLUTCH	1-B6
CLUTCH MASTER CYLINDER	1-D5
CONTROL LEVERS	1-D3
COWL	1-F11
COWL RR	1-E5
CRANKCASE COVER L	1-B9
CRANKCASE COVER R	1-B6
CRANKSHAFT	1-C2
CYLINDER BLOCK	1-C1
CYLINDER HEAD COVER	1-B1
CYLINDER HEAD FR	1-B3
EMBLEMS	1-G2
FENDER FR	1-D8
FENDER RR	1-F3
FRAME BODY	1-F8
FRONT SHOCK ABSORBER	1-D9
FUEL PUMP	1-E7
FUEL TANK	1-E4
GASKET KIT B	1-C11
GASKET KIT A	1-C11
GEARSHIFT DRUM	1-C6
HANDLEBAR	1-D6
HEADLIGHT	1-D1
HORN	1-D8
IGNITION COIL	1-F6
INSTRUMENTS	1-D1
LABELS	1-G2
MUFFLER EXHAUST	1-E10
OIL FILTER	1-B11
OIL PAN	1-B11
OIL PUMP	1-B11
PEDAL BRAKE	1-E11
PEDAL GEARSHIFT	1-E11
PISTON	1-C2
PULSE GENERATOR	1-B7
PURGE CONTROL VALVE	1-F12
RADIATOR	1-F7
SEAT	1-E5
SHOCK ABSORBER RR	1-F2
SIDE COVER	1-E6
S" O	1-E12
STARTER MOTOR	1-B11
STARTING CLUTCH	1-B7
STEERING STEM	1-D8
STEP	1-E11
STRIPES	1-G2
SWINGARM	1-F11
SWITCH	1-D3
TAILLIGHT	1-E5
TENSIONER	1-B5
THERMOSTAT	1-C7
TOOLS	1-F10
TOP BRIDGE	1-D6
TRANSMISSION	1-C5
TURN SIGNAL	1-F4
VALVE	1-B4
WATER PIPE	1-C7
WATER PUMP	1-B9
WHEEL FR	1-D12
WHEEL RR	1-E3
WIRE HARNESS	1-F6

VF750F 83
VF750F 84

REF NO	DESCRIPTION	SERIAL NUMBER		QTY REQ	PART NUMBER	HONDA CODE
		FROM	TO			
1	LEVER SET A, LINK	3		1	16017-MB0-672	1435247
2	LINK SET A, STARTER	3		2	16018-MB0-671	1241793
	LINK SET A, STARTER	3		2	16018-MK3-771	2536555
3	ROD SET A, STARTER LINK	3		2	16019-MB0-671	1241801
4	JOINT SET C, FUEL	3		1	16022-MB1-771	1313984
5	LINK SET B, STARTER	3		1	16025-MB0-671	1241819
6	JOINT SET A, FUEL	3		1	16026-MB0-671	1241827
7	JOINT SET E, FUEL	4	A	1	16027-MB4-621	1426048
8	SCREW SET B	3		1	16028-KR3-671	2039949
	SCREW SET B	3		1	16028-MB0-671	1241835
9	LINK SET C, STARTER	3		1	16031-MB0-671	1241850
10	ROD SET B, STARTER LINK	3		1	16032-MB0-671	1241868
11	PLATE SET, STAY	3		1	16035-MB2-671	1431782
12	JOINT SET D, FUEL	3		1	16042-MB1-771	1313972
13	JOINT SET B, FUEL	3		1	16047-MB0-771	1384965
	JOINT SET B, FUEL	4	A	1	16047-MB0-671	1241900
14	SCREW PAN	3		8	16090-MB0-671	1241959
	SCREW PAN	3		1	16094-MB2-671	1431790
15	PLATE SETTING	4	AC	1	16094-MB2-671	1431790
16	CARBURETOR ASSY	3		1	2000153	16100-MB2-671
	CARBURETOR ASSY	3		1	2000153	16100-MB2-671

G39 BMB2 11 BLOCK NO E-17

40
RC15E ENGINE NO 2000022 TO 2008111
RC15E ENGINE NO 2100012 TO 2103474
RC15E ENGINE NO 2102802 TO 2103712

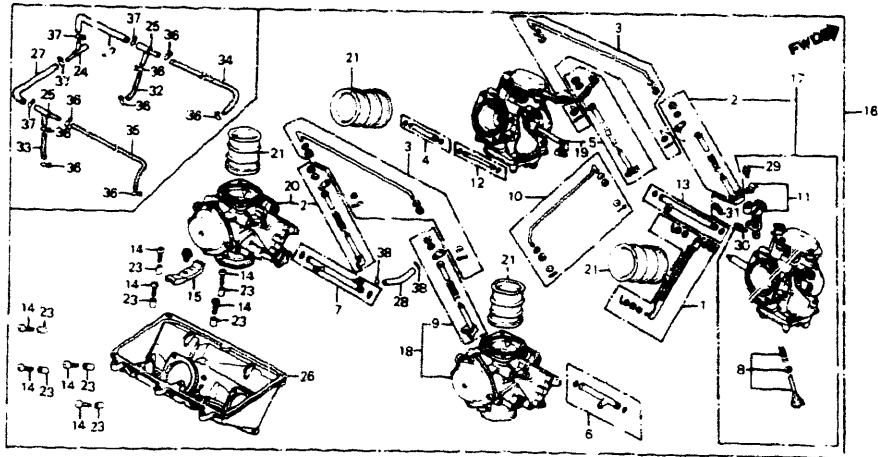
1-C 8

41

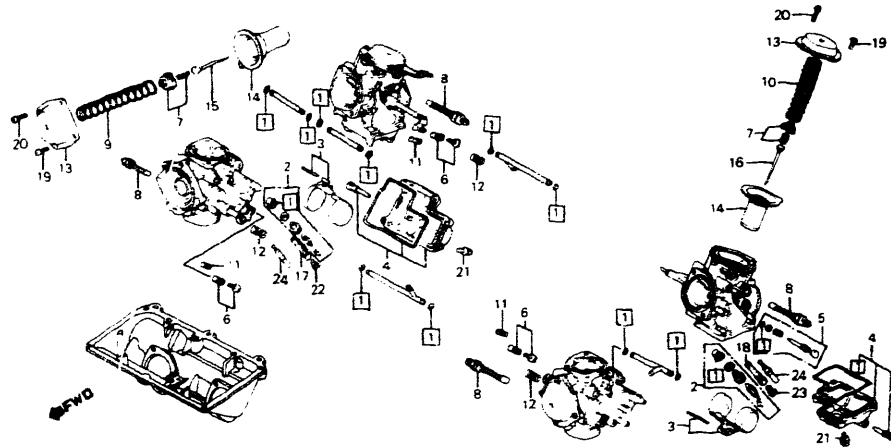
GRID NO.

1-C 8

CARBURETOR (ASSY. LINK)



CARBURETOR • (COMPONENT PARTS)



CONTENTS

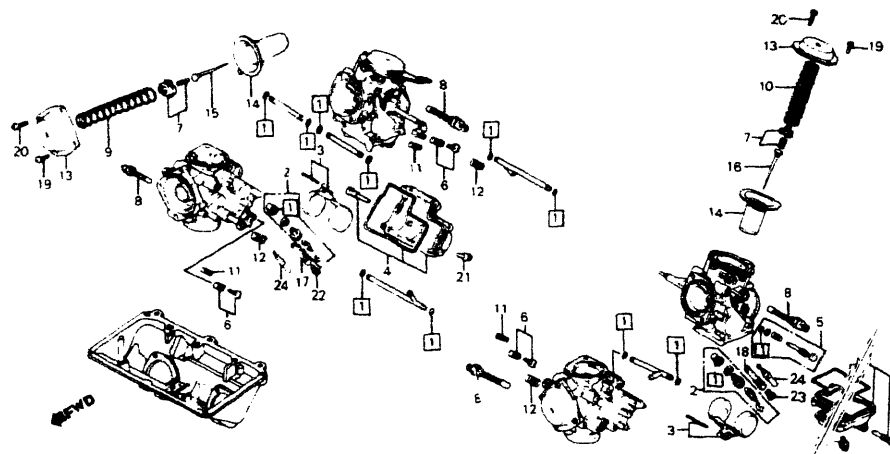
TITLE	GRID
AIR CLEANER	1-E9
ALTERNATOR	1-B8
BATTERY	1-E6
BRAKE CALIPER FR	1-D11
BRAKE CALIPER RR	1-E2
BRAKE MASTER CYL FR	1-D4
BRAKE MASTER CYL RR	1-E1
CABLES	1-D3
CAM CHAIN	1-B5
CAMSHAFT	1-B4
CANISTER	1-F12
CARBURETOR (ASSY. LINK)	1-C8
CARBURETOR COMPONENTS	1-C9
CLUTCH	1-B6
CLUTCH MASTER CYLINDER	1-D5
CONTROL LEVERS	1-D3
COWL	1-F11
COWL RR	1-E5
CRANKCASE COVER L	1-B9
CRANKCASE COVER R	1-B6
CRANKSHAFT	1-C2
CYLINDER BLOCK	1-C1
CYLINDER HEAD COVER	1-B1
CYLINDER HEAD FR	1-B1
CYLINDER HEAD RR	1-B3
EMBLEMS	1-G2
ENDER FR	1-D8
ENDER RR	1-F3
FRAME BODY	1-F8
FRONT SHOCK ABSORBER	1-D9
FUEL PUMP	1-E7
FUEL TANK	1-E4
GASKET KIT B	1-C11
GASKET KIT A	1-C11
GEARSHIFT DRUM	1-C6
HANDLEBAR	1-D6
HEADLIGHT	1-D1
HORN	1-D8
IGNITION COIL	1-F6
INSTRUMENTS	1-D1
LABELS	1-G2
MUFFLER EXHAUST	1-E10
OIL FILTER	1-B11
OIL PAN	1-B11
OIL PUMP	1-B11
PEDAL BRAKE	1-E11
PEDAL GEARSHIFT	1-E11
PISTON	1-C2
PULSE GENERATOR	1-B7
PURGE CONTROL VALVE	1-F12
RADIATOR	1-F7
SEAT	1-E5
SHOCK ABSORBER, RR	1-F2
SIDE COVER	1-E6
STAND	1-E12
STARTER MOTOR	1-B11
STARTING CLUTCH	1-B7
STEERING STEM	1-D8
STEP	1-E11
STRIPES	1-G2
SWINGARM	1-F1
SWITCHES	1-D3
TAILLIGHT	1-F5
TENSIONER	1-B5
TEMPERATURE STAT	1-C7
TOOLS	1-F10
TOP BRIDGE	1-D6
TRANSMISSION	1-F5
TURN SIGNAL	1-F4
VALVE	1-F4
WATER PIPE	1-C7
WATER PUMP	1-B9
WHEEL FR	1-D12
WHEEL RR	1-E3
WIRE HARNESS	1-F6

REF NO	DESCRIPTION	VF750F 83	VF750F 84	AREA CODE	SERIAL NUMBER FROM TO	QTY REQ	PART NUMBER	HONDA CODE
		83	84					
36	CLIP B7 TUBE	-	4	AC	-----	8	95002-02070	0250639
37	CLIP B10 TUBE	-	4	AC	-----	4	95002-02100	0250985
38	CLIP B12 TUBE	-	4	A	-----	3	95002-02120	0335034

REF NO	DESCRIPTION	VF750F 83	VF750F 84	AREA CODE	SERIAL NUMBER FROM TO	QTY REQ	PART NUMBER	HONDA CODE
		83	84					
1	GASKET SET	3	-		-----	4	16010-MB0-671	1241736
	GASKET SET	-	4	AC	-----	4	16010-MB0-671	1241736
	GASKET SET	3	-		-----	4	16010-MB0-871	3516416
	GASKET SET	-	4	AC	-----	4	16010-MB0-871	3516416
	GASKET SET	-	4	A	-----	4	16010-MB4-62*	1426014
	GASKET SET	-	4	A	-----	4	16010-MB4-622	2249340
	GASKET SET	-	4	A	-----	4	16010-MB6-681	2076362
2	VALVE SET, FLOAT	3	4		-----	4	16011-MB1-671	1435254
3	FLJAT SET	3	4		-----	4	16013-MB0-671	1241751
4	CHAMBER SET, FLOAT	3	4		-----	4	16015-MB0-671	1241769
5	SCREW SET A	3	4		-----	4	16016-MB0-671	1241777
6	SCREW SET C	3	4		-----	3	16029-MB0-671	1241843
7	PLATE SET, VALVE	3	-		-----	4	16037-MB4-671	1390459
	PLATE SET, VALVE	-	4		-----	4	16037-MB0-671	1241884
8	VALVE SET, STARTER	3	4		-----	4	16046-MA6-003	1241892
9	SPRING, FR. VACUUM PISTON	3	4		-----	2	16050-MB0-671	1241918
10	SPRING, RR. VACUUM PISTON	3	4		-----	2	16051-MB0-671	1241926
11	SPRING	3	4		-----	3	16052-MB0-671	1241934
12	SPRING	3	4		-----	3	16053-MB0-671	1241942
13	TOP COMP	3	4		-----	4	16107-MB0-671	1242023

RC15E ENGINE NO 2000022 TO 2008111
 RC15E ENGINE NO 2100012 TO 2103474
 RC15E ENGINE NO 2102802 TO 2103712

CARBURETOR • (COMPONENT PARTS)



VF750F 83 VF750F 84		V F 7 5 0 F	V F 7 5 0 F	A R E A C O D E	SERIAL NUMBER FROM TO	Q T Y R E Q	PART NUMBER	HONDA CODE
REF NO	DESCRIPTION	8 3	8 4	3 4				
					G39-BMB2-52		BLOCK NO. E-17-1	
13	TOP COMP	3	4			4	16108-MB5-671	1365378
14	PISTON COMP, VACUUM	3	-		VD52A A	4	16111-MB1-771	1314038
	PISTON COMP, VACUUM	3	-		VD52A B	4	16111-MB2-671	1441757
			4			4	16111-MB2-671	1441757
15	NEEDLE, FR JET	3	-			2	16131-MB2-671	1431857
	NEEDLE, FR JET	3	-			2	16131-MB4-671	1390467
			4	AC		2	16131-MB4-671	1390467
	NEEDLE, JET		4	A		2	16131-MB1-701	1708155
16	NEEDLE, RR JET	3	-			2	16131-MB4-621	1425917
	NEEDLE, RR JET	3	-			2	16151-MB2-671	1431865
			4	AC		2	16131-MB4-671	1390467
			4	A		2	16151-MB2-771	1708171
17	HOLDER, FR JET NEEDLE	3	-			2	16165-MB1-771	1314061
			4	A		2	16165-MB1-771	1314061
	HOLDER, FR JET NEEDLE		4	AC		2	16165-MB2-671	1434562
18	HOLDER, RR JET NEEDLE	3	4			2	16167-MB0-671	1242080
19	SCREW, PAN, 4X10	3	4			14	9350-04010-0A	0188359
20	SCREW, PAN, 4X12	3	4			2	93500-04012-0A	0169466
21	SCREW-WASHER, 4X16	3	4			16	93892-0401-00	0692053
22	JET, MAIN, #128	3	-			2	99101-393-1280	1224104

VF750F 83 VF750F 84		V F 7 5 0 F	V F 7 5 0 F	A R E A C O D E	SERIAL NUMBER FROM TO	Q T Y R E Q	PART NUMBER	HONDA CODE
REF NO	DESCRIPTION	8 3	8 4	3 4				
22	JET, MAIN, #128			4	AC	2	99101-393-1280	1224104
	JET, MAIN, #112			4	A	2	99101-393-1120	1432624
23	JET, MAIN, #128			3		2	99101-393-1280	1224104
	JET, MAIN (#110)			4	AC	2	99101-393-1280	1224104
	JET, SECONDARY MAIN (#110)			4	A	2	99101-393-1100	0644955
24	JET, SLOW, #38			3	4	4	99103-437-0380	1244029

BLOCK NO E-17-1

CONTENTS

TITLE	GRID
AIR CLEANER	1-E9
ALTERNATOR	1-B8
BATTERY	1-E6
BRAKE CALIPER FR	1-D11
BRAKE CALIPER RR	1-E2
BRAKE MASTER CYL FR	1-D4
BRAKE MASTER CYL RR	1-E1
CABLES	1-D3
CAM CHAIN	1-B5
CAMSHAFT	1-B4
CANISTER	1-F12
CARBURETOR (ASSY LINK)	1-C8
CARBURETOR COMPONENTS	1-C9
CLUTCH	1-B6
CLUTCH MASTER CYLINDER	1-D5
CONTROL LEVERS	1-D3
COWL	1-F11
COWL, RR	1-E5
CRANKCASE COVER, L	1-B9
CRANKCASE COVER, R	1-B6
CRANKSHAFT	1-C2
CYLINDER BLOCK	1-C1
CYLINDER HEAD COVER	1-B1
CYLINDER HEAD, FR	1-B1
CYLINDER HEAD, RR	1-B3
EMBLEMS	1-G2
FENDER, FR	1-D6
FENDER, RR	1-F3
FRAME BODY	1-F8
FRONT SHOCK ABSORBER	1-D8
FUEL PUMP	1-E7
FUEL TANK	1-E4
GASKET KIT B	1-C11
GASKIT KIT A	1-C11
GEARSHIFT DRUM	1-C6
HANDLEBAR	1-D6
HEADLIGHT	1-D1
HORN	1-D8
IGNITION COIL	1-F6
INSTRUMENTS	1-D1
LABELS	1-G2
MUFFLER, EXHAUST	1-E10
OIL FILTER	1-B11
OIL PAN	1-B1
OIL PUMP	1-B11
PEDAL, BRAKE	1-E11
PEDAL, GEARSHIFT	1-E11
PISTON	1-C2
PULSE GENERATOR	1-B7
PURGE CONTROL VALVE	1-F12
RADIATOR	1-F7
SEAT	1-E5
SHOCK ABSORBER, RR	1-F2
SIDE COVER	1-E6
STAND	1-E12
STARTER MOTOR	1-B11
STARTING CLUTCH	1-B7
STEERING STEM	1-D8
STEP	1-E11
STRIPES	1-G2
SWINGARM	1-F1
SWITCHES	1-D3
TAILLIGHT	1-F5
TENSIONER	1-B5
THERMOSTAT	1-C7
TOOLS	1-F10
TOP BRIDGE	1-D6
TRANSMISSION	1-C5
TURN SIGNAL	1-F4
VALVE	1-B4
WATER PIPE	1-C7
WATER PUMP	1-B9
WHEEL, FR	1-D12
WHEEL, RR	1-E3
WIRE HARNESS	1-F6

GRID NO.

1-C 10

RC15E ENGINE NO 2000022 TO 2008111
 RC15E ENGINE NO 2100012 TO 2103474
 RC15E ENGINE NO 2102802 TO 2103712

GASKIT KIT A

NO ILLUSTRATION

GASKIT KIT B

NO ILLUSTRATION

CONTENTS

TITLE	GRID
AIR CLEANER	1-E9
ALTERNATOR	1-B8
BATTERY	1-E6
BRAKE CALIPER FR	1-D11
BRAKE CALIPER RR	1-E2
BRAKE MASTER CYL FR	1-D4
BRAKE MASTER CYL RR	1-E1
CABLES	1-D3
CAM CHAIN	1-BF
CAMSHAFT	1-B4
CAMISTER	1-F12
CARBURETOR (ASSY LINK)	1-C8
CARBURETOR COMPONENTS	1-C9
CLUTCH	1-B6
CLUTCH MASTER CYLINDER	1-D5
CONTROL LEVERS	1-D3
COUPLER	1-F11
COUPLER RR	1-E5
CRANKCASE COVER L	1-B9
CRANKCASE COVER R	1-B6
CRANKSHAFT	1-C2
CYLINDER BLOCK	1-C1
CYLINDER HEAD COVER	1-B1
CYLINDER HEAD FR	1-B1
CYLINDER HEAD RR	1-B3
EMBLEMS	1-G2
FENDER FR	1-D8
FENDER RR	1-F3
FRAME BODY	1-F8
FRONT SHOCK ABSORBER	1-D9
FUEL PUMP	1-E7
FUEL TANK	1-E4
GASKET KIT B	1-C11
GASKIT KIT A	1-C11
GEARSHIFT DRUM	1-C6
HANDLEBAR	1-D6
HEADLIGHT	1-D1
HORN	1-D8
IGNITION COIL	1-F6
INSTRUMENTS	1-D1
LABELS	1-G2
MUFFLER EXHAUST	1-E10
OIL FILTER	1-B11
OIL PAN	1-B11
OIL PUMP	1-B11
PEDAL BRAKE	1-E11
PEDAL GEARSHIFT	1-E11
PISTON	1-C2
PULSE GENERATOR	1-B7
PURGE CONTROL VALVE	1-F12
RADIATOR	1-F7
SEAT	1-E5
SHOCK ABSORBER RR	1-F2
SIDE COVER	1-E6
STAND	1-E12
STARTER MOTOR	1-B11
STARTING CLUTCH	1-B7
STEERING STEM	1-D8
STEP	1-E11
STRIPES	1-G2
SWINGARM	1-F1
SWITCHES	1-D3
TAILLIGHT	1-F5
TENSIONER	1-B5
THERMOSTAT	1-C7
TOOLS	1-F10
TOP BRIDGE	1-D6
TRANSMISSION	1-C5
TURN SIGNAL	1-F4
VALVE	1-B4
WATER PIPE	1-C7
WATER PUMP	1-B8
WHEEL FR	1-D12
WHEEL RR	1-E3
WIRE HARNESS	1-F6

REF NO	DESCRIPTION	V F 7 5 0 F 3 4	V F 7 5 0 F 3 4	A R E A C O D E	S E R I A L N U M B E R F R O M T O	Q T Y R E Q	P A R T N U M B E R	H O N D A C O D E
1	GASKET KIT A	3	4				061A1-MB2-000	1431758
	OVAL VALVE STEM	3	4			16	12203-422-005	0680887
2	GASKET CYLINDER HEAD	3	4			2	12251-MB0-003	1240977
3	GASKET HEAD COVER	3	4			2	12391-MB0-000	1241017
	GASKET HEAD COVER	3	4			2	12391-MB0-010	2084035
4	GASKET EX PIPE	3	4			4	18291-216-000	0028241
5	WASHER OIL BOLT	3	4			6	90545-300-000	0189902
6	O-RING 21 5X2	3	4			8	91310-KEB-003	1425602

REF NO	DESCRIPTION	V F 7 5 0 F 3 4	V F 7 5 0 F 3 4	A R E A C O D E	S E R I A L N U M B E R F R O M T O	Q T Y R E Q	P A R T N U M B E R	H O N D A C O D E
1	GASKET KIT B	3	4			1	061B1-MB2-010	1708015
	GASKET OIL PAN	3	4			1	11315-MB0-010	1441724
2	GASKET R COVER	3	4			1	11394-MB0-000	1240860
3	GASKET ALTERNATOR COVER	3	4			1	11636-MB0-000	1240886
4	GASKET INDICATOR SWITCH COVER	3	4			1	11642-MB0-000	1240902
5	GASKET L INNER COVER	3	4			1	11666-MB2-000	1426394
6	WASHER 11MM	3	4			1	90425-300-000	0189795
7	GASKET CONNECTING CAP	3	4			2	91301-MB0-000	1243880
8	O-RING 18 3X2 3	3	4			2	91301-147-023	1005453
9	O-RING 21 5MM	3	4			1	91301-250-000	0075287
10	O-RING 32 95X2 62	3	4			1	91302-MB0-013	1435114
11	O-RING 10 6X20 6X2 5 (ARAI)	3	4			1	91303-MB2-003	1431402
	O-RING 10 6X20 6X2 5 (NIPPON)	3	4			1	91303-MB2-004	1494939
12	O-RING 9 8X2 4	3	4			1	91305-422-000	0688986
13	O-RING 54X2	3	4			1	51307-MB0-003	1260827
14	O-RING 5 7X2 2 (ARAI)	3	4			1	91308-MB0-003	1260835
15	O-RING 14 6X3 7 (ARAI)	3	4			2	91309-MB0-003	1260843
16	O-RING 18 5X2 4 (ARAI)	3	4			1	91311-MB0-003	1260850
17	O-RING 14 7X2 2	3	4			1	91313-MB0-003	1260868
	O-RING 14 7X2 2	3	4			1	91313-MG7-004	3353620

46
 RC15E ENGINE NO 2000022 TO 2008111
 RC15E ENGINE NO 2100012 TO 2103474
 RC15E ENGINE NO 2102802 TO 2103712

1-C 11

47

GRID NO.

1-C 11

GASKET KIT B

NO ILLUSTRATION

REF NO	DESCRIPTION	V F 7 5 0 F	V F 7 5 0 F	A R E A C O D E	SERIAL NUMBER FROM TO	QTY REQ	PART NUMBER	HONDA CODE
VF750F 83 VF750F 84		8 3	8 4					
18	O-RING 18X2 8	3	4		-----	1	91314-MB0-003	1260876
19	SEAL WATER PIPE	3	4		-----	1	91315-MB0-013	1435239
20	GASKET DRAIN PLUG	3	4		-----	1	94109-12000	0171868

INTENTIONALLY LEFT BLANK

CONTENTS

TITLE	GRID
AIR CLEANER	1-E9
ALTERNATOR	1-B8
BATTERY	1-E6
BRAKE CALIPER FR	1-D11
BRAKE CALIPER RR	1-E2
BRAKE MASTER CYL. FR	1-D4
BRAKE MASTER CYL. RR	1-E1
CABLES	1-D3
CAM CHAIN	1-B5
CAMSHAFT	1-B4
CANISTER	1-F12
CARBURETOR (ASSY LINK)	1-C8
CARBURETOR COMPONENTS	1-C9
CLUTCH	1-B6
CLUTCH MASTER CYLINDER	1-D5
CONTROL LEVERS	1-D3
CONV	1-E5
CONV. RR	1-F11
CRANKCASE COVER L	1-B9
CRANKCASE COVER R	1-B6
CRANKSHAFT	1-C2
CYLINDER BLOCK	1-C
CYLINDER HEAD COVER	1-B1
CYLINDER HEAD FR	1-B1
CYLINDER HEAD RR	1-B3
EMBLEMS	1-G2
FENDER FR	1-D8
FENDER RR	1-F3
FRAME BODY	1-F8
FRONT SHOCK ABSORBER	1-D9
FUEL PUMP	1-E7
FUEL TANK	1-E4
GASKET KIT B	1-C11
GASKIT KIT A	1-C11
GEARSHIFT DRUM	1-C6
HANDLEBAR	1-D6
HEADLIGHT	1-D1
HORN	1-D8
IGNITION COIL	1-F6
INSTRUMENTS	1-D1
LABELS	1-G2
MUFFLER EXHAUST	1-E10
OIL FILTER	1-B11
OIL PAN	1-B11
OIL PUMP	1-B11
PEDAL BRAKE	1-E11
PEDAL GEARSHIFT	1-E11
PISTON	1-C2
PULSE GENERATOR	1-B7
PURGE CONTROL VALVE	1-F12
RADIATOR	1-F7
SEAT	1-E5
SHOCK ABSORBER RR	1-F2
SIDE COVER	1-E6
STAND	1-E12
STARTER MOTOR	1-B11
STARTING CLUTCH	1-B7
STEERING STEM	1-D8
STEP	1-E11
STRIPES	1-G2
SWINGARM	1-F1
SWITCHES	1-D3
TAILLIGHT	1-F5
TENSIONER	1-B5
THERMOSTAT	1-C7
TOOLS	1-F10
TOP BRIDGE	1-D6
TRANSMISSION	1-C5
TURN SIGNAL	1-F4
VALVE	1-B4
WATER PIPE	1-C7
WATER PUMP	1-B9
WHEEL FR	1-D12
WHEEL RR	1-E3
WIRE HARNESS	1-F6

48
 RC15E ENGINE NO 2000022 TO 2008111
 RC15E ENGINE NO 2100012 TO 2103474
 RC15E ENGINE NO 2102802 TO 2103712

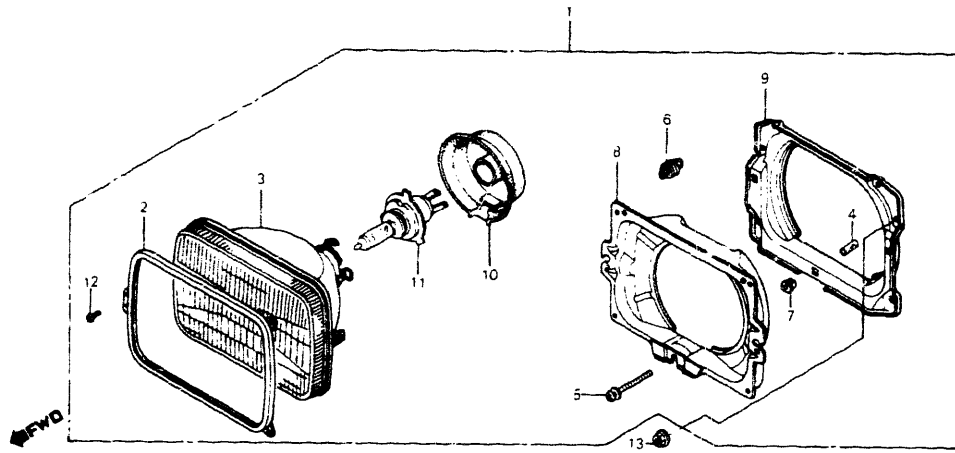
1-C 12

49

GRID NO.

1-C 12

HEADLIGHT

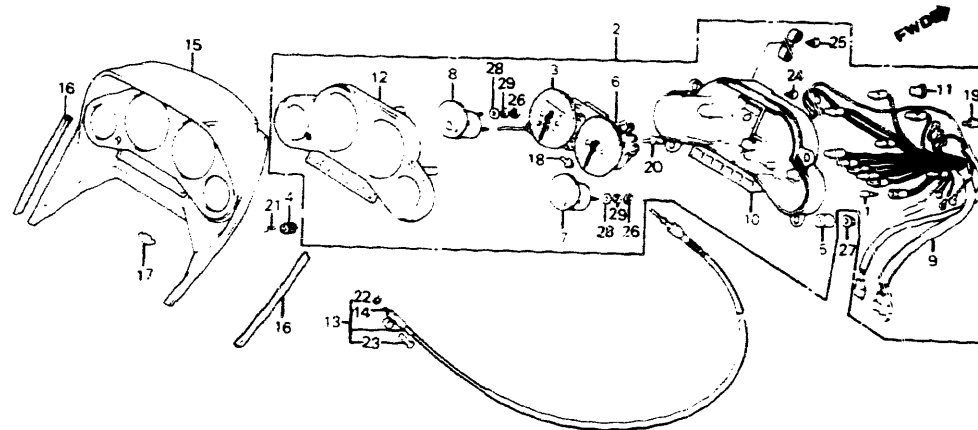


REF NO	DESCRIPTION	VF750F 83	VF750F 84	AREA CODE	SERIAL NUMBER FROM TO	QTY REQ	PART NUMBER	HONDA CODE
1	HEADLIGHT ASSY (12V 60 55W)	3	4			1	33100-MB2-671	1432236
2	RING, RETAINING	3	4			1	33102-692-671	0773309
3	HEADLIGHT UNIT	3	4			1	33120-MB0-771	1437144
4	TUBE, SCREW	3	4			2	33136-MB2-000	1464304
5	SCREW, ADJUSTING (STANLEY)	3	4			2	33143-692-672	1045871
6	SPRING, ADJUSTING (STANLEY)	3	4			1	33144-692-671	0773341
7	NUT, NYLON CAP	3	4			2	33145-657-671	0577973
8	RING, MOUNTING (1)	3	4			1	33153-MB2-671	1424936
9	RING, MOUNTING (2)	3	4			1	33154-MB2-671	1424944
10	COVER, RUBBER	3	4			1	33112-MM9-013	3338795
	COVER, RUBBER	3	4			1	33180-MC5-003	1305960
11	BULB, HEADLIGHT (H4 JA12V60 55W)	3	4			1	34901-MC7-601	1288612
12	SCREW, PAN 4X8	3	4			3	90162-692-003	0786418
	SCREW, PAN 4X8	3	4			3	90162-692-013	3460839
13	NUT, FLANGE 6MM	3	4			2	94050-06080	0612689

50

RC150* FRAME NC D4100017 TO DMO08120
 RC150* FRAME NC EM100006 TO EM103270
 RC151* FRAME NO EM100002 TO EM100437

INSTRUMENTS



CAUTION OR WARNING LABELS MUST BE ORDERED SEPARATELY WHEN APPLICABLE

REF NO	DESCRIPTION	VF750F 83	VF750F 84	AREA CODE	SERIAL NUMBER FROM TO	QTY REQ	PART NUMBER	HONDA CODE
1	BULB WEDGE BASE (12V 3W)	3	4			11	34908-MB0-003	1260611
2	METER ASSY., COMBINATION (MPH)	3	-			1	37100-MB2-671	1425008
	METER ASSY., COMBINATION	-	4			1	37100-MB2-771	1695337
	METER ASSY., COMBINATION	-	4			1	37100-MB2-772	2051142
3	SPEEDOMETER ASSY (MPH)	3	-			1	37200-MB2-671	1435262
	SPEEDOMETER ASSY (MPH)	-	4			1	37200-MB2-771	1695345
4	KNOB, TRIP METER	3	4			1	37204-MB2-008	1429182
5	RUBBER, METER MOUNTING	3	4			4	37244-MB2-006	1429208
6	TACHOMETER ASSY	3	-			1	37250-MB2-008	1429216
	TACHOMETER ASSY	-	4			1	37250-MB2-701	1700640
7	METER ASSY., FUEL	3	-			1	37300-MB2-008	1429224
	METER ASSY., FUEL	-	4			1	37300-MB2-701	1700665
8	METER ASSY., TEMPERATURE	3	-			1	37400-MB2-008	1429232
	METER ASSY., TEMPERATURE	-	4			1	37400-MB2-701	1700699
	METER ASSY., TEMPERATURE	-	4			1	37400-MB2-770	2141760
	METER ASSY., TEMPERATURE	-	4			1	37400-MB2-771	2445690
9	SOCKET COMP., COMBINATION	3	-			1	37612-MB2-671	1429240
	SOCKET COMP., COMBINATION	-	4			1	37612-MB2-771	1700707
10	CASE COMP., METER LOWER	3	4			1	37617-MB2-671	1429257
11	CAP., SPEED ALARM CORD	-	4			1	37618-MB2-008	1718329

51

CONTENTS

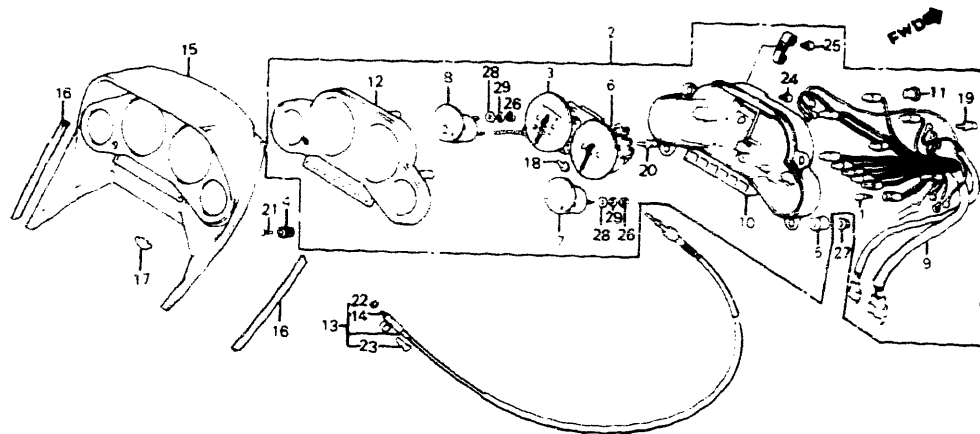
TITLE	GRID
AIR CLEANER	1-E9
ALTERNATOR	1-B8
BATTERY	1-E6
BRAKE CALIPER FR	1-D11
BRAKE CALIPER RR	1-E2
BRAKE MASTER CYL FR	1-D4
BRAKE MASTER CYL RR	1-E1
LABELS	1-D3
CAM CHAIN	1-BE
CRANKSHAFT	1-B4
CARBURETOR	1-F12
CARBURETOR ASSY LINK	1-C8
CARBURETOR COMPONENTS	1-C9
CLUTCH	1-B6
CLUTCH MASTER CYLINDER	1-D5
CONTROL LEVERS	1-D3
COWL	1-F11
COWL RR	1-E5
CRANKCASE COVER L	1-B9
CRANKCASE COVER R	1-B6
CRANKSHAFT	1-C2
CYLINDER BLOCK	1-C1
CYLINDER HEAD COVER	1-B1
CYLINDER HEAD FR	1-B1
CYLINDER HEAD RR	1-B3
EMBLEMS	1-G2
FENDER FR	1-D8
FENDER RR	1-F3
FRAME BODY	1-E8
FRONT SHOCK ABSORBER	1-D9
FUEL PUMP	1-E7
FUEL TANK	1-E4
GASKET KIT B	1-C11
GASKIT KIT A	1-C11
GEARSHIFT DRUM	1-C6
HANDLEBAR	1-D6
HEADLIGHT	1-D1
HORN	1-D8
IGNITION COIL	1-F6
INSTRUMENTS	1-D1
LABELS	1-G2
MUFFLER EXHAUST	1-E10
OIL FILTER	1-B11
OIL PAN	1-B11
OIL PUMP	1-B11
PEDAL BRAKE	1-E11
PEDAL GEARSHIFT	1-E11
PISTON	1-C2
PULSE GENERATOR	1-B7
PURGE CONTROL VALVE	1-F12
RADIATOR	1-E7
SEAT	1-E5
SHOCK ABSORBER RR	1-E2
SIDE COVER	1-E6
STAND	1-E12
STARTER MOTOR	1-B11
STARTING CLUTCH	1-B7
STEERING STEM	1-D8
STEP	1-E11
STRIPES	1-E1
SWINGARM	1-D3
SWITCHES	1-D3
TAILLIGHT	1-E5
TENSIONER	1-B5
THERMOSTAT	1-C7
TOOLS	1-F10
TOP BRIDGE	1-D6
TRANSMISSION	1-C5
TURN SIGNAL	1-F4
VALVE	1-B4
WATER PIPE	1-C7
WATER PUMP	1-B5
WHEEL FR	1-D12
WHEEL RR	1-E3
WIRE HARNESS	1-F6

GRID NO.

1-D 1

1 D 1

INSTRUMENTS



CAUTION OR WARNING LABELS MUST BE ORDERED SEPARATELY WHEN APPLICABLE

REF NO	DESCRIPTION	V F 7 5 O F	V F 7 5 O F	A R E A C O D E	SERIAL NUMBER FROM	SERIAL NUMBER TO	QTY REQ	PART NUMBER	HONDA CODE
VF750F 83 VF750F 84		8 3	8 4					G39-BMB-54A	BLOCK NO F-2
12	CASE COMP METER UPPER	3	4				1	37620-MB2-671	1425016
13	CABLE ASSY. SPEEDOMETER	3	4				1	44830-MB2-000	1430016
	CABLE ASSY. SPEEDOMETER	3	4				1	44830-MG9-000	1527191
	CABLE ASSY. SPEEDOMETER	3	4				1	44830-MJ1-000	1691278
14	CABLE SPEEDOMETER INNER	3	-				1	44831-371-000	1435270
	CABLE SPEEDOMETER INNER	-	4				1	44831-KJ9-000	2522969
	CABLE SPEEDOMETER INNER	-	4				1	44831-371-010	1708353
15	VISOR, METER	3	4				1	64120-MB2-610	1430677
16	RUBBER COWL SIDE SEAL	3	4				2	64121-MB2-000	1435858
17	LABEL BREAK-IN CAUTION	3	4				1	87523-413-710	0709741
18	SCREW-WASHER 4X10	3	4				2	90101-GG2-008	1691302
19	SCREW-WASHER 3X10 (NIPPON SEIKI)	3	4				3	90191-MB0-008	1266154
20	SCREW-WASHER 4X12 (NIPPON SEIKI)	3	4				2	90192-MB0-008	1266162
21	SCREW FLAT 2 3X6	3	4				1	90600-MB2-008	1435296
22	O-RING 6 8X1 9	3	4				1	91301-027-000	0018044
	O-RING 6 8X1 9	3	4				1	91306-PJ4-000	2373447
	O-RING B 6 8X1 9	2	4				1	91310-MC7-003	1218569
23	SCREW, OVAL 5X20	3	4				1	93700-05020-0G	0768721

52

1-D 2

RC150* FRAME NO DMO00017 TO DMO08120
 RC150* FRAME NO EM100006 TO EM103270
 RC151* FRAME NO EM100002 TO EM100437

VF750F 83
VF750F 84

REF NO

DESCRIPTION

- 24 SCREW, TAPPING, 4X12
- 25 SCREW, TAPPING, 4X12
- 26 NUT, HEX 3MM
- 27 NUT, FLANGE, 6MM
- 28 WASHER, PLAIN, 3MM
- 29 WASHER, SPRING, 3MM

V
F
7
5
O
F

V
F
7
5
O
F

A
R
E
A
C
O
D
E

SERIAL NUMBER FROM TO

QTY REQ

PART NUMBER

HONDA CODE

REF NO	DESCRIPTION	V F 7 5 O F	V F 7 5 O F	A R E A C O D E	SERIAL NUMBER FROM	SERIAL NUMBER TO	QTY REQ	PART NUMBER	HONDA CODE
		8 3	8 4				5	93903-24310	0572404
		-	4				1	93903-24320	0786822
		3	4				6	94001-03000-0S	0166694
		3	4				4	94050-06080	0612689
		3	4				6	94103-03000	1435304
		3	4				6	94111-03800	0285668

BLOCK NO F-2

CONTENTS

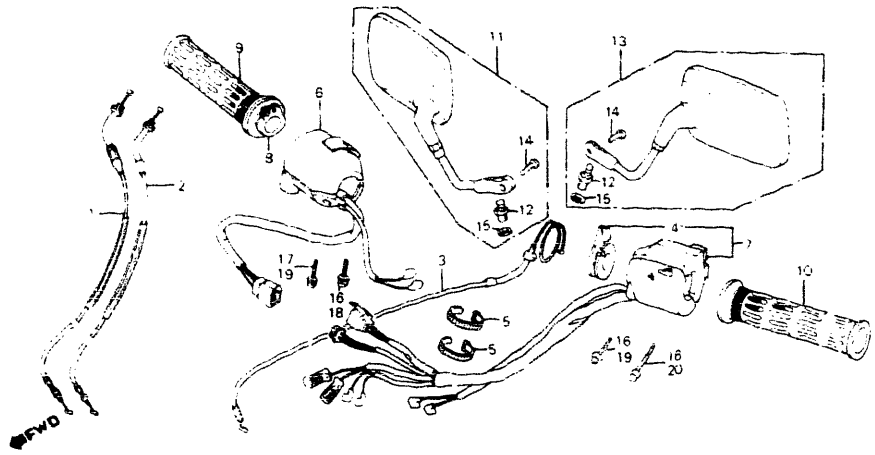
TITLE	GRID
AIR CLEANER	1-E6
ALTERNATOR	1-B6
BATTERY	1-E6
BRAKE CALIPER FR	1-D11
BRAKE CALIPER RR	1-E2
BRAKE MASTER CYL FR	1-D4
BRAKE MASTER CYL RR	1-E1
CABLES	1-D3
CAM CHAIN	1-B5
CAMSHAFT	1-B4
CANISTER	1-F12
CARBURETOR (ASSY LINK)	1-C8
CARBURETOR COMPONENTS	1-C9
CLUTCH	1-B6
CLUTCH MASTER CYLINDER	1-D5
CONTROL LEVERS	1-D3
COWL	1-F11
COWL RR	1-E5
CRANKCASE COVER L	1-B9
CRANKCASE COVER R	1-B6
CRANKSHAFT	1-C2
CYLINDER BLOCK	1-C1
CYLINDER HEAD COVER FR	1-B1
CYLINDER HEAD FR	1-B1
CYLINDER HEAD RR	1-B3
EMBLEMS	1-G2
FENDER FR	1-D8
FENDER RR	1-F3
FRAME BODY	1-F8
FRONT SHOCK ABSORBER	1-D9
FUEL PUMP	1-E7
FUEL TANK	1-E4
GASKET KIT B	1-C11
GASKET KIT A	1-C11
GEARSHIFT DRUM	1-C6
HANDLEBAR	1-D6
HEADLIGHT	1-D1
HORN	1-D8
IGNITION CYL	1-F6
INSTRUMENTS	1-D1
LABELS	1-G2
MUFFLER EXHAUST	1-E10
OIL FILTER	1-B11
OIL PAN	1-B11
OIL PUMP	1-B11
PEDAL BRAKE	1-E11
PEDAL GEARSHIFT	1-E11
PISTON	1-C2
PULSE GENERATOR	1-B7
PURGE CONTROL VALVE	1-F12
RADIATOR	1-F7
SEAT	1-E5
SHOCK ABSORBER RR	1-F2
SIDE COVER	1-E6
STAND	1-E12
STARTER MOTOR	1-B11
STARTING CLUTCH	1-B7
STEERING STEM	1-D8
STEP	1-E11
STRIPES	1-G2
SWINGARM	1-F1
SWITCHES	1-D3
TAILLIGHT	1-F5
TENSIONER	1-B5
THERMOSTAT	1-C7
TOOLS	1-F10
TOP BRIDGE	1-D6
TRANSMISSION	1-C5
TURN SIGNAL	1-F4
VALVE	B4
WATER PIPE	1-C7
WATER PUMP	1-B9
WHEEL FR	1-D12
WHEEL RR	1-E3
WIRE HARNESS	1-F6

GRID NO.

1-D 2

53

CONTROL LEVERS • SWITCHES • CABLES



VF750F 83 VF750F 84		VF750F 83 VF750F 84		AREA CODE	G39 MB2-55		BLOCK NO F-3	
REF NO	DESCRIPTION	3	4		QTY REQ	SERIAL NUMBER FROM TO	PART NUMBER	HONDA CODE
1	CABLE COMP A THROTTLE	3	4		1		17910-MB2-000	1427707
	CABLE COMP A THROTTLE				1		17910-MB2-010	1967694
	CABLE COMP A THROTTLE				1		17910-MB2-020	2051019
2	CABLE COMP B THROTTLE	3	4		1		17920-MB2-000	1427715
	CABLE COMP B THROTTLE				1		17920-MB2-770	1698455
	CABLE COMP G THROTTLE				1		17920-MB2-771	1967702
	CABLE COMP B THROTTLE				1		17920-MB2-772	2047959
3	CABLE COMP CHOKE	3	4		1		17950-MB2-000	427723
	CABLE COMP CHOKE				1		17950-MB2-700	1698463
4	LEVER CHOKE	3	4		1		17962-KEB-000	1708247
	LEVER CHOKE				1		17962-KEB-003	1438907
	LEVER CHOKE				1		17962-MB2-000	1424860
	LEVER CHOKE				1		17962-KEB-700	1669324
	LEVER CHOKE				1		17962-KEB-701	1743313
5	BAND B1 CABLE	3	4		2		32161-404-000	0466919
6	SWITCH ASSY STARTER KILL	3	4		1		35130-MB2-671	1546088
	SWITCH ASSY STARTER KILL				1		35130-MB2-770	1700300
	SWITCH ASSY STARTER KILL				1		35130-MB2-900	1853810
	SWITCH ASSY STARTER KILL				1		35130-MB2-901	2477241
7	SWITCH ASSY TURN SIGNAL	3	4		1		35200-MB2-671	1548361

PC150* FRAME NO DM000017 TO DM008120
 RC150* FRAME NO EM100006 TO EM103270
 RC151* FRAME NO EM100002 TO EM100437

VF750F 83 VF750F 84		VF750F 83 VF750F 84		AREA CODE	BLOCK NO F-3			
REF NO	DESCRIPTION	3	4		QTY REQ	SERIAL NUMBER FROM TO	PART NUMBER	HONDA CODE
7	SWITCH ASSY TURN SIGNAL				1		35200-MB2-771	1700467
	SWITCH ASSY TURN SIGNAL				1		35200-MB2-772	2110310
8	PIPE THROTTLE GRIP	3	4		1		53141-300-010	0237586
9	GRIP R HANDLEBAR	3	4		1		53165-390-780	0483420
10	GRIP L HANDLEBAR	3	4		1		53166-390-780	0483438
11	MIRROR R	3	4		1		88110-MR2-003	1431022
	MIRROR R				1		88110-MB2-671	1499219
12	BOLT SPECIAL 10MM	3	4		2		88114-MB2-003	1499227
13	MIRROR L	3	4		1		88120-MB2-003	1431030
	MIRROR L				1		88120-MB2-671	1499235
14	BOLT SPECIAL 5X15	3	4		2		90118-MB2-000	1708544
15	WASHER SPECIAL	3	4		2		90507-MB2-003	1434638
16	SCREW-WASHER 5X20	3	4		3		93891-05020-07	0496752
17	SCREW-WASHER 5X25	3	4		1		93891-05025-07	1089622
18	SCREW-WASHER 5X20	3	4		1		93892-05020-07	1078351
19	SCREW-WASHER 5X25	3	4		2		93892-05028-07	0692673
20	SCREW-WASHER 5X45	3	4		1		93892-05045-07	0692699

1-D 3

CONTENTS

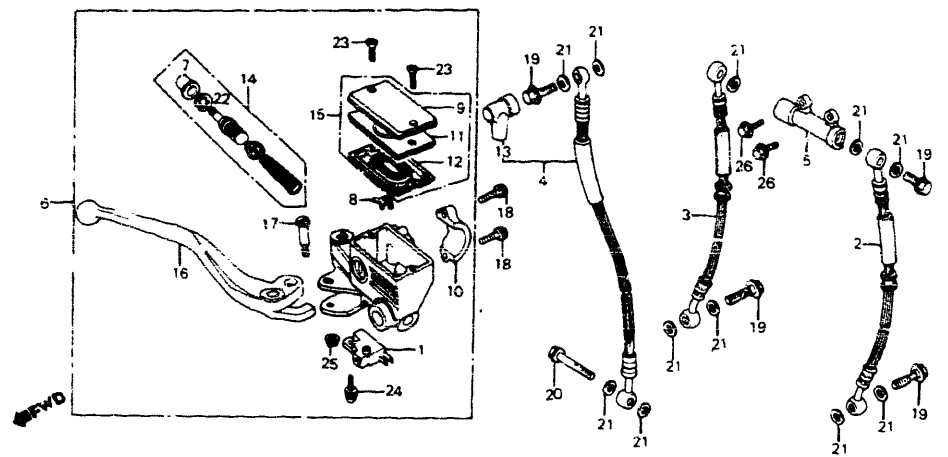
TITLE	GRID
AIR CLEANER	1-E9
ALTERNATOR	1-B8
BATTERY	1-E6
BRAKE CALIPER FR	1-D11
BRAKE CALIPER RR	1-E2
BRAKE MASTER CYL FR	1-D4
BRAKE MASTER CYL RR	1-E1
CABLES	1-D3
CAM CHAIN	1-B5
CAMSHAFT	1-B4
CAMSTER	1-F12
CARBURETOR (ASSY LINK)	1-C8
CARBURETOR COMPONENTS	1-C9
CLUTCH	1-BE
CLUTCH MASTER CYLINDER	1-D5
CONTROL LEVERS	1-D3
COWL	1-F11
COWL RR	1-E5
CRANKCASE COVER L	1-B9
CRANKCASE COVER R	1-B6
CRANKSHAFT	1-C2
CYLINDER BLOCK	1-C1
CYLINDER HEAD COVER	1-B1
CYLINDER HEAD FR	1-B1
CYLINDER HEAD RR	1-B3
EMBLEMS	1-G2
FENDER FR	1-D8
FENDER RR	1-F3
FRAME BODY	1-F8
FRONT SHOCK ABSORBER	1-D9
FUEL PUMP	1-E7
FUEL TANK	1-E4
GASKET KIT B	1-C11
GASKIT KIT A	1-C11
GEARSHIFT DRUM	1-C6
HANDLEBAR	1-D6
HEADLIGHT	1-D1
HORN	1-D8
IGNITION COIL	1-F6
INSTRUMENTS	1-D1
LABELS	1-G2
MUFFLER EXHAUST	1-E10
OIL FILTER	1-B11
OIL PAN	1-B11
OIL PUMP	1-B11
PEDAL BRAKE	1-E11
PEDAL GEARSHIFT	1-E11
PISTON	1-C2
PULSE GENERATOR	1-B7
PURGE CONTROL VALVE	1-F12
RADIATOR	1-F7
SEAT	1-E5
SHOCK ABSORBER RR	1-F2
SIDE COVER	1-E6
STAND	1-E12
STARTER MOTOR	1-B11
STARTING CLUTCH	1-B7
STEERING STEM	1-D8
STEP	1-E11
STRIPES	1-G2
SWINGARM	1-F1
SWITCHES	1-D3
TAILLIGHT	1-F5
TENSIONER	1-B5
THERMOSTAT	1-C7
TOOLS	1-E10
TOP BRIDGE	1-D6
TRANSMISSION	1-C5
TURN SIGNAL	1-F4
VALVE	1-B4
WATER PIPE	1-C7
WATER PUMP	1-B9
WHEEL FR	1-D12
WHEEL RR	1-E3
WIRE HARNESS	1-F6

55

GRID NO.

1-D 3

FRONT BRAKE MASTER CYL



VF750F '83 VF750F '84		VF750F '83 VF750F '84		VF750F '83 VF750F '84		VF750F '83 VF750F '84		VF750F '83 VF750F '84	
		AREA CODE				G39-8MB2 20		BLOCK NO. F-4	
REF NO	DESCRIPTION	3	4	SERIAL NUMBER FROM	TO	QTY REQ	PART NUMBER	HONDA CODE	
1	SWITCH ASSY FR STOP	3	4			1	35340-MA5-671	0952267	
2	HOSE L FR BRAKE	3	4			1	35124-MB2-003	1430073	
	HOSE L FR BRAKE	3	4			1	45124-MB2-013	1792225	
3	HOSE R FR BRAKE	3	4			1	45125-MB2-003	1430081	
	HOSE R FR BRAKE	3	4			1	45125-MB2-013	1792233	
4	HOSE B FR BRAKE	3	4			1	45126-MB2-003	1430099	
	HOSE B FR BRAKE	3	4			1	45126-MB2-013	1792241	
5	JOINT, TWO WAY (NISSHIN)	3	4			1	45127-MA1-003	1054832	
6	CYLINDER ASSY FR BRAKE MASTER	3	-			1	45500-MB4-671	1387976	
		-	4	A	EM100107	1	45500-MB4-671	1387976	
	CYLINDER ASSY FR BRAKE MASTER	3	-			1	45500-MB4-672	1547264	
		-	4	A	EM100107	1	45500-MB4-672	1547264	
	CYLINDER ASSY FR BRAKE MASTER	3	4			1	45500-MB4-673	1666874	
7	BOOT COMP	-	4			1	45504-410-003	1211820	
8	PROTECTOR	3	4			1	45512-MA6-006	1235688	
9	CAP MASTER CYLINDER	3	-			1	45513-MB4-671	1384825	
	CAP MASTER CYLINDER	3	4			1	45540-MB4-671	1666882	

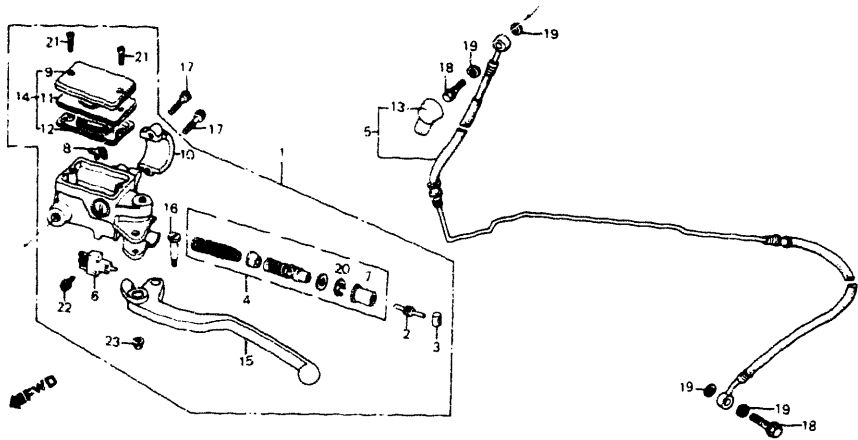
VF750F '83 VF750F '84		VF750F '83 VF750F '84		VF750F '83 VF750F '84		VF750F '83 VF750F '84		VF750F '83 VF750F '84	
		AREA CODE				G39-8MB2 20		BLOCK NO. F-4	
REF NO	DESCRIPTION	3	4	SERIAL NUMBER FROM	TO	QTY REQ	PART NUMBER	HONDA CODE	
10	HOLDER, MASTER CYLINDER	3	4			1	45517-MB0-006	1235738	
11	PLATE, DIAPHRAGM	-	4	AC		1	45518-MB4-671	1666890	
		-	4	A	EM100107	1	45518-MB4-671	1666890	
12	DIAPHRAGM	3	-			1	45520-MA5-671	0952358	
	DIAPHRAGM	3	4			1	45520-MA5-672	1547256	
13	BOOT, MASTER CYLINDER	3	4			1	45522-422-000	0692822	
14	CYLINDER SET, MASTER	3	4			1	45530-MA5-671	0952366	
15	CAP, MASTER CYLINDER	-	4			1	45540-MB4-671	1666882	
16	LEVER COMP, R. HANDLEBAR	3	4			1	53175-KE8-006	1435320	
	LEVER COMP, R. HANDLEBAR	3	4			1	53175-MJ6-006	1776590	
17	BOLT, R. HANDLEBAR LEVER PIVOT	3	4			1	90114-MA5-671	0952416	
18	BOLT, SOCKET, 6X23	3	4			2	90117-MB0-000	1237072	
19	BOLT, OIL, 10X22	3	4			4	90145-KE8-000	1310994	
	BOLT, OIL, 10X22	3	4			4	90145-KM3-750	2072775	
	BOLT, OIL, 10X22	3	4			4	90145-VM0-000	1787043	
	BOLT, OIL, 10X22	3	4			4	90145-961-010	1792548	
20	BOLT, OIL, 10X34	3	4			1	90145-MG5-670	1311000	
21	WASHER, OIL BOLT	3	4			11	90545-300-000	0189902	
22	CIRCLIP	3	4			1	90651-MA5-671	1251404	
23	SCREW, FLAT, 4X12	3	4			2	93600-04012-1G	1237346	
24	SCREW-WASHER, 4X12	3	4			1	93893-04012-17	1237353	
25	NUT, FLANGE, 6MM	3	4			1	94050-C000	0471623	
26	BOLT, FLANGE, 6X25	3	4			2	95700-06025-07	0721076	
	BOLT, FLANGE, 6X25	3	4			2	95701-06025-07	2449122	

CONTENTS

TITLE	GRID
AIR CLEANER	1-E9
ALTERNATOR	1-B8
BATTERY	1-E6
BRAKE CALIPER FR	1-D11
BRAKE CALIPER RR	1-E2
BRAKE MASTER CYL FR	1-D4
BRAKE MASTER CYL RR	1-E1
CABLES	1-D3
CAM CHAIN	1-S5
CAMSHAFT	1-B4
CANISTER	1-F12
CARBURETOR (ASSY LINK)	1-C8
CARBURETOR COMPONENTS	1-C9
CLUTCH	1-B6
CLUTCH MASTER CYLINDER	1-D5
CONTROL LEVERS	1-D3
COWL	1-F11
COWL RR	1-E5
CRANKCASE COV'R. L	1-B9
CRANKCASE COVER. R	1-B6
CRANKSHAFT	1-C2
CYLINDER BLOCK	1-C1
CYLINDER HEAD COVER	1-B1
CYLINDER HEAD FR	1-B1
CYLINDER HEAD RR	1-B3
EMBLEMS	1-C2
FENDER FR	1-D8
FENDER RR	1-F3
FRAME BODY	1-F8
FRONT SHOCK ABSORBER	1-D9
FUEL PUMP	1-E7
FUEL TANK	1-E4
GASKET KIT B	1-C11
GASKIT KIT A	1-C11
GEARSHIFT DRUM	1-C6
HANDLEBAR	1-D6
HEADLIGHT	1-D1
HORN	1-D8
IGNITION COIL	1-FE
INSTRUMENTS	1-D1
LABELS	1-G2
MUFFLER, EXHAUST	1-E10
OIL FILTER	1-B10
OIL PAN	1-B11
OIL PUMP	1-B11
PEDAL BRAKE	1-E11
PEDAL GEARSHIFT	1-E11
PISTON	1-C2
PULSE GENERATOR	1-B7
PURGE CONTROL VALVE	1-F12
RADIATOR	1-F7
SEAT	1-E5
SHOCK ABSORBER, RR	1-F2
SIDE COVER	1-E6
STAND	1-E12
STARTER MOTOR	1-B11
STARTING CLUTCH	1-B7
STEERING STEM	1-D8
STEP	1-E11
STRIPES	1-G2
SWINGARM	1-F1
SWITCHES	1-D3
TAILLIGHT	1-F5
TENSIONER	1-B5
THERMOSTAT	1-C7
TOOLS	1-F10
TOP BRIDGE	1-D6
TRANSMISSION	1-C5
TURN SIGNAL	1-F4
VALVE	1-B4
WATER PIPE	1-C7
WATER PUMP	1-B9
WHEEL FR	1-D12
WHEEL RR	1-E3
WIRE HARNESS	1-F6

56
 RC150* FRAME NO DMO00017 TO DMO08120
 RC150* FRAME NO EM100006 TO EM103270
 RC151* FRAME NO EM100002 TO EM100437

CLUTCH MASTER CYLINDER



VF750F '83 VF750F '84		V F 7 5 0 F	V F 7 5 0 F	A R E A C O D E	Q T Y R E Q	C39-8MB2 21	BLOCK NO. F-5	
REF NO	DESCRIPTION	3	4			SERIAL NUMBER FROM TO	PART NUMBER	HONDA CODE
1	CYLINDER ASSY CLUTCH MASTER	3	-				22880-MB2-671	1428259
		-	4	A		EM100107	22880-MB2-671	1428259
	CYLINDER ASSY CLUTCH MASTER	3	-				22880-MB2-672	1547272
		-	4	A		EM100107	22880-MB2-672	1547272
	CYLINDER ASSY CLUTCH MASTER	3	4				22880-MB2-673	1596147
2	ROD PUSH	3	4				22884-MB0-006	1245729
3	BUSHING	3	4				22885-MB0-006	1245737
4	PISTON SET CLUTCH MASTER CYLINDER	3	4				22886-MB0-305	1245745
5	PIPE ASSY CLUTCH	3	4				22900-MB2-000	1428267
6	SWITCH ASSY CLUTCH	3	4				35330-MB0-003	1246859
7	BOOT COMP	-	4				45504-410-003	1211820
8	PROTECTOR	3	4				45512-MA6-006	1235688
9	CAP MASTER CYLINDER	3	-				45513-MB4-671	1384825
	CAP MASTER CYLINDER	3	4				45540-MB4-671	1666882
10	HOLDER MASTER CYLINDER	3	4				45517-MB0-006	1235738
11	PLATE DIAPHRAGM	-	4			EM100108	45518-MB4-671	1666890
12	DIAPHRAGM	3	-				45520-MA5-671	0952358
	DIAPHRAGM	3	4				45520-MA5-672	1547256
13	BOOT MASTER CYLINDER	3	4				45522-422-000	0692822

VF750F '83
VF750F '84

REF NO

DESCRIPTION

REF NO	DESCRIPTION	V F 7 5 0 F	V F 7 5 0 F	A R E A C O D E	SERIAL NUMBER FROM TO	Q T Y R E Q	PART NUMBER	HONDA CODE
14	CAP MASTER CYLINDER	-	4			1	45540-MB4-671	1666882
15	LEVER COMP L HANDLEBAR	3	4			1	53178-KE8-006	1373992
16	BOLT R HANDLEBAR LEVER PIVOT	3	4			1	90114-MA5-671	0952416
17	BOLT SOCKET 6X23	3	4			2	90117-MB0-000	1237072
18	BOLT OIL 10X22	3	4			2	90145-KE8-000	1310994
	BOLT OIL 10X22	3	4			2	90145-KM3-750	2072775
	BOLT OIL 10X22	3	4			2	90145-VM0-000	1787043
	BOLT OIL 10X22	3	4			2	90145-961-010	1792548
19	WASHER OIL BOLT	3	4			4	90545-300-000	0189902
20	CIRCLIP INTERNAL 18MM (NISSHIN)	3	4			1	90651-377-003	0400572
21	SCREW FLAT 4X12	3	4			2	93600-04012-1G	1237346
22	SCREW-WASHER 4X12	3	4			1	93893-04012-17	1237353
23	NUT FLANGE 6MM	3	4			1	94050-06000	0471623

BLOCK NO. F-5

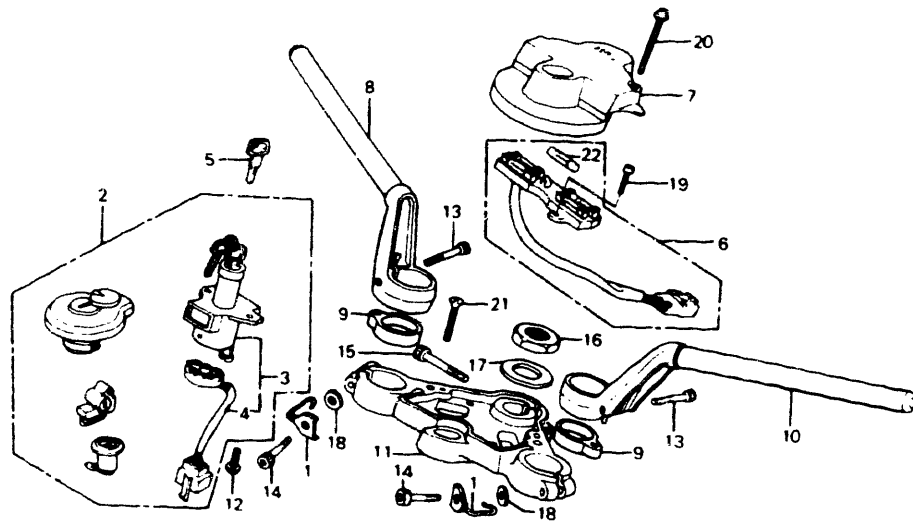
CONTENTS

TITLE	GRID
AIR CLEANER	1-E9
ALTERNATOR	1-B8
BATTERY	1-E6
BRAKE CALIPER FR	1-D11
BRAKE CALIPER RR	1-E2
BRAKE MASTER CYL FR	1-D4
BRAKE MASTER CYL RR	1-E1
CABLES	1-D3
CAM CHAIN	1-B5
CAMSHAFT	1-B4
CANISTER	1-F12
CARBURETOR (ASSY LINK)	1-C8
CARBURETOR COMPONENTS	1-C9
CLUTCH	1-B6
CLUTCH MASTER CYLINDER	1-D5
CONTROL LEVERS	1-D3
COWL	1-F11
COWL RR	1-E5
CRANKCASE COVER L	1-B9
CRANKCASE COVER R	1-B6
CRANKSHAFT	1-C2
CYLINDER BLOCK	1-C1
CYLINDER HEAD COVER	1-B1
CYLINDER HEAD FR	1-B3
CYLINDER HEAD RR	1-B3
EMBLEMS	1-G2
FENDER FR	1-D8
FENDER RR	1-F2
FRAME BODY	1-F8
FRONT SHOCK ABSORBER	1-D9
FUEL PUMP	1-E7
FUEL TANK	1-E4
GASKET KIT B	1-C11
GASKET KIT A	1-C11
GEARSHIFT DRUM	1-C6
HANDLEBAR	1-D6
HEADLIGHT	1-D1
HORN	1-D8
IGNITION COIL	1-F6
INSTRUMENTS	1-D1
LABELS	1-G2
MUFFLER EXHAUST	1-E10
OIL FILTER	1-B11
OIL PAN	1-B11
OIL PUMP	1-B11
PEDAL BRAKE	1-E11
PEDAL GEARSHIFT	1-E11
PISTON	1-C2
PULSE GENERATOR	1-B7
PURGE CONTROL VALVE	1-F12
RADIATOR	1-F7
SEAT	1-E5
SHOCK ABSORBER RR	1-F2
SIDE COVER	1-E6
STAND	1-E12
STARTER MOTOR	1-B11
STARTING CLUTCH	1-B7
STEERING STEM	1-D8
STEP	1-E11
STRIPES	1-G2
SWINGARM	1-F1
SWITCHES	1-D3
TAILLIGHT	1-F5
TENSIONER	1-B5
THERMOSTAT	1-C7
TOOLS	1-F10
TOP BRIDGE	1-D6
TRANSMISSION	1-C5
TURN SIGNAL	1-F4
VALVE	1-B4
WATER PIPE	1-C7
WATER PUMP	1-B9
WHEEL FR	1-D12
WHEEL RR	1-E3
WIRE HARNESS	1-F6

GRID NO

1-D 5

HANDLEBAR • TOP BRIDGE



Type	Key No.
TYPE 1	*01 — *20 A** , B**
TYPE 2	*21 — *40 C** , D**

*: 0, 1, 2, 3, 4, 5, 6, 7, 8 or 9

G39-BMBZ 56TABLE

1-D 6

REF NO	DESCRIPTION	VF750F 83 VF750F 84	VF750F 83	VF750F 84	AREA CODE	SERIAL NUMBER FROM TO	QTY REQ	PART NUMBER	HONDA CODE	BLOCK NO F-6
1	GUIDE, CABLE		3	4			2	17908-MB2-000	1424852	
	GUIDE, CABLE		3	4			2	17908-MB2-010	1791995	
2	KEY SET		3	-			1	35010-MB2-000	1429075	
	KEY SET		3	-			1	35010-MB2-010	2094589	
	KEY SET		3	-			1	35010-MB2-020	2094597	
	KEY SET		3	-			1	35010-MB2-030	2660629	
	KEY SET		-	4	A		1	35010-MB2-700	1700335	
	KEY SET		-	4	AC		1	35010-MB2-880	1700343	
3	SWITCH ASSY., COMBINATION & LOCK		3	-			1	35100-MB2-007	1424985	
	SWITCH ASSY., COMBINATION & LOCK		-	4			1	35100-MB2-701	1700350	
4	BASE COMP., CONTACT		3	-			1	35101-MB2-007	1424993	
	BASE COMP., CONTACT		-	4			1	35101-MB2-701	1700368	
5	KEY, BLANK (TYPE 1)		3	4			(1)	35121-KW3-771	3029840	
	KEY, BLANK (TYPE 1)		3	4			(1)	35121-MA6-811	1246750	
	KEY, BLANK (TYPE 2)		3	4			(1)	35122-KW3-771	3029857	
	KEY, BLANK (TYPE 2)		3	4			(1)	35122-MA6-811	1246768	
6	PLATE ASSY., FUSE		3	4			1	38200-MB2-000	1429281	
7	COVER, FUSE PLATE		3	4			1	38210-MB2-000	1429299	
8	PIPE, R. HANDLEBAR		3	-			1	53100-MB2-307	1697168	
	PIPE, R. HANDLEBAR		3	-			1	53100-MB2-671	1782705	
	PIPE, R. HANDLEBAR		-	4			1	53100-MB2-770	1701671	
9	SPACER, FR. SHOCK		3	4			2	53104-MB2-670	1430545	
	SPACER, FR. SHOCK		3	4			2	53104-MB2-671	1788694	
10	PIPE, L. HANDLEBAR		3	-			1	53150-MB2-307	1697176	
	PIPE, L. HANDLEBAR		3	-			1	53150-MB2-671	1782713	
	PIPE, L. HANDLEBAR		-	4			1	53150-MB2-770	1701713	
11	BRIDGE, FORK TOP		3	4			1	53230-MB2-000	1430602	
	BRIDGE, FORK TOP		3	4			1	53230-MB2-010	1792308	
12	BOLT, FLANGE, 8X19		3	-			2	90104-MJ1-000	1735307	
	BOLT, FLANGE, 8X19		3	-			2	90105-MA6-000	1250893	
	BOLT, COMBINATION SWITCH SETTING		-	4			2	90105-MC7-610	1271980	
13	BOLT, SOCKET, 8X34		3	4			2	90112-MB0-000	1250976	
14	BOLT, SOCKET, 7X48		3	4			2	90151-MB2-000	1431253	
15	BOLT, SOCKET, 8X55		3	4			1	90166-MB2-000	1431261	
16	NUT, STEERING STEM		3	4			1	90304-425-000	0719401	
17	WASHER, STEERING STEM		3	4			1	90503-425-000	0719443	
18	WASHER, PLAIN, 7MM		3	4			2	90511-MB2-000	1476936	
19	SCREW, PAN, 5X16		3	4			2	93500-05016-0G	0256933	
20	SCREW, PAN, 5X35		3	4			2	93500-05035-0G	0700823	

61

CONTENTS

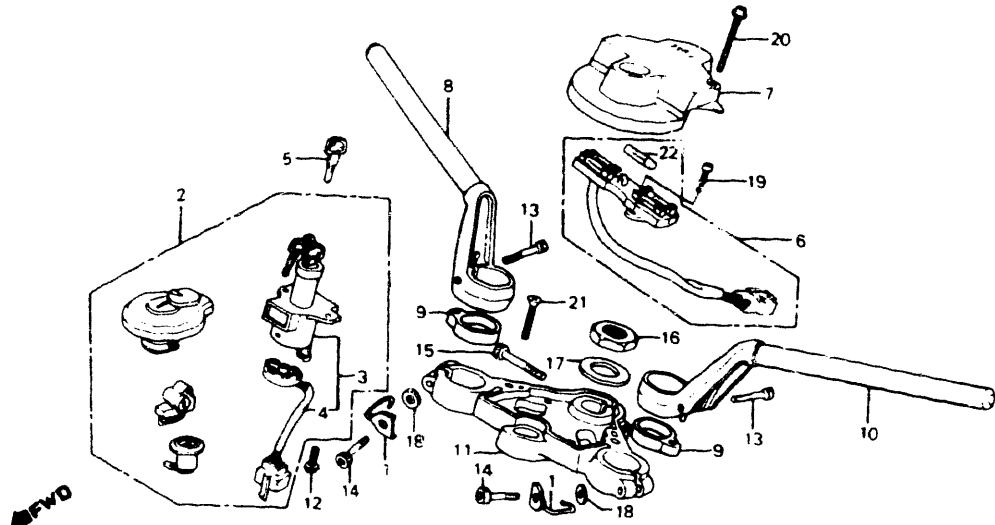
TITLE	GRID
AIR CLEANER	1-E9
ALTERNATOR	1-B8
BATTERY	1-E6
BRAKE CALIPER FR	1-D11
BRAKE CALIPER RR	1-E2
BRAKE MASTER CYL FR	1-D4
BRAKE MASTER CYL RR	1-E1
CABLES	1-D3
CAM CHAIN	1-B5
CAMSHAFT	1-B4
CANISTER	1-F12
CARBURETOR (ASSY LINK)	1-C8
CARBURETOR COMPONENTS	1-C9
CLUTCH	1-B6
CLUTCH MASTER CYLINDER	1-D5
CONTROL LEVERS	1-D3
COWL	1-F11
COWL RR	1-E5
CRANKCASE COVER L	1-B9
CRANKCASE COVER R	1-B6
CRANKSHAFT	1-C2
CYLINDER BLOCK	1-C1
CYLINDER HEAD COVER	1-B1
CYLINDER HEAD FR	1-B1
CYLINDER HEAD RR	1-B3
EMBLEMS	1-G2
FENDER FR	1-D8
FENDER RR	1-F3
FRAME BODY	1-F8
FRONT SHOCK ABSORBER	1-D9
FUEL PUMP	1-E7
FUEL TANK	1-E4
GASKET KIT B	1-C11
GASKET KIT A	1-C11
GEARSHIFT DRUM	1-C6
HANDLEBAR	1-D6
HEADLIGHT	*D1
HORN	1-D8
IGNITION COIL	1-F6
INSTRUMENTS	1-D1
LABELS	1-C2
MUFFLER EXHAUST	1-E10
OIL FILTER	1-B11
OIL PAN	1-B11
OIL PUMP	1-B11
PEDAL BRAKE	1-E11
PEDAL GEARSHIFT	1-E11
PISTON	1-C2
PULSE GENERATOR	1-B7
PURGE CONTROL VALVE	1-F12
RADIATOR	1-F7
SEAT	1-E5
SHOCK ABSORBER, RR	1-F2
SIDE COVER	1-E6
STAND	1-E12
STARTER MOTOR	1-B11
STARTING CLUTCH	1-B7
STEERING STEM	1-D8
STEP	1-E11
STRIPES	1-G2
SWINGARM	1-F1
SWITCHES	1-D3
TAILLIGHT	1-F5
TENSIONER	1-B5
THERMOSTAT	1-C7
TOOLS	1-F10
TOP BRIDGE	1-D6
TRANSMISSION	1-C5
TURN SIGNAL	1-F4
VALVE	1-B4
WATER PIPE	1-C7
WATER PUMP	1-B9
WHEEL FR	1-D12
WHEEL RR	1-E3
WIRE HARNESS	1-F6

GRID NO.

1-D 6

60
RC150* FRAME NO . DM000017 TO DM008120
RC150* FRAME NO . EM100006 TO EM103270
RC151* FRAME NO . EM100002 TO EM100437

HANDLEBAR • TOP BRIDGE



Type	Key No.
TYPE 1	*01 ——— *20
	A** , B**
TYPE 2	*21 ——— *40
	C** , D**

*: 0, 1, 2, 3, 4, 5, 6, 7, 8 or 9

G19 BMB2 567ABLE

VF750F 83
VF750F 84

REF NO	DESCRIPTION	VF750F 83	VF750F 84	AREA CODE	QTY REQ	PART NUMBER	HONDA CODE	BLOCK NO F-6	
								FROM	TO
21	SCREW FLAT 6X40	3	4		2	93600-06040-0G	1391622		
22	FUSE B (15A)	3	4		5	98200-21500	0252387		

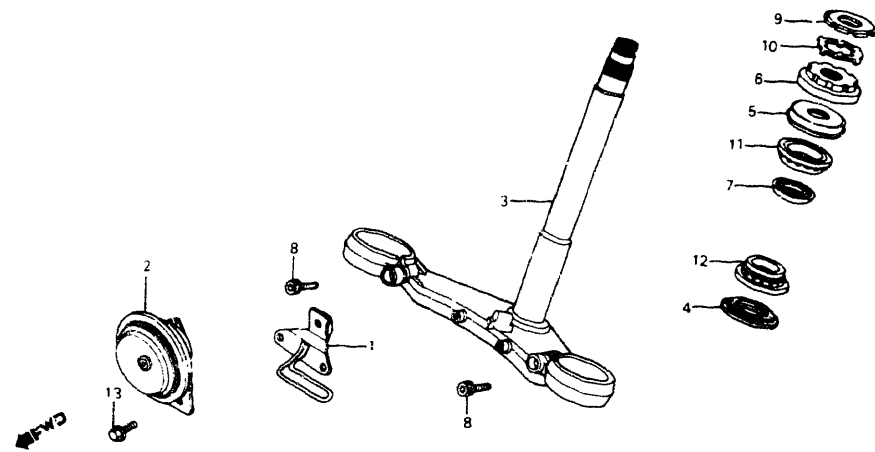
CONTENTS

TITLE	GRID
AIR CLEANER	1-E9
ALTERNATOR	1-B8
BATTERY	1-E6
BRAKE CALIPER FR	1-D11
BRAKE CALIPER RR	1-E2
BRAKE MASTER CYL FR	1-D4
BRAKE MASTER CYL RR	1-E1
CABLES	1-D3
CAM CHAIN	1-B5
CAMSHAFT	1-B4
CANISTER	1-F12
CARBURETOR (ASSY LINK)	1-C9
CARBURETOR COMPONENTS	1-C9
CLUTCH	1-B6
CLUTCH MASTER CYLINDER	1-D5
CONTROL LEVERS	1-D3
CONV	1-F11
CONV RR	1-E5
CRANKCASE COVER L	1-B8
CRANKCASE COVER R	1-B6
CRANKSHAFT	1-C2
CYLINDER BLOCK	1-C1
CYLINDER HEAD COVER	1-B1
CYLINDER HEAD FR	1-B1
CYLINDER HEAD RR	1-B3
EMBLEMS	1-G2
FENDER FR	1-D8
FENDER RR	1-F3
FRAME BODY	1-F8
FRONT SHOCK ABSORBER	1-D9
FUEL PUMP	1-E7
FUEL TANK	1-E4
GASKET KIT B	1-C11
GASKET KIT A	1-C11
GEARSHIFT DRUM	1-C6
HANDLEBAR	1-D6
HEADLIGHT	1-D1
HORN	1-D8
IGNITION COIL	1-F6
INSTRUMENTS	1-D1
LABELS	1-G2
MUFFLER EXHAUST	1-E10
OIL FILTER	1-B11
OIL PAN	1-B11
OIL PUMP	1-B11
PEDAL BRAKE	1-E11
PEDAL GEARSHIFT	1-E11
PISTON	1-C2
PULSE GENERATOR	1-B7
PURGE CONTROL VALVE	1-F12
RADIATOR	1-F7
SEAT	1-E5
SHOCK ABSORBER RR	1-F2
SIDE COVER	1-E6
STAND	1-E12
STARTER MOTOR	1-D11
STARTING CLUTCH	1-B7
STEERING STEM	1-D8
STRIPES	1-E11
STRIPES	1-G2
SWINGARM	1-F1
SWITCHES	1-D3
TAILLIGHT	1-F5
TENSIONER	1-B5
THERMOSTAT	1-C7
TOOLS	1-F10
TOP BRIDGE	1-D6
TRANSMISSION	1-C5
TURN SIGNAL	1-F4
VALVE	1-B4
WATER PIPE	1-C7
WATER PUMP	1-B9
WHEEL FR	1-D12
WHEEL RR	1-E3
WIRE HARNESS	1-F6

GRID NO.

1-D 7

STEERING STEM • HORN



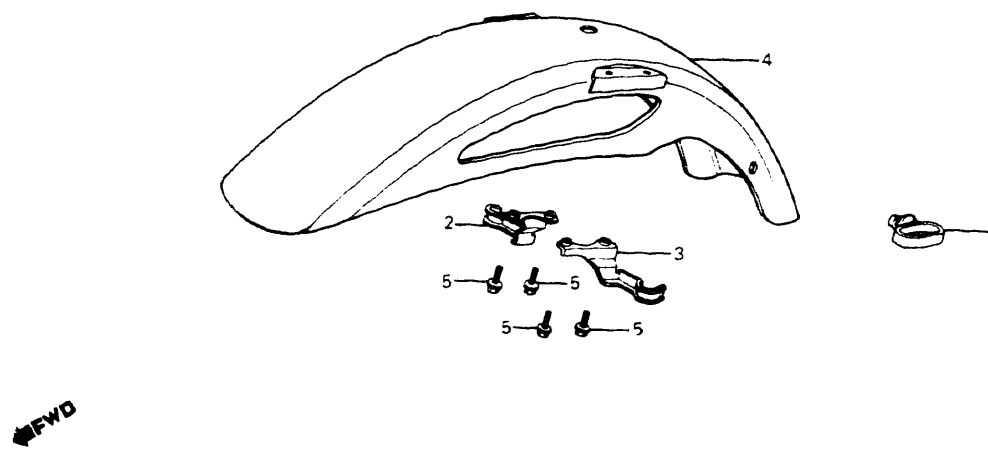
REF NO	DESCRIPTION	V F 7 5 0 F 3 4	V F 7 5 0 F 3 4	A R E A C O D E	S E R I A L N U M B E R F R O M T O	Q T Y R E Q	P A R T N U M B E R	H O N D A C O D E
VF750F 83 VF750F 84		8 3	8 4				G39-8MB2 23	BLOCK NO F-7
1	STAY HORN	3	4		-----	1	38102-MB2-000	1432244
2	HORN COMP (HIGH)	3	4		-----	1	38110-MB2-004	1425024
3	STEM COMP STEERING	3	4		-----	1	53200-MB2-000	1430586
4	DUST SEAL STEERING HEAD	-	4		-----	1	53213-MB4-771	1546951
5	DUST SEAL STEERING HEAD	3	4		-----	1	53214-371-010	0470948
6	THREAD COMP STEERING HEAD TOP	3	4		-----	1	53220-MB2-000	1430594
7	HOLDER GREASE	3	4		-----	1	53223-371-010	0470955
8	BOLT SOCKET 10X30	3	4		-----	2	90152-MB0-000	1251107
9	THREAD B. STEERING HEAD UPPER	3	4		-----	1	90302-425-830	0823930
10	WASHER LOCK	3	4		-----	1	90506-425-850	0823948
11	BEARING HEAD PIPE UPPER (NACHI)	3	-		-----	1	91015-425-832	0923227
	BEARING HEAD PIPE UPPER	-	4		-----	1	91015-MB4-771	1547132
12	BEARING HEAD PIPE LOWER	3	-		-----	1	91016-371-000	0471284
	BEARING HEAD PIPE LOWER	-	4		-----	1	91016-MB4-771	1547140
13	BOLT FLANGE 8X14	3	4		-----	1	95700-08014-07	0802462
	BOLT FLANGE 8X14	3	4		-----	1	95701-08014-07	2723997

64

RC150* FRAME NO DM000017 TO DM008120
RC150* FRAME NO EM100006 TO EM103270
RC151* FRAME NO EM100002 TO EM100437

1-D 8

FRONT FENDER



REF NO	DESCRIPTION	V F 7 5 0 F 3 4	V F 7 5 0 F 3 4	A R E A C O D E	S E R I A L N U M B E R F R O M T O	Q T Y R E Q	P A R T N U M B E R	H O N D A C O D E
VF750F 83 VF750F 84		8 3	8 4				G39-8MB2 24	BLOCK NO. F-8
1	GUIDE FR FENDER CABLE	3	4		-----	1	45451-413-000	1435353
2	CLAMP R FR BRAKE HOSE	3	4		-----	1	60108-MB2-000	1430628
3	CLAMP L FR BRAKE HOSE	3	4		-----	1	60109-MB2-000	1430636
4	FENDER COMP FR 'NH121PA' (PEARL SHELL WHITE-A)	3	4		-----	1	61100-MB2-000ZA	1414101
5	BOLT FLANGE 6X14	3	4		-----	4	96000-06014-00	0782854
	BOLT FLANGE 6X40	3	4		-----	4	96001-06014-00	2154672

65

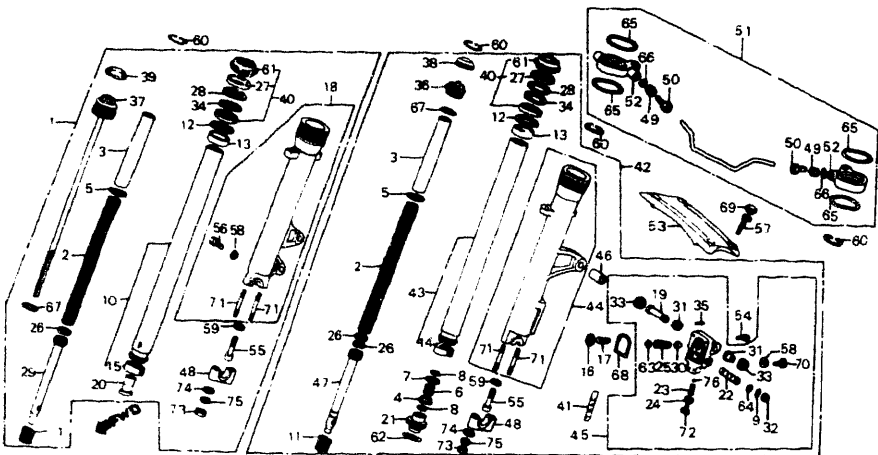
CONTENTS

TITLE	GRID
AIR CLEANER	1-29
ALTERNATOR	1-88
BATTERY	1-66
BRAKE CALIPER FR	1-011
BRAKE CALIPER RR	1-E2
BRAKE MASTER CYL FR	1-04
BRAKE MASTER CYL RR	1-E1
CABLES	1-03
CAM CHAIN	1-85
CAMSHAFT	1-84
CANISTER	1-F12
CARBURETOR ASSY LINK)	1-C8
CARBURETOR COMPONENTS	1-C9
CLUTCH	1-86
CLUTCH MASTER CYLINDER	1-05
CONTROL LEVERS	1-F11
COV	1-F11
CRANK RR	1-E5
CRANKCASE COVER L	1-89
CRANKCASE COVER R	1-86
CRANKSHAFT	1-C2
CYLINDER BLOCK	1-C1
CYLINDER HEAD COVER	1-81
CYLINDER HEAD FR	1-81
CYLINDER HEAD RR	1-83
EMBLEMS	1-02
FENDER FR	1-08
FENDER RR	1-F3
FRAME BODY	1-F8
FRONT SHOCK ABSORBER	1-09
FUEL PUMP	1-E7
FUEL TANK	1-E4
GASKET KIT B	1-C11
GASKIT KIT A	1-C11
GEARSHIFT DRUM	1-C6
HANDLEBAR	1-06
HEADLIGHT	1-01
HORN	1-08
IGNITION COIL	1-F6
INSTRUMENTS	1-01
LABELS	1-02
MUFFLER EXHAUST	1-E10
OIL FILTER	1-811
OIL PAN	1-811
OIL PUMP	1-811
PEDAL BRAKE	1-E11
PEDAL GEARSHIFT	1-E11
PISTON	1-C2
PULSE GENERATOR	1-87
PURGE CONTROL VALVE	1-F12
RADIATOR	1-F7
SEAT	1-E5
SHOCK ABSORBER RR	1-F2
SIDE COVER	1-E6
STAND	1-E12
STARTER MOTOR	1-B11
STARTING CLUTCH	1-87
STEERING STEM	1-08
STEP	1-E11
STRIPES	1-02
SWINGARM	1-F1
SWITCHES	1-03
TAILLIGHT	1-F5
TENSIONER	1-85
THERMOSTAT	1-C7
TOOLS	1-F10
TOP BRIDGE	1-06
TRANSMISSION	1-C5
TURN SIGNAL	1-F4
VALVE	1-84
WATER PIPE	1-C7
WATER PUMP	1-89
WHEEL FR	1-D12
WHEEL RR	1-E3
WIRE HARNESS	1-F6

GRID NO.

1-D 8

FRONT SHOCK ABSORBER



REF NO	DESCRIPTION	QTY	AREA CODE	SERIAL NUMBER FROM TO	PART NUMBER	HONDA CODE
					G39-BMB2-25	BLOCK NO. F-9
1	SHOCK ABSORBER ASSY R FR	3	4	-----	51400-MB2-671	1413160
	SHOCK ABSORBER ASSY R FR	3	4	-----	51400-MB2-672	1974377
2	SPRING FR SHOCK	3	4	-----	51401-MB2-671	1413178
3	COLLAR SPRING	3	4	-----	51402-MB2-671	1413186
4	VALVE OIL LOCK	3	4	-----	51403-MB2-003	1435361
5	PLATE SPRING JOINT	3	4	-----	51403-ME5-003	1374073
6	SPRING OIL LOCK VALVE	3	4	-----	51404-MA6-003	1212153
7	SEAT SPRING	3	4	-----	51405-MA6-003	1249267
8	RING STOPPER	3	4	-----	51405-MC7-003	1212166
9	RING STOPPER	3	4	-----	51406-MB1-771	1291855
10	PIPE COMP R FR SHOCK	3	4	-----	51410-MB2-671	1413194
11	SPRING REBOUND	3	4	-----	51411-ME5-003	1378124
12	RING BACK UP	3	4	-----	51412-463-003	0884114
	RING BACK UP	3	4	-----	51412-463-305	1039312
13	BUSH SHOCK PIPE	3	4	-----	51414-463-003	0884130
14	BUSH SLIDER	3	4	-----	51415-MB9-781	1289313
15	SLEEVE SHOCK PIPE	3	4	-----	51415-463-003	0884148
16	PACKING PISTON CASE	3	4	-----	51417-ME1-671	1212190
17	SPRING PISTON	3	4	-----	51418-ME1-671	1212208
18	CASE COMP R LOWER	3	4	-----	51421-MB2-003	1440577

VF750F 83	VF750F 84	AREA CODE	SERIAL NUMBER FROM TO	QTY REQ	PART NUMBER	HONDA CODE
						BLOCK NO F-9
19		3 4	-----	1	51423-MB1-771	1291871
20		3 4	-----	1	51432-MB2-003	1437680
21		3 4	-----	1	51432-MB7-611	12893.7
22		3 4	-----	1	51433-MB1-771	1291889
23		3 4	-----	1	51434-MC7-003	1212257
24		3 4	-----	1	51435-MC7-003	1217413
25		3 4	-----	1	51436-MB1-771	1291897
26		3 4	-----	3	51437-ME5-003	1378132
27		3 4	-----	2	51438-MB9-781	1289354
28		3 4	-----	2	51439-MB9-781	1289362
29		3 4	-----	1	51440-MB2-003	1440585
30		3 4	-----	1	51441-MC7-003	1212281
31		3 4	-----	2	51442-MC7-003	1212299
32		3 4	-----	1	51444-MB1-771	1291905
33		3 4	-----	2	51445-MC7-003	1212315
34		3 4	-----	2	51447-463-003	0884197
35		3 4	-----	1	51448-MB1-771	1390723
36		3 4	-----	1	51450-ME5-003	1374131
37		3 4	-----	1	51454-MB2-671	1435387
38		3 4	-----	1	51456-MB2-003	1435395
39		3 4	-----	1	51458-MG5-611	1708379
40		3 4	-----	2	51490-MB9-781	1289412
		3 4	-----	2	51490-MB9-782	1837574
		3 4	-----	2	51490-MG2-305	1447424
		3 4	-----	2	51490-463-305	1052620
41		3 4	-----	1	51496-MC7-670	1249390
42		3 4	-----	1	51500-MB2-672	2066199
43		3 4	-----	1	51510-MB2-671	1413210
44		3 4	-----	1	51521-MB2-003	1435403
		3 4	-----	1	51521-MB2-013	2481091
45		3 4	-----	1	51530-ME7-671	1395275
46		3 4	-----	1	51532-MB2-300	1430420
47		3 4	-----	1	51540-MB2-003	1435411
48		3 4	-----	2	51634-410-003	0483370
49		3 4	-----	2	51334-MG5-671	1306984
50		3 4	-----	2	51335-MG5-671	1306992
51		3 4	-----	1	51337-MB2-003	1430552
52		3 4	-----	2	51339-MG5-671	1307037
53		3 4	-----	1	53240-MB2-003	1430610
54		3 4	-----	4	90116-MC7-003	1213016
		3 4	-----	4	90118-MC7-003	1258300
55		3 4	-----	2	90116-283-010	0254169

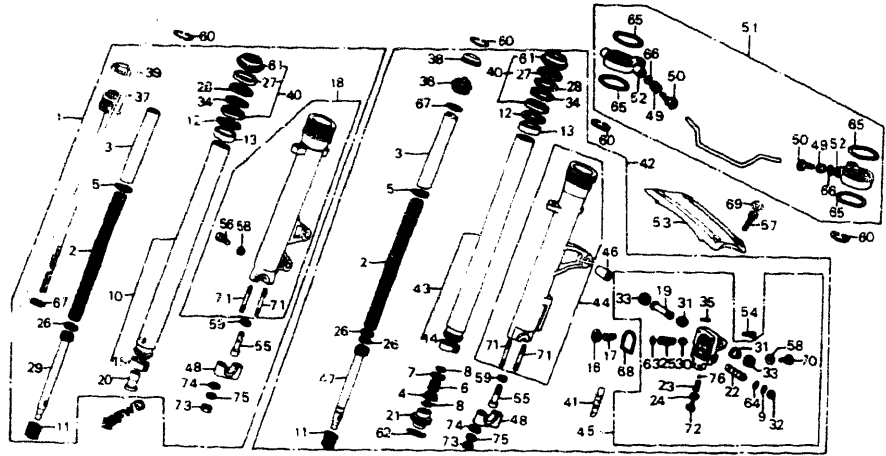
CONTENTS

TITLE	GRID
AIR CLEANER	1-E9
ALTERNATOR	1-B8
BATTERY	1-E6
BRAKE CALIPER FR	1-D11
BRAKE CALIPER RR	1-E2
BRAKE MASTER CYL FR	1-D4
BRAKE MASTER CYL RR	1-E1
CABLES	1-D3
CAM CHAIN	1-B5
CAMSHAFT	1-B4
CANISTER	1-F12
CARBURETOR (ASSY LINK)	1-C8
CARBURETOR COMPONENTS	1-C9
CLUTCH	1-E6
CLUTCH MASTER CYLINDER	1-D8
CONTROL LEVERS	1-D3
COWL	1-F11
COWL RR	1-E5
CRANKCASE COVER L	1-B9
CRANKCASE COVER R	1-B6
CRANKSHAFT	1-C2
CYLINDER BLOCK	1-C1
CYLINDER HEAD COVER	1-B1
CYLINDER HEAD FR	1-B1
CYLINDER HEAD RR	1-B3
EMBLEMS	1-G2
FENDER FR	1-D8
FENDER RR	1-F3
FRAME BODY	1-F8
FRONT SHOCK ABSORBER	1-D9
FUEL PUMP	1-E7
FUEL TANK	1-E4
GASKET KIT B	1-C11
GASKET KIT A	1-C11
GEARSHIFT DRUM	1-C6
HANDLER RR	1-D6
HEADLIGHT	1-D1
HORN	1-D8
IGNITION COIL	1-F6
INSTRUMENTS	1-D1
LABEL	1-G2
MUFFLER EXHAUST	1-E10
OIL FILTER	1-B11
OIL PAN	1-B11
OIL PUMP	1-B11
PEDAL BRAKE	1-E11
PEDAL GEARSHIFT	1-E11
PISTON	1-C2
PULLEY GENERATOR	1-B7
PURGE CONTROL VALVE	1-F12
RADIATOR	1-F7
SEAT	1-E5
SHOCK ABSORBER RR	1-F2
SIDE COVER	1-E6
STANC	1-E12
STARTER MOTOR	1-B11
STARTING CLUTCH	1-B7
STEERING COLUMN	1-D8
STEP	1-E11
STRIPES	1-G2
SWINGARM	1-F1
SWITCHES	1-D3
TAILLIGHT	1-F5
TENSIONER	1-B5
THERMOSTAT	1-C7
TOOLS	1-F10
TOP BRIDGE	1-D6
TRANSMISSION	1-C5
TURN SIGNAL	1-F4
VALVE	1-B4
WATER PIPE	1-C7
WATER PUMP	1-B9
WHEEL FR	1-D12
WHEEL RR	1-E3
WIRE HARNESS	1-F6

GRID NO.

1-D 9

FRONT SHOCK ABSORBER



VF750F 83
VF750F 84

BLOCK NO F-9

CONTENTS

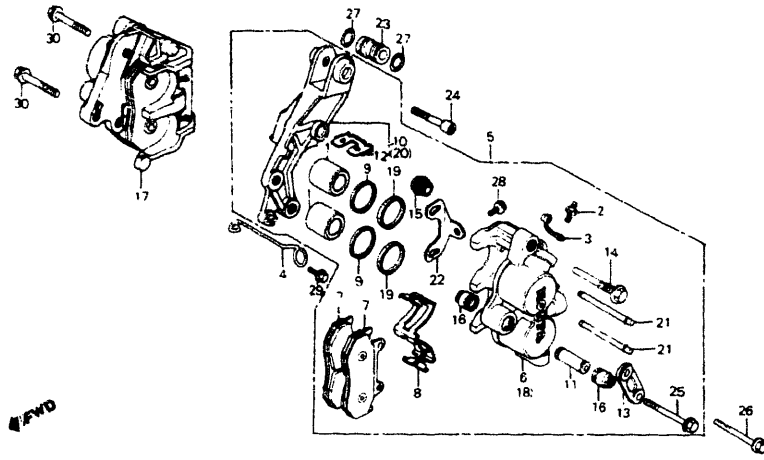
REF NO	DESCRIPTION	V F 7 5 0 F		QTY	SERIAL NUMBER FROM TO	PART NUMBER	HONDA CODE
		8 3	4				
72	SCREW, PAN, 5X10	3	4	1	-----	93500-05010-0A	C156976
	SCREW, PAN, 5X10	3	4	1	-----	93500-05010-1A	0814343
	SCREW, PAN, 5X10	3	4	1	-----	93510-05010-0A	0173583
73	NUT, HEX, 8MM	3	4	4	-----	94030-08000	0114686
74	WASHER, PLAIN, 8MM	3	4	4	-----	94101-08000	0059097
75	WASHER, SPRING, 8MM	3	4	4	-----	94111-08000	0058982
76	BALL, STEEL, #5 (5/32)	3	4	1	-----	96211-05000	0058917

TITLE	GRID
AIR CLEANER	1-E9
ALTERNATOR	1-B8
BATTERY	1-E6
BRAKE CALIPER FR	1-D11
BRAKE CALIPER RR	1-E2
BRAKE MASTER CYL FR	1-D4
BRAKE MASTER CYL RR	1-E1
CABLES	1-D3
CAM CHAIN	1-B5
CAMSHAFT	1-B4
CANISTER	1-F12
CARBURETOR	1-C9
CARBURETOR (ASSY LINK)	1-C9
CARBURETOR COMPONENTS	1-C9
CLUTCH	1-B6
CLUTCH MASTER CYLINDER	1-D5
CONTROL LEVERS	1-D3
COWL	1-F11
COWL R/L	1-E5
CRANKCASE COVER L	1-B9
CRANKCASE COVER R	1-B6
CRANKSHAFT	1-C2
CYLINDER BLOCK	1-C1
CYLINDER HEAD COVER	1-B1
CYLINDER HEAD FR	1-B1
CYLINDER HEAD, RR	1-B3
EMBLEMS	1-G2
FENDER, FR	1-D8
FENDER, RR	1-F3
FRAME BODY	1-F8
FRONT SHOCK ABSORBER	1-D9
FUEL PUMP	1-E7
FUEL TANK	1-E4
GASKET KIT B	1-C11
GASKET KIT A	1-C11
GEARSHIFT DRUM	1-C6
HANDLEBAR	1-D6
HEADLIGHT	1-D1
HORN	1-D8
IGNITION COIL	1-F6
INSTRUMENTS	1-D1
LABELS	1-G2
MUFFLER, EXHAUST	1-E10
OIL FILTER	1-B11
OIL PAN	1-B11
OIL PUMP	1-B11
PEDAL, BRAKE	1-E11
PEDAL, GEARSHIFT	1-E11
PISTON	1-C2
PULSE GENERATOR	1-B7
PURGE CONTROL VALVE	1-F12
RADIATOR	1-F7
SEAT	1-E5
SHOCK ABSORBER, RR	1-F2
SIDE COVER	1-E6
STAND	1-E12
STARTER MOTOR	1-B11
STARTING CLUTCH	1-B7
STEERING STEM	1-D8
STEP	1-E11
STRIPES	1-G2
SWINGARM	1-F1
SWITCHES	1-D3
TAILLIGHT	1-F5
TENSIONER	1-B5
THERMOSTAT	1-C7
TOOLS	1-F10
TOP BRIDGE	1-D6
TRANSMISSION	1-C5
TURN SIGNAL	1-F4
VALVE	1-B4
WATER PIPE	1-C7
WATER PUMP	1-B9
WHEEL, FR	1-D12
WHEEL, RR	1-E3
WIRE HARNESS	1-F6

REF NO	DESCRIPTION	V F 7 5 0 F		QTY	SERIAL NUMBER FROM TO	PART NUMBER	HONDA CODE
		8 3	4				
56	BOLT, HEX, 6X17	3	4	1	-----	90125-MB2-003	1500081
57	BOLT, SOCKET, 8X17	3	4	4	-----	90153-MB0-000	1251123
58	GASKET, FR, SHOCK DRAIN VALVE	3	4	2	-----	90543-273-000	0052209
59	WASHER, SPECIAL, 8MM	3	4	2	-----	90544-283-000	0259457
60	RING, STOPPER	3	4	4	-----	90602-MG5-670	1318476
61	DUST SEAL	3	4	2	-----	91254-463-003	0886234
62	O-RING, 35 5X2	3	4	1	-----	91302-MA3-661	1290733
63	O-RING D. 13 8X2 4	3	4	1	-----	91308-MC7-003	1251552
	O-RING D. 13 8X2 4	3	4	1	-----	91311-PH7-003	2373504
64	O-RING 6 8X1 9	3	4	1	-----	91306-PJ4-000	2373447
	O-RING B. 6 8X1 9	3	4	1	-----	91310-MC7-003	1218569
65	O-RING, 38 5X2 (SHOWA)	3	4	4	-----	91352-MG5-670	1311232
66	O-RING	3	4	2	-----	91353-MG5-671	1311257
67	O-RING 29 2X3 5	3	4	2	-----	91356-MA3-661	1374150
68	O-RING 49 4X3 1	3	4	1	-----	91399-MB0-003	1250900
69	CAP, SOCKET BOLT, 8MM	3	4	4	-----	91455-MB0-000	1251677
70	BOLT, HEX, 6X8	3	4	2	-----	92000-06008-0A	0724377
	BOLT, HEX, 6X8	3	4	2	-----	92101-06008-0A	2504868
71	BOLT, STUD, 8X50	3	4	4	-----	92700-08050-3B	0416966
	BOLT, STUD, 8X50	3	4	4	-----	92900-08028-3B	2892685

68
RC150* FRAME NO DM000017 TO DM038120
RC150* FRAME NO EM100006 TO EM103270
RC151* FRAME NO EM100002 TO EM100437

FRONT BRAKE CALIPER



VF750F 83 VF750F 84		VF750F 83 VF750F 84		VF750F 83 VF750F 84		VF750F 83 VF750F 84		VF750F 83 VF750F 84	
		AREA CODE		QTY REQ		G39-BMB2-26		BLOCK NO F-10	
REF NO	DESCRIPTION	3	4	3	4	PART NUMBER	HONDA CODE		
1	PISTON	3	4	4		43107-MA7-006	1302223		
2	SCREW BLEEDER	3	4	2		43352-568-003	0505735		
3	CAP BLEEDER	3	4	2		43353-461-771	0954230		
4	CLAMP SPEEDOMETER CABLE	3	4	1		44832-MA3-000	1011899		
5	CALIPER ASSY L FR (NISSHIN ASK)	3	4	1		45100-MB2-007	430040		
	CALIPER ASSY L FR (NISSHIN TT)	3	4	1		45100-MB2-008	1430057		
6	CALIPER COMP L	3	4	1		45101-MB9-781	1300763		
7	PAD COMP FR (ASK) (KIT P/N 451A0-MJ1-670)	3	4	4		45105-MB1-701	1458926		
	PAD COMP FR (TT) (KIT P/N 451A0-MJ1-670)	3	4	4		45105-MB1-702	1458934		
	PAD COMP FR (ASK) (KIT P/N 451A0-MJ1-670)	3	4	4		45105-MJ1-672	1734797		
	PAD COMP FR (ASK)	3	4	4		45105-MJ1-673	2781037		
8	SPRING PAD	3	4	2		45108-MA3-006	1011956		
9	DUST SEAL	3	4	4		45109-MA7-006	1302272		
10	BRACKET COMP L FR	3	4	1		45110-MB2-006	1430065		
11	SLEEVE	3	4	2		45111-MA3-006	1011980		

VF750F 83 VF750F 84		VF750F 83 VF750F 84		VF750F 83 VF750F 84		VF750F 83 VF750F 84		VF750F 83 VF750F 84	
		AREA CODE		QTY REQ		G39-BMB2-26		BLOCK NO F-10	
REF NO	DESCRIPTION	3	4	3	4	PART NUMBER	HONDA CODE		
12	RETAINER BRACKET	3	4	2		45112-445-631	1095496		
13	BRIDGE CALIPER BRACKET	3	4	1		45113-MB7-610	1248194		
14	BOLT PIN	3	4	2		45131-MA3-006	1012004		
15	BOOT B	3	4	2		45133-MA3-006	1017012		
16	BOOT PIN	3	4	4		45133-166-016	1012020		
17	CALIPER ASSY R FR (NISSHIN ASK)	3	4	1		45200-MB2-007	1430107		
	CALIPER ASSY R FR (NISSHIN TT)	3	4	1		45200-MB2-009	1430115		
18	CALIPER COMP R	3	4	1		45201-MB4-006	1387950		
19	SEAL PISTON	3	4	4		45209-MA7-006	1302314		
20	BRACKET COMP R FR	3	4	1		45210-445-632	1073105		
21	PIN HANGER	3	4	4		45215-MA3-006	1012046		
22	PLATE	3	4	2		45217-MA3-006	1012053		
23	SLEEVE FR CALIPER BRACKET	3	4	1		51536-MB2-000	1432277		
24	BOLT SOCKET 10X40	3	4	1		90131-MB2-000	1431238		
25	BOLT FLANGE 8X49	3	4	1		90180-MA3-006	1053107		
26	BOLT FLANGE 8X55	3	4	1		90180-MA3-660	1213107		
27	O-RING D 13.8X2.4	3	4	2		91308-MC7-003	1251552		
	O-RING D 13.8X2.4	3	4	2		91311-PH7-003	2373504		
28	BOLT FLANGE 6X10	3	4	2		95700-06010-07	0663930		
	BOLT FLANGE 6X10	3	4	2		95701-06010-07	2374734		
29	BOLT FLANGE 6X12	3	4	1		95700-06012-07	0481176		
	BOLT FLANGE 6X12	3	4	1		95701-06012-07	2387108		
30	BOLT FLANGE 10X40	3	4	2		95800-10040-07	1020742		

CONTENTS

TITLE	GRID
AIR CLEANER	1-E9
ALTERNATOR	1-B8
BATTERY	1-E6
BRAKE CALIPER FR	1-D11
BRAKE CALIPER RR	1-E2
BRAKE MASTER CYL FR	1-D4
BRAKE MASTER CYL RR	1-E1
CABLES	1-D3
CAM CHAIN	1-B5
CRANKSHAFT	1-B4
CAMSHAFT	1-F12
CARBURETOR (ASSY LINK)	1-C6
CARBURETOR COMPONENTS	1-C8
CLUTCH	1-B6
CLUTCH MASTER CYLINDER	1-D5
CONTROL LEVERS	1-D3
COWL	1-F11
COWL RR	1-E5
CRANKCASE COVER L	1-B9
CRANKCASE COVER R	1-B6
CRANKSHAFT	1-C2
CYLINDER BLOCK	1-C1
CYLINDER HEAD COVER	1-B1
CYLINDER HEAD FR	1-B1
CYLINDER HEAD RR	1-B3
EMBLEMS	1-G2
FENDER FR	1-D8
FENDER RR	1-F3
FRAME BODY	1-F8
FRONT SHOCK ABSORBER	1-D9
FUEL PUMP	1-E7
FUEL TANK	1-E4
GASKET KIT B	1-C11
GASKET KIT A	1-C11
GEARSHIFT DRUM	1-C6
HANDLEBAR	1-D6
HEADLIGHT	1-D1
HORN	1-D8
IGNITION COIL	1-F6
INSTRUMENTS	1-D1
LABELS	1-G2
MUFFLER EXHAUST	1-B11
OIL FILTER	1-B11
OIL PAN	1-B11
OIL PUMP	1-B11
PEDAL BRAKE	1-E11
PEDAL GEARSHIFT	1-E11
PISTON	1-C2
PULSE GENERATOR	1-B7
PURGE CONTROL VALVE	1-F12
RADIATOR	1-F7
SEAT	1-E5
SHOCK ABSORBER RR	1-F2
SIDE COVER	1-E6
STAND	1-E12
STARTER MOTOR	1-B11
STARTING CLUTCH	1-B7
STEERING STEM	1-D6
STEP	1-E11
STRIPES	1-G2
SWINGARM	1-F1
SWITCHES	1-D3
TAILLIGHT	1-F5
TENSIONER	1-B5
THERMOSTAT	1-C7
TOOLS	1-F10
TOP BRIDGE	1-D6
TRANSMISSION	1-C5
TURN SIGNAL	1-F4
VALVE	1-B4
WATER PIPE	1-C7
WATER PUMP	1-B9
WHEEL FR	1-D12
WHEEL RR	1-E3
WIRE HARNESS	1-F6

70
RC150* FRAME NO DM000017 TO DM008120
RC150* FRAME NO EM100006 TO EM103270
RC151* FRAME NO EM100002 TO EM100437

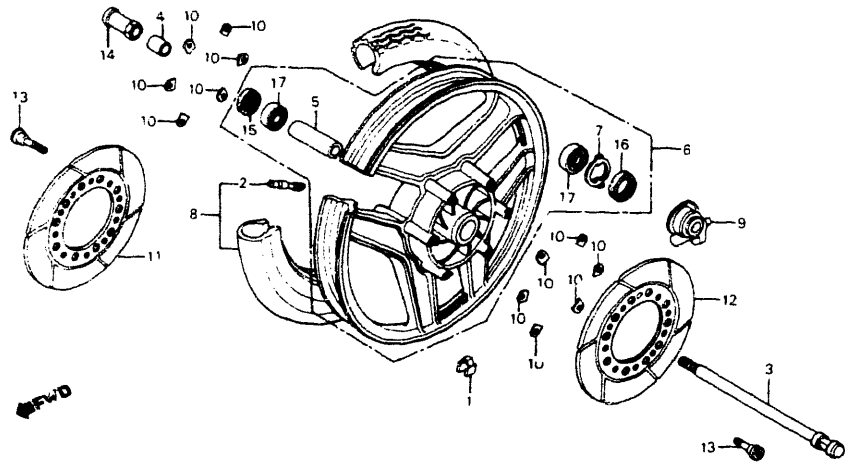
1-D 11

71

GRID NO.

1-D 11

FRONT WHEEL



VF750F 83 VF750F 84	VF750F 83	VF750F 84	AREA CODE	QTY REQ	SERIAL NUMBER FROM TO	FART NUMBER	HONDA CODE
						G39-AMB2-57	BLOCK NO. F-11
REF NO	DESCRIPTION		3 4	3 4	SERIAL NUMBER FROM TO	FART NUMBER	HONDA CODE
1	WEIGHT, BALANCE (10G)		3 4	N	42704-MB0-000	1272319	
	WEIGHT, BALANCE (20G)		3 4	N	42705-MB0-000	1247881	
	WEIGHT, BALANCE (30G)		3 4	N	42706-MB0-000	1247899	
2	VALVE RIM (BS)		3 4	1	42753-425-003	1032465	
	VALVE RIM (DUNLOP)		3 4	1	42753-425-004	1041128	
3	AXLE FR WHEEL		3 4	1	44301-MG5-670	1306398	
4	COLLAR, FR WHEEL SIDE		3 4	1	44311-410-000	0482943	
	COLLAR, FR WHEEL SIDE		3 4	1	44311-425-870	0757633	
5	COLLAR, FR WHEEL DISTANCE		3 4	1	44620-ME5-000	1328913	
6	WHEEL COMP FR		3	1	44650-MB2-670	1429489	
	WHEEL COMP FR		- 4	1	44650-MB2-770	1700954	
7	RETAINER, GEAR BOX		3 4	1	44680-410-000	0482968	
8	TIRE ASSY, FR (BS)		3 4	1	44710-MB2-671	1435049	
	TIRE ASSY, FR (DUNLOP)		3 4	1	44710-MB2-672	1435064	
9	BOX ASSY, SPEEDOMETER GEAR		3 4	1	44800-MB2-672	2463420	
10	SHIM DAMPING		3 4	12	45128-ME2-003	1390830	
11	DISK R FR BRAKE		3 4	1	45251-MB0-700	1309095	
12	DISK L FR BRAKE		3 4	1	45351-MB0-700	1309103	
13	BOLT FR DISK 8X59		3 4	12	90105-ME2-000	1390848	
	BOLT, FR DISK, 8X59		3 4	12	90106-MF2-010	2045888	

72

1-D 12

RC150* FRAME NO. DM000017 TO DM008120
 RC150* FRAME NO. EM100006 TO EM103270
 RC151* FRAME NO. EM100002 TO EM100437

VF750F 83 VF750F 84	VF750F 83	VF750F 84	AREA CODE	QTY REQ	SERIAL NUMBER FROM TO	PAIR NUMBER	HONDA CODE
							BLOCK NO. F-11
REF NO	DESCRIPTION		3 4	3 4	SERIAL NUMBER FROM TO	PAIR NUMBER	HONDA CODE
14	NUT, AXLE, 12MM		3 4	1	90395-MB2-000	1425263	
5	DUST SEAL, 22X42X7		3 4	1	91252-MB2-003	1210913	
16	DUST SEAL, 40X50X5 (A9AI)		3 4	1	91258-410-013	0670992	
17	BEARING, RADIAL BALL, 6302U		3 4	2	96140-63020-10	0239889	
	BEARING, RADIAL BALL 6302UU		3 4	2	96150-63020-10	1213347	

73

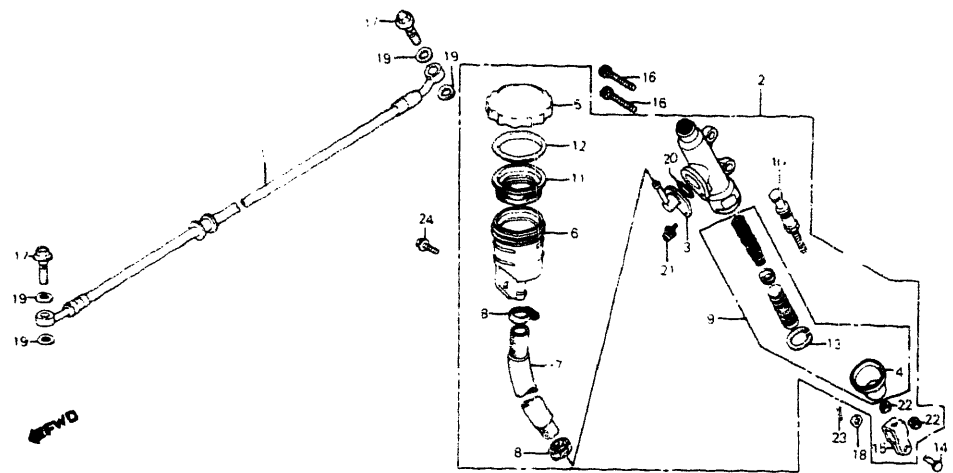
CONTENTS

TITLE	GRID
AIR CLEANER	1-E9
ALTERNATOR	1-B8
BATTERY	1-E6
BRAKE CALIPER, FR	1-D11
BRAKE CALIPER, RR	1-F2
BRAKE MASTER CYL, FR	1-D4
BRAKE MASTER CYL, RR	1-E1
CABLES	1-D3
CAM CHAIN	1-B5
CRANKSHAFT	1-B4
CARBURETOR	1-F12
CARBURETOR (ASSY LINK)	1-C9
CARBURETOR COMPONENTS	1-C9
CLUTCH	1-B6
CLUTCH MASTER CYLINDER	1-D5
CONTROL LEVERS	1-C3
COWL	1-F11
COWL, RR	1-E5
CRANKCASE COVER, L	1-B9
CRANKCASE COVER, R	1-B6
CRANKSHAFT	1-C2
CYLINDER BLOCK	1-C1
CYLINDER HEAD COVER	1-B1
CYLINDER HEAD, FR	1-B1
CYLINDER HEAD, RR	1-B3
EMBLEMS	1-G2
FENDER, FR	1-D8
FENDER, RR	1-F3
FRAME BODY	1-F8
FRONT SHOCK ABSORBER	1-D9
FUEL PUMP	1-E7
FUEL TANK	1-E4
GASKET KIT B	1-C11
GASKIT KIT A	1-C11
GEARSHIFT DRUM	1-C6
HANDLEBAR	1-D6
HEADLIGHT	1-D1
HORN	1-D8
IGNITION COIL	1-F6
INSTRUMENTS	1-D1
LABELS	1-G2
MUFFLER, EXHAUST	1-E10
OIL FILTER	1-B11
OIL PAN	1-B11
OIL PUMP	1-B11
PEDAL, BRAKE	1-E11
PEDAL, GEARSHIFT	1-E11
PISTON	1-C2
PULSE GENERATOR	1-B7
PURGE CONTROL VALVE	1-F12
RADIATOR	1-F7
SEAT	1-E5
SHOCK ABSORBER, RR	1-F2
SIDE COVER	1-E6
STAND	1-E12
STARTER MOTOR	1-B11
STARTING CLUTCH	1-B7
STEERING STEM	1-D8
STEP	1-E11
STRIPES	1-G2
SWINGARM	1-F1
SWITCHES	1-D3
TAILLIGHT	1-F5
TENSIONER	1-B5
THERMOSTAT	1-C7
TOOLS	1-F10
TOP BRIDGE	1-D6
TRANSMISSION	1-C5
TURN SIGNAL	1-F4
VALVE	1-B4
WATER PIPE	1-C7
WATER PUMP	1-B9
WHEEL, FR	1-D12
WHEEL, RR	1-E3
WIRE HARNESS	1-F6

GRID NO.

1-D 12

REAR BRAKE MASTER CYL



VF750F 83
VF750F 84

REF NO	DESCRIPTION	VF750F		AREA CODE	SERIAL NUMBER FROM TO	QTY REQ	PART NUMBER	HONDA CODE
		83	84					
17	BOLT, OIL, 10X22	3	4			2	90145-KE8-000	1310994
	BOLT, OIL, 10X22	3	4			2	90145-KM3-750	2072775
	BOLT, OIL, 10X22	3	4			2	90145-VM0-000	1787043
	BOLT, OIL, 10X22	3	4			2	90145-961-010	1792548
18	WASHER, 7X12	3	4			1	90501-310-000	0113654
19	WASHER OIL BOLT	3	4			4	90545-300-000	0189902
20	O-RING, 14 8X2 4	3	4			1	91212-422-006	0693481
21	SCREW-WASHER, 4X12	3	4			1	93893-04012-18	0954412
22	NUT HEX, 8MM	3	4			2	94002-08000-OS	0156075
23	PIN, SPLIT, 1 6X15	3	4			1	94201-16150	0058313
	PIN, SPLIT, 1 6X25	3	4			1	94201-16250	0058339
24	BOLT, FLANGE, 6X14	3	4			1	95700-06014-00	0671198
	BOLT, FLANGE, 6X14	3	4			1	95701-06014-00	2410884

BLOCK NO F-12

CONTENTS

TITLE	GRID
AIR CLEANER	1-E9
ALTERNATOR	1-B8
BATTERY	1-E6
BRAKE CALIPER FR	1-D11
BRAKE CALIPER RR	1-E2
BRAKE MASTER CYL FR	1-D4
BRAKE MASTER CYL RR	1-E3
CABLES	1-D3
CAM CHAIN	1-B5
CAMSHAFT	1-B4
CANISTER	1-F12
CARBURETOR (ASSY LINK)	1-C8
CARBURETOR COMPONENTS	1-C9
CLUTCH	1-B6
CLUTCH MASTER CYLINDER	1-D5
CONTROL LEVERS	1-D3
COWL	1-F11
COWL RR	1-E5
CRANKCASE COVER L	1-B9
CRANKCASE COVER R	1-B6
CRANKSHAFT	1-C2
CYLINDER BLOCK	1-C1
CYLINDER HEAD COVER	1-B1
CYLINDER HEAD FR	1-B1
CYLINDER HEAD RR	1-B3
EMBLEMS	1-G2
FENDER FR	1-D8
FENDER RR	1-E3
FRAME BODY	1-F8
FRONT SHOCK ABSORBER	1-D9
FUEL PUMP	1-E7
FUEL TANK	1-E4
GASKET KIT B	1-C11
GASKET KIT A	1-C11
GEARSHIFT DRUM	1-C6
HANDLEBAR	1-D6
HEADLIGHT	1-D1
HORN	1-D8
IGNITION COIL	1-F6
INSTRUMENTS	1-D1
LABELS	1-G2
MUFFLER EXHAUST	1-E10
OIL FILTER	1-B11
OIL PAN	1-B11
OIL PUMP	1-B11
PEDAL BRAKE	1-E11
PEDAL GEARSHIFT	1-E11
PISTON	1-C2
PULSE GENERATOR	1-B7
PURGE CONTROL VALVE	1-F12
RADIATOR	1-F7
SEAT	1-E5
SHOCK ABSORBER RR	1-F2
SIDE COVER	1-E6
STAND	1-E12
STARTER MOTOR	1-B1
STARTING CLUTCH	1-B7
STEERING STEM	1-D8
STEP	1-E11
STRIPES	1-G2
SWINGARM	1-F1
SWITCHES	1-D3
TAILLIGHT	1-F5
TENSIONER	1-B5
THERMOSTAT	1-C7
TOOLS	1-F10
TOP BRIDGE	1-D6
TRANSMISSION	1-C5
TURN SIGNAL	1-F4
VALVE	1-B4
WATER PIPE	1-C7
WATER PUMP	1-B9
WHEEL FR	1-D12
WHEEL RR	1-E3
WIRE HARNESS	1-F6

VF750F 83
VF750F 84

REF NO	DESCRIPTION	VF750F		AREA CODE	SERIAL NUMBER FROM TO	QTY REQ	PART NUMBER	HONDA CODE
		83	84					
1	HOSE RR BRAKE	3	4			1	43310-MB2-003	1429406
	HOSE RR BRAKE	3	4			1	43310-MB2-013	1792217
2	CYLINDER ASSY, RR BRAKE MASTER	3	4			1	43500-MB2-672	1972413
3	CONNECTOR MASTER CYLINDER	3	4			1	43503-MB2-006	1429448
4	BOOT COMP	3	4			1	43504-MB2-006	1429455
5	CAP COMP, OIL CUP	3	4			1	43510-MB4-671	1434919
6	CUP, MASTER CYLINDER OIL	3	4			1	43511-443-761	1217124
7	HOSE MASTER CYLINDER OIL	3	4			1	43512-438-026	1551654
8	CLAMP MASTER CYLINDER OIL HOSE	3	4			2	43514-445-771	0817593
9	PISTON SET MASTER CYLINDER	3	4			1	43520-MB2-305	1429463
10	ROD COMP PUSH	3	4			1	43530-MB2-006	1429471
11	DIAPHRAGM	3	4			1	45520-300-000	0194480
12	PLATE DIAPHRAGM	3	4			1	45521-MJ6-006	1764968
	PLATE DIA AGM	3	4			1	45521-300-010	0200733
13	CIRCLIP	3	4			1	46182-500-013	0506139
14	PIN BRAKE ROD	3	4			1	46503-371-000	0407502
15	JOINT BRAKE ROD	3	4			1	46504-MB2-006	1430149
16	BOLT, SOCKET 6X22	3	4			2	90115-MB2-000	1425198

G39-BMB2 28
BLOCK NO F-12

74
RC150* FRAME NO DM000017 TO DM008120
RC150* FRAME NO EM100006 TO EM103270
RC151* FRAME NO EM100002 TO EM100437

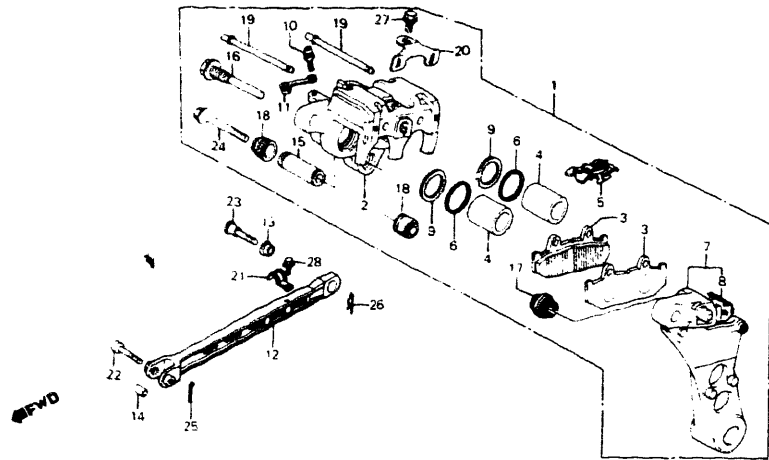
1-E 1

75

GRID NO.

1-E 1

REAR BRAKE CALIPER



VF750F 83 VF750F 84	VF750F 83	VF750F 84	AREA CODE	QTY REQ	PART NUMBER	HONDA CODE
					G39 RMB2 29	BLOCK NO F-13
REF NO	DESCRIPTION	3	4	QTY REQ	PART NUMBER	HONDA CODE
1	CALIPER ASSY RR (NISSHIN ASK)	3	4	1	43100-MB2-007	1429364
	CALIPER ASSY RR (NISSHIN TT)	3	4	1	43100-MB2-008	1429372
2	CALIPER COMP RR	3	4	1	43101-MB2-006	1429380
3	PAD COMP RR (ASK) (KIT P N 431A0-MB4-307)	3	4	2	43105-MB4-007	1387745
	PAD COMP RR (TT) (KIT P N 431A0-MB4-307)	3	4	2	43105-MB4-008	1387752
4	PISTON	3	4	2	43107-MA3-006	1020346
5	SPRING PAD	3	4	1	43108-MB9-781	1300672
6	DUST SEAL	3	4	2	43109-MA3-006	1020353
7	BRACKET COMP RR	3	4	1	43110-MB2-006	1429398
8	RETAINER RR BRACKET	3	4	1	43112-445-631	1092881
9	SEAL PISTON	3	4	2	43209-MA3-006	1020387
10	SCREW BLEEDER	3	4	1	43352-566-003	0F05735
11	CAP BLEEDER	3	4	1	43353-461-771	0954230
12	LINK TORQUE	3	4	1	43431-MB2-000	1429422
13	WASHER TORQUE LINK	3	4	1	43434-MA3-640	1435445
14	COLLAR LINK	3	4	1	43435-MC7-000	1209162

VF750F 83 VF750F 84	VF750F 83	VF750F 84	AREA CODE	QTY REQ	PART NUMBER	HONDA CODE
						BLOCK NO F-13
REF NO	DESCRIPTION	3	4	QTY REQ	PART NUMBER	HONDA CODE
15	SLEEVE	3	4	1	45111-MA3-006	1011980
16	BOLT, PIN	3	4	1	45131-MA3-006	1012004
17	BOOT B	3	4	1	45133-MA3-006	1012002
18	BOOT, PIN	3	4	2	45133-166-016	1012020
19	PIN, HANGER	3	4	2	45215-MA2-006	1059860
20	PLATE	3	4	1	45217-MA3-006	1012053
21	CLAMP B, RR BRAKE HOSE	3	4	1	52115-MB2-000	1425057
22	BOLT, RR BRAKE STOPPER ARM	3	4	1	90120-MC7-000	1210772
23	BOLT, TORQUE LINK	3	4	1	90121-MA3-640	1435452
24	BOLT, FLANGE, 8X49	3	4	1	90180-MA3-006	1053107
25	PIN, SPLIT, 2 OX18	3	4	1	94201-20180	0219279
	PIN, SPLIT, 2 OX20	3	4	1	94201-20200	0058354
	PIN, SPLIT, 2 OX22	3	4	1	94201-20220	0058362
	PIN, SPLIT, 2 OX25	3	4	1	94201-20250	0058370
	PIN, SPLIT, 2 OX32	3	4	1	94201-20320	0145607
	PIN, SPLIT, 2 OX35	3	4	1	94201-20350	0058388
	PIN, SPLIT, 2 OX18	3	4	1	94201-29220	1484047
26	PIN, LOCK, 10MM	3	4	1	94251-10000	0159269
27	BOLT, FLANGE, 6X10	3	4	1	95700-06010-07	0663930
	BOLT, FLANGE, 6X10	3	4	1	95701-06010-07	2374734
28	BOLT, FLANGE, 6X12	3	4	1	95700-06012-00	0487025
	BOLT, FLANGE, 6X12	3	4	1	95701-06012-00	2105799

CONTENTS

TITLE	GRID
AIR CLEANER	1-E9
ALTERNATOR	1-B8
BATTERY	1-E6
BRAKE CALIPER FR	1-D11
BRAKE CALIPER RR	1-D4
BRAKE MASTER CYL FR	1-E1
BRAKE MASTER CYL RR	1-D3
CABLES	1-B5
CAM CHAIN	1-B4
CAMSHAFT	1-F12
CANISTER	1-C8
CARBURETOR (ASSY LINK)	1-C9
CARBURETOR COMPONENTS	1-B6
CLUTCH	1-D5
CLUTCH MASTER CYLINDER	1-D3
CONTROL LEVERS	1-F11
COWL	1-E5
COWL RR	1-B9
CRANKCASE COVER L	1-B6
CRANKCASE COVER R	1-C2
CRANKSHAFT	1-B1
CYLINDER BLOCK	1-B1
CYLINDER HEAD COVER	1-B1
CYLINDER HEAD FR	1-B3
CYLINDER HEAD RR	1-G2
EMBLEMS	1-D8
FENDER FR	1-F3
FENDER RR	1-F8
FRAME BODY	1-D9
FRONT SHOCK ABSORBER	1-E7
FUEL PUMP	1-E4
FUEL TANK	1-C11
GASKET KIT B	1-C6
GASKET KIT A	1-D1
GEARS-INT DRUM	1-D8
HANDLEBAR	1-F6
HEADLIGHT	1-G2
HORN	1-B11
IGNITION COIL	1-G2
INSTRUMENTS	1-B7
LABELS	1-F7
MUFFLER EXHAUST	1-E5
OIL FILTER	1-B11
OIL PAN	1-B11
OIL PUMP	1-E11
PEDAL BRAKE	1-E11
PEDAL GEARSHIFT	1-C7
PISTON	1-B7
PULSE GENERATOR	1-F12
PURGE CONTROL VALVE	1-F7
RADIATOR	1-E5
SEAT	1-F2
SHOCK ABSORBER RR	1-E6
SIDE COVER	1-E12
STARTER MOTOR	1-B11
STARTING CLUTCH	1-B7
STEERING STEM	1-D8
STEP	1-E11
STRIPES	1-G2
SWINGARM	1-F1
SWITCHES	1-D3
TAIL LIGHT	1-F5
TENSIONER	1-B5
THERMOSTAT	1-C7
TOOLS	1-F10
TOP BRIDGE	1-D6
TRANSMISSION	1-C5
TURN SIGNAL	1-F4
VALVE	1-B4
WATER PIPE	1-C7
WATER PUMP	1-B9
WHEEL FR	1-D12
WHEEL RR	1-E3
WIRE HARNESS	1-F6

76
RC150* FRAME NO DMO00017 TO DMO08120
RC150* FRAME NO EM100006 TO EM103270
RC151* FRAME NO EM100002 TO EM100437

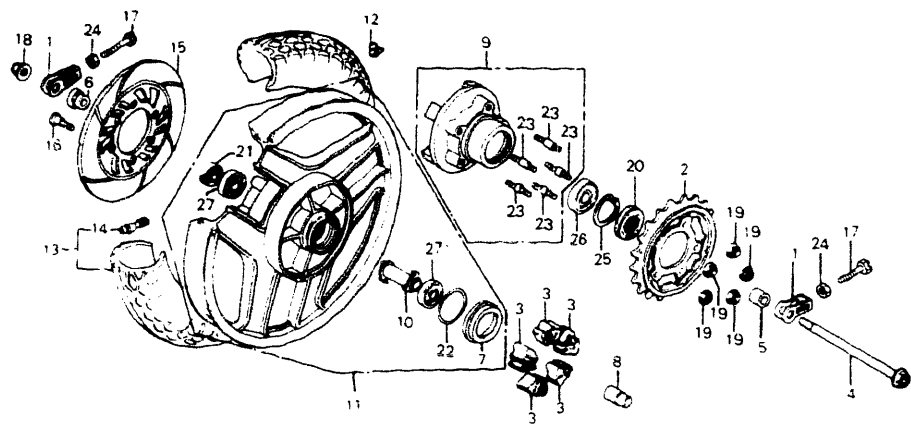
1-E 2

77

GRID NO.

1-E 2

REAR WHEEL



VF750F 83
VF750F 84

REF NO	DESCRIPTION	3	4	SERIAL NUMBER FROM	TO	QTY REQ	PART NUMBER	HONDA CODE
15	DISK, RR BRAKE	3	4			1	43351-MB2-000	1429414
16	BOLT, FR DISK, 8X33	3	4			6	90105-MB0-000	1250901
	BOLT, FR DISK, 8X33	3	4			6	90105-MB0-010	2028785
17	BOLT, CHAIN ADJUSTING	3	4			2	90119-300-000	0191312
18	NUT, FLANGE, 18MM	3	4			1	90305-MB4-003	1384957
19	NUT, FLANGE, 12MM	3	4			5	90309-375-003	0384461
20	OIL SEAL, 34X62 2X7	3	4			1	90753-MG5-670	1311190
21	DUST SEAL, 30X52X7	3	4			1	91253-442-003	0827337
22	D-RING, 66X3.6	3	4			1	91258-438-711	1020726
23	BOLT, STUD, 12X55	3	4			5	92716-12055-0E	0693705
24	NUT, HEX, 8MM	3	4			2	94001-08000-0S	0167338
25	CIRCLIP, INTERNAL, 62MM	3	4			1	94520-62000	0906594
26	BEARING, RADIAL BALL, 6305U	3	4			1	96140-6305C-10	0257808
27	BEARING, RADIAL BALL, 6304UU	3	4			2	96150-63040-10	0486068

VF750F
VF750F
VF750F

AREA
CODE

SERIAL NUMBER FROM TO

QTY REQ

PART NUMBER

HONDA CODE

BLOCK NO F-14

CONTENTS

TITLE	GRID
AIR CLEANER	1-E9
ALTERNATOR	1-B8
BATTERY	1-E6
BRAKE CALIPER FR	1-D11
BRAKE CALIPER RR	1-E2
BRAKE MASTER CYL FR	1-D4
BRAKE MASTER CYL RR	1-E1
CABLES	1-D3
CAM CHAIN	1-B5
CAMSHAFT	1-B4
CANISTER	1-F12
CARBURETOR (ASSY LINK)	1-C8
CARBURETOR COMPONENTS	1-C9
CLUTCH	1-B6
CLUTCH MASTER CYLINDER	1-D5
CONTROL LEVERS	1-D3
COWL	1-F11
COWL RR	1-E5
CRANKCASE COVER L	1-B9
CRANKCASE COVER R	1-B8
CRANKSHAFT	1-C2
CYLINDER BLOCK	1-C1
CYLINDER HEAD COVER	1-B1
CYLINDER HEAD RR	1-B1
CYLINDER HEAD RR	1-B3
EMBLEMS	1-G2
FENDER FR	1-D8
FENDER RR	1-F3
FRAME BODY	1-F8
FRONT SHOCK ABSORBER	1-D9
FUEL PUMP	1-E7
FUEL TANK	1-E4
GASKET KIT B	1-C11
GASKET KIT A	1-C11
GEARSHIFT DRUM	1-C6
HANDLEBAR	1-D6
HEADLIGHT	1-D1
HORN	1-D8
IGNITION COIL	1-F6
INSTRUMENTS	1-D1
LABELS	1-G2
MUFFLER EXHAUST	1-E10
OIL FILTER	1-B11
OIL PAN	1-B11
OIL PUMP	1-B11
PEDAL BRAKE	1-E11
PEDAL GEARSHIFT	1-E11
PISTON	1-C2
PULSE GENERATOR	1-B7
PURGE CONTROL VALVE	1-F12
RADIATOR	1-F7
SEAT	1-E5
SHOCK ABSORBER RR	1-F2
SIDE COVER	1-E6
STAND	1-E12
STARTER MOTOR	1-B11
STARTING CLUTCH	1-B7
STEERING STEM	1-D8
STEP	1-E11
STRIPES	1-G2
SWINGARM	1-F1
SWITCHES	1-D3
TAILLIGHT	1-F5
THERMOSTAT	1-B5
TOOLS	1-F10
TOP BRIDGE	1-C5
TRANSMISSION	1-F4
TURN SIGNAL	1-B4
VALVE	1-C7
WATER PIPE	1-B9
WATER PUMP	1-B9
WHEEL FR	1-D12
WHEEL RR	1-E3
WIRE HARNESS	1-F6

VF750F 83
VF750F 84

VF750F
VF750F
VF750F

AREA
CODE

SERIAL NUMBER FROM TO

QTY REQ

PART NUMBER

HONDA CODE

039 9MB2 58

BLOCK NO F-14

REF NO	DESCRIPTION	3	4	SERIAL NUMBER FROM	TO	QTY REQ	PART NUMBER	HONDA CODE
1	ADJUSTER DRIVE CHAIN	3	4			2	40543-MB2-000	1429315
2	SPROCKET COMP FINAL DRIVEN (44T)	3	4			1	41200-438-000	1052117
3	DAMPER, RR WHEEL	3	4			5	41241-422-000	0693598
4	AXLE, RR WHEEL	3	4			1	42301-MB2-000	1429323
5	COLLAR, RR WHEEL SIDE	3	4			1	42311-MB2-000	1429331
6	COLLAR, RR BRAKE PANEL SIDE	3	4			1	42313-422-000	0693622
7	SLEEVE, RR WHEEL HUB	3	4			1	42604-438-710	1020239
8	SLEEVE, RR AXLE	3	4			1	42605-393-000	0445742
9	FLANGE COMP FINAL DRIVEN	3	4			1	42610-MB2-670	1429349
10	COLLAR, RR AXLE DISTANCE	3	4			1	42620-422-010	0693648
11	WHEEL COMP RR	3	4			1	42650-MB2-670	1429356
	WHEEL COMP RR	3	4			1	42650-MB2-770	1700897
12	WEIGHT BALANCE (10G)	3	4			N	42704-MB0-000	1272319
	WEIGHT BALANCE (20G)	3	4			N	42705-MB0-000	1247881
	WEIGHT BALANCE (30G)	3	4			N	42706-MB0-000	1247899
13	TIRE ASSY RR (BS)	3	4			1	42710-MB2-671	1435072
	TIRE ASSY RR (DUNLOP)	3	4			1	42710-MB2-672	1435080
14	VALVE RIM (BS)	3	4			1	42753-425-003	1032465
	VALVE RIM (DUNLOP)	3	4			1	42753-425-004	1041128

1-E 3

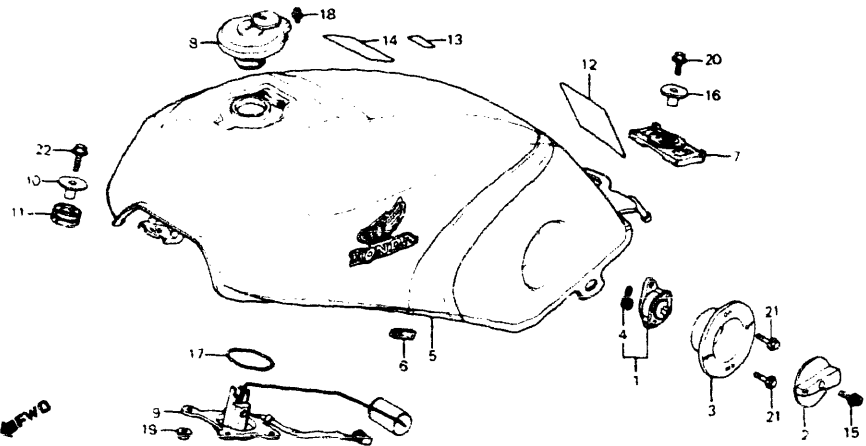
RC150* FRAME NO DM000017 TO DM008120
RC150* FRAME NO EM100006 TO EM103270
RC151* FRAME NO EM100002 TO EM100437

79

GRID NO.

1-E 3

FUEL TANK



CAUTION OR WARNING LABELS MUST BE ORDERED SEPARATELY WHEN APPLICABLE

VF750F 83 VF750F 84	VF750F 83	VF750F 84	AREA CODE	QTY	39 BMB2 11	BLOCK NO F-15
REF NO	DESCRIPTION	SERIAL NUMBER FROM	SERIAL NUMBER TO	QTY	PART NUMBER	HONDA CODE
1	VALVE ASSY FUEL			1	16950-MB2-003	1427426
2	LEVER FUEL VALVE			1	16952-MB2-000	1427434
3	BASE FUEL VALVE			1	16952-MJ4-870	2300002
4	GASKET			1	16953-MB2-000	1427442
5	TANK COMP FUEL 'PB127CU' (CANDY ALEUTIAN BLUE)			1	16953-MB2-010	1853571
5	TANK COMP FUEL 'R107CU' (CANDY BOURGOGNE RED)			1	16958-MB4-005	1335251
5	TANK SET FUEL 'PB127CU' (CANDY ALEUTIAN BLUE)			1	175A1-MB2-670ZA	1414002
5	TANK SET FUEL 'R107CU' (CANDY BOURGOGNE RED)			1	175A1-MB2-670ZB	1414010
5	TANK SET FUEL 'PB127CU' (CANDY ALEUTIAN BLUE)			1	175A1-MB2-770ZA	1706860
5	TANK SET FUEL 'R107CU' (CANDY BOURGOGNE RED)			1	175A1-MB2-770ZB	1706878
5	TANK SET FUEL 'PB127CU' (CANDY ALEUTIAN BLUE)			1	175A1-MB2-880ZA	1706886
5	TANK SET FUEL 'R107CU' (CANDY BOURGOGNE RED)			1	175A1-MB2-880ZB	1706894
6	RUBBER FUEL TANK SIDE			2	17516-MB2-000	1427640

VF750F 83 VF750F 84	VF750F 83	VF750F 84	AREA CODE	QTY	SERIAL NUMBER FROM	SERIAL NUMBER TO	PART NUMBER	HONDA CODE
7	RUBBER FUEL TANK RR CUSHION FUEL TANK RR RUBBER FUEL TANK RR			1	17515-MB2-770		1086685	
8	CAP COMP FUEL FILLER			1	17613-MA5-771		1275569	
8	CAP COMP FUEL FILLER			1	17613-425-730		0523953	
8	CAP COMP FUEL FILLER			1	17620-MB2-000		1427699	
8	CAP COMP FUEL FILLER			1	17620-MB2-013		1557438	
8	CAP COMP FUEL FILLER		A	1	17620-MB2-013		1557438	
8	CAP COMP FUEL FILLER		A	1	17620-MB2-023		2892214	
8	CAP COMP FUEL FILLER		AC	1	17620-MB2-023		2892214	
9	FUEL UNIT			1	17620-MB2-881		1696343	
9	FUEL UNIT			1	37800-MB2-008		1694710	
10	COLLAR FR FENDER			1	37800-MB2-018		2726180	
10	COLLAR FR FENDER			1	61104-357-000		0321752	
10	COLLAR FR FENDER			1	61104-428-000		C687558	
10	COLLAR FR FENDER			1	61105-428-000		0686782	
11	RUBBER TAILLIGHT MOUNTING			1	84703-425-000		0719229	
12	DIAGRAM VACUUM HOSE ROUTING		AC	1	87135-MB2-880		1766831	
13	LABEL FR FORK CAUTION			1	87517-MB2-770ZC		1406503	
14	LABEL DRIVE CAUTION 'NH1' (BLACK)			1	87560-181-760ZD		1223437	
15	BOLT SOCKET 4X13			1	90102-MB2-000		1425206	
15	BOLT SOCKET 4X13			1	90102-MB2-505		3535648	
16	COLLAR FUEL TANK SETTING			1	90324-MB2-000		1438803	
17	C-RING 39 5X5			1	91305-MC7-000		1213214	
18	SCREW-WASHER 4X6			2	93892-04008-08		0634618	
18	SCREW-WASHER 4X6			2	45319-634-003		1111517	
19	NUT FLANGE 6MM			4	94050-06080		0612689	
20	BOLT FLANGE 8X22			1	95700-08022-00		0637090	
20	BOLT FLANGE 8X22			1	95701-08022-00		2652626	
21	BOLT FLANGE 6X16			2	96000-06016-00		1113687	
21	BOLT FLANGE 6X16			2	96001-06016-00		2105955	
22	BOLT FLANGE 6X20			1	96000-06020-02		1113695	
22	BOLT FLANGE 6X20			1	96001-06020-02		2867182	

BLOCK NO F-15

CONTENTS

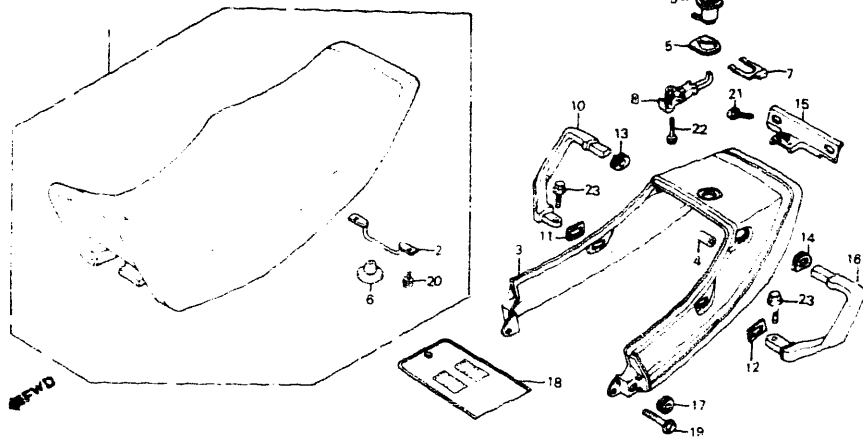
TITLE	GRID
AIR CLEANER	1-E9
ALTERNATOR	1-B8
BATTERY	1-E6
BRAKE CALIPER FR	1-D11
BRAKE CALIPER RR	1-E2
BRAKE MASTER CYL FR	1-D4
BRAKE MASTER CYL RR	1-E1
CABLES	1-D3
CAM CHAIN	1-B5
CAMSHAFT	1-B4
CAMSHAFT	1-B4
CANISTER	1-F12
CARBURETOR (ASSY LINK)	1-C8
CARBURETOR COMPONENTS	1-C9
CLUTCH	1-B6
CLUTCH MASTER CYLINDER	1-D5
CONTROL LEVERS	1-D3
COWL	1-F11
COWL RR	1-E5
CRANKCASE COVER L	1-B9
CRANKCASE COVER R	1-B6
CRANKSHAFT	1-C2
CYLINDER BLOCK	1-C1
CYLINDER HEAD COVER	1-B1
CYLINDER HEAD FR	1-B1
CYLINDER HEAD RR	1-B3
EMBLEMS	1-G2
FENDER FR	1-D8
FENDER RR	1-F3
FRAME BODY	1-F8
FRONT SHOCK ABSORBER	1-D9
FUEL PUMP	1-E7
FUEL TANK	1-E4
GASKET KIT B	1-C11
GASKET KIT A	1-C11
GEARSHIFT DRUM	1-C6
HANDLEBAR	1-D6
HEADLIGHT	1-D1
HORN	1-D8
IGNITION COIL	1-F6
INSTRUMENTS	1-D1
LABELS	1-G2
MUFFLER EXHAUST	1-E10
OIL FILTER	1-B11
OIL PAN	1-B11
OIL PUMP	1-B11
PEDAL BRAKE	1-E11
PEDAL GEARSHIFT	1-E11
PISTON	1-C2
PULSE GENERATOR	1-B7
PURGE CONTROL VALVE	1-F12
RADIATOR	1-F7
SEAT	1-E5
SHOCK ABSORBER RR	1-F2
SIDE COVER	1-E6
STAND	1-E2
STARTER MOTOR	1-B11
STARTING CLUTCH	1-B7
STEERING STEM	1-D8
STEP	1-E11
STRIPES	1-G2
SWINGARM	1-F1
SWITCHES	1-D3
TAILLIGHT	1-F5
TENSIONER	1-B5
THERMOSTAT	1-C7
TOOLS	1-F10
TOP BRIDGE	1-D6
TRANSMISSION	1-C5
TURN SIGNAL	1-F4
VALVE	1-B4
WATER PIPE	1-C7
WATER PUMP	1-B9
WHEEL FR	1-D12
WHEEL RR	1-E3
WIRE HARNESS	1-F6

GRID NO.

1-E 4

RC150* FRAME NO DM000017 TO DM008120
 RC150* FRAME NO EM100006 TO EM103270
 RC151* FRAME NO EM100002 TO EM100437

SEAT • REAR COWL



VF750F 83 VF750F 84		V F 7 5 0 F	V F 7 5 0 F	A R E A C O D E	Q T Y R E Q	G39 BM92 59	BLOCK NO F-16
REF NO	DESCRIPTION	3	4			PART NUMBER	HONDA CODE
1	SEAT ASSY DOUBLE 'NH1' (BLACK)	3	4		1	77100-MB2-670ZA	1413970
2	BAR SEAT LOCK	3	4		1	77102-MB2-300	1474097
3	COWL COMP RR SEAT 'PB127CU' (CANDY ALEUTIAN BLUE)	3	-		1	772A0-MB2-670ZA	1414176
	COWL COMP RR SEAT 'R107CU' (CANDY BOURGOGNE RED)	3	-		1	772A0-MB2-670ZB	1414341
	COWL COMP RR SEAT 'PB127CU' (CANDY ALEUTIAN BLUE)	-	4		1	772A0-MB2-000ZA	1708411
	COWL COMP RR SEAT 'R107CU' (CANDY BOURGOGNE RED)	-	4		1	772A0-MB2-000ZB	1708429
4	RUBBER COWL SETTING	3	-		2	77203-MB2-300	1430727
5	PLATE SEAT LOCK	3	4		1	77207-MB2-000	1425131
6	RUBBER SEAT STOPPER	3	4		2	77211-MB0-000	1250182
7	SPRING LOCK KEY SETTING	3	4		1	77211-MB2-000	1441955
8	HOOK SEAT CATCH	3	4		1	77220-MB2-003	1430735

VF750F 83 VF750F 84		V F 7 5 0 F	V F 7 5 0 F	A R E A C O D E	Q T Y R E Q	SERIAL NUMBER FROM TO	PART NUMBER	HONDA CODE
9	LOCK ASSY SEAT	3	4		1	77225-ME4-003	1380732	
10	GRIP, R, RR	3	4		1	77330-MB2-000	1430743	
11	RUBBER, R, RR GRIP (A)	3	4		1	77331-MB2-000	1441963	
12	RUBBER, L, RR GRIP (A)	3	4		1	77332-MB2-000	1430750	
13	RUBBER, R, RR GRIP (B)	3	4		1	77333-MB2-000	1430768	
14	RUBBER, L, RR GRIP (B)	3	4		1	77334-MB2-000	1430776	
15	JOINT, RR, GRIP	3	4		1	77335-MB2-000	1430784	
16	GRIP, L, RR	3	4		1	77340-MB2-000	1430792	
17	GROMMET, AIR CLEANER CASE	3	4		2	83551-GE2-000	1406164	
18	BAG, OWNERS MANUAL	3	4		1	83642-171-000	0939397	
	BAG, OWNERS MANUAL	3	4		1	83642-426-000	0742361	
19	BOLT, FLANGE, 6MM	3	4		2	90111-187-000	1032069	
20	SCREW-WASHER, 4X8	3	4		2	93893-04008-00	1397181	
21	BOLT, FLANGE, 6X14	3	4		2	95700-06014-08	0840587	
	BOLT, FLANGE, 6X14	3	4		2	95701-06014-08	2374742	
22	BOLT, FLANGE, 6X25	3	4		1	95700-06025-08	0258731	
	BOLT, FLANGE, 6X25	3	4		1	95701-06025-08	2259711	
23	BOLT, FLANGE, 8X20	3	4		2	95700-08020-07	1213339	

BLOCK NO F-16

CONTENTS

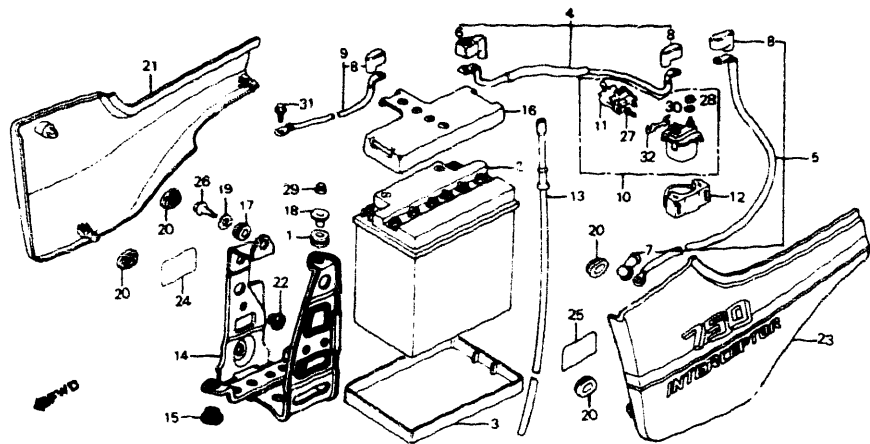
TITLE	GRID
AIR CLEANER	1-E9
ALTERNATOR	1-B8
BATTERY	1-E6
BRAKE CALIPER FR	1-D11
BRAKE CALIPER RR	1-E2
BRAKE MASTER CYL FR	1-D4
BRAKE MASTER CYL RR	1-E1
CABLES	1-D3
CAM CHAIN	1-B5
CAMSHAFT	1-B4
CANISTER	1-F12
CARBURETOR ASSY LINK	1-C8
CARBURETOR COMPONENTS	1-C9
CLUTCH	1-B6
CLUTCH MASTER CYLINDER	1-D5
CONTROL LEVERS	1-D3
COWL	1-F11
COWL RR	1-E5
CRANKCASE COVER L	1-B9
CRANKCASE COVER R	1-B6
CRANKSHAFT	1-C2
CYLINDER BLOCK	1-C1
CYLINDER HEAD COVER	1-B1
CYLINDER HEAD FR	1-B1
CYLINDER HEAD RR	1-B3
EMBLEMS	1-G2
FENDER FR	1-D8
FENDER RR	1-F3
FRAME BODY	1-F8
FRONT SHOCK ABSORBER	1-D5
FUEL PUMP	1-E7
FUEL TANK	1-E4
GASKET KIT B	1-C11
GASKET KIT A	1-C11
GEARSHIFT DRUM	1-C6
HANDLEBAR	1-D1
HEADLIGHT	1-D8
HORN	1-F6
IGNITION COIL	1-F6
INSTRUMENTS	1-D1
LABELS	1-G2
MUFFLER EXHAUST	1-E10
OIL FILTER	1-B11
OIL PAN	1-B11
OIL PUMP	1-B11
PEDAL BRAKE	1-E11
PEDAL GEARSHIFT	1-E11
PISTON	1-C2
PULSE GENERATOR	1-B7
PURGE CONTROL VALVE	1-F12
RADIATOR	1-F7
SEAT	1-E5
SHOCK ABSORBER RR	1-F2
SIDE COVER	1-E6
STAND	1-E12
STARTER MOTOR	1-B11
STARTING CLUTCH	1-B7
STEERING STEM	1-D8
STEP	1-E11
STRIPES	1-G2
SWINGARM	1-F1
SWITCHES	1-D3
TAILLIGHT	1-F5
TENSIONER	1-B5
THERMOSTAT	1-C7
TOOLS	1-F10
TOP BRIDGE	1-D6
TRANSMISSION	1-C5
TURN SIGNAL	1-F4
VALVE	1-B4
WATER PIPE	1-C7
WATER PUMP	1-B9
WHEEL FR	1-D12
WHEEL RR	1-E3
WIRE HARNESS	1-F6

GRID NO.

1-E 5

RC150* FRAME NO DM000017 TO DM008120
 RC150* FRAME NO EM100006 TO EM103270
 RC151* FRAME NO EM100002 TO EM100437

SIDE COVER • BATTERY



CAUTION OR WARNING LABELS MUST BE ORDERED SEPARATELY WHEN APPLICABLE

VF750F 83 VF750F 84	VF750F 83 VF750F 84	VF750F 83 VF750F 84	AREA CODE	QTY REQ	DESCRIPTION	PART NUMBER	HONDA CODE
1	3	4		1	RUBBER AIR CLEANER CASE MOUNTING	17245-107-010	0213462
2	3	4		1	BATTERY (12V 14AH YUASA)	31500-MB1-671	1246115
	3	4		1	BATTERY (12V 14AH YUASA)	31500-MB1-672	3046406
3	3	4		1	CUSHION, BATTERY	31521-MB0-000	1246116
4	3	4		1	CABLE, BATTERY STARTER	32401-MB2-000	1428911
5	3	4		1	CABLE, STARTER MOTOR	32402-MB2-000	1428929
6	3	4		1	COVER, BATTERY TERMINAL	32411-MB2-000	1428937
7	3	4		1	COVER, STARTER MOTOR TERMINAL	32411-230-000	0208652
	3	4		1	COVER, STARTER MOTOR TERMINAL	32411-253-000	0177360
8	3	4		3	COVER A, MAGNETIC SWITCH	32412-443-900	1234814
9	3	4		1	CABLE, BATTERY GROUND	32601-MB2-000	1428945
10	3	4		1	SWITCH ASSY, STARTER MAGNETIC	35850-MB0-007	1246958
11	3	4		1	COVER, FUSE	35852-MB0-007	1246966
12	3	4		1	RUBBER, MAGNETIC SHOCK	35856-MB0-007	1246974
13	3	4		1	TUBE, BATTERY	50238-MB2-000	1435486
14	3	4		1	BOX, COMP, BATTERY	50320-MB2-000	1430214
15	3	4		2	RUBBER, BATTERY BOX MOUNTING	50374-MB2-000	1413145
16	3	4		1	CUSHION, BATTERY	50327-MB2-000	1430230
17	3	4		1	GROMMET	50329-MB2-000	1430248

VF750F 83 VF750F 84	VF750F 83 VF750F 84	VF750F 83 VF750F 84	AREA CODE	QTY REQ	DESCRIPTION	PART NUMBER	HONDA CODE
18	3	4		1	COLLAR, FR FENDER	61104-357-000	0321752
	3	4		1	COLLAR, FR FENDER	61104-42E-000	0687558
	3	4		1	COLLAR, FR FENDER	61105-428-000	0686782
19	3	4		1	WASHER, SEAT MOUNTING	77302-124-000	0398362
20	3	4		4	GROMMET, AIR CLEANER CASE	83551-300-000	0204990
21	3	-		1	COVER COMP, R SIDE *PB127CU* (CANDY ALEUTIAN BLUE)	836A0-MB2-670ZA	1414408
	3	-		1	COVER COMP, R SIDE *R107CU* (CANDY BOURGOGNE RED)	836A0-MB2-670ZB	1414416
	-	4		1	COVER COMP, R SIDE *PB127CU* (CANDY ALEUTIAN BLUE)	836A0-MB2-770ZA	1695469
	-	4		1	COVER COMP, R SIDE *R107CU* (CANDY BOURGOGNE RED)	836A0-MB2-770ZB	1695477
22	3	4		3	RUBBER, BATTERY BOX	83618-323-000	0255810
23	3	-		1	COVER COMP, L SIDE *PB127CU* (CANDY ALEUTIAN BLUE)	837A0-MB2-670ZA	1414481
	3	-		1	COVER COMP, L SIDE *R107CU* (CANDY BOURGOGNE RED)	837A0-MB2-670ZB	1414499
	-	4		1	COVER COMP, L SIDE *PB127CU* (CANDY ALEUTIAN BLUE)	837A0-MB2-770ZA	1695485
	-	4		1	COVER COMP, L SIDE *R107CU* (CANDY BOURGOGNE RED)	837A0-MB2-770ZB	1695493
24	3	4		1	LABEL, BATTERY CAUTION	87506-MB2-670	1430974
25	3	4		1	LABEL, RADIATOR CAUTION	87508-415-670	0670471
26	3	4		1	BOLT, SPECIAL, 6X20	90008-MB2-000	1442003
27	3	4		2	SCREW, PAN, 4X6	93500-04006-1H	0753962
28	2	4		2	NUT, HEX, 6MM	94002-06080	0338632
	3	4		2	NUT, HEX, 6MM	94002-06080-0S	0712505
	3	4		2	NUT, HEX, 6MM	94002-06080-00	0860916
	3	4		2	NUT, HEX, 6MM	94002-06080-05	1172220
29	3	4		1	NUT, CAP, 6MM	94021-06000-0S	0203620
	3	4		1	NUT, CAP, 6MM	94021-06020	0057893
	3	4		1	NUT, CAP, 6MM	94021-06020-0S	0169516
	3	4		1	NUT, CAP, 6MM	94022-06020	0203109

BLOCK NO. F-17

CONTENTS

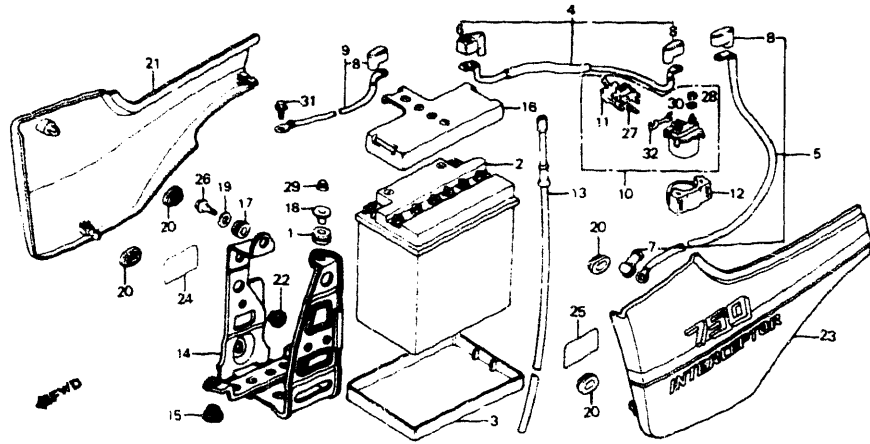
TITLE	GRID
AIR CLEANER	1-E9
ALTERNATOR	1-B8
BATTERY	1-E6
BRAKE CALIPER FR	1-D11
BRAKE CALIPER RR	1-E2
BRAKE MASTER CYL FR	1-D4
BRAKE MASTER CYL RR	1-E1
CABLES	1-D3
CAM CHAIN	1-B5
CAMSHAFT	1-B4
CANISTER	1-F12
CARBURETOR (ASSY LINK)	1-C8
CARBURETOR COMPONENTS	1-C9
CLUTCH	1-B6
CLUTCH MASTER CYLINDER	1-D5
CONTR. LEVERS	1-D3
COWL	1-F11
COWL RR	1-E5
CRANKCASE COVER L	1-B9
CRANKCASE COVER R	1-B6
CRANKSHAFT	1-C2
CYLINDER BLOCK	1-C1
CYLINDER HEAD COVER	1-B1
CYLINDER HEAD FR	1-B1
CYLINDER HEAD RR	1-B3
EMBLEMS	1-G2
FENDER FR	1-D8
FENDER RR	1-F3
FRAME BODY	1-F8
FRONT SHOCK ABSORBER	1-D9
FUEL PUMP	1-E7
FUEL TANK	1-E4
GASKET KIT B	1-C11
GASKET KIT A	1-C11
GEARSHIFT DRUM	1-C6
HANDLEBAR	1-D6
HEADLIGHT	1-D1
HORN	1-D8
IGNITION COIL	1-F6
INSTRUMENTS	1-D1
LABELS	1-G2
MUFFLER EXHAUST	1-E10
OIL FILTER	1-B11
OIL PAN	1-B11
OIL PUMP	1-B11
PEDAL BRAKE	1-E11
PEDAL GEARSHIFT	1-E11
PISTON	1-C2
PULSE GENERATOR	1-B7
PURGE CONTROL VALVE	1-F12
RADIATOR	1-F7
SEAT	1-E5
SHOCK ABSORBER RR	1-F2
SIDE COVER	1-E6
STAND	1-E12
STARTER MOTOR	1-B11
STARTING CLUTCH	1-B7
STEERING STEM	1-D8
STEP	1-E11
STRIPES	1-G2
SWINGARM	1-F1
SWITCHES	1-D3
TAILLIGHT	1-E5
TENSIONER	1-E5
THERMOSTAT	1-C1
TOOLS	1-F10
TOP BRIDGE	1-D6
TRANSMISSION	1-C5
TURN SIGNAL	1-F4
VALVE SIGNAL	1-B4
WATER PIPE	1-E7
WATER PUMP	1-B9
WHEEL FR	1-D12
WHEEL RR	1-E3
WIRE HARNESS	1-F6

GRID NO.

1-E 6

RC150* FRAME NO DM000017 TO DM008120
 RC150* FRAME NO EM100006 TO EM103270
 RC151* FRAME NO EM100002 TO EM100437

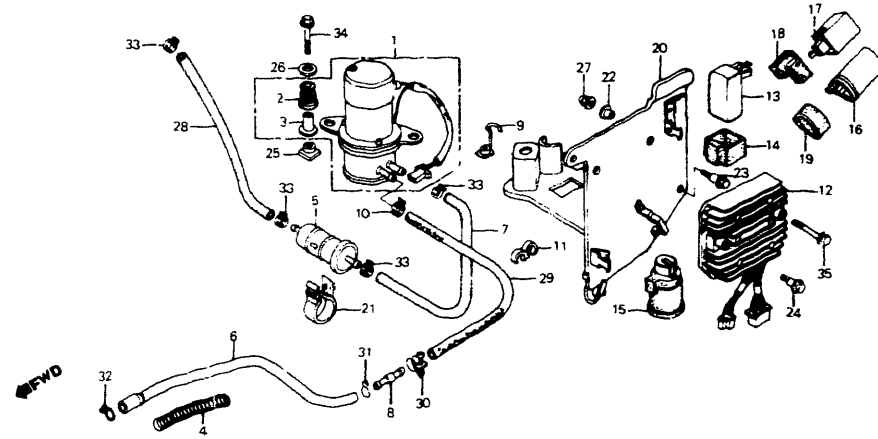
SIDE COVER • BATTERY



CAUTION OR WARNING LABELS MUST BE ORDERED SEPARATELY WHEN APPLICABLE

VF750F 83 VF750F 84	VF750F VF750F	VF750F VF750F	AREA CODE	QTY REQ	G39 BMB2 J38		BLOCK NO F-17	
					SERIAL NUMBER FROM TO	PART NUMBER	HONDA CODE	
REF NO	DESCRIPTION	3 4	3 4					
30	WASHER SPRING 6MM	3 4		2	94111-06800	0258210		
31	BOLT FLANGE 6X20	3 4		1	95700-06020-08	0340331		
	BOLT FLANGE 6X20	3 4		1	95701-06020-08	2374759		
32	FUSE F (30A)	3 4		1	98200-53000	0412676		

FUEL PUMP



VF750F 83 VF750F 84	VF750F VF750F	VF750F VF750F	AREA CODE	QTY REQ	G39 BMB2 J4A		BLOCK NO F-18	
					SERIAL NUMBER FROM TO	PART NUMBER	HONDA CODE	
REF NO	DESCRIPTION	3 4	3 4					
1	PUMP ASSY, FUEL	3 -		1	16700-MB1-015	1488766		
2	RUBBER, FUEL PUMP MOUNTING	3 4		1	16700-MB1-025	1730829		
3	COLLAR, FUEL PUMP DISTANCE	3 4		2	16711-605-300	0539411		
4	SPRING, FUEL TUBE COVER	3 4		1	16712-MB1-000	1244250		
5	STRAINER COMP, FUEL	3 4		1	16715-MB1-700	1293158		
6	TUBE, FUEL, 7.5X235	3 4		1	16900-371-004	0404327		
7	TUBE, FUEL	3 4		1	16956-MB2-000	1424811		
8	JOINT, FUEL TUBE	3 4		1	16958-MB2-000	1424837		
9	HOOK, FUEL HOSE	3 4		1	16959-MB1-000	1244375		
10	CLIP, FUEL HOSE	3 4		1	16961-MB2-000	1435494		
11	CLAMP, BREATHER TUBE	3 4		1	16969-MB1-000	1244383		
12	RECTIFIER ASSY, REGULATE	3 4		1	17359-MB0-000	1244797		
13	RELAY, FUEL CUT	3 4		1	31600-MB0-008	1246164		
14	SUSPENSION, FUEL CUT RELAY	3 4		1	36100-MB1-701	1291426		
15	RELAY COMP, MAIN	3 -		1	36101-MB1-000	1246990		
16	RELAY COMP, TURN SIGNAL	3 -		1	36130-MC7-003	1208800		
17	RELAY COMP, TURN SIGNAL (TATEISHI)	- 4		1	38301-MB0-004	1247337		
18	SUSPENSION, TURN SIGNAL RELAY	- 4		1	38301-MF8-771	1591429		
					38306-KJ6-740	1514900		

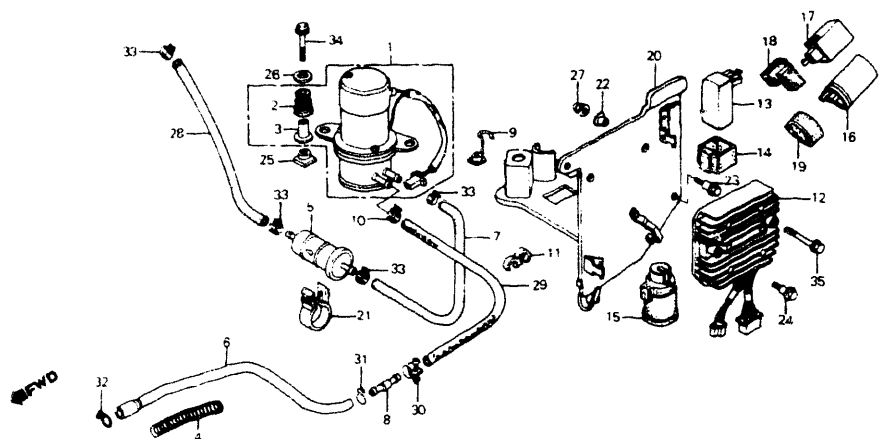
CONTENTS

TITLE	GRID
AIR CLEANER	1-E9
ALTERNATOR	1-B8
BATTERY	1-E6
BRAKE CALIPER FR	1-D11
BRAKE CALIPER RR	1-E2
BRAKE MASTER CYL FR	1-D4
BRAKE MASTER CYL RR	1-E3
CABLES	1-E3
CAM CHAIN	1-E5
CAMSHAFT	1-B4
CANISTER	1-F12
CARBURETOR (ASSY LINK)	1-C8
CARBURETOR COMPONENTS	1-C9
CLUTCH	1-B6
CLUTCH MASTER CYLINDER	1-D5
CONTROL LEVERS	1-D3
COWL	1-F11
COWL RR	1-E5
CRANKCASE COVER L	1-B9
CRANKCASE COVER R	1-B6
CRANKSHAFT	1-C2
CYLINDER BLOCK	1-C1
CYLINDER HEAD COVER	1-B1
CYLINDER HEAD FR	1-B1
CYLINDER HEAD RR	1-B3
EMBLEMS	1-C2
FENDER FR	1-D8
FENDER RR	1-F3
FRAME BODY	1-F8
FRONT SHOCK ABSORBER	1-D9
FUEL PUMP	1-E7
FUEL TANK	1-E4
GASKET KIT B	1-C11
GASKIT KIT A	1-C11
GEARSHIFT DRUM	1-C6
HANDLEBAR	1-D6
HEADLIGHT	1-D1
HORN	1-D8
IGNITION COI.	1-F6
INSTRUMENTS	1-D1
LABELS	1-G2
MUFFLER EXHAUST	1-E10
OIL FILTER	1-B11
OIL PAN	1-B11
OIL PUMP	1-B11
PEDAL BRAKE	1-E11
PEDAL GEARSHIFT	1-E11
PISTON	1-C2
PULSE GENERATOR	1-B7
PURGE CONTROL VALVE	1-F12
RADIATOR	1-F7
SEAT	1-E5
SHOCK ABSORBER RR	1-F2
SIDE COVER	1-E6
STAND	1-E12
STARTER MOTOR	1-B11
STARTING CLUTCH	1-B7
STEERING STEM	1-D8
STEP	1-E11
STRIPES	1-G2
SWINGARM	1-F1
SWITCHES	1-D3
TAILLIGHT	1-F5
TENSIONER	1-B5
THERMOSTAT	1-C7
TOOLS	1-F10
TOP BRIDGE	1-D6
TRANSMISSION	1-C5
TURN SIGNAL	1-F4
VALVE	1-B4
VALVE PIPE	1-C7
WATER PUMP	1-B9
WHL L FR	1-D12
WHL RR	1-E3
WIRL HARNESS	1-F6

GRID NO.

1-E 7

FUEL PUMP



VF75CF 83 VF75JF 84		VF75OF 83		VF75OF 84		AREA CODE		G39 8MB2 14A		BLOCK NO F-18	
REF NO	DESCRIPTION	3	4	3	4	3	4	SERIAL NUMBER FROM	SERIAL NUMBER TO	QTY REQ	HONDA CODE
19	SUSPENSION TURN SIGNAL RELAY	3	-	-	-	-	-	-	-	1	38306-292-000 0480293
20	PANEL, ELECTRIC	3	-	-	-	-	-	-	-	1	50325-MB2-000 1430222
	PANEL, ELECTRIC	-	4	A	-	-	-	EM102000	-	1	50325-MB2-770 1701119
	PANEL, ELECTRIC	-	4	AC	-	-	-	EM100205	-	1	50325-MB2-770 1701119
	PANEL, ELECTRIC	-	4	AC	-	-	-	EM100206	-	1	50325-MB2-771 1853993
21	HOLDER STRAINER	-	4	A	-	-	-	EM102001	-	1	50325-MB2-771 1853993
22	COLLAR, SETTING	3	4	-	-	-	-	-	-	1	50330-MB2-000 1430255
23	BOLT, FLANGE 6MM	3	4	-	-	-	-	-	-	2	61104-422-000 0692202
24	BOLT, FLANGE 6X20	3	4	-	-	-	-	-	-	1	90111-162-000 0811141
		3	4	-	-	-	-	-	-	1	90113-449-000 0790147
25	NUT, SPECIAL 6MM	3	4	-	-	-	-	-	-	1	90304-MB2-000 1442011
26	WASHER 6MM	3	4	-	-	-	-	-	-	2	90506-634-000 0954016
27	NUT, CAP 6MM	3	4	-	-	-	-	-	-	2	94021-06000-0S 0203620
	NUT, CAP 6MM	3	4	-	-	-	-	-	-	2	94021-06020 0057893
	NUT, CAP 6MM	3	4	-	-	-	-	-	-	2	94021-06020-0S 0169516
	NUT, CAP 6MM	3	4	-	-	-	-	-	-	2	94022-06020 0203109
28	HOSE, FUEL 5 3X350	3	4	-	-	-	-	-	-	1	95001-55350-20 0562470
29	HOSE, FUEL 5 3X380	3	4	-	-	-	-	-	-	1	95001-55380-20 1435502
30	CLIP, A12 TUBE	3	4	-	-	-	-	-	-	1	95002-01120 0262063
31	CLIP, B10 TUBE	3	4	-	-	-	-	-	-	1	95002-02100 0250985

VF75OF 83		VF75OF 84		AREA CODE		BLOCK NO F-18	
REF NO	DESCRIPTION	3	4	SERIAL NUMBER FROM	SERIAL NUMBER TO	QTY REQ	HONDA CODE
32	CLIP, B12 TUBE	3	4	-	-	1	95002-02120 0335034
33	CLAMP, TUBE (D10)	3	4	-	-	4	95002-41000-08 0660829
34	BOLT, FLANGE, 6X32	3	4	-	-	2	95700-06032-0S 0252304
35	BOLT, FLANGE, 6X40	3	4	-	-	2	95700-06040-08 0252320
	BOLT, FLANGE, 6X40	3	4	-	-	2	95701-06040-08 2105872

CONTENTS

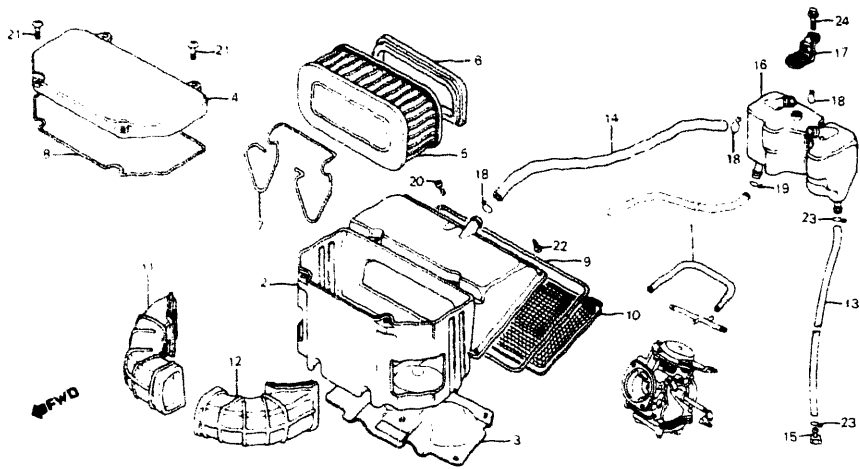
TITLE	GRID
AIR CLEANER	1-E9
ALTERNATOR	1-B8
BATTERY	1-E6
BRAKE CALIPER FR	1-D11
BRAKE CALIPER RR	1-E2
BRAKE MASTER CYL FR	1-D4
BRAKE MASTER CYL RR	1-E1
CABLES	1-D3
CAM CHAIN	1-B5
CAMSHAFT	1-B4
CAMISTER	1-F12
CARBURETOR (ASSY LINK)	1-C8
CARBURETOR COMPONENTS	1-C9
CLUTCH	1-B6
CLUTCH MASTER CYLINDER	1-D5
CONTROL LEVERS	1-D3
COWL	1-F11
COWL RR	1-E5
CRANKCASE COVER L	1-B9
CRANKCASE COVER R	1-B6
CRANKSHAFT	1-C2
CYLINDER BLOCK	1-C1
CYLINDER HEAD COVER	1-B1
CYLINDER HEAD FR	1-B1
CYLINDER HEAD RR	1-B3
EMBLEMS	1-G2
FENDER FR	1-D8
FENDER RR	1-F3
FRAME BODY	1-FR
FRONT SHOCK ABSORBER	1-D9
FUEL PUMP	1-E7
FUEL TANK	1-E4
GASKET KIT B	1-C11
GASKIT KIT A	1-C11
GEARSHIFT DRUM	1-C6
HANDLEBAR	1-D6
HEADLIGHT	1-D1
HORN	1-D8
IGNITION COIL	1-F5
INSTRUMENTS	1-D1
LABELS	1-G2
MUFFLER, EXHAUST	1-E10
OIL FILTER	1-B11
OIL PAN	1-B11
OIL PUMP	1-B11
PEDAL BRAKE	1-E11
PEDAL GEARSHIFT	1-E11
PISTON	1-C2
PULSE GENERATOR	1-B7
PURGE CONTROL VALVE	1-F12
RADIATOR	1-F7
SEAT	1-E5
SHOCK ABSORBER RR	1-F2
SIDE COVER	1-E6
STAND	1-E12
STARTER MOTOR	1-B11
STARTING CLUTCH	1-B7
STEERING STEM	1-D8
STEP	1-E11
STRIPES	1-G2
SWINGARM	1-F1
SWITCHES	1-D3
TAILLIGHT	1-F5
TENSIONER	1-B5
THERMOSTAT	1-C7
TOOLS	1-F10
TOP BRIDGE	1-D6
TRANSMISSION	1-C5
TURN SIGNAL	1-F4
VALVE	1-B4
WATER PUMP	1-C7
WATER PUMP	1-B9
WHEEL FR	1-D12
WHEEL RR	1-E3
WIRE HARNESS	1-F6

GRID NO.

1-E 8

RC150* FRAME NO DM000017 TO DM008120
 RC150* FRAME NO EM100006 TO EM103270
 RC151* FRAME NO EM100002 TO EM100437

AIR CLEANER



VF750F 83 VF750F 84		VF750F 83	VF750F 84	AREA CODE	QTY REQ	DESCRIPTION	PART NUMBER	HONDA CODE
REF NO	DESCRIPTION	3	4	E				
1	TUBE OUTER VENT	-	4	A	1	16954-MB2-000	1718303	
2	CASE AIR CLEANER	3	-	-	1	17210-MB2-000	1427467	
	CASE AIR CLEANER	-	4	A	1	17210-MB2-000	1427467	
3	PROTECTOR COMP HEAT	-	4	AC	1	17210-MB2-880	1784040	
		-	4	AC	1	17211-MB2-880	1765072	
4	COVER AIR CLEANER CASE	3	4		1	17215-MB2-000	1424845	
5	ELEMENT AIR CLEANER	3	4		1	17216-MB2-000	1427483	
6	PACKING ELEMENT	3	4		1	17218-MB2-000	1425388	
7	SPRING ELEMENT SETTING	3	4		1	17219-MB2-000	1427491	
8	SEAL AIR CLEANER COVER	3	4		1	17212-GJ5-000	1703636	
	PACKING AIR CLEANER CASE	3	4		1	17222-MN4-405	2941573	
	PACKING AIR CLEANER CASE	3	4		1	17231-MB2-000	1427509	
9	PACKING AIR CLEANER BASE	3	4		1	17232-MB2-000	1427517	
10	NET COMP AIR CLEANER BASE	3	4		1	17251-MB2-000	1401561	
11	DUCT R AIR CLEANER IN	3	4		1	17254-MB2-000	1427541	
12	DUCT L AIR CLEANER IN	3	4		1	17255-MB2-000	1427558	
13	TUBE BREATHDR DRAIN	3	4		1	17356-MB2-000	1438753	
14	TUBE AIR CLEANER BREATHDR	3	4		1	17358-MB2-000	1427566	
15	PLUG BREATHDR TUBE	3	4		1	17370-419-700	0669002	
16	TANK STORAGE	3	4		1	17551-MB2-000	1427665	

90

RC150* FRAME NO DM000017 TO DM008120
 RC150* FRAME NO EM100006 TO EM103270
 RC151* FRAME NO EM100002 TO EM103437

1-E 9

VF750F 83 VF750F 84		VF750F 83	VF750F 84	AREA CODE	QTY REQ	DESCRIPTION	PART NUMBER	HONDA CODE
REF NO	DESCRIPTION	3	4	E				
17	STAY STORAGE TANK	3	4		1	17552-MB2-000	1427573	
18	CLIP BREATHDR TUBE	3	4		3	17554-MB0-000	1260264	
19	CLIP SUB TANK HOSE	3	4		1	17724-102-700	0290213	
20	SCREW PAN 4X15	3	4		5	90141-MB0-000	1251024	
21	SCREW PAN 5X16 5	3	4		4	90142-MB0-000	1251040	
22	SCREW TAPPING	3	4		2	93901-35200	1413013	
23	CLIP C12 TUBE	3	4		2	95002-80000	0073700	
24	BOLT FLANGE 6X10	3	4		1	95700-06010-08	0244952	
	BOLT FLANGE 6X10	3	4		1	95701-06010-08	2204709	

BLOCK NO F-19

CONTENTS

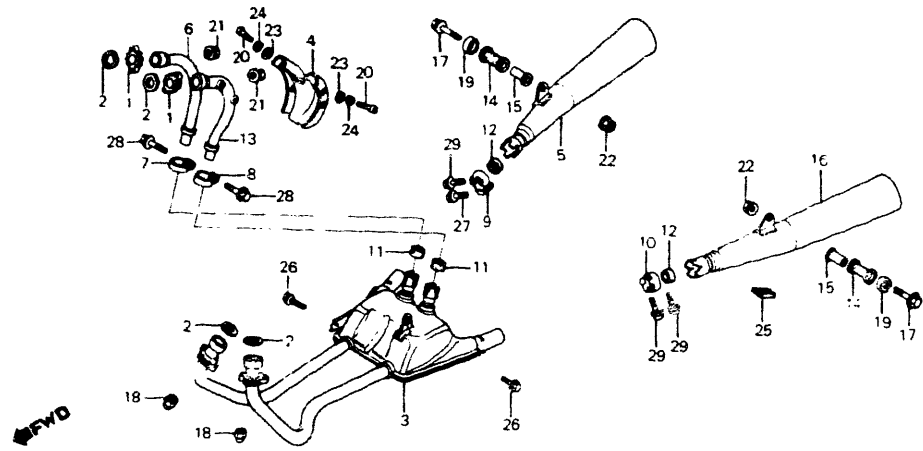
TITLE	GRID
AIR CLEANER	1-E9
ALTERNATOR	1-B8
BATTERY	1-E6
BRAKE CALIPER FR	1-D1
BRAKE CALIPER RR	1-E2
BRAKE MASTER CYL F	1-D4
BRAKE MASTER CYL RR	1-E1
CABLES	1-D3
CAM CHAIN	1-B5
CAMSHAFT	1-B4
CANISTER	1-F12
CARBURETOR (ASSY LINK)	1-C8
CARBURETOR COMPONENTS	1-C9
CLUTCH	1-B6
CLUTCH MASTER CYLINDER	1-D5
CONSOLE LEVERS	1-D3
COWL	1-F11
COWL RR	1-E5
CRANKCASE COVER L	1-B9
CRANKCASE COVER R	1-B6
CRANKSHAFT	1-C2
CYLINDER BLOCK	1-C1
CYLINDER HEAD COVER	1-B1
CYLINDER HEAD FR	1-B1
CYLINDER HEAD RR	1-B3
EMBLEMS	1-G2
FENDER FR	1-D8
FENDER RR	1-F3
FRAME BODY	1-F8
FRONT SHOCK ABSORBER	1-D9
FUEL PUMP	1-E7
FUEL TANK	1-E4
GASKET KIT B	1-C11
GASKET KIT A	1-C11
GEARSHIFT DRUM	1-C8
HANDLEBAR	1-D6
HEADLIGHT	1-D1
HORN	1-D8
IGNITION COIL	1-F6
INSTRUMENTS	1-D1
LABELS	1-G2
MUFFLER EXHAUST	1-E10
OIL FILTER	1-B11
OIL PAN	1-B11
OIL PUMP	1-B11
PEDAL BRAKE	1-E1
PEDAL GEARSHIFT	1-E11
PISTON	1-C2
PULSE GENERATOR	1-E7
PURGE CONTROL VALVE	1-F11
RADIATOR	1-E7
SEAT	1-E5
SHOCK ABSORBER RR	1-F2
SIDE COVER	1-E6
STAND	1-E12
STARTER MOTOR	1-B11
STARTING CLUTCH	1-F7
STEERING STEM	1-D8
STEP	1-E11
STRIPES	1-G2
SWINGARM	1-F1
SWITCHES	1-D3
TAILLIGHT	1-F5
TENSIONER	1-B5
THERMOSTAT	1-C7
TOOLS	1-F10
TOP BRIDGE	1-B5
TRANSMISSION	1-E5
TURN SIGNAL	1-F4
VALVE	1-B4
WATER PIPE	1-C7
WATER PUMP	1-B9
WHEEL FR	1-D12
WHEEL RR	1-E3
WIRE HARNESS	1-F6

91

GRID NO.

1-E 9

EXHAUST MUFFLER



VF750F 83 VF750F 84		V F 7 5 0 F		V F 7 5 0 F		A R E A C O D E		G39 MB2 36		BLOCK NO F-20	
REF NO	DESCRIPTION	3	4	3	4	3	4	QTY REQ	PART NUMBER	HONDA CODE	
1	JOINT EX PIPE	3	4	---	---	---	---	2	18231-MB2-000	1245174	
2	GASKET EX PIPE	3	4	---	---	---	---	4	18291-216-000	0028241	
3	CHAMBER COMP EX	3	4	---	---	---	---	1	18300-MB2-003	1427731	
4	PROTECTOR RR EX PIPE	3	4	---	---	---	---	1	18316-MB2-003	1427749	
5	MUFFLER COMP R	3	4	---	---	---	---	1	18330-MB2-671	1427764	
	MUFFLER COMP R	3	4	---	---	---	---	1	18510-MB2-672	1814920	
6	PIPE R RR EX	3	4	---	---	---	---	1	18370-MB2-003	1427798	
7	BAND R EX PIPE	3	4	---	---	---	---	1	18373-MB4-003	1386689	
	BAND R EX PIPE	3	4	---	---	---	---	1	18373-ML8-003	2143719	
8	BAND L EX PIPE	3	4	---	---	---	---	1	18374-MB4-003	1386697	
	BAND L EX PIPE	3	4	---	---	---	---	1	18374-ML8-003	2143477	
9	BAND R MUFFLER	3	4	---	---	---	---	1	18376-MB2-003	1435510	
10	BAND L MUFFLER	3	4	---	---	---	---	1	18377-MB2-003	1435528	
11	GASKET MUFFLER	3	4	---	---	---	---	2	18391-110-000	0417147	
12	GASKET MUFFLER	3	4	---	---	---	---	2	18392-449-000	0790329	
13	PIPE L RR EX	3	4	---	---	---	---	1	18420-MB2-003	1427822	
14	RUBBER MUFFLER MOUNTING	3	4	---	---	---	---	2	18421-MB0-000	1245299	
15	COLLAR MUFFLER MOUNTING	3	4	---	---	---	---	2	18422-MB0-000	1245307	
16	MUFFLER COMP L	3	4	---	---	---	---	1	18430-MB2-671	1427830	
	MUFFLER COMP L	3	4	---	---	---	---	1	18430-MB2-672	1814938	

VF750F 83 VF750F 84		V F 7 5 0 F		V F 7 5 0 F		A R E A C O D E		BLOCK NO F-20		
REF NO	DESCRIPTION	3	4	3	4	3	4	QTY REQ	PART NUMBER	HONDA CODE
17	BOLT, SPECIAL FLANGE, 8X45	3	4	---	---	---	---	2	90158-MB1-000	1260777
18	NUT, CAP, 6MM	3	4	---	---	---	---	4	90304-438-000	0765693
19	WASHER, SPECIAL, 8MM	3	4	---	---	---	---	2	90557-MB0-000	1251388
20	SCRFW, PAN, 6X8	3	4	---	---	---	---	4	93500-06008-4J	1391010
21	NUT, FLANGE, 6MM	3	4	---	---	---	---	4	94050-06000	0471623
22	NUT, FLANGE, 8MM	3	4	---	---	---	---	2	94050-08000	0481143
23	WASHER, FLAIN, 6MM	3	4	---	---	---	---	4	94101-06800	0345900
24	WASHER, SPRING, 6MM	3	4	---	---	---	---	4	54111-06000	0058974
25	RUBBER A. STAND STOPPER	3	4	---	---	---	---	1	95011-61000	0255638
26	BOLT, FLANGE, 6X18	3	4	---	---	---	---	2	95700-06018-08	0252270
	BOLT, FLANGE, 6X20	3	4	---	---	---	---	2	90003-MB2-000	1846799
	BOLT, FLANGE, 6X20	3	4	---	---	---	---	2	90003-MC7-000	1210566
27	BOLT, FLANGE, 8X32	3	4	---	---	---	---	1	95700-08032-07	1224062
	BOLT, FLANGE, 8X32	3	4	---	---	---	---	1	95701-08032-07	2759371
28	BOLT, FLANGE, 8X35	3	4	---	---	---	---	2	95700-08035-00	0496489
	BOLT, FLANGE, 8X35	3	4	---	---	---	---	2	95701-08035-00	2724029
29	BOLT, FLANGE, 8X35	3	4	---	---	---	---	3	95700-08035-07	0709899

CONTENTS

TITLE	GRID
AIR CLEANER	1-E9
ALTERNATOR	1-B8
BATTERY	1-E6
BRAKE CALIPER FR	1-D11
BRAKE CALIPER RR	1-E2
BRAKE MASTER CYL FR	1-D4
BRAKE MASTER CYL RR	1-E1
CABLES	1-D3
CAM CHAIN	1-B5
CAMSHAFT	1-B4
CAMSHFT	1-F12
CARBURETOR	1-C8
CARBURETOR (ASSY LINK)	1-C9
CARBURETOR COMPONENTS	1-B6
CLUTCH	1-B6
CLUTCH MASTER CYLINDER	1-D5
CONTROL LEVERS	1-D3
COWL	1-F11
COWL RR	1-E5
CRANKCASE COVER L	1-B9
CRANKCASE COVER R	1-B6
CRANKSHAFT	1-C2
CYLINDER BLOCK	1-C1
CYLINDER HEAD COVER	1-B1
CYLINDER HEAD, FR	1-B1
CYLINDER HEAD, RR	1-B3
EMBLEMS	1-G2
FENDER, FR	1-D8
FENDER, RR	1-F3
FRAME BODY	1-F8
FUEL PUMP	1-E7
FRONT SHOCK ABSORBER	1-D9
GASKET KIT B	1-C11
GASKIT KIT A	1-C11
GEARSHIFT DRUM	1-C6
HANDLEBAR	1-D6
HEADLIGHT	1-D1
HORN	1-D8
IGNITION COIL	1-F6
INSTRUMENTS	1-D1
LABELS	1-G2
MUFFLER EXHAUST	1-E10
OIL FILTER	1-B11
OIL PAN	1-B11
OIL PUMP	1-B11
PEDAL BRAKE	1-E11
PEDAL GEARSHIFT	1-E11
PISTON	1-C2
PULSE GENERATOR	1-B7
PURGE CONTROL VALVE	1-F12
RADIATOR	1-F7
SEAT	1-E5
SHOCK ABSORBER, RR	1-F2
SIDE COVER	1-E6
STAND	1-E12
STARTER MOTOR	1-B11
STARTING CLUTCH	1-B7
STEERING STEM	1-D8
STEP	1-E11
STRIPES	1-G2
SWINGARM	1-F1
SWITCHES	1-D3
TAILLIGHT	1-F5
TENSIONER	1-B5
THERMOSTAT	1-C7
TOOLS	1-F10
TOP BRIDGE	1-D6
TRANSMISSION	1-C5
TURN SIGNAL	1-F4
VALVE	1-B4
WATER PIPE	1-C7
WATER PUMP	1-B9
WHEEL, FR	1-D1
WHEEL, RR	1-E3
WIRE HARNESS	1-E9

92
 RC150* FRAME NO DM000017 TO DM008120
 RC150* FRAME NO EM100006 TO EM103270
 RC151* FRAME NO EM100002 TO EM100437

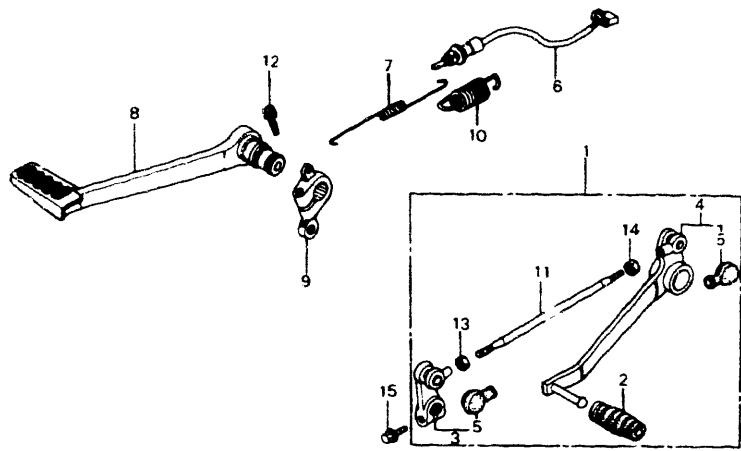
1-E 10

93

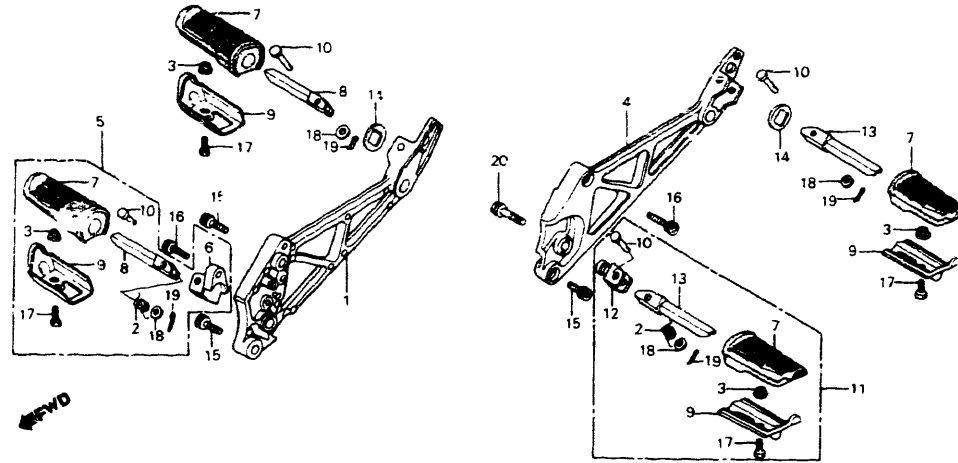
GRID NO.

1-E 10

BRAKE PEDAL • GEARSHIFT PEDAL



STEP



CONTENT

TITLE	GRID
AIR CLEANER	1-E9
ALTERNATOR	1-B6
BATTERY	1-E6
BRAKE CALIPER FR	1-D11
BRAKE CALIPER RR	1-E2
BRAKE MASTER CYL FR	1-D4
BRAKE MASTER CYL RR	1-E1
CABLES	1-D3
CAM CHAIN	1-BE
CAKSHAFT	1-B4
CANISTER	1-F12
CARBURETOR (ASS LINK)	1-C8
CARBURETOR COMPONENTS	1-C9
CLUTCH	1-B6
CLUTCH MASTER CYLINDER	1-D5
CONTROL LEVERS	1-D3
COWL	1-F11
COWL RR	1-E5
CRANKCASE COVER L	1-B9
CRANKCASE COVER R	1-B6
CRANKSHAFT	1-C2
CYLINDER BLOCK	1-C1
CYLINDER HEAD COVER	1-B1
CYLINDER HEAD FR	1-B1
CYLINDER HEAD RR	1-B3
EMBLEMS	1-G2
FENDER FR	1-D8
FENDER RR	1-F3
FRAME BODY	1-F8
FRONT SHOCK ABSORBER	1-D9
FUEL PUMP	1-E7
FUEL TANK	1-E4
GASKET KIT B	1-C11
GASKET KIT A	1-C11
GEARSHIFT DRUM	1-C6
HANDLEBAR	1-D6
HEADLIGHT	1-D1
HORN	1-D8
IGNITION COIL	1-F6
INSTRUMENTS	1-D1
LABELS	1-G2
MUFFLER, EXHAUST	1-E10
OIL FILTER	1-B11
OIL PAN	1-B11
OIL PUMP	1-B11
PEDAL BRAKE	1-E11
PEDAL GEARSHIFT	1-E11
PISTON	1-C2
PULSE GENERATOR	1-B7
PURGE CONTROL VALVE	1-F12
RADIATOR	1-F7
SEAT	1-E5
SHOCK ABSORBER RR	1-F2
SIDE COVER	1-E6
STAND	1-E12
STARTER MOTOR	1-B11
STARTING CLUTCH	1-B7
STEERING STEM	1-D8
STEP	1-E11
STRIPES	1-G2
SWINGARM	1-F1
SWITCHES	1-D3
TAILLIGHT	1-F5
TENSIONER	1-B5
THERMOSTAT	1-C7
TOOLS	1-F10
TOP BRIDGE	1-D6
TRANSMISSION	1-C5
TURN SIGNAL	1-F4
VALVE	1-B4
WATER PIPE	1-C7
WATER PUMP	1-B9
WHEEL FR	1-D12
WHEEL RR	1-E3
WIRE HARNESS	1-F6

REF NO	DESCRIPTION	VF750F 83		VF750F 84		AREA CODE	SERIAL NUMBER FROM TO	QTY REQ	PART NUMBER	HONDA CODE
		83	84	83	84					
G39-BMB2-37 BLOCK NO F-21										
1	PEDAL ASSY GEARSHIFT	3	4					1	24700-MB2-000	1428507
2	RUBBER, SHIFT PEDAL	3	4					1	24705-KE8-000	1435536
3	ARM COMP, GEARSHIFT	3	4					1	24710-MB2-000	1428523
4	PEDAL COMP, GEARSHIFT	3	4					1	24720-MB2-000	1428531
5	COVER, DUST	3	4					2	24724-422-000	0694869
6	SWITCH ASSY, RR STOP	3	4					1	35350-MB2-000	1434786
7	SPRING, STOP SWITCH	3	4					1	35357-MB2-000	1401603
8	PEDAL COMP RR BRAKE	3	4					1	46500-MB2-000	1430123
	PEDAL COMP RR BRAKE	3	4					1	46500-MB2-010	1853977
9	ARM RR BRAKE MIDDLE	3	4					1	46502-MB2-000	1430131
10	SPRING, BRAKE PEDAL	3	-					1	46514-MB2-000	1430156
11	BOLT TIE ROD	3	4					1	90065-MB2-000	1431139
12	BOLT SOCKET 8MM	3	4					1	90116-125-782	0857128
13	NUT GOVERNOR ARM FIXING	3	4					1	90201-700-000	0401398
14	NUT HEX 6MM	3	4					1	94002-06020-0S	1237387
15	BOLT FLANGE 6X20	3	4					1	95700-06020-00	0488684
	BOLT FLANGE 6X20	3	4					1	95701-06020-00	2105815

REF NO	DESCRIPTION	VF750F 83		VF750F 84		AREA CODE	SERIAL NUMBER FROM TO	QTY REQ	PART NUMBER	HONDA CODE
		83	84	83	84					
G39-BMB2-38 BLOCK NO F-22										
1	HOLDER, R. STEP	3	4					1	50610-MB2-000	1430313
2	SPRING, STEP RETURN	3	4					2	50617-MB2-000	1401645
3	COLLAR, 6 5X11X3	3	4					4	50618-KE8-000	1435544
4	HOLDER, L. STEP	3	4					1	50620-MB2-000	1430321
5	STEP ASSY, R. MAIN	3	-				DM003611	1	50630-MB2-000	1430339
	STEP ASSY, R. MAIN	-	4					1	50630-MB2-000	1430339
	STEP ASSY, R. MAIN	3	-				DM003611	1	50630-MB2-C10	1854033
	STEP ASSY, R. MAIN	-	1					1	50630-MB2-010	1854033
6	BRACKET, R. STEP	3	4					1	50630-MB2-305	1672211
	BRACKET, R. STEP	3	4					1	50631-MB2-000	1430347
7	RUBBER, STEP	3	-				DM003611	4	50632-MB2-000	1430354
	RUBBER, STEP	-	4					4	50632-MB2-000	1430354
8	BAR COMP, R. STEP	3	-				DM003610	4	50632-MB2-305	1672245
9	PLATE B, STEP	3	-				DM003611	4	50635-MB2-C00	1430362
	PLATE B, STEP	-	4					4	50636-MB2-000	1430370
	PLATE B, STEP	3	-				DM003610	4	50636-MB2-000	1430370
10	PIN, STEP BAR JOINT	3	4					4	50636-MB2-305	1672260
11	STEP ASSY, L. MAIN	3	-				DM003611	1	50639-MB2-000	1430388
	STEP ASSY, L. MAIN	3	-					1	50640-MB2-000	1430396

94
 RC150* FRAME NO DM000017 TO DM008120
 RC150* FRAME NO EM100006 TO EM103270
 RC151* FRAME NO EM100002 TO EM100437

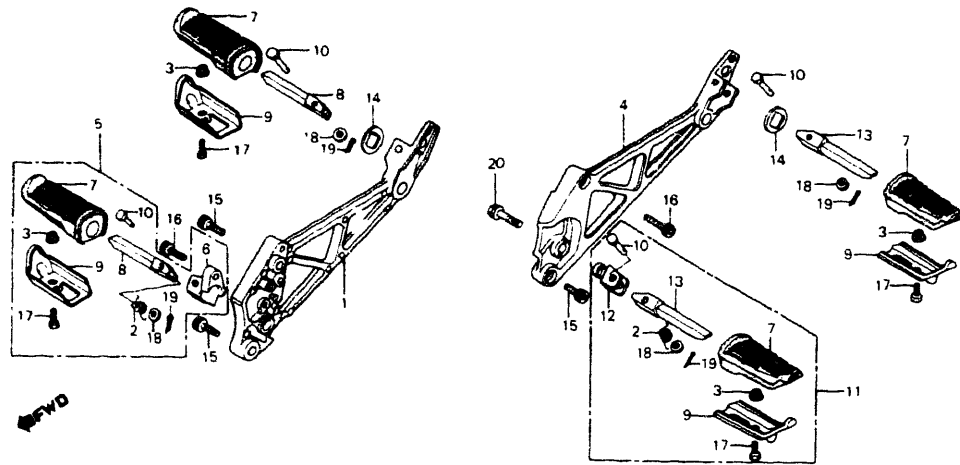
1-E 11

95

GRID NO.

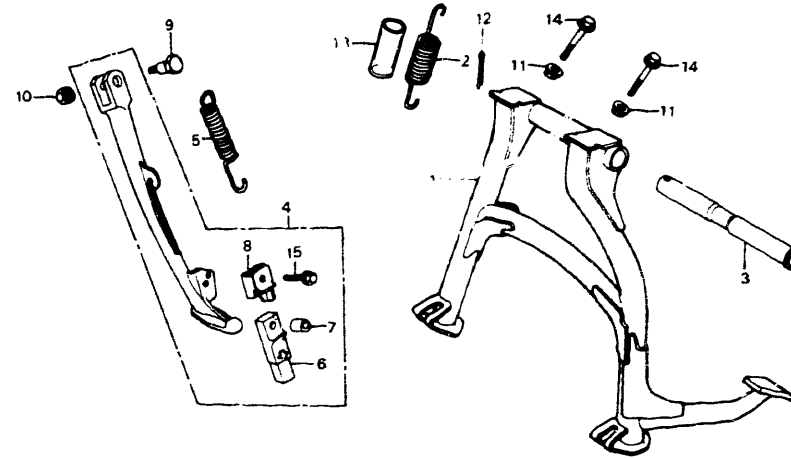
1-E 11

STEP



VF750F 83 VF750F 84		V F 7 5 0 F	V F 7 5 0 F	A R E A C O D E	Q T Y R E Q	G39 BMB 38	BLOCK NO. F-22
REF NO	DESCRIPTION	3	4			SERIAL NUMBER FROM TO	HONDA CODE
11	STEP ASSY L MAIN	-	4		1	50640-MB2-000	1430396
	STEP ASSY L MAIN	3	-		1	50640-MB2-010	1854058
	STEP ASSY L MAIN	-	4		1	50640-MB2-010	1854058
	STEP ASSY L MAIN	3	-		1	50640-MB2-305	1672286
12	BRACKET L STEP	3	4		1	50641-MB2-000	1430404
	BRACKET L STEP	3	4		1	50641-MB2-010	1854066
13	BAR COMP L STEP	3	4		2	50645-MB2-000	1430412
14	WASHER PILLION STEP	3	4		2	50712-MB2-000	1401652
15	BOLT SOCKET 10X20	3	4		3	90109-MB2-000	1401686
16	BOLT SOCKET 10X30	3	4		2	90152-MB2-000	1435551
17	BOLT HEX 6X12	3	4		4	92000-06012	0054197
	BOLT HEX 6X12	3	4		4	92000-06012-0A	0156448
	BOLT HEX 6X12	3	4		4	92100-06012	0199588
	BOLT HEX 6X12	3	4		4	92101-06012	2738821
18	WASHER PLAIN 8MM	3	4		4	94102-08000	0199596
19	PIN SPLIT 1 6X15	3	4		4	94201-16150	0058313
	PIN SPLIT 1 6X25	3	4		4	94201-16250	0058339
20	BOLT FLANGE 10X32	3	4		1	95700-10032-00	0496703

STAND



VF750F 83 VF750F 84		V F 7 5 0 F	V F 7 5 0 F	A R E A C O D E	Q T Y R E Q	G39 BMB 39	BLOCK NO. F-23
REF NO	DESCRIPTION	3	4			SERIAL NUMBER FROM TO	HONDA CODE
1	STAND COMP. MAIN	3	4		1	50500-MB2-000	1430289
2	SPRING MAIN STAND	3	4		1	50522-MB2-000	1430297
3	PIPE MAIN STAND PIVOT	3	4		1	50526-MB2-000	1413152
4	BAR ASSY. SIDE STAND	3	-		1	50540-MB2-000	1401637
	BAR ASSY. SIDE STAND	3	4		1	50540-MB2-020	1708361
5	SPRING SIDE STAND	3	4		1	50541-MB0-000	1248822
6	RUBBER STAND	3	4		1	50548-356-700	0382648
7	COLLAR STAND RUBBER MOUNTING	3	4		1	50549-356-700	0382655
8	BRACKET SIDE STAND RUBBER	3	4		1	50574-MB0-000	1248830
9	BOLT SIDE STAND PIVOT	3	4		1	90108-MB0-000	1250943
10	NUT HEX. 10MM	3	4		1	94002-10070-05	0939827
11	NUT FLANGE 6MM	3	-		2	94050-06000	0471623
	NUT FLANGE 6MM	-	4		2	94050-06080	0612689
12	PIN SPLIT 2.5X25	3	4		1	94201-25250	0145581
	PIN SPLIT 2.5X30	3	4		1	94201-25300	0156091
13	TUBE VINYL 17.5X20 5X70	3	4		1	95003-55007-10	1425313
14	BOLT FLANGE 6X40	3	4		2	95700-06040-08	0252320
	BOLT FLANGE 6X40	3	4		2	95701-06040-08	2105872
15	BOLT FLANGE 6X25	3	4		1	96000-06025-07	1251941

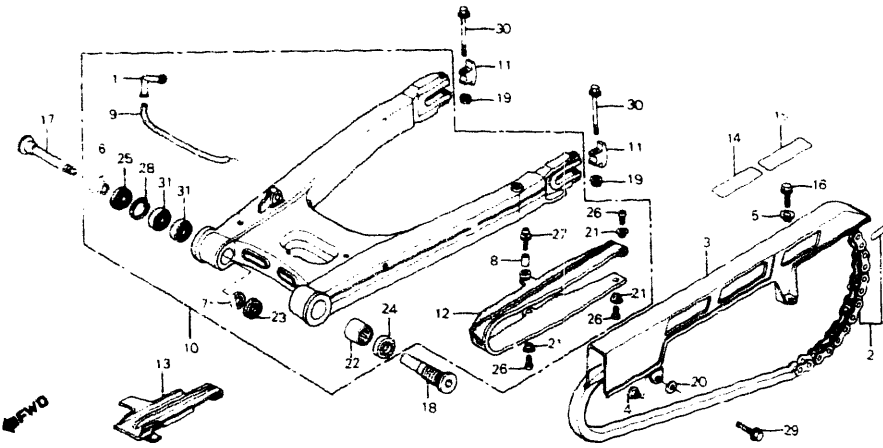
CONTENTS

TITLE	GRID
AIR CLEANER	1-E9
ALTERNATOR	1-B8
BATTERY	1-E6
BRAKE CALIPER FR	1-D11
BRAKE CALIPER RR	1-E2
BRAKE MASTER CYL FR	1-D4
BRAKE MASTER CYL RR	1-E1
CAB.ES	1-D3
CAM CHAIN	1-B5
CAMSHAFT	1-B4
CANISTER	1-F12
CARBURETOR (ASSY LINK)	1-C8
CARBURETOR COMPONENTS	1-C9
CLUTCH	1-B6
CLUTCH MASTER CYLINDER	1-D5
CONTROL LEVERS	1-D3
COWL	1-F11
COWL RR	1-E5
CRANKCASE COVER L	1-B9
CRANKCASE COVER R	1-B6
CRANKSHAFT	1-C2
CYLINDER BLOCK	1-C1
CYLINDER HEAD COVER	1-B1
CYLINDER HEAD FR	1-B1
CYLINDER HEAD RR	1-B3
EMBLEMS	1-G2
FENDER FR	1-D8
FENDER RR	1-F3
FRAME BODY	1-F8
FRONT SHOCK ABSORBER	1-D9
FUEL PUMP	1-E7
FUEL TANK	1-E4
GASKET KIT B	1-C11
GASKET KIT A	1-C11
GEARSHIFT DRUM	1-C6
HANDLEBAR	1-D6
HEADLIGHT	1-D1
HORN	1-D8
IGNITION COIL	1-F6
INSTRUMENTS	1-D1
LABELS	1-G2
MUFFLER EXHAUST	1-E10
OIL FILTER	1-B11
OIL PAN	1-B11
OIL PUMP	1-B11
PEDAL BRAKE	1-E11
PEDAL GEARSHIFT	1-E11
PISTON	1-C2
PULSE GENERATOR	1-B7
PURGE CONTROL VALVE	1-F12
RADIATOR	1-F7
SEAT	1-E5
SHOCK ABSORBER RR	1-F2
SIDE COVER	1-E6
STAND	1-E12
STARTER MOTOR	1-B11
STARTING CLUTCH	1-B7
STEERING STEM	1-D8
STEP	1-E11
STRIPES	1-G2
SWINGARM	1-F1
SWITCHES	1-D3
TAILLIGHT	1-F5
TENSIONER	1-B5
THERMOSTAT	1-C7
TOOLS	1-F10
TOP BRIDGE	1-D6
TRANSMISSION	1-C5
TURN SIGNAL	1-F4
VALVE	1-B4
WATER PIPE	1-C7
WATER PUMP	1-B9
WHEEL FR	1-D12
WHEEL RR	1-E3
WIRE HARNESS	1-F6

GRID NO.

1-E 12

SWINGARM



CAUTION OR WARNING LABELS MUST BE ORDERED SEPARATELY WHEN APPLICABLE

VF750F '83 VF750F '84	V F 7 5 0 F	V F 7 5 0 F	A R E A C O D E	SERIAL NUMBER FROM TO	QTY REQ	PART NUMBER	HONDA CODE
	8	8					
	3	4					
1 JOINT TUBE	3	4			1	19103-463-000	0881904
2 CHAIN SET DRIVE (50V-110LE)	3	4			1	405A3-MB2-670	1413954
CHAIN SET DRIVE (50MO-110LE)	3	4			1	405B3-MB2-670	1413962
3 CASE, DRIVE CHAIN	3	-			1	40510-MB2-000	1429307
CASE DRIVE CHAIN	3	-			1	40510-MB2-010	1708601
CASE DRIVE CHAIN	3	4			1	40510-MB2-020	1761949
4 COLLAR CHAIN CASE	3	4			1	40512-MB2-000	1438795
5 COLLAR CHAIN CASE	3	4			1	40514-310-000	0113332
6 COLLAR SWINGARM PIVOT	3	4			1	52102-MA6-000	1435577
7 COLLAR SWINGARM PIVOT (B)	3	4			1	52102-MB2-000	1430438
8 COLLAR CHAIN SLIDER	3	4			1	52105-MB2-000	1430446
9 HOSE DRAIN	3	4			1	52106-MB2-000	1425032
10 SWINGARM ASSY RR	3	-			1	52110-MB2-000	1430453
SWINGARM ASSY RR	3	-			1	52110-MB2-010	1795616
SWINGARM ASSY RR	-	4			1	52110-MB2-700	1EJ5436
11 STOPPER CHAIN ADJUSTER	3	4			2	52136-MA2-000	1060151
12 SLIDER CHAIN	3	-			1	52170-MB2-000	1430479
SLIDER CHAIN	3	4			1	52170-MB2-010	1708387
13 SLIDER CHAIN (B)	3	4			1	52171-MB2-000	1425065
14 LABEL TIRE CAUTION	3	4			1	87505-MB2-670	1430966

VF750F '83 VF750F '84	V F 7 5 0 F	V F 7 5 0 F	A R E A C O D E	SERIAL NUMBER FROM TO	QTY REQ	PART NUMBER	HONDA CODE
	8	8					
	3	4					
15 LABEL, DRIVE CHAIN CAUTION	3	4			1	87507-MB2-670	1430982
16 BOLT, FLANGE 6MM	3	4			1	90111-187-000	1032069
17 BOLT, R SWINGARM PIVOT	3	4			1	90121-MB2-000	1431212
18 BOLT, L SWINGARM PIVOT	3	4			1	90122-MB2-000	1431220
19 NUT, FLANGE, 8MM	3	4			2	90309-428-731	1001197
20 WASHER, 6MM	3	4			1	90485-MB2-000	1438811
21 WASHER, FR FENDER MOUNT	3	4			3	90556-044-000	0132621
22 BEARING SWINGARM PIVOT (TOYO) BEARING SWINGARM PIVOT (TOMUSON)	3	-			1	91071-MA0-003	1028588
BEARING SWINGARM PIVOT	-	4			1	91071-MB2-701	1695519
23 OIL-SEAL, 24X34X5 5	3	4			1	91203-148-003	0640839
24 DUST SEAL, 22X35X7	3	4			1	91213-MB2-003	1431386
DUST SEAL, 22X35X7	3	4			1	91213-MB2-006	1431394
25 DUST SEAL 24X40X5 5 (ARAI)	3	4			1	91214-MA6-003	1435585
DUST SEAL, 24X40X5 5 (NOK)	3	4			1	91214-MA6-006	1435593
26 SCREW, PAN, 5X12	3	4			3	93500-05012-0H	0561795
27 SCREW-WASHER, 5X25	3	4			1	93894-05025-17	1425305
28 CIRCLIP, INTERNAL, 40MM	3	4			1	94520-40000	0567016
29 BOLT FLANGE 6X18	3	4			1	95700-06018-07	1376144
BOLT FLANGE 6X18	3	4			1	95701-06018-07	2410918
30 BOLT, FLANGE 8X65	3	4			2	95900-08065-00	1425362
31 BEARING RADIAL BALL, 6203	3	4			2	96100-62030-10	1435601

BLOCK NO F-24

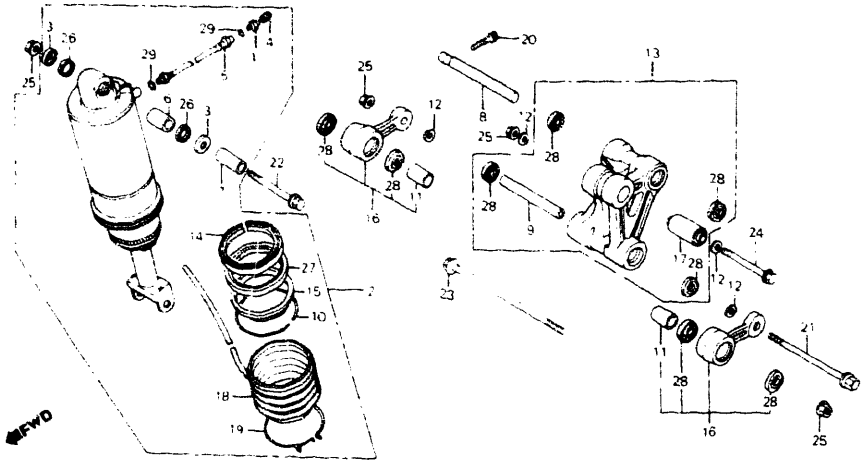
CONTENTS

TITLE	GRID
AIR CLEANER	1-E8
ALTERNATOR	1-B8
BATTERY	1-E6
BRAKE CALIPER FR	1-D11
BRAKE CALIPER RR	1-E2
BRAKE MASTER CYL FR	1-D4
BRAKE MASTER CYL RR	1-E1
CABLES	1-D3
CAM CHAIN	1-B5
CAMSHAFT	1-B4
CANISTER	1-F12
CARBURETOR (ASSY LINK)	1-C8
CARBURETOR COMPONENTS	1-C9
CLUTCH	1-B6
CLUTCH MASTER CYLINDER	1-D5
CONTROL LEVERS	1-D3
COWL	1-F11
COWL RR	1-E5
CRANKCASE COVER L	1-B9
CRANKCASE COVER R	1-B6
CRANKSHAFT	1-C2
CYLINDER BLOCK	1-C1
CYLINDER HEAD COVER	1-B1
CYLINDER HEAD FR	1-B1
CYLINDER HEAD RR	1-B2
EMBLEMS	1-G2
FENDER FR	1-D8
FENDER RR	1-F3
FRAME BODY	1-D9
FRONT SHOCK ABSORBER	1-D9
FUEL PUMP	1-E7
FUEL TANK	1-E4
GASKET KIT B	1-C11
GASKET KIT A	1-C11
GEARSHIFT DRUM	1-C6
HANDLEBAR	1-D6
HEADLIGHT	1-D1
HORN	1-D8
IGNITION COIL	1-E6
INSTRUMENTS	1-D1
LABELS	1-G2
MUFFLER EXHAUST	1-E10
OIL FILTER	1-B11
OIL PAN	1-B11
OIL PUMP	1-B11
PEDAL BRAKE	1-E11
PEDAL GEARSHIFT	1-E11
PISTON	1-C2
PULSE GENERATOR	1-B7
PURGE CONTROL VALVE	1-F12
RADIATOR	1-F7
SEAT	1-E5
SHOCK ABSORBER RR	1-F2
SIDE COVER	1-E6
STAND	1-F12
STARTER MOTOR	1-B11
STARTING CLUTCH	1-B7
STEERING STEM	1-D8
STEP	1-E11
STRIPES	1-G2
SWINGARM	1-F1
SWITCHES	1-D3
TAILLIGHT	1-F5
TENSIONER	1-B5
THERMOSTAT	1-C7
TOOLS	1-F10
TOP BRIDGE	1-D6
TRANSMISSION	1-C3
TURN SIGNAL	1-F4
VALVE	1-B4
WATER PIPE	1-C7
WATER PUMP	1-B9
WHEEL FR	1-D12
WHEEL RR	1-E3
WIRE HARNESS	1-E6

GRID NO.

1-F 1

REAR SHOCK ABSORBER



VF750F 83 VF750F 84	VF750F 83	VF750F 84	AREA CODE	QTY	PART NUMBER	HONDA CODE
					0.39 BMB2 41	BLOCK NO F-25
REF NO	DESCRIPTION	SERIAL NUMBER FROM	SERIAL NUMBER TO	QTY	PART NUMBER	HONDA CODE
1	VALVE COMP AIR (SHOWA)			1	51456-469-013	0950428
2	SHOCK ABSORBER ASSY RR			1	52400-MB2-003	1430487
	SHOCK ABSORBER ASSY RR				52400-MB2-771	1701531
3	CAP (SHOWA)			2	52406-MA1-731	1087741
4	CAP AIR VALVE (SHOWA)			1	52425-169-003	1008853
5	HOSE COMP RR SHOCK			1	52432-MB2-003	1425073
	HOSE COMP RR SHOCK				52432-MB2-701	1701572
6	METAL BUSH			1	52452-MA1-731	1087766
7	COLLAR BUSH			1	52453-MB2-003	1425081
8	SHAFT SHOCK ARM UPPER			1	52462-MB2-000	1430495
	SHAFT SHOCK ARM UPPER				52462-MB2-700	1701580
9	COLLAR CONNECTING ROD LOWER			1	52463-MB2-000	1430503
	COLLAR CONNECTING ROD LOWER				52463-MB2-700	1701598
10	RING B STOPPER			1	52463-MC7-003	1217512
	RING B STOPPER				52463-MC7-013	1718337
11	COLLAR CONNECTING ROD			2	52464-MB2-000	1413228
	COLLAR CONNECTING ROD				52464-MB2-700	1701606
12	WASHER THRUST			4	52466-MB2-000	1413236
13	ARM ASSY SHOCK			1	52470-MB2-000	1430511
	ARM ASSY SHOCK				52470-MB2-700	1701614

VF750F 83	VF750F 84	AREA CODE	SERIAL NUMBER FROM	SERIAL NUMBER TO	QTY	PART NUMBER	HONDA CODE
14	CASE GUIDE				1	52472-MC7-003	1209782
15	RING BACK UP				1	52477-MC7-013	1718345
16	ROD ASSY SHOCK CONNECTING				2	52480-MB2-000	1430529
	ROD ASSY SHOCK CONNECTING					52480-MB2-700	1701622
17	BUSH DAMPER				1	52485-MA2-003	1055359
18	BOOT COMP RR SHOCK				1	52611-MB2-003	1435619
19	BAND BOOT				1	52612-MA2-003	1063288
20	BOLT SOCKET				1	90116-391-670	0420471
21	BOLT FLANGE 10X123				1	90181-MB2-000	1431279
22	BOLT FLANGE 10X66				1	90182-MB2-003	1413244
23	BOLT FLANGE 10X157				1	90184-MB2-003	1425230
	BOLT FLANGE 10X159					90184-MB2-701	1695501
24	BOLT D FLANGE				1	90189-MA2-003	1089473
25	NUT AXLE 10MM				4	90304-GA6-003	1023969
26	DUST SEAL (SHOWA)				2	91254-MA1-731	1089572
27	OIL SEAL 65X80X10.5				1	91257-MC7-003	1218536
28	DUST SEAL CONNECTING ROD PIVOT				8	91262-MB2-005	1425289
	O-RING 5 8X1 9				2	91301-469-003	0874768
	O-RING 5 8X1 9				2	91305-323-000	0258012
	O-RING 5 8X1 9				2	91318-ME5-003	1366574

CONTENTS

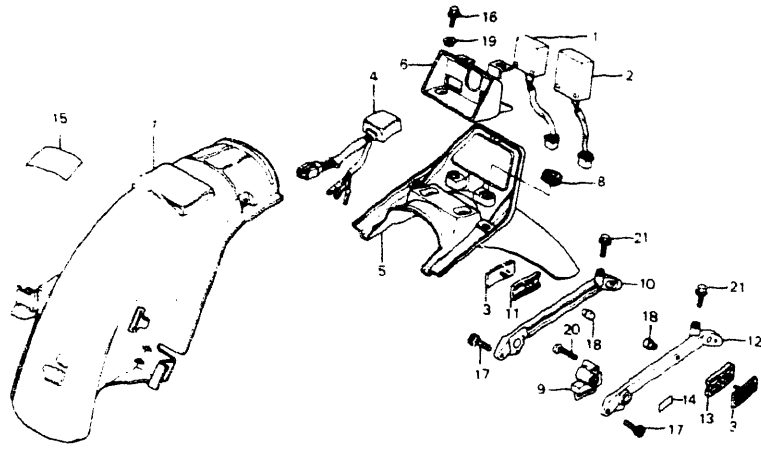
TITLE	GRID
AIR CLEANER	1-69
ALTERNATOR	1-68
BATTERY	1-66
BRAKE CALIPER FR	1-01
BRAKE CALIPER RR	1-02
BRAKE MASTER CYL FR	1-04
BRAKE MASTER CYL RR	1-01
CABLES	1-03
CAM CHAIN	1-85
CAMSHAFT	1-84
CANISTER	1-112
CARBURETOR ASSY LINK	1-08
CARBURETOR COMPONENTS	1-09
CLUTCH	1-86
CLUTCH MASTER CYLINDER	1-05
CONTROL LEVERS	1-03
COWL	1-11
COWL RR	1-05
CRANKCASE COVER L	1-88
CRANKCASE COVER R	1-86
CRANKSHAFT	1-02
CYLINDER BLOCK	1-01
CYLINDER HEAD COVER	1-01
CYLINDER HEAD FR	1-01
CYLINDER HEAD RR	1-03
EMBLEMS	1-02
FENDER FR	1-08
FENDER RR	1-03
FRAME BODY	1-08
FRONT SHOCK ABSORBER	1-09
FUEL PUMP	1-07
FUEL TANK	1-04
GASKET KIT B	1-01
GASKET KIT A	1-01
GEARSHIFT DRUM	1-06
HANDLEBAR	1-06
HEADLIGHT	1-01
HORN	1-08
IGNITION COIL	1-06
INSTRUMENTS	1-01
LABELS	1-02
MUFFLER EXHAUST	1-10
OIL FILTER	1-01
OIL PAN	1-01
OIL PUMP	1-01
PEDAL BRAKE	1-01
PEDAL GEARSHIFT	1-01
PISTON	1-02
PULSE GENERATOR	1-07
PUERGE CONTROL VALVE	1-12
RADIATOR	1-07
SEAT	1-05
SHOCK ABSORBER RR	1-02
SIDE COVER	1-06
STAND	1-12
STARTER MOTOR	1-01
STARTING CLUTCH	1-07
STEERING STEM	1-08
STEP	1-01
STRIPES	1-02
SWINGARM	1-01
SWITCHES	1-03
TAILLIGHT	1-05
TENSIONER	1-05
THERMOSTAT	1-07
TOOLS	1-10
TOP BRIDGE	1-06
TRANSMISSION	1-05
TURN SIGNAL	1-04
VALVE	1-04
WATER PIPE	1-07
WATER PUMP	1-09
WHEEL FR	1-02
WHEEL RR	1-03
WIRE HARNESS	1-06

GRID NO.

1-F 2

RC150* FRAME NO DM000017 TO DM008120
 RC150* FRAME NO EM100006 TO EM103270
 RC151* FRAME NO EM100002 TO EM100437

REAR FENDER



CAUTION OR WARNING LABELS MUST BE ORDERED SEPARATELY WHEN APPLICABLE

REF NO	DESCRIPTION	V F 7 5 0 F	V F 7 5 0 F	A R E A C O D E	SERIAL NUMBER FROM	TO	Q T Y R E Q	PART NUMBER	HONDA CODE
VF750F 83 VF750F 84		8 3 4	8 3 4					G39-BMB2-6*	BLOCK NO F-26
1	SPARK UNIT (HI ACHI)	3	4				1	30400-MB0-005	1245943
	SPARK UNIT (ND)	3	4				1	30400-MB1-701	1291327
2	SPARK UNIT (ND)	3	4				1	30410-MB2-004	1401579
	SPARK UNIT (HITACHI)	3	4				1	30410-MB2-005	1401587
3	REFLECTOR REFLEX	3	4				2	33741-MC7-611	1216944
	REFLECTOR REFLEX	3	4				2	33741-MC7-612	1853811
4	SENSOR STOP & TAILLIGHT	3	-				1	35550-MB2-670	1429109
	SENSOR STOP & TAILLIGHT	-	4				1	35550-MB2-771	1718311
	SENSOR STOP & TAILLIGHT	-	4				1	35550-MB2-772	1693522
5	FENDER A RR	3	4				1	80100-MB2-000	1430800
	FENDER A RR	3	4				1	80100-MB2-010	1762111
6	PLATE TOOL SETTING	3	4				1	80102-MB2-000	1430826
7	FENDER B RR	3	4				1	80105-MB2-000	1430842
	FENDER B RR	3	4				1	80105-MB2-010	1762129
8	GROMMET AIR CLEANER CASE	3	4				2	83551-GE2-000	1406164
9	HOLDER ASSY HELMET	3	4				1	84102-ME1-671	1212729
10	GRIP R SIDE	3	4				1	84110-MB2-670	1430891
11	BASE R REFLECTOR	3	4				1	84111-MB2-670	1435650
12	GRIP L SIDE	3	4				1	84120-MB2-670	1430925
13	BASE L REFLECTOR	3	4				1	84121-MB2-670	1435668

102

1-F 3

RC150* FRAME NO DMO00017 TO DM008120

RC150* FRAME NO EM100006 TO EM103270

RC151* FRAME NO EM100002 TO EM100437

REF NO	DESCRIPTION	V F 7 5 0 F	V F 7 5 0 F	A R E A C O D E	SERIAL NUMBER FROM	TO	Q T Y R E Q	PART NUMBER	HONDA CODE
VF750F 83 VF750F 84		8 3 4	8 3 4						BLOCK NO F-26
14	LABEL HELMET HOLDER	3	4				1	87511-323-670	0274811
15	LABEL ACCESSORIES & LOADING CAUTION	3	4				1	87512-MA4-670	0952184
16	BOLT FLANGE 6MM	3	-				2	90111-187-000	10J2069
	BOLT FLANGE 6X10	-	4				2	95700-06010-08	0344952
	BOLT FLANGE 6X10	-	4				2	95701-06010-08	2204709
17	BOLT SOCKET 8X16	3	4				2	90115-463-000	0881151
18	NUT SPECIAL 5MM	3	4				2	90301-MB2-000	1435676
19	COLLAR GEARSHIFT LEVER MOUNT	3	4				2	90522-170-700	0941138
20	SCREW PAN 6X25	3	4				2	93500-06025-0H	1435684
21	BOLT FLANGE 8X16	3	-				2	95700-08016-08	0347641
	BOLT FLANGE 8X16	3	4				2	95701-08016-08	2374767
	BOLT FLANGE 8X16	3	4				2	95900-08016-08	2048544
	BOLT FLANGE 8X16	3	4				2	95900-08016-08	1591312
	BOLT FLANGE 8X16	3	4				2	96500-08016-08	2138279

103

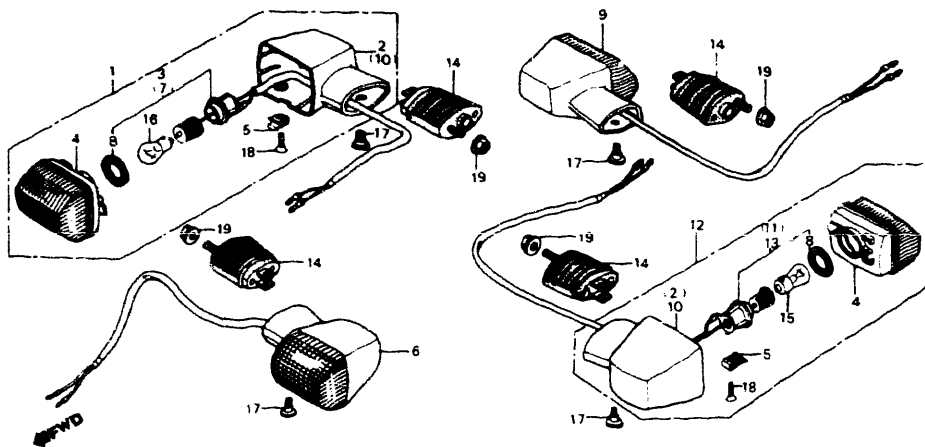
CONTENTS

TITLE	GRID
AIR CLEANER	1-E9
ALTERNATOR	1-B8
BATTERY	1-E6
BRAKE CALIPER FR	1-D11
BRAKE CALIPER RR	1-E2
BRAKE MASTER CYL FR	1-D4
BRAKE MASTER CYL RR	1-E1
CABLES	1-D3
CAM CHAIN	1-B5
CAMSHAFT	1-B4
CANISTER	1-F2
CARBURETOR (ASSY LINK)	1-C8
CARBURETOR COMPONENTS	1-C9
CLUTCH	1-B6
CLUTCH MASTER CYLINDER	1-D5
CONTROL LEVERS	1-F1
COWL	1-F11
COWL RR	1-E5
CRANKCASE COVER L	1-B9
CRANKCASE COVER R	1-B6
CRANKSHAFT	1-C2
CYLINDER BLOCK	1-C1
CYLINDER HEAD COVER	1-B1
CYLINDER HEAD FR	1-B1
CYLINDER HEAD RR	1-B3
EMBLEMS	1-G2
FENDER FR	1-D8
FENDER RR	1-F3
FRAME BODY	1-F8
FRONT SHOCK ABSORBER	1-D9
FUEL PUMP	1-E7
FUEL TANK	1-E4
GASKET KIT B	1-C11
GASKET KIT A	1-C11
GEARSHIFT DRUM	1-C6
HANDLEBAR	1-D6
HEADLIGHT	1-D1
HORN	1-D8
IGNITION COIL	1-F6
INSTRUMENTS	1-D1
LABELS	1-G2
MUFFLER EXHAUST	1-E10
OIL FILTER	1-B11
OIL PAN	1-B11
OIL PUMP	1-B11
PEDAL BRAKE	1-E11
PEDAL GEARSHIFT	1-E11
PISTON	1-C2
PULSE GENERATOR	1-B7
PURGE CONTROL VALVE	1-F12
RADIATOR	1-F7
SEAT	1-E5
SHOCK ABSORBER RR	1-F2
SIDE COVER	1-E6
STAND	1-E12
STARTER MOTOR	1-B11
STARTING CLUTCH	1-B7
STEERING STEM	1-D6
STEP	1-E11
STRIPES	1-G2
SWINGARM	1-F1
SWITCHES	1-D3
TAILLIGHT	1-F4
TENSIONER	1-B5
THERMOSTAT	1-C7
TOOLS	1-F10
TOP BRIDGE	1-D6
TRANSMISSION	1-C5
TURN SIGNAL	1-F4
VALVE	1-B4
WATER PIPE	1-C7
WATER PUMP	1-B9
WHEEL FR	1-D12
WHEEL RR	1-E3
WIRE HARNESS	1-F6

GRID NO.

1-F 3

TURN SIGNAL



VF750F 83 VF750F 84		VF750F 83 VF750F 84		AREA CODE	G39-MB2-41		BLOCK NO F-27	
REF NO	DESCRIPTION	QTY	REQ		SERIAL NUMBER FROM TO	PART NUMBER	HONDA CODE	
1	TURN SIGNAL ASSY R FR (12V23 8W)	3	4	-----	1 33400-MB2-671	1424779		
2	BASE TURN SIGNAL	3	4	-----	2 33401-MB2-003	1414697		
3	SOCKET COMP TURN SIGNAL	3	4	-----	1 33405-MB2-671	1435692		
4	LENS COMP TURN SIGNAL	3	4	-----	4 33406-MB2-671	1414689		
5	NUT SPECIAL	3	4	-----	4 33407-MB2-003	1435700		
6	TURN SIGNAL ASSY L FR (12V23 8W)	3	4	-----	1 33450-MB2-671	1424787		
7	SOCKET COMP TURN SIGNAL	3	4	-----	1 33455-MB2-671	1435718		
8	GASKET SEAL	3	4	-----	4 33518-MB2-003	1435726		
9	TURN SIGNAL ASSY R RR (12V 23W)	3	4	-----	1 33600-MB2-671	1424795		
10	BASE TURN SIGNAL	3	4	-----	2 33601-MB2-003	1414705		
11	SOCKET COMP TURN SIGNAL	3	4	-----	1 33605-MB2-003	1438068		
12	TURN SIGNAL ASSY L RR (12V 23W)	3	4	-----	1 33650-MB2-671	1424803		
13	SOCKET COMP TURN SIGNAL	2	4	-----	1 33655-MB2-003	1438076		
14	STAY TURN SIGNAL	3	4	-----	4 33691-MB2-003	1428986		
15	BULB TURN SIGNAL (12V23W)	3	4	-----	2 34905-268-671	0145318		
16	BULB TURN SIGNAL (12V23 8W)	3	4	-----	2 34905-425-671	0824326		

104

1-F 4

RC150* FRAME NO DMO00017 TO DMO08120
 RC150* FRAME NO EM100006 TO EM103270
 RC151* FRAME NO EM100002 TO EM100437

VF750F 83 VF750F 84		VF750F 83 VF750F 84		AREA CODE	BLOCK NO F-27	
REF NO	DESCRIPTION	QTY	REQ		SERIAL NUMBER FROM TO	PART NUMBER
17	SCREW SPECIAL 6X8	3	4	-----	4 90380-MB2-000	1425271
18	SCREW OVAL 4X12	3	4	-----	4 93700-04012-1G	1425297
19	NUT FLANGE 6MM	3	4	-----	4 94050-06080	0612689

105

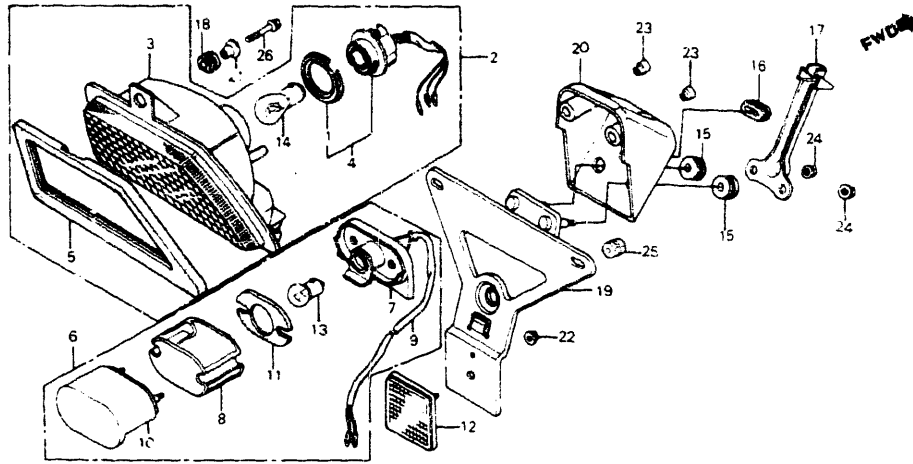
CONTENTS

TITLE	GRID
AIR CLEANER	1-E9
ALTERNATOR	1-B8
BATTERY	1-E6
BRAKE CALIPER FR	1-011
BRAKE CALIPER RR	1-E2
BRAKE MASTER CYL FR	1-D4
BRAKE MASTER CYL RR	1-E1
CABLES	1-D3
CAM CHAIN	1-B5
CAMSHAFT	1-B4
CANISTER	1-F12
CARBURETOR ASSY LINK	1-C8
CARBURETOR COMPONENTS	1-C9
CLUTCH	1-B6
CLUTCH MASTER CYLINDER	1-D5
CONTROL LEVER	1-D3
COWL	1-F11
COWL RR	1-E5
CRANKCASE COVER L	1-B9
CRANKCASE COVER R	1-B6
CRANKSHAFT	1-C2
CYLINDER BLOCK	1-C1
CYLINDER HEAD COVER	1-B1
CYLINDER HEAD FR	1-B1
CYLINDER HEAD RR	1-B3
EMBLEMS	1-G3
FENDER FR	1-D8
FENDER RR	1-F3
FRAME BODY	1-F4
FRONT SHOCK ABSORBER	1-D5
FUEL PUMP	1-E7
FUEL TANK	1-E4
GASKET KIT R	1-C1
GASKET KIT A	1-C1
GEARSHIFT DRUM	1-C6
HANDLEBAR	1-D6
HEADLIGHT	1-D1
HORN	1-D8
IGNITION COIL	1-F6
INSTRUMENTS	1-D1
LABELS	1-G2
MUFFLER EXHAUST	1-E10
OIL FILTER	1-B11
OIL PAN	1-B11
OIL PUMP	1-B11
PEDAL BRAKE	1-E11
PEDAL GEARSHIFT	1-E11
PISTON	1-C2
PULSE GENERATOR	1-B7
PURGE CONTROL VALVE	1-F12
RADIATOR	1-F7
SEAT	1-E5
SHOCK ABSORBER RR	1-F2
SIDE COVER	1-E6
STAND	1-E2
STARTER MOTOR	1-B11
STARTING CLUTCH	1-B7
STEERING STEM	1-D8
STEP	1-E11
STRIPES	1-G2
SWINGARM	1-F1
SWITCHES	1-D3
TAILLIGHT	1-F5
TENSIONER	1-B5
THERMOSTAT	1-C7
TOOLS	1-F10
TOP BRIDGE	1-D6
TRANSMISSION	1-C5
TURN SIGNAL	1-F4
VALVE	1-B4
WATER PIPE	1-C7
WATER PUMP	1-B9
WHEEL FR	1-D12
WHEEL RR	1-E3
WIRE HARNESS	1-F6

GRID NO.

1-F 4

TAILLIGHT



VF750F 83 VF750F 84	VF750F 83	VF750F 84	AREA CODE	DESCRIPTION	QTY REQ	039 BMB2 14	BLOCK NO. F-28
REF NO	3	4	E	SERIAL NUMBER FROM TO	PART NUMBER	HONDA CODE	
1	3	4			1 33518-SA2-003	0845875	
2	3	4			1 33701-MB2-671	1424951	
	3	4			1 33701-MB2-672	1792142	
3	3	4			1 33701-MB2-670	1435767	
	3	4			1 33701-MB2-671	1424951	
	3	4			1 33701-MB2-672	1792142	
	3	4			1 33703-MB2-671	1499482	
4	3	4			1 33708-MB2-671	1424969	
5	3	4			1 33709-MB2-003	1424977	
6	3	4			1 33720-MB2-003	1435775	
7	3	4			1 33721-MB2-003	1429026	
8	3	4			1 33722-MB1-003	1260538	
	3	4			1 33722-MB1-013	2291920	
9	3	4			1 33725-MB2-003	1428034	
10	3	4			1 33727-ME4-671	1393362	
11	3	4			1 33729-MB1-003	1260561	
12	3	4			1 33742-MB2-671	1401595	
	3	4			1 33742-MB2-672	1853829	
13	3	4			1 34616-568-671	0504522	

106

RC150* FRAME NO : DM000017 TO DM008120
RC150* FRAME NO : EM100006 TO EM103270
RC151* FRAME NO : EM100002 TO EM100437

1-F 5

VF750F 83 VF750F 84	VF750F 83	VF750F 84	AREA CODE	DESCRIPTION	QTY REQ	SERIAL NUMBER FROM TO	PART NUMBER	HONDA CODE	BLOCK NO. F-28
REF NO	3	4	E						
13	3	4		BULB. LICENSE LIGHT (12V 4CP)	1	-----	34902-500-003	0591529	
	3	4		BULB. LICENSE LIGHT (12V 4CP)	1	-----	34908-272-00C	2079226	
	3	4		BULB. LICENSE LIGHT (12V 4CP)	1	-----	34909-505-003	0504563	
	3	4		BULB. LICENSE LIGHT (12V 4CP)	1	-----	34909-505-610	0587147	
14	3	4		BULB. STOP & TAILLIGHT	1	-----	34906-MG9-771	1700301	
	3	4		BULB. TAILLIGHT (12V32/3CP)	1	-----	34906-341-671	0273540	
15	3	4		RUBBER, FR. FENDER MOUNTING	2	-----	61103-357-000	0329987	
16	3	4		GROMMET, WIRE	1	-----	80102-323-000	0255752	
17	3	4		GUARD, WIRE	1	-----	80103-MB2-000	1430834	
18	3	4		RUBBER, TAILLIGHT CUSHION	1	-----	80104-MB2-000	1435783	
19	3	4		BRACKET, NUMBER PLATE	1	-----	84701-MB2-670	1430933	
	3	4		BRACKET, LICENSE PLATE	1	-----	84701-MB2-671	1792438	
20	3	4		BASE, LICENSE LIGHT	1	-----	84703-MB2-670	1435791	
21	3	4		COLLAR, TAILLIGHT MOUNTING	1	-----	84706-163-670	0756169	
22	3	4		NUT, FLANGE CAP, 5MM	1	-----	90167-SAO-980	213099	
23	3	4		NUT, SPECIAL, 6MM	2	-----	90302-MB2-000	1425248	
24	3	4		NUT, FLANGE, 6MM	2	-----	90302-187-000	1032093	
25	3	4		RUBBER, NUMBER BRACKET CUSHION	1	-----	90899-MB2-000	1442029	
26	3	4		BOLT, FLANGE, 6X14	1	-----	95700-06014-00	0671198	
	3	4		BOLT, FLANGE, 6X14	1	-----	95701-06014-00	2410884	

107

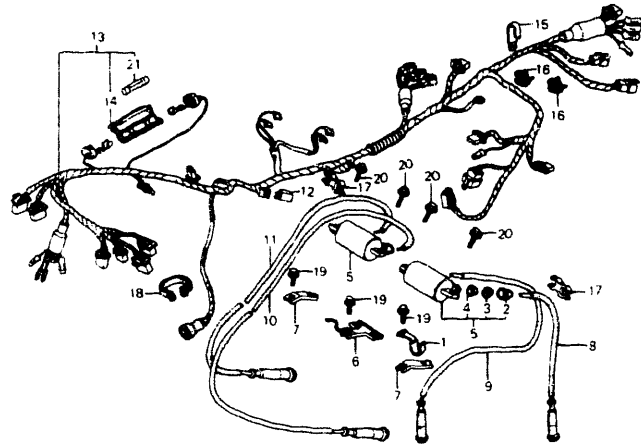
CONTENTS

TITLE	GRID
AIR CLEANER	1-E9
ALTERNATOR	1-B8
BATTERY	1-E6
BRAKE CALIPER FR	1-D11
BRAKE CALIPER RR	1-E2
BRAKE MASTER CYL FR	1-D4
BRAKE MASTER CYL RR	1-E1
CABLES	1-D3
CAM CHAIN	1-B5
CAMSHAFT	1-B4
CANISTER	1-F12
CARBURETOR ASSEMBLY LINKS	1-C8
CARBURETOR COMPONENTS	1-C9
CLUTCH	1-B6
CLUTCH MASTER CYLINDER	1-D2
CONTROL LEVERS	1-D1
COWL	1-F7
COWL RR	1-E5
CRANKCASE COVER L	1-B9
CRANKCASE COVER R	1-B6
CRANKSHAFT	1-C2
CYLINDER BLOCK	1-C1
CYLINDER HEAD COVER	1-B1
CYLINDER HEAD FR	1-B1
CYLINDER HEAD RR	1-B3
EMBLEMS	1-G2
FENDER FR	1-D8
FENDER RR	1-F3
FRAME BODY	1-F8
FRONT SHOCK ABSORBER	1-D9
FUEL PUMP	1-E7
FUEL TANK	1-E4
GASKET KIT B	1-C11
GEARSHIFT KIT A	1-C6
GEARSHIFT DRUM	1-C6
HANDLEBAR	1-D1
HEADLIGHT	1-D1
HORN	1-D8
IGNITION COIL	1-F6
INSTRUMENTS	1-D1
LABELS	1-G2
MUFFLER EXHAUST	1-E10
OIL FILTER	1-B11
OIL PAN	1-B11
OIL PUMP	1-B11
PEDAL BRAKE	1-E11
PEDAL GEARSHIFT	1-E11
PISTON	1-C2
PULSE GENERATOR	1-B7
PURGE CONTROL VALVE	1-F12
RADIATOR	1-F7
SEAT	1-E5
SHOCK ABSORBER RR	1-F2
SIDE COVER	1-E6
STAND	1-E12
STARTER MOTOR	1-B11
STARTING CLUTCH	1-B7
STEERING STEM	1-D8
STEP	1-E11
STRIPES	1-G2
SWINGARM	1-F1
SWITCHES	1-D3
TAILLIGHT	1-F5
TENSIONER	1-B5
THERMOSTAT	1-C7
TOOLS	1-F10
TOP BRIDGE	1-D6
TRANSMISSION	1-C5
TURN SIGNAL	1-F4
VALVE	1-B4
WATER PIPE	1-C7
WATER PUMP	1-B9
WHEEL FR	1-D12
WHEEL RR	1-E3
WIRE HARNESS	1-F6

GRID NO.

1-F 5

WIRE HARNESS • IGNITION COIL



VF750F 83 VF750F 84		VF750F 83 VF750F 84		AREA CODE	G39 BMB2 45	BLOCK NO F-29	
REF NO	DESCRIPTION	3	4			QTY REQ	PART NUMBER
1	CLAMP. RESERVE TANK TUBE	3	4		1	19119-MB2-000	1424878
2	CAP. SCREW	3	4		4	30501-428-003	1094911
3	SEAL. RUBBER	3	4		4	30502-428-003	1094929
4	WASHER. CAP	3	4		4	30503-428-003	1094937
5	COIL COMP. IGNITION	3	4		2	30510-MB0-701	1295930
6	STAY A. IGNITION COIL	3	-		1	30515-MB2-000	1428788
	STAY A. IGNITION COIL	-	4		1	30515-MB2-010	1708320
7	STAY B. IGNITION COIL	3	-		2	30516-MB2-000	1428796
	STAY B. IGNITION COIL	-	4		2	30516-MB2-010	1708338
8	CAP COMP 1. COIL (R-L)	3	4		1	30731-MB2-000	1428812
9	CAP COMP 2. COIL (R-R)	3	4		1	30732-MB2-000	1428820
10	CAP COMP 3. COIL (F-R)	3	4		1	30733-MB2-153	1424894
11	CAP COMP 4. COIL (F-L)	3	4		1	30734-MB2-153	1424902
12	RECTIFIER ASSY	3	4		1	31700-124-003	0351346
	RECTIFIER ASSY	3	4		1	31700-124-008	0692129
13	HARNESS. WIRE	3	-		1	32100-MB2-000	1428903

VF750F 83 VF750F 84		VF750F 83 VF750F 84		AREA CODE	QTY REQ	SERIAL NUMBER FROM TO	PART NUMBER	HONDA CODE
REF NO	DESCRIPTION	3	4					
13	HARNESS WIRE	3	4		1	-----	32100-MB2-700	1699271
	.4 CASE. FUSE (10A)	3	4		1	-----	32126-463-770	0935122
15	CLIP. HARNESS	3	4		1	-----	32127-MB0-701	1384049
16	CLIP. WIRE HARNESS	3	4		2	-----	32161-393-003	0445494
17	CLAMP. COIL WIRE	3	4		2	-----	32802-MB2-000	1424910
18	BAND A2. WIRE	3	4		1	-----	95014-61200	0255679
19	BOLT. FLANGE. 6X14	3	4		3	-----	95700-06014-08	0840587
	BOLT. FLANGE. 6X14	3	4		3	-----	95701-06014-08	2374742
20	BOLT. FLANGE. 6X25	3	4		4	-----	95700-06025-08	0258731
	BOLT. FLANGE. 6X25	3	4		4	-----	95701-06025-08	2259711
21	FUSE B (10A)	3	4		2	-----	98200-21000	0562793

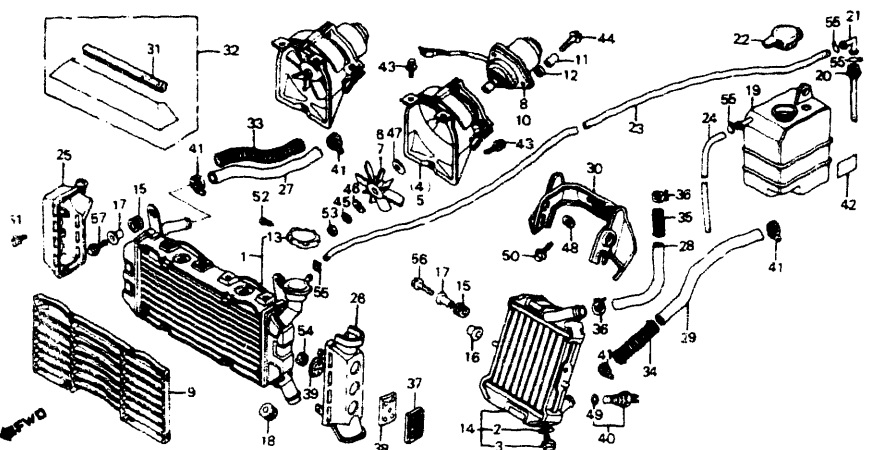
CONTENTS

TITLE	GRID
AIR CLEANER	1-E9
ALTERNATOR	1-B8
BATTERY	1-E6
BRAKE CALIPER FR	1-D11
BRAKE CALIPER RR	1-E2
BRAKE MASTER CYL FR	1-D4
BRAKE MASTER CYL RR	1-D1
CABLES	1-D3
CAM CHA. N	1-B5
CAMSHAFT	1-B4
CAMISTER	1-F12
CARBURETOR ASSY LINK	1-C8
CARBURETOR COMPONENTS	1-C9
CLUTCH	1-B6
CLUTCH MASTER CYLINDER	1-D5
CONTROL LEVER	1-D3
CONTROL LEVER	1-F11
CRANK RR	1-E5
CRANKCASE COVER L	1-B9
CRANKCASE COVER R	1-B6
CRANKSHAFT	1-C1
CYLINDER BLOCK	1-C2
CYLINDER HEAD COVER	1-B1
CYLINDER HEAD FR	1-B1
CYLINDER HEAD RR	1-B3
EMBLEMS	1-G2
FENDER FR	1-D8
FENDER RR	1-F3
FRAME BODY	1-F8
FRONT SHOCK ABSORBER	1-D9
FUEL PUMP	1-E7
FUEL TANK	1-E4
GASKET KIT B	1-C11
GASKET KIT A	1-C11
GEARSHIFT DRUM	1-C6
HANDLEBAR	1-D6
HEADLIGHT	1-D1
HORN	1-D8
IGNITION COIL	1-F6
INSTRUMENTS	1-D1
LABELS	1-G2
MUFFLER EXHAUST	1-E10
OIL FILTER	1-B11
OIL PAN	1-B11
OIL PUMP	1-B11
PEDAL BRAKE	1-E11
PEDAL GEARSHIFT	1-E11
PISTON	1-C2
PULSE GENERATOR	1-B7
PURGE CONTROL VALVE	1-F12
RADIATOR	1-F7
SEAT	1-E5
SHOCK ABSORBER RR	1-F2
SIDE COVER	1-E6
STAND	1-E12
STARTER MOTOR	1-B11
STARTING CLUTCH	1-B7
STEERING STEM	1-D8
STEP	1-E11
STRIPES	1-F2
SWINGARM	1-F1
SWITCHES	1-D1
TAILLIGHT	1-FE
TENSIONER	1-B5
THERMOSTAT	1-C7
TODS	1-F10
TOP BRIDGE	1-D6
TRANSMISSION	1-C5
TURN SIGNAL	1-F4
VALVE	1-B4
WATER PIPE	1-C7
WATER PUMP	1-B9
WHEEL FR	1-D12
WHEEL RR	1-E3
WIRE HARNESS	1-F6

GRID NO.

1-F 6

RADIATOR



VF750F 83 VF750F 84		VF750F 83 VF750F 84		VF750F 83 VF750F 84		VF750F 83 VF750F 84		VF750F 83 VF750F 84	
REF NO	DESCRIPTION	QTY	AREA CODE	SERIAL NUMBER FROM	SERIAL NUMBER TO	PART NUMBER	HONDA CODE	G39 9MB2-62 BLOCK NO F-30	
1	RADIATOR COMP (A)	3	4			1 19010-MB2-003	1413988		
2	GASKET DRAIN VALVE	3	4			1 19012-PA0-003	0845313		
3	VALVE DRAIN	3	4			1 19013-415-004	0667469		
4	SHROUD COMP R	3	4			1 19015-MB2-003	1427848		
5	SHROUD COMP L	3	4			1 19016-MB2-003	1462472		
6	FAN COOLING	3	4			1 19025-KEB-000	1435809		
7	FAN COOLING (ND)	-	4			1 19025-MB2-003	1503358		
8	MOTOR ASSY FAN (ND)	3	4			1 19030-MB2-003	1708254		
9	GRILLE RADIATOR	3	4			1 19032-MB2-000	1427963		
10	MOTOR ASSY FAN (ND)	3	4			1 19035-MB2-003	1708262		
11	BUSH (ND)	3	4			5 N949194-004G	0614610		
	BUSHING (ND)	3	4			6 19040-611-003	0341040		
12	RUBBER BUSHING (ND)	3	4			6 N949197-0180	0614628		
	RUBBER BUSHING (ND)	3	4			6 19041-611-003	0357103		
13	CAP COMP RADIATOR (ND)	3	4			1 19045-MB0-003	1245380		
	CAP COMP RADIATOR (ND)	3	4			1 19045-MB0-013	1781491		
14	RADIATOR COMP (B)	3	4			1 19050-MB2-003	1413996		
15	RUBBER RADIATOR MOUNTING	3	4			4 19051-KA4-000	1042266		
16	RUBBER RADIATOR MOUNTING	3	4			2 19051-MB2-000	1427871		
17	COLLAR RADIATOR MOUNTING	3	4			4 19052-MB0-000	1245398		

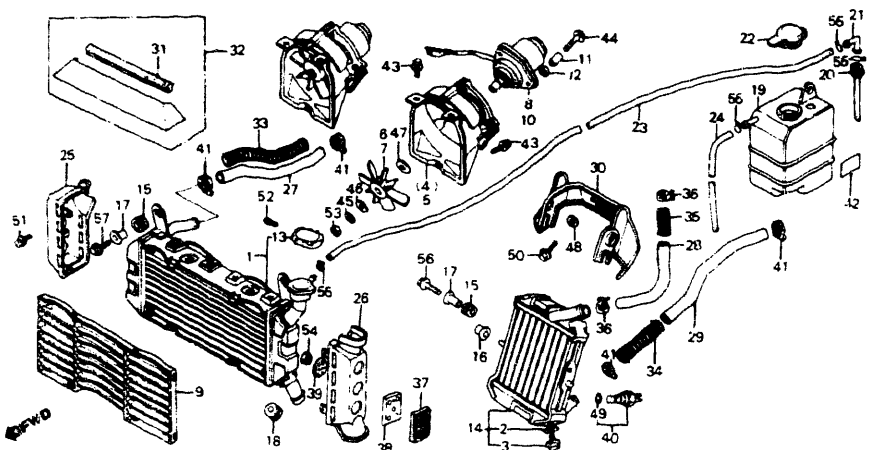
VF750F 83 VF750F 84		VF750F 83 VF750F 84		VF750F 83 VF750F 84		VF750F 83 VF750F 84		VF750F 83 VF750F 84	
REF NO	DESCRIPTION	QTY	AREA CODE	SERIAL NUMBER FROM	SERIAL NUMBER TO	PART NUMBER	HONDA CODE	BLOCK NO F-30	
18	GROMMET RADIATOR	3	4			2 19053-MB2-000	1427889		
19	TANK RESERVE	3	4			1 19101-MB2-000	1427897		
20	TUBE LEVEL	3	4			1 19102-463-000	0881896		
	TUBE LEVEL	3	4			1 19205-MF5-000	1400175		
21	JOINT TUBE	3	4			1 19103-463-000	0881904		
22	CAP RESERVE TANK	3	4			1 19104-MB0-700	1308071		
23	TUBE OVER FLOW	3	4			1 19107-MB0-000	1245463		
24	TUBE OVER FLOW	3	4			1 19107-MB2-000	1425396		
	TUBE OVER FLOW	3	4			1 19107-MB2-010	1853688		
25	COVER R RADIATOR	3	4			1 19110-MB2-000	1427905		
26	COVER L RADIATOR	3	4			1 19111-MB2-000	1427913		
27	HOSE A RADIATOR	3	4			1 19115-MB2-000	1427921		
28	HOSE B RADIATOR	3	4			1 19116-MB2-000	1427939		
29	HOSE RADIATOR (C)	3	4			1 19117-MB2-000	1427947		
30	STAY RADIATOR LOWER	3	4			1 19118-MB2-000	1427954		
31	RUBBER RADIATOR UPPER COVER	3	4			1 19126-MB2-000	1438761		
32	COVER ASSY RADIATOR UPPER	3	4			1 19130-MB2-000	1438779		
33	PROTECTOR RADIATOR HOSE A	3	4			1 19510-MB2-000	1428028		
34	PROTECTOR RADIATOR HOSE B	3	4			1 19511-MB2-000	1428036		
35	PROTECTOR RADIATOR HOSE C	3	4			1 19512-MB2-000	1428069		
36	CLAMP B WATER HOSE	3	4			2 19513-MB2-003	1441799		
37	REFLECTOR FR REFLEX	3	4			2 33741-MB2-671	1429042		
38	BASE REFLEX REFLECTOR	3	4			2 33752-MB2-670	1429059		
39	BRACKET REFLEX REFLECTOR	3	4			2 33753-MB2-670	1429067		
40	THERMOSWITCH ASSY	3	4			1 37760-MC7-003	1215458		
41	CLAMP WATER HOSE	3	-			4 50228-MB0-000	1243328		
	CLAMP WATER HOSE	-	4			4 19503-MB1-870	1707991		
42	LABEL RESERVE TANK	3	4			1 87507-MB4-670	1425818		
43	SCREW-WASHER 4X18 (ND)	3	4			6 90041-679-003	0736678		
44	BOLT-WASHER 6X10 (ND)	3	4			6 90042-679-003	0786343		
45	WASHER SPRING 5MM (ND)	3	4			2 90401-679-003	0736850		
46	WASHER 5MM (ND)	3	4			2 90402-679-003	0736884		
47	WASHER PLAIN 6.8MM (ND)	3	4			2 90403-679-003	0736900		
	WASHER PLAIN 6.8MM (ND)	3	4			2 90501-971-003	0736983		
48	WASHER 6MM	3	4			2 90501-MA6-000	1544808		
49	O-RING 13.5X1.4	3	4			1 91307-PH7-650	2514651		
	O-RING 13.5X1.4	3	4			1 91307-611-000	0347906		
50	BOLT-WASHER 6X12	3	4			2 93404-06012-00	2871085		
	BOLT-WASHER 6X12	3	4			2 93494-06012-00	0474049		
51	SCREW-WASHER 4X10	3	4			4 33891-04010-07	1218635		
	SCREW-WASHER 4X10	3	4			4 93891-04010-08	0737775		
52	SCREW TAPPING 3X8	3	4			1 93901-22180	0786772		

CONTENTS

TITLE	GRID
AIR CLEANER	1-E9
ALTERNATOR	1-B8
BATTERY	1-E6
BRAY CALIPER FR	1-D1
BRAKE CALIPER RR	1-E2
BRAKE MASTER CYL FR	1-D4
BRAKE MASTER CYL RR	1-E3
CABLES	1-D3
CAM CHAIN	1-B5
CAMSHAFT	1-B4
CAMSHAFT	1-F12
CARBURETOR ASSY LINK	1-C8
CARBURETOR COMPONENTS	1-C9
CLUTCH	1-B6
CLUTCH MASTER CYLINDER	1-D5
CONTROL LEVERS	1-D3
COWL	1-F11
COWL RR	1-E5
CRANKCASE COVER L	1-B9
CRANKCASE COVER R	1-B6
CRANKSHAFT	1-C2
CYLINDER BLOCK	1-C1
CYLINDER HEAD COVER	1-B1
CYLINDER HEAD FR	1-B1
CYLINDER HEAD RR	1-B3
EMBLEMS	1-G2
FENDER FR	1-D8
FENDER RR	1-F3
FRAME BODY	1-F8
FRONT SHOCK ABSORBER	1-D9
FUEL PUMP	1-E7
FUEL TANK	1-E4
GASKET KIT B	1-C11
GASKET KIT A	1-C11
GEARSHIFT DRUM	1-C6
HANDLEBAR	1-D6
HEADLIGHT	1-D1
HORN	1-D8
IGNITION COIL	1-F5
INSTRUMENTS	1-D1
LABELS	1-G2
MUFFLER EXHAUST	1-E0
OIL FILTER	1-B11
OIL PAN	1-B11
OIL PUMP	1-B11
PEDAL BRAKE	1-E11
PEDAL GEARSHIFT	1-E11
PISTON	1-C2
PULSE GENERATOR	1-B7
PURGE CONTROL VALVE	1-F12
RADIATOR	1-F7
SEAT	1-E5
SHOCK ABSORBER RR	1-F2
SIDE COVER	1-E6
STAND	1-E2
STARTER MOTOR	1-B11
STARTING CLUTCH	1-B7
STEERING STEM	1-D8
STEP	1-E11
STRIPES	1-G2
SWINGARM	1-F1
SWITCHES	1-D3
TAILLIGHT	1-F5
TENSIONER	1-B5
THERMOSTAT	1-C7
TOOLS	1-F10
TOP BRIDGE	1-D6
TRANSMISSION	1-C5
TURN SIGNAL	1-E4
VALVE	1-B4
WATER PIPE	1-C7
WATER PUMP	1-B9
WHEEL FR	1-D12
WHEEL RR	1-E3
WIRE HARNESS	1-F6

RC150* FRAME NO DM000017 TO DM008120
 RC150* FRAME NO EM100006 TO EM103270
 RC151* FRAME NO EM100002 TO EM100437

RADIATOR



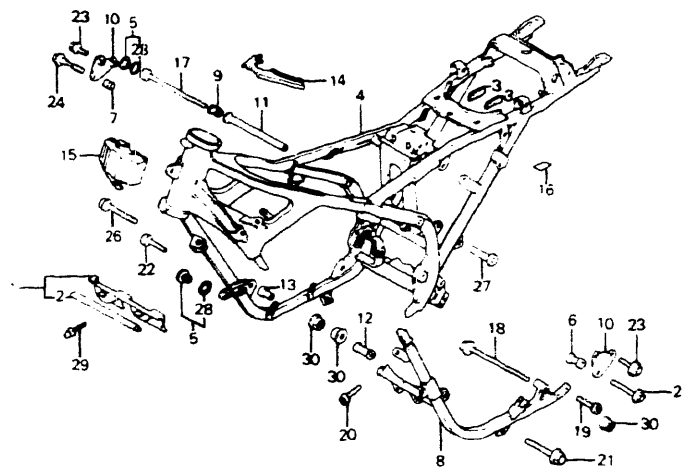
VF750F 83 VF750F 84		VF750F 83 VF750F 84		AREA CODE	QTY REQ	G39 8MB2 62	BLOCK NO F-30
REF NO	DESCRIPTION	3	4				
53	NUT HEX . 5MM	3	4		2	94001-05080-0S	0285783
54	NUT HEX 6MM THIN	3	4		2	94002-06000-0S	0181032
55	CLIP C11 TUBE	3	4		4	95002-70000	0053595
56	BOLT, FLANGE, 6X20	3	4		2	95700-06020-00	0488684
	BOLT, FLANGE, 6X20	3	4		2	95701-06020-00	2105815
57	BOLT, FLANGE, 6X20	3	4		2	95700-06020-07	0476168
	BOLT, FLANGE, 6X20	3	4		2	95701-06020-07	2251288

112

RC150* FRAME NO . DMO00017 TO DMO08120
RC150* FRAME NO . EM100006 TO EM103270
RC151* FRAME NO . EM100002 TO EM100437

1-F 8

FRAME BODY



CAUTION OR WARNING LABELS MUST BE ORDERED SEPARATELY WHEN APPLICABLE

VF750F 83 VF750F 84		VF750F 83 VF750F 84		AREA CODE	QTY REQ	G39 8MB2 47A	BLOCK NO F-31
REF NO	DESCRIPTION	3	4				
1	PLATE, HEAT GUARD	3	4		1	19125-MB2-000	1413137
2	RUBBER, HEAT GUARD SEAL	3	4		1	19127-MB2-000	1441781
3	RUBBER, PROTECTOR	-	4		2	35857-MB2-000	153886
4	BODY COMP., FRAME 'NH104MU' (PLEIADES SILVER METALLIC)	3	-		1	50100-MB2-670ZA	1401611
	BODY COMP., FRAME 'NH104MU' (PLEIADES SILVER METALLIC)	-	4		1	50100-MB2-770ZA	1695410
	BODY COMP., FRAME 'NH104MU' (PLEIADES SILVER METALLIC)	-	4		1	50100-MB2-771ZA	1963016
5	CAP, ENGINE HANGER	3	4		2	50200-MB2-000	1430164
6	COLLAR, L. ENGINE HANGER UPPER	3	4		1	50208-MB2-000	1430172
7	COLLAR, R. ENGINE HANGER UPPER	3	4		1	50209-MB2-000	1430180
8	SUB FRAME COMP. 'NH104MU' (PLEIADES SILVER METALLIC)	3	-		1	50210-MB2-000ZA	1430198
	SUB FRAME COMP. 'NH104MU' (PLEIADES SILVER METALLIC)	3	4		1	50210-MB2-010ZA	1696673
9	COLLAR, R ENGINE MOUNTING	3	4		1	50226-MB2-000	1430206
10	PLATE, ENGINE HANGER CENTER	3	4		2	50356-MB2-000	1430263
11	COLLAR, ENGINE HANGER UPPER	3	4		1	50361-MB2-000	1430271
12	COLLAR B. ENGINE HANGER	3	4		1	50362-MB0-000	1248723

113

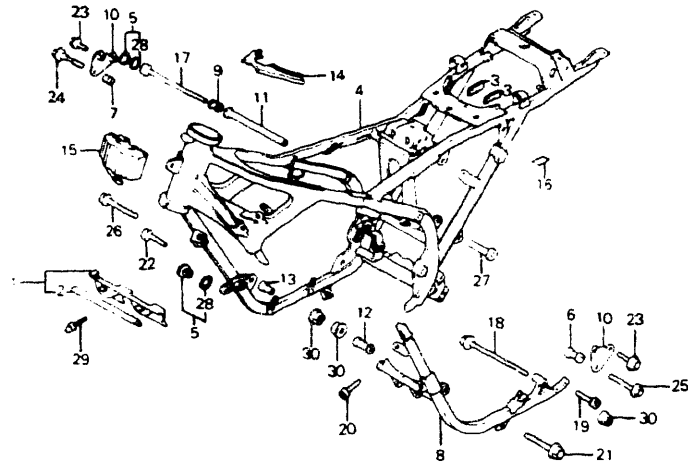
CONTENTS

TITLE	GRID
AIR CLEANER	1-E9
ALTERNATOR	1-B8
BATTERY	1-F6
BRAKE CALIPER FR	1-D1
BRAKE CALIPER RR	1-E2
BRAKE MASTER CYL FR	1-D4
BRAKE MASTER CYL RR	1-E1
CABLES	1-D3
CAM CHAIN	1-B5
CAMSHAFT	1-B4
CANISTER	1-F2
CARBURETOR (ASSY LINK)	1-C8
CARBURETOR COMPONENTS	1-C9
CLUTCH	1-B6
CLUTCH MASTER CYLINDER	1-D5
CONTROL LEVERS	1-D3
CONV.	1-F1
CONV. RR	1-E5
CRANKCASE COVER L	1-B9
CRANKCASE COVER R	1-B6
CRANKSHAFT	1-C2
CYLINDER BLOCK	1-C1
CYLINDER HEAD COVER	1-B1
CYLINDER HEAD FR	1-B1
CYLINDER HEAD RR	1-B3
EMBLEMS	1-G2
FENDER FR	1-D8
FENDER RR	1-F3
FRAME BODY	1-F8
FRONT SHOCK ABSORBER	1-D9
FUEL PUMP	1-E7
FUEL TANK	1-E4
GASKET KIT B	1-C11
GASKET KIT A	1-C11
GEARSHIFT DRUM	1-C6
HANDLEBAR	1-D6
HEADLIGHT	1-D1
HORN	1-D8
IGNITION COIL	1-F6
INSTRUMENTS	1-D1
LABELS	1-G2
MUFFLER EXHAUST	1-E10
OIL FILTER	1-B11
OIL PAN	1-B11
OIL PUMP	1-E11
PEDAL BRAKE	1-E11
PEDAL GEARSHIFT	1-E11
PISTON	1-C2
PULSE GENERATOR	1-B7
PURGE CONTROL VALVE	1-F12
RADIATOR	1-F7
SEAT	1-E5
SHOCK ABSORBER, RR	1-F2
SIDE COVER	1-E6
STAND	1-E12
STARTER MOTOR	1-B11
STARTING CLUTCH	1-B7
STEERING STEM	1-D8
STEP	1-E11
STRIPES	1-G2
SWINGARM	1-F1
SWITCHES	1-D3
TAILLIGHT	1-F5
TENSIONER	1-B5
THERMOSTAT	1-C7
TOOLS	1-F10
TOP BRIDGE	1-D6
TRANSMISSION	1-C5
TURN SIGNAL	1-F4
VALVE	1-B4
WATER PIPE	1-C7
WATER PUMP	1-B9
WHEEL FR	1-D12
WHEEL RR	1-E3
WIRE HARNESS	1-F6

GRID NO.

1-F 8

FRAME BODY



CAUTION OR WARNING LABELS MUST BE ORDERED SEPARATELY WHEN APPLICABLE

REF NO	DESCRIPTION	VF750F 83 VF750F 84		AREA CODE	QTY REQ	PART NUMBER	HONDA CODE
		3	4				
						G39 MB2 47A	BLOCK NO F-31
13	COLLAR R FR ENGINE HANGER	3	4		1	50362-MB2-000	1401629
14	COVER HEAD PIPE GUSSET	3	4		1	61401-MB2-000	1425099
15	COVER, FR	3	4		1	84601-MB2-000	1435817
16	LABEL, RR CUSHION CAUTION	3	4		1	87518-MB2-610	1401678
17	BOLT, SOCKET 10X244	3	4		1	90100-MB2-000	1431725
18	BOLT, FLANGE, 10X300	3	4		1	90101-MB2-000	1431162
19	BOLT, SOCKET 10X15	3	4		2	90103-MB2-000	1425214
20	BOLT, SOCKET, 10X23	3	-		2	90104-MB7-000	1425222
	BOLT, SOCKET, 10X20	-	4		2	90109-MF2-000	1401686
21	BOLT, FLANGE, 10X54	3	4		1	90105-MB2-000	1431170
22	BOLT SOCKET, 10X20	3	4		1	90106-MB0-000	1250927
23	BOLT, FLANGE, 8X16	3	4		4	90108-MB2-000	1431188
24	BOLT, FLANGE, 8X42	3	4		1	90107-MB2-000	1431733
25	BOLT, FLANGE, 8X50	3	4		1	90108-MB2-000	1431196
26	BOLT, FLANGE, 10X67	3	4		1	90110-MB2-000	1401694
27	NUT, SPECIAL, 10MM	3	4		1	90303-MB2-000	1425255
28	O-RING, 14 8X2 4	3	-		2	91212-422-006	0693481
	O-RING, 13 8X2 5	-	4		2	91303-MG7-003	2995447
	O-RING, 13 8X2 5	-	4		2	91303-377-000	0499525
	O-RING, 13 8X2 5	-	4		2	91303-426-000	1113372

114

RC150* FRAME NO.: DM000017 TO DM008120
 RC150* FRAME NO.: EM100006 TO EM103270
 RC151* FRAME NO.: EM100002 TO EM100437

1-F 9

REF NO	DESCRIPTION	VF750F 83 VF750F 84		AREA CODE	QTY REQ	SERIAL NUMBER FROM TO	PART NUMBER	HONDA CODE
		3	4					
29	SCREW WASHER, 5X12	3	4		1	-----	93891-05012-0A	0380634
30	NUT FLANGE, 10MM	3	4		3	-----	94050-10000	0483867

BLOCK NO F-31

115

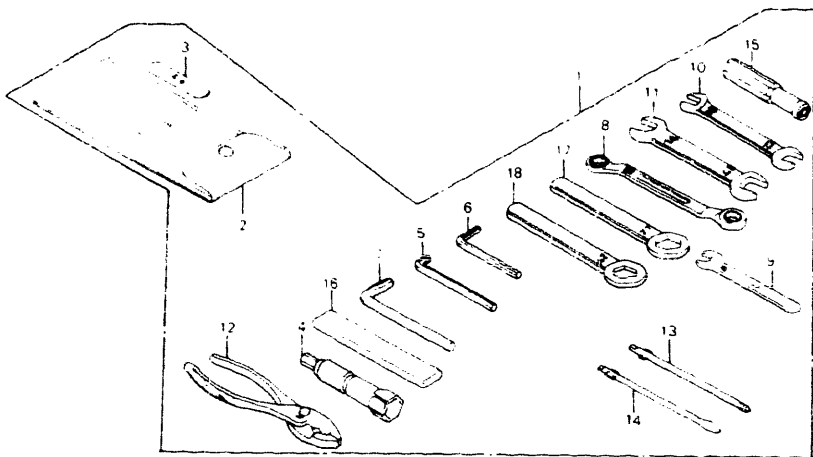
CONTENTS

TITLE	GRID
AIR CLEANER	1-F9
ALTERNATOR	1-B6
BATTERY	1-E6
BRAKE CALIPER FR	1-L11
BRAKE CALIPER RR	1-E1
BRAKE MASTER CYL FR	1-D4
BRAKE MASTER CYL RR	1-E1
CABLES	1-D3
CAM CHAIN	1-B5
CAMSHAFT	1-P4
CANISTER	1-132
CARBURETOR ASSY LINK	1-C8
CARBURETOR COMPONENTS	1-C9
CLUTCH	1-R6
CLUTCH MASTER CYLINDER	1-D5
CONTROL LEVERS	1-D3
COWL	1-F11
COWL RR	1-E5
CRANKCASE COVER L	1-B9
CRANKCASE COVER R	1-B6
CRANKSHAFT	1-C2
CYLINDER BLOCK	1-C1
CYLINDER HEAD COVER	1-B1
CYLINDER HEAD FR	1-B1
CYLINDER HEAD RR	1-B3
EMBLEMS	1-G2
FENDER FR	1-D8
FENDER RR	1-F3
FRAME BODY	1-F8
FRONT SHOCK ABSORBER	1-D9
FUEL PUMP	1-E7
FUEL TANK	1-E4
GASKET KIT B	1-C11
GASKIT KIT A	1-C11
GEARSHIFT DRUM	1-C6
HANDLEBAR	1-D6
HEADLIGHT	1-D1
HORN	1-D8
IGNITION COIL	1-F6
INSTRUMENTS	1-D1
LABELS	1-G2
MUFFLER EXHAUST	1-E10
OIL FILTER	1-B11
OIL PAN	1-B11
OIL PUMP	1-B11
PEDAL BRAKE	1-E11
PEDAL GEARSHIFT	1-E11
PISTON	1-C2
PULSE GENERATOR	1-B7
PURGE CONTROL VALVE	1-F12
RADIATOR	1-F7
SEAT	1-E5
SHOCK ABSORBER, RR	1-F2
SIDE COVER	1-E6
STAND	1-E12
STARTER MOTOR	1-B11
STARTING CLUTCH	1-B7
STEERING STEM	1-D8
STEP	1-E11
STRIPES	1-G2
SWINGARM	1-F1
SWITCHES	1-D3
TAILLIGHT	1-F5
TENSIONER	1-B5
THERMOSTAT	1-C7
TOOLS	1-F10
TOP BRIDGE	1-D6
TRANSMISSION	1-C5
TURN SIGNAL	1-F4
VALVE	1-B4
WATER PIPE	1-C7
WATER PUMP	1-B9
WHEEL, FR	1-D12
WHEEL, RR	1-E3
WIRE HARNESS	1-F6

GRID NO.

1-F 9

TOOLS



VF750F 83 VF750F 84		VF750F 83 VF750F 84		VF750F 83 VF750F 84		VF750F 83 VF750F 84		VF750F 83 VF750F 84	
REF NO	DESCRIPTION	QTY	REQ	SERIAL NUMBER FROM	SERIAL NUMBER TO	PART NUMBER	HONDA CODE	BLOCK NO F-32	
1	TOOL SET	3	-	-	-	1 89010-MB2-000	1425156		
	TOOL SET	3	-	-	-	1 89010-MB2-730	1440858		
	TOOL SET	-	4	-	-	1 89010-MB2-010	1708510		
2	BAG, TOOL	3	4	-	-	1 89101-300-010	0192369		
	BAG, TOOL	3	4	-	-	1 99008-02000	0268185		
3	GAUGE, FEELER, 0.7	3	4	-	-	1 89103-371-000	0443663		
4	WRENCH, PLUG	3	4	-	-	1 89216-MB2-000	1435825		
5	WRENCH, HEX, 6MM	3	4	-	-	1 89221-MB0-000	1250778		
6	WRENCH, HEX, 5MM	3	4	-	-	1 89221-429-000	0786046		
7	WRENCH, HEX, 8MM	3	4	-	-	1 89222-371-000	0408724		
8	WRENCH, EYE, 10X12	3	4	-	-	1 59227-461-000	0918813		
9	SPANNER, 8	3	4	-	-	1 99001-08000	0342766		
10	OPEN END WRENCH, 10X12	3	4	-	-	1 99001-10120	0187559		
11	OPEN END WRENCH, 14X17	3	4	-	-	1 99001-14170	0187567		
12	PLIERS, 135MM	3	4	-	-	1 99002-13500	0069252		
13	DRIVER, 2, PHILLIPS SCREW	3	4	-	-	1 99003-10000	0052443		
14	DRIVER, 2, STRAIGHT SLOT SCREW	3	4	-	-	1 99003-30000	0052449		
15	GRIP DRIVER	3	4	-	-	1 99003-50000	002464		
16	HANDLE, EYE WRENCH, 12MM	3	4	-	-	1 99006-12000	0270496		
17	WRENCH, EYE, 22MM	3	4	-	-	1 99006-22000	0268227		

116

1-F 10

RC150* FRAME NO. : DM000017 TO DM008120
 RC150* FRAME NO. EM100006 TO EM103270
 RC151* FRAME NO. EM100002 TO EM100437

VF750F 83 VF750F 84		VF750F 83 VF750F 84		VF750F 83 VF750F 84		VF750F 83 VF750F 84		VF750F 83 VF750F 84	
REF NO	DESCRIPTION	QTY	REQ	SERIAL NUMBER FROM	SERIAL NUMBER TO	PART NUMBER	HONDA CODE	BLOCK NO F-32	
18	WRENCH, EYE, 27MM	3	4	-	-	1 99006-27000	1311539		

117

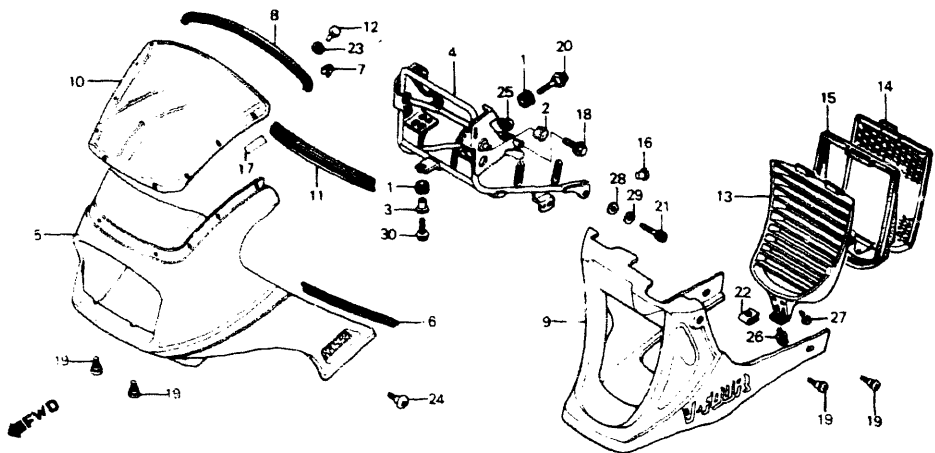
CONTENTS

TITLE	GRID
AIR CLEANER	1-E9
ALTERNATOR	1-B8
BATTERY	1-E6
BRAKE CALIPER FR	1-D11
BRAKE CALIPER RR	1-E2
BRAKE MASTER CYL FR	1-D4
BRAKE MASTER CYL RR	1-E1
CABLES	1-D3
CAM CHAIN	1-B5
CAMSHAFT	1-B4
CANISTER	1-F12
CARBURETOR ASSEMBLY LINK	1-C8
CARBURETOR COMPONENTS	1-C9
CLUTCH	1-B6
CLUTCH MASTER CYLINDER	1-D5
CONTROL LEVERS	1-D3
COWL	1-F11
COWL RR	1-E5
CRANKCASE COVER L	1-B9
CRANKCASE COVER R	1-B6
CRANKSHAFT	1-C2
CYLINDER BLOCK	1-C1
CYLINDER HEAD COVER	1-B1
CYLINDER HEAD FR	1-B1
CYLINDER HEAD RR	1-B3
EMBLEMS	1-G2
FENDER FR	1-D8
FENDER RR	1-E3
FRAME BODY	1-F8
FRONT SHOCK ABSORBER	1-D9
FUEL PUMP	1-E7
FUEL TANK	1-E4
GASKET KIT B	1-C11
GASKET KIT A	1-C11
GEARSHIFT DRUM	1-C6
HANDLEBAR	1-D6
HEADLIGHT	1-D1
HORN	1-D8
IGNITION COIL	1-F6
INSTRUMENTS	1-D1
LABELS	1-G2
MUFFLER EXHAUST	1-E10
OIL FILTER	1-B11
OIL PAN	1-B11
OIL PUMP	1-B11
PEDAL BRAKE	1-E11
PEDAL GEARSHIFT	1-E11
PISTON	1-C7
PULSE GENERATOR	1-B7
PLUG CONTROL VALVE	1-F12
RADIATOR	1-F7
SEAT	1-E5
SHOCK ABSORBER RR	1-F2
SIDE COVER	1-E6
STAND	1-E12
STARTER MOTOR	1-B11
STARTING CLUTCH	1-B7
STEERING STEM	1-D8
STEP	1-E11
STRIPES	1-G2
SWINGARM	1-F1
SWITCHES	1-D3
TAILLIGHT	1-E5
TENSIONER	1-B5
THERMOSTAT	1-C7
TOOLS	1-F10
TOP BRIDGE	1-C5
TRANSMISSION	1-C5
TURN SIGNAL	1-F4
VALVE	1-B4
WATER PIPE	1-C7
WATER PUMP	1-B9
WHEEL FR	1-D12
WHEEL RR	1-E3
WIRE HARNESS	1-F6

GRID NO.

1-F 10

COWL



CAUTION OR WARNING LABELS MUST BE ORDERED SEPARATELY WHEN APPLICABLE

VF750F 83 VF750F 84	V F 7 5 0 F	V F 7 5 0 F	A R E A C O D E	Q T Y R E Q	G39 8MB2 49	BLOCK NO F-33
REF NO	DESCRIPTION	3	4	3	4	HONDA CODE
1	RUBBER AIR CLEANER CASE MOUNTING	3	4	3	17245-107-010	0213462
2	RUBBER FUEL TANK FR	3	4	2	17811-028-000	0131342
3	COLLAR FR FENDER	3	4	1	61104-357-000	0321752
	COLLAR FR FENDER	3	4	1	61104-428-000	0687558
	COLLAR FR FENDER	3	4	1	61105-428-000	0686782
4	STAY FAIRING	3	4	1	61311-MB2-000	1430651
	STAY FAIRING	4	AC	1	61311-MB2-000	1430651
	STAY FAIRING	4	AC	1	61311-MB2-880	1695444
	STAY FAIRING	4	AC	1	61311-MB2-920	1854181
5	COWL COMP FR 'PB127CU' (CANDY ALEUTIAN BLUE)	3	-	1	641A0-MB2-4072A	2256709
	COWL COMP FR 'R107CU' (CANDY BOURGOGNE RED)	3	-	1	641A0-MB2-4072B	2258432
	COWL COMP FR 'PB127CU' (CANDY ALEUTIAN BLUE)	3	-	1	641A0-MB2-6702A	1414127
	COWL COMP FR 'R107CU' (CANDY BOURGOGNE RED)	3	-	1	641A0-MB2-6702B	1414135
	COWL COMP FR 'PB127CU' (CANDY ALEUTIAN BLUE)	4	A	1	EM102800	1708395

VF750F 83 VF750F 84	V F 7 5 0 F	V F 7 5 0 F	A R E A C O D E	Q T Y R E Q	SERIAL NUMBER FROM TO	PART NUMBER	HONDA CODE
5	COWL COMP FR 'R107CU' (CANDY BOURGOGNE RED)	4	A	1	EM102800	641A0-MB2-0002B	1708403
	COWL COMP FR 'PB127CU' (CANDY ALEUTIAN BLUE)	4	-	1	-----	641A0-MB2-0102A	1815943
	COWL COMP FR 'R107CU' (CANDY BOURGOGNE RED)	4	-	1	-----	641A0-MB2-0102B	1815950
	COWL COMP FR 'PB127CU' (CANDY ALEUTIAN BLUE)	4	-	1	-----	641A0-MB2-4067A	2289171
	COWL COMP FR 'R107CU' (CANDY BOURGOGNE RED)	4	-	1	-----	641A0-MB2-4067B	2237378
6	RUBBER RR COWL SEAL	3	4	2	-----	64101-MB2-000	1435288
7	CLIP, SCREEN MOULDING	3	4	2	-----	64102-MA3-720	1435833
8	MOULDING, WIND SCREEN	3	4	1	-----	64105-MB2-000	1435841
9	COWL COMP UNDER 'NH121PA' (PEARL SHELL WHITE-A)	3	-	1	-----	642A4-MB2-000ZA	1414143
	COWL COMP UNDER 'NH121PA' (PEARL SHELL WHITE-A)	3	4	1	-----	642A4-MB2-010ZA	1539451
10	SCREEN, WIND	3	4	1	-----	64200-MB2-000	1435874
	SCREEN, WIND	3	4	1	-----	64200-MB2-405	2160356
11	RUBBER, SCREEN BASE	3	4	1	-----	64201-MB2-000	1435882
12	PIN, SCREEN SETTING	3	4	8	-----	64202-KE8-000	1435890
13	GRILL, RADIATOR	3	4	1	-----	64241-MB2-000	1430685
14	PROTECTOR, RADIATOR	3	4	1	-----	64242-MB2-000	1430693
15	RUBBER, PROTECTOR UNDER RADIATOR	3	4	1	-----	64243-MB2-000	1425123
16	CAP, PIPE END	-	4	2	-----	84102-MA3-770	1768159
17	LABEL, WIND SCREEN CAUTION	3	4	1	-----	87522-463-930	1435908
18	BOLT, FLANGE, 8X16	3	4	1	-----	90112-MA6-700	1435916
	BOLT, FLANGE, 8X16	3	4	1	-----	95700-08018-07	1794411
19	SCREW, FAIRING MOUNT	3	4	6	-----	90112-MC7-000	1210715
20	BOLT, FLANGE, 6X24	3	-	2	-----	90114-170-000	1706001
	BOLT, FLANGE, 6X22	-	4	2	-----	95700-06022-08	0252288
	BOLT, FLANGE, 6X22	-	4	2	-----	95701-06022-08	2129682
21	BOLT, SOCKET, 6X12	3	4	2	-----	90116-MC5-000	1718352
22	NUT, FLOATING, 4MM	3	4	1	-----	90300-MA3-770	1708551
	NUT, FLOATING, 4MM	3	4	1	-----	90305-SA0-000	0994897
23	NUT B PUSH 3MM	3	4	8	-----	90313-329-000	0293837
24	SCREW, SPECIAL, 6X11	3	4	2	-----	90381-MB2-000	1457662
25	NUT, CAP, 8MM	3	4	1	-----	90443-379-690	0693051
26	SCREW-WASHER, 4X12	3	4	1	-----	93894-04012-07	1708577
27	SCREW, TAPPING, 4X12	3	4	1	-----	93903-44380	1434646
28	WASHER, FLAT, 6MM	3	4	2	-----	94101-06000	0059071

BLOCK NO F-33

CONTENTS

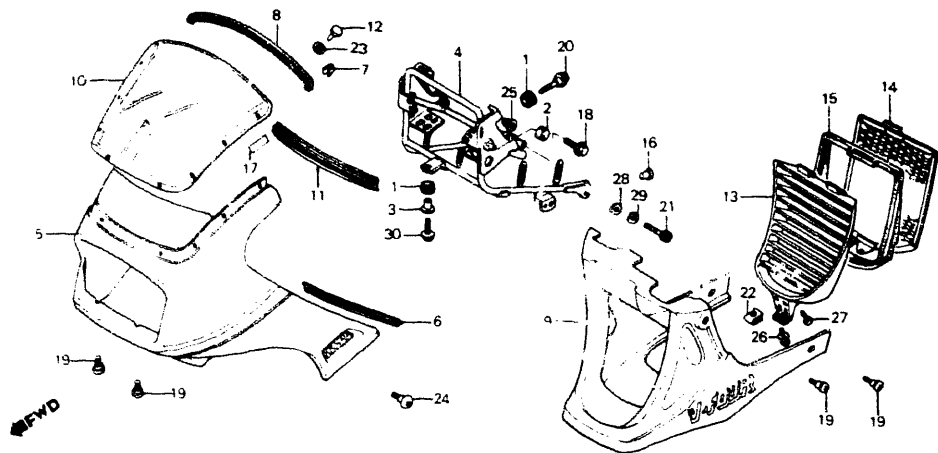
TITLE	GRID
AIR CLEANER	1-E9
ALTERNATOR	1-B6
BATTERY	1-E6
BRAKE CALIPER FR	1-D11
BRAKE CALIPER RR	1-E2
BRAKE MASTER CYL FR	1-D4
BRAKE MASTER CYL RR	1-E1
CABLES	1-D3
CAM CHAIN	1-B5
CAMSHAFT	1-B4
CANISTER	1-F12
CARBURETOR (ASSY LINK)	1-C8
CARBURETOR COMPONENTS	1-C9
CLUTCH	1-B6
CLUTCH MASTER CYLINDER	1-D5
CONTROL LEVERS	1-D3
COWL	1-F11
COWL RR	1-E5
CRANKCASE COVER L	1-B9
CRANKCASE COVER R	1-B6
CRANKSHAFT	1-C2
CYLINDER BLOCK	1-C1
CYLINDER HEAD COVER	1-B1
CYLINDER HEAD FR	1-B1
CYLINDER HEAD RR	1-B3
EMBLEMS	1-G2
FENDER FR	1-D8
FENDER RR	1-F3
FRAME BODY	1-F8
FRONT SHOCK ABSORBER	1-D9
FUEL PUMP	1-E7
FUEL TANK	1-E4
GASKIT KIT B	1-C11
GASKIT KIT A	1-C11
GEARSHIFT DRUM	1-C6
HANDLEBAR	1-D6
HEADLIGHT	1-D1
HORN	1-D8
IGNITION COIL	1-F6
INSTRUMENTS	1-D1
LABELS	1-G2
MUFFLER EXHAUST	1-E10
OIL FILTER	1-B11
OIL PAN	1-B11
OIL PUMP	1-B11
PEDAL BRAKE	1-E11
PEDAL GEARSHIFT	1-E11
PISTON	1-C2
PULSE GENERATOR	1-B7
PURGE CONTROL VALVE	1-F12
RADIATOR	1-F7
SEAT	1-E5
SHOCK ABSORBER RR	1-F2
SIDE COVER	1-E6
STAND	1-E12
STARTER MOTOR	1-B11
STARTING CLUTCH	1-B7
STEERING STEM	1-D8
STEP	1-E11
STRIPES	1-G2
SWINGARM	1-F1
SWITCHES	1-D3
TAILLIGHT	1-F5
TENSIONER	1-B5
THERMOSTAT	1-C7
TOOLS	1-F10
TOP BRIDGE	1-D6
TRANSMISSION	1-C5
TURN SIGNAL	1-F4
VALVE	1-B4
WATER PIPE	1-C7
WATER PUMP	1-B9
WHEEL FR	1-D12
WHEEL RR	1-E3
WIRE HARNESS	1-F6

RC150* FRAME NO. : DMO00017 TO DMO08120
 RC150* FRAME NO. : EM100006 TO EM103270
 RC151* FRAME NO. : EM100002 TO EM100437

GRID NO.

1-F 11

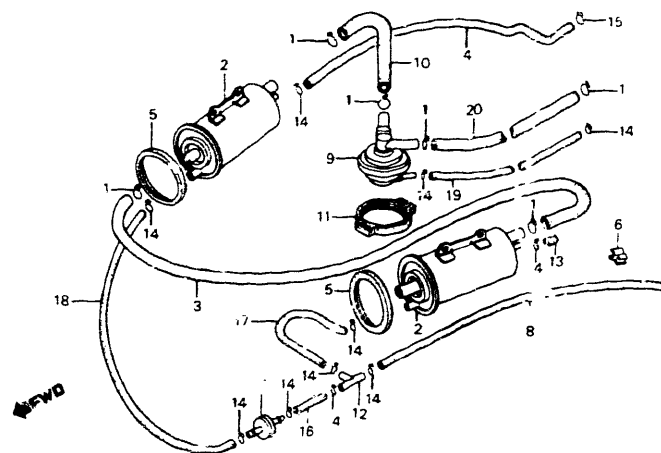
COWL



CAUTION OR WARNING LABELS MUST BE ORDERED SEPARATELY WHEN APPLICABLE

VF750F 83 VF750F 84	VF750F 83 VF750F 84	VF750F 83 VF750F 84	AREA C O D E	SERIAL NUMBER FROM TO	PART NUMBER	HONDA CODE
					39 8MB2-49	BLOCK NO F-33
REF NO	DESCRIPTION			SERIAL NUMBER FROM TO	PART NUMBER	HONDA CODE
28	WASHER PLAIN 6MM	3	4		2 4131-06080	3135074
	WASHER PLAIN 6MM	3	4		2 4101-06800	0345900
29	WASHER SPRING 6MM	3	4		2 4111-06000	0058974
30	BOLT FLANGE 6X22	3	4		1 95700-06022-07	1115971
	BOLT FLANGE 6X22	3	4		1 95701-06022-J7	2410926

CANISTER • PURGE CONTROL VALVE



VF750F 83 VF750F 84	VF750F 83 VF750F 84	VF750F 83 VF750F 84	AREA C O D E	SERIAL NUMBER FROM TO	PART NUMBER	HONDA CODE
					G39-8MB2-75	BLOCK NO F-34
REF NO	DESCRIPTION			SERIAL NUMBER FROM TO	PART NUMBER	HONDA CODE
1	CLIP, BREATHER TUBE	-	4 AC		6 15772-500-010	0346569
	CLIP, BREATHER TUBE	-	4 AC		6 15772-500-013	0484089
2	CANISTER COMP.	-	4 AC		2 17410-MB2-881	1786656
3	TUBE, JOINT (A)	-	4 AC		1 17411-MB2-880	1898349
4	TUBE, CHARGE	-	4 AC		1 17412-MB2-880	1698356
5	RUBBER, CANISTER GUARD	-	4 AC		2 17413-MB2-880	1731793
6	CLIP, TUBE	-	4 AC		1 17413-ME9-750	1666759
7	VALVE, ONE WAY	-	4 AC		1 17415-MB2-880	1696335
8	TUBE, DRAIN	-	4 AC		1 17416-MB2-880	1784081
9	VALVE COMP., PURGE CONTROL	-	4 AC		1 17440-MB2-881	1698364
10	TUBE, PURGE (B)	-	4 AC		1 17442-MB2-880	1698372
11	SUSPENSION, PURGE CONTROL VALVE	-	4 AC		1 17451-MB2-880	1698380
12	JOINT, THREE WAY	-	4 AC		1 36010-634-671	0616979
13	CAP, SEALING	-	4 AC		1 90634-PA0-000	0840157
14	CLIP B7, TUBE	-	4 AC		11 95002-02070	0250639
15	CLAMP D8, TUBE	-	4 AC		1 95002-40800-08	0660811
16	TUBE, 3.5X50	-	4 AC		1 95005-35050-20	0564062
	(BULK HOSE: 95005-35008-10M)	-	4 AC		1 95005-35075-20	0562587

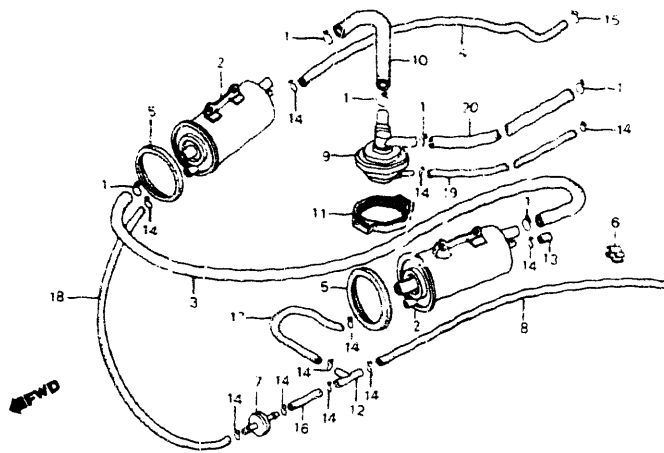
CONTENTS

TITLE	GRID
AIR CLEANER	1-E9
ALTERNATOR	1-B8
BATTERY	1-E6
BRAKE CALIPER FR	1-D11
BRAKE CALIPER RR	1-E2
BRAKE MASTER CYL. FR	1-D4
BRAKE MASTER CYL. RR	1-E1
CABLES	1-D3
CAM CHAIN	1-B5
CAMSHAFT	1-B4
CANISTER	1-F12
CARBURETOR (ASSY LINK)	1-C8
CARBURETOR COMPONENTS	1-C9
CLUTCH	1-B6
CLUTCH MASTER CYLINDER	1-D5
CONTROL LEVERS	1-D3
COWL	1-F11
COWL RR	1-E5
CRANKCASE COVER L	1-B9
CRANKCASE COVER R	1-B6
CRANKSHAFT	1-C2
CYLINDER BLOCK	1-C1
CYLINDER HEAD COVER	1-B1
CYLINDER HEAD FR	1-B3
CYLINDER HEAD RR	1-C3
EMBLEMS	1-G2
FENDER FR	1-D6
FENDER RR	1-F3
FRAME BODY	1-F8
FRONT SHOCK ABSORBER	1-D9
FUEL PUMP	1-E7
FUEL TANK	1-E4
GASKET KIT B	1-C11
GASKIT KIT A	1-C11
GEARSHIFT DRUM	1-C6
HANDLEBAR	1-D6
HEADLIGHT	1-D1
HORN	1-D8
IGNITION COIL	1-F6
INSTRUMENTS	1-D1
LABELS	1-G2
MUFFLER EXHAUST	1-E10
OIL FILTER	1-B11
OIL PAN	1-B11
OIL PUMP	1-B11
PEDAL BRAKE	1-E11
PEDAL GEARSHIFT	1-E11
PISTON	1-C2
PULSE GENERATOR	1-B7
PURGE CONTROL VALVE	1-F12
RADIATOR	1-F7
SEAT	1-E5
SHOCK ABSORBER, RR	1-F2
SIDE COVER	1-E6
STARTER	1-E12
STARTER MOTOR	1-B11
STARTING CLUTCH	1-B7
STEERING STEM	1-D8
STEP	1-E11
STRIPES	1-G2
SWINGARM	1-F1
SWITCHES	1-D3
TAILLIGHT	1-F5
TENSIONER	1-B5
THERMOSTAT	1-C7
TOOLS	1-F10
TOP BRIDGE	1-D6
TRANSMISSION	1-C5
TURN SIGNAL	1-F4
VALVE	1-B4
WATER PIPE	1-C7
WATER PUMP	1-B9
WHEEL FR	1-D12
WHEEL RR	1-E3
WIRE HARNESS	1-F6

GRID NO.

1-F 12

CANISTER • PURGE CONTROL VALVE



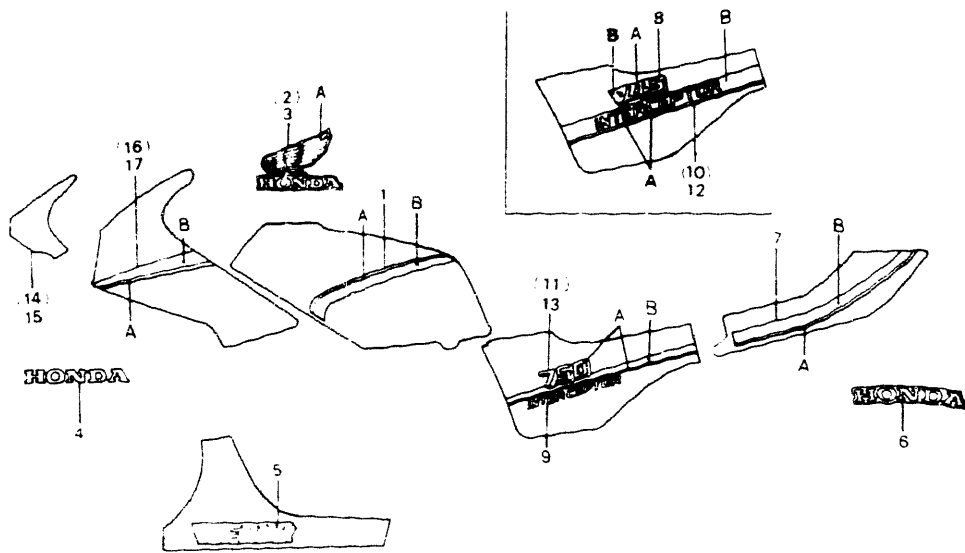
REF NO	DESCRIPTION	V F 7 5 0 F	V F 7 5 0 F	A R E A C O D E	SERIAL NUMBER FROM TO	QTY REQ	PART NUMBER	HONDA CODE
VF750F 83 VF750F 84		8 3	8 4				919 8062 15	BLOCK NO F-34
17	TUBE 3 5X250	-	4	AC	-----	1	95005-35250-20	0614701
18	TUBE 3 5X350 (BLACK HOSE 95005-35008-10M)	-	4	AC	-----	1	95005-35350-20	0613463
19	TUBE 3 5X600	-	4	AC	-----	1	95005-35600-20	1703008
20	TUBE 8X650	-	4	AC	-----	1	95005-80650-20	1792613

INTENTIONALLY LEFT BLANK

CONTENTS

TITLE	GRID
AIR CLEANER	1-E9
ALTERNATOR	1-B8
BATTERY	1-E6
BRAKE CALIPER FR	1-D11
BRAKE CALIPER RR	1-F2
BRAKE MASTER CYL FR	1-D4
BRAKE MASTER CYL RR	1-E1
CABLES	1-D3
CAM CHAIN	1-B5
CAMSHAFT	1-B4
CANISTER	1-F12
CARBURETOR ASSY LINK	1-C8
CARBURETOR COMPONENTS	1-C9
CLUTCH	1-B6
CLUTCH MASTER CYLINDER	1-D5
CONTROL LEVERS	1-D3
COWL	1-F1
COWL RR	1-E5
CRANKCASE COVER L	1-B9
CRANKCASE COVER R	1-B6
CRANKSHAFT	1-C2
CYLINDER BLOCK	1-C1
CYLINDER HEAD COVER	1-B1
CYLINDER HEAD FR	1-B1
CYLINDER HEAD RR	1-B3
EMBLEMS	1-G2
FENDER FR	1-D6
FENDER RR	1-F3
FRAME BODY	1-F8
FRONT SHOCK ABSORBER	1-D9
FUEL PUMP	1-E7
FUEL TANK	1-E4
GASKET KIT B	1-C11
GASKET KIT A	1-C11
GEARSHIFT DRUM	1-C6
HANDLEBAR	1-D6
HEADLIGHT	1-D1
HORN	1-D6
IGNITION COIL	1-F6
INSTRUMENTS	1-D1
LABELS	1-G2
MUFFLER EXHAUST	1-E10
OIL FILTER	1-B11
OIL PAN	1-B11
OIL PUMP	1-B11
PEDAL BRAKE	1-E11
PEDAL GEARSHIFT	1-E11
PISTON	1-G2
PULSE GENERATOR	1-B7
PURGE CONTROL VALVE	1-F12
RADIATOR	1-F7
SEAT	1-E5
SHOCK ABSORBER RR	1-F2
SIDE COVER	1-E6
STAND	1-E12
STARTER MOTOR	1-B11
STARTING CLUTCH	1-B7
STEERING STEM	1-D8
STEP	1-E11
STRIPES	1-G2
SWINGARM	1-F1
SWITCHES	1-D3
TAILLIGHT	1-F5
TENSIONER	1-B5
TEMPEROSTAT	1-C7
TOOLS	1-F10
TOP BRIDGE	1-D6
TRANSMISSION	1-C5
TURN SIGNAL	1-F4
VALVE	1-C7
WATER PIPE	1-C7
WATCH PUMP	1-B9
WHEEL FR	1-D12
WHEEL RR	1-E3
WIRE HARNESS	1-F6

STRIPES • EMBLEMS • LABELS



Color chart for stripe ('83)

Type	Main color	Position	
		A	B
Type 1	Candy Aleutian blue	White	Blue
Type 2	Candy bourgogne red	White	Red

Color chart for stripe ('84)

Type	Main color	Position	
		A	B
Type 1	Candy Aleutian blue	White	Red
Type 2	Candy bourgogne red	White	Blue

C39 BMB2 #3B7AB.4

STRIPES • EMBLEMS • LABELS

Color chart for emblem ('83)

Type	Main color	Position	
		A	B
Type 1	Candy Aleutian blue	Red	White
Type 2	Candy bourgogne red	Blue	White

Color chart for fuel tank mark

Type	Main color	Position
		A
Type 1	Candy Aleutian blue	Red
Type 2	Candy bourgogne red	White

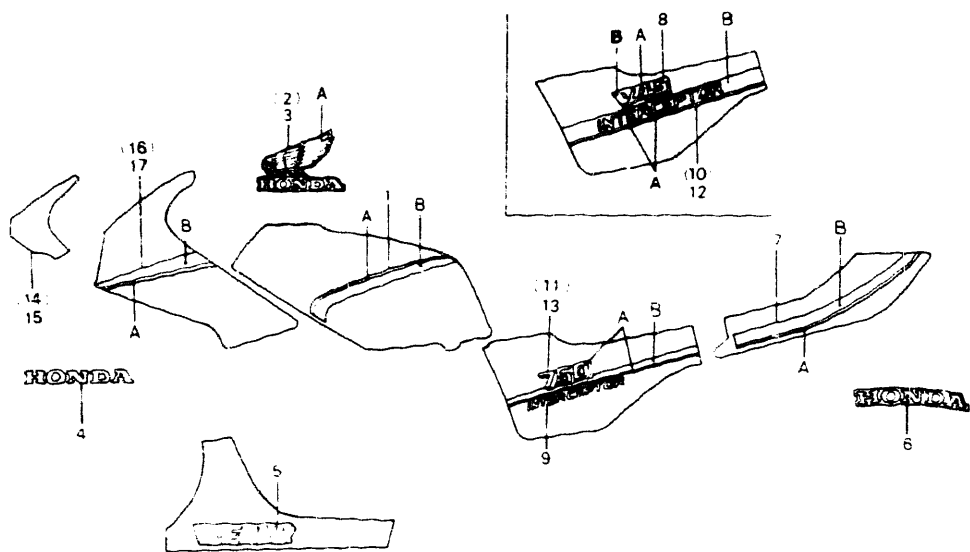
REF NO	DESCRIPTION	V F 7 5 0 F	V T 7 5 0 F	A R E A C O D E	SERIAL NUMBER FROM TO	Q T Y R E Q	PART NUMBER	HONDA CODE
VF750F 83 VF750F 84		8 3	8 4				U39 BMB2-63CHART	BLOCK NO F-35
1	STRIPE FUEL TANK *TYPE1*	3	-			1	17508-MB2-670ZA	1414028
	STRIPE FUEL TANK *TYPE2*	3	-			1	17508-MB2-670ZB	1414036
	STRIPE FUEL TANK *TYPE1*	-	4			1	17508-MB2-770ZA	1698414
	STRIPE FUEL TANK *TYPE2*	-	4			1	17508-MB2-770ZB	1698422
2	LABEL R FUEL TANK *TYPE1*	3	4			1	17531-MB2-300ZA	1414069
	LABEL R FUEL TANK *TYPE2*	3	4			1	17531-MB2-300ZB	1414077
3	LABEL L FUEL TANK *TYPE1*	3	4			1	17532-MB2-300ZA	1414085
	LABEL L FUEL TANK *TYPE2*	3	4			1	17532-MB2-300ZB	1414093
4	LABEL WIND SCREEN *TYPE1*	3	4			1	64206-MB2-300ZA	1414150
5	LABEL UNDER COWL *TYPE1*	3	4			2	64245-MB2-300ZA	1414168
6	LABEL RR COWL *TYPE1*	5	4			1	77209-MB2-300ZA	1414358
7	STRIPE RR COWL *TYPE1*	3	-			1	77228-MB2-670ZA	1414366
	STRIPE RR COWL *TYPE2*	3	-			1	77228-MB2-670ZB	1414374
	STRIPE RR COWL *TYPE1*	-	4			1	77228-MB2-300ZA	1708437
	STRIPE RR COWL *TYPE2*	-	4			1	77228-MB2-300ZB	1708445
8	EMBLEM SIDE COVER *TYPE1*	3	-			2	83605-MB2-670ZA	1414424
	EMBLEM SIDE COVER *TYPE2*	3	-			2	83605-MB2-670ZB	1414432
9	EMBLEM SIDE COVER *TYPE1*	-	4			2	83605-MB2-770ZA	1702430
10	STRIPE R SIDE COVER *TYPE1*	3	-			1	83612-MB2-670ZA	1414440
	STRIPE R SIDE COVER *TYPE2*	3	-			1	83612-MB2-670ZB	1414457

CONTENTS

TITLE	GRID
AIR CLEANER	1-E9
ALTERNATOR	1-B6
BATTERY	1-E6
BRAKE CALIPER FR	1-D1
BRAKE CALIPER RR	1-E2
BRAKE MASTER CYL FR	1-D4
BRAKE MASTER CYL RR	1-E7
CABLES	1-D3
CAM CHAIN	1-B5
CAMSHAFT	1-B4
CANISTER	1-E2
CARBURETOR ASSY LINK	1-C8
CARBURETOR COMPONENTS	1-B9
CLUTCH	1-B5
CLUTCH MASTER CYLINDER	1-D5
CONTROL LEVERS	1-D3
COWL	1-E1
COWL RR	1-E5
CRANKCASE COVER L	1-D9
CRANKCASE COVER R	1-B6
CRANKSHAFT	1-C2
CYLINDER BLOCK	1-C7
CYLINDER HEAD COVER	1-B1
CYLINDER HEAD FR	1-B1
CYLINDER HEAD RR	1-B3
EMBLEMS	1-G2
FENDER FR	1-D8
FENDER RR	1-F3
FRAME BODY	1-F8
FRONT SHOCK ABSORBER	1-D9
FUEL PUMP	1-E7
FUEL TANK	1-E4
GASKET KIT B	1-C1*
GASKET KIT A	1-C11
GEARSHIFT DRUM	1-C6
HANDLEBAR	1-D5
HEADLIGHT	1-D1
HORN	1-D8
IGNITION COIL	1-F6
INSTRUMENTS	1-D1
LABELS	1-G2
MUFFLER EXHAUST	1-E10
OIL FILTER	1-B11
OIL PAN	1-B11
OIL PUMP	1-B11
PEDAL BRAKE	1-E11
PEDAL GEARSHIFT	1-E11
PISTON	1-C2
PULSE GENERATOR	1-B7
PURGE CONTROL VALVE	1-F1
RADIATOR	1-F2
SEAT	1-E5
SHOCK ABSORBER RR	1-F2
SIDE COVER	1-E6
STAND	1-E12
STARTER MOTOR	1-B11
STARTING CLUTCH	1-B7
STEERING STEM	1-D8
STEP	1-E11
STRIPES	1-G2
SWINGARM	1-F1
SWITCHES	1-D3
TAIL LIGHT	1-E5
TENSIONER	1-B5
THERMOSTAT	1-C7
TOOLS	1-F0
TOP BRIDGE	1-D6
TRANSMISSION	1-C5
TURN SIGNAL	1-F4
VALVE	1-B4
WATER PIPE	1-C7
WATER PUMP	1-B9
WHEEL FR	1-D12
WHEEL RR	1-E3
WIRE HARNESS	1-F6

124
 RC150* FRAME NO DM000017 TO DM008120
 RC150* FRAME NO EM100006 TO EM103270
 RC151* FRAME NO EM100002 TO EM100437

STRIPES • EMBLEMS • LABELS



Color chart for stripe ('83)

Type	Main color	Position	
		A	B
Type 1	Candy Aleutian blue	White	Blue
Type 2	Candy bourgogne red	White	Red

Color chart for stripe ('84)

Type	Main color	Position	
		A	B
Type 1	Candy Aleutian blue	White	Red
Type 2	Candy bourgogne red	White	Blue

VF750F 83
VF750F 84

REF NO	DESCRIPTION	VF750F 83		VF750F 84		SERIAL NUMBER FROM TO	PART NUMBER	HONDA CODE
		3	4	3	4			
11	STRIPE R SIDE COVER *TYPE1*	-	4	-	-	-	1 83612-MB2-770ZA	1702448
	STRIPE R SIDE COVER *TYPE2*	-	4	-	-	-	1 83612-MB2-770ZB	1702455
12	STRIPE L SIDE COVER *TYPE1*	2	-	-	-	-	1 83613-MB2-670ZA	1414465
	STRIPE L SIDE COVER *TYPE2*	3	-	-	-	-	1 83613-MB2-670ZB	1414473
13	STRIPE L SIDE COVER *TYPE1*	-	4	-	-	-	1 83613-MB2-770ZA	1702455
	STRIPE L SIDE COVER *TYPE2*	-	4	-	-	-	1 83613-MB2-770ZB	1702471
14	STRIPE R FR COWL INNER	3	4	-	-	-	1 87115-MB2-300	1708452
15	STRIPE L FR COWL INNER	3	4	-	-	-	1 87115-MB2-200	1708460
16	STRIPE R FR COWL *TYPE1*	3	-	-	-	-	1 87117-MB2-670ZA	1414507
	STRIPE R FR COWL *TYPE2*	3	-	-	-	-	1 87117-MB2-670ZB	1414515
	STRIPE R FR COWL *TYPE1*	3	-	-	-	-	1 87117-MB2-671ZA	1666748
	STRIPE R FR COWL *TYPE2*	3	-	-	-	-	1 87117-MB2-671ZB	1666756
	STRIPE R FR COWL *TYPE1*	3	-	-	-	-	1 87118-MB2-670ZA	1414523
	STRIPE R FR COWL *TYPE1*	-	4	A	-	EM102800	1 87117-MB2-300ZA	1708475
	STRIPE R FR COWL *TYPE2*	-	4	A	-	EM102800	1 87117-MB2-300ZB	1708486
	STRIPE FR COWL *TYPE1*	-	4	-	-	-	1 87117-MB2-310ZA	1729896
	STRIPE FR COWL *TYPE2*	-	4	-	-	-	1 87117-MB2-310ZB	1729904
17	STRIPE R FR COWL *TYPE2*	3	-	-	-	-	1 87117-MB2-670ZB	1414515
	STRIPE R FR COWL *TYPE1*	3	-	-	-	-	1 87117-MB2-671ZA	1666748
	STRIPE R FR COWL *TYPE2*	3	-	-	-	-	1 87117-MB2-671ZB	1666756
	STRIPE R FR COWL *TYPE1*	3	-	-	-	-	1 87118-MB2-670ZA	1414523
	STRIPE L FR COWL *TYPE2*	3	-	-	-	-	1 87118-MB2-670ZB	1414531
	STRIPE R FR COWL *TYPE1*	-	4	-	-	-	1 87117-MB2-300ZA	1708478
	STRIPE R FR COWL *TYPE2*	-	4	-	-	-	1 87117-MB2-300ZB	1708486
	STRIPE FR COWL *TYPE1*	-	4	-	-	-	1 87117-MB2-310ZA	1729896
	STRIPE FR COWL *TYPE2*	-	4	-	-	-	1 87117-MB2-310ZB	1729904
	STRIPE L FR COWL *TYPE1*	-	4	-	-	-	1 87118-MB2-300ZA	1708494
	STRIPE L FR COWL *TYPE2*	-	4	-	-	-	1 87118-MB2-300ZB	1708502

BUCK NO. F-35

CONTENTS

TITLE	GRID
AIR CLEANER	1-E9
ALTERNATOR	1-B8
BATTERY	1-E6
BRAKE CALIPER FR	1-D11
BRAKE CALIPER RR	1-E2
BRAKE MASTER CYL FR	1-D4
BRAKE MASTER CYL RR	1-E1
CAM ES	1-D3
CAM SHAFT	1-B5
CAMS-AFT	1-B4
CANIS FR	1-F12
CARBURTOR ASSY LINK	1-C8
CARBURETOR COMPONENTS	1-C9
CLUTCH	1-B6
CLUTCH MASTER CYLINDER	1-D5
CONTROL LEVERS	1-D3
COWL	1-F11
COWL RR	1-E5
CRANKCASE COVER L	1-B9
CRANKCASE COVER R	1-B6
CRANKSHAFT	1-C2
CYLINDER BLOCK	1-C1
CYLINDER HEAD COVER	1-B1
CYLINDER HEAD FR	1-B1
CYLINDER HEAD RR	1-B3
EMBLEMS	1-C2
FENDER FR	1-F3
FENDER RR	1-F3
FRAME BODY	1-F8
FRONT SHOCK ABSORBER	1-D9
FUEL PUMP	1-E7
FUEL TANK	1-E4
GASKET KIT B	1-C11
GASKET KIT A	1-C11
GEARSHIFT DRUM	1-C6
HANDLEBAR	1-D6
HEADLIGHT	1-D1
HORN	1-D8
IGNITION COIL	1-F6
INSTRUMENTS	1-D1
JABES	1-E10
MUFFLER EXHAUST	1-E10
OIL FILTER	1-B11
OIL PAN	1-B11
OIL PUMP	1-E11
PEDAL BRAKE	1-E11
PEDAL GEARSHIFT	1-E11
PISTON	1-C2
PULSE GENERATOR	1-B7
PURGE CONTROL VALVE	1-F12
RADIATOR	1-F7
SEAT	1-E5
SHOCK ABSORBER RR	1-F2
SIDE COVER	1-E6
STARTER MOTOR	1-E12
STARTING CLUTCH	1-B7
STEERING STEM	1-D8
STEER	1-E11
STRIPES	1-G2
SWINGARM	1-F1
SWITCHES	1-D3
TAILLIGHT	1-F5
TENSIONER	1-B5
THERMOSTAT	1-C7
TOGLES	1-F10
TOP BRIDGE	1-D6
TRANSMISSION	1-C5
TURN SIGNAL	1-F4
VALVE	1-B4
WATER PIPE	1-C7
WATER PUMP	1-B9
WHEEL FR	1-D12
WHEEL RR	1-E3
WIPE HARNESS	1-F6

GRID NO.

1-G 3

PART NUMBER INDEX

PART NUMBER	GRID	PAGE	PART NUMBER	GRID	PAGE	PART NUMBER	GRID	PAGE
95700-06018-0d	1-E10	93	95701-06022-07	1-F12	120	96000-06060-07	1-B10	21
95700-06020-00	1-E11	94	95701-06022-08	1-F11	119	96000-06065-07	1-B10	21
	1-F8	112	95701-06025-07	1-D4	57	96001-06012-00	1-B9	18
95700-06020-07	1-F8	112	95701-06025-08	1-E5	83		1-C1	27
95700-06020-08	1-E7	86		1-F6	109	96001-06014-00	1-B5	11
95700-06022-07	1-F12	120	95701-06028-00	1-C1	27		1-C7	39
95700-06022-08	1-F11	119	95701-06032-00	1-C1	27		1-D8	65
95700-06025-07	1-D4	57	95701-06040-00	1-C1	27	96001-06016-00	1-C5	35
95700-06025-08	1-E5	83	95701-06040-08	1-E8	89		1-C6	37
	1-F6	109		1-E12	97		1-C7	39
95700-06028-00	1-C1	27	95701-06045-00	1-B12	24		1-E4	81
95700-06032-00	1-C1	27		1-C1	27	96001-06018-07	1-B9	18
95700-06032-08	1-E8	89	95701-06045-07	1-B12	25	96001-06020-00	1-B9	18
95700-06040-00	1-C1	27		1-C1	27	96001-06020-02	1-E4	81
95700-06040-08	1-E8	89	95701-06050-00	1-C1	27	96001-06022-07	1-C7	39
	1-E12	97	95701-06060-00	1-C1	27	96001-06025-00	1-B11	22
95700-06045-00	1-B12	24	95701-06070-00	1-B12	25	96001-06028-00	1-B10	21
	1-C1	27	95701-06090-00	1-C1	27		1-B12	25
95700-06045-07	1-C1	27	95701-08014-07	1-D8	64	96001-06028-07	1-B6	12
95700-06050-00	1-C1	27	95701-08016-08	1-F3	103	96001-06032-07	1-B6	12
95700-06060-00	1-C1	27	95701-08020-00	1-B10	20		1-B10	21
95700-06070-00	1-B12	25	95701-08022-00	1-E4	81	96001-06035-00	1-B9	18
95700-06090-00	1-C1	27	95701-08032-07	1-E10	93	96001-06035-07	1-B6	12
95700-06100-07	1-C1	27	95701-08035-00	1-E10	93		1-B10	21
95700-08014-07	1-D8	64	95701-08035-08	1-B10	20		1-C7	39
95700-08014-08	1-B8	16	95701-08045-00	1-C1	27	96001-06040-00	1-B10	21
95700-08016-08	1-F3	103	95701-08050-00	1-C1	27	96001-06045-00	1-B10	21
95700-08018-07	1-F11	119	95800-08032-00	1-C6	37	96001-06060-07	1-B10	21
95700-08020-00	1-B10	20	95800-10040-07	1-D11	71	96001-06065-07	1-B10	21
95700-08020-07	1-E5	83	95900-08016-08	1-F3	103	96100-62030-10	1-F1	99
95700-08022-00	1-E4	81	95900-08016-08	1-F3	103	96100-63040-00	1-C1	27
95700-08028-08	1-C5	35	95900-08065-00	1-F1	99	96100-63050-00	1-C5	35
95700-08032-07	1-E10	93	96000-06012-00	1-B9	18	96140-63020-10	1-D12	73
95700-08035-00	1-E10	93		1-C1	27	96140-63050-10	1-E3	79
95700-08035-07	1-E10	93	96000-06014-00	1-B5	11	96150-63020-10	1-D12	73
95700-08035-08	1-B10	20		1-C7	39	96150-63040-10	1-E3	79
95700-08045-00	1-C1	27		1-D8	65	96211-05000	1-D10	69
95700-08068-08	1-C1	27	96000-06016-00	1-C5	35	96220-60150	1-B8	16
95700-08070-08	1-B10	20		1-C6	37	96500-08016-08	1-F3	103
95700-08080-00	1-C1	27		1-C7	39	98069-57916	1-B2	5
95700-10032-00	1-E12	96	96000-06018-07	1-E4	81		1-B3	7
95701-06010-07	1-D11	71	96000-06020-00	1-B9	18	98059-57926	1-B2	5
	1-E2	77	96000-06020-02	1-B9	18		1-B3	7
95701-06010-08	1-E9	91	96000-06022-07	1-E4	81	98069-58915	1-B2	5
	1-F3	103	96000-06025-00	1-C7	39		1-B3	7
95701-06012-00	1-C1	27	96000-06025-07	1-B11	22	98069-58926	1-B2	5
	1-E2	77		1-B10	20		1-B3	7
95701-06012-07	1-D11	71		1-C7	39	98069-59916	1-B2	5
95701-06014-00	1-E1	75	96000-06028-00	1-E12	97		1-B3	7
	1-F5	107		1-B10	21	98069-59926	1-B2	5
95701-06014-08	1-B12	24	96000-06028-07	1-B12	25		1-B3	7
	1-E5	83	96000-06032-07	1-B6	12	98200-21000	1-F6	109
	1-F6	109		1-B6	12	98200-21500	1-D7	63
95701-06016-00	1-B5	11	96000-06035-00	1-B10	21	98200-53000	1-E7	86
95701-06018-07	1-F1	99	96000-06035-07	1-B9	18	99001-08000	1-F10	116
95701-06020-00	1-E11	94		1-B6	12	99001-10120	1-F10	116
	1-F8	112	96000-06040-00	1-B10	21	99001-14170	1-F10	116
95701-06020-07	1-F8	112	96000-06040-00	1-C7	39	99002-13500	1-F10	116
95701-06020-08	1-E7	86	96000-06045-00	1-B10	21	99003-10000	1-F10	116
				1-B10	21	99003-30000	1-F10	116

PART NUMBER INDEX

PART NUMBER	GRID	PAGE	PART NUMBER	GRID	PAGE	PART NUMBER	GRID	PAGE
99003-50000	1-F10	116						
99006-12000	1-F10	116						
99006-22000	1-F10	116						
99006-27000	1-F10	117						
99008-02000	1-F10	116						
99101-393-1100	1-C10	45						
99101-393-1120	1-C10	45						
99101-393-1280	1-C10	44						
	1-C10	45						
99102-393-1100	1-C10	45						
99103-437-0380	1-C10	45						

DESCRIPTION INDEX

DESCRIPTION	GRID	PAGE	REF	DESCRIPTION	GRID	PAGE	REF
(A)							
ADJUSTER, DRIVE CHAIN	1-E3	78	1	BEARING NEEDLE 35X42X30	1-B7	14	25
ALTERNATOR ASSY	1-B6	17	5	BEARING RADIAL BALL 16003	1-B7	14	24
ARM ASSY SHOCK	1-F2	100	13	BEARING RADIAL BALL 6203	1-F1	99	31
ARM COMP CAM CHAIN TENSIONER	1-B5	11	15	BEARING RADIAL BALL 6302U	1-D12	73	17
ARM COMP GEARSHIFT	1-E11	94	3	BEARING RADIAL BALL 6302UU	1-D12	73	17
ARM COMP NEUTRAL STOPPER	1-C6	36	10	BEARING RADIAL BALL 6304	1-C1	27	31
ARM COMP SHIFT DRUM STOPPER	1-C6	37	11	BEARING RADIAL BALL 6304UC	1-E3	79	27
ARM RR BRAKE MIDDLE	1-E11	94	9	BEARING RADIAL BALL 6305	1-C5	35	36
ARM VALVE ROCKER	1-B4	8	6	BEARING RADIAL BALL 6305U	1-E3	79	26
AXLE FR WHEEL	1-D12	72	3	BEARING SYNARM PIVOT	1-F1	99	22
AXLE RR WHEEL	1-E3	78	4	BEARING 1-C5	1-C6	37	25
				BLOCK SET CYLINDER	1-C1	26	1
				BODY COMP FRAME	1-E8	113	4
				BOOT B	1-D11	71	15
(B)					1-E2	77	17
BAG OWNERS MANUAL	1-E5	83	18	BOOT COMP	1-D4	56	7
BAG TOOL	1-F10	116	2		1-D5	58	7
BALL STEEL #5	1-D10	69	76	BOOT COMP RR SHOCK	1-E1	74	4
BAND A2 WIRE	1-F6	109	18	BOOT MASTER CYLINDER	1-F2	101	18
BAND B1 CABLE	1-D3	54	5		1-D4	57	13
BAND BOOT	1-F2	101	19	BOOT PIN	1-D5	58	13
BAND INSULATOR	1-B1	3	9		1-D11	71	16
	1-B3	6	8	BOOT PISTON CASE	1-E2	77	18
BAND L EX PIPE	1-E10	92	8	BOSS OIL FILTER	1-D9	67	31
BAND L MUFFLER	1-E10	92	10	BOX ASSY SPEEDOMETER GEAR	1-B11	23	12
BAND R EX PIPE	1-E10	92	7	BOX COMP BATTERY	1-D12	72	9
BAND R MUFFLER	1-E10	92	9	BRACKET ASSY CAM CHAIN TENSIONER	1-E6	84	14
BAR ASSY SIDE STAND	1-E12	97	4		1-B5	10	3
BAR COMP L STEP	1-E12	96	13	BRACKET COMP CAM CHAIN TENSIONER HOLDER	1-B5	11	16
BAR COMP R STEP	1-E11	95	8	BRACKET COMP L FR	1-D11	70	10
BAR SEAT LOCK	1-E5	82	2	BRACKET COMP R FR	1-D11	71	20
BASE COMP	1-F5	106	7	BRACKET COMP RR	1-E2	76	7
BASE COMP CONTACT	1-D6	61	4	BRACKET L STEP	1-E12	96	12
BASE COMP TAILLIGHT	1-F5	106	3	BRACKET LICENSE PLATE	1-F5	107	19
BASE AIR CLEANER	1-C8	41	26	BRACKET NUMBER PLATE	1-F5	107	19
BASE FUEL VALVE	1-E4	80	3	BRACKET R STEP	1-E11	95	6
BASE L REFLECTOR	1-F3	102	13	BRACKET REFLEX REFLECTOR	1-F7	111	39
BASE LICENSE LIGHT	1-F5	107	20	BRACKET SIDE STAND RUBBER	1-E12	97	8
BASE R REFLECTOR	1-F3	102	11	BRIDGE CALIPER BRACKET	1-D11	71	13
BASE REFLEX REFLECTOR	1-F7	111	38	BRIDGE FORK TOP	1-D6	61	11
BASE TURN SIGNAL	1-F4	104	2	BULB HEADLIGHT	1-D1	50	11
	1-F4	104	10	BULB LICENSE LIGHT	1-F5	106	13
BATTERY	1-E6	84	2		1-F5	107	13
BEARING A CONNECTING ROD	1-C3	31	8	BULB STOP & TAILLIGHT	1-F5	107	14
BEARING A CRANKSHAFT	1-C4	33	10	BULB TAILLIGHT	1-F5	107	14
BEARING B CONNECTING ROD	1-C3	31	8	BULB TURN SIGNAL	1-F4	104	15
	1-C4	33	8		1-F4	104	16
BEARING B CRANKSHAFT	1-C4	33	10	BULB WEDGE BASE	1-D1	51	1
BEARING C CONNECTING ROD	1-C4	33	8	BUSH	1-F7	110	11
BEARING C CRANKSHAFT	1-C4	33	10	BUSH DAMPER	1-F2	101	17
BEARING D CONNECTING ROD	1-C4	33	8	BUSH PIVOT	1-D9	67	46
BEARING D CRANKSHAFT	1-C4	33	10	BUSH SHOCK PIPE	1-D9	68	13
BEARING E CONNECTING ROD	1-C4	33	8	BUSH SLIDER	1-D9	66	14
BEARING E CRANKSHAFT	1-C4	33	10	BUSHING	1-D5	58	3
BEARING HEAD PIPE LOWER	1-D8	64	12		1-F7	110	11
BEARING HEAD PIPE UPPER	1-D8	64	11				
BEARING NEEDLE 20MM	1-C5	35	31				
BEARING NEEDLE 30X35X17	1-B8	16	15				

DESCRIPTION INDEX

DESCRIPTION	GRID	PAGE	REF	DESCRIPTION	GRID	PAGE	REF
(C)							
CABLE ASSY SPEEDOMETER	1-D2	52	13	CASE COMP METER LOWER	1-D1	51	10
CABLE COMP A THROTTLE	1-D3	54	1	CASE COMP METER UPPER	1-D2	52	12
CABLE COMP B THROTTLE	1-D3	54	2	CASE COMP R LOWER	1-D9	66	18
CABLE COMP CHOKE	1-D3	54	3	CASE AIR CLEANER	1-E9	90	2
CABLE BATTERY GROUND	1-E6	84	9	CASE DRIVE CHAIN	1-F1	98	3
CABLE BATTERY STARTER	1-E6	84	4	CASE FUSE	1-F6	109	14
CABLE SPEEDOMETER INNER	1-D2	52	14	CASE GUIDE	1-F2	101	14
CABLE STARTER MOTOR	1-E6	84	5	CASE THERMOSTAT	1-C7	38	2
CALIPER ASSY L FR	1-D11	70	5	CENTER B CLUTCH	1-B6	13	5
CALIPER ASSY R FR	1-D11	71	17	CENTER CLUTCH	1-B6	13	4
CALIPER ASSY RR	1-E2	76	1	CHAIN SET DRIVE	1-F1	98	2
CALIPER COMP L	1-D11	70	6	CHAIN CAM	1-B5	10	2
CALIPER COMP R	1-D11	71	18	CHAIN OIL PUMP	1-B11	23	5
CALIPER COMP RP	1-E2	76	2	CHAMBER COMP EX	1-E10	92	3
CAMSHAFT COMP FR EX	1-B4	8	4	CHAMBER SET FLOAT	1-C9	43	4
CAMSHAFT COMP FR IN	1-B4	8	2	CIRCLIP	1-D4	57	22
CAMSHAFT COMP RR EX	1-B4	8	5		1-E1	74	13
CAMSHAFT COMP RR IN	1-B4	8	3	CIRCLIP INTERNAL	1-D9	67	34
CANISTER COMP	1-F12	121	2	CIRCLIP INTERNAL 18MM	1-D5	59	20
CAP	1-F2	100	3	CIRCLIP INTERNAL 40MM	1-F1	39	28
CAP A CONNECTING PIPE	1-C7	38	8	CIRCLIP INTERNAL 62MM	1-E3	79	25
CAP B CONNECTING PIPE	1-C7	38	9	CIRCLIP INTERNAL 95	1-B7	14	23
CAP COMP 1 COIL	1-F6	108	8	CIRCLIP 25MM	1-C5	35	29
CAP COMP 2 COIL	1-F6	108	9	CIRCLIP 28MM	1-C5	35	30
CAP COMP 3 COIL	1-F6	108	10	CLAMP A WATER PIPE	1-C7	38	12
CAP COMP 4 COIL	1-F6	108	11	CLAMP B RR BRAKE HOSE	1-E2	77	21
CAP COMP FUEL FILLER	1-E4	81	8	CLAMP B WATER HOSE	1-F7	111	36
CAP COMP OIL CUP	1-E1	74	5	CLAMP D8 TUBE	1-F12	121	15
CAP COMP RADIATOR	1-F7	110	13	CLAMP ALTERNATOR WIRE	1-B8	17	8
CAP ADJUSTING PLATE	1-D9	67	39	CLAMP BREATHER TUBE	1-E7	87	1
CAP AIR VALVE	1-D9	67	38	CLAMP COIL WIRE	1-F6	109	17
	1-F2	100	4	CLAMP L FR BRAKE HOSE	1-D8	65	3
CAP BLEEDER	1-B9	19	16	CLAMP MASTER CYLINDER OIL HOSE	1-E1	74	8
	1-C7	39	19		1-B6	12	4
	1-D11	70	3	CLAMP PULSER WIRE	1-D8	65	2
	1-E2	76	11	CLAMP R FR BRAKE HOSE	1-F6	108	1
CAP ENGINE HANGER	1-F8	113	5	CLAMP RESERVE TANK TUBE	1-F6	108	1
CAP MAIN GALLERY	1-C1	26	4	CLAMP SPEEDOMETER CABLE	1-D11	70	4
CAP MASTER CYLINDER	1-D4	56	9	CLAMP SWITCH WIRE	1-B6	12	5
	1-D4	57	15	CLAMP TUBE	1-E8	89	33
	1-D5	58	9	CLAMP WATER HOSE	1-C7	38	6
	1-D5	59	14		1-C7	38	10
	1-F11	119	16		1-C7	39	20
CAP PIPE END	1-F7	111	22		1-F7	111	41
CAP RESERVE TANK	1-F6	108	2	CLAMP WIRE	1-B9	19	14
CAP SCREW	1-F6	108	2	CLAMPER B WATER PIPE	1-C7	38	15
CAP SEALING	1-F12	121	13	CLIP A12 TUBE	1-E8	88	30
CAP SOCKET BOLT 8MM	1-D10	68	69	CLIP B10 TUBE	1-C9	42	37
CAP SPEED ALARM CORD	1-D1	51	11		1-E8	88	31
CAP STARTER CLUTCH ROLLER	1-B7	15	7	CLIP B12 TUBE	1-C9	42	38
SPRING	1-C8	40	16		1-E8	89	32
CARBURETOR ASSY	1-C8	41	16	CLIP B7 TUBE	1-C9	42	36
	1-C8	41	17		1-F12	121	14
CARBURETOR ASSY 1	1-C8	41	17	CLIP C11 TUBE	1-F8	112	55
CARBURETOR ASSY 2	1-C8	41	18	CLIP C12 TUBE	1-E9	91	23
CARBURETOR ASSY 3	1-C8	41	19	CLIP BREATHER TUBE	1-B9	19	6
CARBURETOR ASSY 4	1-C8	41	20		1-C1	26	5
CASE COMP L LOWER	1-D9	67	44		1-E9	91	18
CASE COMP L PISTON	1-D9	67	45	CLIP FUEL HOSE	1-F12	121	1
					1-E7	87	10

GRID

1-I 1

DESCRIPTION INDEX

DESCRIPTION	GRID	PAGE	REF.	DESCRIPTION	GRID	PAGE	REF.
CLIP, HARNESS	1-F6	109	15	COVER COMP R SIDE	1-E6	85	21
CLIP PISTON PIN 15MM	1-B7	14	26	COVER AIR CLEANER CASE	1-E9	90	4
CLIP PISTON PIN 18MM	1-C4	33	12	COVER ALTERNATOR	1-E9	17	1
CLIP PULSER WIRE	1-B7	15	9	COVER BATTERY TERMINAL	1-F6	84	6
CLIP SCREEN MOUNTING	1-F11	119	7	COVER DUST	1-E11	94	5
CLIP SUB TANK HOSE	1-E9	91	19	COVER FR	1-F9	114	15
CLIP TUBE	1-F12	121	6	COVER FUSE	1-E6	84	11
CLIP WIRE HARNESS	1-F6	109	16	COVER FUSE PLATE	1-D6	61	7
CLUTCH ONE WAY	1-B6	13	13	COVER HEAD PIPE GUSSET	1-F9	114	14
COIL COMP IGNITION	1-F6	108	5	COVER INDICATOR SWITCH	1-B8	17	3
COLLAR B ENGINE HANGER	1-F8	113	12	COVER L CRANKCASE	1-B9	19	1
COLLAR BUSH	1-F2	100	7	COVER L RADIATOR	1-F7	111	26
COLLAR CHAIN CASE	1-F1	98	4	COVER R CRANKCASE	1-B6	12	1
	1-F1	98	5	COVER R RADIATOR	1-F7	111	25
COLLAR CHAIN SLIDER	1-F1	98	8	COVER RUBBER	1-D1	50	10
COLLAR CONNECTING ROD	1-F2	100	11	COVER STARTER MOTOR TERMINAL	1-E6	84	7
COLLAR CONNECTING ROD LOWER	1-F2	100	9	COVER THERMOSTAT	1-C7	38	3
COLLAR ENGINE HANGER UPPER	1-F8	113	11	COVER WATER PUMP	1-B9	19	8
COLLAR FR FENDER	1-E4	81	10	COWL COMP FR	1-F11	118	5
	1-E6	85	18		1-F11	119	5
	1-F11	118	3		1-F11	118	5
COLLAR FR WHEEL DISTANCE	1-D12	72	5	COWL COMP RR SEAT	1-E5	82	3
COLLAR FR WHEEL SIDE	1-D12	72	4	COWL COMP UNDER	1-F11	119	9
COLLAR FUEL PUMP DISTANCE	1-E7	87	3	CRANKSHAFT COMP	1-C4	33	9
COLLAR FUEL TANK SETTING	1-E4	81	16	CUP MASTER CYLINDER OIL	1-E1	74	6
COLLAR GEARSHIFT DRUM STOPPER	1-C6	37	12	CUP PISTON	1-B9	19	13
COLLAR GEARSHIFT LEVER				CUSHION BATTERY	1-E6	84	3
MOUNT	1-F3	103	19		1-E6	84	16
COLLAR L ENGINE HANGER UPPER	1-F8	113	6	CUSHION FUEL TANK RR	1-E4	81	7
COLLAR LINK	1-E2	76	14	CYLINDER ASSY CLUTCH MASTER	1-D5	58	1
COLLAR MUFFLER MOUNTING	1-E10	92	15	CYLINDER ASSY CLUTCH SLAVE	1-B9	19	10
COLLAR PISTON	1-D9	67	19	CYLINDER ASSY FR BRAKE			
COLLAR R ENGINE HANGER UPPER	1-F8	113	7	MASTER	1-D4	56	6
COLLAR R ENGINE MOUNTING	1-F8	113	9	CYLINDER ASSY RR BRAKE			
COLLAR R FR ENGINE HANGER	1-F9	114	13	MASTER	1-E1	74	2
COLLAR RADIATOR MOUNTING	1-F7	110	17	CYLINDER SET MASTER	1-D4	57	14
COLLAR RR AXLE DISTANCE	1-E3	78	10				
COLLAR RR BRAKE PANEL SIDE	1-E3	78	6				
COLLAR RR WHEEL SIDE	1-E3	78	5				
COLLAR SETTING	1-E8	88	22				
COLLAR SPLINE 25X18 5	1-C5	35	14				
COLLAR SPLINE 28X15 5	1-C5	34	9	D-RING 66X3 6	1-E3	79	22
COLLAR SPRING	1-D9	66	3	DAMPER RR WHEEL	1-E3	78	3
COLLAR STAND RUBBER MOUNTING	1-E12	97	7	DIAGRAM VACUUM HOSE ROUTING	1-E4	81	12
COLLAR SWINGARM PIVOT	1-F1	98	6	DIAPHRAGM	1-D4	57	12
	1-F1	98	7		1-D5	58	12
	1-F1	98	7		1-E1	74	11
COLLAR TAILLIGHT MOUNTING	1-F5	107	21	DISK CLUTCH FRICTION	1-B6	13	8
COLLAR 22X13 6	1-C5	34	5	DISK L FR BRAKE	1-D12	72	12
COLLAR 25 2X7	1-B6	13	18	DISK P FR BRAKE	1-D12	72	11
COLLAR 25X14	1-C5	35	11	DISK RR BRAKE	1-E3	79	15
COLLAR 6 5X11X3	1-E11	95	3	DRIVER 2 PHILLIPS SCREW	1-F10	116	13
CONNECTOR MASTER CYLINDER	1-E1	74	3	DRIVER 2 STRAIGHT SLOT SCREW	1-F10	116	14
COTTER VALVE	1-B4	8	15	DRUM ASSY GEARSHIFT	1-C6	36	5
COUNTERSHAFT COMP	1-C5	34	3	DRUM GEARSHIFT	1-C6	36	6
COVER A CYLINDER HEAD	1-B1	2	1	DUCT L AIR CLEANER IN	1-E9	90	12
COVER A MAGNETIC SWITCH	1-E6	84	8	DUCT R AIR CLEANER IN	1-E9	90	11
COVER ASSY RADIATOR UPPER	1-F7	111	32	DUST SEAL	1-D10	68	61
COVER COMP L INNER	1-B9	19	2		1-D11	70	9
COVER COMP L SIDE	1-E6	85	23		1-E2	76	6
COVER COMP LICENSE LIGHT	1-F5	106	10		1-F2	101	26

DESCRIPTION INDEX

DESCRIPTION	GRID	PAGE	REF.	DESCRIPTION	GRID	PAGE	REF.
DUST SEAL CONNECTING ROD	1-F2	101	28	GASKET HEAD COVER	1-B1	2	2
PIVOT	1-D8	64	4	GASKET INDICATOR SWITCH COVER	1-C11	46	3
DUST SEAL STEERING HEAD	1-D8	64	5	GASKET L INNER COVER	1-B8	17	4
	1-D8	64	5		1-C11	47	4
DUST SEAL 22X35X7	1-F1	99	24	GASKET L INNER COVER	1-B9	19	4
DUST SEAL 22X42X7	1-D12	73	15		1-C11	47	5
DUST SEAL 24X40X5 5	1-F1	99	25	GASKET LENS	1-F5	106	11
DUST SEAL 30X52X7	1-E3	79	21	GASKET MUFFLER	1-E10	92	11
DUST SEAL 40X50X5	1-D12	73	16		1-E10	92	12
				GASKET OIL PAN	1-B11	23	2
					1-C11	47	1
				GASKET OIL STRAINER	1-B11	23	8
(E)				GASKET R COVER	1-B6	12	2
ELEMENT AIR CLEANER	1-E9	90	5		1-C11	47	2
EMBLEM SIDE COVER	1-G2	125	8	GASKET SEAL	1-F4	104	8
	1-G2	125	9		1-F5	106	1
EQUALIZER COMP FR SHOCK	1-D9	67	51	GASKET WATER PUMP COVER	1-B9	19	9
				GAUGE FEELER 0 7	1-F10	116	3
(F)				GAUGE OIL LEVEL	1-B6	12	3
FAN COOLING	1-F7	110	6	GEAR COMP STARTER CLUTCH	1-B7	15	3
	1-F7	110	7	GEAR COUNTERSHAFT FIFTH	1-C5	35	15
FENDER A RR	1-F3	102	5	GEAR COUNTERSHAFT FOURTH	1-C5	35	12
FENDER B RR	1-F3	102	7	GEAR COUNTERSHAFT LOW	1-C5	34	4
FENDER COMP FR	1-D8	65	4	GEAR COUNTERSHAFT SECOND	1-C5	34	7
FILTER OIL	1-B11	23	10	GEAR COUNTERSHAFT THIRD	1-C5	34	8
FLANGE COMP FINAL DRIVEN	1-E3	78	9	GEAR MAINSHAFT FIFTH	1-C5	35	13
FLANGE STARTING CLUTCH	1-B7	15	4	GEAR MAINSHAFT FOURTH	1-C5	35	10
FLCAT SET	1-C9	43	3	GEAR MAINSHAFT SECOND & THIRD	1-C5	34	6
FORK CENTER GEARSHIFT	1-C6	36	2	GEAR PRIMARY DRIVE	1-B6	13	16
FORK L GEARSHIFT	1-C6	36	3	GEAR STARTER REDUCTION	1-B7	15	2
FORK R GEARSHIFT	1-C6	36	1	GENERATOR ASSY PULSE	1-B7	15	8
FUEL UNIT	1-E4	81	9	GRILL RADIATOR	1-F11	119	13
FUNNEL AIR	1-C8	41	21	GRILLE RADIATOR	1-F7	110	9
FUSE B	1-D7	63	22	CRIP DRIVER	1-F10	116	15
	1-F6	109	21	GRIP L HANDLEBAR	1-D3	55	10
FUSE F	1-E7	86	32	GRIP L RR	1-E5	83	16
				GRIP L SIDE	1-F3	102	12
(G)				GRIP R HANDLEBAR	1-D3	55	3
GASKET	1-E4	80	4	GRIP R RF	1-E5	83	10
GASKET KIT A	1-C11	46	1	GRIP R SIDE	1-F3	102	10
GASKET KIT B	1-C11	47	1	GROMMET	1-E6	84	17
GASKET SET	1-C9	43	1	GROMMET AIR CLEANER CASE	1-E5	83	17
GASKET ALTERNATOR COVER	1-B8	17	2		1-E6	85	20
	1-C11	47	3	GROMMET RADIATOR	1-F7	111	18
GASKET BASE	1-F5	106	5	GROMMET WIRE	1-F5	107	16
GASKET CONNECTING CAP	1-C7	39	21	GUARD WIRE	1-F5	107	17
	1-C11	47	7	GUIDE A CAM CHAIN	1-B5	11	8
GASKET CYLINDER HEAD	1-B1	3	7	GUIDE B CAM CHAIN	1-B5	11	14
	1-B3	6	6	GUIDE COMP A CAM CHAIN	1-B5	11	6
	1-C11	46	2	GUIDE CABLE	1-D6	61	1
GASKET DRAIN PLUG	1-B12	24	20	GUIDE CLUTCH OUTER	1-B6	13	3
	1-C12	48	20	GUIDE DRIVE CHAIN	1-B9	19	3
GASKET DRAIN VALVE	1-F7	110	2	GUIDE FR FENDER CABLE	1-D8	65	1
GASKET EX PIPE	1-C11	46	4	GUIDE RING	1-C5	35	17
	1-E10	92	2	GUIDE VALVE	1-B1	3	1
GASKET FR SHOCK DRAIN VALVE	1-D10	68	58		1-B3	6	1

DESCRIPTION INDEX

DESCRIPTION	GRID	PAGE	REF.	DESCRIPTION	GRID	PAGE	REF.
SPRING, VALVE INNER	1-B4	8	11	(T)			
SPRING, VALVE OUTER	1-B4	8	10				
SPROCKET COMP FINAL DRIVEN	1-E3	78	2	TACHOMETER ASSY	1-D1	51	6
SPROCKET, CAM	1-B5	10	1	TAILLIGHT UNIT	1-F5	106	2
SPROCKET, DRIVE	1-C5	3E	16		1-F5	106	3
SPROCKET, OIL PUMP DRIVE	1-B6	13	1	TANK COMP FUEL	1-E4	80	5
SPROCKET, OIL PUMP DRIVEN	1-B11	23	4	TANK SET FUEL	1-E4	80	5
STABILIZER FR SHOCK	1-D9	67	53	TANK RESERVE	1-F7	111	19
STAND COMP MAIN	1-E12	97	1	TANK STORAGE	1-E9	90	16
STATOR COMP	1-B8	17	7	TENSIONER CAM CHAIN	1-B5	10	5
STAY A, IGNITION COIL	1-F6	108	6		1-B5	11	5
STAY A, PULSE GENERATOR	1-B7	15	10	TERMINAL SET BRUSH	1-B11	22	2
STAY B, IGNITION COIL	1-F6	108	7	THERMOSTAT	1-C7	38	1
STAY B, PULSE GENERATOR	1-B7	15	11	THERMOSWITCH ASSY	1-F7	111	40
STAY, FAIRING	1-F11	118	1	THREAD B STEERING HEAD UPPER	1-D8	64	9
STAY HORN	1-D8	64	1	THREAD COMP STEERING HEAD			
STAY RADIATOR LOWER	1-F7	111	30	TOP	1-D8	64	6
STAY STORAGE TANK	1-E9	91	17	TIRE ASSY FR	1-D12	72	8
STAY, TURN SIGNAL	1-F4	104	14	TIRE ASSY RR	1-E3	78	13
STEM COMP STEERING	1-D8	64	3	TOOL SET	1-F10	116	1
STEP ASSY L MAIN	1-E11	95	11	TOP COMP	1-C9	43	13
	1-E12	96	11		1-C10	44	13
STEP ASSY R MAIN	1-E11	95	5	TUBE	1-C8	41	22
STOPPER, CHAIN ADJUSTER	1-F1	93	11		1-C8	41	27
STRAINER COMP FUEL	1-E7	87	5	TUBE A BREATHER	1-C1	26	2
STRAINER, OIL	1-B11	23	7	TUBE B BREATHER	1-B9	19	5
STRIPES FR COWL	1-G1	127	16	TUBE AIR CLEANER BREATHER	1-E9	90	14
	1-G3	127	17	TUBE AIR VENT	1-C8	41	28
STRIPES, FUEL TANK	1-G2	125	1	TUBE BATTERY	1-E6	84	13
STRIPES L FR COWL	1-G3	127	17	TUBE BREATHER DRAIN	1-E9	90	13
STRIPES L FR COWL INNER	1-G3	127	15	TUBE CHARGE	1-F12	121	4
STRIPES L SIDE COVER	1-G3	127	12	TUBE DRAIN	1-F12	121	8
	1-G3	127	13	TUBE FUEL	1-E7	87	7
STRIPES R FR COWL	1-G3	127	16	TUBE FUEL 3 5X180	1-C8	41	34
	1-G3	127	17	TUBE, FUEL, 3 5X210	1-C8	41	35
STRIPES, R FR COWL INNER	1-G3	127	14	TUBE, FUEL 3 5X70	1-C8	41	32
STRIPES, R SIDE COVER	1-G2	125	10	TUBE, FUEL, 3 5X80	1-C8	41	33
	1-G3	127	11	TUBE, FUEL, 7 3X235	1-E7	87	6
STRIPES, RR COWL	1-G2	125	7	TUBE, JOINT	1-F12	121	3
SUB FRAME COMP	1-F8	113	8	TUBE, LEVEL	1-F7	111	20
SUSPENSION, FUEL CUT RELAY	1-E7	87	14	TUBE OUTER VENT	1-E9	90	1
SUSPENSION, PURGE CONTROL				TUBE, OVER FLOW	1-F7	111	23
VALVE	1-F12	121	11		1-F7	111	24
SUSPENSION TURN SIGNAL RELAY	1-E7	87	18	TUBE, PURGE	1-F12	121	10
	1-F8	113	19	TUBE, SCREW	1-D1	50	4
SWINGARM ASSY RR	1-F1	93	10	TUBE TENSIONER SPRING	1-B5	11	9
SWITCH ASSY CLUTCH	1-D5	38	6	TUBE, VINYL, 17 5X, 0 5X70	1-F12	97	13
SWITCH ASSY COMBINATION & LOCK	1-D6	61	3	TUBE, 3 5X250	1-G1	122	17
SWITCH ASSY FR STOP	1-D4	56	1	TUBE, 3 5X350	1-G1	122	18
SWITCH ASSY NEUTRAL	1-B8	17	9	TUBE 3 5X50	1-F12	121	16
SWITCH ASSY OIL PRESSURE	1-C1	26	6	TUBE, 3 5X600	1-G1	122	19
SWITCH ASSY RR STOP	1-E11	94	6	TUBE, 8X650	1-G1	122	20
SWITCH ASSY STARTER MAGNETIC	1-E6	84	10	TURN SIGNAL ASSY L FR	1-F4	104	6
SWITCH ASSY STARTER KILL	1-D3	54	6	TURN SIGNAL ASSY L RR	1-F4	104	12
SWITCH ASSY TURN SIGNAL	1-D3	54	7	TURN SIGNAL ASSY R FR	1-F4	104	1
	1-D3	55	7	TURN SIGNAL ASSY P RR	1-F4	104	9

DESCRIPTION INDEX

DESCRIPTION	GRID	PAGE	REF.	DESCRIPTION	GRID	PAGE	REF.
(V)							
VALVE ASSY FUEL	1-E4	80	1				
VALVE ASSY RELIEF	1-B11	23	9				
VALVE COMP AIR	1-F2	100	1				
VALVE COMP PURGE CONTROL	1-F12	121	9				
VALVE SET FLOAT	1-C9	43	2				
VALVE SET STARTER	1-C9	43	8				
VALVE DRAIN	1-F7	110	3				
VALVE EX	1-B4	8	9				
VALVE IN	1-B4	8	8				
VALVE GIL LOCK	1-D9	66	4				
VALVE ONE WAY	1-F12	121	7				
VALVE RIM	1-D12	72	2				
	1-E3	78	14				
VISOR, METER	1-D2	52	15				
(W)							
WEIGHT BALANCE	1-D12	72	1				
	1-E3	78	12				
WHEEL COMP FR	1-D12	72	6				
WHEEL COMP RR	1-E3	78	11				
WIRE COMP LICENSE LIGHT	1-F5	106	9				
WIPF COMP TAILLIGHT	1-F5	106	4				
WRENCH EYE 10X12	1-F10	116	8				
WRENCH EYE 22MM	1-F10	116	17				
WRENCH EYE 27MM	1-F10	117	18				
WRENCH HEX 5MM	1-F10	116	6				
WRENCH HEX 6MM	1-F10	116	5				
WRENCH HEX 8MM	1-F10	116	7				
WRENCH PLUG	1-F10	116	4				