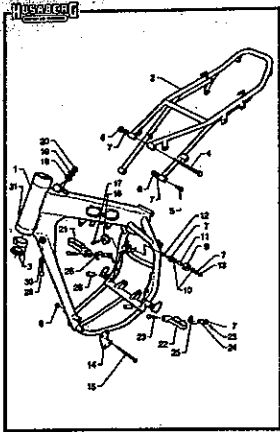


HUSABERG
MOTOR AB SWEDEN

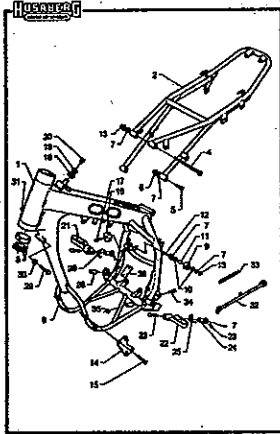
PARTS MANUAL

1989-1996

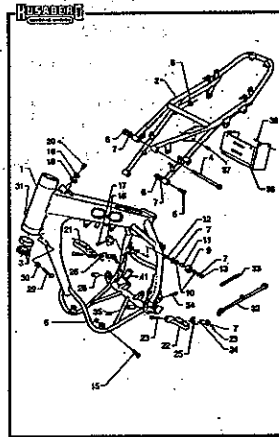
1111111111



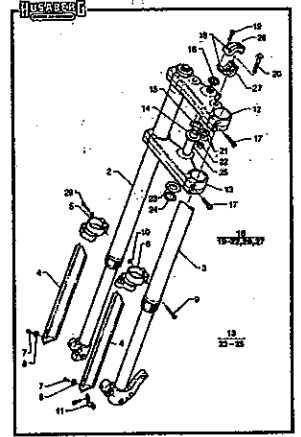
Page 3



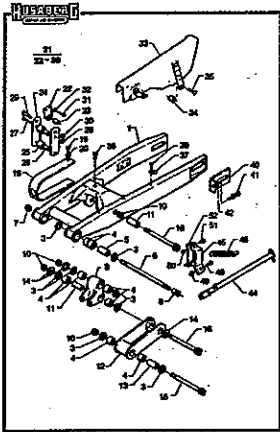
Page 5



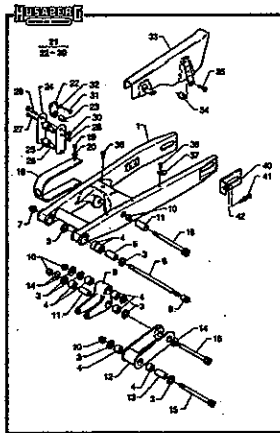
Page 7



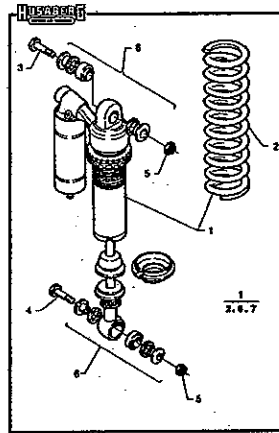
Page 9



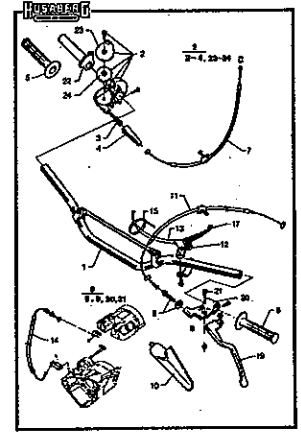
Page 11



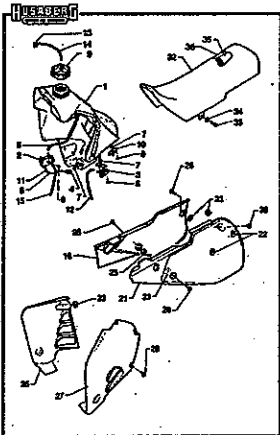
Page 13



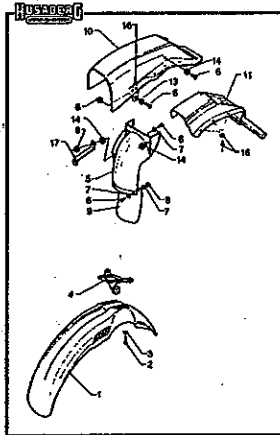
Page 17



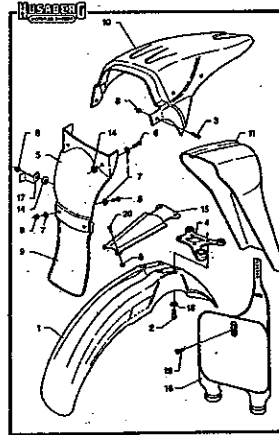
Page 19



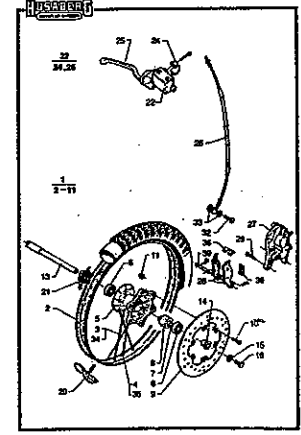
Page 21



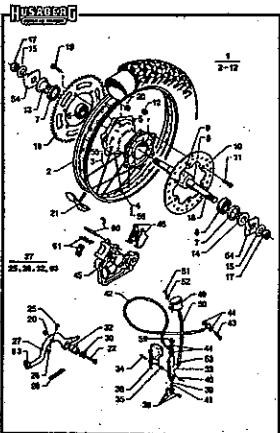
Page 23



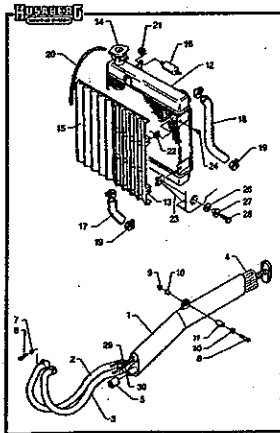
Page 25



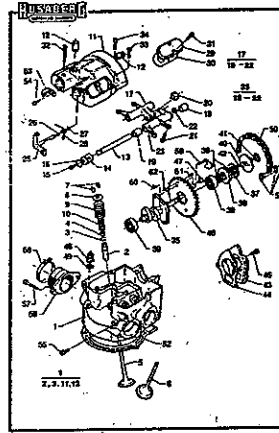
Page 27



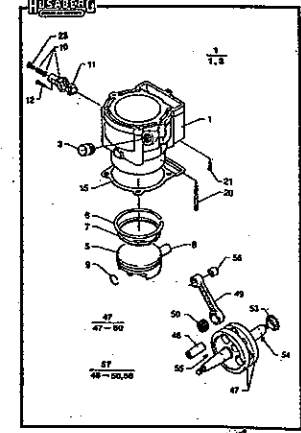
Page 29



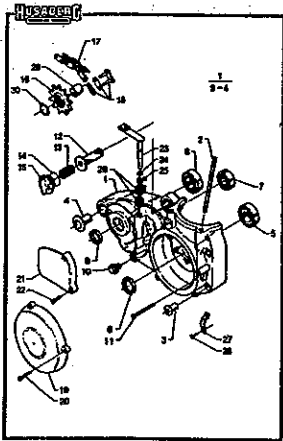
Page 33



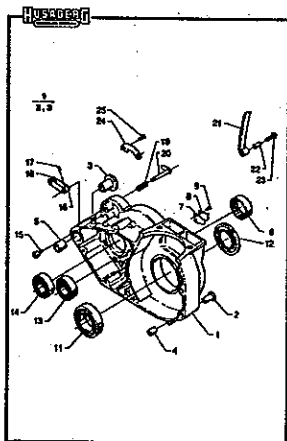
Page 37



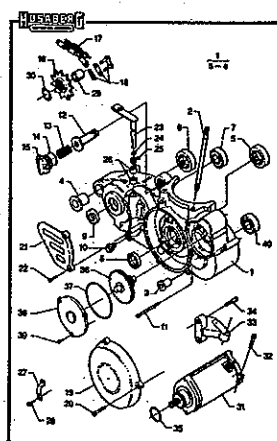
Page 41



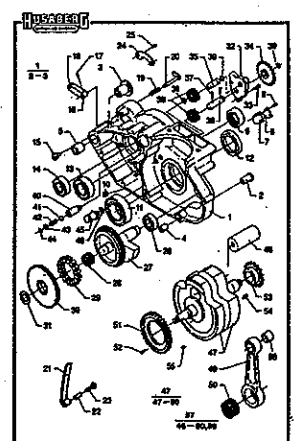
Page 45



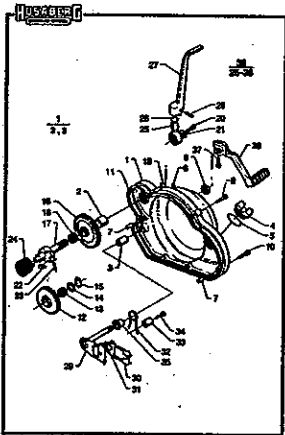
Page 49



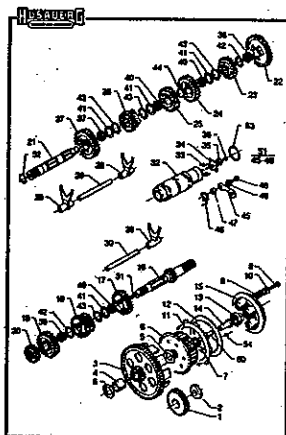
Page 51



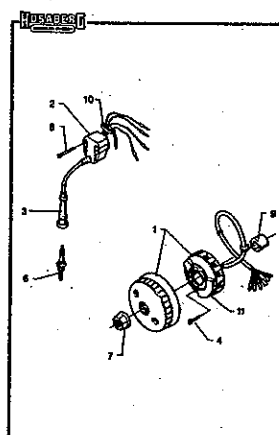
Page 55



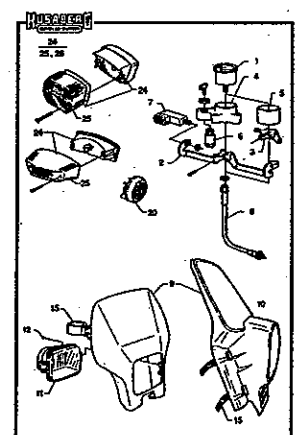
Page 59



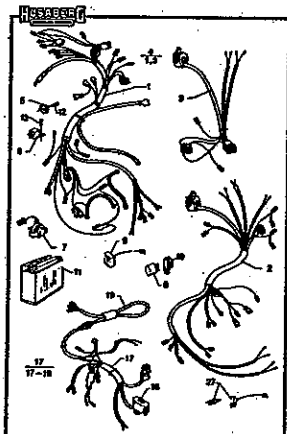
Page 61



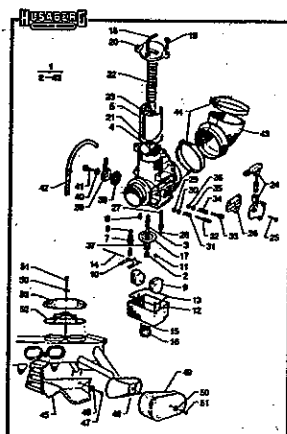
Page 65



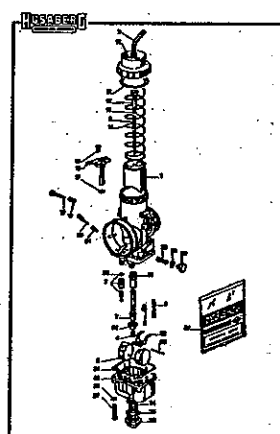
Page 67



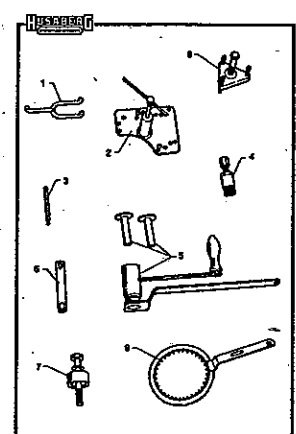
Page 69



Page 71



Page 73



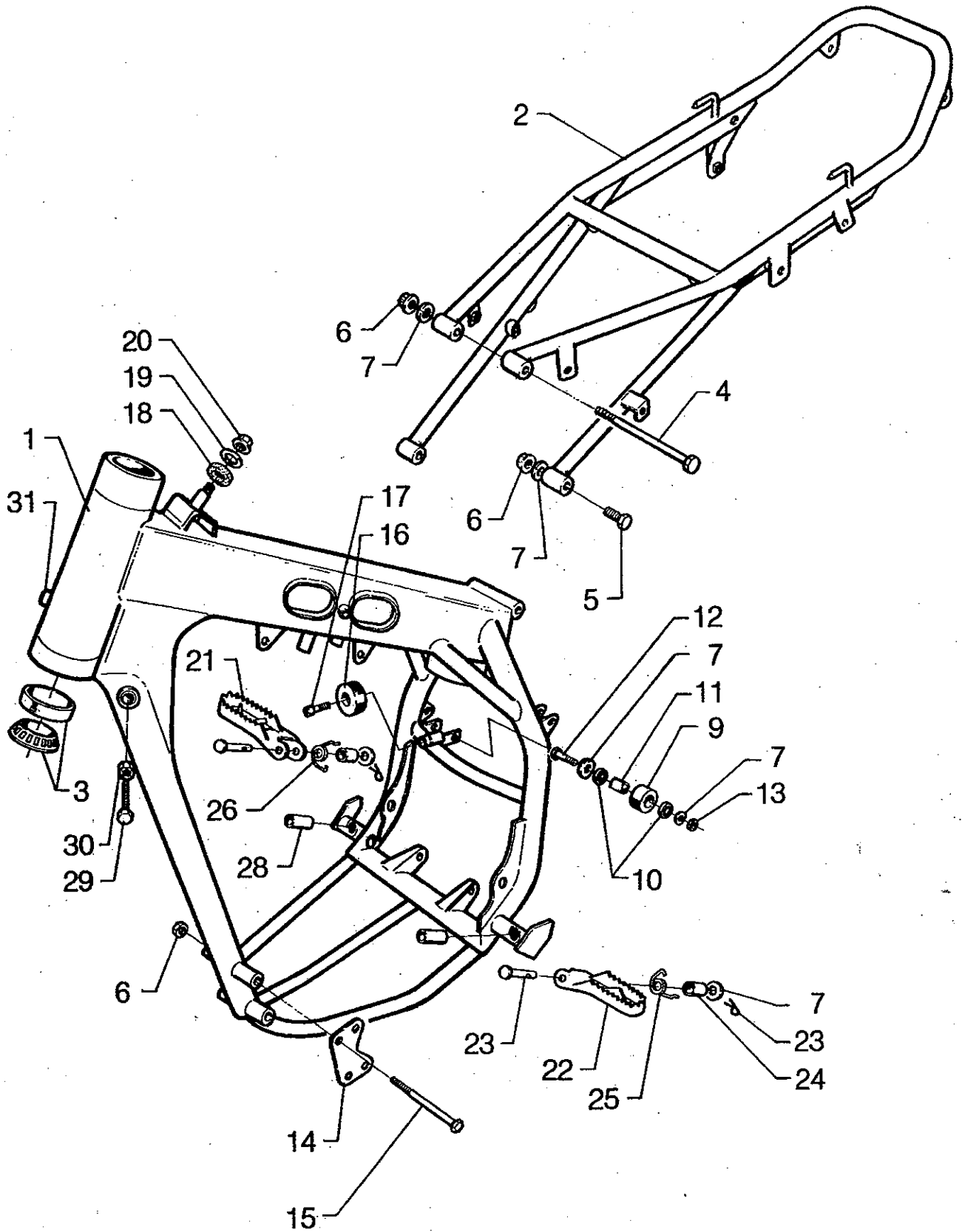
Page 75

This Parts Manual is subject to correction without prior notice

DECALS

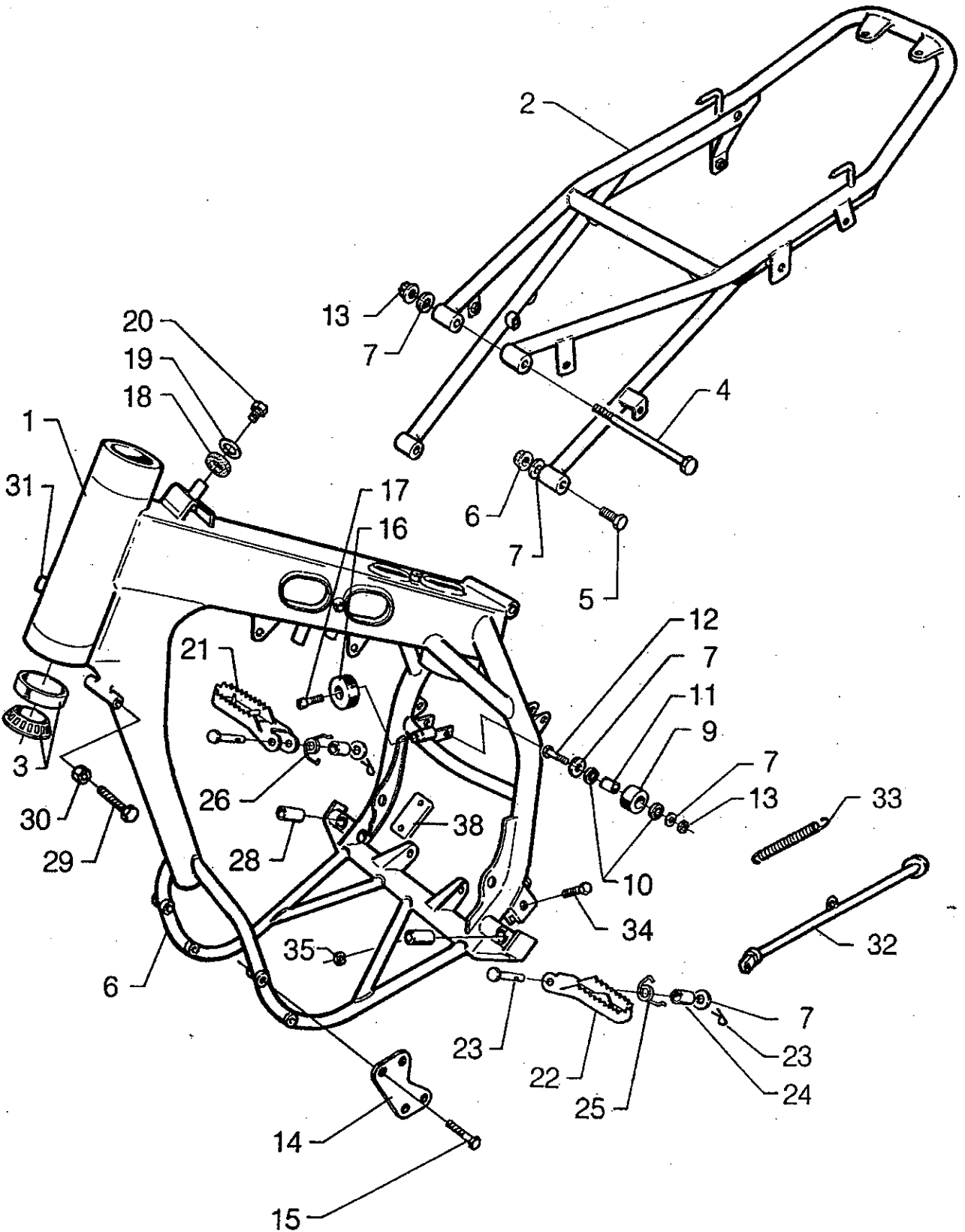


Page 77



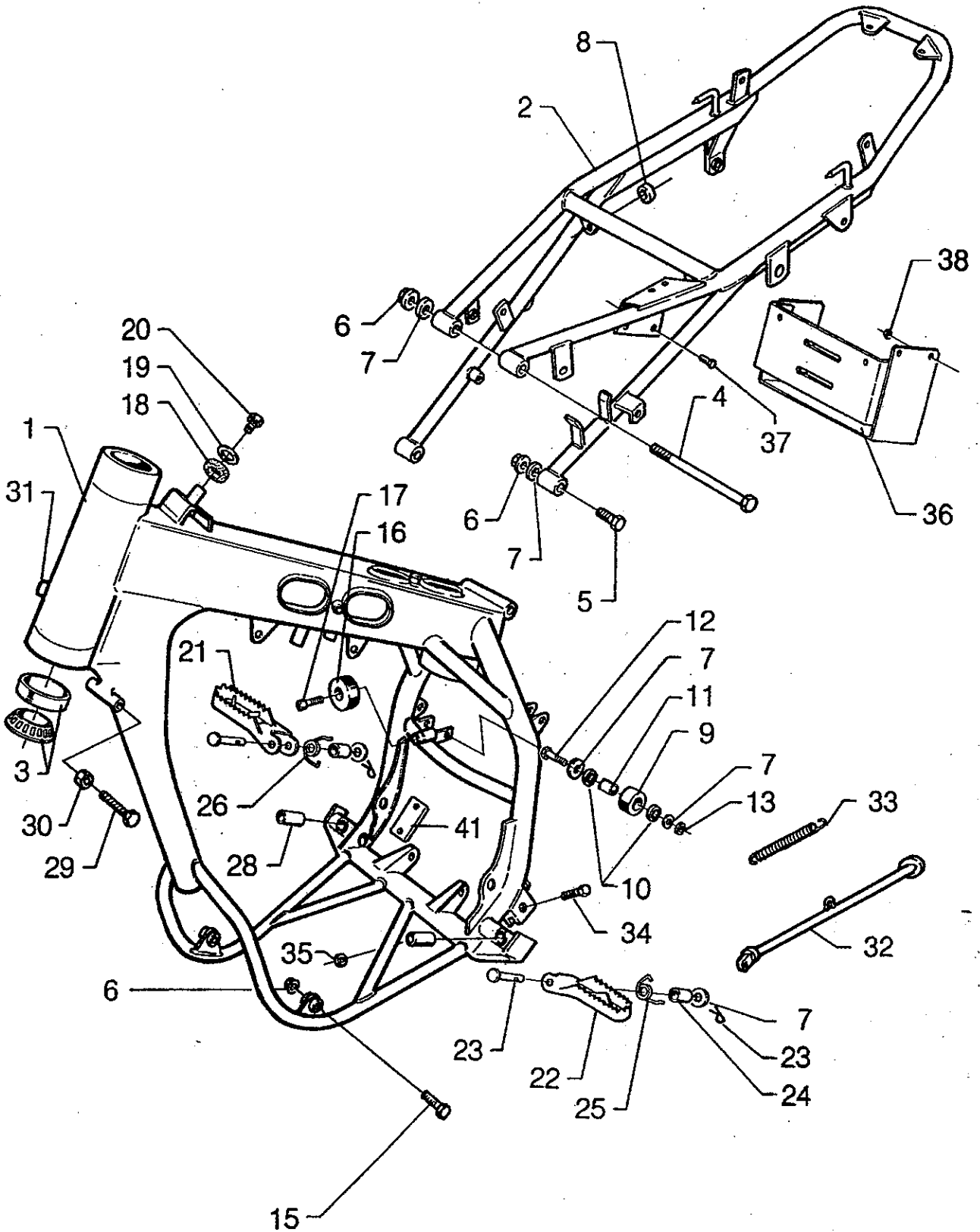
FRAME 89-93

Pos.	Part No	Quantity/Model				Description	Remarks
		FE	FC	FX	FEE		
2	110 039-03	1				Subframe compl. lightblue FE 93	
3	130 019-01	2	2			Taper roller bearing 89-	
4	308 530-41	1	1			Screw MC6S 8x130 89-	
5	308 635-22	2	2			Screw M6S 8x35 89-	
6	318 801-22	4	4			Locknut M8 89-	
7	328 017-01	5	5			Washer 8.4x16x1.5 89-	
9	120 056-01	1	1			Chainroller 89-	
10	360 011-01	2	2			Ballbearing chainroller 89-	
11	120 057-01	1	1			Spacer chainroller 89-	
12	308 645-22	1	1			Screw M6S 8x45 89-	
13	318 801-22	4	4			Locknut M8 89-	
14	190 003-01	2	2			Engine support plate 89-93	
15	308 611-22	4	4			Screw M6S 8x110 FC/FE 89-	
16	160 015-01	1	1			Rear attachment fuel tank 89-	
17	308 520-22	1	1			Screw MC6S 8x20 89-	
18	160 043-01	1	1			Rubberwasher 26x13x2 89-	
19	326 022-01	1	1			Washer 6x22x1.5 89-	
20	306 612-22	1	1			Screw M6S 6x12 89-	
21	170 001-01	1	1			Footrest right 89-	
22	170 004-01	1	1			Footrest left 89-	
23	308 655-22	2	2			Screw M6S 8x55 89-	
24	170 009-01	2	2			Spacer footrest 89-	
25	170 006-01	1	1			Spring footrest right 89-	
26	170 007-01	1	1			Spring footrest left 89-	
28	170 008-01	2	2			Pin footrest 89-	
29	308 625-22	2	2			Screw M6S 8x25 89-	
30	318 800-22	2	2			Nut M6M M8 89-	
31	110 005-01	1				Steering head lock 89-	



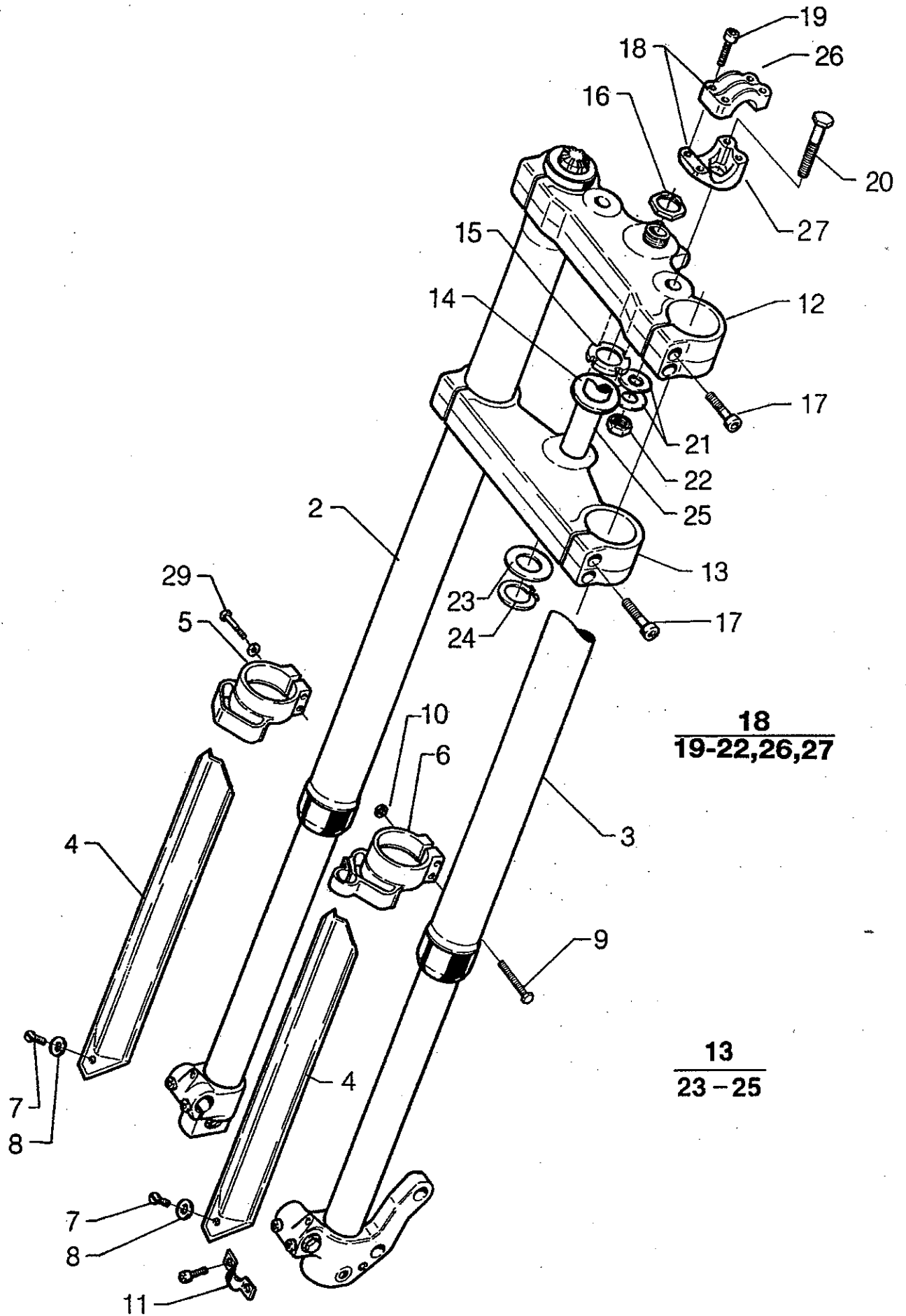
FRAME 94-96

Pos.	Part No	Quantity/Model				Description	Remarks
		FE	FC	FX	FEE		
1	110 110-01	1				Frame yellow FE 94-95	
1	110 133-01		1			Frame yellow FC 95-96	
1	110 133-02	1				Frame yellow FE 96	
1	110 138-01			1	1	Frame yellow FEE 95-96	
2	110 111-01	1				Subframe yellow FE 94-96	
2	110 111-02		1			Subframe yellow FC 94-96	
2	110 149-01			1	1	Subframe yellow FEE 95-96	
3	130 019-01	2	2	2	2	Taper roller bearing 89-	
4	308 530-41	1	1	1	1	Screw MC6S 8x130 89-	
5	308 635-22	2	2	2	2	Screw M6S 8x35 89-	
6	318 801-22	4	4	4	4	Locknut M8 89-	
7	328 017-01	5	5	5	5	Washer 8.4x16x1.5 89-	
9	120 056-01	1	1	1	1	Chainroller 89-	
10	360 011-01	2	2	2	2	Ballbearing chainroller 89-	
11	120 057-01	1	1	1	1	Spacer chainroller 89-	
12	308 645-22	1	1	1	1	Screw M6S 8x45 89-	
13	318 801-22	4	4	4	4	Locknut M8 89-	
14	190 051-01	2	2			Engine support plate FC/FE 94-	
15	308 611-22	2	2			Screw M6S 8x110 FC/FE 89-	
15	308 655-22	4	4			Screw M6S 8x55 FC/FE 94-	
16	160 015-01	1	1	1	1	Rear attachment fuel tank 89-	
17	308 520-22	1	1	1	1	Screw MC6S 8x20 89-	
18	160 043-01	1	1	1	1	Rubberwasher 26x13x2 89-	
19	326 022-01	1	1	1	1	Washer 6x22x1.5 89-	
20	306 612-22	1	1	1	1	Screw M6S 6x12 89-	
21	170 001-01	1	1	1	1	Footrest right 89-	
22	170 004-01	1	1	1	1	Footrest left 89-	
23	308 655-22	2	2	2	2	Screw M6S 8x55 89-	
24	170 009-01	2	2	2	2	Spacer footrest 89-	
25	170 006-01	1	1	1	1	Spring footrest right 89-	
26	170 007-01	1	1	1	1	Spring footrest left 89-	
28	170 008-01	2	2	2	2	Pin footrest 89-	
29	308 625-22	2	2	2	2	Screw M6S 8x25 89-	
30	318 800-22	2	2	2	2	Nut M6M M8 89-	
31	110 005-01	1		1	1	Steering head lock 89-	
32	110 144-01	1	1	1	1	Frame protection 95-	
33	120 044-01	1		1	1	Spring sidestand 89-	
34	308 630-22	1		1	1	Screw M6S 8x30 89-	
35	318 810-22	1		1	1	Locknut M8 low 89-	
38	110 144-01	1	1	1	1	Frame protection 95-	



FRAME ELECTRIC STARTER 95-96

Pos.	Part No	Quantity/Model				Description	Remarks
		FE	FC	FX	FEE		
1	110 138-01			1	1	Frame yellow FEE 95-	
2	110 149-01			1	1	Subframe yellow FEE 95-	
3	130 019-01	2	2	2	2	Taper roller bearing 89-	
4	308 530-41	1	1	1	1	Screw MC6S 8x130 89-	
5	306 635-22	2	2	2	2	Screw M6S 8x35 89-	
6	318 801-22	4	4	4	4	Locknut M8 89-	
7	328 017-01	3	3	3	3	Washer 8.4x16x1.5 89-	
8	160 124-01	2	2	2	2	Spacer splash shield 89-	
9	120 056-01	1	1	1	1	Chainroller 89-	
10	360 011-01	2	2	2	2	Ballbearing chainroller 89-	
11	120 057-01	1	1	1	1	Spacer chainroller 89-	
12	308 645-22	1	1	1	1	Screw M6S 8x45 89-	
13	318 801-22	4	4	4	4	Locknut M8 89-	
15	190 067-01		1	1	1	Screw M6S 8x180 95-	
16	160 015-01	1	4	1	1	Rear attachment fuel tank 89-	
17	308 520-22	1	1	1	1	Screw MC6S 8x20 89-	
18	160 043-01	1	1	1	1	Rubberwasher 26x13x2 89-	
19	326 022-01	1	1	1	1	Washer 6x22x1.5 89-	
20	306 801-22	1	1	1	1	Screw M6S 6x12 89-	
21	170 001-01	1	1	1	1	Footrest right 89-	
22	170 004-01	1	1	1	1	Footrest left 89-	
23	308 655-22	2	2	2	2	Screw M6S 8x55 89-	
24	170 009-01	2	2	2	2	Spacer footrest 89-	
25	170 006-01	1	1	1	1	Spring footrest right 89-	
26	170 007-01	1	1	1	1	Spring footrest left 89-	
28	170 008-01	2	2	2	2	Pin footrest 89-	
31	110 005-01	1		1	1	Steering head lock 89-	
32	120 091-01	1		1	1	Sidestand compl. yellow 95/2-	
33	120 044-01	1		1	1	Spring sidestand 89-	
34	308 630-22	1		1	1	Screw M6S 8x30 89-	
35	318 810-22	1		1	1	Locknut M8 Low 89-	
36	110 163-01			1	1	Battery box 97-	
37	306 612-22			2	2	Screw M6S 6x12 89-	
38	316 801-22			3	3	Locknut M6 Low 89-	
39	120 097-01	1		1	1	Holder spring sidestand 95/2-	
40	328 017-01	1		1	1	Washer 8,4x16x1,5 89-	
41	110 144-01	1	1	1	1	Frame protection 95-	



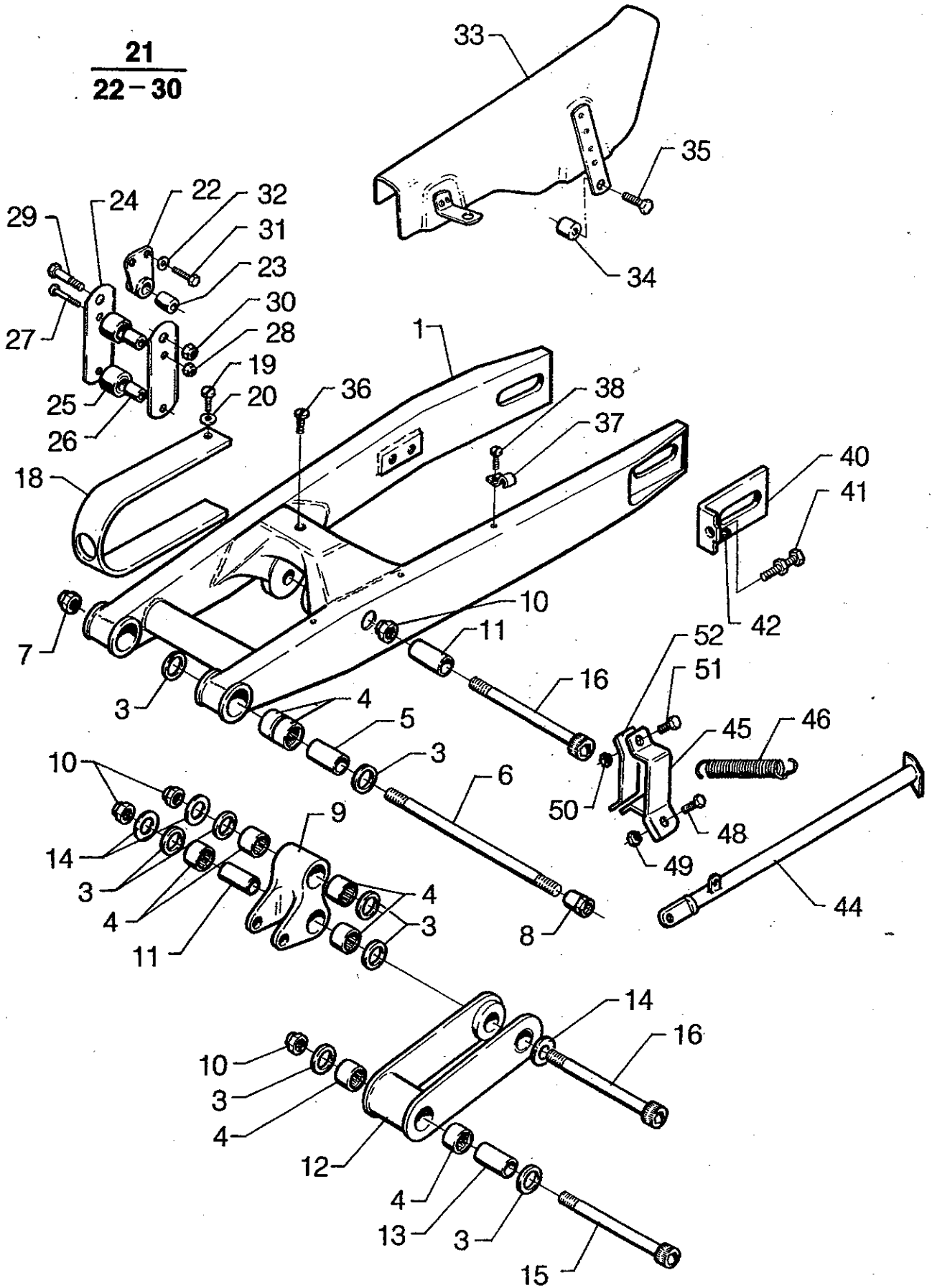
18
19-22,26,27

13
23-25

FRONT FORK 89-96

Pos.	Part No	Quantity/Model				Description	Remarks
		FE	FC	FX	FEE		
2	130 064-01	1			1	Forkleg WP right FE/FEE 94-96	
2	130 066-01		1	1		Forkleg WP right FC 94-96	
3	130 065-01	1			1	Forkleg WP left FE/FEE 94-96	
3	130 067-01		1	1		Forkleg WP left FC 94-96	
4	130 020-01	2	2	2	2	Frontfork protector yellow 89-96	
5	130 021-01	1	1	1	1	Guide fork protector right yellow 89-96	
6	130 022-01	1	1	1	1	Guide fork protector left yellow 89-96	
7	305 310-22	2	2	2	2	Screw MCS 5x10 89-96	
8	326 013-01	2	2	2	2	Washer 6.7x14x1.5 89-96	
9	305 640-22	2	2	2	2	Screw M6S 5x40 89-96	
10	315 601-22	2	2	2	2	Locknut M5 89-96	
11	130 023-01	1	1	1	1	Clamp frontbrake hose 89-96	
12	130 069-01	1	1	1	1	Tripleclamp upper FE/FEE 94-96	
13	130 071-01	1			1	Tripleclamp lower compl. FE/FEE 94-96	Incl. Pos. No. 23, 24, 25.
13	130 071-02		1	1		Tripleclamp lower compl. FC 94-96	Incl. Pos. No. 23, 24, 25.
14	130 016-01	1	1	1	1	Spacerring 2 mm 89-96	
15	130 017-01	1	1	1	1	Nut steeringhead bearing 89-	
16	130 018-01	1	1	1	1	Nut steeringhead top 89-	
17	308 530-22	8	8	8	8	Screw MC6S 8x30 89-	
18	130 013-01	2	2	2	2	Handlebar clamp compl. 89-	
19	306 530-22	8	8	8	8	Screw MC6S 6x30 89-	
20	300 655-22	2	2	2	2	Screw M6S 10x50 89-	
21	320 022-01	4	4	4	4	Washer 10.5x28x6 89-	
22	310 801-22	2	2	2	2	Locknut M10 low 89-	
23	130 014-01	1	1	1	1	Washer 89-	
24	330 024-01	1	1	1	1	Circlip SGA 24 89-	
25	130 006-01	1		1	1	Fork stem FE/FEE 89-96	
25	130 006-02		1	1		Fork stem FC 92-96	
26	130 043-01	2	2	2	2	Clamp handlebar upper 89-	
27	130 042-01	2	2	2	2	Clamp handlebar lower 89-	
29	305 645-22	1			1	Screw M6S 5x45 FE 89-96 / FEE 95-96	

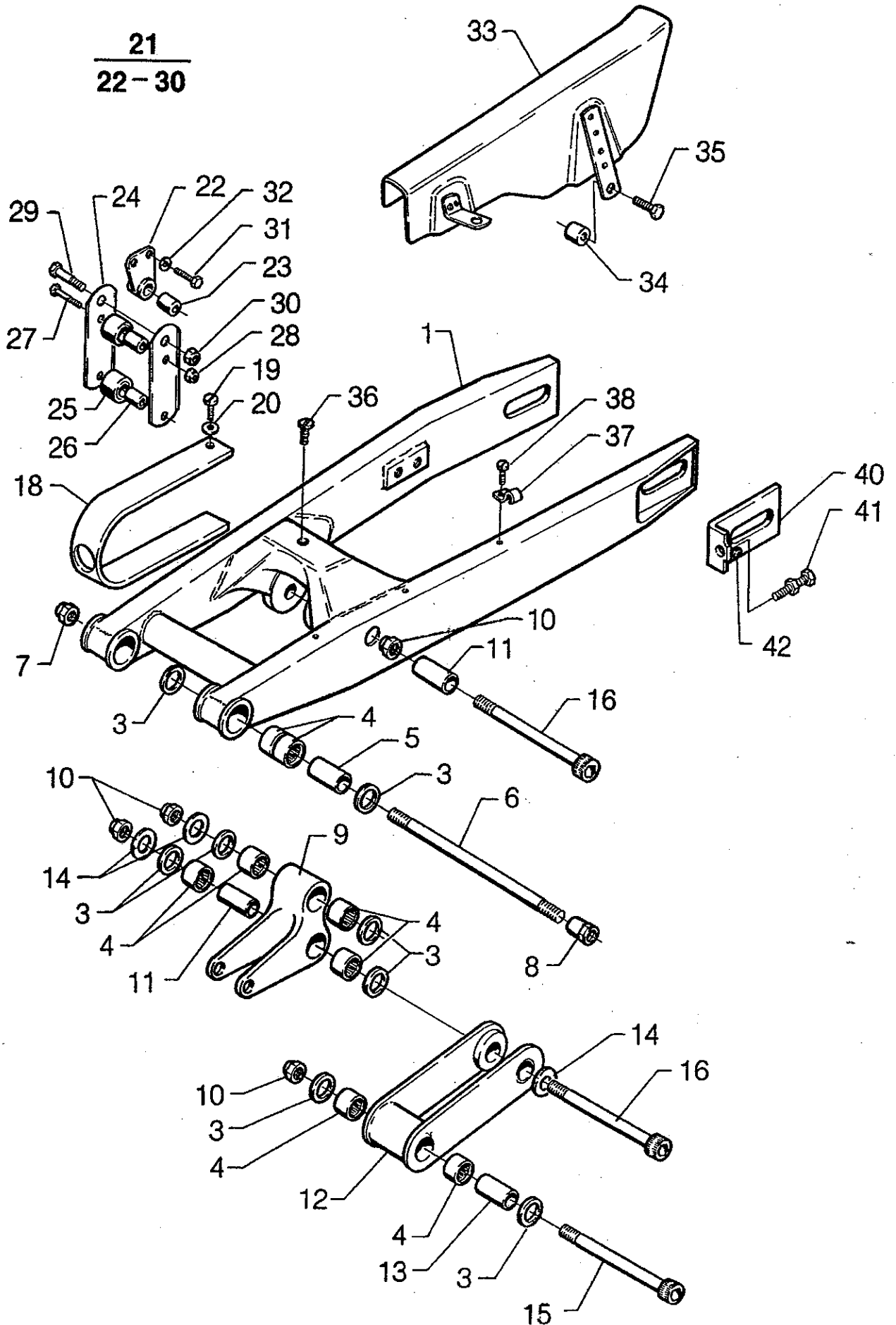
21
22-30



SWINGARM 89-93

Pos.	Part No	Quantity/Model				Description	Remarks
		FE	FC	FX	FEE		
1	120 001-01	1	1			Swingarm compl. FC 92-93 / FE 89-93	
3	120 022-01	10	10			Sealing swingarm/linkage 89-	
4	120 021-01	10	10			Needlebearing swingarm/linkage 89-	
5	120 013-01	2	2			Spacer swingarm bearing 89-	
6	120 016-01	1	1			Swingarm shaft 89-	
7	120 045-01	1	1			Locknut M16x1.5 89-	
8	120 055-01	1	1			Nut swingshaft 89-	
9	120 014-01	1	1			Vertical link FC 92-94 / FE 89-95	
10	312 801-22	3	3			Locknut M12 89-	
11	120 018-01	2	2			Bearingspacer vertical link FC 92- / FE 89-	
12	120 023-01	1	1			Horizontal link FE 89-95	
13	120 017-01	1	1			Bearingspacer horizontal link 89-	
14	322 022-01	3	3			Washer 12x22x2 89-	
15	302 510-41	1	1			Screw MC6S 12x110 89-	
16	120 076-01	2	2			Screw MC6S 12x103 FC 91-94	
18	120 052-01	1	1			Swingarm protection 89-	
19	306 612-22	2	2			Screw M6S 6x12 89-	
20	326 012-01	2	2			Washer 6.4x12x1.5 89-	
21	120 024-01	1	1			Chainguide compl. 89-	
22	120 025-01	1	1			Attachmentplate chainguide 89-	
23	120 028-01	1	1			Bushing 89-	
24	120 029-01	2	2			Chainguide plate 89-	
25	120 030-01	2	2			Roller chainguide 89-	
26	120 031-01	2	2			Spacersleeve chainguide 89-	
27	306 635-22	2	2			Screw M6S 6x35 89-	
28	316 801-22	2	2			Locknut M6 89-	
29	308 635-22	1	1			Screw M6S 8x35 89-	
30	318 801-22	1	1			Locknut M8 Low 89-	
31	308 620-22	1	2			Screw M6S 8x20 89-	
32	328 017-01	1	2			Washer 8.4x16x1.5 89-	
33	120 065-01	1				Chainguard compl. 89-	
34	120 059-01	1				Spacer chainguard 89-	
35	308 635-22	1				Screw M6S 8x35 89-	
36	305 616-22	1				Screw MC6S 6x16 89-	
37	120 062-01	2	2			Brakehose clamp swingarm 89-	
38	305 010-12	2	2			Screw MRX 5x10 89-	
40	120 012-01	2	2			Drivechain adjustment sledge 89-	
41	120 011-01	2	2			Adjustment screw drivechain tensioner 89-	
42	305 512-22	2	2			Screw MC6S 5x12 89-	
44	120 038-01	1				Sidestand compl. 89-94	
45	120 043-01	1				Bracket sidestand 89-94	
46	120 044-01	1				Spring sidestand 89-	
48	308 640-22	1				Screw M6S 8x40 89-	
49	318 801-22	1				Locknut M8 Low 89-	
50	316 811-22	2				Locknut M6 Low 89-	
51	306 520-22	2				Screw MC6S 6x20 89-	
52	120 067-01	1				Inner brackethalf sidestand 89-94	

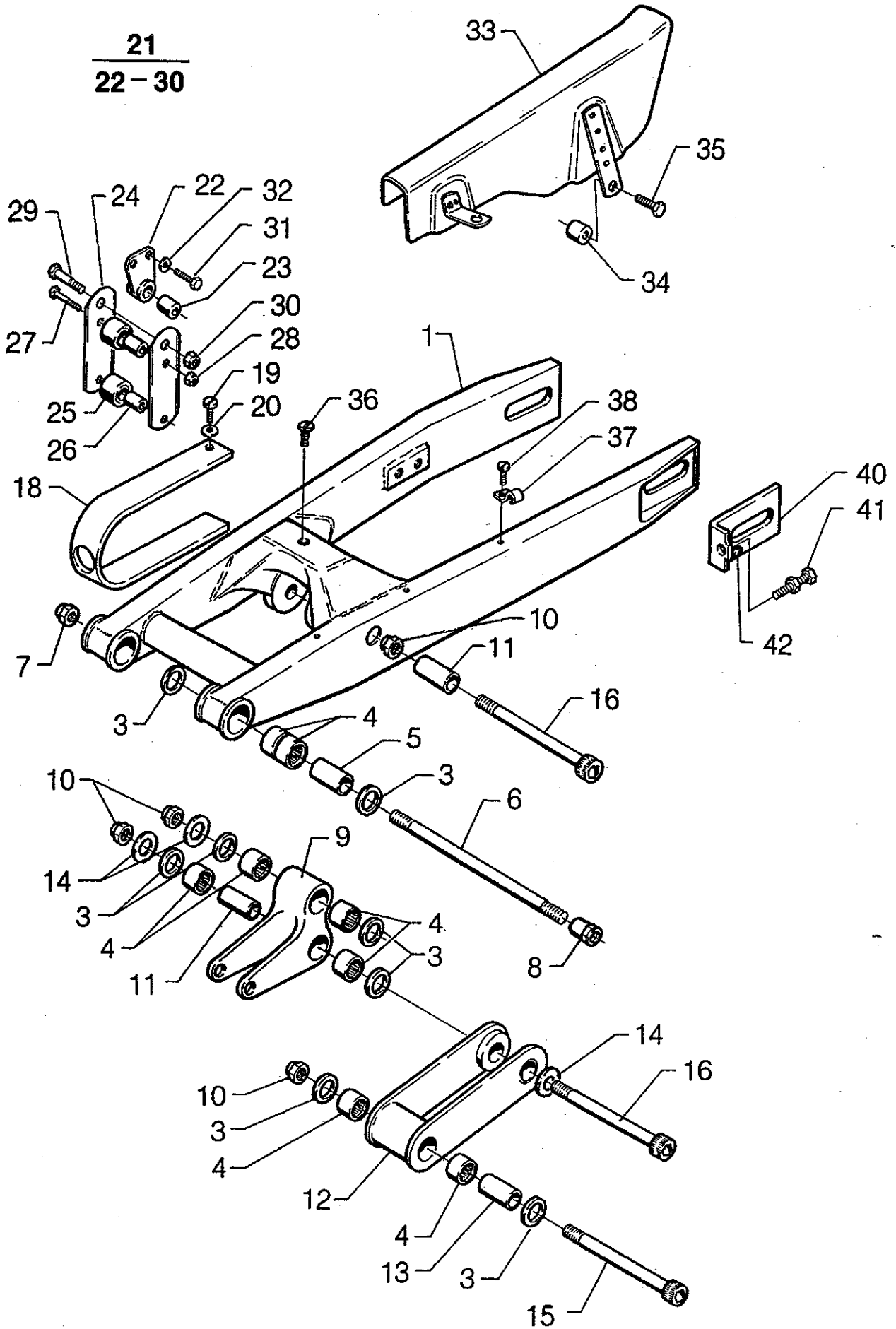
21
22 - 30



SWINGARM 94-96

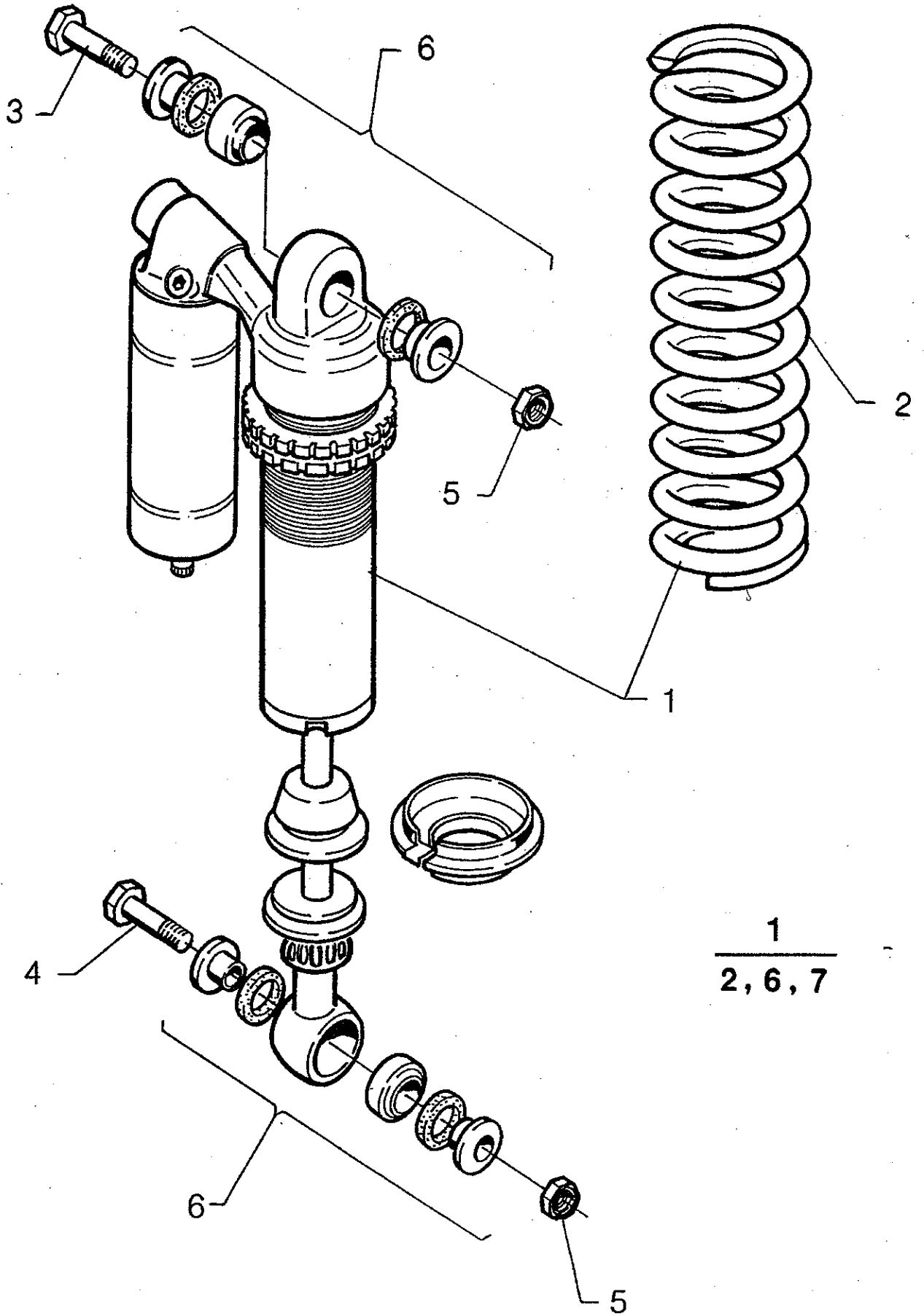
Pos.	Part No	Quantity/Model				Description	Remarks
		FE	FC	FX	FEE		
1	120 001-03	1			1	Swingarm compl. FC 94 / FE 94-95 / FEE 95	
1	120 085-01	1	1	1	1	Swingarm compl. FC 95- / FE/FEE 96-	
3	120 022-01	10	10	10	10	Sealing swingarm/linkage 89-	
4	120 021-01	10	10	10	10	Needlebearing swingarm/linkage 89-	
5	120 013-01	2	2	2	2	Spacer swingarm bearing 89-	
6	120 016-01	1	1	1	1	Swingarm shaft 89-	
7	120 045-01	1	1	1	1	Locknut M16x1.5 89-	
8	120 055-01	1	1	1	1	Nut swingshaft 89-	
9	120 014-01	1	1		1	Vertical link FC 92-94 / FE 89-95 / FEE 95	
9	120 083-01	1	1	1	1	Vertical link FC 95- / FE/FEE 96-	
10	312 801-22	3	3	3	3	Locknut M12 89-	FC 95- / FE/FEE 96- only 2 pcs
10	314 001-22	1	1	1	1	Locknut M14 FC 95- / FE/FEE 96-	
	324 026-01	1	1	1	1	Washer M14 FC 95- / FE/FEE 96-	
11	120 018-01	2	2			Bearingspacer vertical link FE 89- / FC 92- / FEE 95-	FC 95- / FE/FEE 96- only 1 pcs
11	120 087-01	1	1	1	1	Spacer vertical link FC 95- / FE/FEE 96-	
12	120 023-01	1	1			Horizontal link FE 89-95 / FEE 95	
12	120 082-01	1	1	1	1	Horizontal link FC 95- / FE/FEE 96-	
13	120 017-01	1	1	1	1	Bearingspacer horizontal link 89-	
14	322 022-01	3	3	3	3	Washer 12x22x2 89-	
15	302 510-41	1	1	1	1	Screw MC6S 12x110 89-	
16	120 076-01	2	2			Screw MC6S 12x103 FC 91-94 / FE 89-95 / FEE 95	
16	120 076-01	1	1	1	1	Screw MC6S 12x103 FC 95- / FE 96- / FEE 96-	In comb. w. Art. No. 120 089-01
16	120 089-01	1	1	1	1	Screw MC6S 14x120 FC 95- / FE/FEE 96-	In comb. w. Art. No. 120 076-01
18	120 052-01	1	1	1	1	Swingarm protection 89-	
19	306 612-22	2	2	2	2	Screw M6S 6x12 89-	
20	326 012-01	2	2	2	2	Washer 6.4x12x1.5 89-	
21	120 024-01	1	1	1	1	Chainguide compl. 89-	
22	120 025-01	1	1	1	1	Attachmentplate chainguide 89-	
23	120 028-01	1	1	1	1	Bushing 89-	
24	120 029-01	2	2	2	2	Chainguide plate 89-	
25	120 030-01	2	2	2	2	Roller chainguide 89-	
26	120 031-01	2	2	2	2	Spacersleeve chainguide 89-	
27	306 635-22	2	2	2	2	Screw M6S 6x35 89-	
28	316 801-22	2	2	2	2	Locknut M6 89-	
29	308 635-22	1	1	1	1	Screw M6S 8x35 89-	
30	318 801-22	1	1	1	1	Locknut M8 Low 89-	
31	308 620-22	1	2	1	1	Screw M6S 8x20 89-	
32	328 017-01	1	2	1	1	Washer 8.4x16x1.5 89-	
33	120 065-01	1			1	Chainguard compl. 89-	
34	120 059-01	1			1	Spacer chainguard 89-	
35	308 635-22	1			1	Screw M6S 8x35 89-	
36	305 616-22	1			1	Screw MC6S 6x16 89-	
37	120 062-01	2	2	2	2	Brakehose clamp swingarm 89-	
38	305 010-12	2	2	2	2	Screw MRX 5x10 89-	
40	120 012-01	2	2	2	2	Drivechain adjustment sledge 89-	

21
22 - 30



SWINGARM 94-96

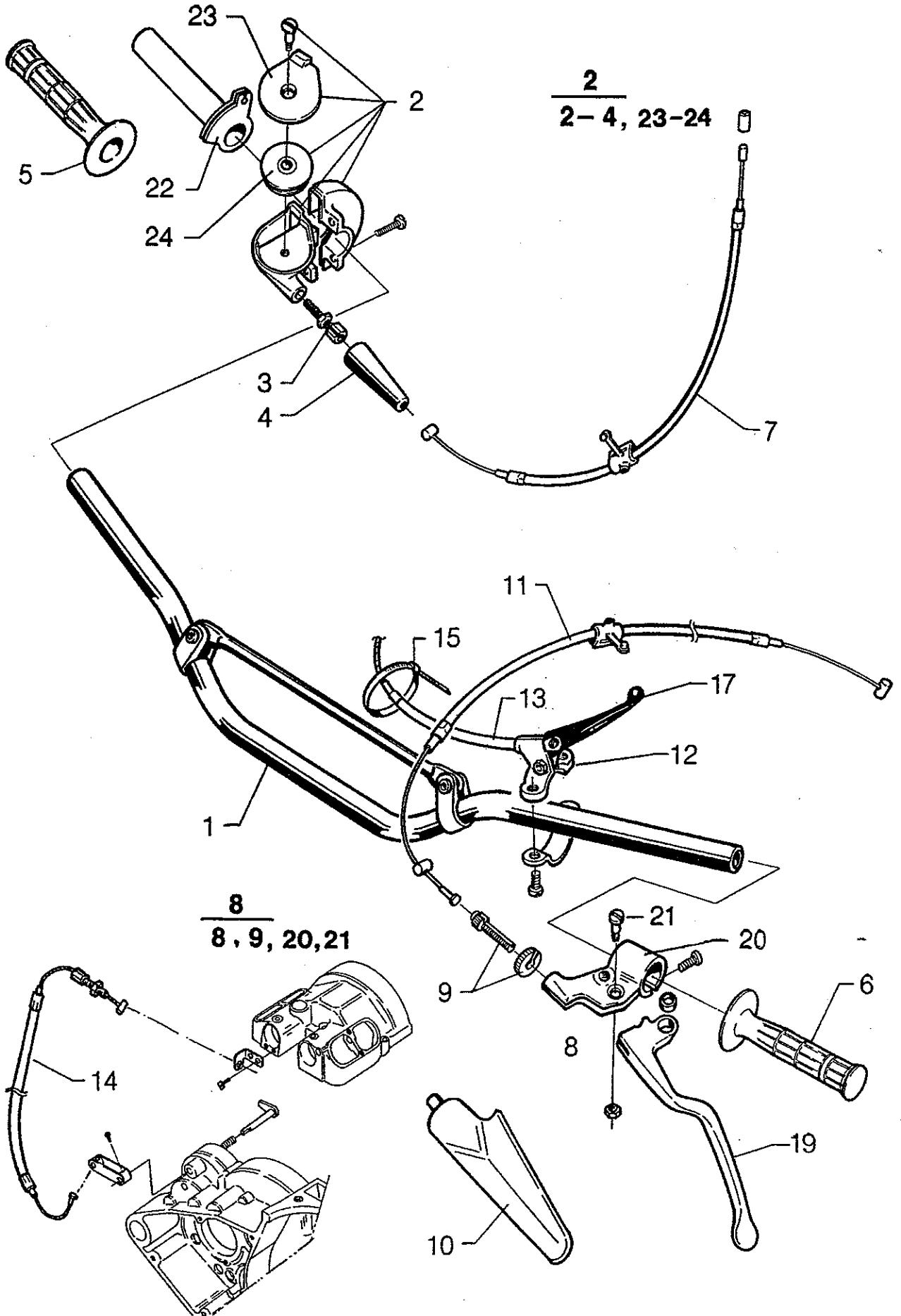
Pos.	Part No	Quantity/Model				Description	Remarks
		FE	FC	FX	FEE		
41	120 011-01	2	2	2	2	Adjustment screw drivechain tensioner 89-	
42	305 512-22	2	2	2	2	Screw MC6S 5x12 89-	
44	120 038-01	1				Sidestand compl. 89-94	
44	120 091-01	1		1	1	Sidestand compl. 95/2-	
	120 097-01	1		1	1	Spring holder sidestand 95/2-	
45	120 043-01	1				Bracket sidestand 89-94	
46	120 044-01	1		1	1	Spring sidestand 89-	
48	308 640-22	1		1	1	Screw M6S 8x40 89-	
49	318 801-22	1		1	1	Locknut M8 Low 89-	
50	316 811-22	2		2	2	Locknut M6 Low 89-	
51	306 520-22	2		2	2	Screw MC6S 6x20 89-	
52	120 067-01	1				Inner bracket half sidestand 89-94	



$\frac{1}{2, 6, 7}$

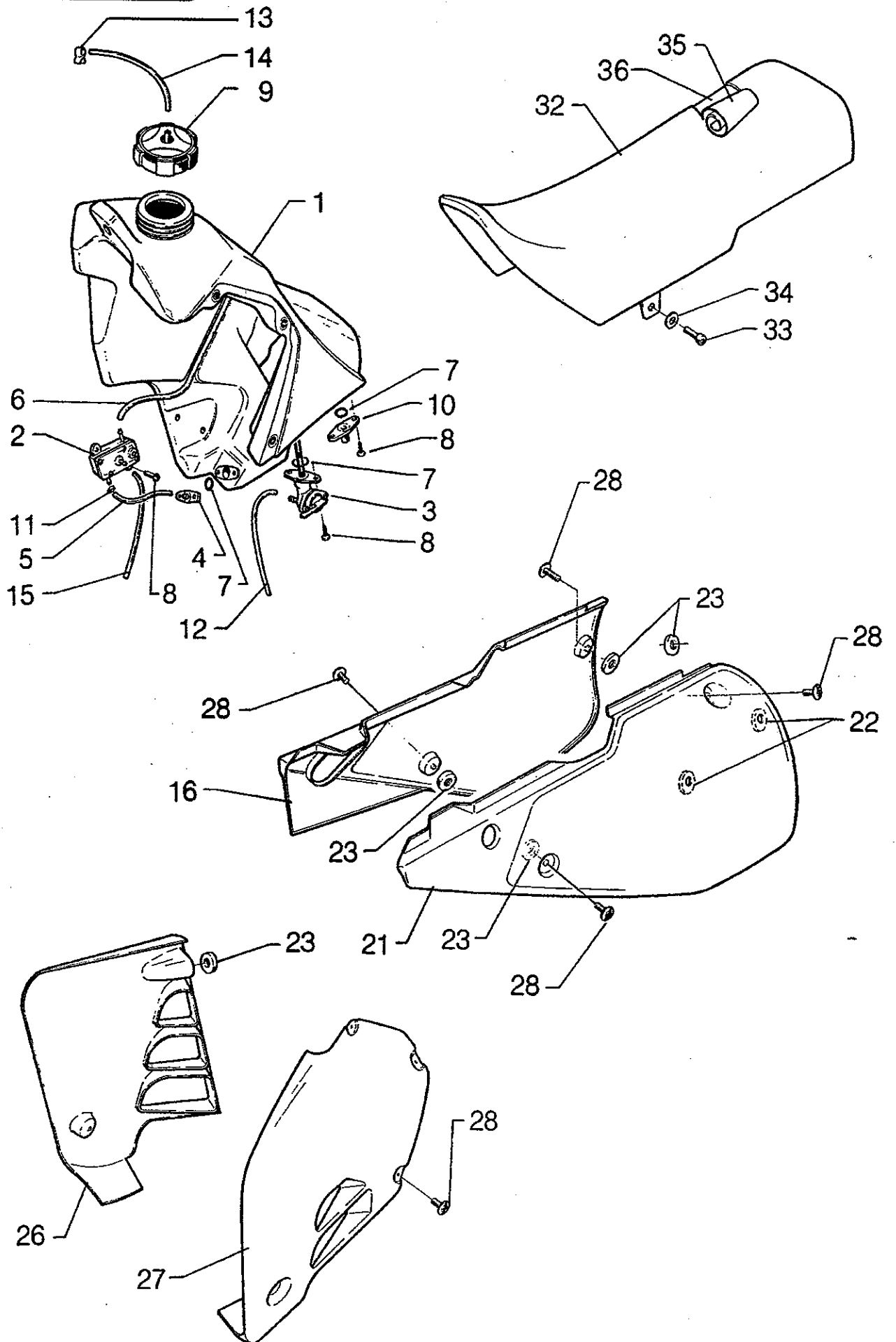
SHOCKABSORBER 89-96

Pos.	Part No	Quantity/Model				Description	Remarks
		FE	FC	FX	FEE		
1	120 099-01		1	1		Shockabsorber FC 96-	
1	120 100-01	1			1	Shockabsorber FE/FEE 96-	
2	120 036-01	1	1	1	1	Shockabsorber spring 5.7 89-	
2	120 036-02	1	1	1	1	Shockabsorber spring 5.9 89-	
2	120 036-03	1	1	1	1	Shockabsorber spring 6.1 89-	
2	120 036-04	1	1	1	1	Shockabsorber spring 6.3 89-	
2	120 036-05	1	1	1	1	Shockabsorber spring 6.5 89-	
2	120 036-06	1	1	1	1	Shockabsorber spring 5.5 89-	
2	120 036-07	1	1	1	1	Shockabsorber spring 5.3 89-	
3	300 645-22	1	1	1	1	Screw M6S 10x45 89-	
4	300 650-22	1	1	1	1	Screw 10x50 89-	
5	310 801-22	2	2	2	2	Locknut M10 low 89-	
6	120 071-01	2	2	2	2	Balljointkit shockabsorber. upper or lower 89-	1 pcs for each end



HANDLEBAR 89-96

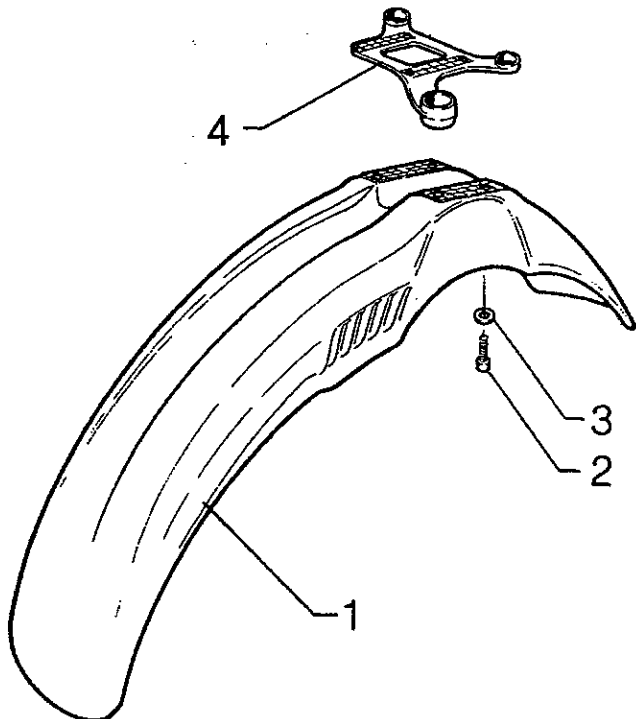
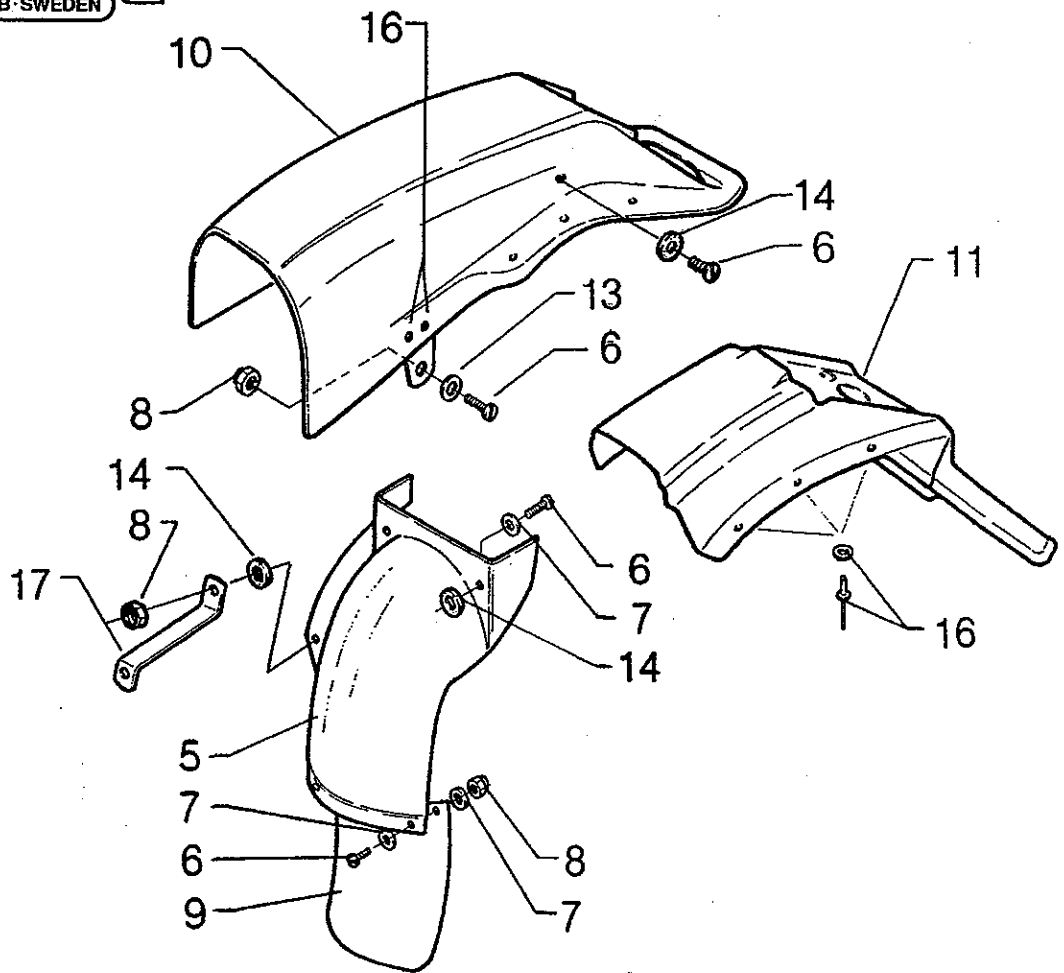
Pos.	Part No	Quantity/Model				Description	Remarks
		FE	FC	FX	FEE		
1	170 011-01	1	1	1	1	Handlebar blue anodized 89-	
2	170 012-01	1	1	1	1	Twistgrip FC/FE 89- / FEE 89-96	
3	170 013-01	1	1	1	1	Adjustment nut twistgrip 89-	
4	170 014-01	1	1	1	1	Protection throttlewire 89-	
5	170 015-01	1	1	1	1	Rubberhandle right 89-	
6	170 016-01	1	1	1	1	Rubberhandle left 89-	
7	170 017-01	1	1			Throttlewire roundslide 89-91	
7	170 017-02	1	1	1	1	Throttlewire flatslide 92-	
8	170 018-01	1	1	1	1	Clutchlever compl. 89-	
9	170 019-01	1	1	1	1	Adjustmentscrew clutchlever 89-	
10	170 020-01	1	1	1	1	Protection clutchwire 89-	
11	170 021-01	1	1	1	1	Declutching wire 89-	
12	170 022-01	1	1			Decompression lever compl. FC/FE 89-	
13	170 023-01	1	1			Decompressionwire manual FC/FE 89-	
14	230 043-01	1	1	1	1	Decompressionwire kickstart FC/FE 89- / FEE 95-96	
15	190 017-01					Cable tie	
16	190 020-01	1			1	Rear view mirror 89-	
17	170 027-01	1	1			Decompressionlever FC/FE 89-	
18	190 031-01	1	1	1	1	Handprotection kit 89-	
19	170 026-01	1	1	1	1	Clutchlever 89-	
	170 036-01	1	1	1	1	Attachment clutchlever 89-	
	170 037-01	1	1	1	1	Adjustment screw/nut clutchlever 89-	
	170 038-01	1	1	1	1	Twistgrip pulley 89-	
	170 039-01	1	1	1	1	Cover twistgrip 89-	
	170 040-01	1	1	1	1	Twistgrip reel 89-	



FUEL TANK & PANELS 89-96

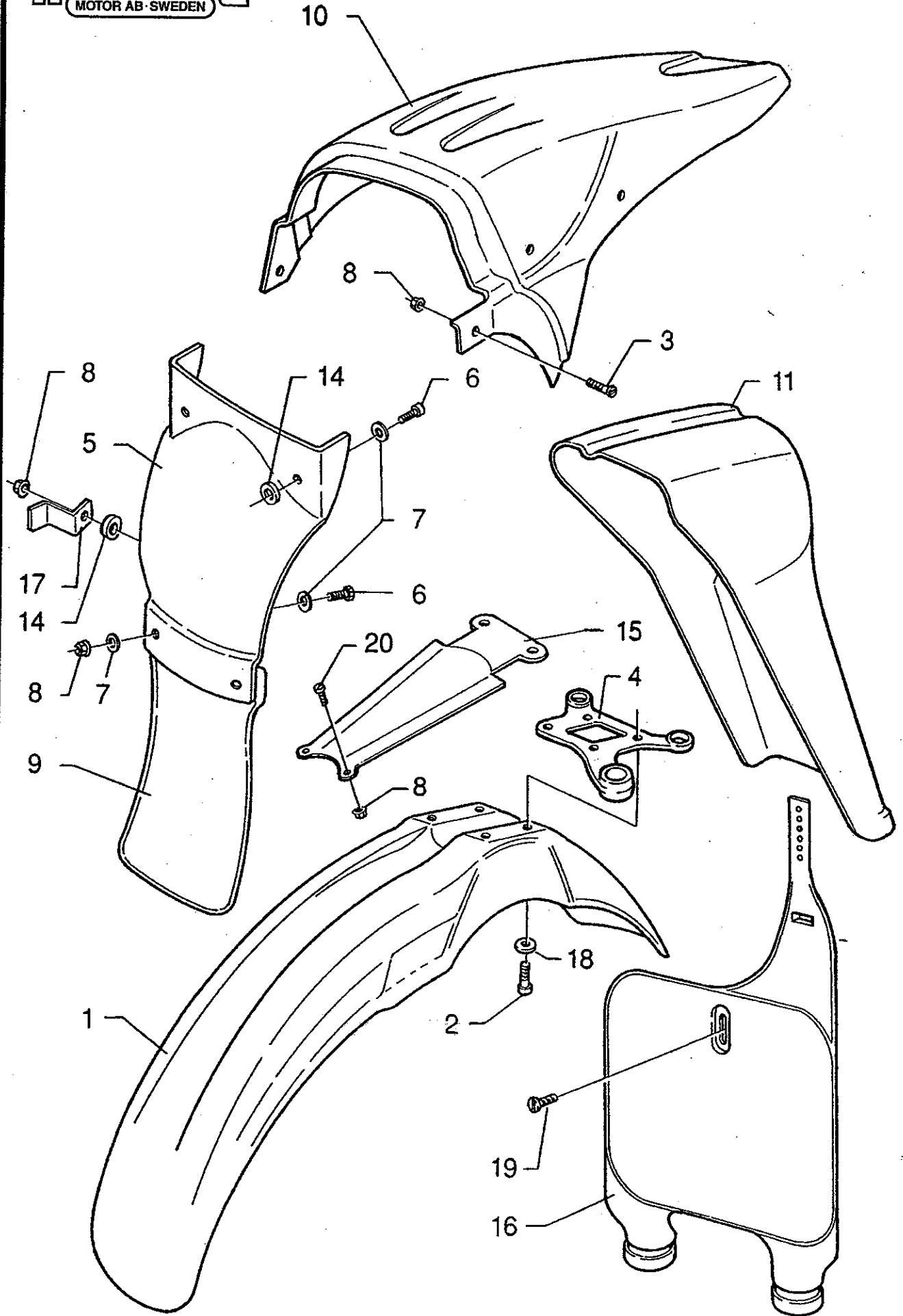
Pos	Part No.	Quantity/Model				Description	Remarks
		FE	FC	FX	FEE		
1	160 001-01	1	1			Fuel tank blue 89-93	
1	160 001-02	1	1			Fuel tank yellow 89-93	
1	160 001-03	1	1	1	1	Fuel tank yellow FE/FEE 94- / FC 92-96	
2	160 003-01	1	1	1	1	Fuel pump FE/FEE 89- / FC 92-96	
3	160 004-01	1	1	1	1	Fuel tap 89-	
4	160 005-01	1	1	1	1	Attachment fuel line/fuel tank (lower) 89-	
5	160 006-01	1	1	1	1	Fuel line fuel tank/fuel pump (lower) 89-	
6	160 007-01	1	1	1	1	Fuel line fuel pump/fuel tank (upper) 89-	
7	340 010-01	3	3	3	3	O-ring 10.3x2.4 89-	
8	160 010-01	8	8	8	8	Screw RXS 4.8x19 89-	
9	160 011-01	1	1	1	1	Filler cap 89-	
	160 114-01	1	1	1	1	Gasket filler cap 89-	
10	160 036-01	1	1	1	1	Attachment fuel line/fuel tank (upper) 89-	
11	160 038-01	2	2	2	2	Clamp fuel line/att.fuel line 89-	
12	160 012-01	1	1	1	1	Fuel line fuel tap/carburator 89-	
13	160 013-01	1	1	1	1	Attachment fuel tank ventilationhose 89-	
14	160 014-01	1	1	1	1	Ventilationhose fuel tank 89-	
15	160 049-01	1	1	1	1	Hose cylinderhead/fuel pump 89-	
16	160 060-01	1	1	1	1	Sidepanel right yellow 89-	
21	160 061-01	1	1	1	1	Sidepanel left yellow 89-	
23	160 050-01	6	6	6	6	Rubberwasher 6.5x22x3 89-	
26	160 053-01	1	1	1	1	Spoiler right 89-	
27	160 054-01	1	1	1	1	Spoiler left 89-	
28	160 034-01	9	9	9	9	Screw LKCS 6x12 89-	
28	160 034-02	4	4	4	4	Screw LKCS 6x16 94-	
32	160 095-01	1	1			Seat black 93-94	
32	160 095-02	1	1	1	1	Seat black 95	
32	160 095-03	1	1	1	1	Seat black 96	
33	306 612-22	2	2	2	2	Screw MC6S 6x12 89-	
34	326 012-01	2	2	2	2	Washer 6.4x12x1.5 89-	
35	160 068-01		1			Seat cover FC 92	
37	160 096-02	1	1	1	1	Seat cover black 95	
37	160 096-03	1	1	1	1	Seat cover black 96	
38	160 064-01	1	1	1	1	Seat foam cushion 89-96	

only 5 pcs/model 94-



FENDERS 89-93

Pos.	Part No	Quantity/Model				Description	Remarks
		FE	FC	FX	FEE		
1	160 020-01	1	1			Front fender blue 89-96	
1	160 020-02	1	1			Front fender yellow 89-96	
2	306 525-22	4	4			Screw MC6S 6x25 89-	
4	130 044-02	1	1			Cable guide yellow 89-96	
5	160 039-01	1	1			Splash shield upper 89-95	
6	306 616-22	9	9			Screw M6S 6x16 89-	
7	326 012-01	5	5			Washer 6.4x12x1.5 89-	
8	316 801-22	7	7			Locknut M6 89-	
9	160 040-01	1	1			Splash shield lower 89-95	
10	160 024-01	1				Rear fender blue FE 89-93	
10	160 024-02	1				Rear fender yellow FE 89-93	
10	160 046-01	1				Rear fender Baja blue FE 89-93	
10	160 022-01		1			Rear fender yellow FC 92-93	
11	160 033-01	1				Holder licenseplate 89-93	
14	160 050-01	5	5			Rubberwasher 6.5x22x3 89-97	
17	110 093-01	1	1			Support innerfender 89-	

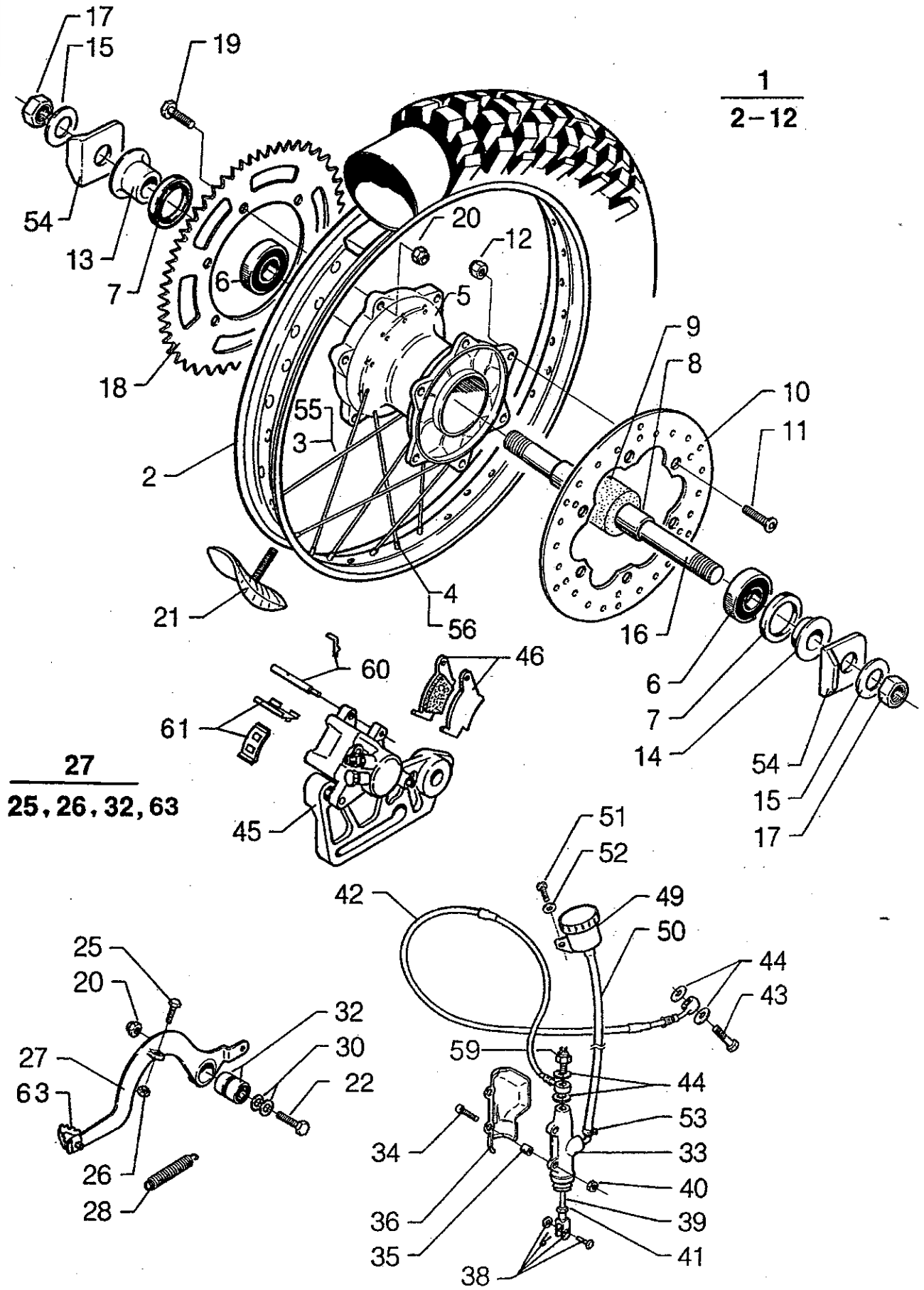


FENDERS 94-96

Pos.	Part No	Quantity/Model				Description	Remarks
		FE	FC	FX	FEE		
1	160 020-01	1	1	1	1	Front fender blue 89-96	
1	160 020-02	1	1	1	1	Front fender yellow 89-96	
2	306 525-22	4	4	4	4	Screw MC6S 6x25 89-	
4	130 044-02	1	1	1	1	Cable guide yellow 89-96	
5	160 039-01	1	1			Splash shield upper 89-95	
5	160 039-02	1	1	1	1	Splash shield upper 96-	
6	306 616-22	9	9	9	9	Screw M6S 6x16 89-	
7	326 012-01	5	5	5	5	Washer 6.4x12x1.5 89-	
8	316 801-22	7	7	7	7	Locknut M6 89-	
9	160 040-01	1	1			Splash shield lower 89-95	
9	160 125-01	1	1	1	1	Splash shield lower 96-	
10	160 119-01	1	1	1	1	Rear fender yellow FC/FE 94-96 FEE 95-96	
11	160 120-01	1			1	Holder licenseplate 94-96	
14	160 050-01	5	5	5	5	Rubberwasher 6.5x22x3 89-97	
15	180 063-01	1	1	1	1	Fender bracket blue 96	
16	190 004-01		1	1		Number plate yellow FC 92- / FX 96	
17	110 093-01	1	1	1	1	Support innerfender 89-	
18	326 022-01	4	4	4	4	Washer 6x22x1,5 89-	
19	160 024-01		1	1		Screw LKCS 6x12 89-	
20	305 316-12	2	2	2	2	Screw MSCS 5x16 89-	

FRONT WHEEL 89-96

Pos.	Part No	Quantity/Model				Description	Remarks
		FE	FC	FX	FEE		
1	130 000-02	1	1	1	1	Frontwheel Excel 21" compl. 89-	
2	130 073-01	1	1	1	1	Rim Excel 1.60x21" front 89-	
3	130 003-01	36	36	36	36	Spoke (21") front 89-	
4	130 005-01	36	36	36	36	Spokenipple front 89-	
5	130 001-01	1	1	1	1	Fronthub 89-96	
6	360 012-01	2	2	2	2	Ballbearing 89-96	
7	130 026-01	1	1	1	1	Spacer fronthub compl. 89-96	
8	130 029-01	1	1	1	1	Holder spacer fronthub 89-	
9	130 051-01	1	1			Brakedisc front stainless 89-92	
9	130 060-01	1	1	1	1	Brakedisc front ø 260 mm stainless 93-	
10	306 020-31	6	6	6	6	Screw M6SF 6x20 89-	
11	316 811-22	6	6	6	6	Locknut M6 low 89-	
13	130 031-01	1			1	Frontaxle (for speedometer) FE 89-96 / FEE 95-96	
13	130 031-02	1	1	1	1	Frontaxle (no speedometer) FC 91-96 / FE 89-96 / FEE 96	
14	130 032-01	1	1	1	1	Spacer frontaxle 89-96	
15	320 022-01	1	1	1	1	Washer 10.5x28x6 89-	
16	300 620-22	1	1	1	1	Screw M6S 10x20 89-	
20	130 049-01	1	1	1	1	Rimlock 21" 89-	
21	180 085-01	1			1	Gearlever speedometer 89-96	
22	140 080-01	1	1	1	1	Frontbrake cylinder compl. 89-	
24	140-109-01	1	1	1	1	Clamp frontbrake cylinder 94-	Incl. 2 screws
25	140 010-01	1	1	1	1	Frontbrake lever 89-93	
25	140 085-01	1	1	1	1	Frontbrake lever 94-	
26	140 011-01	1	1	1	1	Hose frontbrake 89-96	
27	140 012-01	1	1	1	1	Frontbrake cylinder 89-92	
27	140 072-01	1	1	1	1	Frontbrake caliper 93-	
28	140 013-01	1	1	1	1	Brake pad set front 89-92	
28	140 076-01	1	1	1	1	Brake pad set front 93-	
29	140 014-01	1	1	1	1	Lockpin frontbrake 89-92	
29	300 550-22	1	1	1	1	Screw MC6S 10x50 89-92	
29	308 535-22	2	2	2	2	Screw MC6S 8x35 93-	
32	140 015-01	1	1	1	1	Connecting screw brakehose front 89-	
33	140 016-01	2	2	2	2	Copperwasher 10x14x1 89-	
34	130 046-01	1	1	1	1	Spokekit (21") front 89-	
35	130 047-01	1	1	1	1	Spokenipplekit (21") front 89-	
36	140 092-01	1	1	1	1	Brake pad locking device 93-	
37	130 025-01	1	1	1	1	Fronthub compl. 89-96	
39	130 110-01	1	1	1	1	Brake pad lock pin 93-	

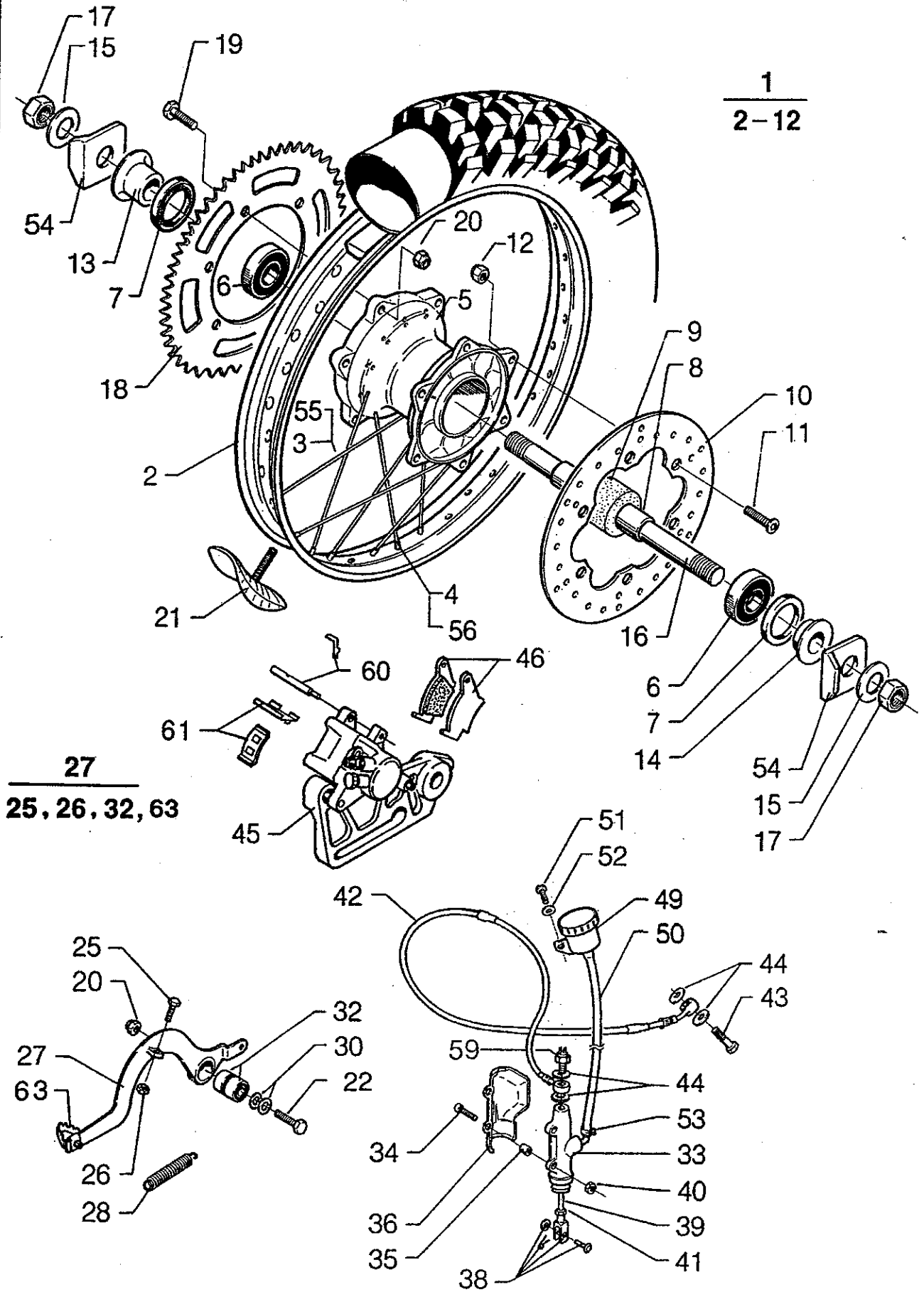


1
2-12

27
25, 26, 32, 63

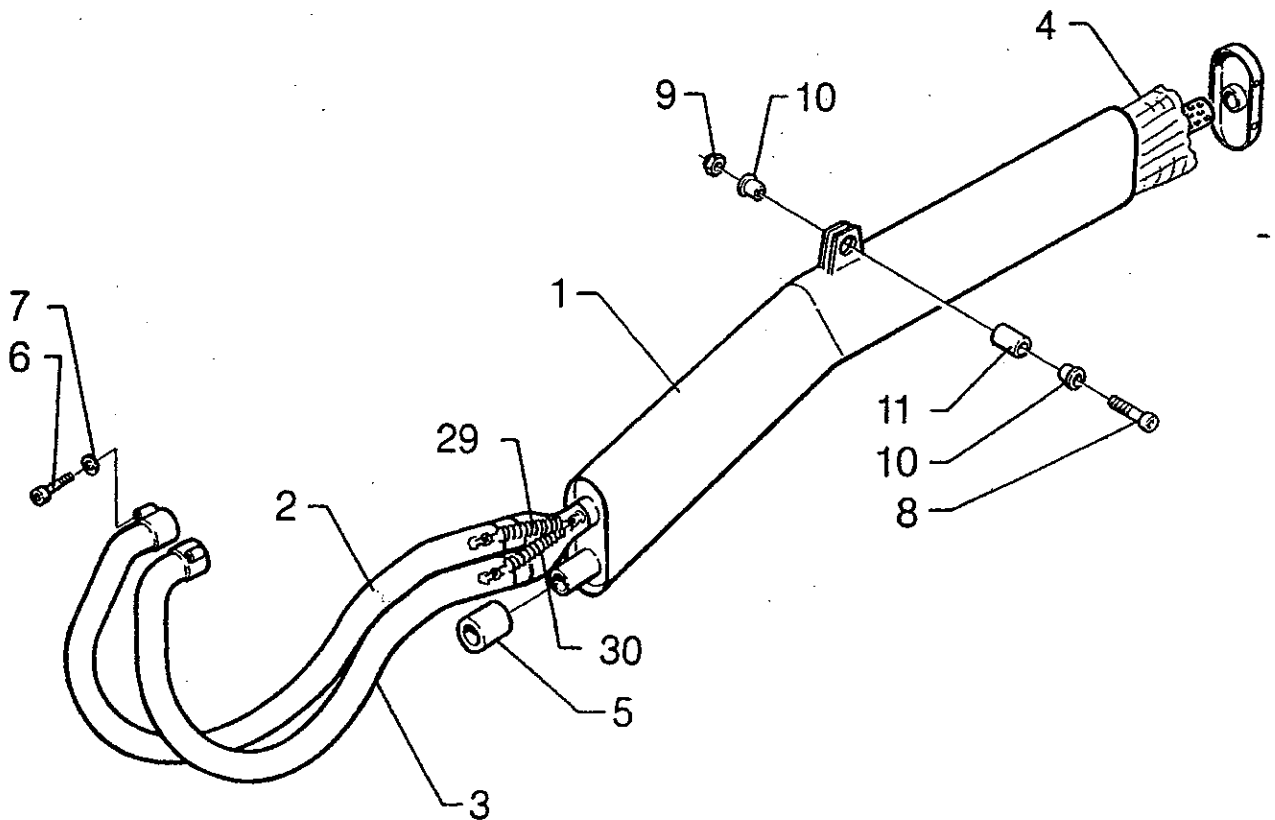
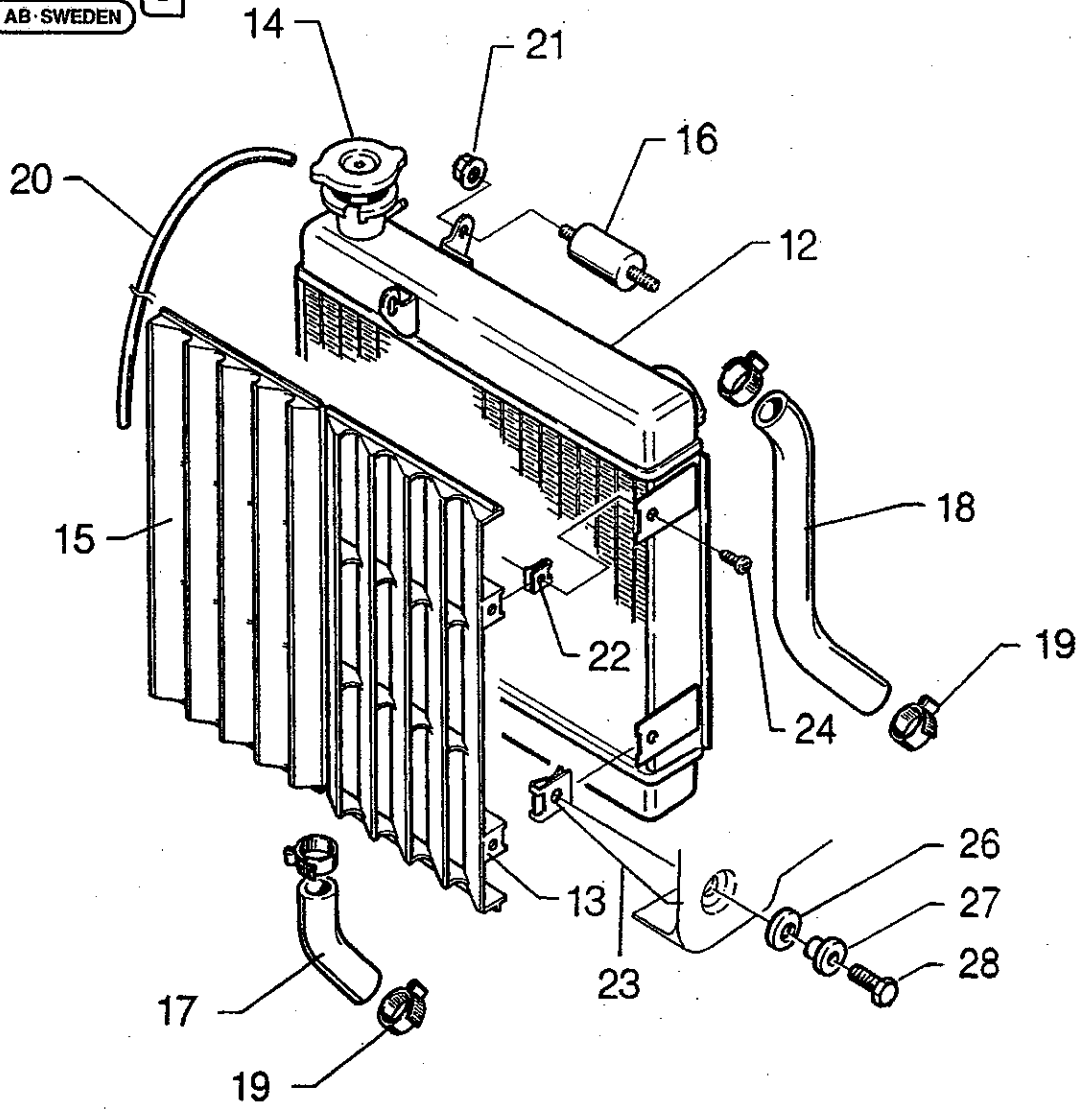
REAR WHEEL 89-96

Pos.	Part No	Quantity/Model				Description	Remarks
		FE	FC	FX	FEE		
1	140 030-01	1	1			Rear wheel Excel compl. 89-93	
1	140 030-03	1	1	1	1	Rear wheel Excel compl. FC 94-95 / FE 94- / FEE 96-	
2	140 097-01		1			Rim Excel 2.15x19" 89-	
2	140 099-01	1		1	1	Rim Excel 2.15x18" 89-	
3	140 003-01	36	36	36	36	Spoke (18") rear FC 92-95 / FE 89- / FEE 96-	
3	140 096-01		36			Spoke (19") rear FC 96-	
4	140 006-01	36	36	36	36	Spokenipple (18"/19")) rear 89-	
5	140 001-01	1	1			Rear hub 89-93	
5	140 001-02	1	1	1	1	Rear hub 94-	
6	360 013-01	2	2			Ballbearing 89-93	
6	360 023-01	2	2	2	2	Rollerbearing 94-	
7	140 032-01	2	2			Sealring rear hub 89-93	
7	350 007-01	2	2	2	2	Sealring 94-	
8	140 033-01	1	1			Spacer rear hub 89-93	
8	140 079-01	1	1	1	1	Spacer rear hub 94-	
9	140 034-01	1	1	1	1	Holder spacer rear hub 89-	
10	140 062-01	1	1	1	1	Brakedisc rear stainless 89-	
11	306 025-31	6	6	6	6	Screw MF6S 6x25 89-	
12	316 811-22	6	6	6	6	Locknut M6 low 89-	
13	140 035-01	1	1			Spacer rear hub right 89-93	
13	140 083-01	1	1	1	1	Spacer rear hub right Type II 94-	
14	140 035-02	1	1			Spacer rear hub left 89-93	
14	140 083-02	1	1	1	1	Spacer rear hub left Type II 94-	
15	322 036-01	2	2	2	2	Washer 21x36x3 89-	
16	140 005-01	1	1	1	1	Rearaxle 89-	
17	140 039-01	2	2	2	2	Nut rear axle 89-	
18	140 007-01	1	1	1	1	Sprocket Z=48 89-	
18	140 007-02	1	1	1	1	Sprocket Z=46 89-	
18	140 007-04	1	1	1	1	Sprocket Z=42 89-	
18	140 007-07	1	1	1	1	Sprocket Z=50 89-	
19	308 635-22	7	7	7	7	Screw M6S 8X35 89-	
20	318 801-22	7	7	7	7	Locknut M8 low 89-	
21	140 059-01	2	2	2	2	Rimlock rear 89-	
22	308 630-22	1	1	1	1	Screw M6S 8x30 89-	
25	306 616-22	1	1	1	1	Screw M6S 6x16 89-	
26	316 801-22	1	1	1	1	Locknut M6 89-	
27	140 017-01	1	1	1	1	Brake pedal compl. 89-	
28	140 052-01	1	1	1	1	Returnspring brake pedal 89-	
30	328 017-01	2	2	2	2	Washer 8.4x16x1.5 89-	
32	360 011-01	2	2	2	2	Ballbearing 89-	



REAR WHEEL 89-96

Pos.	Part No	Quantity/Model				Description	Remarks
		FE	FC	FX	FEE		
33	140 022-01	1	1	1	1	Main rear brake cylinder 89-	
34	306 020-22	2	2	2	2	Screw MF6S 6x20 89-	
35	140 051-01	2	2	2	2	Spacer protection rearbrake cylinder 89-	
36	140 023-01	1	1	1	1	Protection main rear brake cylinder 89-	
38	140 046-01	1	1	1	1	Attachment rear brake pushrod 89-	
39	140 045-01	1	1	1	1	Rear brake pushrod 89-	
40	316 801-22	2	2	2	2	Locknut M6 low 89-	
41	316 811-22	1	1	1	1	Nut M6 low 89-	
42	140 024-01	1	1			Brake hose rear FC 92-94 / FE 89-92	Without hydr.brakelightswitch
42	140 024-02		1	1		Brake hose rear FC 95-	
42	140 068-01	1				Brake hose rear FE 93-94	Hydraulic brakelightswitch
42	140 068-02	1	1	1	1	Brake hose rear FE 95- / FEE 96-	Hydraulic brakelightswitch
43	140 015-01	1	1	1	1	Connecting screw brakehose front 89-	
44	140 016-01	2	2	2	2	Copper washer 10x14x1 89-	
45	140 025-01	1	1	1	1	Rear brake compl. 89-94	
45	140 081-01	1	1	1	1	Rear brake compl. 95-	
46	140 026-01	1	1			Brake pad set rear 89 - 94	
46	140 060-01	1	1			Brake pad set rear sinter 89 - 94	
46	140 084-01	1	1	1	1	Brake pad rear sinter 95-	
46	140 086-01	1	1	1	1	Brake pad set rear 95-	
47	140 063-01	1	1			Bracket rear brake caliper 89-94	
48	308 512-22	3	3			Screw MC6S 8x12 89-94	
49	140 028-01	1	1	1	1	Brakefluid reservoir 89-	
50	140 029-01	1	1	1	1	Hose brakefluid reservoir FC 92- / FE 89-	
50	140 029-02			1	1	Hose brakefluid reservoir FEE 96-	
51	306 512-22	1	1	1	1	Screw MC6S 6x12 89-	
52	326 012-01	1	1	1	1	Washer 6.4x12x1.5 89-	
53	140 071-01	1	1	1	1	Clamp 89-	
54	120 006-01	2	2	2	2	Washer drivechain adjustment 89-	
55	140 057-01	1	1	1	1	Spokekit (18") rear FC 92-95 / FE 89- / FEE 96-	
55	140 104-01		1			Spokekit (19") rear FC 96-	
56	140 058-01	1	1	1	1	Nipplekit (18"/19") rear FC 92- / FE/FEE 89-	
58	140 031-01	1	1			Rear hub compl. 89-93	
58	140 031-03	1	1	1	1	Rear hub compl. 94-	
59	180 039-01	1	1	1	1	Brakelight switch (hydraulic) 89-	
60	140 090-01	1	1	1	1	Brake pad lock pin 95-	
61	180 039-01	1	1	1	1	Brake pad locking device 95-	
63	180 039-01	1	1	1	1	Brake pedal tip 89-	

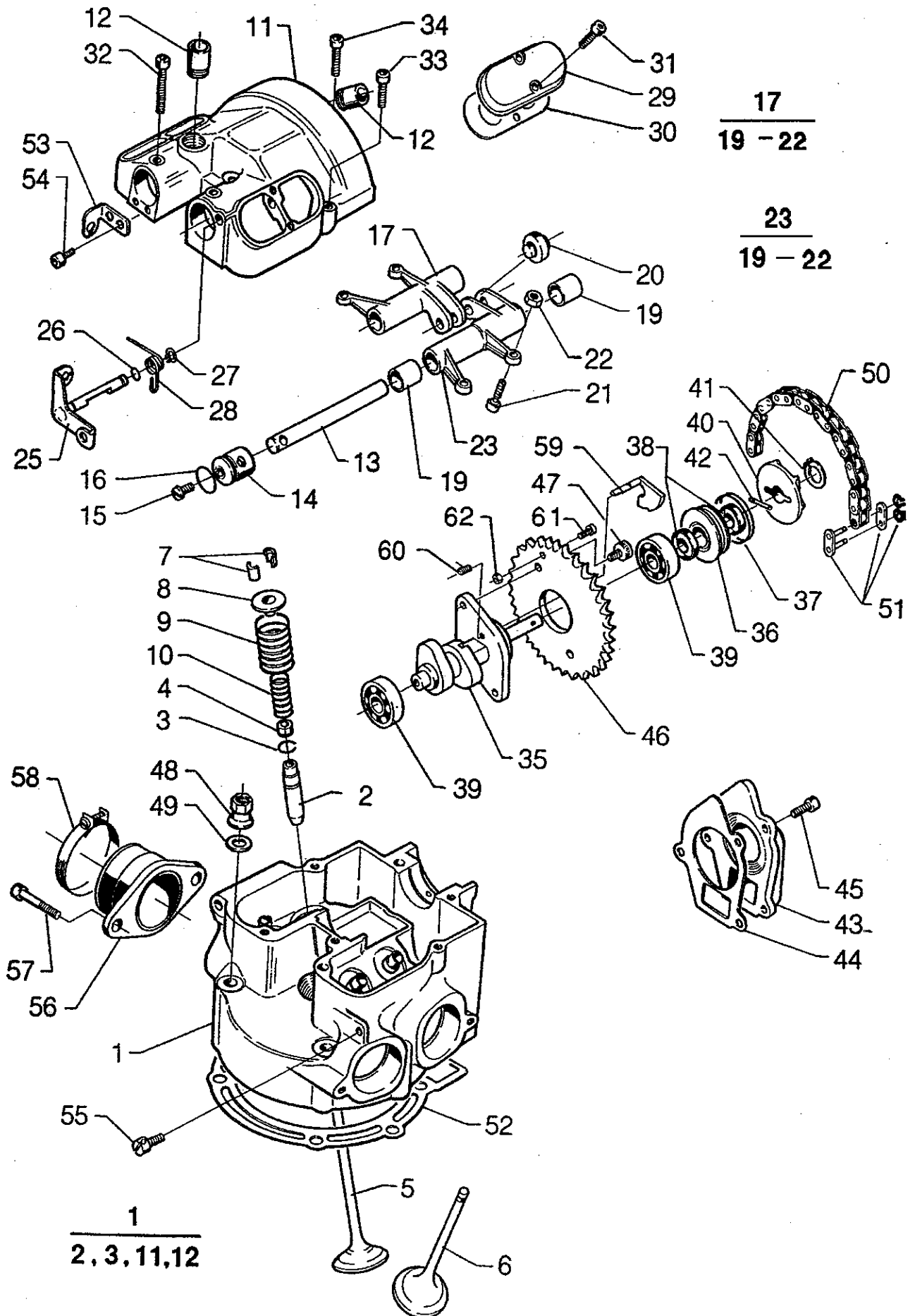


REAR WHEEL 89-96

Pos.	Part No	Quantity/Model				Description	Remarks
		FE	FC	FX	FEE		
33	140 022-01	1	1	1	1	Main rear brake cylinder 89-	
34	306 020-22	2	2	2	2	Screw MF6S 6x20 89-	
35	140 051-01	2	2	2	2	Spacer protection rearbrake cylinder 89-	
36	140 023-01	1	1	1	1	Protection main rear brake cylinder 89-	
38	140 046-01	1	1	1	1	Attachment rear brake pushrod 89-	
39	140 045-01	1	1	1	1	Rear brake pushrod 89-	
40	316 801-22	2	2	2	2	Locknut M6 low 89-	
41	316 811-22	1	1	1	1	Nut M6 low 89-	
42	140 024-01	1	1			Brake hose rear FC 92-94 / FE 89-92	Without hydr.brakelightswitch
42	140 024-02		1	1		Brake hose rear FC 95-	
42	140 068-01	1				Brake hose rear FE 93-94	Hydraulic brakelightswitch
42	140 068-02	1	1	1	1	Brake hose rear FE 95- / FEE 96-	Hydraulic brakelightswitch
43	140 015-01	1	1	1	1	Connecting screw brakehose front 89-	
44	140 016-01	2	2	2	2	Copper washer 10x14x1 89-	
45	140 025-01	1	1	1	1	Rear brake compl. 89-94	
45	140 081-01	1	1	1	1	Rear brake compl. 95-	
46	140 026-01	1	1			Brake pad set rear 89 - 94	
46	140 060-01	1	1			Brake pad set rear sinter 89 - 94	
46	140 084-01	1	1	1	1	Brake pad rear sinter 95-	
46	140 086-01	1	1	1	1	Brake pad set rear 95-	
47	140 063-01	1	1			Bracket rear brake caliper 89-94	
48	308 512-22	3	3			Screw MC6S 8x12 89-94	
49	140 028-01	1	1	1	1	Brakefluid reservoir 89-	
50	140 029-01	1	1	1	1	Hose brakefluid reservoir FC 92- / FE 89-	
50	140 029-02			1	1	Hose brakefluid reservoir FEE 96-	
51	306 512-22	1	1	1	1	Screw MC6S 6x12 89-	
52	326 012-01	1	1	1	1	Washer 6.4x12x1.5 89-	
53	140 071-01	1	1	1	1	Clamp 89-	
54	120 006-01	2	2	2	2	Washer drivechain adjustment 89-	
55	140 057-01	1	1	1	1	Spokekit (18") rear FC 92-95 / FE 89- / FEE 96-	
55	140 104-01		1			Spokekit (19") rear FC 96-	
56	140 058-01	1	1	1	1	Nipplekit (18"/19") rear FC 92- / FE/FEE 89-	
58	140 031-01	1	1			Rear hub compl. 89-93	
58	140 031-03	1	1	1	1	Rear hub compl. 94-	
59	180 039-01	1	1	1	1	Brakelight switch (hydraulic) 89-	
60	140 090-01	1	1	1	1	Brake pad lock pin 95-	
61	180 039-01	1	1	1	1	Brake pad locking device 95-	
63	180 039-01	1	1	1	1	Brake pedal tip 89-	

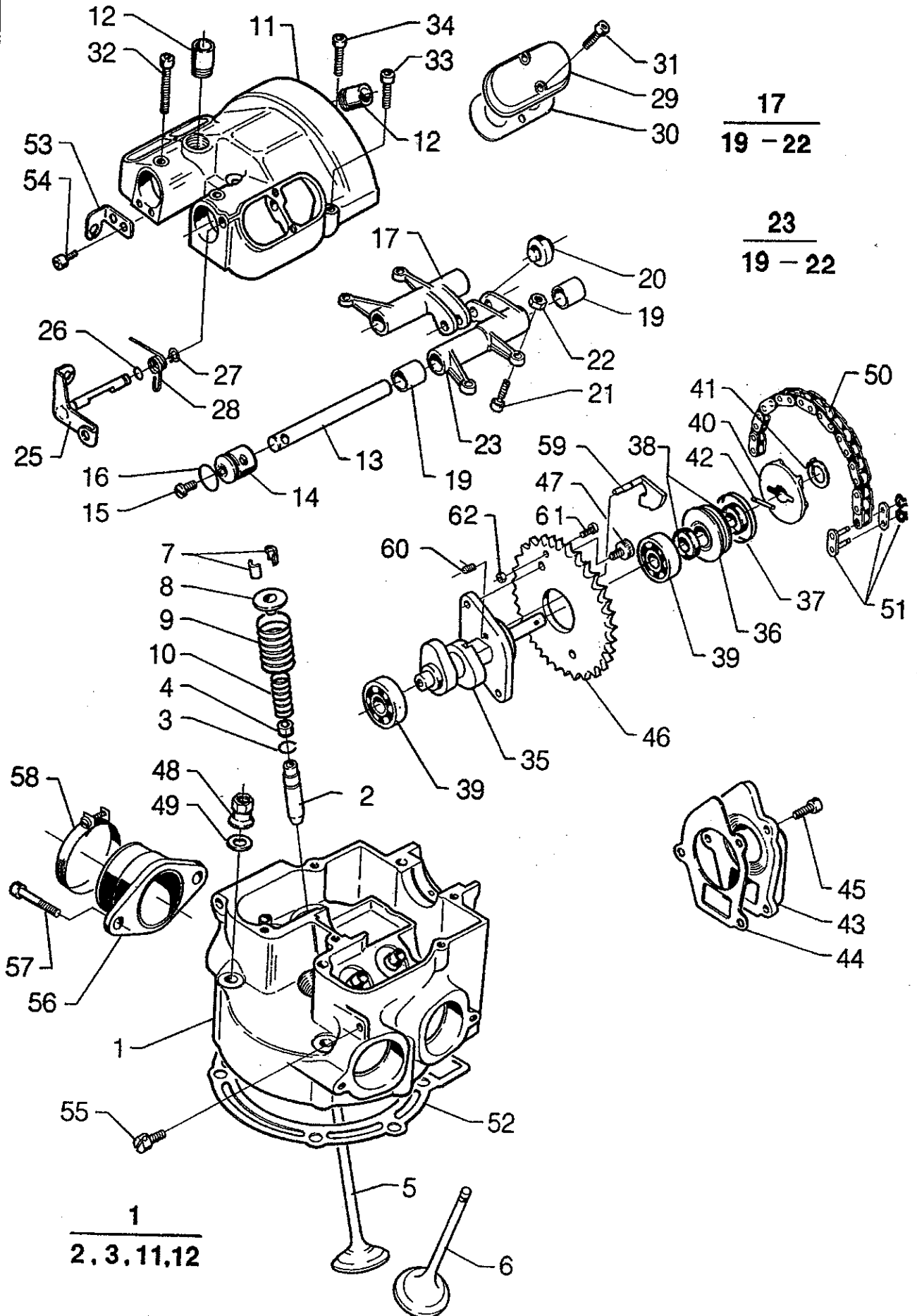
COOLING & EXHAUST 89-96

Pos.	Part No	Quantity/Model				Description	Remarks
		FE	FC	FX	FEE		
17	150 026-01	1	1	1	1	Radiatorhose lower 600 92-	
17	150 026-02	1	1	1	1	Radiatorhose lower 350 90- / 400 96- / 501 89-	
18	150 065-01	1	1	1	1	Radiatorhose upper 501 89-93 / 600 92-	
18	150 065-02	1	1	1	1	Radiatorhose upper 350 90- / 400 96- / 501 94-	
19	150 028-01	4	4	4	4	Clamp radiatorhose 89-	
20	150 024-01	1	1	1	1	Pressurereief hose 89-	
21	316 811-22	3	3	3	3	Locknut M6 low 89-	
22	150 039-01	2	2	2	2	Speednut 89-	
23	160 063-01	2	2	2	2	Speednut M6 89-	
24	160 010-01	2	2	2	2	Screw RXS 4,8x19 89-	
26	160 043-01	2	2	2	2	Rubberwasher 26x13x2 89-	
27	160 057-01	2	2	2	2	Spacer spoiler 89-	
28	306 020-22	2	2	2	2	Screw M6SF 6x20 89-	
29	150 130-01	2	2	2	2	Spring exhaustsystem 95-96	



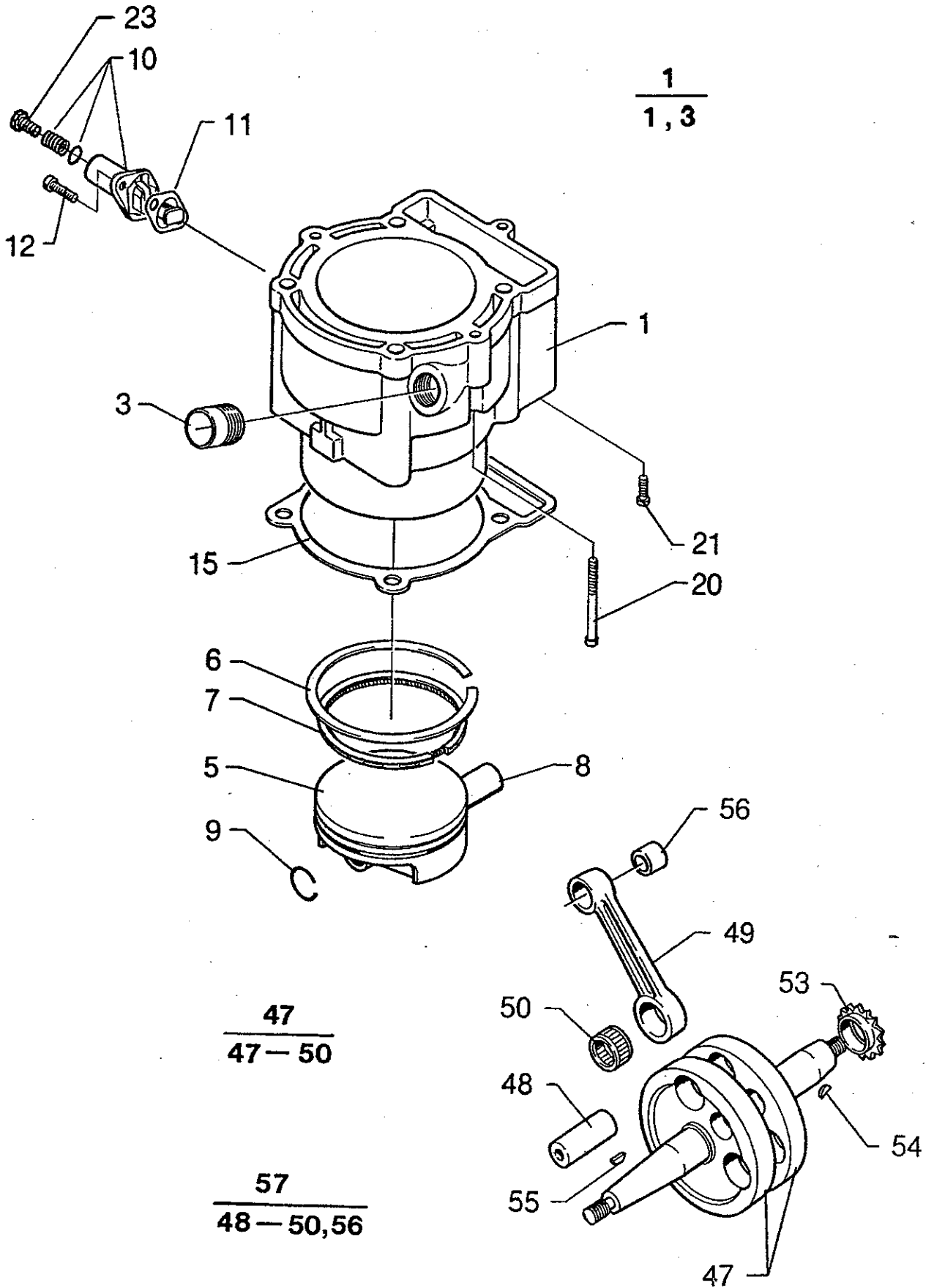
CYLINDERHEAD 89-96

Pos.	Part No	Quantity/Model				Description	Remarks
		FE	FC	FX	FEE		
1	200 108-01	1	1	1	1	Cylinderhead incl.rockerarm-cover 350 90- / 400 96-	Incl. valveseats & guides
1	200 064-01	1	1	1	1	Cylinderhead incl.rockerarm-cover 501 89- / 600 92-	Incl. valveseats & guides
2	200 004-01	4	4	4	4	Valve guide 89-96	
3	330 001-01	4	4	4	4	Circlip SW 11 89-	
4	200 054-01	4	4	4	4	Seal valveguide 89-	
5	200 082-01	2	2	2	2	Intake valve 350 90- / 400 96-	
5	200 007-01	2	2	2	2	Intake valve 501 89- / 600 92-	
6	200 083-01	2	2	2	2	Exhaust valve 350 90- / 400 96-	
6	200 008-01	2	2	2	2	Exhaust valve 501 89- / 600 92-	
7	200 009-01	8	8	8	8	Valvespring cotters 89-	
8	200 010-01	4	4	4	4	Valvespring retainer 89-	
9	200 011-01	4	4	4	4	Valvespring outer 89-	
10	200 103-01	4	4	4	4	Valvespring inner 89-	
11	200 013-01	1	1	1	1	Rockerarm-cover 96-	Earlier models: see 200 176/7-01
12	200 057-01	2	2	2	2	Radiatorhose connection 89-	
13	200 014-01	2	2	2	2	Rockerarm shaft \varnothing 12 mm 96-	Earlier models: see 200 176/7-01
14	200 143-01	2	2	2	2	Endplug rockerarm shaft \varnothing 12/20 mm 96-	Earlier models: see 200 176/7-01
	200 176-01	1	1	1	1	Repl.rockerarmkit incl.cover 350 90-95	Shaft \varnothing 12 mm
	200 177-01	1	1	1	1	Repl.rockerarmkit incl.cover 501 89-95 / 600 92-95	Shaft \varnothing 12 mm
15	306 308-22	2	2	2	2	Screw M6x8 89-	
15	305 306-12	2	2	2	2	Screw MSCS 5x6 89-	
16	340 017-01	2	2	2	2	O-ring 17.1x1.6 89-94	
16	340 019-01	2	2	2	2	O-ring 19.1x1.6 95-	
17	200 147-02	1	1	1	1	Rockerarm intake compl. 350-400 96-	Earlier models: see 200 176-01
17	200 147-01	1	1	1	1	Rockerarm intake compl. 501-600 96-	Earlier models: see 200 177-01
19	200 018-01	4	4	4	4	Bushing \varnothing 12 mm 96-	Earlier models: see 200 176/7-01
20	200 019-01	2	2	2	2	Rockerarm roller 89-	
21	200 020-01	4	4	4	4	Valve adjustment screw 89-95	
21	200 171-01	4	4	4	4	Valve adjustment screw 96-	
22	200 021-01	4	4	4	4	Valve adjustment locknut 89-	
23	200 148-02	1	1	1	1	Rockerarm exhaust compl. 350-400 96-	Earlier models: see 200 176-01
23	200 148-01	1	1	1	1	Rockerarm exhaust compl. 501-600 96-	Earlier models: see 200 177-01
25	200 059-01	1	1			Decompression valve lifter FC 92- / FE 89-	
26	340 005-01	1	1	1	1	O-ring 5.1x1.6 89-	
27	330 008-01	1	1	1	1	Circlip SGA 8 89-	
28	200 058-01	1	1			Decompression recoil spring FC 92- / FE 89-	
28	200 161-01			1	1	Decompression recoil spring FEE 96-	
29	200 026-01	2	2	2	2	Valve cover 89-	
30	200 027-01	2	2	2	2	Gasket valve cover 89-	
31	305 516-22	4	4	4	4	Screw M5x16 89-	



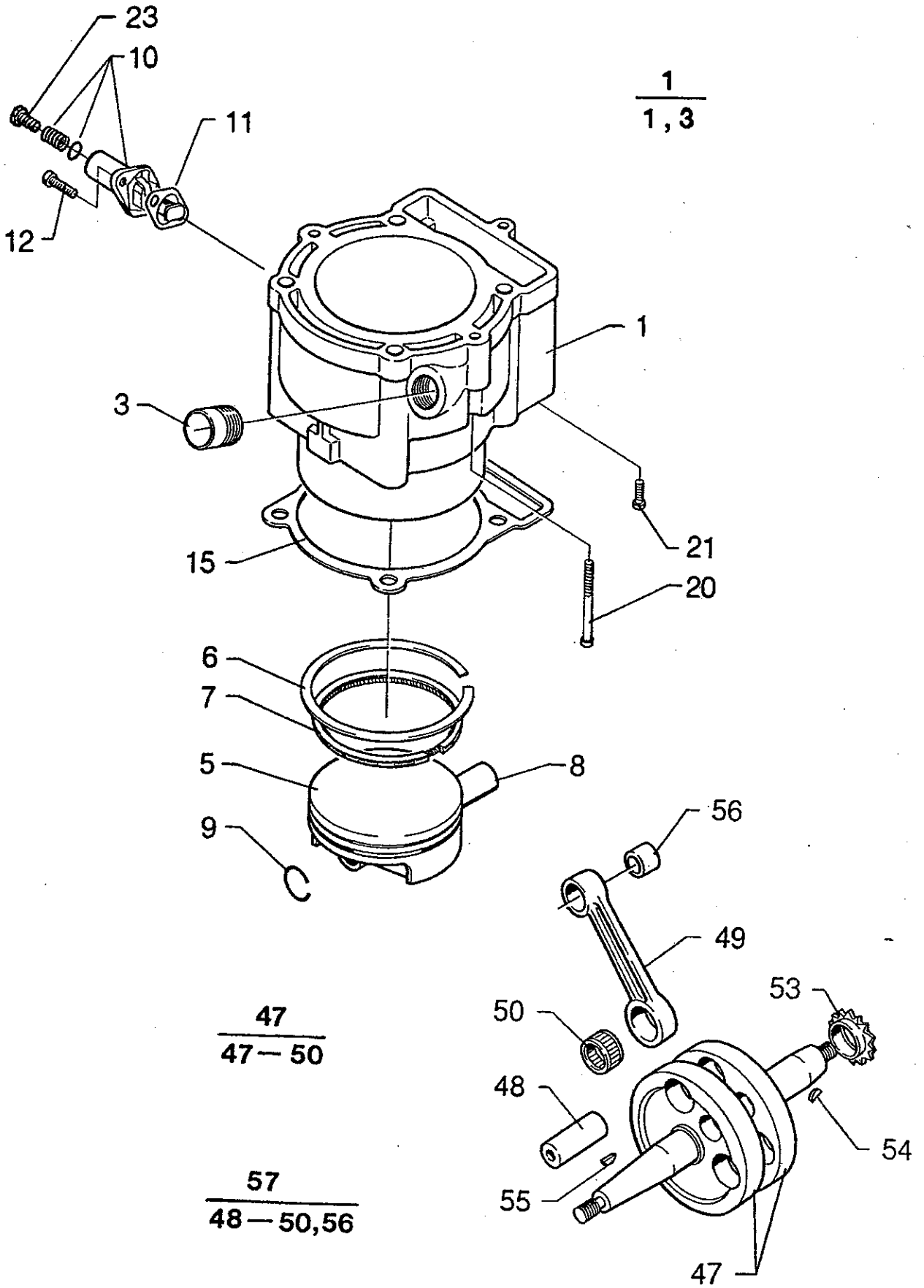
CYLINDERHEAD 89-96

Pos.	Part No	Quantity/Model				Description	Remarks
		FE	FC	FX	FEE		
32	306 550-22	2	2	2	2	Screw MC6S 6x50 89-	
33	306 545-22	2	2	2	2	Screw MC6S 6x45 89-	
34	306 525-22	3	3	3	3	Screw MC6S 6x25 89-	
35	200 102-01	1	1			Camshaft m B 600 92-96	Only for racing - No warranties
35	200 160-01	1	1	1	1	Camshaft 350 90-96 / 400 96 / 501 89-96 / 600 92-96	
36	200 029-01	1	1	1	1	Seal support 89-	
37	340 029-01	2	2	2	2	O-ring 29.1x1.6 89-	
38	350 000-01	2	2	2	2	Sealing 10x18x4/4.8 89-	
39	360 000-01	2	2	2	2	Ballbearing 89-	
40	200 061-01	1	1	1	1	Waterpump rotor 350 90-95 / 501 89-95 / 600 92-95	
40	200 167-01	1	1	1	1	Waterpump rotor 350 96- / 400 96- / 501 96- / 600 96-	
41	330 010-01	1	1	1	1	Circlip SGA 10 89-	
42	370 013-01	1	1	1	1	Steelpin 3x14 89-	
43	200 031-01	1	1	1	1	Waterpump cover 350 90- / 400 96- / 501 89-95 / 600 92-95	For pumpwheel 44 mm
43	200 166-01	1	1	1	1	Waterpump cover 350 96- / 400 96- / 501 96- / 600 96-	For pumpwheel 50 mm
44	200 049-01	1	1	1	1	Gasket waterpump cover 89-95	For pumpwheel 44 mm
44	200 168-01	1	1	1	1	Gasket waterpump cover 96-	For pumpwheel 50 mm
45	305 516-22	3	3	3	3	Screw M5x16 89-	
46	200 032-01	1	1			Timing sprocket FC/FE 89-96	
46	200 158-01			1	1	Timing sprocket FEE 96	
47	308 512-21	2	2	2	2	Screw MC6LS 8x12 89-	
48	200 035-01	4	4	4	4	Nut cylinderstud 89-	
49	320 018-01	4	4	4	4	Washer 10x18x2 89-	
50	200 045-01	1	1	1	1	Timingchain 80 L 501 89 - 93	
50	200 045-02	1	1	1	1	Timingchain 78 L 350 90- / 400 96- / 501 94-	
50	200 045-03	1	1	1	1	Timingchain 82 L 600 92-	
51	200 066-01	1	1	1	1	Timingchain lock 89-	
52	200 046-01	1	1	1	1	Cylinderhead gasket 400 96- / 501 89-93	
52	200 085-01	1	1	1	1	Cylinderhead gasket 350 90-	
52	200 075-01	1	1	1	1	Cylinderhead gasket 501 94- / 600 92-	
53	230 045-01	1	1			Decompression valve lifter bracket FC/FE 89- / FEE 95	
54	305 510-22	2	2	2	2	Screw MC6S 5x10 89-	
55	230 044-01	1	1			Wireholder manual decompression wire 89-	
56	250 008-01	1	1	1	1	Intake manifold 350 90- / 400 96-	
56	250 077-01	1	1	1	1	Intake manifold 501 89- / 600 92-	
57	306 520-22	2	2	2	2	Screw MC6S 6x20 89-	
58	250 012-01	1	1	1	1	Clamp 89-	
59	200 159-01			1	1	Aut.decompression device (weight) FEE 95-	For aut. decompression system
60	200 161-01			1	1	Recoilspring aut.decompression device 95-	For aut. decompression system
61	305 510-22			1	1	Stopscrew aut.decompression device FEE 95- / FX 96-	For aut. decompression system
62	315 601-22			1	1	Locknut M5 89-	



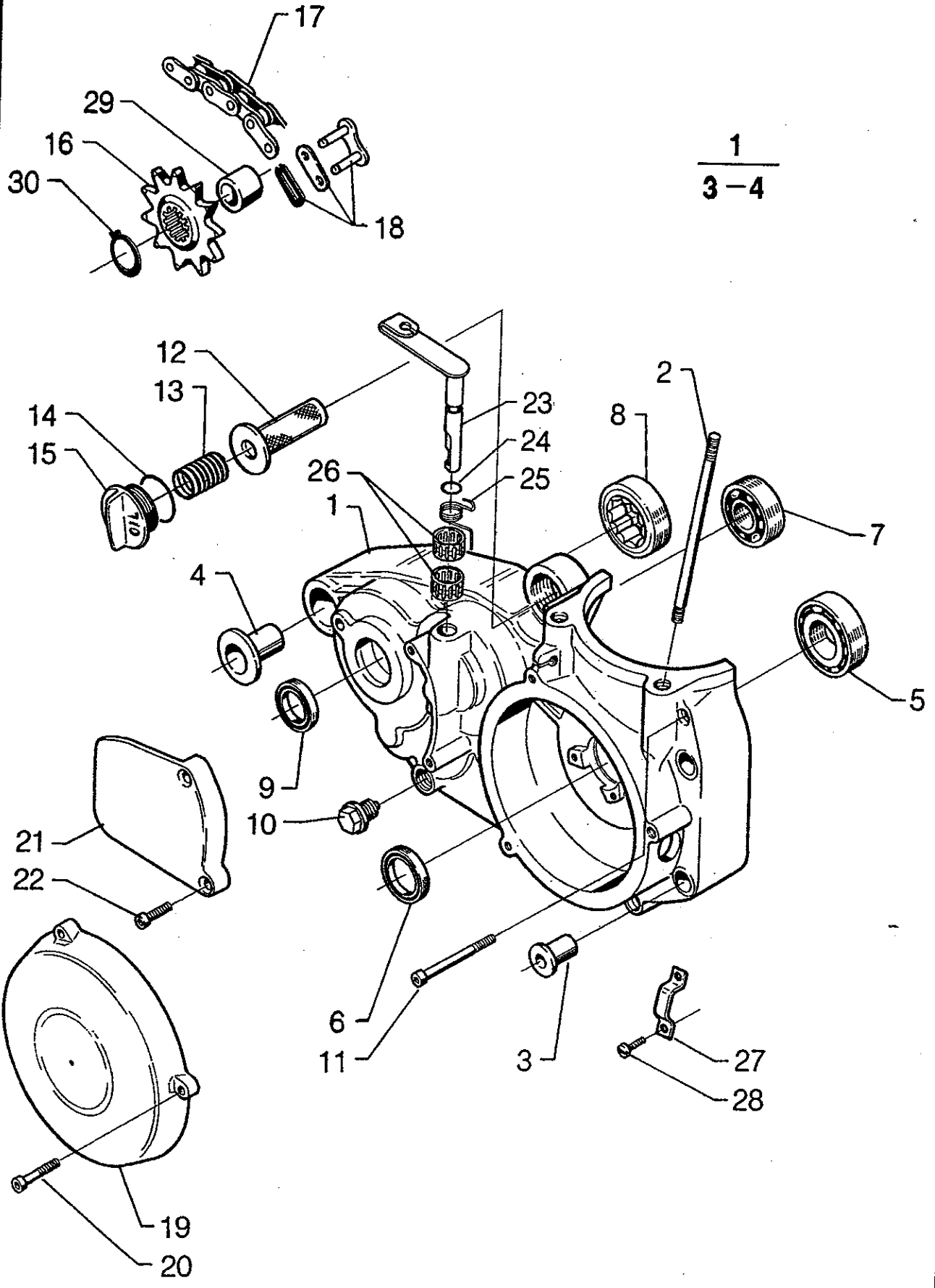
CYLINDER 89-96

Pos.	Part No	Quantity/Model				Description	Remarks
		FE	FC	FX	FEE		
1	200 089-01	1	1	1	1	Cylinder compl. 350 90-	Incl. Pos. No. 3
1	200 050-02	1	1	1	1	Cylinder compl. 400 96-	Incl. Pos. No. 3
1	200 050-01	1	1	1	1	Cylinder compl. 501 89-93	Incl. Pos. No. 3
1	200 122-02	1	1	1	1	Cylinder compl. 501 94-	Incl. Pos. No. 3
1	200 122-01	1	1	1	1	Cylinder compl. 600 92-	Incl. Pos. No. 3
3	200 057-01	1	1	1	1	Radiatorhose connecting 89-	
5	200 081-01	1	1		1	Piston 350 90-	Ex.rings, clips, gudgeon pin
5	200 162-01	1	1	1	1	Piston 400 96-	Ex.rings, clips, gudgeon pin
5	200 076-01	1	1	1	1	Piston 501 89-93	Ex.rings, clips, gudgeon pin
5	200 141-01	1	1	1	1	Piston 501 94- / 600 92-	Ex.rings, clips, gudgeon pin
	200 181-01	1	1	1	1	Piston complete 350 90-	Incl. Pos. No. 5, 6, 7, 8, 9.
	200 182-01	1	1	1	1	Piston complete 400 96-	Incl. Pos. No. 5, 6, 7, 8, 9.
	200 183-01	1	1	1	1	Piston complete 501 89-93	Incl. Pos. No. 5, 6, 7, 8, 9.
	200 184-01	1	1	1	1	Piston complete 501 94- / 600 92-	Incl. Pos. No. 5, 6, 7, 8, 9.
6	200 094-01	1	1		1	Pistonring 350 90-	
6	200 078-01	1	1	1	1	Pistonring 400 96- / 501 89-93	
6	200 069-01	1	1	1	1	Pistonring 501 94- / 600 92-	
7	200 095-01	1	1		1	Oilring 350 90-	
7	200 079-01	1	1	1	1	Oilring 400 96- / 501 89-93	
7	200 142-01	1	1	1	1	Oilring 501 94- / 600 92-	3 mm
8	200 096-01	1	1		1	Gudgeon pin 350 90-	
8	200 165-01	1	1	1	1	Gudgeon pin 400 96-	
8	200 055-01	1	1	1	1	Gudgeon pin 501 89- / 600 92-	
9	200 097-01	2	2	2	2	Clips gudgeon pin 350 90- / 400 96-	
9	200 056-01	2	2	2	2	Clips gudgeon pin 501 89- / 600 92-	
10	200 052-01	1	1	1	1	Camchain tensioner 89-	
11	200 053-01	1	1	1	1	Gasket camchain tensioner 89-	
12	306 516-22	2	2	2	2	Screw MC6S 6x16 89-	
15	200 047-01	1	1	1	1	Cylinder base gasket 89-96	
20	306 545-22	2	2	2	2	Screw MC6S 6x45 89-	
21	306 535-22	1	1	1	1	Screw MC6S 6x35 89-	
23	200 106-01	1	1	1	1	Screw camchain tensioner 89-	



CYLINDER 89-96

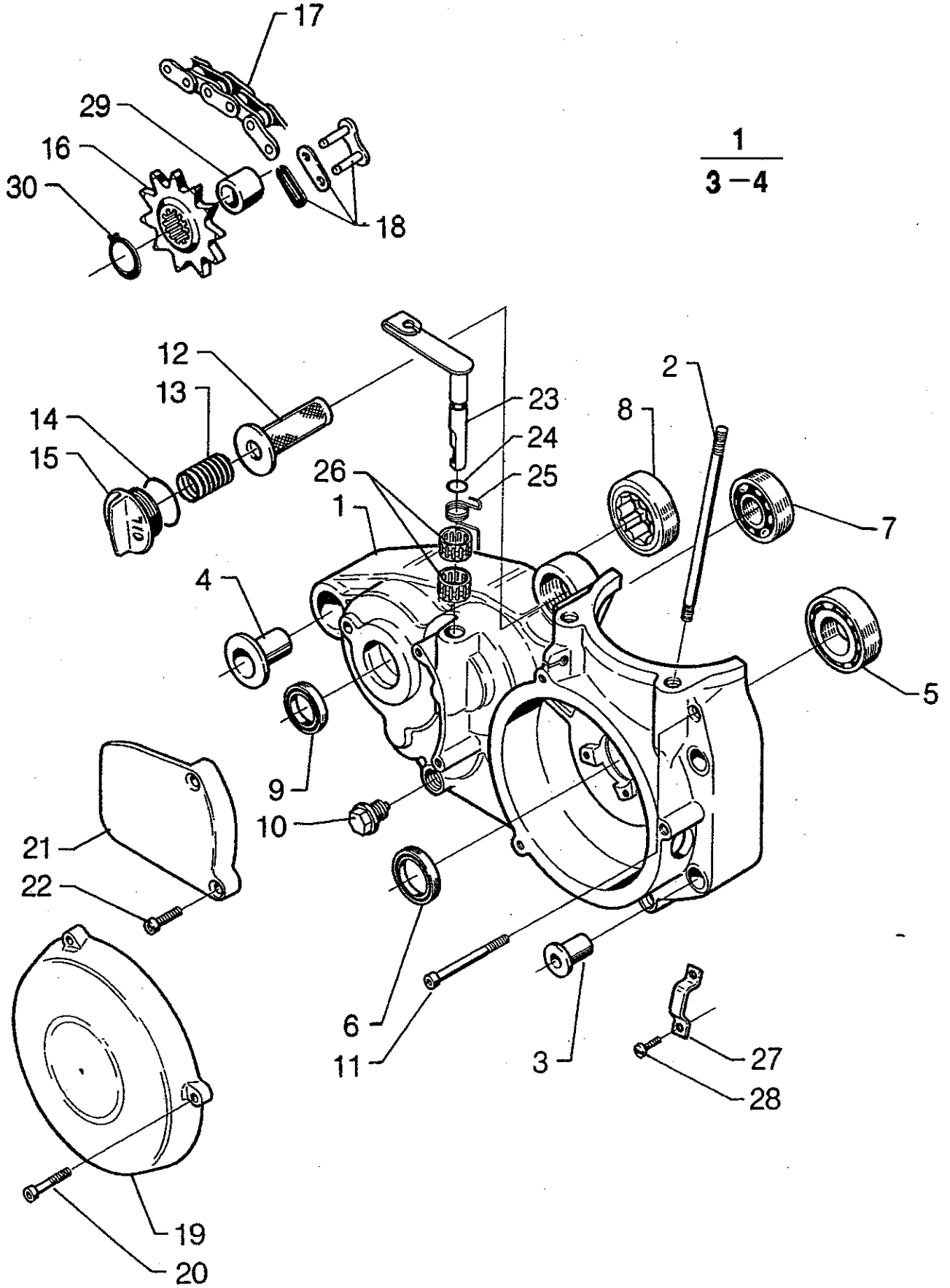
Pos.	Part No	Quantity/Model				Description	Remarks
		FE	FC	FX	FEE		
47	210 020-01	1	1			Crankshaft compl. 350 90- / 400 96-	Incl. Pos. No. 47, 48, 49, 50
47	210 023-01		1			Crankshaft compl. 499 91	Incl. Pos. No. 47, 48, 49, 50
47	210 001-01	1	1			Crankshaft compl. 501 89-93	Incl. Pos. No. 47, 48, 49, 50
47	210 034-01	1	1			Crankshaft compl. 501 94-	Incl. Pos. No. 47, 48, 49, 50
47	210 013-01	1	1			Crankshaft compl. 600 92-	Incl. Pos. No. 47, 48, 49, 50
48	210 004-01	1	1	1	1	Crankpin 89-	
49	210 029-01	1	1	1	1	Connecting rod 350 90- / 400 96-	
49	210 035-01		1			Connecting rod 499 91	
49	210 030-01	1	1			Connecting rod 501 89-93	
49	210 075-01	1	1	1	1	Connecting rod 501 94-	
49	210 052-01	1	1	1	1	Connecting rod 600 92-	
50	210 065-01	1	1	1	1	Needlebearing 89-	
53	200 043-01	1	1	1	1	Crankshaft sprocket 89-	
54	200 044-01	1	1	1	1	Woodruff key crankshaft sprocket 89-	
55	250 004-01	1	1	1	1	Woodruff key flywheel 89-	
56	210 017-01	1	1	1	1	Bushing connecting rod 350 90- / 400 96-	
56	210 014-01	1	1	1	1	Bushing connecting rod 501 89- / 600 92-	
57	210 050-01	1	1	1	1	Connecting rod kit 350 90- / 400 96-	Incl. Pos. No. 17, 18, 19, 25.
57	210 051-01		1			Connecting rod kit 499 91	Incl. Pos. No. 17, 18, 19, 25.
57	210 016-01	1	1			Connecting rod kit 501 89-93	Incl. Pos. No. 17, 18, 19, 25.
57	210 058-01	1	1	1	1	Connecting rod kit 501 94-	Incl. Pos. No. 17, 18, 19, 25.
57	210 053-01	1	1	1	1	Connecting rod kit 600 92-	Incl. Pos. No. 17, 18, 19, 25.



$\frac{1}{3-4}$

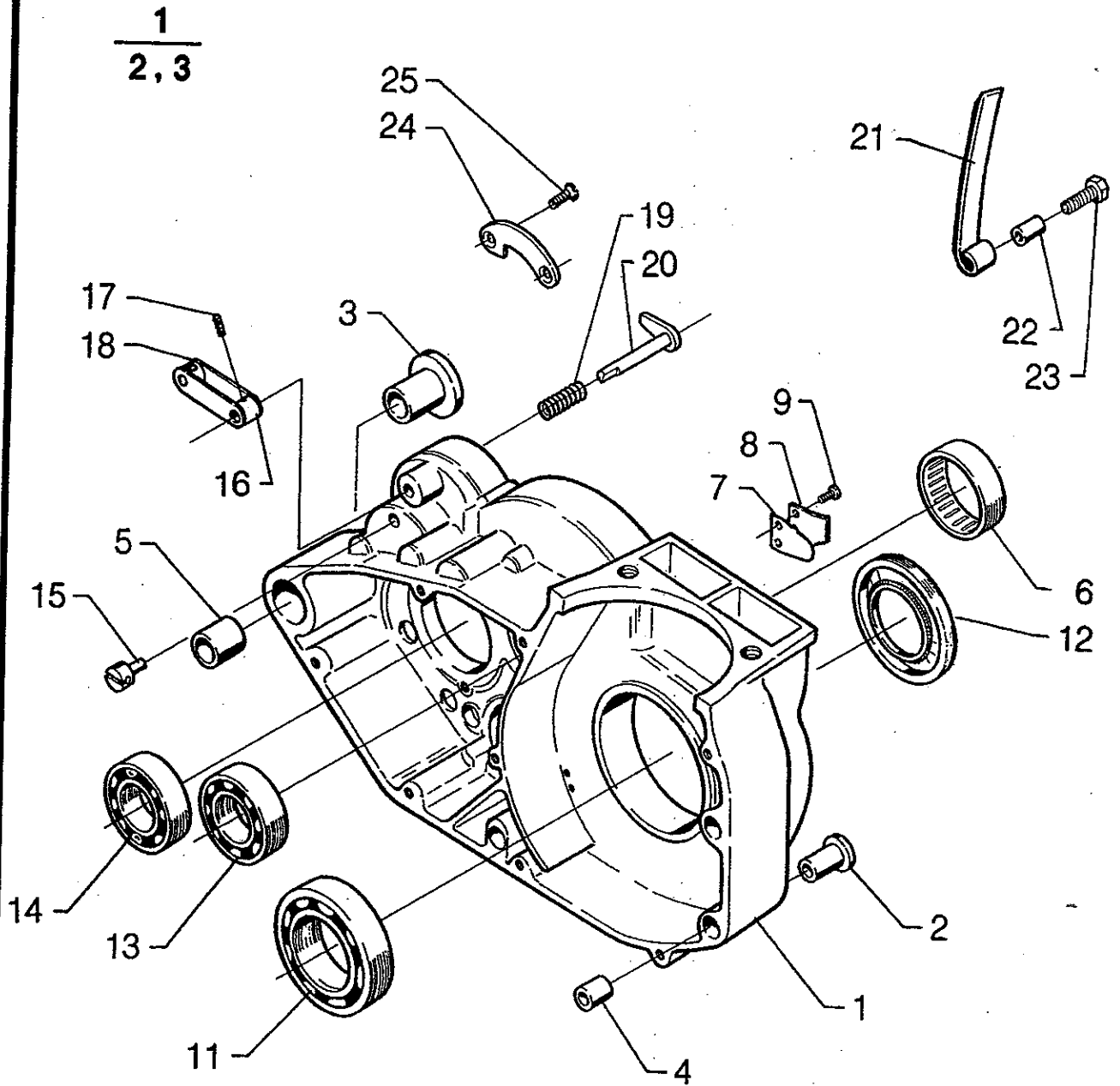
CRANKCASE RIGHT 89-96

Pos.	Part No.	Quantity/Model				Description	Remarks
		FE	FC	FX	FEE		
1	220 004-01	1	1			Crankcase right half 89-93	
1	220 040-01	1	1			Crankcase right half 94-96	
2	200 034-01	4	4			Cylinderstud 501 89-93	
2	200 092-01	4	4			Cylinderstud 350 90- / 400 96- / 501 94-	
2	200 105-01	4	4			Cylinderstud 600 92-	
3	220 006-01	2	2			Flange bushing front 89-	
4	220 007-01	1	1			Flange bushing rear 89-	
5	360 001-01	1	1			Ballbearing 89-	
6	350 001-01	1	1			Seal ring 10x18 4/4.8 89-	
7	360 002-01	1	1			Ballbearing 89-	
8	360 003-01	1	1			Rollerbearing 89-93	
8	360 017-01	1	1			Rollerbearing 94-	
9	350 002-01	1	1			Seal ring 28x35x4 89-93	
9	350 006-01	1	1			Seal ring 30x42x7 94-	
10	220 005-01	1	1			Oil drain plug 89-	
11	306 550-22	8	8			Screw MC6S 6x50 89-	
12	260 004-01	1	1			Oilfilter 89-	
13	260 005-01	1	1			Spring oilfilter 89-	
14	340 024-01	1	1			O-ring 24,2x3 89-	
15	220 021-01	1	1			Oilfill cap 89-	
16	260 001-03	1	1			Sprocket Z=13 89-	
16	260 001-04	1	1			Sprocket Z=14 89-	
16	260 001-05	1	1			Sprocket Z=15 89-	
16	260 001-06	1	1			Sprocket Z=16 89-	
17	190 002-01	1	1			Drivechain 110 L 89-	
17	190 002-02	1	1			Drivechain 112 L 89-	
17	190 002-03	1	1			Drivechain 114 L 89-	
17	190 002-04	1	1			Drivechain 116 L 89-	
18	190 001-01	1	1			Master link 89-	
19	220 027-01	1	1			Ignition cover 89-	Plastic, labyrinth sealing
20	305 520-22	3	3			Screw MC6S 5x20 89-	
21	220 026-01	1	1			Sprocket cover 89-	Plastic
22	305 520-22	2	2			Screw MC6S 5x20 89-	
23	230 112-01	1	1			Clutch disengaging lever 89-	
24	350 005-01	1	1			Seal ring 10x14 x 3 89-	
25	230 055-01	1	1			Recoil spring 89-	
26	360 014-01	2	2			Needlebearing 89-	
27	250 013-01	1	1			Wire holder 89-	
28	305 306-12	2	2			Screw MSCS 5x6 89-	
29	240 020-01	1	1			Spacer sprocket 89-93	
29	240 046-01	1	1			Spacer sprocket 94-	



CRANKCASE RIGHT 89-96

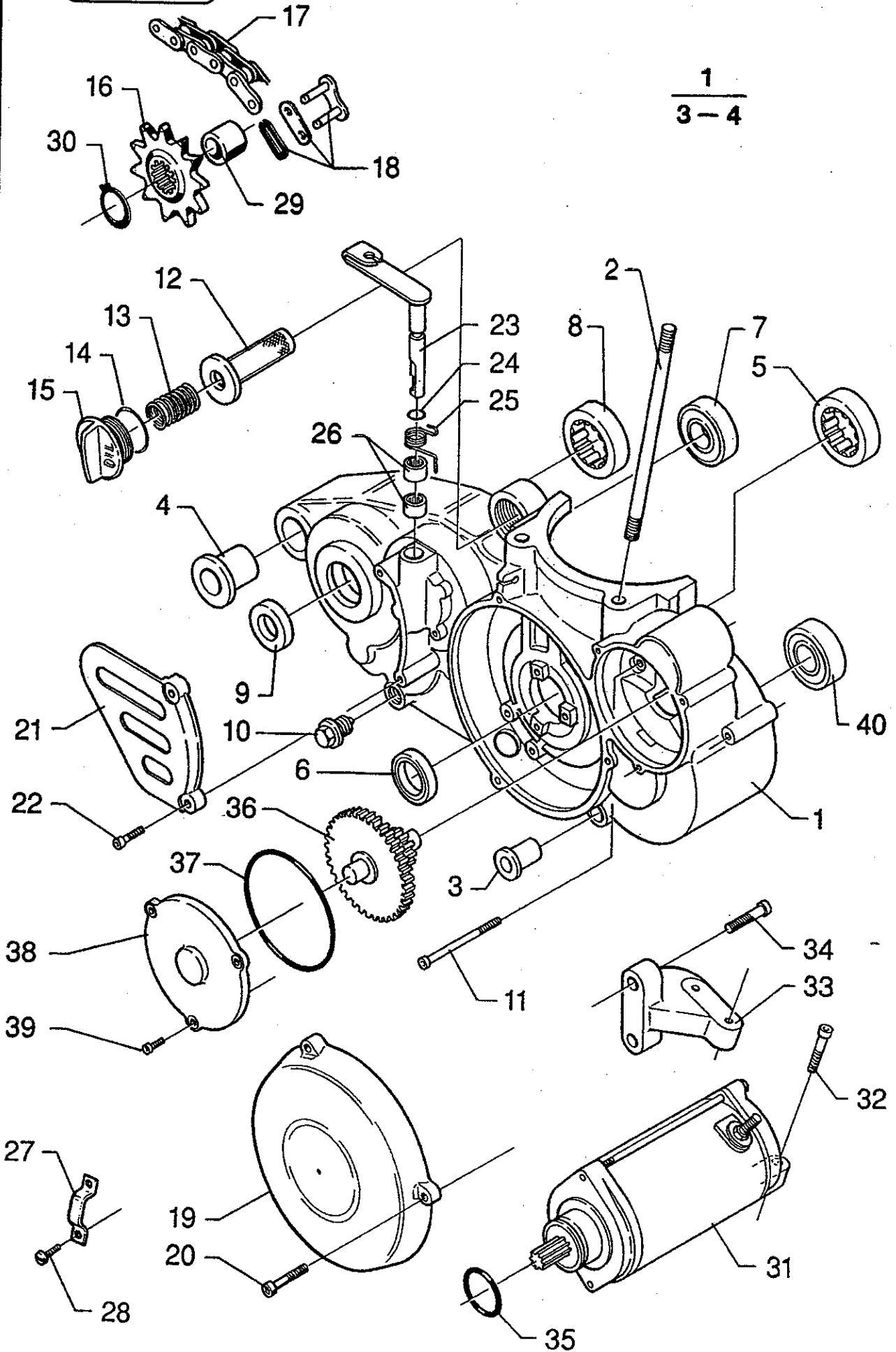
Pos.	Part No.	Quantity/Model				Description	Remarks
		FE	FC	FX	FEE		
30	330 024-01	1	1	1	1	Circlip SGA 24 89-93	
30	330 025-01	1	1	1	1	Circlip SGA 25 94-	
	260 011-01	1	1	1	1	Gasket kit 499 91 / 501 89-93	
	260 011-02	1	1	1	1	Gasket kit 350 90-95	
	260 011-03	1	1	1	1	Gasket kit 501 94-95 / 600 92-95	
	260 051-01	1	1	1	1	Gasket kit 350 96	
	260 051-02	1	1	1	1	Gasket kit 400 96-	
	260 051-03	1	1	1	1	Gasket kit 501/600 96-	



CRANKCASE LEFT 89-96

Pos.	Part No.	Quantity/Model				Description	Remarks
		FE	FC	FX	FEE		
1	220 008-01	1	1			Crankcase left half 89-96	
2	220 006-01	2	2			Flange bushing front 89-	
3	220 007-01	1	1			Flange bushing rear 89-	
4	220 011-01	1	1			Dowl crankcase front 89-	
5	220 012-01	1	1			Dowl crankcase rear 89-	
6	360 005-01	1	1			Needlebearing 89-96/1	ø 36 mm
6	360 026-01	1	1			Ballbearing 96/2-	ø 42 mm
7	220 013-01	1	1			Reed valve 89-	
8	220 020-01	1	1			Reed valve support 89-	
9	304 306-22	2	2			Screw MSCS 4x6 89-	
11	360 001-01	1	1			Ballbearing 89-	
12	350 003-01	1	1			Seal ring 30x52x7 89-	
13	360 004-01	1	1			Ballbearing 89-	
14	360 002-01	1	1			Ballbearing 89-	
15	230 044-01	1	1			Holder decompression wire lower 89-	
16	230 054-01	1	1			Decompression lever 89-	
17	305 510-22	1	1			Screw MC6S 5x10 89-	
18	230 065-01	1	1			Nipple decompression wire 89-	
19	230 037-01	1	1			Recoilspring decomp.lever kickstarter 89-	
20	230 050-01	1	1			Decompressionlever kickstarter 89-	
21	200 048-01	1	1			Camshain tensioner 89-	
22	200 051-01	1	1			Bushing camshain tensioner 89-	
23	306 625-22	1	1			Screw M6S 6x25 89-	
24	230 039-01	1	1			Engagement sledge 89-	
25	305 410-12	2	2			Screw MFX 5x10 89-	

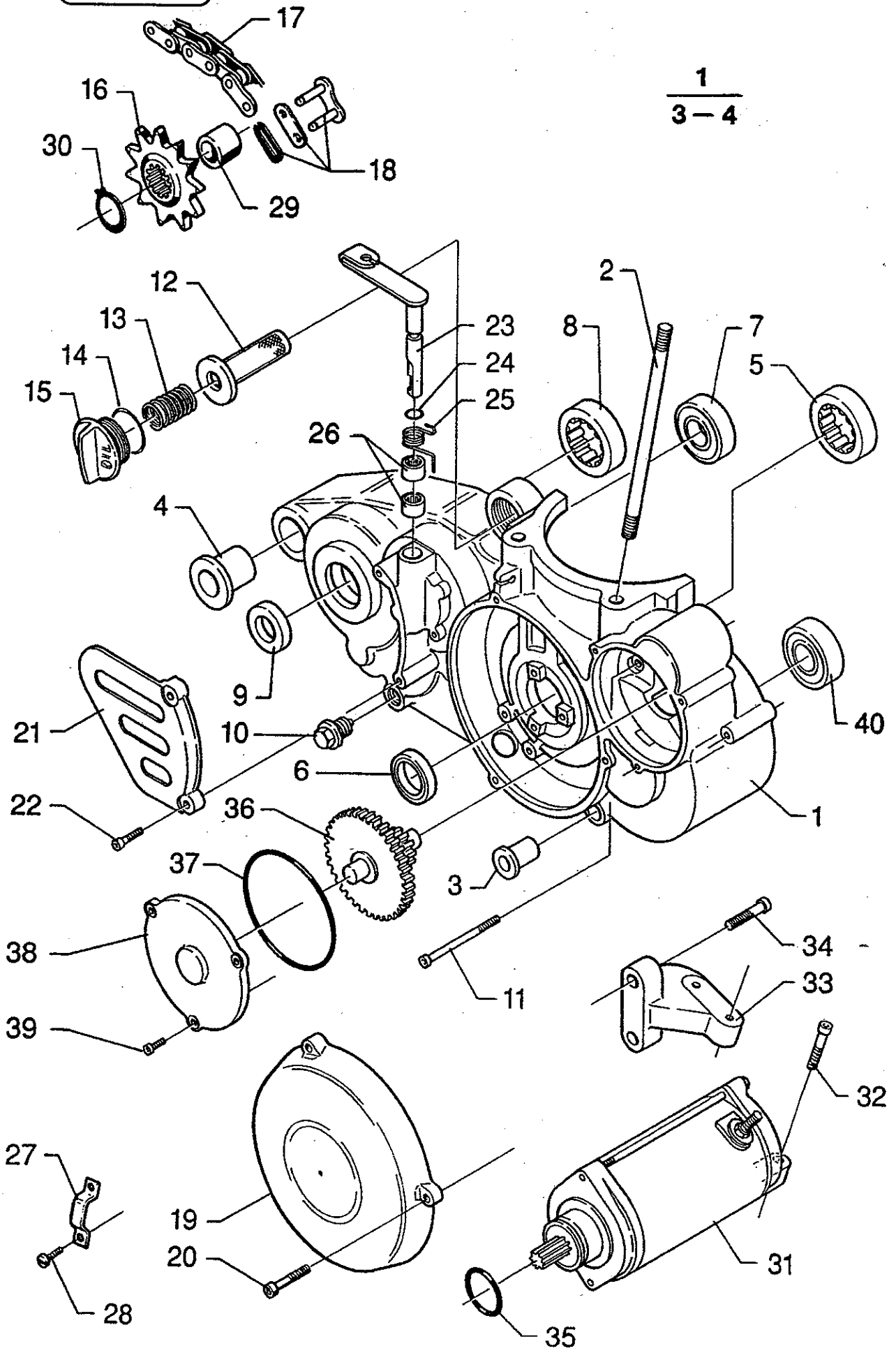
$\frac{1}{3-4}$



CRANKCASE LEFT 89-96

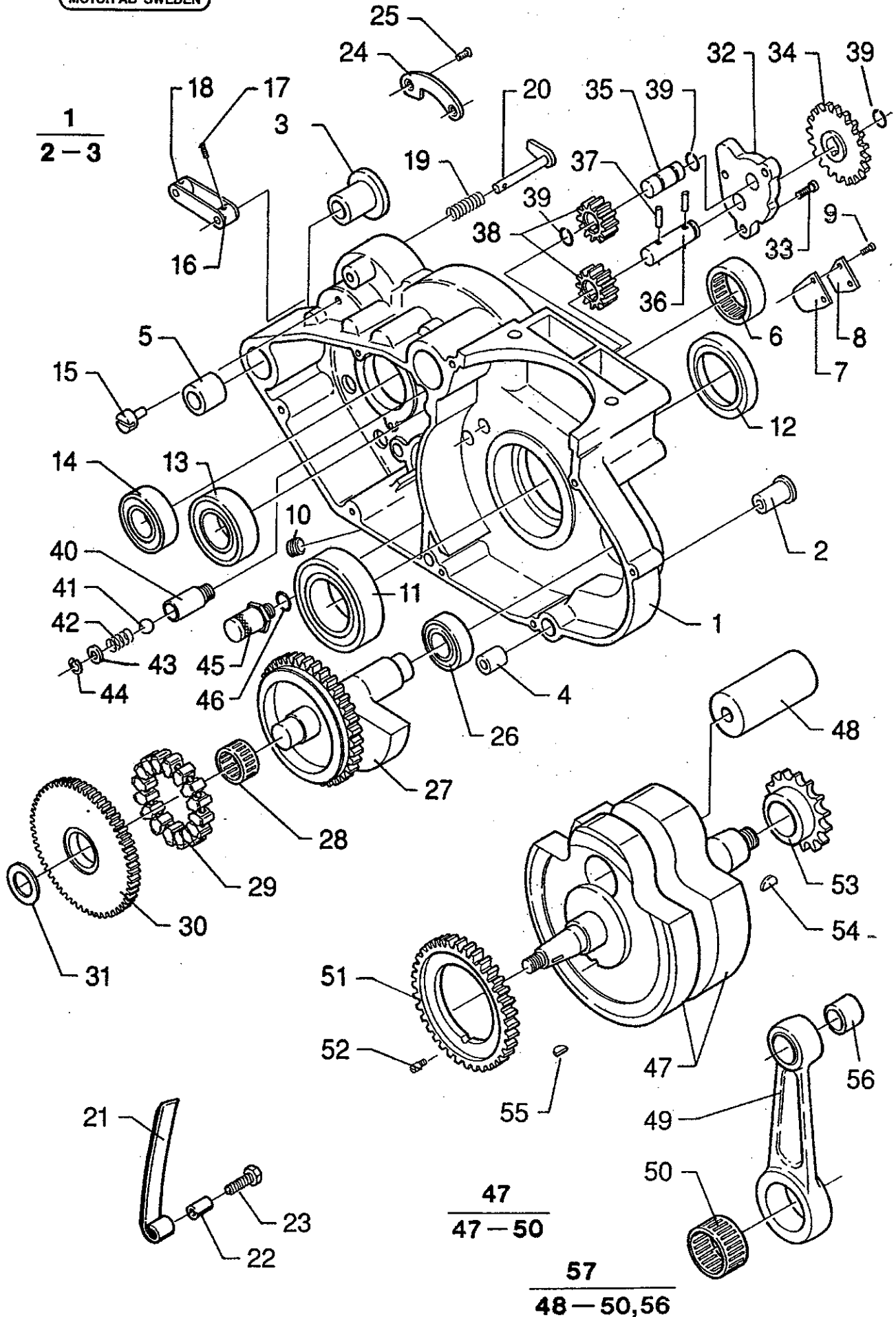
Pos.	Part No.	Quantity/Model				Description	Remarks
		FE	FC	FX	FEE		
1	220 008-01	1	1			Crankcase left half 89-96	
2	220 006-01	2	2			Flange bushing front 89-	
3	220 007-01	1	1			Flange bushing rear 89-	
4	220 011-01	1	1			Dowl crankcase front 89-	
5	220 012-01	1	1			Dowl crankcase rear 89-	
6	360 005-01	1	1			Needlebearing 89-96/1	ø 36 mm
6	360 026-01	1	1			Ballbearing 96/2-	ø 42 mm
7	220 013-01	1	1			Reed valve 89-	
8	220 020-01	1	1			Reed valve support 89-	
9	304 306-22	2	2			Screw MSCS 4x6 89-	
11	360 001-01	1	1			Ballbearing 89-	
12	350 003-01	1	1			Seal ring 30x52x7 89-	
13	360 004-01	1	1			Ballbearing 89-	
14	360 002-01	1	1			Ballbearing 89-	
15	230 044-01	1	1			Holder decompression wire lower 89-	
16	230 054-01	1	1			Decompression lever 89-	
17	305 510-22	1	1			Screw MC6S 5x10 89-	
18	230 065-01	1	1			Nipple decompression wire 89-	
19	230 037-01	1	1			Recoilspring decomp.lever kickstarter 89-	
20	230 050-01	1	1			Decompressionlever kickstarter 89-	
21	200 048-01	1	1			Camshain tensioner 89-	
22	200 051-01	1	1			Bushing camshain tensioner 89-	
23	306 625-22	1	1			Screw M6S 6x25 89-	
24	230 039-01	1	1			Engagement sledge 89-	
25	305 410-12	2	2			Screw MFX 5x10 89-	

1
3-4



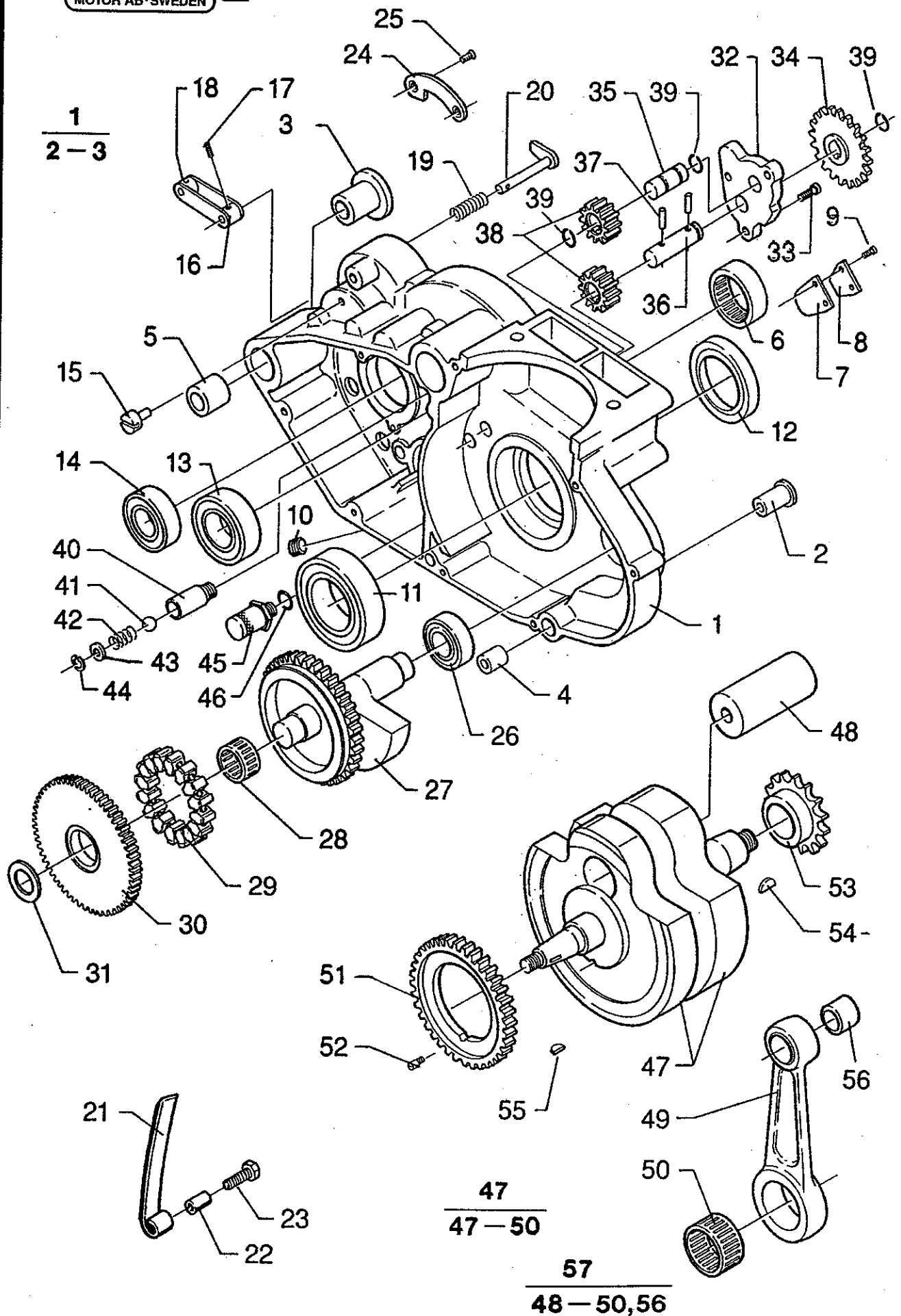
CRANKCASE RIGHT EL.START 95-96

Pos.	Part No.	Quantity/Model				Description	Remarks
		FE	FC	FX	FEE		
30	330 024-01			1	1	Circlip SGA 24 89-93	
30	330 025-01			1	1	Circlip SGA 25 94-	
31	250 121-01			1	1	Electric starter 95-	
32	306 530-22			2	2	Screw MC6S 6x30 95-	
33	250 134-01			1	1	Bracket electric starter 95-	
34	308 530-22			2	2	Screw MC6S 8x30 95-	
35	340 024-01			1	1	O-ring electric starter 95-	
36	250 122-01			1	1	Gearwheel starter/balancer 95-96	
37	340 064-01			1	1	O-ring cover electric starter gearwheel 95-	
38	220 034-01			1	1	Cover electric starter gearwheel 95-	
39	305 512-22			3	3	Screw MC6S 5x12 95-	
40	360 002-01			1	1	Ballbearing 95-96	
	260 011-02			1	1	Gasket kit 350 90-95	
	260 011-03			1	1	Gasket kit 501 94-95 / 600 92-95	
	260 051-01			1	1	Gasket kit 350 96-	
	260 051-02			1	1	Gasket kit 400 96-	
	260 051-03			1	1	Gasket kit 501/600 96-	



CRANKCASE LEFT EL.START 95-96

Pos.	Part No.	Quantity/Model				Description	Remarks
		FE	FC	FX	FEE		
1	220 031-01			1	1	Crankcase left half 95-96	
2	220 006-01			2	2	Flange bushing front 89-	
3	220 007-01			1	1	Flange bushing rear 89-	
4	220 011-01			1	1	Dowl crankcase front 89-	
5	220 012-01			1	1	Dowl crankcase rear 89-	
6	360 005-01			1	1	Needlebearing 89-96/1	ø 36 mm
6	360 026-01			1	1	Ballbearing 96/2-	ø 42 mm
7	220 013-01			1	1	Reed valve 89-	
8	220 020-01			1	1	Reed valve support 89-	
9	304 306-12			2	2	Screw MSCS 4x6 89-	
11	360 001-01			1	1	Ballbearing 89-	
12	350 003-01			1	1	Seal ring 30x52x7 89-	
13	360 004-01			1	1	Ballbearing 89-	
14	360 002-01			2	2	Ballbearing 89-	
15	230 044-01				1	Holder decompression wire lower 89-95	
16	230 054-01				1	Decompression lever 89-95	
17	305 510-22				1	Screw MC6S 5x10 89-95	
18	230 065-01				1	Nipple decompression wire 89-95	
19	230 037-01				1	Recoilspring decomp.lever kickstarter 89-95	
20	230 050-01				1	Decompressionlever kickstarter 89-95	
21	200 048-01			1	1	Camshain tensioner 89-	
22	200 051-01			1	1	Bushing camshain tensioner 89-	
23	306 625-22			1	1	Screw M6S 6x25 89-	
24	230 039-01			1	1	Engagement sledge 89-	
25	305 410-12			2	2	Screw MFX 5x10 89-	
27	210 066-06			1	1	Counter balancer 350/400 95-96	
27	210 066-05			1	1	Counter balancer 501 95-96	
27	210 066-04			1	1	Counter balancer 600 95-96	
28	360 009-01			1	1	Needlebearing 95-96	
29	250 141-01			1	1	Freewheel clutchmechanism 95-96	
30	250 139-01			1	1	Gearwheel starter (on counter balancer) 95-96	
31	250 140-01			1	1	Supporterwasher gearwheel electric starter 95-96	
32	260 048-01			1	1	Cover oilpump 95-96	
33	305 514-12			3	3	Screw MC6S 5x14 95-96	
34	260 044-01			1	1	Intermediate gearwheel oilpump 95-96	
35	260 047-01			1	1	Secondary shaft oilpump 95-96	
36	260 046-01			1	1	Main shaft oilpump 95-96	
37	370 014-01			2	2	Pin h6x14 95-96	
38	260 045-01			2	2	Gearwheel oilpump	
39	330 001-01			3	3	Circlip SW 11 95-96	

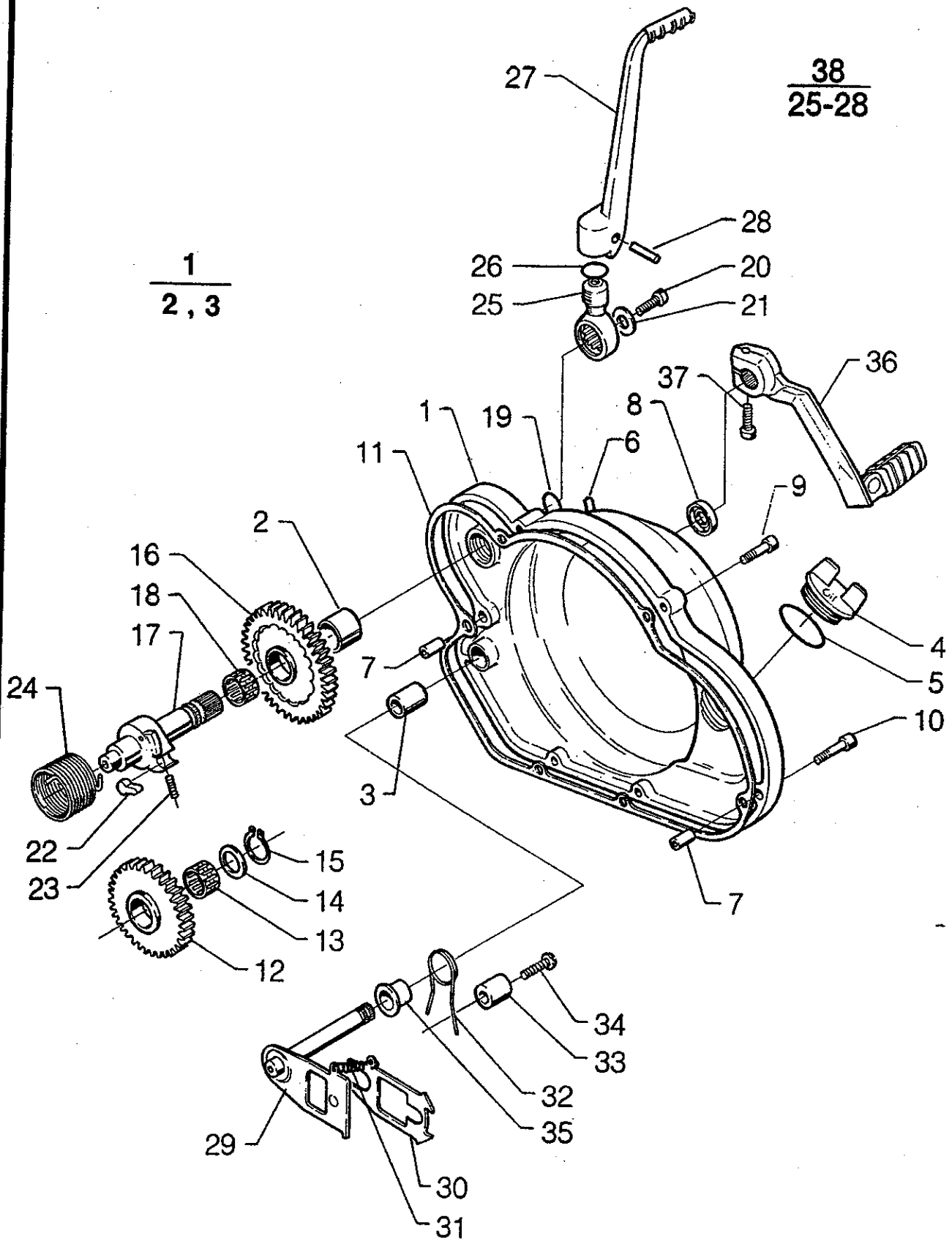


CRANKCASE LEFT EL.START 95-96

Pos.	Part No.	Quantity/Model				Description	Remarks
		FE	FC	FX	FEE		
40	260 036-01			1	1	Body oilpressurerelief valve 95-	
41	360 024-01			1	1	Steelball oilpressurerelief 95-	
42	260 038-01			1	1	Spring oilpressurerelief 95-	
43	260 037-01			1	1	Washer oilpressurerelief 95-	
44	330 015-01			1	1	Circlip sgH15 95-	
45	260 049-01			1	1	Oilfilter oilpump 95-96	
46	340 012-01			1	1	O-ring 95-96	
47	210 056-01			1	1	Crankshaft 350/400 95-96	
47	210 071-01			1	1	Crankshaft 501 95-	
47	210 043-01			1	1	Crankshaft 600 95-96	
48	210 004-01			1	1	Crankpin 95-	
49	210 029-01			1	1	Connecting rod 350 95- / 400 96-	
49	210 075-01			1	1	Connecting rod 501 95-	
49	210 052-01			1	1	Connecting rod 600 95-	
50	210 065-01			1	1	Needlebearing connecting rod 95-	
51	210 057-01			1	1	Gearwheel (crankshaft/counterbalancer) 95-	
52	210 048-01			1	1	Positioning screw crankshaft 95-	
53	200 043-01			1	1	Crankshaft sprocket 95-	
54	200 044-01			1	1	Woodruff key timing sprocket crankshaft 95-	
55	250 004-01			1	1	Woodruff key flywheel 95-	
56	210 017-01			1	1	Bushing connecting rod 350 95- / 400 96-	
56	210 014-01			1	1	Bushing connecting rod 501/600 95-	
57	210 050-01			1	1	Connecting rod kit 350 95- / 400 96-	Incl. Pos. No 48, 49, 50, 56.
57	210 058-01			1	1	Connecting rod kit 501 95-	Incl. Pos. No 48, 49, 50, 56.
57	210 053-01			1	1	Connecting rod kit 600 95-	Incl. Pos. No 48, 49, 50, 56.

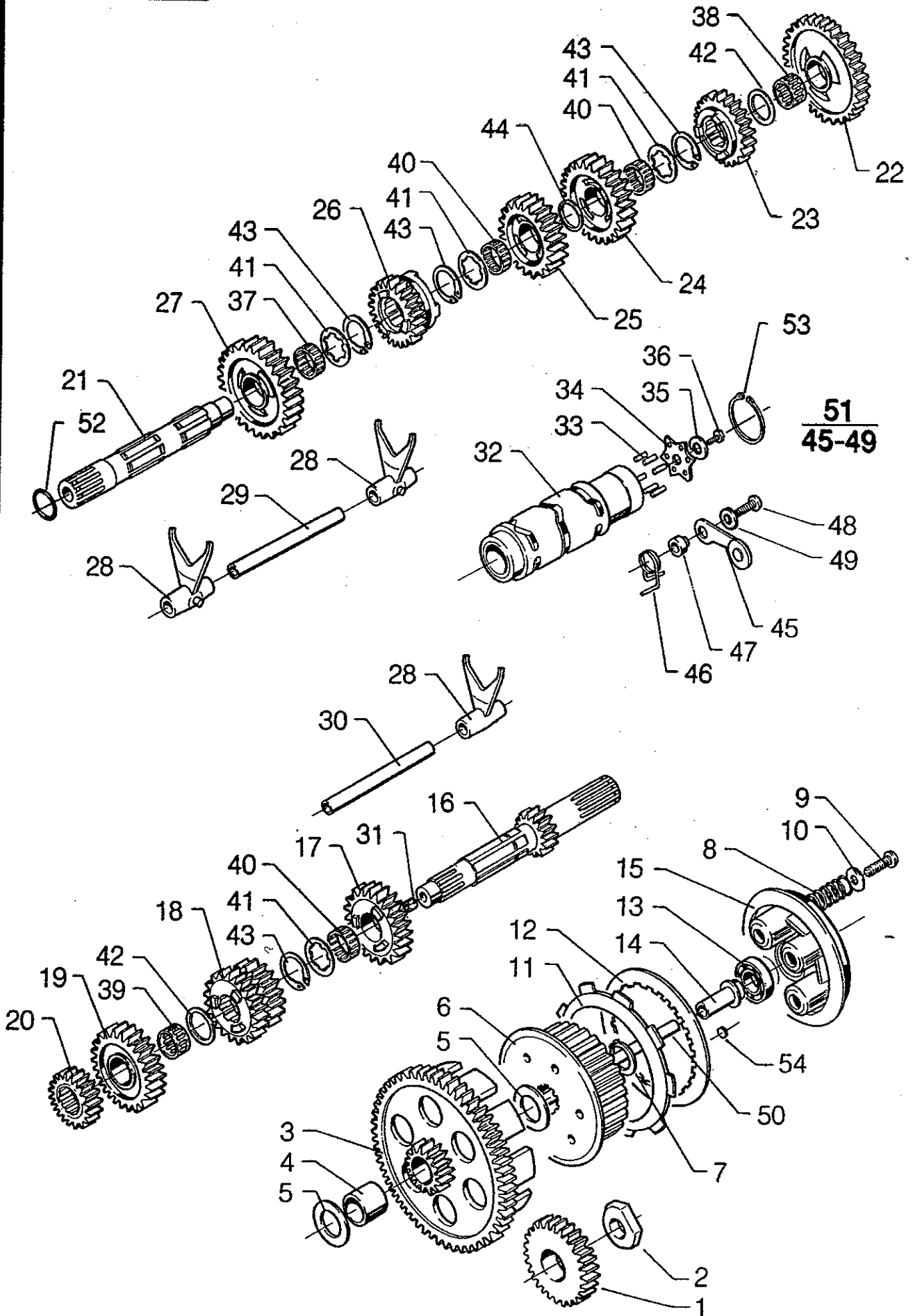
38
25-28

1
2, 3



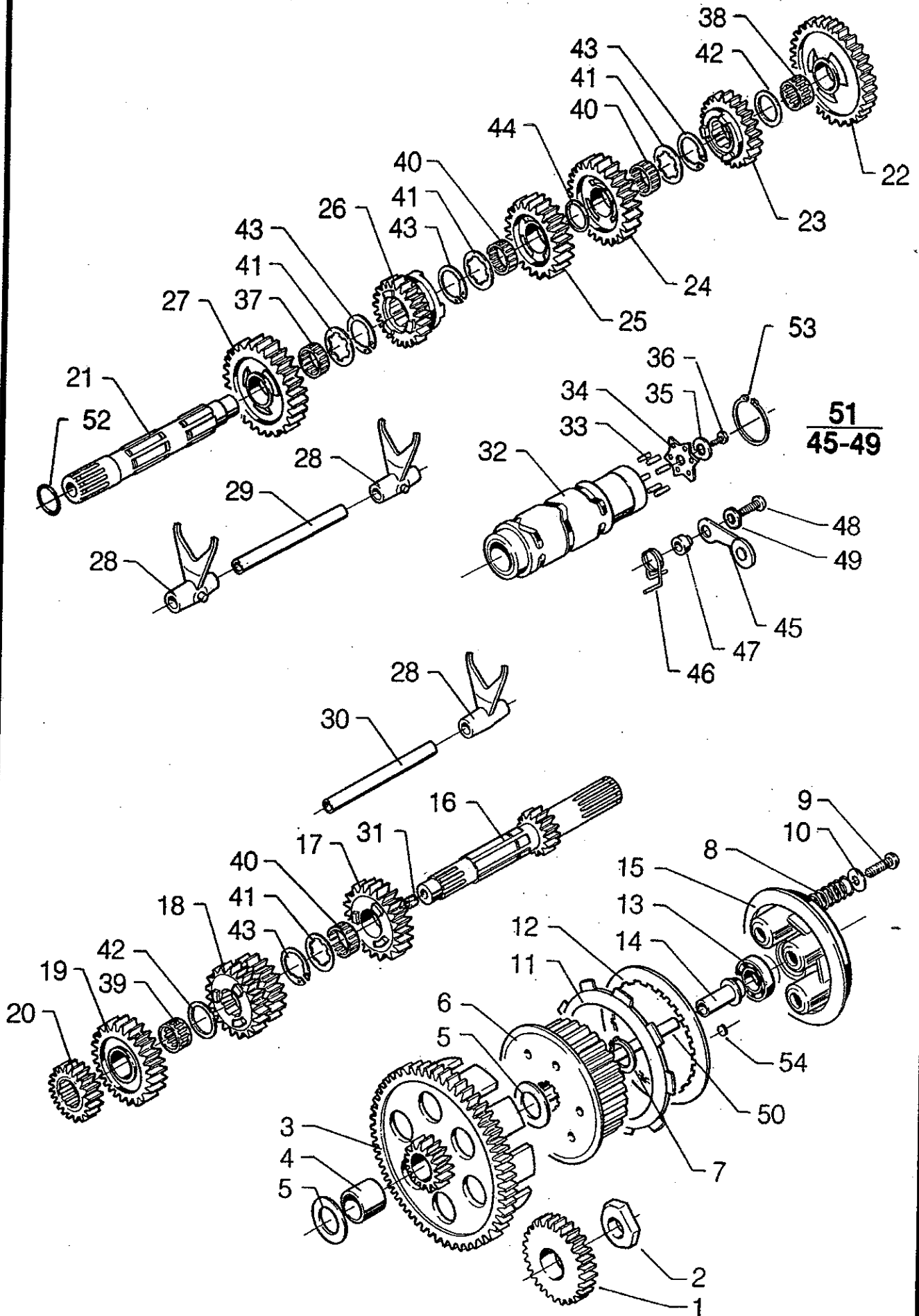
TRANSMISSION COVER 89-96

Pos.	Part No	Quantity/Model				Description	Remarks
		FE	FC	FX	FEE		
1	220 018-01	1	1			Transmission cover 89 - 93	
1	220 042-01	1	1	1	1	Transmission cover 94-	
2	220 019-01	1	1			Bushing kickstarter shaft 89-93	
2	220 043-01	1	1	1	1	Bushing kickstarter shaft 94-	
3	230 058-01	1	1	1	1	Bushing gearshift shaft 89-	
4	220 021-01	1	1	1	1	Oilfill cap 89-	
5	340 024-01	1	1	1	1	O-ring 24.2x3 89-	
6	220 024-01	1	1	1	1	Kickstarter stop 89-	
7	220 022-01	2	2	2	2	Dowl transmission cover/shift mechanism 89-	
8	350 004-01	1	1	1	1	Seal ring 12x22x6x76.5 89-	
9	306 525-22	4	4	4	4	Screw MC6S 6x25 89-	
10	306 530-22	2	2	2	2	Screw MC6S 6x30 89-	
11	220 023-01	1	1	1	1	Gasket transmission cover 89-	
12	230 015-01	1	1	1	1	Intermediate gearwheel 89-	
13	360 006-01	1	1	1	1	Needlerollerbearing 17x21x10 89-	
14	230 042-01	1	1	1	1	Supportwasher intermediate gearwheel 89-	
15	330 017-01	1	1	1	1	Circlip SGA 17 89-	
16	230 016-01	1	1			Gearwheel kickstarter 89-93	
16	230 096-01	1	1	1	1	Gearwheel kickstarter 94-	
17	230 017-01	1	1			Kickstarter shaft 89-93	
17	230 097-01	1	1	1	1	Kickstarter shaft 94-	
18	360 006-01	1	1	1	1	Needlerollerbearing 17x21x10 89-93	
18	360 018-01	1	1	1	1	Needlerollerbearing 18x22x10 94-	
19	340 016-01	1	1	1	1	O-ring 16.1x1.6 89-	
19	340 117-01	1	1	1	1	O-ring 17.3x2.4 89-	
20	306 612-22	1	1	1	1	Screw M6S 6x12 89-	
21	326 023-01	1	1	1	1	Washer 6.4x22x4 89-	
22	230 018-01	1	1	1	1	Kickstarter engagement key 89-	
23	230 056-01	1	1	1	1	Spring kickstarter engagement key 89-	
24	230 019-01	1	1	1	1	Kickstarter spring 89-	
25	230 020-01	1	1	1	1	Kickstarter lower part 89-	
26	340 015-01	1	1	1	1	O-ring 15.1x1.6 89-	
27	230 093-01	1	1	1	1	Kickstarter (excl. lower part) 89-	
28	370 000-01	1	1	1	1	Pin 6x24 89-	
29	230 047-01	1	1	1	1	Gearshift linkage shaft 89-	
30	230 081-01	1	1	1	1	Gearshift selector 89-	
31	230 031-01	1	1	1	1	Shiftmechanism spring 89-	
32	230 032-01	1	1	1	1	Recoil spring shiftmechanism 89-	
33	220 022-01	1	1	1	1	Dowl 89-	
34	306 020-22	1	1	1	1	Screw K6S 6x20 89-	
35	230 059-01	1	1	1	1	Spacer gearshiftshaft 89-	
36	230 034-01	1	1	1	1	Gearshift lever 89-	
38	230 082-01	1	1	1	1	Kickstarter compl. 89-	Incl. Pos. No. 25, 26, 27, 28



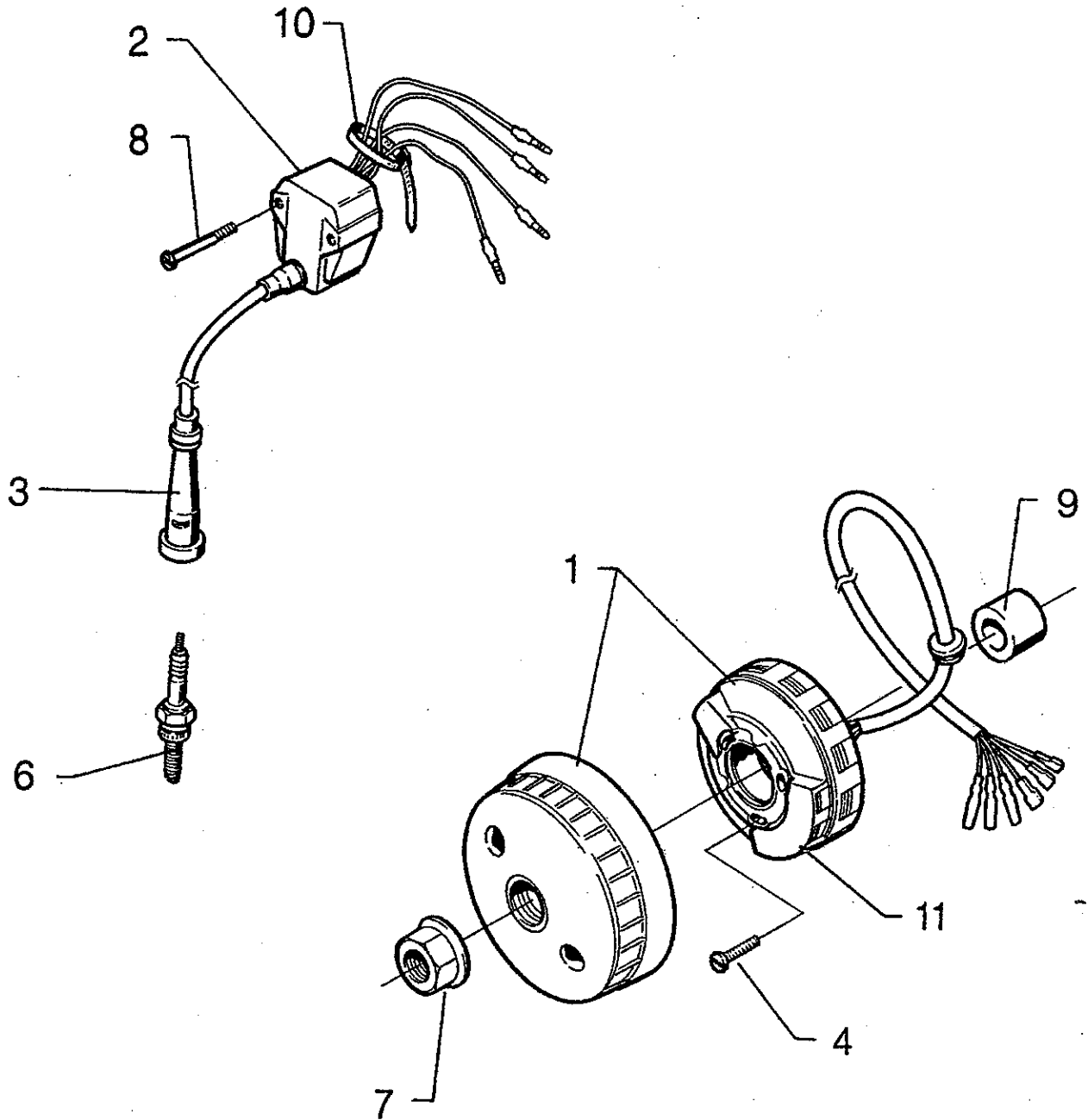
GEARBOX 89-96

Pos.	Part No	Quantity/Model				Description	Remarks
		FE	FC	FX	FEE		
1	230 001-01	1	1	1	1	Gearwheel crankshaft/clutch hub 89-	
2	230 005-01	1	1	1	1	Nut gearwheel crankshaft/clutch hub 89-	
3	230 002-01	1	1	1	1	Clutch hub outer 89-	
4	230 004-01	1	1	1	1	Bushing clutch hub bronze 89-	
5	230 040-01	2	2	2	2	Supportwasher bushing clutch hub 89-	
6	230 006-01	1	1	1	1	Clutch hub inner 89-	
7	330 025-01	1	1	1	1	Cireclip SGA 25 89-	
8	230 007-01	6	6	6	6	Clutch spring 89-96	
9	306 625-22	6	6	6	6	Screw M6S 6x25 89-	
10	230 074-01	6	6	6	6	Clutchspring retainer 89-	
11	230 073-01	7	7	7	7	Clutchdisc organic 89-	
12	230 094-01	8	8	8	8	Clutchdisc steel 89-	
13	360 016-01	1	1	1	1	Rollerbearing 89-96/1	ø 32 mm
13	360 025-01	1	1	1	1	Rollerbearing 96/2-	ø 42 mm
14	230 066-01	1	1	1	1	Pressure sleeve disengaging pushrod 89-96/1	ø 15 mm
14	230 117-01	1	1	1	1	Pressure sleeve disengaging pushrod 96/2-	ø 20 mm
15	230 011-01	1	1	1	1	Pressure plate clutch hub 89-	
16	240 071-01		1	1		Main gearshaft FC 94- / FX 96-	
16	240 001-01	1	1		1	Main gearshaft FC 91-93 / FE 89- / FEE 95-	
17	240 005-01	1	1	1	1	5th gearwheel main shaft FC 91-93 / FE 89- / FEE 95- / FX 96-	
17	240 075-01		1			5th gearwheel main shaft FC 94-	
18	240 003-01	1	1	1	1	3rd/4th gearwheel main shaft all models	
19	240 076-01		1			6th gearwheel main shaft FC 94-	
19	240 006-01	1	1	1	1	6th gearwheel main shaft FC 91-93 / FE 89- / FEE 95- / FX 96-	
20	240 072-01		1	1		2nd gearwheel main shaft FC 94- / FX 96-	
20	240 002-01	1	1		1	2nd gearwheel main shaft FC 91-93 / FE 89- / FEE 95-	
21	240 023-01	1	1			Secondary shaft 89-93	
21	240 042-01	1	1	1	1	Secondary shaft 94-	
22	240 011-01	1	1			1st gearwheel secondary shaft FC/FE 89-93	
22	240 081-01		1	1		1st gearwheel secondary shaft FC 94- / FX 96-	
22	240 061-01	1			1	1st gearwheel secondary shaft FE 94- / FEE 95-	
23	240 015-01	1	1			5th gearwheel secondary shaft 89-93	
23	240 065-01	1	1	1	1	5th gearwheel secondary shaft 94- all models	
24	240 013-01	1	1			3rd gearwheel secondary shaft 89-93	
24	240 083-01		1	1		3rd gearwheel secondary shaft FC 94- / FX 96-	
24	240 063-01	1			1	3rd gearwheel secondary shaft FE 94- / FEE 95-	
25	240 014-01	1	1			4th gearwheel secondary shaft 89-93	
25	240 064-01	1	1	1	1	4th gearwheel secondary shaft 94- all models	



GEARBOX 89-96

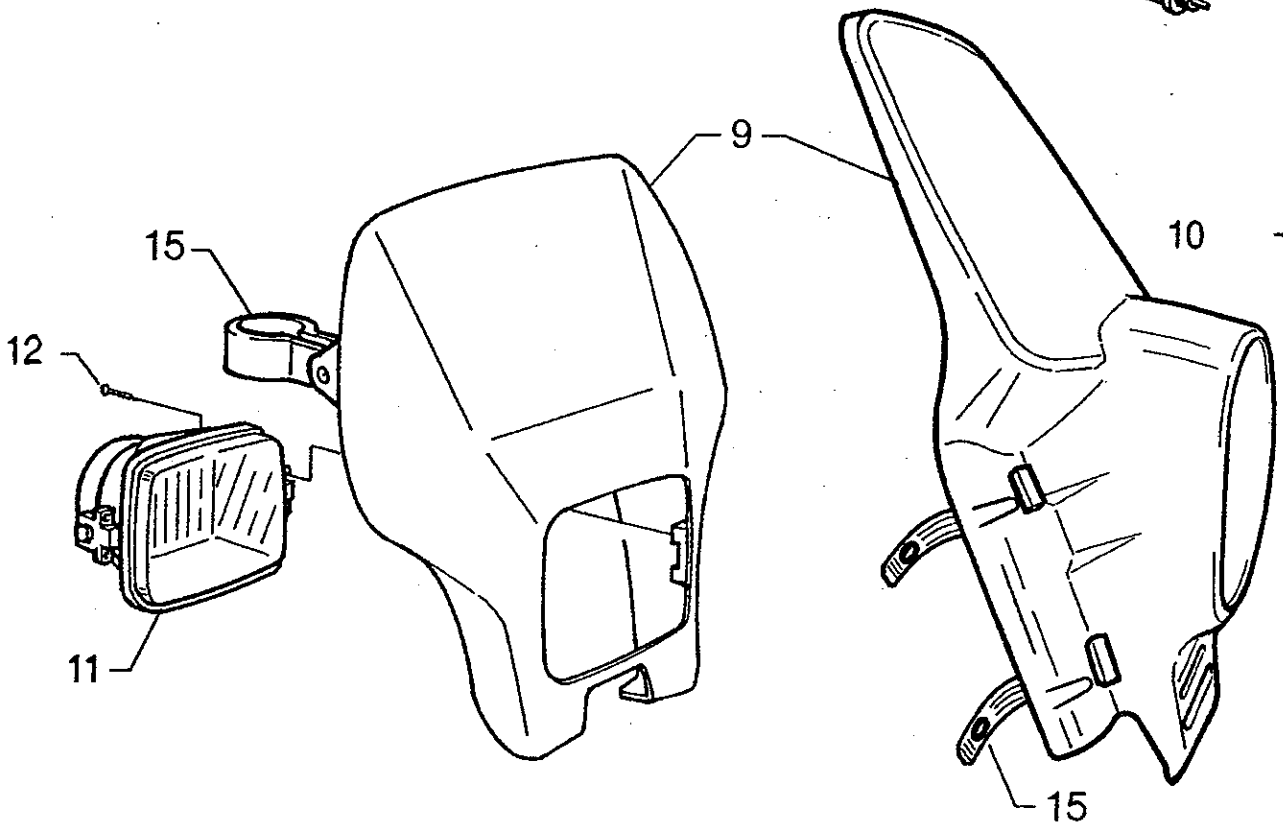
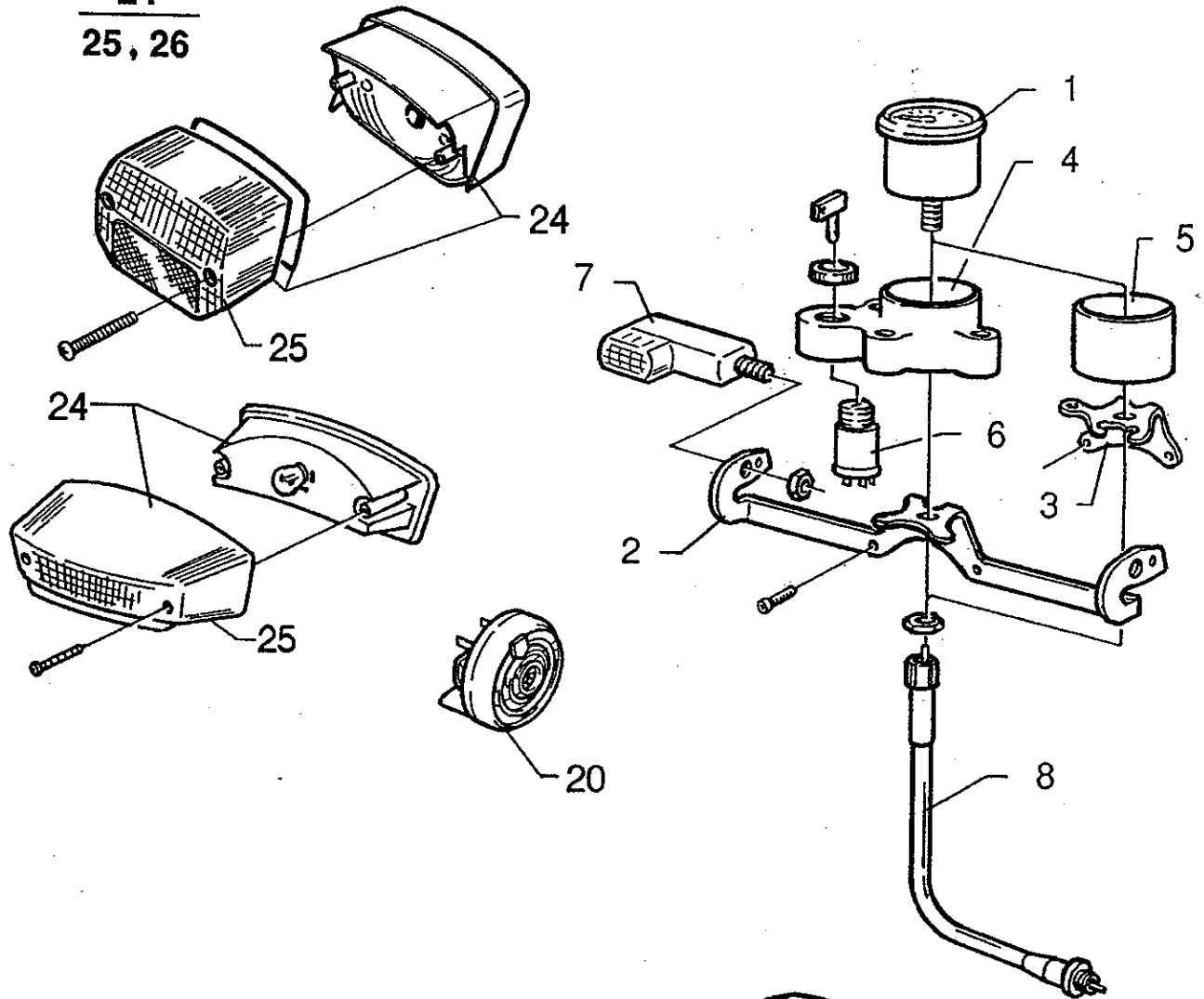
Pos.	Part No	Quantity/Model				Description	Remarks
		FE	FC	FX	FEE		
26	240 016-01	1	1			6th gearwheel secondary shaft 89-93	
26	240 086-01		1			6th gearwheel secondary shaft FC 94-	
26	240 066-01	1		1	1	6th gearwheel secondary shaft FE 94- / FEE 95- / FX 96-	
27	240 012-01	1	1			2nd gearwheel secondary shaft 89-93	
27	240 082-01		1	1		2nd gearwheel secondary shaft FC 94- / FX 96-	
27	240 062-01	1			1	2nd gearwheel secondary shaft FE 94- / FEE 95-	
28	240 004-01	3	3	3	3	Shiftfork 89-	4-speed gearbox: 2 pcs/model
	240 036-01		1			Spacer 4-speed gearbox	Instead of 5th gearwheel
	240 037-01		1			Spacer 4-speed gearbox	Instead of 6th gearwheel
29	240 007-01	1	1	1	1	Shiftfork shaft rear 89-	
30	240 008-01	1	1	1	1	Shiftfork shaft front 89-	Not for 4-speed gearbox
31	240 026-01	1	1	1	1	Bushing 89-	
32	240 028-01	1	1	1	1	Shiftdrum aluminium 89-	
	330 030-01	1	1	1	1	Circlip SW 30 96/2-	For new type of bearing ø 42 mm
33	370 018-01	6	6	6	6	Pin 4x18 89-	
34	240 027-01	1	1	1	1	Positioning star 89-	
35	326 025-01	1	1	1	1	Washer 6x25x1.5 89-	
36	306 622-22	1	1	1	1	Screw M6S 6x22 89-	
37	360 009-01	1	1	1	1	Needlebearing 20x24x13 89-	Not for 4-speed gearbox
38	360 010-01	1	1	1	1	Needlebearing 20x24x10 89-	
39	360 007-01	2	2	2	2	Needlebearing 22x26x13 89-	4-speed gearbox: 1 pcs/model
40	360 008-01	3	3			Needlebearing 22x26x10 FC 91-93 / FE 89-93	
41	240 017-01	4	4	4	4	Supportwasher 89-	4-speed gearbox: 3 pcs/model
42	240 018-01	2	2	2	2	Supportwasher 89-	4-speed gearbox: 1 pcs/model
43	330 035-01	4	4	4	4	Circlip AC 25 25x1.2 89-	4-speed gearbox: 3 pcs/model
44	240 025-01	1	1			Spacer needlebearing FC 91-93 / FE 89-93	
45	230 075-01	1	1	1	1	Shiftlocating lever 89-	
46	230 077-01	1	1	1	1	Spring shiftlocating lever 89-	
47	230 076-01	1	1	1	1	Sleeve 89-	
48	306 625-22	1	1	1	1	Screw M6S 6x25 89-	
49	326 016-01	1	1	1	1	Washer 6,4x25x1 89-	
50	230 010-01	1				Disengaging pushrod 89-90	
50	230 067-01	1	1	1	1	Disengaging pushrod 91-	
51	230 078-01	1	1	1	1	Shiftlocating lever kit 89-	Incl.Pos. No. 45, 46, 47, 48, 49
52	340 022-01	1	1	1	1	O-ring 22.1x1.6 94-	
53	330 030-01	1	1	1	1	Circlip SW 30 96/2-	For new type of bearing ø 42 mm
54	230 113-15	1	1	1	1	Adjustment washer 1,5 mm 95-	
54	230 113-20	1	1	1	1	Adjustment washer 2,0 mm 95-	
54	230 113-25	1	1	1	1	Adjustment washer 2,5 mm 95-	



IGNITION 89-96

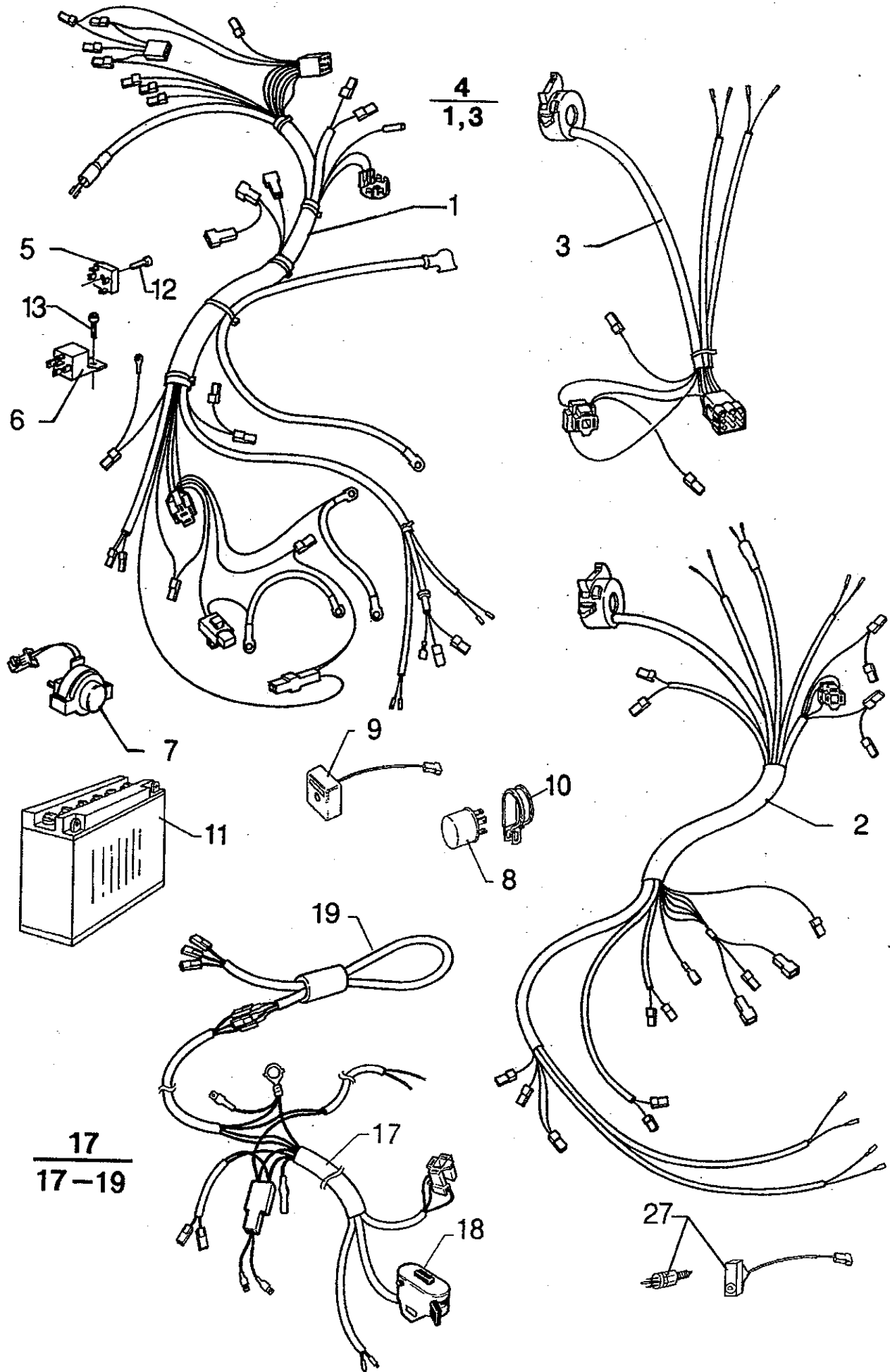
Pos.	Part No.	Quantity/Model				Description	Remarks
		FE	FC	FX	FEE		
1	250 014-01	1	1	1	1	Ignition complete 89-	Ex.ignition coil
2	250 009-01	1	1	1	1	Ignition coil 89-	
3	250 003-01	1	1	1	1	Sparkplug cap 89-	
4	305 330-22	3	3	3	3	Screw MCS 5x30 89-	
6	250 006-01	1	1	1	1	Sparkplug NGK C8E 89-	
7	250 005-01	1	1	1	1	Flywheelnut 89-	
8	306 640-22	2	2	2	2	Screw M6S 6x40 89-	
9	250 011-01	1	1	1	1	Dowl 89-	
10	190 017-01					Cable tie 89-	
11	250 125-01	1	1	1	1	Stator 89-	
	250 126-01	1	1	1	1	Flywheel 89-	

24
25, 26



LIGHT & SPEEDOMETER 89-96

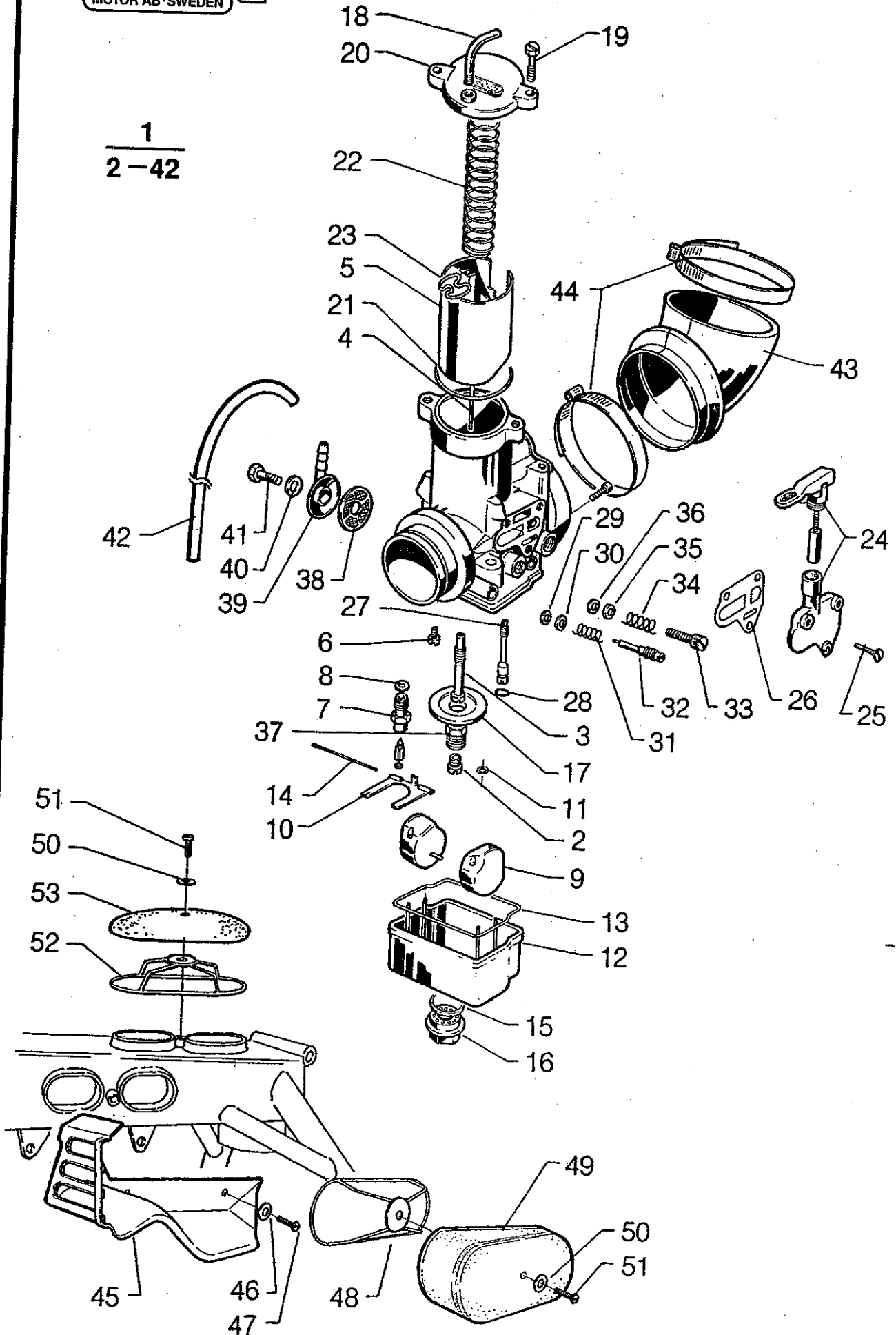
Pos.	Part No.	Quantity/Model				Description	Remarks
		FE	FC	FX	FEE		
1	180 067-01	1			1	Speedometer 89-	In connection w. 180 068/69-01
	180 074-01	1			1	Bulb speedometer (VDO) 89-	
	180 077-01	1			1	Attachment nut speedometer (VDO) 89-	
2	180 066-01	1			1	Attachment speedometer/blinkers (VDO) 89-	
3	180 077-01	1			1	Attachment speedometer (VDO) 89-	
4	180 068-01				1	Cover speedometer (VDO) FEE 95-	
5	180 069-01	1				Cover speedometer (VDO) FE 89-	
6	180 047-01				1	Ignition lock 95-	
	180 054-01				1	Bracket ignition lock 95-	USA, S and all FX-models
	180 044-01				1	Pushbutton electric starter 95-96	
	180 057-01				1	Bracket pushbutton 95-96	
7	180 065-01	4			4	Blinker 89-	
8	180 073-01	1			1	Speedometer wire (VDO) 89-	For 180 067-01
9	180 010-01	1			1	Headlight mask (Vision) blue 89-	
9	180 010-02	1			1	Headlight mask (Vision) yellow 89-	
9	180 059-01	1			1	Headlight mask (UFO) yellow 89-	
10	180 009-02	1			1	Headlight mask (Vision) compl. yellow 89-	
10	180 029-01	1			1	Headlight mask (Elba) compl. blue 89-	
10	180 029-02	1			1	Headlight mask (Elba) compl. yellow 89-	
11	180 011-01	1			1	Headlight reflector (Vision) 89-	
11	180 060-01	1			1	Headlight reflector (UFO) 89-	ECE-approved
11	180 061-01	1			1	Headlight reflector (UFO) 89-	Plastic lens
12	306 616-22	2			2	Screw M6S 6x16 89-	
15	180 014-01	4			4	Rubber strap headlight (Vision) 89-	
15	180 062-01	2			2	Rubber strap headlight (UFO) 89-	
20	180 017-01	1				Horn FE 89-	
20	180 058-01				1	Horn FEE 95-	
24	160 025-01	1				Rearlight compl. 89-93	
24	160 121-01	1			1	Rearlight compl. CEV 94-96	
25	160 115-01	1				Rearlight lens Baja 89-	
25	160 047-01	1				Rearlight lens 89-93 (160 025-01)	
25	160 123-01	1			1	Rearlight lens CEV 94-96	
26	160 122-01	1			1	Rearlight intermediate layer CEV (rubber) 94-96	Not shown in picture



WIRING HARNESS 89-96

Pos.	Part No.	Quantity/Model				Description	Remarks
		FE	FC	FX	FEE		
1	180 092-01				1	Wiring harness main part (blinkers) FEE 95-	
1	180 092-02			1	1	Wiring harness US-versions FEE/FX 95-	
	180 027-01	1				Wiring harness US-versions FE 89-	
2	180 094-01	1				Wiring harness main part (blinkers) FE 89-	
3	180 034-01				1	Wiring harness switch part (blinkers) FEE 95-	
3	180 034-02	1				Wiring harness switch part (blinkers) FE 89-	
4	180 101-01				1	Wiring harness compl. (blinkers) FEE 95-	
5	180 045-01			1	1	Rectifier 95-	
6	180 053-01			1	1	Light relay 95-	
7	180 095-01			1	1	Starter relay 95-	
8	180 026-01	1				Blinker relay 89-	
9	180 019-01	1		1	1	Voltage regulator 89-	
	306 630-22	1		1	1	Screw M6S 6x30 89-	
10	180 033-01	1				Clamp blinker relay 89-	
11	180 097-01			1	1	Battery 95-	
12	305 512-22	1				Screw MC6S 5x12 89-	
13	305 520-22	1				Screw MC6S 5x20 89-	
17	180 093-01	1				Wiring harness (without blinkers) FE 89-	
18	180 021-01	1				Handlebar switch (without blinkers) FE 89-	
19	180 022-01	1			1	Wiring harness rear part (without blinkers) FE 89-	
27	140 074-01	1				Microswitch brakelight (front) 89-93	
27	140 102-01	1			1	Microswitch brakelight (front) 94-	

1
2-42

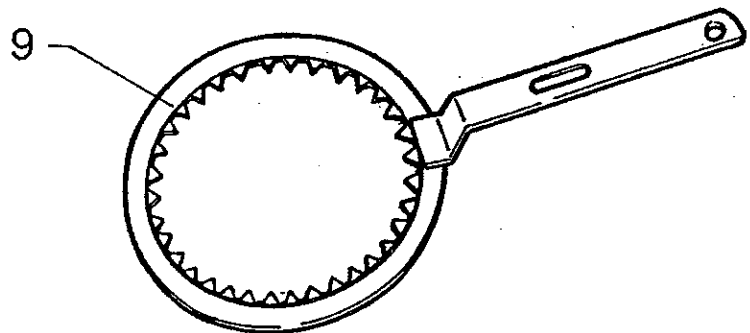
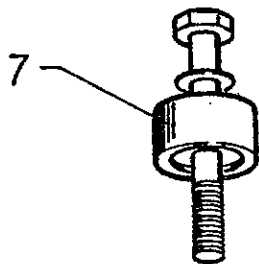
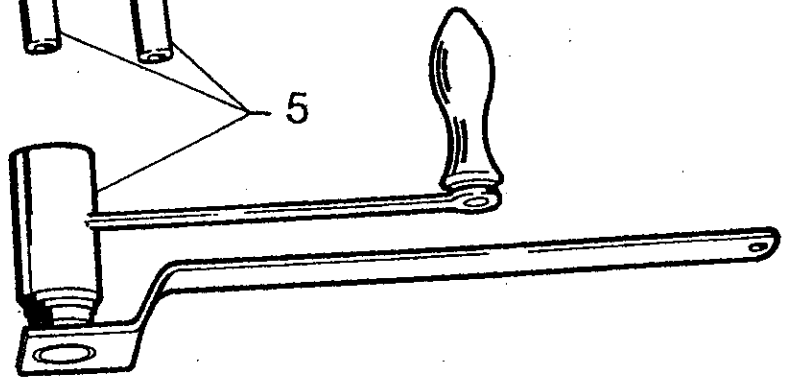
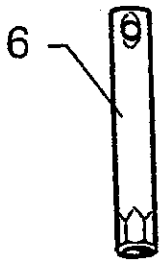
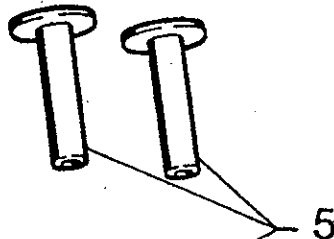
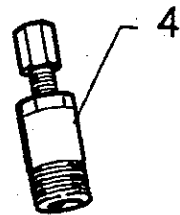
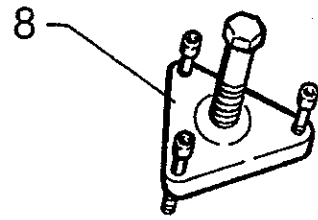
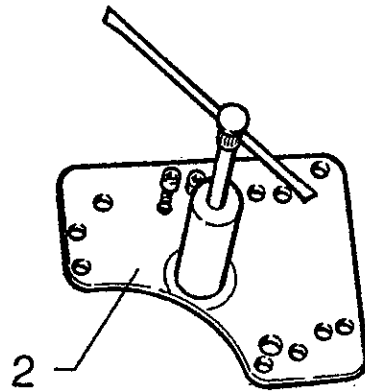
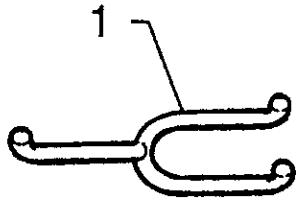


CARBURETTOR ROUND SLIDE 89-96

Pos.	Part No	Quantity/Model				Description	Remarks
		FE	FC	FX	FEE		
2	250 016-01	1	1			Mainjet 180 std.	
2	250 015-01	1	1			Mainjet 175	
2	250 017-01	1	1			Mainjet 185	
2	250 018-01	1	1			Mainjet 190	
2	250 019-01	1	1			Mainjet 195	
2	250 020-01	1	1			Mainjet 200	
3	250 021-01	1	1			Needlejet AB 265 std.	
3	250 022-01	1	1			Needlejet AB 268	
3	250 023-01	1	1			Needlejet AB 270	
4	250 024-01	1	1			Needle K 32 std.	
5	250 027-01	1	1			Throttle 50 (roundslide)	
6	250 032-01	1	1			Pilotjet 52 std.	
6	250 029-01	1	1			Pilotjet 45	
6	250 030-01	1	1			Pilotjet 48	
6	250 031-01	1	1			Pilotjet 50	
6	250 033-01	1	1			Pilotjet 55	
7	250 034-01	1	1			Float needlejet 300 (roundslide)	
16	250 043-01	1	1			Drainplug (roundslide)	
18	250 045-01	1	1			Throttlewire tube bend	
20	250 047-01	1	1			Throttle cover (roundslide)	
22	250 049-01	1	1			Throttlespring (roundslide) std.	
22	250 050-01	1	1			Throttlespring (roundslide) soft	
23	250 051-01	1	1			Needleclip (roundslide)	
24	250 052-01	1	1			Choke lever kit (roundslide)	Incl. Pos.No. 25
27	250 056-01	1	1			Startjet 45 (roundslide)	
27	250 057-01	1	1			Startjet 50 (roundslide)	
27	250 058-01	1	1			Startjet 55 (roundslide)	
31	250 063-01	1	1			Spring mixture adjustment screw	
32	250 064-01	1	1			Mixture adjustment screw	
33	250 065-01	1	1			Idle screw	
34	250 066-01	1	1			Spring idle screw	
38	250 070-01	1	1			Fuel filter (roundslide)	
39	250 071-01	1	1			Inlet fuel line	
41	250 178-01	1	1			Screw fuel line inlet	
43	150 002-01	1	1			Airfilter tube 89-91	
43	150 064-01	1	1	1	1	Airfilter tube 92-	
44	150 003-01	2	2			Clamp airfilter tube 89-91	Only 1 pcs 92- (airfilter tube/carb.)
44	150 077-01	1	1	1	1	Clamp airfilter tube/frame 92-	
45	150 006-01	1	1	1	1	Airfilterintake protection 89-	
46	326 012-01	2	2	2	2	Washer 6.4x12x1.5	
47	306 512-22	2	2	2	2	Screw MC6S 6x12 89-	
48	150 005-01	1	1	1	1	Airfilter basket left side FC 91-96 / FE 89- / FEE 95-	
49	150 066-01	1	1	1	1	Airfilter left side FC 91-96 / FE 89- / FEE 95-	
50	326 012-01	2	2	2	2	Washer 6.4x12x1.5	
51	306 535-22	2	2	2	2	Screw MC6S 6x35 89-	
52	150 097-01	1	1	1	1	Airfilter basket upper FC 94-96 / FE 94- / FEE 95-	
53	150 098-01	1		1	1	Airfilter upper FC 94-96 / FE 94- / FEE 95-	

CARBURETTOR FLATSLIDE 89-96

Pos.	Part No	Quantity/Model				Description	Remarks
		FE	FC	FX	FEE		
1	250 078-01	1	1	1	1	Carburettor (flatslide) ø 38 mm compl.	
	250 116-01	1	1	1	1	Throttle 40 (flatslide)	
	250 017-01	1	1	1	1	Throttle 45 (flatslide)	
	250 018-01	1	1	1	1	Throttle 50 (flatslide)	
	250 019-01	1	1	1	1	Throttle 55 (flatslide) std.	
2	250 024-01	1	1	1	1	Needle K 32	
	250 144-01	1	1	1	1	Needle K35	
3	250 087-01	1	1	1	1	Needlejet FN 260 (flatslide) std.	
	250 088-01	1	1	1	1	Needlejet FN 262 (flatslide)	
4	250 016-01	1	1	1	1	Mainjet 180	
	250 015-01	1	1	1	1	Mainjet 175	
	250 017-01	1	1	1	1	Mainjet 185 std.	
	250 018-01	1	1	1	1	Mainjet 190	
	250 019-01	1	1	1	1	Mainjet 195	
5	250 020-01	1	1	1	1	Mainjet 200	
	250 089-01	1	1	1	1	Pilotjet 33 std.	
	250 092-01	1	1	1	1	Pilotjet 35	
	250 093-01	1	1	1	1	Pilotjet 40	
6	250 097-01	1	1	1	1	Startjet 50 (flatslide)	
7	250 098-01	1	1	1	1	Float needlejet 350 (flatslide)	
8	250 099-01	1	1	1	1	Float 4,5 G (flatslide)	
9	250 045-01	1	1	1	1	Throttlewire tube bend carburator	
10	250 100-01	1	1	1	1	Throttle cover (flatslide)	
12	250 101-01	1	1	1	1	Needleholder (flatslide)	
13	250 102-01	1	1	1	1	Needleclip (flatslide)	
14	250 103-01	1	1	1	1	Throttle spring (flatslide)	
15	250 104-01	1	1	1	1	Screw choke attachment (flatslide)	
16	250 105-01	1	1	1	1	Choke compl. (flatslide)	
18	250 106-01	1	1	1	1	Stopscrew throttle (flatslide)	
19	250 107-01	1	1	1	1	Spring stopscrew throttle (flatslide)	
20	250 108-01	1	1	1	1	Idle adjustmentscrew (flatslide)	
21	250 109-01	1	1	1	1	Spring idle adjustment screw (flatslide)	
28	250 110-01	1	1	1	1	Fuel filter (flatslide)	
30	250 111-01	1	1	1	1	Screw fuel filter (flatslide)	
32	250 112-01	1	1	1	1	Float fork (flatslide)	
34	250 113-01	1	1	1	1	Filter mainjet (flatslide)	
36	250 114-01	1	1	1	1	Drainplug (flatslide)	
37	250 115-01	1	1	1	1	Gasket kit (flatslide)	



TOOLS 89-96

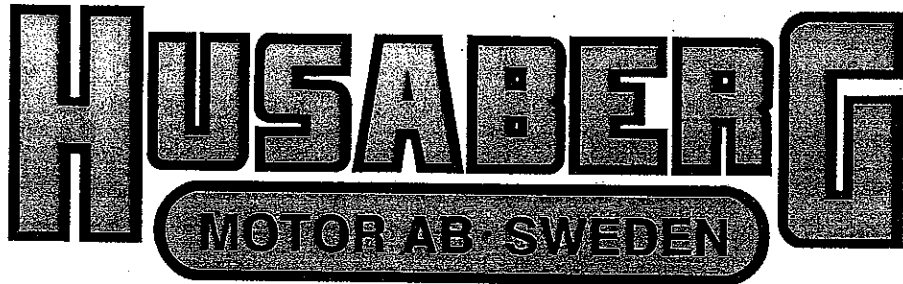
Pos.	Part No	Quantity/Model				Description	Remarks
		FE	FC	FX	FEE		
1	270 009-01					Holding tool flywheel	
2	270 011-01					Puller crankcase	
3	270 012-01					Drift removing valve guide	
4	270 002-01					Puller flywheel	
5	270 010-01					Mounting tool	
6	270 001-01					Sparkplug wrench	
7	270 008-01					Mounting puller	
8	270 005-01					Puller clutch	
9	270 007-01					Holding tool	

DECALS 89-96

Pos.	Part No	Quantity/Model				Description	Remarks
		FE	FC	FX	FEE		
	120 078-01	1	1			Decal swingarm 93	
	130 052-01	2	2			Decal frontfork "Husaberg"	
	160 058-01	1	1			Decal sidepanel right 89-90	
	160 059-01	1	1			Decal sidepanel left 89-90	
	160 066-01	1	1			Decal spoiler right "Jimmie Eriksson Replica" 91	
	160 067-01	1	1			Decal spoiler left "Jimmie Eriksson Replica" 91	
	160 071-01	1	1			Decal spoiler right FC 92	
	160 072-01	1	1			Decal spoiler left FC 92	
	160 083-01	1	1			Decal spoiler left 92	
	160 084-01	1	1			Decal spoiler right 92	
	160 085-01	1	1			Decal sidepanel left 350 92	
	160 086-01	1	1			Decal sidepanel right 350 92	
	160 087-01	1	1			Decal sidepanel left 501 92	
	160 088-01	1	1			Decal sidepanel right 501 92	
	160 089-01	1	1			Decal sidepanel left 400 92	
	160 090-01	1	1			Decal sidepanel right 400 92	
	160 091-01	1	1			Decal sidepanel left 600 92	
	160 092-01	1	1			Decal spoiler right 600 92	
	160 097-01	1	1			Decal spoiler right FE 93	
	160 098-01	1	1			Decal spoiler left FE 93	
	160 099-01	1	1			Decal tank upper right 93	
	160 100-01	1	1			Decal tank lower right 93	
	160 101-01	1	1			Decal tank left 93	
	160 102-01	1	1			Decal spoiler right FC 93	
	160 103-01	1	1			Decal spoiler left FC 93	
	160 104-01	1	1			Decal sidepanel right 93	
	160 105-01	1	1			Decal sidepanel left 93	
	160 106-01	1	1			Decal sidepanel right 350 93	
	160 107-01	1	1			Decal sidepanel right 499 93	
	160 108-01	1	1			Decal sidepanel right 501 93	
	160 109-01	1	1			Decal sidepanel right 600 93	
	160 110-01	1	1			Decal sidepanel left 350 93	
	160 111-01	1	1			Decal sidepanel left 499 93	
	160 112-01	1	1			Decal sidepanel left 501 93	
	160 113-01	1	1			Decal sidepanel left 600 93	
	190 005-01	1	1	1		Numberdecal front FC 92-96	
	190 006-01	1	1		1	Numberdecal headlight (Vision) 89-95	
	190 038-01	1	1		1	Numberdecal "Elba" headlight mask 89-95	
	190 046-01	1	1			Decal kit FE 93	
	190 047-01	1	1			Decal kit FC 93	
	190 054-01	1	1			Decal tank upper right 94	
	190 055-01	1	1			Decal tank lower right 94	
	190 056-01	1	1			Decal tank left 94	
	190 057-01	1	1			Decal sidepanel right 94	
	190 058-01	1	1			Decal sidepanel left 94	
	190 059-01	1	1			Decal headlight mask 94	
	190 060-01	1	1			Decal rearfender right 600 94	

DECALS 89-96

Pos.	Part No	Quantity/Model				Description	Remarks
		FE	FC	FX	FEE		
	190 069-01	1	1		1	Decal tank upper right 95	
	190 070-01	1	1		1	Decal tank lower right 95	
	190 071-01	1	1		1	Decal tank left 95	
	190 072-01	1	1		1	Decal spoiler right 95	
	190 072-02	1	1		1	Decal spoiler right 350 95	
	190 072-03	1	1		1	Decal spoiler right 501 95	
	190 073-01	1	1		1	Decal spoiler left 95	
	190 073-02	1	1		1	Decal spoiler left 350 95	
	190 073-03	1	1		1	Decal spoiler left 501 95	
	190 076-01	2	2		2	Decal swingarm 95	
	190 077-01	1	1		1	Decal headlight mask 95	
	190 083-01	1	1		1	Decal kit (spoilers+tank) 95	
	190 084-01	1	1		1	Decal kit supplementary 95	Ex. "cc-decal"
	190 087-01	1		1	1	Decal kit FE/FEE 96	
	190 088-01		1			Decal kit FC 96	



Husaberg Motor AB
Endurovägen
S-695 72 Röfors
SWEDEN

Telephone +46 - (0)584 - 10860

Telefax +46 - (0)584 - 13110

<http://www.husaberg.se>

e-mail: force@husaberg.se