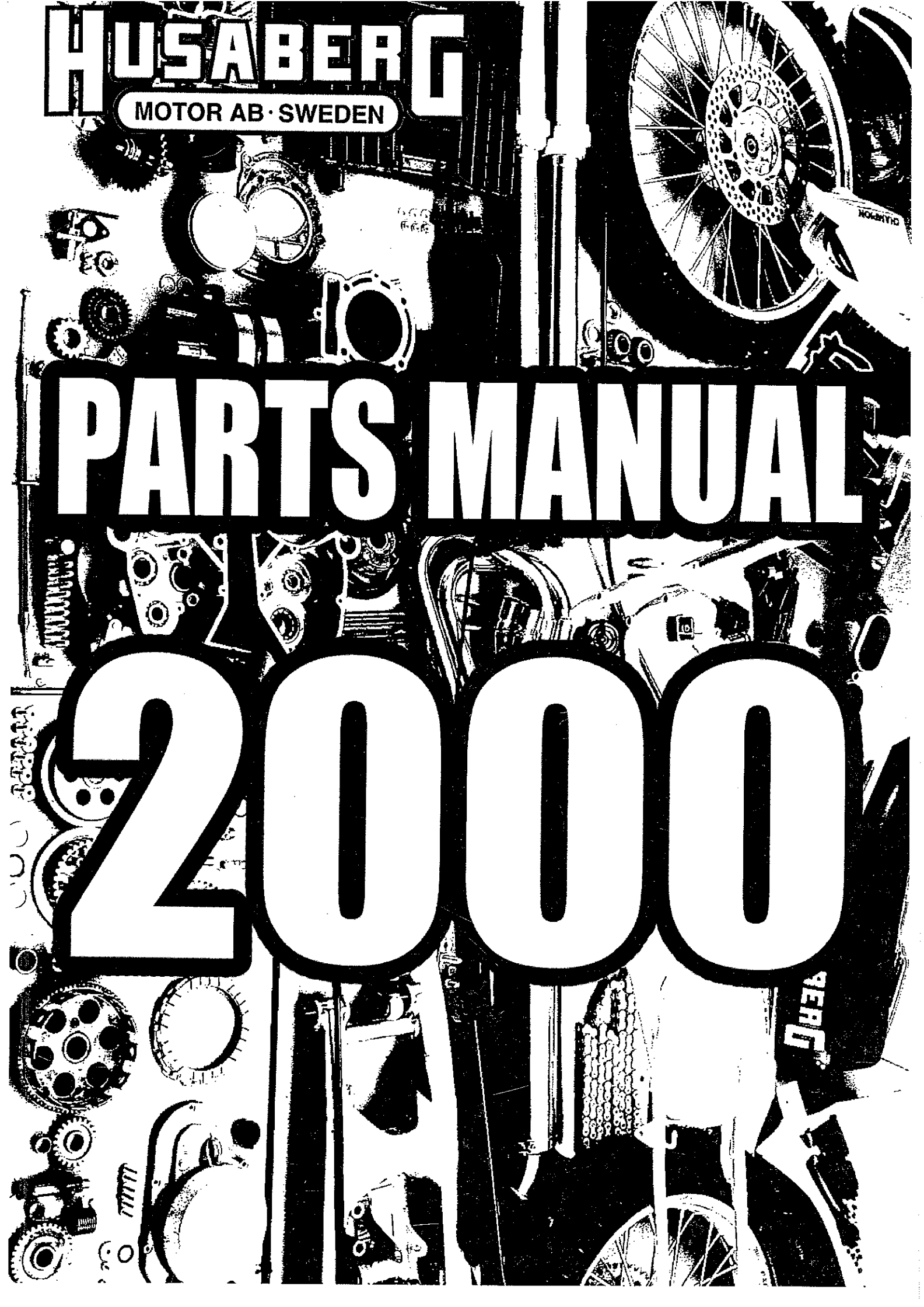


HUSABERG

MOTOR AB · SWEDEN

PARTS MANUAL

20000



HUSABERG

MOTOR AB · SWEDEN

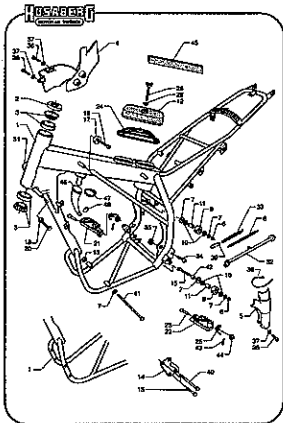
TM

This Parts Manual 2000 is subject to correction without prior notice.

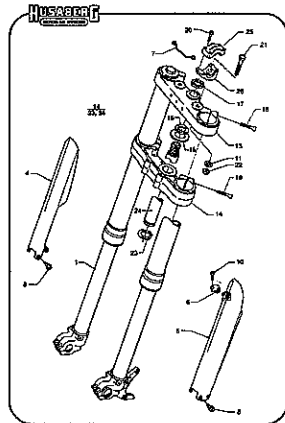
The material and information included in this Parts Manual 2000 are all of the latest editions available at the time of the printing.

Husaberg Motor AB reserves the right to make changes regarding the products at any time without prior notice.

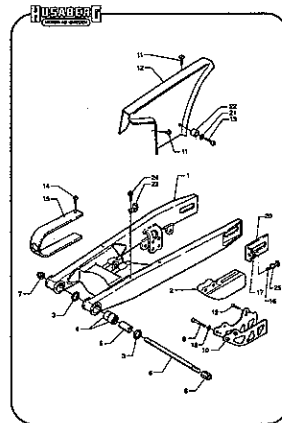
No part of this Parts Manual 2000 may be reproduced without written permission.



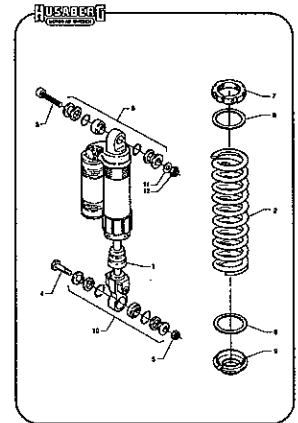
Page 2-3



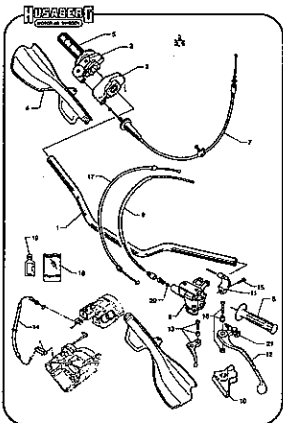
Page 4-5



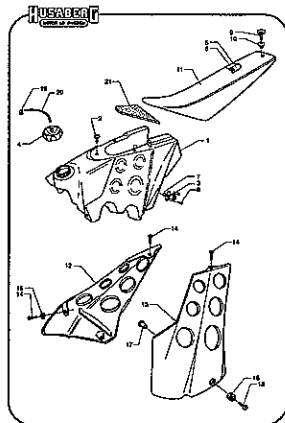
Page 6-7



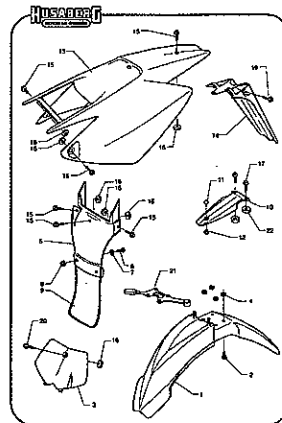
Page 8-9



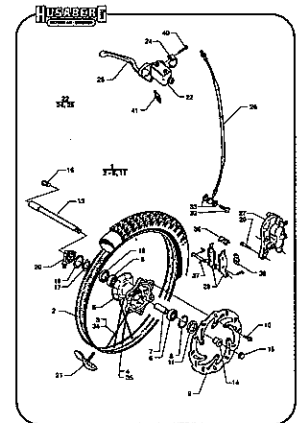
Page 10-11



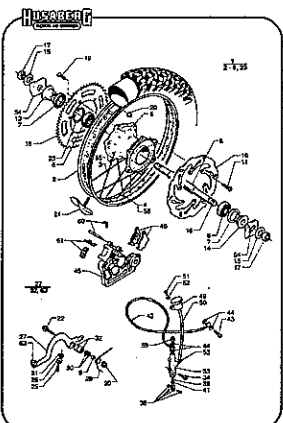
Page 12-13



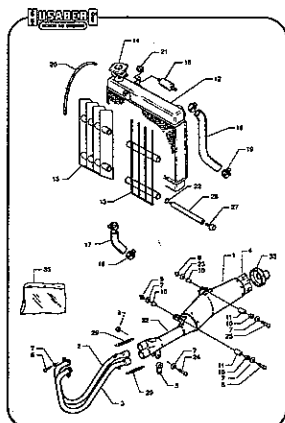
Page 14-15



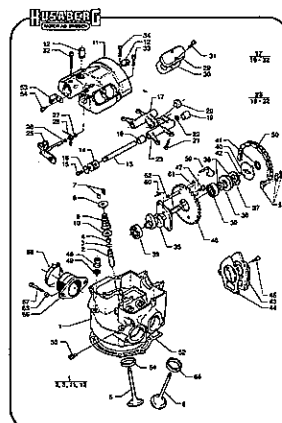
Page 16-17



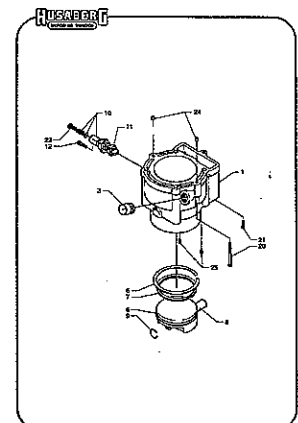
Page 18-21



Page 22-23



Page 24-27



Page 28-29

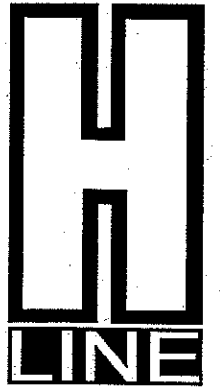
Husaberg

FOUR STROKE
FORCE

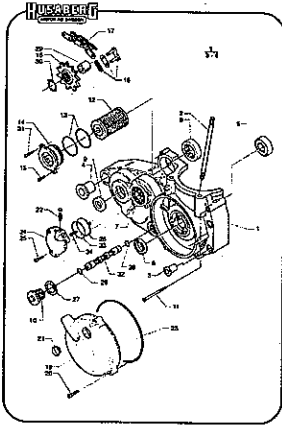
TM



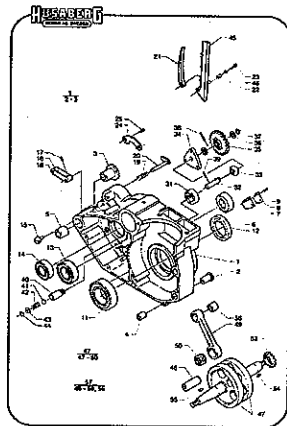
TM



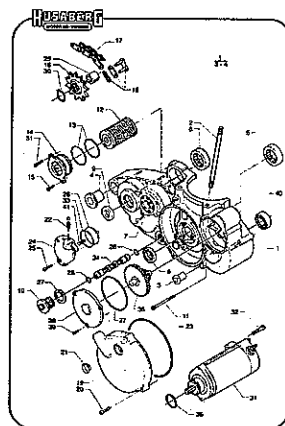
TM



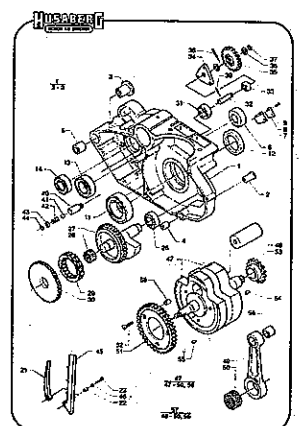
Page 30-31



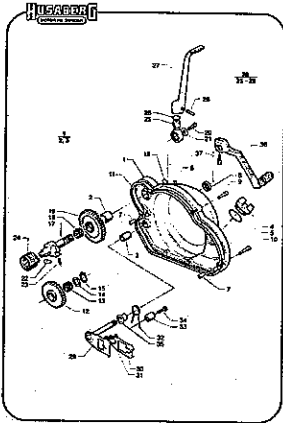
Page 32-35



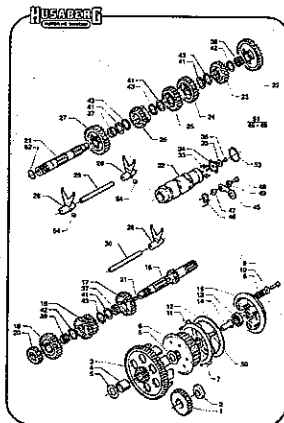
Page 36-37



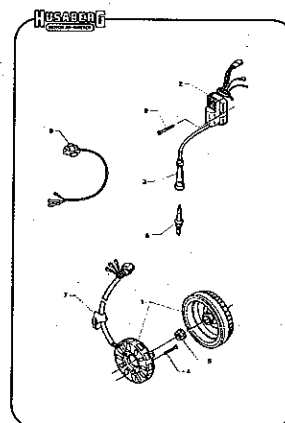
Page 38-41



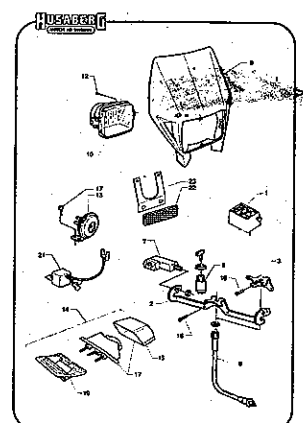
Page 42-43



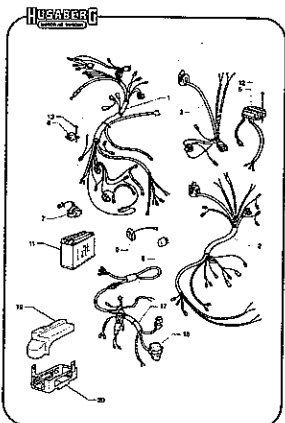
Page 44-47



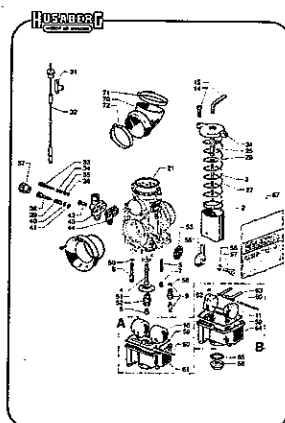
Page 48-49



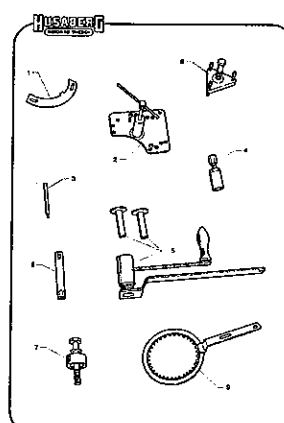
Page 50-51



Page 52-53



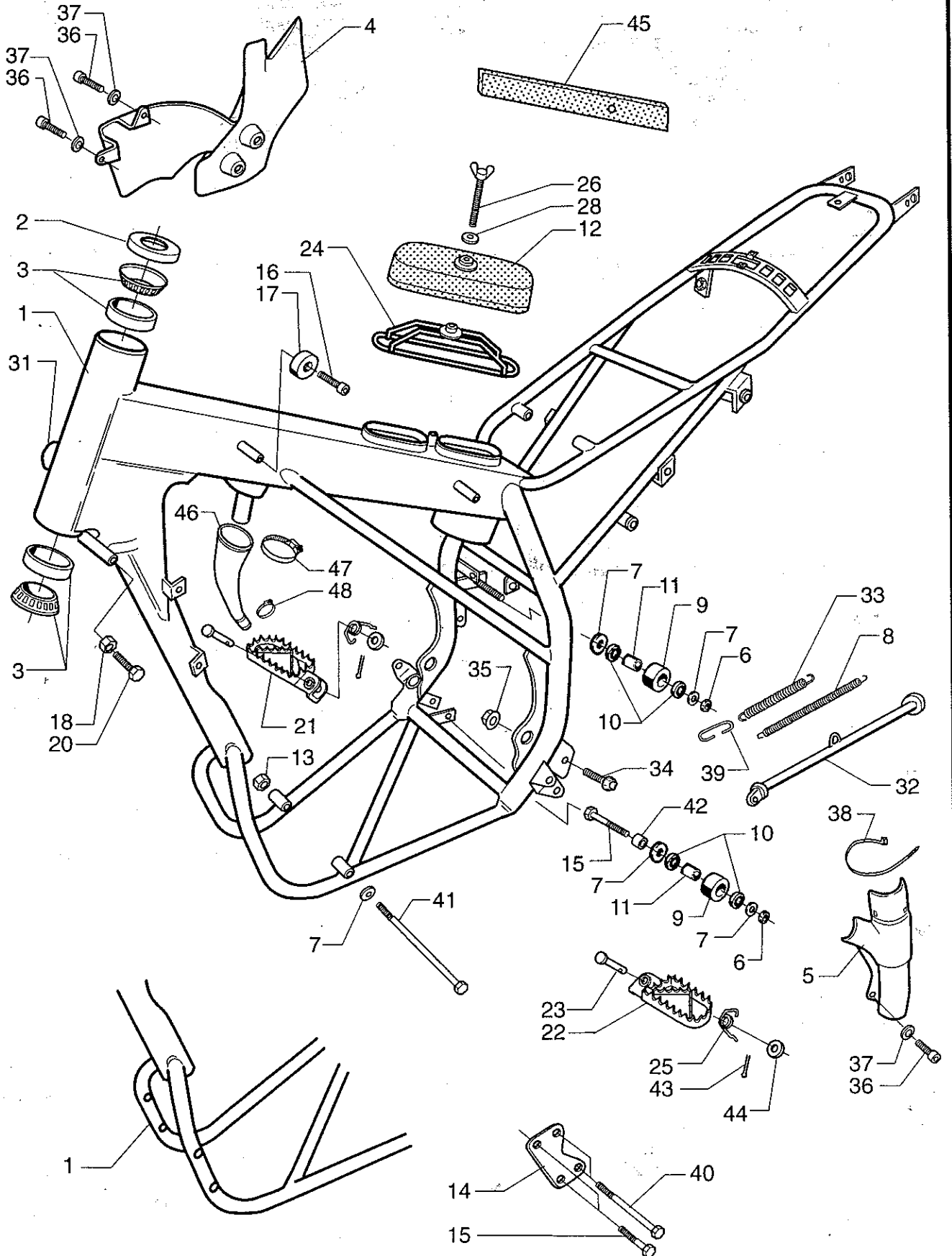
Page 54-57



Page 58-59

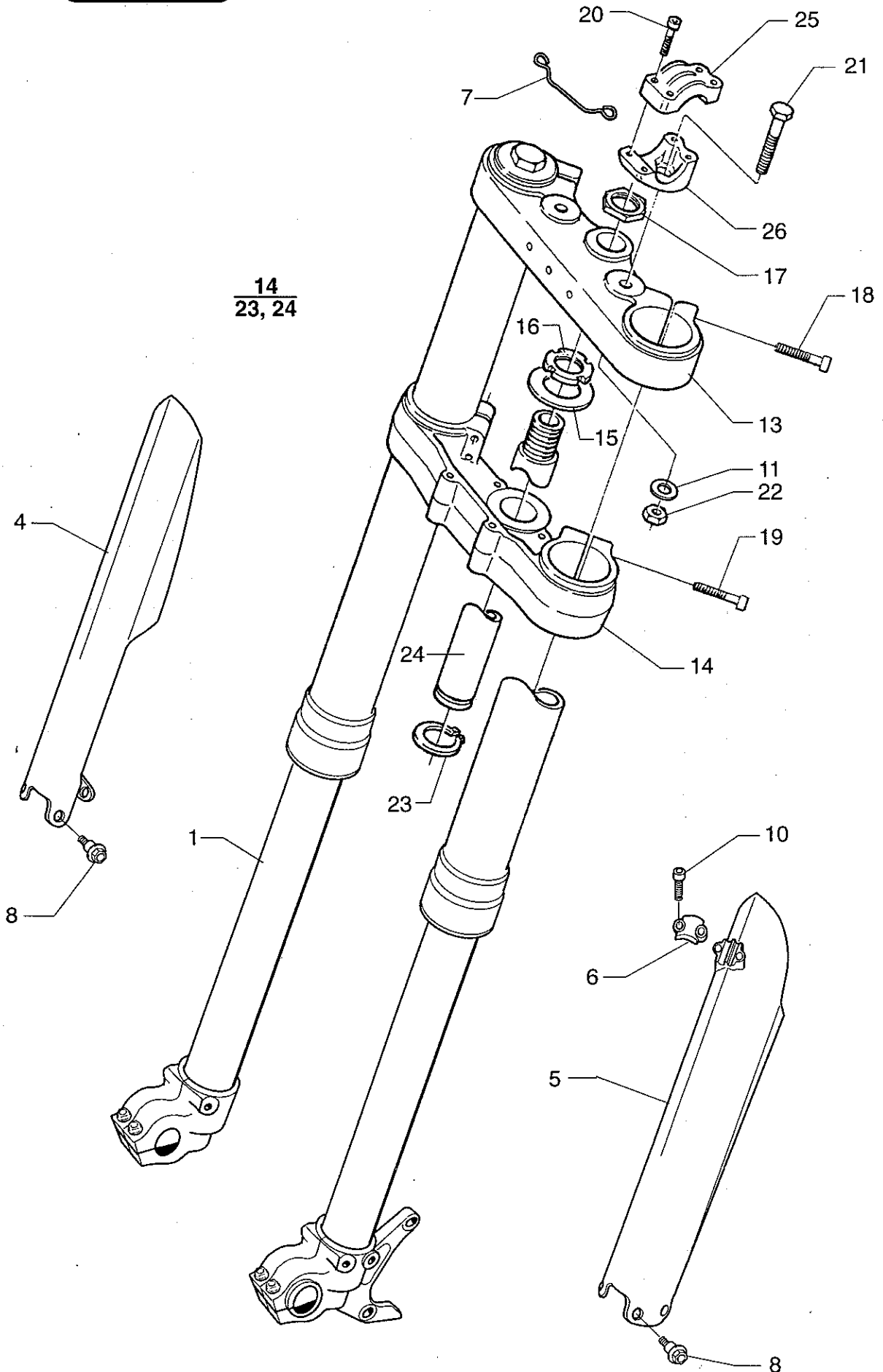


TM



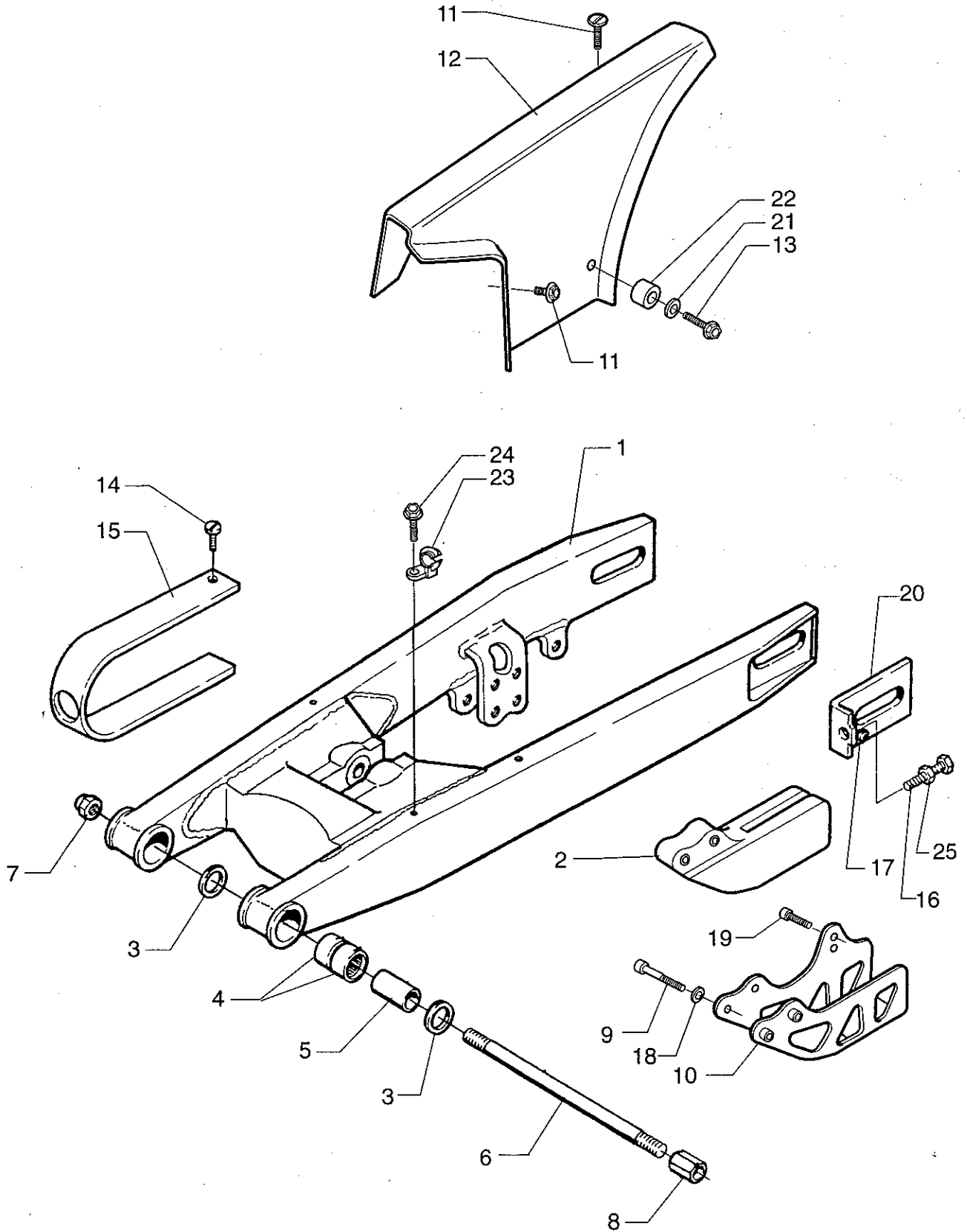
FRAME

Pos.	Part No	Quantity/Model				Description	Remarks
		FE	FC	FX	FEE		
1	110 221-01	1				Frame blue FE 00'	
1	110 221-02	1				Frame blue FE USA 00'	
1	110 222-01				1	Frame blue FEE 00'	
1	110 222-02			1	1	Frame blue FEE USA 00'	
1	110 223-01		1			Frame blue FC 00'	
2	130 150-01	1	1	1	1	Steering head cover	
3	130 019-01	2	2	2	2	Taper roller bearing 89-	
4	160 171-01	1	1	1	1	Frame protector RH 00'	
5	160 172-01	1	1	1	1	Frame protector LH 00'	
6	318 801-22	6	4	1	1	Locknut M8 89-	
7	328 017-01	4	4	5	5	Washer 8.4x16x1.5 89-	
8	120 138-01	1		1	1	Spring inner side stand 00'	
9	120 056-01	2	2	2	2	Chainroller 89-	
10	360 011-01	4	4	4	4	Ballbearing chainroller 89-	
11	120 057-01	1	1	1	1	Spacer chainroller 89-	
12	150 166-01	1	1	1	1	Air filter 00'	
13	318 810-22	6	6	1	1	Locknut M8 89-	
14	190 051-01	2	2			Engine support plate FC/FE 94-	
15	308 655-22	5	5	1	1	Screw M6S 8x55 FC/FE 94-	
16	306 520-22	4	4	4	4	Rear attachment fuel tank 00'	
17	160 176-01	4	4	4	4	Screw 6x20	
18	318 800-22	2	2	2	2	Nut steering stop	
20	308 625-22	2	2	2	2	Screw 8x25	
21	170 069-01	1	1	1	1	Footrest right 00'	
22	170 070-01	1	1	1	1	Footrest left 00'	
23	170 071-01	2	2	2	2	Bolt footrest 00'	
24	150 167-01	1	1	1	1	Air filter basket 00'	
25	170 072-01	2	2	2	2	Spring footrest RHLH 00'	
26	150 196-01	1	1	1	1	Screw air filter 00'	
28	326 022-01	1	1	1	1	Washer air filter 00'	
31	110 172-01	1			1	Steering head lock 98-	
32	120 091-04	1		1	1	Sidestand compl.blue 99'	
33	120 044-01	1		1	1	Spring sidestand 89-	
34	408 230-22	1		1	1	Screw (Collar) 8x30 98-	
35	318 810-22	1		1	1	Locknut M8 89-	
36	305 510-22	3	3	3	3	Screw 5x12	
37	325 010-1	3	3	3	3	Washer 5,3x10x1	
38	190 017-01	2	2	2	2	Straps frame protector 00'	
39	120 097-01	1		1	1	Holder spring sidestand 95/2-	
40	308 611-22	2	2			Screw M6S 8x110 FC/FE 89-	
41	190 067-01			1	1	Screw M6S 8x180 FC,FEE	
42	170 009-01	1	1	1	1	spacer 00-	
43	170 025-01	2	2	2	2	Pin, bolt footrest 00-	
44	320 018-01	2	2	2	2	Washer bolt footrest 00-	
45	150 187-01	2	2	2	2	Airfilter protection 00-	
46	150 152-01	1	1	1	1	Oil trap 00-	
47	250 012-01	1	1	1	1	Clamp 00-	
48	150 028-01	1	1	1	1	Clamp 00-	



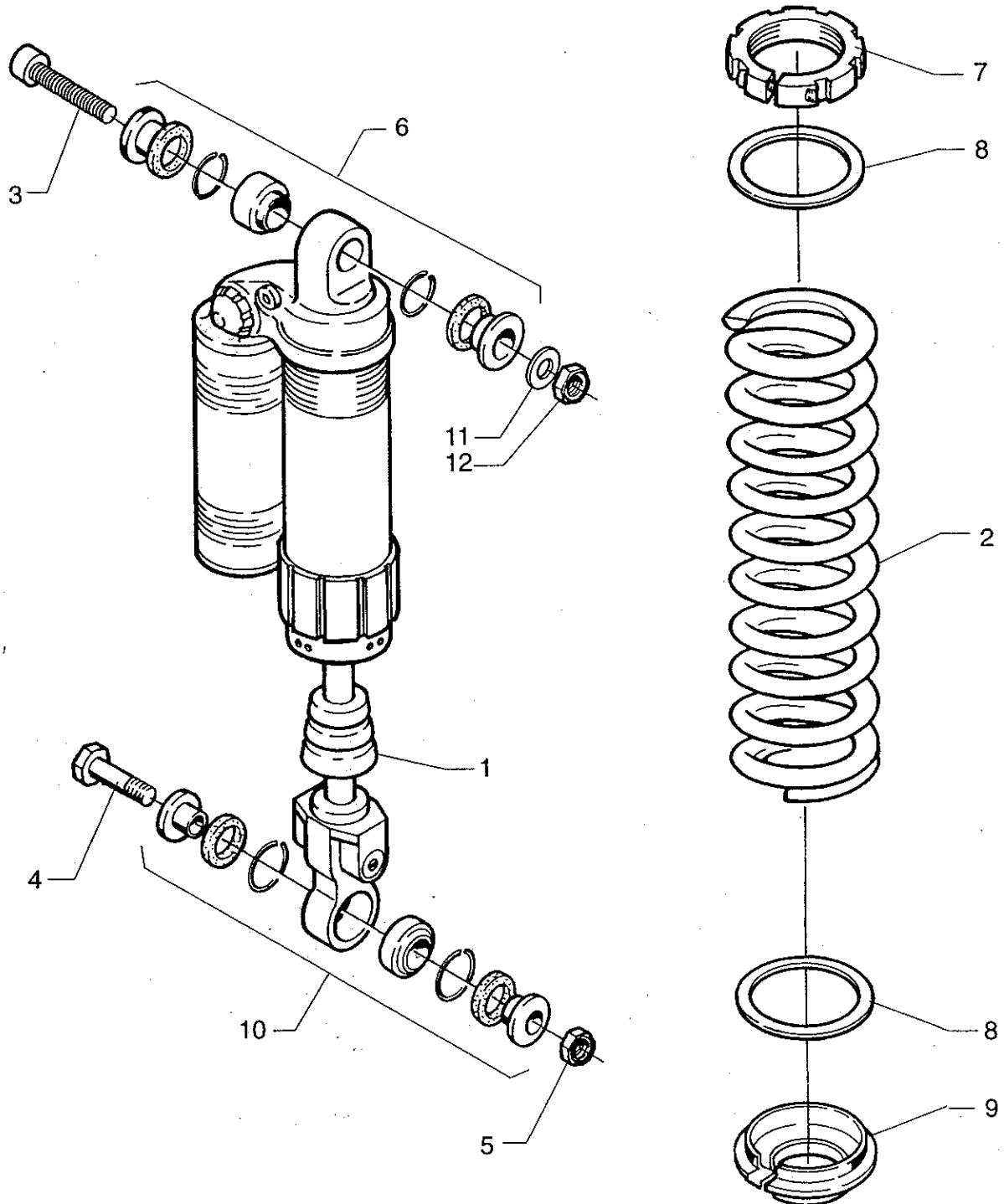
FRONT FORK

Pos.	Part No	Quantity/Model				Description	Remarks
		FE	FC	FX	FEE		
1	130 162-01	1			1	Frontfork WP (right + left leg) FE/FEE 00'	
1	130 163-01		1	1		Frontfork WP (right + left leg) FC 00' / FX 00'	
4	130 169-01	1	1	1	1	Frontfork protector blue right 00'	
5	130 170-01	1	1	1	1	Frontfork protector blue left 00'	
6	130 171-01	1	1	1	1	Holder brake hose 00'	
7	170 066-01	1	1	1	1	Wire holder 00'	
8	160 184-01	6	6	6	6	Screw fork protector 00'	
10	160 185-01	2	2	2	2	Screw holder brake hose	
11	320 018-01	2	2	2	2	Washer 10,5x22x2	
13	130 152-01	1	1	1	1	Tripleclamp upper 00'	
14	130 100-05	1			1	Tripleclamp lower compl. FE/FEE 00'	Incl. Pos. No. 23, 24.
14	130 100-04		1	1		Tripleclamp lower compl. FC 00' / FX 00'	Incl. Pos. No. 23, 24.
15	130 016-01	1	1	1	1	Spacer ring 97-	
16	130 149-01	1	1	1	1	Nut steeringhead bearing 00'	
17	130 018-01	1	1	1	1	Nut steeringhead top 89-	
18	308 530-22	4	4	4	4	Screw 8x30 00-	
19	308 535-22	4	4	4	4	Screw 8x35 00-	
20	406 235-22	8	8	8	8	Screw 6x35 98-	Magura handlebar
21	300 635-22	2	2	2	2	Screw M6S 10x35 00'	Magura handlebar
22	310 801-22	2	2	2	2	Locknut M10 low 89-	
23	330 025-01	1	1	1	1	Circlip SGA 25 89-	
24	130 124-01	1			1	Fork stem FE/FEE 98-	
24	130 089-02		1	1		Fork stem FC 97- / FX 97-	
25	130 123-01	2	2	2	2	Clamp handlebar (Magura) FC/FE-S/FX 98-	
26	130 122-01	2	2	2	2	Clamp handlebar (Magura) FC/FE-S/FX 98-	



SWINGARM

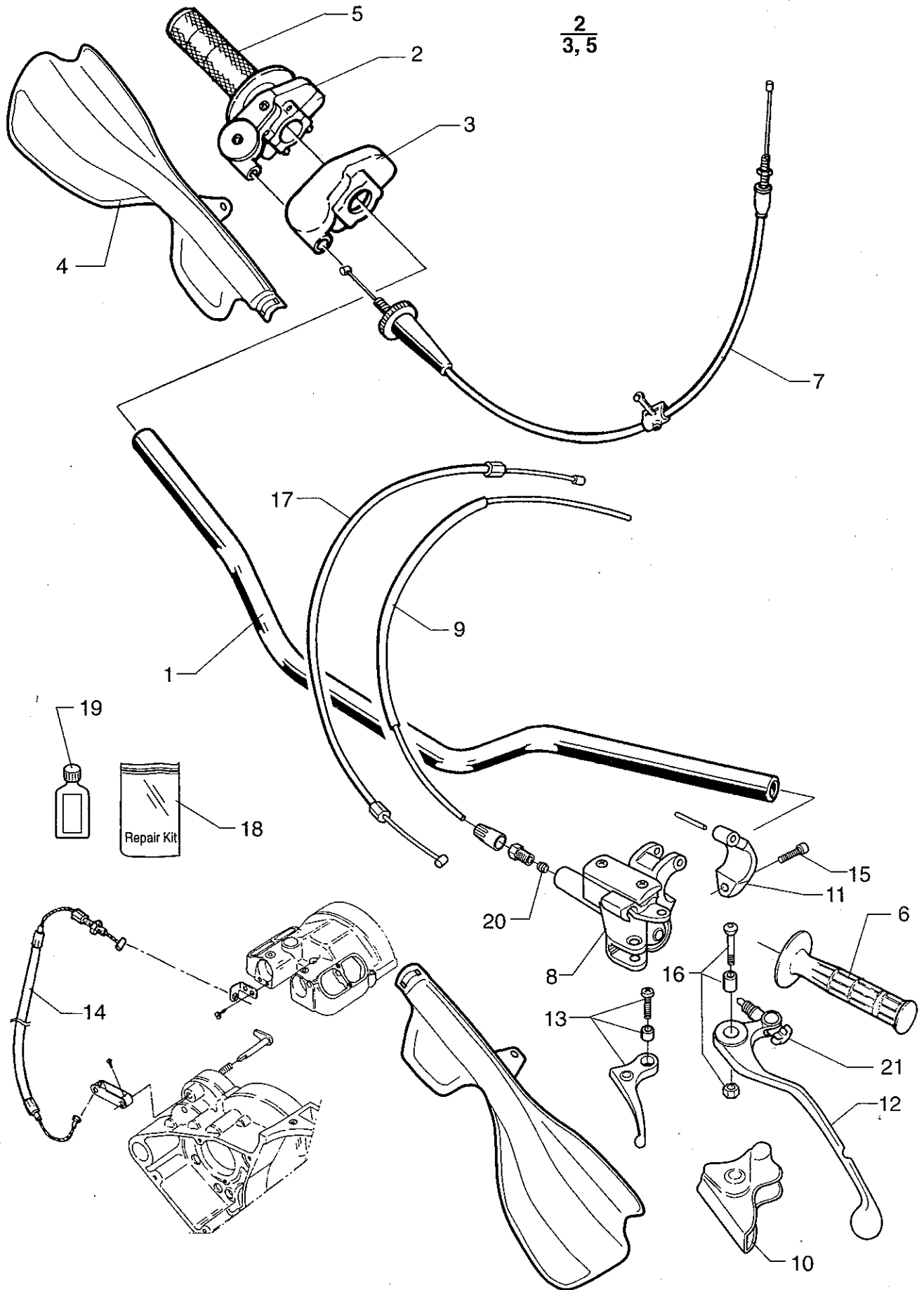
Pos.	Part No.	Quantity/Model				Description	Remarks
		FE	FC	FX	FEE		
1	120 126-01	1	1	1	1	Swingarm compl. PDS 00'	
2	120 128-01	1	1	1	1	Sealing swingarm/linkage 89-	
3	120 022-01	4	4	4	4	Chain guide rear 00'	
4	120 021-01	4	4	4	4	Needlebearing swingarm/linkage 89-	
5	120 013-01	2	2	2	2	Spacer swingarm bearing 89-	
6	120 016-01	1	1	1	1	Swingarm shaft 89-	
7	120 045-01	1	1	1	1	Locknut M16x1.5 89-	
8	120 055-01	1	1	1	1	Nut swingshaft 89-	
9	402 250-22	2	2	2	2	Screw chain guide	
10	120 127-01	1	1	1	1	Chain guide holder 00'	
11	406 110-22	2			2	Screw 6x10	
12	120 133-01	1			1	Chain protection 00'	
13	406 230-22	1			1	Screw 6x30	
14	406 110-22	2	2	2	2	Screw (Coller) 6x10 98-	
15	120 052-01	1	1	1	1	Swingarm protection 89-	
16	120 011-01	2	2	2	2	Adjustment screw drivechain	
17	305 510-22	2	2	2	2	Screw 5x10	
18	326 013-01	2	2	2	2	Washer 6,4x14x1,5	
19	406 216-22	1			1	Screw 6x16	
20	120 012-01	2	2	2	2	Drivechain adjustment sledge 89-	
21	326 022-01	1			1	Washer chainprotection 00'	
22	120 059-01	1			1	Spacer chain guide	
23	120 132-01	2	2	2	2	Retain.clamp for brake hose 00'	
24	405 216-22	2	2	2	2	Screw, clamp brake hose	
25	318 800-22	2	2	2	2	Nut drivechain adjustment	



SHOCK ABSORBER

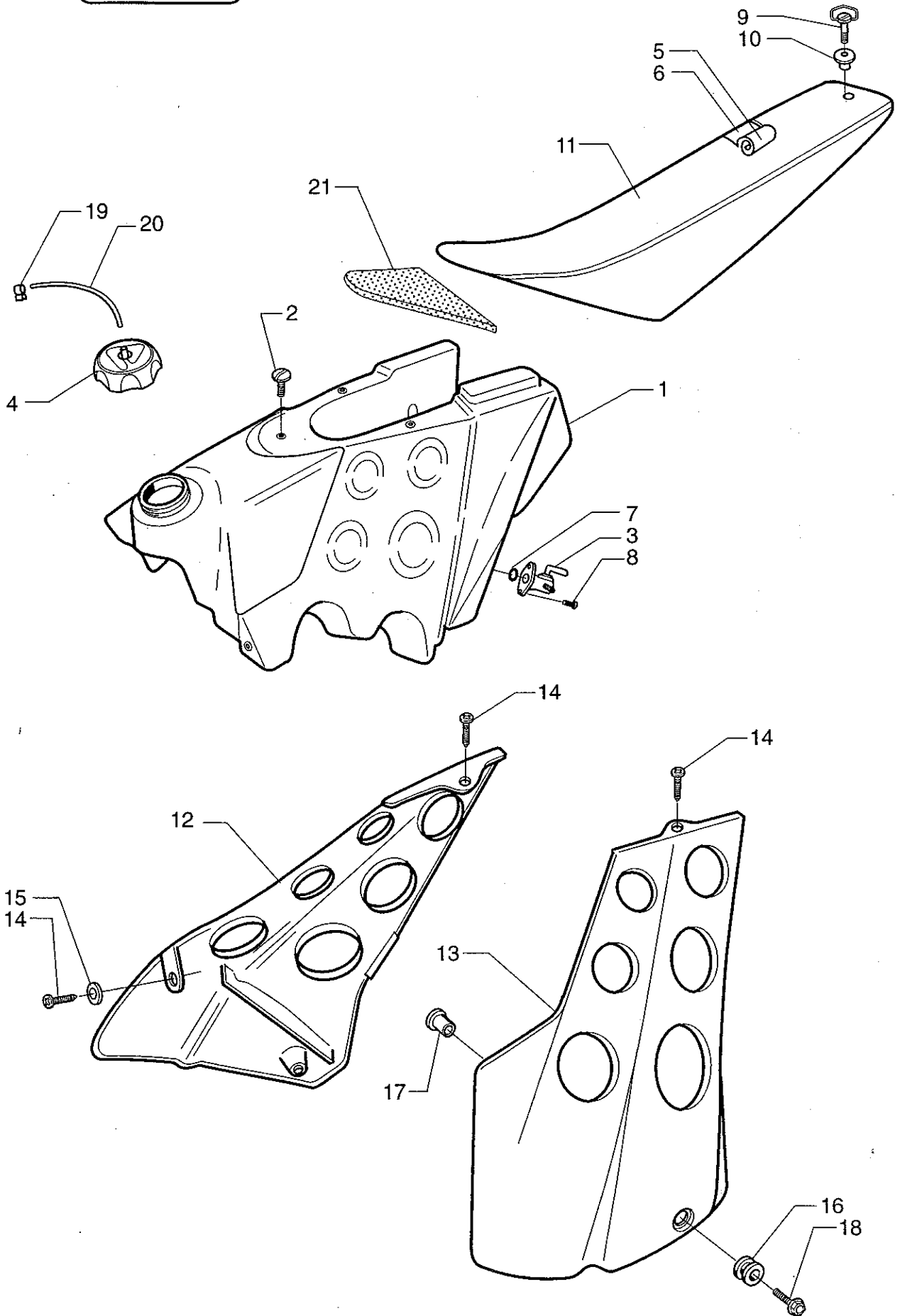
Pos.	Part No	Quantity/Model				Description	Remarks
		FE	FC	FX	FEE		
1	120 112-02		1	1		Shockabsorber (WP) PDS FC/FX 00'	
1	120 113-02	1			1	Shockabsorber (WP) PDS FE/FEE 00'	
2	120 122-01	1	1	1	1	Shockabsorber spring PDS1-250 d12,5 (WP) 99-	
2	120 122-02	1	1	1	1	Shockabsorber spring PDS2-250 d12,5 (WP) 99-	
2	120 122-03	1	1	1	1	Shockabsorber spring PDS3-250 d13,0 (WP) 99-	
3	120 140-01	1	1	1	1	Screw upper MC6S 12.9 12x50 00'	
4	120 119-01	1	1	1	1	Screw lower MC6S 12.9 10x48 99-	
5	310 801-22	1	1	1	1	Locknut M10 low 89-	
6	120 120-02	1	1	1	1	Balljointkit shockabsorber PDS (WP) upper 00'	
7	120 123-01	1	1	1	1	Spring retainer PDS	
8	120 125-01	2	2	2	2	Washer spring PDS	
9	120 124-01	1	1	1	1	Spring holder PDS	
10	120 121-01	1	1	1	1	Balljointkit shockabsorber PDS (WP) lower 99-	
11	322 022-01	1	1	1	1	Washer upper 12x22x2	
12	312 801-22	1	1	1	1	Nut upper M12 00-	

$\frac{2}{3,5}$



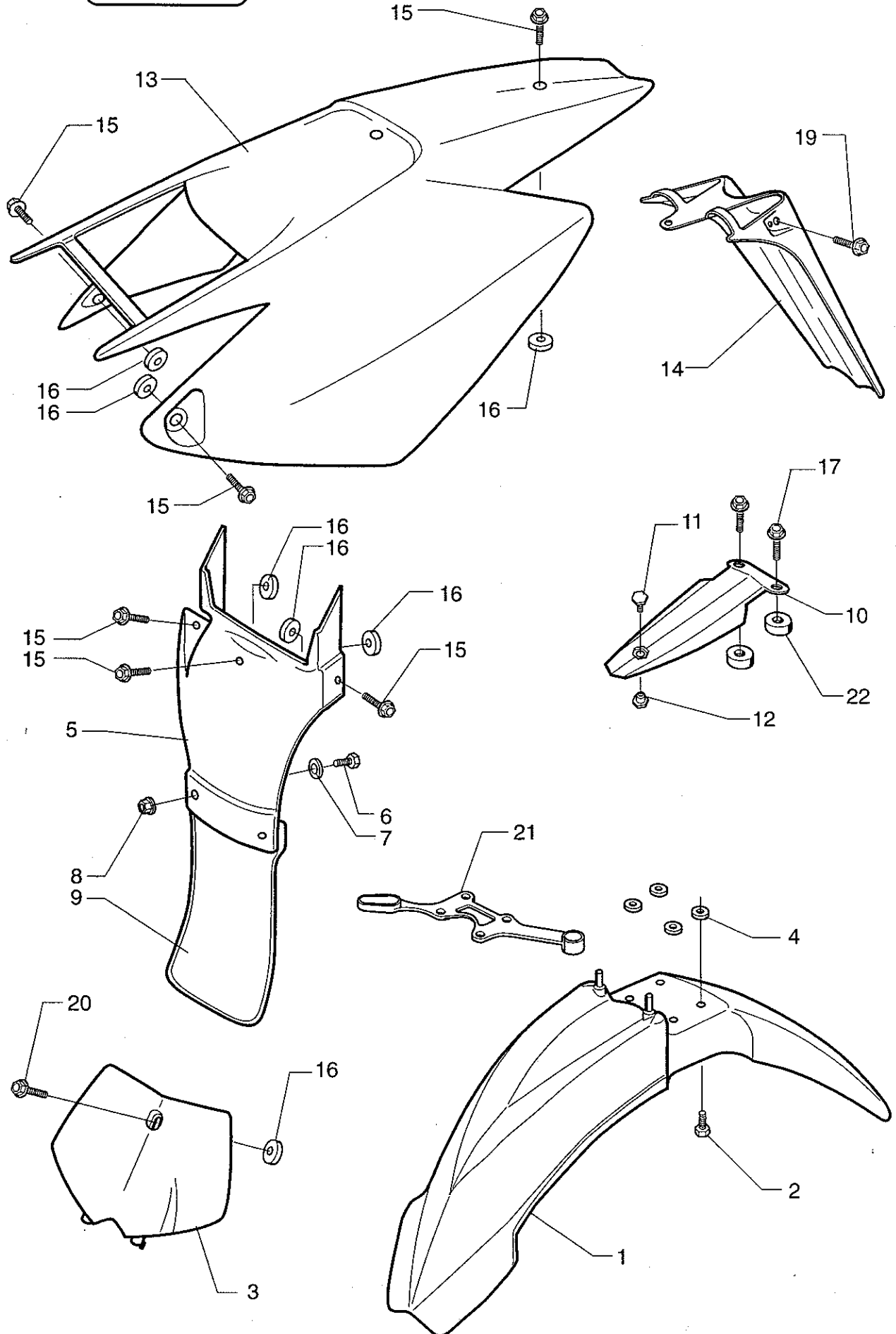
HANDLEBAR

Pos.	Part No	Quantity/Model				Description	Remarks
		FE	FC	FX	FEE		
1	170 050-01	1	1	1		Handlebar (Magura) "titanium" anodized 98-	
2	170 059-01	1	1			Twistgrip FC/FE 89-	
2	170 041-01			1	1	Twistgrip FEE 97-	
3	170 053-01	1	1	1	1	Rubber protection twist grip	
4	170 087-01	1	1	1	1	Handguards kit 00'	incl.screw,RH,LH handguard
5	170 015-02	1	1	1	1	Rubberhandle right 89-	
6	170 016-02	1	1	1	1	Rubberhandle left 89-	
7	170 060-01	1	1			Throttle wire 99-	
7	170 042-02			1	1	Throttlewire (Round throttle) electric starter 98-	
8	170 067-01	1	1	1	1	Mastercylinder compl 00-	
9	170 073-01	1	1	1	1	Pipe kit for hydr.cluth 00-	
10	170 084-01	1	1	1	1	Protection clutch lever 00-	
11	170 085-01	1	1	1	1	Clamp with pin 00-	
12	170 082-01	1	1	1	1	Clutch lever 00-	
13	170 083-01	1	1	1	1	Decompression lever 00-	incl. bush, screw
14	230 043-01	1	1			Decompressionwire kickstart FC/FE 89-	
15	406 220-22	1	1	1	1	Screw, clamp hydr.clutch 00-	
16	170 079-01	1	1	1	1	Screw, clutch lever 00-	
17	170 078-01	1	1	1	1	Decompression wire 00-	
18	170 086-01	1	1	1	1	Rep.satz piston clutch.hydr. 00-	
19	170 089-01	1	1	1	1	Oil hydr.clutch 50ml 00-	
20	170 090-01	2	2	2	2	Self cutting ring hydr.pipe 00-	
21	170 088-01	1	1	1	1	Adjustment screw, clutch lever	
	190 020-01	1			1	Rear view mirror 89-	



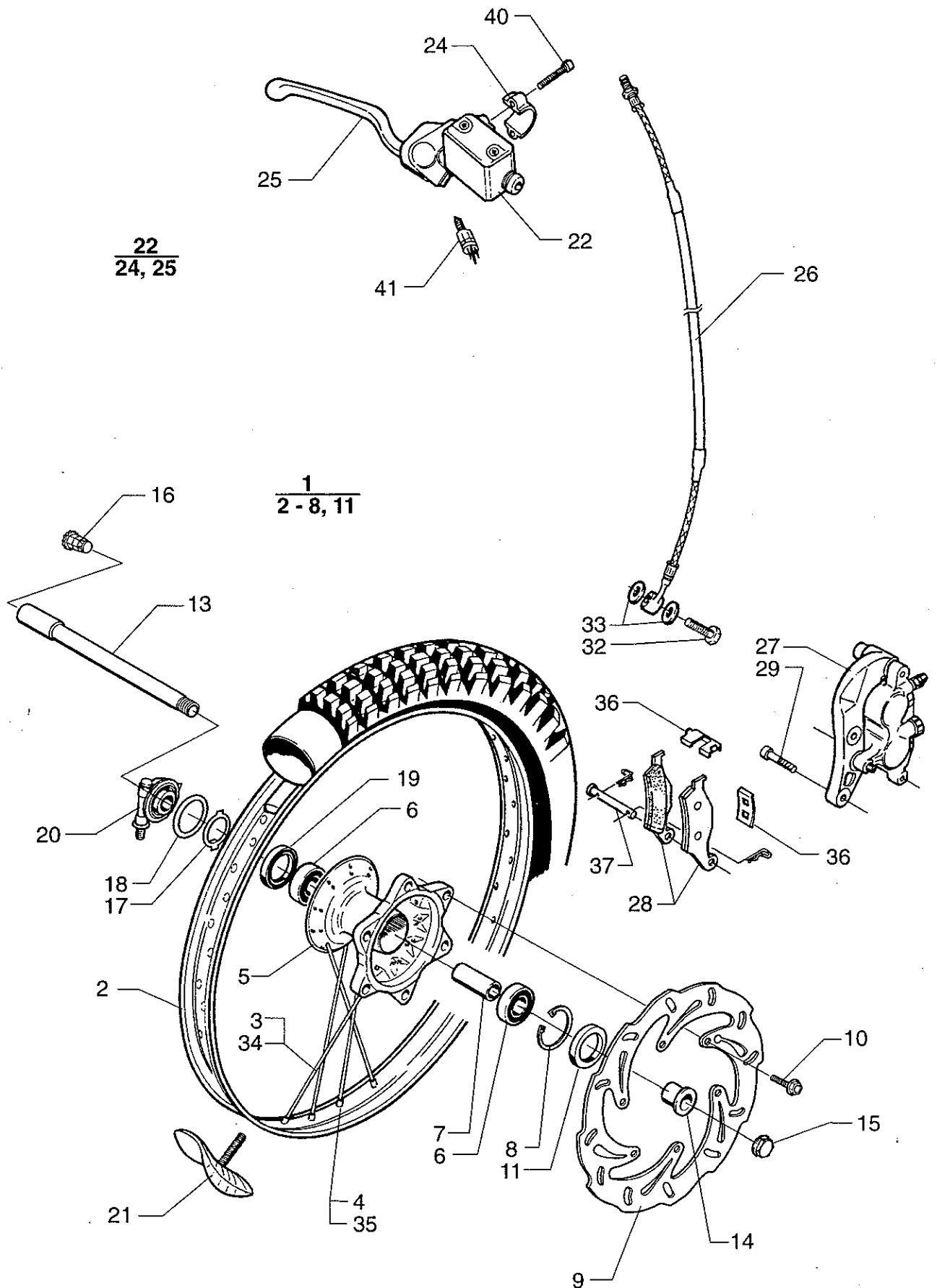
FUEL TANK & PANELS

Pos.	Part No.	Quantity/Model				Description	Remarks
		FE	FC	FX	FEE		
1	160 166-01	1	1	1	1	Fuel tank blue 00-	
2	160 180-01	1	1	1	1	Screw, seat fastening front 00-	
3	160 004-01	2	2	2	2	Fuel tap 89-	
4	160 175-01	1	1	1	1	Filler cap 00-	
5	160 158-01	1	1	1	1	Seat cover 00-	
6	160 160-01	1	1	1	1	Foam cushion 00-	
7	340 010-01	2	2	2	2	O-ring 10.3x2.4 89-	
8	160 010-01	4	4	4	4	Screw RXS 4.8x19 89-	
9	160 186-01	1	1	1	1	Screw seat rear 00-	
10	160 183-01	1	1	1	1	Bush seat 00-	
11	160 158-01	1	1	1	1	Seat 00-	
12	160 168-01	1	1	1	1	Spoiler RH 00-	
13	160 169-01	1	1	1	1	Spoiler LH 00-	
14	160 010-01	4	4	4	4	Screw spoiler 00-	
15	326 016-01	2	2	2	2	Washer spoiler 00-	
16	160 177-01	2	2	2	2	Rubber spoiler 00-	
17	160 178-01	2	2	2	2	Bush spoiler 00-	
18	406 120-22	2	2	2	2	Screw spoiler 6x20 00-	
19	160 013-01	1	1	1	1	Attachment fuel tank ventilationhose 89-	
20	160 014-01	1	1	1	1	Ventilationhose fuel tank 89-	
21	150 188-01	1	1	1	1	Airfilter protection 00-	
22	190 139-01	1	1	1	1	Decal kit 00-	



FENDERS

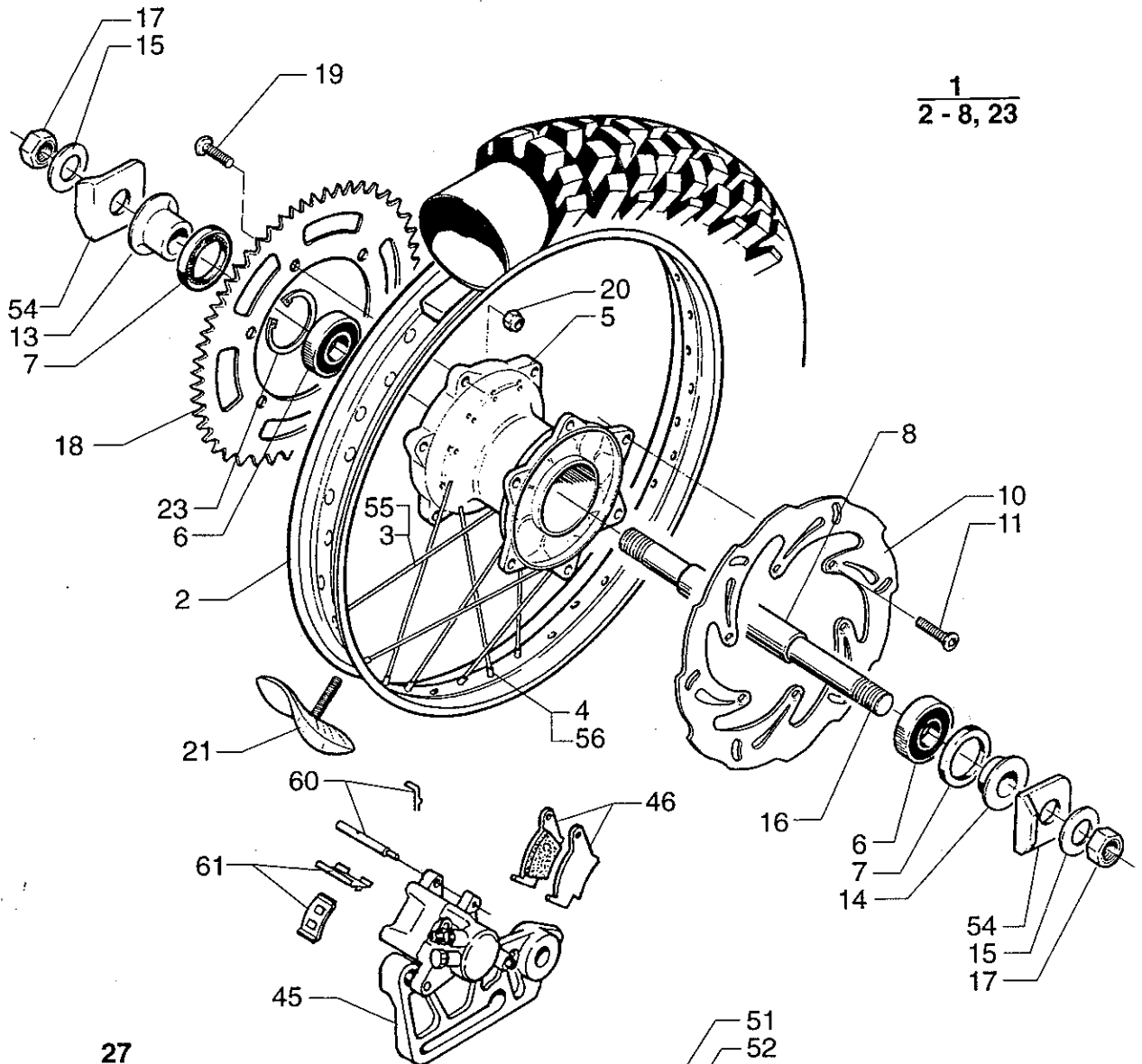
Pos.	Part No	Quantity/Model				Description	Remarks
		FE	FC	FX	FEE		
1	160 165-01	1	1	1	1	Front fender blue 00'	
2	406 120-22	4	4	4	4	Screw (Collar) 6x20 98-	
3	160 163-01		1	1		Number plate 00'	
4	160 182-01	4	4	4	4	Spacer front fender 00'	
5	160 181-01	1	1	1	1	Splash shield upper 00'	
6	406 216-22	2	2	2	2	Screw (Collar) 6x16 00'	Upper Lower
6	406 120-22			2	2	Screw (Collar) 6x20 98-	
6	406 216-22	2	2	2	2	Screw (Collar) 6x16 98-	
7	160 139-01	2	2	2	2	Washer	
8	316 811-22	2	2	2	2	Locknut M6 89-	
9	160 125-01	1	1	1	1	Splash shield lower 96-	
10	160 164-01	1	1	1	1	Fender brace yellow 00'	
11	160 156-01	1	1	1	1	Screw fender brace 00'	
12	160 157-01	1	1	1	1	Nut fender brace 00'	
13	160 167-01	1	1	1	1	Rear fender/sidepanels 00'	
14	160 170-01	1	1	1	1	Number plate holder 00'	
15	406 115-22	7	7	7	7	Screw 6x15 00'	
16	160 050-01	7	8	7	7	Rubber washer	
17	406 120-22	2	2	2	2	Screw 6x20 00'	
19	405 216-22	2	2	1	2	Screw (Collar) 5x16 00'	
20	406 115-22		1			Screw 6x15 00'	
21	130 172-01	1	1	1	1	Cable guide 00'	
22	160 124-01	2	2	2	2	Spacer fender brace 00'	



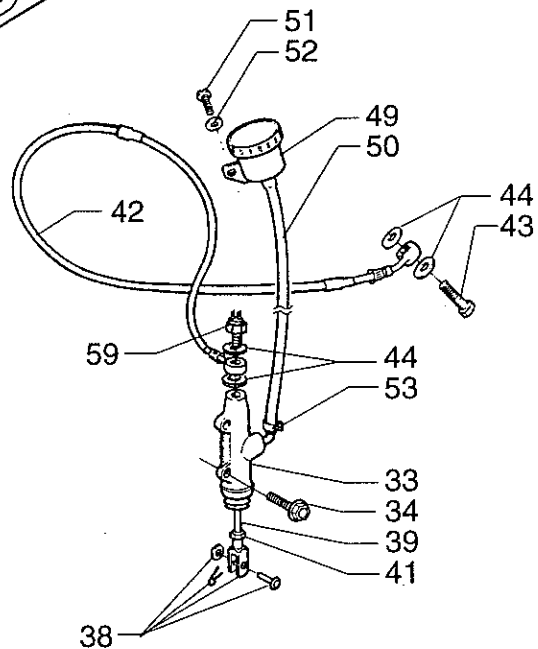
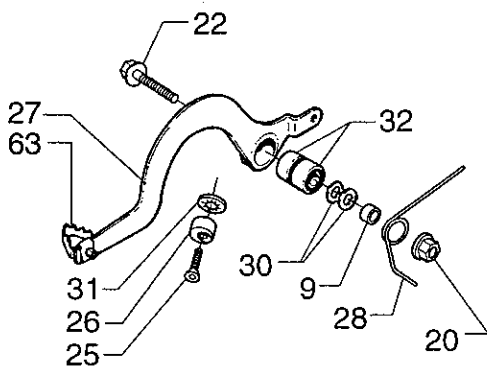
FRONT WHEEL

Pos.	Part No	Quantity/Model				Description	Remarks
		FE	FC	FX	FEE		
1	130 000-07	1			1	Frontwheel Excel 21" FE, FEE compl. 00'	Ex. brakedisc. Ex. brakedisc
1	130 000-08		1	1		frontwheel Excel 21" FC, FX compl. 00'	
2	130 155-01	1	1	1	1	Rim Excel 1.60x21" front 00'	
3	130 160-01	36	36	36	36	Spoke (21") front 00'	
4	130 161-01	36	36	36	36	Spokenipple front 00'	
5	130 158-01	1			1	Fronthub (for speedometer) 00'	
5	130 158-02		1	1		Fronthub (no speedometer) 00'	
6	360 031-01	2	2	2	2	Ballbearing fronthub 00'	
7	130 165-01	1			1	Spacer fronthub (for speedometer) 00'	
7	130 165-02		1	1		Spacer fronthub (no speedometer) 00'	
8	330 037-01	1	1	1	1	Circlip 00-	
9	130 159-01	1	1	1	1	Brakedisc front ø 260 mm stainless 00'	Only 1 pcs for speedometer
10	406 212-22	6	6	6	6	Screw 6x12 00'	
11	350 011-01	2	2	2	2	Sealring 00'	
13	130 164-01	1	1	1	1	Frontaxle 00'	
14	130 166-01	1	2	2	1	Spacer frontaxle 00'	
15	130 168-01	1	1	1	1	Nut frontaxle 00'	
16	130 167-01	1	1	1	1	Plug frontaxle 00'	
17	180 158-01	1			1	Driveplate gearlever 00-	
18	180 146-01	1			1	Shims gearlever 00'	
19	350 009-01	1			1	Sealring gearlever 00'	Brembo cylinder black
20	180 147-01	1			1	Gearlever speedometer 00'	
21	130 049-01	1	1	1	1	Rimlock 21" 89-	
22	140 080-01	1			1	Frontbrake cylinder cpl 89-00'	
22	140 144-01		1	1		Frontbrake cylinder cpl. FC/FX 00'	
22	140 144-02	1			1	Frontbrake cylinder cpl. FE/FEE 00'	
24	140 159-01	1	1	1	1	Clamp front brake cylinder 00'	Incl. 2 screws
25	140 085-01	1			1	Frontbrake lever FE/FEE 00-	Brembo cylinder black
25	140 157-01		1	1		Frontbrake lever FC/FX 00'	
25	140 158-01	1			1	Frontbrake lever FE/FEE 00'	
26	140 145-01	1	1	1	1	Hose frontbrake 00'	
27	140 129-01	1	1	1	1	Frontbrake caliper 00'	
28	140 076-01	1	1	1	1	Brake pads front 93-	
28	140 152-01	1	1	1	1	Brake pads front sinter 00'	
29	308 535-22	2	2	2	2	Screw MC6S 8x35 93-	
32	140 015-01	1	1	1	1	Connecting screw brakehose front 89-	
33	140 016-01	2	2	2	2	Copperwasher 10x14x1 89-	
34	130 177-01	1	1	1	1	Spokekit (21") front 00'	
35	130 178-01	1	1	1	1	Spokenipplekit (21") front 00'	
36	140 092-01	1	1	1	1	Brake pad locking device 93-	
37	130 110-01	1	1	1	1	Brake pad lock pin 93-	

1
2-8, 23

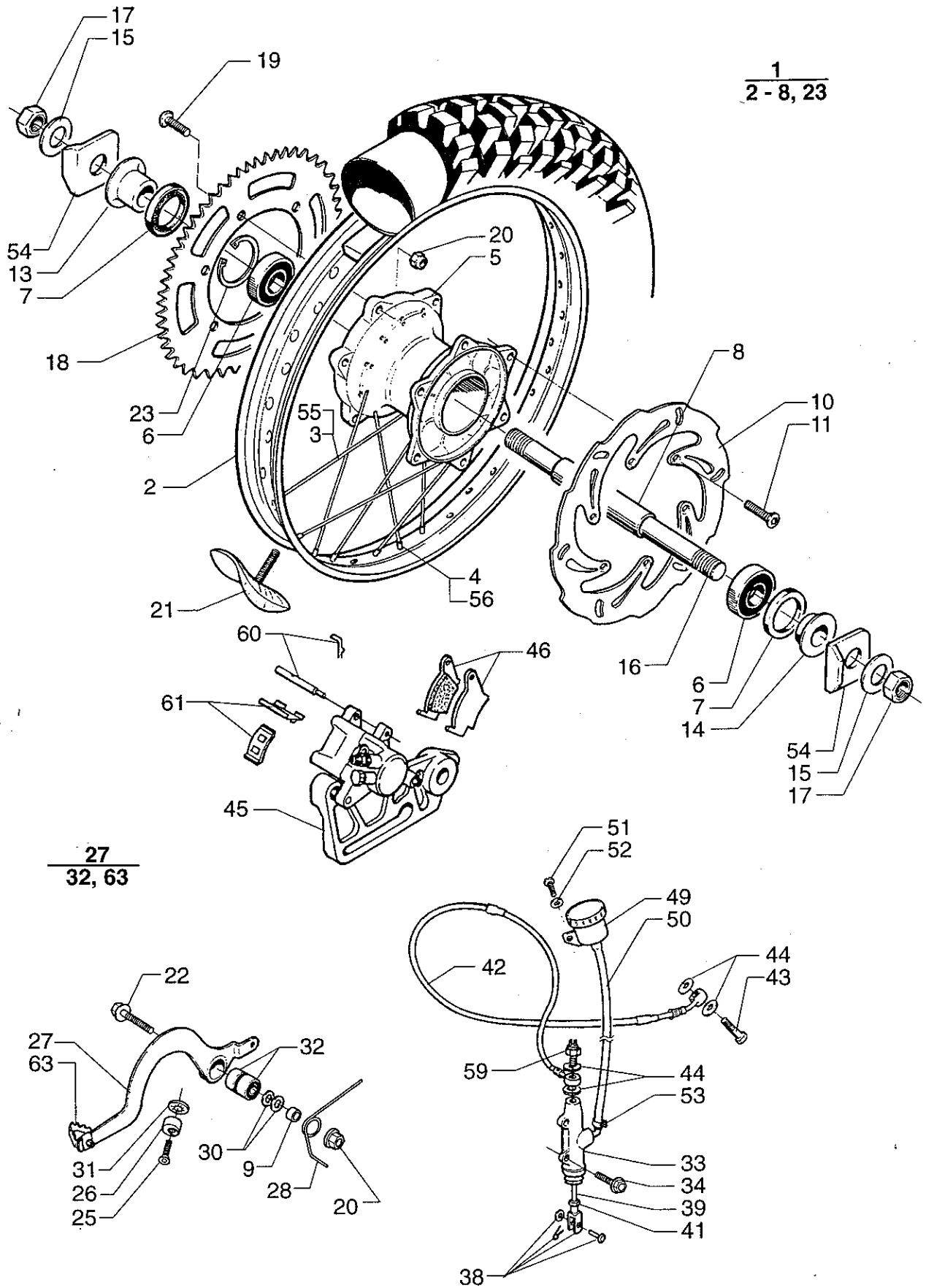


27
32, 63



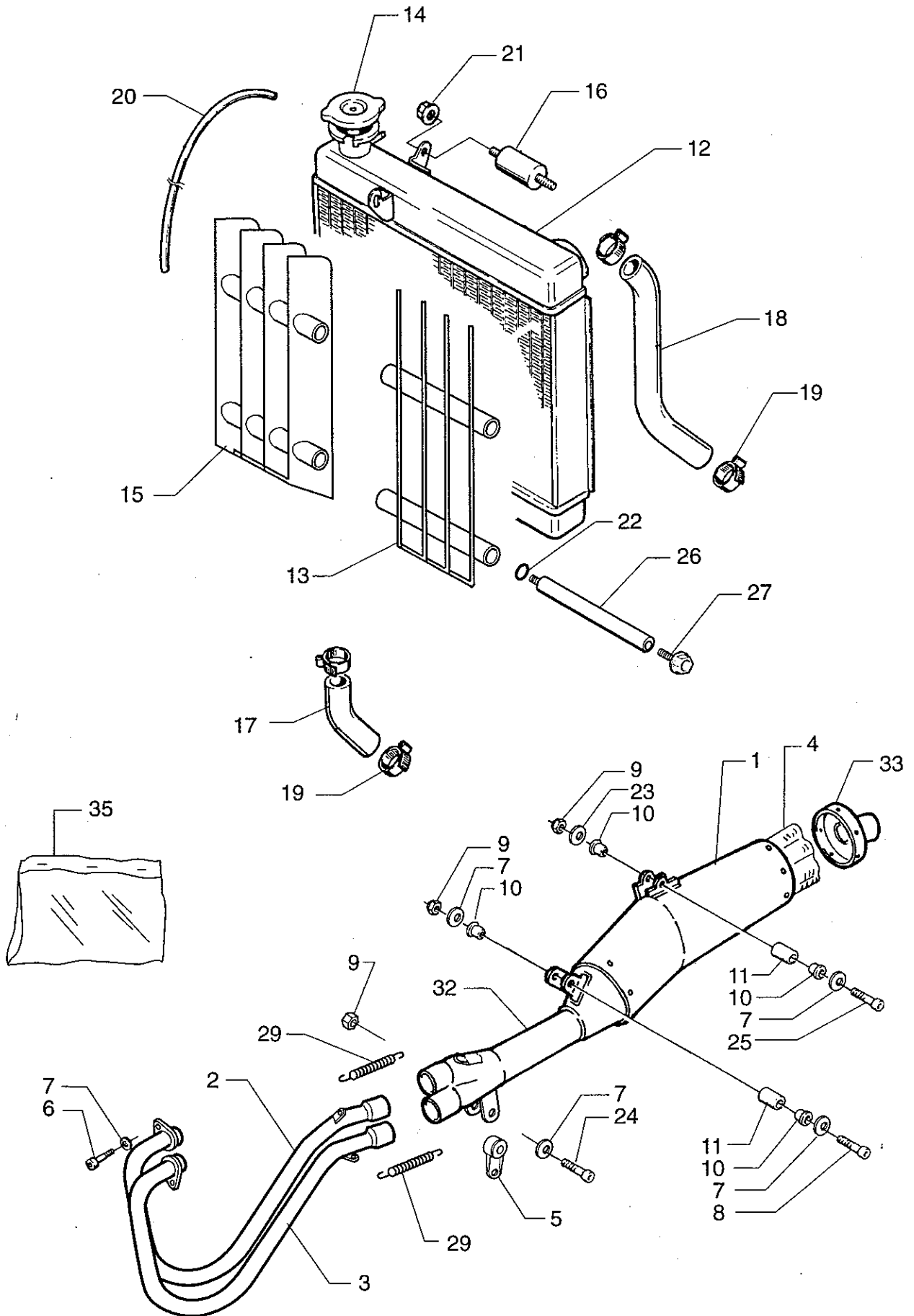
REAR WHEEL

Pos.	Part No	Quantity/Model				Description	Remarks
		FE	FC	FX	FEE		
1	140 103-02		1			Rearwheel Excel 19" compl. FC 00-	excl.brake disc exkl.brake disc
1	140 030-05	1		1	1	Rearwheel Excel 18" compl. 00-	
2	140 130-01		1			Rim Excel 2.15x19" 00-	
2	140 131-01	1		1		Rim Excel 2.15x18" 00-	
3	140 135-01	36		36	36	Spoke (18") rear FE/FEE/FX 00-	
3	140 136-01		36			Spoke (19") rear FC 00-	
4	140 137-01	36	36	36	36	Spokenipple (18"/19") rear 00-	
5	140 132-01	1	1	1	1	Rearhub 00-	
6	360 032-01	2	2	2	2	Rollerbearing 00-	
7	350 010-01	2	2	2	2	Sealring 00-	
8	140 138-01	1	1	1	1	Spacer rearhub 00-	
9	140 153-01	1	1	1	1	Spacer return spring 00-	
10	140 133-01	1	1	1	1	Brakedisc rear stainless 00-	
11	406 212-22	6	6	6	6	Screw 6x12. 00-	
13	140 140-01	1	1	1	1	Spacer rearhub right 00-	
14	140 139-01	1	1	1	1	Spacer rearhub left 00-	
15	322 036-01	2	2	2	2	Washer 21x36x3 89-	
16	140 005-01	1	1	1	1	Rearaxle 89-	
17	140 039-01	2	2	2	2	Nut rearaxle 89-	
18	140 142-48	1	1	1	1	Sprocket Z=48 00-	
18	140 142-46	1	1	1	1	Sprocket Z=46 00-	
18	140 142-42	1	1	1	1	Sprocket Z=42 00-	
18	140 142-50	1	1	1	1	Sprocket Z=50 98-	
19	140 141-01	6	6	6	6	Screw 8x26 00-	
20	318 801-22	6	6	6	6	Locknut M8 low 89-	
21	140 059-01	2	2	2	2	Rimlock rear 89-	
22	408 240-22	1	1	1	1	Screw (Collar) 8x40 00-	
25	306 025-31	1	1	1	1	Excenter brakepedal 00-	
26	140 143-01	1	1	1	1	Screw excenter brakepedal 00-	
27	140 017-02	1	1	1	1	Brakepedal compl. 00-	
28	170 068-01	1	1	1	1	Returnspring brakepedal 00-	
30	328 017-01	2	2	2	2	Washer 8.4x16x1.5 89-	
31	326 011-01	1	1	1	1	Locking washer excenter brake pedal 00-	
32	360 011-01	2	2	2	2	Ballbearing 89-	



REAR WHEEL

Pos.	Part No	Quantity/Model				Description	Remarks
		FE	FC	FX	FEE		
33	140 022-01	1	1	1	1	Main rearbrake cylinder 89-	
34	406 120-22	2	2	2	2	Screw (Collar) 6x20 98-	
38	140 046-01	1	1	1	1	Attachment rearbrake pushrod 89-	
39	140 045-02	1	1	1	1	Rearbrake pushrod 00-	
41	316 800-22	1	1	1	1	Nut M6 low 89-	
42	140 155-01	1	1	1	1	Brakehose rear 00'	
43	140 015-01	1	2	2	1	Connecting screw brakehose front 89-	
44	140 016-01	4	4	4	4	Copperwasher 10x14x1 89-	
45	140 167-01	1	1	1	1	Rearbrake compl. 00-	
46	140 084-01	1	1	1	1	Brakepad rear sinter 95-	
46	140 086-01	1	1	1	1	Brake pad rear organic	
49	140 028-01	1	1	1	1	Brakefluid reservoir 89-	
50	140 029-01	1	1	1	1	Hose brakefluid reservoir FC 92- / FE 89-	
53	140 071-01	2	2	2	1	Clamp 89-	
54	120 006-01	2	2	2	2	Washer drivechain adjustment 89-	
55	140 149-01	1		1	1	Spokekit (18") rear FE/ FEE / FX 00-	
55	140 150-01		1			Spokekit (19") rear FC 00-	
56	140 151-01	1	1	1	1	Nipplekit (18"/19") rear FC/ FE/ FEE 00-	
59	180 116-01	1			1	Brakelightswitch (hydraulic) 99-	
60	140 090-01	1	1	1	1	Brake pad lock pin 95-	
61	140 093-01	1	1	1	1	Brake pad locking device 95-	
63	140 019-01	1	1	1	1	Brake pedal tip 89-	

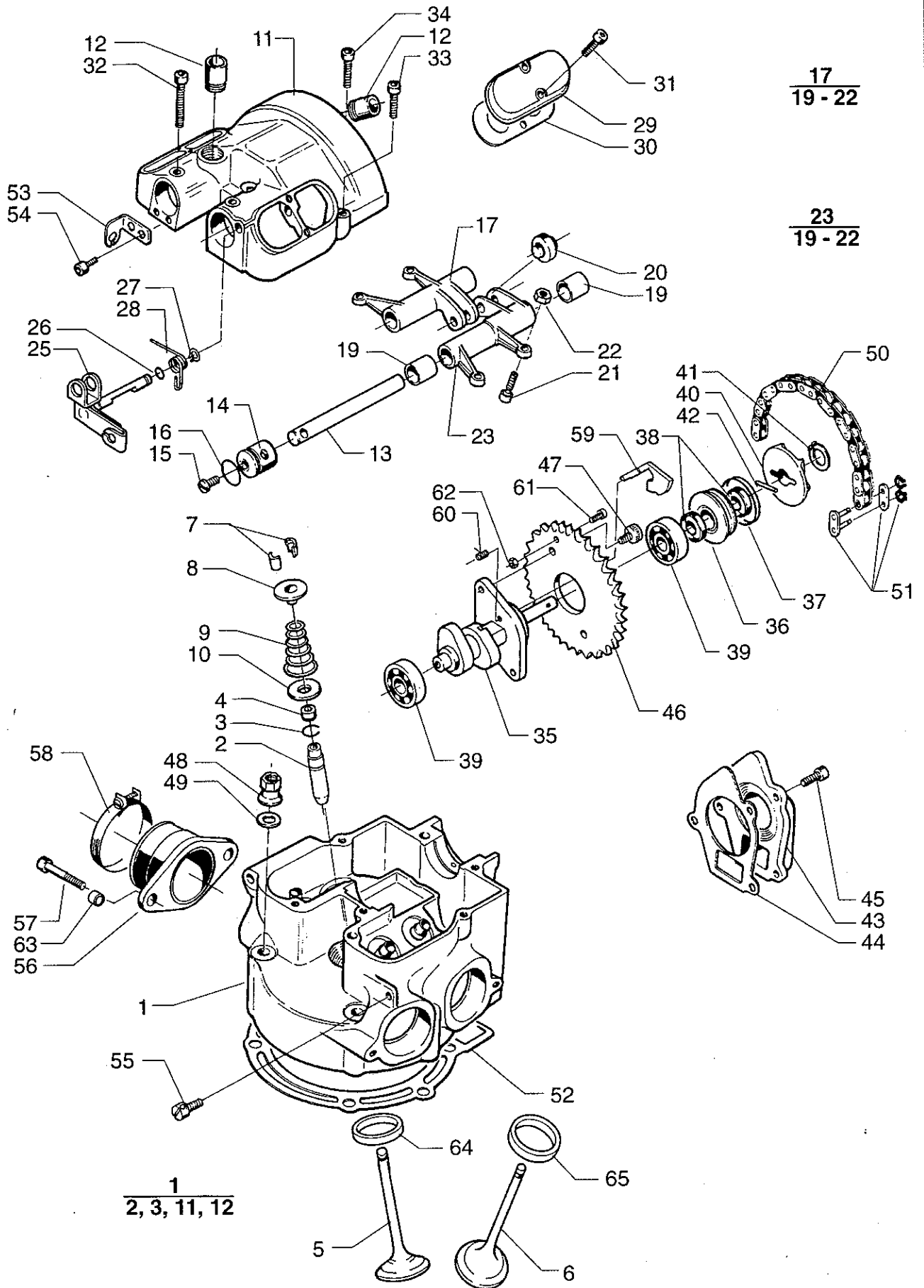


COOLING & EXHAUST

Pos.	Part No	Quantity/Model				Description	Remarks
		FE	FC	FX	FEE		
1	150 120-06	1			1	Silencer stainless steel/aluminium cpl.FE/FEE 00-	
1	150 120-07			1		Silencer stainless steel/aluminium cpl FX 00-	
1	150 171-01		1			Silencer titan/aluminium FC 00-	
2	150 181-01	1				Exhaustpipe right stainless steel FE 400 00-	
2	150 183-01	1				Exhaustpipe right stainless steel FE 501 00-	
2	150 185-01	1				Exhaustpipe right stainless steel FE 600 00-	
2	150 172-01		1			Exhaustpipe right titanium FC 501 00-	
2	150 174-01		1			Exhaustpipe right titanium FC 600 00-	
3	150 182-01	1	1			Exhaustpipe left stainless steel FE 400 00-	
3	150 184-01	1				Exhaustpipe left stainless steel FE 501 00-	
3	150 186-01	1				Exhaustpipe left stainless steel FE 600 00-	
3	150 173-01		1			Exhaustpipe left titanium FC 500 00-	
3	150 175-01		1			Exhaustpipe left titanium FC 600 00-	
4	150 032-01	1		1	1	Stuffing yarn 97-	
4			1			Stuffing yarn FC 00-	
5	150 168-01	1		1	1	Attachment silencer 00-	
6	306 520-41	2	2	2	2	Screw MC6S 6X20 00-	
7	326 013-01	6	6	6	6	Washer 6.7X12X1.5 00-	
8	306 540-22	1	1	1	1	Screw front 6X40 99-	
8	306 545-22	1	1	1	1	Screw 6x45	
9	316 811-22	3	3	3	3	Locknut M6 99-	
	326 012-01	4	4	4	4	Washer 6,4x12x1,5 silencer 99-	
10	150 146-01	4	4	4	4	Spacer silencer 99-	
11	150 147-01	2	2	2	2	Rubber tube silencer 99-	
12	150 169-01	1	1	1	1	Radiator 00-	
13	160 173-01	4	4	4	4	Radiatorprotection left 00-	
14	150 021-01	1	1	1	1	Radiator cap 1.4 89-	
15	150 174-01	4	4	4	4	Radiatorprotection right 00-	
16	150 025-01	3	3	3	3	Vibrationdamper 25X15 89-	
17	150 026-01	1	1	1	1	Radiatorhose lower 600 92-	
17	150 026-02	1	1	1	1	Radiatorhose lower 350 90- / 400 96- / 501 89-	
18	150 065-01	1	1	1	1	Radiatorhose upper 501 89-93 / 600 92-	
18	150 065-02	1	1	1	1	Radiatorhose upper 350 90- / 400 96- / 501 94-	
19	150 028-01	4	4	4	4	Clamp radiatorhose 89-	
20	150 024-01	1	1	1	1	Pressurerelease hose 89-	
21	316 801-22	3	3	3	3	Locknut M6 low 89-	
22	340 009-01	8	8	8	8	O-ring pin radiatorprotection 00-	
23	326 022-01	1		1	1	Washer silencer 00-	
24	306 530-22	1		1	1	Screw lower silencer 00-	
25	306 545-22	1		1	1	Screw rear MC6S 6x45 00-	
26	160 179-01	4	4	4	4	Bracket radiator screen 00-	
27	406 110-22	2	2	2	2	Screw 6x10	
29	150 150-01	2	2	2	2	Spring (long) exhaustsystem 00-	
32	150 122-03	1		1	1	Front end silencer 00-	
33	150 127-03		1			Rear end silencer FC 99-	
33	150 128-03	1			1	Rear end silencer FE/FEE 99-	
35	150 176-01		1			cpl sats	

HUSABERG

MOTOR AB · SWEDEN



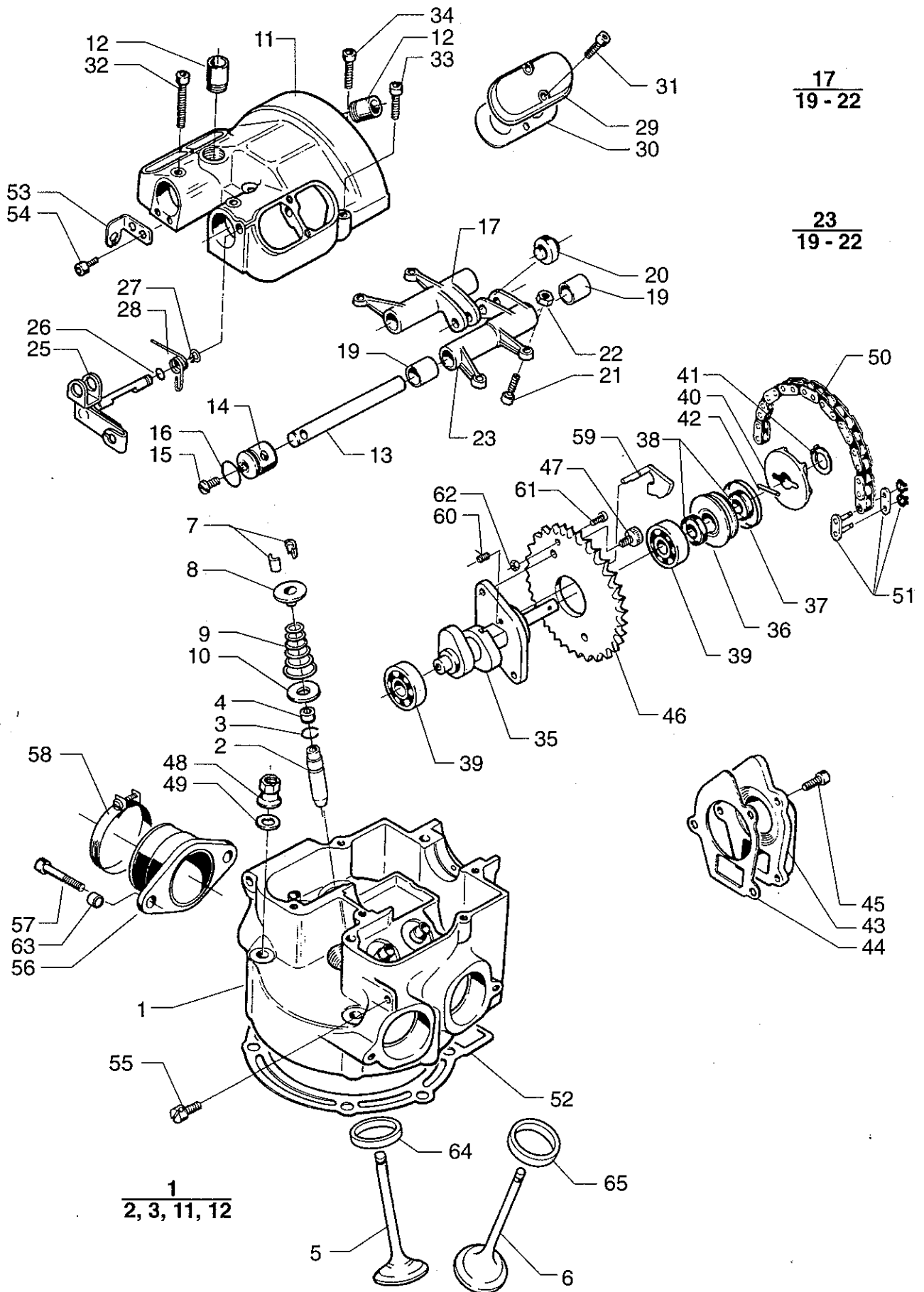
17
19-22

23
19-22

1
2, 3, 11, 12

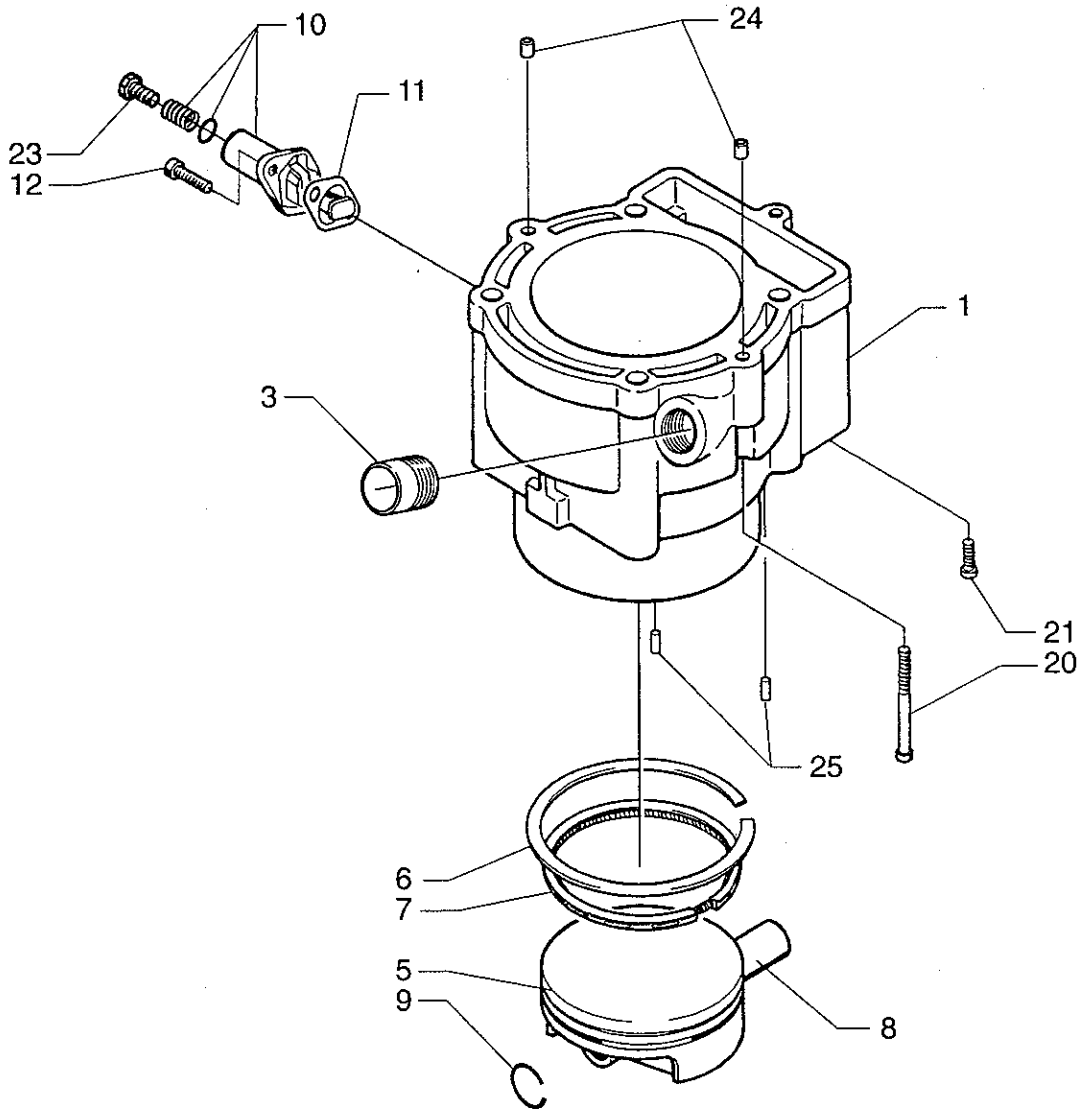
CYLINDER HEAD

Pos.	Part No	Quantity/Model				Description	Remarks
		FE	FC	FX	FEE		
1	200 219-01	1	1	1	1	Cylinderhead incl.rockerarm-cover 400cc 00-	Incl. valveseats & guides
1	200 218-01	1	1	1	1	Cylinderhead incl.rockerarm-cover 501/ 600 00-	Incl. valveseats & guides
2	200 214-01	4	4	4	4	Valve guide 00-	
3	330 001-01	4	4	4	4	Circlip SW 11 89-	
4	200 054-01	4	4	4	4	Seal valvegide 89-	
5	200 082-01	2	2	2	2	Intake valve 400 96-	
5	200 007-01	2	2	2	2	Intake valve 501/ 600 89-	
6	200 083-01	2	2	2	2	Exhaust valve 400 96-	
6	200 008-01	2	2	2	2	Exhaust valve 501/ 600 89-	
7	200 009-01	8	8	8	8	Valvespring cotters 89-	
8	200 194-01	4	4	4	4	Valvespring retainer 99-	
9	200 210-01	4	4	4	4	Valvespring 99-	
10	200 195-01	4	4	4	4	Shims valve spring 99-	
11	200 013-02	1	1	1	1	Rockerarm-cover 50mm 96-	
12	200 057-01	2	2	2	2	Radiatorhose connection 89-	
13	200 014-01	2	2	2	2	Rockerarm shaft ϕ 12 mm 96-	
14	200 143-01	2	2	2	2	Endplug rockerarm shaft ϕ 12/20 mm 96-	
15	305 306-12	2	2	2	2	Screw MSCS 5x6 89-	
16	340 019-01	2	2	2	2	O-ring 19.1x1.6 95-	
17	200 147-02	1	1	1	1	Rockerarm intake compl. 400 96-	
17	200 147-01	1	1	1	1	Rockerarm intake compl. 501-600 96-	
19	200 146-01	4	4	4	4	Bushing ϕ 12 mm 96-	
20	200 019-01	2	2	2	2	Rockerarm roller 89-	
21	200 171-01	4	4	4	4	Valve adjustment screw 96-	
22	200 021-01	4	4	4	4	Valve adjustment locknut 89-	
23	200 148-02	1	1	1	1	Rockerarm exhaust compl. 400 96-	
23	200 148-01	1	1	1	1	Rockerarm exhaust compl. 501-600 96-	
25	200 217-01	1	1	1	1	Decompression valve lifter 00-	
26	340 005-01	1	1	1	1	O-ring 5.1x1.6 89-	
27	330 008-01	1	1	1	1	Circlip SGA 8 89-	
28	200 058-01	1	1	1	1	Decompression recoil spring 89-	
29	200 026-01	2	2	2	2	Valve cover 89-	
30	200 027-01	2	2	2	2	Gasket valve cover 89-	
31	305 516-22	4	4	4	4	Screw M5x16 89-	



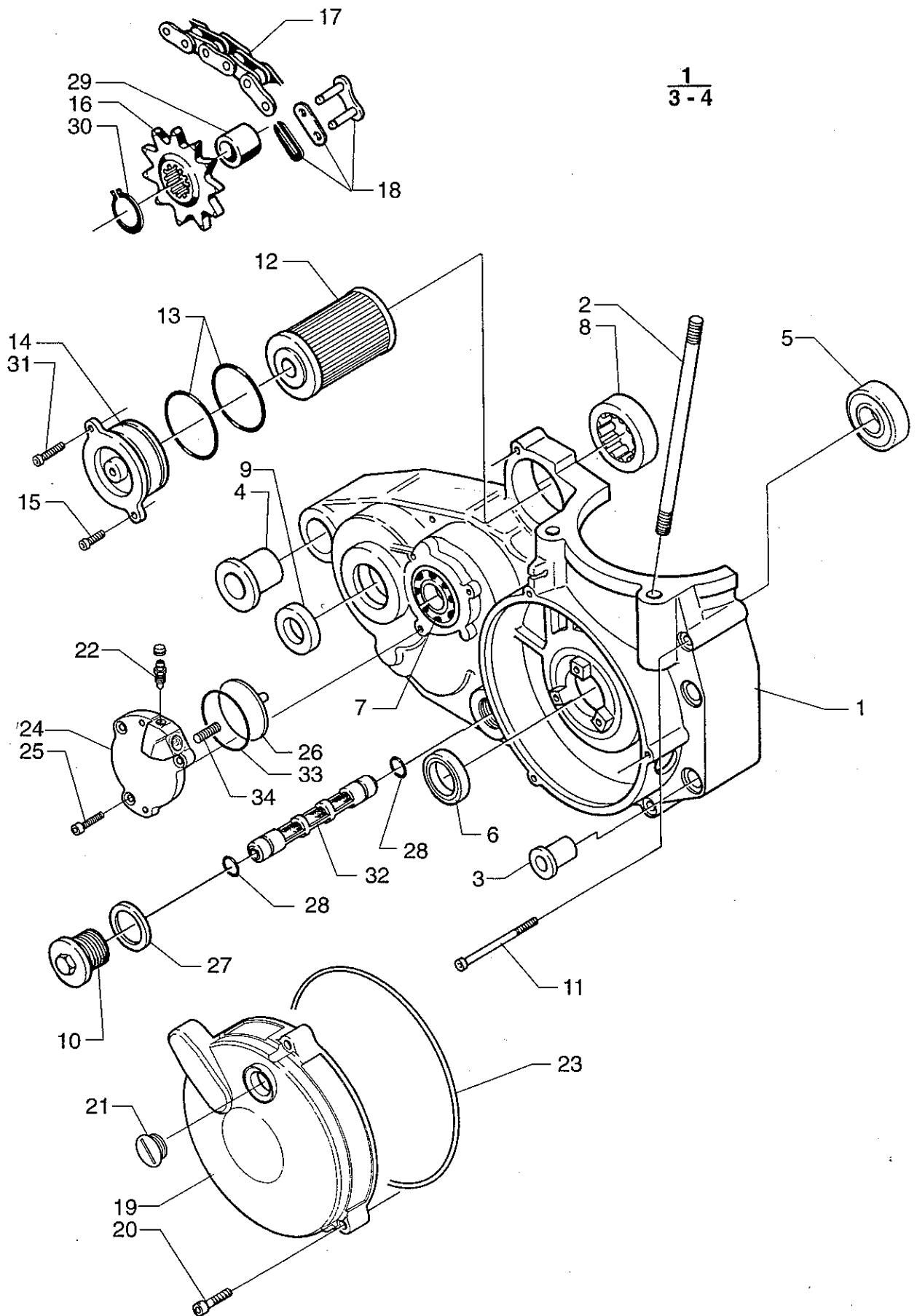
CYLINDER HEAD

Pos.	Part No	Quantity/Model				Description	Remarks
		FE	FC	FX	FEE		
32	306 550-22	2	2	2	2	Screw MC6S 6x50 89-	
33	306 545-22	3	3	3	3	Screw MC6S 6x45 89-	
34	306 525-22	2	2	2	2	Screw MC6S 6x25 89-	
35	200 160-53	1	1			Camshaft FC/FE 400 97-	
35	200 160-55	1	1	1	1	Camshaft FC/FE/FEE 501/600 97-	
36	200 029-01	1	1	1	1	Seal support 89-	
37	340 029-01	2	2	2	2	O-ring 29.1x1.6 89-	
38	350 000-01	2	2	2	2	Sealing 10x18x4/4.8 89-	
39	360 000-01	2	2	2	2	Ballbearing 89-	
40	200 167-01	1	1	1	1	Waterpump rotor 96-	
41	330 010-01	1	1	1	1	Circlip SGA 10 89-	
42	370 013-01	1	1	1	1	Steelpin 3x14 89-	
43	200 166-01	1	1	1	1	Waterpump cover 96-	
44	200 168-01	1	1	1	1	Gasket waterpump cover 96-	
45	305 512-22	3	3	3	3	Screw M5x12 89-	
46	200 158-01	1	1	1	1	Timing sprocket 97-	
47	308 512-21	2	2	2	2	Screw MC6LS 8x12 89-	
48	200 035-01	4	4	4	4	Nut cylinderstud 89-	
49	320 018-01	4	4	4	4	Washer 10x18x2 89-	
50	200 045-02	1	1	1	1	Timingchain 78 L 400 96- / 501 94-	
50	200 045-03	1	1	1	1	Timingchain 82 L 600 92-	
51	200 066-01	1	1	1	1	Timingchain lock 89-	
52	200 046-01	1	1	1	1	Cylinderhead gasket 400 96-	
52	200 075-01	1	1	1	1	Cylinderhead gasket 501 94- / 600 92-	
53	230 045-01	1	1		1	Decompression valve lifter bracket FC/FE 89-	
54	305 510-22	2	2	2	2	Screw MC6S 5x10 89-	
55	230 044-01	1	1			Wireholder manual decompression wire 89-	
56	250 243-01	1	1	1	1	Intake manifold 400 00-	
56	250 244-01	1	1	1	1	Intake manifold 501/600 00-	
57	306 520-22	2	2	2	2	Screw MC6S 6x20 89-	
58	250 012-01	1	1	1	1	Clamp 89-	
59	200 159-01	1	1	1	1	Aut.decompression device (weight) 95-	
60	200 161-01	1	1	1	1	Recoilspring aut.decompression device 95-	
61	305 510-42	1	1	1	1	Stop screw decompression device 97-	
62	315 601-22	1	1	1	1	Locknut M5 89-	
63	250 230-01	2	2	2	2	Spacer inlet rubber 00-	
64	200 211-01	2	2	2	2	Valve seat inlet 500/600cc 00-	
65	200 212-01	2	2	2	2	Valve seat exhaust 500/600cc+ Inlet 400cc 00-	
65	200 213-01	2		2	2	Valve seat 400cc exhaust 00-	



CYLINDER

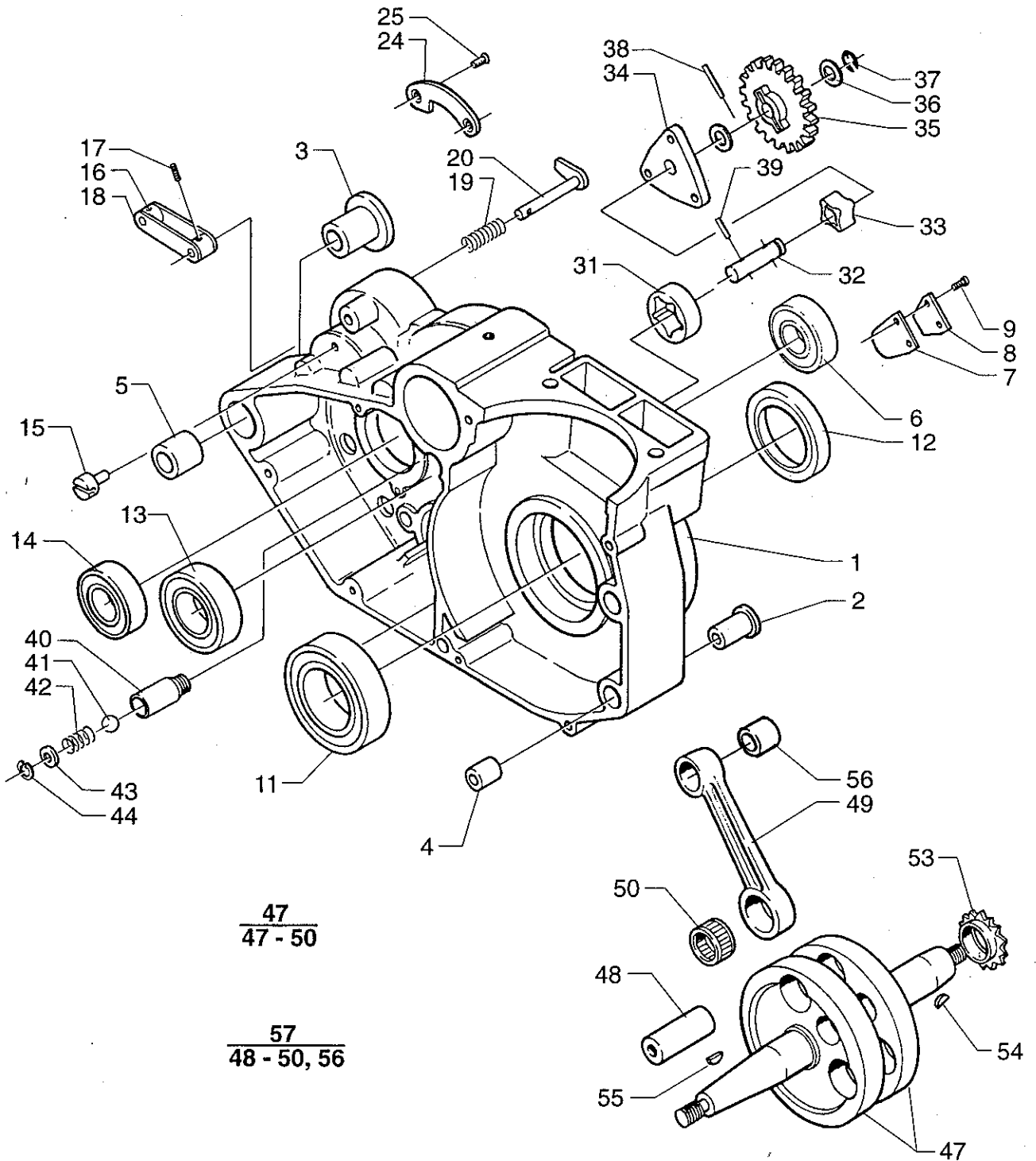
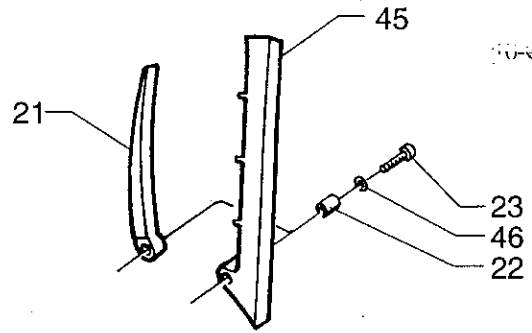
Pos.	Part No	Quantity/Model				Description	Remarks
		FE	FC	FX	FEE		
1	200 050-02	1	1	1	1	Cylinder compl. 400 96-	Incl. 200 057-01
1	200 122-02	1	1	1	1	Cylinder compl. 501 94-	Incl. 200 057-01
1	200 122-01	1	1	1	1	Cylinder compl. 600 92-	Incl. 200 057-01
3	200 057-01	1	1	1	1	Radiatorhose connecting 89-	
5	200 191-01	1	1	1	1	Piston 400 (3-piece oilring) 96-	Ex.rings, clips, gudgeon pin
5	200 141-01	1	1	1	1	Piston 501 94- / 600 92-	Ex.rings, clips, gudgeon pin
6	200 078-01	1	1	1	1	Pistonring 400 96-	
6	200 069-01	1	1	1	1	Pistonring 501 94- / 600 92-	
7	200 079-01	1	1	1	1	Oilring 400 96-	
7	200 142-01	1	1	1	1	Oilring 501 94- / 600 92-	
8	200 165-01	1	1	1	1	Gudgeon pin 400 96-	
8	200 055-01	1	1	1	1	Gudgeon pin 501 89- / 600 92-	
9	200 097-01	2	2	2	2	Clips gudgeon pin 400 96-	
9	200 056-01	2	2	2	2	Clips gudgeon pin 501 89- / 600 92-	
10	200 052-01	1	1	1	1	Camchain tensioner 89-	
11	200 053-01	1	1	1	1	Gasket camchain tensioner 89-	
12	306 516-22	2	2	2	2	Screw MC6S 6x16 89-	
20	306 545-22	2	2	2	2	Screw MC6S 6x45 89-	
21	306 535-22	1	1	1	1	Screw MC6S 6x35 89-	
23	200 106-01	1	1	1	1	Screw camchain tensioner 89-	
24	220 022-01	2	2	2	2	Steering pin cylinderhead/cylinder 99-	
25	370 013-01	2	2	2	2	Steering pin crankcase/cylinder 97-	
	200 182-01	1	1	1	1	Piston (3-piece oilring) complete 400 96-	Incl. Pos. No. 5, 6, 7, 8, 9.
	200 184-01	1	1	1	1	Piston complete 501 94- / 600 92-	Incl. Pos. No. 5, 6, 7, 8, 9.



CRANKCASE RIGHT

Pos.	Part No.	Quantity/Model				Description	Remarks
		FE	FC	FX	FEE		
1		1	1			Crankcase right half 00-	
2	200 092-01	4	4			Cylinderstud 400 96- / 501 94-	
2	200 105-01	4	4			Cylinderstud 600 92-	
3	220 006-01	2	2			Flange bushing front 89-	
4	220 007-01	1	1			Flange bushing rear 89-	
5	360 001-01	1	1			Ballbearing 89-	
6	350 008-01	1	1			Seal ring ignition 25x40x7 99-	
7	360 002-01	1	1			Ballbearing 95-	
8	360 017-01	1	1			Rollerbearing 94-	
9	350 006-01	1	1			Seal ring 30x42x7 94-	
10	220 051-01	1	1			Oil drain plug 97-	
11	306 550-22	8	8			Screw MC6S 6x50 89-	
12	260 060-01	1	1			Oilfilter 97-	Outlet part
13	340 073-01	2	2			O-ring oilfilter cover 97-	
14	220 050-01	1	1			Cover oilfilter 97-	
15	305 512-22	1	1			Screw MC6S 5x12 97-	
16	260 001-03	1	1			Sprocket Z=13 89-	
16	260 001-04	1	1			Sprocket Z=14 89-	
16	260 001-05	1	1			Sprocket Z=15 89-	
16	260 001-06	1	1			Sprocket Z=16 89-	
17	190 002-02	1	1			Drivechain 112 L 89-	
17	190 002-03	1	1			Drivechain 114 L 89-	
17	190 002-04	1	1			Drivechain 116 L 89-	
18	190 001-01	1	1			Master link 89-	
19	220 060-01	1	1			Ignition cover 99-	
20	306 630-22	3	3			Screw MC6S 6x30 99-	
21	250 204-01	1	1			Inspection plug ignition cover 99-	
22	170 074-01	1	1			Air nipple 00-	
23	340 060-01	1	1			O-ring ignition cover 00-	
24	230 127-01	1	1			Cluth cover cylinder 00-	
25	305 512-22	3	3			Screw MC6S 5x12 00-	
26	230 128-01	1	1			Cluth slave piston 00-	
27	324 034-01	1	1			Washer oil drainplug 97-	
28	340 040-01	2	2			O-ring oilfilter 97-	
29	240 046-01	1	1			Spacer sprocket 94-	
30	330 025-01	1	1			Circlip SGA 25 94-	
31	305 530-22	1	1			Screw MC6S 5x30 00-	
32	260 052-01	1	1			Oilfilter 97-	inletpart
33	340 031-01	1	1			O-ring slave piston cluth 00-	
34	230 129-01	1	1			Return spring clutch 00-	
	260 062-01	1	1			Gasket kit 400 97-	
	260 062-02	1	1			Gasket kit 501/600 97-	

$\frac{1}{2-3}$



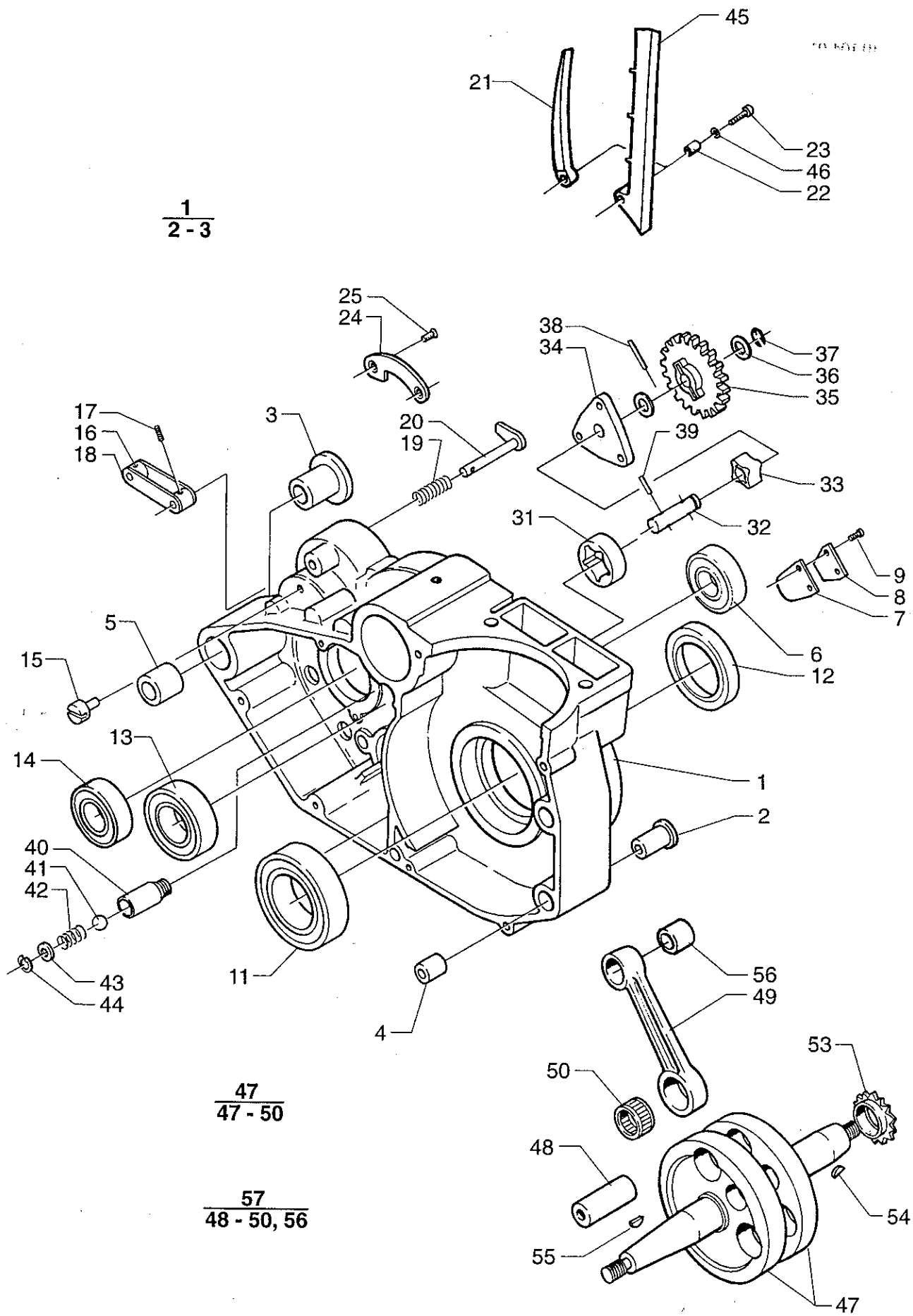
$\frac{47}{47-50}$

$\frac{57}{48-50, 56}$

CRANKCASE LEFT

Pos.	Part No.	Quantity/Model				Description	Remarks
		FE	FC	FX	FEE		
1	220 049-01	1	1			Crankcase left half 99-	
2	220 006-01	2	2			Flange bushing front 89-	
3	220 007-01	1	1			Flange bushing rear 89-	
4	220 011-01	1	1			Dowl crankcase front 89-	
5	220 012-01	1	1			Dowl crankcase rear 89-	
6	360 026-01	1	1			Ballbearing linkroller 97-	ø 42 mm
7	220 013-01	1	1			Reed valve 89-	
8	220 020-01	1	1			Reed valve support 89-	
9	304 306-12	2	2			Screw MSCS 4x6 89-	
11	360 001-01	1	1			Ballbearing 89-	
12	350 003-01	1	1			Seal ring 30x52x7 89-	
13	360 004-01	1	1			Ballbearing 89-	
14	360 002-01	2	2			Ballbearing 89-	
15	230 044-01	1	1			Holder decompression wire lower 89-	
16	230 054-01	1	1			Decompression lever 89-	
17	305 510-22	1	1			Screw MC6S 5x10 89-	
18	230 065-01	1	1			Nipple decompression wire 89-	
19	230 037-01	1	1			Recoilspring decomp.lever kickstarter 89-	
20	230 050-01	1	1			Decompressionlever kickstarter 89-	
21	200 135-01	1	1			Camchain tensioner 98-	
22	200 186-01	2	2			Dowl camshain tensioner/camshain guide 98-	
23	306 525-22	1	1			Screw back camchain tensioner MC6S 6x25 98-	
23	306 625-22	1	1			Screw front camchain guide M6S 6x25 98-	
24	230 039-01	1	1			Engagement sledge 89-	
25	305 410-12	2	2			Screw MFX 5x10 89-	
31		1	1			Outer rotor oilpump 97-	Only available in kit 260 061-01
32	260 054-01	1	1			Shaft oilpump 97-	
33		1	1			Inner rotor oilpump 97-	
34	260 053-01	1	1			Cover oilpump 97-	
35	260 055-01	1	1			Intermediate gearwheel oilpump 97-	
36	260 056-01	2	2			Washer 97-	
37	260 057-01	1	1			Circlip oilpump 97-	
38	370 006-01	1	1			Pin (long) 97-	
39	370 005-01	1	1			Pin (short) 97-	
40	260 036-01	1	1			Body oilpressurerelease valve 95-	
41	360 024-01	1	1			Steelball oilpressurerelease 95-	
42	260 038-01	1	1			Spring oilpressurerelease 95-	
43	260 037-01	1	1			Washer oilpressurerelease 95-	
44	330 015-01	1	1			Circlip sgH15 95-	
45	200 185-01	1	1			Camchain guide 98-	
46	326 012-01	2	2			Washer camchain guides 98-	

$\frac{1}{2-3}$

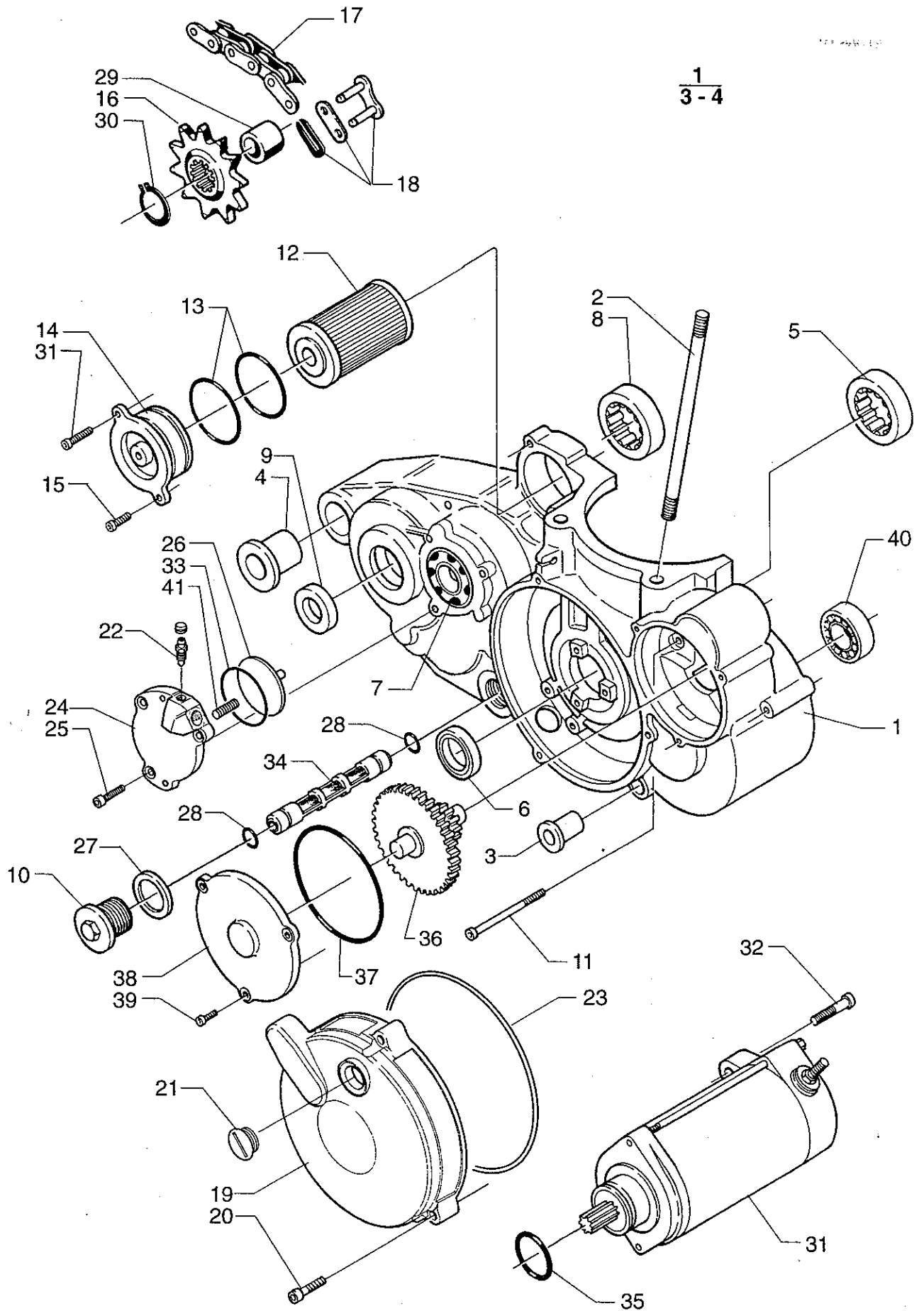


$\frac{47}{47-50}$

$\frac{57}{48-50, 56}$

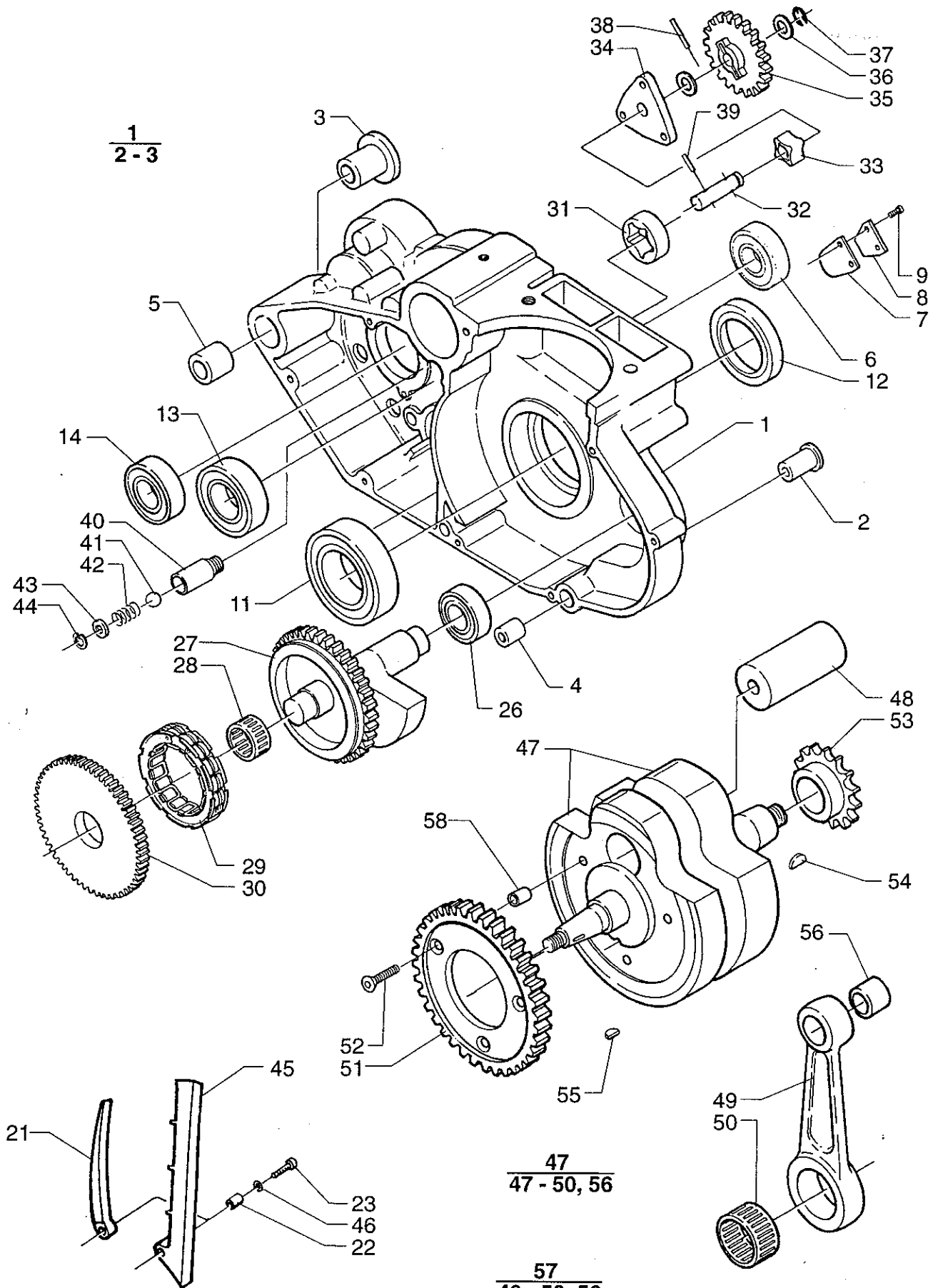
CRANKCASE LEFT

Pos.	Part No.	Quantity/Model				Description	Remarks
		FE	FC	FX	FEE		
47	210 104-01	1	1			Crankshaft compl. 400 FE/FC 99-	
47	210 141-01	1	1			Crankshaft compl. 501 FE/FC 00-	
47	210 143-01	1				Crankshaft compl. 600 FE 00-	
47	210 146-01		1			Crankshaft compl. 600 FC 00-	
48	210 004-01	1	1			Crankpin 95-	
49	210 029-01	1	1			Connecting rod 400 96-	
49	210 075-01	1	1			Connecting rod 501 95-	
49	210 052-01	1	1			Connecting rod 600 95-	
50	210 065-01	1	1			Needlebearing connecting rod 95-	
53	200 043-01	1	1			Crankshaft sprocket 95-	
54	200 044-01	1	1			Woodruff key timing sprocket crankshaft 95-	
55	250 004-01	1	1			Woodruff key flywheel 95-	
56	210 017-01	1	1			Bushing connecting rod 400 96-	
56	210 014-01	1	1			Bushing connecting rod 501/600 95-	
57	210 050-01	1	1			Connecting rod kit 400 96-	Incl. Pos. No. 48, 49, 50, 56.
57	210 058-01	1	1			Connecting rod kit 501 95-	Incl. Pos. No. 48, 49, 50, 56.
57	210 053-01	1	1			Connecting rod kit 600 95-	Incl. Pos. No. 48, 49, 50, 56.
	260 061-01	1	1			Repair kit oilpump 97-	Incl. Pos. No. 31, 32, 33.



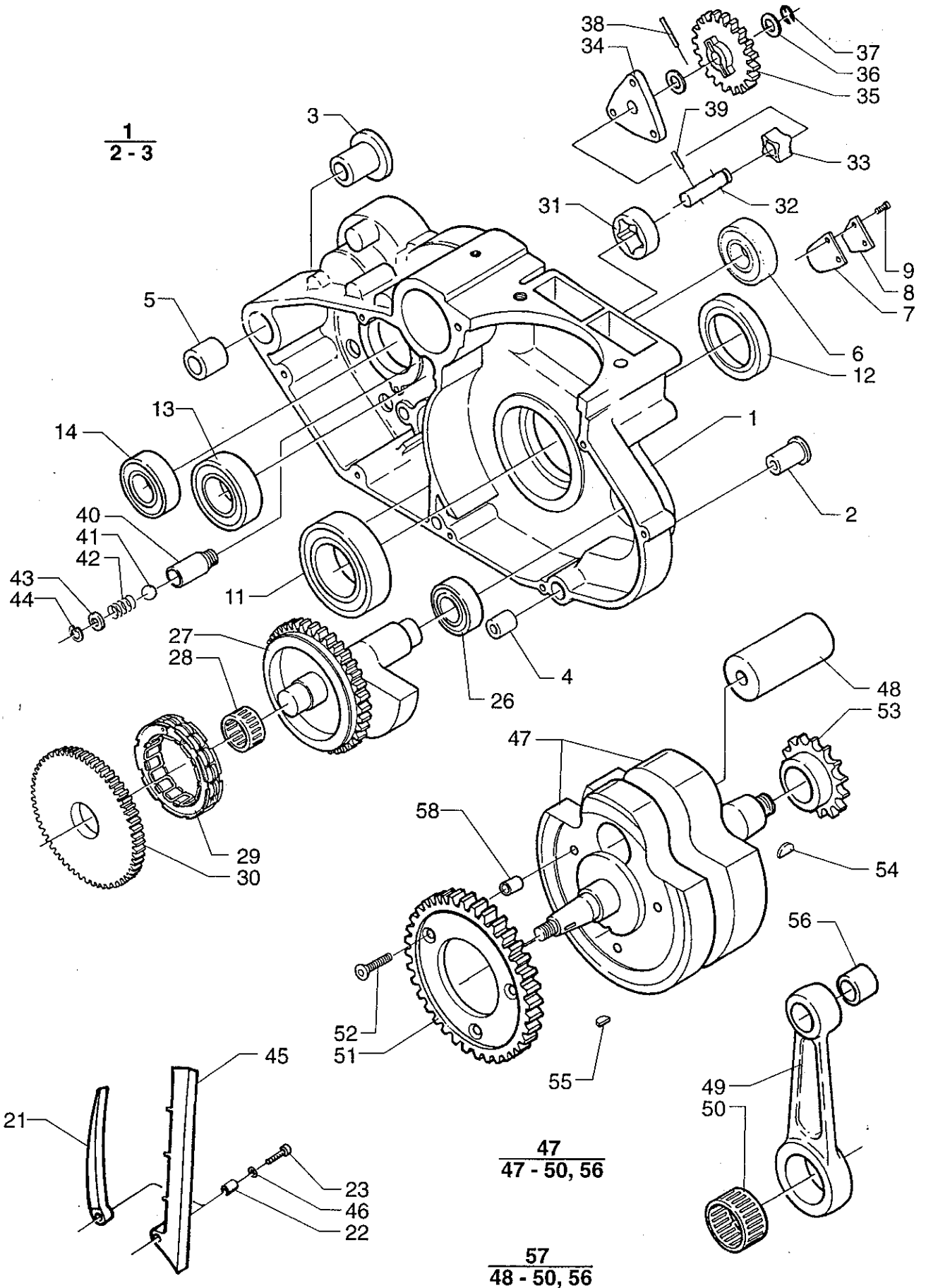
CRANKCASE RIGHT EL. STARTER

Pos.	Part No.	Quantity/Model				Description	Remarks
		FE	FC	FX	FEE		
1	220 066-01			1	1	Crankcase right half 00-	
2	200 092-01			4	4	Cylinderstud 400 96- / 501 94-	
2	200 105-01			4	4	Cylinderstud 600 92-	
3	220 006-01			1	1	Flange bushing front 89-	
4	220 007-01			1	1	Flange bushing rear 89-	
5	360 017-01			1	1	Rollerbearing 94-	
6	350 008-01			1	1	Seal ring 25x40x7 99-	
7	360 002-01			1	1	Ballbearing 95-	
8	360 017-01			1	1	Rollerbearing 94-	
9	350 006-01			1	1	Seal ring 30x42x7 94-	
10	220 051-01			1	1	Oil drain plug 97-	
11	306 550-22			8	8	Screw MC6S 6x50 89-	
12	260 060-01			1	1	Oilfilter 97-	Outlet part
13	340 073-01			2	2	O-ring oilfilter cover 97-	
14	220 050-01			1	1	Cover oilfilter 97-	
15	305 512-22			2	2	Screw MC6S 5x12 97-	
16	260 001-03			1	1	Sprocket Z=13 89-	
16	260 001-04			1	1	Sprocket Z=14 89-	
16	260 001-05			1	1	Sprocket Z=15 89-	
17	190 002-02			1	1	Drivechain 112 L 89-	
17	190 002-03			1	1	Drivechain 114 L 89-	
17	190 002-04			1	1	Drivechain 116 L 89-	
18	190 001-01			1	1	Master link 89-	
19	220 060-01			1	1	Ignition cover 99-	
20	306 630-22			3	3	Screw MC6S 6x30 99-	
21	250 204-01			1	1	Inspection plug ignition cover 99-	
22	170 074-01			1	1	Air nipple 00-	
23	340 060-01			1	1	O-ring ignition cover 00-	
24	230 127-011			1	1	Cluth cover cylinder 00-	
25	305 512-22			3	3	Screw MC6S 5x12 00-	
26	230 128-01			1	1	Cluth slave piston 00-	
27	324 034-01			1	1	Washer oil drain plug 97-	
28	340 040-01			2	2	O-ring oilfilter 97-	
29	240 046-01			1	1	Spacer sprocket 94-	
30	330 025-01			1	1	Circlip SGA 25 94-	
31	250 240-01			1	1	Electric starter 00-	
32	308 530-22			2	2	Screw MC6S 8x30 00-	
33	340 031-01			1	1	O-ring slave piston cluth 00-	
34	260 052-01			1	1	Oilfilter 97-	Inlet part
35	340 024-01			1	1	O-ring electric starter 95-	
36	250 156-01			1	1	Gearwheel starter/balancer 97-	
37	340 064-01			1	1	O-ring cover electric starter gearwheel 95-	
38	220 034-01			1	1	Cover electric starter gearwheel 95-	
39	305 512-22			3	3	Screw MC6S 5x12 95-	
40	360 030-01			1	1	Rollerbearing 97-	
41	230 129-01	1	1			Return spring cluth 00-	
	260 062-01			1	1	Gasket kit 400 97-	
	260 062-02			1	1	Gasket kit 501/600 97-	



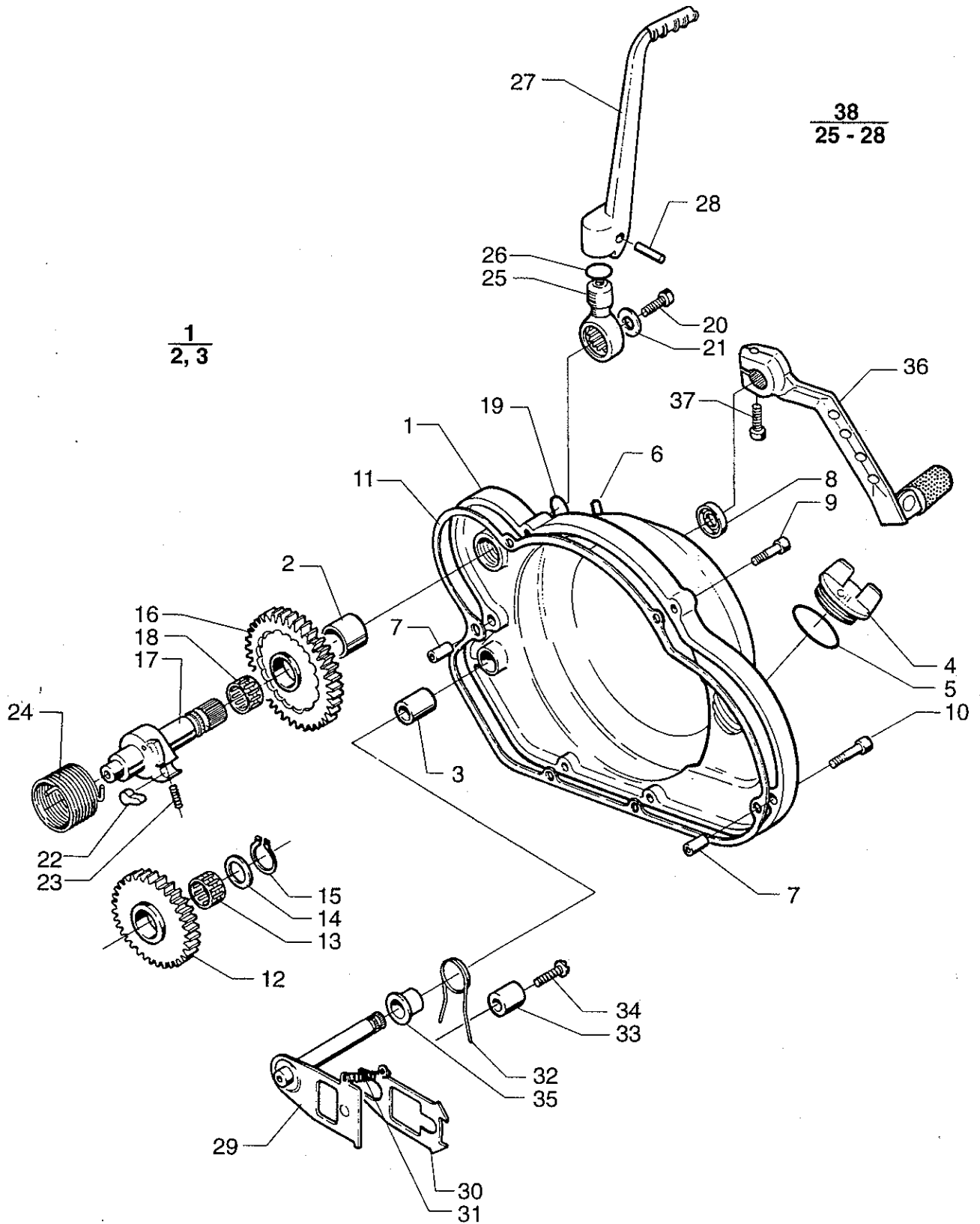
CRANKCASE LEFT EL. STARTER

Pos.	Part No.	Quantity/Model				Description	Remarks
		FE	FC	FX	FEE		
1	220 047-01			1	1	Crankcase left half 97-	
2	220 006-01			1	1	Flange bushing front 89-	
3	220 007-01			1	1	Flange bushing rear 89-	
4	220 011-01			1	1	Dowl crankcase front 89-	
5	220 012-01			1	1	Dowl crankcase rear 89-	
6	360 026-01			1	1	Ballbearing 97-	ø 42 mm
7	220 013-01			1	1	Reed valve 89-	
8	220 020-01			1	1	Reed valve support 89-	
9	304 306-12			2	2	Screw MSCS 4x6 89-	
11	360 001-01			1	1	Ballbearing 89-	
12	350 003-01			1	1	Seal ring 30x52x7 89-	
13	360 004-01			1	1	Ballbearing 89-	
14	360 002-01			2	2	Ballbearing 89-	
21	200 135-01			1	1	Camchain tensioner 98-	
22	200 186-01			2	2	Dowl camshain tensioner/camchain guide 98-	
23	306 525-22			1	1	Screw back camchain tensioner MC6S 6x25 98-	
23	306 625-22			1	1	Screw front camchain guide M6S 6x25 98-	
26	360 002-01			1	1	Ballbearing	
27	210 078-06			1	1	Counter balancer 400 97-	
27	210 078-05			1	1	Counter balancer 501 97-	
27	210 078-04			1	1	Counter balancer 600 97-	
28	360 029-01			1	1	Needlebearing 97-	
29	250 153-01			1	1	Freewheel clutchmechanism 97-	
30	250 157-01			1	1	Gearwheel starter (on counter balancer) 97-	
31				1	1	Outer rotor oilpump 97-	Only available in kit 260 061-01
32	260 054-01			1	1	Shaft oilpump 97-	Only available in kit 260 061-01
33				1	1	Inner rotor oilpump 97-	
34	260 053-01			1	1	Cover oilpump 97-	
35	260 055-01			1	1	Intermediate gearwheel oilpump 97-	
36	260 056-01			2	2	Washer 97-	
37	260 057-01			1	1	Circlip oilpump 97-	
38	370 006-01			1	1	Pin (long) 97-	
39	370 005-01			1	1	Pin (short) 97-	
40	260 036-01			1	1	Body oilpressurerelief valve 95-	
41	360 024-01			1	1	Steelball oilpressurerelief 95-	
42	260 038-01			1	1	Spring oilpressurerelief 95-	
43	260 037-01			1	1	Washer oilpressurerelief 95-	
44	330 015-01			1	1	Circlip sgH15 95-	
45	200 185-01			1	1	Camchain guide 98-	
46	326 012-01			2	2	Washer camchain guides 98-	



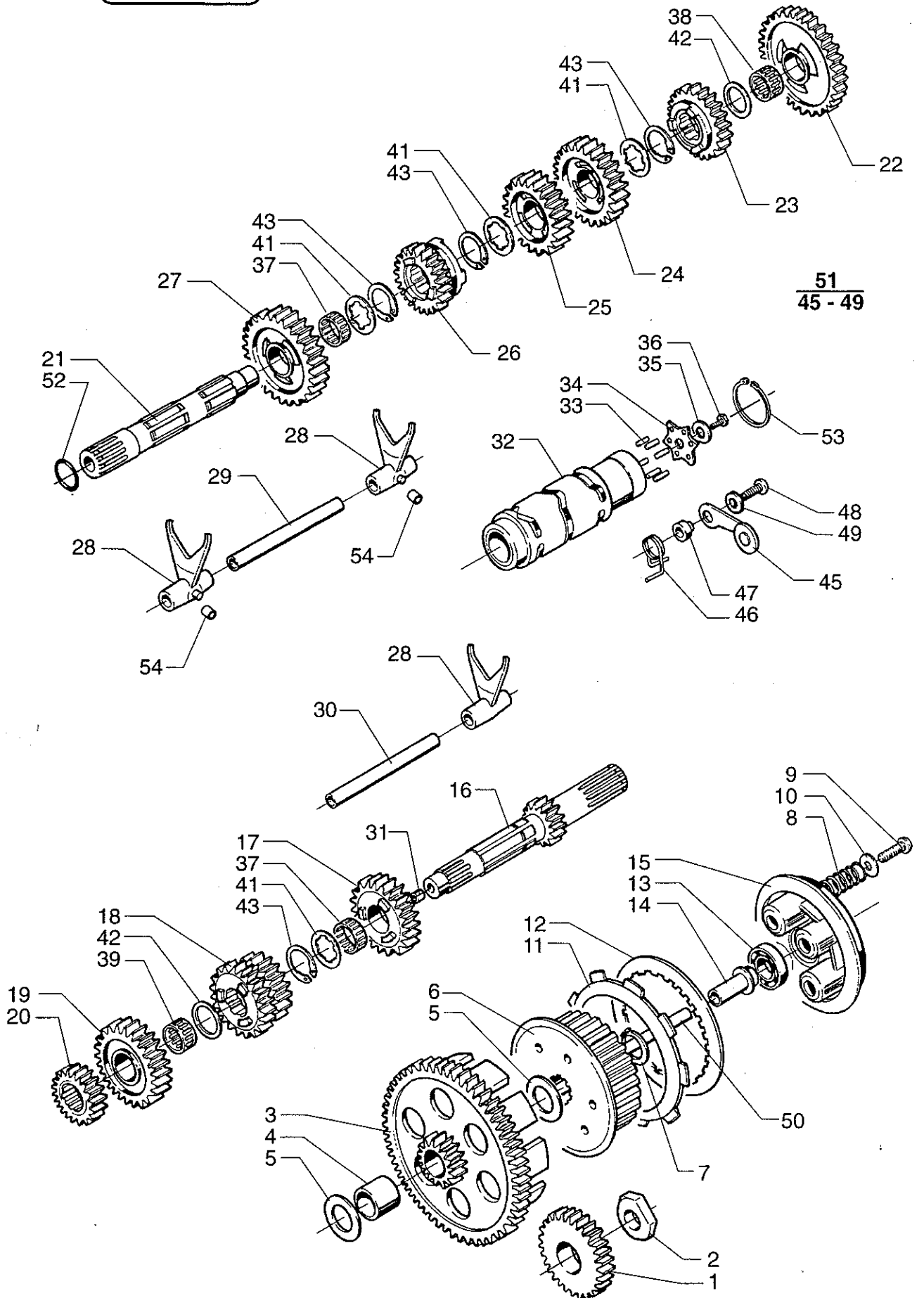
CRANKCASE LEFT EL. STARTER

Pos.	Part No.	Quantity/Model				Description	Remarks
		FE	FC	FX	FEE		
47	210 110-01			1	1	Crankshaft 400 99-	
47	210 112-01			1	1	Crankshaft 501 99-	
47	210 114-01			1	1	Crankshaft 600 99-	
48	210 004-01			1	1	Crankpin 95-	
49	210 029-01			1	1	Connecting rod 400 96-	
49	210 075-01			1	1	Connecting rod 501 95-	
49	210 052-01			1	1	Connecting rod 600 95-	
50	210 065-01			1	1	Needlebearing connecting rod 95-	
51	210 131-01			1	1	Gearwheel (crankshaft/counterbalancer) 00-	
52	306 025-31			3	3	Screw gearwheel crankshaft 00-	
53	200 043-01			1	1	Crankshaft sprocket 95-	
54	200 044-01			1	1	Woodruff key timing sprocket crankshaft 95-	
55	250 004-01			1	1	Woodruff key flywheel 95-	
56	210 017-01			1	1	Bushing connecting rod 400 96-	
56	210 014-01			1	1	Bushing connecting rod 501/600 95-	
57	210 050-01			1	1	Connecting rod kit 400 96-	Incl. Pos. No. 48, 49, 50, 56.
57	210 058-01			1	1	Connecting rod kit 501 95-	Incl. Pos. No. 48, 49, 50, 56.
57	210 053-01			1	1	Connecting rod kit 600 95-	Incl. Pos. No. 48, 49, 50, 56.
58	210 132-01			3	3	Dowl gearwheel crankshaft 00-	
	260 061-01			1	1	Repair kit oilpump 97-	Incl. Pos. No. 31, 32, 33.



TRANSMISSION COVER

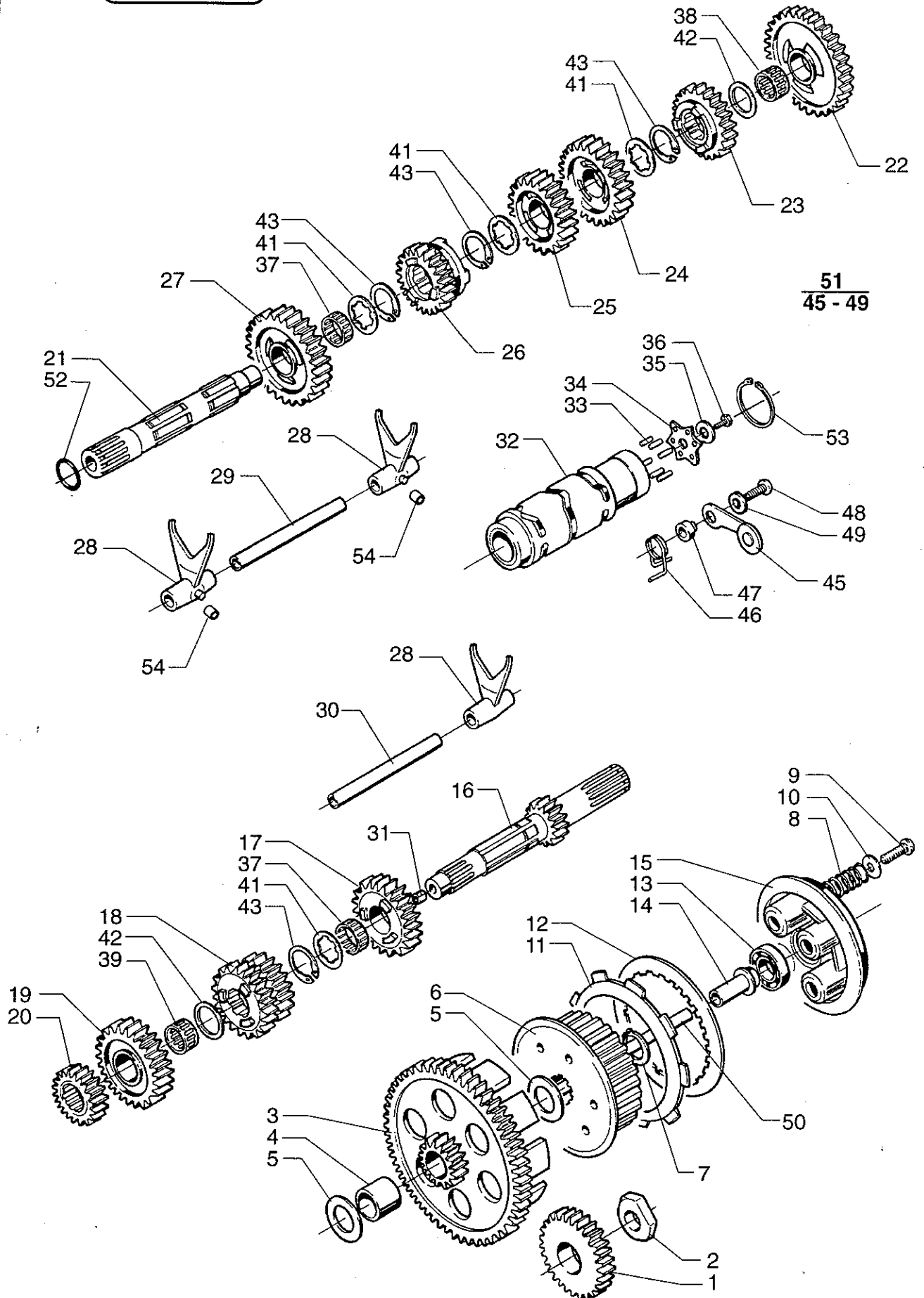
Pos.	Part No	Quantity/Model				Description	Remarks
		FE	FC	FX	FEE		
1	220 042-01	1	1	1	1	Transmission cover 94-	
2	220 043-01	1	1	1	1	Bushing kickstarter shaft 94-	
3	230 058-01	1	1	1	1	Bushing gearshift shaft 89-	
4	220 021-01	1	1	1	1	Oilfill cap 89-	
5	340 024-01	1	1	1	1	O-ring 24.2x3 89-	
6	220 024-01	1	1	1	1	Kickstarter stop 89-	
7	220 022-01	2	2	2	2	Dowl transmission cover/shift mechanism 89-	
8	350 004-01	1	1	1	1	Seal ring 12x22x6x76.5 89-	
9	306 525-22	4	4	4	4	Screw MC6S 6x25 89-	
10	306 530-22	2	2	2	2	Screw MC6S 6x30 89-	
11	220 023-01	1	1	1	1	Gasket transmission cover 89-	
12	230 015-01	1	1	1	1	Intermediate gearwheel 89-	
13	360 006-01	1	1	1	1	Needlerollerbearing 17x21x10 89-	
14	230 042-01	1	1	1	1	Supportwasher intermediate gearwheel 89-	
15	330 017-01	1	1	1	1	Circlip SGA 17 89-	
16	230 096-01	1	1	1	1	Gearwheel kickstarter 94-	
17	230 097-01	1	1	1	1	Kickstarter shaft 94-	
18	360 018-01	1	1	1	1	Needlerollerbearing 18x22x10 89-	
19	340 117-01	1	1	1	1	O-ring 17.3x2.4 89-	
20	306 612-22	1	1	1	1	Screw M6S 6x12 89-	
21	326 023-01	1	1	1	1	Washer 6.4x22x4 89-	
22	230 018-01	1	1	1	1	Kickstarter engagement key 89-	
23	230 056-01	1	1	1	1	Spring kickstarter engagement key 89-	
24	230 019-01	1	1	1	1	Kickstarter spring 89-	
25	230 020-02	1	1	1	1	Kickstarter lower part 00-	
26	340 015-01	1	1	1	1	O-ring 15.1x1.6 89-	
27	230 093-01	1	1	1	1	Kickstarter (excl. lower part) 89-	
28	370 000-01	1	1	1	1	Pin 6x24 89-	
29	230 047-01	1	1	1	1	Gearshift linkage shaft 89-	
30	230 081-01	1	1	1	1	Gearshift selector 89-	
31	230 031-01	1	1	1	1	Shiftmechanism spring 89-	
32	230 032-01	1	1	1	1	Recoil spring shiftmechanism 89-	
33	220 022-01	1	1	1	1	Dowl 89-	
34	306 020-22	1	1	1	1	Screw K6S 6x20 89-	
35	230 059-01	1	1	1	1	Spacer gearshiftshaft 89-	
36	230 034-02	1	1	1	1	Gearshift lever 00-	Incl. Pos. No. 25, 26, 27, 28
38	230 082-02	1	1	1	1	Kickstarter compl. 00-	



51
45 - 49

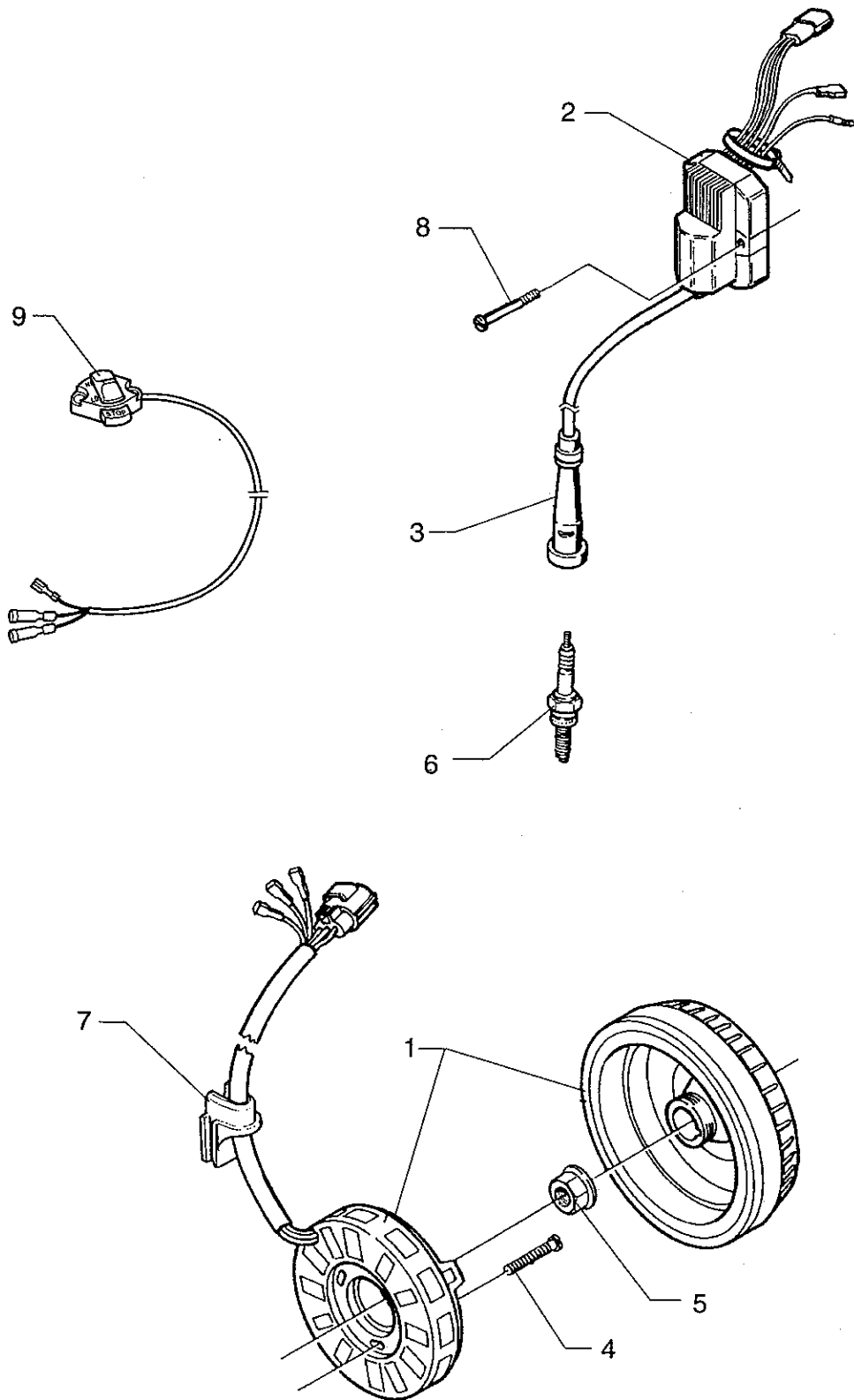
GEARBOX

Pos.	Part No	Quantity/Model				Description	Remarks
		FE	FC	FX	FEE		
1	230 001-01	1	1	1	1	Gearwheel crankshaft/clutch hub 89-	
2	230 005-01	1	1	1	1	Nut gearwheel crankshaft/clutch hub 89-	
3	230 002-01	1	1	1	1	Clutch hub outer 89-	
4	230 004-01	1	1	1	1	Bushing clutch hub bronze 89-	
5	230 040-01	2	2	2	2	Supportwasher bushing clutch hub 89-	
6	230 006-01	1	1	1	1	Clutch hub inner 89-	
7	330 025-01	1	1	1	1	Circlip SGA 25 89-	
8	230 007-01	6	6	6	6	Clutch spring ALL FC+ 600 FE/FEE 00-	
8	230 118-01	6			6	Clutch spring 400/500 FE/FEE 00-	
9	306 625-22	6	6	6	6	Screw M6S 6x25 89-	
10	230 074-01	6	6	6	6	Clutchspring retainer 89-	
11	230 073-01	7	7	7	7	Clutchdisc organic 89-	
12	230 094-01	8	8	8	8	Clutchdisc steel 89-	
13	360 025-01	1	1	1	1	Rollerbearing 97-	
14	230 117-01	1	1	1	1	Pressure sleeve disengaging pushrod 97-	
15	230 011-01	1	1	1	1	Pressure plate clutch hub 89-	
16	240 071-01		1	1		Main gearshaft FC 94- / FX 96-	
16	240 001-01	1			1	Main gearshaft FE/FEE 89-	
17	240 005-01	1		1	1	5th gearwheel main shaft 89-	
17	240 075-01		1			5th gearwheel main shaft 94-	
18	240 003-01	1	1	1	1	3rd/4th gearwheel main shaft 89-	
19	240 076-01		1			6th gearwheel main shaft FC 94-	
19	240 006-01	1			1	6th gearwheel main shaft FE 89- / FEE 95-	
20	240 072-01		1	1		2nd gearwheel mainshaft FC 94- / FX 96-	
20	240 002-01	1	1		1	2nd gearwheel main shaft FE 89- / FEE 95-	
21	240 042-01	1	1	1	1	Secondary shaft 94-	
22	240 081-01		1	1		1st gearwheel secondary shaft FC 94- / FX 96-	
22	240 061-01	1			1	1st gearwheel secondary shaft FE 94- / FEE 95-	
23	240 065-01	1	1	1	1	5th gearwheel secondary shaft 94-	
24	240 083-01		1	1		3rd gearwheel secondary shaft FC 94- / FX 96-	
24	240 063-01	1			1	3rd gearwheel secondary shaft FE 94- / FEE 95-	
25	240 064-01	1	1	1	1	4th gearwheel secondary shaft 94-	
26	240 086-01		1			6th gearwheel secondary shaft FC 94-	
26	240 066-01	1		1	1	6th gearwheel secondary shaft FE 94- / FEE 95- / FX 96-	
27	240 082-01		1	1		2nd gearwheel secondary shaft FC 94- / FX 96-	
27	240 062-01	1			1	2nd gearwheel secondary shaft FE 94- / FEE 95-	



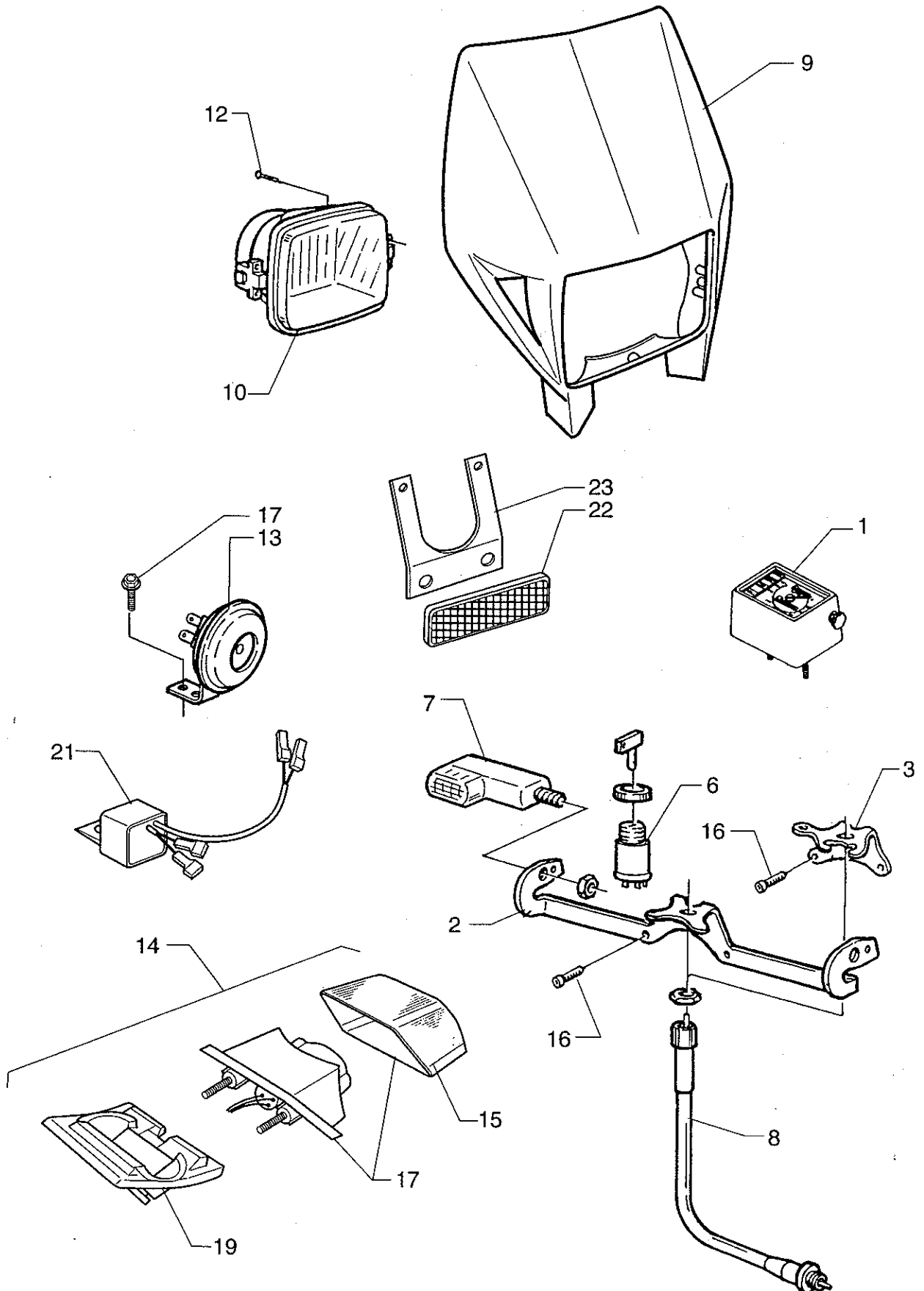
GEARBOX

Pos.	Part No	Quantity/Model				Description	Remarks
		FE	FC	FX	FEE		
28	240 004-01	3	3	3	3	Shiftfork 89-	4-speed gearbox: 2 pcs/model Instead of 5th gearwheel Instead of 6th gearwheel
	240 036-01		1			Spacer 4-speed gearbox FC 94-	
	240 037-01		1			Spacer 4-speed gearbox FC 94-	
29	240 007-01	1	1	1	1	Shiftfork shaft rear 89-	
30	240 008-01	1	1	1	1	Shiftfork shaft front 89-	Not for 4-speed gearbox
31	240 094-01	1	1	1	1	Bushing 00-	
32	240 092-01	1	1	1	1	Shiftdrum aluminium 00-	
33	370 018-01	6	6	6	6	Pin 4x18 89-	
34	240 027-01	1	1	1	1	Positioning star 89-	
35	326 025-01	1	1	1	1	Washer 6x25x1.5 89-	
36	306 612-22	1	1	1	1	Screw M6S 6x12 89-	
37	360 007-01	2	2	2	2	Needlebearing 22x26x13 94-	Not for 4-speed gearbox
38	360 010-01	1	1	1	1	Needlebearing 20x24x10 89-	
39	360 009-01	1	1	1	1	Needlebearing 20x24x13 94-	
41	240 017-01	4	4	4	4	Supportwasher 89-	
42	240 018-01	2	2	2	2	Supportwasher 89-	4-speed gearbox: 1 pcs/model
43	330 036-01	4	4	4	4	Circlip 25 25x1.2 89-	4-speed gearbox: 3 pcs/model
45	230 075-01	1	1	1	1	Shiftlocating lever 89-	
46	230 077-01	1	1	1	1	Spring shiftlocating lever 89-	
47	230 076-01	1	1	1	1	Sleeve 89-	
48	306 625-22	1	1	1	1	Screw M6S 6x25 89-	
49	326 016-01	1	1	1	1	Washer 6x16x1 89-	
50	230 067-02	1	1	1	1	Disengaging pushrod 00-	
51	230 078-01	1	1	1	1	Shiftlocating lever kit 89-	Incl.Pos. No. 45, 46, 47, 48, 49
52	340 022-01	1	1	1	1	O-ring 22.1x1.6 94-	
53	330 030-01	1	1	1	1	Circlip SW 30 97-	
54	240 093-01	3	3	3	3	Roller shift fork 00-	



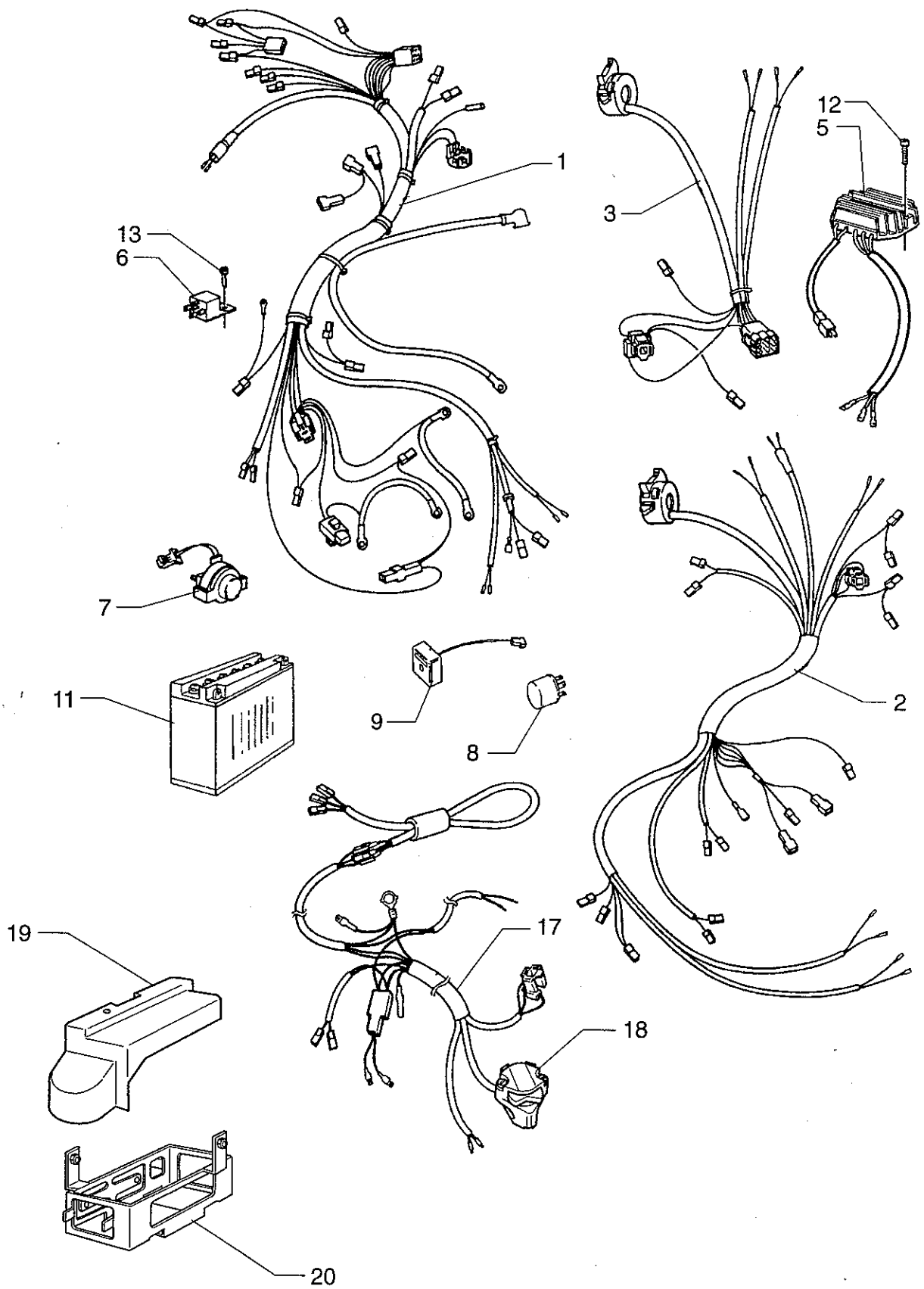
IGNITION

Pos.	Part No.	Quantity/Model				Description	Remarks
		FE	FC	FX	FEE		
1	250 202-01	1		1	1	Ignition complete FE/FX/FEE 99-	Ex.ignition coil Ex.ignition coil
1	250 202-02		1			Ignition complete FC 99-	
2	250 224-01	1		1		Ignition coil 400 FE 00-	
2	250 224-02	1		1		Ignition coil 500 FE 00-	
2	250 224-03	1		1		Ignition coil 600 FE 00-	
2	250 225-01				1	Ignition coil 400 FEE/FX 00-	
2	250 225-02				1	Ignition coil 500 FEE/FX 00-	
2	250 225-03				1	Ignition coil 600 FEE/FX 00-	
2	250 226-01		1			Ignition coil 500 FC 00-	
2	250 226-02		1			Ignition coil 600 FC 00-	
3	250 237-01	1	1	1	1	Sparkplug cap 00-	
4	305 530-22	3	3	3	3	Screw MC6S 5x30 99-	
5	250 203-01	1	1	1	1	Flywheel nut 99-	
6	250 239-01	1	1	1	1	Sparkplug NGK DCPR8E 00-	
7	250 199-01	1	1	1	1	Conduit entry 99-	
8	305 525-22	2	2	2	2	Screw MC6S 5x25 99-	
9	250 231-01		1			Switch high/low ignition 00-	



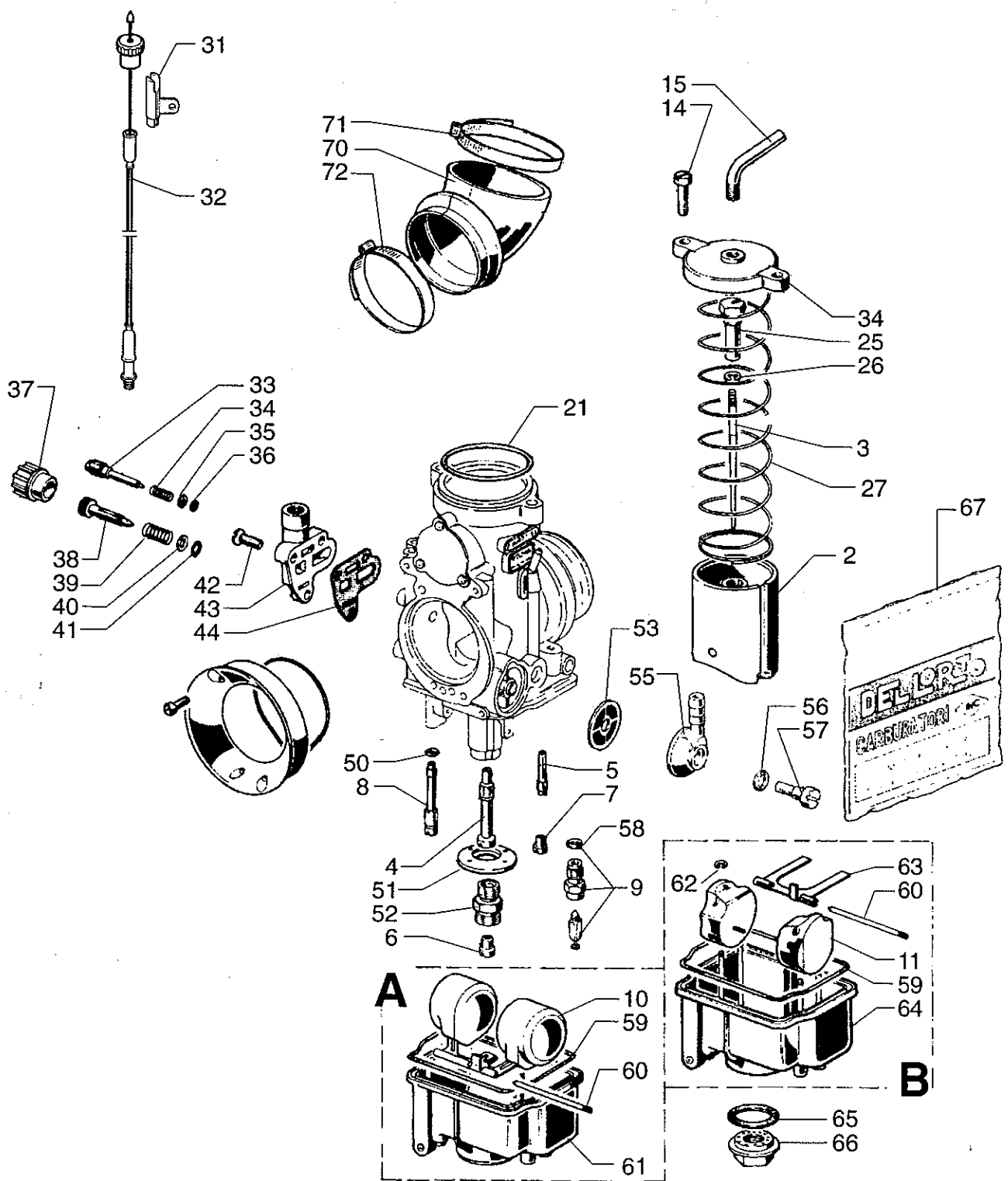
LIGHT & SPEEDOMETER

Pos.	Part No.	Quantity/Model				Description	Remarks
		FE	FC	FX	FEE		
1	180120-01	1			1	Speedometer 99-	In connection w. 180 068/69-01 US-versions only
	180 136-01	1			1	Bulb speedometer (VDO) 99-	
	180 077-01	1			1	Attachment nut speedometer (VDO) 89-	
	180 089-01	1		1	1	Odometer 97-	
2	180 133-01	1				Attachment speedometer/blinkers FEE (VDO) 99-	
	180 133-02				1	Attachment speedometer/blinkers FE (VDO) 99-	
	180 137-01	2			2	Plastic spacer speedometer 99-	
	180 138-01	2			2	Rubber bracket speedometer 99-	
3	180 077-01	1		1	1	Attachment odometer 89-	US-versions only
6	180 047-01			1	1	Ignition lock 95-	
7	180 065-01	2			2	Blinker RH rear, LH front 89-	
	180 065-02	2			2	Blinker LH rear, RH front 89-	
8	180 139-01	1			1	Speedometer wire (VDO) 99-	For 180 120-01
8	180 091-01	1		1	1	Odometer wire 97-	US-versions only
9	160 162-01	1			1	Headlight mask blue 00-	
10	180 060-01	1			1	Headlight reflector 96-	ECE-approved
10	180 061-01	1			1	Headlight reflector 96-	Plastic lens
10	180 100-01	1			1	Headlight reflector 96-	Left hand traffic
11	180 062-01	2			2	Rubber strap headlight 97-	
12	306 616-22	2			2	Screw M6S 6x16	
13	180 104-01	1			1	Horn FE/FEE 98-	
15	180 149-01	1			1	Lens taillight 00-	
16	406 210-22	2			2	Screw (Collar) 6x10 98-	
17	180 148-01	1			1	Taillight compl. 00-	
19	180 160-01	1			1	Rubber rear fender /rear light 00-	
21	180 103-01	1				Rectifier horn FE 98-	
22	180 155-01	1			1	Reflex 00-	
23	180 159-01	1			1	Reflex holder 00-	



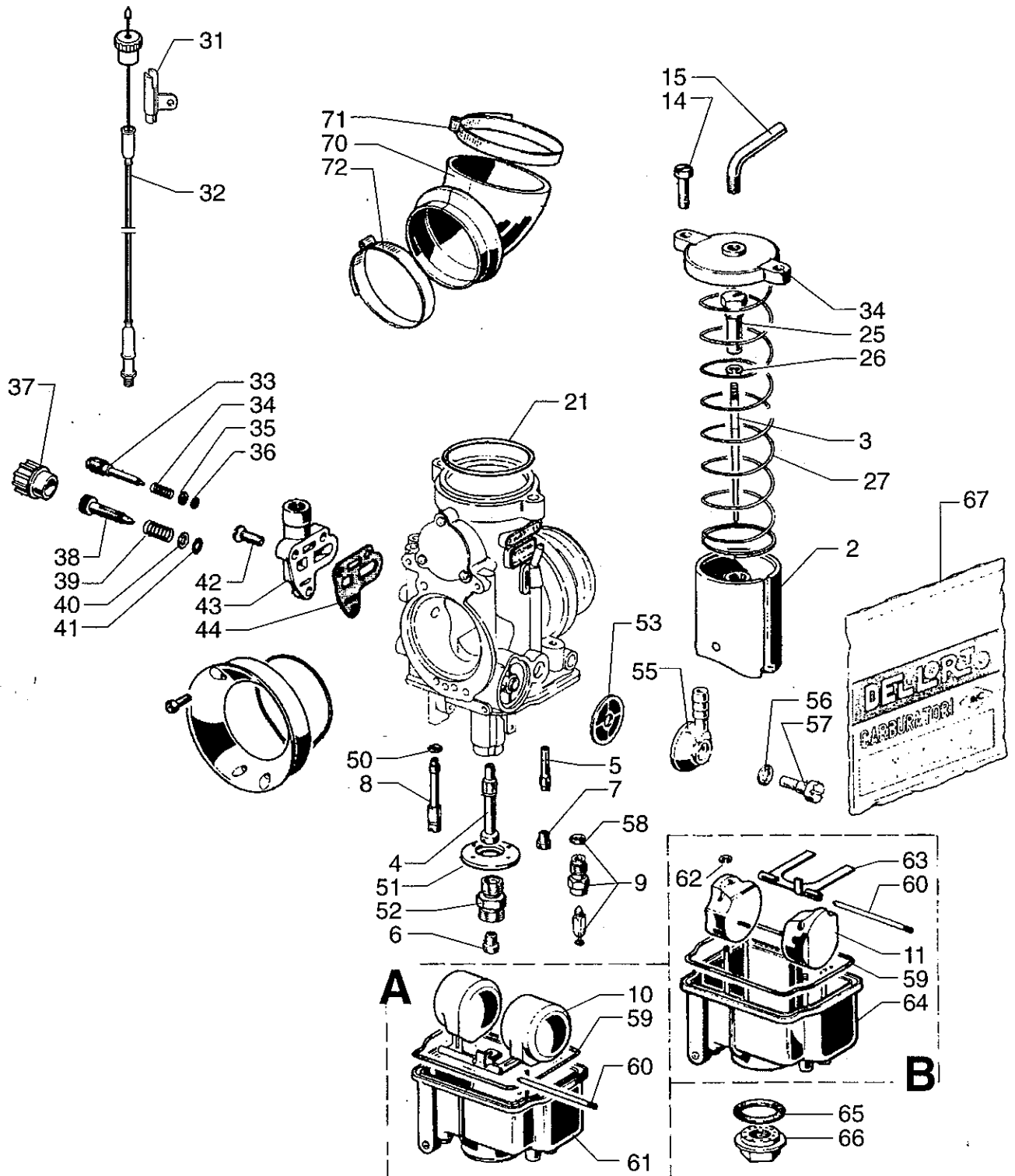
WIRING HARNESS

Pos.	Part No.	Quantity/Model				Description	Remarks
		FE	FC	FX	FEE		
1	180 153-01				1	Wiring harness main part (blinkers) FEE 00-	with light equipment
1	180 150-01			1	1	Wiring harness US-versions FEE 00-	
1	180 162-01			1	1	Wiring electricstart USA	
1	180 163-01				1	Wiring harness main part	
1	180 164-01			1	1	Battery box wiring harness	
2	180 151-01	1				Wiring harness main part (blinkers) FE 00-	
3	180 034-02	1				Wiring harness switch part (blinkers) FE 89-	
5	180 123-01			1	1	Rectifier 95-	
6	180 053-01			1	1	Light relay 95-	
7	180 095-01			1	1	Starter relay 95-	
8	180 026-01	1			1	Blinker relay 89-	
9	180 019-01	1				Voltage regulator 89-	
11	180 097-01			1	1	Battery 95-	
12	306 025-70	1		2	2	Screw LKCS 6x25 98-	
13	306 050-70			1	1	Screw LKCS 6x50 98-	
17	180 154-01	1				Wiring harness (without blinkers) FE 00-	
18	180 106-01	1				Handlebar switch (without blinkers) FE 98-	
19	180 157-01			1	1	Cover battery 00-	
20	110 139-01			1	1	Battery box 00A-	
20	180 165-01			1	1	Battery box 00B-	



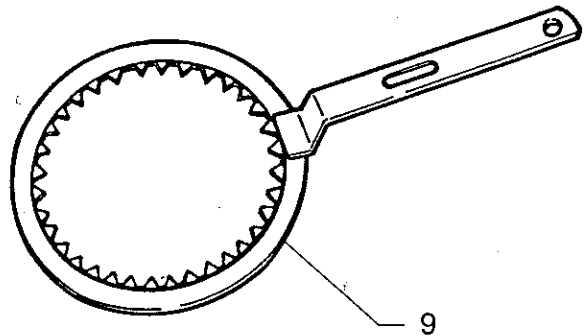
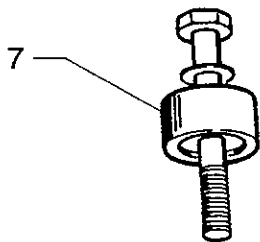
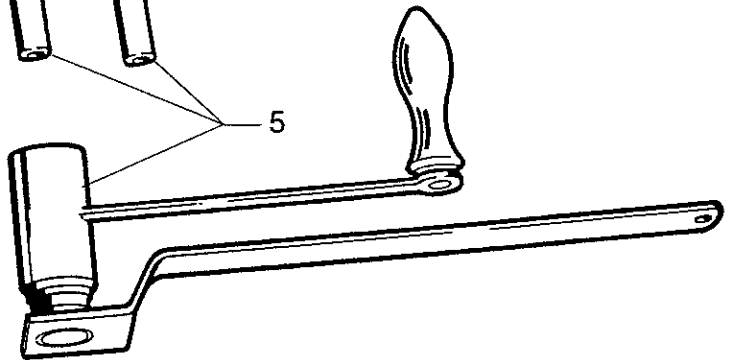
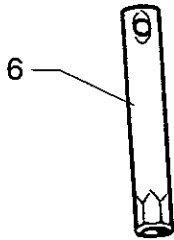
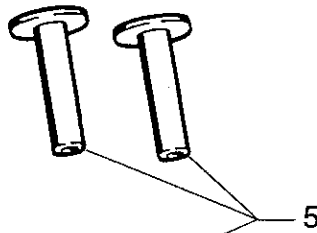
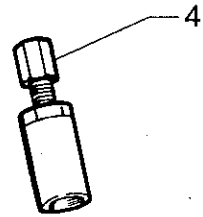
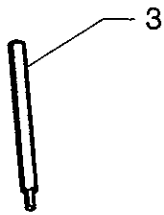
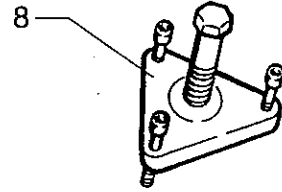
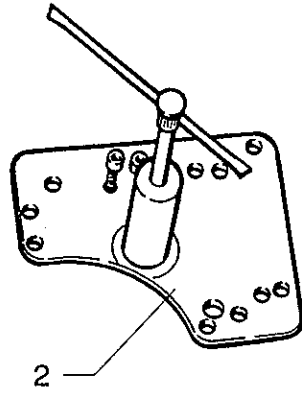
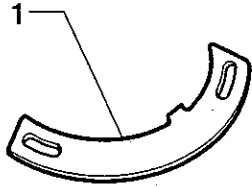
CARBURETTOR

Pos.	Part No	Quantity/Model				Description	Remarks
		FE	FC	FX	FEE		
1	250 152-01	1	1	1	1	Carburettor ø 40 mm 97-	
1	250 151-01	1	1	1	1	Carburettor ø 38 mm 98-	
2	250 160-01	1	1	1	1	Throttle (round throttle) 97-	
2	250 161-01	1	1	1	1	Throttle (round throttle) 45 97-	
2	250 162-01	1	1	1	1	Throttle (round throttle) 50 97-	
3	250 163-01	1	1	1	1	Needle K 51	
4	250 164-01	1	1	1	1	Needlejet DR 272	
4	250 165-01	1	1	1	1	Needlejet DR 270	
4	250 166-01	1	1	1	1	Needlejet DR 274	
5	250 194-01	1	1	1	1	Mixture jet tube	
6	250 183-01	1	1	1	1	Mainjet 173	
6	250 015-01	1	1	1	1	Mainjet 175	
6	250 016-01	1	1	1	1	Mainjet 180	
6	250 017-01	1	1	1	1	Mainjet 185	
6	250 018-01	1	1	1	1	Mainjet 190	
6	250 019-01	1	1	1	1	Mainjet 195	
6	250 020-01	1	1	1	1	Mainjet 200	
7	250 029-01	1	1	1	1	Pilotjet 45	
7	250 030-01	1	1	1	1	Pilotjet 48	
7	250 031-01	1	1	1	1	Pilotjet 50	
7	250 032-01	1	1	1	1	Pilotjet 52	
7	250 033-01	1	1	1	1	Pilotjet 55	
8	250 056-01	1	1	1	1	Startjet 45 (round throttle)	
8	250 057-01	1	1	1	1	Startjet 50 (round throttle)	
8	250 058-01	1	1	1	1	Startjet 55 (round throttle)	
8	250 094-01	1	1	1	1	Startjet 35 (round throttle)	
8	250 095-01	1	1	1	1	Startjet 40 (round throttle)	
9	250 034-01	1	1	1	1	Float needlejet 300 (round throttle)	
9	250 098-01	1	1	1	1	Float needlejet 350 (round throttle)	
10	250 167-01	1	1	1	1	Float (double type)	
11	250 168-01	2	2	2	2	Float (single type)	
14	250 046-01	2	2	2	2	Screw throttle cover	
15	250 045-01	1	1	1	1	Tube bend	
24	250 169-01	1	1	1	1	Throttle cover	
25	250 101-01	1	1	1	1	Needleholder	
26	250 102-01	1	1	1	1	Clips needle	
27	250 170-01	1	1	1	1	Spring throttle (round throttle)	
31	250 228-01	1	1	1		Choke bracket 00-	
32	250 227-01	1	1	1	1	Choke wire (round throttle) 00-	Incl.Pos.No. 42, 43, 44
33	250 171-01	1	1	1	1	Mixture screw	
34	250 063-01	1	1	1	1	Spring mixture screw	
37	250 172-01	1	1	1	1	Cap idle screw	
38	250 173-01	1	1	1	1	Idle screw	
39	250 174-01	1	1	1	1	Spring idle screw	
42	250 053-01	3	3	3	3	Screw choke body	
51	250 175-01	1	1	1	1	Stabilizer washer	
52	250 176-01	1	1	1	1	Mainjet support	



CARBURETTOR

Pos.	Part No	Quantity/Model				Description	Remarks
		FE	FC	FX	FEE		
53	250 070-01	1	1	1	1	Fuel filter	
55	250 177-01	1	1	1	1	Fuel line inlet	
57	250 178-01	1	1	1	1	Screw fuel line inlet	
60	250 179-01	1	1	1	1	Cotter float	
62	250 180-01	1	1	1	1	Clips	
63	250 181-01	1	1	1	1	Float fork	
64	250 182-01	1	1	1	1	Float chamber	
66	250 043-01	1	1	1	1	Drainplug	
67	250 076-01	1	1	1	1	Gasket kit	
70	150 064-01	1	1	1	1	Airfilter tube	
71	150 077-01	1	1	1	1	Clamp airfilter tube/frame	
72	150 003-01	1	1	1	1	Clamp airfilter tube/carburettor	



TOOLS

Pos.	Part No	Quantity/Model				Description	Remarks
		FE	FC	FX	FEE		
1	270 030-01					Holding tool flywheel 99-	
2	270 011-01					Puller crankcase	
3	270 012-01					Drift removing valve guide	
4	270 028-01					Puller flywheel 99-	
5	270 010-01					Mounting tool	
6	270 001-01					Sparkplug wrench	
7	270 008-01					Mounting puller	
8	270 005-01					Puller clutch	
9	270 007-01					Holding tool	

HUSABERG
MOTOR AB · SWEDEN

**Endurovägen
S-695 72 Röfors
SWEDEN**

www.husaberg.se