

## PREFACE

- 1.This master price list of SD50 was newly prepared and the prices herein will be effective on orders received by us and after April 21, 2003.  
Any price list of SD50 issued previously is no longer valid.
- 2.This master price list is based on US\$ and EUR, and the prices are per a piece, not per sales unit.
- 3.Prices and sales unit in this master price list may be changed without prior notice.

**HYOSUNG MOTORS & MACHINERY INC.**

## REFERENCE

1. Table of specification classified by special country code (registered in April 21, 2003)

- 1) ST01 : ANGOLA, BERMUDA, CHILE, MOROCCO, SAUDIARABIA
- 2) GEU01 : RUSSIA, ESTONIA, PORTUGAL
- 3) JEU01 : BOSNIA, CROATIA, DENMARK, FINLAND, ITALY, FRANCE
- 4) KEU03 : EUROPE, 5) GG01 & JG03 & MG01 : GERMANY

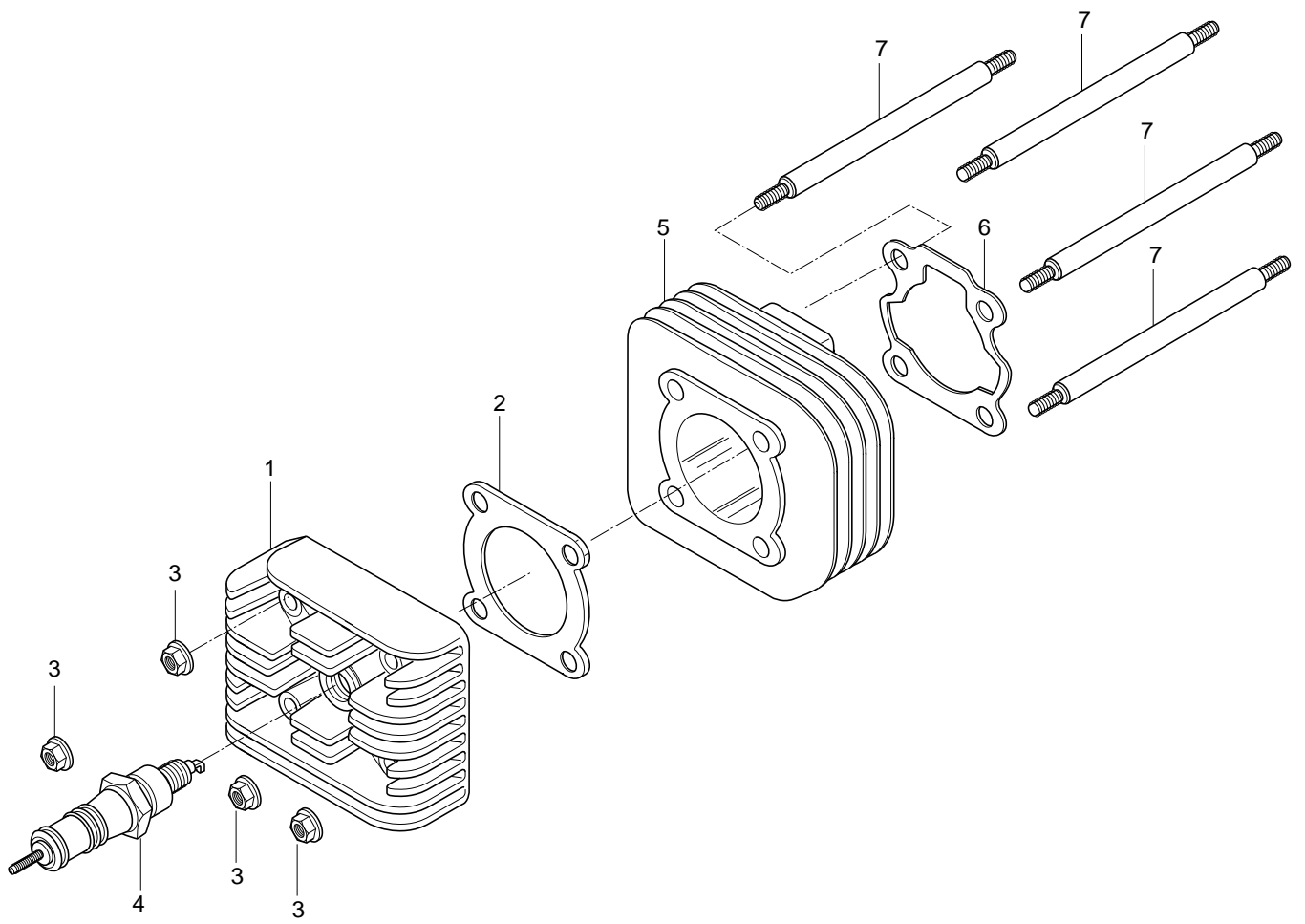
2. Special demand

When you order plastic covers including Fuel tank, please add color code to the end of parts number and it will be helpful to register your parts order.

Color code : CDB(Deep Blue), CLB(LIGHT BLUE METALLIC), CMY(MABLE SCIENCE YELLOW),  
CPR(PEARL CANDY RED), CSS(STARDUST SILVER METALLIC), CBB(BLUSHI BLACK), CVR(PEARL VIOLET RED)  
CRO(PEARL RED ORANGE), CBW(BRIGHT WHITE), CGG(G, GREEN), CPB(PEARL PARK BLUE), CTR(TWINKLE RED)

**HYOSUNG MOTORS & MACHINERY INC.**

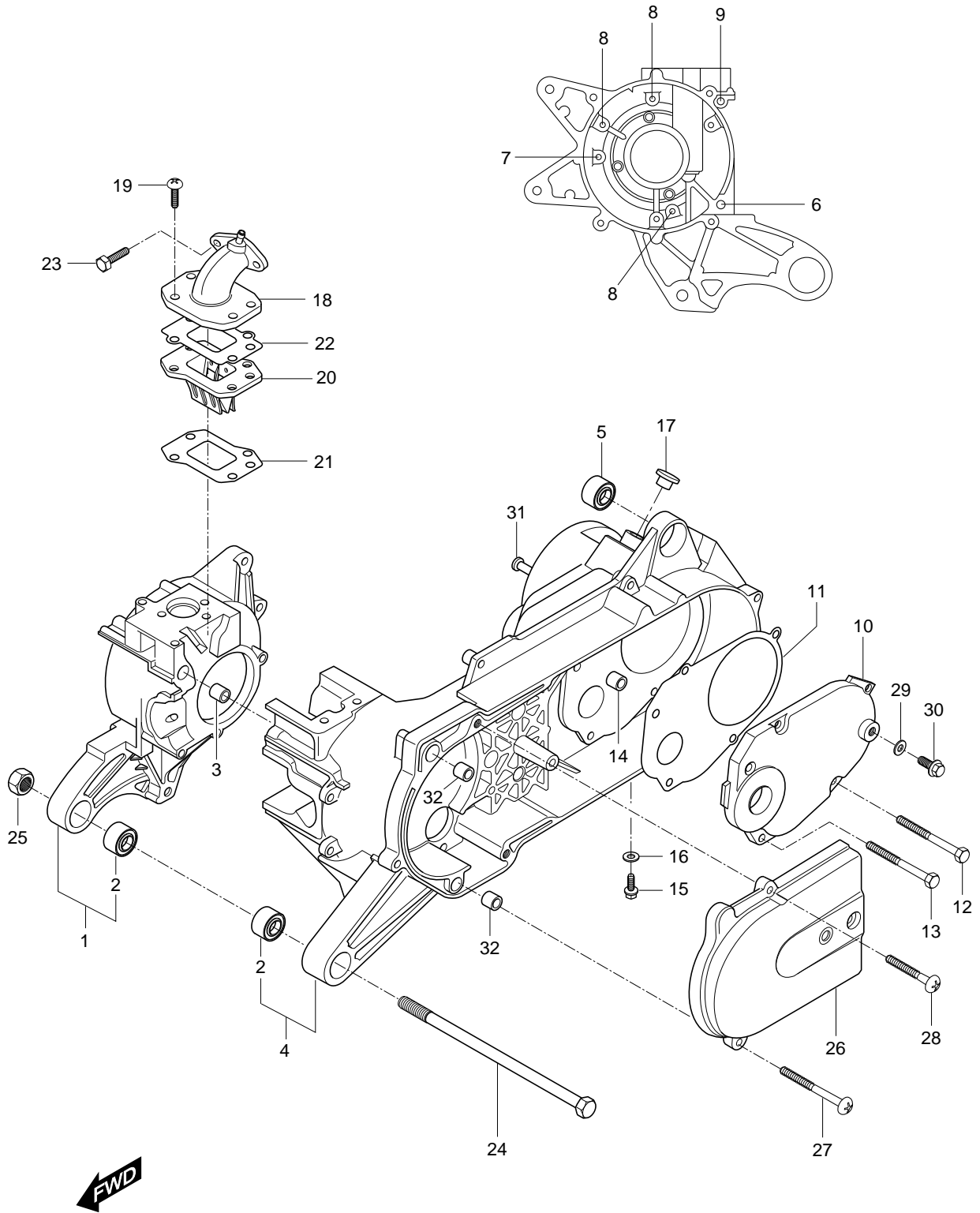
FIG.1



# FIG 1. CYLINDER

REF PARTS NUMBER.									PARTS NAME	Q`TY	REMARKS	REC.Q`TY /
NO. DOMESTIC	ST01	GEU01	JEU01	KEU03	GG01	JG03	MG01	100 Motorcycles				
											(PCS)	
1	11111H11200	11111H11200	11111H11200	11111HF1651	11111HF1651	11111H11200	11111HF1651	11111HF1651	CYLINDER HEAD	1		1
2	11141-02110	11141-02110	11141-02110	11141-02110	11141-02110	11141-02110	11141-02110	11141-02110	GASKET,CYLINDE HEAD	1		3
3	08316-16068	08316-16068	08316-16068	08316-16068	08316-16068	08316-16068	08316-16068	08316-16068	NUT,CYLINDER HEAD(6)	4		
4	09482-00059	09482-00059	09482-01059	09482-01059	09482-01059	09482-01059	09482-01059	09482-01059	SPARK PLUG(BP6HS)	1		15
5	11211HG2602PCY	11211HF1601PCY	11211HF1601PCY	11211HG2602PCY	11211HF1660PCY	11211HF1601PCY	11211HG2602PCY	11211G2602PCY	CYLINDER	1		5
6	11241HF1602	11241HF1602	11241HF1602	11241HF1602	11241HF1602	11241HF1602	11241HF1602	11241HF1602	GASKET,CYLINDER	1		8
7	01421-06858	01421-06858	01421-06858	01421-06858	01421-06858	01421-06858	01421-06858	01421-06858	STUD BOLT,CYLINDER(6*85)	4		

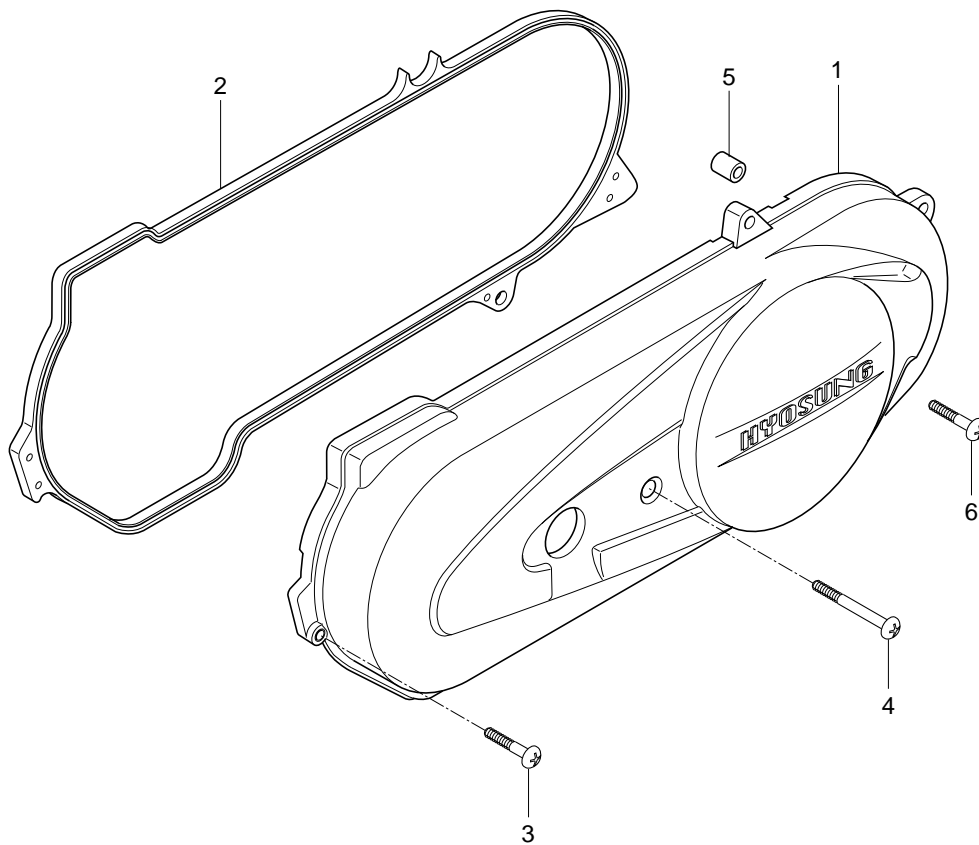
FIG.2



# FIG 2. CRANK CASE

REF PARTS NUMBER.									PARTS NAME	Q'TY	REMARKS	REC.Q'TY
NO.	DOMESTIC	ST01	GEU01	JEU01	KEU03	GG01	JG03	MG01				(PCS)
1	11310H11207HPA	11310H11207HPA	11310H11207HPA	11310H11207HPA	11310H11207HPA	11310H11207HPA	11310H11207HPA	11310H11207HPA	CRANK CASE,R	1		1
2	09319-10027	09319-10027	09319-10027	09319-10027	09319-10027	09319-10027	09319-10027	09319-10027	BUSH,ENGINE MOUNTING	2		
3	04213-09129	04213-09129	04213-09129	04213-09129	04213-09129	04213-09129	04213-09129	04213-09129	KNOCK PIN,CRANK CASE	2		
4	11320HF1603HPA	11320HF1603HPA	11320HF1603HPA	11320HF1603HPA	11320HF1603HPA	11320HF1603HPA	11320HF1603HPA	11320HF1603HPA	CRANK CASE,L	1		1
5	09319-10032	09319-10032	09319-10032	09319-10032	09319-10032	09319-10032	09319-10032	09319-10032	BUSH,R/R SHOCK ABSORBER	1		
6	02112-06508	02112-06508	02112-06508	02112-06508	02112-06508	02112-06508	02112-06508	02112-06508	SCREW,CRANK CASE(6*50)	1		
7	02112-06458	02112-06458	02112-06458	02112-06458	02112-06458	02112-06458	02112-06458	02112-06458	SCREW,CRANK CASE(6*45)	1		
8	02112-06408	02112-06408	02112-06408	02112-06408	02112-06408	02112-06408	02112-06408	02112-06408	SCREW,CRANK CASE(6*40)	2		
9	02112-06558	02112-06558	02112-06558	02112-06558	02112-06558	02112-06558	02112-06558	02112-06558	SCREW,CRANK CASE(6*55)	1		
10	11431S11200HPA	11431S11200HPA	11431SD2100HPA	11431SD2100HPA	11431SD2100HPA	11431S11200HPA	11431SD2100HPA	11431SD2100HPA	COVER,GEAR BOX ASS'Y	1		
10-1	11431HD2100PCR	11431H11200PCR	11431HD2100PCR	11431HD2100PCR	11431HD2100PCR	11431H11200PCR	11431HD2100PCR	11431HD2100PCR	COVER, GEAR BOX	1		
11	11484H11203	11484H11203	11484H11203	11484H11203	11484H11203	11484H11203	11484H11203	11484H11203	GASKET,GEAR BOX COVER	1		5
12	01547-06208	01547-06208	01547-06208	01547-06208	01547-06208	01547-06208	01547-06208	01547-06208	BOLT,GEAR BOX COVER(6*20)	4		
13	01547-06308	01547-06308	01547-06308	01547-06308	01547-06308	01547-06308	01547-06308	01547-06308	BOLT,GEAR BOX COVER(6*30)	2		
14	04213-09129	04213-09129	04213-09129	04213-09129	04213-09129	04213-09129	04213-09129	04213-09129	KNOCK PIN,GEAR BOX COVER	2		
15	09247-100A8	09247-100A8	09247-100A8	09247-100A8	09247-100A8	09247-100A8	09247-100A8	09247-100A8	PLUG,OIL DRAIN	1		
16	09168H10003	09168H10003	09168H10003	09168H10003	09168H10003	09168H10003	09168H10003	09168H10003	GASKET,OIL DRAIN BOLT	1		
17	09250H11005	09250H11005	09250H11005	09250H11005	09250H11005	09250H11005	09250H11005	09250H11005	PLUG,OIL FILLER	1		
18	13110HF1602	13110HF1602	13110HF1602	13110HF1602	13110HF1602	13110HF1602	13110HF1602	13110HF1602	PIPE COMP,INTAKE	1		1
19	02112-96256	02112-96256	02112-96256						SCREW,INTAK PIPE(6*25)	4		
19	02112-96256			02112-96256	02112-96256	02112-96256	02112-96256	02112-96256	SCREW,INTAK PIPE(6*25)	3		
19-1	09139H06021			09139H06021	09139H06021	09139H06021	09139H06021	09139H06021	SCREW,INTAK PIPE	1		
20	13150HF1600	13150HF1600	13150HF1600	13150HF1600	13150HF1600	13150HF1600	13150HF1600	13150HF1600	VALVE ASSY,REED	1		1
21	13125HF1601	13125HF1601	13125HF1601	13125HF1601	13125HF1601	13125HF1601	13125HF1601	13125HF1601	GASKET,REED VALVE	1		2
22	13126HF1601	13126HF1601	13126HF1601	13126HF1601	13126HF1601	13126HF1601	13126HF1601	13126HF1601	GASKET,REED PIPE	1		2
23	09137H06021	09137H06021	09137H06021						SCREW,CARBURETOR(6*20)	2		
23	09137H06021			09137H06021	09137H06021			09137H06021	SCREW,CARBURETOR(6*20)	1		
23-1	09139H06021			09139H06021	09139H06021			09139H06021	SCREW, CARBURETOR	1		
24	09103H10122	09103H10122	09103H10122	09103H10122	09103H10122	09103H10122	09103H10122	09103H10122	BOLT,ENGINE MOUNT(10*195)	1		
25	08316-26108	08316-26108	08316-26108	08316-26108	08316-26108	08316-26108	08316-26108	08316-26108	NUT,ENGINE MOUNT(10)	1		
26	11331HF1601PCC	11331HF1601PCC	11331HF1601PCC	11331HF1601PCC	11331HF1601PCC	11331HF1601PCC	11331HF1601PCC	11331HF1601PCC	COVER,CRANK CASE L	1		
27	02112-06408	02112-06408	02112-06408	02112-06408	02112-06408	02112-06408	02112-06408	02112-06408	SCREW,CRANK CASE COVER L(6*25)	1		
28	02112-06208	02112-06208	02112-06208	02112-06208	02112-06208	02112-06208	02112-06208	02112-06208	SCREW,CRANK CASE COVER L(6*35)	2		
29	09168-08008	09168-08008	09168-08008	09168-08008	09168-08008	09168-08008	09168-08008	09168-08008	GASKET,OIL LEVEL BOLT	1		
30	01514-08128	01514-08128	01514-08128	01514-08128	01514-08128	01514-08128	01514-08128	01514-08128	BOLT,OIL LEVEL(8*12)	1		
31	64231-07903	64231-07903	64231-07903	64231-07903	64231-07903	64231-07903	64231-07903	64231-07903	PIN,REAR BRAKE ANCHOR	1		
32	04213-11169	04213-11169	04213-11169	04213-11169	04213-11169	04213-11169	04213-11169	04213-11169	KNOCK PIN	2		

FIG.3



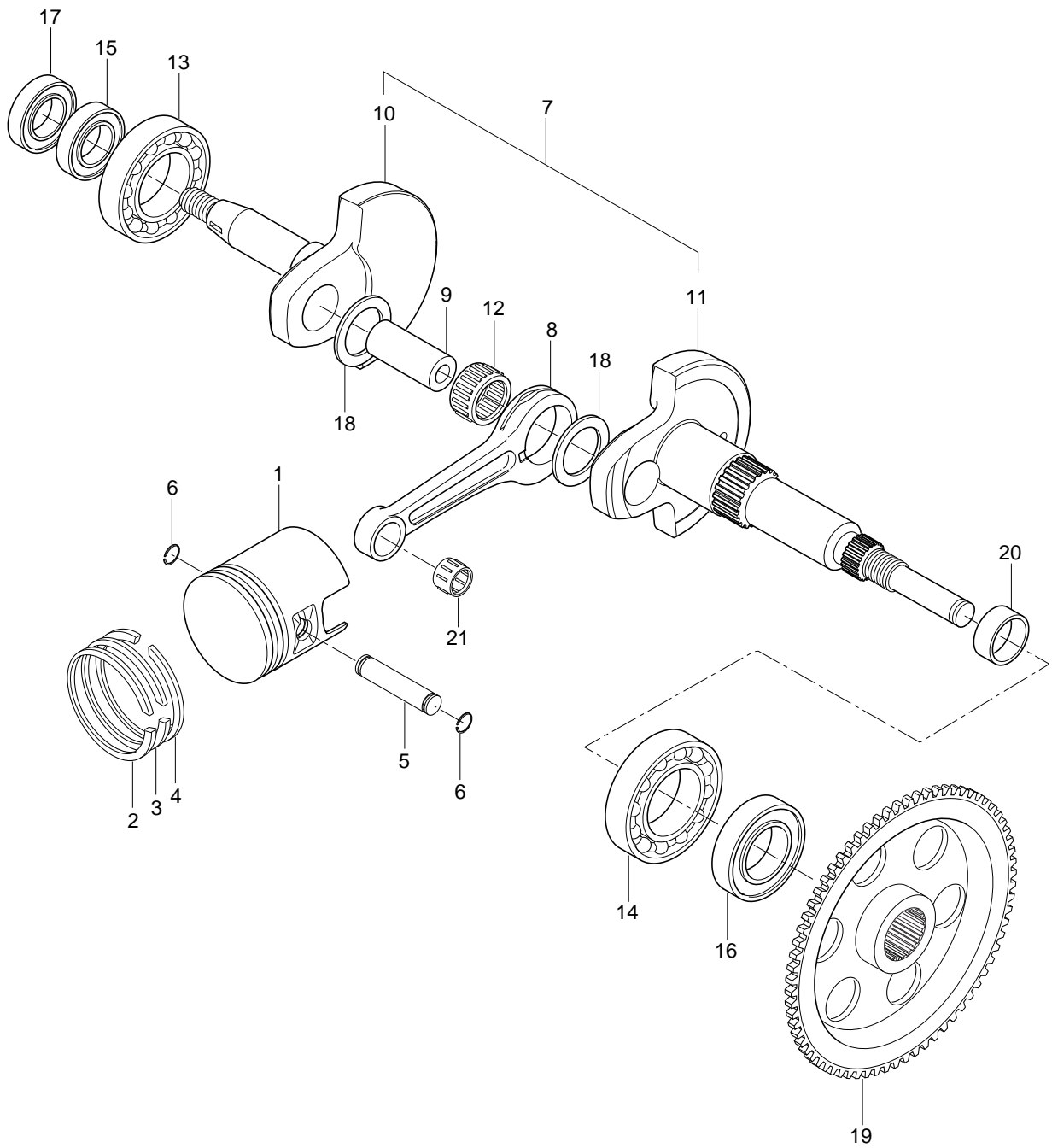
# FIG 3. CLUTCH

## REF PARTS NO.

NO.	REF PARTS NO.							PARTS NAME	Q`TY	REMARKS	REC.Q`TY (PCS)
	DOMESTIC	ST01	GEU01	JEU01	KEU03	GG01	JG03				
1	11340HF1601	11340HF1601	11340HF1601	11340HF1601	11340HF1601	11340HF1601	11340HF1601	11340HF1601	COVER COMP,CLUTCH	1	
2	11452HF1602	11452HF1602	11452HF1602	11452HF1602	11452HF1602	11452HF1602	11452HF1602	11452HF1602	GASKET,CLUTCH COVER	1	5
3	02112-06255	02112-06255	02112-06255	02112-06255	02112-06255	02112-06255	02112-06255	02112-06255	SCREW,CLUTCH COVER(6*65)	3	
4	02112-06605	02112-06605	02112-06605	02112-06605	02112-06605	02112-06605	02112-06605	02112-06605	SCREW,CLUTCH COVER(6*60)	1	
5	09180H06013	09180H06013	09180H06013	09180H06013	09180H06013	09180H06013	09180H06013	09180H06013	SCREW,CLUTCH COVER(6*40)	1	
6	02112-06405	02112-06405	02112-06405	02112-06405	02112-06405	02112-06405	02112-06405	02112-06405	SCREW, clutch cover(M6*40)	1	



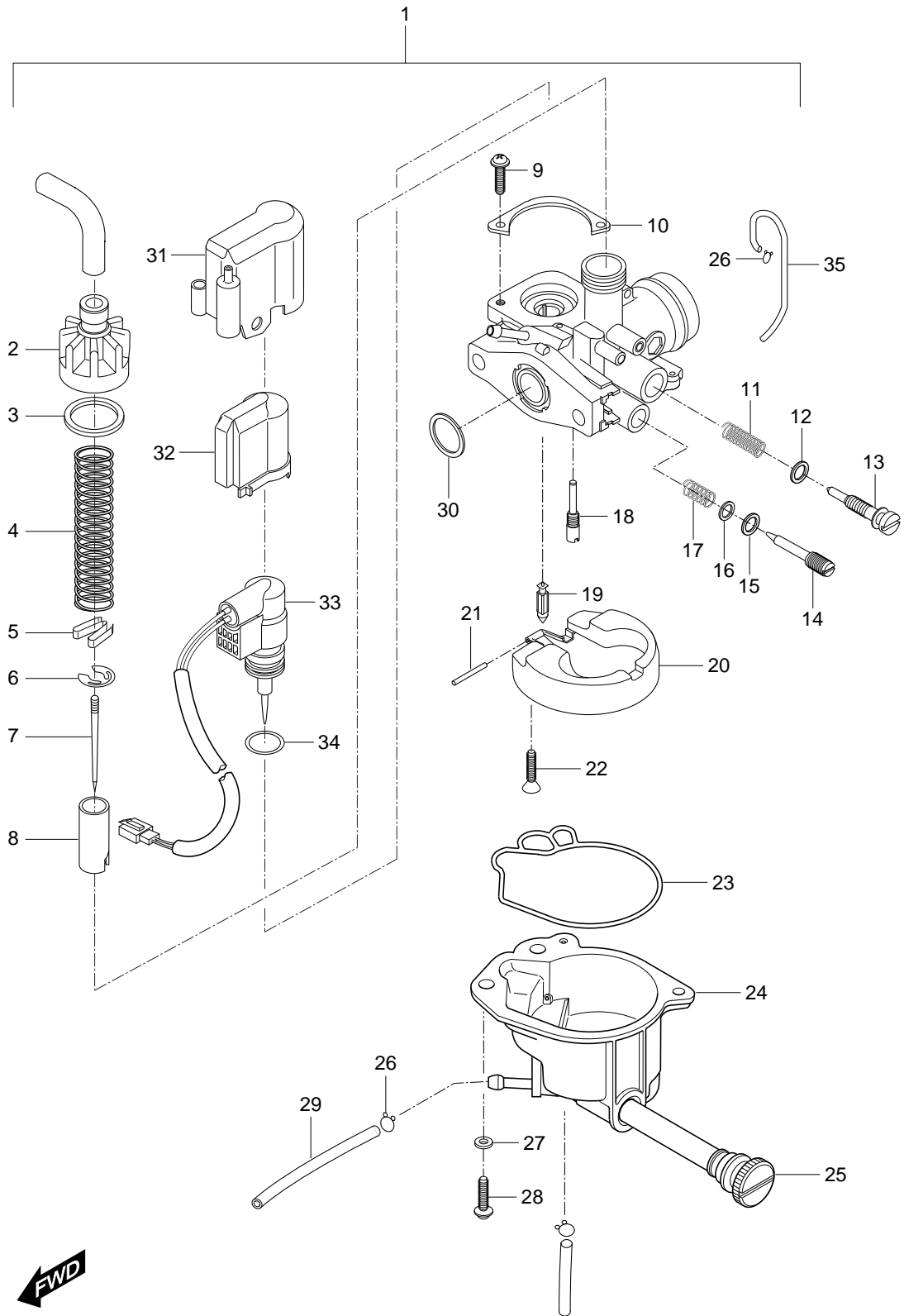
FIG.4



# FIG 4. CRANK SHAFT

REF PARTS NUMBER.								PARTS NAME	Q`TY	REMARKS	REC.Q`TY (PCS)
NO.	DOMESTIC	ST01	GEU01	JEU01	KEU03	GG01	JG03				
1	12110H11214PSA			12110H11214PSA	12110H11214PSA		12110H11214PSA	12110H11214PSA	PISTON COMP	1	7
1-1	12111H11200PSA	12111H11200PSA	12111H11200PSA			12111H11200PSA			PISTON COMP	1	
2	12141-35010	12141-35010	12141-35010	12141-35010	12141-35010	12141-35010	12141-35010	12141-35010	RING,PISTON 1ST	1	2
3	12142-29C10	12142-29C10	12142-29C10	12142-29C10	12142-29C10	12142-29C10	12142-29C10	12142-29C10	RING,PISTON 2ND	1	2
4	12149-29C10	12149-29C10	12149-29C10	12149-29C10	12149-29C10	12149-29C10	12149-29C10	12149-29C10	RING,PISTON EXPANDER	1	2
5	12151-46501	12151-46501	12151-46501	12151-46501	12151-46501	12151-46501	12151-46501	12151-46501	PIN,PISTON	1	
6	09381-10006	09381-10006	09381-10006	09381-10006	09381-10006	09381-10006	09381-10006	09381-10006	CIRCLIP,PISTON PIN	2	2
7	12200H11200HPA	12200H11200HPA	12200H11200HPA	12200H11200HPA	12200H11200HPA	12200H11200HPA	12200H11200HPA	12200H11200HPA	CRANK SHAFT ASSY	1	1
8	12161-37B02	12161-37B02	12161-37B02	12161-37B02	12161-37B02	12161-37B02	12161-37B02	12161-37B02	ROD,CONNECTING	1	
9	12211H11201888	12211H11201888	12211H11201888	12211H11201888	12211H11201888	12211H11201888	12211H11201888	12211H11201888	PIN,CRANK	1	
10	12221H11201CSA	12221H11201CSA	12221H11201CSA	12221H11201CSA	12221H11201CSA	12221H11201CSA	12221H11201CSA	12221H11201CSA	CRANK SHAFT, R	1	
11	12261H11A00CSA	12261H11A00CSA	12261H11A00CSA	12261H11A00CSA	12261H11A00CSA	12261H11A00CSA	12261H11A00CSA	12261H11A00CSA	CRANK SHAFT, L	1	
12	09263H16004	09263H16004	09263H16004	09263H16004	09263H16004	09263H16004	09263H16004	09263H16004	BEARING,CRANK PIN(16*22*12)	1	
13	09160H16040	09160H16040	09160H16040	09160H16040	09160H16040	09160H16040	09160H16040	09160H16040	THRUST WASHER	2	
14	09262H250A2	09262H250A2	09262H250A2	09262H250A2	09262H250A2	09262H250A2	09262H250A2	09262H250A2	BEARING,CRANK SHAFT,L(28*68*18)	1	2
15	09284-20051	09284-20051	09284-20051	09284-20051	09284-20051	09284-20051	09284-20051	09284-20051	OIL SEAL,CRANK SHAFT R NO.1(20*42*6)	1	
16	09283-25083	09283-25083	09283-25083	09283-25083	09283-25083	09283-25083	09283-25083	09283-25083	OIL SEAL,CRANK SHAFT L(25*37*6)	1	
17	09283-25083	09283-25083	09283-25083	09283-25083	09283-25083	09283-25083	09283-25083	09283-25083	OIL SEAL,CRANK SHAFT R NO.2	1	
18	09262H250A2	09262H250A2	09262H250A2	09262H250A2	09262H250A2	09262H250A2	09262H250A2	09262H250A2	BEARING,CRANK SHAFT R(28*68*18)	1	
19	12620H11A00	12620H11A00	12620H11A00	12620H11A00	12620H11A00	12620H11A00	12620H11A00	12620H11A00	GEAR,STARTER DRIVEN	1	
20	09180H18005	09180H18005	09180H18005	09180H18005	09180H18005	09180H18005	09180H18005	09180H18005	SPACER,CRANKSHAFT OIL SEAL	1	
21	09263H10003	09263H10003	09263H10003	09263H10003	09263H10003	09263H10003	09263H10003	09263H10003	BEARING,PISTON PIN(10*14*12.5)	1	2

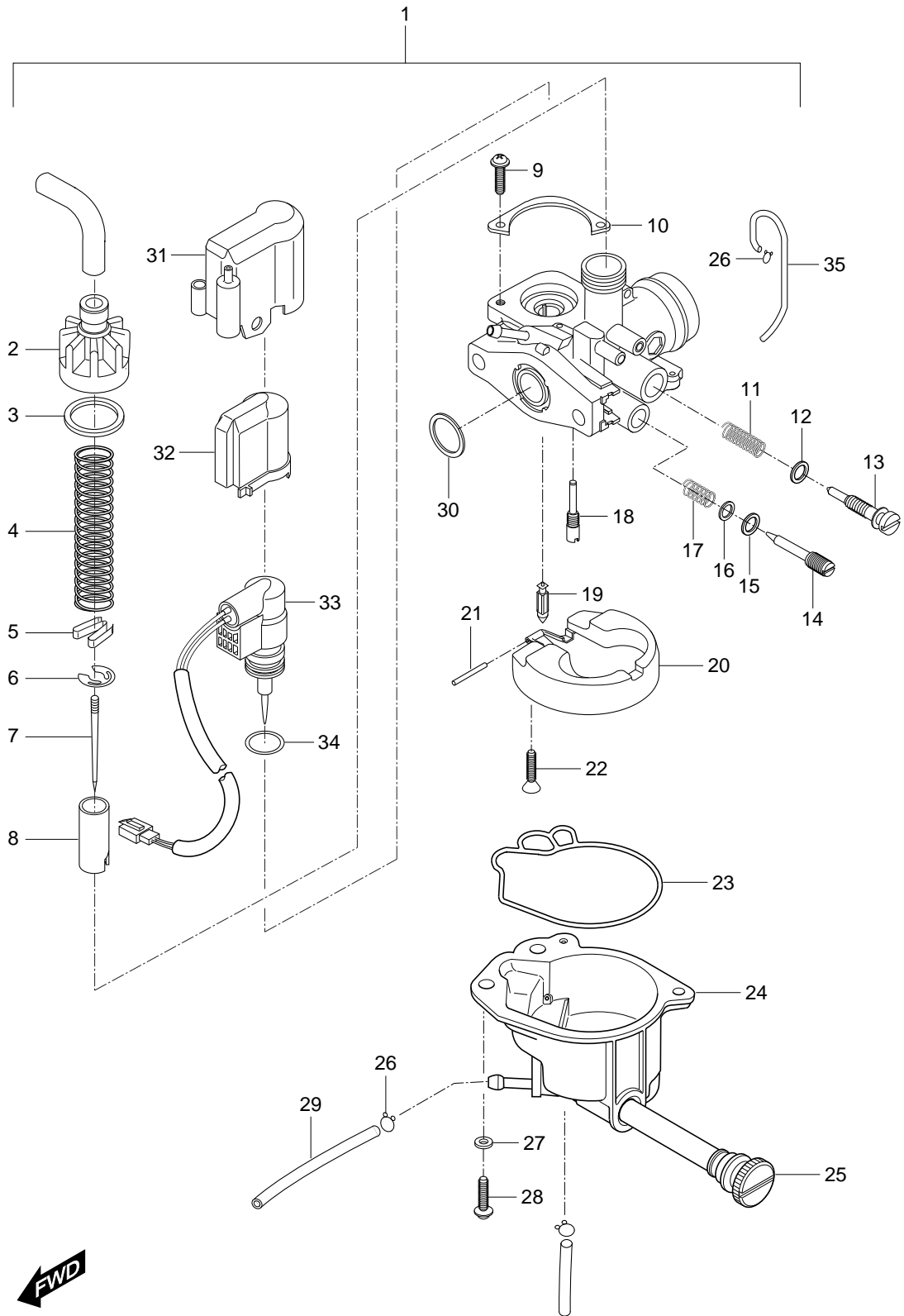
FIG.5



# FIG 5. CARBURETOR

REF PARTS NUMBER.								PARTS NAME	Q'TY	REMARKS	REC.Q'TY
NO. DOMESTIC	ST01	GEU01	JEU01	KEU03	GG01	JG03	MG01				(PCS)
1								CARBURETOR ASSY	1		
1-1	13091HF1630	13091HF1630						CARBURETOR ASSY	1		
1-2								CARBURETOR ASSY	1		
1-3						13091HG1900		CARBURETOR ASSY	1		
1-4		13091HG1900010						CARBURETOR ASSY	1		
1-5			13091HG1950			13091HG1950	13091HG1950	CARBURETOR ASSY	1		4
1-6								CARBURETOR ASSY	1		
1-7				13091HF1660				CARBURETOR ASSY	1		
2	13681HF1600	13681HF1600	13681HF1600	13681HF1600	13681HF1600	13681HF1600	13681HF1600	CAP,CARBURETOR TOP	1		
3	13249HF1600	13249HF1600	13249HF1600	13249HF1600	13249HF1600	13249HF1600	13249HF1600	GASKET, TOP COVER	1		
4	13573HF1600	13573HF1600	13573HF1600	13573HF1600	13573HF1600	13573HF1600	13573HF1600	SPRING, THROTTLE VALVE	1		
5	13581HF1600	13581HF1600	13581HF1600	13581HF1600	13581HF1600	13581HF1600	13581HF1600	CLIP	1		
6	13533HF1600	13533HF1600	13533HF1600	13533HF1600	13533HF1600	13533HF1600	13533HF1600	E-RING	1		
7	13383HF1600	13383HF1600	13383HF1600	13383HF1600	13383HF1600	13383HF1600	13383HF1600	NEEDLE JET	1		
8	13551HF1600	13551HF1600	13551HF1600	13551HF1600	13551HF1600	13551HF1600	13551HF1600	VALVE, THROTTLE	1		
9	13601HF1600	13601HF1600	13601HF1600	13601HF1600	13601HF1600	13601HF1600	13601HF1600	SCREW	2		
10	13610HF1600	13610HF1600	13610HF1600	13610HF1600	13610HF1600	13610HF1600	13610HF1600	RETAINER	1		
11	13265HF1600	13265HF1600	13265HF1600	13265HF1600	13265HF1600	13265HF1600	13265HF1600	SPRING	1		
12	13266HF1600	13266HF1600	13266HF1600	13266HF1600	13266HF1600	13266HF1600	13266HF1600	WASHER	1		
13	13267HF1600	13267HF1600	13267HF1600	13267HF1600	13267HF1600	13267HF1600	13267HF1600	SCREW, THROTTLE STOP	1		
14	13269HF1600	13269HF1600	13269HF1600	13269HF1600	13269HF1600	13269HF1600	13269HF1600	SCREW, PILOT AIR	1		
15	13606HF1600	13606HF1600	13606HF1600	13606HF1600	13606HF1600	13606HF1600	13606HF1600	WASHER	1		
16	13295HF1600	13295HF1600	13295HF1600	13295HF1600	13295HF1600	13295HF1600	13295HF1600	O-RING	1		
17	13268HF1600	13268HF1600	13268HF1600	13268HF1600	13268HF1600	13268HF1600	13268HF1600	SPRING	1		
18	09492HF1600	09492HF1600	09492HF1600	09492HF1600	09492HF1600	09492HF1600	09492HF1600	JET, PILOT	1		
19	13370HF1600	13370HF1600	13370HF1600	13370HF1600	13370HF1600	13370HF1600	13370HF1600	VALVE, NEEDLE	1		
20	13250HF1600	13250HF1600	13250HF1600	13250HF1600	13250HF1600	13250HF1600	13250HF1600	FLOAT	1		
21	13254HF1600	13254HF1600	13254HF1600	13254HF1600	13254HF1600	13254HF1600	13254HF1600	PIN, FLOAT	1		
22	02112HF1600	02112HF1600	02112HF1600	02112HF1600	02112HF1600	02112HF1600	02112HF1600	SCREW	1		
23	13258HF1600	13258HF1600	13258HF1600	13258HF1600	13258HF1600	13258HF1600	13258HF1600	GASKET, FLOAT BODY	1		
24	13245HF1600	13245HF1600	13245HF1600	13245HF1600	13245HF1600	13245HF1600	13245HF1600	BODY, FLOAT	1		
25	13247HF1600	13247HF1600	13247HF1600	13247HF1600	13247HF1600	13247HF1600	13247HF1600	SCREW, DRAIN	1		
26	09401-08401	09401-08401	09401-08401	09401-08401	09401-08401	09401-08401	09401-08401	CLIP	2		
27	08321HF1600	08321HF1600	08321HF1600	08321HF1600	08321HF1600	08321HF1600	08321HF1600	WASHER	1		
28	02112-04126	02112-04126	02112-04126	02112-04126	02112-04126	02112-04126	02112-04126	SCREW	2		
29	13683HF1600	13683HF1600	13683HF1600	13683HF1600	13683HF1600	13683HF1600	13683HF1600	HOSE	1		
30	13277HF1600	13277HF1600	13277HF1600	13277HF1600	13277HF1600	13277HF1600	13277HF1600	O-RING	1		

FIG.5

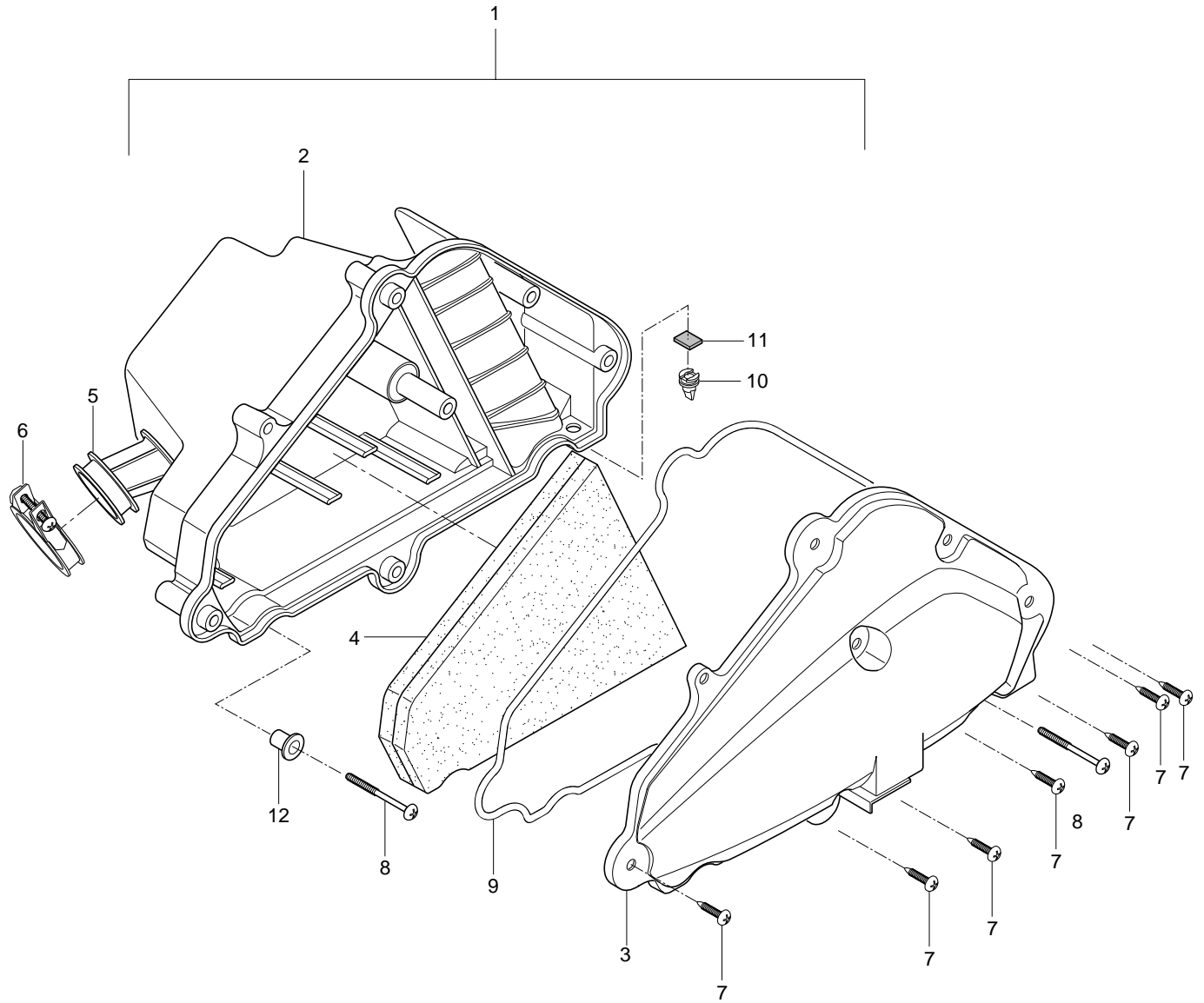


# FIG 5. CARBURETOR

## REF PARTS NUMBER.

NO.	REF PARTS NUMBER.							PARTS NAME	Q`TY	REMARKS	REC.Q`TY (PCS)
	DOMESTIC	ST01	GEU01	JEU01	KEU03	GG01	JG03				
31	13630HF1600	13630HF1600	13630HF1600	13630HF1600	13630HF1600	13630HF1600	13630HF1600	13630HF1600	CAP,HOLDER OUTER	1	
32	13640HF1600	13640HF1600	13640HF1600	13640HF1600	13640HF1600	13640HF1600	13640HF1600	13640HF1600	CAP,HOLDER INNER	1	
33	13430HF1600	13430HF1600	13430HF1600	13430HF1600	13430HF1600	13430HF1600	13430HF1600	13430HF1600	ELEMENT ASSY,THERMO	1	
34	13650HF1600	13650HF1600	13650HF1600	13650HF1600	13650HF1600	13650HF1600	13650HF1600	13650HF1600	O-RING,ELEMENT THERMO	1	
35	13684HF1600	13684HF1600	13684HF1600	13684HF1600	13684HF1600	13684HF1600	13684HF1600	13684HF1600	HOSE,AIR VENT	1	

FIG.6

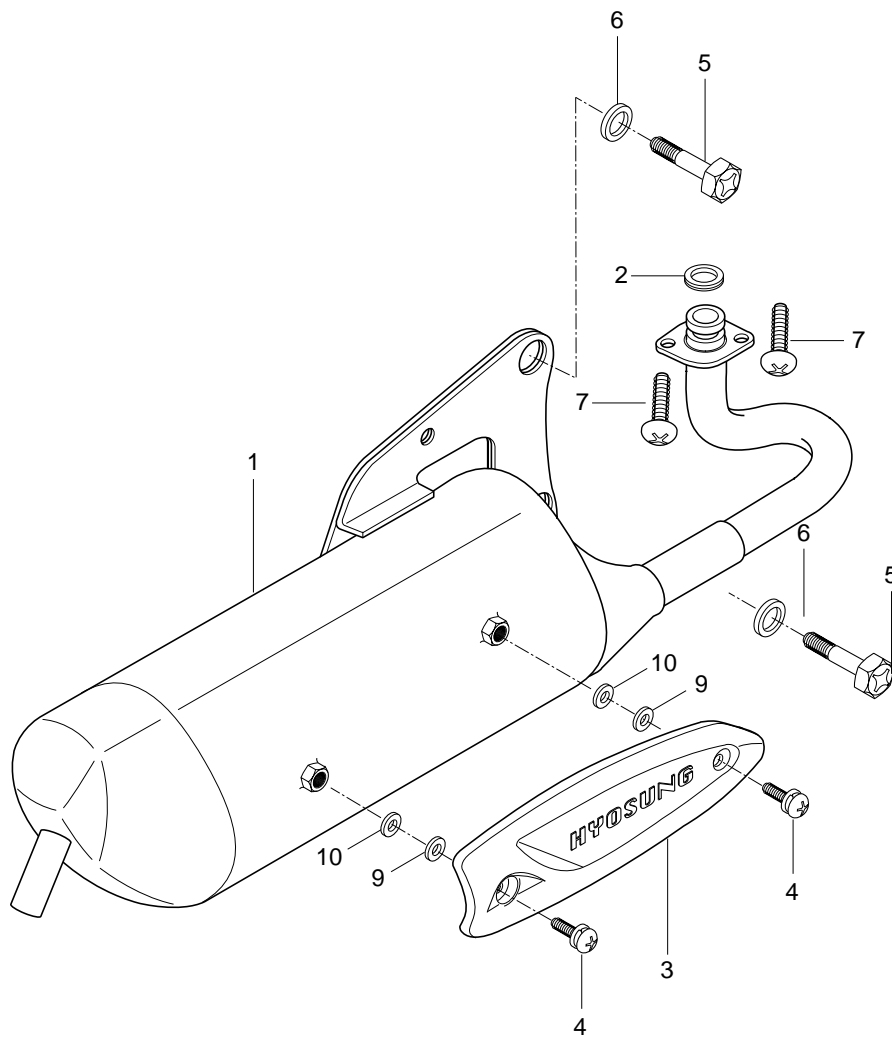


# FIG 6. AIR CLEANER

REF PARTS NUMBER.								PARTS NAME	Q`TY	REMARKS	REC.Q`TY (PCS)
NO.	DOMESTIC	ST01	GEU01	JEU01	KEU03	GG01	JG03				
1	13700HF1605	13700HF1605	13700HF1605	13700HF1605		13700HF1605	13700HF1605	13700HF1605	CLEAER ASSY,AIR	1	2
1-1					13700HF1660				CLEAER ASSY,AIR	1	
2	13720HF1604	13720HF1604	13720HF1604	13720HF1604	13720HF1604	13720HF1604	13720HF1604	13720HF1604	CASE COMP,AIR CLEANER	1	
3	13741HF1603	13741HF1603	13741HF1603	13741HF1603	13741HF1603	13741HF1603	13741HF1603	13741HF1603	CAP,AIR CLEANER	1	
4	13780HF1600	13780HF1600	13780HF1600	13780HF1600	13780HF1600	13780HF1600	13780HF1600	13780HF1600	FILTER ASSY,AIR CLEANER	1	
5-1	13881HF1600	13881HF1600	13881HF1600	13881HF1600	13881HF1600	13881HF1600	13881HF1600	13881HF1600	TUBE,OUTLET	1	
6	09402-34207	09402-34207	09402-34207	09402-34207	09402-34207	09402-34207	09402-34207	09402-34207	CLAMP,OUTLET TUBE	1	
7	03151-06165	03151-06165	03151-06165	03151-06165	03151-06165	03151-06165	03151-06165	03151-06165	SCREW,AIR CLEANER	5	
8	02112-06258	02112-06258	02112-06258	02112-06258	02112-06258	02112-06258	02112-06258	02112-06258	SCREW	2	
9	13746HF1601	13746HF1601	13746HF1601	13746HF1601	13746HF1601	13746HF1601	13746HF1601	13746HF1601	GASKET,AIR CLEANER	1	
10	13861HE7100	13861HE7100	13861HE7100	13861HE7100	13861HE7100	13861HE7100	13861HE7100	13861HE7100	TUBE,DRAIN	1	
11	13862HE7100	13862HE7100	13862HE7100	13862HE7100	13862HE7100	13862HE7100	13862HE7100	13862HE7100	FILTER,DRAIN	1	
12	09169H06048	09169H06048	09169H06048	09169H06048	09169H06048	09169H06048	09169H06048	09169H06048	WASHER,AIR CLEANER CAP	2	



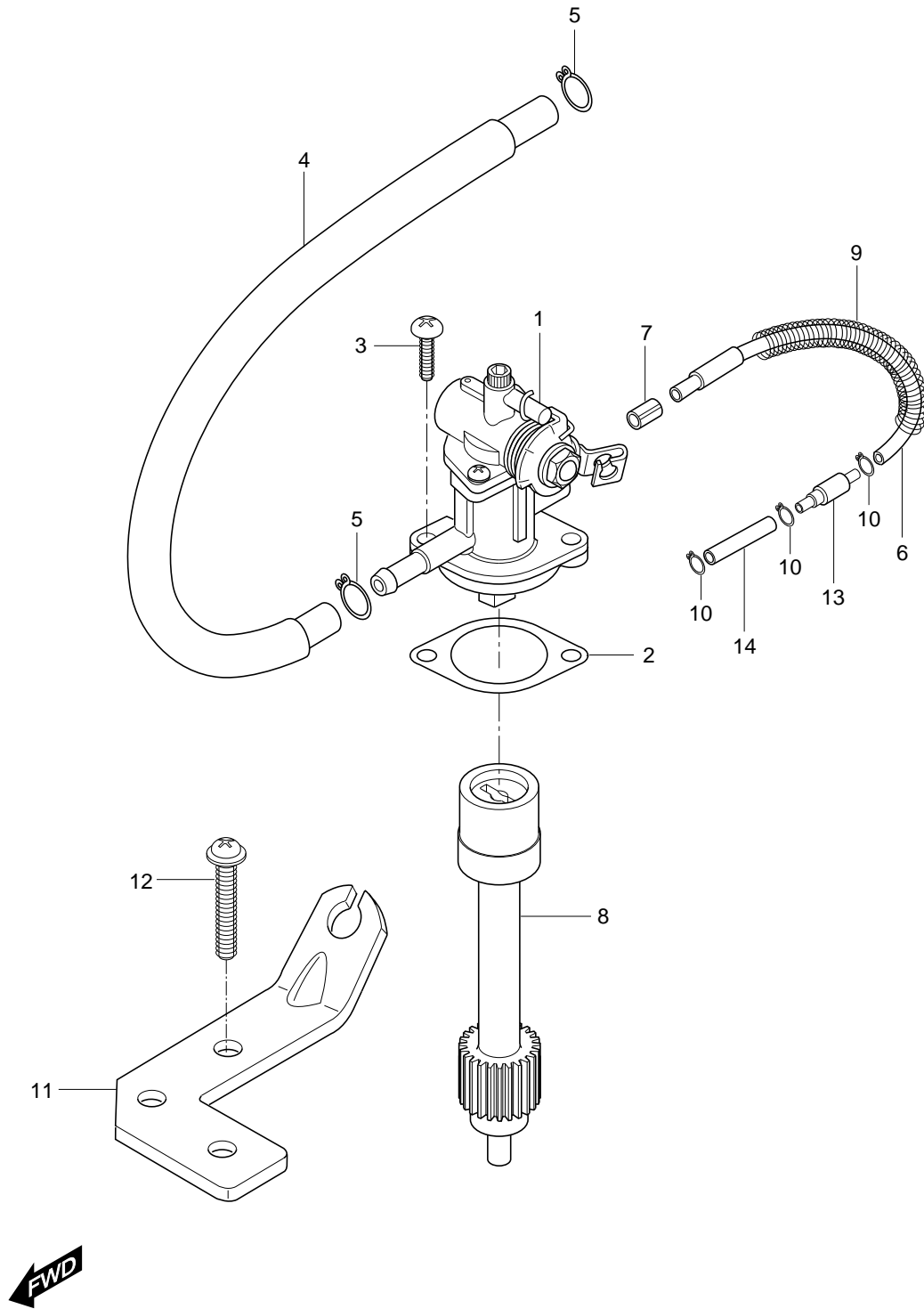
FIG.7



# FIG 7. MUFFLER

REF PARTS NUMBER.								PARTS NAME	Q`TY	REMARKS	REC.Q`TY
NO. DOMESTIC	ST01	GEU01	JEU01	KEU03	GG01	JG03	MG01				(PCS)
1			14310HF1651PAM			14310HF1651PAM	14310HF1651PAM	BODY COMP,MUFFLER	1		6
1-1				14310HF1660PAM				BODY COMP,MUFFLER	1		
1-2	14310HF1680PAM	14310HF1680PAM			14310HF1680PAM			BODY COMP,MUFFLER	1		
2	14181HG2600		14181HG2600			14181HG2600	14181HG2600	GASKET,EXHAUST PIPE	1		9
2-1	14181H11200	14181H11200		14181H11200	14181H11200			GASKET,EXHAUST PIPE	1		
3	14781HF1601	14781HF1601	14781HF1601		14781HF1601	14781HF1601	14781HF1601	COVER,MUFFLER	1		2
3-1				14781HF1660				COVER,MUFFLER	1		
4	02152-06128	02152-06128	02152-06128	02152-06128	02152-06128	02152-06128	02152-06128	SCREW,MUFFLER COVER(6*10)	2		
5	09128-08001	09128-08001	09128-08001	09128-08001	09128-08001	09128-08001	09128-08001	BOLT,MUFFLER(8*20)	2		
6	08322-21108	08322-21108	08322-21108	08322-21108	08322-21108	08322-21108	08322-21108	WASHER,MUFFLER	2		
7	01137-06258				09139H06042	09139H06042		BOLT,exhaust pipe	2		
7-1	01421-06208	01421-06208	01421-06208	01421-06208		01421-06208	01421-06208	STUD BOLT, CYL	2		
8	09168-06010	09168-06010	09168-06010	09168-06010	09168-06010	09168-06010	09168-06010	GASKET,MUFFLER COVER	2		
9	09160-06006	09160-06006	09160-06006	09160-06006	09160-06006	09160-06006	09160-06006	WASHER,MUFFLER COVER	2		

FIG.8

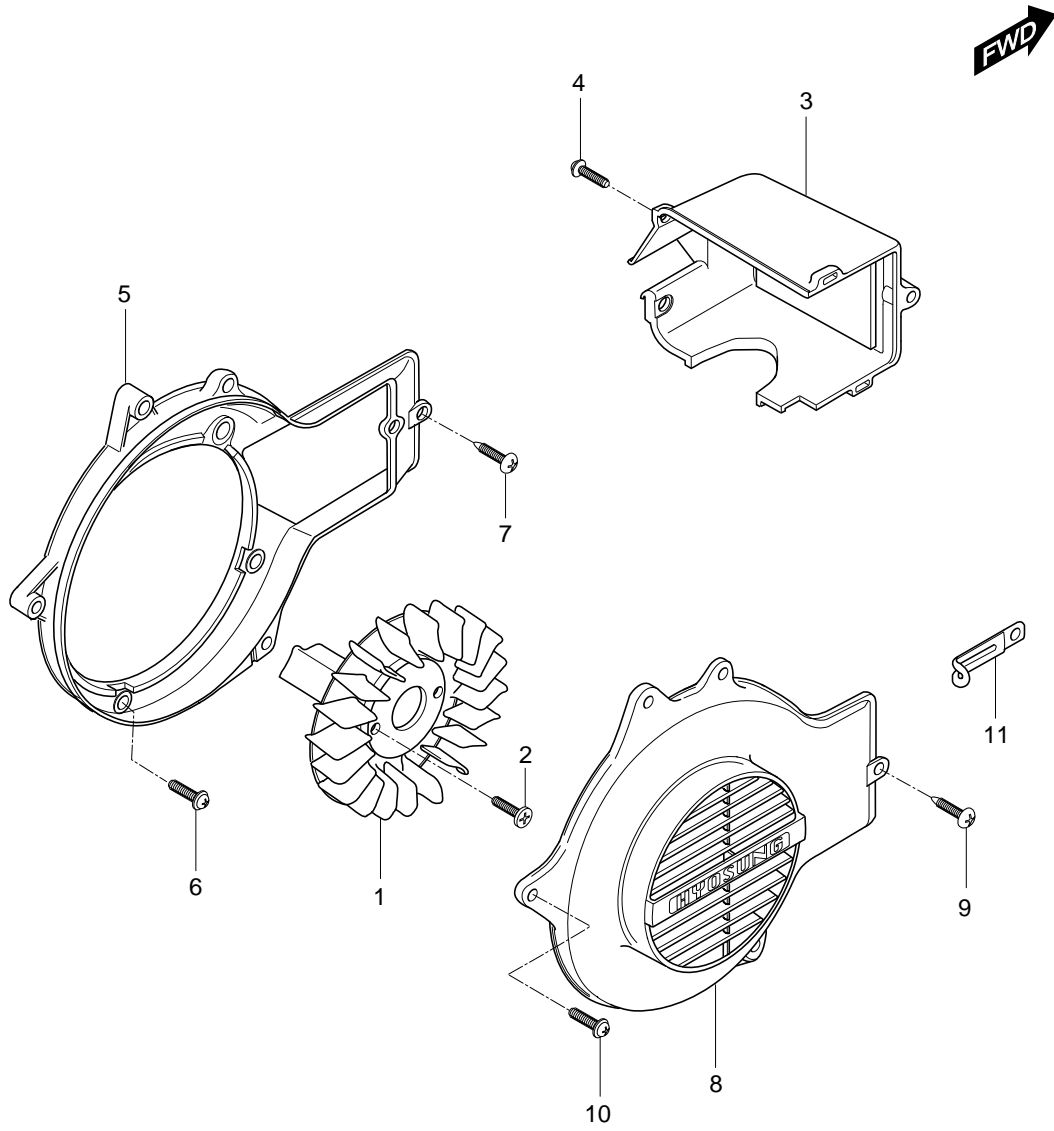


# FIG 8. OIL PUMP

## REF PARTS NUMBER.

REF PARTS NUMBER.								PARTS NAME	Q`TY	REMARKS	REC.Q`TY	
NO. DOMESTIC	ST01	GEU01	JEU01	KEU03	GG01	JG03	MG01				(PCS)	
1	16100HE1125	16100HE1125	16100HE1125	16100HE1125	16100HE1125	16100HE1125	16100HE1125	16100HE1125	PUMP ASSY,OIL	1		1
2	16731H11202	16731H11202	16731H11202	16731H11202	16731H11202	16731H11202	16731H11202	16731H11202	GASKET,OIL PUMP	1		2
3	02112-35168	02112-35168	02112-35168	02112-35168	02112-35168	02112-35168	02112-35168	02112-35168	SCREW,OIL PUMP(5*16)	2		
4	16821H11200	16821H11200	16821H11200	16821H11200	16821H11200	16821H11200	16821H11200	16821H11200	HOSE,OIL NO.1	1		
5	09401-08401	09401-08401	09401-08401	09401-08401	09401-08401	09401-08401	09401-08401	09401-08401	CLIP,OIL HOSE NO.1	1		
6	16831HE7102200	16831HE7102200	16831HE7102200	16831HE7102200	16831HE7102200	16831HE7102200	16831HE7102200	16831HE7102200	HOSE,OIL NO.2	1		
7	09401-04401	09401-04401	09401-04401	09401-04401	09401-04401	09401-04401	09401-04401	09401-04401	CLIP	2		
8	16331H11200	16331H11200	16331H11200	16331H11200	16331H11200	16331H11200	16331H11200	16331H11200	GEAR, OIL PUMP PINION(NT:30)	1		2
9	09440-13019	09440-13019	09440-13019	09440-13019	09440-13019	09440-13019	09440-13019	09440-13019	SPRING,OIL HOSE	1		
10	09401-04401	09401-04401	09401-04401	09401-04401	09401-04401	09401-04401	09401-04401	09401-04401	CLIP,OIL HOSE NO.3	3		
11	16630HB1100	16630HB1100	16630HB1100	16630HB1100	16630HB1100	16630HB1100	16630HB1100	16630HB1100	BRACKET COMP,OIL PUMP	1		
11-1									BRACKET COMP,OIL PUMP	1		
12	02112-06106	02112-06106	02112-06106	02112-06106	02112-06106	02112-06106	02112-06106	02112-06106	SCREW,OIL PUMPBRACKET(6*10)	2		
13	16910HB1400	16910HB1400	16910HB1400	16910HB1400	16910HB1400	16910HB1400	16910HB1400	16910HB1400	VALVE COMP,OIL HOSE NO.2 CHECK	1		
14	16841HE1401	16841HE1401	16841HE1401	16841HE1401	16841HE1401	16841HE1401	16841HE1401	16841HE1401	HOSE,OIL NO.3	1		

FIG.9

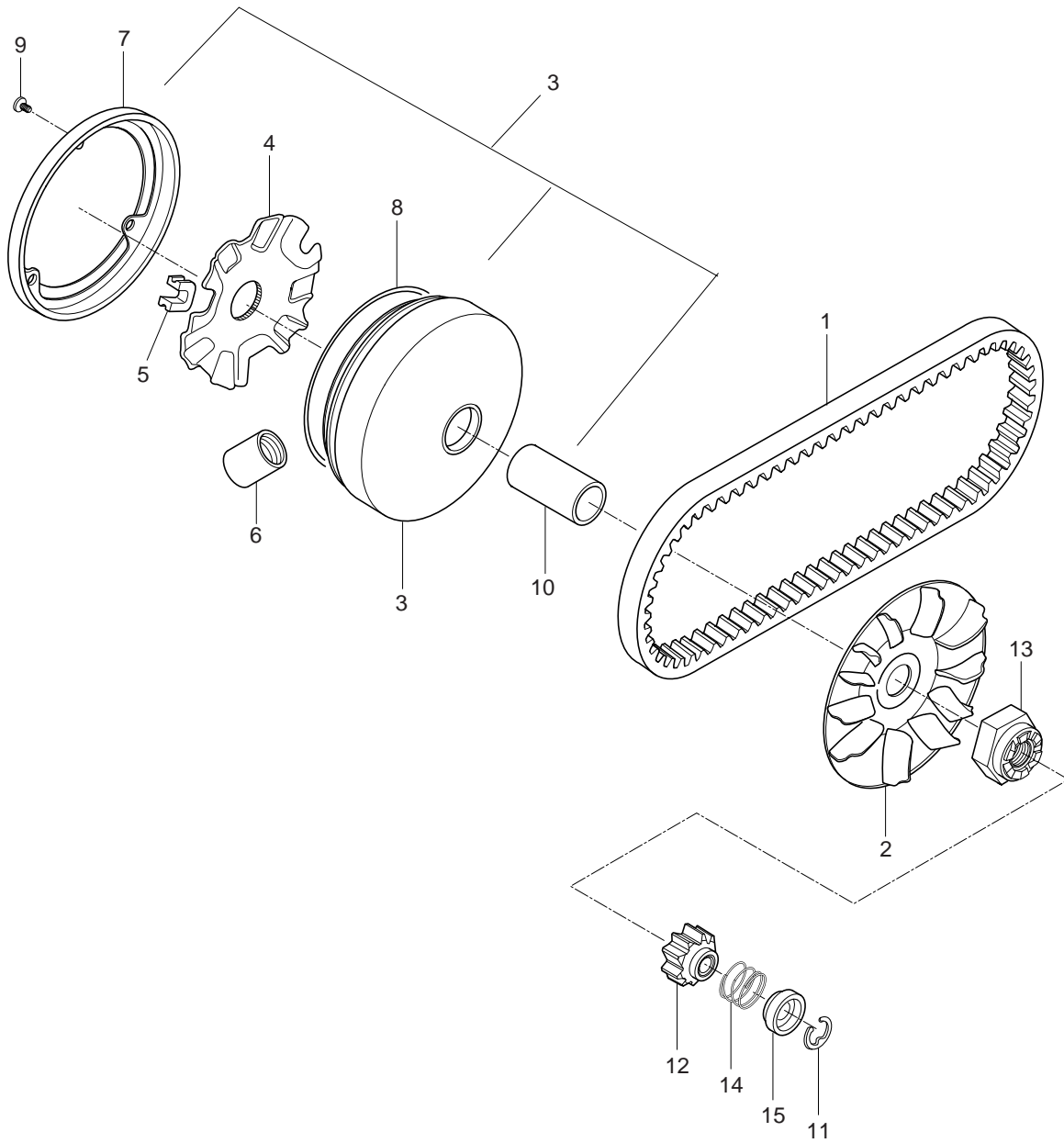


# FIG 9. COOLING FAN

## REF PARTS NUMBER.

REF PARTS NUMBER.								PARTS NAME	Q`TY	REMARKS	REC.Q`TY	
NO. DOMESTIC	ST01	GEU01	JEU01	KEU03	GG01	JG03	MG01				(PCS)	
1	17110H11200	17110H11200	17110H11200	17110H11200	17110H11200	17110H11200	17110H11200	17110H11200	FAN,COOLING	1		1
2	02112-06168	02112-06168	02112-06168	02112-06168	02112-06168	02112-06168	02112-06168	02112-06168	SCREW(6*12)	2		
3	17120H11204	17120H11204	17120H11204	17120H11204	17120H11204	17120H11204	17120H11204	17120H11204	COWLING,CYLINDER	1		
4	02112-96168	02112-96168	02112-96168	02112-96168	02112-96168	02112-96168	02112-96168	02112-96168	SCREW(6*12)	2		
5	17140H11200	17140H11200	17140H11200	17140H11200	17140H11200	17140H11200	17140H11200	17140H11200	CASE,FAN	1		1
6	02152-06168	02152-06168	02152-06168	02152-06168	02152-06168	02152-06168	02152-06168	02152-06168	SCREW	4		
7	03151-06205	03151-06205	03151-06205	03151-06205	03151-06205	03151-06205	03151-06205	03151-06205	SCREW(6*20)	1		
8	17130H11200	17130H11200	17130H11200	17130H11200	17130H11200	17130H11200	17130H11200	17130H11200	COWLING COMP,FAN	1		1
9	03151-06205	03151-06205	03151-06205	03151-06205	03151-06205	03151-06205	03151-06205	03151-06205	SCREW(6*20)	3		
10	03141-06305	03141-06305	03141-06305	03141-06305	03141-06305	03141-06305	03141-06305	03141-06305	SCREW(6*35)	2		
11	09404-06401	09404-06401	09404-06401	09404-06401	09404-06401	09404-06401	09404-06401	09404-06401	CLAMP	1		
12	17122H11200	17122H11200	17122H11200	17122H11200	17122H11200	17122H11200	17122H11200	17122H11200	CUSHION	1		
13	17134-02900	17134-02900	17134-02900	17134-02900	17134-02900	17134-02900	17134-02900	17134-02900	SPACER	2	NOT SALE	

FIG.10

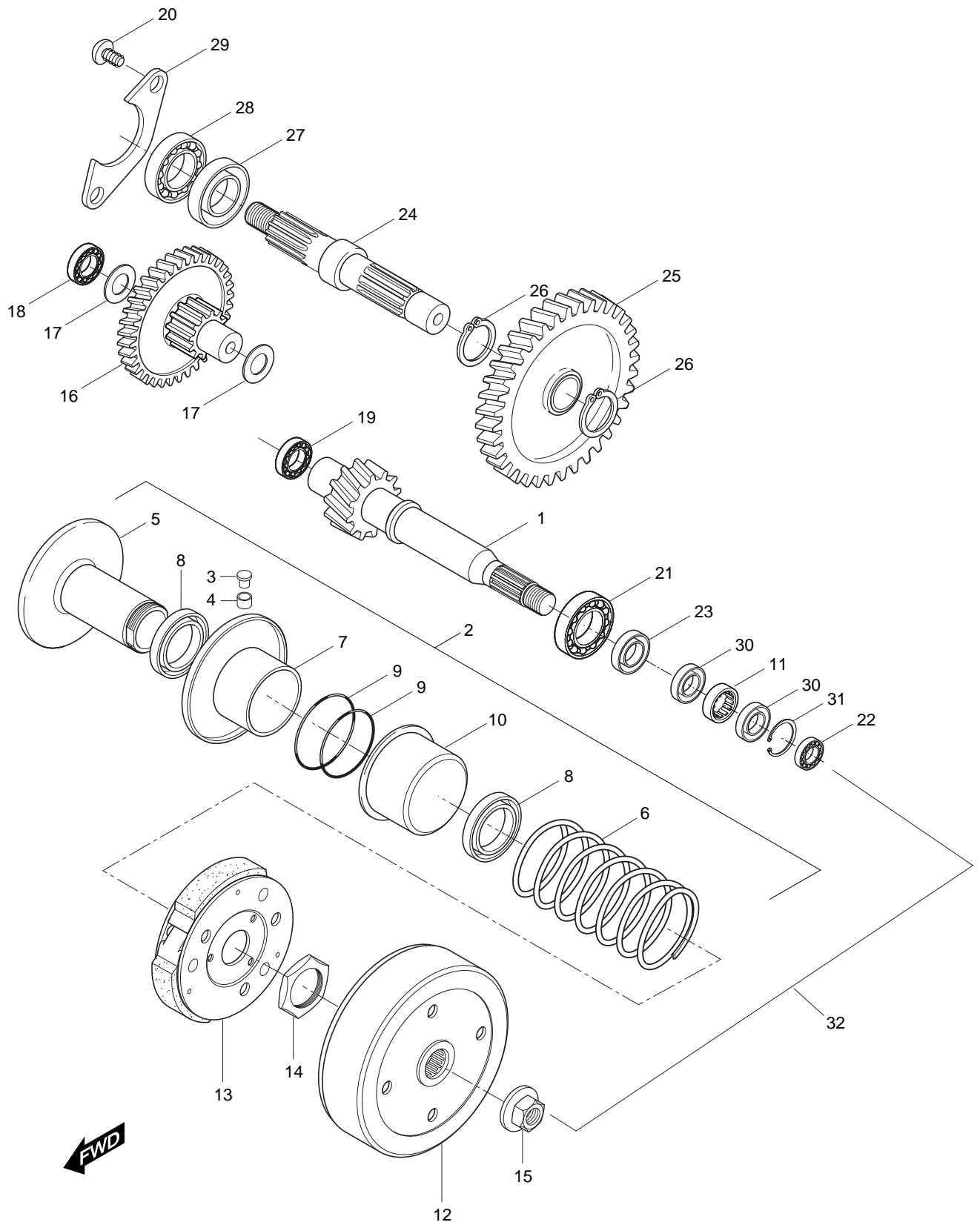


# FIG 10. TRANSMISSION(1)

REF PARTS NUMBER.								PARTS NAME	Q`TY	REMARKS	REC.Q`TY (PCS)
NO. DOMESTIC	ST01	GEU01	JEU01	KEU03	GG01	JG03	MG01				
1	27601HB1100	27601HB1100	27601HB1100	27601HB1100	27601HB1100	27601HB1100	27601HB1100	27601HB1100	V-BELT,DRIVE	1	7
2	21110H11A02	21110H11A02	21110H11A02	21110H11A02	21110H11A02	21110H11A02	21110H11A02	21110H11A02	FACE COMP,FIXED DRIVE	1	1
3	21120-25E02HPA	21120-25E02HPA	21120-25E02HPA	21120-25E02HPA	21120-25E02HPA	21120-25E02HPA	21120-25E02HPA	21120-25E02HPA	FACE COMP,MOVABLE DRIVE	1	1
4	21431H11A01	21431H11A01	21431H11A01	21431H11A01	21431H11A01	21431H11A01	21431H11A01	21431H11A01	PLATE,MOVABLE DRIVE	1	
5	21481-29C21	21481-29C21	21481-29C21	21481-29C21	21481-29C21	21481-29C21	21481-29C21	21481-29C21	DAMPER,MOVABLE DRIVE FACE PLATE	3	3
6	21651S09E00HPA	21651S09E00HPA	21651S09E00HPA	21651S09E00HPA	21651S09E00HPA	21651S09E00HPA	21651S09E00HPA	21651S09E00HPA	OUT MOVABLE DRIVE ROLLER	6	12
7	21122-37B01	21122-37B01	21122-37B01	21122-37B01	21122-37B01	21122-37B01	21122-37B01	21122-37B01	COVER,MOVABLE DRIVE FACE	1	12
8	21127-25E00	21127-25E00	21127-25E00	21127-25E00	21127-25E00	21127-25E00	21127-25E00	21127-25E00	RING,MOVABLE DRIVE	1	
9	02142-04088	02142-04088	02142-04088	02142-04088	02142-04088	02142-04088	02142-04088	02142-04088	SCREW,MOVABLE DRIVE FACE(4*10)	3	
10	09180-16041	09180-16041	09180-16041	09180-16041	09180-16041	09180-16041	09180-16041	09180-16041	SPACER,MOVABLE DRIVE	1	
11	08332-11079	08332-11079	08332-11079	08332-11079	08332-11079	08332-11079	08332-11079	08332-11079	E-RING,KICK STARTER DRIVEN SPACER	1	
12	26280-29C00	26280-29C00	26280-29C00	26280-29C00	26280-29C00	26280-29C00	26280-29C00	26280-29C00	GEAR COMP,KICK STARTER DRIVEN(NT:9)	1	1
13	26282H11A00	26282H11A00	26282H11A00	26282H11A00	26282H11A00	26282H11A00	26282H11A00	26282H11A00	NUT,KICK STARTER DRIVE(12)	1	1
14	09440H14007	09440H14007	09440H14007	09440H14007	09440H14007	09440H14007	09440H14007	09440H14007	SPRING,KICK STARTER DRIVEN	1	
15	26283H11200	26283H11200	26283H11200	26283H11200	26283H11200	26283H11200	26283H11200	26283H11200	SPACER,KICK STARTER DRIVEN	1	



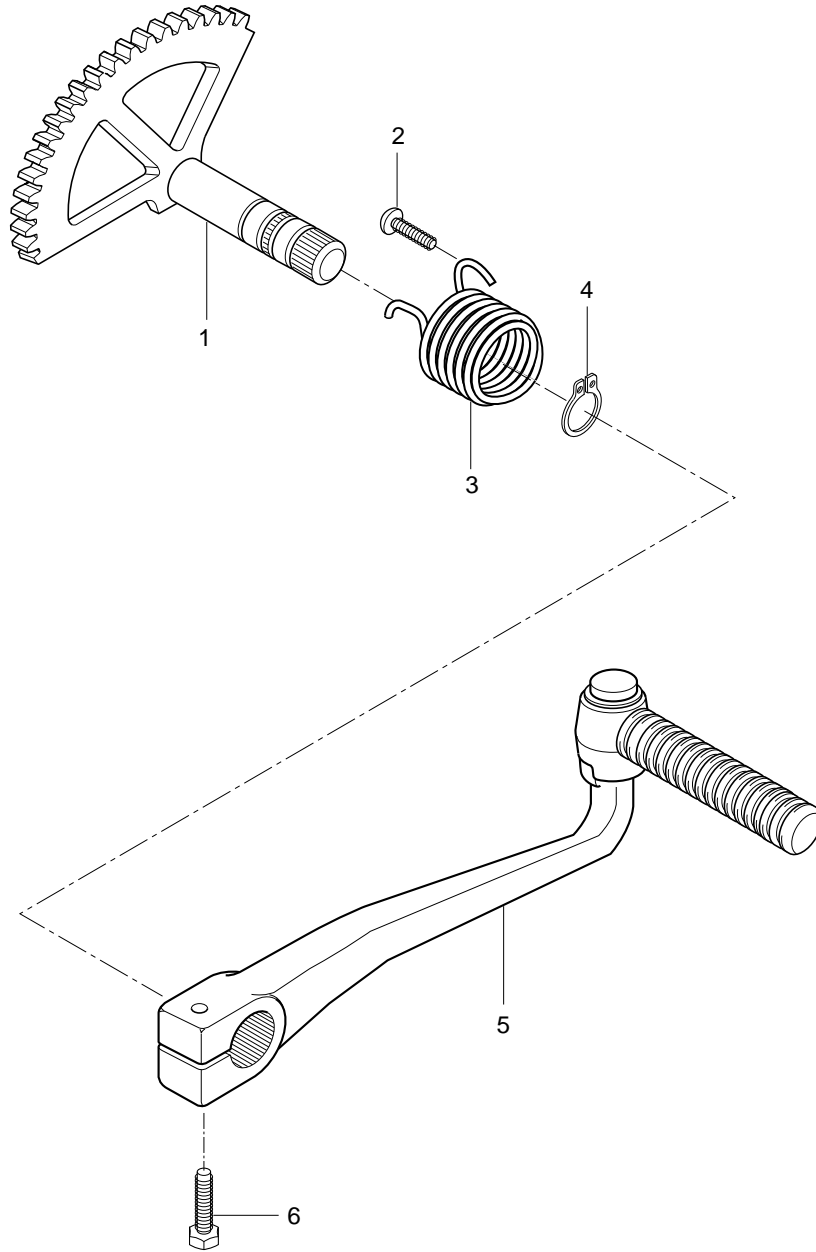
FIG.11



# FIG 11. TRANSMISSION(2)

REF PARTS NUMBER.								PARTS NAME	Q`TY	REMARKS	REC.Q`TY
NO.	DOMESTIC	ST01	GEU01	JEU01	KEU03	GG01	JG03	MG01			(PCS)
1	24111H11223	24111H11223	24111H11223	24111H11223	24111H11223	24111H11223	24111H11223	24111H11223	SHAFT,DRIVE(14T)	1	1
2	21210S37B00	21210S37B00	21210S37B00	21210S37B00	21210S37B00	21210S37B00	21210S37B00	21210S37B00	FACE SET, movable	1	
3	09201H06002	09201H06002	09201H06002	09201H06002	09201H06002	09201H06002	09201H06002	09201H06002	PIN,MOVABLE DRIVEN	3	
4	09180H06042	09180H06042	09180H06042	09180H06042	09180H06042	09180H06042	09180H06042	09180H06042	SPACER,MOVABLE DRIVEN PIN	3	
5	21210-09E02	21210-09E02	21210-09E02	21210-09E02	21210-09E02	21210-09E02	21210-09E02	21210-09E02	FACE COMP,FIXED DRIVEN	1	
6	09440H52003	09440H52003	09440H52003	09440H52003	09440H52003	09440H52003	09440H52003	09440H52003	SPRING	1	
7	21240-37B00	21240-37B00	21240-37B00	21240-37B00	21240-37B00	21240-37B00	21240-37B00	21240-37B00	FACE COMP,MOVABLE DRIVEN	1	
8	09284-34002	09284-34002	09284-34002	09284-34002	09284-34002	09284-34002	09284-34002	09284-34002	OIL SEAL,MOVABLE DRIVEN(34*39*4)	2	
9	09280-41005	09280-41005	09280-41005	09280-41005	09280-41005	09280-41005	09280-41005	09280-41005	O-RING,MOVABLE DRIVEN(39*1.6)	2	
10	21471-03A02	21471-03A02	21471-03A02	21471-03A02	21471-03A02	21471-03A02	21471-03A02	21471-03A02	SHEET,MOVABLE DRIVEN FACE	1	
11	09263-17042	09263-17042	09263-17042	09263-17042	09263-17042	09263-17042	09263-17042	09263-17042	BEARING,FIXED DRIVEN R(17*25*10)	1	
12	21220-04C12	21220-04C12	21220-04C12	21220-04C12	21220-04C12	21220-04C12	21220-04C12	21220-04C12	HOUSING,CLUTCH	1	3
13	21501-29C10	21501-29C10	21501-29C10	21501-29C10	21501-29C10	21501-29C10	21501-29C10	21501-29C10	CLUTCH ASSY,SHOE(NA)	1	3
14	09140H28004	09140H28004	09140H28004	09140H28004	09140H28004	09140H28004	09140H28004	09140H28004	NUT	1	
15	08316-26108	08316-26108	08316-26108	08316-26108	08316-26108	08316-26108	08316-26108	08316-26108	NUT	1	
16	24310H11A01HPA	24310H11A01HPA	24310H11A01HPA	24310H11A01HPA	24310H11A01HPA	24310H11A01HPA	24310H11A01HPA	24310H11A01HPA	GEAR ASSY,COUNTER DRIVEN	1	
17	09160-15034	09160-15034	09160-15034	09160-15034	09160-15034	09160-15034	09160-15034	09160-15034	THRUST WASHER,R	2	
18	08113-62010	08113-62010	08113-62010	08113-62010	08113-62010	08113-62010	08113-62010	08113-62010	BEARING(2*32*10)	1	
19	08113-62020	08113-62020	08113-62020	08113-62020	08113-62020	08113-62020	08113-62020	08113-62020	BEARING(15*35*11)	1	
20	02122-06168	02122-06168	02122-06168	02122-06168	02122-06168	02122-06168	02122-06168	02122-06168	SCREW,RETAINER(6*16)	2	
21	09262H17001	09262H17001	09262H17001	09262H17001	09262H17001	09262H17001	09262H17001	09262H17001	BEARING(17*47*14)	1	
22	08120H69017	08120H69017	08120H69017	08120H69017	08120H69017	08120H69017	08120H69017	08120H69017	BEARING(12*24*6)	1	
23	09283H17002	09283H17002	09283H17002	09283H17002	09283H17002	09283H17002	09283H17002	09283H17002	OIL SEAL(17*27*5)	1	
24	24141H11214	24141H11214				24141H11214			SHAFT,REAR AXLE	1	
24-1			24141HD2100	24141HD2100	24141HD2100		24141HD2100	24141HD2100	SHAFT,REAR AXLE	1	
25	24331H11220	24331H11220	24331H11220	24331H11220	24331H11220	24331H11220	24331H11220	24331H11220	GEAR,FINAL(40T)	1	
26	08331-31229	08331-31229	08331-31229	08331-31229	08331-31229	08331-31229	08331-31229	08331-31229	CIRCLIP	2	
27	09283-27010	09283-27010	09283-27010	09283-27010	09283-27010	09283-27010	09283-27010	09283-27010	OIL SEAL(27*40*7)	1	
28	08130-62047	08130-62047	08130-62047	08130-62047	08130-62047	08130-62047	08130-62047	08130-62047	BEARING(20*47*14)	1	
29	24751H07900	24751H07900	24751H07900	24751H07900	24751H07900	24751H07900	24751H07900	24751H07900	RETAINER	1	
30	09284H17002	09284H17002	09284H17002	09284H17002	09284H17002	09284H17002	09284H17002	09284H17002	OIL SEAL(16*25*4)	2	NOT SALE
31	08331-41249	08331-41249	08331-41249	08331-41249	08331-41249	08331-41249	08331-41249	08331-41249	CIRCLIP	1	
32	21200H37B00	21200H37B00	21200H37B00	21200H37B00	21200H37B00	21200H37B00	21200H37B00	21200H37B00	PULLEY SET, DRIVEN	1	

FIG.12

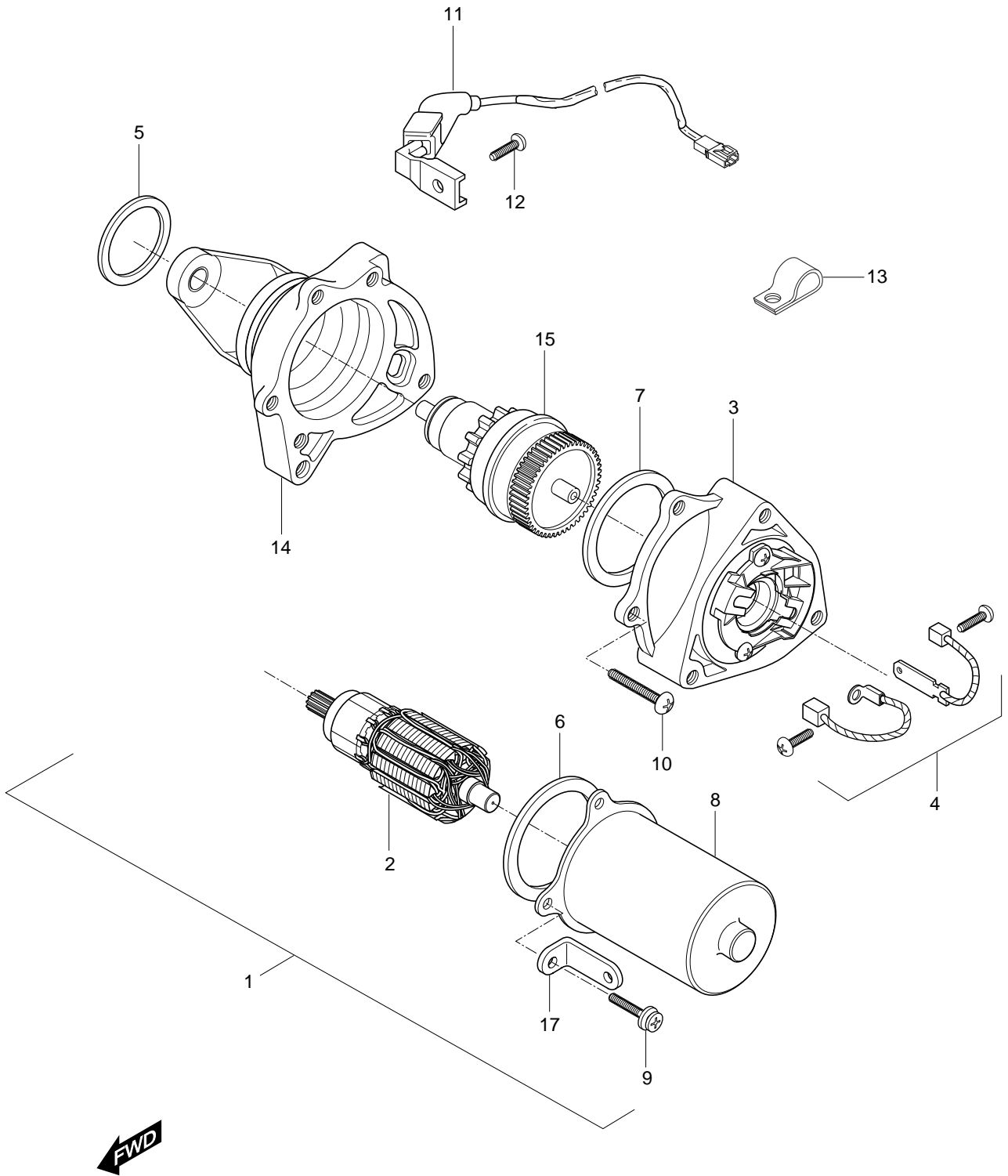


# FIG 12. KICK STARTER

## REF PARTS NUMBER.

REF PARTS NUMBER.								PARTS NAME	Q`TY	REMARKS	REC.Q`TY
NO. DOMESTIC	ST01	GEU01	JEU01	KEU03	GG01	JG03	MG01				(PCS)
1	26210HF1601	26210HF1601	26210HF1601	26210HF1601	26210HF1601	26210HF1601	26210HF1601	SHAFT COMP,KICK STARTER	1		1
2	02142-06108	02142-06108	02142-06108	02142-06108	02142-06108	02142-06108	02142-06108	SCREW(6*10)	1		
3	09448-58003	09448-58003	09448-58003	09448-58003	09448-58003	09448-58003	09448-58003	SPRING	1		
4	08331-31149	08331-31149	08331-31149	08331-31149	08331-31149	08331-31149	08331-31149	CIRCLIP	1		
5	26300H11200	26300H11200	26300H11200	26300H11200	26300H11200	26300H11200	26300H11200	LEVER ASSY,KICK STARTER	1		1
6	01107-06208	01107-06208	01107-06208	01107-06208	01107-06208	01107-06208	01107-06208	BOLT,KICK STARTER LEVER(6*20)	1		

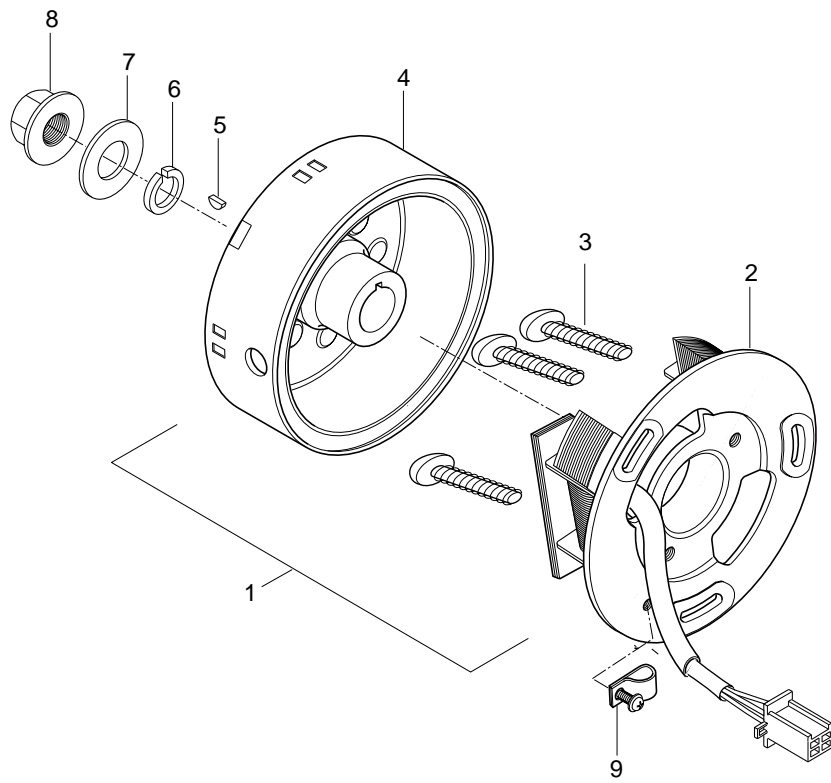
FIG.13



# FIG 13. STARTING MOTOR

REF PARTS NUMBER								PARTS NAME	Q`TY	REMARKS	REC.Q`TY (PCS)
NO. DOMESTIC	ST01	GEU01	JEU01	KEU03	GG01	JG03	MG01				
1	31100H11A02	31100H11A02	31100H11A02	31100H11A02	31100H11A02	31100H11A02	31100H11A02	31100H11A02	MOTOR ASSY,STARTING	1	3
2	31311H11200	31311H11200	31311H11200	31311H11200	31311H11200	31311H11200	31311H11200	31311H11200	AMATEUR	1	
3	31130-02100	31130-02100	31130-02100	31130-02100	31130-02100	31130-02100	31130-02100	31130-02100	HOLDER ASSY,BRUSH	1	
4	31131-02100	31131-02100	31131-02100	31131-02100	31131-02100	31131-02100	31131-02100	31131-02100	BRUSH SET	1	
5	31156-02100	31156-02100	31156-02100	31156-02100	31156-02100	31156-02100	31156-02100	31156-02100	O-RING	1	
6	31158-02540	31158-02540	31158-02540	31158-02540	31158-02540	31158-02540	31158-02540	31158-02540	GASKET	1	
7	31158-02100	31158-02100	31158-02100	31158-02100	31158-02100	31158-02100	31158-02100	31158-02100	O-RING	1	
8	31120HF1600	31120HF1600	31120HF1600	31120HF1600	31120HF1600	31120HF1600	31120HF1600	31120HF1600	COVER,STARTING MOTOR	1	NOT SALE
9	31151-02100	31151-02100	31151-02100	31151-02100	31151-02100	31151-02100	31151-02100	31151-02100	SCREW A(4*30)	3	
10	31151-02540	31151-02540	31151-02540	31151-02540	31151-02540	31151-02540	31151-02540	31151-02540	SCREW B(4*14)	2	
11	31151-02100	31151-02100	31151-02100	31151-02100	31151-02100	31151-02100	31151-02100	31151-02100	LEAD WIRE	1	
12	31152-02540	31152-02540	31152-02540	31152-02540	31152-02540	31152-02540	31152-02540	31152-02540	SCREW	1	
13	09404-06403	09404-06403	09404-06403	09404-06403	09404-06403	09404-06403	09404-06403	09404-06403	CLAMP	1	
14	31132HF1600	31132HF1600	31132HF1600	31132HF1600	31132HF1600	31132HF1600	31132HF1600	31132HF1600	HOLDER	1	
15	31370H11200	31370H11200	31370H11200	31370H11200	31370H11200	31370H11200	31370H11200	31370H11200	PINION GEAR ASSY	1	

FIG.14

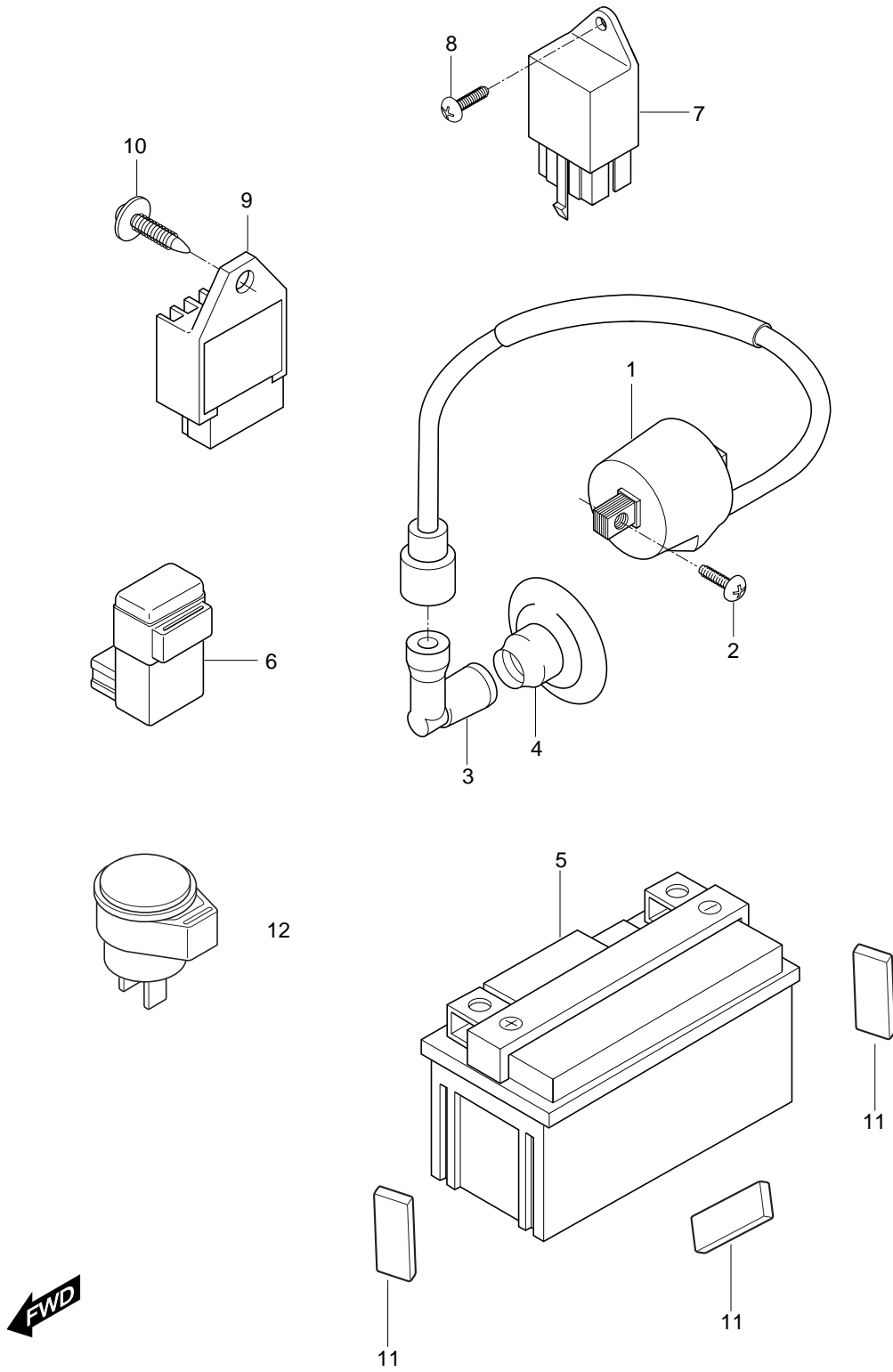


# FIG 14. MAGNETO

REF PARTS NUMBER								PARTS NAME	Q`TY	REMARKS	REC.Q`TY (PCS)	
NO.	DOMESTIC	ST01	GEU01	JEU01	KEU03	GG01	JG03					MG01
1	32100HB1101	32100HB1101			32100HB1101					MAGNETO ASSY	1	
1-1										MAGNETO ASSY	1	
1-2			32100HF3500	32100HF3500		32100HF3500	32100HF3500	32100HF3500		MAGNETO ASSY	1	1
1-3										MAGNETO ASSY	1	
1-4										MAGNETO ASSY	1	
1-5										MAGNETO ASSY	1	
2	32101HB1101	32101HB1101			32101HB1101					STARTOR ASSY	1	
2-1			32101HF3500	32101HF3500		32101HF3500	32101HF3500	32101HF3500		STARTOR ASSY	1	
2-2										STARTOR ASSY	1	
2-3										STARTOR ASSY	1	
3	09132H05128	09132H05128	09132H05128	09132H05128	09132H05128	09132H05128	09132H05128	09132H05128		SCREW,MAGNETO STARTER	3	
4	32102H11A00	32102H11A00	32102H11A00	32102H11A00	32102H11A00	32102H11A00	32102H11A00	32102H11A00		ROTOR ASSY	1	
4-1										ROTOR ASSY	1	
5	08341-31039	08341-31039	08341-31039	08341-31039	08341-31039	08341-31039	08341-31039	08341-31039		KEY,MAGNETO	1	
6	08322-21108	08322-21108	08322-21108	08322-21108	08322-21108	08322-21108	08322-21108	08322-21108		WASHER	1	
7	08321-31108	08321-31108	08321-31108	08321-31108	08321-31108	08321-31108	08321-31108	08321-31108		LOCK WASHER,MAGNETO	1	
8	08316-26108	08316-26108	08316-26108	08316-26108	08316-26108	08316-26108	08316-26108	08316-26108		NUT,MAGNETO ROTOR(10)	1	
9	09404-16404	09404-16404	09404-16404	09404-16404	09404-16404	09404-16404	09404-16404	09404-16404		CLAMP,MAGNETO LEAD WIRE	1	



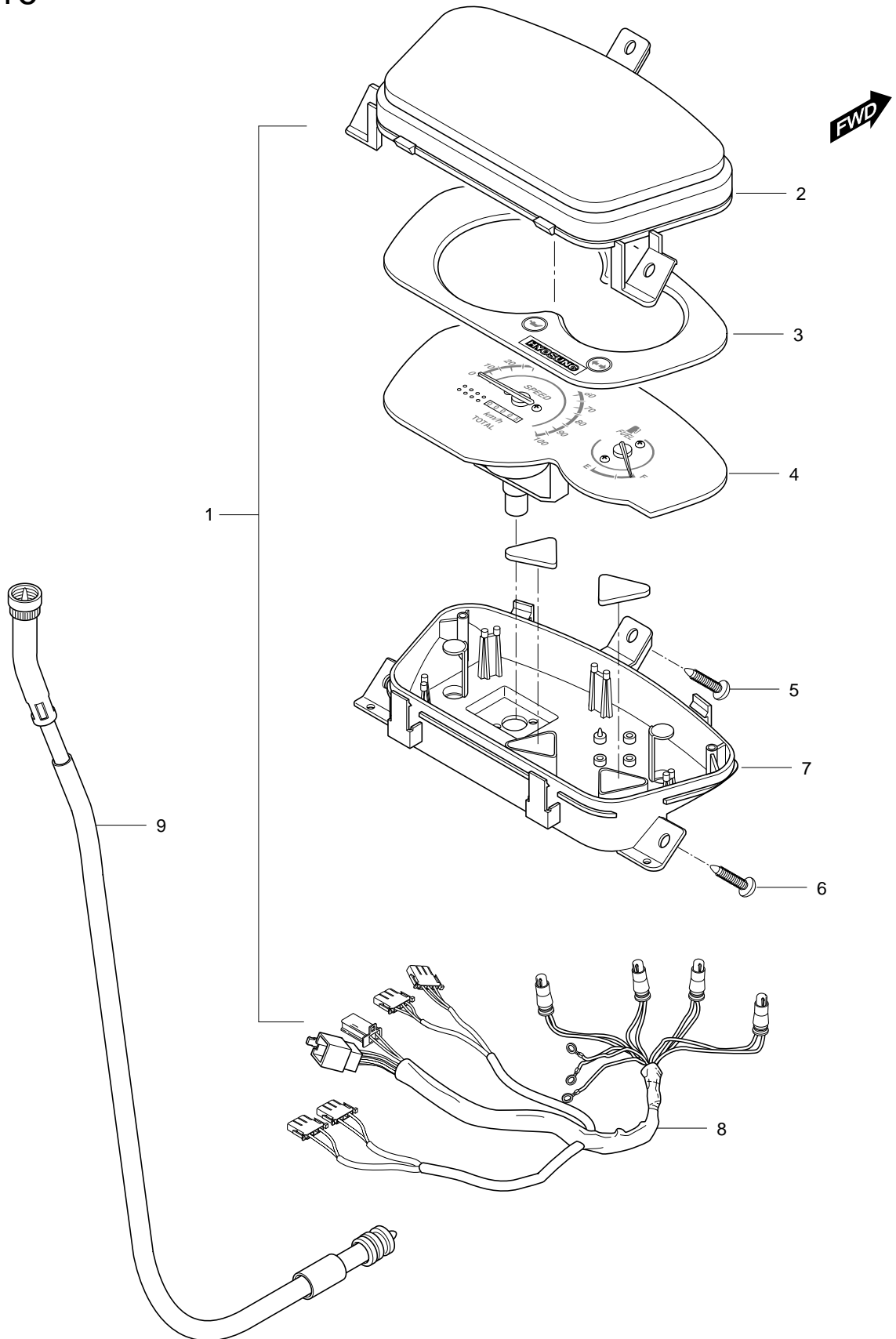
FIG.15



# FIG 15. ELECTRICAL

REF PARTS NUMBER								PARTS NAME	Q`TY	REMARKS	REC.Q`TY (PCS)
NO.	DOMESTIC	ST01	GEU01	JEU01	KEU03	GG01	JG03				
1	33410H11210	33410H11210	33410H11210	33410H11210	33410H11210	33410H11210	33410H11210	33410H11210	COIL ASSY,IGNITION	1	1
2	02112-46208	02112-46208	02112-46208	02112-46208	02112-46208	02112-46208	02112-46208	02112-46208	SCREW,IGNITION COIL(6*20)	2	
3	33510H11200	33510H11200	33510H11200	33510H11200	33510H11200	33510H11200	33510H11200	33510H11200	CAP,SPARK PLUG	1	
3-1									CAP,SPARK PLUG	1	
4	33543HG2600	33543HG2600	33543HG2600	33543HG2600	33543HG2600	33543HG2600	33543HG2600	33543HG2600	BOOT,SPARK PLUG	1	
5	33610H11A01	33610H11A01	33610H11A01	33610H11A01	33610H11A01	33610H11A01	33610H11A01	33610H11A01	BATTERY	1	5
5-1									BATTERY	1	
6				32900HF1660				32900HF1660	C.D.I UNIT	1	2
6-1									C.D.I UNIT	1	
6-2			32900HG1900						C.D.I UNIT	1	
6-3	32900H11201	32900H11201			32900H11201				C.D.I UNIT	1	
6-4						32900HF1650			C.D.I UNIT	1	
6-5							32900HF1670		C.D.I UNIT	1	
7	31800H47A00	31800H47A00	31800H47A00	31800H47A00	31800H47A00	31800H47A00	31800H47A00	31800H47A00	SCREW(6*12)	1	2
8	02142-06128	02142-06128	02142-06128	02142-06128	02142-06128	02142-06128	02142-06128	02142-06128	RECTIFER ASSY	1	
9	32800-36C20	32800-36C20	32800-36C20	32800-36C20	32800-36C20	32800-36C20	32800-36C20	32800-36C20	SCREW(6*16)	1	1
10	02112-06168	02112-06168	02112-06168	02112-06168	02112-06168	02112-06168	02112-06168	02112-06168	CUSHION,BATTERY	3	
11	33651H11A00	33651H11A00	33651H11A00	33651H11A00	33651H11A00	33651H11A00	33651H11A00	33651H11A00	RELAY ASSY,TURN SIGNAL	1	
12	38610-36C00	38610-36C00							RELAY ASSY,TURN SIGNAL	1	
12-1									RELAY ASSY,TURN SIGNAL	1	
12-2			38610HF4400	38610HF4400	38610HF4400	38610HF4400	38610HF4400	38610HF4400	RELAY, TURN SIGNAL	1	1

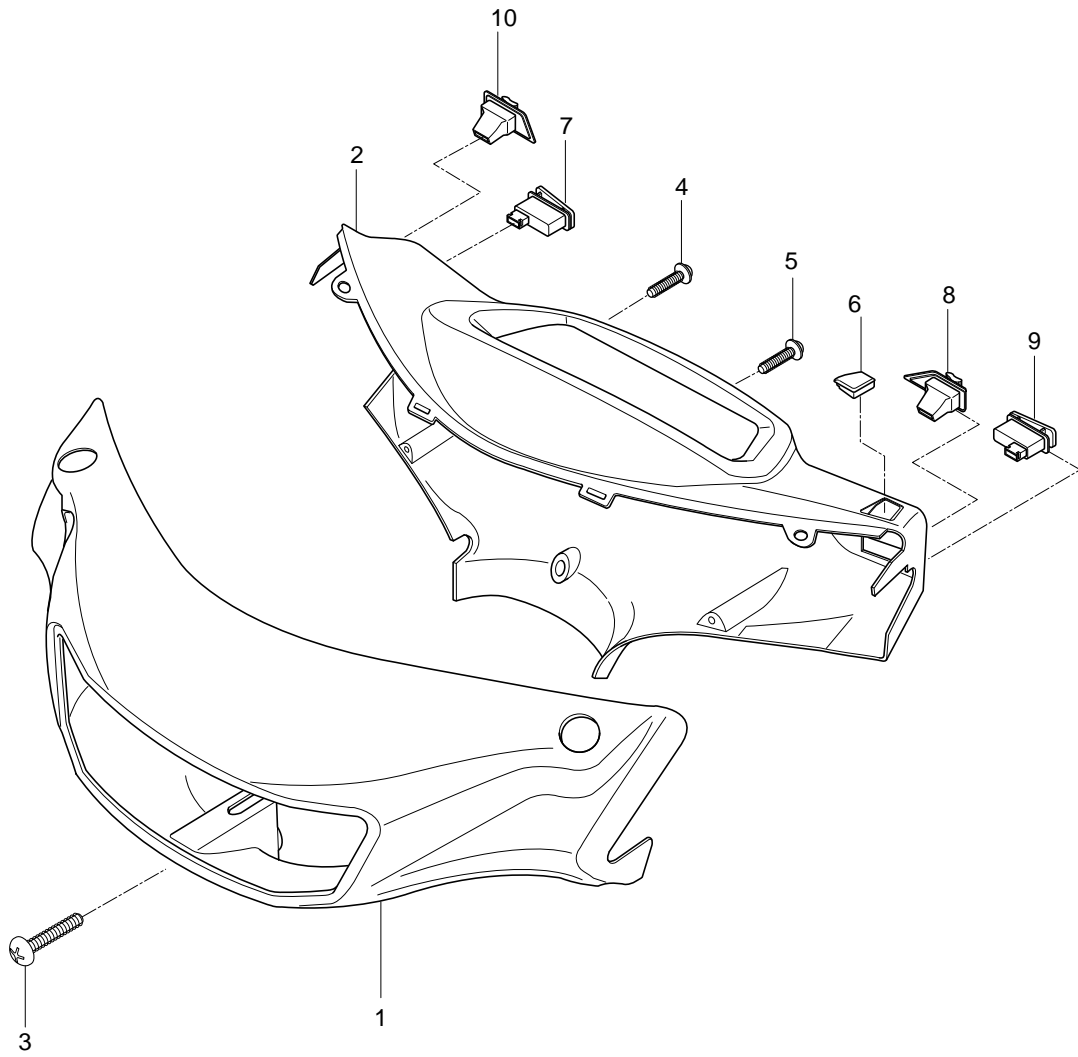
FIG.16



# FIG 16. SPEEDOMETER

REF PARTS NUMBER								PARTS NAME	Q'TY	REMARKS	REC.Q'TY
NO.	DOMESTIC	ST01	GEU01	JEU01	KEU03	GG01	JG03				
1	34100HF1602	34100HF1602							SPEEDOMETER ASSY	1	
1-1									SPEEDOMETER ASSY	1	
1-2									SPEEDOMETER ASSY	1	
1-3									SPEEDOMETER ASSY	1	
1-4			34100HG2150	34100HG2150	34100HG2150	34100HG2150	34100HG2150	34100HG2150	SPEEDOMETER ASSY	1	3
1-5									SPEEDOMETER ASSY	1	
2	34150HF1600	34150HF1600	34150HF1600	34150HF1600	34150HF1600	34150HF1600	34150HF1600	34150HF1600	WINDOW CASE	1	
3	34159HF1601	34159HF1601	34159HF1601	34159HF1601	34159HF1601	34159HF1601	34159HF1601	34159HF1601	PLATE, window case	1	NOT SALE
4	34112HF1601	34112HF1601	34112HF1601	34112HF1601	34112HF1601	34112HF1601	34112HF1601	34112HF1601	DIAL	1	
5	03241-05165	03241-05165	03241-05165	03241-05165	03241-05165	03241-05165	03241-05165	03241-05165	SCREW(M5*16)	1	
6	03241-05206	03241-05206	03241-05206	03241-05206	03241-05206	03241-05206	03241-05206	03241-05206	SCREW(M5*20)	2	
7	34150HF1600	34150HF1600	34150HF1600	34150HF1600	34150HF1600	34150HF1600	34150HF1600	34150HF1600	CASE SUB	1	
8	34160HF1600	34160HF1600	34160HF1600	34160HF1600	34160HF1600	34160HF1600	34160HF1600	34160HF1600	CORD	1	
9	34910HB1101	34910HB1101	34910HB1101	34910HB1101	34910HB1101	34910HB1101	34910HB1101	34910HB1101	CABLE ASS'Y, speedometer	1	3

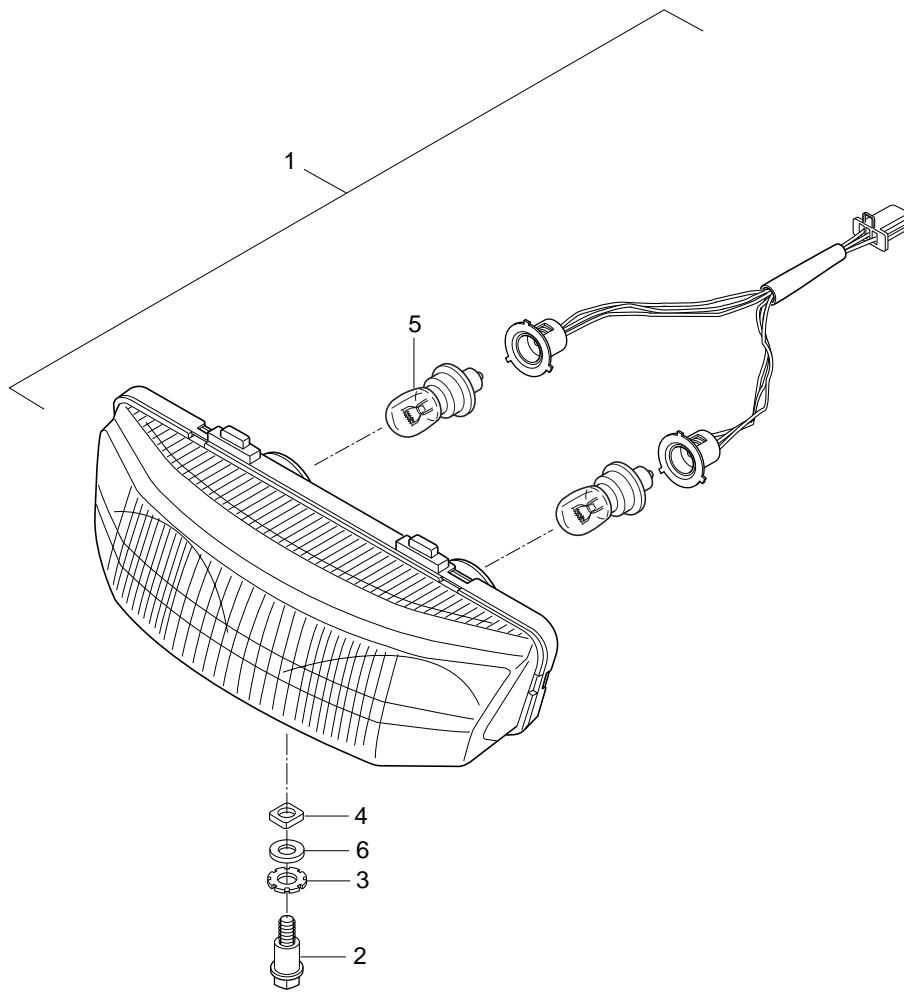
FIG.17



# FIG 17. HANDLE COVER

REF PARTS NUMBER								PARTS NAME	Q`TY	REMARKS	REC.Q`TY (PCS)
NO. DOMESTIC	ST01	GEU01	JEU01	KEU03	GG01	JG03	MG01				
1	56311HF1600	56311HF1600	56311HF1600	56311HF1600BB	56311HF1600	56311HF1600	56311HF1600	56311HF1600	COVER, handle front Color NOIR	1	10
1				56311HF1600DB					COVER, handle front Color BLEU	1	
2	56321HF1601	56321HF1601	56321HF1601	56321HF1601	56321HF1601	56321HF1601	56321HF1601	56321HF1601	COVER,HANDLE REAR	1	5
3	02142-05125	02142-05125	02142-05125	02142-05125	02142-05125	02142-05125	02142-05125	02142-05125	SCREW,HANDLE COVER F/T,R/R(5*12)	2	
4	03241-05165	03241-05165	03241-05165	03241-05165	03241-05165	03241-05165	03241-05165	03241-05165	SCREW,HANDLE COVER R/R UPPER(5*16)	2	
5	03241-04166	03241-04166	03241-04166	03241-04166	03241-04166	03241-04166	03241-04166	03241-04166	SCREW,HANDLE COVER RR SIDE(4*16)	2	
6	37430HE6100	37430HE6100							SWITCH ASS'Y DIMMER	1	
6-1	56331HF1620		56331HF1620	56331HF1620	56331HF1620	56331HF1620	56331HF1620	56331HF1620	CAP, handle cover rear	1	
7	37220HE6100	37220HE6100	37220HE6100	37220HE6100	37220HE6100	37220HE6100	37220HE6100	37220HE6100	SWITCH ASS'Y START	1	2
8	37410HE6100	37410HE6100	37410HE6100	37410HE6100	37410HE6100	37410HE6100	37410HE6100	37410HE6100	SWITCH ASS'Y TURN SIGNAL	1	2
9	37420HE6100	37420HE6100	37420HE6100	37420HE6100	37420HE6100	37420HE6100	37420HE6100	37420HE6100	SWITCH ASS'Y HORN	1	2
10	37210HE6100	37210HE6100							SWITCH ASS'Y LIGHTING	1	
10-1			37210HF4500	37210HF4500	37210HF4500	37210HF4500	37210HF4500	37210HF4500	SWITCH ASS'Y LIGHTING	1	2
10-2									SWITCH ASS'Y LIGHTING	1	

FIG.18

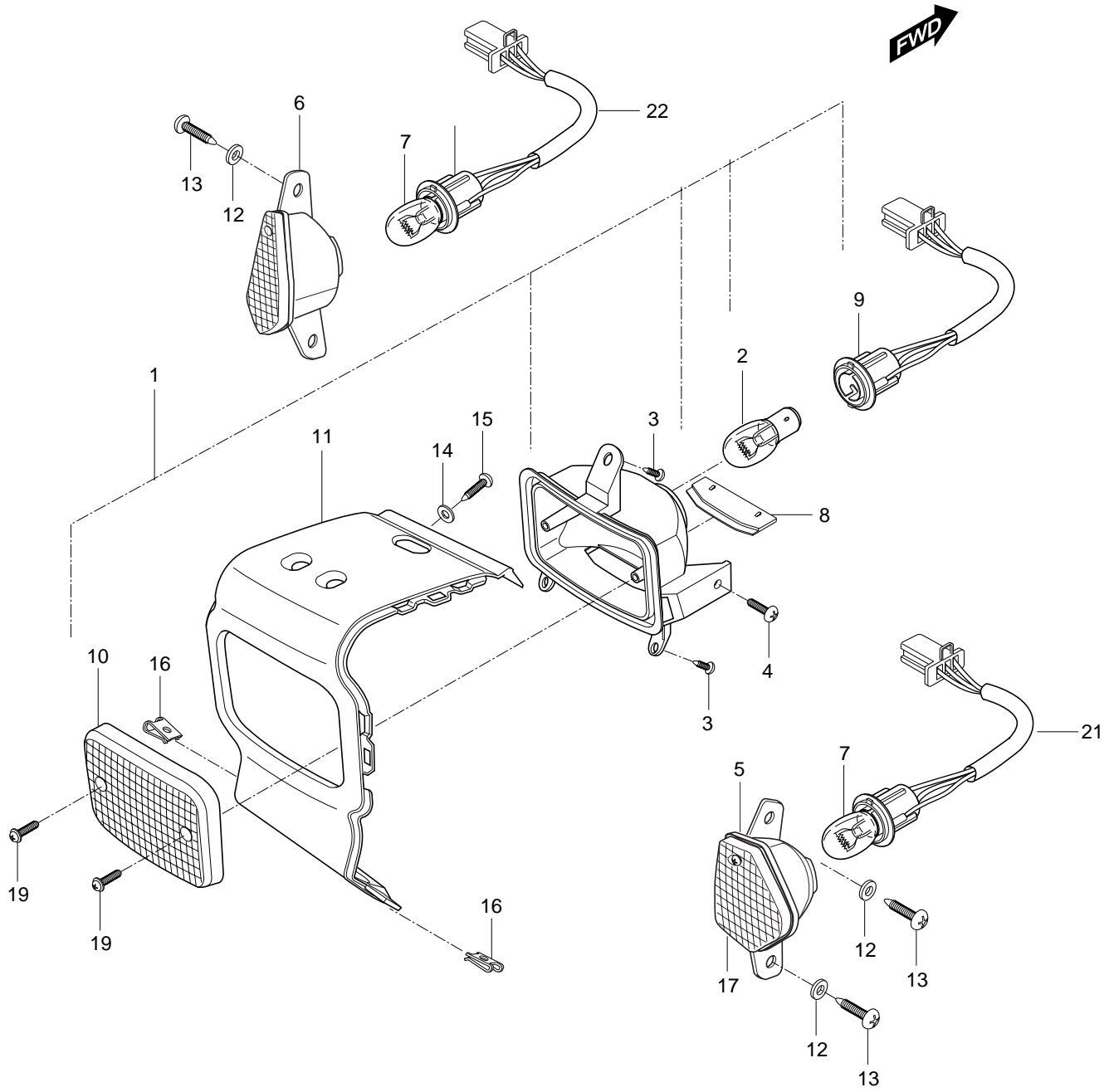


# FIG 18. HEAD LAMP

REF PARTS NUMBER								PARTS NAME	Q`TY	REMARKS	REC.Q`TY (PCS)
NO. DOMESTIC	ST01	GEU01	JEU01	KEU03	GG01	JG03	MG01				
1	35100HF1600	35100HF1600							HEAD LAMP ASSY	1	
1-1			35100HG1900	35100HG1900	35100HG1900	35100HG1900	35100HG1900	35100HG1900		1	4
2	35151H11200	35151H11200	35151H11200	35151H11200	35151H11200	35151H11200	35151H11200	35151H11200	BOLT,HEAD LAMP AIMING(4*11)	1	
3	35128H11200	35128H11200	35128H11200	35128H11200	35128H11200	35128H11200	35128H11200	35128H11200	WASHER,HEAD LAMP AIMING	1	
4	35135H11200	35135H11200	35135H11200	35135H11200	35135H11200	35135H11200	35135H11200	35135H11200	NUT,HEAD LAMP AIING	1	
5	09471-12013	09471-12013	09471-12013	09471-12013	09471-12013	09471-12013	09471-12013	09471-12013	BULB,HEAD LAMP(12V 18/18W)	2	
6	08322-21068	08322-21068	08322-21068	08322-21068	08322-21068	08322-21068	08322-21068	08322-21068	WASHER, head lamp aiming	1	



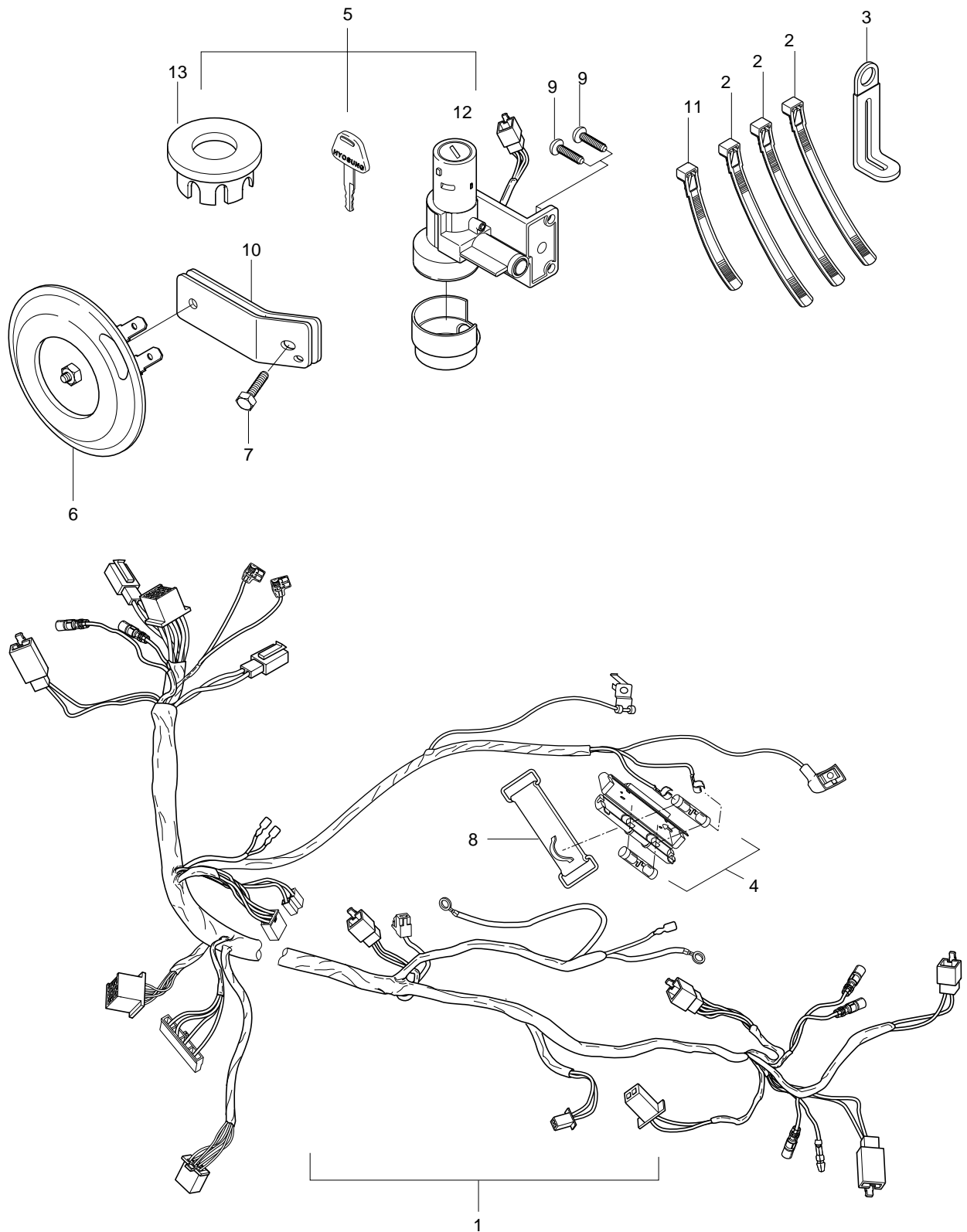
FIG.19



# FIG 19. REAR COMBINATION LAMP

REF PARTS NUMBER								PARTS NAME	Q'TY	REMARKS	REC.Q'TY (PCS)
NO. DOMESTIC	ST01	GEU01	JEU01	KEU03	GG01	JG03	MG01				
1	35710HF1601	35710HF1601							LAMP ASSY,REAR COMBINATION	1	
1-1			35710HF1622	35710HF1622	35710HF1622	35710HF1622	35710HF1622	35710HF1622	LAMP ASSY,REAR COMBINATION	1	2
2	09471-12008	09471-12008	09471-12008	09471-12008	09471-12008	09471-12008	09471-12008	09471-12008	BULB,STOP & TIAL LAMP(12V P21W)	1	
3	03241-04166	03241-04166	03241-04166	03241-04166	03241-04166	03241-04166	03241-04166	03241-04166	SCREW,TAIL & STOP LAMP(4*12)	3	
4	01517-06168	01517-06168	01517-06168	01517-06168	01517-06168	01517-06168	01517-06168	01517-06168	BOLT,TAIL & STOP LAMP(6*16)	2	
5	35603HF1601	35603HF1601							LAMP,REAR TURMISIGNAL R	1	
	35603HF1621		35603HF1621	35603HF1621	35603HF1621	35603HF1621	35603HF1621	35603HF1621	LAMP,REAR TURMISIGNAL R	1	
6	35604HF1601	35604HF1601							LAMP,REAR TURMISIGNAL L	1	
	35604HF1621		35604HF1621	35604HF1621	35604HF1621	35604HF1621	35604HF1621	35604HF1621	LAMP,REAR TURMISIGNAL L	1	
7	09471-12003	09471-12003	09471-12003	09471-12003	09471-12003	09471-12003	09471-12003	09471-12003	BULB,REAR TUMISIGNAL(12V 10W)	2	
8	35770HF1600	35770HF1600	35770HF1600	35770HF1600	35770HF1600	35770HF1600	35770HF1600	35770HF1600	LICENSE LENS	1	NOT SALE
9	35760HF1600	35760HF1600	35760HF1600	35760HF1600	35760HF1600	35760HF1600	35760HF1600	35760HF1600	SOCKET & CORD ASSY	1	
10	35712HF1600	35712HF1600	35712HF1600	35712HF1600	35712HF1600	35712HF1600	35712HF1600	35712HF1600	LENS,TAIL STOP	1	
11	47311HG2100	47311HG2100	47311HG2100	47311HG2100	47311HG2100	47311HG2100	47311HG2100	47311HG2100	COVER,CENTER(COLOR)	1	7
12	35157-27263	35157-27263	35157-27263	35157-27263	35157-27263	35157-27263	35157-27263	35157-27263	WASHER	4	
13	03241-04165	03241-04165	03241-04165	03241-04165	03241-04165	03241-04165	03241-04165	03241-04165	SCREW(4*16)	2	
14	09169-06034	09169-06034	09169-06034	09169-06034	09169-06034	09169-06034	09169-06034	09169-06034	WASHER	2	
15	02142-06165	02142-06165	02142-06165	02142-06165	02142-06165	02142-06165	02142-06165	02142-06165	SCREW(6*16)	2	
16	09148-05020	09148-05020	09148-05020	09148-05020	09148-05020	09148-05020	09148-05020	09148-05020	SPRING NUT	2	
17	35652HF1600	35652HF1600	35652HF1600	35652HF1600	35652HF1600	35652HF1600	35652HF1600	35652HF1600	LENS, RR T/S R	1	
18	35672HF1600	35672HF1600	35672HF1600	35672HF1600	35672HF1600	35672HF1600	35672HF1600	35672HF1600	LENS, RR T/S L	1	
19	03241-04126	03241-04126	03241-04126	03241-04126	03241-04126	03241-04126	03241-04126	03241-04126	SCREW(M4*12)	2	
20	08322-21066	08322-21066	08322-21066	08322-21066	08322-21066	08322-21066	08322-21066	08322-21066	WASHER	2	NOT SALE
21	35618HF1600	35618HF1600	35618HF1600	35618HF1600	35618HF1600	35618HF1600	35618HF1600	35618HF1600	SOCKET & CORD ASSY, RR T/S R	1	
22	35638HF1600	35638HF1600	35638HF1600	35638HF1600	35638HF1600	35638HF1600	35638HF1600	35638HF1600	SOCKET & CORD ASSY, RR T/S L	1	

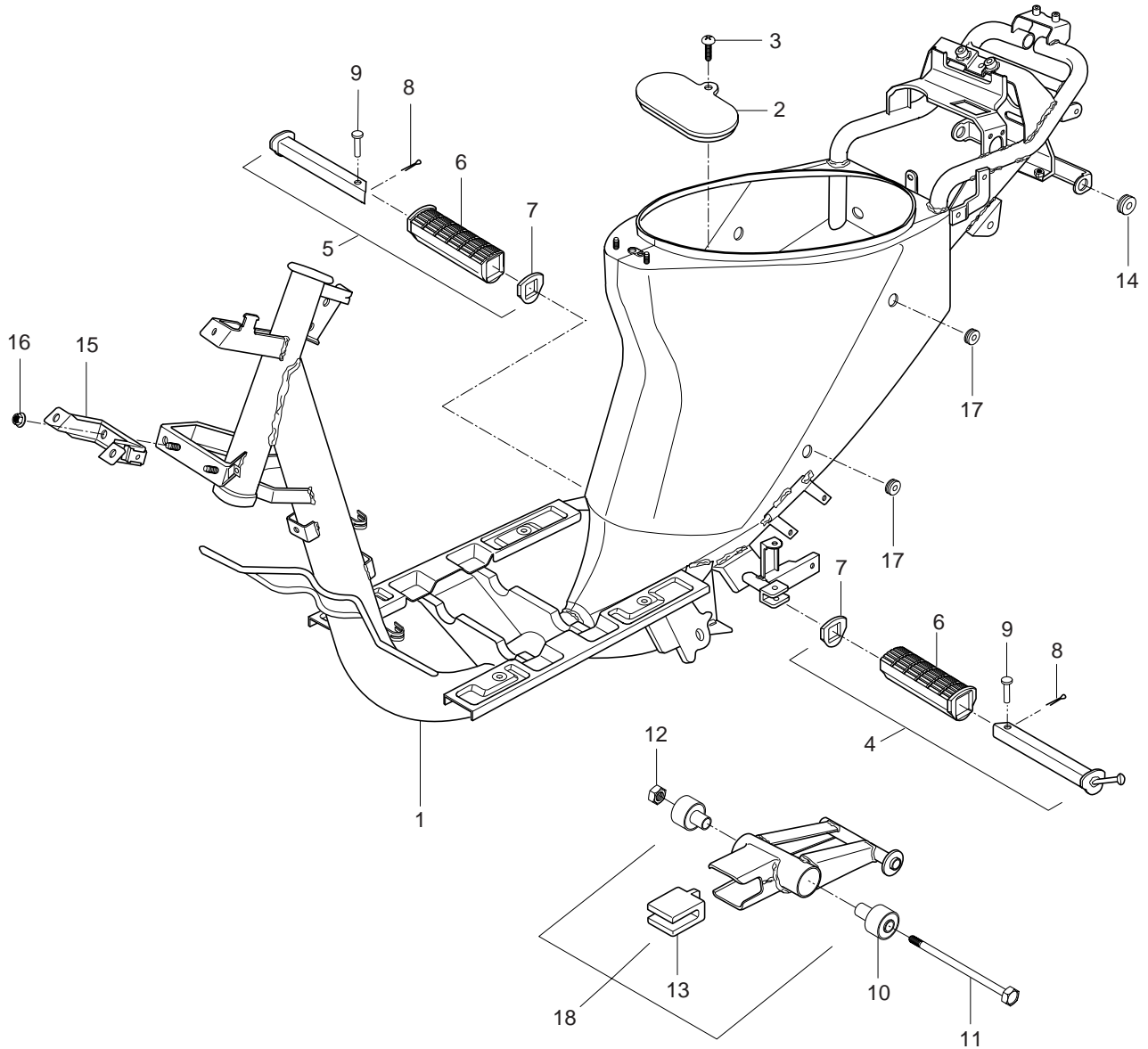
FIG.20



# FIG 20. WIRING HARNESS

REF PARTS NUMBER								PARTS NAME	Q'TY	REMARKS	REC.Q'TY (PCS)
NO. DOMESTIC	ST01	GEU01	JEU01	KEU03	GG01	JG03	MG01				
1								WIRING HARNESS	1		
1-1								WIRING HARNESS	1		
1-2								WIRING HARNESS	1		
1-3				36610HF1602				WIRING HARNESS	1		
1-4	36610HF1606	36610HF1606						WIRING HARNESS	1		
1-5								WIRING HARNESS	1		
1-6					36610HF1661	36610HF1661		WIRING HARNESS	1		
1-7								WIRING HARNESS	1		
1-8			36610HF1682				36610HF1682	WIRING HARNESS	1		1
1-9		36610HG1903						WIRING HARNESS	1		
1-10								WIRING HARNESS	1		
1-11								WIRING HARNESS	1		
2	09407-14403	09407-14403	09407-14403	09407-14403	09407-14403	09407-14403	09407-14403	CLAMP	3		
3	09404-06404	09404-06404	09404-06404	09404-06404	09404-06404	09404-06404	09404-06404	CLAMP	1		
4	36740-350A0	36740-350A0	36740-350A0	36740-350A0	36740-350A0	36740-350A0	36740-350A0	FUSE ASSY	1		
5	37000HG1930	37000HG1930	37000HG1930	37000HG1930	37000HG1930	37000HG1930	37000HG1930	KEY SET	1		2
5-1								KEY SET	1		
6	38500H11202	38500H11202						HORN ASSY	1		
6-1		38500HG1900	38500HG1900	38500HG1900	38500HG1900	38500HG1900	38500HG1900	HORN ASSY	1		1
7	02112-36128	02112-36128	02112-36128	02112-36128	02112-36128	02112-36128	02112-36128	BOLT(6*12)	2		
8	33651H11200	33651H11200	33651H11200	33651H11200	33651H11200	33651H11200	33651H11200	BAND,BATTERY	1		
9	09128-06040	09128-06040	09128-06040	09128-06040	09128-06040	09128-06040	09128-06040	SCREW	1		
10	38520HF1600	38520HF1600	38520HF1600	38520HF1600	38520HF1600	38520HF1600	38520HF1600	BRACKET,HORN	1	NOT SALE	
11	09407-22402	09407-22402	09407-22402	09407-22402	09407-22402	09407-22402	09407-22402	CLAMP	1	NOT SALE	
12	37100HB1410	37100HB1410	37100HB1410	37100HB1410	37100HB1410	37100HB1410	37100HB1410	LOCK ASSY,STEERING	1		
13	37155HB1410	37155HB1410	37155HB1410	37155HB1410	37155HB1410	37155HB1410	37155HB1410	CAP, STEERING LOCK	1		

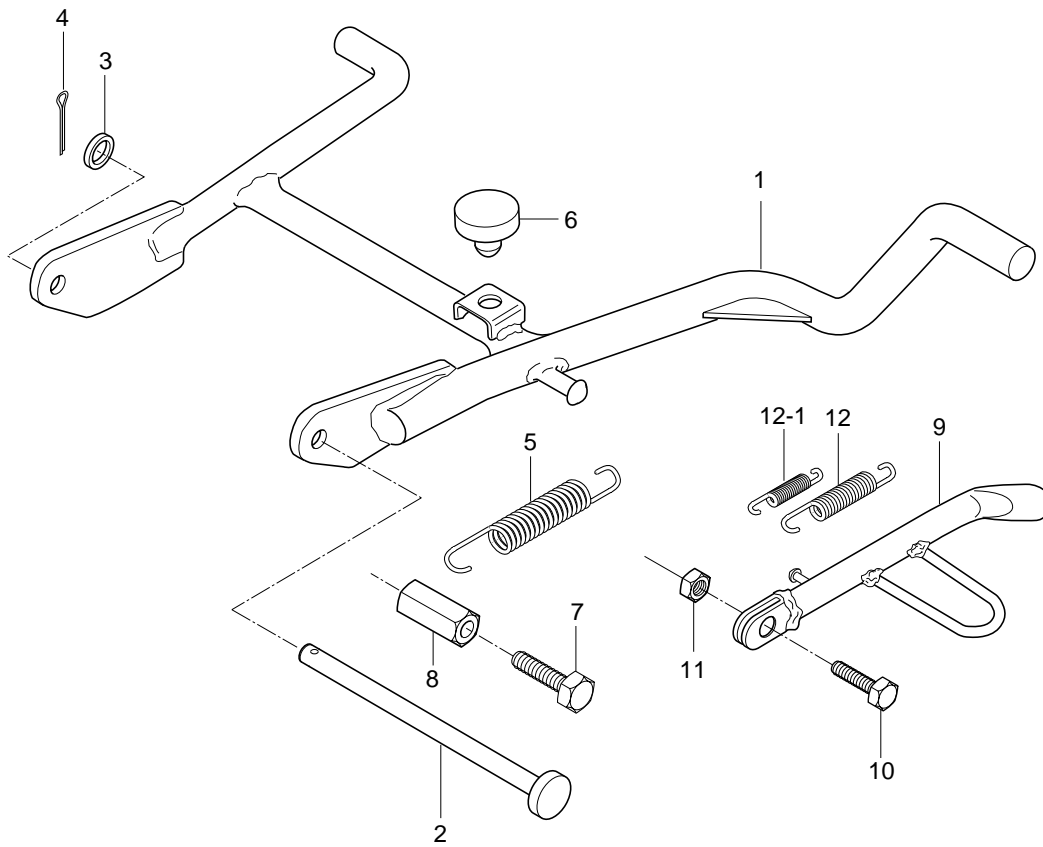
FIG.21



# FIG 21. FRAME

REF PARTS NUMBER								PARTS NAME	Q`TY	REMARKS	REC.Q`TY (PCS)
NO. DOMESTIC	ST01	GEU01	JEU01	KEU03	GG01	JG03	MG01				
1	41100HF1609PAM	41100HF1609PAM							FRAME ASSY		1
1-1			41100HG1900PAM	41100HG1900PAM	41100HG1900PAM	41100HG1900PAM	41100HG1900PAM	41100HG1900PAM	FRAME ASSY		1
2	41489H11201	41489H11201	41489H11201	41489H11201	41489H11201	41489H11201	41489H11201	41489H11201	COVER,FRAME BODY LOWER		1
3	02142-06128	02142-06128	02142-06128	02142-06128	02142-06128	02142-06128	02142-06128	02142-06128	SCREW,FRAME BODY LOWER COVER		1
4	43610HF1602F1	43610HF1602F1	43610HF1602F1	43610HF1602F1	43610HF1602F1	43610HF1602F1	43610HF1602F1	43610HF1602F1	FOOTREST ASSY,PILLION		1
5	43620HF1602F2	43620HF1602F2	43620HF1602F2	43620HF1602F2	43620HF1602F2	43620HF1602F2	43620HF1602F2	43620HF1602F2	FOOTREST ASSY,PILLION		1
6	43612HF1600	43612HF1600	43612HF1600	43612HF1600	43612HF1600	43612HF1600	43612HF1600	43612HF1600	RUBBER,PILLION FOOTREST		2
7	43631HF1601	43631HF1601	43631HF1601	43631HF1601	43631HF1601	43631HF1601	43631HF1601	43631HF1601	WASHER,PILLIONFOOTREST		2
8	04111-20208	04111-20208	04111-20208	04111-20208	04111-20208	04111-20208	04111-20208	04111-20208	COTTER PIN,PILLION FOOTREST		2
9	09200H06057	09200H06057	09200H06057	09200H06057	09200H06057	09200H06057	09200H06057	09200H06057	PIN,PILLION FOOTREST		2
10	09319H12025	09319H12025	09319H12025	09319H12025	09319H12025	09319H12025	09319H12025	09319H12025	BUSH,ENGINE MOUNTING LINK		1
11	09103-12045	09103-12045	09103-12045	09103-12045	09103-12045	09103-12045	09103-12045	09103-12045	BOLT,ENGINE MOUNTING LINK(12*140)		1
12	08319-31126	08319-31126	08319-31126	08319-31126	08319-31126	08319-31126	08319-31126	08319-31126	NUT,ENGINE MOUNTING LINK(12)		1
13	61121H11201	61121H11201	61121H11201	61121H11201	61121H11201	61121H11201	61121H11201	61121H11201	CUSHION,ENGINE MOUNTING LINK		1
14	09320-08013	09320-08013	09320-08013	09320-08013	09320-08013	09320-08013	09320-08013	09320-08013	CUSHION		2
15	41530H11A01	41530H11A01	41530H11A01		41530H11A01				PLATE, CDI		1
15-1				41530HG5900		41530HG5900	41530HG5900	41530HG5900	PLATE, CDI		1
16	08316-16068	08316-16068	08316-16068	08316-16068	08316-16068	08316-16068	08316-16068	08316-16068	NUT(M6)		2
17	09320-08013	09320-08013	09320-08013	09320-08013	09320-08013	09320-08013	09320-08013	09320-08013	CUSHION		4
18	61110S11202HPA	61110S11202HPA	61110S11202HPA	61110S11202HPA	61110S11202HPA	61110S11202HPA	61110S11202HPA	61110S11202HPA	LINK,ENGINE MOUNTING		1

FIG.22



# FIG 22. STAND

REF PARTS NUMBER								PARTS NAME	Q`TY	REMARKS	REC.Q`TY (PCS)
NO. DOMESTIC	ST01	GEU01	JEU01	KEU03	GG01	JG03	MG01				
1	42110HF1602	42110HF1602	42110HF1602	42110HF1602	42110HF1602	42110HF1602	42110HF1602	42110HF1602	STAND COMP,CENTER	1	1
2	42211-41D00	42211-41D00	42211-41D00	42211-41D00	42211-41D00	42211-41D00	42211-41D00	42211-41D00	SHAFT,CENTER STAND PIVOT	1	
3	08322-21108	08322-21108	08322-21108	08322-21108	08322-21108	08322-21108	08322-21108	08322-21108	WASHER,CENTER STAND	1	
4	09204-02003	09204-02003	09204-02003	09204-02003	09204-02003	09204-02003	09204-02003	09204-02003	COTTER PIN,CENTER STAND	1	
5	09443-17005	09443-17005	09443-17005	09443-17005	09443-17005	09443-17005	09443-17005	09443-17005	SPRING,CENTER STAND	1	
6	09321-10001	09321-10001	09321-10001	09321-10001	09321-10001	09321-10001	09321-10001	09321-10001	CUSHION,CENTER STAND	1	
7	01104-06258	01104-06258	01104-06258	01104-06258	01104-06258	01104-06258	01104-06258	01104-06258	BOLT,CENTER STAND SPRING(6*25)	1	
8	08310-11068	08310-11068	08310-11068	08310-11068	08310-11068	08310-11068	08310-11068	08310-11068	NUT,CENTER STAND SPRING	1	
9	42310HG1901	42310HG1901	42310HG1901	42310HG1901	42310HG1901	42310HG1901	42310HG1901	42310HG1901	STAND,PROP	1	
10	09100-10131	09100-10131	09100-10131	09100-10131	09100-10131	09100-10131	09100-10131	09100-10131	BOLT,PROP STAND(10*33)	1	
11	08313-11107	08313-11107	08313-11107	08313-11107	08313-11107	08313-11107	08313-11107	08313-11107	NUT,PROP STAND(10)	1	
12	09443-14036	09443-14036	09443-14036	09443-14036	09443-14036	09443-14036	09443-14036	09443-14036	SPRING,PROP STAND(6*20)	1	
12-1	09443-06001	09443-06001	09443-06001	09443-06001	09443-06001	09443-06001	09443-06001	09443-06001	SPRING,PROP STAND INNER	1	

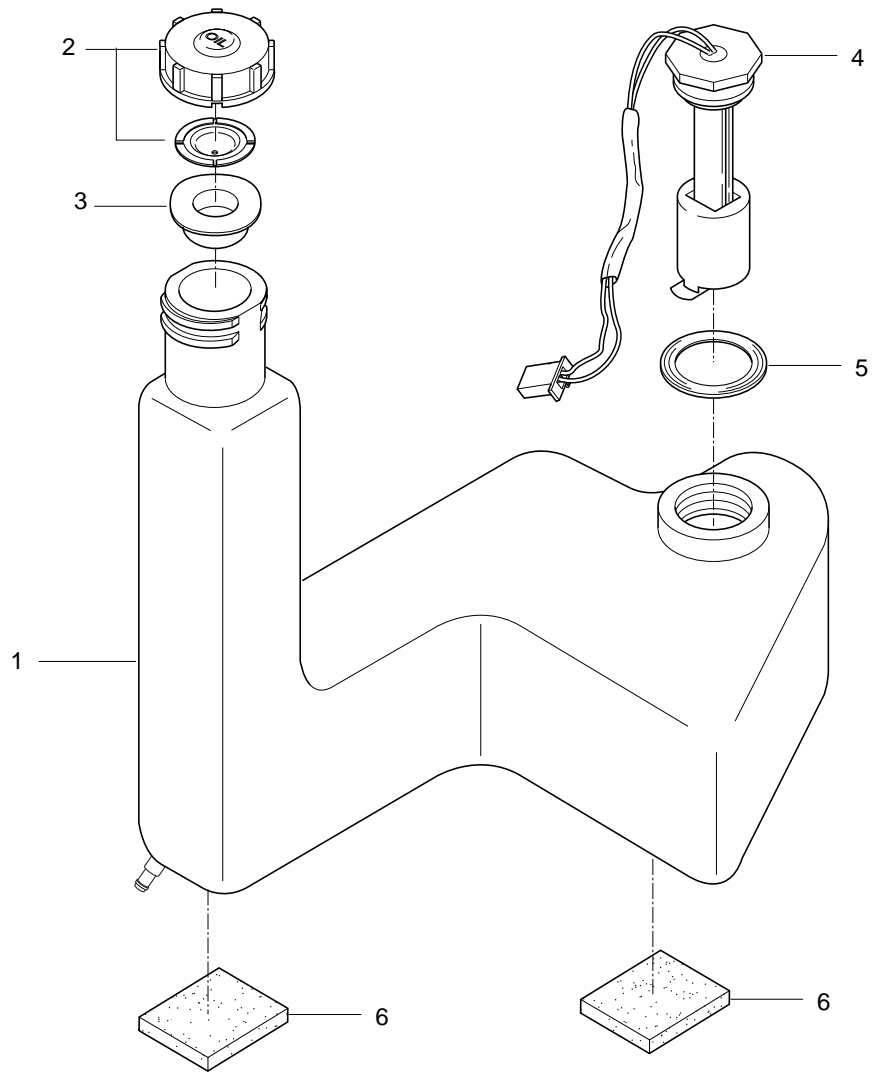




# FIG 23. FUEL TANK

REF PARTS NUMBER								PARTS NAME	Q'TY	REMARKS	REC.Q'TY (PCS)
NO.	DOMESTIC	ST01	GEU01	JEU01	KEU03	GG01	JG03				
1	44100HF1601	44100HF1601	44100HF1601	44100HF1601	44100HF1601	44100HF1601	44100HF1601	44100HF1601	TANK ASSY,FUEL	1	
2	44241H11202	44241H11202	44241H11202	44241H11202	44241H11202	44241H11202	44241H11202	44241H11202	GASKET,FUEL TANK CAP NO.1	1	
3	44261H11201	44261H11201	44261H11201	44261H11201	44261H11201	44261H11201	44261H11201	44261H11201	GASKET,FUEL TANK CAP NO.2	1	
4	44200H11203	44200H11203	44200H11203	44200H11203	44200H11203	44200H11203	44200H11203	44200H11203	CAP SET,FUEL TANK	1	
5	34810HF1600	34810HF1600	34810HF1600	34810HF1600	34810HF1600	34810HF1600	34810HF1600	34810HF1600	GAUGE ASSY,FUEL LEVEL	1	1
6	44587H11200	44587H11200	44587H11200	44587H11200	44587H11200	44587H11200	44587H11200	44587H11200	CAP,FUEL LEVEL GAUGE	1	
7	44199HF1600	44199HF1600	44199HF1600	44199HF1600	44199HF1600	44199HF1600	44199HF1600	44199HF1600	HOSE,FUEL INLET(L=100)	1	
8	09401H11401	09401H11401	09401H11401	09401H11401	09401H11401	09401H11401	09401H11401	09401H11401	CLIP,FUEL INLET NO.1	1	
9	09401-10401	09401-10401	09401-10401	09401-10401	09401-10401	09401-10401	09401-10401	09401-10401	CLIP,FUEL INLET NO.2	1	
10	44322HF1600	44322HF1600	44322HF1600	44322HF1600	44322HF1600	44322HF1600	44322HF1600	44322HF1600	FILTER,FUEL	1	
11	01517-06208	01517-06208	01517-06208	01517-06208	01517-06208	01517-06208	01517-06208	01517-06208	BOLT,FUEL COCK(6*20)	1	
12	44300HE7100	44300HE7100	44300HE7100	44300HE7100	44300HE7100	44300HE7100	44300HE7100	44300HE7100	COCK ASSY,FUEL	1	1
13	44196H11A02	44196H11A02	44196H11A02	44196H11A02	44196H11A02	44196H11A02	44196H11A02	44196H11A02	HOSE,FUEL OUTLET NO.1(L=40)	1	
14	09401-10401	09401-10401	09401-10401	09401-10401	09401-10401	09401-10401	09401-10401	09401-10401	CLIP,VACUUM HOSE	2	
15	44281-29C00	44281-29C00	44281-29C00	44281-29C00	44281-29C00	44281-29C00	44281-29C00	44281-29C00	PROTECT,FUEL TANK	7	
16	09352-50823270	09352-50823270	09352-50823270	09352-50823270	09352-50823270	09352-50823270	09352-50823270	09352-50823270	HOSE,VACUUM	1	
17	09401-08401	09401-08401	09401-08401	09401-08401	09401-08401	09401-08401	09401-08401	09401-08401	CLIP,FUEL OUTLET HOSE	4	
18	44910HG2600	44910HG2600	44910HG2600	44910HG2600	44910HG2600	44910HG2600	44910HG2600	44910HG2600	STANINER COMP,FUEL	1	1
19	44197HB1100	44197HB1100	44197HB1100	44197HB1100	44197HB1100	44197HB1100	44197HB1100	44197HB1100	HOSE,FUEL OUTLET NO.2(L=170)	1	
20	44215HF1601	44215HF1601	44215HF1601	44215HF1601	44215HF1601	44215HF1601	44215HF1601	44215HF1601	CUSHION,FUEL TANK	3	
21	44921HF1600	44921HF1600	44921HF1600	44921HF1600	44921HF1600	44921HF1600	44921HF1600	44921HF1600	PLATE,STRAINER	1	
22	09440-10019	09440-10019	09440-10019	09440-10019	09440-10019	09440-10019	09440-10019	09440-10019	SPRING,FUEL LUTLET HOSE NO.2	1	

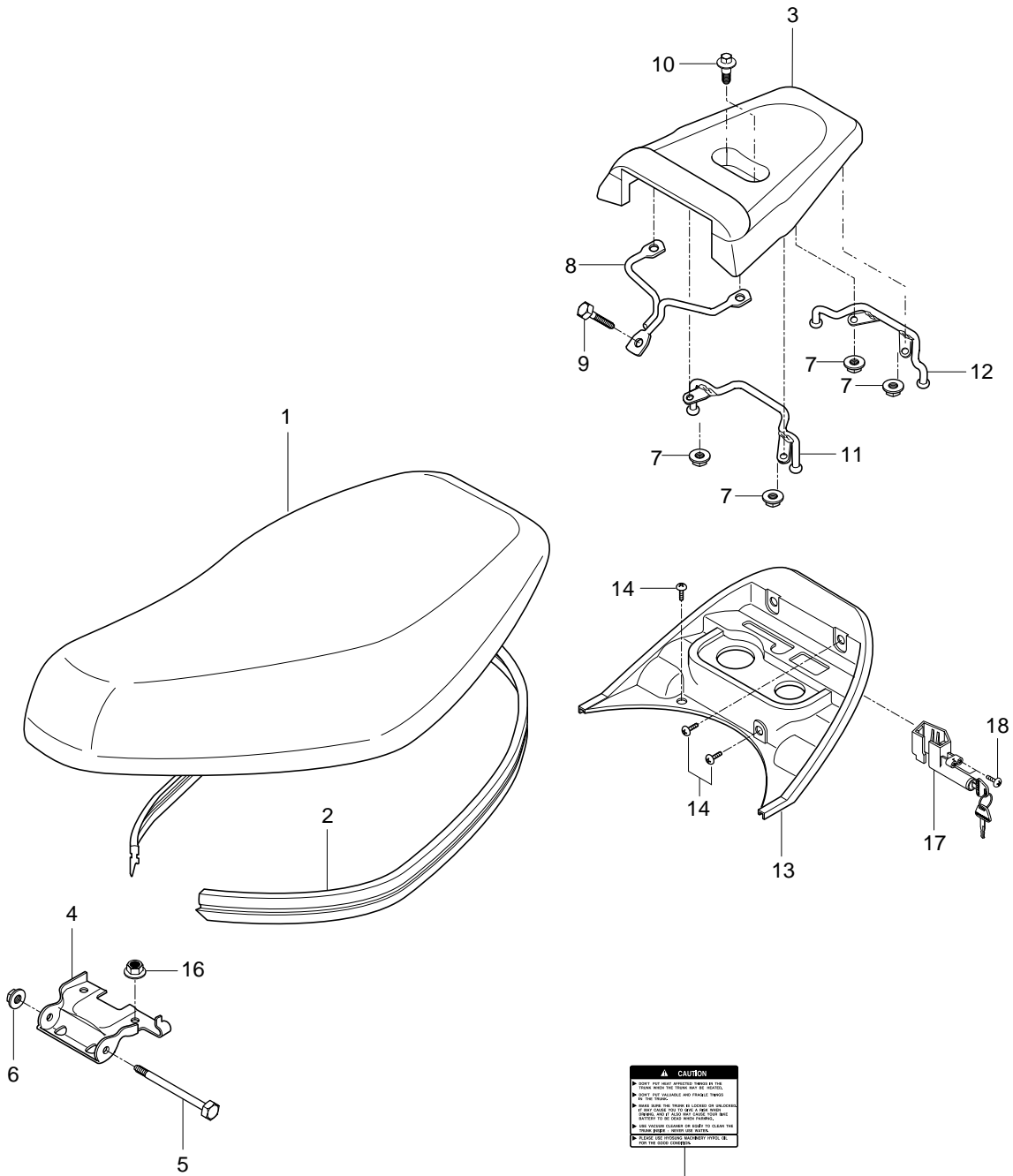
FIG.24



# FIG 24. OIL TANK

REF PARTS NUMBER								PARTS NAME	Q`TY	REMARKS	REC.Q`TY (PCS)
NO. DOMESTIC	ST01	GEU01	JEU01	KEU03	GG01	JG03	MG01				
1	44610HF1601	44610HF1601	44610HF1601	44610HF1601	44610HF1601	44610HF1601	44610HF1601	TANK SET,OIL	1		1
2	44651H11200	44651H11200	44651H11200	44651H11200	44651H11200	44651H11200	44651H11200	CAP,OIL TANK	1		
3	44662-350A1	44662-350A1	44662-350A1	44662-350A1	44662-350A1	44662-350A1	44662-350A1	GASKET,OIL TANK CAP NO.2	1		
4	37880HF1602	37880HF1602	37880HF1602	37880HF1602	37880HF1602	37880HF1602	37880HF1602	SWITCH ASSY,OIL LEVEL	1		2
5	44643-31000	44643-31000	44643-31000	44643-31000	44643-31000	44643-31000	44643-31000	GASKET,OIL LEVEL SWITCH	1		
6	44281-29C00	44281-29C00	44281-29C00	44281-29C00	44281-29C00	44281-29C00	44281-29C00	PROTECTO,OIL TANK	2		

FIG.25



**⚠ CAUTION**

- ▶ DO NOT USE FORCE EXCESSIVELY WHEN ASSEMBLING THE SEAT AND THE FRAME AND BE CAREFUL.
- ▶ DO NOT USE WALKING AND PARKING TIPS ON THE SEAT.
- ▶ ALWAYS USE THE THREE-POINT SEATBELT ON THE SEAT. ALWAYS WEAR YOUR SEATBELT AND ALWAYS USE YOUR SEATBELT SAFELY TO GET THE MOST PROTECTION.
- ▶ USE WALKING CLIMBER OR SEAT TO CLIMB THE SEAT AREA. NEVER USE SEAT.
- ▶ PLEASE USE PROTECTIVE WEAR (HELMET, GLOVES AND SHOE COVERS).

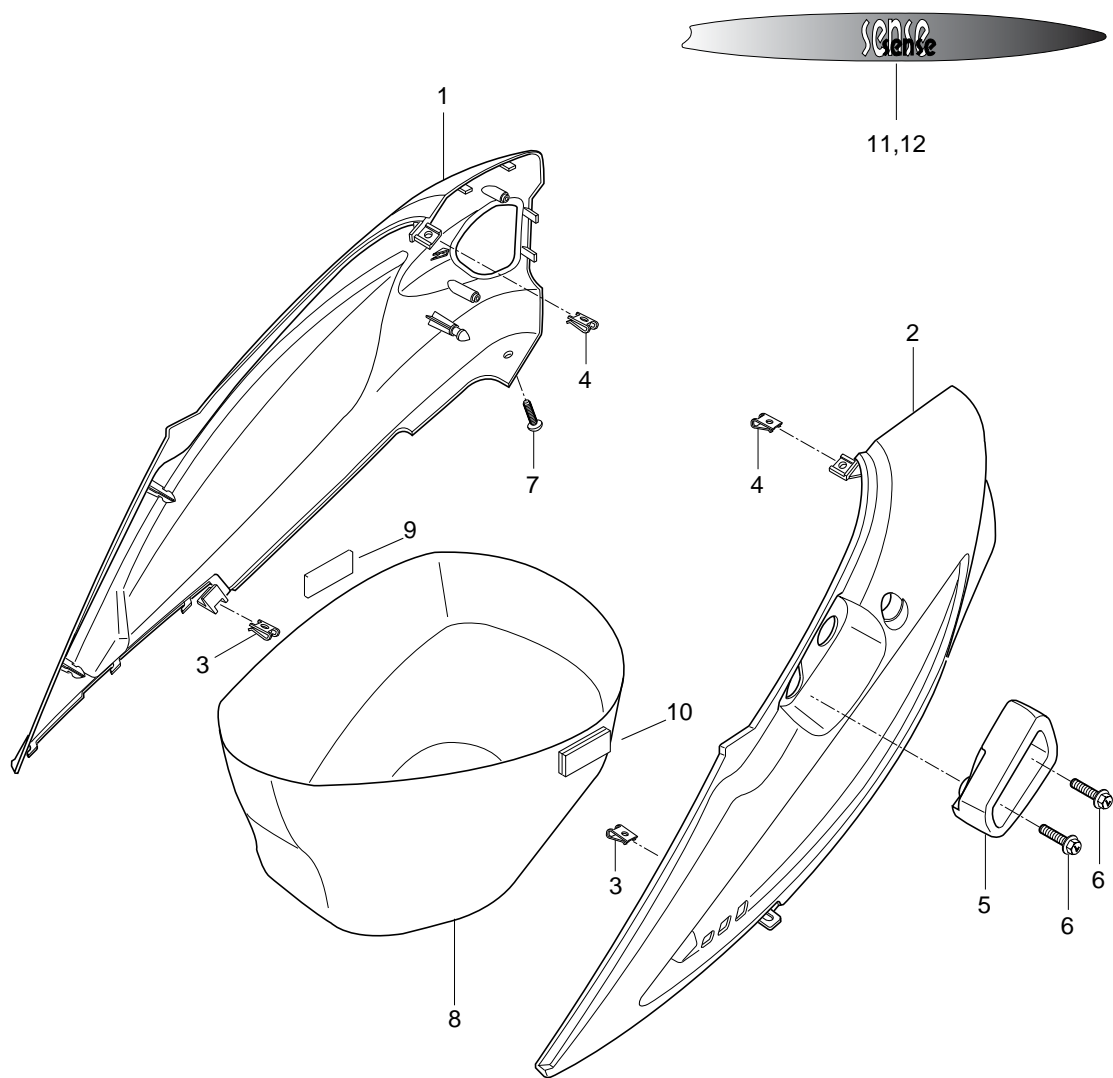


15

# FIG 25. SEAT

REF PARTS NUMBER								PARTS NAME	Q`TY	REMARKS	REC.Q`TY (PCS)
NO.	DOMESTIC	ST01	GEU01	JEU01	KEU03	GG01	JG03				
1	45100HF1603	45100HF1603	45100HF1603	45100HF1603	45100HF1603	45100HF1603	45100HF1603	45100HF1603	SEAT SET	1	1
2	45211H11200	45211H11200	45211H11200	45211H11200	45211H11200	45211H11200	45211H11200	45211H11200	MOULDING,SEAT	1	
3	46410HF1600121	46410HF1600121	46410HF1600121	46410HF1600121	46410HF1600121	46410HF1600121	46410HF1600121	46410HF1600121	CARRIER COMP,REAR	1	2
4	45284H11203	45284H11203	45284H11203	45284H11203	45284H11203	45284H11203	45284H11203	45284H11203	BRACKET,SEAT SUPPORT LOWER	1	
5	45215-39C01	45215-39C01	45215-39C01	45215-39C01	45215-39C01	45215-39C01	45215-39C01	45215-39C01	BOLT,SEAT BRACKET(6*62)	1	
6	08310-11068	08310-11068	08310-11068	08310-11068	08310-11068	08310-11068	08310-11068	08310-11068	NUT,SEAT BRACKET(6)	1	
7	08316-26066	08316-26066	08316-26066	08316-26066	08316-26066	08316-26066	08316-26066	08316-26066	NUT,REAR CARRIER HOOK	4	
8	46420HF1601	46420HF1601	46420HF1601	46420HF1601	46420HF1601	46420HF1601	46420HF1601	46420HF1601	BRACKET COMP,REAR CARRIER	1	
9	01517-06205	01517-06205	01517-06205	01517-06205	01517-06205	01517-06205	01517-06205	01517-06205	BOLT,REAR CARRIER FRONT(6*20)	1	
10	09111H06E06	09111H06E06	09111H06E06	09111H06E06	09111H06E06	09111H06E06	09111H06E06	09111H06E06	BOLT,REAR CARRIER REAR(6*18.5)	2	
11	46440HF1602	46440HF1602	46440HF1602	46440HF1602	46440HF1602	46440HF1602	46440HF1602	46440HF1602	HOOK COMP,REAR CARRIER NO.1	1	
12	46450HF1600	46450HF1600	46450HF1600	46450HF1600	46450HF1600	46450HF1600	46450HF1600	46450HF1600	HOOK COMP,REAR CARRIER NO.2	1	
13	47181HF1601	47181HF1601	47181HF1601	47181HF1601	47181HF1601	47181HF1601	47181HF1601	47181HF1601	COVER,FRAME UPPER	1	2
14	02142-05125	02142-05125	02142-05125	02142-05125	02142-05125	02142-05125	02142-05125	02142-05125	SCREW(6*10)	4	
15									LABEL,CAUTION NO.2	1	
15-1	68332H11B10	68332H11B10	68332H11B10	68332H11B10	68332H11B10	68332H11B10		68332H11B10	LABEL,CAUTION NO.2	1	
16	08316-26066	08316-26066	08316-26066	08316-26066	08316-26066	08316-26066	08316-26066	08316-26066	NUT,SEAT SUPPORT BRACKET(6)	2	
17	45700HF1610	45700HF1610	45700HF1610	45700HF1610	45700HF1610	45700HF1610	45700HF1610	45700HF1610	LOCK ASSY,SEAT	1	
18	02112-06168	02112-06168	02112-06168	02112-06168	02112-06168	02112-06168	02112-06168	02112-06168	SCREW,SEAT LOCK(6*16)	2	

FIG.26

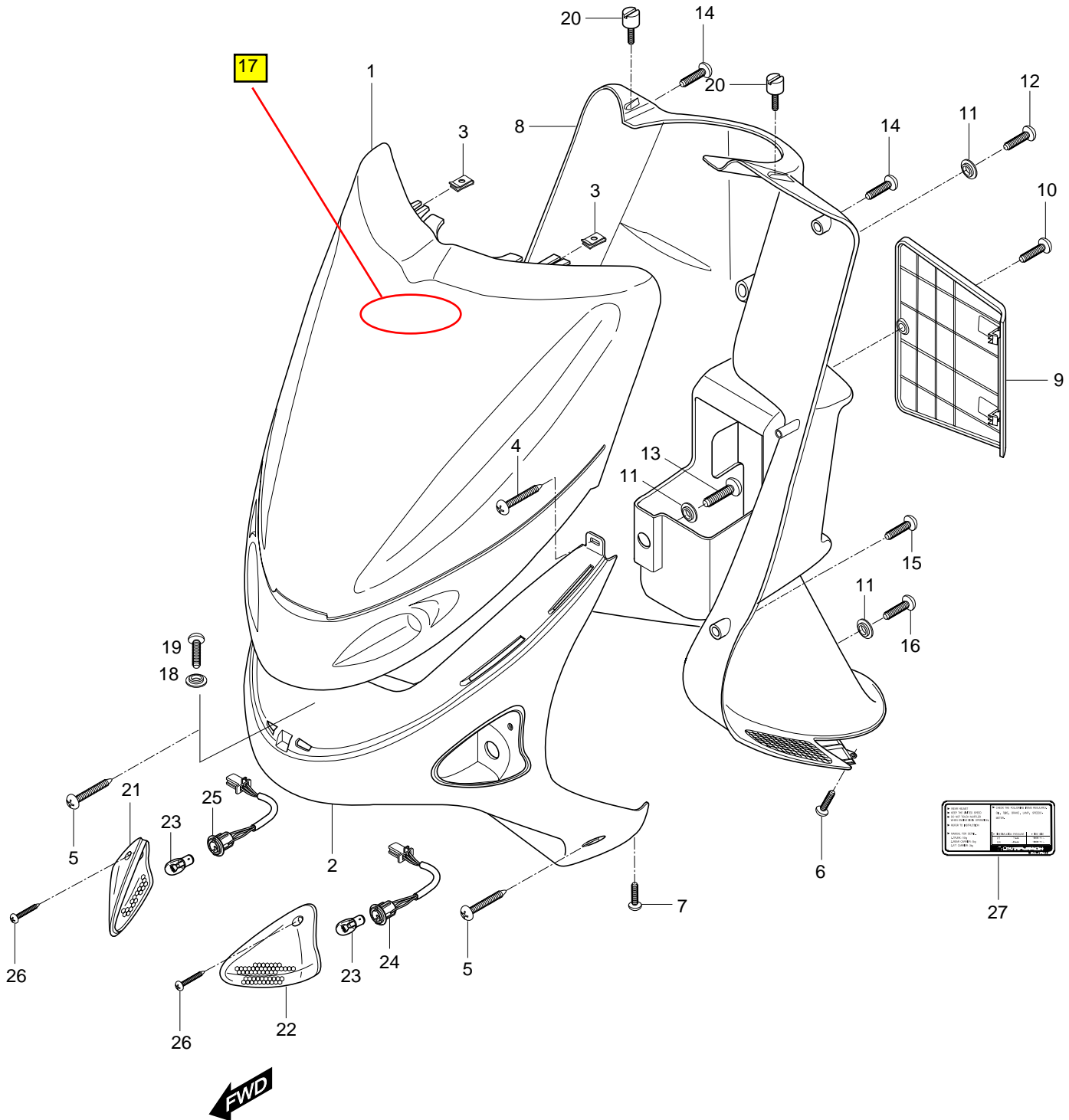


# FIG 26. SIDE COVER

REF PARTS NUMBER								PARTS NAME	Q`TY	REMARKS	REC.Q`TY (PCS)
NO.	DOMESTIC	ST01	GEU01	JEU01	KEU03	GG01	JG03				
1	47111HF1600	47111HF1600	47111HF1600	47111HF1600CBB	47111HF1600	47111HF1600	47111HF1600	47111HF1600	SIDE COVER, R COLOR NOIR		
1				47111HF1600CDB					SIDE COVER R COLOR BLEU		
2	47211HF1600	47211HF1600	47211HF1600	47211HF1600CBB	47211HF1600	47211HF1600	47211HF1600	47211HF1600	SIDE COVER, L COLOR NOIR		
2				47211HF1600CDB					SIDE COVER L COLOR BLEU		
3	09148-05020	09148-05020	09148-05020	09148-05020	09148-05020	09148-05020	09148-05020	09148-05020	NUT,SIDE COVER FRONT & LEG SIDE	2	
4	09148-05020	09148-05020	09148-05020	09148-05020	09148-05020	09148-05020	09148-05020	09148-05020	NUT,SIDE COVER REAR & CENTER	2	
5	47510HF1600	47510HF1600	47510HF1600	47510HF1600	47510HF1600	47510HF1600	47510HF1600	47510HF1600	GRIP COMP,HANDLE LH	1	5
6	01517-06205	01517-06205	01517-06205	01517-06205	01517-06205	01517-06205	01517-06205	01517-06205	BOLT,HANDLE LH	2	
7	03241-05125	03241-05125	03241-05125	03241-05125	03241-05125	03241-05125	03241-05125	03241-05125	SCREW,FRAME UPPER(5*12)	6	
8	92211H11200	92211H11200	92211H11200	92211H11200	92211H11200	92211H11200	92211H11200	92211H11200	COVER,HELMET	1	
9	92221H11201	92221H11201	92221H11201	92221H11201	92221H11201	92221H11201	92221H11201	92221H11201	GUIDE,HELMET COVER R	1	
10	92321H11201	92321H11201	92321H11201	92321H11201	92321H11201	92321H11201	92321H11201	92321H11201	GUIDE,HELMET COVER L	1	
11	68134HF1610	68134HF1610	68134HF1610	68134HF16100LD	68134HF1610				TAPE,SIDE COVER R(PR,LB,MY)	1	
12	68136HF1610	68136HF1610	68136HF1610	68136HF16100LD	68136HF1610				TAPE,SIDE COVER L(PR,LB,MY)	1	
13	68130HF1600					68130HF1600	68130HF1600	68130HF1600	EMBLEM,SIDE COVER R	1	



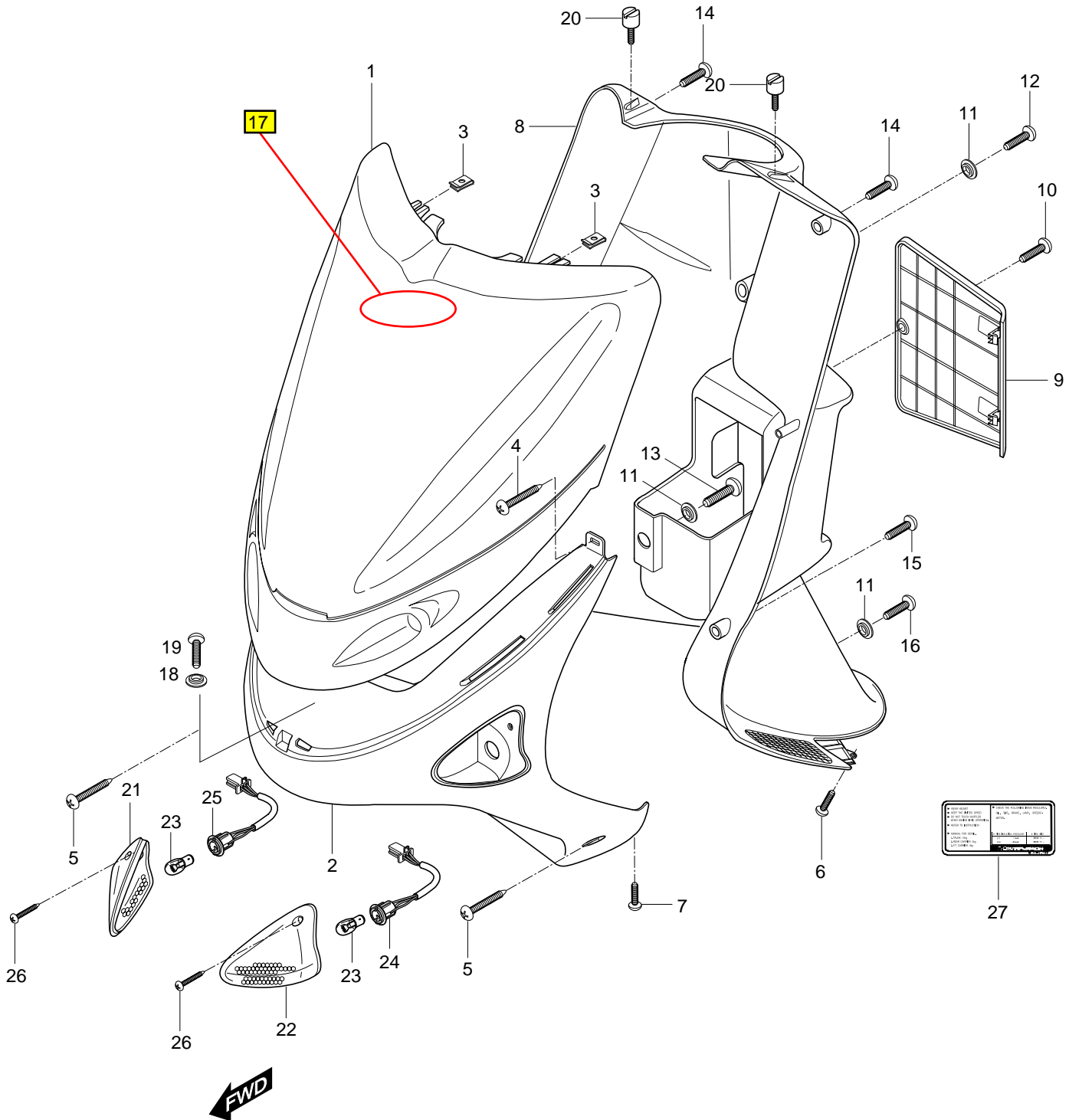
FIG.27



# FIG 27. FRONT LEG SHIELD

REF PARTS NUMBER								PARTS NAME	Q`TY	REMARKS	REC.Q`TY (PCS)
NO.	DOMESTIC	ST01	GEU01	JEU01	KEU03	GG01	JG03				
1	48111HE3100	48111HE3100	48111HE3100	48111HE3100CBB	48111HE3100	48111HE3100	48111HE3100	48111HE3100	LEG SHIELD,FRONT COLOR NOIR	1	10
1				48111HE3100CDB					LEG SHIELD FRONT COLOR BLEU		
2			48137HF3400	48137HF3400	48137HF3400	48137HF3400	48137HF3400	48137HF3400	LEG SHIELD,LOWER	1	8
3	09148-04024	09148-04024	09148-04024	09148-04024	09148-04024	09148-04024	09148-04024	09148-04024	NUT,LEG SHIELD FRONT & COVER	2	2
4	03241-05168	03241-05168	03241-05168	03241-05168	03241-05168	03241-05168	03241-05168	03241-05168	SCREW,LEG SHIELD LOWER & COVER(5*16)	2	
5	03241-04256	03241-04256	03241-04256	03241-04256	03241-04256	03241-04256	03241-04256	03241-04256	SCREW,LEG SHIELD LOWER & COVER(4*25)	2	
6	03241-05165	03241-05165	03241-05165	03241-05165	03241-05165	03241-05165	03241-05165	03241-05165	SCREW,LEG SHIELD COVER & REAR(5*16)	2	
7	03241-04168	03241-04168	03241-04168	03241-04168	03241-04168	03241-04168	03241-04168	03241-04168	SCREW,LEG SHIELD COVER & REAR(4*16)	2	
8	92111HE3100	92111HE3100	92111HE3100	92111HE3100	92111HE3100	92111HE3100	92111HE3100	92111HE3100	COVER,LEG SHIELD	1	8
9	92112HE3100	92112HE3100	92112HE3100	92112HE3100	92112HE3100	92112HE3100	92112HE3100	92112HE3100	COVER,BATTERY	1	5
10	02112-05125	02112-05125	02112-05125	02112-05125	02112-05125	02112-05125	02112-05125	02112-05125	SCREW,BATTERY COVER(5*12)	1	
11	09169-06034	09169-06034	09169-06034	09169-06034	09169-06034	09169-06034	09169-06034	09169-06034	WASHER,LEG SHIELD COVER	3	
12	02142-06165	02142-06165	02142-06165	02142-06165	02142-06165	02142-06165	02142-06165	02142-06165	SCREW,LEG SHIELD COVER(6*16)	1	
13	02142-06125	02142-06125	02142-06125	02142-06125	02142-06125	02142-06125	02142-06125	02142-06125	SCREW,LEGSHIELD COVER FRONT(6*12)	1	
14	03241-05165	03241-05165	03241-05165	03241-05165	03241-05165	03241-05165	03241-05165	03241-05165	SCREW,LEG COVER & F/T LOWER(5*16)	2	
15	03241-05165	03241-05165	03241-05165	03241-05165	03241-05165	03241-05165	03241-05165	03241-05165	SCREW,LEG COVER & LOWER UPPER(5*16)	2	
16	03241-05165	03241-05165	03241-05165	03241-05165	03241-05165	03241-05165	03241-05165	03241-05165	SCREW,LEG COVER & LOWER LOWER(5*16)	2	
17	68210HF1610	68210HF1610	68210HF1610	68210HF1610CBB					TAPE, LEG SHIELD FRONT COLOR NOIR		1 SELECTION
17				68210HF1610CDB					TAPE, LEG SHIELD FRONT COLOR BLEU		
18	09169-06034	09169-06034	09169-06034	09169-06034	09169-06034	09169-06034	09169-06034	09169-06034	WASHER	2 SELECTION	
19	02142-06128	02142-06128	02142-06128	02142-06128	02142-06128	02142-06128	02142-06128	02142-06128	SCREW(6*12)	2	
20	92510HF1600	92510HF1600	92510HF1600	92510HF1600	92510HF1600	92510HF1600	92510HF1600	92510HF1600	KNOB COMP,COVER LEG SHIELD	2	
21	35612HF1600	35612HF1600							LENS,FRONT TURNSIGNAL R	1	
21-1			35612HF1620	35612HF1620	35612HF1620	35612HF1620	35612HF1620	35612HF1620	LENS,FRONT TURNSIGNAL R	1	10
21-2									LENS,FRONT TURNSIGNAL R	1	
22	35632HF1600	35632HF1600							LENS,FRONT TURNSIGNAL L	1	
22-1			35632HF1620	35632HF1620	35632HF1620	35632HF1620	35632HF1620	35632HF1620	LENS,FRONT TURNSIGNAL L	1	10
22-2									LENS,FRONT TURNSIGNAL L	1	
23	09471-12114	09471-12114	09471-12114	09471-12114	09471-12114	09471-12114	09471-12114	09471-12114	BULB,FRONT TURNSIGNAL(12V 10W)	2	
24	35618-30A21	35618-30A21							SOCKET,FRONT TURNSIGNAL R	1	
24-1									SOCKET,FRONT TURNSIGNAL R	1	
25	35638-30A21	35638-30A21							SOCKET,FRONT TURNSIGNAL L	1	
25-1									SOCKET,FRONT TURNSIGNAL L	1	
26	03211-04165	03211-04165	03211-04165	03211-04165	03211-04165	03211-04165	03211-04165	03211-04165	SCREW,FRONT TURNSIGNAL LAMP(4*16)	4	

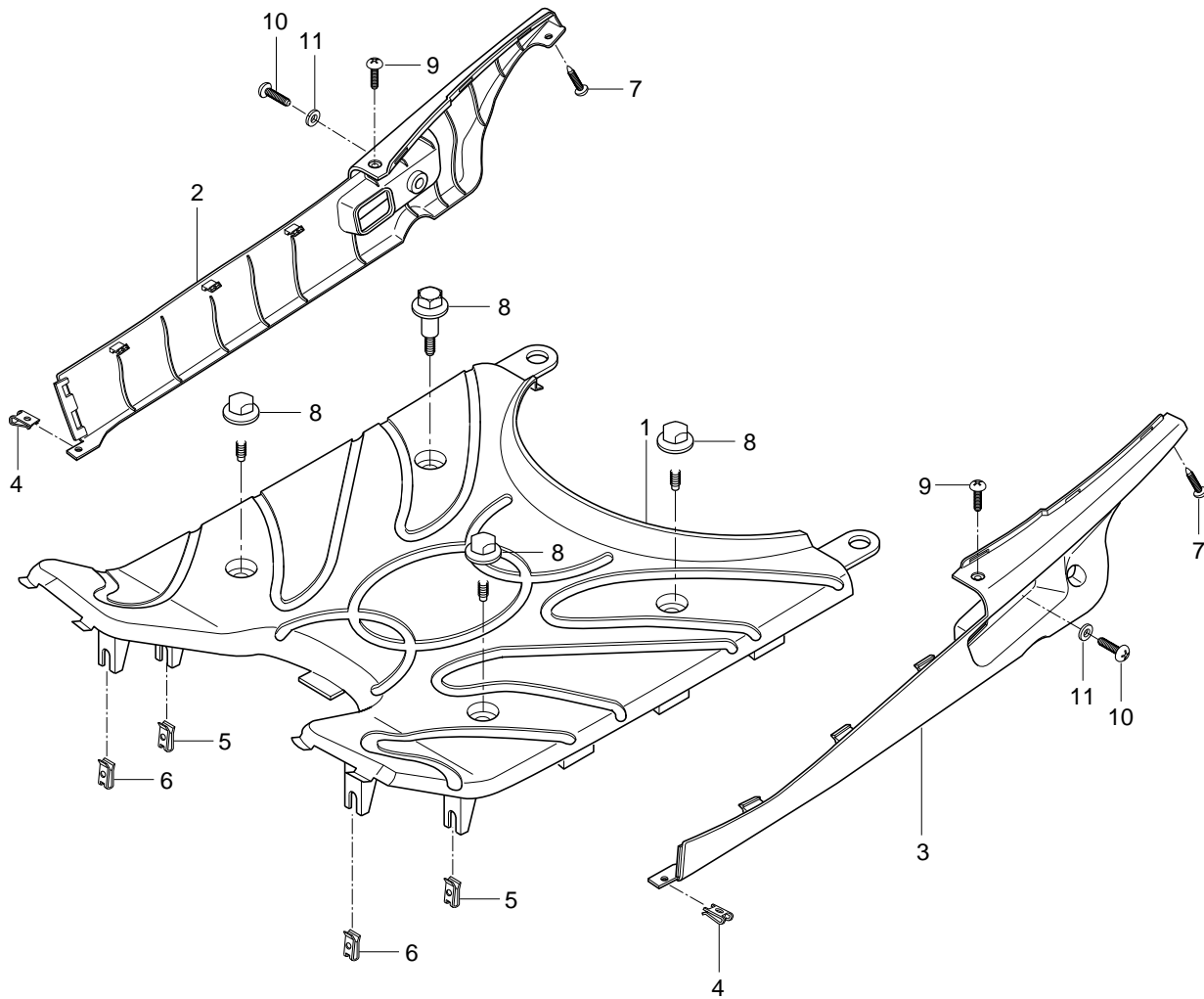
FIG.27



# FIG 27. FRONT LEG SHIELD

REF PARTS NUMBER								PARTS NAME	Q`TY	REMARKS	REC.Q`TY (PCS)
NO. DOMESTIC	ST01	GEU01	JEU01	KEU03	GG01	JG03	MG01				
27	68319HF1610	68319HF1610	68319HF1610	68319HF1610	68319HF1610			LEBEL,CAUTION NO.1	1		
					68319HG1630	68319HG1630	68319HG1630	LEBEL,CAUTION NO.1	1		

FIG.28

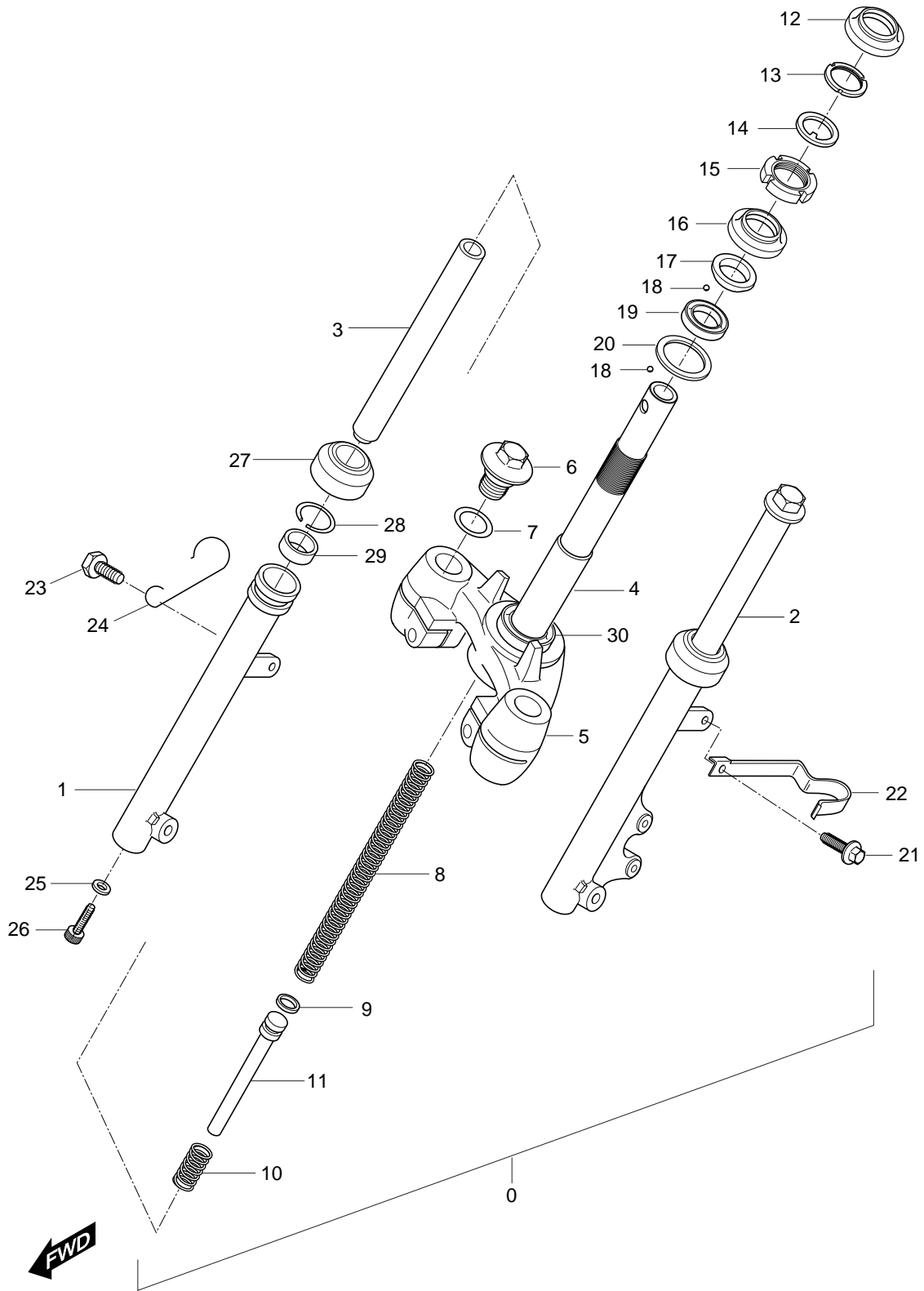


FWD

# FIG 28. REAR LEG SHIELD

REF PARTS NUMBER								PARTS NAME	Q`TY	REMARKS	REC.Q`TY (PCS)
NO. DOMESTIC	ST01	GEU01	JEU01	KEU03	GG01	JG03	MG01				
1	48121HF1601	48121HF1601	48121HF1601	48121HF1601	48121HF1601	48121HF1601	48121HF1601	48121HF1601	LEG SHIELD,REAR	1	6
2	48285HF1600	48285HF1600	48285HF1600	48285HF1600	48285HF1600	48285HF1600	48285HF1600	48285HF1600	SIDE LEG SHIELD, R	1	9
3	48286HF1601	48286HF1601	48286HF1601	48286HF1601	48286HF1601	48286HF1601	48286HF1601	48286HF1601	SIDE LEG SHIELD, L	1	9
4	09148-04024	09148-04024	09148-04024	09148-04024	09148-04024	09148-04024	09148-04024	09148-04024	NUT,LEG SHIELD SIDE & LOWER	2	
5	09148-04024	09148-04024	09148-04024	09148-04024	09148-04024	09148-04024	09148-04024	09148-04024	NUT,LEG SHIELD REAR & LOWER	2	
6	09148-05020	09148-05020	09148-05020	09148-05020	09148-05020	09148-05020	09148-05020	09148-05020	NUT,LEGSHIELD REAR & COVER	2	4
7	02142-06125	02142-06125	02142-06125	02142-06125	02142-06125	02142-06125	02142-06125	02142-06125	SCREW,LEG SHIELD SIDE UPPER(6*16)	2	
8	09111H06E06	09111H06E06	09111H06E06	09111H06E06	09111H06E06	09111H06E06	09111H06E06	09111H06E06	BOLT,REAR LEGSHIELD(6*18.5)	4	
9	03241-05165	03241-05165	03241-05165	03241-05165	03241-05165	03241-05165	03241-05165	03241-05165	SCREW,LEG SHIELD SIDE LOWER(5*15)	2	
10	02142-06125	02142-06125	02142-06125	02142-06125	02142-06125	02142-06125	02142-06125	02142-06125	BOLT,LEG SHIEL SIDE LOWER(6*12)	2	
11	09169-06034	09169-06034	09169-06034	09169-06034	09169-06034	09169-06034	09169-06034	09169-06034	WASHER,LEG SHIELD SIDE	2	

FIG.29

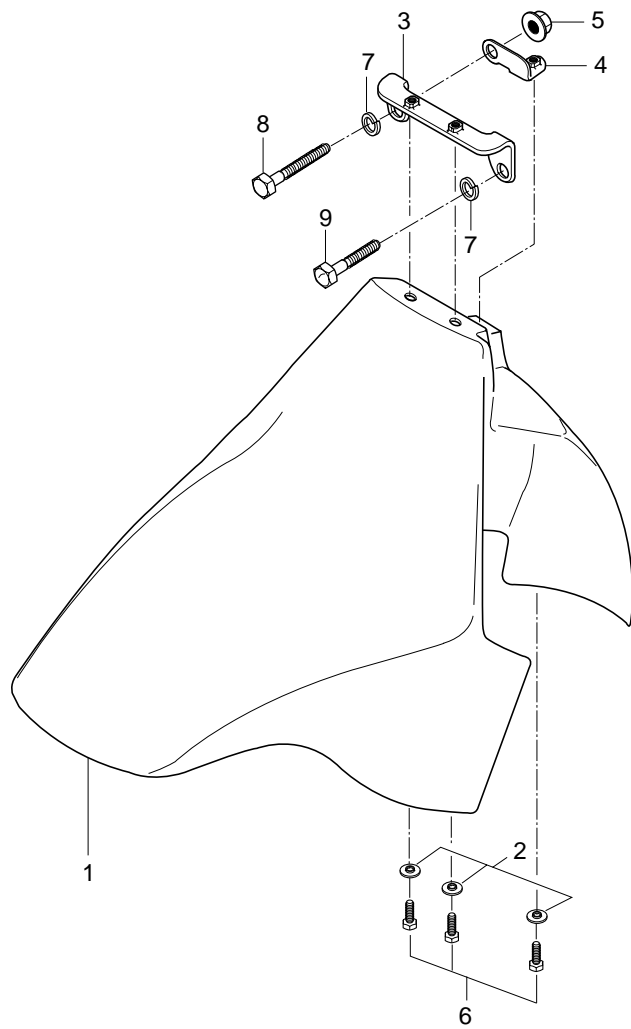


# FIG29. FRONT FORK

REF PARTS NUMBER								PARTS NAME	Q'TY	REMARKS	REC.Q'TY (PCS)	
NO.	DOMESTIC	ST01	GEU01	JEU01	KEU03	GG01	JG03					MG01
0	51100H11A04HPA	51100H11A04HPA								FORK ASS'Y FRONT	1	
0-1	51100HB1300HPA		51100HB1300HPA	51100HB1300HPA	51100HB1300HPA	51100HB1300HPA	51100HB1300HPA	51100HB1300HPA	51100HB1300HPA	FORK ASS'Y FRONT	1	3
1	51210HB1100	51210HB1100								FORK COMP, FRONT R	1	
1-1			51210HB1300	51210HB1300	51210HB1300	51210HB1300	51210HB1300	51210HB1300	51210HB1300	FORK COMP, FRONT R	1	
2	51220HB1100	51220HB1100								FORK COMP, FRONT L	1	
2-1			51220HB1300	51220HB1300	51220HB1300	51220HB1300	51220HB1300	51220HB1300	51220HB1300	FORK COMP, FRONT L	1	
3	51111H11A00	51111H11A00	51111H11A00	51111H11A00	51111H11A00	51111H11A00	51111H11A00	51111H11A00	51111H11A00	FORK,PIPE	2	
4	51400HB1100	51400HB1100	51400HB1100	51400HB1100	51400HB1100	51400HB1100	51400HB1100	51400HB1100	51400HB1100	STEM,COMP STEERING	1	
5	51211H11A01	51211H11A01	51211H11A01	51211H11A01	51211H11A01	51211H11A01	51211H11A01	51211H11A01	51211H11A01	UNDER BRACKET ASSY	1	NOT SALE
6	51351H11A00	51351H11A00	51351H11A00	51351H11A00	51351H11A00	51351H11A00	51351H11A00	51351H11A00	51351H11A00	FORK BOLT	2	
7	51181H11A00	51181H11A00	51181H11A00	51181H11A00	51181H11A00	51181H11A00	51181H11A00	51181H11A00	51181H11A00	O-RING,FORK BOLT	2	
8	51171H11A00	51171H11A00	51171H11A00	51171H11A00	51171H11A00	51171H11A00	51171H11A00	51171H11A00	51171H11A00	SPRING	2	
9	51196H11A00	51196H11A00	51196H11A00	51196H11A00	51196H11A00	51196H11A00	51196H11A00	51196H11A00	51196H11A00	PISTON RING	2	
10	51177H11A00	51177H11A00	51177H11A00	51177H11A00	51177H11A00	51177H11A00	51177H11A00	51177H11A00	51177H11A00	REBOUND SPRING	2	
11	51146H11A00	51146H11A00	51146H11A00	51146H11A00	51146H11A00	51146H11A00	51146H11A00	51146H11A00	51146H11A00	PIPE SEAT	2	
12	36618-02100	36618-02100	36618-02100	36618-02100	36618-02100	36618-02100	36618-02100	36618-02100	36618-02100	COVER,STEERING STEM LOCK	1	
13	51632-02400	51632-02400	51632-02400	51632-02400	51632-02400	51632-02400	51632-02400	51632-02400	51632-02400	NUT,STEERING STEM LOCK	1	
14	09166-26001	09166-26001	09166-26001	09166-26001	09166-26001	09166-26001	09166-26001	09166-26001	09166-26001	WASHER,STEERING STEM OCK	1	
15	51631-28000	51631-28000	51631-28000	51631-28000	51631-28000	51631-28000	51631-28000	51631-28000	51631-28000	NUT,STEERING STEM	1	
16	51643-25001	51643-25001	51643-25001	51643-25001	51643-25001	51643-25001	51643-25001	51643-25001	51643-25001	DUST SEAL,STEERING UPPER	1	
17	51621-28000	51621-28000	51621-28000	51621-28000	51621-28000	51621-28000	51621-28000	51621-28000	51621-28000	RACE,STEERING OUTER UPPER	1	
18	06111-06004	06111-06004	06111-06004	06111-06004	06111-06004	06111-06004	06111-06004	06111-06004	06111-06004	BALL,STEERING STEEL	47	
19	51611-20002	51611-20002	51611-20002	51611-20002	51611-20002	51611-20002	51611-20002	51611-20002	51611-20002	BALL,STEERING INNER UPPER	1	
20	51612-04000	51612-04000	51612-04000	51612-04000	51612-04000	51612-04000	51612-04000	51612-04000	51612-04000	RACE STEERING INNER LOWER	1	
21	01174-06168	01174-06168	01174-06168	01174-06168	01174-06168	01174-06168	01174-06168	01174-06168	01174-06168	BOLT,BK HOSE CLAMP(M6*16)	1	
22	59268H11A00	59268H11A00	59268H11A00	59268H11A00	59268H11A00	59268H11A00	59268H11A00	59268H11A00	59268H11A00	CLAMP,BRAKE HOSE	1	
23	01174-06168	01174-06168	01174-06168	01174-06168	01174-06168	01174-06168	01174-06168	01174-06168	01174-06168	BOLT,SPEEDOMETER CABLE GUIDE	1	
24	51418H11A00	51418H11A00	51418H11A00	51418H11A00	51418H11A00	51418H11A00	51418H11A00	51418H11A00	51418H11A00	GUIDE,SPEEDOMETER CABLE	1	
25	51148H11A00	51148H11A00	51148H11A00	51148H11A00	51148H11A00	51148H11A00	51148H11A00	51148H11A00	51148H11A00	PACKING	2	
26	51147H11A00	51147H11A00	51147H11A00	51147H11A00	51147H11A00	51147H11A00	51147H11A00	51147H11A00	51147H11A00	SOCKET, BOLT	2	
27	51173H11A00	51173H11A00	51173H11A00	51173H11A00	51173H11A00	51173H11A00	51173H11A00	51173H11A00	51173H11A00	DUST BOOT	2	
28	51156H11A00	51156H11A00	51156H11A00	51156H11A00	51156H11A00	51156H11A00	51156H11A00	51156H11A00	51156H11A00	STOPPER RING,OIL SEAL	2	
29	51153H11A00	51153H11A00	51153H11A00	51153H11A00	51153H11A00	51153H11A00	51153H11A00	51153H11A00	51153H11A00	OIL SEAL,FRONT FORK	2	
30	51622-04000	51622-04000	51622-04000	51622-04000	51622-04000	51622-04000	51622-04000	51622-04000	51622-04000	RACE STEERING OUTER LOWER	1	



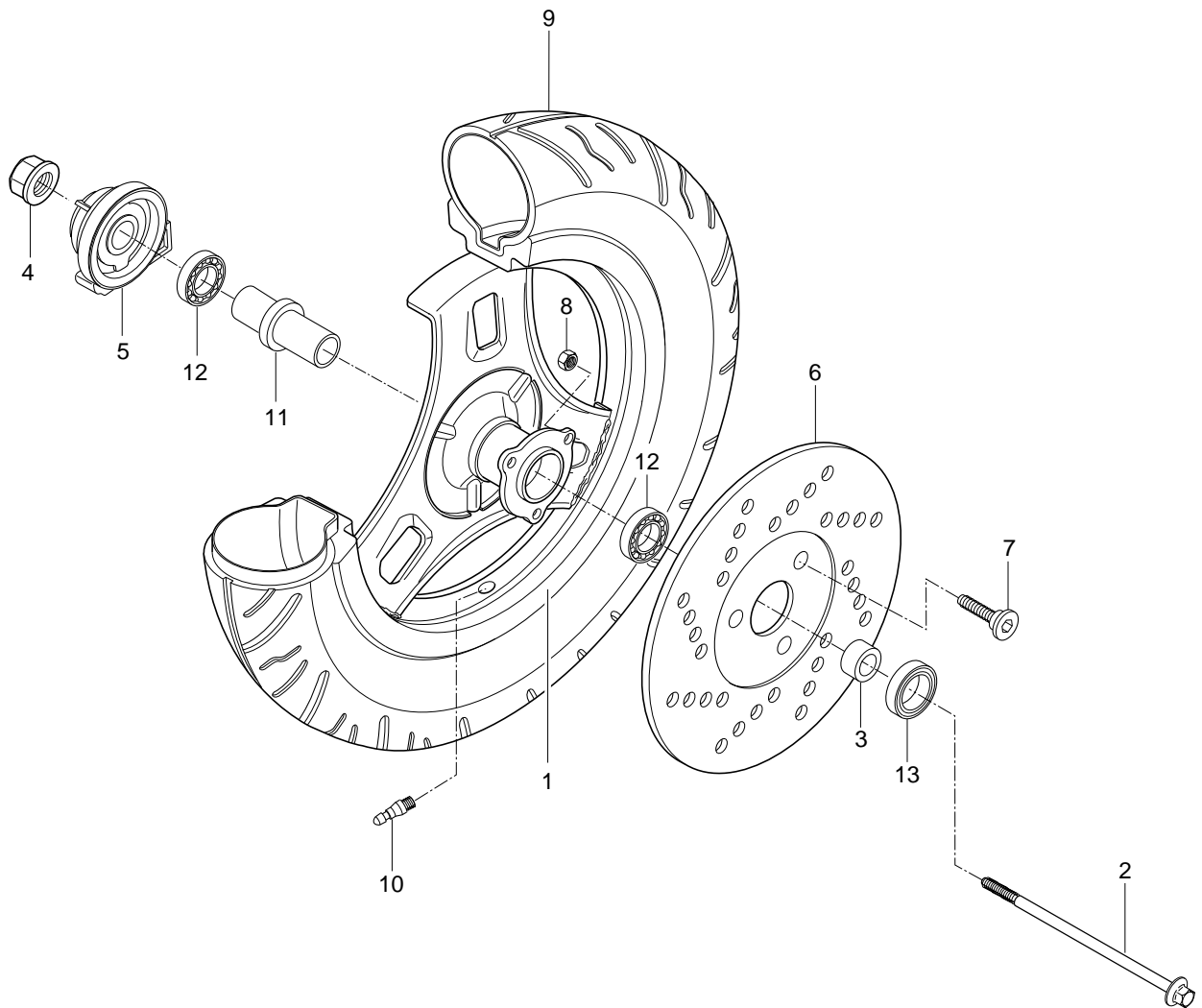
FIG.30



# FIG 30. FORNT FENDER

REF PARTS NUMBER								PARTS NAME	Q`TY	REMARKS	REC.Q`TY (PCS)
NO. DOMESTIC	ST01	GEU01	JEU01	KEU03	GG01	JG03	MG01				
1		53111HG1700	53111HG1700BB	53111HG1700	53111HG1700	53111HG1700	53111HG1700	FENDER FRONT color NOIR	1		10
1			53111HG1700DB					FENDER FRONT color BLEU			
2	09169-06034	09169-06034	09169-06034	09169-06034	09169-06034	09169-06034	09169-06034	WASHER,FRONT FENDER	3		
3	53121H11A00	53121H11A00	53121H11A00	53121H11A00	53121H11A00	53121H11A00	53121H11A00	PLATE,FRONT FENDER	1		
4	53122H11A20	53122H11A20	53122H11A20	53122H11A20	53122H11A20	53122H11A20	53122H11A20	PLATE,FRONT FENDER REAR	1		
5	08316-16088	08316-16088	08316-16088	08316-16088	08316-16088	08316-16088	08316-16088	NUT,FRONT FENDER PLATE(8)	1		
6	01104-06168	01104-06168	01104-06168	01104-06168	01104-06168	01104-06168	01104-06168	BOLT(6*16)	3		
7	08321-31086	08321-31086	08321-31086	08321-31086	08321-31086	08321-31086	08321-31086	WASHER	2		
8	09100H08001	09100H08001	09100H08001	09100H08001	09100H08001	09100H08001	09100H08001	BOLT,FRONT FENDER PLATE(8*50)	1		
9	09100H08260	09100H08260	09100H08260	09100H08260	09100H08260	09100H08260	09100H08260	BOLT,FRONT FENDER PLATE(8*32)	1		

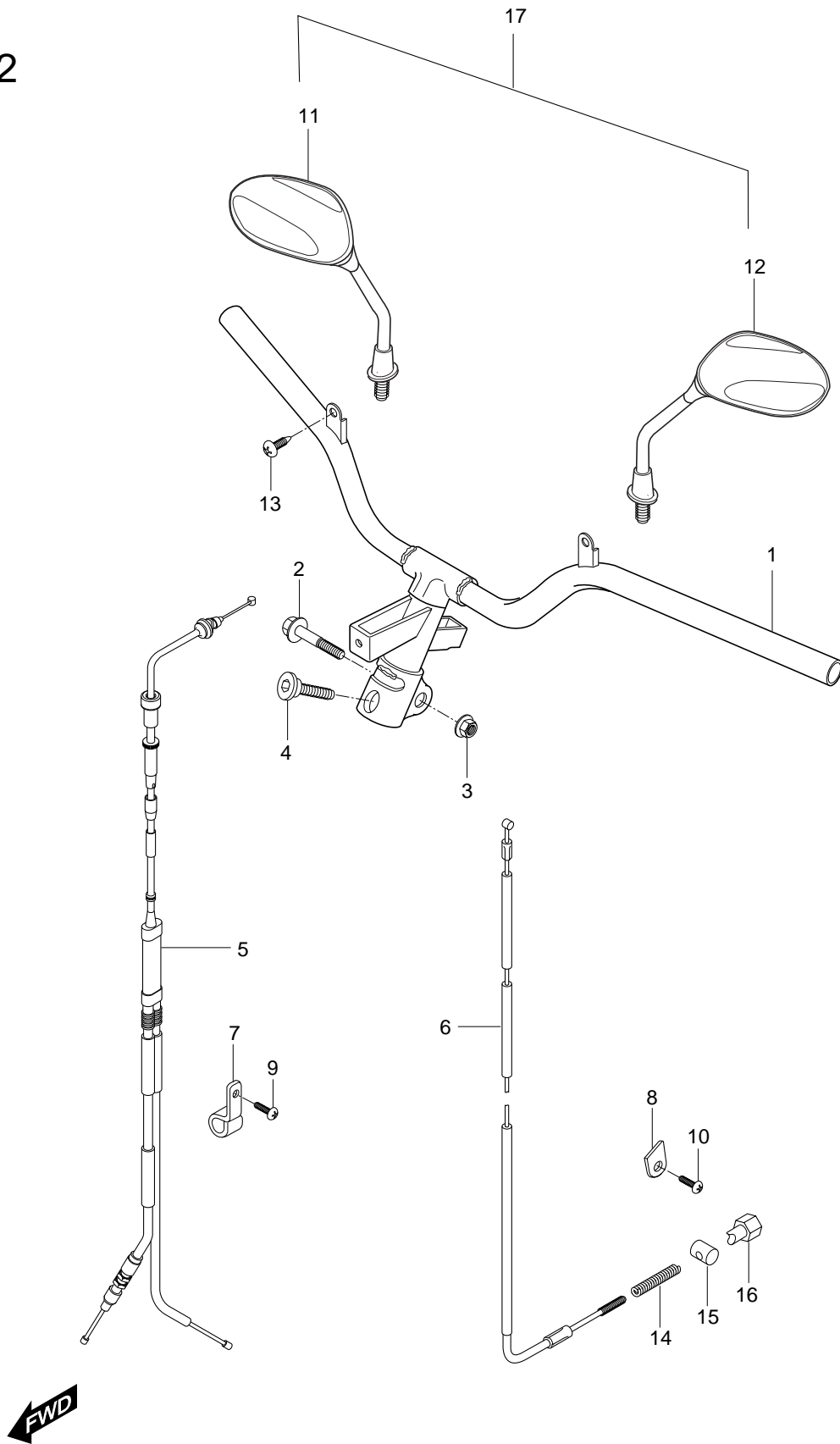
FIG.31



# FIG 31. FRONT WHEEL

REF PARTS NUMBER								PARTS NAME	Q`TY	REMARKS	REC.Q`TY (PCS)
NO. DOMESTIC	ST01	GEU01	JEU01	KEU03	GG01	JG03	MG01				
1	54140H41D0003R	54140H41D0003R	54140H41D0003R	54140H41D0003R		54140H41D0003R	54140H41D0003R	54140H41D0003R	WHEEL COMP.FRONT(2.15*10DC)SILVER	1	2
1-1					54140H41D00121				WHEEL COMP.FRONT(2.15*10DC)SILVER	1	
2	54711H11A00	54711H11A00	54711H11A00	54711H11A00	54711H11A00	54711H11A00	54711H11A00	54711H11A00	AXLE,FRONT(10*178.5)	1	1
3	54741-29C00	54741-29C00	54741-29C00	54741-29C00	54741-29C00	54741-29C00	54741-29C00	54741-29C00	SPACER,FRONT AXLE L	1	
4	08319-31108	08319-31108	08319-31108	08319-31108	08319-31108	08319-31108	08319-31108	08319-31108	NUT,FRONT AXLE(10)	1	
5	54600-28B00	54600-28B00	54600-28B00	54600-28B00	54600-28B00	54600-28B00	54600-28B00	54600-28B00	BOX ASSY,SPEEDOMETER GEAR	1	
6	59211-29C10	59211-29C10	59211-29C10	59211-29C10	59211-29C10	59211-29C10	59211-29C10	59211-29C10	DISK,FRONT BRAKE	1	2
7	59421-03A01	59421-03A01	59421-03A01	59421-03A01	59421-03A01	59421-03A01	59421-03A01	59421-03A01	BOLT,FRONT BRAKE DISK(8*15.5)	3	
8	08319-21088	08319-21088	08319-21088	08319-21088	08319-21088	08319-21088	08319-21088	08319-21088	NUT,FRONT BRAKE DISK(8)	3	
9	65100HF1601	65100HF1601	65100HF1601	65100HF1601	65100HF1601	65100HF1601	65100HF1601	65100HF1601	TIRE SET,FRONT(100/80-10 53J)	1	
10	55220-29C20	55220-29C20	55220-29C20	55220-29C20	55220-29C20	55220-29C20	55220-29C20	55220-29C20	VALVE ASSY,WHEEL RIM	1	
11	54730-41D00	54730-41D00	54730-41D00	54730-41D00	54730-41D00	54730-41D00	54730-41D00	54730-41D00	SPACER,FRONT WHEEL	1	
12	08123-62007	08123-62007	08123-62007	08123-62007	08123-62007	08123-62007	08123-62007	08123-62007	BEARING,FRONT WHEEL(#6200)	2	
13	09285-16002	09285-16002	09285-16002	09285-16002	09285-16002	09285-16002	09285-16002	09285-16002	DUST SEAL,FRONT HUB BEARING L	1	

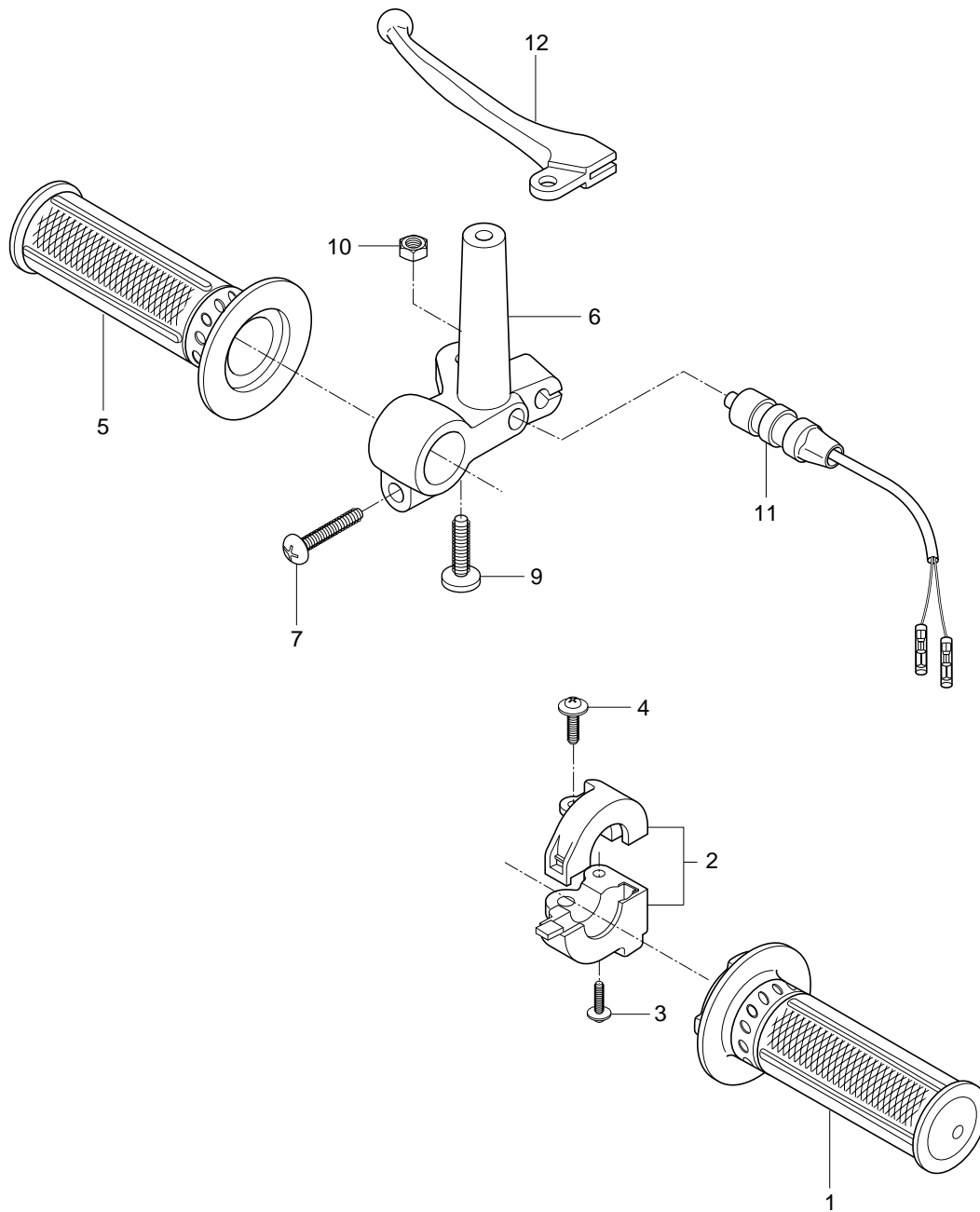
FIG.32



# FIG 32. HANDLE BAR

REF PARTS NUMBER								PARTS NAME	Q`TY	REMARKS	REC.Q`TY (PCS)
NO. DOMESTIC	ST01	GEU01	JEU01	KEU03	GG01	JG03	MG01				
1	56110HF1601	56110HF1601	56110HF1601	56110HF1601	56110HF1601	56110HF1601	56110HF1601	56110HF1601	HANDLE BAR COMP	1	3
2	09103-10055	09103-10055	09103-10055	09103-10055	09103-10055	09103-10055	09103-10055	09103-10055	BOLT,HANDLE BAR(10*40)	1	
3	08319-31108	08319-31108	08319-31108	08319-31108	08319-31108	08319-31108	08319-31108	08319-31108	NUT,HANDLE BAR	1	
4	56123-29C00	56123-29C00	56123-29C00	56123-29C00	56123-29C00	56123-29C00	56123-29C00	56123-29C00	BOLT,HANDLE BAR(8*30)	1	
5	58300HF1600	58300HF1600	58300HF1600	58300HF1600	58300HF1600	58300HF1600	58300HF1600	58300HF1600	CABLE ASSY,THROTTLE	1	3
6	58510H11A00	58510H11A00	58510H11A00	58510H11A00	58510H11A00	58510H11A00	58510H11A00	58510H11A00	CABLE COMP,REARBRAKE	1	5
7	09403-09301	09403-09301	09403-09301	09403-09301	09403-09301	09403-09301	09403-09301	09403-09301	GUIDE,CABLE	1	
8	58591H11A00	58591H11A00	58591H11A00	58591H11A00	58591H11A00	58591H11A00	58591H11A00	58591H11A00	PLATE,REAR BRAKE CABLE	1	
9	01134-06208	01134-06208	01134-06208	01134-06208	01134-06208	01134-06208	01134-06208	01134-06208	BOLT,REAR BRAKE CABLE PLATE(6*20)	1	
10	01134-06128	01134-06128	01134-06128	01134-06128	01134-06128	01134-06128	01134-06128	01134-06128	BOLT,CABLE GUIDE	1	
11	56500HF1602	56500HF1602	56500HF1602	56500HF1602	56500HF1602	56500HF1602	56500HF1602	56500HF1602	MIRROR ASSY,REAR VIEW R	1	5
12	56600HF1602	56600HF1602	56600HF1602	56600HF1602	56600HF1602	56600HF1602	56600HF1602	56600HF1602	MIRROR ASSY,REAR VIEW L	1	5
13	03241-05165	03241-05165	03241-05165	03241-05165	03241-05165	03241-05165	03241-05165	03241-05165	SCREW(5*16)	2	
14	09440H06013	09440H06013	09440H06013	09440H06013	09440H06013	09440H06013	09440H06013	09440H06013	SPRING	1	
15	09209H11005	09209H11005	09209H11005	09209H11005	09209H11005	09209H11005	09209H11005	09209H11005	LEVER PIN	1	
16	09150-01501	09150-01501	09150-01501	09150-01501	09150-01501	09150-01501	09150-01501	09150-01501	ADJUST NUT,REAR BRAKE	1	
17	56501HF1602	56501HF1602	56501HF1602	56501HF1602	56501HF1602	56501HF1602	56501HF1602	56501HF1602	MIRROR SET	1	

FIG.33

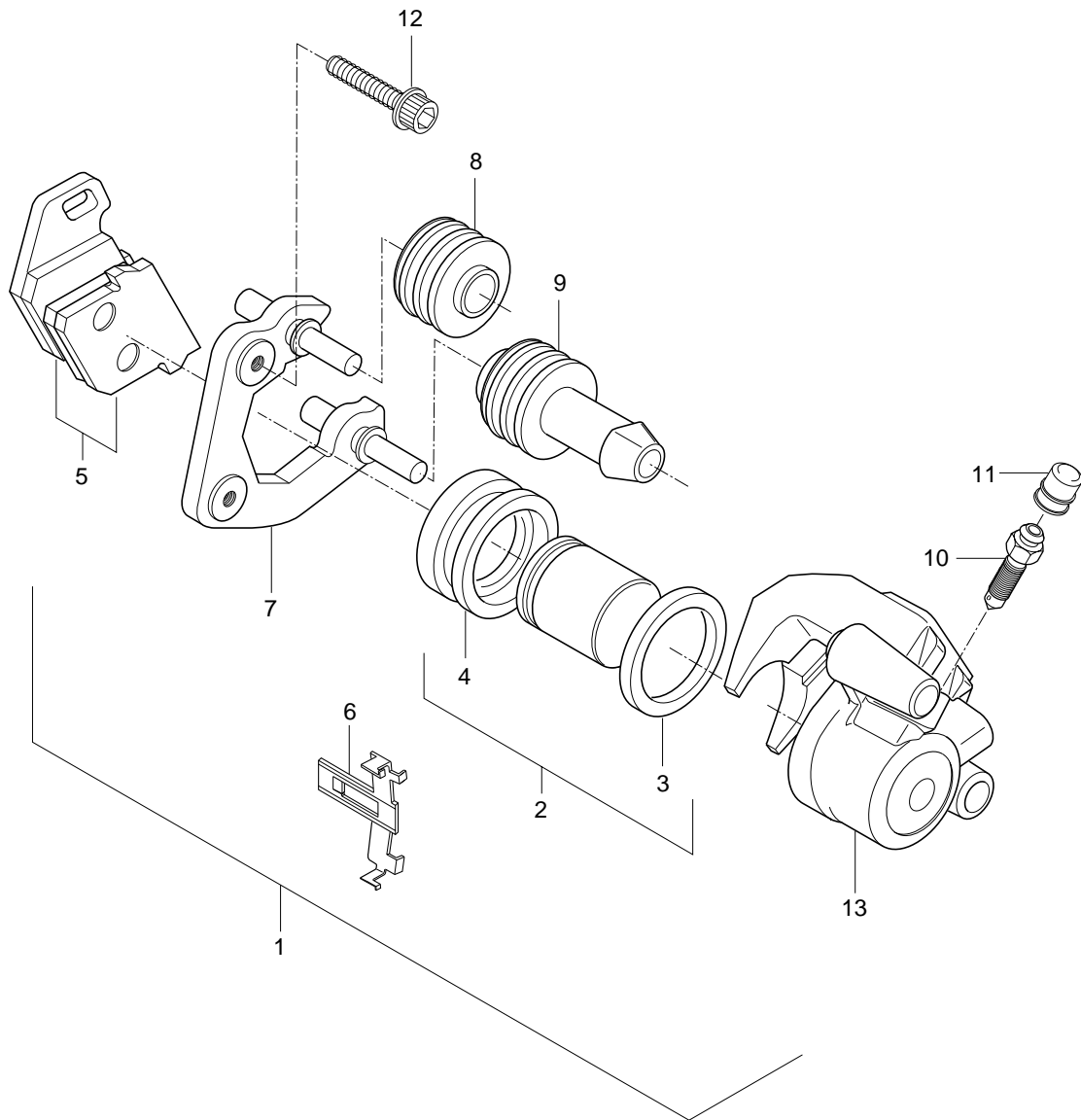


# FIG 33. HANDLE SWITCH

REF PARTS NUMBER								PARTS NAME	Q`TY	REMARKS	REC.Q`TY (PCS)
NO.	DOMESTIC	ST01	GEU01	JEU01	KEU03	GG01	JG03				
1	57110HE7101	57110HE7101	57110HE7101	57110HE7101	57110HE7101	57110HE7101	57110HE7101	57110HE7101	GRIP COMP,THROTTLE	1	
2	57100-29C00	57100-29C00	57100-29C00	57100-29C00	57100-29C00	57100-29C00	57100-29C00	57100-29C00	CASE ASSY,THROTTLE	1	
3	02112-05208	02112-05208	02112-05208	02112-05208	02112-05208	02112-05208	02112-05208	02112-05208	SCREW,THROTTLE CASE(5*20)	1	
4	09136-05040	09136-05040	09136-05040	09136-05040	09136-05040	09136-05040	09136-05040	09136-05040	SCREW,THROTTLE CASE(5*16)	1	
5	57211HE7101	57211HE7101	57211HE7101	57211HE7101	57211HE7101	57211HE7101	57211HE7101	57211HE7101	GRIP, L	1	
6	57511HE7100	57511HE7100	57511HE7100	57511HE7100	57511HE7100	57511HE7100	57511HE7100	57511HE7100	HOLDER,BRAKE LEVER	1	
7	02112-06208	02112-06208	02112-06208	02112-06208	02112-06208	02112-06208	02112-06208	02112-06208	SCREW HOLDER(6*20)	1	
8	57621-02420	57621-02420	57621-02420	57621-02420	57621-02420	57621-02420	57621-02420	57621-02420	LEVER,BRAKE	1	20
9	02112-05258	02112-05258	02112-05258	02112-05258	02112-05258	02112-05258	02112-05258	02112-05258	SCREW,BRAKE LEVER PIVOT(5*25)	1	
10	08319-21058	08319-21058	08319-21058	08319-21058	08319-21058	08319-21058	08319-21058	08319-21058	NUT,BRAKE LEVER PIVOT	1	
11	57460H11200	57460H11200	57460H11200	57460H11200	57460H11200	57460H11200	57460H11200	57460H11200	SWITCH ASSY,STOP LAMP	1	2
12	57500HE7101	57500HE7101	57500HE7101	57500HE7101	57500HE7101	57500HE7101	57500HE7101	57500HE7101	BRAKE LEVER REAR & SWITCH ASS'Y	1	



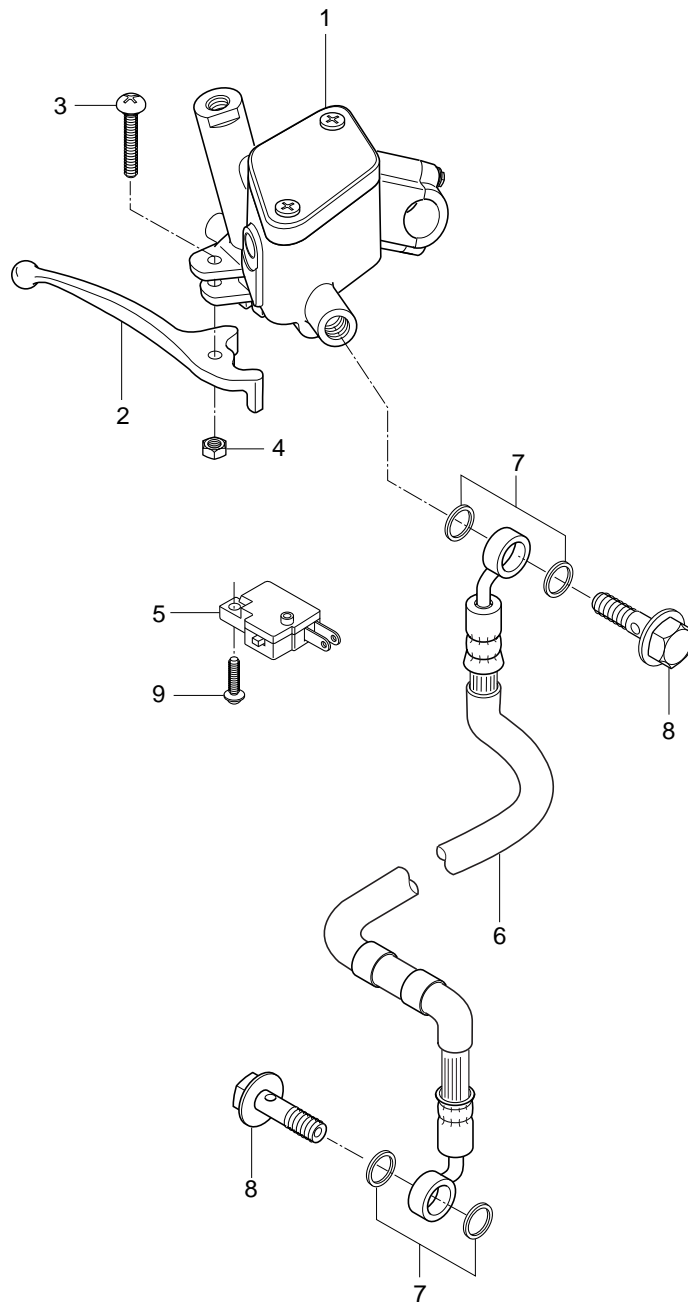
FIG.34



# FIG 34. CALIPER

REF PARTS NUMBER									PARTS NAME	Q`TY	REMARKS	REC.Q`TY (PCS)
NO. DOMESTIC	ST01	GEU01	JEU01	KEU03	GG01	JG03	MG01					
1	59300-03A3090U	59300-03A3090U	59300-03A3090U	59300-03A3090U	59300-03A3090U	59300-03A3090U	59300-03A3090U	59300-03A3090U	CALIPER ASSY,FRONT	1		1
2	59300-03810	59300-03810	59300-03810	59300-03810	59300-03810	59300-03810	59300-03810	59300-03810	PISTON SET	1		
3	59170-03A00	59170-03A00	59170-03A00	59170-03A00	59170-03A00	59170-03A00	59170-03A00	59170-03A00	SEAL	1	NOT SALE	
4	59308-03A00	59308-03A00	59308-03A00	59308-03A00	59308-03A00	59308-03A00	59308-03A00	59308-03A00	BOOT	1	NOT SALE	
5	59300-03860	59300-03860	59300-03860	59300-03860	59300-03860	59300-03860	59300-03860	59300-03860	PAD SET,CALIPER	1	NOT SALE	
6	59315-36500	59315-36500	59315-36500	59315-36500	59315-36500	59315-36500	59315-36500	59315-36500	SPRING	1		
7	59313-36A00	59313-36A00	59313-36A00	59313-36A00	59313-36A00	59313-36A00	59313-36A00	59313-36A00	CARRIER,LH	1		
8	59312-36500	59312-36500	59312-36500	59312-36500	59312-36500	59312-36500	59312-36500	59312-36500	BOOT	1	NOT SALE	
9	59313-36500	59313-36500	59313-36500	59313-36500	59313-36500	59313-36500	59313-36500	59313-36500	INSULATOR	1	NOT SALE	
10	59121-18410	59121-18410	59121-18410	59121-18410	59121-18410	59121-18410	59121-18410	59121-18410	BLEEDER	1	NOT SALE	
11	59122H18420	59122H18420	59122H18420	59122H18420	59122H18420	59122H18420	59122H18420	59122H18420	CAP	1		
12	07120-08208	07120-08208	07120-08208	07120-08208	07120-08208	07120-08208	07120-08208	07120-08208	BOLT,CALIPER	2		
13	59360-03A30	59360-03A30	59360-03A30	59360-03A30	59360-03A30	59360-03A30	59360-03A30	59360-03A30	HOUSING,CALIPER	1	NOT SALE	

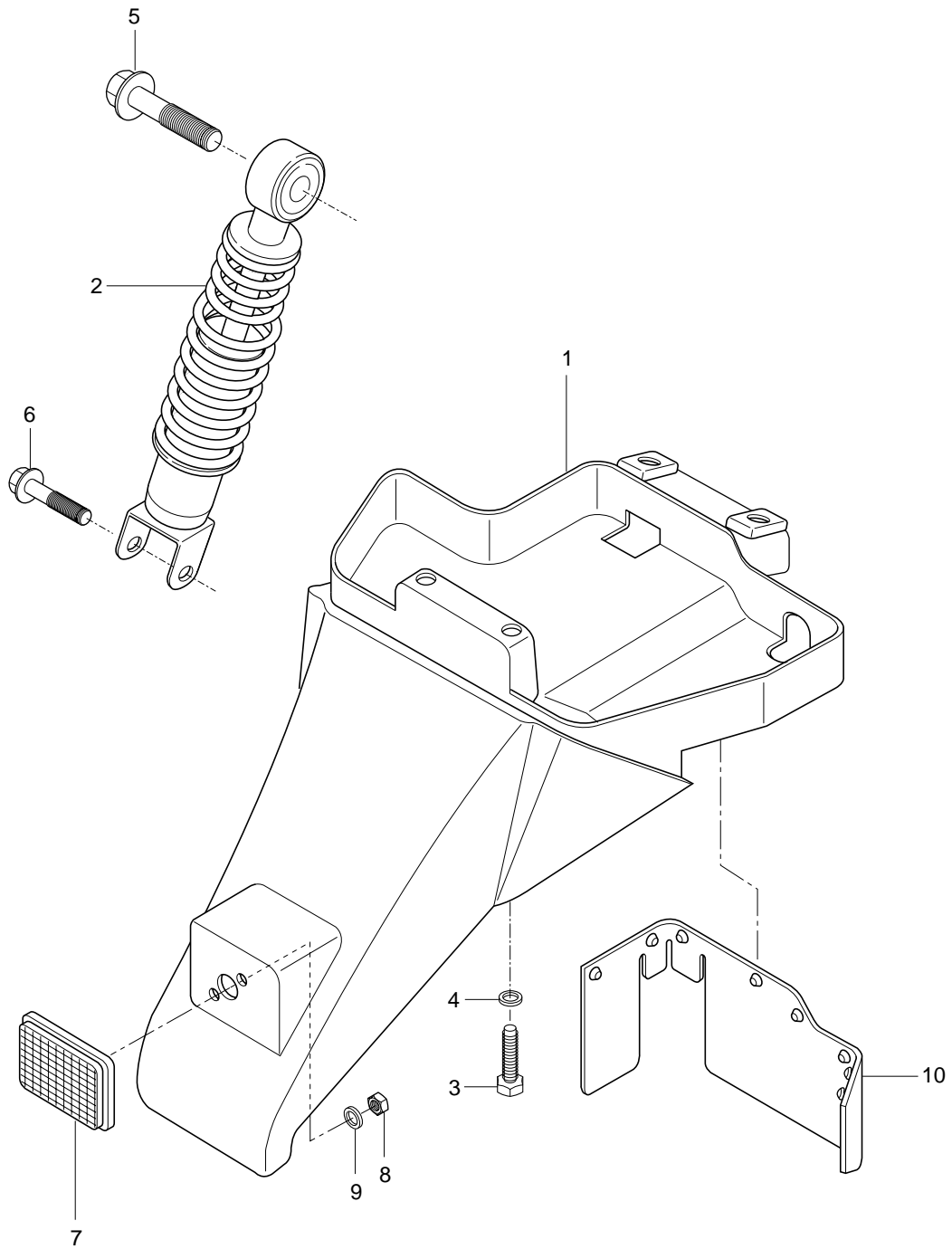
FIG.35



# FIG 35. FRONT MASTER CYLINDER

REF PARTS NUMBER								PARTS NAME	Q`TY	REMARKS	REC.Q`TY (PCS)
NO. DOMESTIC	ST01	GEU01	JEU01	KEU03	GG01	JG03	MG01				
1	59600HE7102	59600HE7102	59600HE7102	59600HE7102	59600HE7102	59600HE7102	59600HE7102	59600HE7102	CYLINDER ASSY,FRONT MASTER	1	4
2	57300-29C10	57300-29C10	57300-29C10	57300-29C10	57300-29C10	57300-29C10	57300-29C10	57300-29C10	LEVER,BRAKE	1	
3	57431-13010	57431-13010	57431-13010	57431-13010	57431-13010	57431-13010	57431-13010	57431-13010	SCREW,BRAKE LEVER PIVOT	1	
4	08319-21065	08319-21065	08319-21065	08319-21065	08319-21065	08319-21065	08319-21065	08319-21065	NUT(6)	1	
5	57460-17C00	57460-17C00	57460-17C00	57460-17C00	57460-17C00	57460-17C00	57460-17C00	57460-17C00	SWITCH ASSY,STOP	1	
6	59480H11A03	59480H11A03	59480H11A03	59480H11A03	59480H11A03	59480H11A03	59480H11A03	59480H11A03	HOSE COMP,FRONT BRAKE	1	1
7	09161-10005	09161-10005	09161-10005	09161-10005	09161-10005	09161-10005	09161-10005	09161-10005	WASHER(10*15*1.5)	4	
8	09360-10039	09360-10039	09360-10039	09360-10039	09360-10039	09360-10039	09360-10039	09360-10039	BOLT,BRAKE FLUID(10*22)	2	
9	02112-74108	02112-74108	02112-74108	02112-74108	02112-74108	02112-74108	02112-74108	02112-74108	SCREW(4*10)	1	

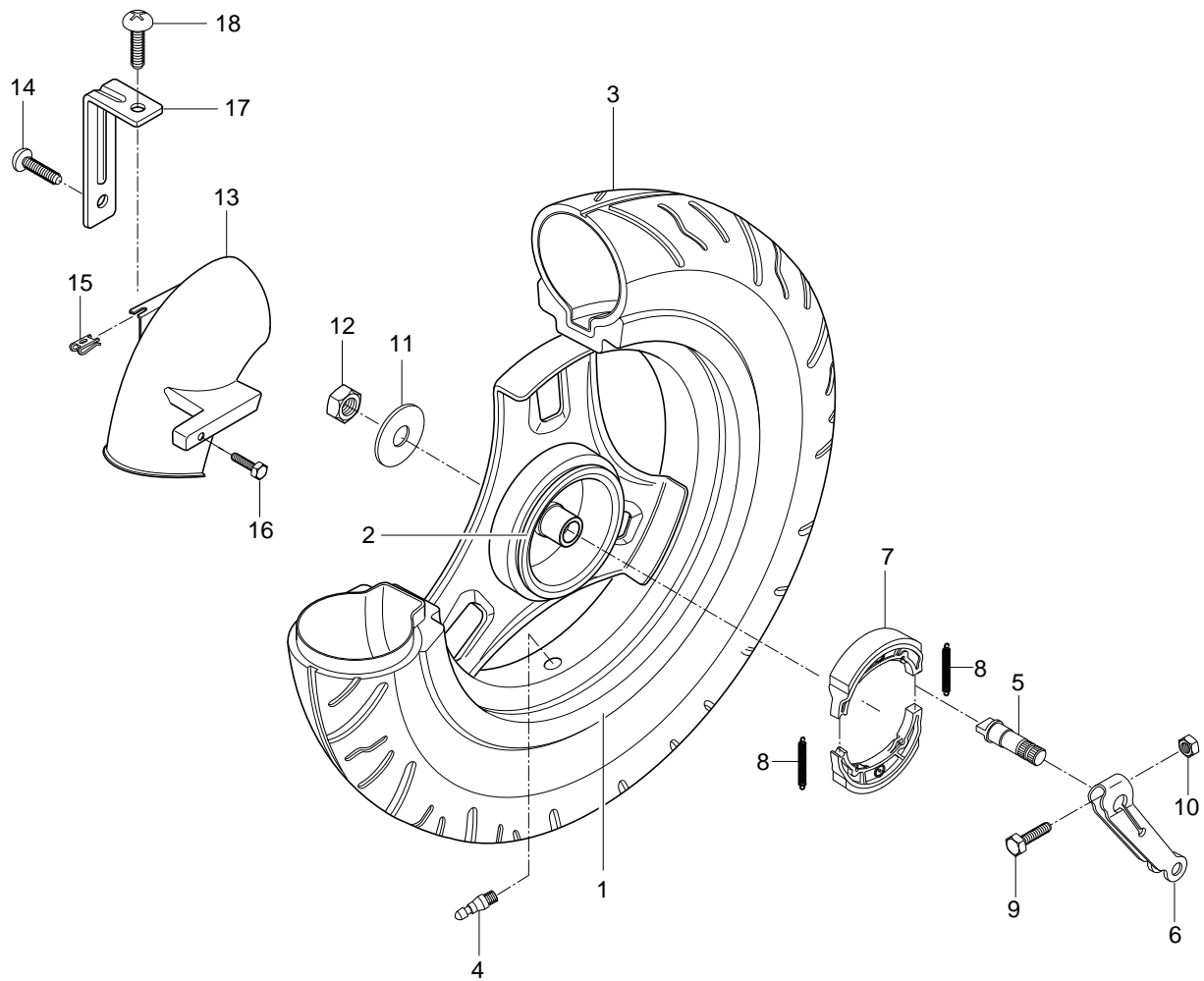
FIG.36



# FIG 36. REAR FENDER

REF PARTS NUMBER								PARTS NAME	Q`TY	REMARKS	REC.Q`TY (PCS)
NO. DOMESTIC	ST01	GEU01	JEU01	KEU03	GG01	JG03	MG01				
1	63111HF1601	63111HF1601	63111HF1601	63111HF1601	63111HF1601	63111HF1601	63111HF1601	63111HF1601	REAR FENDER,REAR	1	3
2	62100-07901	62100-07901							SHOCK ABSORBER,REAR(6*16)	1	
2-1			62100HB1400	62100HB1400	62100HB1400	62100HB1400	62100HB1400	62100HB1400	SHOCK ABSORBER,REAR(6*16)	1	1
3	01104-06168	01104-06168	01104-06168	01104-06168	01104-06168	01104-06168	01104-06168	01104-06168	BOLT,REAR FENDER REAR	4	
4	09169-06034	09169-06034	09169-06034	09169-06034	09169-06034	09169-06034	09169-06034	09169-06034	WASHER	4	
5	61181-02C00	61181-02C00	61181-02C00	61181-02C00	61181-02C00	61181-02C00	61181-02C00	61181-02C00	BOLT,REAR SHOCK ABSORBER UPPER(L=40)	1	
6	09103-10019	09103-10019	09103-10019	09103-10019	09103-10019	09103-10019	09103-10019	09103-10019	BOLT,REAR SHOCK ABSORBER LOWER(L=37)	1	
7	35970-24063	35970-24063	35970-24063	35970-24063	35970-24063	35970-24063	35970-24063	35970-24063	REFLEX REFLECTOR	1	
8	08316-26055	08316-26055	08316-26055	08316-26055	08316-26055	08316-26055	08316-26055	08316-26055	NUT(5)	1	
9	56275-34400	56275-34400	56275-34400	56275-34400	56275-34400	56275-34400	56275-34400	56275-34400	WASHER	1	
10	63115HF1602	63115HF1602	63115HF1602	63115HF1602	63115HF1602	63115HF1602	63115HF1602	63115HF1602	MUD GUARD, REAR FENDER REAR	1	

FIG.37



# FIG 37. REAR WHEEL

REF PARTS NUMBER								PARTS NAME	Q`TY	REMARKS	REC.Q`TY (PCS)
NO. DOMESTIC	ST01	GEU01	JEU01	KEU03	GG01	JG03	MG01				
1	64140H1122003R	64140H1122003R	64140H1122003R	64140H1122003R		64140H1122003R	64140H1122003R	64140H1122003R	WHEEL COMP,REAR(2.50*10DC)	1	4
1-1					64140H11220121				WHEEL COMP,REAR(2.50*10DC)	1	
2	64123H11A00	64123H11A00	64123H11A00	64123H11A00	64123H11A00	64123H11A00	64123H11A00	64123H11A00	RUBBER,BRAKE DRUM	1	
3	65100HF1601	65100HF1601	65100HF1601	65100HF1601	65100HF1601	65100HF1601	65100HF1601	65100HF1601	TIRE SET,REAR(100/80-10 53J)	1	5
4	55220-29C20	55220-29C20	55220-29C20	55220-29C20	55220-29C20	55220-29C20	55220-29C20	55220-29C20	VLAVE ASSY,WHEEL RIM	1	
5	64441H11201	64441H11201	64441H11201	64441H11201	64441H11201	64441H11201	64441H11201	64441H11201	CAM,REAR BRAKE	1	
6	64451-02111	64451-02111	64451-02111	64451-02111	64451-02111	64451-02111	64451-02111	64451-02111	LEVER,REAR BRAKE CAM	1	
7	64400HG2600	64400HG2600	64400HG2600	64400HG2600	64400HG2600	64400HG2600	64400HG2600	64400HG2600	SHOE SET,REAR BRAKE	1	15
8	09443H08025	09443H08025	09443H08025	09443H08025	09443H08025	09443H08025	09443H08025	09443H08025	SPRING,BRAKE SHOE	2	
9	12812-30A00	12812-30A00	12812-30A00	12812-30A00	12812-30A00	12812-30A00	12812-30A00	12812-30A00	BOLT,REAR BRAKE CAM LEVER(6*34)	1	
10	08316-16068	08316-16068	08316-16068	08316-16068	08316-16068	08316-16068	08316-16068	08316-16068	NUT,REAR BRAKE CAM LEVER(6)	1	
11	09160-16025	09160-16025	09160-16025	09160-16025	09160-16025	09160-16025	09160-16025	09160-16025	WASHER,REAR AXLE	1	
12	08319-21168	08319-21168	08319-21168	08319-21168	08319-21168	08319-21168	08319-21168	08319-21168	NUT,REAR AXLE(16)	1	
13	63112HF1601	63112HF1601	63112HF1601	63112HF1601	63112HF1601	63112HF1601	63112HF1601	63112HF1601	REAR FENDER,FRONT	1	1
14	02142-06165	02142-06165	02142-06165	02142-06165	02142-06165	02142-06165	02142-06165	02142-06165	SCREW,REAR FENDER PLATE & MUFF(6*16)	1	
15	09148-04024	09148-04024	09148-04024	09148-04024	09148-04024	09148-04024	09148-04024	09148-04024	NUT,REAR FENDER FRONT R	1	
16	02112-06165	02112-06165	02112-06165	02112-06165	02112-06165	02112-06165	02112-06165	02112-06165	SCREW,REAR FENDER FRONT(6*16)	1	
17	63113HF1601	63113HF1601	63113HF1601	63113HF1601	63113HF1601	63113HF1601	63113HF1601	63113HF1601	PLATE,REAR FENDER FRONT	1	
18	03241-04168	03241-04168	03241-04168	03241-04168	03241-04168	03241-04168	03241-04168	03241-04168	SCREW,REAR FENDER PLATE & FENDER(4*16)	1	