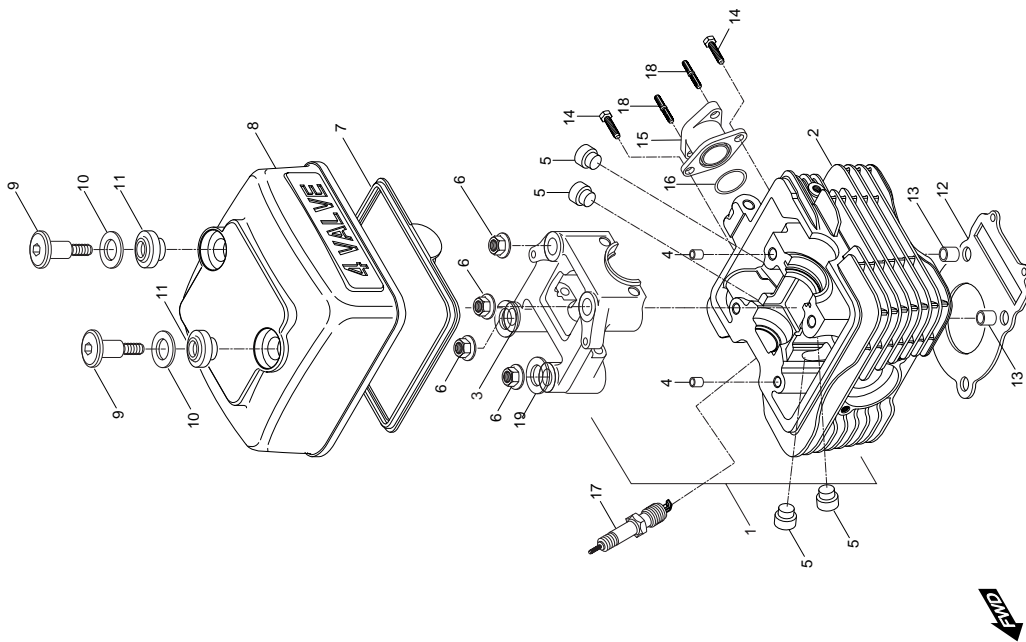


# **HYOSUNG**

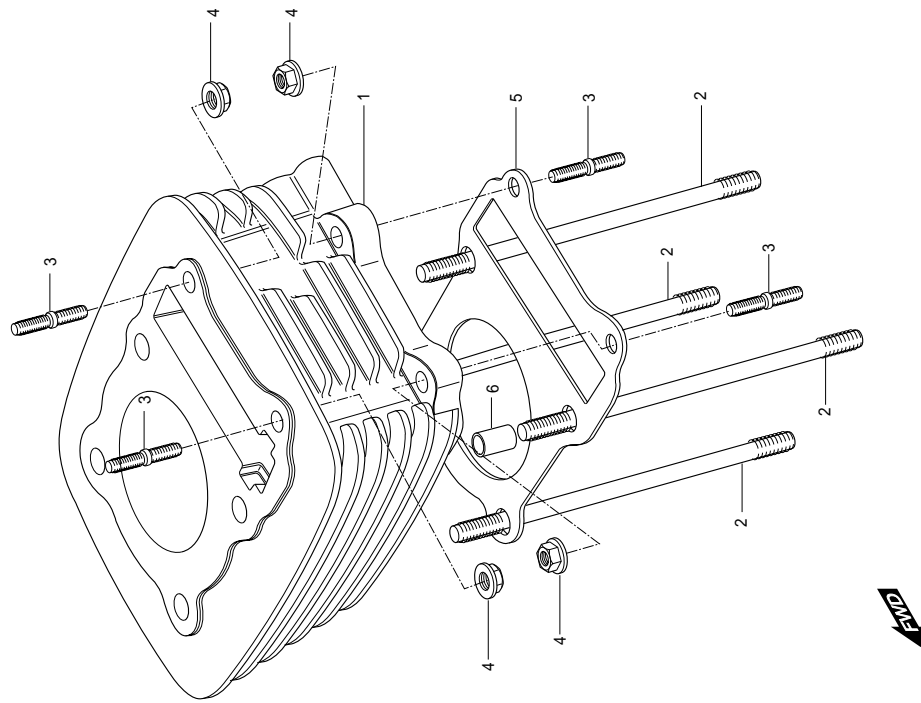
# **XRX - RX 125**



END

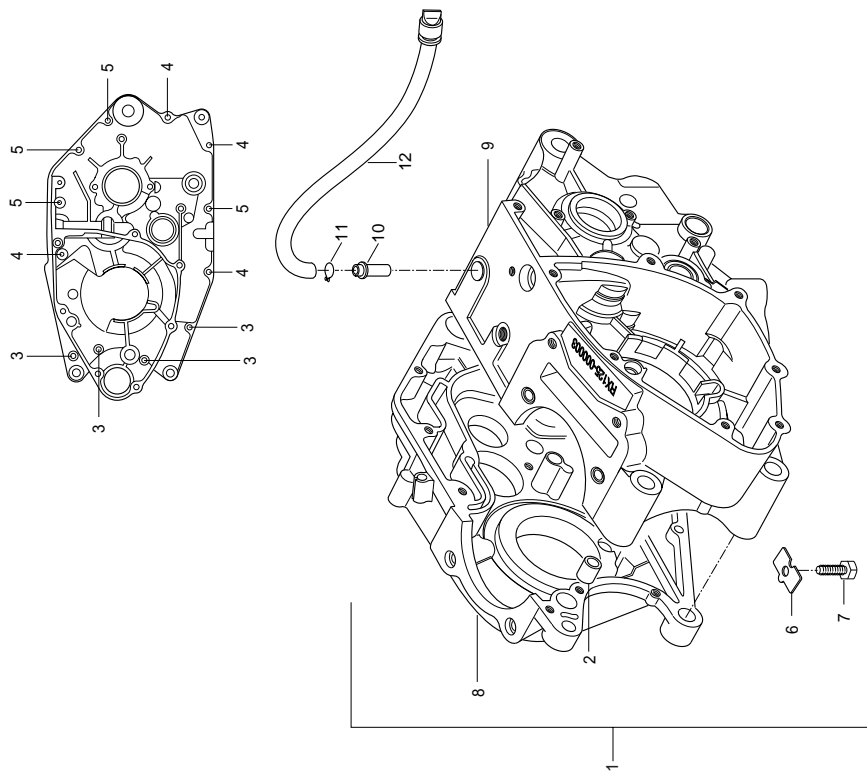
## FIG 1. CYLINDER HEAD

REF	PARTS NO.				PARTS NAME	Q'TY	REMARKS
	NO. ST01	JEU01	JEU02	NG01			
1	11100HG5810PCH	11100HG5810PCH	11100HG5810PCH	11100HG5810PCH	11100HG5810PCH	1	~ KM4PF41A641202817
1~1	11100HG5850PCH	11100HG5850PCH	11100HG5850PCH	11100HG5850PCH	11100HG5850PCH	1	KM4PF41A641202818 ~
2	11110HG5801PCH	11110HG5801PCH	11110HG5801PCH	11110HG5801PCH	11110HG5801PCH	1	
3	11130HD6303PCH	11130HD6303PCH	11130HD6303PCH	11130HD6303PCH	11130HD6303PCH	1	
4	04213-11169	04213-11169	04213-11169	04213-11169	04213-11169	2	
5	09289-05008	09289-05008	09289-05008	09289-05008	09289-05008	4	
6	09159-08031	09159-08031	09159-08031	09159-08031	09159-08031	4	
7	11173HD6302	11173HD6302	11173HD6302	11173HD6302	11173HD6302	1	
8	11171HG580003S	11171HG580003S	11171HG580003S	11171HG580003S	11171HG580003S	1	
9	09106H07009	09106H07009	09106H07009	09106H07009	09106H07009	2	
10	11124H93B11	11124H93B11	11124H93B11	11124H93B11	11124H93B11	2	
11	11123H93B01	11123H93B01	11123H93B01	11123H93B01	11123H93B01	2	
12	11141H93B01	11141H93B01	11141H93B01	11141H93B01	11141H93B01	1	~ KM4PF41A641202817
12~1	11141HG5800	11141HG5800	11141HG5800	11141HG5800	11141HG5800	1	KM4PF41A641202818 ~
13	04213-11169	04213-11169	04213-11169	04213-11169	04213-11169	2	
14	09128-06005	09128-06005	09128-06005	09128-06005	09128-06005	2	
14-1	01547-06148	01547-06148	01547-06148	01547-06148	01547-06148	1	
14-2						1	
15	13110HG5802	13110HG5802	13110HG5802	13110HG5802	13110HG5802	1	~ KM4PF41A641202817
15~1						1	KM4PF41A641202818 ~
16	09280H32006	09280H32006	09280H32006	09280H32006	09280H32006	1	
17	09482-01248	09482-01248	09482-01248	09482-01248	09482-01248	1	
17-1						1	
18	01421-06168	01421-06168	01421-06168	01421-06168	01421-06168	2	
19	09168-08021	09168-08021	09168-08021	09168-08021	09168-08021	4	



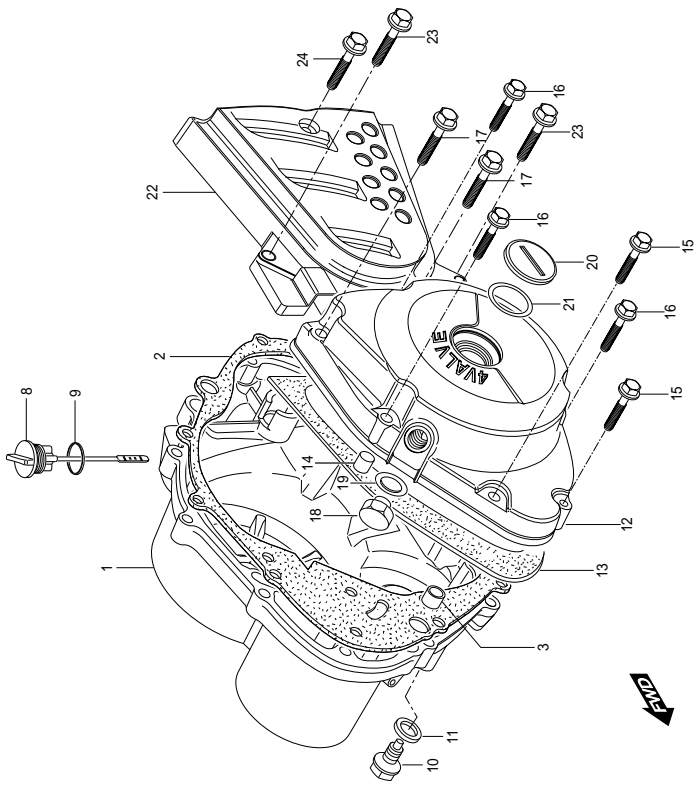
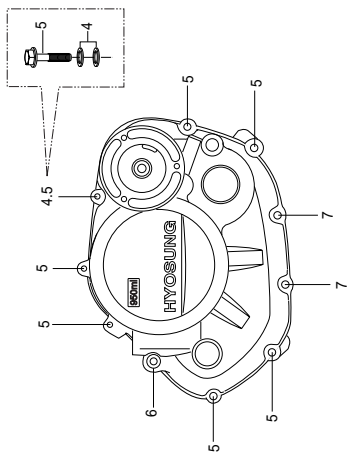
## FIG 2. CYLINDER

REF NO. ST01	PARTS NO.				PARTS NAME	Q'TY (PCS)	REMARKS
	JEU01	JEU02	NG01	JG01			
1	11210HG5800PCY	11210HG5800PCY	11210HG5800PCY	11210HG5800PCY	11210HG5800PCY	1	~ KM4PF41A641202817
2	09108H08175	09108H08175	09108H08175	09108H08175	09108H08175	4	
3	01421-06258	01421-06258	01421-06258	01421-06258	01421-06258	4	
4	08316-16068	08316-16068	08316-16068	08316-16068	08316-16068	4	
5	11241H05201	11241H05201	11241H05201	11241H05201	11241H05201	1	
6	04213-11149	04213-11149	04213-11149	04213-11149	04213-11149	2	



## FIG 3. CRANK CASE

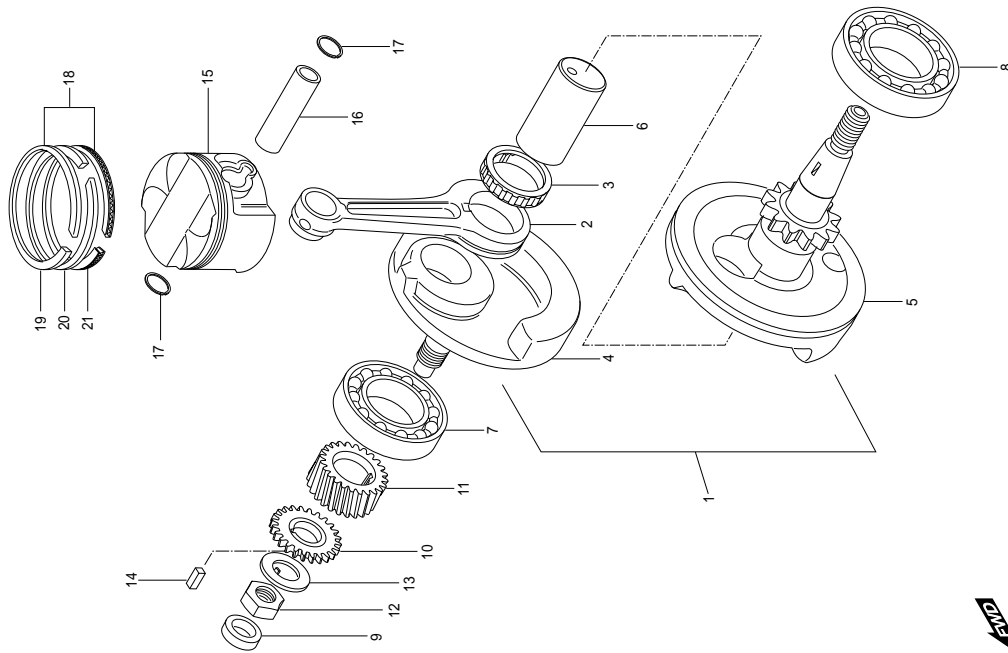
REF	PARTS NO.				PARTS NAME	Q'TY (PCS)	REMARKS
	NO. ST01	JEU01	JEU02	NG01			
1	11300HG5800HPA	11300HG5800HPA	11300HG5800HPA	11300HG5800HPA	11300HG5800HPA	1	CRANK CASE ASSY
2	04213-13189	04213-13189	04213-13189	04213-13189	04213-13189	2	PIN,CRANK CASE
3	01547-06558	01547-06558	01547-06558	01547-06558	01547-06558	4	BOLT CRANK CASE(M6*55)
4	01547-06608	01547-06608	01547-06608	01547-06608	01547-06608	4	BOLT CRANK CASE(M6*60)
5	01547-06758	01547-06758	01547-06758	01547-06758	01547-06758	4	BOLT CRANK CASE(M6*75)
6	11319-05200	11319-05200	11319-05200	11319-05200	11319-05200	1	PLATE OIL GALLERY PLUG
7	01107-06106	01107-06106	01107-06106	01107-06106	01107-06106	1	BOLT, OIL GALLERY PLATE(M6*10)
8	11310HG5803PCC	11310HG5803PCC	11310HG5803PCC	11310HG5803PCC	11310HG5803PCC	1	CRANK CASE R
9	11320HG5800PCC	11320HG5800PCC	11320HG5800PCC	11320HG5800PCC	11320HG5800PCC	1	CRANK CASE L
10	09364-12001	09364-12001	09364-12001	09364-12001	09364-12001	1	UNION BREATHE HOSE
11	13824-05331	13824-05331	13824-05331	13824-05331	13824-05331	1	CLAMP, BREATHER DRAIN CAP
12	13870H29B00	13870H29B00	13870H29B00	13870H29B00	13870H29B00	1	CAP COMP, BREATHER DRAIN





## FIG 4. CRANK CASE COVER

REF	PARTS NO.				PARTS NAME	Q'TY (PCS)	REMARKS
	NO. ST01	JEU01	JEU02	NG01			
1	11340HG580103S	11340HG580103S	11340HG580103S	11340HG580103S	COVER COMP,CLUTCH	1	
2	11482H05211	11482H05211	11482H05211	11482H05211	GASKET CLUTCH COVER(NA)	1	
3	04213-13189	04213-13189	04213-13189	04213-13189	PIN,CLUTCH COVER	2	
4	09168H06009	09168H06009	09168H06009	09168H06009	GASKET CLUTCH COVER BOLT	2	
5	01547-06303	01547-06303	01547-06303	01547-06303	BOLT CLUTCH COVER(M6*30)	7	
6	01547-06453	01547-06453	01547-06453	01547-06453	BOLT CLUTCH COVER(M6*45)	1	
7	01547-06403	01547-06403	01547-06403	01547-06403	BOLT CLUTCH COVER(M6*40)	2	
8	11971HE6100	11971HE6100	11971HE6100	11971HE6100	PLUG, ENGINE OIL FILLER	1	
9	09280-17003	09280-17003	09280-17003	09280-17003	O/RING ENGINE OIL FILTER PLUG	1	
10	09247-14026	09247-14026	09247-14026	09247-14026	PLUG, OIL CHECK	1	
11	09168H14003	09168H14003	09168H14003	09168H14003	GASKET,OIL CHECK PLUG	1	
12	11351HG580203S	11351HG580203S	11351HG580203S	11351HG580203S	COVER,MAGNETO	1	
13	11483H05301	11483H05301	11483H05301	11483H05301	GASKET MAGNETO COVER(NA)	1	
14	04213-09129	04213-09129	04213-09129	04213-09129	PIN,MAGNETO COVER	1	
15	01547-06303	01547-06303	01547-06303	01547-06303	BOLT, MAGNETO COVER(M6*30)	2	
16	01547-06353	01547-06353	01547-06353	01547-06353	BOLT, MAGNETO COVER(M6*35)	3	
17	01547-06453	01547-06453	01547-06453	01547-06453	BOLT, MAGNETO COVER(M6*45)	2	
18	09247H12102	09247H12102	09247H12102	09247H12102	PLUG T.D.C.	1	
19	09168H12003	09168H12003	09168H12003	09168H12003	GASKET,T.D.C. PLUG	1	
20	09259-2601503S	09259-2601503S	09259-2601503S	09259-2601503S	PLUG, CRANK SHAFT HOLE	1	
21	09280-22008	09280-22008	09280-22008	09280-22008	O/RING CRANK SHAFT HOLE PLUG	1	
22	11361HG580003S	11361HG580003S	11361HG580003S	11361HG580003S	COVER, ENGINE SPROCKET	1	
23	01547-06253	01547-06253	01547-06253	01547-06253	BOLT ENGINE SPROCKET COVER(M6*25)	2	
24	01547-06603	01547-06603	01547-06603	01547-06603	BOLT ENGINE SPROCKET COVER(M6*60)	1	

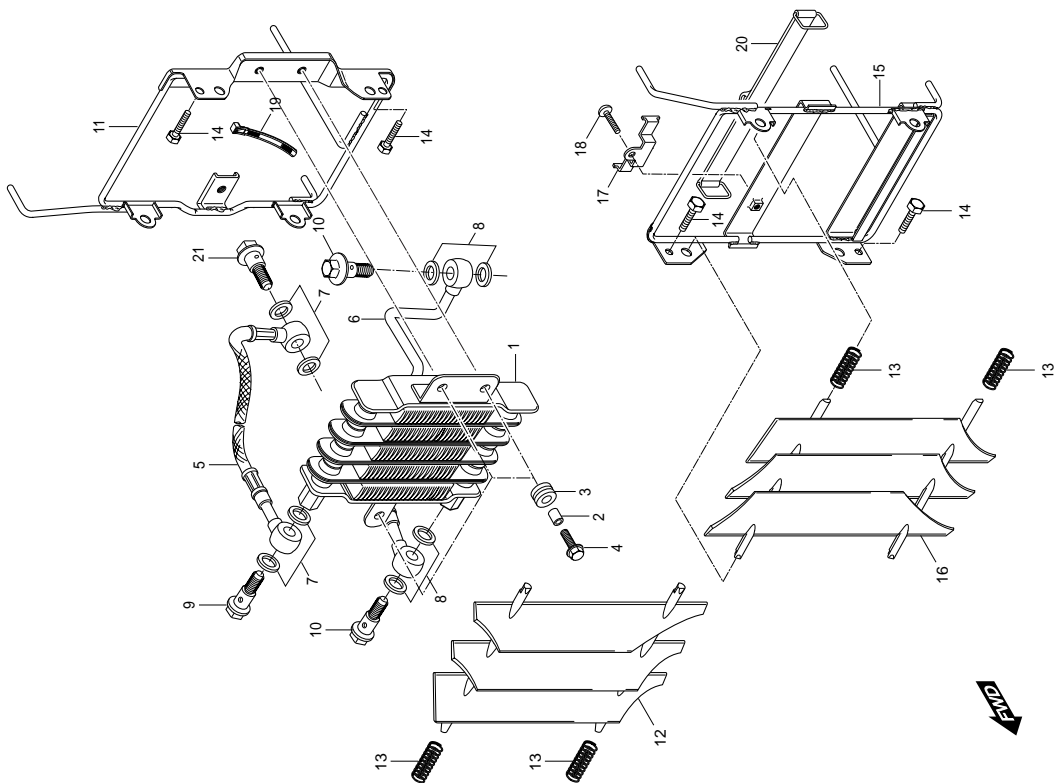


END

## FIG 5. CRANK SHAFT

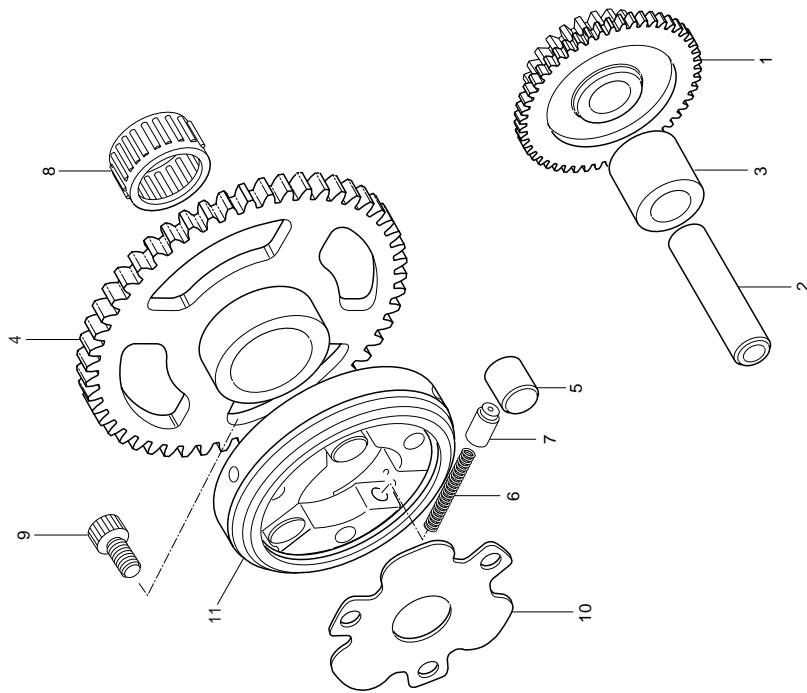
REF	PARTS NO.				PARTS NAME	Q'TY (PCS)	REMARKS
	NO. ST01	JEU01	JEU02	NG01			
1	12200HD6301HPA	12200HD6301HPA	12200HD6301HPA	12200HD6301HPA	12200HD6301HPA	1	CRANK SHAFT ASSY
2	12161HD6301	12161HD6301	12161HD6301	12161HD6301	12161HD6301	1	ROD CONNECT
3	09263H30003	09263H30003	09263H30003	09263H30003	09263H30003	1	BEARING, CRANK PIN
4	12221HF4600CSA	12221HF4600CSA	12221HF4600CSA	12221HF4600CSA	12221HF4600CSA	1	CRANK SHAFT R
5	12261H35C02CSA	12261H35C02CSA	12261H35C02CSA	12261H35C02CSA	12261H35C02CSA	1	CRANK SHAFT L
6	12211HF4600	12211HF4600	12211HF4600	12211HF4600	12211HF4600	1	PIN, CRANK
7	09262H28003	09262H28003	09262H28003	09262H28003	09262H28003	1	BEARING, CRANK SHAFT R(28*68*18)
8	09262H350A60AO	09262H350A60AO	09262H350A60AO	09262H350A60AO	09262H350A60AO	1	BEARING, CRANK SHAFT L(6207)
9	09282-12001	09282-12001	09282-12001	09282-12001	09282-12001	1	OIL SEAL CRANK SHAFT R
10	16321-04B01	16321-04B01	16321-04B01	16321-04B01	16321-04B01	1	GEAR OIL PUMP DRIVE
11	21111HD6300	21111HD6300	21111HD6300	21111HD6300	21111HD6300	1	GEAR PRIMARY DRIVE
12	09140-16019	09140-16019	09140-16019	09140-16019	09140-16019	1	NUT PRIMARY DRIVEN GEAR(M16)
13	09166-16012	09166-16012	09166-16012	09166-16012	09166-16012	1	WASHER PRIMARY DRIVE GEAR
14	09421-04004	09421-04004	09421-04004	09421-04004	09421-04004	1	KEY
15	12111HD6301PPS	12111HD6301PPS	12111HD6301PPS	12111HD6301PPS	12111HD6301PPS	1	PISTON
16	12151-30B00	12151-30B00	12151-30B00	12151-30B00	12151-30B00	1	PIN PISTON
17	09381-15001	09381-15001	09381-15001	09381-15001	09381-15001	2	CIRCLIP PISTON PIN
18	12140-16E00	12140-16E00	12140-16E00	12140-16E00	12140-16E00	1	RING SET, PISTON
19	12141-16E00	12141-16E00	12141-16E00	12141-16E00	12141-16E00	1	RING PISTON 1ST
20	12142-16E00	12142-16E00	12142-16E00	12142-16E00	12142-16E00	1	RING PISTON 2ND
21	12144-16E00	12144-16E00	12144-16E00	12144-16E00	12144-16E00	1	RING PISTON OIL

NOT SALE



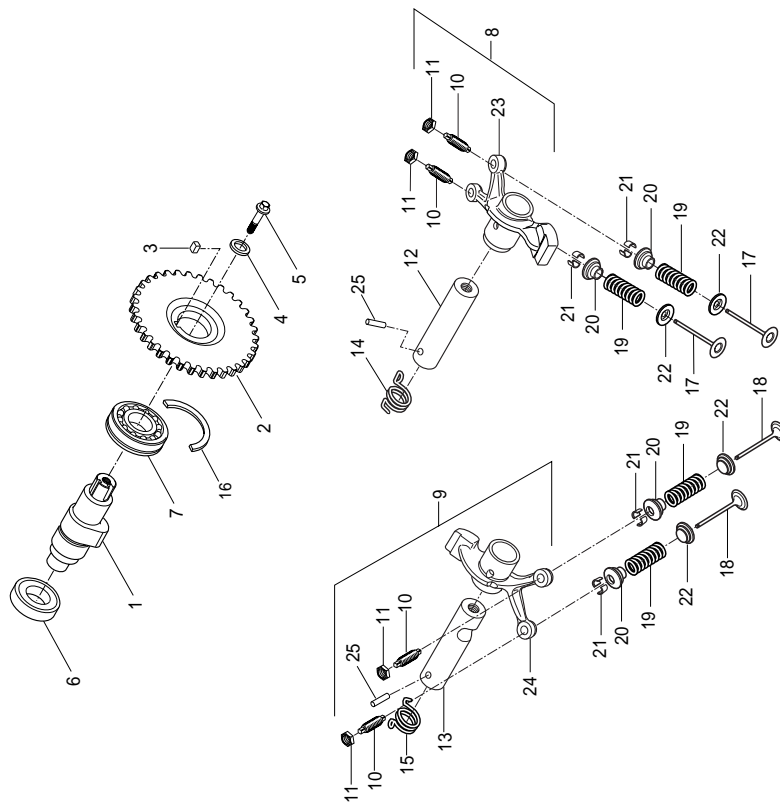
## FIG 6. OIL COOER

REF	PARTS NO.				PARTS NAME	Q'TY	REMARKS
	NO. ST01	JEU01	JEU02	NG01			
1	16600HG5801	16600HG5801	16600HG5801	16600HG5801	COOLER ASSY, OIL	1	
2	09180-06030	09180-06030	09180-06030	09180-06030	SPACER, OIL COOLER	3	
3	09320-10015	09320-10015	09320-10015	09320-10015	CHSHION, OIL COOLER	3	
4	09116-06143	09116-06143	09116-06143	09116-06143	BOLT, OIL COOLER	3	
5	16460HG5800	16460HG5800	16460HG5800	16460HG5800	HOSE COMP, OIL COOLER NO.1	1	
6	16470HG5800	16470HG5800	16470HG5800	16470HG5800	HOSE COMP, OIL COOLER NO.2	1	
7	09161-10009	09161-10009	09161-10009	09161-10009	GASKET, OIL COOLER HOSE NO.1	4	
8	09168-14011	09168-14011	09168-14011	09168-14011	GASKET, OIL COOLER HOSE NO.2	4	
9	09360H10036	09360H10036	09360H10036	09360H10036	BOLT, OIL COOLER HOSE UNION NO.1	2	~ KM4PF41A741252967
9~1	09360H10034	09360H10034	09360H10034	09360H10034	BOLT, OIL COOLER HOSE UNION NO.1	2	KM4PF41A741252968 ~
10	09360H12007	09360H12007	09360H12007	09360H12007	BOLT, OIL COOLER HOSE UNION NO.2	2	
11	16640HG5801	16640HG5801	16640HG5801	16640HG5801	BRACKET COMP, OIL COOLER	1	
12	47531HG5801	47531HG5801	47531HG5801	47531HG5801	GRILLE, OIL COOLER	1	
13	09440H09001	09440H09001	09440H09001	09440H09001	SPRING, OIL COOLE GRILLE	4	
14	01517-06125	01517-06125	01517-06125	01517-06125	BOLT, OIL COOLER BRACKET(M6*12)	4	
15	47430HG5802	47430HG5802	47430HG5802	47430HG5802	BRACKET COMP, TOOL BOX	1	
16	47541HG5801	47541HG5801	47541HG5801	47541HG5801	GRILLE, TOOL BOX	1	
17	41327HE6100	41327HE6100	41327HE6100	41327HE6100	PLATE, CDI	1	
18	02142-06128	02142-06128	02142-06128	02142-06128	SCREW, CDI PLATE(M6*12)	1	
19	09407-14403	09407-14403	09407-14403	09407-14403	CLAMP, CLUTCH CABLE ASSY	1	
20	09462-000E6	09462-000E6	09462-000E6	09462-000E6	BAND, TOOL BOX	1	
21	11283HF4600	11283HF4600	11283HF4600	11283HF4600	BOLT, oil pipe(M10X22)	1	



## FIG 7. STARTER CLUTCH

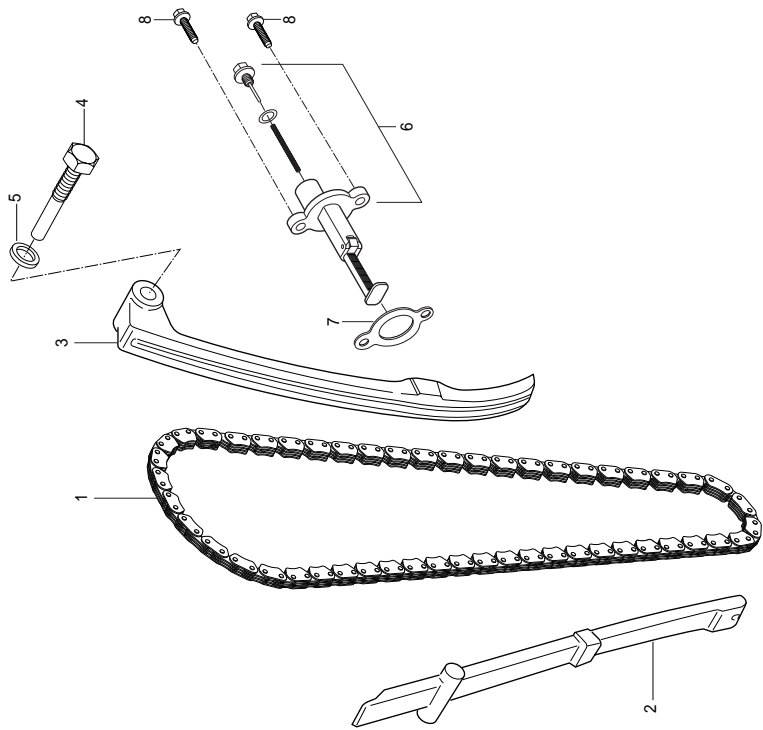
REF	PARTS NO.			PARTS NAME	Q'TY (PCS)	REMARKS
	NO. ST01	JEU01	JEU02			
1	12611-05300	12611-05300	12611-05300	12611-05300	1	GEAR, STARTER IDLE
2	09206-13003	09206-13003	09206-13003	09206-13003	1	PIN, STARTER IDLE GEAR
3	09180-13006	09180-13006	09180-13006	09180-13006	1	SPACER, STARTER IDLE GEAR
4	12620-05303	12620-05303	12620-05303	12620-05303	1	GEAR COMP, STARTER CLUTCH
5	09261-10003	09261-10003	09261-10003	09261-10003	3	ROLLER, STARTER CLUTCH
6	09440-03004	09440-03004	09440-03004	09440-03004	3	SPRING, STARTER CLUTCH
7	12633-05300	12633-05300	12633-05300	12633-05300	3	PLECE, STARTER CLUTCH
8	09263-22031	09263-22031	09263-22031	09263-22031	1	BEARING,STARTER CLUCH GEAR(22*28*1
9	09106-06030	09106-06030	09106-06030	09106-06030	3	BOLT, STARTER CLUTCH(M6*16)
10	12649-05300	12649-05300	12649-05300	12649-05300	1	SHIM, STARTER CLUTCH HUB
11	12630-29B00	12630-29B00	12630-29B00	12630-29B00	1	HUB COMP, STARTER CLUTCH





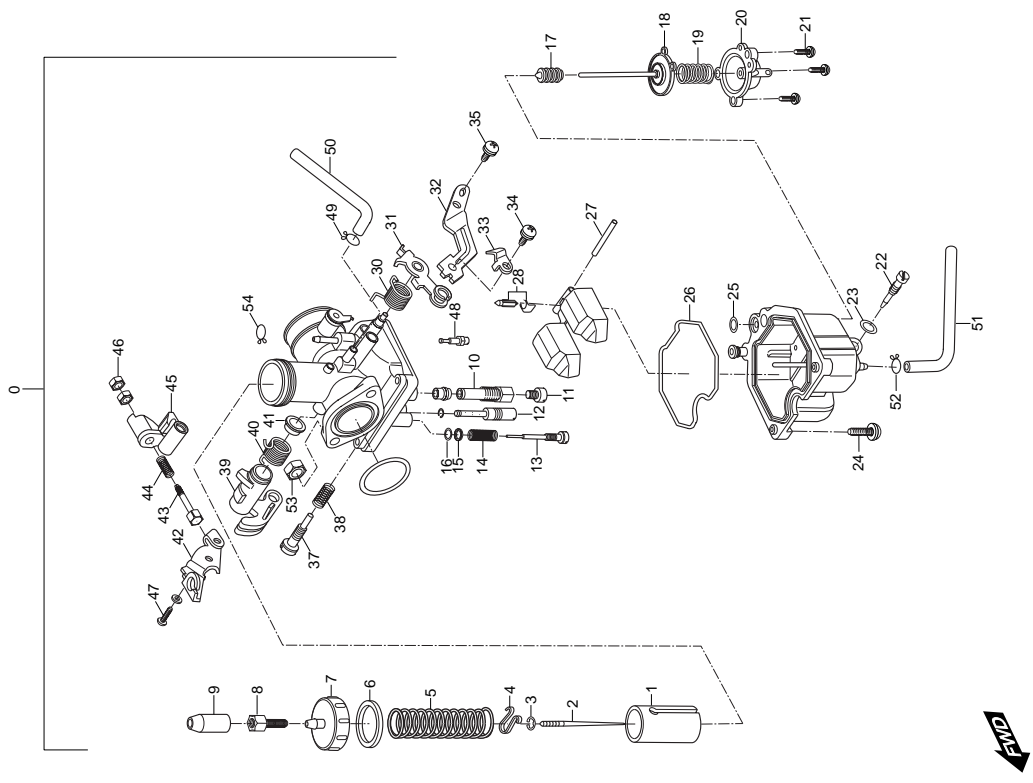
## FIG 8. CAM SHAFT

REF	PARTS NO.					PARTS NAME	Q'TY (PCS)	REMARKS
	NO. ST01	JEU01	JEU02	NG01	JG01			
1	12711HD6302888	12711HD6302888	12711HD6302888	12711HD6302888	12711HD6302888	CAM SHAFT	1	
2	12741HD6301	12741HD6301	12741HD6301	12741HD6301	12741HD6301	SPROCKET,CAMSHAFT	1	
3	09421H04004	09421H04004	09421H04004	09421H04004	09421H04004	KEY CAMSHAFT	1	
4	09160H08016	09160H08016	09160H08016	09160H08016	09160H08016	WASH SPROCKET CENTER	1	
5	09103H08007	09103H08007	09103H08007	09103H08007	09103H08007	BOLT CAMSHAFT CENTER(M8*23)	1	
6	09262H17002	09262H17002	09262H17002	09262H17002	09262H17002	BEARING, CAMSHAFT NO.1(17*35*10)	1	
7	09269H17003	09269H17003	09269H17003	09269H17003	09269H17003	BEARING, CAMSHAFT NO.2(17*40*12)	1	
8	12840HD6300	12840HD6300	12840HD6300	12840HD6300	12840HD6300	ARM COMP,INTAKE VALVE ROCKER	1	
9	12850HD6300	12850HD6300	12850HD6300	12850HD6300	12850HD6300	ARM COMP,EXHAUST VALVE ROCKER	1	
10	12842-49201	12842-49201	12842-49201	12842-49201	12842-49201	SCRW TAPPET ADJUSTER	1	
11	12843-27A00	12843-27A00	12843-27A00	12843-27A00	12843-27A00	NUT TAPPET ADJUSTER	1	
12	12861HD6300	12861HD6300	12861HD6300	12861HD6300	12861HD6300	SHAFT VALVE ROCKET ARM NO.1	1	
13	12871HD6300	12871HD6300	12871HD6300	12871HD6300	12871HD6300	SHAFT VALVE ROCKET ARM NO.2	1	
14	09448H17008	09448H17008	09448H17008	09448H17008	09448H17008	SPRNG,VALVE ROCKER ARM NO.1	1	
15	09448H17009	09448H17009	09448H17009	09448H17009	09448H17009	SPRNG,VALVE ROCKER ARM NO.2	1	
16	09390H38001	09390H38001	09390H38001	09390H38001	09390H38001	CIRCLIP CAMSHAFT BEARING NO.2	1	
17	12911HD6300	12911HD6300	12911HD6300	12911HD6300	12911HD6300	VALVE INTAKE	2	
18	12912HD6300	12912HD6300	12912HD6300	12912HD6300	12912HD6300	VALVE EXHAUST	2	
19	12921HD6300	12921HD6300	12921HD6300	12921HD6300	12921HD6300	SPRNG SET, VALVE	4	
20	12931HD6300	12931HD6300	12931HD6300	12931HD6300	12931HD6300	RETAINER VALVE SPRING	4	
21	12932HD6300	12932HD6300	12932HD6300	12932HD6300	12932HD6300	COTTER VALVE	8	
22	12933HD6300	12933HD6300	12933HD6300	12933HD6300	12933HD6300	SEAT,VALVE SPRING	4	
23	12840HD6300	12840HD6300	12840HD6300	12840HD6300	12840HD6300	ARM INTAKE VALVE ROCKER	1	
24	12850HD6300	12850HD6300	12850HD6300	12850HD6300	12850HD6300	ARM EXHAUST VALVE ROCKER	1	
25	09202H04002	09202H04002	09202H04002	09202H04002	09202H04002	PIN, ROCKER ARM SHAFT	2	



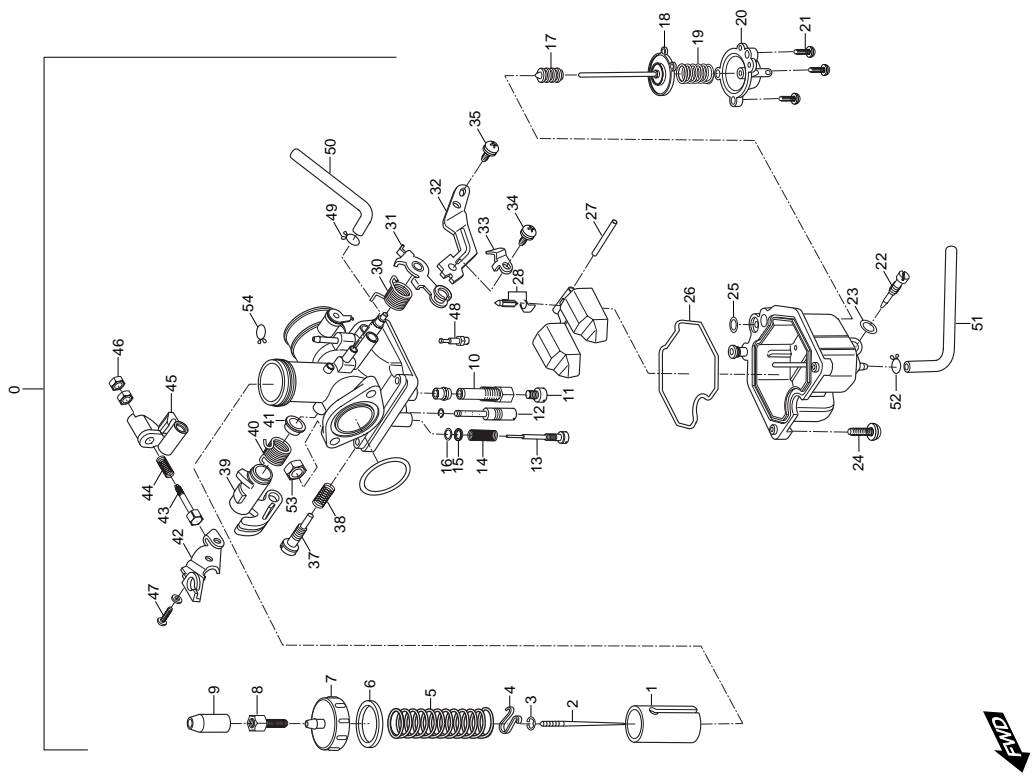
## FIG 9. CAM CHAIN

REF	PARTS NO.			PARTS NAME	Q'TY (PCS)	REMARKS
	NO. ST01	JEU01	JEU02			
1	12760HD6300	12760HD6300	12760HD6300	12760HD6300	1	SILENT LINK CAMSHAFT DRIVE (98LINK)
2	12771HD6300	12771HD6300	12771HD6300	12771HD6300	1	GUID CAM LINK
3	12811HD6300	12811HD6300	12811HD6300	12811HD6300	1	TENSIONER, CAM LINK
4	12812-32410	12812-32410	12812-32410	12812-32410	1	BOLT CAM LINK TENSIONER (M8*40)
5	09168-08008	09168-08008	09168-08008	09168-08008	1	WASHER, CAM LINK TENSIONER BOLT
6	12830H93B00	12830H93B00	12830H93B00	12830H93B00	1	ADJUSTER ASSY, TENSIONER
7	12837H19B11	12837H19B11	12837H19B11	12837H19B11	1	GASKET, TENSIONER ADJUSTER(NA)
8	01104-06208	01104-06208	01104-06208	01104-06208	2	BOLT, TENSIONER ADJUSTER (M6*20)



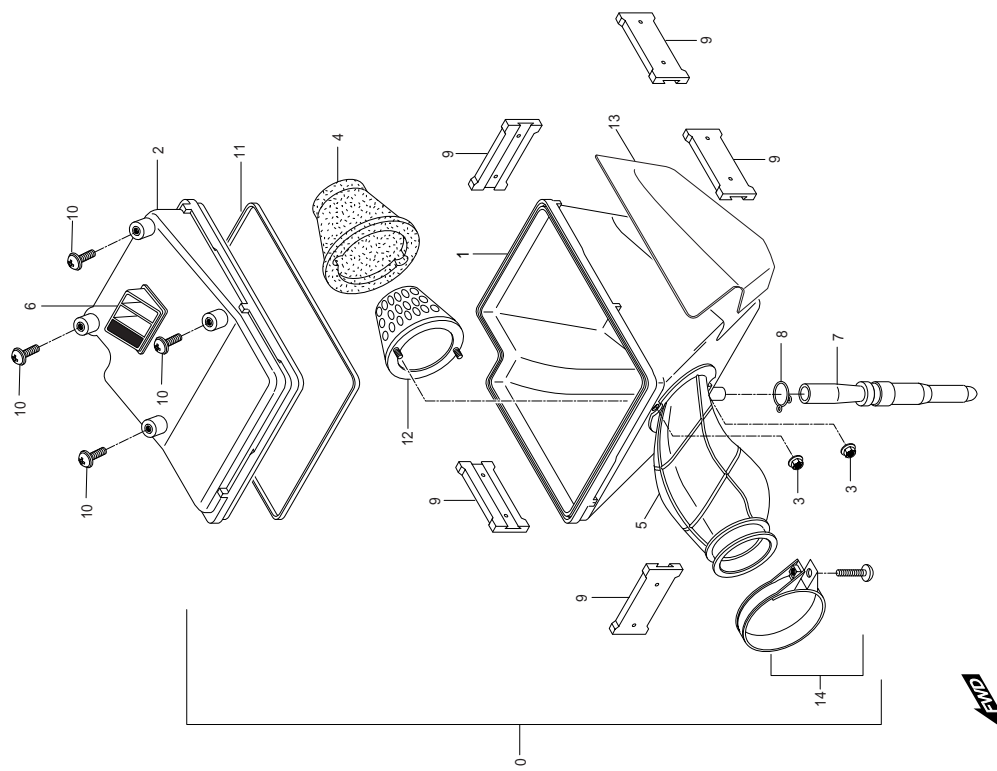
## FIG 10. CARBURETOR ASS'Y

REF	PARTS NO.				PARTS NAME	Q'TY (PCS)	REMARKS
	NO. ST01	JEU01	JEU02	NG01			
0	13200HG5801	13200HG5801	13200HG5801	13200HG5801	CARBURETOR ASS'Y	1	
1	13551HG5800	13551HG5800	13551HG5800	13551HG5800	. VALVE, THROTTLE	1	
2	13383HG5800	13383HG5800	13383HG5800	13383HG5800	. NEEDLE, JET	1	
3	13533H93B00	13533H93B00	13533H93B00	13533H93B00	. E-RING, THROTTLE VALVE	1	
4	13581H93B00	13581H93B00	13581H93B00	13581H93B00	. CLIP	1	
5	13573H93B00	13573H93B00	13573H93B00	13573H93B00	. SPRING, THROTTLE VALVE	1	
6	13249H93B00	13249H93B00	13249H93B00	13249H93B00	. GASKET, TOP COVER	1	
7	13261H93B00	13261H93B00	13261H93B00	13261H93B00	. COVER, TOP	1	
8	13577H93B00	13577H93B00	13577H93B00	13577H93B00	. ADJUSTER, THROTTLE CABLE	1	NOT SALE
9	13681H93B00	13681H93B00	13681H93B00	13681H93B00	. CAP, CARBURETOR TOP	1	
10	09494HG5800	09494HG5800	09494HG5800	09494HG5800	. JET, NEEDLE	1	
11	09491HG5800	09491HG5800	09491HG5800	09491HG5800	. JET, MAIN	1	
12	09492HG5800	09492HG5800	09492HG5800	09492HG5800	. JET, pilot	1	
13	13279H93B00	13279H93B00	13279H93B00	13279H93B00	. SCREW, PILOT	1	
14	13268H93B00	13268H93B00	13268H93B00	13268H93B00	. SPRING, PILOT SCREW	1	
15	13291H93B00	13291H93B00	13291H93B00	13291H93B00	. WASHER	1	
16	13295H93B00	13295H93B00	13295H93B00	13295H93B00	. O-RING	1	
17	13455H93B00	13455H93B00	13455H93B00	13455H93B00	. CAP, SEALING	1	
18	13460H93B00	13460H93B00	13460H93B00	13460H93B00	. DIAPHRAGM COMP, PUMP	1	
19	13452H93B00	13452H93B00	13452H93B00	13452H93B00	. SPRING, PUMP DIAPHRAGM	1	
20	13450H93B00	13450H93B00	13450H93B00	13450H93B00	. COVER COMP, PUMP	1	
21	02112-44126	02112-44126	02112-44126	02112-44126	. SCREW(M44*12)	3	
22	13247H93B00	13247H93B00	13247H93B00	13247H93B00	. SCREW, DRAIN	1	
23	13278H93B00	13278H93B00	13278H93B00	13278H93B00	. O-RING, DRAIN SCREW	1	
24	02112-44166	02112-44166	02112-44166	02112-44166	. SCREW(M44*16)	3	
25	13297H93B00	13297H93B00	13297H93B00	13297H93B00	. O-RING	1	
26	13258H93B00	13258H93B00	13258H93B00	13258H93B00	. GASKET, FOLAT CHAMBER	1	
27	13250HG5800	13250HG5800	13250HG5800	13250HG5800	. FLOAT COMP	1	
28	13370HG5800	13370HG5800	13370HG5800	13370HG5800	. VALVE ASSY, NEEDLE	1	
29	13410H93B00	13410H93B00	13410H93B00	13410H93B00	. SHAFT ASSY, CHOKE	1	
30	13472H93B00	13472H93B00	13472H93B00	13472H93B00	. SPRING	1	
31	13411H93B00	13411H93B00	13411H93B00	13411H93B00	. LEVER, CHOKE	1	
32	13413H93B00	13413H93B00	13413H93B00	13413H93B00	. STAY, CHOKE WIRE	1	



## FIG 10. CARBURETOR ASS'Y

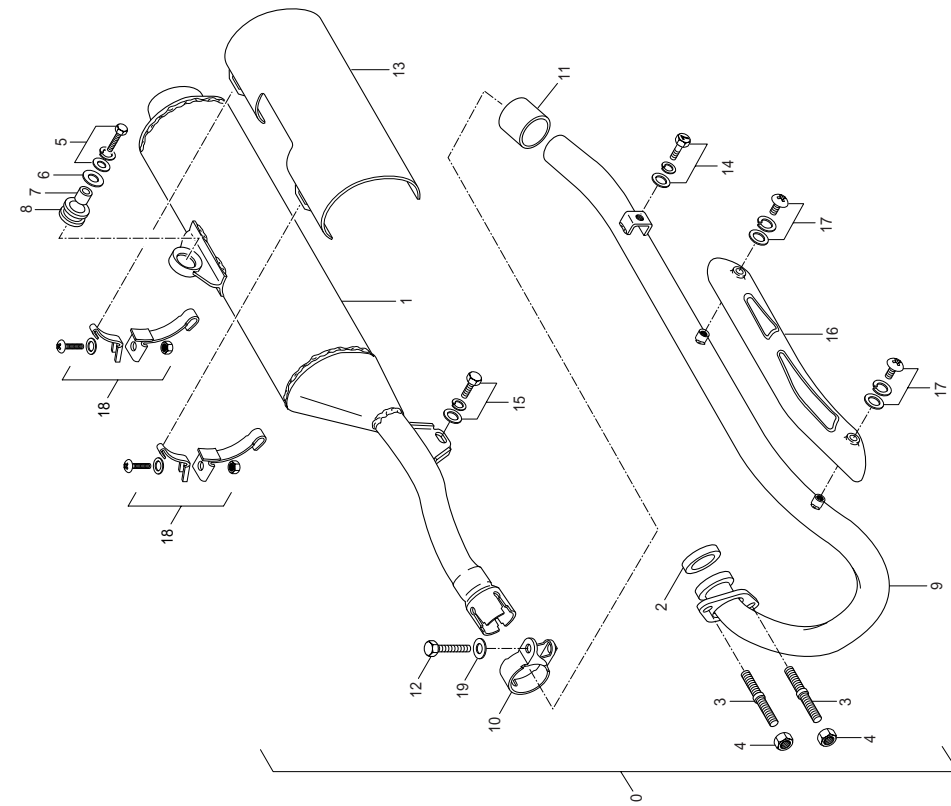
REF	PARTS NO.				PARTS NAME	Q'TY (PCS)	REMARKS
	NO. ST01	JEU01	JEU02	NG01			
33	13415H93B00	13415H93B00	13415H93B00	13415H93B00	.PLATE,STAY	1	
34	02112-45126	02112-45126	02112-45126	02112-45126	.SCREW,STAY PLATE(M5*12)	1	
35	02112-44086	02112-44086	02112-44086	02112-44086	.SCREW,CHOKE WIRE STAY(M4*8)	1	
36	13277H93B00	13277H93B00	13277H93B00	13277H93B00	.O-RING	1	
37	13267H93B00	13267H93B00	13267H93B00	13267H93B00	.ADJUSTER,THROTTLE VALVE STOP	1	
38	13268H93B00	13268H93B00	13268H93B00	13268H93B00	.SPRING,THROTTLE STOP	1	
39	13441H93B00	13441H93B00	13441H93B00	13441H93B00	.PUMP ARM-B	1	
40	13443H93B00	13443H93B00	13443H93B00	13443H93B00	.SPRING,PUMP ARM-B	1	
41	13442H93B00	13442H93B00	13442H93B00	13442H93B00	.GUIDE,PUMP ARM-B SPRING	1	
42	13449H93B00	13449H93B00	13449H93B00	13449H93B00	.STAY,PLATE PUMP ARM	1	
43	13447H93B00	13447H93B00	13447H93B00	13447H93B00	.ADJUSTER,PUMP	1	
44	13446H93B00	13446H93B00	13446H93B00	13446H93B00	.SPRING,PUMP ARM-A	1	
45	13445H93B00	13445H93B00	13445H93B00	13445H93B00	.PUMP ARM-A	1	
46	08310-31046	08310-31046	08310-31046	08310-31046	.NUT,PUMP ADJUSTER	1	
47	02112-45146	02112-45146	02112-45146	02112-45146	.SCREW,PUMP ARM STAY PLATE(M5*14)	1	
48	13448H93B00	13448H93B00	13448H93B00	13448H93B00	.NOZZLE,PUMP	1	
49	09401-08401	09401-08401	09401-08401	09401-08401	CLIP FUEL HOSE	1	
50	13684H93B00	13684H93B00	13684H93B00	13684H93B00	.HOSE	1	
51	13683H93B00	13683H93B00	13683H93B00	13683H93B00	.HOSE	1	
52	09401-08401	09401-08401	09401-08401	09401-08401	CLIP	1	
53	08316-16068	08316-16068	08316-16068	08316-16068	NUT, CARBURETER (M6)	2	
54	09407-14403	09407-14403	09407-14403	09407-14403	CLMP CARBURTER AIR VENT	1	NOT SALE





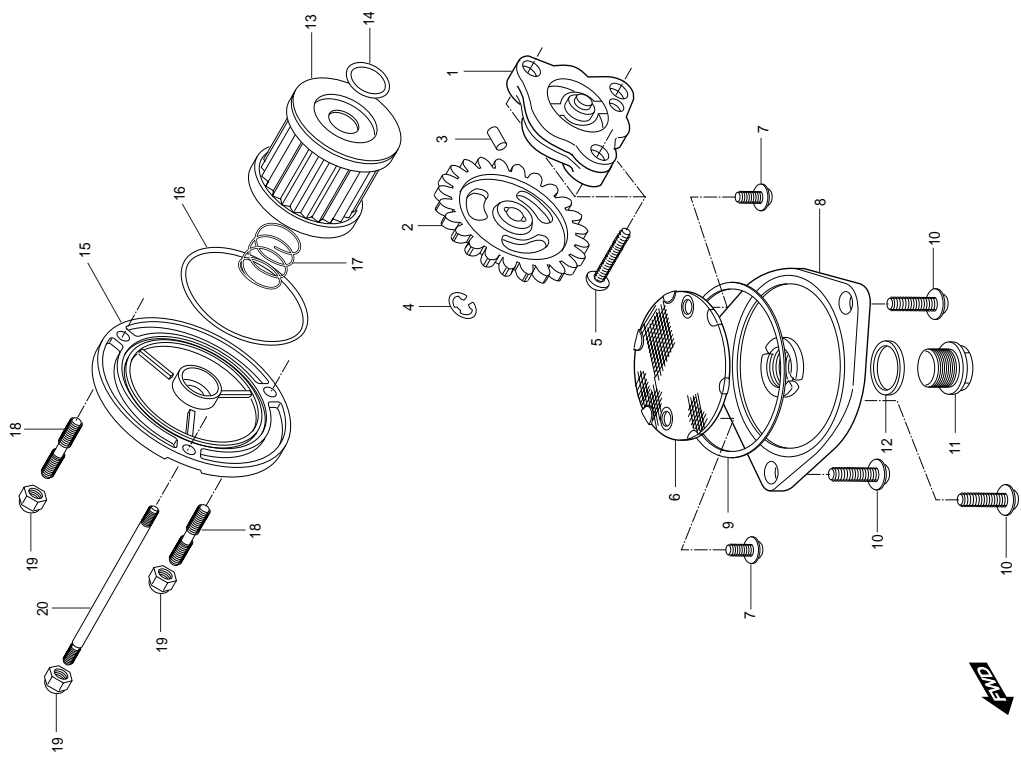
## FIG 11. AIR CLEANER

REF	PARTS NO.				PARTS NAME	Q'TY	REMARKS
	NO. ST01	JEU01	JEU02	NG01			
0	13700HG5801	13700HG5801	13700HG5801	13700HG5801	CLEANER ASSY, AIR	1	~ KM4PF41A641202817
0~1	13700HG5870	13700HG5870	13700HG5870	13700HG5870	CLEANER ASSY, AIR	1	KM4PF41A641202818 ~
1	13720HG5800	13720HG5800	13720HG5800	13720HG5800	CASE COMP, AIR CLEANER	1	
2	13740HG5800	13740HG5800	13740HG5800	13740HG5800	CAP COMP, AIR CLEANER	1	
3	08316-16068	08316-16068	08316-16068	08316-16068	NUT, FILTER TRAP(M6)	2	
4	13780HG5800	13780HG5800	13780HG5800	13780HG5800	FILTER COMP, AIR CLEANER	1	
5	13881HG5801	13881HG5801	13881HG5801	13881HG5801	TUBE, OUTLET	1	
6	13891HG5800	13891HG5800	13891HG5800	13891HG5800	TUBE, INET	1	
7	13870-11124	13870-11124	13870-11124	13870-11124	TUBE COMP, DRAIN	1	
8	13824-05331	13824-05331	13824-05331	13824-05331	CLIP, DRAIN TUBE	1	
9	13821H11210	13821H11210	13821H11210	13821H11210	SLIDER, AIR CLEANER	5	
10	02142-15125	02142-15125	02142-15125	02142-15125	BOLT, AIR CLEANER(M5*12)	4	
11	13722HG5800	13722HG5800	13722HG5800	13722HG5800	GASKET, AIR CLEANER	1	
12	13750HG5800	13750HG5800	13750HG5800	13750HG5800	FRAME COMP, FILTER TRAP	1	
13	13723HG5800	13723HG5800	13723HG5800	13723HG5800	HEAT SHLD, AIR CLEANER	1	
14	09402-44207	09402-44207	09402-44207	09402-44207	CLAMP, OUTLET TUBE CARBURETOR	1	



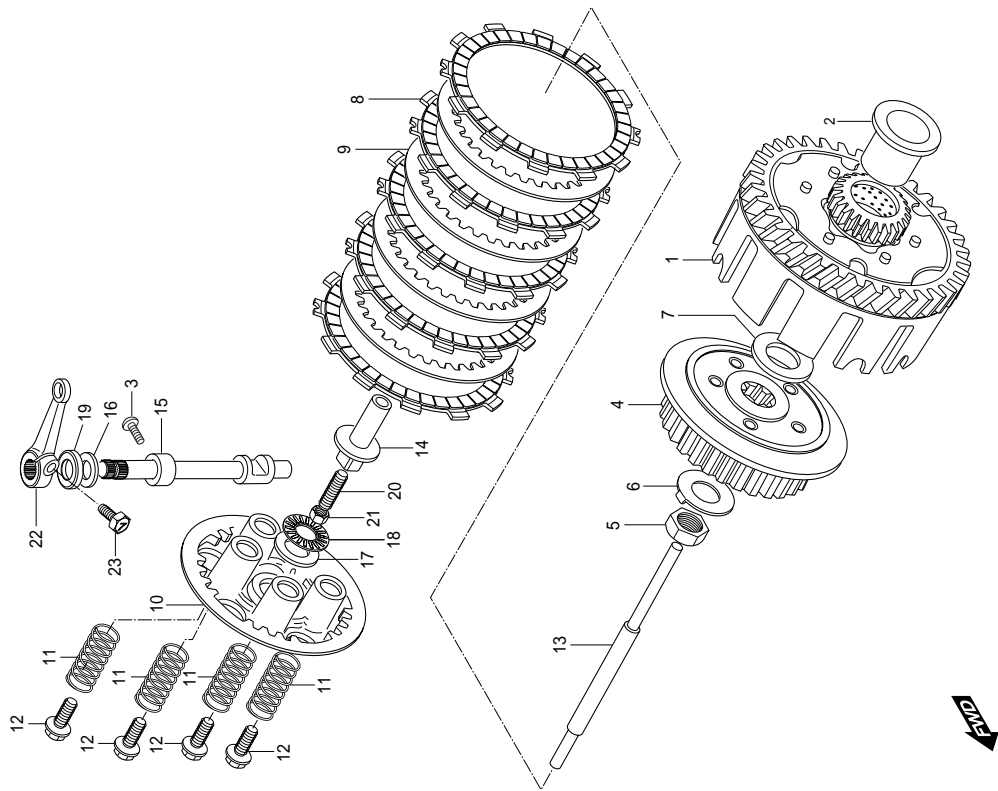
## FIG 12. MUFFLER

REF	PARTS NO.				PARTS NAME	Q'TY (PCS)	REMARKS
	NO. ST01	JEU01	JEU02	NG01			
0	14305HG5800	14305HG5800	14305HG5800	14305HG5800	MUFFLER ASSY	1	NOT SALE
1	14310HG5805PAM	14310HG5805PAM	14310HG5805PAM	14310HG5805PAM	BODY COMP, MUFFLER	1	
2	14181-17C00	14181-17C00	14181-17C00	14181-17C00	GASKET, EXHAUST PIPE	1	
3	01421-08258	01421-08258	01421-08258	01421-08258	STUD BOLT, EXHAUST PIPE(M8*25)	2	
4	08316-26086	08316-26086	08316-26086	08316-26086	NUT, EXHAUST PIPE(M8)	2	
5	09118H08041	09118H08041	09118H08041	09118H08041	BPLT, MUFFLER SUPPORT(M8*35)	1	
6	09160-08004	09160-08004	09160-08004	09160-08004	WASHER, MUFFLER SUPPORT	1	
7	09180H08102	09180H08102	09180H08102	09180H08102	SPACER, MUFFLER SUPPORT	1	
8	09320-12026	09320-12026	09320-12026	09320-12026	CUSHION, MUFFLER SUPPORT	1	
9	14150HG5803PAM	14150HG5803PAM	14150HG5803PAM	14150HG5803PAM	PIPE COMP, EXHAUST	1	
10	14770HG5802PAM	14770HG5802PAM	14770HG5802PAM	14770HG5802PAM	CONNECT COMP, EXHAUST PIPE	1	
11	14773HG5800	14773HG5800	14773HG5800	14773HG5800	GASKET, CONNECTOR EXHAUST PIPE	1	
12	01517-08468	01517-08468	01517-08468	01517-08468	BOLT, CONNECTOR EXHAUST PIPE(M8*16)	1	
13	14781HG5803	14781HG5803	14781HG5803	14781HG5803	COVER MUFFLER	1	
14	01187-08168	01187-08168	01187-08168	01187-08168	BOLT, EXHAUST PIPE SUPPORT BRACKET	1	
15	01187-08168	01187-08168	01187-08168	01187-08168	BOLT, EXHAUST SUPPORT FRONT BRACK	1	
16	14186HG580103S	14186HG580103S	14186HG580103S	14186HG580103S	COVER, EXHAUST	1	
17	02112-96105	02112-96105	02112-96105	02112-96105	SCREW, EXHAUST COVER(M5*8)	2	
18	14790HG5801	14790HG5801	14790HG5801	14790HG5801	CLAMP ASSY, MUFFLER COVER	2	
19	08322-21088	08322-21088	08322-21088	08322-21088	WASHER, EXHAUST PIPE CONNECTOR	1	NOT SALE
20	14760HG5801PLA	14760HG5801PLA	14760HG5801PLA	14760HG5801PLA	PROTECTOR ASS, Y, muffler body	1	



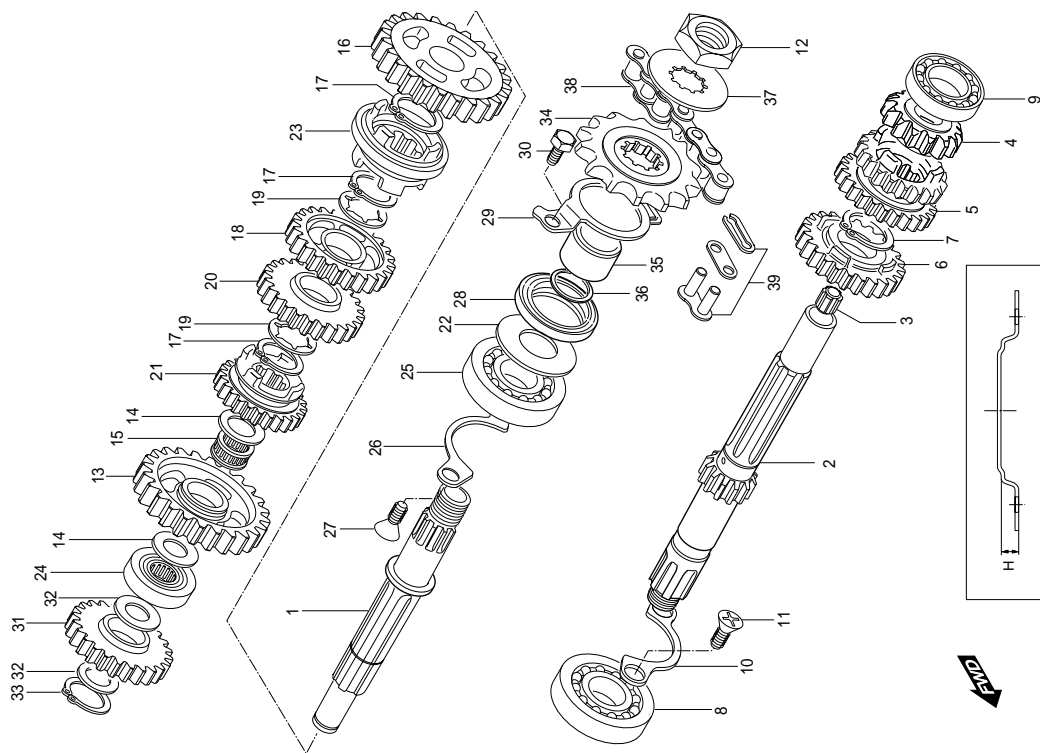
## FIG 13. OIL PUMP

REF	PARTS NO.				PARTS NAME	Q'TY (PCS)	REMARKS
	NO. ST01	JEU01	JEU02	NG01			
1	16400HF4600	16400HF4600	16400HF4600	16400HF4600	PUMP ASSY, oil	1	
2	16331H93B00	16331H93B00	16331H93B00	16331H93B00	GEAR, OIL PUMP DRIVEN	1	
3	09261-02008	09261-02008	09261-02008	09261-02008	PIN OIL PUMP DRIVEN GEAR	1	
4	08332-11069	08332-11069	08332-11069	08332-11069	CIRCLIP, OIL PUMP DRIVEN GEAR	1	
5	02112-06258	02112-06258	02112-06258	02112-06258	SCREW, ENGINE OIL PUMP(M6*25)	3	
6	16520-05202	16520-05202	16520-05202	16520-05202	STRAINER COMP, ENGINE OIL	1	
7	02112-95126	02112-95126	02112-95126	02112-95126	SCREW ENGINE OIL STRAINER(M5*12)	2	
8	16523-05200	16523-05200	16523-05200	16523-05200	CAP OIL STRAINER	1	
9	09280-60005	09280-60005	09280-60005	09280-60005	O-RING, OIL STRAINER CAP	1	
10	01547-06208	01547-06208	01547-06208	01547-06208	SCREW, OIL STRAINER CAP(M6*20)	3	
11	09247-14002	09247-14002	09247-14002	09247-14002	PLUG OIL DRAIN	1	
12	09168H14003	09168H14003	09168H14003	09168H14003	GASKET, DRAIN PLUG	1	
13	16510-05240	16510-05240	16510-05240	16510-05240	FILTER COMP, ENGINE OIL	1	
14	09280-13004	09280-13004	09280-13004	09280-13004	O-RING, OIL FILTER	1	
15	16512HG580103S	16512HG580103S	16512HG580103S	16512HG580103S	CAP,OIL FILTER	1	
16	09280-54001	09280-54001	09280-54001	09280-54001	O-RING, OIL FILTER CAP	1	
17	09440-18002	09440-18002	09440-18002	09440-18002	SPRNG, OIL FILTER CAP	1	
18	01421-06128	01421-06128	01421-06128	01421-06128	STUD BOLT, OIL FILTER CAP(M6*12)	2	
19	08313-11068	08313-11068	08313-11068	08313-11068	NUT, OIL FILTER CAP(M11)	3	
20	01421-06958	01421-06958	01421-06958	01421-06958	STUD BOLT, OIL FILTER CAP(M6*95)	1	
21	16419HG5100	16419HG5100	16419HG5100	16419HG5100	BUSH, oil pump	1	
22	09206-08001	09206-08001	09206-08001	09206-08001	PIN, oil pump knock	2	



## FIG 14. CLUTCH ASS'Y

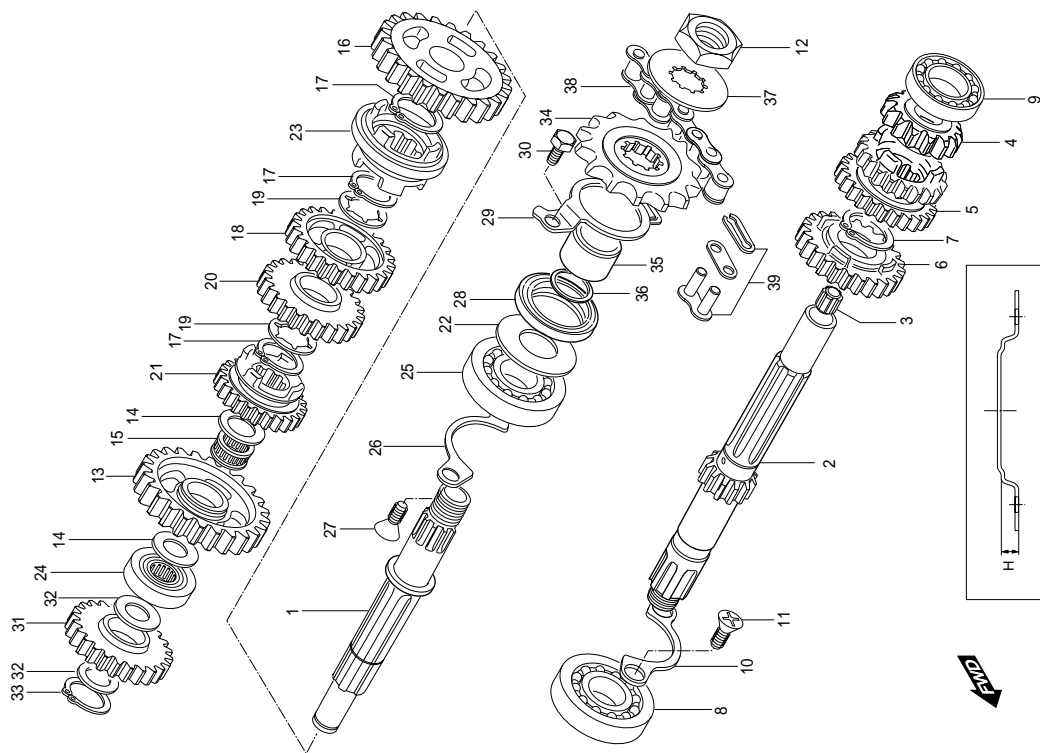
REF	PARTS NO.				PARTS NAME	Q'TY (PCS)	REMARKS
	NO. ST01	JEU01	JEU02	NG01			
1	21200HD6300HPA	21200HD6300HPA	21200HD6300HPA	21200HD6300HPA	21200HD6300HPA	1	GEAR ASSY PRIMARY DRIVEN
2	21251H13E00	21251H13E00	21251H13E00	21251H13E00	21251H13E00	1	SPACER PRIMARY DRIVEN GEAR
3	02142-06108	02142-06108	02142-06108	02142-06108	02142-06108	1	STOPPER, CLUTCH RELEASE CAMSHAFT
4	21411-05200	21411-05200	21411-05200	21411-05200	21411-05200	1	HUB, CLUTCH SLEEVE
5	09140-16014	09140-16014	09140-16014	09140-16014	09140-16014	1	NUT CLUTCH SLEEVE HUB(M16)
6	09169-16003	09169-16003	09169-16003	09169-16003	09169-16003	1	WASHER CLUTCH SLEEVE HUB
7	08211-20352	08211-20352	08211-20352	08211-20352	08211-20352	1	THRUST WASHER, CLUTCH SLEEVE HUB
8	21441-13A01	21441-13A01	21441-13A01	21441-13A01	21441-13A01	5	PLATE CLUTCH DRIVE
9	21451-28000	21451-28000	21451-28000	21451-28000	21451-28000	4	PLATE CLUTCH DRIVEN
10	21462-14102	21462-14102	21462-14102	21462-14102	21462-14102	1	DISK, CLUTCH PRESSURE
11	09440-15014	09440-15014	09440-15014	09440-15014	09440-15014	5	SPRING CLUTCH
12	09116-05003	09116-05003	09116-05003	09116-05003	09116-05003	5	BOLT CLUTCH SPRING(M5*16)
13	23110-05202	23110-05202	23110-05202	23110-05202	23110-05202	1	ROD COMP, CLUTCH PUSH
14	23121-38201	23121-38201	23121-38201	23121-38201	23121-38201	1	PIECE CLUTCH PUSH
15	23122-05200	23122-05200	23122-05200	23122-05200	23122-05200	1	CAM SH CLUTCH RELEASE
16	08211-10201	08211-10201	08211-10201	08211-10201	08211-10201	1	THRUST WASHER, CLUTCH RELEASE CAI
17	09160-15015	09160-15015	09160-15015	09160-15015	09160-15015	1	THRUST WASHER, CLUTCH RELEASE
18	09263H15001	09263H15001	09263H15001	09263H15001	09263H15001	1	THRUST WASHER, CLUTCH RELEASE
19	09282-10007	09282-10007	09282-10007	09282-10007	09282-10007	1	OIL SEAL CLUTCH RELEASE CAMSHAFT(
20	09134-06010	09134-06010	09134-06010	09134-06010	09134-06010	1	SCREW, CLUTCH RELEASE ADJUSTER
21	08310-22068	08310-22068	08310-22068	08310-22068	08310-22068	1	NUT CLUTCH RELEASE ADJUSTER(M6)
22	23271HJ8250	23271HJ8250	23271HJ8250	23271HJ8250	23271HJ8250	1	ARM CLUTCH RELEASE
23	01107-06168	01107-06168	01107-06168	01107-06168	01107-06168	1	BOLT, CLUTCH RELEASE ARM(M6*16))





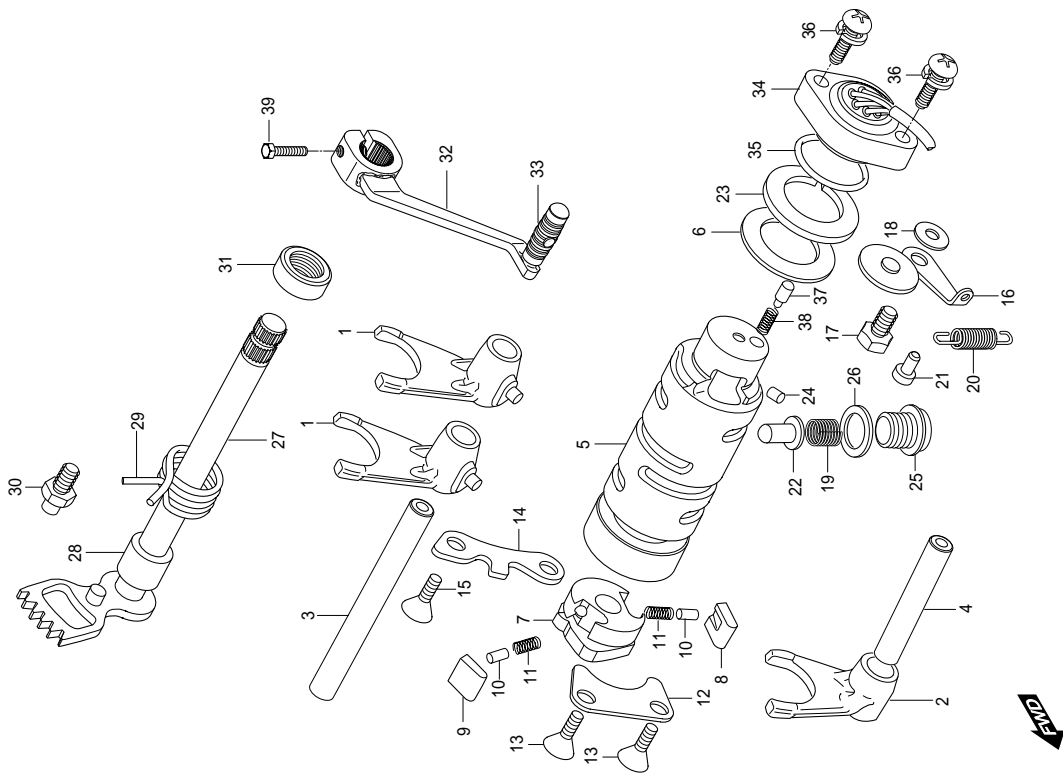
## FIG 15. TRANSMISSION

REF	PARTS NO.				PARTS NAME	Q'TY (PCS)	REMARKS
	NO. ST01	JEU01	JEU02	NG01			
1	24130HG5800	24130HG5800	24130HG5800	24130HG5800	SHAFT COMP,DRIVE	1	
2	24121-05211	24121-05211	24121-05211	24121-05211	SHAFT COMP,COUNTER	1	
3	24125-38201	24125-38201	24125-38201	24125-38201	BUSH, COUNTER SHAFT	1	
4	24221-29B00	24221-29B00	24221-29B00	24221-29B00	GR 2ND DRIVE	1	
5	24231-29B10	24231-29B10	24231-29B10	24231-29B10	GR 3RD/4TH DRIVE	1	
6	24251-05202	24251-05202	24251-05202	24251-05202	GEAR 5TH DRIVE	1	
7	09380-20009	09380-20009	09380-20009	09380-20009	CIRCLIP, 5TH DRIVE GEAR	1	
8	09262-20062	09262-20062	09262-20062	09262-20062	BEARING, COUNTER SHAFT R	1	
9	08123-60020	08123-60020	08123-60020	08123-60020	BEARING, COUNTER SHAFT L(6002)	1	
10	24741-05200	24741-05200	24741-05200	24741-05200	RETAINER COUNTER SHAFT BEARING	1	
11	02122-06128	02122-06128	02122-06128	02122-06128	SCREW, COUNTER SHAFT BEARING RET#	2	
12	09140-16017	09140-16017	09140-16017	09140-16017	NUT ENGINE SPROCKET(M16)	1	
13	24311-29B00	24311-29B00	24311-29B00	24311-29B00	GEAR, 1ST DRIVEN	1	
14	08211-15251	08211-15251	08211-15251	08211-15251	THRUST WASHER, 1ST DRIVEN GEAR	2	
15	09263H15002	09263H15002	09263H15002	09263H15002	BEARING 1ST DRIVEN GEAR(15*19*8)	1	
16	24320-29B00	24320-29B00	24320-29B00	24320-29B00	GEAR 2ND DRIVEN	1	
17	09380-20009	09380-20009	09380-20009	09380-20009	CIRCLIP, 4TH DRIVEN GEAR	3	
18	24331-05201	24331-05201	24331-05201	24331-05201	GEAR, 3RD DRIVEN	1	
19	09167-20011	09167-20011	09167-20011	09167-20011	THRUST WASHER, 3&4RD DRIVEN GEAR	2	
20	24341-29B10	24341-29B10	24341-29B10	24341-29B10	GEAR, 4TH DRIVEN	1	
21	24351-05201	24351-05201	24351-05201	24351-05201	GEAR, 5TH DRIVEN	1	
22	24359-05200	24359-05200	24359-05200	24359-05200	WASHER, OIL SEALING	1	
23	24421-05300	24421-05300	24421-05300	24421-05300	WHEEL, SLIDING DOG	1	
24	09263H15003	09263H15003	09263H15003	09263H15003	BEARING, DRIVE SHAFT R(15*33*12)	1	
25	08113-62040	08113-62040	08113-62040	08113-62040	BEARING, DRIVE SHAFT L(6204)	1	
26	24741-05200	24741-05200	24741-05200	24741-05200	RETAINER, DRIVE SHAFT BEARING	1	
27	02122-06128	02122-06128	02122-06128	02122-06128	SCREW, DRIVE SHAFT BEARING RETAIN#	2	
28	09283-27010	09283-27010	09283-27010	09283-27010	OIL SEAL, DRIVE SHAFT(27*40*6)	1	
29	24751-05201	24751-05201	24751-05201	24751-05201	RETAINER, DRIVE SHAFT OIL SEAL	1	
30	01107-06106	01107-06106	01107-06106	01107-06106	BOLT, DRIVE SHAFT OIL SEAL RETAINER	2	
31	26260-05201	26260-05201	26260-05201	26260-05201	GEAR COMP, KICK STARTER IDLE	1	
32	08211-15201	08211-15201	08211-15201	08211-15201	THRUST WASHER, KICK STARTER IDLE	2	
33	08331-31159	08331-31159	08331-31159	08331-31159	CIRCLIP, KICK STARTER IDLE GEAR	1	



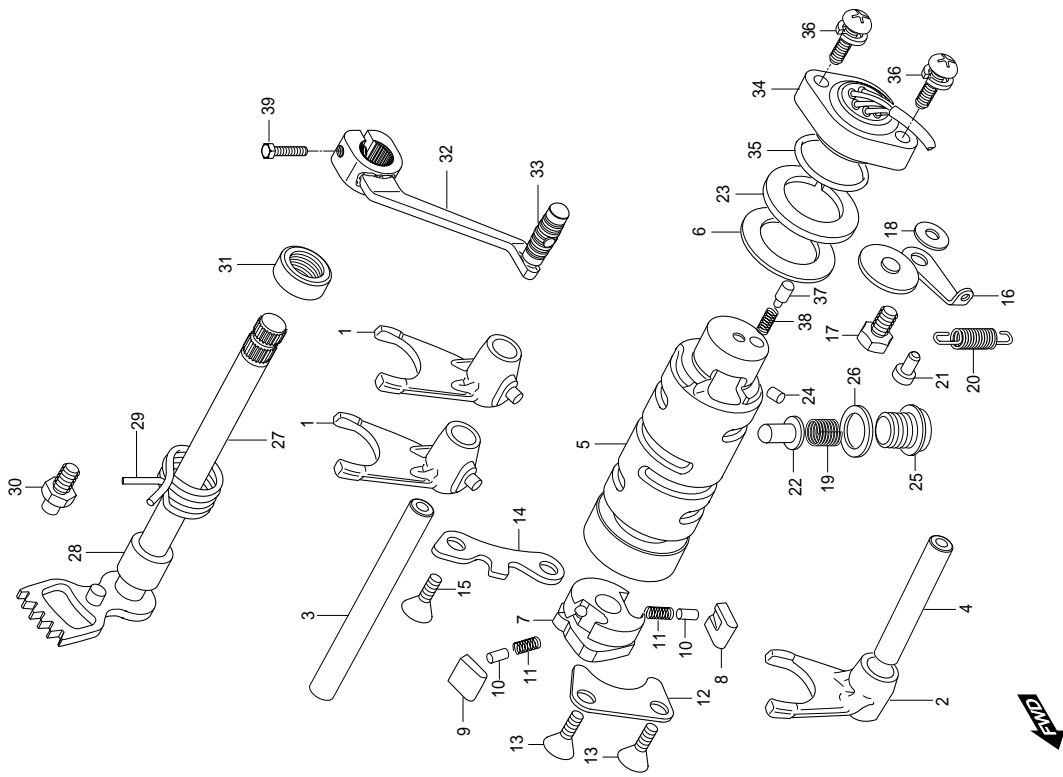
## FIG 15. TRANSMISSION

REF	PARTS NO.			PARTS NAME	Q'TY (PCS)	REMARKS	
	NO. ST01	JEU01	JEU02				NG01
34	27510H41732	27510H41732	27510H41732	27510H41732	27510H41732	1	SPROCKET COMP, ENGINE(14T)
35	27531-08300	27531-08300	27531-08300	27531-08300	27531-08300	1	SPACER, ENGINE SPROCKET
36	09280-19005	09280-19005	09280-19005	09280-19005	09280-19005	1	O-RING, ENGINE SPROCKET
37	09167-20006	09167-20006	09167-20006	09167-20006	09167-20006	1	LOCK WASHER, ENGINE SPROCKET
38	27600HG5801	27600HG5801	27600HG5801	27600HG5801	27600HG5801	1	CHAIN ASS'Y, DRIVE(132L)
39	27620H93B00	27620H93B00	27620H93B00	27620H93B00	27620H93B00	1	JOINT,CHAIN



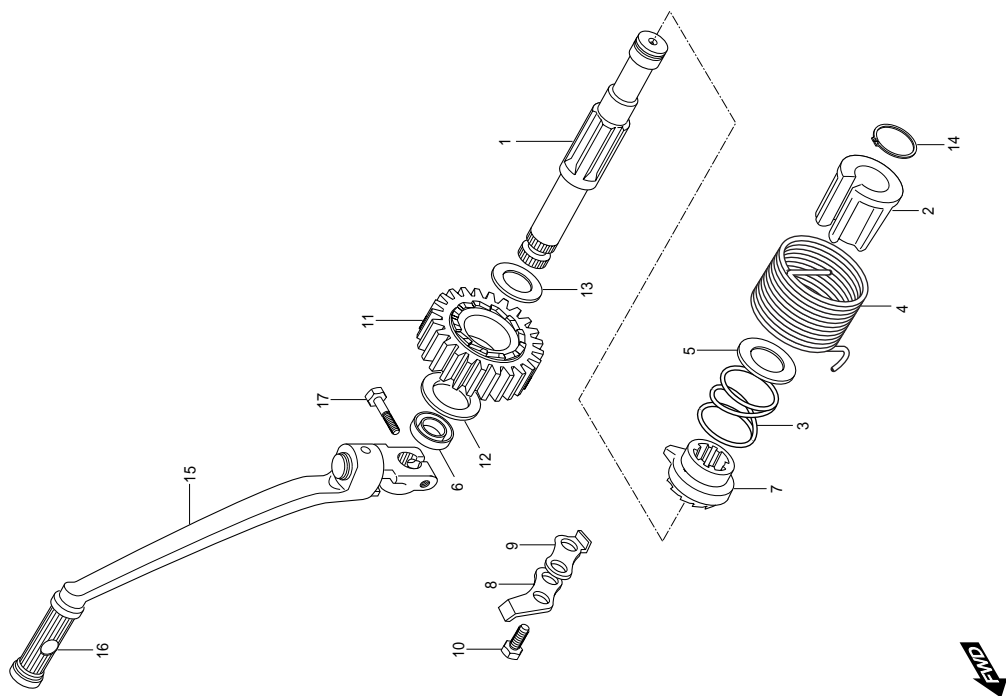
## FIG 16. GEAR SHIFTING

REF	PARTS NO.				PARTS NAME	Q'TY (PCS)	REMARKS
	NO. ST01	JEU01	JEU02	NG01			
1	25211-05200	25211-05200	25211-05200	25211-05200	FORK, GEAR SHIFT NO.1	2	
2	25231-05201	25231-05201	25231-05201	25231-05201	FORK, GEAR SHIFT NO.3	1	
3	25411-05201	25411-05201	25411-05201	25411-05201	SHAFT GEAR SHIFT NO.1	1	
4	25421-35403	25421-35403	25421-35403	25421-35403	SHAFT GEAR SHIFT NO.2	1	
5	25310-05200	25310-05200	25310-05200	25310-05200	CAM COMP GEAR SHIFT	1	
6	08211-25401	08211-25401	08211-25401	08211-25401	WASHER, GEAR SHIFT CAM	1	
7	25322-31301	25322-31301	25322-31301	25322-31301	GEAR, GEAR SHIFT CAM DRIVEN	1	
8	25323-34201	25323-34201	25323-34201	25323-34201	PAWL, GEAR SHIFT NO.1	1	
9	25324-34201	25324-34201	25324-34201	25324-34201	PAWL, GEAR SHIFT NO.2	1	
10	09261-05003	09261-05003	09261-05003	09261-05003	PIN, GEAR SHIFT PAWI CLICK	2	
11	09440-04003	09440-04003	09440-04003	09440-04003	SPRING, GEAR SHIFT PAWI RETURN	2	
12	25331-30000	25331-30000	25331-30000	25331-30000	LIFTER, GEAR SHIFT PAWI	1	
13	02122-06128	02122-06128	02122-06128	02122-06128	SCREW, GEAR SHIFT PAWI(M6*12)	2	
14	25341-05200	25341-05200	25341-05200	25341-05200	GUIDE, GEAR SHIFT CAM	1	
15	02122-06128	02122-06128	02122-06128	02122-06128	SCREW, GEAR SHIFT CAM GUIDE(M6*12)	2	
16	25350-44A00	25350-44A00	25350-44A00	25350-44A00	STOPPER COMP, GEAR SHIFT CAM	1	
17	09111-06019	09111-06019	09111-06019	09111-06019	BOLT, GEAR SHIFT CAM STOPPER(M6*15)	1	
18	08211-06141	08211-06141	08211-06141	08211-06141	WASHER, GEAR SHIFT CAM STOPPER	1	
19	09440-11016	09440-11016	09440-11016	09440-11016	SPRING, GEAR SHIFT CAM STOPPER	1	
20	09443-08044	09443-08044	09443-08044	09443-08044	SPRING, GEAR SHIFT CAM STOPPER ARM	1	
21	09223-04001	09223-04001	09223-04001	09223-04001	HOOK, GEAR SHIFT SHAFT SPRING	1	
22	25351-30010	25351-30010	25351-30010	25351-30010	STOPPER, GEAR SHIFT CAM NEUTRAL	1	
23	25381-45400	25381-45400	25381-45400	25381-45400	PLATE, GEAR SHIFT CAM STOPPER	1	
24	04221-04069	04221-04069	04221-04069	04221-04069	PIN, GEAR SHIFT CAM STOPPER PLATE	1	
25	09247-14026	09247-14026	09247-14026	09247-14026	PLUG, GEAR SHIFT CAM STOPPER	1	
26	09168H14003	09168H14003	09168H14003	09168H14003	WASHER, GEAR SHIFT CAM STOPPER PLI	1	
27	25510-05400	25510-05400	25510-05400	25510-05400	SHAFT COMP, GEAR SHIFT	1	
28	09180-12068	09180-12068	09180-12068	09180-12068	SPACER, GEAR SHIFT SHAFT	1	
29	09444-26013	09444-26013	09444-26013	09444-26013	SPRING,GEAR SHIFT SHAFT RETURN	1	
30	25671-01000	25671-01000	25671-01000	25671-01000	STOPPER, GEAR SHIFT ARM	1	
31	09285-12002	09285-12002	09285-12002	09285-12002	OIL SEAL, GEAR SHIFT SHAFT(12*22*9)	1	
32	25600HG5802	25600HG5802	25600HG5802	25600HG5802	LEVER ASSY, GEAR SHIFT CAM	1	
33	25652HG5800	25652HG5800	25652HG5800	25652HG5800	RUBBER,GEAR SHIFT PEDAL	1	



## FIG 16. GEAR SHIFTING

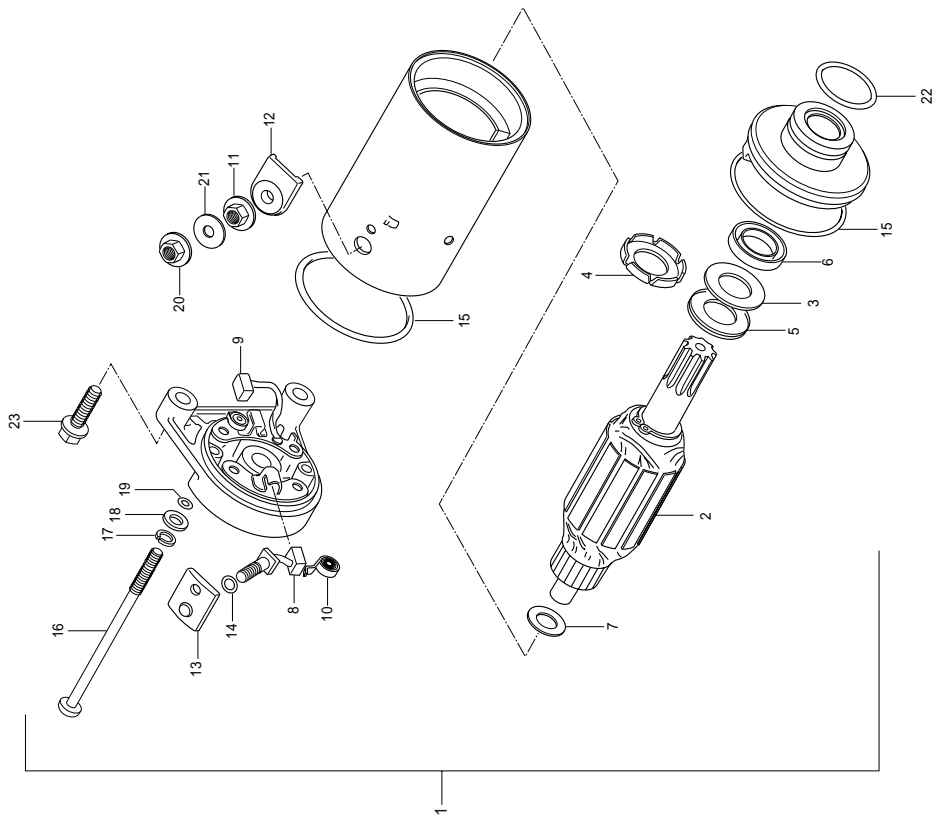
REF	PARTS NO.			PARTS NAME	Q'TY	REMARKS
	NO. ST01	JEU01	JEU02			
34	37720HG5800	37720HG5800	37720HG5800	37720HG5800	1	SWITCH ASSY NEUTRAL
35	09280-26003	09280-26003	09280-26003	09280-26003	1	O-RING, GEAR SHIFT SWITCH
36	02112-95208	02112-95208	02112-95208	02112-95208	2	SCREW, GEAR SHIFT SWITCH(M5*20)
37	09209-05011	09209-05011	09209-05011	09209-05011	1	CONTACT, GEAR SHIFT SWITCH
38	09440-04010	09440-04010	09440-04010	09440-04010	1	SPRING, GEAR SHIFT SWITCH CONTACT
39	01104-06208	01104-06208	01104-06208	01104-06208	1	BOLT, GEAR SHIFT LEVER(M6*60)





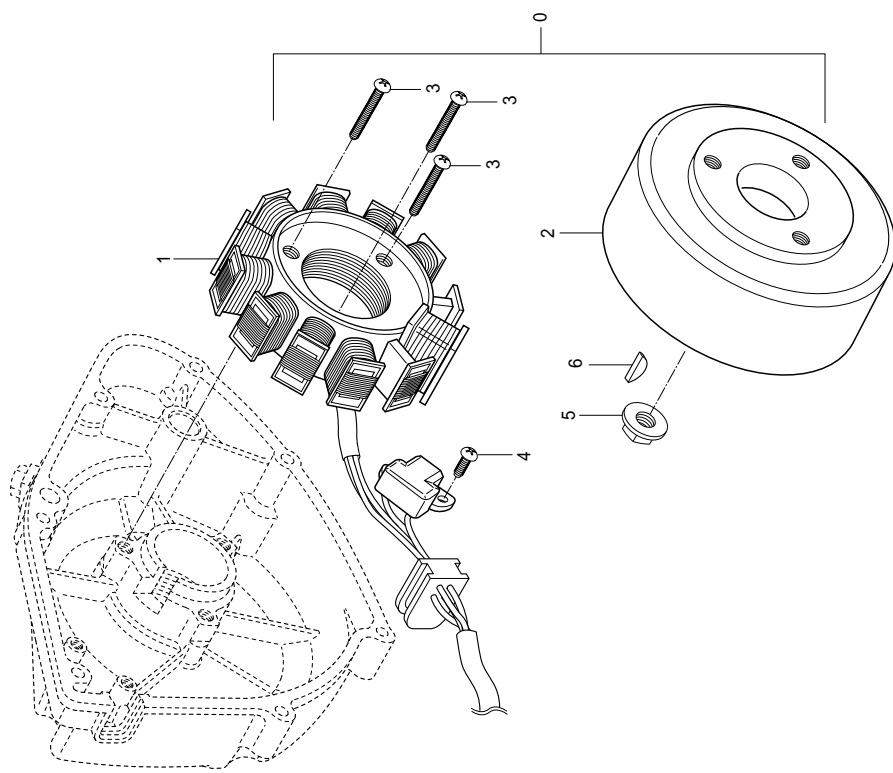
## FIG 17. KICK STARTER

REF	PARTS NO.				PARTS NAME	Q'TY (PCS)	REMARKS
	NO. ST01	JEU01	JEU02	NG01			
1	26211HG5800	26211HG5800	26211HG5800	26211HG5800	SHAFT,KICK STARTER	1	
2	26221-05200	26221-05200	26221-05200	26221-05200	GUIDE KICK STARTER SHAFT SPRING	1	
3	09440-32006	09440-32006	09440-32006	09440-32006	SPRING, KICK STARTER	1	
4	09448-45003	09448-45003	09448-45003	09448-45003	SPRING KICK STARTER SHAFT	1	
5	08211-17341	08211-17341	08211-17341	08211-17341	PLATE, KICK STARTER SPRING	1	
6	09285-16003	09285-16003	09285-16003	09285-16003	OIL SEAL, KICK STARTER SHAFT(16*24*5	1	
7	26231-38200	26231-38200	26231-38200	26231-38200	STARTER, KICK	1	
8	26232-38200	26232-38200	26232-38200	26232-38200	GUIDE KICK STARTER	1	
9	26233-32400	26233-32400	26233-32400	26233-32400	STOPPER, KICK STARTER	1	
10	01107-08208	01107-08208	01107-08208	01107-08208	BOLT, KICK STARTER STOPPER(M8*20)	1	
11	26240-05201	26240-05201	26240-05201	26240-05201	GEAR COMP, KICK STARTER DRIVE	1	
12	09160-16003	09160-16003	09160-16003	09160-16003	WASHER, KICK DRIVE GEAR R	1	
13	08211-20261	08211-20261	08211-20261	08211-20261	WASHER, KICK DRIVE GEAR L	1	
14	09380-17001	09380-17001	09380-17001	09380-17001	CIRCLIP, KICK STARTER SHAFT	1	
15	26300HG5802	26300HG5802	26300HG5802	26300HG5802	LEVER ASSY, KICK STARTER	1	
16	26352HE6100	26352HE6100	26352HE6100	26352HE6100	RUBBER KICK STARTER LEVER	1	
17	01107-08258	01107-08258	01107-08258	01107-08258	BOLT(M8*25)	1	



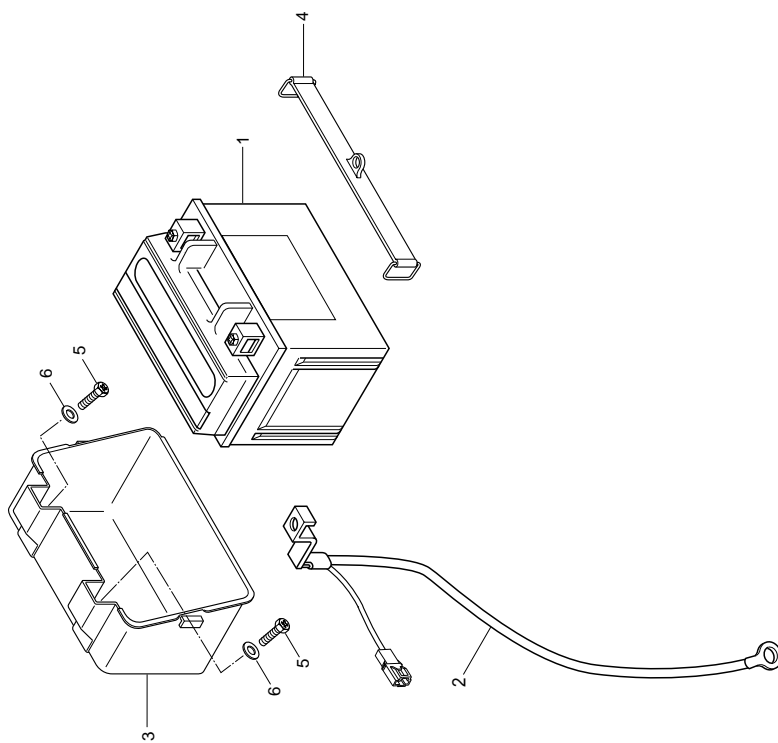
## FIG 18. STARTING MOTOR

REF NO. ST01	PARTS NO.			PARTS NAME	Q'TY (PCS)	REMARKS
	JEU01	JEU02	NG01			
1	31100HD6300	31100HD6300	31100HD6300	MOTOR ASSY, STARTING	1	
2	31311-10201	31311-10201	31311-10201	ARMATURE	1	
3	31361-10200	31361-10200	31361-10200	SHIM(A)	1	
4	31361-01400	31361-01400	31361-01400	SHIM(A)	1	
5	31361-38300	31361-38300	31361-38300	SHIM(A)	1	
6	31153-43400	31153-43400	31153-43400	OIL SEAL	1	
7	31361-47010	31361-47010	31361-47010	SHIM(B)	1	
8	31130-05300	31130-05300	31130-05300	BRUSH( )	1	
9	31131-10200	31131-10200	31131-10200	BRUSH( )	1	
10	31135-65010	31135-65010	31135-65010	SPRING, BRUSH	2	
11	08310-22067	08310-22067	08310-22067	NUT(M22)	1	
12	31172-05300	31172-05300	31172-05300	BUSHING(A)	1	
13	31171-05300	31171-05300	31171-05300	BUSHING(B)	1	
14	31143-38300	31143-38300	31143-38300	O-RING	1	
15	31264-05300	31264-05300	31264-05300	O-RING	1	
16	31281-05310	31281-05310	31281-05310	BOLT	2	
17	08321-21057	08321-21057	08321-21057	LOCK WASHER	2	
18	31161-05310	31161-05310	31161-05310	WASHER	2	
19	31156-38300	31156-38300	31156-38300	O-RING	2	
20	08316-26066	08316-26066	08316-26066	NUT(M35)	1	
21	09160-06003	09160-06003	09160-06003	WASHER	1	
22	09280-24001	09280-24001	09280-24001	O-RING	1	
23	01547-06308	01547-06308	01547-06308	SCREW, STARTING MOTOR(M6*30)	2	



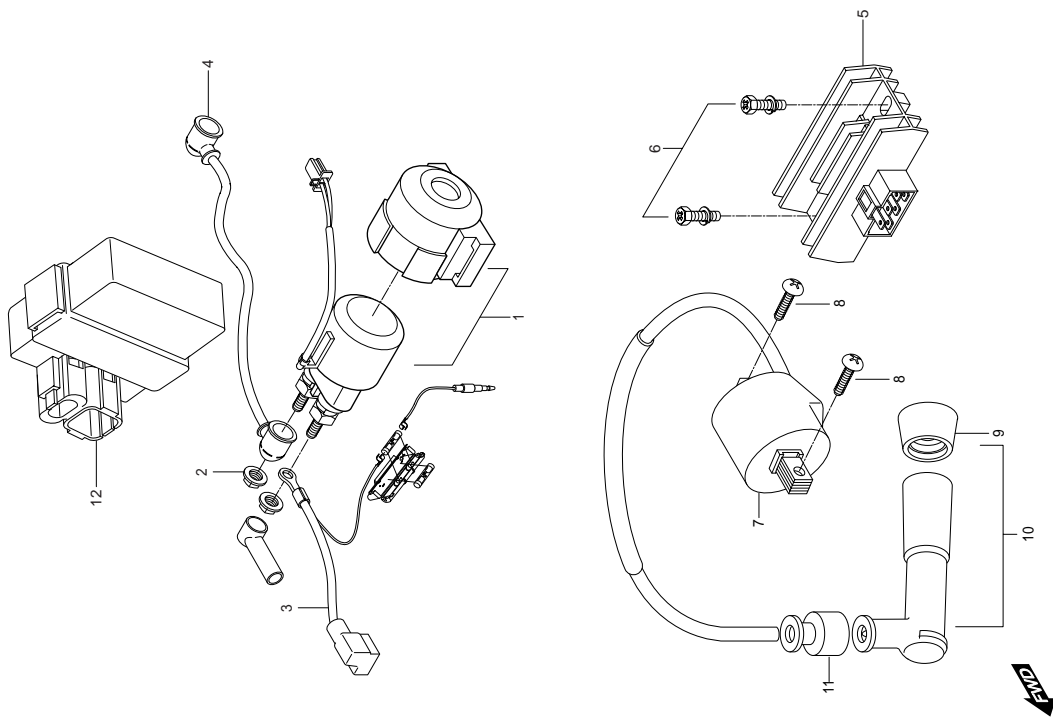
## FIG 19. MAGONTO

REF	PARTS NO.			PARTS NAME	Q'TY (PCS)	REMARKS		
	NO. ST01	JEU01	JEU02				NG01	JG01
0	32100HG5800	32100HG5800	32100HG5800	32100HG5800	32100HG5800	MAGNETO ASSY	1	
1	32101HG5800	32101HG5800	32101HG5800	32101HG5800	32101HG5800	STATOR ASSY	1	
2	32102HG5800	32102HG5800	32102HG5800	32102HG5800	32102HG5800	ROTOR ASSY	1	
3	02112-05258	02112-05258	02112-05258	02112-05258	02112-05258	SCREW, MAGNETO STARTER(M5*25)	3	
4	02112-05128	02112-05128	02112-05128	02112-05128	02112-05128	SCREW, PICK-UP COIL(M5*12)	2	
5	08316-26108	08316-26108	08316-26108	08316-26108	08316-26108	NUT, MAGNETO FLYWHEEL	1	
6	08341-31039	08341-31039	08341-31039	08341-31039	08341-31039	KEY, MAGNETO	1	



## FIG 20. BATTERY

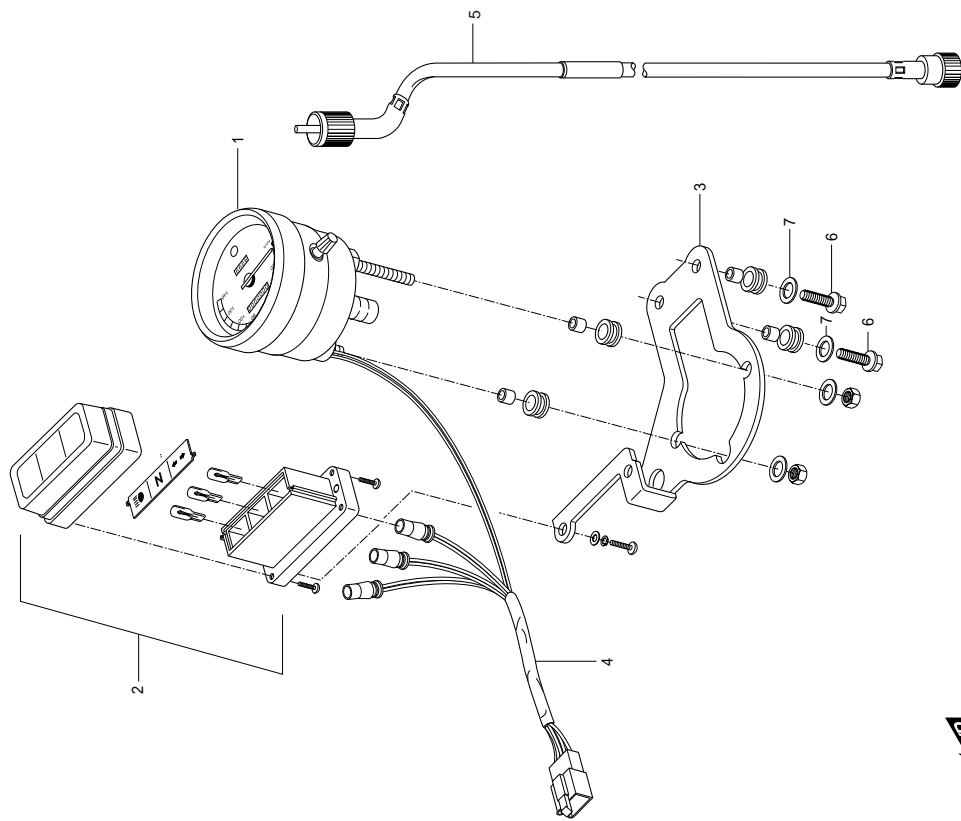
REF NO. ST01	PARTS NO.			PARTS NAME	Q'TY (PCS)	REMARKS
	JEU01	JEU02	NG01			
1	33610-06C11	33610-06C11	33610-06C11	BATTERY(12V,6AH)	1	
2	33860HG5800	33860HG5800	33860HG5800	LEAD WIRE,BATTERY(-)	1	
3	41545HG5803	41545HG5803	41545HG5803	GUARD,BATTERY	1	
4	09462H00009	09462H00009	09462H00009	BAND BATTERY	1	
5	01517-06165	01517-06165	01517-06165	BOLT,BATTERY GUARD(M6*16)	2	
6	09169-06034	09169-06034	09169-06034	WASHER, BATTERY GUARD	2	





## FIG 21. ELECTRICAL

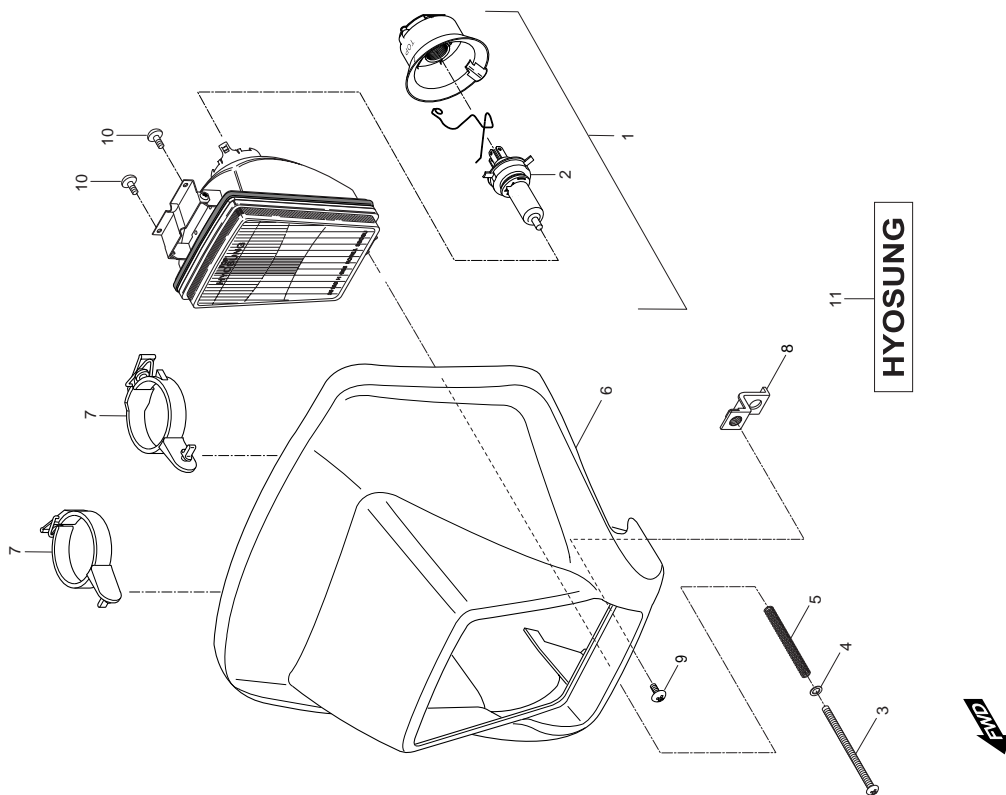
REF NO. ST01	PARTS NO.				PARTS NAME	Q'TY (PCS)	REMARKS
	JEU01	JEU02	NG01	JG01			
1	31800-35C00	31800-35C00	31800-35C00	31800-35C00	RELAY ASSY, STARTING MOTOR	1	
2	08316-26066	08316-26066	08316-26066	08316-26066	NUT, STARTING MOTOR	2	
3	36740HG5800	36740HG5800	36740HG5800	36740HG5800	FUSE CASE ASSY	1	
4	33850HG5800	33850HG5800	33850HG5800	33850HG5800	LEAD WIRE, STARTING MOTOR	1	
5	32800H01413	32800H01413	32800H01413	32800H01413	RECTIFIER ASSY, REGULATOR	1	
6	09128-06035	09128-06035	09128-06035	09128-06035	SCREW, RECTIFIER	2	
7	33410HG5800	33410HG5800	33410HG5800	33410HG5800	COIL ASSY, IGNITION	1	
8	02112-46208	02112-46208	02112-46208	02112-46208	SCREW, IGNITION(M6*20)	2	
9	33541-38210	33541-38210	33541-38210	33541-38210	SEAL, SPARK PLUG	1	
10	33500HF4600	33500HF4600	33500HF4600	33500HF4600	CAP SPARK PLUG	1	
11	33542-98000	33542-98000	33542-98000	33542-98000	SEAL, HIGHTENSION CORD	1	
12	32900HG5800	32900HG5800	32900HG5800	32900HG5800	CDI UNIT	1	
12-1					CDI UNIT	1	
13	38740HM5401				RELAY, HEAD LAMP	1	
14	02112-06128				SCREW, HEAD LAMP RELAY	1	



END

## FIG 22. SPEEDOMETER ASS'Y

REF	PARTS NO.			PARTS NAME	Q'TY	REMARKS
	NO. ST01	JEU01	JEU02			
1	34100HG5800			SPEEDOMETER ASSY	1	
1-1		34100HG5860	34100HG5860	SPEEDOMETER ASSY	1	
2	39000HG5800	39000HG5800	39000HG5800	INDICATORLAMP,SPEEDOMETER	1	
3	34950HG5800	34950HG5800	34950HG5800	BRACKET,SPEEDOMETER	1	
4	34171HG5800	34171HG5800	34171HG5800	SOCKET ASSY,SPEEDOMETER	1	
5	34910HG5803	34910HG5803	34910HG5803	CABLE ASSY, SPEEDOMETER	1	
6	01107-06208	01107-06208	01107-06208	BOLT, SPEEDOMETER BRACKET(M6*20)	2	
7	09169H06012	09169H06012	09169H06012	WASHER, SPEEDOMETER BRACKET	2	

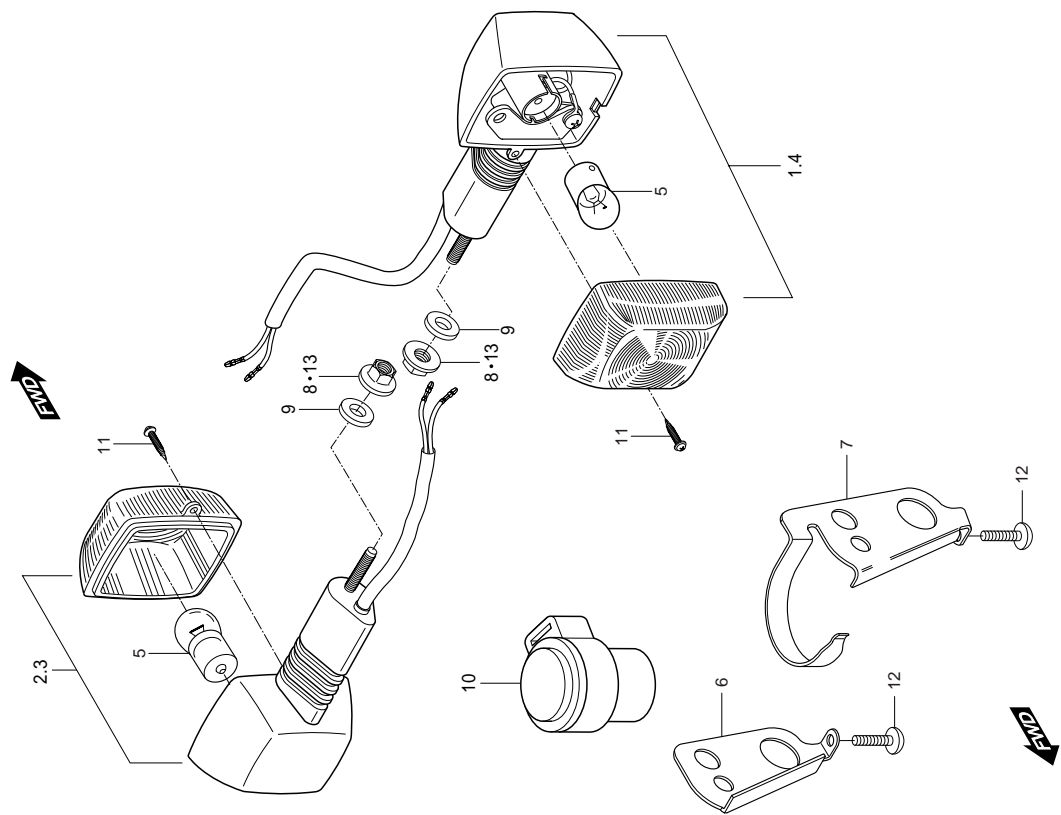


HYOSUNG



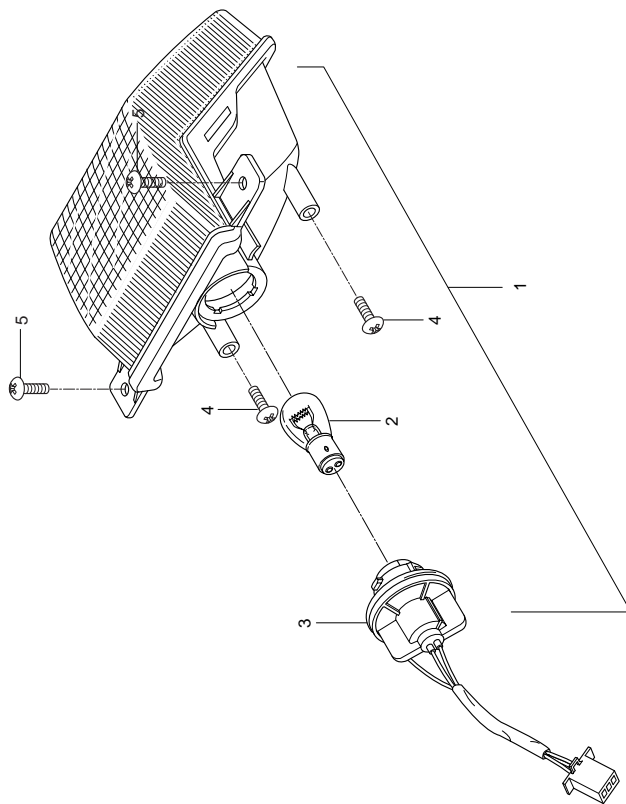
## FIG 23. HEAD LAMP ASS'Y

REF	PARTS NO.				PARTS NAME	Q'TY	REMARKS	
	NO. ST01	JEU01	JEU02	NG01				JG01
1	35100HG5801						1	HEAD LAMP ASSY
1-1		35100HG5850	35100HG5850	35100HG5850			1	HEAD LAMP ASSY
1-2					35100HG5860		1	HEAD LAMP ASSY
2	09471-12100	09471-12100	09471-12100	09471-12100	09471-12100		1	BULB,HEAD LAMP(12V,35/35W))
3	35151HG5800	35151HG5800	35151HG5800	35151HG5800	35151HG5800		1	SCREW,HEAD LAMP AIMING
4	35155HG5800	35155HG5800	35155HG5800	35155HG5800	35155HG5800		1	WASHER,HEAD LAMP AIMING
5	35154HG5800	35154HG5800	35154HG5800	35154HG5800	35154HG5800		1	SPRING,HEAD LAMP AIMING
6	51811HG5802						1	COVER, HEAD LAMP HOUSING(COLOR)
6-1		51811HG5850	51811HG5850	51811HG5850	51811HG5850		1	COV, HEAD LAMP(3R1, 16B, 6B1)
7	51815HG5802	51815HG5802	51815HG5802	51815HG5802	51815HG5802		2	BAND, HEAD LAMP HOUSING
8	51816HG5802						1	PLATE, HEAD LAMP HOUSING
8-1		51816HG5850	51816HG5850	51816HG5850	51816HG5850		1	PLATE, HEAD LAMP HOUSING
9	02142-06125	02142-06125	02142-06125	02142-06125	02142-06125		1	SCREW, HEAD LAMP HOUSING(M6*12)
10	03241-05125	03241-05125	03241-05125	03241-05125	03241-05125		2	SCREW, HEAD LAMP(M5*12)
11	68210HG5800	68210HG5800	68210HG5800	68210HG5800	68210HG5800		1	EMBLEM, HYOSUNG(COLOR)



## FIG 24. TURN SIGNAL LAMP

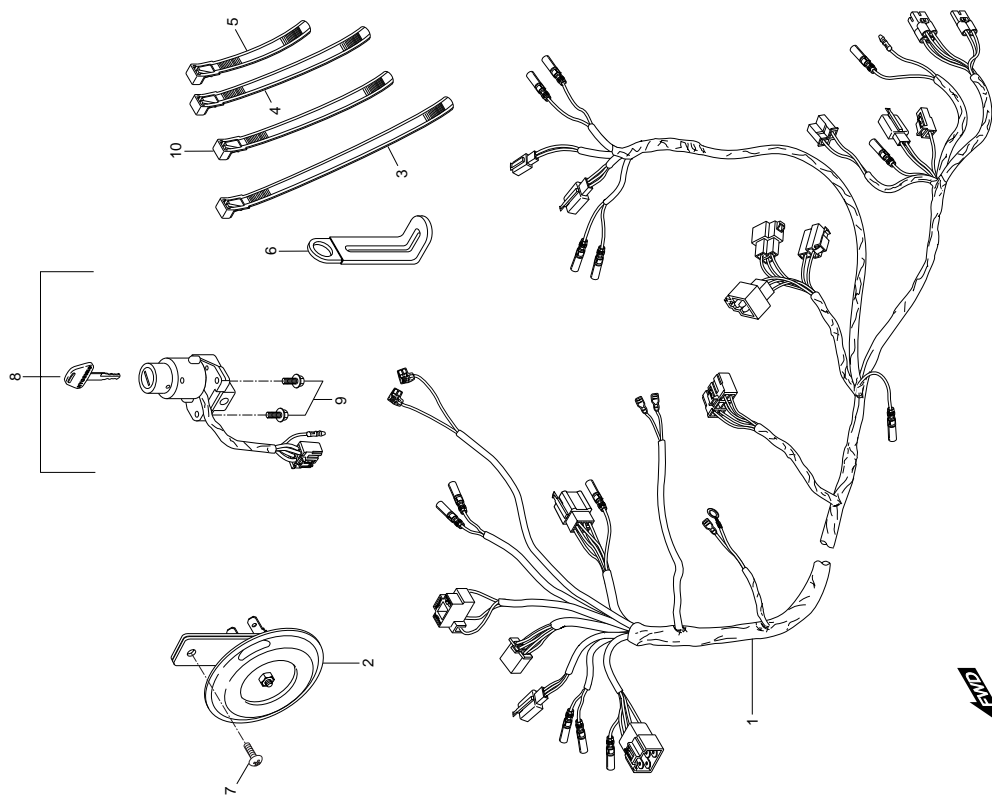
REF NO. ST01	PARTS NO.				PARTS NAME	Q'TY (PCS)	REMARKS
	JEU01	JEU02	NG01	JG01			
1	35601-35C00				LAMP FT TURN SIGNAL R	1	
1-1	35601-35C50	35601-35C50	35601-35C50	35601-35C50	LAMP FT TURN SIGNAL R	1	
2	35602-35C00				LAMP FT TURN SIGNAL L	1	
2-1	35602-35C50	35602-35C50	35602-35C50	35602-35C50	LAMP FT TURN SIGNAL L	1	
3	35603-35C00				LAMP, RR TURN SIGNAL R	1	
3-1	35603-35C50	35603-35C50	35603-35C50	35603-35C50	LAMP, RR TURN SIGNAL R	1	
3-2					LAMP, RR TURN SIGNAL R	2	
4	35604-35C00				LAMP, RR TURN SIGNAL L	1	
4-1	35604-35C50	35604-35C50	35604-35C50	35604-35C50	LAMP, RR TURN SIGNAL L	1	
4-2					LAMP, RR TURN SIGNAL L	2	
5	09471-12066	09471-12066	09471-12066	09471-12066	BULB, ASSY TURN SIGNAL LAMP(12V10W	4	
6	35615HG5800	35615HG5800	35615HG5800	35615HG5800	PLATE, FRONT TURN SIGNAL LAMP RH	1	
7	35616HG5800	35616HG5800	35616HG5800	35616HG5800	PLATE, FRONT TURN SIGNAL LAMP LH	1	
8	08310-11068	08310-11068	08310-11068	08310-11068	NUT, REAR TURN SIGNAL(M6)	2	
9	08322-21068	08322-21068	08322-21068	08322-21068	WASHER, REAR TURN SIGNAL	2	
10	38610H09411	38610H09411	38610H09411	38610H09411	RELAY ASSY, TURN SIGNAL	1	
11	35625-01A00	35625-01A00	35625-01A00	35625-01A00	TAPPING SCREW	4	
12	02142-05125	02142-05125	02142-05125	02142-05125	SCREW, FRONT TURN SIGNAL PLATE(M5'	2	
13	08316-26066	08316-26066	08316-26066	08316-26066	NUT, FRONT TURN SIGNAL(M6)	2	





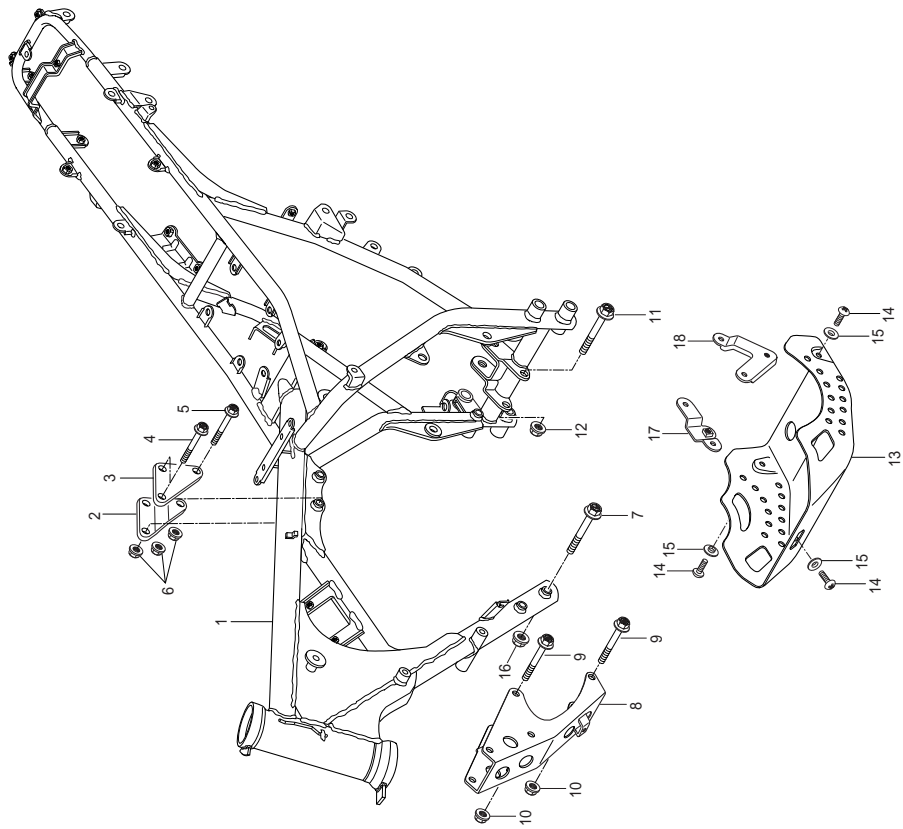
## FIG 25. TAIL & STOP LAMP

REF	PARTS NO.			PARTS NAME	Q'TY	REMARKS
	NO. ST01	JEU01	JEU02			
1	35710HG5800			LAMP ASSY, RR COMB	1	
1-1		35710HG5850	35710HG5850	LAMP ASSY, RR COMB	1	
2	09471-12047	09471-12047	09471-12047	BULB, REAR COMBI(12V 21/5W)	1	
3	35760HG5800	35760HG5800	35760HG5800	SOCKET ASS'Y, TAIL & STOP	1	
4	03241-05256	03241-05256	03241-05256	SCREW,REAR FENDER & REAR COMBI LC	2	
5	02142-06165	02142-06165	02142-06165	SCREW,REAR FENDER & REAR COMBI UP	2	



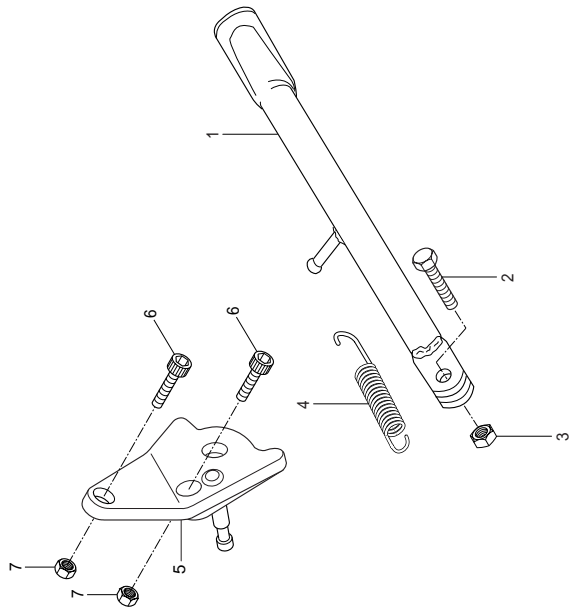
## FIG 26. WIRING HARNESS & HORN

REF	JEU01	JEU02	NG01	JG01	KEN01	PARTS NAME	Q'TY (PCS)	REMARKS
1						WIRING HARNESS	1	
1-1	36610HG5803					WIRING HARNESS	1	
1-2		36610HG5851	36610HG5851			WIRING HARNESS	1	
1-3						WIRING HARNESS	1	
1-4	36610HG5880				36610HG5880	WIRING HARNESS	1	
2	38500HG5800					HORN ASSY	1	
2-1						HORN ASSY	1	
3	09407-254A1	38500HG5850	38500HG5850		38500HG5850	HORN ASSY	1	
4	09407-22402	09407-254A1	09407-254A1	09407-254A1	09407-254A1	CLAMP, WIRING HARNESS	1	
5	09407-14403	09407-22402	09407-22402	09407-22402	09407-22402	CLAMP, WIRING HARNESS	1	
6	09407-11401	09407-14403	09407-14403	09407-14403	09407-14403	CLAMP, WIRING HARNESS	4	
7	02112-36128	09407-11401	09407-11401	09407-11401	09407-11401	CLAMP, WIRING HARNESS	5	
8	37100H93B30	02112-36128	02112-36128	02112-36128	02112-36128	BOLT, HORN(M6*12)	2	
9	01517-06168	37100H93B30	37100H93B30	37100H93B30	37100H93B30	LOCK ASSY, STEERING	1	
9-1	01517-06168	01517-06168	01517-06168	01517-06168	01517-06168	BOLT, STEERING LOCK(M6*20)	1	
9-2		09139H06016	09139H06016		09139H06016	SCREW, STEER LOCK	1	
10	09407-11401	09407-11401	09407-11401			SCREW, STEER LOCK	1	
						CLAMP, WIRING HARNESS	3	



## FIG 27. FRAME

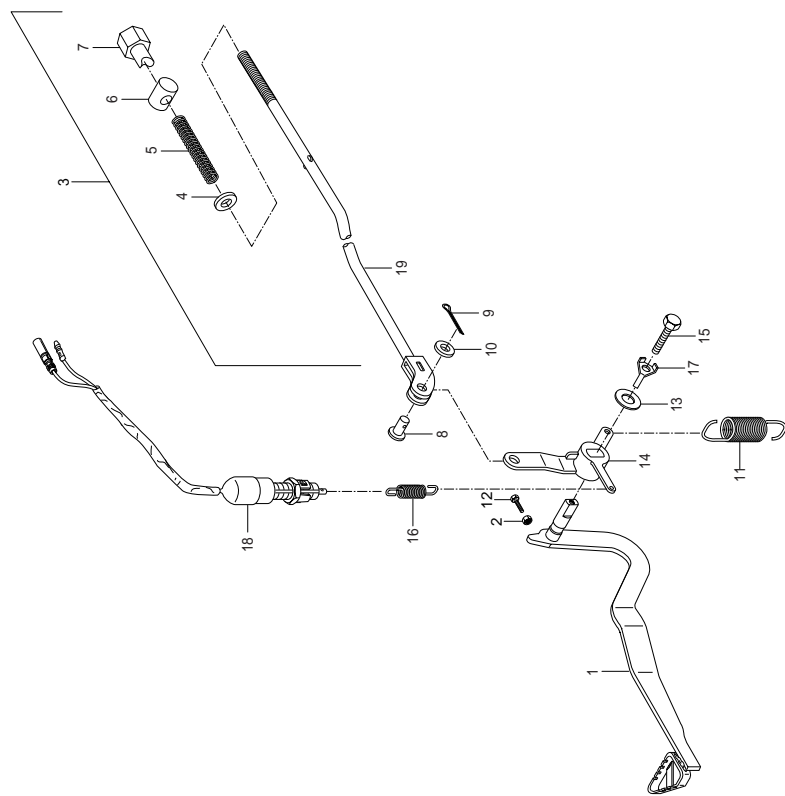
REF	PARTS NO.				PARTS NAME	Q'TY (PCS)	REMARKS
	NO. ST01	JEU01	JEU02	NG01			
1	41100HG580903P	41100HG585003P	41100HG585003P	41100HG585003P	FRAME COMP	1	
2	41993HG5801	41993HG5801	41993HG5801	41993HG5801	PLATE, ENGINE.MTG UPPER RH	1	
3	41994HG5801	41994HG5801	41994HG5801	41994HG5801	PLATE, ENGINE.MTG UPPER LH	1	
4	01517-08608	01517-08608	01517-08608	01517-08608	BOLT, E/G MTG UPPER PLATE & FRAME(A	2	
5	01517-08508	01517-08508	01517-08508	01517-08508	BOLT, E/G MTG UPPER PLATE & ENGINE(I	1	
6	08319-31088	08319-31088	08319-31088	08319-31088	NUT, ENGINE.MTG UPPER PLATE(M8)	3	
7	01517-08658	01517-08658	01517-08658	01517-08658	BOLT, E/G MTG LOW BRACKETT & FRAM	2	
8	41990HG580103P	41990HG580103P	41990HG580103P	41990HG580103P	BRACKET COMP, ENGINE.MOUNTING LO	1	
9	09103H10149	09103H10149	09103H10149	09103H10149	BOLT, E/G MTG LOW BRACKETT & ENGIN	2	
10	08319-31108	08319-31108	08319-31108	08319-31108	NUT, E/G MTG LOW BRACKETT & ENGIN	2	
11	09103-08010	09103-08010	09103-08010	09103-08010	BOLT, ENGINE.MTG REAR (L=88)	1	
12	08319-31088	08319-31088	08319-31088	08319-31088	NUT, ENGINE.MTG REAR (L=88)	1	
13	42511HG5850	42511HG5850	42511HG5850	42511HG5850	GUARD, ENGINE	1	
14	02142-06125	02142-06125	02142-06125	02142-06125	SCREW, ENGINE.GUARD(M6*12)	3	
15	09169-06034	09169-06034	09169-06034	09169-06034	WASHER, ENGINE.GUARD	3	
16	08319-31088	08319-31088	08319-31088	08319-31088	NUT, E/G MTG LOW BRACKETT & FRAME	2	
17	41140HG580303P	41140HG580303P	41140HG580303P	41140HG580303P	TUBE COMP, down	1	
18	01517-08728	01517-08728	01517-08728	01517-08728	BOLT, e/g m.t.g. low bkt & Frame NO.2	1	
19	01517-08168	01517-08168	01517-08168	01517-08168	BOLT, under guard pipe	2	



**END**

## FIG 28. PROP STAND

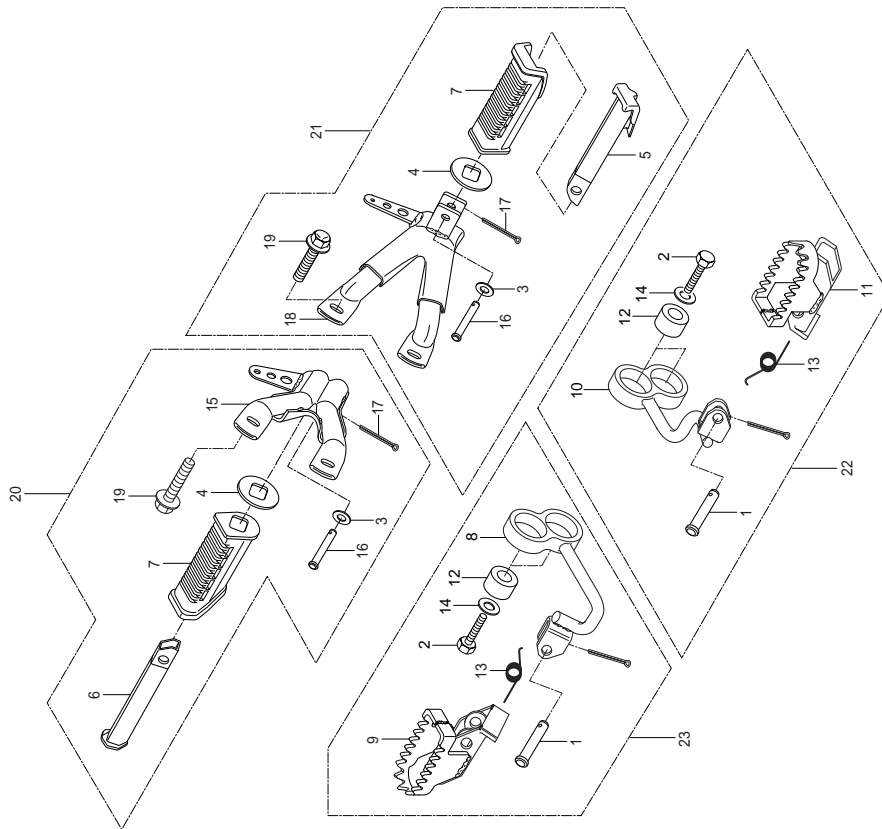
REF	PARTS NO.				PARTS NAME	Q'TY (PCS)	REMARKS
	NO. ST01	JEU01	JEU02	NG01			
1	42310HG5850	42310HG5850	42310HG5850	42310HG5850	42310HG5850	1	STAND COMP, PROP
2	09100-10031	09100-10031	09100-10031	09100-10031	09100-10031	1	BOLT, PROP STAND(M10*30)
3	08313-11107	08313-11107	08313-11107	08313-11107	08313-11107	1	NUT, PROP STAND(M10)
4	09443H14037	09443-14036	09443-14036	09443-14036	09443-14036	1	SPRING,PROP STAND
4-1		09443-14036	09443-14036	09443-14036	09443-14036	1	SPRING,PROP STAND
5	42340HG580103P	42340HG585103P	42340HG585103P	42340HG585103P	42340HG585103P	1	BRACKET COMP,PROP STAND
5-1		42340HG585103P	42340HG585103P	42340HG585103P	42340HG585103P	1	BRACKET COMP,PROP STAND
6	07110-08258	07110-08258	07110-08258	07110-08258	07110-08258	2	BOLT, PROP STAND & BRACKETT UPPER(
7	08319-31088	08319-31088	08319-31088	08319-31088	08319-31088	2	NUT,PROP STAND & BRACKET BOLT UPP.
8	09443-06001	09443-06001	09443-06001	09443-06001	09443-06001	1	SPRING, prop stand inner





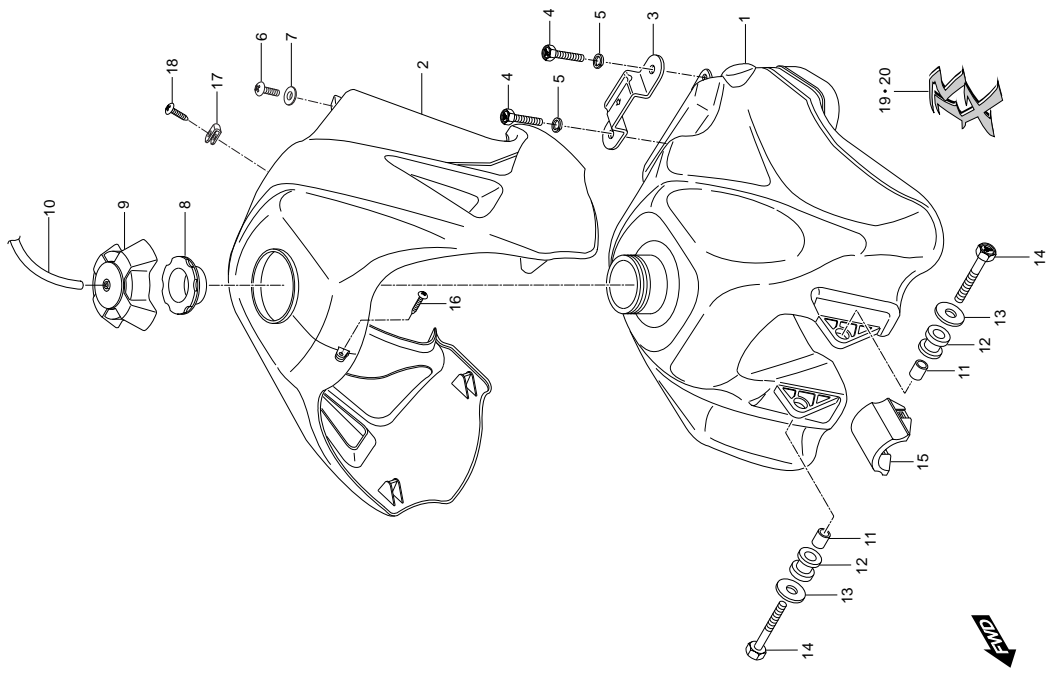
## FIG 29. REAR BRAKE

REF NO. ST01	PARTS NO.			PARTS NAME	Q'TY (PCS)	REMARKS
	JEU01	JEU02	NG01			
1	43100HG5802	43100HG5802	43100HG5802	PEDAL COMP, BRAKE	1	
2	08310-11068	08310-11068	08310-11068	NUT, BRAKE PEDAL ADJUSTER(M6)	1	
3	43300HG5801	43300HG5801	43300HG5801	ROD ASSY, REAR BRAKE	1	
4	08322-21068	08322-21068	08322-21068	WASHER, R/R BRAKE ROD R/R	1	
5	09440-09013	09440-09013	09440-09013	SPRING, R/R BRAKE ROD R/R	1	
6	09209-11006	09209-11006	09209-11006	PIN,R/R BRAKE ROD R/R	1	
7	09150-06009	09150-06009	09150-06009	NUT,R/R BRAKE ROD R/R(M6)	1	
8	09200-06013	09200-06013	09200-06013	PIN RR BRAKE ROD FRONT	1	
9	04111-20208	04111-20208	04111-20208	COTTER PIN, R/R BRAKE ROD	1	
10	08322-21068	08322-21068	08322-21068	WASHER, R/R BRAKE FT	1	
11	09443H14025	09443H14025	09443H14025	SPRING, R/R BRAKE RETURN	1	
12	01104-06208	01104-06208	01104-06208	BOLT, BRAKE PEDAL(M6*20)	1	
13	09160-06012	09160-06012	09160-06012	WASHER, BRAKE PEDAL	1	
14	43123HG5802	43123HG5802	43123HG5802	ARM,BRAKE ROD	1	
15	01107-06168	01107-06168	01107-06168	BOLT, BRAKE PEDAL(M6*16)	1	
16	09443H06006	09443H06006	09443H06006	SPRING STOP LAMP SWITCH	1	
17	43129-35C00	43129-35C00	43129-35C00	WASHER LOCK	1	
18	37740-04502	37740-04502	37740-04502	SWITCH ASSY, STOP LAMP	1	
19	43310HG5801	43310HG5801	43310HG5801	ROD COMP,REAR BRAKE	1	NOT SALE



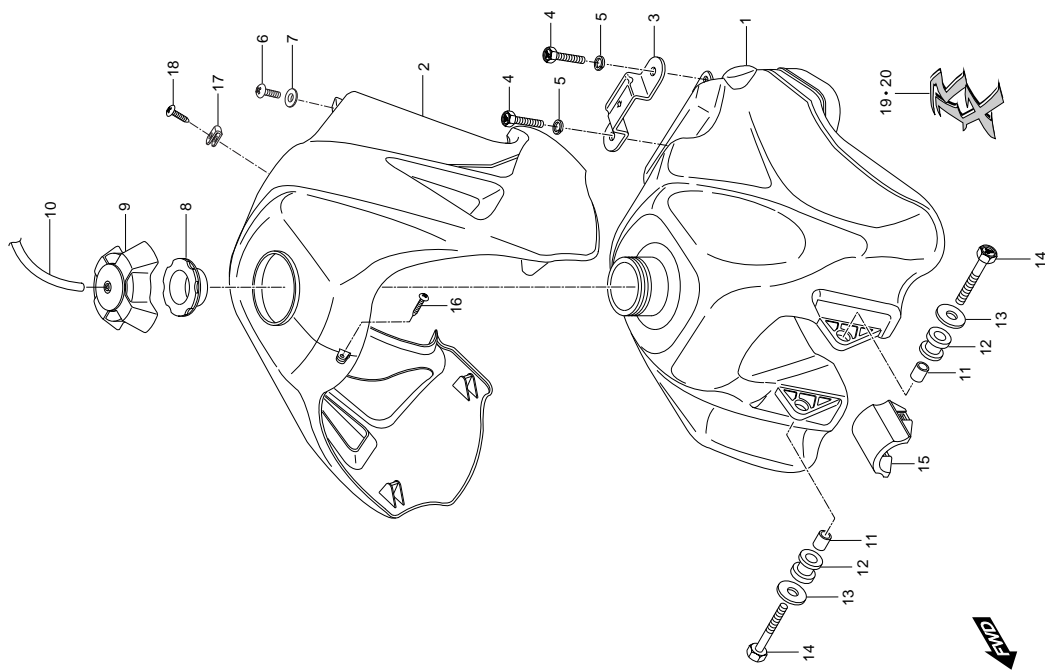
# FIG 30. FOOTREST BAR

REF	PARTS NO.				PARTS NAME	Q'TY (PCS)	REMARKS
	NO. ST01	JEU01	JEU02	NG01			
1	09200-10008	09200-10008	09200-10008	09200-10008	PIN, FRONT FOOTREST	2	
2	09116H10061	09116H10061	09116H10061	09116H10061	BOLT, FRONT FOOTREST BRACKET	4	
3	08322-21068	08322-21068	08322-21068	08322-21068	WASHER, PILLION FOOTREST PIN	2	
4	43631-34A00	43631-34A00	43631-34A00	43631-34A00	WASHER, PILLION FOOTREST RUBBER	2	
5	43710-12B01	43710-12B01	43710-12B01	43710-12B01	BAR COMP, PILLION FOOTREST L	1	
6	43610-12B01	43610-12B01	43610-12B01	43610-12B01	BAR COMP, PILLION FOOTREST R	1	
7	43551-29B21	43551-29B21	43551-29B21	43551-29B21	RUBBER,PILLION FOOTREST	2	
8	43510HG5801	43510HG5801	43510HG5801	43510HG5801	BAR COMP, FRONT FOOTREST R	1	
9	43550HG5800	43550HG5800	43550HG5800	43550HG5800	FOOTREST COMP,FRONT R	1	
10	43520HG5801	43520HG5801	43520HG5801	43520HG5801	BAR COMP, FRONT FOOTREST L	1	
11	43560HG5800	43560HG5800	43560HG5800	43560HG5800	FOOTREST COMP,FRONT L	1	
12	09319-10033	09319-10033	09319-10033	09319-10033	BUSH, FRONT FOOTREST	4	NOT SALE
13	09448H16001	09448H16001	09448H16001	09448H16001	SPRING,FRONT FOOTREST	2	
14	08322-21108	08322-21108	08322-21108	08322-21108	WASHER,FRONT FOOTREST	4	
15	43650HG580003P	43650HG580003P	43650HG580003P	43650HG580003P	BRACKET COMP, PILLION FOOTREST R	1	
16	09200H06057	09200H06057	09200H06057	09200H06057	PIN, FILLION FOOTREST	2	
17	04111-20208	04111-20208	04111-20208	04111-20208	COTTER PIN, PILLION FOOTREST	2	
18	43750HG580003P	43750HG580003P	43750HG580003P	43750HG580003P	BRACKET COMP, PILLION FOOTREST L	1	
19	01517-08168	01517-08168	01517-08168	01517-08168	BOLT, PILLION FOOTREST BRACKET(M8*	4	
20	43650HG5800HPA	43650HG5800HPA	43650HG5800HPA	43650HG5800HPA	BRACKET PILLION R ASSY	1	
21	43750HG5800HPA	43750HG5800HPA	43750HG5800HPA	43750HG5800HPA	BRACKET PILLION L ASSY	1	
22	43520HG5801HPA	43520HG5801HPA	43520HG5801HPA	43520HG5801HPA	BAR FOOTREST L ASSY	1	
23	43510HG5801HPA	43510HG5801HPA	43510HG5801HPA	43510HG5801HPA	BAR FOOTREST R ASSY	1	



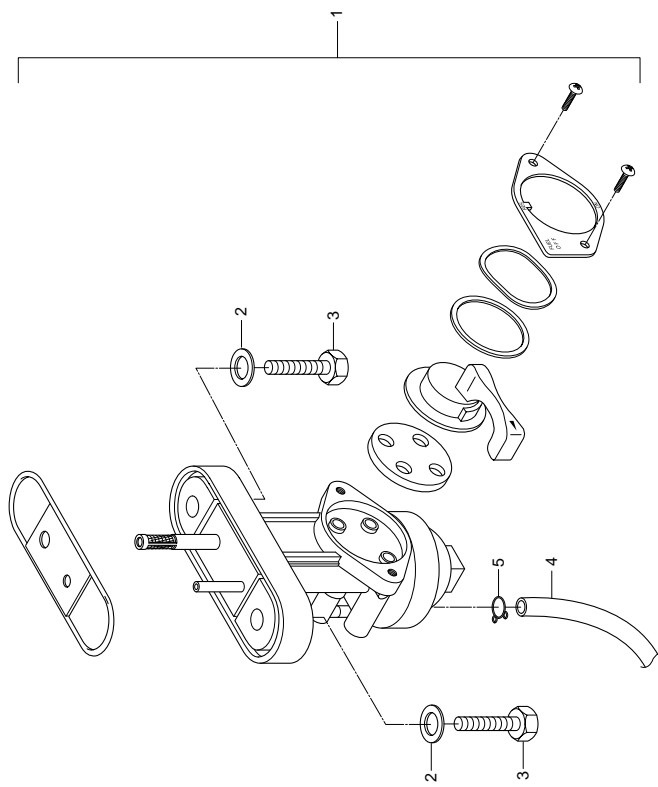
## FIG 31. FUEL TANK

REF	PARTS NO.				PARTS NAME	Q'TY (PCS)	REMARKS
	NO. ST01	JEU01	JEU02	NG01			
1	44110HG5810	44110HG5810	44110HG5810	44110HG5810	TANK COMP, FUEL	1	
2	44500HG5860	44500HG5880	44500HG5850	44500HG5880	COVER ASSY, FUEL(16B:0SY,3R1:0CR,6B1	1	
3	45119HG5800	45119HG5800	45119HG5800	45119HG5800	PLATE, SEAT FRONT HOOK	1	
4	01137-06208	01137-06208	01137-06208	01137-06208	BOLT, FUEL TANK R/R(6*20)	2	
5	09180H06067	09180H06067	09180H06067	09180H06067	SPACER, FUEL TANK R/R	2	
6	02142-06125	02142-06125	02142-06125	02142-06125	SCREW, FUEL TANK COVER(M6*12)	2	
7	09169-06034	09169-06034	09169-06034	09169-06034	WASHER, FUEL TANK COVER	2	
8	44248-05210	44248-05210	44248-05210	44248-05210	GASKET,FUEL TANK FILTER CAP	1	
9	44210HG5801	44210HG5801	44210HG5801	44210HG5801	CAP ASSY, FUEL TANK FILTER	1	
10	09343-05052	09343-05052	09343-05052	09343-05052	HOSE FUEL TANK BRTH(L=580)	1	
11	09180H06069	09180H06069	09180H06069	09180H06069	SPACER, FUEL TANK FRONT	2	
12	09320H10038	09320H10038	09320H10038	09320H10038	CUSHION, FUEL TANK FRONT	2	
13	09160-06004	09160-06004	09160-06004	09160-06004	WASHER, FUEL TANK FRONT	2	
14	01104-06258	01104-06258	01104-06258	01104-06258	BOLT, FUEL TANK FRONT(M6*25)	2	
15	44541HG5800	44541HG5800	44541HG5800	44541HG5800	CUSHION, FUEL TANK UPPER	1	
16	03241-15125	03241-15125	03241-15125	03241-15125	SCREW, FUEL TANK COVER FRONT(M5*1	1	
17	09148-05004	09148-05004	09148-05004	09148-05004	NUT, FUEL TANK COVER R/R(M5)	1	
18	03241-15125	03241-15125	03241-15125	03241-15125	SCREW, FUEL TANK COVER R/R(M5*12)	1	
19-1	68114HG58000LY				EMBLEM,FUEL TANK R 00R	1	
19-2	68114HG58000LZ				EMBLEM,FUEL TANK R 0SY	1	
19-3	68114HG58000NI				EMBLEM,FUEL TANK R 0CR	1	
19-4	68114HG58000NK				EMBLEM,FUEL TANK R 0CB	1	
19-5		68114HG58500LY			EMBLEM,FUEL TANK R 00R	1	
19-6		68114HG58500LZ			EMBLEM,FUEL TANK R 0SY	1	
19-7		68114HG58500NI			EMBLEM,FUEL TANK R 0CR	1	
19-8		68114HG58500LK			EMBLEM,FUEL TANK R 0CB	1	
20-1	68116HG58000LY				EMBLEM,FUEL TANK L 00R	1	
20-2	68116HG58000LZ				EMBLEM,FUEL TANK L 0SY	1	
20-3	68116HG58000NI				EMBLEM,FUEL TANK L 0CR	1	
20-4	68116HG58000NK				EMBLEM,FUEL TANK L 0CB	1	
20-5		68116HG58500LY			EMBLEM,FUEL TANK L 00R	1	
20-6		68116HG58500LZ			EMBLEM,FUEL TANK L 0SY	1	
20-7		68116HG58500NI			EMBLEM,FUEL TANK L 0CR	1	



## FIG 31. FUEL TANK

REF NO. ST01	PARTS NO.			PARTS NAME	Q'TY (PCS)	REMARKS
	JEU01	JEU02	NG01			
20-8	68116HG58500NK	68116HG58500NK	68116HG58500NK	68116HG58500NK	1	EMBLEM,FUEL TANK L OCB
21	68319H05330	68319H05330		68319H05330	1	PLATE, caution OR,CB,CR
21-1	68319H05340	68319H05340		68319H05340	1	PLATE, caution OSY
21-2			68319H93B30015	68319H93B30015	1	PLATE, caution OB,CR
21-3			68319H93B30120	68319H93B30120	1	PLATE, caution OR,SY

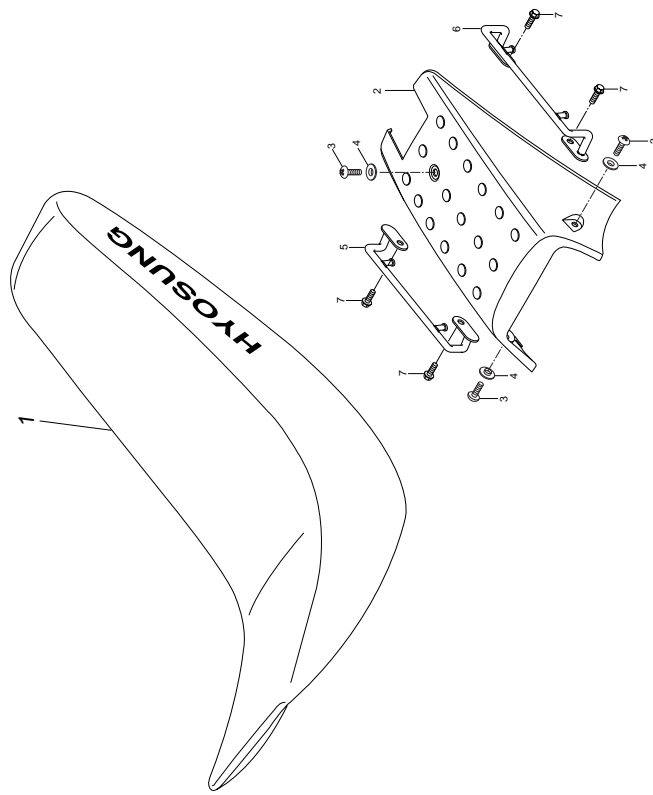


END



## FIG 32. FUEL COCK

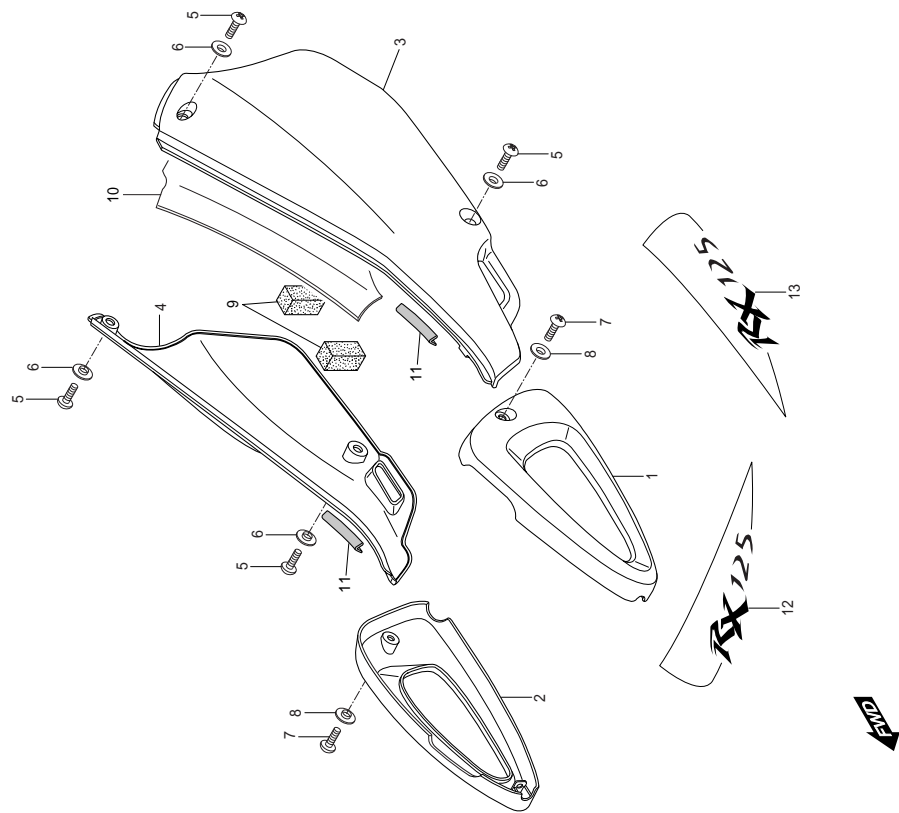
REF NO. ST01	PARTS NO.			PARTS NAME	Q'TY (PCS)	REMARKS
	JEU01	JEU02	NG01			
1	44300HG5802	44300HG5802	44300HG5802	COCK ASSY, FUEL	1	
2	09168-06010	09168-06010	09168-06010	GASKET, FUEL COCK	2	
3	09128-06005	09128-06005	09128-06005	BOLT, FUEL COCK	2	~ KM4MP41A841203032
3~1	01547-06148	01547-06148	01547-06148	BOLT, FUEL COCK	2	KM4MP41A841203033 ~
4	44191HG5800	44191HG5800	44191HG5800	HOSE,FUEL (L=140)	1	
5	09401-08401	09401-08401	09401-08401	CLIP, FUEL HOSE	1	



END

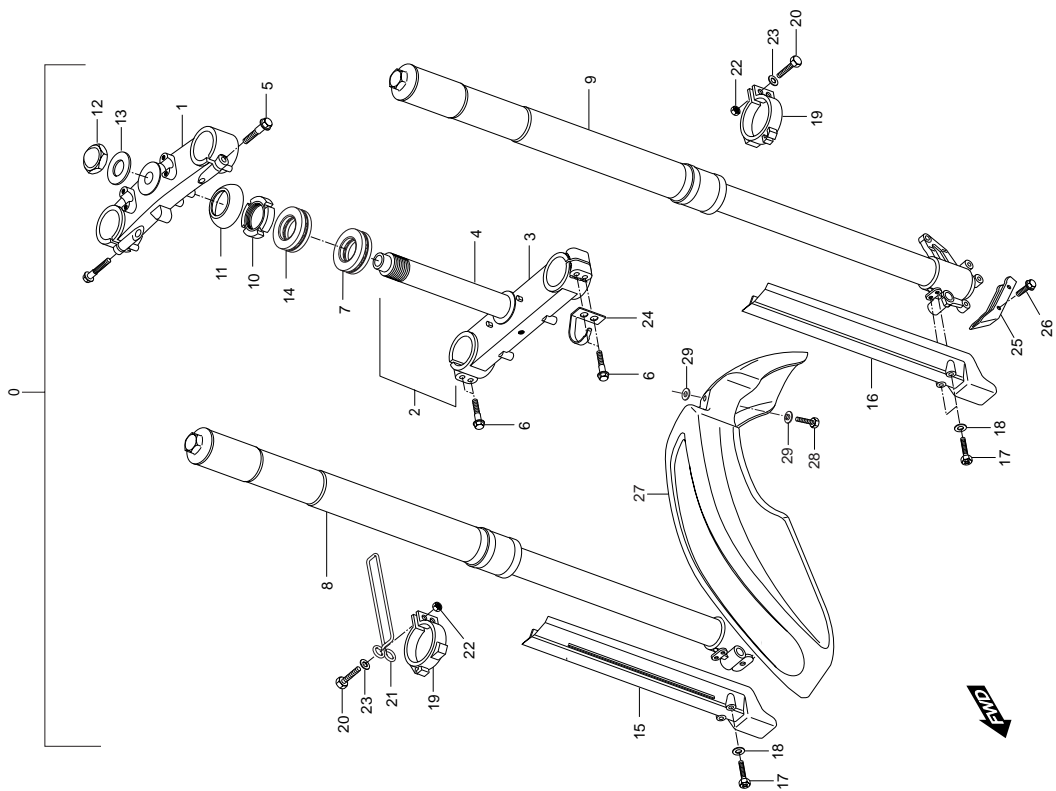
## FIG 33. SEAT & SEAT TAIL COVER

REF	PARTS NO.				PARTS NAME	Q'TY (PCS)	REMARKS
	NO. ST01	JEU01	JEU02	NG01			
1	45100HG5804	45100HG5804	45100HG5804	45100HG5804	45100HG5804	1	SEAT SET
2	45511HG5851	45511HG5851	45511HG5851	45511HG5851	45511HG5851	1	COVER, SEAT TAIL (COLOR)
3	02142-06125	02142-06125	02142-06125	02142-06125	02142-06125	3	SCREW, SEAT TAIL COVER(M6*12)
4	09169-06034	09169-06034	09169-06034	09169-06034	09169-06034	3	WASHER, SEAT TAIL COVER
5	46210HG580103P	46210HG580103P	46210HG580103P	46210HG580103P	46210HG580103P	1	CARRIER COMP, REAR R
6	46220HG580103P	46220HG580103P	46220HG580103P	46220HG580103P	46220HG580103P	1	CARRIER COMP, REAR L
7	01517-08168	01517-08168	01517-08168	01517-08168	01517-08168	4	BOLT, REAR CARRIER(M8*16)



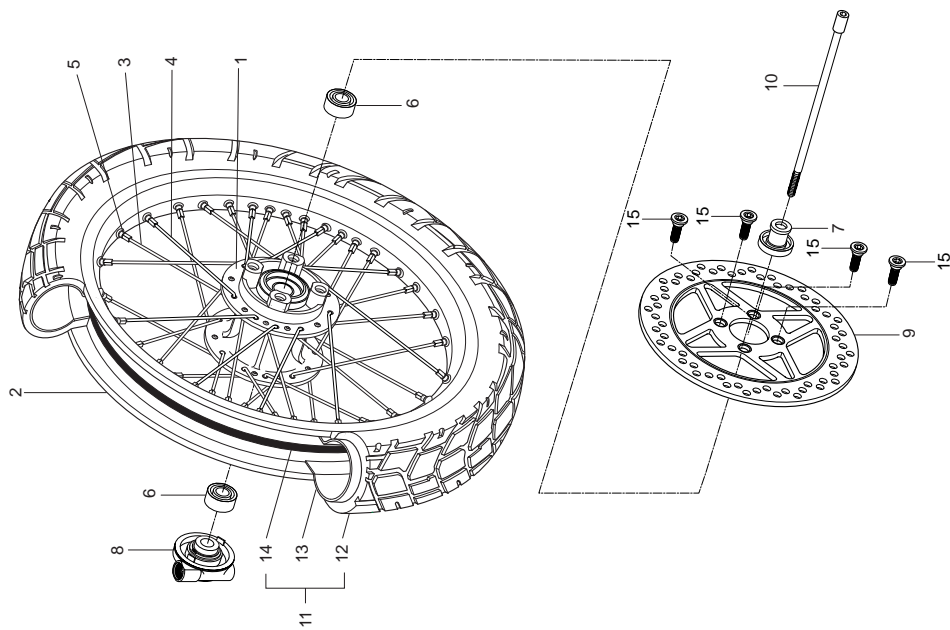
## FIG 34. SIDE COVER

REF	PARTS NO.				PARTS NAME	Q'TY (PCS)	REMARKS
	NO. ST01	JEU01	JEU02	NG01			
1	47321HG580103P	47321HG580103P	47321HG580103P	47321HG580103P	COVER, FRAME FRONT L	1	
2	47311HG580103P	47311HG580103P	47311HG580103P	47311HG580103P	COVER, FRAME FRONT R	1	
3	47211HG5850	47211HG5850	47211HG5850	47211HG5850	COVER,SIDE L(COLOR)	1	
4	47111HG5850	47111HG5850	47111HG5850	47111HG5850	COVER,SIDE R(COLOR)	1	
5	02142-06125	02142-06125	02142-06125	02142-06125	SCREW, SIDE COVER(M6*12)	4	
6	09169-06034	09169-06034	09169-06034	09169-06034	WASHER, SIDE COVER	4	
7	02142-06125	02142-06125	02142-06125	02142-06125	SCREW, FRAME COVER(M6*12)	2	
8	09169-06034	09169-06034	09169-06034	09169-06034	WASHER, FRAME COVER	2	
9	47161HE6101	47161HE6101	47161HE6101	47161HE6101	CUSHION, SIDE COVER RH	2	
10	47239HG5800	47239HG5800	47239HG5800	47239HG5800	HEAT SHIELD, SIDE COVER LH	1	
11	47161HG5801	47161HG5801	47161HG5801	47161HG5801	MOLDING, SIDE COVER	2	
12	68134HG58000MA				TAPE,SIDE COVER R 00R,0CR	1	
12-1	68134HG58000MB				TAPE,SIDE COVER R 0SY	1	
12-2	68134HG58000MC				TAPE,SIDE COVER R 0CB	1	
12-3		68134HG58500MA	68134HG58500MA	68134HG58500MA	TAPE,SIDE COVER R 00R,0CR	1	
12-4		68134HG58500MB	68134HG58500MB	68134HG58500MB	TAPE,SIDE COVER R 0SY	1	
12-5		68134HG58500MC	68134HG58500MC	68134HG58500MC	TAPE,SIDE COVER R 0CB	1	
13	68136HG58000MA				TAPE,SIDE COVER L 00R,0CR	1	
13-1	68136HG58000MB				TAPE,SIDE COVER L 0SY	1	
13-2	68136HG58000MC				TAPE,SIDE COVER L 0CB	1	
13-3		68136HG58500MA	68136HG58500MA	68136HG58500MA	TAPE,SIDE COVER L 00R,0CR	1	
13-4		68136HG58500MB	68136HG58500MB	68136HG58500MB	TAPE,SIDE COVER L 0SY	1	
13-5		68136HG58500MC	68136HG58500MC	68136HG58500MC	TAPE,SIDE COVER L 0CB	1	



## FIG 35. FRONT FORK & FENDER

REF	PARTS NO.				PARTS NAME	Q'TY	REMARKS
	NO. ST01	JEU01	JEU02	NG01			
0	51100HG5800HPA	51100HG5800HPA	51100HG5800HPA	51100HG5800HPA	51100HG5800HPA	1	FORK ASSY,FRONT
1	51311HG581303P	51311HG581303P	51311HG581303P	51311HG581303P	51311HG581303P	1	BRACKET, FRONT FORK UPPER
2	51412HG5800HPA	51412HG5800HPA	51412HG5800HPA	51412HG5800HPA	51412HG5800HPA	1	BRACKET COMP, FRONT FORK UNDER
3	51411HG581003P	51411HG581003P	51411HG581003P	51411HG581003P	51411HG581003P	1	BRACKET, FRONT FORK UPPER
4	51412HG5811	51412HG5811	51412HG5811	51412HG5811	51412HG5811	1	STEERING, STEM
5	01517-10458	01517-10458	01517-10458	01517-10458	01517-10458	2	BOLT, FRONT FORK UPPER BRACKET(M1
6	01517-08468	01517-08468	01517-08468	01517-08468	01517-08468	4	BOLT, FRONT FORK UPPER BRACKET(M8
7	09265H25001	09265H25001	09265H25001	09265H25001	09265H25001	1	BEARING, STEERING LOWER
8	51103HG5801	51103HG5801	51103HG5801	51103HG5801	51103HG5801	1	DAMPER ASSY, FRONT FORK R
9	51104HG5800	51104HG5800	51104HG5800	51104HG5800	51104HG5800	1	DAMPER ASSY, FRONT FORK L
10	51631-28000	51631-28000	51631-28000	51631-28000	51631-28000	1	NUT, STEERING STEM
11	51643HG5801	51643HG5801	51643HG5801	51643HG5801	51643HG5801	1	DUST SEAL, STEERING UPPER
12	09159H22001	09159H22001	09159H22001	09159H22001	09159H22001	1	NUT, STEERING UPPER
13	09160H22031	09160H22031	09160H22031	09160H22031	09160H22031	1	WASHER, STEERING UPPER
14	09265H28001	09265H28001	09265H28001	09265H28001	09265H28001	1	BRARING, STEERING UPPER
15	51201HG5800	51201HG5800	51201HG5800	51201HG5800	51201HG5800	1	PROTECTOR, FRONT FORK R
16	51202HG5800	51202HG5800	51202HG5800	51202HG5800	51202HG5800	1	PROTECTOR, FRONT FORK L
17	02142-05125	02142-05125	02142-05125	02142-05125	02142-05125	4	SCREW, FRONT FORK PROTECTOR(M5*12
18	09169-05008	09169-05008	09169-05008	09169-05008	09169-05008	4	WASHER, FRONT FORK PROTECTOR
19	51210HG5801	51210HG5801	51210HG5801	51210HG5801	51210HG5801	2	GUIDE, FRONT FORK PROTECTOR
20	02112-05258	02112-05258	02112-05258	02112-05258	02112-05258	4	SCREW, GUIDE PROTECTOR(M5*25)
21	34938HG5800	34938HG5800	34938HG5800	34938HG5800	34938HG5800	1	GUIDE, SPEEDOMETER CABLE
22	08316-26055	08316-26055	08316-26055	08316-26055	08316-26055	4	NUT, GUIDE PROTECTOR(M5)
23	08322-21058	08322-21058	08322-21058	08322-21058	08322-21058	4	WASHER, GUIDE PROTECTOR SCREW
24	59266HG5800	59266HG5800	59266HG5800	59266HG5800	59266HG5800	1	CLAMP, BRAKE HOSE NO.1
25	59268HG5801	59268HG5801	59268HG5801	59268HG5801	59268HG5801	1	CLAMP, BRAKE HOSE NO.3
26	01517-06125	01517-06125	01517-06125	01517-06125	01517-06125	2	BOLT, HOSE CLAMP NO.3(M6*12)
27	53111HG5850	53111HG5850	53111HG5850	53111HG5850	53111HG5850	1	FENDER, FRONT (16B:0SY,3R1:0CR,6B1:0C
28	01104-06208	01104-06208	01104-06208	01104-06208	01104-06208	4	BOLT, FRONT FENDER(M6*20)
29	09169-06053	09169-06053	09169-06053	09169-06053	09169-06053	8	WASHER, FRONT FENDER

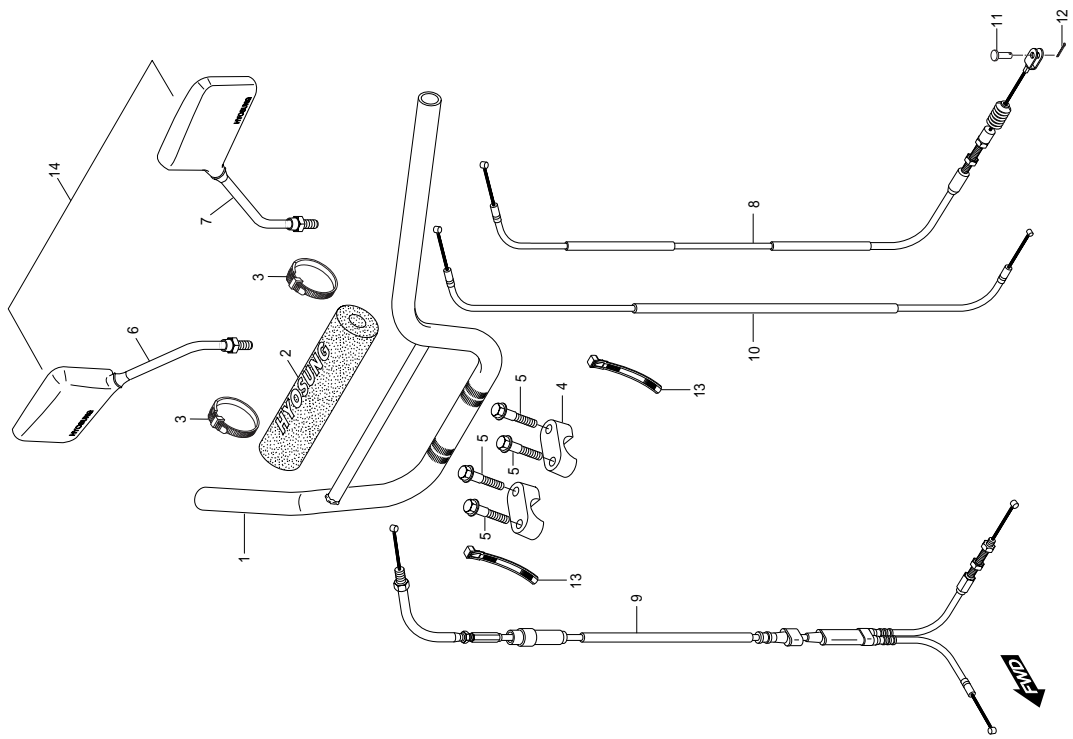


**END**



## FIG 36. FRONT WHEEL

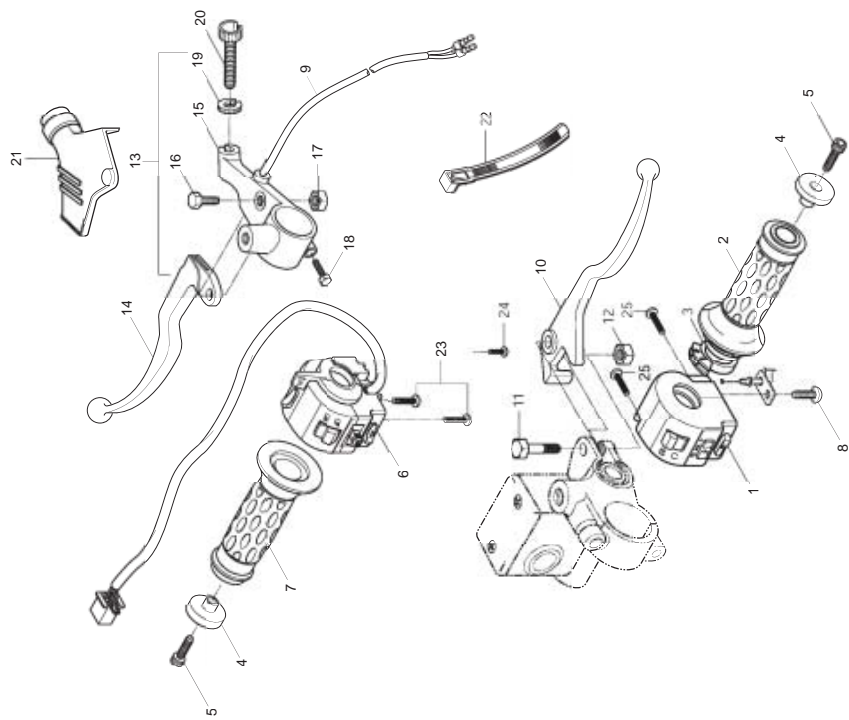
REF	PARTS NO.				PARTS NAME	Q'TY (PCS)	REMARKS
	NO. ST01	JEU01	JEU02	NG01			
1	54110HG5806	54110HG5806	54110HG5806	54110HG5806	HUB,FRONT WHEEL	1	
2	55311HG5850	55311HG5850	55311HG5850	55311HG5850	RIM, FRONT WHEEL(1.60*21)	1	
3	55321HG5801	55321HG5801	55321HG5801	55321HG5801	SPOKE, FRONT WHEEL INNER	18	
4	55322HG5801	55322HG5801	55322HG5801	55322HG5801	SPOKE, FRONT WHEEL OUTER	18	
5	65325-03020	65325-03020	65325-03020	65325-03020	NIPPLE, WHEEL SPOKE	36	
6	08123-62027	08123-62027	08123-62027	08123-62027	BEARING, FRONT HUB	2	
7	54750HG5800	54750HG5800	54750HG5800	54750HG5800	SPACER COMP, FRONT AXLE LH	1	
8	54600HG5802	54600HG5802	54600HG5802	54600HG5802	BOX ASSY, SPEEDOMETER GEAR	1	
9	59211HG5800	59211HG5800	59211HG5800	59211HG5800	DISK,FRONT BRAKE	1	
10	54711HG5810	54711HG5810	54711HG5810	54711HG5810	AXLE,FRONT	1	
11	55101HG5800	55101HG5800	55101HG5800	55101HG5800	TIRE SET,FRONT(2.75*21 45P)	1	NOT SALE
12	55100HG5800	55100HG5800	55100HG5800	55100HG5800	TIRE COMP,FRONT(2.75*21 45P)	1	
13	55200-16510	55200-16510	55200-16510	55200-16510	TUBE ASSY, FRONT WHEEL INNER	1	
14	55261-16510	55261-16510	55261-16510	55261-16510	PROTECTOR, FRONT WHEEL INNER	1	
15	59421-03A01	59421-03A01	59421-03A01	59421-03A01	BOLT, FRONT DISC	4	
16	54110HG5806HPA	54110HG5806HPA	54110HG5806HPA	54110HG5806HPA	FRONT WHEEL COMP	1	
17	54731HG5800	54731HG5800	54731HG5800	54731HG5800	SPC, FT AXLE	1	



## FIG 37. HANDLE BAR

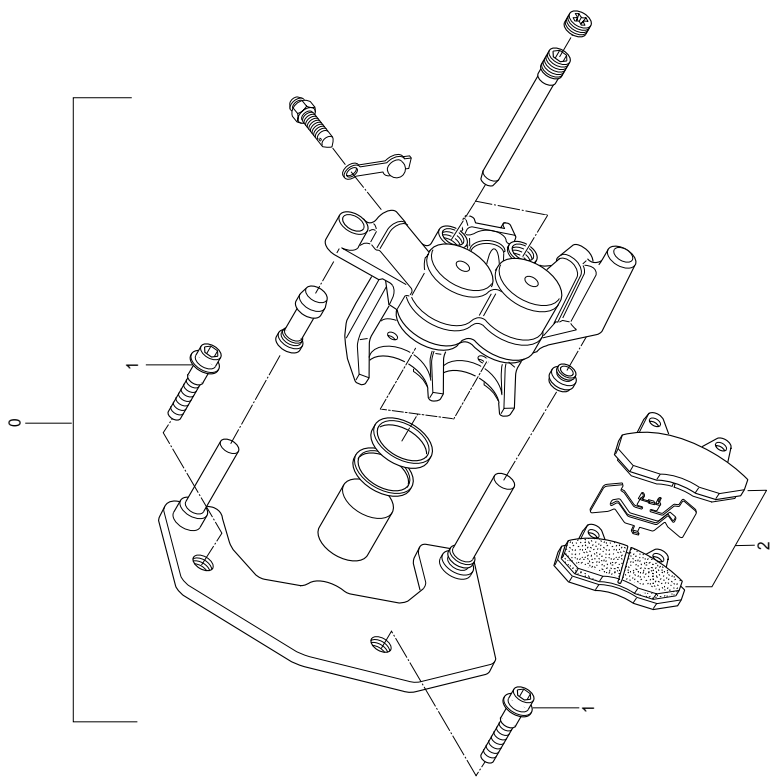
REF	PARTS NO.				PARTS NAME	Q'TY (PCS)	REMARKS
	NO. ST01	JEU01	JEU02	NG01			
1	56110HG5856PAM	56110HG5856PAM	56110HG5856PAM	56110HG5856PAM	HANDLE BAR COMP	1	
2	56172HG5800	56172HG5800	56172HG5800	56172HG5800	PAD CROSSBAR	1	
3	09407-18401	09407-18401	09407-18401	09407-18401	BAND, CROSSBAR PAD	2	
4	56211-272A0	56211-272A0	56211-272A0	56211-272A0	HOLDER, HANDLEBAR	2	
5	01517-08355	01517-08355	01517-08355	01517-08355	BOLT,HANDLEBAR HOLDER(M8*35)	4	
6	56500HM5450	56500HM5450	56500HM5450	56500HM5450	MIRROR ASSY,REAR VIEW R	1	
7	56600HM5450	56600HM5450	56600HM5450	56600HM5450	MIRROR ASSY,REAR VIEW L	1	
8	58200HG5802	58200HG5802	58200HG5802	58200HG5802	CABLE ASSY,CLUTCH	1	
9	58300HG5805	58300HG5805	58300HG5805	58300HG5805	CABLE ASSY THROTTLE	1	
10	58410HG5808	58410HG5808	58410HG5808	58410HG5808	CABLE ASSY STARTER	1	
11	09200-06004	09200-06004	09200-06004	09200-06004	PIN CLUTCH CABLE	1	
12	04111-20158	04111-20158	04111-20158	04111-20158	COTTER PIN, CLUTCH	1	
13	09407-14403	09407-14403	09407-14403	09407-14403	CLAMP, HANDLE SWITCH HARNESS	2	
14	56501HM5450	56501HM5450	56501HM5450	56501HM5450	MIRROR SET	1	
15	56271HF4501PLA	56271HF4501PLA	56271HF4501PLA	56271HF4501PLA	BALANCER, handle bar	2	
16	07110-08258	07110-08258	07110-08258	07110-08258	BOLT, handle bar balancer	2	

FIG



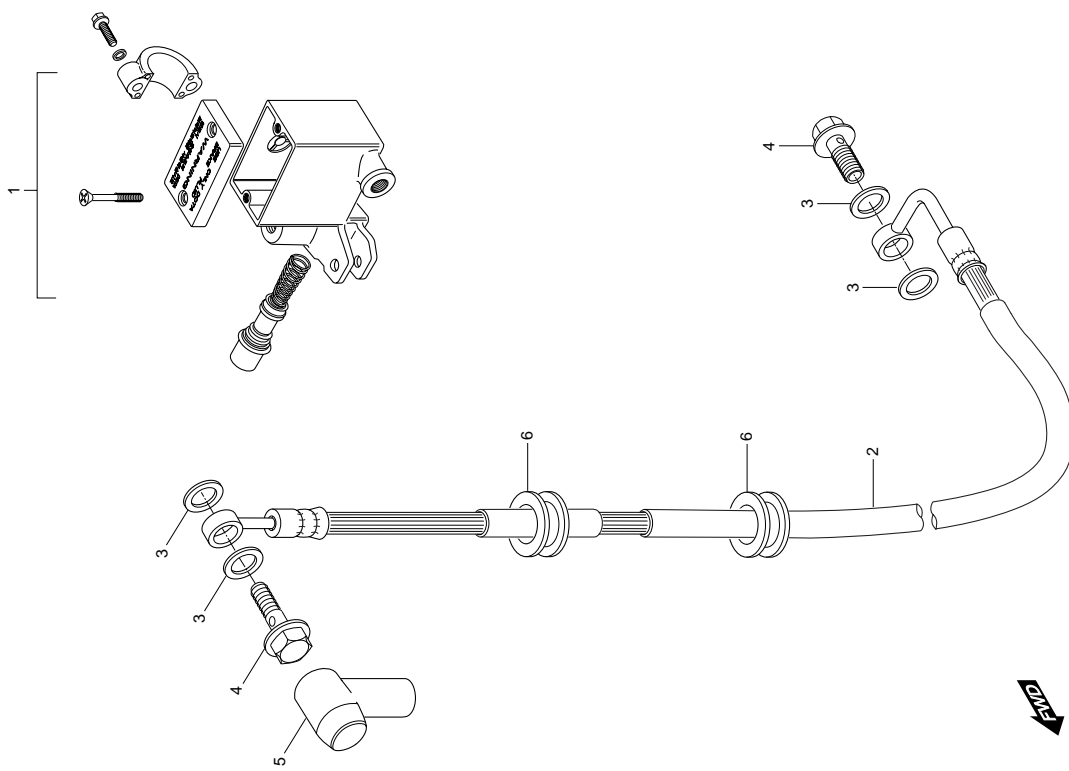
## FIG 38. HANDLE SWITCH

REF	PARTS NO.				PARTS NAME	Q'TY (PCS)	REMARKS
	NO. ST01	JEU01	JEU02	NG01			
1	37200HM5401	37200HM5401	37200HM5401	37200HM5401	SWITCH ASS'Y, handle R	1	
2	57110HG5803	57110HG5803	57110HG5803	57110HG5803	GRIP COMP, throttle	1	
3	57113H93B00	57113H93B00	57113H93B00	57113H93B00	COVER, throttle grip	1	NOT SALE
4	56271HF4501PLA	56271HF4501PLA	56271HF4501PLA	56271HF4501PLA	BALANCER	2	
5	07110-08208	07110-08208	07110-08208	07110-08208	BOLT, handle balancer	2	
6	37400H35C10	37400H35C10	37400H35C10	37400H35C10	SWITCH ASS'Y, handle L	1	
7	57211HG5800	57211HG5800	57211HG5800	57211HG5800	GRIP COMP, L	1	
8	02112-05105	02112-05105	02112-05105	02112-05105	SCREW, throttle cable	1	
9	57460-17C00	57460-17C00	57460-17C00	57460-17C00	SWITCH ASS'Y, clutch lever	1	NOT SALE
10	57421-13001	57421-13001	57421-13001	57421-13001	LEVER, brake	1	
11	57431H05D00	57431H05D00	57431H05D00	57431H05D00	BOLT, brake lever pivot	1	
12	08319-21065	08319-21065	08319-21065	08319-21065	NUT, brake lever pivot	1	
13	57500HG5800	57500HG5800	57500HG5800	57500HG5800	LEVER ASS'Y, clutch	1	
14	57620HG5800	57620HG5800	57620HG5800	57620HG5800	CLUTCH LEVER	1	
15	57511HG5800	57511HG5800	57511HG5800	57511HG5800	HOLDER, clutch lever	1	
16	57431H05D00	57431H05D00	57431H05D00	57431H05D00	BOLT, clutch lever pivot	1	
17	08319-21065	08319-21065	08319-21065	08319-21065	NUT, brake lever pivot	1	
18	57451HG5800	57451HG5800	57451HG5800	57451HG5800	BOLT, clutch lever holder	1	
19	57442H93B00	57442H93B00	57442H93B00	57442H93B00	LOCK NUT	1	
10	57441H93B00	57441H93B00	57441H93B00	57441H93B00	ADJUSTER, wire	1	
21	57661HJ8200	57661HJ8200	57661HJ8200	57661HJ8200	COVER, clutch lever	1	
22	09407-14403	09407-14403	09407-14403	09407-14403	CLAMP, handle switch harness	2	
23	02112-05455	02112-05455	02112-05455	02112-05455	SCREW, h/switch LH	2	
24	02112-05105	02112-05105	02112-05105	02112-05105	SCREW, choke cable	1	
25	02112-05205	02112-05205	02112-05205	02112-05205	SCREW, H/switch RH	2	



## FIG 39. CALIPER

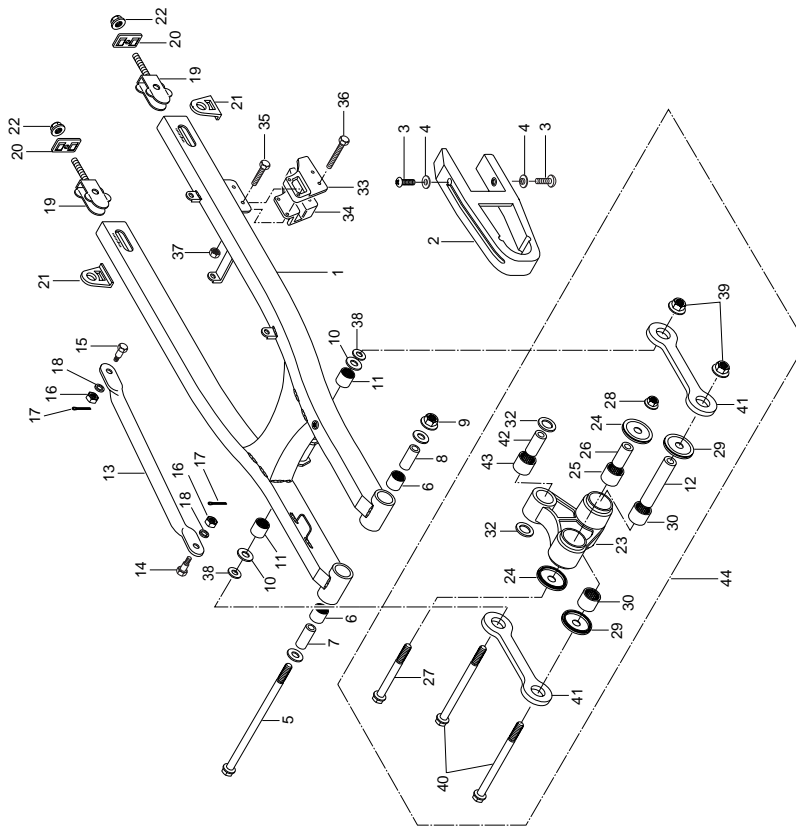
REF NO. ST01	PARTS NO.			PARTS NAME	Q'TY (PCS)	REMARKS
	JEU01	JEU02	NG01			
0	59300HG5810	59300HG5810	59300HG5810	59300HG5810	1	CALIPER ASS'Y, FRONT
1	07120-08308	07120-08308	07120-08308	07120-08308	2	BOLT,CALIPER
2	59300HG5800	59300HG5800	59300HG5800	59300HG5800	1	PAD SET





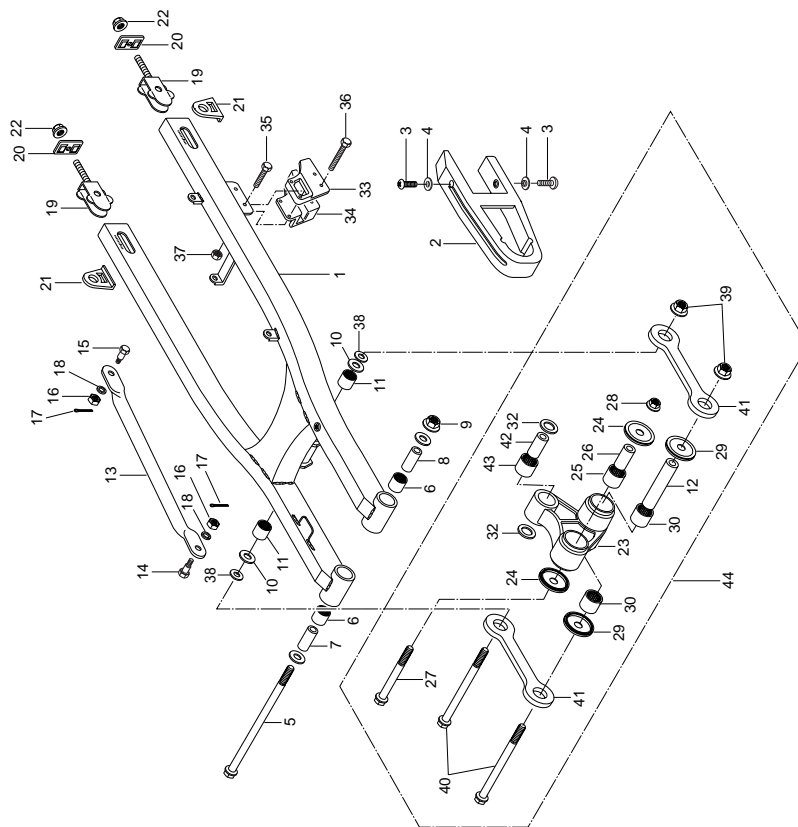
## FIG 40. MASTER CYLINDER & BRAKE HOSE

REF NO. ST01	PARTS NO.			PARTS NAME	Q'TY (PCS)	REMARKS
	JEU01	JEU02	NG01			
1	59600-35C03	59600-35C03	59600-35C03	59600-35C03	1	CYLINDER ASSY, FRONT MASTER
2	59480HG5806	59480HG5806	59480HG5806	59480HG5806	1	HOSE COMP, FRONT BRAKE
3	09161-10005	09161-10005	09161-10005	09161-10005	4	WASHER, BRAKE FLUID
4	09360-10039	09360-10039	09360-10039	09360-10039	2	BOLT, BRAKE HOSE
5	59711H49002	59711H49002	59711H49002	59711H49002	1	BOOT, MASTER CYLINDER
6	59265HG5800	59265HG5800	59265HG5800	59265HG5800	2	GUIDE, BRAKE HOSE



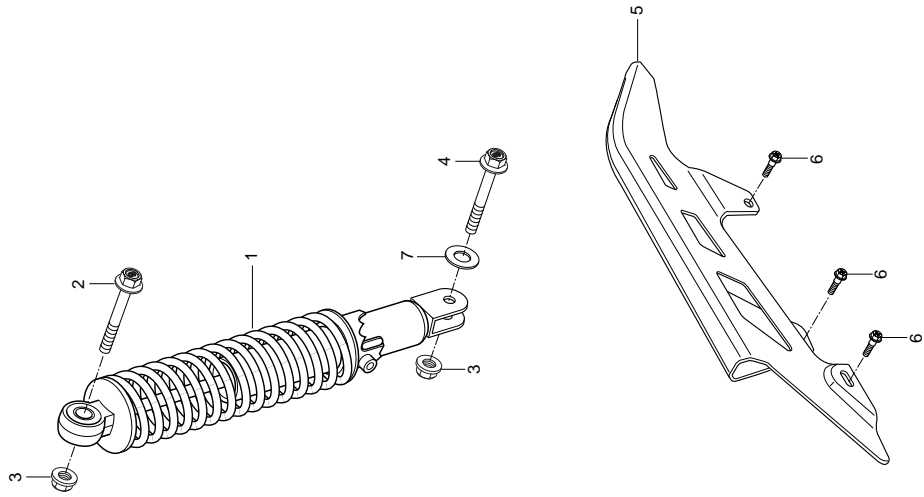
## FIG 41. REAR SWINGARM

REF	PARTS NO.				PARTS NAME	Q'TY	REMARKS
	NO. ST01	JEU01	JEU02	NG01			
1	61100HG580503P	61100HG580503P	61100HG580503P	61100HG580503P	SWING ARM COMP, REAR	1	
2	61273HG5802	61273HG5802	61273HG5802	61273HG5802	BUFFER,CHAIN TOUCH DEFENSE	1	
3	02142-06165	02142-06165	02142-06165	02142-06165	BOLT, CHAIN TOUCH DEFENSE BUFFER	2	
4	09169H06011	09169H06011	09169H06011	09169H06011	WASHER, CHAIN TOUCH DEFENSE BUFFER	2	
5	61211HG5801	61211HG5801	61211HG5801	61211HG5801	SHAFT, REAR SWINGARM PIVOT	1	
6	09263-20073	09263-20073	09263-20073	09263-20073	BEARING, REAR SWINGARM PIVOT	2	
7	09180H14002	09180H14002	09180H14002	09180H14002	SPACER, REAR SWINGARM PIVOT R	1	
8	09180H14003	09180H14003	09180H14003	09180H14003	SPACER, REAR SWINGARM PIVOT L	1	
9	09159H14008	09159H14008	09159H14008	09159H14008	NUT, REAR SWINGARM PIVOT	1	
10	09283-20031	09283-20031	09283-20031	09283-20031	SEAL, REAR CUSHION ROD	2	
11	09263H20003	09263H20003	09263H20003	09263H20003	BRARING, REAR CUSHION ROD	2	
12	09180H14001	09180H14001	09180H14001	09180H14001	SPACER, REAR CUSHION ROD	1	
13	64310HG5800	64310HG5800	64310HG5800	64310HG5800	TORQUE LINK COMP,REAR	1	
14	09111-08012	09111-08012	09111-08012	09111-08012	BOLT, REAR TORQUE LINK FRONT	1	
15	09111-08013	09111-08013	09111-08013	09111-08013	BOLT, REAR TORQUE LINK REAR	1	
16	09140-08008	09140-08008	09140-08008	09140-08008	NUT, REAR TORQUE LINK	2	
17	04111-20208	04111-20208	04111-20208	04111-20208	COTTER PIN, REAR TORQUE LINK	2	
18	08321-31088	08321-31088	08321-31088	08321-31088	WASHER, REAR TORQUE LINK	2	
19	61410HG5800	61410HG5800	61410HG5800	61410HG5800	ADJUSTER COMP, CHAIN	2	
20	61421HG5800	61421HG5800	61421HG5800	61421HG5800	PLATE, CHAIN ADJUSTER GUIDE	2	
21	64712HG5800	64712HG5800	64712HG5800	64712HG5800	WASHER, CHAIN ADJUSTER	2	
22	08316-26108	08316-26108	08316-26108	08316-26108	NUT, CHAIN ADJUSTER(M10)	2	
23	62611HG5800	62611HG5800	62611HG5800	62611HG5800	LEVER, REAR CUSHION	1	
24	09284H33003	09284H33003	09284H33003	09284H33003	DUST SEAL, REAR CUSHION LEVER FRON	2	
25	09263-20073	09263-20073	09263-20073	09263-20073	BRARING, REAR CUSHION LEVER FRONT	1	
26	09180H12001	09180H12001	09180H12001	09180H12001	SPACER, REAR CUSHION LEVER FRONT	2	
27	09103H12046	09103H12046	09103H12046	09103H12046	BOLT,REAR CUSHION LEVER FRONT	1	
28	08319-31128	08319-31128	08319-31128	08319-31128	NUT, REAR CUSHION LEVER FRONT(M12)	1	
29	09284H32001	09284H32001	09284H32001	09284H32001	SEAL, REAR CUSHION LEVER CENTER	2	
30	09263H20003	09263H20003	09263H20003	09263H20003	BEARING, REAR CUSHION LEVER CENTE	2	
31	09284H17001	09284H17001	09284H17001	09284H17001	DUST SEAL, REAR CUSHION LEVER REAF	2	
32	09284H32001	09284H32001	09284H32001	09284H32001	WASHER, REAR CUSHION ROD	2	
33	61396HG5801	61396HG5801	61396HG5801	61396HG5801	GUIDE,DRIVEN CHAIN NO.1	1	



## FIG 41. REAR SWINGARM

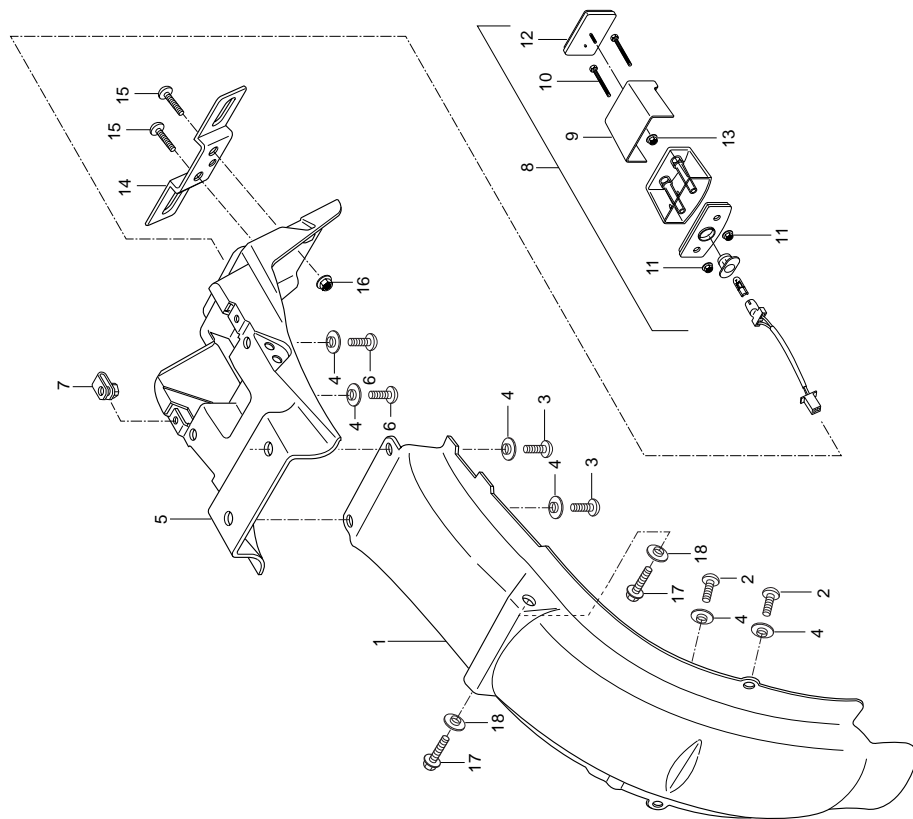
REF	PARTS NO.				PARTS NAME	Q'TY	REMARKS
	NO. ST01	JEU01	JEU02	NG01			
34	61397HG5801	61397HG5801	61397HG5801	61397HG5801	GUIDE,DRIVEN CHAIN NO.2	1	
35	01517-06308	01517-06308	01517-06308	01517-06308	BOLT, SWING ARM & CHAIN GUIDE(M6*3	2	
36	01547-06458	01547-06458	01547-06458	01547-06458	BOLT, CHAIN GUIDE NO.1 & NO.2(M6*45)	2	
37	09316-26066	09316-26066	09316-26066	09316-26066	NUT, SWING ARM & CHAIN GUIDE(M6)	2	
38	09284H32001	09284H32001	09284H32001	09284H32001	SEAL, rear cushion lever	2	
39	09159H14008	09159H14008	09159H14008	09159H14008	NUT, REAR CUSHION ROD	2	
40	09103H14001	09103H14001	09103H14001	09103H14001	BOLT, REAR CUSHION ROD	2	
41	62641HG5800	62641HG5800	62641HG5800	62641HG5800	ROD, REAR CUSHION LEVER	2	
42	09180H10073	09180H10073	09180H10073	09180H10073	SPACER, REAR CUSHION LEVER REAR	1	
43	09263H17002	09263H17002	09263H17002	09263H17002	BEARING, REAR CUSHION LEVER REAR	1	
44	62611HG5800HPA	62611HG5800HPA	62611HG5800HPA	62611HG5800HPA	LEVER, REAR CUSHION	1	
45	68320HG5850	68320HG5850	68320HG5850	68320HG5850	LABEL, chain case	1	
45-1			68320HG5860	68320HG5860	LABEL, chain case	1	
45-2					LABEL, chain case	1	
45-3					LABEL, chain case	1	



END

## FIG 42. REAR SHOCK ABSORBER

REF NO. ST01	PARTS NO.			KFN01	PARTS NAME	Q'TY (PCS)	REMARKS
	JEU01	JEU02	NG01				
1	62100HG5804	62100HG5804	62100HG5804	62100HG5804	SHOCK ABSORBER ASS'Y, REAR	1	
2	09103H10230	09103H10230	09103H10230	09103H10230	BOLT, REAR SHOCK ABSORBER UPPER	1	
3	08319-31108	08319-31108	08319-31108	08319-31108	NUT, REAR SHOCK ABSORBER(M10)	1	
4	09103H10101	09103H10101	09103H10101	09103H10101	BOLT, REAR SHOCK ABSORBER LOWER	1	
5	61311HG5800	61311HG5800	61311HG5800	61311HG5800	CHAIN CASE	1	
6	09111H06066	09111H06066	09111H06066	09111H06066	BOLT, CHAIN CASE	3	
7	09160-10001	09160-10001	09160-10001	09160-10001	WASHER, REAR ABSORBER LOWER	1	

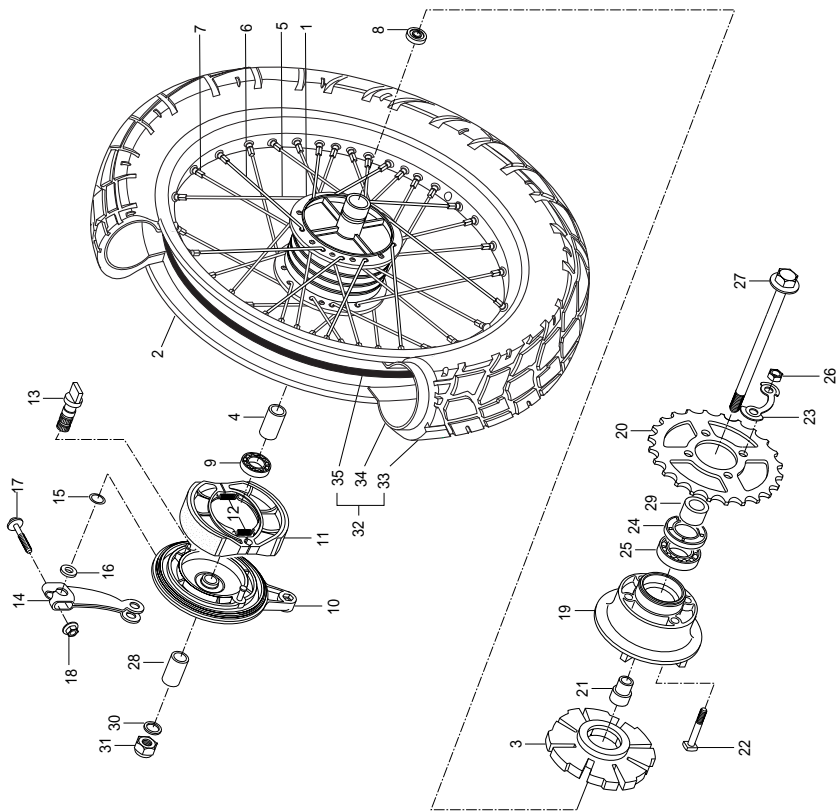


**END**



## FIG 43. REAR FENDER

REF	PARTS NO.				PARTS NAME	Q'TY (PCS)	REMARKS
	NO. ST01	JEU01	JEU02	NG01			
1	63112HG5803	63112HG5803	63112HG5803	63112HG5803	REAR FENDER, FRONT	1	
2	02142-06125	02142-06125	02142-06125	02142-06125	SCREW, REAR FENDER FRONT(M6*12)	2	
3	02142-06165	02142-06165	02142-06165	02142-06165	SCREW, REAR FENDER FRONT(M6*16)	2	
4	09169-06034	09169-06034	09169-06034	09169-06034	WASHER, REAR FENDER FRONT	6	
5	63113HG5851	63113HG5851	63113HG5851	63113HG5851	REAR FENDER, REAR	1	
6	02142-06125	02142-06125	02142-06125	02142-06125	SCREW, REAR FENDER REAR(M6*12)	2	
7	09148-06020	09148-06020	09148-06020	09148-06020	NUT, REAR FENDER & REAR COMBI UP(N	2	
8	35910HG5800				LAMP ASSY, LICENSE	1	
8-1	35910HG5850	35910HG5850	35910HG5850	35910HG5850	LAMP ASSY, LICENSE	1	
9	35915HG5800	35915HG5800	35915HG5800	35915HG5800	COVER, LICENSE LAMP	1	
10	01107-05605	01107-05605	01107-05605	01107-05605	BOLT, LICENSE LAMP(M5*60)	2	
11	08316-26055	08316-26055	08316-26055	08316-26055	NUT, LICENSE LAMP(M5)	2	
12	35970-17303	35970-17303	35970-17303	35970-17303	REFLEX REFLECTOR ASSY, REAR	1	
13	08316-26055	08316-26055	08316-26055	08316-26055	NUT, REAR REFLEX REFLECTOR(M5)	1	
14	35927H44430	35927H44430	35927H44430	35927H44430	BRACKET, LICENSE PLATE	1	
15	02142-06165	02142-06165	02142-06165	02142-06165	SCREW, LICENSE PLATE BRACKET(M6*16)	2	
16	08316-16068	08316-16068	08316-16068	08316-16068	NUT, LICENSE PLATE BRACKET(M6)	2	
17	01517-08168	01517-08168	01517-08168	01517-08168	BOLT,SEAT REAR(M8*16)	2	
18	09169-06034	09169-06034	09169-06034	09169-06034	WASHER, SEAT REAR BOLT	2	



## FIG 44. REAR WHEEL

REF	PARTS NO.				PARTS NAME	Q'TY (PCS)	REMARKS
	NO. ST01	JEU01	JEU02	NG01			
0	65310HG5850HPA	65310HG5850HPA	65310HG5850HPA	65310HG5850HPA	REAR WHEEL COMP	1	
1	64110-07605	64110-07605	64110-07605	64110-07605	HUB,REAR	1	
2	65311HG5850	65311HG5850	65311HG5850	65311HG5850	RIM, REAR WHEEL(1.60*18)	1	
3	64651-07001	64651-07001	64651-07001	64651-07001	DAMPER SHOCK, REAR HUB	1	
4	09180-15011	09180-15011	09180-15011	09180-15011	SPACER, REAR HUB BEARING	1	
5	65321H08B00	65321H08B00	65321H08B00	65321H08B00	SPOKE REAR WHEEL INNER	18	
6	65322H08B00	65322H08B00	65322H08B00	65322H08B00	SPOKE REAR WHEEL OUTER	18	
7	65325-03020	65325-03020	65325-03020	65325-03020	NIPPLE, WHEEL SPOKE	36	
8	08123-62027	08123-62027	08123-62027	08123-62027	BEARING, EAR HUB L	1	
9	08124-63027	08124-63027	08124-63027	08124-63027	BEARING, EAR HUB R	1	
10	64210HG5800BRA	64210HG5800BRA	64210HG5800BRA	64210HG5800BRA	PANEL COMP,REAR BRAKE ANCHOR	1	
11	64400S93B01	64400S93B01	64400S93B01	64400S93B01	SHOE COMP, BRAKE	1	
12	09443H08025	09443H08025	09443H08025	09443H08025	SPRING,REAR BRAKE SHOE	2	
13	54441-29306	54441-29306	54441-29306	54441-29306	CAM REAR BK	1	
14	64451-38210	64451-38210	64451-38210	64451-38210	LEVER REAR BRAKE CAM	1	
15	09280-14003	09280-14003	09280-14003	09280-14003	O-RING,REAR BRAKE CAM	1	
16	09160H14001	09160H14001	09160H14001	09160H14001	WASHER,REAR BRAKE CAM DUST SEAL	1	
17	01517-06358	01517-06358	01517-06358	01517-06358	BOLT, REAR BRAKE CAM LEVER(M6*35)	1	
18	08316-16068	08316-16068	08316-16068	08316-16068	NUT, REAR BRAKE CAM LEVER(M6)	1	
19	64611H05300	64611H05300	64611H05300	64611H05300	DRUM REAR SPROCKET MOUNTING	1	
20	64511H93B00	64511H93B00	64511H93B00	64511H93B00	SPROCKET REAR(48T)	1	
21	64733-39100	64733-39100	64733-39100	64733-39100	RETAINER, REAR SPROCKET DRUM	1	
22	09105H08001	09105H08001	09105H08001	09105H08001	BOLT, REAR SPROCKET	4	
23	09169-08012	09169-08012	09169-08012	09169-08012	WASHER, REAR SPROCKET	2	
24	09285-28001	09285-28001	09285-28001	09285-28001	OIL SEAL, REAR SPROCKET MTG DRUM	1	
25	08113-62047	08113-62047	08113-62047	08113-62047	BRARING, REAR SPROCKET MTG DRUM	1	
26	08310-11088	08310-11088	08310-11088	08310-11088	NUT, REAR SPROCKET(M8)	4	
27	64711HG5800	64711HG5800	64711HG5800	64711HG5800	AXLE,REAR	1	
28	64741-08B10	64741-08B10	64741-08B10	64741-08B10	SPACER REAR AXLE R	1	
29	64751H93B00	64751H93B00	64751H93B00	64751H93B00	SPACER REAR AXLE L	1	
30	08322-11148	08322-11148	08322-11148	08322-11148	WASHER, REAR AXLE	1	
31	09159H14008	09159H14008	09159H14008	09159H14008	NUT REAR AXLE	1	
32	65101HG5800	65101HG5800	65101HG5800	65101HG5800	TIRE SET,REAR (4.10*18 59P)	1	NOT SALE



## FIG 44. REAR WHEEL

REF NO. ST01	PARTS NO.			PARTS NAME	Q'TY (PCS)	REMARKS
	JEU01	JEU02	NG01			
33	65100HG5800	65100HG5800	65100HG5800	65100HG5800	1	TIRE COMP,REAR (4.10*18 59P)
33-1	65100HG5850				1	TIRE COMP,REAR (4.10*18 59P)
33-2	65100HG5860				1	TIRE COMP,REAR (4.10*18 59P)
34	65200-11601	65200-11601	65200-11601	65200-11601	1	TUBE ASS'Y, REAR WHEEL INNER
35	65261-14010	65261-14010	65261-14010	65261-14010	1	PROTECTOR, REAR WHEEL INNER