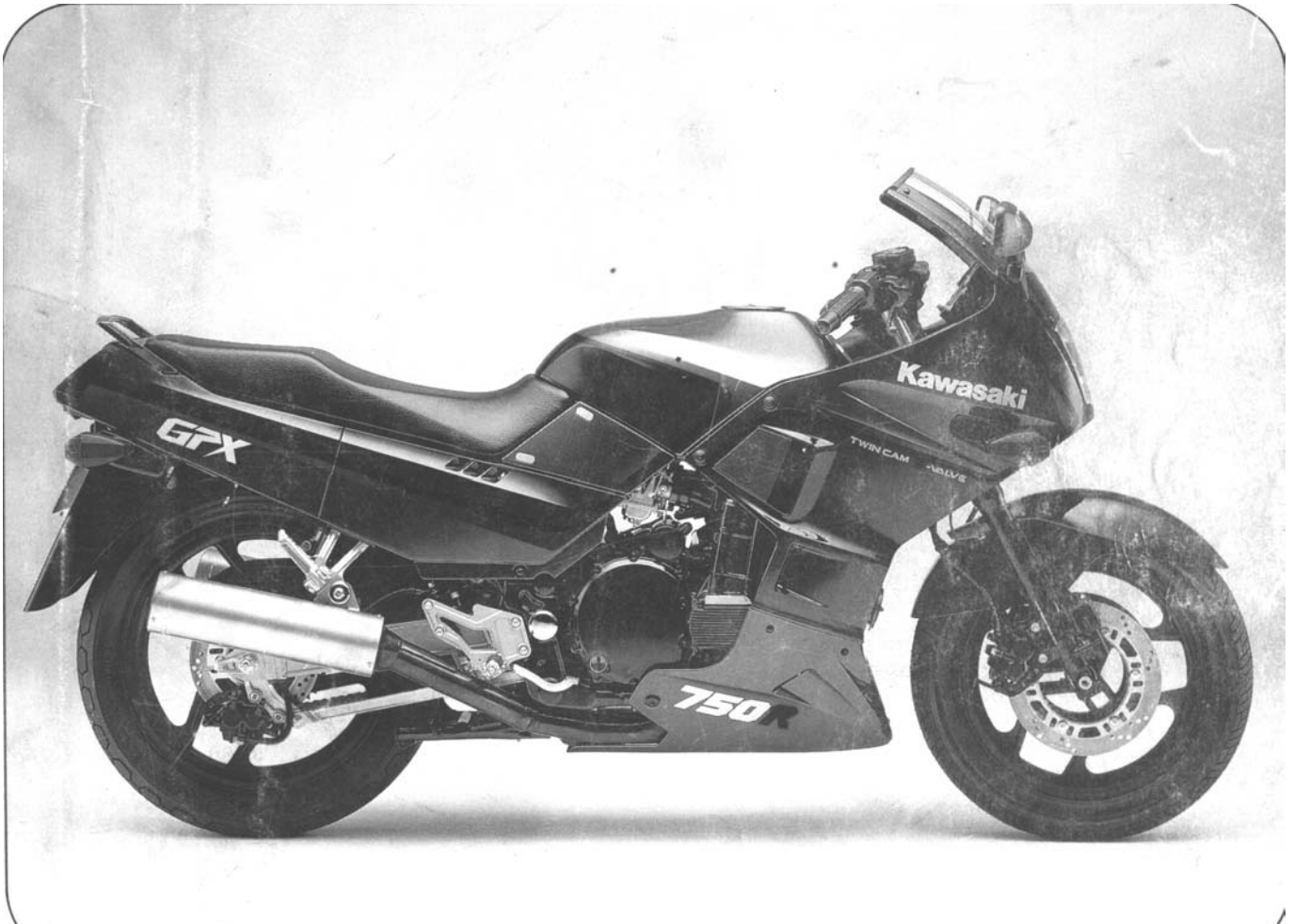




**Ninja750R
GPX750R**

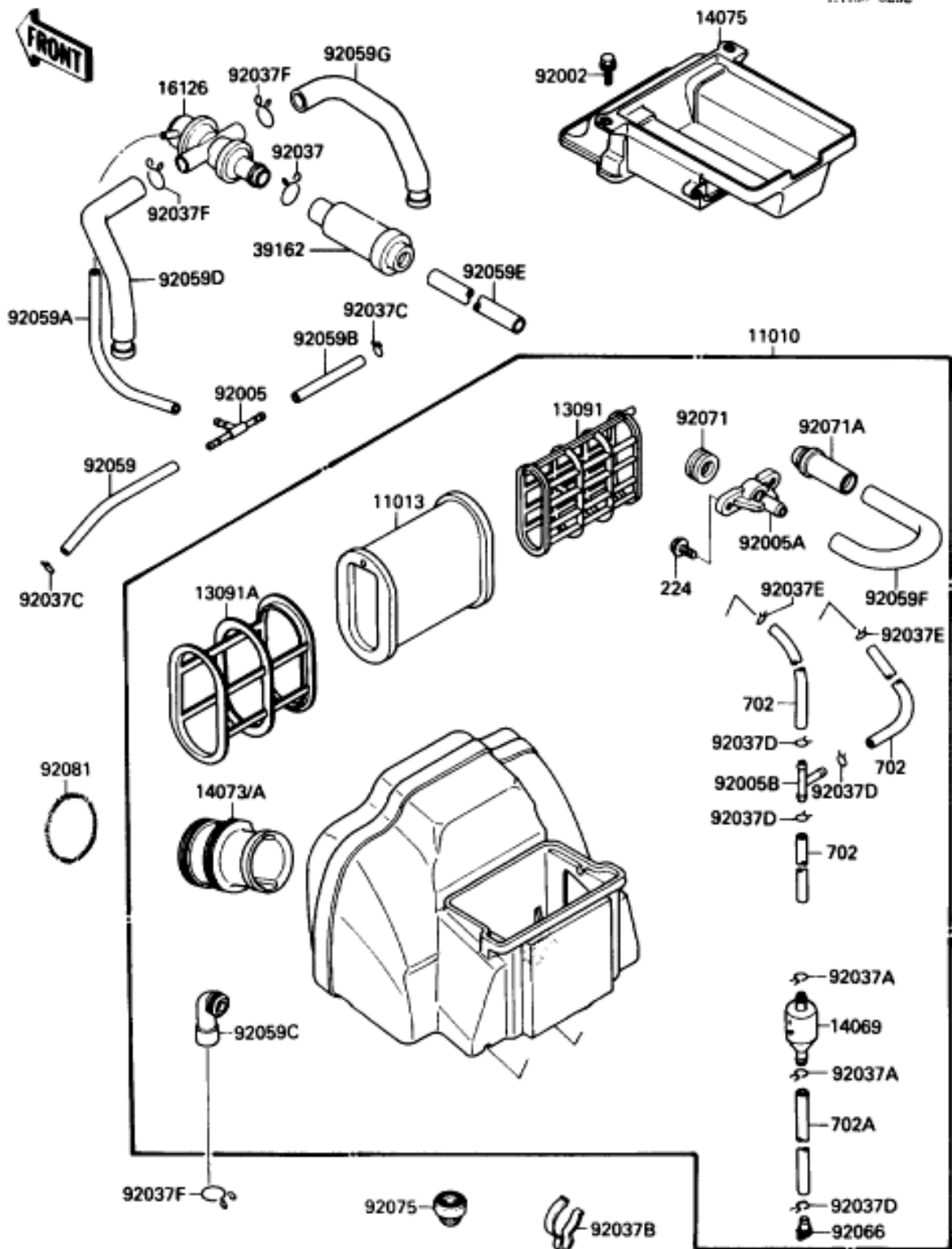


Motorcycle Parts List

AIR CLEANER	5
AIR CLEANER CANADIAN MODEL	7
BRAKE PEDAL / TORQUE LINK	9
BREATHER COVER / OIL PAN	11
CABLES	13
CAMSHAFTS / TENSIONER	15
CARBURETOR	17
CARBURETOR PARTS	19
CHASSIS ELECTRICAL EQUIPMENT	21
CLUTCH	23
CLUTCH MASTER CYLINDER	25
COWLING	27
COWLING LOWERS	29
CRANKCASE	31
CRANKCASE BOLT PATTERN	33
CRANKSHAFT	35
CYLINDER HEAD	37
CYLINDER HEAD COVER	39
CYLINDER / PISTONS	41
ELECTRO BRACKET	43
ENGINE COVERS	45
FENDERS	47
FOOTRESTS	49
FRAME	51
FRAME FITTINGS	53
FRONT BRAKE	55
FRONT FORK	57
FRONT MASTER CYLINDER	59
FRONT WHEEL	61
FUEL EVAPORATIVE SYSTEM	63
FUEL TANK	65
GEAR CHANGE DRUM / SHIFT FORKS	67
GEAR CHANGE MECHANISM	69
GENERATOR	71
GENERATOR SHAFT	73
HANDLEBAR	75
HEADLIGHT	77
IGNITION SWITCH / LOCKS / REFLECTORS	79
IGNITION SYSTEM	81
LABELS	83
METERS	85
MUFFLERS	87
OIL COOLER	89
OIL PUMP / OIL FILTER	91
OWNER'S TOOLS	93
RADIATOR	95
REAR BRAKE	97
REAR MASTER CYLINDER	99
REAR SUSPENSION	101
REAR WHEEL / CHAIN	103
SEAT	105
SHOCK ABSORBER	107
SIDE COVERS / CHAIN COVER	109
STANDS	111
STARTER MOTOR	113
SWINGARM	115
TAILLIGHTS	117
TIRES	119
TRANSMISSION	121
TURN SIGNALS	123
VALVES	125

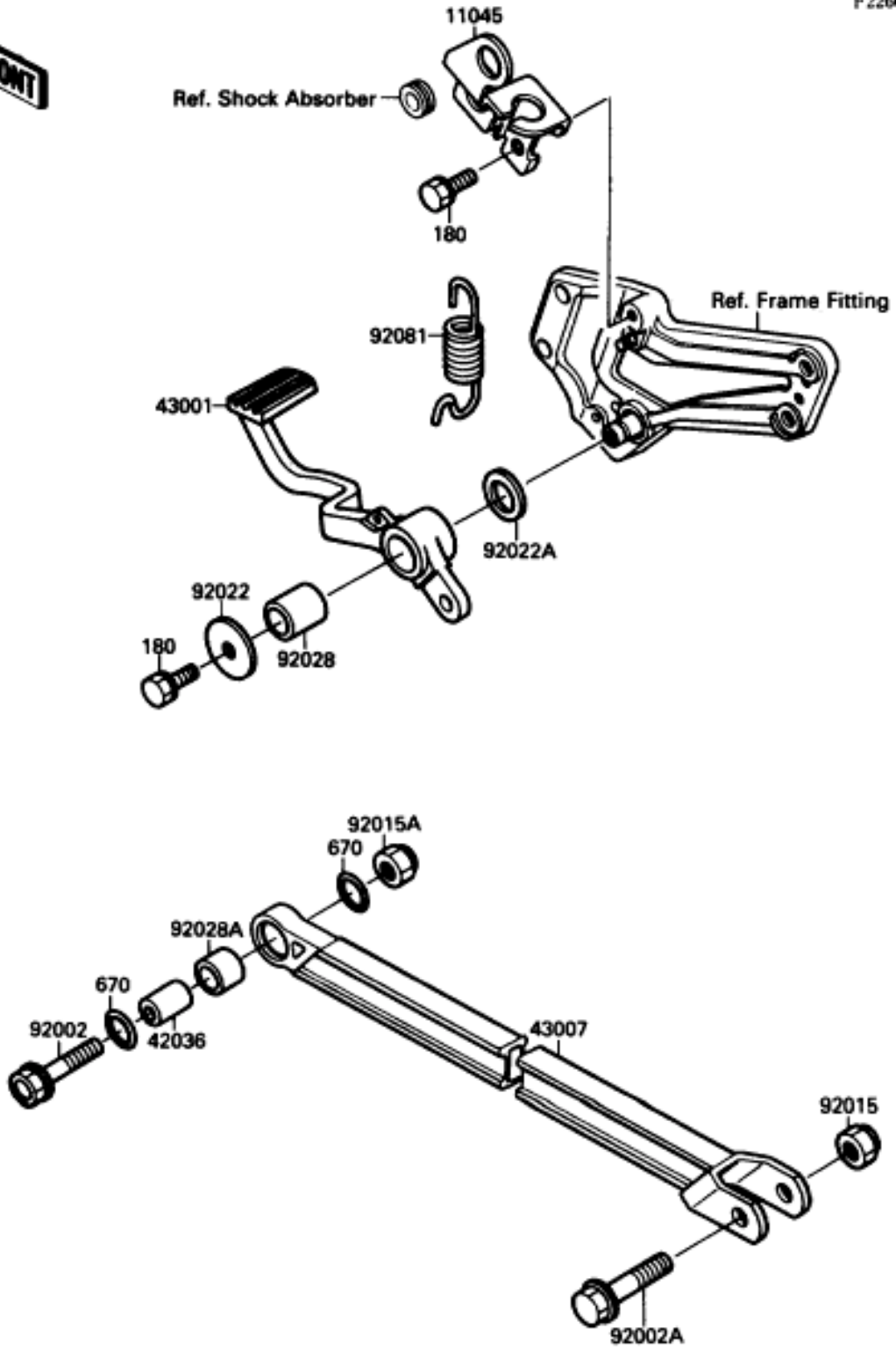
Ref #	Part #	Description	Qty	Spec Code
11010	11010-1306	FILTER-ASSY-AIR	1	[US]
11010A	11010-1307	FILTER-ASSY-AIR	1	[CN]
11013	11013-1154	ELEMENT-AIR FILTER	1	[CN,US]
13091	13091-1467	HOLDER,ELEMENT	1	[CN,US]
13091A	13091-1468	HOLDER,ELEMENT	1	[CN,US]
14069	14069-1051	BREATHER	1	[CN,US]
14073	14073-1277	DUCT,#1,#4	2	[CN,US]
14073A	14073-1278	DUCT,#2,#3	2	[CN,US]
14075	14075-1070	CAP-ASSY,AIR FILTER	1	[CN,US]
16126	16126-1104	VALVE,AIR SWITCH	1	[US]
39162	39162-1003	SILENCER-INTAKE	1	[US]
92002	92002-1720	BOLT,6X16	2	[CN,US]
92005	92005-1017	FITTING,TUBE,T-TYPE	1	[US]
92037	92037-1076	CLAMP,TUBE	1	[US]
92037A	92037-147	CLAMP,TUBE	2	[CN,US]
92037B	92037-1552	CLAMP,HOSE	1	[CN,US]
92037C	92037-1610	CLAMP	2	[US]
702	702A07200	TUBE-RUBBER	1	[CN,US]
702A	702A07240	TUBE-RUBBER	1	[CN,US]
92037D	92037-1712	CLAMP	1	[CN,US]
92037E	92037-1972	CLAMP,TUBE	1	[CN,US]
92037F	92037-213	CLAMP,TUBE	1	[CN]
92037F	92037-213	CLAMP,TUBE	3	[US]
92059	92059-1032	TUBE,4X9X190	1	[US]
92059A	92059-1043	TUBE,4X9X290	1	[US]
92059B	92059-1058	TUBE,4X9X100	1	[US]
92059C	92059-1716	TUBE,BREATHER	1	[CN,US]
92059D	92059-1717	TUBE,AIR SWITCH-HEAD,LH	1	[US]
92059E	92059-1718	TUBE,AIR SWITCH-AIR FILTER	1	[US]
92059F	92059-1765	TUBE,AIR SWITCH-HEAD,RH	1	[US]
92066	92066-1211	PLUG,DRAIN	1	[CN,US]
92071	92071-1028	GROMMET,AIR FILTER	1	[US]
92075	92075-1045	DAMPER	1	[CN,US]
92081	92081-1422	SPRING,AIR FILTER DUCT	4	[CN,US]

Ref #	Part #	Description	Qty	Spec Code
11010	11010-1316 <input type="text"/>	FILTER-ASSY-AIR	1	[CA]
11013	11013-1154 <input type="text"/>	ELEMENT-AIR FILTER	1	[CA]
13091	13091-1467 <input type="text"/>	HOLDER,ELEMENT	1	[CA]
13091A	13091-1468 <input type="text"/>	HOLDER,ELEMENT	1	[CA]
14069	14069-1051 <input type="text"/>	BREATHER	1	[CA]
14073	14073-1277 <input type="text"/>	DUCT,#1,#4	2	[CA]
14073A	14073-1278 <input type="text"/>	DUCT,#2,#3	2	[CA]
14075	14075-1070 <input type="text"/>	CAP-ASSY,AIR FILTER	1	[CA]
16126	16126-1104 <input type="text"/>	VALVE,AIR SWITCH	1	[CA]
39162	39162-1003 <input type="text"/>	SILENCER-INTAKE	1	[CA]
92002	92002-1720 <input type="text"/>	BOLT,6X16	2	[CA]
92005	92005-1017 <input type="text"/>	FITTING,TUBE,T-TYPE	1	[CA]
92005A	92005-1139 <input type="text"/>	FITTING	1	[CA]
92005B	92005-1143 <input type="text"/>	FITTING,T-TYPE	1	[CA]
92037	92037-1076 <input type="text"/>	CLAMP,TUBE	1	[CA]
92037A	92037-147 <input type="text"/>	CLAMP,TUBE	2	[CA]
92037B	92037-1552 <input type="text"/>	CLAMP,HOSE	1	[CA]
92037C	92037-1610 <input type="text"/>	CLAMP	2	[CA]
92037D	92037-1712 <input type="text"/>	CLAMP	4	[CA]
92037E	92037-1972 <input type="text"/>	CLAMP,TUBE	2	[CA]
92037F	92037-213 <input type="text"/>	CLAMP,TUBE	3	[CA]
92059	92059-1032 <input type="text"/>	TUBE,4X9X190	1	[CA]
224	224C0614 <input type="text"/>	SCREW-PAN-WP-CROS	2	[CA]
702	702A07100 <input type="text"/>	TUBE-RUBBER	3	[CA]
702A	702A07240 <input type="text"/>	TUBE-RUBBER	1	[CA]
92059A	92059-1043 <input type="text"/>	TUBE,4X9X290	1	[CA]
92059B	92059-1058 <input type="text"/>	TUBE,4X9X100	1	[CA]
92059C	92059-1716 <input type="text"/>	TUBE,BREATHER	1	[CA]
92059D	92059-1717 <input type="text"/>	TUBE,AIR SWITCH-HEAD,LH	1	[CA]
92059E	92059-1718 <input type="text"/>	TUBE,AIR SWITCH-AIR FILTER	1	[CA]
92059F	92059-1759 <input type="text"/>	TUBE	1	[CA]
92059G	92059-1765 <input type="text"/>	TUBE,AIR SWITCH-HEAD,RH	1	[CA]
92066	92066-1211 <input type="text"/>	PLUG,DRAIN	1	[CA]
92071	92071-1028 <input type="text"/>	GROMMET,AIR FILTER	1	[CA]
92071A	92071-1132 <input type="text"/>	GROMMET	1	[CA]
92075	92075-1045 <input type="text"/>	DAMPER	1	[CA]
92081	92081-1422 <input type="text"/>	SPRING,AIR FILTER DUCT	4	[CA]



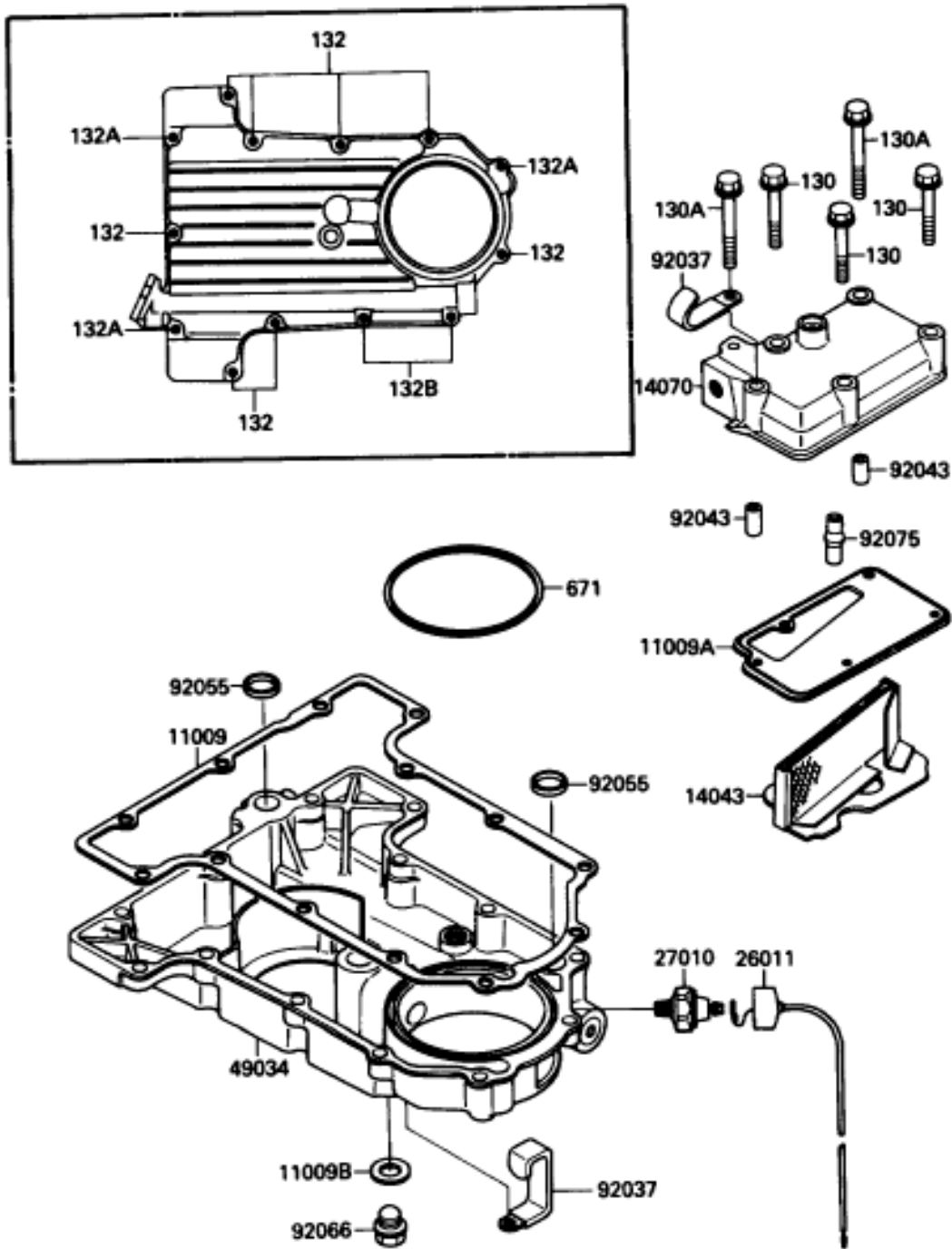
Air Cleaner Californian Model

Ref #	Part #	Description	Qty	Spec Code
180	180H0614 <input type="text"/>	BOLT-UPSET-WS	2	
670	670B2016 <input type="text"/>	O RING,16MM	2	
11045	11045-1290 <input type="text"/>	BRACKET,RR BRAKE LAMP SWITCH	1	
42036	42036-1200 <input type="text"/>	SLEEVE,8.1X16X20	1	
43001	43001-1214 <input type="text"/>	LEVER-BRAKE,PEDAL	1	
43007	43007-1128 <input type="text"/>	ROD-TORQUE	1	
92002	92002-1198 <input type="text"/>	BOLT,8X35	1	
92002A	92002-1838 <input type="text"/>	BOLT,FLANGED,8X40	1	
92015	92015-1133 <input type="text"/>	NUT,CAP,LOCK,8MM	1	
92015A	92015-1205 <input type="text"/>	NUT,U,8MM,BLACK	1	
92022	92022-1282 <input type="text"/>	WASHER,7X28X1.6	1	
92022A	92022-326 <input type="text"/>	WASHER,15.3X24X1	1	
92028	92028-1282 <input type="text"/>	BUSHING,BRAKE PEDAL	1	
92028A	92028-1468 <input type="text"/>	BUSHING	1	
92081	92081-1833 <input type="text"/>	SPRING,BRAKE PEDAL	1	



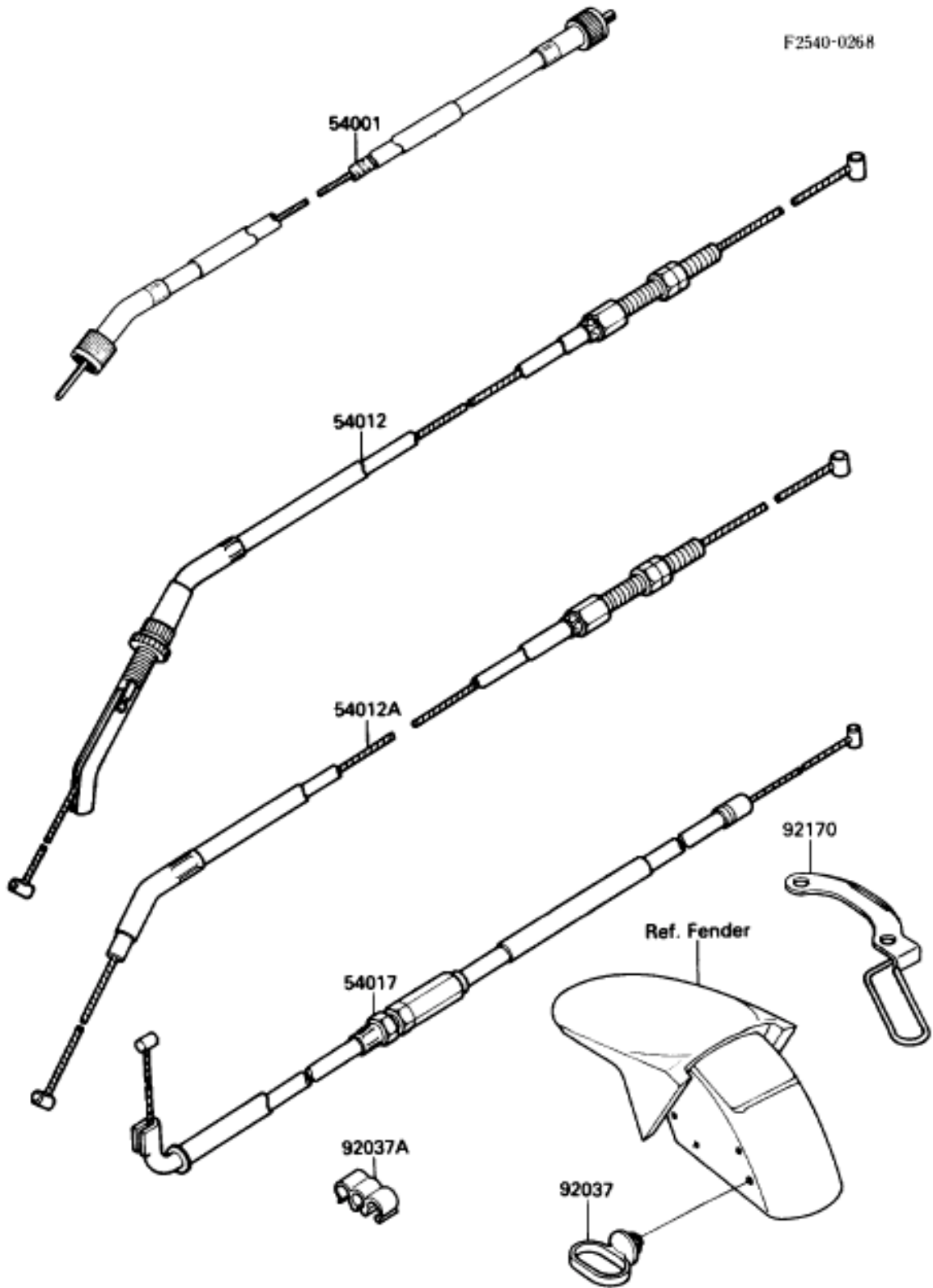
Brake Pedal / Torque Link

Ref #	Part #	Description	Qty	Spec Code
130	130S0640 <input type="text"/>	BOLT-FLANGED	3	
130A	130S0650 <input type="text"/>	BOLT-FLANGED	2	
132	132W0625 <input type="text"/>	BOLT-FLANGED-SMALL	8	
132A	132W0640 <input type="text"/>	BOLT-FLANGED-SMALL	3	
132B	132W0655 <input type="text"/>	BOLT-FLANGED-SMALL	2	
671	671B2590 <input type="text"/>	O RING,90MM	1	
11009	11009-1602 <input type="text"/>	GASKET,OIL PAN	1	
11009A	11009-1604 <input type="text"/>	GASKET,BREATHER COVER	1	
11009B	92065-097 <input type="text"/>	GASKET,12X22X2,DRAIN PLUG	1	
14043	14043-1062 <input type="text"/>	FILTER,BREATHER	1	
14070	14070-1066 <input type="text"/>	BODY-BREATHER	1	
26011	26011-1383 <input type="text"/>	WIRE-LEAD,OIL PRESSURE	1	
27010	27010-1155 <input type="text"/>	SWITCH,OIL PRESSURE	1	
49034	49034-1067 <input type="text"/>	PAN-OIL	1	
92037	92037-1877 <input type="text"/>	CLAMP,WIRING HARNESS	2	
92043	92042-007 <input type="text"/>	PIN,DOWEL,6.3X8X14	2	
92055	92055-077 <input type="text"/>	RING-O,19.5MM	2	
92066	92066-1174 <input type="text"/>	PLUG,OIL DRAIN,12X15	1	
92075	92075-1958 <input type="text"/>	DAMPER,BREATHER BODY	1	



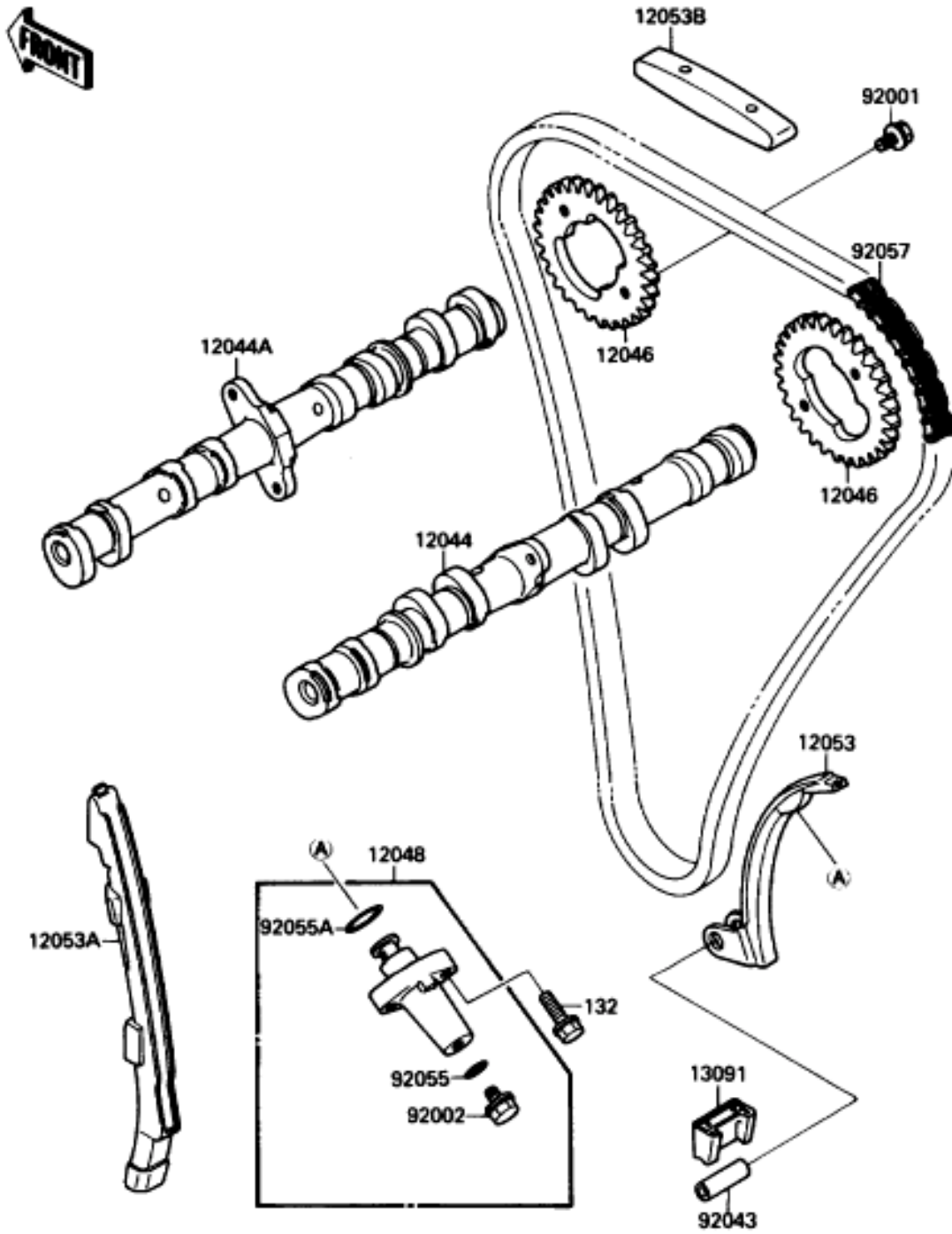
Breather Cover / Oil Pan

Ref #	Part #	Description	Qty	Spec Code
54001	54001-1130 <input type="text"/>	CABLE-SPEEDOMETER	1	
54012	54012-1314 <input type="text"/>	CABLE-THROTTLE,OPENING	1	
54012A	54012-1315 <input type="text"/>	CABLE-THROTTLE,CLOSING	1	
54017	54017-1088 <input type="text"/>	CABLE-STARTER	1	
92037	92037-1459 <input type="text"/>	CLAMP,CABLE	1	
92037A	92037-1697 <input type="text"/>	CLAMP,CABLE	1	
92170	92170-1040 <input type="text"/>	CLAMP,CABLE	1	



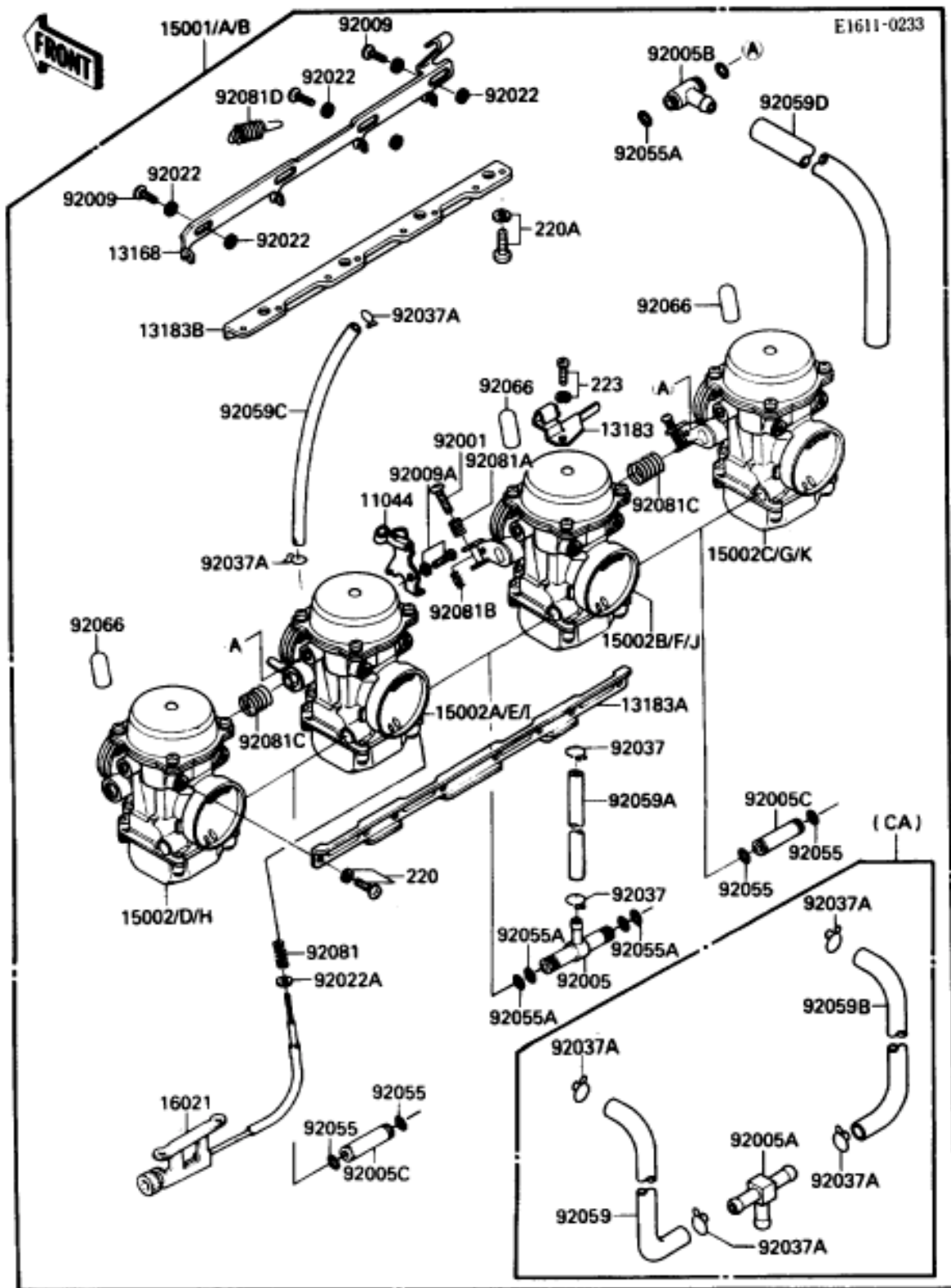
Cables

Ref #	Part #	Description	Qty	Spec Code
132	132G0625 <input type="text"/>	BOLT-FLANGED-SMALL	2	
12044	12044-1226 <input type="text"/>	CAMSHAFT-VALVE,INTAKE	1	
12044A	12044-1227 <input type="text"/>	CAMSHAFT-VALVE,EXHAUST	1	
12046	12046-1091 <input type="text"/>	SPROCKET,CAMSHAFT,44T	2	
12048	12048-1077 <input type="text"/>	TENSIONER-ASSY	1	
12053	12053-1200 <input type="text"/>	GUIDE-CHAIN,RR	1	
12053A	12053-1201 <input type="text"/>	GUIDE-CHAIN,FR	1	
12053B	12053-1202 <input type="text"/>	GUIDE-CHAIN,UPP	1	
13091	13091-1447 <input type="text"/>	HOLDER	1	
92001	92003-208 <input type="text"/>	BOLT,FLANGED,6X11	4	
92002	92002-1627 <input type="text"/>	BOLT,TENSIONER	1	
92043	92043-1333 <input type="text"/>	PIN,7X10X31.5	1	
92055	92055-1248 <input type="text"/>	RING-O,TENSIONER BOLT	1	
92055A	92055-1249 <input type="text"/>	RING-O,TENSIONER	1	
92057	92057-1220 <input type="text"/>	CHAIN,CAM,82RH2015-138L	1	



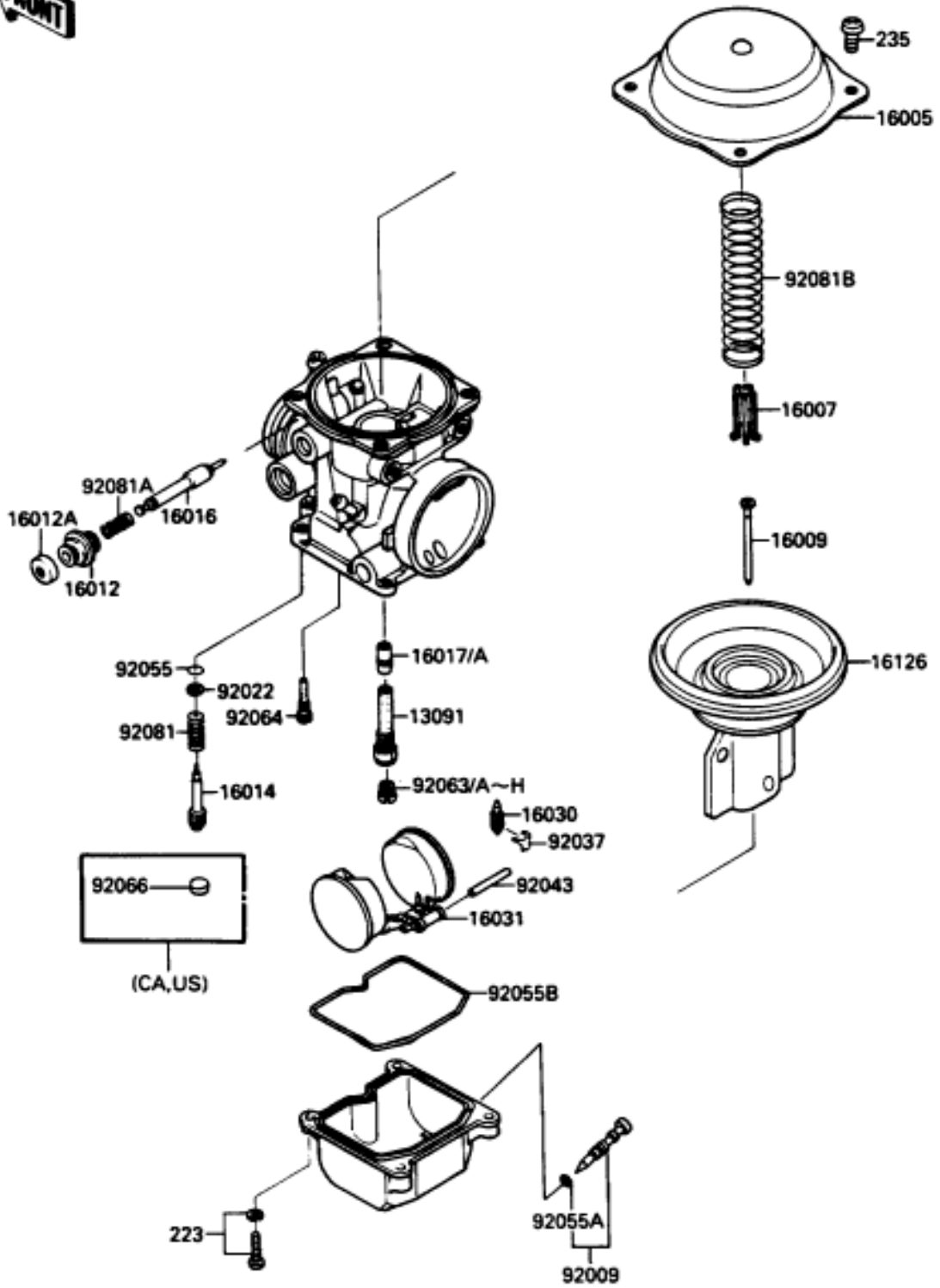
Camshafts / Tensioner

Ref #	Part #	Description	Qty	Spec Code
11044	11044-1546	BRACKET, THROTTLE CABLE	1	
13168	13168-1349	LEVER, STARTER	1	
13183	13183-1033	PLATE, STARTER CABLE	1	
13183A	13183-1109	PLATE, CARBURETOR STAY, UPP	1	
13183B	13183-1110	PLATE, CARBURETOR STAY, LWR	1	
15001	15001-1274	CARBURETOR-ASSY	1	[US]
15001A	15001-1320	CARBURETOR-ASSY	1	[CA]
15001B	15001-1321	CARBURETOR-ASSY	1	[CN]
15002	15002-1444	CARBURETOR, LH, OUTSIDE	1	[CN]
15002A	15002-1445	CARBURETOR, LH, INSIDE	1	[CN]
15002B	15002-1446	CARBURETOR, RH, INSIDE	1	[CN]
15002C	15002-1447	CARBURETOR, RH, OUTSIDE	1	[CN]
15002D	15002-1448	CARBURETOR, LH, OUTSIDE	1	[CA]
15002E	15002-1449	CARBURETOR, LH, INSIDE	1	[CA]
15002F	15002-1450	CARBURETOR, RH, INSIDE	1	[CA]
15002G	15002-1451	CARBURETOR, RH, OUTSIDE	1	[CA]
15002H	15002-1452	CARBURETOR, LH, OUTSIDE	1	[US]
15002I	15002-1453	CARBURETOR, LH, INSIDE	1	[US]
15002J	15002-1454	CARBURETOR, RH, INSIDE	1	[US]
15002K	15002-1455	CARBURETOR, RH, OUTSIDE	1	[US]
16021	16021-1101	SCREW-THROTTLE STOP	1	
92001	92001-1998	BOLT, THROTTLE ADJUST	3	
92005	92005-1108	FITTING, FUEL, T-TYPE	1	
92005A	92005-1119	FITTING, T-TYPE	1	[CA]
92005B	92005-1125	FITTING, T-TYPE	2	
92005C	92005-1157	FITTING	2	
220	220D0508	SCREW-PAN-CROS	8	
220A	220D0514	SCREW-PAN-CROS, 5X14	8	
223	223D0410	SCREW-PAN-WS-CROS	1	
92009	92009-1262	SCREW	3	
92009A	92009-1365	SCREW, 5X10	1	
92022	92022-1199	WASHER, 6.1X11X0.8, POLYACETAL	6	
92022A	92022-1480	WASHER, PLAIN, STOP SPRING	1	
92037	92037-1075	CLAMP, FUEL TUBE	2	
92037A	92037-1194	CLAMP, TUBE	2	[CN, US]
92037A	92037-1194	CLAMP, TUBE	6	[CA]
92055	92055-1004	RING-O	4	
92055A	92055-1223	RING-O, FUEL FITTING	8	
92059	92059-1477	TUBE, 7X11X200	1	[CA]
92059A	92059-1492	TUBE, 7.3X12.5X260	1	
92059B	92059-1737	TUBE, 7X11X180	1	[CA]
92059C	92059-1813	TUBE, 5.3X10.5X150	1	
92059D	92059-1815	TUBE, AIR VENT	2	[CN, US]
92066	92068-006	PLUG, 12X25	1	[US]
92066	92068-006	PLUG, 12X25	3	[CN]
92081	92081-1617	SPRING, THROTTLE STOP SCREW	1	
92081A	92081-1620	SPRING, THROTTLE ADJUST UPP	3	
92081B	92081-1621	SPRING, THROTTLE ADJUST LWR	3	
92081C	92081-1622	SPRING, THROTTLE ADJUST CNT	2	
92081D	92081-1762	SPRING, STARTER LEVER	1	



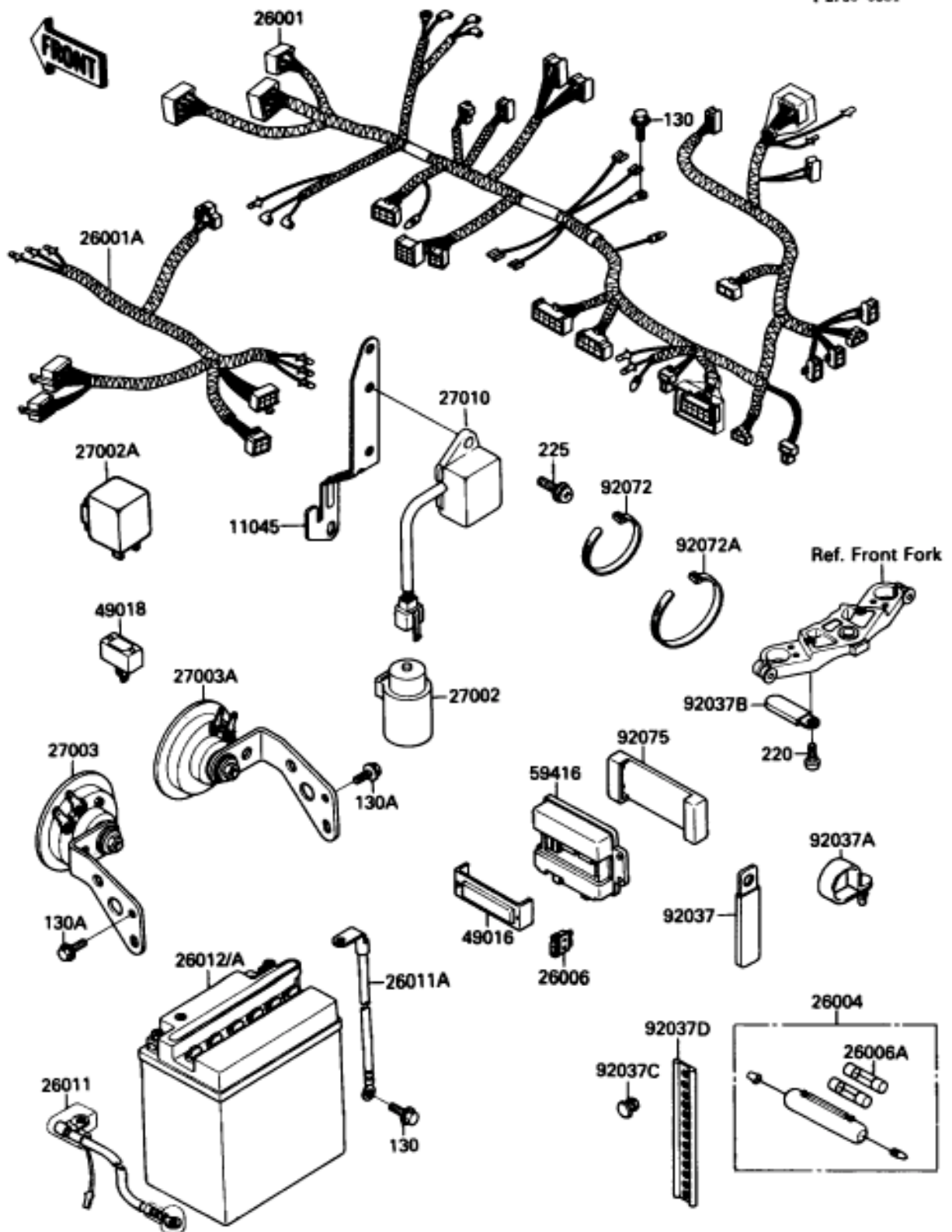
Carburettor

Ref #	Part #	Description	Qty	Spec Code
13091	13091-1347 <input type="checkbox"/>	HOLDER,NEEDLE JET	4	
16005	16005-1063 <input type="checkbox"/>	TOP-CHAMBER,MIXING	4	
16007	16007-1117 <input type="checkbox"/>	SEAT-SPRING,VALVE	4	
16009	16009-1339 <input type="checkbox"/>	NEEDLE-JET,N53I	4	
16012	16012-1051 <input type="checkbox"/>	CAP-STARTER PLUNGER	4	
16012A	16012-1052 <input type="checkbox"/>	CAP-STARTER PLUNGER	4	
16014	16014-1054 <input type="checkbox"/>	SCREW-PILOT AIR	4	
16016	16016-1061 <input type="checkbox"/>	PLUNGER,STARTER	4	
16017	16017-1326 <input type="checkbox"/>	JET-NEEDLE	4	[CA,US]
16017A	16017-1327 <input type="checkbox"/>	JET-NEEDLE	4	[CN]
16030	16030-1007 <input type="checkbox"/>	VALVE-FLOAT	4	
16031	16031-1056 <input type="checkbox"/>	FLOAT	4	
16126	16126-1173 <input type="checkbox"/>	VALVE,VACUUM,60PS	4	
92009	92009-1095 <input type="checkbox"/>	SCREW,DRAIN,M6X1.0	4	
92022	92022-1003 <input type="checkbox"/>	WASHER,PLAIN	4	
92037	16044-007 <input type="checkbox"/>	CLAMP,FLOAT VALVE	4	
92043	92043-1207 <input type="checkbox"/>	PIN,FLOAT	4	
92055	92055-1002 <input type="checkbox"/>	RING-O,PILOT ADJUST	4	
92055A	92055-1053 <input type="checkbox"/>	RING-O,DRAIN SCREW	4	
92055B	92055-1222 <input type="checkbox"/>	RING-O,FLOAT CHAMBER	4	
92063	92063-1007 <input type="checkbox"/>	JET-MAIN,#110	4	[CN,US]
92063A	92063-1071 <input type="checkbox"/>	JET-MAIN,#118	4	[CA]
92063B	92063-1071 <input type="checkbox"/>	JET-MAIN,#118	4	[CN,US]
92063C	92063-1072 <input type="checkbox"/>	JET-MAIN,#120	4	[CA] (RACING USE ONLY)
92063D	92063-1073 <input type="checkbox"/>	JET-MAIN,2ND,#122	4	[CA] (RACING USE ONLY)
92063E	92063-1116 <input type="checkbox"/>	JET-MAIN,#108	4	[CN,US]
223	223C0416 <input type="checkbox"/>	SCREW-PAN-WS-CROS	16	
235	235B0408 <input type="checkbox"/>	SCREW-PAN-WP-CROS	15	
92063F	92063-1117 <input type="checkbox"/>	JET-MAIN,#112	4	[CN,US]
92063G	92063-1117 <input type="checkbox"/>	JET-MAIN,#112	4	[CA] (RACING USE ONLY)
92063H	92063-1118 <input type="checkbox"/>	JET-MAIN,#115	4	(RACING USE ONLY)
92064	92064-1101 <input type="checkbox"/>	JET-PILOT,#35	4	
92066	92066-1051 <input type="checkbox"/>	PLUG,PILOT AIR SCREW,6.9X2	4	[CA,US]
92081	92081-1002 <input type="checkbox"/>	SPRING,PILOT ADJUST SCREW	4	
92081A	92081-1761 <input type="checkbox"/>	SPRING,STARTER PLUNGER	4	
92081B	92081-1874 <input type="checkbox"/>	SPRING,VACUUM VALVE	4	



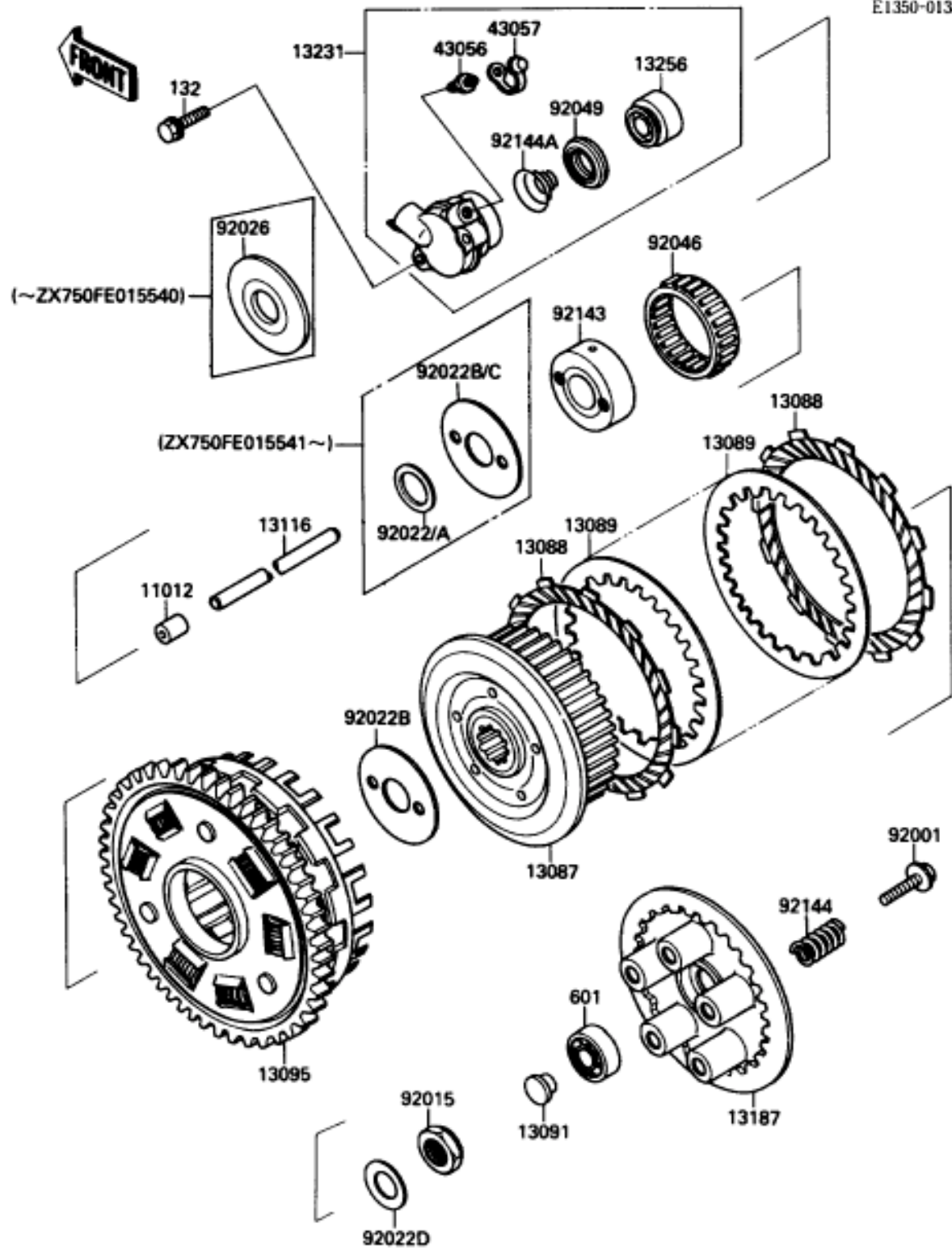
Carburettor Parts

Ref #	Part #	Description	Qty	Spec Code
130	130B0610 <input type="text"/>	BOLT-FLANGED,6X10	2	
130A	130J0610 <input type="text"/>	BOLT-FLANGED	2	
220	220C0510 <input type="text"/>	SCREW-PAN-CROS	1	
225	225B0620 <input type="text"/>	SCREW-PAN-WSP-CROS	2	
11045	11045-1369 <input type="text"/>	BRACKET,RELAY	1	
26001	26001-1819 <input type="text"/>	HARNESS,MAIN	1	
26001A	26001-1841 <input type="text"/>	HARNESS,FR	1	
26004	26004-1075 <input type="text"/>	FUSE-ASSY	1	
26006	26006-1007 <input type="text"/>	FUSE,10A-R	6	
26006A	26006-1059 <input type="text"/>	FUSE,30A,L=30	2	
26011	26011-1377 <input type="text"/>	WIRE-LEAD,BATTERY(+)	1	
26011A	26011-1395 <input type="text"/>	WIRE-LEAD,BATTERY(-)	1	
26012	26012-1177 <input type="text"/>	BATTERY,12V 14AH,YB14L-A2	1	
27002	27002-1051 <input type="text"/>	RELAY-ASSY	1	
27002A	27002-1061 <input type="text"/>	RELAY-ASSY,TURN SIGNAL	1	
27003	27003-1271 <input type="text"/>	HORN,LH,LOW TONE	1	
27003A	27003-1272 <input type="text"/>	HORN,RH,HIGH TONE	1	
27010	27010-1066 <input type="text"/>	SWITCH,RESERV LIGHTING	1	
49016	49016-1128 <input type="text"/>	COVER-SEAL,JUNCTION BOX	1	
49018	49018-1055 <input type="text"/>	DIODE	1	
59416	59416-1064 <input type="text"/>	CASE-ELECTRIC,JUNCTION BOX	1	
92037	92037-1069 <input type="text"/>	CLAMP,WIRING HARNESS	4	
92037A	92037-1163 <input type="text"/>	CLAMP,HOSE	5	
92037B	92037-1539 <input type="text"/>	CLAMP,WIRING HARNESS	5	
92037C	92037-1579 <input type="text"/>	CLAMP	2	
92037D	92037-1883 <input type="text"/>	CLAMP,BAND,L=72	1	
92072	92072-031 <input type="text"/>	BAND,L=149	1	
92072A	92072-1195 <input type="text"/>	BAND,L=185	5	
92075	92075-1688 <input type="text"/>	DAMPER,JUNCTION BOX	1	



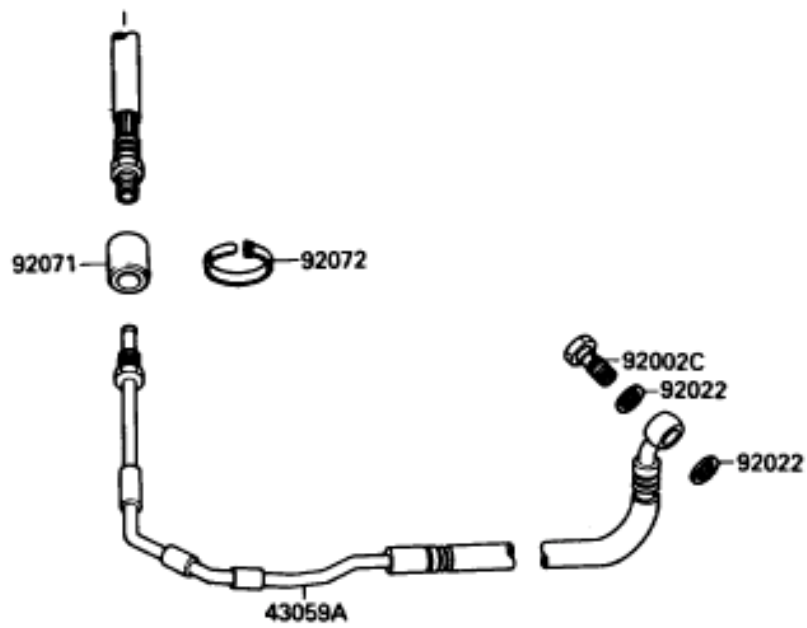
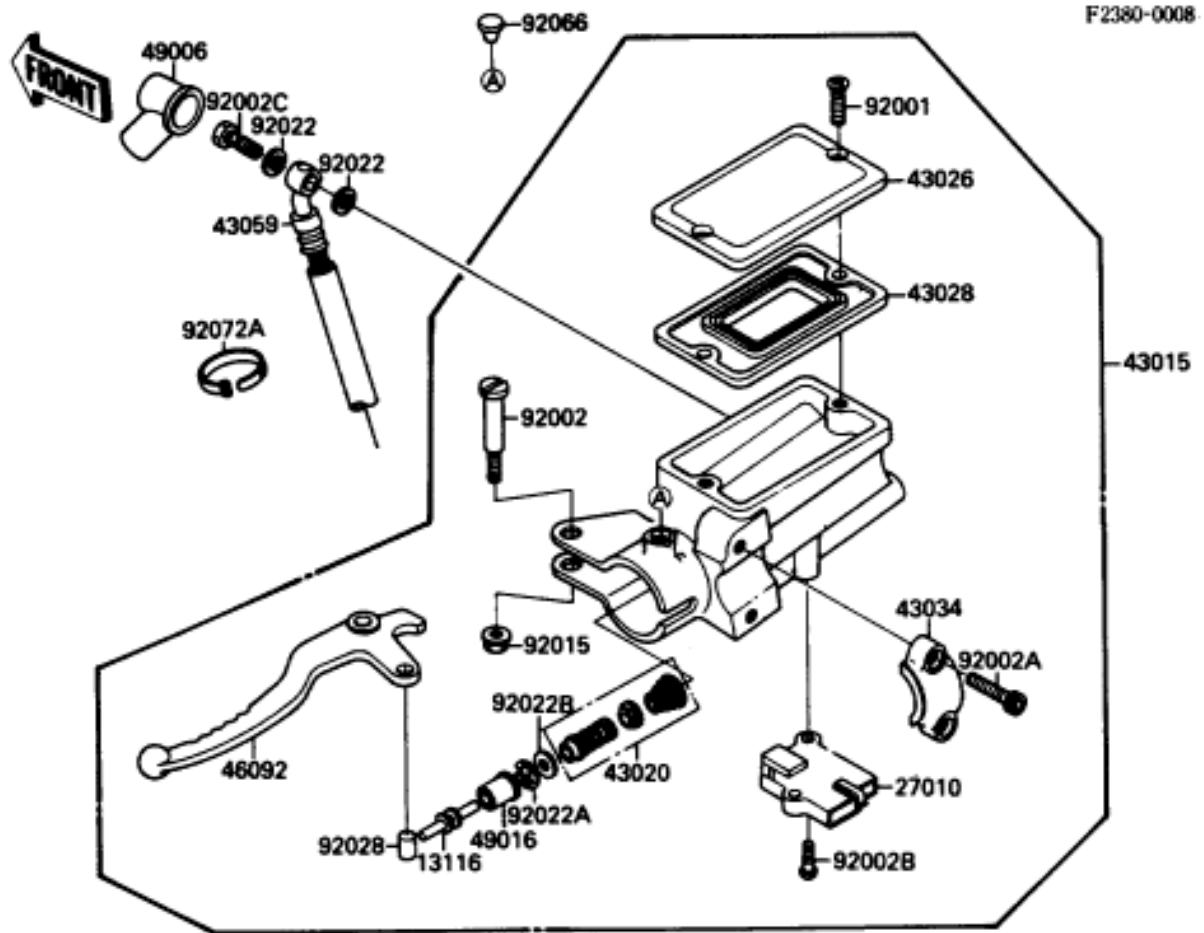
Chassis Electrical Equipment

Ref #	Part #	Description	Qty	Spec Code
132	132W0625 <input type="text"/>	BOLT-FLANGED-SMALL	2	
601	601B6001 <input type="text"/>	BEARING-BALL,#6001C3	1	
11012	11012-1569 <input type="text"/>	CAP,PUSHROD	1	
13087	13087-042 <input type="text"/>	HUB-CLUTCH	1	
13088	13088-1051 <input type="text"/>	PLATE-FRICTION	8	
13089	13089-1066 <input type="text"/>	PLATE-CLUTCH	7	
13091	13091-1085 <input type="text"/>	HOLDER,CLUTCH PUSH ROD	1	
13095	13095-1149 <input type="text"/>	HOUSING-COMP-CLUTCH	1	
13116	13116-1126 <input type="text"/>	ROD-PUSH,CLUTCH	1	
13187	13187-1006 <input type="text"/>	PLATE-CLUTCH OPERATING	1	
13231	13231-1062 <input type="text"/>	RELEASE-ASSY-CLUTCH	1	
13256	13256-1052 <input type="text"/>	PISTON	1	
43056	43056-1052 <input type="text"/>	BREATHER-BRAKE	1	
43057	43057-1001 <input type="text"/>	CAP-BREATHER	1	
92001	92001-1066 <input type="text"/>	BOLT,FLANGED,6X18	5	
92015	92015-1555 <input type="text"/>	NUT,20MM	1	
92022A	92022-1719 <input type="text"/>	WASHER	1	
92022B	92022-1846 <input type="text"/>	WASHER,CLUTCH THRUST	1	
92022C	92022-1846 <input type="text"/>	WASHER,CLUTCH THRUST	1	
92022D	92022-1868 <input type="text"/>	WASHER	1	
92026	92026-1281 <input type="text"/>	SPACER	1	
92046	92046-1159 <input type="text"/>	BEARING-NEEDLE,K55X63X20	1	
92049	92049-1165 <input type="text"/>	SEAL-OIL,PISTON	1	
92143	92143-1017 <input type="text"/>	COLLAR,INPUTSHAFT	1	
92144	92144-1036 <input type="text"/>	SPRING,CLUTCH	5	
92144A	92144-1084 <input type="text"/>	SPRING,CLUTCH RELEASE	1	



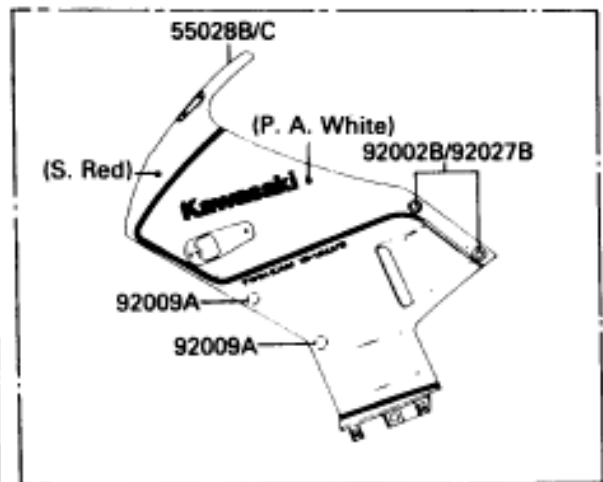
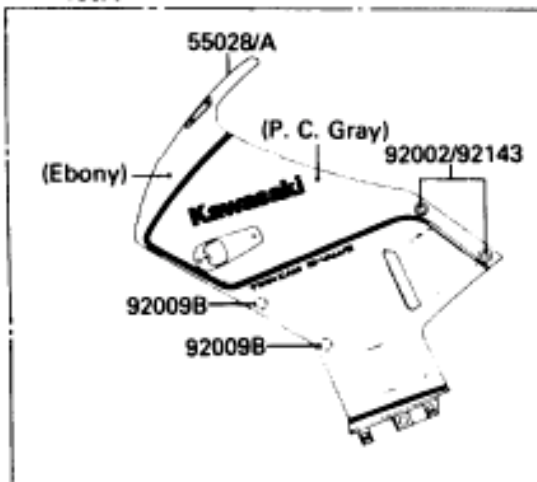
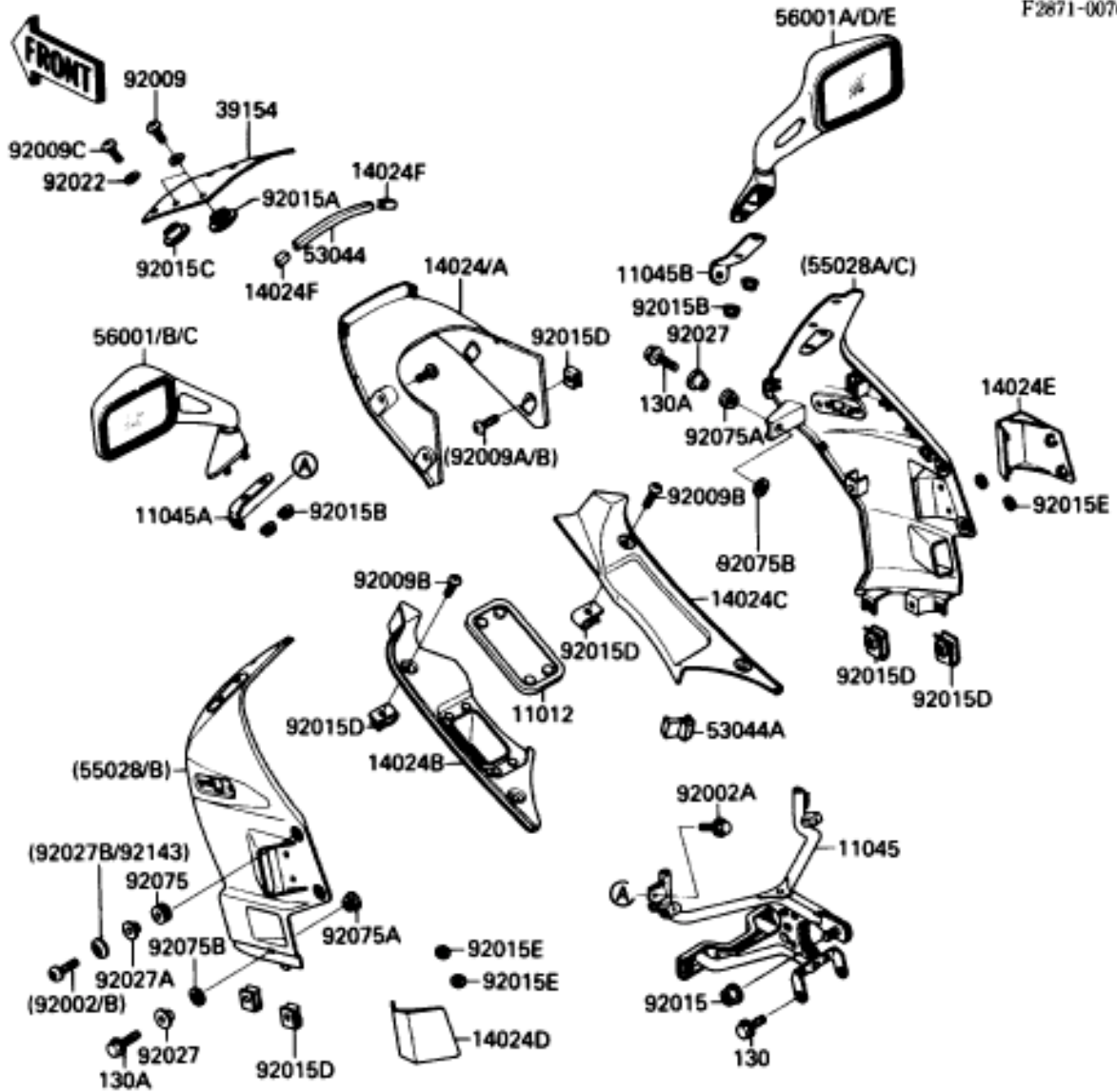
Clutch

Ref #	Part #	Description	Qty	Spec Code
13116	13116-1110	ROD-PUSH,MASTER CYLINDER	1	
27010	27010-1171	SWITCH,CLUTCH	1	
43015	43015-1307	CYLINDER-ASSY-MASTER,CLUTCH	1	
43020	43020-1055	PISTON-COMP-BRAKE,CLUTCH	1	
43026	43026-1052	CAP-BRAKE,FR	1	
43028	43028-1058	DIAPHRAGM,MASTER CYLINDER	1	
43034	43034-1054	HOLDER-BRAKE,MASTER CYLINDER	1	
43059	43059-1332	HOSE-BRAKE,CLUTCH	1	
43059A	43059-1377	HOSE-BRAKE,CLUTCH	1	
46092	46092-1130	LEVER-GRIP,CLUTCH	1	
49006	49006-1040	BOOT,DUST	1	
49016	49016-1044	COVER-SEAL,MASTER CYLINDER	1	
92001	92001-1727	SCREW,5MM	2	
92002	92002-1322	BOLT,LEVER SET	1	
92002A	92002-1324	BOLT,SOCKET,6X20	2	
92002B	92002-1325	SCREW	1	
92002C	92002-1888	BOLT,OIL,L=23	2	
92015	92015-1233	NUT,FLANGED,6MM	1	
92022	43067-001	WASHER,10.5X15X1.5	4	
92022A	92022-1605	WASHER,PISTON	1	
92022B	92022-1606	WASHER,PISTON	1	
92028	92028-1310	BUSHING,MASTER CYLINDER	1	
92066	92066-1077	PLUG,9.5X8,POLYETHYLENE	1	
92071	92071-1143	GROMMET	1	
92072	92072-1195	BAND,L=185	1	
92072A	92072-1197	BAND,L=365	3	



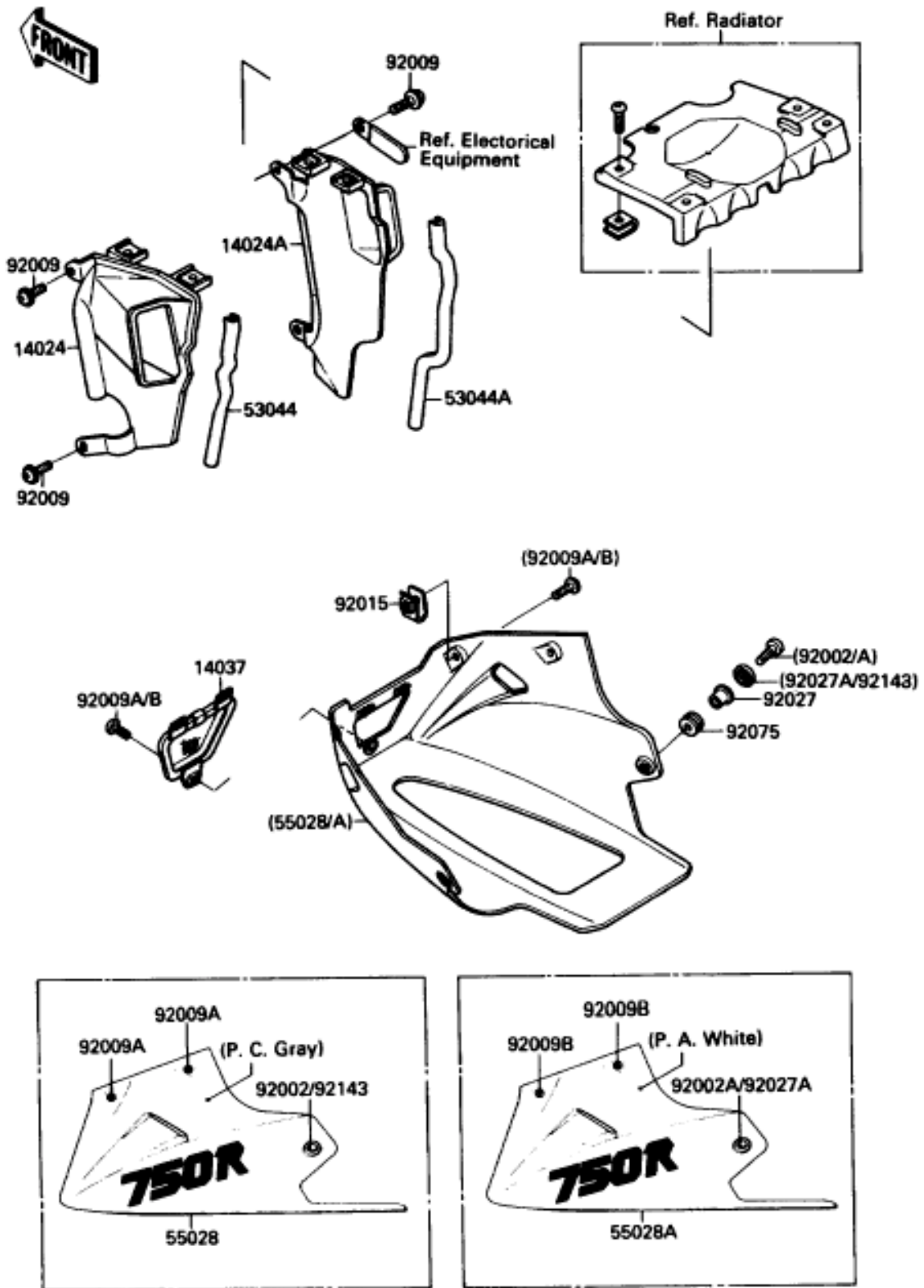
Clutch Master Cylinder

Ref #	Part #	Description	Qty	Spec Code
11012	11012-1570	CAP,INNER COWLING COVER	1	
11045	11045-1270	BRACKET,COWLING STAY	1	
11045A	11045-1412	BRACKET,MIRROR,LH	1	
11045B	11045-1413	BRACKET,MIRROR,RH	1	
14024	14024-1337-H1	COVER,HEAD LAMP,S.RED	1	
14024A	14024-1337-H8	COVER,HEAD LAMP,EBONY	1	
14024B	14024-1380	COVER,INNER COWLING,LH	1	
14024C	14024-1381	COVER,INNER COWLING,RH	1	
14024D	14024-1417	COVER,HEAT GUARD,LH	1	
14024E	14024-1418	COVER,HEAT GUARD,RH	1	
14024F	14025-1756	COVER,TRIM END	2	
39154	39154-1073	WINDSHIELD	1	
53044	53044-1177	TRIM,WINDSHIELD,L=345	1	
53044A	53044-1195	TRIM,INNER COWLING COVER	2	
55028	55028-5276-T4	COWLING,UPP,LH,EBONY/P.C.GRAY	1	
55028A	55028-5277-T4	COWLING,UPP,RH,EBONY/P.C.GRAY	1	
55028B	55028-5278-W2	COWLING,UPP,LH,P.A.WHITE/S.RED	1	
55028C	55028-5279-W2	COWLING,UPP,RH,P.A.WHITE/S.RED	1	
56001	56001-1287	MIRROR-ASSY,LH	1	[CN] (SUBSTITUTES 56001-1325) (- JKAZXDF1 HA002122)
56001A	56001-1288	MIRROR-ASSY,RH	1	[CN] (SUBSTITUTES 56001-1326) (- JKAZXDF1 HA002122)
56001B	56001-1325	MIRROR-ASSY,LH	1	[CA,US]
56001C	56001-1325	MIRROR-ASSY,LH	1	[CN] (JKAZXDF1 HA002123 -)
130	130J0610	BOLT-FLANGED	2	
130A	130J0625	BOLT-FLANGED,6X25	4	
56001D	56001-1326	MIRROR-ASSY,RH	1	[CA,US]
56001E	56001-1326	MIRROR-ASSY,RH	1	[CN] (JKAZXDF1 HA002123 -)
92002	92002-1514	BOLT,SOCKET,6X18,BLACK	4	
92002A	92002-1884	BOLT,6X12	2	
92002B	92002-1889	BOLT,SOCKET,6X18,WHITE	4	
92009	92009-1335	SCREW,5X10	4	
92009A	92009-1366	SCREW,5X14,WHITE	4	
92009B	92009-1383	SCREW,5X14,BLACK	8	
92009C	92009-1453	SCREW,5X20,BLACK	2	
92015	92015-1183	NUT,FLANGED,8MM,BLACK	1	
92015A	92015-1343	NUT,5MM,COWLING	4	
92015B	92015-1367	NUT,FLANGED,6MM	4	
92015C	92015-1640	NUT,WELL,5MM	2	
92015D	92015-1710	NUT,5MM	6	
92015E	92018-004	NUT,LOCK,5MM	4	
92022	92022-1521	WASHER,NYLON,5.3X11.5X1.5	6	
92027	92027-1450	COLLAR,L=13.1,BLACK	4	
92027A	92027-1795	COLLAR,L=9.1,WHITE	4	
92027B	92027-1886	COLLAR,L=6.5,WHITE	4	
92075	92075-1634	DAMPER	4	
92075A	92075-174	DAMPER,MALE	4	
92075B	92075-175	DAMPER,FEMALE	4	
92143	92143-1086	COLLAR,L=6.5,BLACK	4	



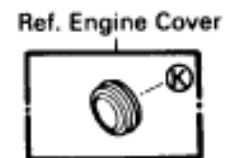
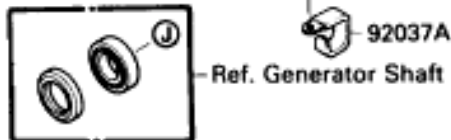
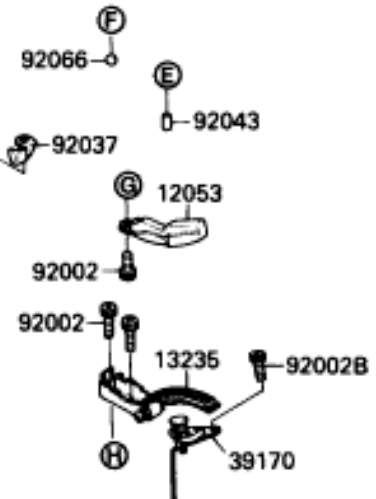
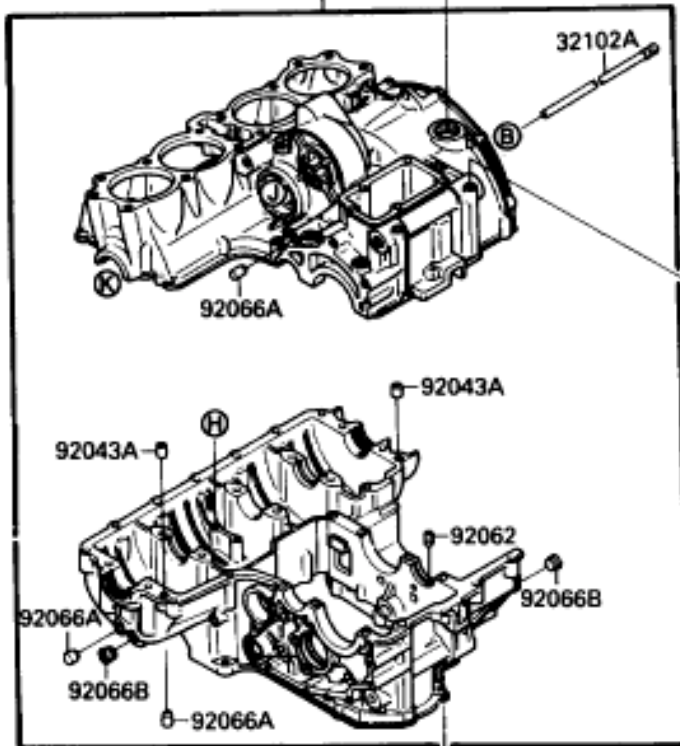
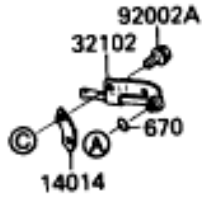
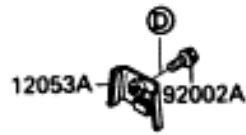
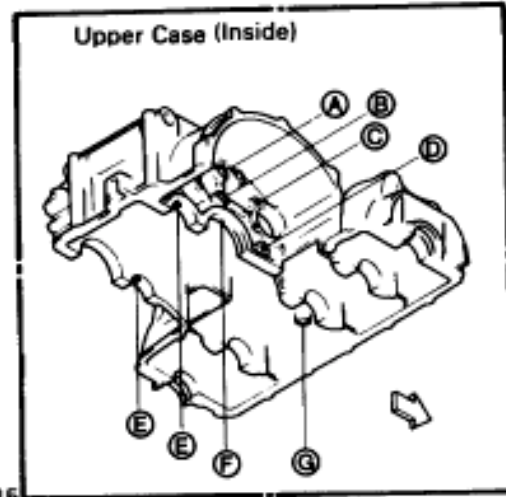
Cowling

Ref #	Part #	Description	Qty	Spec Code
14024	14024-1346 <input type="text"/>	COVER,LOUVER,LH	1	
14024A	14024-1347 <input type="text"/>	COVER,LOUVER,RH	1	
14037	14037-1086 <input type="text"/>	SCREEN	1	
53044	53044-1178 <input type="text"/>	TRIM,LOUVER COVER,LH	1	
53044A	53044-1179 <input type="text"/>	TRIM,LOUVER COVER,RH	1	
55028	55028-5269-T2 <input type="text"/>	COWLING,LWR,P.C.GRAY	1	
55028A	55028-5272-R1 <input type="text"/>	COWLING,LWR,P.A.WHITE	1	
92002	92002-1514 <input type="text"/>	BOLT,SOCKET,6X18,BLACK	2	
92002A	92002-1889 <input type="text"/>	BOLT,SOCKET,6X18,WHITE	2	
92009	92009-1288 <input type="text"/>	SCREW,6X14	4	
92009A	92009-1301 <input type="text"/>	SCREW,5X16,BLACK	5	
92009B	92009-1464 <input type="text"/>	SCREW,5X16,WHITE	5	
92015	92015-1710 <input type="text"/>	NUT,5MM	4	
92027	92027-1795 <input type="text"/>	COLLAR,L=9.1,WHITE	2	
92027A	92027-1886 <input type="text"/>	COLLAR,L=6.5,WHITE	2	
92075	92075-1634 <input type="text"/>	DAMPER	2	
92143	92143-1226 <input type="text"/>	COLLAR,BLACK	2	



Cowling Lowers

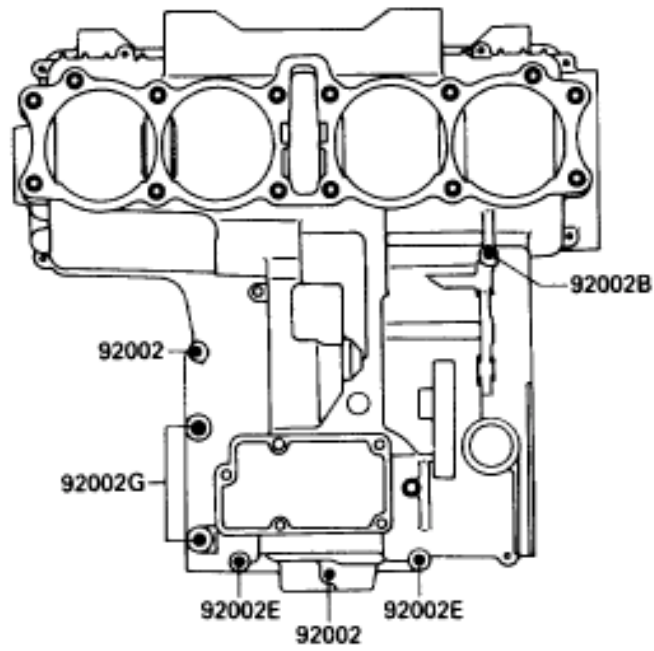
Ref #	Part #	Description	Qty	Spec Code
670	670D1505 <input type="text"/>	O RING	1	
12053	12053-1197 <input type="text"/>	GUIDE-CHAIN	1	
12053A	12053-1199 <input type="text"/>	GUIDE-CHAIN	1	
13235	13235-1059 <input type="text"/>	GUIDE-COMP,TENSIONER	1	
14001	14001-5247 <input type="text"/>	SET-CRANKCASE	1	
14013	14013-1004 <input type="text"/>	RING-POSITION,T=1.98	2	
14014	14014-1056 <input type="text"/>	PLATE-POSITION	1	
16115	16115-1009 <input type="text"/>	CAP-OIL FILLER	1	
32102	32102-1237 <input type="text"/>	PIPE,OIL	1	
32102A	32102-1238 <input type="text"/>	PIPE,MISSION OIL	1	
39170	39170-1056 <input type="text"/>	TENSIONER-COMP	1	
92002	92002-1192 <input type="text"/>	BOLT,SOCKET,6X14	3	
92002A	92002-1656 <input type="text"/>	BOLT,6X14	4	
92002B	92002-1796 <input type="text"/>	BOLT,SOCKET,6X12	2	
92037	92037-1844 <input type="text"/>	CLAMP	1	
92037A	92037-1877 <input type="text"/>	CLAMP,WIRING HARNESS	1	
92043	92042-016 <input type="text"/>	PIN,DOWEL,6X16	2	
92043A	92043-1037 <input type="text"/>	PIN,DOWEL,10X14	2	
92055	92055-049 <input type="text"/>	RING-O,31.5X2.6	1	
92062	92062-015 <input type="text"/>	NOZZLE,SILVER	1	
92066	92066-057 <input type="text"/>	PLUG,RUBBER BALL,6.7	1	
92066A	92066-1012 <input type="text"/>	PLUG,OIL LINE,7.2X8	5	
92066B	92066-1262 <input type="text"/>	PLUG	3	



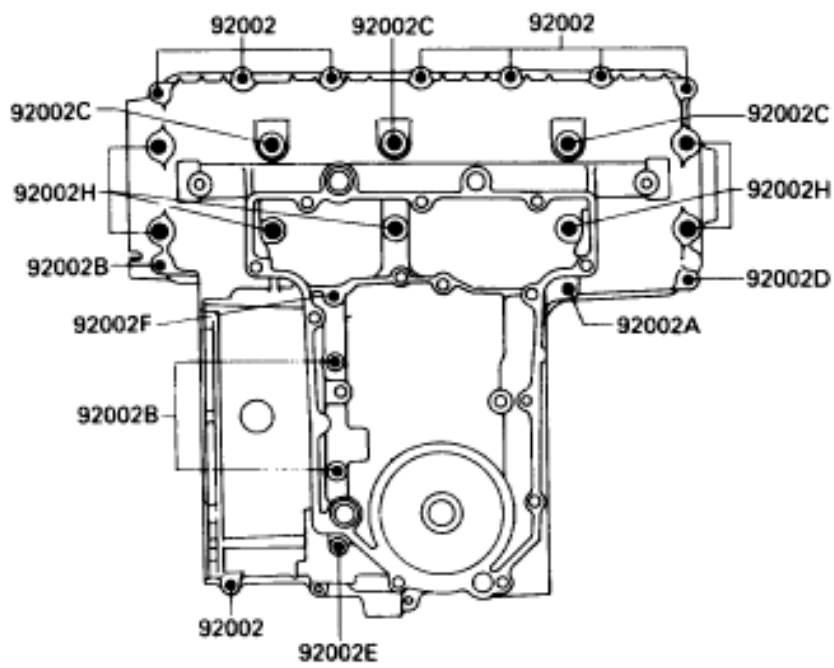
Crankcase

Ref #	Part #	Description	Qty	Spec Code
92002	92001-1899 <input type="text"/>	BOLT,6X38	10	
92002A	92002-1054 <input type="text"/>	BOLT,6X55	1	
92002B	92002-1055 <input type="text"/>	BOLT,6X90	4	
92002C	92002-1057 <input type="text"/>	BOLT,8X90	3	
92002D	92002-1138 <input type="text"/>	BOLT,6X30	1	
92002E	92002-1791 <input type="text"/>	BOLT,6X110	3	
92002F	92002-1792 <input type="text"/>	BOLT,6X130	1	
92002G	92002-1793 <input type="text"/>	BOLT,8X70	2	
92002H	92002-1794 <input type="text"/>	BOLT,8X83	7	

Upper Case

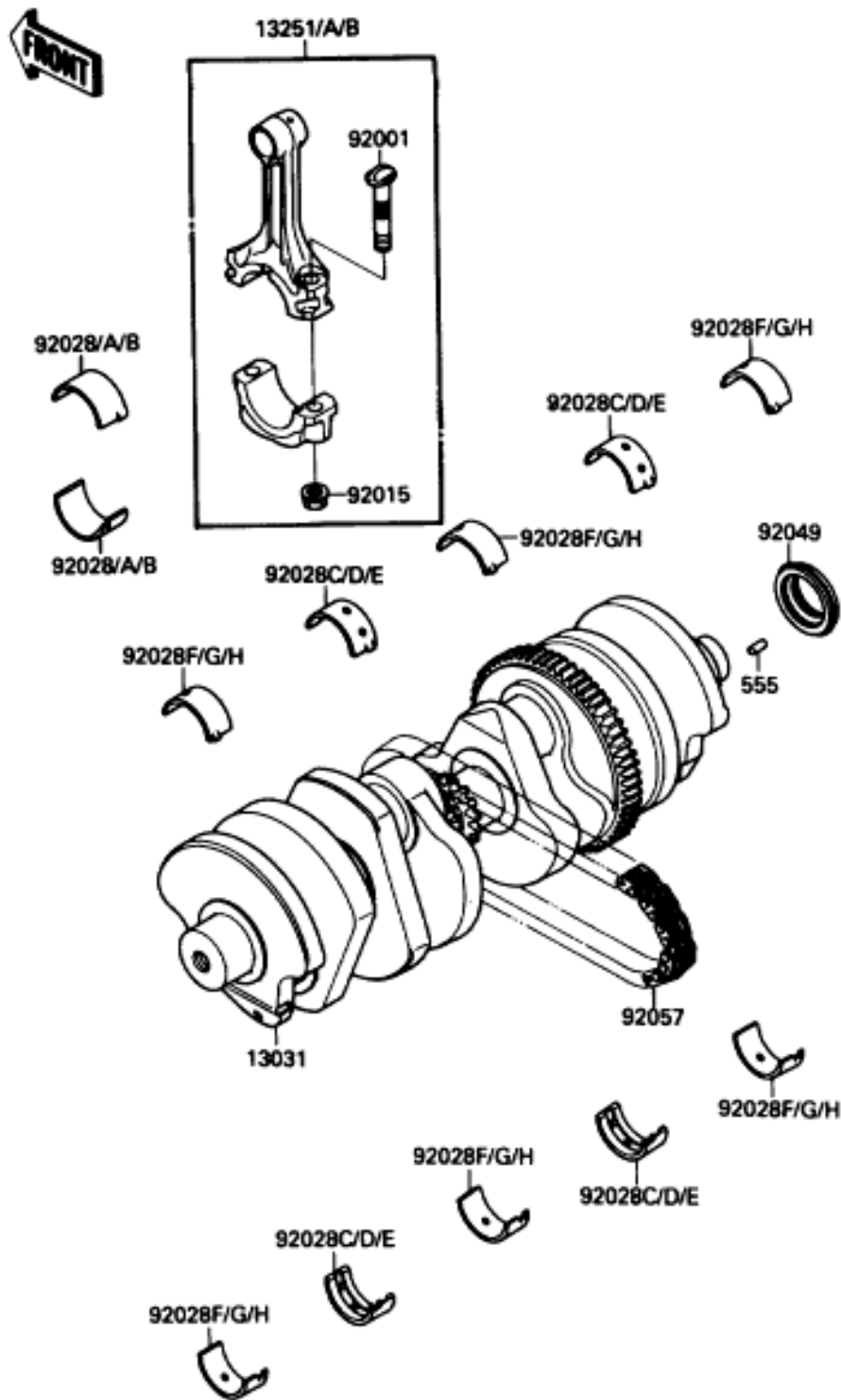


Lower Case



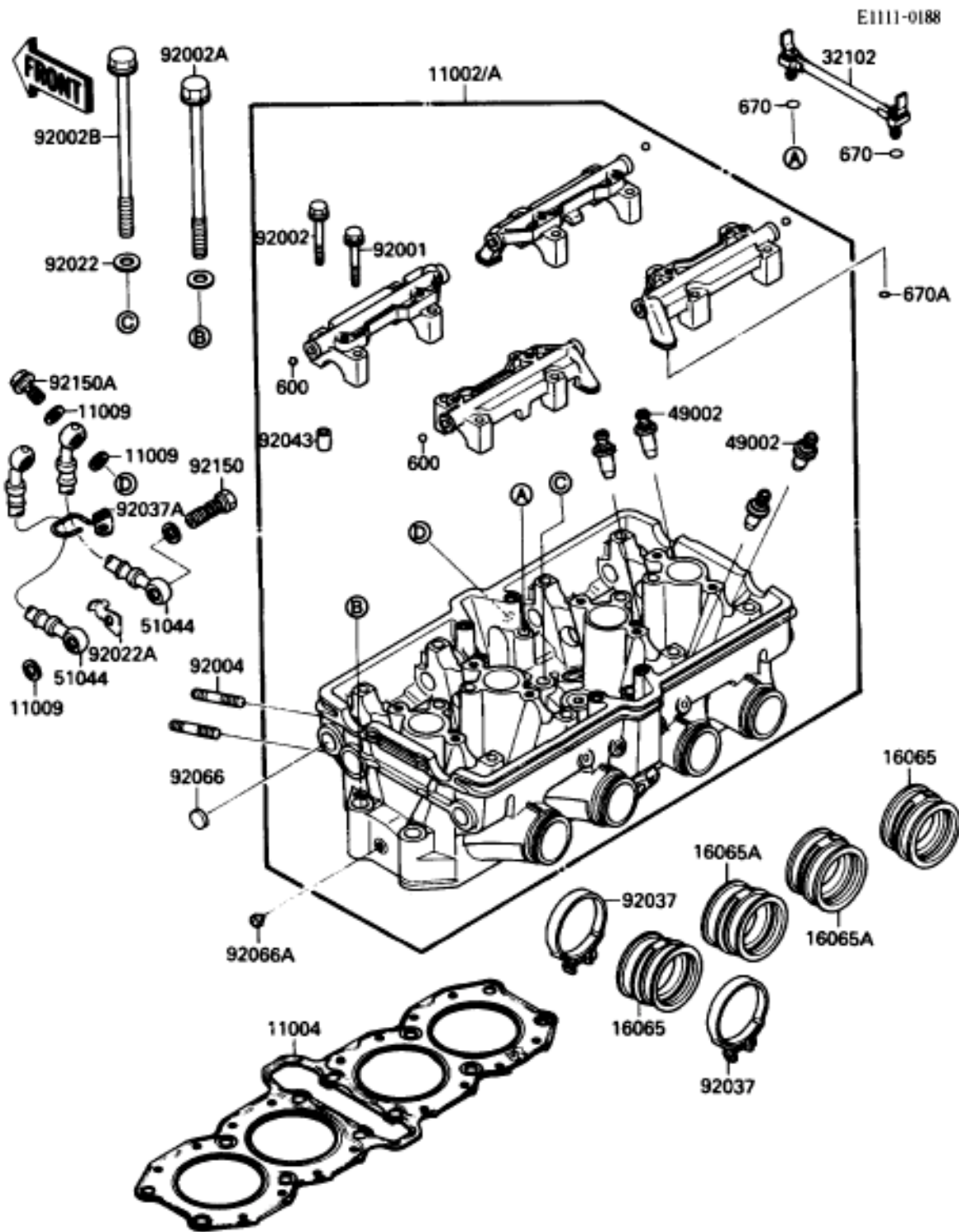
Crankcase Bolt Pattern

Ref #	Part #	Description	Qty	Spec Code
555	555A0408 <input type="text"/>	PIN-SPRING,4X8	1	
13031	13031-1227 <input type="text"/>	CRANKSHAFT-COMP	1	
13251	13251-1079-HH <input type="text"/>	ROD-ASSY-CONNECTING,H	4	
13251A	13251-1079-II <input type="text"/>	ROD-ASSY-CONNECTING,I	4	
13251B	13251-1079-JJ <input type="text"/>	ROD-ASSY-CONNECTING,J	4	
92001	92001-1887 <input type="text"/>	BOLT,CONNECTING ROD,8MM	8	
92015	92015-1311 <input type="text"/>	NUT,FLANGED,8MM	8	
92028	92028-1407 <input type="text"/>	BUSHING,CONNECTING ROD BLUE	AR	
92028A	92028-1408 <input type="text"/>	BUSHING,CONNECTING ROD BLACK	AR	
92028B	92028-1409 <input type="text"/>	BUSHING,CONNECTING ROD BROWN	AR	
92028C	92028-1442 <input type="text"/>	BUSHING,CRANKSHAFT,#2□,BLUE	AR	
92028D	92028-1443 <input type="text"/>	BUSHING,CRANKSHAFT,#2□,BLACK	AR	
92028E	92028-1444 <input type="text"/>	BUSHING,CRANKSHAFT,#2□,BROWN	AR	
92028F	92028-1445 <input type="text"/>	BUSHING,CRANKSHAFT,1&3&5,BLUE	AR	
92028G	92028-1446 <input type="text"/>	BUSHING,CRANKSHAFT,1&3&5,BLACK	AR	
92028H	92028-1447 <input type="text"/>	BUSHING,CRANKSHAFT,1&3&5,BROWN	AR	
92049	92050-081 <input type="text"/>	SEAL-OIL,HSCY25397	1	
92057	92057-1161 <input type="text"/>	CHAIN,GENERATOR	1	



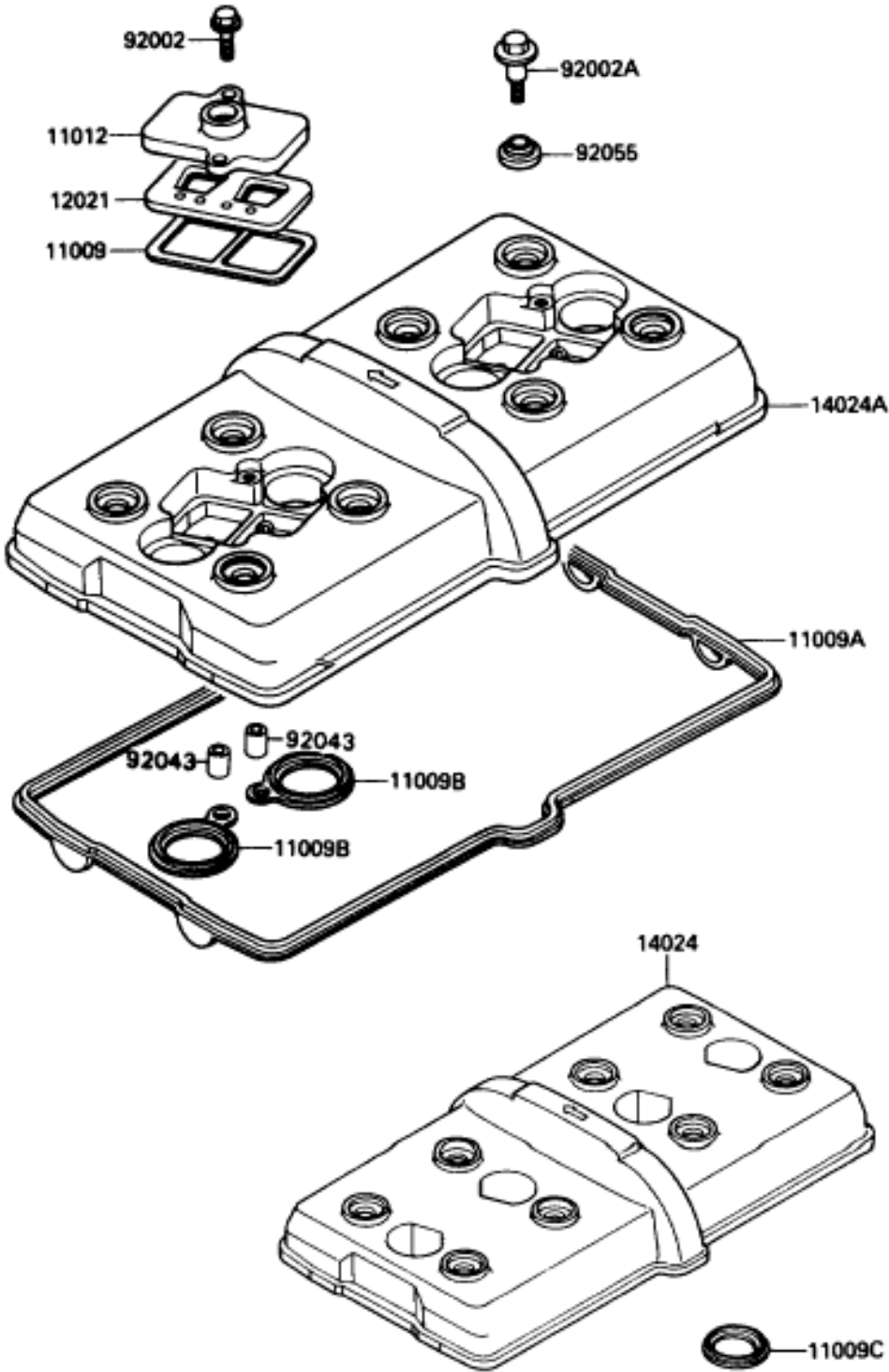
Crankshaft

Ref #	Part #	Description	Qty	Spec Code
600	600A0800 <input type="checkbox"/>	BALL-STEEL,1/4"	8	
670	670D1505 <input type="checkbox"/>	O RING	4	
670A	670D1508 <input type="checkbox"/>	O RING,8MM	4	
11002	11002-1225 <input type="checkbox"/>	HEAD-ASSY-CYLINDER	1	[CA,US]
11002A	11002-1226 <input type="checkbox"/>	HEAD-ASSY-CYLINDER	1	[CN]
11004	11004-1154 <input type="checkbox"/>	GASKET-HEAD	1	
11009	11009-1105 <input type="checkbox"/>	GASKET,10X14.5X1.5	6	
16065	16065-1147 <input type="checkbox"/>	HOLDER-CARBURETOR,#1 <input type="checkbox"/>	2	
16065A	16065-1148 <input type="checkbox"/>	HOLDER-CARBURETOR,#2 <input type="checkbox"/>	2	
32102	32102-1242 <input type="checkbox"/>	PIPE,CYLINDER HEAD	2	
49002	49002-1060 <input type="checkbox"/>	GUIDE-VALVE	16	
51044	51044-1078 <input type="checkbox"/>	TUBE-ASSY,OIL PAN-HEAD	2	
92001	92001-1105 <input type="checkbox"/>	BOLT,FLANGED,6X38	8	
92002	92001-1872 <input type="checkbox"/>	BOLT,6X46	8	
92002A	92002-1798 <input type="checkbox"/>	BOLT,10X148	8	
92002B	92002-1799 <input type="checkbox"/>	BOLT,10X158	4	
92004	92004-1101 <input type="checkbox"/>	STUD,8X30,BLACK	8	
92022	92022-1591 <input type="checkbox"/>	WASHER,10.5X20X1.6	12	
92022A	92022-1875 <input type="checkbox"/>	WASHER,OIL PUMP	1	
92037	92037-1637 <input type="checkbox"/>	CLAMP	8	
92037A	92037-1802 <input type="checkbox"/>	CLAMP	1	
92043	92043-1263 <input type="checkbox"/>	PIN,6.2X8X14	8	
92066	92066-1265 <input type="checkbox"/>	PLUG,ROCKER SHAFT	4	
92066A	92066-1266 <input type="checkbox"/>	PLUG	2	
92150	92150-1122 <input type="checkbox"/>	BOLT,BANJO,10X37	1	
92150A	92150-1123 <input type="checkbox"/>	BOLT,BANJO,10X23	2	



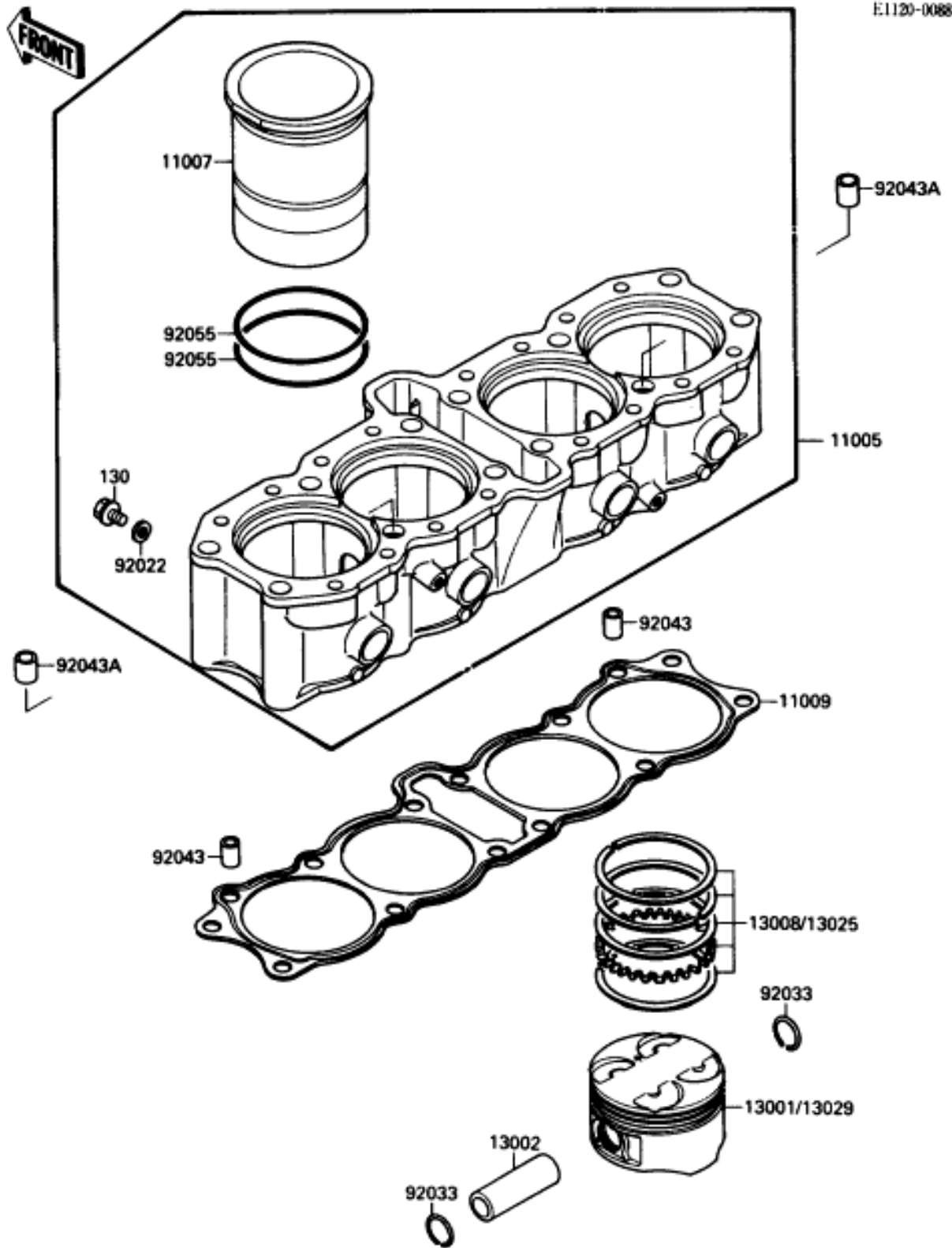
Cylinder Head

Ref #	Part #	Description	Qty	Spec Code
11009	11009-1379 <input type="text"/>	GASKET, REED VALVE	2	[CA,US]
11009A	11009-1608 <input type="text"/>	GASKET, HEAD COVER	1	
11009B	11009-1609 <input type="text"/>	GASKET, SPARK PLUG	4	[CA,US]
11009C	11009-1610 <input type="text"/>	GASKET, SPARK PLUG	4	[CN]
11012	11012-1532 <input type="text"/>	CAP, REED VALVE	2	[CA,US]
12021	12021-1053 <input type="text"/>	VALVE-ASSY-REED	2	[CA,US]
14024	14024-1295 <input type="text"/>	COVER, CYLINDER HEAD	1	[CN]
14024A	14024-1296 <input type="text"/>	COVER, CYLINDER HEAD	1	[CA,US]
92002	92002-1068 <input type="text"/>	BOLT, 6X22	4	[CA,US]
92002A	92002-1504 <input type="text"/>	BOLT, HEAD COVER	8	
92043	92043-1302 <input type="text"/>	PIN, DOWEL, 8X10	4	[CA,US]
92055	92055-1352 <input type="text"/>	RING-O, HEAD COVER BOLT	8	



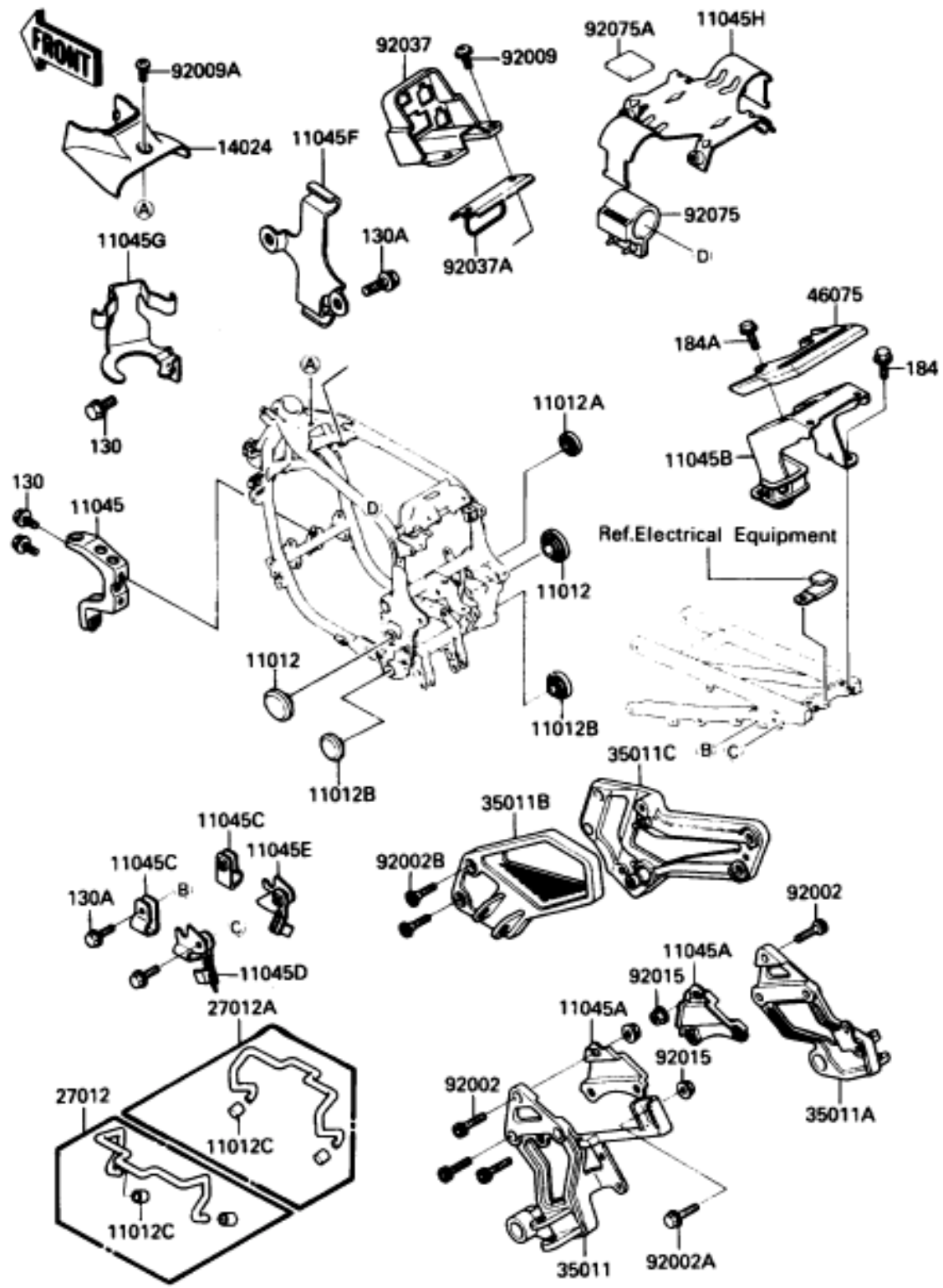
Cylinder Head Cover

Ref #	Part #	Description	Qty	Spec Code
130	130C0610 <input type="text"/>	BOLT-FLANGED,6X10,BLACK	2	
11005	11005-1502 <input type="text"/>	CYLINDER-ENGINE	1	
11007	11007-1090 <input type="text"/>	LINER-CYLINDER	4	
11009	11009-1678 <input type="text"/>	GASKET,CYLINDER BASE	1	
13001	13001-1240 <input type="text"/>	PISTON-ENGINE,STD	4	
13002	13002-1065 <input type="text"/>	PIN-PISTON	4	
13008	13008-1083 <input type="text"/>	RING-SET-PISTON,STD	4	
13025	13025-1079 <input type="text"/>	RING-SET-PISTON L,O/S,0.50	4	
13029	13029-1157 <input type="text"/>	PISTON-ENGINE L,O/S,0.50	4	
92022	92022-304 <input type="text"/>	WASHER,6.2X11X1	2	
92033	92033-1054 <input type="text"/>	RING-SNAP	8	
92043	92043-1264 <input type="text"/>	PIN,8.2X10X14	2	
92043A	92043-4009 <input type="text"/>	PIN,10.1X12X14	2	
92055	92055-1357 <input type="text"/>	RING-O,74.6X2.4	8	



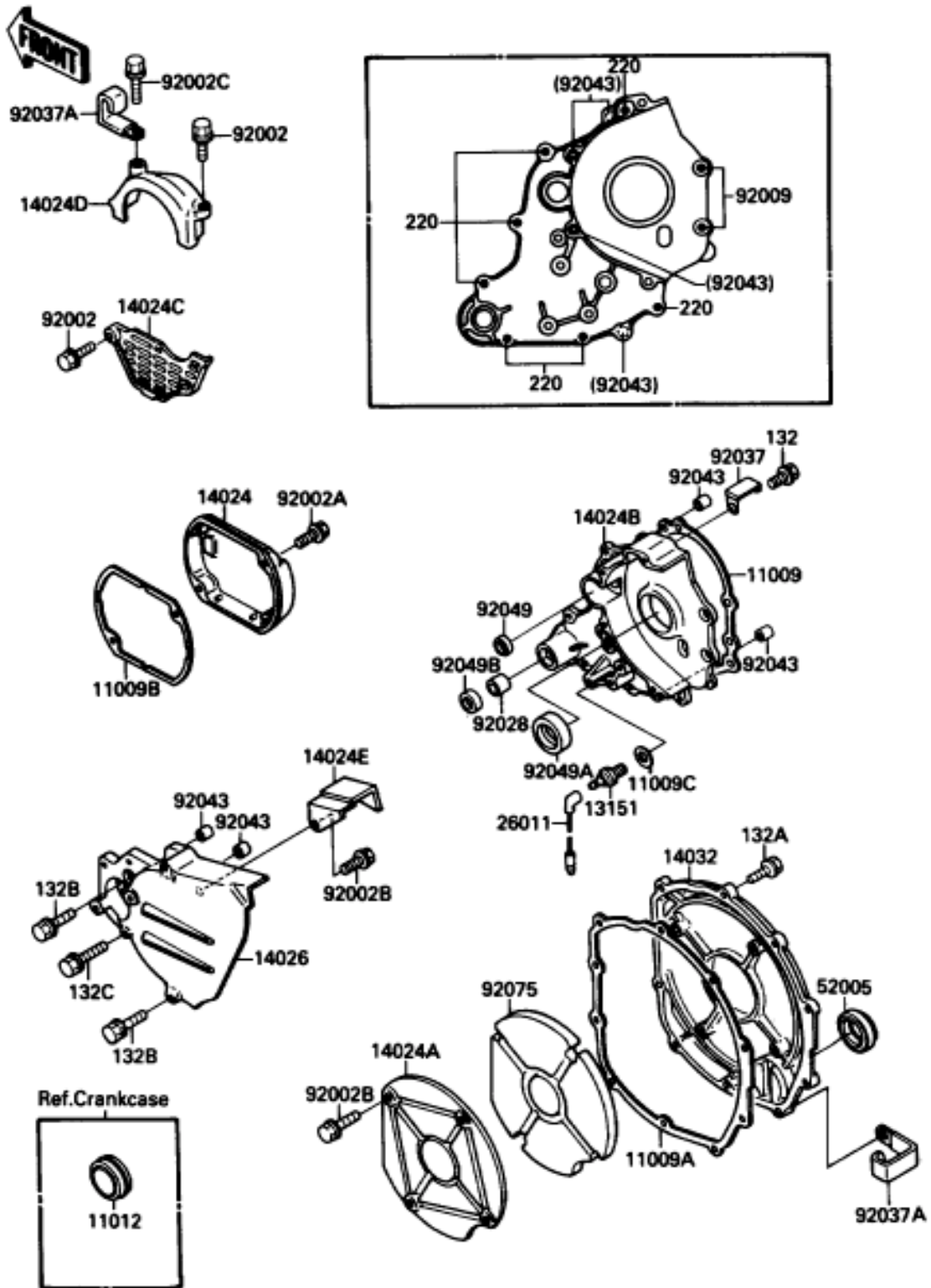
Cylinder / Pistons

Ref #	Part #	Description	Qty	Spec Code
130	130J0610	BOLT-FLANGED	2	[CN,US]
130	130J0610	BOLT-FLANGED	3	[CA]
130A	130J0614	BOLT-FLANGED,6X14,BLACK	4	
184	184J0820	BOLT-UPSET-WP-SMALL	4	
184A	184J0830	BOLT-UPSET-WP-SMALL	2	
11012	11012-1459	CAP,SWING ARM BRACKET	2	
11012A	11012-1557	CAP,SWING ARM BRACKET	1	
11012B	11012-1558	CAP,SWING ARM BRACKET	2	
11012C	11012-1598	CAP,BUNGEE CORD HOOK	4	
11045	11045-1271	BRACKET,RADIATOR	1	
11045A	11045-1284	BRACKET,MUFFLER STAY	2	
11045B	11045-1285	BRACKET,TAIL GRIP	1	
11045C	11045-1286	BRACKET,HOOK	2	
11045D	11045-1287	BRACKET,HOOK,LH	1	
11045E	11045-1288	BRACKET,HOOK,RH	1	
11045F	11045-1365	BRACKET,CANISTER	1	[CA]
11045G	11045-1366	BRACKET,RETURN PUMP	1	[CA]
11045H	11045-1448	BRACKET,IGNITION COIL	1	
14024	14024-1416	COVER,HEAD GUSSET	1	
27012	27012-1357	HOOK,BUNGEE CORD,LH	1	
27012A	27012-1358	HOOK,BUNGEE CORD,RH	1	
35011	35011-1312	STAY,MUFFLER,LH	1	
35011A	35011-1313	STAY,MEFFLER,RH	1	
35011B	35011-1314	STAY,FR,LH	1	
35011C	35011-1315	STAY,FR,RH	1	
46075	46075-1069	GRIP,TAIL	1	
92002	92002-1334	BOLT,SOCKET,8X22	6	
92002A	92002-1417	BOLT,FLANGED,8X20	1	
92002B	92002-1493	BOLT,SOCKET,8X20	4	
92009	92009-1251	SCREW,6X20,BLACK	2	
92009A	92009-1402	SCREW,6X10	1	
92015	92015-1406	NUT,FLANGED,8MM	3	
92037	92037-1864	CLAMP,HARNESS COUPLER	1	
92037A	92037-1865	CLAMP,CABLE	1	
92075	92075-1909	DAMPER,IGNITION COIL	2	
92075A	92075-1925	DAMPER	2	



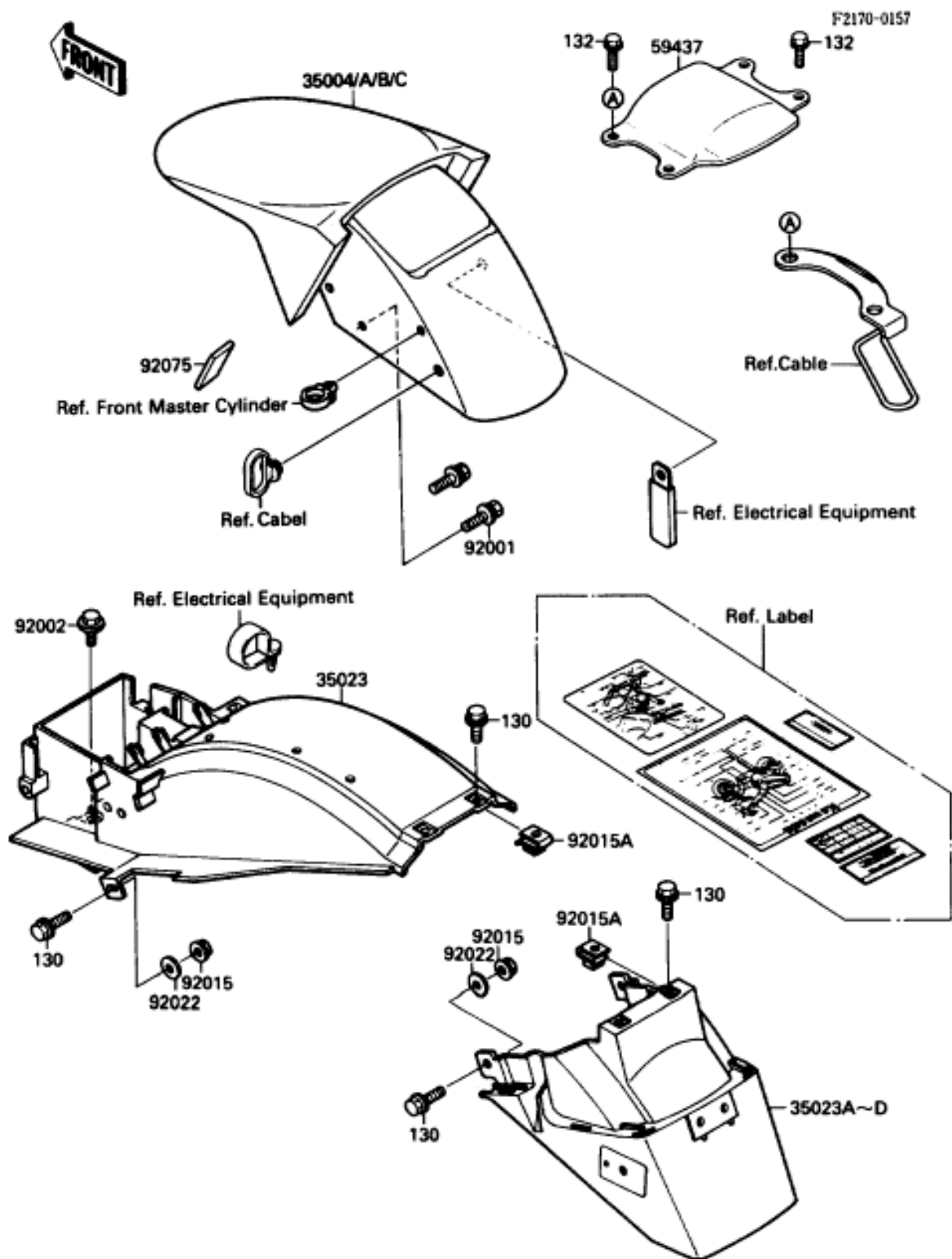
Electro Bracket

Ref #	Part #	Description	Qty	Spec Code
132	132W0610 <input type="text"/>	BOLT-FLANGED-SMALL	1	
132A	132W0620 <input type="text"/>	BOLT-FLANGED-SMALL	10	
132B	132W0645 <input type="text"/>	BOLT-FLANGED-SMALL	3	
132C	132W0655 <input type="text"/>	BOLT-FLANGED-SMALL	1	
220	220B0620 <input type="text"/>	SCREW-PAN-CROS,6X20,WHITE	7	
11009	11009-1600 <input type="text"/>	GASKET,TRANSMISSION COVER	1	
11009A	11009-1601 <input type="text"/>	GASKET,CLUTCH COVER	1	
11009B	11009-1603 <input type="text"/>	GASKET,PULSING COIL COVER	1	
11009C	92065-058 <input type="text"/>	GASKET,10.5X16X1,DRAIN PLUG	1	
11012	11012-1540 <input type="text"/>	CAP,LH,RCA378	1	
13151	13151-1007 <input type="text"/>	SWITCH-COMP,NEUTRAL	1	
14024	14024-1299 <input type="text"/>	COVER,RH	1	
14024A	14024-1301 <input type="text"/>	COVER,SOUND ARRESTER	1	
14024B	14024-1305 <input type="text"/>	COVER,TRANSMISSION	1	
14024C	14024-1309 <input type="text"/>	COVER,GENERATOR,SIDE	1	
14024D	14024-1310 <input type="text"/>	COVER,GENERATOR,UPP	1	
14024E	14024-1376 <input type="text"/>	COVER	1	
14026	14026-1126 <input type="text"/>	COVER-CHAIN	1	
14032	14032-1224 <input type="text"/>	COVER-CLUTCH	1	
26011	26011-1384 <input type="text"/>	WIRE-LEAD	1	
52005	52005-1057 <input type="text"/>	GAUGE,OIL LEVEL	1	
92002	92002-1343 <input type="text"/>	BOLT,6X20	3	
92002A	92002-1344 <input type="text"/>	BOLT,6X25	2	
92002B	92002-1449 <input type="text"/>	BOLT,6X10	5	
92002C	92002-1534 <input type="text"/>	BOLT,6X30	1	
92009	92009-1447 <input type="text"/>	SCREW,6X20	2	
92028	92028-1251 <input type="text"/>	BUSHING,13X15X20	1	
92037	92037-1876 <input type="text"/>	CLAMP,LEAD WIRE	1	
92037A	92037-1877 <input type="text"/>	CLAMP,WIRING HARNESS	2	
92043	92042-007 <input type="text"/>	PIN,DOWEL,6.3X8X14	4	
92049	92049-1017 <input type="text"/>	SEAL-OIL,SD-8187	1	
92049A	92049-1033 <input type="text"/>	SEAL-OIL,SC32487	1	
92049B	92049-1186 <input type="text"/>	SEAL-OIL,TB13205	1	
92075	92075-1837 <input type="text"/>	DAMPER,SOUND ARRESTER	1	



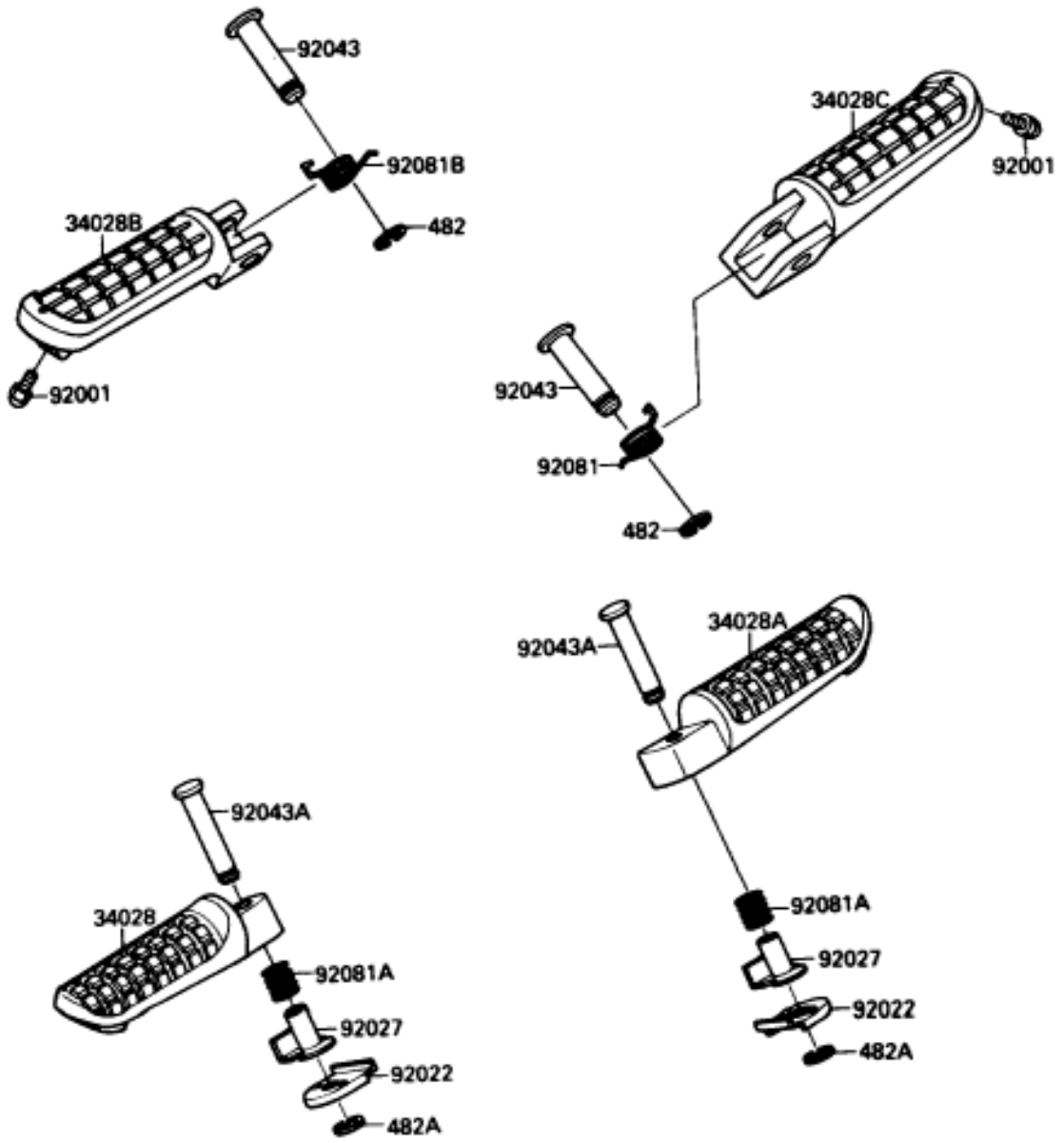
Engine Covers

Ref #	Part #	Description	Qty	Spec Code
130	130J0616 <input type="text"/>	BOLT-FLANGED,6X16,BLACK	8	
132	132G0816 <input type="text"/>	BOLT-FLANGED-SMALL	4	
35004B	35004-1196-H1 <input type="text"/>	FENDER-FRONT,S.RED	1	
35004C	35004-1196-H8 <input type="text"/>	FENDER-FRONT,EBONY	1	
35023	35023-1178 <input type="text"/>	FENDER-REAR,FR	1	
35023C	35023-1179-R1 <input type="text"/>	FENDER-REAR,RR,P.A.WHITE	1	
35023D	35023-1179-T2 <input type="text"/>	FENDER-REAR,RR,P.C.GRAY	1	
59437	59437-1054 <input type="text"/>	STABILIZER	1	
92001	92001-1763 <input type="text"/>	BOLT,W/SP,6X16	4	
92002	92002-1884 <input type="text"/>	BOLT,6X12	1	
92015	92015-1367 <input type="text"/>	NUT,FLANGED,6MM	4	
92015A	92015-1602 <input type="text"/>	NUT,6MM	4	
92022	92022-1557 <input type="text"/>	WASHER,6.5X20X1.6	4	
92075	92075-1902 <input type="text"/>	DAMPER	2	



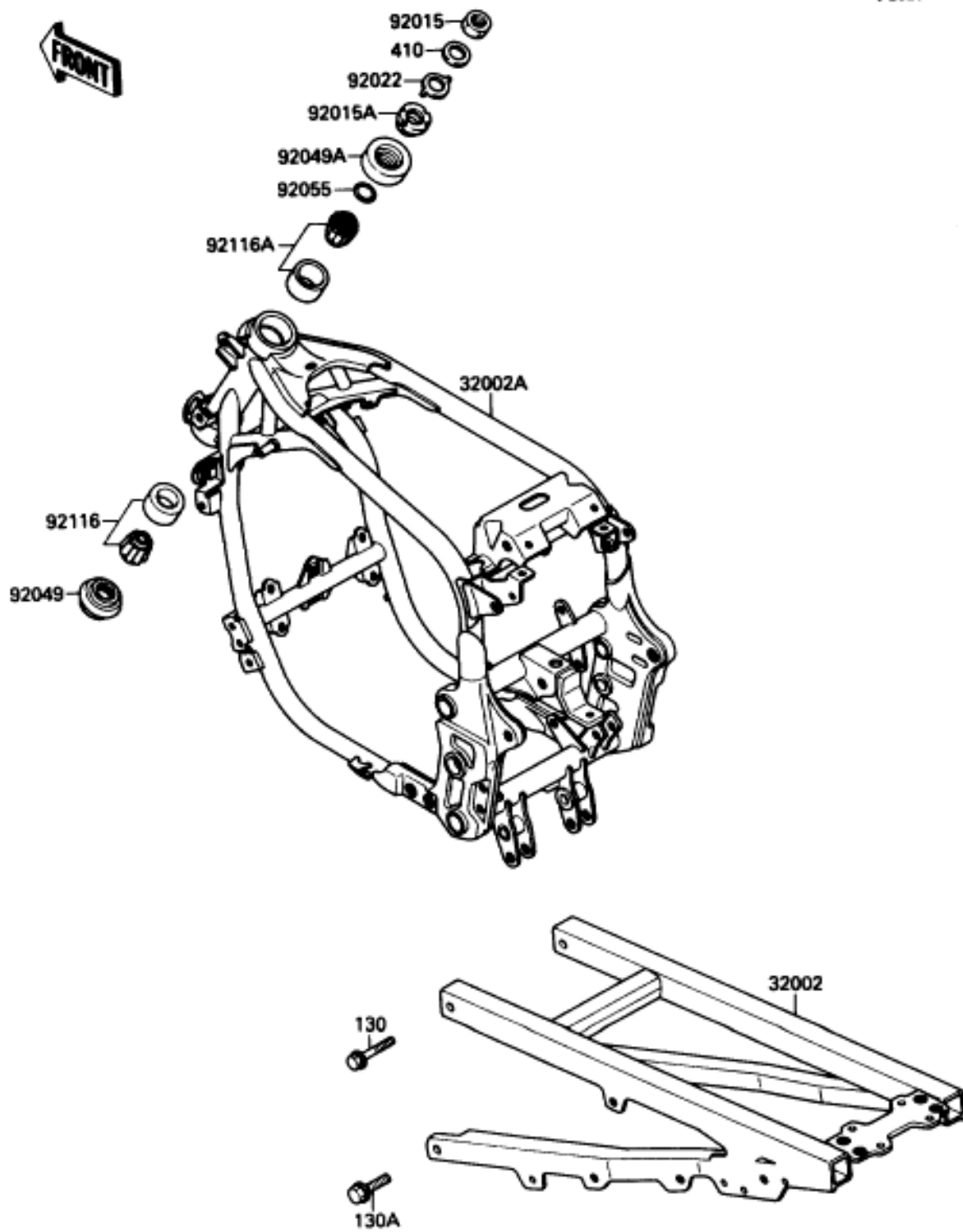
Fenders

Ref #	Part #	Description	Qty	Spec Code
482	482L0100 <input type="text"/>	CIRCLIP-TYPE-E,10MM	2	
482A	482L5000 <input type="text"/>	CIRCLIP-TYPE-E,5MM	2	
34028	34028-1191 <input type="text"/>	STEP,RR,LH	1	
34028A	34028-1192 <input type="text"/>	STEP,RR,RH	1	
34028B	34028-1208 <input type="text"/>	STEP,FR,LH	1	
34028C	34028-1209 <input type="text"/>	STEP,FR,RH	1	
92001	92001-1905 <input type="text"/>	BOLT,6X10	2	
92022	92022-1507 <input type="text"/>	WASHER,STEP,RR	2	
92027	92027-1732 <input type="text"/>	COLLAR,STEP	2	
92043	92043-1145 <input type="text"/>	PIN,12X42.5	2	
92043A	92043-1238 <input type="text"/>	PIN,6X38.5	2	
92081	92081-1587 <input type="text"/>	SPRING,STEP RETURN,RH	1	
92081A	92081-1612 <input type="text"/>	SPRING,STEP,RR	2	
92081B	92081-1733 <input type="text"/>	SPRING,STEP RETURN,LH	1	



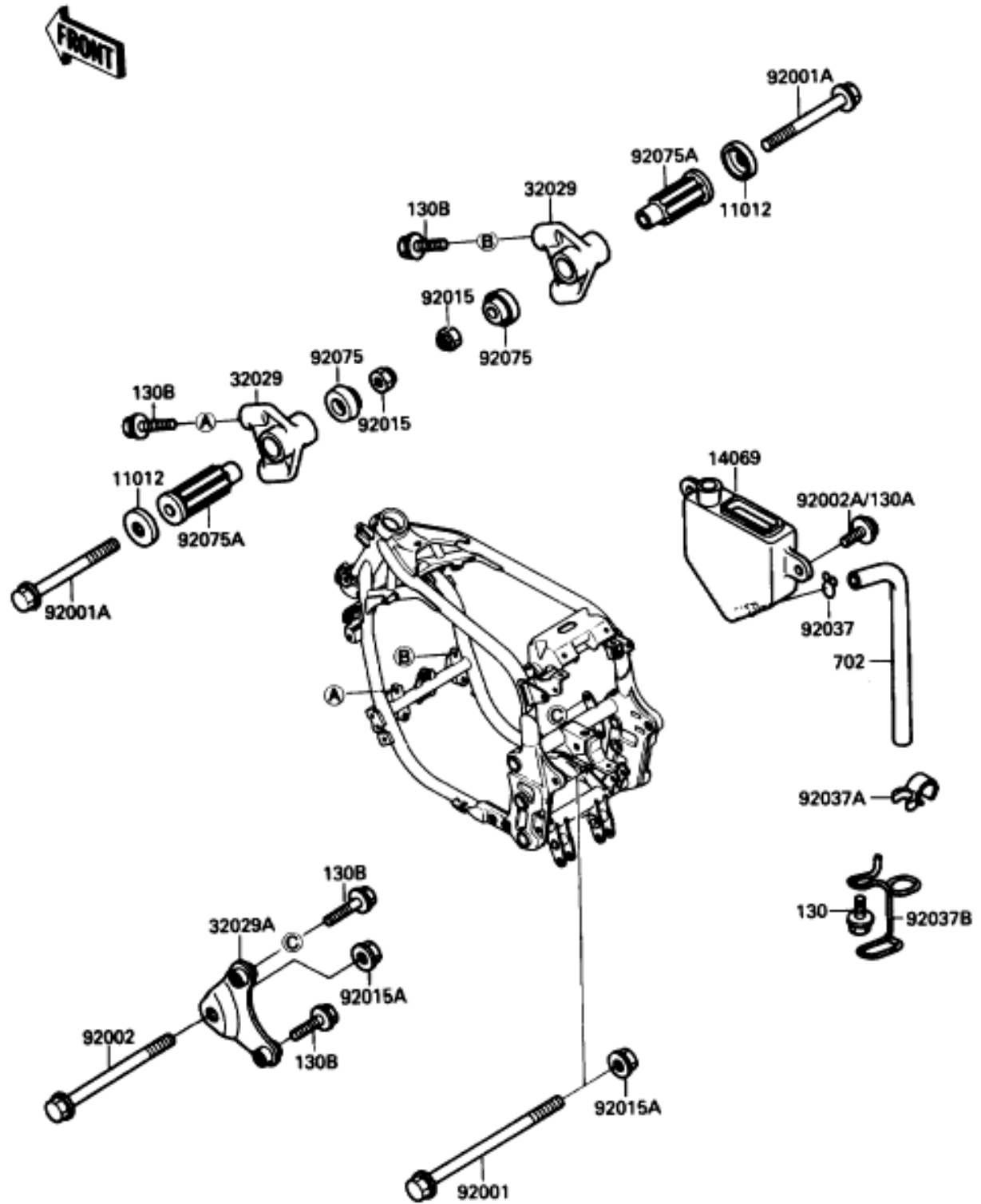
Footrests

Ref #	Part #	Description	Qty	Spec Code
130	130J0830 <input type="text"/>	BOLT-FLANGED,8X30	2	
130A	130J1020 <input type="text"/>	BOLT-FLANGED,10X20	2	
410	410F1800 <input type="text"/>	W-PLAIN-S	1	
32002	32002-1917 <input type="text"/>	FRAME-COMP,AL,RR	1	
32002A	32002-1945 <input type="text"/>	FRAME-COMP,FR	1	
92015	92015-1404 <input type="text"/>	NUT,18MM	1	
92015A	92015-1546 <input type="text"/>	NUT,25MM,T=12	1	
92022	92022-1555 <input type="text"/>	WASHER,CLAW,18.5X30X2.3	1	
92049	92049-1162 <input type="text"/>	SEAL-OIL,XMHE36X52X4J	1	
92049A	92049-1214 <input type="text"/>	SEAL-OIL,STEERING STEM	1	
92055	92055-1160 <input type="text"/>	RING-O,24.7MM	1	
92116	92116-1009 <input type="text"/>	BEARING-ROLLER,HR320/28XJ	1	
92116A	92116-1056 <input type="text"/>	BEARING-ROLLER,HI-CAP32005JR-1	1	



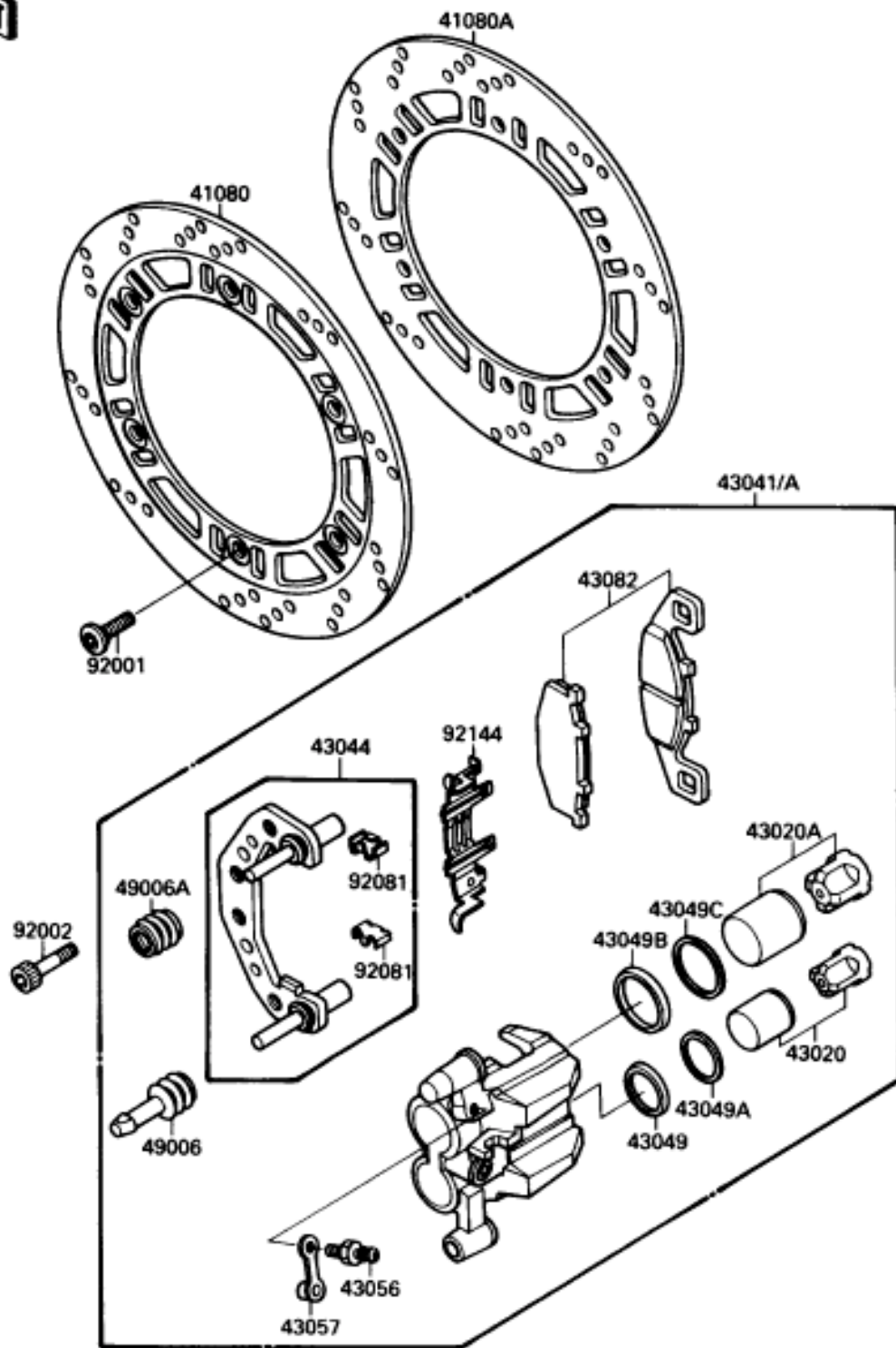
Frame

Ref #	Part #	Description	Qty	Spec Code
130	130J0610 <input type="text"/>	BOLT-FLANGED	1	
130A	130J0614 <input type="text"/>	BOLT-FLANGED,6X14,BLACK	2	[CA]
130B	130J0820 <input type="text"/>	BOLT-FLANGED,8X20	6	
702	702A07480 <input type="text"/>	TUBE-RUBBER	1	
11012	11012-1228 <input type="text"/>	CAP,ENGINE BRACKET	2	
14069	14069-1054 <input type="text"/>	BREATHER	1	
32029	32029-1485 <input type="text"/>	BRACKET-ENGINE,FR	2	
32029A	32029-1502 <input type="text"/>	BRACKET-ENGINE,RR,UPP	1	
92001	92001-1621 <input type="text"/>	BOLT,FLANGED,10X180	1	
92001A	92001-1751 <input type="text"/>	BOLT,FLANGED,10X105,BLACK	2	
92002	92002-1470 <input type="text"/>	BOLT,FLANGED,10X170	1	
92002A	92002-1884 <input type="text"/>	BOLT,6X12	2	[CN,US]
92015	92015-1189 <input type="text"/>	NUT,LOCK,10MM,BLACK	2	
92015A	92015-1541 <input type="text"/>	NUT	2	
92037	92037-147 <input type="text"/>	CLAMP,TUBE	1	
92037A	92037-1857 <input type="text"/>	CLAMP,HOSE	1	
92037B	92037-1875 <input type="text"/>	CLAMP,HOSE	1	
92075	92075-1274 <input type="text"/>	DAMPER,ENGINE MOUNT,SIDE	2	
92075A	92075-1377 <input type="text"/>	DAMPER,ENGINE MOUNT,MAIN	2	



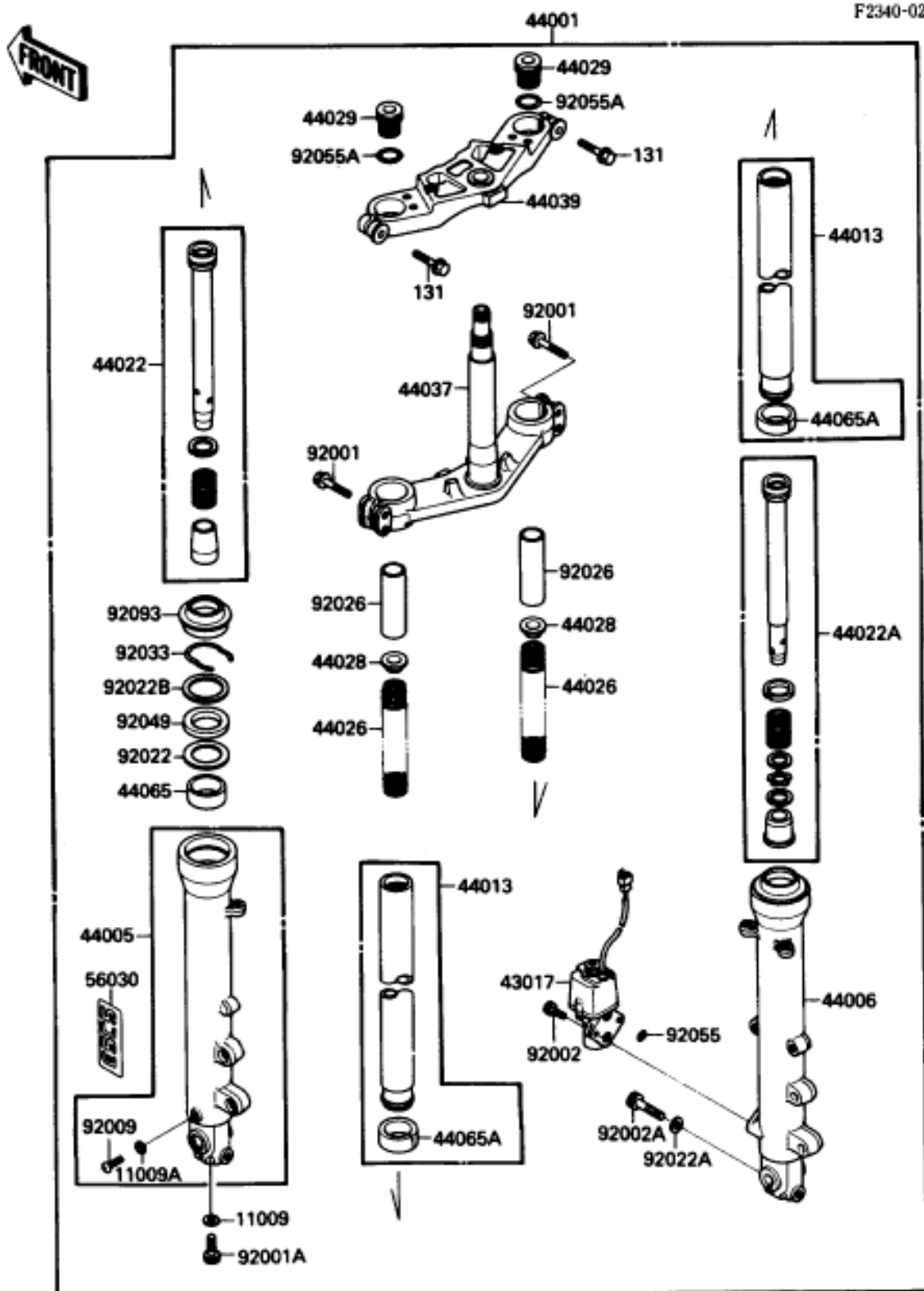
Frame Fittings

Ref #	Part #	Description	Qty	Spec Code
41080	41080-1175-CM <input type="text"/>	DISC,FR,LH,SILVER NO.1	1	
41080A	41080-1176-CM <input type="text"/>	DISC,FR,RH,SILVER NO.1	1	
43020	43020-1068 <input type="text"/>	PISTON-COMP-BRAKE	2	
43020A	43020-1069 <input type="text"/>	PISTON-COMP-BRAKE	2	
43041	43041-1224 <input type="text"/>	CALIPER-ASSY,FR,LH	1	
43041A	43041-1225 <input type="text"/>	CALIPER-ASSY,FR,RH	1	
43044	43044-1067 <input type="text"/>	HOLDER-COMP-CALIPER	2	
43049	43049-1054 <input type="text"/>	PACKING,PISTON SEAL	2	
43049A	43049-1055 <input type="text"/>	PACKING,PISTON	2	
43049B	43049-1056 <input type="text"/>	PACKING,PISTON SEAL	2	
43049C	43049-1057 <input type="text"/>	PACKING,PISTON	2	
43056	43056-003 <input type="text"/>	BREATHER	2	
43057	43057-003 <input type="text"/>	CAP-BREATHER	2	
43082	43082-1068 <input type="text"/>	PAD-ASSY-BRAKE	2	
49006	49006-1094 <input type="text"/>	BOOT,CALIPER	2	
49006A	49006-1095 <input type="text"/>	BOOT,CALIPER	2	
92001	92001-1951 <input type="text"/>	BOLT,DISC PLATE,8X30	12	
92002	92001-1901 <input type="text"/>	BOLT,SOCKET,10X33	4	
92081	92081-1661 <input type="text"/>	SPRING,PAD STOPPER	4	
92144	92144-1070 <input type="text"/>	SPRING,PAD	2	



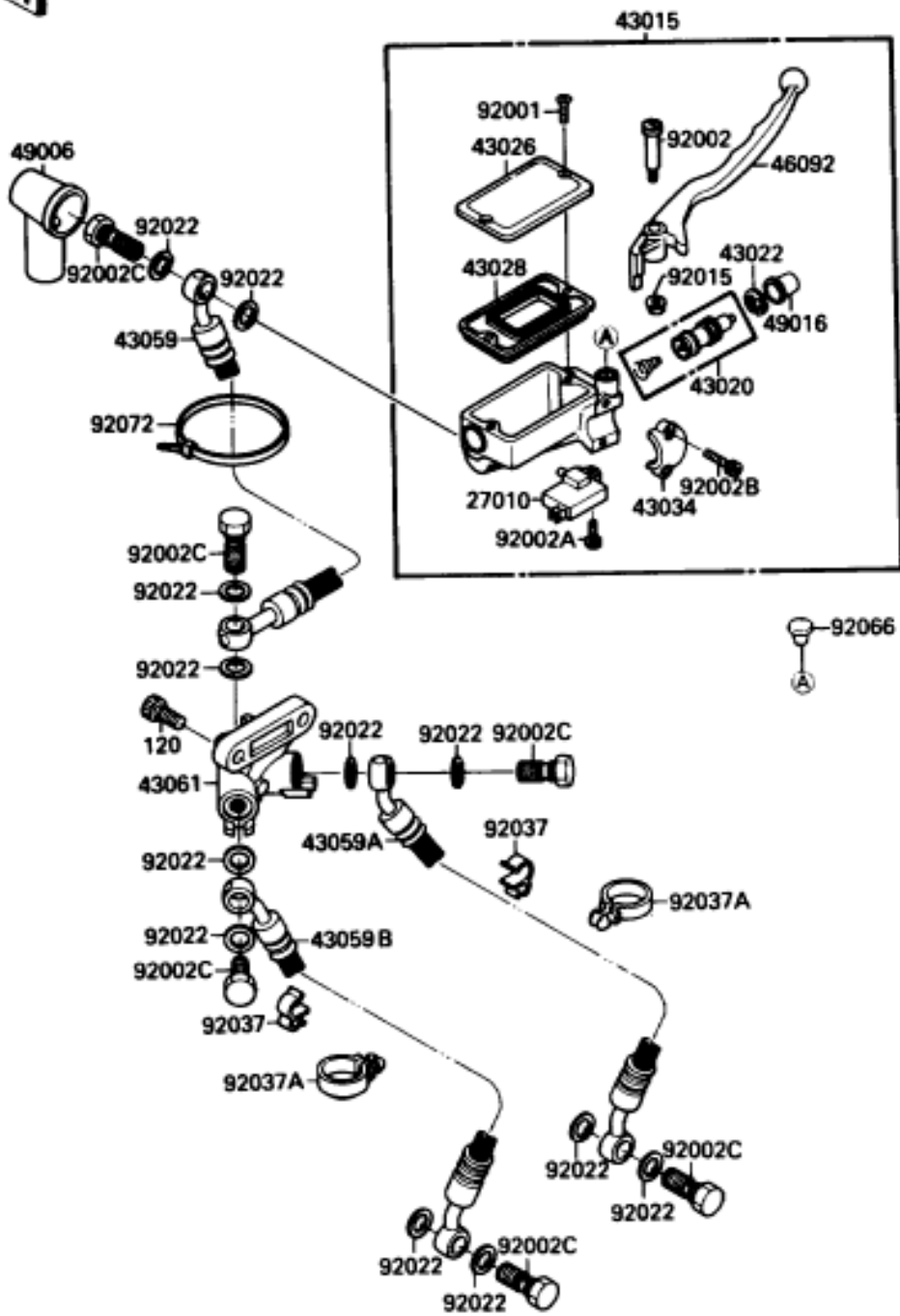
Front Brake

Ref #	Part #	Description	Qty	Spec Code
131	131G0845	BOLT-FLANGED,8X45	4	
11009	11009-1127	GASKET,FORK CYLINDER BOLT	2	
11009A	44045-002	GASKET,FORK DRAIN PLUG	2	
43017	43017-1066	VALVE-COMP-BRAKE	1	
44001	44001-1639	FORK-FRONT	1	
44005	44005-1256	PIPE-LEFT FORK OUTER	1	
44006	44006-1253	PIPE-RIGHT FORK OUTER	1	
44013	44013-1258	PIPE-FORK INNER	2	
44022	44022-1202	CYLINDER-FORK,LH	1	
44022A	44022-1203	CYLINDER-FORK,RH	1	
44026	44026-1358	SPRING-FRONT FORK	2	
44028	44028-1003	GUIDE-FORK SPRING	2	
44029	44029-1126	SEAT-FORK SPRING	2	
44037	44037-1206	HOLDER-FORK UNDER	1	
44039	44039-1144	HOLDER-FORK UPPER	1	
44065	44065-1012	BUSHING-FRONT FORK	2	
44065A	44065-1057	BUSHING-FRONT FORK,INNER PIPE	2	
56030	56030-1095	LABEL,ESCS MARK	1	
92001	92001-1188	BOLT,FLANGED,8X40	2	
92001A	92001-1309	BOLT,FORK CYLINDER	2	
92002	92002-1166	BOLT,SOCKET,6X16	2	
92002A	92002-1316	BOLT,SOCKET,8X38	2	
92009	92009-1324	SCREW,4X8	2	
92022	92022-1262	WASHER,FORK OUTER PIPE	2	
92022A	92022-1598	WASHER	2	
92022B	92022-1599	WASHER,FORK OUTER PIPE,UPP	2	
92026	92026-1288	SPACER,FORK,L=100	2	
92033	92033-1047	RING-SNAP,FORK	2	
92049	92049-1178	SEAL-OIL,FORK	2	
92055	92055-1379	RING-O	2	
92055A	92055-1380	RING-O,FORK TOP	2	
92093	92093-1162	SEAL,FORK	2	



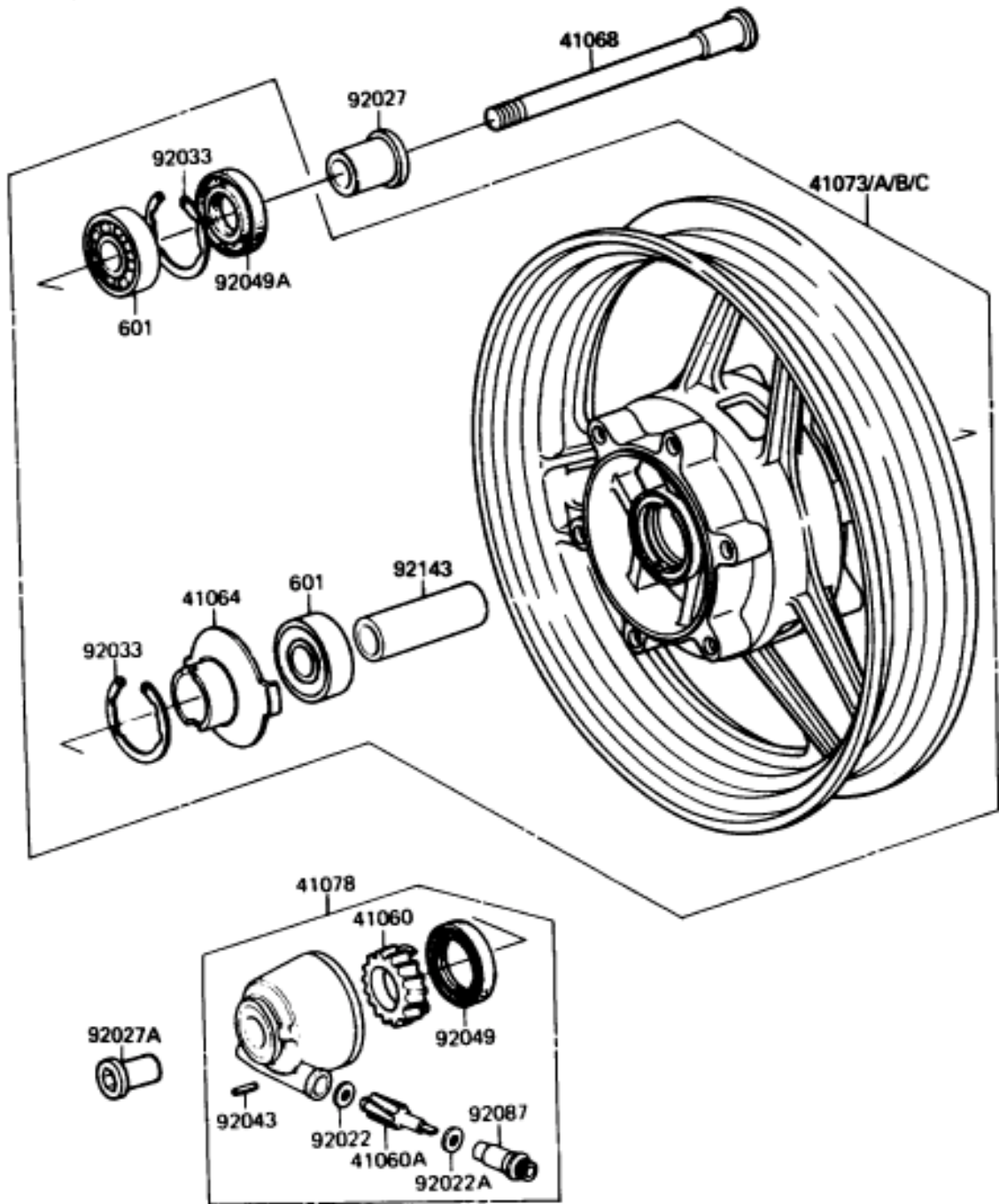
Front Forks

Ref #	Part #	Description	Qty	Spec Code
120	120P0614	BOLT-SOCKET,6X14	2	
27010	27010-1170	SWITCH,BRAKE	1	
43015	43015-1301	CYLINDER-ASSY-MASTER,FR	1	
43020	43020-1054	PISTON-COMP-BRAKE,FR	1	
43022	43022-1010	STOPPER-BRAKE,PISTON	1	
43026	43026-1052	CAP-BRAKE,FR	1	
43028	43028-1058	DIAPHRAGM,MASTER CYLINDER	1	
43034	43034-1053	HOLDER-BRAKE,MASTER CYLINDER	1	
43059	43059-1365	HOSE-BRAKE,FR	1	
43059A	43059-1366	HOSE-BRAKE,FR	1	
43059B	43059-1371	HOSE-BRAKE,FR	1	
43061	43061-1062	JOINT-BRAKE	1	
46092	46092-1117	LEVER-GRIP,FRONT BRAKE	1	
49006	49006-1040	BOOT,DUST	1	
49016	49016-1044	COVER-SEAL,MASTER CYLINDER	1	
92001	92001-1727	SCREW,5MM	2	
92002	92002-1322	BOLT,LEVER SET	1	
92002A	92002-1323	BOLT,SCREW,4X12	1	
92002B	92002-1324	BOLT,SOCKET,6X20	2	
92002C	92002-1888	BOLT,OIL,L=23	6	
92015	92015-1233	NUT,FLANGED,6MM	1	
92022	43067-001	WASHER,10.5X15X1.5	12	
92037	92037-1249	CLAMP,HOSE	2	
92037A	92037-1827	CLAMP,HOSE	2	
92066	92066-1077	PLUG,9.5X8,POLYETHYLENE	1	
92072	92072-1197	BAND,L=365	2	



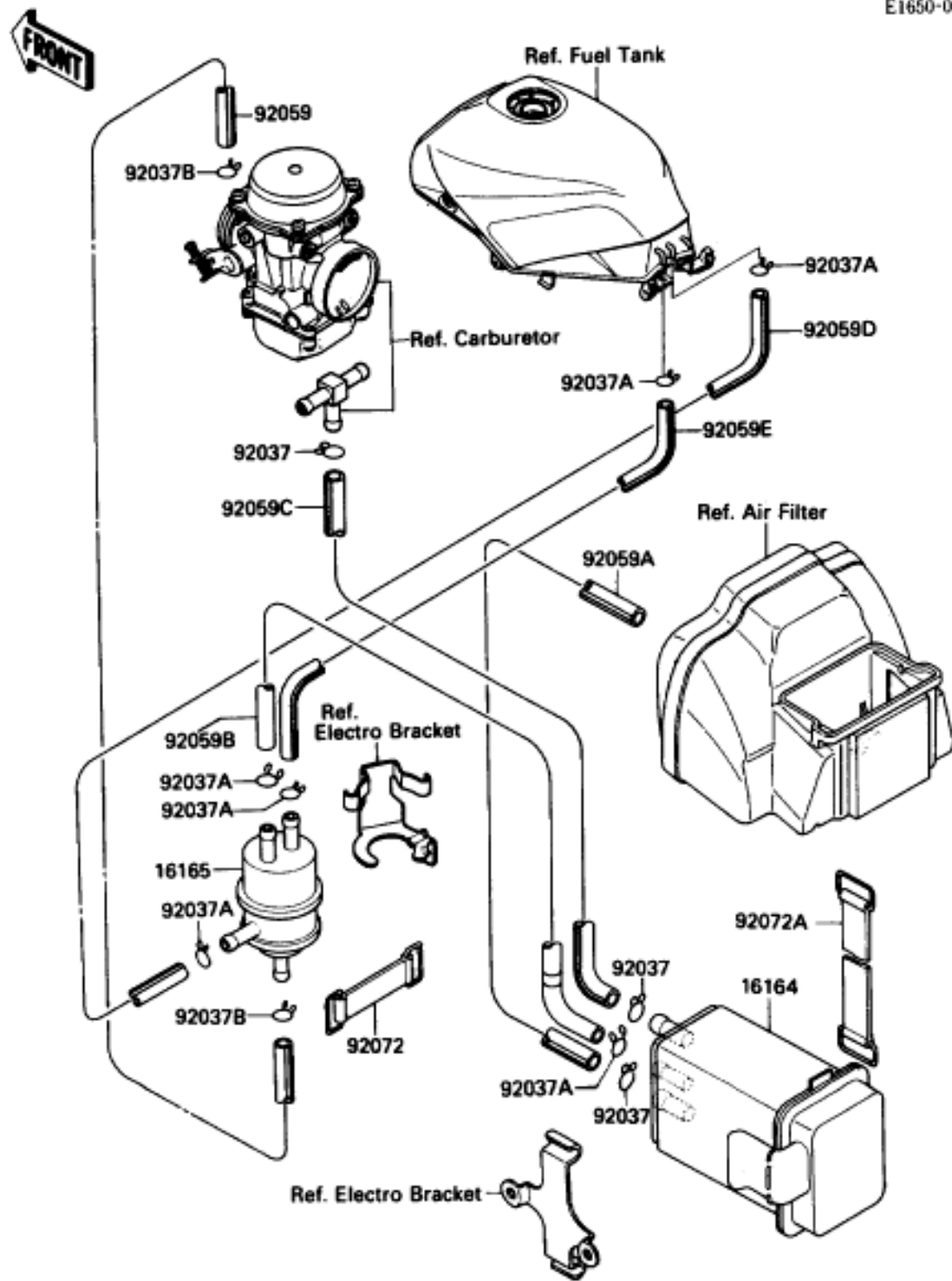
Front Master Cylinder

Ref #	Part #	Description	Qty	Spec Code
601	601B6302UG <input type="text"/>	BEARING-BALL,#6302UG	2	
41060	41060-1025 <input type="text"/>	GEAR-METER SCREW,24T	1	
41060A	41060-1035 <input type="text"/>	GEAR-METER SCREW,9T	1	
41064	41064-1006 <input type="text"/>	RECEIVER-SPEEDOMETER	1	
41068	41068-1233 <input type="text"/>	AXLE,FR	1	
41073A	41073-1344-R2 <input type="text"/>	WHEEL-ASSY,FR,BLACK	1	
41078	41078-1057 <input type="text"/>	CASE-ASSY-METER GEAR	1	
92022	41063-001 <input type="text"/>	WASHER,5.1X9X0.4	1	
92022A	92022-1062 <input type="text"/>	WASHER,5.1X10X1	1	
92027	92027-1118 <input type="text"/>	COLLAR,L=34	1	
92027A	92027-1726 <input type="text"/>	COLLAR,FR AXLE,L=36.5	1	
92033	92033-1041 <input type="text"/>	RING-SNAP,42MM	2	
92043	41082-001 <input type="text"/>	PIN,SPRING	1	
92049	92049-1057 <input type="text"/>	SEAL-OIL,BJN30427-C3	1	
92049A	92049-1058 <input type="text"/>	SEAL-OIL,BJN22425	1	
92087	92087-1002 <input type="text"/>	BUSHING-METER GEAR	1	
92143	92143-1033 <input type="text"/>	COLLAR,15.2X22X67	1	



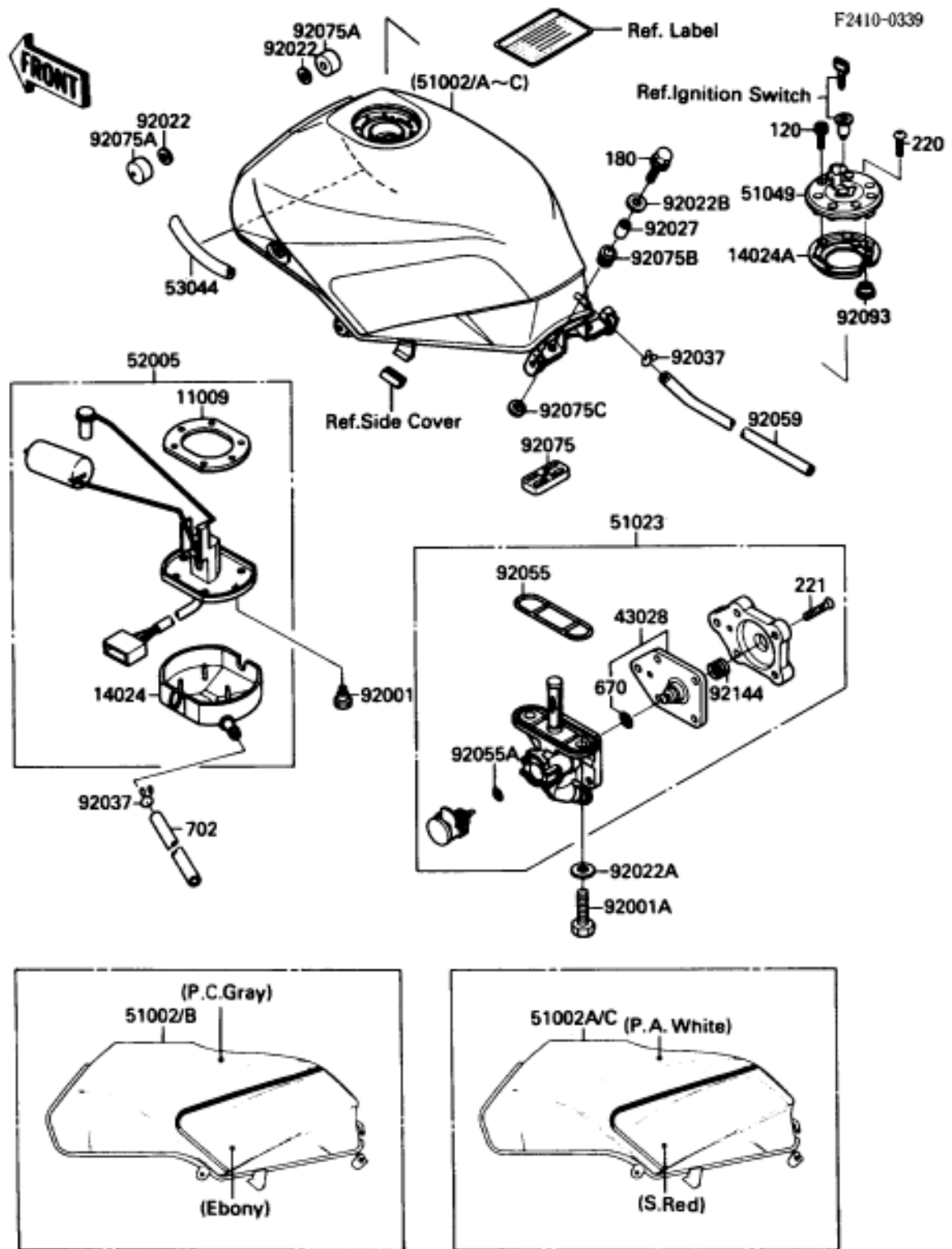
Front Wheel

Ref #	Part #	Description	Qty	Spec Code
16164	16164-1064 <input type="text"/>	CANISTER	1	[CA]
16165	16165-1001 <input type="text"/>	SEPARATOR	1	[CA]
92037	92037-1104 <input type="text"/>	CLAMP,HOSE	3	[CA]
92037A	92037-147 <input type="text"/>	CLAMP,TUBE	6	[CA]
92037B	92037-1712 <input type="text"/>	CLAMP	2	[CA]
92059	92059-1760 <input type="text"/>	TUBE,4X9X550,WHITE	1	[CA]
92059A	92059-1761 <input type="text"/>	TUBE,7X12X435,GREEN	1	[CA]
92059B	92059-1762 <input type="text"/>	TUBE,5X7.5X339,BLUE	1	[CA]
92059C	92059-1763 <input type="text"/>	TUBE,7X12X244,YELLOW	1	[CA]
92059D	92059-1764 <input type="text"/>	TUBE,5X10X350,RED	1	[CA]
92059E	92059-1807 <input type="text"/>	TUBE,5X10X235,BLUE	1	[CA]
92072	92072-066 <input type="text"/>	BAND,L=50	1	[CA]
92072A	92072-1188 <input type="text"/>	BAND,BATTERY	1	[CA]



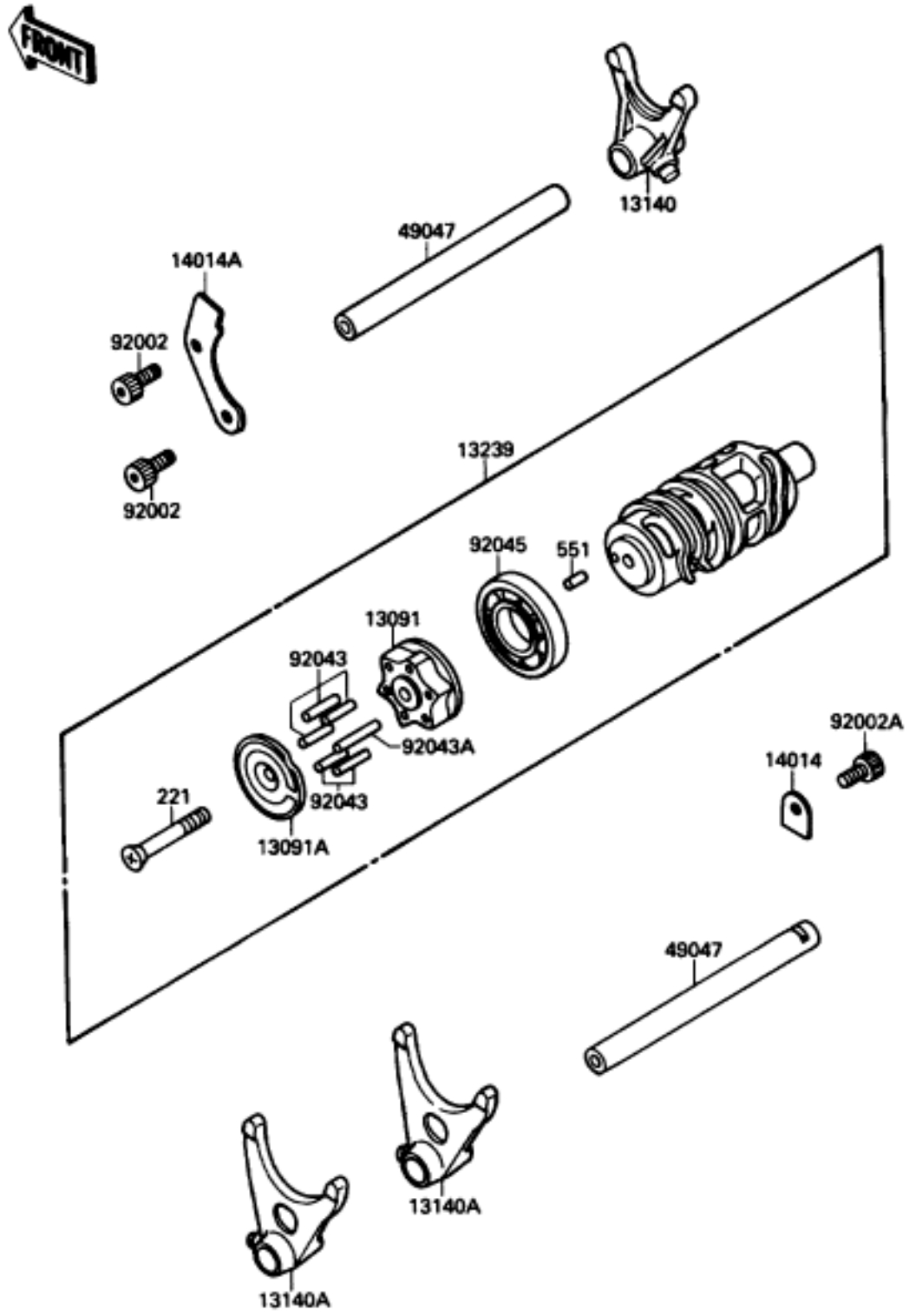
Fuel Evaporative System

Ref #	Part #	Description	Qty	Spec Code
120	120S0512	BOLT-SOCKET	7	
180	180G0625	BOLT-UPSET-WS	2	
220	220C0508	SCREW-PAN-CROS	1	
221	221B0414	SCREW-CSK-CROS,4X14	5	
670	670B1504	O RING,4MM	1	
702	702A07480	TUBE-RUBBER	1	
11009	11009-1037	GASKET,FUEL GAUGE	1	
14024	14024-1434	COVER,FUEL GAUGE	1	
14024A	14025-1913	COVER,TANK CAP	1	
43028	43028-1068	DIAPHRAGM,TAP	1	
51002	51002-5257-T4	TANK-COMP-FUEL,EBONY/P.C.GRAY	1	[CN,US]
51002A	51002-5258-W2	TANK-COMP-FUEL,P.A.WHITE/S.RED	1	[CN,US]
51002B	51002-5276-T4	TANK-COMP-FUEL,EBONY/P.C.GRAY	1	[CA]
51002C	51002-5277-W2	TANK-COMP-FUEL,P.A.WHITE/S.RED	1	[CA]
51023	51023-1133	TAP-ASSY,FUEL	1	
51049	51049-1079	CAP-TANK,FUEL	1	
52005	52005-1079	GAUGE,FUEL	1	
53044	53044-1171	TRIM,FUEL TANK	1	
92001	92001-1069	BOLT,FUEL GAUGE	6	
92001A	92001-1091	BOLT,6X20	2	
92022	92022-044	WASHER,10.5X26X2.3	2	
92022A	92022-183	WASHER,6.2X11X1.5	2	
92022B	92022-237	WASHER,6.5X22X1.6	2	
92027	92027-156	COLLAR,6.8X10X14.5	2	
92037	92037-147	CLAMP,TUBE	2	
92055	92055-1112	RING-O,FUEL TAP PACKING	1	
92055A	92055-1377	RING-O,TAP BOTTOM	1	
92059	92059-1830	TUBE,6X10X335	1	
92075	92075-1114	DAMPER,FUEL TANK,RR	1	
92075A	92075-125	DAMPER,FUEL TANK	2	
92075B	92075-174	DAMPER,MALE	2	
92075C	92075-175	DAMPER,FEMALE	2	
92093	92093-1030	SEAL,FUEL TANK CAP	1	[CA]
92144	92144-1119	SPRING,TAP DIAPHRAGM	1	



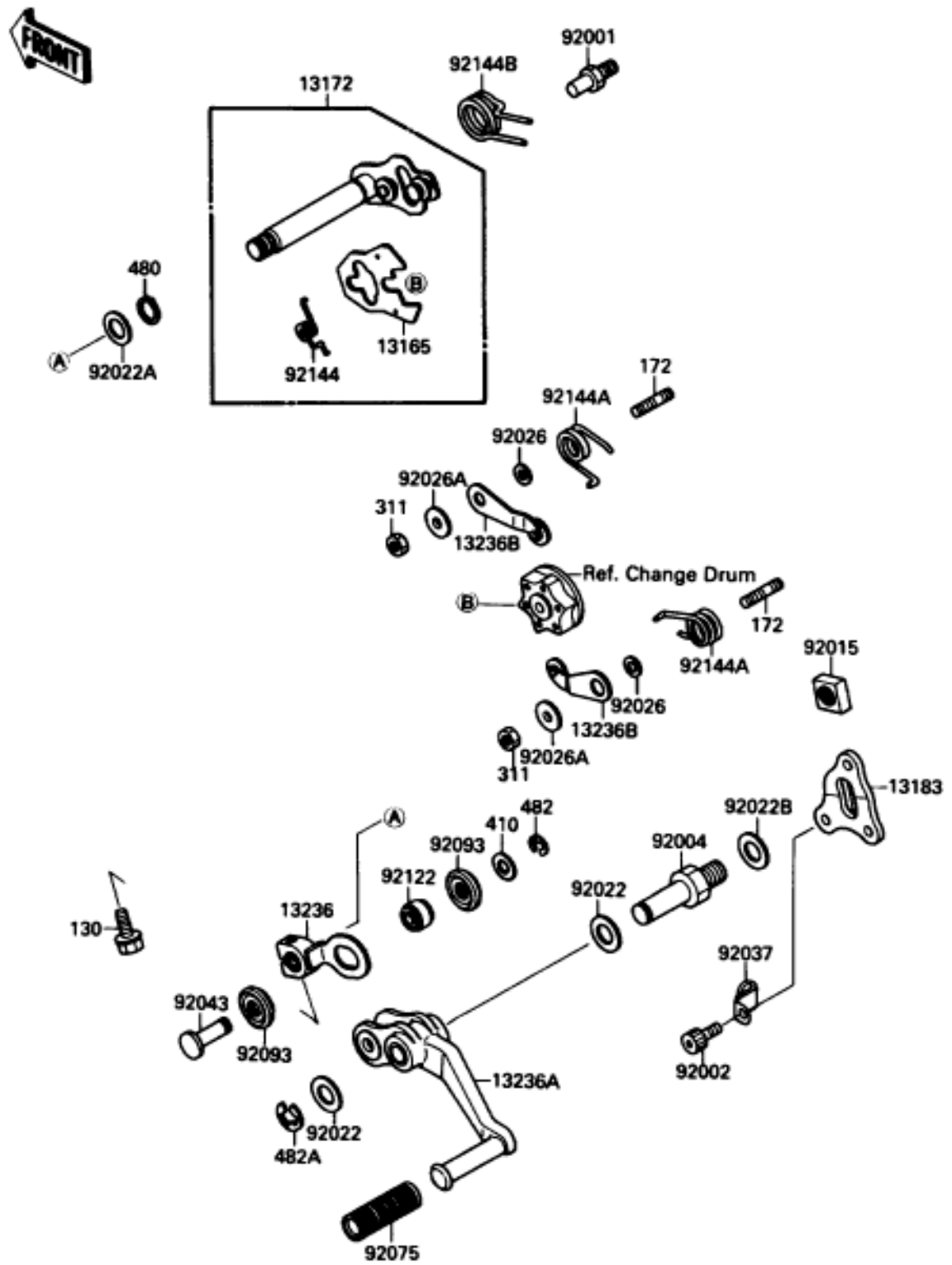
Fuel Tank

Ref #	Part #	Description	Qty	Spec Code
221	221B0640 <input type="text"/>	SCREW-CSK-CROS	1	
551	551A0408 <input type="text"/>	PIN-DOWEL,4X8	1	
13091	13091-1275 <input type="text"/>	HOLDER,CHANGE DRUM	1	
13091A	13091-1334 <input type="text"/>	HOLDER,NEUTRAL	1	
13140	13140-1153 <input type="text"/>	FORK-SHIFT,INPUT	1	
13140A	13140-1154 <input type="text"/>	FORK-SHIFT,OUTPUT	2	
13239	13239-1134 <input type="text"/>	DRUM-ASSY-CHANGE	1	
14014	14014-1080 <input type="text"/>	PLATE-POSITION,ROD	1	
14014A	14014-1081 <input type="text"/>	PLATE-POSITION,DRUM	1	
49047	49047-1070 <input type="text"/>	ROD-SHIFT	2	
92002	92002-1192 <input type="text"/>	BOLT,SOCKET,6X14	2	
92002A	92002-1796 <input type="text"/>	BOLT,SOCKET,6X12	1	
92043	92042-014 <input type="text"/>	PIN,DOWEL,4X15.8	5	
92043A	92042-020 <input type="text"/>	PIN,DOWEL,4X17.8	1	
92045	92045-1045 <input type="text"/>	BEARING-BALL,16005(NTN)	1	



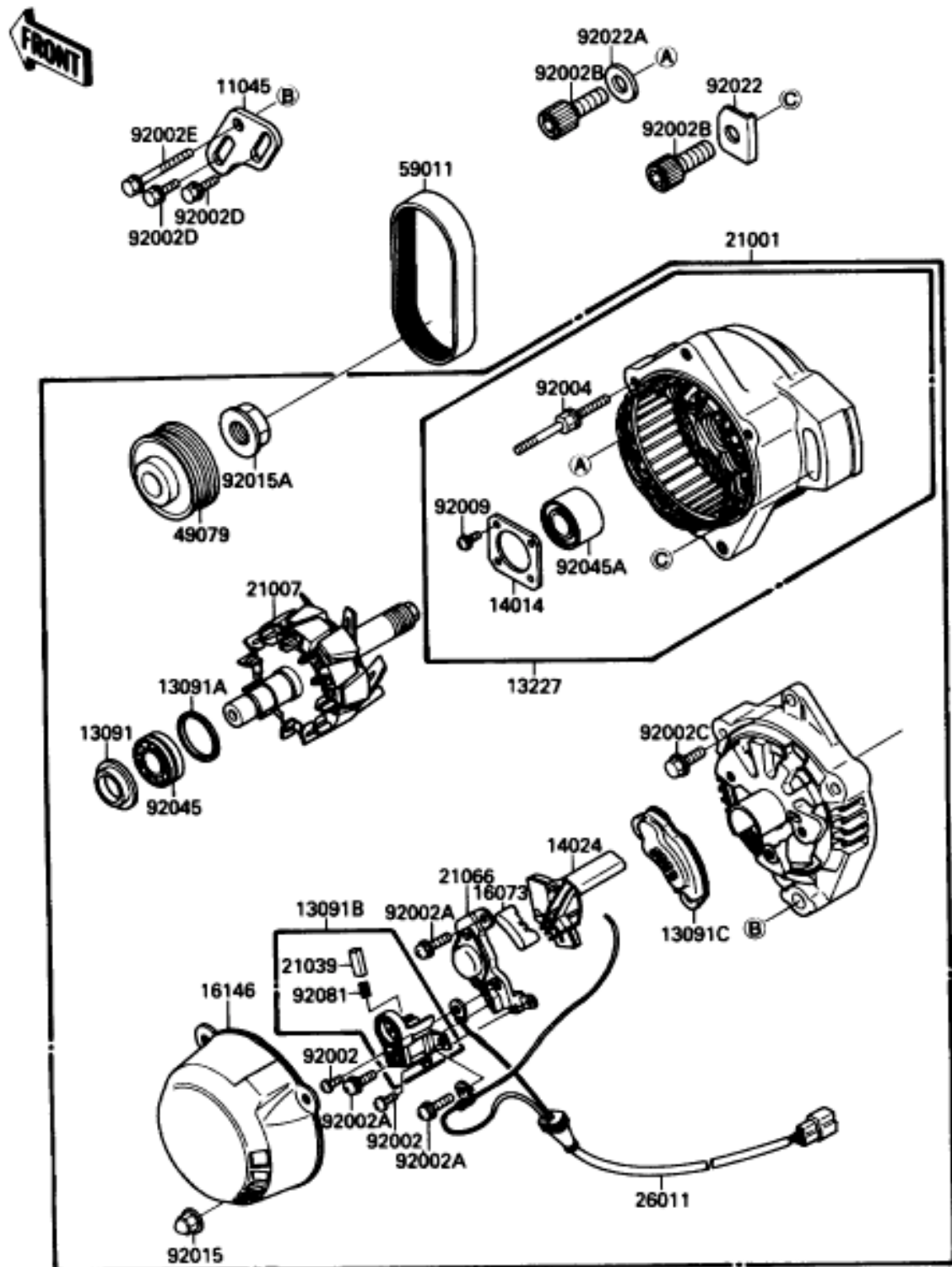
Gear Change Drum / Shift Forks

Ref #	Part #	Description	Qty	Spec Code
130	130S0620 <input type="checkbox"/>	BOLT-FLANGED,6X20,BLACK	1	
172	172G0612 <input type="checkbox"/>	BOLT-STUD,6X12	2	
311	311G0600 <input type="checkbox"/>	NUT-HEX,6MM	2	
410	410D0800 <input type="checkbox"/>	WASHER-PLAIN-SMALL,8MM	1	
480	480J1300 <input type="checkbox"/>	CIRCLIP-TYPE-C,13MM	1	
482	482K6000 <input type="checkbox"/>	CIRCLIP-TYPE-E,6MM	1	
482A	482L9000 <input type="checkbox"/>	CIRCLIP-TYPE-E	1	
13165	13165-1120 <input type="checkbox"/>	PAWL	1	
13172	13172-1064 <input type="checkbox"/>	SHAFT-ASSY-CHANGE	1	
13183	13183-1026 <input type="checkbox"/>	PLATE	1	
13236	13236-1147 <input type="checkbox"/>	LEVER-COMP,CHANGE LINK	1	
13236A	13236-1148 <input type="checkbox"/>	LEVER-COMP,CHANGE PEDAL	1	
13236B	13236-1149 <input type="checkbox"/>	LEVER-COMP,POSITION	2	
92001	92001-1455 <input type="checkbox"/>	BOLT,RETURN SPRING	1	
92002	92002-1192 <input type="checkbox"/>	BOLT,SOCKET,6X14	3	
92004	92004-1163 <input type="checkbox"/>	STUD,CHANGE PEDAL,PIVOT	1	
92015	92015-1605 <input type="checkbox"/>	NUT,12MM	1	
92022	92022-1065 <input type="checkbox"/>	WASHER,12.3X22X1.6	2	
92022A	92022-1496 <input type="checkbox"/>	WASHER,13.3X20X1	1	
92022B	92022-1862 <input type="checkbox"/>	WASHER,12.3X25X3.2	1	
92026	92026-094 <input type="checkbox"/>	SPACER,6.3X12X1.0	2	
92026A	92026-1217 <input type="checkbox"/>	SPACER	2	
92037	92037-1877 <input type="checkbox"/>	CLAMP,WIRING HARNESS	1	
92043	92043-1324 <input type="checkbox"/>	PIN	1	
92075	13157-004 <input type="checkbox"/>	DAMPER,CHANGE PEDAL	1	
92093	92093-1220 <input type="checkbox"/>	SEAL	2	
92122	92122-1140 <input type="checkbox"/>	ROLLER	1	
92144	92144-1029 <input type="checkbox"/>	SPRING	1	
92144A	92144-1030 <input type="checkbox"/>	SPRING,NEUTRAL POSITION	2	
92144B	92144-1074 <input type="checkbox"/>	SPRING,CHANGE PEDAL RETURN	1	



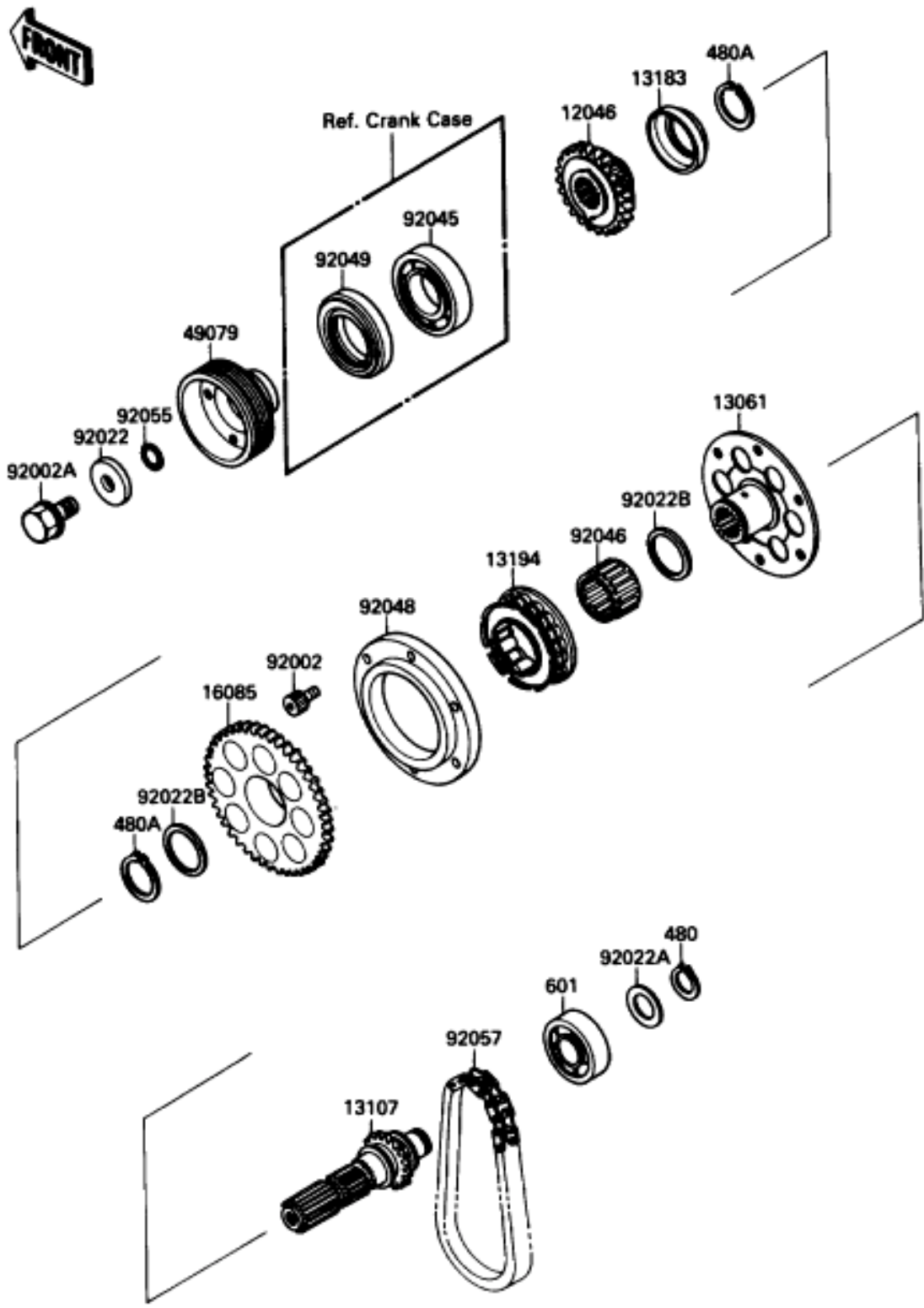
Gear Change Mechanism

Ref #	Part #	Description	Qty	Spec Code
11045	11045-1166 <input type="text"/>	BRACKET,GENERATOR	1	
13091	13091-1327 <input type="text"/>	HOLDER,COVER	1	
13091A	13091-1328 <input type="text"/>	HOLDER,BEARING	1	
13091B	13091-1465 <input type="text"/>	HOLDER,BRUSH	1	
13091C	13091-1466 <input type="text"/>	RECTIFIER	1	
13227	13227-1067 <input type="text"/>	HOUSING,GENERATOR	1	
14014	14014-1085 <input type="text"/>	PLATE-POSITION	1	
14024	14025-1942 <input type="text"/>	COVER,RECTIFIER	1	
16073	16073-1062 <input type="text"/>	INSULATOR	1	
16146	16146-1076 <input type="text"/>	COVER-ASSY,GENERATOR	1	
21001	21001-1077 <input type="text"/>	GENERATOR	1	
21007	21007-1158 <input type="text"/>	ROTOR,GENERATOR	1	
21039	21039-1052 <input type="text"/>	BRUSH,CARBON	2	
21066	21066-1056 <input type="text"/>	REGULATOR-VOLTAGE	1	
26011	26011-1393 <input type="text"/>	WIRE-LEAD	1	
49079	49079-1052 <input type="text"/>	PULLEY-BELT	1	
59011	59011-1052 <input type="text"/>	BELT,GENERATOR	1	
92002	92002-1379 <input type="text"/>	SCREW,4X8	2	
92002A	92002-1380 <input type="text"/>	SCREW,5X17.5	3	
92002B	92002-1854 <input type="text"/>	BOLT,SOCKET,10X45	2	
92002C	92002-1919 <input type="text"/>	BOLT	1	
92002D	92002-1933 <input type="text"/>	BOLT,6X16	2	
92002E	92002-1934 <input type="text"/>	BOLT,8X50	1	
92004	92004-1167 <input type="text"/>	STUD	3	
92009	92009-1462 <input type="text"/>	SCREW	4	
92015	92015-1650 <input type="text"/>	NUT,PULLEY LOCK	1	
92015A	92015-1657 <input type="text"/>	NUT	3	
92022	92022-1819 <input type="text"/>	WASHER	1	
92022A	92022-1820 <input type="text"/>	WASHER,10.5X19X3.2	1	
92045	92045-1133 <input type="text"/>	BEARING-BALL,#6002NC	1	
92045A	92045-1195 <input type="text"/>	BEARING-BALL	1	
92081	92081-1759 <input type="text"/>	SPRING,BRUSH	2	



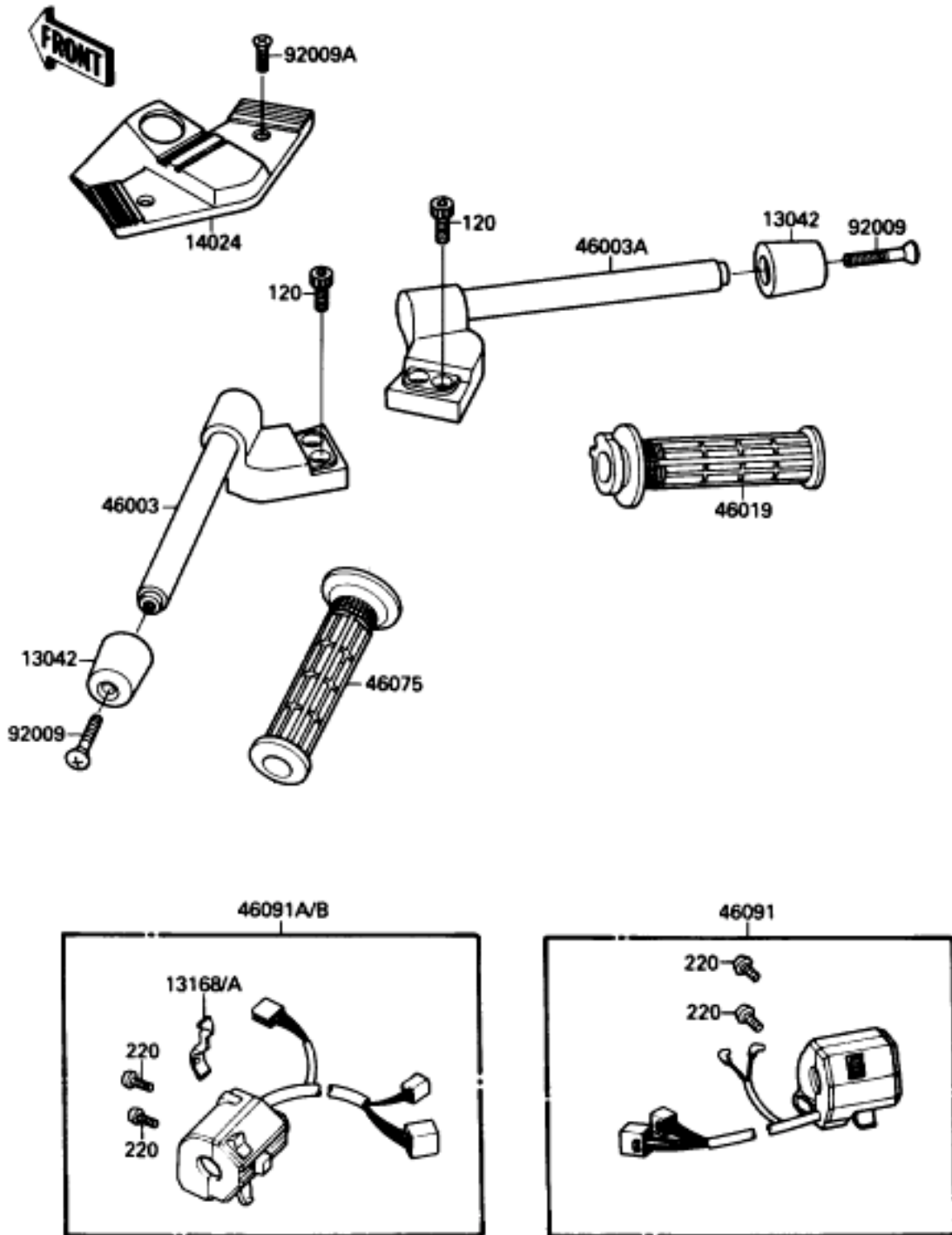
Generator

Ref #	Part #	Description	Qty	Spec Code
480	480J1700 <input type="checkbox"/>	CIRCLIP-TYPE-C,17MM	1	
480A	480J2500 <input type="checkbox"/>	CIRCLIP-TYPE-C,25MM	2	
601	601A6203 <input type="checkbox"/>	BEARING-BALL,#6203	1	
12046	12046-1090 <input type="checkbox"/>	SPROCKET,23T	1	
13061	13061-1197 <input type="checkbox"/>	BOSS,ONEWAY CLUTCH	1	
13107	13107-1186 <input type="checkbox"/>	SHAFT	1	
13183	13183-1015 <input type="checkbox"/>	PLATE	1	
13194	13194-1068 <input type="checkbox"/>	CLUTCH-ONEWAY	1	
16085	16085-1173 <input type="checkbox"/>	GEAR,ONEWAY CLUTCH	1	
49079	49079-1051 <input type="checkbox"/>	PULLEY-BELT	1	
92002	92002-1796 <input type="checkbox"/>	BOLT,SOCKET,6X12	6	
92002A	92002-1853 <input type="checkbox"/>	BOLT,PULLEY	1	
92022	92022-1816 <input type="checkbox"/>	WASHER,11X28X4.5	1	
92022A	92022-1842 <input type="checkbox"/>	WASHER,17X25X1.6	1	
92022B	92022-225 <input type="checkbox"/>	WASHER,25.3X32X0.5	2	
92045	92045-1176 <input type="checkbox"/>	BEARING-BALL,60/28	1	
92046	92046-1022 <input type="checkbox"/>	BEARING-NEEDLE,K253020S	1	
92048	92048-1068 <input type="checkbox"/>	RACE,ONEWAY CLUTCH	1	
92049	92049-1266 <input type="checkbox"/>	SEAL-OIL,TC35527.5	1	
92055	92055-1353 <input type="checkbox"/>	RING-O,16.3X3.5	1	
92057	92057-1219 <input type="checkbox"/>	CHAIN,BF04M	1	



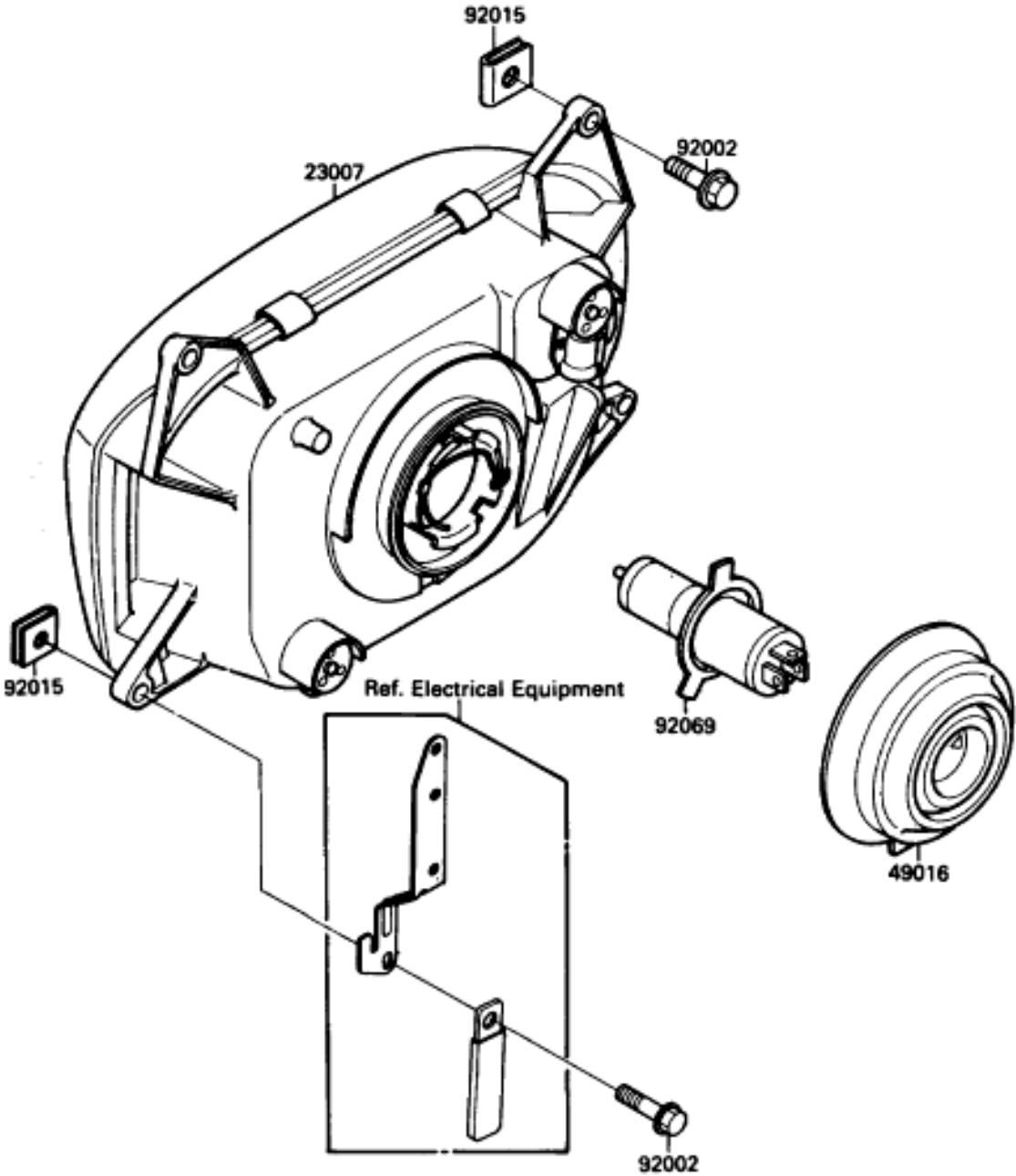
Generator Shaft

Ref #	Part #	Description	Qty	Spec Code
120	120S0820 <input type="text"/>	BOLT-SOCKET,8X20	4	
220	220C0520 <input type="text"/>	SCREW-PAN-CROS	4	
13042	13042-1005 <input type="text"/>	WEIGHT,HANDLE	2	
13168	13168-1239 <input type="text"/>	LEVER,CHOKE	1	
14024	14024-1302 <input type="text"/>	COVER,STEERING HEAD	1	
46003	46003-1230 <input type="text"/>	HANDLE,LH	1	
46003A	46003-1231 <input type="text"/>	HANDLE,RH	1	
46019	46019-1059 <input type="text"/>	GRIP-ASSY,THROTTLE	1	
46075	46075-1028 <input type="text"/>	GRIP,LH	1	
46091	46091-1439 <input type="text"/>	HOUSING-ASSY-CONTROL,RH	1	
46091A	46091-1440 <input type="text"/>	HOUSING-ASSY-CONTROL,LH	1	
92009	92009-1257 <input type="text"/>	SCREW,8X45	2	
92009A	92009-1328 <input type="text"/>	SCREW,5X18	2	



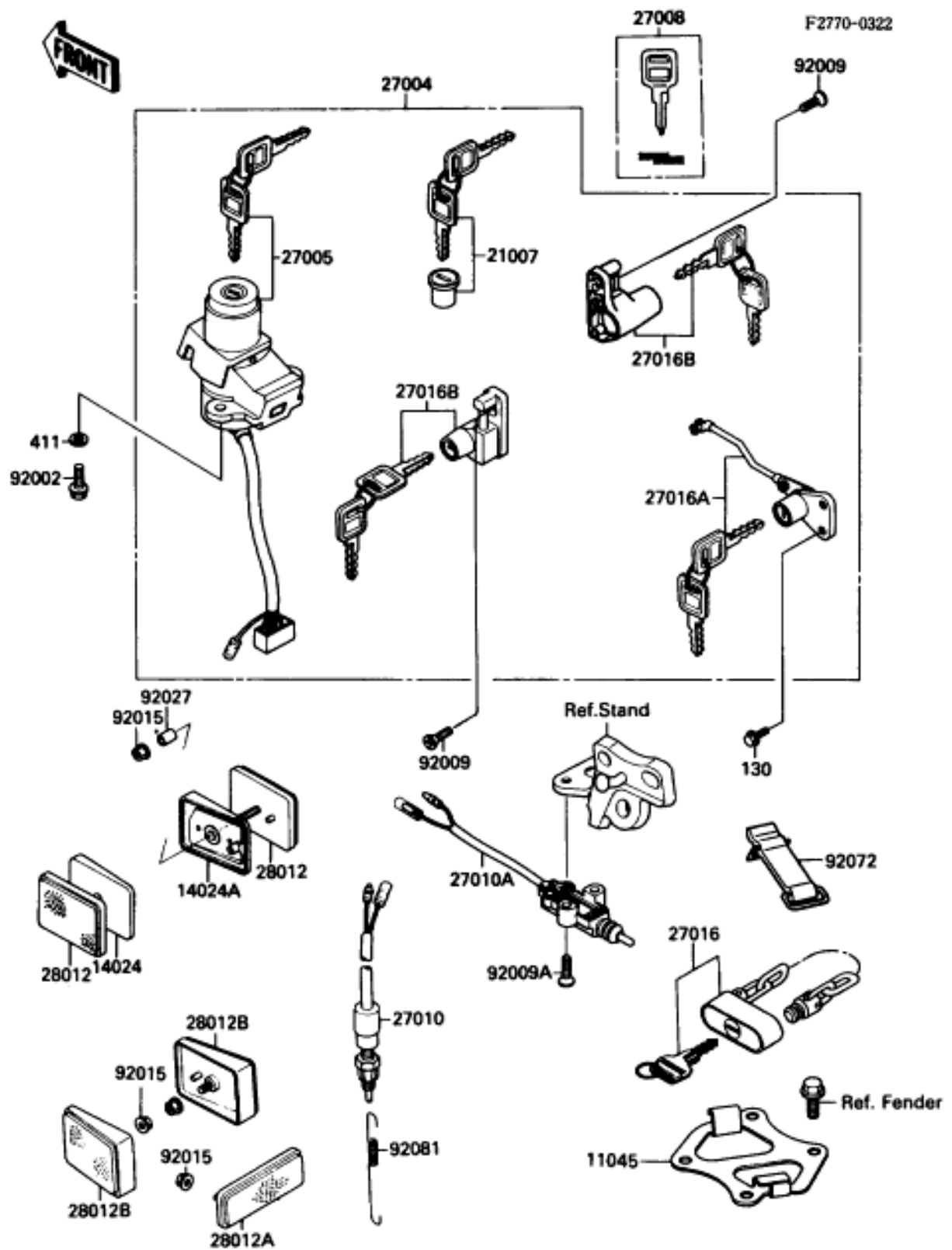
Handlebar

Ref #	Part #	Description	Qty	Spec Code
23007	23007-1155 <input type="text"/>	LENS-COMP,HEAD LAMP	1	
49016	49016-1108 <input type="text"/>	COVER-SEAL,HEAD LAMP	1	
92002	92002-1135 <input type="text"/>	BOLT,6X25	4	
92015	92015-1094 <input type="text"/>	NUT,6MM	4	
92069	92069-1002 <input type="text"/>	BULB,12V 60/55W,H4	1	



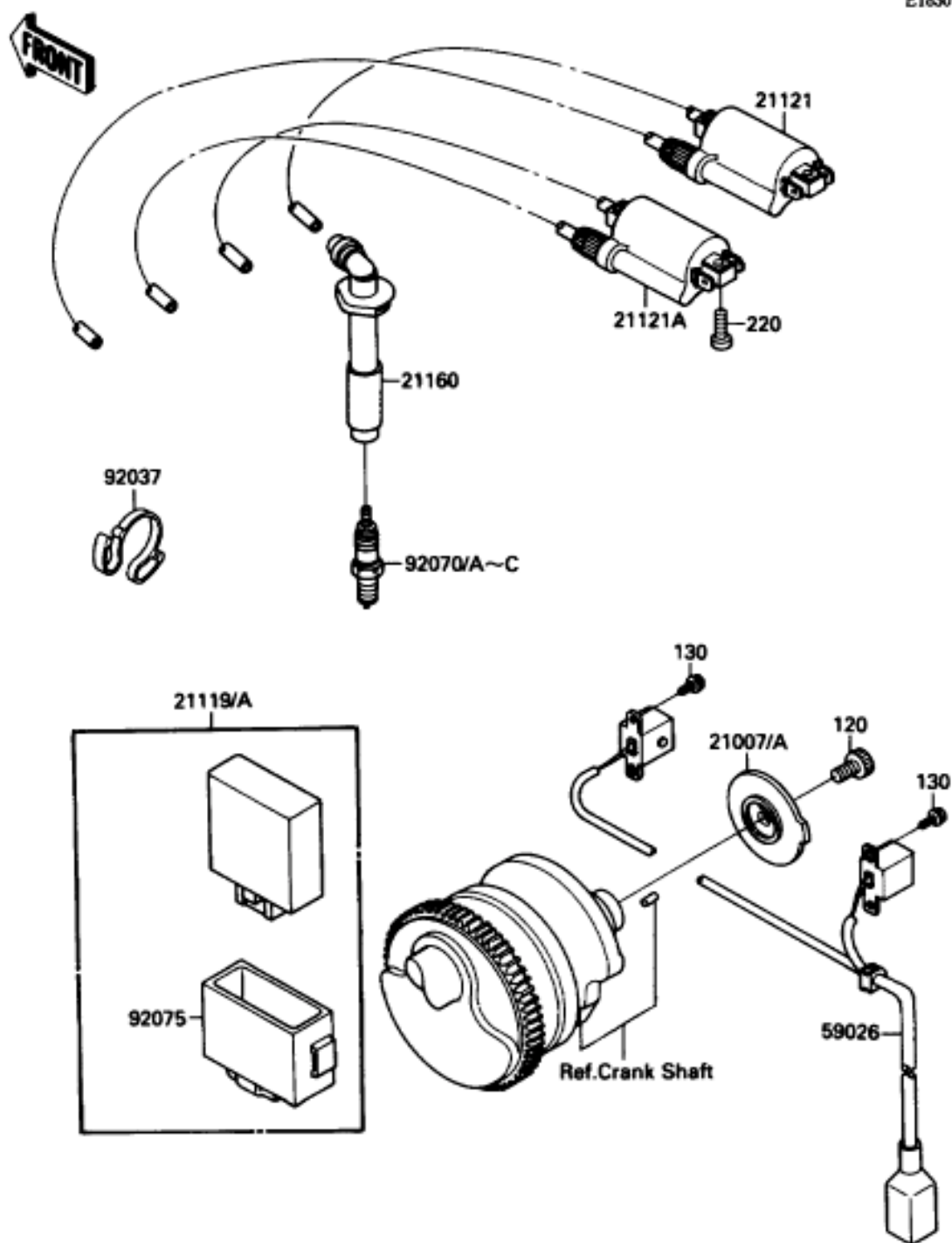
Headlight

Ref #	Part #	Description	Qty	Spec Code
130	130C0510 <input type="checkbox"/>	BOLT-FLANGED	2	
411	411E0600 <input type="checkbox"/>	WASHER-PLAIN,6MM	2	
11045	11045-1678 <input type="checkbox"/>	BRACKET,CHAIN LOCK	1	
14024	14025-1886 <input type="checkbox"/>	COVER,REFLECTOR,FR	1	
14024A	14025-1887 <input type="checkbox"/>	COVER,REFLECTOR,FR	1	
21007	21007-5019 <input type="checkbox"/>	ROTOR,LOCK,TANK CAP	1	
27004	27004-5294 <input type="checkbox"/>	SWITCH-ASSY	1	
27005	27005-5067 <input type="checkbox"/>	SWITCH-ASSY-IGNITION	1	
27008	27008-1103 <input type="checkbox"/>	KEY-LOCK,BLANK	1	(OPTION)
27010	27010-1093 <input type="checkbox"/>	SWITCH,BRAKE LAMP	1	
27010A	27010-1223 <input type="checkbox"/>	SWITCH,SIDE STAND	1	
27016	27016-1051 <input type="checkbox"/>	LOCK-ASSY,WHEEL	1	
27016A	27016-5118 <input type="checkbox"/>	LOCK-ASSY,SEAT	1	
27016B	27016-5121 <input type="checkbox"/>	LOCK-ASSY,HELMET	2	
28012	28012-1052 <input type="checkbox"/>	REFLECTOR-REFLEX,FR	2	
28012A	28012-1057 <input type="checkbox"/>	REFLECTOR-REFLEX	1	
28012B	28012-1061 <input type="checkbox"/>	REFLECTOR-REFLEX,REAR SIDE	2	
92002	92002-1333 <input type="checkbox"/>	BOLT,TORX,6X16	2	
92009	92009-1401 <input type="checkbox"/>	SCREW,5X12	2	
92009A	92009-1459 <input type="checkbox"/>	SCREW,5X20	2	
92015	92015-1259 <input type="checkbox"/>	NUT,FLANGED,5MM	5	
92027	92027-1789 <input type="checkbox"/>	COLLAR,5X8X14.5	2	
92072	92072-1176 <input type="checkbox"/>	BAND	1	
92081	27011-017 <input type="checkbox"/>	SPRING,BRAKE LAMP SWITCH	1	



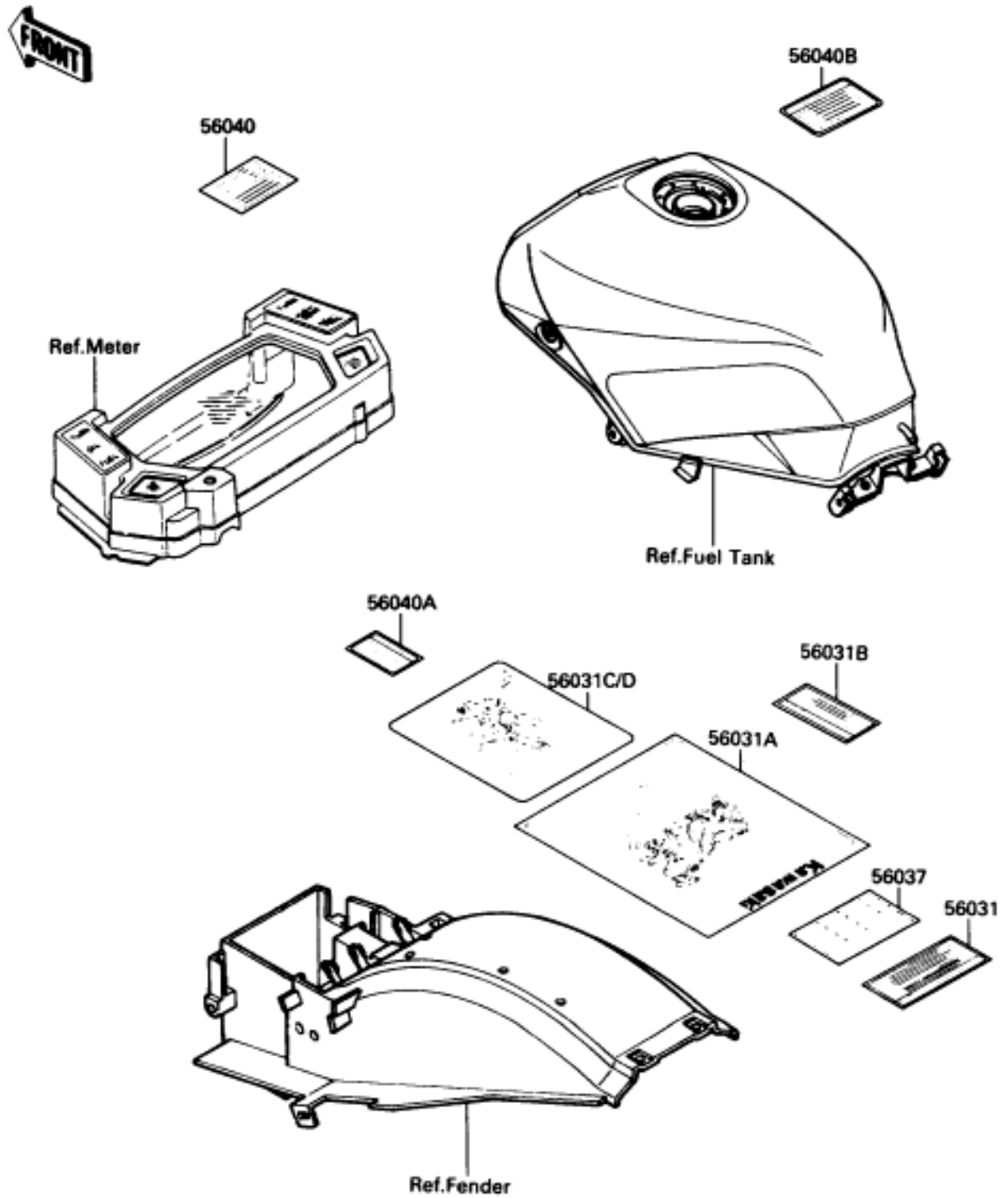
Ignition Switch / Locks / Reflectors

Ref #	Part #	Description	Qty	Spec Code
120	120P0820 <input type="text"/>	BOLT-SOCKET,8X20	1	
130	130G0512 <input type="text"/>	BOLT-FLANGED	4	
220	220B0618 <input type="text"/>	SCREW-PAN-CROS,6X18	4	
21007	21007-1148 <input type="text"/>	ROTOR,PULSING COIL	1	[CN,US]
21007A	21007-1160 <input type="text"/>	ROTOR,PULSING COIL	1	[CA]
21119	21119-1204 <input type="text"/>	IGNITER	1	[CN,US]
21119A	21119-1222 <input type="text"/>	IGNITER	1	[CA]
21121	21121-1149 <input type="text"/>	COIL-IGNITION,#1□	1	
21121A	21121-1150 <input type="text"/>	COIL-IGNITION,#2□	1	
21160	21160-1068 <input type="text"/>	CAP-ASSY-PLUG	4	
59026	59026-1081 <input type="text"/>	COIL-PULSING	1	
92037	92037-1887 <input type="text"/>	CLAMP	2	
92070		PLUG-SPARK,X24ESR-U(ND)	4	[CN] (LOCAL PROCUREMENT ITEM) (OPTION)
92070A	92070-1011 <input type="text"/>	PLUG-SPARK,D8EA(NGK)	4	[CA,US]
92070B		PLUG-SPARK,X24ES-U(ND)	4	[CA,US] (LOCAL PROCUREMENT ITEM) (OPTION)
92070C	92070-1116 <input type="text"/>	PLUG-SPARK,DR8ES-L(NGK)	4	[CN]
92075	92075-1592 <input type="text"/>	DAMPER,IGNITER	1	



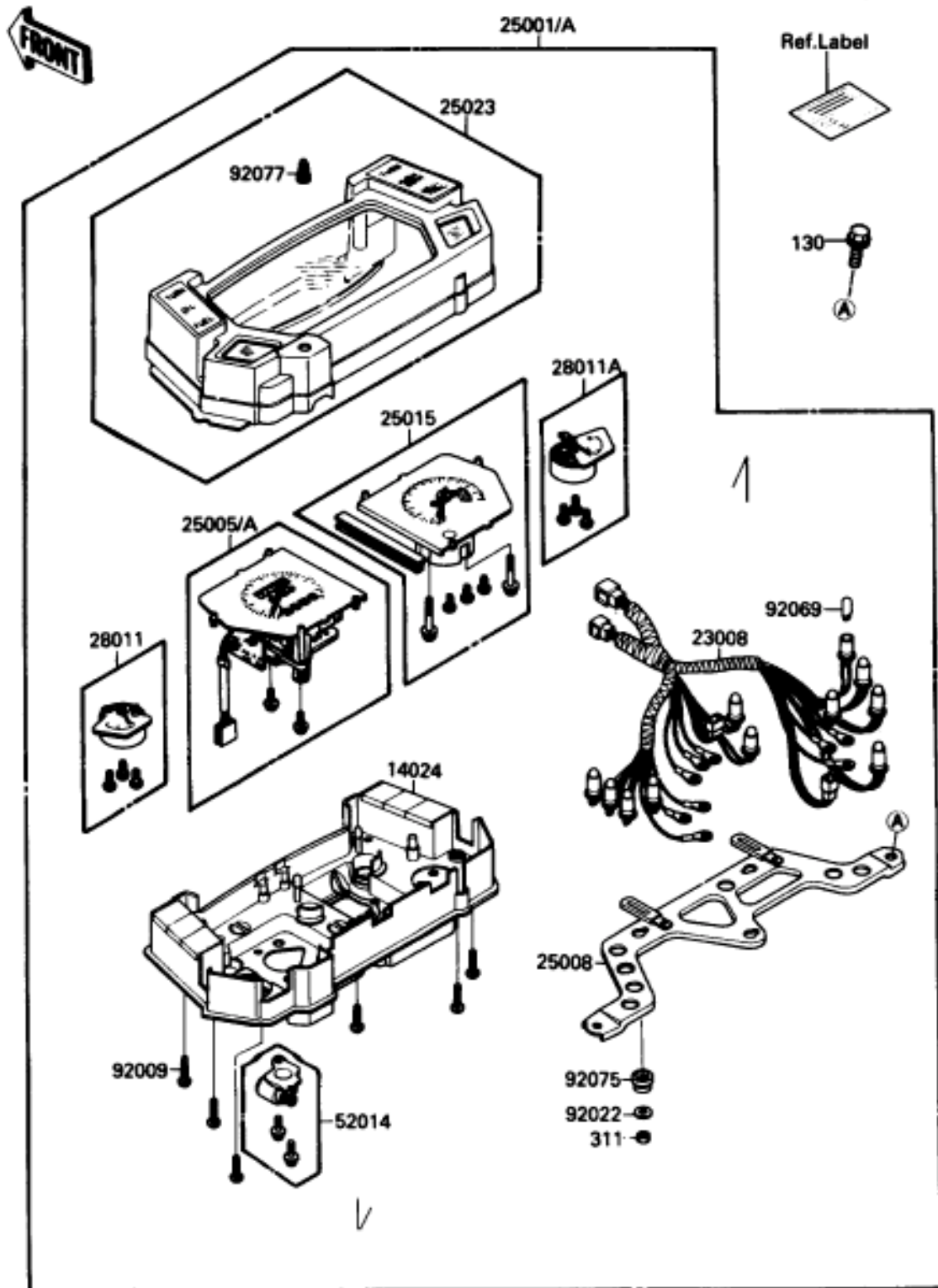
Ignition System

Ref #	Part #	Description	Qty	Spec Code
56031	56031-1512 <input type="text"/>	LABEL-MANUAL,CHAIN	1	
56031A	56031-1515 <input type="text"/>	LABEL-MANUAL,DAILY SAFETY	1	
56031B	56031-1520 <input type="text"/>	LABEL-MANUAL,OIL & OIL FILTER	1	
56031C	56031-1545 <input type="text"/>	LABEL-MANUAL,BATTERY VENT	1	[CN,US]
56031D	56031-1546 <input type="text"/>	LABEL-MANUAL,BATTERY VENT	1	[CA]
56037	56037-1429 <input type="text"/>	LABEL-SPECIFICATION,TIRE&LOAD	1	
56040	56040-1007 <input type="text"/>	LABEL-WARNING,BREAK IN CAUTION	1	[CA,US]
56040A	56040-1014 <input type="text"/>	LABEL-WARNING,AIR INTAKE	1	
56040B	56040-1121 <input type="text"/>	LABEL-WARNING,EVAPO	1	[CA]



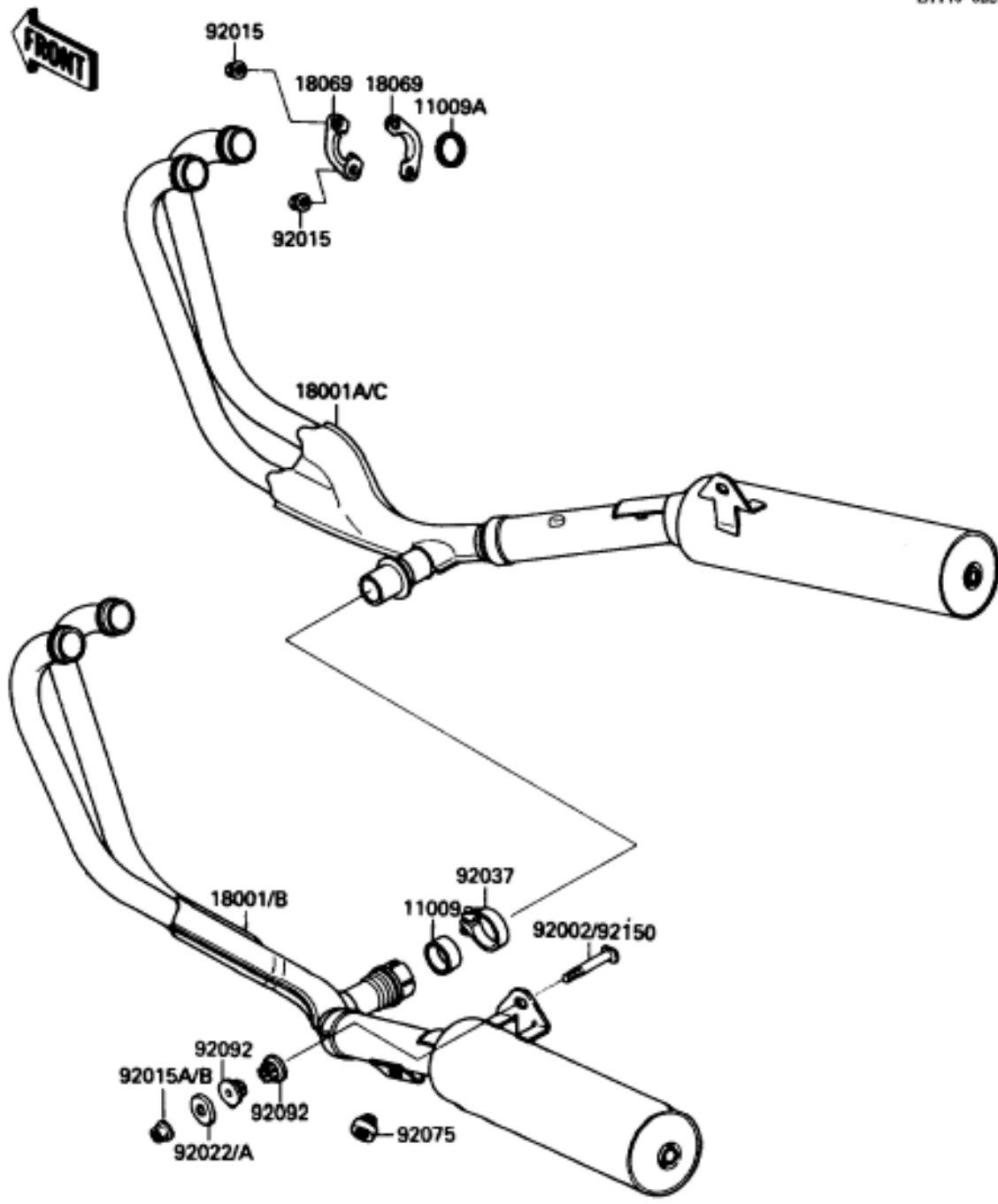
Labels

Ref #	Part #	Description	Qty	Spec Code
130	130C0614 <input type="checkbox"/>	BOLT-FLANGED,6X14	2	
311	311B0500 <input type="checkbox"/>	NUT-HEX	3	
14024	14024-1448 <input type="checkbox"/>	COVER,METER HOUSING	1	
23008	23008-1327 <input type="checkbox"/>	SOCKET-ASSY,METER	1	
25001	25001-1666 <input type="checkbox"/>	METER-ASSY,MPH	1	[CA,US]
25001A	25001-1669 <input type="checkbox"/>	METER-ASSY,KPH	1	[CN]
25005	25005-1342 <input type="checkbox"/>	SPEEDOMETER,MPH	1	[CA,US]
25005A	25005-1343 <input type="checkbox"/>	SPEEDOMETER,KPH	1	[CN]
25008	25008-1138 <input type="checkbox"/>	BRACKET-METER	1	
25015	25015-1265 <input type="checkbox"/>	TACHOMETER,X1000R/MIN	1	
25023	25023-1150 <input type="checkbox"/>	COVER-METER CASE,UPP	1	
28011	28011-1092 <input type="checkbox"/>	METER,FUEL	1	
28011A	28011-1093 <input type="checkbox"/>	METER,TEMP	1	
52014	52014-1006 <input type="checkbox"/>	ELBOW,SPEEDOMETER GEAR	1	
92009	92009-1163 <input type="checkbox"/>	SCREW,TAPPING,4X16	6	
92022	92022-263 <input type="checkbox"/>	WASHER,5.2X16X1.2	3	
92069	92069-1007 <input type="checkbox"/>	BULB,12V 3.4W	11	
92075	92075-1805 <input type="checkbox"/>	DAMPER	3	
92077	92077-1061 <input type="checkbox"/>	BOOT,TRIP RESET KNOB	1	



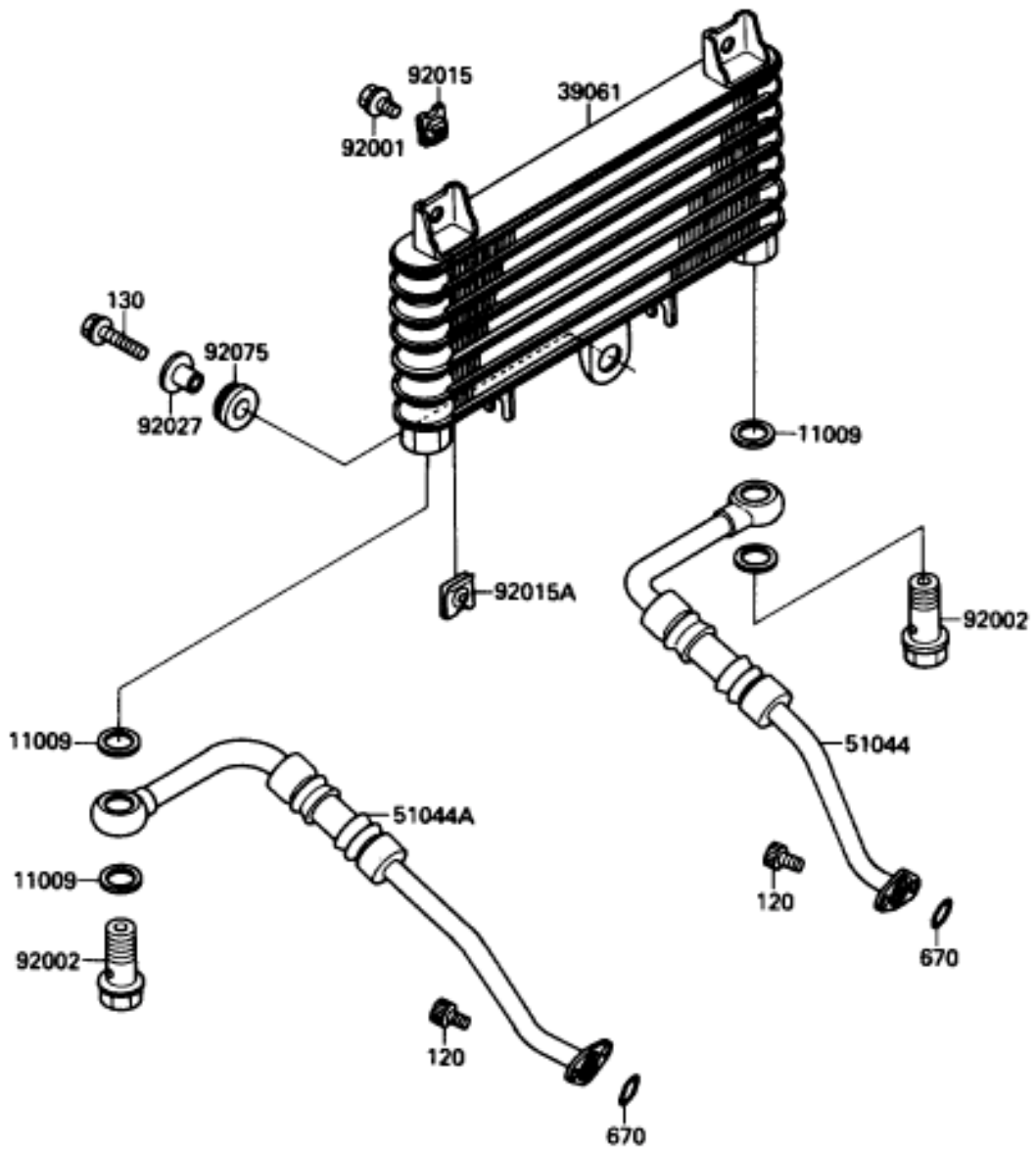
Meters

Ref #	Part #	Description	Qty	Spec Code
11009	11009-1659 <input type="text"/>	GASKET,EXHAUST MANIFOLD	1	
11009A	18067-018 <input type="text"/>	GASKET,EXHAUST PIPE HOLDER	4	
18001	18001-1633 <input type="text"/>	MUFFLER,LH	1	
18001A	18001-1634 <input type="text"/>	MUFFLER,RH	1	
18069	18069-1072 <input type="text"/>	HOLDER-EXHAUST PIPE	8	
92002	92002-1939 <input type="text"/>	BOLT,10X55	2	
92015	92015-1380 <input type="text"/>	NUT,LOCK,8MM	8	
92015A	92015-1649 <input type="text"/>	NUT,10MM	2	
92022A	92022-289 <input type="text"/>	WASHER	2	
92037	92037-1270 <input type="text"/>	CLAMP,MUFFLER,BLACK	1	
92075	92075-015 <input type="text"/>	DAMPER	1	
92092	92092-1013 <input type="text"/>	BUSHING-RUBBER,MUFFLER	4	



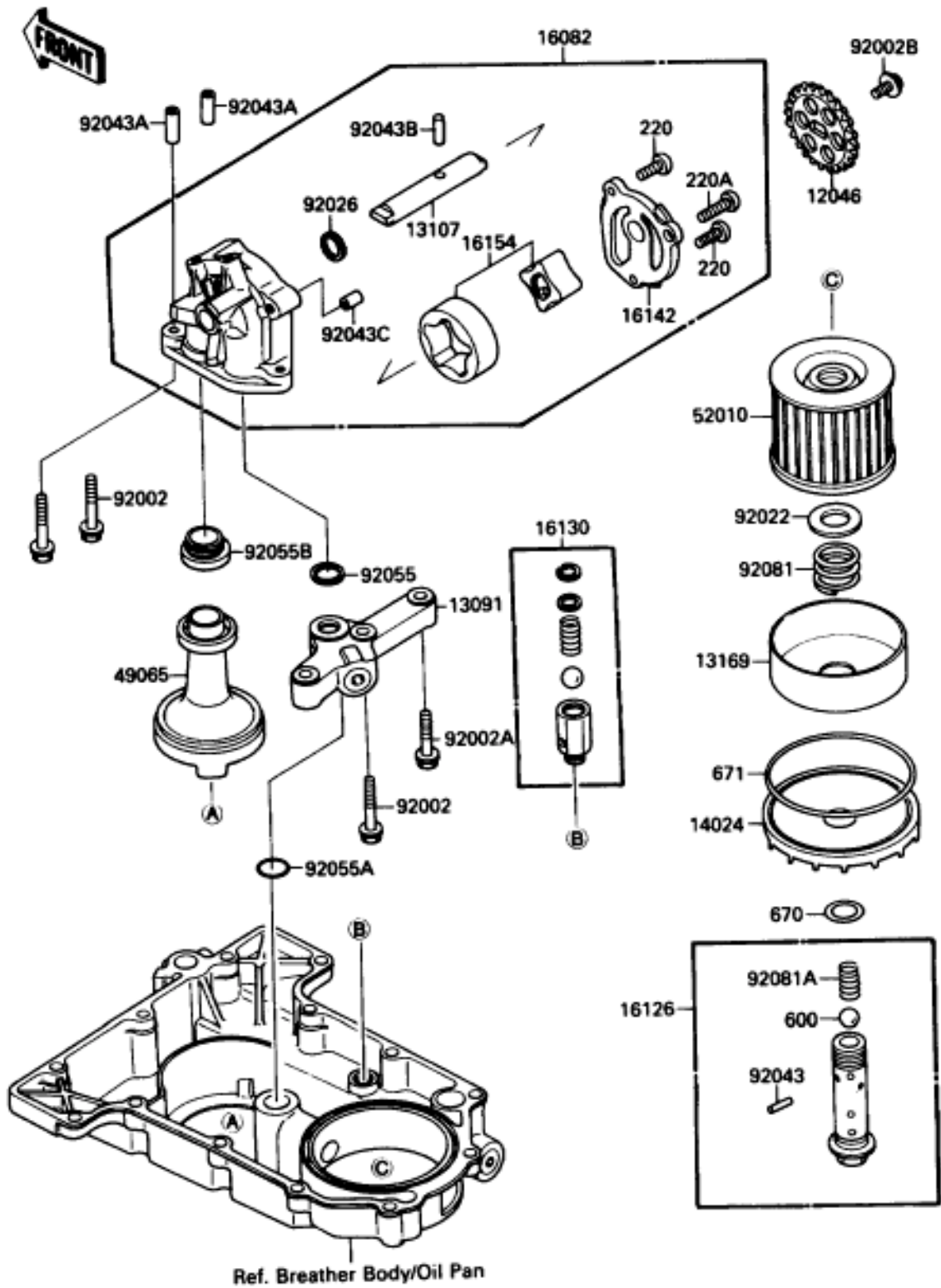
Mufflers

Ref #	Part #	Description	Qty	Spec Code
120	120S0616 <input type="text"/>	BOLT-SOCKET,6X16,BLACK	4	
130	130J0625 <input type="text"/>	BOLT-FLANGED,6X25	1	
670	670B2012 <input type="text"/>	O RING,12MM	2	
11009	11009-1461 <input type="text"/>	GASKET,14X19.5X1.4	4	
39061	39061-1095 <input type="text"/>	OIL COOLER	1	
51044	51044-1076 <input type="text"/>	TUBE-ASSY,UPP	1	
51044A	51044-1077 <input type="text"/>	TUBE-ASSY,LWR	1	
92001	92001-1825 <input type="text"/>	BOLT	2	
92002	92001-1930 <input type="text"/>	BOLT,14X28.5	2	
92015	92015-1487 <input type="text"/>	NUT	2	
92015A	92015-1758 <input type="text"/>	NUT,6MM	2	
92027	92027-1651 <input type="text"/>	COLLAR,FLANGED,L=12.1,BLACK	1	
92075	92075-277 <input type="text"/>	DAMPER	1	



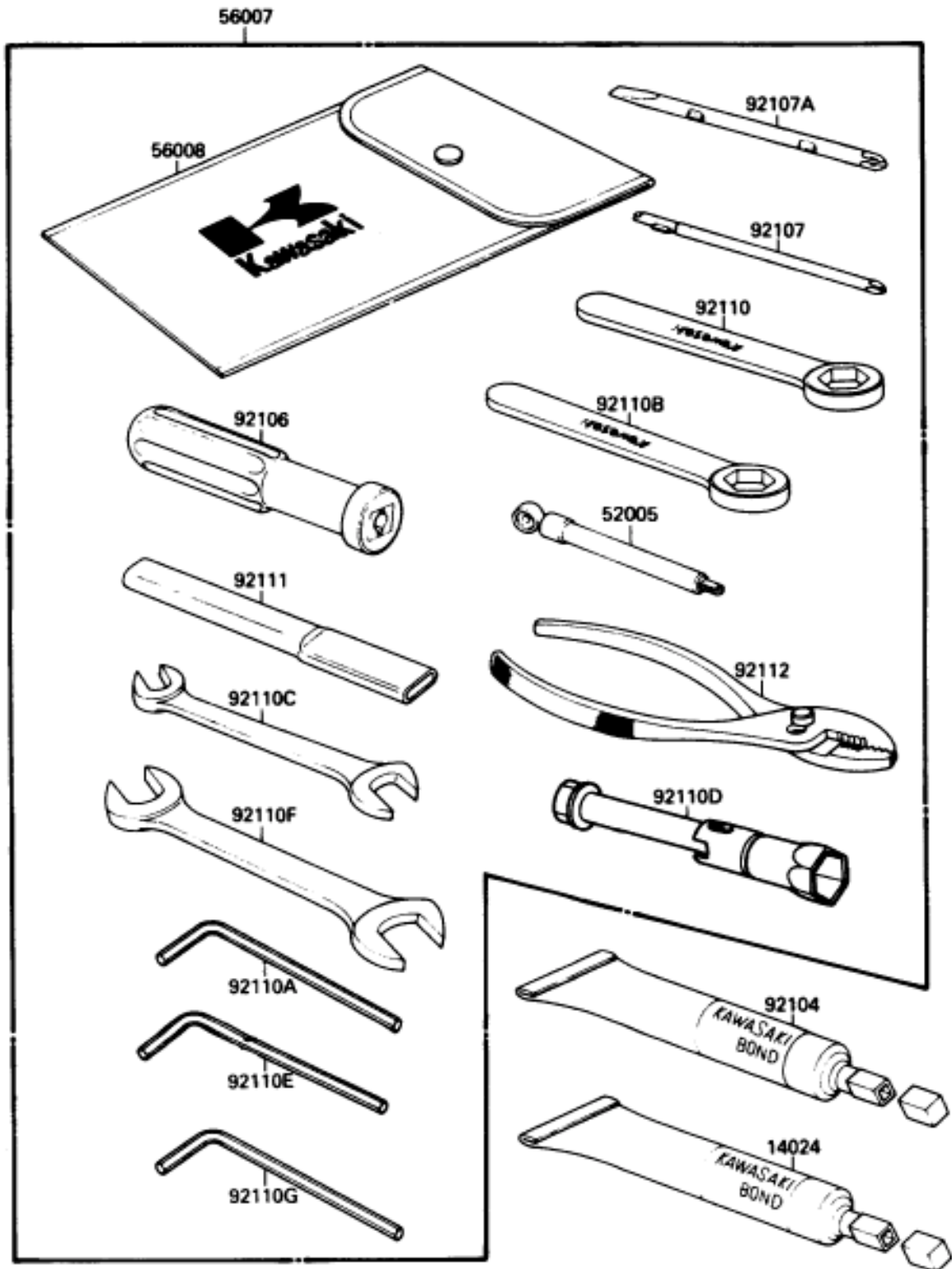
Oil Cooler

Ref #	Part #	Description	Qty	Spec Code
220	220B0616 <input type="checkbox"/>	SCREW-PAN-CROS,6X16	2	
220A	220B0620 <input type="checkbox"/>	SCREW-PAN-CROS,6X20,WHITE	1	
600	600A1200 <input type="checkbox"/>	BALL-STEEL,3/8"	1	
670	670B2016 <input type="checkbox"/>	O RING,16MM	1	
671	671B2590 <input type="checkbox"/>	O RING,90MM	1	
12046	12046-1093 <input type="checkbox"/>	SPROCKET,25T	1	
13091	13091-1439 <input type="checkbox"/>	HOLDER,OIL PUMP	1	
13107	13107-1199 <input type="checkbox"/>	SHAFT	1	
13169	13169-1110 <input type="checkbox"/>	PLATE,OIL FILTER	1	
14024	16101-004 <input type="checkbox"/>	COVER,OIL FILTER	1	
16082	16082-1083 <input type="checkbox"/>	PUMP-ASSY-OIL	1	
16126	16126-1108 <input type="checkbox"/>	VALVE,OIL FILTER	1	
16130	16130-1001 <input type="checkbox"/>	VALVE-ASSY-RELIEF	1	
16142	16142-1075 <input type="checkbox"/>	COVER-PUMP	1	
16154	16154-1063 <input type="checkbox"/>	ROTOR-PUMP	1	
49065	49065-1056 <input type="checkbox"/>	FILTER-OIL	1	
52010	16099-003 <input type="checkbox"/>	ELEMENT-OIL FILTER	1	
92002	92002-1431 <input type="checkbox"/>	BOLT,6X38	3	
92002A	92002-1797 <input type="checkbox"/>	BOLT,6X30	2	
92002B	92002-1859 <input type="checkbox"/>	BOLT,6X14	1	
92022	92022-1012 <input type="checkbox"/>	WASHER,20.5X30X1	1	
92026	92026-1284 <input type="checkbox"/>	SPACER	1	
92043	92043-111 <input type="checkbox"/>	PIN,SPRING,2X20	1	
92043A	92043-1335 <input type="checkbox"/>	PIN,6.2X8X21	2	
92043B	92043-1353 <input type="checkbox"/>	PIN	1	
92043C	92043-1354 <input type="checkbox"/>	PIN	1	
92055	92055-077 <input type="checkbox"/>	RING-O,19.5MM	1	
92055A	92055-1353 <input type="checkbox"/>	RING-O,16.3X3.5	1	
92055B	92055-1354 <input type="checkbox"/>	RING-O,OIL FILTER	1	
92081	92081-1018 <input type="checkbox"/>	SPRING,OIL FILTER	1	
92081A	92081-109 <input type="checkbox"/>	SPRING	1	



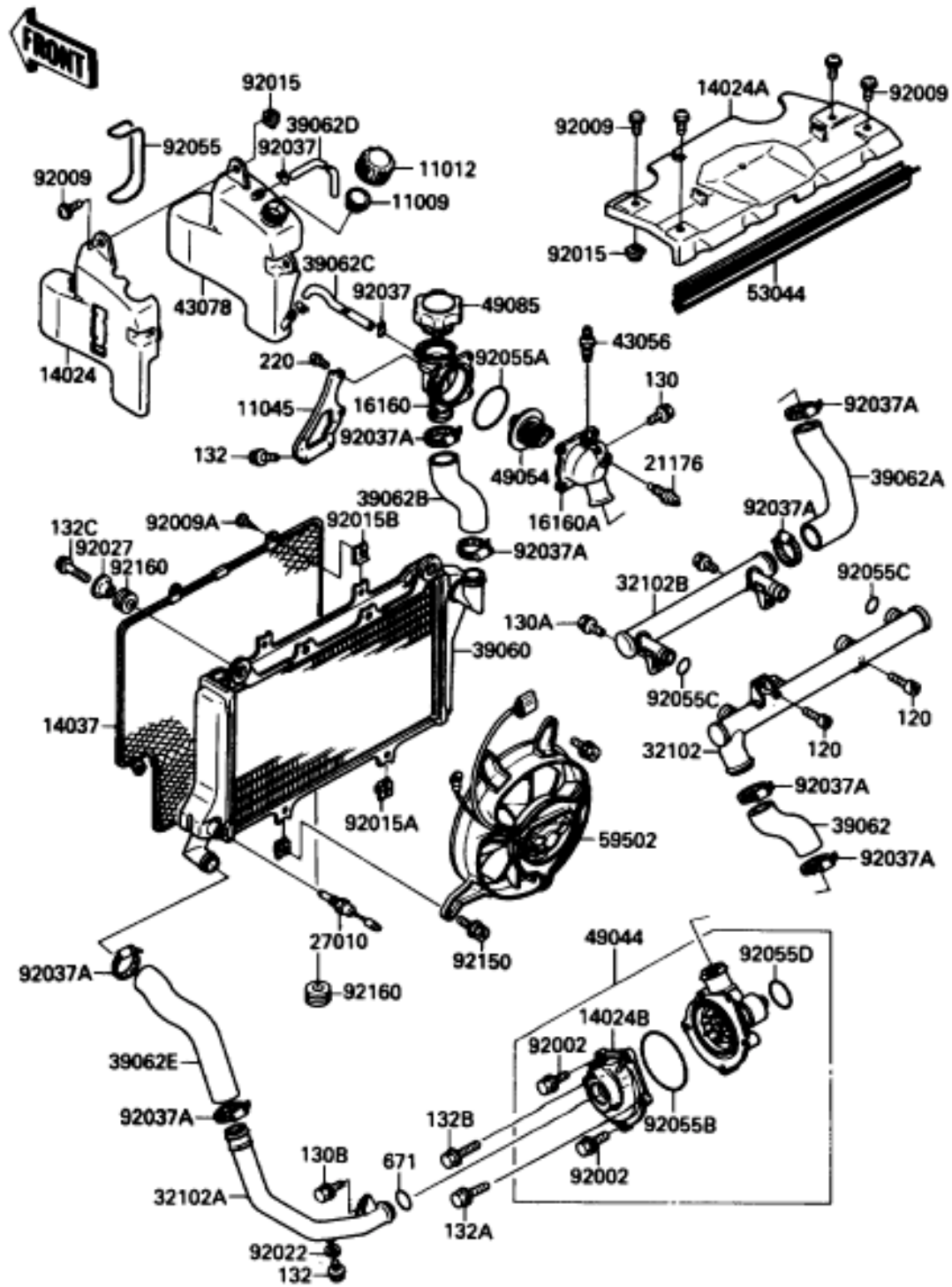
Oil Pump / Filter

Ref #	Part #	Description	Qty	Spec Code
14024	56019-120 <input type="text"/>	THREE BOND TB1211,HT/RS,WHITE	1	
52005	52005-1031 <input type="text"/>	GAUGE,AIR,3.5KG/CM2	1	
56007	56007-1256 <input type="text"/>	TOOLKIT	1	
56008	56008-1019 <input type="text"/>	BAG,TOOL	1	
92104	92104-1003 <input type="text"/>	GASKET-LIQUID,TUBE,100G,BLACK	1	
92106	92106-1001 <input type="text"/>	GRIP-SCREW DRIVER	1	
92107	92107-005 <input type="text"/>	TOOL-DRIVER,#3PHILLIPS	1	
92107A	92107-1051 <input type="text"/>	TOOL-DRIVER,#2PHILLIPS&SLOT	1	
92110	92109-009 <input type="text"/>	TOOL-WRENCH,BOX END,27MM	1	
92110A	92110-1015 <input type="text"/>	TOOL-WRENCH,ALLEN,5MM	1	
92110B	92110-1024 <input type="text"/>	TOOL-WRENCH,BOX END,22MM	1	
92110C	92110-1117 <input type="text"/>	TOOL-WRENCH,OPEN END,10X12	1	
92110D	92110-1130 <input type="text"/>	TOOL-WRENCH,BOX,18MM	1	
92110E	92110-3703 <input type="text"/>	TOOL-WRENCH,ALLEN,4MM	1	
92110F	92126-003 <input type="text"/>	TOOL-WRENCH,OPEN END,14X17	1	
92110G	92127-003 <input type="text"/>	TOOL-WRENCH,ALLEN,6MM	1	
92111	92111-1051 <input type="text"/>	TOOL-BAR,BOX END WRENCH	1	
92112	92112-003 <input type="text"/>	TOOL-PLIERS	1	



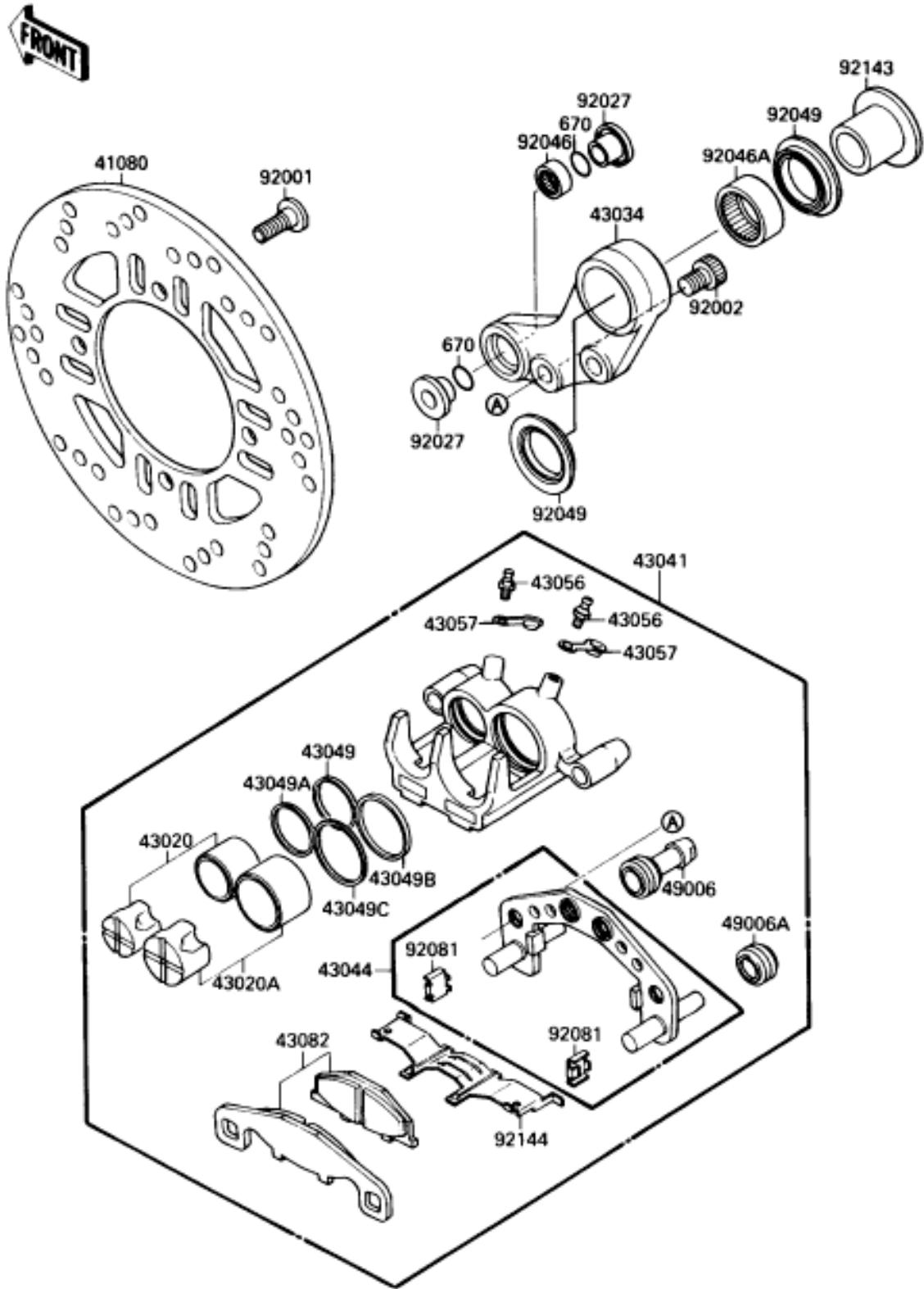
Owners Tools

Ref #	Part #	Description	Qty	Spec Code
11009	11009-1145	GASKET,RESERVOIR TANK CAP	1	
11012	11012-1084	CAP	1	
11045	11045-1249	BRACKET,THERMOSTAT	1	
14024	14024-1342	COVER,RESERVOIR	1	
14024A	14024-1343	COVER	1	
14024B	14024-1428	COVER,WATER PUMP	1	
14037	14037-1085	SCREEN	1	
16160	16160-1116	BODY,THERMOSTAT,UPP	1	
16160A	16160-1117	BODY,THERMOSTAT,LWR	1	
21176	21176-1054	SENSOR,WATER	1	
27010	27010-1180	SWITCH,FAN	1	
32102	32102-1243	PIPE,COOLING	1	
32102A	32102-1259	PIPE,COOLING	1	
32102B	32102-1260	PIPE,COOLING	1	
39060	39060-1073	RADIATOR	1	
39062	39062-1197	HOSE-COOLING	1	
39062A	39062-1198	HOSE-COOLING,HEAD-THERMO	1	
39062B	39062-1201	HOSE-COOLING,CAP-RADIATOR	1	
39062C	39062-1203	HOSE-COOLING,CAP-RESERVOIR	1	
39062D	39062-1219	HOSE-COOLING	1	
39062E	39062-1270	HOSE-COOLING,RADIATOR-PUMP	1	
43056	43056-003	BREATHER	1	
43078	43078-1081	RESERVOIR	1	
49044	49044-1059	PUMP-WATER	1	
49054	49054-1051	THERMOSTAT	1	
49085	49085-1054	CAP-ASSY-PRESSURE	1	
53044	53044-1180	TRIM	1	
59502	59502-1068	FAN-ASSY	1	
92002	92002-1392	BOLT,6X22	3	
92009	92009-1181	SCREW,6X18,BLACK	6	
92009A	92009-1261	SCREW,TAPPING,6MM	6	
92015	92015-1094	NUT,6MM	6	
92015A	92015-1487	NUT	4	
92015B	92015-1758	NUT,6MM	4	
92022	92022-304	WASHER,6.2X11X1	1	
92027	92027-1134	COLLAR,L=14	2	
92037	92037-147	CLAMP,TUBE	3	
92037A	92037-1985	CLAMP,COOLING HOSE	8	
92055	92055-1001	RING-O	1	
92055A	92055-112	RING-O,53.5X2.6	1	
120	120S0610	BOLT-SOCKET	2	
130	130G0612	BOLT-FLANGED,6X12	1	
130A	130J0612	BOLT-FLANGED	2	
130B	130J0616	BOLT-FLANGED,6X16,BLACK	1	
132	132W0610	BOLT-FLANGED-SMALL	3	
132A	132W0630	BOLT-FLANGED-SMALL	1	
132B	132W0650	BOLT-FLANGED-SMALL	1	
132C	132W0825	BOLT-FLANGED-SMALL	2	
220	220D0514	SCREW-PAN-CROS,5X14	4	
671	671B2525	O RING,25MM	1	
92055B	92055-1271	RING-O,WATER PUMP	1	
92055C	92055-1282	RING-O	6	
92055D	92055-1378	RING-O,WATER PUMP	1	
92150	92150-1187	BOLT,6X16	4	
92160	92160-1007	DAMPER	3	



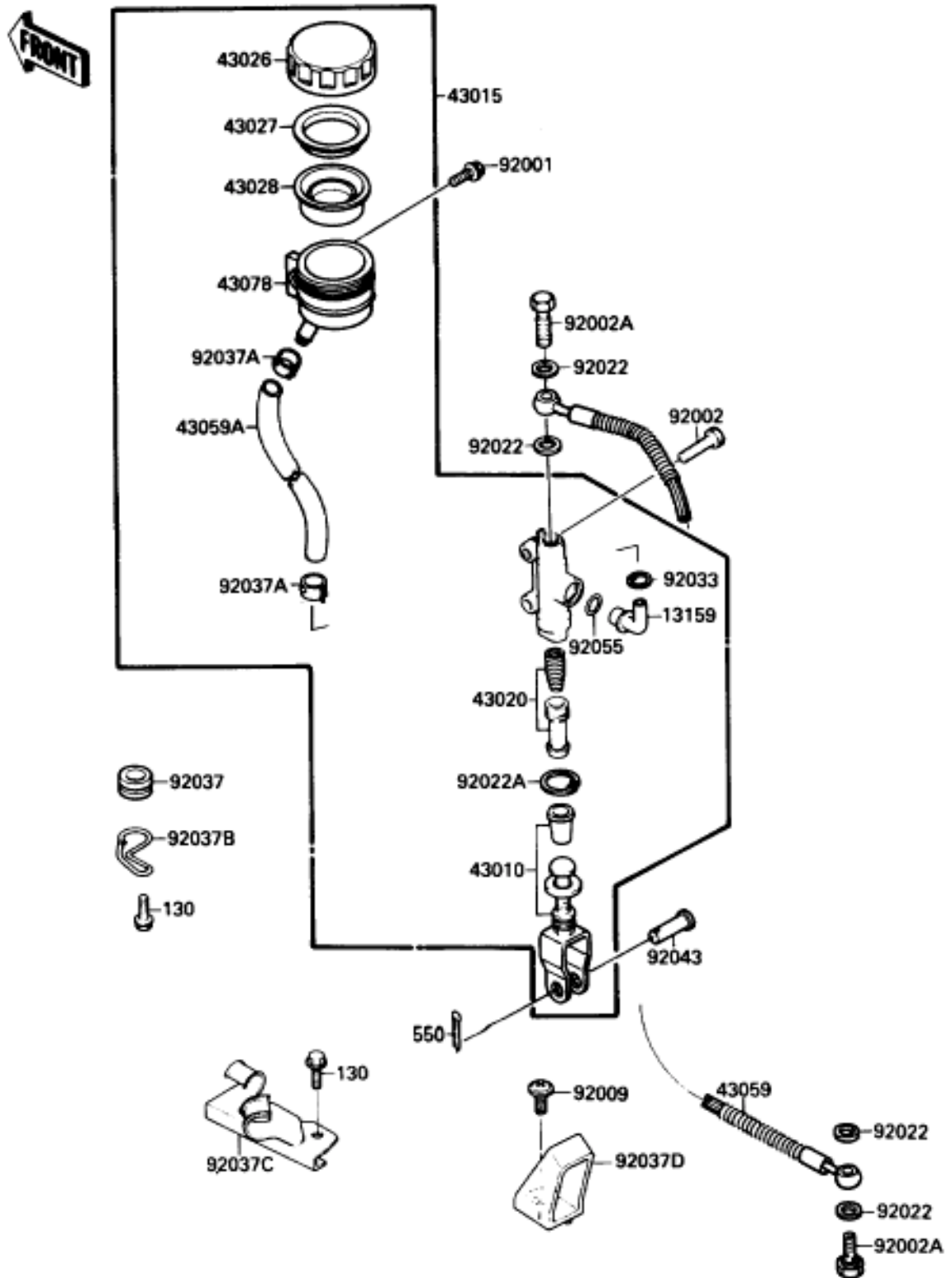
Radiator

Ref #	Part #	Description	Qty	Spec Code
670	670B2011 <input type="text"/>	O RING,11MM	2	
41080	41080-1177-CM <input type="text"/>	DISC,RR,SILVER NO.1	1	
43020	43020-1068 <input type="text"/>	PISTON-COMP-BRAKE	1	
43020A	43020-1069 <input type="text"/>	PISTON-COMP-BRAKE	1	
43034	43034-1077 <input type="text"/>	HOLDER-BRAKE,REAR CALIPER	1	
43041	43041-1226 <input type="text"/>	CALIPER-ASSY,RR	1	
43044	43044-1067 <input type="text"/>	HOLDER-COMP-CALIPER	1	
43049	43049-1054 <input type="text"/>	PACKING,PISTON SEAL	1	
43049A	43049-1055 <input type="text"/>	PACKING,PISTON	1	
43049B	43049-1056 <input type="text"/>	PACKING,PISTON SEAL	1	
43049C	43049-1057 <input type="text"/>	PACKING,PISTON	1	
43056	43056-003 <input type="text"/>	BREATHER	2	
43057	43057-003 <input type="text"/>	CAP-BREATHER	2	
43082	43082-1069 <input type="text"/>	PAD-ASSY-BRAKE	1	
49006	49006-1094 <input type="text"/>	BOOT,CALIPER	1	
49006A	49006-1095 <input type="text"/>	BOOT,CALIPER	1	
92001	92001-1951 <input type="text"/>	BOLT,DISC PLATE,8X30	4	
92002	92002-1713 <input type="text"/>	BOLT,SOCKET,10X17	2	
92027	92027-1040 <input type="text"/>	COLLAR,L= 11.5	2	
92046	92046-1009 <input type="text"/>	BEARING-NEEDLE,HK1216LL	1	
92046A	92046-1111 <input type="text"/>	BEARING-NEEDLE,BM283417	1	
92049	92049-1181 <input type="text"/>	SEAL-OIL	2	
92081	92081-1661 <input type="text"/>	SPRING,PAD STOPPER	2	
92143	92143-1043 <input type="text"/>	COLLAR,L=35	1	
92144	92144-1070 <input type="text"/>	SPRING,PAD	1	



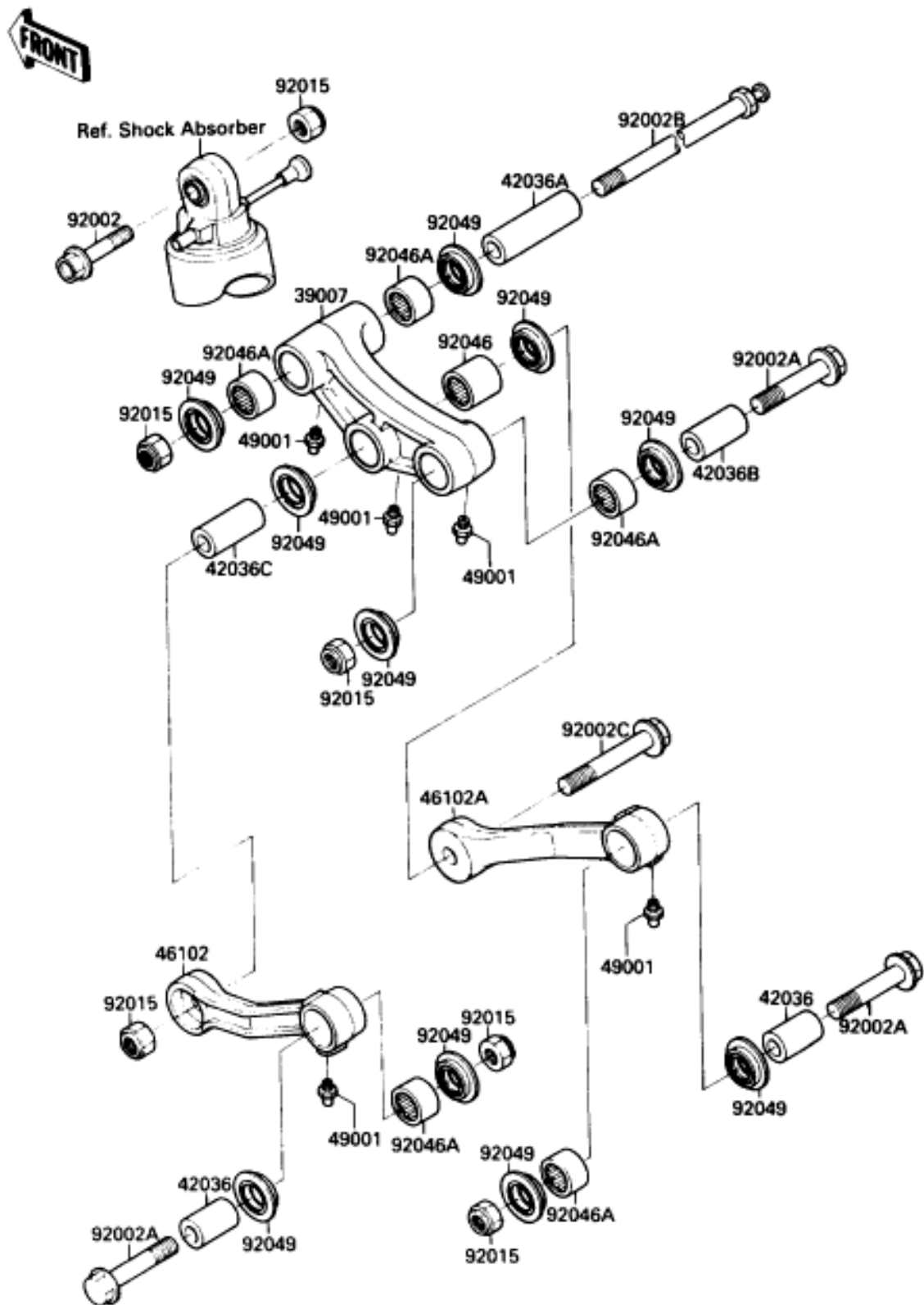
Rear Brake

Ref #	Part #	Description	Qty	Spec Code
130	130J0610	BOLT-FLANGED	2	
550	550D2015	PIN-COTTER,2.0X15	1	
13159	13159-1052	CONNECTOR,RR MASTER CYLINDER	1	
43010	43010-1055	ROD-ASSY-BRAKE	1	
43015	43015-1336	CYLINDER-ASSY-MASTER,RR	1	
43020	43020-1067	PISTON-COMP-BRAKE,RR	1	
43026	43026-1051	CAP-BRAKE	1	
43027	43027-1051	PLATE-DIAPHRAGM	1	
43028	43028-1057	DIAPHRAGM,MASTER CYLINDER	1	
43059	43059-1367	HOSE-BRAKE,RR	1	
43059A	43059-1384	HOSE-BRAKE,RR MASTER CYLINDER	1	
43078	43078-1058	RESERVOIR,RR MASTER CYLINDER	1	
92001	92001-1460	BOLT,6X20	1	
92002	92002-1485	BOLT,8X30	2	
92002A	92002-1888	BOLT,OIL,L=23	2	
92009	92009-1288	SCREW,6X14	1	
92022	43067-001	WASHER,10.5X15X1.5	4	
92022A	92022-1601	WASHER,CIRCRIP	1	
92033	92033-1186	RING-SNAP,20.5MM	1	
92037	43064-007	GROMMET,HOSE CLAMP	1	
92037A	92037-1547	CLAMP,BRAKE HOSE	2	
92037B	92037-1834	CLAMP,HOSE	1	
92037C	92037-1856	CLAMP,HOSE	1	
92037D	92037-1896	CLAMP,HOSE	1	
92043	92043-1303	PIN,8MM	1	
92055	92055-1251	RING-O,MASTER CYLINDER	1	



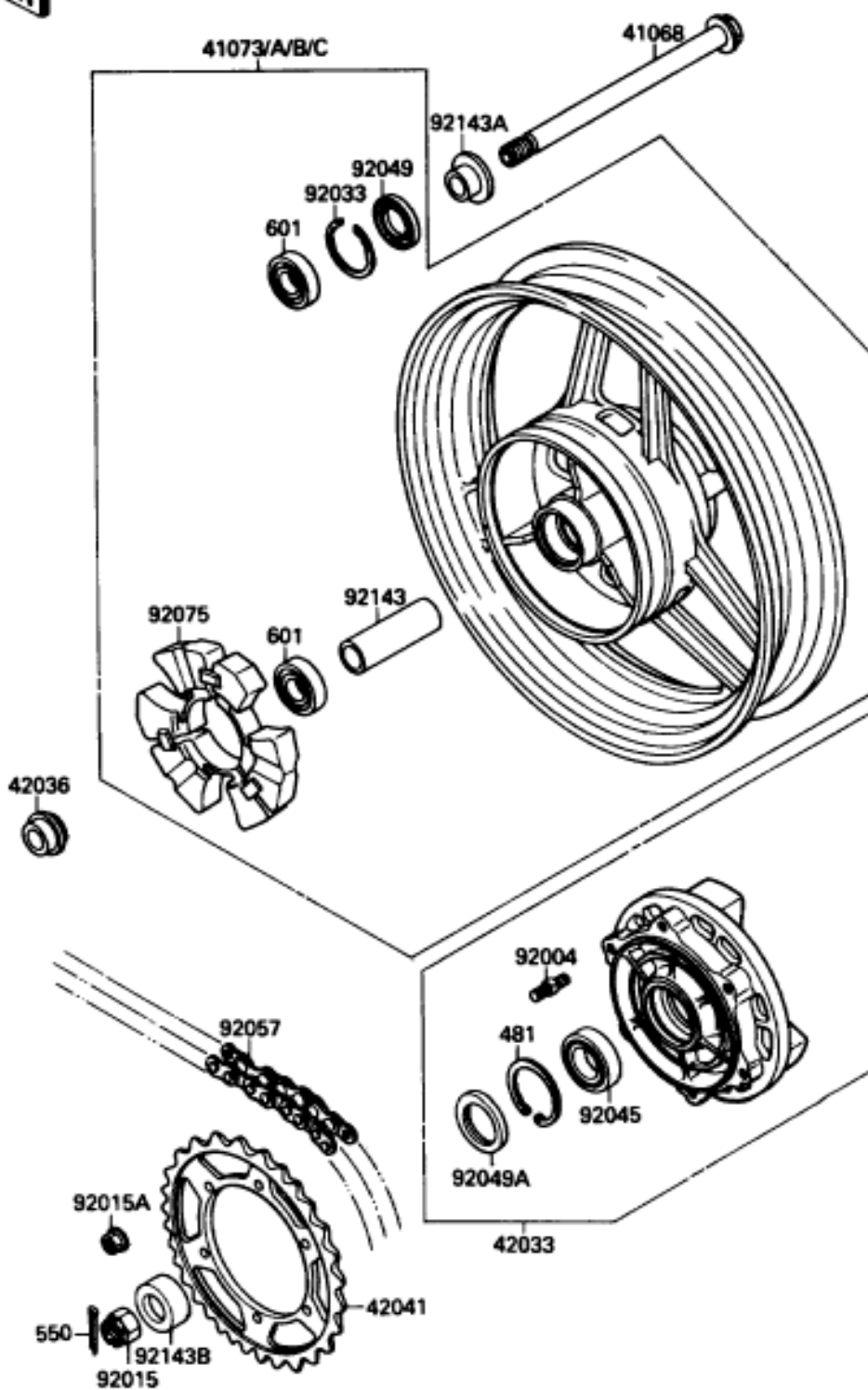
Rear Master Cylinder

Ref #	Part #	Description	Qty	Spec Code
39007	39007-1107 <input type="text"/>	ARM-SUSP,UNI TRAK	1	
42036	42036-1077 <input type="text"/>	SLEEVE,ARM,RR	2	
42036A	42036-1079 <input type="text"/>	SLEEVE,ARM,CNT	1	
42036B	42036-1108 <input type="text"/>	SLEEVE,12.1X20X40	1	
42036C	42036-1129 <input type="text"/>	SLEEVE,12.1X20X44	1	
46102	46102-1183 <input type="text"/>	ROD,SUSPENSION.LH	1	
46102A	46102-1184 <input type="text"/>	ROD,SUSPENSION,RH	1	
49001	49001-1051 <input type="text"/>	NIPPLE-GREASE	5	
92002	92002-1052 <input type="text"/>	BOLT,12X48	1	
92002A	92002-1464 <input type="text"/>	BOLT,FLANGED,12X60	3	
92002B	92002-1784 <input type="text"/>	BOLT,SUSPENSION ARM,12MM	1	
92002C	92002-1785 <input type="text"/>	BOLT,SUSPENSION ARM,12MM	1	
92015	92015-1190 <input type="text"/>	NUT,LOCK,12MM,BLACK	6	
92046	92046-1110 <input type="text"/>	BEARING-NEEDLE,BM202726	1	
92046A	92046-1112 <input type="text"/>	BEARING-NEEDLE,BM202715	5	
92049	92049-1109 <input type="text"/>	SEAL-OIL,ARM,CNT	10	



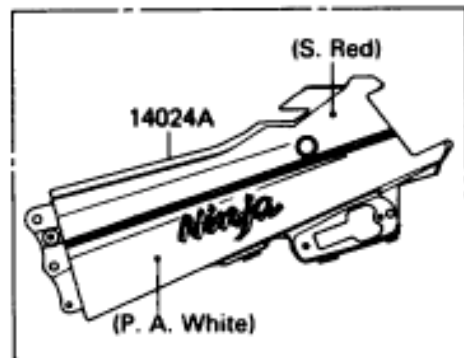
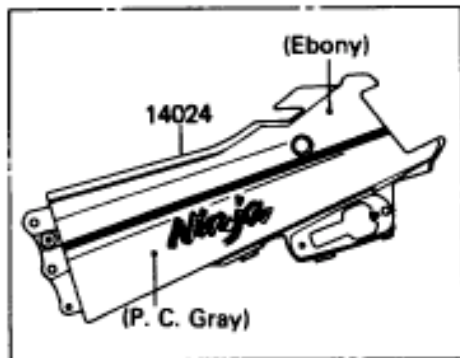
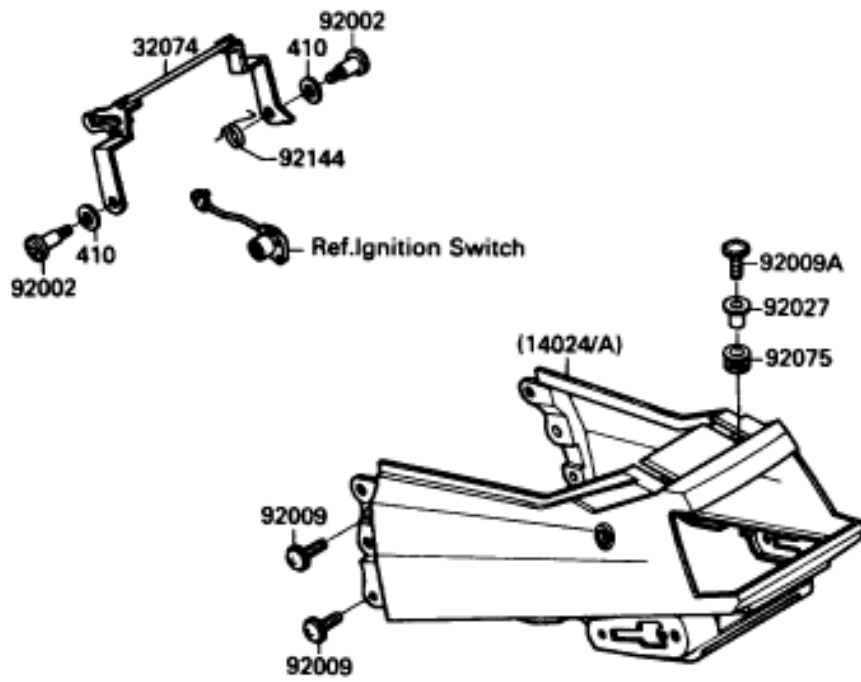
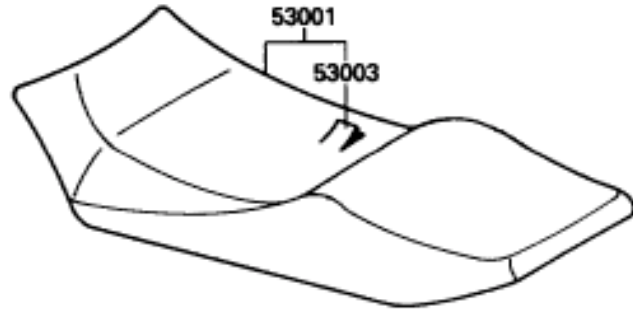
Rear Suspension

Ref #	Part #	Description	Qty	Spec Code
481	481J5500 <input type="checkbox"/>	CIRCLIP	1	
550	550D4035 <input type="checkbox"/>	PIN-COTTER,4.0X35	1	
601	601B6204UU <input type="checkbox"/>	BEARING-BALL,6204UUC3	2	
41068	41068-1234 <input type="checkbox"/>	AXLE,RR	1	
41073A	41073-1345-R2 <input type="checkbox"/>	WHEEL-ASSY,RR,BLACK	1	
42033	42033-1122 <input type="checkbox"/>	COUPLING-ASSY,RR HUB	1	
42036	42036-1197 <input type="checkbox"/>	SLEEVE,L=29	1	
42041	42041-1278 <input type="checkbox"/>	SPROCKET-HUB,47T	1	
92004	92004-1151 <input type="checkbox"/>	STUD,10X19.5	6	
92015	42045-018 <input type="checkbox"/>	NUT,CASTLE,18MM	1	
92015A	92015-1502 <input type="checkbox"/>	NUT,FLANGED,10MM	6	
92033	92033-1042 <input type="checkbox"/>	RING-SNAP,47MM	1	
92045	92045-1196 <input type="checkbox"/>	BEARING-BALL,#7006	1	
92049	92049-1056 <input type="checkbox"/>	SEAL-OIL,BJN28475	1	
92049A	92049-1263 <input type="checkbox"/>	SEAL-OIL,PJN40556	1	
92057	92057-1221 <input type="checkbox"/>	CHAIN,DRIVE,EK50MV-OX110L	1	
92075	92075-1908 <input type="checkbox"/>	DAMPER,REAR HUB SHOCK	1	
92143	92143-1034 <input type="checkbox"/>	COLLAR,20.2X29X116	1	
92143A	92143-1042 <input type="checkbox"/>	COLLAR,L=23	1	
92143B	92143-1094 <input type="checkbox"/>	COLLAR,REAR AXLE,L=14	1	



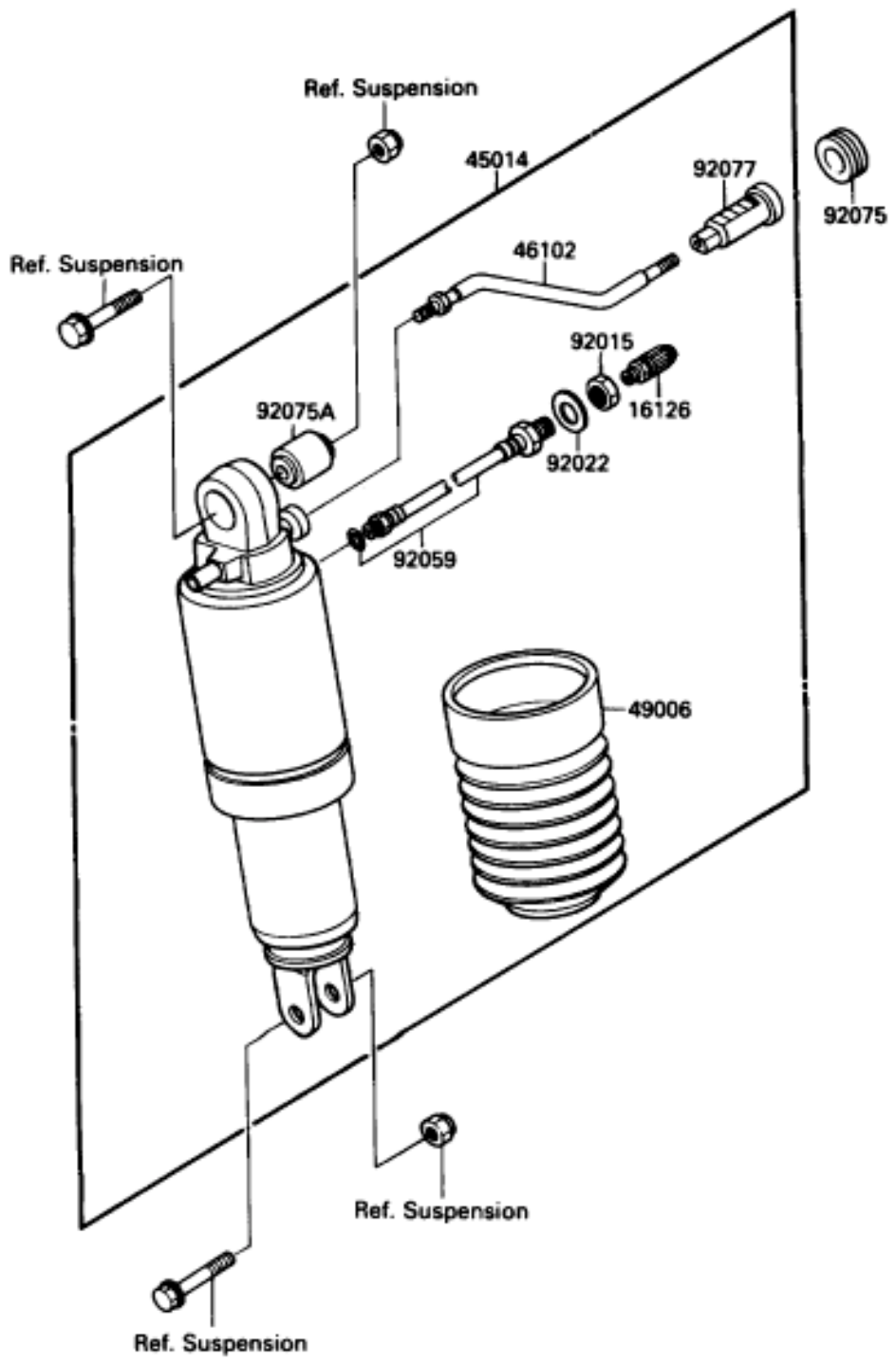
Rear Wheel / Chain

Ref #	Part #	Description	Qty	Spec Code
410	410F1000 <input type="text"/>	WASHER-PLAIN-SMALL,10MM,BLACK	2	
14024	14024-5019-T4 <input type="text"/>	COVER,SEAT,EBONY/P.C.GRAY	1	
14024A	14024-5020-W2 <input type="text"/>	COVER,SEAT,P.A.WHITE/S.RED	1	
32074	32074-1130 <input type="text"/>	BRACKET-LOCK,SEAT	1	
53001	53001-1494 <input type="text"/>	SEAT-ASSY,DUAL	1	
53003	53003-1178 <input type="text"/>	LEATHER,SEAT	1	
92002	92002-1616 <input type="text"/>	BOLT,SOCKET,6MM	2	
92009	92009-1181 <input type="text"/>	SCREW,6X18,BLACK	4	
92009A	92009-1251 <input type="text"/>	SCREW,6X20,BLACK	2	
92027	92027-1920 <input type="text"/>	COLLAR,L=14.1	2	
92075	92075-1913 <input type="text"/>	DAMPER	2	
92144	92144-1086 <input type="text"/>	SPRING,SEAT LOCK	1	



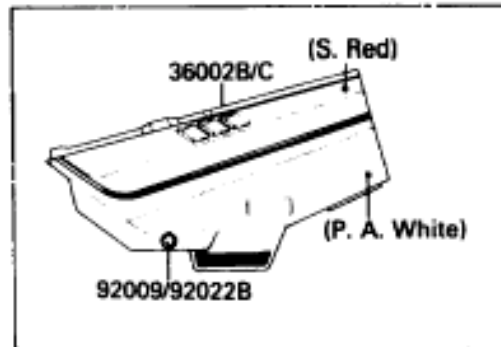
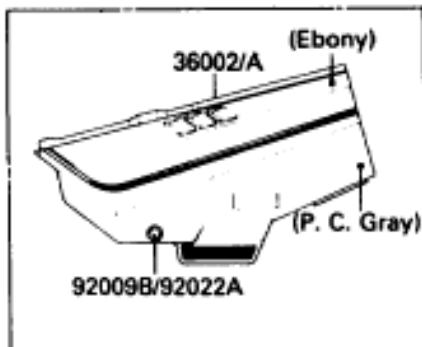
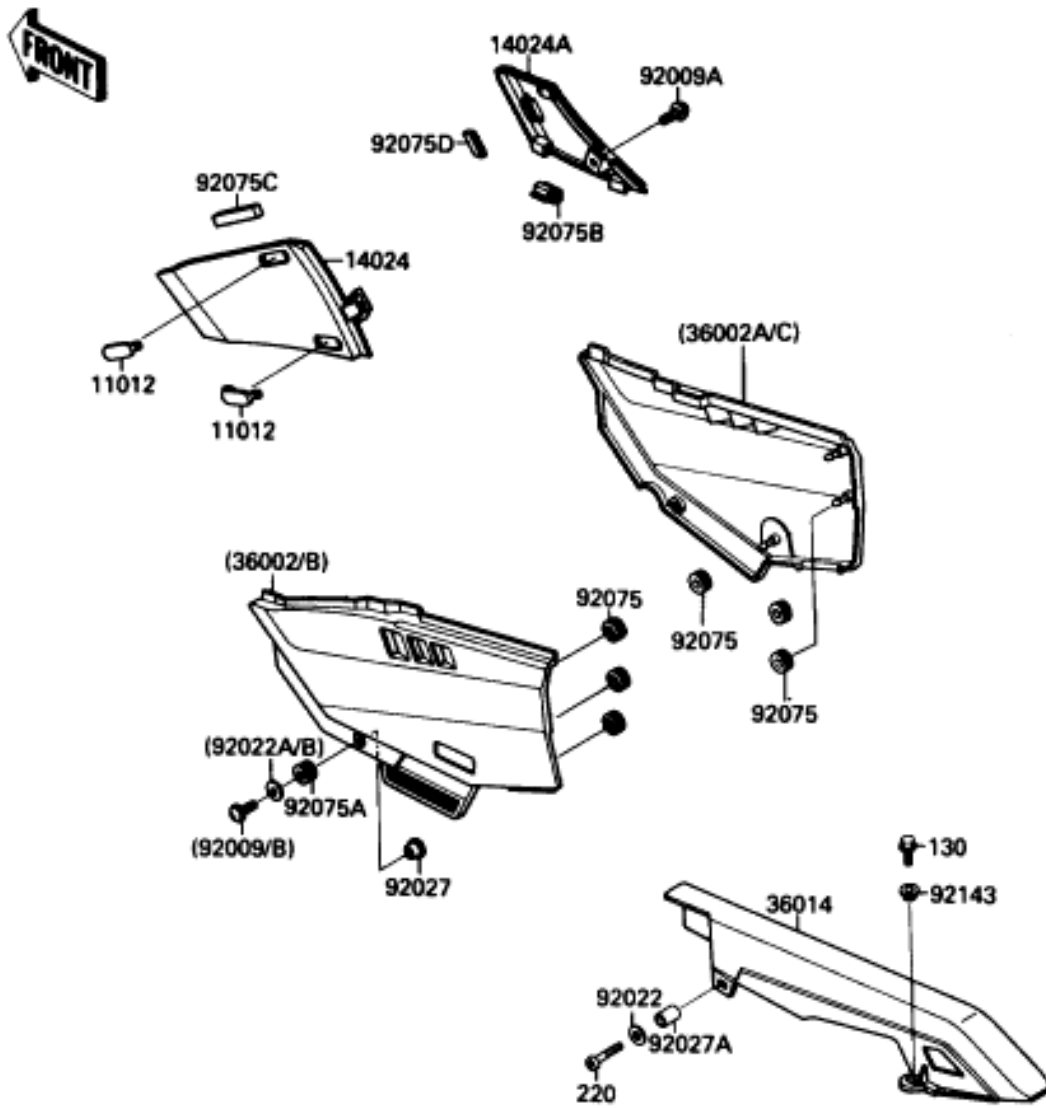
Seat

Ref #	Part #	Description	Qty	Spec Code
16126	16126-1143 <input type="checkbox"/>	VALVE,AIR	1	
45014	45014-1351 <input type="checkbox"/>	SHOCKABSORBER	1	
46102	46102-1207 <input type="checkbox"/>	ROD,SHOCKABSORBER ADJUST	1	
49006	49006-1151 <input type="checkbox"/>	BOOT,RR SHOCKABSORBER	1	
92015	92015-1305 <input type="checkbox"/>	NUT,14MM	1	
92022	92022-1494 <input type="checkbox"/>	WASHER	1	
92059	92059-1810 <input type="checkbox"/>	TUBE,SHOCKABSORBER,L=130	1	
92075	92075-1634 <input type="checkbox"/>	DAMPER	1	
92075A	92075-1654 <input type="checkbox"/>	DAMPER,SHOCKABSORBER	1	
92077	92077-1051 <input type="checkbox"/>	KNOB,SHOCKABSORBER,ADJUST	1	



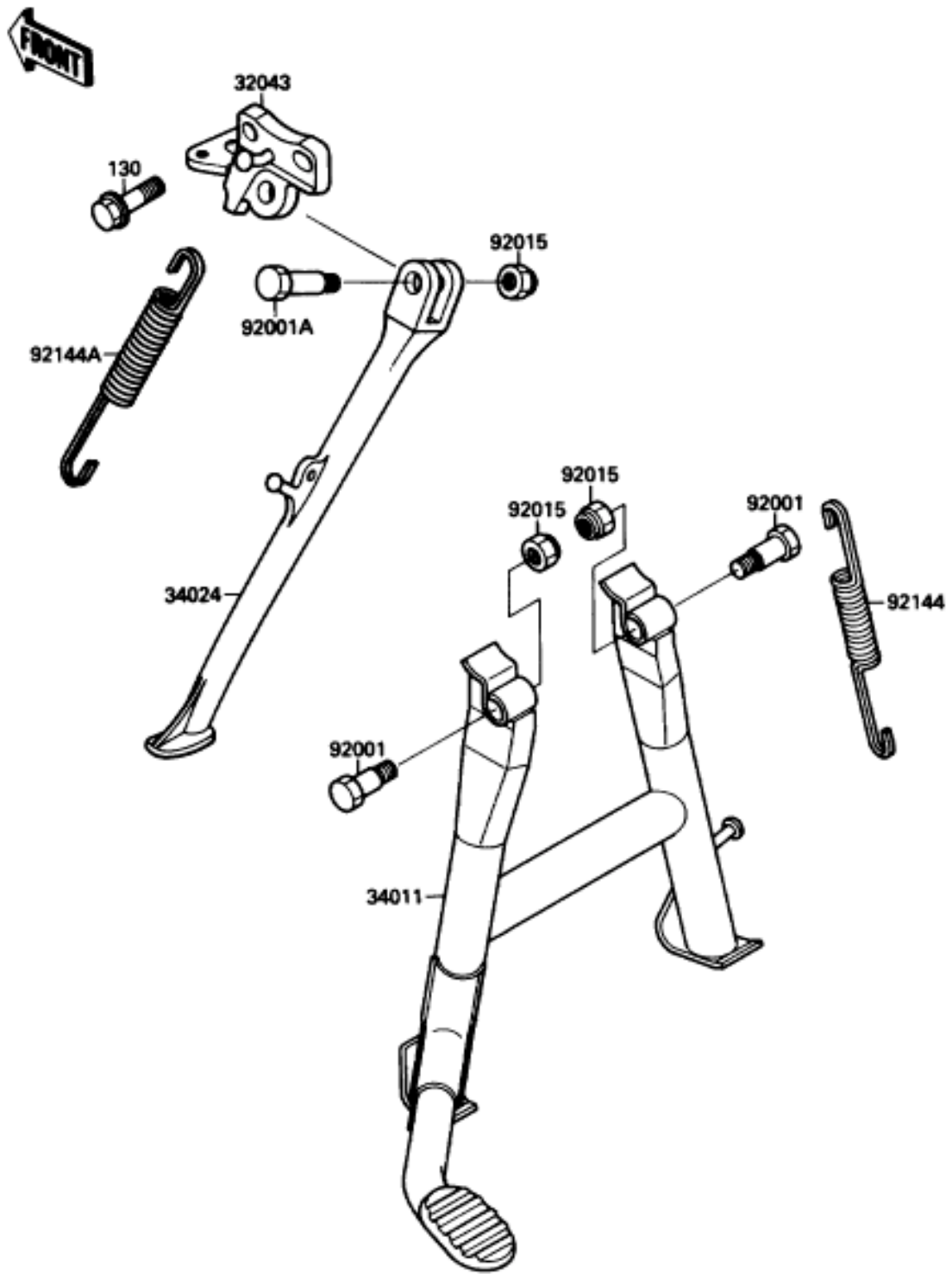
Shock Absorber

Ref #	Part #	Description	Qty	Spec Code
130	130J0614 <input type="text"/>	BOLT-FLANGED,6X14,BLACK	1	
220	220C0635 <input type="text"/>	SCREW-PAN-CROS,6X35,BLACK	1	
11012	11012-1551-BM <input type="text"/>	CAP,KNEEGRIP COVER,GOLD	4	
14024	14024-1344-1A <input type="text"/>	COVER,KNEEGRIP,LH,M.BLACK	1	
14024A	14024-1345-1A <input type="text"/>	COVER,KNEEGRIP,RH,M.BLACK	1	
36002	36002-5302-T4 <input type="text"/>	COVER-SIDE,LH,EBONY/P.C.GRAY	1	
36002A	36002-5303-T4 <input type="text"/>	COVER-SIDE,RH,EBONY/P.C.GRAY	1	
36002B	36002-5304-W2 <input type="text"/>	COVER-SIDE,LH,P.A.WHITE/S.RED	1	
36002C	36002-5305-W2 <input type="text"/>	COVER-SIDE,RH,P.A.WHITE/S.RED	1	
36014	36014-1142 <input type="text"/>	CASE-CHAIN	1	
92009	92009-1111 <input type="text"/>	SCREW,6X18,WHITE	2	
92009A	92009-1288 <input type="text"/>	SCREW,6X14	2	
92009B	92009-1306 <input type="text"/>	SCREW,6X18,BLACK	2	
92022	92022-1346 <input type="text"/>	WASHER,6.5X20X1.6,BLACK	1	
92022A	92022-1619 <input type="text"/>	WASHER,6.5X20X1.6,BLACK	2	
92022B	92022-193 <input type="text"/>	WASHER,6.5X20X1.6,WHITE	2	
92027	92027-1795 <input type="text"/>	COLLAR,L=9.1,WHITE	2	
92027A	92027-1856 <input type="text"/>	COLLAR,6.8X10X20	1	
92075	92075-1067 <input type="text"/>	DAMPER	6	
92075A	92075-1634 <input type="text"/>	DAMPER	2	
92075B	92075-1874 <input type="text"/>	DAMPER,KNEEGRIP COVER,LWR	2	
92075C	92075-1914 <input type="text"/>	DAMPER	2	
92075D	92075-1923 <input type="text"/>	DAMPER,KNEEGRIP COVER,FR	2	
92143	92143-1088 <input type="text"/>	COLLAR,L=6.6	1	



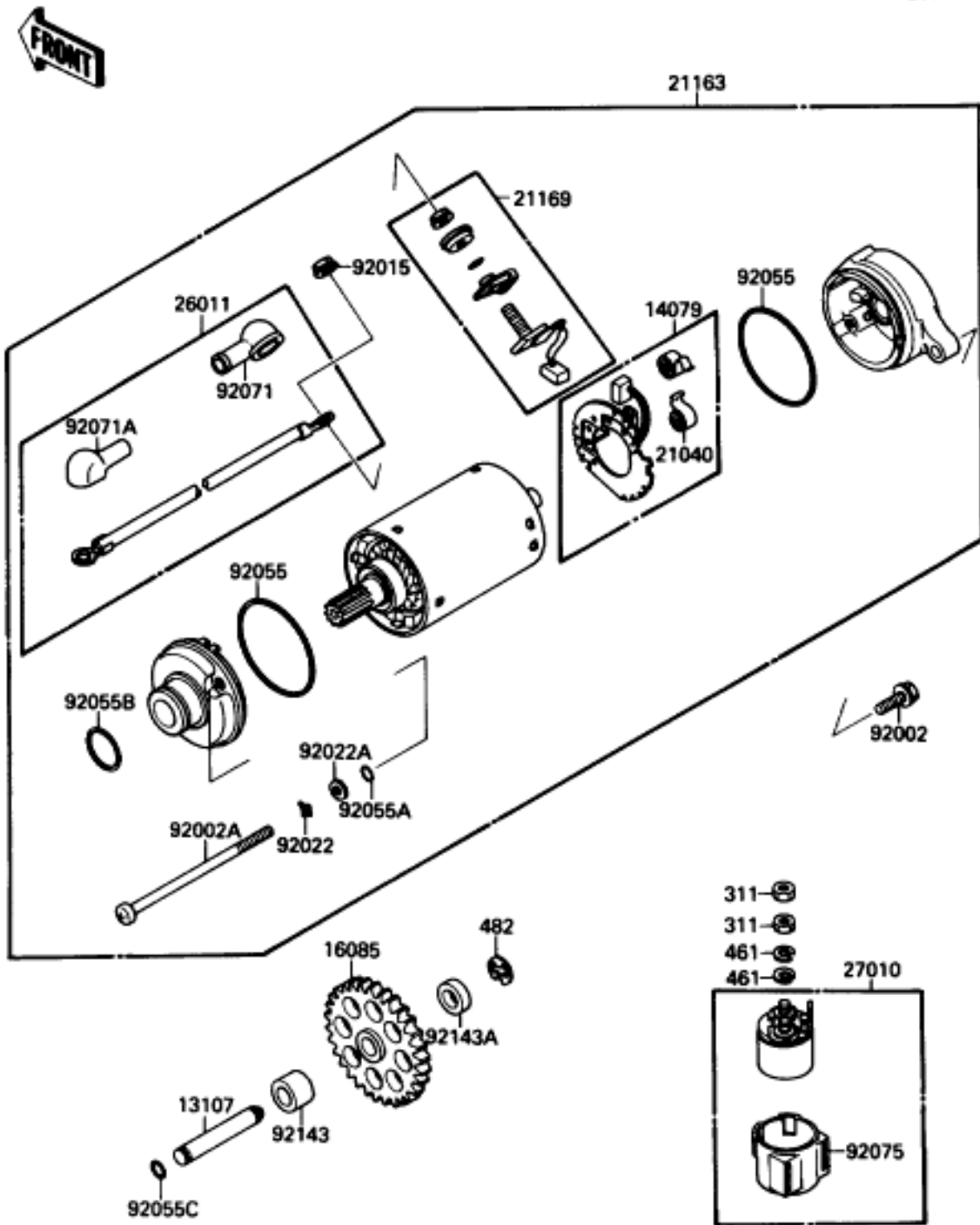
Side Covers / Chain Cover

Ref #	Part #	Description	Qty	Spec Code
130	130S1030 <input type="text"/>	BOLT-FLANGED,10X30,BLACK	2	
32043	32043-1310 <input type="text"/>	BRACKET-STAND,SIDE	1	
34011	34011-1137 <input type="text"/>	STAND-CENTER	1	
34024	34024-1214 <input type="text"/>	STAND-SIDE	1	
92001	92001-1214 <input type="text"/>	BOLT,CENTER STAND	2	
92001A	92001-1788 <input type="text"/>	BOLT,SIDE STAND	1	
92015	92015-1188 <input type="text"/>	NUT,LOCK,10MM,BLACK	3	
92144	92144-1098 <input type="text"/>	SPRING,CENTER STAND	1	
92144A	92144-1127 <input type="text"/>	SPRING,SIDE STAND	1	



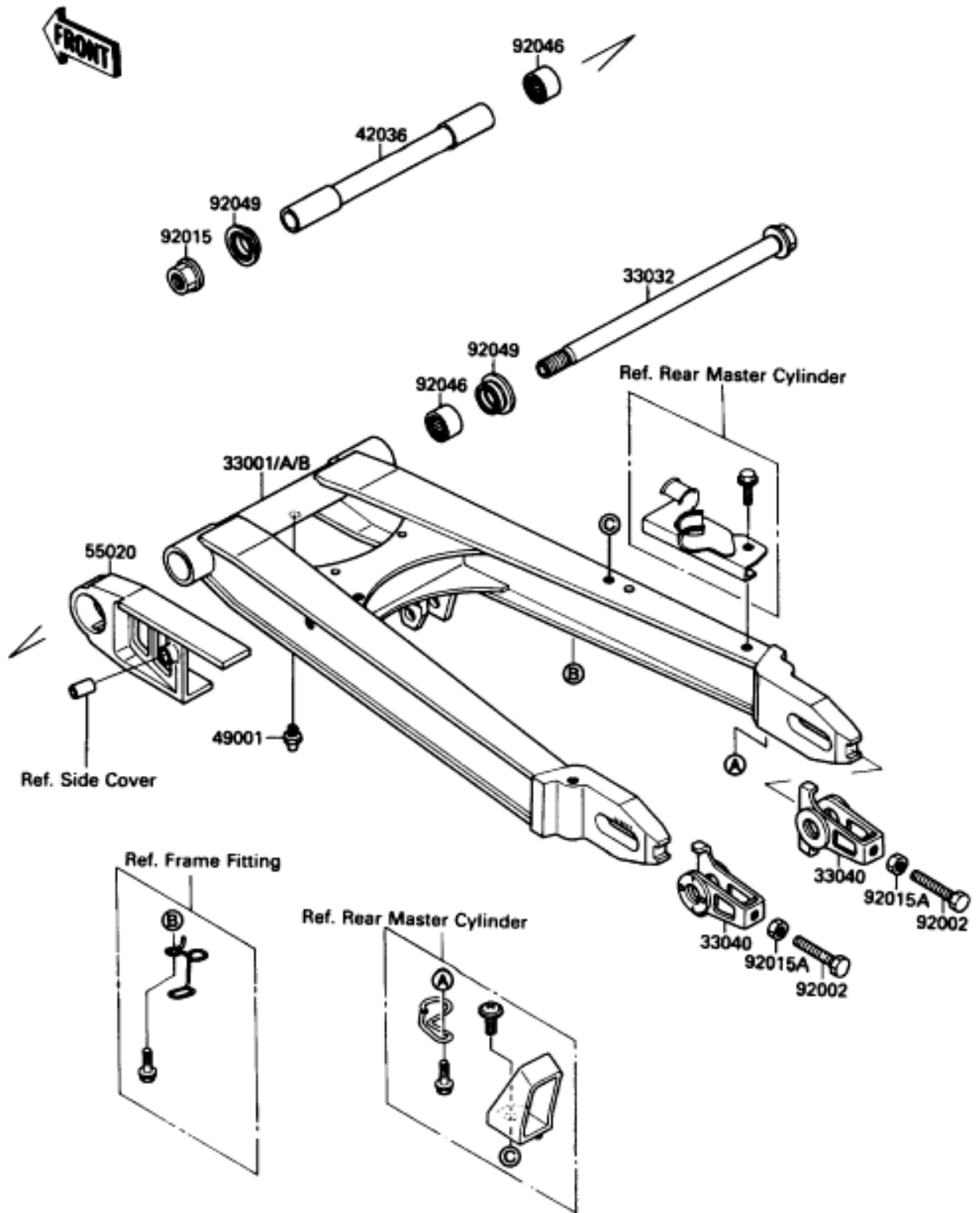
Stands

Ref #	Part #	Description	Qty	Spec Code
311	311B0600 <input type="checkbox"/>	NUT-HEX,6MM	2	
461	461F0600 <input type="checkbox"/>	WASHER-SPRING,6MM	2	
482	482K9000 <input type="checkbox"/>	CIRCLIP-TYPE-E,9MM	1	
13107	13107-1187 <input type="checkbox"/>	SHAFT,IDLE GEAR	1	
14079	14079-1056 <input type="checkbox"/>	HOLDER-ASSY,CARBON BRUSH	1	
16085	16085-1104 <input type="checkbox"/>	GEAR,IDLE	1	
21040	21040-1051 <input type="checkbox"/>	SPRING-BRUSH	2	
21163	21163-1094 <input type="checkbox"/>	STARTER-ELECTRIC	1	
21169	21169-1058 <input type="checkbox"/>	TERMINAL,STARTER	1	
26011	26011-1378 <input type="checkbox"/>	WIRE-LEAD,STARTER MOTOR	1	
27010	27010-1209 <input type="checkbox"/>	SWITCH,MAGNETIC	1	
92002	92001-1947 <input type="checkbox"/>	BOLT,6X20	2	
92002A	92002-1841 <input type="checkbox"/>	BOLT	2	
92015	92015-1623 <input type="checkbox"/>	NUT	1	
92022	92022-1833 <input type="checkbox"/>	WASHER	2	
92022A	92022-1834 <input type="checkbox"/>	WASHER	2	
92055	92055-1260 <input type="checkbox"/>	RING-O,62MM	2	
92055A	92055-1261 <input type="checkbox"/>	RING-O,4.5MM	2	
92055B	92055-1262 <input type="checkbox"/>	RING-O,24.4MM	1	
92055C	92055-1355 <input type="checkbox"/>	RING-O,ID=9.5	1	
92071	92071-1120 <input type="checkbox"/>	GROMMET,STARTER TERMINAL	1	
92071A	92071-1121 <input type="checkbox"/>	GROMMET,TERMINAL	1	
92075	21064-002 <input type="checkbox"/>	DAMPER,MAGNETIC SWITCH	1	
92143	92143-1030 <input type="checkbox"/>	COLLAR,12.1X20X14.5	1	
92143A	92143-1031 <input type="checkbox"/>	COLLAR,12.1X20X6.5	1	



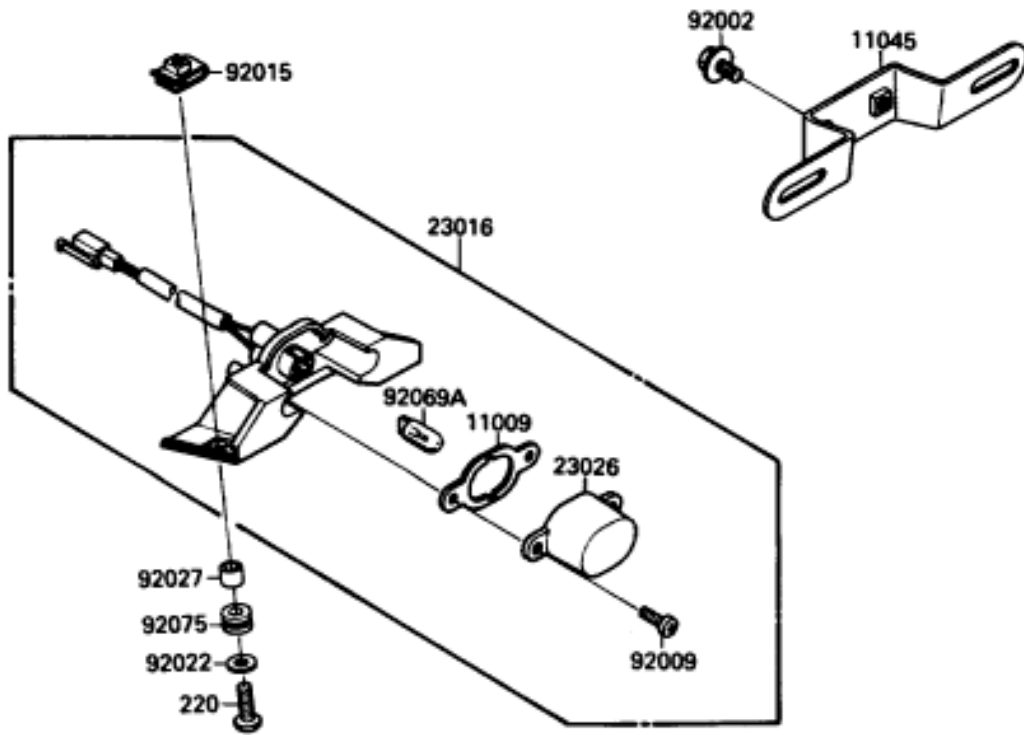
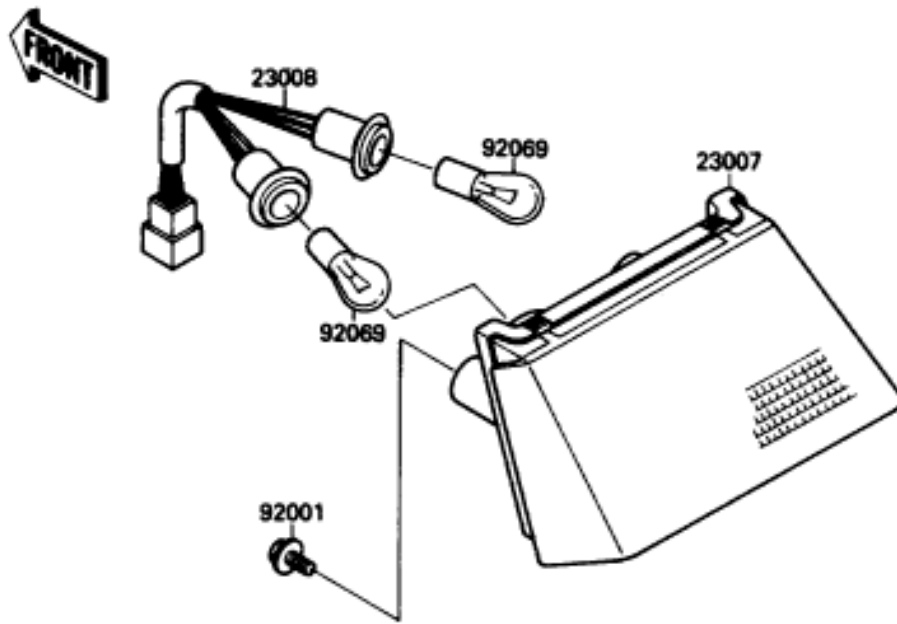
Starter Motor

Ref #	Part #	Description	Qty	Spec Code
33001A	33001-1294-P1 <input type="text"/>	ARM-COMP-SWING,SILVER NO.5	1	
33032	33032-1126 <input type="text"/>	SHAFT-SWING ARM	1	
33040	33040-1074 <input type="text"/>	ADJUSTER-CHAIN	2	
42036	42036-1214 <input type="text"/>	SLEEVE,L=244	1	
49001	49001-1051 <input type="text"/>	NIPPLE-GREASE	1	
55020	55020-1246 <input type="text"/>	GUARD,CHAIN	1	
92002	92002-1958 <input type="text"/>	BOLT,8X50	2	
92015	92015-1041 <input type="text"/>	NUT,16MM	1	
92015A	92015-1364 <input type="text"/>	NUT,8MM	2	
92046	92046-1035 <input type="text"/>	BEARING-NEEDLE,BHTM2530-1	2	
92049	92049-1166 <input type="text"/>	SEAL-OIL	2	



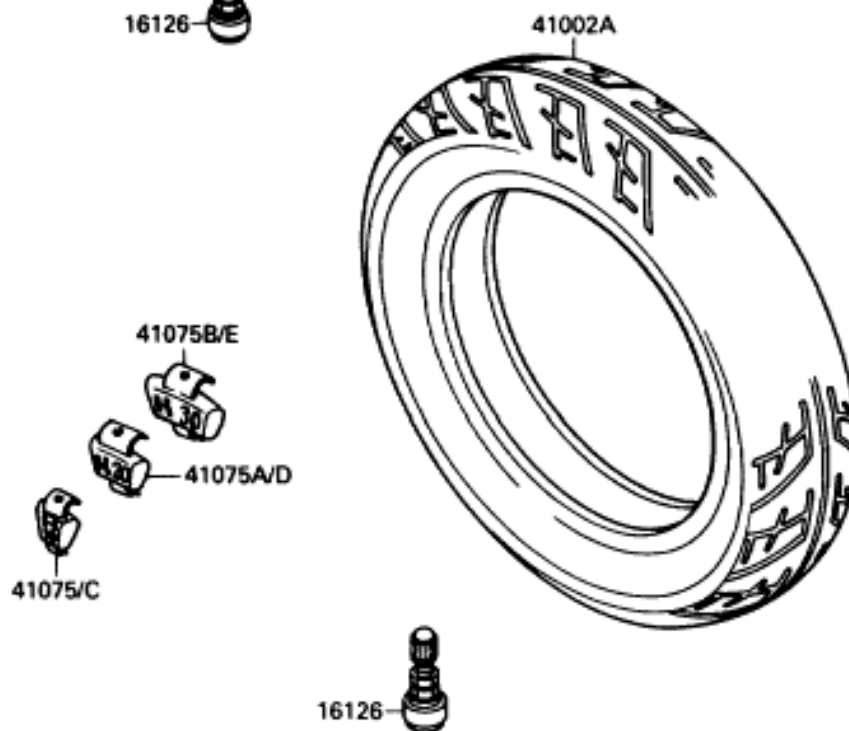
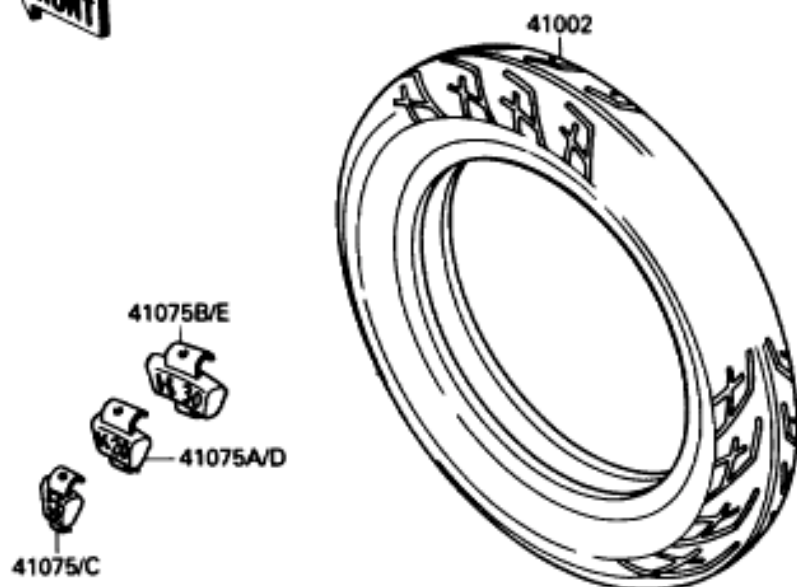
Swing Arm

Ref #	Part #	Description	Qty	Spec Code
220	220C0520 <input type="text"/>	SCREW-PAN-CROS	2	
11009	11009-1619 <input type="text"/>	GASKET,LICENSE PLATE LAMP	1	
11045	11045-1356 <input type="text"/>	BRACKET,LICENSE LAMP	1	
23007	23007-1157 <input type="text"/>	LENS-COMP,TAIL LAMP	1	
23008	23008-1319 <input type="text"/>	SOCKET-ASSY,TAIL LAMP	1	
23016	23016-1077 <input type="text"/>	LAMP-ASSY,LICENSE PLATE	1	
23026	23026-1084 <input type="text"/>	LENS,LICENSE PLATE LAMP	1	
92001	92001-1771 <input type="text"/>	BOLT,6X12	2	
92002	92002-1351 <input type="text"/>	BOLT,6X14	2	
92009	92009-1395 <input type="text"/>	SCREW,TAPPING,4X12	2	
92015	92015-1621 <input type="text"/>	NUT,5MM	2	
92022	25009-004 <input type="text"/>	WASHER,5.2X16X1.2	2	
92027	92027-1923 <input type="text"/>	COLLAR,5.6X8X8.8	2	
92069	92069-059 <input type="text"/>	BULB,12V 27/8W	2	
92069A	92069-1066 <input type="text"/>	BULB,12V 3CP	1	
92075	92075-1912 <input type="text"/>	DAMPER	2	



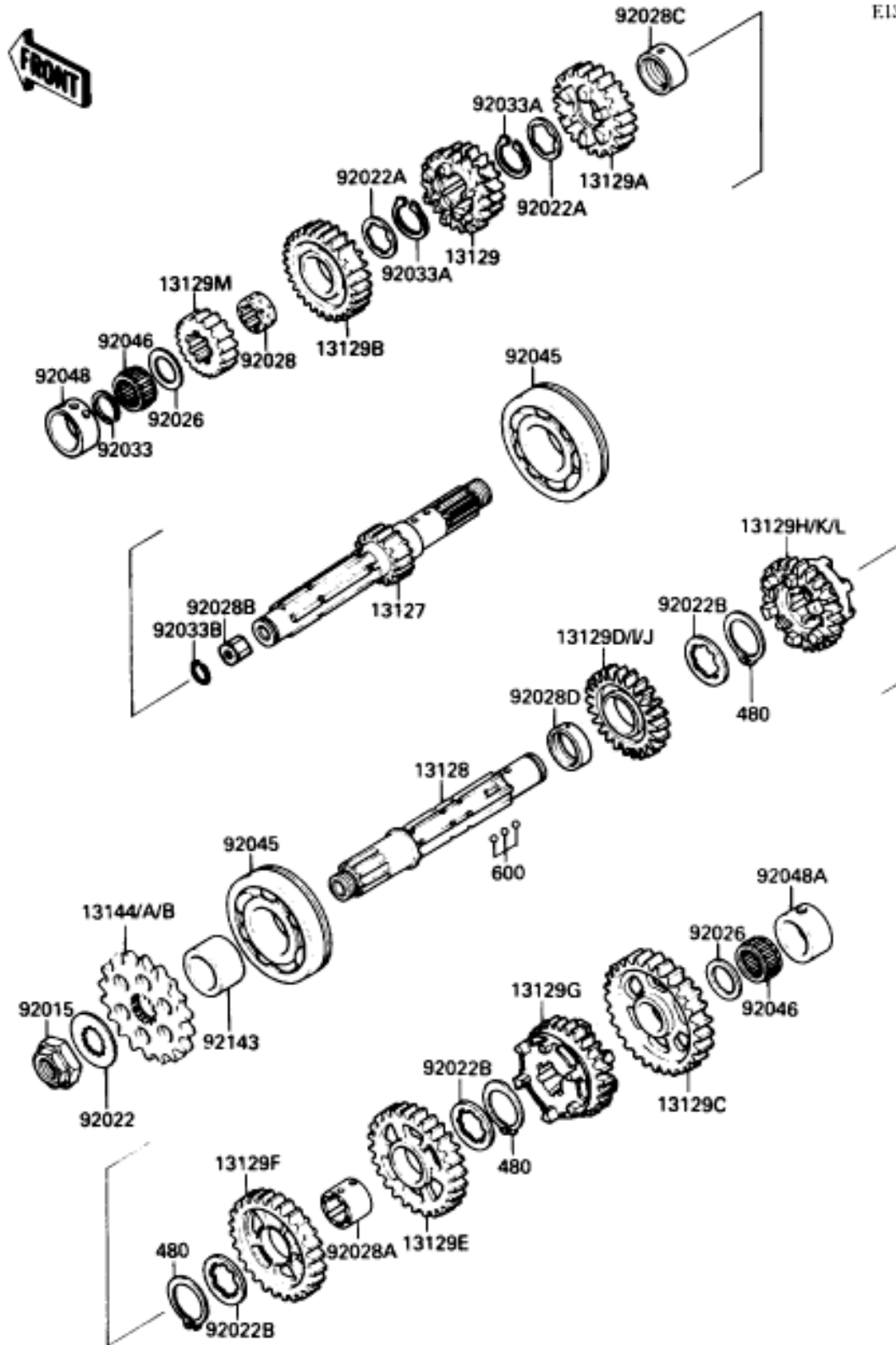
Tail Lights

Ref #	Part #	Description	Qty	Spec Code
16126	16126-1136 <input type="text"/>	VALVE,TIRE	2	
41002	41002-1607 <input type="text"/>	TIRE,FR,110/90V16-V250,K205F(D)	1	
41002A	41002-1608 <input type="text"/>	TIRE,RR,140/70V18-V250,K205(D)	1	
41075	41075-1014 <input type="text"/>	BALANCER-WHEEL,10G,SILVER	AR	
41075A	41075-1015 <input type="text"/>	BALANCER-WHEEL,20G,SILVER	AR	
41075B	41075-1016 <input type="text"/>	BALANCER-WHEEL,30G,SILVER	AR	
41075C	41075-1051 <input type="text"/>	BALANCER-WHEEL,10G,BLACK	AR	
41075D	41075-1052 <input type="text"/>	BALANCER-WHEEL,20G,BLACK	AR	
41075E	41075-1053 <input type="text"/>	BALANCER-WHEEL,30G,BLACK	AR	



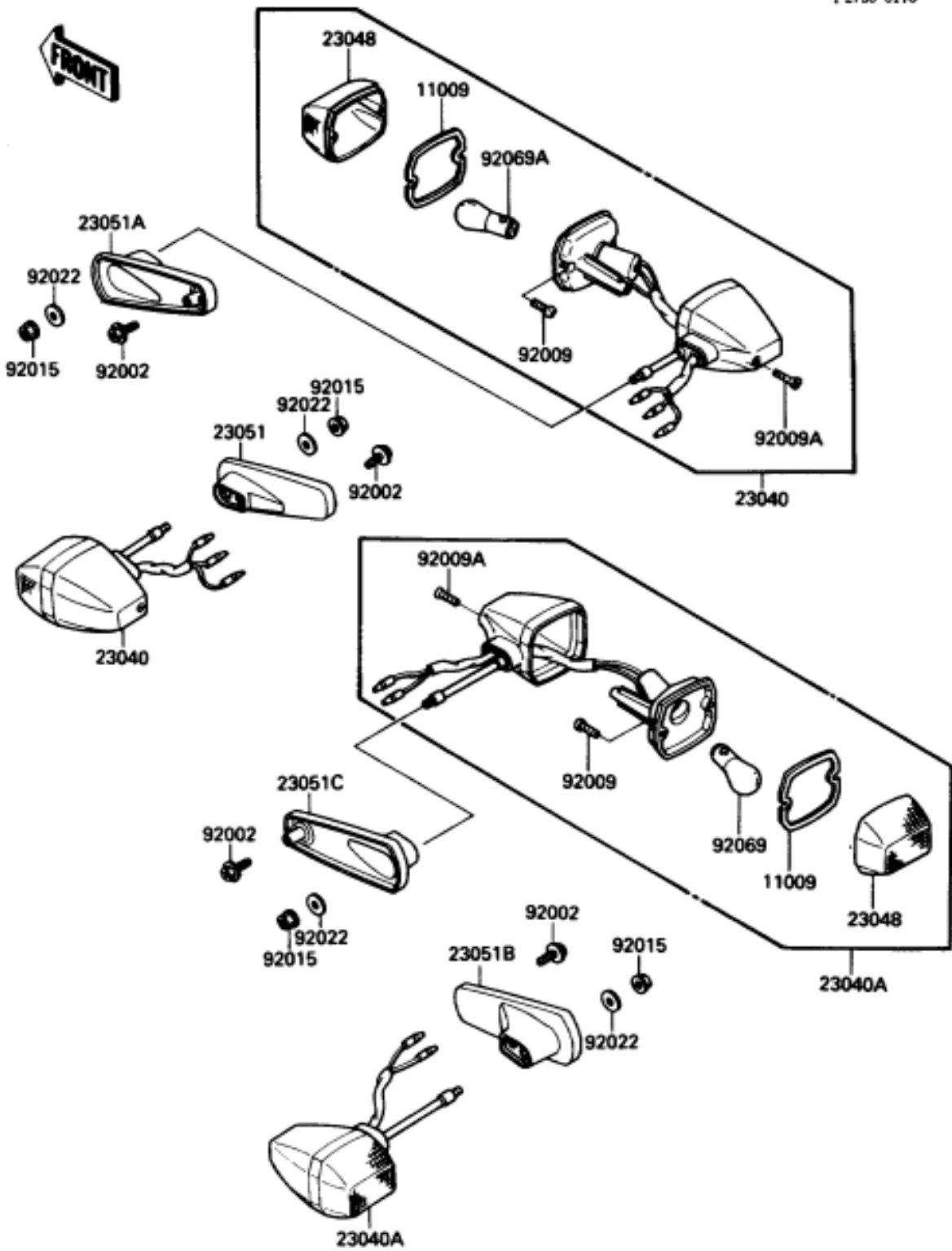
Tyres

Ref #	Part #	Description	Qty	Spec Code
13127	13127-1140 <input type="checkbox"/>	SHAFT-TRANSMISSION INPUT,13T	1	
13128	13128-1162 <input type="checkbox"/>	SHAFT-TRANSMISSION OUTPUT	1	
13129	13129-1811 <input type="checkbox"/>	GEAR,INPUT 3RD&4TH,21T&21T	1	
13129A	13129-1812 <input type="checkbox"/>	GEAR,INPUT 5TH,23T	1	
13129B	13129-1813 <input type="checkbox"/>	GEAR,INPUT TOP,24T	1	
13129C	13129-1814 <input type="checkbox"/>	GEAR,OUTPUT LOW,38T	1	
13129D	13129-1815 <input type="checkbox"/>	GEAR,OUTPUT 2ND,34T	1	(- ZX750FE013831)
13129E	13129-1816 <input type="checkbox"/>	GEAR,OUTPUT 3RD,35T	1	
13129F	13129-1817 <input type="checkbox"/>	GEAR,OUTPUT 4TH,29T	1	
13129G	13129-1818 <input type="checkbox"/>	GEAR,OUTPUT 5TH,28T	1	
13129H	13129-1819 <input type="checkbox"/>	GEAR,OUTPUT TOP,26T	1	(- ZX750FE013830)
13129J	13129-1898 <input type="checkbox"/>	GEAR,OUTPUT 2ND,34T	1	(ZX750FE013831 -)
13129L	13129-1899 <input type="checkbox"/>	GEAR,OUTPUT TOP,26T	1	(ZX750FE013831 -)
13129M	13129-1971 <input type="checkbox"/>	GEAR,INPUT 2ND,16T	1	
13144	13144-1009 <input type="checkbox"/>	SPROCKET-OUTPUT,17T(#530)	1	(RACING USE ONLY)
13144A	13144-1117 <input type="checkbox"/>	SPROCKET-OUTPUT,15T(#530)	1	(RACING USE ONLY)
13144B	13144-1128 <input type="checkbox"/>	SPROCKET-OUTPUT,16T(#530)	1	
92015	92015-1254 <input type="checkbox"/>	NUT,20MM	1	
92022	92022-1076 <input type="checkbox"/>	WASHER,TOOTHED,25.5X42X1	1	
92022A	92022-1139 <input type="checkbox"/>	WASHER,TOOTHED,28.3X33.5X1	2	
92022B	92024-043 <input type="checkbox"/>	WASHER,TOOTHED,30.3X40X1.5	3	
92026	92026-1224 <input type="checkbox"/>	SPACER,22X35.5X2.1	2	
92028	92028-1255 <input type="checkbox"/>	BUSHING,INPUT TOP GEAR	1	
92028A	92028-1363 <input type="checkbox"/>	BUSHING,OUTPUT 3RD&4TH	1	
92028B	92028-1448 <input type="checkbox"/>	BUSHING	1	
92028C	92028-1449 <input type="checkbox"/>	BUSHING,INPUT 5TH GEAR	1	
92028D	92028-1450 <input type="checkbox"/>	BUSHING,OUTPUT 2ND	1	
92033	92033-025 <input type="checkbox"/>	RING-SNAP,20X25.5X1.2	1	
92033A	92033-1037 <input type="checkbox"/>	RING-SNAP,25.9MM	2	
92033B	92036-005 <input type="checkbox"/>	RING-SNAP	1	
92045	92045-1224 <input type="checkbox"/>	BEARING-BALL,6305N2SH2	2	
92046	92046-031 <input type="checkbox"/>	BEARING-NEEDLE,FWF-223014	2	
92048	92048-1066 <input type="checkbox"/>	RACE,INPUT SHAFT	1	
480	480J2900 <input type="checkbox"/>	CIRCLIP	3	
600	600A0500 <input type="checkbox"/>	BALL-STEEL,5/32"	3	
92048A	92048-1067 <input type="checkbox"/>	RACE,0RZ30X38X17PX1	1	
92143	92143-1018 <input type="checkbox"/>	COLLAR,25X32X18.7	1	



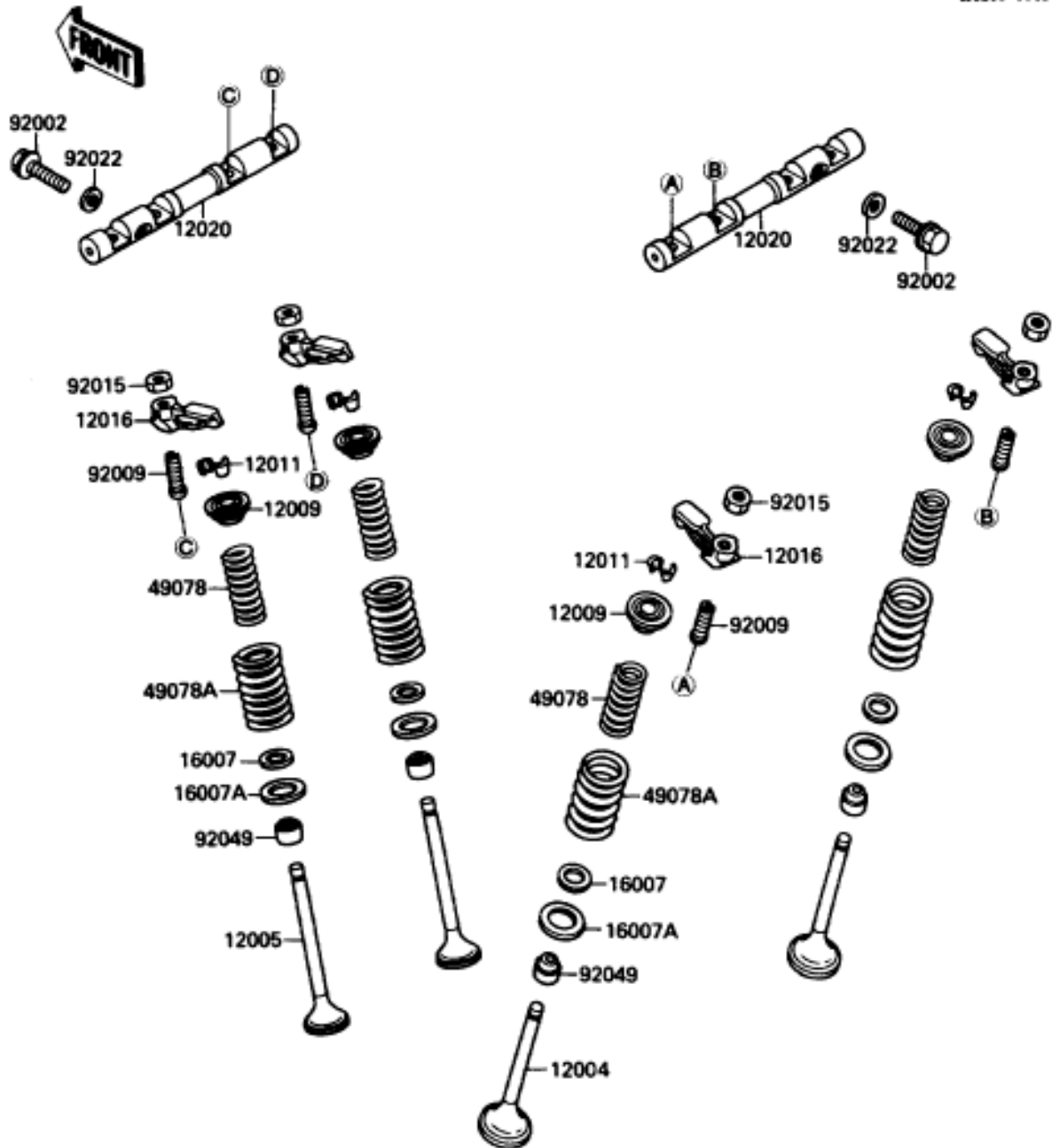
transmission

Ref #	Part #	Description	Qty	Spec Code
11009	11009-1402 <input type="text"/>	GASKET,SIGNAL LAMP	4	
23040	23040-1157 <input type="text"/>	LAMP-SIGNAL,FR	2	
23040A	23040-1158 <input type="text"/>	LAMP-SIGNAL,RR	2	
23048	23048-1054 <input type="text"/>	LENS-SIGNAL LAMP	4	
23051	23051-1185 <input type="text"/>	BRACKET-SIGNAL LAMP,FR,LH	1	
23051A	23051-1186 <input type="text"/>	BRACKET-SIGNAL LAMP,FR,RH	1	
23051B	23051-1187 <input type="text"/>	BRACKET-SIGNAL LAMP,RR,LH	1	
23051C	23051-1188 <input type="text"/>	BRACKET-SIGNAL LAMP,RR,RH	1	
92002	92002-1921 <input type="text"/>	BOLT,TAPPING,5X16	4	
92009	92009-1115 <input type="text"/>	SCREW,TAPPING,3X16	8	
92009A	92009-1304 <input type="text"/>	SCREW,TAPPING,4X20	4	
92015	92015-1367 <input type="text"/>	NUT,FLANGED,6MM	4	
92022	92022-125 <input type="text"/>	WASHER,6.5X20X1.6	4	
92069	92069-055 <input type="text"/>	BULB,12V 32CP(23W)	2	
92069A	92069-060 <input type="text"/>	BULB,12V 32/3CP(23/8W)	2	



Turn Signals

Ref #	Part #	Description	Qty	Spec Code
12004	12004-1069 <input type="text"/>	VALVE-INTAKE	8	
12005	12005-1077 <input type="text"/>	VALVE-EXHAUST	8	
12009	12009-1056 <input type="text"/>	RETAINER-VALVE SPRING	16	
12011	12011-1051 <input type="text"/>	COLLET	32	
12016	12016-1073 <input type="text"/>	ARM-ROCKER	16	
12020	12020-1060 <input type="text"/>	SHAFT-ROCKER	4	
16007	16007-1143 <input type="text"/>	SEAT-SPRING,12.1X16.2X0.5	16	
16007A	16007-1144 <input type="text"/>	SEAT-SPRING,17.5X23.8X0.5	16	
49078	49078-1051 <input type="text"/>	SPRING-ENGINE VALVE,INNER	16	
49078A	49078-1052 <input type="text"/>	SPRING-ENGINE VALVE,OUTER	16	
92002	92002-1582 <input type="text"/>	BOLT,6X25	4	
92009	92009-1442 <input type="text"/>	SCREW,7MM	16	
92015	92015-1325 <input type="text"/>	NUT,7MM	16	
92022	92022-1817 <input type="text"/>	WASHER,6.3X12.5X1.6	4	
92049	92049-1218 <input type="text"/>	SEAL-OIL,VSB58.558	16	



Valves

MODEL APPLICATION

Year	Model	Beginning Frame No.
1987	ZX750-F1	JKAZXDF1□HA000001, or JKAZXDF1□HB500001, or ZX750F-000001
1988	ZX750-F2 ZX750-F2A	JKAZXDF1□JA016201, or JKAZXDF1□JB504301, or ZX750F-016201
1989	ZX750-F3	JKAZXDF1□KA020201, or JKAZXDF1□KB506700, or ZX750F-020201
1990	ZX750-F4	JKAZXDF1□LB508401

□: This digit in the frame number changes from one machine to another.