

## Part Diagrams

# Kawasaki GPX600R 1991 ZX600C-4





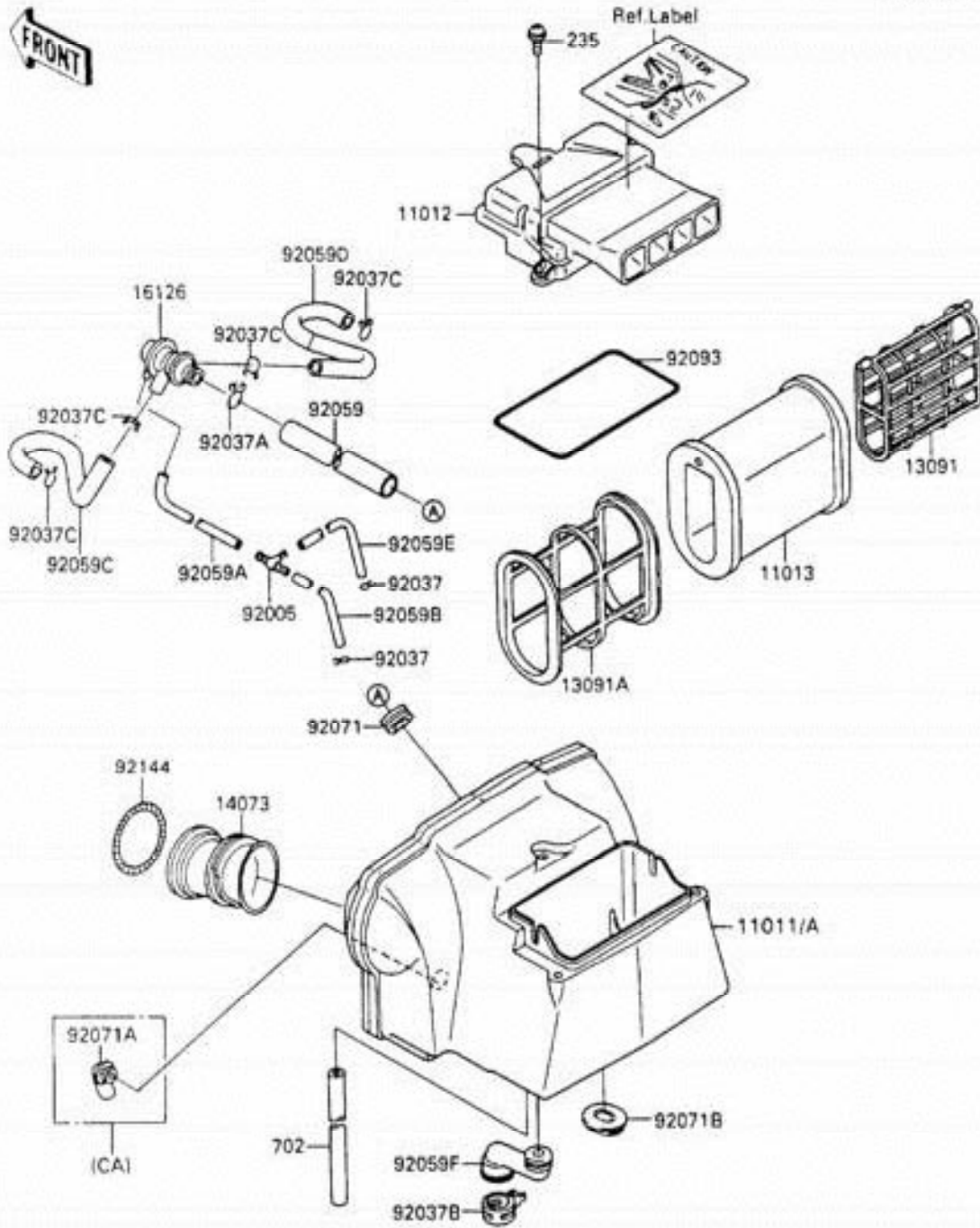


**AIR CLEANER**

Ref #	Part #	Description	Qty	Spec Code
11011	11011-1252	CASE-AIR FILTER	1	[US]
11011A	11011-1256	CASE-AIR FILTER	1	[CA]
11012	11012-1619	CAP,AIR FILTER	1	
11013	11013-1154	ELEMENT-AIR FILTER	1	
13091	13091-1467	HOLDER,ELEMENT	1	
13091A	13091-1468	HOLDER,ELEMENT	1	
14073	14073-1211	DUCT,CARBURETOR	4	
16126	16126-1005	VALVE,AIR SWITCH	1	
92005	92005-1017	FITTING,TUBE,T-TYPE	1	
92037	92037-072	CLAMP,TUBE	2	
92037A	92037-1076	CLAMP,TUBE	1	
92037B	92037-1730	CLAMP	1	
92037C	92037-213	CLAMP,TUBE	4	
92059	92059-1031	TUBE,19X25X260	1	
92059A	92059-1040	TUBE,4X9X220	1	
92059B	92059-1365	TUBE,4X9X80	1	
92059C	92059-1674	TUBE,AIR SWITCH VALVE,LH	1	
92059D	92059-1675	TUBE,AIR SWITCH VALVE,RH	1	
92059E	92059-1712	TUBE,4X9X260	1	
92059F	92059-1798	TUBE,BREATHER	1	
92071	92071-1013	GROMMET,AIR FILTER	1	
92071A	92071-1114	GROMMET,AIR FILTER	1	[CA]
92071B	92071-1123	GROMMET,AIR FILTER	1	
92093	92093-1212	SEAL,AIR FILTERCAP	1	
92144	92144-1771	SPRING,AIR FILTER DUCT	4	
235	235B0616	SCREW-PAN-WP-CROS	2	
702	702A05100	TUBE-RUBBER	1	

# AIR CLEANER

E1130-0245

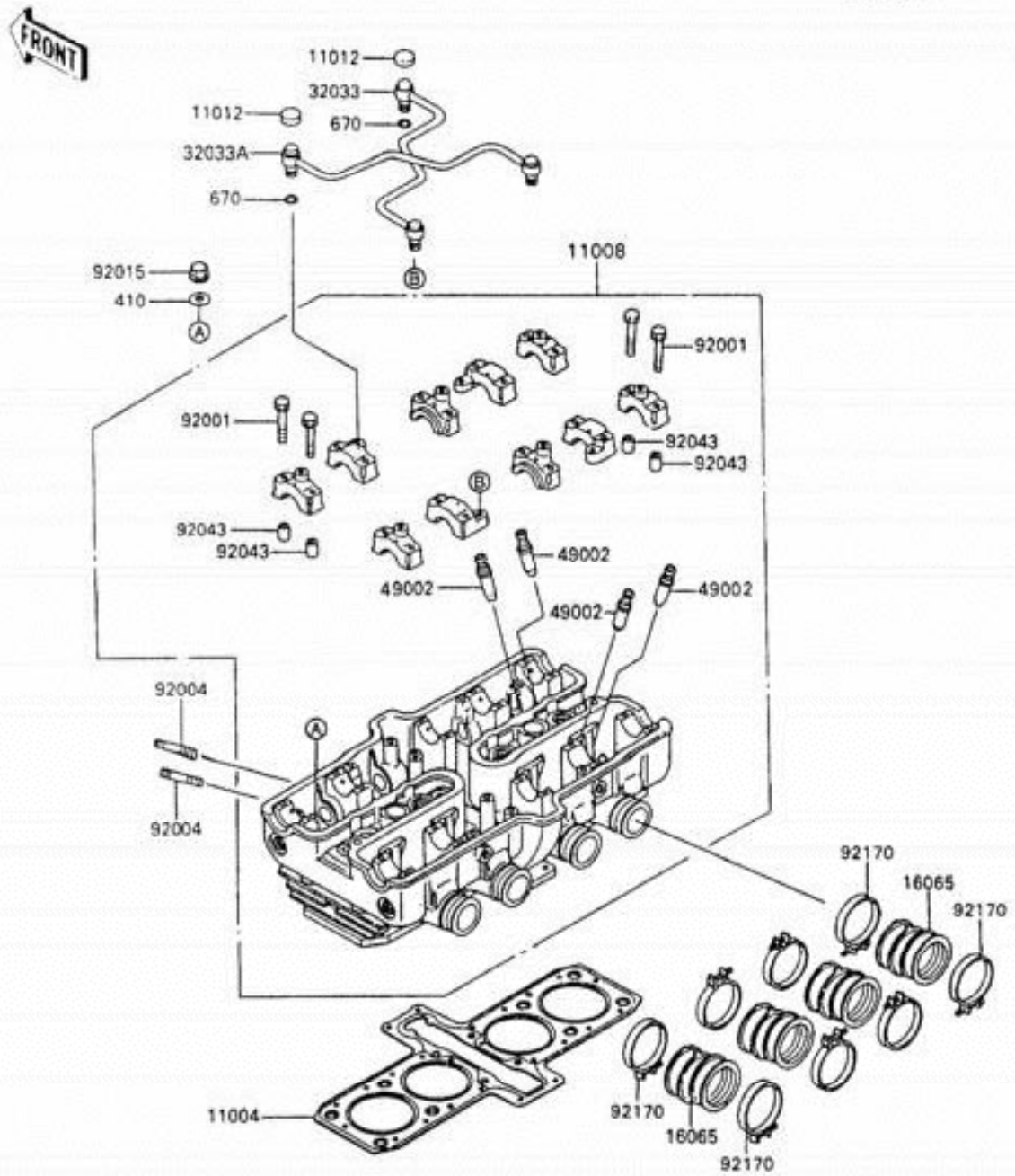


**CYLINDER HEAD**

Ref #	Part #	Description	Qty	Spec Code
11004	11004-1152	GASKET-HEAD	1	
11008	11008-1195	HEAD-COMP-CYLINDER	1	
11012	11012-1491	CAP	4	
16065	16065-1129	HOLDER-CARBURETOR	4	
32033	32033-1942	PIPE	1	
32033A	32033-1943	PIPE	1	
49002	49002-1081	GUIDE-VALVE	16	
92001	92001-1105	BOLT,FLANGED,6X38	20	
92004	92004-066	STUD,6X27	8	
92015	92015-1151	NUT,CAP,8MM	12	
92043	92043-1263	PIN,6.2X8X14	20	
92170	92170-1438	CLAMP	8	
410	410B0800	WASHER-PLAIN-SMALL,8MM	12	
670	670D1505	O RING	4	

# CYLINDER HEAD

E1111-0180



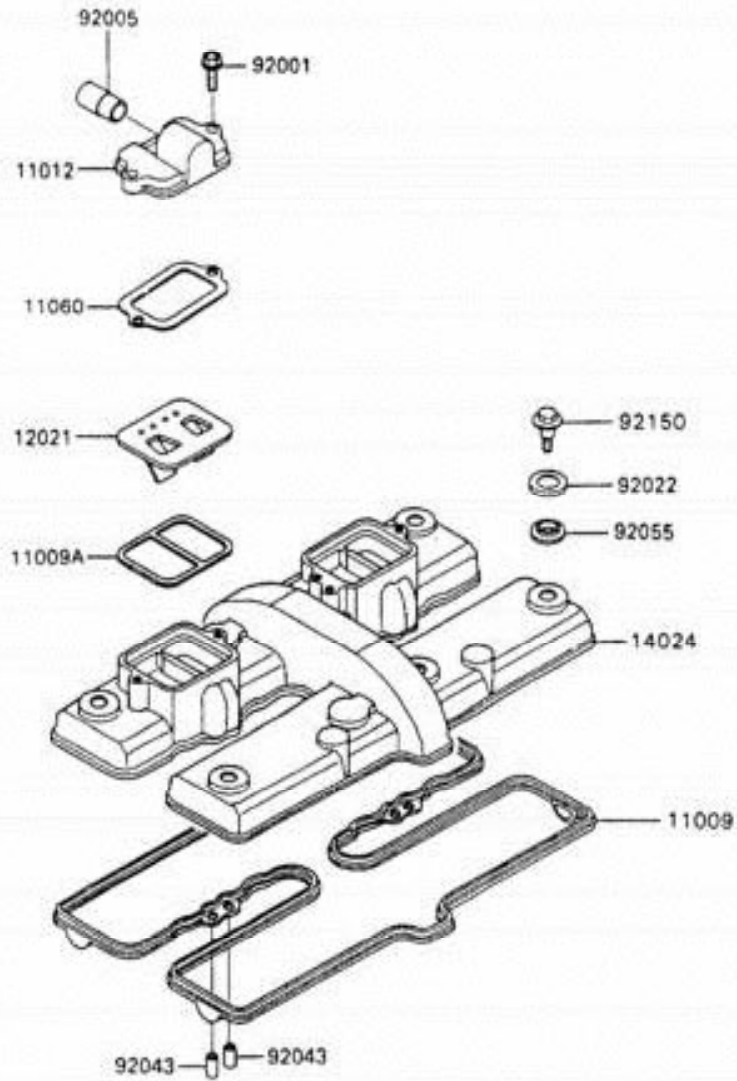
**CYLINDER HEAD COVER**

Ref #	Part #	Description	Qty	Spec Code
11009	11009-1497	GASKET,CYLINDER HEAD COVER	1	
11009A	11009-1905	GASKET,REED VALVE	2	
11012	11012-1481	CAP,REED VALVE	2	
11060	11060-1509	GASKET	2	
12021	12021-1053	VALVE-ASSY-REED	2	
14024	14024-1144	COVER,CYLINDER HEAD	1	
92001	92001-1352	BOLT,FLANGED,6X22	4	
92005	92005-1006	FITTING,REED VALVE	2	
92022	92022-1637	WASHER,HEAD COVER BOLT	6	
92043	92043-1263	PIN,6.2X8X14	4	
92055	92055-1225	RING-O,HEAD COVER BOLT	6	
92150	92150-1447	BOLT,HEAD COVER	6	



# CYLINDER HEAD COVER

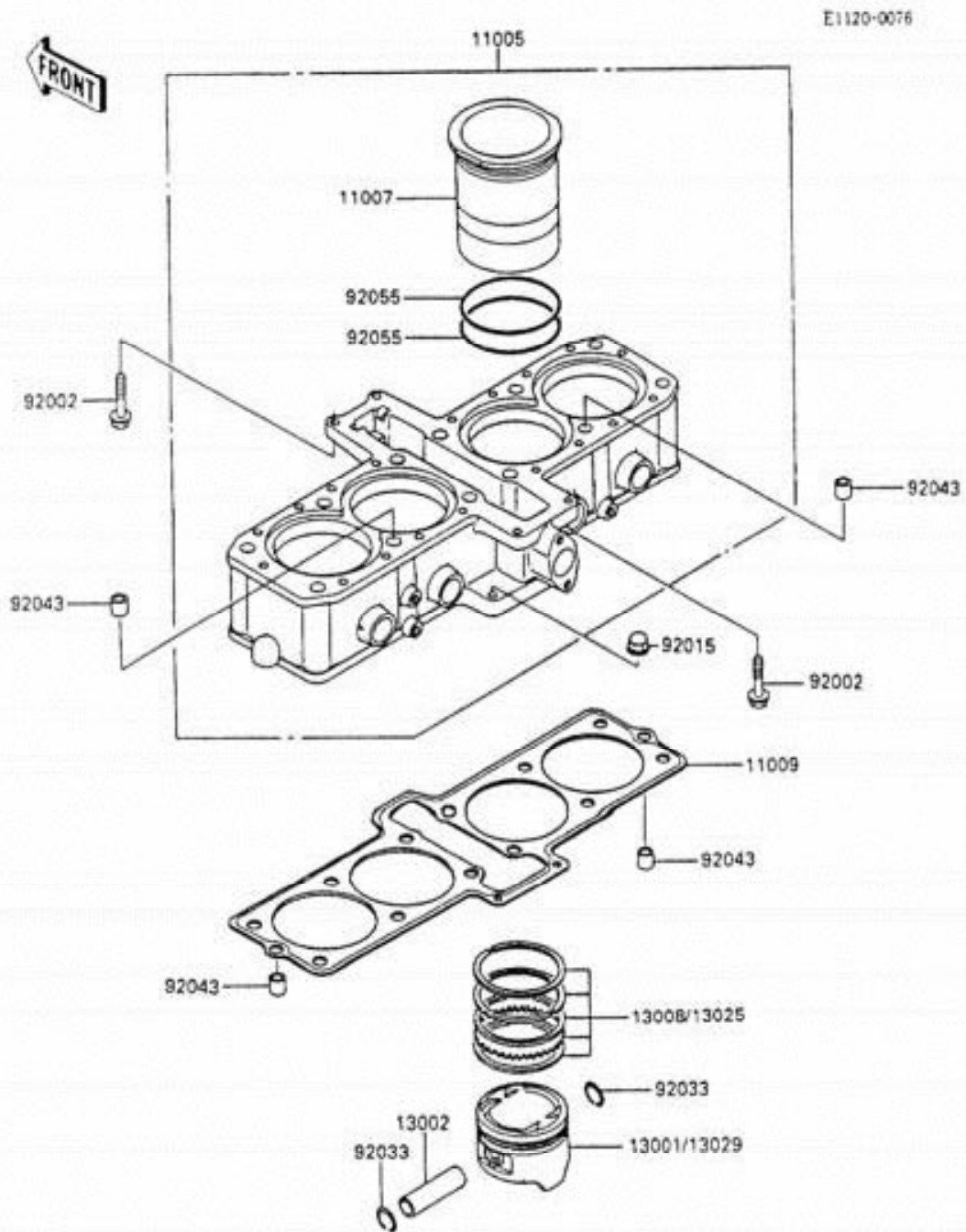
E1112-0080



**CYLINDER/PISTON(S)**

Ref #	Part #	Description	Qty	Spec Code
11005	11005-1493	CYLINDER-ENGINE	1	
11007	11007-1086	LINER-CYLINDER	4	
11009	11009-1578	GASKET,CYLINDER BASE	1	
13001	13001-1254	PISTON-ENGINE,STD	4	
13002	13002-1003	PIN-PISTON	4	
13008	13008-1088	RING-SET-PISTON,STD	4	
13025	13025-1086	RING-SET-PISTON L,O/S 0.50	4	
13029	13029-1164	PISTON-ENGINE L,O/S 0.50	4	
92002	92002-1104	BOLT,6X28	4	
92015	92015-1170	NUT,CAP,6MM,BLACK	2	
92033	92033-1161	RING-SNAP,PISTON PIN	8	
92043	92043-1264	PIN,8.2X10X14	4	
92055	92055-1287	RING-O,66.5MM	8	

# CYLINDER/PISTON(S)

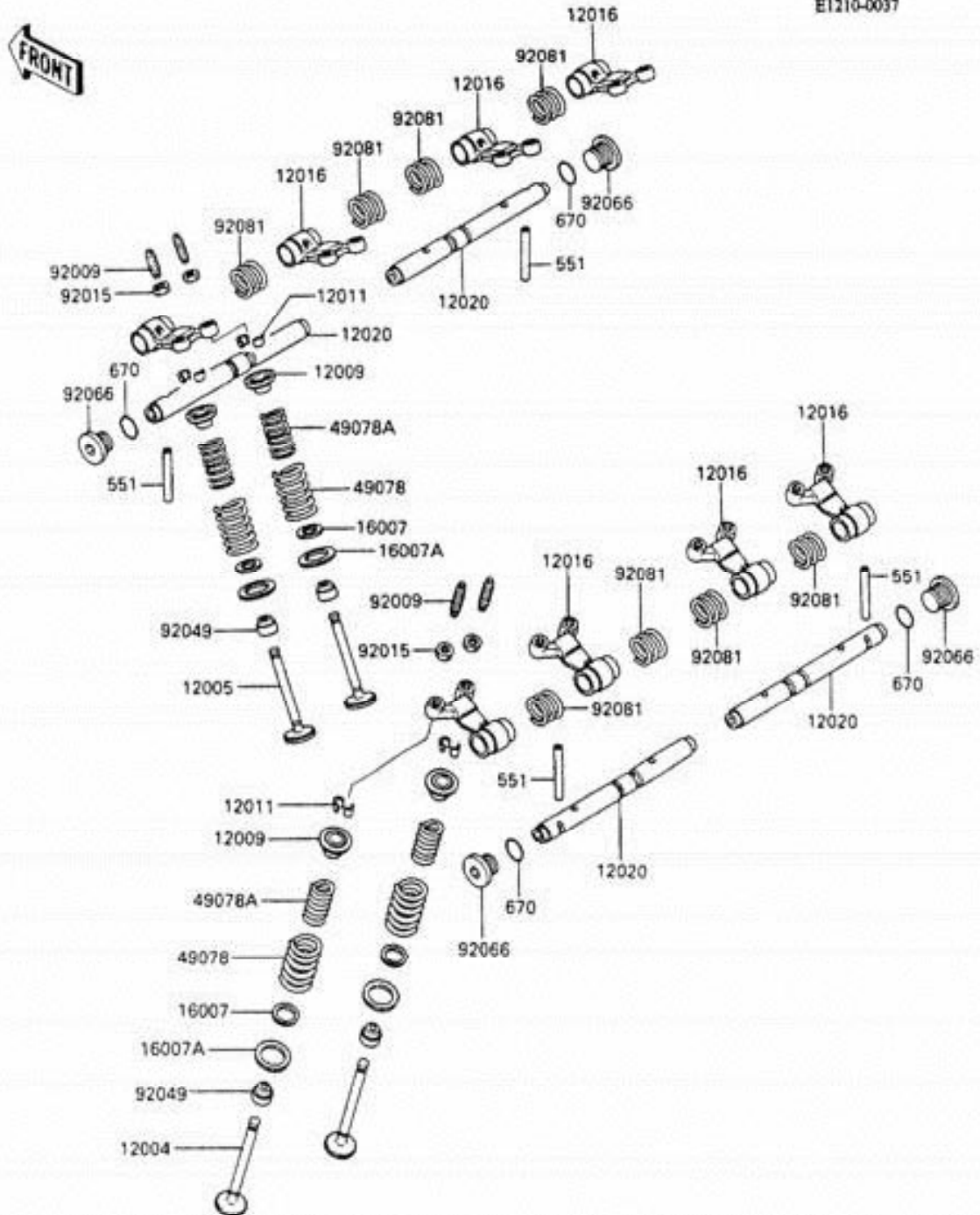


**VALVE(S)**

Ref #	Part #	Description	Qty	Spec Code
12004	12004-1075	VALVE-INTAKE	8	
12005	12005-1062	VALVE-EXHAUST	8	
12009	12009-1060	RETAINER-VALVE SPRING	16	
12011	12011-1051	COLLET	32	
12016	12016-1062	ARM-ROCKER	8	
12020	12020-1058	SHAFT-ROCKER	4	
16007	16007-1143	SEAT-SPRING,12.1X16.2X0.5	16	
16007A	16007-1144	SEAT-SPRING,17.5X23.8X0.5	16	
49078	49078-1060	SPRING-ENGINE VALVE, OUTER	16	
49078A	49078-1061	SPRING-ENGINE VALVE, INNER	16	
92009	92009-1109	SCREW, VALVE ADJUST	16	
92015	92015-1529	NUT, 5MM	16	
92049	92049-1218	SEAL-OIL, VSB58.558	16	
92066	92066-1192	PLUG, 14X11.5	4	
92081	92081-1636	SPRING, ROCKER ARM	8	
551	551A0540	PIN-DOWEL	4	
670	670B2015	O RING, 15MM	4	

# VALVE(S)

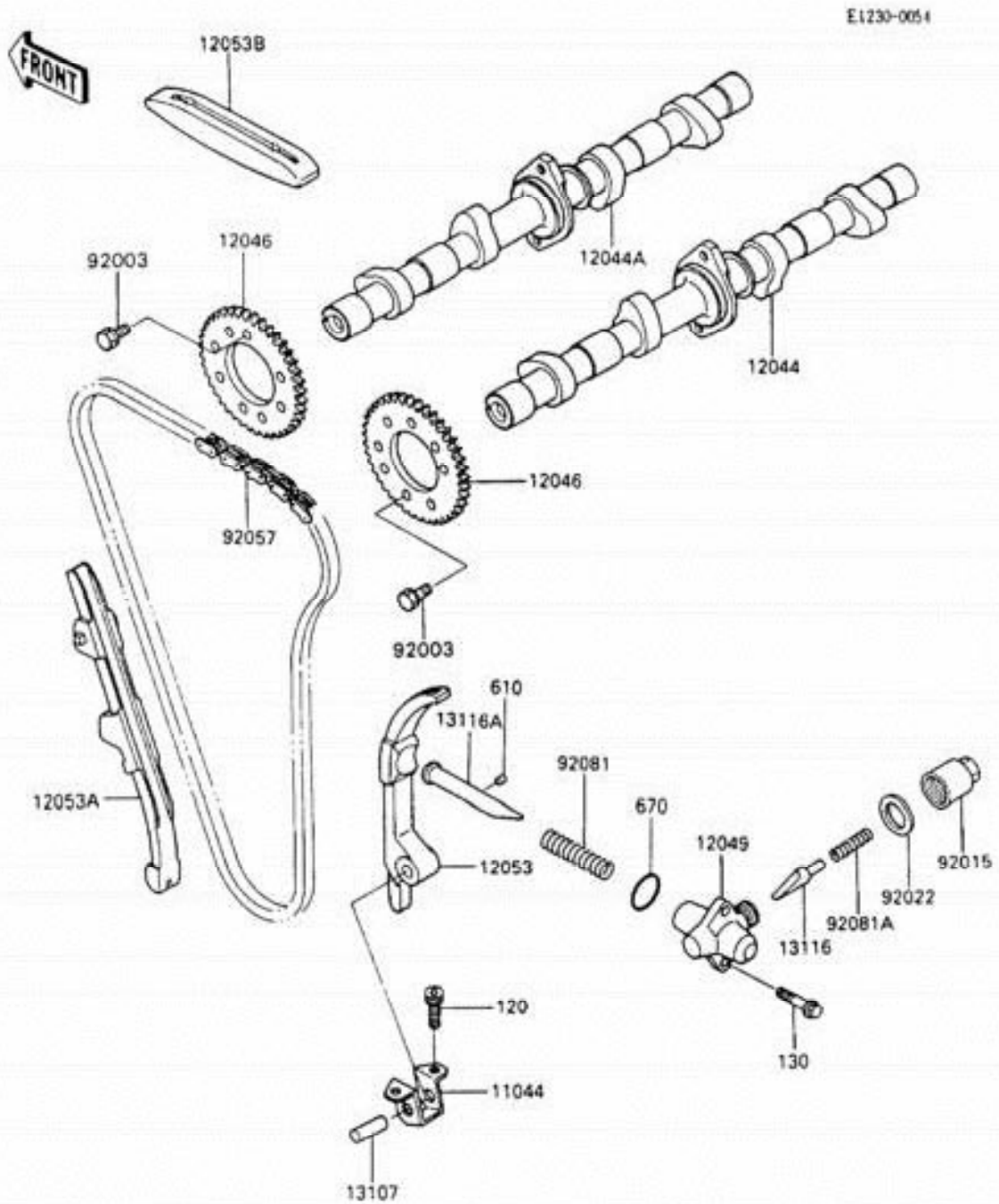
E1210-0037



**CAMSHAFT(S)/TENSIONER**

Ref #	Part #	Description	Qty	Spec Code
11044	11044-1079	BRACKET,CHAIN GUIDE	1	
12044	12044-1203	CAMSHAFT-VALVE,INTAKE	1	
12044A	12044-1204	CAMSHAFT-VALVE,EXHAUST	1	
12046	12046-1078	SPROCKET,CAMSHAFT , 42 T	2	
12049	12049-1009	TENSIONER,CAM CHAIN	1	
12053	12053-1158	GUIDE-CHAIN,RR	1	
12053A	12053-1159	GUIDE-CHAIN,FR	1	
12053B	12053-1160	GUIDE-CHAIN,HEAD	1	
13107	13107-1142	SHAFT,8X25	1	
13116	13116-1012	ROD-PUSH,TENSIONER	1	
13116A	13116-1020	ROD-PUSH,CAM CHAIN	1	
92003	92003-208	BOLT,FLANGED,6X11	4	
92015	92015-1100	NUT,CAP,18MM	1	
92022	92022-1175	WASHER,18.3X24X1.4	1	
92057	92057-1190	CHAIN,CAM,82RH2010-136L	1	
92081	92081-1075	SPRING,TENSIONER	1	
92081A	92081-1302	SPRING,TENSIONER	1	
120	120P0618	BOLT-SOCKET,6X18	2	
130	130Y0625	BOLT-FLANGED	2	
610	610A0408	ROLLER,4X8	1	
670	670B2021	O RING,21MM	1	

## CAMSHAFT(S)/TENSIONER

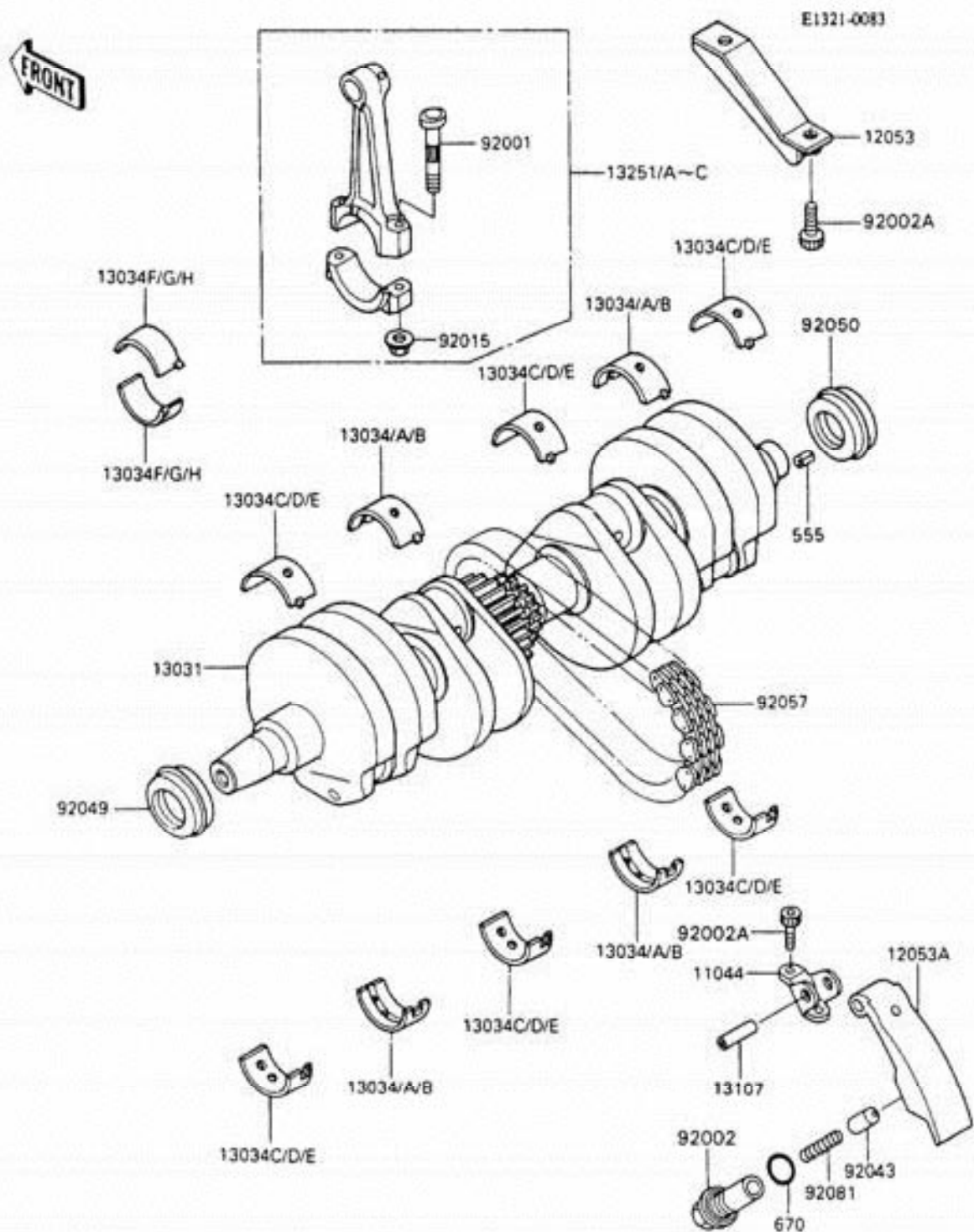


**CRANKSHAFT**

Ref #	Part #	Description	Qty	Spec Code
11044	11044-1075	BRACKET,CHAIN GUIDE	1	
12053	12053-1156	GUIDE-CHAIN,UPP	1	
12053A	12053-1157	GUIDE-CHAIN,LWR	1	
13031	13031-1245	CRANKSHAFT-COMP	1	
13034	13034-1016	METAL,CRANKSHAFT,BROWN	4	
13034A	13034-1017	METAL,CRANKSHAFT,BLACK	AR	
13034B	13034-1018	METAL,CRANKSHAFT,BLUE	AR	
13034C	13034-1064	BUSHING,CRANKSHAFT,BLUE	6	
13034D	13034-1065	BUSHING,CRANKSHAFT,BLACK	AR	
13034E	13034-1066	BUSHING,CRANKSHAFT,BROWN	AR	
13034F	13034-1067	BUSHING,CONNECTING ROD,BLUE	8	
13034G	13034-1068	BUSHING,CONNECTING ROD,BLACK	AR	
13034H	13034-1069	BUSHING,CONNECTING ROD,BROWN	AR	
13107	13107-1142	SHAFT,8X25	1	
13251	13251-1081-HH	ROD-ASSY-CONNECTING,H	4	
13251A	13251-1081-II	ROD-ASSY-CONNECTING,I	4	
13251B	13251-1081-JJ	ROD-ASSY-CONNECTING,J	4	
13251C	13251-1081-KK	ROD-ASSY-CONNECTING,K	4	
92001	92001-1887	BOLT,CONNECTING ROD,8MM	8	
92002	92002-1479	BOLT	1	
92002A	92002-1592	BOLT,SOCKET,6X14	4	
92015	92015-1311	NUT,FLANGED,8MM	8	
92043	92043-076	PIN	1	
92049	92049-1013	SEAL-OIL,HSCY25367	1	
92050	92050-081	SEAL-OIL,HSCY25397	1	
92057	92057-1011	CHAIN,PRIMARY,MA0364X50L	1	
92081	92081-112	SPRING	1	
555	555A0408	PIN-SPRING,4X8	1	
670	670B2016	O RING,16MM	1	



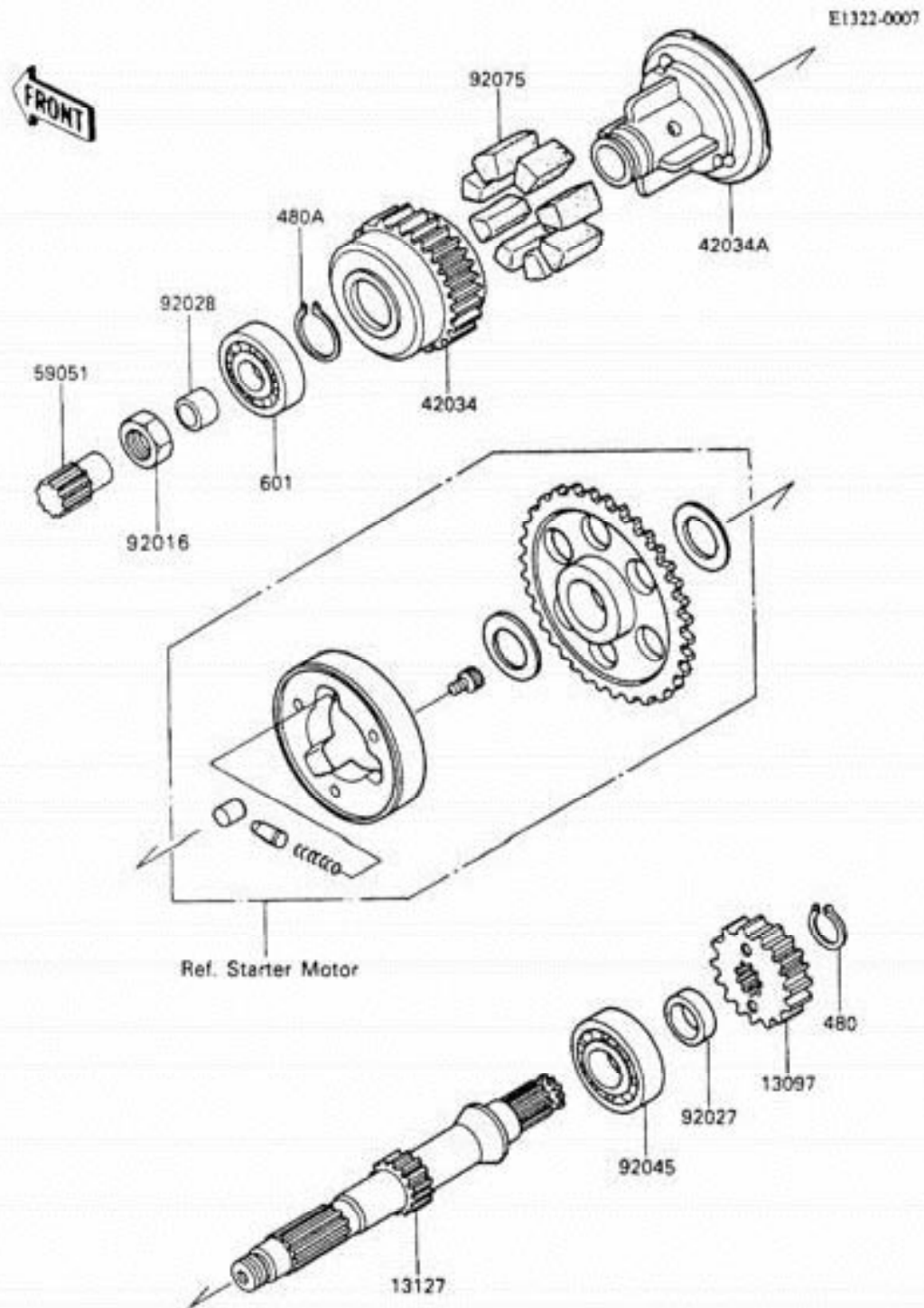
# CRANKSHAFT



**SECONDARY SHAFT**

Ref #	Part #	Description	Qty	Spec Code
13097	13097-1141	GEAR-PRIMARY SPUR,28T	1	
13127	13127-1123	SHAFT,SECONDARY	1	
42034	42034-1004	COUPLING,OUTER,SECONDARY SHAFT	1	
42034A	42034-1005	COUPLING,INNER,SECONDARY SHAFT	1	
59051	59051-1137	GEAR-SPUR,10T,SECONDARY	1	
92016	92016-028	NUT,20MM	1	
92027	92027-1438	COLLAR,22X34X7.3	1	
92028	92028-1037	BUSHING,20X25X16.6	1	
92045	92045-1017	BEARING-BALL,#63/22X	1	
92075	92075-1070	DAMPER,COUPLING	8	
480	480J2200	CIRCLIP-TYPE-C,22MM	1	
480A	480J2800	CIRCLIP-TYPE-C,28MM	1	
601	601B6205	BEARING-BALL,#6205C3	1	

## SECONDARY SHAFT

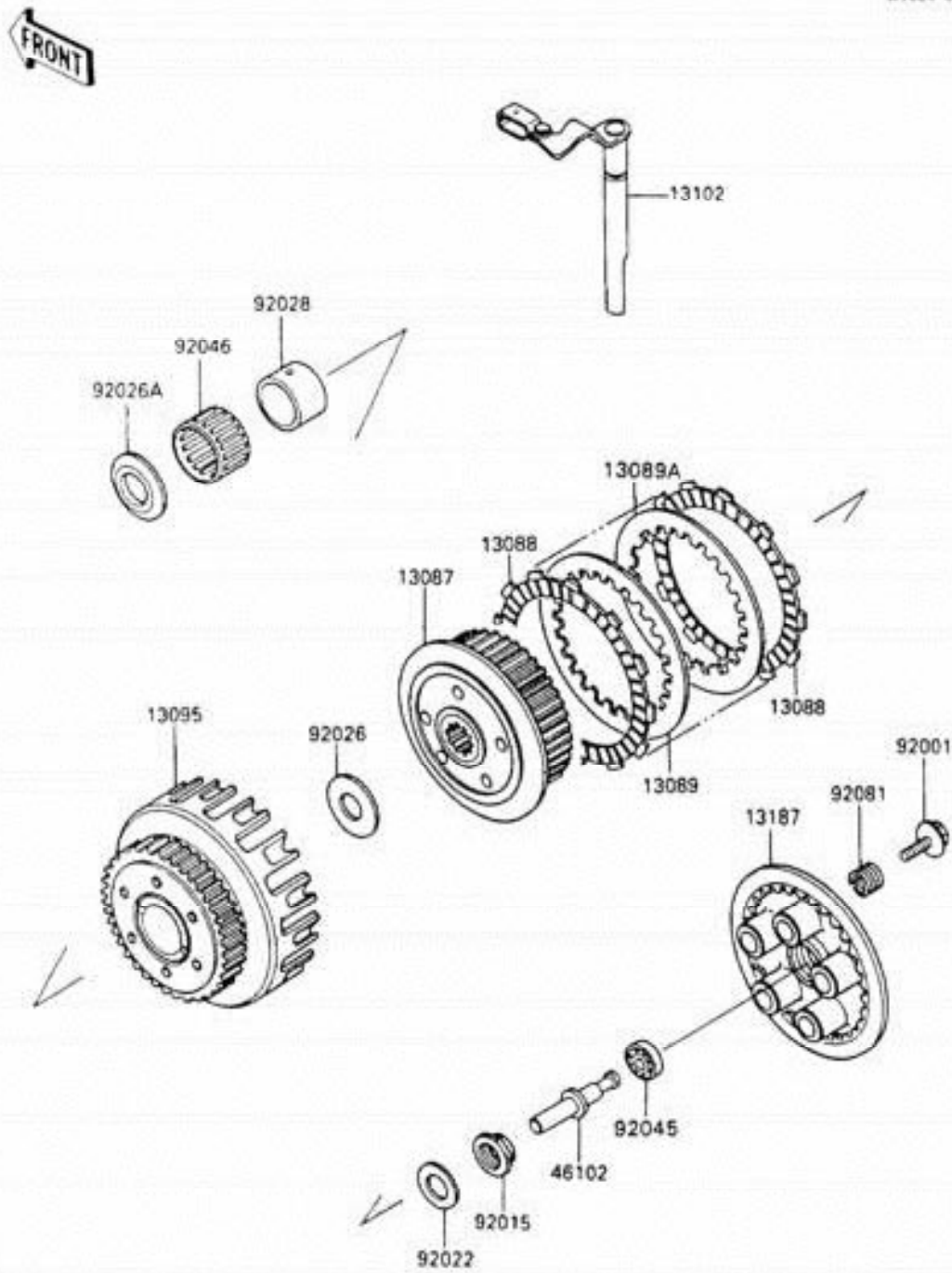


**CLUTCH**

Ref #	Part #	Description	Qty	Spec Code
13087	13087-1052	HUB-CLUTCH	1	
13088	13088-040	PLATE-FRICTION	7	
13089	13089-026	PLATE-CLUTCH,T=2.0	5	
13089A	13089-1067	PLATE-CLUTCH,T=2.6	1	
13095	13095-1128	HOUSING-COMP-CLUTCH	1	
13102	13102-1089	RELEASE-COMP-CLUTCH	1	
13187	13187-1012	PLATE-CLUTCH OPERATING	1	
46102	46102-1030	ROD,CLUTCH	1	
92001	92001-1066	BOLT,FLANGED,6X18	5	
92015	92015-1555	NUT,20MM	1	
92022	92022-1116	WASHER,20.3X36X2.3	1	
92026	92026-022	SPACER,25.5X47X2.5	1	
92026A	92026-116	SPACER,THRUST,T=5.5	1	
92028	92028-178	BUSHING,25X32X23.6	1	
92045	92045-1235	BEARING-BALL,6001C3ML01	1	
92046	92046-028	BEARING-NEEDLE,KTV323723	1	
92081	92081-139	SPRING,CLUTCH	5	

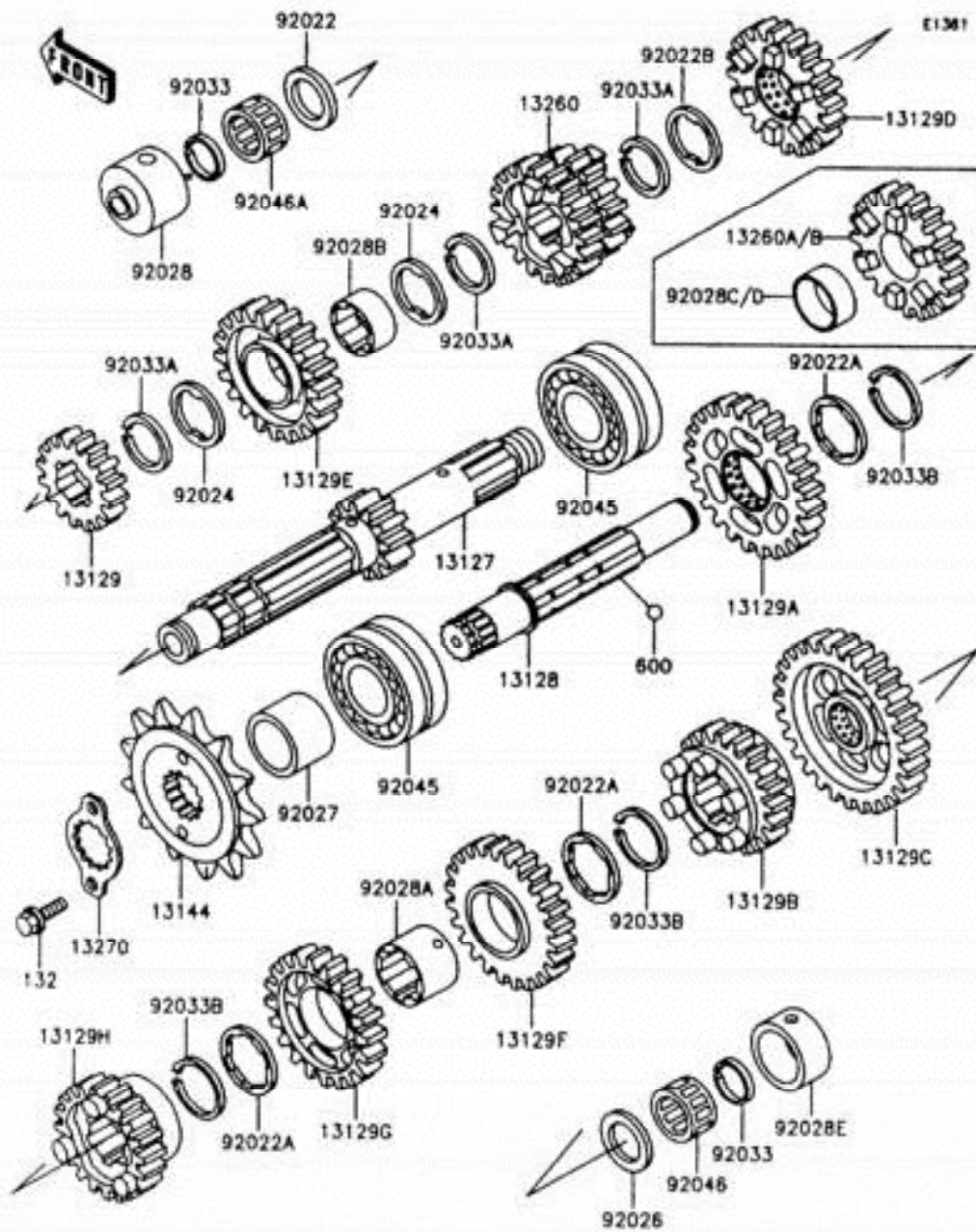
# CLUTCH

E1350-0130



## TRANSMISSION

Ref #	Part #	Description	Qty	Spec Code
13127	13127-1151	SHAFT-TRANSMISSION INPUT,14T	1	
13128	13128-1119	SHAFT-TRANSMISSION OUTPUT	1	
13129	13129-1077	GEAR,INPUT 2ND,18T	1	
13129A	13129-1078	GEAR,OUTPUT 2ND,32T	1	
13129B	13129-1083	GEAR,OUTPUT 5TH,25T	1	
13129C	13129-1564	GEAR,OUTPUT LOW,36T	1	
13129D	13129-1657	GEAR,INPUT 5TH,26T	1	( - ZX600AE094804)
13129E	13129-1658	GEAR,INPUT TOP,27T	1	
13129F	13129-1659	GEAR,OUTPUT 3RD,29T	1	
13129G	13129-1660	GEAR,OUTPUT 4TH,27T	1	
13129H	13129-1662	GEAR,OUTPUT TOP,23T	1	
13144	13144-1117	SPROCKET-OUTPUT, 15T (# 530)	1	
13260	13260-1195	GEAR,INPUT 3RD&4TH,21T&24T	1	
13260B	13260-1203	GEAR,INPUT 5TH,26T	1	( ZX600AE094805 - )
13270	13270-1060	PLATE,SPROCKET	1	
92022	92022-112	WASHER,20.5X30X1,STEEL	1	
92022A	92022-1139	WASHER,TOOTHED,28.3X33.5X1	3	
92022B	92022-1861	WASHER,TOOTHED,25.3X31.8X1.6	1	
92024	92024-033	WASHER,TOOTHED,25.5X32X1	2	
92026	92026-1022	SPACER,20.3X30X2.0	1	
92027	92027-1106	COLLAR,25X32X23.5	1	
92028	92028-1199	BUSHING,INPUT SHAFT	1	
92028A	92028-1364	BUSHING,OUTPUT 3RD&4TH GEAR	1	
92028B	92028-1552	BUSHING,INPUT TOP GEAR	1	
92028D	92028-1639	BUSHING	1	( ZX600AE094805 - )
92028E	92028-180	BUSHING,26X34X16.6	1	
92033	92033-015	RING-SNAP,20MM	2	
92033A	92033-026	RING-SNAP,24MM	3	
92033B	92033-1037	RING-SNAP,25.9MM	3	
92045	92045-035	BEARING-BALL,83993SH2-CS	2	
92046	92046-1030	BEARING-NEEDLE,VS20/14A	1	
92046A	92046-1045	BEARING-NEEDLE,20V2715	1	
132	132G0608	BOLT-FLANGED-SMALL	2	
600	600A0500	BALL-STEEL,5/32"	3	



## TRANSMISSION

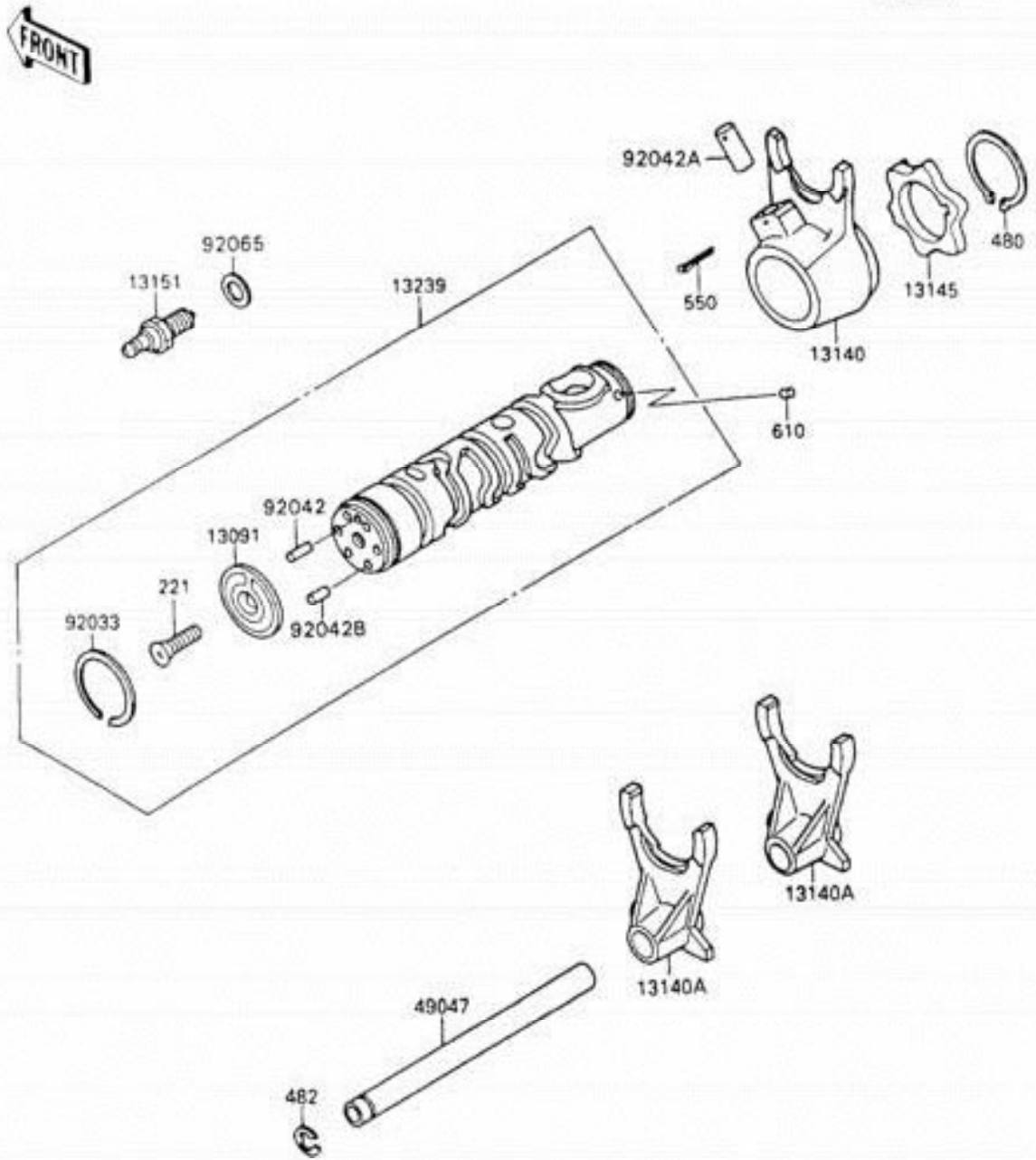
**GEAR CHANGE DRUM/SHIFT FORK(S)**

Ref #	Part #	Description	Qty	Spec Code
13091	13091-1104	HOLDER,CHANGE DRUM PIN	1	
13140	13140-1016	FORK-SHIFT,DRIVE	1	
13140A	13140-1062	FORK-SHIFT,OUTPUT	2	
13145	13145-1058	CAMCHANGE DRUM	1	
13151	13151-1007	SWITCH-COMP,NEUTRAL	1	
13239	13239-1119	DRUM-ASSY-CHANGE	1	
49047	49047-1069	ROD-SHIFT	1	
92033	92033-035	RING-SNAP,37MM	1	
92042	92042-014	PIN,DOWEL,4X15.8	1	
92042A	92042-021	PIN,DOWEL,8X18	1	
92042B	92042-030	PIN,DOWEL,4X13.8	5	
92065	92065-058	GASKET,10.5X16X1,DRAIN PLUG	1	
221	221B0620	SCREW-CSK-CROS,6X20	1	
480	480J3000	CIRCLIP-TYPE-C,30MM	1	
482	482J0100	CIRCLIP-TYPE-E,10MM	1	
550	550D3020	PIN-COTTER,3.0X20	1	
610	610A0406	ROLLER,4X6	1	



# GEAR CHANGE DRUM/SHIFT FORK(S)

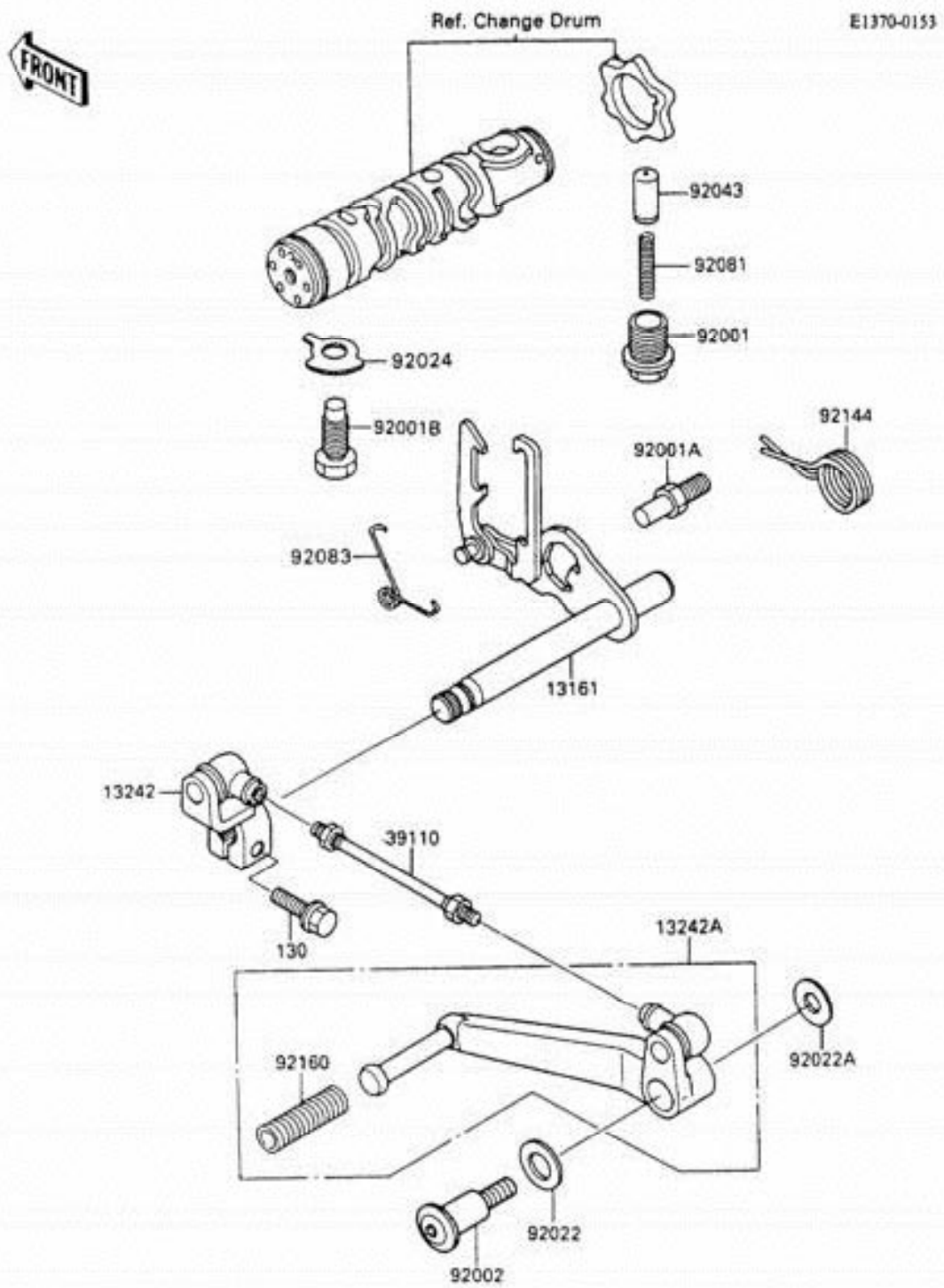
E1362-0103



**GEAR CHANGE MECHANISM**

Ref #	Part #	Description	Qty	Spec Code
13161	13161-042	LEVER-COMP-CHANGE SHAFT	1	
13242	13242-1190	LEVER-ASSY-CHANGE,BOSS	1	
13242A	13242-1191	LEVER-ASSY-CHANGE,PEDAL	1	
39110	39110-1010	ROD-ASSY-TIE,CHANGE LEVER	1	
92001	92001-1037	BOLT,NEUTRAL POSITION	1	
92001A	92001-1455	BOLT,RETURN SPRING	1	
92001B	92001-174	BOLT,10X26	1	
92002	92002-1926	BOLT,CHANGE PEDAL	1	
92022	92022-072	WASHER,12.5X21X1.2	1	
92022A	92022-1561	WASHER,8.5X20X1.6	1	
92024	92024-074	WASHER,LOCK,10MM	1	
92043	92043-076	PIN	1	
92081	92081-112	SPRING	1	
92083	92083-018	SPRING	1	
92144	92144-1074	SPRING,CHANGE PEDAL RETURN	1	
92160	92160-1036	DAMPER,CHANGE PEDAL	1	
130	130S0620	BOLT-FLANGED,6X20,BLACK	1	

# GEAR CHANGE MECHANISM

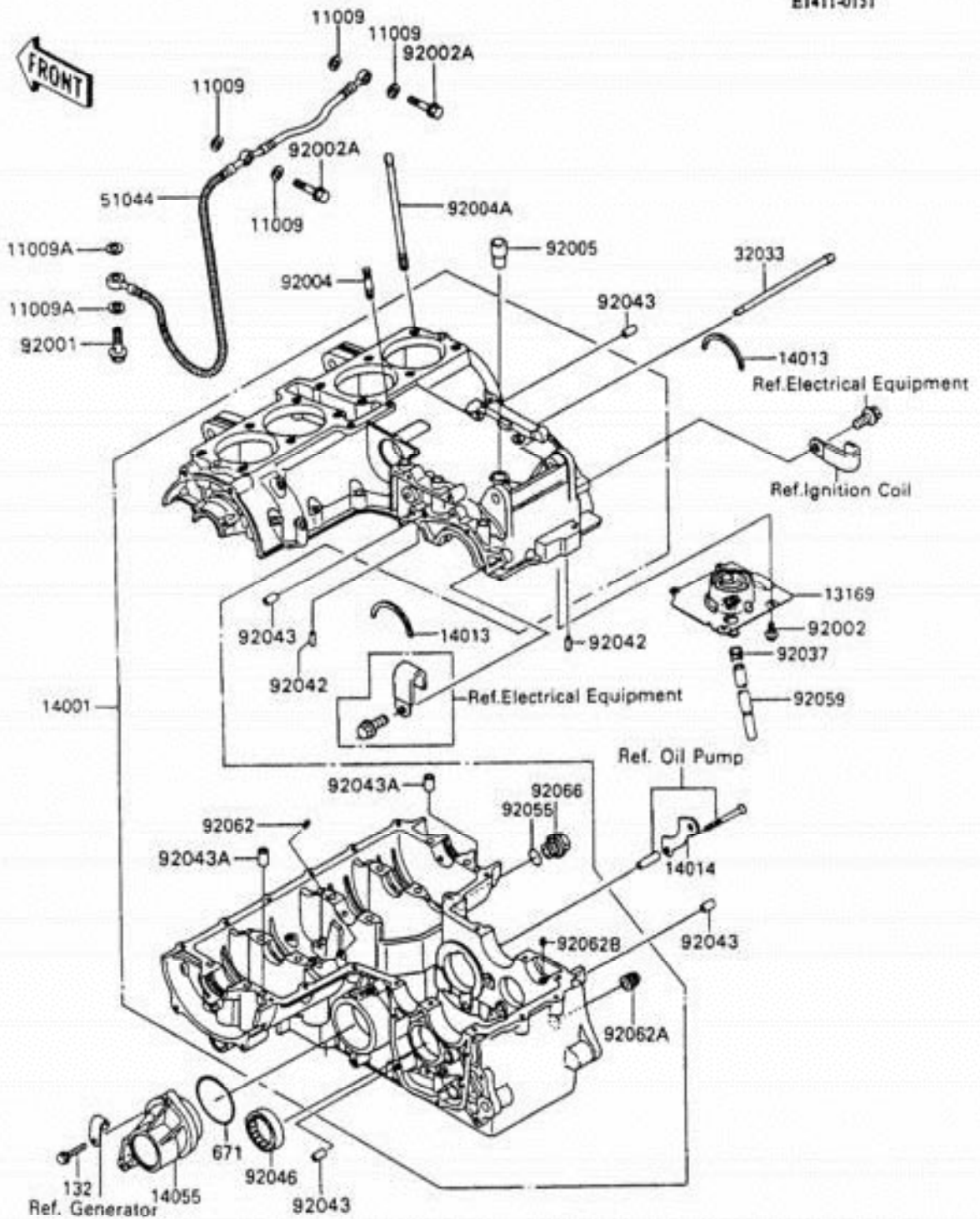


**CRANKCASE**

Ref #	Part #	Description	Qty	Spec Code
11009	11009-1344	GASKET,OIL PIPE,8.2X14X1.0	4	
11009A	11009-1376	GASKET,12.4X17X1.5	2	
13169	13169-1966	PLATE,BREATHER	1	
14001	14001-5217	SET-CRANKCASE	1	
14013	14013-004	RING-POSITION	2	
14014	14014-1006	PLATE-POSITION	1	
14055	14055-1078	CASE-GEAR	1	
32033	32033-1858	PIPE,OIL	1	
51044	51044-1071	TUBE-ASSY	1	
92001	92001-1871	BOLT,BANJO,12X23	1	
92002	92002-1449	BOLT,6X10	4	
92002A	92002-1858	BOLT,BANJO,8X24	2	
92004	92004-059	STUD,6X22	2	
92004A	92004-1161	STUD,8X128.5	12	
92005	92005-1129	FITTING,BREATHER	1	
92037	92037-1181	CLAMP	1	
92042	92042-016	PIN,DOWEL,6X16	2	
92043	92043-1263	PIN,6.2X8X14	6	
92043A	92043-1264	PIN,8.2X10X14	2	
92046	92046-051	BEARING-NEEDLE,37BTM4312	1	
92055	92055-1146	RINGO	1	
92059	92059-1544	TUBE	1	
92062	92062-011	NOZZLE,BLACK	1	
92062A	92062-014	NOZZLE	1	
92062B	92062-015	NOZZLE,SILVER	1	
92066	92066-1096	PLUG,MAIN GALLERY,18X9,BLACK	1	
132	132J0625	BOLT-FLANGED-SMALL	2	
671	671B2555	O RING,55MM	1	

# CRANKCASE

E1411-0151



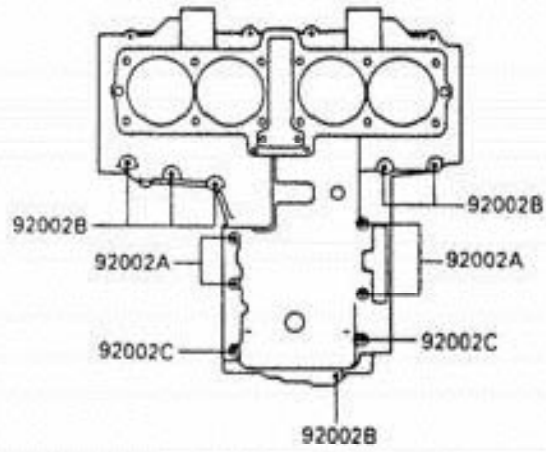
**CRANKCASE BOLT PATTERN**

<b>Ref #</b>	<b>Part #</b>	<b>Description</b>	<b>Qty</b>	<b>Spec Code</b>
92002	92002-1077	BOLT,8X95	10	
92002A	92002-1078	BOLT,6X95	4	
92002B	92002-1080	BOLT,6X40	13	
92002C	92002-1483	BOLT,6X75	2	

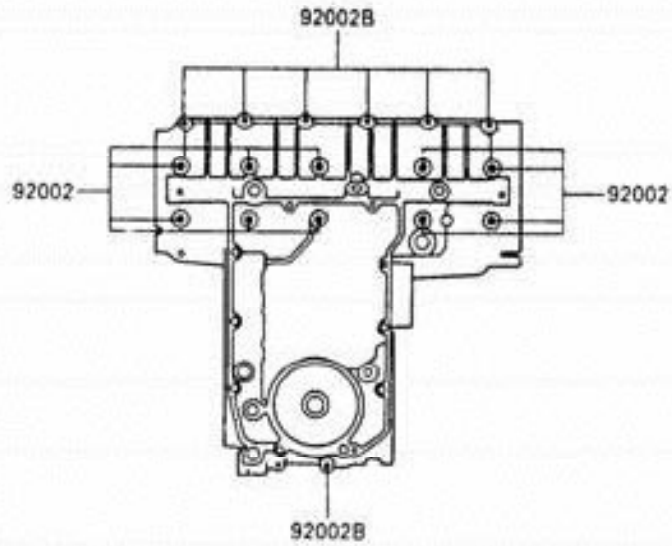
# CRANKCASE BOLT PATTERN

E1412-0029

Upper Case



Lower Case

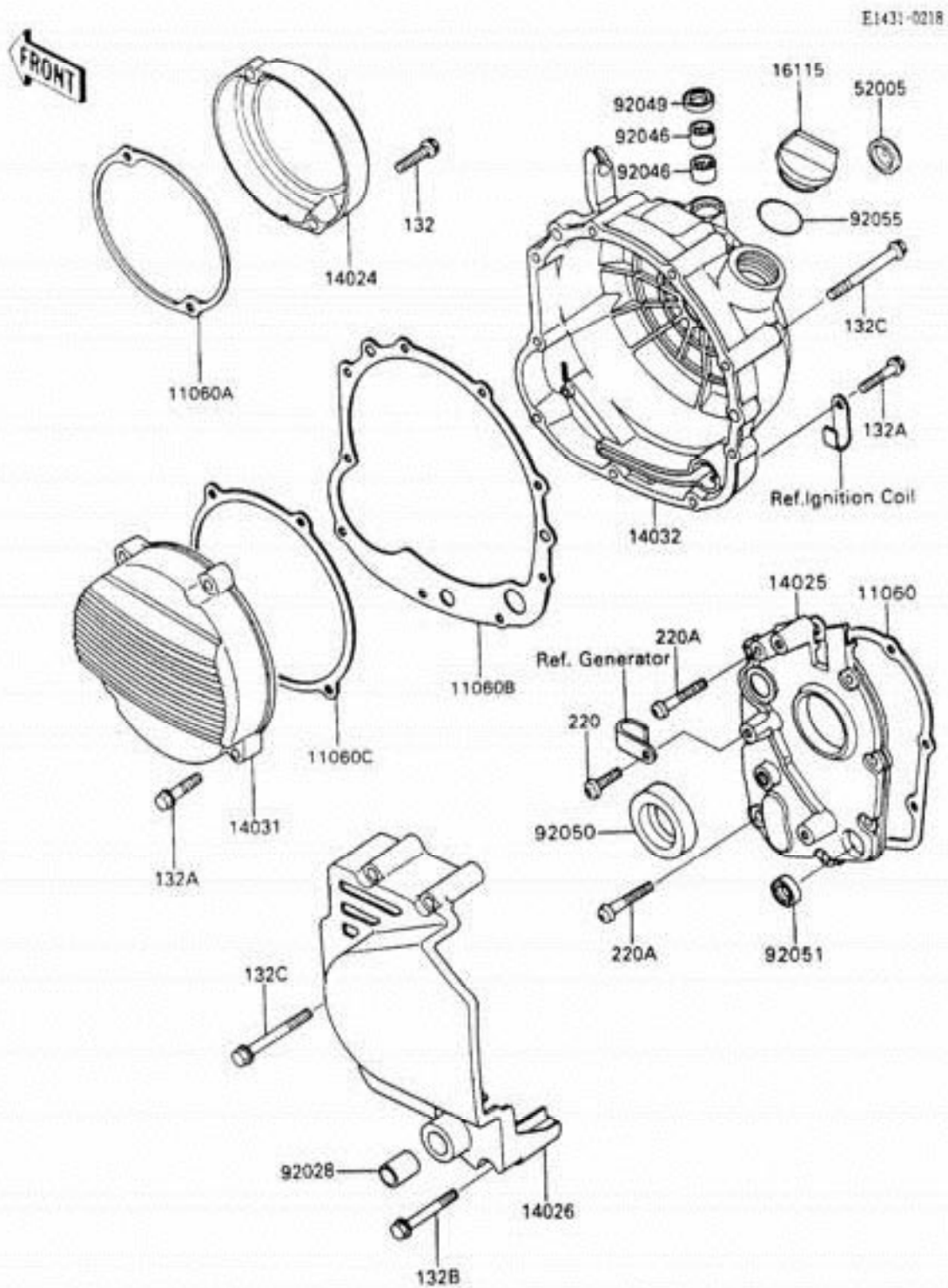


**SIDE COVERS/CHAIN COVER (1/2)**

Ref #	Part #	Description	Qty	Spec Code
11060	11060-1056	GASKET,TRANSMISSION COVER	1	
11060A	11060-1098	GASKET,PULSING COIL COVER	1	
11060B	11060-1148	GASKET,CLUTCH COVER	1	
11060C	11060-1150	GASKET,GENERATOR COVER	1	
14024	14024-1425	COVER,PULSING COIL	1	
14025	14025-1700	COVER,TRANSMISSION	1	
14026	14026-1134	COVER-CHAIN	1	
14031	14031-1208	COVER-GENERATOR	1	
14032	14032-1254	COVER-CLUTCH	1	
16115	16115-1009	CAP-OIL FILLER	1	
52005	52005-1009	GAUGE,OIL LEVEL	1	
92028	92028-1251	BUSHING,13X15X20	1	
92046	92046-1010	BEARING-NEEDLE,HK1210	2	
92049	92049-1271	SEAL-OIL,TB12205.5	1	
92050	92050-024	SEAL-OIL,SC325210	1	
92051	92051-005	SEAL-OIL,TB13225.5	1	
92055	92055-049	RING-O,31.5X2.6	1	
132	132J0625	BOLT-FLANGED-SMALL	2	
132A	132J0630	BOLT-FLANGED-SMALL	8	
132B	132J0650	BOLT-FLANGED-SMALL	1	
132C	132J0660	BOLT-FLANGED-SMALL	8	
220	220B0620	SCREW-PAN-CROS,6X20,WHITE	5	
220A	220B0640	SCREW-PAN-CROS,6X40	2	



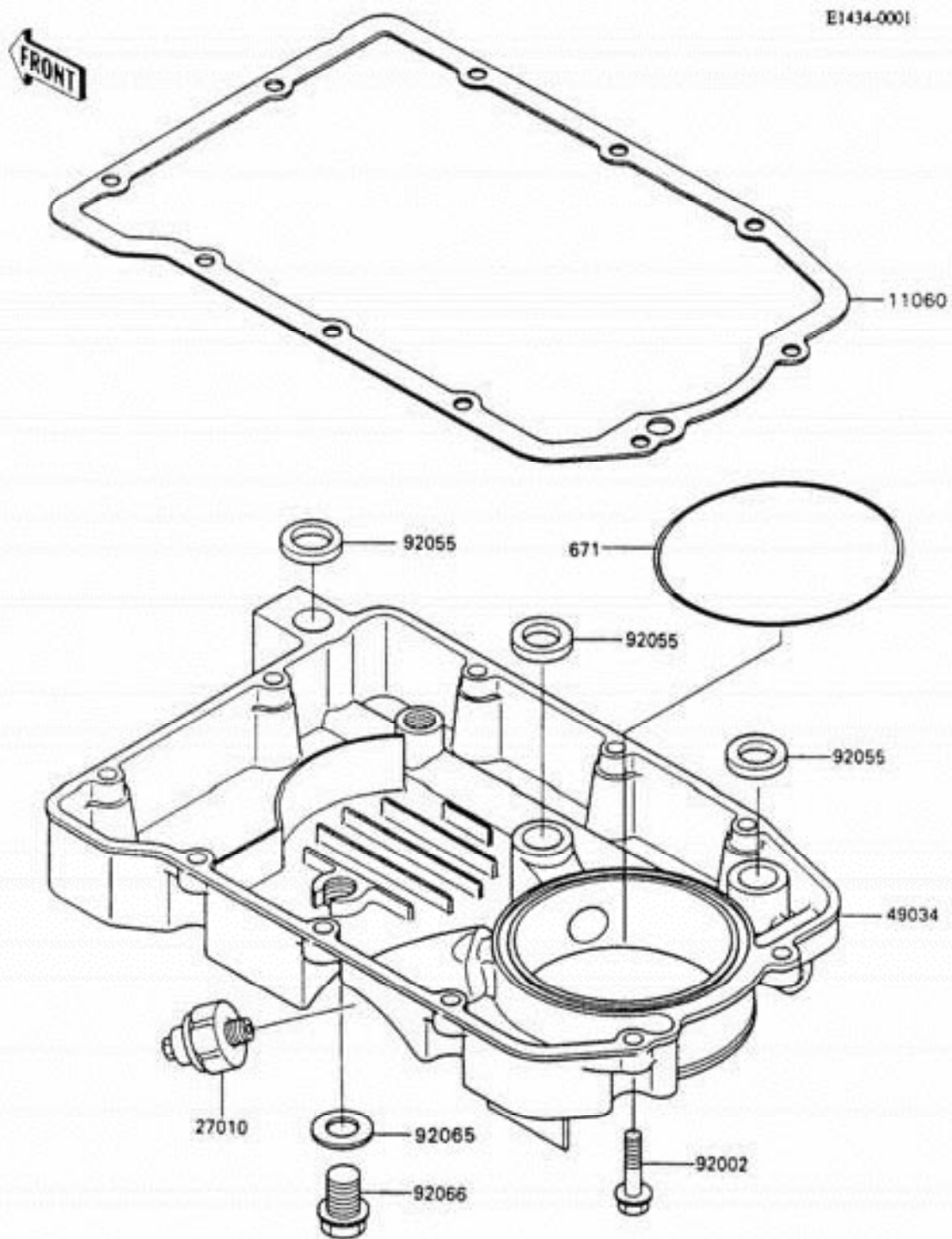
## SIDE COVERS/CHAIN COVER (1/2)



**OIL PAN**

Ref #	Part #	Description	Qty	Spec Code
11060	11060-1149	GASKET,OIL PAN	1	
27010	27010-1313	SWITCH,OIL PRESSURE	1	
49034	49034-1060	PAN-OIL	1	
92002	92002-1089	BOLT,6X25	10	
92055	92055-077	RING-O,19.5MM	3	
92065	92065-097	GASKET,12X22X2,DRAIN PLUG	1	
92066	92066-1174	PLUG,OIL DRAIN,12X15	1	
671	671B2590	O RING,90MM	1	

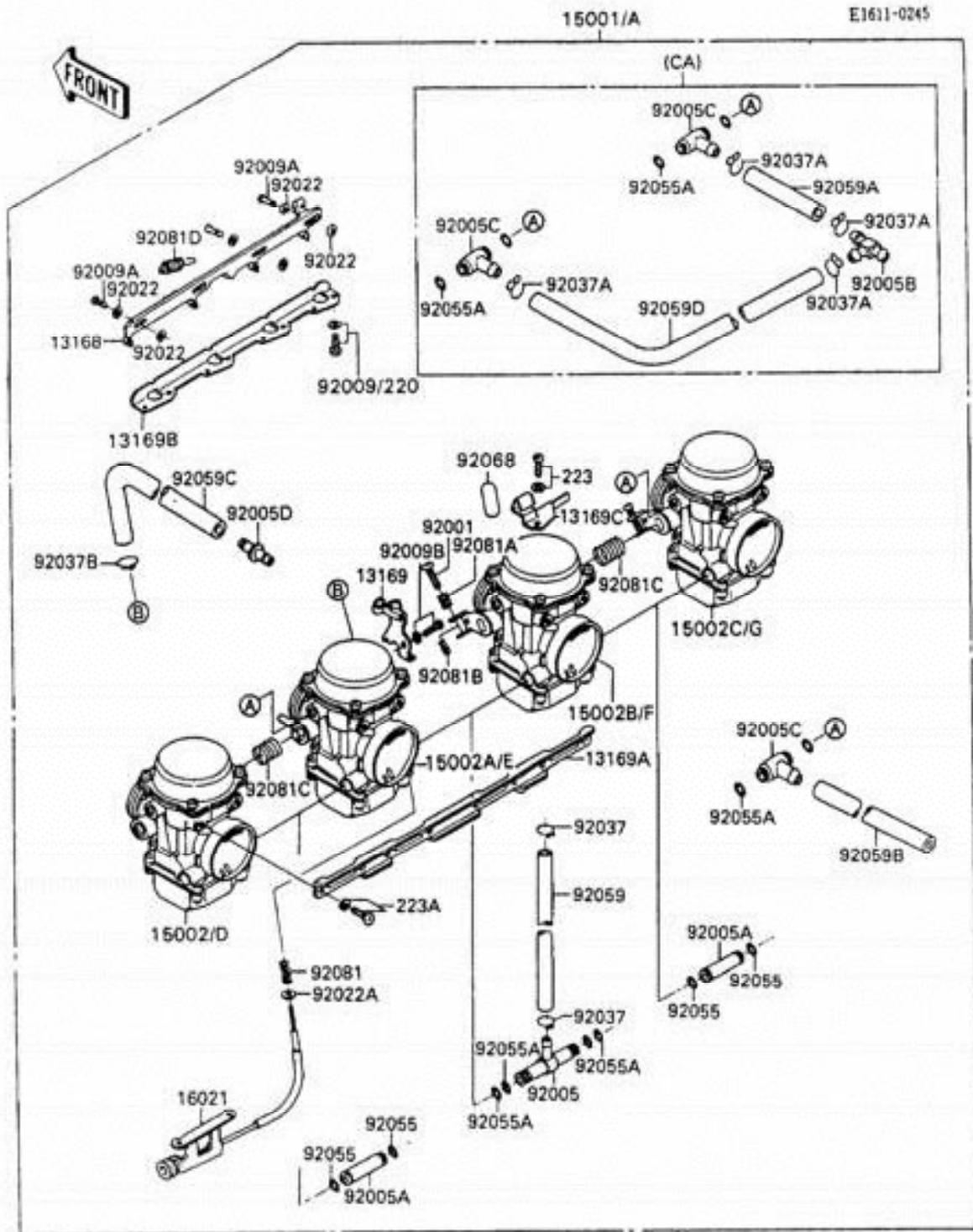
## OIL PAN



**CARBURETOR (1/2)**

Ref #	Part #	Description	Qty	Spec Code
13168	13168-1280	LEVER,STARTER	1	
13169	13169-1962	PLATE,THROTTLE CABLE	1	
13169A	13169-1963	PLATE,CARBURETOR STAY,UPP	1	
13169B	13169-1964	PLATE,CARBURETOR STAY,LWR,6MM	1	
13169C	13169-1965	PLATE,STARTER CABLE	1	
15001	15001-1357	CARBURETOR-ASSY	1	[US]
15001A	15001-1359	CARBURETOR-ASSY	1	[CA]
15002	15002-1537	CARBURETOR,LH,OUTSIDE	1	[US]
15002A	15002-1538	CARBURETOR,LH,INSIDE	1	[US]
15002B	15002-1539	CARBURETOR,RH,INSIDE	1	[US]
15002C	15002-1540	CARBURETOR,RH,OUTSIDE	1	[US]
15002D	15002-1545	CARBURETOR,LH,OUTSIDE	1	[CA]
15002E	15002-1546	CARBURETOR,LH,INSIDE	1	[CA]
15002F	15002-1547	CARBURETOR,RH,INSIDE	1	[CA]
15002G	15002-1548	CARBURETOR,RH,OUTSIDE	1	[CA]
16021	16021-1114	SCREW-THROTTLE STOP	1	
92001	92001-1998	BOLT,THROTTLE ADJUST	3	
92005	92005-1108	FITTING,FUEL,T-TYPE	1	
92005A	92005-1109	FITTING,FUEL,I-TYPE	2	
92005B	92005-1119	FITTING,T-TYPE	1	[CA]
92005C	92005-1125	FITTING,T-TYPE	2	
92005D	92005-1167	FITTING	1	
92009	92009-1129	SCREW,6X16	8	
92009A	92009-1262	SCREW	3	
92009B	92009-1365	SCREW,5X10	1	
92022	92022-1199	WASHER,6.1X11X0.8,POLYACETAL	6	
92022A	92022-1480	WASHER,PLAIN,STOP SPRING	1	
92037	92037-1075	CLAMP,FUEL TUBE	2	
92037A	92037-1194	CLAMP,TUBE	4	[CA]
92037B	92037-1477	CLAMP,TUBE	1	
92055	92055-1004	RINGO	4	
92055A	92055-1223	RING-O,FUEL FITTING	8	
92059	92059-1236	TUBE,FUEL,7.3X12.5X220	1	
92059A	92059-1476	TUBE,7X11X100	1	[CA]
92059B	92059-1861	TUBE,6.5X9.5X320	2	[US]
92059C	92059-1862	TUBE,5X9X340	1	
92059D	92059-1863	TUBE,7X11X220	1	[CA]
92068	92068-006	PLUG,12X25	1	[US]
92081	92081-1617	SPRING,THROTTLE STOP SCREW	1	
92081A	92081-1620	SPRING,THROTTLE ADJUST UPP	3	
92081B	92081-1621	SPRING,THROTTLE ADJUST LWR	3	
92081C	92081-1622	SPRING,THROTTLE ADJUST CNT	2	
92081D	92081-1913	SPRING,STARTER LEVER	1	
220	220D0514	SCREW-PAN-CROS,5X14	8	
223	223C0420	SCREW-PAN-WS-CROS	1	
223A	223C0510	SCREW-PAN-WS-CROS	8	

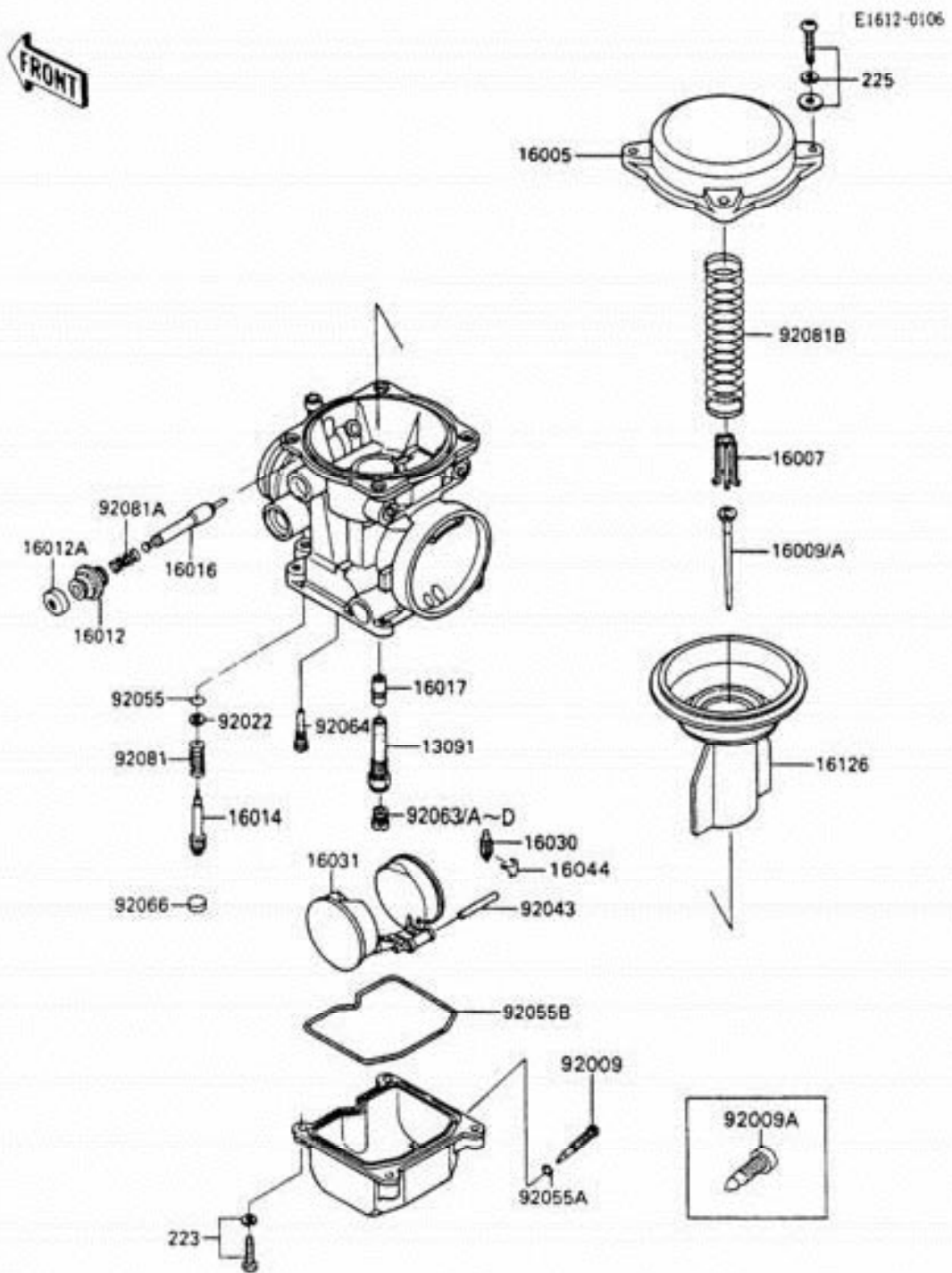
# CARBURETOR (1/2)



**CARBURETOR PARTS**

Ref #	Part #	Description	Qty	Spec Code
13091	13091-1406	HOLDER,NEEDLE JET	4	
16005	16005-1056	TOP-CHAMBER,MIXING	4	
16007	16007-1120	SEAT-SPRING,THROTTLE VALVE	4	
16009	16009-1354	NEEDLE-JET,N52Q	4	[US]
16009A	16009-1355	NEEDLE-JET,N52R	4	[CA]
16012	16012-1051	CAP-STARTER PLUNGER	4	
16012A	16012-1052	CAP-STARTER PLUNGER	4	
16014	16014-1054	SCREW-PILOT AIR	4	
16016	16016-1061	PLUNGER,STARTER	4	
16017	16017-1286	JET-NEEDLE,01D34	4	
16030	16030-1007	VALVE-FLOAT	4	
16031	16031-1056	FLOAT	4	
16044	16044-007	CLAMP,FLOAT VALVE	4	
16126	16126-1160	VALVE,VACUUM	4	
92009	92009-1095	SCREW,DRAIN,M6X1.0	4	
92009A	92009-1551	SCREW,DRAIN,M6X0.75	4	
92022	92022-1003	WASHER,PLAIN	4	
92043	92043-1207	PIN,FLOAT	4	
92055	92055-1002	RING-O,PILOT ADJUST	4	
92055A	92055-1053	RING-O,DRAIN SCREW	4	
92055B	92055-1222	RING-O,FLOAT CHAMBER	4	
92063	92063-1008	JET-MAIN,2ND,#100	4	(RACING USE ONLY)
92063A	92063-1009	JET-MAIN,2ND,#105	4	
92063B	92063-1114	JET-MAIN,#110	4	(RACING USE ONLY)
92063C	92063-1115	JET-MAIN,#102	4	(RACING USE ONLY)
92063D	92063-1116	JET-MAIN,#108	4	(RACING USE ONLY)
92064	92064-1035	JET-PILOT,#35	4	
92066	92066-1051	PLUG,PILOT AIR SCREW,6.9X2	4	
92081	92081-1002	SPRING,PILOT ADJUST SCREW	4	
92081A	92081-1761	SPRING,STARTER PLUNGER	4	
92081B	92081-1775	SPRING,VACUUM VALVE	4	
223	223C0416	SCREW-PAN-WS-CROS	16	
225	225C0418	SCREW-PAN-WSP-CROS	15	

# CARBURETOR PARTS



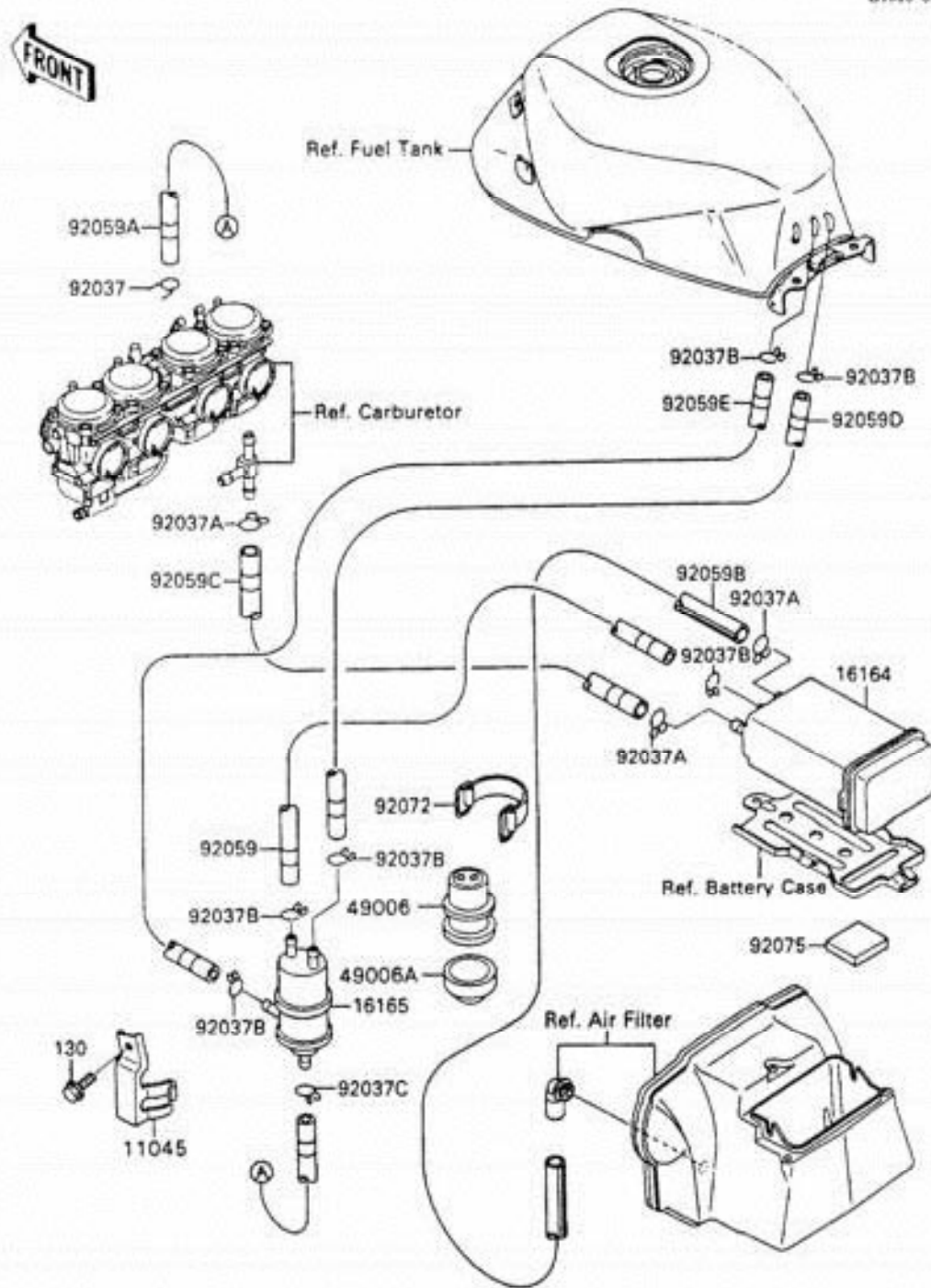
**FUEL EVAPORATIVE SYSTEM (1/2)**

Ref #	Part #	Description	Qty	Spec Code
11045	11045-1597	BRACKET,SEPARATOR	1	[CA]
16164	16164-1052	CANISTER	1	[CA]
16165	16165-1001	SEPARATOR	1	[CA]
49006	49006-1263	BOOT	1	[CA]
49006A	49006-1264	BOOT	1	[CA]
92037	92037-072	CLAMP,TUBE	1	[CA]
92037A	92037-1104	CLAMP,HOSE	3	[CA]
92037B	92037-147	CLAMP,TUBE	6	[CA]
92037C	92037-1712	CLAMP	1	[CA]
92059	92059-1604	TUBE,5X10X380,BLUE	1	[CA]
92059A	92059-1690	TUBE,4X9X705,WHITE	1	[CA]
92059B	92059-1806	TUBE,7X12X830,GREEN	1	[CA]
92059C	92059-1855	TUBE,7X12X630,YELLOW	1	[CA]
92059D	92059-1856	TUBE,5X10X290,BLUE	1	[CA]
92059E	92059-1857	TUBE,5X10X320,RED	1	[CA]
92072	92072-066	BAND,L=50	1	[CA]
92075	92075-1215	DAMPER	1	[CA]
130	130C0612	BOLT-FLANGED,6X12	1	[CA]



## FUEL EVAPORATIVE SYSTEM (1/2)

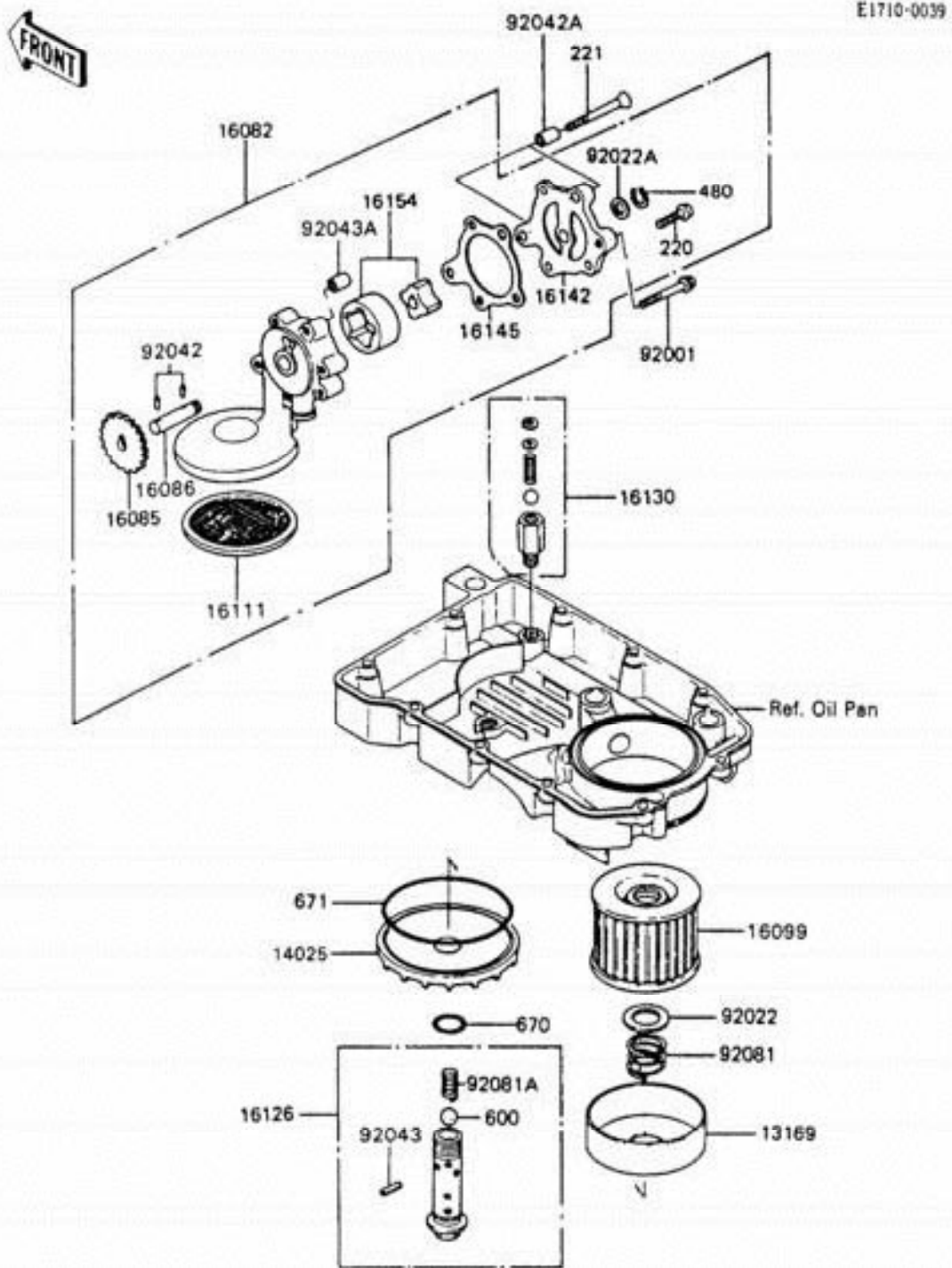
E1650-0028



**OIL PUMP/OIL FILTER**

Ref #	Part #	Description	Qty	Spec Code
13169	13169-1110	PLATE,OIL FILTER	1	
14025	14025-1422	COVER,OIL FILTER,F.BLACK	1	
16082	16082-064	PUMP-ASSY-OIL	1	
16085	16085-025	GEAR,OIL PUMP,57 T	1	
16086	16086-004	SHAFT,OIL PUMP	1	
16099	16099-003	ELEMENT-OIL FILTER	1	
16111	16111-004	FILTER,OIL PUMP	1	
16126	16126-1108	VALVE,OIL FILTER	1	
16130	16130-1001	VALVE-ASSY-RELIEF	1	
16142	16142-005	COVER-PUMP	1	
16145	16145-004	GASKET,OIL PUMPCOVER	1	
16154	16154-003	ROTOR-PUMP	1	
92001	92001-165	BOLT,FLANGED,6X45	1	
92022	92022-1012	WASHER,20.5X30X1	1	
92022A	92022-311	WASHER,11.2X15X1	1	
92042	92042-041	PIN,DOWEL,4X12.8	2	
92042A	92042-050	PIN,DOWEL,8X28	2	
92043	92043-111	PIN,SPRING,2X20	1	
92043A	92043-1302	PIN,DOWEL,8X10	1	
92081	92081-1018	SPRING,OIL FILTER	1	
92081A	92081-109	SPRING	1	
220	220B0618	SCREW-PAN-CROS,6X18	3	
221	221B0655	SCREW-CSK-CROS,6X55	2	
480	480J1100	CIRCLIP-TYPE-C,11MM	1	
600	600A1200	BALL-STEEL,3/8"	1	
670	670B2016	O RING,16MM	1	
671	671B2590	O RING,90MM	1	

# OIL PUMP/OIL FILTER

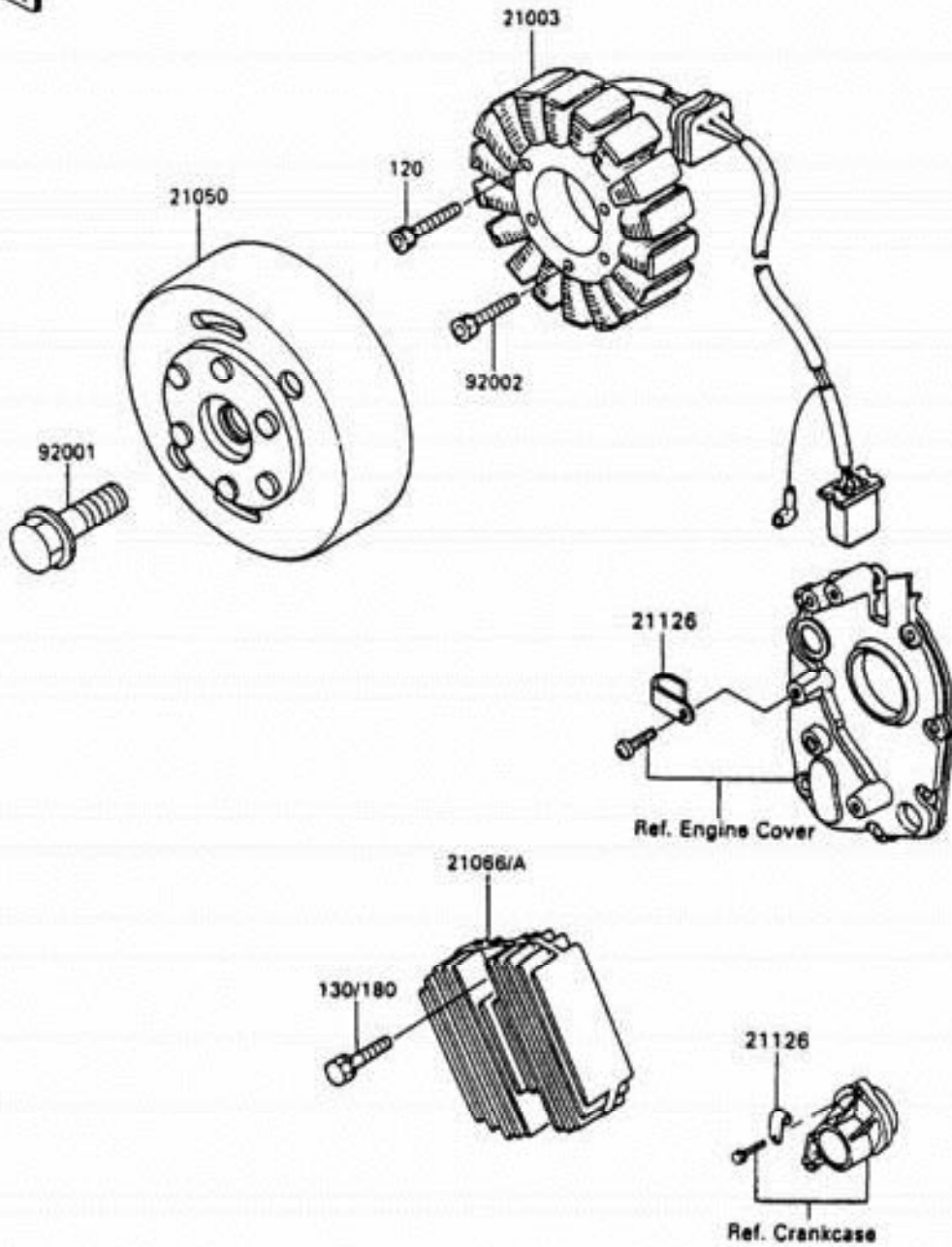


**GENERATOR**

Ref #	Part #	Description	Qty	Spec Code
21003	21003-1124	STATOR	1	
21050	21050-1111	FLYWHEEL	1	
21066	21066-1055	REGULATOR-VOLTAGE	1	
21126	21126-008	CLAMP,WIRING HARNESS	2	
92001	92001-1146	BOLT,FLANGED,12X40	1	
92002	92002-1537	BOLT,6X28	1	
120	120P0628	BOLT-SOCKET,6X28	2	
180	180B0620	BOLT-UPSET-WS	2	

# GENERATOR

E1810-0137

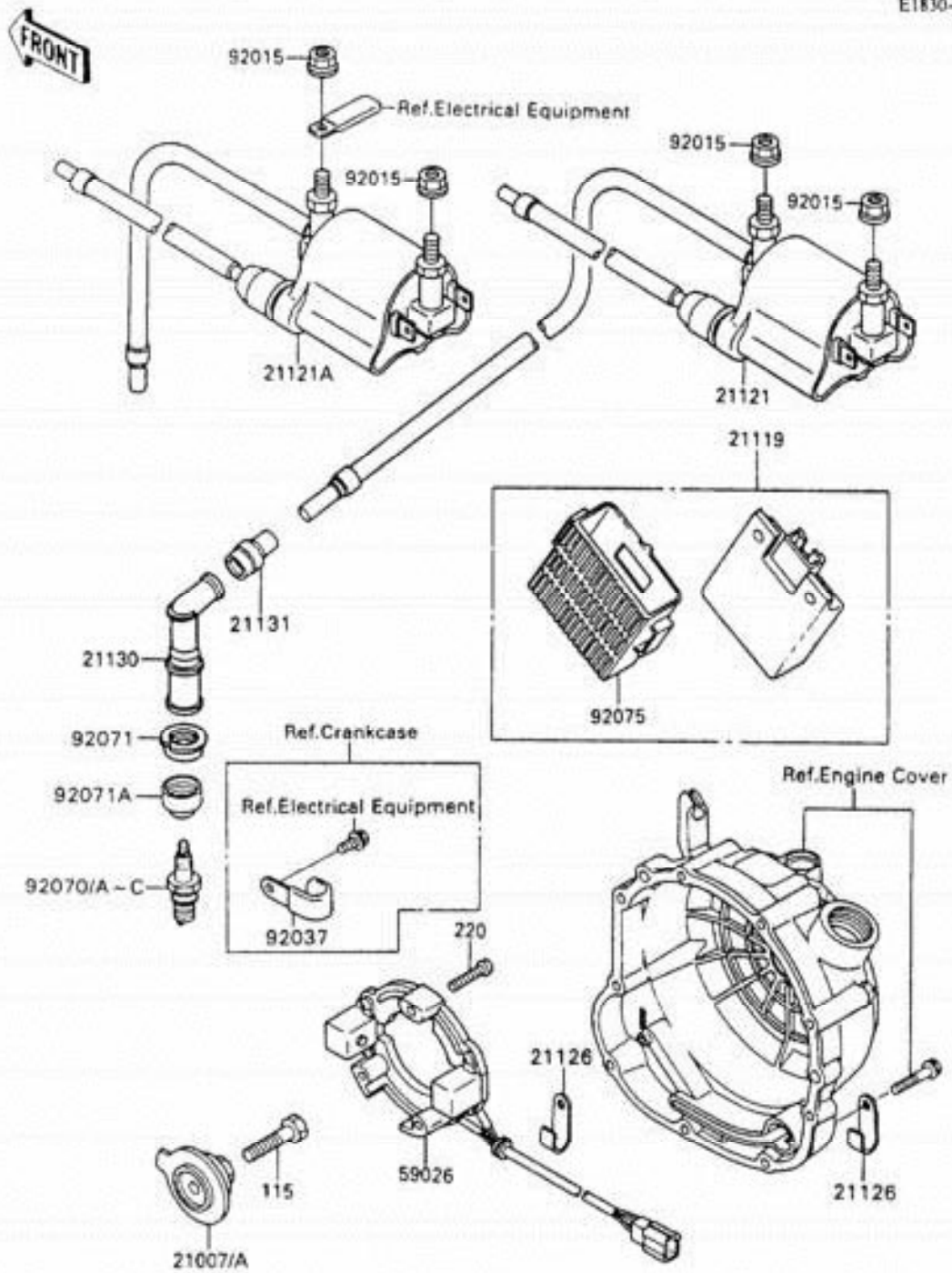


**IGNITION SYSTEM**

Ref #	Part #	Description	Qty	Spec Code
21007	21007-1135	ROTOR,PULSING COIL	1	[CA]
21007A	21007-1159	ROTOR	1	[US]
21119	21119-1167	IGNITER	1	
21121	21121-1157	COIL-IGNITION,# 1_	1	
21121A	21121-1158	COIL-IGNITION,# 2_	1	
21126	21126-008	CLAMP,WIRING HARNESS	2	
21130	21130-1068	CAP-SPARK PLUG	4	
21131	21131-005	GROMMET,HIGH TENSION	4	
59026	59026-1078	COIL-PULSING	1	
92015	92015-1193	NUT,FLANGED,6MM	4	
92037	92037-1539	CLAMP,WIRING HARNESS	1	
92070	92070-1011	PLUG-SPARK,D8EA(NGK)	4	(OPTION)
92070A		PLUG-SPARK,X24ES-U(ND)	4	(LOCAL PROCUREMENT ITEM) (OPTION)
92070B	92070-1034	PLUG-SPARK,D9EA(NGK)	4	
92070C		PLUG-SPARK,X27ES-U(ND)	4	(LOCAL PROCUREMENT ITEM)
92071	92071-1144	GROMMET	4	
92071A	92071-1184	GROMMET,PLUGCAP	4	
92075	92075-1504	DAMPER,IGNITER	1	
115	115G0835	BOLT-SMALL-UPSET	1	
220	220B0525	SCREW-PAN-CROS,5X25	3	

# IGNITION SYSTEM

E1830-0270

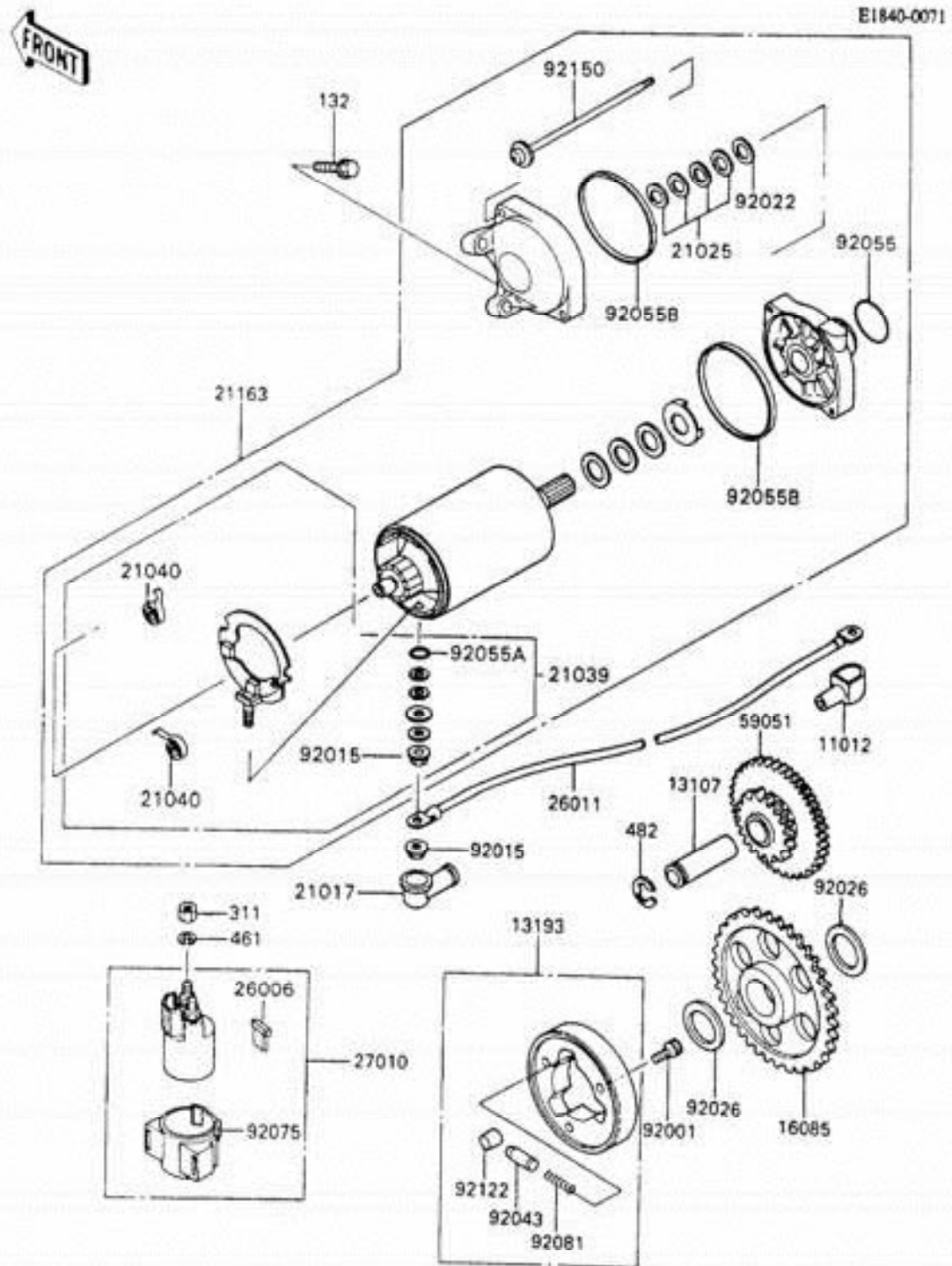


**STARTER MOTOR**

Ref #	Part #	Description	Qty	Spec Code
11012	11012-1354	CAP,TERMINAL	1	
13107	13107-1144	SHAFT,IDLE GEAR	1	
13193	13193-1002	CLUTCH-ASSY-ONEWAY	1	
16085	16085-1030	GEAR,ONEWAY CLUTCH	1	
21017	21017-017	GROMMET,STARTER TERMINAL	1	
21025	21025-011	WASHER,9.1X18X0.2	4	
21039	21039-1062	BRUSH,CARBON	1	
21040	21040-1057	SPRING-BRUSH	2	
21163	21163-1158	STARTER-ELECTRIC	1	
26006	26006-1006	FUSE,30A-G	1	
26011	26011-1251	WIRE-LEAD,STARTER MOTOR	1	
27010	27010-1213	SWITCH,MAGNETIC	1	
59051	59051-1138	GEAR-SPUR,IDLE	1	
92001	92001-1424	BOLT,SOCKET,8X10	3	
92015	92015-1476	NUT,STARTER MOTOR	2	
92022	92022-1132	WASHER,9.1X18X0.8	1	
92026	92026-1025	SPACER,25X36X3.2	2	
92043	92043-132	PIN	3	
92055	92055-1276	RINGO	1	
92055A	92055-1370	RING-O,4.5X2.0	1	
92055B	92055-1381	RING-O,STARTER MOTOR	2	
92075	92075-1863	DAMPER,MAGNETIC SWITCH	1	
92081	92081-159	SPRING,COIL	3	
92122	92122-006	ROLLER	3	
92150	92150-1243	BOLT	2	
132	132J0625	BOLT-FLANGED-SMALL	2	
311	311B0600	NUT-HEX,6MM	2	
461	461F0600	WASHER-SPRING,6MM	2	
482	482J0300	CIRCLIP-TYPE-E	1	



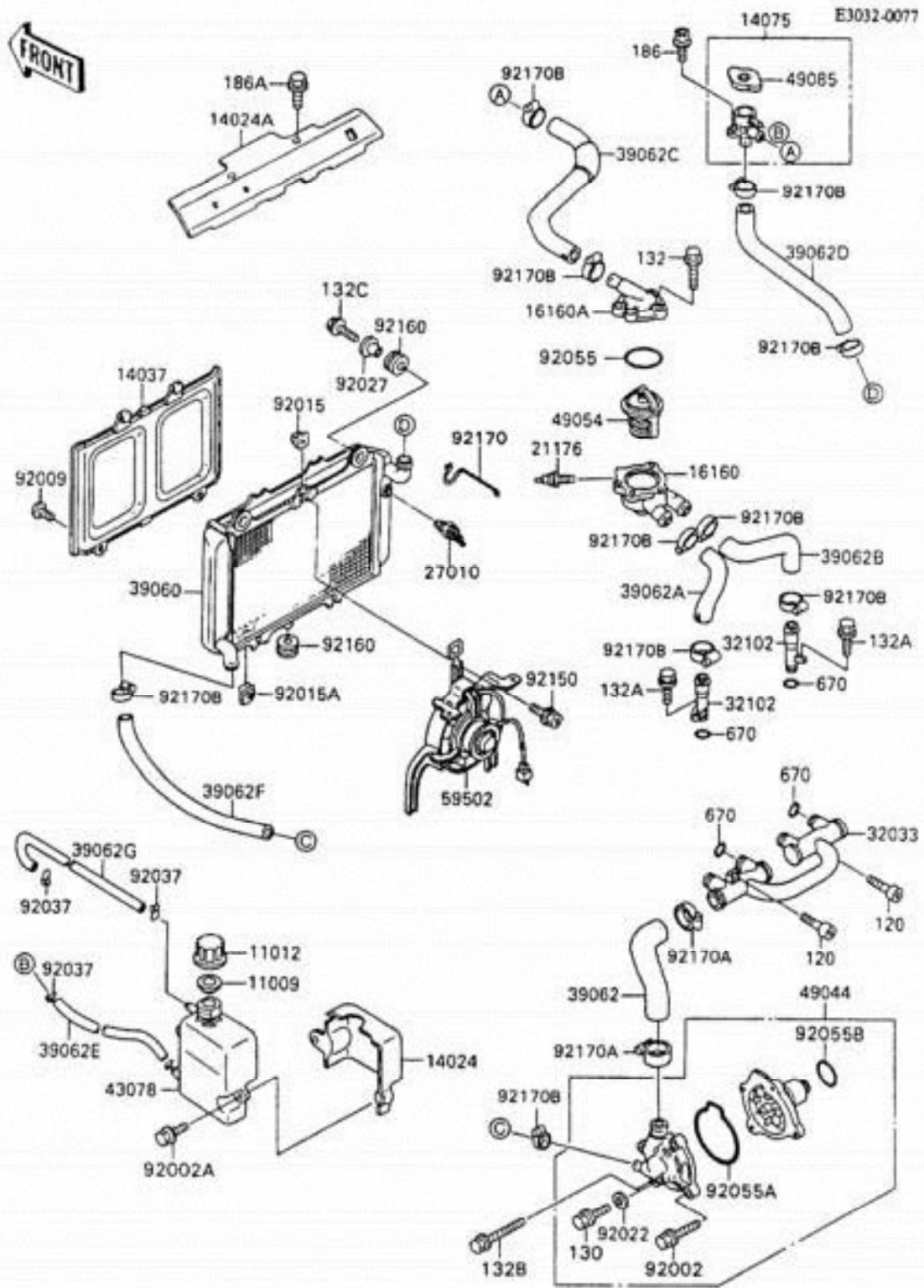
# STARTER MOTOR



**RADIATOR (1/2)**

Ref #	Part #	Description	Qty	Spec Code
11009	11009-1145	GASKET,RESERVOIR TANK CAP	1	
11012	11012-1084	CAP	1	
14024	14024-1426	COVER,RESERVOIR	1	
14024A	14024-1441	COVER	1	
14037	14037-1091	SCREEN	1	
14075	14075-1061	CAP-ASSY,RADIATOR	1	
16160	16160-1112	BODY,THERMOSTAT,LWR	1	
16160A	16160-1129	BODY,THERMOSTAT,UPP	1	
21176	21176-1054	SENSOR,WATER	1	
27010	27010-1304	SWITCH,THERMOSTAT	1	
32033	32033-1593	PIPE	1	
32102	32102-1043	PIPE	2	
39060	39060-1085	RADIATOR	1	
39062	39062-1111	HOSE-COOLING,PUMP-CYLINDER	1	
39062A	39062-1235	HOSE-COOLING,HEAD-THERMOS,LH	1	
39062B	39062-1236	HOSE-COOLING,HEAD-THERMOS,RH	1	
39062C	39062-1237	HOSE-COOLING,CAP-THERMOSTAT	1	
39062D	39062-1238	HOSE-COOLING,CAP-RADIATOR	1	
39062E	39062-1240	HOSE-COOLING,RESERVOIR-CAP	1	
39062F	39062-1256	HOSE-COOLING,RADIATOR-PUMP	1	
39062G	39062-1269	HOSE-COOLING,RESERVOIR	1	
43078	43078-1086	RESERVOIR	1	
49044	49044-1054	PUMP-WATER	1	
49054	49054-1059	THERMOSTAT	1	
49085	49085-1066	CAP-ASSY-PRESSURE	1	
59502	59502-1081	FAN-ASSY	1	
92002	92002-1392	BOLT,6X22	3	
92002A	92002-1720	BOLT,6X16	2	
92009	92009-1436	SCREW,TAPPING,6X16	2	
92015	92015-1487	NUT	3	
92015A	92015-1758	NUT,6MM	2	
92022	92022-1976	WASHER,6MM	1	
92027	92027-1134	COLLAR,L=14	2	
92037	92037-147	CLAMP,TUBE	3	
92055	92055-1279	RING-O,44.7X2.4	1	
92055A	92055-1315	RING-O,WATER PUMP	1	
92055B	92055-1424	RING-O,33.2X2.4	1	
92150	92150-1187	BOLT,6X16	3	
92160	92160-1007	DAMPER	3	
92170	92170-1074	CLAMP	1	
92170A	92170-1284	CLAMP,COOLING HOSE	2	
92170B	92170-1285	CLAMP,COOLING HOSE	10	
120	120S0612	BOLT-SOCKET	2	
130	130C0610	BOLT-FLANGED,6X10,BLACK	1	
132	132G0620	BOLT-FLANGED-SMALL	4	
132A	132J0612	BOLT-FLANGED-SMALL	2	
132B	132J0645	BOLT-FLANGED-SMALL	1	
132C	132J0825	BOLT-FLANGED-SMALL	2	
186	186C0614	BOLT-UPSET-WP	2	
186A	186C0616	BOLT-UPSET-WP	2	
670	670B2016	O RING,16MM	6	

# RADIATOR (1/2)

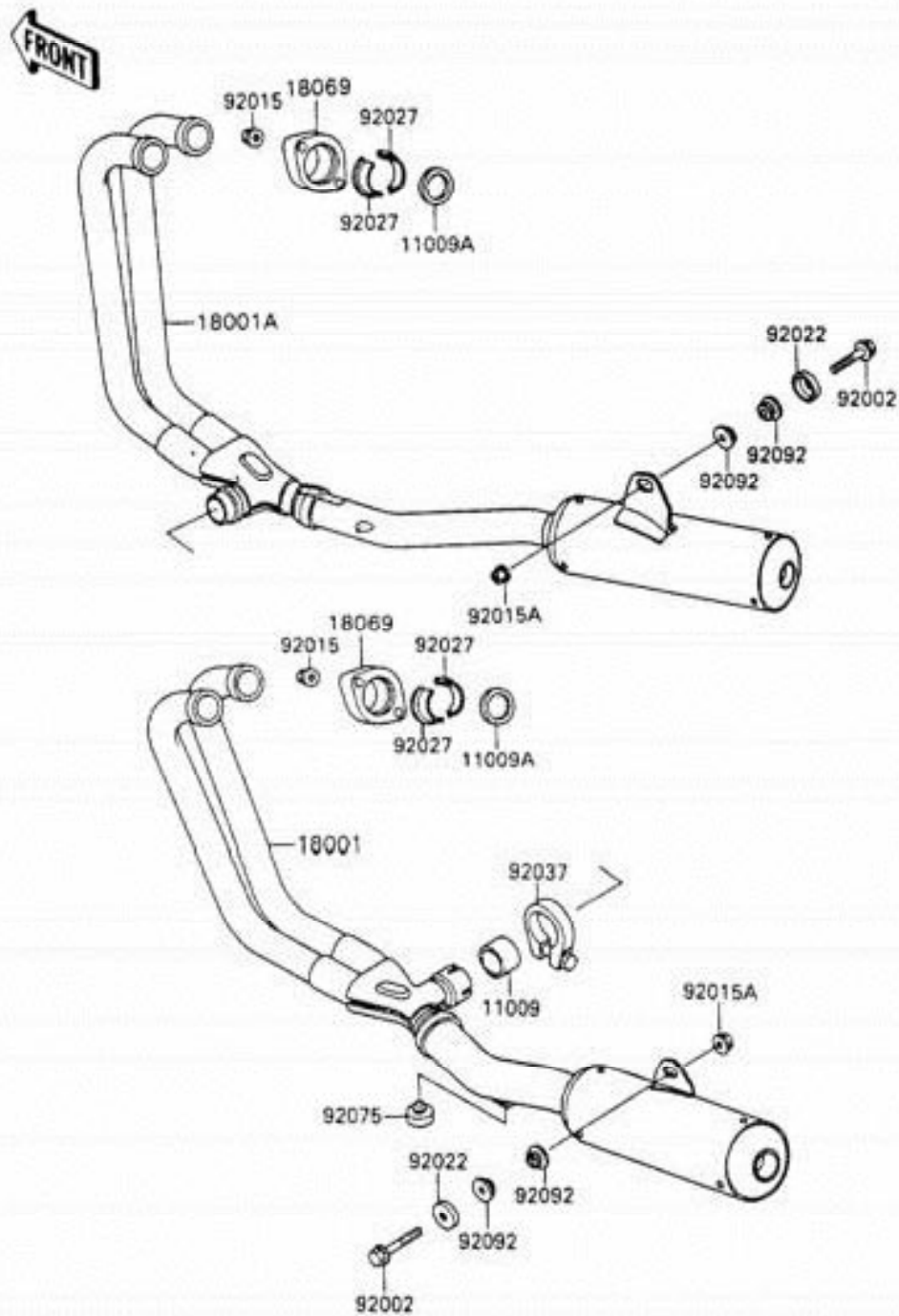


**MUFFLER(S)**

Ref #	Part #	Description	Qty	Spec Code
11009	11009-1718	GASKET,EXHAUST PIPE CONNECTING	1	
11009A	11009-1866	GASKET,EXHAUST PIPE HOLDER	4	
18001	18001-1719	MUFFLER,LH	1	
18001A	18001-1720	MUFFLER,RH	1	
18069	18069-1025	HOLDER-EXHAUST PIPE	4	
92002	92002-1127	BOLT,10X55	2	
92015	92015-1365	NUT,6MM	8	
92015A	92015-1387	NUT,FLANGED,10MM	2	
92022	92022-289	WASHER	2	
92027	92027-1365	COLLAR	8	
92037	92037-1221	CLAMP,CONNECTING PIPE	1	
92075	92075-015	DAMPER	1	
92092	92092-1013	BUSHING-RUBBER,MUFFLER	4	

# MUFFLER(S)

E1140-0280

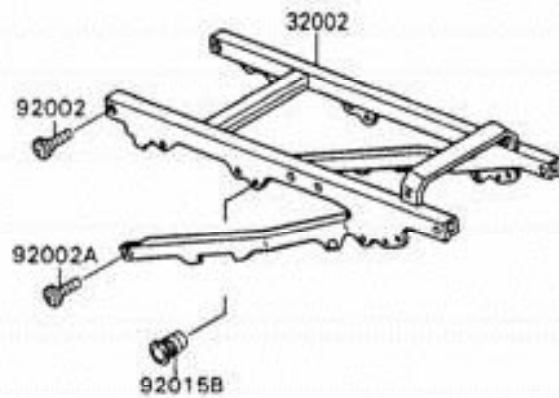
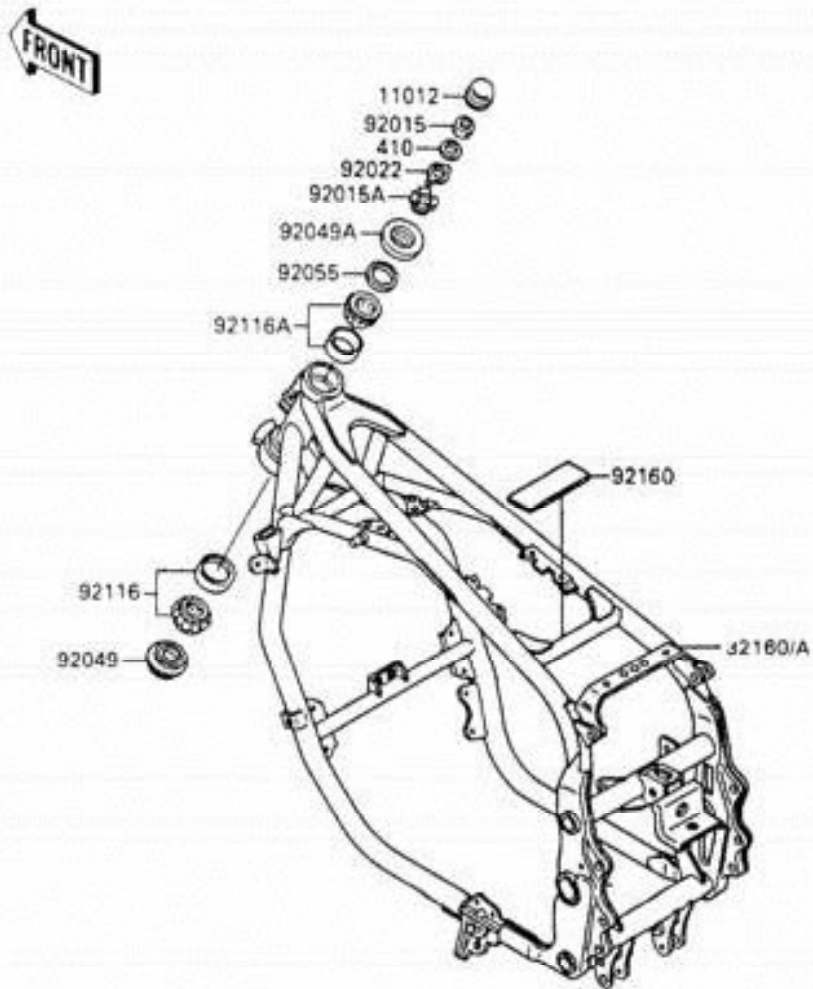


**FRAME**

Ref #	Part #	Description	Qty	Spec Code
11012	11012-1442	CAP,STEERING STEM	1	
32002	32002-1938	FRAME-COMP,RR	1	
32160	32160-1005	FRAME-COMP,FR	1	
92002	92002-1927	BOLT,SOCKET,8X32	2	
92002A	92002-1928	BOLT,SOCKET,10X25	2	
92015	92015-1404	NUT,18MM	1	
92015A	92015-1546	NUT,25MM,T=12	1	
92015B	92015-1792	NUT,POP,6MM,L=16.5	5	
92022	92022-1555	WASHER,CLAW,18.5X30X2.3	1	
92049	92049-1162	SEAL-OIL,XMHE36X52X4J	1	
92049A	92049-1214	SEAL-OIL,STEERING STEM	1	
92055	92055-1459	RING-O,ID=24.5	1	
92116	92116-1009	BEARING-ROLLER,HR320/28XJ	1	
92116A	92116-1056	BEARING-ROLLER,HI-CAP32005JR-1	1	
92160	92160-1075	DAMPER	1	
410	410F1800	W-PLAIN-S	1	

# FRAME

F2120-0309

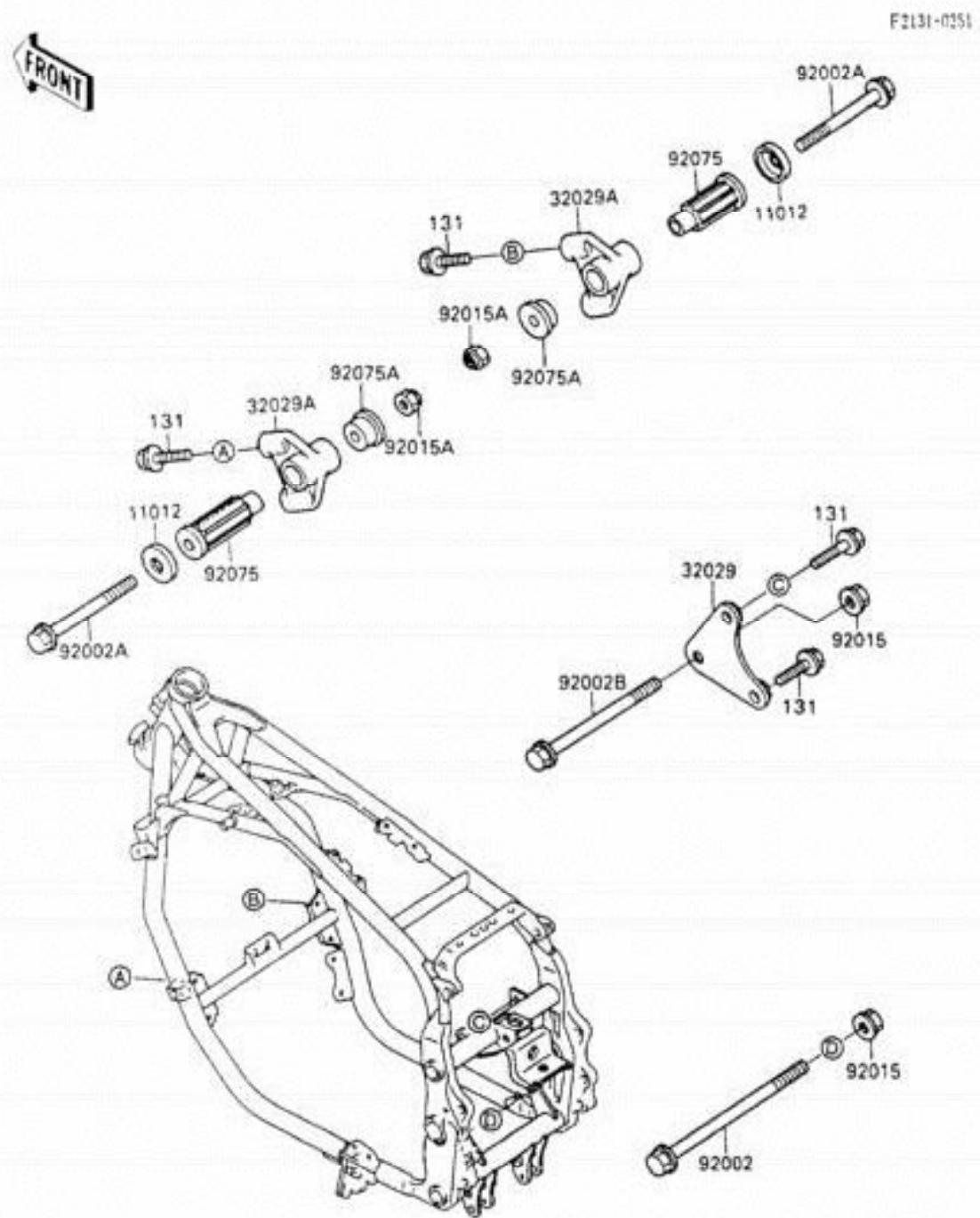


**FRAME FITTINGS**

Ref #	Part #	Description	Qty	Spec Code
11012	11012-1228	CAPENGINE BRACKET	2	
32029	32029-1541	BRACKET-ENGINE,RR,UPP	1	
32029A	32029-1698	BRACKET-ENGINE,FR	2	
92002	92002-1337	BOLT,10X183	1	
92002A	92002-1491	BOLT,FLANGED,10X105	2	
92002B	92002-1492	BOLT,FLANGED,10X138	1	
92015	92015-1180	NUT,FLANGED,10MM	2	
92015A	92015-1429	NUT,LOCK,10MM	2	
92075	92075-1377	DAMPER,ENGINE MOUNT,MAIN	2	
92075A	92075-1462	DAMPER,ENGINE BRACKET	2	
131	131J0820	BOLT-FLANGED,8X20	6	



# FRAME FITTINGS

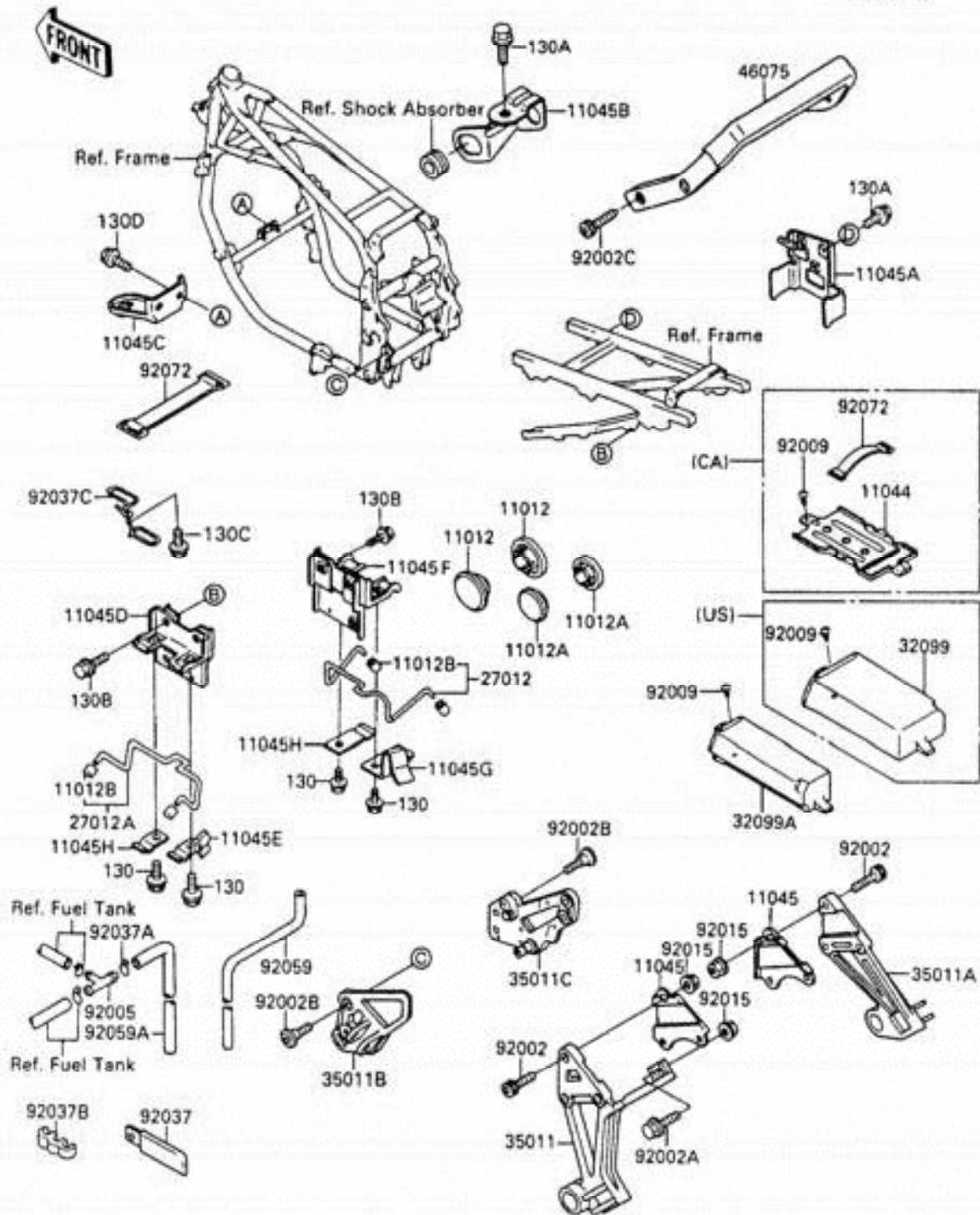


**BATTERY CASE (1/2)**

Ref #	Part #	Description	Qty	Spec Code
11012	11012-1459	CAP,SWING ARM BRACKET	2	
11012A	11012-1558	CAP,SWING ARM BRACKET	2	
11012B	11012-1598	CAP,BUNGEE CORD HOOK	4	
11044	11044-1133	BRACKET,CANISTER	1	[CA]
11045	11045-1284	BRACKET,MUFFLER STAY	2	
11045A	11045-1599	BRACKET,REGULATOR	1	
11045B	11045-1600	BRACKET,REAR SHOCKABSORBER	1	
11045C	11045-1601	BRACKET,RADIATOR	1	
11045D	11045-1602	BRACKET,BUNGEE CORD HOOK,LH	1	
11045E	11045-1603	BRACKET,BUNGEE CORD HOOK,LH	1	
11045F	11045-1890	BRACKET,BUNGEE CORD HOOK,RH	1	
11045G	11045-1891	BRACKET,BUNGEE CORD HOOK,RH	1	
11045H	11045-1892	BRACKET,BUNGEE CORD HOOK	2	
27012	27012-1366	HOOK,BUNGEE CORD,RH	1	
27012A	27012-1382	HOOK,BUNGEE CORD,LH	1	
32099	32099-1074	CASE	1	[US]
32099A	32099-1075	CASE,TOOL	1	
35011	35011-1342	STAY,MUFFLER,LH	1	
35011A	35011-1343	STAY,MUFFLER,RH	1	
35011B	35011-1344	STAY,STEP HOLDER,FR,LH	1	
35011C	35011-1345	STAY,STEP HOLDER,FR,RH	1	
46075	46075-1072	GRIP,GRABRAIL	1	
92002	92002-1334	BOLT,SOCKET,8X22	6	
92002A	92002-1417	BOLT,FLANGED,8X20	1	
92002B	92002-1493	BOLT,SOCKET,8X20	4	
92002C	92002-1511	BOLT,SOCKET,6X24	4	
92005	92005-1143	FITTING,T-TYPE	1	
92009	92009-1261	SCREW,TAPPING,6MM	2	
92015	92015-1406	NUT,FLANGED,8MM	3	
92037	92037-1069	CLAMP,WIRING HARNESS	1	
92037A	92037-1712	CLAMP	1	
92037B	92037-1941	CLAMP,TUBE	1	
92037C	92037-1942	CLAMP,TUBE	1	
92059	92059-1821	TUBE	1	
92059A	92059-1822	TUBE	1	
92072	92072-006	BAND,L=142.1	2	[CA]
92072	92072-006	BAND,L=142.1	1	[US]
130	130C0610	BOLT-FLANGED,6X10,BLACK	4	
130A	130C0612	BOLT-FLANGED,6X12	3	
130B	130C0614	BOLT-FLANGED,6X14	4	
130C	130J0610	BOLT-FLANGED	1	
130D	130J0814	BOLT-FLANGED,8X14	2	

# BATTERY CASE (1/2)

F2132-0181

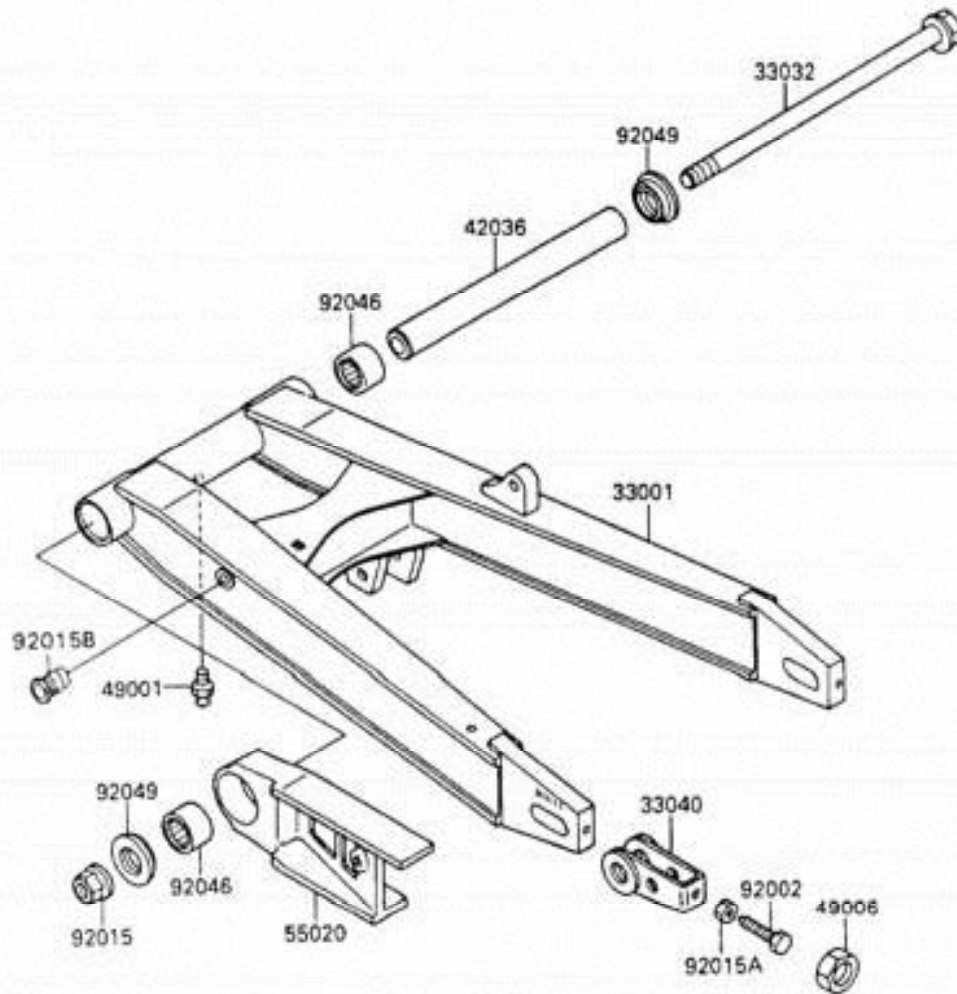


**SWINGARM**

Ref #	Part #	Description	Qty	Spec Code
33001	33001-1288-CE	ARM-COMP-SWING,SILVER NO.25	1	
33032	33032-1136	SHAFT-SWING ARM	1	
33040	33040-1063	ADJUSTER-CHAIN	2	
42036	42036-1220	SLEEVE,17.1X25X230	1	
49001	49001-1051	NIPPLE-GREASE	1	
55020	55020-1267	GUARD,CHAIN	1	
92002	92002-1076	BOLT,CHAIN ADJUSTER,8X50	2	
92015	92015-1041	NUT,16MM	1	
92015A	92015-1364	NUT,8MM	2	
92015B	92015-1792	NUT,POP,6MM,L=16.5	1	
92046	92046-1035	BEARING-NEEDLE,BHTM2530-1	2	
92049	92049-1166	SEAL-OIL	2	

# SWINGARM

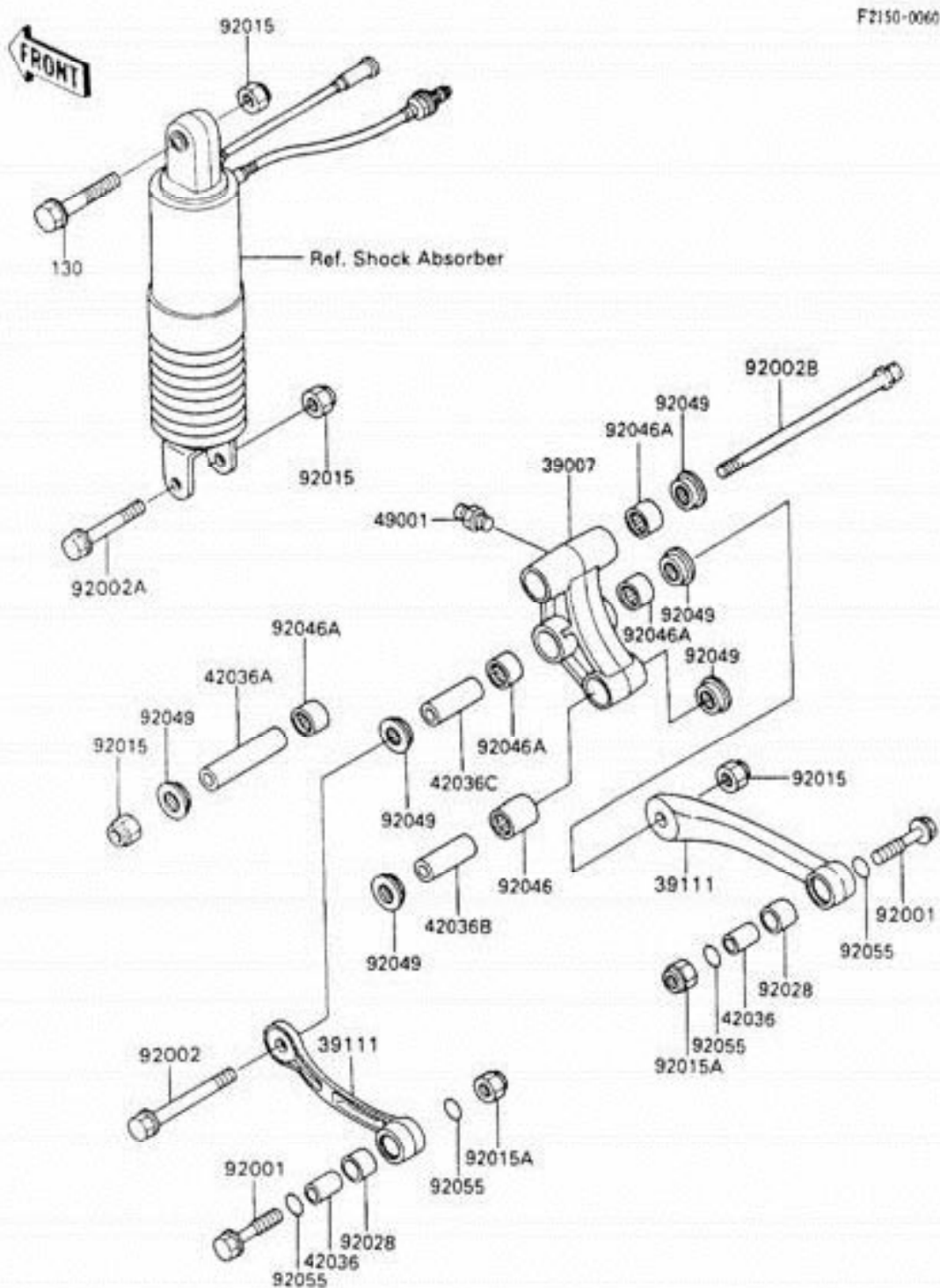
F2141-0055



**REAR SUSPENSION**

Ref #	Part #	Description	Qty	Spec Code
39007	39007-1126	ARM-SUSP,UNI TRAK	1	
39111	39111-1092	ROD-TIE,SUSPENSION	2	
42036	42036-1076	SLEEVE,12.1X20X22	2	
42036A	42036-1102	SLEEVE,12.1X20X74	1	
42036B	42036-1108	SLEEVE,12.1X20X40	1	
42036C	42036-1111	SLEEVE,12.1X20X50	1	
49001	49001-1051	NIPPLE-GREASE	3	
92001	92001-1939	BOLT,12X45	2	
92002	92002-1463	BOLT,FLANGED,12X85	1	
92002A	92002-1464	BOLT,FLANGED,12X60	1	
92002B	92002-1490	BOLT,SUSPENSION ARM	1	
92015	92015-1190	NUT,LOCK,12MM,BLACK	4	
92015A	92015-1375	NUT,12MM	2	
92028	92028-1202	BUSHING,20X23X15	2	
92046	92046-1110	BEARING-NEEDLE,BM202726	1	
92046A	92046-1112	BEARING-NEEDLE,BM202715	4	
92049	92049-1109	SEAL-OIL,ARM,CNT	6	
92055	92055-1215	RING-O,19.8X2.2	4	
130	130G1250	BOLT-FLANGED	1	

# REAR SUSPENSION



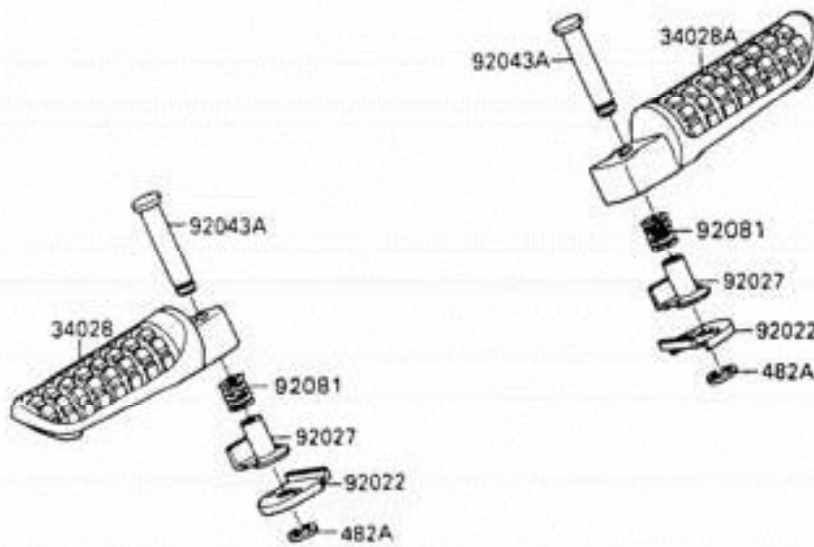
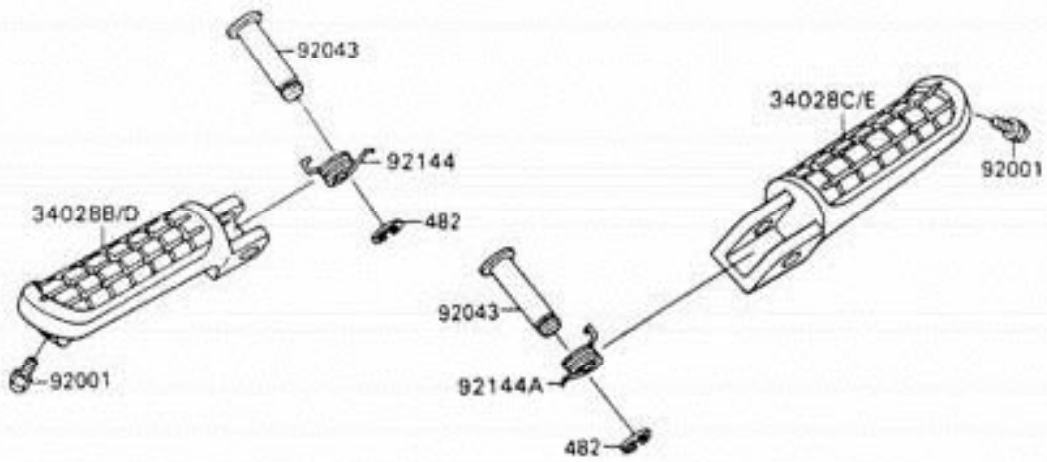
**FOOTRESTS**

Ref #	Part #	Description	Qty	Spec Code
34028	34028-1191	STEP,RR,LH	1	
34028A	34028-1192	STEP,RR,RH	1	
34028D	34028-1334	STEP,FR,LH	1	
34028E	34028-1335	STEP,FR,RH	1	
92001	92001-1905	BOLT,6X10	2	
92022	92022-1507	WASHER,STEP,RR	2	
92027	92027-1732	COLLAR,STEP	2	
92043	92043-1145	PIN,12X42.5	2	
92043A	92043-1238	PIN,6X38.5	2	
92081	92081-1612	SPRING,STEP,RR	2	
92144	92144-1567	SPRING,STEP RETURN,LH	1	
92144A	92144-1568	SPRING,STEP RETURN	1	
482	482L0100	CIRCLIP-TYPE-E,10MM	2	
482A	482L5000	CIRCLIP-TYPE-E,5MM	2	



# FOOTRESTS

F2160-0157

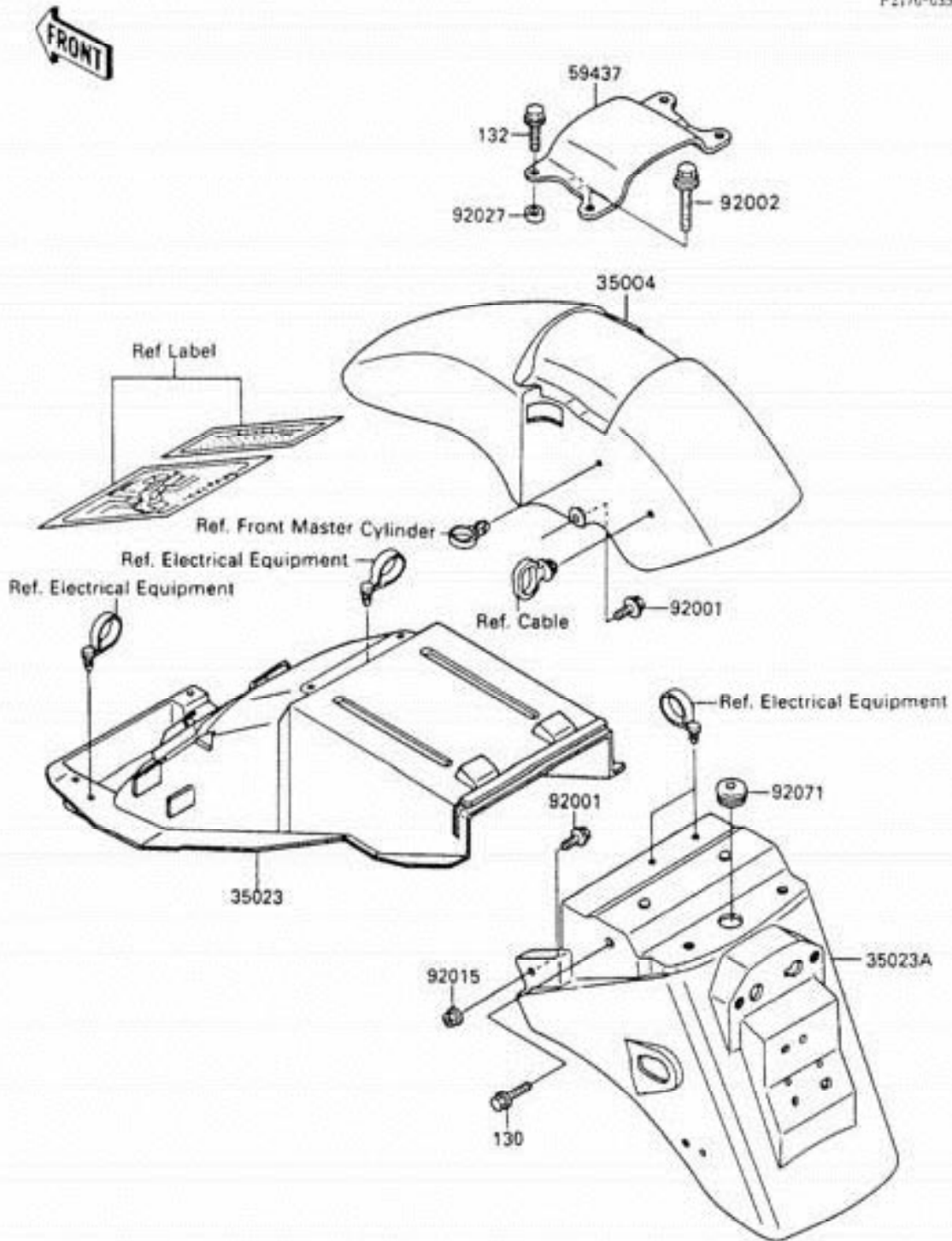


**FENDERS**

Ref #	Part #	Description	Qty	Spec Code
35004	35004-1202-H8	FENDER-FRONT,EBONY	1	
35023	35023-1185	FENDER-REAR,FR	1	
35023A	35023-1186-6Z	FENDER-REAR,RR,BLACK	1	
59437	59437-1060	STABILIZER	1	
92001	92001-1763	BOLT,W/SP,6X16	4	
92002	92002-1972	BOLT,FLANGED,8X14	2	
92015	92015-1367	NUT,FLANGED,6MM	2	
92027	92027-1879	COLLAR,9.5X12.7X4.5	2	
92071	92071-1058	GROMMET,SENSOR LEAD	1	
130	130G0635	BOLT-FLANGED,6X35	2	
132	132G0820	BOLT-FLANGED-SMALL	2	

# FENDERS

F2170-0350

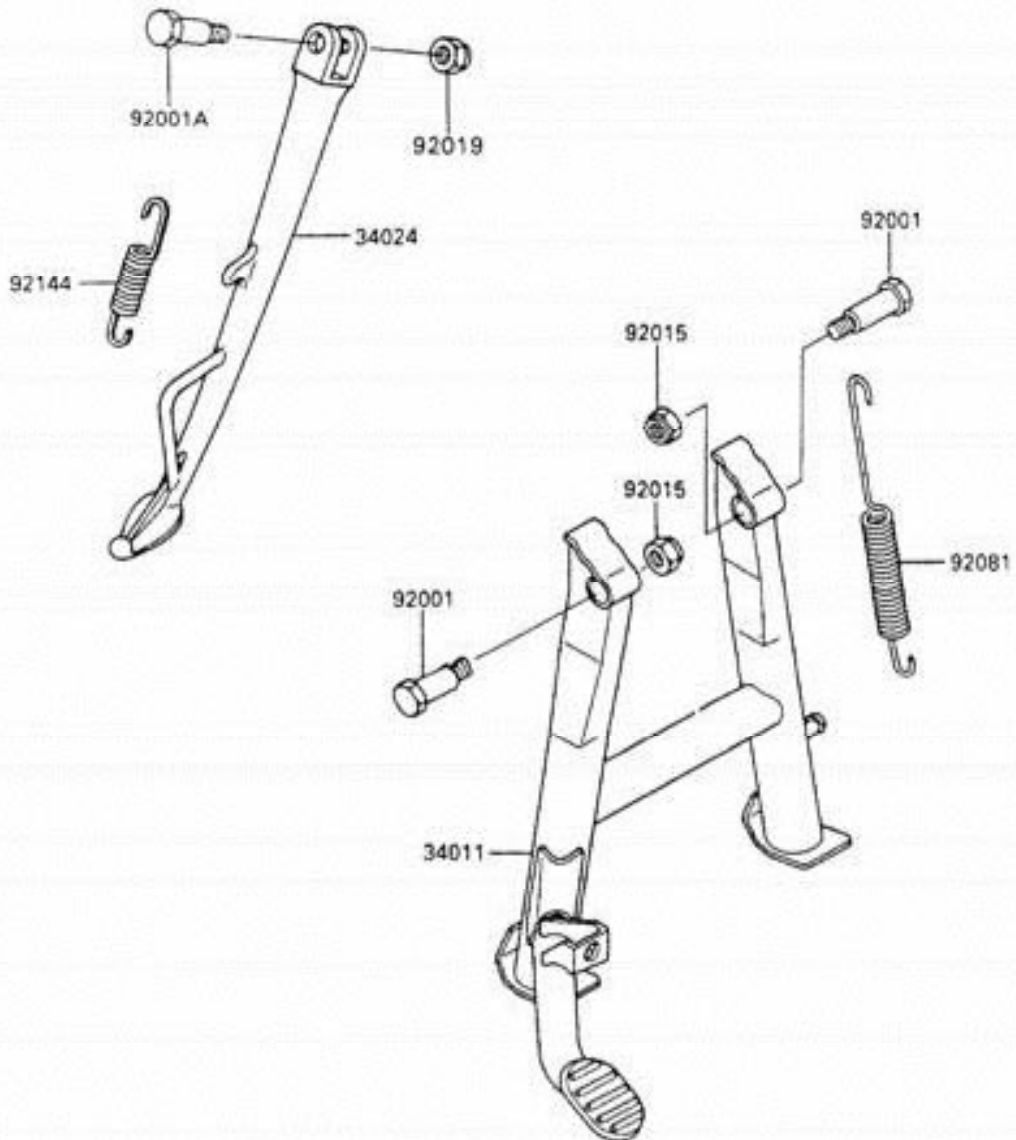


**STAND(S)**

Ref #	Part #	Description	Qty	Spec Code
34011	34011-1136	STAND-CENTER	1	
34024	34024-1228	STAND-SIDE	1	
92001	92001-1214	BOLT,CENTER STAND	2	
92001A	92001-1788	BOLT,SIDE STAND	1	
92015	92015-1188	NUT,LOCK,10MM,BLACK	2	
92019	92019-021	NUT,LOCK,10MM	1	
92081	92081-1834	SPRING,CENTER STAND	1	
92144	92144-1127	SPRING,SIDE STAND	1	

# STAND(S)

F2190-0181

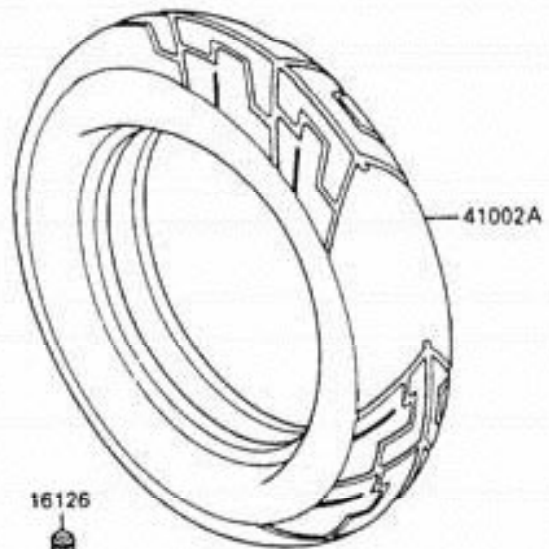
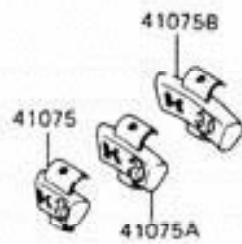
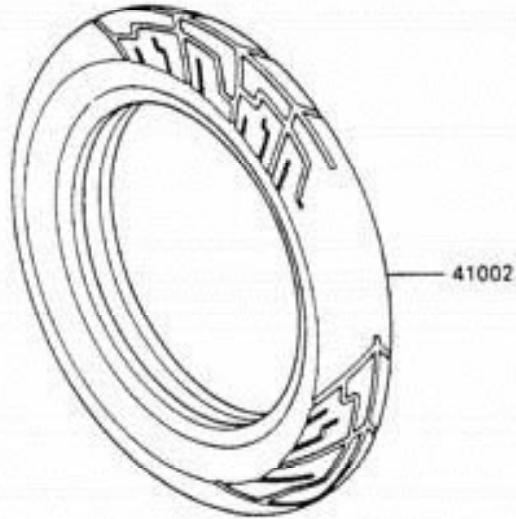
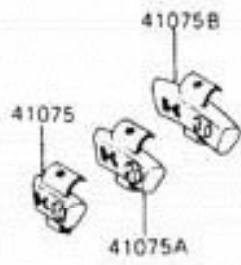


**TIRES**

Ref #	Part #	Description	Qty	Spec Code
16126	16126-1140	VALVE,TIRE	2	
41002	41002-1662	TIRE,FR,110/80V16-V240,K205F(D	1	
41002A	41002-1663	TIRE,RR,130/90V16-V240,K205(D	1	
41075	41075-1014	BALANCER-WHEEL,10G,SILVER	AR	
41075A	41075-1015	BALANCER-WHEEL,20G,SILVER	AR	
41075B	41075-1016	BALANCER-WHEEL,30G,SILVER	AR	

# TIRES

F2210-0131



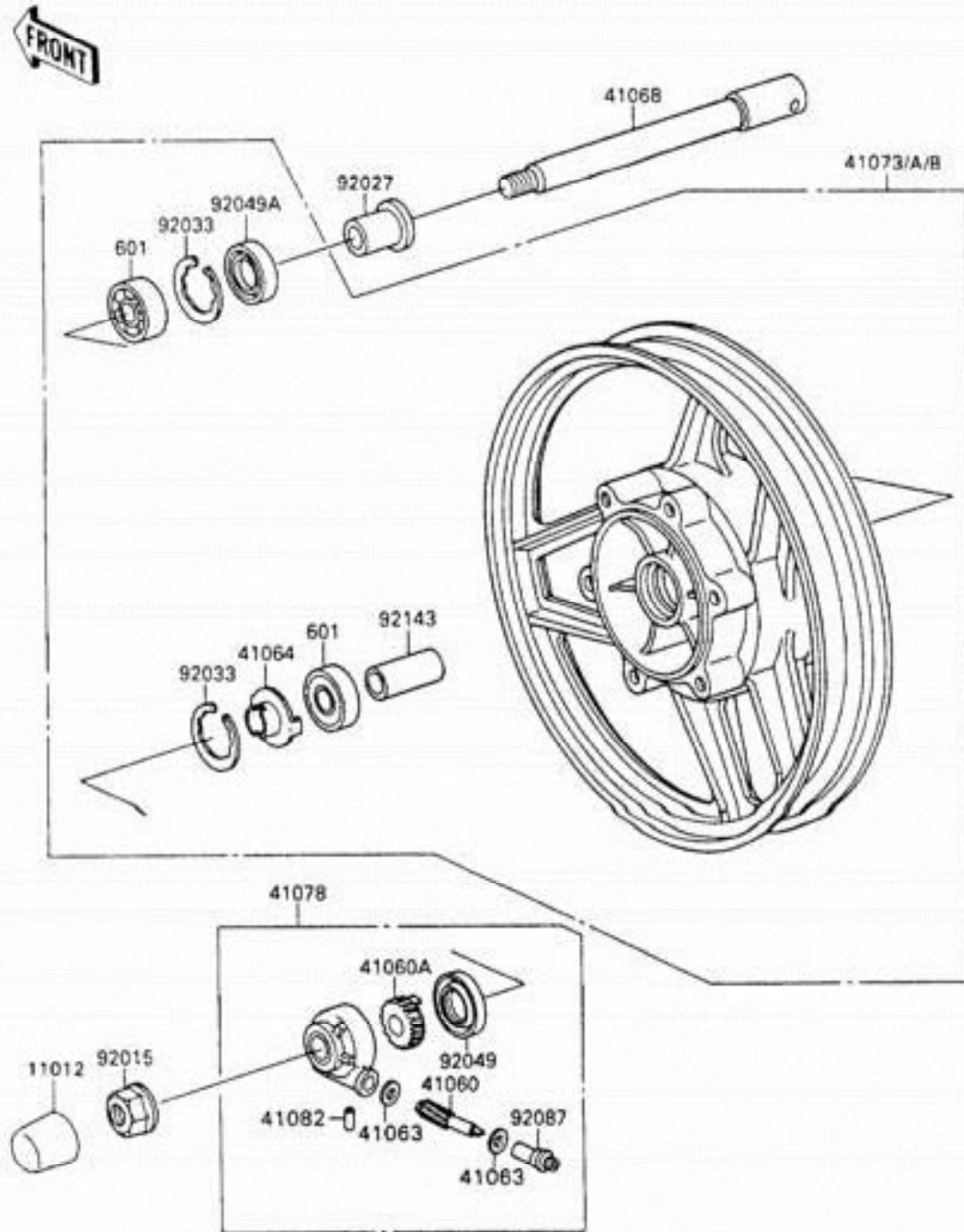
**FRONT WHEEL**

Ref #	Part #	Description	Qty	Spec Code
41060	41060-1106	GEAR-METER SCREW,9T	1	
41060A	41060-1107	GEAR-METER SCREW,23T	1	
41063	41063-001	WASHER,5.1X9X0.4	2	
41064	41064-1006	RECEIVER-SPEEDOMETER	1	
41068	41068-1240	AXLE,FR	1	
41073	41073-1452-CW	WHEEL-ASSY,FR,F.RED	1	
41078	41078-1062	CASE-ASSY-METER GEAR	1	
41082	41082-001	PIN,SPRING	1	
92015	92015-1407	NUT,14MM	1	
92027	92027-1225	COLLAR,L=30	1	
92033	92033-1041	RING-SNAP,42MM	2	
92049	92049-1057	SEAL-OIL,BJN30427-C3	1	
92049A	92049-1058	SEAL-OIL,BJN22425	1	
92087	92087-1002	BUSHING-METER GEAR	1	
92143	92143-1079	COLLAR,15.2X22X61	1	
601	601B6302UG	BEARING-BALL,#6302UG	2	



# FRONT WHEEL

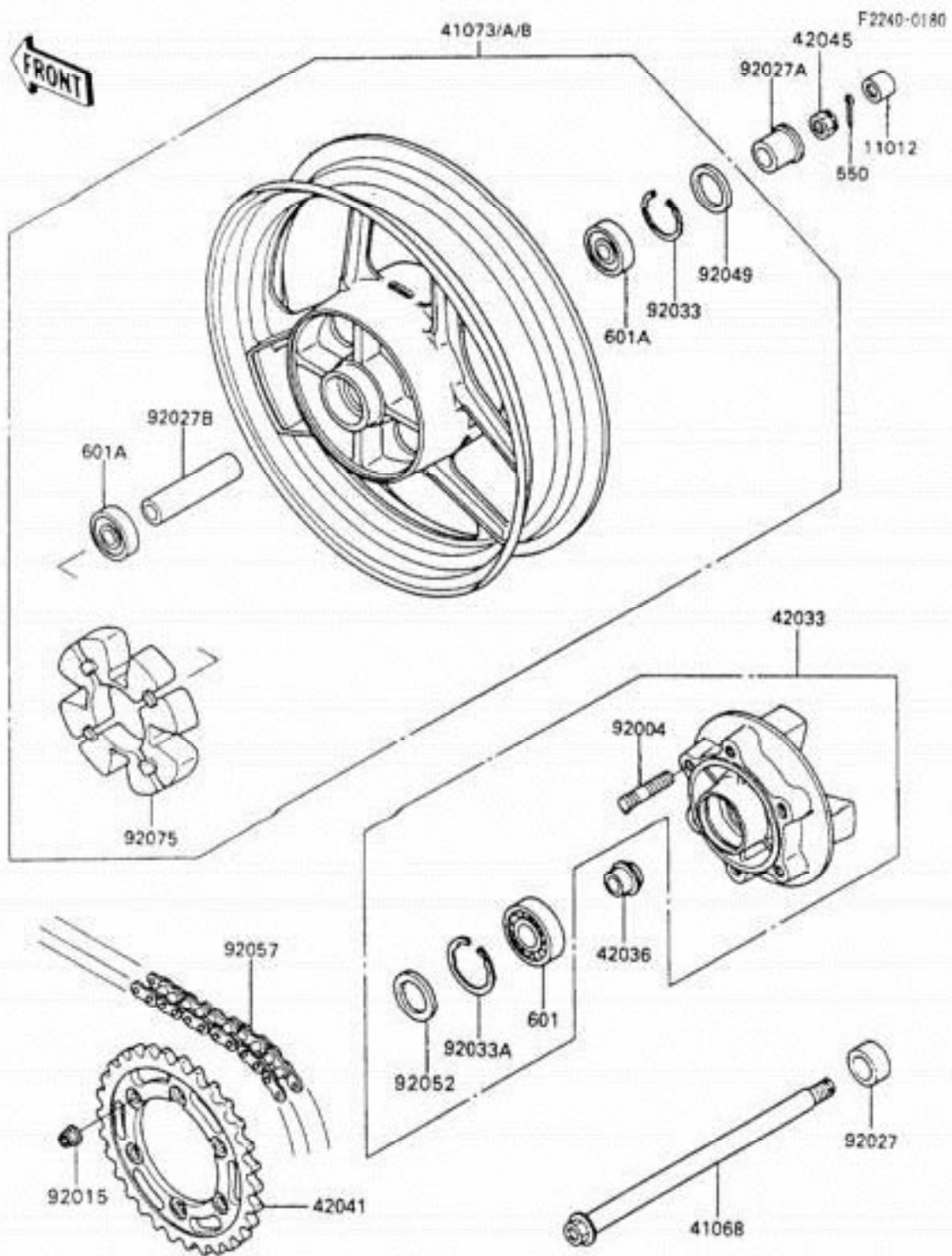
F2230-0155



**REAR WHEEL/CHAIN**

Ref #	Part #	Description	Qty	Spec Code
41068	41068-1232	AXLE,RR	1	
41073	41073-1436-CW	WHEEL-ASSY,RR,F.RED	1	
42033	42033-1114	COUPLING-ASSY,RR HUB	1	
42036	42036-1149	SLEEVE,RR HUB,L=26	1	
42041	42041-1287	SPROCKET-HUB,39 T	1	
42045	42045-014	NUT,CASTLE,16MM	1	
92004	92004-1146	STUD,10X24	6	
92015	92015-1720	NUT,10MM	6	
92027	92027-1874	COLLAR,RR AXLE,L=20	1	
92027A	92027-1875	COLLAR,RR AXLE,L=28	1	
92027B	92027-1876	COLLAR,L=106	1	
92033	92033-1042	RING-SNAP,47MM	1	
92033A	92033-1043	RING-SNAP,52MM	1	
92049	92049-1056	SEAL-OIL,BJN28475	1	
92052	92052-006	SEAL-OIL,TWC35527	1	
92057	92057-1232	CHAIN,DRIVE,EK50MV-OX102L	1	
92075	92075-1687	DAMPER,SHOCK,RR HUB	1	
550	550D4035	PIN-COTTER,4.0X35	1	
601	601B6205G	BEARING-BALL,#6205G	1	
601A	601B6303ZZ	BEARING-BALL,#6303ZZC3	2	

## REAR WHEEL/CHAIN

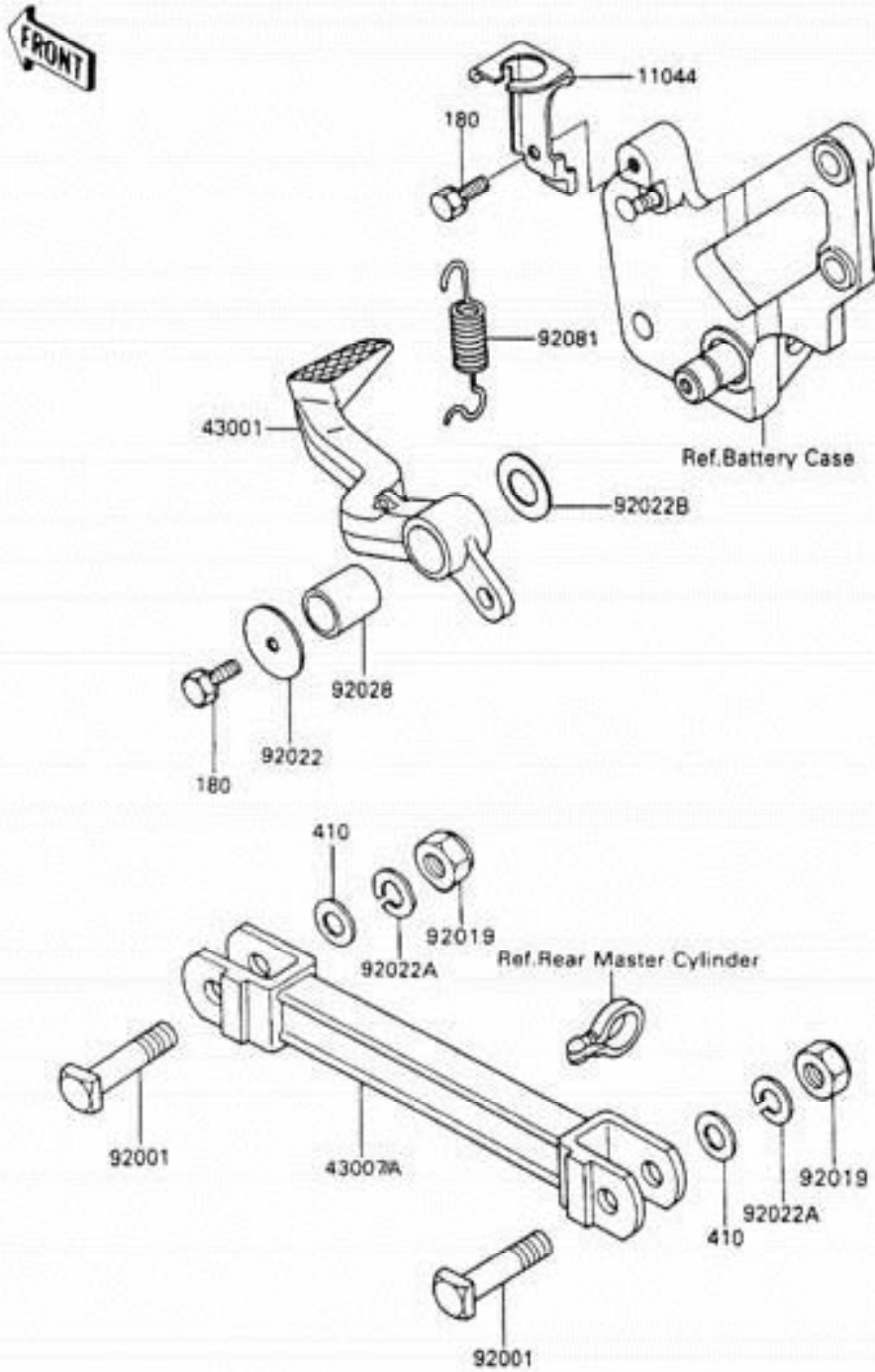


**BRAKE PEDAL/TORQUE LINK**

Ref #	Part #	Description	Qty	Spec Code
11044	11044-1107	BRACKET,RR BRAKE SWITCH	1	
43001	43001-1224	LEVER-BRAKE,PEDAL	1	
43007	43007-1133	ROD-TORQUE	1	
92001	92001-1307	BOLT,10X37	2	
92019	92019-021	NUT,LOCK,10MM	2	
92022	92022-1282	WASHER,7X28X1.6	1	
92022A	92022-1540	WASHER,SPRING,10MM	2	
92022B	92022-326	WASHER,15.3X24X1	1	
92028	92028-1282	BUSHING,BRAKE PEDAL	1	
92081	92081-1833	SPRING,BRAKE PEDAL	1	
180	180H0614	BOLT-UPSET-WS	2	
410	410B1000	WASHER-PLAIN-SMALL,10MM	2	

## BRAKE PEDAL/TORQUE LINK

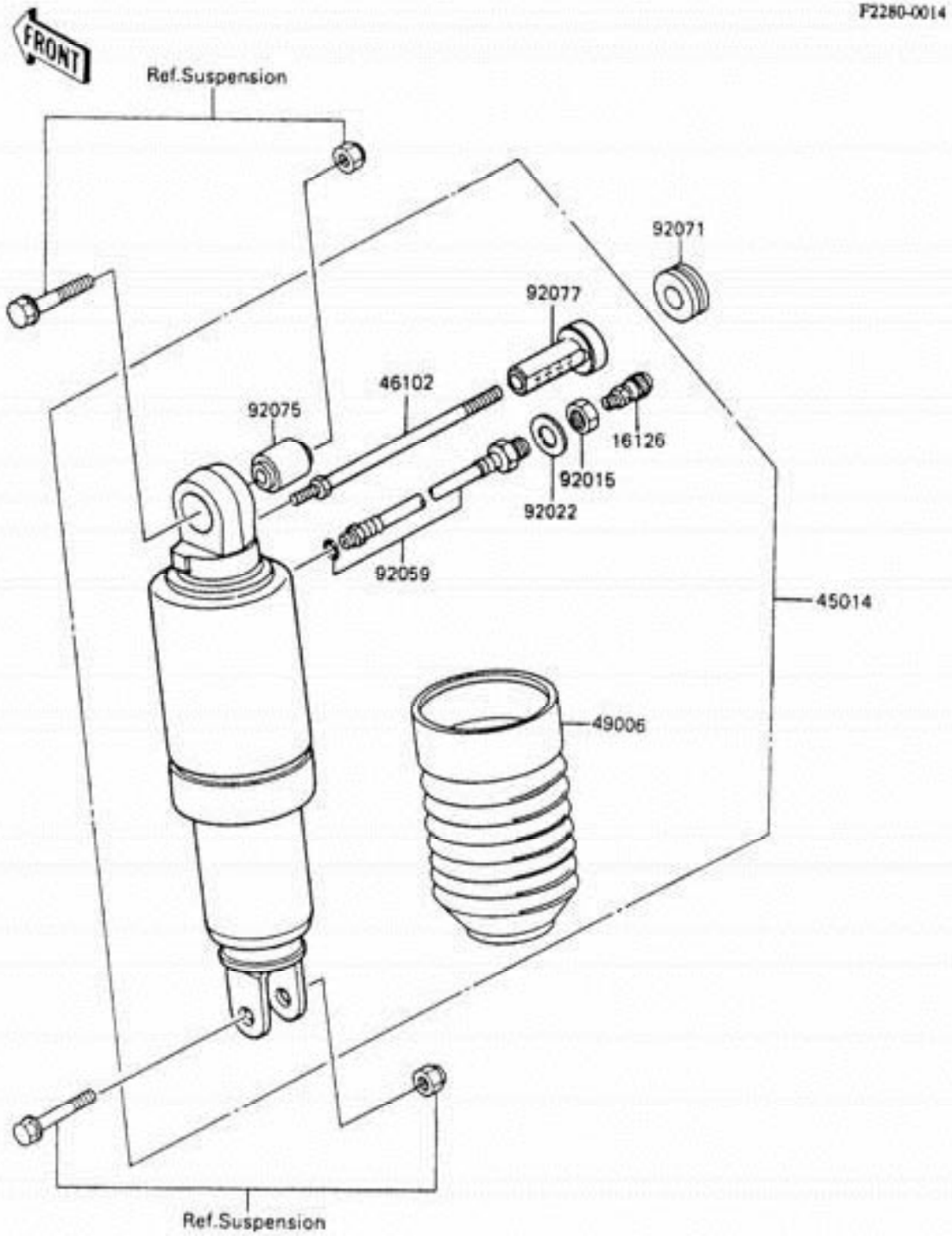
F2260-0155



**SHOCK ABSORBER(S)**

Ref #	Part #	Description	Qty	Spec Code
16126	16126-1143	VALVE,AIR	1	
45014	45014-1367	SHOCKABSORBER	1	
46102	46102-1151	ROD,RR SHOCKABSORBER,ADJUST	1	
49006	49006-1220	BOOT,SHOCKABSORBER	1	
92015	92015-1305	NUT,14MM	1	
92022	92022-1494	WASHER	1	
92059	92059-1364	TUBE,SHOCKABSORBER,L=170	1	
92071	92071-056	GROMMET	1	
92075	92075-1654	DAMPER,SHOCKABSORBER	1	
92077	92077-1051	KNOB,SHOCKABSORBER,ADJUST	1	

## SHOCK ABSORBER(S)



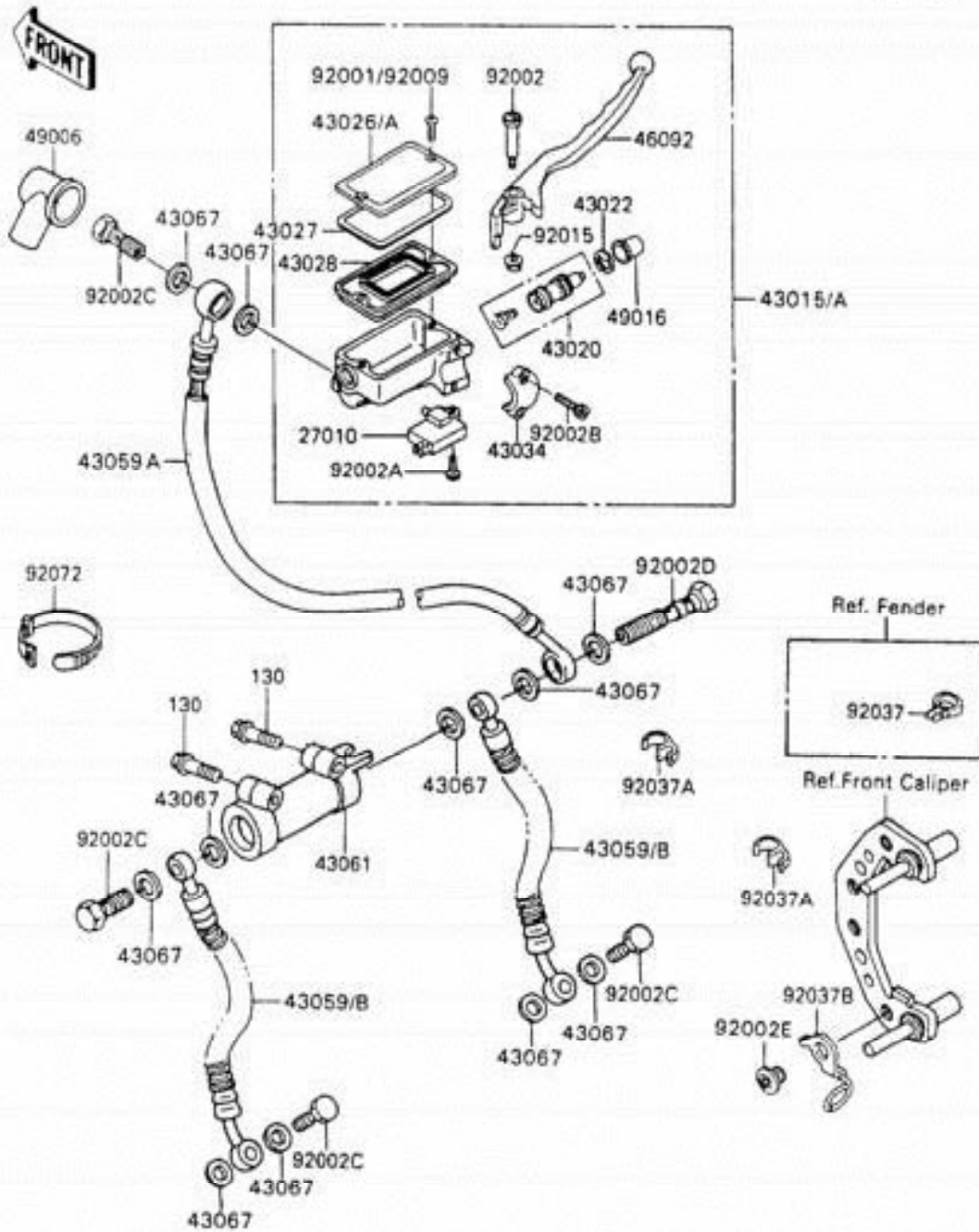
**FRONT MASTER CYLINDER**

Ref #	Part #	Description	Qty	Spec Code
27010	27010-1170	SWITCH,BRAKE	1	
43015	43015-1345	CYLINDER-ASSY-MASTER,FR	1	
43020	43020-1054	PISTON-COMP-BRAKE,FR	1	
43022	43022-1010	STOPPER-BRAKE,PISTON	1	
43026	43026-1055	CAP-BRAKE,FR	1	
43028	43028-1058	DIAPHRAGM,MASTER CYLINDER	1	
43034	43034-1053	HOLDER-BRAKE,MASTER CYLINDER	1	
43059A	43059-1616	HOSE-BRAKE,FR	1	
43059B	43059-1647	HOSE-BRAKE,FR	2	
43061	43061-1002	JOINT-BRAKE	1	
43067	43067-001	WASHER,10.5X15X1.5	11	
46092	46092-1117	LEVER-GRIP,FRONT BRAKE	1	
49006	49006-1040	BOOT,DUST	1	
49016	49016-1044	COVER-SEAL,MASTER CYLINDER	1	
92001	92001-1727	SCREW,5MM	2	
92002	92002-1322	BOLT,LEVER SET	1	
92002A	92002-1323	BOLT,SCREW,4X12	1	
92002B	92002-1324	BOLT,SOCKET,6X20	2	
92002C	92002-1888	BOLT,OIL,L=23	4	
92002D	92002-1909	BOLT,OIL,L=37	1	
92002E	92002-1973	BOLT,10X10	1	
92015	92015-1233	NUT,FLANGED,6MM	1	
92037	92037-1827	CLAMP,HOSE	2	
92037A	92037-1858	CLAMP,HOSE	2	
92037B	92037-1917	CLAMP,CABLE	1	
92072	92072-056	BAND,L=186	1	
130	130G0635	BOLT-FLANGED,6X35	2	



# FRONT MASTER CYLINDER

F2291-0184

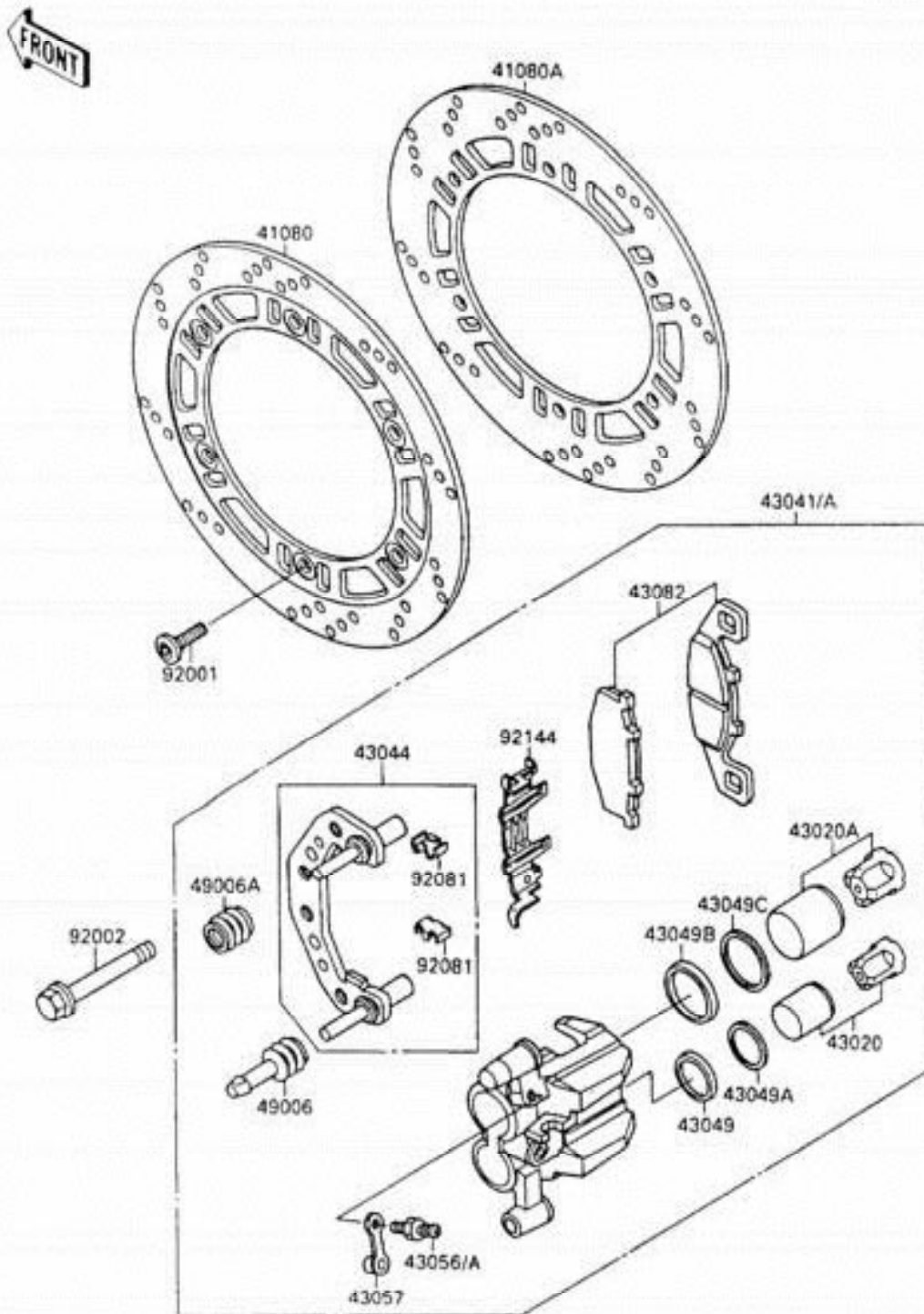


**FRONT BRAKE**

Ref #	Part #	Description	Qty	Spec Code
41080	41080-1183	DISC,FR,LH	1	
41080A	41080-1184	DISC,FR,RH	1	
43020	43020-1068	PISTON-COMP-BRAKE	2	
43020A	43020-1069	PISTON-COMP-BRAKE	2	
43041	43041-1319-DJ	CALIPER-ASSY,FR,LH,BLACK	1	
43041A	43041-1320-DJ	CALIPER-ASSY,FR,RH,BLACK	1	
43044	43044-1067	HOLDER-COMP-CALIPER	2	
43049	43049-1054	PACKING,PISTON SEAL	2	
43049A	43049-1055	PACKING,PISTON	2	
43049B	43049-1056	PACKING,PISTON SEAL	2	
43049C	43049-1057	PACKING,PISTON	2	
43056	43056-003	BREATHER	1	
43056A	43056-1054	BREATHER-BRAKE	1	
43057	43057-003	CAP-BREATHER	2	
43082	43082-1068	PAD-ASSY-BRAKE	2	
49006	49006-1094	BOOT,CALIPER	2	
49006A	49006-1095	BOOT,CALIPER	2	
92001	92001-1951	BOLT,DISC PLATE,8X30	12	
92002	92002-1468	BOLT,FLANGED,10X41	4	
92081	92081-1661	SPRING,PAD STOPPER	4	
92144	92144-1070	SPRING,PAD	2	

# FRONT BRAKE

F2292-0097

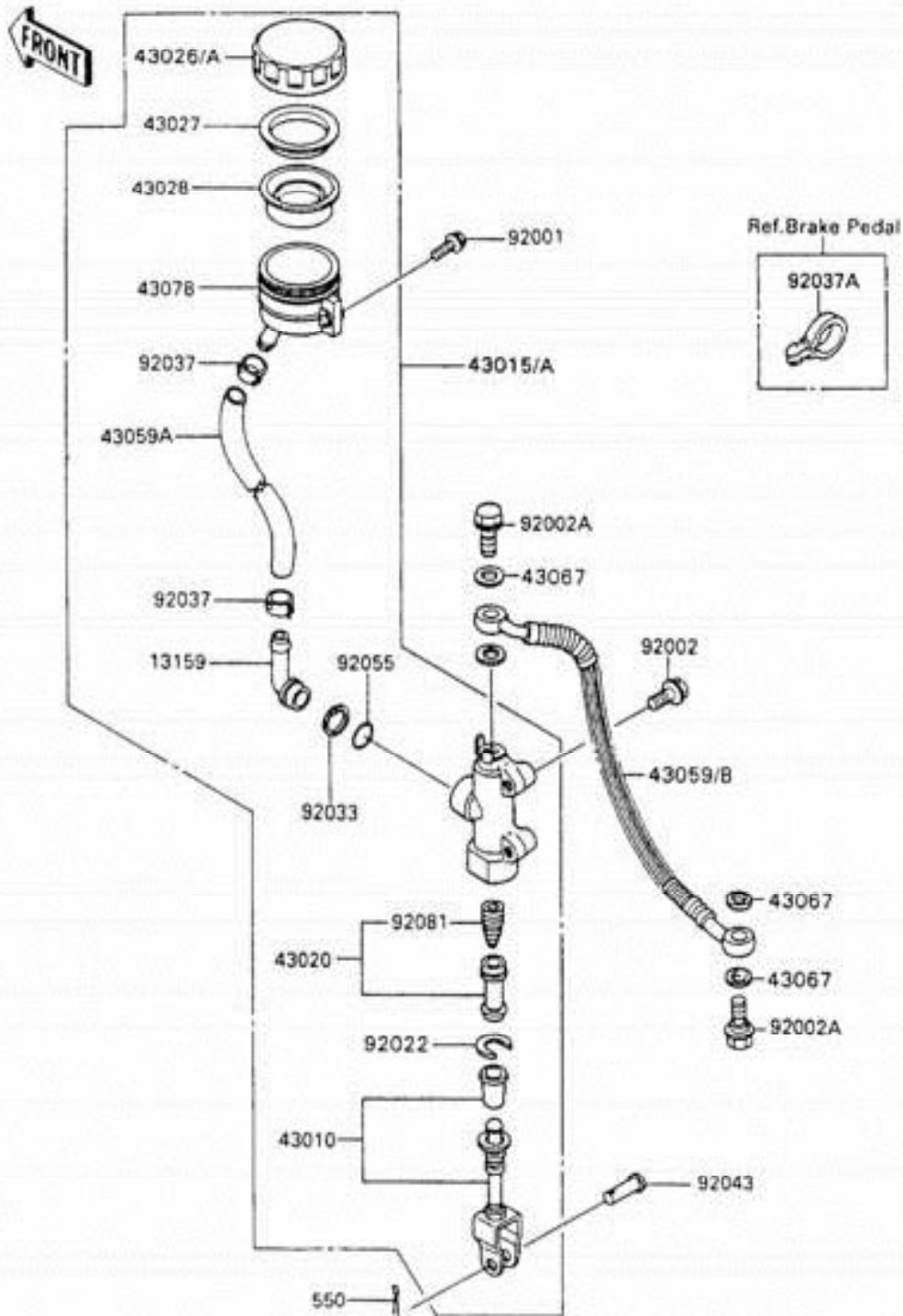


**REAR MASTER CYLINDER**

Ref #	Part #	Description	Qty	Spec Code
13159	13159-1052	CONNECTOR,RR MASTER CYLINDER	1	
43010	43010-1055	ROD-ASSY-BRAKE	1	
43015	43015-1346	CYLINDER-ASSY-MASTER,RR	1	
43020	43020-1057	PISTON-COMP-BRAKE	1	
43026A	43026-1054	CAP-BRAKE	1	
43027	43027-1051	PLATE-DIAPHRAGM	1	
43028	43028-1057	DIAPHRAGM,MASTER CYLINDER	1	
43059A	43059-1404	HOSE-BRAKE,RR MASTER CYLINDER	1	
43059B	43059-1612	HOSE-BRAKE,RR	1	
43067	43067-001	WASHER,10.5X15X1.5	4	
43078	43078-1082	RESERVOIR,RR MASTER CYLINDER	1	
92001	92001-1860	BOLT,W/P,6X16	1	
92002	92002-1485	BOLT,8X30	2	
92002A	92002-1888	BOLT,OIL,L=23	2	
92022	92022-1601	WASHER,CIRCRIP	1	
92033	92033-1186	RING-SNAP,20.5MM	1	
92037	92037-1547	CLAMP,BRAKE HOSE	2	
92037A	92037-1827	CLAMP,HOSE	1	
92043	92043-1013	PIN,8X16	1	
92055	92055-1251	RING-O,MASTER CYLINDER	1	
92081	92081-1737	SPRING,MASTER CYLINDER	1	
550	550D2015	PIN-COTTER,2.0X15	1	

# REAR MASTER CYLINDER

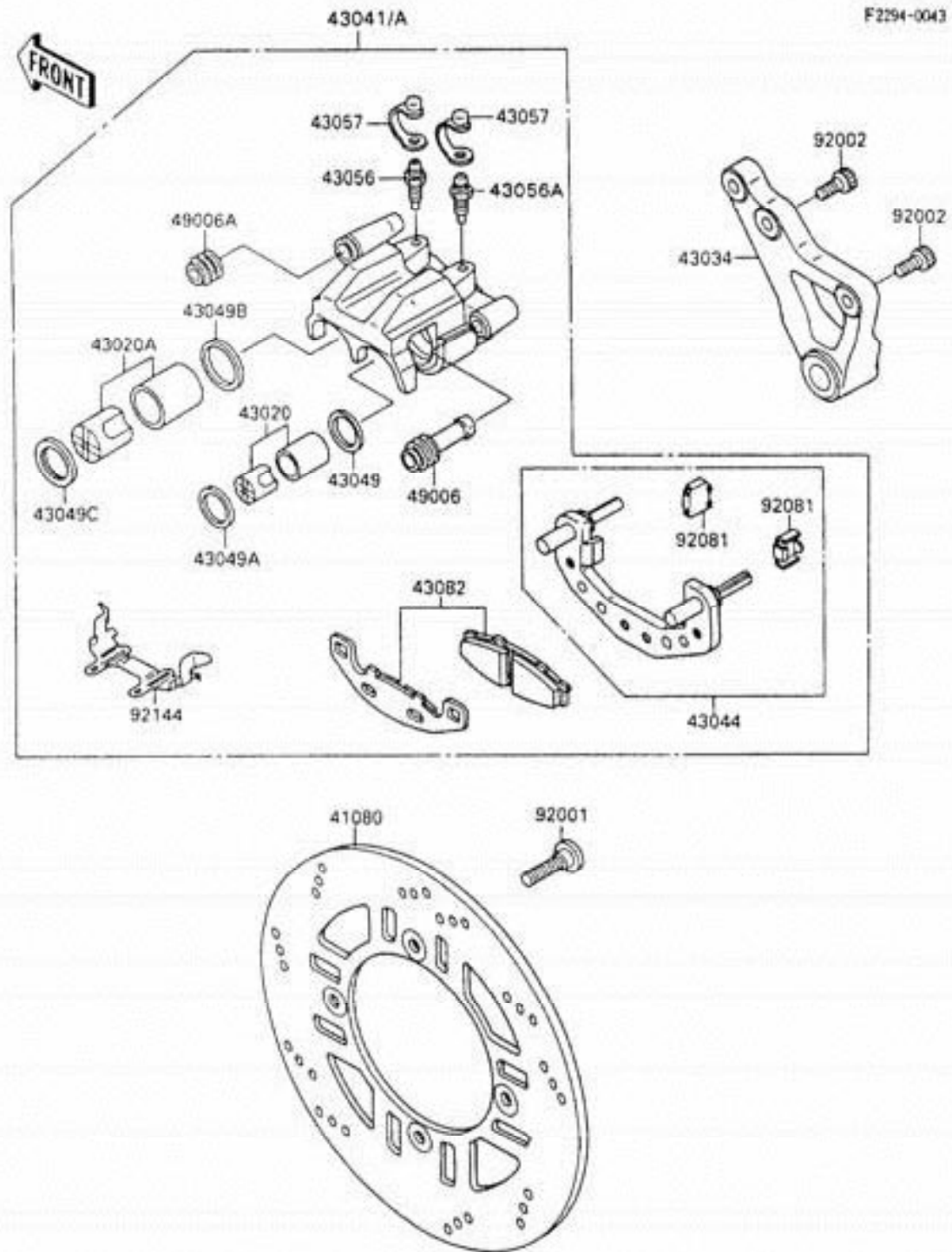
F2293-0077



**REAR BRAKE**

Ref #	Part #	Description	Qty	Spec Code
41080	41080-1192	DISC,RR	1	
43020	43020-1068	PISTON-COMP-BRAKE	1	
43020A	43020-1069	PISTON-COMP-BRAKE	1	
43034	43034-1079	HOLDER-BRAKE,REAR CALIPER	1	
43041A	43041-1362-DJ	CALIPER-ASSY,RR,BLACK	1	
43044	43044-1067	HOLDER-COMP-CALIPER	1	
43049	43049-1054	PACKING,PISTON SEAL	1	
43049A	43049-1055	PACKING,PISTON	1	
43049B	43049-1056	PACKING,PISTON SEAL	1	
43049C	43049-1057	PACKING,PISTON	1	
43056	43056-003	BREATHER	1	
43056A	43056-1054	BREATHER-BRAKE	1	
43057	43057-003	CAP-BREATHER	2	
43082	43082-1077	PAD-ASSY-BRAKE	1	
49006	49006-1094	BOOT,CALIPER	1	
49006A	49006-1095	BOOT,CALIPER	1	
92001	92001-1951	BOLT,DISC PLATE,8X30	6	
92002	92002-1713	BOLT,SOCKET,10X17	2	
92081	92081-1661	SPRING,PAD STOPPER	2	
92144	92144-1070	SPRING,PAD	1	

# REAR BRAKE



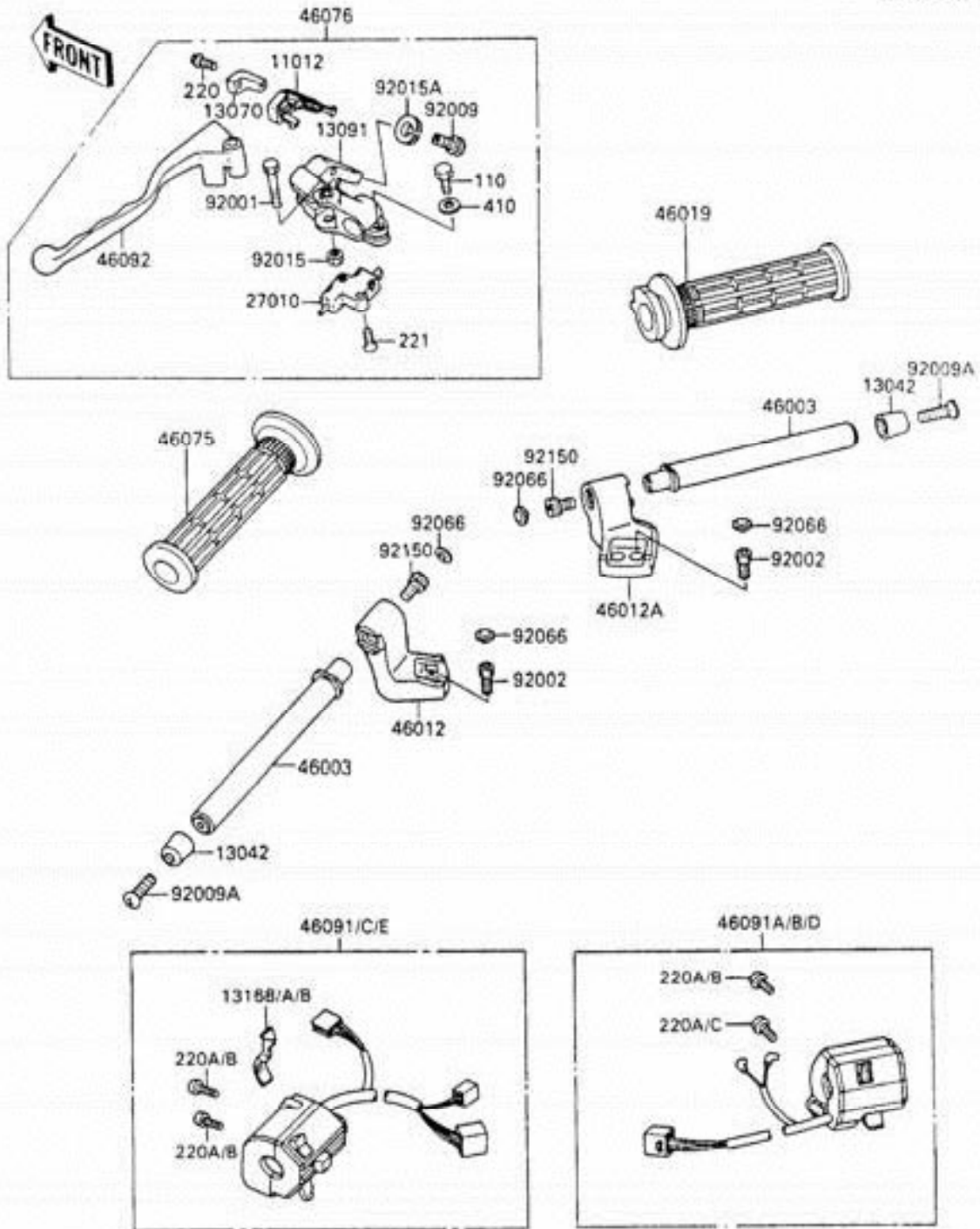
**HANDLEBAR**

Ref #	Part #	Description	Qty	Spec Code
11012	11012-1549	CAP,CLUTCH LEVER	1	
13042	13042-1005	WEIGHT,HANDLE	2	
13070	13070-1248	GUIDE,CLUTCH CABLE	1	
13091	13091-1445	HOLDER,LEVER	1	
13168A	13168-1448	LEVER,CHOKE	1	
27010	27010-1094	SWITCH,CLUTCH,BLACK	1	
46003	46003-1244	HANDLE	2	
46012	46012-1175	HOLDER-HANDLE,LH	1	
46012A	46012-1176	HOLDER-HANDLE,RH	1	
46019	46019-1059	GRIP-ASSY,THROTTLE	1	
46075	46075-1028	GRIP,LH	1	
46076	46076-1139	LEVER-ASSY-GRIP,CLUTCH	1	
46091B	46091-1553	HOUSING-ASSY-CONTROL,RH	1	
46091C	46091-1561	HOUSING-ASSY-CONTROL,LH	1	
46092	46092-1050	LEVER-GRIP,CLUTCH,BLACK	1	
92001	92001-1548	BOLT,CLUTCH LEVER,BLACK	1	
92002	92002-1178	BOLT,SOCKET,8X20	4	
92009	92009-1134	SCREW,CABLE ADJUST,8MM,BLACK	1	
92009A	92009-1257	SCREW,8X45	2	
92015	92015-1191	NUT,LOCK,6MM,BLACK	1	
92015A	92015-1197	NUT,CABLE ADJUST LOCK,BLACK	1	
92066	92066-1216	PLUG	6	
92150	92150-1425	BOLT,8X30	2	
110	110C0622	BOLT,6X22,BLACK	1	
220	220C0308	SCREW-PAN-CROS	1	
220A	220C0520	SCREW-PAN-CROS	4	
221	221C0316	SCREW-CSK-CROS	2	
410	410F0600	WASHER-PLAIN-SMALL,6MM,BLACK	1	



# HANDLEBAR

F2310-0423

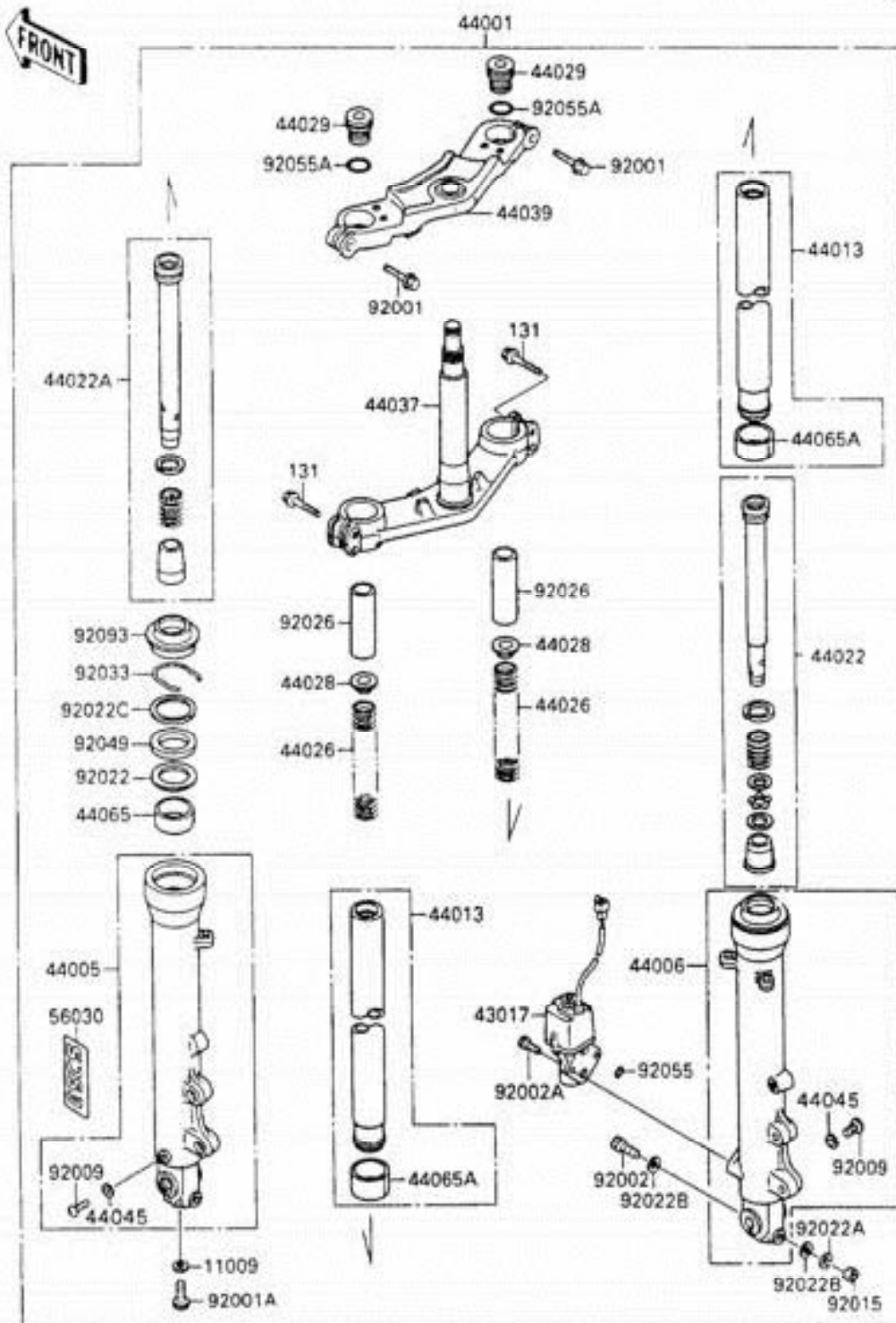


**FRONT FORK**

Ref #	Part #	Description	Qty	Spec Code
11009	11009-1127	GASKET,FORK CYLINDER BOLT	2	
43017	43017-1067	VALVE-COMP-BRAKE	1	
44001	44001-1653	FORK-FRONT	1	
44005	44005-1259	PIPE-LEFT FORK OUTER	1	
44006	44006-1256	PIPE-RIGHT FORK OUTER	1	
44013	44013-1260	PIPE-FORK INNER	2	
44022	44022-1203	CYLINDER-FORK,RH	1	
44022A	44022-1207	CYLINDER-FORK	1	
44026	44026-1363	SPRING-FRONT FORK	2	
44028	44028-1003	GUIDE-FORK SPRING	2	
44029	44029-1126	SEAT-FORK SPRING	2	
44037	44037-1213	HOLDER-FORK UNDER	1	
44039	44039-1150	HOLDER-FORK UPPER	1	
44045	44045-002	GASKET,FORK DRAIN PLUG	2	
44065	44065-1012	BUSHING-FRONT FORK	2	
44065A	44065-1057	BUSHING-FRONT FORK,INNER PIPE	2	
56030	56030-1095	LABEL,ESCS MARK	2	
92001	92001-1188	BOLT,FLANGED,8X40	2	
92001A	92001-1309	BOLT,FORK CYLINDER	2	
92002	92002-1163	BOLT,8X60	1	
92002A	92002-1166	BOLT,SOCKET,6X16	2	
92009	92009-1324	SCREW,4X8	2	
92015	92015-1400	NUT,8MM	1	
92022	92022-1262	WASHER,FORK OUTER PIPE	2	
92022A	92022-1552	WASHER,SPRING,8MM	1	
92022B	92022-1554	WASHER,PLAIN,8MM	2	
92022C	92022-1599	WASHER,FORK OUTER PIPE,UPP	2	
92026	92026-1258	SPACER,L=40	2	
92033	92033-1047	RING-SNAP,FORK	2	
92049	92049-1178	SEAL-OIL,FORK	2	
92055	92055-1379	RINGO	2	
92055A	92055-1380	RING-O,FORK TOP	2	
92093	92093-1162	SEAL,FORK	2	
131	131G0840	BOLT-FLANGED,8X40	4	

# FRONT FORK

F2310-0290

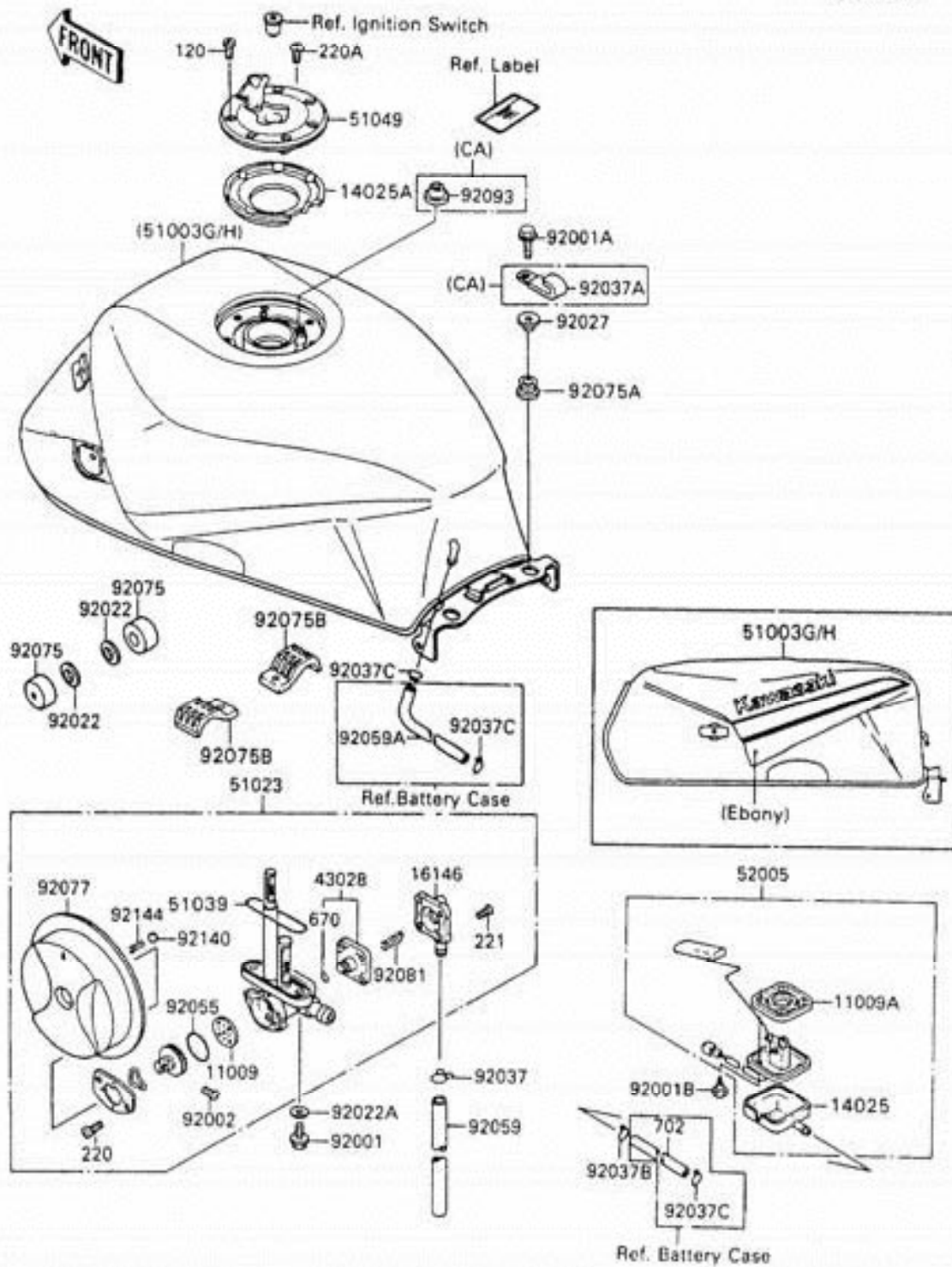


**FUEL TANK (1/3)**

Ref #	Part #	Description	Qty	Spec Code
11009	11009-1188	GASKET,TAP VALVE	1	
11009A	11009-1656	GASKET,FUEL GAUGE	1	
14025	14025-1536	COVER,FUEL GAUGE	1	
14025A	14025-1913	COVER,TANK CAP	1	
16146	16146-1061	COVER-ASSY,TAP DIAPHRAGM	1	
43028	43028-1033	DIAPHRAGM	1	
51003G	51003-5083-H8	TANK-COMP-FUEL,EBONY	1	[US]
51003H	51003-5087-H8	TANK-COMP-FUEL,EBONY	1	[CA]
51023	51023-1158-BK	TAP-ASSY,FUEL,BLACK	1	
51039	51039-003	RING,TAP FLANGED	1	
51049	51049-1079	CAP-TANK,FUEL	1	
52005	52005-1089	GAUGE,FUEL	1	
92001	92001-1091	BOLT,6X20	2	
92001A	92001-1352	BOLT,FLANGED,6X22	2	
92001B	92001-1705	BOLT,FUEL GAUGE	4	
92002	92002-1996	BOLT,SCREW,4X12	1	
92022	92022-044	WASHER,10.5X26X2.3	2	
92022A	92022-183	WASHER,6.2X11X1.5	2	
92027	92027-251	COLLAR,L=13.1	2	
92037	92037-010	CLAMP,TUBE	1	
92037A	92037-1069	CLAMP,WIRING HARNESS	1	[CA]
92037B	92037-147	CLAMP,TUBE	1	
92037C	92037-1712	CLAMP	3	
92055	92055-1085	RING-O,TAP LEVER	1	
92059	92059-1890	TUBE,5X9X470	1	
92059A	92059-3011	TUBE,6X10X200	1	
92075	92075-125	DAMPER,FUEL TANK	2	
92075A	92075-1690	DAMPER	2	
92075B	92075-1932	DAMPER,FUEL TANK,CNT	2	
92077	92077-1089-BK	KNOB,FUEL TAP,BLACK	1	
92081	92081-1240	SPRING,TAP DIAPHRAGM	1	
92093	92093-1030	SEAL,FUEL TANK CAP	1	[CA]
92140	92140-1051	BALL,STAINLESS,5/32"	1	
92144	92144-1212	SPRING,FUEL TAP KNOB	1	
120	120S0512	BOLT-SOCKET	7	
220	220B0308	SCREW-PAN-CROS	2	
220A	220C0508	SCREW-PAN-CROS	1	
221	221B0418	SCREW-CSK-CROS	4	
670	670B1504	O RING,4MM	1	
702	702A07380	TUBE-RUBBER,7X10X380	1	

# FUEL TANK (1/3)

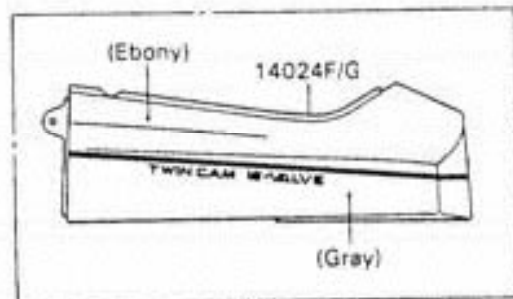
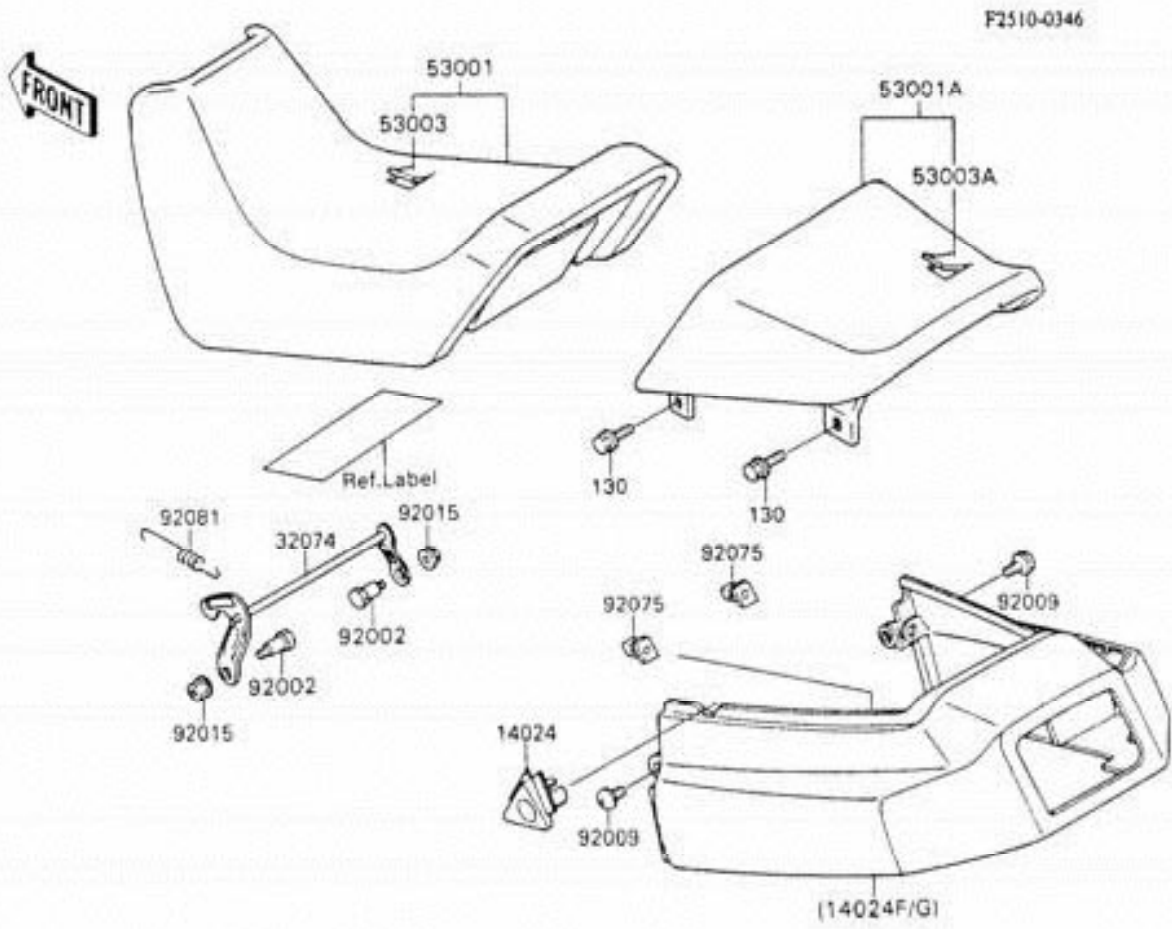
F2410-0366



**SEAT**

Ref #	Part #	Description	Qty	Spec Code
14024	14024-1456	COVER,SEAT LOCK	1	
14024F	14024-5169-FG	COVER,SEAT,EBONY/GRAY	1	
32074	32074-1132	BRACKET-LOCK,SEAT	1	
53001	53001-1503-MA	SEAT-ASSY,FR,BLACK	1	
53001A	53001-1504-MA	SEAT-ASSY,RR,BLACK	1	
53003	53003-1181-MA	LEATHER,FRONT SEAT,BLACK	1	
53003A	53003-1182-MA	LEATHER,REAR SEAT,BLACK	1	
92002	92002-1932	BOLT,6MM	2	
92009	92009-1256	SCREW,6X22,BLACK	2	
92015	92015-1367	NUT,FLANGED,6MM	2	
92075	92075-1931	DAMPER,SEAT COVER	2	
92081	92081-1581	SPRING,SEAT LOCK	1	
130	130B0614	BOLT-FLANGED	4	

# SEAT

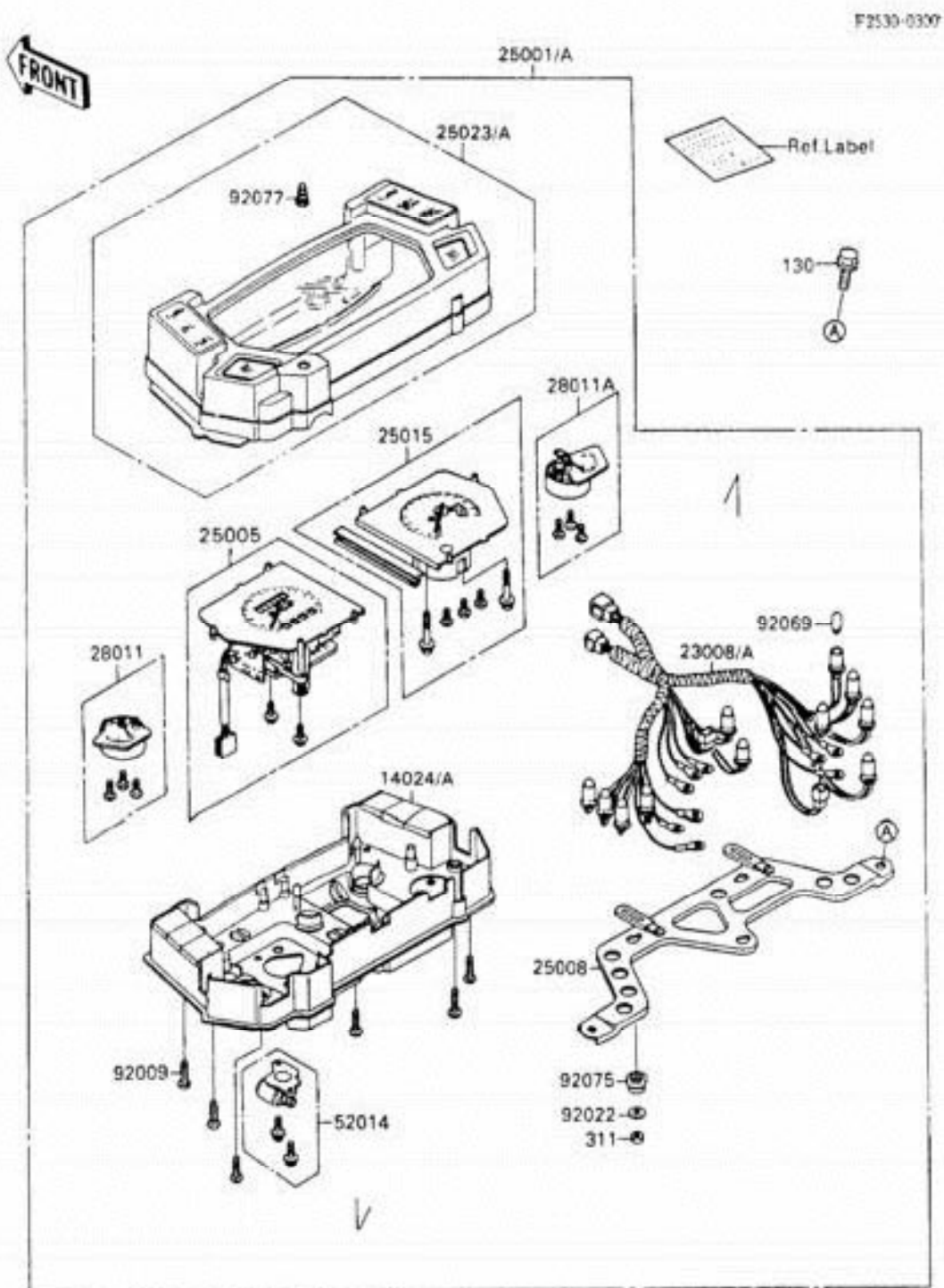


**METER(S)**

Ref #	Part #	Description	Qty	Spec Code
14024	14024-1438	COVER,METER HOUSING	1	
23008	23008-1335	SOCKET-ASSY,METER	1	
25001	25001-1685	METER-ASSY,MPH	1	
25005	25005-1354	SPEEDOMETER,MPH	1	
25008	25008-1138	BRACKET-METER	1	
25015	25015-1269	TACHOMETER,X1000R/MIN	1	
25023	25023-1154	COVER-METER CASE,UPP	1	
28011	28011-1092	METER,FUEL	1	
28011A	28011-1098	METER,TEMP	1	
52014	52014-1006	ELBOW,SPEEDOMETER GEAR	1	
92009	92009-1163	SCREW,TAPPING,4X16	6	
92022	92022-263	WASHER,5.2X16X1.2	3	
92069	92069-1007	BULB,12V 3.4W	10	
92075	92075-1805	DAMPER	3	
92077	92077-1061	BOOT,TRIP RESET KNOB	1	
130	130C0614	BOLT-FLANGED,6X14	2	
311	311B0500	NUT-HEX	3	



# METER(S)

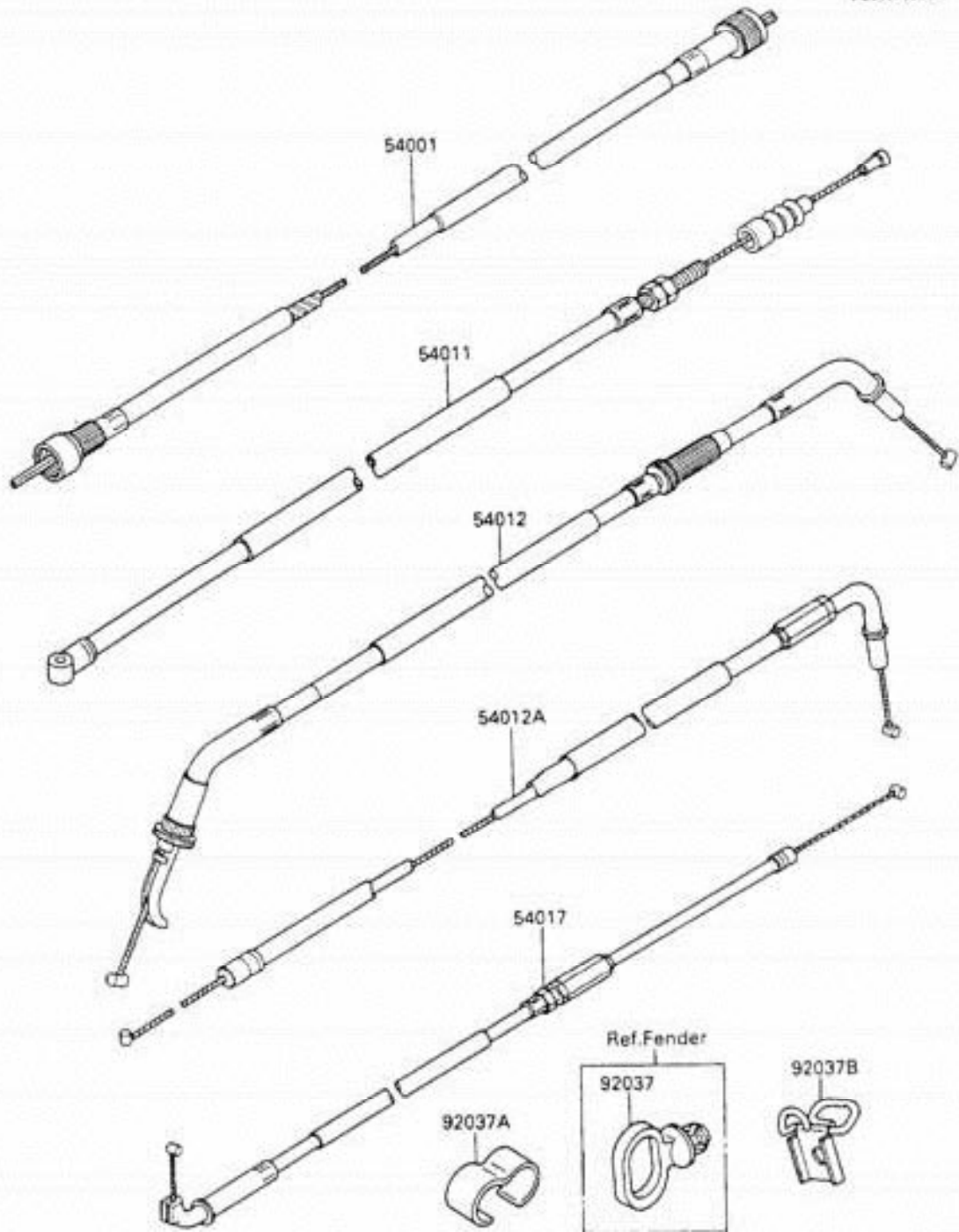


**CABLES**

Ref #	Part #	Description	Qty	Spec Code
54001	54001-1195	CABLE-SPEEDOMETER	1	
54011	54011-1293	CABLE-CLUTCH	1	
54012	54012-1325	CABLE-THROTTLE,OPENING	1	
54012A	54012-1326	CABLE-THROTTLE,CLOSING	1	
54017	54017-1089	CABLE-STARTER	1	
92037	92037-1459	CLAMP,CABLE	1	
92037A	92037-1892	CLAMP,CABLE	1	
92037B	92037-1893	CLAMP,CABLE	1	

# CABLES

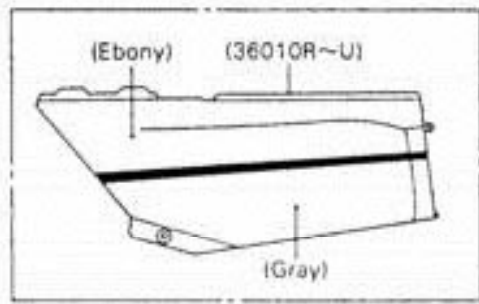
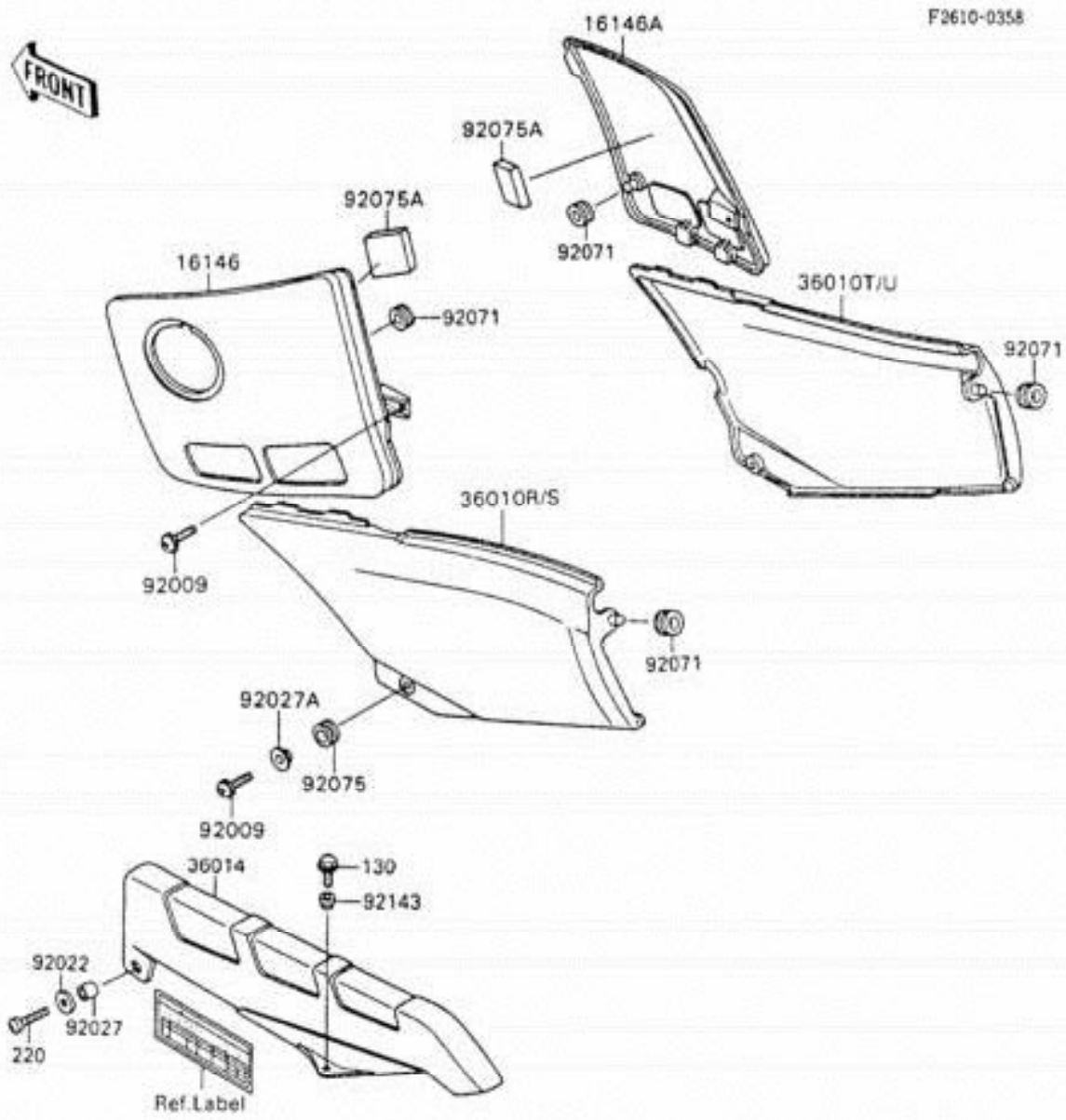
FZ540-0283



**ENGINE COVER(S)**

Ref #	Part #	Description	Qty	Spec Code
16146	16146-1079-MA	COVER-ASSY,KNEEGRIP,LH,BLACK	1	
16146A	16146-1080-MA	COVER-ASSY,KNEEGRIP,RH,BLACK	1	
36010R	36010-5276-FG	COVER-SIDE,LH,EBONY/GRAY	1	
36010T	36010-5277-FG	COVER-SIDE,RH,EBONY/GRAY	1	
36014	36014-1145	CASE-CHAIN	1	
92009	92009-1181	SCREW,6X18,BLACK	4	
92022	92022-1346	WASHER,6.5X20X1.6,BLACK	1	
92027	92027-169	COLLAR,6.8X10X16	1	
92027A	92027-1935	COLLAR,L=9.1,BLACK	2	
92071	92071-056	GROMMET	4	
92075	92075-1634	DAMPER	2	
92075A	92075-1979	DAMPER,50X50X10	2	
92143	92143-1088	COLLAR,L=6.6	1	
130	130J0614	BOLT-FLANGED,6X14,BLACK	1	
220	220C0630	SCREW-PAN-CROS,6X30,BLACK	1	

# ENGINE COVER(S)

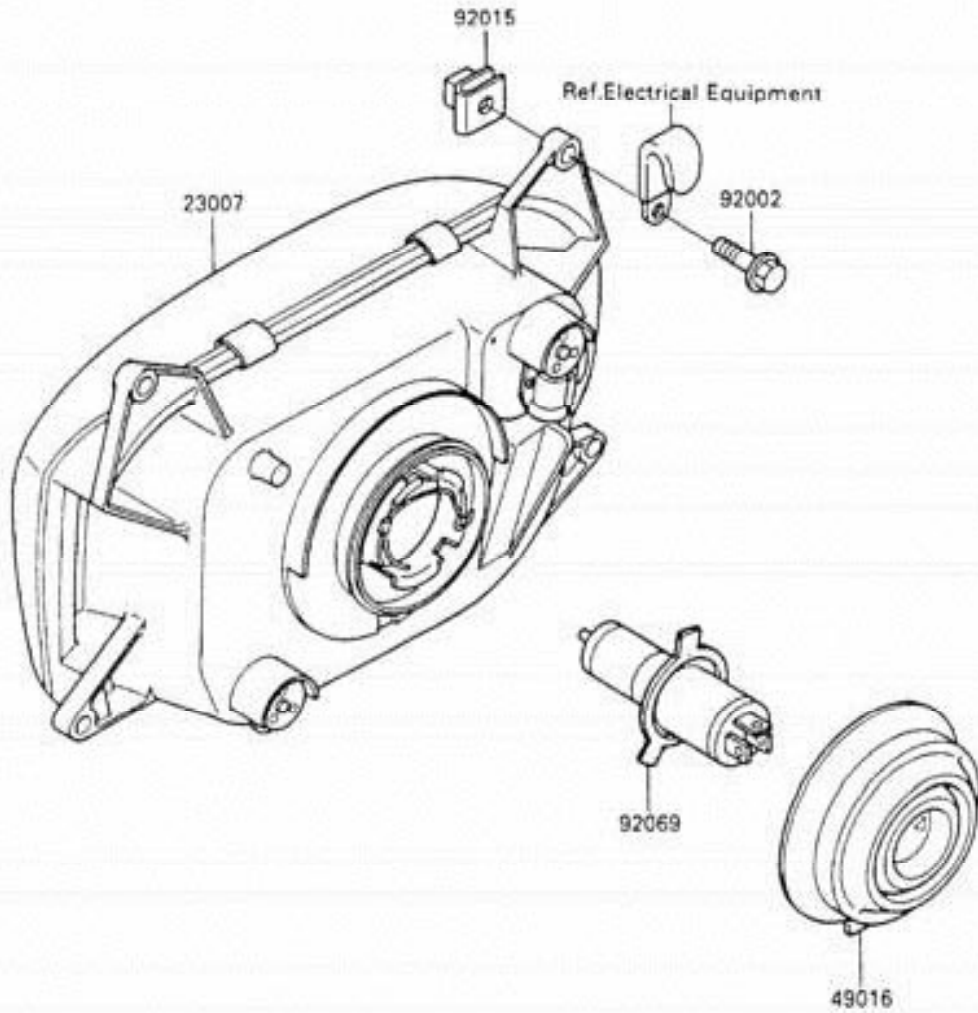


**HEADLIGHT(S)**

Ref #	Part #	Description	Qty	Spec Code
23007	23007-1155	LENS-COMP,HEAD LAMP	1	
49016	49016-1108	COVER-SEAL,HEAD LAMP	1	
92002	92002-1320	BOLT,6X25	4	
92015	92015-1094	NUT,6MM	4	
92069	92069-1002	BULB,12V 60/55W,H4	1	

## HEADLIGHT(S)

F27111-0217



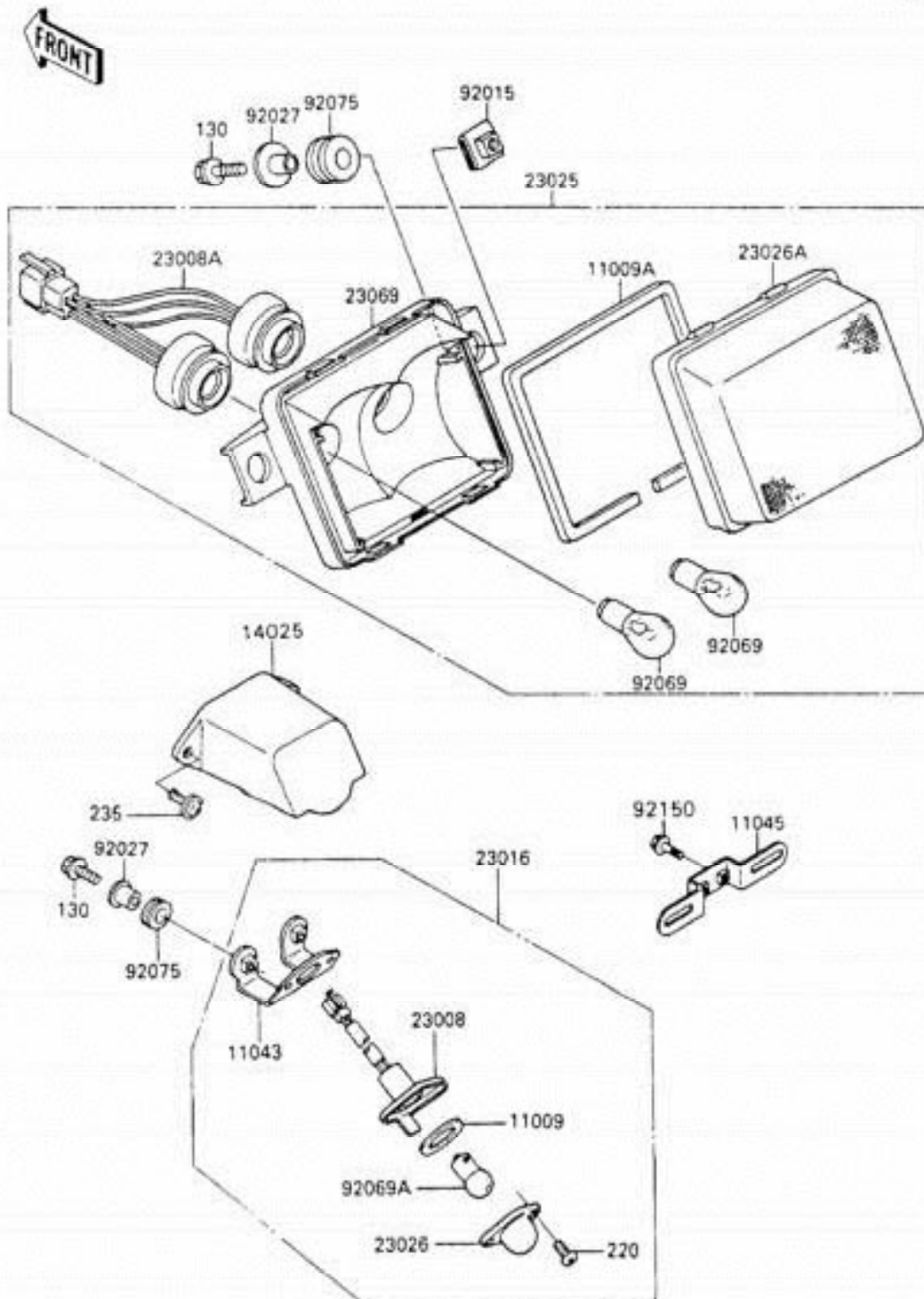
**TAILLIGHT(S)**

Ref #	Part #	Description	Qty	Spec Code
11009	11009-1372	GASKET,LICENSE PLATE LAMP	1	
11009A	11009-1662	GASKET,TAIL LAMP LENS	1	
11043	11043-1497	BRACKET,LICENSE PLATE LAMP	1	
11045	11045-1387	BRACKET,LICENSE	1	
14025	14025-1821	COVER,LICENSE PLATE LAMP	1	
23008	23008-1221	SOCKET-ASSY,LICENSE PLATE LAMP	1	
23008A	23008-1264	SOCKET-ASSY,TAIL LAMP	1	
23016	23016-1053	LAMP-ASSY,LICENSE PLATE	1	
23025	23025-1166	LAMP-TAIL	1	
23026	23026-1054	LENS,LAMP	1	
23026A	23026-1088	LENS,TAIL LAMP	1	
23069	23069-1078	BODY-TAIL LAMP	1	
92015	92015-1094	NUT,6MM	2	
92027	92027-251	COLLAR,L=13.1	4	
92069	92069-059	BULB,12V 27/8W	2	
92069A	92069-1012	BULB,12V 8W	1	
92075	92075-1690	DAMPER	4	
92150	92150-1133	BOLT,6X14	2	
130	130H0625	BOLT-FLANGED,6X25	4	
220	220B0410	SCREW-PAN-CROS	2	
235	235C0616	SCREW-PAN-WP-CROS	2	



# TAILLIGHT(S)

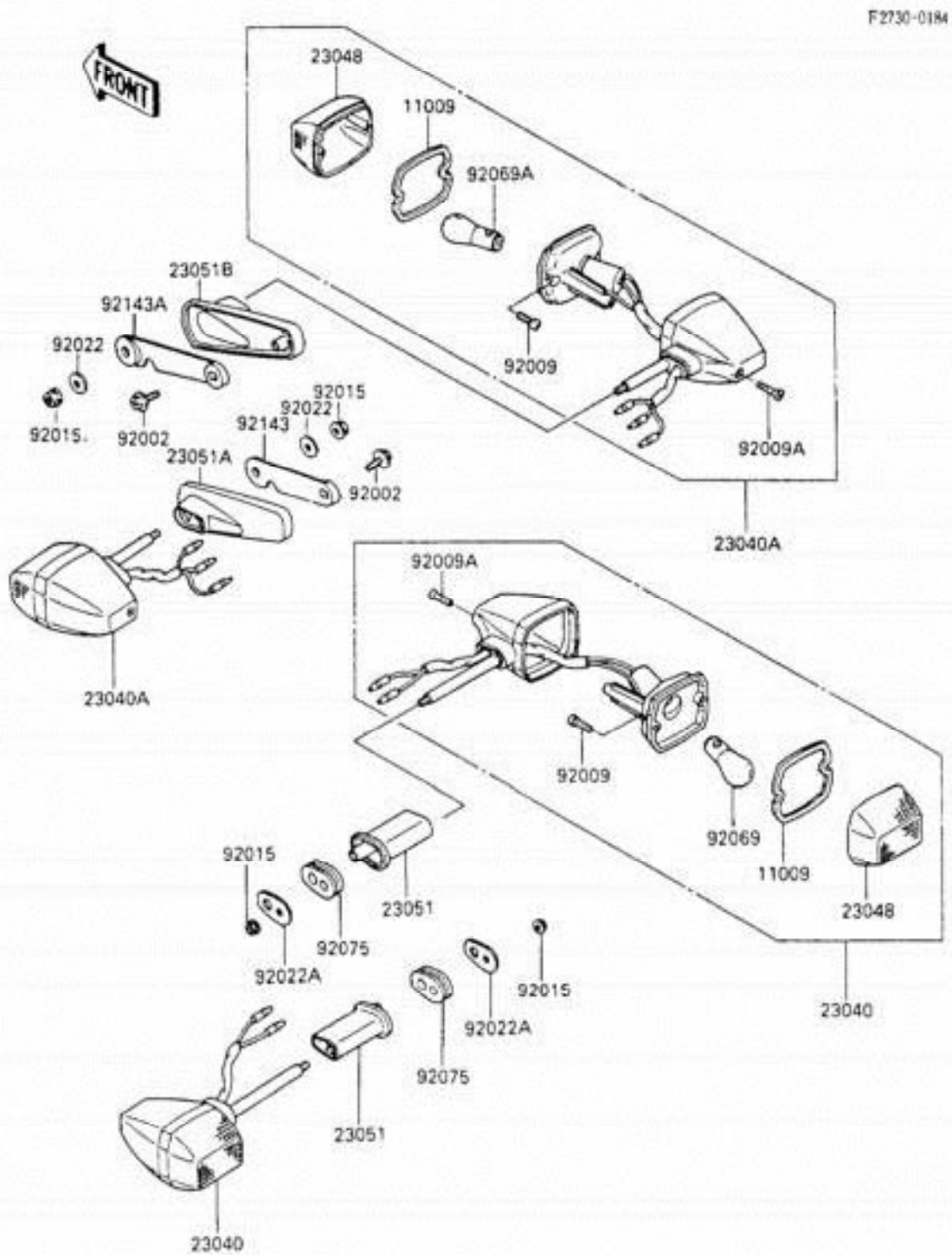
F 2720-0238



**TURN SIGNALS**

Ref #	Part #	Description	Qty	Spec Code
11009	11009-1402	GASKET,SIGNAL LAMP	4	
23040	23040-1108	LAMP-SIGNAL,RR	2	
23040A	23040-1157	LAMP-SIGNAL,FR	2	
23048	23048-1054	LENS-SIGNAL LAMP	4	
23051	23051-1165	BRACKET-SIGNAL LAMP	2	
23051A	23051-1185	BRACKET-SIGNAL LAMP,FR,LH	1	
23051B	23051-1186	BRACKET-SIGNAL LAMP,FR,RH	1	
92002	92002-1921	BOLT,TAPPING,5X16	2	
92009	92009-1115	SCREW,TAPPING,3X16	8	
92009A	92009-1304	SCREW,TAPPING,4X20	4	
92015	92015-1367	NUT,FLANGED,6MM	4	
92022	92022-125	WASHER,6.5X20X1.6	2	
92022A	92022-1672	WASHER,SIGNAL LAMP	2	
92069	92069-055	BULB,12V 32CP(23W)	2	
92069A	92069-060	BULB,12V 32/3CP(23/8W)	2	
92075	92075-1698	DAMPER,SIGNAL LAMP	2	
92143	92143-1099	COLLAR,SIGNAL LAMP,FR,LH	1	
92143A	92143-1102	COLLAR,SIGNAL LAMP,FR,RH	1	

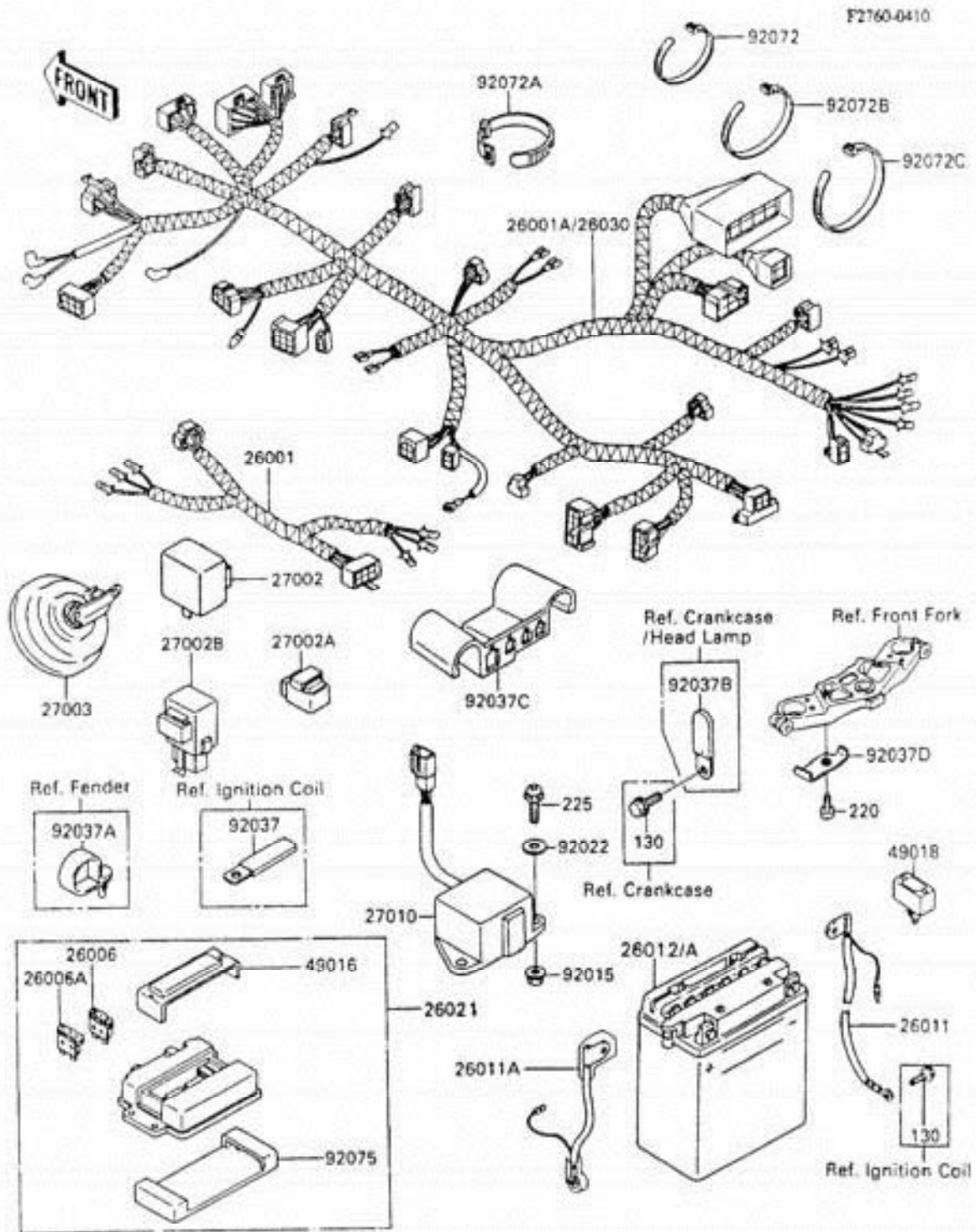
# TURN SIGNALS



**CHASSIS ELECTRICAL EQUIPMENT**

Ref #	Part #	Description	Qty	Spec Code
26001	26001-1854	HARNESS,FR	1	
26001A	26001-1939	HARNESS,MAIN	1	
26006	26006-1067	FUSE,30A-G	1	
26006A	26006-1068	FUSE,10A-R	5	
26011	26011-1195	WIRE-LEAD,BATTERY GROUND	1	
26011A	26011-1408	WIRE-LEAD,BATTERY(+)	1	
26012	26012-1217	BATTERY,12V 12AH,FB12A-A	1	
26021	26021-1077	JUNCTION BOX	1	
27002A	27002-1062	RELAY-ASSY	1	
27002B	27002-1063	RELAY-ASSY,SIGNAL LAMP	1	
27003	27003-1265	HORN	1	
27010	27010-1069	SWITCH,RESERVE LIGHTING	1	
49016	49016-1125	COVER-SEAL,FUSE	1	
49018	49018-1055	DIODE	1	
92015	92015-1367	NUT,FLANGED,6MM	2	
92022	92022-125	WASHER,6.5X20X1.6	2	
92037	92037-1069	CLAMP,WIRING HARNESS	1	
92037A	92037-1163	CLAMP,HOSE	4	
92037B	92037-1539	CLAMP,WIRING HARNESS	3	
92037C	92037-1899	CLAMP,HARNESS	1	
92037D	92037-1916	CLAMP,HARNESS	1	
92072	92072-031	BAND,L=149	4	
92072A	92072-056	BAND,L=186	2	
92072B	92072-1195	BAND,L=185	2	
92072C	92072-1197	BAND,L=365	1	
92075	92075-1688	DAMPER,JUNCTION BOX	1	
130	130B0610	BOLT-FLANGED,6X10	2	
220	220C0510	SCREW-PAN-CROS	1	
225	225B0625	SCREW-PAN-WSP-CROS	2	

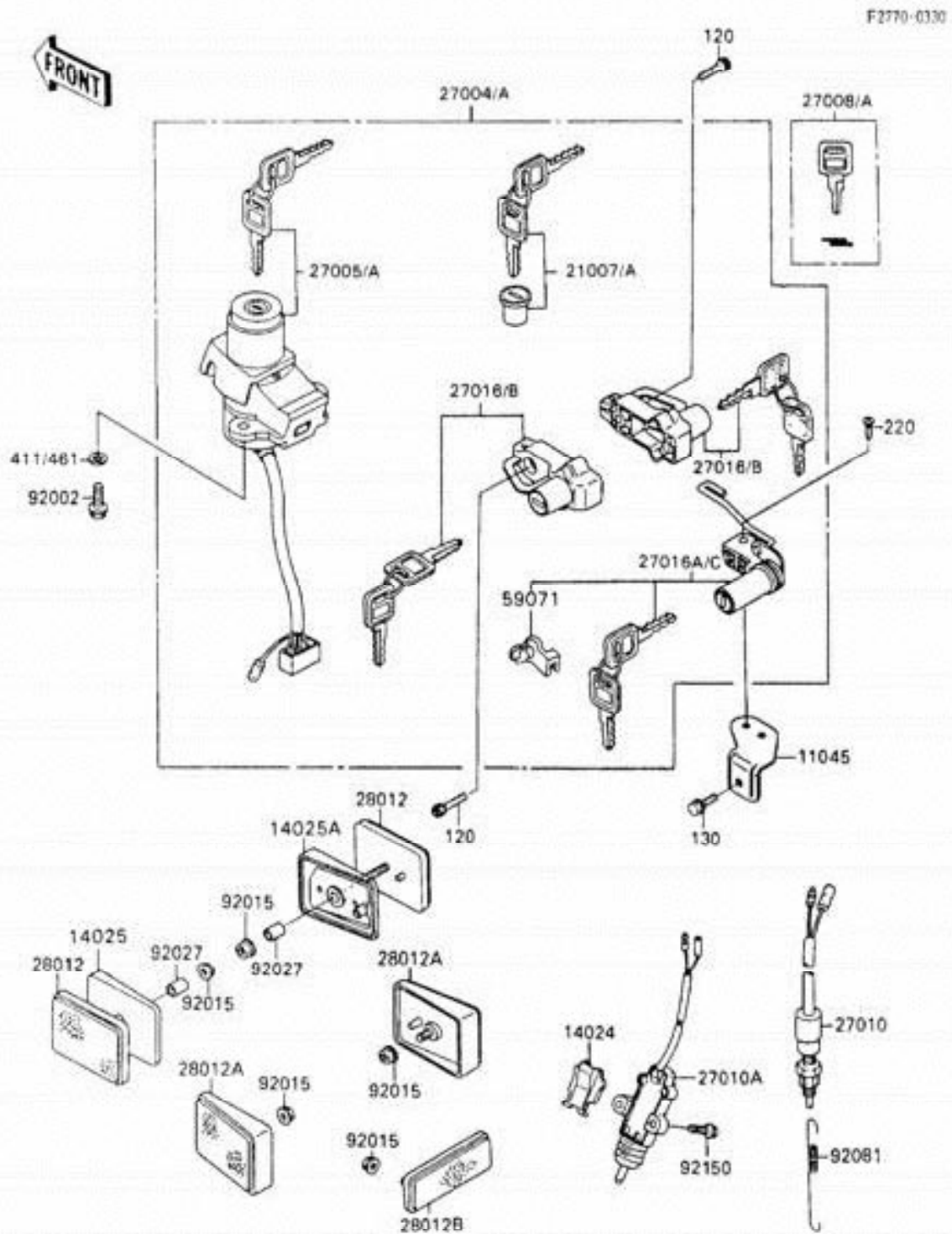
## CHASSIS ELECTRICAL EQUIPMENT



**IGNITION SWITCH/LOCKS/REFLECTORS**

Ref #	Part #	Description	Qty	Spec Code
11045	11045-1605	BRACKET,SEAT LOCK	1	
14024	14024-1532	COVER,SIDE STAND SWITCH	1	
14025	14025-1886	COVER,REFLECTOR,FR	1	
14025A	14025-1887	COVER,REFLECTOR,FR	1	
21007	21007-5019	ROTOR,LOCK,TANK CAP	1	
27004	27004-5306	SWITCH-ASSY	1	
27005	27005-5073	SWITCH-ASSY-IGNITION	1	
27008	27008-1103	KEY-LOCK,BLANK	1	(OPTION)
27010	27010-1093	SWITCH,BRAKE LAMP	1	
27010A	27010-1226	SWITCH,SIDE STAND	1	
27016	27016-5134	LOCK-ASSY,HELMET	2	
27016A	27016-5135	LOCK-ASSY,SEAT	1	
28012	28012-1052	REFLECTOR-REFLEX,FR	2	
28012A	28012-1056	REFLECTOR-REFLEX,RR	2	
28012B	28012-1077	REFLECTOR-REFLEX	1	
59071	59071-1103	JOINT	2	
92002	92002-1333	BOLT,TORX,6X16	2	
92015	92015-1259	NUT,FLANGED,5MM	5	
92027	92027-1789	COLLAR,5X8X14.5	2	
92081	92081-1704	SPRING,BRAKE LAMP SWITCH	1	
92150	92150-1019	BOLT,SOCKET,5X20	2	
120	120S0620	BOLT-SOCKET,6X20	2	
130	130B0614	BOLT-FLANGED	1	
220	220B0612	SCREW-PAN-CROS,6X12	2	
411	411E0600	WASHER-PLAIN,6MM	2	

# IGNITION SWITCH/LOCKS/REFLECTORS

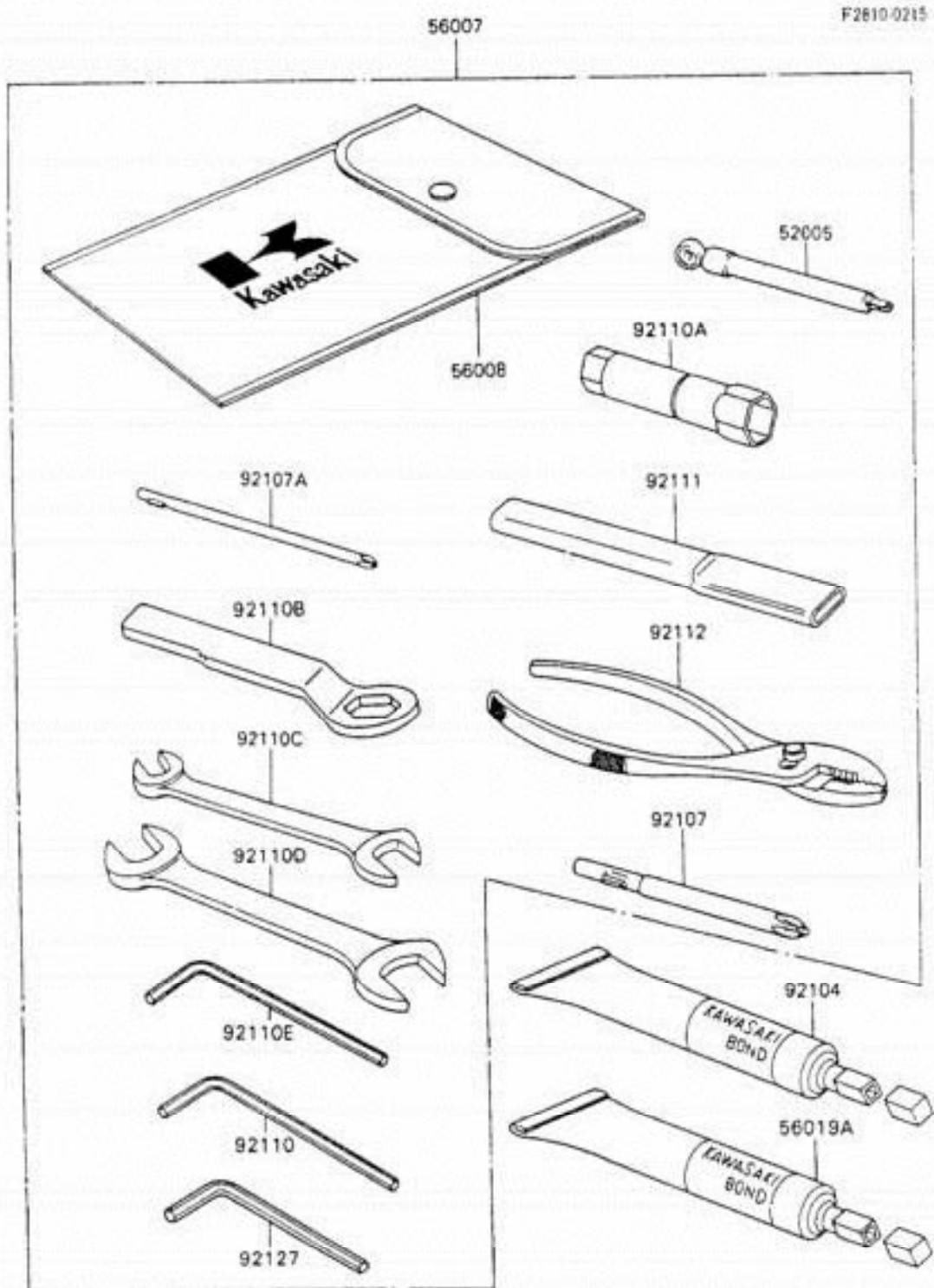


**OWNER'S TOOLS**

Ref #	Part #	Description	Qty	Spec Code
52005	52005-1031	GAUGE,AIR,3.5KGCM <sup>2</sup>	1	
56007	56007-1322	TOOLKIT	1	
56008	56008-1019	BAG,TOOL	1	
56019A	56019-120	THREE BOND TB1211,HT/RS,WHITE	1	
92104	92104-1003	GASKET-LIQUID,TUBE,100G,BLACK	1	
92107	92107-005	TOOL-DRIVER,#3PHILLIPS	1	
92107A	92107-1053	TOOL-DRIVER,#2PHILLIPS	1	
92110	92110-1015	TOOL-WRENCH,ALLEN,5MM	1	
92110A	92110-1111	TOOL-WRENCH,BOX,18MM	1	
92110B	92110-1150	TOOL-WRENCH,BOX END,24MM	1	
92110C	92110-1152	TOOL-WRENCH,OPEN END,10X12	1	
92110D	92110-1153	TOOL-WRENCH,OPEN END,14X17	1	
92110E	92110-3703	TOOL-WRENCH,ALLEN,4MM	1	
92111	92111-1051	TOOL-BAR,BOX END WRENCH	1	
92112	92112-003	TOOL-PLIERS	1	
92127	92127-003	TOOL-WRENCH,ALLEN,6MM	1	



# OWNER'S TOOLS

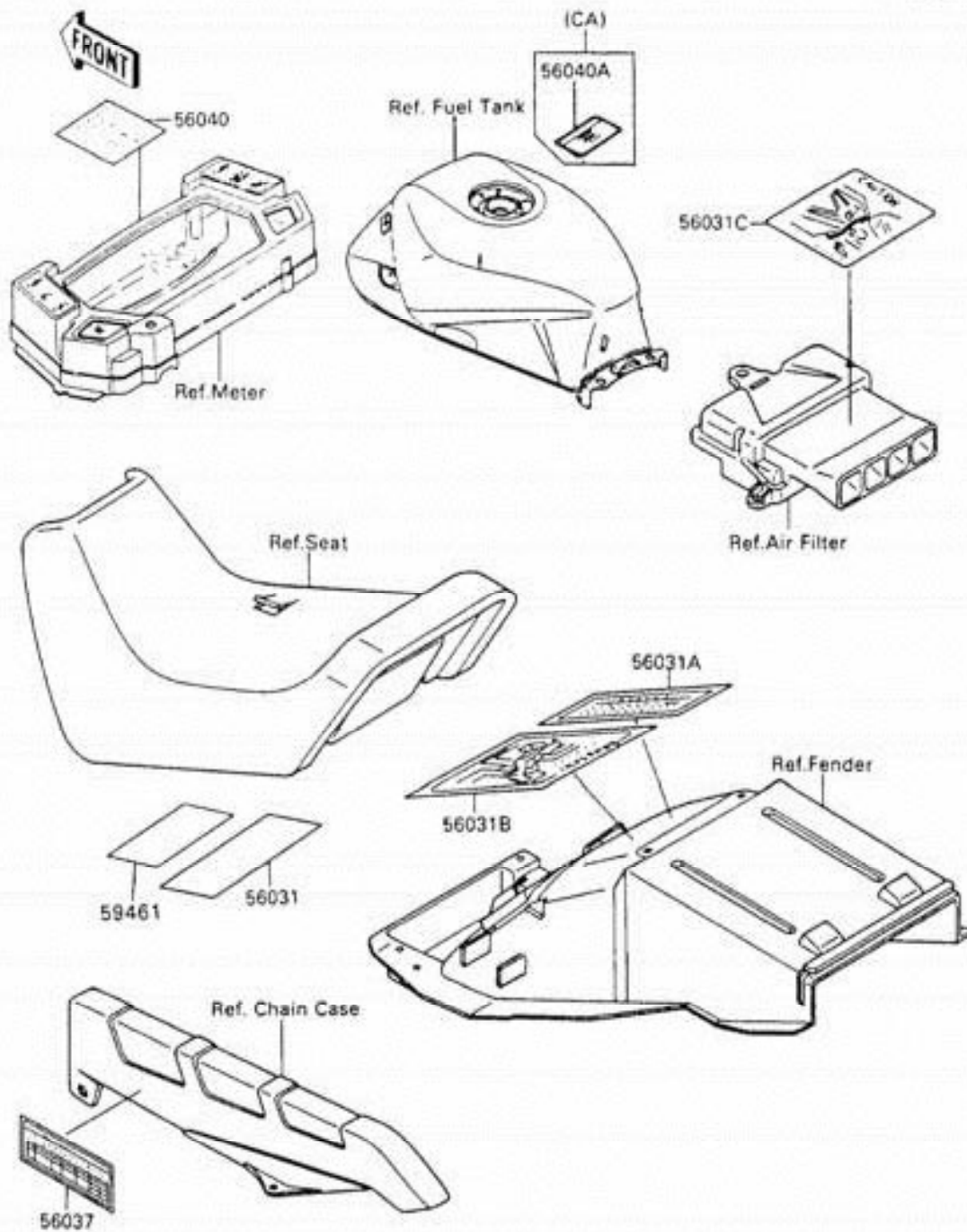


**LABELS**

Ref #	Part #	Description	Qty	Spec Code
56031	56031-1093	LABEL-MANUAL,OIL & OIL FILTER	1	
56031A	56031-1512	LABEL-MANUAL,CHAIN	1	
56031B	56031-1550	LABEL-MANUAL,DAILY SAFE TY	1	
56031C	56031-1551	LABEL-MANUAL,BATTERY VENT	1	
56037	56037-1430	LABEL-SPECIFICATION,TIRE&LOAD	1	
56040	56040-1007	LABEL-WARNING,BREAK IN CAUTION	1	
56040A	56040-1121	LABEL-WARNING,EVAPO	1	[CA]
59461	59461-1425	LABEL-CERTIFICATION,EVAPO ROUT	1	[CA]

# LABELS

F2860-0595

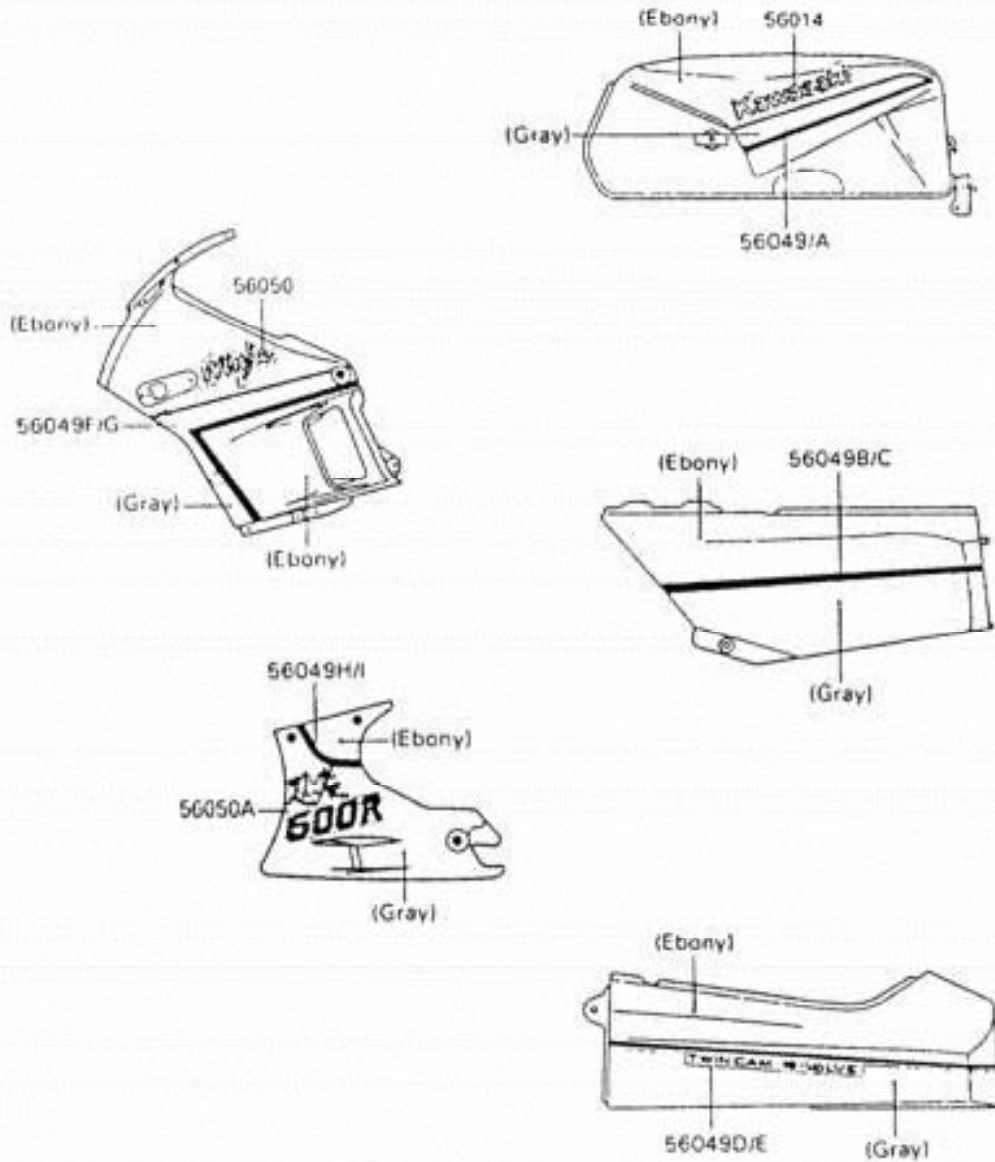


**DECALS (EBONY/GRAY)**

Ref #	Part #	Description	Qty	Spec Code
56014	56014-1231	EMBLEM,FUEL TANK,KAWASAKI	2	
56049	56049-1154	PATTERN,FUEL TANK,LH	1	
56049A	56049-1155	PATTERN,FUEL TANK,RH	1	
56049B	56049-1156	PATTERN,SIDE COVER,LH	1	
56049C	56049-1157	PATTERN,SIDE COVER,RH	1	
56049D	56049-1158	PATTERN,SEAT COVER,LH	1	
56049E	56049-1159	PATTERN,SEAT COVER,RH	1	
56049F	56049-1160	PATTERN,UPP COWLING,LH	1	
56049G	56049-1161	PATTERN,UPP COWLING,RH	1	
56049H	56049-1163	PATTERN,LWR COWLING,RH	1	
56049I	56049-1313	PATTERN,LWR COWLING,LH	1	
56050	56050-1163	MARK,NINJA	2	
56050A	56050-1392	MARK,NINJA/600R	2	

## DECALS (EBONY/GRAY)

F2861-0035



**COWLING (1/2)**

Ref #	Part #	Description	Qty	Spec Code
11045	11045-1538	BRACKET,COWLING	1	
14024	14024-1408-H8	COVER,HEAD LAMP,EBONY	1	
14024A	14024-1538	COVER,COWLING,INNER,RH	1	
14025	14025-1756	COVER,TRIM END	2	
39154	39154-1107	WINDSHIELD	1	
53044	53044-1130	TRIM,WINDSHIELD	1	
53044A	53044-1193	TRIM,COWLING,LH	1	
53044B	53044-1194	TRIM,COWLING,RH	1	
53044C	53044-1198	TRIM	1	
55048Q	55048-5330-H8	COWLING.,UPP,LH,EBONY	1	
55048R	55048-5331-H8	COWLING.,UPP,RH,EBONY	1	
55048T	55048-5332-T8	COWLING.,LWR,P.G.GRAY	1	
56001	56001-1317	MIRROR-ASSY,LH	1	
56001A	56001-1318	MIRROR-ASSY,RH	1	
92002	92002-1514	BOLT,SOCKET,6X18,BLACK	2	
92002A	92002-1954	BOLT,SOCKET,6X30,BLACK	2	
92009	92009-1288	SCREW,6X14	4	
92009A	92009-1301	SCREW,5X16,BLACK	6	
92009B	92009-1453	SCREW,5X20,BLACK	8	
92015	92015-1174	NUT,CAP,8MM,BLACK	1	
92015A	92015-1640	NUT,WELL,5MM	10	
92015B	92015-1710	NUT,5MM	4	
92022	92022-1521	WASHER,NYLON,5.3X11.5X1.5	6	
92022A	92022-1654	WASHER,6.5X16X1.0	2	
92071	92071-056	GROMMET	2	
92075	92075-1634	DAMPER	2	
92075A	92075-1929	DAMPER,MIRROR	2	
92075B	92075-1936	DAMPER	2	
92143	92143-1086	COLLAR,L=6.5,BLACK	2	
92143A	92143-1100	COLLAR,L=19.6	2	
92143B	92143-1226	COLLAR,BLACK	2	
130	130C0812	BOLT-FLANGED,8X12,BLACK	2	
221	221C0630	SCREW-CSK-CROS,6X30	4	

# COWLING (1/2)

