

Manual Despiece

Kawasaki ZL750-A3 Eliminator modelo 1990

www.manuales.8k.com

AIR CLEANER
BATTERY CASE/TOOL CASE
BRAKE PEDAL/TORQUE LINK
CABLES
CAMSHAFTS/CHAIN/TENSIONER
CANISTER
CARBURETOR ASSY
CARBURETOR PARTS
CHASSIS ELECTRICAL EQUIPMENT
CLUTCH
CRANKCASE
CRANKCASE BOLT PATTERN
CRANKSHAFT
CYLINDER HEAD
CYLINDER HEAD COVER
CYLINDER/PISTON
DRIVE SHAFT/FINAL GEARS
ENGINE COVERS
FENDERS
FOOTRESTS
FRAME
FRAME FITTINGS
FRONT BEVEL GEARS
FRONT BRAKE
FRONT FORK
FRONT MASTER CYLINDER
FRONT WHEEL/HUB
FUEL TANK
IGNITION
HEADLIGHT
GEAR CHANGE DRUM & FORKS
GEAR CHANGE MECHANISM
GENERATOR/REGULATOR
HANDLEBAR



IGNITION SWITCH/LOCKS/REFLECTORS

LABELS

METERS

MUFFLERS

OIL PAN

OIL PUMP/OIL FILTER

OWNER TOOLS

RADIATOR/FAN/WATER PUMP

REAR WHEEL/HUB/BRAKE

ROCKER ARMS/VALVES

SEAT

SECONDARY SHAFT

SHOCK ABSORBERS

TURN SIGNALS

STAND

STARTER MOTOR/STARTER CLUTCH

SWING ARM

TAILLIGHT

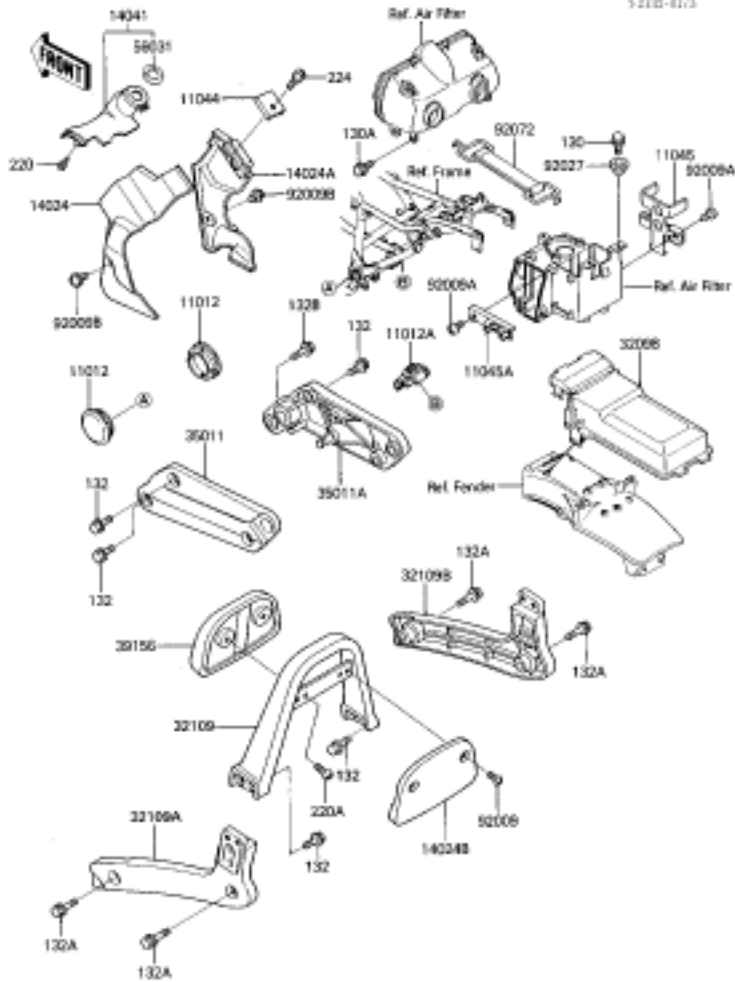
TIRES

TRANSMISSION



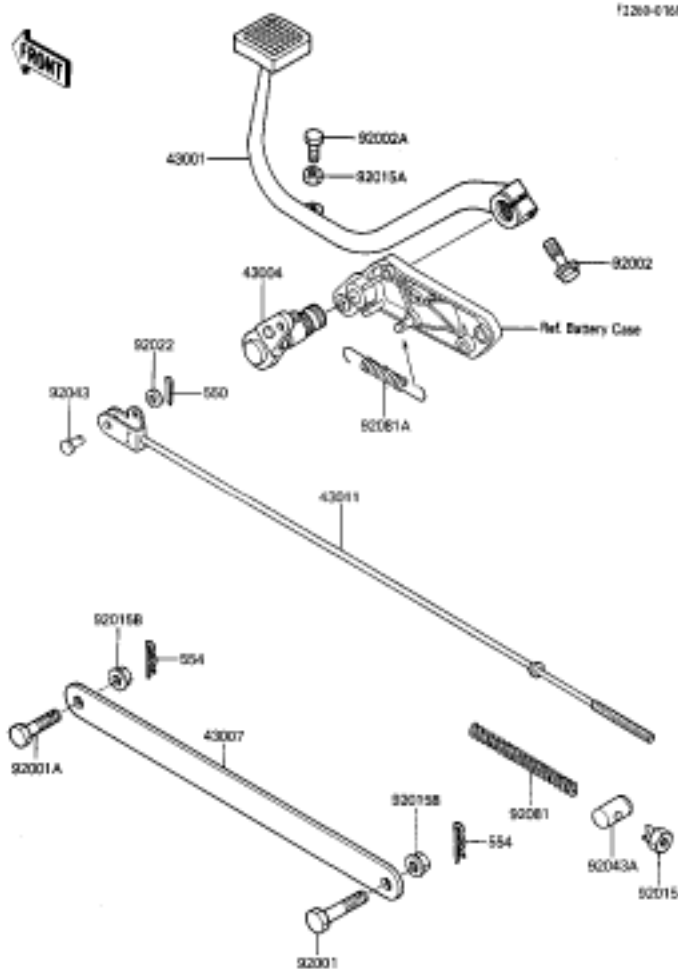
Ref #	Part #	Description	Qty	Spec Code
11010	11010-1281	FILTER-ASSY-AIR,RR	1	
11010A	11010-1286	FILTER-ASSY-AIR,FR	1	US
11010B	11010-1287	FILTER-ASSY-AIR,FR	1	CA
11010C	11010-1291	FILTER-ASSY-AIR,FR (Canada)	1	CN
11012	11012-1503	CAP,AIR FILTER ELEMEN	1	
11013	11013-1139	ELEMENT-AIR FILTER	1	
13183	13169-1657	PLATE,AIR FILTER ELEM	1	
13183A	13169-1664	PLATE,IGNITION COIL	1	
14024	14024-1215	COVER,AIR INTAKE	1	
14073	14073-1211	DUCT,CARBURETOR	4	
14073A	14073-1249	DUCT,LH	1	
14073B	14073-1250	DUCT,RH	1	
14073C	14073-1251	DUCT,AIR INTAKE	1	
16126	16126-1005	VALVE ASSY,AIR SWITCH	1	CA
36001	36001-1326	COVER-SIDE,AIR FILTER	1	
36001A	36001-1327	COVER-SIDE,AIR FILTER	1	
92005	92005-1017	FITTING,TUBE	1	CA
92037	92037-072	CLAMP-PIPE	2	CA
92037A	92037-1076	CLAMP	1	CA
92037B	92037-1554	CLAMP	1	
92037C	92037-1730	CLAMP	1	
92037D	92037-213	CLAMP,BREATHER TUBE	4	CA
92059	92059-1040	TUBE,4X9X220L	1	CA
92059A	92059-1365	TUBE,4X9X80	1	CA
92059B	92059-1545	TUBE,BREATHER	1	
92059C	92059-1674	TUBE,AIR SWITCH VALVE	1	CA
92059D	92059-1675	TUBE,AIR SWITCH VALVE	1	CA
92059E	92059-1684	TUBE,AIR SWITCH-AIR F	1	CA
92059F	92059-1712	TUBE	1	CA
92071	92071-1013	GROMMET,AIR CLEANER	1	CA
92071A	92071-1114	CAGROMMET,AIR FILTER	1	
92075	92075-1470	DAMPER,AIR FILTER	6	

92081	92081-1177	SPRING	1	
92081A	92144-1771	SPRING,AIR FILTER DUC	4	
92093	92093-1212	SEAL,AIR FILTER CAP	1	
130	130B0610	BOLT,FLANGED,6X10	1	
224	224B0612	SCREW-PAN-WP-CROS	3	
702	702A051430	TUBE,5X1430	1	

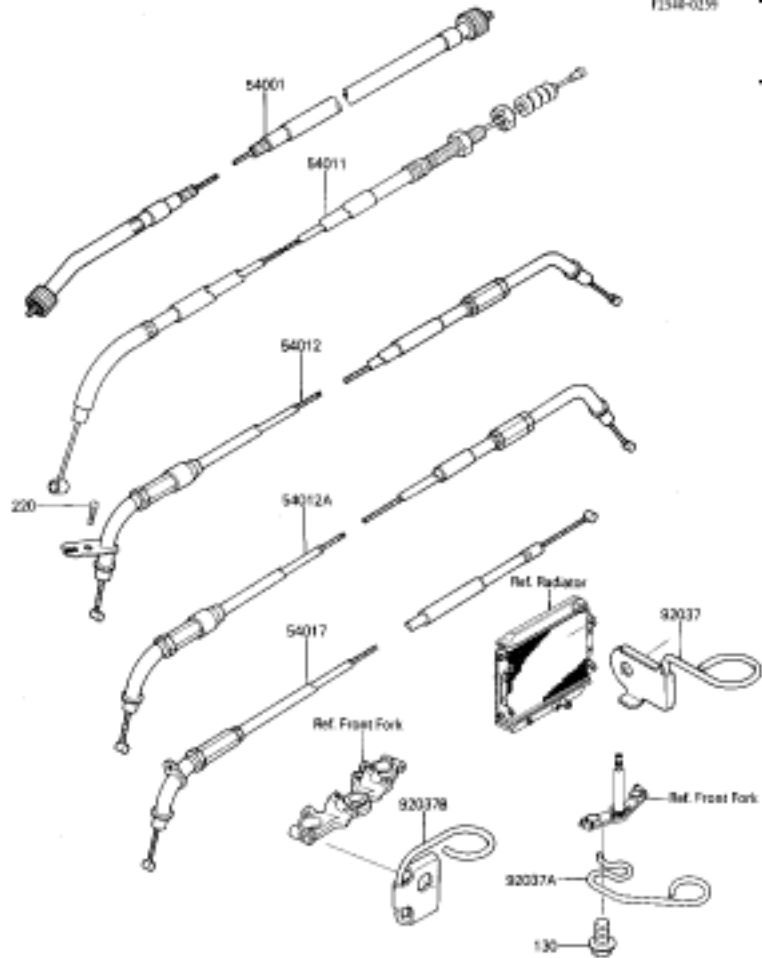


Ref #	Part #	Description	Qty	Spec Code
11012	11012-1688	CAP,SWING ARM	2	
11012A	11012-1554	CAP	1	
11044	11044-1293	BRACKET,GUSSET COVER	1	
11045	11044-1810	BRACKET,ELECTRIC BASE	1	
11045A	11045-1210	BRACKET,JUNCTION BOX	1	
14024	14024-1242	COVER,HEAD GUSSET,LH	1	
14024A	14024-1243	COVER,HEAD GUSSET,RH	1	
14024B	14024-1249	COVER,FRAME GRIP	1	
14041	14041-1062	COVER-COMP,HANDLE HOL	1	
32098	32098-1072	CASE-TOOL	1	
32109	32109-1141	GRIP-FRAME,UPP	1	
32109A	32109-1150	GRIP-FRAME,LWR,LH	1	
32109B	32109-1151	GRIP-FRAME,LWR,RH	1	
35011	35011-1296	STAY,MUFFLER,LH	1	
35011A	35011-1297	STAY,MUFFLER,RH	1	
39156	39156-1064	PAD,GRABRAIL	1	
56031	56031-1419	LABEL-MANUAL,IGNITION	1	
92009	92009-1182	SCREW,5X12,BLACK	2	
92009A	92009-1261	SCREW,TAPPING,6MM	2	
92009B	92009-1402	SCREW,6X10	2	
92027	92027-122	COLLAR	2	
92072	92072-1097	BAND,BATTERY	1	
130	130B0610	BOLT,FLANGED,6X10	2	
130A	130C0612	BOLT-FLANGED,6X12	2	
132	132E0825	BOLT-FLANGED-SMALL	7	
132A	132E0830	BOLT-FLANGED-SMALL	4	
132B	132E0835	BOLT-FLANGED-SMALL	1	
220	220B0510	SCREW PAN HEAD 5X10	2	
220A	220B0612	SCREW PAN HEAD 6X12	2	
224	224C0516	SCREW (5 X 16)	1	

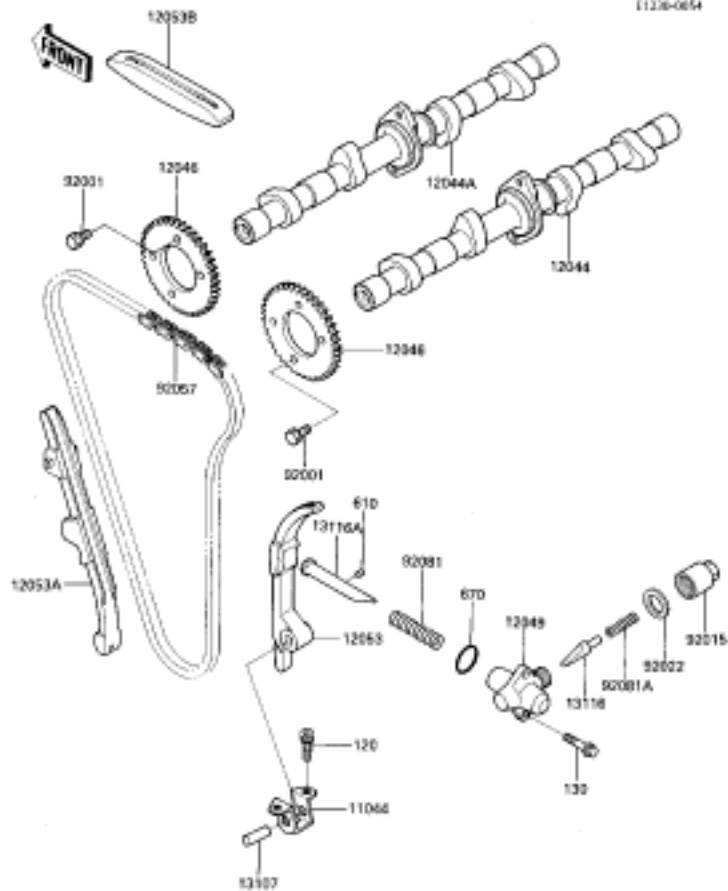
FRONT



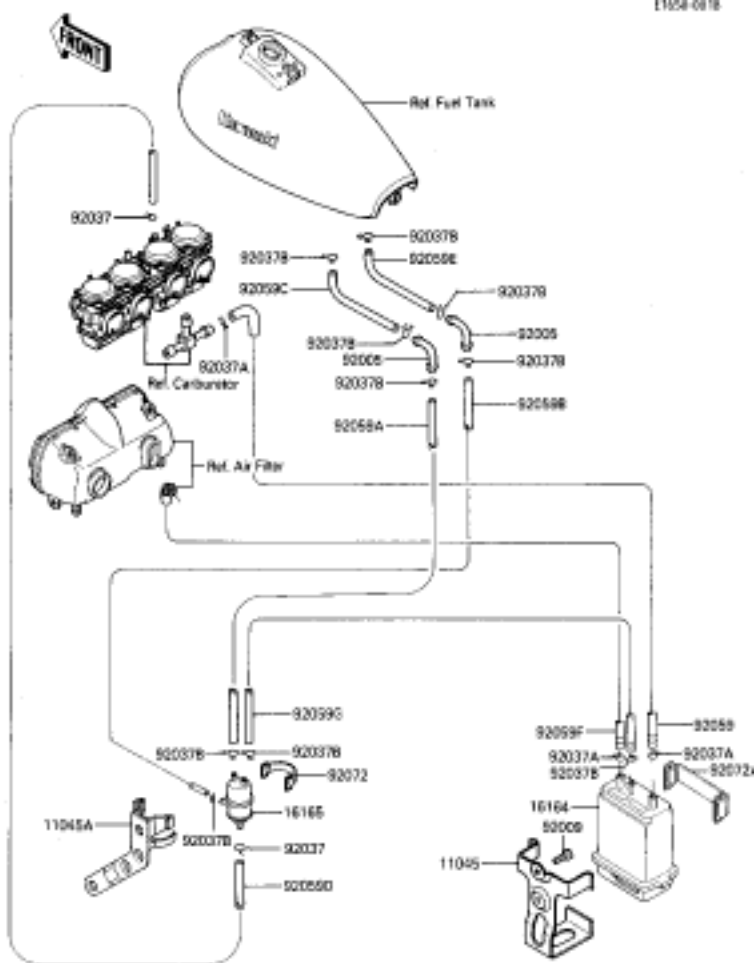
Ref #	Part #	Description	Qty	Spec Code
43001	43001-1206	LEVER-BRAKE,PEDAL	1	
43004	43004-1116	SHAFT-BRAKE	1	
43007	43007-1028	ROD-TORQUE	1	
43011	43011-1130	ROD-BRAKE	1	
92001	92001-1519	BOLT	1	
92001A	92003-096	BOLT	1	
92002	92002-1201	BOLT,FLANGED,8X25	1	
92002A	92002-1373	BOLT,6X20	1	
92015	92015-042	NUT-BRAKE ROD ADJUST	1	
92015A	92015-1391	NUT,6MM	1	
92015B	92015-1428	NUT,FLANGED,10MM	2	
92022	410B0600	WASHER PLAIN 6MM	1	
92043	92043-064	PIN-BRAKE ROD FITTING	1	
92043A	92043-065	PIN-BRAKE ROD	1	
92081	43012-001	SPRING,BRAKE ROD	1	
92081A	92081-1561	SPRING,SIDE STAND,BLA	1	
550	550D2015	PIN COTTER 2.0X15	1	
554	554A0800	PIN,SNAP	2	



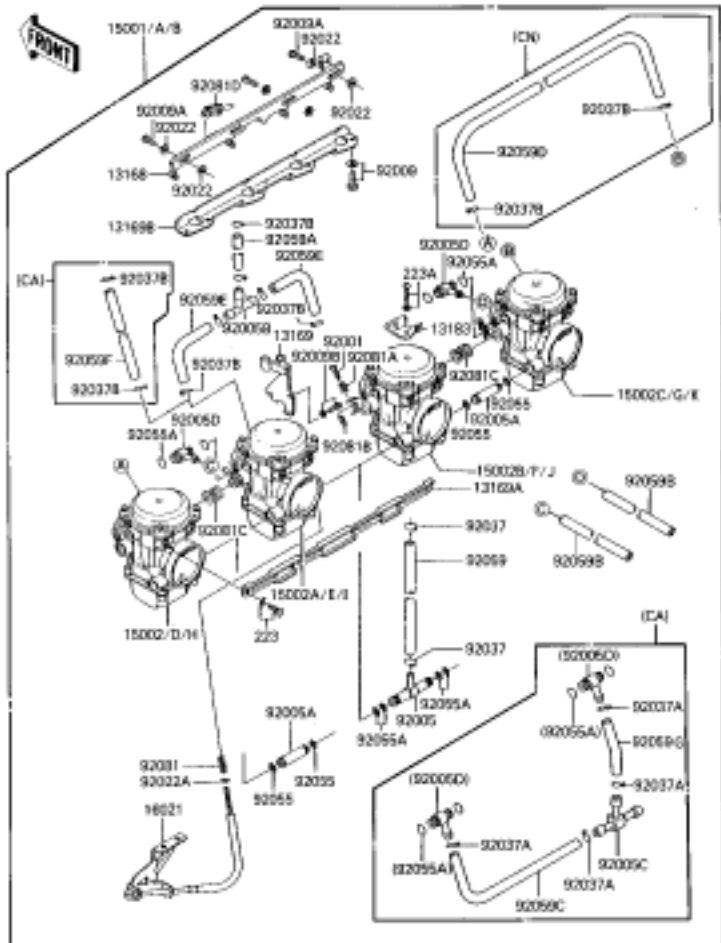
Ref #	Part #	Description	Qty	Spec Code
54001	54001-1117	CABLE-SPEEDOMETER	1	
54011	54011-1242	CABLE-CLUTCH	1	
54012	54012-1298	CABLE-THROTTLE,OPENIN	1	
54012A	54012-1299	CABLE-THROTTLE,CLOSIN	1	
54017	54017-1075	CABLE-STARTER	1	
92037	92037-1755	CLAMP,CLUTCH CABLE	1	
92037A	92037-1813	CLAMP	1	
92037B	92037-1814	CLAMP	1	
130	130D0612	BOLT-FLANGED	1	
220	220C0514	SCREW-PAN-CROSS,5X14	1	



Ref #	Part #	Description	Qty	Spec Code
11044	11044-1079	BRACKET,CHAIN GUIDE	1	
12044	12044-1203	CAMSHAFT-VALVE,INTAKE	1	
12044A	12044-1204	CAMSHAFT-VALVE,EXHAUS	1	
12046	12046-1078	SPROCKET,CAMSHAFT,42T	2	
12049	12049-1009	TENSIONER,CAM CHAIN	1	
12053	12053-1158	GUIDE-CHAIN,RR	1	
12053A	12053-1159	GUIDE-CHAIN,FR	1	
12053B	12053-1160	GUIDE-CHAIN,HEAD	1	
13107	13107-1142	SHAFT,L=24.5	1	
13116	13116-1012	ROD,PUSH,CAM CHAIN	1	
13116A	13116-1020	ROD,PUSH,CAM CHAIN	1	
92001	92003-208	BOLT,SPROCKET FITTING	4	
92015	92015-1100	CAP,TENSIONER,18M/M	1	
92022	92022-1175	WASHER,18.3X24X1.4T	1	
92057	92057-1190	CHAIN,CAMSHAFT,82RH20	1	
92081	92081-1075	SPRING,TENSIONER	1	
92081A	92081-1302	SPRING,TENSIONER	1	
120	120P0618	BOLT,ALLEN,6X18	2	
130	130Y0625	BOLT-FLANGED	2	
610	610A0408	PIN DOWEL 4X8	1	
670	670B2021	"O" RING,21MM	1	



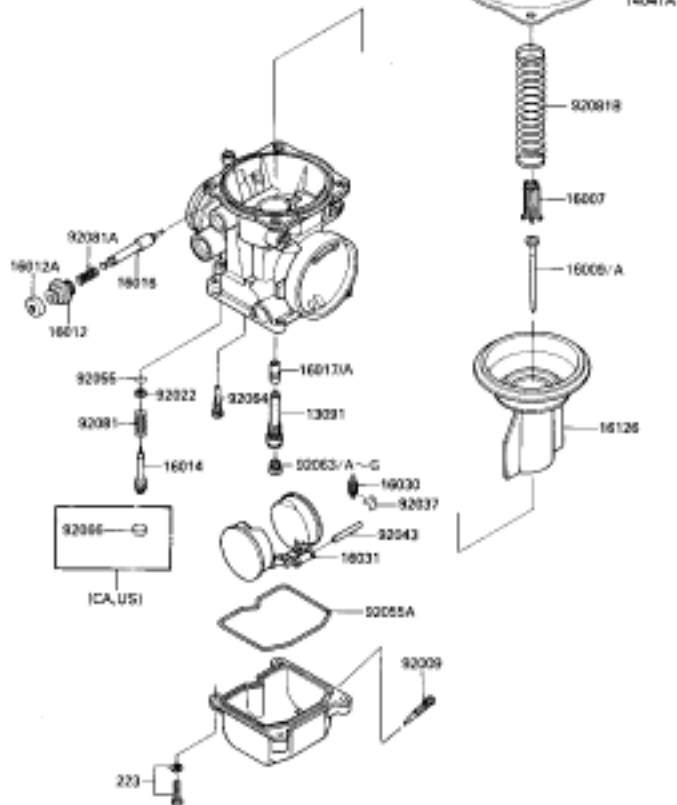
Ref #	Part #	Description	Qty	Spec Code
11045	11044-1876	BRACKET,CANISTER	1	CA
11045A	11044-1877	BRACKET,SEPARATOR	1	CA
16164	16164-1052	CANISTER	1	CA
16165	16165-1001	SEPARATOR	1	CA
92005	92005-1147	FITTING	2	CA
92009	92009-1261	SCREW,TAPPING,6MM	2	CA
92037	92037-072	CLAMP-PIPE	2	CA
92037A	92037-1104	CLAMP-HOSE	3	CA
92037B	92037-147	CLAMP,CHAIN OILER	10	CA
92059	92059-1421	TUBE,7X12X1060,GREEN	1	CA
92059A	92059-1499	TUBE,5X10X320,BLUE	1	CA
92059B	92059-1501	TUBE,5X10X430,RED	1	CA
92059C	92059-1527	TUBE,5X10X510,BLUE	1	CA
92059D	92059-1574	TUBE,4X9X640,WHITE	1	CA
92059E	92059-1606	TUBE	1	CA
92059F	92059-1710	TUBE	1	CA
92059G	92059-1711	TUBE	1	CA
92072	92072-066	BAND,TOOL	1	CA
92072A	92072-071	CABAND,BATTERY	1	



Ref #	Part #	Description	Qty	Spec Code
13168	13168-1280	LEVER,STARTER	1	
13169	13169-1962	PLATE,THROTTLE CABLE	1	
13169A	13169-1963	PLATE,CARBURETOR STAY	1	
13169B	13169-1964	PLATE,CARBURETOR STAY	1	
13183	13183-1033	PLATE	1	
15001	15001-1234	CARBURETOR-ASSY	1	US
15001A	15001-1235	CARBURETOR-ASSY	1	CA
15001B	15001-1268	CARBURETOR-ASSY (Canada)	1	CN
15002	15002-1334	CARBURETOR,LH,OUTSIDE	1	US
15002A	15002-1335	CARBURETOR,LH,INSIDE	1	US
15002B	15002-1336	CARBURETOR,RH,INSIDE	1	US
15002C	15002-1337	CARBURETOR,RH,OUTSIDE	1	US
15002D	15002-1338	CARBURETOR,LH,OUTSIDE (Canada)	1	CN
15002E	15002-1339	CARBURETOR,LH,INSIDE (Canada)	1	CN
15002F	15002-1340	CARBURETOR,RH,INSIDE (Canada)	1	CN
15002G	15002-1341	CARBURETOR,RH,OUTSIDE (Canada)	1	CN
15002H	15002-1342	CARBURETOR	1	CA
15002I	15002-1343	CARBURETOR	1	CA
15002J	15002-1344	CARBURETOR	1	CA
15002K	15002-1345	CARBURETOR	1	CA
16021	16021-1114	SCREW-THROTTLE STOP	1	
92001	92001-1998	BOLT,THROTTLE ADJUST	3	
92005	92005-1108	FITTING,FUEL,T-TYPE	1	
92005A	92005-1109	FITTING,FUEL,I-TYPE	2	
92005B	92005-1112	FITTING,FUEL,T-TYPE	1	CN
92005C	92005-1135	FITTING,T-TYPE	1	CA
92005D	92005-1125	FITTING,T-TYPE	2	
92009	92009-1129	SCREW,6X16	8	
92009A	92009-1262	SCREW	3	
92009B	92009-1365	SCREW	1	
92022	92022-1199	WASHER,6.1X11X0.8,POL	6	
92022A	92022-1480	WASHER,PLAIN,STOP SPR	1	

92037	92037-1075	CLAMP,FUEL INLET TUBE	2	
92037A	92037-1194	CLAMP,TUBE	4	CA
92037B	92037-1477	CLAMP,TUBE,OVERFLOW	2	CA
92037B	92037-1477	CLAMP,TUBE,OVERFLOW	6	CA
92037B	92037-1477	CLAMP,TUBE,OVERFLOW	8	CA
92055	92055-1004	"O" RING	4	
92055A	92055-1223	RING-O,FUEL FITTING	8	
92059	92059-1029	TUBE,FUEL INLET	1	
92059A	92059-1173	TUBE,5X9X200	1	CN
92059B	92059-1376	TUBE,6.5X9.5X290	2	CN
92059C	92059-1639	TUBE,7X11X260	1	CA
92059D	92059-1626	TUBE,5X9X320	1	CN
92059E	92059-1627	TUBE,5X9X90	2	CN
92059F	92059-1713	TUBE,5X9X120	1	CA
92059G	92059-1735	TUBE	1	CA
92081	92081-1617	SPRING,THROTTLE STOP	1	
92081A	92081-1620	SPRING,THROTTLE ADJUS	3	
92081B	92081-1621	SPRING,THROTTLE ADJUS	3	
92081C	92081-1622	SPRING,THROTTLE ADJUS	2	
92081D	92081-1913	SPRING,STARTER LEVER	1	
223	223C0510	SCREW-PAN-WS-CROS	8	
223A	223D0410	SCREW-PAN-WS-CROS	1	

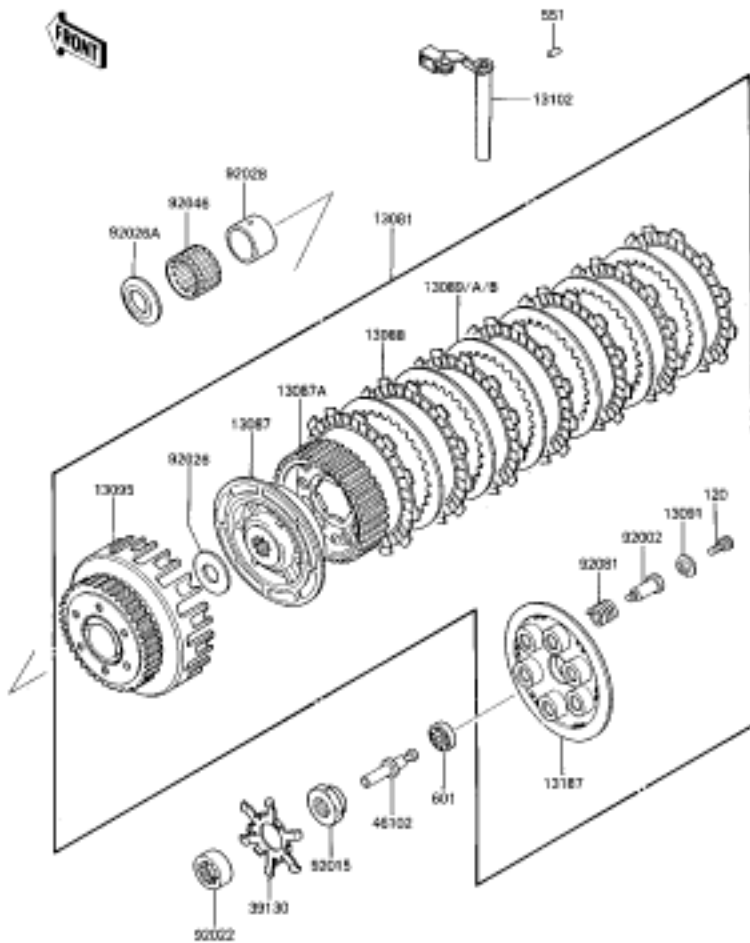
FRONT



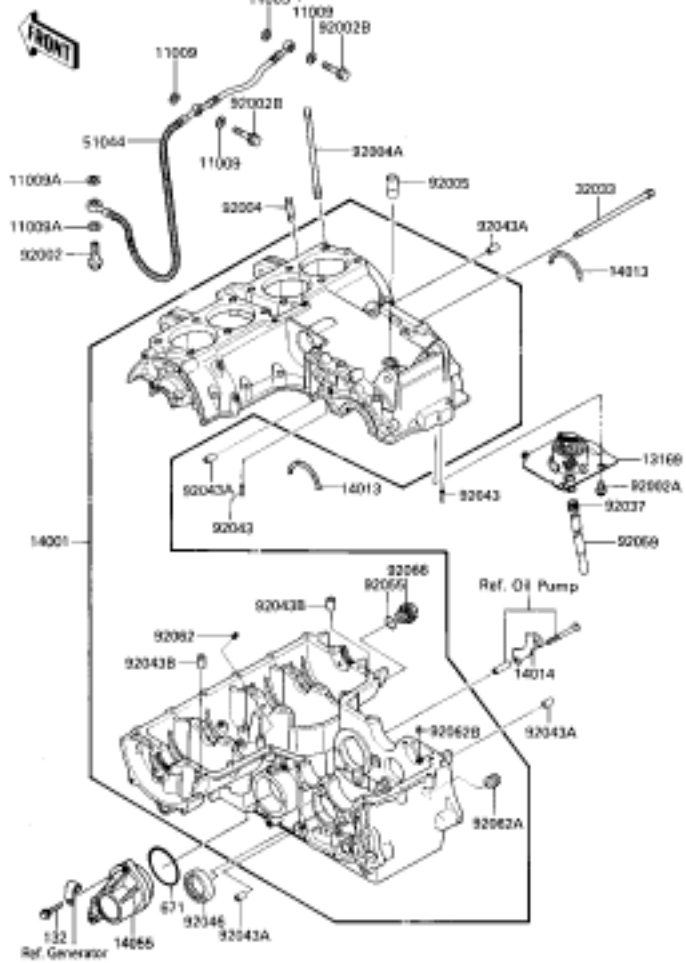
Ref #	Part #	Description	Qty	Spec Code
13091	13091-1406	HOLDER,NEEDLE JET	4	
14041	14041-1076	TOP-CHAMBER,MIXING,OU	2	
14041A	14041-1077	TOP-CHAMBER,MIXING,IN	2	
16007	16007-1120	SEAT-SPRING	4	
16009	16009-1309	NEEDLE-JET,N27X	4	CA
16009A	16009-1310	NEEDLE-JET,N27Z (Canada)	4	CN
16012	16012-1051	CAP-STARTER PLUNGER	4	
16012A	16012-1052	CAP-STARTER PLUNGER	4	
16014	16014-1054	SCREW-PILOT AIR	4	
16016	16016-1061	PLUNGER,STARTER	4	
16017	16017-1292	JET-NEEDLE (Canada)	4	CN
16017A	16017-1314	JET-NEEDLE	4	CA
16030	16030-1007	FLOAT VALVE	4	
16031	16031-1056	FLOAT	4	
16126	16126-1159	VALVE,VACUUM	4	
92009	92009-1095	SCREW,DRAIN	4	
92022	92022-1003	WASHER,PLAIN	4	
92037	16044-007	CLIP,FLOAT VALVE	4	
92043	92043-1148	PIN,FLOAT	4	
92055	92055-1002	O RING,PILOT ADJ	4	
92055A	92055-1222	RING-O,FLOAT CHAMBER	4	
92063	92063-1001	MAIN JET,2ND,#95	4	
92063A	92063-1003	MAIN JET,2ND,#90	4	CN
92063B	92063-1003	MAIN JET,2ND,#90	4	CA
92063C	92063-1004	MAIN JET,#92,2ND	4	CA
92063D	92063-1004	MAIN JET,#92,2ND	4	CN
92063E	92063-1005	MAIN JET,#2ND,#98	4	CA
92063F	92063-1023	MAIN JET,2ND,#85	4	CN
92063G	92063-1024	MAIN JET,2ND #88	4	
92064	92064-1035	PILOT JET,#35	4	
92066	92066-1051	PLUG,PILOT SCREW	4	CA
92081	92081-1002	SPRING,PIROT ADJ SCRW	4	

92081A	92081-1761	SPRING,STARTER PLUNGE	4	
92081B	92081-1912	SPRING,VACUUM VALVE	4	
220	220B0408	SCREW PAN HEAD 4X8	15	
223	223C0416	SCREW-PAN-WS-CROS	16	

FRONT



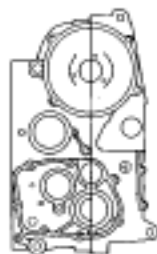
Ref #	Part #	Description	Qty	Spec Code
13081	13081-1227	CLUTCH-ASSY	1	
13087	13087-1079	HUB-CLUTCH	1	
13087A	13087-1080	HUB-CLUTCH	1	
13088	13088-040	PLATE,CLUTCH FRICTION	7	
13089	13089-026	PLATE,CLUTCH STEEL	AR	
13089A	13089-1004	PLATE,CLUTCH,STEEL	AR	
13089B	13089-1067	PLATE-CLUTCH,T=2.6	AR	
13091	13091-1041	HOLDER,CLUTCH,SPRING	6	
13095	13095-1128	HOUSING-COMP-CLUTCH	1	
13102	13102-1080	RELEASE-COMP-CLUTCH	1	
13187	13187-1058	PLATE-CLUTCH OPERATIN	1	
39130	39130-1063	SPRING-LEAF	1	
46102	46102-1030	ROD	1	
92002	92002-1639	BOLT,CLUTCH	6	
92015	92015-1538	NUT	1	
92022	92022-1782	WASHER,TOOTHED,21.7X3	1	
92026	92026-022	WASHER TH 25.5X47X2.5	1	
92026A	92026-116	SPACER,THRUST,T=5.5MM	1	
92028	92028-178	BUSHING,CLUTCH	1	
92046	92046-028	BEARING,KTV323723	1	
92081	92081-1114	SPRING,CLUTCH	6	
120	120S0616	BOLT-SOCKET,6X16,BLAC	6	
551	551A0312	PIN DOWEL 3X12	1	
601	92045-1235	BEARING-BALL	1	



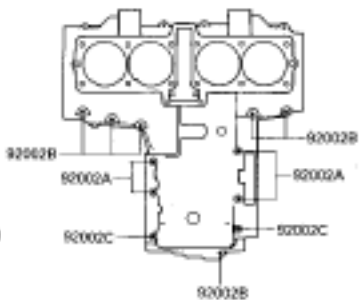
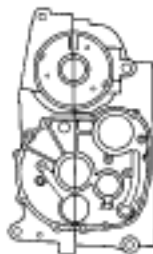
Ref #	Part #	Description	Qty	Spec Code
11009	11009-1344	GASKET,OIL PIPE,8.2X1	4	
11009A	11009-1376	GASKET,12.4X17X1.5	2	
13169	13169-1966	PLATE,BREATHER	1	
14001	14001-5217	SET-CRANKCASE	1	
14013	14013-004	RING BEARING SETTING	2	
14014	14014-1006	PLATE,POSITION	1	
14055	14055-1078	CASE-GEAR	1	
32033	32033-1858	PIPE,OIL	1	
51044	51044-1071	TUBE-ASSY	1	
92002	92001-1871	BOLT,BANJO,12X23	1	
92002A	92002-1449	BOLT,6X10	4	
92002B	92002-1858	BOLT	2	
92004	92004-059	STUD	2	
92004A	92004-1161	STUD	12	
92005	92005-1129	FITTING,BREATHER	1	
92037	92037-1181	CLAMP	1	
92043	92042-016	PIN DOWEL 6MM	2	
92043A	92043-1263	PIN,DOWEL,6.2X8X14	4	
92043B	92043-1264	PIN,DOWEL,8.2X10X14	2	
92046	92046-051	BRG,NEDL,37BTM4312	1	
92055	92055-1146	RING-O	1	
92059	92059-1544	TUBE	1	
92062	92062-011	NOZZLE,OIL BIAS	1	
92062A	92062-014	NOZZLE	1	
92062B	92062-015	NOZZLE	1	
92066	92066-1096	PLUG,MAIN GALLERY,18X	1	
132	132J0625	BOLT-FLANGED-SMALL	2	
671	671B2555	"0" RING,55MM	1	

Upper Case (Outside)

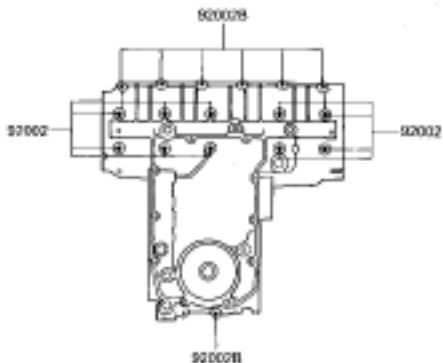
ILH



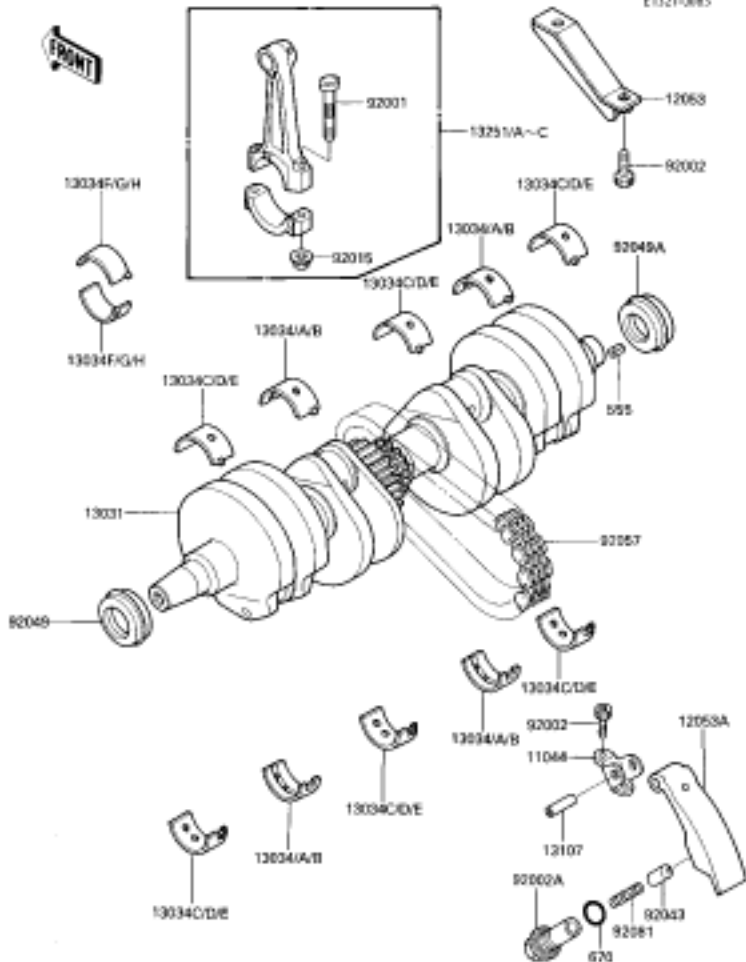
IRH



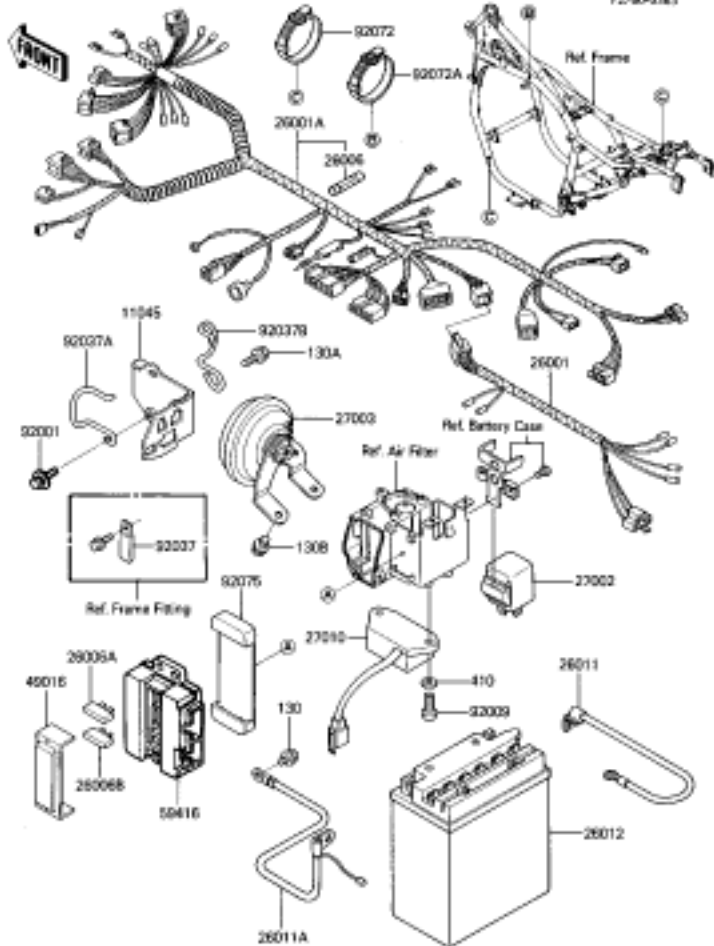
Lower Case (Outside)



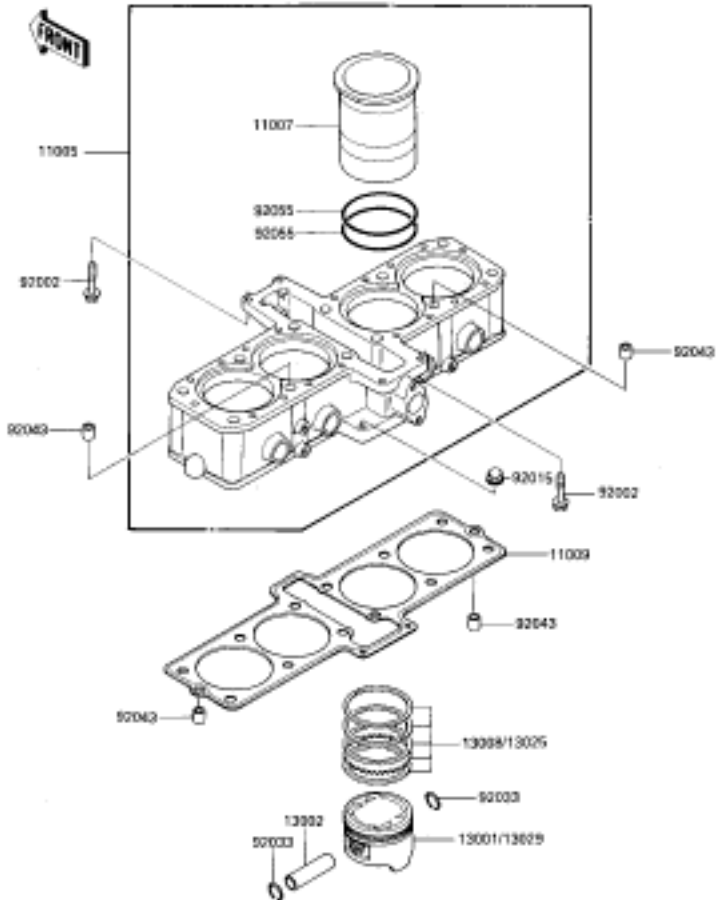
Ref #	Part #	Description	Qty	Spec Code
92002	92002-1077	BOLT,8X95	10	
92002A	92002-1078	BOLT,6X95	4	
92002B	92002-1080	BOLT,6X40	13	
92002C	92002-1483	BOLT,6X75	2	



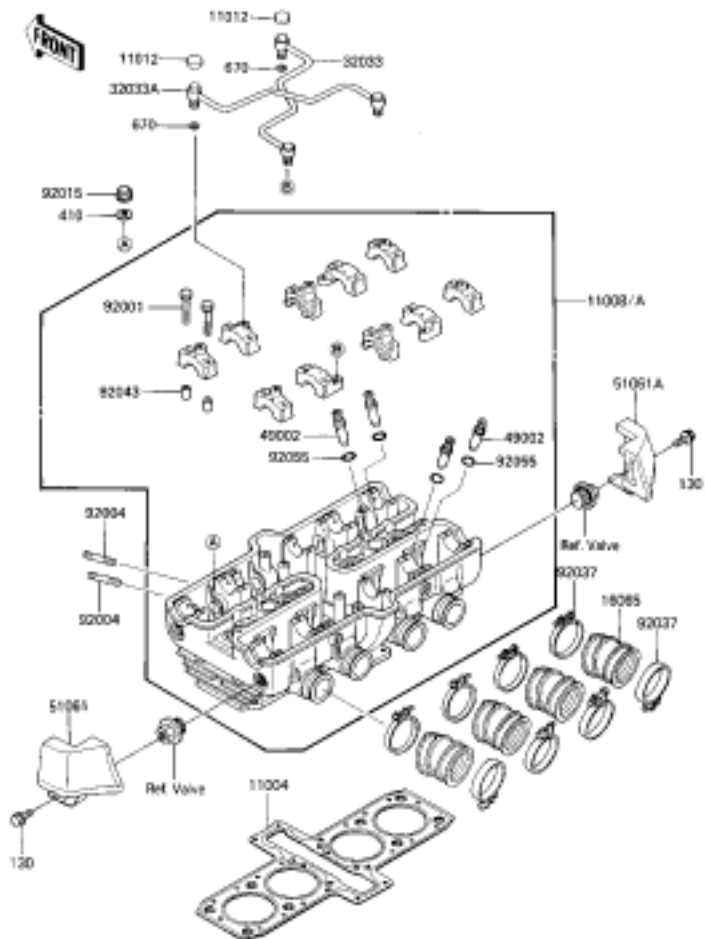
Ref #	Part #	Description	Qty	Spec Code
11044	11044-1075	BRACKET,CHAIN GUIDE	1	
12053	12053-1156	GUIDE-CHAIN,UPP	1	
12053A	12053-1157	GUIDE-CHAIN,LWR	1	
13031	13031-1191	CRANKSHAFT-COMP	1	
13034	13034-1016	METAL,BRG,"BROWN"MARK	AR	
13034A	13034-1017	METAL,BRG"BLACK"MARK	AR	
13034B	13034-1018	METAL,BRG,"BLUE"MARK	AR	
13034C	13034-1064	BUSHING,CRANKSHAFT,BL	AR	
13034D	13034-1065	BUSHING,CRANKSHAFT,BL	AR	
13034E	13034-1066	BUSHING,CRANKSHAFT,BR	AR	
13034F	13034-1067	BUSHING,CONNECTING RO	AR	
13034G	13034-1068	BUSHING,CONNECTING RO	AR	
13034H	13034-1069	BUSHING,CONNECTING RO	AR	
13107	13107-1142	SHAFT,L=24.5	1	
13251	13251-1059-HH	ROD-ASSY-CONNECTING,H	4	
13251A	13251-1059-II	ROD-ASSY-CONNECTING,I	4	
13251B	13251-1059-JJ	ROD-ASSY-CONNECTING,J	4	
13251C	13251-1059-KK	ROD-ASSY-CONNECTING,K	4	
92001	92001-1887	BOLT,CONNECTING ROD,8MM	8	
92002	92002-1192	BOLT,SOCKET,6X14	4	
92002A	92002-1479	BOLT	1	
92015	92015-1311	NUT,FLANGED,8MM	8	
92043	92043-076	PIN-NEUTRAL POSITION	1	
92049	92049-1013	OIL SEAL,HSCY 25X36X7	1	
92049A	92050-081	OIL SEAL,HSCY25397	1	
92057	92057-1011	CHAIN,#63-139X50L	1	
92081	92081-112	SPRING	1	
555	555A0408	PIN-SPRING,4X8	1	
670	670B2016	"O" RING,16MM	1	



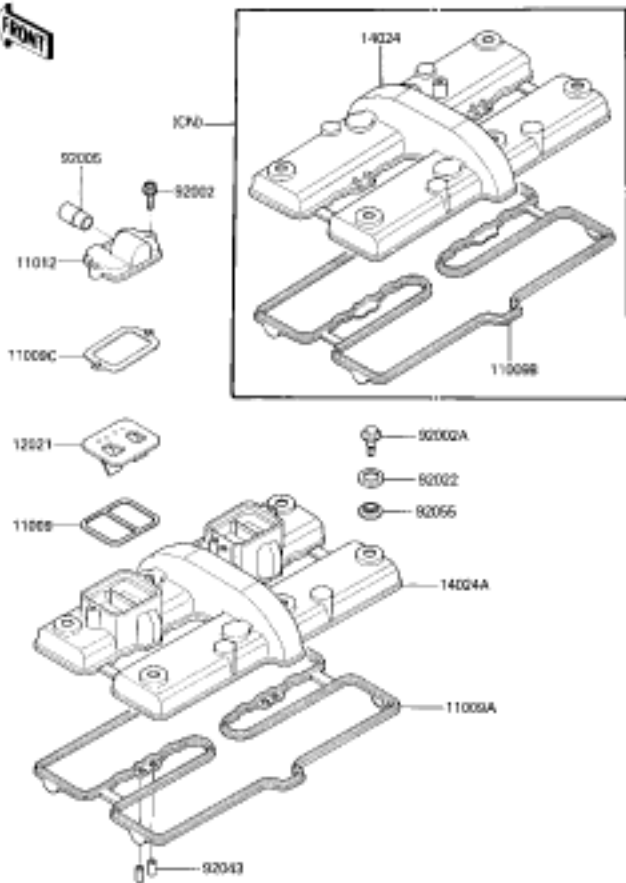
Ref #	Part #	Description	Qty	Spec Code
11045	11044-1879	BRACKET, COUPLER	1	
26001	26001-1770	HARNESS, RR	1	
26001A	26001-1797	HARNESS, MAIN	1	
26006	26006-1002	FUSE, 10A, L=30M/M	1	
26006A	26006-1006	FUSE, 30A-G	2	
26006B	26006-1007	FUSE, 10A-R	4	
26011	26011-1356	WIRE-LEAD, BATTERY(+)	1	
26011A	26011-1195	WIRE-LEAD, BATTERY GRO	1	
26012	26012-1004	FB BAT FB12A-A	1	
27002	27002-1060	RELAY-ASSY, TURN SIGNA	1	
27003	27003-1243	HORN	1	
27010	27010-1069	SWITCH, RESERVE LIGHTI	1	
49016	49016-1106	COVER-SEAL, FUSE	1	
59416	59416-1052	CASE-ELECTRIC, FUSE &	1	
92001	92001-1765	BOLT, 6X20	1	
92009	92009-1422	SCREW, TAPPING, 6X20	2	
92037	92037-113	CLAMP, HARNESS	1	
92037A	92037-1756	CLAMP, LH	1	
92037B	92037-1815	CLAMP, RH	1	
92072	92072-031	BAND, MIDDLE	2	
92072A	92072-056	BAND, WIRING HARNESS	1	
92075	92075-1688	DAMPER, FUSE & RELAY B	1	
130	130B0608	BOLT, FLANGED, 6X8	1	
130A	130B0616	BOLT-FLANGED, 6X16	1	
130B	130D0612	BOLT-FLANGED	2	
410	410B0600	WASHER PLAIN 6MM	2	



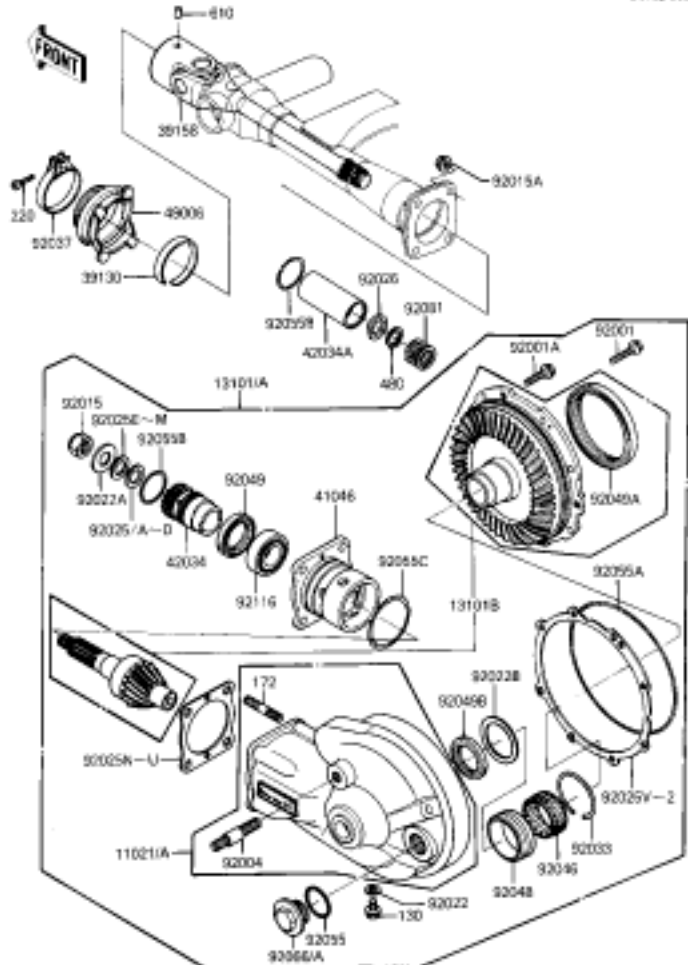
Ref #	Part #	Description	Qty	Spec Code
11005	11005-1493	CYLINDER-ENGINE	1	
11007	11007-1086	LINER-CYLINDER	4	
11009	11009-1578	GASKET,CYLINDER BASE	1	
13001	13001-1233	PISTON-ENGINE,STD	4	
13002	13002-1057	PIN-PISTON	4	
13008	13008-1074	RING-SET-PISTON,STD	4	
13025	13025-1072	RING-SET-PISTON L,O/S	4	
13029	13029-1149	PISTON-ENGINE L,O/S 0	4	
92002	92002-1104	BOLT,6X28	4	
92015	92015-1170	NUT,CAP 6MM,BLACK	2	
92033	92033-1151	RING-SNAP,PISTON PIN	8	
92043	92043-1264	PIN,DOWEL,8.2X10X14	4	
92055	92055-1287	RING-O,66.5MM	8	



Ref #	Part #	Description	Qty	Spec Code
11004	11004-1152	GASKET-HEAD	1	
11008	11008-1171	11008-1196 (Canada)	1	CN
11008A	11008-1182	HEAD-COMP-CYLINDER	1	CA
11012	16065-1142	HOLDER-CARBURETOR	4	
16065	16065-1142	HOLDER-CARBURETOR	4	
32033	32033-1942	PIPE	1	
32033A	32033-1943	PIPE	16	
49002	49002-1060	GUIDE-VALVE	16	
51061	51061-1053	PAD-KNEE,HEAD,LH	1	
51061A	51061-1054	PAD-KNEE,HEAD,RH	1	
92001	92001-1105	BOLT,FLANGED,6X38	20	
92004	92004-1162	STUD,6X27	8	
92015	92015-1151	NUT,CAP,8MM	12	
92037	92037-1326	CLAMP	8	
92043	92043-1263	PIN,DOWEL,6.2X8X14	20	
92055	92055-1177	RING-O,VALVE GUIDE	16	
130	130J0812	BOLT-FLANGED	2	
410	410B0800	WASHER PLAIN 8MM	12	
670	670D1505	O RING	4	



Ref #	Part #	Description	Qty	Spec Code
11009	11009-1905	GASKET, REED VALVE	2	CA
11009A	11009-1497	GASKET, CYLINDER HEAD	1	CA
11009B	11009-1498	GASKET, CYLINDER HEAD COVE (Can	1	CN
11009C	11009-1545	GASKET	2	CA
11012	11012-1372	CAP, REED VALVE	2	CA
12021	12021-1053	VALVE-ASSY-REED	2	CA
14024	14024-1161	COVER, CYLINDER HEAD (Canada)	1	CN
14024A	14024-1219	COVER, CYLINDER HEAD	1	CA
92002	92002-1068	BOLT, 6X22	4	CA
92002A	92150-1447	BOLT	6	
92005	92005-1006	FITTING, REED VALVE	2	CA
92022	92022-1487	WASHER, HEAD COVER BOL	6	
92043	92043-1263	PIN, DOWEL, 6.2X8X14	4	CA
92055	92055-1225	RING-O, HEAD COVER BOL	6	

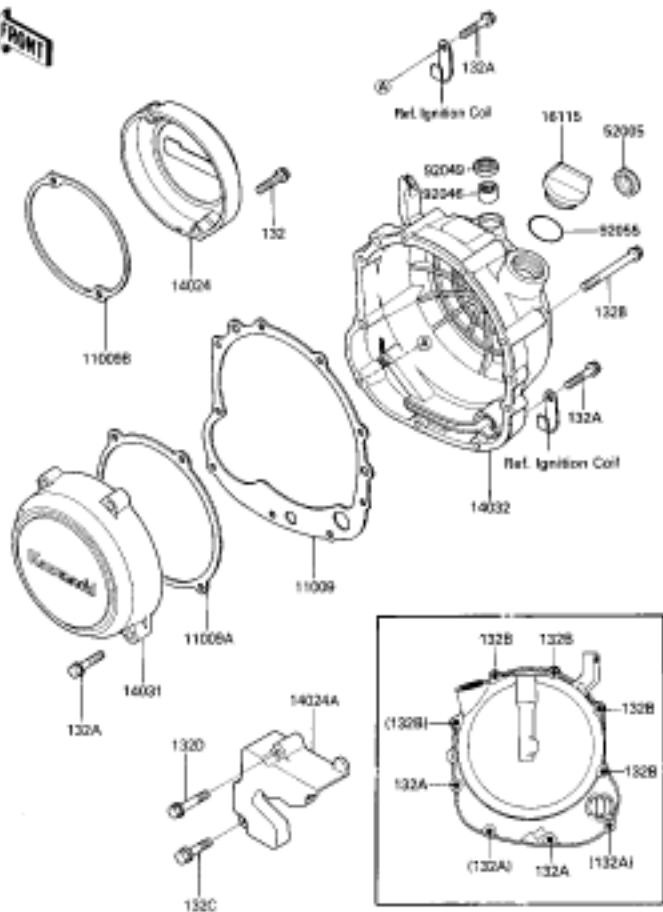


Ref #	Part #	Description	Qty	Spec Code
11021	11021-1015-7J	CASE-ASSY,FINAL GEAR,	1	
11021A	11021-1015-7J	CASE-ASSY,FINAL GEAR,	1	
13101	13101-1024-7J	GEAR-ASSY,FINAL,M.SIL	1	
13101A	13101-1024-7J	GEAR-ASSY,FINAL,M.SIL	1	
13101B	13101-5035	GEAR-ASSY,FINAL BEVEL	1	
39130	39130-1002	SPRING,LEAF	1	
39158	39158-1060	SHAFT-ASSY-DRIVE	1	
41046	41046-1015	HOUSING-BEARING	1	
42034	42034-1030	COUPLING,DRIVE SHAFT,	1	
42034A	42034-1031	COUPLING,DRIVE SHAFT,	1	
49006	49006-1059	BOOT,PROPELLER SHAFT	1	
92001	92001-1095	BOLT,8X28	6	
92001A	92001-1324	BOLT, FLANGED, 8X25	2	
92004	92004-1047	STUD,RR SHOCKABSORBER	1	
92015	92015-1182	NUT,12MM	1	
92015A	92015-1408	NUT,FLANGED,8MM	4	
92022	92022-1086	WASHER	1	
92022A	92022-1293	WASHER,12X3X25X3.2	1	
92022B	92022-1294	WASHER,39X49.5X1	1	
92025	92025-1282	SHIM,12.5X17X1.30	AR	
92025A	92025-1283	SHIM,12.5X17X1.32	AR	
92025B	92025-1284	SHIM,12.5X17X1.34	AR	
92025C	92025-1285	SHIM,12.5X17X1.36	AR	
92025D	92025-1286	SHIM,12.5X17X1.38	AR	
92025E	92025-1287	SHIM,12.5X17X0.1	AR	
92025F	92025-1288	SHIM,12.5X17X0.2	AR	
92025G	92025-1289	SHIM,12X5X17X0.3	AR	
92025H	92025-1290	SHIM,12.5X17X0.5	AR	
92025I	92025-1291	SHIM,12.5X17X0.6	AR	
92025J	92025-1292	SHIM,12.5X17X0.7	AR	
92025K	92025-1293	SHIM,12.5X17X0.8	AR	
92025L	92025-1294	SHIM,12.5X17X0.9	AR	

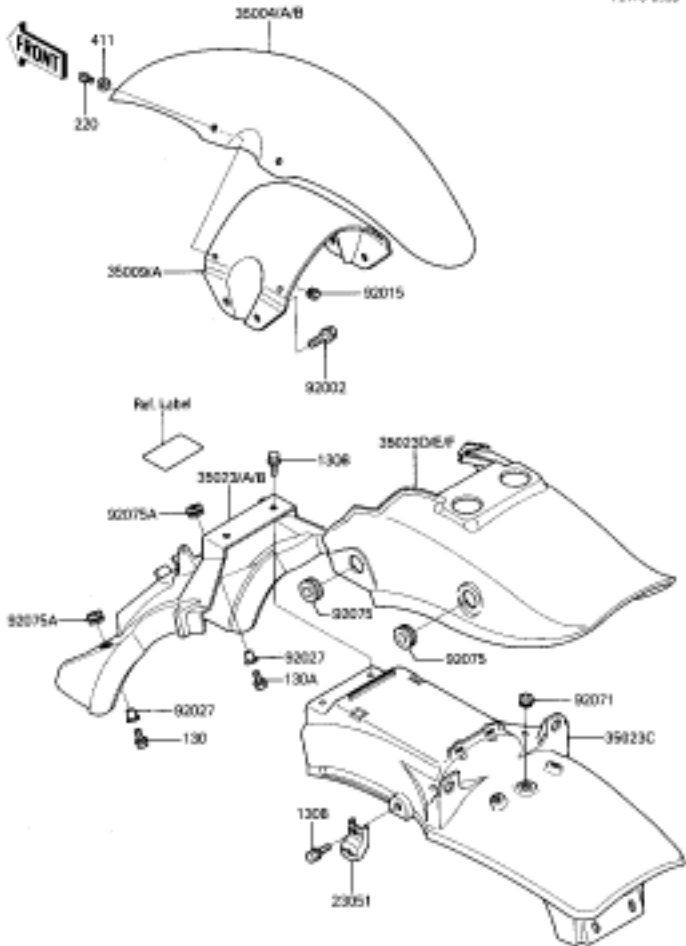
92025M	92025-1295	SHIM,12.5X17X1.0	AR	
92025N	92025-1312	SHIM,T=0.15	AR	
92025O	92025-1313	SHIM,T=0.5	AR	
92025P	92025-1314	SHIM,T=0.6	AR	
92025Q	92025-1315	SHIM,T=0.7	AR	
92025R	92025-1316	SHIM,T=0.8	AR	
92025S	92025-1317	SHIM,T=0.9	AR	
92025T	92025-1318	SHIM,T=1.0	AR	
92025U	92025-1319	SHIM,T=1.2	AR	
92025V	92025-1336	SHIM,T=0.15	AR	
92025W	92025-1337	SHIM,T=0.5	AR	
92025X	92025-1338	SHIM,T=0.6	AR	
92025Y	92025-1339	SHIM,T=0.7	AR	
92025Z	92025-1340	SHIM,T=0.8	AR	
920250	92025-1341	SHIM,T=0.9	AR	
920251	92025-1342	SHIM,T=1.0	AR	
920252	92025-1343	SHIM,T=1.2	AR	
92026	92026-1106	SPACER,DRIVE SHAFT	1	
92033	92033-1074	RING-SNAP,52MM	1	
92037	92037-1112	CLAMP,BOOT FITTING	1	
92046	92046-1037	BRG,NDL,KT384620EG-B2	1	
92048	92048-1019	RACE,ORT465021E01	1	
92049	92049-1084	SEAL-OIL,SC28438	1	
92049A	92049-1085	SEAL-OIL,SC759510	1	
92049B	92049-1155	SEAL-OIL,SC32435.5	1	
92055	92055-1005	"O" RING,VLV ADJUST	1	
92055A	92055-1039	"O" RING,I.D=150.4MM	1	
92055B	92055-1119	RING-0,27MM	2	
92055C	92055-1120	RING-0,55MM	1	
92066	92066-1006-7J	PLUG,OIL FILLER CAP,M	1	
92066A	92066-1006-7J	PLUG,OIL FILLER CAP,M	1	
92081	92081-1427	SPRING,DRIVE SHAFT	1	
92116	92116-1010	BEARING-ROLLER,4T3200	1	

130	130B0812	BOLT,FLANGE	1	
172	172G0830	STUD 8X30	4	
220	220B0430	SCREW-PAN-CROS	1	
480	480J2000	CIRCLIP, 20MM	1	
610	610A0406	PIN-DOWEL,4X6	1	

FRONT

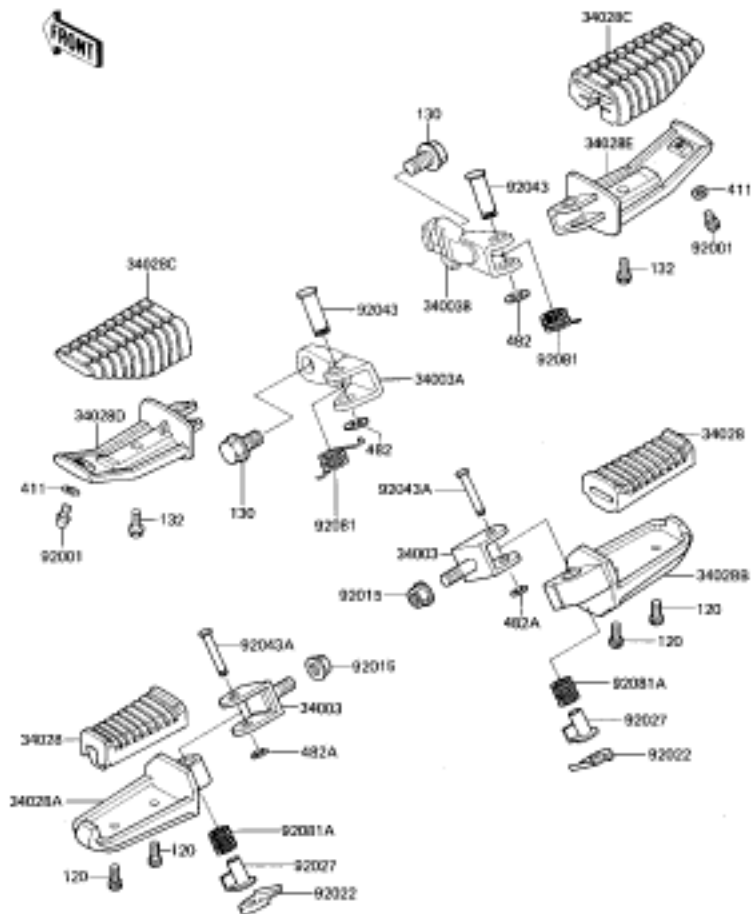


Ref #	Part #	Description	Qty	Spec Code
11009	11060-1148	GASKET,CLUTCH COVER	1	
11009A	11060-1150	GASKET,GENERATOR COVE	1	
11009B	11060-1151	GASKET,PULISING COIL	1	
14024	14024-1154	COVER,PULSING COIL	1	
14024A	14024-1244	COVER,LH	1	
14031	14031-1192	COVER-GENERATOR	1	
14032	14032-1214	COVER-CLUTCH	1	
16115	16115-1009	CAP-OIL FILLER	1	
52005	52005-1009	GAUGE,OIL LEVEL	1	
92046	92046-1010	BEARING,NEEDLE,HK1210	1	
92049	92049-1271	SEAL-OIL	1	
92055	92055-049	"O" RING,31MM	1	
132	132E0625	BOLT-FLANGED-SMALL	2	
132A	132E0630	BOLT-FLANGED-SMALL	8	
132B	132E0660	BOLT-FLANGED-SMALL	5	
132C	132J0630	BOLT-FLANGED-SMALL	1	
132D	132J0635	BOLT-FLANGED-SMALL	1	



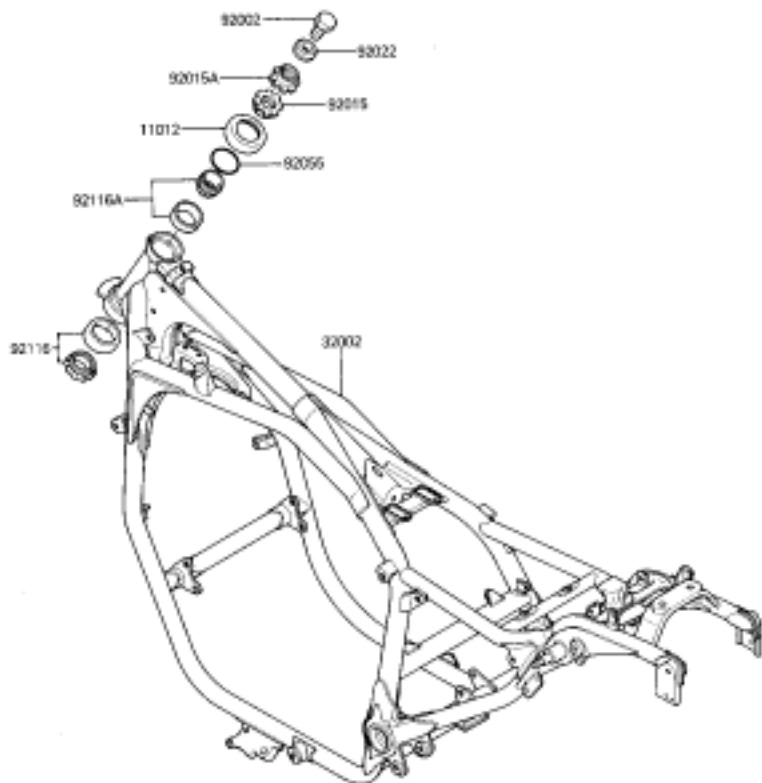
Ref #	Part #	Description	Qty	Spec Code
23051	23051-1180	BRACKET-SIGNAL LAMP,R	2	
35004	35004-1189-H3	FENDER-FRONT,C.W.RED	1	
35004A	35004-1189-H8	FENDER-FRONT,EBONY	1	
35004B	35004-1189-7V	FENDER-FRONT,L.RED	1	
35009	35009-1067	BRACE,FRONT FENDER	1	
35009A	35009-1068	BRACE,FRONT FENDER	1	
35023	35023-1162-H3	FENDER-REAR,FR,C.W.RE	1	
35023A	35023-1162-H8	FENDER-REAR,FR,EBONY	1	
35023B	35023-1162-7V	FENDER-REAR,FR, L. RED	1	
35023C	35023-1163-H8	FENDER-REAR,RR,EBONY	1	
35023D	35023-1164-H3	FENDER-REAR,UPP,C.W.R	1	
35023E	35023-1164-H8	FENDER-REAR,UPP,EBONY	1	
35023F	35023-1164-7V	FENDER-REAR,UPP,L.RED	1	
92002	92002-1200	BOLT,FLANGED,8X16	4	
92015	92019-014	NUT-LOCK,5MM	4	
92027	92027-251	COLLAR	2	
92071	92071-024	GROMMET	1	
92075	92075-104	DAMPER RUBBER	4	
92075A	92075-1690	DAMPER	2	
130	130B0620	BOLT,FLANGED,6X20	1	
130A	130B0625	BOLT,FLANGED,6X25	1	
130B	130G0616	BOLT-FLANGED,6X16	4	
220	220E0510	SCREW PAN HEAD 5X10	4	
411	411D0500	WASHER-PLAIN	4	

FRONT



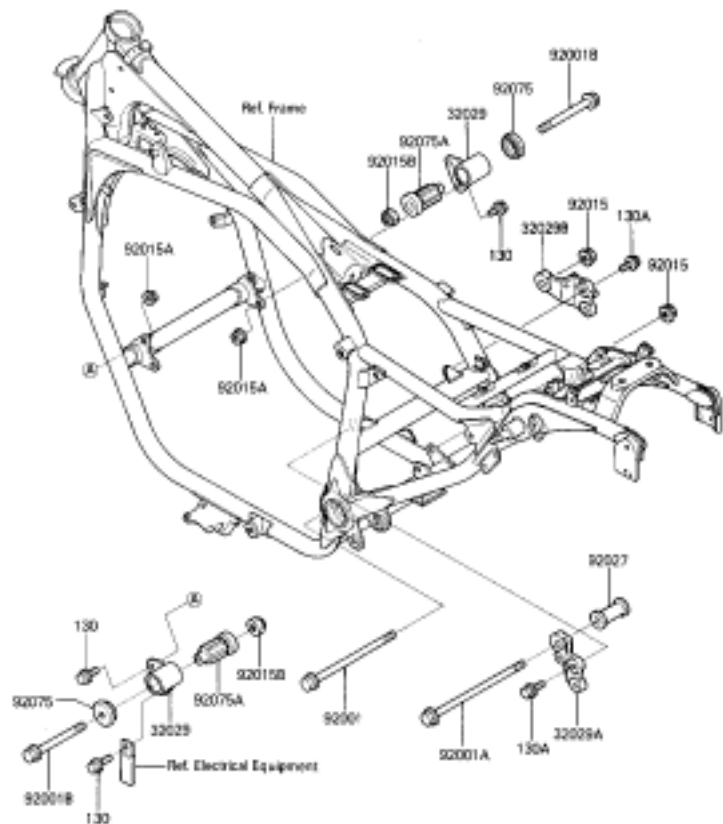
Ref #	Part #	Description	Qty	Spec Code
34003	34003-1240	HOLDER-STEP,RR	2	
34003A	34003-1257	HOLDER-STEP,FR,LH	1	
34003B	34003-1277	HOLDER-STEP,FR,RH	1	
34028	34028-1060	STEP,RR,RUBBER	2	
34028A	34028-1158	STEP,RR,LH	1	
34028B	34028-1159	STEP,RR,RH	1	
34028C	34028-1164	STEP,FR,RUBBER	2	
34028D	34028-1162	STEP,FR,LH	1	
34028E	34028-1163	STEP,FR,RH	1	
92001	92001-1905	BOLT,6X10	2	
92015	92015-1428	NUT,FLANGED,10MM	2	
92022	92022-1507	WASHER,STEP,RR	2	
92027	92027-1732	COLLAR,STEP	2	
92043	92043-1144	PIN,12X37	2	
92043A	92043-1294	PIN	2	
92081	92144-1568	SPRING,STEP RETURN,RH	2	
92081A	92081-1612	SPRING,STEP,RR	2	
120	120Z0514	BOLT-SOCKET	4	
130	130C1220	BOLT-FLANGED	2	
132	132G0616	BOLT-FLANGED-SMALL	2	
411	411B0600	WASHER PLAIN 6MM	2	
482	482L0100	RING, SNAP	2	
482A	482L5000	CIRCLIP-TYPE-E,5MM	2	

FRONT

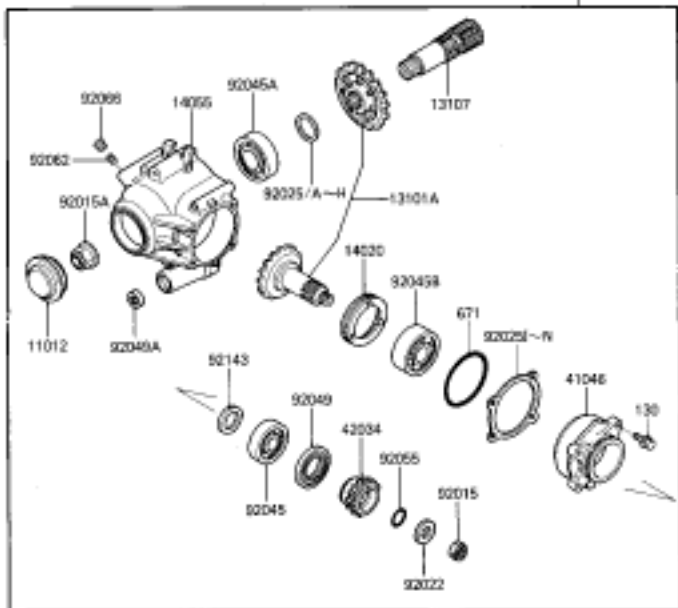
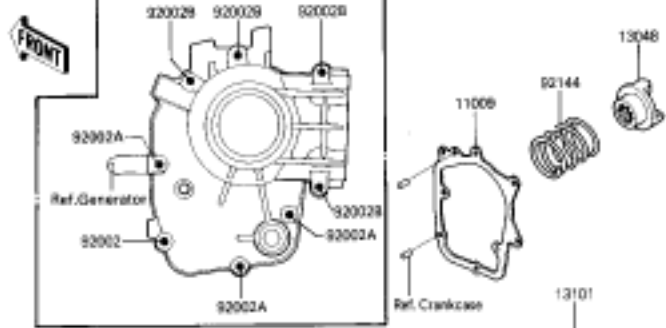


Ref #	Part #	Description	Qty	Spec Code
11012	46098-017	CAP,STEERING STEM	1	
32002	32002-1880	FRAME-COMP	1	
92002	92002-1611	BOLT	1	
92015	92015-1377	NUT,25MM,T=10	1	
92015A	92015-1378	NUT,25MM,T=6	1	
92022	92200-1140	WASHER	1	
92055	92055-1160	RING-0.24.7MM	1	
92116	92116-1009	BRG,ROLLER,HR320/28XJ	1	
92116A	92116-1058	BEARING-ROLLER	1	

FRONT



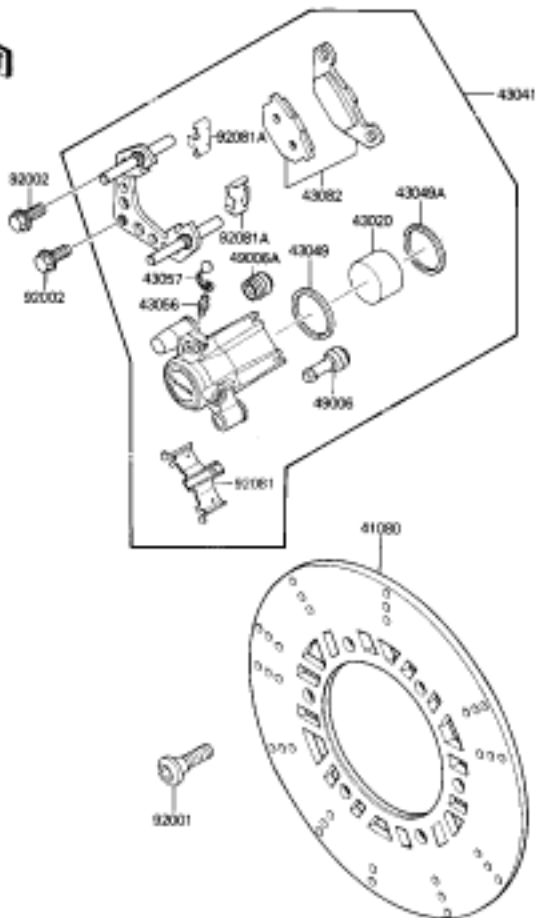
Ref #	Part #	Description	Qty	Spec Code
32029	32029-1464	BRACKET-ENGINE,FR	2	
32029A	32029-1465	BRACKET-ENGINE,RR,UPP	1	
32029B	32029-1466	BRACKET-ENGINE,RR,UPP	1	
92001	92001-1621	BOLT,FLANGED,10X180	1	
92001A	92001-1677	BOLT,FLANGED,10X200,B	1	
92001B	92001-1751	BOLT,FLANGED,10X105,B	2	
92015	92015-1180	NUT,FLANGED,10MM,BLAC	2	
92015A	92015-1408	NUT,FLANGED,8MM	4	
92015B	92019-021	NUT,LOCK,10MM	2	
92027	92027-275	COLLAR,L= 54MM.	1	
92075	92075-1738	DAMPER,ENGINE BRACKET	2	
92075A	92075-1739	DAMPER,ENGINE MOUNT,M	2	
130	130J0820	BOLT-FLANGED,8X20	4	
130A	130J0825	BOLT-FLANGED,8X25,BLA	4	



Ref #	Part #	Description	Qty	Spec Code
11009	11009-1579	GASKET,BEVEL GEAR CAS	1	
11012	11012-1715	CAP,FRONT BEVEL	1	
13048	13048-1068	CAM-DAMPER	1	
13101	13101-1146	GEAR-ASSY,FRONT BEVEL	1	
13101A	13101-5060	GEAR-ASSY,FRONT BEVEL	1	
13107	13107-1178	SHAFT,BEVEL GEAR	1	
14020	14020-1065	RETAINER	1	
14055	14055-1092	CASE-GEAR,FRONT BEVEL	1	
41046	41046-1076	HOUSING-BEARING	1	
42034	42034-1091	COUPLING,FR DRIVEN	1	
92002	92002-1566	BOLT,6X40	1	
92002A	92002-1789	BOLT	3	
92002B	92002-1790	BOLT	4	
92015	92015-1067	NUT,14M/M	1	
92015A	92015-1543	NUT	1	
92022	92022-1115	WASHER,PLAIN,5X14.1	1	
92025	92025-1688	SHIM,25.3X36X0.15	AR	
92025A	92025-1689	SHIM,25.3X36X0.50	AR	
92025B	92025-1690	SHIM,25.3X36X0.60	AR	
92025C	92025-1691	SHIM,25.3X36X0.70	AR	
92025D	92025-1692	SHIM,25.3X36X0.80	AR	
92025E	92025-1693	SHIM,25.3X36X0.90	AR	
92025F	92025-1694	SHIM,25.3X36X1.0	AR	
92025G	92025-1695	SHIM,25.3X36X1.1	AR	
92025H	92025-1696	SHIM,25.3X36X1.2	AR	
92025I	92025-1772	SHIM,T=0.10	AR	
92025J	92025-1773	SHIM,T=0.15	AR	
92025K	92025-1774	SHIM,T=0.70	AR	
92025L	92025-1775	SHIM,T=0.80	AR	
92025M	92025-1776	SHIM,T=1.0	AR	
92025N	92025-1777	SHIM,T=1.2	AR	
92045	92045-1115	BEARING-BALL,6205	1	

92045A	92045-1167	BEARING-BALL,TMB305X3	1	
92045B	92045-1147	BEARING-BALL,5305SH2C	1	
92049	92049-1038	OIL SEAL,TC35527	1	
92049A	92051-005	OIL SEAL,TB13225.5	1	
92055	92055-1044	"O" RING,I.D=18.64MM	1	
92062	92062-011	NOZZLE,OIL BIAS	1	
92066	92066-1221	PLUG,OIL LINE	1	
92143	92027-1994	COLLAR	1	
92144	92081-1981	SPRING,CAM DAMPER	1	
130	130S0625	BOLT-FLANGED,6X25,BLA	4	
671	671B2570	"O" RING,70MM	1	

FRONT



Ref #	Part #	Description	Qty	Spec Code
41080	41080-1112	DISC,FR,SILVER	1	
43020	43020-1066	PISTON-COMP-BRAKE	1	
43041	43041-1194	CALIPER-ASSY,FR,LH	1	
43049	43049-002	RING,PISTON SEAL	1	
43049A	43049-1028	PACKING,PISTON	1	
43056	43056-003	BREEDER	1	
43057	43057-003	CAP,BREEDER	1	
43082	43082-1061	PAD-ASSY-BRAKE	1	
49006	49006-1094	BOOT,CALIPER	1	
49006A	49006-1095	BOOT,CALIPER	1	
92001	92001-1951	BOLT,SOCKET,8X30	6	
92002	92002-1468	BOLT,FLANGED,10X41	2	
92081	92081-1525	SPRING,PAD	1	
92081A	92081-1661	SPRING,PAD STOPPER	2	

FRONT

44001

11012

18126

92065

92001A

44008

92001A

44022

92001A

92001A

44037

92006

44028

44006

92023

92033

92049

92022

44065

44006

131

220

11009

44005

44013

318

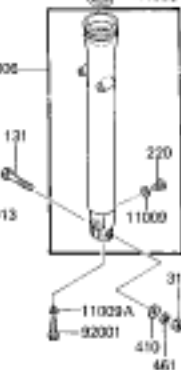
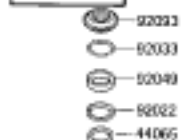
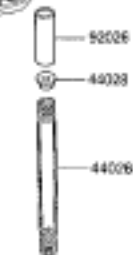
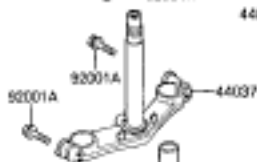
11023A

92001

410

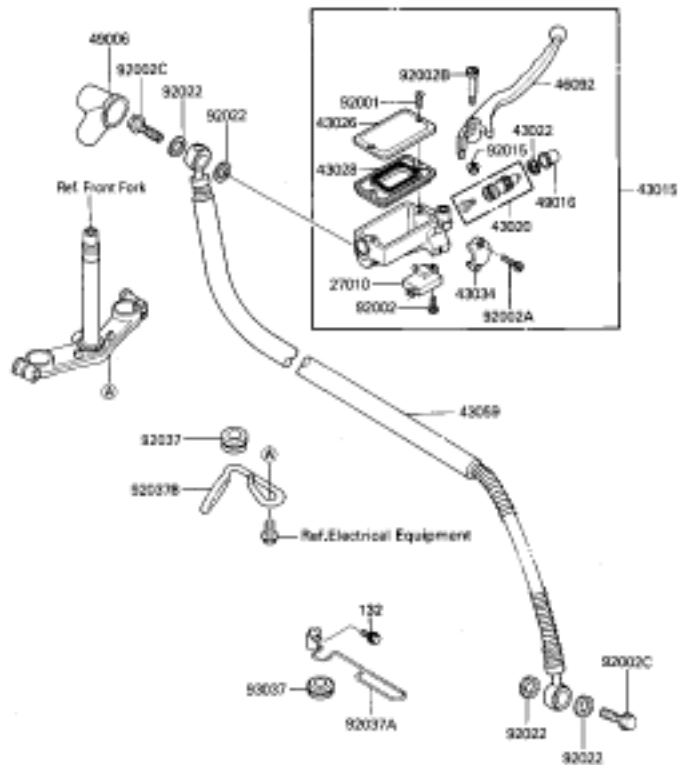
461

44065A

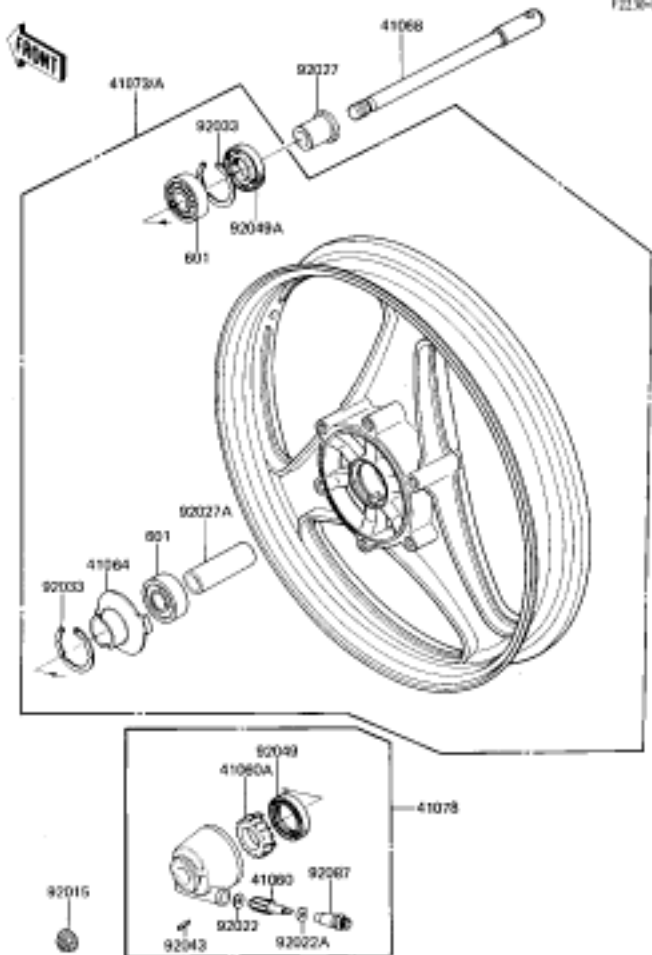


Ref #	Part #	Description	Qty	Spec Code
11009	44045-002	GASKET FORK DRAIN PLG	2	
11009A	44045-057	GASKET,FORK CYLINDER	2	
11012	11012-1548	CAP,FORK TOP	2	
16126	16126-1177	VALVE,AIR	2	
44001	44001-1622	FORK-FRONT	1	
44005	44005-1248	PIPE-LEFT FORK OUTER	1	
44006	44006-1247	PIPE-RIGHT FORK OUTER	1	
44013	44013-1251	PIPE-FORK INNER	2	
44022	44022-1195	CYLINDER-FORK	2	
44026	44026-1336	SPRING-FRONT FORK	2	
44028	44028-1058	GUIDE-FORK SPRING	2	
44037	44037-1205	HOLDER-FORK UNDER	1	
44039	44039-1134	HOLDER-FORK UPPER	1	
44065	44065-1051	BUSHING-FRONT FORK	2	
44065A	44065-1058	BUSHING-FRONT FORK	2	
92001	44041-040	BOLT-FORK CYLINDER	2	
92001A	92001-1188	BOLT,8X40	6	
92022	92022-1455	WASHER,FORK OUTER PIP	2	
92026	92026-4002	SPACER,FORK SPRING	2	
92033	92033-1047	SNAP RING,FORK OUTER	2	
92049	92049-1372	SEAL-OIL,FORK OUTER T	2	
92055	92055-1361	RING-O,FORK TOP	2	
92093	92093-1314	SEAL,FORK OUTER TUBE	2	
131	131G0860	BOLT 8X60	1	
220	220E0408	SCREW PAN HEAD 4X8	2	
318	318G0800	NUT 8MM	1	
410	410B0800	WASHER PLAIN 8MM	1	
461	461F0800	WASHER SPRING 8MM	1	

FRONT

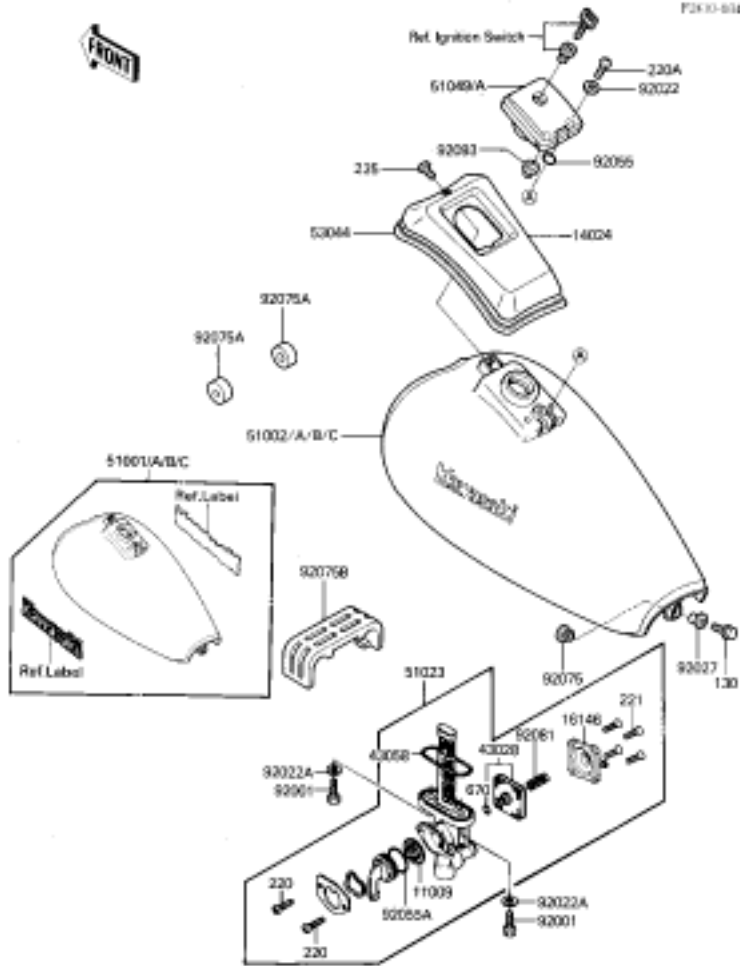


Ref #	Part #	Description	Qty	Spec Code
27010	27010-1170	SWITCH,BRAKE	1	
43015	43015-1323	CYLINDER-ASSY-MASTER,	1	
43020	43020-1098	PISTON-COMP-BRAKE	1	
43022	43022-1010	STOPPER-BRAKE,PISTON	1	
43026	43026-1052	CAP-BRAKE,FR	1	
43028	43028-1058	DIAPHRAGM,MASTER CYLI	1	
43034	43034-1053	HOLDER-BRAKE,MASTER C	1	
43059	43059-1361	HOSE-BRAKE,FR	1	
46092	46092-1121	LEVER-GRIP,FRONT BRAK	1	
49006	49006-1041	BOOT,DUST	1	
49016	49016-1044	COVER-SEAL,MASTER CYL	1	
92001	92001-1727	BOLT,MASTER CYLINDER	2	
92002	92002-1323	BOLT	1	
92002A	92002-1324	BOLT,SOCKET,6X10	2	
92002B	92002-1561	BOLT,LEVER SET	1	
92002C	92002-1888	BOLT,OIL,L=23	2	
92015	92015-1528	NUT,FLANGED,6MM	1	
92022	43067-001	WASHER-OIL BOLT	2	
92037	43064-006	DAMPER RUBBER,CYL HSE	2	
92037A	92037-1702	CLAMP,BRAKE HOSE,LH	1	
92037B	92037-1833	CLAMP,HOSE	1	
132	132E0612	BOLT-FLANGED-SMALL	1	



Ref #	Part #	Description	Qty	Spec Code
41060	41060-1016	PINION,SPEEDOMETER,9T	1	
41060A	41060-1041	GEAR-METER SCREW,25T	1	
41064	41064-1006	RECEIVER,SPEEDOMETER	1	
41068	41068-1009	AXLE,FRONT,L=204M/M	1	
41073	41073-1336-J9	WHEEL-ASSY,FR,M.GRAY	1	
41073A	41073-1336-T7	WHEEL-ASSY,FR,SILVER	1	
41078	41078-1027	CASE-ASSY-METER GEAR	1	
92015	92015-1407	NUT,14MM	1	
92022	41063-001	WASHER THRST SPD PINI	1	
92022A	41063-001	WASHER THRST SPD PINI	1	
92027	92027-1225	COLLAR,FR AXLE L=30MM	1	
92027A	92027-1505	COLLAR,15.2X22X55	1	
92033	92033-1041	CIRCLIP,42MM	2	
92043	41082-001	PIN,SPRING	1	
92049	92049-1057	OIL SEAL,BJN30427-C3	1	
92049A	92049-1058	OIL SEAL,AG1144AO	1	
92087	92087-1002	BUSHING,METER GEAR	1	
601	601B6302U	BEARING-BALL	2	

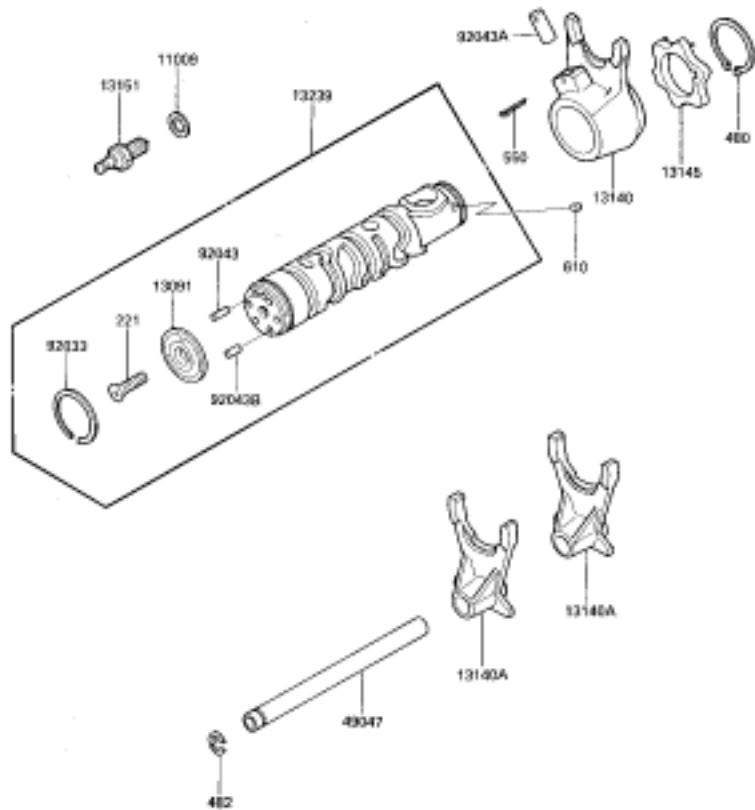
FRONT



Ref #	Part #	Description	Qty	Spec Code
11009	11009-1188	GASKET,FUEL TAP	1	
14024	14024-1237-H8	COVER,FUEL TANK CAP,E	1	US
16146	16146-1010	COVER-ASSY,TAP DIAPHR	1	
43028	43028-1021	DIAPHRAGM VALVE ASSY	1	
43058	51039-003	"O" RING	1	
51001	51001-1242-H3	TANK-COMP-FUEL,C.W.RE	1	US
51001A	51001-1242-H8	TANK-COMP-FUEL,EBONY	1	US
51001B	51001-1255-H3	TANK-COMP-FUEL,C.W.RE	1	CA
51001C	51001-1255-H8	TANK-COMP-FUEL,EBONY	1	CA
51002	51002-5221-H8	TANK-COMP-FUEL,EBONY	1	CN
51002A	51002-5222-7V	TANK-COMP-FUEL,L.RED	1	CN
51002B	51002-5223-H8	TANK-COMP-FUEL,EBONY	1	CA
51002C	51002-5224-7V	TANK-COMP-FUEL,L.RED	1	CA
51023	51023-1157	TAP ASSY,FUEL	1	
51049	51049-1071	CAP-TANK,FUEL	1	
51049A	51049-1086	CAP-TANK,FUEL	1	
53044	53044-1160	TRIM	1	
92001	92001-1091	BOLT,6X20,FUEL TAP	2	
92022	92022-1038	WASHER,PLAIN	2	
92022A	92022-183	WASHER-PLAIN	2	
92027	92027-1920	COLLAR	1	
92055	92055-1023	"O" RING	2	
92055A	92055-1085	"O" RING,FUEL TAP LEV	1	
92075	92075-1057	DAMPER	1	
92075A	92075-125	DAMPER RUBBER,FL TANK	2	
92075B	92075-1848	DAMPER,FUEL TANK,CNT	1	
92081	92081-1240	SPRING,DIAPHRAGM VALV	1	
92093	92093-1030	OIL SEAL,FUEL TANK	1	CA
130	130B0625	BOLT,FLANGED,6X25	1	
220	220B0308	SCREW PAN HEAD 3X8	2	
220A	220B0510	SCREW PAN HEAD 5X10	2	
221	221B0414	SCREW-CSK-CROS,4X14	4	

235	235C0510	SCREW (5X10)	1	
670	670B1504	"O" RING,4MM	1	

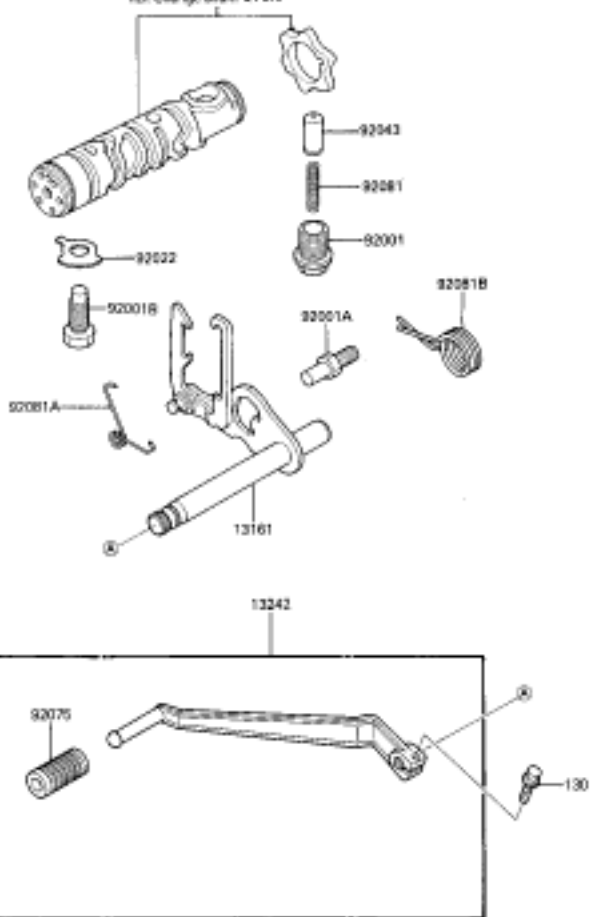
FRONT



Ref #	Part #	Description	Qty	Spec Code
11009	92065-058	GASKET CHECK VALVE	1	
13091	13091-1104	HOLDER,CHANGE DRUM PI	1	
13140	13140-1016	SHIFT FORK,GEAR SHIFT	1	
13140A	13140-1062	FORK-SHIFT,OUTPUT	2	
13145	13145-1058	CAM-CHANGE DRUM	1	
13151	13151-1007	SWITCH,NEUTRAL	1	
13239	13239-1119	DRUM-ASSY-CHANGE	1	
49047	49047-1069	ROD-SHIFT	1	
92033	92033-035	CIRCLIP,37MM	1	
92043	92042-014	PIN GEAR CHANGE DRUM	1	
92043A	92042-021	DOWEL PIN,8X18	1	
92043B	92042-030	PIN,GEAR CHNGE DRUM	5	
221	221B0620	SCREW CNTSNK HD 6X20	1	
480	480J3000	CIRCLIP,30MM	1	
482	482J0100	CIRCLIP 10MM	1	
550	550D3020	PIN COTTER 3.0X20	1	
610	610A0406	PIN-DOWEL,4X6	1	

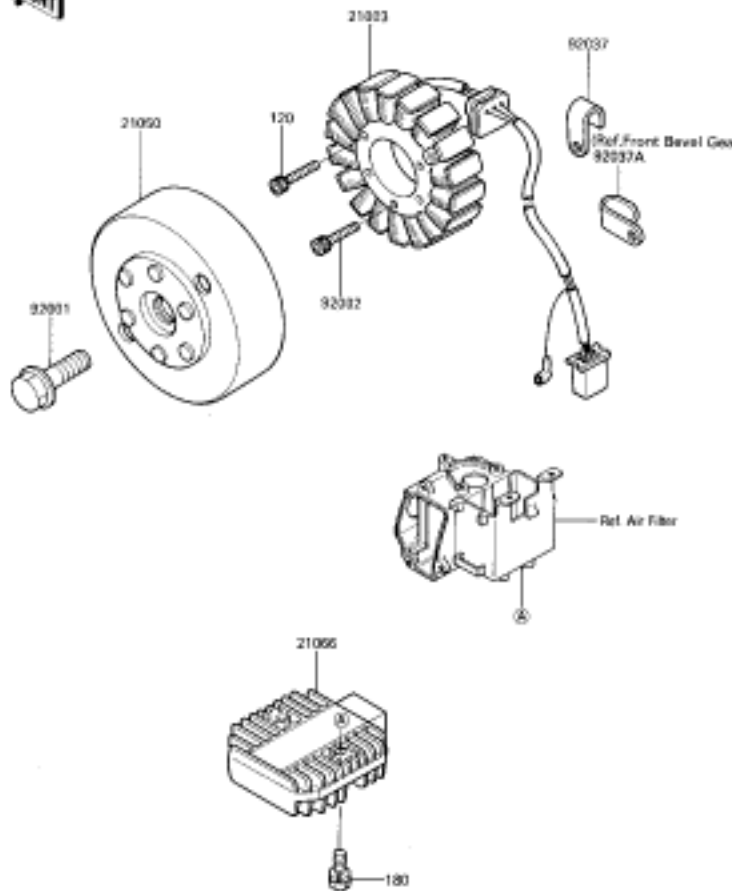
FRONT

Ref. Change Drum & Fork



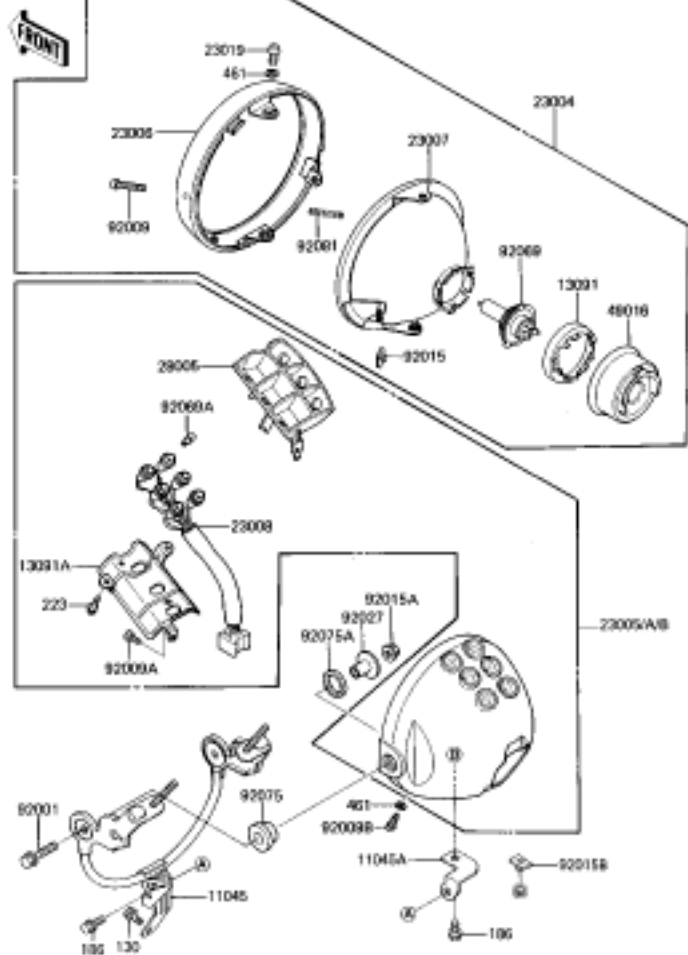
Ref #	Part #	Description	Qty	Spec Code
13161	13161-042	LEVER ASSY,GEAR SFT	1	
13242	13242-1269	LEVER-ASSY-CHANGE,PED	1	
92001	92001-1037	BOLT,NEUTRAL POSITION	1	
92001A	92001-1401	BOLT,RETURN SPRING	1	
92001B	92001-174	BOLT,HEX HEAD,10X26	1	
92022	92024-074	WASHER,LOCK,10MM	1	
92043	92043-076	PIN-NEUTRAL POSITION	1	
92075	13157-004	RUBBER CHANGE PEDAL	1	
92081	92081-112	SPRING	1	
92081A	92083-018	SPRING,KICK PAWL	1	
92081B	92083-028	SPRING,CHG PEDL RTRN	1	
130	130S0620	BOLT-FLANGED,6X20,BLA	1	

FRONT

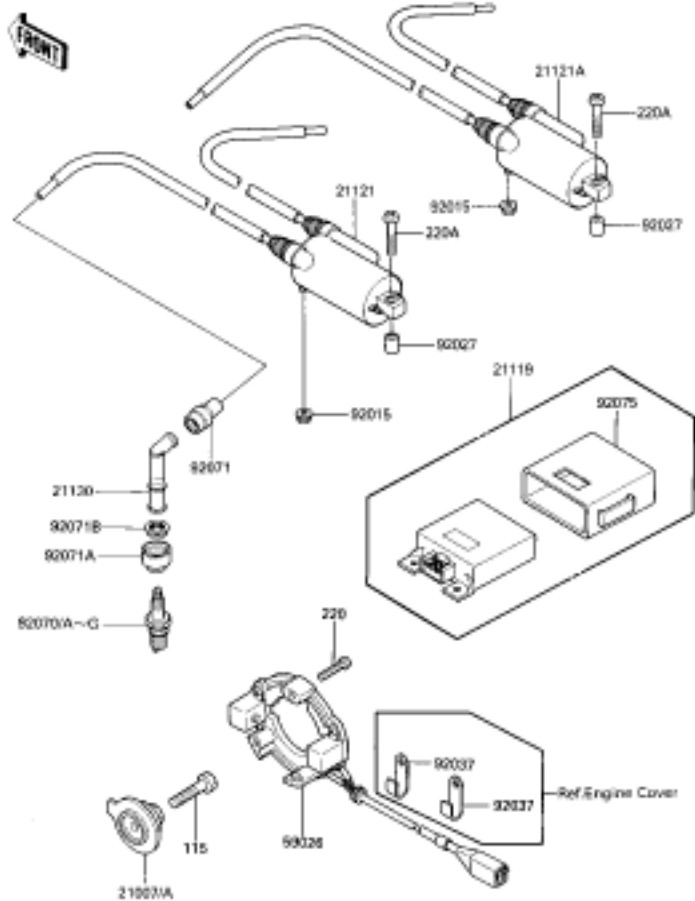


Ref #	Part #	Description	Qty	Spec Code
21003	21003-1124	STATOR	1	
21050	21050-1111	FLYWHEEL	1	
21066	21066-1055	REGULATOR-VOLTAGE	1	
92011	92001-1146	BOLT,12X40	1	
92002	92002-1537	BOLT,6X28	1	
92037	21126-008	CLAMP,WIRING HARNESS	1	
92037A	92037-1539	CLAMP,WIRING HARNESS	1	
120	120P0628	BOLT,ALLEN,6X28	2	
180	180B0620	BOLT-UPSET-WS	2	

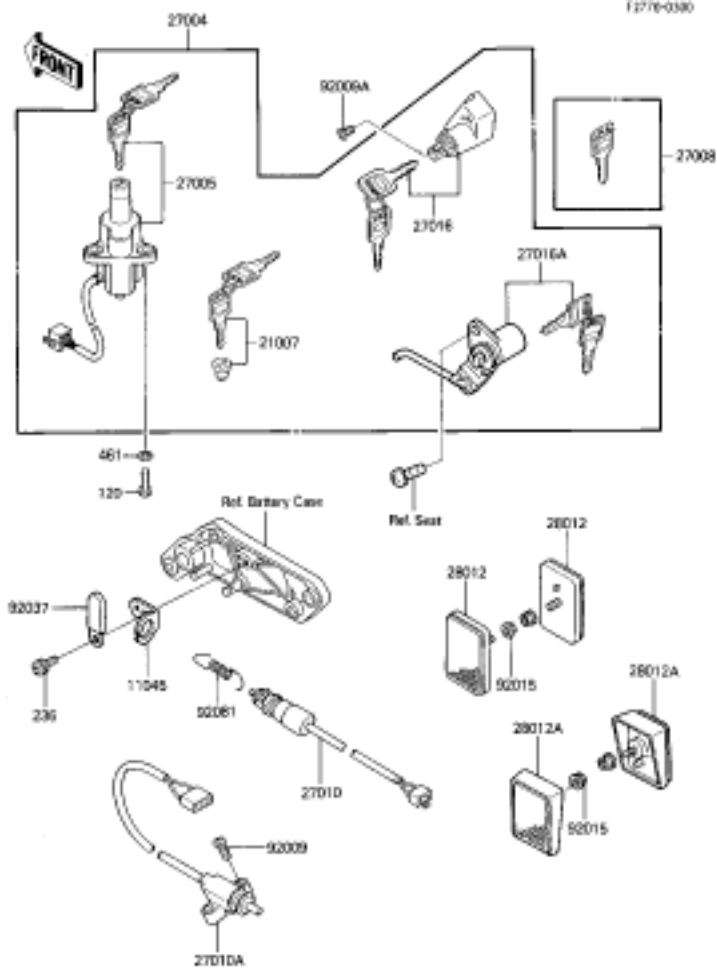
Ref #	Part #	Description	Qty	Spec Code
13091	13091-1185	HOLDER,CLUTCH LEVER	1	
27010	27010-1094	SWITCH,CLUTCH	1	
46003	46003-1221	HANDLE	1	
46012	46012-1137	HOLDER-HANDLE	2	
46019	46019-1061	GRIP-ASSY,THROTTLE	1	
46075	46075-1060	GRIP,LH	1	
46076	46076-1131	LEVER-ASSY-GRIP,CLUTC	1	
46091	46091-1402	HOUSING-ASSY-CONTROL,	1	
46091A	46091-1403	HOUSING-ASSY-CONTROL,	1	
46092	46092-1124	LEVER-GRIP,CHOKE	1	
46092A	46092-1151	LEVER-GRIP,CLUTCH	1	
56001	56001-1266	MIRROR-ASSY,LH	1	
56001A	56001-1267	MIRROR-ASSY,RH	1	
92001	92001-1548	BOLT,CLUTCH LEVER,BLA	1	
92009	92009-1134	SCREW,CABLE ADJUST,8	1	
92015	92015-1191	NUT,LOCK,6MM,BLACK	1	
92015A	92015-1197	NUT,CABLE ADJUST LOCK	1	
92066	92066-1216	PLUG,HANDLE HOLDER	4	
92072	92072-031	BAND,MIDDLE	4	
92072A	92072-1197	BAND	1	
110	110C0622	BOLT,6X22,BLACK	1	
120	120S0830	BOLT-SOCKET,8X30,BLAC	4	
220	220C0540	SCREW-PAN-CROS	2	
220A	220C0545	SCREW-PAN-CROS	2	
221	221C0316	SCREW-CSK-CROS	2	
410	410F0600	WASHER PLAIN	1	



Ref #	Part #	Description	Qty	Spec Code
11045	11044-1804	BRACKET,HEAD LAMP STA	1	
11045A	11044-1915	BRACKET,HEAD LAMP,LWR	1	
13091	13091-1386	HOLDER	1	
13091A	13091-1387	HOLDER	1	
23004	23004-1188	LAMP-HEAD	1	
23005	23005-1061-H3	BODY-COMP-HEAD LAMP,C	1	
23005A	23005-1061-H8	BODY-COMP-HEAD LAMP,E	1	
23005B	23005-1061-7V	BODY-COMP-HEAD LAMP,L	1	
23006	23006-1057	RIM-LAMP	1	
23007	23007-1136	LENS-COMP	1	
23008	23008-1281	SOCKET-ASSY	1	
23019	23019-031	SCREW,LENS FITTING	2	
28005	28005-1053	BODY-LAMP	1	
49016	49016-1110	COVER-SEAL	1	
92001	92001-1910	BOLT,FLANGED,8X35	2	
92009	92009-1394	SCREW	1	
92009A	92009-1395	SCREW	1	
92009B	92011-024	SCREW-PAN HEAD,5MM	2	
92015	23020-012	NUT ADJUST	1	
92015A	92015-1014	NUT,8M/M	2	
92015B	92015-1231	NUT-6MM,HEAD LAMP	1	
92027	92027-1131	COLLAR,HEAD LAMP FITT	2	
92069	92069-1002	BULB,12V-60/55W	1	
92069A	92069-1020	BULB,12V3W T-7	6	
92075	92075-1109	DAMPER,HEAD LAMP FITT	2	
92075A	92075-1110	DAMPER,HEAD LAMP FITT	2	
92081	92081-1892	SPRING	1	
130	130N0610	BOLT,FLANGED,6X10	1	
186	186C0614	BOLT-UPSET-WP	2	
223	223D0410	SCREW-PAN-WS-CROS	2	
461	461F0500	WASHER SPRING 5MM	4	



Ref #	Part #	Description	Qty	Spec Code
21007	21007-1130	ROTOR,PULSING COIL	1	CN
21007A	21007-1135	ROTOR,PULSING COIL	1	CA
21119	21119-1167	IGNITER	1	
21121	21121-1144	COIL-IGNITION,#1	1	
21121A	21121-1145	COIL-IGNITION,#2	1	
21130	21130-1057	CAP-SPARK PLUG	4	
59026	59026-1078	COIL-PULSING	1	
92015	92015-1078	NUT-6MM	2	
92027	92027-1453	COLLAR,6.3X10X14	2	
92037	21126-008	CLAMP,WIRING HARNESS	2	
92070A	D8EA	SPARK PLUG D8EA	4	CA
92070B	92070-1019	SPARK PLUG DR8ES (Canada)	4	CN
92070D	92070-1034	UNAVAILABLE IN PRICE BOOK	4	CA
92070G	92070-1116	SPARK PLUG DR8ES-L (Canada)	4	CN
92071	21131-005	GROMMET,HIGH TENSION	4	
92071A	92071-1124	GROMMET,PLUG CAP	4	
92071B	92071-1144	GROMMET	4	
92075	92075-1504	DAMPER,IGNITER	1	
115	115G0835	BOLT,SMALL UPSET	1	
220	220B0525	SCREW-PAN-CROS,5X25	3	
220A	220B0635	SCREW PAN HEAD 6X35	2	



Ref #	Part #	Description	Qty	Spec Code
11045	11044-1873	BRACKET,BRAKE SWITCH	1	
21007	21007-5005	ROTOR,FUEL TANK	1	
27004	27004-5283	SWITCH-ASSY	1	
27005	27005-5045	SWITCH-ASSY-IGNITION	1	
27008	27008-1103	KEY-LOCK,BLANK	1	(OPTION)
27010	27010-1152	SWITCH,BRAKE LAMP	1	
27010A	27010-1186	SWITCH,SIDE STAND	1	
27016	27016-5060	LOCK-ASSY,HELMET	2	
27016A	27016-5104	LOCK-ASSY,SEAT	1	
28012	28012-1009	REFLECTOR-REFLEX	2	
28012A	28012-1058	REFLECTOR-REFLEX,RR	2	
92009	92009-1359	SCREW	2	
92009A	92009-1401	SCREW	2	
92015	92015-1259	NUT,FLANGED,5MM	4	
92037	92037-1539	CLAMP,WIRING HARNESS	1	
92081	27011-020	SPRING,SIDE STAND SW	1	
120	120T0822	BOLT-SOCKET	2	
236	236B0514	SCREW-PAN-WSP-CROS	1	
461	461L0800	WASHER-SPRING	2	

FRONT

56040

Ref. Meter



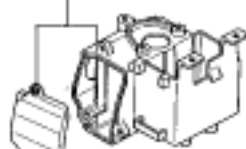
Ref. Fuel Tank



56080A

56014

Ref. Air Filter



56014

56031

56031B

Ref. Fender



Ref. Side Cover



Ref. Side Cover

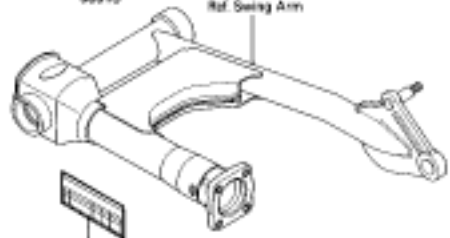


56031A

56018

56018

Ref. Swing Arm

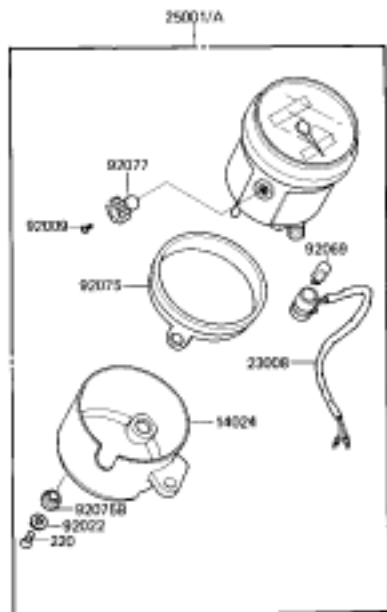


56037

56037

Ref #	Part #	Description	Qty	Spec Code
56014	56014-1160	EMBLEM,FUEL TANK,KAWA	2	
56018	56018-1922	MARK,SIDE COVER,ZL600	2	
56031	56031-1093	LABEL,OIL&OIL FILTER	1	
56031A	56031-1447	LABEL-MANUAL,BATTERY	1	
56031B	56031-1448	LABEL-MANUAL,DAILY SA	1	
56037	56037-1331	LABEL-SPECIFICATION,T	1	
56040	56040-1007	LABEL,BRAKE-IN	1	CA
56040A	56040-1121	LABEL-WARNING,FUEL TK	1	CA

FRONT



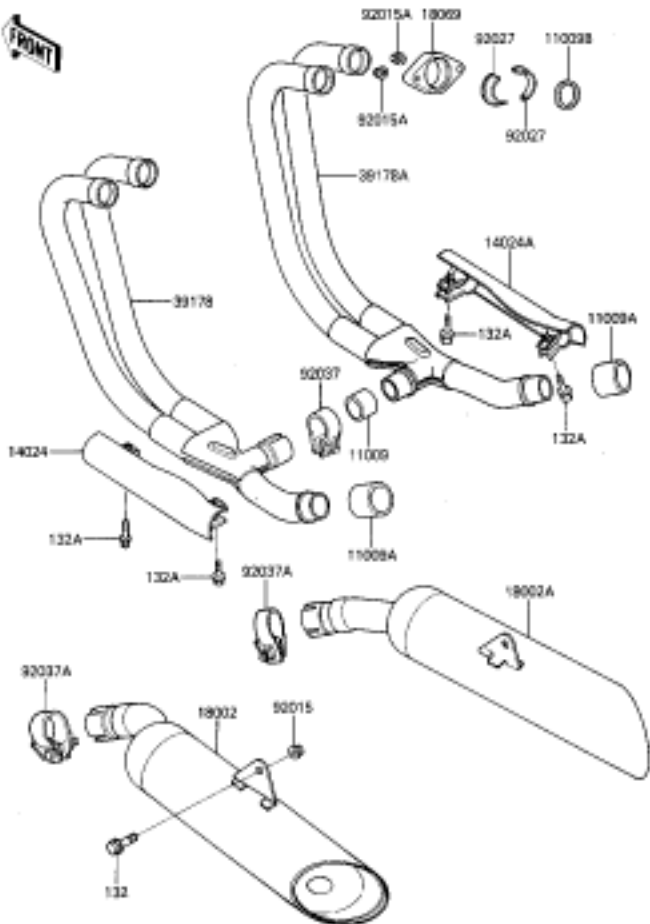
92015



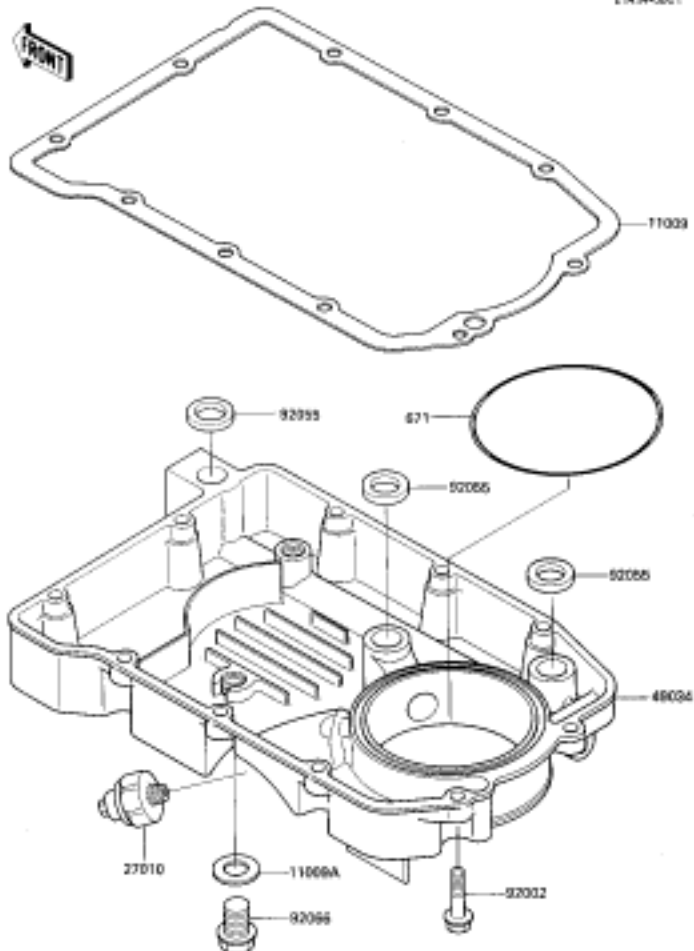
92015

Ref #	Part #	Description	Qty	Spec Code
14024	14024-1096	COVER	1	
14024A	14024-1097	COVER	1	
23008	23008-1279	SOCKET-ASSY,SPEEDOMET	1	
23008A	23008-1280	SOCKET-ASSY,TACHOMETE	1	
25001	25001-1661	METER-ASSY,MPH	1	CA
25001A	25001-1660	METER-ASSY,KPH (Canada)	1	CN
25015	25015-1250	TACHOMETER,X1000R/MIN	1	
92009	92009-1172	SCREW,2X6,BLACK	1	
92009A	92009-1406	SCREW,3X10	7	
92015	92015-1385	NUT,CAP,6MM	2	
92022	92022-1822	WASHER	4	
92069	92069-1007	BULB,12V3.4W	1	
92069A	92069-1020	BULB,12V3W T-7	2	
92075	92075-1751	DAMPER	1	
92075A	92075-1752	DAMPER	1	
92075B	92075-1753	DAMPER	4	
92077	92077-1059	KNOB,METER	1	
220	220E0408	SCREW PAN HEAD 4X8	4	

FRONT

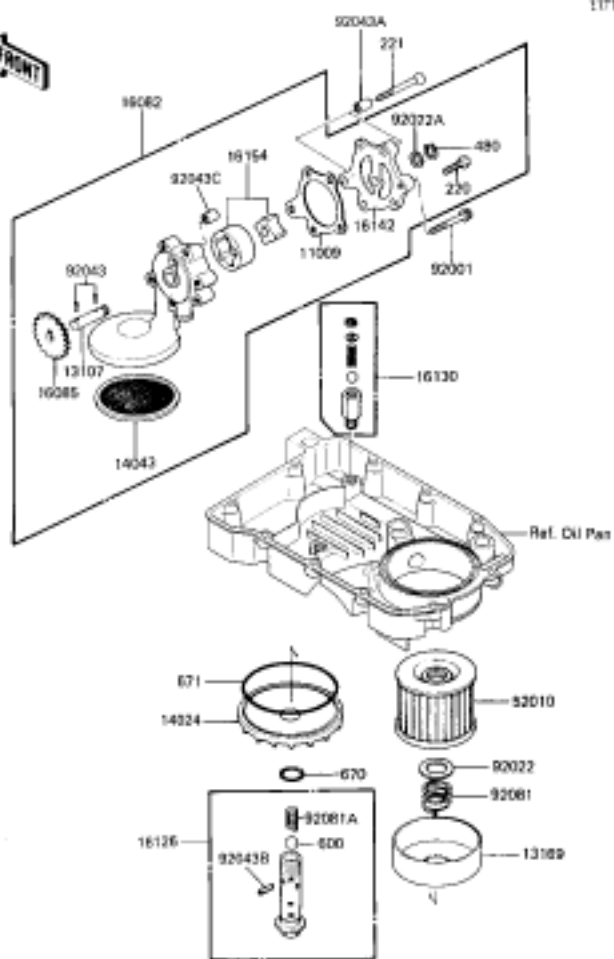


Ref #	Part #	Description	Qty	Spec Code
11009	11009-1718	GASKET,EXHAUST PIPE C	1	
11009A	11009-1668	GASKET,EXHAUST MANUFO	2	
11009B	11009-1866	GASKET,EXHAUST PIPE H	4	
14024	14024-1230	COVER,EXHAUST MANIFOL	1	
14024A	14024-1231	COVER,EXHAUST MANIFOL	1	
18002	18002-1663	BODY-COMP-MUFFLER,LH	1	
18002A	18002-1664	BODY-COMP-MUFFLER,RH	1	
18069	18069-1025	HOLDER-EXHAUST PIPE	4	
39178	39178-1109	MANIFOLD-COMP-EXHAUST	1	
39178A	39178-1110	MANIFOLD-COMP-EXHAUST	1	
92015	92015-1014	NUT,8M/M	2	
92015A	92015-1385	NUT,CAP,6MM	8	
92027	92027-1365	COLLAR	8	
92037	92037-1221	CLAMP,CONNECTING PIPE	1	
92037A	92037-1536	CLAMP,MUFFLER	2	
132	132E0835	BOLT-FLANGED-SMALL	2	
132A	132Y0640	BOLT-FLANGED-SMALL	4	

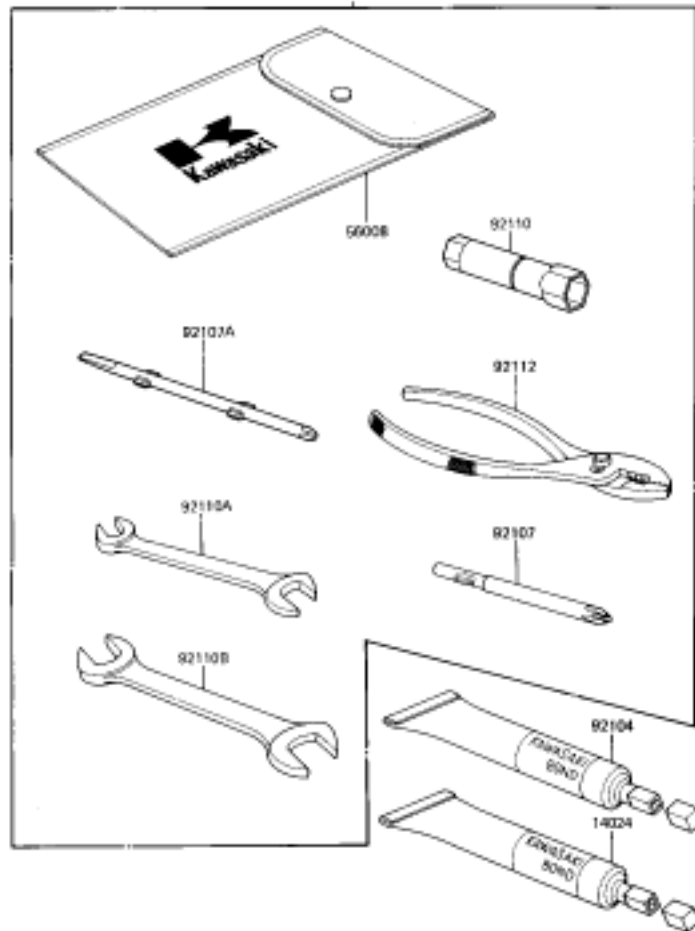


Ref #	Part #	Description	Qty	Spec Code
11009	11060-1149	GASKET,OIL PAN	1	
11009A	92065-097	GASKET,DRIN PLUG	1	
27010	27010-1155	SWITCH,OIL PRESSURE	1	
49034	49034-1060	PAN-OIL	1	
92002	92002-1089	BOLT,6X25	10	
92055	92055-077	"O" RING	3	
92066	92066-1174	PLUG,OIL DRAIN,12X15	1	
671	671B2590	"O" RING,90MM	1	

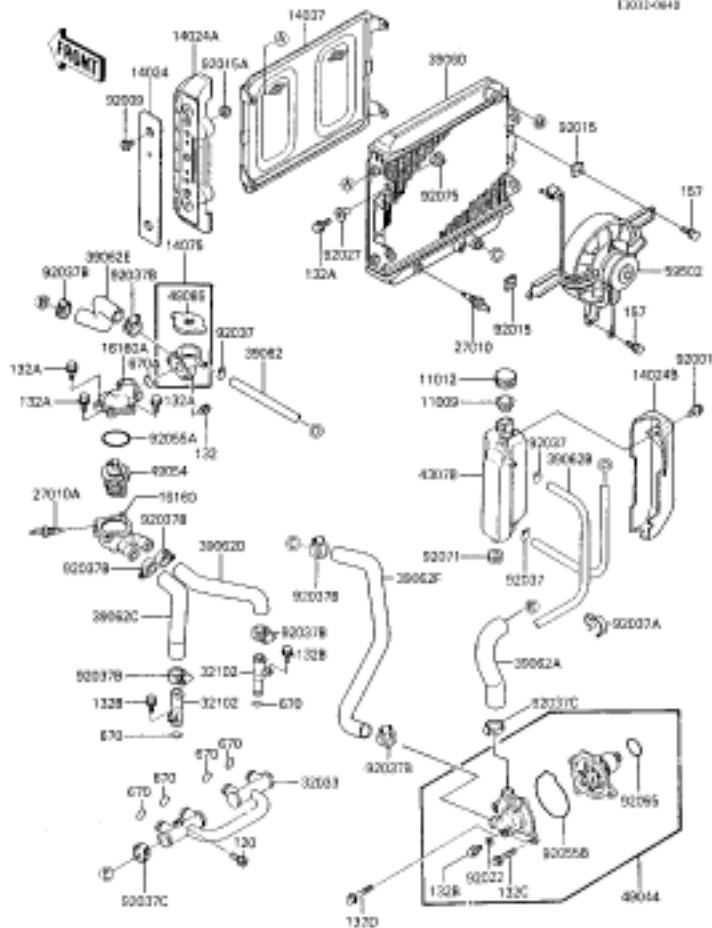
FRONT



Ref #	Part #	Description	Qty	Spec Code
11009	16145-004	GASKET,OIL PUMP COVER	1	
13107	16086-004	SHAFT,OIL PUMP	1	
13169	13169-1110	PLATE,OIL FILTER	1	
14024	16101-004	COVER,OIL FILTER	1	
14043	16111-004	STRAINER,OIL PUMP	1	
16082	16082-064	OIL PUMP ASSY	1	
16085	16085-025	GEAR,OIL PUMP,57T	1	
16126	16126-1108	VALVE,OIL FILTER	1	
16130	16130-1001	RELEAF VALVE ASSY	1	
16142	16142-005	COVER,OIL PUMP	1	
16154	16154-003	ROTOR ASSY,OIL PUMP	1	
52010	16099-003	FILTER,OIL	1	
92001	92001-165	BOLT,HEX HEAD,6X45	1	
92022	92022-1012	WASHER,20.5X30X1.0	1	
92022A	92022-311	WASHER,PLAIN	1	
92043	92042-041	PIN,DOWEL	2	
92043A	92042-050	PIN,DOWEL,6.2X8X28	2	
92043B	92043-111	SPRING PIN	1	
92043C	92043-1302	PIN,DOWEL,8X10	1	
92081	92081-1018	SPRING,OIL FILTER	1	
92081A	92081-109	SPRING	1	
220	220B0622	SCREW PAN HEAD 6X22	3	
221	221B0655	SCREW,CNTSNK HD,6X55	2	
480	480J1100	CIRCLIP,11MM	1	
600	600A1200	BALL STEEL 3/8'	1	
670	670B2016	"0" RING,16MM	1	
671	671B2590	"0" RING,90MM	1	

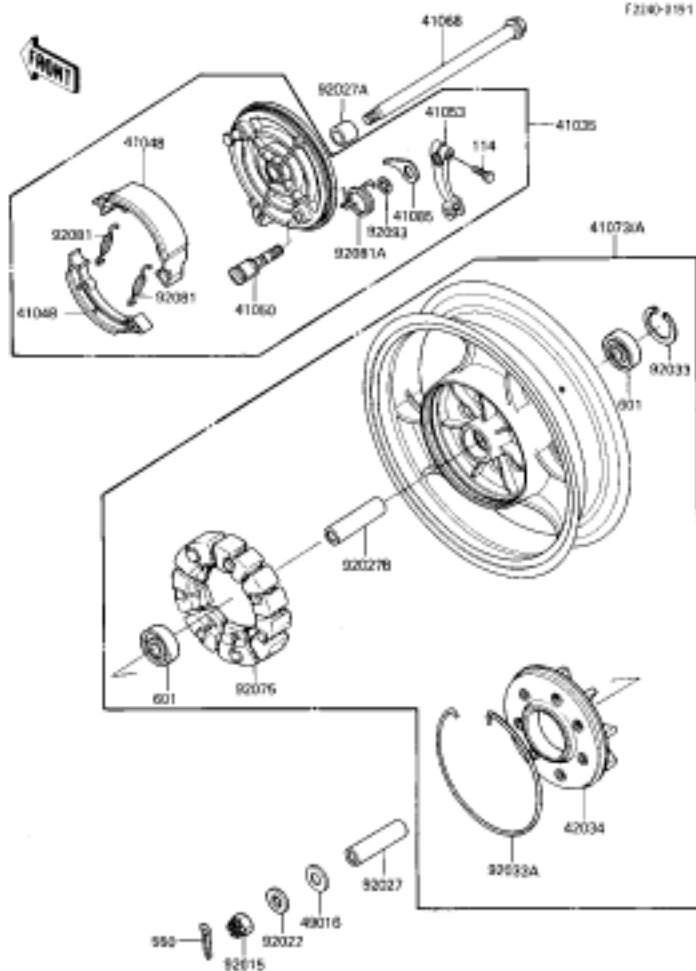


Ref #	Part #	Description	Qty	Spec Code
14024	56019-120	BOND,#10	1	
56007	56007-1293	TOOLKIT	1	
56008	56008-1007	BAG,TOOL	1	
92104	92104-002	LIQUID GASKET	1	
92107	92107-005	SCREW DRIVER #3 PHLIP	1	
92107A	92107-1051	92107-1052 (Canada)	1	
92110	92110-1111	TOOL-WRENCH	1	
92110A	92110-1152	TOOL-WRENCH,OPEN END,	1	
92110B	92110-1153	TOOL-WRENCH,OPEN END,	1	
92112	92112-003	PLIERS,160MM	1	

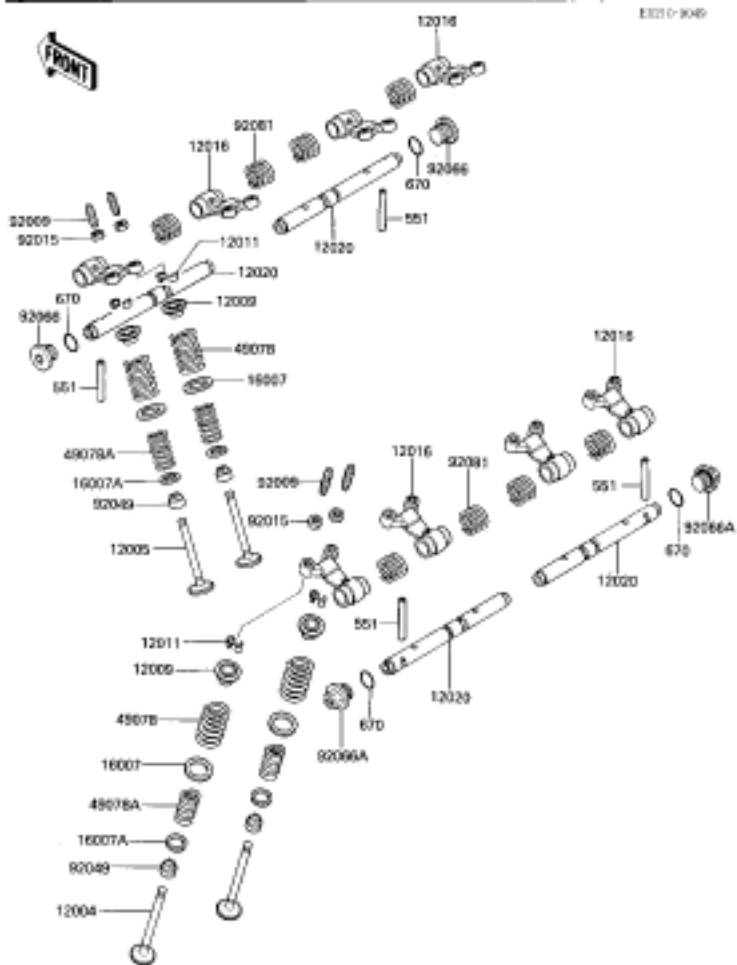


Ref #	Part #	Description	Qty	Spec Code
11009	11009-1145	GASKET,RESERVE TANK	1	
11012	11012-1084	CAP,RESERVE TANK	1	
14024	14024-1220	COVER,RADIATOR,UPP	2	
14024A	14024-1221	COVER,RADIATOR	2	
14024B	14024-1222	COVER,RESERVOIR	1	
14037	14037-1080	SCREEN	1	
14075	14075-1085	CAP-ASSY,RADIATOR	1	
16160	16160-1112	BODY,THERMOSTAT,LWR	1	
16160A	16160-1113	BODY,THERMOSTAT,UPP	1	
27010	27010-1167	SWITCH,FAN	1	
27010A	27010-1173	SWITCH	1	
32033	32033-1593	PIPE	1	
32102	32102-1043	PIPE	2	
39060	39060-1070	RADIATOR	1	
39062	39062-1144	HOSE-COOLING,5.5X10.5	1	
39062A	39062-1111	HOSE-COOLING	1	
39062B	39062-1220	HOSE-COOLING,RESERVOI	1	
39062C	39062-1178	HOSE-COOLING,HEAD-THE	1	
39062D	39062-1179	HOSE-COOLING,HEAD-THE	1	
39062E	39062-1180	HOSE-COOLING,CAP-RADI	1	
39062F	39062-1181	HOSE-COOLING,RADIATOR	1	
43078	43078-1072	RESERVOIR	1	
49044	49044-1054	PUMP-WATER	1	
49054	49054-1055	THERMOSTAT	1	
4908	49085-1053	CAP-ASSY-PRESSURE	1	
59502	59502-1064	FAN-ASSY	1	
92001	92001-1860	BOLT,6X16	1	
92009	92009-1286	SCREW,6X10	4	
92015	92015-1487	NUT	2	
92015A	92018-005	NUT,LOCK,3MM	6	
92022	92022-1627	WASHER,6MM	1	
92027	92027-194	COLLAR	4	

92037	92037-147	CLAMP,CHAIN OILER	3	
92037A	92037-1552	CLAMP	1	
92037B	92037-1589	CLAMP,COOLING HOSE	8	
92037C	92037-1600	CLAMP,COOLING HOSE	2	
92055	92055-1266	RING-O,33MM	1	
92055A	92055-1279	RING-O,45MM	1	
92055B	92055-1315	RING-O,WATER PUMP	1	
92071	92071-1115	GROMMET,RESERVIOR TAN	1	
92075	92075-277	DAMPER RUBBER	4	
120	120S0612	BOLT-SOCKET	2	
132	132G0616	BOLT-FLANGED-SMALL	2	
132A	132G0620	BOLT-FLANGED-SMALL	8	
132B	132J0612	BOLT-FLANGED-SMALL	3	
132C	132J0625	BOLT-FLANGED-SMALL	3	
132D	132J0645	BOLT-FLANGED-SMALL	1	
157	157J0616	BOLT-WSP	3	
670	670B2016	"0" RING,16MM	6	
670A	670B2020	"0" RING,20MM	1	



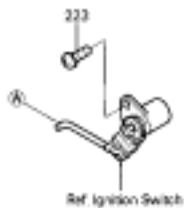
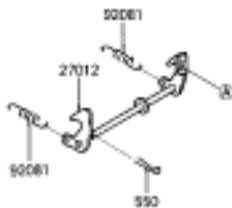
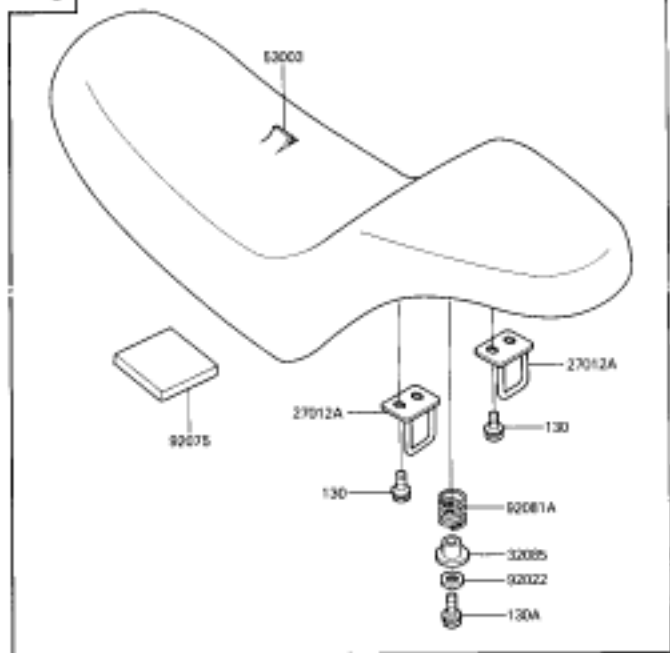
Ref #	Part #	Description	Qty	Spec Code
41035	41035-1210	PANEL-ASSY-BRAKE,RR	1	
41048	41048-1070	SHOE-BRAKE	2	
41050	41050-017	CAM SHAFT,BRAKE	1	
41053	42029-039	LEVER REAR BRAKE CAM	1	
41068	41068-1223	AXLE,RR	1	
41073	41073-1337-J9	WHEEL-ASSY,RR,M.GRAY	1	
41073A	41073-1337-T7	WHEEL-ASSY,RR,SILVER	1	
41085	41085-1054	INDICATOR	1	
42034	42034-1029	COUPLING,RR HUB	1	
49016	49016-1038	COVER-SEAL	1	
92015	92015-055	NUT CASTLE,16MM	1	
92022	42046-009	WASHER SLEEVE	1	
92027	92027-1415	COLLAR,17.2X25X79	1	
92027A	92027-1550	COLLAR,AXLE,RR,RH,L=2	1	
92027B	92027-1867	COLLAR,17.2X25X74	1	
92033	92033-1042	CIRCLIP,47M/M	1	
92033A	92033-1075	RING-SNAP,194MM	1	
92075	92075-1372	DAMPER,RR HUB SHOCK	1	
92081	41049-012	SPRING,BRAKE SHOE	2	
92081A	92081-1814	SPRING,BRAKE CAM LEVE	1	
92093	41051-003	DUST SHIELD-BRAKE CAM	1	
114	114G0828	BOLT HEX HEAD 8X28	1	
550	550D4035	PIN-COTTER,4.0X35	1	
601	601B6303ZZ	BRG,BALL,#6303ZZC3	2	



Ref #	Part #	Description	Qty	Spec Code
12004	12004-1075	VALVE-INTAKE	8	
12005	12005-1062	VALVE-EXHAUST	8	
12009	12009-1060	RETAINER-VALVE SPRING	16	
12011	12011-1051	COLLET	32	
12016	12016-1062	ARM-ROCKER	8	
12020	12020-1058	SHAFT-ROCKER	4	
16007	16007-1144	SEAT-SPRING	16	
16007A	16007-1143	SEAT-SPRING	16	
49078	49078-1060	SPRING-ENGINE VALVE,O	16	
49078A	49078-1061	SPRING-ENGINE VALVE,I	16	
92009	92009-1109	SCREW,VALVE ADJUST	16	
92015	92015-1529	NUT,5MM	16	
92049	92049-1218	SEAL-OIL,VSB58.558	16	
92066	92066-1192	PLUG,14X11.5	2	
92066A	92066-1257	PLUG	2	
92081	92081-1636	SPRING,ROCKER ARM	8	
551	551A0540	PIN-DOWEL	4	
670	670B2015	"O" RING,15MM	4	

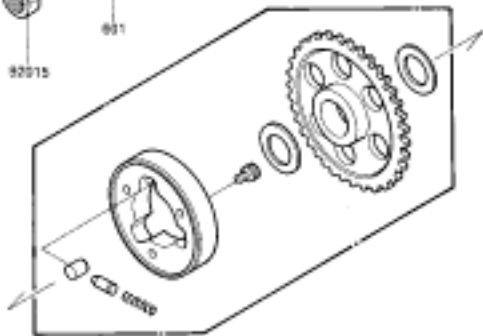
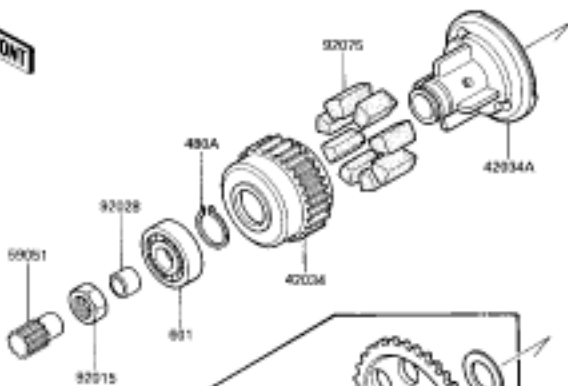
53001A/B

FRONT

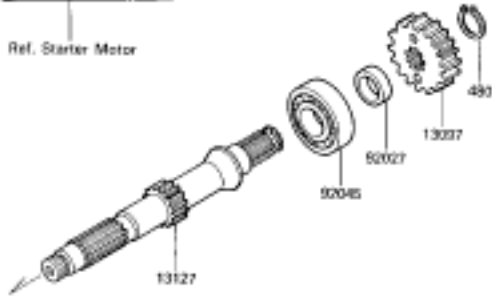


Ref #	Part #	Description	Qty	Spec Code
27012	27012-1356	HOOK,SEAT LOCK	1	
27012A	53008-021	HOOK, SEAT	4	
27012A	53008-021	HOOK, SEAT	2	
32085	32085-1167	STOPPER,SEAT	2	
32085	32085-1167	STOPPER,SEAT	1	
53001	53001-1464	SEAT-ASSY,DUAL	1	(- JKAZL4A1 GA002884)
53001A	53001-1486	SEAT-ASSY,DUAL	1	
53001B	53001-1486	SEAT-ASSY,DUAL	1	(JKAZL4A1 GA002885 -)
53003	53003-1161	LEATHER,SEAT	2	
53003	53003-1161	LEATHER,SEAT	1	
92022	92022-1565	WASHER,6.5X16X2	2	
92022	92022-1565	WASHER,6.5X16X2	1	
92075	92075-1877	DAMPER,SEAT	1	
92081	92081-1580	SPRING,HOOK RETURN	2	
92081A	92081-1664	SPRING,SEAT	2	
92081A	92081-1664	SPRING,SEAT	1	
130	130B0612	BOLT	8	
130	130B0612	BOLT	4	
130A	130B0625	BOLT,FLANGED,6X25	2	
130A	130B0625	BOLT,FLANGED,6X25	1	
223	223B0510	SCREW-PAN-WS-CROS	2	
550	550D2012	PIN,COTTER,2.0X12	1	

FRONT

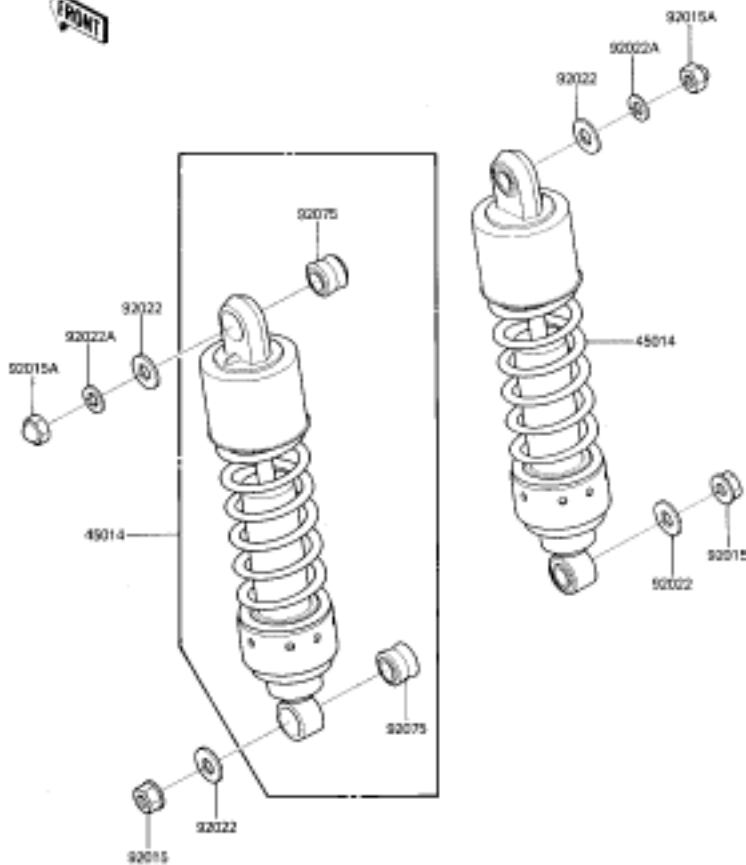


Ref. Starter Motor

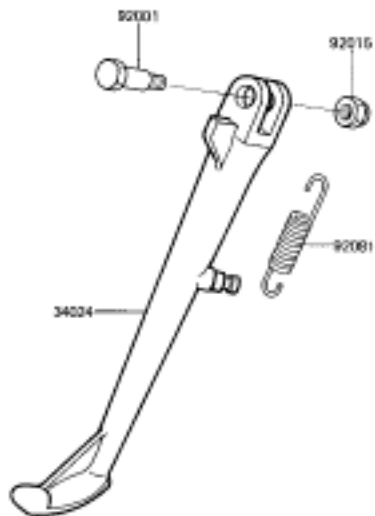


Ref #	Part #	Description	Qty	Spec Code
13097	13097-1141	GEAR-PRIMARY SPUR,28T	1	
13127	13127-1123	SHAFT-TRANSMISSION IN	1	
42034	42034-1004	COUPLING, OUTER	1	
42034A	42034-1005	COUPLING, INNER	1	
59051	59051-1137	GEAR-SPUR, 10T	1	
92015	92016-028	NUT 20MM	1	
92027	92027-1438	COLLAR	1	
92028	92028-1037	BUSHING, SECONDARY	1	
92045	92045-1017	BEARING, BALL, #63/22X	1	
92075	92075-1070	DAMPER RUBBER, COUPLNG	8	
480	480J2200	CIRCLIP, 22MM	1	
480A	480J2800	CIRCLIP 28MM	1	
601	601B6205	BEARING BALL #6205	1	

FRONT

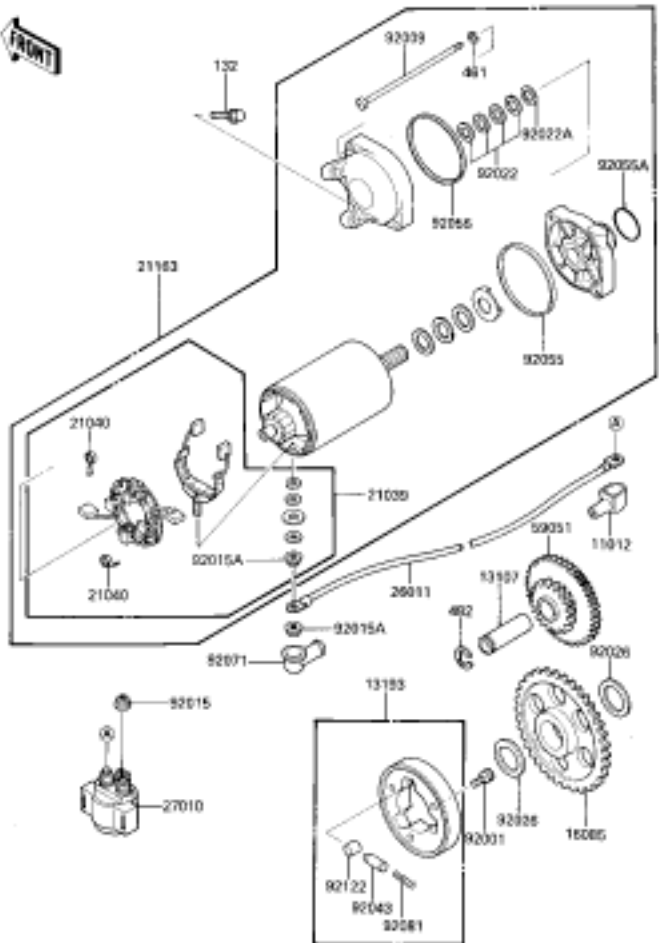


Ref #	Part #	Description	Qty	Spec Code
45014	45014-1341	SHOCKABSORBER	2	
92015	92015-1428	NUT, FLANGED, 10MM	2	
92015A	92020-003	NUT SHOCK ABSORBER	2	
92022	92022-044	WASHER-PL-10.5X26X2.3	4	
92022A	92022-1540	WASHER, SPRING, 10MM	2	
92075	92075-1141	BUSHING, SHOCK ABSORBE	4	

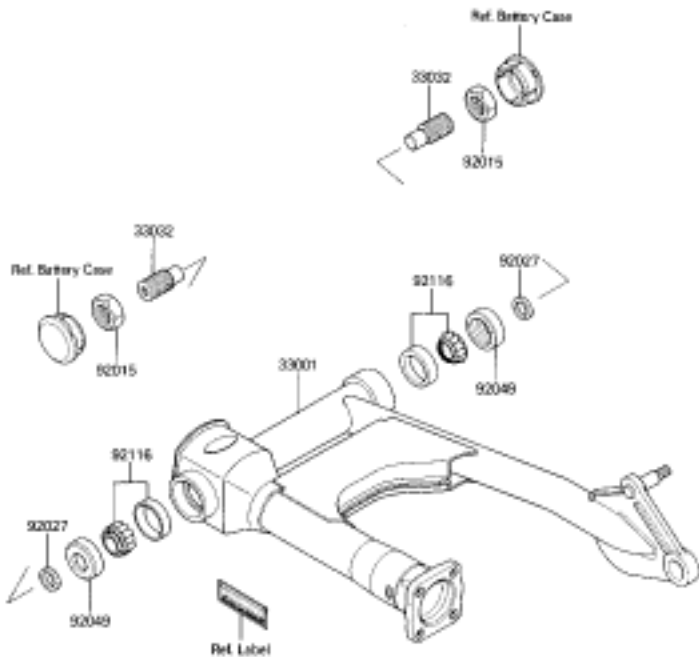


Ref #	Part #	Description	Qty	Spec Code
34024	34024-1213	STAND-SIDE	1	
92001	92001-1543	BOLT,8X160,BLACK	1	
92015	92015-1188	NUT,LOCK,10MM,BLACK	1	
92081	92081-1727	SPRING,SIDE STAND	1	

FRONT

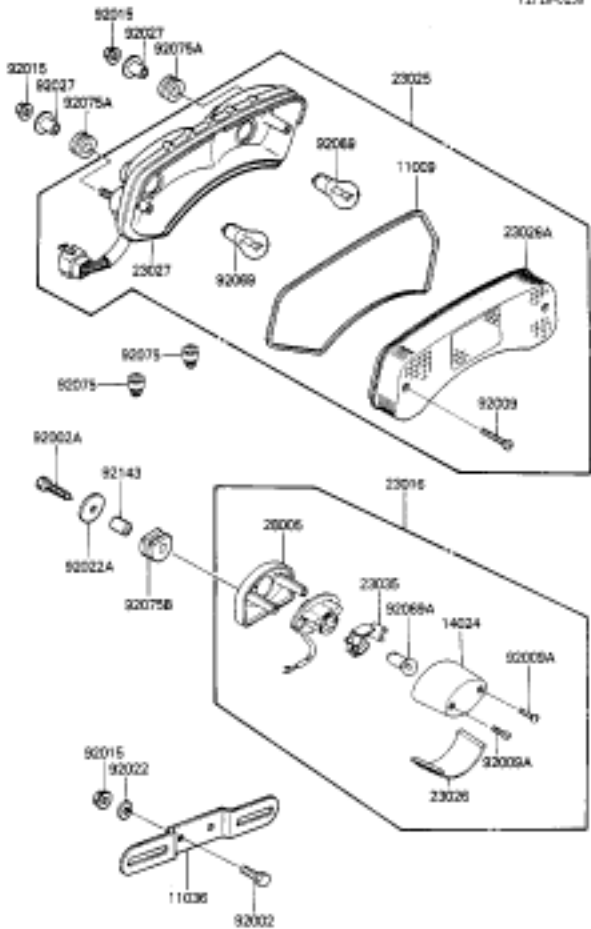


Ref #	Part #	Description	Qty	Spec Code
11012	11012-1354	CAP,TERMINAL	1	
13107	13107-1144	SHAFT,IDLE GEAR	1	
13193	13193-1002	CLUTCH ASSY,ONEWAY	1	
16085	16085-1030	GEAR,ONEWAY CLUTCH	1	
21039	21039-1053	BRUSH,CARBON	1	
21040	21040-1003	SPRING-BRUSH	4	
21163	21163-1072	STARTER-ELECTRIC	1	
26011	26011-1251	WIRE-LEAD,STARTER MTR	1	
27010	27010-1314	SWITCH,STARTER	1	
59051	59051-1138	GEAR-SPUR,IDLE	1	
92001	92001-1424	BOLT,SOCKET,8X10	3	
92009	92009-1397	SCREW	2	
92015	92015-1078	NUT-6MM	2	
92015A	92015-1476	NUT,6MM	2	
92022	21025-011	WASHER,THRUST,0.2T	4	
92022A	92022-1132	WASHER,THRUST,0.8T	1	
92026	92026-1025	SPACER,25X36X3.2	2	
92043	92043-132	PIN	3	
92055	92055-1086	"0" RING,STARTER MOTR	2	
92055A	92055-1276	RING-O	1	
92071	21017-017	GROMMET,CORD	1	
92081	92081-159	SPRING,COIL	3	
92122	92122-006	ROLLER	3	
132	132J0625	BOLT-FLANGED-SMALL	2	
146	461K0500	WASHER-SPRING,5MM,BLA	2	
482	482J0300	CIRCLIP-TYPE-E	1	

FRONT

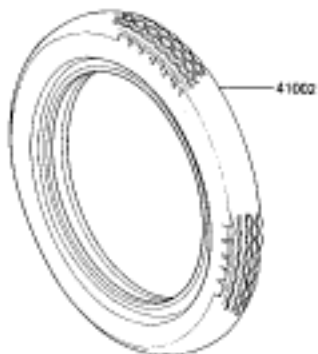
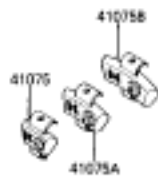
Ref #	Part #	Description	Qty	Spec Code
33001	33001-1262	ARM-COMP-SWING	1	
33032	33032-1034	SHAFT-SWING ARM	2	
92015	92015-1229	NUT,22MM	2	
92027	92027-1394	COLLAR,17X26X4.5	2	
92049	92049-1030	OIL SEAL,26406	2	
92116	92116-1001	BRG,ROLLER,4T30203E1	2	

FRONT

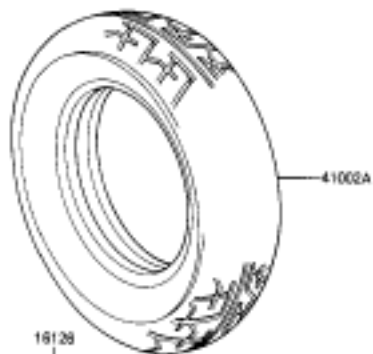
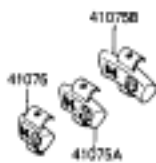


Ref #	Part #	Description	Qty	Spec Code
11009	11009-1524	GASKET, TAIL LAMP LENS	1	
11036	11036-1040	BRACKET-A, LICENSE PLA	1	
14024	14025-1725	COVER, LICENSE LAMP	1	
23016	23016-1071	LAMP-ASSY, LICENSE PLA	1	
23025	23025-1123	LAMP-TAIL	1	
23026	23026-1064	LENS, LICENSE LAMP	1	
23026A	23026-1068	LENS, TAIL LAMP	1	
23027	23027-1062	BODY-COMP-TAIL LAMP	1	
23035	23035-1060	REFLECTOR-LAMP, LICENS	1	
28005	28005-1051	BODY-LAMP, LICENSE	1	
92002	92002-1124	BOLT, 6X16	2	
92002A	92002-1831	BOLT	2	
92009	92009-1056	SCREW, TAPPING	2	
92009A	92009-1378	SCREW, TAPPING, 5X40	2	
92015	92015-1078	NUT-6MM	4	
92022	92022-125	WASHER 6.5X20X1.6T	2	
92022A	92022-1581	WASHER, 5.5X20X1.2	2	
92027	92027-251	COLLAR	2	
92069	92069-059	BULB, 12V 32/3CP	2	
92069A	92069-1012	BULB, 12V 4CP	1	
92075	92075-035	DAMPER RUBB SPEEDMETR	2	
92075A	92075-1690	DAMPER	2	
92075B	92075-1870	DAMPER	2	
92143	92143-1047	COLLAR	2	

FRONT



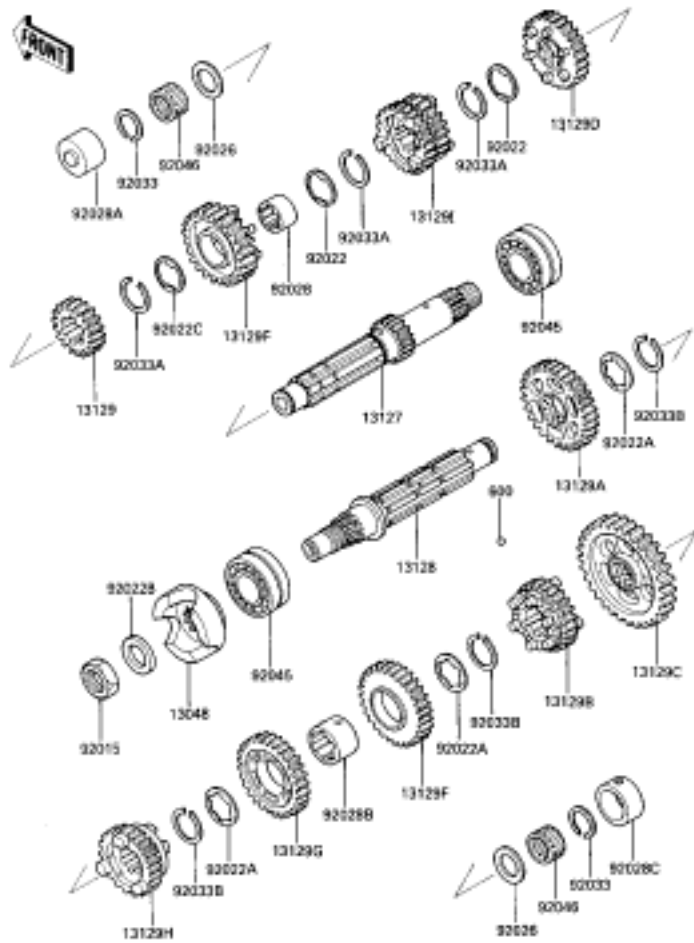
16126



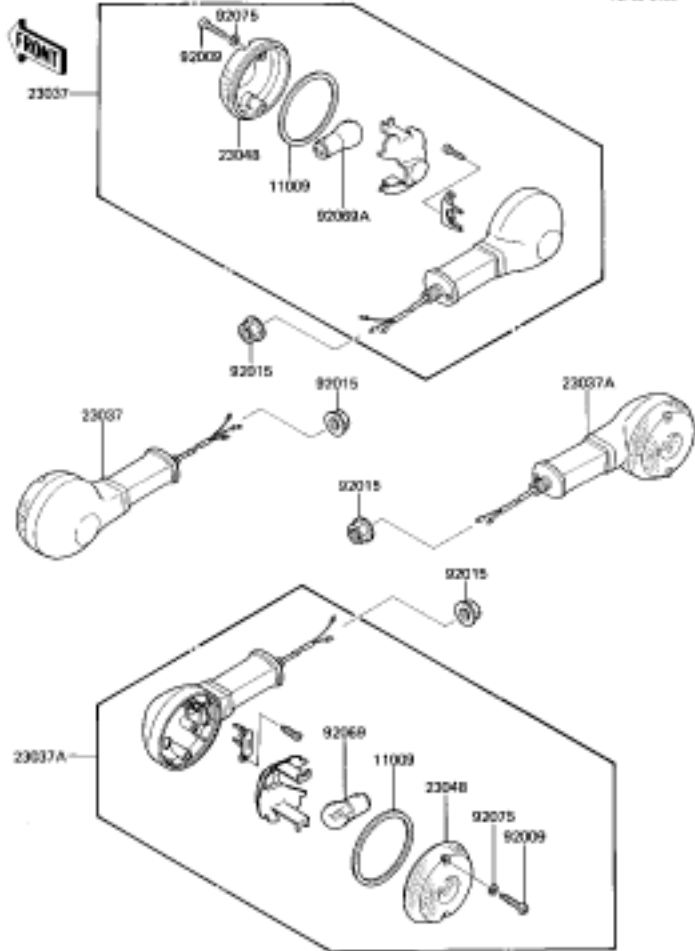
16126



Ref #	Part #	Description	Qty	Spec Code
16126	16126-1136	VALVE	2	
41002	41002-1584	TIRE,FR,100/90-18(D)	1	
41002A	41002-1585	TIRE,RR,150/80-15(D)	1	
41075	41075-1014	BALANCER-WHEEL,10G	AR	
41075A	41075-1015	BALANCER-WHEEL,20G	AR	
41075B	41075-1016	BALANCER-WHEEL,30G	AR	



Ref #	Part #	Description	Qty	Spec Code
13048	13048-1067	CAM-DAMPER	1	
13127	13127-1136	SHAFT-TRANSMISSION IN	1	
13128	13128-1133	SHAFT-TRANSMISSION OU	1	
13129	13129-1077	2ND GEAR,DRIVE SHAFT	1	
13129A	13129-1078	2ND GEAR,OUTPUT,32T	1	
13129B	13129-1083	5TH GEAR,OUTPUT,25T	1	
13129C	13129-1564	GEAR,OUTPUT LOW,36T	1	
13129D	13129-1657	GEAR,INPUT 5TH,26T	1	
13129E	13129-1658	GEAR,INPUT TOP,27T	1	
13129F	13129-1659	GEAR,OUTPUT 3RD,29T	1	
13129G	13129-1660	GEAR,OUTPUT 4TH,27T	1	
13129H	13129-1662	GEAR,OUTPUT TOP,23T	1	
13129I	13260-1195	GEAR INPUT 3RD&4TH,21	1	
92015	92016-028	NUT 20MM	1	
92022	92022-1072	WASHER,LOCK,30X1.0T	2	
92022A	92022-1139	WASHER,LOCK,1.0T	3	
92022B	92022-1692	WASHER,20.3X32X4.5	1	
92022C	92024-033	WASHER-LOCK	1	
92026	92026-1022	SPACER,20.3X30X2T	2	
92028	92028-1552	BUSHING,INPUT TOP GEA	1	
92028A	92028-1186	BUSHING,INPUT SHAFT	1	
92028B	92028-1364	BUSHING	1	
92028C	92028-180	BUSHING,OUTPUT SHAFT	1	
92033	92033-015	CIRCLIP	2	
92033A	92033-026	CIRCLIP	3	
92033B	92033-1037	SNAP RING,25.9X1.2T	3	
92045	92045-035	BEARING,BALL	2	
92046	92046-1030	BEARING,VS20/14A	2	
600	600A0500	BALL STEEL 5/32'	3	



Ref #	Part #	Description	Qty	Spec Code
11009	11009-1413	GASKET,SIGNAL LAMP	4	
23037	23037-1218	LAMP-ASSY-SIGNAL,FR	2	
23037A	23037-1226	LAMP-ASSY-SIGNAL,RR	2	
23048	23048-1066	LENS-SIGNAL LAMP	4	
92009	92009-1069	SCREW,TAPPING,4X25	8	
92015	92015-1428	NUT,FLANGED,10MM	4	
92069	92069-055	BULB 12V 32CP	2	
92069A	92069-060	BULB,12V 23/8W	2	
92075	23058-002	WASHER-PLAIN,4MM	8	

General Specifications

Engine

Engine Type	4-stroke, Inline, 4-cylinder, DOHC, Liquid cooled, 16-Valve
Displacement	749 cc
Bore x Stroke	64.0 x 46.6 mm
Compression Ratio	12.0:1
Maximum Torque	N/A
Carburetor	Keihin CVK36(4) Constant velocity, Diaphragm-type
Ignition System	12 V Battery & Coil, Transistorized Breakerless
Ignition Advance	Electronic
Crankshaft Rotation	Clockwise from ignition (RH side)
Cylinder Number Method	Left to Right: 1-2-3-4
Firing Interval/Order	180° /1-2-4-3
Cylinder Material	Aluminum alloy with ferrous sleeves
Fuel	Min 91 Research/87 Avg. Oct. Unleaded OK
Coolant	50% distilled water /50% ethylene glycol base antifreeze.
— Capacity	2.5 liter
— Level	Level with radiator filler neck.

Transmission

Clutch Type	Wet, Multi-disc, Manual
Transmission	6-speed, Constant mesh, Return shift
Shift Pattern(Bottom up)	1-N-2-3-4-5-6 (w/Neutral Finder)
Gear Ratios	— 1st 3.17 (38/12)
— 2nd	2.12 (34/16)
— 3rd	1.67 (35/21)
— 4th	1.38 (29/21)
— 5th	1.22 (26/23)
— 6th	1.08 (26/24)
Primary Ratio	1.79 (95/53)
Final Ratio	Cardan
Overall Ratio (Top Gear)	5.82

Chassis

Wheelbase	1,420 mm
Seat Height	780 mm
Ground Clearance	120 mm
Dry Weight	195 kg (US,CN) 195.5 kg (CA)
Curb Weight	221 kg (US,CN) 221.5 kg (CA)
Max Recom Load	N/A
Fuel Tank Capacity	18.0 liter
Tire Size	— Front 100/90-18(D) Tubeless
— Rear	150/80-15(D) Tubeless
Brake Type	— Front Single Hydraulic Disc
— Rear	Single Hydraulic Disc
Brake Size	— Front 265 mm Effective Diameter
— Rear	202 mm Effective Diameter
Wheel Travel	— Front 130 mm
— Rear	130 mm

Model Identification

Year & Model	'90 ZL750-A3:Eliminator
Color	① Candy Amaranth Red Mica (2D) ② KMM. Amaranth Red Mica (1Q) ③ KMM. Luminous Windsor Green (24) ④ Luminous Windsor Green (DS)
VIN Range	JKAZX4E1✓ WA050001 ~ (Japan) JKAZX4E1✓ WB513101 ~ (U.S.A.)
Engine No. Range	ZX600DE000001 — ?
Engine No. Location	RH top crankcase, below carburetor

Tuning Specifications

Engine

Cylinder Head Torque	In sequence: ① 2.3 kg-m
O= Step — Nuts	② 1.0 kg-m ③ Warm Up ④ Retorque Cold
Valve Clearance (Cold)	Intake 0.15~0.24 mm Exhaust 0.22~0.31 mm
— Adjustment Method	Shim under tappet
Compression Pressure	203 psi
Spark Plug	NGK CR9E or U27ESR
— Gap	0.7-0.8 mm
Ignition Timing	— Idle 12.5° BTDC at 1,050 rpm (US) 5.0° BTDC at 1,300 rpm (CA)
— Full	35° at 3,000 rpm
Air Screw	Sealed—not adjustable
Idle Speed	1050 ± 50 rpm (US,CN) 1250 ± 50 rpm (CA)
Engine Oil	SE Class SAE 10W40, 10W50, 20W40, 20W50
— w/Filter Change	3.7 liter
— No Filter Change	3.3 liter
— Level	On center stand, wait 5 min., middle of window

Chassis

Fork Oil	SAE 10W20
— Capacity	505 ± 4 ml
— Level	98 mm (fully compressed, no spring)
Tire Pressure (Cold)	— Front 2.50 kg/cm ²
— Rear	2.90 kg/cm ²

Manuales Despiece Y Taller

Adquiéralo en



Email motosmanual@uol.com.ar

Pagina web: <http://www.manuales.8k.com>

