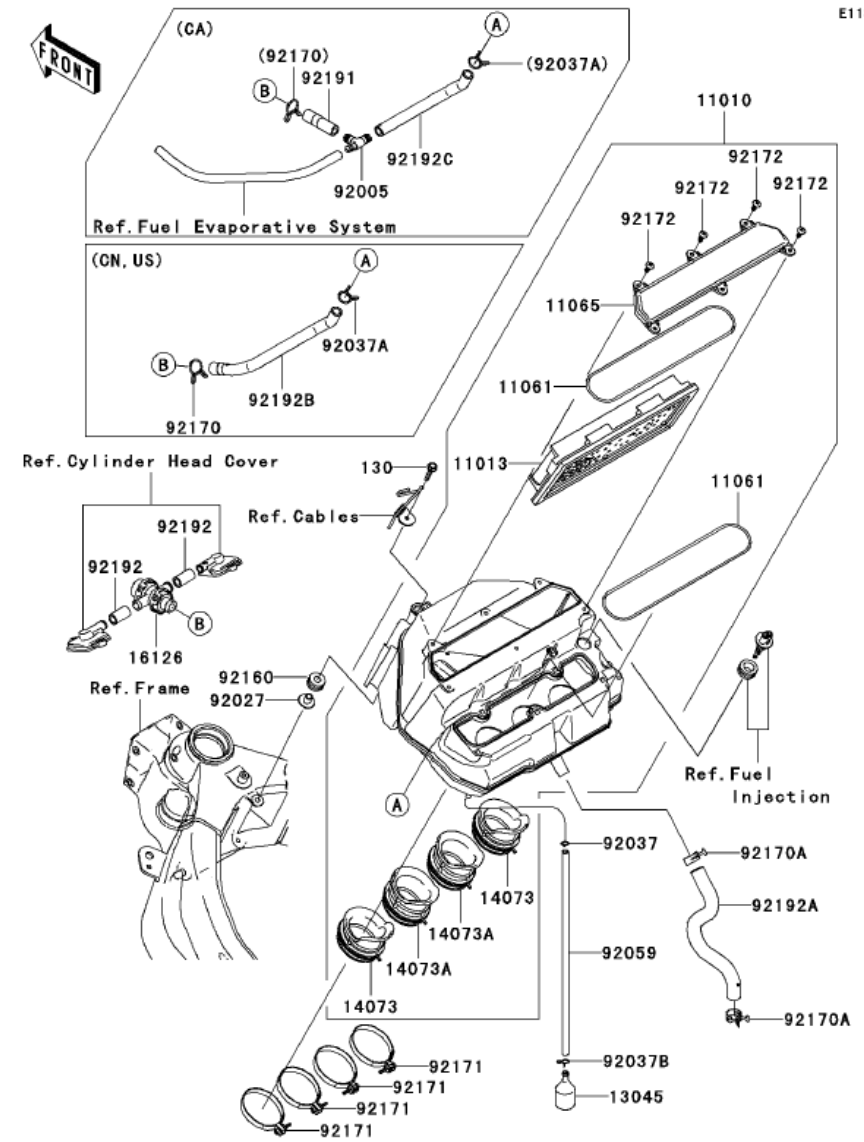


**KAWASAKI ZX-6R**  
**2005**

**PARTS CATALOG**

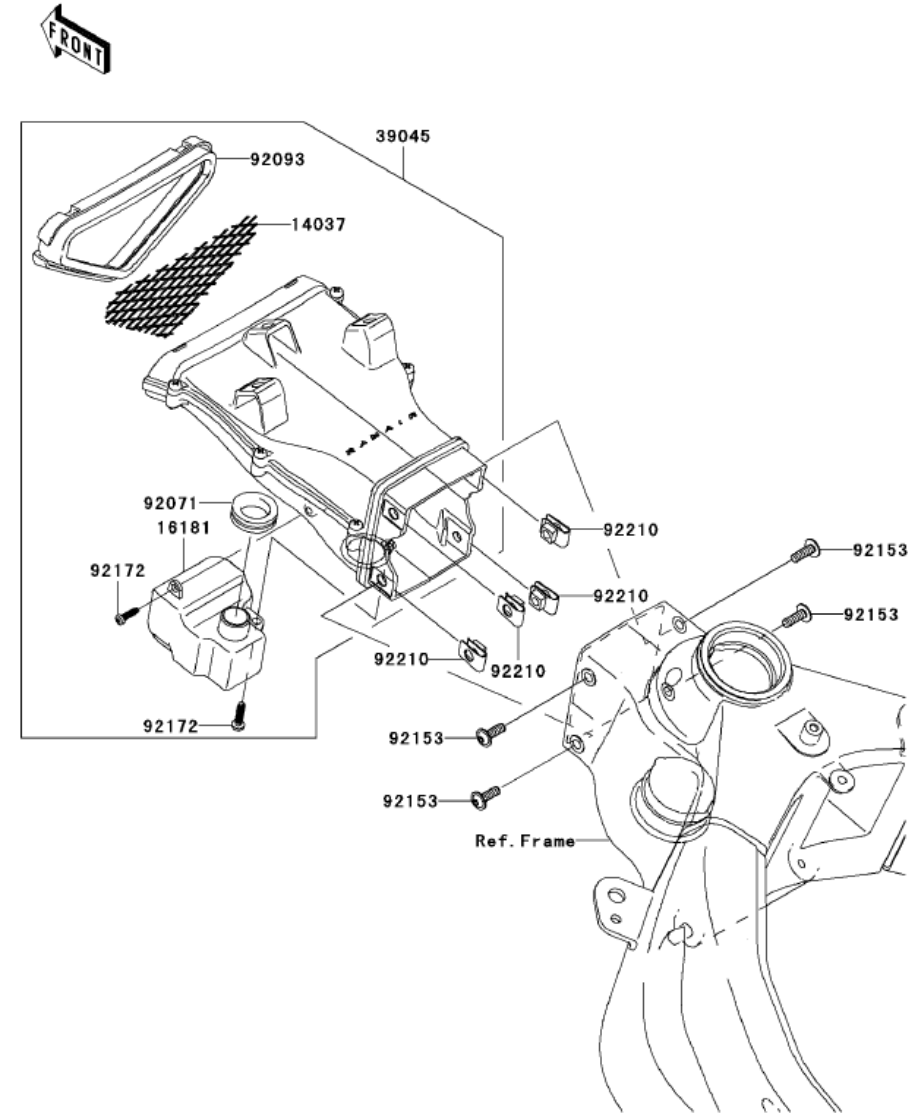
## AIR CLEANER

Ref #	Part #	Description	Qty	Spec Code
130	130L0630	BOLT-FLANGED,M6X30	1	
11010	11010-0061	FILTER-ASSY-AIR	1	
11013	11013-0010	ELEMENT-AIR FILTER	1	
11061	11061-0127	GASKET	2	
11065	11065-0082	CAP,AIR FILTER CASE	1	
13045	13045-1057	RECEIVER-OIL	1	
14073	14073-0077	DUCT,#1,#4	2	
14073A	14073-0081	DUCT,#2,#3	2	
16126	16126-1433	VALVE,AIR SWITCH	1	
92005	92005-1402	FITTING	1	[CA]
92027	92027-251	COLLAR,L=13.1	1	
92037	92037-010	CLAMP,TUBE	1	
92037A	92037-1593	CLAMP	1	
92037B	92037-1712	CLAMP	1	
92059	92059-103	TUBE,6X9X360	1	
92160	92160-1162	DAMPER	1	
92170	92170-1017	CLAMP	1	
92170A	92170-1060	CLAMP	2	
92171	92171-0436	CLAMP,FUNNEL TIGHTEN	4	
92172	92172-0177	SCREW,5X16	6	
92191	92191-1813	TUBE,FITTING-AIR SWITCH	1	[CA]
92192	92192-0009	TUBE,10X16X29	2	
92192A	92192-0153	TUBE,BLOW-BY	1	
92192B	92192-0154	TUBE,A/C-ASV	1	[CN,US]
92192C	92192-0168	TUBE,FITTING-A/C	1	[CA]



### AIR DUCT

Ref #	Part #	Description	Qty	Spec Code
14037	14037-0026	SCREEN,INTAKE	1	
16181	16181-0002	TANK-RESONATOR	1	
39045	39045-0011	DUCT-ASSY, RAM	1	
92071	92071-3704	GROMMET	1	
92093	92093-0030	SEAL,RAMDUCT	1	
92153	92153-0875	BOLT,6X18	4	
92172	92172-0009	SCREW,TAPPING,5X20	2	
92210	92210-0130	NUT	4	



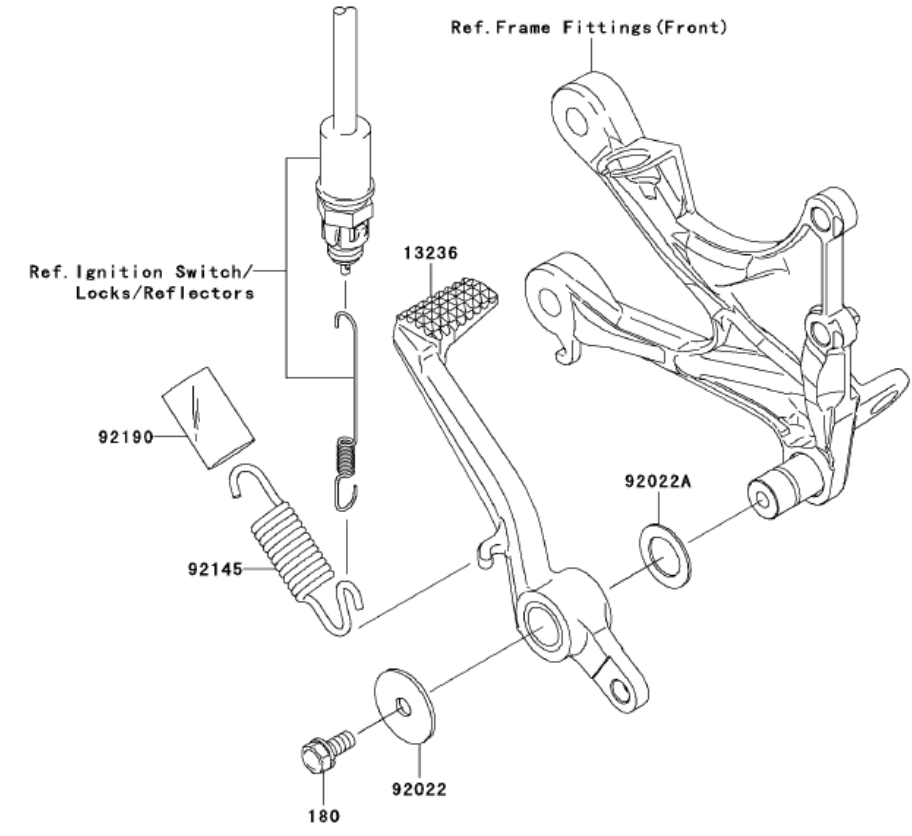
E1131

**BRAKE PEDAL/TORQUE LINK**

Ref #	Part #	Description	Qty	Spec Code
180	180L0614	BOLT-UPSET-WS	1	
13236	13236-0069	LEVER-COMP,BRAKE PEDAL	1	
92022	92022-1282	WASHER,7X28X1.6	1	
92022A	92022-326	WASHER,15.3X24X1	1	
92145	92145-0230	SPRING,BRAKE PEDAL RETURN	1	
92190	92190-1185	TUBE,16X19X30	1	



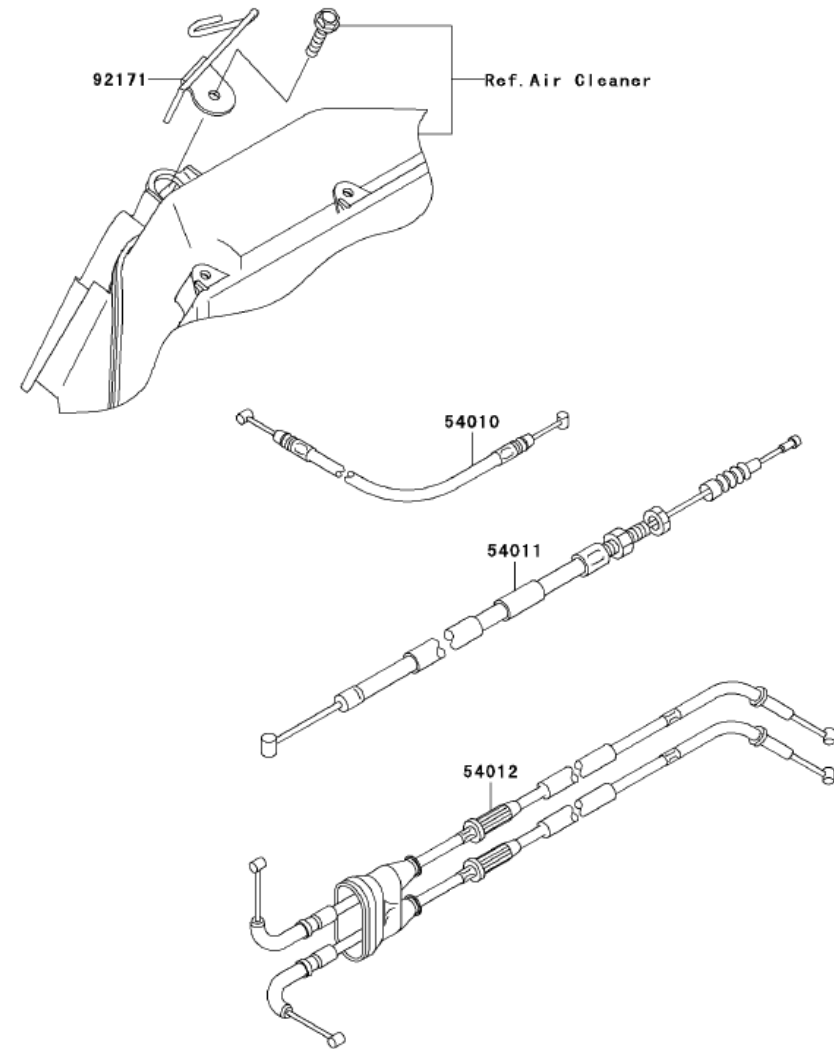
F2260



**CABLES**

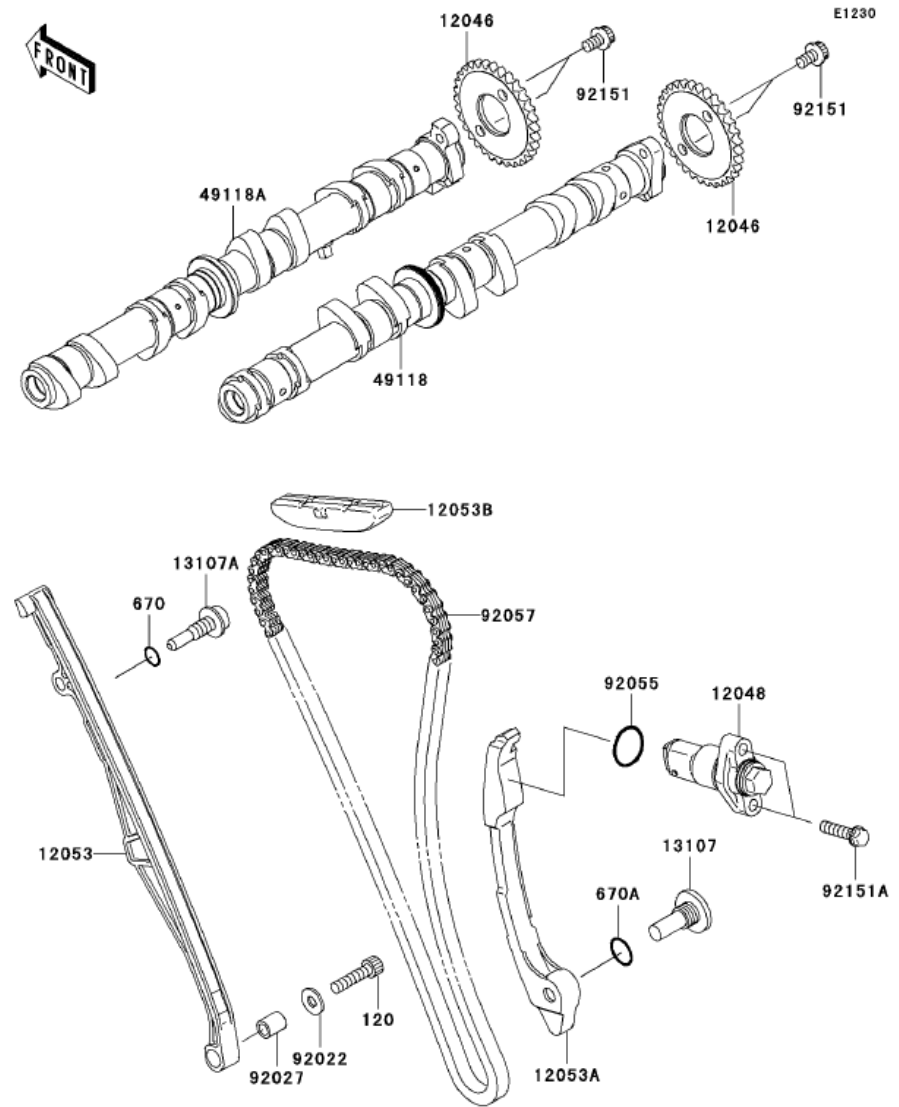
Ref #	Part #	Description	Qty	Spec Code
54010	54010-0030	CABLE,SEAT LOCK	1	
54011	54011-0042	CABLE-CLUTCH	1	
54012	54012-0132	CABLE-THROTTLE	1	
92171	92171-0447	CLAMP,CABLE	1	

F2540



**CAMSHAFT(S)/TENSIONER**

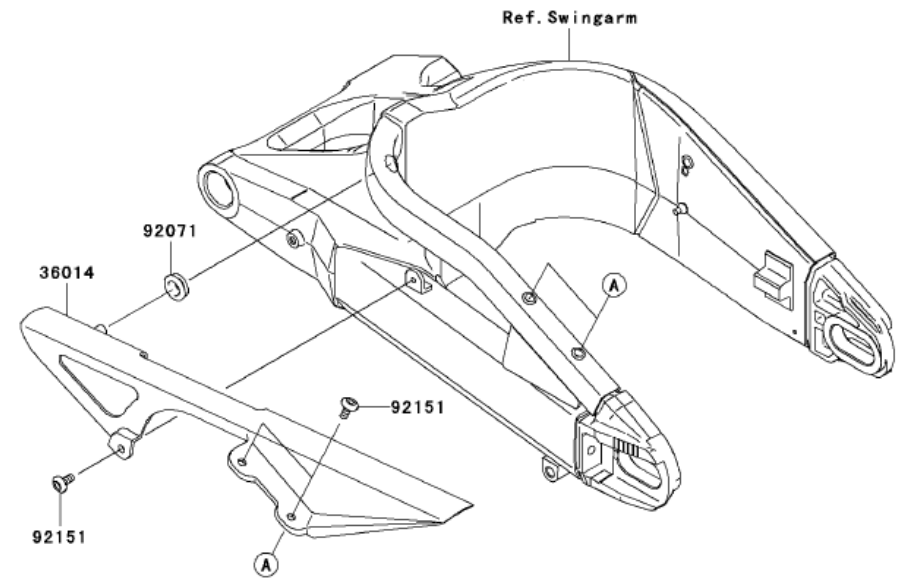
Ref #	Part #	Description	Qty	Spec Code
120	120P0625	BOLT-SOCKET,6X25	1	
670	670D1509	O RING,9MM	1	
670A	670D2014	O RING,14MM	1	
12046	12046-0038	SPROCKET,CAM,32T	2	
12048	12048-1181	TENSIONER-ASSY	1	
12053	12053-1475	GUIDE-CHAIN,FR	1	
12053A	12053-1476	GUIDE-CHAIN,RR	1	
12053B	12053-1477	GUIDE-CHAIN,UPP	1	
13107	13107-0089	SHAFT	1	
13107A	13107-1416	SHAFT,CHAIN GUIDE,FR	1	
49118	49118-0006	CAMSHAFT-COMP,INTAKE	1	
49118A	49118-0024	CAMSHAFT-COMP,EXHAUST	1	
92022	92022-2373	WASHER,6.2X15.0X1.2	1	
92027	92027-1143	COLLAR,6.3X10X12	1	
92055	92055-086	RING-O,18.8X1.9	1	
92057	92057-1531	CHAIN,CAM	1	
92151	92151-1829	BOLT,SOCKET,6X10	4	
92151A	92151-1930	BOLT,FLANGED-SMALL,M6X25	2	



### CHAIN COVER

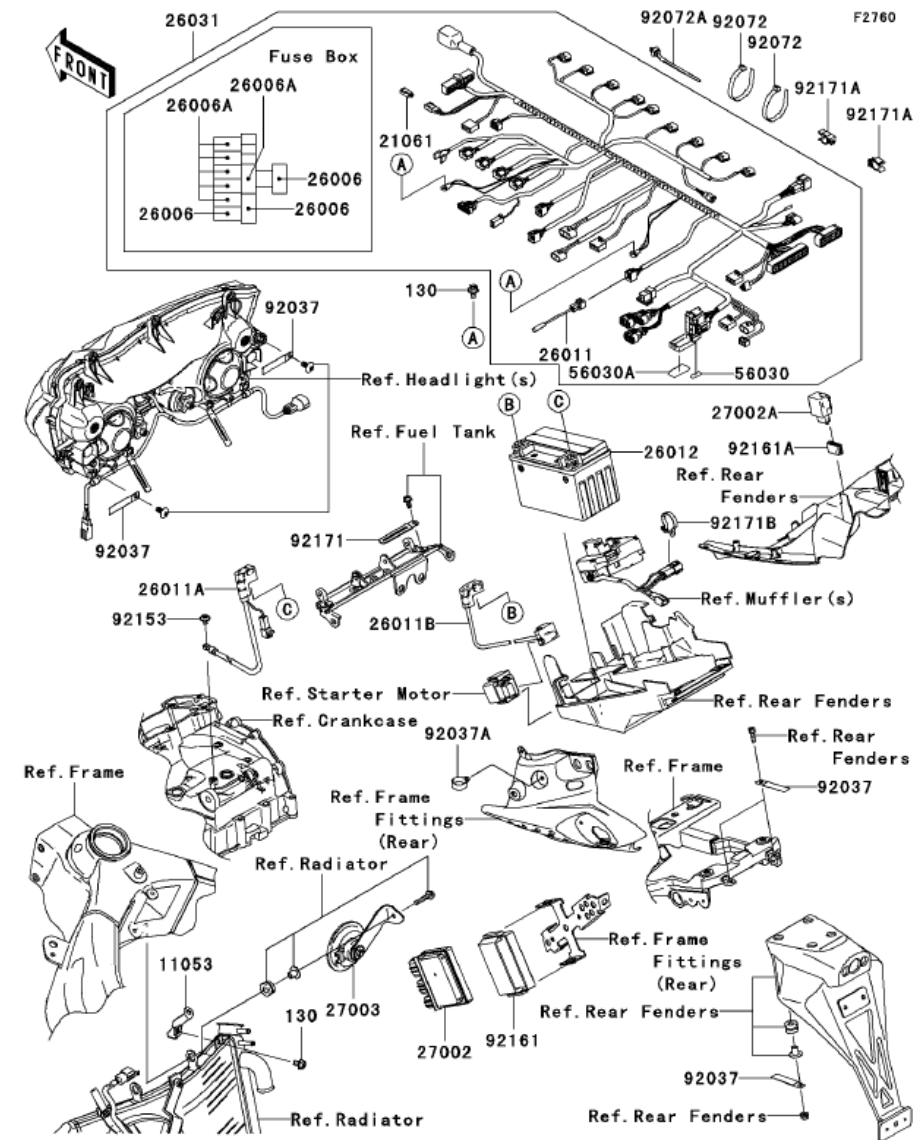
Ref #	Part #	Description	Qty	Spec Code
36014	36014-0020	CASE-CHAIN	1	
92071	92071-0020	GROMMET	1	
92151	92151-1654	BOLT, SOCKET, 6X14	3	

F2650



### CHASSIS ELECTRICAL EQUIPMENT

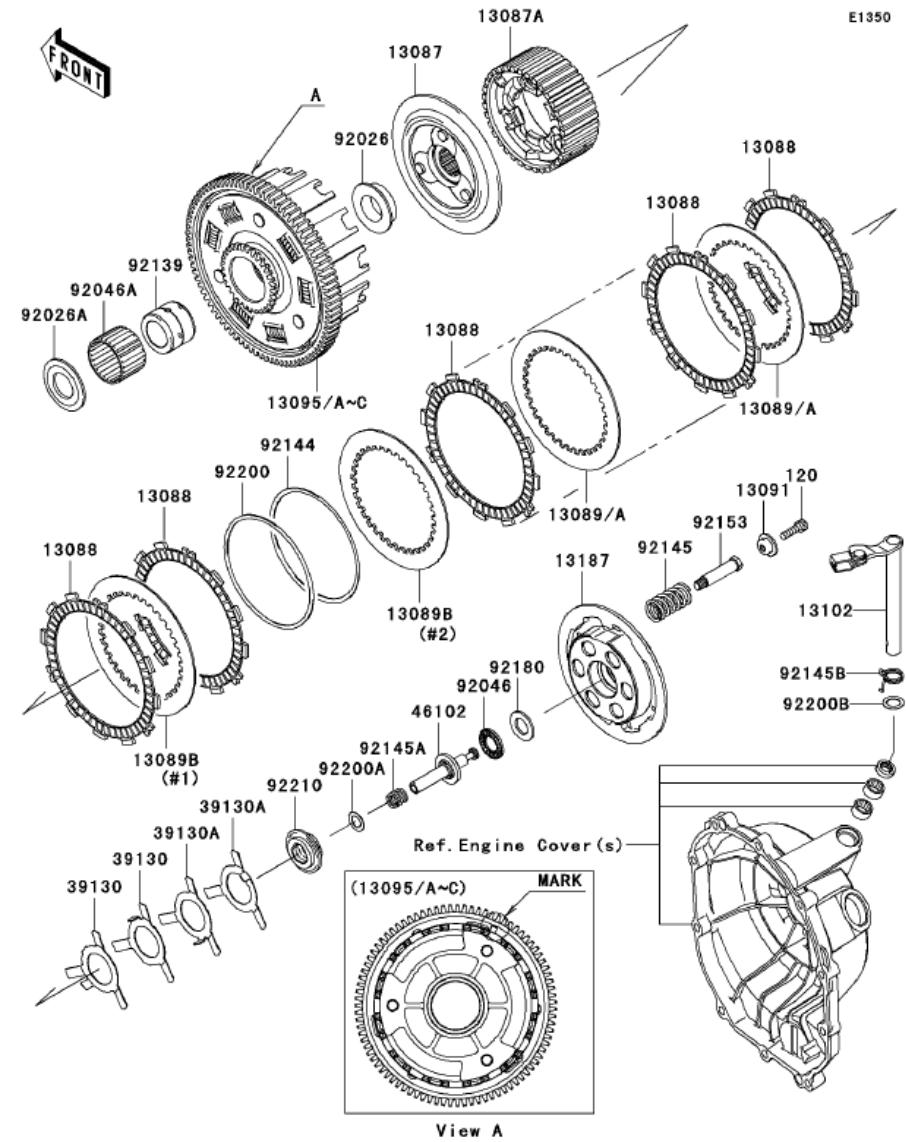
Ref #	Part #	Description	Qty	Spec Code
130	130V0610	BOLT-FLANGED,M6X10	3	
11053	11053-1228	BRACKET,RADIATOR	1	
21061	21061-0001	RECTIFIER	1	
26006	26006-0001	FUSE,15A	3	
26006A	26006-1078	FUSE,10A	6	
26011	26011-0037	WIRE-LEAD	1	
26011A	26011-0056	WIRE-LEAD,BATTERY(-)	1	
26011B	26011-0069	WIRE-LEAD,BATTERY(+)	1	
26012	26012-1326	BATTERY,YTX9-BS,12V 8AH	1	
26031	26031-0248	HARNESS,MAIN	1	
27002	27002-0001	RELAY-ASSY	1	
27002A	27002-0006	RELAY-ASSY,SIGNAL LAMP	1	
27003	27003-0030	HORN	1	
56030	56030-0091	LABEL,FUSE BOX	1	
56030A	56030-0092	LABEL,FUSE BOX	1	
92037	92037-1069	CLAMP,L=60	5	
92037A	92037-1827	CLAMP,HOSE	1	
92072	92072-1195	BAND,L=202	2	
92072A	92072-1414	BAND	1	
92153	92153-0410	BOLT,SOCKET,6X10	1	
92161	92161-0203	DAMPER,RELAY BOX	1	
92161A	92161-0283	DAMPER,SIGNAL RELAY	1	
92171	92171-0462	CLAMP	1	
92171A	92171-0465	CLAMP,HARNESS	2	
92171B	92171-0478	CLAMP	1	





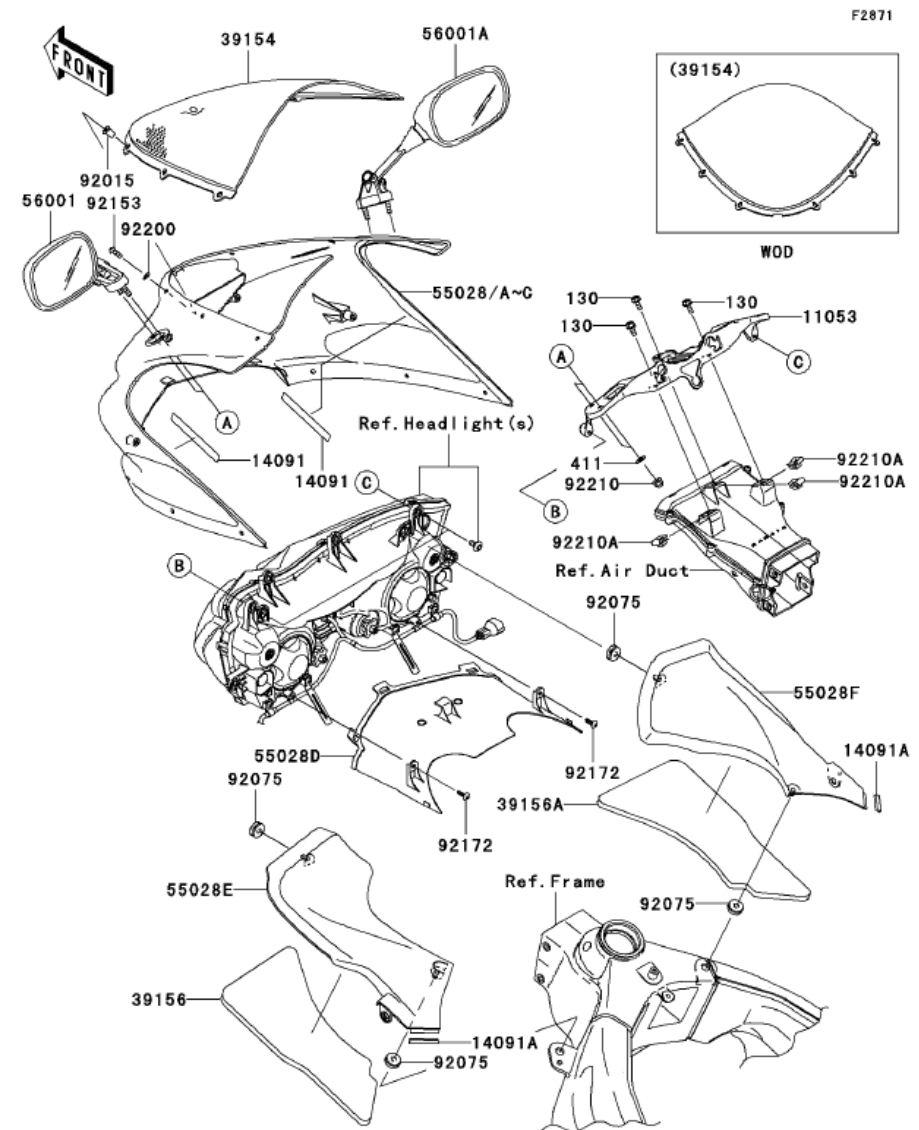
## CLUTCH

Ref #	Part #	Description	Qty	Spec Code
120	120Q0620	BOLT-SOCKET,6X20	6	
13087	13087-0019	HUB-CLUTCH	1	
13087A	13087-0020	HUB-CLUTCH	1	
13088	13088-1124	PLATE-FRICTION	8	
13089	13089-0007	PLATE-CLUTCH,T=2.0	AR	
13089A	13089-0008	PLATE-CLUTCH,T=2.3	5	
13089B	13089-0009	PLATE-CLUTCH,T=2.6	2	
13091	13091-1041	HOLDER,CLUTCH SPRING	6	
13095	13095-0042	HOUSING-COMP-CLUTCH,NO MARK	1	
13095A	13095-0044	HOUSING-COMP-CLUTCH,"A" MARK	1	
13095B	13095-0045	HOUSING-COMP-CLUTCH,"B" MARK	1	
13095C	13095-0046	HOUSING-COMP-CLUTCH,"C" MARK	1	
13102	13102-0015	RELEASE-COMP-CLUTCH	1	
13187	13187-0008	PLATE-CLUTCH OPERATING	1	
39130	39130-1078	SPRING-LEAF	2	
39130A	39130-1079	SPRING-LEAF	2	
46102	46102-0051	ROD	1	
92026	92026-0022	SPACER	1	
92026A	92026-1356	SPACER	1	
92046	92046-1052	BEARING-NEEDLE,AXK1102	1	
92046A	92046-1263	BEARING-NEEDLE,K38X43X28.8X	1	
92139	92139-0067	BUSHING,25X38X29.05	1	
92144	92144-1854	SPRING,FRICION PLATE	1	
92145	92145-0293	SPRING	6	
92145A	92145-1159	SPRING,ROD	1	
92145B	92145-1339	SPRING	1	
92153	92153-0797	BOLT	6	
92180	92180-0149	SHIM,15.3X27.5X2.0	1	
92200	92200-1260	WASHER,FRICION PLATE	1	
92200A	92200-1423	WASHER,11.2X18X0.5	1	
92200B	92200-1487	WASHER,12X18.5X0.5	1	
92210	92210-0152	NUT	1	



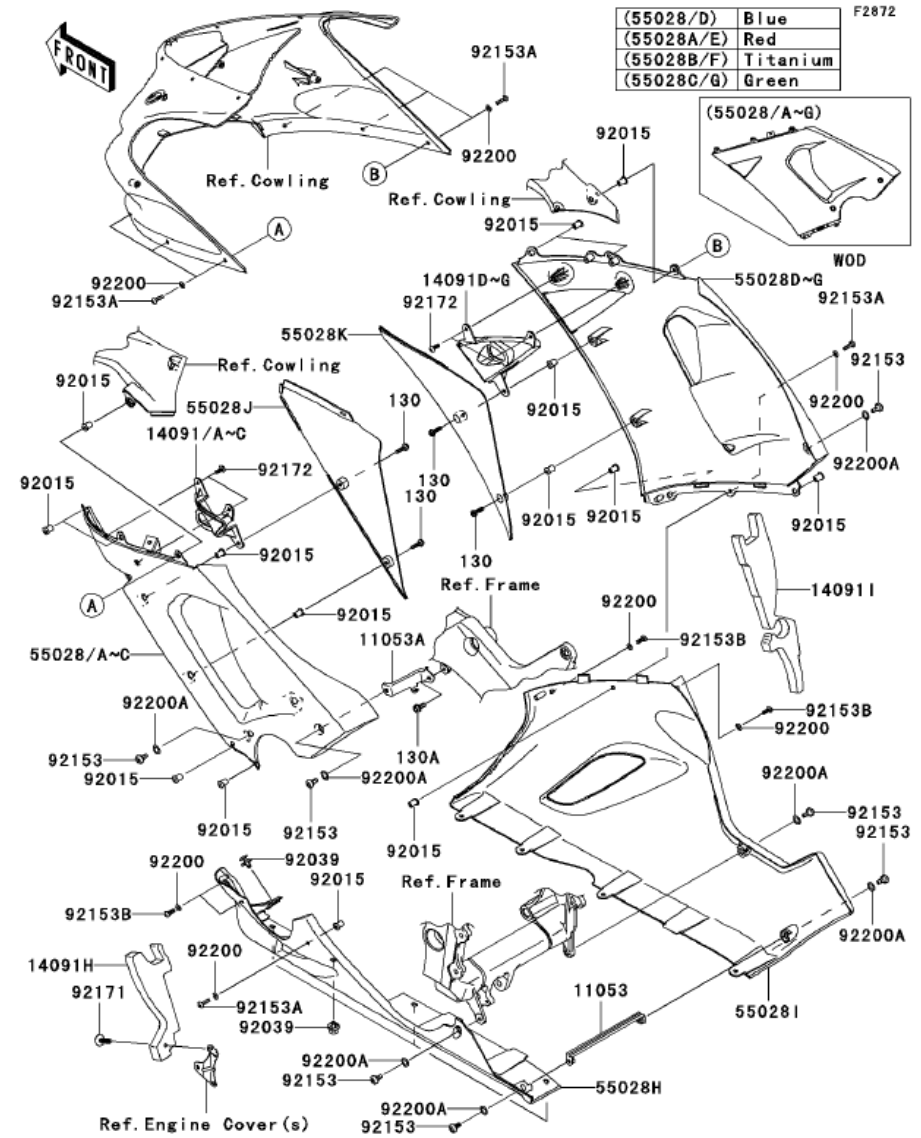
## COWLING

Ref #	Part #	Description	Qty	Spec Code
130	130L0616	BOLT-FLANGED,M6X16	3	
411	411F0600	WASHER-PLAIN,6MM,BLACK	4	
11053	11053-1289	BRACKET,MIRROR&METER	1	
14091	14091-0435	COVER,UPP COWLING	2	
14091A	14091-0456	COVER	2	
39154	39154-0008	WINDSHIELD	1	
39156	39156-0077	PAD,INNER COWLING,LH	1	
39156A	39156-0078	PAD,INNER COWLING,RH	1	
55028	55028-0027-723	COWLING,UPP,C.P.BLUE	1	
55028A	55028-0027-724	COWLING,UPP,P.M.RED	1	
55028B	55028-0027-725	COWLING,UPP,M.F.R.TITANIUM	1	
55028C	55028-0027-777	COWLING,UPP,L.GREEN	1	
55028D	55028-0032	COWLING,FR,CNT	1	
55028E	55028-0035	COWLING,INNER,LH	1	
55028F	55028-0036	COWLING,INNER,RH	1	
56001	56001-0005	MIRROR-ASSY,LH	1	
56001A	56001-0006	MIRROR-ASSY,RH	1	
92015	92015-1757	NUT,WELL,5MM	6	
92075	92075-1067	DAMPER	4	
92153	92153-1244	BOLT,SOCKET,5X16	6	
92172	92172-0175	SCREW,TAPPING,5X16	2	
92200	92200-0006	WASHER,NYLONE,5.3X11.5X0.5	6	
92210	92210-0003	NUT,CAP,6MM	4	
92210A	92210-0130	NUT	3	



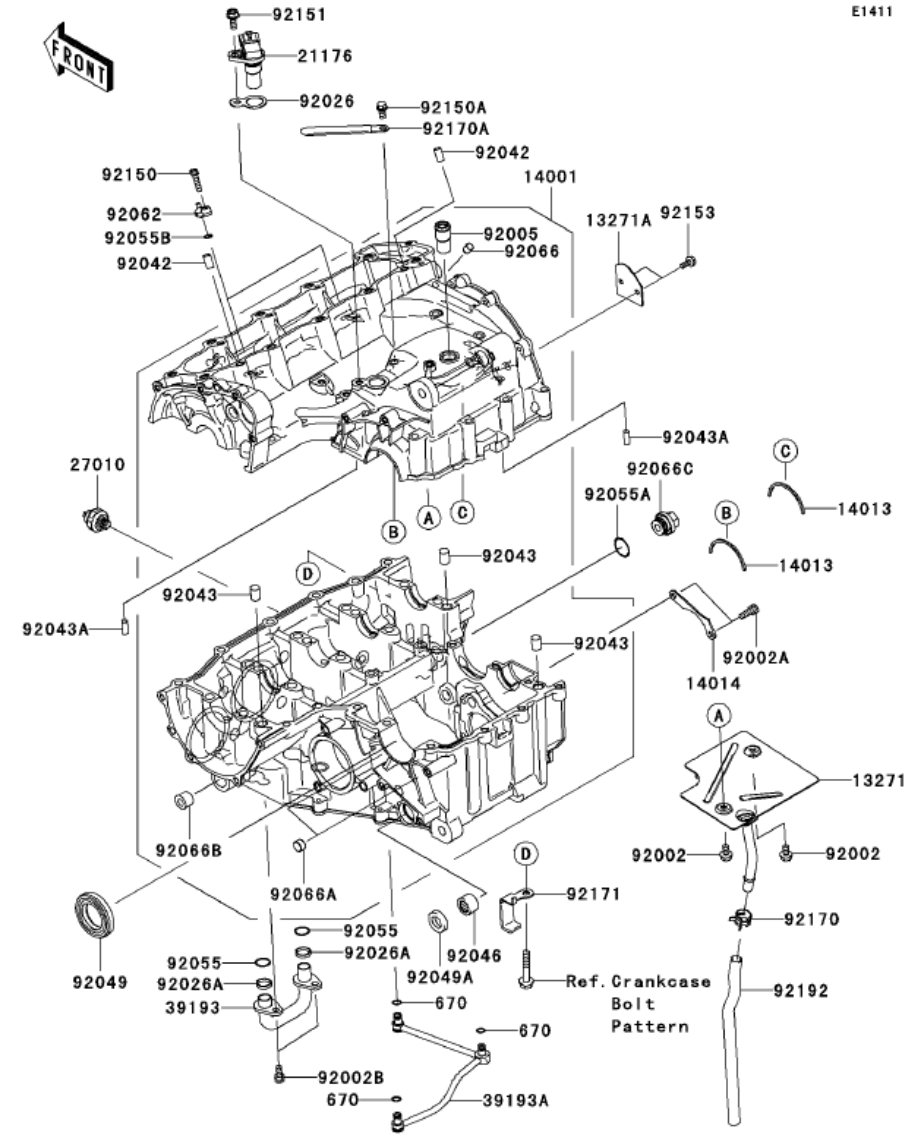
## COWLING LOWERS

Ref #	Part #	Description	Qty	Spec Code
130	130L0520	BOLT-FLANGED,M5X20	4	
130A	130L0616	BOLT-FLANGED,M6X16	1	
11053	11053-0402	BRACKET,LWR COWLING	1	
11053A	11053-1393	BRACKET,COWLING,LH	1	
14091	14091-0353-723	COVER,SIGNAL LAMP,LH,C.P.BLUE	1	
14091A	14091-0353-724	COVER,SIGNAL LAMP,LH,P.M.RED	1	
14091B	14091-0353-725	COVER,SIGNAL LAMP,LH,TITANIUM	1	
14091C	14091-0353-777	COVER,SIGNAL LAMP,LH,L.GREEN	1	
14091D	14091-0354-723	COVER,SIGNAL LAMP,RH,C.P.BLUE	1	
14091E	14091-0354-724	COVER,SIGNAL LAMP,RH,P.M.RED	1	
14091F	14091-0354-725	COVER,SIGNAL LAMP,RH,TITANIUM	1	
14091G	14091-0354-777	COVER,SIGNAL LAMP,RH,L.GREEN	1	
14091H	14091-0418	COVER,HEAT GUARD,LH	1	
14091I	14091-0419	COVER,HEAT GUARD,RH	1	
55028	55028-0028-723	COWLING,CNT,LH,C.P.BLUE	1	
55028A	55028-0028-724	COWLING,CNT,LH,P.M.RED	1	
55028B	55028-0028-725	COWLING,CNT,LH,M.F.R.TITANIUM	1	
55028C	55028-0028-777	COWLING,CNT,LH,L.GREEN	1	
55028D	55028-0029-723	COWLING,CNT,RH,C.P.BLUE	1	
55028E	55028-0029-724	COWLING,CNT,RH,P.M.RED	1	
55028F	55028-0029-725	COWLING,CNT,RH,M.F.R.TITANIUM	1	
55028G	55028-0029-777	COWLING,CNT,RH,L.GREEN	1	
55028H	55028-0030-8J	COWLING,LWR,LH,F.S.BLACK	1	
55028I	55028-0031-8J	COWLING,LWR,RH,F.S.BLACK	1	
55028J	55028-0033	COWLING,FR,LH	1	
55028K	55028-0034	COWLING,FR,RH	1	
92015	92015-1757	NUT,WELL,5MM	16	
92039	92039-0014	RIVET	5	
92153	92153-0489	BOLT,SOCKET,6MM	7	
92153A	92153-0873	BOLT,SOCKET,5X20	8	
92153B	92153-1244	BOLT,SOCKET,5X16	4	
92171	92171-1280	CLAMP	1	
92172	92172-0175	SCREW,TAPPING,5X16	4	
92200	92200-0006	WASHER,NYLONE,5.3X11.5X0.5	12	
92200A	92200-0157	WASHER,10.4X15.9X0.5	7	



**CRANKCASE**

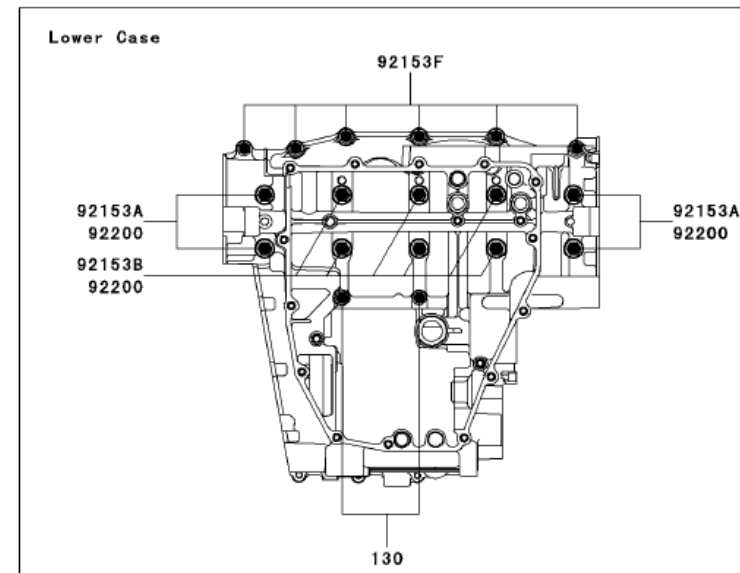
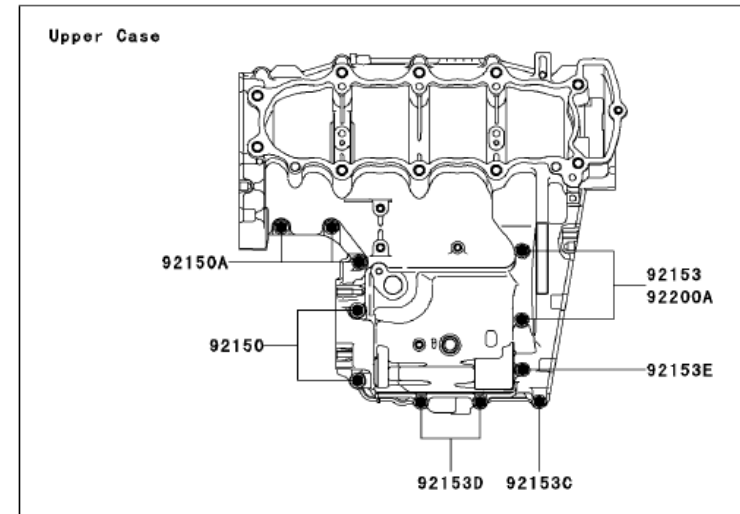
Ref #	Part #	Description	Qty	Spec Code
670	670D1505	O RING	3	
13271	13271-0380	PLATE,BREATHER	1	
13271A	13271-0381	PLATE,SIDE BREATHER	1	
14001	14001-0053	SET-CRANKCASE	1	
14013	14013-004	RING-POSITION	2	
14014	14014-0017	PLATE-POSITION	1	
21176	21176-0028	SENSOR,SPEED	1	
27010	27010-1313	SWITCH,OIL PRESSURE	1	
39193	39193-0025	PIPE-OIL	1	
39193A	39193-0026	PIPE-OIL	1	
92002	92002-1449	BOLT,6X10	2	
92002A	92002-1778	BOLT,SOCKET,6X16	2	
92002B	92002-1796	BOLT,SOCKET,6X12	2	
92005	92005-1238	FITTING,BREATHER	1	
92026	92026-0058	SPACER	1	
92026A	92026-0069	SPACER,14.3X16.6X3.2	2	
92042	92042-007	PIN,DOWEL,6.3X8X14	2	
92043	92043-1506	PIN	3	
92043A	92043-1690	PIN,6X16	2	
92046	92046-037	BEARING-NEEDLE,7E-HK1412	1	
92049	92049-1307	SEAL-OIL,TC32528	1	
92049A	92049-1520	SEAL-OIL,TC14245	1	
92055	92055-0065	RING-O,13.8X1.9	2	
92055A	92055-1146	RING-O,20X2	1	
92055B	92055-1343	RING-O,5.5X1.5	2	
92062	92062-0006	NOZZLE,OIL JET	2	
92066	92066-1012	PLUG,OIL LINE,7.2X8	1	
92066A	92066-1110	PLUG	2	
92066B	92066-1252	PLUG,PT3/8X12	1	
92066C	92066-1394	PLUG,MAIN GALLERY,18X9	1	
92150	92150-1019	BOLT,SOCKET,5X20	2	
92150A	92150-1841	BOLT,6X12	1	
92151	92151-1774	BOLT,FLANGED,M6X16	1	
92153	92153-0753	BOLT,8X15	2	
92170	92170-1167	CLAMP	1	
92170A	92170-1925	CLAMP	1	
92171	92171-0473	CLAMP,WATER HOSE	1	
92192	92192-0155	TUBE,BREATHER	1	



**CRANKCASE BOLT PATTERN**

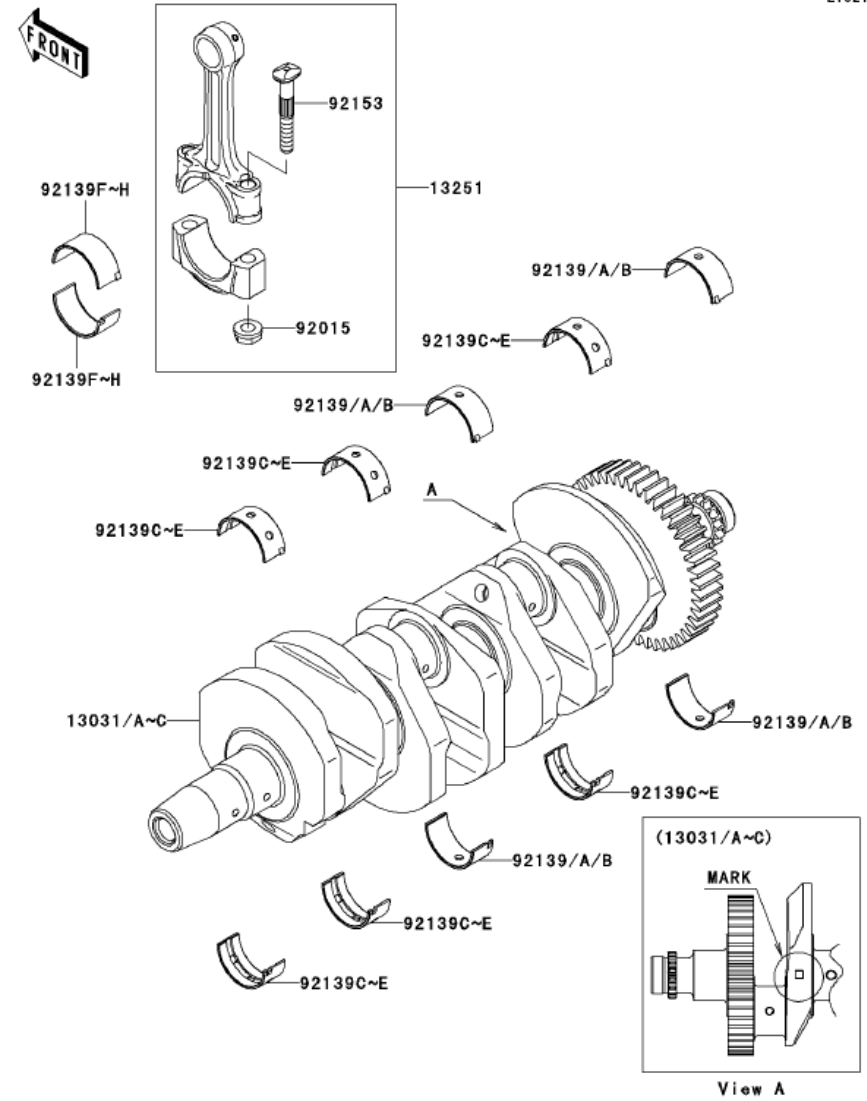
Ref #	Part #	Description	Qty	Spec Code
130	130P0675	BOLT-FLANGED,M6X75	2	
92150	92150-1250	BOLT,7X70	2	
92150A	92150-1547	BOLT,6X35	3	
92153	92153-0329	BOLT,6X95	2	
92153A	92153-0692	BOLT,8X94	4	
92153B	92153-0693	BOLT,8X71	6	
92153C	92153-0925	BOLT,M6X50,WHITE	1	
92153D	92153-0926	BOLT,M6X65,WHITE	2	
92153E	92153-0927	BOLT,M6X85,WHITE	1	
92153F	92153-1109	BOLT,7X38	6	
92200	92200-0153	WASHER,8.5X18X3.0	10	
92200A	92200-1461	WASHER,6.8X11.5X1.0	2	

E1412



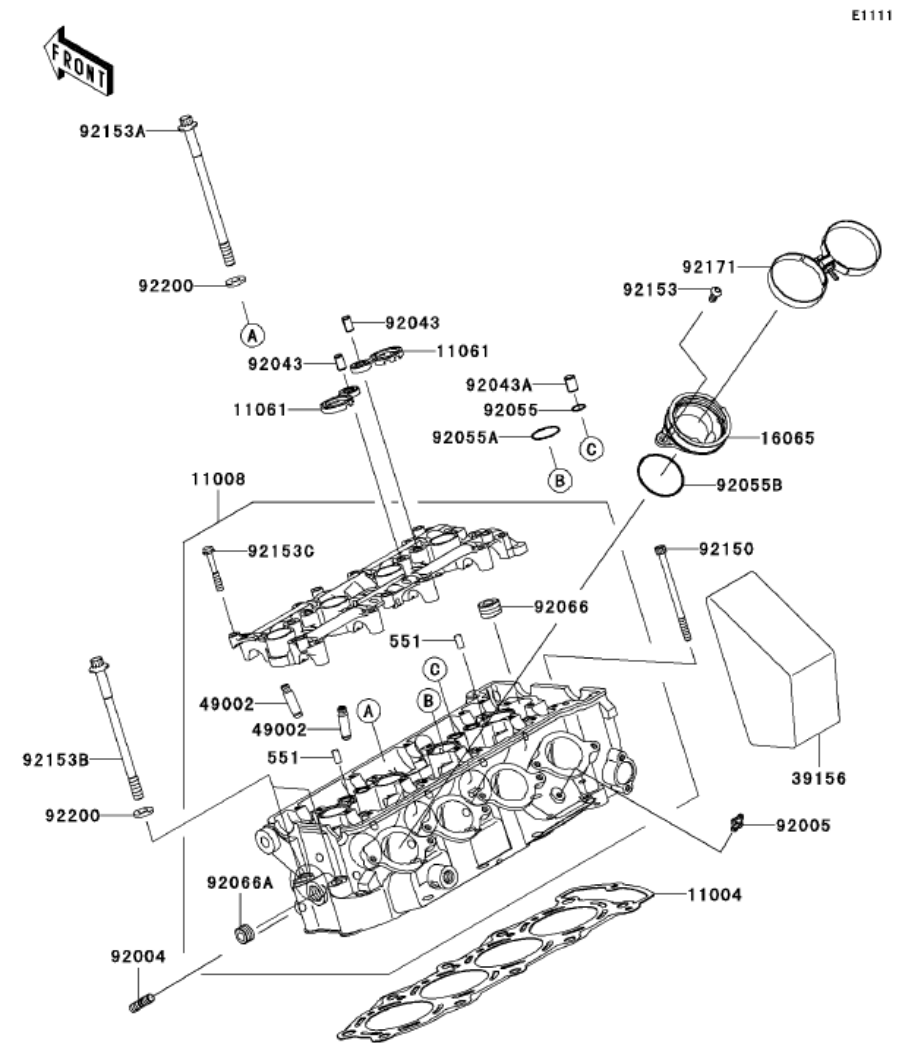
**CRANKSHAFT**

Ref #	Part #	Description	Qty	Spec Code
13031	13031-0041	CRANKSHAFT-COMP,"A" MARK	1	
13031A	13031-0042	CRANKSHAFT-COMP,NO MARK	1	
13031B	13031-0043	CRANKSHAFT-COMP,"B" MARK	1	
13031C	13031-0044	CRANKSHAFT-COMP,"C" MARK	1	
13251	13251-0008-KK	ROD-ASSY-CONNECTING,K	4	
92015	92015-1527	NUT,CONNECTING ROD,7MM	8	
92139	92139-0071	BUSHING,CRANK #3 ,BLUE	4	
92139A	92139-0072	BUSHING,CRANK #3 ,BLACK	AR	
92139B	92139-0073	BUSHING,CRANK #3 ,BROWN	AR	
92139C	92139-0074	BUSHING,CRANK #1 ,BLUE	6	
92139D	92139-0075	BUSHING,CRANK #1 ,BLACK	AR	
92139E	92139-0076	BUSHING,CRANK #1 ,BROWN	AR	
92139F	92139-0087	BUSHING,CONNECTING ROD,YELLOW	AR	
92139G	92139-0088	BUSHING,CONNECTING ROD,GREEN	8	
92139H	92139-0089	BUSHING,CONNECTING ROD,PURPLE	AR	
92153	92153-1172	BOLT,7MM	8	



## CYLINDER HEAD

Ref #	Part #	Description	Qty	Spec Code
551	551A0612	PIN-DOWEL,6X12	2	
11004	11004-0027	GASKET-HEAD	1	
11008	11008-0039	HEAD-COMP-CYLINDER	1	
11061	11061-0042	GASKET,BEARING CAP	4	
16065	16065-1386	HOLDER-CARBURETOR	4	
39156	39156-0072	PAD,SOUND ABSORPTION	1	
49002	49002-1152	GUIDE-VALVE	AR	
92004	92004-1249	STUD,8X22	8	
92005	92005-1273	FITTING	1	
92043	92043-1263	PIN,6.2X8X14	4	
92043A	92043-1264	PIN,8.2X10X14	4	
92055	92055-0073	RING-O,11.7X1.4	4	
92055A	92055-0074	RING-O,25.5X2	4	
92055B	92055-1536	RING-O,42X1.9	4	
92066	92066-0002	PLUG,PT1/2X12.5	4	
92066A	92066-1420	PLUG,PT3/8X10	1	
92150	92150-1928	BOLT,SOCKET,6X92	1	
92153	92153-0406	BOLT,TORX,M6X14	8	
92153A	92153-1250	BOLT,9X146	8	
92153B	92153-1251	BOLT,9X138	2	
92153C	92153-1258	BOLT,6X40	20	
92171	92171-0173	CLAMP,CARBURETOR HOLDER	2	
92200	92200-0193	WASHER,9.2X19X2.3	10	

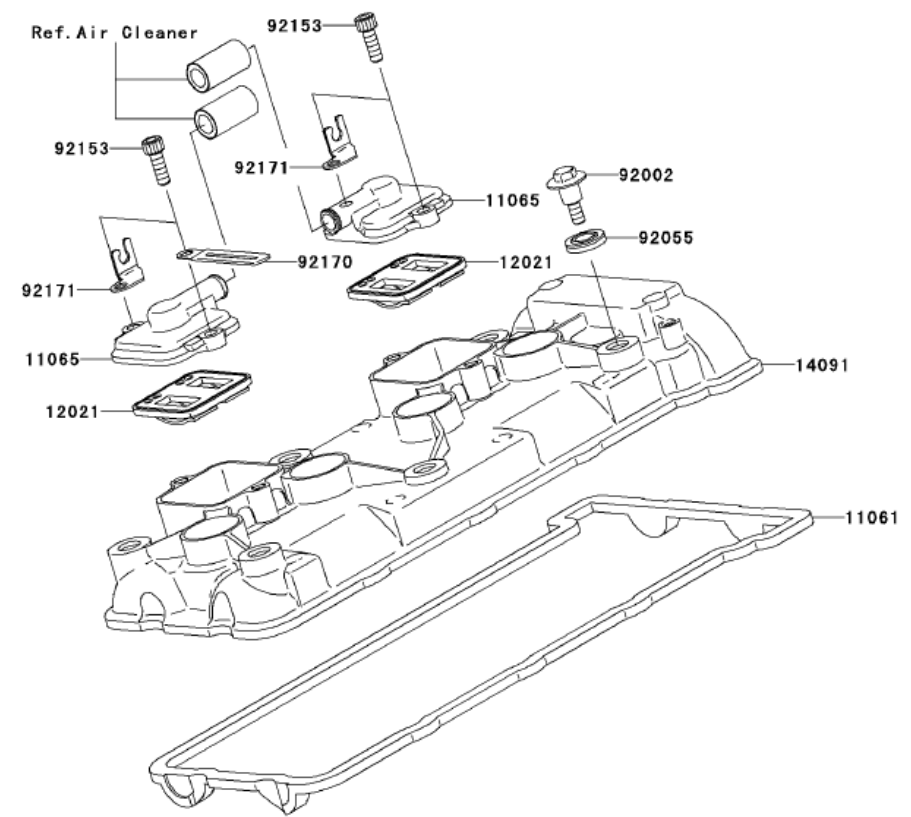


**CYLINDER HEAD COVER**

Ref #	Part #	Description	Qty	Spec Code
11061	11061-0156	GASKET,HEAD COVER	1	
11065	11065-1247	CAP	2	
12021	12021-1130	VALVE-ASSY-REED	2	
14091	14091-0372	COVER,HEAD	1	
92002	92002-1327	BOLT,FLANGED,M6X10.5X12	6	
92055	92055-1352	RING-O,HEAD COVER BOLT	6	
92153	92153-1284	BOLT,SOCKET,6X18	4	
92170	92170-1514	CLAMP	1	
92171	92171-0459	CLAMP	2	



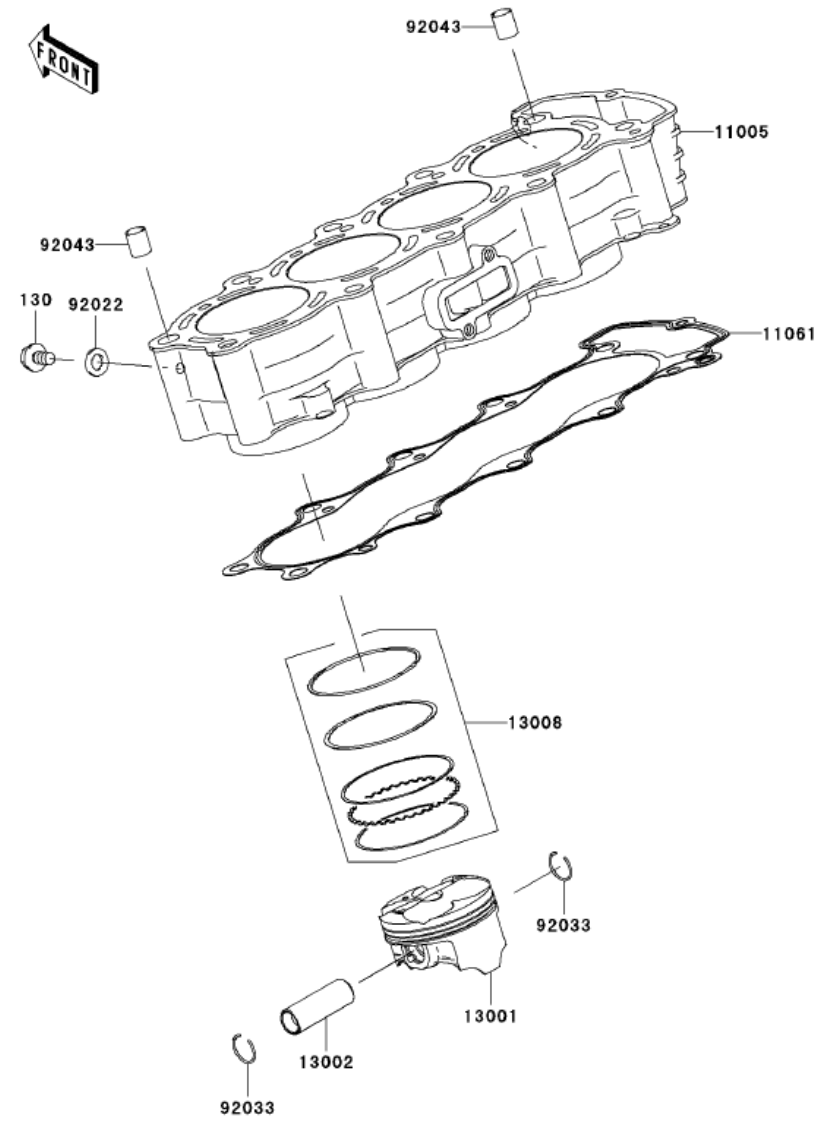
E1112





**CYLINDER/PISTON(S)**

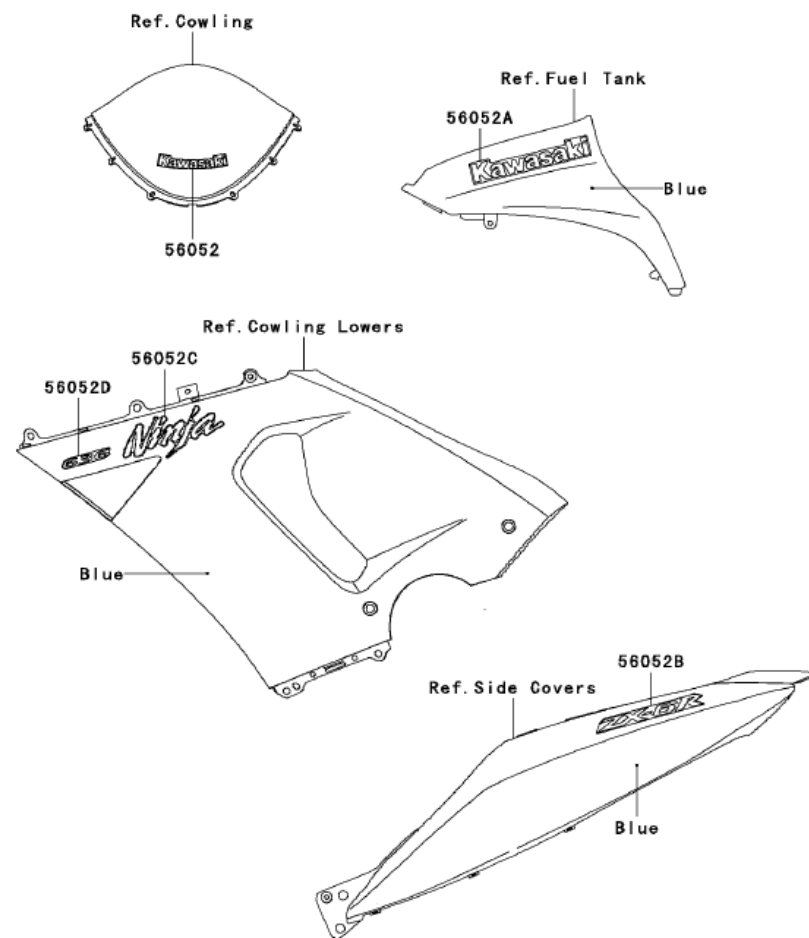
Ref #	Part #	Description	Qty	Spec Code
130	130Y0610	BOLT-FLANGED,M6X10	1	
11005	11005-0036	CYLINDER-ENGINE	1	
11061	11061-0041	GASKET,CYLINDER BASE	1	
13001	13001-0051	PISTON-ENGINE	4	
13002	13002-0005	PIN-PISTON	4	
13008	13008-0015	RING-SET-PISTON	4	
92022	92022-304	WASHER,6.2X11X1	1	
92033	92033-1161	RING-SNAP,PISTON PIN	8	
92043	92043-4009	PIN,10.1X12X14	2	



**DECALS (BLUE)**

Ref #	Part #	Description	Qty	Spec Code
56052	56052-0154	MARK,WINDSHIELD,KAWASAKI	1	
56052A	56052-0506	MARK,FUEL TANK COVER,KAWASAKI	2	
56052B	56052-0507	MARK,SEAT COVER,ZX-6R	2	
56052C	56052-0508	MARK,CNT COWLING,NINJA	2	
56052D	56052-0509	MARK,CNT COWLING,636	2	

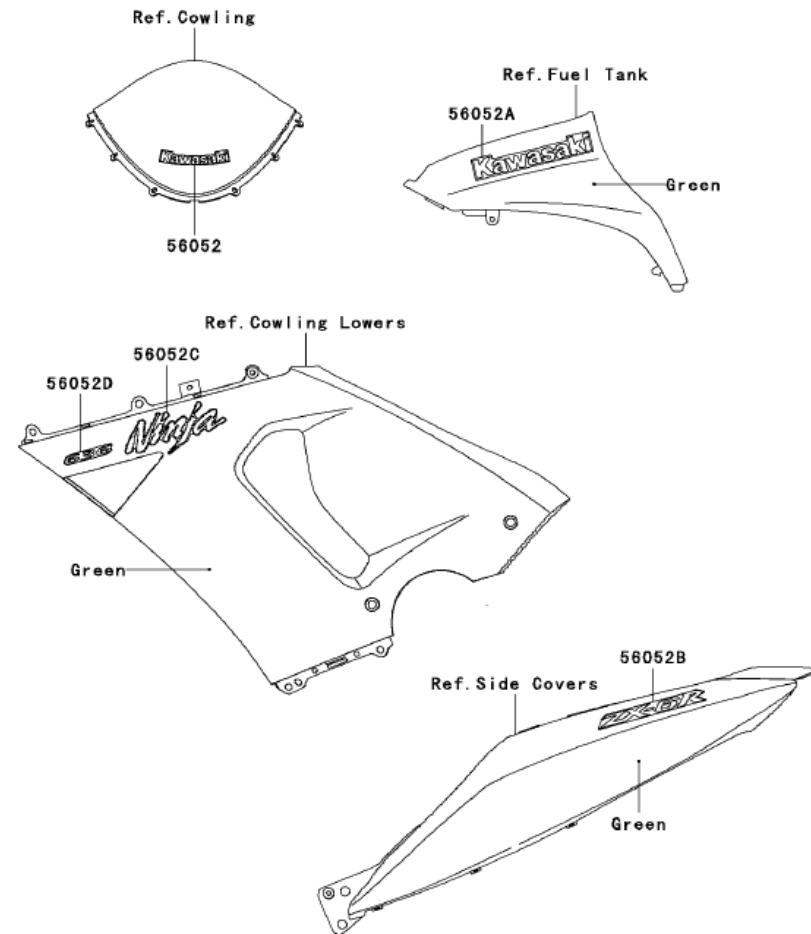
F2861



**DECALS (GREEN)**

Ref #	Part #	Description	Qty	Spec Code
56052	56052-0154	MARK,WINDSHIELD,KAWASAKI	1	
56052A	56052-0497	MARK,FUEL TANK COVER,KAWASAKI	2	
56052B	56052-0498	MARK,SEAT COVER,ZX-6R	2	
56052C	56052-0499	MARK,CNT COWLING,NINJA	2	
56052D	56052-0500	MARK,CNT COWLING,636	2	

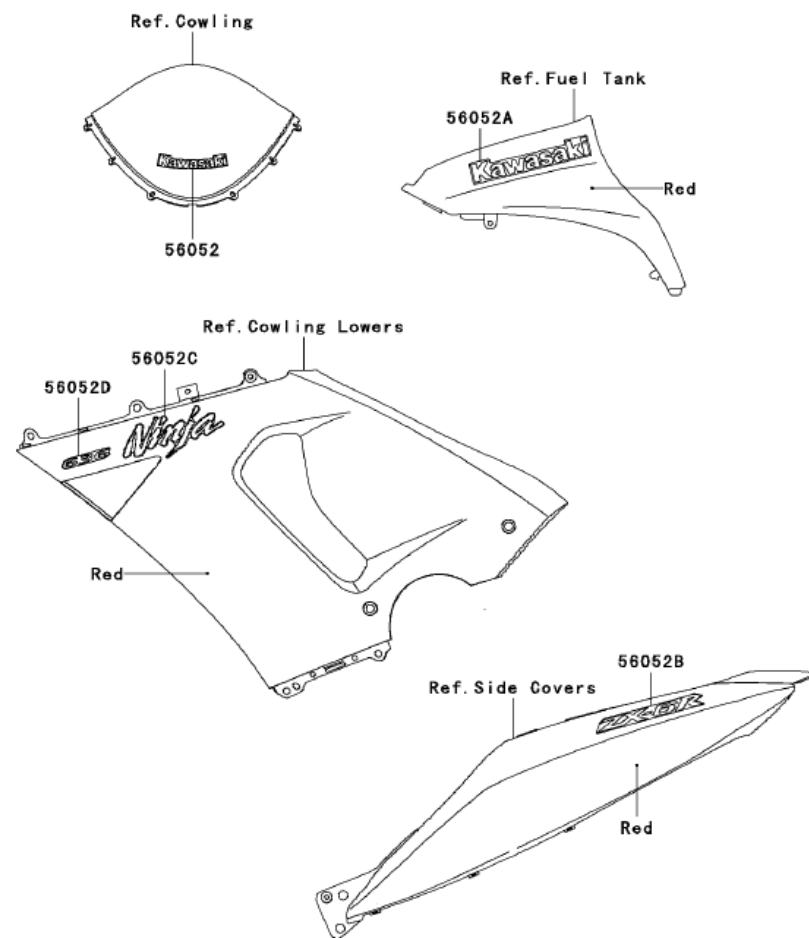
F2861A



**DECALS (RED)**

Ref #	Part #	Description	Qty	Spec Code
56052	56052-0154	MARK,WINDSHIELD,KAWASAKI	1	
56052A	56052-0510	MARK,FUEL TANK COVER,KAWASAKI	2	
56052B	56052-0511	MARK,SEAT COVER,ZX-6R	2	
56052C	56052-0512	MARK,CNT COWLING,NINJA	2	
56052D	56052-0513	MARK,CNT COWLING,636	2	

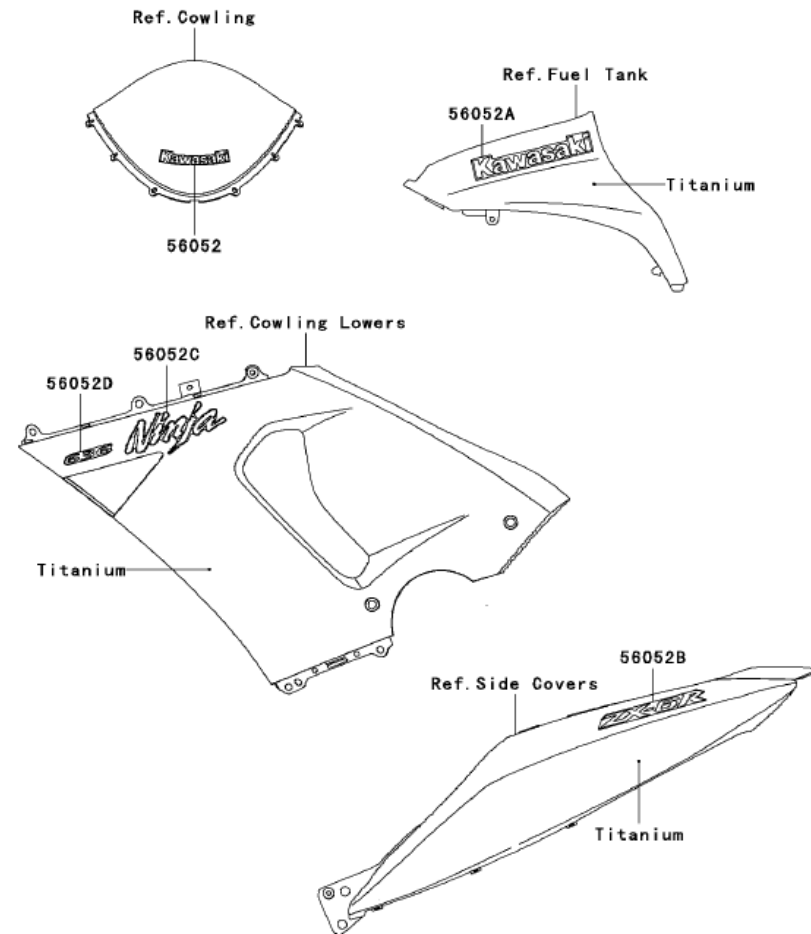
F28610



**DECALS (TITANIUM)**

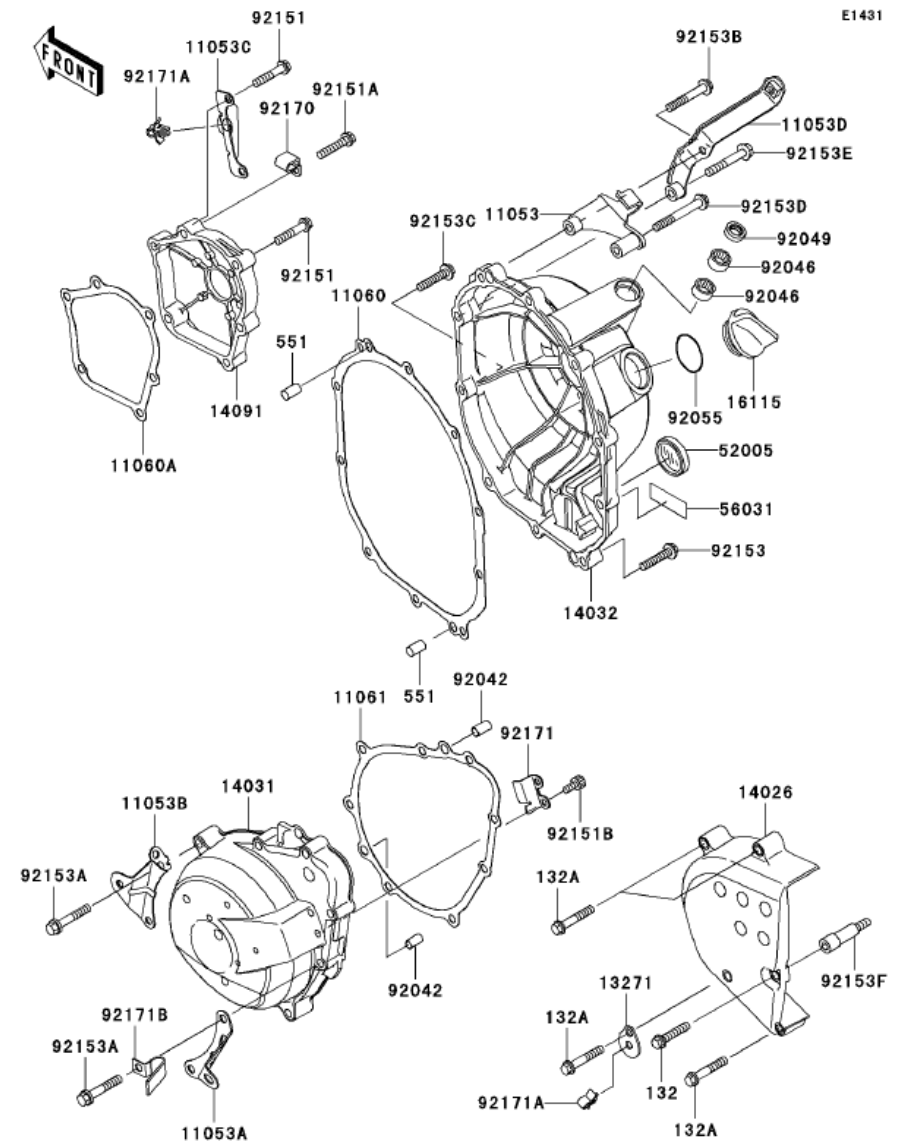
Ref #	Part #	Description	Qty	Spec Code
56052	56052-0154	MARK,WINDSHIELD,KAWASAKI	1	
56052A	56052-0502	MARK,FUEL TANK COVER,KAWASAKI	2	
56052B	56052-0503	MARK,SEAT COVER,ZX-6R	2	
56052C	56052-0504	MARK,CNT COWLING,NINJA	2	
56052D	56052-0505	MARK,CNT COWLING,636	2	

F2861B



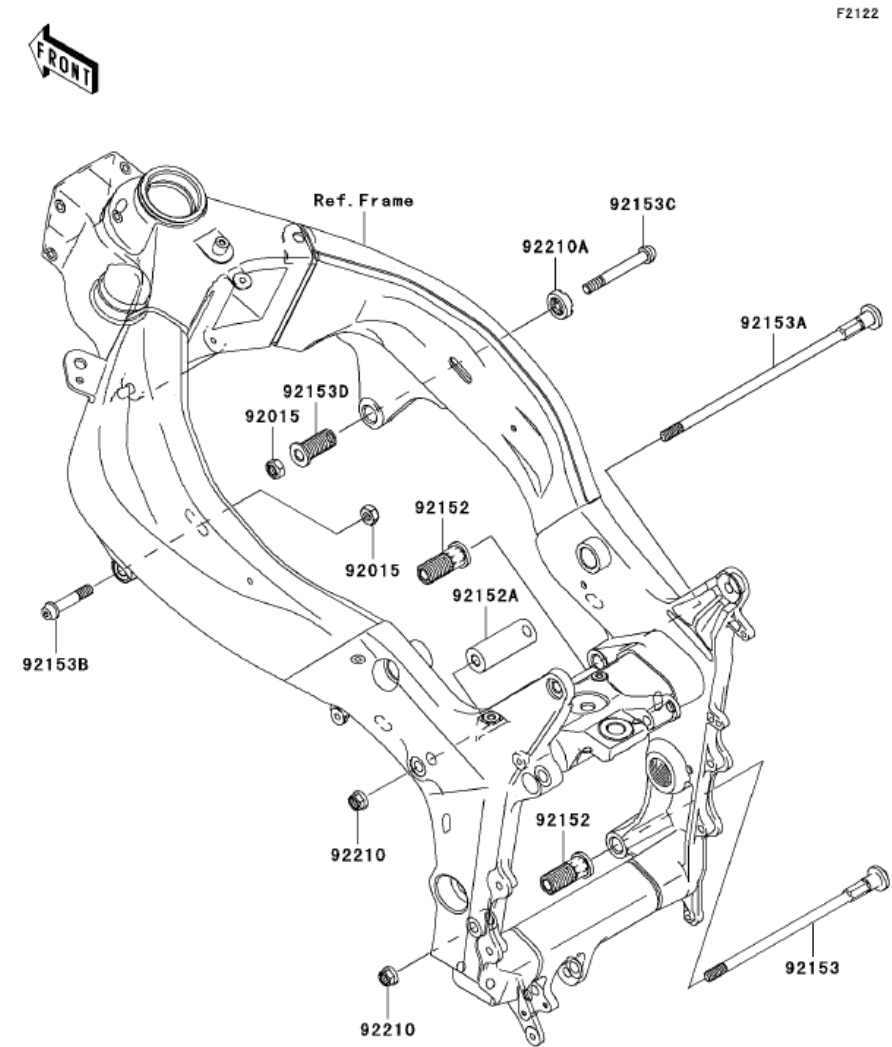
**ENGINE COVER(S)**

Ref #	Part #	Description	Qty	Spec Code
132	132J0630	BOLT-FLANGED-SMALL,M6X30	1	
132A	132J0635	BOLT-FLANGED-SMALL,M6X35	4	
551	551A0814	PIN-DOWEL,8X14	2	
11053	11053-1353	BRACKET,CLUTCH WIRE	1	
11053A	11053-1456	BRACKET,GENERATOR COVER,RR	1	
11053B	11053-1677	BRACKET,GENERATOR COVER,FR	1	
11053C	11053-1699	BRACKET,PULSER COVER	1	
11053D	11053-1700	BRACKET,CLUTCH COVER	1	
11060	11060-1853	GASKET,CLUTCH COVER	1	
11060A	11060-1867	GASKET,PULSING COVER	1	
11061	11061-0113	GASKET,GENERATOR COVER	1	
13271	13271-0561	PLATE	1	
14026	14026-0018	COVER-CHAIN	1	
14031	14031-0032	COVER-GENERATOR	1	
14032	14032-0037	COVER-CLUTCH	1	
14091	14091-0319	COVER,PULSER	1	
16115	16115-1009	CAP-OIL FILLER	1	
52005	52005-1057	GAUGE,OIL LEVEL	1	
56031	56031-1895	LABEL-MANUAL,OIL CAPACITY	1	
92042	92042-007	PIN,DOWEL,6.3X8X14	2	
92046	92046-1010	BEARING-NEEDLE,HK1210	2	
92049	92049-1271	SEAL-OIL,TB12205.5	1	
92055	92055-049	RING-O,31.7X2.4	1	
92151	92151-1134	BOLT,6X30	5	
92151A	92151-1201	BOLT,6X30	1	
92151B	92151-1365	BOLT,SOCKET,5X12	2	
92153	92153-0608	BOLT,6X30	6	
92153A	92153-0634	BOLT,6X35	8	
92153B	92153-0635	BOLT,6X40	1	
92153C	92153-0786	BOLT,6X30	1	
92153D	92153-0830	BOLT,6X50	1	
92153E	92153-0929	BOLT,M6X40,YEL	1	
92153F	92153-0992	BOLT,SOCKET	1	
92170	92170-1577	CLAMP	1	
92171	92171-0411	CLAMP	1	
92171A	92171-0477	CLAMP	2	
92171B	92171-1238	CLAMP	1	



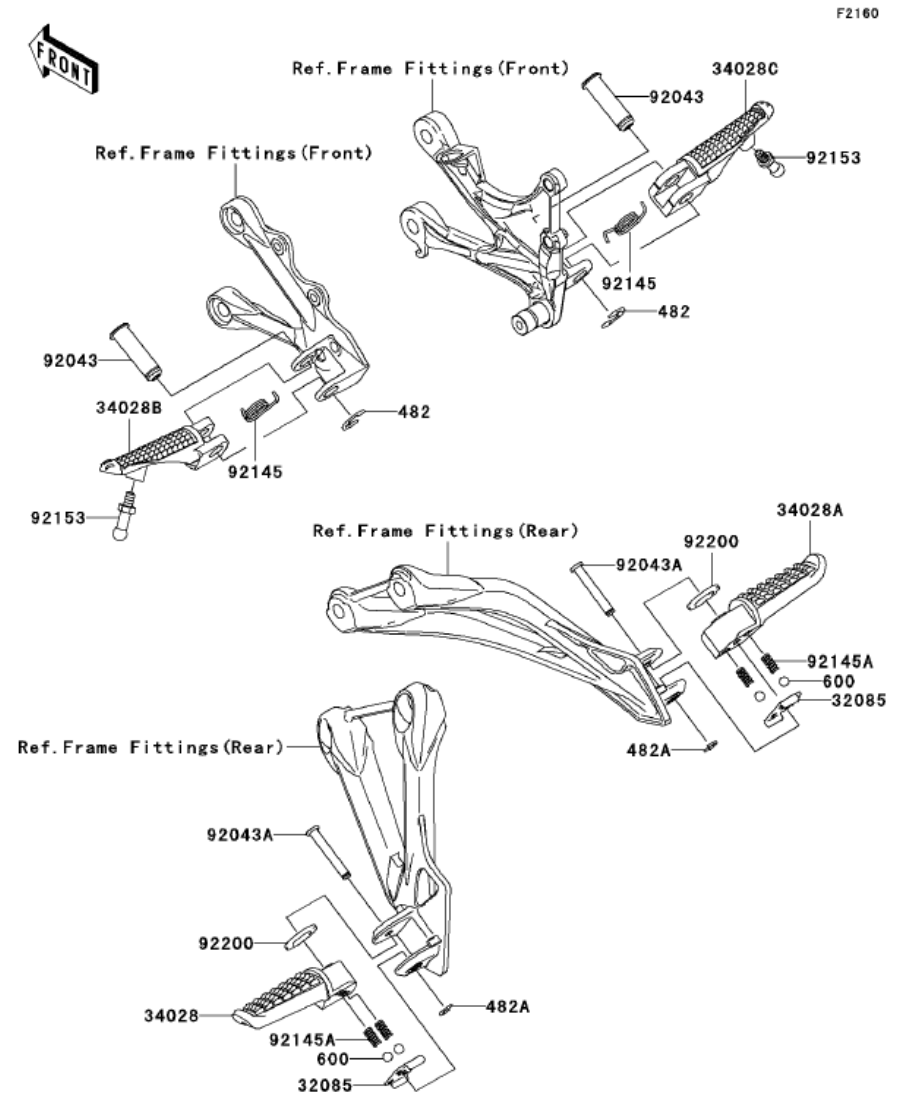
## ENGINE MOUNT

Ref #	Part #	Description	Qty	Spec Code
92015	92015-1189	NUT, LOCK, 10MM, BLACK	2	
92152	92152-0076	COLLAR, ENGINE MOUNT	2	
92152A	92152-1062	COLLAR, 10.5X26X70	1	
92153	92153-0814	BOLT, SOCKET, 10X233	1	
92153A	92153-0815	BOLT, SOCKET, 10X285.5	1	
92153B	92153-0858	BOLT, SOCKET, 10X50	1	
92153C	92153-0924	BOLT, SOCKET, 10X80	1	
92153D	92153-1098	BOLT, ENGINE MOUNT, 18MM	1	
92210	92210-1139	NUT, LOCK, FLANGED, 10MM	2	
92210A	92210-1390	NUT, CASTLE, 18MM	1	



## FOOTRESTS

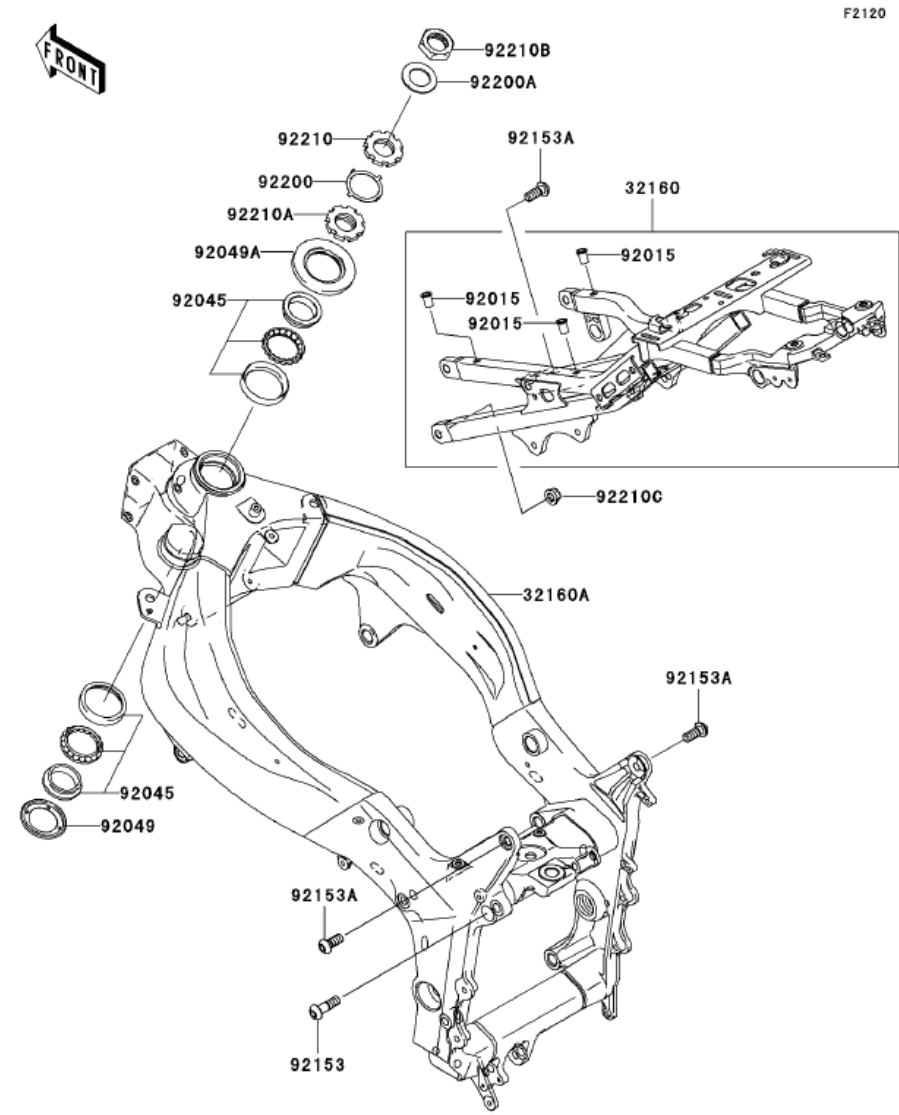
Ref #	Part #	Description	Qty	Spec Code
482	482L0100	CIRCLIP-TYPE-E,10MM	2	
482A	482L5000	CIRCLIP-TYPE-E,5MM	2	
600	600A0800	BALL-STEEL,1/4"	4	
32085	32085-0047	STOPPER,REAR STEP	2	
34028	34028-0004	STEP,RR,LH	1	
34028A	34028-0005	STEP,RR,RH	1	
34028B	34028-0012	STEP,FR,LH	1	
34028C	34028-0013	STEP,FR,RH	1	
92043	92043-0028	PIN,12X36.5	2	
92043A	92043-1595	PIN,6X40	2	
92145	92145-0283	SPRING,STEP RETURN	2	
92145A	92145-1319	SPRING	4	
92153	92153-0303	BOLT,BANK SENSOR	2	
92200	92200-0043	WASHER,16X26X2.3	2	





**FRAME**

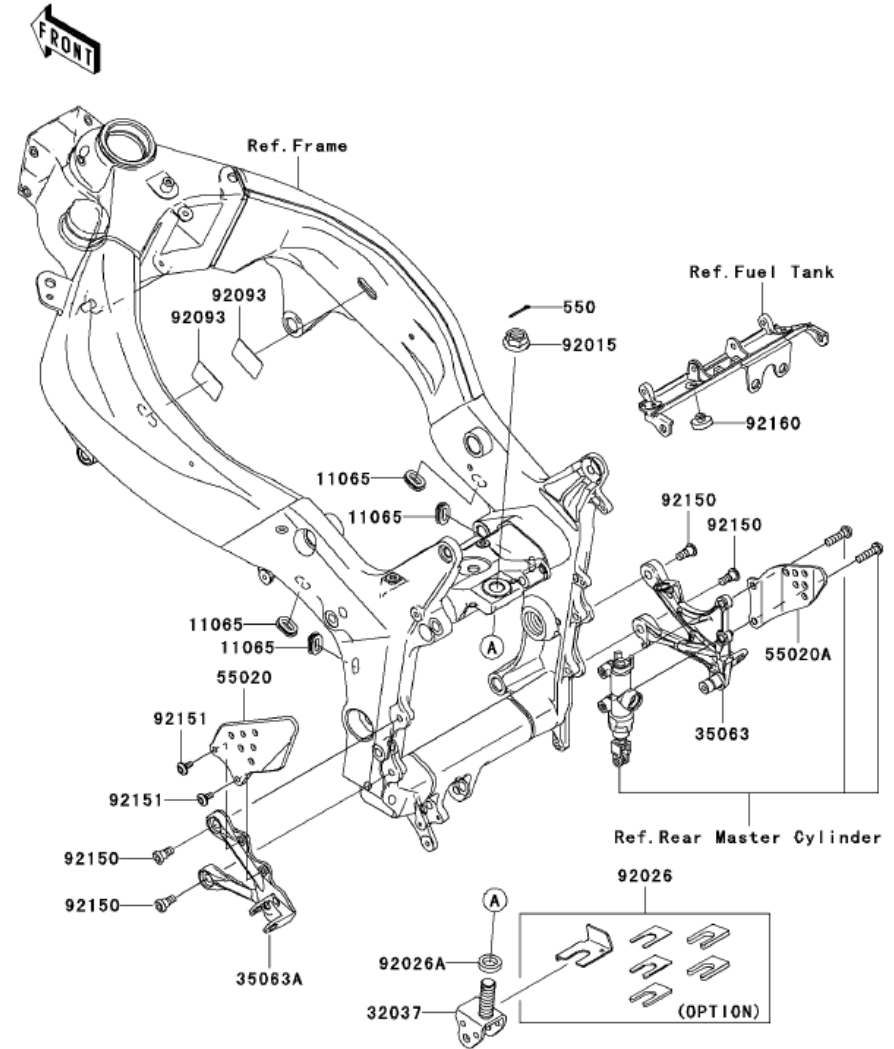
Ref #	Part #	Description	Qty	Spec Code
32160	32160-0085-8F	FRAME-COMP,RR,F.S.BLACK	1	
32160A	32160-0113-8F	FRAME-COMP,FR,F.S.BLACK	1	
92015	92015-1791	NUT,POP,6MM,L=15	3	
92045	92045-1384	BEARING-BALL,SF07A17PX1V1	2	
92049	92049-0022	SEAL-OIL,DS35X55X4	1	
92049A	92049-1382	SEAL-OIL,XXMH 43 75 6.4J	1	
92153	92153-0813	BOLT,SOCKET,10X35	1	
92153A	92153-0945	BOLT,SOCKET,10X25	3	
92200	92200-0036	WASHER	1	
92200A	92200-0209	WASHER,28.5X42X1.6	1	
92210	92210-0095	NUT,35MM	1	
92210A	92210-0096	NUT,35MM	1	
92210B	92210-0209	NUT,28MM	1	
92210C	92210-1080	NUT,LOCK,FLANGED,10MM	1	



F2120

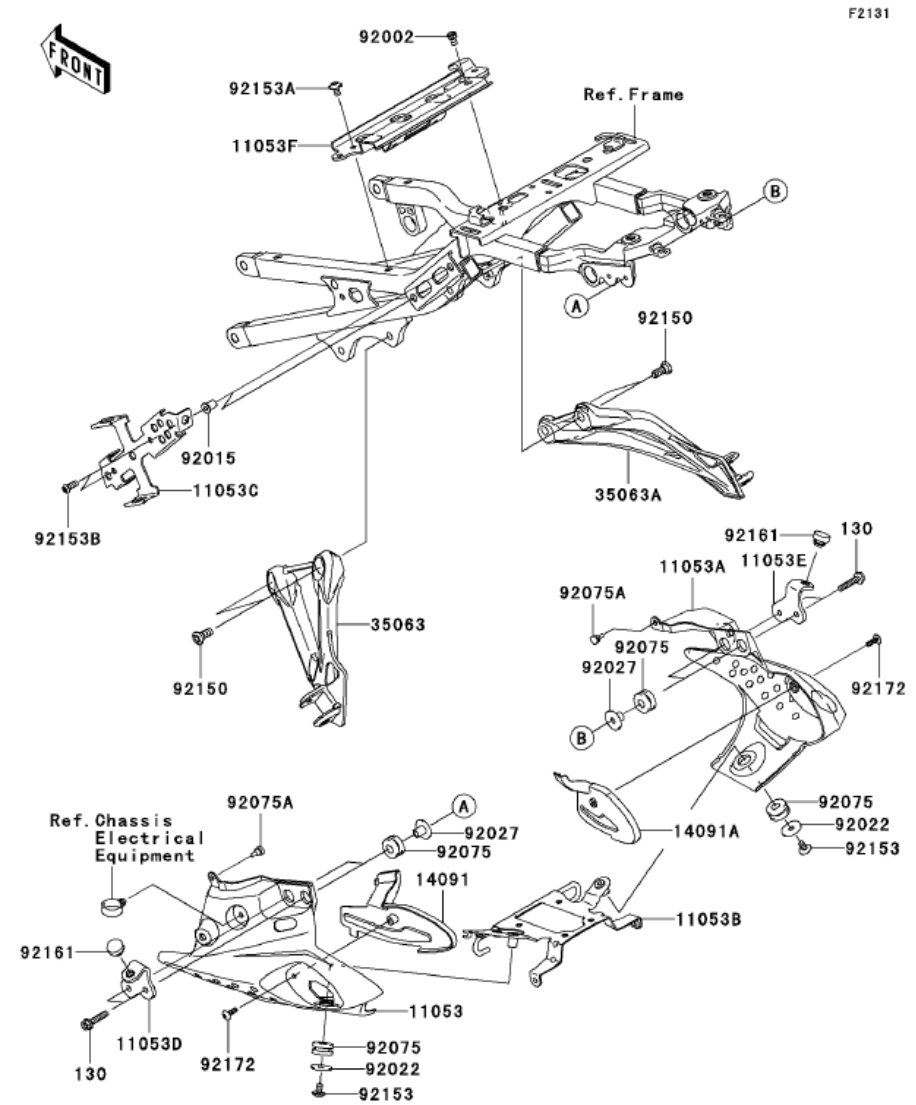
### FRAME FITTINGS (FRONT)

Ref #	Part #	Description	Qty	Spec Code
550	550S3025	PIN-COTTER,3X25	1	
11065	11065-0095	CAP	4	
32037	32037-0045	BRACKET-SHOCKABSORBER	1	
35063	35063-0143	STAY,FR,RH	1	
35063A	35063-0160	STAY,FR,LH	1	
55020	55020-0134	GUARD,FRONT STEP,LH	1	
55020A	55020-0135	GUARD,FRONT STEP,RH	1	
92015	92015-1881	NUT,FLANGED,16MM	1	
92026	92026-0057	SPACER,SET	1	(OPTION)
92026A	92026-1594	SPACER,16.5X26X6	1	
92093	92093-0034	SEAL	2	
92150	92150-1839	BOLT,SOCKET,8X20	4	
92151	92151-1654	BOLT,SOCKET,6X14	2	
92160	92160-1396	DAMPER	1	



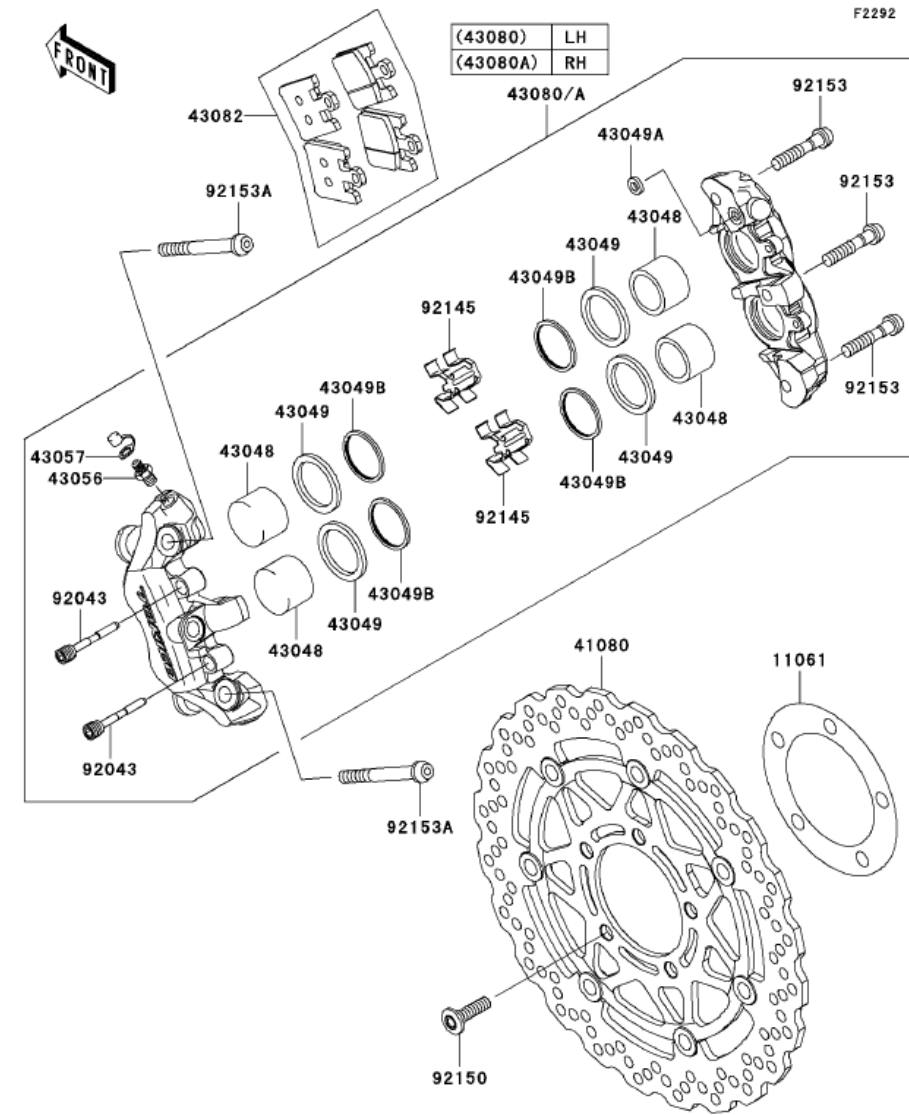
### FRAME FITTINGS (REAR)

Ref #	Part #	Description	Qty	Spec Code
130	130L0630	BOLT-FLANGED,M6X30	4	
11053	11053-1404	BRACKET,REAR SIGNAL LAMP,LH	1	
11053A	11053-1405	BRACKET,REAR SIGNAL LAMP,RH	1	
11053B	11053-1538	BRACKET,REAR FLAP	1	
11053C	11053-1664	BRACKET,RELAY BOX	1	
11053D	11053-1701	BRACKET,LH	1	
11053E	11053-1702	BRACKET,RH	1	
11053F	11053-1721	BRACKET,FRONT SEAT	1	
14091	14091-0362	COVER,REAR SIGNAL LAMP,LH	1	
14091A	14091-0363	COVER,REAR SIGNAL LAMP,RH	1	
35063	35063-0144	STAY,RR,LH	1	
35063A	35063-0145	STAY,RR,RH	1	
92002	92002-1175	BOLT,SOCKET,6X14	1	
92015	92015-1757	NUT,WELL,5MM	2	
92022	92022-1160	WASHER,7X24X1.6	2	
92027	92027-1450	COLLAR,L=13.1,BLACK	4	
92075	92075-1690	DAMPER	6	
92075A	92075-1808	DAMPER	2	
92150	92150-1760	BOLT,SOCKET,8X20	4	
92153	92153-0410	BOLT,SOCKET,6X10	2	
92153A	92153-0816	BOLT,6X18	1	
92153B	92153-1244	BOLT,SOCKET,5X16	2	
92161	92161-0046	DAMPER	2	
92172	92172-0175	SCREW,TAPPING,5X16	2	



## FRONT BRAKE

Ref #	Part #	Description	Qty	Spec Code
11061	11061-0029	GASKET,DISC PLATE	2	
41080	41080-0067-488	DISC,FR,HOUSING GOLD+DISC SIL	2	
43048	43048-0004	PISTON-CALIPER	8	
43049	43049-0003	PACKING,PISTON	8	
43049A	43049-1004	PACKING,SEAL,6.5X11.5X2.2	2	
43049B	43049-1107	PACKING,WIPER	8	
43056	43056-1054	BREATHER-BRAKE	2	
43057	43057-003	CAP-BREATHER	2	
43080	43080-0012-483	CALIPER-SUB-ASSY,FR,LH,GOLD	1	
43080A	43080-0013-483	CALIPER-SUB-ASSY,FR,RH,GOLD	1	
43082	43082-0037	PAD-ASSY-BRAKE	2	
92043	92043-1709	PIN,PAD	4	
92145	92145-1568	SPRING,PAD	4	
92150	92150-1771	BOLT,SOCKET,8X30	10	
92153	92153-0360	BOLT,SOCKET,8X40	6	
92153A	92153-0577	BOLT,SOCKET,10X60	4	

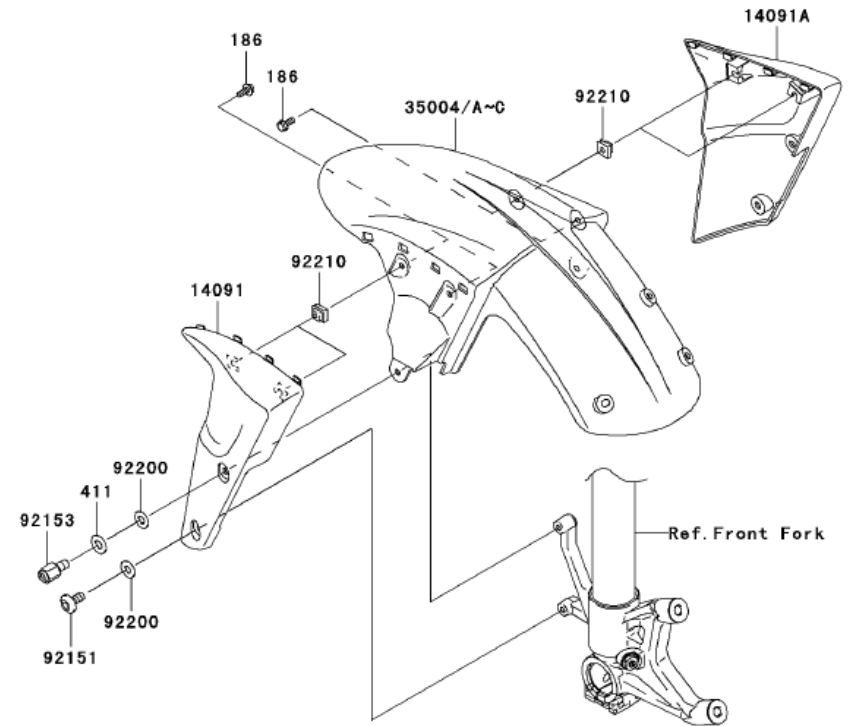


**FRONT FENDER(S)**

Ref #	Part #	Description	Qty	Spec Code
186	186L0514	BOLT-UPSET-WP	4	
411	411F0600	WASHER-PLAIN,6MM,BLACK	2	
14091	14091-0103-6Z	COVER,FRONT FENDER,LH,F.BLACK	1	
14091A	14091-0104-6Z	COVER,FRONT FENDER,RH,F.BLACK	1	
35004	35004-0034-723	FENDER-FRONT,C.P.BLUE	1	
35004A	35004-0034-724	FENDER-FRONT,P.M.RED	1	
35004B	35004-0034-725	FENDER-FRONT,M.F.R.TITANIUM	1	
35004C	35004-0034-777	FENDER-FRONT,L.GREEN	1	
92151	92151-1654	BOLT,SOCKET,6X14	2	
92153	92153-0335	BOLT,6MM	2	
92200	92200-1388	WASHER,6.5X14X1	4	
92210	92210-1266	NUT,5MM	4	

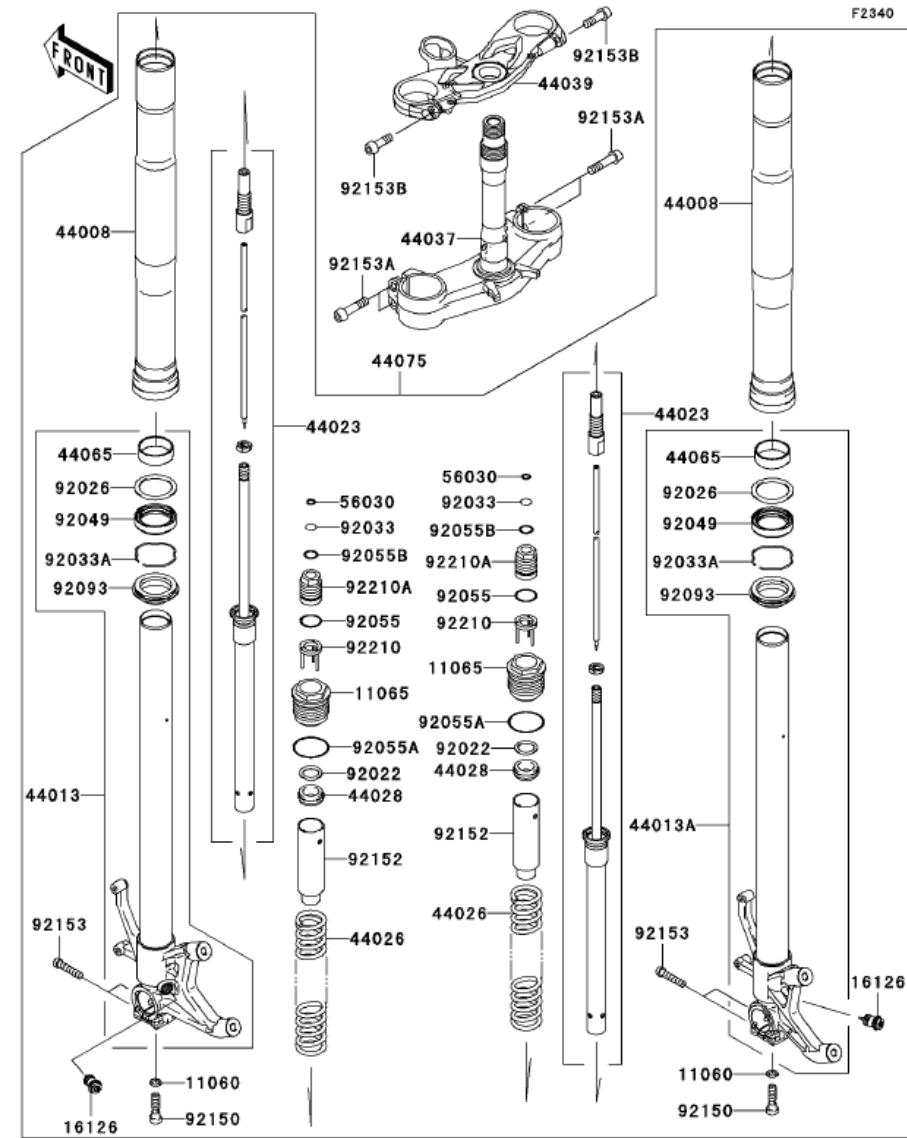


F2171



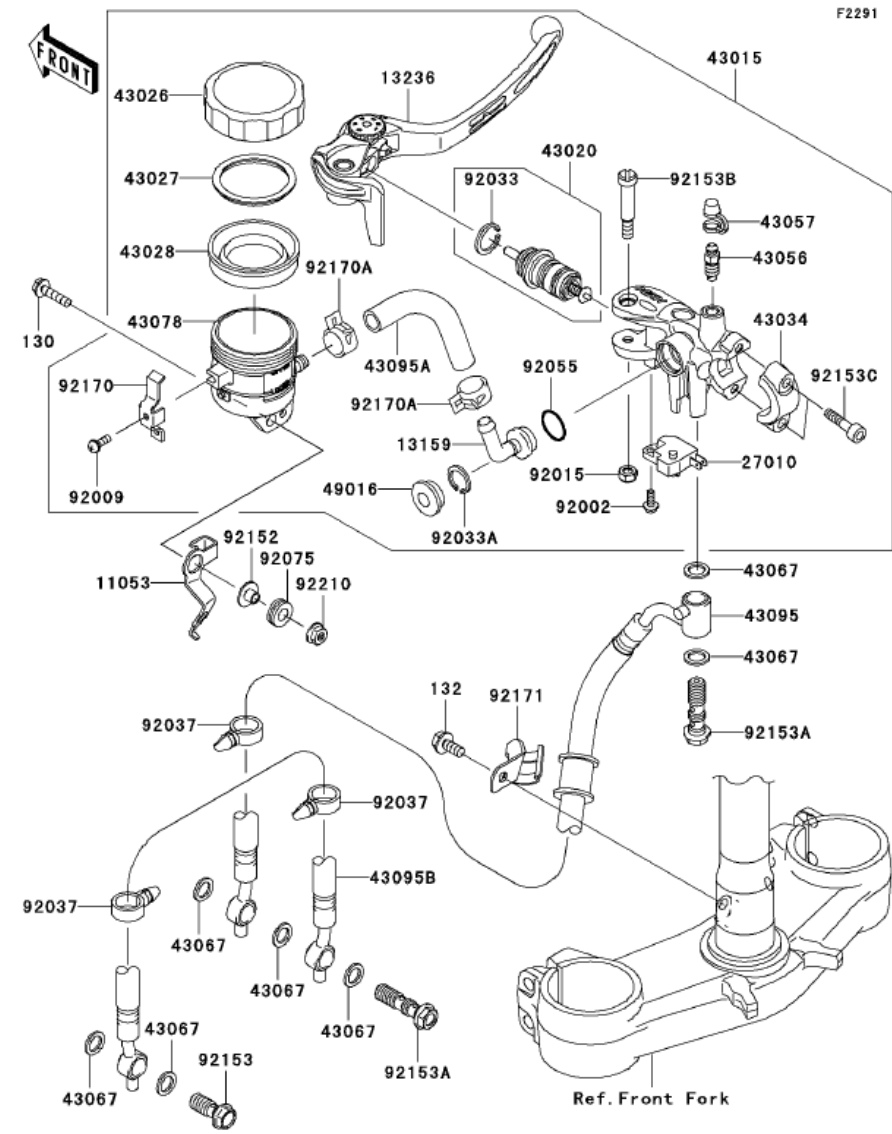
**FRONT FORK**

Ref #	Part #	Description	Qty	Spec Code
11060	11060-1180	GASKET,FORK CYLINDER BOLT	2	
11065	11065-0090	CAP	2	
16126	16126-0016	VALVE	2	
44008	44008-0012	PIPE-FORK OUTER	2	
44013	44013-0022	PIPE-FORK INNER,LH	1	
44013A	44013-0023	PIPE-FORK INNER,RH	1	
44023	44023-0020	CYLINDER-SET-FORK	2	
44026	44026-0051	SPRING-FRONT FORK	2	
44028	44028-1083	GUIDE-FORK SPRING	2	
44037	44037-0020	HOLDER-FORK UNDER	1	
44039	44039-0018	HOLDER-FORK UPPER	1	
44065	44065-0001	BUSHING-FRONT FORK,GUIDE	2	
44075	44075-0056	DAMPER-SET-FORK	1	
56030	56030-0006	LABEL	2	
92022	92022-1713	WASHER,SPRING SEAT	2	
92026	92026-0070	SPACER	2	
92033	92033-0002	RING-SNAP	2	
92033A	92033-1222	RING-SNAP	2	
92049	92049-0058	SEAL-OIL	2	
92055	92055-0003	RING-O	2	
92055A	92055-1497	RING-O,FORK CAP	2	
92055B	92055-1498	RING-O	2	
92093	92093-1268	SEAL,FORK	2	
92150	92150-1514	BOLT,FORK CYLINDER	2	
92152	92152-0263	COLLAR	2	
92153	92153-0853	BOLT	4	
92153A	92153-0854	BOLT	4	
92153B	92153-0855	BOLT	2	
92210	92210-0019	SPRING ADJUST PLATE	2	
92210A	92210-0189	NUT	2	



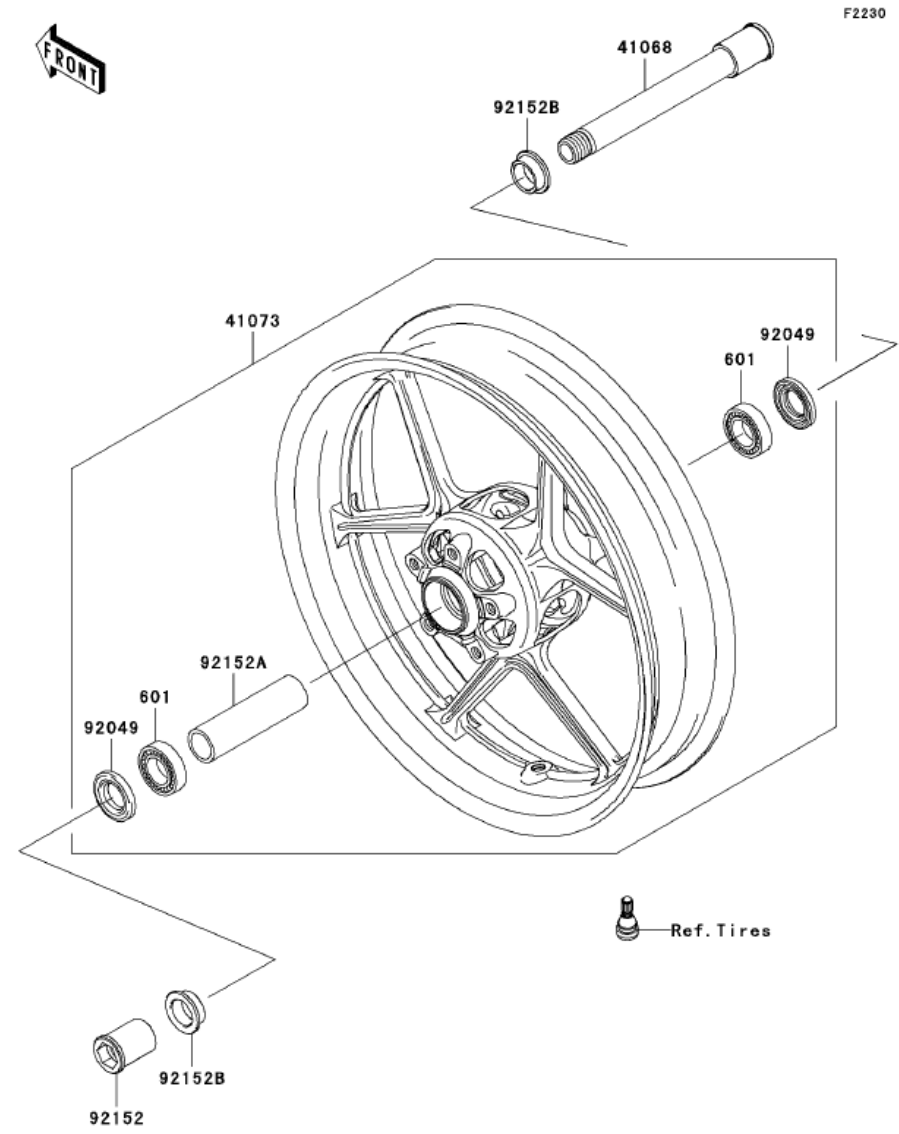
## FRONT MASTER CYLINDER

Ref #	Part #	Description	Qty	Spec Code
130	130L0520	BOLT-FLANGED,M5X20	1	
132	132J0612	BOLT-FLANGED-SMALL,M6X12	1	
11053	11053-1545	BRACKET,RESERVOIR TANK,FR	1	
13159	13159-1061	CONNECTOR	1	
13236	13236-0083	LEVER-COMP,FRONT BRAKE	1	
27010	27010-0025	SWITCH,BRAKE	1	
43015	43015-0032	CYLINDER-ASSY-MASTER,FR	1	
43020	43020-0001	PISTON-COMP-BRAKE	1	
43026	43026-0005	CAP-BRAKE	1	
43027	43027-1051	PLATE-DIAPHRAGM	1	
43028	43028-1057	DIAPHRAGM,MASTER CYLINDER	1	
43034	43034-0002	HOLDER-BRAKE,MASTER CYLINDER	1	
43056	43056-1056	BREATHER-BRAKE	1	
43057	43057-1001	CAP-BREATHER	1	
43067	43067-001	WASHER,10.5X15X1.5	7	
43078	43078-1099	RESERVOIR	1	
43095	43095-0069	HOSE-BRAKE,FR	1	
43095A	43095-0081	HOSE-BRAKE,FR MASTER CYLINDER	1	
43095B	43095-0125	HOSE-BRAKE,FR	1	
49016	49016-1147	COVER-SEAL	1	
92002	92002-1323	BOLT,SCREW,4X12	1	
92009	92009-1570	SCREW	1	
92015	92015-1191	NUT,LOCK,6MM,BLACK	1	
92033	92033-0034	RING-SNAP	1	
92033A	92033-1186	RING-SNAP,20.5MM	1	
92037	92037-1827	CLAMP,HOSE	3	
92055	92055-1251	RING-O,MASTER CYLINDER	1	
92075	92075-161	DAMPER	1	
92152	92152-0017	COLLAR	1	
92153	92153-0627	BOLT,OIL,L=23	1	
92153A	92153-0628	BOLT,OIL,L=37	2	
92153B	92153-0868	BOLT,LEVER	1	
92153C	92153-0911	BOLT	2	
92170	92170-1090	CLAMP	1	
92170A	92170-1091	CLAMP,HOSE	2	
92171	92171-0406	CLAMP,BRAKE HOSE	1	
92210	92210-0007	NUT,FLANGED,5MM	1	



**FRONT WHEEL**

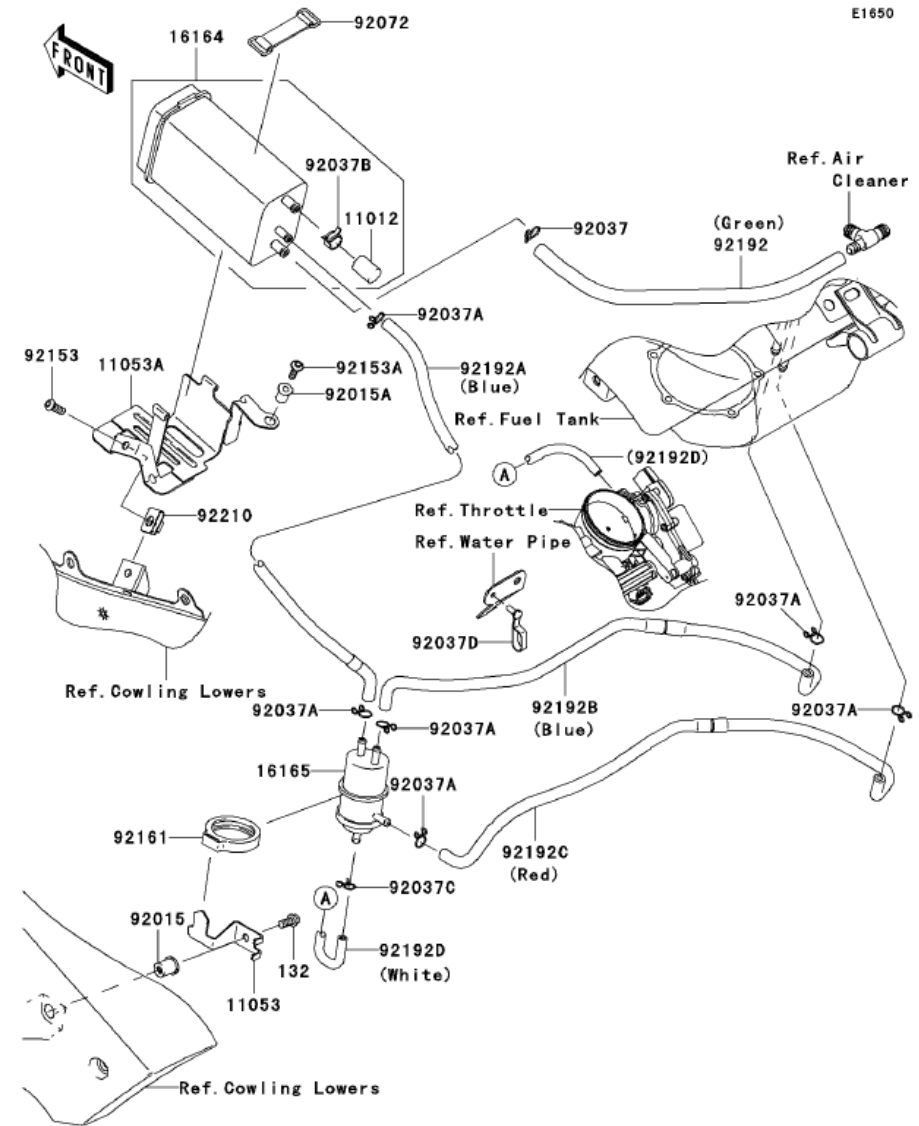
Ref #	Part #	Description	Qty	Spec Code
601	601B6005UU	BEARING-BALL,#6005UU	2	
41068	41068-0034	AXLE,FR	1	
41073	41073-0039-2A	WHEEL-ASSY,FR,GRAYSTONE	1	
92049	92049-1377	SEAL-OIL,BJN 32 47 5	2	
92152	92152-0240	COLLAR,FR AXLE,LH,L=44.5	1	
92152A	92152-0242	COLLAR,FR HUB,L=115	1	
92152B	92152-0289	COLLAR,FR AXLE,L=13	2	





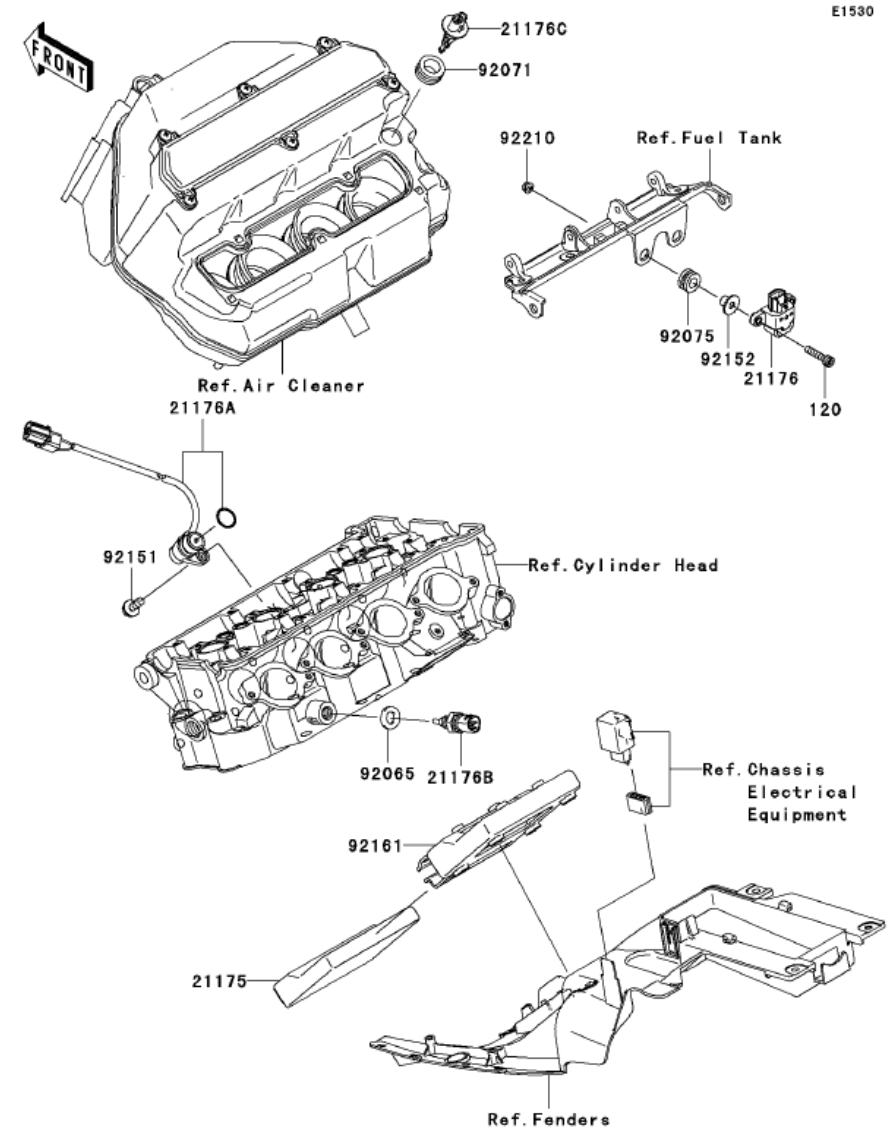
**FUEL EVAPORATIVE SYSTEM (CA)**

Ref #	Part #	Description	Qty	Spec Code
11012	11012-1388	CAP,CANISTER	1	[CA]
11053	11053-1619	BRACKET	1	[CA]
11053A	11053-1658	BRACKET	1	[CA]
16164	16164-1054	CANISTER	1	[CA]
16165	16165-1001	SEPARATOR	1	[CA]
92015	92015-1700	NUT	1	[CA]
92015A	92015-1757	NUT,WELL,5MM	1	[CA]
92037	92037-1104	CLAMP,HOSE	1	[CA]
92037A	92037-147	CLAMP,TUBE	6	[CA]
92037B	92037-1512	CLAMP,CANISTER	1	[CA]
92037C	92037-1712	CLAMP	1	[CA]
92037D	92037-1903	CLAMP,SPEED,L=80.5	1	[CA]
92072	92072-1419	BAND,L=50	1	[CA]
92153	92153-0404	BOLT,SOCKET,6X16	1	[CA]
92153A	92153-1244	BOLT,SOCKET,5X16	1	[CA]
92161	92161-0239	DAMPER	1	[CA]
92192	92192-0169	TUBE,CANISTER-FITTING,GREEN	1	[CA]
92192A	92192-0170	TUBE,SEPARATOR-CANISTER,BLUE	1	[CA]
92192B	92192-0171	TUBE,SEPARATOR-TANK,BLUE	1	[CA]
92192C	92192-0173	TUBE,SEPARATOR-TANK,RED	1	[CA]
92192D	92192-0175	TUBE,THROTTLE-SEPARATOR,WHITE	1	[CA]
92210	92210-0130	NUT	1	[CA]
132	132L0614	BOLT-FLANGED-SMALL,M6X14	1	[CA]



## FUEL INJECTION

Ref #	Part #	Description	Qty	Spec Code
120	120W0522	BOLT-SOCKET,M5X22	2	
21175	21175-0057	CONTROL UNIT-ELECTRONIC	1	
21176	21176-0026	SENSOR,VEHICLE-DOWN	1	
21176A	21176-0034	SENSOR,CAM	1	
21176B	21176-1120	SENSOR,WATER TEMP	1	
21176C	21176-2106	SENSOR,AIR TEMP	1	
92065	92065-097	GASKET,12X22X2	1	
92071	92071-2140	GROMMET	1	
92075	92075-1912	DAMPER	2	
92151	92151-1774	BOLT,FLANGED,M6X16	1	
92152	92152-0134	COLLAR	2	
92161	92161-0179	DAMPER	1	
92210	92210-0007	NUT,FLANGED,5MM	2	

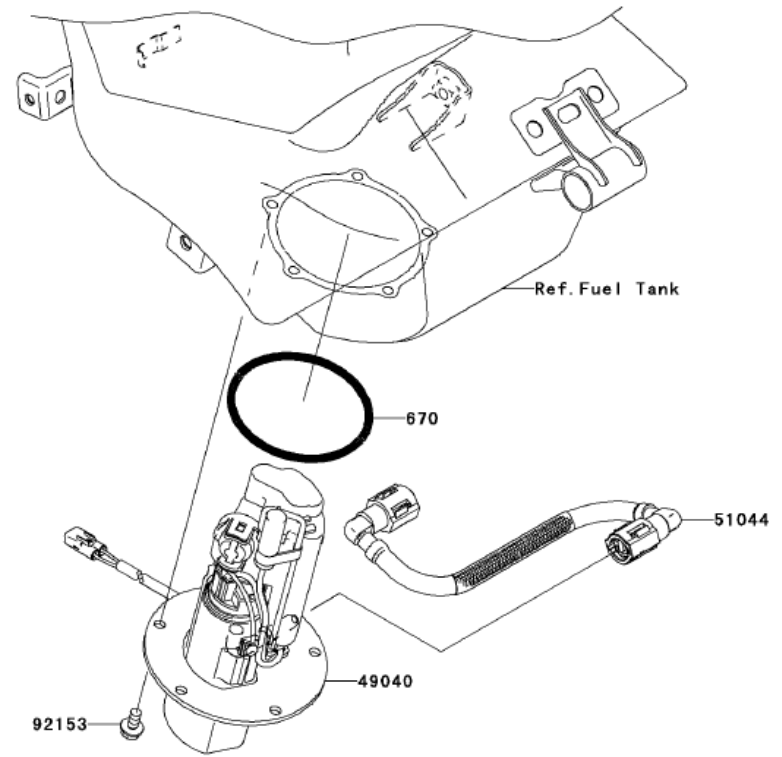


### FUEL PUMP

Ref #	Part #	Description	Qty	Spec Code
670	670E5075	O RING	1	
49040	49040-0007	PUMP-FUEL	1	
51044	51044-0017	TUBE-ASSY	1	
92153	92153-1283	BOLT, FLANGED, M6X12	5	

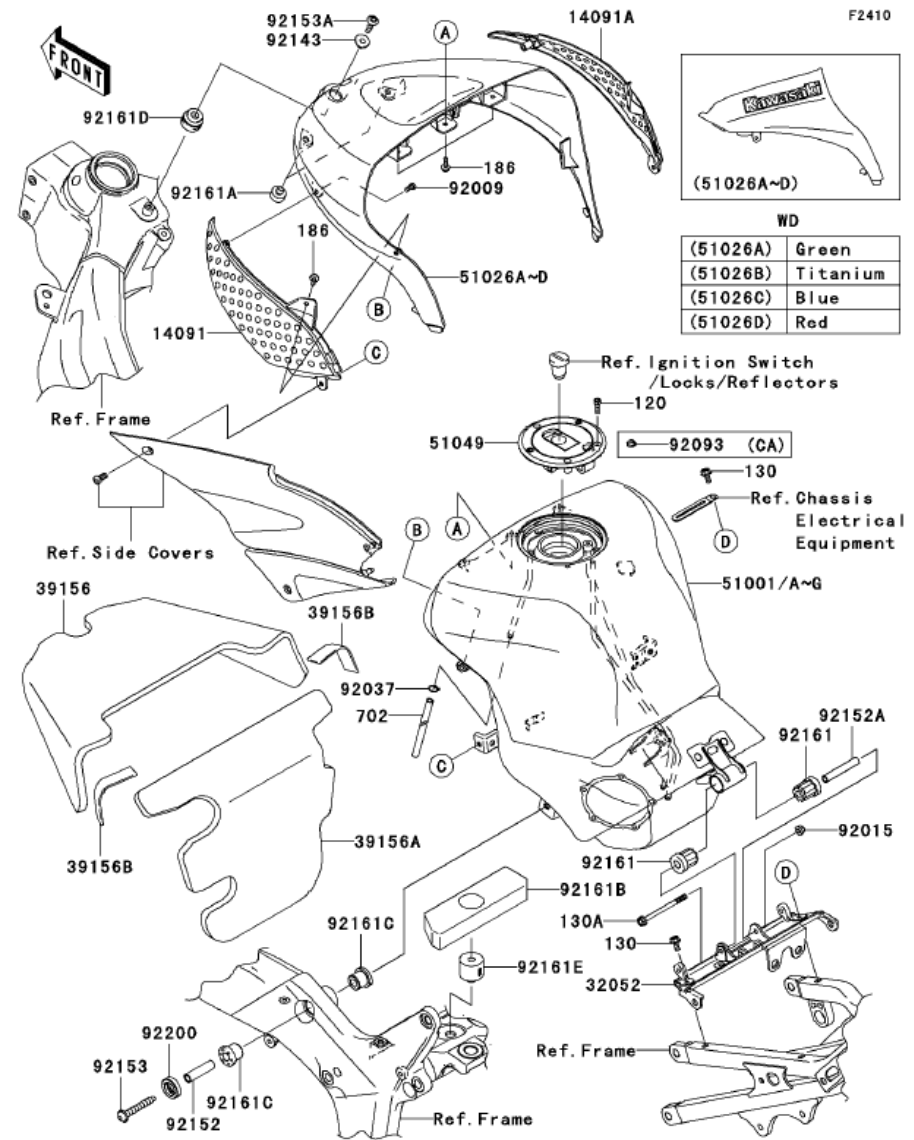


E1520



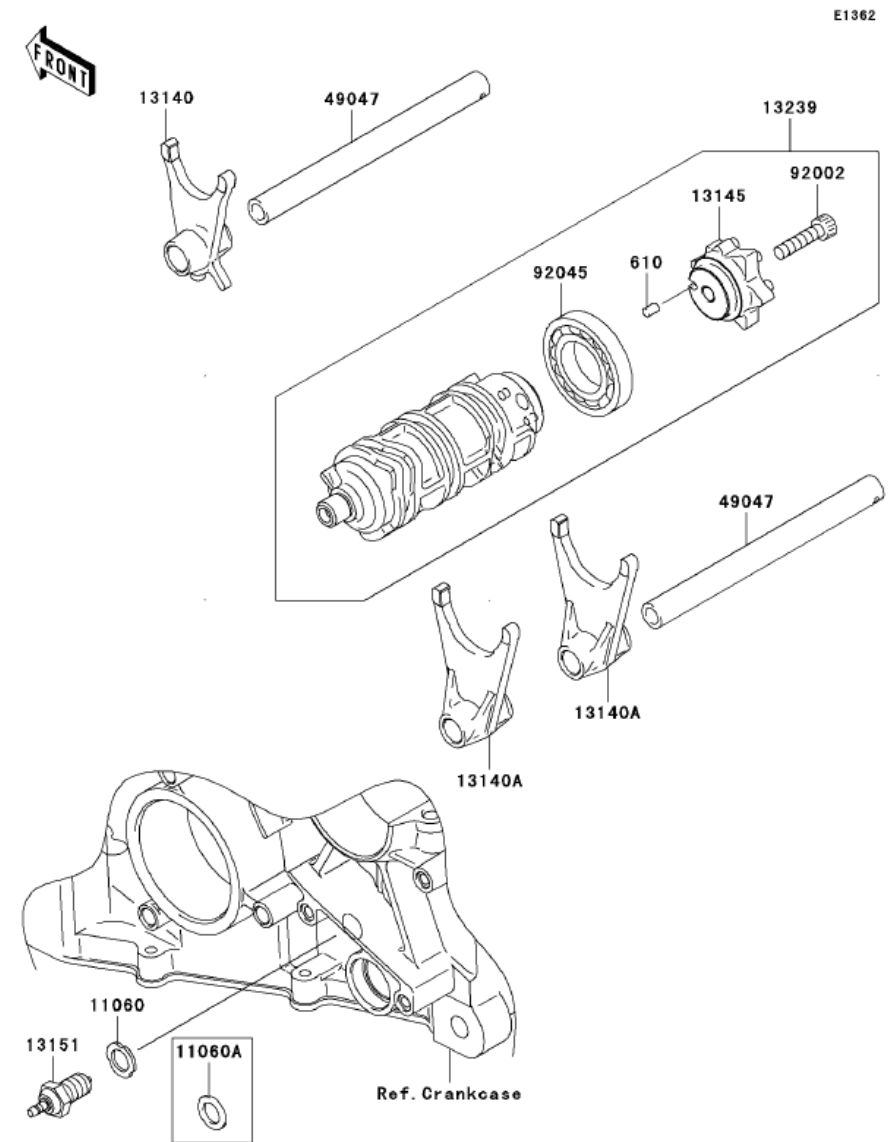
**FUEL TANK**

Ref #	Part #	Description	Qty	Spec Code
14091	14091-0324	COVER,KNEE GRIP,LH	1	
14091A	14091-0325	COVER,KNEE GRIP,RH	1	
32052	32052-0033	BRACKET-TANK	1	
39156	39156-0079	PAD,FUEL TANK COVER	1	
39156A	39156-0080	PAD,FUEL TANK	1	
39156B	39156-0096	PAD,FUEL TANK COVER	2	
51001	51001-0050-723	TANK-COMP-FUEL,C.P.BLUE	1	[CA]
51001A	51001-0050-724	TANK-COMP-FUEL,P.M.RED	1	[CA]
51001B	51001-0050-725	TANK-COMP-FUEL,M.F.R.TITANIUM	1	[CA]
51001C	51001-0050-777	TANK-COMP-FUEL,L.GREEN	1	[CA]
51001D	51001-0054-723	TANK-COMP-FUEL,C.P.BLUE	1	[CN,US]
51001E	51001-0054-724	TANK-COMP-FUEL,P.M.RED	1	[CN,US]
51001F	51001-0054-725	TANK-COMP-FUEL,M.F.R.TITANIUM	1	[CN,US]
51001G	51001-0054-777	TANK-COMP-FUEL,L.GREEN	1	[CN,US]
51026A	51026-5023-777	COVER TANK,L.GREEN	1	
51026B	51026-5024-725	COVER TANK,M.F.R.TITANIUM	1	
51026C	51026-5025-723	COVER TANK,C.P.BLUE	1	
51026D	51026-5026-724	COVER TANK,P.M.RED	1	
51049	51049-0010	CAP-TANK,FUEL	1	
92009	92009-1319	SCREW,TAPPING,5X12	2	
92015	92015-1675	NUT,LOCK,FLANGED,6MM	1	
92037	92037-010	CLAMP,TUBE	1	
92093	92093-1030	SEAL,FUEL TANK CAP	1	[CA]
92143	92143-1016	COLLAR,L=9.6	1	
92152	92152-0271	COLLAR,8.8X12X46.5	2	
92152A	92152-1182	COLLAR,6.8X10X60	1	
92153	92153-0879	BOLT,SOCKET,8X65	2	
92153A	92153-1267	BOLT,SOCKET,6X23	1	
120	120S0516	BOLT-SOCKET,M5X16	3	
130	130H0614	BOLT-FLANGED,6X14	2	
130A	130H0680	BOLT-FLANGED,M6X80	1	
186	186H0514	BOLT-UPSET-WP	5	
702	702A06850	TUBE-RUBBER,6X850	1	
92161	92161-0207	DAMPER,FUEL TANK,RR	2	
92161A	92161-0223	DAMPER	2	
92161B	92161-0262	DAMPER	1	
92161C	92161-0274	DAMPER,FUEL TANK,SIDE	4	
92161D	92161-0287	DAMPER	1	
92161E	92161-1116	DAMPER	1	
92200	92200-0197	WASHER,FUEL TANK,SIDE	2	



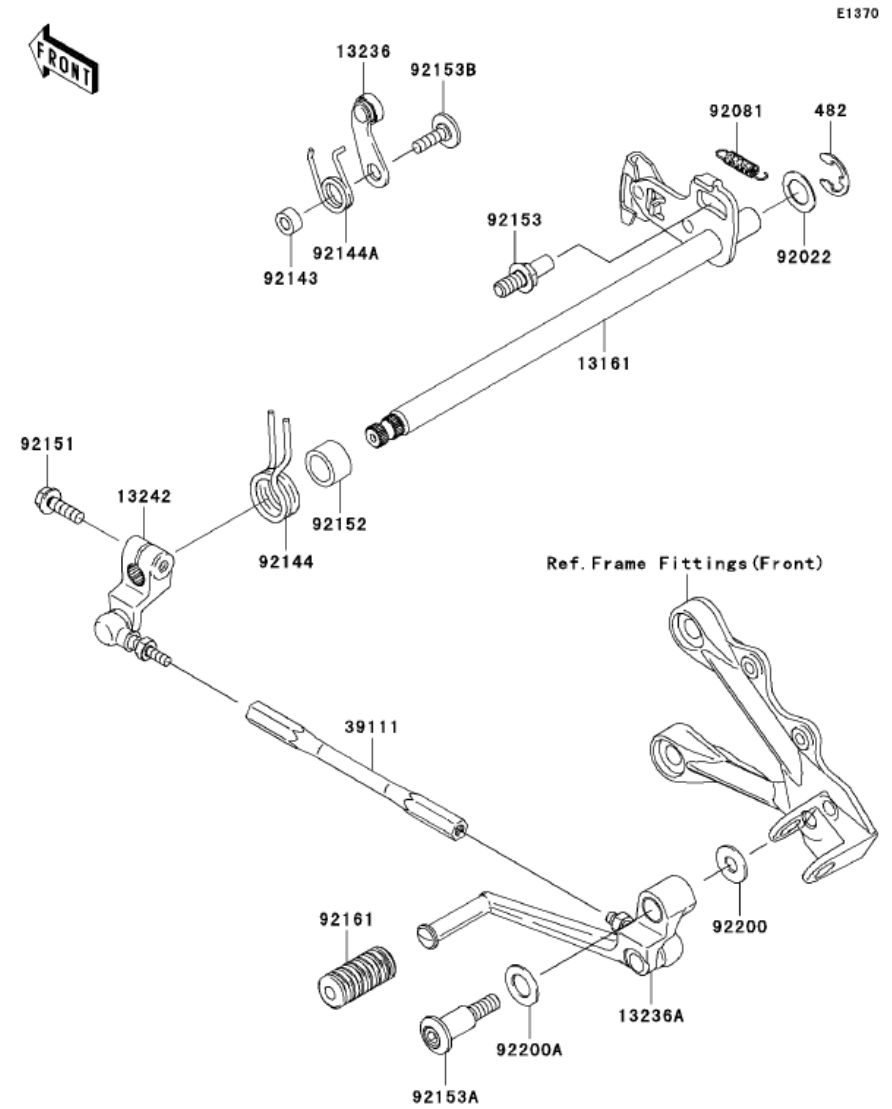
**GEAR CHANGE DRUM/SHIFT FORK(S)**

Ref #	Part #	Description	Qty	Spec Code
610	610A0406	ROLLER,4X6	1	
11060	11060-1676	GASKET,10.5X16X1.5	AR	
11060A	11060-1684	GASKET,10.5X16X1.2	AR	
13140	13140-1231	FORK-SHIFT,INPUT	1	
13140A	13140-1232	FORK-SHIFT,OUTPUT	2	
13145	13145-0013	CAM-CHANGE DRUM	1	
13151	13151-1085	SWITCH-COMP	1	
13239	13239-0012	DRUM-ASSY-CHANGE	1	
49047	49047-1095	ROD-SHIFT	2	
92002	92002-1696	BOLT,SOCKET,6X25	1	
92045	92045-1045	BEARING-BALL,16005(NTN)	1	



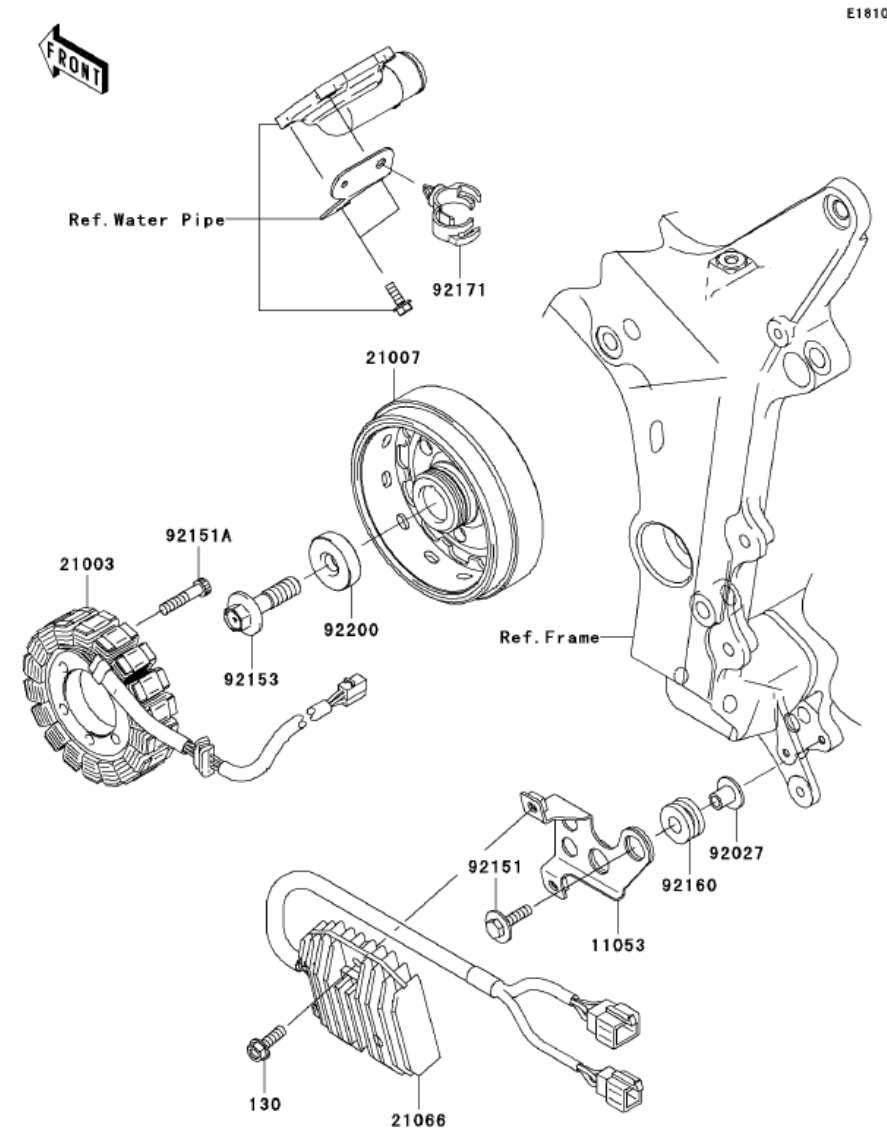
## GEAR CHANGE MECHANISM

Ref #	Part #	Description	Qty	Spec Code
482	482J0200	CIRCLIP-TYPE-E,12MM	1	
13161	13161-0021	LEVER-COMP-CHANGE SHAFT	1	
13236	13236-0068	LEVER-COMP	1	
13236A	13236-0078	LEVER-COMP,CHANGE PEDAL	1	
13242	13242-1348	LEVER-ASSY-CHANGE,BOSS	1	
39111	39111-1164	ROD-TIE	1	
92022	92022-1628	WASHER,CHANGE SHAFT	1	
92081	92081-1708	SPRING,PAWL RETURN	1	
92143	92143-1595	COLLAR	1	
92144	92144-1345	SPRING,CHANGE PEDAL RETURN	1	
92144A	92144-1523	SPRING,GEAR POSITION	1	
92151	92151-1226	BOLT,FLANGED,M6X20	1	
92152	92152-1383	COLLAR,14.2X19.9X12.0	1	
92153	92153-0421	BOLT,RETURN SPRING	1	
92153A	92153-0880	BOLT,8X41	1	
92153B	92153-0896	BOLT,6X20	1	
92161	92161-1300	DAMPER,CHANGE LEVER	1	
92200	92200-0198	WASHER,8.5X20X1.5	1	
92200A	92200-0199	WASHER,12.5X22X1.2	1	



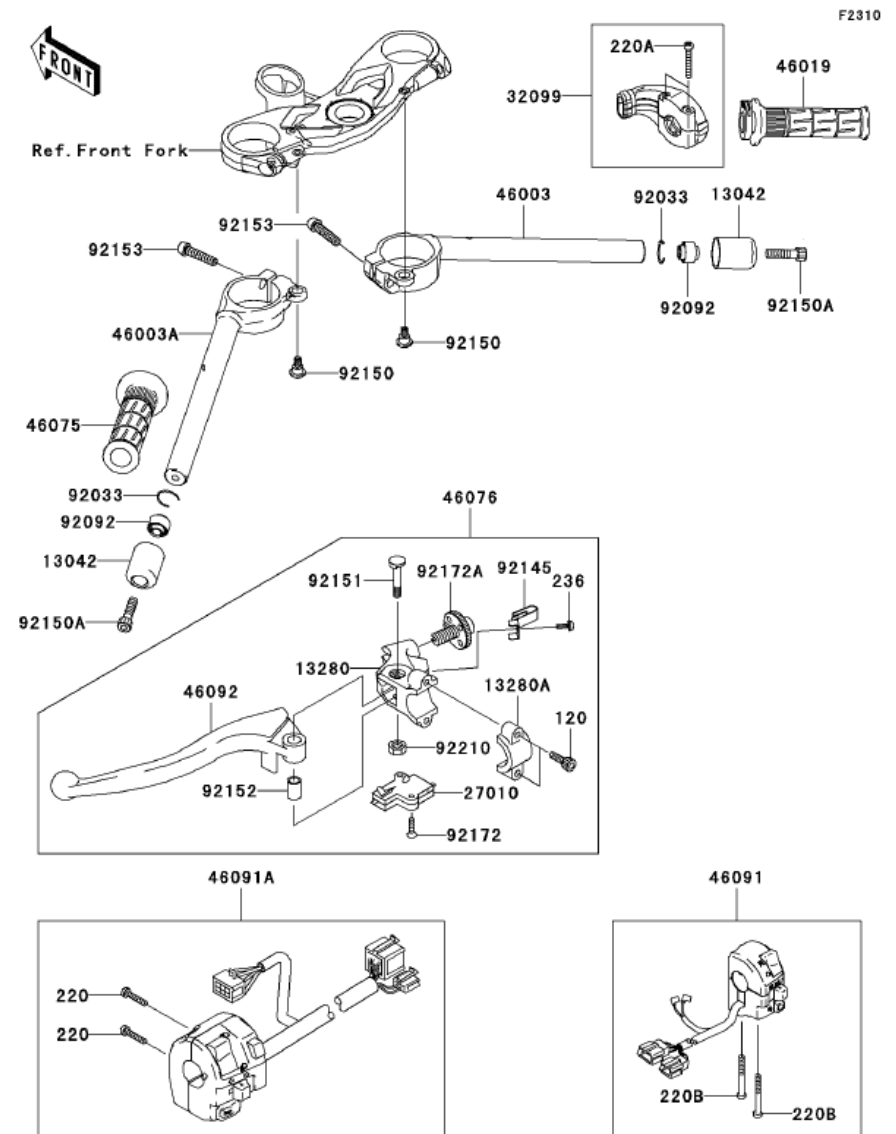
## GENERATOR

Ref #	Part #	Description	Qty	Spec Code
130	130H0620	BOLT-FLANGED,M6X20	2	
11053	11053-1659	BRACKET	1	
21003	21003-0023	STATOR	1	
21007	21007-0045	ROTOR	1	
21066	21066-0016	REGULATOR-VOLTAGE	1	
92027	92027-1920	COLLAR,L=14.1	2	
92151	92151-1241	BOLT,6X25	2	
92151A	92151-1626	BOLT,6X30	4	
92153	92153-0889	BOLT,11X40	1	
92160	92160-1162	DAMPER	2	
92171	92171-0069	CLAMP,DIA=20	1	
92200	92200-0201	WASHER,11X34X9	1	



## HANDLEBAR

Ref #	Part #	Description	Qty	Spec Code
120	120T0620	BOLT-SOCKET,M6X20	2	
220	220C0525	SCREW-PAN-CROS	2	
220A	220C0535	SCREW-PAN-CROS	2	
220B	220C0545	SCREW-PAN-CROS	2	
236	236C0410	SCREW-PAN-WSP-CROS,4X10	1	
13042	13042-1133	WEIGHT,HANDLE	2	
13280	13280-0034	HOLDER,CLUTCH LEVER	1	
13280A	13280-0035	HOLDER,CLUTCH LEVER	1	
27010	27010-1492	SWITCH,CLUTCH	1	
32099	32099-1193	CASE,THROTTLE CABLE	1	
46003	46003-0068	HANDLE,RH	1	
46003A	46003-1590	HANDLE,LH	1	
46019	46019-0001	GRIP-ASSY,THROTTLE	1	
46075	46075-1144	GRIP,LH	1	
46076	46076-0024	LEVER-ASSY-GRIP,CLUTCH	1	
46091	46091-0040	HOUSING-ASSY-CONTROL,RH	1	
46091A	46091-0054	HOUSING-ASSY-CONTROL,LH	1	
46092	46092-0006	LEVER-GRIP,CLUTCH	1	
92033	92033-1102	RING-SNAP,OD=22.2	2	
92092	92092-1075	BUSHING-RUBBER,HANDLE	2	
92145	92145-1286	SPRING	1	
92150	92150-1090	BOLT,6MM	2	
92150A	92150-1604	BOLT,SOCKET,8X30	2	
92151	92151-1523	BOLT	1	
92152	92152-0103	COLLAR	1	
92153	92153-0907	BOLT,SOCKET,8X35	2	
92172	92172-0183	SCREW,3X16	2	
92172A	92172-1060	SCREW,ADJUST NUT	1	
92210	92210-0006	NUT,LOCK,6MM	1	

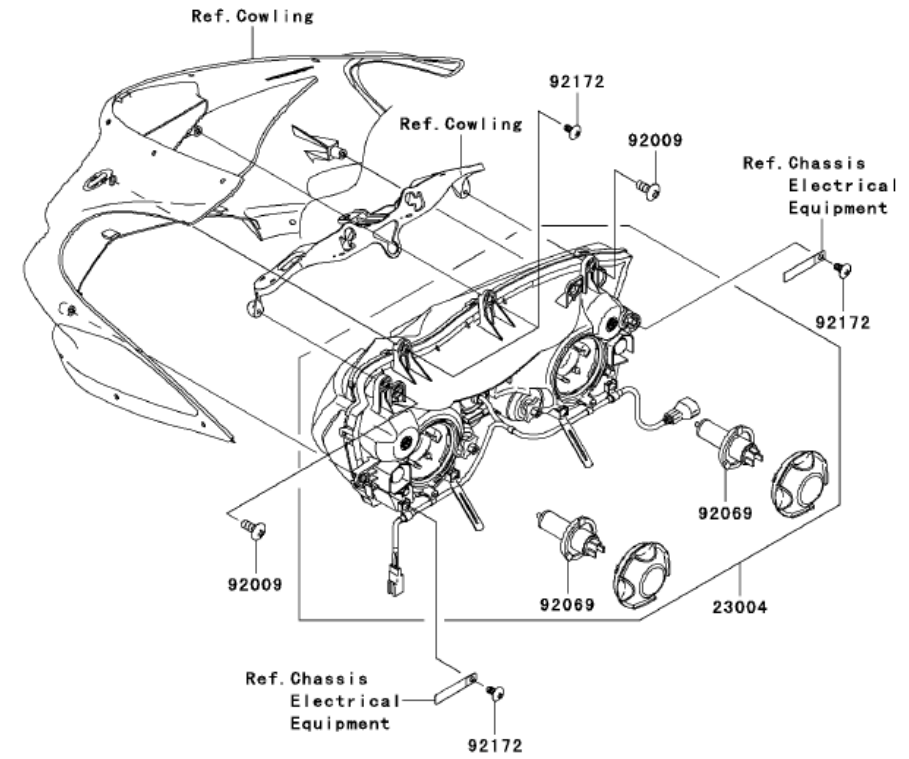




### HEADLIGHT(S)

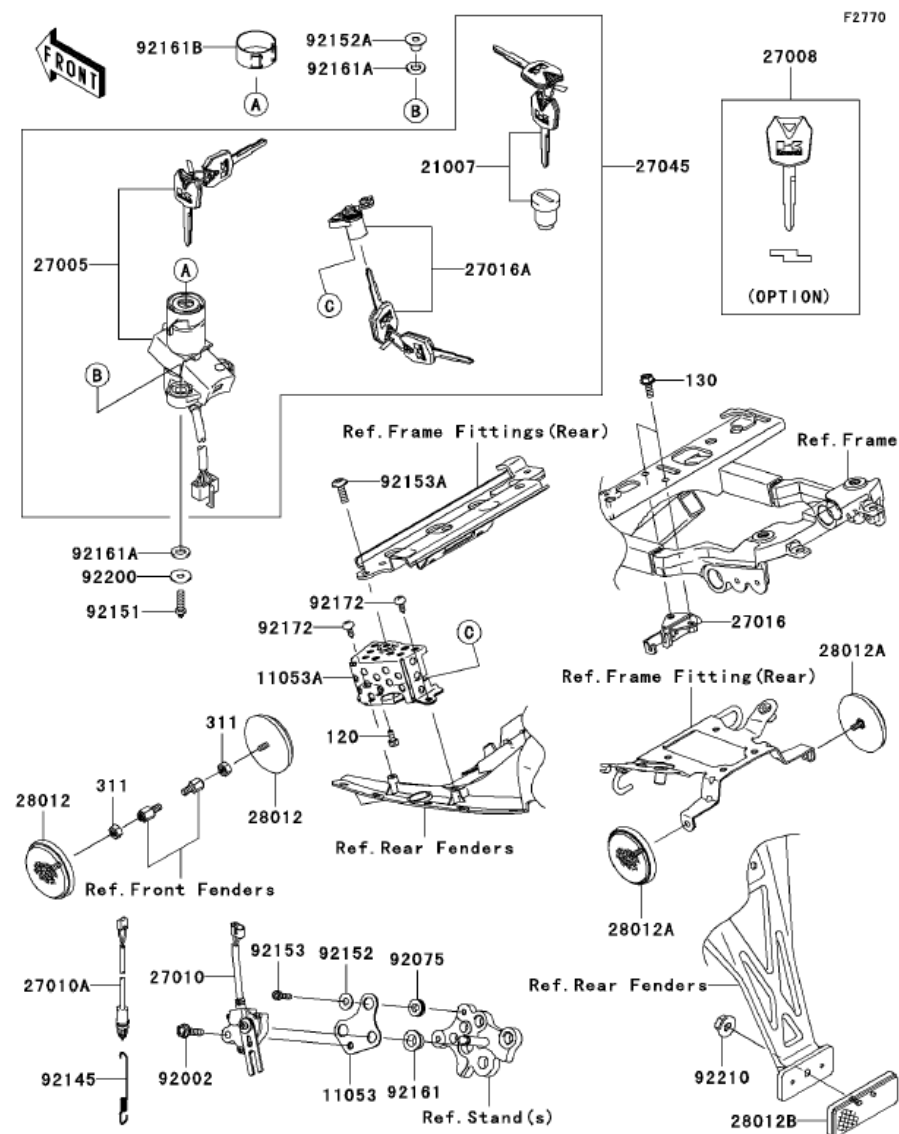
Ref #	Part #	Description	Qty	Spec Code
23004	23004-0043	LAMP-HEAD	1	
92009	92009-3830	SCREW,6X15	2	
92069	92069-1126	BULB,12V 55W,H7	2	
92172	92172-0175	SCREW,TAPPING,5X16	4	

F2710



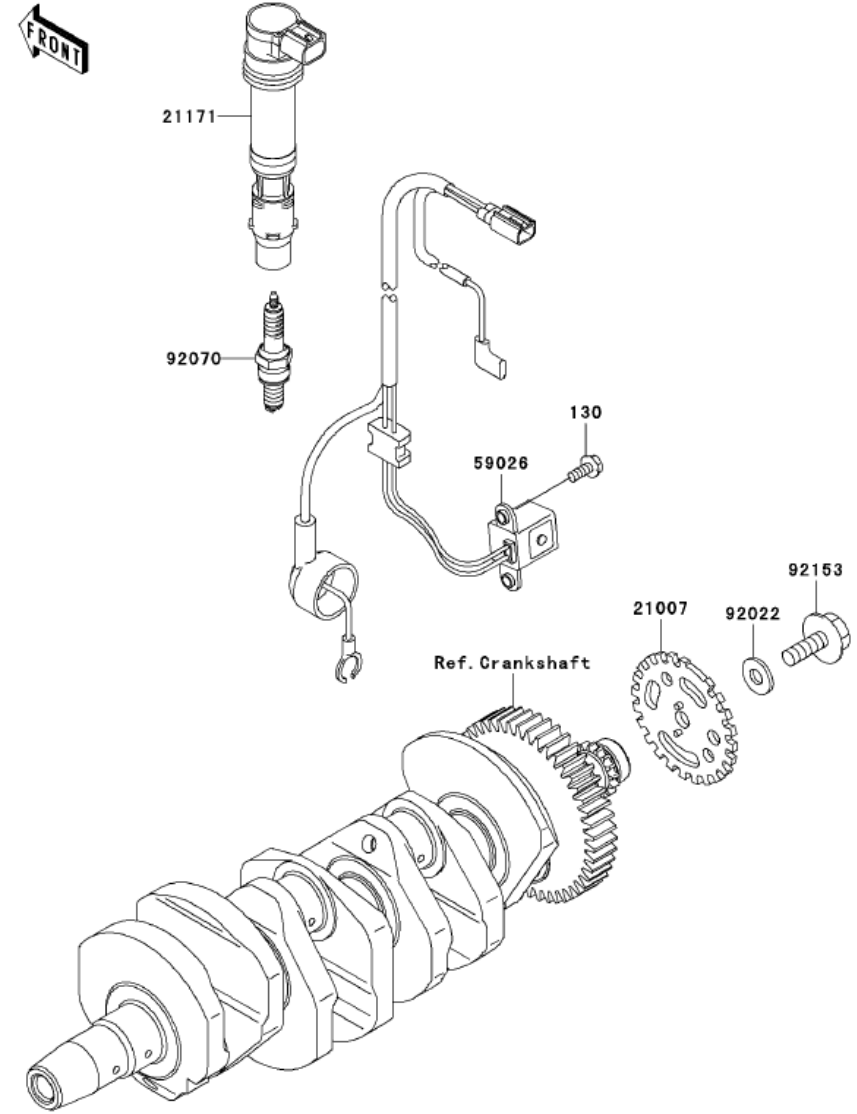
### IGNITION SWITCH/LOCKS/REFLECTORS

Ref #	Part #	Description	Qty	Spec Code
120	120S0512	BOLT-SOCKET,M5X12	2	
130	130L0616	BOLT-FLANGED,M6X16	2	
311	311C0500	NUT-HEX	2	
11053	11053-0056	BRACKET,SIDE STAND SWITCH	1	
11053A	11053-1400	BRACKET,SEAT LOCK	1	
21007	21007-5057	ROTOR,LOCK,TANK CAP	1	
27005	27005-5133	SWITCH-ASSY-IGNITION	1	
27008	27008-0030	KEY-LOCK,BLANK	1	(OPTION)
27010	27010-1455	SWITCH,SIDE STAND	1	
27010A	27010-1479	SWITCH,REAR BRAKE	1	
27016	27016-1115	LOCK-ASSY,SEAT STRIKER	1	
27016A	27016-5309	LOCK-ASSY,SEAT	1	
27045	27045-5300	SWITCH-ASSY	1	
28012	28012-0001	REFLECTOR-REFLEX,FR,SIDE	2	
28012A	28012-0002	REFLECTOR-REFLEX	2	
28012B	28012-1077	REFLECTOR-REFLEX	1	
92002	92002-1582	BOLT,FLANGED,6X25	1	
92075	92075-161	DAMPER	2	
92145	92145-0251	SPRING,REAR BRAKE SWITCH	1	
92151	92151-1946	BOLT,TORX,6X22	2	
92152	92152-0017	COLLAR	2	
92152A	92152-0288	COLLAR	2	
92153	92153-0414	BOLT,SOCKET,5X18	2	
92153A	92153-0816	BOLT,6X18	1	
92161	92161-0016	DAMPER	1	
92161A	92161-0240	DAMPER,IGNITION SWITCH	4	
92161B	92161-0257	DAMPER,IGNITION SWITCH	1	
92172	92172-1061	SCREW,TAPPING,5X10	2	
92200	92200-0212	WASHER,6X20X1.6	2	
92210	92210-0007	NUT,FLANGED,5MM	1	



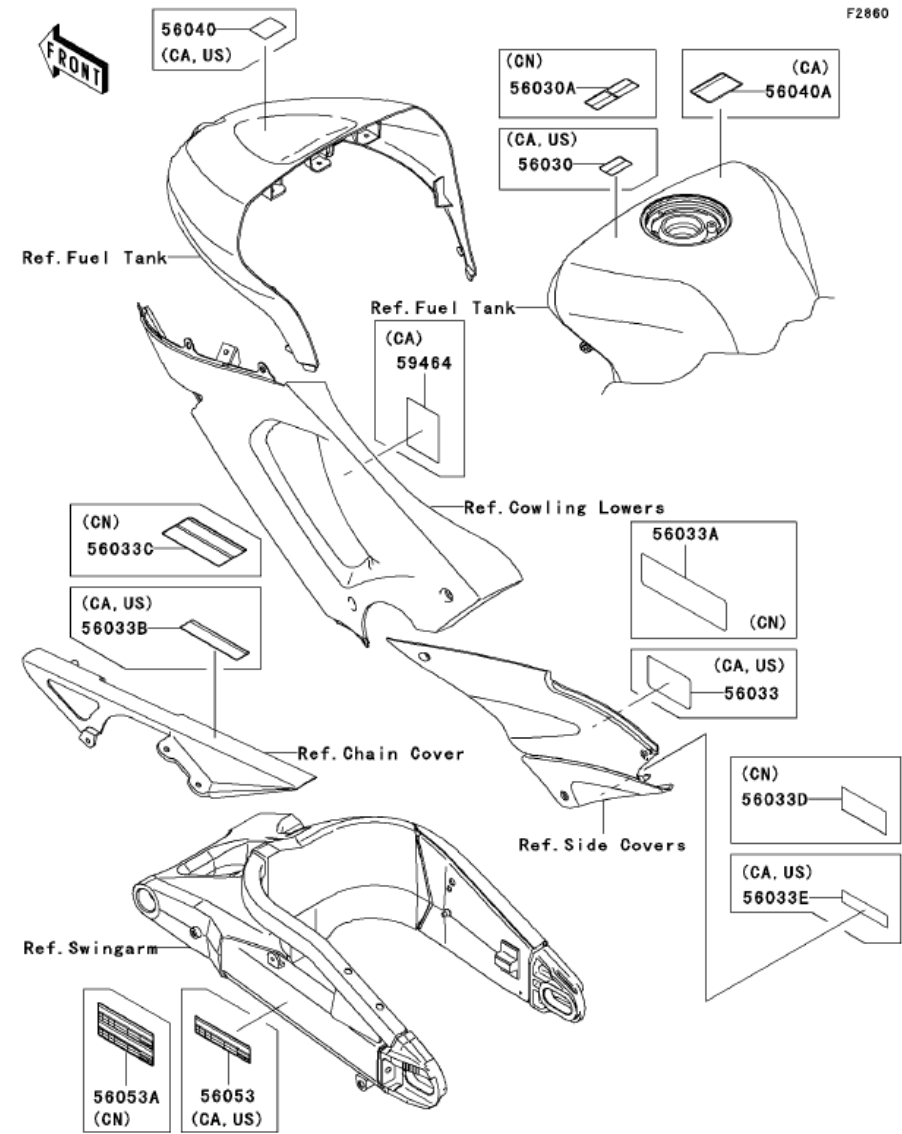
**IGNITION SYSTEM**

Ref #	Part #	Description	Qty	Spec Code
130	130G0512	BOLT-FLANGED,M5X12	2	
21007	21007-0041	ROTOR,PULSING	1	
21171	21171-1282	COIL-ASSY-IGNITION	4	
59026	59026-0013	COIL-PULSING	1	
92022	92022-1533	WASHER,8.2X19X2	1	
92070	92070-1266	PLUG-SPARK,CR9E(NGK)	4	
92153	92153-0549	BOLT,FLANGED,M8X23	1	



**LABELS**

Ref #	Part #	Description	Qty	Spec Code
56030	56030-1177	LABEL,GASOLINE	1	[CA,US]
56030A	56030-1178	LABEL,GASOLINE	1	[CN]
56033	56033-0083	LABEL-MANUAL,DAILY SAFETY	1	[CA,US]
56033A	56033-0084	LABEL-MANUAL,DAILY SAFETY	1	[CN]
56033B	56033-0087	LABEL-MANUAL,CHAIN	1	[CA,US]
56033C	56033-0088	LABEL-MANUAL,CHAIN	1	[CN]
56033D	56033-1285	LABEL-MANUAL,OIL&OIL FILTER	1	[CN]
56033E	56033-1306	LABEL-MANUAL,OIL&OIL FILTER	1	[CA,US]
56040	56040-1007	LABEL-WARNING,BREAK IN CAUTION	1	[CA,US]
56040A	56040-1121	LABEL-WARNING,EVAPO	1	[CA]
56053	56053-0108	LABEL-SPECIFICATION,TIRE&LOAD	1	[CA,US]
56053A	56053-0109	LABEL-SPECIFICATION,TIRE&LOAD	1	[CN]
59464	59464-0261	LABEL-CERTIFICATION,EVAPO ROUT	1	[CA]

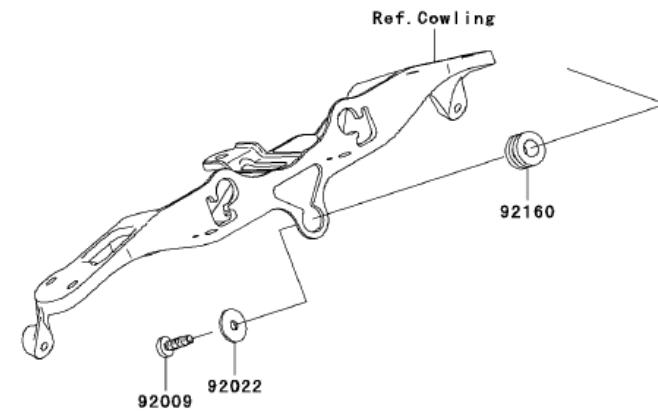
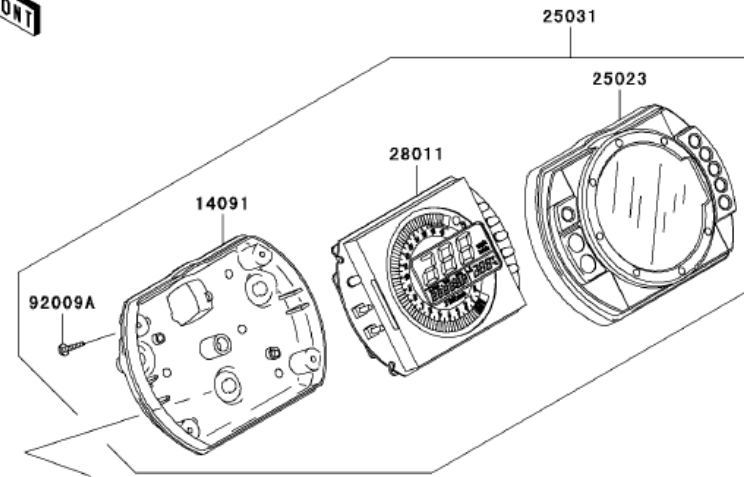


**METER(S)**

Ref #	Part #	Description	Qty	Spec Code
14091	14091-1569	COVER,METER,LWR	1	
25023	25023-1268	COVER-METER CASE,UPP	1	
25031	25031-0060	METER-ASSY,LCD	1	
28011	28011-0025	METER,LCD	1	
92009	92009-1197	SCREW,TAPPING,5X14	3	
92009A	92009-1592	SCREW,TAPPING,3X14	5	
92022	92022-1405	WASHER,5.5X20X1.2	3	
92160	92160-1167	DAMPER	3	

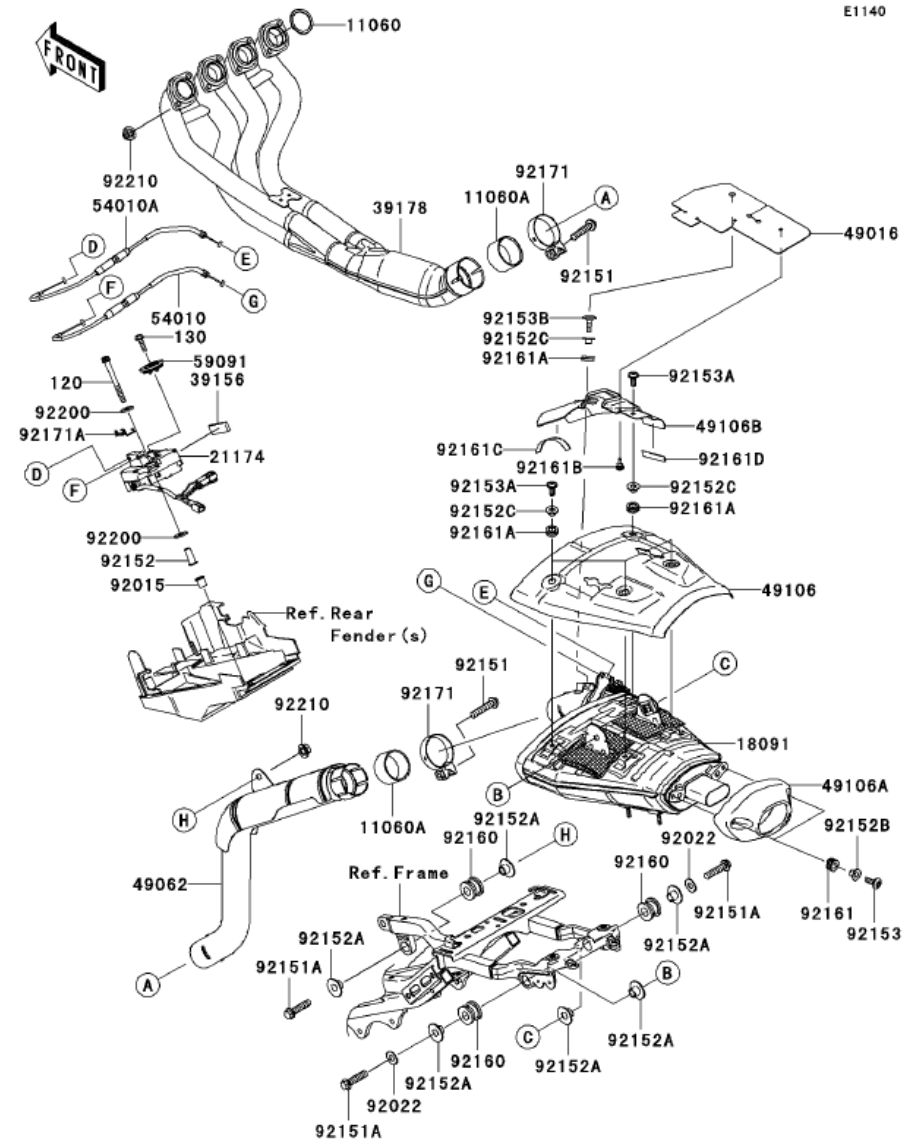


F2530



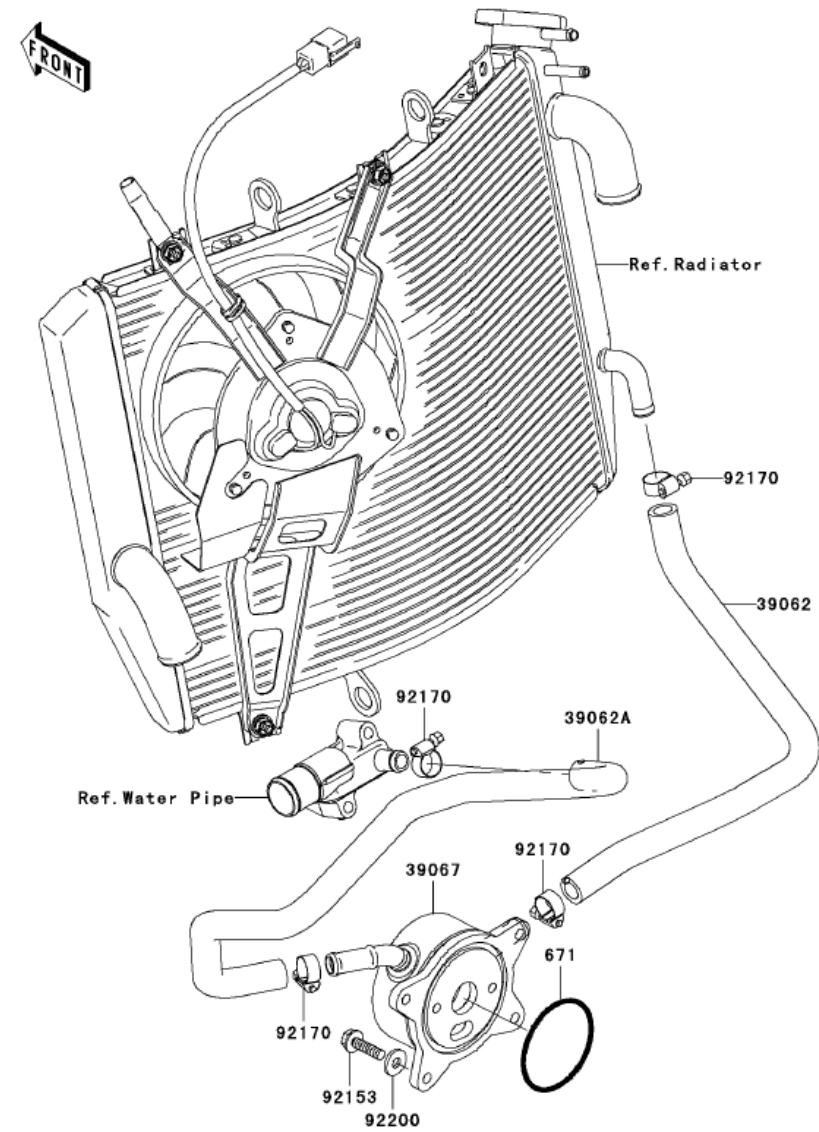
**MUFFLER(S)**

Ref #	Part #	Description	Qty	Spec Code
120	120W0660	BOLT-SOCKET,M6X60	2	
130	130L0518	BOLT-FLANGED,M5X18	1	
11060	11060-1203	GASKET,EXHAUST PIPE	4	
11060A	11060-1330	GASKET,EXHAUST PIPE HOLDER	2	
18091	18091-0209	BODY-COMP-MUFFLER	1	
21174	21174-0003	MOTOR-ELECTRIC	1	
39156	39156-0097	PAD	1	
39178	39178-0041	MANIFOLD-COMP-EXHAUST	1	
49016	49016-0013	COVER-SEAL	1	
49062	49062-0027	PIPE-COMP-EXHAUST	1	
49106	49106-0022	COVER-MUFFLER,UPP	1	
49106A	49106-0023	COVER-MUFFLER,RR	1	
49106B	49106-0031	COVER-MUFFLER	1	
54010	54010-0022	CABLE,OPEN	1	
54010A	54010-0023	CABLE,CLOSE	1	
59091	59091-0003	PULLEY	1	
92015	92015-1700	NUT	2	
92022	92022-3730	WASHER,8.5X19X1.2	2	
92151	92151-1532	BOLT,FLANGED,8X40	2	
92151A	92151-1537	BOLT,FLANGED,8X35	3	
92152	92152-0102	COLLAR	2	
92152A	92152-0188	COLLAR	6	
92152B	92152-0237	COLLAR	2	
92152C	92152-0286	COLLAR	5	
92153	92153-0816	BOLT,6X18	2	
92153A	92153-0817	BOLT,8X16	4	
92153B	92153-0923	BOLT,SOCKET,6X18	1	
92160	92160-1116	DAMPER	3	
92161	92161-0204	DAMPER	2	
92161A	92161-0205	DAMPER	5	
92161B	92161-0246	DAMPER	1	
92161C	92161-0296	DAMPER	1	
92161D	92161-0297	DAMPER	1	
92171	92171-0133	CLAMP	2	
92171A	92171-0292	CLAMP	1	
92200	92200-0216	WASHER,6.2X18X2	4	
92210	92210-0121	NUT,8MM	9	



## OIL COOLER

Ref #	Part #	Description	Qty	Spec Code
671	671B2565	O RING,65MM	1	
39062	39062-0068	HOSE-COOLING,COOLER-RAD	1	
39062A	39062-0069	HOSE-COOLING,COOLER-CYLINDER	1	
39067	39067-0008	COOLER-OIL	1	
92153	92153-0821	BOLT,6X22	4	
92170	92170-3729	CLAMP	4	
92200	92200-0158	WASHER,6.5X16X2	4	

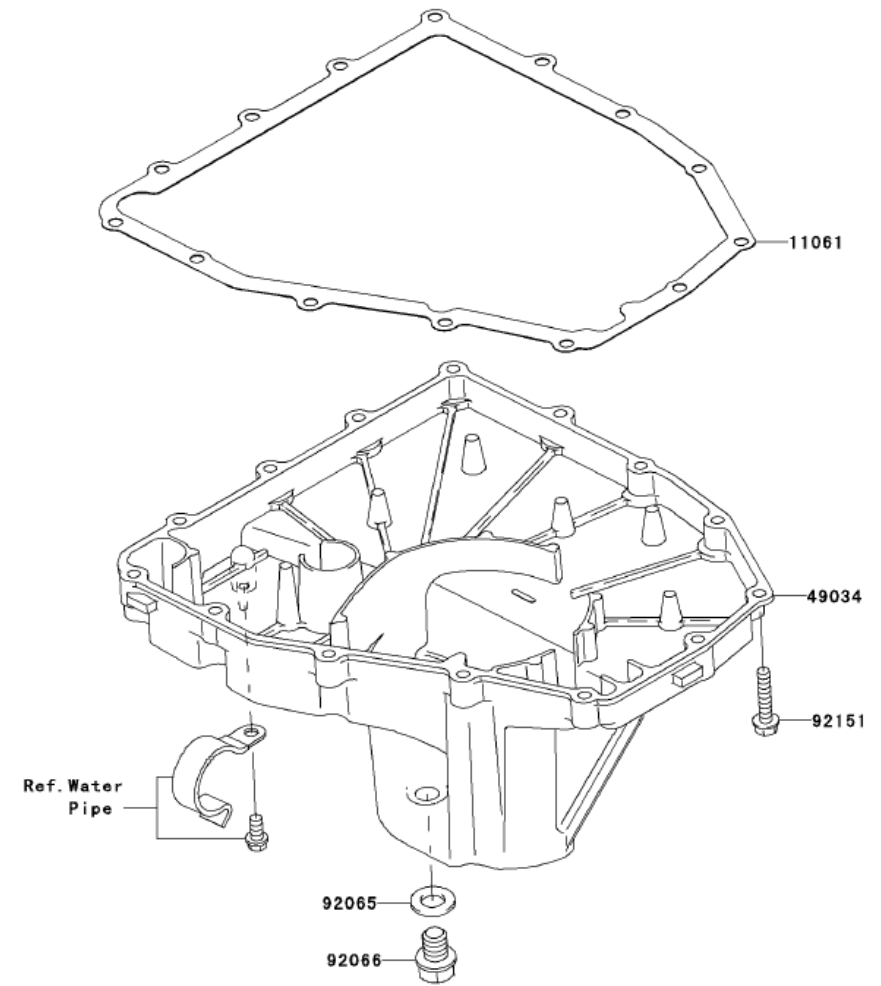


### OIL PAN

Ref #	Part #	Description	Qty	Spec Code
11061	11061-0114	GASKET,OIL PAN	1	
49034	49034-0013	PAN-OIL	1	
92065	92065-097	GASKET,12X22X2	1	
92066	92066-1174	PLUG,OIL DRAIN,12X15	1	
92151	92151-1873	BOLT,6X30	14	

FRONT

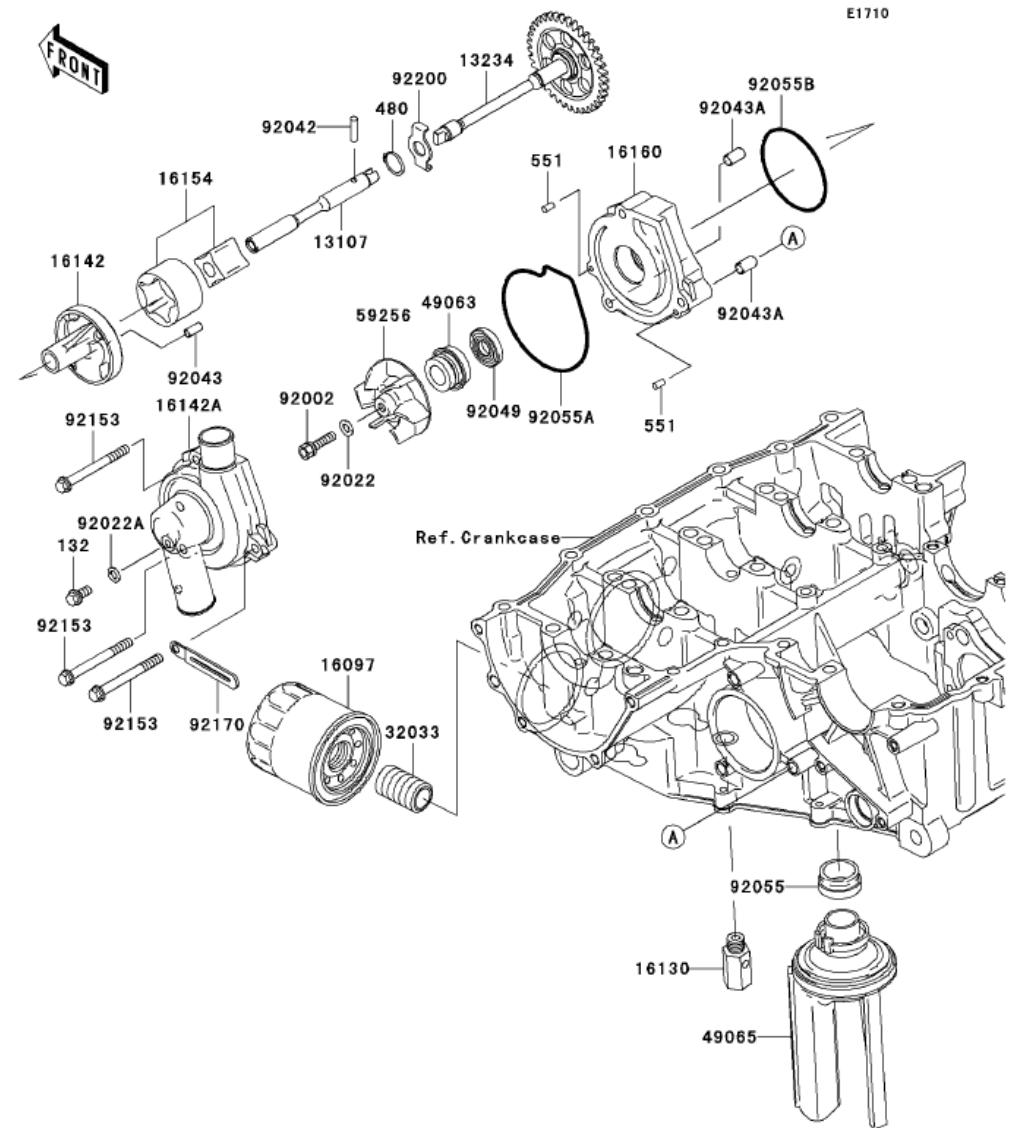
E1434





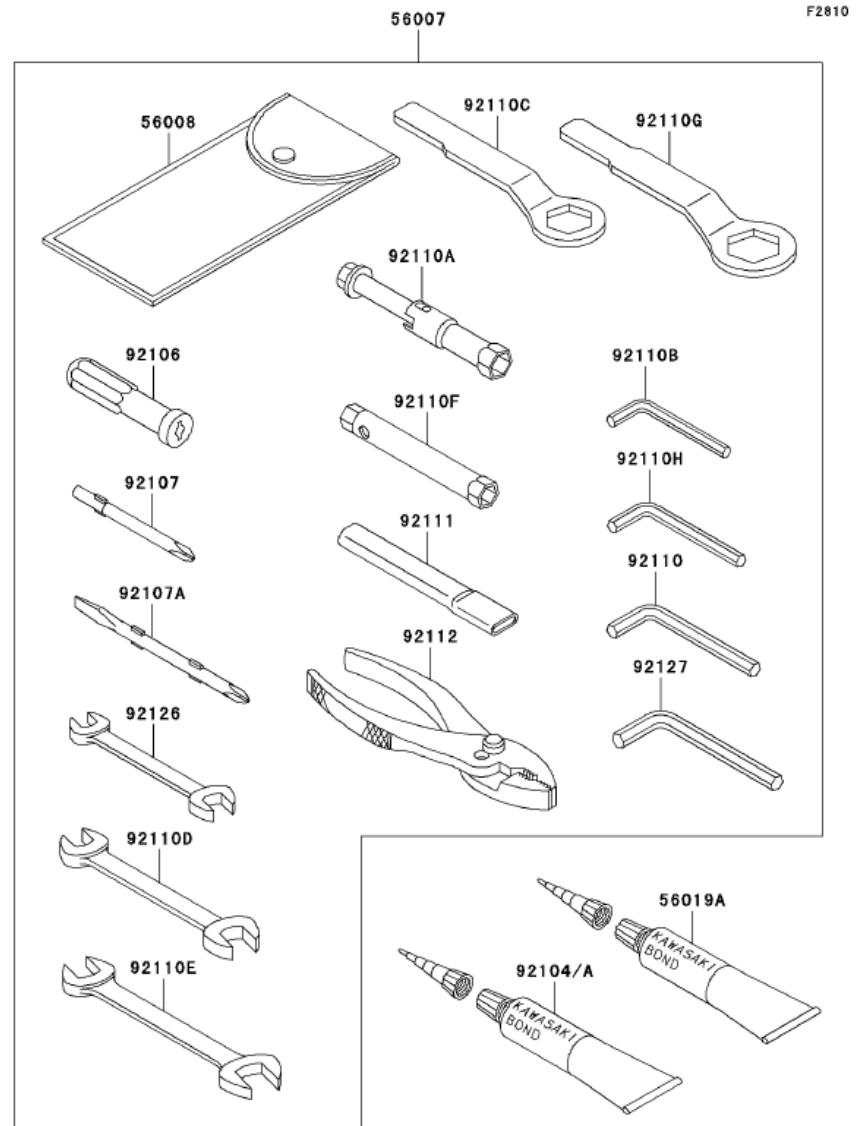
### OIL PUMP/OIL FILTER

Ref #	Part #	Description	Qty	Spec Code
132	132L0612	BOLT-FLANGED-SMALL,M6X12	1	
480	480J1100	CIRCLIP-TYPE-C,11MM	1	
551	551A0408	PIN-DOWEL,4X8	2	
13107	13107-0072	SHAFT,LH	1	
13234	13234-0012	SHAFT-COMP,RH	1	
16097	16097-0002	FILTER-ASSY-OIL	1	
16130	16130-1058	VALVE-ASSY-RELIEF	1	
16142	16142-0017	COVER-PUMP,OIL	1	
16142A	16142-0018	COVER-PUMP,WATER	1	
16154	16154-1124	ROTOR-PUMP	1	
16160	16160-0068	BODY,OIL PUMP	1	
32033	32033-1535	PIPE,OIL FILTER	1	
49063	49063-1055	SEAL-MECHANICAL,WATER	1	
49065	49065-0008	FILTER-OIL	1	
59256	59256-1074	IMPELLER	1	
92002	92002-1154	BOLT,6X22	1	
92022	92022-077	WASHER,6.1X12X1	1	
92022A	92022-304	WASHER,6.2X11X1	1	
92042	92042-014	PIN,DOWEL,4X15.8	1	
92043	92043-1262	PIN,4.2X6X12	1	
92043A	92043-1263	PIN,6.2X8X14	2	
92049	92049-1336	SEAL-OIL,SC 11 28.55 5	1	
92055	92055-1503	RING-O,OIL FILTER	1	
92055A	92055-1532	RING-O,WATER PUMP COVER	1	
92055B	92055-3018	RING-O,59.6X2.4	1	
92153	92153-0780	BOLT,6X60	3	
92170	92170-1514	CLAMP	1	
92200	92200-0041	WASHER,11.3X21X1.6	1	



**OWNER'S TOOLS**

Ref #	Part #	Description	Qty	Spec Code
56007	56007-0017	TOOL-KIT	1	
56008	56008-1075	BAG, TOOL	1	
56019A	56019-120	THREE BOND TB1211, HT/RS, WHITE	1	
92104	92104-0004	GASKET-LIQUID, TB1211F	1	
92104A	92104-1064	GASKET-LIQUID, BLACK TB1216B	1	
92106	92106-1001	GRIP-SCREW DRIVER	1	
92107	92107-005	TOOL-DRIVER, #3PHILLIPS	1	
92107A	92107-1051	TOOL-DRIVER, #2PHILLIPS&SLOT	1	
92110	92110-1015	TOOL-WRENCH, ALLEN, 5MM	1	
92110A	92110-1132	TOOL-WRENCH, BOX, 16MM	1	
92110B	92110-1140	TOOL-WRENCH, ALLEN, 3MM	1	
92110C	92110-1148	TOOL-WRENCH, BOX END, 22MM	1	
92110D	92110-1152	TOOL-WRENCH, OPEN END, 10X12	1	
92110E	92110-1153	TOOL-WRENCH, OPEN END, 14X17	1	
92110F	92110-1160	TOOL-WRENCH, BOX, 8&10MM	1	
92110G	92110-1161	TOOL-WRENCH, BOX END, 32MM	1	
92110H	92110-3703	TOOL-WRENCH, ALLEN, 4MM	1	
92111	92111-1051	TOOL-BAR, BOX END WRENCH	1	
92112	92112-1001	TOOL-PLIERS	1	
92126	92126-004	TOOL-WRENCH, OPEN END, 8X10	1	
92127	92127-003	TOOL-WRENCH, ALLEN, 6MM	1	



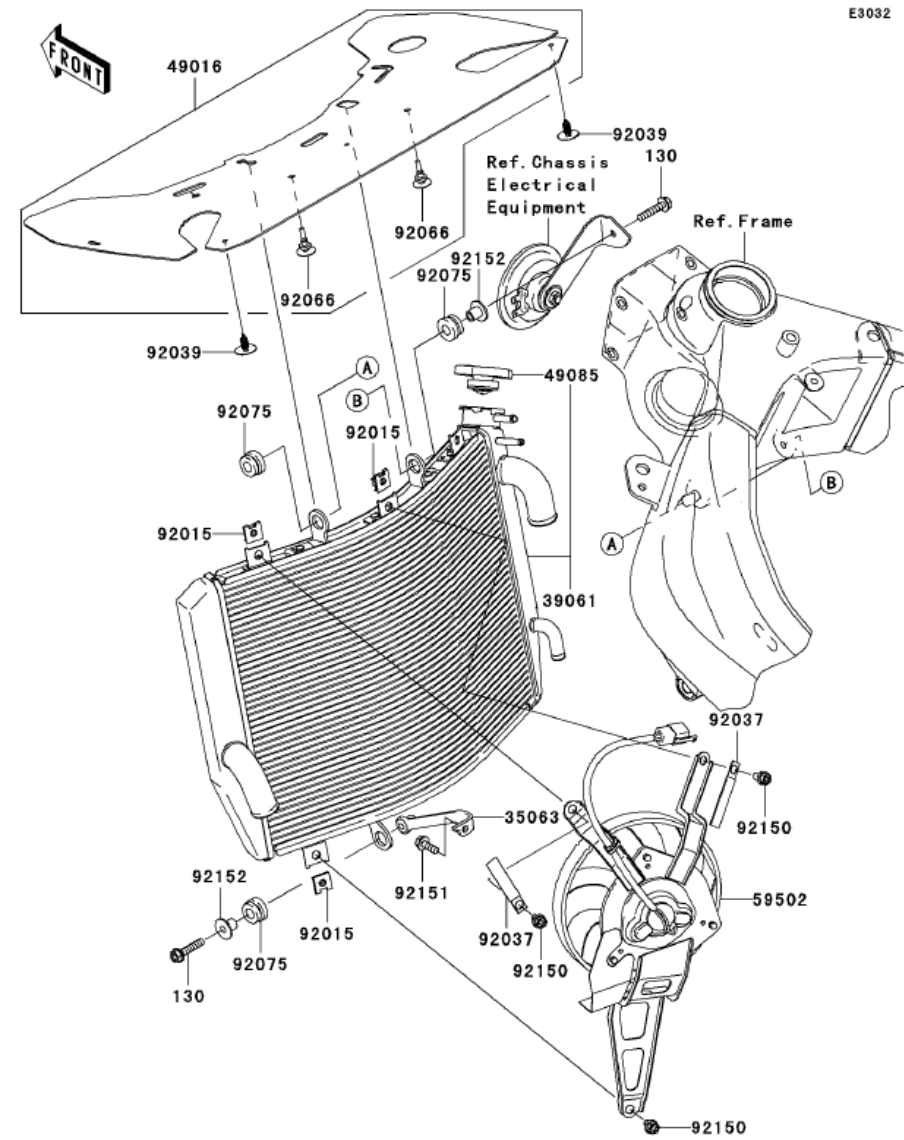
**PUBLICATIONS**

Ref #	Part #	Description	Qty	Spec Code
	99987-1277	Owner's Manual	1	
	99931-1447-01	A & P Manual	1	
	99924-1345-01	Service Manual	1	
	99961-0620	Microfiche	1	

**Publications available  
from Kawasaki**

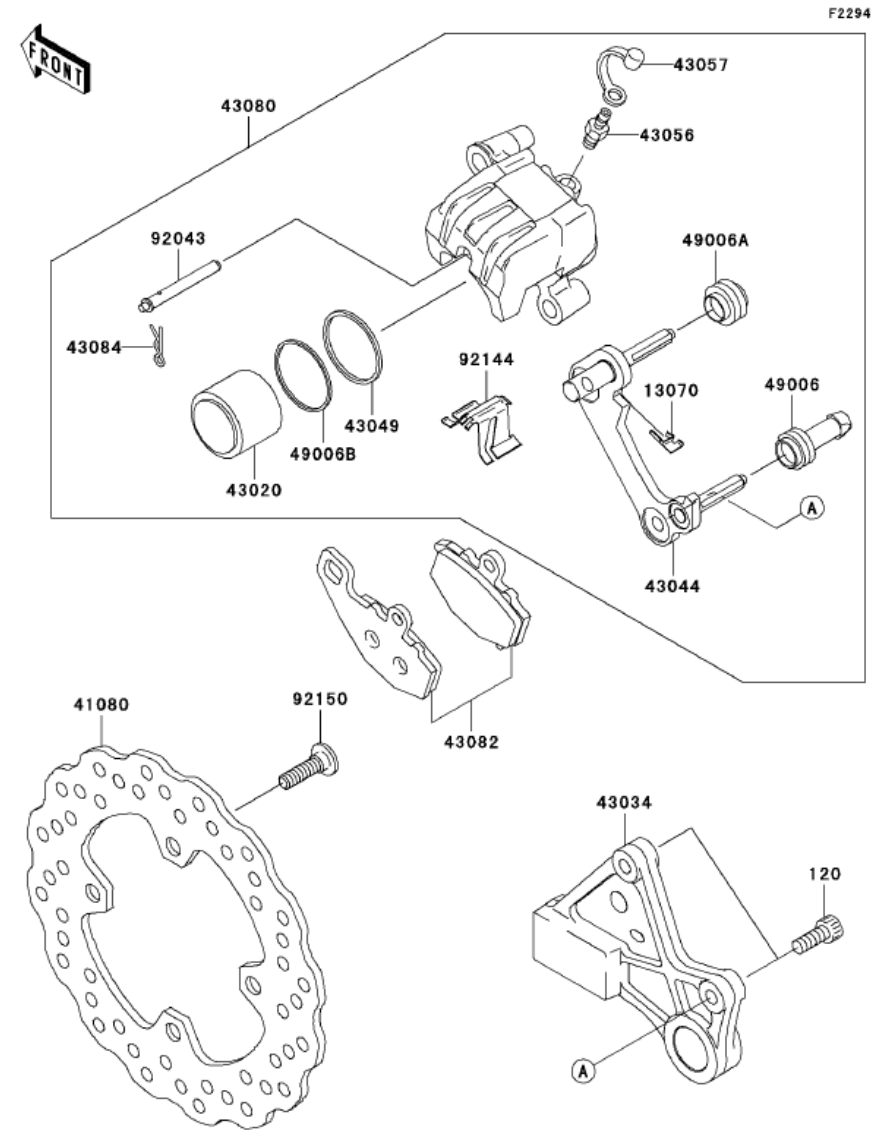
# RADIATOR

Ref #	Part #	Description	Qty	Spec Code
130	130W0630	BOLT-FLANGED,M6X30	2	
35063	35063-0147	STAY	1	
39061	39061-0042	RADIATOR-ASSY	1	
49016	49016-0012	COVER-SEAL,HOT WIND	1	
49085	49085-1066	CAP-ASSY-PRESSURE	1	
59502	59502-0015	FAN-ASSY	1	
92015	92015-1487	NUT	3	
92037	92037-1069	CLAMP,L=60	2	
92039	92039-0027	RIVET	2	
92066	92066-1576	PLUG	2	
92075	92075-1123	DAMPER,RUBBER	3	
92150	92150-1186	BOLT,6X12	3	
92151	92151-1774	BOLT,FLANGED,M6X16	1	
92152	92152-1074	COLLAR	2	



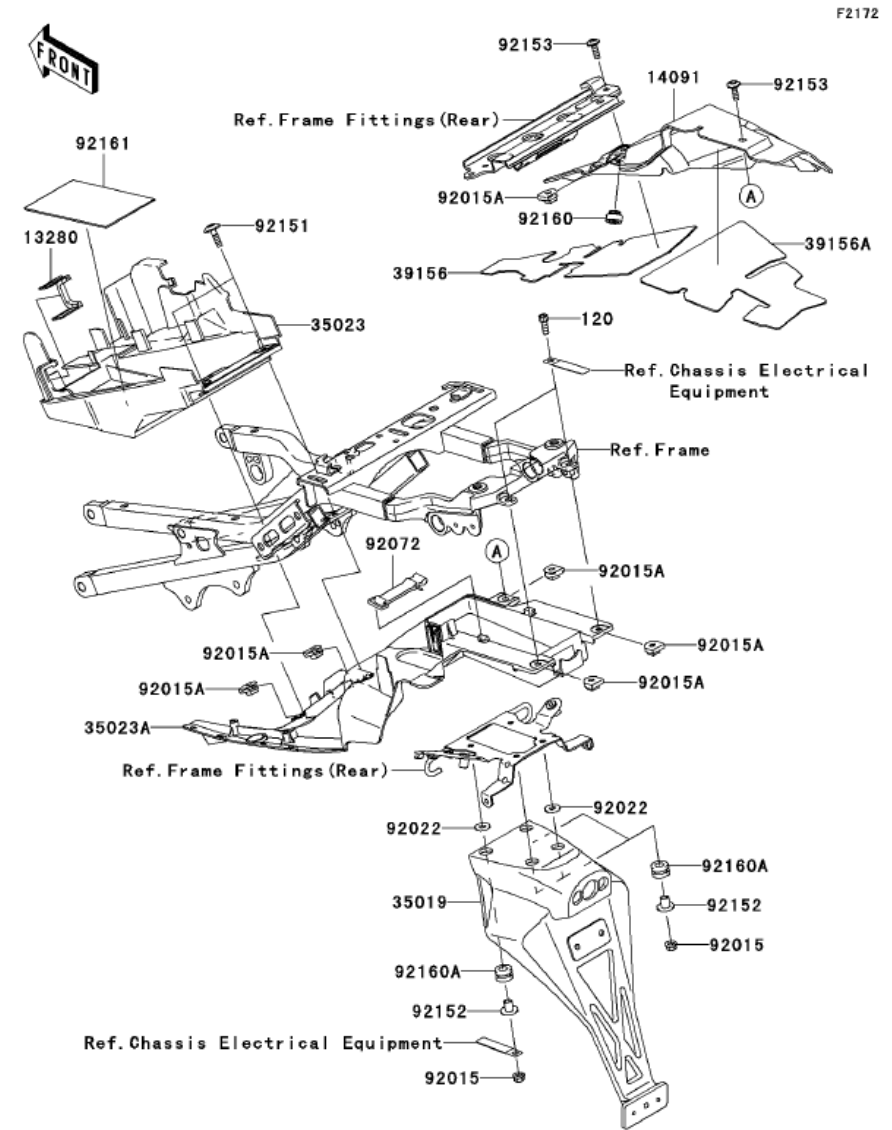
## REAR BRAKE

Ref #	Part #	Description	Qty	Spec Code
120	120W0820	BOLT-SOCKET,M8X20	2	
13070	13070-0045	GUIDE,BRAKE PAD	1	
41080	41080-0040	DISC,RR	1	
43020	43020-1119	PISTON-COMP-BRAKE	1	
43034	43034-0008	HOLDER-BRAKE,REAR BRAKE	1	
43044	43044-1110	HOLDER-COMP-CALIPER,RR	1	
43049	43049-1097	PACKING,PISTON SEAL	1	
43056	43056-1054	BREATHER-BRAKE	1	
43057	43057-003	CAP-BREATHER	1	
43080	43080-5061-483	CALIPER-SUB-ASSY,RR,R.GOLD	1	
43082	43082-0004	PAD-ASSY-BRAKE	1	
43084	43084-003	CLAMP,PAD	1	
49006	49006-1054	BOOT,CALIPER	1	
49006A	49006-1095	BOOT,CALIPER	1	
49006B	49006-1212	BOOT,PISTON SEAL	1	
92043	92043-1489	PIN,PAD	1	
92144	92144-1719	SPRING,PAD	1	
92150	92150-1771	BOLT,SOCKET,8X30	4	



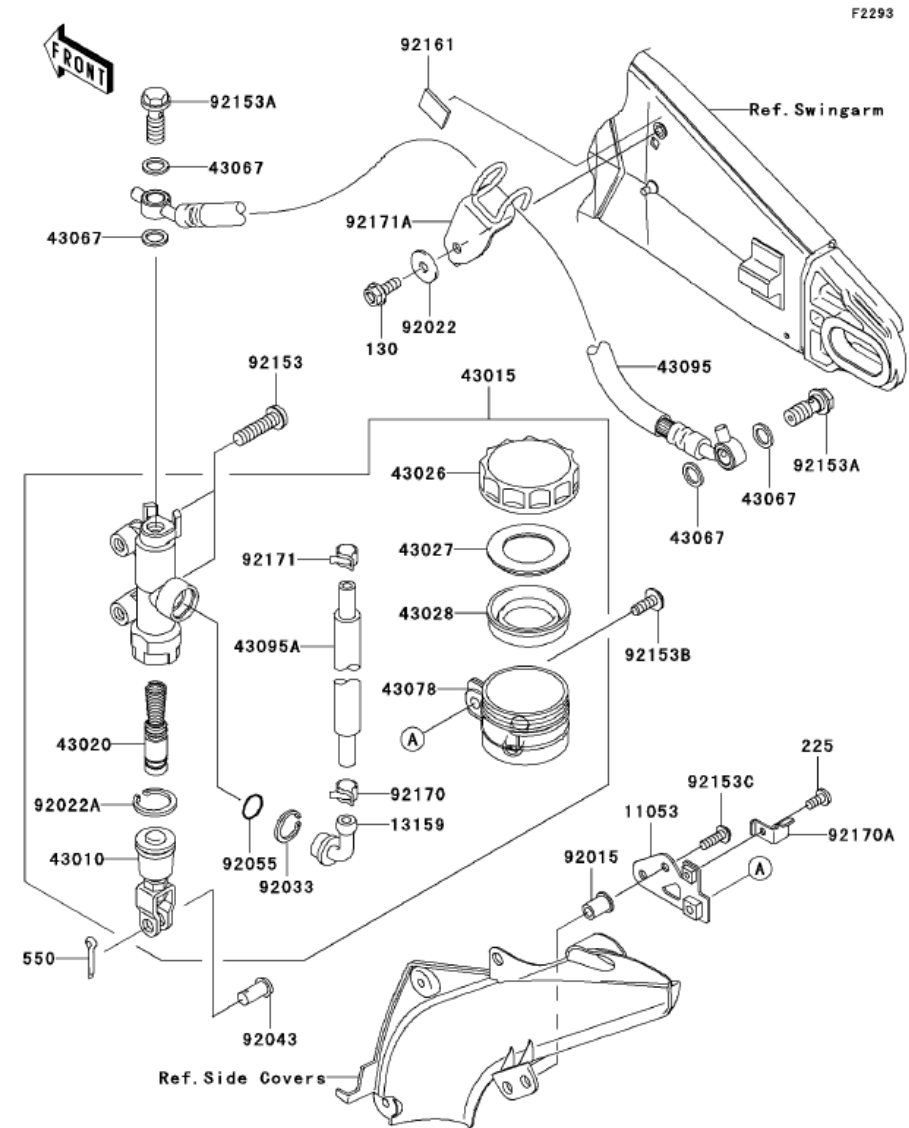
**REAR FENDER(S)**

Ref #	Part #	Description	Qty	Spec Code
120	120S0618	BOLT-SOCKET,M6X18	2	
13280	13280-0122	HOLDER,MAGNETIC SWITCH	1	
14091	14091-0336	COVER,HEAT GUARD	1	
35019	35019-0020	FLAP	1	
35023	35023-0038	FENDER-REAR,FR	1	
35023A	35023-0043	FENDER-REAR,RR	1	
39156	39156-0089	PAD,JOINT PIPE COVER,FR	1	
39156A	39156-0090	PAD,JOINT PIPE COVER,RR	1	
92015	92015-1603	NUT,LOCK,FLANGED,6MM	4	
92015A	92015-1904	NUT,CLIP,6MM	6	
92022	92022-1545	WASHER,7X18X1.2	AR	
92072	92072-1085	BAND	1	
92151	92151-1265	BOLT,6X22	2	
92152	92152-1074	COLLAR	4	
92153	92153-0816	BOLT,6X18	2	
92160	92160-1041	DAMPER	1	
92160A	92160-1167	DAMPER	4	
92161	92161-0243	DAMPER,BATTERY	1	



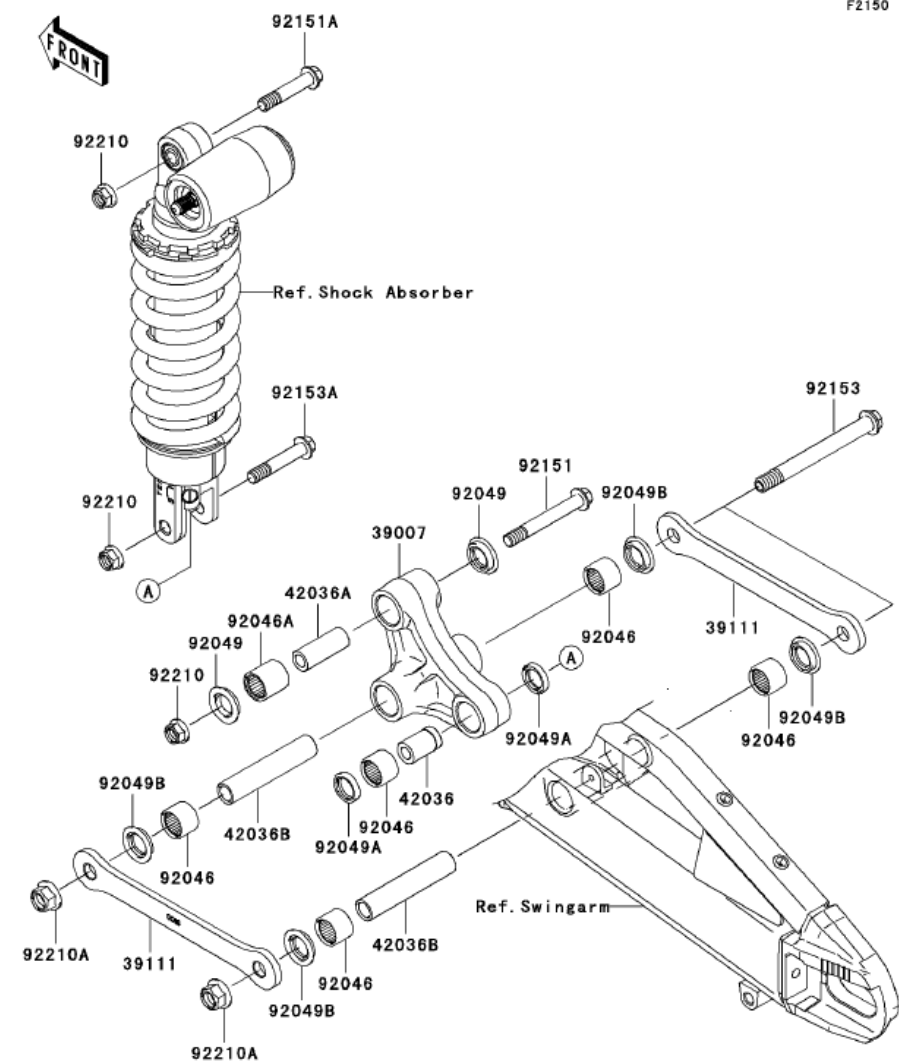
## REAR MASTER CYLINDER

Ref #	Part #	Description	Qty	Spec Code
130	130L0616	BOLT-FLANGED,M6X16	1	
225	225F0412	SCREW-PAN-WSP-CROS	1	
550	550D2015	PIN-COTTER,2.0X15	1	
11053	11053-1398	BRACKET,RESERVOIR TANK,RR	1	
13159	13159-1056	CONNECTOR	1	
43010	43010-1062	ROD-ASSY-BRAKE	1	
43015	43015-0033	CYLINDER-ASSY-MASTER,RR	1	
43020	43020-1094	PISTON-COMP-BRAKE	1	
43026	43026-1051	CAP-BRAKE	1	
43027	43027-1051	PLATE-DIAPHRAGM	1	
43028	43028-1057	DIAPHRAGM,MASTER CYLINDER	1	
43067	43067-001	WASHER,10.5X15X1.5	4	
43078	43078-1165	RESERVOIR,RR MASTER CYLINDER	1	
43095	43095-0070	HOSE-BRAKE,RR	1	
43095A	43095-0170	HOSE-BRAKE,RR MASTER CYLINDER	1	
92015	92015-1757	NUT,WELL,5MM	2	
92022	92022-1346	WASHER,6.5X20X1.6,BLACK	1	
92022A	92022-1601	WASHER,CIRCRIP	1	
92033	92033-1186	RING-SNAP,20.5MM	1	
92043	92043-1303	PIN,8MM	1	
92055	92055-1251	RING-O,MASTER CYLINDER	1	
92153	92153-0393	BOLT,SOCKET,8X30	2	
92153A	92153-0627	BOLT,OIL,L=23	2	
92153B	92153-0817	BOLT,8X16	1	
92153C	92153-1244	BOLT,SOCKET,5X16	2	
92161	92161-0273	DAMPER	1	
92170	92170-1091	CLAMP,HOSE	1	
92170A	92170-1879	CLAMP,RESERVE TANK CAP	1	
92171	92171-0463	CLAMP,HOSE	1	
92171A	92171-0480	CLAMP,BRAKE HOSE	1	



## REAR SUSPENSION

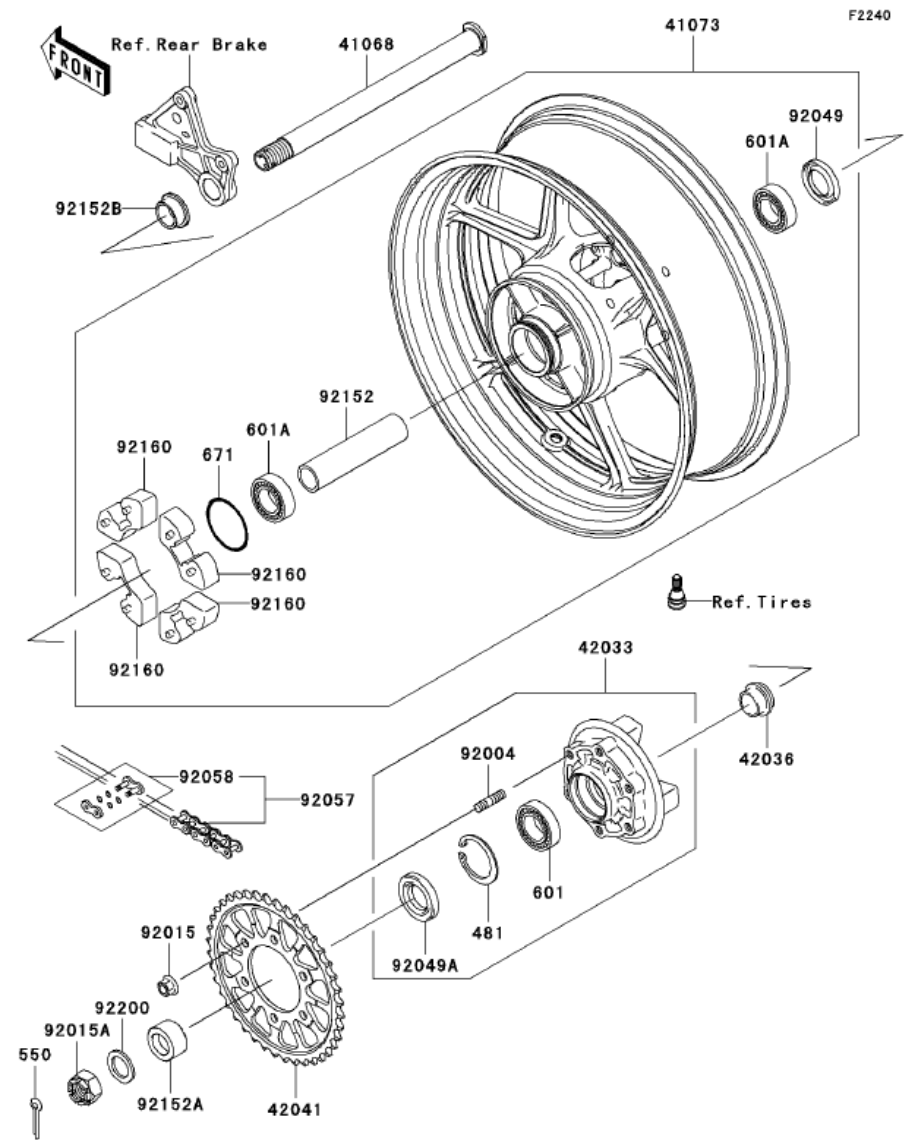
Ref #	Part #	Description	Qty	Spec Code
39007	39007-0045	ARM-SUSP,UNI TRAK	1	
39111	39111-0018	ROD-TIE,SUSPENSION	2	
42036	42036-1258	SLEEVE,10.1X18X30	1	
42036A	42036-1342	SLEEVE,10.1X17X44.5	1	
42036B	42036-1360	SLEEVE,12.1X18X90	2	
92046	92046-1272	BEARING-NEEDLE,SFYZM182417	5	
92046A	92046-1273	BEARING-NEEDLE,SFYZM172425	1	
92049	92049-1223	SEAL-OIL,MHA17245.7F	2	
92049A	92049-1225	SEAL-OIL,MHA18244	2	
92049B	92049-1493	SEAL-OIL,KCR MF018N1	4	
92151	92151-1600	BOLT,FLANGED,10X77	1	
92151A	92151-1798	BOLT,FLANGED,10X51	1	
92153	92153-0508	BOLT,FLANGED,12X117	2	
92153A	92153-0663	BOLT,FLANGED,10X55	1	
92210	92210-1139	NUT,LOCK,FLANGED,10MM	3	
92210A	92210-1150	NUT,LOCK,FLANGED,12MM	2	





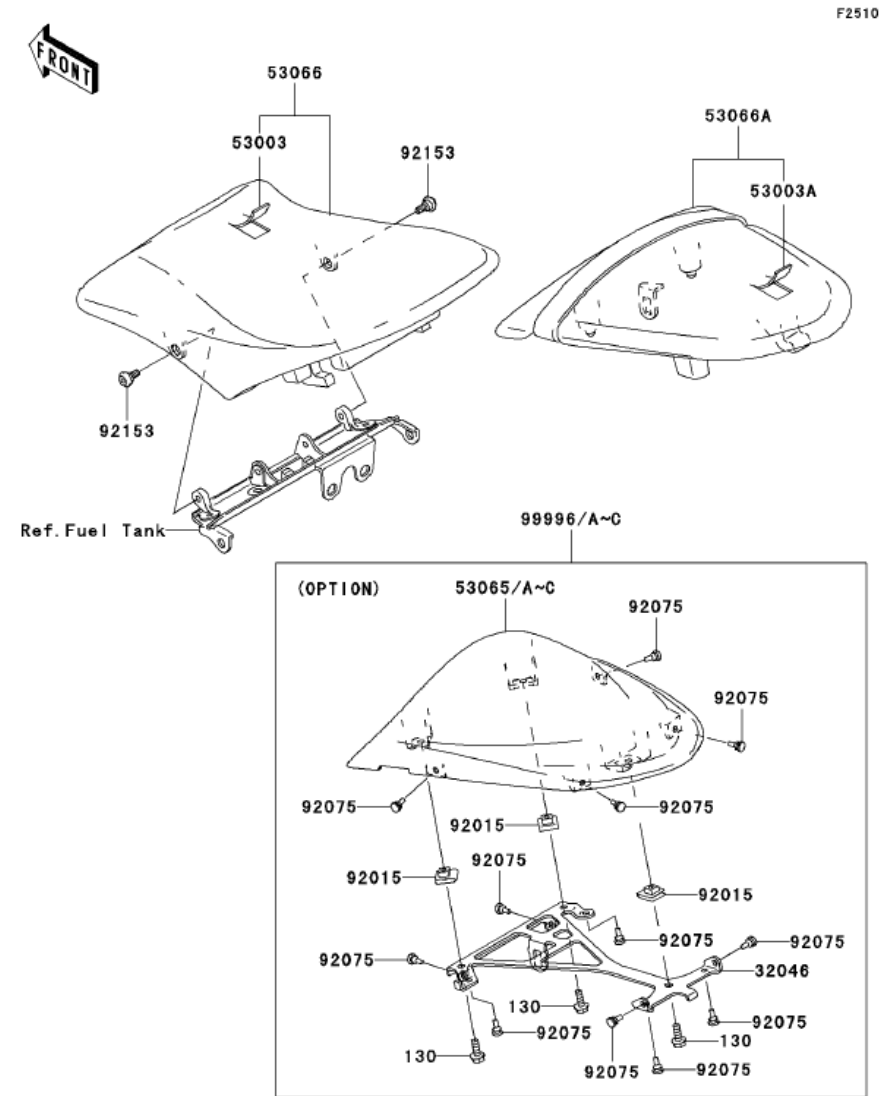
## REAR WHEEL/CHAIN

Ref #	Part #	Description	Qty	Spec Code
481	481J5500	CIRCLIP	1	
550	550D4040	PIN-COTTER,4.0X40	1	
601	601B6006G	BEARING-BALL,#6006G	1	
601A	601B6205UU	BEARING-BALL	2	
671	671B2560	O RING,60MM	1	
41068	41068-0035	AXLE,RR	1	
41073	41073-0040-2A	WHEEL-ASSY,RR,GRAYSTONE	1	
42033	42033-1213	COUPLING-ASSY,RR HUB	1	
42036	42036-1279	SLEEVE,RR HUB,L=22	1	
42041	42041-0017	SPROCKET-HUB,43T	1	
92004	92004-1275	STUD,10X19	6	
92015	92015-1335	NUT,FLANGED,10MM	6	
92015A	92015-1844	NUT,CASTLE,24MM	1	
92049	92049-1375	SEAL-OIL,RR HUB	1	
92049A	92049-1376	SEAL-OIL,PJN 40 55 8	1	
92057	92057-0089	CHAIN,DRIVE,EK520MVXL1X110L	1	
92058	92058-0007	JOINT-CHAIN,DRIVE	1	
92152	92152-0214	COLLAR,RR HUB,L=137	1	
92152A	92152-0244	COLLAR,RR AXLE,LH,L=21.5	1	
92152B	92152-0245	COLLAR,RR AXLE,RH,L=18	1	
92160	92160-1485	DAMPER,SHOCK,RR HUB	4	
92200	92200-1479	WASHER,25.5X38X3.2	1	



**SEAT**

Ref #	Part #	Description	Qty	Spec Code
130	130L0616	BOLT-FLANGED,M6X16	3	(OPTION)
32046	32046-0064	BRACKET-SEAT,SEAT COVER	1	(OPTION)
53003	53003-0039-MA	LEATHER,FRONT SEAT,BLACK	1	
53003A	53003-0040-MA	LEATHER,REAR SEAT,BLACK	1	
53065	53065-0005-723	COVER SEAT,C.P.BLUE	1	(OPTION)
53065A	53065-0005-724	COVER SEAT,P.M.RED	1	(OPTION)
53065B	53065-0005-725	COVER SEAT,M.F.R.TITANIUM	1	(OPTION)
53065C	53065-0005-777	COVER SEAT,L.GREEN	1	(OPTION)
53066	53066-0084-MA	SEAT-ASSY,FR,BLACK	1	
53066A	53066-0099-MA	SEAT-ASSY,RR,W/BAND,BLACK	1	
92015	92015-1531	NUT,CLAMP,6MM	3	(OPTION)
92075	92075-1808	DAMPER	12	(OPTION)
92153	92153-0489	BOLT,SOCKET,6MM	2	
99996	99996-1348-723	KIT,SINGLE SEAT COVER,C.P.BLUE	1	(OPTION)
99996A	99996-1348-724	KIT,SINGLE SEAT COVER,P.M.RED	1	(OPTION)
99996B	99996-1348-725	KIT,SINGLE SEAT COVER,TITANIUM	1	(OPTION)
99996C	99996-1348-777	KIT,SINGLE SEAT COVER,L.GREEN	1	(OPTION)

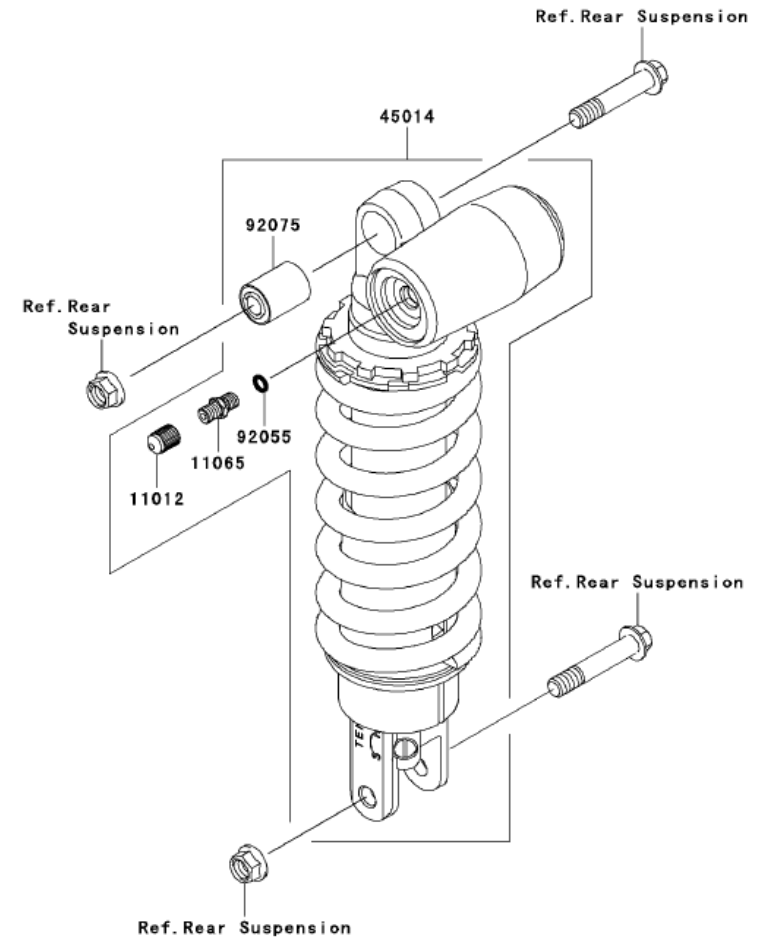


**SHOCK ABSORBER(S)**

Ref #	Part #	Description	Qty	Spec Code
11012	11012-1283	CAP	1	
11065	11065-0009	CAP,AIR VALVE	1	
45014	45014-0069	SHOCKABSORBER	1	
92055	92055-0002	RING-O	1	
92075	92075-1426	DAMPER,SHOCKABSORBER	1	

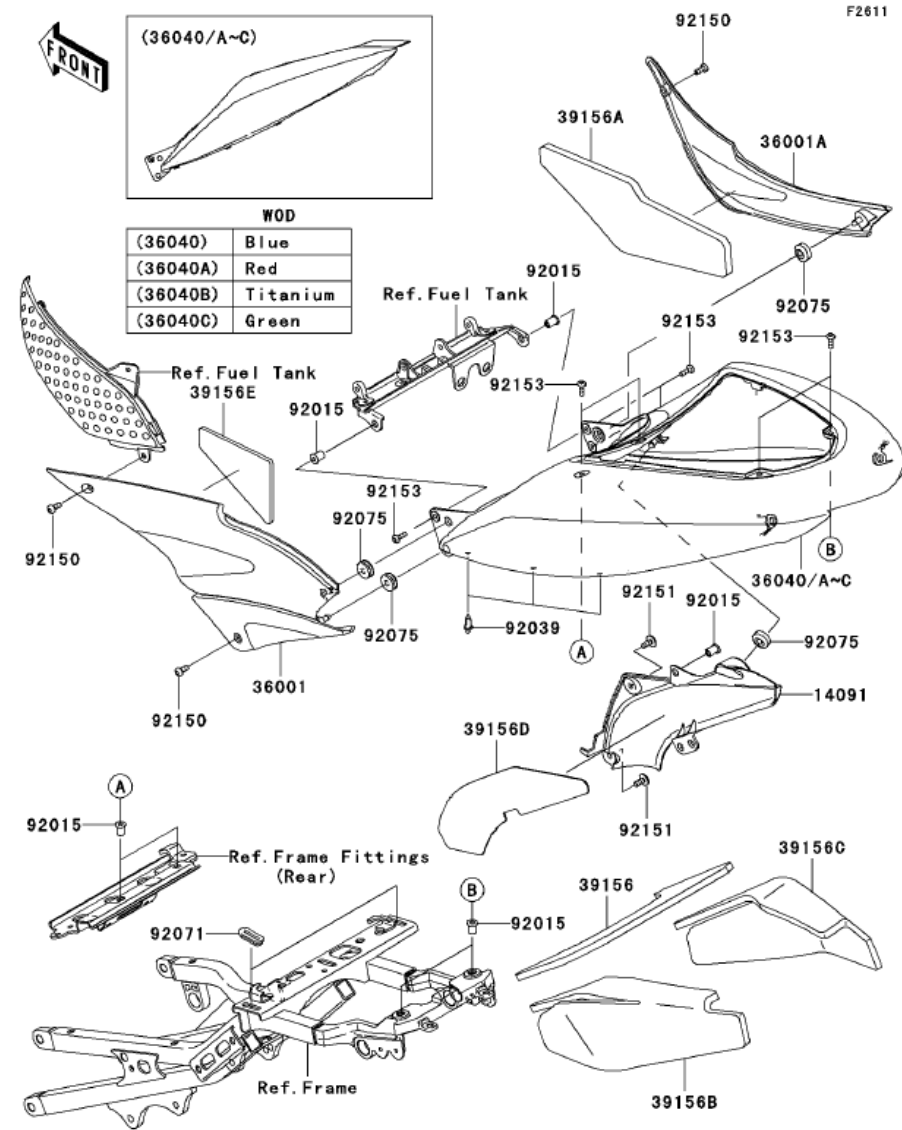


F2280



## SIDE COVERS

Ref #	Part #	Description	Qty	Spec Code
14091	14091-0293	COVER,JOINT PIPE	1	
36001	36001-0042	COVER-SIDE,LH	1	
36001A	36001-0043	COVER-SIDE,RH	1	
36040	36040-0016-723	COVER-TAIL,C.P.BLUE	1	
36040A	36040-0016-724	COVER-TAIL,P.M.RED	1	
36040B	36040-0016-725	COVER-TAIL,M.F.R.TITANIUM	1	
36040C	36040-0016-777	COVER-TAIL,L.GREEN	1	
39156	39156-0074	PAD,TAIL COVER,RR	1	
39156A	39156-0085	PAD,SIDE COVER,RH	1	
39156B	39156-0086	PAD,TAIL COVER,LH	1	
39156C	39156-0087	PAD,TAIL COVER,RH	1	
39156D	39156-0088	PAD,JOINT PIPE COVER	1	
39156E	39156-0091	PAD,SIDE COVER,LH	1	
92015	92015-1757	NUT,WELL,5MM	7	
92039	92039-0015	RIVET	3	
92071	92071-1187	GROMMET	2	
92075	92075-1067	DAMPER	4	
92150	92150-1836	BOLT,SOCKET,6X14	3	
92151	92151-1654	BOLT,SOCKET,6X14	2	
92153	92153-1244	BOLT,SOCKET,5X16	7	

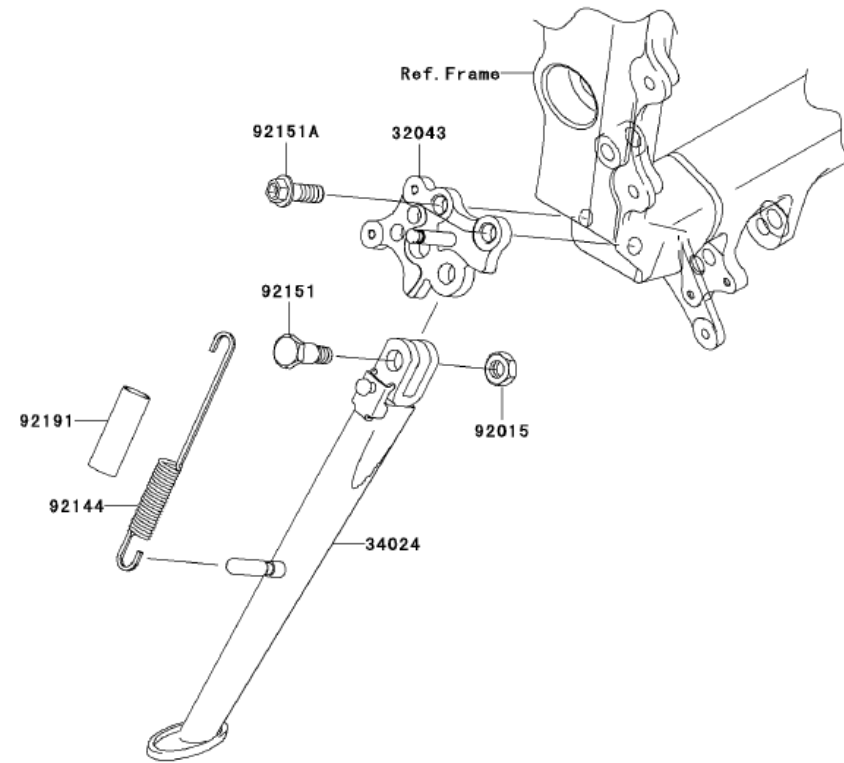


**STAND(S)**

Ref #	Part #	Description	Qty	Spec Code
32043	32043-1484	BRACKET-STAND	1	
34024	34024-0001	STAND-SIDE	1	
92015	92015-1188	NUT, LOCK, 10MM, BLACK	1	
92144	92144-1818	SPRING, SIDE STAND	1	
92151	92151-1797	BOLT, SIDE STAND	1	
92151A	92151-1802	BOLT, FLANGED, 10X25	2	
92191	92191-1001	TUBE, 13X16X60	1	

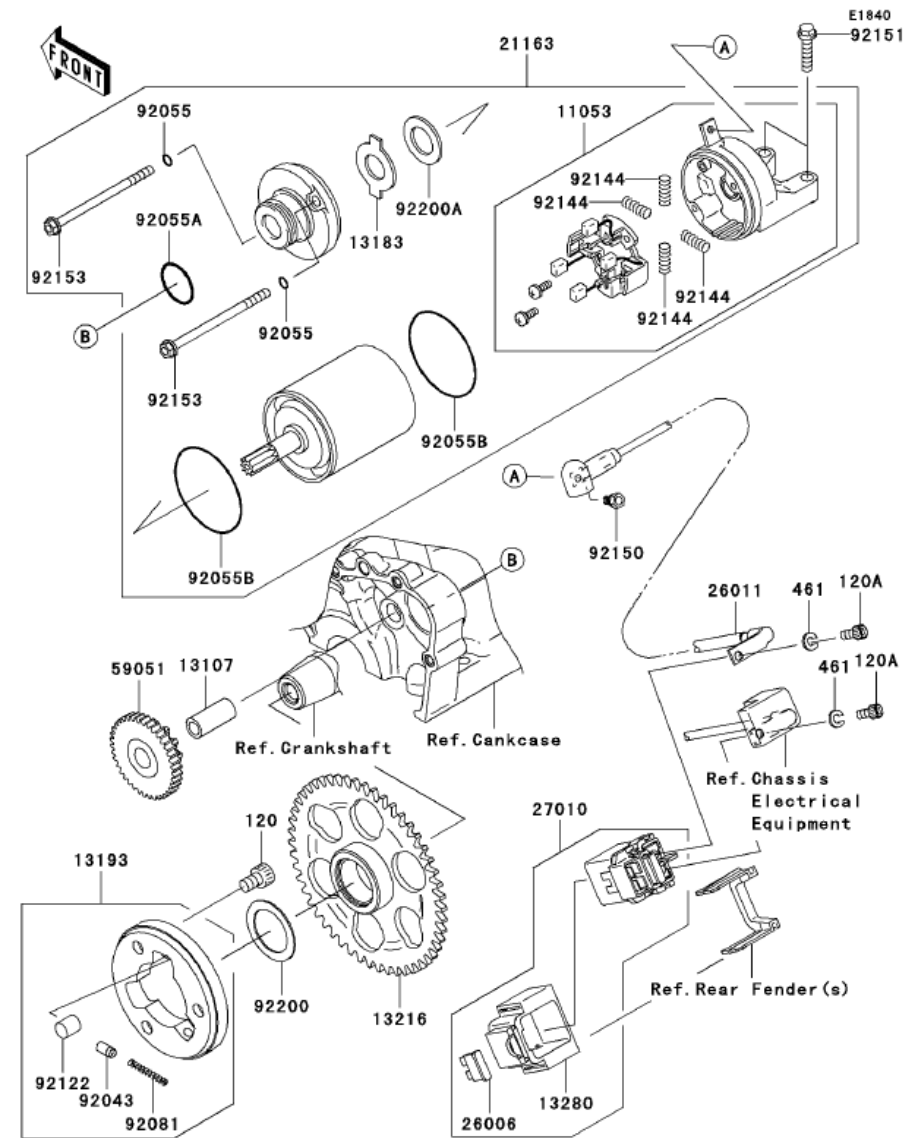


F2190



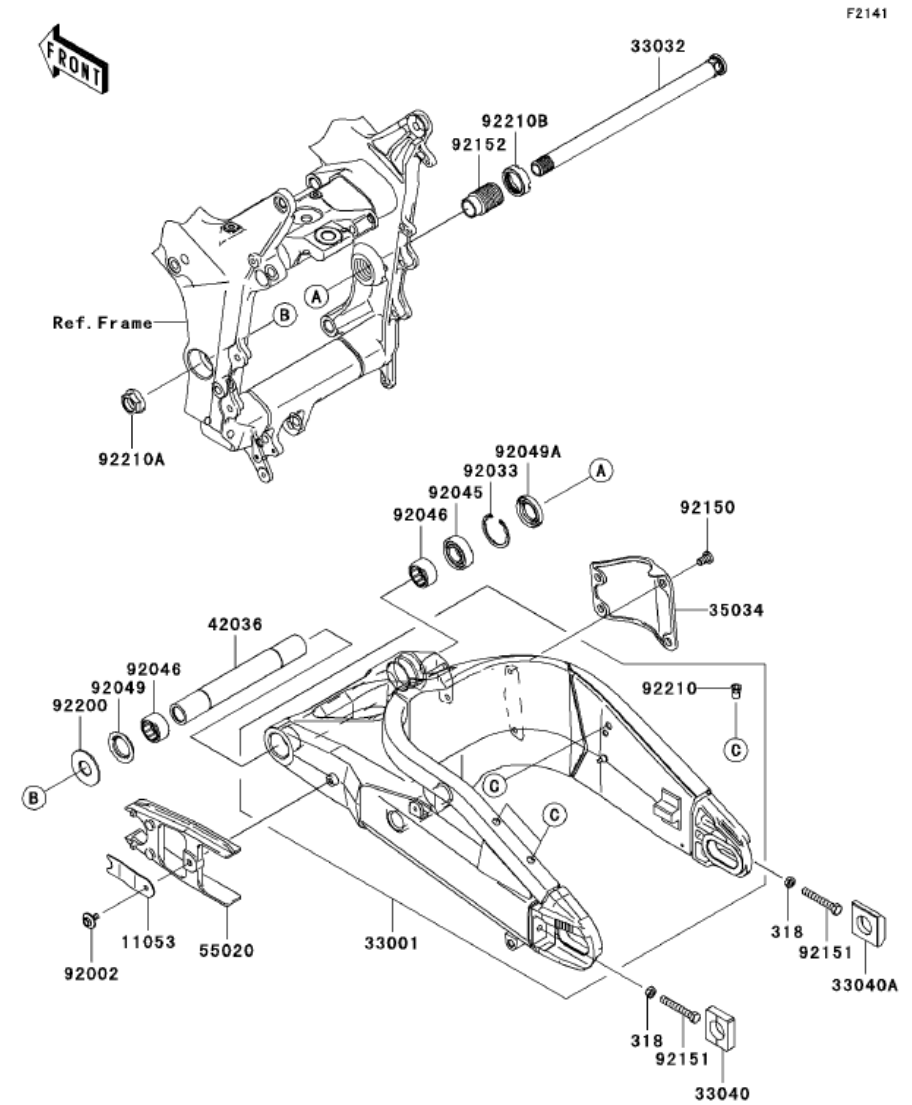
## STARTER MOTOR

Ref #	Part #	Description	Qty	Spec Code
120	120P0812	BOLT-SOCKET,8X12	3	
120A	120S0510	BOLT-SOCKET,M5X10	2	
461	461K0500	WASHER-SPRING,5MM,BLACK	2	
11053	11053-0224	BRACKET,STARTER	1	
13107	13107-1176	SHAFT,7.8X12X26.5	1	
13183	13183-1460	PLATE	1	
13193	13193-0001	CLUTCH-ASSY-ONEWAY	1	
13216	13216-0011	GEAR-COMP,ONEWAY CLUTCH	1	
13280	13280-0109	HOLDER,SWITCH	1	
21163	21163-0006	STARTER-ELECTRIC	1	
26006	26006-1006	FUSE,30A-G	1	
26011	26011-0065	WIRE-LEAD	1	
27010	27010-0030	SWITCH,MAGNETIC	1	
59051	59051-1413	GEAR-SPUR,IDLE	1	
92043	92043-132	PIN	3	
92055	92055-0013	RING-O,STARTER	2	
92055A	92055-1262	RING-O,24.4X3.1	1	
92055B	92055-1455	RING-O	2	
92081	92081-159	SPRING,COIL	3	
92122	92122-006	ROLLER	3	
92144	92144-1423	SPRING,BRUSH	4	
92150	92150-1305	BOLT	1	
92151	92151-1930	BOLT,FLANGED-SMALL,M6X25	2	
92153	92153-0405	BOLT	2	
92200	92200-0168	WASHER,28.5X40.0X1.0	1	
92200A	92200-1019	WASHER	1	



## SWINGARM

Ref #	Part #	Description	Qty	Spec Code
318	318G0800	NUT-HEX-SMALL,8MM	2	
11053	11053-1691	BRACKET,CHAIN GUARD	1	
33001	33001-0043-8F	ARM-COMP-SWING,F.S.BLACK	1	
33032	33032-0010	SHAFT-SWING ARM	1	
33040	33040-1114	ADJUSTER-CHAIN,LH	1	
33040A	33040-1180	ADJUSTER-CHAIN,RH	1	
35034	35034-0053-8F	REINFORCE,MUFFLER GUARD,BLACK	1	
42036	42036-1283	SLEEVE,SWING ARM,L=213	1	
55020	55020-0111	GUARD,CHAIN	1	
92002	92002-1187	BOLT,6X16	1	
92033	92033-1041	RING-SNAP,42MM	1	
92045	92045-0017	BEARING-BALL,6004UL11	1	
92046	92046-0008	BEARING-NEEDLE,7E-HVS 28X34X17	2	
92049	92049-1181	SEAL-OIL	1	
92049A	92049-1314	SEAL-OIL,MHSA25 42 6	1	
92150	92150-1852	BOLT,8X15	4	
92151	92151-1578	BOLT,8X55	2	
92152	92152-0154	COLLAR,SWING ARM,L=12.5	1	
92200	92200-1167	WASHER,20.3X48X2.3	1	
92210	92210-0099	NUT,6MM	3	
92210A	92210-0106	NUT,FLANGED,20MM	1	
92210B	92210-0134	NUT,30MM	1	

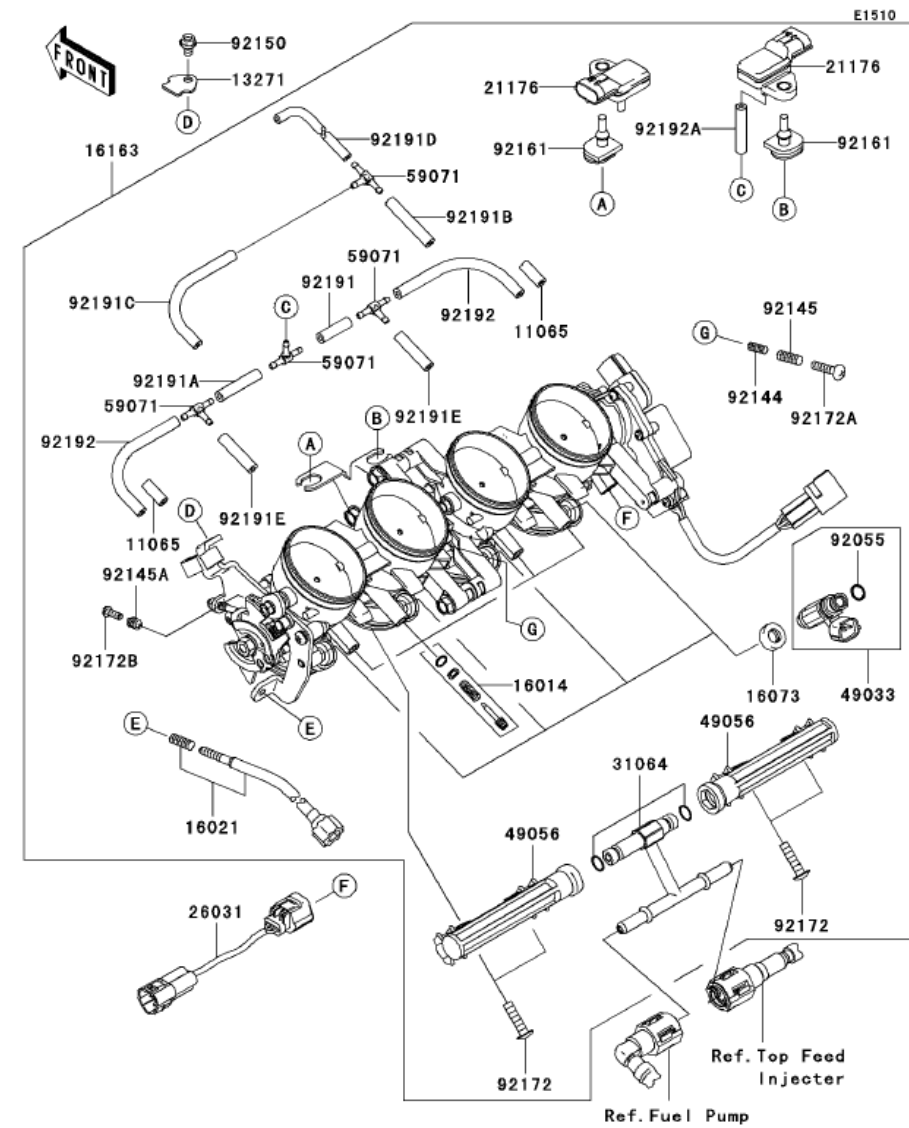






# THROTTLE

Ref #	Part #	Description	Qty	Spec Code
11065	11065-0018	CAP	2	
13271	13271-0559	PLATE	1	
16014	16014-0002	SCREW-PILOT AIR	4	
16021	16021-0010	SCREW-THROTTLE STOP	1	
16073	16073-3707	INSULATOR	4	
16163	16163-0056	THROTTLE-ASSY	1	
21176	21176-1118	SENSOR	2	
26031	26031-0288	HARNESS	1	
31064	31064-0023	PIPE-COMP,FUEL	1	
49033	49033-0006	NOZZLE-INJECTION	4	
49056	49056-0001	PIPE-INJECTION	2	
59071	59071-3752	JOINT,3WAY,T	4	
92055	92055-1622	RING-O,INJECTION NOZZLE	4	
92144	92144-1451	SPRING	1	
92145	92145-0055	SPRING,THROTTLE SYNCRO	1	
92145A	92145-0294	SPRING	1	
92150	92150-1406	BOLT,5X8	1	
92161	92161-0041	DAMPER	2	
92172	92172-0064	SCREW,PIPE INJECTION	4	
92172A	92172-0065	SCREW,THROTTLE SYNCRO	1	
92172B	92172-0129	SCREW	1	
92191	92191-0020	TUBE,3X7X25	1	
92191A	92191-0021	TUBE,3X7X35	1	
92191B	92191-0022	TUBE,3X7X40	1	
92191C	92191-0023	TUBE,3X7X100	1	
92191D	92191-0024	TUBE,3X7X153	1	
92191E	92191-0025	TUBE,3X7X30	2	
92192	92192-0018	TUBE,3X7X95	2	
92192A	92192-0192	TUBE,(3X7,3.5X7.5)X35	1	

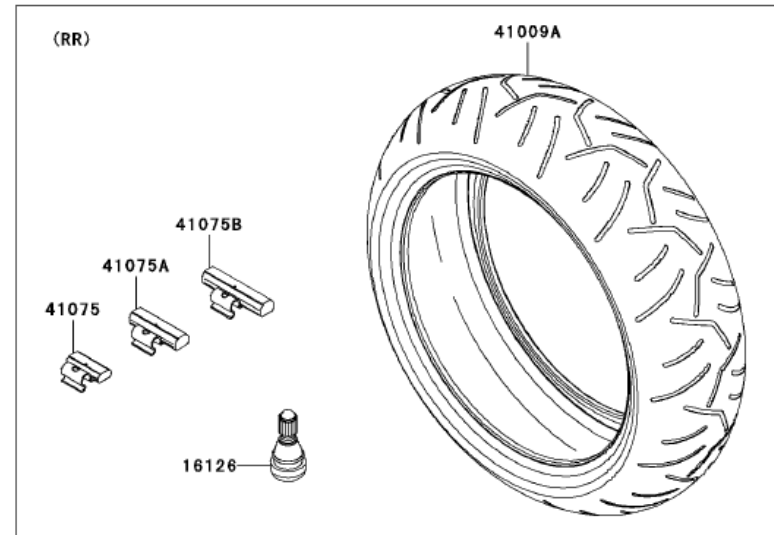
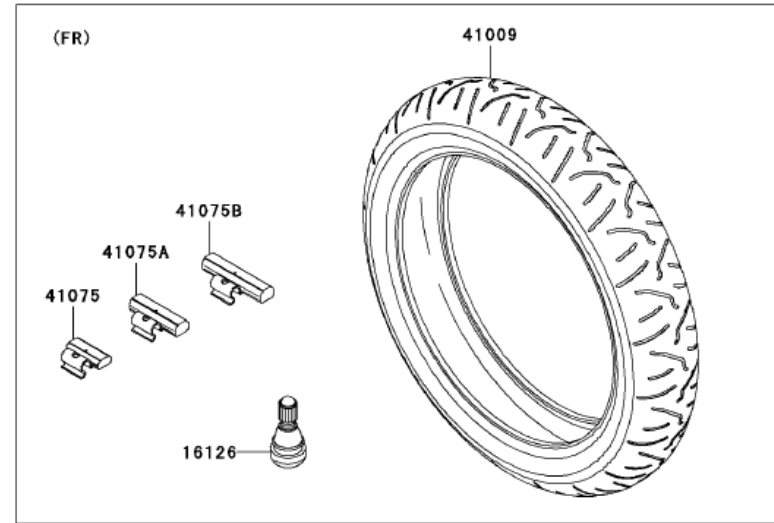


**TIRES**

Ref #	Part #	Description	Qty	Spec Code
16126	16126-1140	VALVE,TIRE	2	
41009	41009-0054	TIRE,FR,120/65ZR17(56W),BT014F	1	
41009A	41009-0055	TIRE,RR,180/55ZR17(73W),BT014R	1	
41075	41075-0007	BALANCER-WHEEL,10G,SILVER	AR	
41075A	41075-0008	BALANCER-WHEEL,20G,SILVER	AR	
41075B	41075-0009	BALANCER-WHEEL,30G,SILVER	AR	

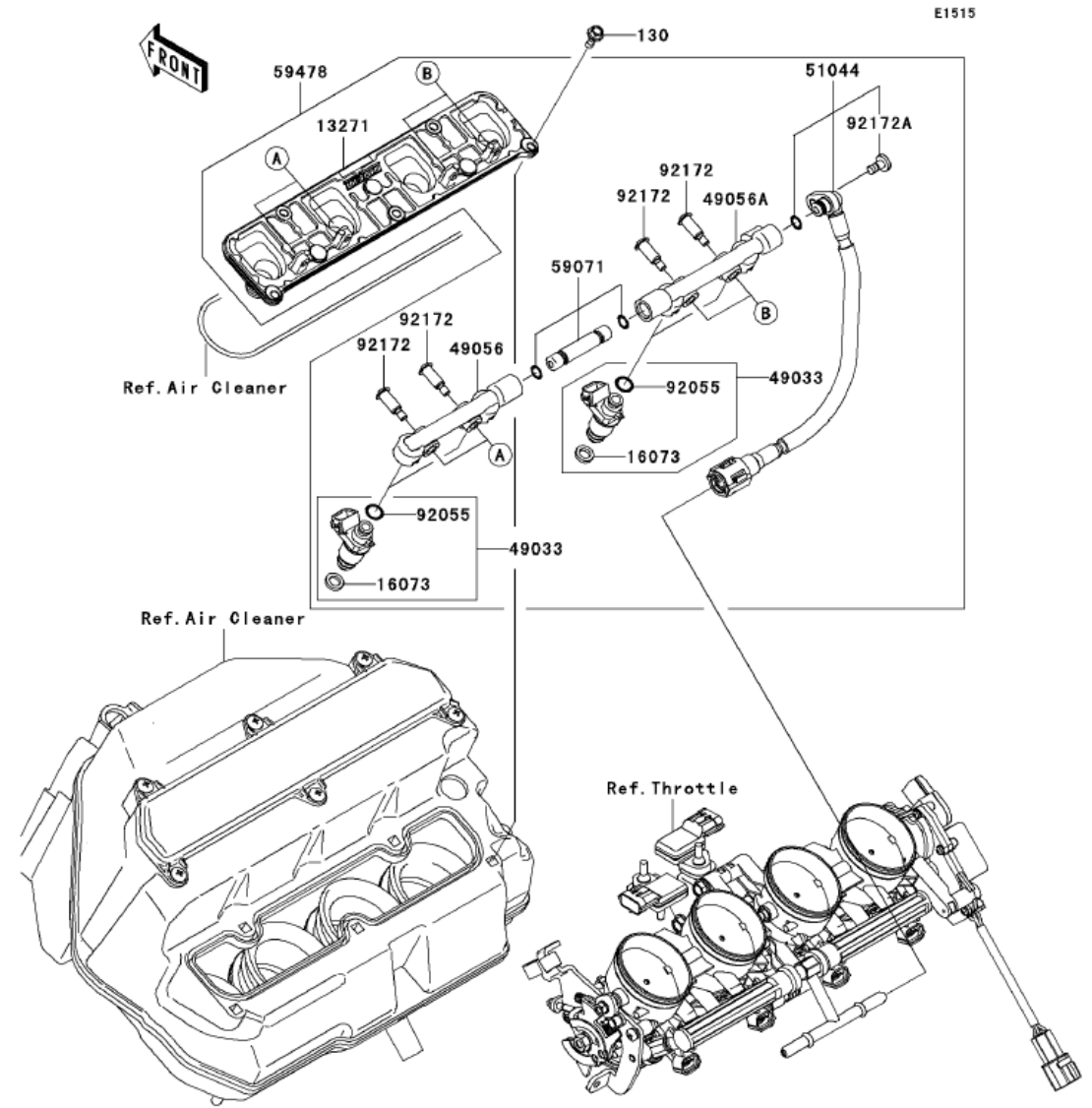


F2210



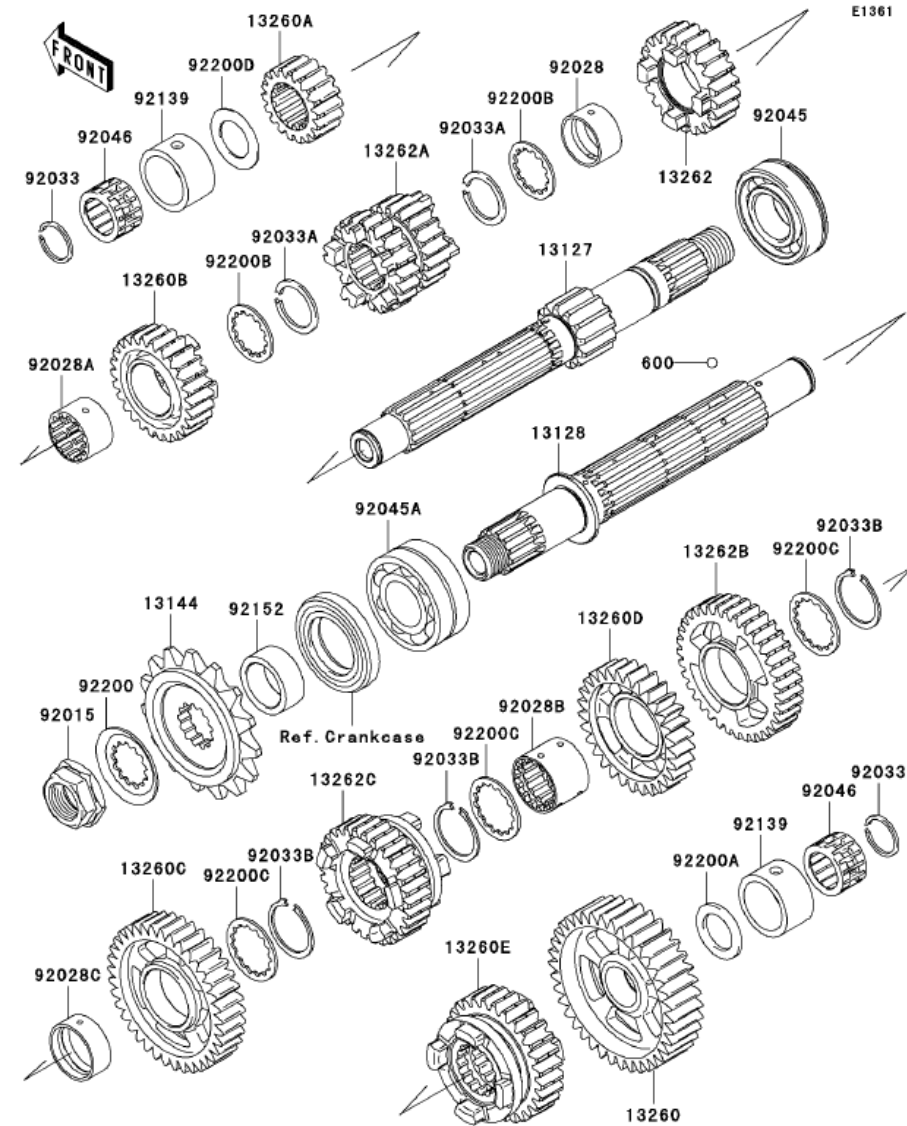
**TOP FEED INJECTER**

Ref #	Part #	Description	Qty	Spec Code
130	130J0514	BOLT-FLANGED,M5X14	5	
13271	13271-0418	PLATE	1	
16073	16073-0010	INSULATOR	4	
49033	49033-0009	NOZZLE-INJECTION,SEAL&RING SET	4	
49056	49056-0009	PIPE-INJECTION	1	
49056A	49056-0010	PIPE-INJECTION	1	
51044	51044-0020	TUBE-ASSY	1	
59071	59071-0030	JOINT	1	
59478	59478-0003	NOZZLE-ASSY	1	
92055	92055-0077	RING-O	4	
92172	92172-0064	SCREW,PIPE INJECTION	4	
92172A	92172-0204	SCREW	1	



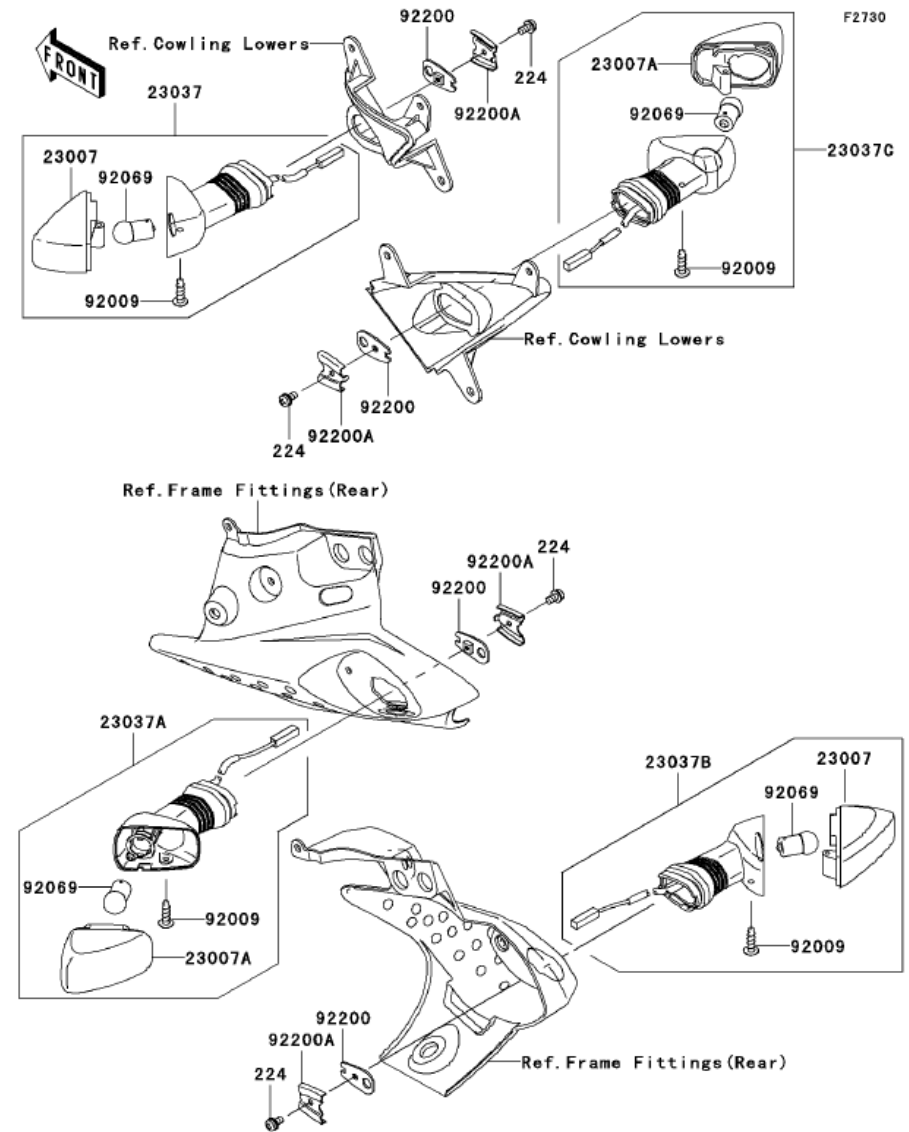
## TRANSMISSION

Ref #	Part #	Description	Qty	Spec Code
600	600A0500	BALL-STEEL,5/32"	3	
13127	13127-0021	SHAFT-TRANSMISSION INPUT,13T	1	
13128	13128-0018	SHAFT-TRANSMISSION OUTPUT	1	
13144	13144-1324	SPROCKET-OUTPUT,15T	1	
13260	13260-1456	GEAR,OUTPUT LOW,38T	1	
13260A	13260-1987	GEAR,INPUT 2ND,18T	1	
13260B	13260-1990	GEAR,INPUT TOP,26T	1	
13260C	13260-1992	GEAR,OUTPUT 2ND,37T	1	
13260D	13260-1994	GEAR,OUTPUT 4TH,29T	1	
13260E	13260-1995	GEAR,OUTPUT 5TH,28T	1	
13262	13262-0110	GEAR,INPUT,5TH,22T	1	
13262A	13262-0236	GEAR,INPUT 3RD&4TH,21T&20T	1	
13262B	13262-0237	GEAR,OUTPUT 3RD,35T	1	
13262C	13262-0254	GEAR,OUTPUT TOP,30T	1	
92015	92015-1963	NUT,20MM	1	
92028	92028-1735	BUSHING,INPUT 5TH GEAR	1	
92028A	92028-1736	BUSHING,INPUT TOP GEAR	1	
92028B	92028-1738	BUSHING,OUTPUT,3RD&4TH	1	
92028C	92028-1739	BUSHING,OUTPUT,2ND	1	
92033	92033-015	RING-SNAP,20MM	2	
92033A	92033-026	RING-SNAP,24MM	2	
92033B	92033-1037	RING-SNAP,25.9X30.6X1.2	3	
92045	92045-0009	BEARING-BALL,HR6205C3	1	
92045A	92045-035	BEARING-BALL,83993SH2-CS	1	
92046	92046-0014	BEARING-NEEDLE,BN502053	2	
92139	92139-1090	BUSHING,27X34X18.6	2	
92152	92152-0280	COLLAR,23X32X15	1	
92200	92200-1065	WASHER	1	
92200A	92200-1238	WASHER,20.3X30X2.3	1	
92200B	92200-1239	WASHER,25.2X31.0X1.5	2	
92200C	92200-1240	WASHER,28.5X34.0X1.5	3	
92200D	92200-1613	WASHER,20.3X33X1.0	1	



## TURN SIGNALS

Ref #	Part #	Description	Qty	Spec Code
224	224C0408	SCREW-PAN-WP-CROS,4X8	4	
23007	23007-0039	LENS-COMP,SIGNAL LAMP	2	
23007A	23007-0040	LENS-COMP,SIGNAL LAMP	2	
23037	23037-0058	LAMP-ASSY-SIGNAL,FR,LH	1	
23037A	23037-0060	LAMP-ASSY-SIGNAL,RR,LH	1	
23037B	23037-0061	LAMP-ASSY-SIGNAL,RR,RH	1	
23037C	23037-0069	LAMP-ASSY-SIGNAL,FR,RH	1	
92009	92009-1158	SCREW,4X16,BLACK	4	
92069	92069-0003	BULB,12V 10W	4	
92200	92200-0164	WASHER,SIGNAL LAMP	4	
92200A	92200-0165	WASHER,SIGNAL LAMP	4	

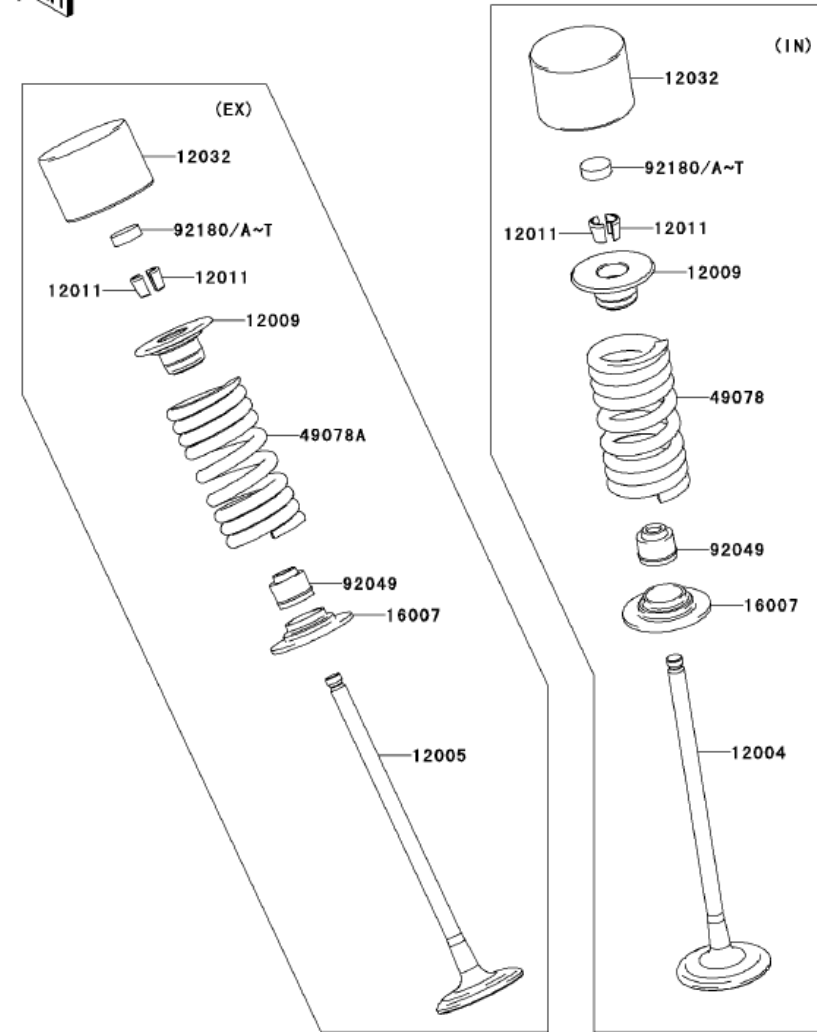


**VALVE(S)**

Ref #	Part #	Description	Qty	Spec Code
12004	12004-0012	VALVE-INTAKE	8	
12005	12005-0027	VALVE-EXHAUST	8	
12009	12009-0001	RETAINER-VALVE SPRING	16	
12011	12011-1052	COLLET	32	
12032	12032-0008	TAPPET	16	
16007	16007-1227	SEAT-SPRING	16	
49078	49078-1213	SPRING-ENGINE VALVE,INTAKE	8	
49078A	49078-1216	SPRING-ENGINE VALVE,EXHAUST	8	
92049	92049-1308	SEAL-OIL, VALVE GUIDE	16	
92180	92180-1014	SHIM,T=2.50	AR	
92180A	92180-1016	SHIM,T=2.55	AR	
92180B	92180-1018	SHIM,T=2.60	AR	
92180C	92180-1020	SHIM,T=2.65	AR	
92180D	92180-1022	SHIM,T=2.70	AR	
92180E	92180-1024	SHIM,T=2.75	AR	
92180F	92180-1026	SHIM,T=2.80	AR	
92180G	92180-1028	SHIM,T=2.85	AR	
92180H	92180-1030	SHIM,T=2.90	AR	
92180I	92180-1032	SHIM,T=2.95	AR	
92180J	92180-1034	SHIM,T=3.00	AR	
92180K	92180-1036	SHIM,T=3.05	AR	
92180L	92180-1038	SHIM,T=3.10	AR	
92180M	92180-1040	SHIM,T=3.15	AR	
92180N	92180-1042	SHIM,T=3.20	AR	
92180O	92180-1044	SHIM,T=3.25	AR	
92180P	92180-1046	SHIM,T=3.30	AR	
92180Q	92180-1048	SHIM,T=3.35	AR	
92180R	92180-1050	SHIM,T=3.40	AR	
92180S	92180-1052	SHIM,T=3.45	AR	
92180T	92180-1054	SHIM,T=3.50	AR	

**FRONT**

E1210



## WATER PIPE

Ref #	Part #	Description	Qty	Spec Code
130	130J0514	BOLT-FLANGED,M5X14	4	
132	132J0630	BOLT-FLANGED-SMALL,M6X30	2	
11053	11053-1712	BRACKET	1	
11065	11065-1093	CAP,COOLANT	1	
39062	39062-0015	HOSE-COOLING,5.5X10.5X717	1	
39062A	39062-0070	HOSE-COOLING,THERMO-RAD	1	
39062B	39062-0071	HOSE-COOLING,RAD-W.PUMP	1	
39062C	39062-0072	HOSE-COOLING,W.PUMP-CYLINDER	1	
39062D	39062-0078	HOSE-COOLING,RAD-HEAD	1	
39062E	39062-1208	HOSE-COOLING,5.5X10.5X550	1	
43078	43078-0022	RESERVOIR	1	
49054	49054-1067	THERMOSTAT	1	
92005	92005-0028	FITTING	1	
92005A	92005-1275	FITTING,THERMO CAP	1	
92037	92037-147	CLAMP,TUBE	3	
92037A	92037-1505	CLAMP,TUBE	1	
92055	92055-1402	RING-O	1	
92055A	92055-1699	RING-O,THERMOSTAT CAP	1	
92151	92151-1133	BOLT,6X12	1	
92153	92153-0502	BOLT,6X20	2	
92170	92170-1493	CLAMP	1	
92171	92171-0179	CLAMP	6	
92171A	92171-0421	CLAMP	1	

