

PARTS CATALOGUE



SCOOTERS

KF40AA(TK)

Agility City200(2011)



Release Date : 2011/03/03
Print Date : 2011/07/01

ABOUT THIS PARTS LIST

- This parts list is compiled all service parts for model KF40AA(TK).
- Any difference between color chart and motorcycle will be revised according to motorcycle.
- The Mark:
 1. Marking "***" must add color code in the end before ordering parts.
 2. Marking "#" are parts with modification, Please find the details from e-Parts system.
- When modification or additions to this parts list are made a revised edition at an appropriate time.



CONTENTS

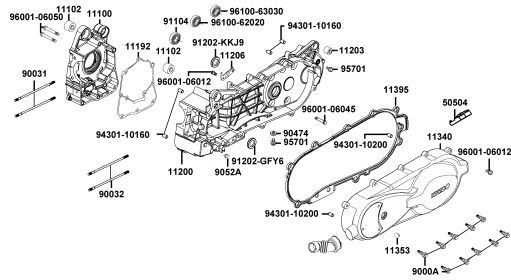
● ABOUT THIS PARTS LIST	1
● COLOR CHART OF KF40AA(TK)	3
● CONTENTS-ENGINE GROUP	6
● CONTENTS-FRAME GROUP	7
● ENGINE PARTS LIST	10
● FRAME PARTS LIST	38
● PART NO. INDEX	100

NO	MODEL			COLOR CHART OF KF40AA(TK)			
	PHOTO NO			NO. 1	NO. 2	NO. 3	NO. 4
	BASIC COLOR			Deep Blue	Black	Pearly White	Dark Gray Metallic
	CODE			Deep Blue	Black	Pearly White	Dark Gray Metallic
	PARTS NAME	PARTS NO.	VERSION	PB281MA	NH001SA	NH193PA	NH230MA
1	RR BOX COMP	8150A-LFC2-E10	0	DGS	D02	D1H	D2P
2	LEVER L STRG HANDLE	53178-KNBN-C00	0	M3A			
3	CATCH COMP UP	81507-LFD6-C50	1	N1P			
4	CATCH COMP DOWN	81508-LFD6-C50	1				
5	CATCH ASSY	81530-LFC2-E10	0	<div style="display: flex; justify-content: space-around;"> <div style="border: 1px solid black; padding: 5px;">CAP</div> <div style="border: 1px solid black; padding: 5px;">N1P</div> <div style="border: 1px solid black; padding: 5px;">NVP</div> <div style="border: 1px solid black; padding: 5px;">HKP</div> </div>			
6	COVER HANDLE FR	53205-LFC2-E10	1				
7	COVER, FRONT	64301-LFC2-E10	2				
8	CAP FR COVER	64303-LFC2-E10	1				
9	REAR BOX UP	81510-LFC2-E10	0				
10	COVER R BODY	83500-LFC2-E10	1				
11	COVER L BODY	83600-LFC2-E10	1				
12	COVER RR CENTER	83750-LFC2-E10	1				
13	COVER BATTERY	50326-LFC2-E10	1				
14	COVER UNDER	50613-LFC2-E10	1				
15	COVER METER	53204-LFC2-E10	1	N1R			
16	COVER HANDLE RR	53206-LFC2-E10	1				
17	MOLD FRONT	64302-LFC2-E10	1				
18	SKIRT R SIDE	64305-LFC2-E10	1				
19	SKIRT L SIDE	64306-LFC2-E10	1				
20	GRILLE R FR MOLDING	64307-LFC2-E10	1				
21	GRILLE L FR MOLDING	64308-LFC2-E10	1				
22	SKIRT ASSY R SIDE	6430A-LFC2-E10	1				
23	SKIRT ASSY L SIDE	6430B-LFC2-E10	1				
24	MOLD ASSY FRONT	6430C-LFC2-E10	1				
25	FLOOR PANEL	64310-LFC2-E11	0				
DATE OF STARTING-SALES							
DATE OF END-SALES							

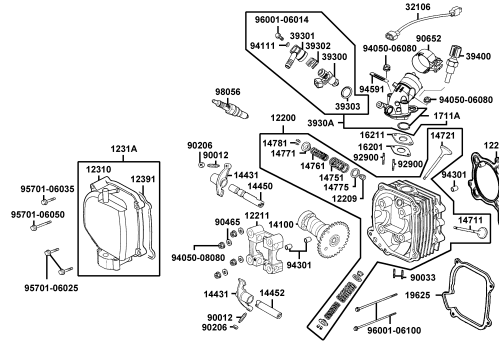
NO	MODEL			COLOR CHART OF KF40AA(TK)							
	PHOTO NO			NO. 1	NO. 2	NO. 3	NO. 4				
	BASIC COLOR			Deep Blue	Black	Pearly White	Dark Gray Metallic				
	CODE			Deep Blue	Black	Pearly White	Dark Gray Metallic				
	PARTS NAME	PARTS NO.	VERSION	PB281MA	NH001SA	NH193PA	NH230MA				
26	PLUG FLOOR	64316-LCB9-C10	4	N1R							
27	COVER R STEP	64350-LFC2-E11	0								
28	COVER L STEP	64360-LFC2-E11	0								
29	FENDER RR TIRE	80100-LFC3-E10	1								
30	FENDER RR INNER	80101-LFC3-E10	0								
31	FENDER REAR	80105-LFC2-E10	0								
32	COVER CENTER	80151-LFC2-E10	1								
33	COVER ASSY CENTER	8015A-LFC2-E10	1								
34	LEG SHIELD	81131-LFC2-E10	1								
35	LID LEG SHIELD	81132-LCB9-C10	0								
36	CAP LEG SHIELD UP	81132-LFC2-E10	1								
37	PLATE INNER BOX	81134-LFC2-E10	1								
38	LID INNER BOX	81141-LFC2-E10	1								
39	BOX LUGGAGE	81250-LKD2-E10	0								
40	GRILL R SIDE	83510-LFC2-E10	1								
41	GRILL L SIDE	83610-LFC2-E10	1								
42	CUSHION ASSSY RR	52400-LFC4-E10	0					N1S			
43	COVER LEFT	11340-LEJ3-E11	0					NEA			
44	WHEEL COMP RR CAST	42601-LFC3-E10	1								
45	WHEEL CAST FR	44601-LFC2-E10	2					N1P			
46	REAR BOX LOW	81520-LGR5-E10	0								
47	FENDER FR	61100-LFC2-E10	1	NEP							
48	MIRROR ASSY R BACK	88110-LEB5-C10	2								
49	MIRROR ASSY L BACK	88120-LEB5-C10	1								
50	FORK ASSY R FR	51400-LFC3-E10	0	NGA							
DATE OF STARTING-SALES											
DATE OF END-SALES											

CONTENTS - ENGINE GROUP

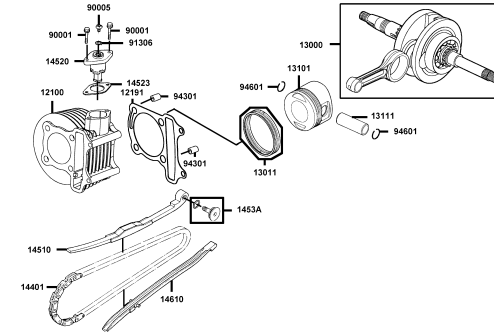
E01 Crank Case



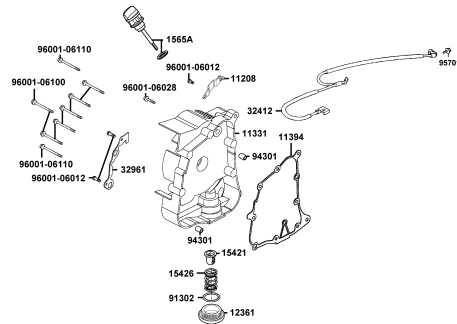
E02 Cylinder Head



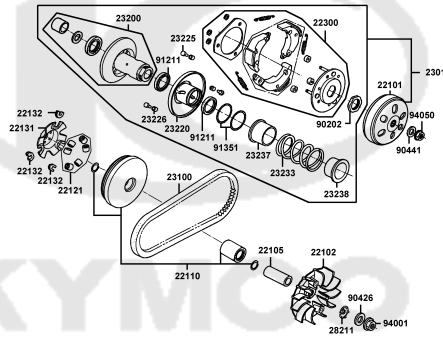
E03 Cylinder Piston Crankshaft



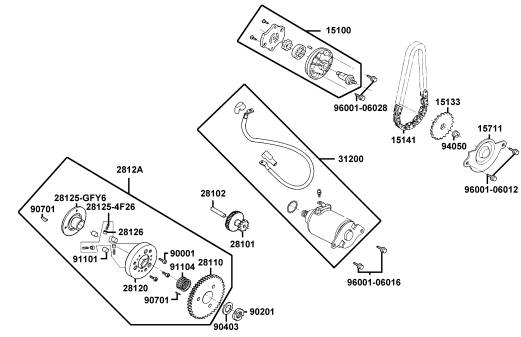
E04 Right Crankcase Cover



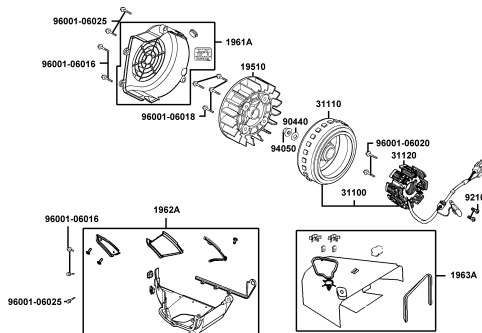
E05 Driven Pulley



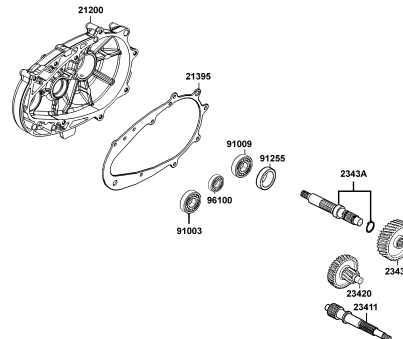
E06 Starting Motor Oil Pump



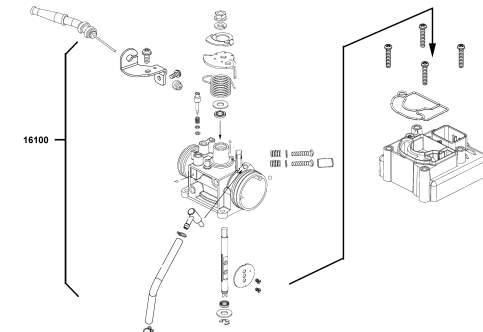
E07 Fan Cover Generator



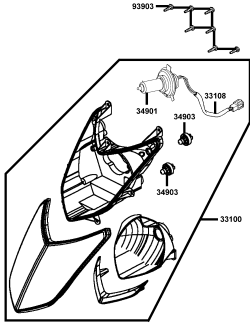
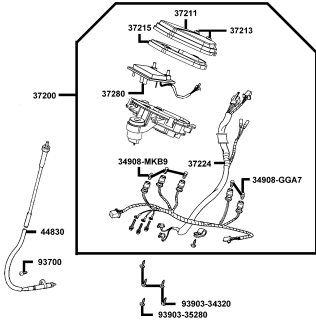
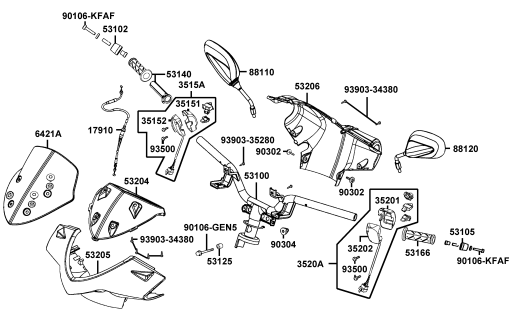
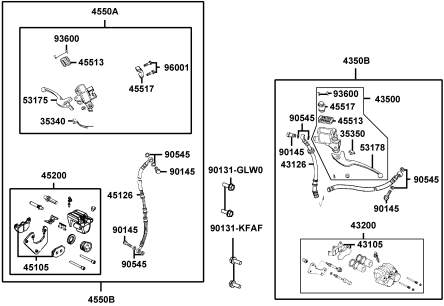
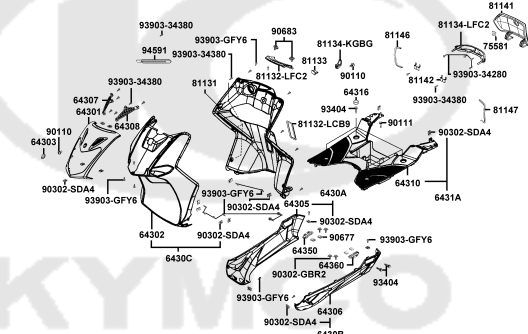
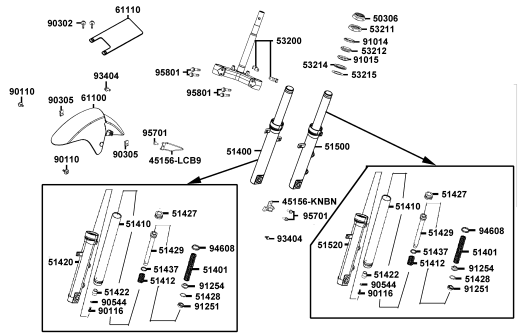
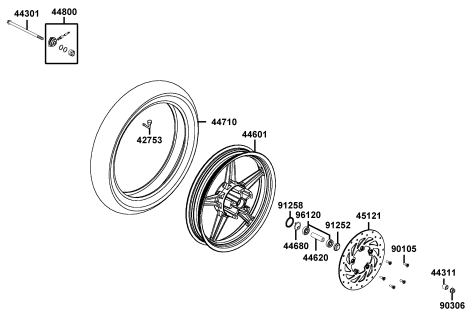
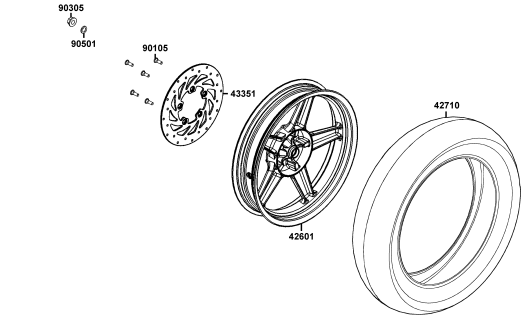
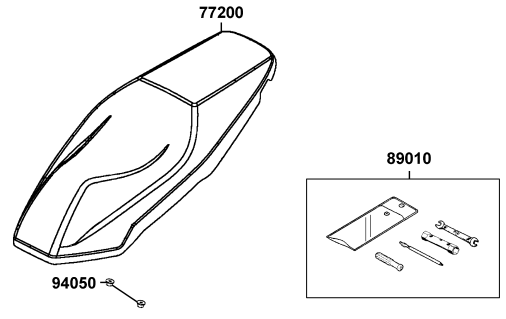
E08 Transmission



E09 Carburetor



CONTENTS - FRAME GROUP

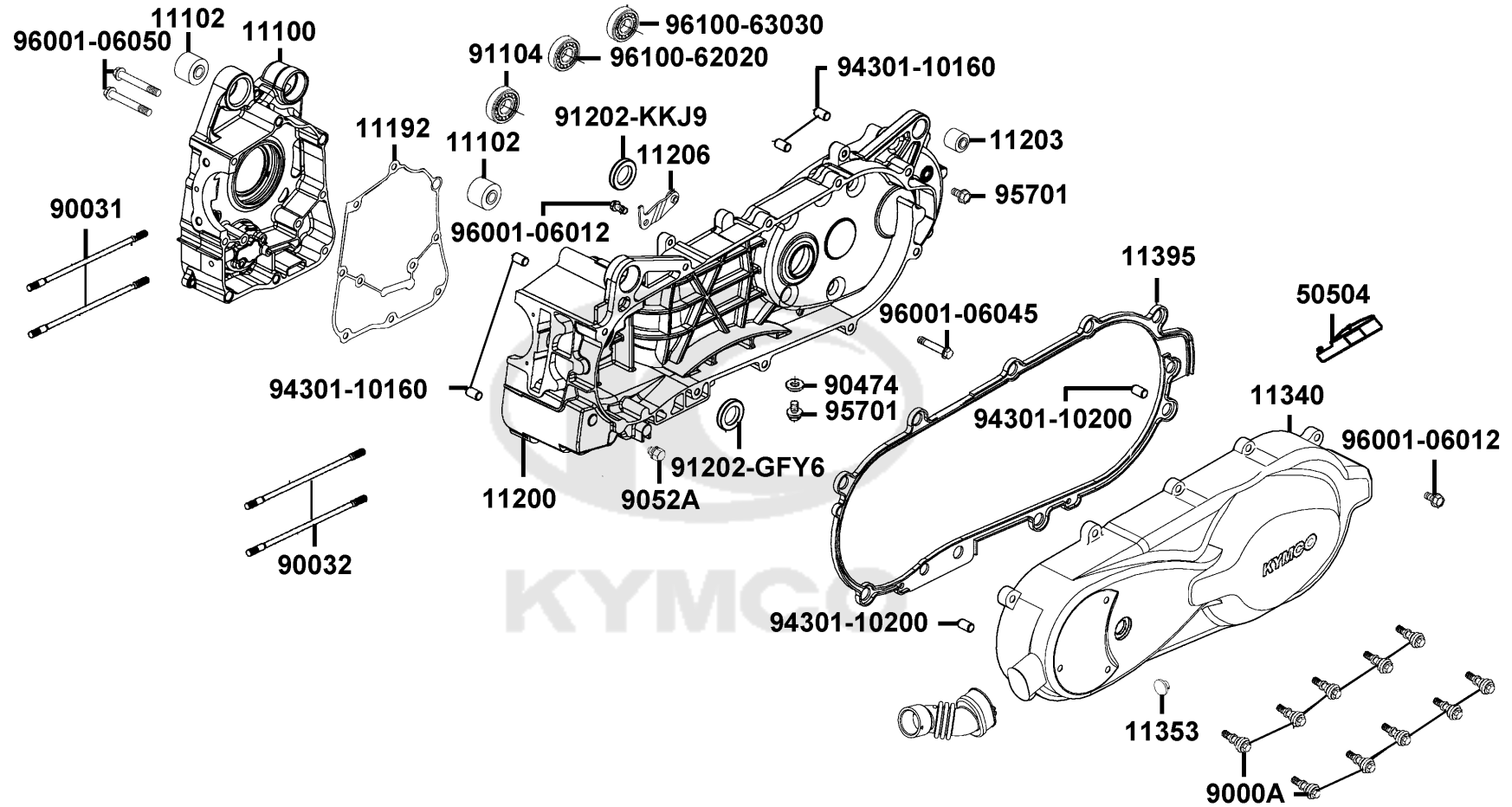
<p>F01 Head Light</p> 	<p>F02 Speedometer</p> 	<p>F03 Handle Steering Handle Cover</p> 
<p>F04 Brake Master Cylinder</p> 	<p>F05 Front Cover Front Fender</p> 	<p>F06 Stem Steering Front Cushion</p> 
<p>F07 Front Wheel</p> 	<p>F08 Rear Wheel</p> 	<p>F09 Seat</p> 

CONTENTS - FRAME GROUP

F19 Wire Harness	F20 Frame Body	F21 Emblem Stripe
F22 RR BOX COMP		

E01

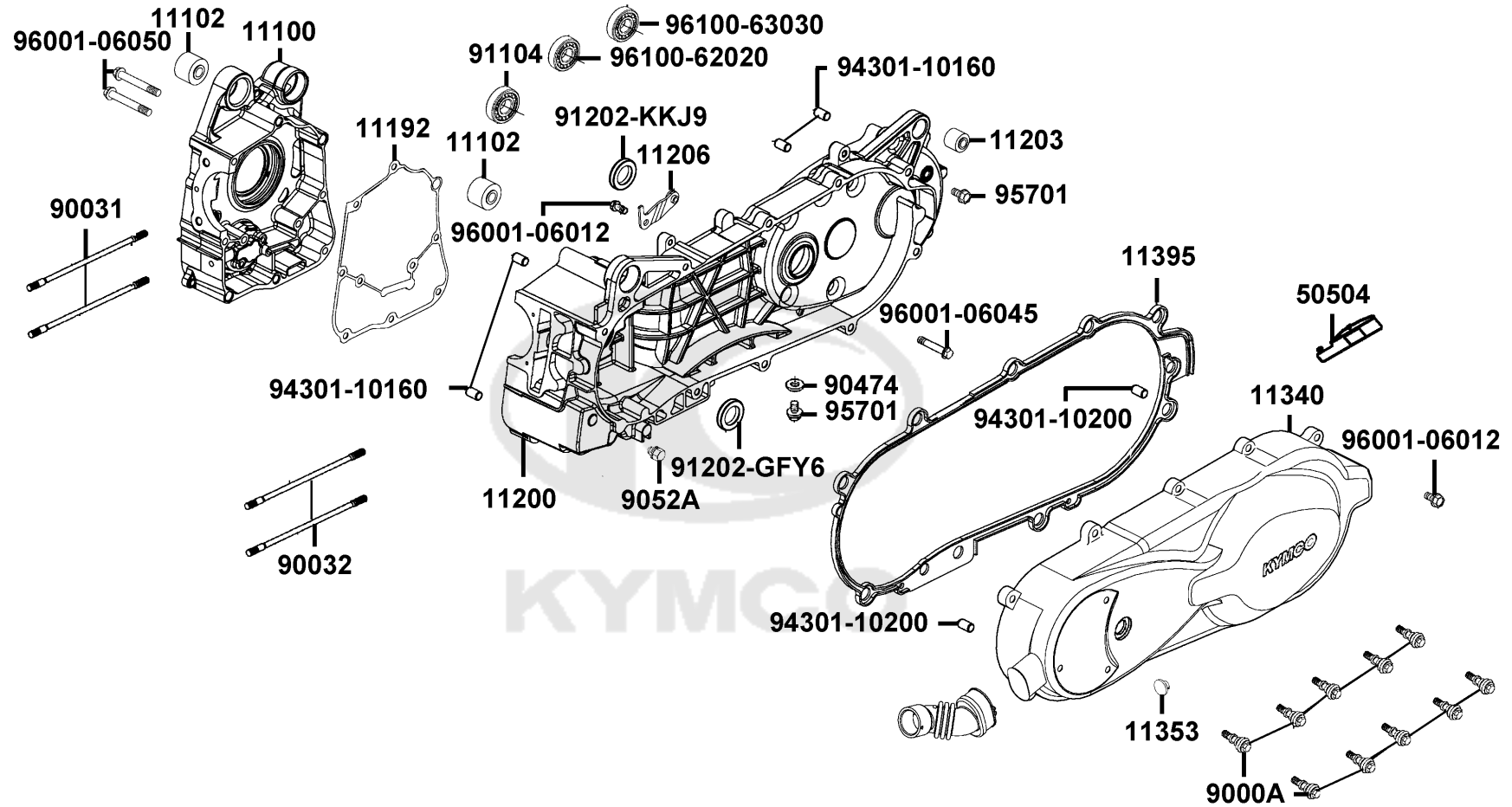
Crank Case



Sales mark	Ref no	Part no	Description	Reg description	Regd no	E01
	11100	11100-LCD4-C00	CRANK CASE COMP RIGHT	CRANK CASE COMP RIGHT	1	
	11102	11102-1G87-C00	RUB BUSH ENG HANGER	RUB BUSH ENG HANGER	1	
	11192	11192-KUDU-C10	GASKET CRANK CASE @ A	GASKET CRANK CASE @ A	1	
	11200	11200-LCD4-C00	CRANK CASE COMP L	CRANK CASE COMP L	1	
	11203	11203-GGC7-W10	UNDER RUBBER BUSH REAR CUSHION	UNDER RUBBER BUSH REAR CUSHION	1	
	11206	11206-LCD3-C00	STAY A RR FENDER	STAY A RR FENDER	1	
**	11340	11340-LEJ3-E11	COVER LEFT	COVER LEFT	1	
	11353	11353-LEA6-C00	RUBBER PLUG L COVER KICK	RUBBER PLUG L COVER KICK	1	
	11395	11395-KHB4-C00	GASKET L COVER @A	GASKET L COVER @A	1	
#	50504	50504-LEJ3-E11	STAND MAIN STOPPER	STAND MAIN STOPPER	1	
	9000A	9000A-LEJ2-E10	BOLT ASSY SPECIAL 6X27	BOLT ASSY SPECIAL 6X27	10	
	90031	90031-KUDU-C00	BOLT A STUD 8*200.5	BOLT A STUD 8*200.5	1	
	90032	90032-KUDU-C00	BOLT B STUD 8*208.5	BOLT B STUD 8*208.5	1	
	90474	90474-3C33-C00	WASHER 8MM(T*2)	WASHER 8MM(T*2)	1	
	9052A	9052A-GFY6-C00	BOLT ASSY DRAIN PLUG	BOLT ASSY DRAIN PLUG	1	
	91104	91104-KGN7-671	BRG BALL RADIAL 6204	BRG BALL RADIAL 6204	1	
	91202-GFY6	91202-GFY6-C00	OIL SEAL 19.8*30*5	OIL SEAL 19.8*30*5	1	
	91202-KKJ9	91202-KKJ9-C00	OIL SEAL 20*32*6	OIL SEAL 20*32*6	1	
	94301-10160	94301-10160	DOWEL PIN 10*16	DOWEL PIN 10*16	6	
	94301-10200	94301-10200	DOWEL PIN 10*20	DOWEL PIN 10*20	2	

E01

Crank Case

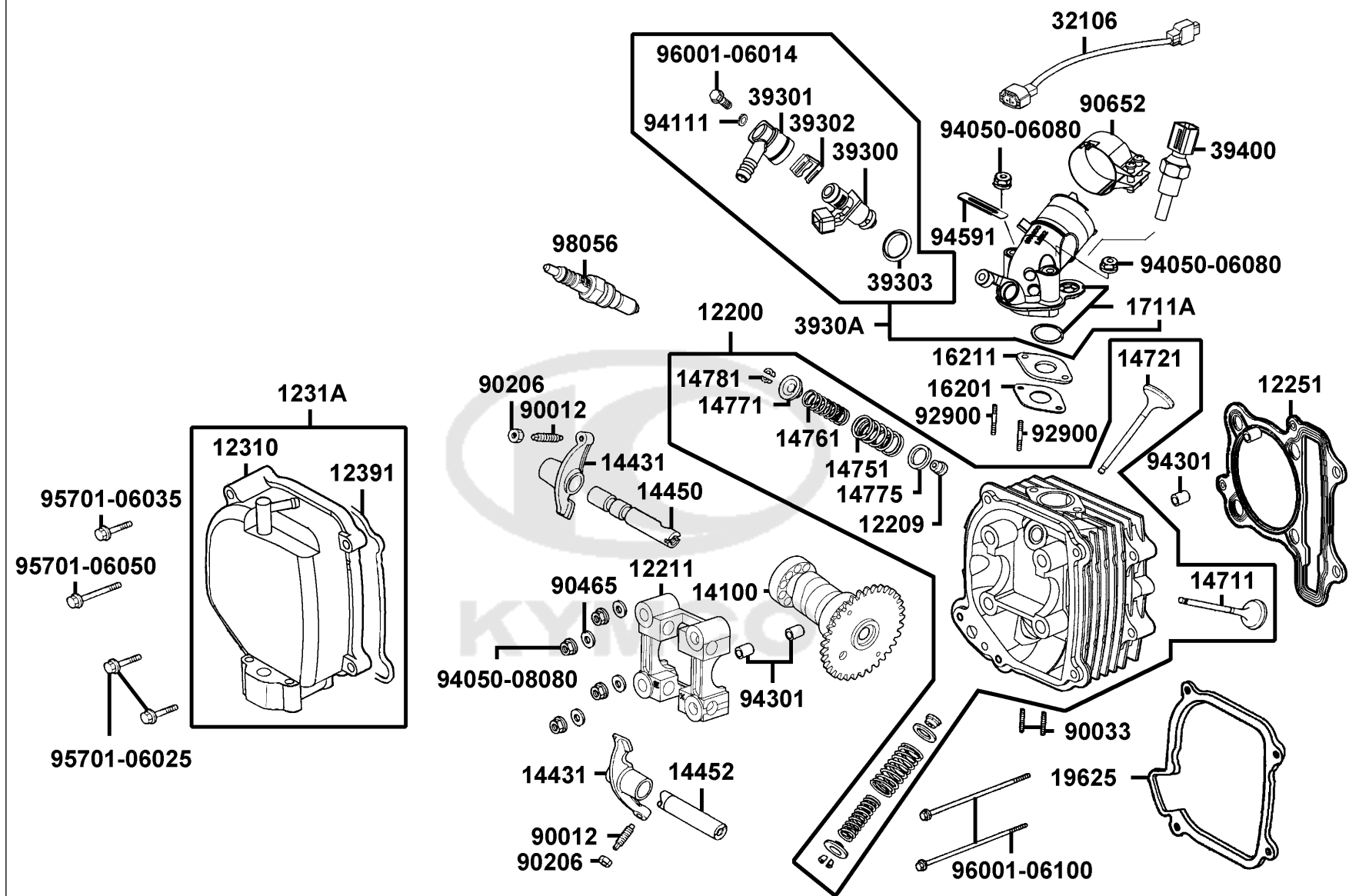


Sales mark	Ref no	Part no	Description	Reg description	Regd no	E01
	95701	95701-08012-08	BOLT FLANGE 8*12	BOLT FLANGE 8*12	2	
	96001-06012	96001-06012-08	BOLT FLANGE 6*12	BOLT FLANGE SH 6*12 (C)	2	
	96001-06045	96001-06045-08	BOLT FLANGE SH 6*45	BOLT FLANGE SH 6*45	10	
	96001-06050	96001-06050-08	BOLT FLANGE 6*50	BOLT FLANGE SH 6*50 (C)	2	
	96100-62020	96100-62020-00	BEARING BALL RADIAL 6202	BEARING BALL RADIAL 6202	1	
	96100-63030	96100-63030-00	BEARING BALL RADIAL 6303	BEARING BALL RADIAL 6303	1	

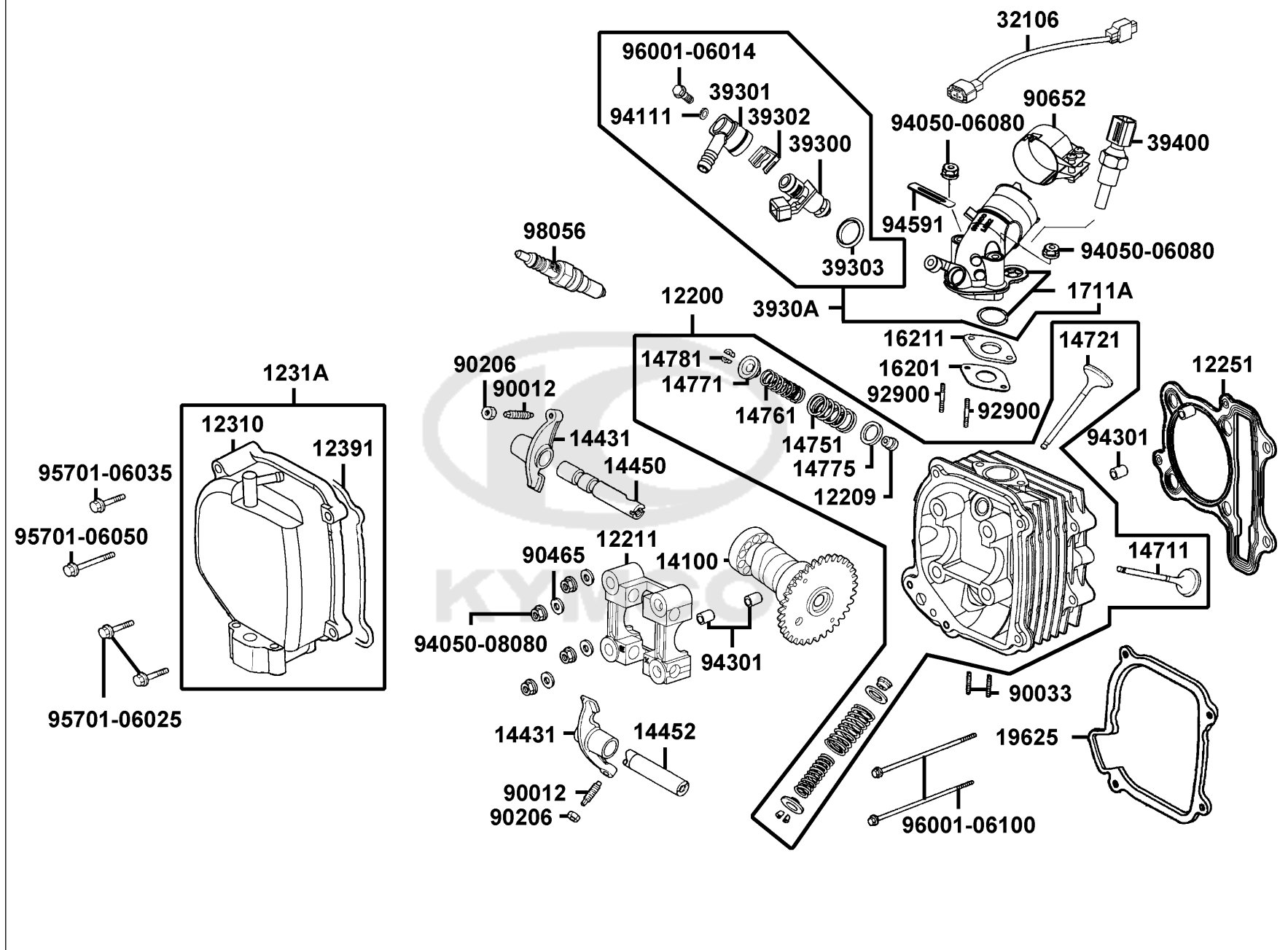


E02

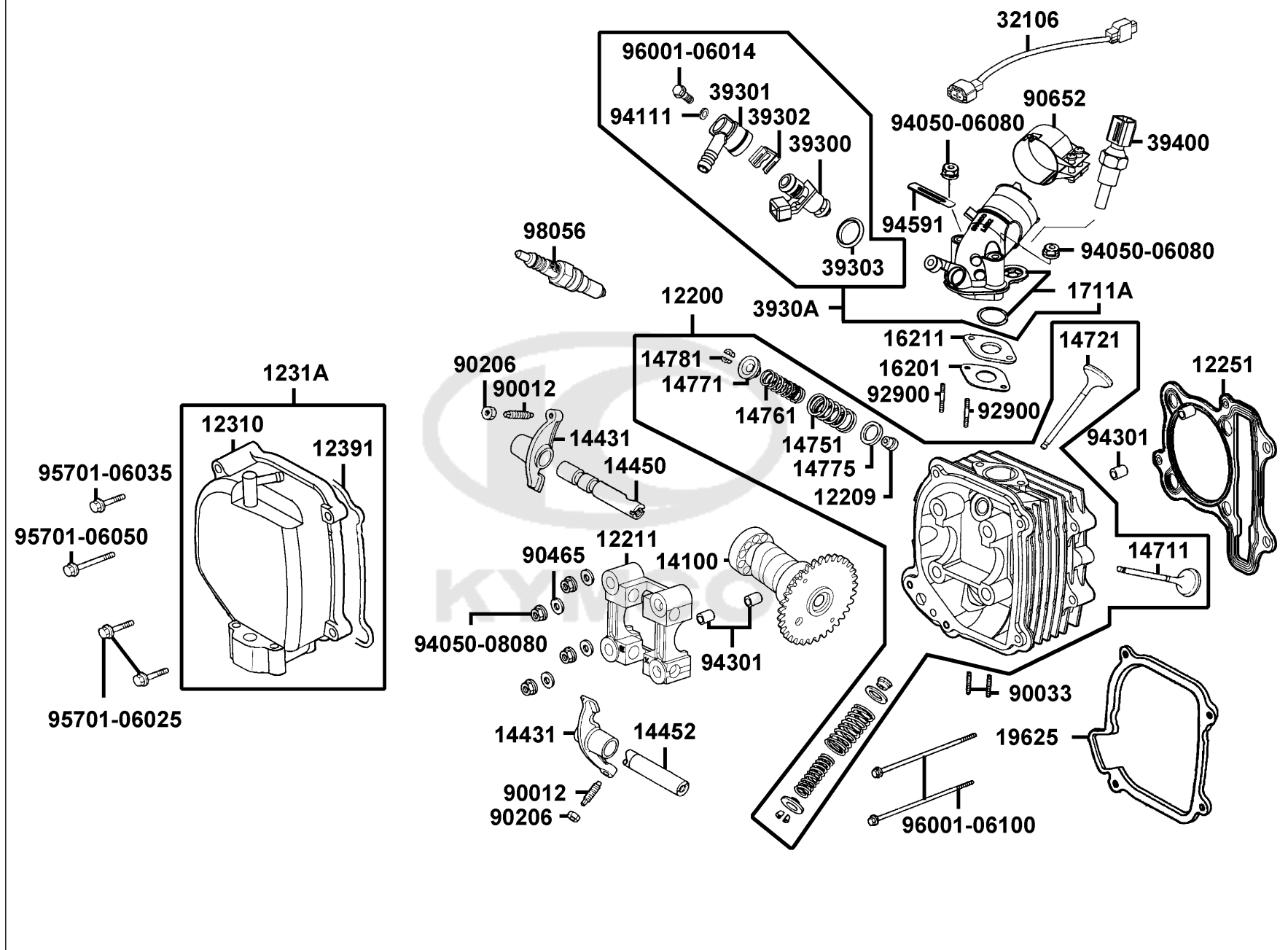
Cylinder Head




Sales mark	Ref no	Part no	Description	Reg description	Regd no	E02
	12200	12200-LGS6-405	CYLINDER HEAD SET	"HEAD SET ,CYLINDER"	1	
	12209	12209-GDB4-C00	SEAL VALVE STEM	SEAL VALVE STEM	1	
	12211	12211-KUDU-W10	HOLDER CAM SHAFT	HOLDER CAM SHAFT	1	
	12251	12251-LGS6-E10	GASKET CYLINDER HEAD	GASKET CYLINDER HEAD	1	
	12310	12310-KUDU-C000	COVER COMP HEAD	COVER COMP HEAD	1	
	1231A	1231A-KUDU-C11	HEAD ASSY CYLINDER	HEAD ASSY CYLINDER	1	
	12391	12391-GFY6-C10	GASKET HEAD COVER	GASKET HEAD COVER	1	
	14100	14100-LGS6-E10	SHAFT COMP CAM	SHAFT COMP CAM	1	
	14431	14431-KUDU-W10	ARM VALVE ROCKER	ARM VALVE ROCKER	1	
	14450	14450-GFY6-W10	SHAFT COMP IN ROCKER ARM	SHAFT COMP IN ROCKER ARM	1	
	14452	14452-GFY6-W10	SHAFT EXH ROCKER ARM	SHAFT EXH ROCKER ARM	1	
	14711	14711-KFB7-C00	VALVE INLET	VALVE INLET	1	
	14721	14721-KFB7-C00	VALVE EXHAUST	VALVE EXHAUST	1	
	14751	14751-KKJ9-C00	SPRING VALVE OUTER	SPRING VALVE OUTER	1	
	14761	14761-KKJ9-C00	SPG VALVE INNER	SPG VALVE INNER	1	
	14771	14771-GDB4-C00	RETAINER VALVE SPRING	RETAINER VALVE SPRING	1	
	14775	14775-MFA6-C00	SEAT VALVE SPG OUTER	SEAT VALVE SPG OUTER	1	
	14781	14781-MFA6-C00	COTTER VALVE	COTTER VALVE	1	
	16201	16201-GFY6-C10	GASKET CARB INSULATOR @A	GASKET CARB INSULATOR @A	1	
	16211	16211-GFY6-W10	INSULATOR CARB	INSULATOR CARB	1	



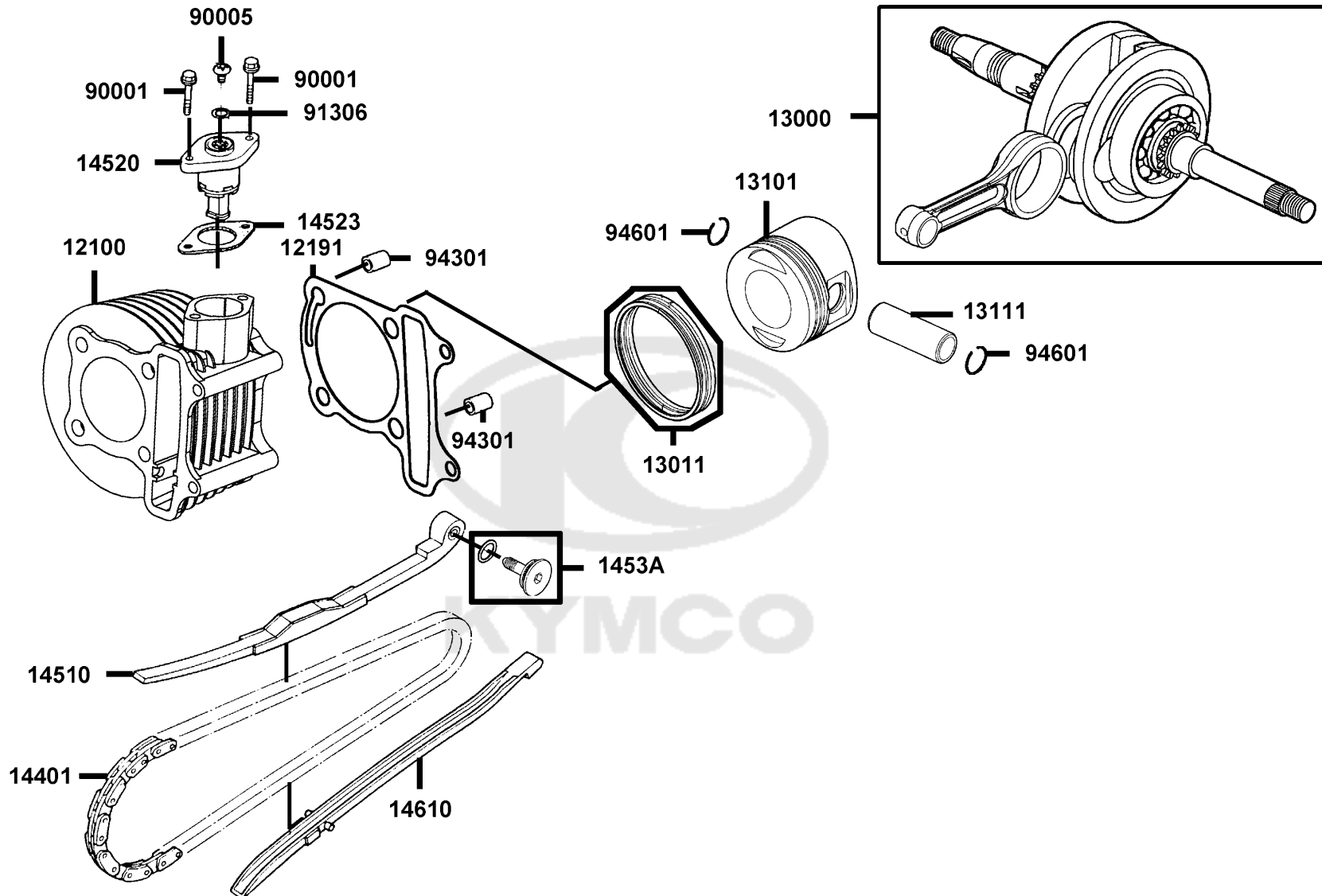
Sales mark	Ref no	Part no	Description	Reg description	Regd no	E02
1711A		1711A-LGL3-C00	PIPE ASSY INLET	PIPE ASSY INLET	1	
19625		19625-KUDU-C00	SEAL SHROUD	SEAL SHROUD	1	
32106		32106-KKE3-C00	SUB HARNESS A	SUB HARNESS A	1	
39300		39300-LEA6-800	FUEL INJECTOR	FUEL INJECTOR	1	
39301		39301-LHB2-C10	HOLDER ASSY FUEL	HOLDER ASSY FUEL	1	
39302		39302-KKE3-900	CLIP SPRING FUEL INJECTOR	CLIP SPRING FUEL INJECTOR	1	
39303		39303-LEB2-900	SEAL HIGH TENSION FUEL INJECT	SEALHIGH TENSION FUEL INJECT	1	
3930A		3930A-LGS6-E10	INJECTOR ASSY	INJECTOR ASSY	1	
39400		39400-KKE3-800	SENSOR HEAD TEMPERATURE	SENSOR HEAD TEMPERATURE	1	
90012		90012-3C33-C00	SCREW TAPPET ADJUSTING	SCREW TAPPET ADJUSTING	1	
90033		90033-GFY6-C00	BOLT STUD 8*32	BOLT STUD 8*32	1	
90206		90206-0A01-001	NUT TAPPET ADJG	NUT TAPPET ADJG	2	
90465		90465-MDC4-C00	WASHER 8MM	WASHER 8MM	1	
90652		90652-LGJ9-900	BAND 48, INLET-PIPE	BAND 48 INLET-PIPE	1	
92900		92900-06060-0B	BOLT STUD 6*60	BOLT STUD 6*60	2	
94050-06080		94050-06080	NUT FLANGE 6MM	NUT FLANGE 6MM	2	
94050-08080		94050-08080	NUT FLANGE 8MM	NUT FLANGE 8MM	4	
94111		94111-06800	WASHER SPG 6MM	WASHER SPG 6MM	1	
94301		94301-10160	DOWEL PIN 10*16	DOWEL PIN 10*16	4	
94591		94591-LDC8-E10	CLIP BIND	CLIP BIND	1	



Sales mark	Ref no	Part no	Description	Reg description	Regd no	E02
	95701-06025	95701-06025-08	BOLT FLANGE 6*25	BOLT FLANGE 6*25	2	
	95701-06035	95701-06035-08	BOLT FLANGE SH 6*35	BOLT FLANGE 6*35 (C)	1	
	95701-06050	95701-06050-08	BOLT FLANGE 6*50	BOLT FLANGE 6*50 (C)	1	
	96001-06014	96001-06014-08	BOLT FLANGE 6*14	BOLT FLANGE 6*14	1	
	96001-06100	96001-06100-08	BOLT FLANGE SH 6*100	BOLT FLANGE 6*100	2	
	98056	98056-5771R-00	SPARK PLUG (CR7HSA)	SPARK PLUG (CR7HSA)	1	
						

E03

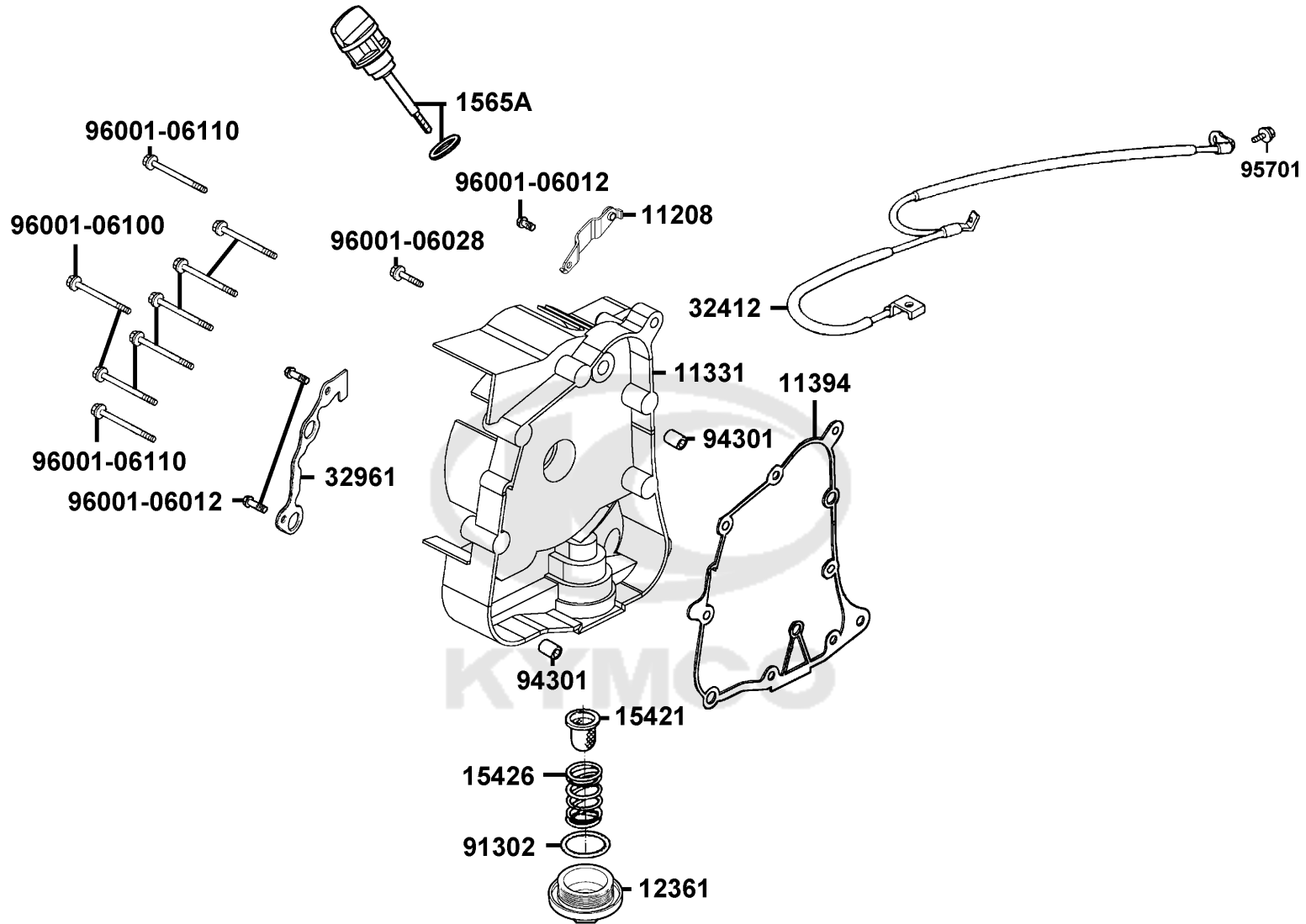
Cylinder Piston Crankshaft



Sales mark	Ref no	Part no	Description	Reg description	Regd no	E03
12100		12100-LCD4-C00	CYLINDER COMP	CYLINDER COMP	1	
12191		12191-LGS6-E10	GASKET CYLINDER	GASKET CYLINDER	1	
13000		13000-KFB7-405	CRANK SHIFT SET	CRANK SHAFT COMP	1	
13011		13011-LCD4-E00	RING ASSY PISTON	RING ASSY PISTON	1	
13101		13101-LCD4-E00	PISTON	PISTON	1	
13111		13111-KKJ9-C10	PIN PISTON	PIN PISTON	1	
14401		14401-KUDU-C00	CHAIN CAM	CHAIN CAM	1	
14510		14510-KUDU-W10	TENSIONER CAM CHAIN	TENSIONER CAM CHAIN	1	
14520		14520-GFY6-C00	LIFTER ASSY TENSIONER	LIFTER ASSY TENSIONER	1	
14523		14523-GFY6-C10	GASKET TENSIONER LIFTER @A	GASKET TENSIONER LIFTER @A	1	
1453A		1453A-GFY6-W10	PIVOT CAM CHAIN SET	PIVOT CAM CHAIN SET	1	
14610		14610-KUDU-C10	GUIDE COMP CAM CHAIN	GUIDE COMP CAM CHAIN	1	
90001		90001-GBHB-C00	BOLT FLANGE SHF 6*22 (B)	BOLT FLANGE SHF 6*22 (B)	1	
90005		90005-KAW1-901	SCREW PAN 6*6	SCREW PAN 6*6	1	
91306		91306-1E05-C00	O-RING 1.5*9.5	O-RING 1.5*9.5	1	
94301		94301-10160	DOWEL PIN 10*16	DOWEL PIN 10*16	2	
94601		94601-15000	CLIP PISTON PIN 15MM	CLIP PISTON PIN 15MM	2	

E04

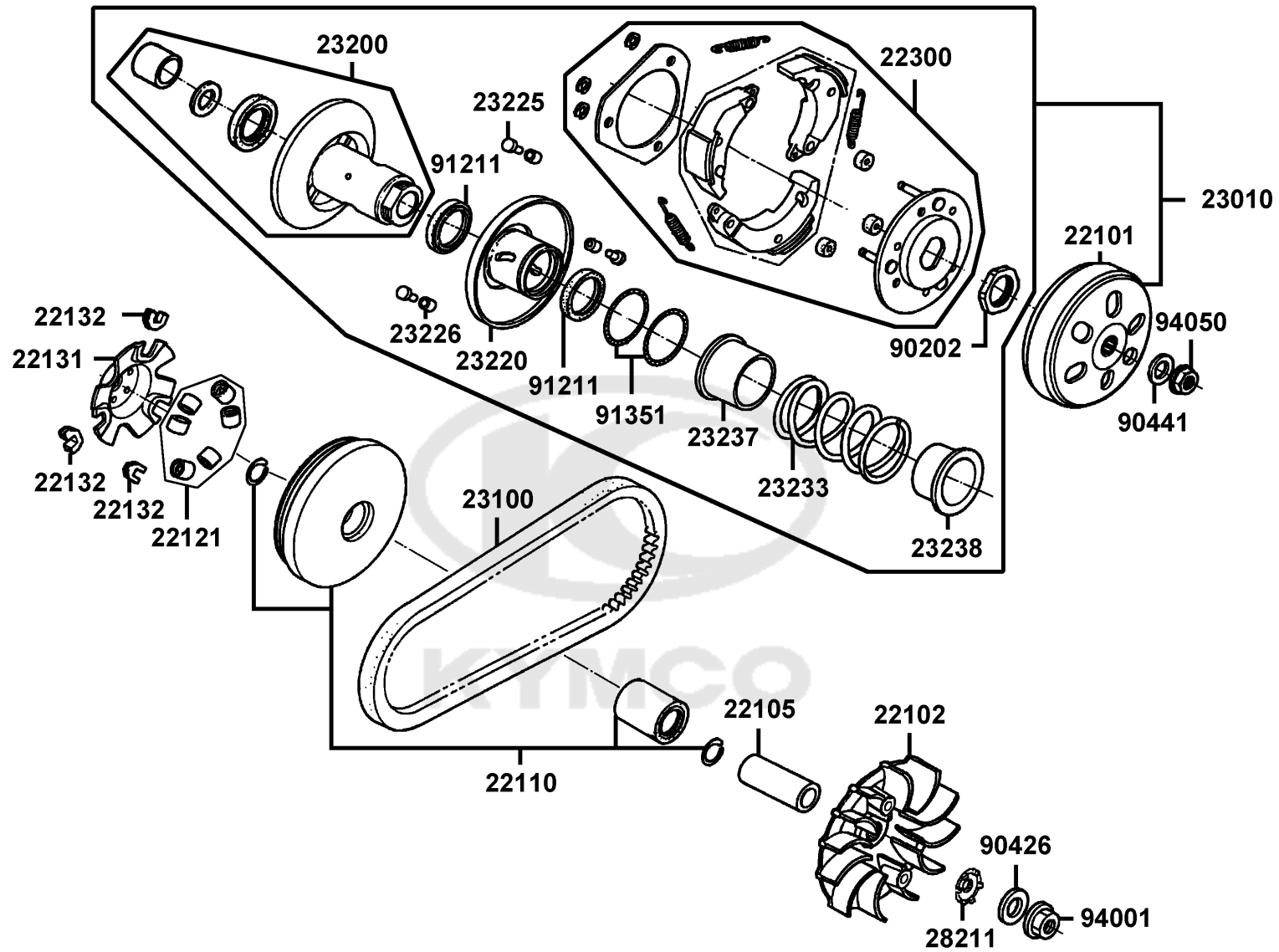
Right Crankcase Cover



Sales mark	Ref no	Part no	Description	Reg description	Regd no	E04
11208		11208-LFC3-E10	STAY RR TIRE FENDER	STAY RR TIRE FENDER	1	
11331		11331-LCD3-E00	COVER R CRANK CASE	COVER R CRANK CASE	1	
11394		11394-KUDU-C10	GASKET R COVER	GASKET R COVER	1	
12361		12361-GFY6-C00	HOLE CAP TAPPET ADJUSTING	HOLE CAP TAPPET ADJUSTING	1	
15421		15421-1G07-W10	SCREEN OIL FILTER	SCREEN OIL FILTER	1	
15426		15426-GAE1-C00	SPG OIL FILTER SCREEN	SPG OIL FILTER SCREEN	1	
1565A		1565A-KUDU-W10	GAUGE OIL LEVEL ASSY	GAUGE OIL LEVEL ASSY	1	
32412		32412-LEH3-C10	GUAGE OIL LEVEL	GUAGE OIL LEVEL	1	
32961		32961-KUDU-C00	CLAMPER ACG CORD	CLAMPER ACG CORD	1	
91302		91302-0A01-C00	O-RING 30.8MM	O-RING 30.8MM	1	
94301		94301-10160	DOWEL PIN 10*16	DOWEL PIN 10*16	2	
95701		95701-06012-08	BOLT FLANGE 6*12	BOLT FLANGE 6*12	1	
96001-06012		96001-06012-08	BOLT FLANGE 6*12	BOLT FLANGE SH 6*12 (C)	3	
96001-06028		96001-06028-08	BOLT FLANGE SH 6*28	BOLT FLANGE SH 6*28 (C)	1	
96001-06100		96001-06100-08	BOLT FLANGE SH 6*100	BOLT FLANGE 6*100	6	
96001-06110		96001-06110-08	BOLT FLANGE SH 6*110	BOLT FLANGE SH 6*110 (C)	2	

E05

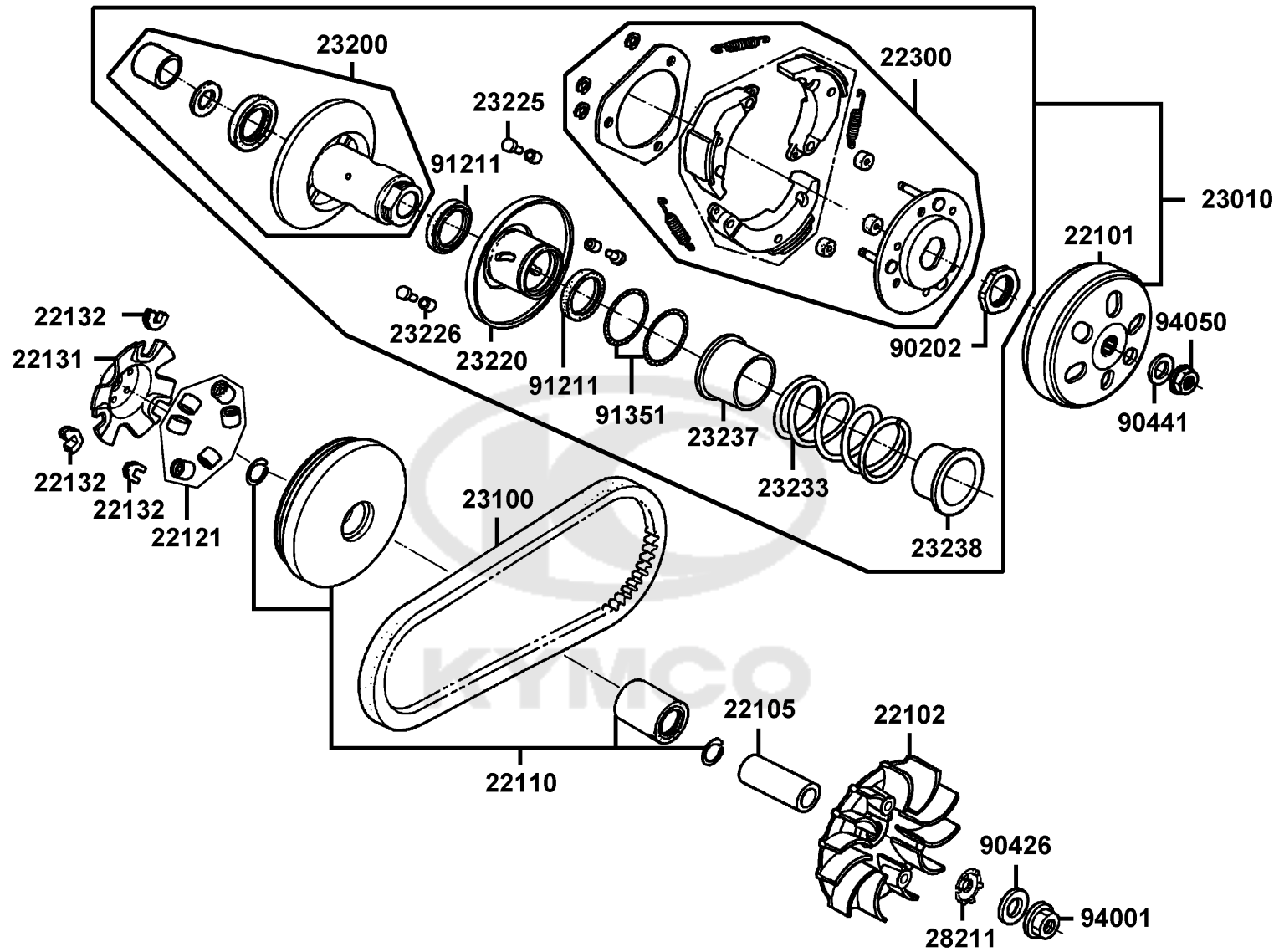
Driven Pulley



Sales mark	Ref no	Part no	Description	Reg description	Regd no	E05
22101		22101-GFY6-C00	CLUTCH OUTER	CLUTCH OUTER	1	
22102		22102-KUDU-C00	FACE DRIVE	FACE DRIVE	1	
22105		22105-GFY6-C10	BOSS DRIVE FACE	BOSS DRIVE FACE	1	
22110		22110-KUDU-C00	FACE COMP MOVABLE DRIVE	FACE COMP MOVABLE DRIVE	1	
22121		22121-LFC4-E10	ROLLER COMP WEIGHT 13gr	ROLLER COMP WEIGHT 13gr	6	
22131		22131-GFY6-C00	PLATE RAMP	PLATE RAMP	1	
22132		22132-KBN2-C00	PIECE SLIDE	PIECE SLIDE	1	
22300		22300-LCD4-C00	PLATE ASSY DRIVE	PLATE ASSY DRIVE	1	
23010		23010-LCD4-E00	PULLEY ASSY DRIVEN	PULLEY ASSY DRIVEN	1	
23100		23100-LCD4-E0A	BELT DRIVE	BELT DRIVE	1	
23200		23200-GFY6-C00	FACE ASSY DRIVEN	FACE ASSY DRIVEN	1	
23220		23220-KFBF-C00	FACE COMP MOVABLE DRIVEN	FACE COMP MOVABLE DRIVEN	1	
23225		23225-GHC8-C00	PIN ROLLER GUIDE	PIN ROLLER GUIDE	1	
23226		23226-GHC8-C00	ROLLER GUIDE	ROLLER GUIDE	1	
23233		23233-GCW3-C00	SPG DRIVEN FACE	SPG DRIVEN FACE	1	
23237		23237-GFY6-C00	COLLAR SEAL	COLLAR SEAL	1	
23238		23238-GFY6-C00	COLLAR SPG	COLLAR SPG	1	
28211		28211-KUDU-W10	RATCHET KICK STARTER	RATCHET KICK STARTER	1	
90202		90202-1G87-C00	NUT SPECIAL 28MM	NUT SPECIAL 28MM	1	
90426		90426-KNBN-C00	WASHER SPECIAL 12MM	WASHER SPECIAL 12MM	1	

E05

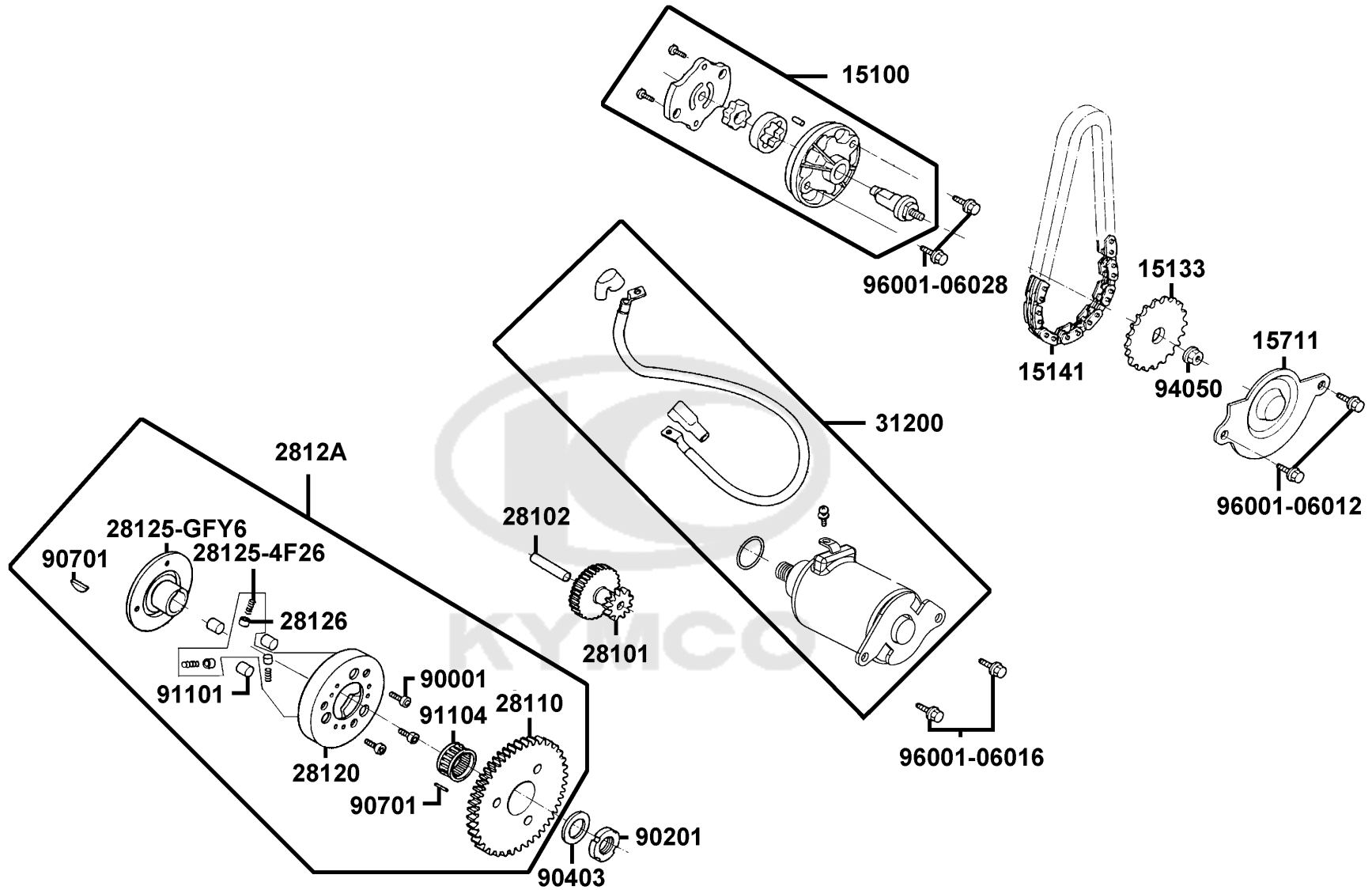
Driven Pulley



Sales mark	Ref no	Part no	Description	Reg description	Regd no	E05
------------	--------	---------	-------------	-----------------	---------	------------

90441		90441-GFY6-C00	WASHER 12.2*29*2.5	WASHER 12.2*29*2.5	1	
91211		91211-KEBE-C00	SEAL DRIVEN FACE 34*41*4	SEAL DRIVEN FACE 34*41*4	1	
91351		91351-6B42-C00	O-RING PINION CAP	O-RING PINION CAP	1	
94001		94001-12280-0S	NUT HEX 12MM	NUT HEX 12MM (C)	1	
94050		94050-12080	NUT C FLANGE 12MM	NUT FLANGE 12MM (C)	1	

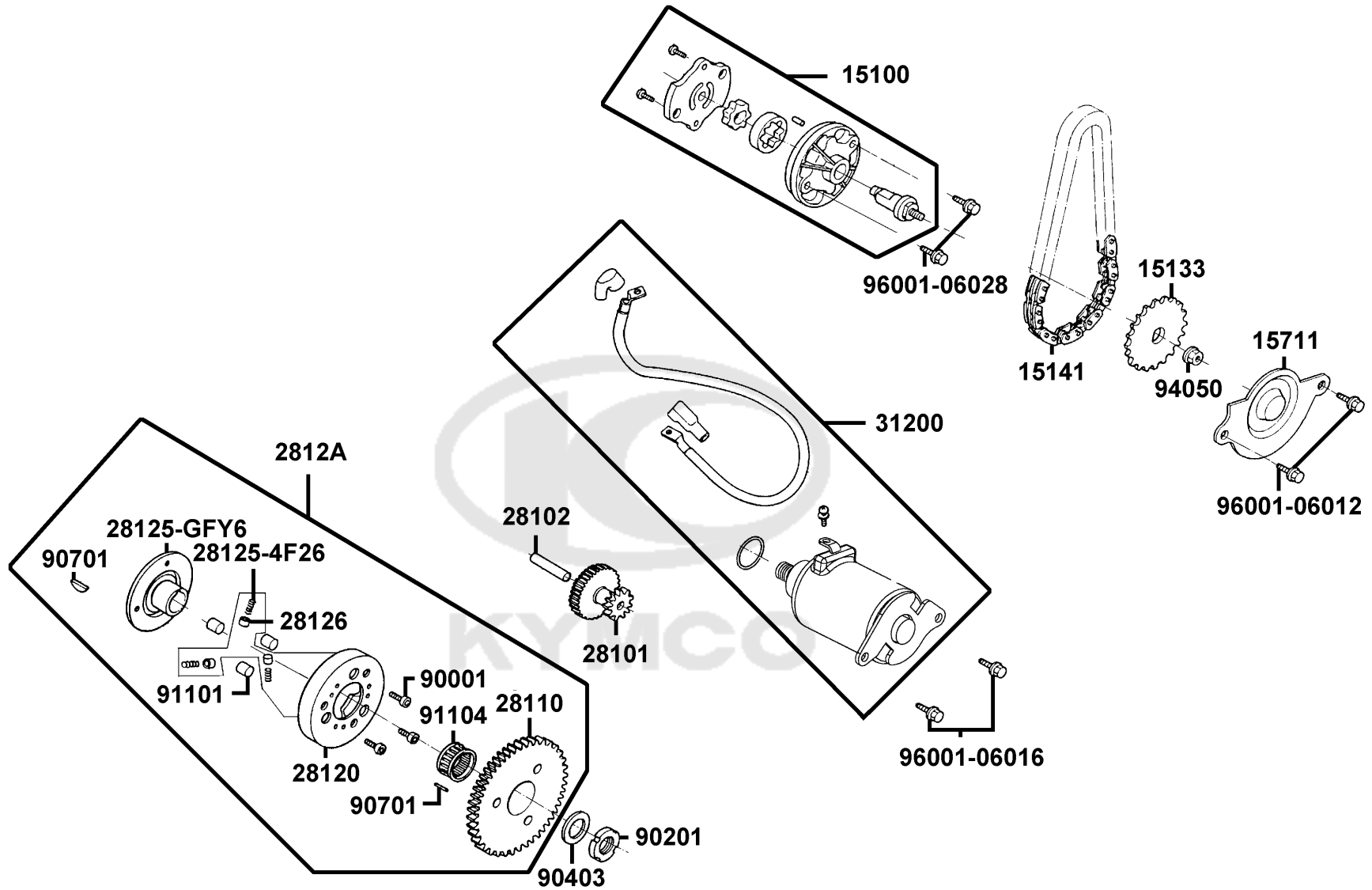




Sales mark	Ref no	Part no	Description	Reg description	Regd no	E06
	15100	15100-KFB7-C00	PUMP ASSY OIL	PUMP ASSY OIL	1	
	15133	15133-GFY6-W10	SPROCKET OIL PUMP DRIVE	SPROCKET OIL PUMP DRIVE	1	
	15141	15141-GFY6-C00	BOLT FLANGE SH 6*16 (C)	BOLT FLANGE SH 6*16 (C)	1	
	15711	15711-KUDU-C00	SEPARATER OIL	SEPARATER OIL	1	
	28101	28101-GFY6-C00	GEAR STARTER REDUCTION	GEAR STARTER REDUCTION	1	
	28102	28102-GFY6-C00	SHAFT STARTER REDUCTION GEAR	SHAFT STARTER REDUCTION GEAR	1	
	28110	28110-GFY6-C10	GEAR COMP STARTING CLUTCH	GEAR COMP STARTING CLUTCH	1	
	28120	28120-GFY6-C10	OUTER COMP STARTING CLUTCH	OUTER COMP STARTING CLUTCH	1	
	28125-4F26	28125-4F26-C00	SPRING ROLLER STARTER CLUTCH	SPRING ROLLER STARTER CLUTCH	1	
	28125-GFY6	28125-GFY6-C10	FLANGE STARTING CLUTCH	FLANGE STARTING CLUTCH	1	
	28126	28126-GFY6-C10	CAP STARTING ROLLER SPRING	CAP STARTING ROLLER SPRING	3	
	2812A	2812A-GFY6-C10	OUTER ASSY START CLUTCH	OUTER ASSY START CLUTCH	1	
	31200	31200-KUDU-C00	MOTOR ASSY START	MOTOR ASSY START	1	
	90001	90001-GFY6-C00	SOCKET BOLT 6*10	SOCKET BOLT 6*10	1	
	90201	90201-GFY6-901	NUT LOCK 22MM	NUT LOCK 22MM	1	
	90403	90403-KUDU-900	WASHER THRUST 22.2*39*2.5	WASHER THRUST 22.2*39*2.5	1	
	90701	90701-GFY6-C00	PIN DOWEL 5*6	PIN DOWEL 5*6	1	
	91101	91101-1K79-C00	ROLLER 10*10	ROLLER 10*10	1	
	91104	91104-GFY6-C00	BRG NEEDLE 28*32*17	BRG NEEDLE 28*32*17	1	
	94050	94050-06080	NUT FLANGE 6MM	NUT FLANGE 6MM	1	

E06

Starting Motor Oil Pump



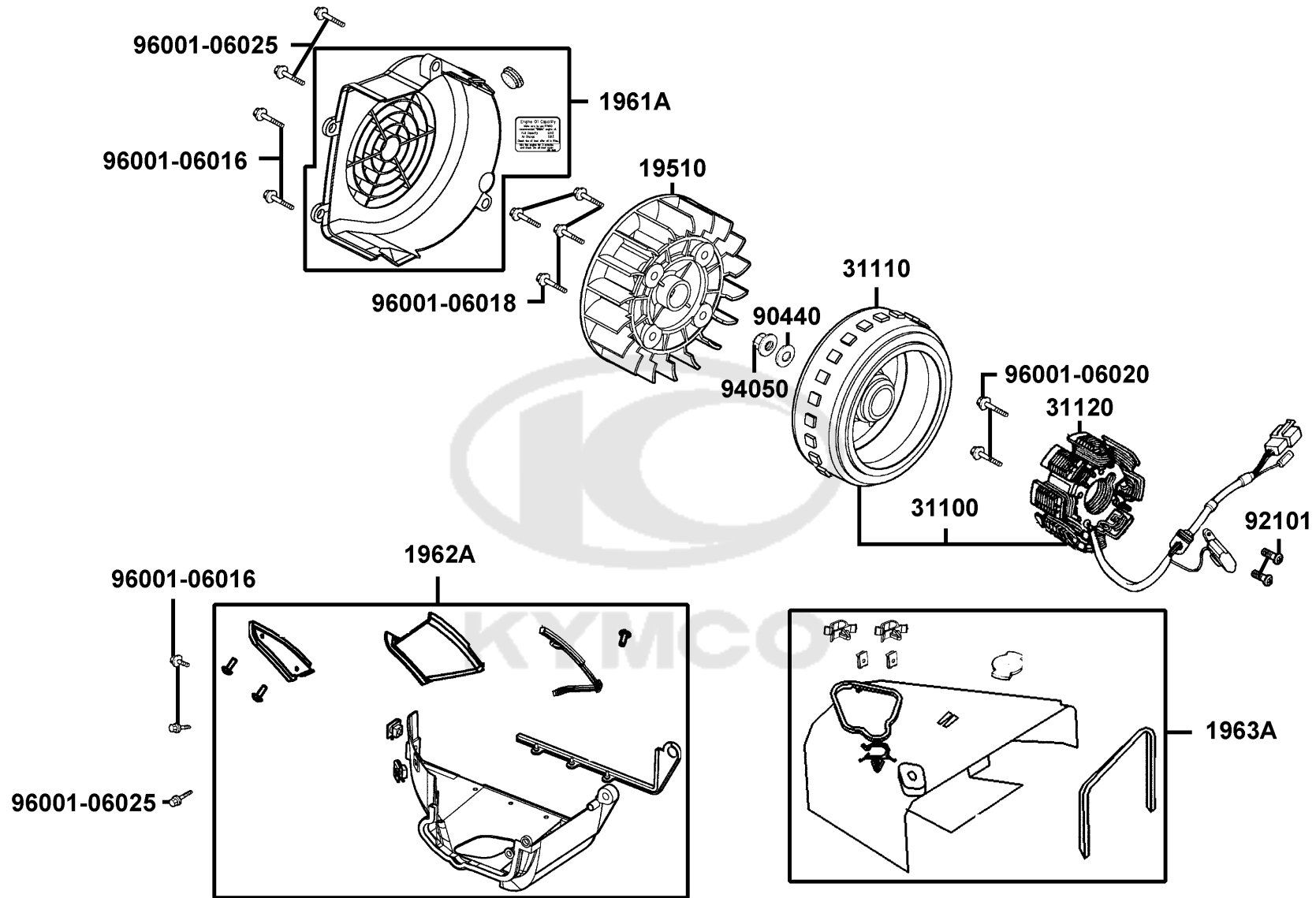
Sales mark	Ref no	Part no	Description	Reg description	Regd no	E06
------------	--------	---------	-------------	-----------------	---------	------------

96001-06012		96001-06012-08	BOLT FLANGE 6*12	BOLT FLANGE SH 6*12 (C)	2	
96001-06016		96001-06016-08	BOLT FLANGE SH 6*16	BOLT FLANGE SH 6*16	2	
96001-06028		96001-06028-08	BOLT FLANGE SH 6*28	BOLT FLANGE SH 6*28 (C)	2	

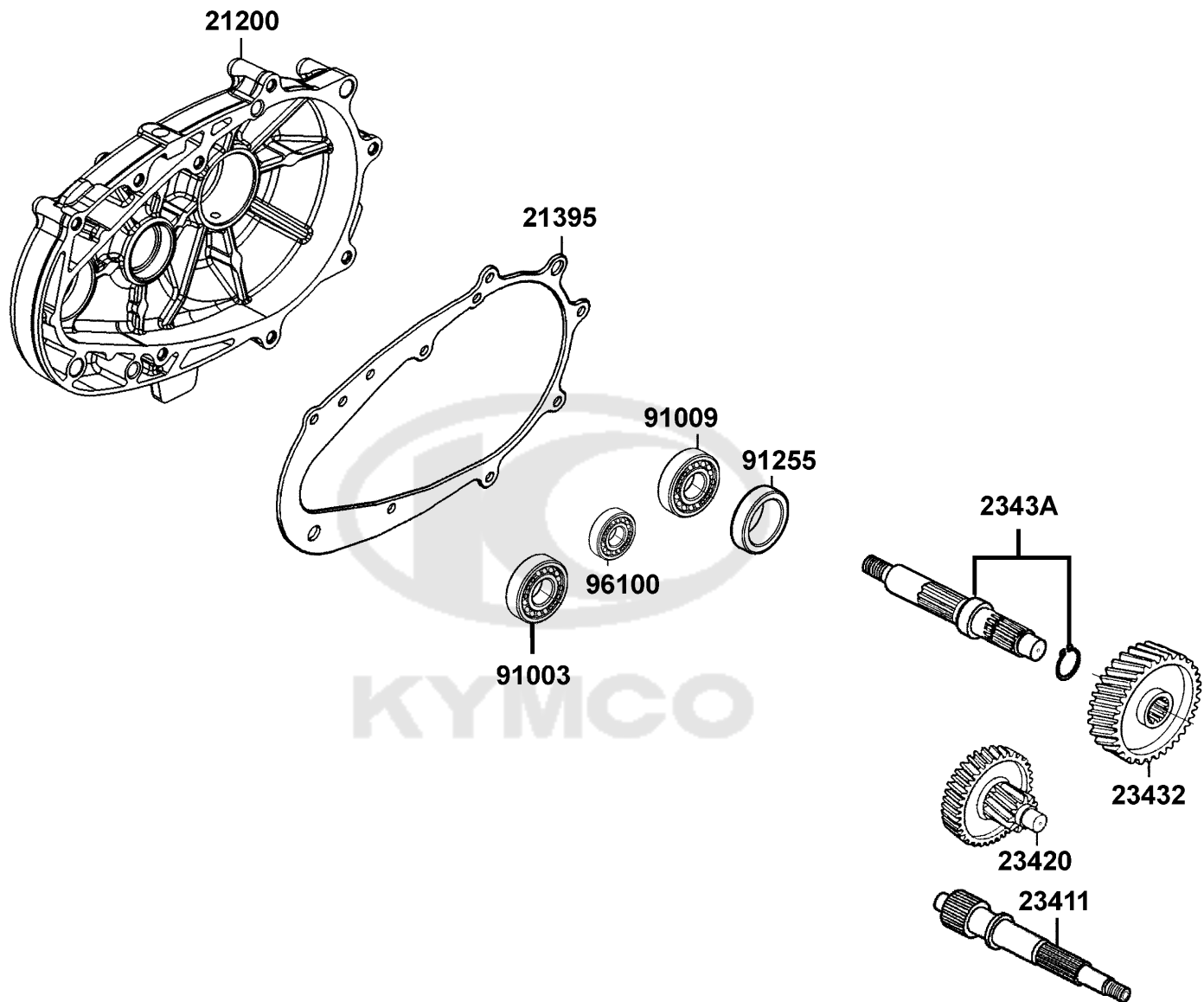


E07

Fan Cover Generator



Sales mark	Ref no	Part no	Description	Reg description	Regd no	E07
	19510	19510-KFB7-C00	FAN COMP COOLING	FAN COMP COOLING	1	
	1961A	1961A-KUDU-E10	COVER ASSY FAN	COVER ASSY FAN	1	
	1962A	1962A-LEJ8-E00	SHROUD ASSY A	SHROUD ASSY A	1	
	1963A	1963A-LGS6-E10	SHROUD ASSY B	SHROUD ASSY B	1	
	31100	31100-LGS6-E10	A.C. GEN. ASS'Y	A.C. GEN. ASS'Y	1	
	31110	31110-KKE3-90A	FLYWHEEL COMP	FLYWHEEL COMP	1	
	31120	31120-LGS6-E10	STATOR COMP.	STATOR COMP.	1	
	90440	90440-1F66-C00	WASHER PLAIN 12MM	WASHER PLAIN 12MM	1	
	92101	92101-05012-0H	BOLT HEX 5*12	BOLT HEX 5*12	2	
	94050	94050-12080	NUT C FLANGE 12MM	NUT FLANGE 12MM (C)	1	
	96001-06016	96001-06016-08	BOLT FLANGE SH 6*16	BOLT FLANGE SH 6*16	4	
	96001-06018	96001-06018-08	BOLT FLANGE SH 6*18	BOLT FLANGE SH 6*18	4	
	96001-06020	96001-06020-08	BOLT FLANGE SH 6*20	BOLT FLANGE SH 6*20	2	
	96001-06025	96001-06025-08	BOLT FLANGE SH 6*25	BOLT FLANGE 6*25	3	



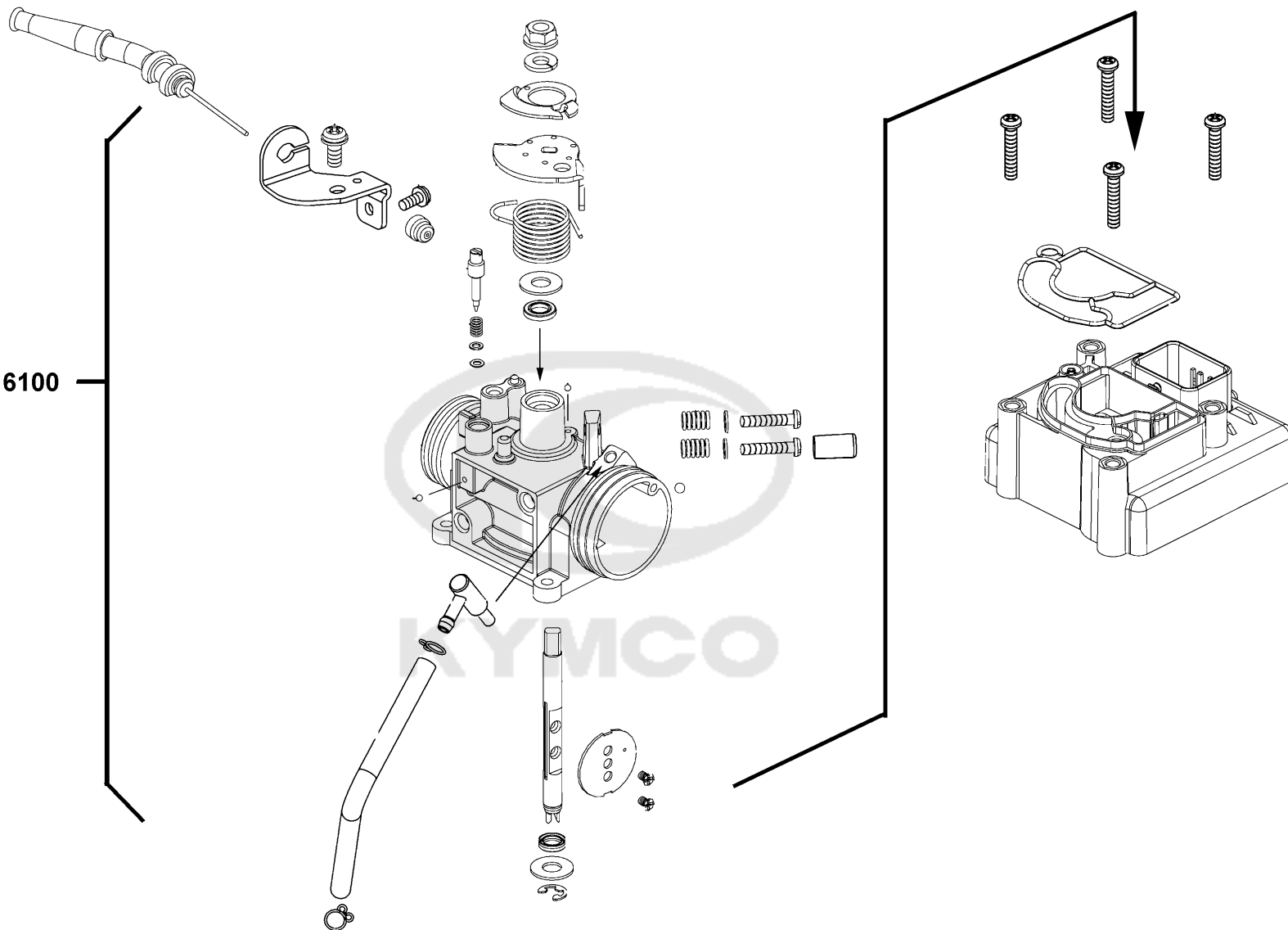
Sales mark	Ref no	Part no	Description	Reg description	Regd no	E08
21200		21200-LEJ8-C00	CASE COMP MISSION	CASE COMP MISSION	1	
21395		21395-LCD3-C00	GASKET MISSION CASE@A	GASKET MISSION CASE@A	1	
23411		23411-KHB4-C00	SHAFT DRIVE	SHAFT DRIVE	1	
23420		23420-LCD3-C00	SHAFT COMP COUNTER	SHAFT COMP COUNTER	1	
23432		23432-LCD3-C00	GEAR FINAL	GEAR FINAL	1	
2343A		2343A-KHB4-C00	SHAFT FINAL ASSY	SHAFT FINAL ASSY	1	
91003		91003-KDS4-C00	BRG BALL RADIAL 6301TMB	BRG BALL RADIAL 6301TMB	1	
91009		91009-GLE0-C00	BRG BALL RADIAL 6004 UU	BRG BALL RADIAL 6004 UU	1	
91255		91255-LDC8-E10	OIL SEAL 27*42*7	OIL SEAL 27*42*7	1	
96100		96100-60020-00	BRG BALL RADIAL 6002	BEARING BALL RADIAL 6002	1	



E09

Carburetor

16100



Sales mark	Ref no	Part no	Description	Reg description	Regd no	E09
------------	--------	---------	-------------	-----------------	---------	------------

16100

16100-LKD2-E10

THROTTLE BODY ASSY

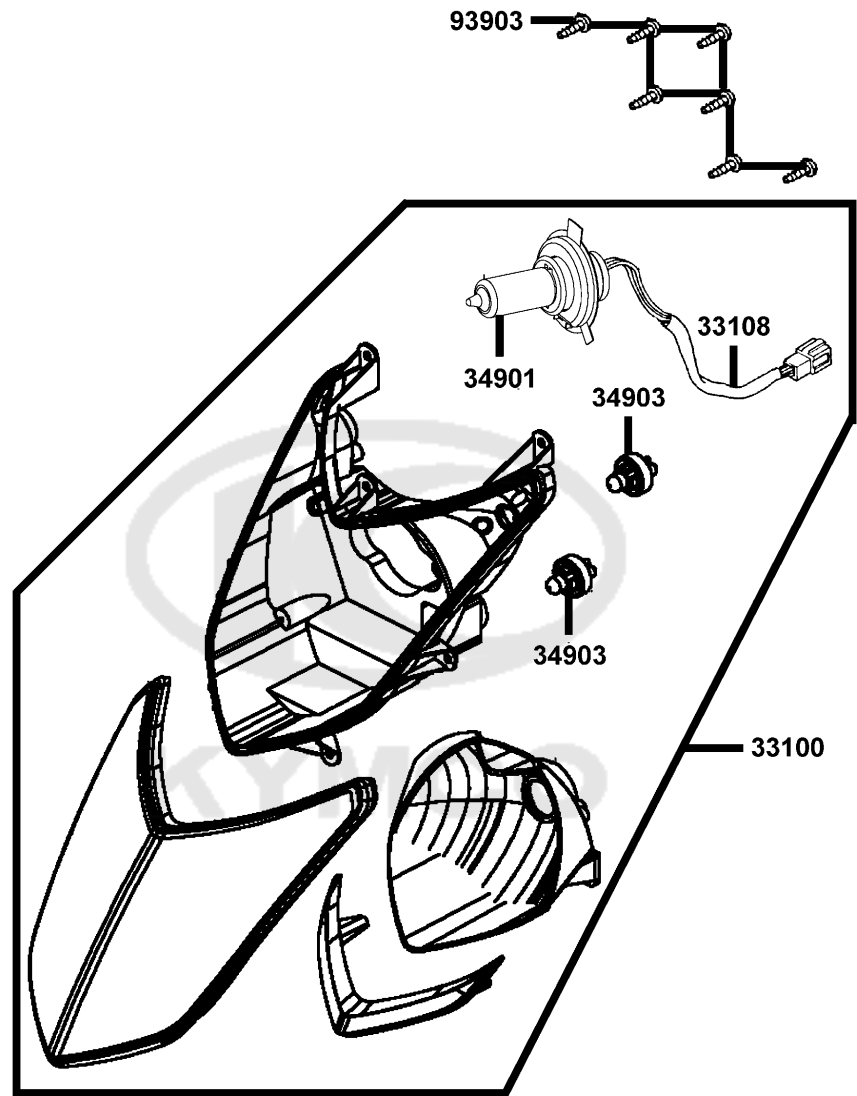
THROTTLE BODY ASSY

1



F01

Head Light

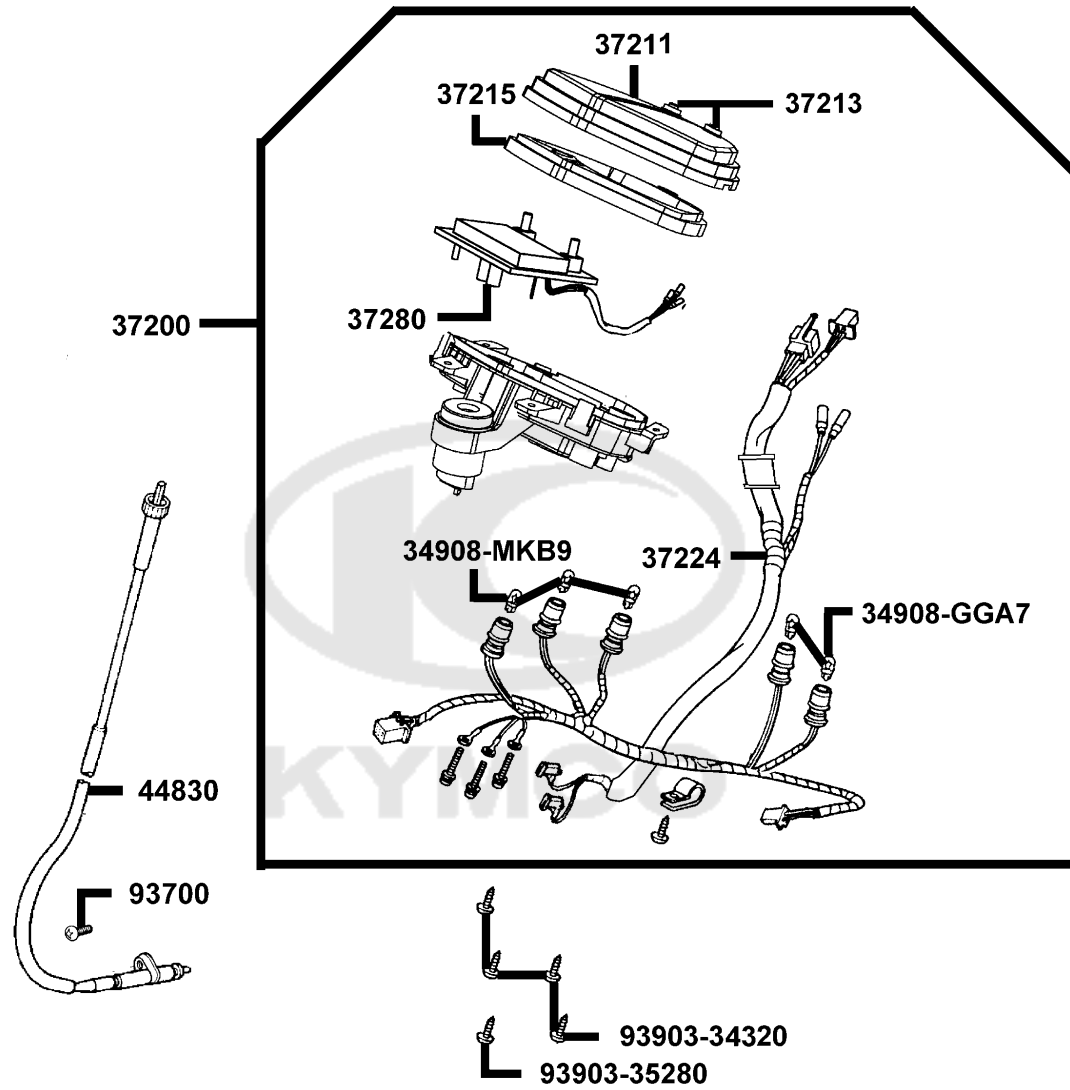


Sales mark	Ref no	Part no	Description	Reg description	Regd no	F01
	33100	33100-LFC2-E10	LIGHT ASSY HEAD	LIGHT ASSY HEAD	1	
	33108	33108-LFC2-E10	SOCKET COMP HEAD LIGHT	SOCKET COMP HEAD LIGHT	1	
	34901	34901-LDC8-E10	BULB HEAD LIGHT	BULB HEAD LIGHT	1	
	34903	34903-LDC8-E10	BULB POSITION	BULB POSITION	2	
	93903	93903-35220	SCREW TAPPING 5*12	SCREW TAPPING 5*12	7	



F02

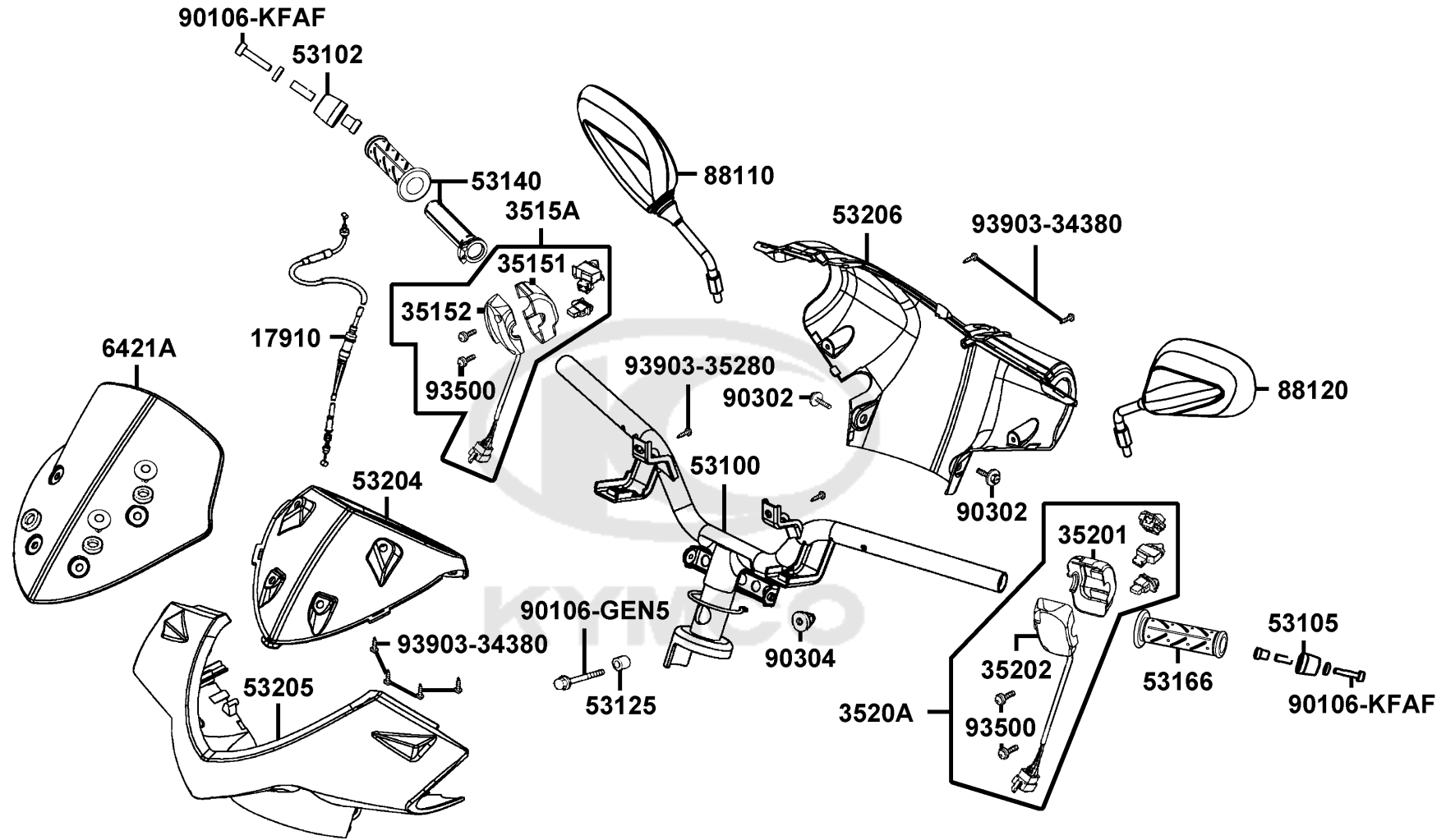
Speedometer



Sales mark	Ref no	Part no	Description	Reg description	Regd no	F02
	34908-GGA7	34908-GGA7-C00	BULB,WEDGE BASE T10	"BULB,WEDGE BASE T10"	1	
	34908-MKB9	34908-MKB9-C00	BULB WEDGE BASE	BULB WEDGE BASE	1	
	37200	37200-LKD2-E10	METER ASSY SPEED	METER ASSY SPEED	1	
	37211	37211-LFC2-E10	LENS COMP METER	LENS COMP METER	1	
	37213	37213-LFC2-E10	BUTTON ADJUST	BUTTON ADJUST	2	
	37215	37215-LFC2-E10	PLATE COSMETIC	PLATE COSMETIC	1	
	37224	37224-LKD2-E10	SOCKET COMP. METER	SOCKET COMP. METER	1	
	37280	37280-LEJ2-E0A	LCD ASSY (LOCK)	LCD ASSY(LOCK)	1	
	44830	44830-LCD3-C00	CABLE COMP SPDMT	CABLE COMP SPDMT	1	
	93700	93700-05018-0H	SCREW OVAL 5*18	SCREW OVAL 5*18	1	
	93903-34320	93903-34320	SCREW TAPPING 4*12	SCREW TAPPING 4*12 (C)	4	
	93903-35280	93903-35280	SCREW TAPPING 5*12(K)	SCREW TAPPING 5*12(K)	1	

F03

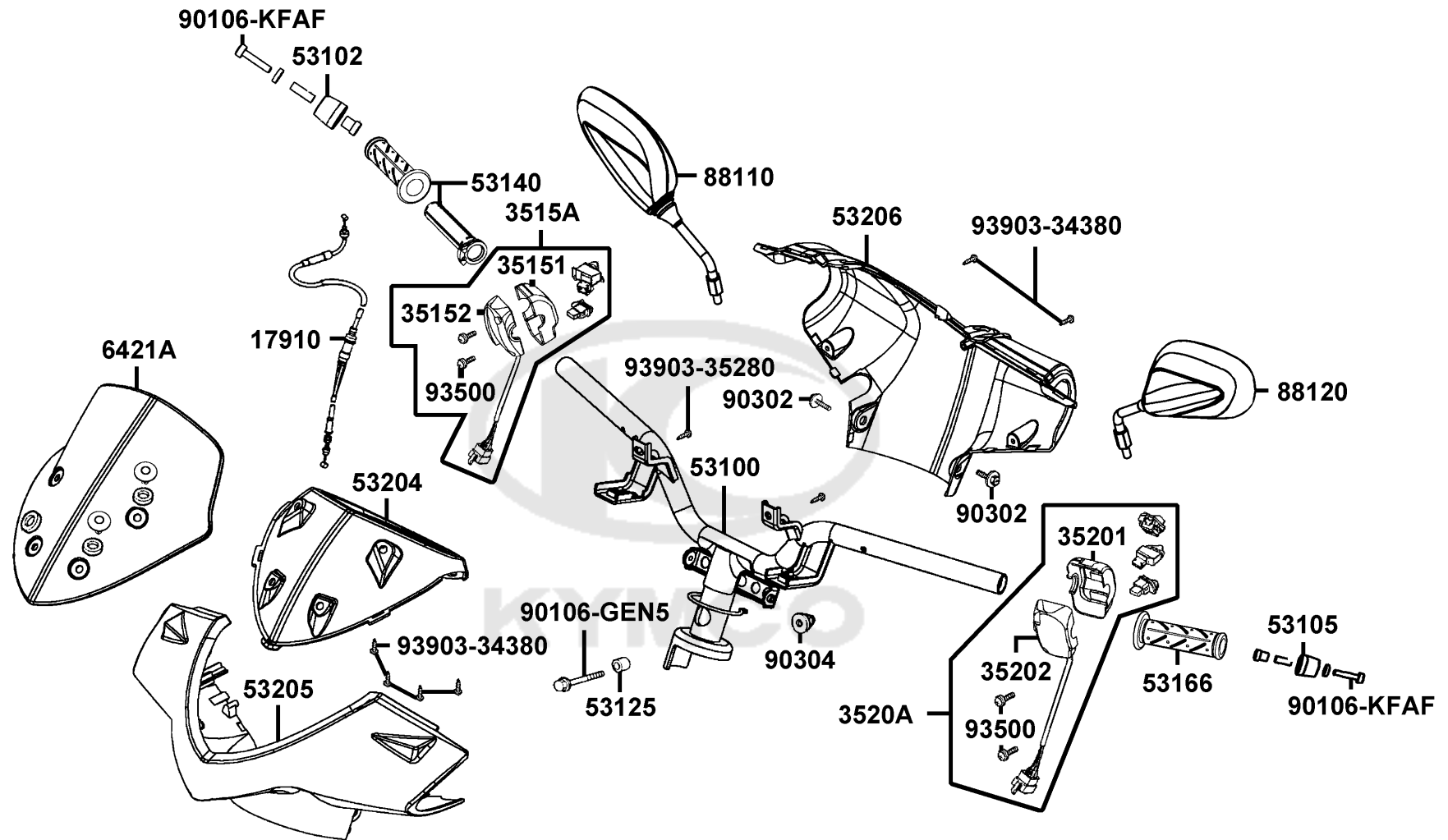
Handle Steering Handle Cover



Sales mark	Ref no	Part no	Description	Reg description	Regd no	F03
	17910	17910-LGS6-E10	CABLE COMP THROT	CABLE COMP THROT	1	
	35151	35151-LGB5-E10	FR CASE RH HNDL COMP SW	FR CASE RH HNDL COMP SW	1	
	35152	35152-LGB5-E10	RR CASE RH HNDL COMP SW	RR CASE RH HNDL COMP SW	1	
	3515A	3515A-LGB5-E10	SW ASSY RH HNDL COMP	SW ASSY RH HNDL COMP	1	
	35201	35201-LGB5-E10	FR CASE LH HNDL COMP SW	FR CASE LH HNDL COMP SW	1	
	35202	35202-LGB5-E10	RR CASE LH HNDL SW COMP	RR CASE LH HNDL SW COMP	1	
	3520A	3520A-LGB5-E10	SW ASSY LH HANDLE COMP	SW ASSY LH HANDLE COMP	1	
	53100	53100-LFC3-E10	HANDLE COMP STRG	HANDLE COMP STRG	1	
	53102	53102-LFC3-E10	END HANDLE	END HANDLE	1	
	53105	53105-LFC4-E10	END L HANDLE	END L HANDLE	1	
	53125	53125-GEN5-C00	COLLAR HANDLE SET	COLLAR HANDLE SET	1	
	53140	53140-LEJ2-E10	GRIP COMP THROT	GRIP COMP THROT	1	
	53166	53166-LEJ2-E10	GRIP L HANDLE	GRIP L HANDLE	1	
**	53204	53204-LFC2-E10	COVER METER	COVER METER	1	
**	53205	53205-LFC2-E10	COVER HANDLE FR	COVER HANDLE FR	1	
**	53206	53206-LFC2-E10	COVER HANDLE RR	COVER HANDLE RR	1	
	6421A	6421A-LFC2-E10	SPONGE VISOR	SPONGE VISOR	1	
**	88110	88110-LEB5-C10	MIRROR ASSY R BACK	MIRROR ASSY R BACK	1	
**	88120	88120-LEB5-C10	MIRROR ASSY L BACK	MIRROR ASSY L BACK	1	
	90106-GEN5	90106-GEN5-901	BOLT FLANGE 10*50	BOLT FLANGE 10*50	1	

F03

Handle Steering Handle Cover

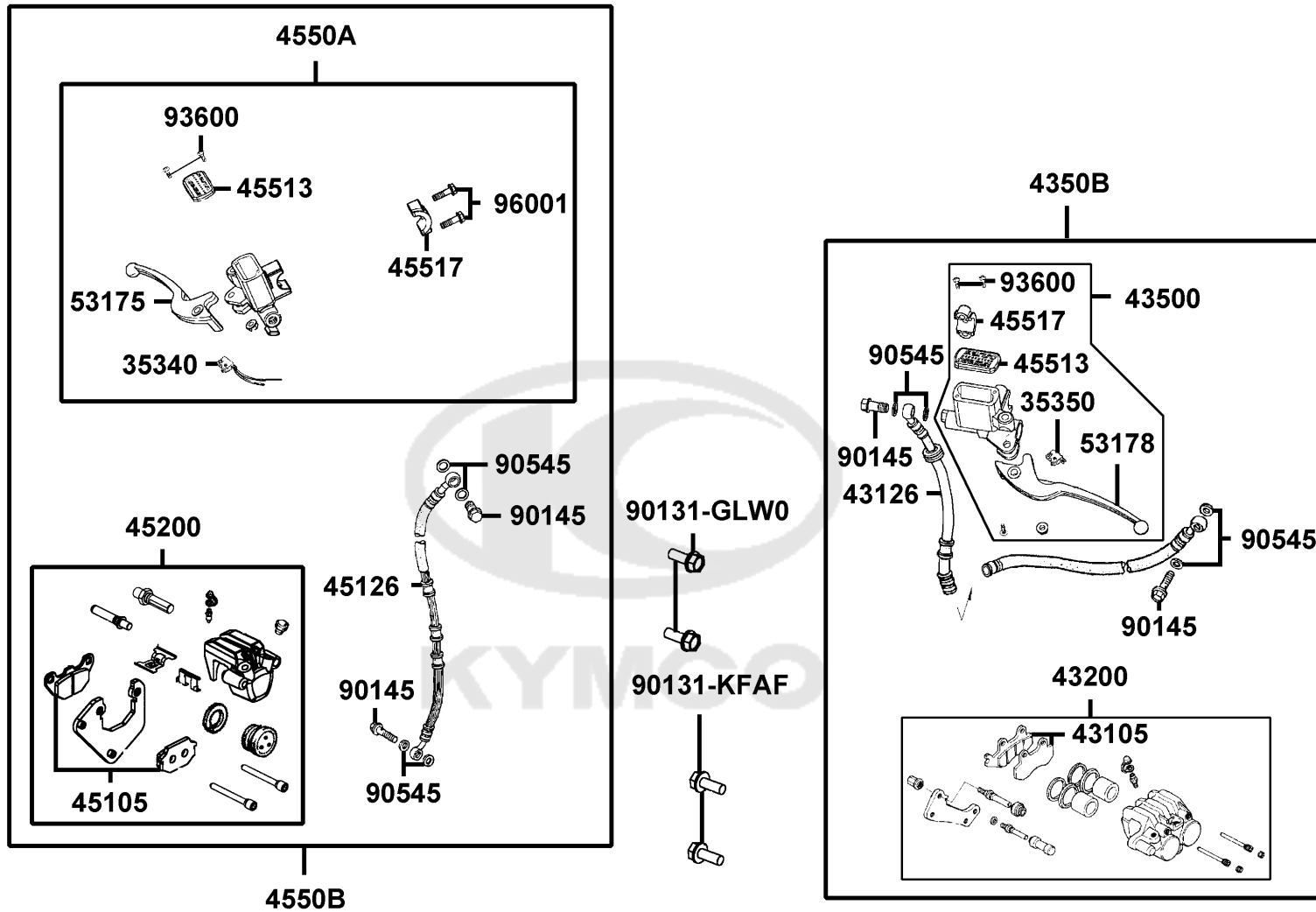


Sales mark	Ref no	Part no	Description	Reg description	Regd no	F03
	90106-KFAF	90106-KFAF-900	BOLT SPECIAL	BOLT SPECIAL 8MM	2	
	90302	90302-LLB1-C00	BOLT-WASH 5*12	BOLT-WASH 5*12	1	
	90304	90304-GHE8-C00	NUT U 10MM(C)	NUT U 10MM(C)	1	
	93500	93500-05025	SCREW PAN 5*25	SCREW PAN 5*25	4	
	93903-34380	93903-34380	SCREW TAPPING 4*12	SCREW TAPPING 4*12	6	
	93903-35280	93903-35280	SCREW TAPPING 5*12(K)	SCREW TAPPING 5*12(K)	2	

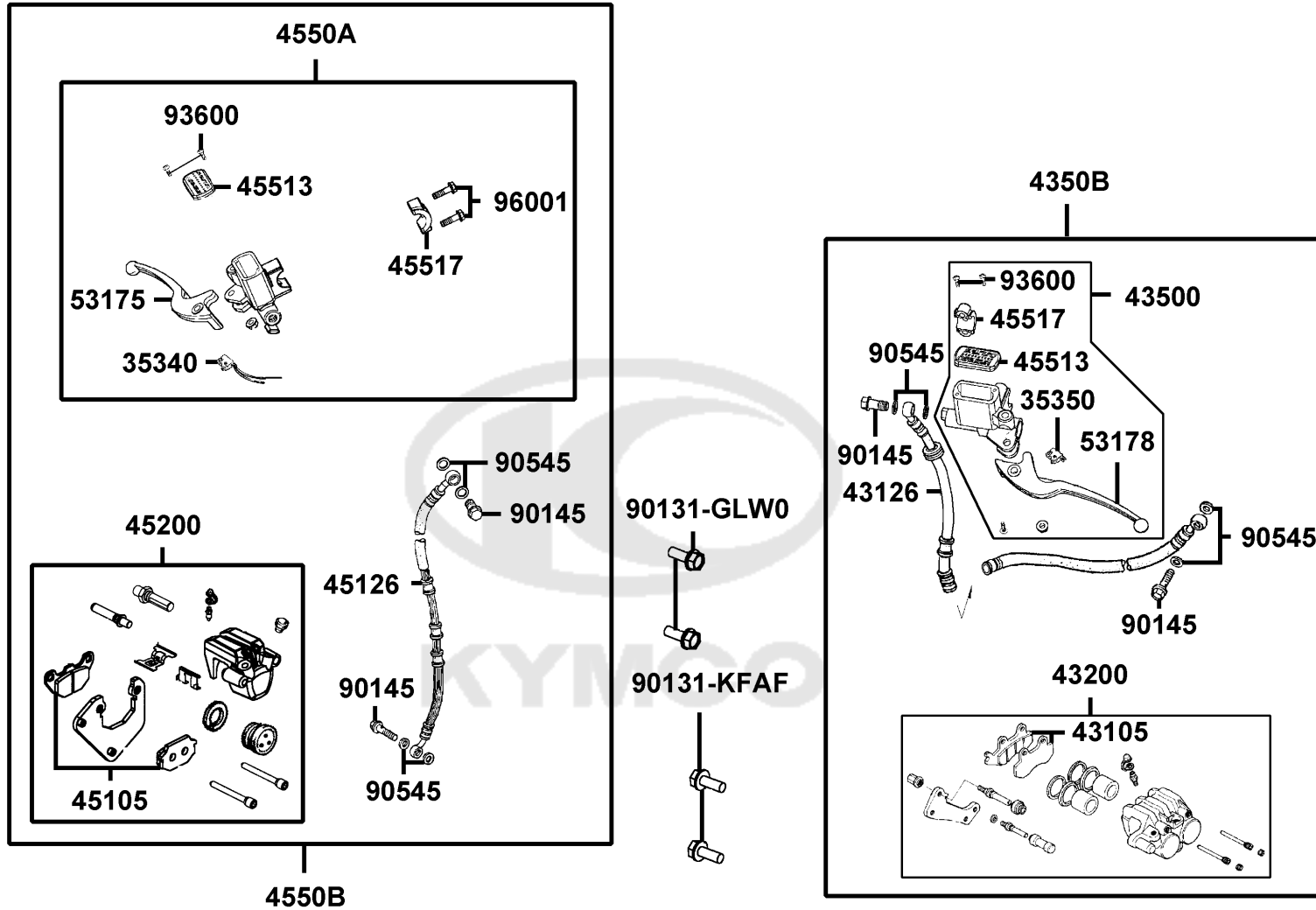


F04

Brake Master Cylinder



Sales mark	Ref no	Part no	Description	Reg description	Regd no	F04
	35340	35340-KNBN-901	SW ASSY FR STOP	SW ASSY FR STOP	1	
	35350	35350-KNBN-901	SW ASSY RR STOP	SW ASSY RR STOP	1	
	43105	43105-LFC4-306	PAD COMP A AND B	PAD COMP A AND B	1	
	43126	43126-LFC4-E10	HOSE ASSY RR BRK	HOSE ASSY RR BRK	1	
	43200	43200-LFC4-E80	CALIPER ASSY, RR	CALIPER ASSY, RR	1	
	43500	43500-LFC3-E10	M/C ASY FR BRK	M/C ASY FR BRK	1	
	4350B	4350B-LFC4-E80	SUB ASSY RR BRK	SUB ASSY RR BRK	1	
	45105	45105-LEJ2-306	PAD COMP A+B	PAD COMP A+B	1	
	45126	45126-LFC2-E10	HOSE ASSY FR BRK	HOSE ASSY FR BRK	1	
	45200	45200-LFC2-E80	CALIPER ASSY FR LH	CALIPER ASSY FR LH	1	
	4550A	4550A-LFC2-E1A	M/C ASSY FR	M/C ASSY FR	1	
	4550B	4550B-LFC2-E80	SUB ASSY FR BRK	SUB ASSY FR BRK	1	
	45513	45513-KCCC-900	CAP M/C	CAP M/C	1	
	45517	45517-KFAF-910	HOLDER M/C	HOLDER M/C	1	
	53175	53175-KTCT-C00	LEVER R STRG HNDL	LEVER R STRG HNDL	1	
**	53178	53178-KNBN-C00	LEVER L STRG HANDLE	LEVER L STRG HANDLE	1	
	90131-GLW0	90131-GLW0-C00	BOLT FLANGE 8*35	BOLT FLANGE 8*35	1	
	90131-KFAF	90131-KFAF-C00	BOLT FLANGE 8*42	BOLT FLANGE 8*42	1	
	90145	90145-9A61-C00	OIL BOLT 10*22	OIL BOLT 10*22	1	
	90545	90545-3L00-C00	WASHER OIL BOLT	WASHER OIL BOLT	1	



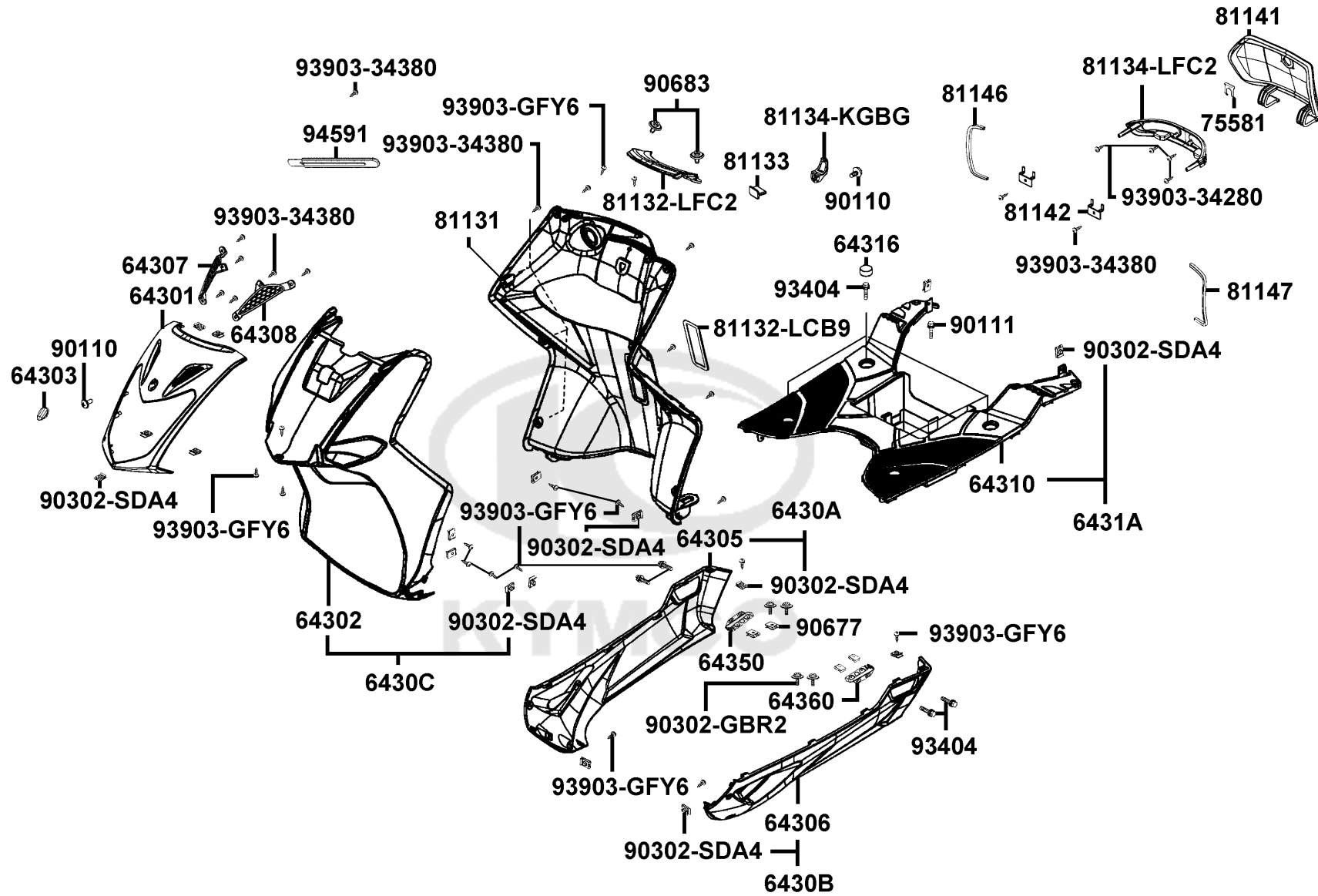
Sales mark	Ref no	Part no	Description	Reg description	Regd no	F04
------------	--------	---------	-------------	-----------------	---------	------------

	93600	93600-04012-1G	SCREW FLAT 4*12	SCREW FLAT 4*12	4	
	96001	96001-06025-00	BOLT FLANGE SH 6*25	BOLT FLANGE SH 6*25	2	



F05

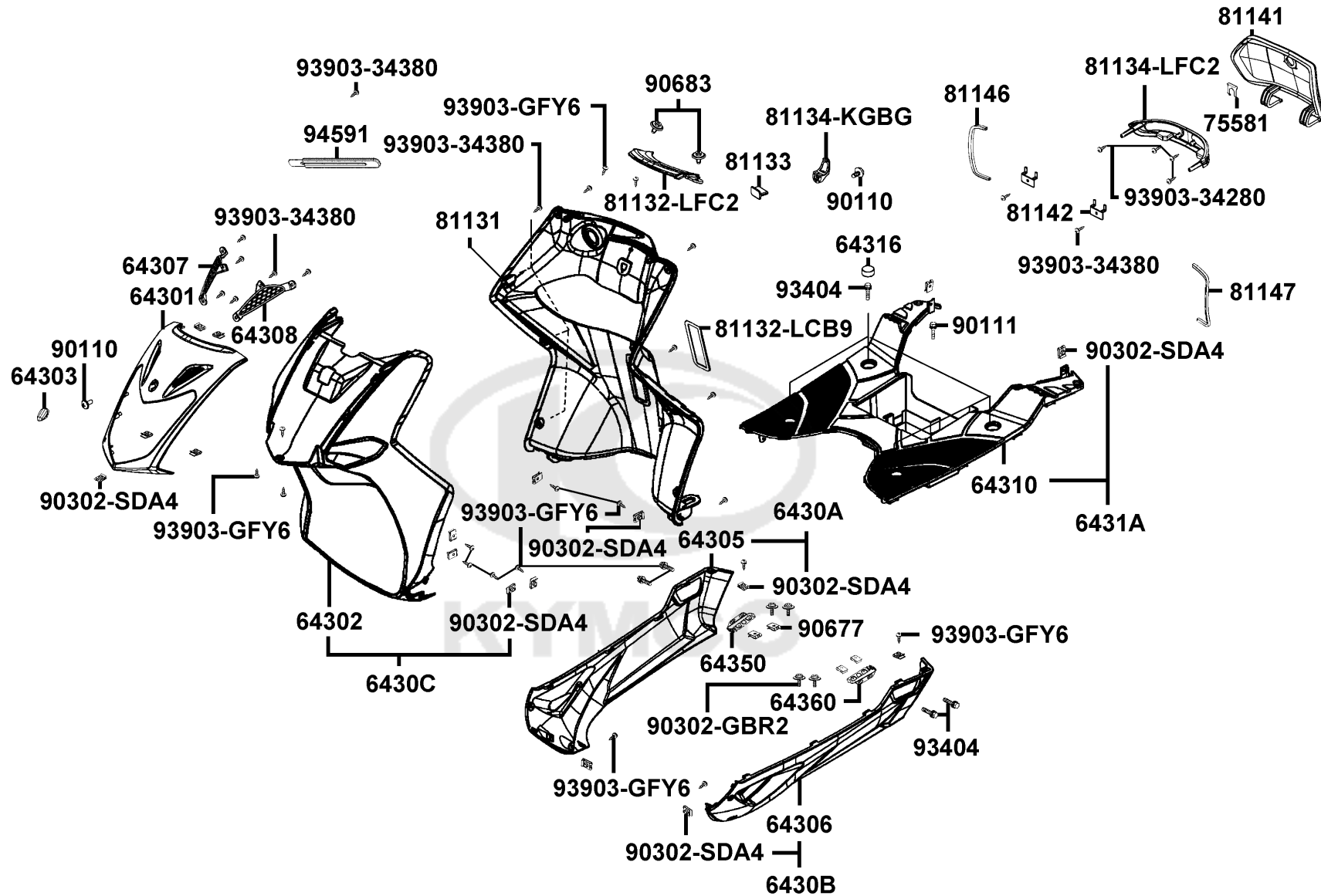
Front Cover Front Fender



Sales mark	Ref no	Part no	Description	Reg description	Regd no	F05
**	64301	64301-LFC2-E10	COVER FR	COVER FR	1	
**	64302	64302-LFC2-E10	MOLD FRONT	MOLD FRONT	1	
**	64303	64303-LFC2-E10	CAP FR COVER	CAP FR COVER	1	
**	64305	64305-LFC2-E10	SKIRT R SIDE	SKIRT R SIDE	1	
**	64306	64306-LFC2-E10	SKIRT L SIDE	SKIRT L SIDE	1	
**	64307	64307-LFC2-E10	GRILLE R FR MOLDING	GRILLE R FR MOLDING	1	
**	64308	64308-LFC2-E10	GRILLE L FR MOLDING	GRILLE L FR MOLDING	1	
**	6430A	6430A-LFC2-E10	SKIRT ASSY R SIDE	SKIRT ASSY R SIDE	1	
**	6430B	6430B-LFC2-E10	SKIRT ASSY L SIDE	SKIRT ASSY L SIDE	1	
**	6430C	6430C-LFC2-E10	MOLD ASSY FRONT	MOLD ASSY FRONT	1	
**	64310	64310-LFC2-E11	FLOOR PANEL	FLOOR PANEL	1	
**	64316	64316-LCB9-C10	PLUG FLOOR	PLUG FLOOR	4	
**	6431A	6431A-LFC2-E11	FLOOR PANEL ASSY	FLOOR PANEL ASSY	1	
**	64350	64350-LFC2-E11	COVER R STEP	COVER R STEP	1	
**	64360	64360-LFC2-E11	COVER L STEP	COVER L STEP	1	
	75581	75581-6C73-C00	SET SPG LOCK KET(43°C)	SET SPG LOCK KET(43°C)	1	
**	81131	81131-LFC2-E10	LEG SHIELD	LEG SHIELD	1	
**	81132-LCB9	81132-LCB9-C10	Xc	Xc	1	
**	81132-LFC2	81132-LFC2-E10	CAP LEG SHIELD UP	CAP LEG SHIELD UP	1	
	81133	81133-KNBN-C00	STOPPER LUGGAGE	STOPPER LUGGAGE	1	

F05

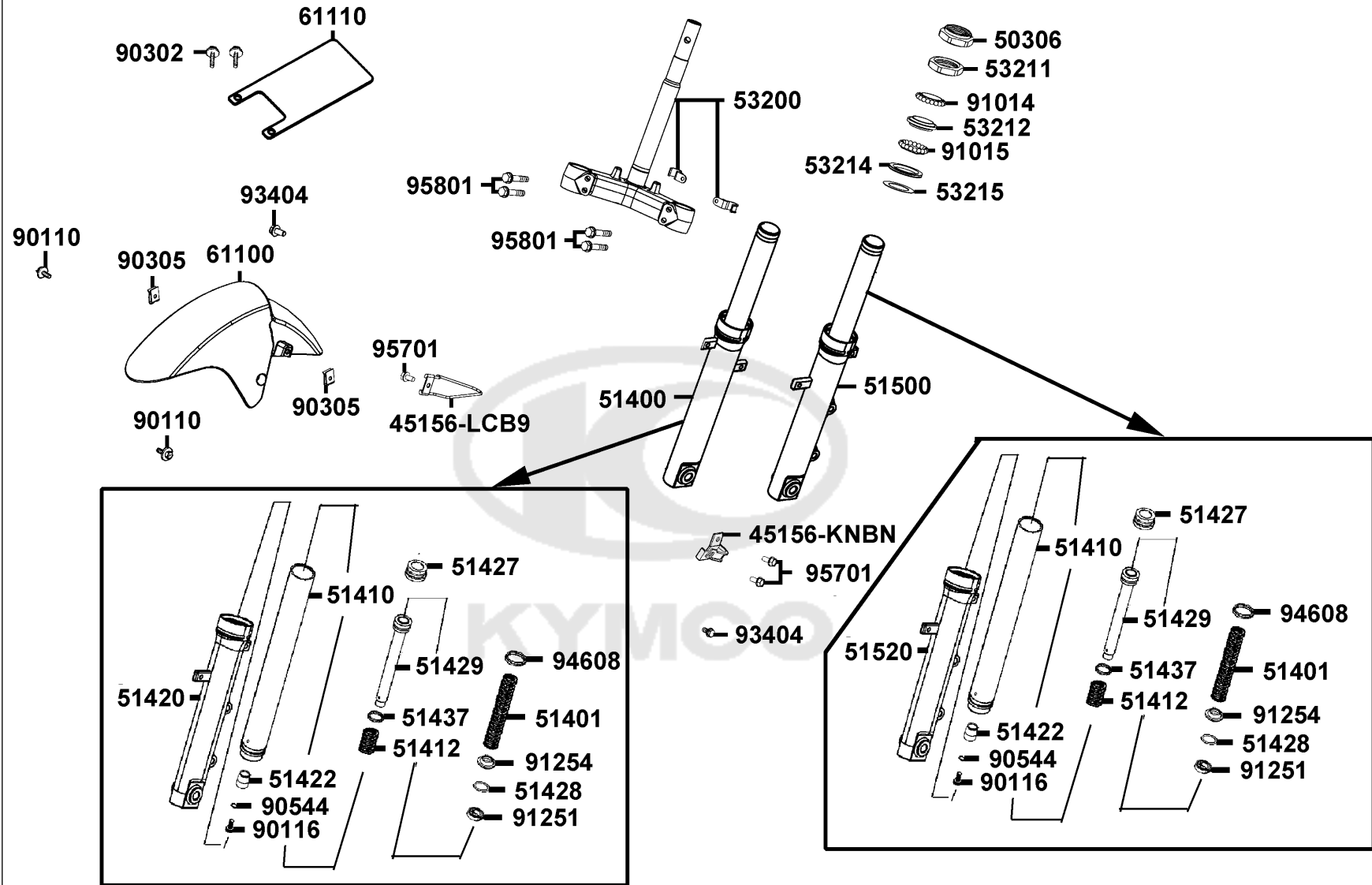
Front Cover Front Fender



Sales mark	Ref no	Part no	Description	Reg description	Regd no	F05
	81134-KGBG	81134-KGBG-C00	HOOK LUGGAGE	HOOK LUGGAGE	1	
**	81134-LFC2	81134-LFC2-E10	PLATE INNER BOX	PLATE INNER BOX	1	
**	81141	81141-LFC2-E10	LID INNER BOX	LID INNER BOX	1	
	81142	81142-KFA6-C00	STAY LID INNER BOX	STAY LID INNER BOX	1	
	81146	81146-LFC2-E10	SEAL A LID INNER BOX	SEAL A LID INNER BOX	1	
	81147	81147-LFC2-E10	SEAL B LID INNER BOX	SEAL B LID INNER BOX	1	
	90110	90110-GLW0-C00	SCREW SPECIAL 6*14	SCREW SPECIAL 6*14	1	
	90111	90111-1G87-C00	BOLT FLANGE 6MM	BOLT FLANGE 6MM	1	
	90302-GBR2	90302-GBR2-C00	BOLT-WASH 5*12	BOLT-WASH 5*12	1	
	90302-SDA4	90302-SDA4-C00	NUT SPRING 4MM	NUT SPRING 4MM	1	
	90677	90677-GAR1-C00	NUT CLIP 5MM	NUT CLIP 5MM	1	
	90683	90683-GAR1-C00	CLIP BODY COVER	CLIP BODY COVER	1	
	93404	93404-06020-07	BOLT WASHER 6*20 (K)	BOLT WASHER 6*20 (K)	8	
	93903-34280	93903-34280	SCREW TAPPING 4*10 (K)	SCREW TAPPING 4*10 (K)	4	
	93903-34380	93903-34380	SCREW TAPPING 4*12	SCREW TAPPING 4*12	1	
	93903-GFY6	93903-GFY6-C00	SCREW TAPPING 4*14	SCREW TAPPING 4*14	1	
	94591	94591-LGR5-E10	CLIP 1*100	CLIP 1*100	1	

F06

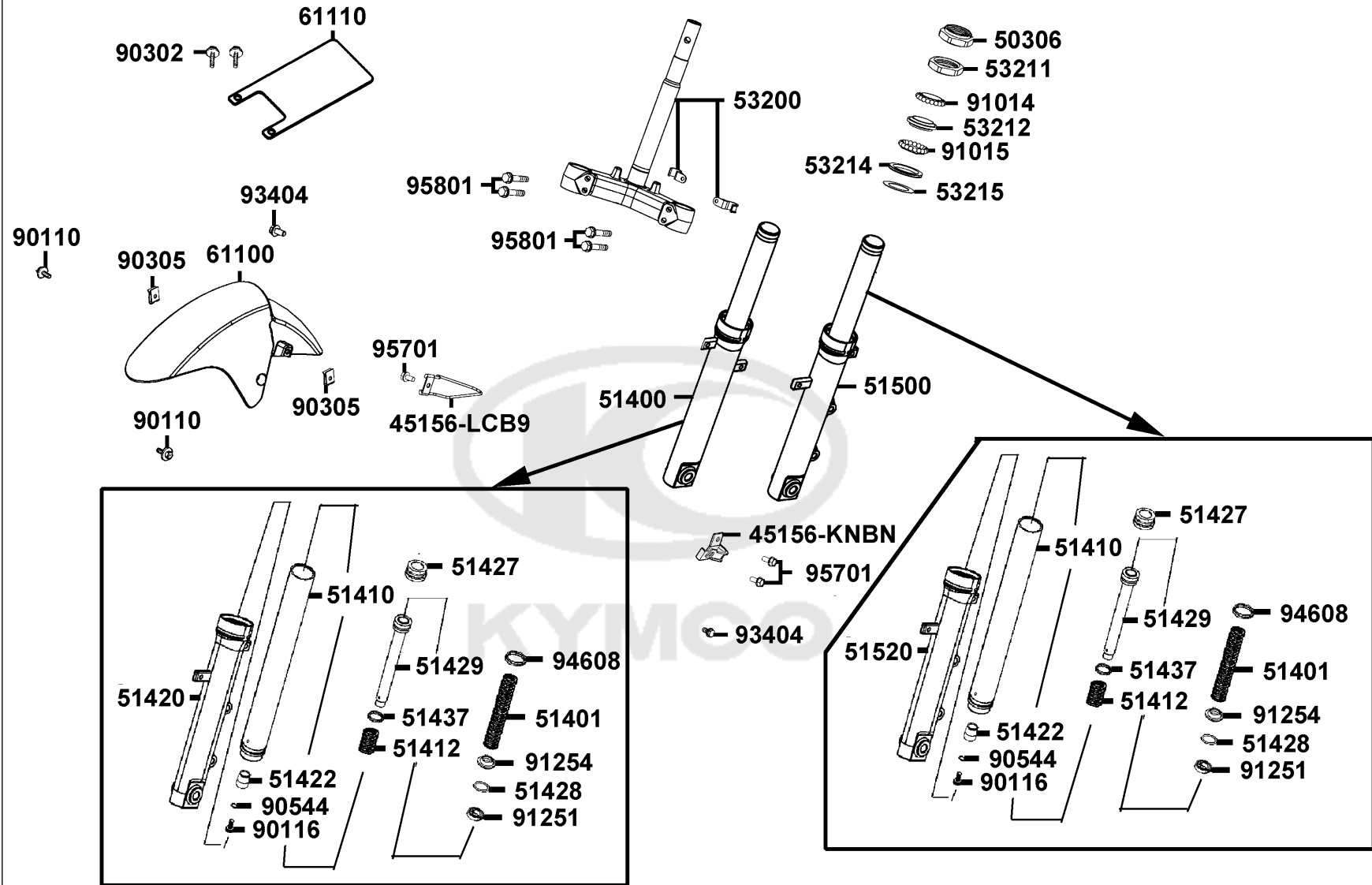
Stem Steering Front Cushion



Sales mark	Ref no	Part no	Description	Reg description	Regd no	F06
	45156-KNBN	45156-KNBN-C00	CLAMPER FR BRAKE HOSE	CLAMPER FR BRAKE HOSE	1	
	45156-LCB9	45156-LCB9-B20	CLAMPER FR SPDMT CABLE	CLAMPER FR SPDMT CABLE	1	
	50306	50306-1F96-C00	NUT STRG STEM LOCK	NUT STRG STEM LOCK	1	
	51400	51400-LFC3-E10	FORK ASSY R FR	FORK ASSY R FR	1	
**		51400-LFC3-E10	FORK ASSY R FR	FORK ASSY R FR	1	
	51401	51401-LFC3-E10	SPRING	SPRING	1	
	51410	51410-LEJ2-E10	FORK PIPE COMP	FORK PIPE COMP	1	
	51412	51412-LEJ2-E10	REBOUND SPRING	REBOUND SPRING	1	
	51420	51420-LFC2-E10	BOTTOM CASE RH	BOTTOM CASE RH	1	
	51422	51422-LEJ2-E10	OIL LOCK PIECE	OIL LOCK PIECE	1	
	51427	51427-LEJ2-E10	FORK BOLT	FORK BOLT	1	
	51428	51428-LEJ2-E10	OIL SEAL STOPPER RING	OIL SEAL STOPPER RING	1	
	51429	51429-LFC3-E10	PIPE SEAT	PIPE SEAT	1	
	51437	51437-LEJ2-E10	PISTON RING	PISTON RING	1	
**	51500	51500-LFC3-E10	FORK ASSY L FR	FORK ASSY L FR	1	
	51520	51520-LEJ2-E10	BOTTOM CASE LH	BOTTOM CASE LH	1	
	53200	53200-LFC2-E10	STEM ASSY STRG	STEM ASSY STRG	1	
	53211	53211-GFY6-C00	RACE STRG TOP CONE	RACE STRG TOP CONE	1	
	53212	53212-2L50-C00	RACE (STRG BOTTOM) CONE	RACE (STRG BOTTOM) CONE	1	
	53214	53214-2L50-C00	DUST SEAL STRG HEAD	DUST SEAL STRG HEAD	1	

F06

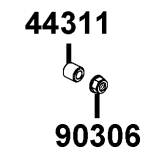
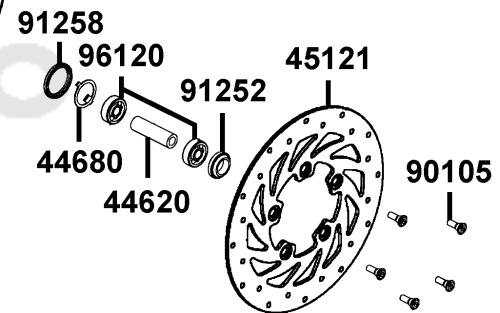
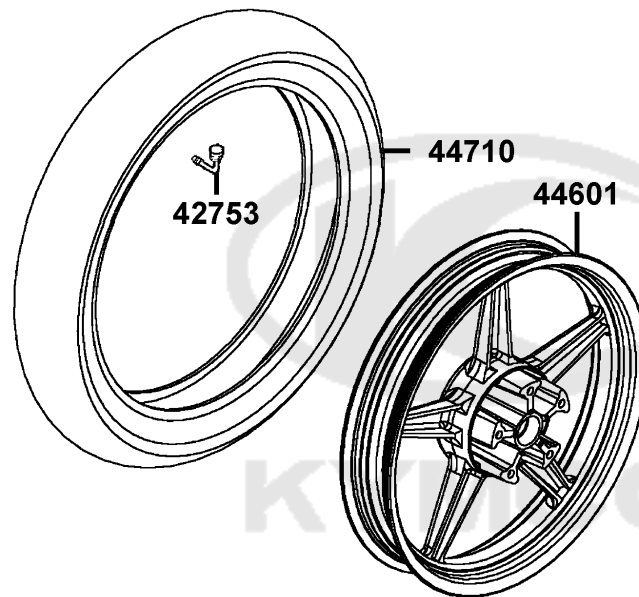
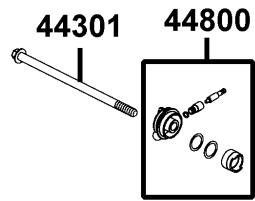
Stem Steering Front Cushion



Sales mark	Ref no	Part no	Description	Reg description	Regd no	F06
	53215	53215-2L50-C00	WASHER STRG HDL DUST-SEAL	WASHER STRG HDL DUST-SEAL	1	
**	61100	61100-LFC2-E10	FENDER FR	FENDER FR	1	
	61110	61110-LFC2-E10	PLATEINNER FENDER SPLASH GUARD	PLATEINNER FENDER SPLASH GUARD	1	
	90110	90110-KEB7-C00	SCREW SPECIAL 6*14	SCREW SPECIAL 6*14	1	
	90116	90116-LEJ2-E10	?? BOLT	?? BOLT	1	
	90302	90302-GFY6-C10	BOLT-WASH 5*16	BOLT-WASH 5*16	1	
	90305	90305-GHK8-C00	NUT CLIP 6MM	NUT CLIP 6MM	1	
	90544	90544-LEJ2-E10	PACKINGCUB	PACKINGCUB	1	
	91014	91014-LLJ3-C00	CAGE STRG TOPP	CAGE STRG TOPP	1	
	91015	91015-LLJ3-C00	CAGE STRG BOT	CAGE STRG BOT	1	
	91251	91251-LEJ2-E10	OIL SEAL	OIL SEAL	1	
	91254	91254-LEJ2-E10	DUST SEAL	DUST SEAL	1	
	93404	93404-06025-07	BOLT WASHER 6*25 (K)	BOLT WASHER 6*25 (K)	2	
	94608	94608-LEJ2-E10	O-RING B	O-RING B	1	
	95701	95701-06012-08	BOLT FLANGE 6*12	BOLT FLANGE 6*12	3	
	95801	95801-08040-08	BOLT FLANGE 8*40	BOLT FLANGE 8*40	4	

F07

Front Wheel



Sales mark	Ref no	Part no	Description	Reg description	Regd no	F07
	42753	42753-0A01-C00	VALVE (TR 412) & CAP (C)	VALVE (TR 412) & CAP (C)	1	
	44301	44301-LEJ2-E10	AXLE FR WHEEL	AXLE FR WHEEL	1	
	44311	44311-LFC2-E10	COLLAR FR WHEEL SIDE	COLLAR FR WHEEL SIDE	1	
**	44601	44601-LFC2-E10	WHEEL CAST FR	WHEEL CAST FR	1	
	44620	44620-KFLF-C00	COLLAR FR DIST	COLLAR FR DIST	1	
	44680	44680-4L10-C00	RETAINER GEAR BOX	RETAINER GEAR BOX	1	
	44710	44710-LFC3-E11	TIRE ASSY FR	TIRE ASSY FR	1	
	44800	44800-LKD1-E10	GEAR BOX ASSY SPDMT	GEAR BOX ASSY SPDMT	1	
	45121	45121-LFC2-E80	DISK,FR BRAKE LH	DISK,FR BRAKE LH	1	
	90105	90105-KCR3-001	BOLT FR DISK 8*24	BOLT FR DISK 8*24	5	
	90306	90306-KLF0-C00	NUT FLANGE 12MM	NUT FLANGE 12MM	1	
	91252	91252-0L30-004	OIL SEAL WHEEL 23*37*7	OIL SEAL WHEEL 23*37*7	1	
	91258	91258-4L10-007	DUST SEAL 40*50*5	DUST SEAL 40*50*5	1	
	96120	96120-63010-10	BEARING BALL RADIAL 6301	BEARING BALL RADIAL 6301	2	

F08

Rear Wheel

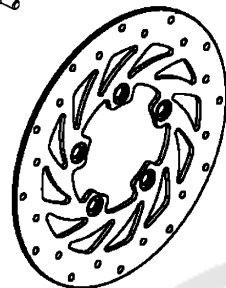
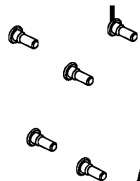
90305



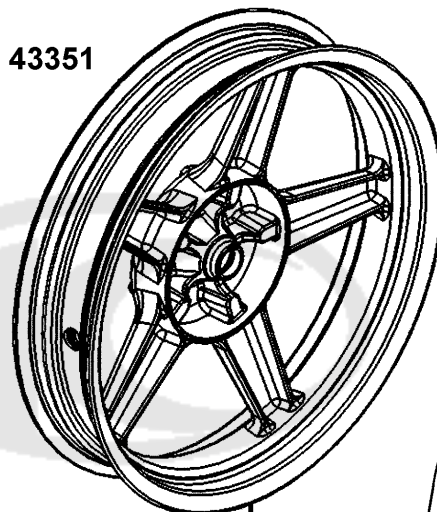
90501



90105

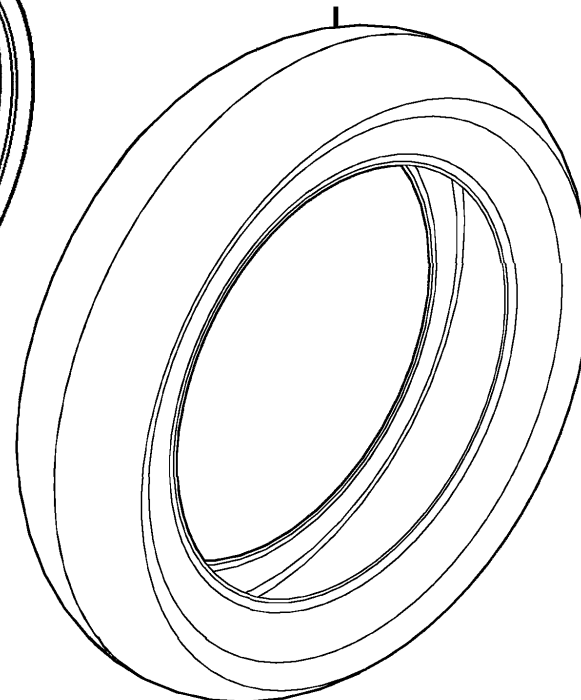


43351



42601

42710

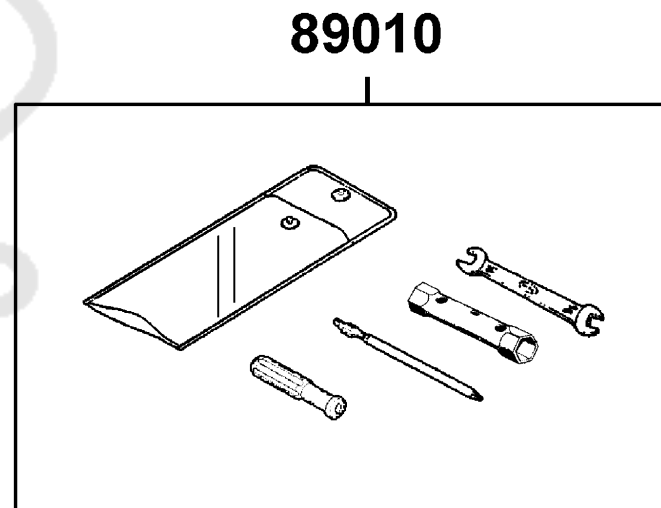
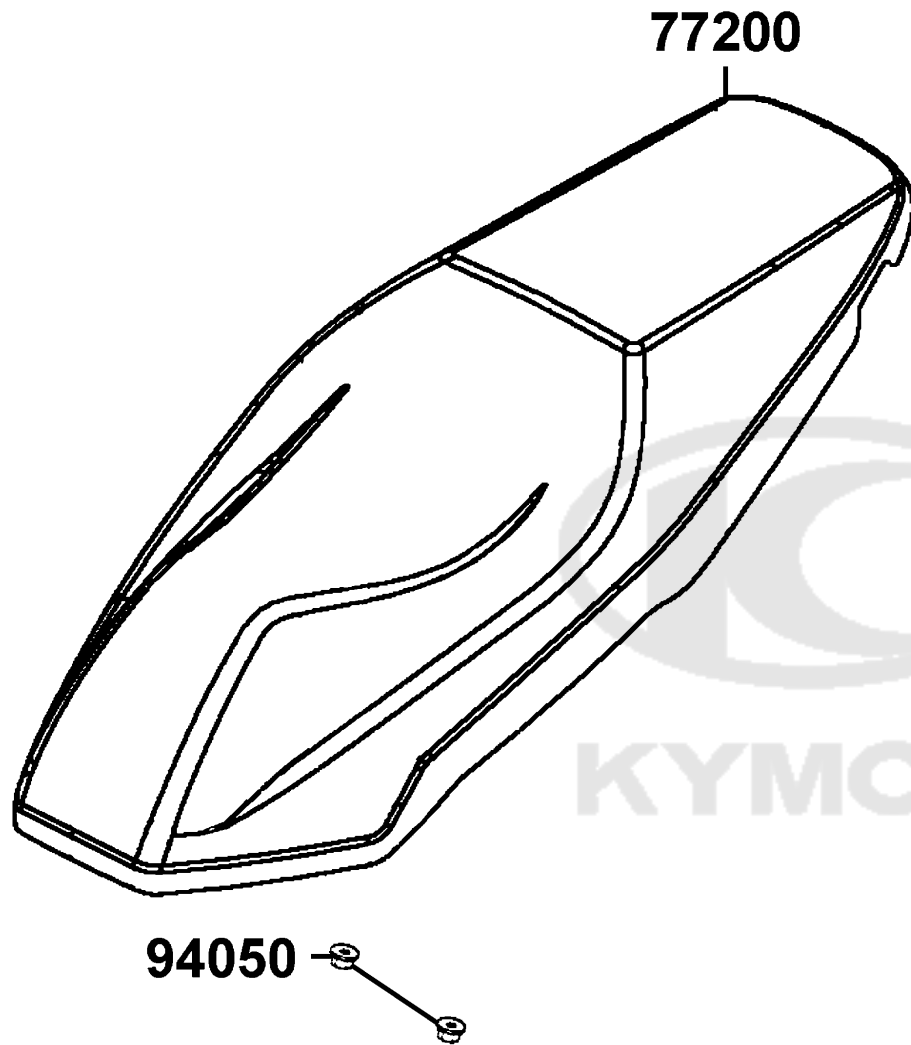


Sales mark	Ref no	Part no	Description	Reg description	Regd no	F08
**	42601	42601-LFC3-E10	WHEEL COMP RR CAST	WHEEL COMP RR CAST	1	
	42710	42710-LFC2-E11	TIRE ASSY RR	TIRE ASSY RR	1	
	43351	43351-LFC3-E80	DISK RR BRK	DISK RR BRAKE	1	
	90105	90105-KCR3-001	BOLT FR DISK 8*24	BOLT FR DISK 8*24	5	
	90305	90305-KNBN-C00	NUT U 16MM(C)	NUT U 16MM(C)	1	
	90501	90501-KNBN-C00	WASHER 16MM	WASHER 16MM	1	



F09

Seat



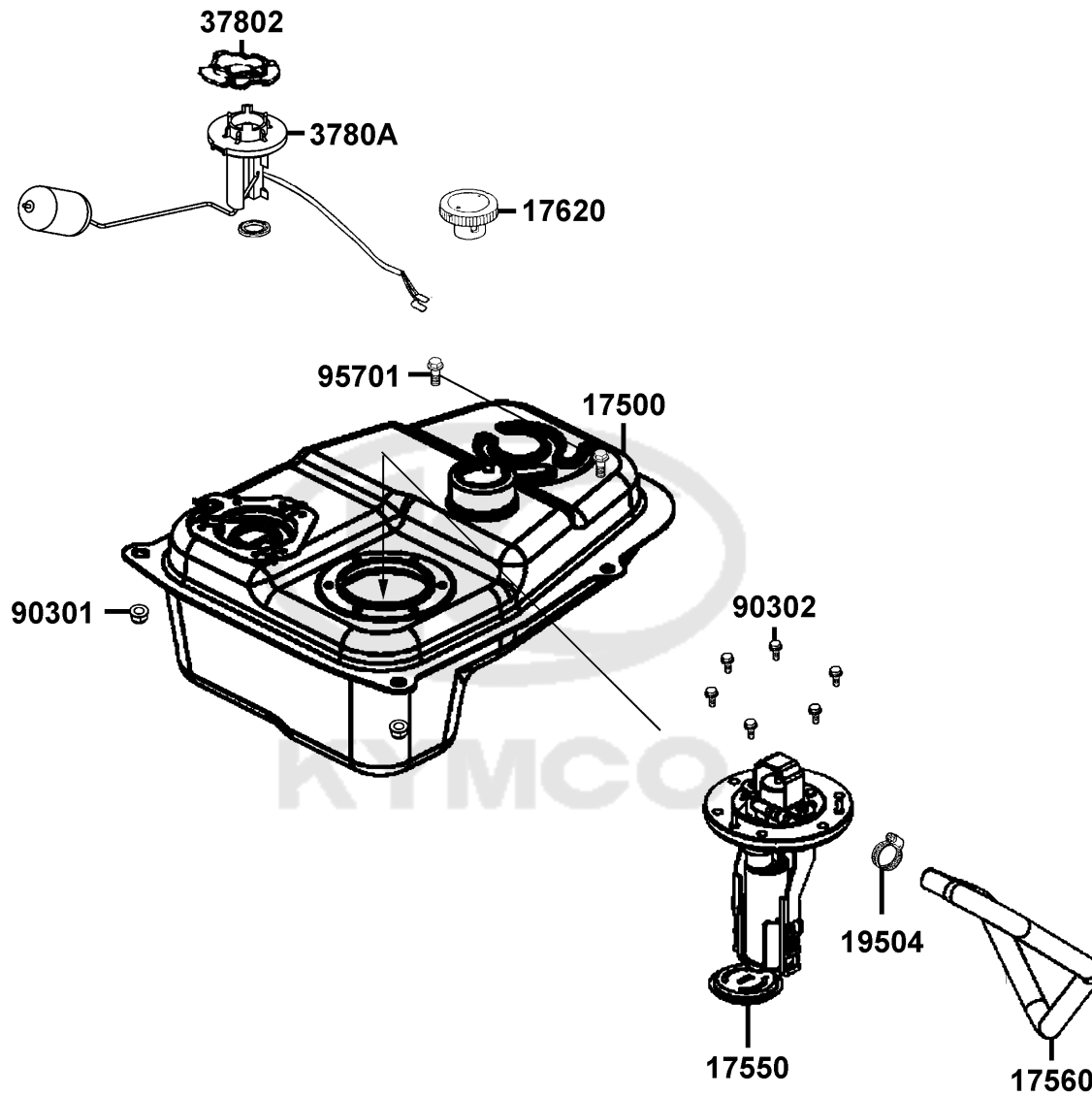
Sales mark	Ref no	Part no	Description	Reg description	Regd no	F09
------------	--------	---------	-------------	-----------------	---------	------------

**	77200	77200-LFC3-E10	SEAT ASSY	SEAT ASSY	1	
	89010	89010-KGBG-C00	TOOL SET	TOOL SET	1	
	94050	94050-06080	NUT FLANGE 6MM	NUT FLANGE 6MM	2	

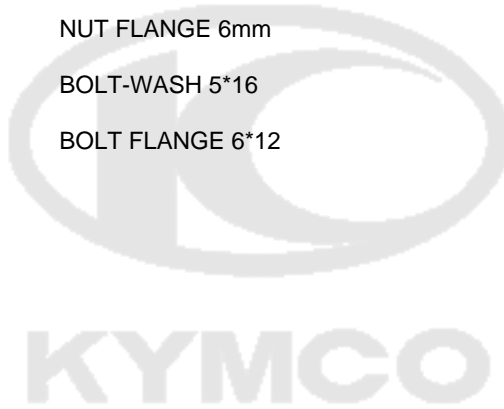


F10

Fuel Tank

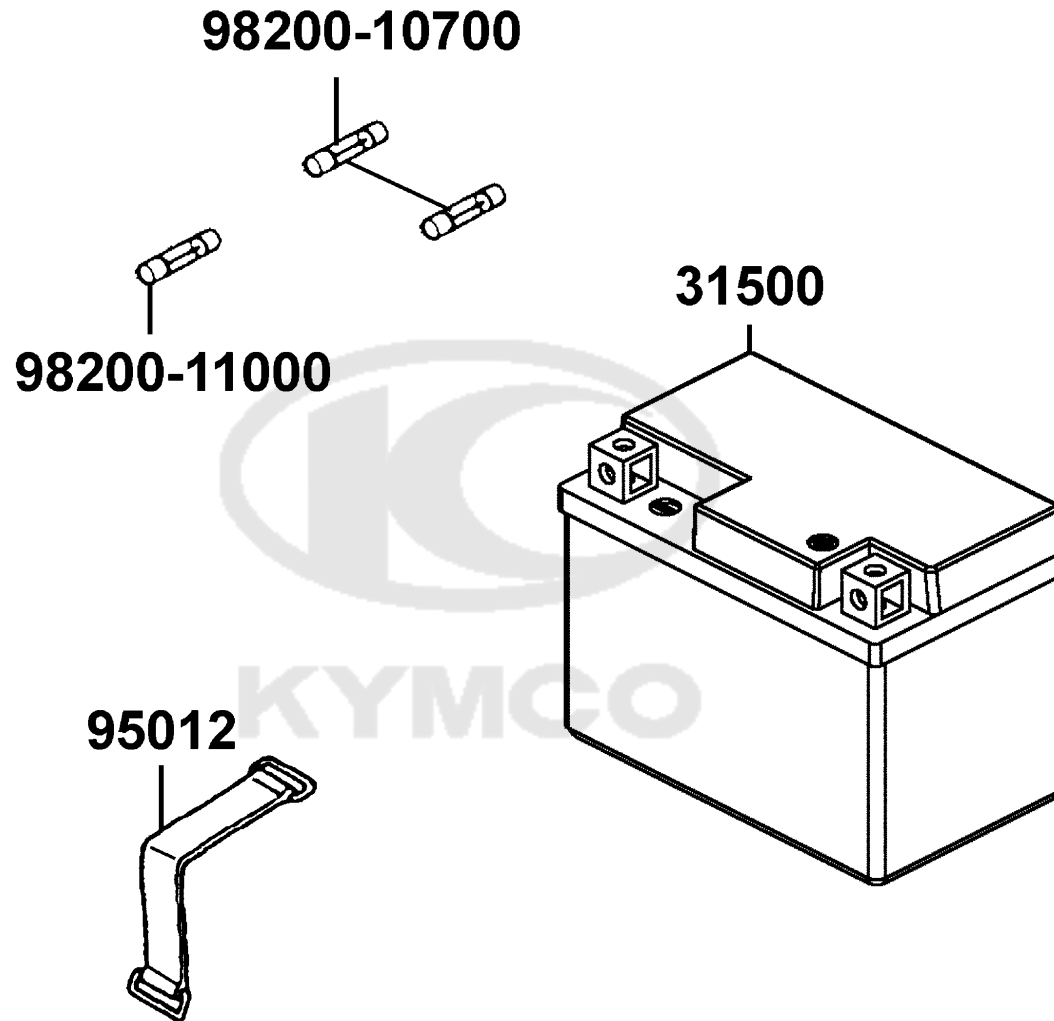


Sales mark	Ref no	Part no	Description	Reg description	Regd no	F10
17500		17500-LKD2-E10	TANK COMP FUEL	TANK COMP FUEL	1	
17550		17550-LKD2-E10	FUEL PUMP ASSY	FUEL PUMP ASSY	1	
17560		17560-LKD2-E10	TUBE PUMP INJECTOR	TUBE PUMP INJECTOR	1	
17620		17620-LBA8-C10	CAP FUEL FILLER	CAP FUEL FILLER	1	
19504		19504-LBA2-C00	CLAMP D16.8	CLAMP D16.8	1	
37802		37802-GGA7-C00	RET FUEL UNIT	RET FUEL UNIT	1	
3780A		3780A-LKD2-E10	FUEL UNIT ASSY	FUEL UNIT ASSY	1	
90301		90301-LEJ2-E10	NUT FLANGE 6mm	NUT FLANGE 6mm	2	
90302		90302-GFY6-C10	BOLT-WASH 5*16	BOLT-WASH 5*16	1	
95701		95701-06012-08	BOLT FLANGE 6*12	BOLT FLANGE 6*12	2	



F11

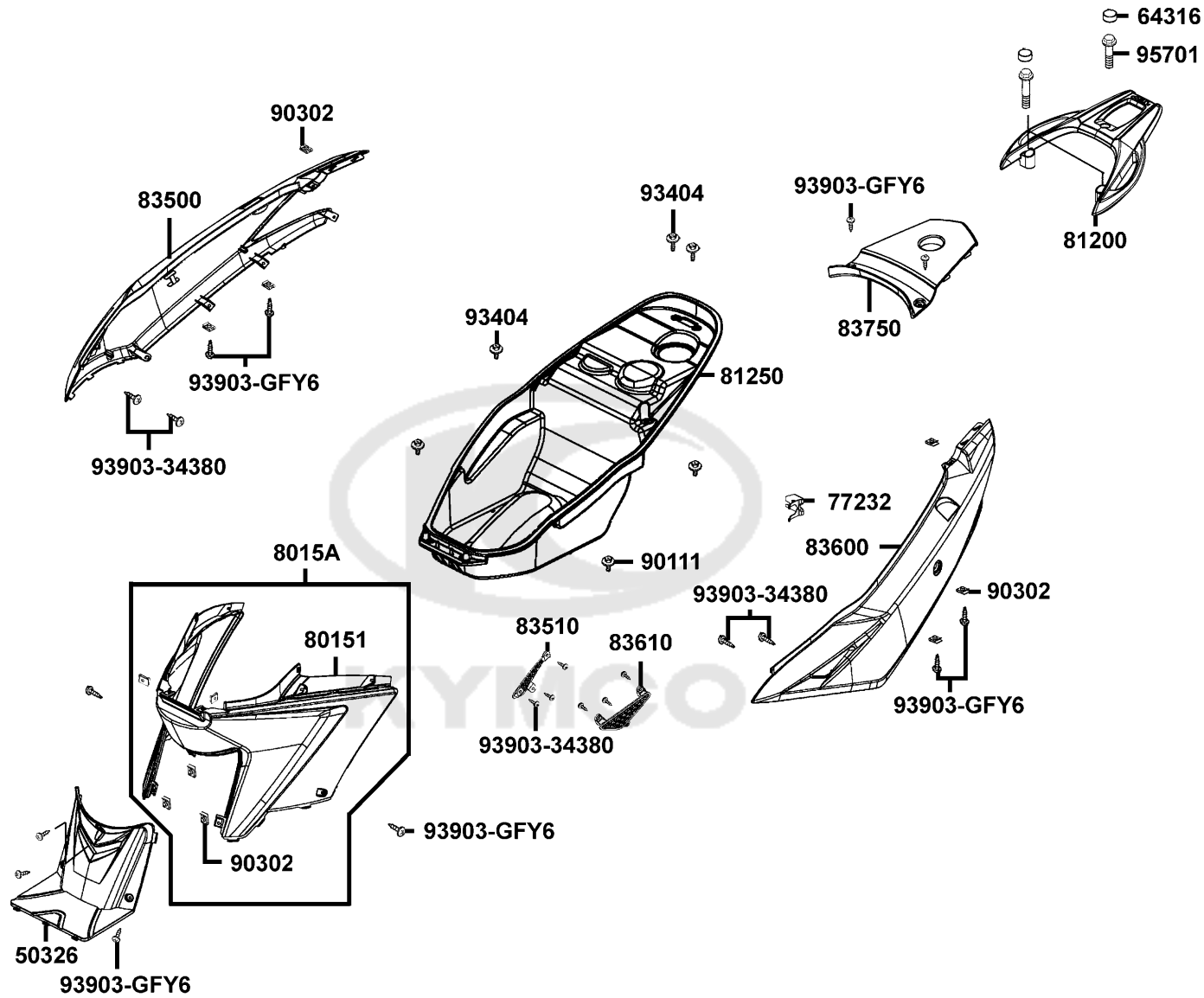
Battery



Sales mark	Ref no	Part no	Description	Reg description	Regd no	F11
------------	--------	---------	-------------	-----------------	---------	------------

31500	31500-KFAF-C00	31500-KFAF-C00	BATTERY YTX9-BS	BATTERY YTX9-BS	1	
95012	95012-LEJ2-E10	95012-LEJ2-E10	BAND BATTERY	BAND BATTERY	1	
98200-10700	98200-10700	98200-10700	FUSE A7	FUSE A7	2	
98200-11000	98200-11000	98200-11000	FUSE 10A	FUSE A10	1	

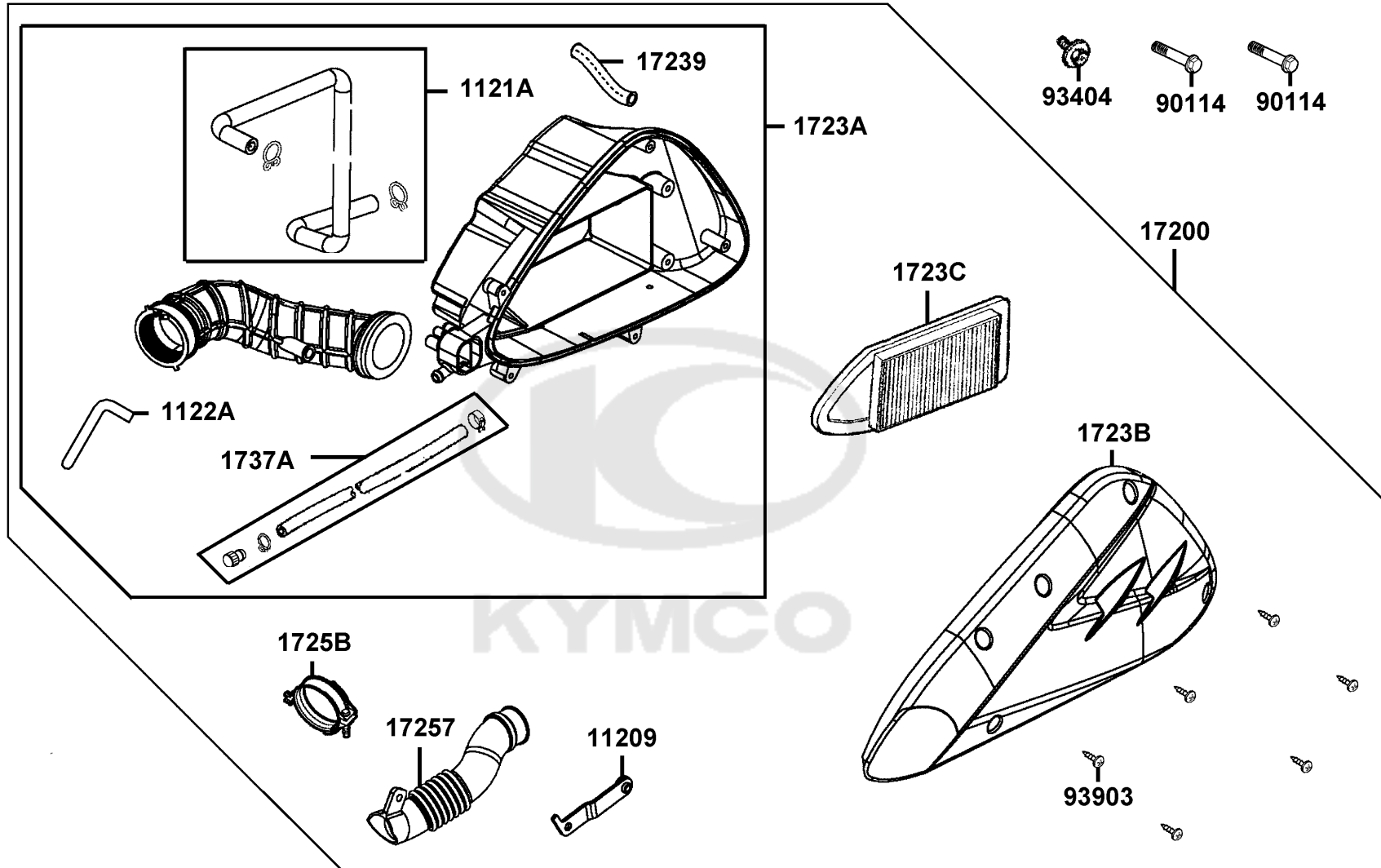




Sales mark	Ref no	Part no	Description	Reg description	Regd no	F12
**	50326	50326-LFC2-E10	COVER BATTERY	COVER BATTERY	1	
**	64316	64316-LCB9-C10	PLUG FLOOR	PLUG FLOOR	3	
	77232	77232-KCAC-C00	SET SPG SEAT LOCK	SET SPG SEAT LOCK	1	
**	80151	80151-LFC2-E10	COVER CENTER	COVER CENTER	1	
**	8015A	8015A-LFC2-E10	"COVER ASSY.,CENTER"	"COVER ASSY.,CENTER"	1	
**	81200	81200-LFC2-E10	CARRIER RR	CARRIER RR	1	
**	81250	81250-LKD2-E10	BOX LUGGAGE	BOX LUGGAGE	1	
**	83500	83500-LFC2-E10	COVER R BODY	COVER R BODY	1	
**	83510	83510-LFC2-E10	GRILL R SIDE	GRILL R SIDE	1	
**	83600	83600-LFC2-E10	COVER L BODY	COVER L BODY	1	
**	83610	83610-LFC2-E10	GRILL L SIDE	GRILL L SIDE	1	
**	83750	83750-LFC2-E10	COVER RR CENTER	COVER RR CENTER	1	
	90111	90111-1G87-C00	BOLT FLANGE 6MM	BOLT FLANGE 6MM	1	
	90302	90302-SDA4-C00	NUT SPRING 4MM	NUT SPRING 4MM	1	
	93404	93404-06012-07	BOLT WASH 6*12	BOLT WASH 6*12	4	
	93903-34380	93903-34380	SCREW TAPPING 4*12	SCREW TAPPING 4*12	10	
	93903-GFY6	93903-GFY6-C00	SCREW TAPPING 4*14	SCREW TAPPING 4*14	1	
	95701	95701-08040-08	BOLT FLANGE 8*40	BOLT FLANGE 8*40	3	

F13

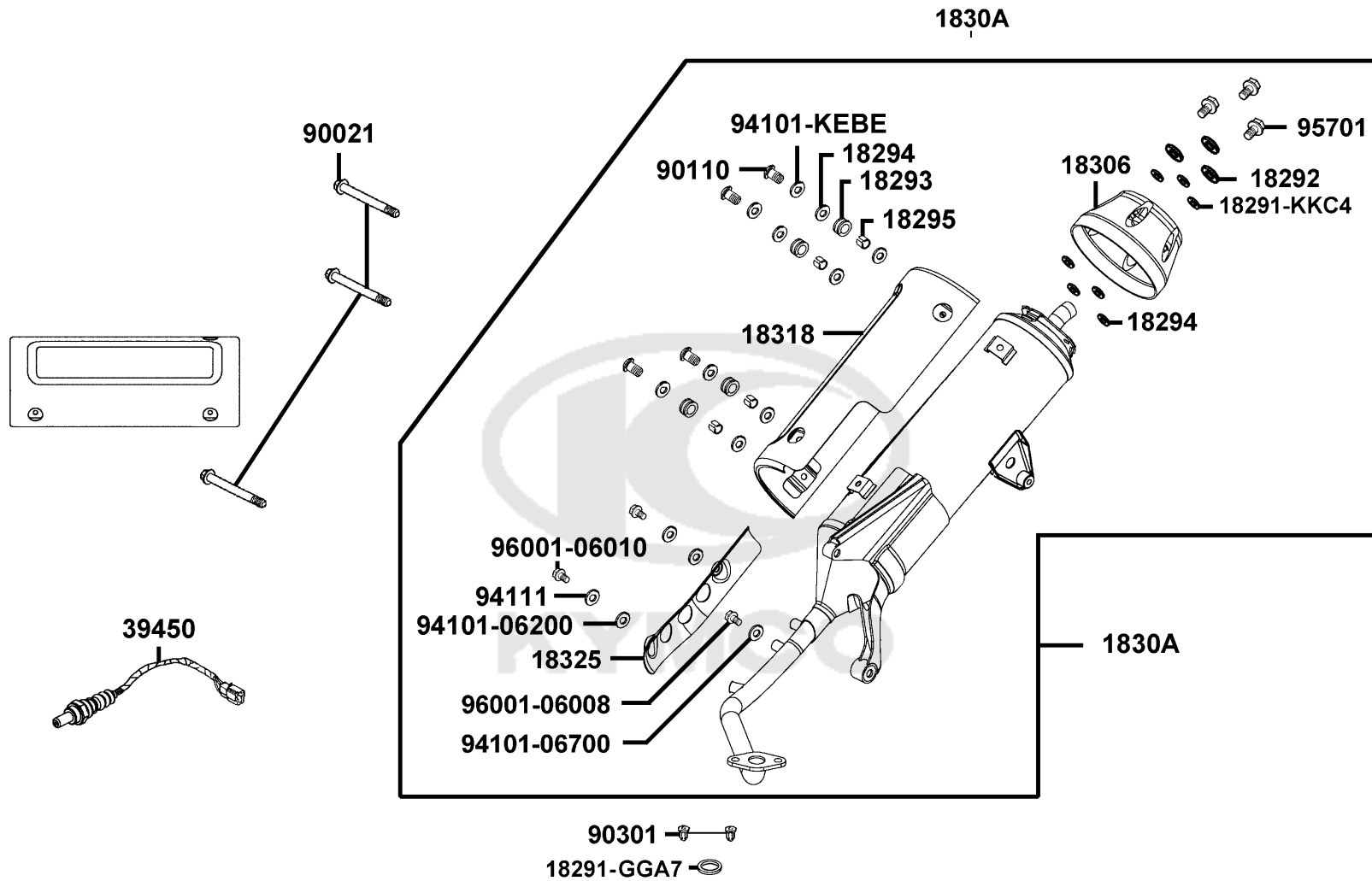
Air Cleaner



Sales mark	Ref no	Part no	Description	Reg description	Regd no	F13
11209		11209-LCD3-E00	STAY B RR FENDER	STAY B RR FENDER	1	
1121A		1121A-LGR5-E10	TUBE COMP BREATHER	TUBE COMP BREATHER	1	
1122A		1122A-KHB4-900	TUBE BREATHER MISSION	TUBE BREATHER MISSION	1	
17200		17200-LKD2-E10	AIR/C ASSY	AIR/C ASSY	1	
17239		17239-KHB4-C00	TUBE AIR/C BLOW BY	TUBE AIR/C BLOW BY	1	
1723A		1723A-LKD2-E10	CASE ASSY AIR/C	CASE ASSY AIR/C	1	
1723B		1723B-LFC4-E10	COVER COMP AIR/C	COVER COMP AIR/C	1	
1723C		1723C-LEJ3-E10	ELEMENT ASSY AIR/C	ELEMENT ASSY AIR/C	1	
17257		17257-LFC4-E10	DUCT AIR/C COVER	DUCT AIR/C COVER	1	
1725B		1725B-KGBG-900	BAND ASSY AIR/C CONN TUBE	BAND A CONNECTING TUBE	1	
1737A		1737A-LCD3-E00	V TUBE ASSY	V TUBE ASSY	1	
90114		90114-GDM4-C00	BOLT M6*28	BOLT M6*28	1	
93404		93404-06012-07	BOLT WASH 6*12	BOLT WASH 6*12	1	
93903		93903-25480	SCREW TAPPING 5*20	SCREW TAPPING 5*20 (K)	6	

F14

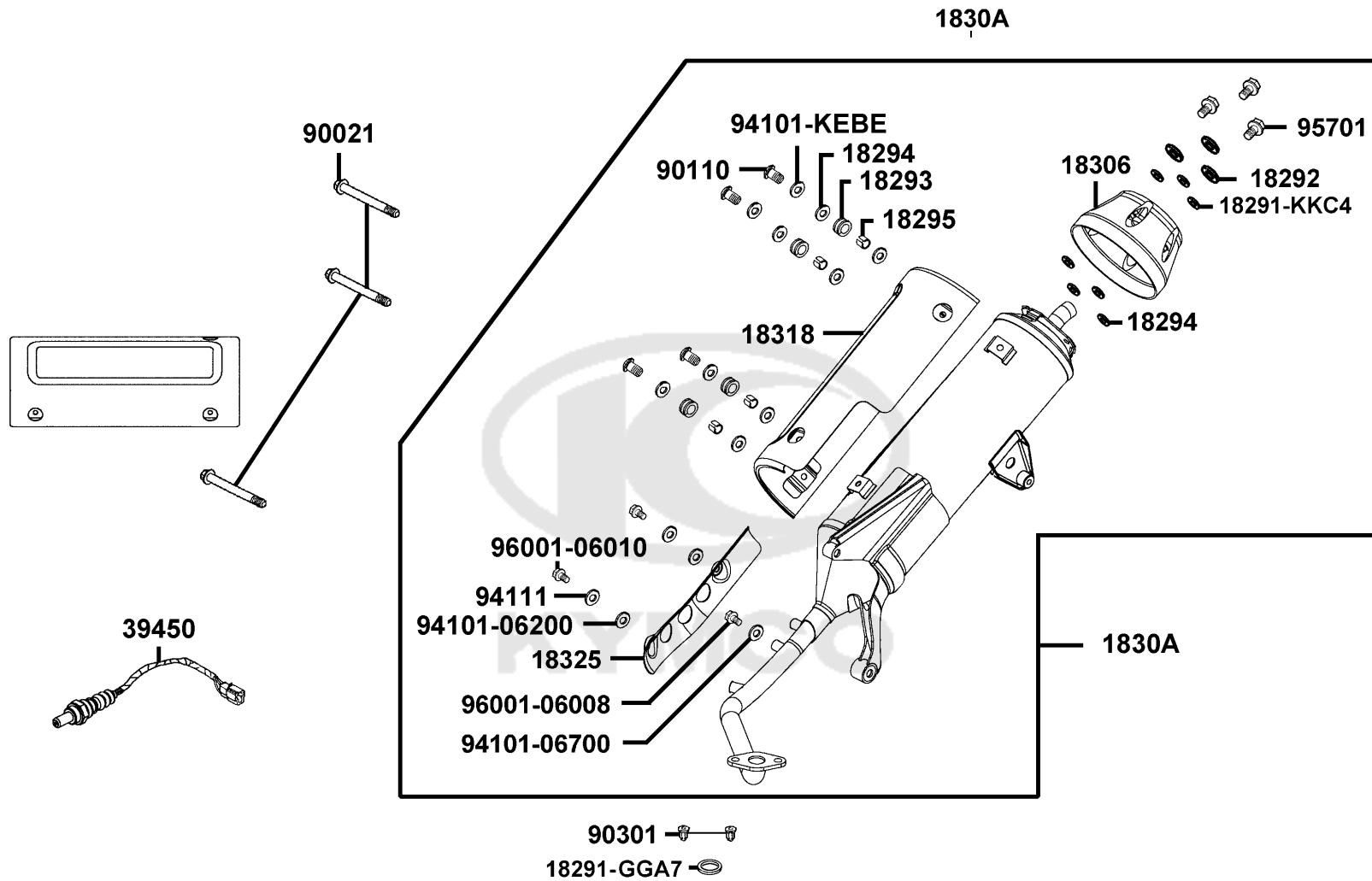
Exhaust Muffler



Sales mark	Ref no	Part no	Description	Reg description	Regd no	F14
	18291-GGA7	18291-GGA7-C00	GASKET EXH PIPE	GASKET EXH PIPE	1	
	18291-KKC4	18291-KKC4-C00	COLLAR	COLLAR	1	
	18292	18292-KEBE-C00	PACKING PROTECTOR	PACKING PROTECTOR	1	
	18293	18293-KECE-C00	RUBBER A PROTR	RUBBER A PROTR	1	
	18294	18294-KEBE-C00	PACKING PROTECTOR	PACKING PROTECTOR	1	
	18295	18295-KECE-900	COLLAR 6MM	COLLAR 6MM	4	
	18306	18306-LEJ2-E10	TAIL CAP MUFFLER	TAIL CAP MUFFLER	1	
	1830A	1830A-LKD2-E10	MUFFLER ASSY EXHAUST	MUFFLER ASSY EXHAUST	1	
	18318	18318-LCD3-E10	PROTECTOR MUFF	PROTECTOR MUFF	1	
	18325	18325-LFC3-E10	PROTECTOR EXH PIPE	PROTECTOR EXH PIPE	1	
	39450	39450-LEA6-800	O2 SENSOR	O2 SENSOR	1	
	90021	90021-GFY6-C10	BOLT WASHER COMP	BOLT WASHER COMP	1	
	90110	90110-LCD4-E00	SCREW SPECIAL 6*16	SCREW SPECIAL 6X20	4	
	90301	90301-GFY6-C00	NUT (HEX) CAP 8MM	NUT (HEX) CAP 8MM	1	
	94101-06200	94101-06200	WASHER PLAIN 6MM	WASHER PLAIN 6MM	2	
	94101-06700	94101-06700	WASHER PLAIN 6MM	WASHER PLAIN 6MM	1	
	94101-KEBE	94101-KEBE-C00	WASHER PLAIN 6MM	WASHER PLAIN 6MM	1	
	94111	94111-06800	WASHER SPG 6MM	WASHER SPG 6MM	2	
	95701	95701-06025-07	BOLT FLANGE 6*25 (K)	BOLT FLANGE 6*25 (K)	3	
	96001-06008	96001-06008-07	BOLT FLANGE SH 6*8	BOLT FLANGE SH 6*8 (K)	1	

F14

Exhaust Muffler



Sales mark	Ref no	Part no	Description	Reg description	Regd no	F14
------------	--------	---------	-------------	-----------------	---------	------------

96001-06010

96001-06010-02

BOLT FLANGE SH 6*10

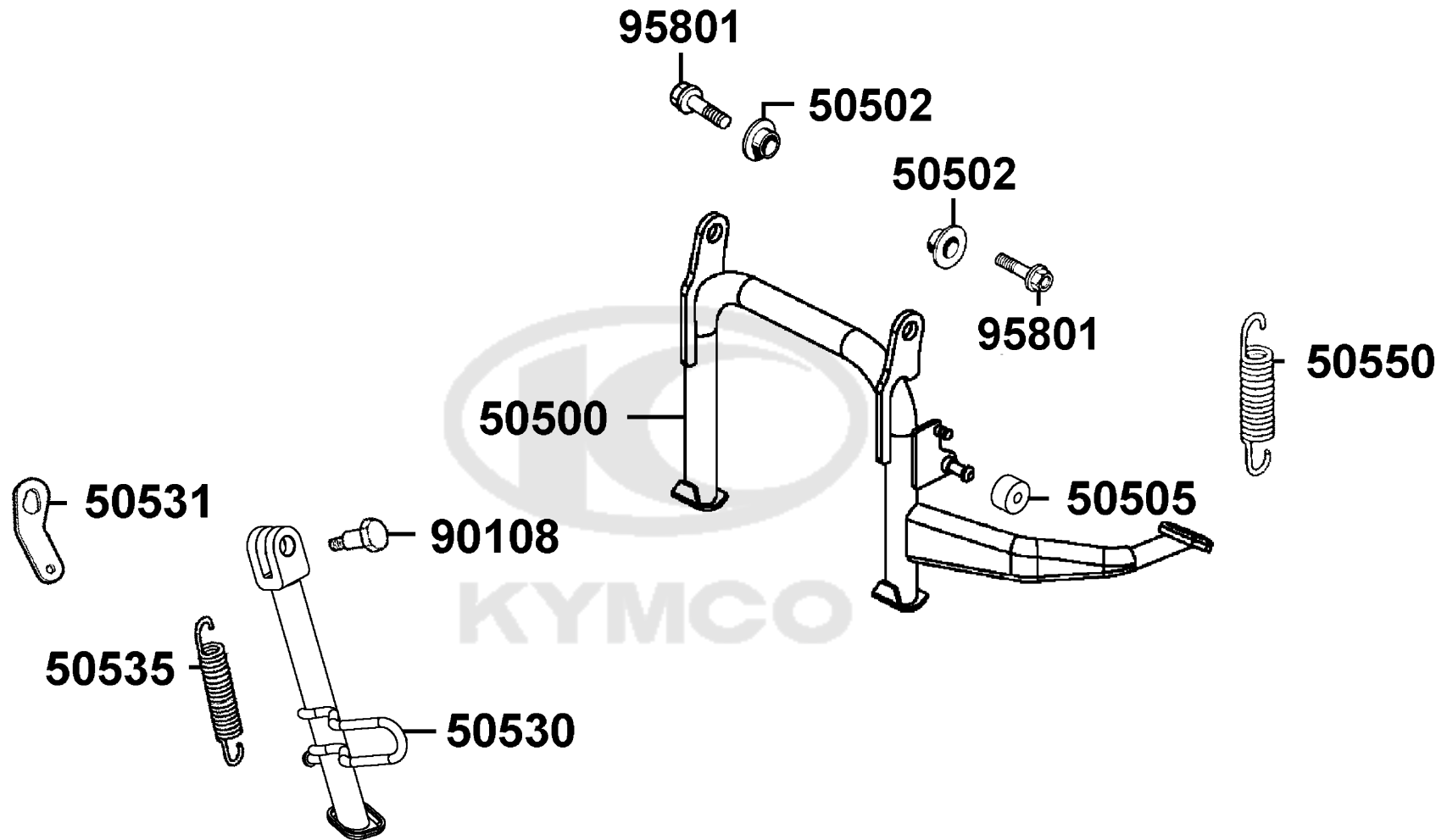
BOLT FLANGE SH 6*10 (Cr)

2



F15

Stand Kick Starter Arm

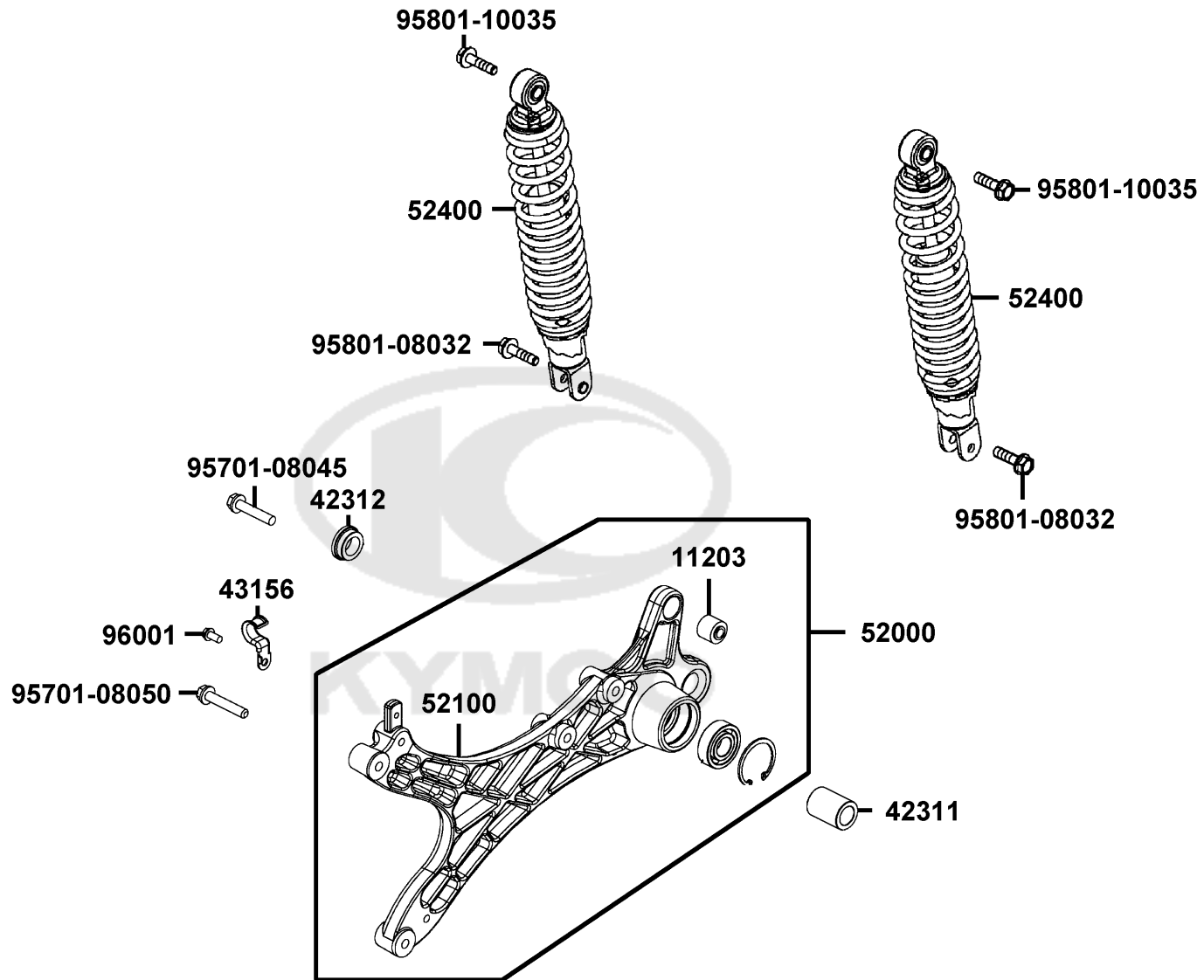


Sales mark	Ref no	Part no	Description	Reg description	Regd no	F15
	50500	50500-LFC4-E10	STAND COMP MAIN	STAND COMP MAIN	1	
	50502	50502-LDF7-C00	COLLAR,MAIN STAND	COLLAR,MAIN STAND	1	
	50505	50505-LAD9-C00	STOPPER RUBBER	STOPPER RUBBER	1	
	50530	50530-LFC2-E10	BAR SIDE STAND	BAR SIDE STAND	1	
	50531	50531-KEB7-C00	PLATE SPRING STOPPER	PLATE SPRING STOPPER	1	
	50535	50535-KEB7-W10	SPRING COMP SIDE STAND	SPRING COMP SIDE STAND	1	
	50550	50550-KEB7-C00	SPG MAIN STAND COMP	SPG MAIN STAND COMP	1	
	90108	90108-KFA6-E00	SCREW SIDE STAND	SCREW SIDE STAND	1	
	95801	95801-10025-08	BOLT FLANGE 10*25	BOLT FLANGE 10*25 (C)	2	



F16

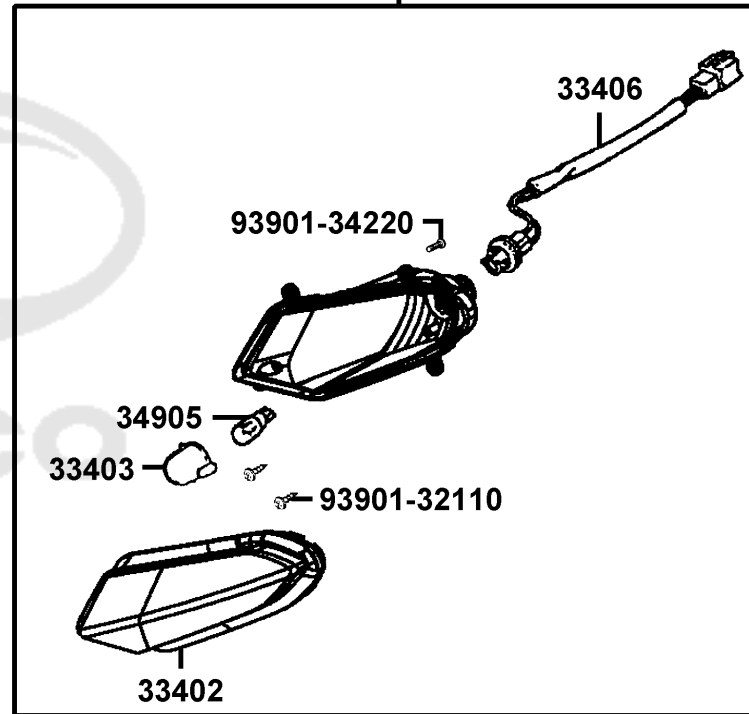
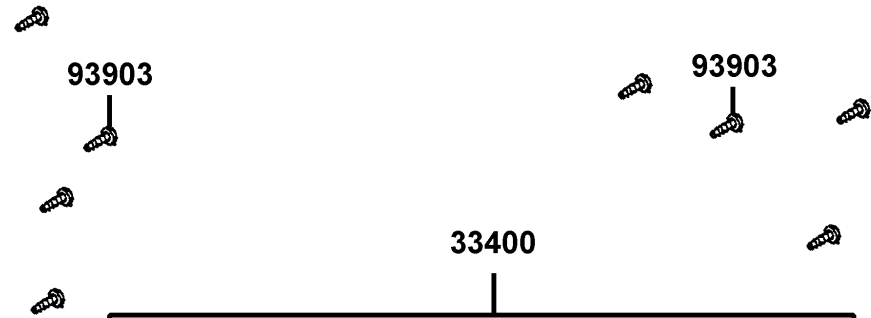
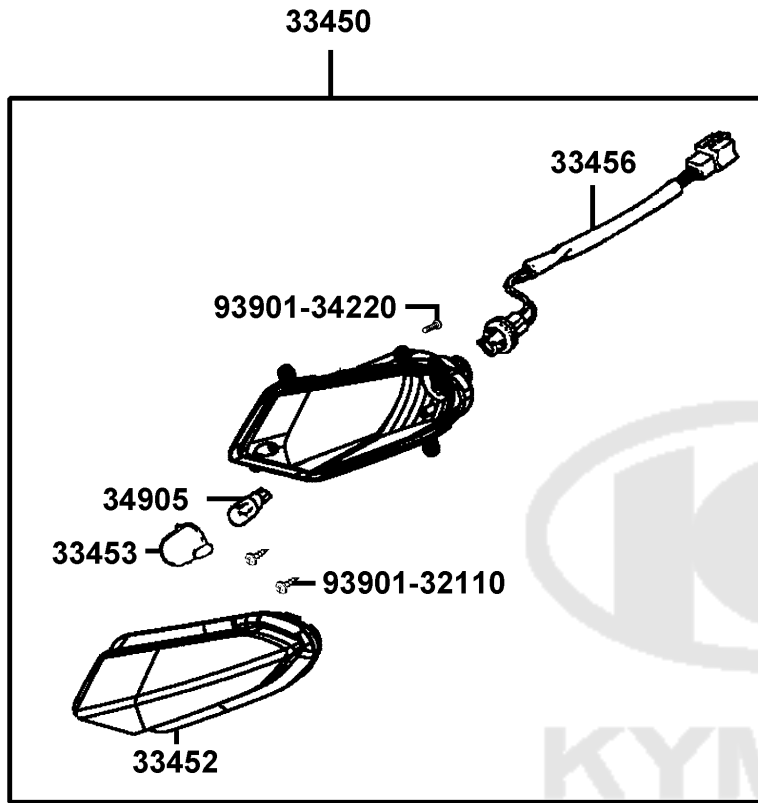
Rear Cushion



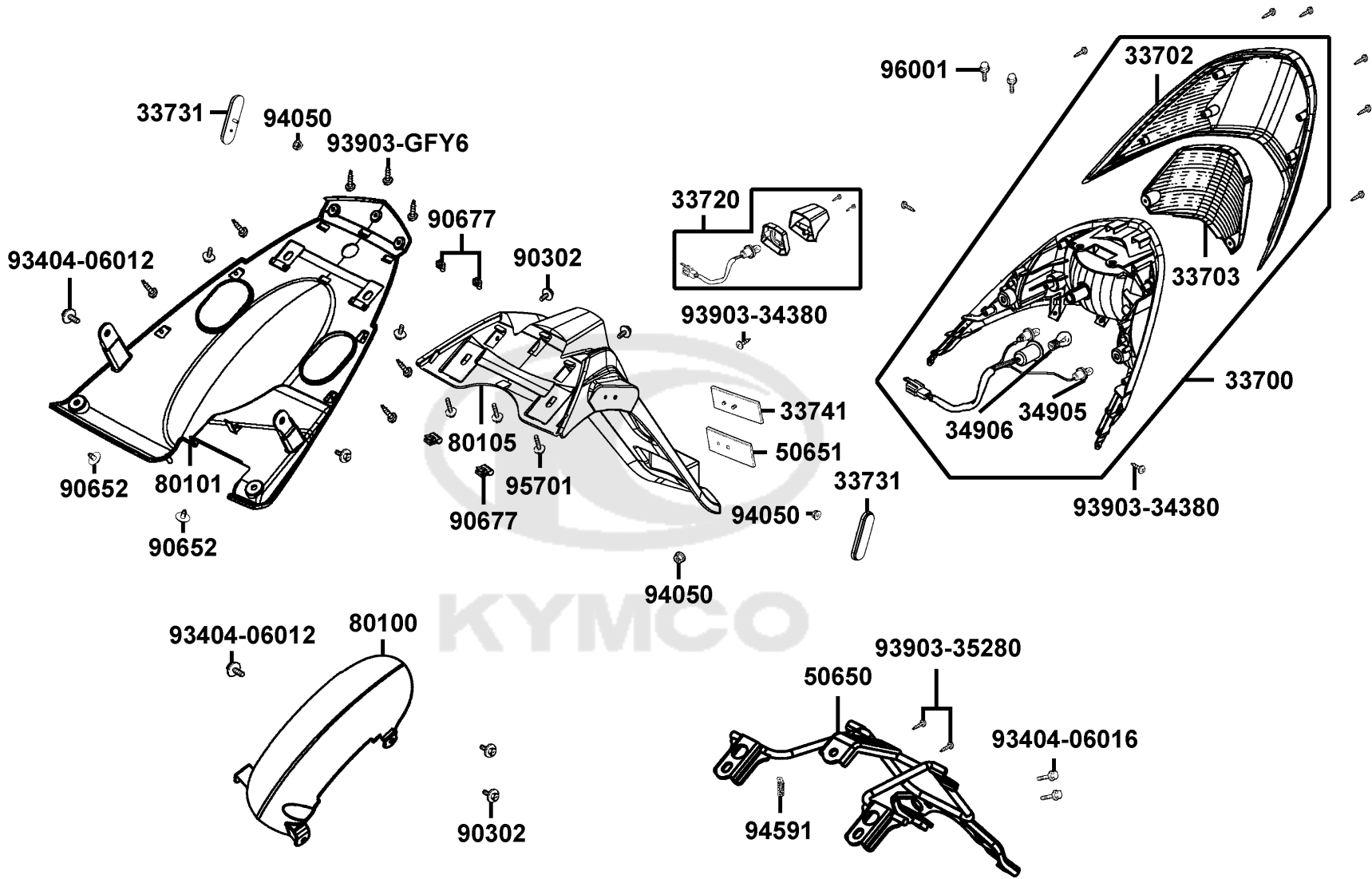
Sales mark	Ref no	Part no	Description	Reg description	Regd no	F16
	11203	11203-GGC7-W10	UNDER RUBBER BUSH REAR CUSHION	UNDER RUBBER BUSH REAR CUSHION	1	
	42311	42311-KHB4-C00	COLLAR RR AXLE A	COLLAR RR AXLE A	1	
	42312	42312-LEJ2-E10	COLLAR RR AXLE SIDE	COLLAR RR AXLE SIDE	1	
	43156	43156-LFC3-E10	CLAMPER HOSE RR	CLAMPER HOSE RR	1	
	52000	52000-LFC3-E10	FORK ASSY RR	FORK ASSY RR	1	
	52100	52100-LFC3-E10	FORK COMP RR	FORK COMP RR	1	
**	52400	52400-LFC4-E10	CUSHION ASSSY RR	CUSHION ASSSY RR	2	
	95701-08045	95701-08045-07	BOLT FLANGE 8*45 (K)	BOLT FLANGE 8*45 (K)	1	
	95701-08050	95701-08050-07	BOLT FLANGE 8*50 (K)	BOLT FLANGE 8*50 (K)	1	
	95801-08032	95801-08032-08	BOLT FLANGE 8*32(C)	BOLT FLANGE 8*32(C)	2	
	95801-10035	95801-10035-08	BOLT FLANGE 10*35	BOLT FLANGE10*35	2	
	96001	96001-06012-00	BOLT FLANGE SH 6*12	BOLT FLANGE SH 6*12 (B)	1	

F17

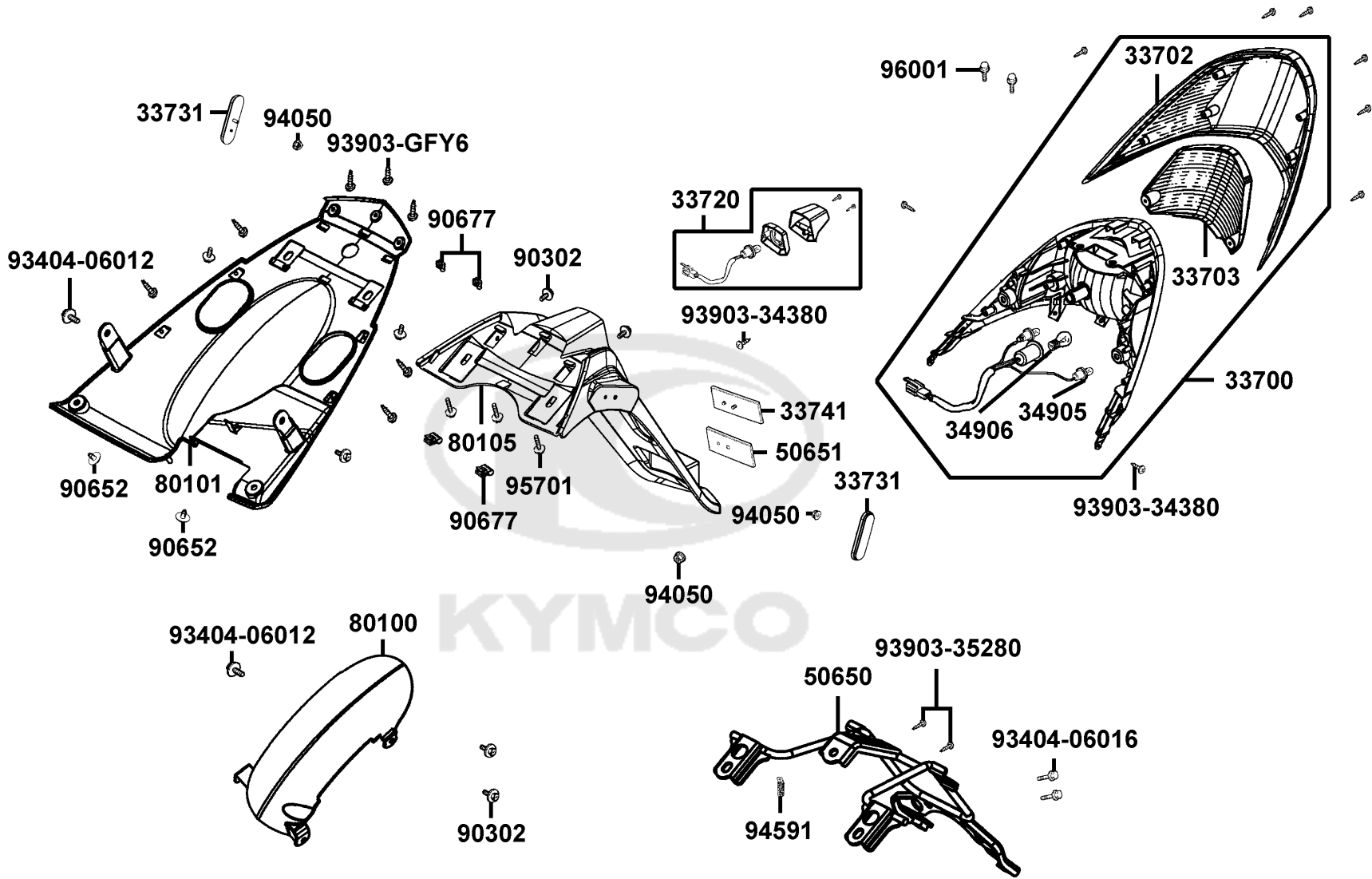
Front Winker




Sales mark	Ref no	Part no	Description	Reg description	Regd no	F17
33400		33400-LFC2-E10	WINKER ASSY RH FR	WINKER ASSY RH FR	1	
33402		33402-LFC2-E10	LENS R FR WINKER	LENS R FR WINKER	1	
33403		33403-LFC2-E10	"INNER LENS,R FR. WINKER"	"INNER LENS,R FR. WINKER"	1	
33406		33406-LFC2-E10	SOCKET COMP R FR WINKER	SOCKET COMP R FR WINKER	1	
33450		33450-LFC2-E10	WINKER ASSY LH FR	WINKER ASSY LH FR	1	
33452		33452-LFC2-E10	LENS L FR WINKER	LENS L FR WINKER	1	
33453		33453-LFC2-E10	INNER LENS L FR WINKER	INNER LENS L FR WINKER	1	
33456		33456-LFC2-E10	SOCKET COMP L FR WINKER	SOCKET COMP L FR WINKER	1	
34905		34905-LBA8-E80	BULB WINKER	BULB WINKER	2	
93901-32110		93901-32110	SCREW TAPPING	SCREW TAPPING	4	
93901-34220		93901-34220	SCREW TAPPING 4*10	SCREW TAPPING 4*10 (C)	2	
93903		93903-34380	SCREW TAPPING 4*12	SCREW TAPPING 4*12	8	

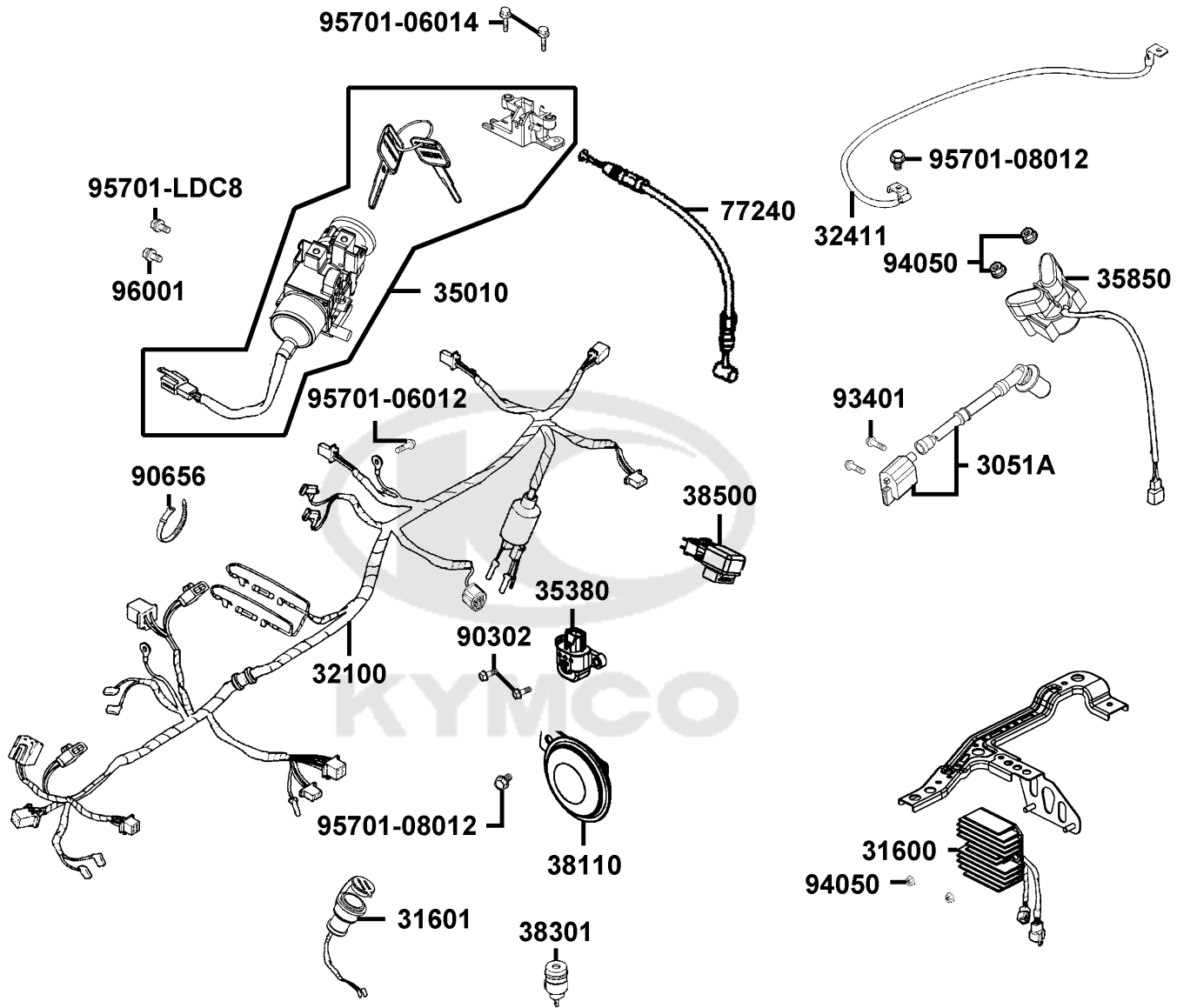


Sales mark	Ref no	Part no	Description	Reg description	Regd no	F18
	33700	33700-LFC2-E10	LIGHT ASSY RR COMB	LIGHT ASSY RR COMB	1	
	33702	33702-LFC2-E10	LENS TAIL LIGHT	LENS TAIL LIGHT	1	
	33703	33703-LFC2-E10	LENS R RR WINKER	LENS R RR WINKER	1	
	33720	33720-LEJ2-E10	LIGHT ASSY LICENSE	LIGHT ASSY LICENSE	1	
	33731	33731-KGB5-C00	REFLEX REFLECTOR,SIDE	REFLEX REFLECTOR,SIDE	1	
	33741	33741-KEBE-C00	REFLEX REFLECTOR	REFLEX REFLECTOR	1	
	34905	34905-LCA5-E00	BULB WINKER 12C5W	BULB WINKER 12C5W	2	
	34906	34906-KPCP-900	BULB TAIL & STOP 12V21W/5W	BULB TAIL & STOP 12V21W/5W	1	
	50650	50650-LFC2-E10	STAY RR. FENDER	STAY RR. FENDER	1	
	50651	50651-LFC4-E10	STAY RR FENDER BALANCE	STAY RR FENDER BALANCE	1	
**	80100	80100-LFC3-E10	FENDER RR TIRE	FENDER RR TIRE	1	
**	80101	80101-LFC3-E10	FENDER RR INNER	FENDER RR INNER	1	
**	80105	80105-LFC2-E10	FENDER REAR	FENDER REAR	1	
	90302	90302-GFY6-C10	BOLT-WASH 5*16	BOLT-WASH 5*16	1	
	90652	90652-LCA4-C10	CLIP MUDGUARD	CLIP MUDGUARD	1	
	90677	90677-GAR1-C00	NUT CLIP 5MM	NUT CLIP 5MM	1	
	93404-06012	93404-06012-07	BOLT WASH 6*12	BOLT WASH 6*12	5	
	93404-06016	93404-06016-07	BOLT WASHER 6*16 (K)	BOLT WASHER 6*16 (K)	2	
	93903-34380	93903-34380	SCREW TAPPING 4*12	SCREW TAPPING 4*12	9	
	93903-35280	93903-35280	SCREW TAPPING 5*12(K)	SCREW TAPPING 5*12(K)	2	



Sales mark	Ref no	Part no	Description	Reg description	Regd no	F18
	93903-GFY6	93903-GFY6-C00	SCREW TAPPING 4*14	SCREW TAPPING 4*14	1	
	94050	94050-05080	NUT FLANGE 5MM	NUT FLANGE 5MM	3	
	94591	94591-25000	CLIP BIND	"CLIP,BIND"	1	
	95701	95701-06016-07	BOLT FLANGE 6*16	BOLT FLANGE 6*16 (K)	3	
	96001	96001-06012-08	BOLT FLANGE 6*12	BOLT FLANGE SH 6*12 (C)	2	
						

Sales mark	Ref no	Part no	Description	Reg description	Regd no	F19
3051A		3051A-KKE3-900	COIL ASSY IGN	COIL ASSY IGN	1	
31600		31600-LEA5-E00	REG REC COMP	REG RECT COMP	1	
31601		31601-LFC2-E10	SOCKET COMP DC 12V	SOCKET COMP DC 12V	1	
32100		32100-LKD2-E10	HARNESS WIRE	HARNESS WIRE	1	
32411		32411-LEJ3-E11	CABLE BAT	CABLE BAT	1	
35010		35010-LKD2-E10	KEY SET	KEY SET	1	
35380		35380-LEA2-900	SENSOR ANGLE DETECT	SENSOR ANGLE DETECT	1	
35850		35850-KHD8-C00	RELAY ASSY START	RELAY ASSY START	1	
38110		38110-KHB4-E0A	HORN COMP	HORN COMP	1	
38301		38301-GGS7-C00	RELAY ASSY WINKER	RELAY ASSY WINKER	1	
38500		38500-KHD8-900	RELAY ASSY LIGHT	RELAY ASSY LIGHT	1	
77240		77240-LFC2-E10	CABLE SEAT LOCK	CABLE SEAT LOCK	1	
90302		90302-GFY6-C10	BOLT-WASH 5*16	BOLT-WASH 5*16	1	
90656		90656-KUDU-900	BAND HARNESS WIRE	BAND HARNESS WIRE	1	
93401		93401-04025-08	BOLT WASHER 4*25	BOLT WASHER 4*25	2	
94050		94050-06080	NUT FLANGE 6MM	NUT FLANGE 6MM	4	
95701-06012		95701-06012-08	BOLT FLANGE 6*12	BOLT FLANGE 6*12	1	
95701-06014		95701-06014-08	BOLT FLANGE 6*14	BOLT FLANGE 6*14	2	
95701-08012		95701-08012-08	BOLT FLANGE 8*12	BOLT FLANGE 8*12	2	
95701-LDC8		95701-LDC8-E10	BOLT TORQUE 6x16	BOLT TORQUE 6x16	1	



Sales mark	Ref no	Part no	Description	Reg description	Regd no	F19
------------	--------	---------	-------------	-----------------	---------	------------

96001

96001-06016-08

BOLT FLANGE SH 6*16

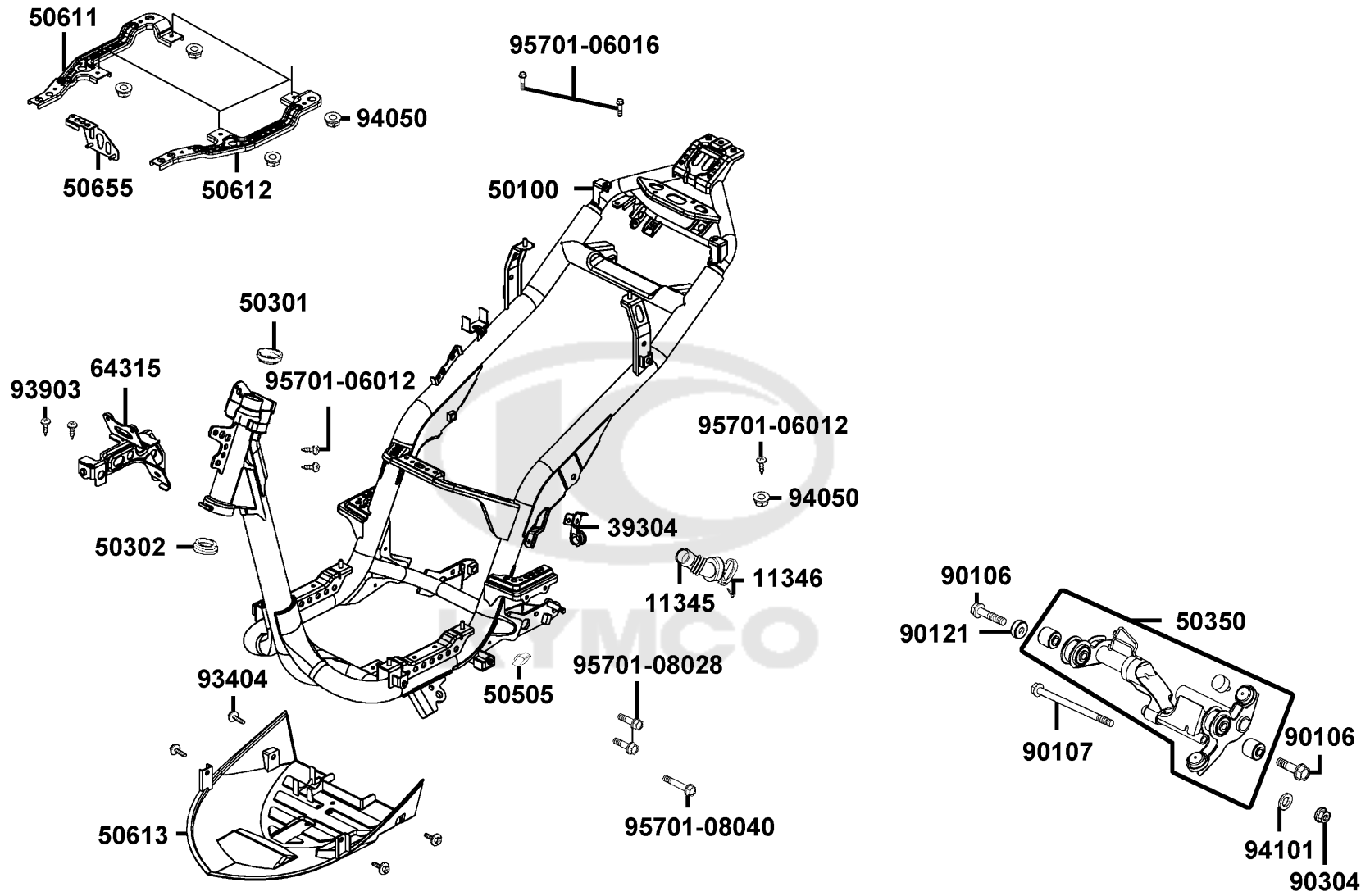
BOLT FLANGE SH 6*16

1



F20

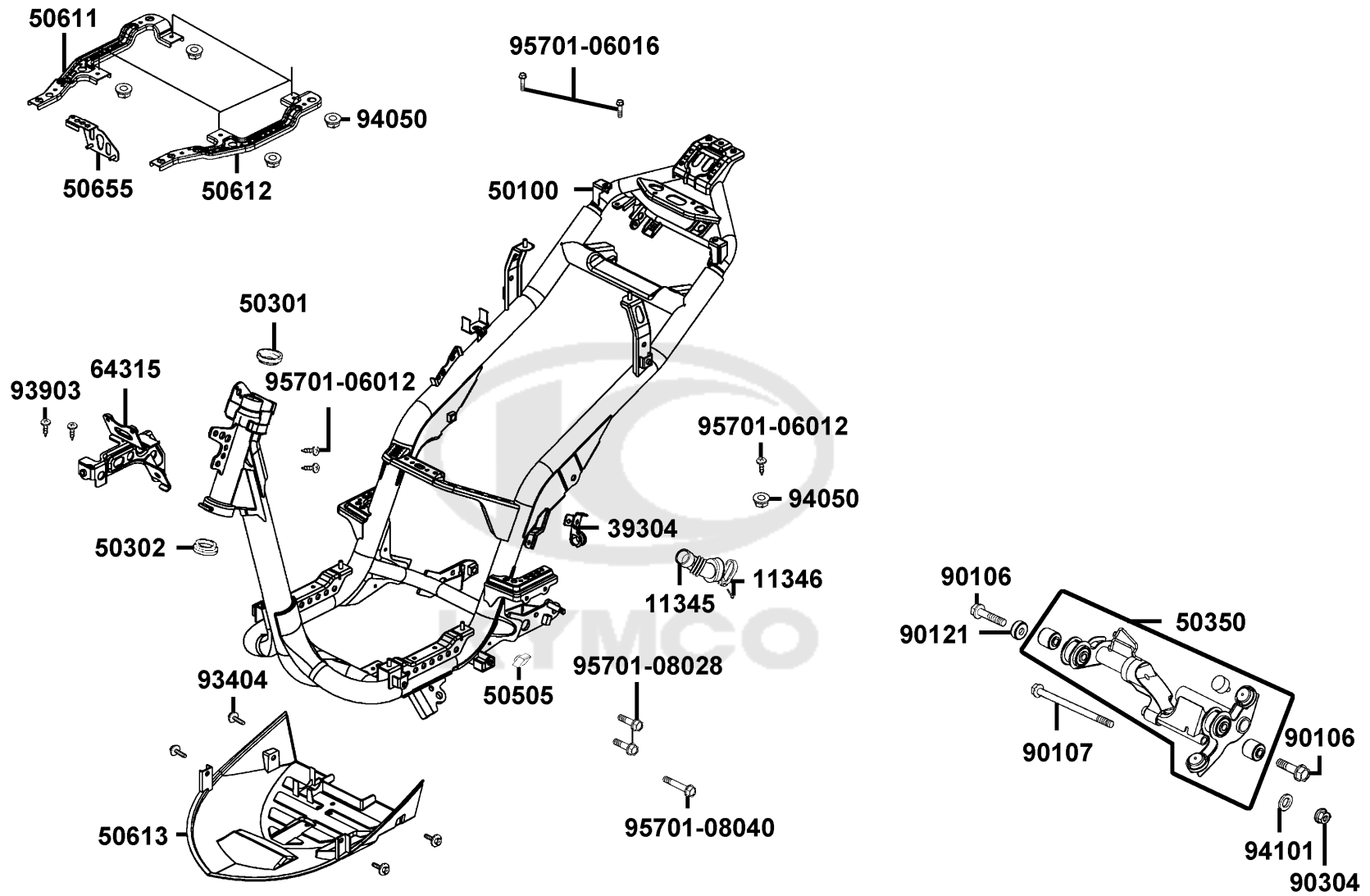
Frame Body




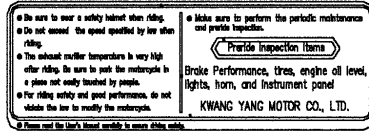
Sales mark	Ref no	Part no	Description	Reg description	Regd no	F20
	11345	11345-LKD2-E10	DUCT L COVER	DUCT L COVER	1	
	11346	11346-KEBE-C00	BAND L COVER DUCT	BAND L COVER DUCT	1	
	39304	39304-LKD2-E10	CLAMPER FUEL TUBE	CLAMPER FUEL TUBE	1	
	50100	50100-LKD2-E10	BODY COMP FRAME	BODY COMP FRAME	1	
	50301	50301-KGN7-C00	RACE UPPER STRG BALL	RACE UPPER STRG BALL	1	
	50302	50302-2H68-C00	RACE (STRG BOT) BALL	RACE (STRG BOT) BALL	1	
	50350	50350-LFC3-B40	ENG HANGER COMP	ENG HANGER COMP	1	
	50505	50505-LDC8-E10	STOPPER RUBBER	STOPPER RUBBER	1	
	50611	50611-LFC2-E10	RNFCT R FLOOR	RNFCT R FLOOR	1	
	50612	50612-LFC2-E10	RNFCT L FLOOR	RNFCT L FLOOR	1	
**	50613	50613-LFC2-E10	COVER UNDER	COVER UNDER	1	
	50655	50655-LKD2-E10	STAY REG REC	STAY REG REC	1	
	64315	64315-LKD2-E10	STAY FR COVER	STAY FR COVER	1	
	90106	90106-LGB6-E10	"BOLT,FLANGE,10x55"	"BOLT,FLANGE,10x55"	2	
	90107	90107-KUDU-900	BOLT FLANGE 10*188	BOLT FLANGE 10*188	1	
	90121	90121-GFY6-C00	COLLAR DISTANCE	COLLAR DISTANCE	1	
	90304	90304-GHE8-C00	NUT U 10MM(C)	NUT U 10MM(C)	1	
	93404	93404-06012-07	BOLT WASH 6*12	BOLT WASH 6*12	4	
	93903	93903-35280	SCREW TAPPING 5*12(K)	SCREW TAPPING 5*12(K)	2	
	94050	94050-06080	NUT FLANGE 6MM	NUT FLANGE 6MM	5	

F20

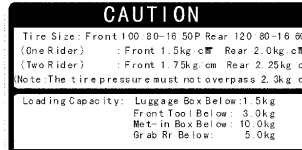
Frame Body



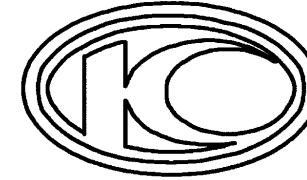
Sales mark	Ref no	Part no	Description	Reg description	Regd no	F20
	94101	94101-10800	WASHER PLAIN 10MM	WASHER PLAIN 10MM	1	
	95701-06012	95701-06012-08	BOLT FLANGE 6*12	BOLT FLANGE 6*12	3	
	95701-06016	95701-06016-08	BOLT FLANGE 6*16	BOLT FLANGE 6*16	2	
	95701-08028	95701-08028-08	BOLT FLANGE 8*28 (C)	BOLT FLANGE 8*28 (C)	2	
	95701-08040	95701-08040-08	BOLT FLANGE 8*40	BOLT FLANGE 8*40	1	
						



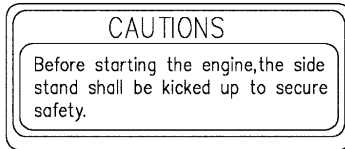
87560



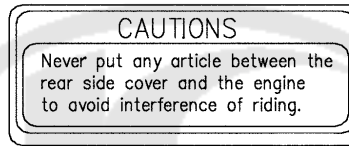
87505



86102



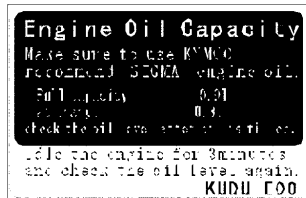
87541-GAR1



87542



86202



87541-KUDU

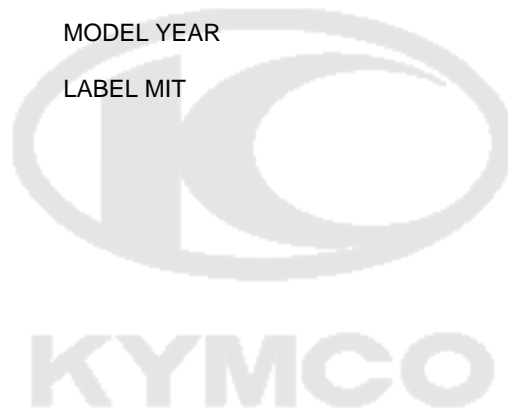


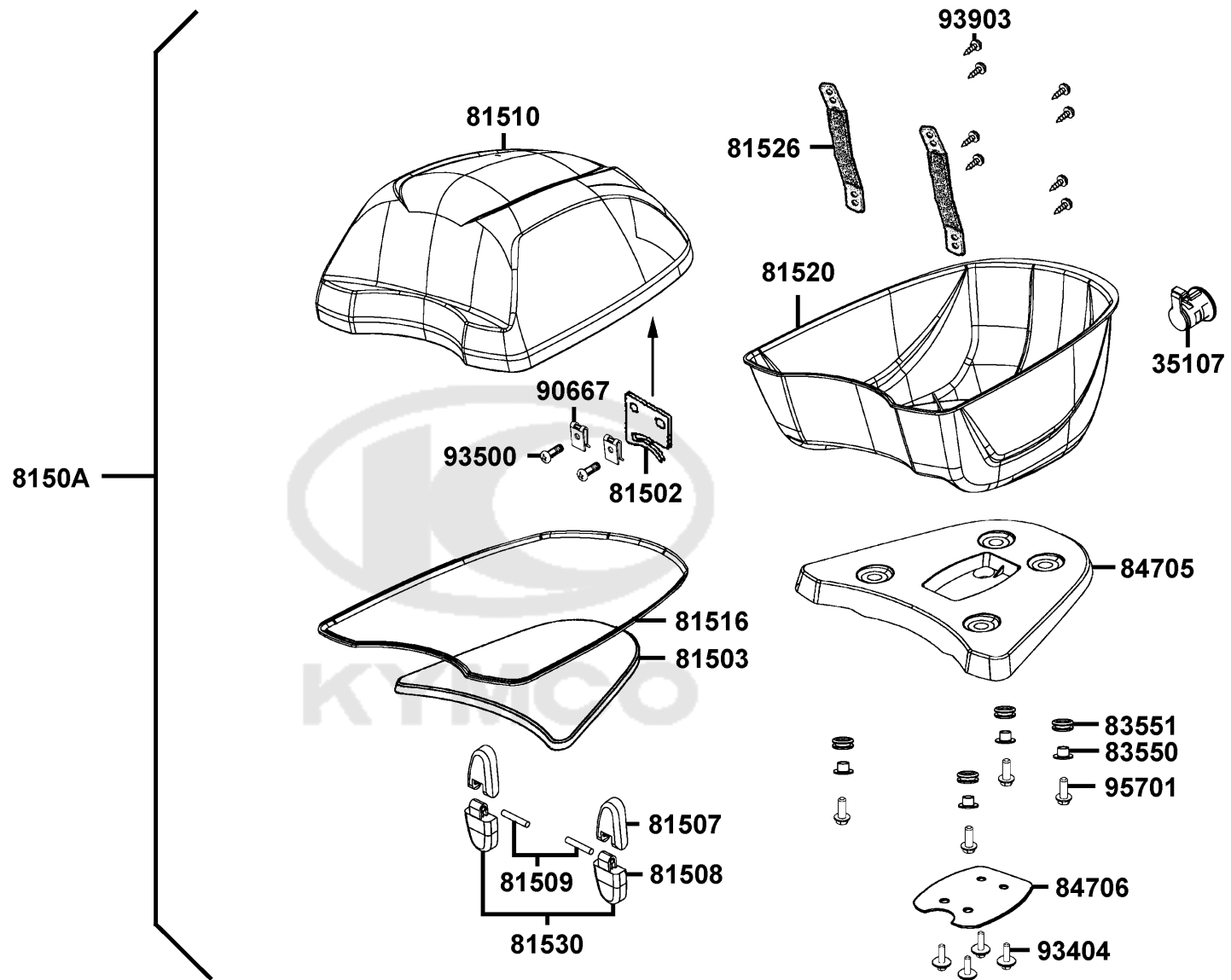
87571-HCKC



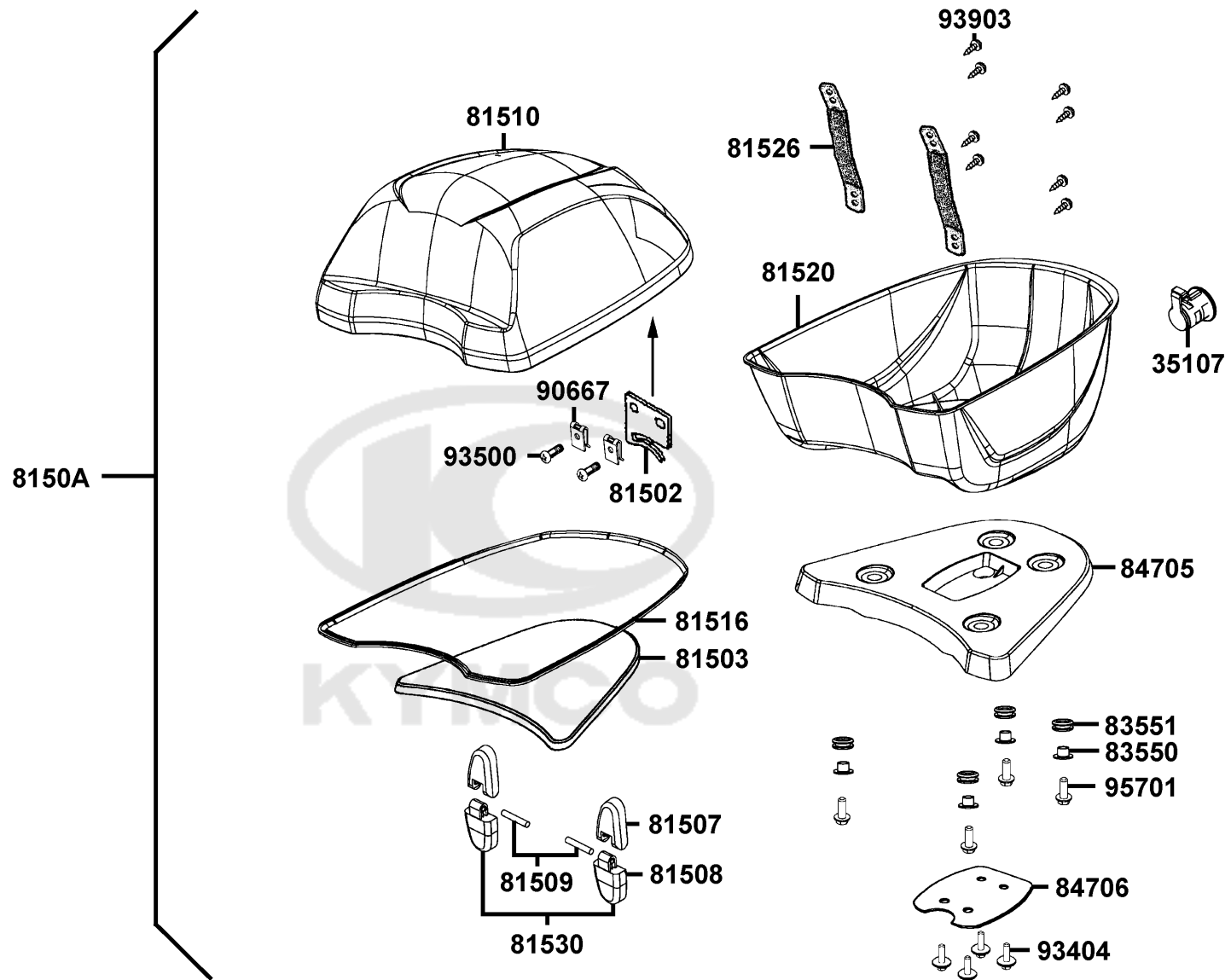
87571-LDC8

Sales mark	Ref no	Part no	Description	Reg description	Regd no	F21
**	86102	86102-LEJ2-E00	STRIPE K-LOGO 22MM	STRIPE K-LOGO 22MM	1	
**	86202	86202-LKD2-E10	EMB BODY COVER	EMB BODY COVER	2	
**	87505	87505-LFC2-E10	LABEL TIRE	LABEL TIRE	1	
**	87541-GAR1	87541-GAR1-C01	MARK MAINT CAUTION L	MARK MAINT CAUTION L	1	
**	87541-KUDU	87541-KUDU-E00	LABEL OIL CAP	LABEL OIL CAP	1	
**	87542	87542-GAR1-E01	MARK MAINT CAUTION	MARK MAINT CAUTION	1	
**	87560	87560-GFY6-C01	MARK DRIVE CAUTION	MARK DRIVE CAUTION	1	
**	87571-HCKC	87571-HCKC-B90	MODEL YEAR	MODEL YEAR	1	
**	87571-LDC8	87571-LDC8-B90	LABEL MIT	LABEL MIT	1	





Sales mark	Ref no	Part no	Description	Reg description	Regd no	F22
	35107	35107-LFC2-E13	PACKING RR BOX LOCK	PACKING RR BOX LOCK	1	
	81502	81502-LGA5-C10	BOTTOM UP THE HOOK	BOTTOM UP THE HOOK	1	
	81503	81503-LGR5-E10	RUBBER RR WASHER	RUBBER RR WASHER	1	
**	81507	81507-LFD6-C50	CATCH COMP UP	CATCH COMP UP	2	
**	81508	81508-LFD6-C50	CATCH COMP DOWN	CATCH COMP DOWN	2	
	81509	81509-LDD9-C50	PIN LOCK	PIN LOCK	2	
**	8150A	8150A-LFC2-E10	RR BOX COMP	RR BOX COMP	1	
**	81510	81510-LFC2-E10	REAR BOX UP	REAR BOX UP	1	
	81516	81516-LGR5-E10	WATER PROOF MATERIAL	WATER PROOF MATERIAL	1	
**	81520	81520-LGR5-E10	REAR BOX LOW	REAR BOX LOW	1	
	81526	81526-LGR5-E10	LINK STRIP	LINK STRIP	1	
**	81530	81530-LFC2-E10	CATCH ASSY	CATCH ASSY	1	
	83550	83550-KEC8-C00	COLLAR SET METER	COLLAR SET METER	1	
	83551	83551-KEC8-C10	CUSH RR FENDER	CUSH RR FENDER	1	
	84705	84705-LFC2-E10	PLANT REAR BOX	PLANT REAR BOX	4	
	84706	84706-LFC2-E10	STAY REAR BOX	STAY REAR BOX	1	
	90667	90667-GAR1-004	NUT CLIP 5MM	NUT CLIP 5MM	1	
	93404	93404-06022-07	BOLT WASHER 6*22 (K)	BOLT WASHER 6*22 (K)	2	
	93500	93500-05016-0H	SCREW PAN 5*16	SCREW PAN 5*16 (C)	4	
	93903	93903-25480	SCREW TAPPING 5*20	SCREW TAPPING 5*20 (K)	4	



Sales mark	Ref no	Part no	Description	Reg description	Regd no	F22
------------	--------	---------	-------------	-----------------	---------	------------

95701

95701-08020-08

BOLT FLANGE 8*20

BOLT FLANGE 8*20 (C)

4



PART NO. INDEX

PART NO.	VERSION	PAGE	PART NO.	VERSION	PAGE	PART NO.	VERSION	PAGE
11000			12200-LGS6-405	0	E02	1453A-GFY6-W10	0	E03
11100-LCD4-C00	0	E01	12209-GDB4-C00	1	E02	14610-KUDU-C10	1	E03
11102-1G87-C00	1	E01	12211-KUDU-W10	4	E02	14711-KFB7-C00	0	E02
11192-KUDU-C10	1	E01	12251-LGS6-E10	0	E02	14721-KFB7-C00	0	E02
11200-LCD4-C00	0	E01	12310-KUDU-C000	1	E02	14751-KKJ9-C00	2	E02
11203-GGC7-W10	2	E01	1231A-KUDU-C11	0	E02	14761-KKJ9-C00	2	E02
11203-GGC7-W10	2	F16	12361-GFY6-C00	1	E04	14771-GDB4-C00	2	E02
11206-LCD3-C00	0	E01	12391-GFY6-C10	0	E02	14775-MFA6-C00	2	E02
11208-LFC3-E10	2	E04	13000			14781-MFA6-C00	4	E02
11209-LCD3-E00	0	F13	13000-KFB7-405	1	E03	15000		
1121A-LGR5-E10	0	F13	13011-LCD4-E00	1	E03	15100-KFB7-C00	0	E06
1122A-KHB4-900	1	F13	13101-LCD4-E00	4	E03	15133-GFY6-W10	1	E06
11331-LCD3-E00	4	E04	13111-KKJ9-C10	0	E03	15141-GFY6-C00	1	E06
11340-LEJ3-E11	0	E01	14000			15421-1G07-W10	1	E04
11345-LKD2-E10	0	F20	14100-LGS6-E10	1	E02	15426-GAE1-C00	1	E04
11346-KEBE-C00	1	F20	14401-KUDU-C00	1	E03	1565A-KUDU-W10	1	E04
11353-LEA6-C00	0	E01	14431-KUDU-W10	1	E02	15711-KUDU-C00	1	E06
11394-KUDU-C10	1	E04	14450-GFY6-W10	1	E02	16000		
11395-KHB4-C00	0	E01	14452-GFY6-W10	1	E02	16100-LKD2-E10	0	E09
12000			14510-KUDU-W10	1	E03	16201-GFY6-C10	1	E02
12100-LCD4-C00	0	E03	14520-GFY6-C00	1	E03	16211-GFY6-W10	1	E02
12191-LGS6-E10	0	E03	14523-GFY6-C10	1	E03			

PART NO. INDEX

PART NO.	VERSION	PAGE	PART NO.	VERSION	PAGE	PART NO.	VERSION	PAGE	
17000			18306-LEJ2-E10	3	F14	22131-GFY6-C00	0	E05	
			1830A-LKD2-E10	0	F14	22132-KBN2-C00	0	E05	
			18318-LCD3-E10	5	F14	22300-LCD4-C00	0	E05	
			18325-LFC3-E10	2	F14				
						23000			
	1711A-LGL3-C00	0	E02			23010-LCD4-E00	1	E05	
	17200-LKD2-E10	1	F13			23100-LCD4-E0A	2	E05	
	17239-KHB4-C00	0	F13	19000		23200-GFY6-C00	0	E05	
	1723A-LKD2-E10	0	F13			23220-KFBF-C00	0	E05	
	1723B-LFC4-E10	0	F13	19504-LBA2-C00	0	F10	23225-GHC8-C00	0	E05
	1723C-LEJ3-E10	0	F13	19510-KFB7-C00	0	E07	23226-GHC8-C00	0	E05
	17257-LFC4-E10	0	F13	1961A-KUDU-E10	0	E07	23233-GCW3-C00	0	E05
	1725B-KGBG-900	0	F13	19625-KUDU-C00	1	E02	23237-GFY6-C00	0	E05
	1737A-LCD3-E00	0	F13	1962A-LEJ8-E00	1	E07	23238-GFY6-C00	0	E05
	17500-LKD2-E10	0	F10	1963A-LGS6-E10	0	E07	23411-KHB4-C00	0	E08
17550-LKD2-E10	0	F10				23420-LCD3-C00	0	E08	
17560-LKD2-E10	0	F10	21000			23432-LCD3-C00	0	E08	
17620-LBA8-C10	0	F10				2343A-KHB4-C00	0	E08	
17910-LGS6-E10	0	F03	21200-LEJ8-C00	0	E08				
			21395-LCD3-C00	0	E08	28000			
						28101-GFY6-C00	1	E06	
18000			22000			28102-GFY6-C00	1	E06	
18291-GGA7-C00	0	F14				28110-GFY6-C10	1	E06	
18291-KKC4-C00	0	F14	22101-GFY6-C00	0	E05	28120-GFY6-C10	1	E06	
18292-KEBE-C00	0	F14	22102-KUDU-C00	0	E05				
18293-KECE-C00	0	F14	22105-GFY6-C10	0	E05				
18294-KEBE-C00	0	F14	22110-KUDU-C00	0	E05				
18295-KECE-900	0	F14	22121-LFC4-E10	2	E05				

PART NO. INDEX

PART NO.	VERSION	PAGE	PART NO.	VERSION	PAGE	PART NO.	VERSION	PAGE
28125-4F26-C00	1	E06	32961-KUDU-C00	1	E04	34905-LCA5-E00	0	F18
28125-GFY6-C10	3	E06				34906-KPCP-900	0	F18
28126-GFY6-C10	0	E06	33000			34908-GGA7-C00	0	F02
2812A-GFY6-C10	1	E06				34908-MKB9-C00	0	F02
28211-KUDU-W10	4	E05	33100-LFC2-E10	1	F01			
			33108-LFC2-E10	0	F01	35000		
30000			33400-LFC2-E10	1	F17			
			33402-LFC2-E10	1	F17	35010-LKD2-E10	0	F19
3051A-KKE3-900	6	F19	33403-LFC2-E10	0	F17	35107-LFC2-E13	0	F22
			33406-LFC2-E10	0	F17	35151-LGB5-E10	1	F03
31000			33450-LFC2-E10	1	F17	35152-LGB5-E10	0	F03
			33452-LFC2-E10	0	F17	3515A-LGB5-E10	3	F03
31100-LGS6-E10	0	E07	33453-LFC2-E10	0	F17	35201-LGB5-E10	1	F03
31110-KKE3-90A	3	E07	33456-LFC2-E10	0	F17	35202-LGB5-E10	0	F03
31120-LGS6-E10	0	E07	33700-LFC2-E10	1	F18	3520A-LGB5-E10	3	F03
31200-KUDU-C00	0	E06	33702-LFC2-E10	1	F18	35340-KNBN-901	1	F04
31500-KFAF-C00	0	F11	33703-LFC2-E10	1	F18	35350-KNBN-901	0	F04
31600-LEA5-E00	2	F19	33720-LEJ2-E10	0	F18	35380-LEA2-900	1	F19
31601-LFC2-E10	1	F19	33731-KGB5-C00	2	F18	35850-KHD8-C00	1	F19
			33741-KEBE-C00	0	F18			
32000			34000			37000		
32100-LKD2-E10	1	F19				37200-LKD2-E10	1	F02
32106-KKE3-C00	0	E02	34901-LDC8-E10	1	F01	37211-LFC2-E10	1	F02
32411-LEJ3-E11	0	F19	34903-LDC8-E10	1	F01	37213-LFC2-E10	0	F02
32412-LEH3-C10	1	E04	34905-LBA8-E80	1	F17	37215-LFC2-E10	0	F02

PART NO. INDEX

PART NO.	VERSION	PAGE	PART NO.	VERSION	PAGE	PART NO.	VERSION	PAGE
37224-LKD2-E10	2	F02	42601-LFC3-E10	1	F08			
37280-LEJ2-E0A	0	F02	42710-LFC2-E11	1	F08	45000		
37802-GGA7-C00	1	F10	42753-0A01-C00	1	F07			
3780A-LKD2-E10	0	F10				45105-LEJ2-306	0	F04
38000			43000			45121-LFC2-E80	0	F07
						45126-LFC2-E10	1	F04
			43105-LFC4-306	0	F04	45156-KNBN-C00	1	F06
38110-KHB4-E0A	0	F19	43126-LFC4-E10	1	F04	45156-LCB9-B20	0	F06
38301-GGS7-C00	0	F19	43156-LFC3-E10	2	F16	45200-LFC2-E80	0	F04
38500-KHD8-900	0	F19	43200-LFC4-E80	0	F04	4550A-LFC2-E1A	1	F04
39000			43351-LFC3-E80	2	F08	4550B-LFC2-E80	0	F04
			43500-LFC3-E10	0	F04	45513-KCCC-900	0	F04
			4350B-LFC4-E80	0	F04	45517-KFAF-910	1	F04
39300-LEA6-800	0	E02				50000		
39301-LHB2-C10	0	E02	44000					
39302-KKE3-900	0	E02						
39303-LEB2-900	0	E02	44301-LEJ2-E10	1	F07	50100-LKD2-E10	0	F20
39304-LKD2-E10	0	F20	44311-LFC2-E10	2	F07	50301-KGN7-C00	0	F20
3930A-LGS6-E10	2	E02	44601-LFC2-E10	2	F07	50302-2H68-C00	2	F20
39400-KKE3-800	2	E02	44620-KFLF-C00	0	F07	50306-1F96-C00	1	F06
39450-LEA6-800	2	F14	44680-4L10-C00	0	F07	50326-LFC2-E10	1	F12
42000			44710-LFC3-E11	0	F07	50350-LFC3-B40	1	F20
			44800-LKD1-E10	1	F07	50500-LFC4-E10	3	F15
			44830-LCD3-C00	0	F02	50502-LDF7-C00	1	F15
42311-KHB4-C00	0	F16				50504-LEJ3-E11	0	E01
42312-LEJ2-E10	1	F16				50505-LAD9-C00	0	F15

PART NO. INDEX

PART NO.	VERSION	PAGE	PART NO.	VERSION	PAGE	PART NO.	VERSION	PAGE
50505-LDC8-E10	0	F20						
50530-LFC2-E10	3	F15	52000			61000		
50531-KEB7-C00	0	F15						
50535-KEB7-W10	3	F15	52000-LFC3-E10	3	F16	61100-LFC2-E10	1	F06
50550-KEB7-C00	0	F15	52100-LFC3-E10	0	F16	61110-LFC2-E10	0	F06
50611-LFC2-E10	2	F20	52400-LFC4-E10	0	F16			
50612-LFC2-E10	1	F20	52400-LFC4-E10	3	F16	64000		
50613-LFC2-E10	1	F20						
50650-LFC2-E10	3	F18	53000			6421A-LFC2-E10	0	F03
50651-LFC4-E10	0	F18				64301-LFC2-E10	2	F05
50655-LKD2-E10	0	F20	53100-LFC3-E10	1	F03	64302-LFC2-E10	1	F05
51000			53102-LFC3-E10	2	F03	64303-LFC2-E10	1	F05
			53105-LFC4-E10	0	F03	64305-LFC2-E10	1	F05
			53125-GEN5-C00	1	F03	64306-LFC2-E10	1	F05
51400-LFC3-E10	0	F06	53140-LEJ2-E10	0	F03	64307-LFC2-E10	1	F05
51401-LFC3-E10	0	F06	53166-LEJ2-E10	0	F03	64308-LFC2-E10	1	F05
51410-LEJ2-E10	0	F06	53175-KTCT-C00	0	F04	6430A-LFC2-E10	1	F05
51412-LEJ2-E10	0	F06	53178-KNBN-C00	0	F04	6430B-LFC2-E10	1	F05
51420-LFC2-E10	1	F06	53200-LFC2-E10	1	F06	6430C-LFC2-E10	1	F05
51422-LEJ2-E10	0	F06	53204-LFC2-E10	1	F03	64310-LFC2-E11	0	F05
51427-LEJ2-E10	0	F06	53205-LFC2-E10	1	F03	64315-LKD2-E10	0	F20
51428-LEJ2-E10	0	F06	53206-LFC2-E10	1	F03	64316-LCB9-C10	4	F05
51429-LFC3-E10	0	F06	53211-GFY6-C00	1	F06	64316-LCB9-C10	4	F12
51437-LEJ2-E10	0	F06	53212-2L50-C00	1	F06	6431A-LFC2-E11	0	F05
51500-LFC3-E10	0	F06	53214-2L50-C00	1	F06	64350-LFC2-E11	0	F05
51520-LEJ2-E10	0	F06	53215-2L50-C00	1	F06	64360-LFC2-E11	0	F05

PART NO. INDEX

PART NO.	VERSION	PAGE	PART NO.	VERSION	PAGE	PART NO.	VERSION	PAGE
75000	1	F05	81133-KNBN-C00	1	F05	83551-KEC8-C10	1	F22
			81134-KGBG-C00	2	F05	83600-LFC2-E10	1	F12
			81134-LFC2-E10	1	F05	83610-LFC2-E10	1	F12
			81141-LFC2-E10	1	F05	83750-LFC2-E10	1	F12
			81142-KFA6-C00	1	F05			
75581-6C73-C00			81146-LFC2-E10	1	F05	84000		
77000	0	F09	81147-LFC2-E10	1	F05			
			81200-LFC2-E10	1	F12	84705-LFC2-E10	0	F22
			81250-LKD2-E10	0	F12	84706-LFC2-E10	0	F22
			81502-LGA5-C10	0	F22			
			81503-LGR5-E10	0	F22	86000		
77200-LFC3-E10			81507-LFD6-C50	1	F22			
77232-KCAC-C00	2	F12	81508-LFD6-C50	1	F22	86102-LEJ2-E00	2	F21
77240-LFC2-E10	0	F19	81509-LDD9-C50	0	F22	86202-LKD2-E10	1	F21
80000	1	F18	8150A-LFC2-E10	0	F22			
			81510-LFC2-E10	0	F22	87000		
			81516-LGR5-E10	0	F22			
			81520-LGR5-E10	0	F22	87505-LFC2-E10	2	F21
			81526-LGR5-E10	0	F22	87541-GAR1-C01	0	F21
			81530-LFC2-E10	0	F22	87541-GAR1-C01	1	F21
						87541-KUDU-E00	0	F21
						87541-KUDU-E00	1	F21
						87542-GAR1-E01	2	F21
						87560-GFY6-C01	3	F21
			87560-GFY6-E01	3	F21			
			87571-HCKC-B90	0	F21			
81000	1	F05	83000					
			83500-LFC2-E10	1	F12			
			83510-LFC2-E10	1	F12			
			83550-KEC8-C00	1	F22			
81131-LFC2-E10	1	F05						
81132-LCB9-C10	0	F05						
81132-LFC2-E10	1	F05						

PART NO. INDEX

PART NO.	VERSION	PAGE	PART NO.	VERSION	PAGE	PART NO.	VERSION	PAGE
87571-LDC8-B90	0	F21	90106-LGB6-E10	1	F20	90302-SDA4-C00	2	F12
88000			90107-KUDU-900	2	F20	90304-GHE8-C00	1	F03
			90108-KFA6-E00	1	F15	90304-GHE8-C00	1	F20
			90110-GLW0-C00	0	F05	90305-GHK8-C00	1	F06
88110-LEB5-C10	2	F03	90110-KEB7-C00	1	F06	90305-KNBN-C00	1	F08
88120-LEB5-C10	1	F03	90110-LCD4-E00	1	F14	90306-KLF0-C00	0	F07
89000			90111-1G87-C00	1	F05	90403-KUDU-900	1	E06
			90111-1G87-C00	1	F12	90426-KNBN-C00	1	E05
			90114-GDM4-C00	0	F13	90440-1F66-C00	0	E07
89010-KGBG-C00	1	F09	90116-LEJ2-E10	0	F06	90441-GFY6-C00	1	E05
90000			90121-GFY6-C00	1	F20	90465-MDC4-C00	0	E02
			90131-GLW0-C00	0	F04	90474-3C33-C00	1	E01
			90131-KFAF-C00	0	F04	90501-KNBN-C00	1	F08
90001-GBHB-C00	1	E03	90145-9A61-C00	1	F04	9052A-GFY6-C00	1	E01
90001-GFY6-C00	1	E06	90201-GFY6-901	1	E06	90544-LEJ2-E10	0	F06
90005-KAW1-901	1	E03	90202-1G87-C00	0	E05	90545-3L00-C00	2	F04
9000A-LEJ2-E10	0	E01	90206-0A01-001	2	E02	90652-LCA4-C10	0	F18
90012-3C33-C00	1	E02	90301-GFY6-C00	2	F14	90652-LGJ9-900	2	E02
90021-GFY6-C10	0	F14	90301-LEJ2-E10	1	F10	90656-KUDU-900	0	F19
90031-KUDU-C00	1	E01	90302-GBR2-C00	4	F05	90667-GAR1-004	0	F22
90032-KUDU-C00	1	E01	90302-GFY6-C10	0	F06	90677-GAR1-C00	1	F05
90033-GFY6-C00	2	E02	90302-GFY6-C10	0	F10	90677-GAR1-C00	1	F18
90105-KCR3-001	3	F07	90302-GFY6-C10	0	F18	90683-GAR1-C00	4	F05
90105-KCR3-001	3	F08	90302-GFY6-C10	0	F19	90701-GFY6-C00	6	E06
90106-GEN5-901	1	F03	90302-LLB1-C00	0	F03			
90106-KFAF-900	2	F03	90302-SDA4-C00	2	F05			

PART NO. INDEX

PART NO.	VERSION	PAGE	PART NO.	VERSION	PAGE	PART NO.	VERSION	PAGE
91000			93000			93903-34380	6	F18
91003-KDS4-C00	1	E08	93401-04025-08	0	F19	93903-35220	3	F01
91009-GLE0-C00	1	E08	93404-06012-07	5	F12	93903-35280	1	F02
91014-LLJ3-C00	1	F06	93404-06012-07	5	F13	93903-35280	1	F03
91015-LLJ3-C00	1	F06	93404-06012-07	5	F18	93903-35280	1	F18
91101-1K79-C00	1	E06	93404-06012-07	5	F20	93903-35280	1	F20
91104-GFY6-C00	1	E06	93404-06016-07	0	F18	93903-GFY6-C00	2	F05
91104-KGN7-671	0	E01	93404-06020-07	4	F05	93903-GFY6-C00	2	F12
91202-GFY6-C00	1	E01	93404-06022-07	0	F22	93903-GFY6-C00	2	F18
91202-KKJ9-C00	1	E01	93404-06025-07	1	F06	94000		
91211-KEBE-C00	0	E05	93500-05016-0H	0	F22	94001-12280-0S	0	E05
91251-LEJ2-E10	0	F06	93500-05025	0	F03	94050-05080	2	F18
91252-0L30-004	0	F07	93600-04012-1G	1	F04	94050-06080	2	E02
91254-LEJ2-E10	0	F06	93700-05018-0H	1	F02	94050-06080	2	E06
91255-LDC8-E10	4	E08	93901-32110	0	F17	94050-06080	2	F09
91258-4L10-007	1	F07	93901-34220	0	F17	94050-06080	2	F19
91302-0A01-C00	1	E04	93903-25480	1	F13	94050-06080	2	F20
91306-1E05-C00	0	E03	93903-25480	1	F22	94050-08080	4	E02
91351-6B42-C00	0	E05	93903-34280	0	F05	94050-12080	1	E05
			93903-34320	0	F02	94050-12080	1	E07
92000			93903-34380	6	F03	94101-06200	1	F14
92101-05012-0H	2	E07	93903-34380	6	F05	94101-06700	0	F14
92900-06060-0B	2	E02	93903-34380	6	F12	94101-10800	1	F20
			93903-34380	6	F17	94101-KEBE-C00	0	F14

PART NO. INDEX

PART NO.	VERSION	PAGE	PART NO.	VERSION	PAGE	PART NO.	VERSION	PAGE
94111-06800	1	E02	95701-06035-08	1	E02	96001-06016-08	6	E06
94111-06800	1	F14	95701-06050-08	1	E02	96001-06016-08	6	E07
94301-10160	4	E01	95701-08012-08	2	E01	96001-06016-08	6	F19
94301-10160	4	E02	95701-08012-08	2	F19	96001-06018-08	1	E07
94301-10160	4	E03	95701-08020-08	0	F22	96001-06020-08	2	E07
94301-10160	4	E04	95701-08028-08	0	F20	96001-06025-00	0	F04
94301-10200	2	E01	95701-08040-08	3	F12	96001-06025-08	4	E07
94591-25000	0	F18	95701-08040-08	3	F20	96001-06028-08	1	E04
94591-LDC8-E10	1	E02	95701-08045-07	0	F16	96001-06028-08	1	E06
94591-LGR5-E10	1	F05	95701-08050-07	0	F16	96001-06045-08	1	E01
94601-15000	1	E03	95701-LDC8-E10	0	F19	96001-06050-08	1	E01
94608-LEJ2-E10	0	F06	95801-08032-08	0	F16	96001-06100-08	2	E02
			95801-08040-08	4	F06	96001-06100-08	2	E04
95000			95801-10025-08	0	F15	96001-06110-08	1	E04
			95801-10035-08	1	F16	96100-60020-00	1	E08
95012-LEJ2-E10	0	F11				96100-62020-00	1	E01
95701-06012-08	3	E04	96000			96100-63030-00	0	E01
95701-06012-08	3	F06				96120-63010-10	0	F07
95701-06012-08	3	F10	96001-06008-07	1	F14			
95701-06012-08	3	F19	96001-06010-02	1	F14	98000		
95701-06012-08	3	F20	96001-06012-00	0	F16			
95701-06014-08	0	F19	96001-06012-08	3	E01	98056-5771R-00	1	E02
95701-06016-07	0	F18	96001-06012-08	3	E04	98200-10700	2	F11
95701-06016-08	1	F20	96001-06012-08	3	E06	98200-11000	1	F11
95701-06025-07	2	F14	96001-06012-08	3	F18			
95701-06025-08	2	E02	96001-06014-08	0	E02			