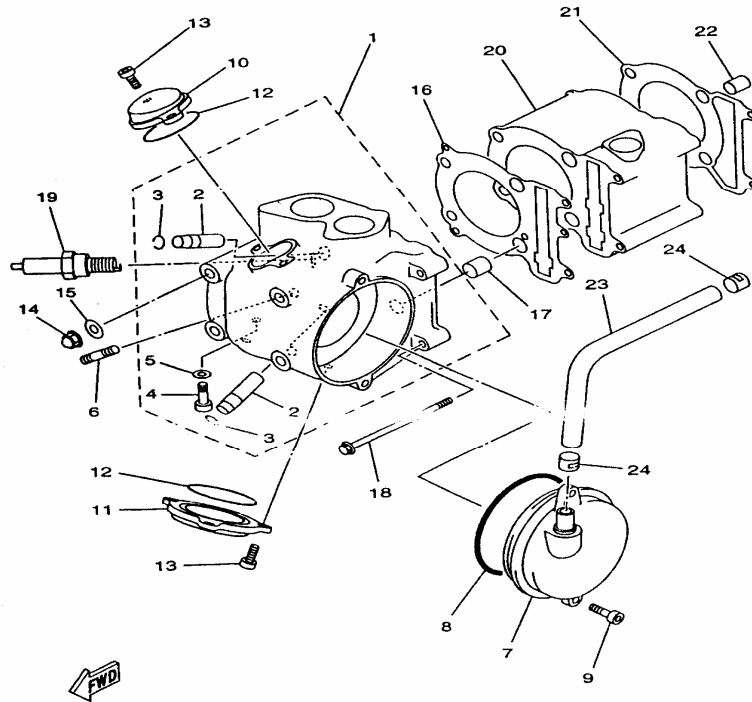


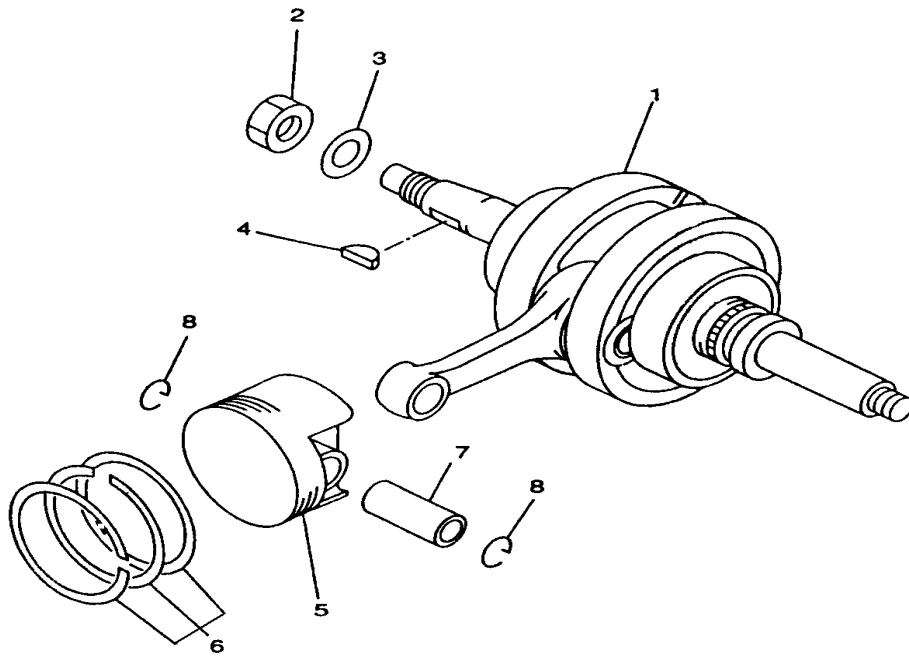
E01

CYLINDER

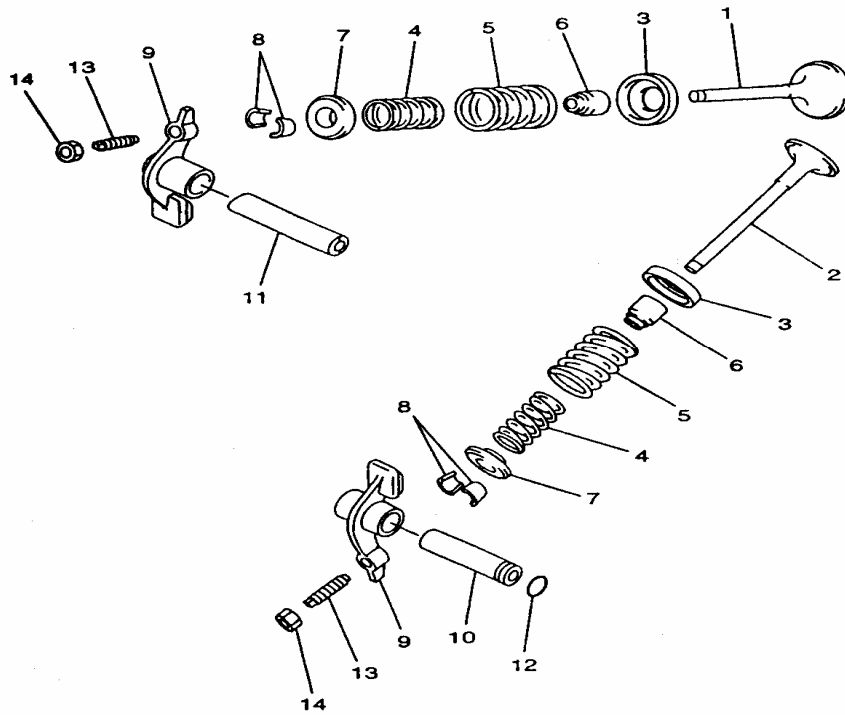
LH 300



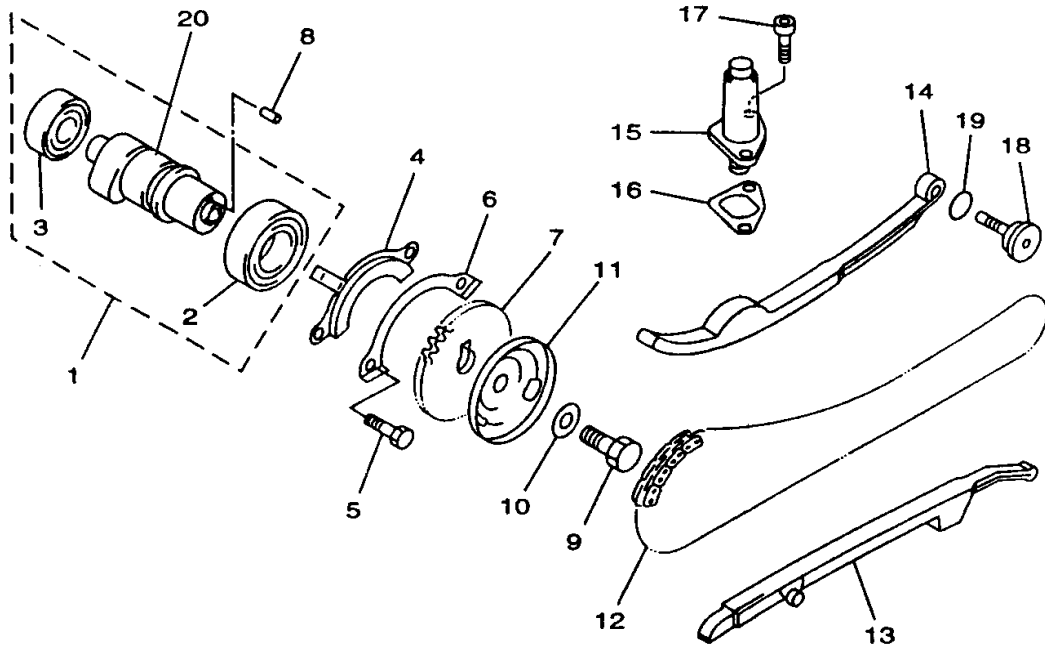
POS.	PARTNUMBER	DESCRIPTION	QTY	SRT
1	22401a	CYLINDER HEAD ASSY	1	
	22401b	CYLINDER HEAD ASSY (FOR ATV300)	1	
2	22402	GUIDE INTAKE VALVE	2	
3	10112	CIRCLIP 12	2	
4	10128	BOLT M6X12	1	
5	22405	GASKET 6	1	
6	10014	BOLT STUD M8X25	2	
7	22407	BREATHER ASSY	1	
8	22408	O-RING 95X3.3	1	
9	10008	BOLT SOCKET HEAD M6X20	2	
10	22410	VALVE COVER INTAKE SIDE	1	
11	22411	VALVE COVER EXHAUST SIDE	1	
12	22412	O-RING 57.5X2.3	2	
13	10008	BOLT SOCKET HEAD M6X20	5	
14	22414	NUT CROWN M8	4	
15	22415	WASHER PLATE 8	4	
16	22416	GASKET CYLINDER HEAD1	1	
	22416a	GASKET CYLINDER HEAD2 (FOR ATV300)	1	
17	22417	PIN DOWEL 14X16	2	
18	22418	BOLT FLANGE M6X120	2	
19	22419	PLUG SPARK(NGK DR8EA)	1	
20	22420	CYLINDER	1	
	22420a	CYLINDER (FOR ATV300)	1	
21	22421	GASKET CYLINDER	1	
22	22422	PIN DOWEL 10X14	2	
23	22423	PIPE BREATHER1	1	
24	22424	CLIP 12MM	2	



POS.	PARTNUMBER	DESCRIPTION	QTY	SRT
1	22501	CRANKSHAFT ASSY	1	
2	22502	NUT M16X1	1	
3	22503	WASHER PLATE 16	1	
4	22504	KEY WOODRUFF	1	
5	22505	PISTON	1	
	22505a	PISTON (FOR ATV300)	1	
6	22506	PISTON RING SET	1	
	22506a	PISTON RING SET (FOR ATV300)	1	
7	22507	PISTON PIN	1	
8	22508	CLIP	2	



POS.	PARTNUMBER	DESCRIPTION	QTY	SRT
1	22601	INTAKE VALVE	1	
2	22602	EXHAUST VALVE	1	
3	22603	SEAT SPRING VALVE	2	
4	22604	SPRING VALVE INNER	2	
5	22605	SPRING VALVE OUTER	2	
6	22606	SEAL VALVE STEM	2	
7	22607	RETAINER SPRING VALVE	2	
8	22608	COTTER VALVE	4	
9	22609	ROCKER ARM VALVE	2	
10	22610	EXHAUST ROCKER SHAFT	1	
11	22611	INTAKE ROCKER SHAFT	1	
12	22612	O-RING 9X2	1	
13	22613	ADJUSTING SCREW VALVE	2	
14	22614	NUT M6X0.75	2	

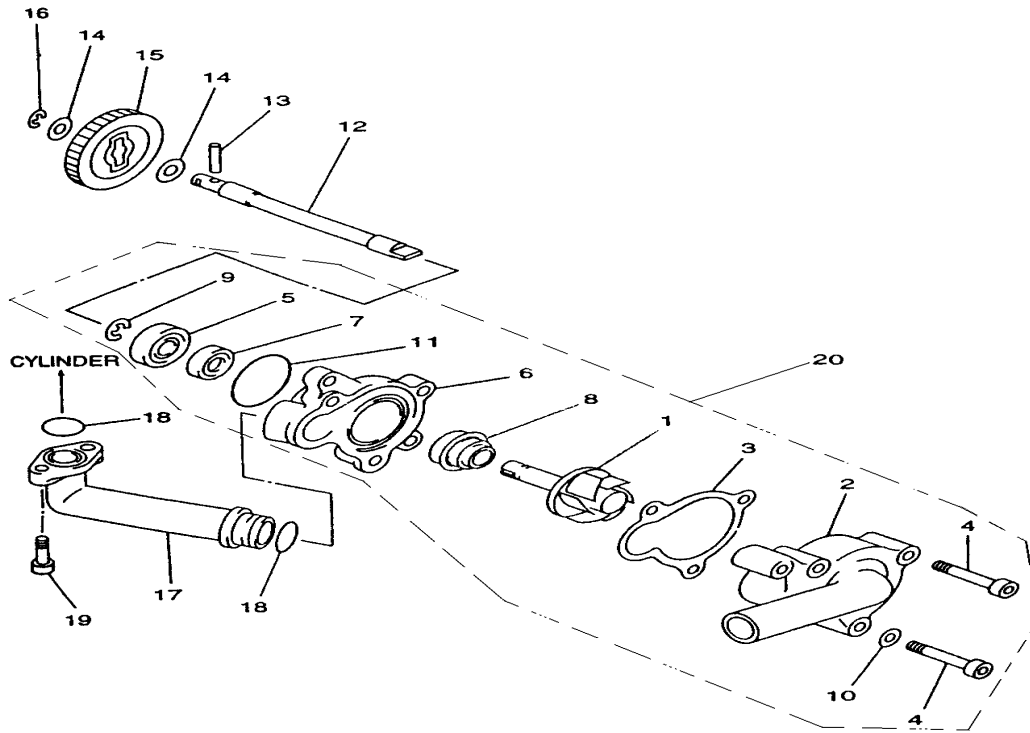


POS.	PARTNUMBER	DESCRIPTION	QTY	SRT
1	22701	CAMSHAFT ASSY1	1	
2	10012	BEARING	1	
3	10013	BEARING(B6202Z)	1	
4	22704	PLATE	1	
5	10128	BOLT M6X12	2	
6	22706	LOCK WASHER	1	
7	22707	CAM CHAIN SPROCKET	1	
8	10024	DOWEL PIN B4X10	1	
9	10025	BOLT M10X1.25X25	1	
10	22710	WASHER PLATE 10	1	
11	22711	BREATHER PLATE2	1	
12	22712	CHAIN	1	
13	22713	GUIDE STOPPER1	1	
14	22714	GUIDE STOPPER2	1	
15	22715	CAM CHAIN TENSIONER ASSY	1	
16	22716	GASKET TENSIONER CASE	1	
17	10036	SOCKET HEAD BOLT M6X14	2	
18	22718	CHAIN TENSIONER PIVOT BOLT	1	
19	22719	O-RING 14.5X1.8	1	
20	22720	CAMSHAFT	1	

E04

WATER PUMP

LH 300

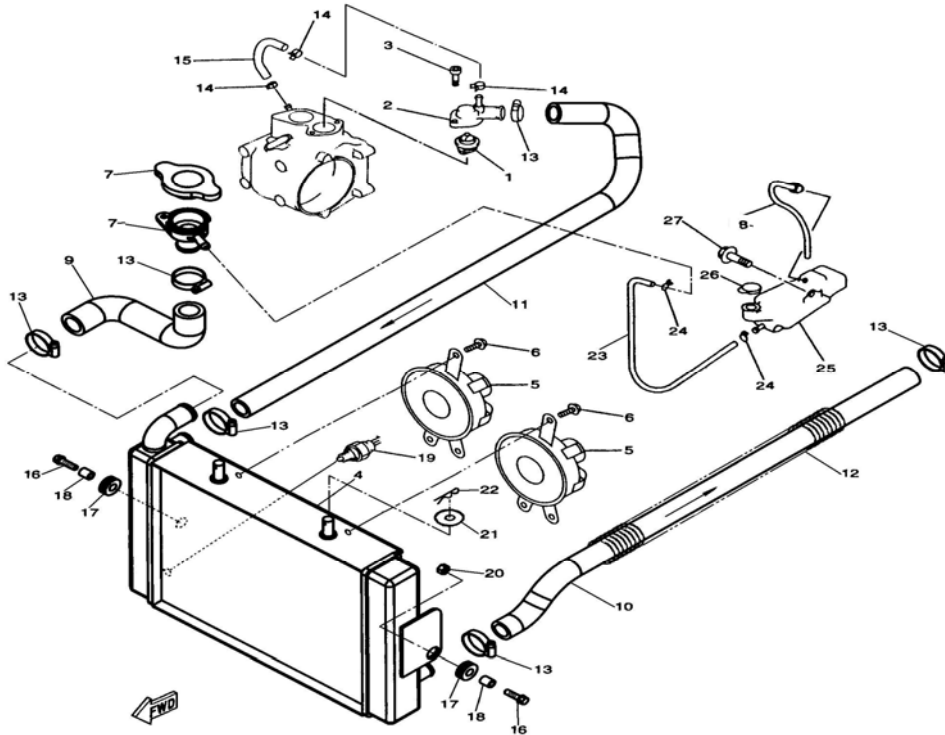


POS.	PARTNUMBER	DESCRIPTION	QTY	SRT
1	22801	IMPELLER SHAFT ASSY	1	
2	22802	HOUSING COVER	1	
3	22803	GASKET HOUSING COVER2	1	
4	10041	SOCKET HEAD BOLT M6X35	3	
5	10043	BEARING	1	
6	22806	WATER PUMP HOUSING	1	
7	22807	OIL SEAL 10X21X5	1	
8	22808	MECHANICAL SEAL	1	
9	10044	CIRCLIP 10	1	
10	22810	GASKET 6	1	
11	10049	O-RING 33.5X2.65	1	
12	22812	SHAFT	1	
13	10070	DOWEL PIN C3X22	1	
14	22814	WASHER PLATE 8	2	
15	22815	IMPELLER SHAFT GEAR	1	
16	10072	CIRCLIP 8	1	
17	22817	JOINT	1	
18	10082	O-RING 15.5X2.5	2	
19	10083	SOCKET HEAD BOLT M6X15	2	
20	22820	WATER PUMP ASSY	1	

E05

RADIATOR

LH 300

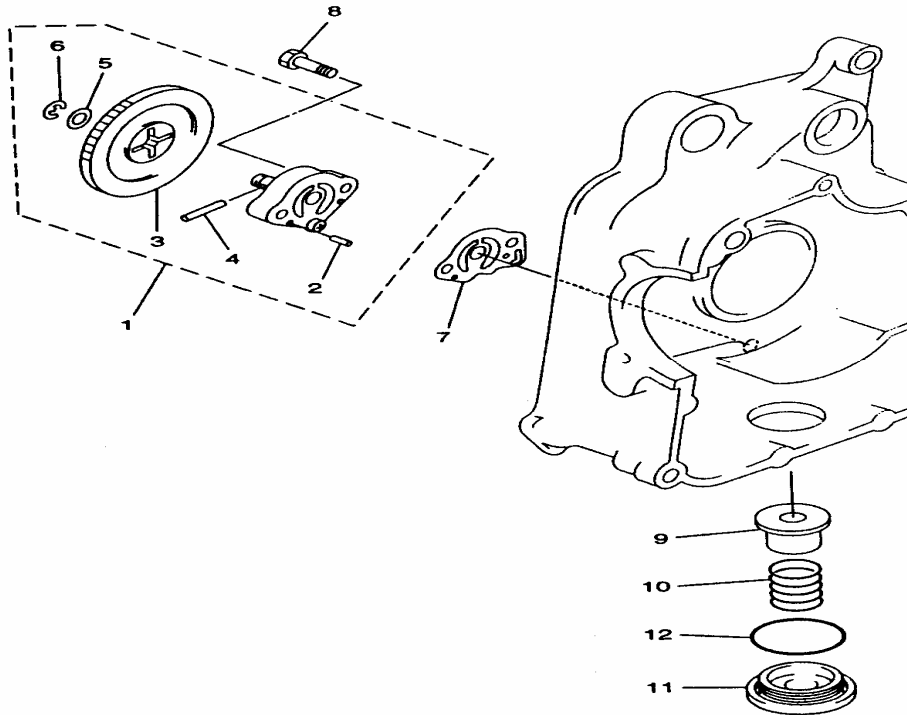


POS.	PARTNUMBER	DESCRIPTION	QTY	SRT
1	22901	THERMOSTAT	1	
2	22902	THERMOSTAT COVER	1	
3	10085	SOCKET HEAD BOLT M6X25	2	
4	22904T	RADIATOR ASSY (THICKER)	1	
5	22905T	BLOWER ASSY	2	
6	10087	FLANGE BOLT M6X9	6	
7	22907a	SAFETY VALVE	1	
8	23028	PIPE 2	1	
9	22909T	RADIATOR FILLER HOSE	1	
10	22910T	RETURN HOSE	1	
11	22911	FEED HOSE	1	
12	22912	COMPRESSION SPRING	2	
13	22913	HOSE CLAMP1	6	
14	22914	HOSE CLAMP2	2	
15	22915	HOSE1	1	
16	10110	BOLT M6X20	2	
17	22917	RADIATOR SIDE SUPT GROMMET	2	
18	22918	COLLAR	2	
19	22919	THERMOSTAT SWITCH ASSY	1	
20	10004	NUT M6	2	
21	10019	WASHER PLATE 10	2	
22	10094	CLIP 2X20	2	
23	22923	PIPE 1	1	
24	22924	CLIP	2	
25	22925	TANK RECOVERY	1	
26	22926	CAP	1	
27	10140	BOLT FLANGE M6X12	1	

E06

OIL PUMP

LH 300

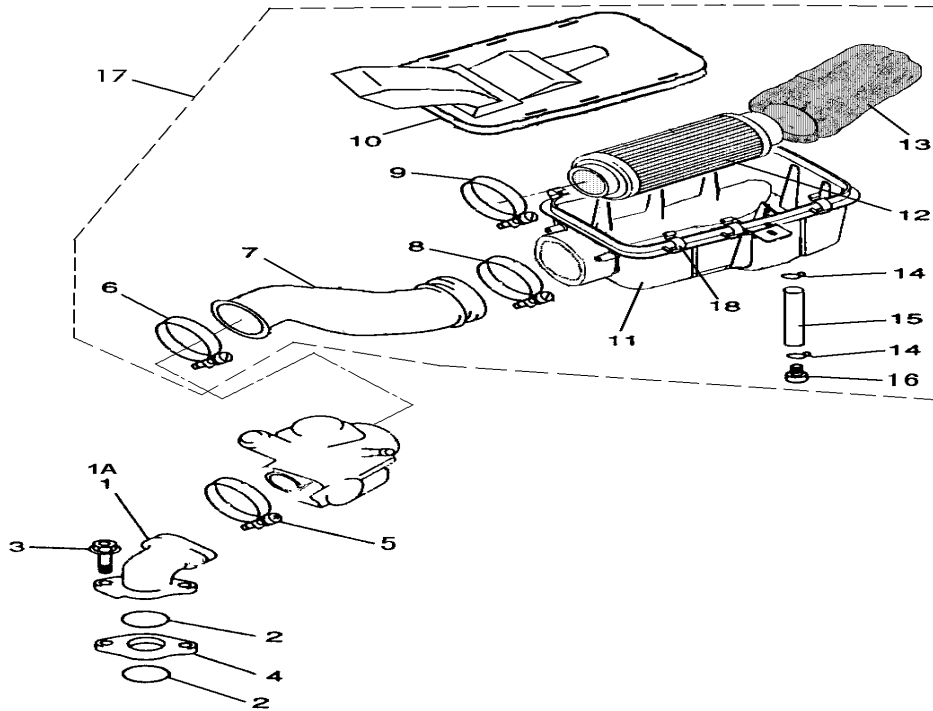


POS.	PARTNUMBER	DESCRIPTION	QTY	SRT
1	23101	OIL PUMP ASSY	1	
2	10096	DOWEL PIN 3X12	2	
3	23103	GEAR PUMP DRIVEN	1	
4	10097	DOWEL PIN C3X22	1	
5	22814	WASHER PLATE	1	
6	10130	CIRCLIP	1	
7	23107	GASKET	1	
8	10098	SCREW M6X25	2	
9	23109	OIL STRAINER	1	
10	23110	COMPRESSION SPRING	1	
11	23111	DRAIN PLUG	1	
12	23112	O-RING 36X3.5	1	

E07

AIR CLEANER

LH 300

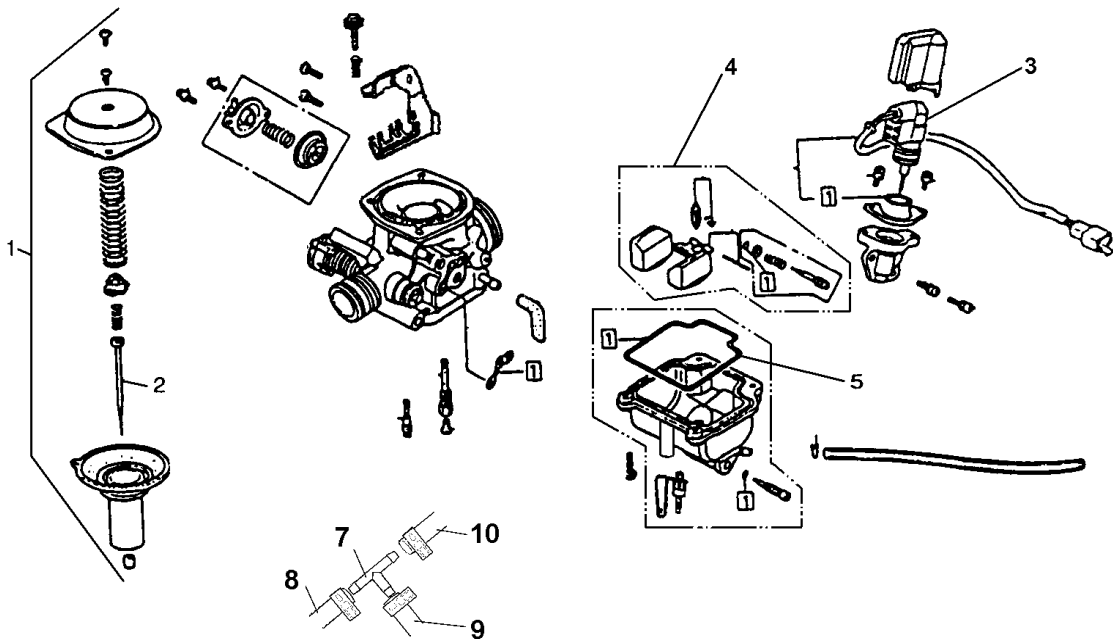


POS.	PARTNUMBER	DESCRIPTION	QTY	SRT
1	23201	JOINT CARBURETOR 1	1	
1A	23202a	JOINT CARBURETOR 2	2	
2	23202	O-RING 35X2	2	
3	10085	SCOKET HEAD BOLT M6X25	2	
4	23204	JOINT	1	
5	23205	HOSE CLAMP D	1	
6	23206	HOSE CLAMP C	1	
7	23207	AIR CLEANER JOINT	1	
8	23208	HOSE CLAMP B	1	
9	23209	HOSE CLAMP A	1	
10	23210	COVER AIR CLEANER	1	
11	23211	AIR CLEANER CASE1	1	
12	23212	ELEMENT COMP AIR CLEANER	1	
13	23213	FILTER COVER	1	
14	23214	CLIP	2	
15	23215	HOSE	1	
16	23216	PLUG	1	
17	23217	AIR CLEANER ASSY	1	
18	23218	AIR CLEANER COVER CLIP	6	

E07

CARBURETOR

LH 300

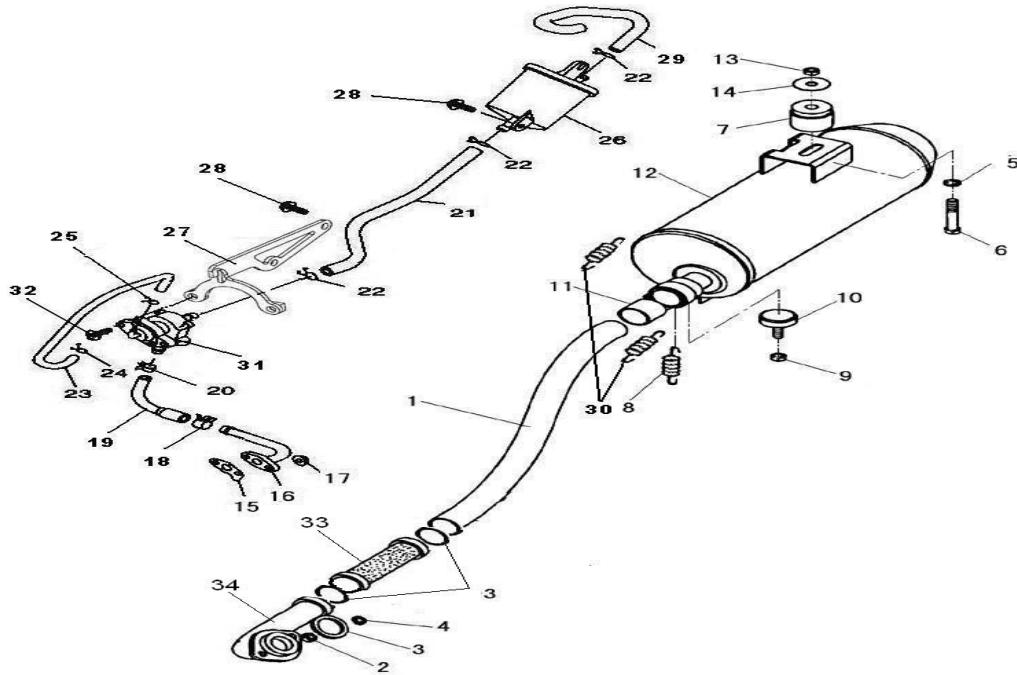


POS.	PARTNUMBER	DESCRIPTION	QTY	SRT
1	23301	CARBURETOR ASSY	1	
1A	23301a	CARBURETOR ASSY	1	
2	23302	JET NEEDLE SET	1	
3	23303	AUTO CHOKE ASSEM	1	
4	23304	FLOAT ASSY	1	
5	23305	BOWL GASKET	1	
6	23306	MAIN JET	1	
		IDLE JET	1	
7	30235	FUEL HOSE COUPLER	1	
8	23308	HOSE $\Phi 8 \times 4.5 \times 260$	1	
9	23309	HOSE $\Phi 8 \times 4.5 \times 390$	1	
10	23310	HOSE $\Phi 8 \times 4.5 \times 280$	1	

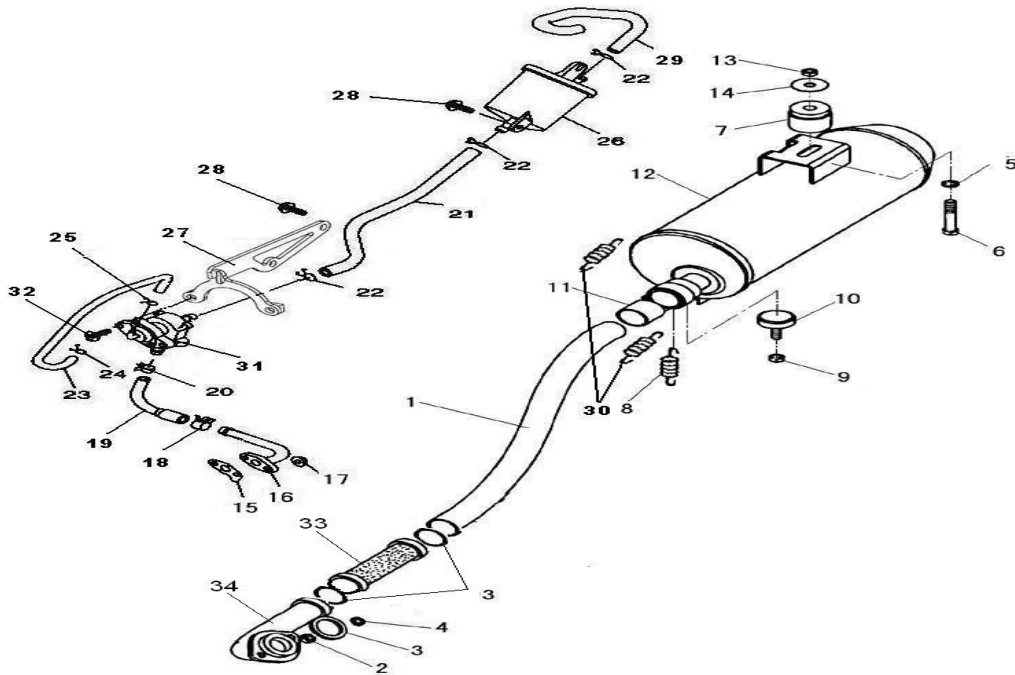
E08

EXHAUST

LH 300



POS.	PARTNUMBER	DESCRIPTION	QTY	SRT
1	23433	EXHAUST PIPE 1	1	
2	10099	NUT M8	2	
3	23403	EXHAUST PIPE GASKET	3	
4	10106	WASHER 8	3	
5	10117	WASHER PLATE 10	1	
6	10120	BOLT FLANGE M10X1.25X62	1	
7	23415	MUFFLER SUPPORT	1	
8	23408	SPRING	1	
9	10099	NUT M8	2	
10	23410	MUFFLER SUPPORT BOTTOM	1	
11	23411	MUFFLER JOINT	2	
12	33412	MUFFLER	1	
13	10015	NUT M10X1.25	1	
14	10117	WASHER PLATE 10	1	
15	43510	WASHER	1	
16	43511	HOSE	1	
17	10004	NUT M6	2	
18	43513	CLIP 16	1	
19	43512	HOSE C	1	
20	43514	CLIP 13	1	
21	43525	HOSE B	1	

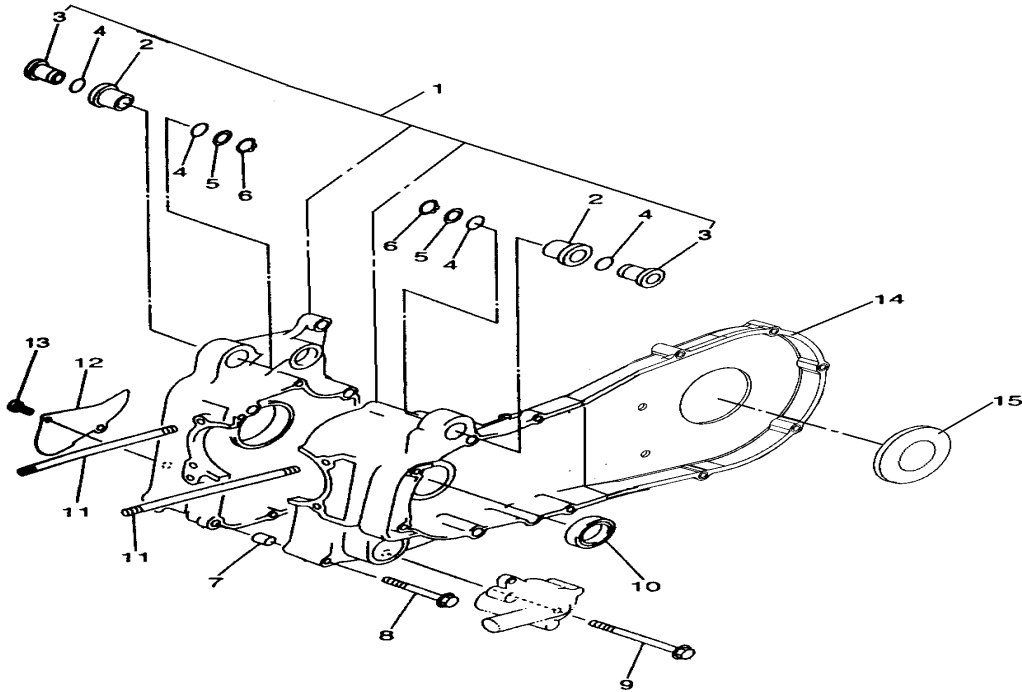


POS.	PARTNUMBER	DESCRIPTION	QTY	SRT
22	43519	HOSE CLAMP 16	3	
23	43520	PIPE	1	
24	43521	CLIP 9	1	
25	43522	CLIP 7.6	1	
26	43523	FILTER	1	
27	33227	VALVE BRACKET	1	
28	10140	BOLT M6X12	4	
29	43518	HOSE A	1	
30	33230	SPRING	1	
31	43516	VALVE	1	
32	10263	BOLT M6X20	2	
33	23434	EXHAUST PIPE 2	1	
34	23435	EXHAUST PIPE 3	1	

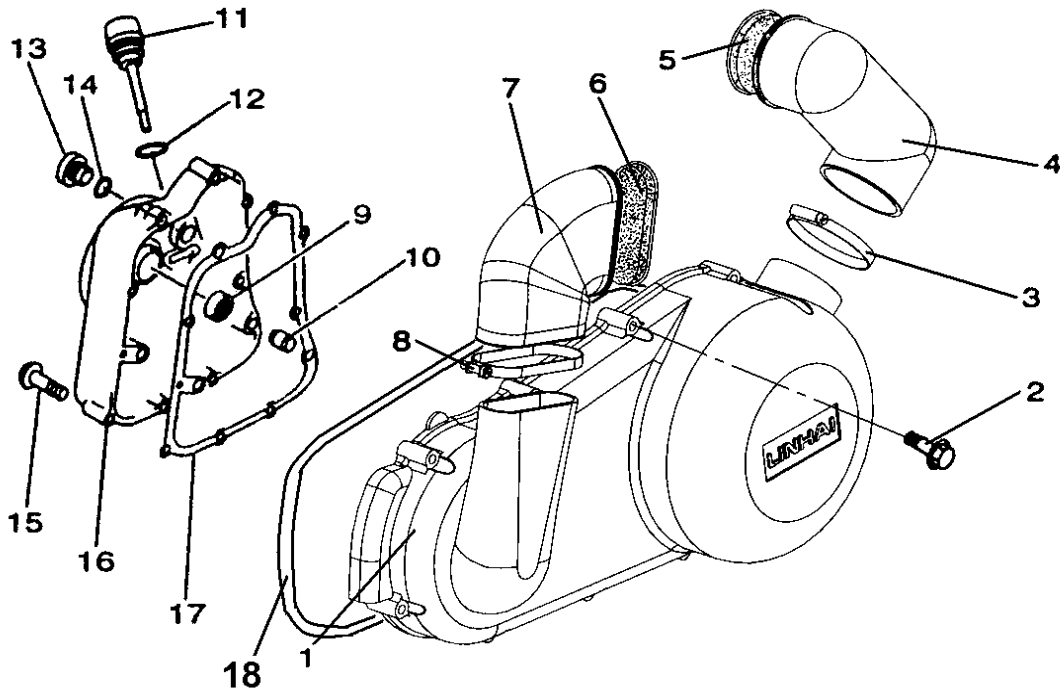
E10

CRANKCASE

LH 300



POS.	PARTNUMBER	DESCRIPTION	QTY	SRT
1	23501	CRANKCASE ASSY (FOR 04)	1	
	23501 F	CRANKCASE ASSY	1	
2	23502	HOLDER	2	
3	23503	COLLAR	2	
4	23504	O-RING	4	
5	23505	WASHER PLATE 16	2	
6	10121	CIRCLIP 16	2	
7	22422	DOWEL PIN 10X14	2	
8	23508	FLANGE BOLT M6X70	4	
9	23509	FLANGE BOLT M6X100	5	
10	23510	OIL SEAL 30X45X5	1	
11	23511	STUD BOLT M8X245	4	
12	23512	COVER CRANKCASE RIGHT	1	
13	10036	SOCKET HEAD BOLT M6X14	2	
14	23514 F	REAR INSIDE COVER	1	
15	23515	SEALING 2 5 X 8 0 X 1 0	1	

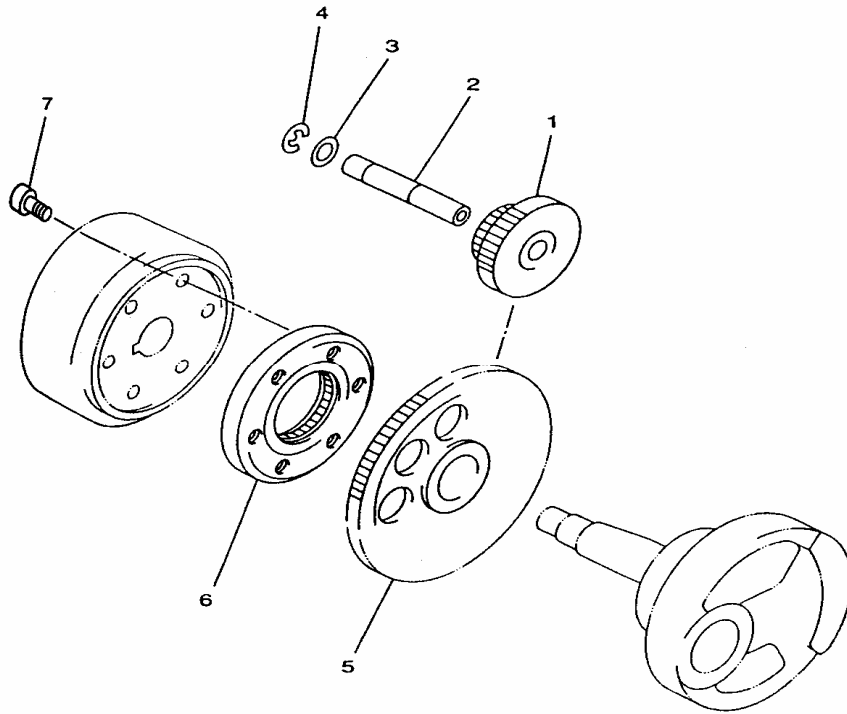


POS.	PARTNUMBER	DESCRIPTION	QTY	SRT
1	23601	COVER CRANKCASE LEFT	1	
2	23602	FLANGE BOLT M6X52	10	
3	23603	HOSE CLAMP B	1	
4	23604	JOINT A	1	
5	23605	AIR STRAINER B	1	
6	23606	AIR STRAINER A	1	
7	23607	JOINT B	1	
8	23608	HOSE CLAMP A	1	
9	23609	OIL SEAL	1	
10	22422	DOWEL PIN 10X14	4	
11	23611	OIL PLUG	1	
12	10122	O-RING 18X2.65	1	
13	23613	OIL PLUG	1	
14	10123	O-RING 14X2.65	1	
15	23615	FLANGE BOLT M6X40	10	
16	23616	CAP COVER	1	
17	23617	CRANKCASE COVER GASKET RIGHT	1	
18	23618	CRANKCASE COVER GASKET LEFT (ONLY FOR 25)	1	

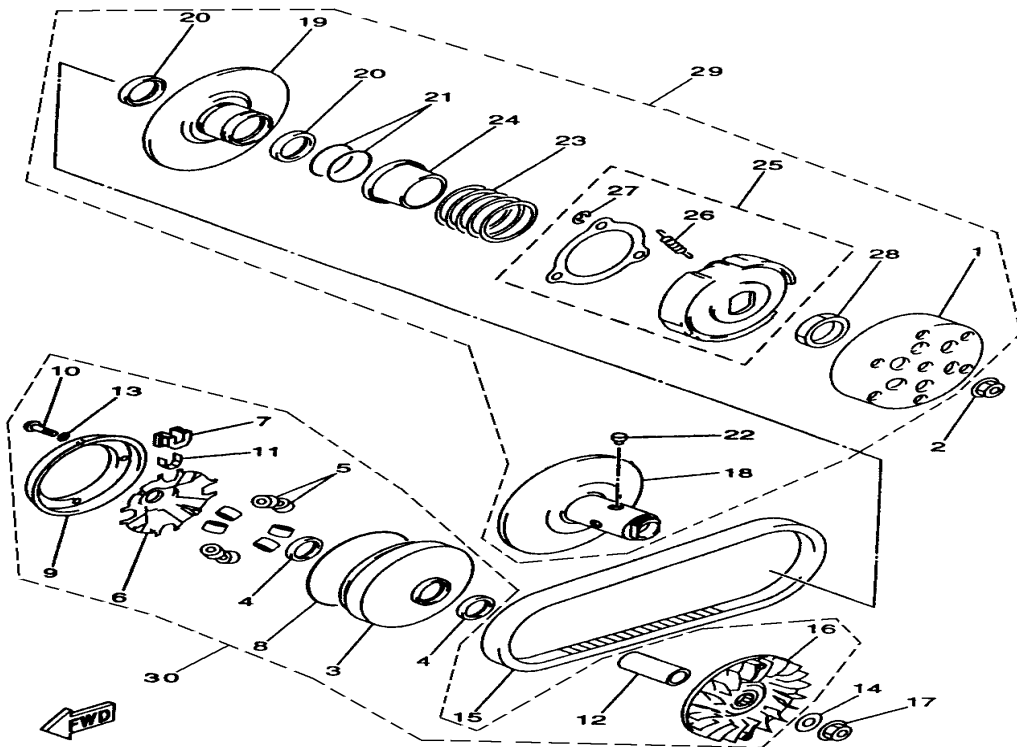
E12

STARTER

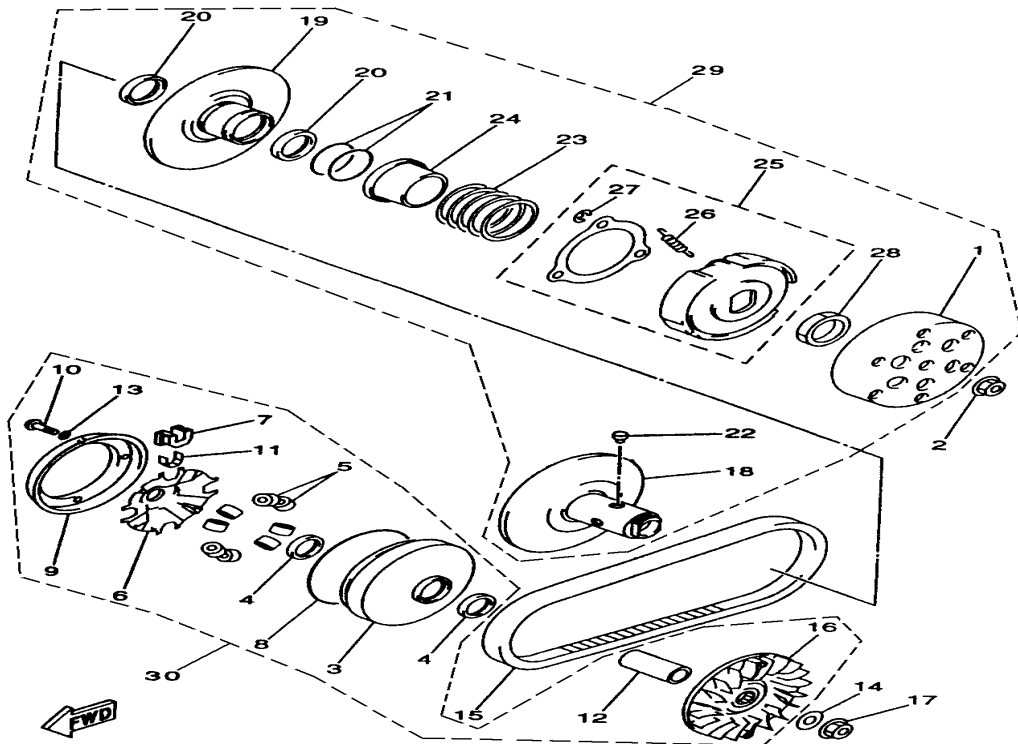
LH 300



POS.	PARTNUMBER	DESCRIPTION	QTY	SRT
1	23701	GEAR IDLER	1	
2	23702	SHAFT	1	
3	23703	WASHER 12	1	
4	10129	CIRCLIP 12	1	
5	23705	GEAR REDUCTION	1	
6	23706	STARTER CLUTCH	1	
7	10131	SOCKET HEAD BOLT M8X16	3	



POS.	PARTNUMBER	DESCRIPTION	QTY	SRT
1	23801	CLUTCH HOUSING COMP.	1	
2	23802	NUT M14X1	1	
3	23803	PRIMARY SLIDING SHEAVE COMP	1	
4	23804	OIL SEAL	2	
5	23805	WEIGHT	8	
6	23806	CAM	1	
7	23807	SLIDER	4	
8	23808	O-RING 118X2.5	1	
9	23809	STOPPER	1	
10	10132	PAN HEAD SCREW M4X12	4	
11	23811	SPACER 1	4	
12	23812	COLLAR	1	
13	23813	WASHER PLATE 4	4	
14	23814	WASHER PLATE 14	1	
15	23815	V-BELT	1	
16	23816	SHEAVE PRIMARY FIXED	1	
17	23802	NUT M14X1	1	
18	23818	SECONDARY FIXED SHEAVE COMP.	1	
19	23819	SECONDARY SLIDING SHEAVE	1	
20	23820	OIL SEAL	2	

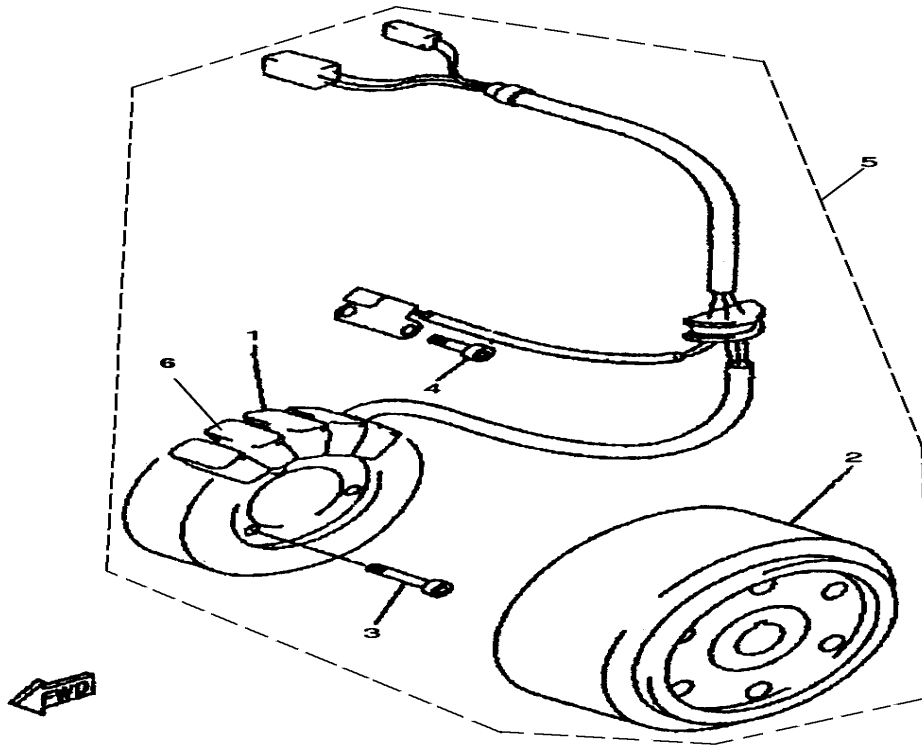


POS.	PARTNUMBER	DESCRIPTION	QTY	SRT
21	23821	O-RING 45X1.8	2	
22	23822	PIN GUIDE	4	
23	23923	COMPRESSION SPRING	1	
24	23924	SEAT SECONDARY SPRING	1	
25	23925	CLUTCH CARRIER ASSY	1	
26	23926	CLUTCH WEIGHT SPRING 1	3	
27	10133	CIRCLIP 8	3	
28	23928	NUT M36X1.5	1	
29	23929	DRIVEN ASSY COMPLETE	1	
30	23930	DRIVE ASSY COMPLETE	1	

F02

STATOR

LH 300

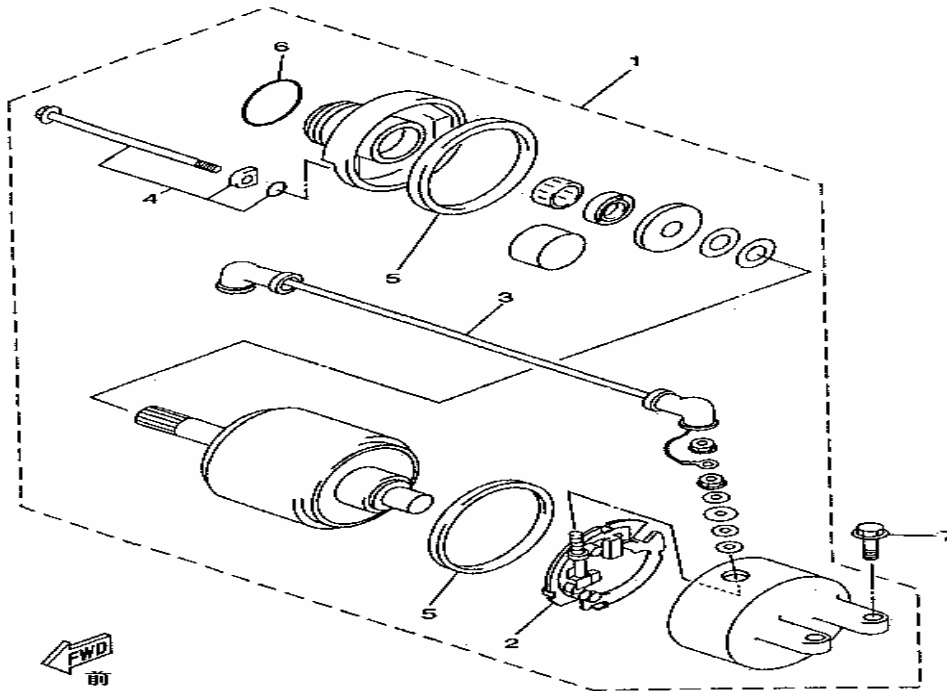


POS.	PARTNUMBER	DESCRIPTION	QTY	SRT
1	24001	STATOR ASSY	1	
2	24002	ROTOR ASSY	1	
3	10134	SOCKET HEAD BOLT M5X25	3	
4	10135	SOCKET HEAD BOLT M5X12	2	
5	24005	GENERATOR ASSY	1	
6	24006	COIL INDUCTANCE		

F03

STARTING MOTOR

LH 300

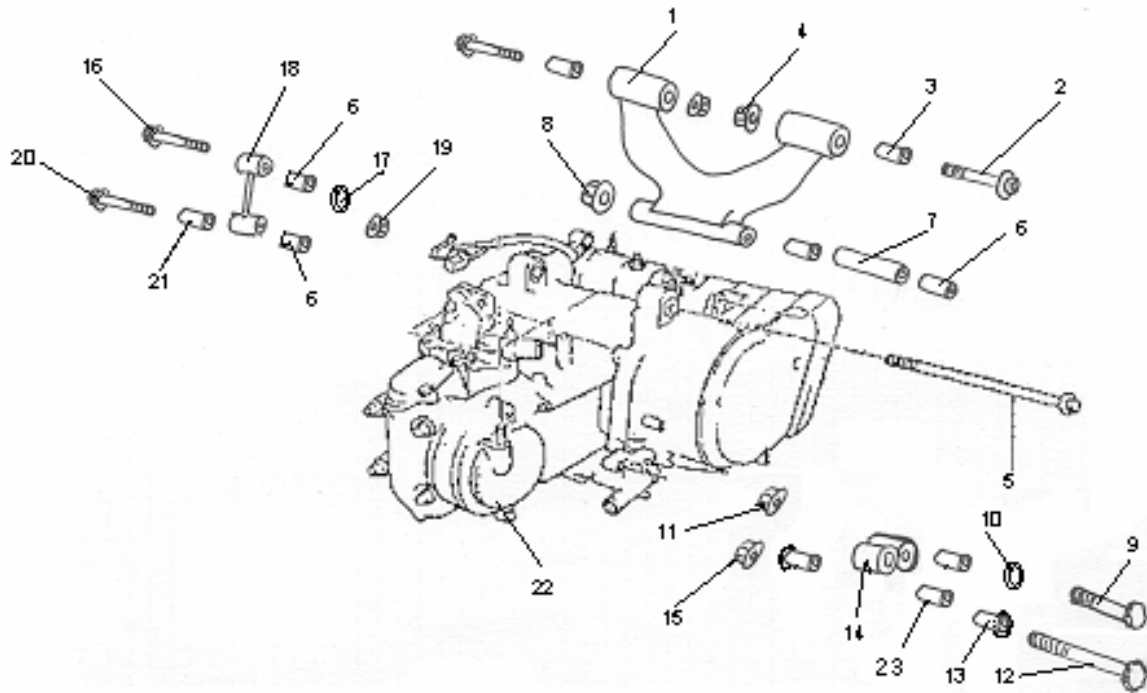


POS.	PARTNUMBER	DESCRIPTION	QTY	SRT
1	24101	STARTING MOTOR ASSY	1	
2	24102	BRUSH HOLD ASSY	1	
3	24103	CORD,STARTER MOTOR	1	
4	24104	BOLT	2	
5	24105	GASKET	2	
6	24106	O-RING 24.5X3	1	
7	24107	FLANGE BOLT M6X25	2	

F04

ENGINE

LH 300

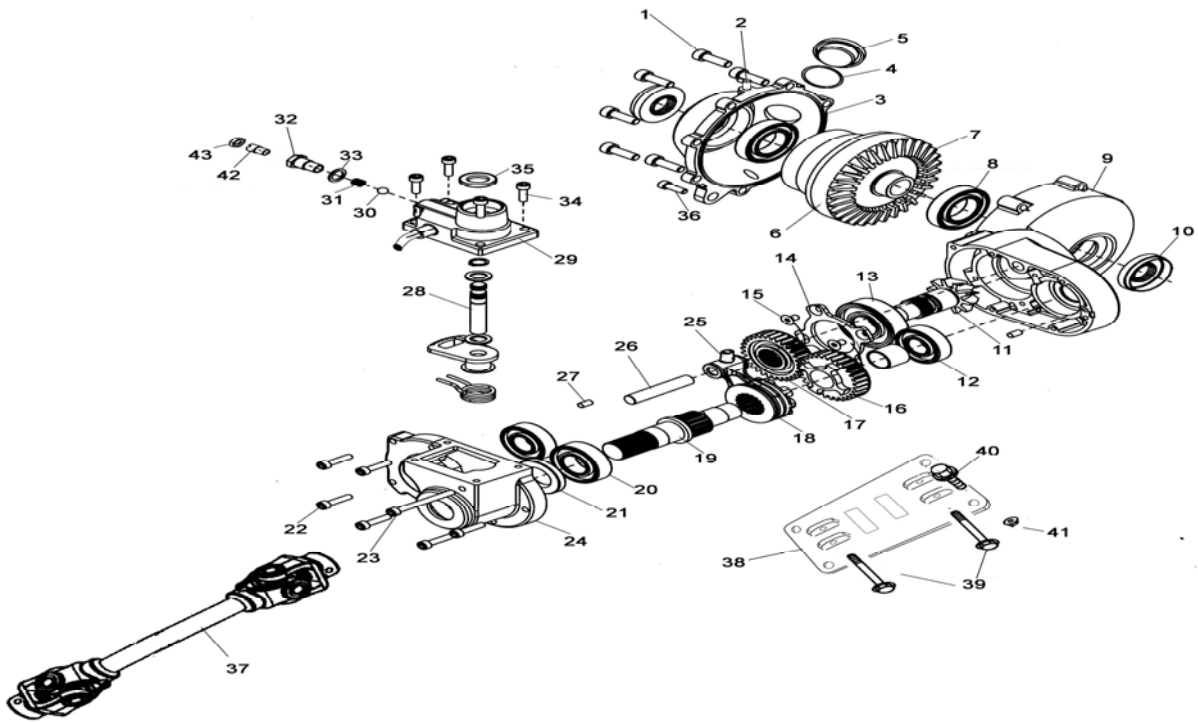


POS.	PARTNUMBER	DESCRIPTION	QTY	SRT
1	24201	FRONT ENGINE MOUNT BRACKET	1	
2	24202	ENGINE BRACKET BOLT	2	
3	24203	BUSHING ENGING BRACKET1	2	
4	10136	NUT M12X1.25	2	
5	24205	ENGINE MOUNTING BOLT	1	
6	24206	BUSHING ENGING BRACKET2	4	
7	24207	SPACER ENGINE BRACKET	1	
8	10015	NUT M10X1.25	1	
9	10016	BOLT M10X1.25X55	1	
10	24210	WASHER	1	
11	10015	NUT M10X1.25	1	
12	10137	BOLT M8X120	1	
13	24213	LEFT SPACER	2	
14	24214	STAY ENGINE LEFT	1	
15	10079	NUT M8	1	
16	10138	BOLT M10X1.25X68	1	
17	24217	WASHER	1	
18	24218	STAY ENGINE RIGHT	1	
19	10015	NUT M10X1.25	1	
20	10139	BOLT M8X65	1	
21	24221	RIGHT SPACER	2	
22	24222	ENGINE ASSY	1	
23	24223	BUSHING	2	

F05

TRANSMISSION (4WD)

LH 300

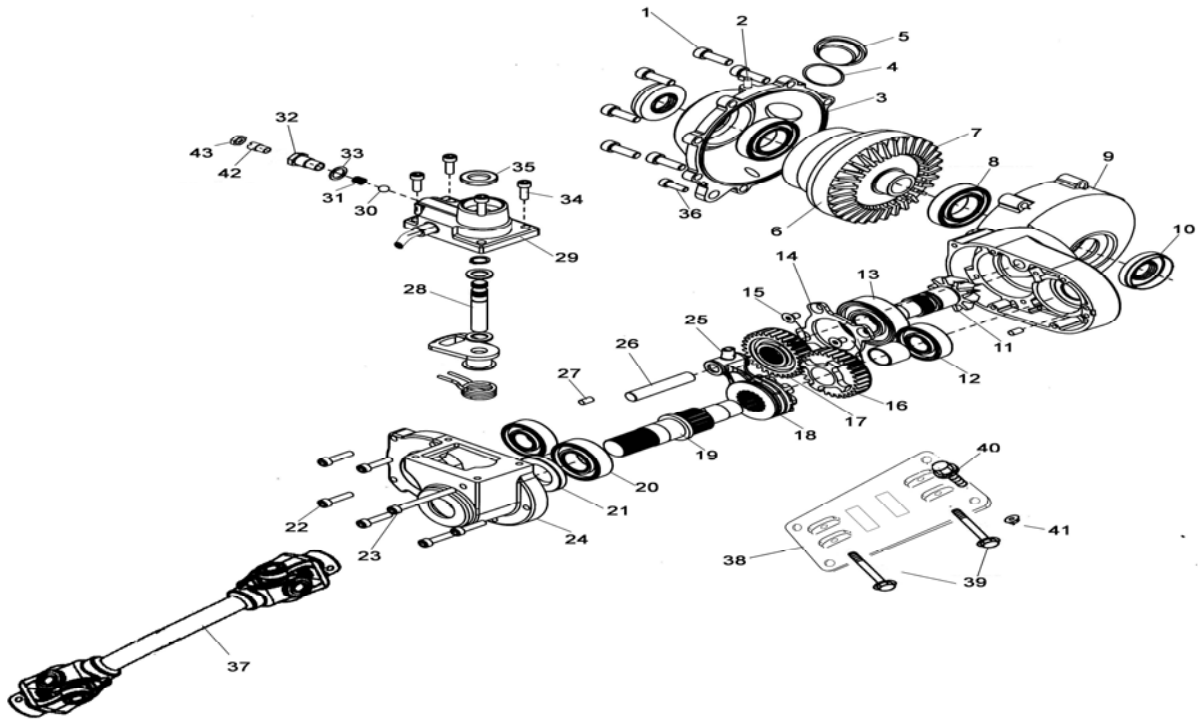


POS.	PARTNUMBER	DESCRIPTION	QTY	SRT
1	10059	BOLT M8X25	7	
2	24302	VENT FITTING	1	
3	24303	LEFT COVER	1	
4	10122	O-RING 18X2.65	1	
5	24305	DIFF FILLERPLUG	1	
6	24306	FOC BODY	1	
7	24307	BEVEL CROWNWHEEL	1	
8	10202	BEAR 6006	2	
9	24309	DIFFCASE RHS	1	
10	24310	SEAL SDD722X48X11	2	
11	24311	CONICAL WITH HELICAL GEARING	1	
12	10062	BEAR 6204	2	
13	10074	BEAR 6305ST	1	
14	24314	CASEBEAR RETAINER	1	
15	10287	SCREW M6X12	4	
16	24316	DIFF GEAR	1	
17	24317	DIFF GEAR DRIVEN	1	
18	24318	SPLINED DOG	1	
19	24319	DIFF INPUTSHAFT A	1	
20	10267	BEAR 6205	1	
21	24321	SEAL TC25X47X7	1	
22	10182	BOLE M6X30	6	
23	10160	BOLE M6X70	1	
24	24324	REAR COVER	1	
25	24325	DIFF SELECTOR FORK	1	
26	24326	SELECTOR RAIL	1	
27	24327	PIN	1	
28	24328	SELECTOR SHAFT	1	

F06

TRANSMISSION (4WD)

LH 300

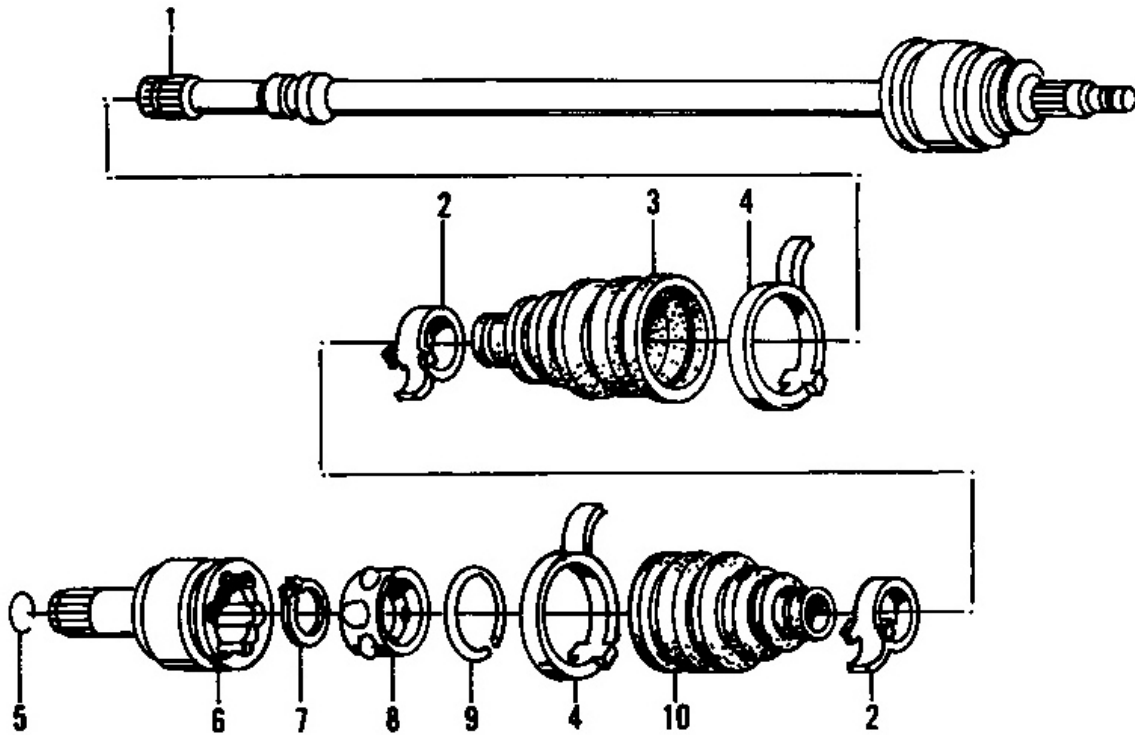


POS.	PARTNUMBER	DESCRIPTION	QTY	SRT
29	24429	SELECTOR COVER	1	
30	10203	STEEL BALL 8	1	
31	24431	SPRING	1	
32	24431	INDENT BALL INSERT	1	
33	24432	WASHER	1	
34	10183	BOLT M6X16	4	
35	24435	SEAL TC12X28X7	1	
36	10168	BOLT M8X16	1	
37	24437	FRONT PROPSHAFT ASSY	1	
38	24438	FRONT GEAR-BOX BACKSTOP	1	
39	10208	BOLT M10X1.25X43	2	
40	10163	BOLT M10X1.25X20	4	
41	10209	NUT M10	6	
42	10355	BOLT M8X1X16	1	
43	10356	NUT M8X1	1	

F07

FRONT DRIVE AXLE (4WD)

LH 300

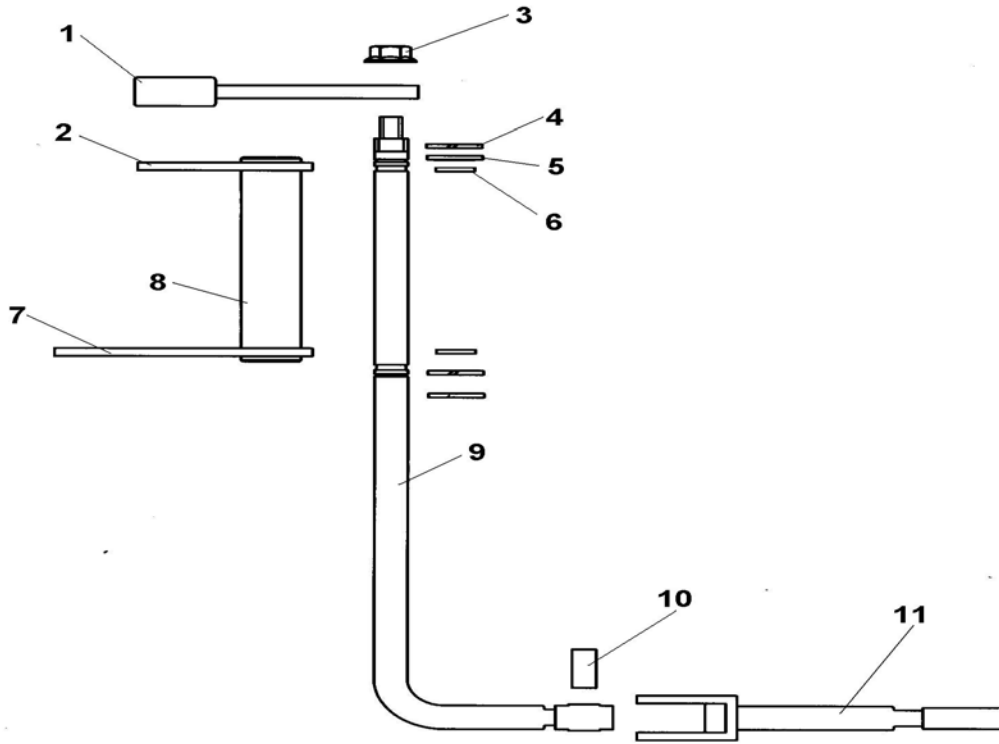


POS.	PARTNUMBER	DESCRIPTION	QTY	SRT
1	24401	DRIVE AXLE/OUTER CV JOINT ASSEMBLY	2	
2	24402	BOOT BAND "A"	4	
3	24403	OUTER BOARD BOOT	2	
4	24404	BOOT BAND "B"	2	
5	24405	ATOPPER RING	2	
6	24406	OUTER CV JOINT	2	
7	24407	CIRCLIP	2	
8	24408	BEARING	1	
9	24409	STOPPER RING	1	
10	24410	INBOARD BOOT	2	

F08

AXLE SYSTEM (4WD)

LH 300

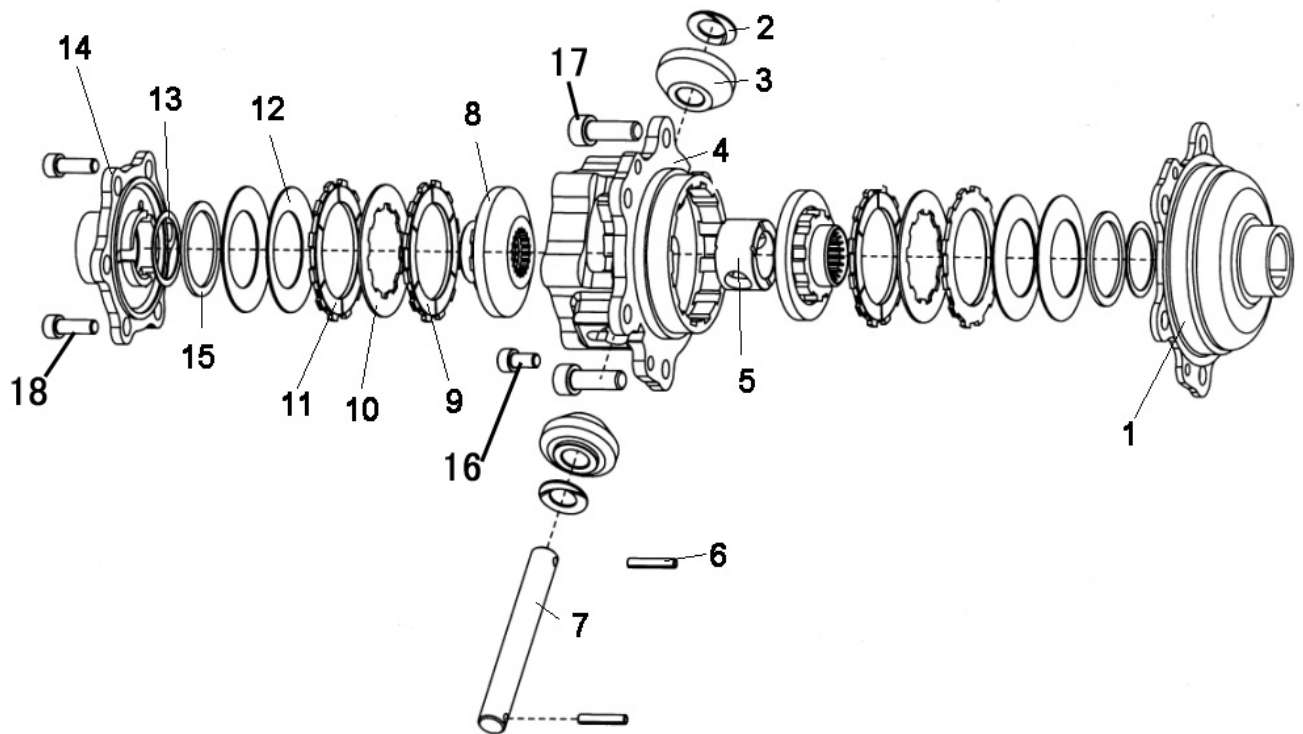


POS.	PARTNUMBER	DESCRIPTION	QTY	SRT
1	24501		1	
2	24502		1	
3	10103	NUT M6	1	
4	10212		2	
5	10116	WASHER 10	2	
6	24506		2	
7	24507		1	
8	24508		1	
9	24509		1	
10	10213	PIN A6X22	1	
11	24511		1	

F09

FOC BODY (4WD)

LH 300

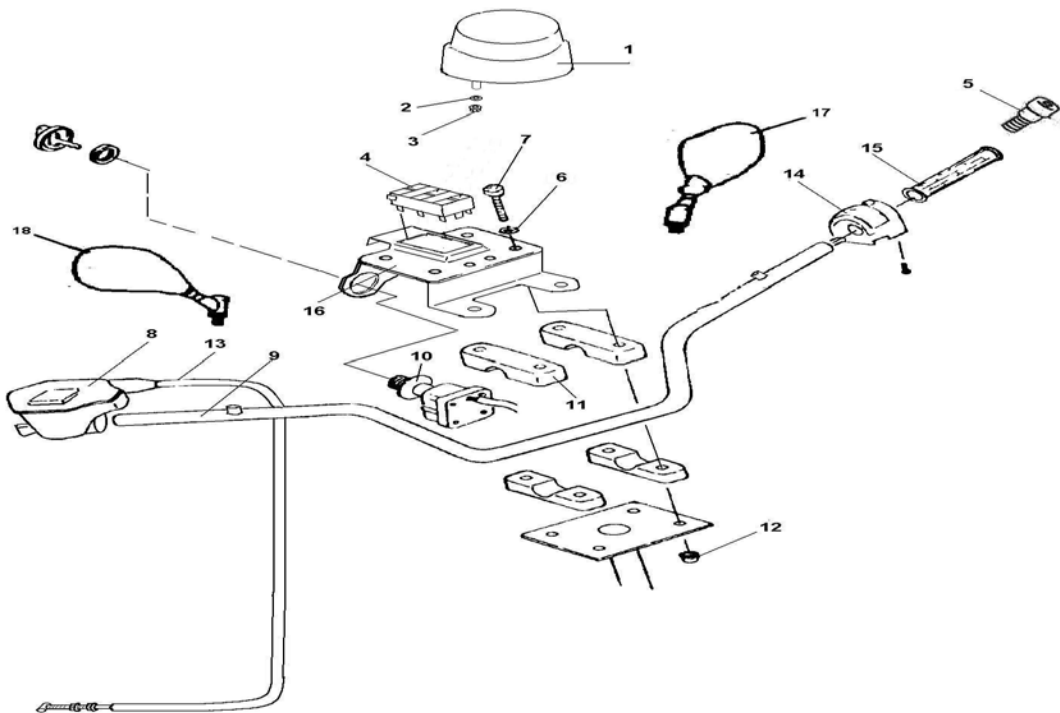


POS.	PARTNUMBER	DESCRIPTION	QTY	SRT
1	24701	LARGER COVER	1	
2	24702	WASHER	2	
3	24703	PINION	2	
4	24704	HOUSING	1	
5	24705	CENTER SPACER	1	
6	10003	POLL PIN	2	
7	24707	CENTER PIN	2	
8	24708	BEVEL GEAR	2	
9	24709	CLUTCH PLATE OUTER DOUBLE	2	
10	24710	CLITCH PLATE INNER	2	
11	24711	CLUTCH PLATE OUTER SINGLE	2	
12	24712	DISHED SPRING	4	
13	24713	WASHER	2	
14	24714	SMALL COVER	1	
15	24715	SPING SEAT	2	
16	10083	SCREW M6X15	2	
17	10131	SCREW M8X16	6	
18	24718	BOLT M8X15	6	

F10

HANDLEBAR

LH 300

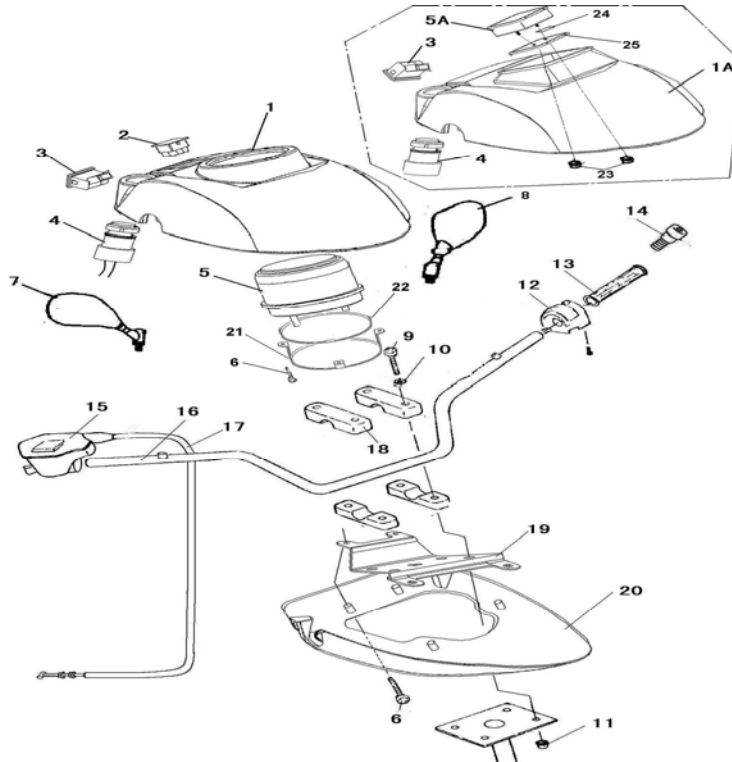


POS.	PARTNUMBER	DESCRIPTION	QTY	SRT
1	30101	SPEEDOMETER	1	
2	10006	WASHER 6	2	
3	10004	NUT M6	2	
4	30104a	WARNING LIGHT HIGH TEMP/DIRECTION	1	
5	30119	GRIP END.	2	
6	10068	WASHER 8	4	
7	10139	BOLT M8X65	4	
8	20109	THROTTLE CONTROL	1	
9	30109	HANDLEBAR	1	
10	30110	IGNITION SWITCH WITH KEY	1	
11	20112a	HANDLEBAR CLAMP	4	
12	10079	NUT M8	4	
13	20114	THROTTLE CABLE	1	
14	30114	SWITCH ASSY	1	
15	30515	GRIP	2	
16	30116a	WARNING LIGHT BRACKET	1	
17	30117	REAR VIEW MIRROR LEFT	1	
18	30118	REAR VIEW MIRROR RIGHT	1	

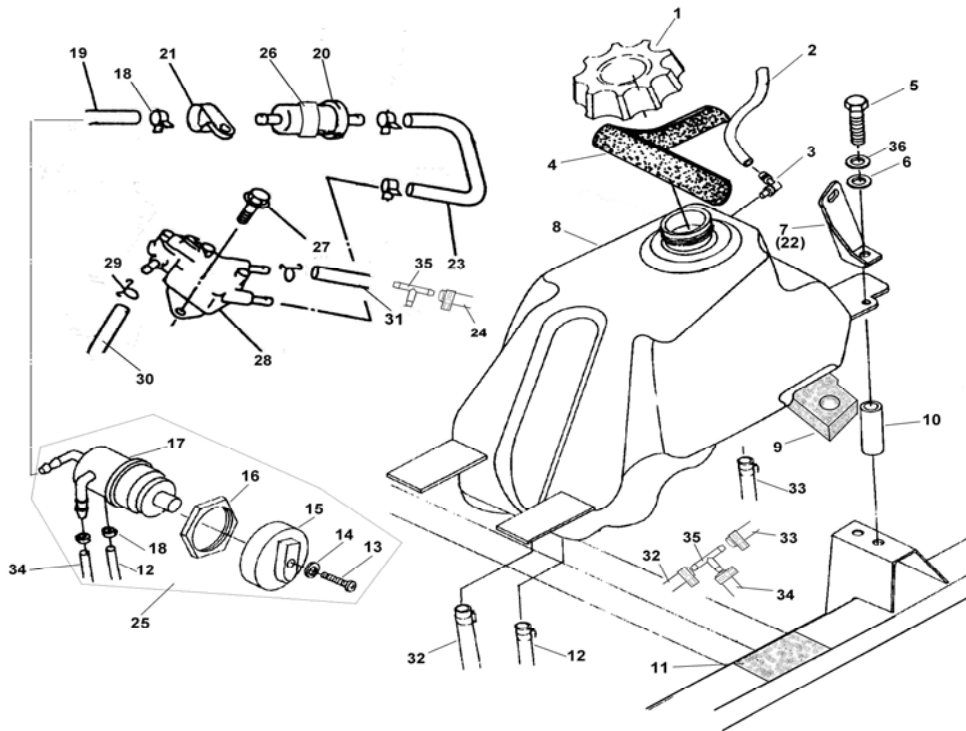
F11

HANDLEBAR ('05-->)

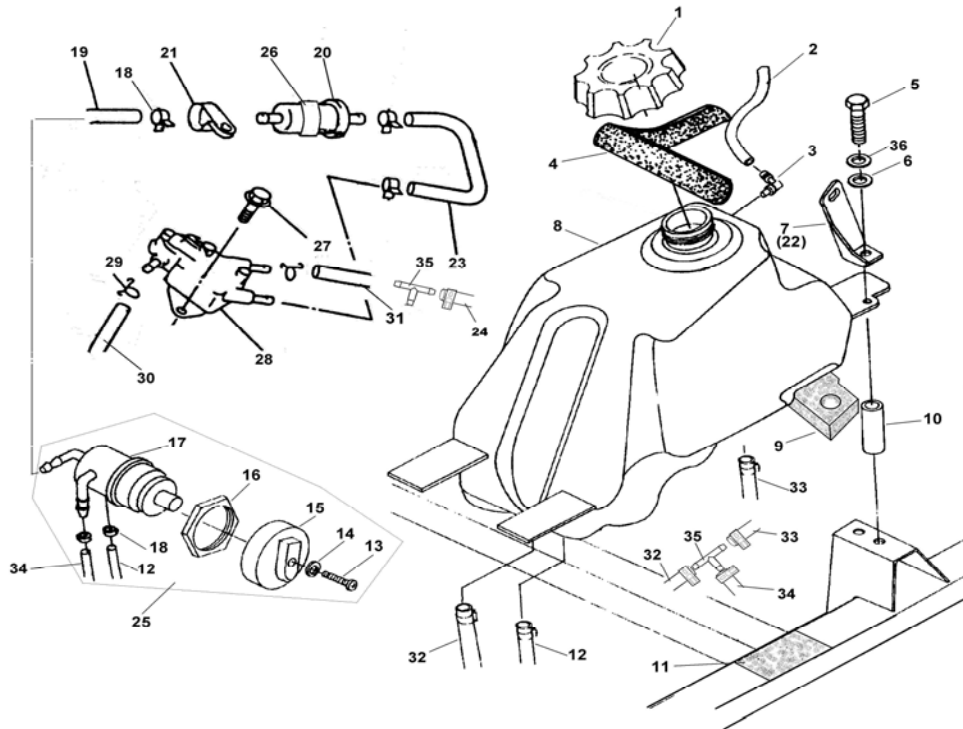
LH 300



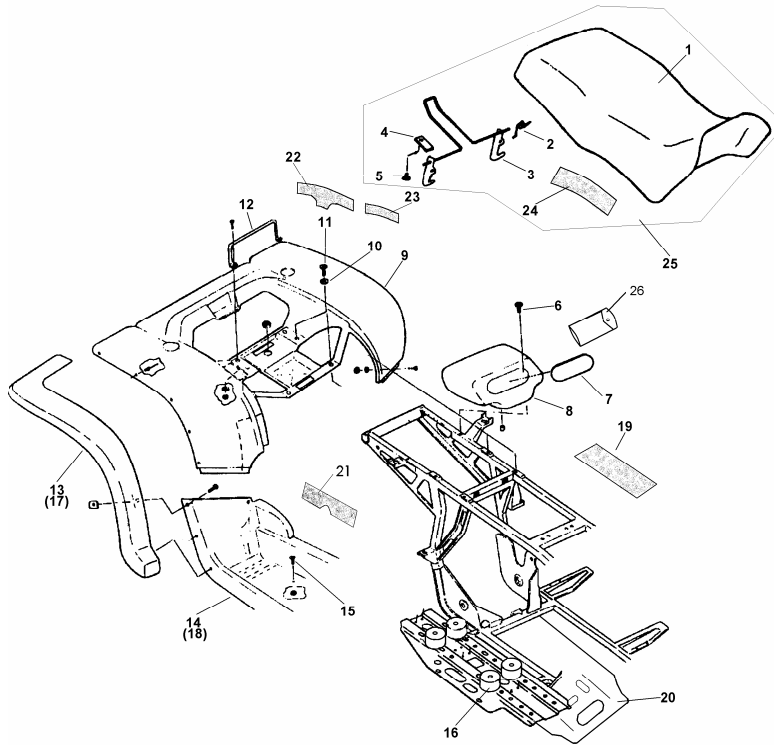
POS.	PARTNUMBER	DESCRIPTION	QTY	SRT
1	20104F	INSTRUMENT HOUSING UPPER	1	
	20104G	INSTRUMENT HOUSING UPPER	1	
2	20105F	WARNING LIGHT	1	
3	32030	HAZARD LIGHT SWITCH	1	
4	30110	IGNITION SWITCH WITH KEY	1	
5	30101F	METER (MECHANICAL)	1	
	30101G	METER (LIQUID CRYSTAL DISPLAY)	2	
6	10178	SCREW ST4.2X13	10	
7	30117	REAR VIEW MIRROR LEFT	1	
8	30118	REAR VIEW MIRROR RIGHT	1	
9	10139	BOLT M8X65	4	
10	10068	WASHER 8	4	
11	10079	NUT M8	4	
12	30114	SWITCH ASSY	1	
13	30515	GRIP	2	
14	30119	GRIP END.	2	
15	20109	THROTTLE CONTROL	1	
16	30109	HANDLEBAR	1	
17	20114a	THROTTLE CABLE	1	
	20114b	THROTTLE CABLE	1	
18	20112a	HANDLEBAR CLAMP	4	
19	20117F	WARNING LIGHT BRACKET1	1	
20	20120	INSTRUMENT HOUSING DOWN	1	
21	20121	WARNING LIGHT BRACKET 2	1	
22	20122	RUBBER RING	1	
23	10004	NUT M6	2	
24	20124	CUSHION	4	
25	20125	RUBBER RING 2	2	



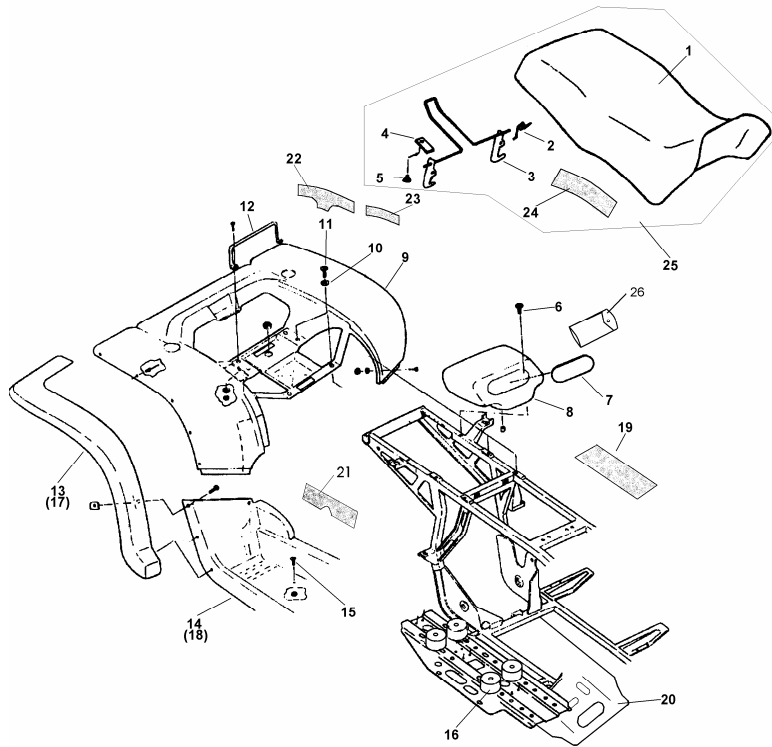
POS.	PARTNUMBER	DESCRIPTION	QTY	SRT
1	20201	FUEL CAP	1	
2	20202	VENT TUBE	1	
3	20203	VENT FITTING	1	
4	20204	FOAM GASKET	1	
5	10005	BOLT M6X60	2	
6	10006	WASHER 6	2	
7	20207	MOUNTING BRACKET LEFT	1	
8	20208a	FUEL TANK	1	
9	20209	FOAM PAD	1	
10	20210	SPACER	2	
11	20211	MOUNTING PAD	2	
12	20212	FUEL HOSE	1	
13	10007	SCREW M4	1	
14	10071	WASHER 4	1	
15	20215	FUEL CONTROL KNOB	1	
16	20216	NUT	1	
17	20217	FUEL VALVE	1	
18	20218	HOSE CLAMP 1	9	
19	20219	FUEL LINE 2	1	
20	20220	FUEL FILTER	1	



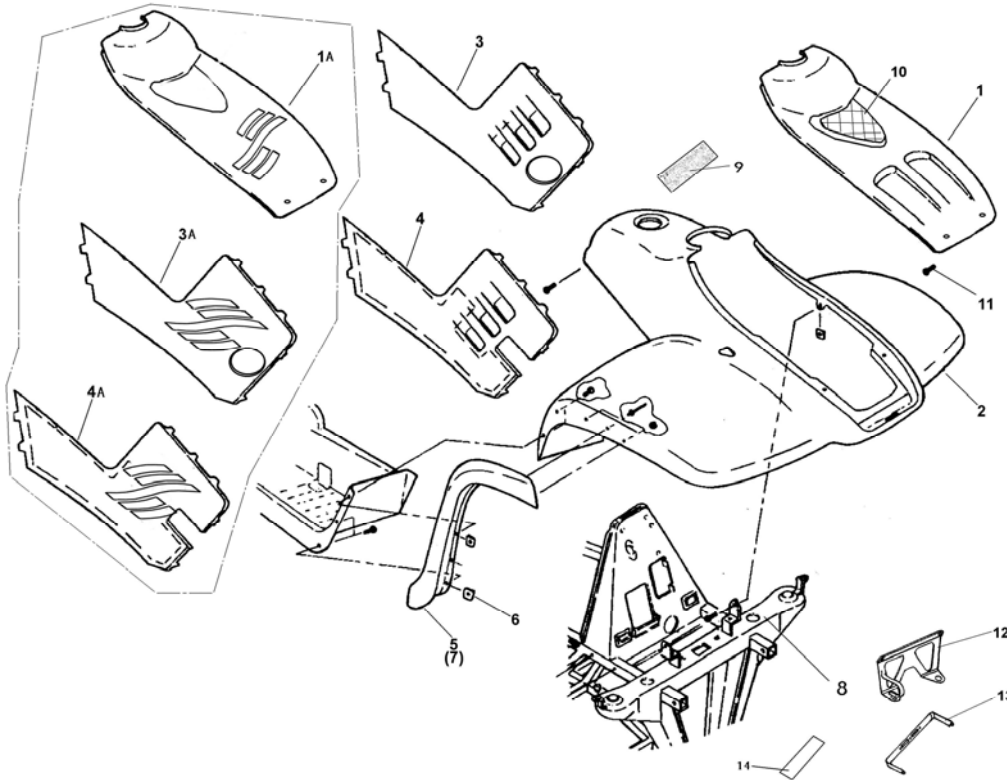
POS.	PARTNUMBER	DESCRIPTION	QTY	SRT
21	20221	CLAMP	1	
22	20222	MOUNTING BRACKET RIGHT	1	
23	20223	FUEL LINE 1	1	
24	30236	PIPE 2	1	
25	20225	FUEL VALVE ASSY	1	
26	20226	FUEL FILTER PAD	1	
27	10140	BOLT M6X12	2	
28	20228	FUEL PUMP ASSY	1	
29	20229	HOSE CLAMP 2	7	
30	20230	FUEL LINE 3	1	
31	20231	PIPE	1	
32	30232	FUEL HOSE1	1	
33	30233	FUEL HOSE2	1	
34	30234	FUEL HOSE3	1	
35	30235	FUEL HOSE COUPLER	2	
36	10308	WASHER 6	2	



POS.	PARTNUMBER	DESCRIPTION	QTY	SRT
1	20301	SEAT	1	
2	20302	SPRING	2	
3	20303	LATCH ASSEMBLY	1	
4	20304	RETAINER CLIP	2	
5	10009	SCREW ST4.8X16	4	
6	10010	BOLT M6X15	2	
7	20307	STORAGE BOX COVER	1	
8	20308	STORAGE BOX	1	
9	20309BU	REAR FENDERS(BU)	1	
	20309SI	REAR FENDERS(SI)	1	
	20309GN	REAR FENDERS(GN)	1	
	20309RE	REAR FENDERS(RE)	1	
	20309GY	REAR FENDERS(GY)	1	
	20309BK	REAR FENDERS(BK)	1	
	20309YW	REAR FENDERS(YW)	1	
10	10011	WASHER 6	4	
11	10010	BOLT M6X15	42	
12	20312	LATCH BRACKET	1	
13	20313a	REAR MUD GUARD RIGHT	1	



POS.	PARTNUMBER	DESCRIPTION	QTY	SRT
14	20314a	FOOTREST RIGHT (ONLY FOR 04)	1	
	20314b	FOOTREST RIGHT	1	
15	20315	BOLT M6X20	14	
16	20316	RUBBER PAD	14	
17	20317a	REAR MUD GUARD LEFT	1	
18	20318a	FOOTREST LEFT	1	
19	20319	BATTERY MOUNTING PAD	3	
20	20320	PLASTIC PLATE	1	
21	20321	FOOTREST RIGHT ADIABATIC PELLICLE	1	
22	20322	REAR MUD ADIABATIC PELLICLE A	2	
23	20323	REAR MUD ADIABATIC PELLICLE B	2	
24	20324	SEAT ADIABATIC PELLICLE	2	
25	20325	SEAT ASSY	1	
26	20326	TOOL	1	

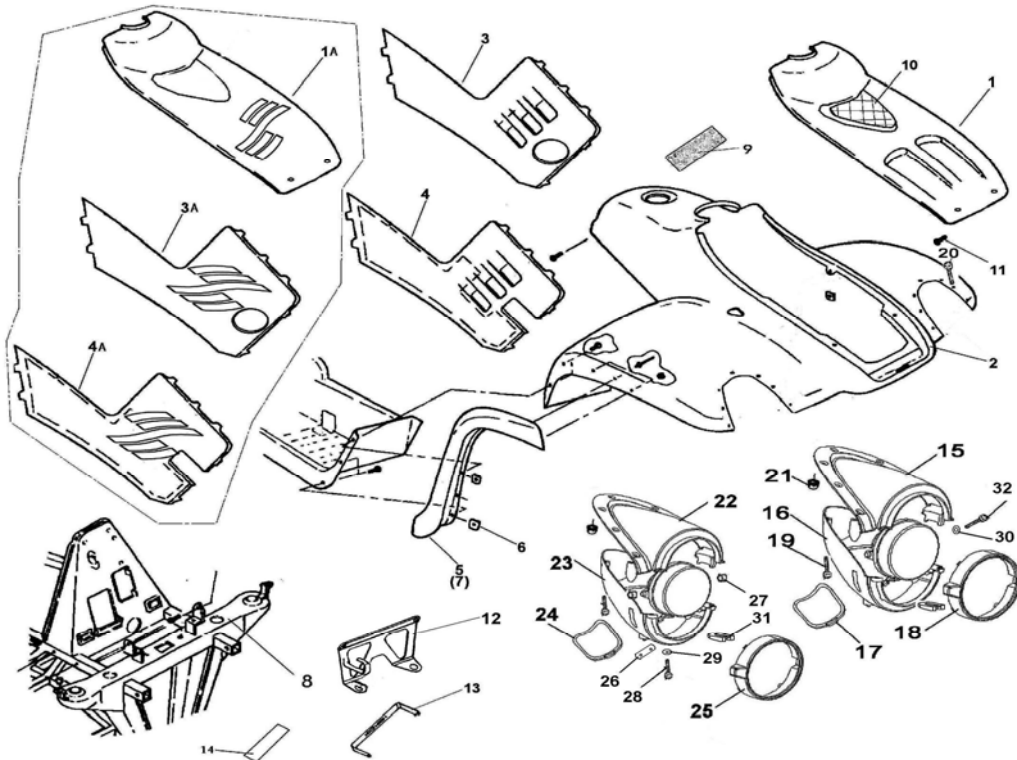


POS.	PARTNUMBER	DESCRIPTION	QTY	SRT
1	20401a	FRONT COVER	1	
1A	20401b	FRONT BODY	1	
2	20402BU	FRONT BODY(BU)	1	
	20402SI	FRONT BODY(SI)	1	
	20402GN	FRONT BODY(GB)	1	
	20402RE	FRONT BODY(RE)	1	
	20402GY	FRONT BODY(GY)	1	
	20402BK	FRONT BODY(BK)	1	
	20402TW	FRONT BODY(YM)	1	
3	20403a	SIDE COVER LEFT	1	
3A	20403b	SIDE COVER RIGHT	1	
4	20404a	SIDE COVER RIGHT	1	
4A	20404b	MUD GUARD RIGHT	1	
5	20405a	MUD GUARD RIGHT	1	
6	10004	NUT	40	
7	20407a	MUD GUARD LEFT	1	
8	20408	FRAME COMP.	1	
9	20409	FRONT BODY FOAM	1	
10	20410	SMALL FRONT COVER	1	
11	10009	SCREW ST4.8X16	2	
12	20412	UP BRACKET RADIATOR	1	
13	20413a	DOWN BRACKET RADIATOR	1	
14	20414	SPACER RUBBER	1	

F17

FRONT BODY (FOR '05)

LH 300

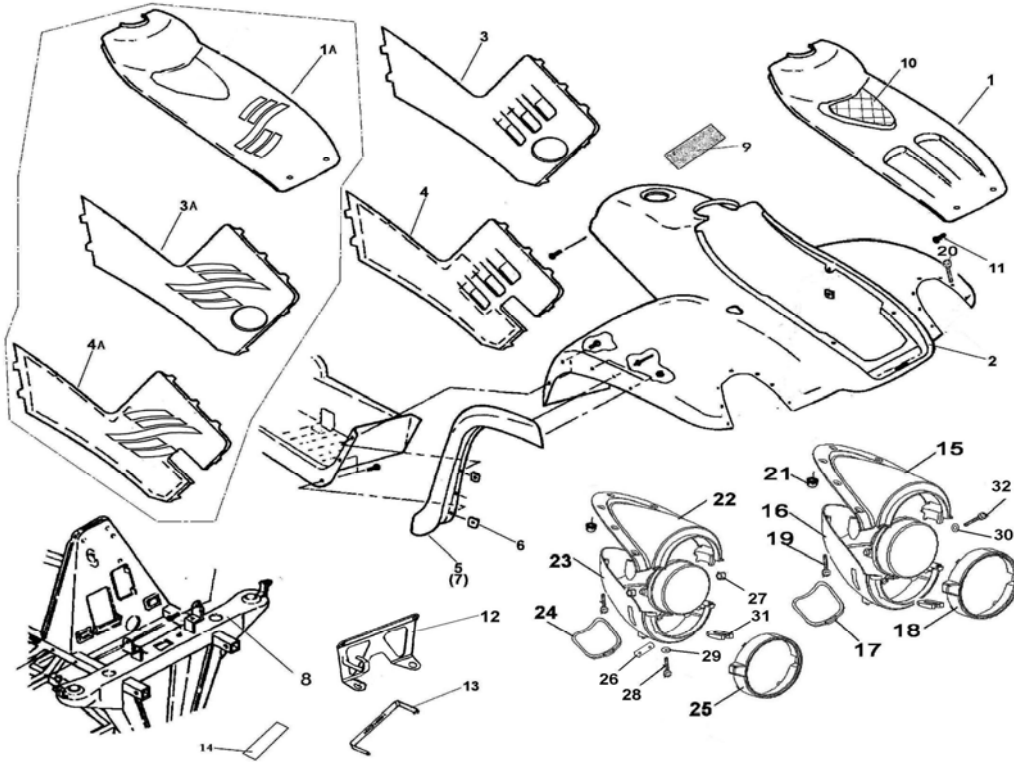


POS.	PARTNUMBER	DESCRIPTION	QTY	SRT
1	20401a	FRONT COVER	1	
1A	20401b	FRONT BODY	1	
2	20402F	FRONT BODY	1	
3	20403a	SIDE COVER LEFT	1	
3A	20403b	SIDE COVER RIGHT	1	
4	20404a	SIDE COVER RIGHT	1	
4A	20404b	MUD GUARD RIGHT	1	
5	20405a	MUD GUARD RIGHT	1	
6	10004	NUT	40	
7	20407a	MUD GUARD LEFT	1	
8	20408 F	FRAME COMP.	1	
9	20409	FRONT BODY FOAM	1	
10	20410	SMALL FRONT COVER	1	
11	10009	SCREW ST4.8X16	2	
12	20412F	UP BRACKET RADIATOR	1	
13	20413F	DOWN BRACKET RADIATOR	1	
14	20414	SPACER RUBBER	1	
15	20415	LEFT HEADLIGHT COVER UPPER	1	
16	20416	LEFT HEADLIGHT COVER DOWN	1	
17	20417	LEFT HEADLIGHT COVER	1	
18	20418	HEADLIGHT COVER	1	
19	10178	SCREW ST4.2X13	12	
20	20420	BOLT	12	

F17

FRONT BODY (FOR '05)

LH 300

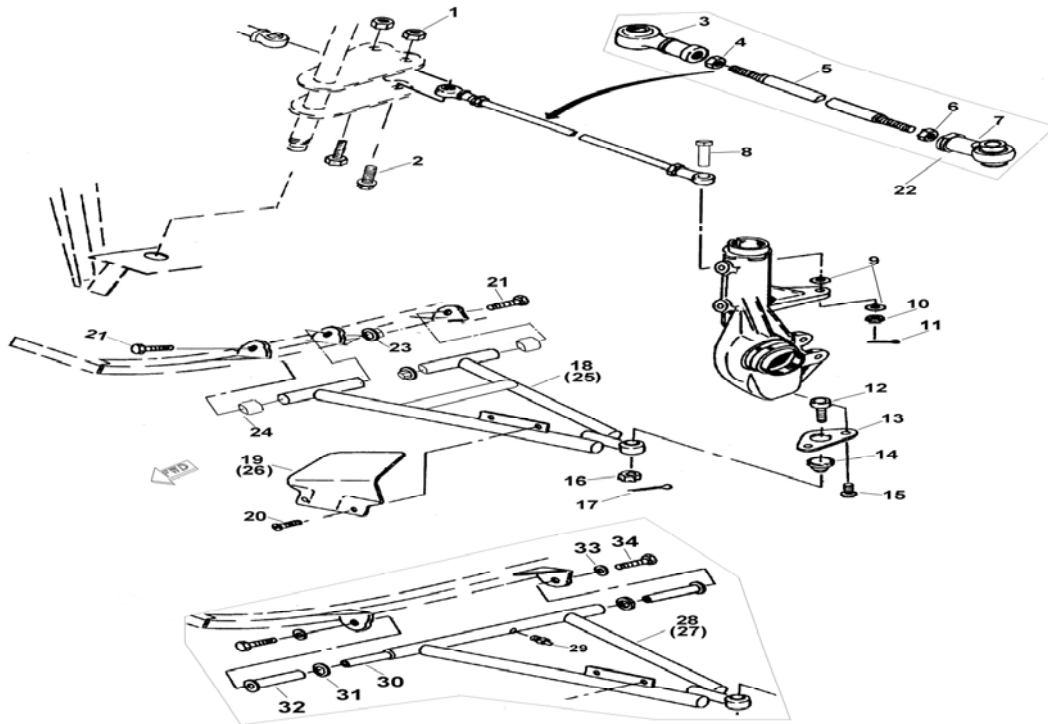


POS.	PARTNUMBER	DESCRIPTION	QTY	SRT
21	10004	NUT M6	12	
22	20422	RIGHT HEADLIGHT COVER UPPER	1	
23	20423	RIGHT HEADLIGHT COVER DOWN	1	
24	20424	RIGHT HEADLIGHT COVER	1	
25	20418	HEADLIGHT COVER	1	
26	20426	CUSHION 1	2	
27	20427	CUSHION 2	4	
28	10270	SCREW M5X30	2	
29	10207	WASHER 5	2	
30	10206	WASHER 4	2	
31	20428	CHUSHION 3	2	
32	10205	SCREW ST3.5X13	2	

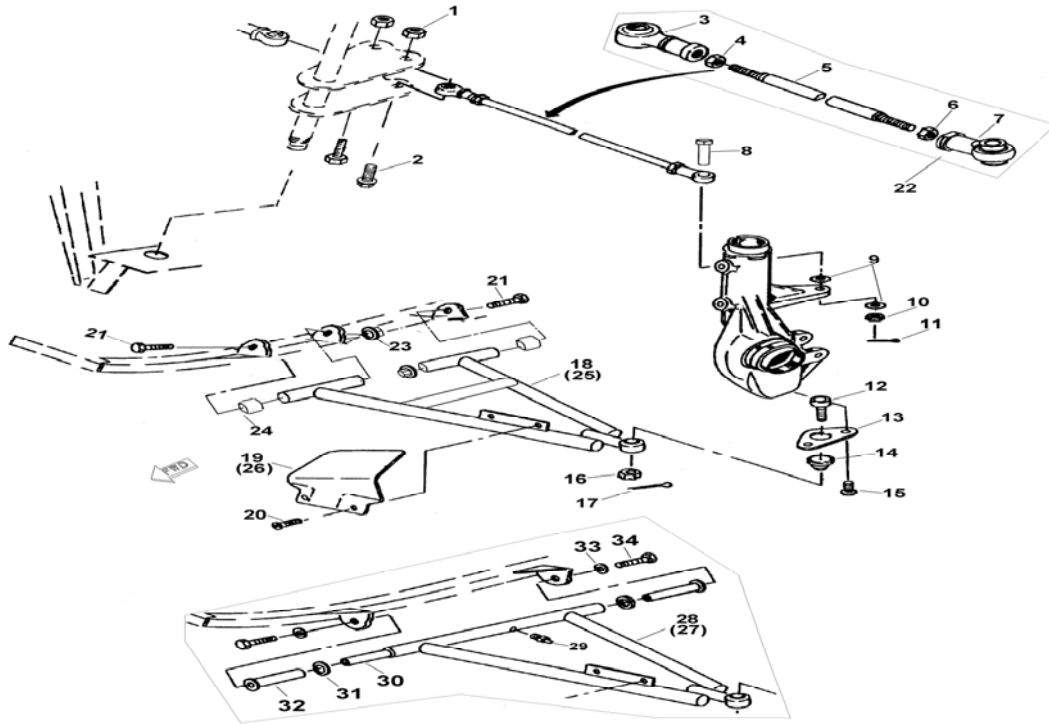
F18

A-ARM

LH 300



POS.	PARTNUMBER	DESCRIPTION	QTY	SRT
1	10015	NUT M10X1.25	2	
2	10016	BOLT M10X1.25X55	2	
3	20503	TIE ROD END A	2	
4	10017	JAM NUT(RIGHT)	2	
5	20505	TIE ROD	2	
6	20506	JAM NUT(LEFT)	2	
7	20507	TIE ROD END B	2	
8	10018	BOLT M10X1.25X55	2	
9	10019	WASHER	4	
10	10020	NUT M10X1.25	2	
11	10021	COTTER PIN	2	
12	20512	BALL JOINT STUD	2	
13	20513	BALL JOINT MOUNTING BRACKET	2	
14	20514	BALL JIONT CUP	2	
15	10022	BOLT M6X12	4	
16	10023	NUT M10	2	
17	10021	COTTER PIN	2	
18	20518F	A-ARM LEFT	1	
19	20519	A - ARM SHIELD LEFT	1	
20	10001	SCREW M5X12	4	
21	20522F	A-ARM PIVOT SHAFT	2	
22	20629	TIE ROD ASSY	2	
23	10136	NUT M12X1.25	4	
24	20524F	BUSHING	4	

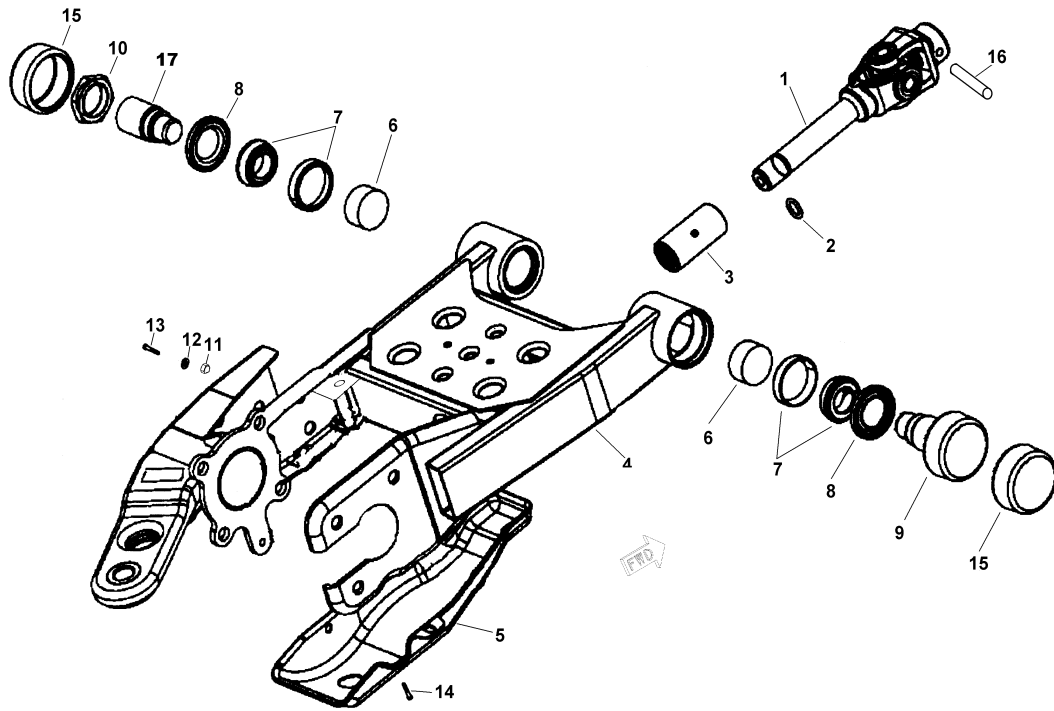


POS.	PARTNUMBER	DESCRIPTION	QTY	SRT
25	20627F	A-ARM RIGHT	1	
26	20628	A - ARM SHIELD RIGHT	1	
27	20518	A-ARM LEFT (ONLY FOR 04)	1	
28	20627	A-ARM RIGHT (ONLY FOR 04)	1	
29	10026	GREASE FITTING (ONLY FOR 04)	2	
30	20522	A-ARM PIVOT SHAFT (ONLY FOR 04)	2	
31	20523	SPACER (ONLY FOR 04)	4	
32	20524	BUSHING (ONLY FOR 04)	4	
33	10027	WASHER 10 (ONLY FOR 04)	4	
34	10028	BOLT M10X25 (ONLY FOR 04)	4	

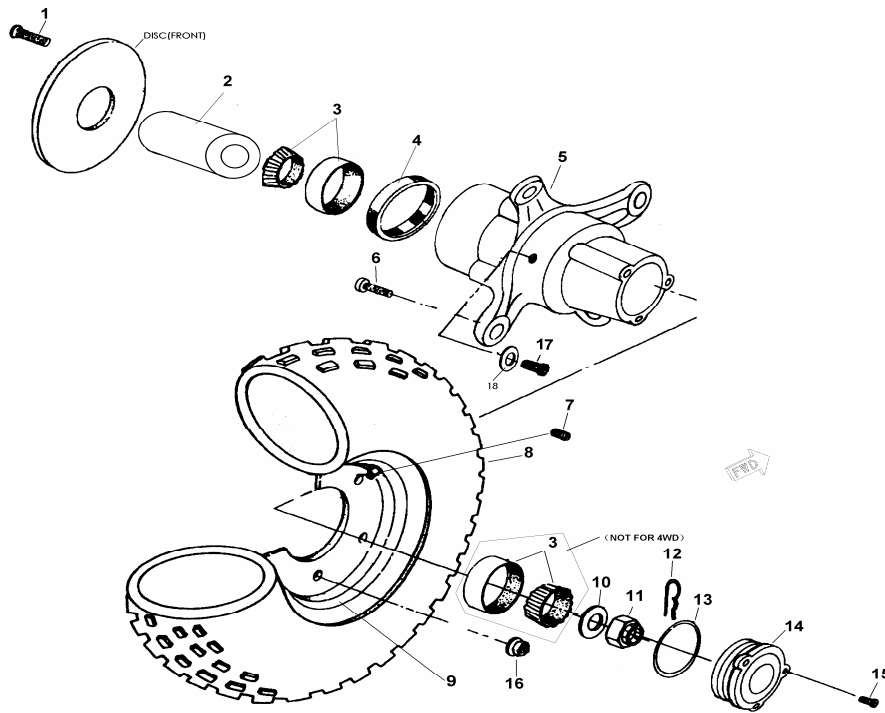
F20

SWING ARM

LH 300



POS.	PARTNUMBER	DESCRIPTION	QTY	SRT
1	20701	REAR PROPSHAFT ASSY	1	
2	10029	O-RING	1	
3	20703	COUPLING-PROP SHAFT GREASED	1	
4	30704	SWINGARM ASSY (ONLY FOR 04)	1	
	30704F	SWINGARM ASSY	1	
5	20705	SKID PLATE REAR	1	
6	20706	SEAL-SWINGARM PIVOT	2	
7	10030	BEAR	2	
8	20708	SEAL	2	
9	20709	SWING ARM PIVOT RIGHT	1	
10	20710	THREADED PIVOT	1	
11	10031	NUT M12	3	
12	10032	WASHER 12	3	
13	10033	BOLT M12X35	3	
14	10034	BOLT M8X12	3	
15	20715	CAP SWINGARM PIVOT	2	
16	20716	ROLL PIN	1	
17	20717	SWINGARM PIVOT LEFT	1	

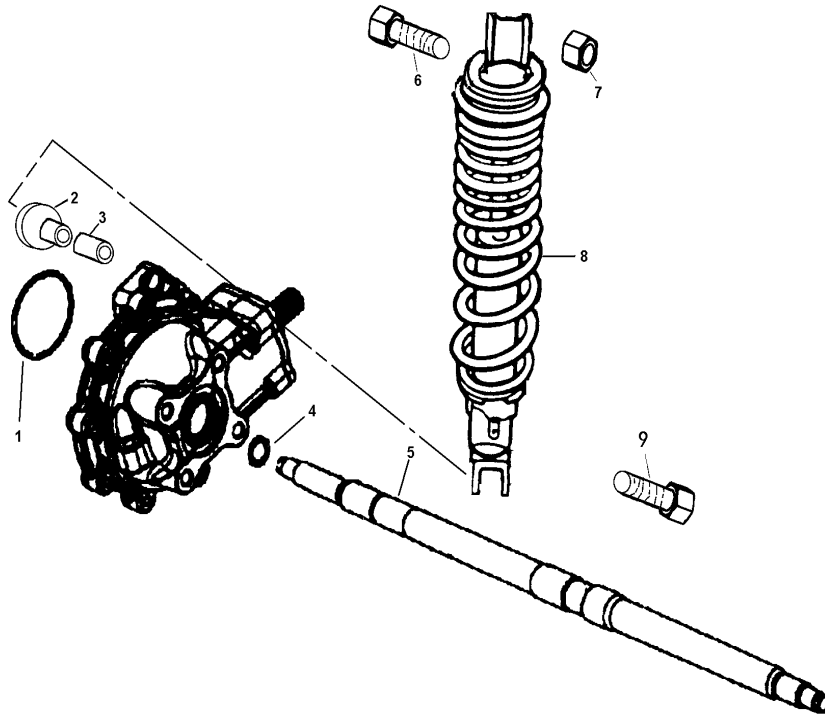


POS.	PARTNUMBER	DESCRIPTION	QTY	SRT
1	10035	BOLT M8X20	8	
2	20802	SPACER (NOT FOR 4WD)	2	
3	10030	BEARING	4	
	10030	BEARING (FOR 4WD)	2	
4	20804	SEAL SLEEVE	2	
5	20805	HUB ASSY SHRT	2	
6	20806	WHEEL STUD	8	
7	20807	PLUG PIPE	2	
8	20808	TIRE FRONT	2	
9	20809	WHEEL FRONT	2	
10	10037	WASHER 16	2	
11	20811	SLOTTED NUT M16X1.5	2	
12	10038	COTTER PIN	2	
13	10039	O-RING	2	
14	20814	HUB CAP 2-LOBE AWD	2	
15	10040	SCREW M5X16	6	
16	10015	LUG NUT M10X1.25	8	
17	20817	LUG	1	
18	20818	WASHER	1	

F22

SHOCK ABSORBER REAR

LH 300

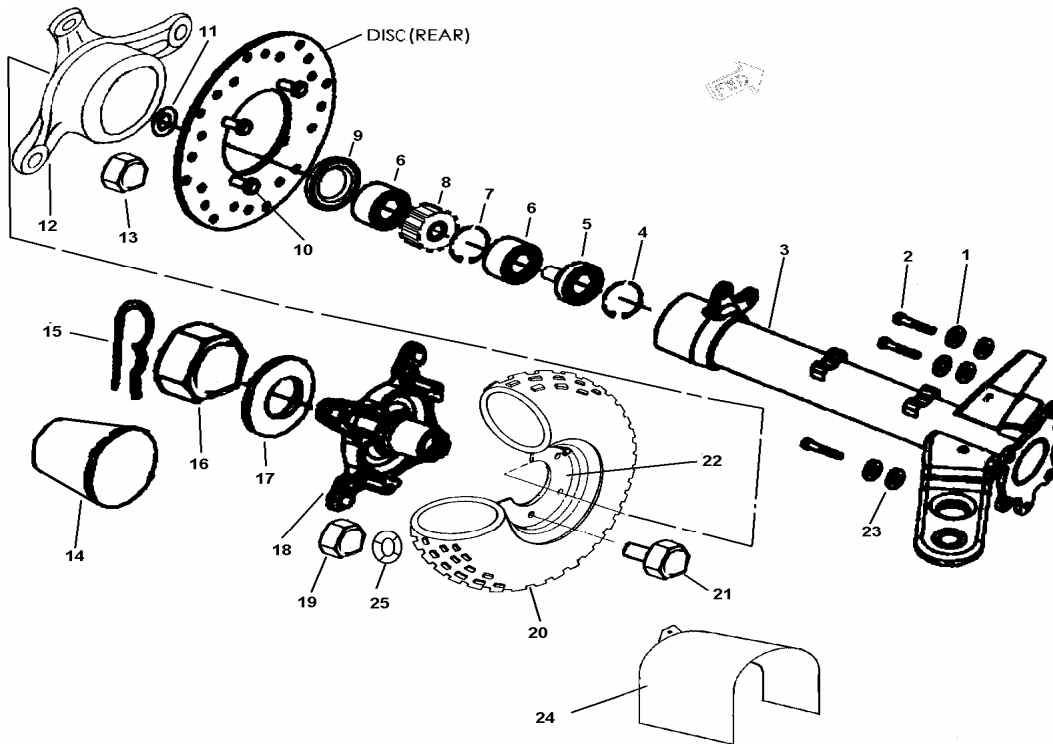


POS.	PARTNUMBER	DESCRIPTION	QTY	SRT
1	20901	O-RING	1	
2	20902	CUSHION PAD	2	
3	20903	SPACER-BEARING	1	
4	10042	O-RING	1	
5	20905	REAR AXLE	1	
6	20906	UP BOLT M10X1.25X57	1	
7	10015	NUT M10X1.25	2	
8	20908	SHOCK ABSORBER REAR	1	
9	20909	DOWN BOLT M10X1.25X57	1	

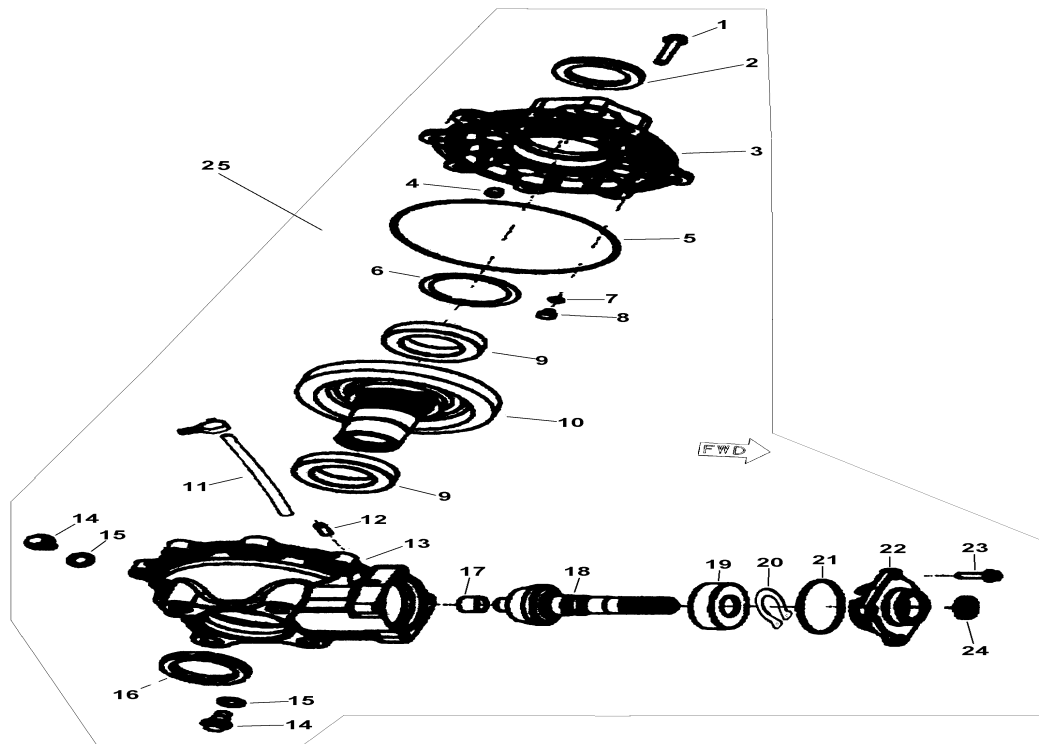
F23

REAR WHEEL

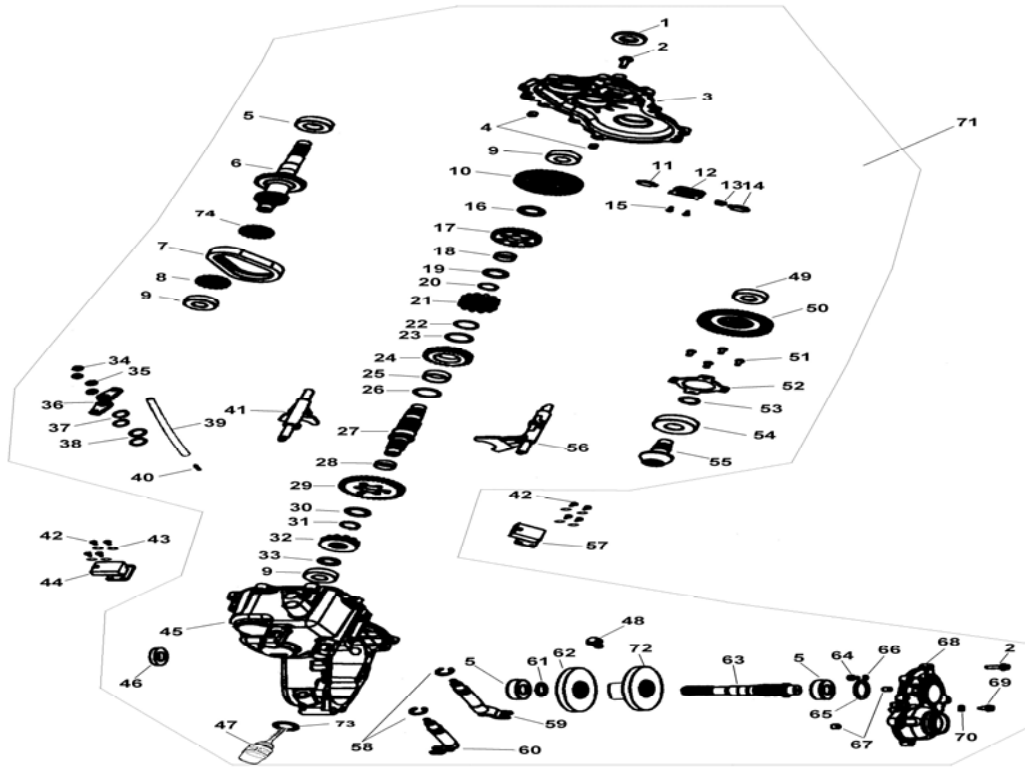
LH 300



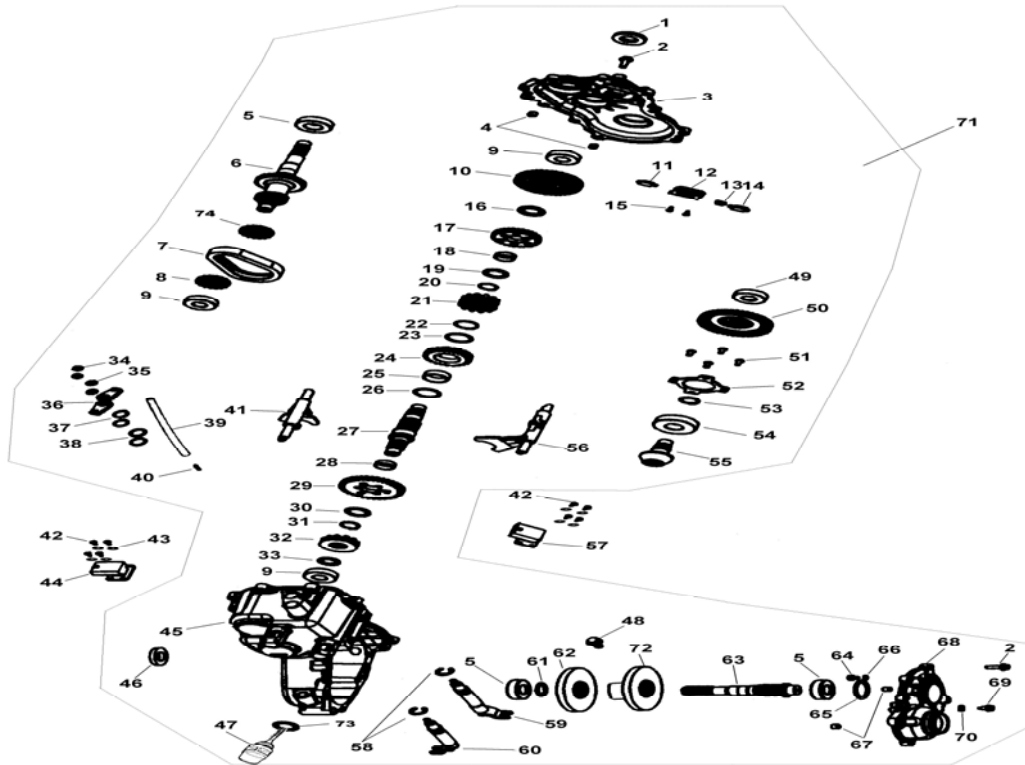
POS.	PARTNUMBER	DESCRIPTION	QTY	SRT
1	10032	WASHER 12	8	
2	10045	BOLT M12X30	8	
3	21003	AXLE TUBE AND HITCH ASSEMBLY	1	
4	21004	RING RETAINER INT	1	
5	21005	SPACER	1	
6	10046	BEARING BALL DBL SEAL	2	
7	10047	RING RETAINER INT	1	
8	31008	SPACER-BEARING	1	
9	21009	SEAL REAR AXLE	2	
10	10048	BOLTS M10X1.25X20	3	
11	10029	O-RING	1	
12	21012	HUB BRAKE DISC MACH	1	
13	10050	N UT M10X1.25	3	
14	21014	AXLE CAP	2	
15	10051	COTTER PIN	2	
16	10142	NUT SLOTTED M20X2	2	
17	21017	WASHER	2	
18	21018	WHEEL HUB	2	
19	21019	LUG NUT M12X1.25	2	
20	31020	TIRE REAR	2	
21	10053	WHEEL STUD M12X1.25X45	8	
22	21022	WHEEL REAR	2	
23	10054	WASHER 12	8	
24	31024	BRAKE HOSE COVER	1	
25	21026	WHEEL WASHER	8	



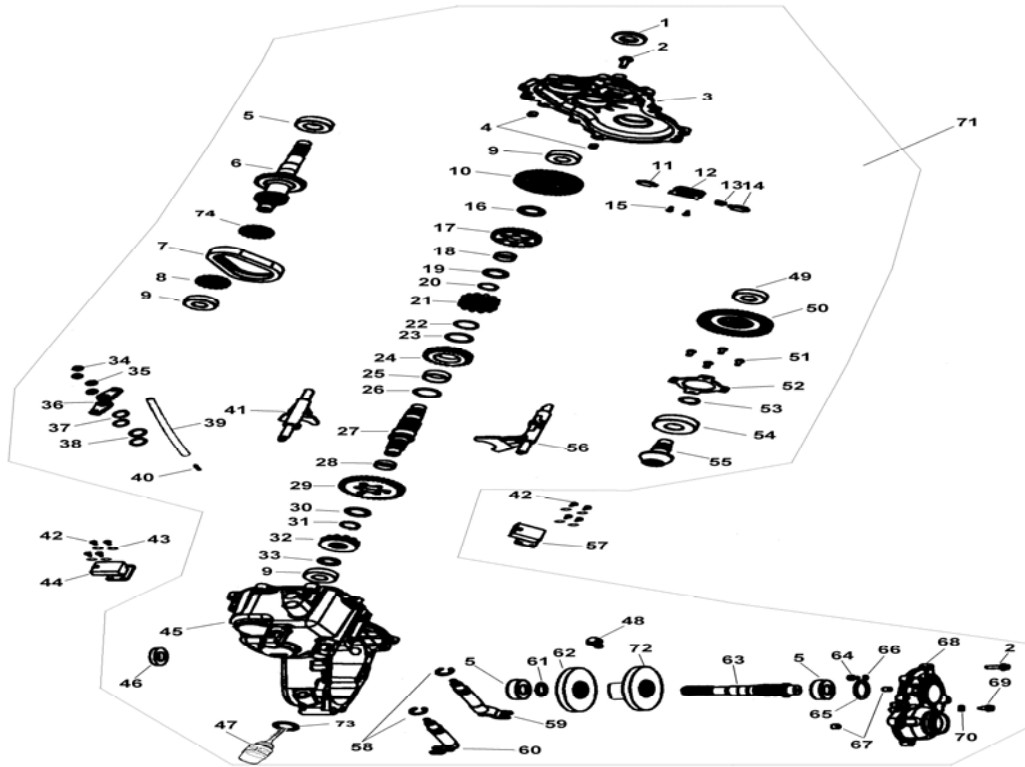
POS.	PARTNUMBER	DESCRIPTION	QTY	SRT
1	10055	BOLT M8X45	2	
2	21102	SEAL 50X70X8	1	
3	21103	OUTPUT COVER	1	
4	21104	DOWEL PIN	1	
5	21105	O-RING 176X2.65	1	
6	21106	SHIM	1	
7	21107	SHIM	1	
8	21108	THRUST BUTTON	1	
9	10056	BEARING 110	2	
10	21110	RING GEAR	1	
11	21111	VENT	1	
12	21112	BEARING	1	
13	21113	DRIVE HOUSING	1	
14	21114	OIL PLUG	2	
15	21115	WASHER	2	
16	21102	SEAL 50X70X8	1	
17	10057	BUSHING P23X20X15	1	
18	21118	PINION SHAFT	1	
19	10058	BEARING 6306ST	1	
20	21120	RETAINER 30	1	
21	20901	O-RING 79X4	1	
22	21122	INPUT COVER	1	
23	10059	BOLT M8X25	10	
24	21124	SEAL 25X35X5	1	
25	21125	REAR GEARBOX ASSY	1	



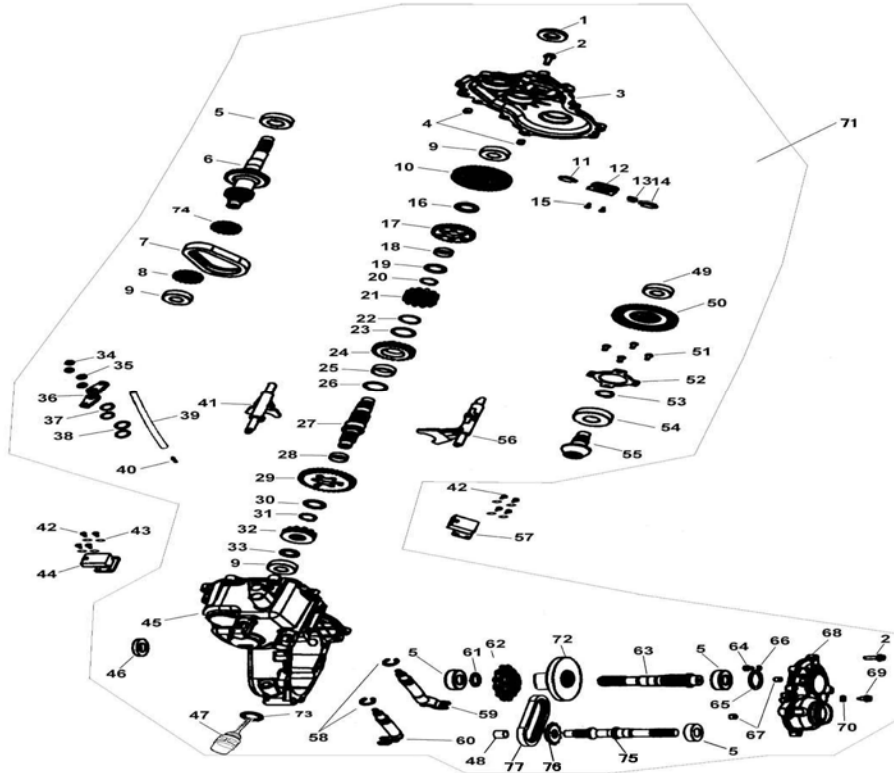
POS.	PARTNUMBER	DESCRIPTION	QTY	SRT
1	21201	SEAL 25X47X8	1	
2	10060	BOLT M8X28	17	
3	21203	MAIN COVER	1	
4	21104	DOWEL PIN	2	
5	10061	BEARING 6205c3	3	
6	21206	INPUT SHAFT	1	
7	21207	CHAIN	1	
8	21208	GEAR 16T	1	
9	10062	BEARING 6204	3	
10	21210	GEAR,HELICAL 35T	1	
11	21211	INTERLOCK PIN	2	
12	21212	INTERLOCK BRACKET	1	
13	21213	SPRING	1	
14	21211	INTERLOCK PIN	1	
15	10001	SCREW M5X12	2	
16	21216	SPACER	1	
17	21217	GEAR 31T	1	
18	21218	NEEDLE BEARING 25	1	
19	21219	THRUST WASHER	1	
20	10064	SNAP RING	1	
21	21221	DOG GEAR	1	
22	10065	SNAP RING	1	
23	21223	THRUST WASHER	1	
24	21224	SPROCKET 24T	1	
25	21225	NEEDLE BEARING 25	1	
26	21223	THRUST WASHER	1	
27	21327	SHAFT	1	



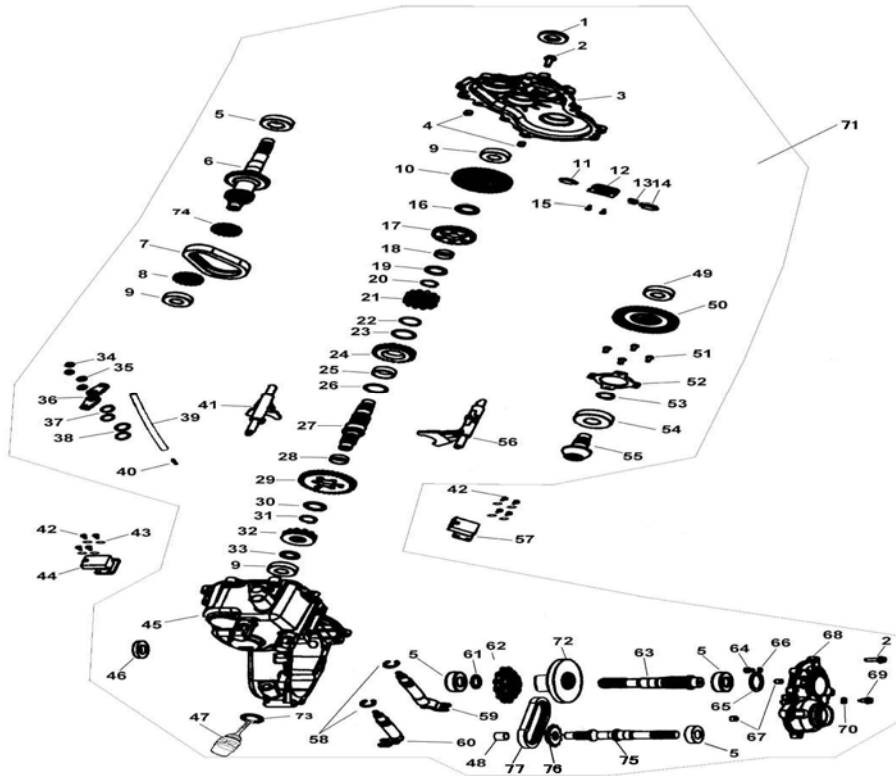
POS.	PARTNUMBER	DESCRIPTION	QTY	SRT
28	21218	NEEDLE BEARING 25	1	
29	21329	GEAR 35T	1	
30	21223	THRUST WASHER	1	
31	10064	SNAP RING	1	
32	21332	ENGAGEMENT	1	
33	21333	THRST WASHER	1	
34	10067	NUT M8	2	
35	10068	WASHER 8	2	
36	21336	BELLCRANK	2	
37	10069	SNAP RING	2	
38	21338	WASHER	2	
39	21339	VENT TUBE	1	
40	21340	VENT TUBE FITTING	1	
41	21341	SHIFT FORK HIGH/REVERSE	1	
42	10007	SCREW M4	8	
43	10071	WASHER 4	8	
44	21344	GEAR INDICATOR SWITCH	1	
45	21345a	GEARCASE,RH	1	
46	21201	SEAL 25X47X8	1	
47	21475	DIPSTICK	1	
48	10219	SCREW	1	
49	10063	BEARING 6204C3	1	
50	21350	GEAR HELICAL 46T	1	
51	10073	SCREW M6X10	4	
52	21351	BEARING RETAINER PLATE	1	
53	21453	SNAP RING	1	
54	10074	BEARING 6305ST	1	



POS.	PARTNUMBER	DESCRIPTION	QTY	SRT
55	21455	PINION SHAFT 10T	1	
56	21456	SHIFT FORK LOW	1	
57	21457	GEAR INDICATOR SWITCH	1	
58	10075	SNAP RING	2	
59	21459	SHIFT ROD LOW	1	
60	21460	SHIFT ROD HIGH/REVERSE	1	
61	21461	THRUST WASHER	1	
62	21462	GEAR	1	
63	21463	SHAFT REAR OUTPUT	1	
64	21464	THRUST BUTTON	1	
65	21465	SHIM 1	1	
66	21466	SHIM 2	1	
67	21104	DOWEL PIN	1	
68	21468	COVER	1	
69	21469	DRAIN SCREW	1	
70	21470	WASHER	1	
71	21471a	TRANSMISSION ASSY	1	
72	21473	OIL PLATE	1	
73	10122	O RING 18X2.65	1	
74	21477	SPROCKET	1	



POS.	PARTNUMBER	DESCRIPTION	QTY	SRT
1	21201	SEAL 25X47X8	1	
2	10060	BOLT M8X28	17	
3	21203	MAIN COVER	1	
4	21104	DOWEL PIN	2	
5	10061	BEARING 6205c3	4	
6	21206	INPUT SHAFT	1	
7	21207	CHAIN	1	
8	21208	GEAR 16T	1	
9	10062	BEARING 6204	3	
10	21210	GEAR,HELICAL 35T	1	
11	21211	INTERLOCK PIN	2	
12	21212	INTERLOCK BRACKET	1	
13	21213	SPRING	1	
14	21211	INTERLOCK PIN	1	
15	10001	SCREW M5X12	2	
16	21216	SPACER	1	
17	21217	GEAR 31T	1	
18	21218	NEEDLE BEARING 25	1	
19	21219	THRUST WASHER	1	
20	10064	SNAP RING	1	
21	21221	DOG GEAR	1	
22	10065	SNAP RING	1	
23	21223	THRUST WASHER	1	
24	21224	SPROCKET 24T	1	
25	21225	NEEDLE BEARING 25	1	
26	21223	THRUST WASHER	1	
27	21327	SHAFT	1	

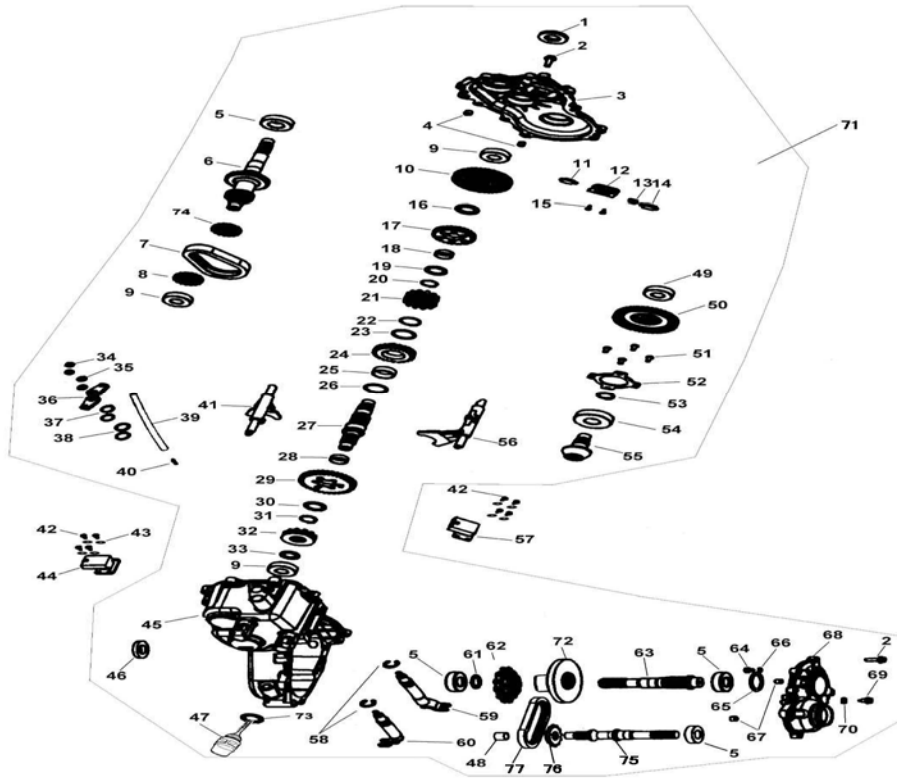


POS.	PARTNUMBER	DESCRIPTION	QTY	SRT
28	21218	NEEDLE BEARING 25	1	
29	21329	GEAR 35T	1	
30	21223	THRUST WASHER	1	
31	10064	SNAP RING	1	
32	21332	ENGAGEMENT	1	
33	21333	THRST WASHER	1	
34	10067	NUT M8	2	
35	10068	WASHER 8	2	
36	21336	BELLCRANK	2	
37	10069	SNAP RING	2	
38	21338	WASHER	2	
39	21339	VENT TUBE	1	
40	21340	VENT TUBE FITTING	1	
41	21341	SHIFT FORK HIGH/REVERSE	1	
42	10007	SCREW M4	8	
43	10071	WASHER 4	8	
44	21344	GEAR INDICATOR SWITCH	1	
45	21345a	GEARCASE,RH	1	
46	21201	SEAL 25X47X8	1	
47	21475	DIPSTICK	1	
48	10275	BUSHING	1	
49	10063	BEARING 6204C3	1	
50	21350	GEAR HELICAL 46T	1	
51	10073	SCREW M6X10	4	
52	21351	BEARING RETAINER PLATE	1	
53	21453	SNAP RING	1	
54	10074	BEARING 6305ST	1	

F30

TRANSMISSION (FOR 4WD)

LH 300

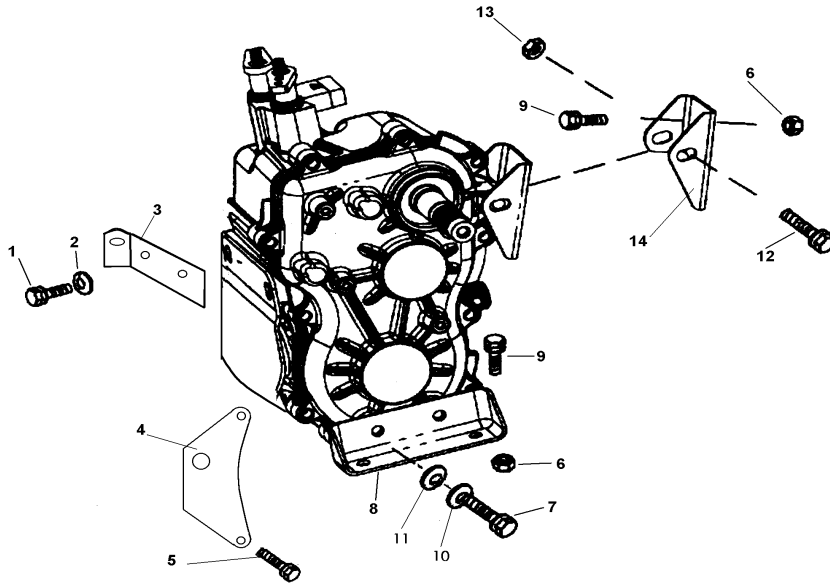


POS.	PARTNUMBER	DESCRIPTION	QTY	SRT
55	21455	PINION SHAFT 10T	1	
56	21456	SHIFT FORK LOW	1	
57	21457	GEAR INDICATOR SWITCH	1	
58	10075	SNAP RING	2	
59	21459	SHIFT ROD LOW	1	
60	21460	SHIFT ROD HIGH/REVERSE	1	
61	21461	THRUST WASHER	1	
62	21483	SPORCKET 12T	1	
63	21463	SHAFT REAR OUTPUT	1	
64	21464	THRUST BUTTON	1	
65	21465	SHIM 1	1	
66	21466	SHIM 2	1	
67	21104	DOWEL PIN	1	
68	21468T	COVER	1	
69	21469	DRAIN SCREW	1	
70	21470	WASHER	1	
71	21471T	TRANSMISSION ASSY	1	
72	21462	GEAR	1	
73	10122	O RING 18X2.65	1	
74	21477	SPROCKET	1	
75	21480	SHAFT FRONT OUTPUT	1	
76	21481	SPORCKET 12T	1	
77	21482	CHAIN	1	

F31

SUPPORT BRACKET

LH 300

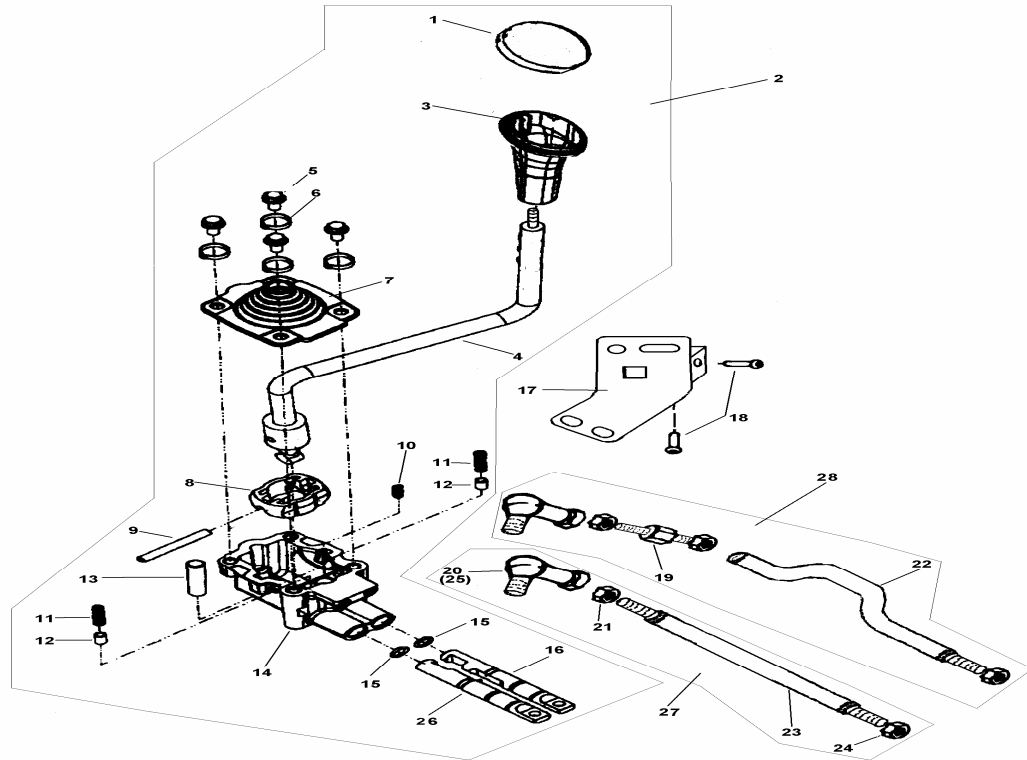


POS.	PARTNUMBER	DESCRIPTION	QTY	SRT
1	10076	BOLT M12X20	2	
2	10054	WASHER 12	2	
3	21503	TRANSMISSION MOUNTING BRACKET RIGHT	1	
4	21504	TRANSMISSION MOUNTING BRACKET LEFT	1	
5	10078	BOLT M8X30	3	
6	10079	NUT M8	3	
7	10028	BOLT M10X25	2	
8	21508	TRANSMISSION MOUNTING BRACKET BOTTOM	1	
9	10081	BOLT M8X20	3	
10	10027	WASHER10	2	
11	10019	WASHER	2	
12	10084	BOLTM10X1.25X70	1	
13	10015	NUT M10	1	
14	21514	TRANSMISSION MOUNTING BRACKET REAR	1	

F32

SHIFT ROD

LH 300

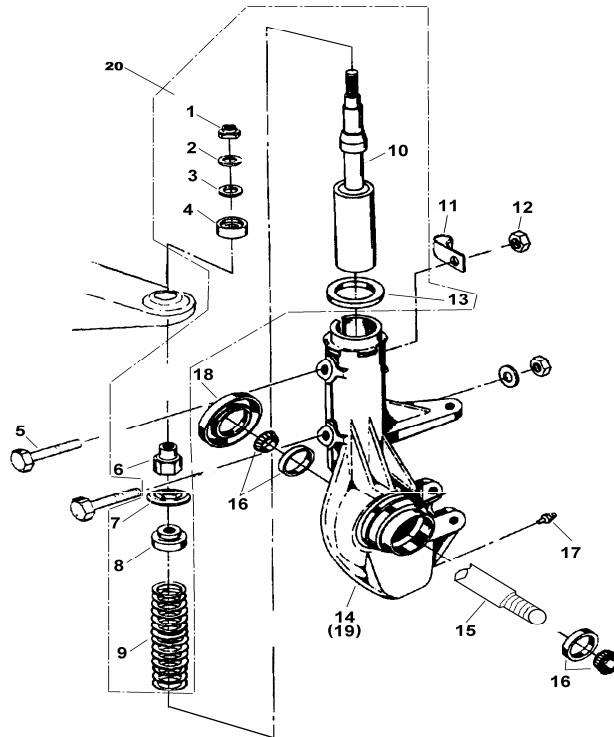


POS.	PARTNUMBER	DESCRIPTION	QTY	SRT
1	21601a	LABLE	1	
2	21729 b	SHIFTER ASSY MOUNTING	1	
3	21603 a	KNOB	1	
4	21604	SHIFT LEVER	1	
5	10086	SCREW M6X12	4	
6	10006	WASHER 6	4	
7	21607	BOOT	1	
8	21608	PLASTIC SPHERE	1	
9	21609	GROOVE PIN	1	
10	21610	CENTERING SPRING	1	
11	21611	DETENT SPRING	2	
12	21612	DETENT BULLET	2	
13	21613	DOWEL PIN	1	
14	21614	SHIFFER HOUSING	1	
15	21615	O-RING	2	
16	21616	SELECTOR SLIDES HIGH/REVERSE	1	
17	21617	SHIFTER MOUNTING BRACKET	1	
18	10010	BOLT M6X15	4	
19	21619	SHIFT ROD COUPLER	1	
20	21620	SHIFT ROD END CW	2	
21	10090	JAM NUT M6 CW	3	
22	21622	SHIFT ROD HIGH/REVERSE	1	
23	21623	SHIFT ROD LOW	1	
24	21624	JAM NUT M6 CCW	2	
25	21625	SHIFT ROD END CCW	2	
26	21626	SELECTOR SLIDES LOW	1	
27	21727	SHIFTER MOUNTING ROD A	1	
28	21728	SHIFTER MOUNTING ROD B	1	

F33

SHOCK ABSORBER FRONT

LH 300

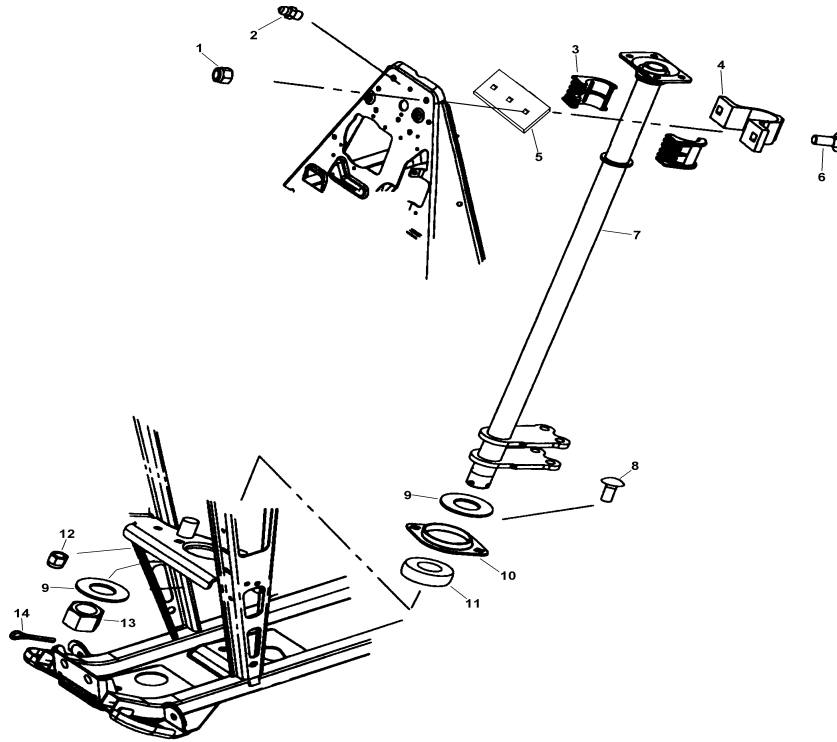


POS.	PARTNUMBER	DESCRIPTION	QTY	SRT
1	10091	NUT M14X1.5	2	
2	21802	WASHER 14	2	
3	21803	SPACER RUBBER	2	
4	21804	UPPER PIVOT BALL	2	
5	10093	BOLT M8X55	4	
6	21806	NUT M14X1.5	2	
7	21807	LOWER PIVOT BALL	2	
8	21808	SPRING RETAINER	2	
9	21809	SPRING	2	
10	21810	STRUT BUMPER	2	
11	21811	CLAMP	2	
12	10079	NUT M8	4	
13	21813	SPRING RETAINER	2	
14	21814	STRUT BODY LEFT	1	
15	21815	SPINDLE BOLT	2	
16	10095	BEARING	4	
17	10026	GREASE FITTING	2	
18	21818	SEAL SLEEVE	2	
19	21819	STRUT BODY RIGHT	1	
20	21820	FRONT SHOCK ABSORBER	2	

F34

STEERING COLUMN

LH 300

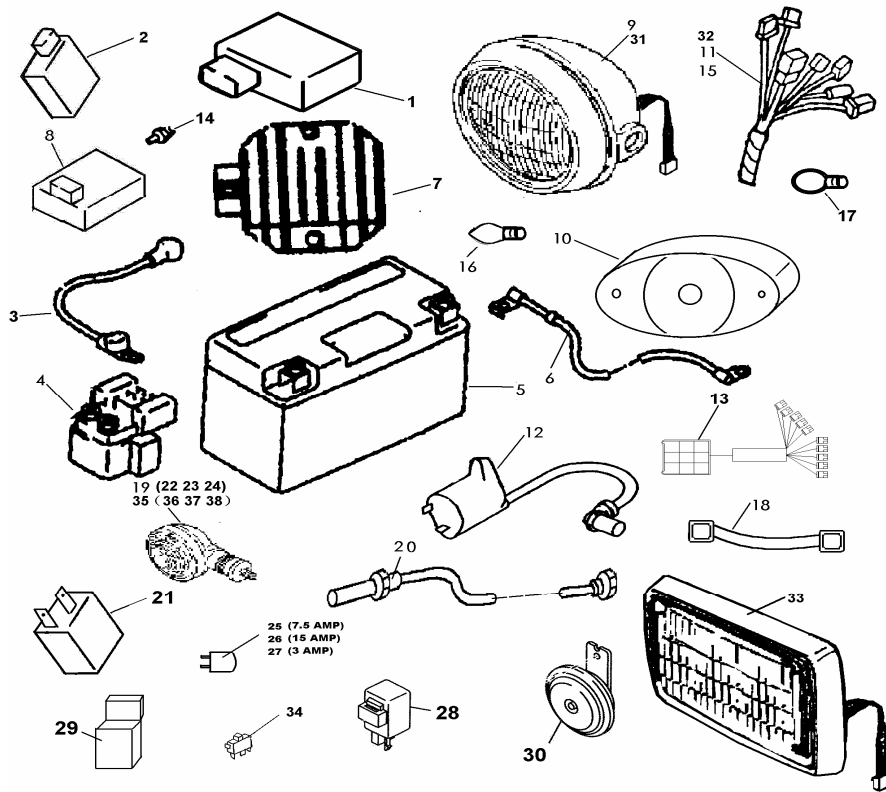


POS.	PARTNUMBER	DESCRIPTION	QTY	SRT
1	10079	NUT M8	2	
2	10026	GREASE FITTING	1	
3	21903	BUSHING	2	
4	21904	STEERING CLAMP REAR	1	
5	21905	STEERING CLAMP FRONT	1	
6	21906	BOLT	2	
7	31907F	STEERING COLUMN	1	
	31907a	STEERING COLUMN (ONLY FOR 04)	1	
8	21906	BOLT	2	
9	21909	WASHER	2	
10	21910	BEARING RETAINER	1	
11	21911	BEARING	1	
12	10079	NUT M8	2	
13	10100	STEERING COLUMN RETAINER NUT	1	
14	10101	COTTER PIN	1	

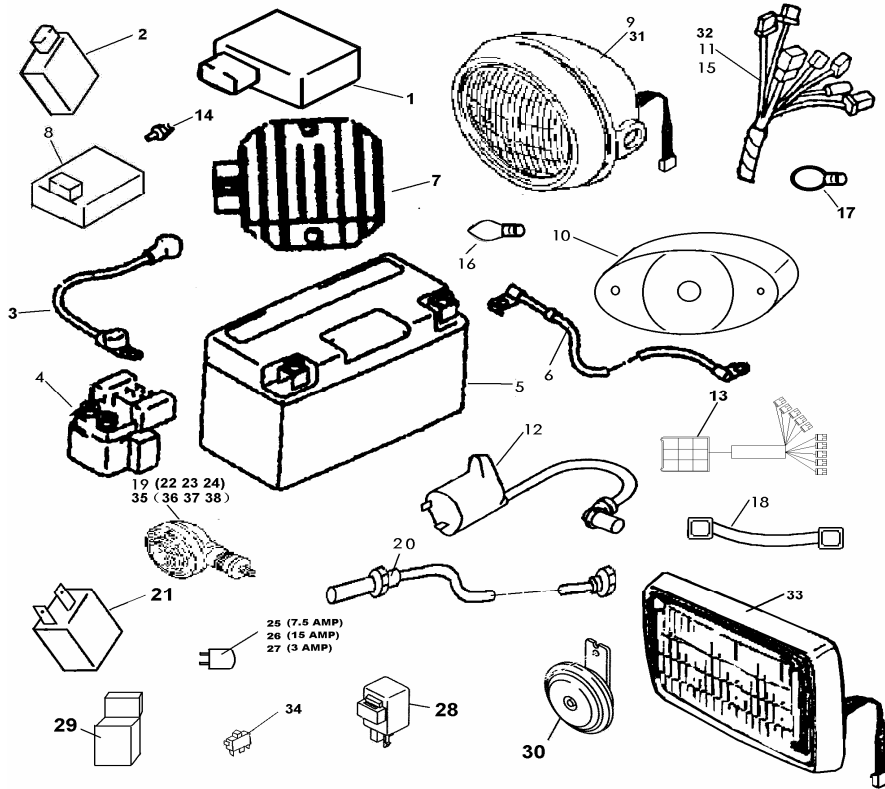
F35

ELECTRICAL EQUP.

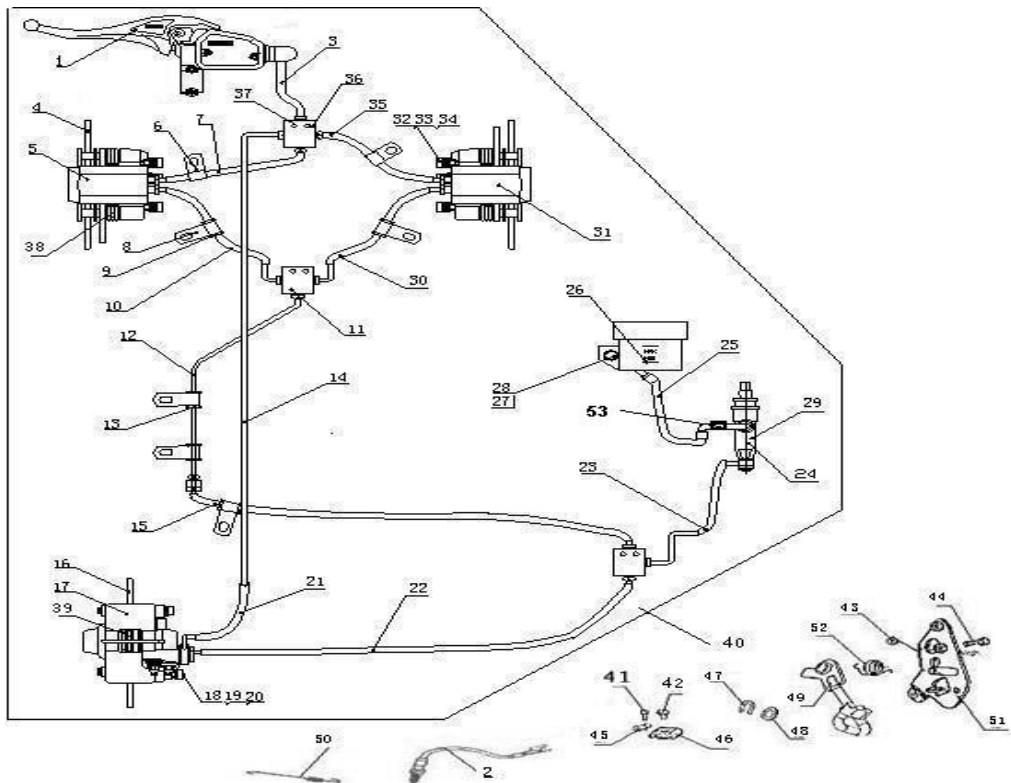
LH 300



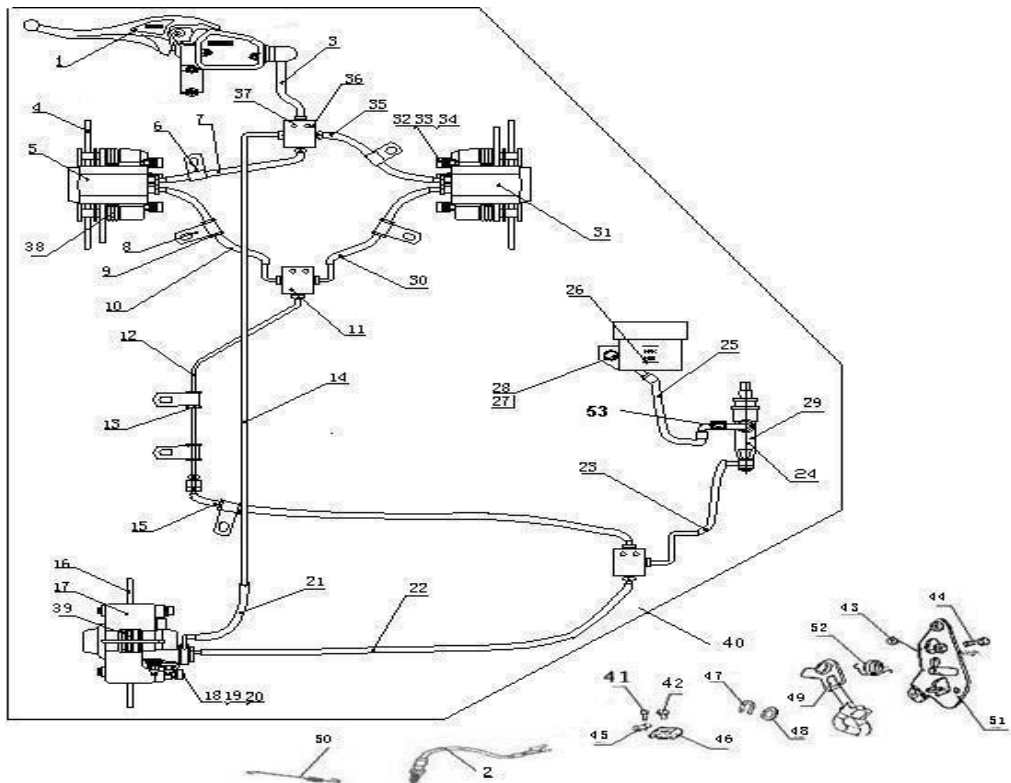
POS.	PARTNUMBER	DESCRIPTION	QTY	SRT
1	22001	CDI	1	
2	22002	REVERSE SPEED LIMITER (NOT FOR 30101G)	1	
3	32003	BATTERY CABLE POSITIVE	1	
4	22004	STARTER RELAY	1	
5	22005	BATTERY	1	
6	32006	BATTERY CABLE GROUND	1	
7	22007	REGULATOR RECTIFIER	1	
8	22008	WARNING BUZZER (NOT FOR 30101G)	1	
9	32009 F	HEADLIGHT ASSEMBLY	1	
10	22010	TAIL LIGHT	1	
11	32011	WIRING HARNESS	1	
12	22012	IGNITON COIL AND WIRE	1	
13	32013	INDIATOR LIGHT WIRING HARNESS	1	
14	22014	ENGINE TEMPERTURE SENSOR	1	
15	32011G	WIRING HARNESS (ONLY FOR 30101G)	1	
16	32016	HEAD LIGHT BULB ONLY	2	
17	22017	TAIL LIGHT BULB ONLY	1	
18	22018	BATTERY BELL	1	
19	32019F	FRONT TURN INDICATOR RIGHT	1	
20	32020	GEAR SENSOR	1	
21	32021	CAPCITOR	1	



POS.	PARTNUMBER	DESCRIPTION	QTY	SRT
22	32022F	FRONT TURN INDICATOR LEFT	1	
23	32023F	REAR TURN INDICATOR RIGHT	1	
24	32024F	REAR TURN INDICATOR LEFT	1	
25	22019	7.5 AMP FUSE	1	
26	22020	15 AMP FUSE	2	
27	22021	3 AMP FUSE	1	
28	32028	FLASHER RELAY ASSY	1	
29	22023	FUSE BOX	1	
30	32029	HORN	1	
31	32009	HEADLIGHT ASSEMBLY (FOR 04 OPTIONAL)	1	
32	32011T	WIRING HARNESS (ONLY FOR 4WD)	1	
33	32009A	HEADLIGHT ASSEMBLY (FOR 04 OPTIONAL)	1	
34	32030	HAZARD LIGHT SWITCH (ONLY FOR 04)	1	
35	32019	FRONT TURN INDICATOR RIGHT (FOR 04)	1	
36	32022	FRONT TURN INDICATOR LEFT (FOR 04)	1	
37	32023	REAR TURN INDICATOR RIGHT (FOR 04)	1	
38	32024	REAR TURN INDICATOR LEFT (FOR 04)	1	



POS.	PARTNUMBER	DESCRIPTION	QTY	SRT
1	22101	MASTER CYLINDER WITH BRAKE LEVER	1	
2	22243	STORP SWITCH FRONT	1	
3	22102	HAND BRAKE HOSE	1	
4	22226	FRONT BRAKE DISC	2	
5	32205a	BRAKE CALIPER LEFT	1	
6	22248	CLAMP	2	
7	22229	FRONT BRAKE HOSE 2	1	
8	32104	CLAMP	5	
9	32105	RUBBER TUBE1	3	
10	32103	FRONT BRAKE HOSE1	1	
11	32107	BRAKE LINE COUPLER	2	
12	32108	TUB DISKBRAKE FRONT	1	
13	32109	RUBBER TUBE2	2	
14	22103	REAR BRAKE HOSE	1	
15	32114	FRONT BRAKE HOSE	1	
16	22247	REAR DISC BRAKE	1	
17	22105	REAR BRAKE CALIPER	1	
18	10102	BOLT M10X1.25X83	2	
19	10015	NUT M10X1.25	2	
20	10019	WASHER 10	2	
21	32120	REAR BRAKE HOSE 2	1	
22	32121	REAR BRAKE HOSE 3	1	
23	32122F	FOOT BRAKE HOSE	1	
24	32123	REAR BRAKE CYLINDER	1	
25	32125	RESERVOIR HOSE	1	
26	32226a	RESERVOIR	1	
27	10109	NUTM5	1	

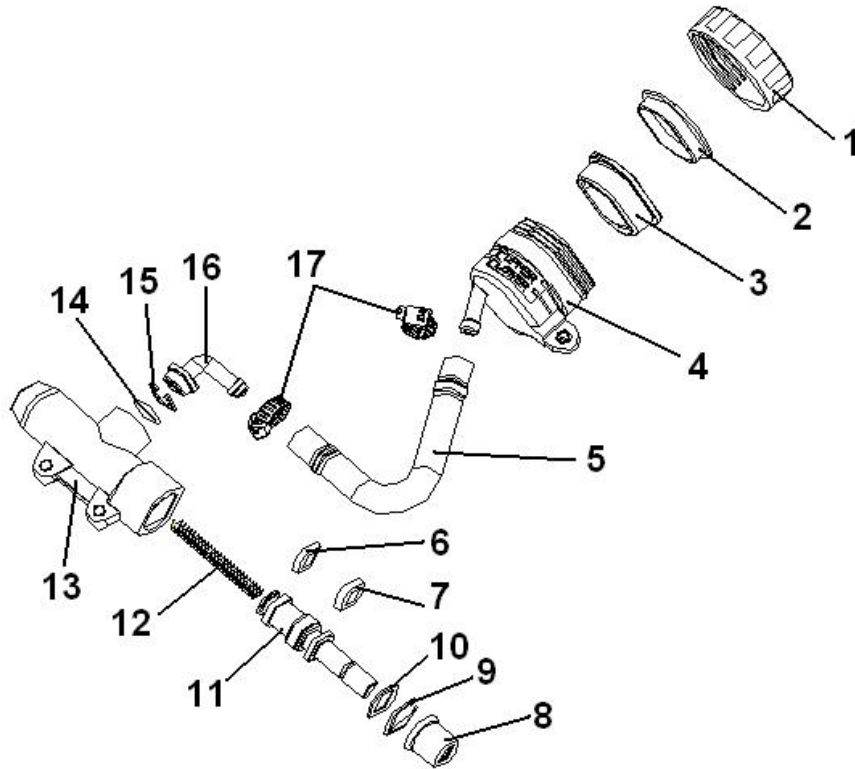


POS.	PARTNUMBER	DESCRIPTION	QTY	SRT
28	10108	BOLT M5X12	1	
29	10110	BOLT M6X20	2	
30	32233	FRONT BRAKE HOSE2	1	
31	32231a	BRAKE CALIPER RIGHT	1	
32	10105	BOLT M8X25	4	
33	10106	WASHER 8	4	
34	10068	WASHER 8	4	
35	22228	FRONT BRAKEHOSE 1	1	
36	22230	BRAKE LINECOUPLER	1	
37	10111	SCREW M5X15	6	
38	22245	FRONT BRAKE PADS , SET OF	2	
39	22111	REAR BRAKE PADS , SET OF	1	
40	32240a	BRAKE ASSY	1	
41	10113	BOLT M5X8	1	
42	10113	BOLT M5X8	6	
43	10004	NUT M6	2	
44	10110	BOLT M6X20	3	
45	22235	BRAKE LINE CLAMP SMALL	1	
46	22236	BRAKE LINE CLAMP LARGE	3	
47	10115	RETAINER	1	
48	22238	WASHER	1	
49	32241F	BRAKE PEDAL	1	
50	32246	SPRING , STOP SWITCH	1	
51	32243F	FOOT BRAKE MOUNTING PLATE	1	
52	22242	RETURN SPRING	1	
53	22249	ADIABATIC PELLICLE	1	

F39

OIL PUMP ASSY (32123)

LH 300

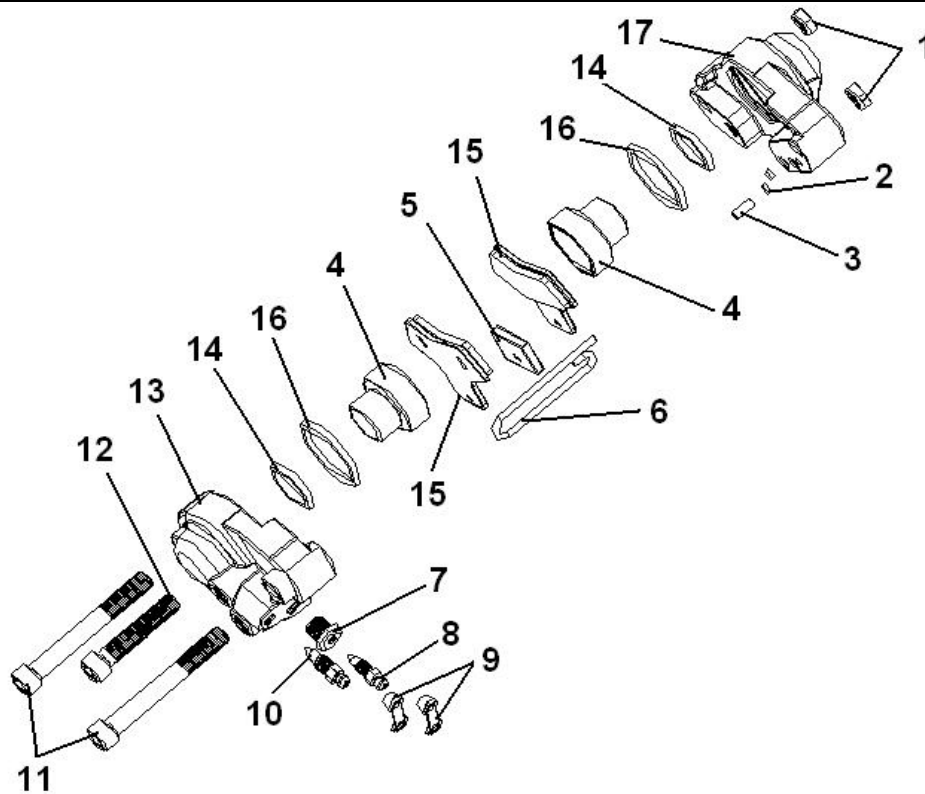


POS.	PARTNUMBER	DESCRIPTION	QTY	SRT
1	3212301	Cap	1	
2	3212302	Nylon gasket of oil tank	1	
3	3212303	oil tank gasket	1	
4	3212304	oil tank	1	
5	3212305	oil pipe	1	
6	2211108	Ex-rubber ring	1	
7	2211110	Post rubber ring	1	
8	3211111	Dustproof cover of oil pump	1	
9	3212309	Clip	1	
10	3212310	Washer	1	
11	3211109	Oil pump piston	1	
12	3212312	Spring	1	
13	3211103	Shell	1	
14	3212314	"0" seal ring	1	
15	3212309	Clip	1	
16	3212316	Pipe link	1	
17	3212317	Netal hoop	2	

F40

REAR BRAKE CALIPPER (22105)

LH 300

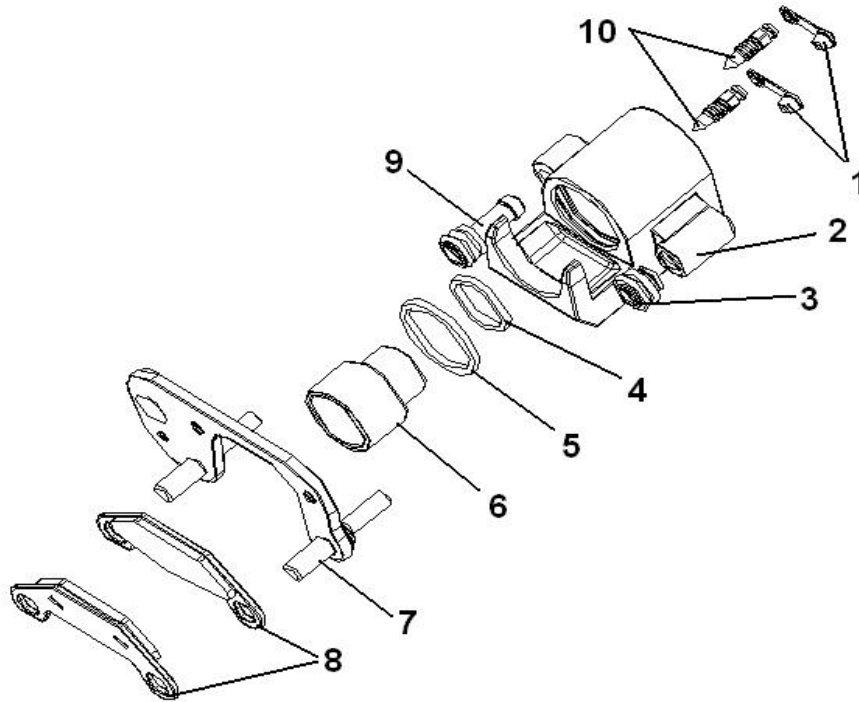


POS.	PARTNUMBER	DESCRIPTION	QTY	SRT
1	10079	Nut	2	
2	2210501	"o"ring	2	
3	2210502	Locating pin	1	
4	2210503	Caliper piston	1	
5	2210504	Separation mass	1	
6	2210505	Pin of pad	1	
7	2210506	Link nut of blowhole	1	
8	2210507	Blowhole	1	
9	2210508	Dustproof cover of blowhole	2	
10	2210509	Blowhole	1	
11	10258	Link bolt	2	
12	10259	Link bolt	1	
13	2210510	Caliper shell A	1	
14	2210511	Small sealing ring	2	
15	22111	Inside/outside pad	2	
16	2210512	Big sealing ring	2	
17	2210513	Caliper shell B	1	

F41

REAR CALIPPER LEFT (32205a)

LH 300

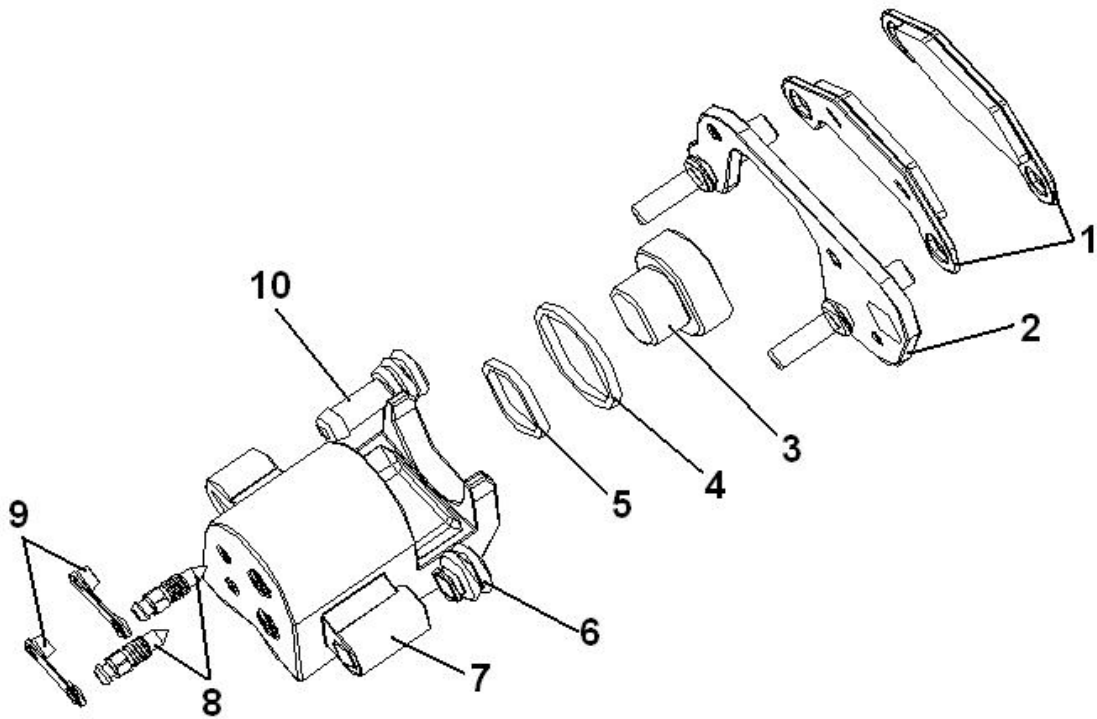


POS.	PARTNUMBER	DESCRIPTION	QTY	SRT
1	2010508	Dustproof cover of blowhole	2	
2	3220501a	Caliper body	1	
3	3220502a	Dustproof cover of the below axle	1	
4	3220507a	Small seal ring	1	
5	2210512	Big seal ring	1	
6	3220503a	Caliper piston	1	
7	3220504a	Bracket	1	
8	3220505a	Inside and outside pad	2	
9	3220506a	Dustproof cover of the above axle	1	
10	2010509	blowhole	2	

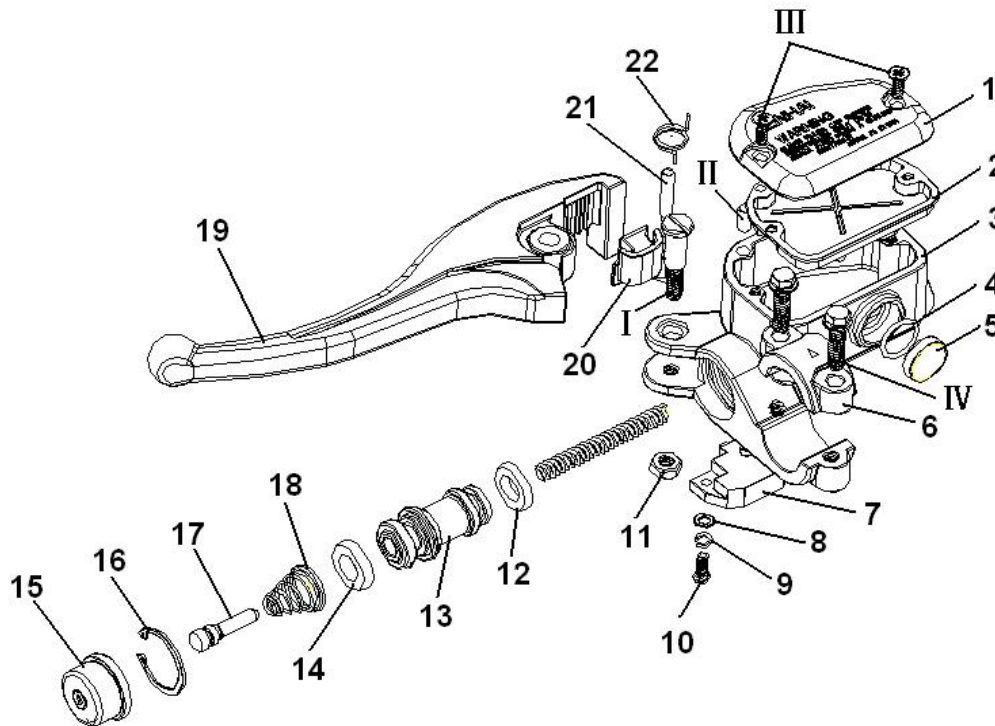
F42

BRAKE CALIPPER RIGHT (32231a)

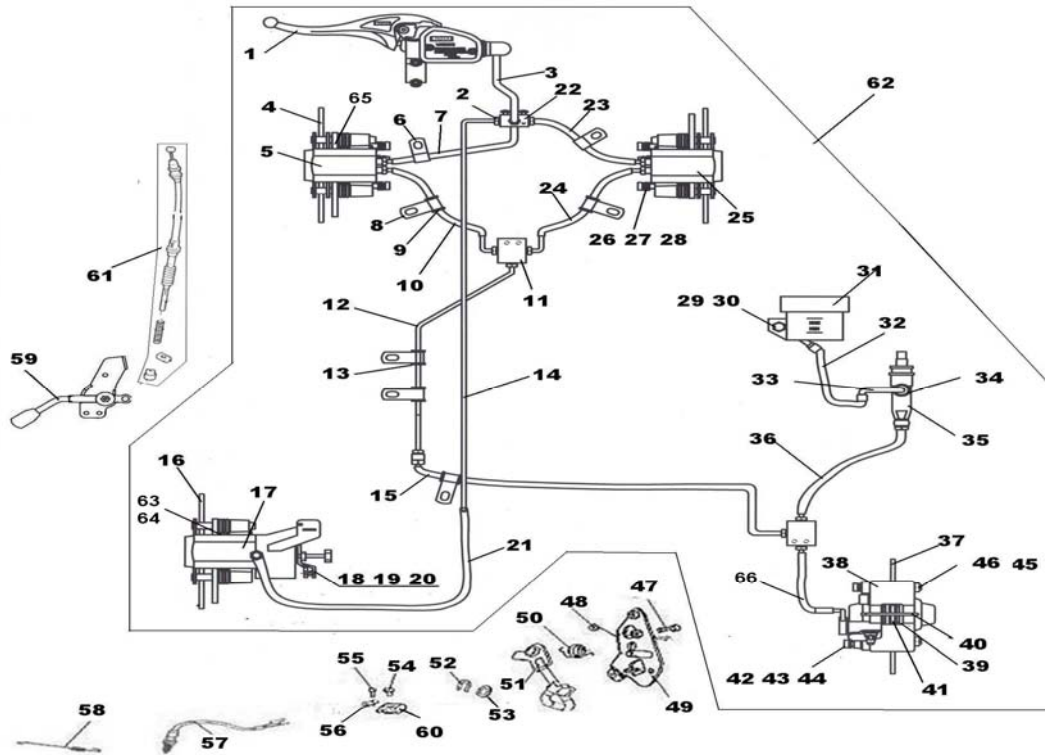
LH 300



POS.	PARTNUMBER	DESCRIPTION	QTY	SRT
1	3220505a	Inside and outside pad	2	
2	3220504a	Bracket	1	
3	3220503a	Caliper piston	1	
4	2210512	Big sealing ring	1	
5	3220507a	Small sealing ring	1	
6	3220502a	Drstproof cover of the below axle	1	
7	3220501a	Caliper body	1	
8	2010509	Blowhole	2	
9	2010508	Dustproof cover of blowhole	2	
10	3220506a	Drstproof cover of the above axle	1	



POS.	PARTNUMBER	DESCRIPTION	QTY	SRT
1	2211101	cap	1	
2	2211102	Oil tank gasket	1	
3	2211103	Oil pump body	1	
4	2211104	O-ring	1	
5	2211105	mirror	1	
6	2211106	Locating cap	1	
7	2211107	Brake lamp switch	1	
8	10172	Small washer	1	
9	10173	Light spring washer	1	
10	10214	Bolt	1	
11	10104	Nut	1	
12	2211108	Ex-rubber ring	1	
13	2211109	Piston of oil pump	1	
14	2211110	Post-rubber ring	1	
15	2211111	Dustproof cover of piston	1	
16	2211112	Clip	1	
17	2211113	Push rod	1	
18	2211114	Coniform compression	1	
19	2211120	Handle lever	1	
20	2211115	Safety button	1	
21	2211116	Pin	1	
22	2211117	Torsion spring	1	
	2211118	Handle bolt	1	
	2211119	Plunger	1	
	10175	Screw	1	
	10176	Bolt	1	

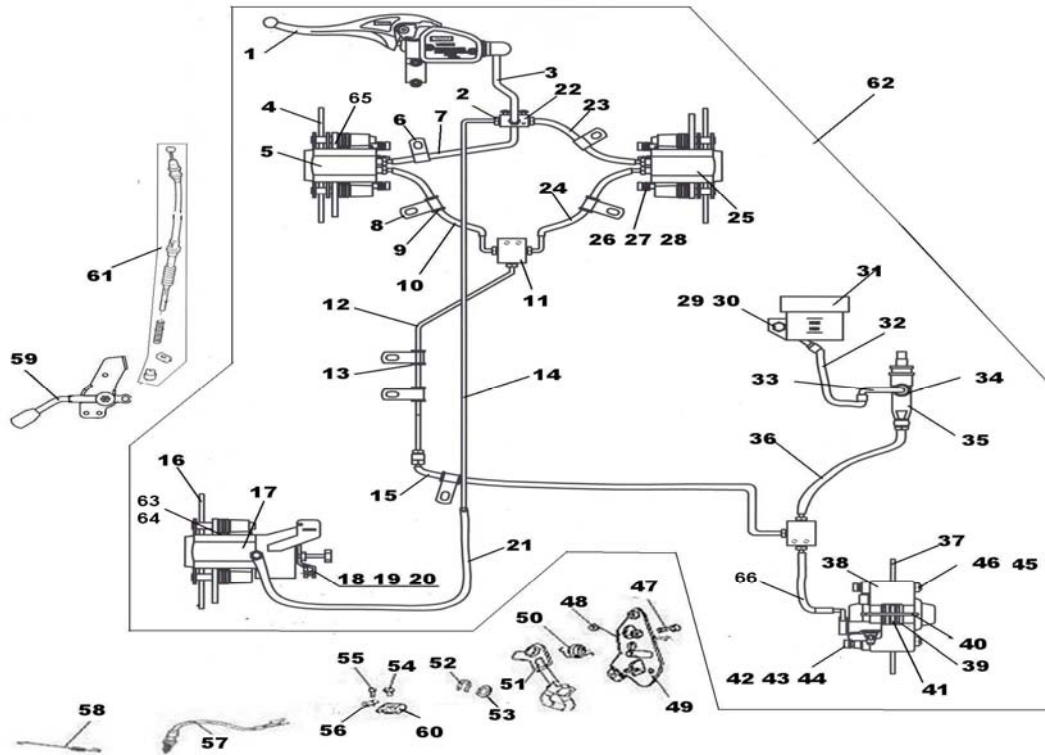


POS.	PARTNUMBER	DESCRIPTION	QTY	SRT
1	22101	MASTER CYLINDER WITH BRAKE LEVER	1	
2	10111	SCREW M5X15	6	
3	22102	HAND BRAKE HOSE	1	
4	22226	FRONT BRAKE DISC	2	
5	32205a	BRAKE CALIPER LEFT	1	
6	22248	CLAMP	2	
7	22229	FRONT BRAKE HOSE 2	1	
8	32104	CLAMP	5	
9	32105	RUBBER TUBE1	3	
10	32103	FRONT BRAKE HOSE1	1	
11	32107	BRAKE LINE COUPLER	2	
12	32108	TUB DISKBRAKE FRONT	1	
13	32109	RUBBER TUBE2	2	
14	22103F	REAR BRAKE HOSE	1	
15	32114F	FRONT BRAKE HOSE	1	
16	22247F	REAR DISC BRAKE	1	
17	32170F	PARKING BRAKE PUMP	1	
18	32171F	BOLT	1	
19	32172F	NUT	1	
20	32173F	ROCKER	1	
21	32120F	REAR BRAKE HOSE 2	1	
22	22230	BRAKE LINECOUPLER	1	
23	22228	FRONT BRAKEHOSE 1	1	
24	32233	FRONT BRAKE HOSE2	1	
25	32231a	BRAKE CALIPER RIGHT	1	
26	10105	BOLT M8X25	4	
27	10106	WASHER 8	4	
28	10068	WASHER 8	4	
29	10109	NUTM5	1	

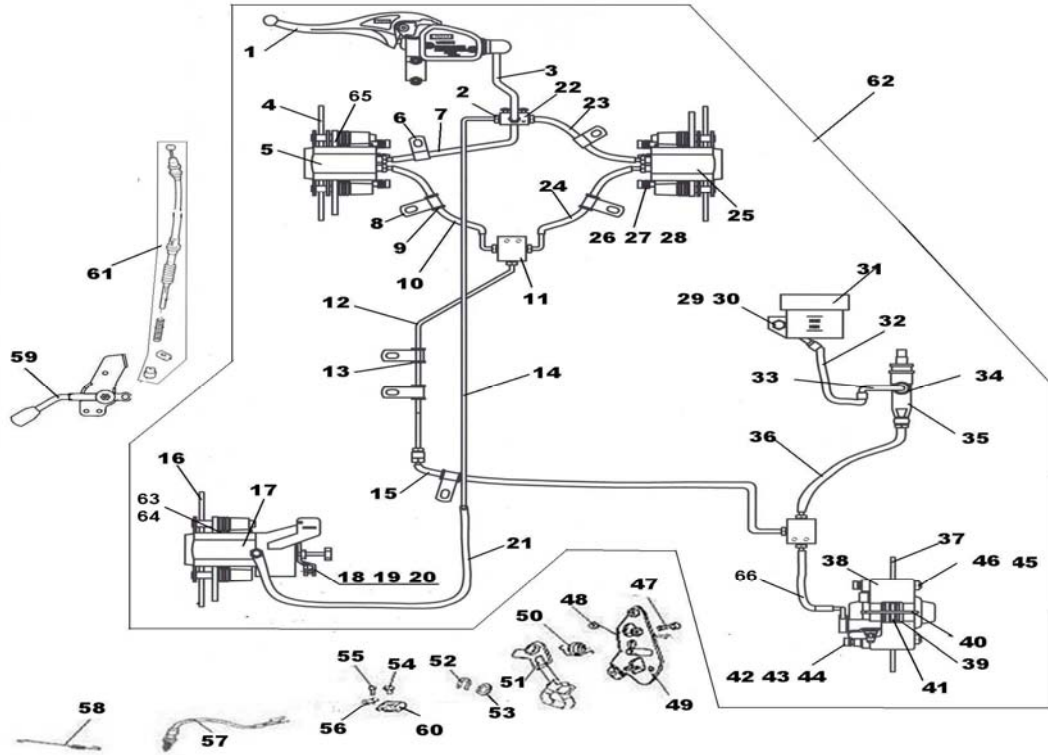
F45

BRAKING SYSTEM (W/PARK BRAKE)

LH 300



POS.	PARTNUMBER	DESCRIPTION	QTY	SRT
30	10108	BOLT M5X12	1	
31	32226a	RESERVOIR	1	
32	32125	RESERVOIR HOSE	1	
33	22249	ADIABATIC PELLICLE	1	
34	10110	BOLT M6X20	2	
35	32123	REAR BRAKE CYLINDER	1	
36	32122F	FOOT BRAKE HOSE	1	
37	22247	REAR BRAKE DISC	1	
38	22251	BRAKE CALIPER RIGHT	1	
39	22110	SPACER	2	
40	22111	REAR BRAKE PADS , SET OF LEFT	2	
41	22112	RETAINING PIN	2	
42	22109	WASHER	8	
43	22113	BANJO BOLTS	4	
44	10224	BOLT M10X1.25X83	4	
45	10019	WASHER 10	2	
46	10015	NUT M10X1.25	2	
47	10110	BOLT M6X20	3	
48	10004	NUT M6	2	
49	32243F	FOOT BRAKE MOUNTING PLATE	1	
50	22242	RETURN SPRING	1	
51	32241F	BRAKE PEDAL	1	
52	10115	RETAINER	1	
53	22238	WASHER	1	
54	10113	BOLT M5X8	6	
55	10113	BOLT M5X8	1	
56	22235	BRAKE LINE CLAMP SMALL	1	
57	22243	STOP SWITCH FRONT	1	
58	32246	SPRING , STOP SWITCH	1	

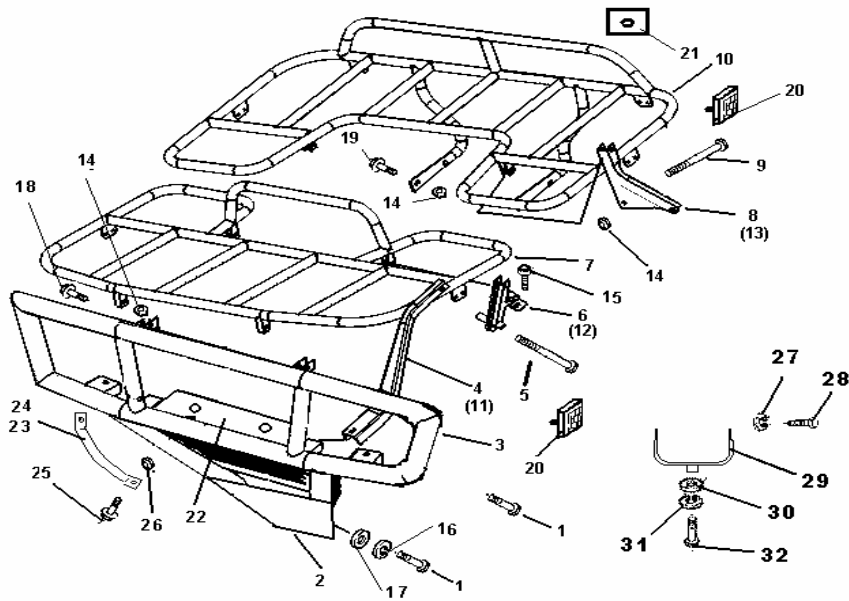


POS.	PARTNUMBER	DESCRIPTION	QTY	SRT
59	32174F	PARKING LEVER	1	
60	22236	BRAKE LINE CLAMP LARGE	3	
61	32175F	BRAKE CABLE	1	
62	32240F	BRAKE ASSY	1	
63	32176F	REAR BRAKE PADS , SET OF LEFT1	1	
64	32176G	REAR BRAKE PADS , SET OF LEFT2	2	
65	22245	FRONT BRAKE PADS , SET OF	4	
66	32121F	REAR BRAKE HOSE 2	1	

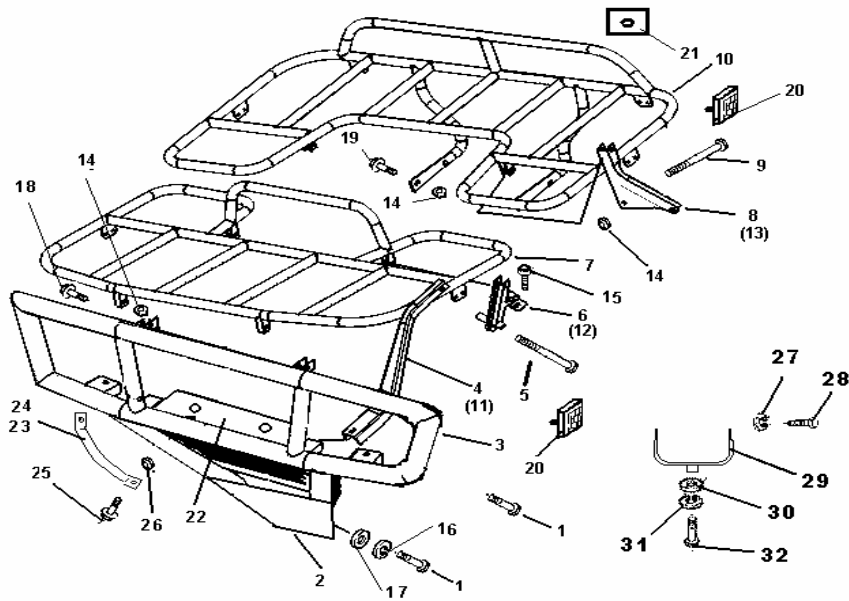
F47

BUMPER & RACK ('04)

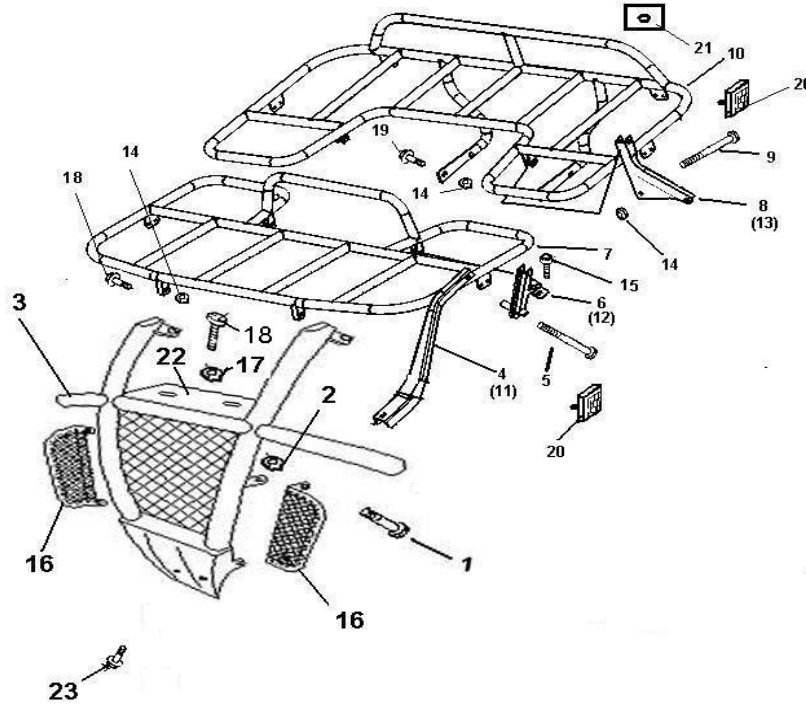
LH 300



POS.	PARTNUMBER	DESCRIPTION	QTY	SRT
1	10081	BOLT M8X20	8	
2	22302	CONNECTIVE	1	
3	32303	BUMPER	1	
4	22304	TRESTLE 1 LEFT	1	
5	10118	BOLT M8X95	2	
6	22306	TRESTLE 2 LEFT	1	
7	32307	FRONT FRAME	1	
8	22308	TRESTLE 3 LEFT	1	
9	10225	BOLT M8X72	4	
10	32310	REAR FRAME	1	
11	22311	TRESTLE 1 RIGHT	1	
12	22312	TRESTLE 2 RIGHT	1	
13	22313	TRESTLE 3 RIGHT	1	
14	10079	NUT M8	4	
15	10010	BOLT M6X15	4	
16	10106	WASHER	2	
17	10068	WASHER	2	
18	10124	BOLTM8X35	6	
19	10055	BOLTM8X45	4	
20	22320	FRONT REFLECTOR	4	



POS.	PARTNUMBER	DESCRIPTION	QTY	SRT
21	22321	REAR REFLECTOR	2	
22	22322	CONNECTION BRACKET	1	
23	22325	RIGHT PROTECT POLE	1	
24	22326	LEFT PROTECT POLE	1	
25	10059	BOLT M8X25	4	
26	10067	NUT M8	4	
27	10162	BOLT M8X15	4	
28	10106	WASHER 8	4	
29	22330	BRACKET	2	
30	10117	WASHER 10	2	
31	10027	WASHER 10	2	
32	10163	BOLT M10X1.25X20	2	



POS.	PARTNUMBER	DESCRIPTION	QTY	SRT
1	10081	BOLT M8X20	8	
2	10079	NUT M8	2	
3	32303F	BUMPER	1	
4	22304F	TRESTLE 1 LEFT	1	
5	10118	BOLT M8X95	2	
6	22306F	TRESTLE 2 LEFT	1	
7	32307F	FRONT FRAME	1	
8	22308	TRESTLE 3 LEFT	1	
9	10225	BOLT M8X72	4	
10	32310F	REAR FRAME	1	
11	22311F	TRESTLE 1 RIGHT	1	
12	22312	TRESTLE 2 RIGHT	1	
13	22313	TRESTLE 3 RIGHT	1	
14	10079	NUT M8	4	
15	10010	BOLT M6X15	4	
16	22325F	PROTECT POLE	2	
17	10067	NUT M8	2	
18	10124	BOLTM8X35	6	
19	10055	BOLTM8X45	4	
20	22320	FRONT REFLECTOR	4	
21	22321	REAR REFLECTOR	2	
22	22322	CONNECTION BRACKET	1	
23	10059	BOLT M8X25	2	