



POLARIS[®]
The Way Out.

2005

Parts Manual

PARTS MANUAL PN 9919416 and MICROFICHE PN 9919417 7/04

SPORTSMAN 500 HO/INT'L

Model #A05MH50AB

Model #A05MH50AC

Model #A05MH50AG

Model #A05MH50AH

Model #A05MH50FB

TABLE OF CONTENTS

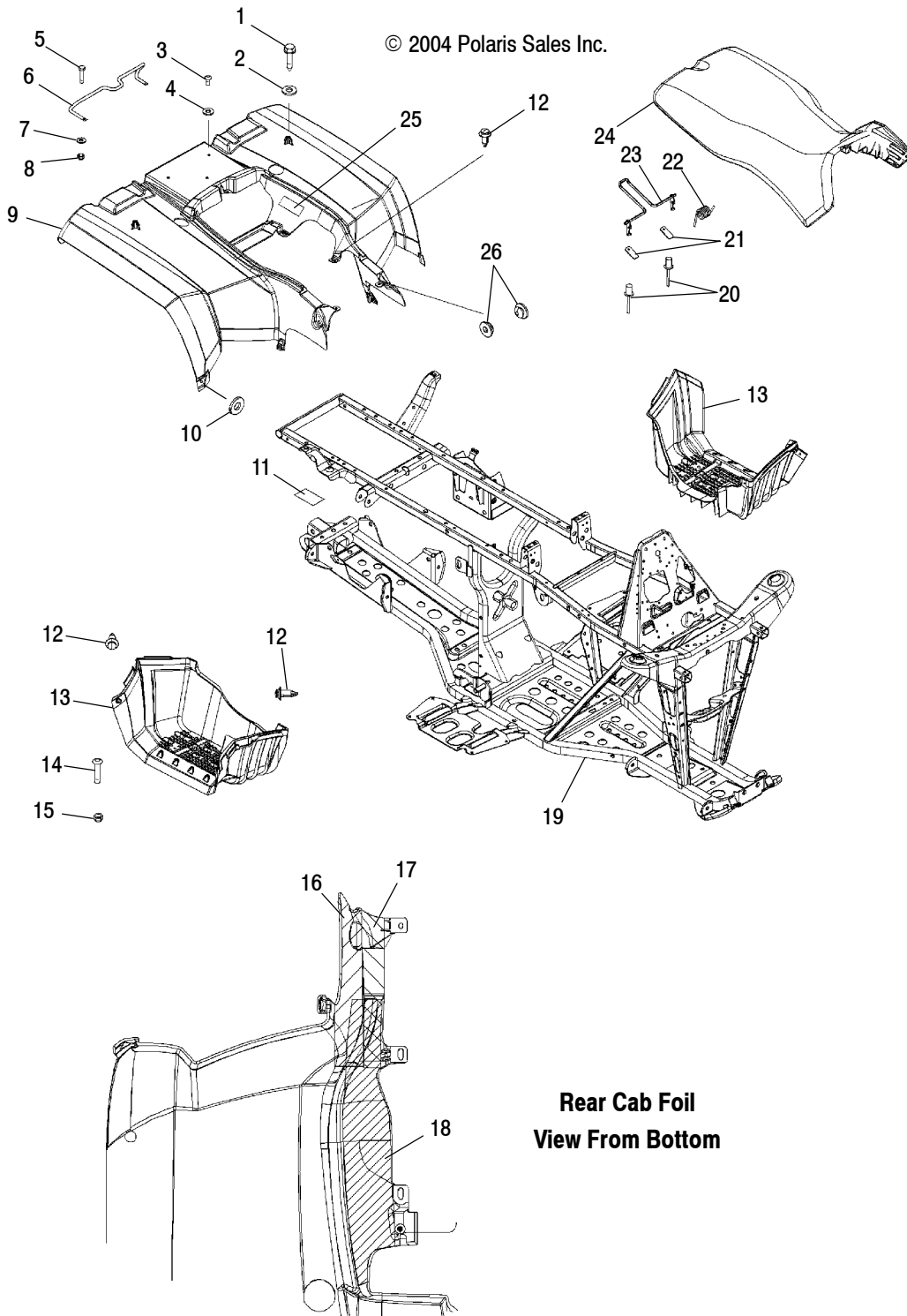
SPORTSMAN 500 HO A05MH50AB and SPORTSMAN 500 HO A05MH50AC and SPORTSMAN 500 HO A05MH50AG and SPORTSMAN 500 HO A05MH50AH and SPORTSMAN 500 INT'L A05MH50FB

<p style="text-align: center;">A</p> <p>A-ARM C4 AIR BOX B1</p> <p style="text-align: center;">B</p> <p>BRAKE LINES, FRONT B6 BUMPER MOUNTING A7-8</p> <p style="text-align: center;">C</p> <p>CALIPER, REAR B7 CARBURETOR D7-8 CLUTCH COVER C9 CONTROLS B4 CONTROLS - THROTTLE ASM./CABLE B9 COOLING SYSTEM A11 CRANKCASE D4 CRANKSHAFT and PISTON D6 CYLINDER D5</p> <p style="text-align: center;">D</p> <p>DECALS A10 DRIVE CLUTCH C7 DRIVE SHAFT, FRONT B10 DRIVE SHAFT, REAR B11 DRIVEN CLUTCH C8</p> <p style="text-align: center;">E</p> <p>ELECTRICAL/TAILLIGHT C13 ENGINE MOUNTING A13-14 EXHAUST SYSTEM A12</p> <p style="text-align: center;">F</p> <p>FOOT PEDAL B8 FRONT BRAKE B5 FRONT CAB A5 FRONT HOUSING D3 FUEL PUMP D11 FUEL TANK B2</p> <p style="text-align: center;">G</p> <p>GEAR SELECTOR C6 GEARCASE D1-2</p> <p style="text-align: center;">H</p> <p>HANDLEBAR C1-2</p>	<p style="text-align: center;">H</p> <p>HEADLIGHT POD C1-2 HEADLIGHTS C3</p> <p style="text-align: center;">I</p> <p>INTAKE and EXHAUST D9</p> <p style="text-align: center;">M</p> <p>MAGNETO E2 MASTER CYLINDER, REAR B8</p> <p style="text-align: center;">O</p> <p>OIL FILTER D13 OIL PUMP D12 OIL TANK B3</p> <p style="text-align: center;">P</p> <p>PROP SHAFT B12</p> <p style="text-align: center;">R</p> <p>RACK MOUNTING FRONT A8 REAR CAB and SEAT A3-4 REAR RACK MOUNTING A6 REAR SUSPENSION C11-12 REAR WHEEL DRIVE C10 RECOIL STARTER D14</p> <p style="text-align: center;">S</p> <p>STARTING MOTOR E1 STEERING POST C5 STORAGE BOX, REAR A9 STORAGE, FRONT A7 STRUT MOUNTING C4 STRUT, FRONT B13</p> <p style="text-align: center;">T</p> <p>TAILLAMPS C3 TOOL KIT E3 TRANSMISSION MOUNTING C14</p> <p style="text-align: center;">W</p> <p>WATER PUMP D10 WHEEL, FRONT B14 WORKLAMPS C3</p>
--	--

The illustrations used in this Parts Manual are for reference to replacement parts only. This manual is not to be used for assembly.

REAR CAB and SEAT

SPORTSMAN 500 HO A05MH50AB and SPORTSMAN 500 HO A05MH50AC and SPORTSMAN 500 HO A05MH50AG and SPORTSMAN 500 HO A05MH50AH and SPORTSMAN 500 INT'L A05MH50FB



REAR CAB and SEAT

SPORTSMAN 500 HO A05MH50AB and SPORTSMAN 500 HO A05MH50AC and SPORTSMAN 500 HO A05MH50AG and SPORTSMAN 500 HO A05MH50AH and SPORTSMAN 500 INT'L A05MH50FB

Part numbers may change after the making of the microfiche or paper copies. Electronic records are the most current.

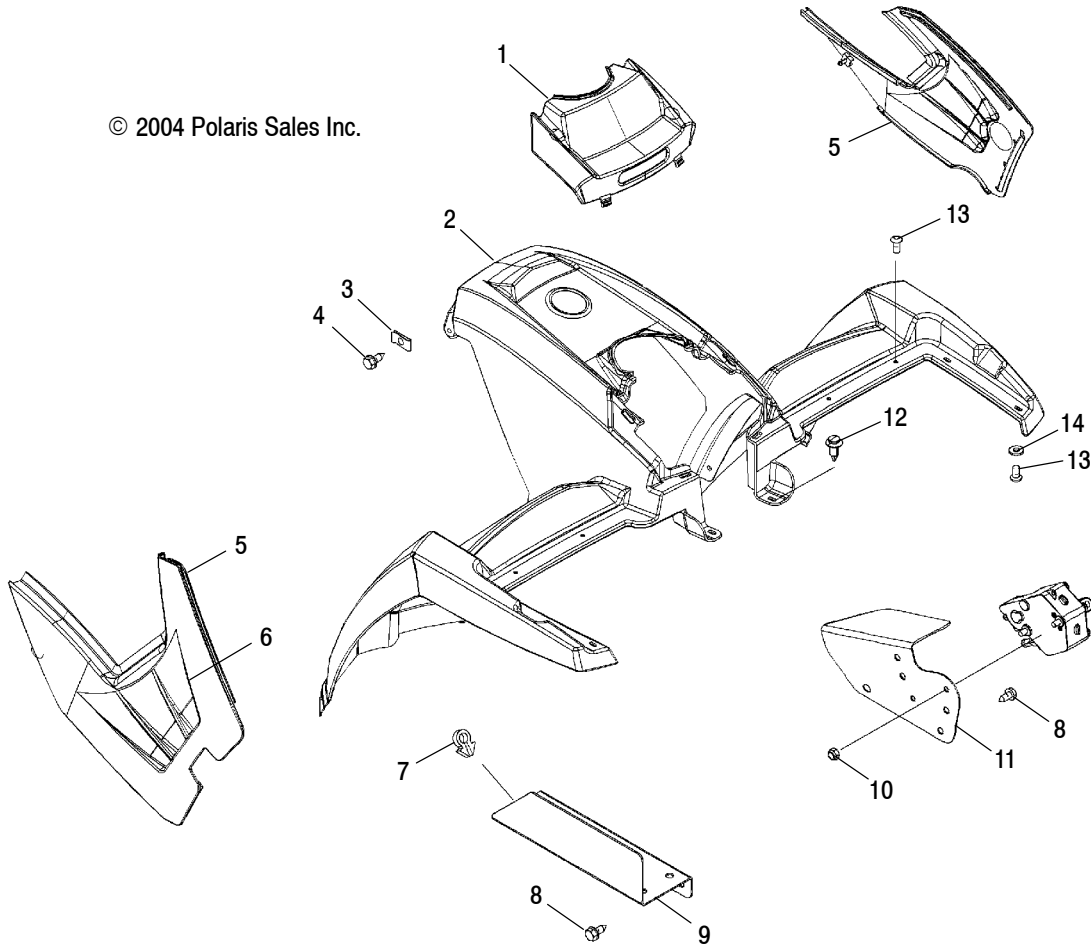
Ref. Part No. Qty. Description			Ref. Part No. Qty. Description				
1	7512095	2	Screw	14	7517230	8	Screw
2	7555798	2	Washer	15	7542122	8	Nut, Nylok
3	7512026	3	Screw	16	5812703	2	Foil, Rear Cab, Front, Top
4	7556034	3	Washer	17	5812702	1	Foil, Rear, Cab, Front, Bottom
5	7511930	2	Bolt	18	5812701	1	Foil, Cab, Rear
6	5246076	1	Retainer, Seat Latch	19	1014536-067	1	Frame, Main, Black
7	7555792	4	Washer	20	7621403	2	Rivet
8	7541925	2	Nut, Nylok	21	5211033	2	Bracket, Lever Retainer
9	5435363-400	1	Cab, Rear, Camo Green Metallic (AH)	22	7041370	1	Spring, Latch
	5435363-293	1	Cab, Rear, Indy Red (AB)(FB)	23	1040387	1	Latch, Seat
	5435664-455	1	Cab, Rear, New Break Up (AC)	24	2683433-070	1	Asm., Seat, Black
	5435363-341	1	Cab, Rear, Sonic Blue (AG)		2683434-070	1	Covering, Seat, Black
10	7558403	2	Washer (AC)		2683661-070	1	Asm., Seat, Black (AC)
11	7170911	1	Decal, Hitch	25	7079902	1	Decal, Carb/Filter Information
12	7661855	14	Rivet	26	5412623	2	Grommet
13	5435354-070	1	Footwell, Black, LH				
	5435355-070	1	Footwell, Black, RH				

7/04

FRONT CAB

SPORTSMAN 500 HO A05MH50AB and SPORTSMAN 500 HO A05MH50AC and SPORTSMAN 500 HO A05MH50AG and SPORTSMAN 500 HO A05MH50AH and SPORTSMAN 500 INT'L A05MH50FB

© 2004 Polaris Sales Inc.



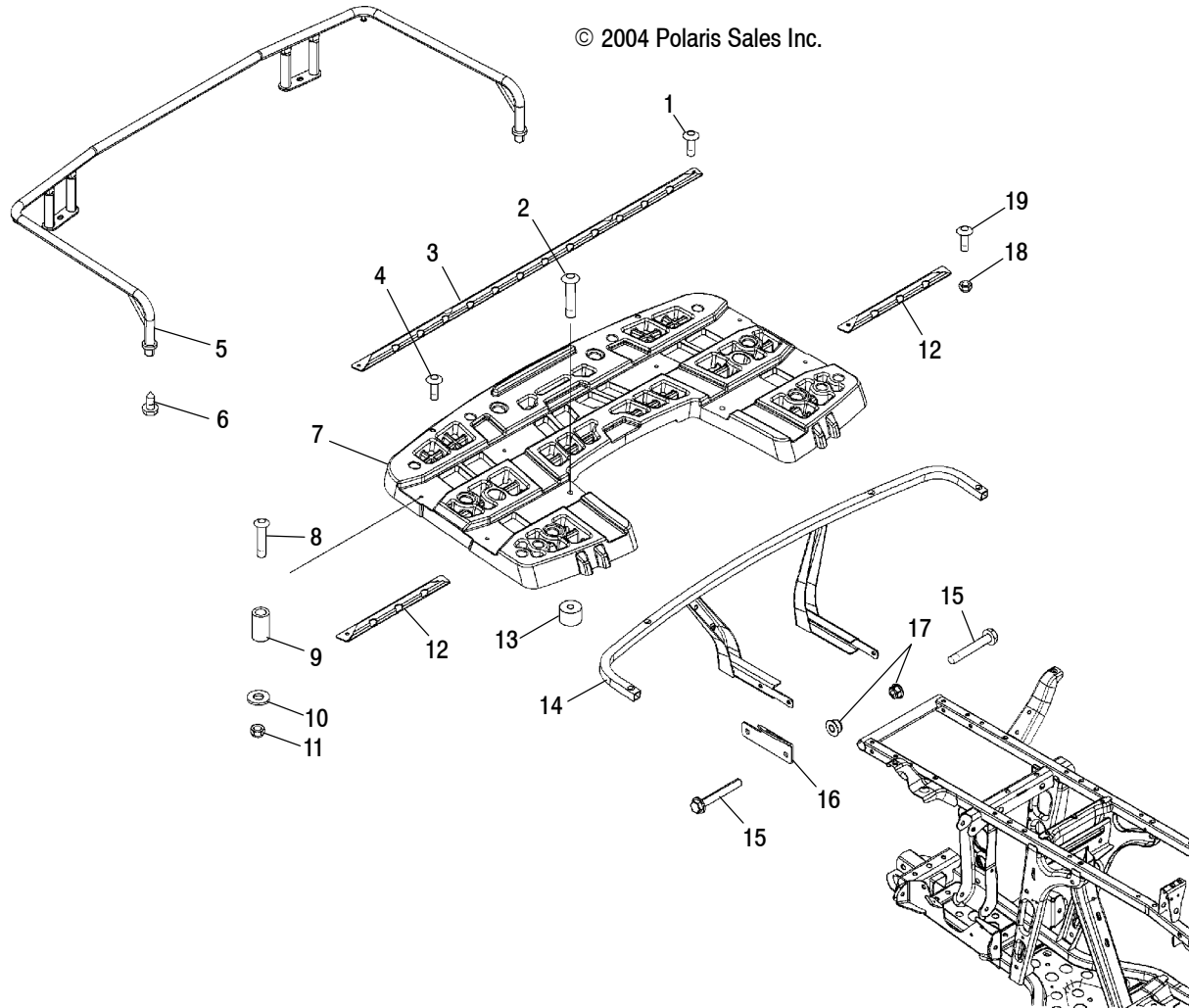
Part numbers may change after the making of the microfiche or paper copies. Electronic records are the most current.

Ref. Part No.	Qty.	Description
1	5435352-400	1 Cover, Front, Camo Green Met (AH)
	5435352-293	1 Cover, Front, Indy Red (AB)(FB)
	5435352-341	1 Cover, Front, Sonic Blue (AG)
	5435668-455	1 Cover, Front, New Break Up (AC)
2	2632864-400	1 Cab, Front, Camo Green Met (AH)
	2632864-293	1 Cab, Front, Indy Red (AB)(FB)
	2632864-341	1 Cab, Front, Sonic Blue (AG)
	2632975-455	1 Cab, Front, New Break Up (AC)
3	7670057	2 Nut, U-Type Speed
4	7517219	2 Screw
5	5435353-177	1 Panel, Side, LH, Black (AG)(AH)
	2632936-177	1 Asm., Panel/Foil, RH, Black (AG)(AH)
	5435353-070	1 Panel, Side, LH, Black (AB)(FB)
	2632936-070	1 Asm., Panel/Foil, RH, Black (AB)(FB)
	5435915-455	1 Panel, Side, LH, New Break Up (AC)
	2633048-455	1 Asm., Panel/Foil, RH, NBU (AC)

Ref. Part No.	Qty.	Description
6	5812615	1 Foil, Side Panel, RH
7	7080756	1 Clip
8	7517386	4 Screw
9	5248100	1 Guard, Splash, RH
10	7546601	2 Nut, Nylok
11	5246872	1 Guard, Splash, LH/Pump Mount
12	7661855	2 Rivet
13	7512026	8 Screw
14	7556034	4 Washer

REAR RACK MOUNTING

SPORTSMAN 500 HO A05MH50AB and SPORTSMAN 500 HO A05MH50AC and SPORTSMAN 500 HO A05MH50AG and SPORTSMAN 500 HO A05MH50AH and SPORTSMAN 500 INT'L A05MH50FB



Part numbers may change after the making of the microfiche or paper copies. Electronic records are the most current.

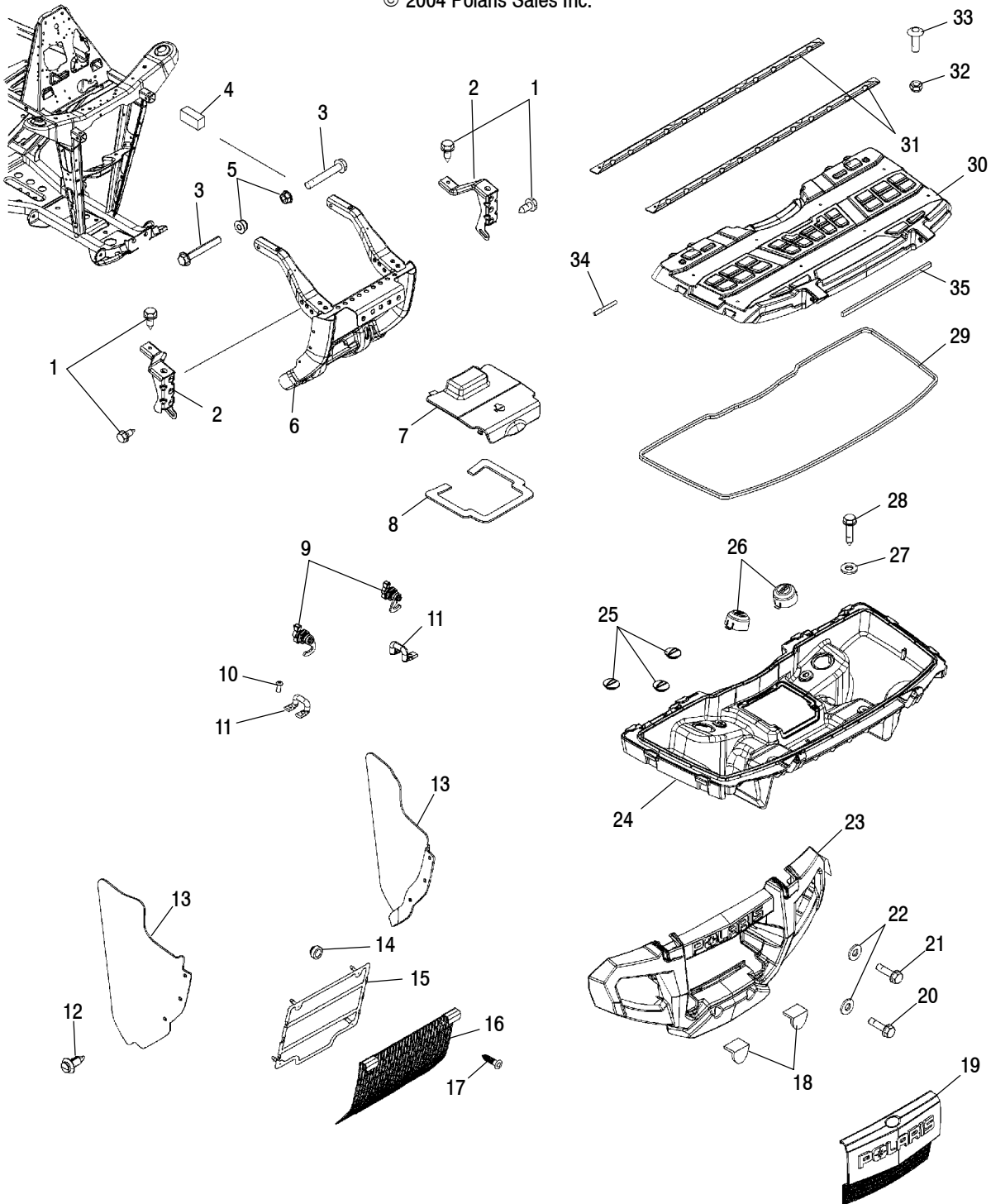
Ref.	Part No.	Qty.	Description
1	7517230	4	Screw
2	7517983	2	Screw
3	5248469-418	1	Channel, Rear Rack, Black
4	7518418	2	Screw
5	1014768-418	1	Extender, Rear Rack (AC)
6	7517208	6	Screw (AC)
7	2632867-070	1	Asm., Rack, Rear, Black (Incl. Warning Decal and Reflectors)
8	7518213	2	Screw
9	5435959	2	Spacer
10	7555843	2	Washer, Flat

Ref.	Part No.	Qty.	Description
11	7542324	2	Nut, Nylok
12	5248471-418	2	Channel, Rear Rack, Front, Black
13	5334092	2	Spacer
14	1014668-067	1	Support, Rear Rack, Black
15	7518341	4	Bolt, Flange
16	-----	1	Bracket, Silencer, Frame (See Exhaust System Pg. A12, Ref. 6)
17	7542343	4	Nut, Flange
18	7542153	4	Nut, Nylok, Flange
19	7518424	2	Screw

FRONT STORAGE and BUMPER MOUNTING

SPORTSMAN 500 HO A05MH50AB and SPORTSMAN 500 HO A05MH50AC and SPORTSMAN 500 HO A05MH50AG and SPORTSMAN 500 HO A05MH50AH and SPORTSMAN 500 INT'L A05MH50FB

© 2004 Polaris Sales Inc.



FRONT RACK and BUMPER MOUNTING

**SPORTSMAN 500 HO A05MH50AB and SPORTSMAN 500 HO A05MH50AC and SPORTSMAN 500 HO A05MH50AG and SPORTSMAN
500 HO A05MH50AH and SPORTSMAN 500 INT'L A05MH50FB**

Part numbers may change after the making of the microfiche or paper copies. Electronic records are the most current.

Ref.	Part No.	Qty.	Description
1	7515399	6	Screw
2	1014591-067	1	Support, Front Rack, LH
	1014592-067	1	Support, Front Rack, RH
3	7518341	2	Screw, Flange
4	5810467	1	Plug, Frame
5	7542343	8	Nut, Nylok, Flange
6	1014636-067	1	Guard, Brush
7	5435629	1	Cover, Radiator
8	5812778	1	Seal, Radiator Cover
9	7081241	1	Latch, LH
	7081242	1	Latch, RH
10	7512076	4	Screw
11	5334257	2	Latch, Wire
12	7661855	6	Rivet
13	5434314	1	Shield, Side, Radiator, LH
	5434315	1	Shield, Side, Radiator, RH
14	5412504	4	Grommet
15	5435046	1	Cover, Radiator
16	5247507-067	1	Grill, Brush Guard
17	7518046	4	Screw

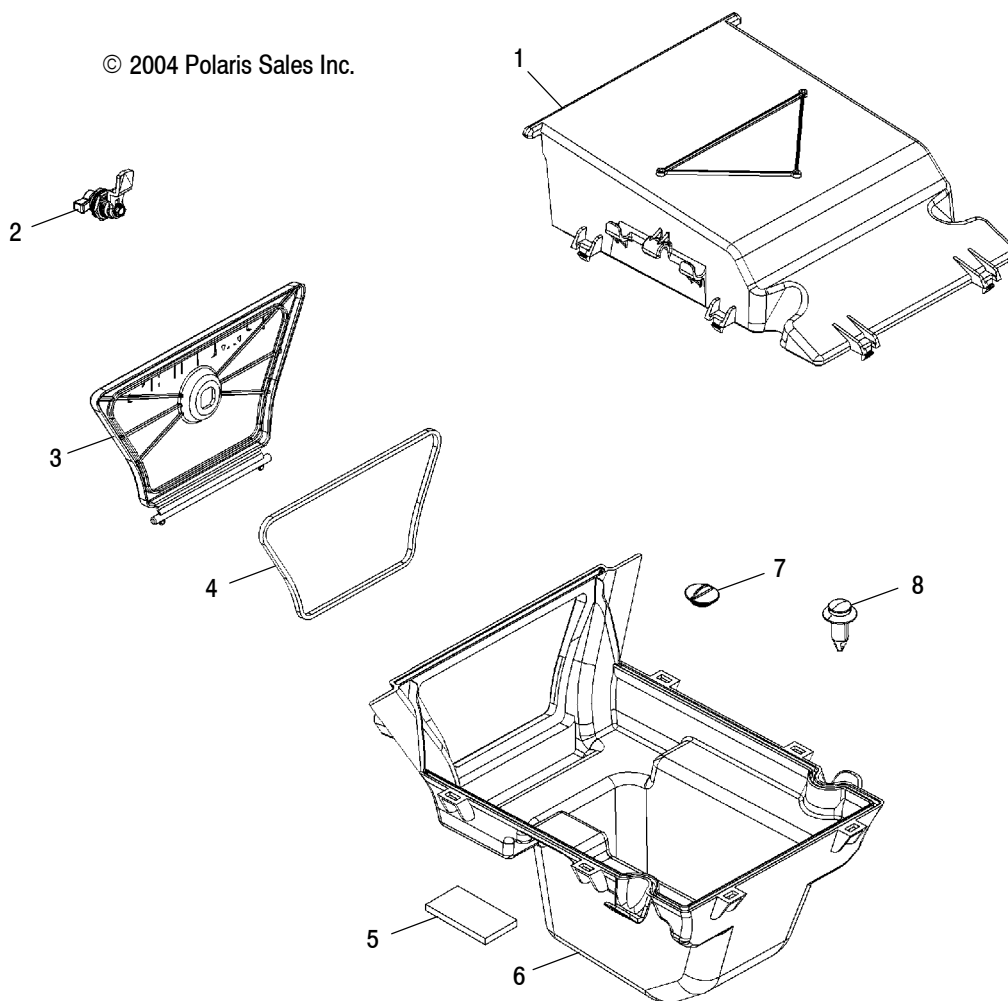
Ref.	Part No.	Qty.	Description
18	5435701	1	Cover, Bumper, LH
	5435702	1	Cover, Bumper, RH
19	5435357-070	1	Panel
20	7518383	2	Screw
21	7518382	4	Screw
22	7556341	4	Washer, Flat
23	2632865-070	1	Asm., Bumper, Front, Black (Incl. Warning Decal)
24	1202838	1	Asm., Box, Lower, Front
25	5412352	3	Plug
26	5435628	2	Cover, Strut
27	7555960	4	Washer, Flat
28	7517208	4	Screw, Flange
29	5521693	1	Seal
30	5435362-070	1	Cover, Box, Front
31	5247653-418	2	Channel, Lid, Front
32	7542122	8	Nut, Nylok
33	7518427	8	Screw
34	5134576	2	Pin
35	5521706	1	Seal, Lid/Bumper

7/04

REAR STORAGE BOX

SPORTSMAN 500 HO A05MH50AB and SPORTSMAN 500 HO A05MH50AC and SPORTSMAN 500 HO A05MH50AG and SPORTSMAN 500 HO A05MH50AH and SPORTSMAN 500 INT'L A05MH50FB

© 2004 Polaris Sales Inc.



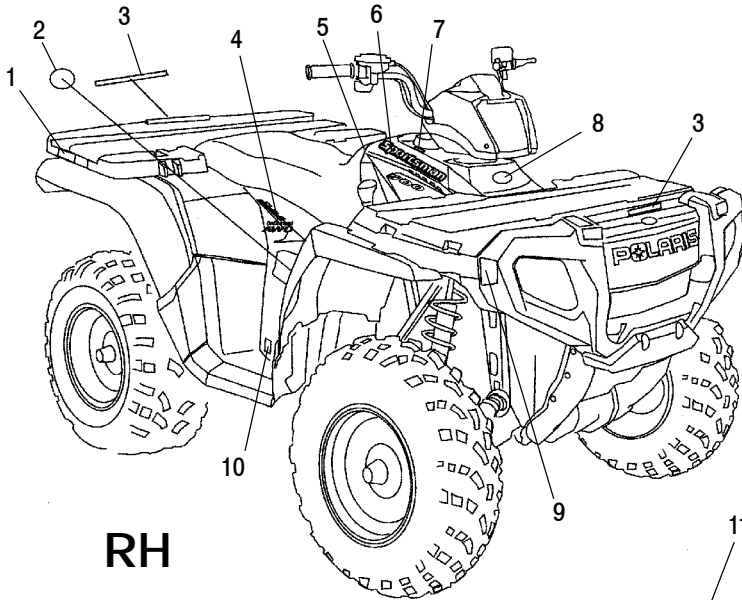
Part numbers may change after the making of the microfiche or paper copies. Electronic records are the most current.

Ref. Part No.	Qty.	Description	Ref. Part No.	Qty.	Description
1	1	Box, Upper	5	2	Pad
2	1	Latch	6	1	Box, Lower
3	1	Cover	7	1	Plug
4	1	Seal	8	2	Rivet

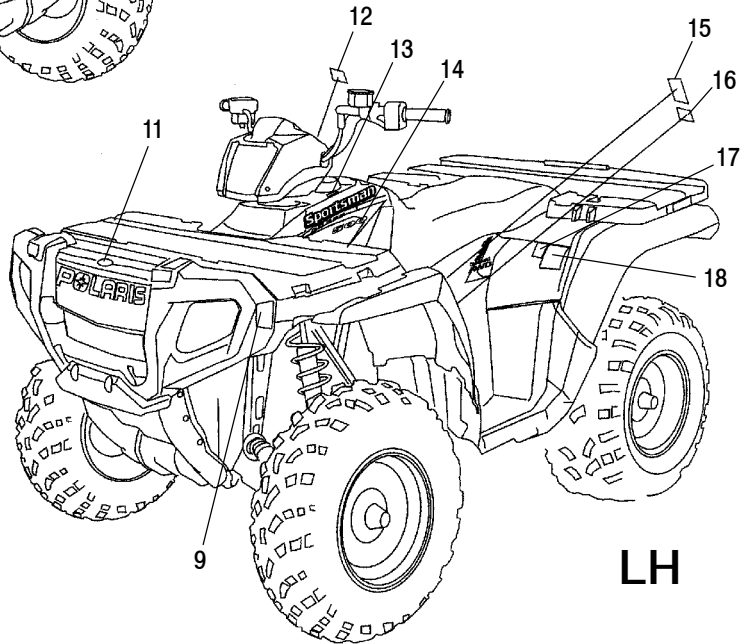
7/04

DECALS

SPORTSMAN 500 HO A05MH50AB and SPORTSMAN 500 HO A05MH50AC and SPORTSMAN 500 HO A05MH50AG and SPORTSMAN 500 HO A05MH50AH and SPORTSMAN 500 INT'L A05MH50FB



RH



LH

© 2004 Polaris Sales Inc.

Part numbers may change after the making of the microfiche or paper copies. Electronic records are the most current.

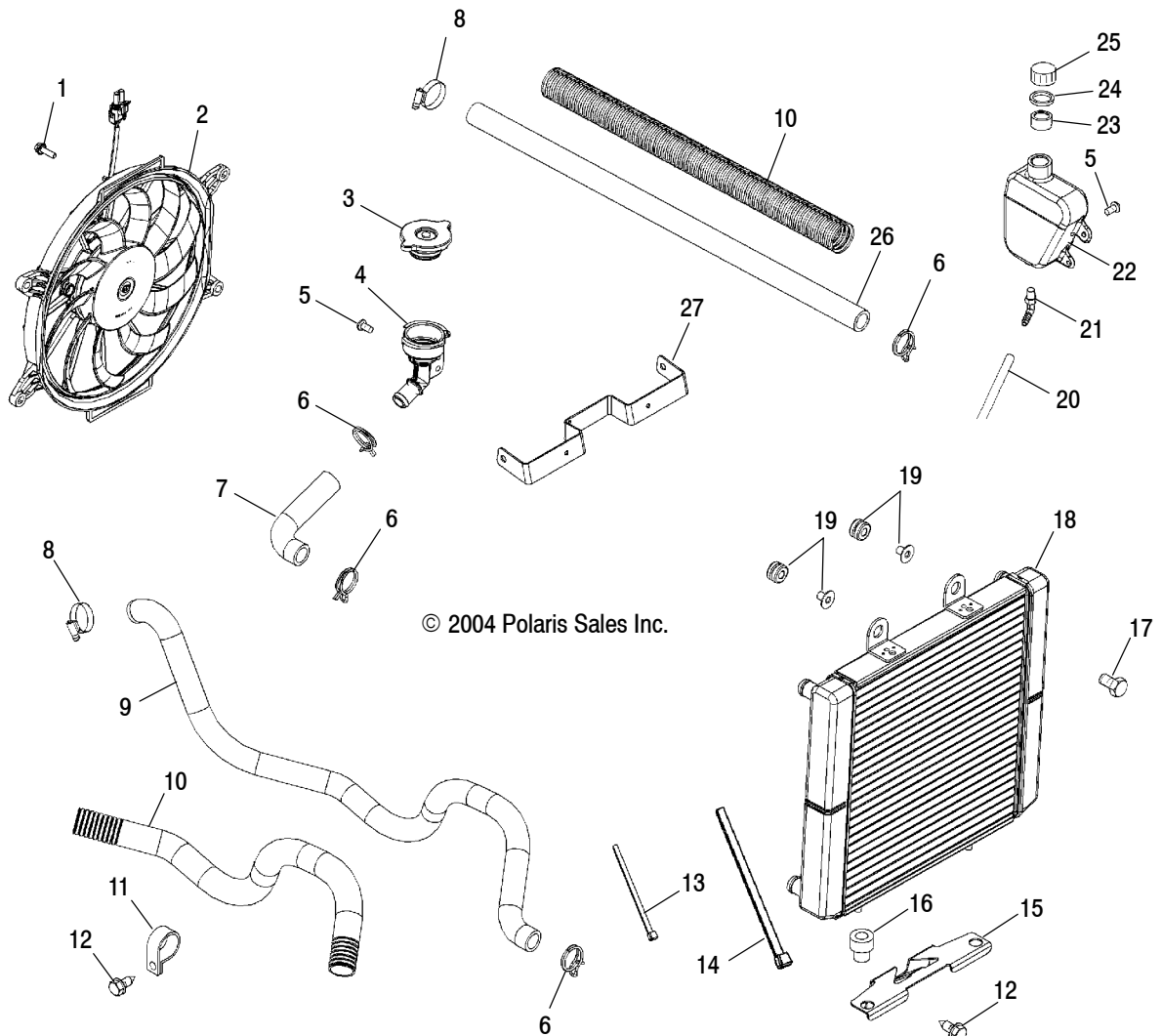
Ref. Part No.	Qty.	Description
1 7172689	2	Decal, Reflector, Red
2 7173013	1	Urocal, 50th Anniversary
3 7172572	2	Decal, Warning, Front and Rear Rack
4 7172707	1	Decal, Rear Cab, "AWD", LH
7172708	1	Decal, Rear Cab, "AWD", RH
7172893	1	Decal, Rear Cab, "AWD", LH (AC)
7172894	1	Decal, Rear Cab, "AWD", RH (AC)
5 7172559	1	Decal, Age Warning, 16, ATV
6 7172704	1	Decal, "SPORTSMAN", LH
7172710	1	Decal, "SPORTSMAN", RH
7172896	1	Decal, "SPORTSMAN 500", LH (AC)
7172897	1	Decal, "SPORTSMAN 500", RH (AC)
7 7079780	1	Decal, Warning, AWD Switch, White
8 7171067	1	Decal, Front Cover, "New Break Up" (AC)

Ref. Part No.	Qty.	Description
9 7172687	1	Decal, Reflector, Amber, LH
7172688	1	Decal, Reflector, Amber, RH
10 7172562	1	Decal, Drain Recoil
11 7078465	1	Logo, Polaris Star
12 7079672	1	Decal, Foot Brake
13 7172564	1	Decal, Warning, Override, AWD
14 7172711	1	Decal, Tankside, "500", LH (Not on AC)
7172712	1	Decal, Tankside, "500", RH (Not on AC)
15 7172560	1	Decal, Warning, General, CPSC
16 7172561	1	Decal, Discretionary Warning
17 7172566	1	Decal, Passenger Warning
18 7172748	1	Decal, Tire Pressure/Load

7/04

COOLING SYSTEM

SPORTSMAN 500 HO A05MH50AB and SPORTSMAN 500 HO A05MH50AC and SPORTSMAN 500 HO A05MH50AG and SPORTSMAN 500 HO A05MH50AH and SPORTSMAN 500 INT'L A05MH50FB



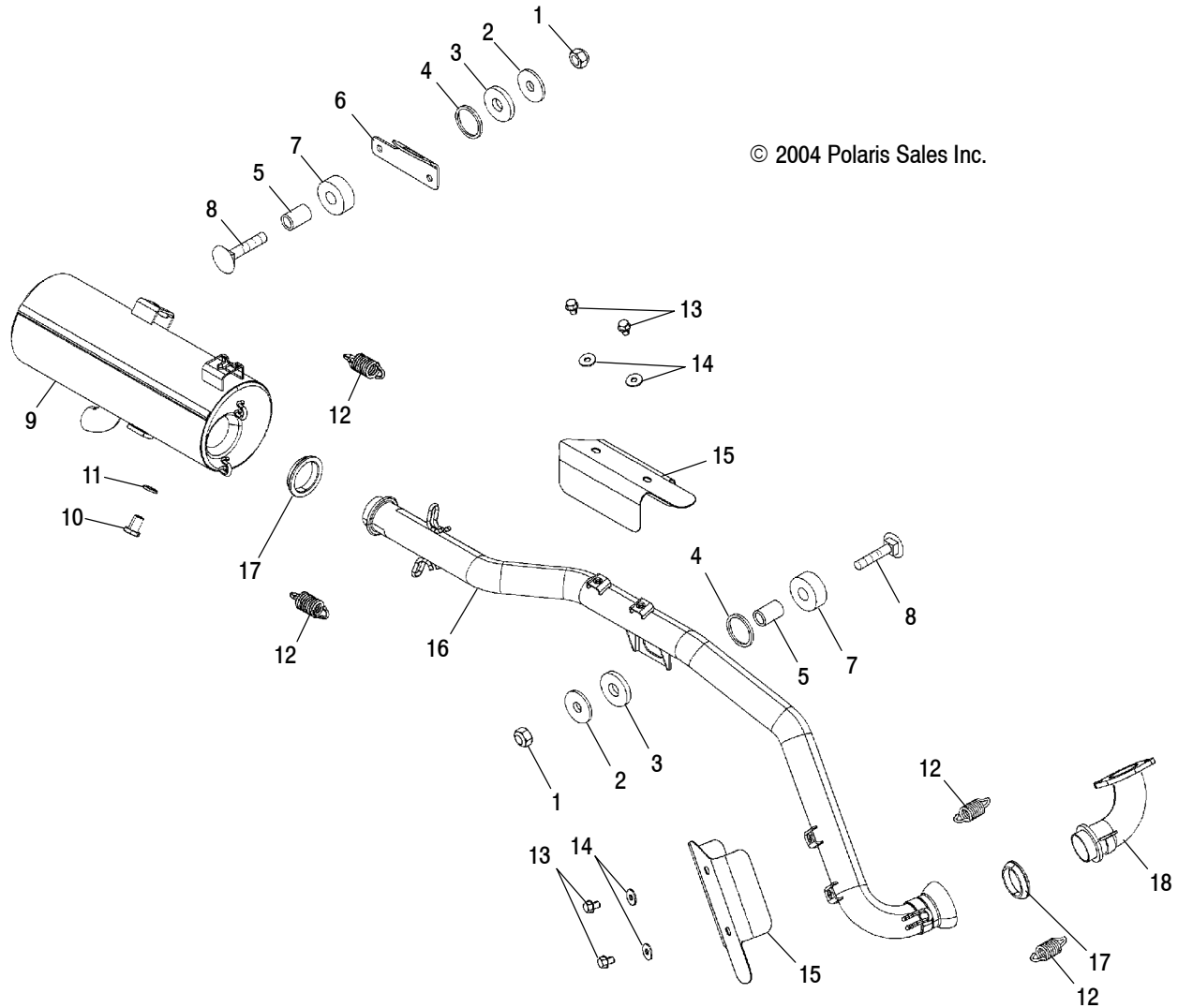
© 2004 Polaris Sales Inc.

Part numbers may change after the making of the microfiche or paper copies. Electronic records are the most current.

Ref. Part No.	Qty.	Description	Ref. Part No.	Qty.	Description		
1	7517975	4	Screw	15	5247047-067	1	Bracket, Radiator, Lower
2	2410383	1	Asm., Fan and Motor	16	5410584	2	Bushing, Mount, Lower
3	1240044	1	Cap, Pressure	17	7515179	2	Screw
4	5412402	1	Neck, Filler	18	1240152	1	Radiator
5	7512084	4	Screw	19	5411975	2	Asm., Grommet and Insert
6	7080826	4	Clamp	20	8450003-1525	1	Line, Fuel
7	5412405	1	Hose, Filler Neck	21	7052065	1	Fitting, Barbed, 90 Degree
8	7080696	2	Clamp	22	5431673	1	Tank, Surge
9	5412404	1	Hose, Engine, Lower	23	5433774	1	Plug, Cap
10	5521550	2	Guard, Hose, Plastic	24	5810279	1	Gasket, Overflow Cap
11	7080851	1	Clamp, Hose	25	5430743	1	Cap, Overflow, Drilled
12	7517386	3	Screw	26	5412403	1	Hose, Engine, Upper
13	7080138	1	Cable Tie	27	5246754-067	1	Bracket, Radiator, Lower
14	7080492	1	Cable Tie				

EXHAUST SYSTEM

SPORTSMAN 500 HO A05MH50AB and SPORTSMAN 500 HO A05MH50AC and SPORTSMAN 500 HO A05MH50AG and SPORTSMAN 500 HO A05MH50AH and SPORTSMAN 500 INT'L A05MH50FB



© 2004 Polaris Sales Inc.

Part numbers may change after the making of the microfiche or paper copies. Electronic records are the most current.

Ref.	Part No.	Qty.	Description
1	7542324	3	Nut, Nylok
2	7555716	3	Washer, Flat
3	5410436	3	Washer, Rubber
4	7555863	3	Washer
5	5010192	3	Bushing
6	5241663	1	Bracket, Silencer, Frame
7	5412508	3	Dampener, Vibration
8	7515316	3	Bolt, Carriage
9	1261042-029	1	Silencer, Exhaust

Ref.	Part No.	Qty.	Description
10	7512666	1	Bolt
11	7556230	1	Washer, Clean Out
12	7041804	4	Spring, Exhaust
13	7515197	4	Screw
14	7555935	4	Washer
15	5248727	2	Shield, Heat, Exhaust
16	1261246-029	1	Pipe, Exhaust
17	5243518	2	Seal, Exhaust
18	1261043-029	1	Manifold

9/04

ENGINE MOUNTING

SPORTSMAN 500 HO A05MH50AB and SPORTSMAN 500 HO A05MH50AC and SPORTSMAN 500 HO A05MH50AG and SPORTSMAN 500 HO A05MH50AH and SPORTSMAN 500 INT'L A05MH50FB

Part numbers may change after the making of the microfiche or paper copies. Electronic records are the most current.

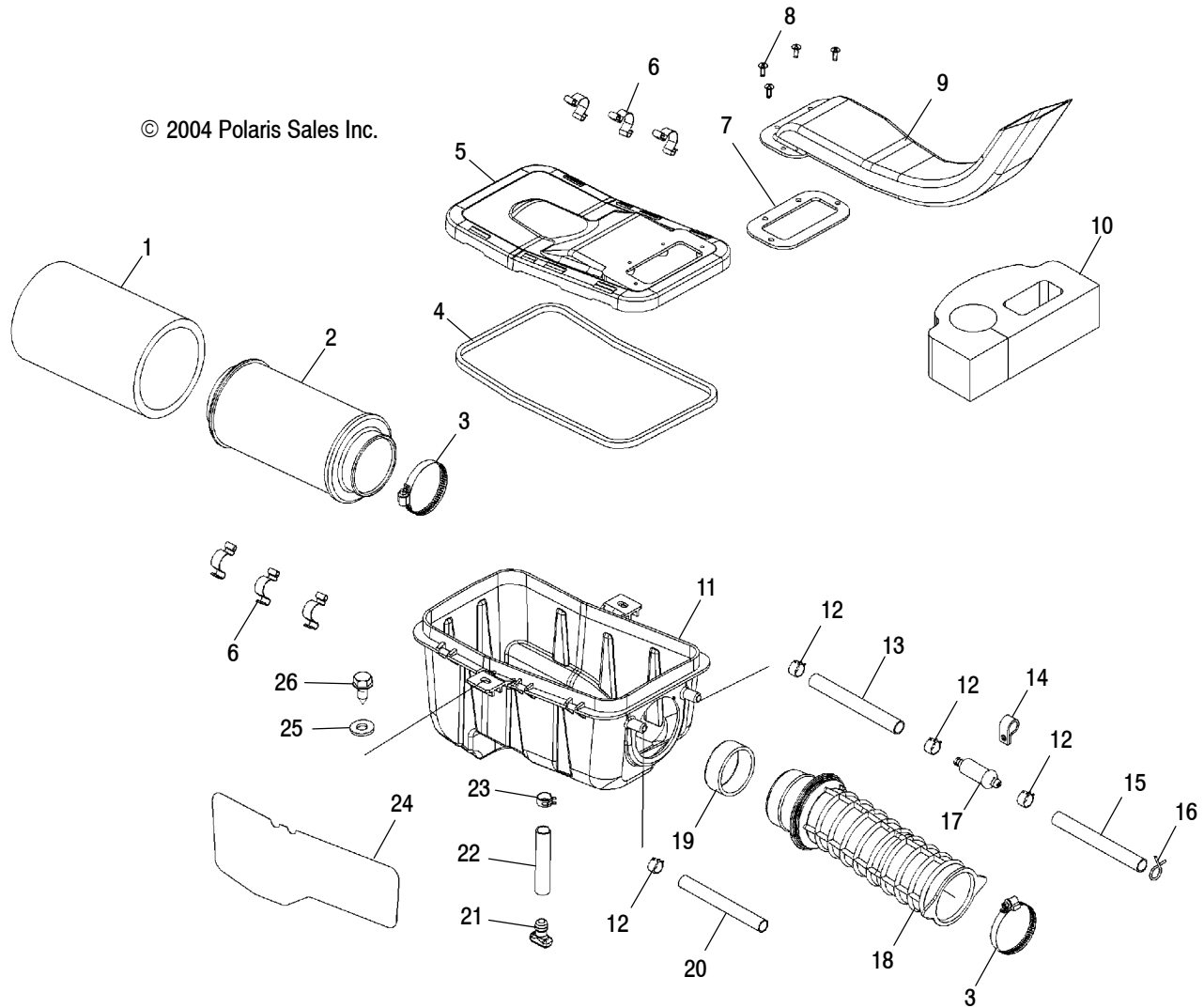
Ref.	Part No.	Qty.	Description
1	8450003-1525	AR	Line, Fuel
2	5247155	1	Strap, Carburetor Mount
3	3084205	2	Screw and Washer
4	7542105	2	Nut
5	7558203	2	Washer
6	3110050	2	Mount, Carb
7	7542143	2	Insert
8	-----	1	Asm., Carburetor (See Carburetor Pg. D8, Ref. 21)
9	8360009-600	AR	Line, Fuel
10	7051011	1	Valve, Check Vent
11	5412487	1	Boot, Clutch Intake
12	7080511	1	Clamp, Narrow Band
13	4010895	1	Cable, Black, Frame/Engine
14	7547263	8	Nut, Flange Lock
15	5224658-067	1	Strap, Frame Support
16	3110046	2	Mount, Rubber, Front
17	7555815	2	Washer
18	7555797	2	Washer
19	5245043	1	Bracket, Torque Stop
20	3110044	2	Mount, Rubber, Top

Ref.	Part No.	Qty.	Description
21	5241150	1	Mount, Engine, Front
22	7518415	2	Screw
23	TBA	1	Engine, Short Block (EH50PLE135) NOTE: The Short Block assembly contains a crankcase assembly, cylinder & cylinder head assembly and a piston & crankshaft assembly. Prior authorization is required for warranty consideration.
24	5430261	1	Bushing
25	7575202	1	Washer, Interlock
26	7512566	1	Bolt
27	5210748	1	Washer, Flat
28	3082038	1	Asm., Bolt and Washer
29	5241453	1	Mount, Engine, Top
30	7552901	2	Washer, Spring Lock
31	7512315	2	Bolt
32	7080003	8	Clamp, Hose, Red
33	8450103	AR	Line, Fuel
34	2530009	1	Filter
35	8450040-600	AR	Line, Fuel

7/04

AIR BOX

SPORTSMAN 500 HO A05MH50AB and SPORTSMAN 500 HO A05MH50AC and SPORTSMAN 500 HO A05MH50AG and SPORTSMAN 500 HO A05MH50AH and SPORTSMAN 500 INT'L A05MH50FB

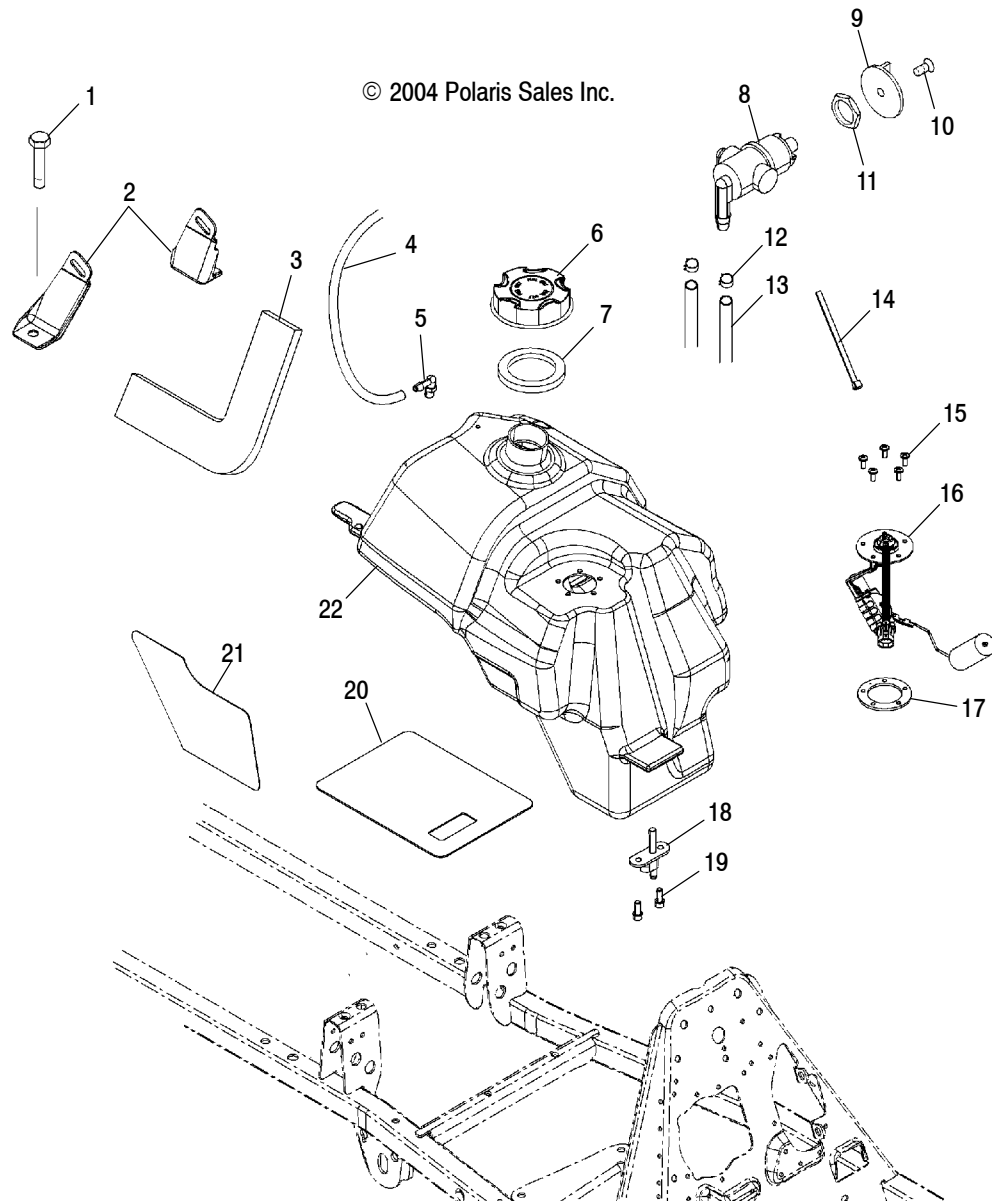


Part numbers may change after the making of the microfiche or paper copies. Electronic records are the most current.

Ref. Part No.	Qty.	Description	Ref. Part No.	Qty.	Description		
1	5811633	1	Filter, Precleaner Sleeve	14	7080913	1	P-Clamp
2	7080595	1	Filter, Air Intake	15	5411858	1	Hose, Breather
3	7080413	2	Clamp, Narrow Band	16	7080694	1	Clamp
4	5811482	1	Seal, Air Box Cover	17	2530029	1	Filter, Breather
5	5432868	1	Cover, Air Box	18	5412284	1	Boot, Carburetor
6	5242044	6	Clip, Air Box	19	5433847	1	Sleeve
7	5411422	1	Gasket, Intake	20	5411668	1	Line, Breather
8	7517317	4	Screw	21	5432377	1	Plug, Trap
9	5433293	1	Duct, Air Inlet	22	8450059-150	AR	Line, Fuel
10	5811626	1	Seal, Foam	23	7080650	1	Clamp, Hose
11	5433387	1	Box, Air	24	5811650	1	Foil, Air Box
12	7080699	4	Clamp, Hose	25	7558301	2	Washer, Flat
13	8450073-600	AR	Line, Breather	26	7515179	2	Screw

FUEL TANK

SPORTSMAN 500 HO A05MH50AB and SPORTSMAN 500 HO A05MH50AC and SPORTSMAN 500 HO A05MH50AG and SPORTSMAN 500 HO A05MH50AH and SPORTSMAN 500 INT'L A05MH50FB



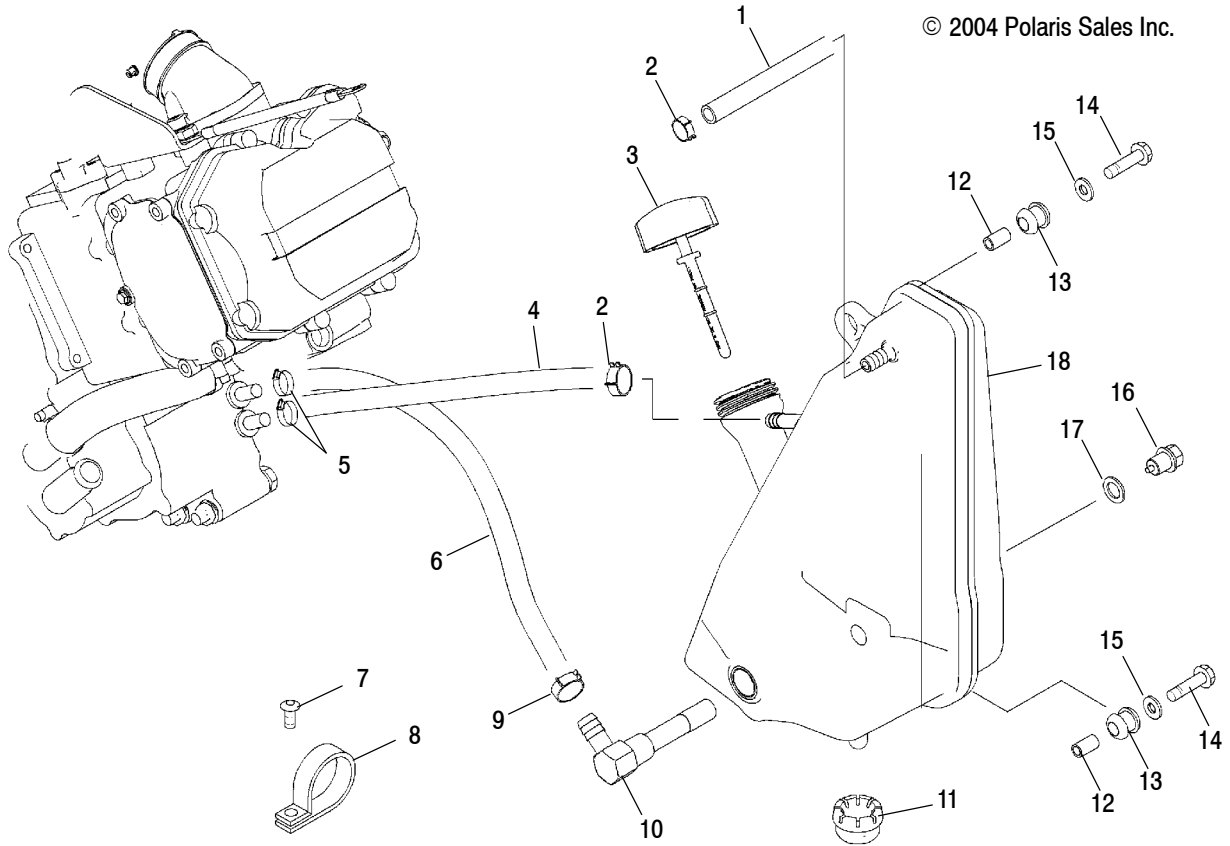
Part numbers may change after the making of the microfiche or paper copies. Electronic records are the most current.

Ref. Part No.	Qty.	Description
1	2	Screw
2	1	Bracket, Fuel Cover Mount, LH
5247185	1	Bracket, Fuel Cover Mount, RH
3	1	Seal, Foam
4	AR	Line, Fuel
5	1	Vent, Tank
6	1	Cap, Gas Tank
7	1	Gasket, Fuel Cap
8	1	Valve, On/Off
9	1	Knob, Fuel Valve
10	1	Screw
11	1	Nut, Fuel Valve

Ref. Part No.	Qty.	Description
12	4	Clamp, Hose, Red
13	AR	Line, Fuel
14	1	Cable Tie
15	5	Screw
16	1	Sender, Fuel
17	1	Gasket
18	1	Fitting, Fuel Outlet
19	2	Screw
20	1	Foil, Tank
21	1	Foil, Tank
22	1	Asm., Fuel Tank w/Sender (Incl. 15-21)

OIL TANK

SPORTSMAN 500 HO A05MH50AB and SPORTSMAN 500 HO A05MH50AC and SPORTSMAN 500 HO A05MH50AG and SPORTSMAN 500 HO A05MH50AH and SPORTSMAN 500 INT'L A05MH50FB



© 2004 Polaris Sales Inc.

Part numbers may change after the making of the microfiche or paper copies. Electronic records are the most current.

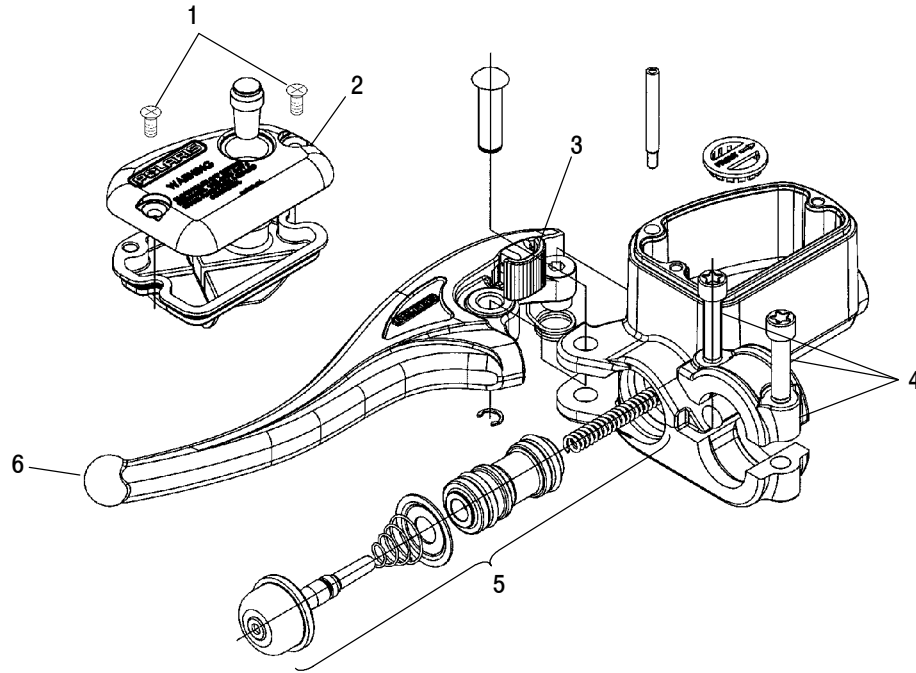
Ref. Part No.	Qty.	Description	Ref. Part No.	Qty.	Description		
1	5411668	1	Line, Breather	10	7052326	1	Screen, Oil Filter, 90 Degree
2	7080699	2	Clamp	11	5412507	1	Grommet
3	5434574	1	Dipstick	12	5333204	2	Bushing, Mounting
4	8450073-34	1	Hose, Breather	13	5410828	2	Grommet
5	7080474	2	Clamp	14	7512242	2	Screw
6	8450096-25	1	Line	15	7558301	2	Washer, Flat
7	7512017	1	Screw	16	7051524	1	Plug
8	7080693	1	Clamp	17	5850135	1	Washer, Nylon
9	7081026	1	Clamp	18	1261176	1	Tank, Oil

7/04

CONTROLS

SPORTSMAN 500 HO A05MH50AB and SPORTSMAN 500 HO A05MH50AC and SPORTSMAN 500 HO A05MH50AG and SPORTSMAN 500 HO A05MH50AH and SPORTSMAN 500 INT'L A05MH50FB

© 2004 Polaris Sales Inc.



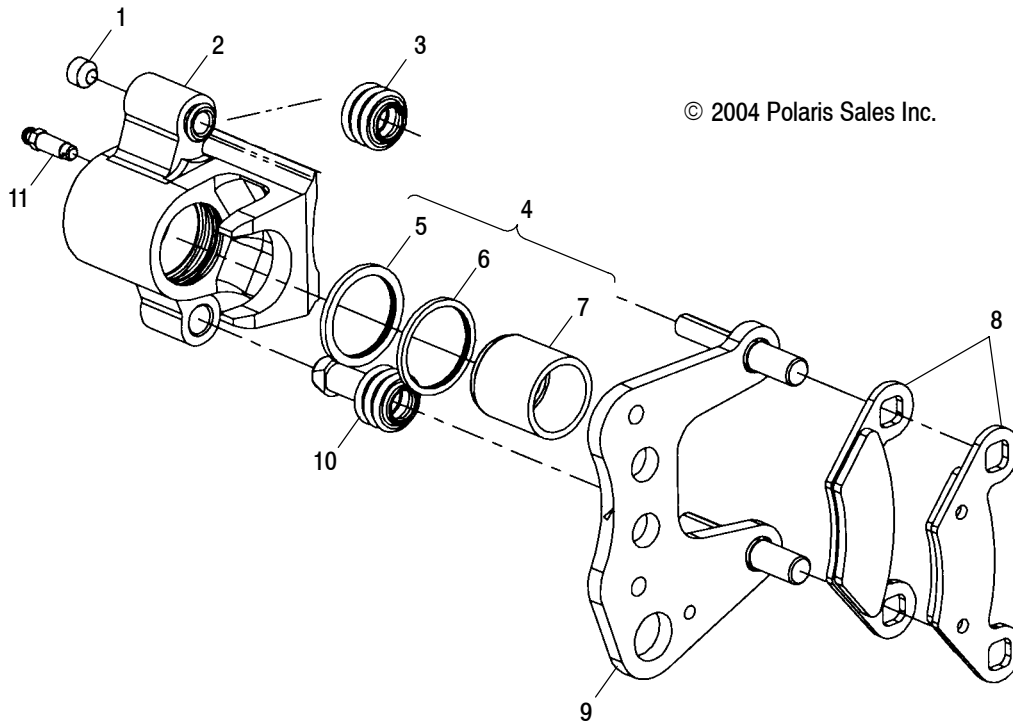
Part numbers may change after the making of the microfiche or paper copies. Electronic records are the most current.

Ref. Part No.	Qty.	Description	Ref. Part No.	Qty.	Description
	1	Asm., Master Cylinder	4	2201833	1 Kit, Master Cylinder Clamp (Incl. Clamp, Screws)
1	7517899	2 Screw, Torx	5	2202410	1 Kit, Piston (Incl. Piston, Seals, Boot, Spring)
2	2202725	1 Kit, Master Cylinder Cap (Incl. Cap, Screws, Sight, Gasket)	6	2201835	1 Kit, Master Cylinder Lever (Incl. Pin, Lever, Clip)
3	2201836	1 Kit, Master Cylinder Park Brake Lever (Incl. Lever, Spring)			

7/04

FRONT BRAKE

SPORTSMAN 500 HO A05MH50AB and SPORTSMAN 500 HO A05MH50AC and SPORTSMAN 500 HO A05MH50AG and SPORTSMAN 500 HO A05MH50AH and SPORTSMAN 500 INT'L A05MH50FB



© 2004 Polaris Sales Inc.

Part numbers may change after the making of the microfiche or paper copies. Electronic records are the most current.

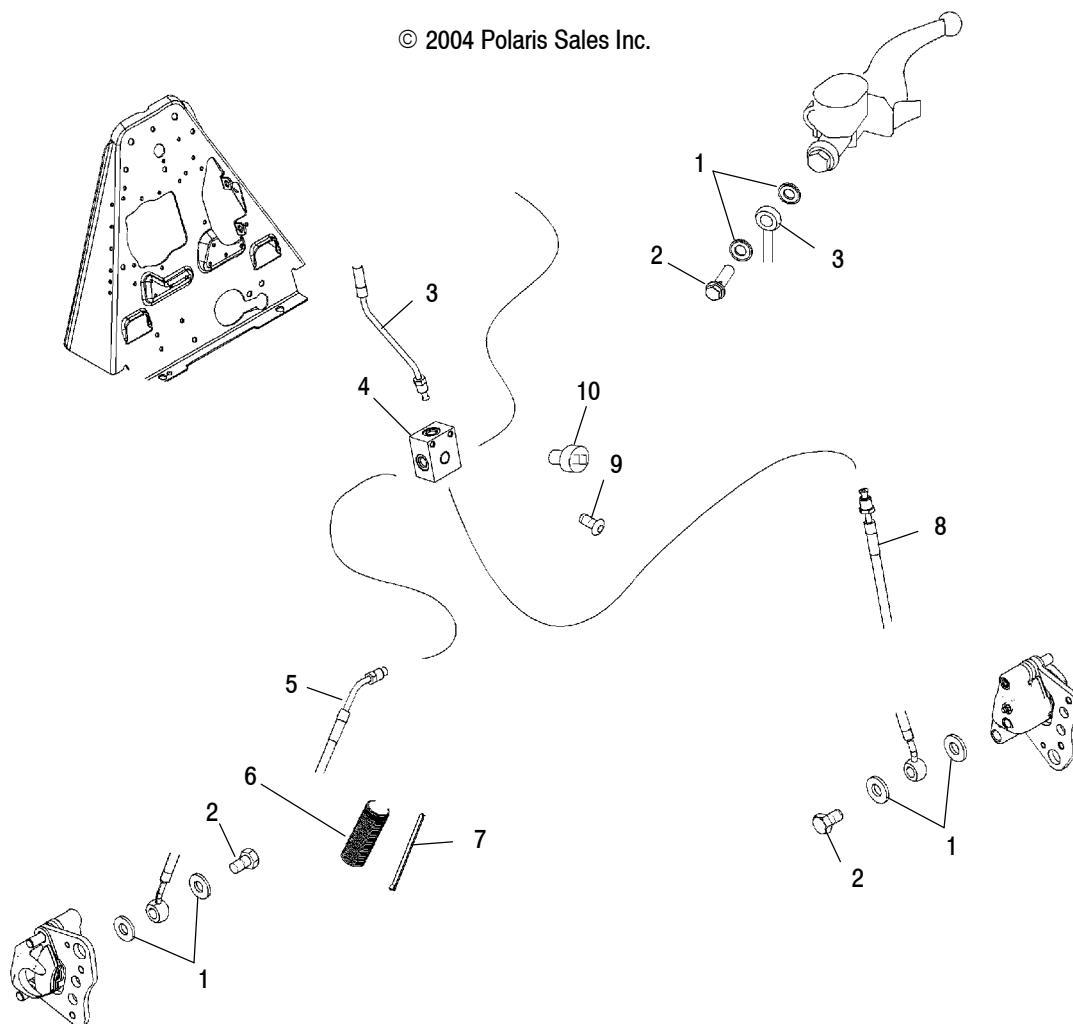
Ref. Part No.	Qty.	Description	Ref. Part No.	Qty.	Description		
1910841	1	Asm., Brake Caliper, LH (Incl. 1-7,9,10)	5	5410780	1	Ring, Molded Square (.103 x .134)	
1910842	1	Asm., Brake Caliper, RH (Incl. 1-7,9,10)	6	5410779	1	Ring, Molded Square (.094)	
1	7515489	1	Screw, Socket Set	7	5132294	1	Piston, Brake, Long
2	5134639	1	Caliper, Brake, LH	8	2202412	1	Kit, Front Brake Pad
	5134640	1	Caliper, Brake, RH	9	1910411	1	Mount, Caliper
	1930642	1	Kit, Front Brake Boot	10	5410495	1	Boot, Bushing
3	5410494	1	Boot, Pin Seal	11	7080352	1	Screw, Bleeder
4	1930665	1	Kit, Piston and Seal (Incl. 6-7)				

7/04

FRONT BRAKE LINES

SPORTSMAN 500 HO A05MH50AB and SPORTSMAN 500 HO A05MH50AC and SPORTSMAN 500 HO A05MH50AG and SPORTSMAN 500 HO A05MH50AH and SPORTSMAN 500 INT'L A05MH50FB

© 2004 Polaris Sales Inc.



Part numbers may change after the making of the microfiche or paper copies. Electronic records are the most current.

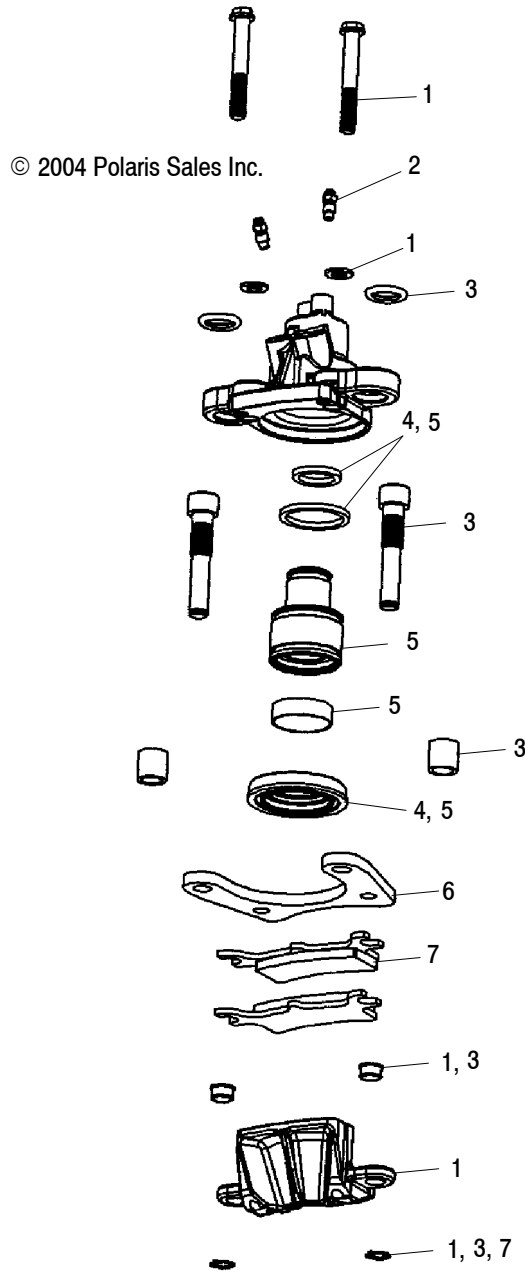
Ref. Part No.	Qty.	Description
1	5410988	6 Seal
2	1910499	3 Bolt, Banjo
3	1910883	1 Line, Brake, Stainless Steel
4	7052292	1 Fitting, Cross
5	1910839	1 Line, Brake, Right Front Stainless Steel

Ref. Part No.	Qty.	Description
6	8360031-34	1 Conduit
7	7080138	4 Cable Tie
8	1910838	1 Line, Brake, Left Front w/Fittings
9	7512024	2 Screw
10	4110164	1 Switch

7/04

REAR CALIPER

SPORTSMAN 500 HO A05MH50AB and SPORTSMAN 500 HO A05MH50AC and SPORTSMAN 500 HO A05MH50AG and SPORTSMAN 500 HO A05MH50AH and SPORTSMAN 500 INT'L A05MH50FB

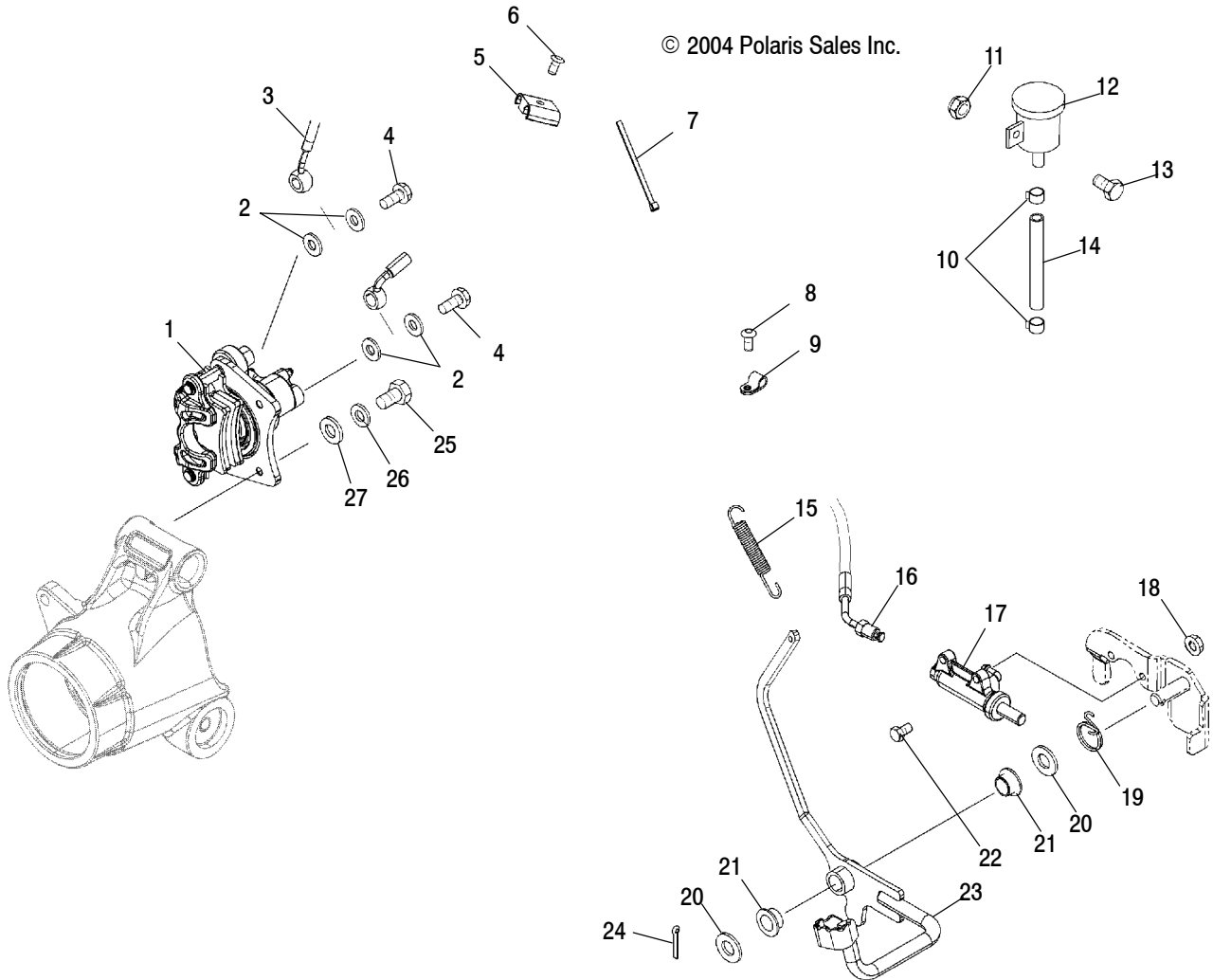


Part numbers may change after the making of the microfiche or paper copies. Electronic records are the most current.

Ref. Part No.	Qty.	Description	Ref. Part No.	Qty.	Description	
	1	Asm., Caliper	4	2201872	1	Kit, Seal
1	2201873	1	5	2201869	1	Kit, Piston and Seal
2	1910538	2	6	1910529	1	Bracket, Caliper
3	2201870	1	7	2202414	1	Kit, Brake Pad

REAR MASTER CYLINDER/FOOT PEDAL

SPORTSMAN 500 HO A05MH50AB and SPORTSMAN 500 HO A05MH50AC and SPORTSMAN 500 HO A05MH50AG and SPORTSMAN 500 HO A05MH50AH and SPORTSMAN 500 INT'L A05MH50FB



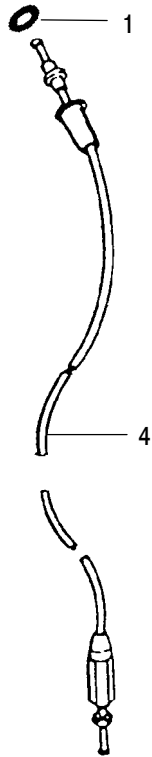
Part numbers may change after the making of the microfiche or paper copies. Electronic records are the most current.

Ref. Part No.	Qty.	Description
2202708	1	Kit, Brake Line, Rear (Incl. 16)
2202660	1	Kit, Brake Line, Rear (Incl. 3)
1 1910690	1	Asm., Caliper
2 5410988	4	Seal
3 1910760	1	Line, Brake, Caliper, Rear
4 1910499	2	Bolt, Banjo
5 7670126	1	Clip, Retaining
6 7517756	1	Screw
7 7080138	3	Cable Tie
8 7512024	1	Screw
9 7080499	1	Clamp
10 7080003	2	Clamp, Hose
11 7542153	1	Nut
12 1930854	1	Reservoir, Brake, Rear
13 7512240	1	Screw

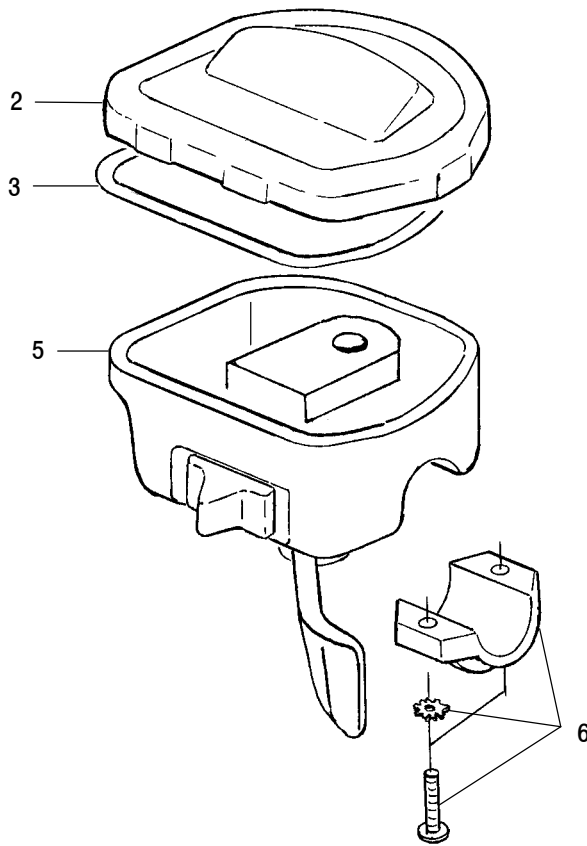
Ref. Part No.	Qty.	Description
14 1910315	1	Hose, Reservoir
15 7042291	1	Spring, Park Lockout
16 1910765	1	Line, Rear Brake
17 1910790	1	Master Cylinder, Brake, Rear
18 7512122	2	Nut, Nylok
19 7041750	1	Spring
20 7555919	2	Washer
21 5433189	2	Bushing, Pivot, Pedal
22 7512247	2	Screw
23 1910814-067	1	Pedal, Brake
24 7661401	1	Pin, Cotter
25 7512365	2	Screw
26 7552901	2	Washer, Spring Lock
27 7558402	2	Washer, Flat

CONTROLS - THROTTLE ASM./CABLE

SPORTSMAN 500 HO A05MH50AB and SPORTSMAN 500 HO A05MH50AC and SPORTSMAN 500 HO A05MH50AG and SPORTSMAN 500 HO A05MH50AH and SPORTSMAN 500 INT'L A05MH50FB



© 2004 Polaris Sales Inc.



Part numbers may change after the making of the microfiche or paper copies. Electronic records are the most current.

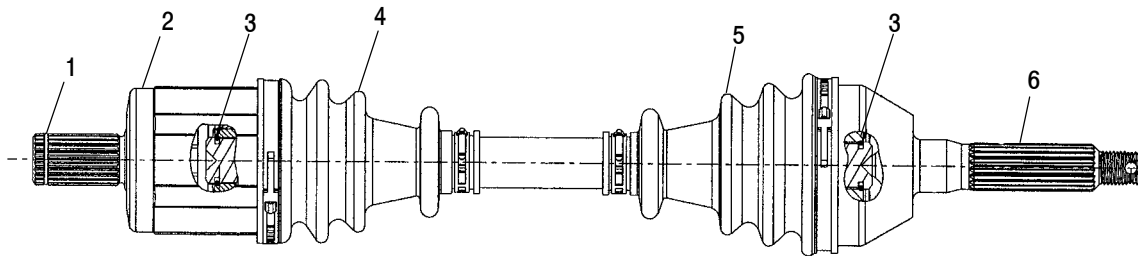
Ref. Part No.	Qty.	Description
1 5410193	1	O-Ring
2 5434113	1	Cover
3 5411439	1	O-Ring
4 7081181	1	Cable, Throttle

Ref. Part No.	Qty.	Description
5 2010230	1	Asm., Throttle Control, AWD (Incl. 6)(If built before 10/04/04)
2010250	1	Asm., Throttle Control, AWD (Incl. 6)(If built after 10/04/04)
6 2010191	1	Asm., Throttle Clamp

FRONT DRIVE SHAFT

SPORTSMAN 500 HO A05MH50AB and SPORTSMAN 500 HO A05MH50AC and SPORTSMAN 500 HO A05MH50AG and SPORTSMAN 500 HO A05MH50AH and SPORTSMAN 500 INT'L A05MH50FB

© 2004 Polaris Sales Inc.



Part numbers may change after the making of the microfiche or paper copies. Electronic records are the most current.

Ref. Part No.	Qty.	Description
1380234	2	Asm., Drive Shaft, Front
1 7670092	2	Circlip
2 1590395	2	Joint (CV, Inner)
3 7710557	2	Circlip

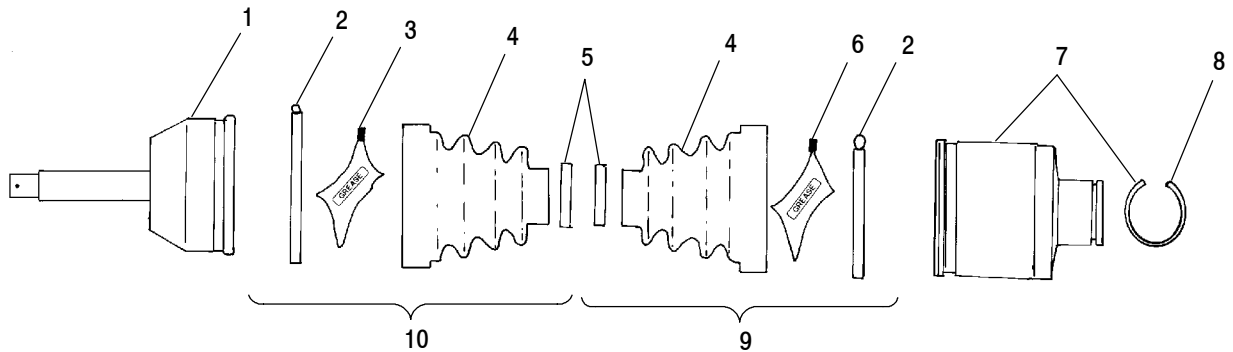
Ref. Part No.	Qty.	Description
4 2202826	2	Kit, Boot (Inner)(Incl. Clamps and Grease)
5 2201015	1	Kit, Boot (Outer)(Incl. Clamps and Grease)
6 1590396	1	Joint, CV (Outer)

7/04

REAR DRIVE SHAFT

SPORTSMAN 500 HO A05MH50AB and SPORTSMAN 500 HO A05MH50AC and SPORTSMAN 500 HO A05MH50AG and SPORTSMAN 500 HO A05MH50AH and SPORTSMAN 500 INT'L A05MH50FB

© 2004 Polaris Sales Inc.



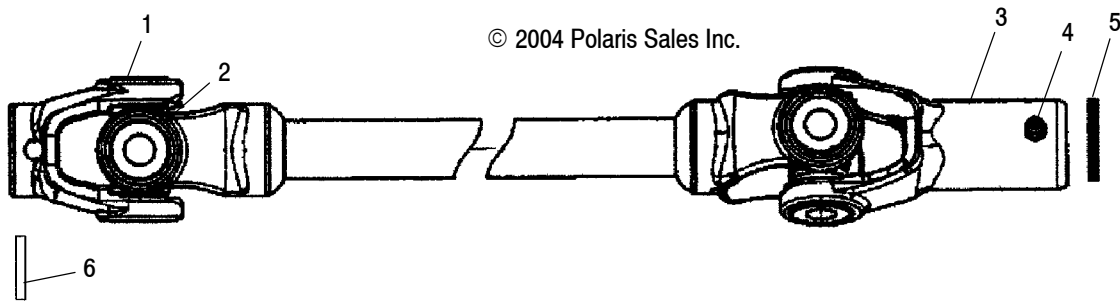
Part numbers may change after the making of the microfiche or paper copies. Electronic records are the most current.

Ref. Part No.	Qty.	Description	Ref. Part No.	Qty.	Description
	2	Asm., Drive Shaft, Rear (Incl. 1-8)(If built after 11/24/03)	5	2	Clamp, Small
1	1	CV Joint	6	1	Grease, 50g
2	2	Clamp, Large	7	1	Joint, Plunging
3	1	Grease, 30g	8	1	Ring, Spring
4	2	Boot	9	1	Kit, Boot (Gear Side)
			10	1	Kit, Boot (Wheel Side)

7/04

PROP SHAFT

SPORTSMAN 500 HO A05MH50AB and SPORTSMAN 500 HO A05MH50AC and SPORTSMAN 500 HO A05MH50AG and SPORTSMAN 500 HO A05MH50AH and SPORTSMAN 500 INT'L A05MH50FB



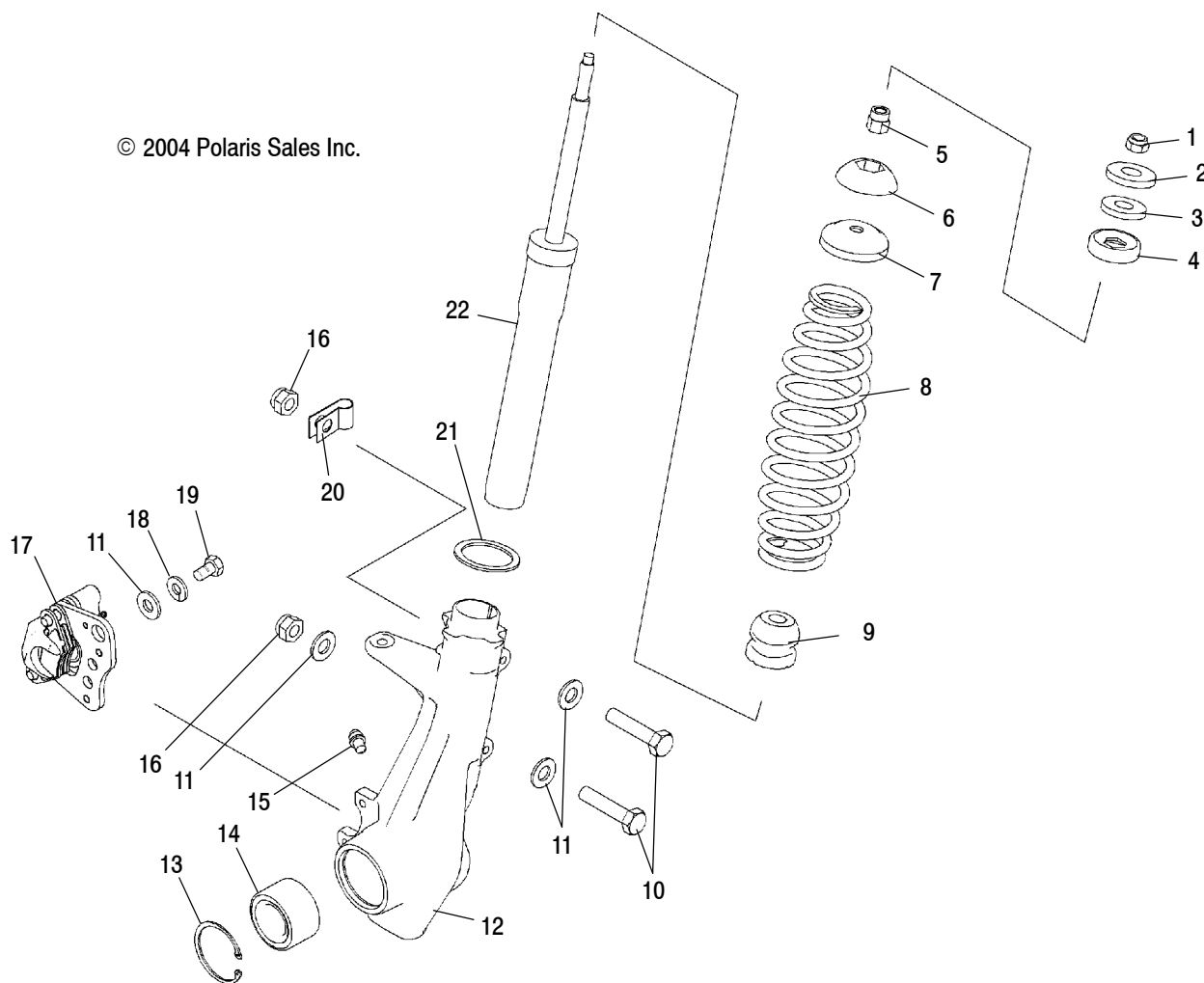
Part numbers may change after the making of the microfiche or paper copies. Electronic records are the most current.

Ref. Part No.	Qty.	Description
	1	Asm., Shaft, Prop, Front
1	1	Yoke, Gear Case, Front
2	2	Kit, Cross and Bearing
3	1	Yoke, Prop Shaft, Transmission

Ref. Part No.	Qty.	Description
4	1	Fitting, Lubrication
5	1	O-Ring
6	1	Pin, Spring

FRONT STRUT

SPORTSMAN 500 HO A05MH50AB and SPORTSMAN 500 HO A05MH50AC and SPORTSMAN 500 HO A05MH50AG and SPORTSMAN 500 HO A05MH50AH and SPORTSMAN 500 INT'L A05MH50FB



Part numbers may change after the making of the microfiche or paper copies. Electronic records are the most current.

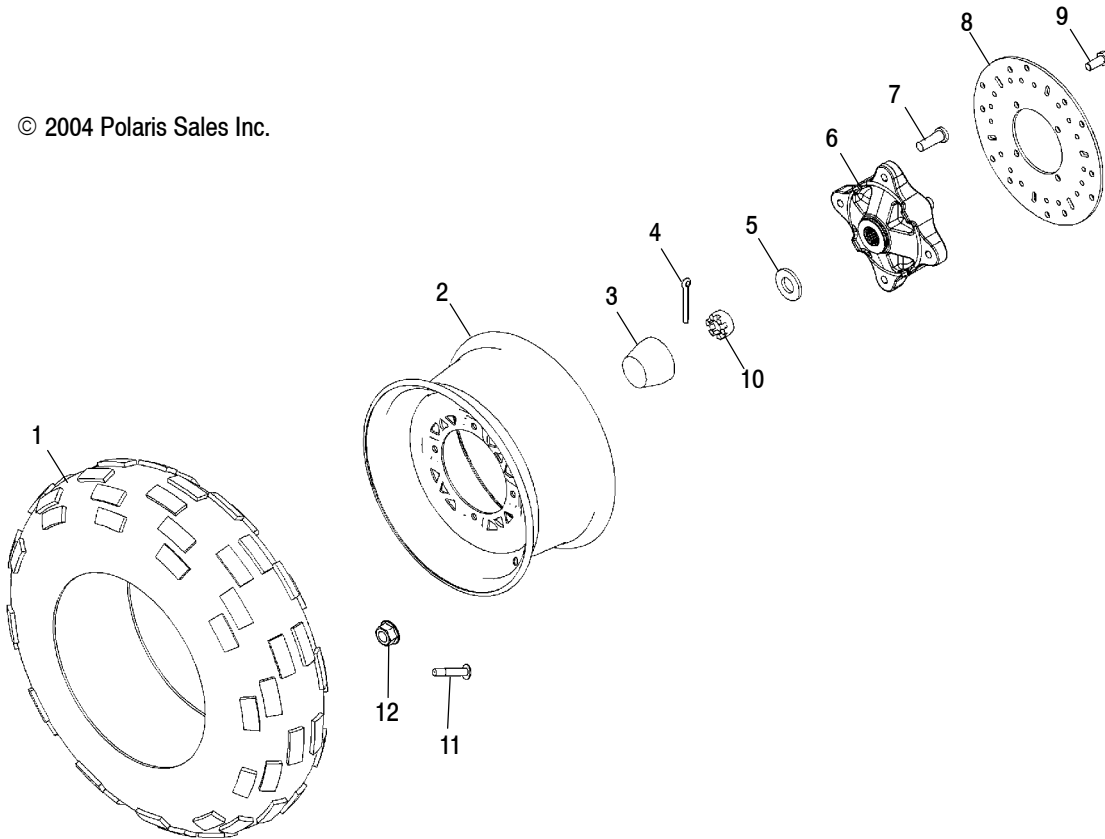
Ref. Part No.	Qty.	Description
1	2	Nut, Nylok
2	2	Washer
3	2	Spacer, Rubber
4	2	Ball, Pivot, Top
5	2	Spacer
6	2	Ball, Pivot, Bottom
7	2	Retainer, Spring
8	2	Spring, Compression
9	2	Bumper
10	4	Bolt
11	10	Washer, Flat
12	1	Hubstrut, LH
	1	Hubstrut, RH

Ref. Part No.	Qty.	Description
13	2	Ring, Retaining
14	2	Bearing, Hubstrut
15	2	Fitting, Lubrication
16	4	Nut, Nylok
17	1	Asm., Front Brake Caliper, LH (See Front Brake Pg. B5 for Details)
18	4	Washer, Spring Lock
19	4	Screw
20	2	Clamp, Rubber Coated
21	2	Washer
22	2	Strut, Front

FRONT WHEEL

SPORTSMAN 500 HO A05MH50AB and SPORTSMAN 500 HO A05MH50AC and SPORTSMAN 500 HO A05MH50AG and SPORTSMAN 500 HO A05MH50AH and SPORTSMAN 500 INT'L A05MH50FB

© 2004 Polaris Sales Inc.



Part numbers may change after the making of the microfiche or paper copies. Electronic records are the most current.

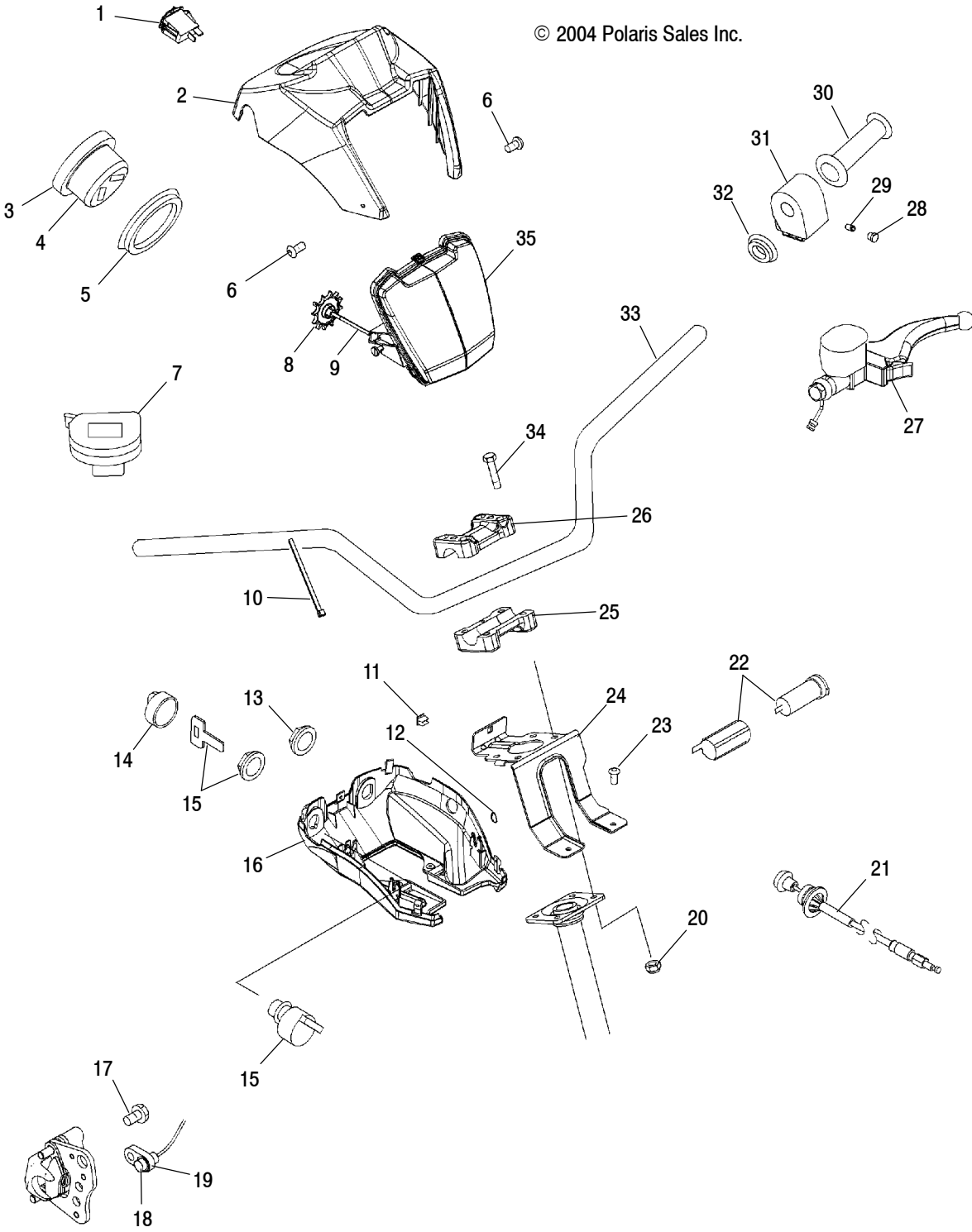
Ref. Part No.	Qty.	Description
1	2	Tire, Front, 26x8R12
	2	Tire, Front, 25x8-12 (FB)
2	2	Rim, Front, Black (AH)(AC)
	2	Rim, Front, Silver (AB)(AG)(FB)
3	2	Cover, Dust
4	2	Pin, Cotter
5	2	Washer
6	2	Hub

Ref. Part No.	Qty.	Description
7	8	Stud
8	2	Disc, Brake
9	8	Bolt
10	2	Nut, Slotted
11	2	Valve, Rim
12	8	Nut

HANDLEBAR and HEADLIGHT POD

SPORTSMAN 500 HO A05MH50AB and SPORTSMAN 500 HO A05MH50AC and SPORTSMAN 500 HO A05MH50AG and SPORTSMAN 500 HO A05MH50AH and SPORTSMAN 500 INT'L A05MH50FB

© 2004 Polaris Sales Inc.



HANDLEBAR and HEADLIGHT POD

SPORTSMAN 500 HO A05MH50AB and SPORTSMAN 500 HO A05MH50AC and SPORTSMAN 500 HO A05MH50AG and SPORTSMAN 500 HO A05MH50AH and SPORTSMAN 500 INT'L A05MH50FB

Part numbers may change after the making of the microfiche or paper copies. Electronic records are the most current.

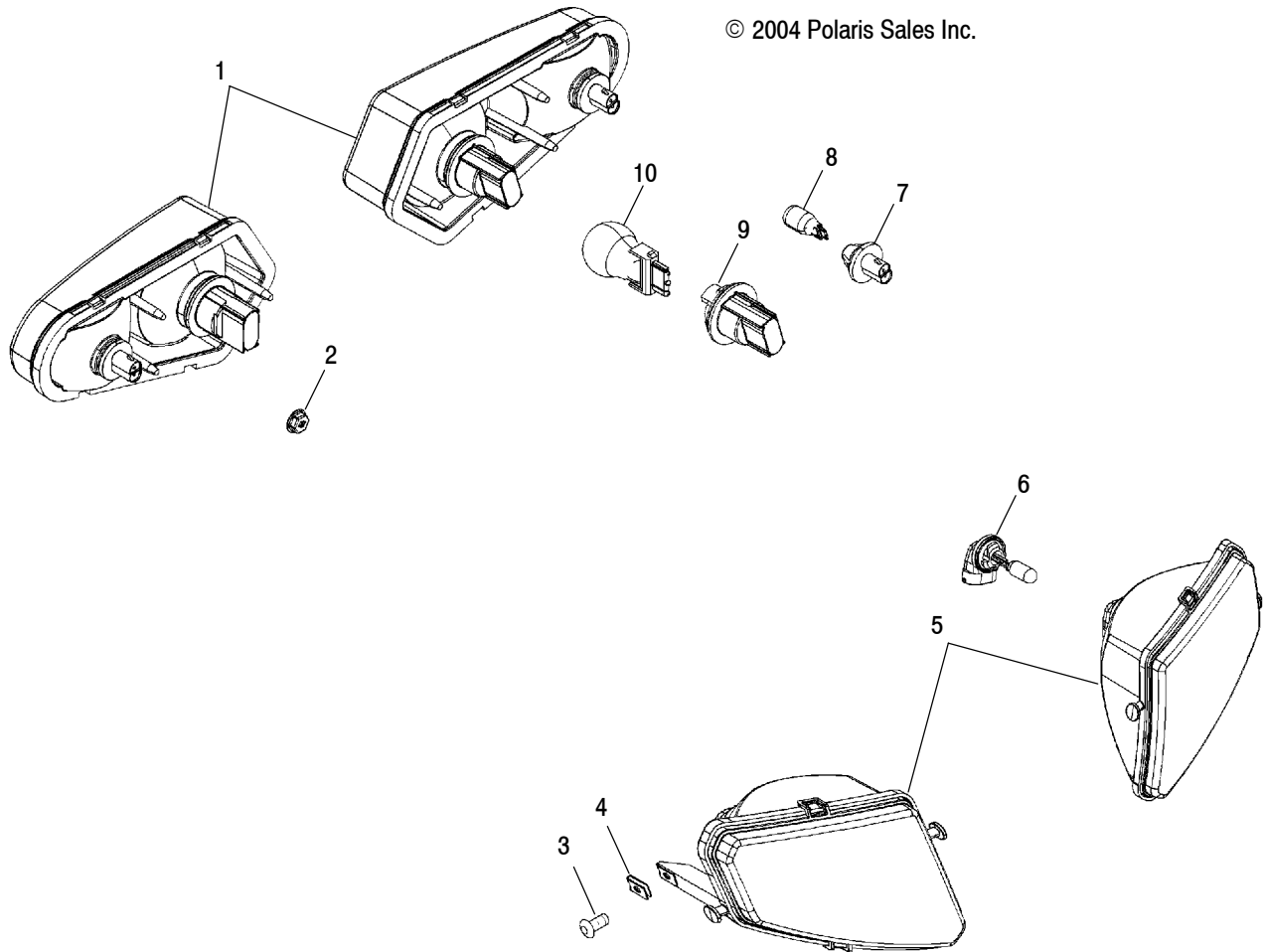
Ref.	Part No.	Qty.	Description
1	4011074	1	Switch, Worklight
2	5435364-400	1	Pod, Headlight, Upper (AH)
	5435364-293	1	Pod, Headlight, Upper (AB)(FB)
	5435364-341	1	Pod, Headlight, Upper (AG)
	5435680-455	1	Pod, Headlight, Upper (AC)
3	5434380	1	Bezel
4	3280431	1	Cluster
	3280435	1	Cluster (FB)
5	5412138	1	Mount, Rubber
6	7511881	3	Screw
7	-----	1	Asm., Throttle Control (See Controls - Throttle Asm./Cable Pg. B9, Ref. 5)
8	5843350	1	Knob, Adjusting
9	4122550	1	Rod, Adjusting
10	7080138	1	Cable Tie
11	7670127	1	Clip, Screw
12	5410163	2	O-Ring
13	7080922	1	Nut, Choke
14	5433534	1	Cover, Key
15	4011002	1	Switch, Key, 3 Position (Incl. Key)
	4010278	1	Blank, Key, Series 2000, 6700, 6800
	4010321	1	Blank, Key, Series 2200, 2300, 2700, 2800 NOTE: Your key can be duplicated only by obtaining a key blank from Polaris and having it cut by mat-ing it with your existing key.

Ref.	Part No.	Qty.	Description
16	5435365-177	1	Pod, Headlight, Lower
	5435365-070	1	Pod, Headlight, Lower (AC)
17	7517658	1	Screw
18	5132382	1	Cap
19	4010298	1	Sensor
20	7542122	4	Nut, Nylok
21	7081176	1	Cable, Choke
22	4010638	1	Receptacle, Pod Mount, 12V
23	7517317	2	Screw
24	5244969-067	1	Bracket, Pod Mounting
25	5631516		Block, Handlebar
26	5631517	1	Block, Handlebar, Pegged
27	-----	1	Asm., Master Cylinder (See Controls Pg. B4 for Details)
28	5432952	1	Plug
29	7517625	1	Screw, Set
30	5433834-070	2	Grip, Handlebar
31	4010592	1	Switch, Handlebar, Hi/Lo/Off
32	5433903	1	Spacer, Switch, LH
33	5242987-067	1	Tube, Handlebar
34	7515189	4	Screw
35	2410429	1	Asm., Headlamp
	4831060	1	Bulb, Headlight

TAILLAMPS/WORKLAMPS/HEADLIGHTS

SPORTSMAN 500 HO A05MH50AB and SPORTSMAN 500 HO A05MH50AC and SPORTSMAN 500 HO A05MH50AG and SPORTSMAN 500 HO A05MH50AH

© 2004 Polaris Sales Inc.



Part numbers may change after the making of the microfiche or paper copies. Electronic records are the most current.

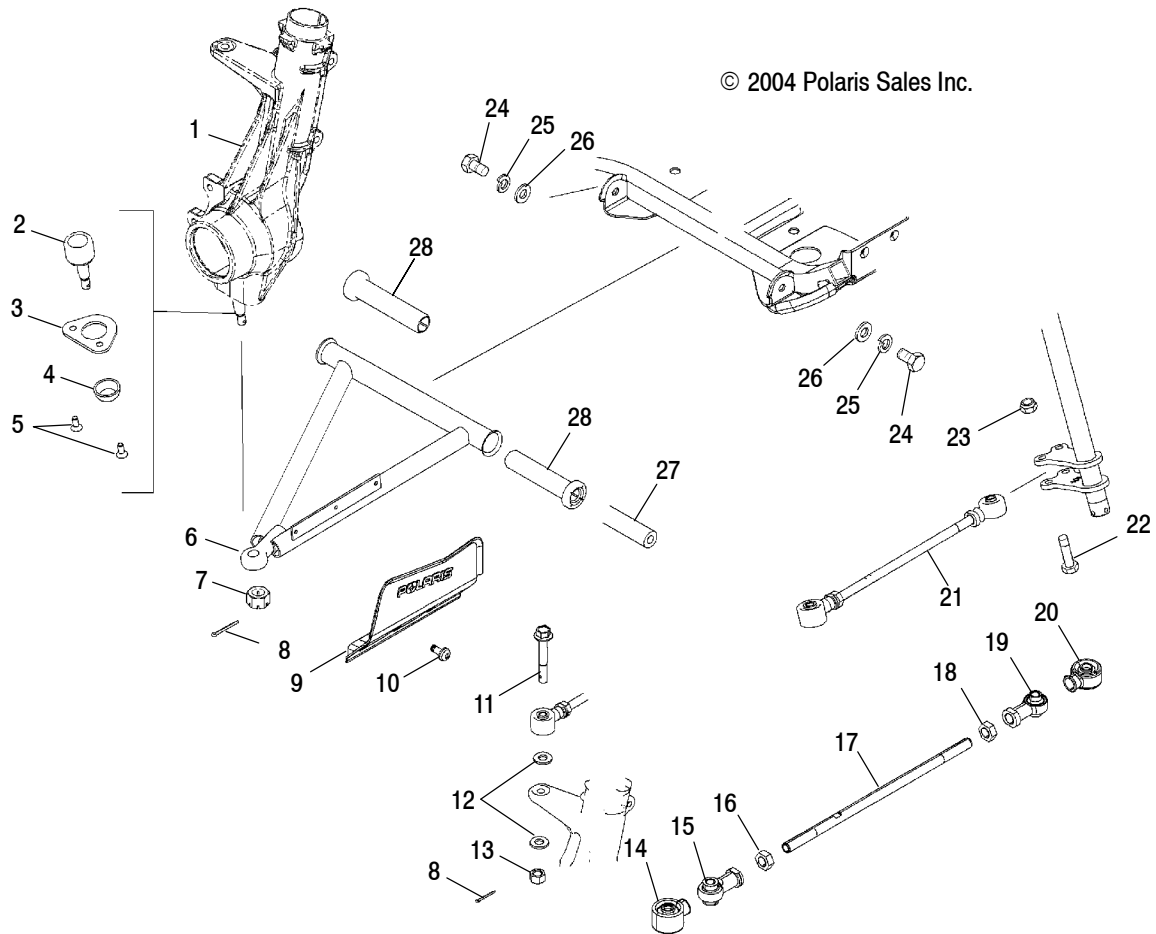
Ref. Part No.	Qty.	Description
1	1	Asm., Tail/Worklamp, LH
2410428	1	Asm., Tail/Worklamp, RH
2	4	Nut, Speed
3	2	Screw
4	2	U-Nut
5	1	Asm., Headlight, LH
2410426	1	Asm., Headlight, RH

Ref. Part No.	Qty.	Description
6	2	Bulb, Bumperlight
7	2	Socket, Worklight
8	2	Bulb, Worklight
9	2	Socket, Taillight
10	2	Bulb, Tail/Stop

7/04

A-ARM/STRUT MOUNTING

SPORTSMAN 500 HO A05MH50AB and SPORTSMAN 500 HO A05MH50AC and SPORTSMAN 500 HO A05MH50AG and SPORTSMAN 500 HO A05MH50AH and SPORTSMAN 500 INT'L A05MH50FB



© 2004 Polaris Sales Inc.

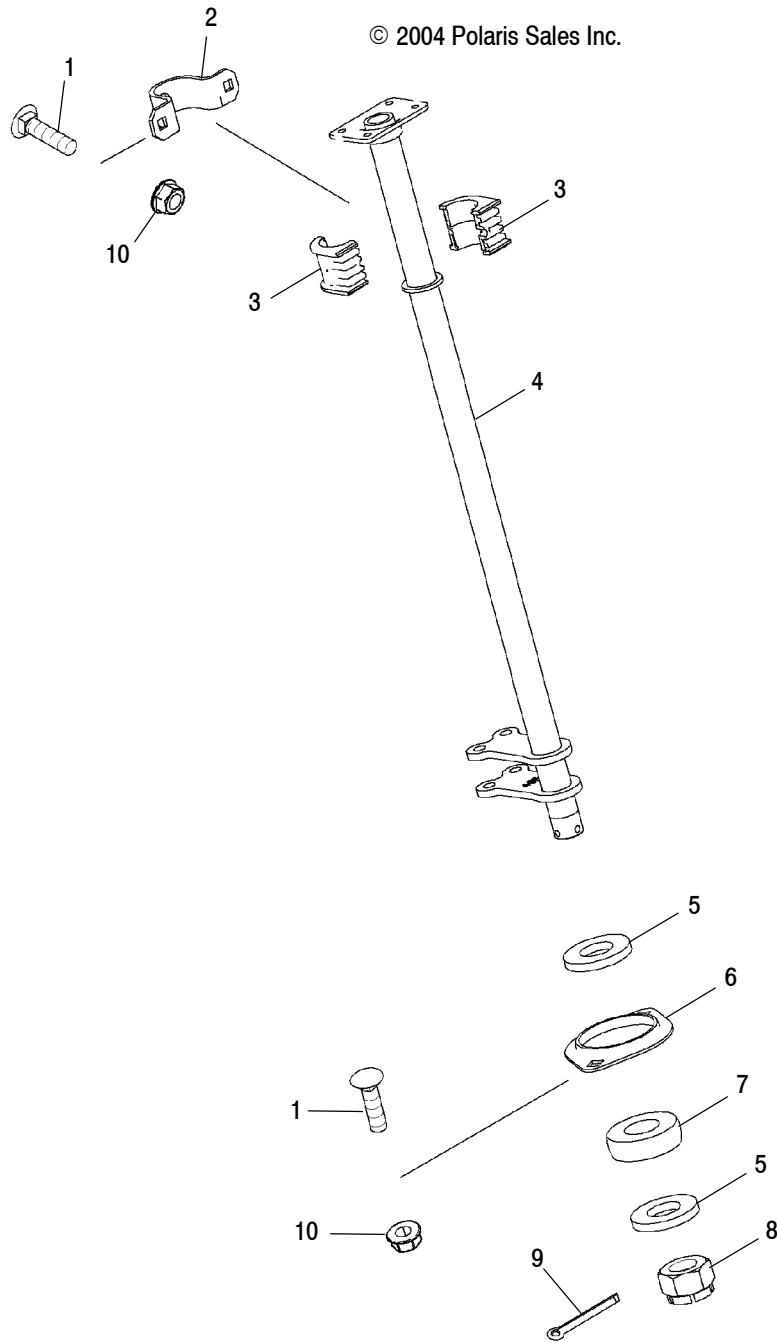
Part numbers may change after the making of the microfiche or paper copies. Electronic records are the most current.

Ref. Part No.	Qty.	Description	Ref. Part No.	Qty.	Description
1	-----	1 Asm., Hubstrut (See Front Strut Pg. B13, Ref. 12)	14	5411920	1 Boot, Seal, Rod End
2	7080927	2 Joint, Ball	15	7061054	2 Rod End, LH
3	5211121	2 Bracket, Ball Joint	16	7547028	2 Nut, Jam, LH
4	5410548	2 Boot, Rubber	17	5134242	2 Tie Rod
5	7512284	4 Screw	18	7542711	2 Nut
6	2202906 2202907	1 Kit, A-Frame, LH (Incl. 8,24,25,27,28) 1 Kit, A-Frame, RH (Incl. 8,24,25,27,28)	19	7061034	2 Rod End
7	7542438	2 Nut, Castle	20	5411291	2 Boot, Seal, Rod End
8	7661203	4 Pin, Cotter	21	1821498	2 Asm., Tie Rod (Incl. 20-15)
9	5435028-070 5435029-070	1 Shield, CV Joint, LH 1 Shield, CV Joint, RH	22	7515415	2 Screw
10	7512084	6 Screw	23	7542439	2 Nut, FLEXLOC
11	7517909	2 Bolt	24	7512492	4 Screw
12	7556099	4 Washer, Flat	25	7552603	4 Washer, Spring Lock
13	7547177	2 Nut	26	7555832	4 Washer
			27	5133806	2 Shaft, A-Arm
			28	5434551	4 Bushing, A-Arm, Long

STEERING POST

SPORTSMAN 500 HO A05MH50AB and SPORTSMAN 500 HO A05MH50AC and SPORTSMAN 500 HO A05MH50AG and SPORTSMAN 500 HO A05MH50AH and SPORTSMAN 500 INT'L A05MH50FB

© 2004 Polaris Sales Inc.



Part numbers may change after the making of the microfiche or paper copies. Electronic records are the most current.

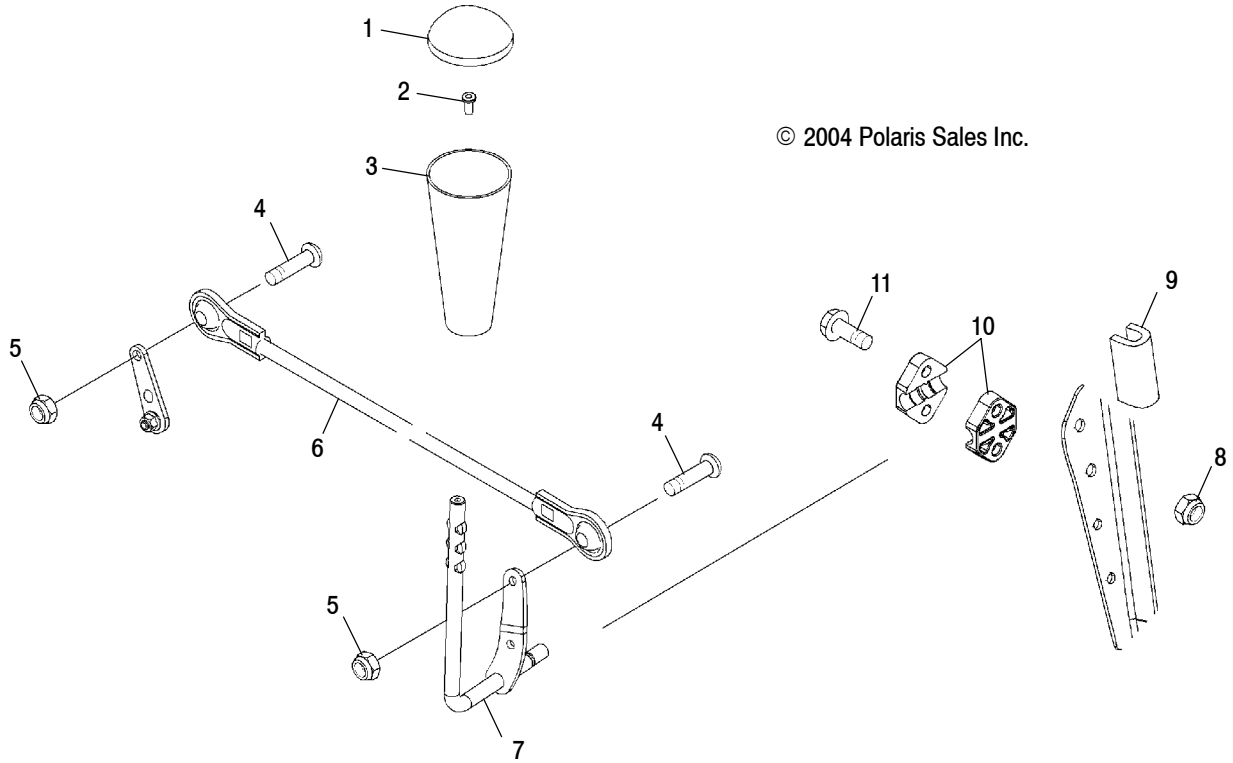
Ref.	Part No.	Qty.	Description
1	7517428	4	Bolt, Carriage
2	5246732	1	Bracket, Steering Post, Upper
3	5433866	2	Bushing, Steering, Upper
4	1822630-067	1	Post, Steering
5	7556162	2	Bushing

Ref.	Part No.	Qty.	Description
6	5222393	1	Flangette
7	3514352	1	Bearing
8	7547158	1	Nut
9	7661633	1	Pin, Cotter
10	7542343	4	Nut, Nylok, Flange

7/04

GEAR SELECTOR

SPORTSMAN 500 HO A05MH50AB and SPORTSMAN 500 HO A05MH50AC and SPORTSMAN 500 HO A05MH50AG and SPORTSMAN 500 HO A05MH50AH and SPORTSMAN 500 INT'L A05MH50FB



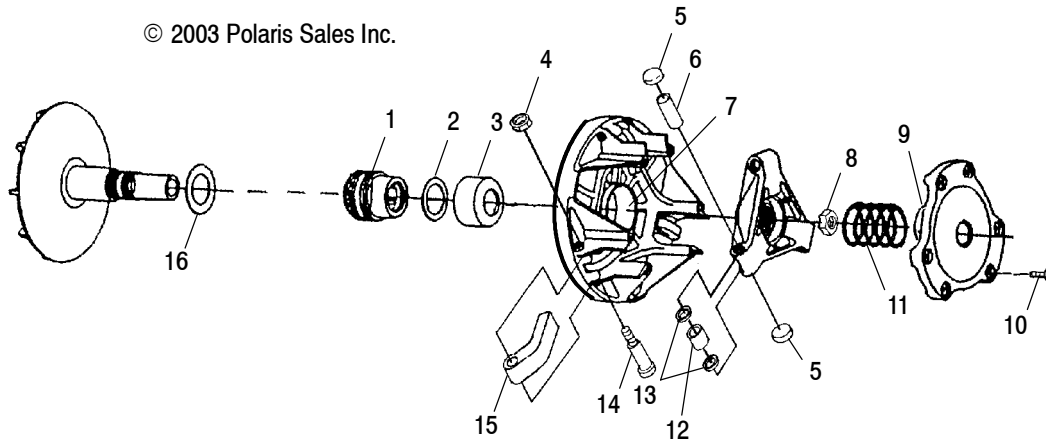
Part numbers may change after the making of the microfiche or paper copies. Electronic records are the most current.

Ref. Part No.	Qty.	Description
1	5412003	1 Cover
2	7512024	1 Screw
3	5411007	1 Knob, Gear Selector
4	7515175	2 Screw
5	7542122	2 Nut, Nylok
6	1822730	1 Asm., Linkage

Ref. Part No.	Qty.	Description
7	1013315-067	1 Selector, Gear
8	7542324	2 Nut, Nylok
9	8360012-10	1 Trim, Edge
10	5435042	2 Mount, Gear Selector
11	7518342	2 Screw

DRIVE CLUTCH

SPORTSMAN 500 HO A05MH50AB and SPORTSMAN 500 HO A05MH50AC and SPORTSMAN 500 HO A05MH50AG and SPORTSMAN 500 HO A05MH50AH and SPORTSMAN 500 INT'L A05MH50FB



Part numbers may change after the making of the microfiche or paper copies. Electronic records are the most current.

Ref. Part No.	Qty.	Description
	1	Asm., Drive Clutch, Braking (Incl. 1-10,12-14,16)
1	1	Clutch, Drive, One Way
2	1	Washer, Brass
3	1	Spacer
4	3	Nut, FLEXLOC
5	6	Button, Clutch, Stemless
6	3	Pin, Roller
7	1	Bearing

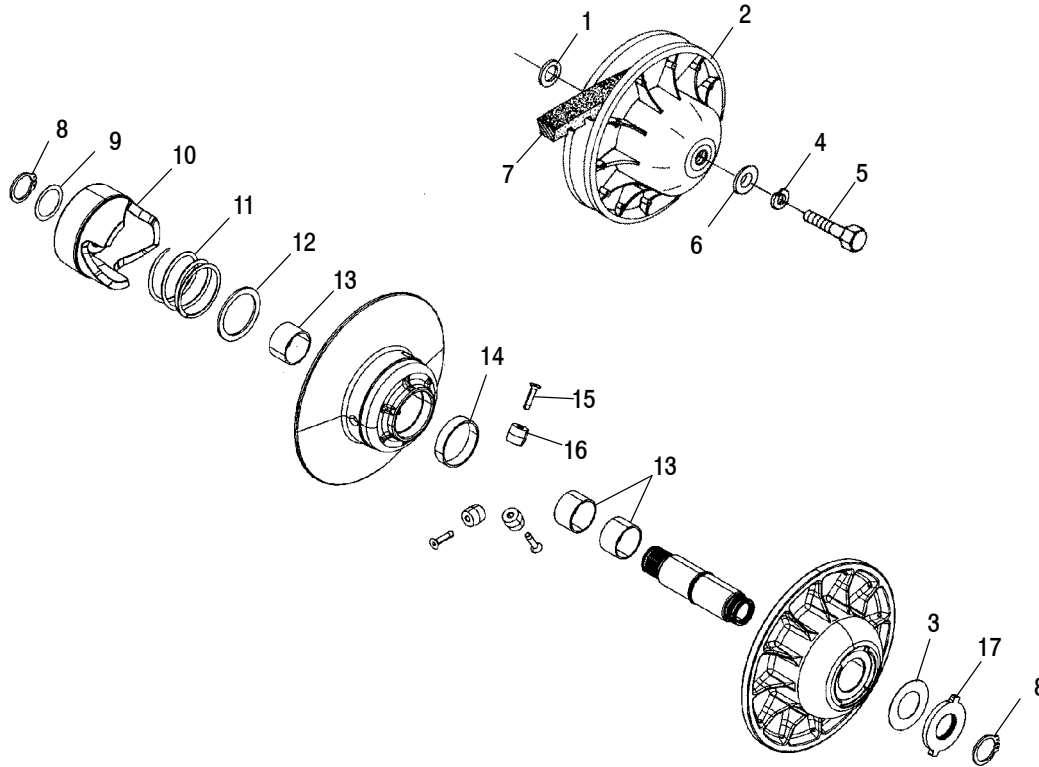
Ref. Part No.	Qty.	Description
8	1	Nut, Jam
9	1	Cover, Bearing
10	6	Screw
11	1	Spring, Clutch
12	3	Roller and Bushing
13	6	Washer, Multilube
14	3	Bolt, Shoulder
15	3	Weight, Shift, 10 WH
16	1	Washer, PTFE

7/04

DRIVEN CLUTCH

SPORTSMAN 500 HO A05MH50AB and SPORTSMAN 500 HO A05MH50AC and SPORTSMAN 500 HO A05MH50AG and SPORTSMAN 500 HO A05MH50AH and SPORTSMAN 500 INT'L A05MH50FB

© 2003 Polaris Sales Inc.



Part numbers may change after the making of the microfiche or paper copies. Electronic records are the most current.

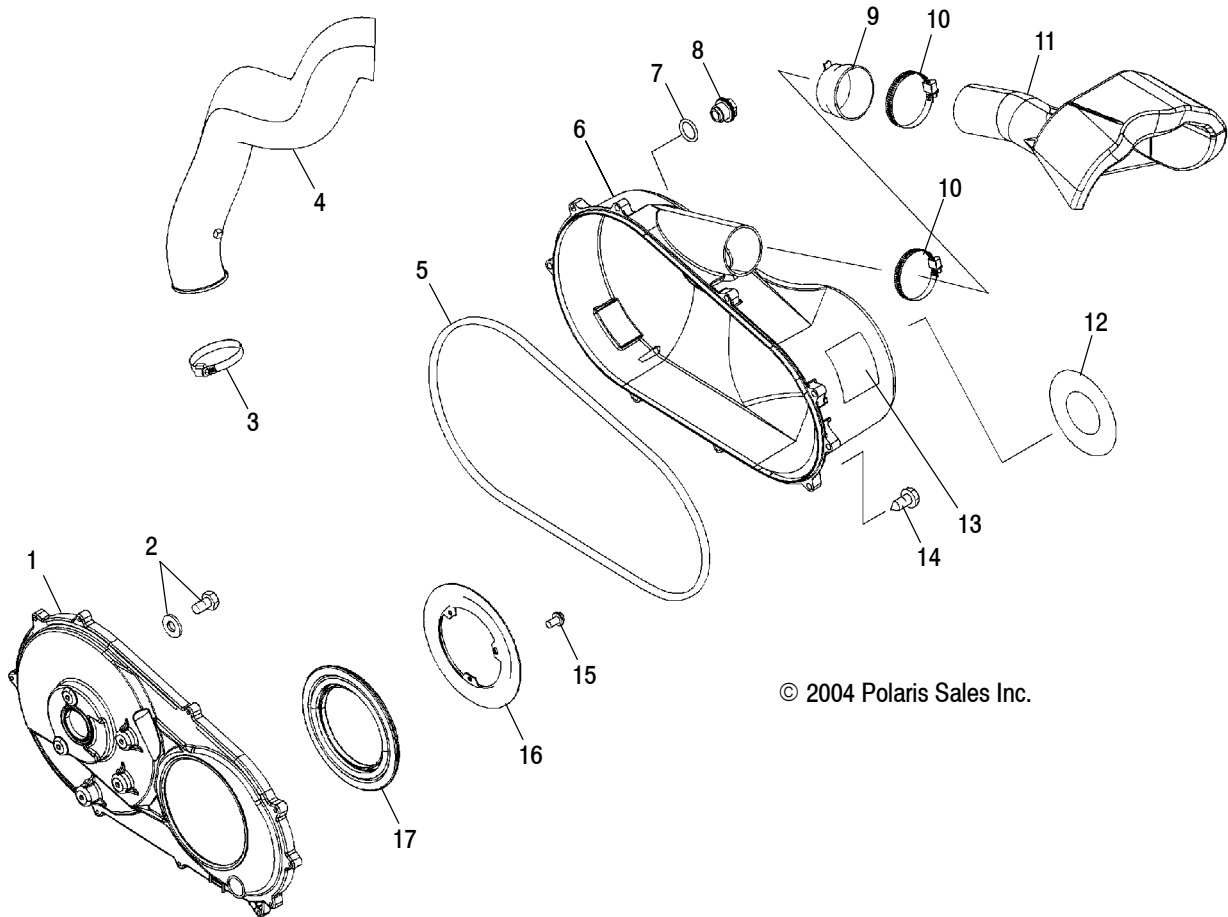
Ref. Part No.	Qty.	Description
1	AR	Bushing
2	1	Asm., Driven Clutch, EBS (Incl. 4-6,8-14,17)
3	1	Washer
4	1	Washer, Spring Lock
5	1	Bolt
6	1	Washer, Domed
7	1	Belt, Drive, EBS
8	2	Ring, Retaining

Ref. Part No.	Qty.	Description
9	1	Spacer
10	1	Ramp, Stationary, Braking
11	1	Spring, Driven
12	1	Washer
13	3	Bearing, Moveable
14	1	Bearing
15	3	Screw
16	3	Roller, Taper
17	1	Plate, Driven Clutch, EBS

7/04

CLUTCH COVER

SPORTSMAN 500 HO A05MH50AB and SPORTSMAN 500 HO A05MH50AC and SPORTSMAN 500 HO A05MH50AG and SPORTSMAN 500 HO A05MH50AH and SPORTSMAN 500 INT'L A05MH50FB



© 2004 Polaris Sales Inc.

Part numbers may change after the making of the microfiche or paper copies. Electronic records are the most current.

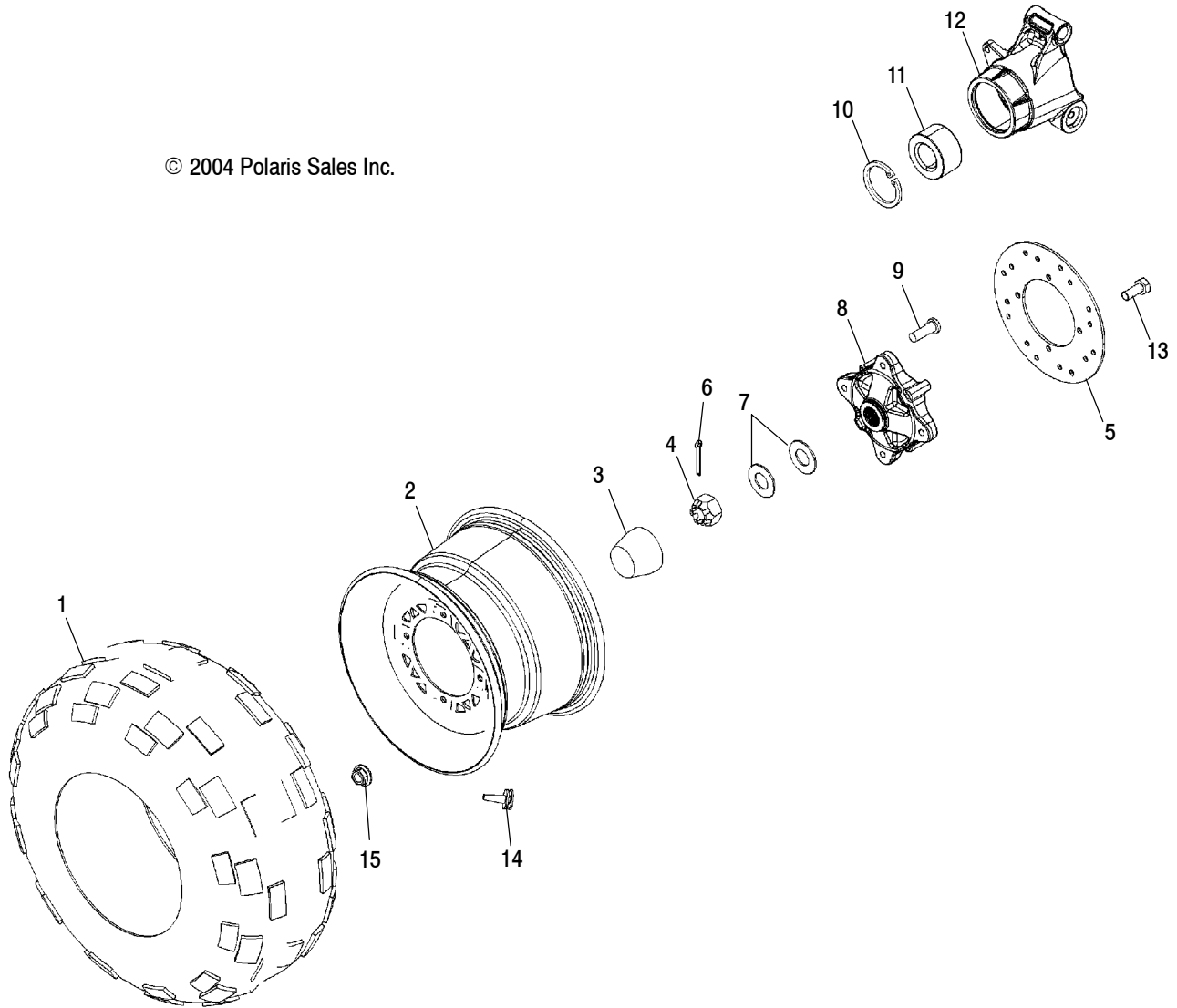
Ref. Part No.	Qty.	Description	Ref. Part No.	Qty.	Description
1	1	Kit, Inner Clutch Cover (Incl. 14)	10	2	Clamp, Narrow Band
2	5	Asm., Bolt/Washer	11	1	Duct, Clutch Outlet
3	1	Clamp, Narrow Band	12	1	Decal, "Automatic Transmission", EBS
4	1	Duct, Clutch Air Inlet	13	1	Decal, Warning, Clutch Cover
5	1	Seal, Cover, Clutch	14	9	Screw
6	1	Cover, Clutch, Outer	15	3	Screw and Washer (See Crankcase Pg. D4, Ref. 6)
7	1	O-Ring	16	1	Bracket, Clutch, Seal
8	1	Plug, Drain	17	1	Seal, Cover Case
9	1	Boot, Duct			

7/04

REAR WHEEL DRIVE

SPORTSMAN 500 HO A05MH50AB and SPORTSMAN 500 HO A05MH50AC and SPORTSMAN 500 HO A05MH50AG and SPORTSMAN 500 HO A05MH50AH and SPORTSMAN 500 INT'L A05MH50FB

© 2004 Polaris Sales Inc.



Part numbers may change after the making of the microfiche or paper copies. Electronic records are the most current.

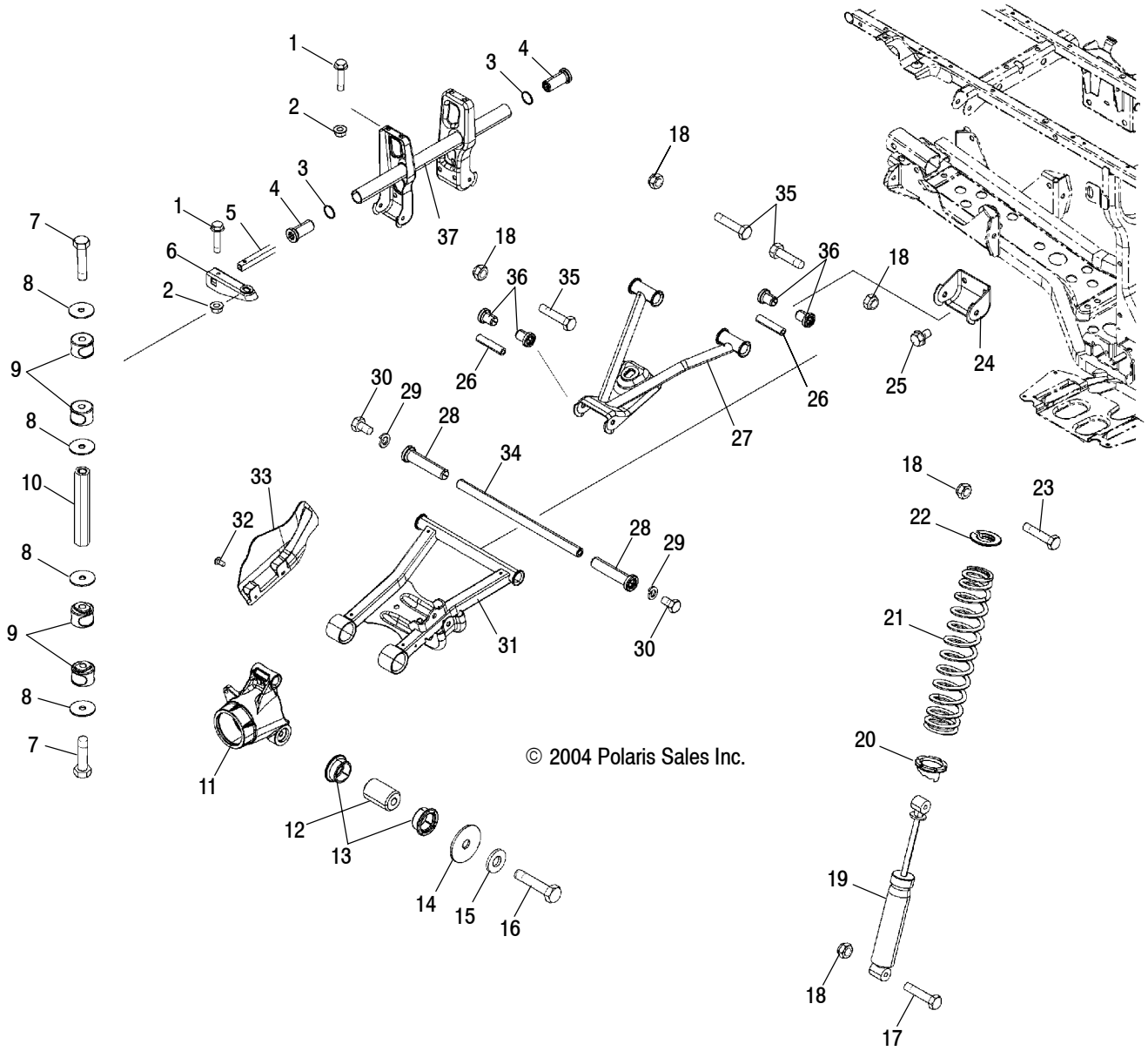
Ref.	Part No.	Qty.	Description
1	5412661	2	Tire, Rear, 26x11R12
	5412753	2	Tire, Rear, 25x10-12 (FB)
2	1520457-067	2	Rim, Rear, Black (AH)(AC)
	1520457-486	2	Rim, Rear, Silver (AB)(AG)(FB)
3	5411164	2	Cover, Dust, Hub
4	7543005	2	Nut, Castle
5	5244635	2	Disc, Brake, Rear
6	7661404	2	Pin, Cotter
7	7555796	4	Washer, Cone

Ref.	Part No.	Qty.	Description
8	5134311	2	Hub, Rear Wheel
9	7515513	8	Stud
10	7710440	2	Ring, Retaining
11	3585502	2	Bearing
12	-----	2	Carrier, Bearing, Wheel (See Rear Suspension Pg. C12, Ref. 11)
13	7512325	8	Screw
14	1525017	2	Valve, Rim
15	7547237	8	Nut, Flange

7/04

REAR SUSPENSION

SPORTSMAN 500 HO A05MH50AB and SPORTSMAN 500 HO A05MH50AC and SPORTSMAN 500 HO A05MH50AG and SPORTSMAN 500 HO A05MH50AH and SPORTSMAN 500 INT'L A05MH50FB



REAR SUSPENSION

SPORTSMAN 500 HO A05MH50AB and SPORTSMAN 500 HO A05MH50AC and SPORTSMAN 500 HO A05MH50AG and SPORTSMAN 500 HO A05MH50AH and SPORTSMAN 500 INT'L A05MH50FB

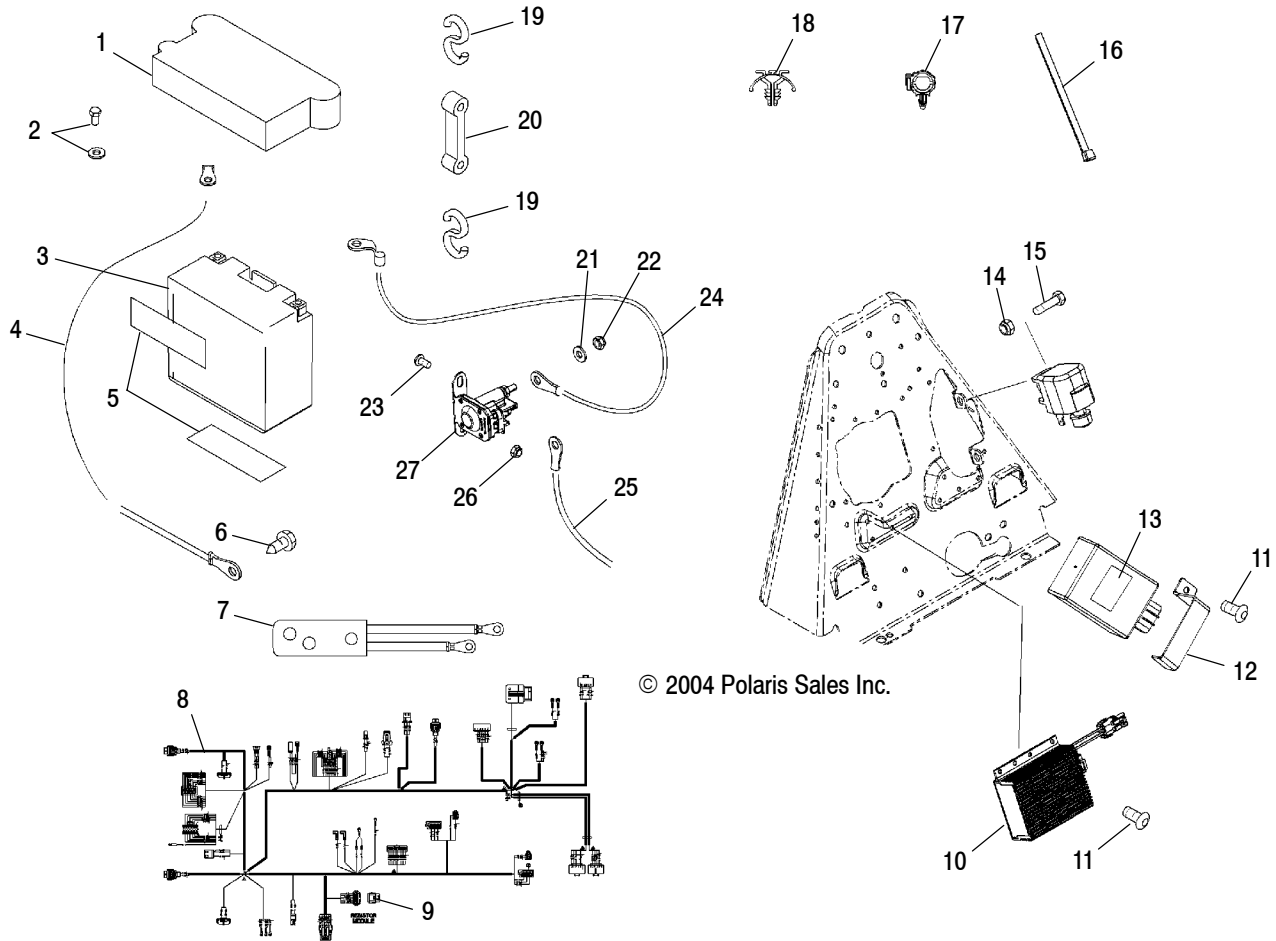
Part numbers may change after the making of the microfiche or paper copies. Electronic records are the most current.

Ref.	Part No.	Qty.	Description	Ref.	Part No.	Qty.	Description
1	7518341	6	Bolt, Flange	22	5630885	2	Retainer, Spring
2	7542343	6	Nut, Nylok	23	7515433	2	Screw
3	7555939	2	Washer	24	5247345	2	Bracket, A-Arm Pivot
4	5434549	2	Bushing, Stabilizer Tube	25	7518364	4	Screw
5	5334114-067	1	Bar, Stabilizer Tube	26	5020826	6	Shaft, A-Arm, Short
6	1580107-067	2	Arm, Stabilizer Bar	27	1014868-293	1	Arm, Control, Upper, LH
7	7517231	4	Screw		1014869-293	1	Arm, Control, Upper, RH
8	7555761	8	Washer, Flat		1014868-067	1	Arm, Control, Upper, LH (AC)
9	5432598	8	Bushing, Stabilizer		1014869-067	1	Arm, Control, Upper, RH (AC)
10	5020827	2	Rod, Linkage, Stabilizer	28	5434551	4	Bushing, A-Arm, Long
11	5134206	2	Carrier, Wheel Bearing	29	7552603	4	Washer, Spring Lock
12	5631142	4	Bushing, Bearing Carrier	30	7512492	4	Screw
13	5434550	8	Bushing, Control, Lower	31	1014174-293	1	Arm, Control, Lower, LH
14	7552614	4	Washer, Lock		1014175-293	1	Arm, Control, Lower, RH
15	7555740	4	Washer, Flat		1014174-067	1	Arm, Control, Lower, LH (AC)
16	7517873	4	Bolt		1014175-067	1	Arm, Control, Lower, RH (AC)
17	7515415	2	Screw	32	7512084	4	Screw
18	7542439	10	Nut, Nylok	33	5435008-067	1	Shield, Rear, LH
19	7043100	2	Shock, Rear		5435009-067	1	Shield, Rear, RH
20	5630551	2	Cam, Adjusting, Spring	34	5133806	2	Shaft, A-Arm
21	7043091-067	2	Spring, Compression, Rear	35	7515472	6	Screw
				36	5434548	12	Bushing, A-Arm, Short
				37	1541802-067	1	Support, Stabilizer

7/04

ELECTRICAL/TAILLIGHT

SPORTSMAN 500 HO A05MH50AB and SPORTSMAN 500 HO A05MH50AC and SPORTSMAN 500 HO A05MH50AG and SPORTSMAN 500 HO A05MH50AH and SPORTSMAN 500 INT'L A05MH50FB



Part numbers may change after the making of the microfiche or paper copies. Electronic records are the most current.

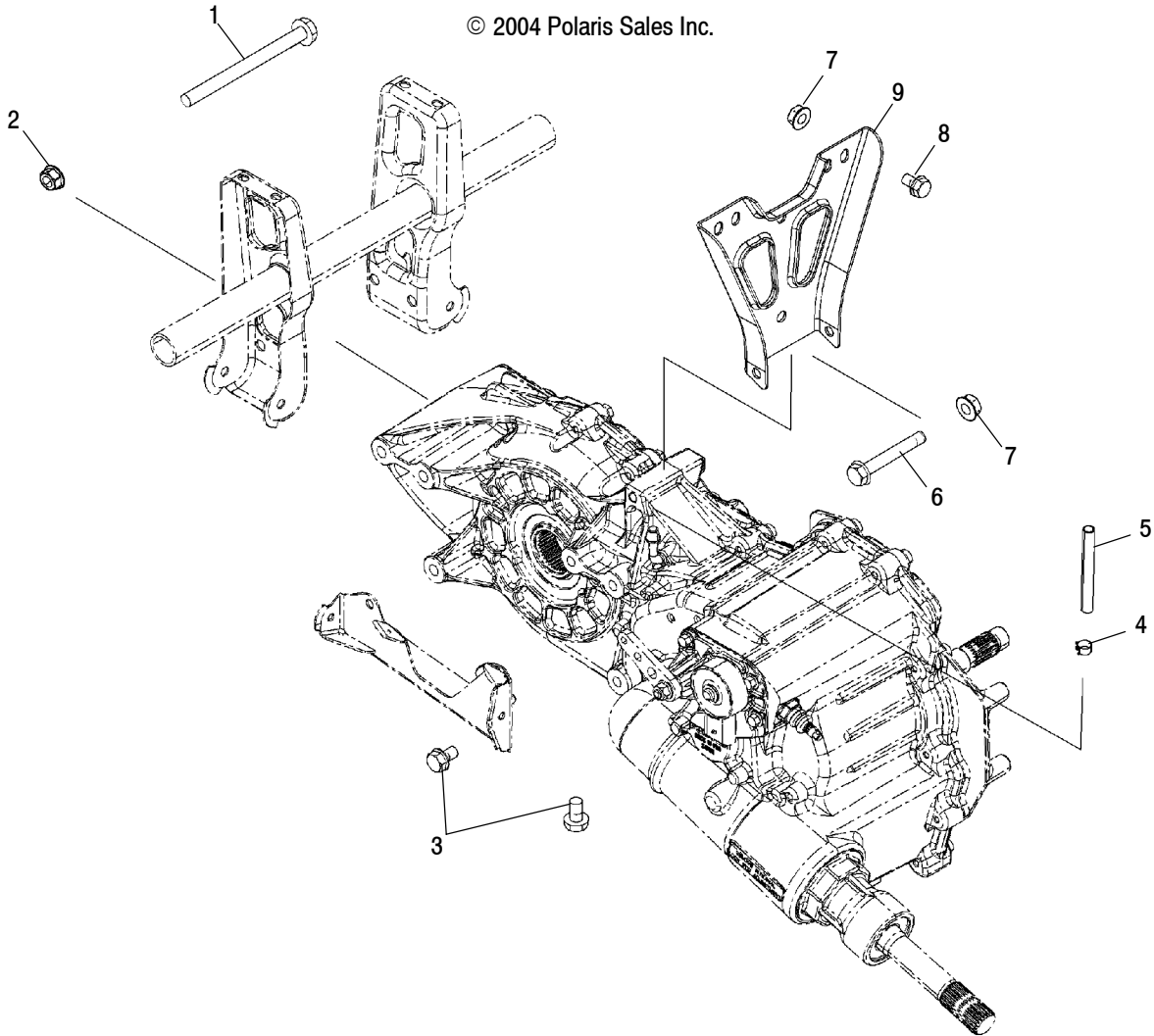
Ref.	Part No.	Qty.	Description
1	5431769	1	Cover, Battery
2	2202848	1	Kit, Battery Bolt, Short
	2200361	1	Kit, Battery Bolt, Short (FB)
3	4011138	1	Battery
	4140006	1	Battery (FB)
4	4011139	1	Cable, Battery/Frame
5	5810290	3	Pad, Battery
6	7512232	1	Screw
7	2410535	1	Harness, Winch
8	2410466	1	Harness, Main
9	4010924	1	Module, Resistor
10	4011110	1	Module, Controller
11	7512024	4	Screw
12	5246747	1	Bracket, CDI
13	5810317	1	Pad, Rack Mount

Ref.	Part No.	Qty.	Description
14	7541925	1	Nut, Nylok
15	7512007	1	Screw
16	7080138	12	Cable Tie
17	4020139	3	Clip, Rosebud
18	7080965	3	Mount, Cable Tie
19	7010032	2	Hook, Battery Strap
20	5412499	1	Strap, Battery Holddown
21	7552801	2	Washer, Spring Lock
22	7547283	2	Nut
23	7512027	2	Screw
24	4010094	1	Cable, Battery/Solenoid
25	4010093	1	Cable, Solenoid/Starter
26	7518287	2	Nut
27	4011072	1	Switch, Magnetic

TRANSMISSION MOUNTING

SPORTSMAN 500 HO A05MH50AB and SPORTSMAN 500 HO A05MH50AC and SPORTSMAN 500 HO A05MH50AG and SPORTSMAN 500 HO A05MH50AH and SPORTSMAN 500 INT'L A05MH50FB

© 2004 Polaris Sales Inc.



Part numbers may change after the making of the microfiche or paper copies. Electronic records are the most current.

Ref. Part No.	Qty.	Description
1	3	Screw
2	3	Nut, Flange
3	4	Screw, Flange
4	1	Clamp
5	AR	Line

Ref. Part No.	Qty.	Description
6	1	Screw
7	3	Nut, Flange
8	2	Screw, Flange
9	1	Support, Transmission

7/04

GEARCASE

SPORTSMAN 500 HO A05MH50AB and SPORTSMAN 500 HO A05MH50AC and SPORTSMAN 500 HO A05MH50AG and SPORTSMAN 500 HO A05MH50AH and SPORTSMAN 500 INT'L A05MH50FB

Part numbers may change after the making of the microfiche or paper copies. Electronic records are the most current.

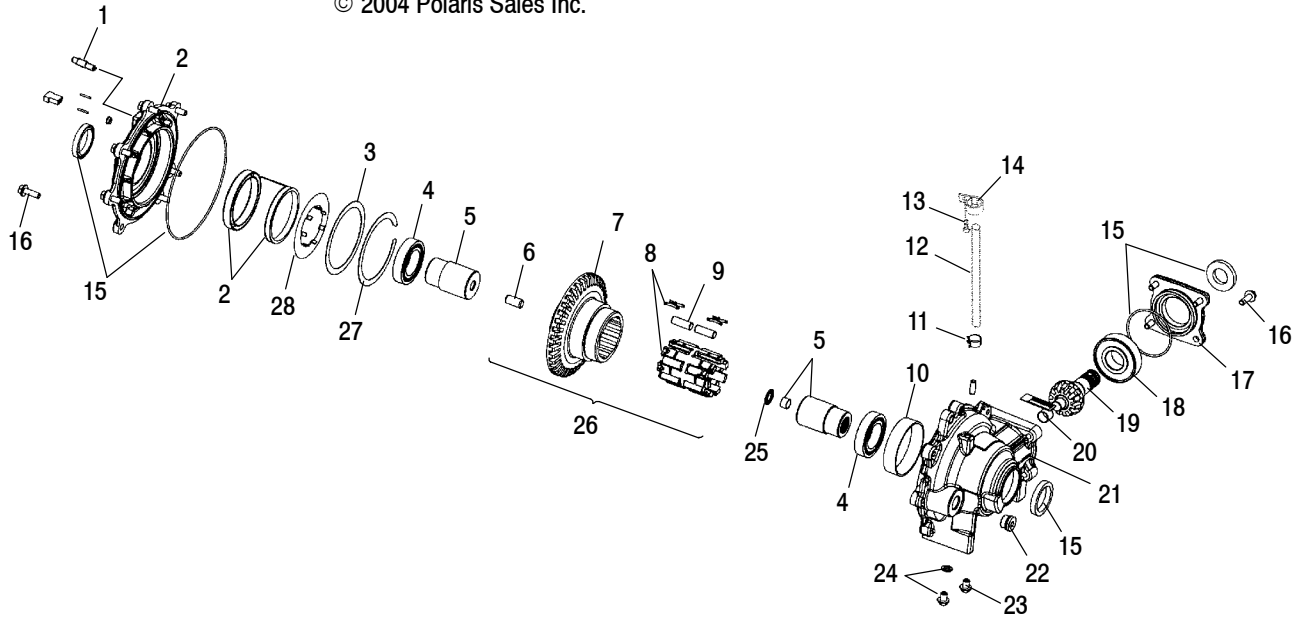
Ref.	Part No.	Qty.	Description
	1341450	1	Asm., Gearcase
1	3233906	1	Bellcrank
2	3233826	8	Screw
3	3233827	1	Cover, Gear
4	3233829	1	Pawl, Detent
5	3233869	1	O-Ring
6	3233831	1	Shaft, Shift
7	3233878	2	Seal, Triple Lip
8	3233832	1	Gear, 31T
9	3233524	1	Tube, Vent
10	3234059	1	Gearcase, RH
11	3234066	1	Shaft, Center Drive
12	3234065	1	Bearing, Ball
13	3234064	1	Spacer
14	3233364	2	Ring, Retaining
15	3234063	1	Cover, Bearing
16	3234086	5	Screw
17	3234062	1	Gear, Output, 91T
18	3233268	2	Bearing, Ball
19	3234058	1	Sprocket, 59T
20	3234057	1	Chain
21	3233247	2	Pin, Dowel
22	3234056	1	Gearcase, LH
23	3233846	22	Screw
24	3234087	2	Plug
25	3233874	1	Seal, Dual Lip
26	3233749	2	Screw
27	3233018	2	Bearing
28	3234061	1	Deflector, Oil
29	3234060	1	Sprocket, 19T
30	3233699	1	Ring, Retaining
31	3234080	1	Drum, Shift
32	3234088	1	Baffle, Oil
33	3233915	1	Plate, Park
34	3233851	2	Washer
35	3233718	3	Bearing, Needle
36	3233176	1	Washer, Thrust
37	3234067	1	Ring, Retaining
38	3234068	1	Gear, 28T
39	3233855	1	Washer
40	3234070	1	Dog, Engagement

Ref.	Part No.	Qty.	Description
41	3233850	2	Ring, Retaining
42	3233854	1	Sprocket, 24T
43	3234071	1	Shaft, Reverse, 26T
44	3233852	1	Gear, 33T
45	3234069	1	Dog, Engagement
46	3234074	2	Bearing, Ball
47	3233019	1	Bearing
48	3234075	1	Asm., Input Shaft
49	3233036	1	Chain, Silent
50	3233357	1	Spacer
51	3234092	1	Ring, Retaining
52	3234076	1	O-Ring
53	3233788	1	Seal, Triple Lip
54	3233106	1	Ring, Snap
55	3233305	1	Bearing, Ball
56	3234085	1	Tube, Snorkel
57	3234084	1	O-Ring
58	3233265	1	Bearing, Ball
59	3234083	1	Shaft, Snorkel
60	3233917	1	Asm., Park Lockout
61	3233839	1	Gear, 16T
62	3233548	1	O-Ring
63	3234081	1	Disc, Lockout
64	3234082	1	Star, Detent
65	3233076	1	O-Ring
66	3233830	1	Spring, Compression
67	3233961	1	Nut, Lock
68	3233834	1	Ring, Retaining
69	3233835	1	Switch
70	3234091	2	Washer
71	3234077	2	Fork, Shift
72	3234073	1	Collar, Shift
73	3234089	2	Spring, Compression
74	3234078	2	Spring, Compression
75	3234090	2	Ring, Retaining
76	3233432	2	Pin, Dowel
77	3233433	1	Shoe, Chain Tensioner
78	3233434	1	Cam, Chain Tensioner
79	3233431	1	Spring, Torsion
80	3234079	1	Rail, Shift Shaft

FRONT HOUSING

SPORTSMAN 500 HO A05MH50AB and SPORTSMAN 500 HO A05MH50AC and SPORTSMAN 500 HO A05MH50AG and SPORTSMAN 500 HO A05MH50AH and SPORTSMAN 500 INT'L A05MH50FB

© 2004 Polaris Sales Inc.



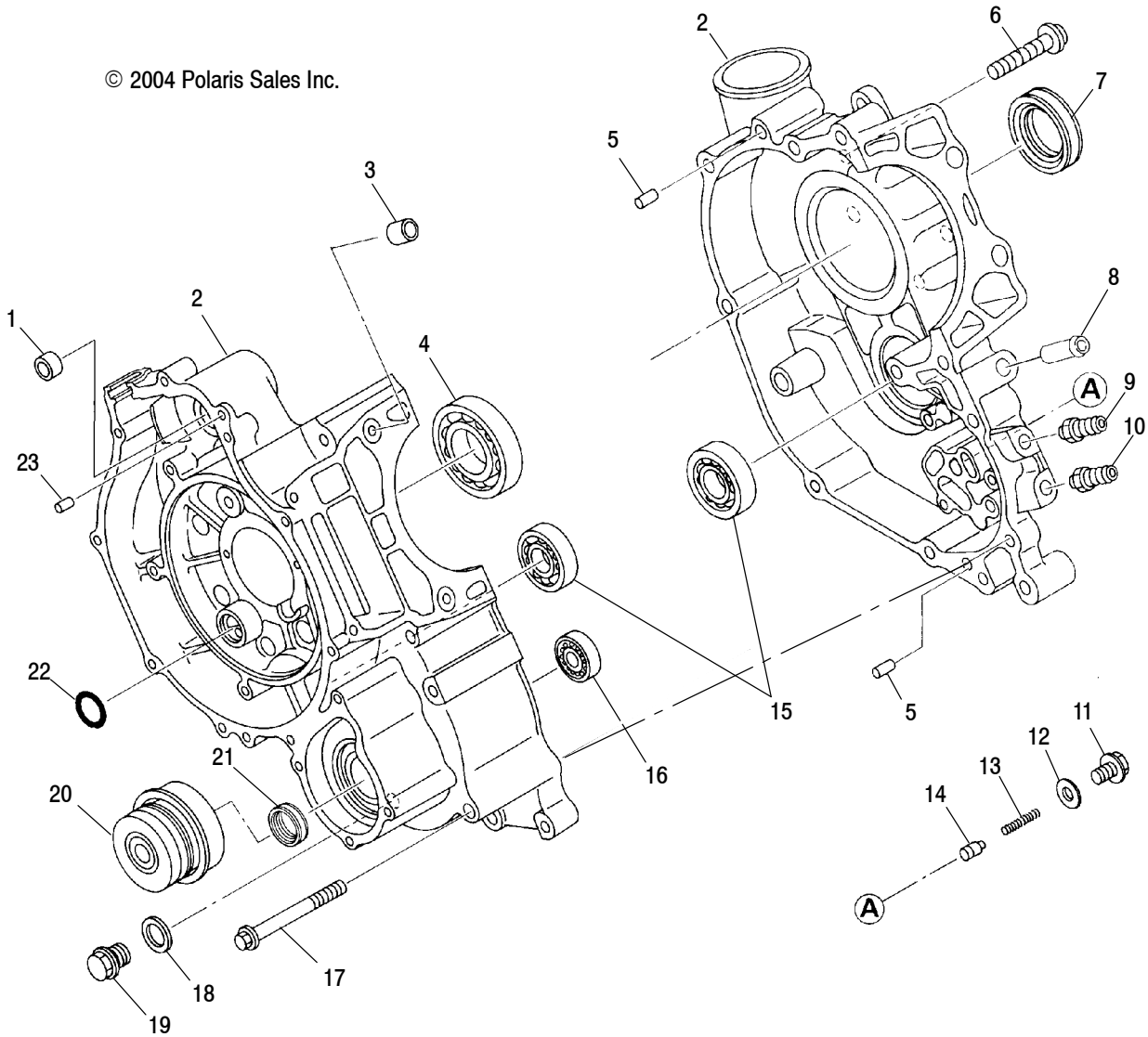
Part numbers may change after the making of the microfiche or paper copies. Electronic records are the most current.

Ref. Part No.	Qty.	Description	Ref. Part No.	Qty.	Description
	1	Asm., Front Gearcase	14	7080693	1 Clamp
	1	Kit, Bolt	15	3233956	1 Kit, Minor Repair (Incl. O-Rings and Seals)
1	3234163	1 Screw, Set	16	3233918	11 Bolt
2	3234159	1 Asm., Cover Plate (Incl. Output Cover, Insert and Coil)	17	3233947	1 Cover, Input
3	3234161	1 Shim, Armature Plate	18	3234112	1 Bearing, Roller Ball
4	3233926	2 Bearing, Roller Ball	19	3233944	1 Shaft, Pinion, 11T
5	3233953	1 Asm., Race/Output Hub (Incl. 25)	20	-----	1 Bushing
6	3233928	1 Pin, Dowel	21	-----	1 Gearcase, LH
7	3234166	1 Clutch Housing/Ring Gear	22	3233942	1 Plug, Oil Fill
8	3234167	1 Asm., Roll Cage (Incl. Spring and Roll Cage)	23	7518364	4 Screw, Flange
	-----	1 Spring	24	3233951	1 Asm., Drain Plug (Incl. Plug and Washer)
9	3233957	14 Kit, Roll	25	3233929	1 Bearing, Needle, Roller Thrust
10	3234169	1 Bushing	26	3234168	1 Asm., Clutch (Incl. 7-9)
11	7080307	1 Clamp	27	3234162	1 Ring, Retaining, Internal
12	8450003	AR Line	28	3234160	1 Plate Armature
13	7512024	1 Screw			

CRANKCASE

SPORTSMAN 500 HO A05MH50AB and SPORTSMAN 500 HO A05MH50AC and SPORTSMAN 500 HO A05MH50AG and SPORTSMAN 500 HO A05MH50AH and SPORTSMAN 500 INT'L A05MH50FB

© 2004 Polaris Sales Inc.



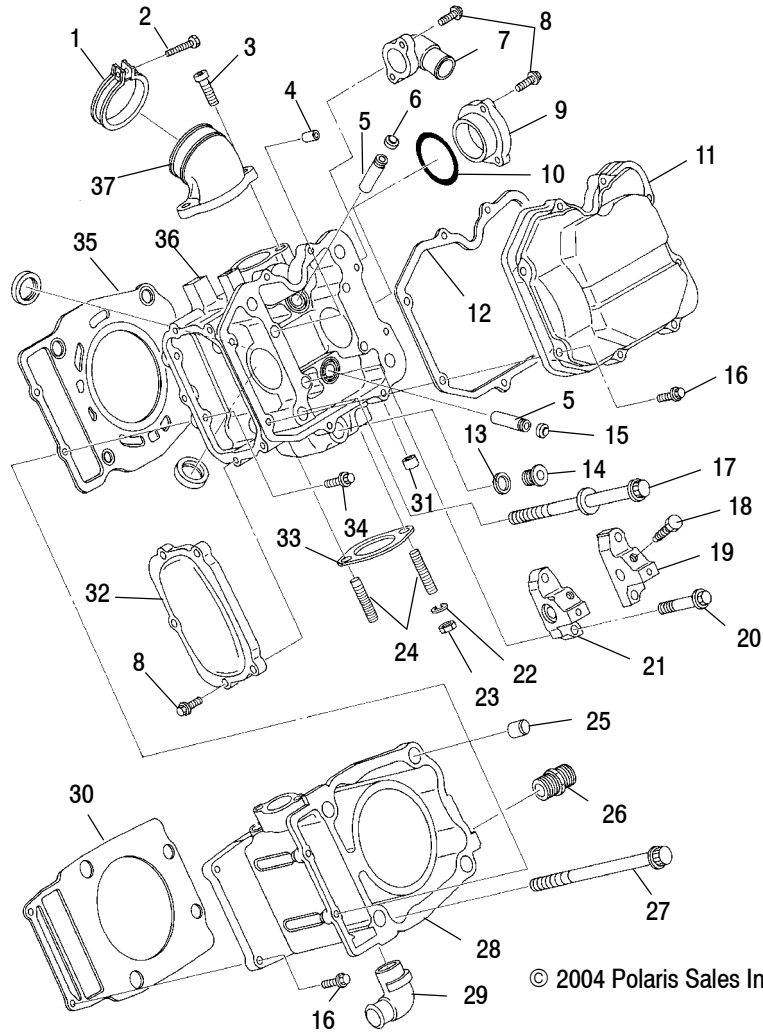
Part numbers may change after the making of the microfiche or paper copies. Electronic records are the most current.

Ref.	Part No.	Qty.	Description
1	3083669	1	Bushing, Starter
2	3089240	1	Asm., Crankcase (Incl. 1,4,5,7,8,15,16,17,20,21,23)
3	3087266	2	Pipe, Knock
4	3080676	1	Bearing, Ball
5	3084840	2	Pin, Dowel
6	3084205	3	Screw and Washer
7	3084839	1	Seal, Oil
8	3085525	1	Pipe, Air Breather
9	3087154	1	Fitting, Oil Inlet
10	3084842	1	Union
11	3084845	1	Plug

Ref.	Part No.	Qty.	Description
12	3084846	1	Gasket, Aluminum
13	3084844	1	Spring, One Way Valve
14	3086810	1	Valve, One Way
15	3084834	2	Bearing, Ball
16	3084835	1	Bearing, Ball
17	3084841	10	Bolt, Flange
18	3082956	1	Gasket
19	3086749	1	Plug
20	3084837	1	Seal, Mechanical
21	3084836	1	Seal, Oil
22	3084847	1	O-Ring
23	3086838	2	Pin, Dowel

CYLINDER

SPORTSMAN 500 HO A05MH50AB and SPORTSMAN 500 HO A05MH50AC and SPORTSMAN 500 HO A05MH50AG and SPORTSMAN 500 HO A05MH50AH and SPORTSMAN 500 INT'L A05MH50FB

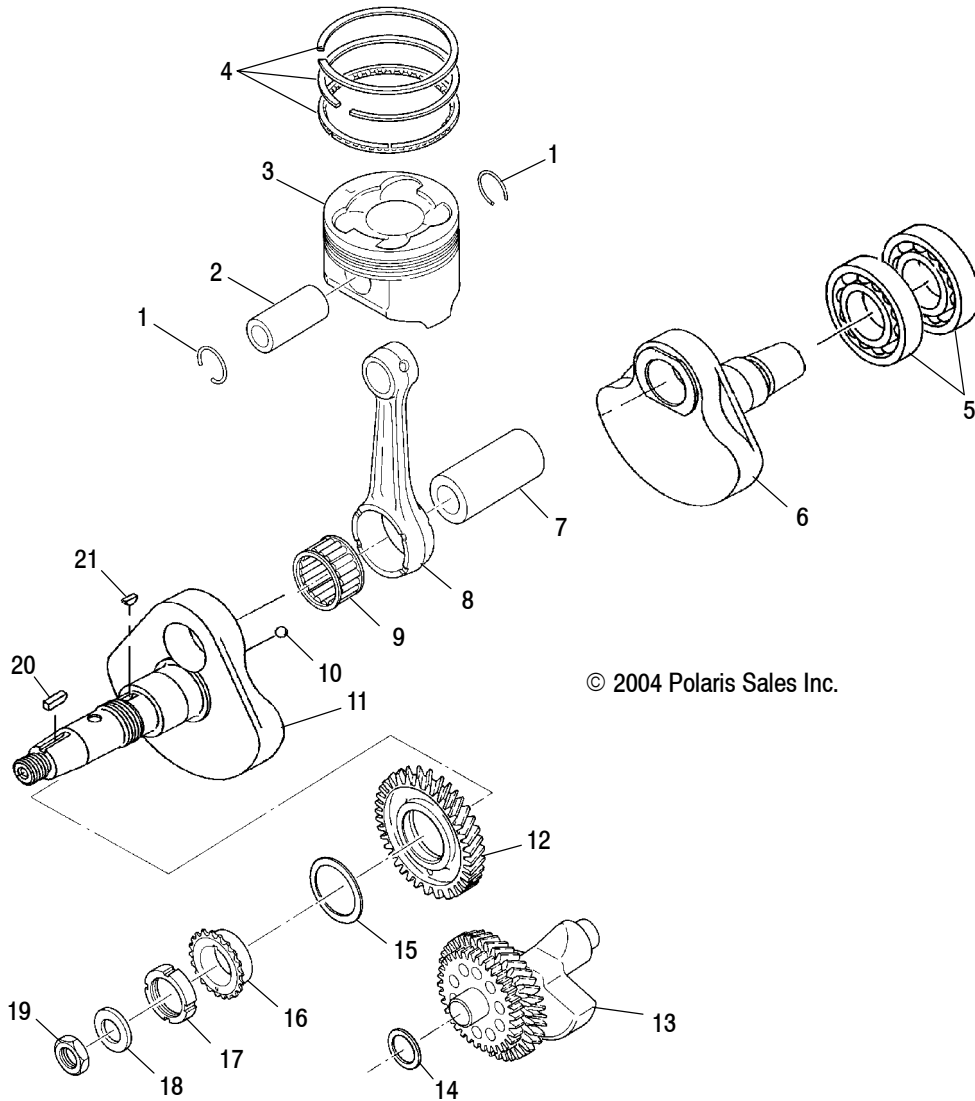


Part numbers may change after the making of the microfiche or paper copies. Electronic records are the most current.

Ref. Part No.	Qty.	Description	Ref. Part No.	Qty.	Description		
1	3084045	1	Asm., Band, Adapter (Incl. 2)	20	3084876	4	Bolt
2	3081497	1	Screw	21	3084863	1	Support, Valve Rocker Shaft
3	3081330	2	Bolt, Socket Head	22	3080530	2	Washer, Lock
4	3084857	2	Pin, Straight	23	3087199	2	Nut
5	3084994	4	Guide, Valve	24	3085326	2	Stud
6	3084858	2	Seal, Intake Valve	25	3087266	2	Pipe, Knock
7	3084870	1	Adapter, Water Out	26	3084849	1	Union, Oil Pump
8	3084877	10	Bolt, Flange	27	3084873	4	Bolt, Flange
9	3084866	1	Adapter, Camshaft	28	3089256	1	Cylinder (Incl. 29)
10	3084867	1	O-Ring	29	3086747	1	Pipe, Elbow, 2
11	3085073	1	Cover, Rocker	30	3085370	1	Gasket, Cylinder
12	3085074	1	Gasket, Rocker Cover	31	3084862	1	Plug, Blind
13	3084861	1	Gasket	32	3089242	1	Cover, Camshaft
14	3084860	1	Plug	33	3085075	1	Gasket, Exhaust
15	3084859	2	Seal, Exhaust Valve	34	3086781	2	Bolt, Flange
16	3084874	10	Bolt, Flange	35	3085371	1	Gasket, Head
17	3084875	4	Bolt, Cylinder Head	36	3085527	1	Head, Cylinder (Incl. 4-6,13-15,24,31)
18	3085854	1	Bolt, Rocker Shaft	37	3085809	1	Adapter
19	3084864	1	Support, Valve Rocker Shaft				

CRANKSHAFT and PISTON

SPORTSMAN 500 HO A05MH50AB and SPORTSMAN 500 HO A05MH50AC and SPORTSMAN 500 HO A05MH50AG and SPORTSMAN 500 HO A05MH50AH and SPORTSMAN 500 INT'L A05MH50FB



© 2004 Polaris Sales Inc.

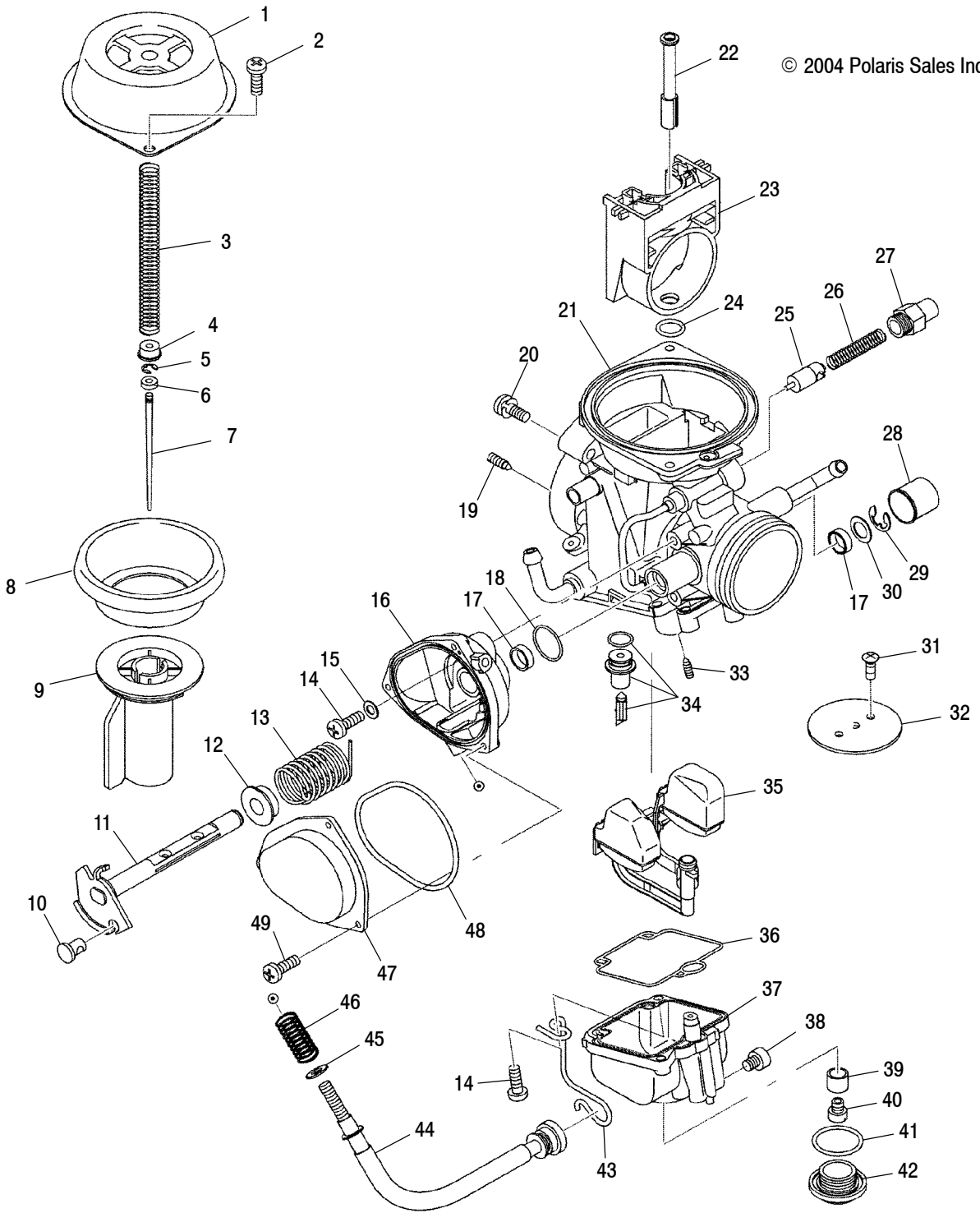
Part numbers may change after the making of the microfiche or paper copies. Electronic records are the most current.

Ref. Part No.	Qty.	Description
1	3085534	2 Clip
2	-----	1 Pin, Piston
3	3087221	1 Piston Set, Std (Incl. 1)
	3087222	1 Piston Set, 0.25 mm O/S (Incl. 1)
	3087223	1 Piston Set, 0.50 mm O/S (Incl. 1)
4	3087224	1 Ring Set, Piston, Std
	3087225	1 Ring Set, Piston, 0.25 mm O/S
	3087226	1 Ring Set, Piston, 0.50 mm O/S
5	3085815	2 Bearing, Ball
6	3085812	1 Crankshaft 2
7	3087090	1 Pin, Crank
8	3085813	1 Rod, Connecting
9	3085343	1 Bearing, Large End
10	3085024	1 Ball, Steel
11	3089570	1 Asm., Crankshaft (Incl. 6-12)
	3089678	1 Crankshaft 1

Ref. Part No.	Qty.	Description
12	3089245	1 Balancer, Gear 1
13	3086837	1 Shaft, Balancer
14	3084895	1 Spacer (0.8)
	3084896	1 Spacer (1.0)
	3084897	1 Spacer (1.2)
15	3240088	1 Spacer (0.6)
	3084892	1 Spacer (0.8)
	3084893	1 Spacer (1.0)
	3084894	1 Spacer (1.2)
16	3084882	1 Sprocket 1
17	3085528	1 Nut, Slit
18	3086767	1 Washer
19	3083905	1 Nut, Lock
20	3081447	1 Key
21	3240168	1 Key, Woodruff

CARBURETOR

SPORTSMAN 500 HO A05MH50AB and SPORTSMAN 500 HO A05MH50AC and SPORTSMAN 500 HO A05MH50AG and SPORTSMAN 500 HO A05MH50AH and SPORTSMAN 500 INT'L A05MH50FB



© 2004 Polaris Sales Inc.

CARBURETOR

**SPORTSMAN 500 HO A05MH50AB and SPORTSMAN 500 HO A05MH50AC and SPORTSMAN 500 HO A05MH50AG and SPORTSMAN
500 HO A05MH50AH and SPORTSMAN 500 INT'L A05MH50FB**

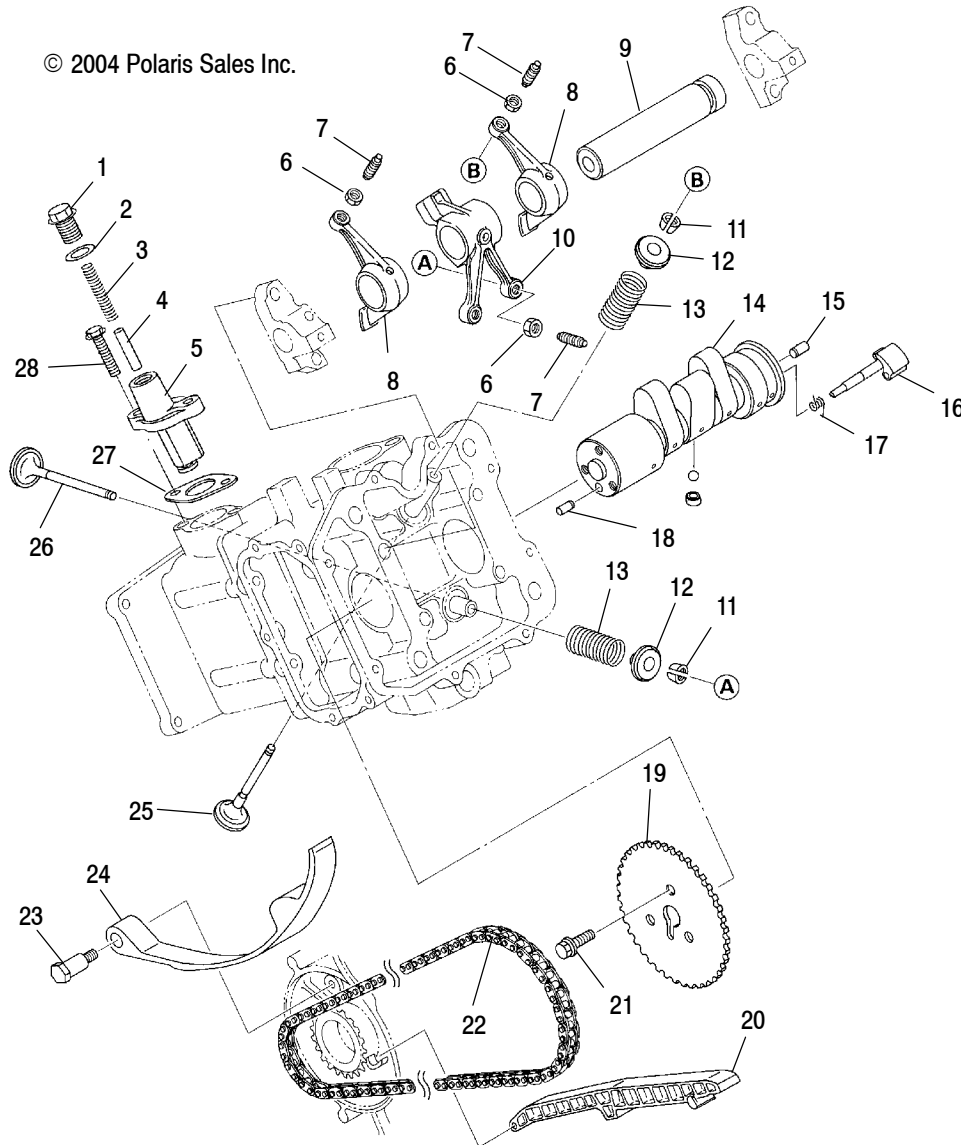
Part numbers may change after the making of the microfiche or paper copies. Electronic records are the most current.

Ref.	Part No.	Qty.	Description
1	3130914	1	Cover, Diaphragm
2	3130821	2	Screw
3	3130911	1	Spring
4	3130913	1	Ring
5	3130908	1	E-Ring
6	3130915	1	Ring
7	3131292	1	Needle, Jet
8	3130910	1	Diaphragm
9	3130912	1	Valve, Piston
10	3130543	1	Guide, Cable
11	3130931	1	Shaft, Throttle
12	3130932	1	Ring
13	3130927	1	Spring
14	3130933	4	Screw
15	3130926	2	Washer
16	3130925	1	Case
17	3130515	2	Seal
18	3130928	1	O-Ring
19	3130619	1	Jet, Air
20	3085698	2	Screw and Washer
21	3131567	1	Asm., Carburetor (Incl. All less 20)
22	3131305	1	Jet, Needle
23	3130909	1	Block, Jet
24	3130916	1	O-Ring
25	3131395	1	Asm., Plunger

Ref.	Part No.	Qty.	Description
26	3130538	1	Spring
27	3131396	1	Holder, Guide
28	3130519	1	Cap
29	3130518	1	E-Ring
30	-----	1	Packing
31	3131475	2	Screw
32	3130907	1	Valve, Throttle, 120
33	3130624	1	Jet, Pilot, #40
34	3131359	1	Valve, Needle (1.5)
35	3130921	1	Float
36	3130917	1	Seal
37	3130923	1	Body, Float
38	3130935	1	Screw
39	3130919	1	Ring
40	3130571	1	Jet, Main #155
41	3130239	1	O-Ring
42	3130321	1	Screw, Guide
43	3131242	1	Clip
44	3131295	1	Adjuster, Cable
45	3131296	1	Washer
46	3130010	1	Spring
47	3130930	1	Cover
48	3130929	1	O-Ring
49	3130924	3	Screw

INTAKE and EXHAUST

SPORTSMAN 500 HO A05MH50AB and SPORTSMAN 500 HO A05MH50AC and SPORTSMAN 500 HO A05MH50AG and SPORTSMAN 500 HO A05MH50AH and SPORTSMAN 500 INT'L A05MH50FB



© 2004 Polaris Sales Inc.

Part numbers may change after the making of the microfiche or paper copies. Electronic records are the most current.

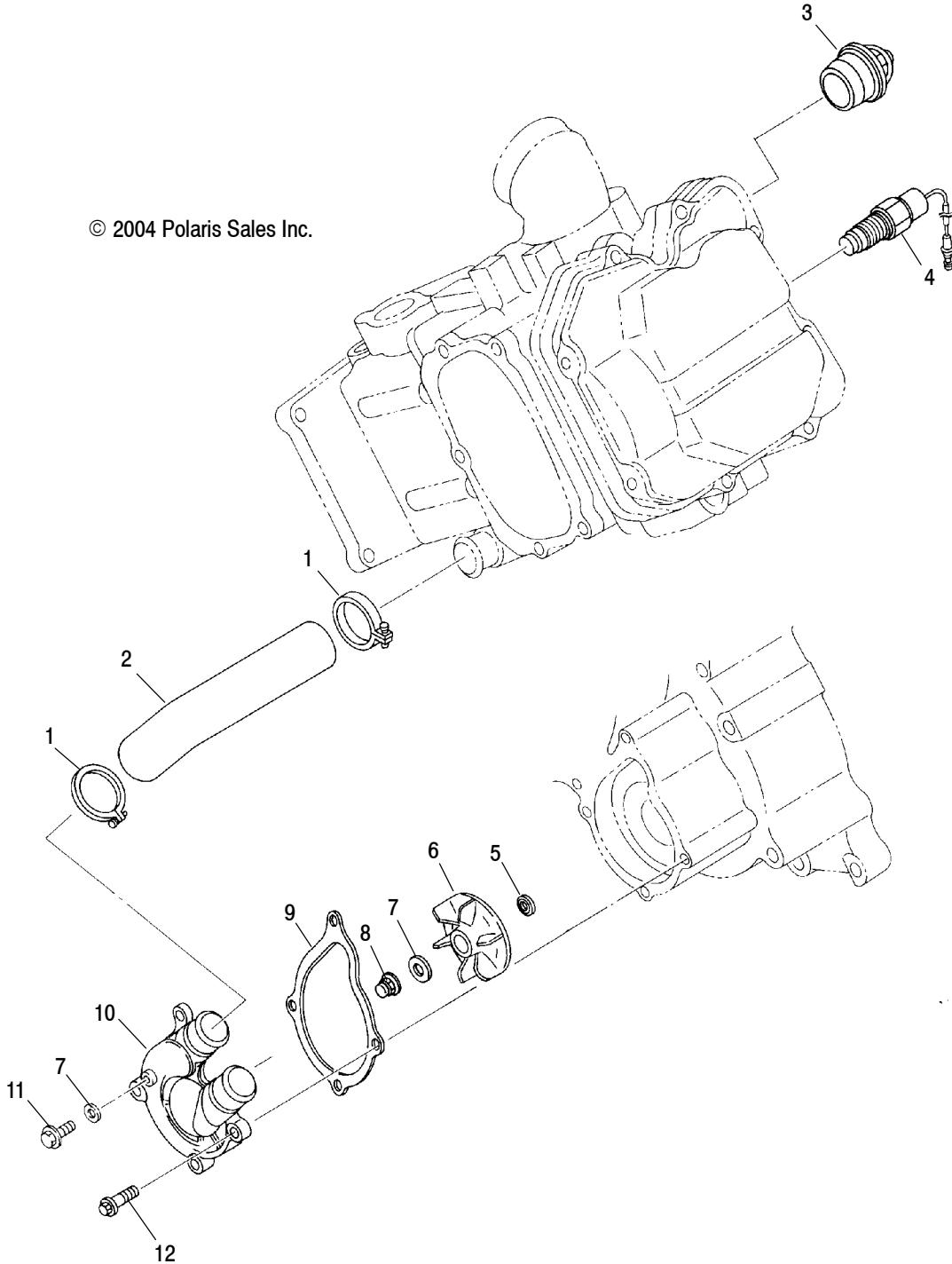
Ref. Part No.	Qty.	Description
1	1	Plug
2	1	Gasket
3	1	Spring
4	1	Pin
5	1	Asm., Tensioner (Incl. 1-4)
6	4	Nut
7	4	Screw, Adjusting
8	2	Asm., Rocker Arm, Intake (Incl. 6,7)
9	1	Shaft, Rocker
10	1	Asm., Rocker Arm, Exhaust (Incl. 6,7)
11	8	Valve, Collet
12	4	Retainer, Spring
13	4	Spring, Valve
14	1	Camshaft (Incl. 15-18)

Ref. Part No.	Qty.	Description
15	1	Pin, Dowel
16	1	Lever, Release
17	1	Spring, Return
18	1	Pin, Dowel
19	1	Sprocket 2
20	1	Guide, Chain
21	3	Bolt and Washer
22	1	Chain, Timing
23	1	Bolt, Pivot Lever
24	1	Lever
25	2	Valve, Intake
26	2	Valve, Exhaust
27	1	Gasket, Tensioner
28	2	Asm., Bolt and Washer

WATER PUMP

SPORTSMAN 500 HO A05MH50AB and SPORTSMAN 500 HO A05MH50AC and SPORTSMAN 500 HO A05MH50AG and SPORTSMAN 500 HO A05MH50AH and SPORTSMAN 500 INT'L A05MH50FB

© 2004 Polaris Sales Inc.



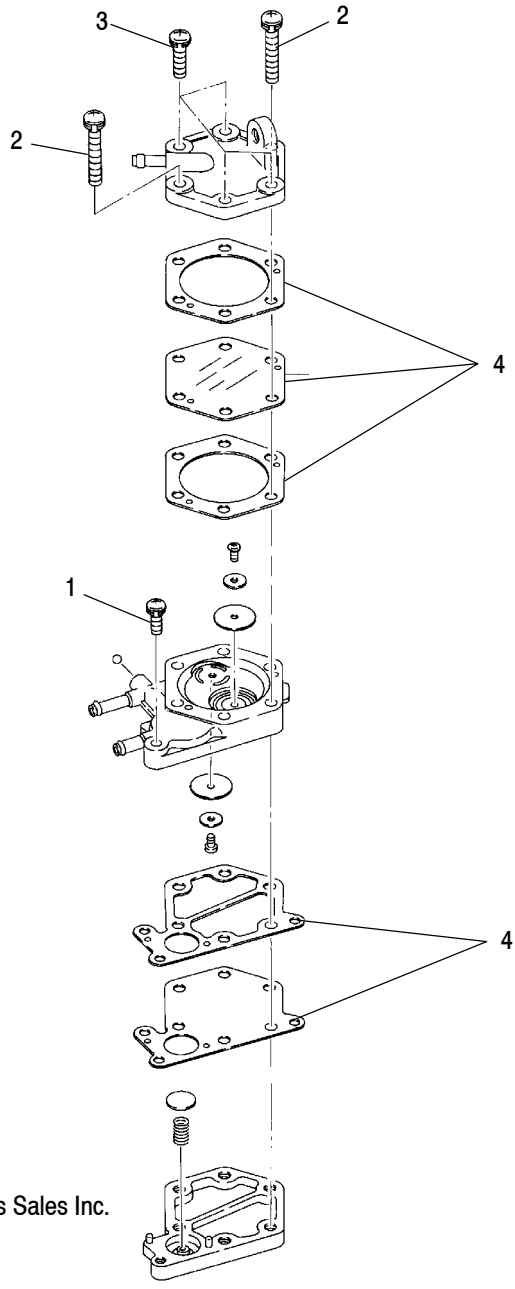
Part numbers may change after the making of the microfiche or paper copies. Electronic records are the most current.

Ref. Part No.	Qty.	Description
1	3086774	2 Clamp, Hose
2	3085857	1 Hose, Main
3	3084940	1 Thermostat
4	3089246	1 Asm., Thermo Sensor
5	3084942	1 Washer, Seal
6	3084935	1 Impeller

Ref. Part No.	Qty.	Description
7	7555998	2 Washer, Flat
8	3085077	1 Nut, Self Lock
9	3086840	1 Gasket, Water Pump
10	3085351	1 Cover, Water Pump
11	3085359	1 Bolt, Flange
12	3084877	4 Bolt, Flange

FUEL PUMP

SPORTSMAN 500 HO A05MH50AB and SPORTSMAN 500 HO A05MH50AC and SPORTSMAN 500 HO A05MH50AG and SPORTSMAN 500 HO A05MH50AH and SPORTSMAN 500 INT'L A05MH50FB



© 2004 Polaris Sales Inc.

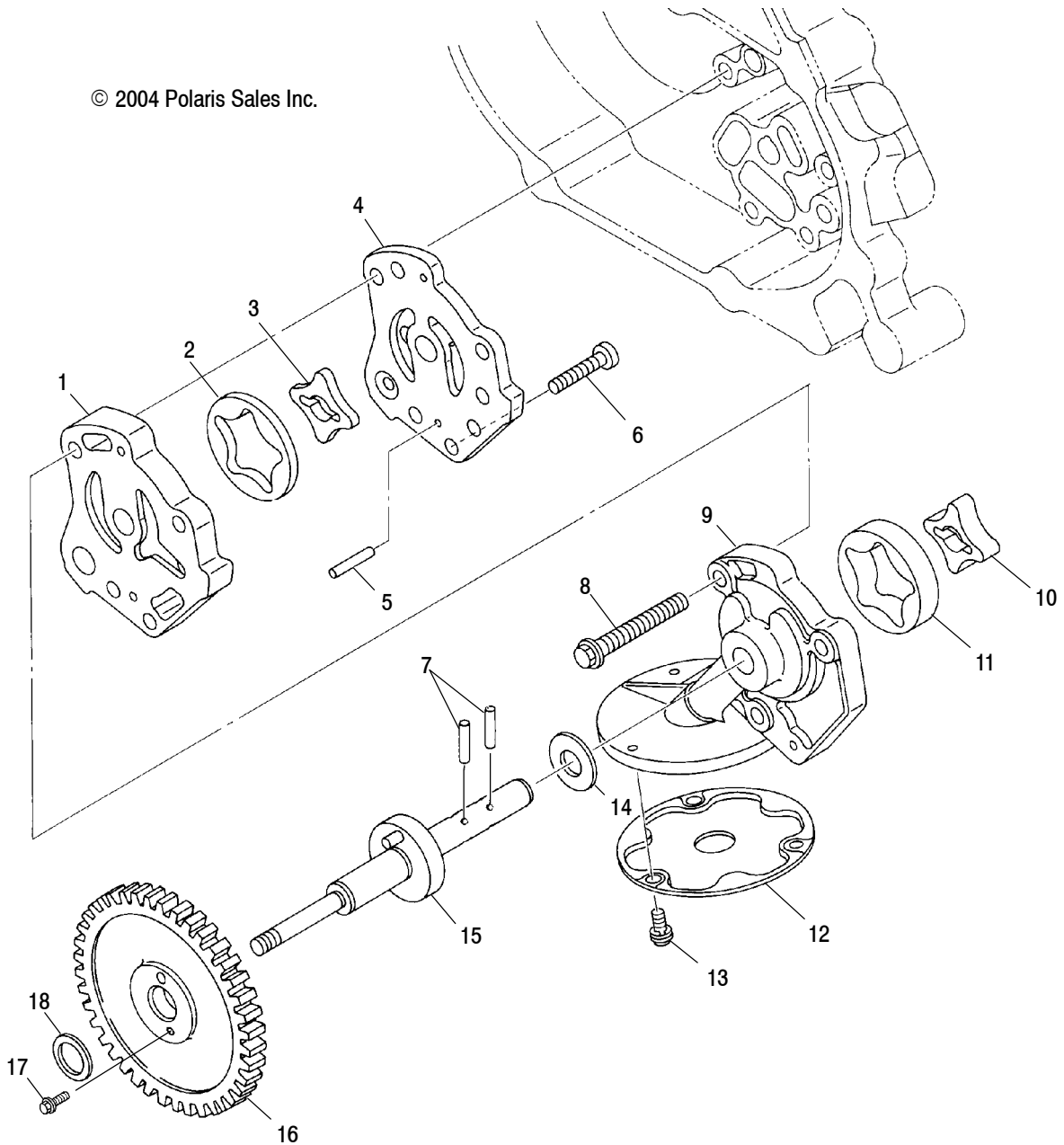
Part numbers may change after the making of the microfiche or paper copies. Electronic records are the most current.

Ref. Part No.	Qty.	Description	Ref. Part No.	Qty.	Description
	1	Asm., Fuel Pump (Incl. 1-4)	3	3084591	4 Screw & Washer
1	3084999	1 Screw and Washer	4	3088170	1 Diaphragm, Gasket Set
2	3085356	2 Screw and Washer			

OIL PUMP

SPORTSMAN 500 HO A05MH50AB and SPORTSMAN 500 HO A05MH50AC and SPORTSMAN 500 HO A05MH50AG and SPORTSMAN 500 HO A05MH50AH and SPORTSMAN 500 INT'L A05MH50FB

© 2004 Polaris Sales Inc.



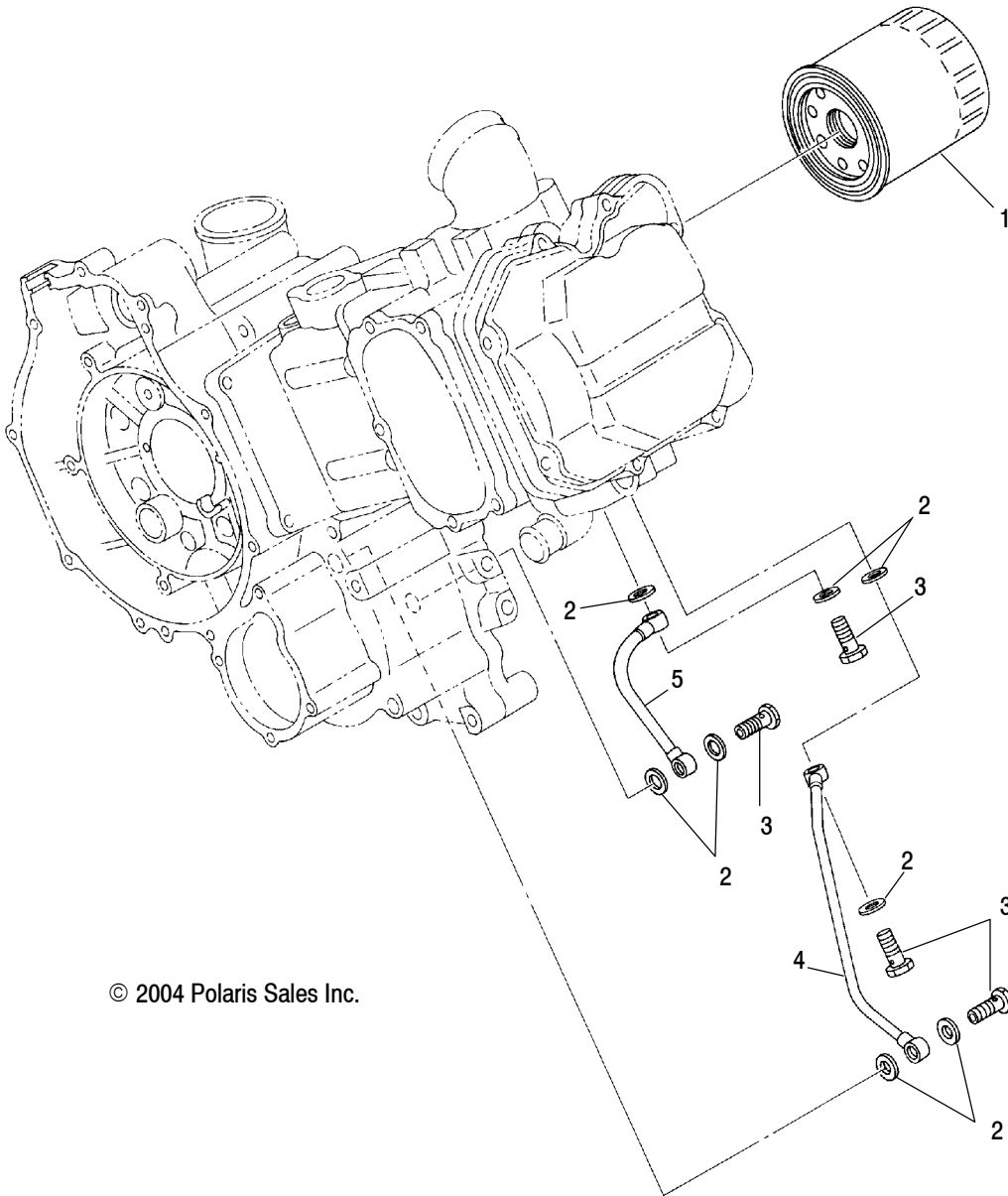
Part numbers may change after the making of the microfiche or paper copies. Electronic records are the most current.

Ref. Part No.	Qty.	Description
1 3084946	1	Pump, Oil, Case 2
2 3084949	1	Rotor, Outer, Feed
3 3084948	1	Rotor, Inner, Feed
4 3088210 3087264	1	Asm., Oil Pump (Incl. 1-7,9-15) Pump, Oil, Case 1
5 3084955	2	Pin, Dowel
6 3085535	1	Screw
7 3084954	2	Pin, Dowel
8 3084962	3	Bolt and Washer
9 3087265	1	Pump, Oil, Case 3
10 3084950	1	Rotor, Inner, Scav

Ref. Part No.	Qty.	Description
11 3084951	1	Rotor, Outer
12 3084956	1	Unit, Oil Strainer
13 3084205	3	Screw and Washer
14 3084953	1	Washer
15 3085858	1	Shaft, Pump
16 3087173	1	Gear, Pump, 2
17 3085820	2	Bolt, Flange
18 3084959	AR	Spacer (0.8)
3084960	AR	Spacer (1.0)
3084961	AR	Spacer (1.2)

OIL FILTER

SPORTSMAN 500 HO A05MH50AB and SPORTSMAN 500 HO A05MH50AC and SPORTSMAN 500 HO A05MH50AG and SPORTSMAN 500 HO A05MH50AH and SPORTSMAN 500 INT'L A05MH50FB



© 2004 Polaris Sales Inc.

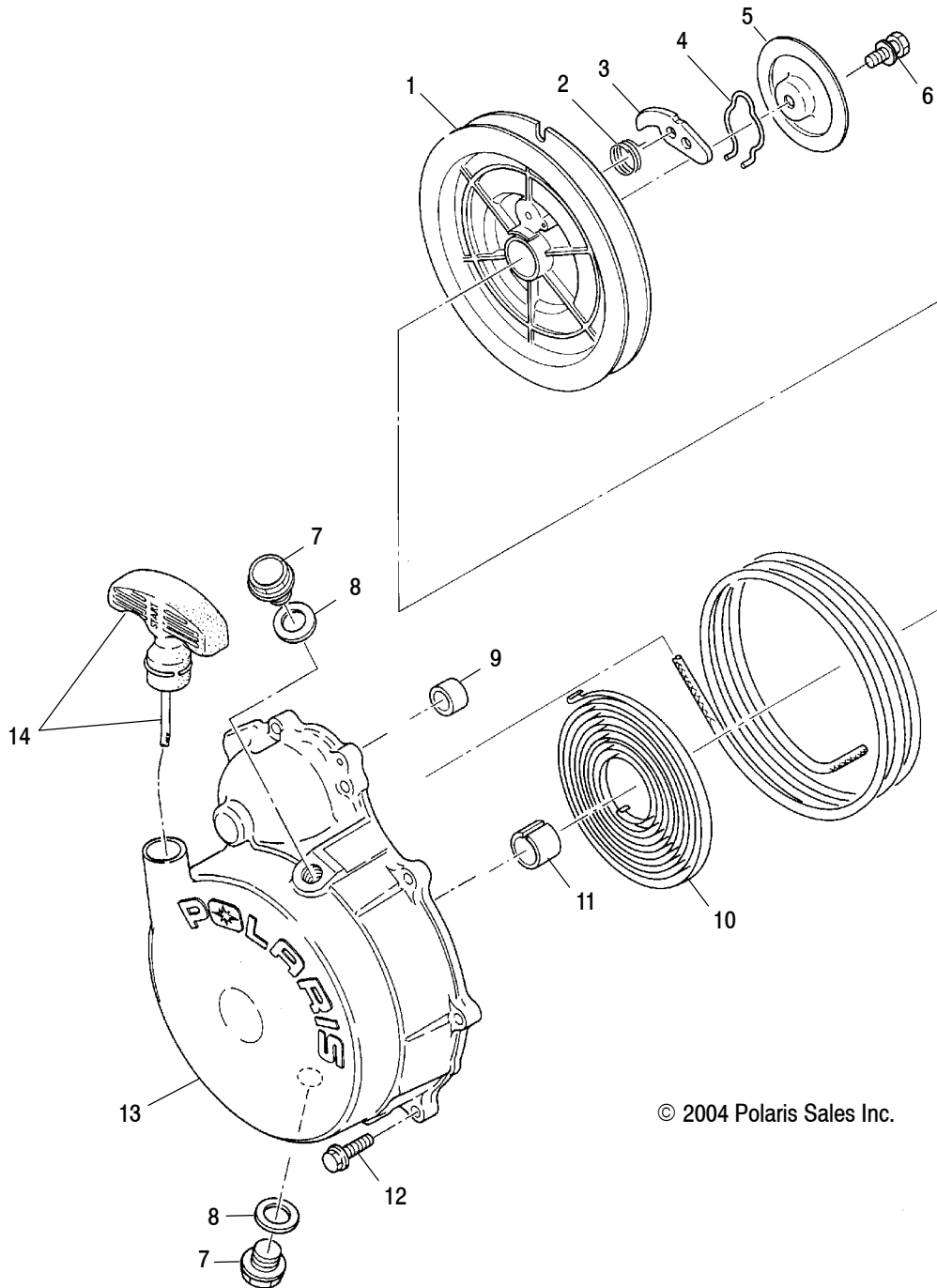
Part numbers may change after the making of the microfiche or paper copies. Electronic records are the most current.

Ref. Part No.	Qty.	Description
1	3084963	1 Oil Filter
2	3084846	8 Gasket, Aluminum
3	3086815	4 Bolt, Banjo

Ref. Part No.	Qty.	Description
4	3084965	1 Pipe, Oil Delivery 2
5	3084964	1 Pipe, Oil Delivery 1

RECOIL STARTER

SPORTSMAN 500 HO A05MH50AB and SPORTSMAN 500 HO A05MH50AC and SPORTSMAN 500 HO A05MH50AG and SPORTSMAN 500 HO A05MH50AH and SPORTSMAN 500 INT'L A05MH50FB



© 2004 Polaris Sales Inc.

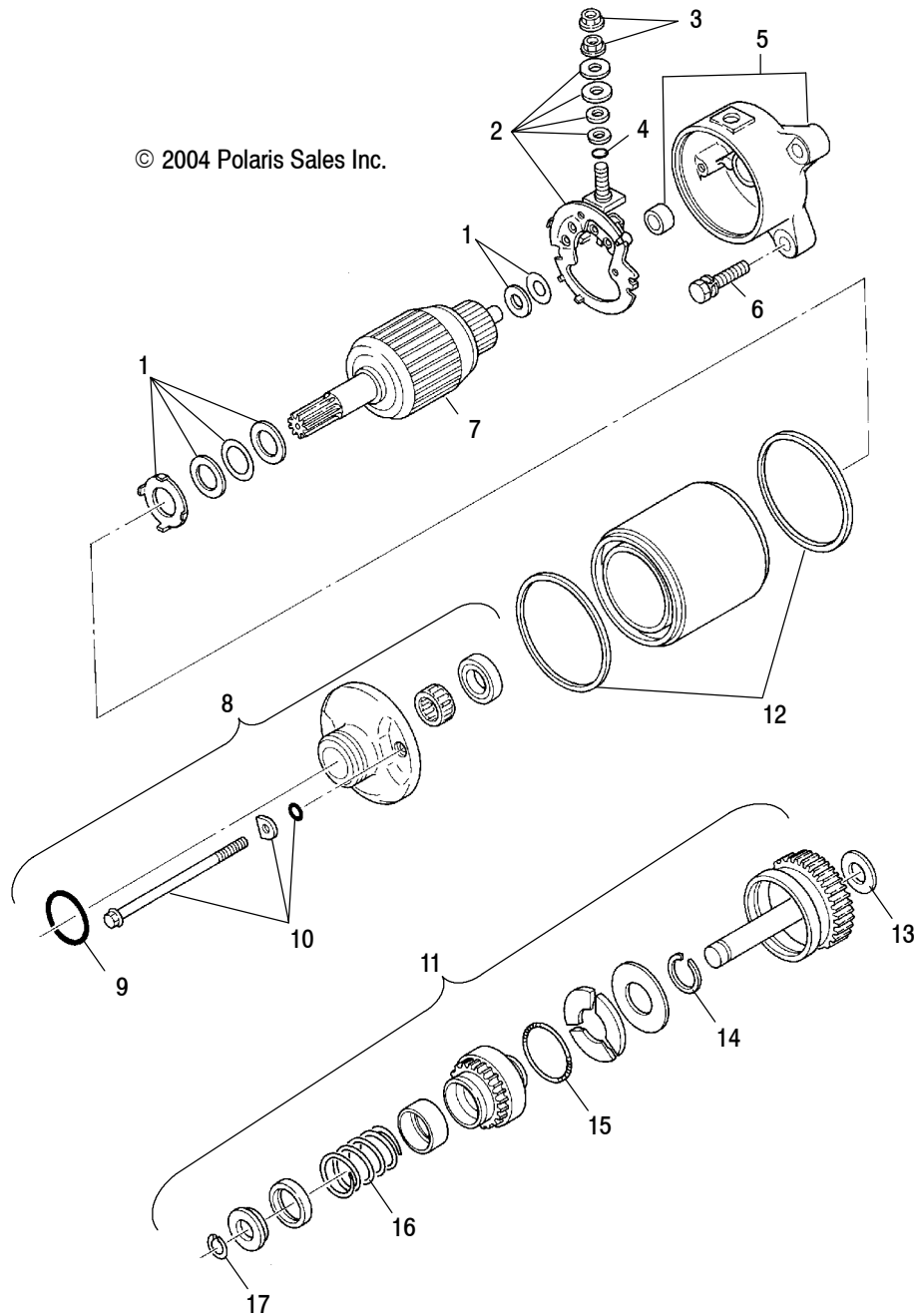
Part numbers may change after the making of the microfiche or paper copies. Electronic records are the most current.

Ref. Part No.	Qty.	Description
1	3084822	1 Reel
2	3083463	1 Spring, Return
3	3083378	1 Ratchet
4	3083379	1 Spring, Friction
5	3084744	1 Plate, Friction
6	3085266	1 Bolt and Washer
7	3086749	2 Plug
8	3082956	2 Gasket

Ref. Part No.	Qty.	Description
9	3083669	1 Bushing, Starter
10	3083185	1 Spring, Spiral
11	3084750	1 Bushing
12	3084877	9 Bolt, Flange
13	3087163 3087164	1 Asm., Recoil (Incl. 1-6,9-11,13,14) 1 Starter Case (Incl. 11)
14	3085083	1 Asm., Rope

STARTING MOTOR

SPORTSMAN 500 HO A05MH50AB and SPORTSMAN 500 HO A05MH50AC and SPORTSMAN 500 HO A05MH50AG and SPORTSMAN 500 HO A05MH50AH and SPORTSMAN 500 INT'L A05MH50FB



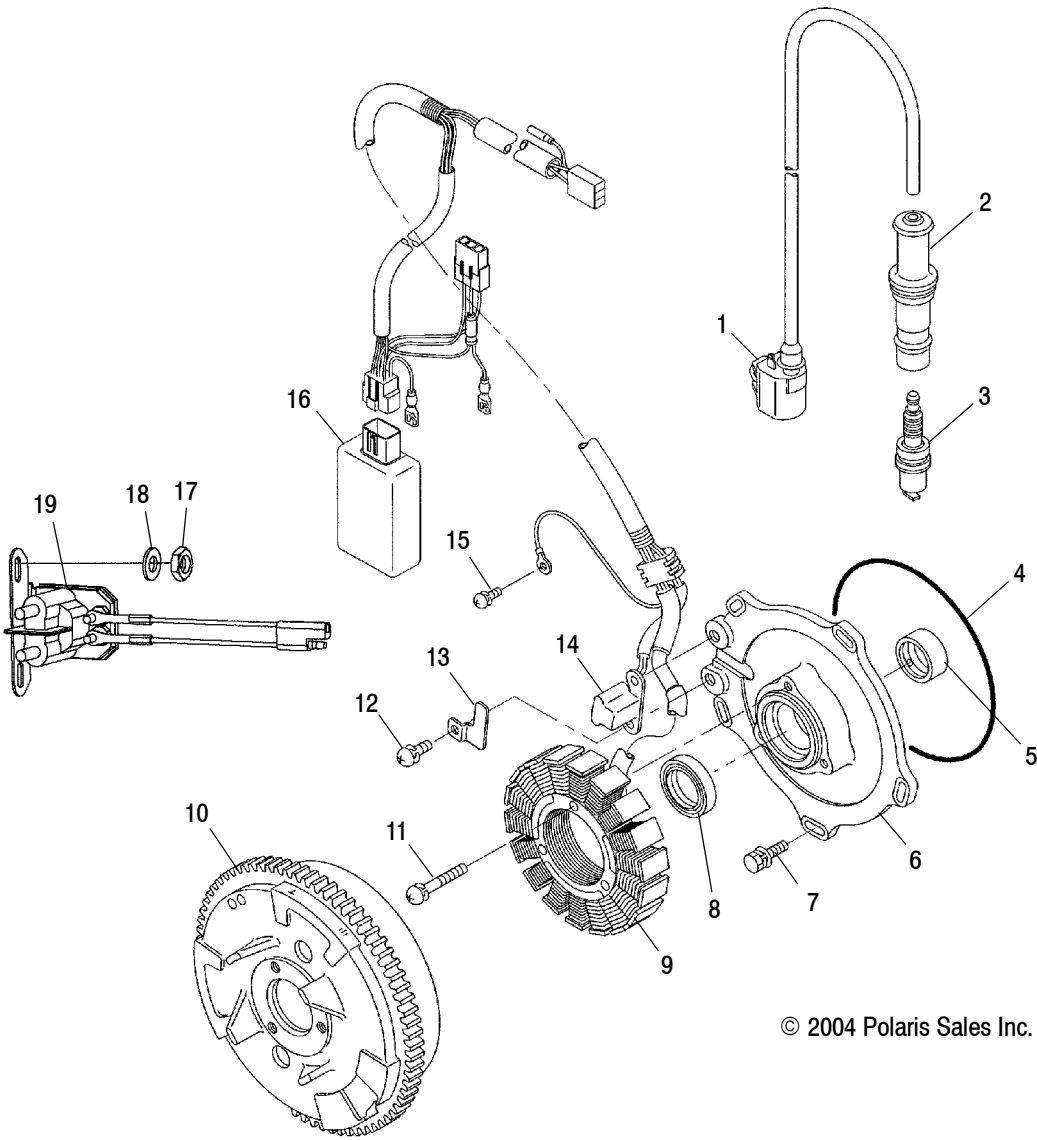
Part numbers may change after the making of the microfiche or paper copies. Electronic records are the most current.

Ref. Part No.	Qty.	Description
		3084981 1 Starting Motor (Incl. 1-5,7-10,12)
1	1	3084982 1 Washer Set
2	1	3088169 1 Brush, Carbon
3	2	3083649 2 Nut, Flange
4	3	3084408 3 O-Ring
5	1	3085034 1 Bracket, Rear
6	2	3082038 2 Bolt and Washer
7	1	3085353 1 Armature
8	1	3085033 1 Asm., Front Bracket (Incl. 9)

Ref. Part No.	Qty.	Description
9	1	3240114 1 O-Ring
10	2	3084983 2 Asm., Bolt Set (Incl. 4)
11	1	3087030 1 Asm., Gear Shaft (Incl. 14-17)
12	2	3084405 2 Ring, Rubber
13	1	7555908 1 Washer, Thrust
14	1	3084412 1 Clip
15	1	3084411 1 Spring, Weight
16	1	3084410 1 Spring, Return
17	1	3084409 1 Clip

MAGNETO

SPORTSMAN 500 HO A05MH50AB and SPORTSMAN 500 HO A05MH50AC and SPORTSMAN 500 HO A05MH50AG and SPORTSMAN 500 HO A05MH50AH and SPORTSMAN 500 INT'L A05MH50FB



© 2004 Polaris Sales Inc.

Part numbers may change after the making of the microfiche or paper copies. Electronic records are the most current.

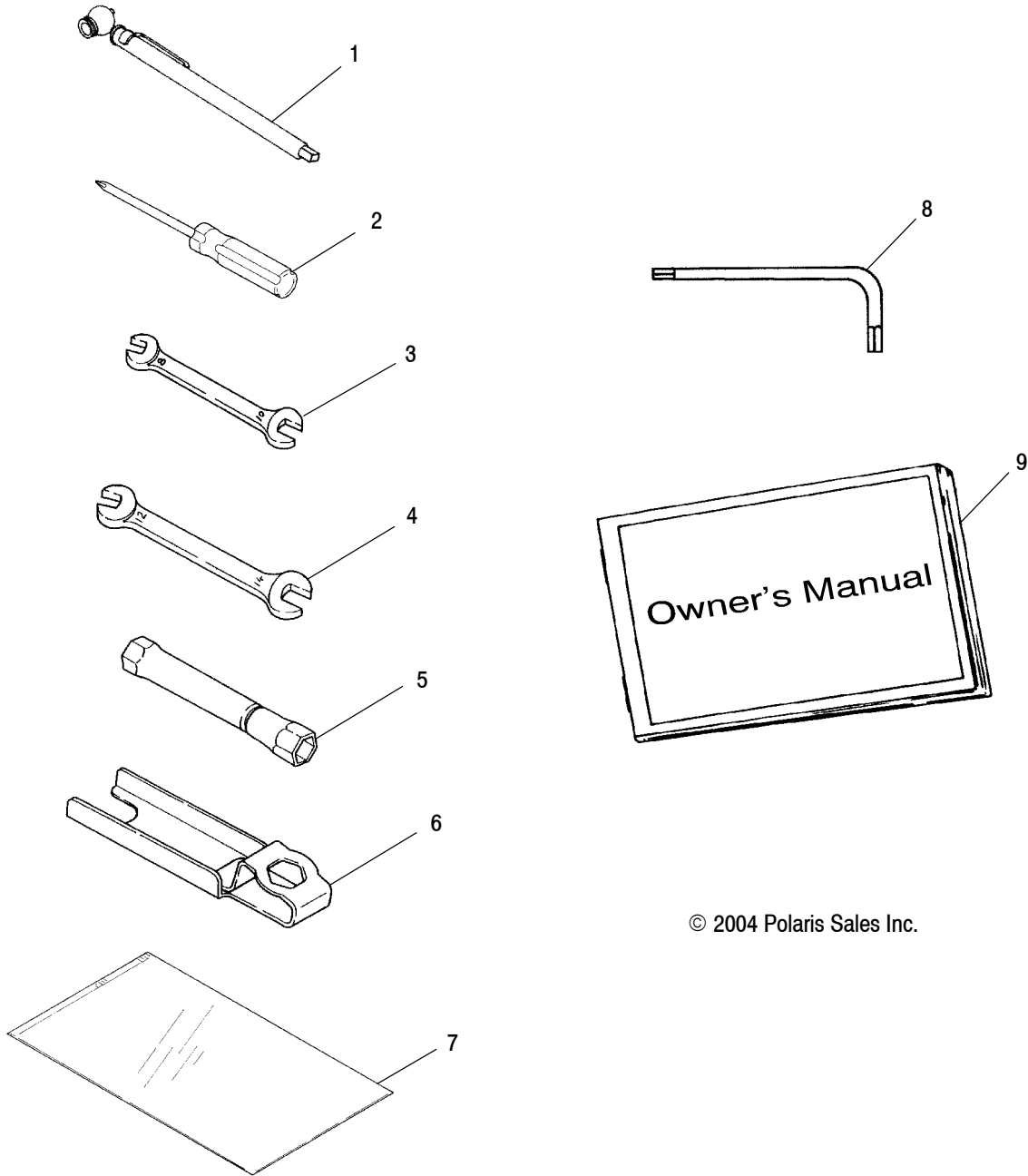
Ref.	Part No.	Qty.	Description
1	3089239	1	Coil, Ignition (Incl. 2)
2	3084980	1	Cap, Spark Plug
3	3070172	1	Plug, Spark, NGK BKR6E
4	3084978	1	O-Ring
5	3084972	1	Metal, Bearing
6	3089545 3089248	1 1	Asm., Plate (Incl. 5,8-15) Plate
7	3081657	5	Bolt and Washer
8	3084973	1	Seal, Oil
9	3089546	1	Stator (Incl. 13)

Ref.	Part No.	Qty.	Description
10	3089544	1	Flywheel w/Ring Gear
11	3089547	3	Screw and Washer
12	3084976	2	Screw and Washer
13	3089250	1	Band, Pulse
14	3089254	1	Coil, Pulser
15	3081256	1	Screw and Washer
16	3089238	1	CDI System
17	7547283	2	Nut
18	7552801	2	Washer, Spring Lock
19	4010930	1	Switch, Magnetic

8/04

TOOL KIT

SPORTSMAN 500 HO A05MH50AB and SPORTSMAN 500 HO A05MH50AC and SPORTSMAN 500 HO A05MH50AG and SPORTSMAN 500 HO A05MH50AH and SPORTSMAN 500 INT'L A05MH50FB



© 2004 Polaris Sales Inc.

Part numbers may change after the making of the microfiche or paper copies. Electronic records are the most current.

Ref. Part No.	Qty.	Description
3085383	1	Kit, Tool (Incl. 2-8)(If built before 8/02/04)
2874924	1	Kit, Tool (Incl. 2-8)(If built after 8/02/04)
1 2870725	1	Gauge, Tire Pressure
2 3082657	1	Screwdriver
3 3085001	1	Wrench, 8-10 Open
4 3085002	1	Wrench, 12-14 Open

Ref. Part No.	Qty.	Description
5 3085568	1	Wrench, Box
6 3085569	1	Puller, Spark Plug (Wrench Handle)
7 2682572	1	Pouch, Tool Kit
8 2873647	1	Wrench, Torx (If built before 8/02/04)
2874858	1	Wrench, Torx (If built after 8/02/04)
9 9919412	1	Owner's Manual, '05 Sportsmans, 4/5/6/700



PRINTED IN THE USA

PARTS MANUAL PN 9919416 and MICROFICHE PN 9919417 7/04