



Technische tekeningen voor Suzuki GSXF 750 of Katana 750

FIG.25

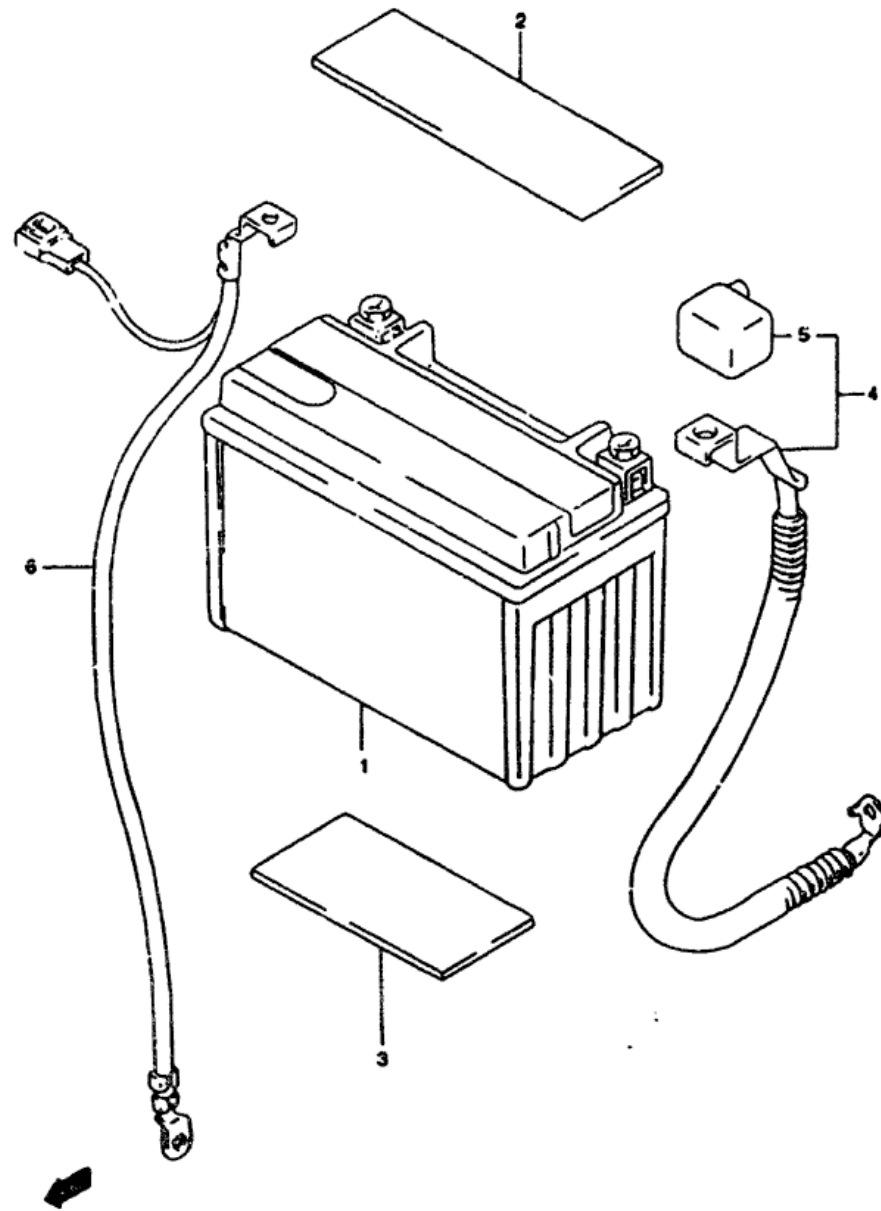


FIG.25 (E-6)		BATTERY		
REF.NO.	PART NO.	DESCRIPTION	Q'TY	REMARKS
1	33610-33E20	BATTERY ASSY (12V,8AH)	1	FTX9-BS
2	33651-37000	PROTECTOR (170X96X3.0)	4	CUT AS REQUIRED PROFILE (115X50X3),(40X85X3)
3	33652-35400	PROTECTOR (20X30X8.0)	2	
4	33820-48E00	WIRE, BATTERY PLUS LEAD	1	
5	33624-16E00	.CAP, BATTERY PLUS	1	
6	33860-08F00	WIRE, BATTERY MINUS LEAD	1	

FIG.14

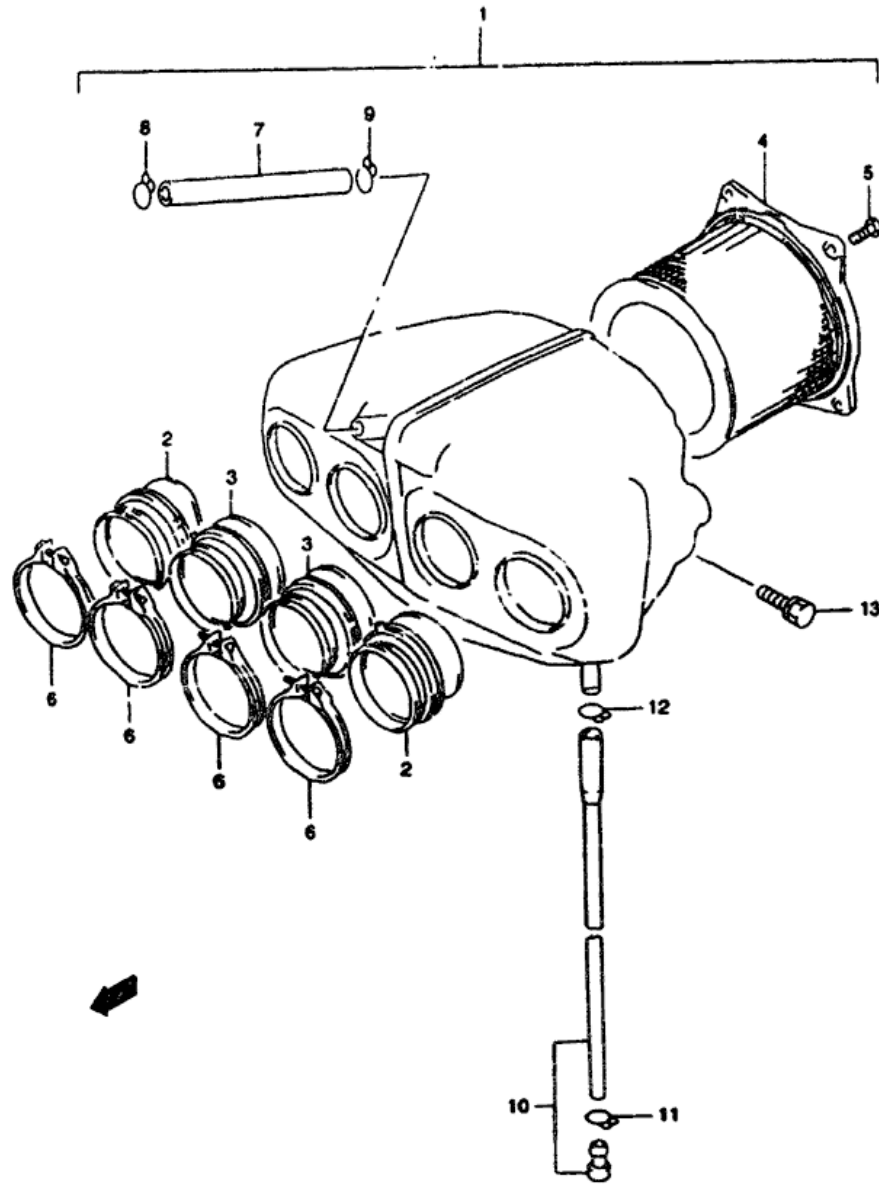


FIG.14 (C-5) AIR CLEANER

REF.NO.	PART NO.	DESCRIPTION	QTY	REMARKS
1	13700-08F00	CLEANER ASSY, AIR	1	
2	13881-08F00	TUBE, OUTLET OUTSIDE	2	
3	13882-08F00	TUBE, OUTLET INSIDE	2	
4	13780-20C00	FILTER	1	
5	02142-05123	SCREW	4	
6	09402-64203	CLAMP	4	
7	13853-19C00	TUBE, BREATHER	1	
8	09401-14301	CLIP	1	
9	09401-16401	CLIP	1	
10	13870-11458	TUBE, DRAIN	1	
11	09401-13409	CLIP	1	
12	09401-13409	CLIP	1	
13	01580-06163	SCREW	2	

16 GSX750FY E3

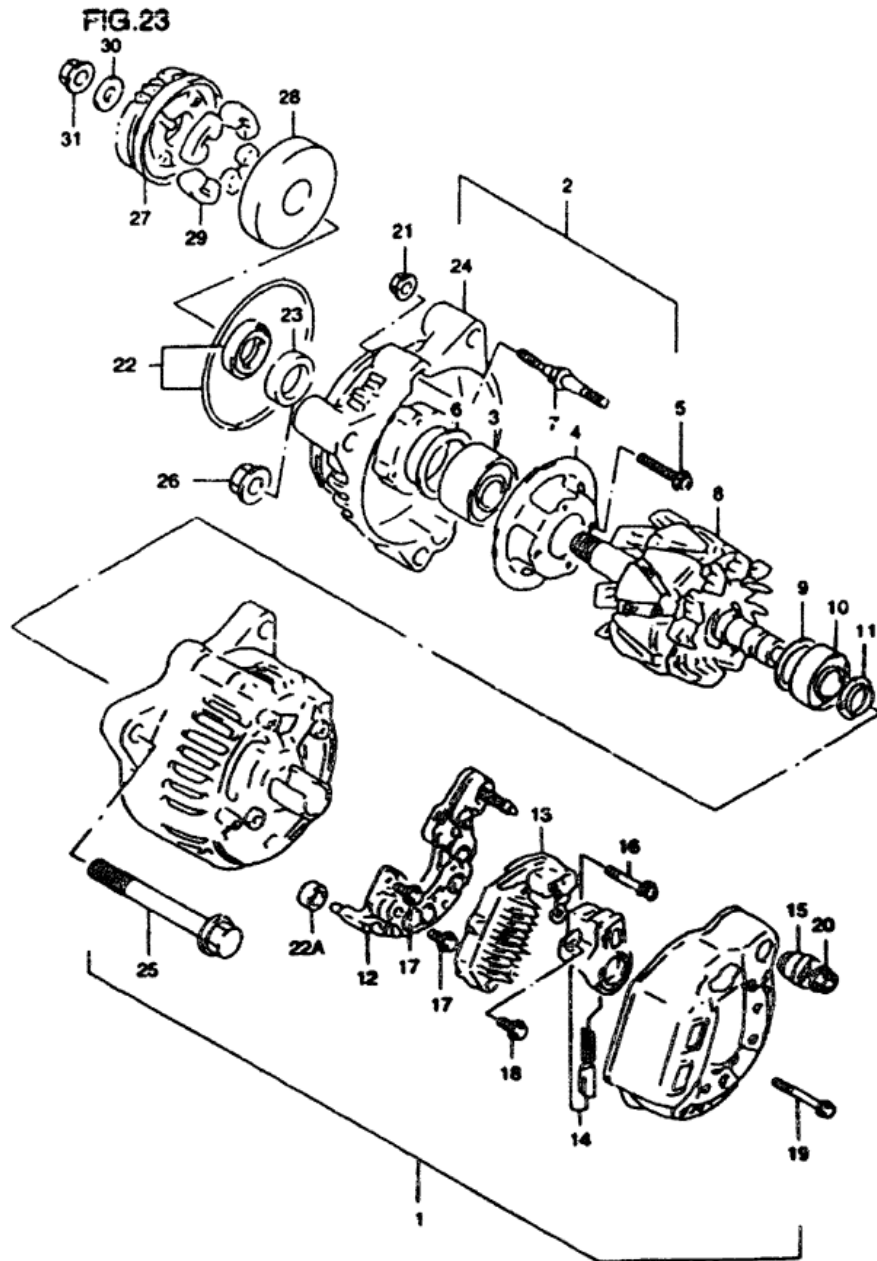


FIG.23 (E-3) ALTERNATOR

REF.NO.	PART NO.	DESCRIPTION	Q'TY	REMARKS
1	31400-03F01	ALTERNATOR ASSY	1	
2	31580-03F00	FRAME, DRIVE END	1	
3	31612-06800	BEARING	1	
4	31585-03F00	RETAINER	1	
5	31586-03F00	SCREW (4X14)	4	
6	31613-48800	COVER BEARING	1	
7	31587-85250	STUD BOLT	2	
8	31710-03F00	ROTOR ASSY	1	
9	31613-82R10	COVER, BEARING	1	
10	31612-48800	BEARING	1	
11	31613-27A10	COVER, NO.2	1	
12	31621-03F00	HOLDER, RECTIFIER	1	
13	32500-03F00	REGULATOR ASSY	1	
14	31656-03F00	HOLDER, BRUSH	1	
15	31514-85250	REGULATOR, TERMINAL	1	
16	02112-34253	SCREW	1	
17	02112-04063	SCREW	6	
18	02112-04087	SCREW	1	
19	02112-04253	SCREW	3	
20	083F1-15063	NUT	1	
21	08316-10053	NUT	2	
22	31780-27X50	SERVICE KIT, A	1	FOR O RING
22A	31780-03F01	SERVICE KIT, B	1	FOR DAMPER RUBBER
23	31776-08800	SPACER	1	
24	31611-83F01	FRAME, END	1	
25	01550-08853	BOLT	3	
26	08361-35068	NUT	1	
27	Z2730-19C02	GEAR, GENERATOR DRIVEN (MT.30)	1	
28	Z2733-27A05	HOUSING DAMPER	1	
29	21231-08800	DAMPER	4	
30	08211-16283	WASHER	1	
31	08316-20103	NUT	1	

27 GS75BF YE

AIR CLEANER.....	C-05	COOLING FAN.....	C-04	ELECTRICAL.....	E-06	FRONT WHEEL.....	H-04	OIL COOLER.....	C-07	REAR WHEEL.....	I-04	TRANSMISSION.....	D-03
ALTERNATOR.....	E-03	COOLING BODY INSTAL	G-12	FOOTREST.....	F-04	FUEL COCK.....	F-07	OIL PAN.....	B-08	SEAT.....	N-02	TORN SIGNAL LAMP...	E-10
BATTERY.....	E-05	COOLING BODY.....	G-04	FRAME DRIVE.....	F-08	FRONT YAM.....	F-04	B-08	N-02

FIG.11

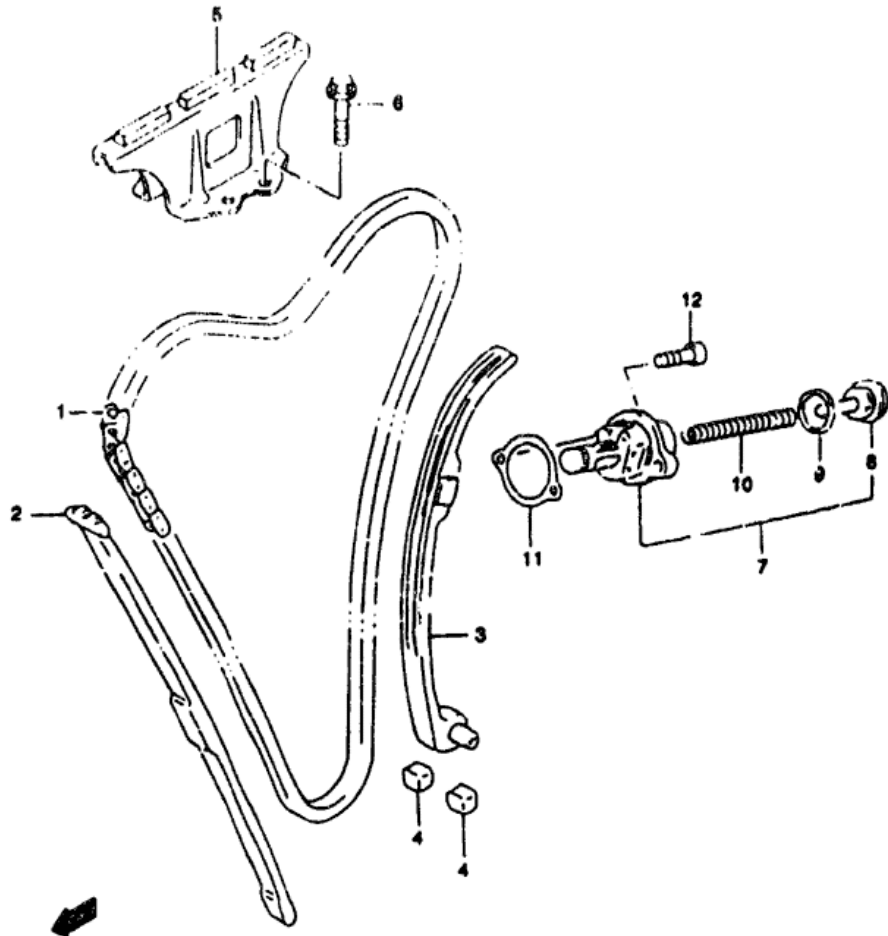


FIG.11 (B-13) CAM CHAIN

REF.NO.	PART NO.	DESCRIPTION	Q'TY	REMARKS
1	12760-26E00	CHAIN, CAM SHAFT DRIVE	1	
2	12771-26E00	GUIDE, CAM CHAIN NO 1	1	
3	12810-26E00	TENSIONER, CAM CHAIN	1	
4	12814-34200	CUSHION	2	
5	12782-26E00	GUIDE, CAM CHAIN NO 2	1	
6	01550-06163	BOLT	4	
7	12830-46E10	ADJUSTER ASSY, TENSIONER	1	
8	12834-27A00	PLUG	1	
9	12832-27A00	GASKET	1	
10	12833-26D10	SPRING	1	
11	12837-27A10	GASKET, ADJUSTER	1	
12	07130-06253	BOLT	2	

1: GSX750F Y E3

FIG.10

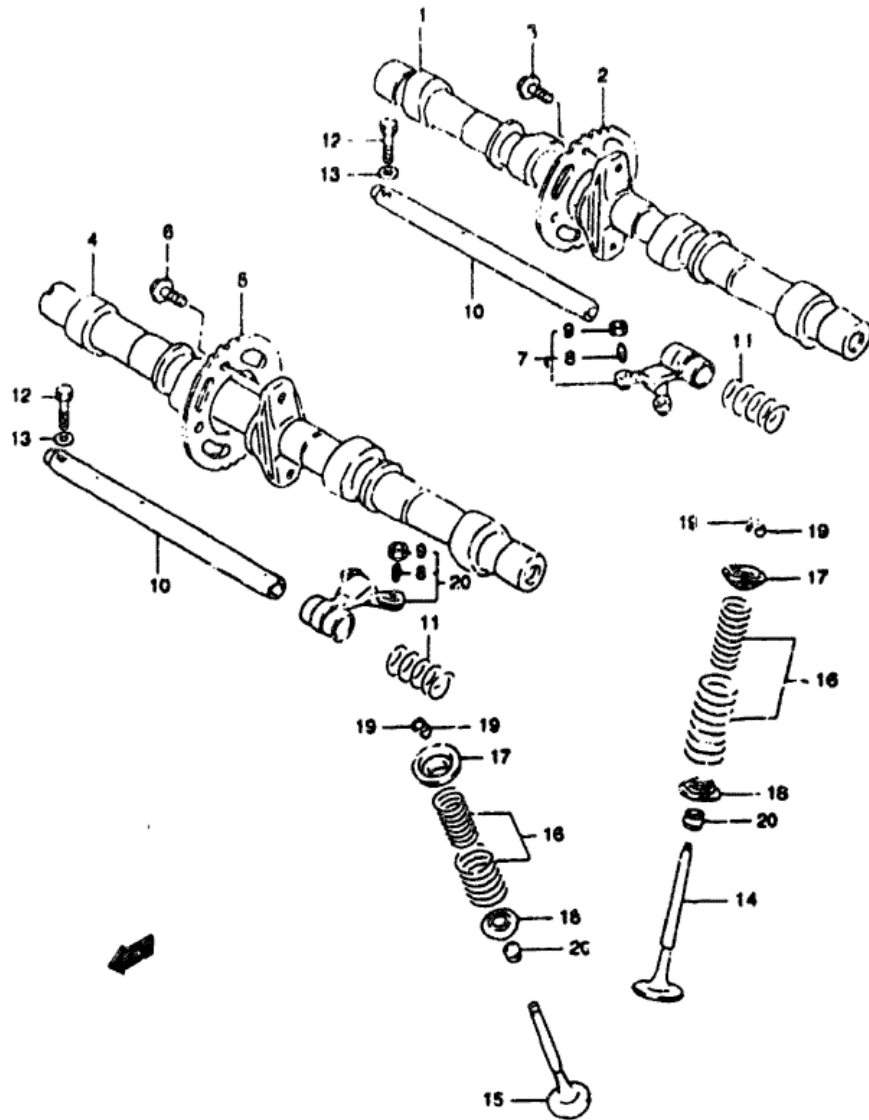


FIG.10 (B-12) CAM SHAFT - VALVE

REF.NO.	PART NO.	DESCRIPTION	Q'TY	REMARKS
1	12711-03F00	CAM SHAFT, INTAKE	1	
2	12741-26E00	SPROCKET, CAM SHAFT	1	
3	09103-07001	BOLT (7X11.5)	2	
4	12721-26E20	CAM SHAFT, EXHAUST	1	
5	12741-26E00	SPROCKET, CAM SHAFT	1	
6	09103-07001	BOLT (7X11.5)	2	
7	12840-27A01	ARM, VALVE RUCKER	8	
8	12842-49201	SCREW	16	
9	12843-27A00	NUT	16	
10	12861-27A00	SHAFT, VALVE ROCKER ARM	4	
11	09410-13014	SPRING	8	
12-1	01800-68703	BOLT	4	MODEL W/X
12-2	09112-08004	BOLT	4	MODEL Y
13	08322-01063	WASHER	4	
14	12911-03F00	VALVE, INTAKE	8	
15	12912-03F00	VALVE, EXHAUST	8	
16	12920-17C00	SPRING SET, VALVE	16	
17	12931-17C01	RETAINER, SPRING	16	
18	12933-17C00	SEAT, VALVE SPRING	16	
19	12932-27A00	COTTER, VALVE	32	
20	09269-05011	OIL SEAL (5X10X8.7)	16	

11 GSX750F Y E3

FIG.13

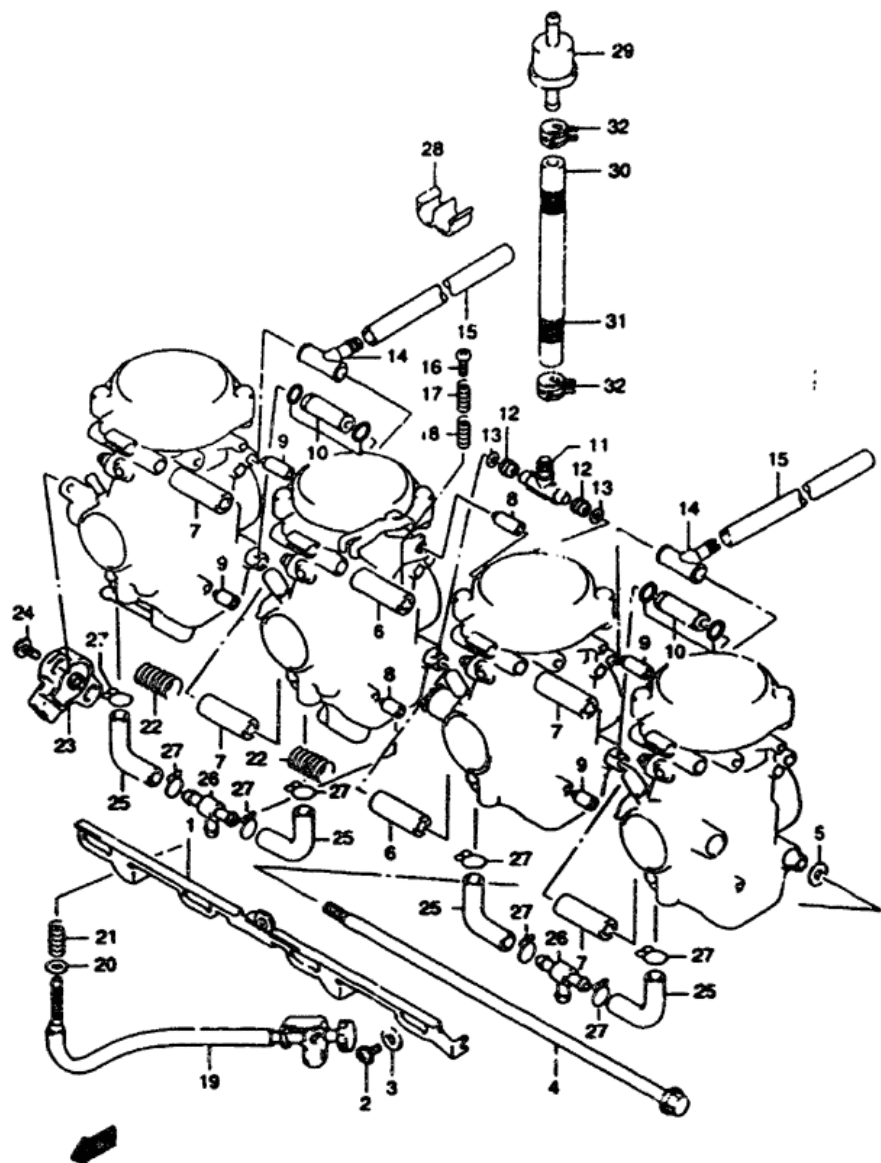


FIG.13 (C-4) CARBURTOR FITTINGS

REF.NO.	PART NO.	DESCRIPTION	QTY	REMARKS
1	13413-19E00	LEVER	1	
2	02142-04083	SCREW	3	
3	13557-33E00	PACKING	3	
4	13612-33E00	BOLT	2	
5	08322-01063	WASHER	1	
6	13685-19E20	PIPE	2	
7	13685-34E00	PIPE	4	
8	13665-19E00	ROD	2	
9	13665-19E30	ROD	4	
10	13685-08E00	PIPE ASSY	2	
11	13685-16E00	NIPPLE	1	
12	13673-44B00	SEAL	2	
13	13531-09300	WASHER	2	
14	13683-01D60	HOSE	2	
15-1	13683-19E00	HOSE	2	MODEL W/X
15-2	13684-40C00	HOSE	2	MODEL Y
16	13267-44B00	SCREW	3	
17	13271-44B00	SPRING	3	
18	13268-96110	SPRING	3	
19	13267-19E00	ADJUST SCREW ASSY	1	
20	13615-43010	WASHER	1	
21	13444-61A00	SPRING	1	
22	13573-06C10	SPRING	2	
23	13550-13D60	SENSOR ASSY, THROTTLE	1	
24	13602-55A00	SCREW, SENSOR	2	
25	13684-48B10	HOSE	4	E33
26	13685-48B00	NIPPLE	2	E33
27	09401-10410	CLIP	8	E33
28	09408-00100	CLAMP, AIR VENT HOSE	1	
29	15410-19E00	STRAINER, FUEL	1	
30	09335-70125-600	HOSE, FUEL	1	L-600→140
31	09440-14030	PROTECTOR	1	
32	09401-11407	CLIP	2	

15 GS75F YE3

C4

AIR CLEANER.....	C-05	COOLING FAN.....	C-08	ELECTRICAL.....	E-06	FRONT WHEEL.....	H-06	OIL COOLER.....	C-07	REAR WHEEL.....	I-04	TRANSMISSION.....	D-03
ALTERNATOR.....	E-05	COILING BODY INSTAL	G-12	FOOTREST.....	F-08	FUEL COCK.....	F-07	OIL PAN.....	B-08	SEAT.....	M-02	TURB SIGNAL LAMP...	E-10
BATTERY.....	E-05	COILING BODY.....	G-04	FRAME COVER.....	F-09	FUEL TANK.....	F-05	OIL PUMP.....	B-09	SIGNAL GENERATOR...	E-04	UNDER COILING.....	G-13

FIG.12

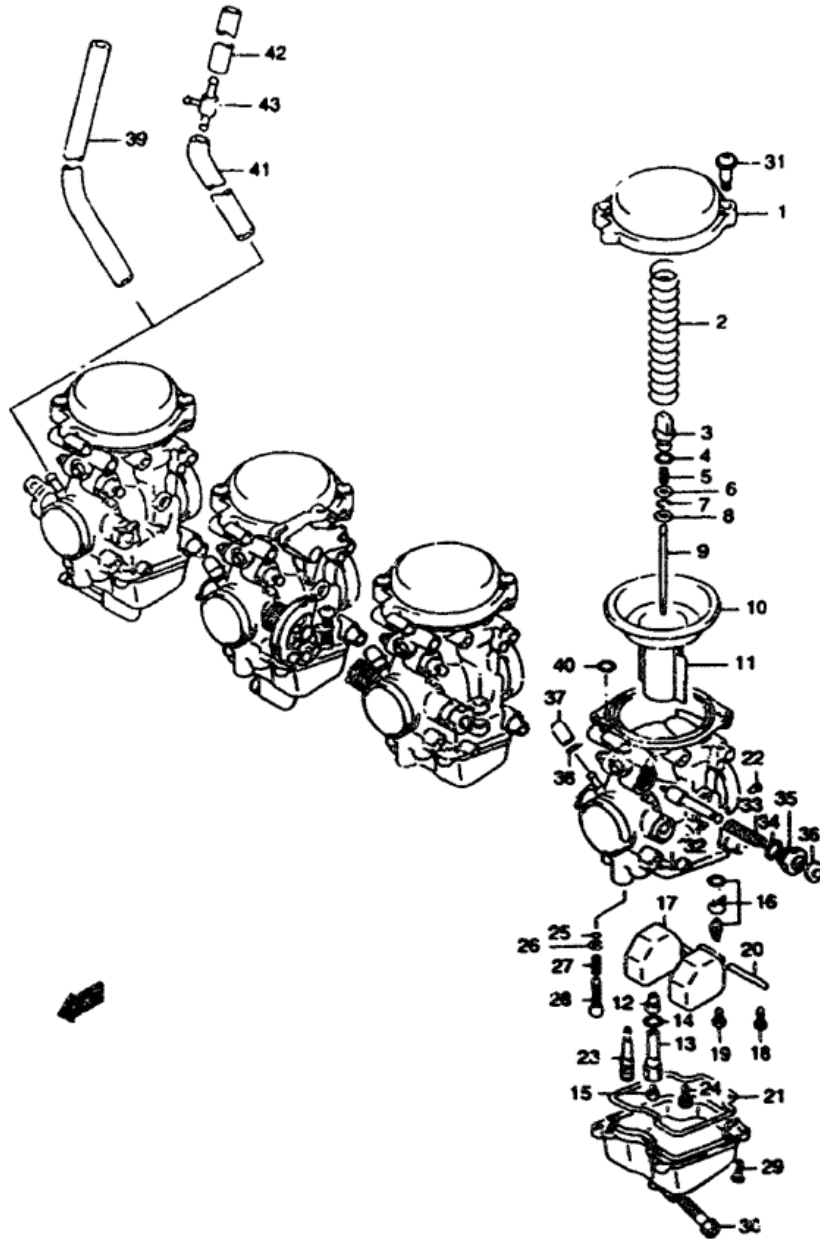


FIG.12(C-3) CARBURETOR

REF.NO.	PART NO.	DESCRIPTION	Q'TY	REMARKS
25	13295-29900	O RING	4	
26	13291-29900	WASHER	4	
27	13268-48700	SPRING	4	
28-1	13279-33E00	ADJUSTER (3.0)	4	
28-2	13279-33E00	ADJUSTER (3.1/2)	4	E33
28A	13281-05A00	PLUG	4	
29	02112-04107	SCREW	16	
30	13247-13A00	SCREW, DRAIN	4	
31	13247-33E00	SCREW	8	
32	13411-05300	PLUNGER	4	
33	13417-26D00	SPRING	4	
34	13278-47090	O RING	4	
35	13418-44080	HOLDER, GUIDE	4	
36	13682-31210	CAP, STARTER VALVE	4	
37	13274-84000	CAP	3	LH,ML,MR
38	09401-06101	CLIP	3	LH,ML,MR
39-1	13683-19E10	HOSE	1	RH MODEL W/X E3,E28
39-2	13684-02F10	HOSE	1	RH MODEL Y E3,E28
40	13295-33010	O RING	4	
41-1	13683-19E40	HOSE	1	MODEL W/X E33
41-2	13684-C3F10	HOSE	1	MODEL Y E33
42	13683-19E30	HOSE	1	E33
43	13685-48B00	NIPPLE	1	E33

14 GSX750FY E3

FIG.12

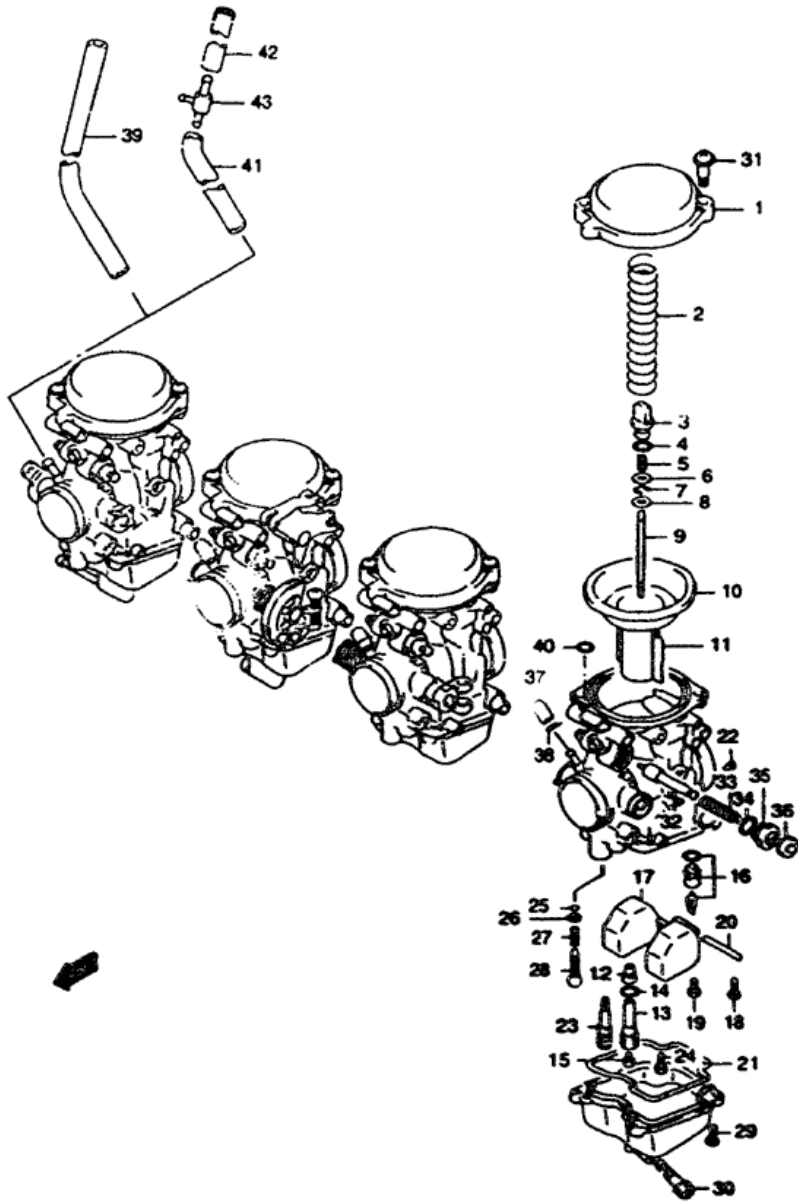


FIG.12 (C-2) CARBURETOR

REF.NO.	PART NO.	DESCRIPTION	QTY	REMARKS
	13201-08F30	CARBURETOR ASSY, LH	1	
	13201-08F40	CARBURETOR ASSY, LH	1	E33
	13202-08F30	CARBURETOR ASSY, ML	1	
	13202-08F40	CARBURETOR ASSY, ML	1	E33
	13203-08F30	CARBURETOR ASSY, MR	1	
	13203-08F40	CARBURETOR ASSY, MR	1	E33
	13204-08F30	CARBURETOR ASSY, RH	1	
	13204-08F40	CARBURETOR ASSY, RH	1	E33
1	1350L-00F00	DIAPHRAGM COVER	4	
2	13573-33E00	SPRING	4	
3	13418-33E00	HOLDER	4	
4	09280-05004	O RING	4	
5	13481-33E00	SPRING	4	
6	13382-19E00	WASHER	4	
7	13394-17E60	E RING, MULTIPLE JET NOZZLE	4	
8	13387-33E00	RING	4	
9-1	13383-08F30	NEEDLE, JET (50F21-53-1)	4	
9-2	13383-08F40	NEEDLE, JET (50F22-53-1)	4	E33
10	13507-17C01	DIAPHRAGM	4	
11	13501-08F00	VALVE, PISTON	4	
12	09494-00921	JET, NEEDLE (P-0M)	4	
13	13385-08F00	HOLDER, JET	4	
14	13246-43010	O RING	4	
15	09491-23019	JET, MAIN (117.5)	4	
16	13370-08F00	VALVE ASSY, NEEDLE (2.5)	4	
17	13250-04F00	FLOAT ASSY	4	
18	02112-04083	SCREW	4	
19	13602-05A10	SCREW	4	
20	13254-01010	PIN, FLOAT	4	
21	13258-04F00	GASKET	4	
22-1	09493-28013	JET, PILOT AIR (140)	4	
22-2	09492-26002	JET, PILOT AIR (130)	4	E33
23	09492-12008	JET, PILOT (15)	4	
24	09491-50006	JET, STARTER (50)	4	

13 GSX750F Y E3

AIR CLEANER.....	C-85	COUPLING FAN.....	C-98	ELECTRICAL.....	E-04	FRONT WHEEL.....	H-06	OIL COOLER.....	C-87	REAR WHEEL.....	I-06	TRANSMISSION.....	D-03
ALTERNATOR.....	E-03	COUPLING BODY INSTAL.....	G-12	FRONTREST.....	F-04	FUEL COCK.....	F-07	OIL PAN.....	B-68	SEAT.....	H-02	TURN SIGNAL LAMP.....	E-18
BATTERY.....	E-05	COUPLING BODY.....	G-06	FRAME COVER.....	F-09	FUEL TANK.....	F-25	OIL PUMP.....	B-89	SIGNAL GENERATOR.....	E-04	UNDER COUPLING.....	G-13
CAM SHAFT.....	B-11	CRANKCASE COVER.....	B-07	FRAME.....	F-01	FRONT FENDER.....	F-01						

FIG.19

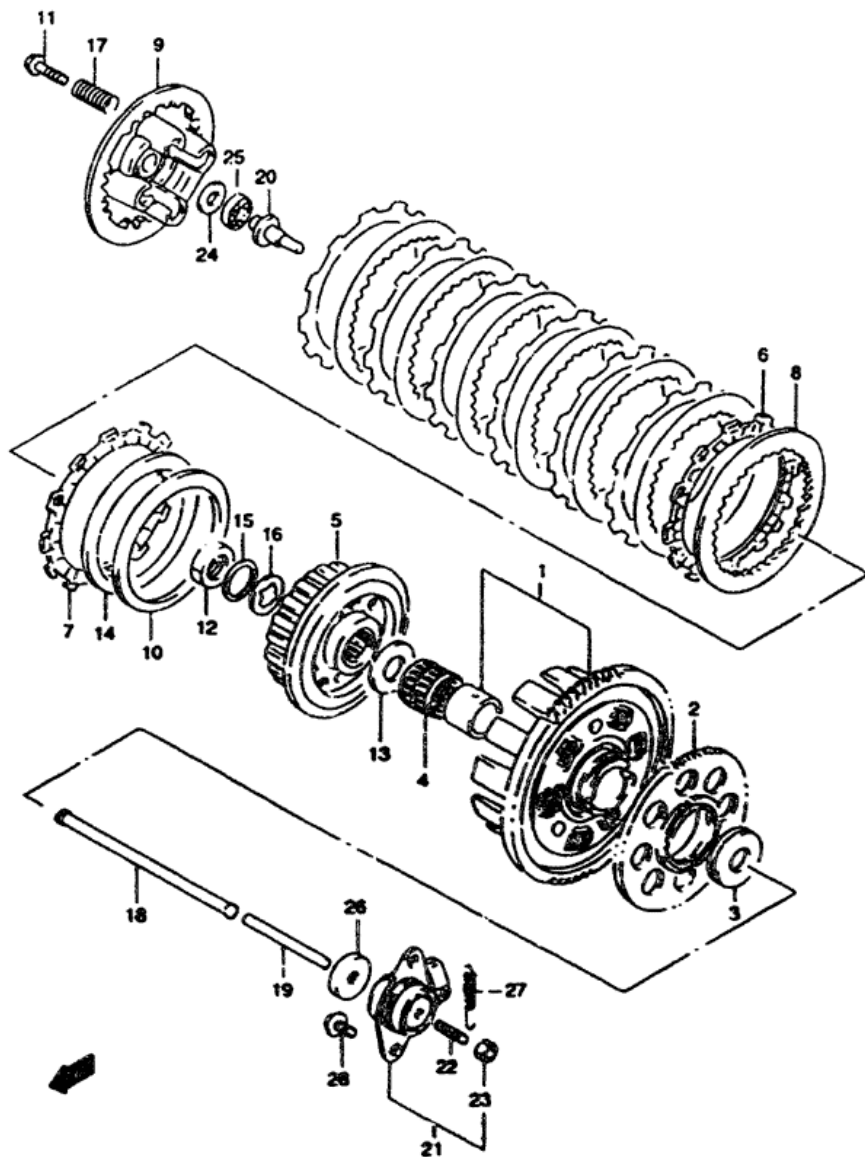


FIG.19 (D-2)

CLUTCH

REF.NO.	PART NO.	DESCRIPTION	QTY	REMARKS
1	21200-26832	GEAR, PRIMARY DRIVEN (NT:75)	1	
2	22721-17002	GEAR, GENERATOR (NT:34/64)	1	
3	09160-25037	WASHER (25.1X54X2.5)	1	
4	09263-35017	BEARING (35X40X35.8)	1	
5	21410-27A02	HUB, CLUTCH SLEEVE	1	
6	21441-37430	PLATE, CLUTCH DRIVE NO.1	7	
7	21442-37401	PLATE, CLUTCH DRIVE NO.2	1	
8	21451-05A00	PLATE, CLUTCH DRIVEN	7	
9	21462-27A00	DISK, CLUTCH PRESSURE	1	
10	21471-37400	SEAT, CLUTCH PLATE WAVE WASHER	1	
11-1	09116-06167	BOLT (6X20)	4	MODEL W
11-2	09116-06150	BOLT (6X25)	4	MODEL XY
12	09140-22008	NUT, CLUTCH SLEEVE HUB	1	
13	09160-2C056	WASHER (25X50X2.5)	1	
14	09164-00004	WASHER	1	
15	09164-22007	WASHER (22.2X35X2)	1	
16	09181-22251	WASHER (22X36X1.0)	1	
17	09440-20020	SPRING, CLUTCH	4	
18	23110-20C00	ROD, CLUTCH PUSH,RH	1	
19	23111-15501	ROD, CLUTCH PUSH,LH	1	
20	23121-27A00	PIECE, CLUTCH PUSH	1	
21	23200-31300	SCREW ASSY, CLUTCH RELEASE	1	
22	09134-06010	SCREW (6X25)	1	
23	08310-00067	NUT	1	
24	09160-15045	WASHER (15.5X28X1)	1	
25	09263-15003	BEARING, CLUTCH (15X28X2)	1	
26	08285-08015	SEAL, CLUTCH (6X34X5.3)	1	
27	09443-07038	SPRING, CLUTCH RETURN	1	
28	01550-06163	BOLT, CLUTCH SCREW	2	

21 GSX750F Y E3

FIG.17

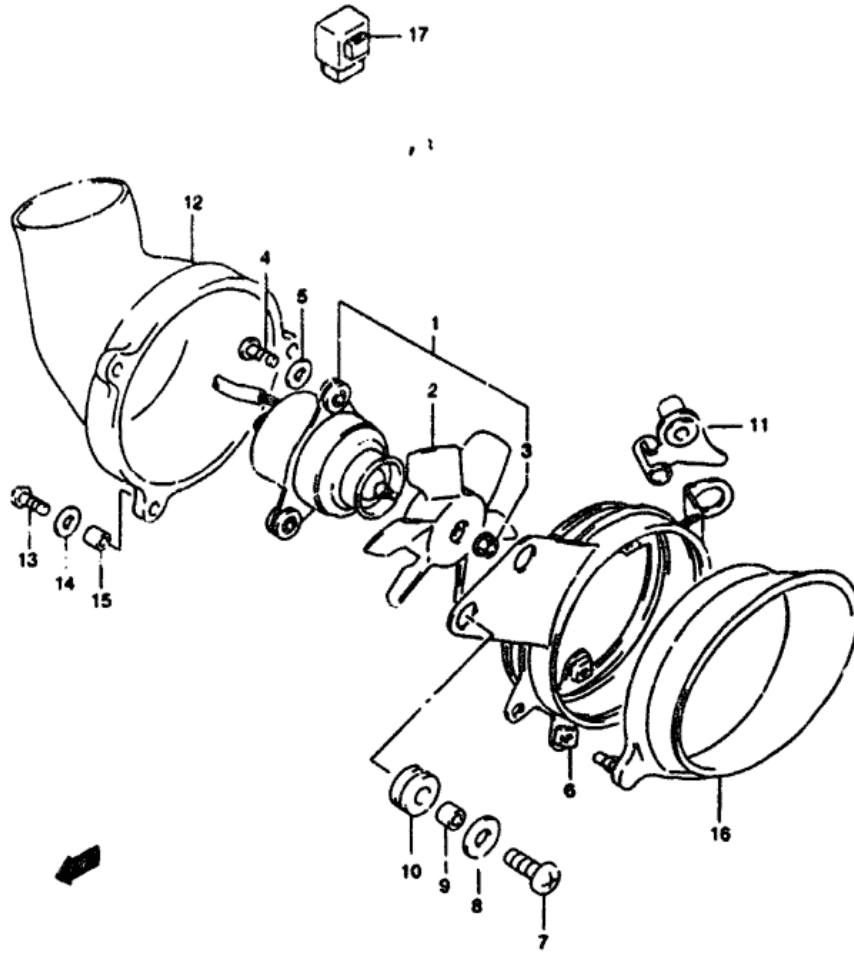


FIG.17 (C-8) COOLING FAN (E33)

REF.N(O).	PART NO.	DESCRIPTION	Q'TY	REMARKS
1	17100-48800	FAN ASSY, COOLING	1	
2	17120-48800	FAN	1	
3	08316-10033	NUT	1	
4	02112-04163	SCREW	3	
5	09160-04022	WASHER	3	
6	17250-20C00	SHROUD, FAN	1	
7	02142-06203	SCREW	3	
8	09160-06066	WASHER	3	
9	09180-06257	SPACER	3	
10	09320-09036	CUSHION	3	
11	17260-20C00	BRACKET, FAN SHROUD	1	
12	17271-20C00	DUCT, FAN COOLING,NO.1	1	
13	02112-04173	SCREW	3	
14	09160-04022	WASHER	3	
15	09180-04301	SPACER	3	
16	17277-08F00	DUCT, FAN COOLING,NO.2	1	
17	38870-48800	CONTROLLER ASSY, FAN MOTOR	1	

19 GSX750F Y E3

C8

AIR CLEANER.....	C-05	COOLING FAN.....	C-08	ELECTRICAL.....	E-06	FRONT WHEEL.....	H-06	OIL COOLER.....	C-07	REAR WHEEL.....	I-06	TRANSMISSION.....	D-03
ALTERNATOR.....	E-03	COOLING BODY INSTAL	G-12	FOOTREST.....	F-04	FUEL COCK.....	F-07	OIL PAN.....	B-08	SEAT.....	H-02	TURN SIGNAL LAMP.....	E-10
BATTERY.....	E-05	COOLING BODY.....	G-06	FRAME COVER.....	F-09	FUEL TANK.....	F-05	OIL PURP.....	B-09	STOMAL / GENERATOR.....	E-04	WASHER / FUEL TANK.....	G-11

FIG.45

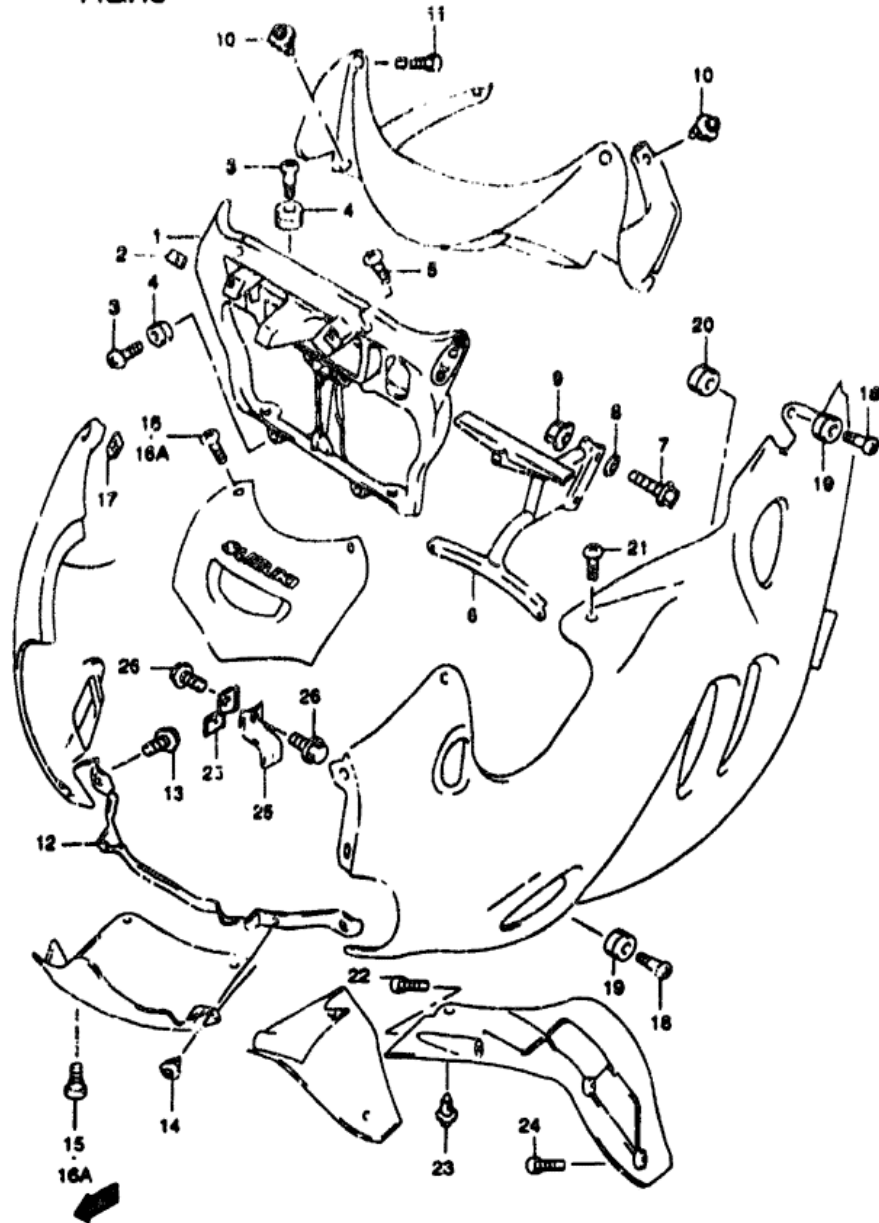


FIG.45 (G-12) COWLING BODY INSTALLATION PARTS

KEY NO.	PART NO.	DESCRIPTION	Q'TY	REMARKS
1	94520-08F00	BRACE, COWLING FRONT	1	
2-1	94484-32900	NUT	18	MODEL W/X
2-2	94484-24F00	NUT	18	MODEL Y
3	09139-06087	SCREW	4	
4	09320-06016	CUSHION	4	
5	02142-0516J	SCREW	2	
6	94510-08F00	BRACE, COWLING REAR	1	
7	09103-0U222	BOLT	2	
8	09164-08020	WASHER	2	
9	08316-10083	NUT, LOWER	1	
10	09406-08308-SES	CLIP, METER P/NEL (BLACK)	4	
11	03541-05163	SCREW, UPPER	2	
12	94540-08F00	BRACKET, CENTER LOWER	1	
13	01580-08163	BOLT, BRACKET	2	
14	09409-08322-SPK	CLIP (BLACK)	2	
15	09139-05025	SCREW	2	MODEL W/X
16	09139-05025	SCREW, CENTER UPPER PANEL	2	MODEL W/X
16A	03139-05042	SCREW, CENTER PANEL	4	MODEL Y
17	09148-05038	NUT, METER PANEL UPPER	2	
18	09139-06087	SCREW, SIDE COWLING	4	
19	09320-06016	CUSHION	4	
20	09320-06016	CUSHION, CENTER	4	
21	09139-05064	SCREW, METER PANEL REAR	2	
22	09136-04003	SCREW, INNER PANEL UPPER	2	
23	09409-08308-SES	CLIP, INNER PANEL	2	
24	03541-15163	SCREW	4	
25	94530-08F00	BRACKET, SIDE LOWER	2	
26-1	09116-06039	BOLT	2	MODEL W
26-2	09116-06109	BOLT	2	MODEL XY

57 GSX750F Y E3

FIG.44

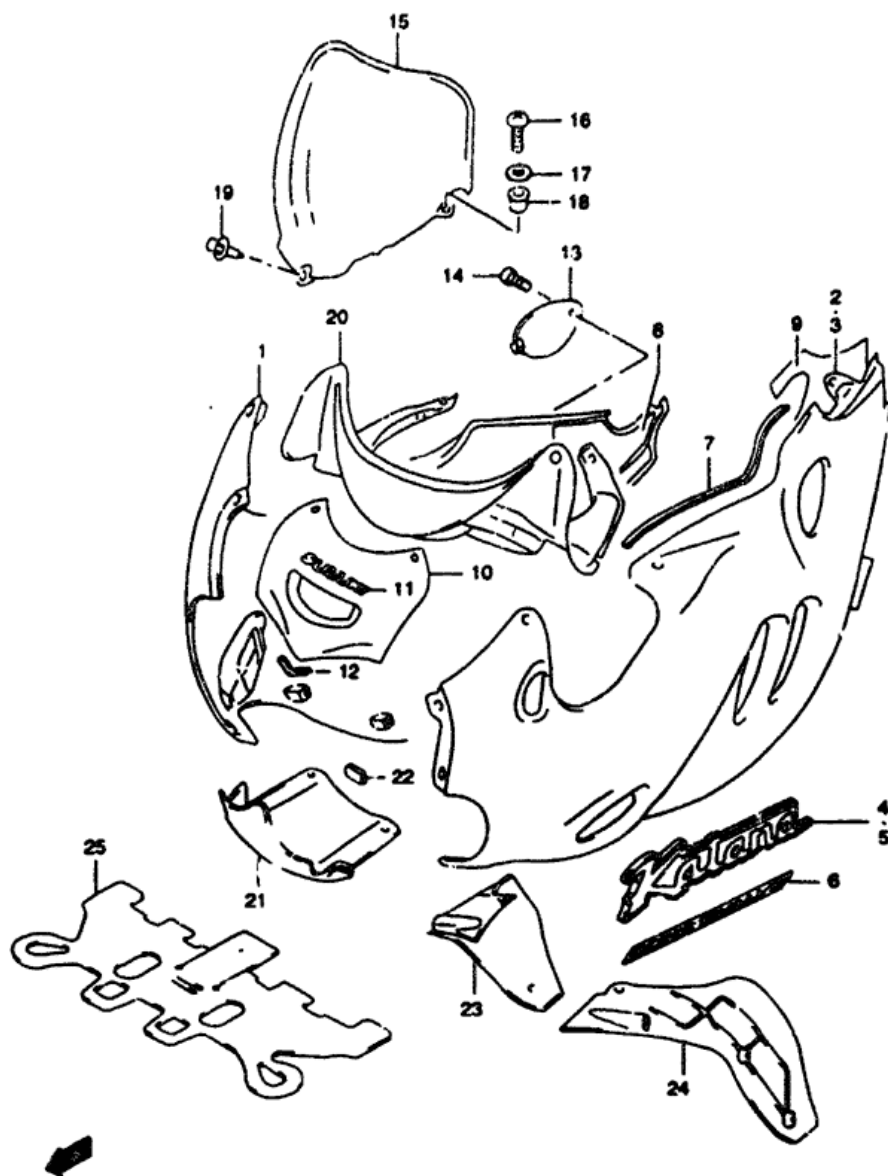


FIG.44 (G-6) COWLING BODY (MODEL W)

REV.NO.	PART NO.	DESCRIPTION	Q'TY	REMARKS
1-1	94403-08F10-33J	COWL ASSY, SIDE RH (BLACK)	1	
1-2	94403-08F10-Y4M	COWL ASSY, SIDE RH (MAROON)	1	
2-1	94404-08F10-33J	COWL ASSY, SIDE LH (BLACK)	1	
2-2	94404-08F10-Y4M	COWL ASSY, SIDE LH (MAROON)	1	
3-1	94404-08F20-33J	COWL ASSY, SIDE LH (BLACK)	1	E33
3-2	94404-08F20-Y4M	COWL ASSY, SIDE LH (MAROON)	1	E33
4	68681-08F00	EMBLEM, KATANA RH	1	
5	68691-08F00	EMBLEM, KATANA LH	1	
6-1	68681-08F20-3EE	EMBLEM, SIDE	2	FOR 33J
6-2	68681-08F20-K5Y	EMBLEM, SIDE	2	FOR Y4M
7	94631-44110	MOLDING	2	
8	94439-08F00	SHIELD, SIDE RH	1	
9	94449-08F00	SHIELD, SIDE LH	1	
10-1	94410-08F00-33J	PANEL, CENTER UPPER (BLACK)	1	
10-2	94410-08F00-Y4M	PANEL, CENTER UPPER (MAROON)	1	
11	68185-05C10-20H	EMBLEM, SUZUKI (SILVER)	1	
12	94413-08F00	CUSHION, UPPER	2	
13-1	94435-08F00-33J	LID, OIL (BLACK)	1	
13-2	94435-08F00-Y4M	LID, OIL (MAROON)	1	
14	09139-06030	SCREW	1	
15	94611-08F00	WIND SCREEN	1	
16	09139-05025	SCREW	2	
17	08322-01053	WASHER	2	
18	09159-05019	NUT	2	
19	09409-06308-5ES	CLIP (BLACK)	1	

REFER TO FIG.44A(G-8) FOR MODEL X
 REFER TO FIG.44B(G-10) FOR MODEL Y
 REFER TO FIG.45 (G-12) FOR COWL BODY INSTALLATION PARTS

FIG.5

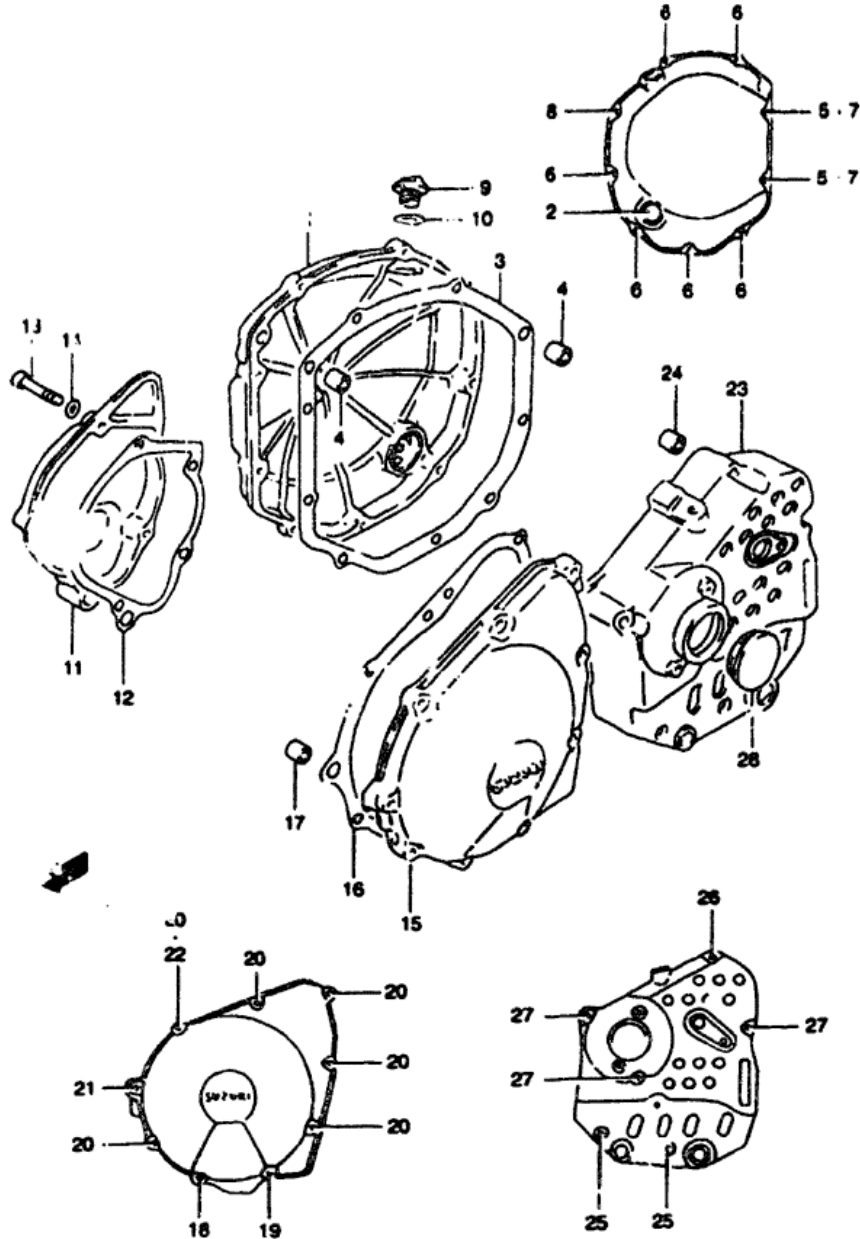


FIG.6 (B 7,

CRANKCASE COVER

REF.NO.	PART NO.	DESCRIPTION	Q-TY	REMARKS
1	11340-26E00	COVER, CLUTCH	1	
2	11971-33210	LENS, OIL LEVEL	1	
3	11482-27A20	GASKET, CLUTCH COVER	1	
4	04211-09189	PIN	2	
5-1	09168-06024	GASKET (5.8X11X1.2)	2	-E.NO.108590
5-2	09168-06023	GASKET (5.8X13X1.2)	2	E.NO.108591-
6	07130-06253	BOLT	6	
7	07130-06303	BOLT	2	
8	07130-06353	BOLT	1	
9	09259-20008	PLUG, ENGINE OIL FILLER	1	
10	09280-17003	C RING (7.3.1, ID:16.8)	1	
11-1	11381-26D10	COVER, SIGNAL GENERATOR	1	MODEL W/X
11-2	11381-26D11	COVER, SINGAL GENERATOR	1	MODEL Y
12	11491-27A30	GASKET	1	
13	09106-06082	BOLT (6X23)	5	
14-1	09168-06024	GASKET (5.8X11X1.2)	1	-E.NO.108590
14-2	09168-06023	GASKET (5.8X13X1.2)	1	E.NO.108591-
15	11351-26E01	COVER, STARTER GEAR	1	
16	11483-27A20	GASKET, GEAR COVER	1	
17	08206-11017	PIN	1	
18	07130-06163	BOLT	1	
19	07130-06203	BOLT	1	
20	07130-06253	BOLT	6	
21	07130-06403	BOLT	1	
22-1	09168-06024	GASKET (5.8X11X1.2)	1	-F.NO.108590
22-2	09168-06023	GASKET (5.8X13X1.2)	1	E.NO.108591-
23	11361-19E00	COVER, ENGINE SPROCKET	1	
24	04211-09129	PIN	2	
25	07130-06353	BOLT	2	
26-1	07130-06503	BOLT	1	
26-2	07130-06703	BOLT	1	E33
27	07130-06653	BOLT	3	
28	09250-30003	CAP, CLUTCH RELEASE	1	

ATB CLEANED C-84 FROM THE CAM C-88 ELECTRICAL

FIG.4

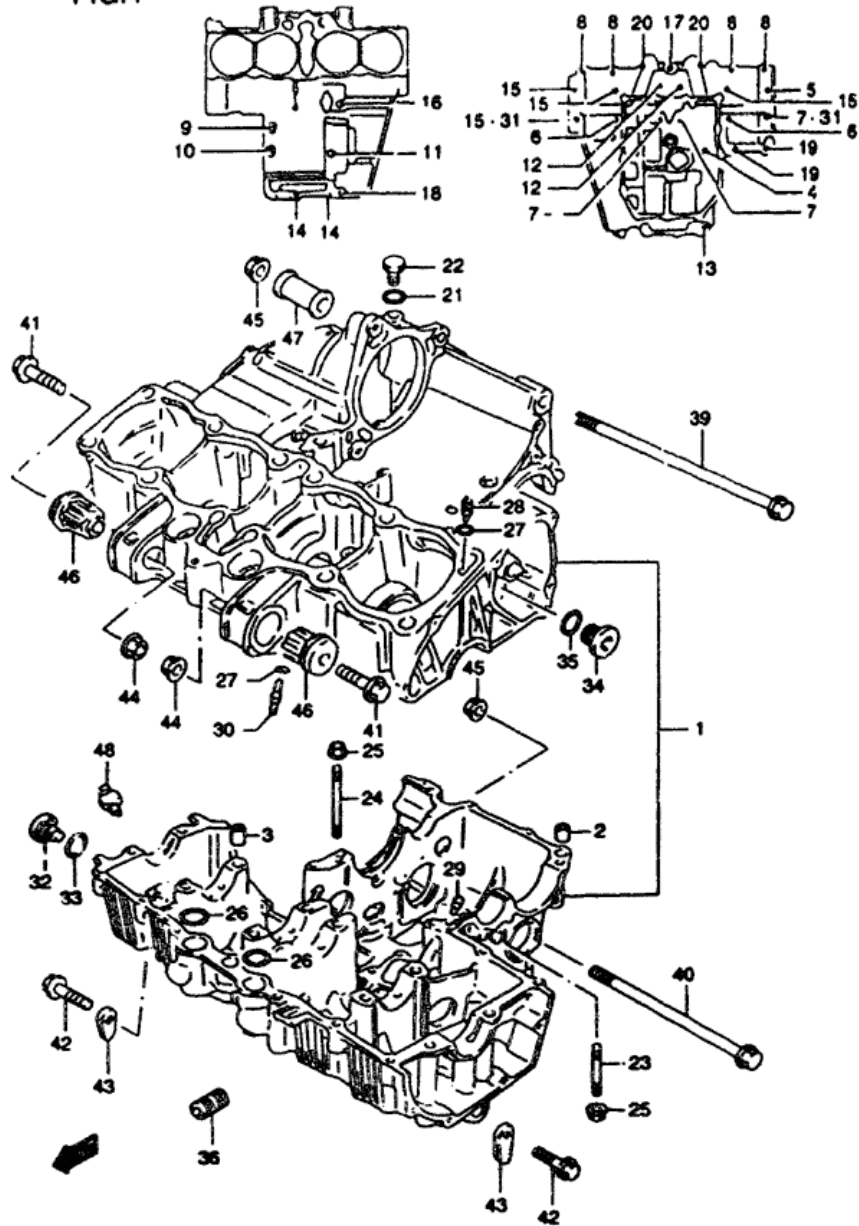


FIG.4 (B-6)

CRANKCASE

REF.NO.	PART NO.	DESCRIPTION	Q'TY	REMARKS
1	11301-19850	CRANKCASE SET	1	****Fig. 4 of case and Frames for this model must be ordered as the Frame/Engine Case Order Form (99924-11 DC 1) If you have any questions regarding these procedures, please call your Parts Coordinator before placing your order.
2	09206-13004	PIN	2	
3	09206-11017	PIN	2	
4	09103-08163	BOLT (6X105)	1	
5	09103-08097	BOLT (8X105)	1	
6	09103-08182	BOLT (8X125)	2	
7	09103-08096	BOLT (8X115)	3	
8	01550-06353	BOLT	4	
9	07130-06403	BOLT	1	
10	07130-06503	BOLT	1	
11	07130-06653	BOLT	1	
12	07130-06653	BOLT	2	
13	01550-08603	BOLT	1	
14	01550-06407	BOLT	2	
15	09103-08066	BOLT (8X95)	4	
16	01550-06803	BOLT	1	
17	01550-06503	BOLT	1	
18	01550-06603	BOLT	1	
19	01550-06553	BOLT	2	
20	01550-06703	BOLT	2	
21	08168-12002	GASKET, HOLE PLUG	1	
22	09247-12103	PLUG, HOLE	1	
23	01421-09408	STUD BOLT	1	
24	01421-06608	STUD BOLT	1	
25	08316-10063	NUT	2	
26	00280-21008	O RING (D:2.5, ID:21.0)	2	
27	00280-04004	O RING (D:1.2, ID:4.0)	6	
28	09493-14002	JET, OIL GALY HEAD	2	
29	09493-24010	JET, OIL GALY GEAR SHIFT	2	
30	09493-26007	JET, OIL GALY PISTON	4	

4 GSX750FY E3

AIR CLEANER.....	C-05	COOLING FAN.....	C-88	ELECTRICAL.....	E-06	FRONT WHEEL.....	H-06	OIL COOLER.....	C-87	REAR WHEEL.....	I-04	TRANSMISSION.....	D-03
ALTERNATOR.....	E-83	COV. INS BODY INSTAL	G-12	FOOTREST.....	F-04	FUEL COCK.....	F-07	OIL PAN.....	B-08	SEAT.....	M-02	TURN SIGNAL LAMP.....	E-18
BATTERY.....	E-05	COOLING BODY.....	G-04	FRAME COVER.....	F-09	FUEL TANK.....	F-08	PIV.....	B-08	SEAT.....	M-02		

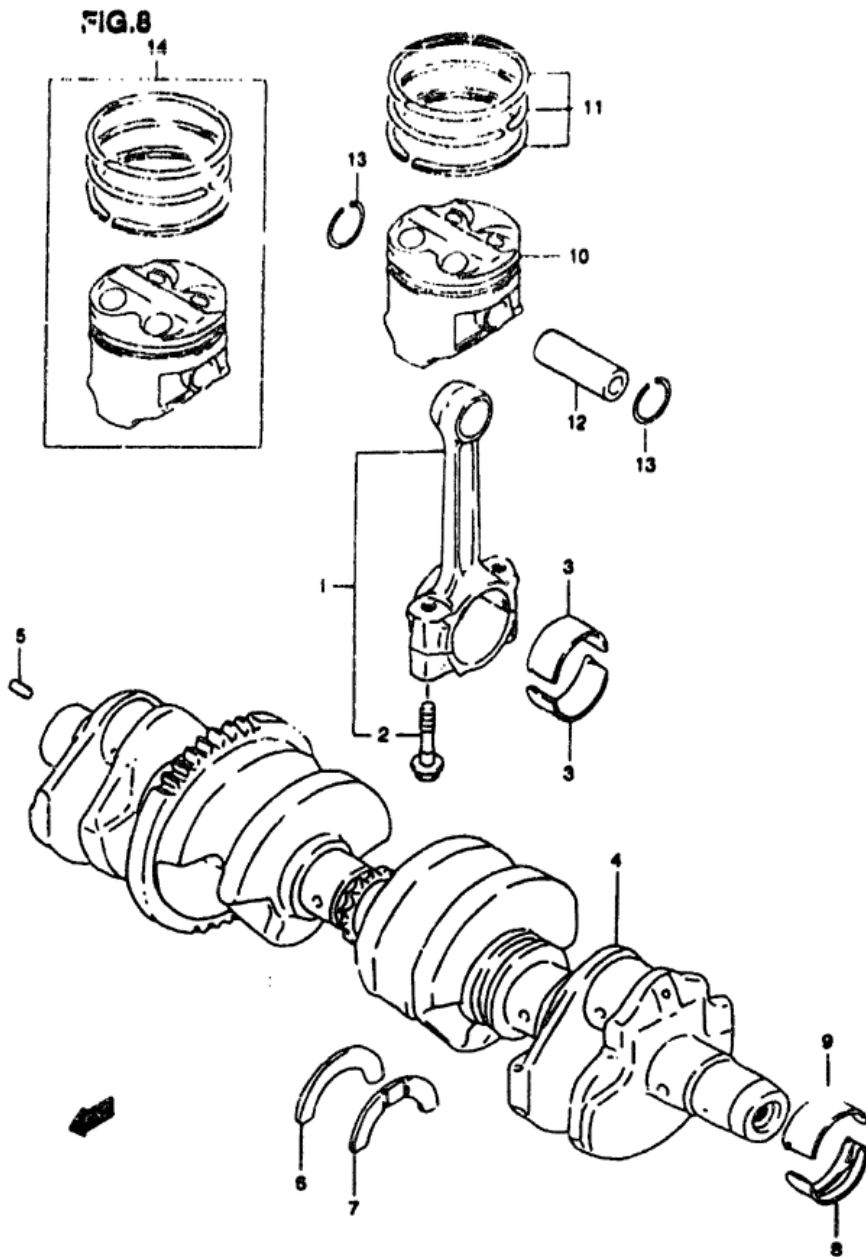


FIG. 8 (B-10) CRANKSHAFT

REF.NO.	PART NO.	DESCRIPTION	Q'TY	REMARKS
1	12160-17E01	ROD ASSY, CONNECTING	4	
2	12163-27A52	BOLT	8	
3-1	12164-26E00-0A0	BEARING, CRANK PIN (GREEN)	8	
3-2	12164-26E00-0B0	BEARING, CRANK PIN (BLACK)	8	
3-3	12164-26E00-0C0	BEARING, CRANK PIN (BROWN)	8	
3-4	12164-26E00-0D0	BEARING, CRANK PIN (YELLOW)	8	
4	12000-03810	CRANKSHAFT SET	1	
5	04221-04089	PIN	1	
6	12228-43414	BEARING, THRUST RH (BROWN)	1	
7-1	12228-43411	BEARING, THRUST LH (RED)	1	
7-2	12228-43412	BEARING, THRUST LH (BLACK)	1	
7-3	12228-43413	BEARING, THRUST LH (BLUE)	1	
7-4	12228-43414	BEARING, THRUST LH (GREEN)	1	
7-5	12228-43415	BEARING, THRUST LH (YELLOW)	1	
7-6	12228-43416	BEARING, THRUST LH (WHITE)	1	
8-1	12229-27A00-0A0	BEARING, CRANKSHAFT (GREEN)	6	LOWER
8-2	12229-27A00-0B0	BEARING, CRANKSHAFT (BLACK)	6	
8-3	12229-27A00-0C0	BEARING, CRANKSHAFT (BROWN)	6	
8-4	12229-27A00-0D0	BEARING, CRANKSHAFT (YELLOW)	6	
9-1	12229-27A10-0A0	BEARING, CRANKSHAFT (GREEN)	6	UPPER
9-2	12229-27A10-0B0	BEARING, CRANKSHAFT (BLACK)	6	
9-3	12229-27A10-0C0	BEARING, CRANKSHAFT (BROWN)	6	
9-4	12229-27A10-0D0	BEARING, CRANKSHAFT (YELLOW)	6	
10	12111-03F00-0F0	PISTON	4	
11	12140-03F00	RING SET, PISTON	4	
12	12151-07D00	PIN, PISTON	4	
13	08381-18003	CIRCLIP	8	
14-1	12100-03F00-0E0	PISTON SET (OS:0.5)	4	OPT
14-2	12100-03F00-100	PISTON SET (OS:1.0)	4	OPT

THERE IS A BEARING KIT AVAILABLE FOR THIS MODEL
 PART # 99164-BRGKT-017
 REFER TO PARTS BULLETIN # 431-92-02 FOR EXPLANATION

9 GSX750F YE3

FIG.26

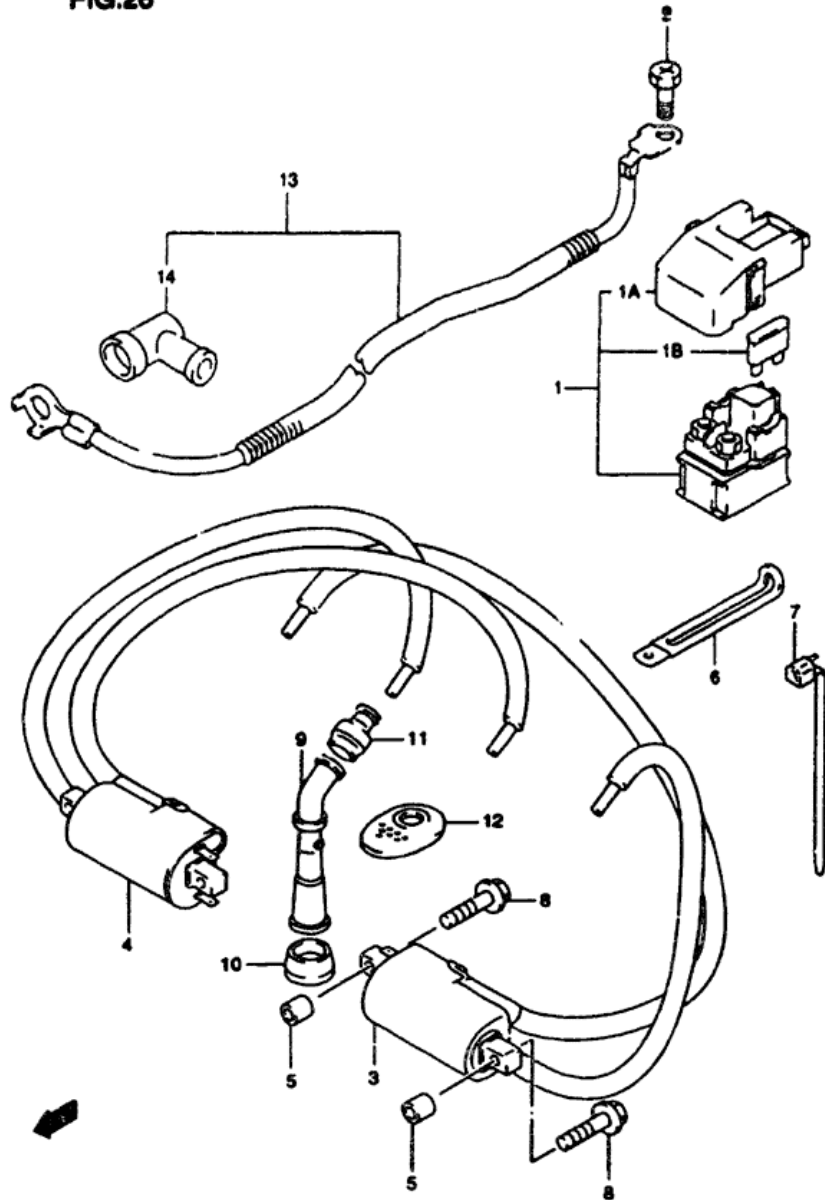


FIG.26 (E-6)

ELECTRICAL

REF.NO.	PART NO.	DESCRIPTION	QTY	REMARKS
1	31800-21E20	RELAY ASSY, STARTING	1	
1A	31861-21E20	COVER	1	
1B	09481-30101	FUSE (30A)	2	
2	09128-08013	BOLT, STARTING MOTOR	2	
3	33410-19C01	COIL ASSY, IGNITION NO.1	1	
4	33420-19C01	COIL ASSY, IGNITION NO.2	1	
5	09180-08174	SPACER, IG COIL (6.2X12.6X14)	4	
6	09404-08432	CLAMP, HT CORD (L:65)	1	
7	09407-18402	CLAMP, HT CORD (L:165)	2	
8	01550-08453	BOLT, IG COIL	4	
9	33510-48810	CAP, SPARK PLUG	4	
10	33541-23E01	SEAL, SPARK PLUG	4	
11	33542-38800	SEAL, HIGH TENSION CORD	4	
12	33543-48800	COVER, SPARK PLUG CAP	4	
13	33810-08F00	WIRE, BATTERY MINUS	1	
14	31861-48810	CAP, STARTING MOTOR	1	

30 GSX750F YE3

AIR CLEANER.....	C-05	COOLING FAN.....	C-08	ELECTRICAL.....	E-06	FRONT WHEEL.....	H-04	OIL COOLER.....	C-07	REAR WHEEL.....	I-04	TRANSMISSION.....	D-03
ALTERNATOR.....	E-03	COILING BODY INSTAL	G-12	FOOTREST.....	F-04	FUEL COCK.....	F-07	OIL PAN.....	B-08	SEAT.....	H-02	TURN SIGNAL LAMP...	E-18
BATTERY.....	F-04	FORM TMC BTRY.....	G-04	FRAME COVER.....	F-08	FRONT TANK.....	F-07						

FIG.35

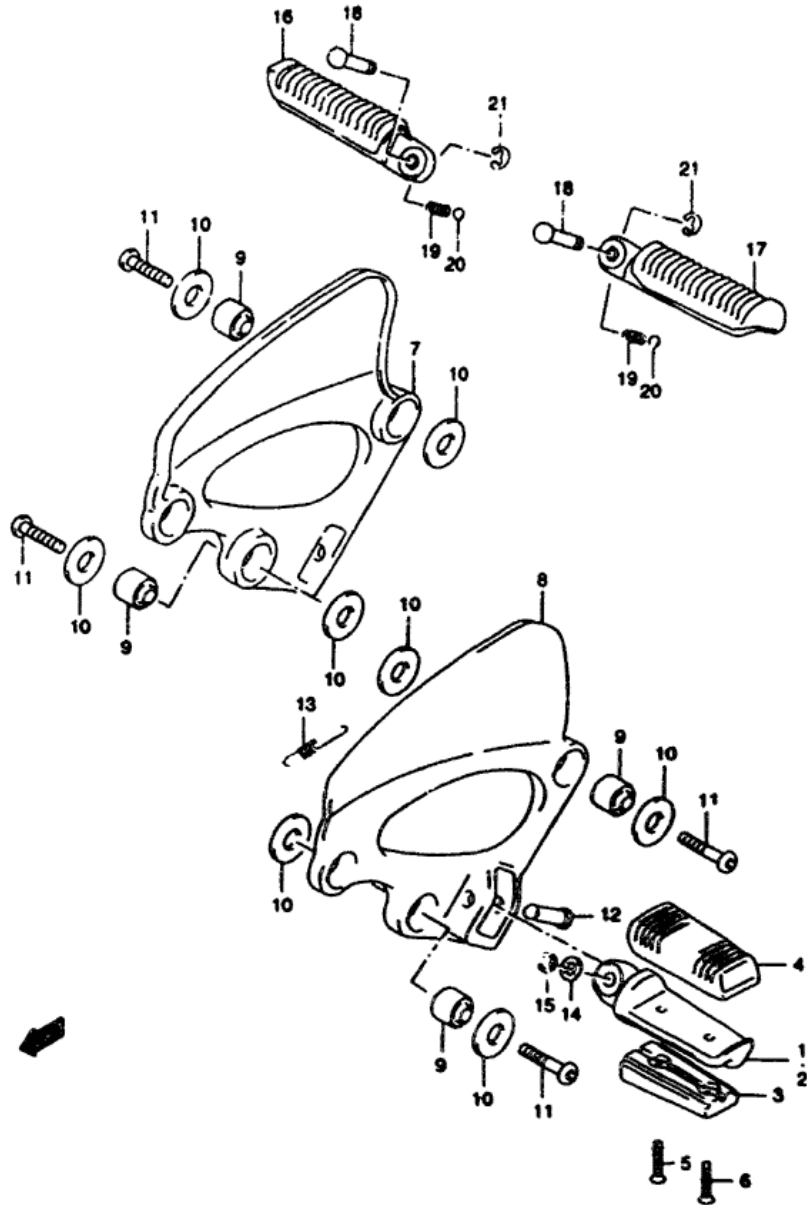


FIG.35 (F-4) FOOTREST

REF.NO.	PART NO.	DESCRIPTION	Q'TY	REMARKS
1	43610-20C00	FOOTREST ASSY, FRONT RH	1	
2	43620-20C00	FOOTREST ASSY, FRONT LH	1	
3	43531-20C10	BAR, FRONT FOOTREST NO.2	2	
4	43650-48B10	RUBBER	2	
5	02122-05353	SCREW, INNER	2	
6	02122-05303	SCREW, OUTER	2	
7	43517-08FA0	HOLDER, FRONT FOOTREST RH	1	
8	43527-08FA0	HOLDER, FRONT FOOTREST LH	1	
9	09319-08036	BUSH, HOLDER	6	
10	09161-12009	WASHER, HOLDER	12	
11-1	09106-08080	BOLT	6	MODEL W/X
11-2	09106-08143	BOLT	6	MODEL Y
12	09208-08010	PIN	2	
13	09443-10037	SPRING	2	
14	08322-01083	WASHER	2	
15	08332-11063	E RING	2	
16-1	43610-20C00	BAR, PILLION FOOTREST RH	1	MODEL W
16-2	43610-20C01	BAR, PILLION FOOTREST RH	1	MODEL XY
17-1	43710-20C00	BAR, PILLION FOOTREST LH	1	MODEL W
17-2	43710-20C01	BAR, PILLION FOOTREST LH	1	MODEL XY
18	09208-08011	PIN	2	
19	09440-05005	SPRING	2	
20	06111-07004	BALL	2	
21	08332-11063	E RING	2	

40 GSX750F Y E3

FIG.39

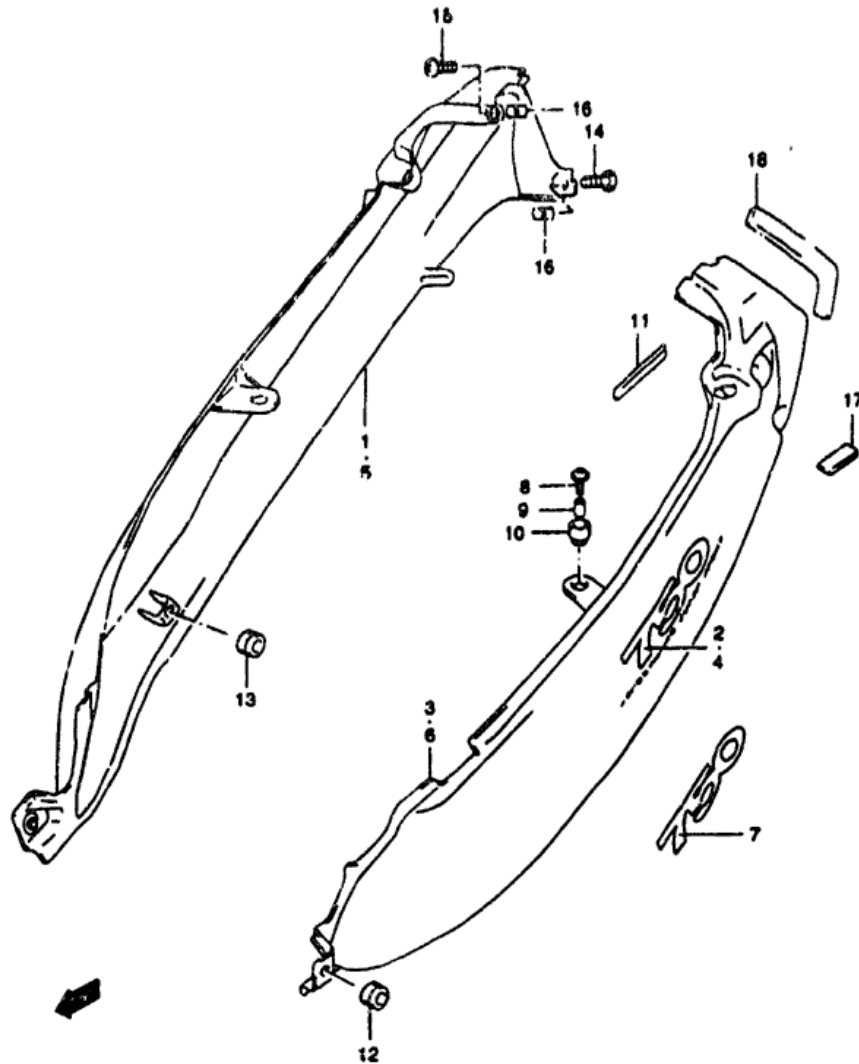


FIG.39 (F-9) FRAME COVER (MODEL W/X)

REF.NO.	PART NO.	DESCRIPTION	QTY	REMARKS
1-1	47110-08F10-33J	COVER, FRAME RH (BLACK)	1	MODEL W
1-2	47110-08F10-Y4M	COVER, FRAME RH (MAROON)	1	MODEL W
2-1	68131-08F10-K5T	EMBLEM, RH	1	MODEL W FOR 33J
2-2	68131-08F10-K5V	EMBLEM, RH	1	MODEL W FOR Y4M
3-1	47210-08F10-33J	COVER, FRAME LH (BLACK)	1	MODEL W
3-2	47210-08F10-Y4M	COVER, FRAME LH (MAROON)	1	MODEL W
4-1	68141-08F10-K5T	EMBLEM, LH	1	MODEL W FOR 33J
4-2	68141-08F10-K5V	EMBLEM, LH	1	MODEL W FOR Y4M
5-1	47110-08F30-Y4M	COVER, FRAME RH (MAROON)	1	MODEL X
5-2	47110-08F30-Y7H	COVER, FRAME RH (BLUE)	1	MODEL X
6-1	47210-08F30-Y4M	COVER, FRAME LH (MAROON)	1	MODEL X
6-2	47210-08F30-Y7H	COVER, FRAME LH (BLUE)	1	MODEL X
7-1	68131-08F30-M4Z	EMBLEM	2	MODEL X FOR Y4M
7-2	68131-08F30-M5A	EMBLEM	2	MODEL X FOR Y7H
8	09138-06105	SCREW, UPPER	2	
9	09180-06286	SPACER	2	
10	09320-10045	CUSHION	2	
11	94476-36000	CUSHION, REAR	5	MODEL W
12	09320-08028	CUSHION, FRONT	2	
13	08320-08016	CUSHION, CENTER	2	
14	03241-15183	SCREW, LOWER	2	
15	03241-15123	SCREW, REAR	1	
16	09148-05038	NUT	3	
17	44894-24A00	CUSHION, REAR	2	
18	47161-08F00	CUSHION	2	

REFER TO FIG.39A(F-10) FOR MODEL Y

45 GS750F YE3

F9

AIR CLEANER.....	C-05	COOLING FAN.....	C-08	ELECTRICAL.....	E-04	FRONT WHEEL.....	H-04	OIL COOLER.....	C-07	REAR WHEEL.....	I-04	TRANSMISSION.....	D-03
ALTERNATOR.....	E-03	COOLING BODY INSTAL	G-12	FOOTREST.....	F-04	FUEL COCK.....	F-07	OIL PAN.....	B-08	SEAT.....	H-02	TURN SIGNAL LAMP...	E-18
BATTERY.....	E-05	COOLING BODY.....	G-06	FRAME COVER.....	F-09	FUEL TANK.....	F-05	OIL PUMP.....	B-08	STEERING COIL.....	E-02	WHEEL COIL.....	E-18

FIG.33

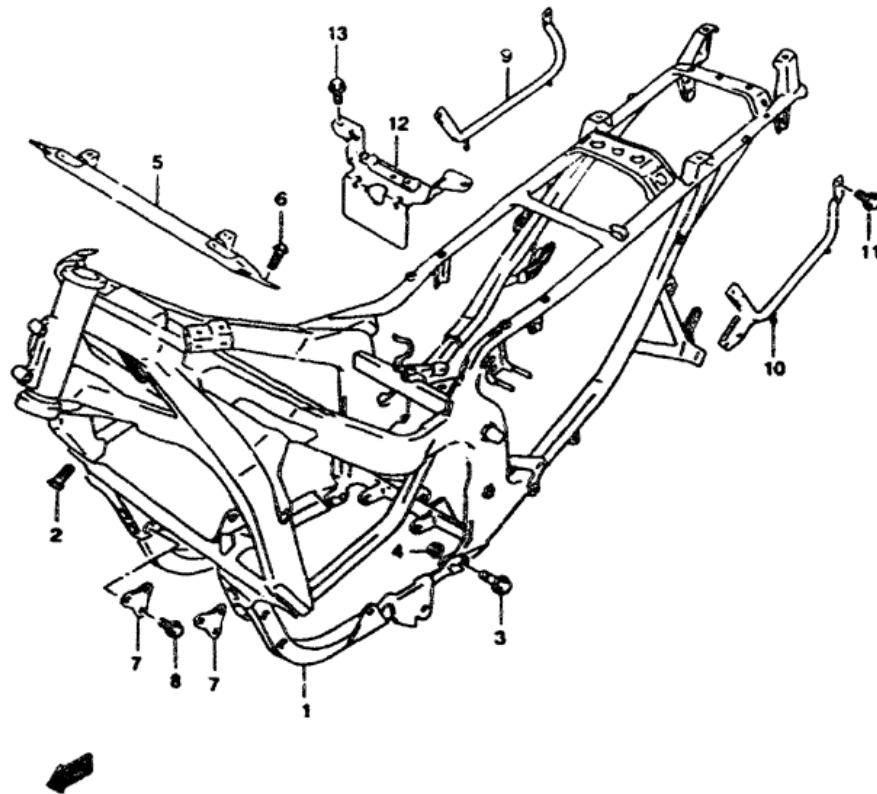


FIG.33 (F-2)		FRAME	QTY	REMARKS
REF.NO.	PART NO.	DESCRIPTION		
1	41100-08FC0-019	FRAME (BLACK)	1	****Engine Cases and Frames for this model must be ordered on the Frame/Engine Case Order Form (99924-FC001). If you have any questions regarding these procedures, please call your Parts Coordinator before placing your order.
2	01570-08253	BOLT, UPPER	4	
3	01550-08303	BOLT, LOWER	4	
4	08319-31083	NUT	4	
5	41750-34C00	TUBE, FRAME BRIDGE	1	
6	09103-08266	BOLT	4	
7	41911-19C00-019	PLATE, NO.1 (BLACK)	2	
8	01570-08163	BOLT	4	
9	43970-08F00	GRIP, REAR RH	1	
10	43980-08F00	GRIP, REAR LH	1	
11	01550-08163	BOLT	4	
12	47410-08F01	HOLDER, ELECTRIC PARTS	1	
13	01550-06163	BOLT	2	

FIG.53

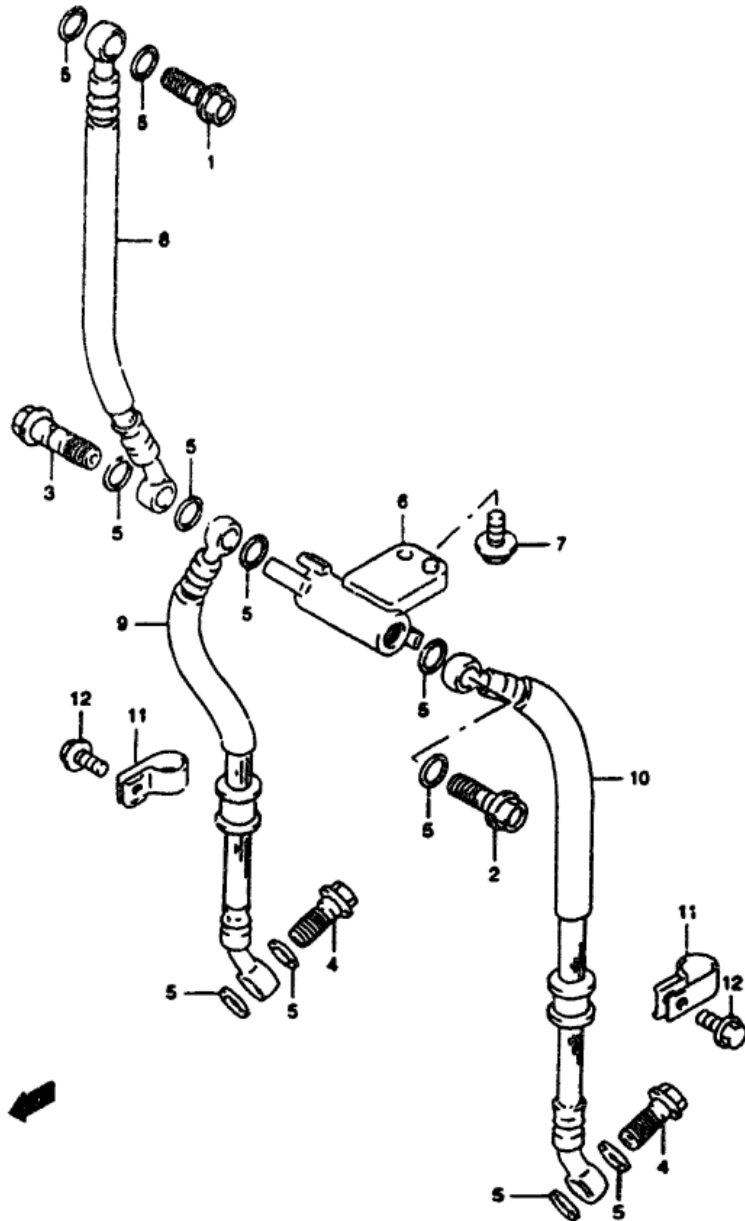


FIG.53 (H-8) FRONT BRAKE HOSE

REF.NO.	PART NO.	DESCRIPTION	Q'TY	REMARKS
1	09360-10041	BOLT, UPPER (10X1.00X22)	1	
2	09360-10041	BOLT, JOINT (10X1.00X22)	1	
3	09360-10043	BOLT (10X1.00X36)	1	
4	09360-10042	BOLT, LOWER (10X1.25X22)	2	
5	09161-10009	WASHER (10X15X1.5)	11	
6	594-17E00	JOINT, BRAKE HOSE	1	
7	01550-06163	BOLT	1	
8	59480-08F10	HOSE, FRONT BRAKE NO.1	1	
9	59240-08F00	HOSE, FRONT BRAKE NO.2 RH	1	
10	59440-08F00	HOSE, FRONT BRAKE NO.2 LH	1	
11	59268-45D00	CLAMP, BRAKE HOSE NO.2	2	
12	01550-06123	BOLT	2	

66 GSX750F Y E3

FIG.52

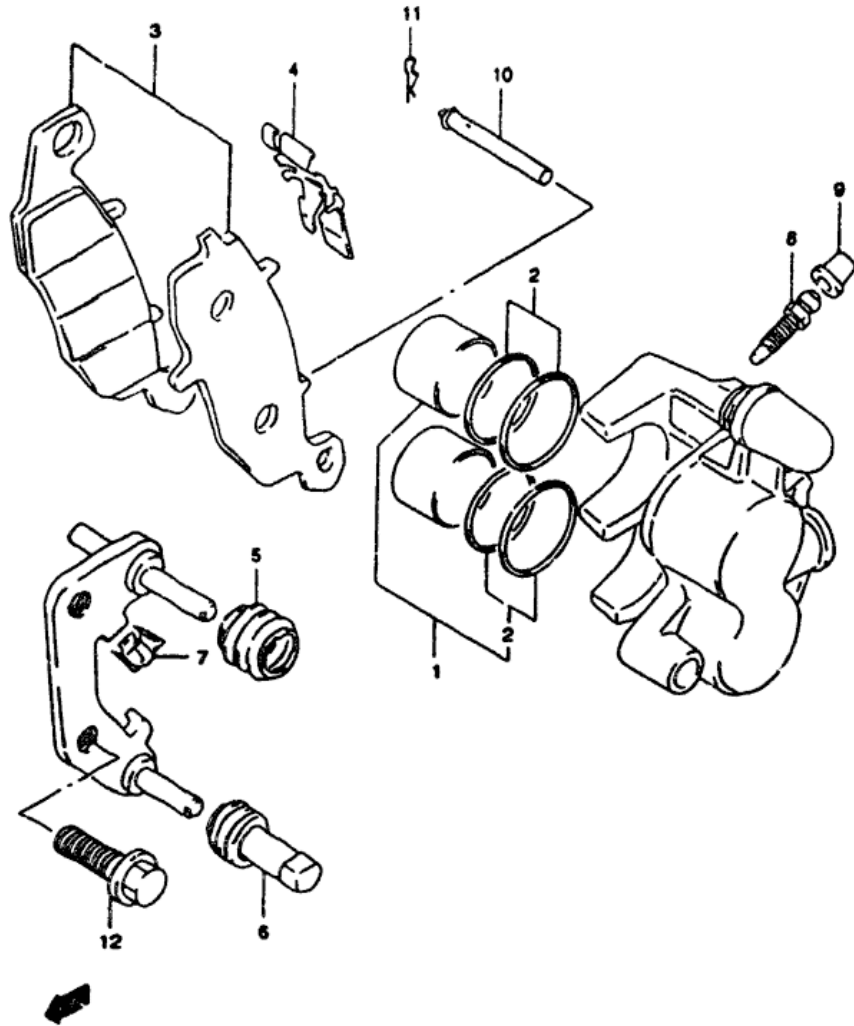


FIG.52 (H-7) FRONT CALIPER

REF.NO.	PART NO.	DESCRIPTION	Q'TY	REMARKS
	59100-33050	CALIPER ASSY, FRONT RH	1	
	59300-33050	CALIPER ASSY, FRONT LH	1	
1	59300-33830	PISTON SET	2	
2	59300-33840	SEAL SET, PISTON	2	
3-1	59101-33830	PAD SET, RH	1	
3-2	59301-33830	PAD SET, LH	1	
4-1	59115-33000	SPRING RH	1	
4-2	59315-33000	SPRING LH	1	
5	59112-44800	BOOT	2	
6	59313-36500	INSULATOR	2	
7	59116-33000	GUIDE	2	
8	59121-18410	BLEEDER	2	
9	55156-66310	CAP	2	
10	59141-44801	PIN	2	
11	69142-45000	CLIP	2	
12	01550-10303	BOLT	4	

65 GSX750F Y E3

H7

FIG.49

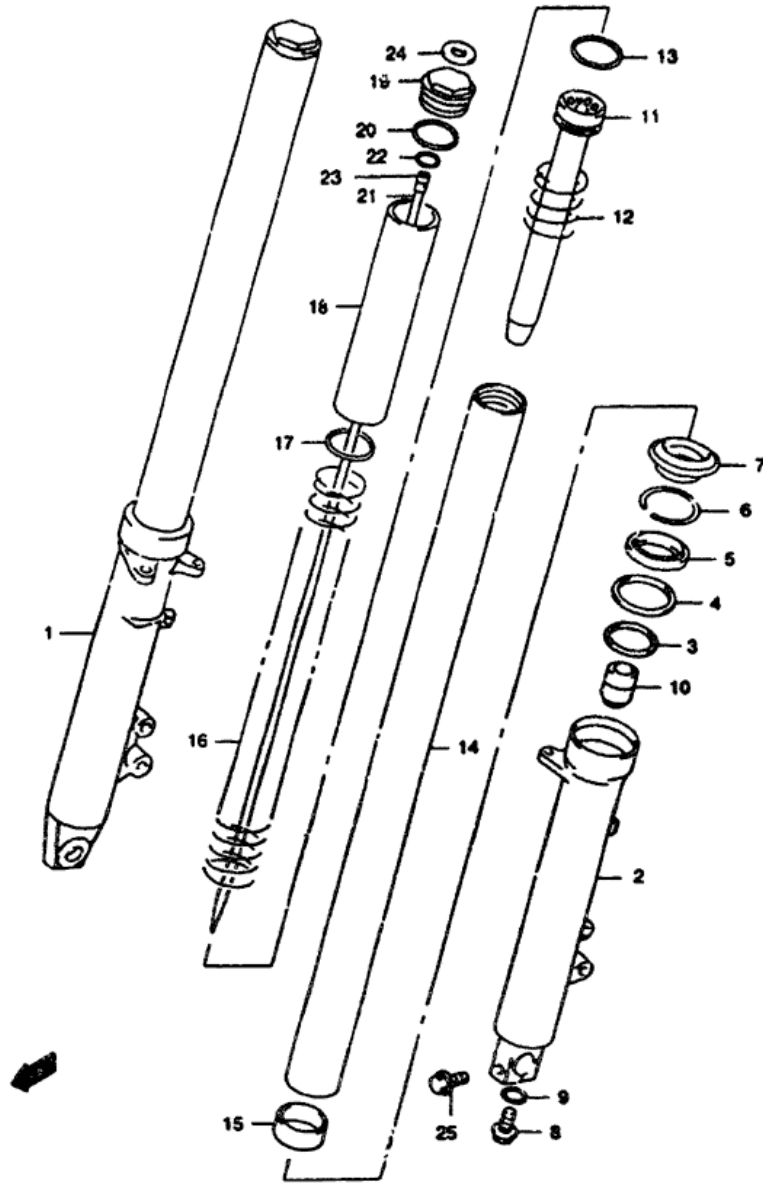


FIG.49 (H-4) FRONT DAMPER

REF.NO.	PART NO.	DESCRIPTION	QTY	REMARKS
	51103-08FA0	DAMPER ASSY, FRONT FORK RH	1	
	51104-08FA0	DAMPER ASSY, FRONT FORK LH	1	
1	51130-08F00	.TUBE, OUTER RH	1	
2	51140-08F00	.TUBE, OUTER LH	1	
3	51152-11D60	BUSH, GUIDE	2	
4	51168-38B00	SPACER, SEAL	2	
5	51153-08D00	SEAL, OIL	2	
6	51556-38B00	RING	2	
7	51571-47D60	SEAL, DUST	2	
8	51147-48130	BOLT	2	
9	51148-36011	GASKET	2	
10	51195-10F00	PIECE, OIL LOCK	2	
11	51194-08FA0	SEAT, UNDER	2	
12	51177-48B31	SPRING	2	
13	51196-12C00	RING	2	
14	51110-08FA0	.TUBE, INNER	2	
15	51121-48B31	BUSH, SLIDE	2	
16	51171-08FA0	.SPRING, FRONT	2	
17	51192-19C00	JOINT, SPRING	2	
18	51176-19C00	.COLLAR, SPRING	2	
19	51351-20C20	BOLT, FORK	2	
20	51117-12C00	.O RING	2	
21	52111-08F00	ROD, DAMPER	2	
22	09280-03002	.O RING (ID:3.8,D:1.9)	2	
23	51169-20C20	RING, STOPPER (ID:6.1,D:0.6)	2	
24	51149-20C20	LABEL, S-H	2	
25	01550-08407	BOLT, LH	1	

62 GSX750F YE3

H4

AIR CLEANER.....	C-05	COUPLING FAN.....	C-08	ELECTRICAL.....	E-04	FRONT WHEEL.....	H-04	OIL COOLER.....	C-07	REAR WHEEL.....	I-04	TRANSMISSION.....	D-03
ALTERNATOR.....	E-03	COUPLING BODY INSTAL	G-12	FOOTREST.....	F-04	FUEL COCK.....	F-07	OIL PAN.....	B-08	SEAT.....	M-02	TURB SIGNAL LAMP...	E-10
BATTERY.....	E-05	COUPLING BODY.....	G-04	FRAME COVER.....	F-08	FUEL TANK.....	F-04	PIV.....	B-08	SEAT.....	M-02		

FIG.40

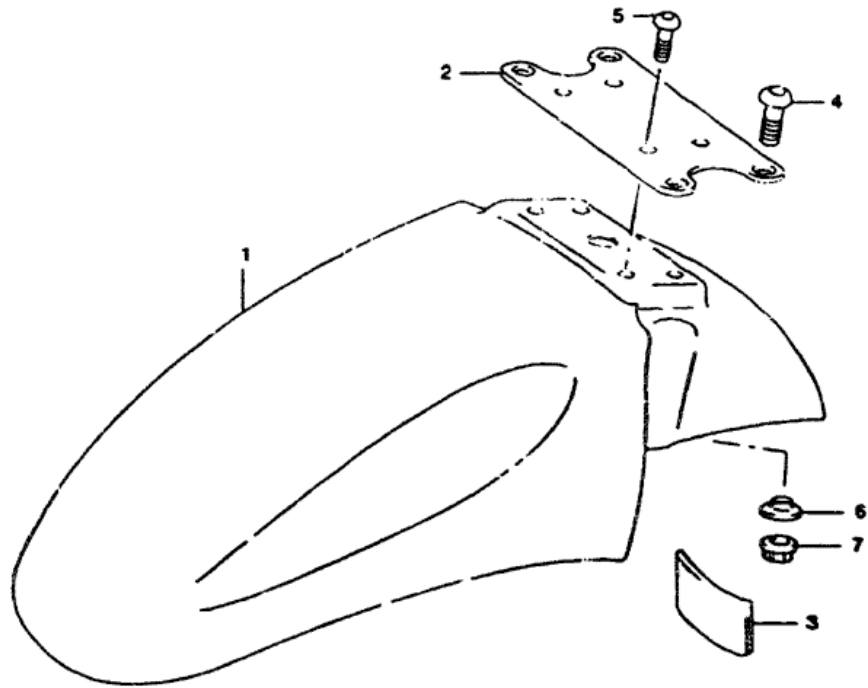


FIG.40 (C-2) FRONT FENDER

REF.NO.	PART NO.	DESCRIPTION	Q'TY	REMARKS
1-1	53111-08F77-33J	FENDER, FRONT (BLACK)	1	MODEL W
1-2	53111-08F70-Y4M	FENDER, FRONT (MAROON)	1	MODEL V/WX
1-3	53111-08F00-Y7H	FENDER, FRONT (BLUE)	1	MODEL X
1-4	53111-08F00-Z2U	FENDER, FRONT (MAROON)	1	MODEL Y
1-5	53111-08F00-Y9E	FENDER, FRONT (GRAY)	1	MODEL Y
2	53114-26000	BRACE, FRONT FENDER	1	
3	53146-20030	CUSHION, FENDER UNDER	2	
4	09136-06027	SCREW, FENDER	4	
5-1	09136-05042	SCREW, BRACE	4	MODEL W/X
5-2	09136-05032	SCREW, BRACE	4	MODEL Y
6	09169-0501U	WASHER	4	
7	09159-05026	NUT	4	

FIG.51

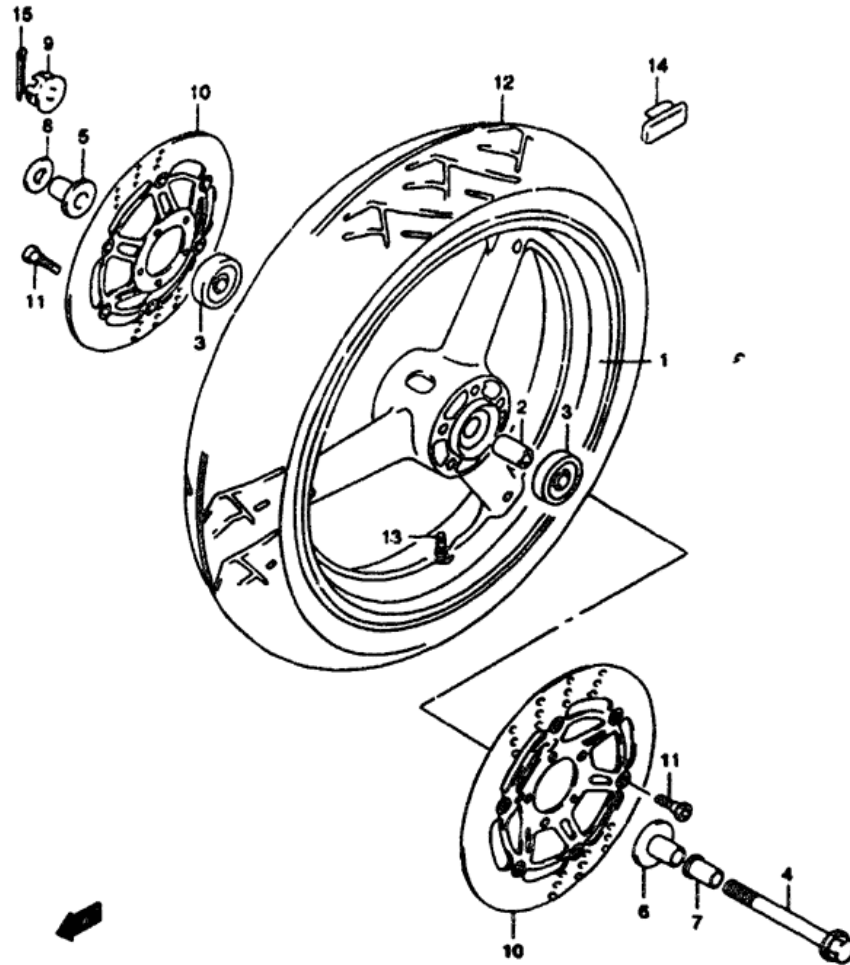


FIG.51 (H-6) FRONT WHEEL

REF.NO.	PART NO.	DESCRIPTION	Q'TY	REMARKS
1-1	54111-08F10-Y6G	WHEEL, FRONT (170MT3.50) (SILVER)	1	MODEL W/X
1-2	54111-08F10-36W	WHEEL, FRONT (170MT3.50) (GRAY)	1	MODEL Y
2	09180-15011	SPACER (15.3X21.7X63)	1	
3	08123-63027	BEARING	2	
4	54711-19C00	AXLE, FRONT	1	
5	54740-33410	SPACER, FRONT AXLE RH	1	
6	54750-08F00	SPACER, FRONT AXLE LH	1	
7	54741-19C00	SPACER, FRONT AXLE LH	1	
8	08322-01127	WASHER	1	
9	09159-12027	NUT	1	
10	59210-08F00	DISC, FRONT BRAKE	2	
11	09106-08125	BOLT (EX33)	10	
12	55110-08F10	TIRE, FRONT, 120/70 ZR17 (58W) (DUNLOP)	1	
13-1	43130-24A11	VALVE ASSY, WHEEL RIM (TR412)	1	MODEL W
13-2	43130-24A00	VALVE ASSY, WHEEL RIM (TR412)	1	MODEL XY
14-1	55411-00A00	BALANCER, WHEEL (10G)	0-3	
14-2	55412-00A01	BALANCER, WHEEL (20G)	0-3	
15	04111-30308	PIN, COTTER	1	

64 GSX750F Y E3

H 6

FIG.37

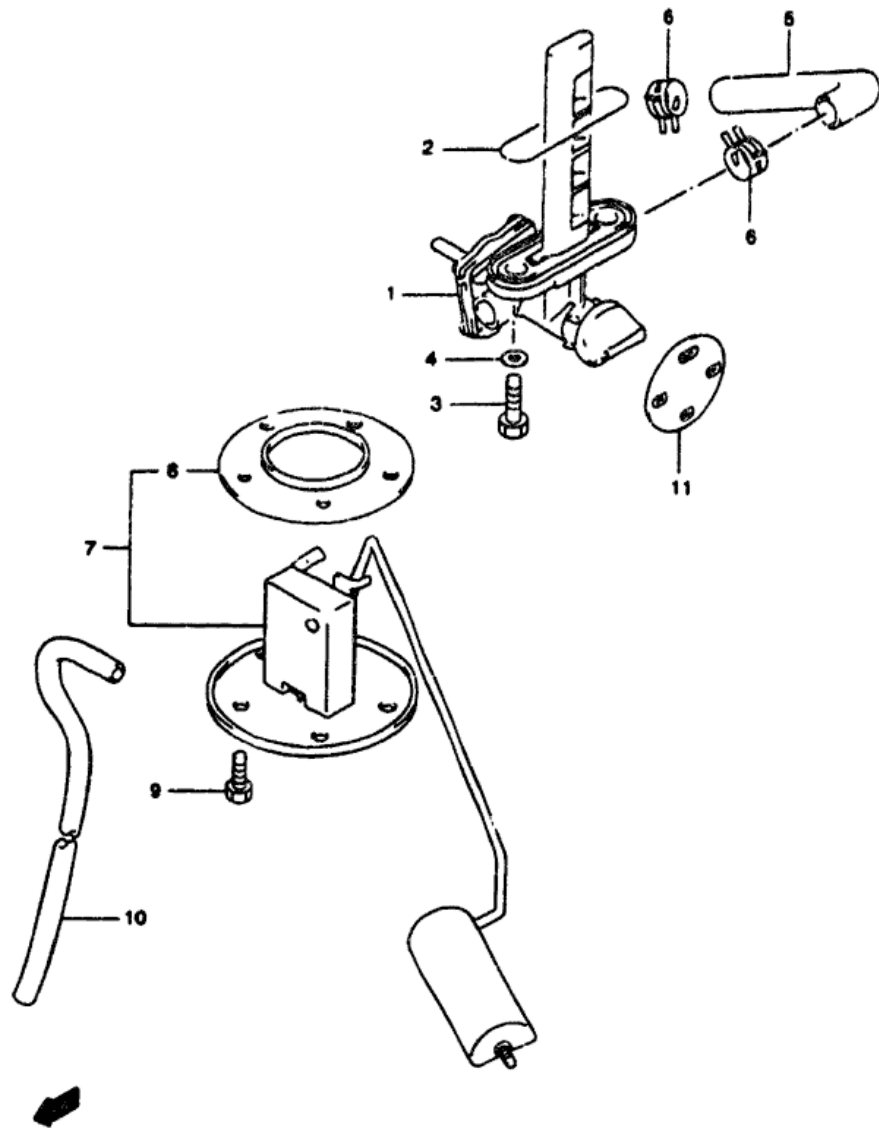


FIG.37 (F-7) FUEL COCK

REF.NO.	PART NO.	DESCRIPTION	QTY	REMARKS
1	44300-08F00	COCK, FUEL	1	
2	44348-49170	.O RING	1	
3	09128-08087	BOLT	2	
4	09168-08028	GASKET	2	
5	44431-21E00	HOSE, FUEL	1	
6	09401-11407	CLIP	4	
7	34810-08F00	GUAGE ASSY, FUEL LEVEL	1	
8	34825-45100	.GASKET	1	
9	09117-03003	BOLT	5	
10	44423-08F00	HOSE, DRAIN	1	
11	44395-08F00-13L	LABEL, FUEL COCK (SILVER)	1	

FIG.36

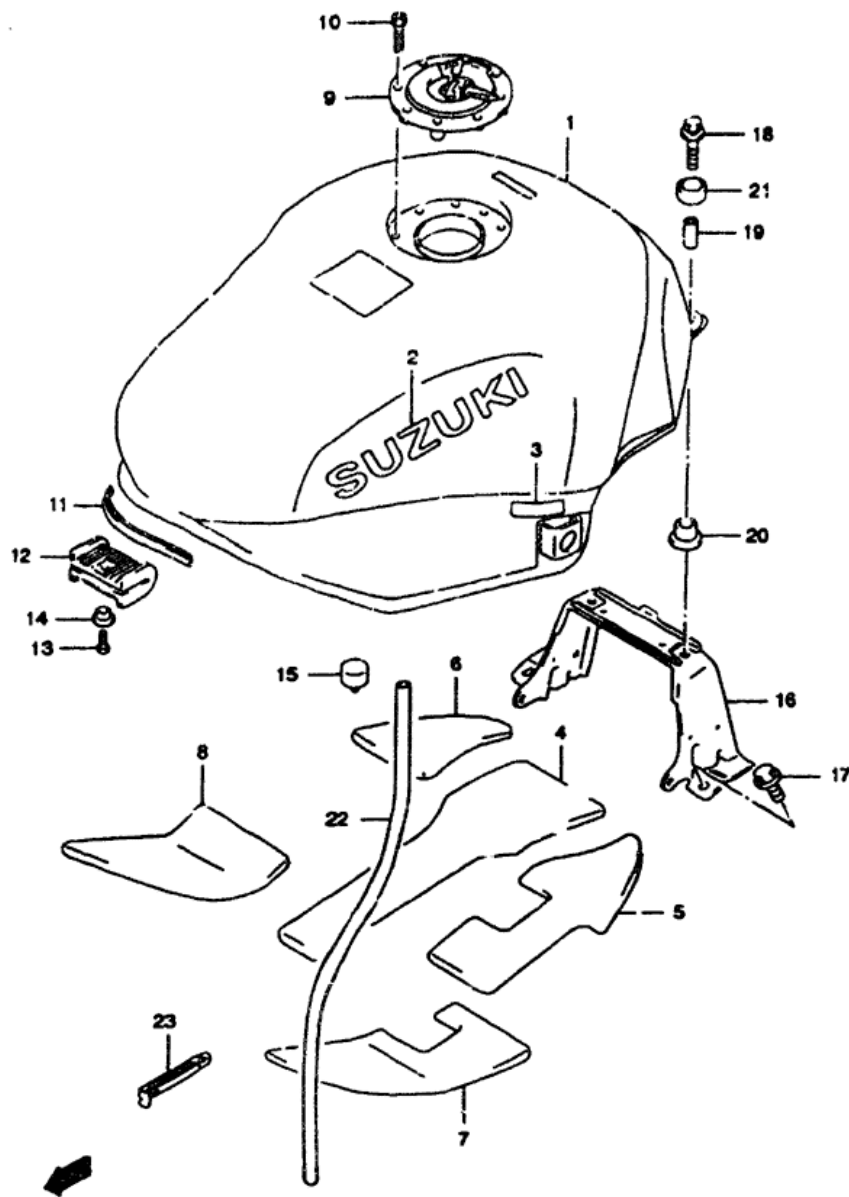


FIG.36 (F. 5) FUEL TANK (MODEL W/X)

REF.NO.	PART NO.	DESCRIPTION	Q'TY	REMARKS
1-1	44100-08F00-33J	TANK ASSY, FUEL (BLACK)	1	MODEL W
1-2	44100-08F00-Y4M	TANK ASSY, FUEL (MAROON)	1	
1-3	44100-08F00-Y7H	TANK ASSY, FUEL (BLUE)	1	MODEL X
1-4	44100-08F20-33J	TANK ASSY, FUEL (BLACK)	1	MODEL W E33
1-5	44100-08F20-Y4M	TANK ASSY, FUEL (MAROON)	1	E33
1-6	44100-08F20-Y7H	TANK ASSY, FUEL (BLUE)	1	MODEL X 333
2	68111-47C00-20H	EMBLEM (SILVER)	2	
3	32851-10D00	PROTECTOR, FUEL TANK	2	
4	44101-08F00	SHIELD, HEAT NO.1	1	
5	44192-08F00	SHIELD, HEAT NO.2	1	
6	44193-08F00	SHIELD, HEAT NO.3	1	
7	44194-08F00	SHIELD, HEAT NO.4	1	
8	44195-08F00	SHIELD, HEAT NO.5	1	
9-1	44200-33870	CAP SET, FUEL TANK	1	
9-2	44200-33890	CAP SET, FUEL TANK	1	E33
10	09106-06017	BOLT	4	
11	68241-08F00	MOLDING, FUEL TANK	1	
12	44510-33D00	CUSHION, FUEL TANK FRONT	1	
13	02142-05123	SCREW	1	
14	09169-06012	WASHER	1	
15	09321-10011	CUSHION, FUEL TANK SIDE	2	
16	44550-08F00	BRACKET, REAR	1	
17	01550-08163	BOLT	2	
18	09116-06172	BOLT, REAR	2	
19	09180-06271	SPACER	2	
20	09320-10038	CUSHION, REAR	2	
21	09320-14017	CUSHION, REAR	2	
22	44423-05F00	HOSE, WATER DRAIN	1	
23	09204-08420	CLAMP	1	

REFER TO FIG.36A(F-6) FOR MODEL Y

41 GSX750F Y E3

FIG.21

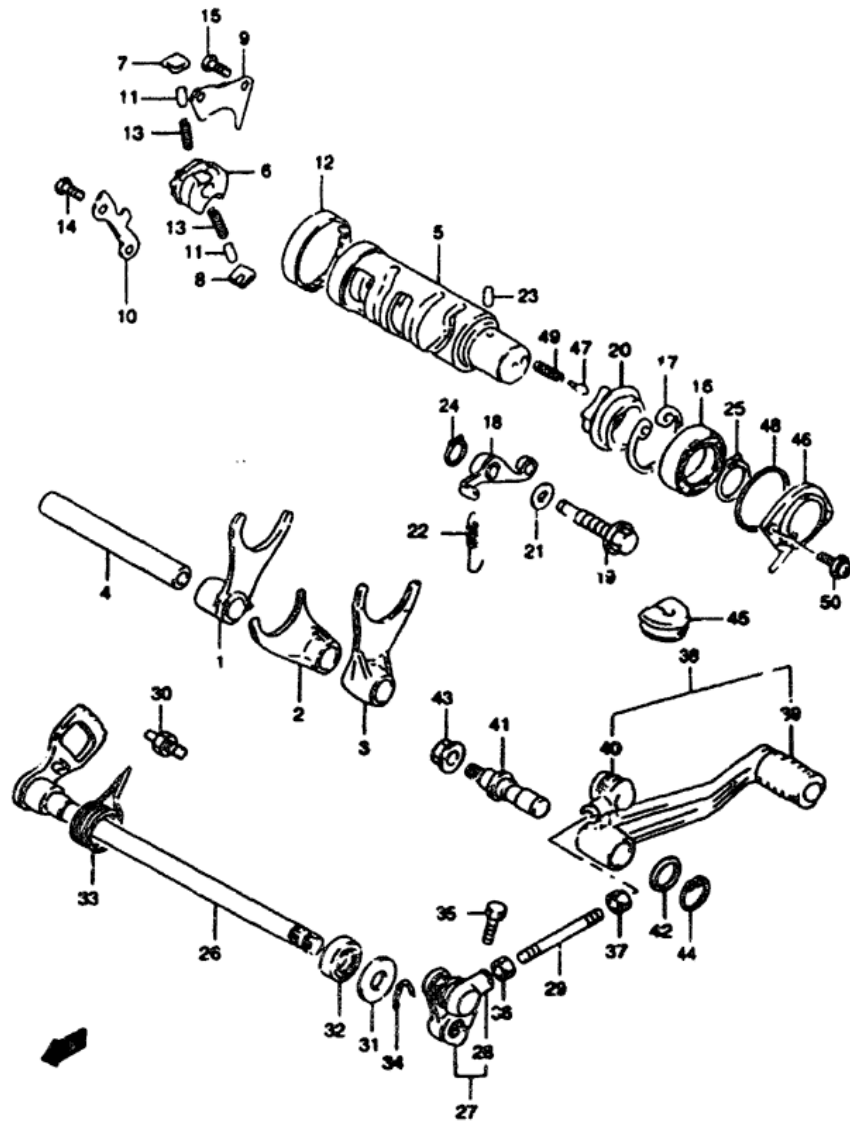


FIG.21 (D-5)

GEAR SHIFTING

REF.NO.	PART NO.	DESCRIPTION	Q'TY	REMARKS
1-1	25211-27A00	FORK, GEAR SHIFT NO.1	1	MODEL W/X
1-2	25211-27A10	FORK, GEAR SHIFT NO.1	1	MODEL Y
2	25221-27A01	FORK, GEAR SHIFT NO.2	1	
3	25231-27A00	FORK, GEAR SHIFT NO.3	1	
4	25411-27A00	SHAFT, GEAR SHIFT FORK	1	
5-1	25310-27A02	CAM, GEAR SHIFT	1	-F.NO.JS1GR7GA X2100846
5-2	25310-27A03	CAM, GEAR SHIFT	1	F.NO.JS1GR7GA X2100847-
6	25322-31310	GEAR, GEAR SHIFT CAM	1	
7	25323-34201	POLE, GEAR SHIFT NO.1	1	
8	25324-34201	POLE, GEAR SHIFT NO.2	1	
9	25331-31301	LIFTER, GEAR SHIFT POLE	1	
10	25341-27A00	GUIDE, CAM	1	
11	09261-06003	PIN, GEAR	2	
12	09263-43001	BEARING, GEAR RH (43X49X12)	1	
13	09440-04003	SPRING, GEAR RETURN	2	
14	02122-06123	SCREW, CAM GUIDE	2	
15	02122-06123	SCREW, POLE	2	
16	08113-69050	BEARING, GEAR LH	1	
17	08331-41426	CIRCLIP, GEAR	1	
18	25350-27A00	STOPPER, GEAR SHIFT CAM	1	
19	25353-27A00	SHAFT, GEAR SHIFT STOPPER	1	
20	25381-38400	PLATE, GEAR SHIFT STOPPER	1	
21	09168-10002	GASKET, GEAR SHIFT STOPPER	1	
22	09443-08033	SPRING, GEAR SHIFT STOPPER	1	
23	04221-04089	PIN, TEAR SHIFT STOPPER	1	
24	08331-31086	CIRCLIP, GEAR SHIFT CAM	1	
25	08331-31256	CIRCLIP, SHIFT CAM STOPPER	1	
26	25510-19C01	SHAFT, GEAR SHIFT	1	
27	25520-19C02	ARM, GEAR SHIFT LINK	1	
28	25526-47000	COVER, DUST	1	
29	25525-12C10	ROD, GEAR SHIFT LINK	1	
30	25671-01000	STOPPER, GEAR SHIFT ARM	1	
31	09160-12090	WASHER, GEAR (12.5X26X1.6)	1	
32	09285-12002	SEAL, GEAR SHIFT	1	
33	09444-26017	SPRING, GEAR SHIFT RETURN	1	
34	08331-31126	CIRCLIP, GEAR	1	

24 GSX750F Y E3

FIG.41

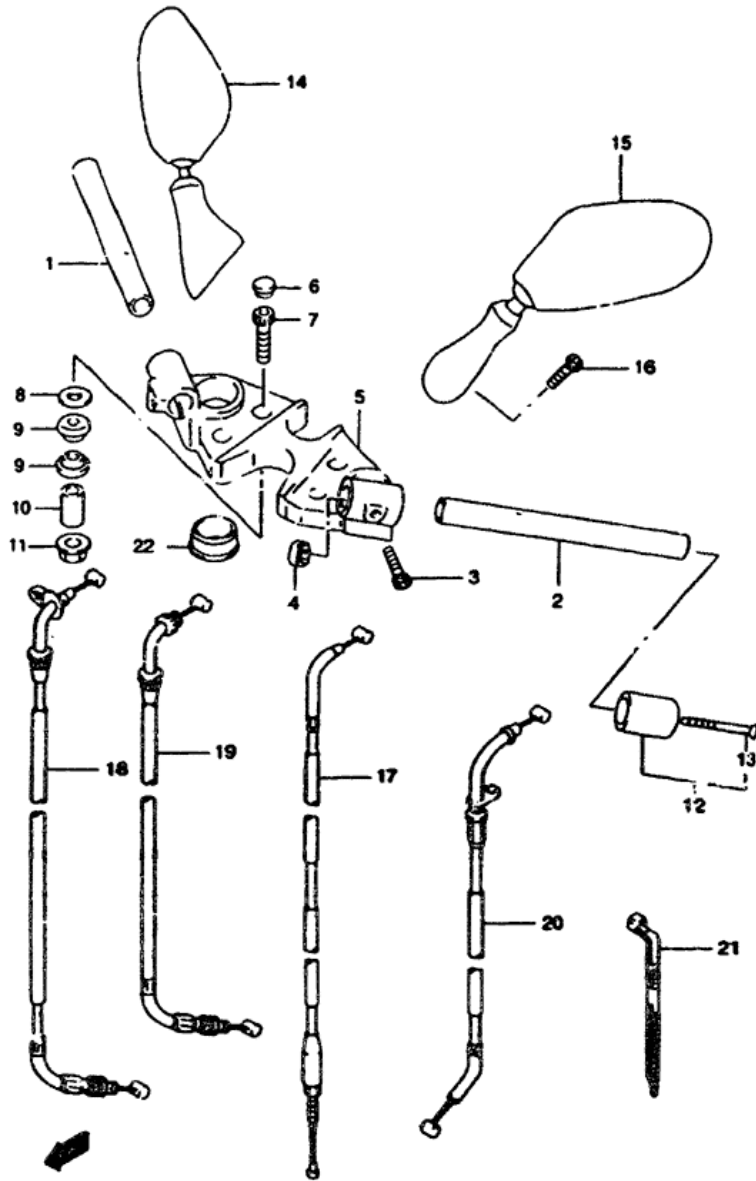


FIG.41 (G-3) HANDLEBAR

REF.NO.	PART NO.	DESCRIPTION	QTY	REMARKS
1	56110-08F00	HANDLEBAR, RH	1	
2	56150-08F00	HANDLEBAR, LH	1	
3	07130-08303	BOLT	2	
4	57215-33400	CAP	2	
5	56211-08F00	HOLDER	1	
6	09250-08014	CAP	4	
7	07130-10707	BOLT	4	
8	09160-10094	WASHER	4	
9	56240-08F00	CUSHION, BRACKET	8	
10	56243-20C00	SPACER	4	
11	08319-31107	NUT	4	
12	56200-08830	BALANCER SET, HANDLEBAR	2	
13	02122-06603	SCREW	2	
14	56500-08F00	MIRROR ASSY, REAR VIEW, RH	1	
15	56600-08F00	MIRROR ASSY, REAR VIEW, LH	1	
16	07130-06163	BOLT	4	
17	56200-08F00	CABLE ASSY, CLUTCH	1	
18	58300-08F00	CABLE ASSY, THROTTLE NO.1	1	
19	58300-08F10	CABLE ASSY, THROTTLE NO.2	1	
20	58410-08F00	CABLE, STARTER	1	
21	06407-25401	CLAMP	1	
22	56247-08F00	CUSHION, HANDLE HOLDER	2	

49 GSX750F, E3

FIG.42

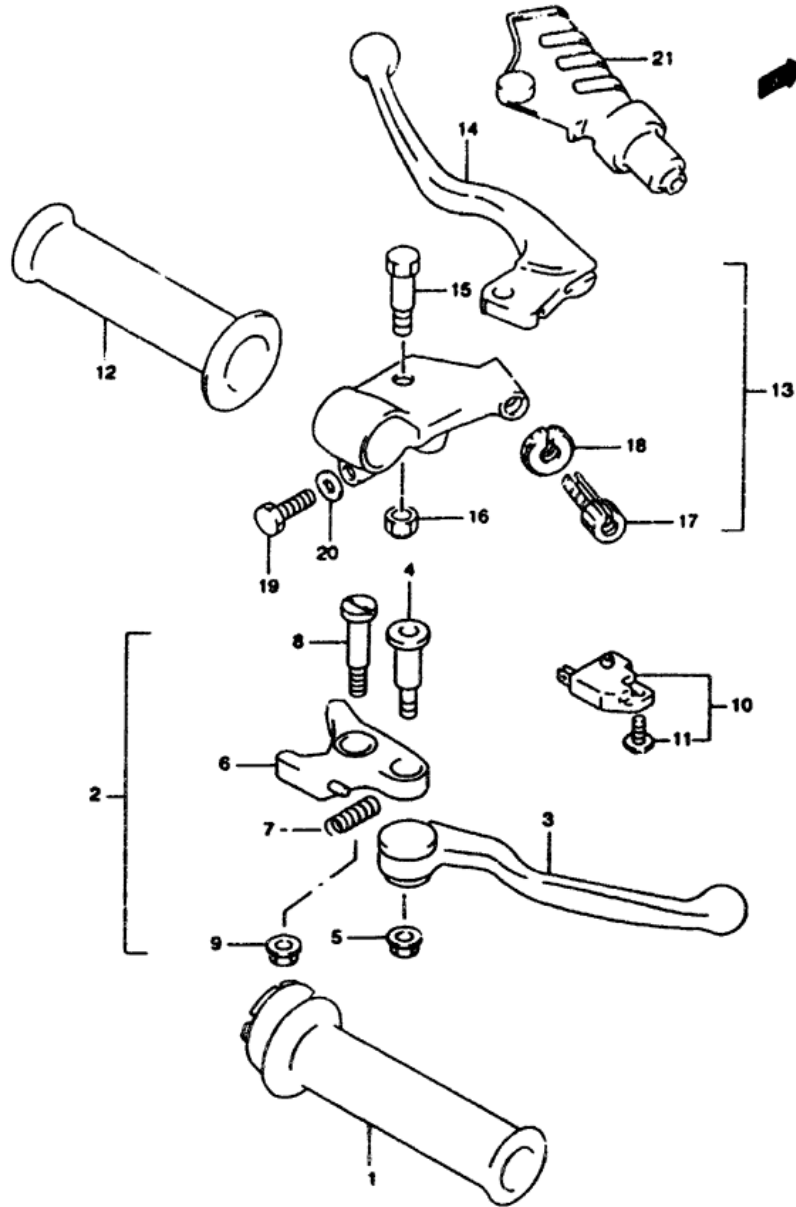


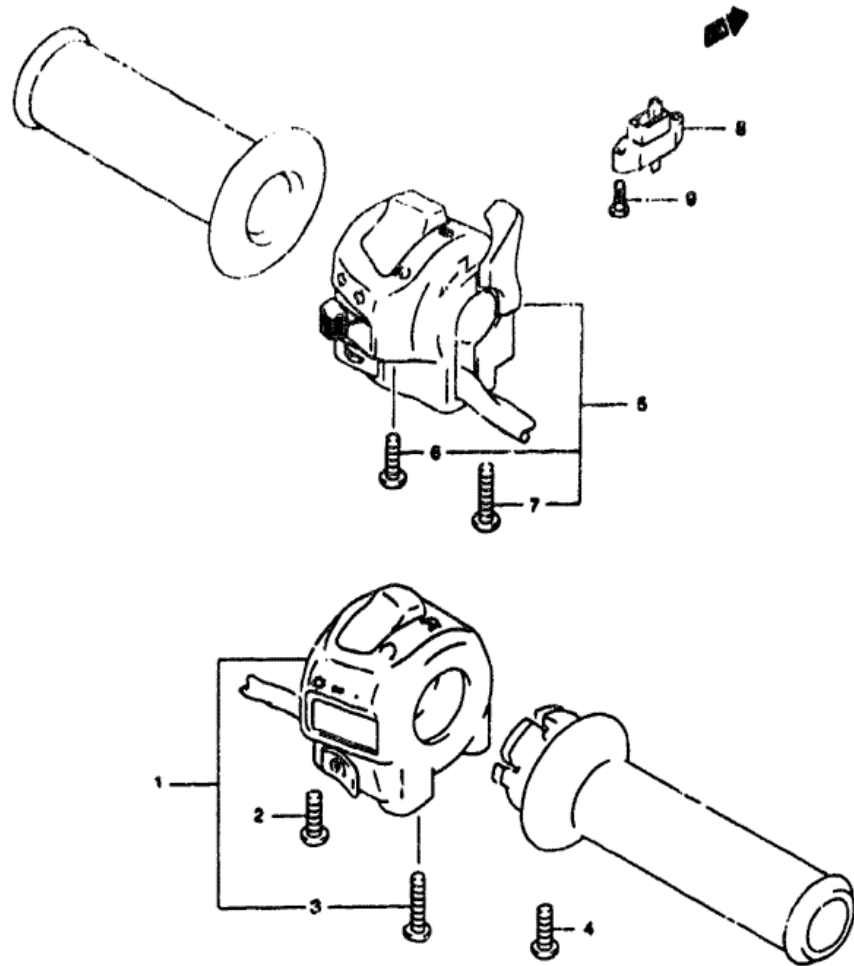
FIG.42 (G-4) HANDLE LEVER

REF.NO.	PART NO.	DESCRIPTION	Q'TY	REMARKS
1	571 501	GRIP, THROTTLE	1	
2	57300-40C10	LEVER ASSY, BRAKE	1	
3	57420-32C00	LEVER	1	
4	57437-32C01	BOLT, LEVER	1	
5	08319-21063	NUT	1	
6-1	57430-40C00	KNOCKER	1	MODEL W
6-2	57430-40C10	KNOCKER	1	MODEL X/Y
7	57438-32C00	SPRING	1	
8	57431-17C00	BOLT, KNOCKER	1	
9	08316-10063	NUT	1	
10	57460-17C00	SWITCH ASSY, STOP	1	
11	57465-17C00	SCREW	1	
12	57211-22D01	GRIP, LH	1	
13	57500-10D80	LEVER ASSY, CLUTCH	1	
14	57620-27A31	LEVER	1	
15	57531-14A00	BOLT, LEVER	1	
16	08319-21063	NUT	1	
17	57441-11010	ADJUSTER, CABLE	1	
18	57442-11010	NUT	1	
19	01500-06203	BOLT	1	
20	08322-01C53	WASHER	1	
21	57661-45C00	COVER, CLUTCH LEVER	1	

49 GSK750FY E3

FIG.32

FIG.32 (E-13) HANDLE SWITCH



REF.NO.	PART NO.	DESCRIPTION	Q'TY	REMARKS
1	37200-33831	SWITCH ASSY, HANDLE,RH	1	
2	02112-08303	SCREW	1	
3	02112-08803	SCREW	1	
4	02112-08103	SCREW, THROTTLE	1	
5	37400-26E31	SWITCH ASSY, HANDLE,LH	1	
6	02112-08253	SCREW	1	
7	02112-06483	SCREW	1	
8	17560-38A00	SWITCH ASSY, CLUTCH	1	
9	37564 26E00	SCREW, CLUTCH SWITCH	2	

37 GSX750F Y E3

AIR CLEANER..... C-05	COOLING FAN..... C-08	ELECTRICAL..... E-04	FRONT WHEEL..... H-06	OIL COOLER..... C-07	REAR WHEEL..... H-04	TRANSMISSION..... D-03
ALTERNATOR..... E-03	COUPLING BODY INSTAL G-12	FOOTREST..... F-04	FUEL COCK..... F-07	OIL PAN..... B-08	SEAT..... H-02	TURN SIGNAL LAMP... E-10
BATTERY..... E-05	COUPLING BODY..... G-04	FRAME COVER..... F-00	FUEL TANK..... E-02			

FIG.1

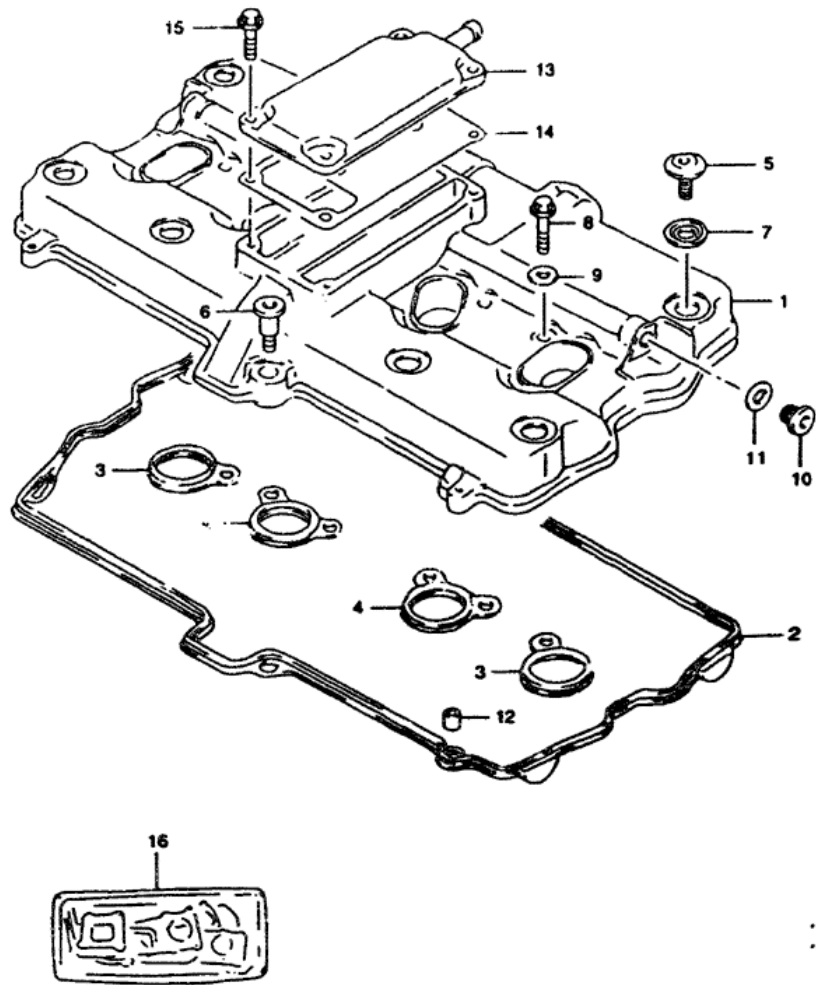


FIG.1 (8-2) CYLINDER HEAD COVER

REF.NO.	PART NO.	DESCRIPTION	QTY	REMARKS
1	11171-26E01	COVER, CYLINDER HEAD	1	
2	11173-27A02	GASKET, HEAD COVER NO.1	1	
3	11178-27A01	GASKET, HEAD COVER NO.2	2	
4	11179-27A02	GASKET, HEAD COVER NO.3	2	
5	09106-07009	BOLT (L:5.5)	8	
6	09106-07010	BOLT (L:19)	2	
7	09151-11006	WASHER	8	
8-1	09360-08009	BOLT, UNION	4	-F.NO.W2101398 →11180-27820 BOLT AND GASKET SET
8-2	11181-27E00	BOLT, UNION	4	F.NO.W2101399-
9-1	09168-06W06	GASKET	4	-F.NO.W2101398
9-2	09168-06W23	GASKET	4	F.NO.W2101399-
10	09248-12004	PLUG, HEAD COVER	2	
11	09169-12002	GASKET	2	
12	04221-08129	PIN	2	
13	11176-31301	COVER, BREATHER	1	
14	11177-27A00-H17	GASKET, BREATHER COVER	1	
15	01550-06203	BOLT	4	
16	11400-07898	GASKET SET	1	NOT INCLUDE 2ND AIR GASKE

1 GS0750F YE3

AIR CLEANER.....	C-05	COOLING FAN.....	C-08	ELECTRICAL.....	E-06	FRONT WHEEL.....	H-06	OIL COOLER.....	C-07	REAR WHEEL.....	I-04	TRANSMISSION.....	D-03
ALTERNATOR.....	E-03	CRANKING BODY INSTAL	G-12	FOOTREST.....	F-74	FUEL COCK.....	F-07	OIL PAN.....	B-08	SEAT.....	H-02	TURB SIGNAL LAMP.....	E-10
BATTERY.....	E-05	CRANKING BODY.....	G-06	FRAME COVER.....	F-09	FUEL TANK.....	F-25	OIL PUMP.....	B-09	SIGNAL GENERATOR.....	E-04	UNDER COOLING.....	G-13
CAM CHAIN.....	B-13	CRANKCASE COVER.....	B-07	FRAME.....	F-02	GEAR SHIFTING.....	B-05	OPT SIGNAL.....	I-07	UNIDENTIFIED.....	F-07	UNIDENTIFIED.....	G-14

FIG.2

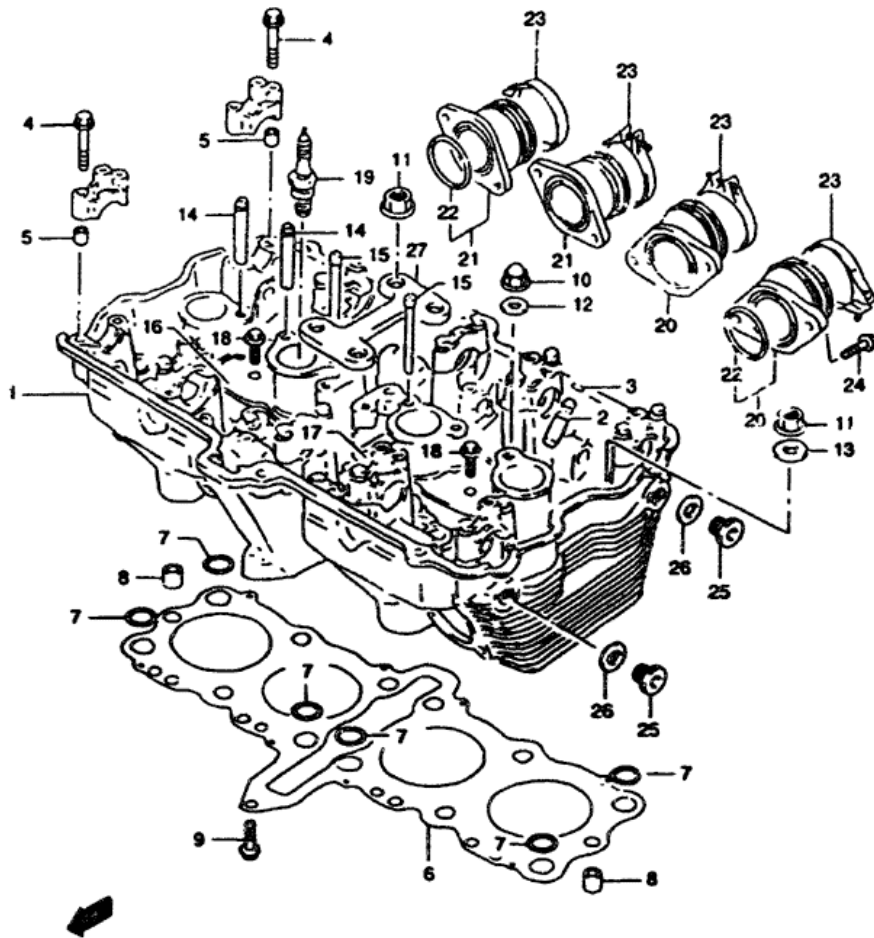


FIG.2 (B-3)

CYLINDER HEAD

REF.NO.	PART NO.	DESCRIPTION	QTY	REMARKS
1-1	11100-17D20	HEAD ASSY, CYLINDER	1	
1-2	11100-08F10	HEAD ASSY, CYLINDER	1	E33
2	11115-27A70	.GUIDE, VALVE	16	
3	09381-10004	.RING, VALVE GUIDE	16	
4	09103-06026	BOLT (6X39)	20	
5	09206-08001	PIN	20	
6	11141-17D10	GASKET, CYLINDER HEAD	1	
7	11143-06B00	O RING	6	
8	04211-11189	PIK	2	
9	01550-06303	BOLT	1	
10	09159-10069	NUT	4	
11	08216-10103	NUT	8	
12	09168-10031	GASKET	4	
13	09160-10060	WASHER (10 5X22X2.3)	4	
14	11131-27A00	PIPE, OIL NO 1,2	4	
15	11133-27A00	PIPE, OIL NO 3	2	
16	11135-27A02	PLATE, OIL PIPE RH	1	
17	11136-27A02	PLATE, OIL PIPE LH	1	
18	01550-06123	BOLT	4	
19-1	09482-00410	SPARK PLUG (NGK,CR9EK)	4	
19-2	09482-00411	SPARK PLUG (DENSO,U27ETR)	4	
19-3	00482-00412	SPARK PLUG (NGK,CR8EK)	4	OPT
19-4	09482-00413	SPARK PLUG (DENSO,U24ETR)	4	OPT
19-5	09482-0462	SPARK PLUG (NGK,CR10EK)	4	OPT
19-6	09482-00463	SPARK PLUG (DENSO,U31ETR)	4	OPT
20	13101-08F00	PIPE, INTAKE LH	2	
21	13103-08F00	PIPE, INTAKE RH	2	
22	09280-42003	O RING (D:2.4, ID:41.7)	4	
23	09402-52208	CLAMP	4	
24	07120-06163	SCREW	8	
25	09248-14010	PLUG CYLINDER HEAD	4	
26	09168-14002	GASKET	4	
27	11138-40C00	PLATE, HEAD REINFORCEMENT	1	

FIG.28

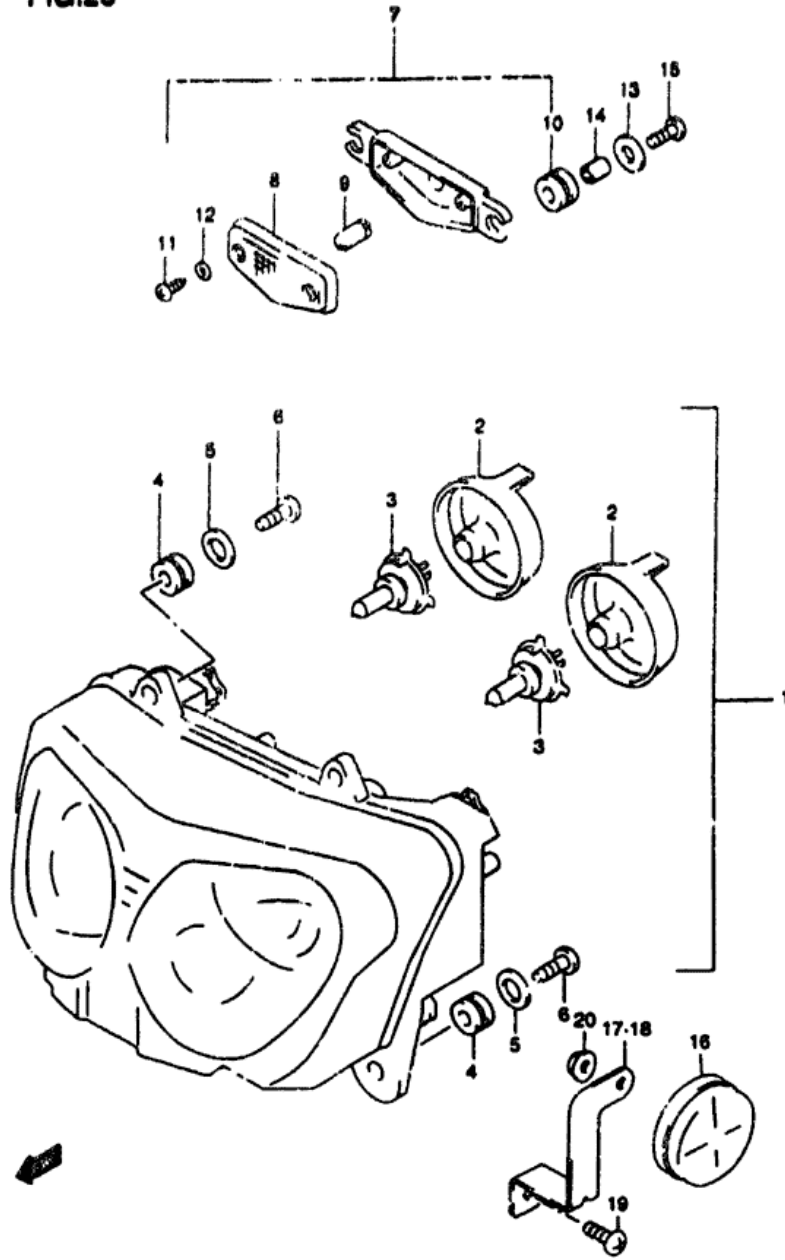


FIG.28 (E-9)

HEADLAMP

REF.NO.	PART NO.	DESCRIPTION	Q'TY	REMARKS
1	38100-08F00-099	HEADLAMP ASSY	1	
2	38128-74F00	.COVER, SOCKET	2	
3	09471-12185	BULB (12V,80/55W)	2	
4	38137-33E00	CUSHION	4	
5	09180-05045	WASHER (5.5X18X1.0)	4	
6	03812-05163	SCREW	4	
7	38110-08F00	LAMP ASSY, FRONT POSITION	1	
8	35112-08F00	.LENS	1	
9	09471-12081	.BULB (12V,55W)	1	
10	09320-08001	.CUSHION	2	
11	03211-04123	.SCREW	2	
12-1	38117-08F00	.WASHER	2	MODEL W/X
12-2	38128-37B00	.WASHER	2	MODEL Y
13	09180-05045	WASHER (5.5X18X1.0)	2	
14	09180-05048	SPACER (5.5X8X10.5)	2	
15	02142-05203	SCREW	2	
16	35950-14A00	REFLEX REFLECTOR ASSY	2	
17-1	35956-08F00	BRACKET, FRONT SIDE RH	1	-F.NO.JS1GR7GA X2100428
17-2	35956-08F01	BRACKET, FRONT SIDE RH	1	F.NO.JS1GR7GA X2100429-
18-1	35957-08F00	BRACKET, FRONT SIDE LH	1	-F.NO.JS1GR7GA X2100428
18-2	35957-08F01	BRACKET, FRONT SIDE LH	1	F.NO.JS1GR7GA X2100429-
19	02142-05103	SCREW	2	
20	02316-10053	NUT	2	F.NO.JS1GR7GA X2100429-

FIG.15

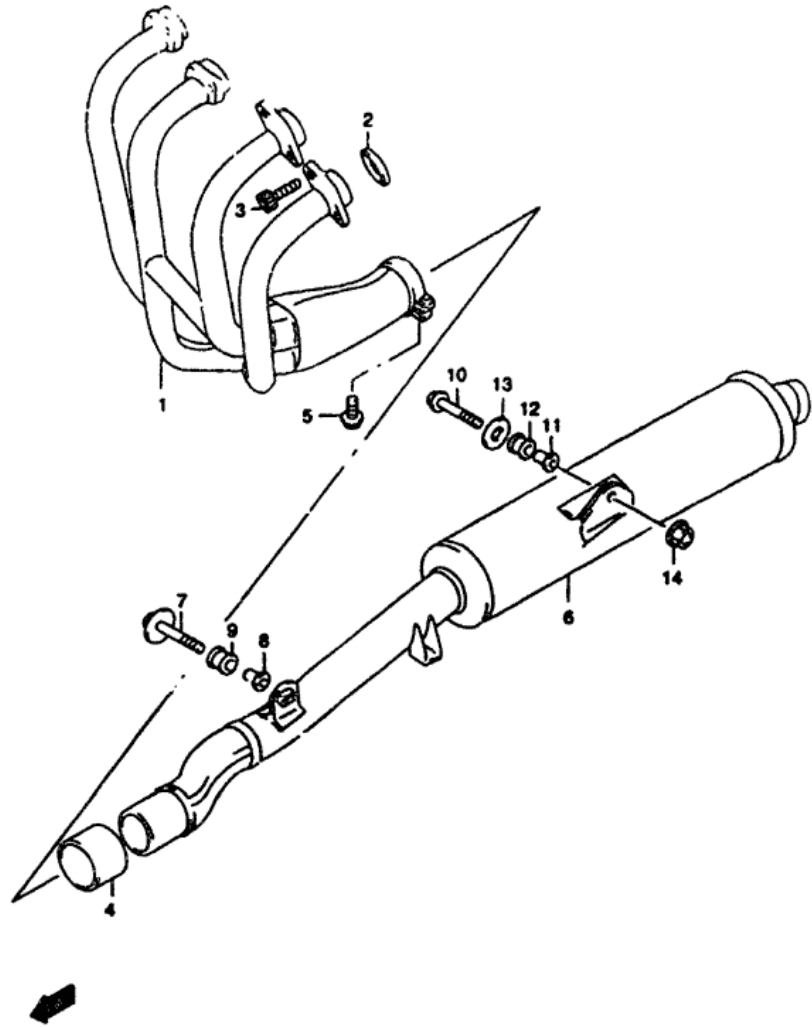


FIG.15 (C-6) MUFFLER

REF.NO.	PART NO.	DESCRIPTION	Q'TY	REMARKS
1	14100-19E10	EXHAUST	1	
2	14181-18C00	GASKET, EXHAUST PIPE	4	
3-1	07130-08267	BOLT, EXHAUST PIPE (CHROME)	8	MODEL W/X
3-2	07130-08263	BOLT, EXHAUST PIPE (GREEN)	8	MODEL Y
4	14771-27E00	CONNECTOR, MUFFLER	1	
5	01550-08403	BOLT, MUF CONNECTOR	1	
6	14310-19E10-H01	BODY, MUFFLER	1	
7	0911A-08068	BOLT (8X40)	1	
8	09180-08152	SPACEr, MUF SPRT,FR (L.24.2)	1	
9	09320-12048	CUSHION, MUF SPRT,FR.	1	
10	01550-08457	BOLT, MUF SPRT,RR	1	
11	09180-06156	SPACER, MUF SPRT,RR (L.25.5)	1	
12	09320-12049	CUSHION, MUF SPRT,RR	1	
13	0916C-08140	WASHER, MUF SUPPORT,RR	1	
14	08361-25088	NUT, MUF SPRT,RR	1	

FIG.16

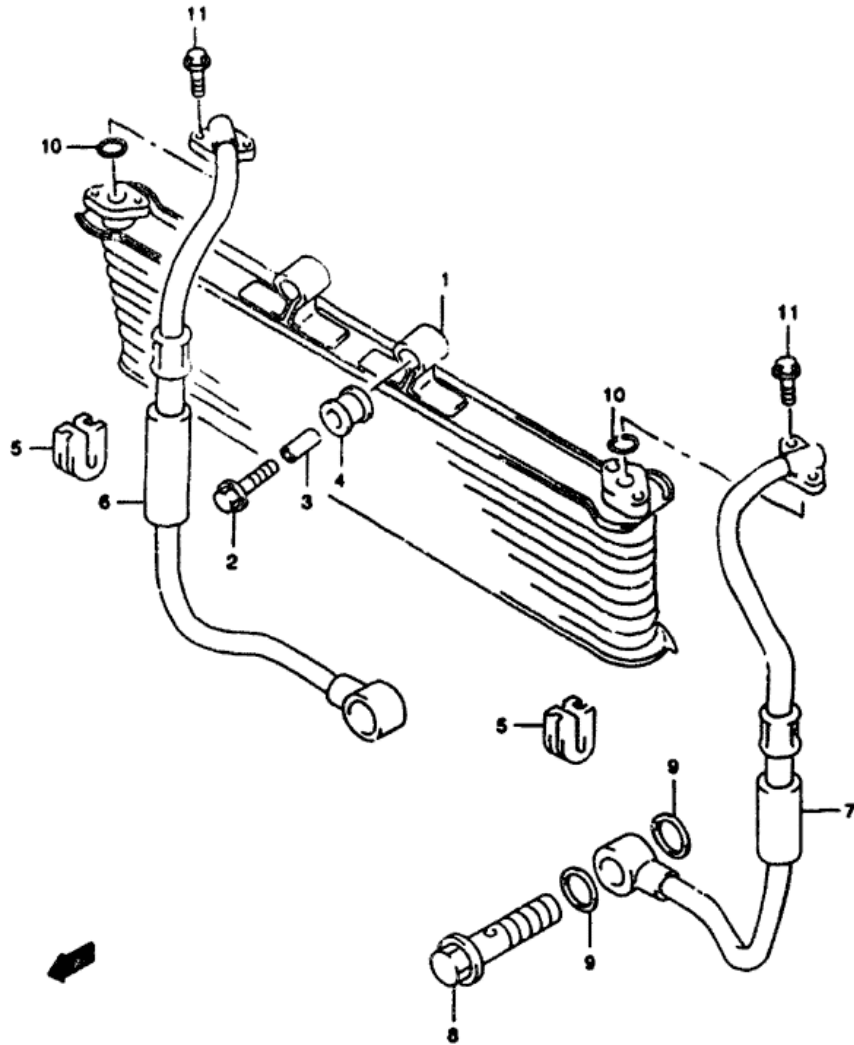


FIG.16 (C-7) OIL COOLER

REF.NO.	PART NO.	DESCRIPTION	Q'TY	REMARKS
1	16600-08F10	COOLER ASSY, OIL	1	
2	09118-08131	BOLT (8X40)	2	
3	09180-08304	SPACER	2	
4	16628-27A01	CUSHION, NO.1	2	
5	16628-27A00	CUSHION, NO.2	2	
6	16460-08F00	HOSE, OIL COOLER,RH	1	
7	16470-08F00	HOSE, OIL COOLER,LH	1	
8	06360-16302	BOLT, UNION (16X32)	2	
9	09168-16002	GASKET	4	
10	09280-12012	O RING	2	
11	07130-08163	BOLT	4	

18 GSX750F Y E3

FIG. 6

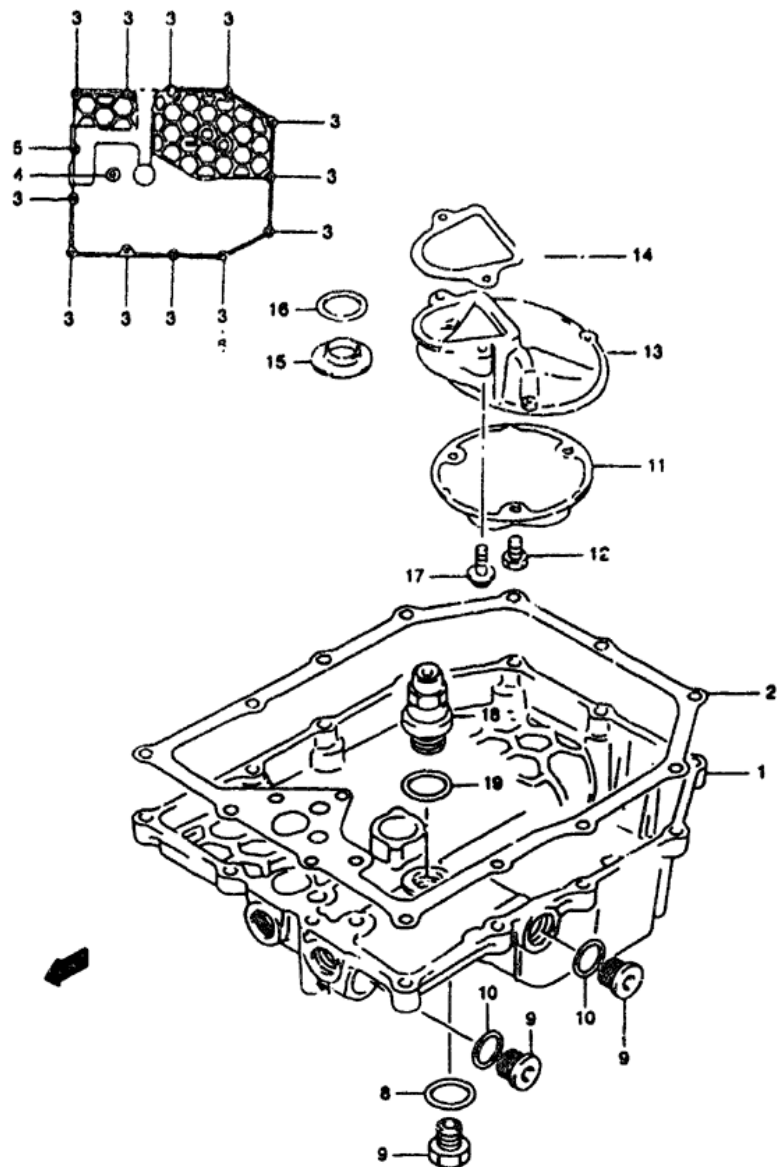


FIG. 6 (B-8)

OIL PAN

REF NO.	PART NO.	DESCRIPTION	Q'TY	REMARKS
1	11511-26E00	PAN, OIL	1	
2	11489-27A20	GASKET, OIL PAN	1	
3	01550-06253	BOLT	12	
4	01550-06303	BOLT	1	
5	01550-06C03	BOLT	1	
6-1	09168-06024	GASKET (5.8X11X1.2)	1	-E.NO.108590
6-2	09168-06023	GASKET (5.8X13X1.2)	1	E.NO.108591-
7	09247-14001	PLUG, OIL DRAIN	1	
8	09168-14002	GASKET	1	
9	09248-16012	PLUG, OIL GALLERY	2	
10	09168-16C02	GASKET	2	
11	10520-09301	STRAINER, ENGINE OIL	1	
12	01570-06123	BOLT	3	
13	16525-06B00	PROTECTOR, STRAINER	1	
14	16528-27A20	GASKET, PROTFCTOR	1	
15	16529-27A01	GASKET, OIL OUTLET	1	
16	09280-18009	O RING (D:3.2, ID:17.8)	1	
17	01550-06253	BOLT	2	
18	16440-17C01	VALVE ASSY, OIL RELIEF	1	
19	09168-16002	WASHER	1	

7 GSX750F Y E3

AIR CLEANER.....	C-05	COOLING FAN.....	C-08	ELECTRICAL.....	E-06	FRONT WHEEL.....	H-04	OIL COOLER.....	C-07	REAR WHEEL.....	I-04	TRANSMISSION.....	D-03
ALTERNATOR.....	E-03	COOLING BODY INSTAL	G-12	FOOTREST.....	F-04	FUEL COCK.....	F-07	OIL PAN.....	B-08	SEAT.....	H-02	TURNO SIGNAL LAMP...	E-10
BATTERY.....	E-05	COOLING BODY.....	G-06	FRAME COVER.....	F-09	FUEL TANK.....	F-05	OIL PUMP.....	B-09	SIGNAL GENERATOR...	F-04	TURNER COIL TMC.....	E-11

FIG.7

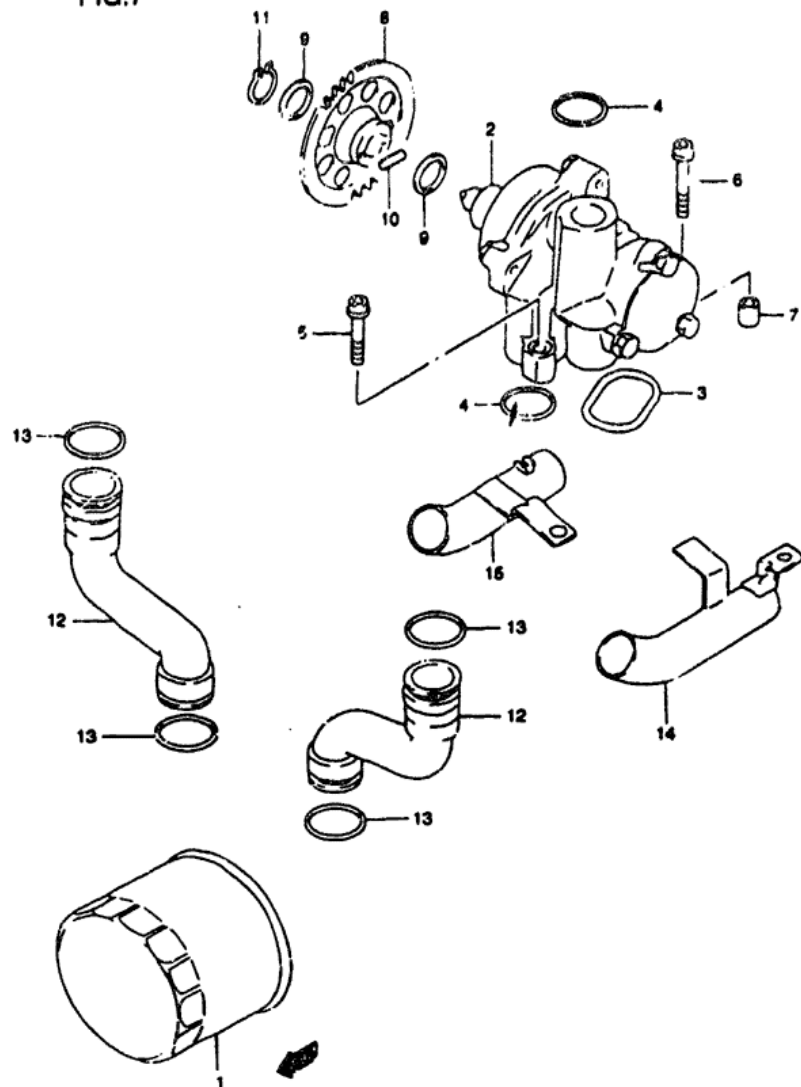


FIG.7 (4) OIL PUMP

REF. NO.	PART N ^o .	DESCRIPTION	Q ^{TY}	REMARKS
1	16510-3-300	FILTER, ENGINE OIL	1	
2	16430-08B30	PUMP ASSY, ENGINE OIL	1	
3	16451-27A01	O RING, OIL PUMP	1	
4	08280-18009	O RING (D:32, I.D:17.8)	2	
5	09106-06089	BOLT (6X30)	2	
6	09106-06086	BOLT (6X35)	1	
7	04211-0912:	PIN	2	
8	16332-19C00	GEAR, OIL PUMP DRIVEN	1	
9	08221-12205	WASHER	2	
10	09281-06006	PIN	1	
11	08331-31126	CIRCLIP	1	
12	16481-17D00	PIPE, OUTLET	2	
13	09280-22016	O RING (D:37, I.D:21.7)	4	
14	16530-27A02	PIPE, OIL UNDER, LH	1	
15	16540-27A02	PIPE, OIL UNDER, RH	1	

• GSX750F Y E3

AIR CLEANER.....	C-05	COOLING FAN.....	C-08	ELECTRICAL.....	E-06	FRONT WHEEL.....	H-04	OIL COOLER.....	C-07	REAR WHEEL.....	I-04	TRANSMISSION.....	D-03
ALTERNATOR.....	E-03	COVERING BODY INSTAL	G-12	FOOTREST.....	F-04	FUEL COCK.....	F-07	OIL PAN.....	B-08	SEAT.....	H-02	TURN SIGNAL LAMP...	E-10
BATTERY.....	E-05	COVERING BODY.....	G-06	FRAME COVER.....	F-09	FUEL TANK.....	F-05	OIL PUMP.....	B-09	SIGNAL GENERATOR...	E-04	UNDER COVERING.....	G-13
CAN CHAIN.....	B-13	CRANKCASE COVER.....	B-07	FRONT WHEEL.....	F-02	GEAR SHIFTING.....	D-05	OPTIONAL.....	I-07	SPEEDOMETER.....	E-07	WARNING LABEL.....	G-14
CAR CHAET - VALVE	B-12	CRANKCASE	B-06	FRONT WHEEL	F-02	GEAR SHIFTING	D-05	OPTIONAL	I-07	SPEEDOMETER	E-07	WARNING LABEL	G-14

FIG.58

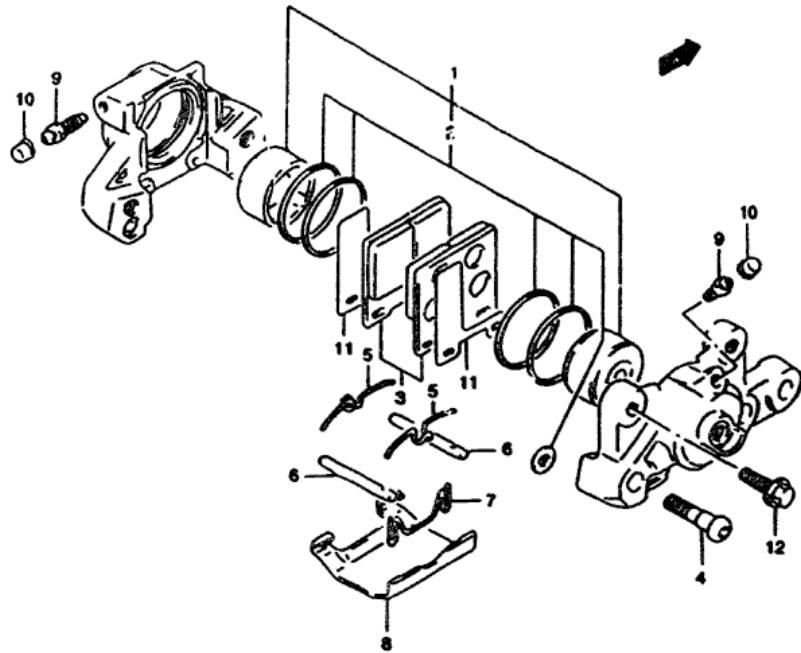


FIG.58 (1-6)

REAR CALIPER

REF.NO.	PART NO.	DESCRIPTION	Q'TY	REMARKS
	68100-06C90	CALIPER ASSY, REAR	1	
1	68100-05860	PISTON SET	1	
2	68100-32820	SEAL SET, PISTON	1	
3	68100-05870	PAD SET	1	
4	59145-05C50	BOLT	2	
5	59143-16700	SPRING	2	
6	68141-46E01	PIN	2	
7	68142-46E01	CLIP	1	
8	59151-16701	COVER	1	
9	59121-18410	BLEEDER	2	
10	55156-66310	CAP	2	
11	59371-33420	SHIM	2	
12	01550-08303	BOLT	2	

71 GSX750F YE3

AIR CLEANER.....	C-05	COOLING FAN.....	C-08	ELECTRICAL.....	E-06	FRONT WHEEL.....	H-06	OIL COOLER.....	C-07	REAR WHEEL.....	I-04	TRANSMISSION.....	D-03
ALTERNATOR.....	E-01	COUPLING BODY INSTAL	G-12	FOOTREST.....	F-04	FUEL COCK.....	F-07	OIL PAN.....	B-08	SEAT.....	H-02	TURN SIGNAL LAMP.....	E-18
BATTERY.....	E-05	COUPLING BODY.....	G-06	FRAME COVER.....	F-09	FUEL TANK.....	F-05	OIL PUMP.....	B-09	SIGNAL GENERATOR.....	E-04	UNDER COUPLING.....	G-13
CAN CHAIN.....	B-13	CRANKCASE COVER.....	B-27	FRAME.....	F-02	GEAR SHIFTING.....	D-05	SPYTRIAL.....	T-07	VEHICLE.....	E-07		

FIG.43

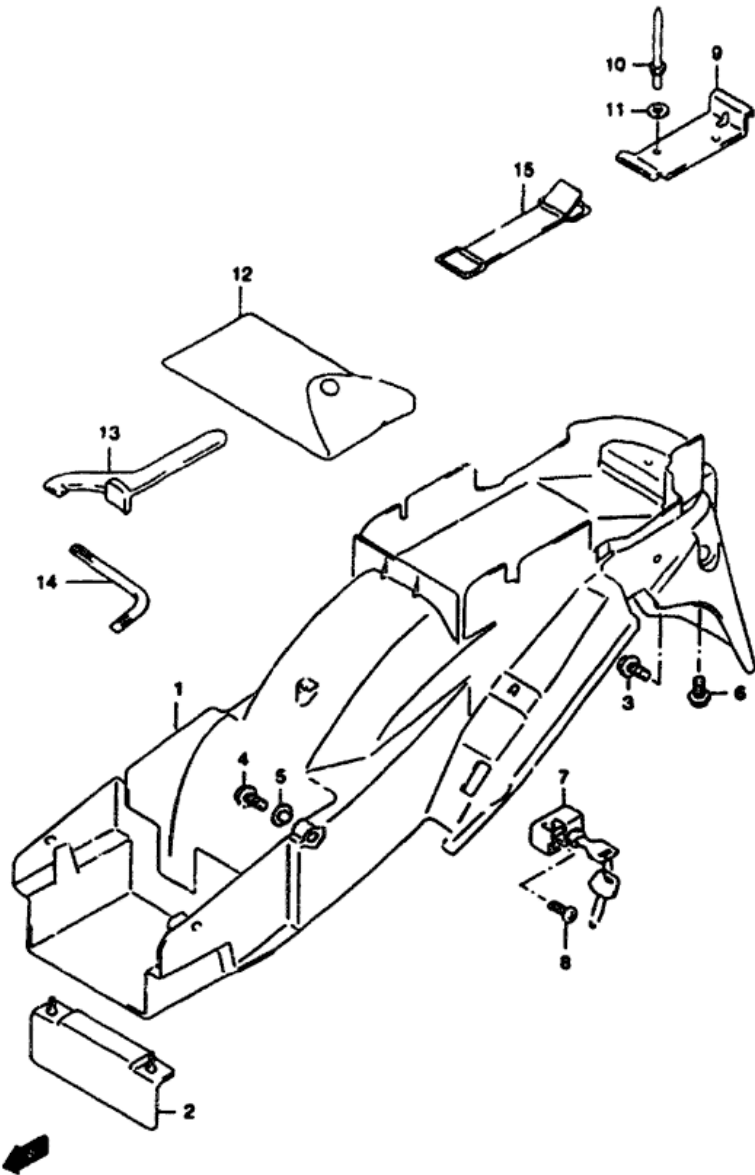


FIG.43 (G-5) REAR FENDER

REF NO.	PART NO.	DESCRIPTION	QTY	REMARKS
1	63111-08F30	FENDER, REAR	1	
2	63411-08F00	MUDGUARD, REAR FENDER	1	
3-1	08111-08086	BOLT	3	MODEL W/X
3-2	08113-08001	BOLT	3	MODEL Y
4	01550-06163	BOLT, FRONT LH	1	
5	09169-08071	WASHER	1	
6-1	08116-08144	BOLT, CENTER	2	MODEL W
6-2	08116-08166	BOLT, CENTER	2	MODEL XY
7	90700-44820	LOCK SET, HELMET	1	
8	08139-08089	SCREW	1	
9	63466-02F00	HOLDER, TOOL	1	
10	08229-04020	RIVET	2	
11	08322-01043	WASHER	2	
12	09800-21036	TOOL ASSY	1	
13	09822-00004	CLAMP, WRENCH	1	MODEL W
14	09816-00102	HEXAGON SPANNER, 3	1	MODEL XY
15	47435-02F00	BAND, TOOL	1	

50 GSX750F Y E3

FIG.59

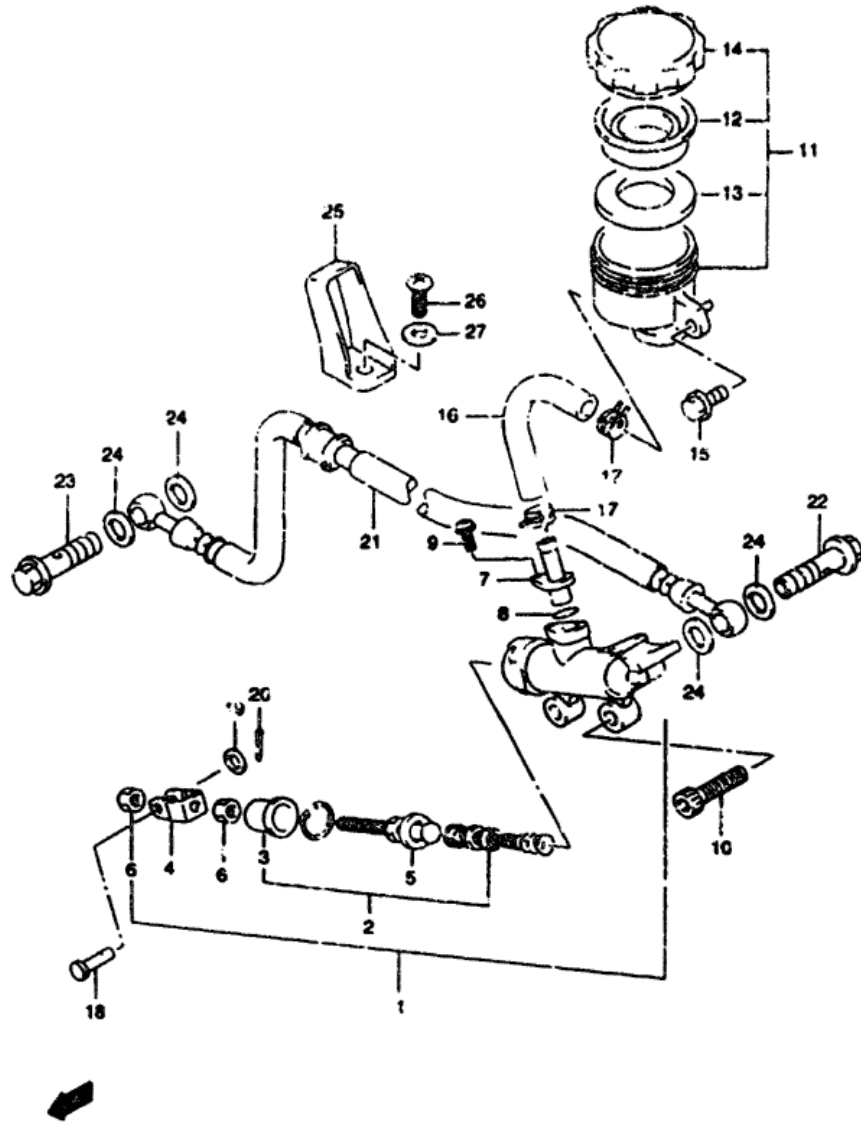


FIG.59 (1-8)

REAR MASTER CYLINDER

REF.NO.	PART NO.	DESCRIPTION	QTY	REMARKS
1	69800-08F00	CYLINDER ASSY, REAR MASTER	1	
2	69800-04820	PISTON/CLIP SET	1	
3	69891-00A00	BOOT	1	
4	69802-19A00	YOKE	1	
5	69670-18C00	ROD, PUSH	1	
6	69683-05A00	NUT	2	
7	69672-00A00	CONNECTOR	1	
8	69688-34200	O RING	1	
9	02112-74123	SCREW	1	
10	09106-06073	BOLT (6X16)	2	
11	69740-08F00	TANK ASSY, RESERVOIR	1	
12	59607-18441	DIAPHRAGM	1	
13	59668-18441	PLATE	1	
14	59669-07D00	CAP	1	
15	01550-06123	BOLT	1	
16	69731-08F00	HOSE, RESERVOIR TANK	1	
17	09401-13417	CLIP	2	
18	09200-06037	PIN	1	
19	09322-01063	WASHER	1	
20	04111-20158	COTTER PIN	1	
21	69480-08F00	HOSE, REAR BRAKE	1	
22	09360-10042	BOLT, MASTER (10X1.25X22)	1	
23	09360-10041	BOLT, CALIPER (10X1.00X22)	1	
24	09161-10009	WASHER	4	
25	69243-06C00	GUARD, REAR BRAKE	1	
26	02142-06163	SCREW	1	
27	09159-06041	WASHER	1	

72 GSX750F YE3

AIR CLEANER.....	C-05	COOLING FAN.....	C-08	ELECTRICAL.....	E-04	FRONT WHEEL.....	H-04	OIL COOLER.....	C-07	REAR WHEEL.....	I-04	TRANSMISSION.....	D-03
ALTERNATOR.....	E-03	COVERING BODY INSTAL	G-12	FOOTPEST.....	F-04	FUEL COCK.....	F-07	OIL PAN.....	B-C6	SEAT.....	H-02	TURN SIGNAL LAMP.....	E-10
BATTERY.....	E-05	COOLING BODY.....	G-06	FRAME COVER.....	F-09	FUEL TANK.....	F-16						

FIG.56

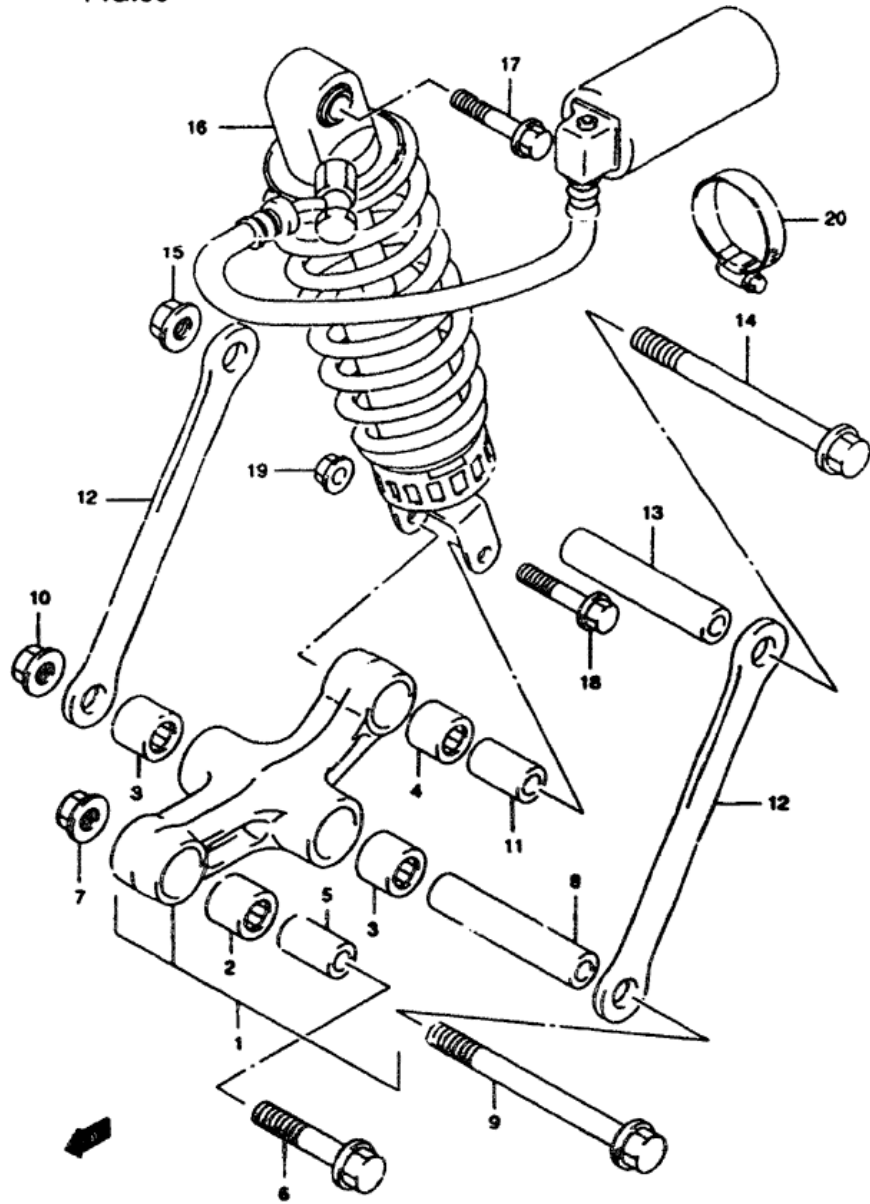


FIG.56 (1-3)

REAR CUSHION LEVER

REF.NO.	PART NO.	DESCRIPTION	Q'TY	REMARKS
1	62600-08610	LEVER SET, REAR CUSHION	1	
2	09263-20073	BEARING, FRONT (20X27X30)	1	
3	09263-20071	BEARING, CENTER (20X27X23.5)	2	
4	09263-17034	BEARING, REAR (17X24X26)	1	
5	09180-14014	SPACER, FRONT (14X20X34)	1	
6	09103-14012	BOLT, FRONT (14X62)	1	
7	08319-31148	NUT	1	
8	62317-40C10	SPACER, CENTER (14X20X94)	1	
9	62658-40C10	BOLT, CENTER (14X124)	1	
10	08319-31148	NUT	1	
11	62684-40A10	SPACER, REAR (10X17X30)	1	
12	62641-08F00	ROD, REAR CUSHION LEVER	2	
13	62317-40C10	SPACER, ROD (14X20X94)	1	
14	62658-40C10	BOLT, ROD (14X124)	1	
15	08319-31148	NUT	1	
16-1	62100-08FB0	ABSORBER ASSY, REAR SHOCK	1	E3
16-2	62100-08FA0	ABSORBER ASSY, REAR SHOCK	1	E28
17	09103-10213	BOLT, UPPER (10X52)	1	
18	09103-10086	BOLT, LOWER (10X44)	1	
19	08319-31103	NUT	1	
20	09402-50511	CLAMP, TANK	2	

69 GS-750FY E3

FIG.57

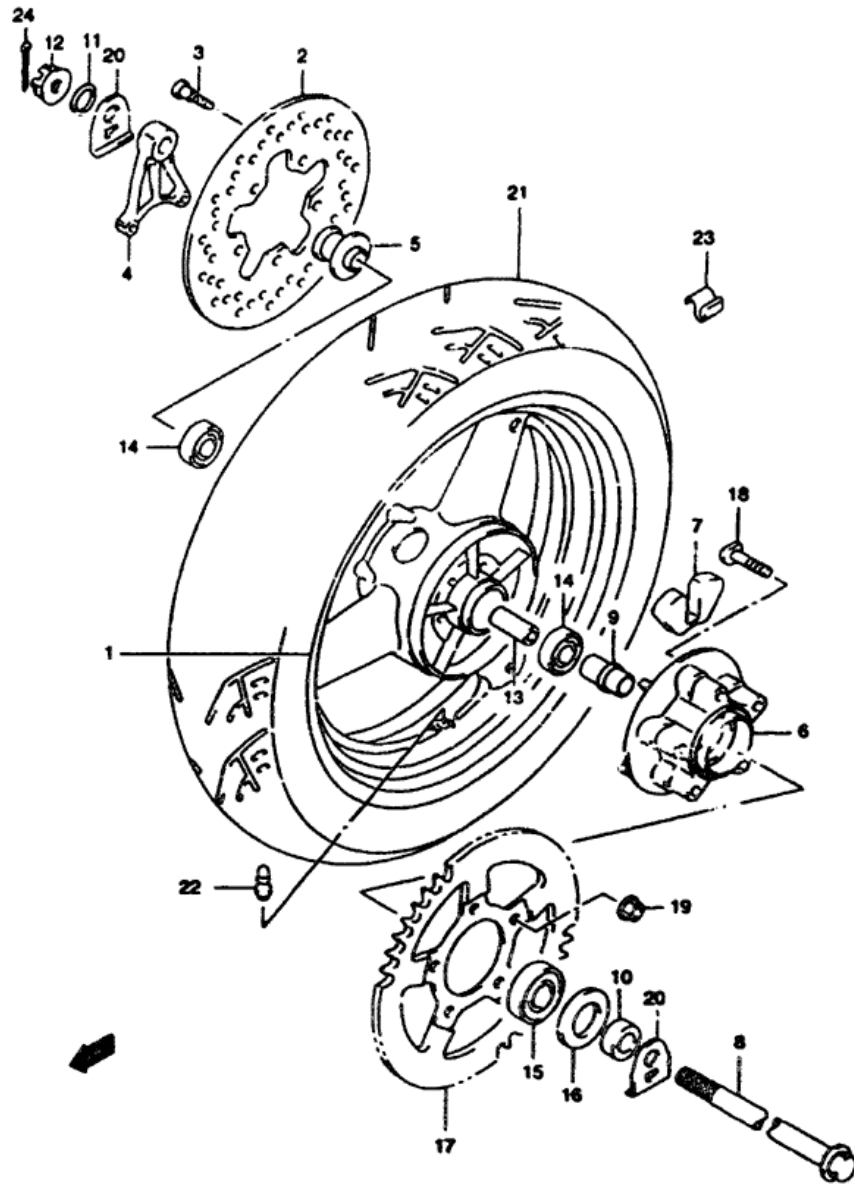


FIG.57 (1-4) REAR WHEEL

REF.NO.	PART NO.	DESCRIPTION	Q'TY	REMARKS
1-1	64111-08F00-Y8G	WHEEL, REAR (17XMT4.50) SILVER	1	MODEL W/X
1-2	64111-08F00-35W	WHEEL, REAR (17XMT4.50) GRAY	1	MODEL Y
2	#9211-2150C	DISC, REAR BRAKE	1	
3	09106-08125	BOLT (8X33)	5	
4	69721-33000	BRACKET, REAR CALIPER	1	
5	64740-19C00	SPACER, REAR AXLE RH	1	
6	64611-33C00	DRUM, REAR SPROCKET	1	
7	64651-27A01	ABSORBER, REAR HUB SHOCK	5	
8	64711-08F10	AXLE, REAR	1	
9	64733-34C00	RETAINER, HUB BEARING	1	
10	64741-45D00	SPACER, REAR AXLE LH	1	
11	09160-17050	WASHER	1	
12	08314-40163	NUT	1	
13	09180-17067	SPACER, BEARING (17.5X25X88)	1	
14	08143-63037	BEARING	2	
15	09262-25073	BEARING (25X62X17)	1	
16	09285-36001	OIL SEAL (35X62X8)	1	
17	64511-20C21	SPROCKET, REAR (NT.45)	1	
18	09119-10043	BOLT (10X47)	5	
19	08319-31107	NUT	5	
20	61445-20C01	WASHER, CHAIN ADJUSTER	2	
21	65110-08F10	TIRE, REAR, 150/70 ZR17(69W) (DUNLOP)	1	
22-1	43130-24A11	VALVE ASSY, WHEEL RIM (TR412)	1	MODEL W
22-2	43130-24A00	VALVE ASSY, WHEEL RIM (TR412)	1	MODEL X/Y
23-1	55411-00A00	BALANCER, WHEEL (10G)	0-3	
23-2	55412-00A01	BALANCER WHEEL (20G)	0-3	
24	04111-40308	PIN, COTTER	1	

79 GSX750F Y E3

FIG.48

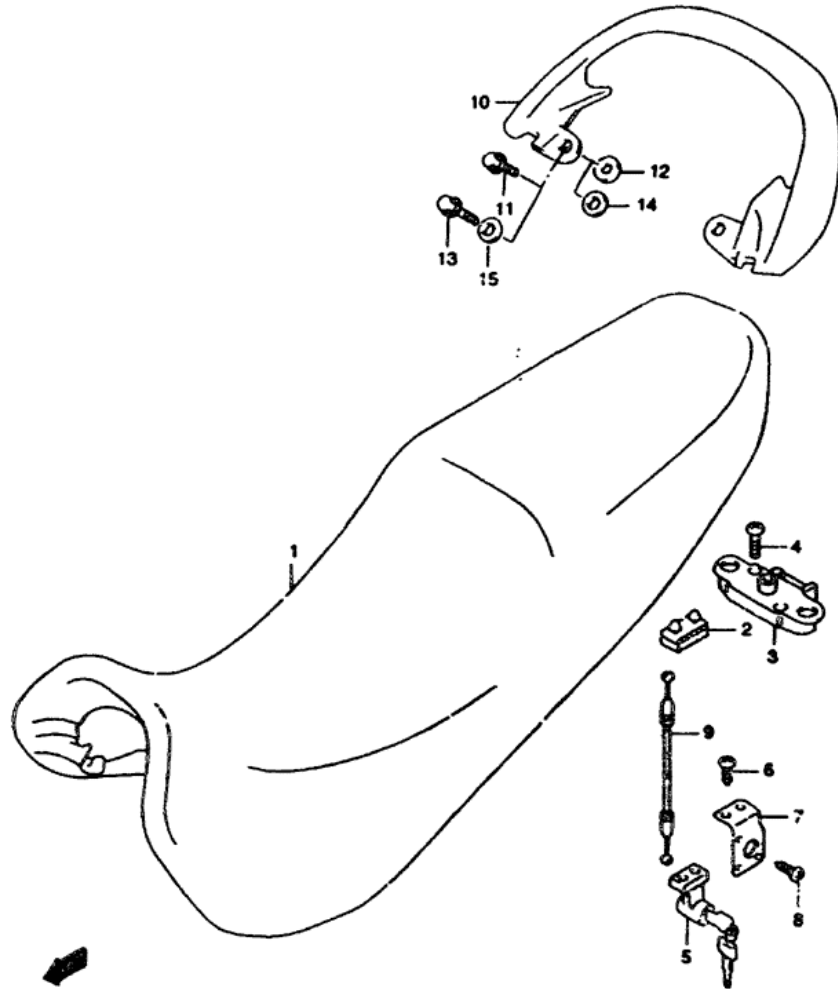


FIG.48 (H-2) SEAT (MODEL W02)

REF.NO.	PART NO.	DESCRIPTION	Q'TY	REMARKS
1	45100-08F03-V08	SEAT ASSY	1	
2	45149-31300	CUSHION	4	
3	45220-20A01	BRACKET, SEAT SUPPORT	1	
4	02122-06303	SCREW	2	
5	95700-31840	LOCK SET, SEAT	1	
6	01547-05103	BOLT	2	
7	45289-03F00	BRACKET, SEAT LOCK	1	
8	03141-14123	SCREW	2	
9	45280-25D00	CABLE, SEAT LOCK	1	
10-1	46211-03F10-Y4M	HANDLE, PILLION RIDER (MAROON)	1	MODEL W →46211-03F11-Y4M USED WITH 01550-08303 (2PCS) 09160-08501 (2PCS) 46212-03F10 (2PCS)
10-2	46211-03F10-33J	HANDLE, PILLION RIDER (BLACK)	1	MODEL VV →46200-03F11-33J USED WITH 01550-08303 (2PCS) 09160-08501 (2PCS) 46212-03F10 (2PCS)
10-3	46211-03F11-Y4M	HANDLE, PILLION RIDER (MAROON)	1	MODEL X
10-4	46211-03F11-Y7H	HANDLE, PILLION RIDER (BLUE)	1	MODEL X
11	01810-08253	BOLT (ØC25)	2	-F.NO.JS1GR7GA W2101410
12	09320-14006	CUSHION (14025X3.3)	2	-F.NO.JS1GR73A W2101410
13	01550-08303	BOLT (ØC30)	2	F.NO.JS1GR7GA W2101411-
14	46212-03F10	CUSHION (17X24X1.5)	2	F.NO.JS1GR7GA W2101411-
15	09160-08501	WASHER (ØLSX24X2.3)	2	F.NO.JS1GR7GA W2101411-

REFER TO FIG.48A(H-3) FOR MODEL Y

68 GS0798F Y E3

H 2

FIG.24

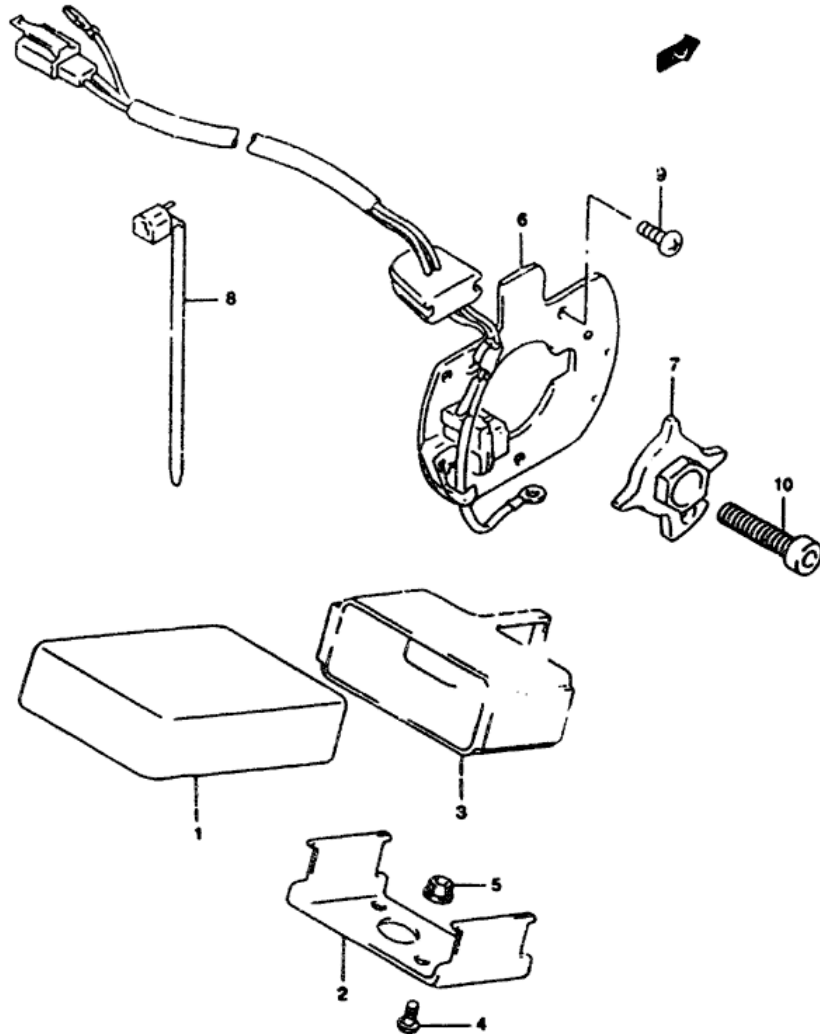


FIG.24 (E-4) SIGNAL GENERATOR

REF.NO.	PART NO.	DESCRIPTION	Q'TY	REMARKS
1	32900-08F40	IGNITER ASSY	1	
2	32933-08F00	BRACKET, IGNITER	1	
3	32980-40C01	CUSHION, IGNITER	1	
4	02142-05123	SCREW	2	
5	08316-10053	NUT	2	
6	33110-17C00	STATOR, SIGNAL GENERATOR	1	
7	33120-19C20	ROTOR, SIGNAL GENERATOR	1	
8	09407-14403	CLAMP, LEAD WIRE (L.125)	1	
9	02112-05103	SCREW, STATOR	3	
10	07130-08303	BOLT, ROTOR	1	

28 GSX750F Y E3

E 4

AIR CLEANER.....	C-05	COOLING FAN.....	C-08	ELECTRICAL.....	E-04	FRONT WHEEL.....	H-04	OIL COOLER.....	C-07	REAR WHEEL.....	I-04	TRANSMISSION.....	D-03
ALTERNATOR.....	E-03	COILING BODY INSTAL	G-12	FOOTREST.....	F-04	FUEL COCK.....	F-07	OIL PAN.....	B-08	SEAT.....	H-02	TURN SIGNAL LAMP.....	E-10
BATTERY.....	E-05	COILING BODY.....	G-04	FRAME COVER.....	F-09	FUEL TANK.....	F-05	OIL PUMP.....	B-09	SIGNAL GENERATOR.....	E-04	UNDER COILING.....	G-13
CAM CHAIN.....	B-13	CRANKCASE COVER.....	B-07	FRAME.....	F-02	GEAR SHIFTING.....	D-05	OPTIONAL.....	I-07	SPEEDOMETER.....	E-07	WARNING LABEL.....	G-14
CAM SHAFT - VALVE.....	B-12	CRANKCASE.....	B-06	FRONT BRAKE WHEEL	L-04	HEAD LIGHT COVER	F-04	REAR BRAKE WHEEL	I-02	SEAT.....	H-02	TURN SIGNAL LAMP.....	E-10

FIG.34

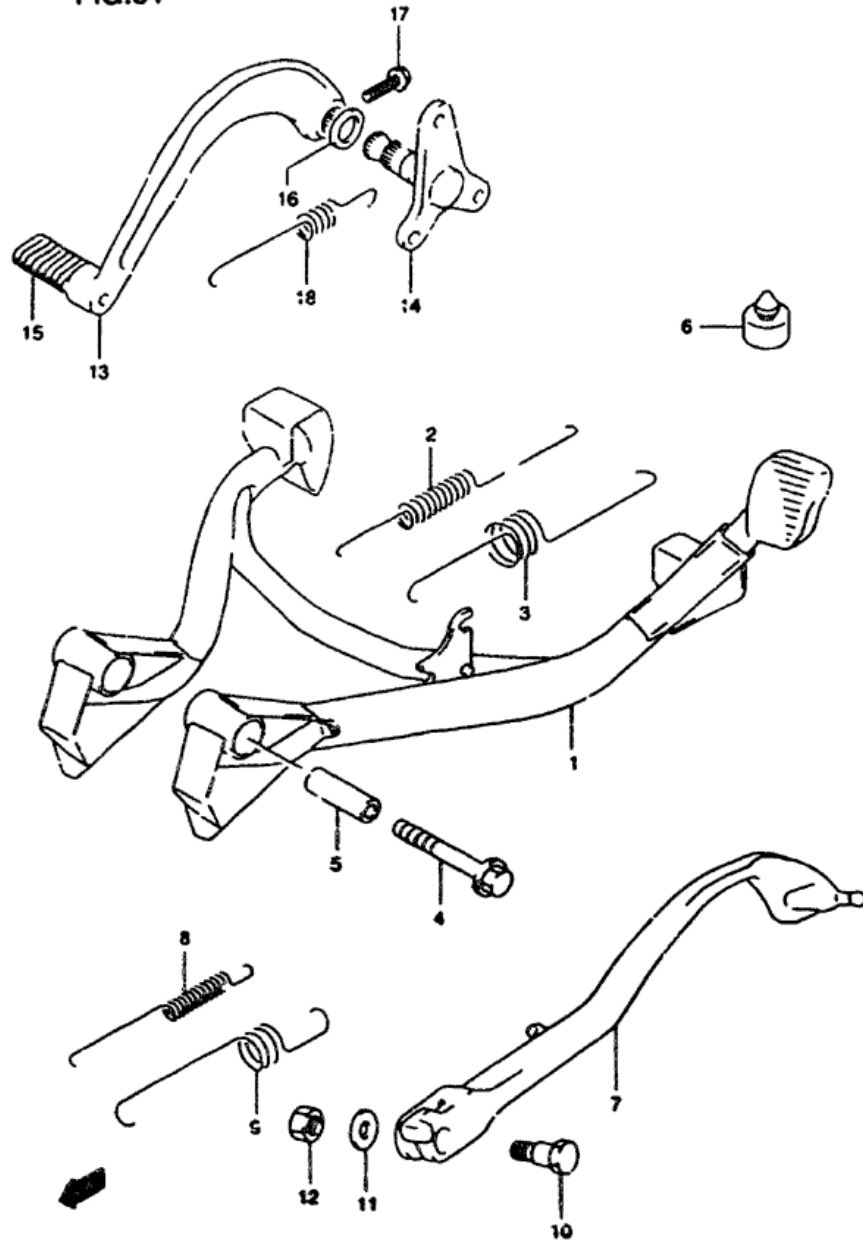


FIG.34 (F-3)

STAND

REF.NO.	PART NO.	DESCRIPTION	Q'TY	REMARKS
1	42100-08F00	STAND, CENTER	1	
2	09443-14369	SPRING, INNER	1	
3	09443-22013	SPRING, OUTER	1	
4	01580-10903	BOLT	2	
5	09180-10040	SPACER	2	
6	08321-10017	CUSHION	1	
7	42310-08F00	STAND, PROP	1	
8	09443-12036	SPRING, INNER	1	
9	09443-19010	SPRING, OUTER	1	
10	09111-10036	BOLT	1	
11	08221-12224	SHIM	1	
12	09159-10097	NUT	1	
13	43110-19C02	PEDAL, BRAKE	1	
14	43120-19C00	ARM, BRAKE PEDAL ROD	1	
15	43151-04701	RUBBER	1	
16	43212-04A00	WASHER, BRAKE BOSS	1	
17	01547-06253	BOLT	1	
18	09443 13028	SPRING	1	

FIG.9

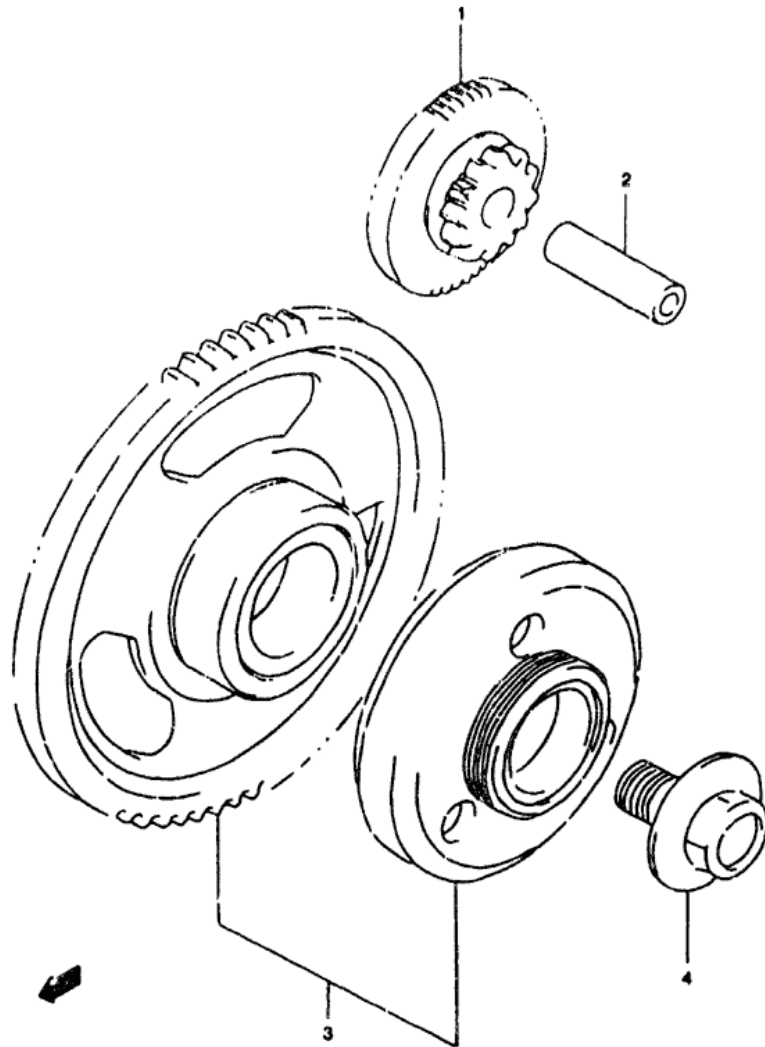


FIG.9 (B-11) STARTER CLUTCH

REF.NO.	PART NO.	DESCRIPTION	Q'TY	REMARKS
1	12611-06870	GEAR, STARTER IDLE (NT:12/53)	1	
2	09208-11014	PIN	1	
3	12600-48811	CLUTCH SET, STARTER	1	
4	09103-14006	BOLT (14X21)	1	

10 GSX750F YE3

AIR CLEANER.....	C-05	COOLING FAN.....	F-08	ELECTRICAL.....	E-04	FRONT WHEEL.....	H-04	OIL COOLER.....	C-07	REAR WHEEL.....	I-04	TRANSMISSION.....	D-03
ALTERNATOR.....	E-03	COVERING BODY INSTAL	G-12	FOOTREST.....	F-04	FUEL COCK.....	F-07	OIL PAN.....	B-08	SEAT.....	H-02	TURN SIGNAL LAMP.....	E-10
BATTERY.....	E-05	COVERING BODY.....	G-04	FRAME COVER.....	F-09	FUEL TANK.....	F-05	OIL PUMP.....	B-09	SIGNAL GENERATOR.....	E-04	UNDER COVERING.....	G-13
CAN CHAIN.....	B-15	CRANKCASE COVER.....	B-07	FRAME.....	F-12	GEAR SHIFTING.....	D-05	OPTIONAL.....	I-07	SPEED METER.....	E-07	WARNING LABEL.....	G-14
CAN SHAFT - VALVE..	B-12	CRANKCASE.....	E-05	FRONT BRAKE HOSE.....	H-08	HANDLE LEVER.....	G-04	GEAR CALIPER.....	I-05	STAND.....	F-05	WIRING HARNESS.....	E-12
CANISTER.....	F-08	CRANKSHAFT.....	B-10	FRONT CALIPER.....	H-07	HANDLE SWITCH.....	E-13	REAR CALIPER.....	I-04	STARTER CLUTCH.....	B-11		

FIG.22

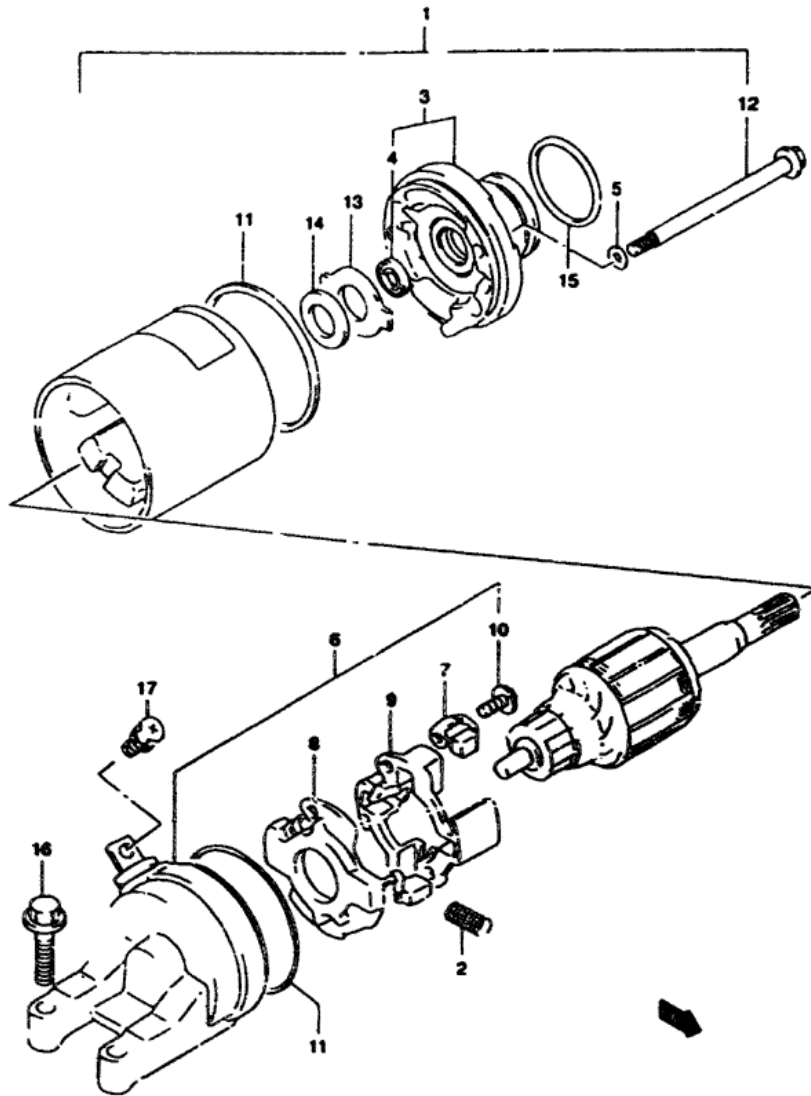


FIG.22 (E-2) STARTING MOTOR

REF.NO.	PART NO.	DESCRIPTION	QTY	REMARKS
1	31100-08F00	MOTOR ASSY, STARTING	1	
2	31135-32C10	.SPRING	4	
3	31150-08F00	.BRACKET	1	
4	31153-49210	.OIL SEAL	1	
5	31156-38300	.O RING	2	
6	31175-08F00	.FRAME ASSY, COMMUTATOR	1	
7	31132-32C10	.BRUSH	2	
8	31130-32C20	.BRUSH SUB ASSY	1	
9	31133-32C10	.HOLDER, BRUSH	1	
10	02112-34123	.SCREW	2	
11	31264-32C10	O RING	2	
12	31281-32C10	BOLT	2	
13	31361-32C10	PLATE, LOCK	1	
14	31361-38300	.SHIM, NO.3	1	
15	09280-24003	O RING (D:3.I.D:24.5)	1	
16	0912E-06024	BOLT, MOTOR	2	
17	09137-05004	SCREW, HCY LEAD (5X8)	1	

26 GS0750F YE2

E 2

FIG.50

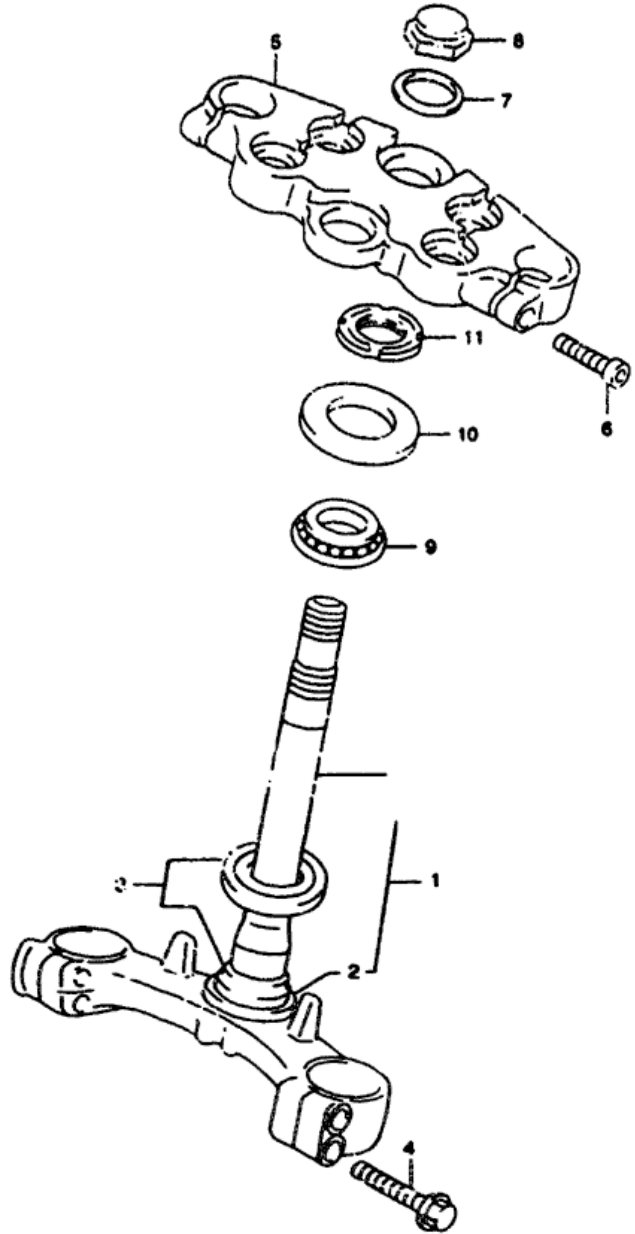


FIG.60 (H-6)

STEERING STEM

REF.NO.	PART NO.	DESCRIPTION	Q'TY	REMARKS
1	51410-08F00	STEM, STEERING	1	
2	51644-12C00	SEAL, STEERING LOWER	1	
3	09267-30010	BEARING (30X56X17)	1	
4	01560-08403	BOLT	4	
5	51311-08FA0	HEAD, STEERING STEM	1	
6	07130-08363	BOLT	2	
7	51356-24B01	WASHER	1	
8	51353-24B00	NUT	1	
9	09267-25009	BEARING (25X47X15)	1	
10	51643-40502	DUST SEAL	1	
11	51631-28000	NUT, STEERING STEM	1	

63 GSX750F Y E3

H 5

FIG.55

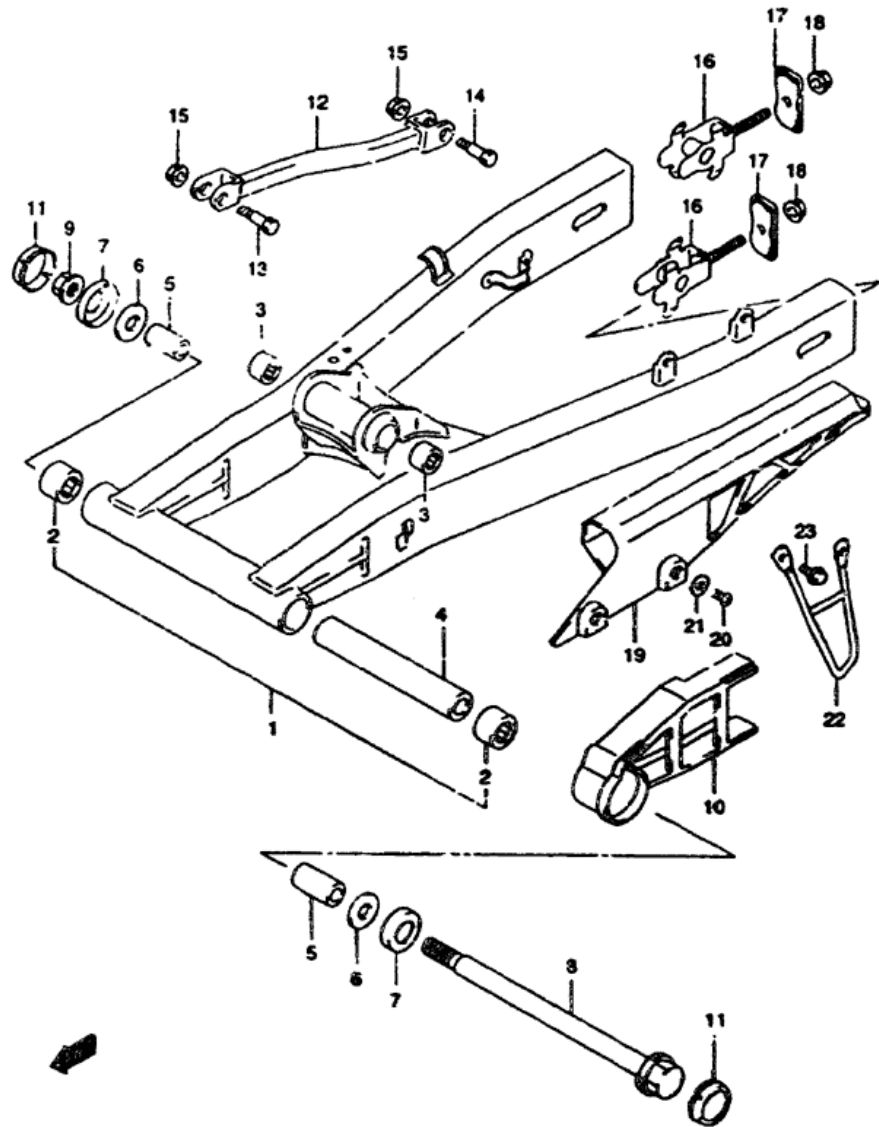


FIG.55 (1-2) REAR SWINGING ARM

REF.NO.	PART NO.	DESCRIPTION	Q'TY	REMARKS
1	61000-08F00-13L	SWINGING ARM ASSY, REAR (SILVER)	1	
2	09263-22017	BEARING, PIVOT (ZZX29X30)	2	
3	09263-2007	PEARING, ROD (20X27X23.5)	2	
4	61282-08F00	SPACER, PIVOT CENTER	1	
5	61251-38B00	SPACER, PIVOT	2	
6	06211-16341	THRUST WASHER	2	
7	51262-32410	DUST SEAL	2	
8	61211-08F00	SHAFT, PIVOT	2	
9	08319-31143	NUT	1	
10	61273-20X00	BUFFER, CHAIN TOUCH DEFENSE	1	
11	61222-43400	CAP, PIVOT	2	
12-1	64310-08F00-019	TORQUE LINK, REAR (BLACK)	1	MODEL W
12-2	64310-08F00	TORQUE LINK, REAR	1	MODEL X/Y
13	09111-10051	BOLT, FRONT (10X39)	1	
14	09100-10187	BOLT, REAR (10X34)	1	
15	08319-31107	NUT	2	
16	61410-08F00	ADJUSTER, CHAIN	2	
17	61420-08F00	PLATE, ADJUSTER GUIDE	2	
18	08319-31087	NUT	2	
19	61310-08F00	CASE, CHAIN	1	
20	02142-06123	SCREW	2	
21	09169-06026	WASHER	2	
22	51390-08F00	GUARD, CHAIN	1	
23	01547-06123	BOLT	2	

GSX750F Y E3

FIG.30

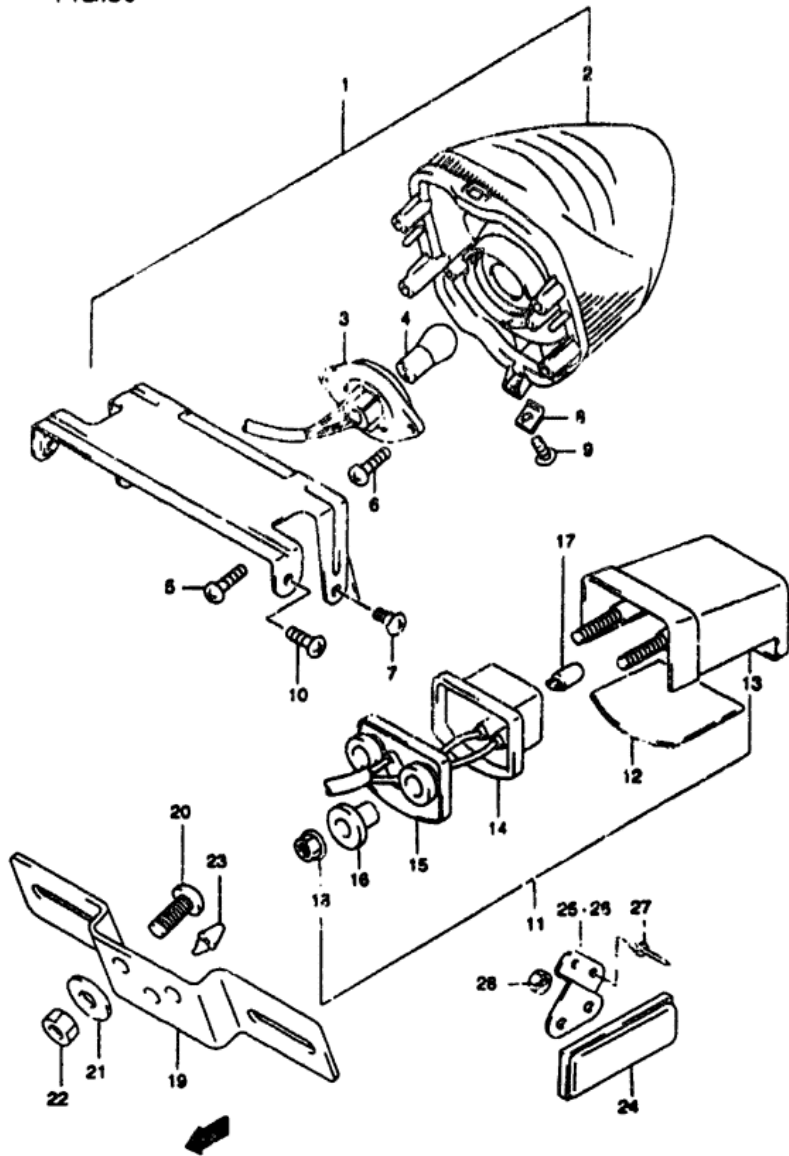


FIG.30 (B-11) TAIL LAMP

REF.NO.	PART NO.	DESCRIPTION	Q'TY	REMARKS
1	36710-08F30	LAMP ASSY, REAR COMBINATION	1	
2	36720-08F30	LAMP UNIT	1	
3	36718-08F00	SOCKET & CORD	1	
4	09471-12083	BULB (12V,21/5W)	1	
5	03211-06183	SCREW	4	
6	03211-04183	SCREW	2	
7	09139-06067	SCREW (8X12.8)	2	
8	09148-06038	NUT, REAR COMB UNDER	1	
9	03241-16183	SCREW, UNDER	1	
10	03541-06183	SCREW, SIDE	1	
11	35910-08F00	LAMP ASSY, LICENSE	1	
12	35912-08F00	LENS	1	
13	35917-08F00	COVER	1	
14	35915-08F00	HOUSING	1	
15	35918-08F00	SOCKET & CORD	1	
16	35768-08F00	SPACER	2	
17	09471-12081	BULB (12V,5W)	1	
18	08318-20063	NUT	2	
19	35927-26F30	BRACKET, LICENSE PLATE	1	
20	02142-06183	SCREW	2	
21	06160-06288	WASHER (6.5X20X1.60)	2	
22	08310-00063	NUT	2	
23	08321-06026	CUSHION	1	
24	35970-07F00	REFLEX REFLECTOR ASSY, REAR	2	
25	36075-08F00	BRACKET, REAR SIDE RH	1	
26	36076-08F00	BRACKET, REAR SIDE LH	1	
27	09220-04020	RIVET, REAR SIDE	4	
28	08310-00063	NUT, REAR SIDE	2	

35 GSX750FY E3

E 11

AIR CLEANER.....	C-05	COOLING FAN.....	C-08	ELECTRICAL.....	E-06	FRONT WHEEL.....	M-04	OIL COOLER.....	C-07	REAR WHEEL.....	I-04	TRANSMISSION.....	D-03
ALTERNATOR.....	E-03	COOLING BODY INSTAL	G-12	FOOTREST.....	F-04	FUEL COCK.....	F-07	OIL PAN.....	B-08	SEAT.....	M-02	TURNY SIGNAL LAMP.....	E-10
BATTERY.....	E-05	COOLING BODY.....	G-06	FRAME COVER.....	F-09	FUEL TANK.....	F-05	OIL PUMP.....	B-09	SIGNAL GENERATOR.....	C-04	UNDER COOLING.....	G-13
CAM CHAIN.....	B-13	CRANKCASE COVER.....	B-07	FRAME.....	F-02	GEAR SHIFTING.....	D-05	OPTIONAL.....	I-07	SPEEDOMETER.....	E-07	WARNING LABEL.....	G-14
CAM SHAFT - VALVE.....	B-12	CRANKCASE.....	B-05	FRONT BRAKE HOSE.....	M-08	MAPLE LEVER.....	C-04	REAR CALIPER.....	I-07	REAR WHEEL.....	I-04		

FIG. 29

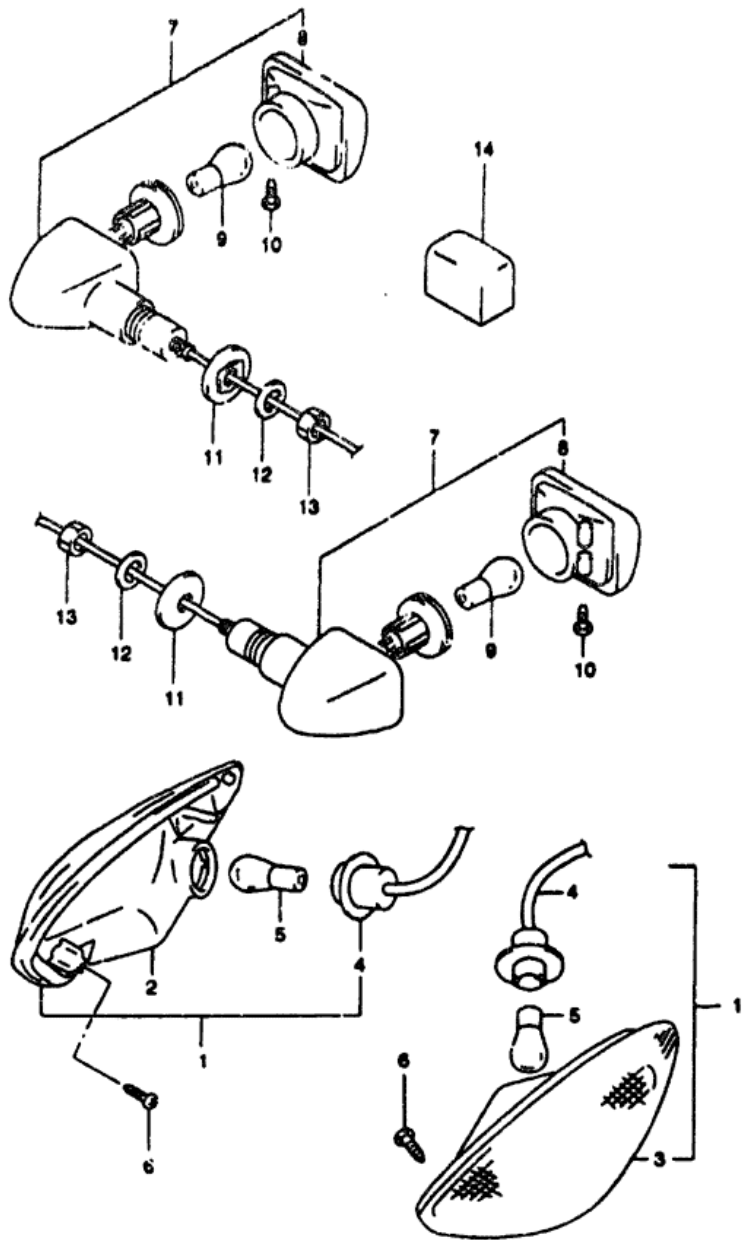


FIG. 28 (E-10) TURN SIGNAL LAMP

REF. NO.	PART NO.	DESCRIPTION	QTY	REMARKS
1-1	35601-08F00	LAMP ASSY, FRONT TURN RH	1	
1-2	35602-08F00	LAMP ASSY, FRONT TURN LH	1	
2	35610-08F00	LAMP UNIT, RH	1	
3	35630-08F00	LAMP UNIT, LH	1	
4	35618-08F00	SOCKET & CORD	2	
5	09471-12045	BULB (12V,21W)	2	
6	03541-05163	SCREW	4	
7-1	35603-33E30	LAMP ASSY, REAR TURNSIGNAL RH	1	
7-2	35604-33E30	LAMP ASSY, REAR TURNSIGNAL LH	1	
8	35610-33E00	LAMP UNIT	2	
9	09471-12045	BULB (12V,21W)	2	
10	03242-04123	SCREW	2	
11	35695-17C00	SPACER	2	
12	09160-10501	WASHER (10 5X30X23)	2	
13	08310-00103	NUT	2	
14	38810-03F00	RELAY, TURNSIGNAL	1	

FIG.46

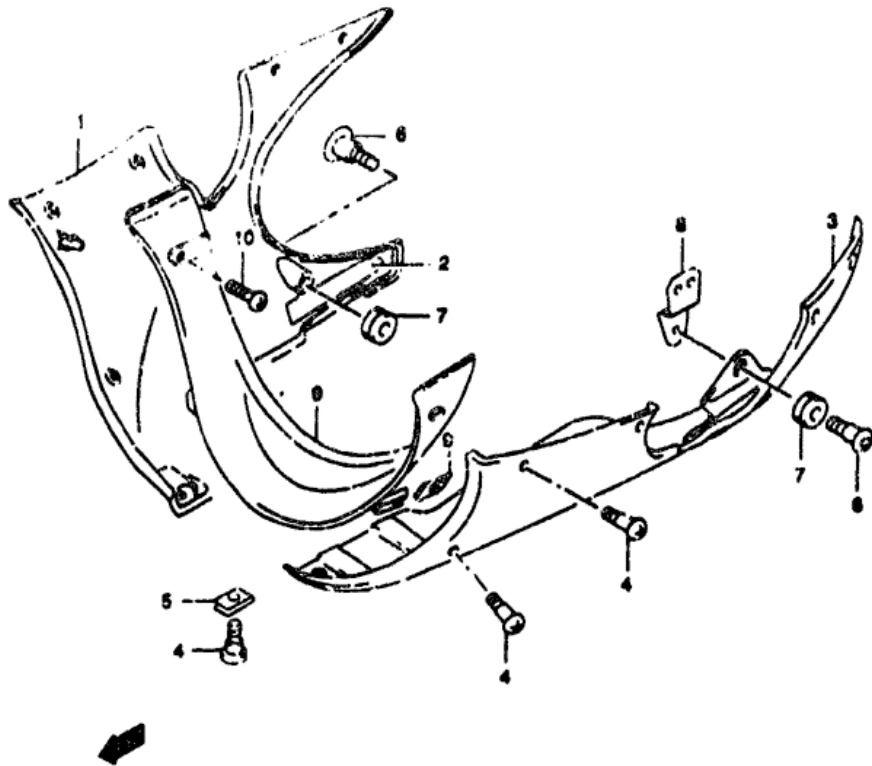


FIG.46 (G-13) UNDER COWLING

REF. NO.	PART NO.	DESCRIPTION	QTY	REMARKS
1-1	94470-08F00-Y4P	COWLING, UNDER RH (GRAY)	1	MODEL W/X
1-2	94470-08F00-Y7L	COWLING, UNDER RH (BLACK)	1	MODEL Y
2	94472-08F00	SHIELD, UNDER COWL	1	
3-1	94481-08F00-Y4P	COWLING, UNDER LH (GRAY)	1	MODEL W/X
3-2	94481-08F00-Y7L	COWLING, UNDER LH (BLACK)	1	MODEL Y
4	09130-09064	SCREW	12	
5-1	94494-32B00	NUT	4	MODEL W/X
5-2	94484-24F00	NUT	4	MODEL Y
6	09139-09087	SCREW, CENTER	2	
7	09320-09016	CUSHION	2	
8	94570-08F00	BRACKET, LOWER LH	1	
9	94475-08F00	COWLING, UNDER, CENTER	1	
10	03641-05123	SCREW	2	

FIG.31

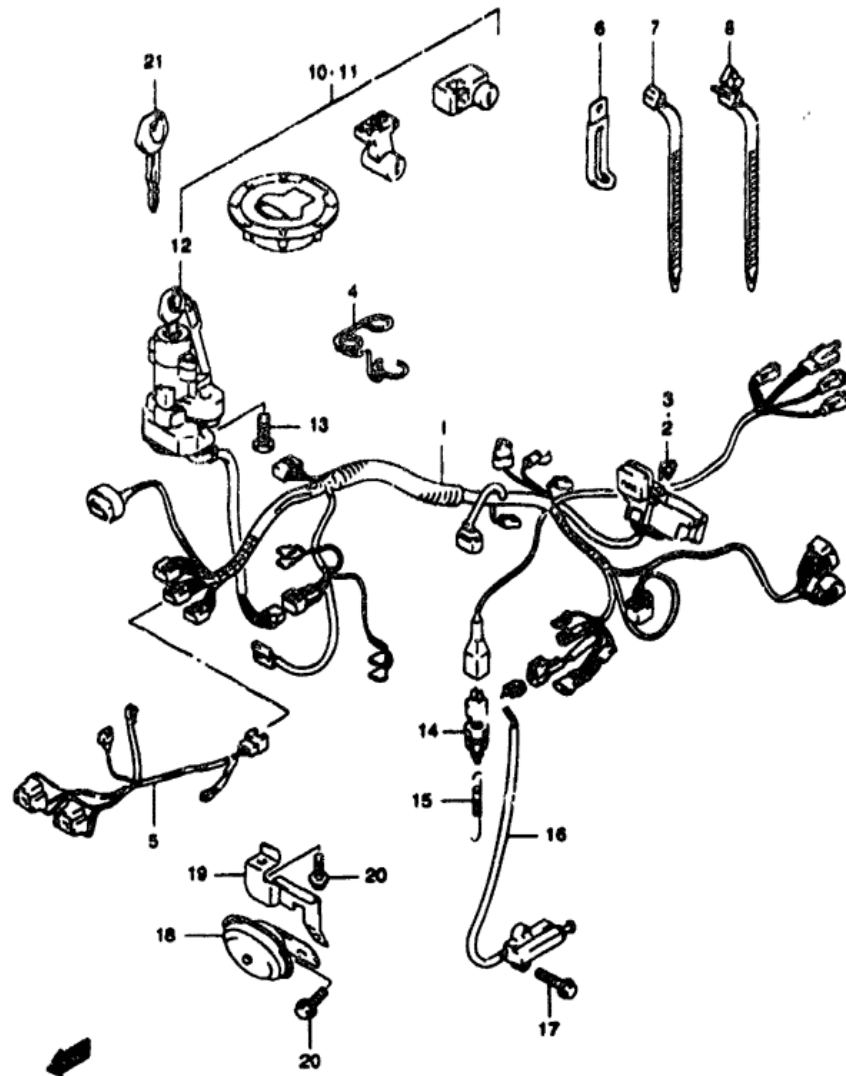


FIG 31 (E-12) WIRING HARNESS

REF.NO.	PART NO.	DESCRIPTION	Q'TY	REMARKS
1-1	36610-06F10	HARNESS, WIRING NO.1	1	MODEL W/X
1-2	36610-06F20	HARNESS, WIRING NO.1	1	MODEL Y
2	09481-10601	FUSE (10A)	2	
3	09481-15601	FUSE (15A)	3	
4	36619-06F00	GUIDE, WIRING HARNESS	1	
5	36620-06F10	HARNESS, WIRING NO 2	1	
6	36853-06F00	WIRE, TPS LEAD	1	
7-1	09404-06433	CLAMP (L 96)	1	
7-2	09404-06435	CLAMP (L 136)	1	
8-1	09407-14403	CLAMP (L 125)	6	
8-2	09407-16402	CLAMP (L 165)	3	
9-1	09407-11402	CLAMP (L 90)	2	
9-2	09407-17401	CLAMP (L 150)	1	
10	37103-33810	LOCK SET	1	
11	37103-33820	LOCK SET	1	E33
12	37100-33E20	LOCK ASSY, STEERING	1	
13	09139-06016	SCREW	2	
14	37740-24A00	SWITCH ASSY, STOP LAMP	1	
15	09443-06005	SPRING	1	
16	37840-44X50	SWITCH ASSY, SIDE STAND	1	
17-1	01560-06203	BOLT	2	MODEL W
17-2	01560-06163	BOLT	2	MODEL X/Y
18	38500-06F10	HORN ASSY	1	
19	38580-06F00	BRACKET, HORN	1	
20	01560-06123	BOLT, HORN	2	
21	37146-33E00	KEY, BLANK	1	OPT

AIR CLEANER.....	C-05	COOLING FAN.....	C-08	ELECTRICAL.....	E-04	FRONT WHEEL.....	H-04	OIL COOLER.....	C-07	REAR WHEEL.....	I-04	TRANSMISSION.....	D-03
ALTERNATOR.....	E-03	CONVING BODY INSTAL	G-12	FOOTREST.....	F-04	FUEL COCK.....	F-07	OIL PAN.....	B-06	SEAT.....	H-02	TURN SIGNAL LAMP.....	E-10
BATTERY.....	E-05	CONVING BODY.....	G-06	FRAME COVER.....	F-09	FUEL TANK.....	F-05	OIL PUMP.....	B-09	SIGNAL GENERATOR.....	E-04	UNDER CONVLING.....	G-13
CAN CHAIN.....	B-13	CRANKCASE COVER.....	B-07	FRAME.....	F-03	REAR CHUTE TMC.....	H-02	REAR WHEEL.....	B-09				