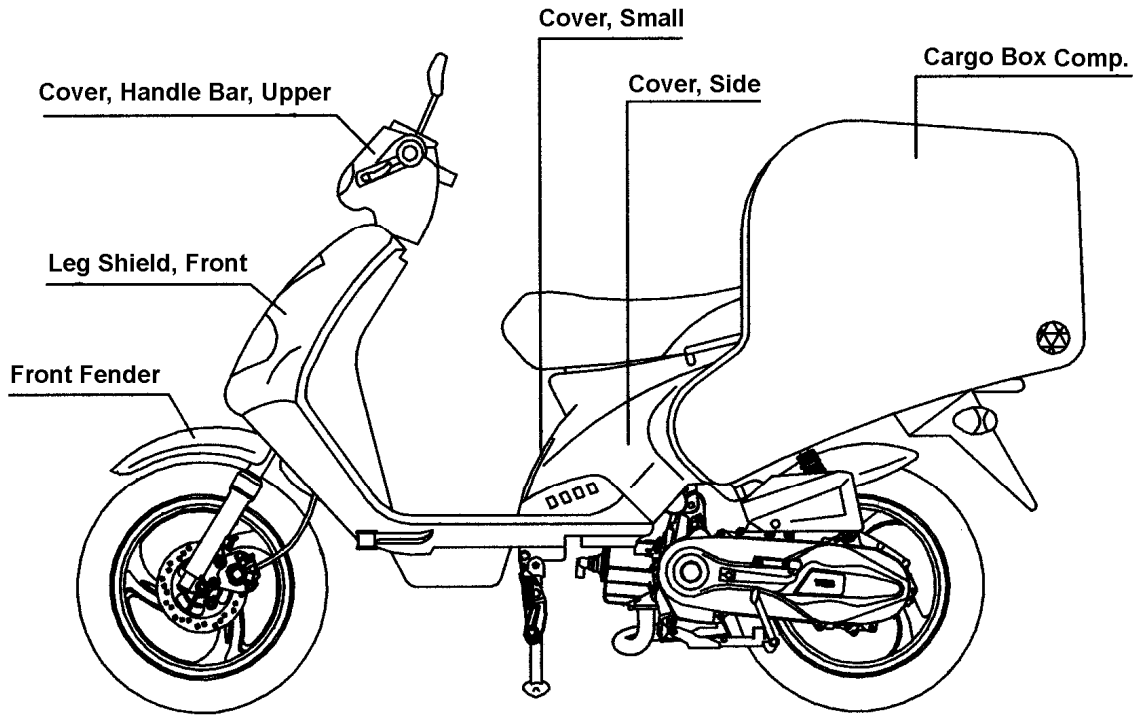




**SPARE PARTS**  
**Model : BK8-E**

**台灣金蜂股份有限公司**  
**TAIWAN GOLDEN BEE CO.,LTD.**

# BK8-E TABLE OF COLORED PART FOR FRANCE (SIMA)



**TABLE OF COLORED PART**

ITEM NO.	CODE		A	B
	Basic Color		Ferrari's Red	Yellow
	Description		FR Red 701	YE Yel 601
24	Cover, Side		BH124PL01BFR	BH124PL01BYE
24	Cover, Small		BH124PL04FR	BH124PL04YE
24	Cargo Box Comp., With Emblem		453026CE	453026CF
	Emblem (Light)		459594FR	459594YE
	Emblem (Right)		459595FR	459595YE
	Emblem (Rear)		459596FR	459596YE
25	Leg Shield, Front With Emblem		401653FRF6	401653YEF6
	Leg Shield, Front		401653FR	401653YE
	TGB Emblem		459102	459102
28	Front Fender		401688FR	401688YE
31	Cover, Handle Bar, Upper		401610FR	401610YE

# SUMMARY

## 1. HOW TO READ PARTS LIST :

1.1 AT FIRST TO JUDGE IN WHICH GROUP YOUR PART BELONG TO, FIND OUT GROUP NUMBER IN THE CONTENTS, NO.1-NO.11 ARE ENGINE PARTS, NO.12-NO.15 ARE ELECTRIC PARTS, NO.16-NO.35 ARE FRAME PARTS.

1.2 ACCORDING TO GROUP NUMBER FIND OUT THE DRAWING ON THAT UPPER SIDE PAGE.

1.3 FROM THE ITEM OF THE PART ON THE DRAWING, FIND THE PART NO., DESCRIPTION,REQUIRED QUANTITY.

1.4 USE THIS PART NO. DESCRIPTION AND QUANTITY TO ORDER.

## 2. COLOR CODE AND EMBLEM CODE:

2.1 COLOR CODE ATTACH TO PART NO. MUST BE TWO ALPHABETS, USE AT DIFFERENT COLOR PART ONLY.

2.2 EMBLEM CODE ATTACH TO COLOR CODE, MUST BE ONE ALPHABET AND ONE ARABIC NUMBER OR TWO ALPHABET, USE AT DIFFERENT COLOR EMBLEM ONLY. ANY EMBLEM WITHOUT DIFFERENT COLOR DON'T NECESSARY EMBLEM CODE.

2.3 WHEN YOU ORDER PARTS THAT HAVE DIFFERENT COLOR,PLEASE PICK UP THE RIGHT PART OR EMBLEM FROM " TABLE OF COLORED PARTS " (PAGE I).

## 3. AMEND. CODE : INDICATES THE LAST 6 NUMBERS OF FRAME NUMBER TO DISTINGUISH THE SCOOTER BEEN MODIFIED. EXAMPLE :

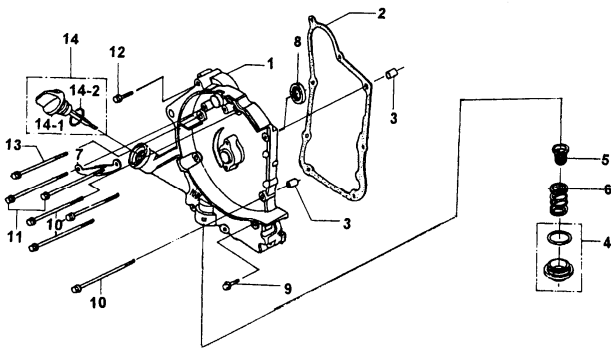
" ← 518034 " MEANS SCOOTERS BEFORE " □□□□□□□□□□518034 " .

" 518035 → " MEANS SCOOTERS AFTER " □□□□□□□□□□518035 " .

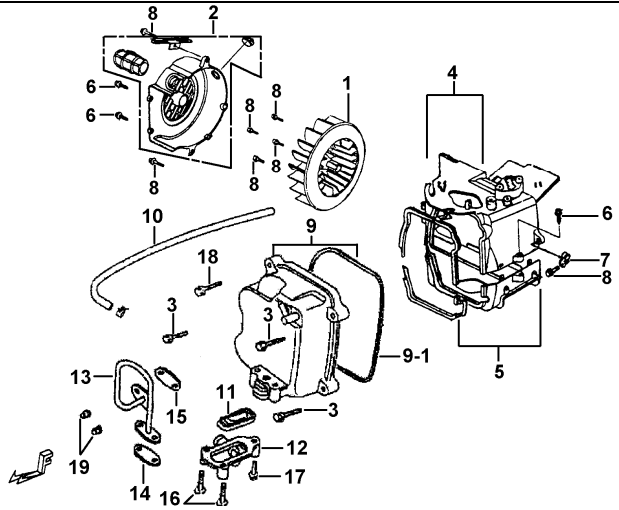
4. IF ANY MODIFICATION AFTER PUBLISHING,WE'LL SEND YOU THE AMENDMENT, PLEASE CORRECT YOUR PARTS LIST RIGHT AWAY.



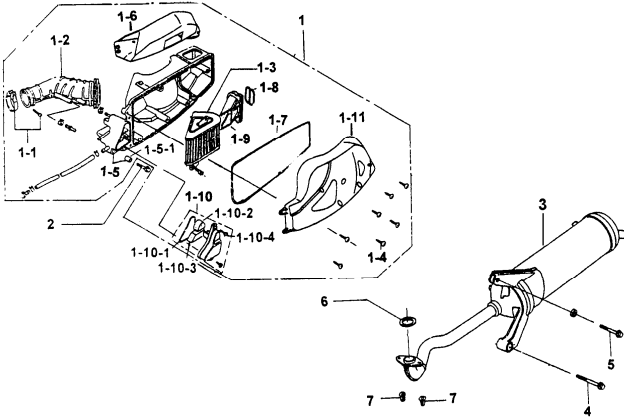
**7. COVER, CRANKCASE ,RH**



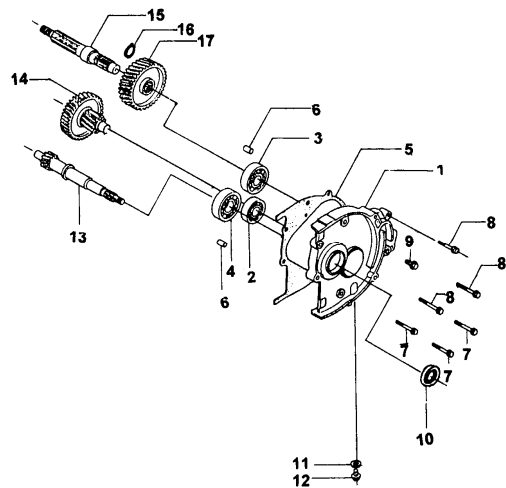
**8. COOLING FAN · SHORUD · CYLINDER HEAD COVER**



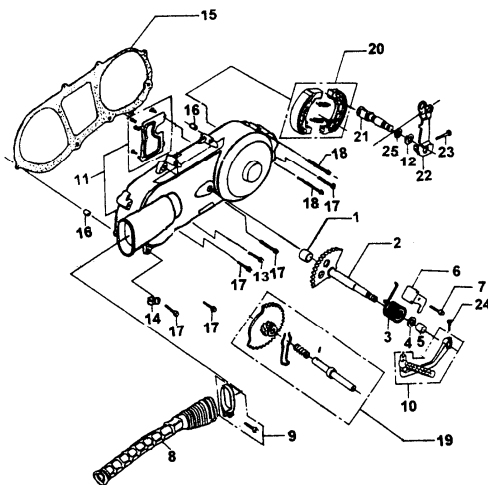
**9. AIR CLEANER · MUFFLER**



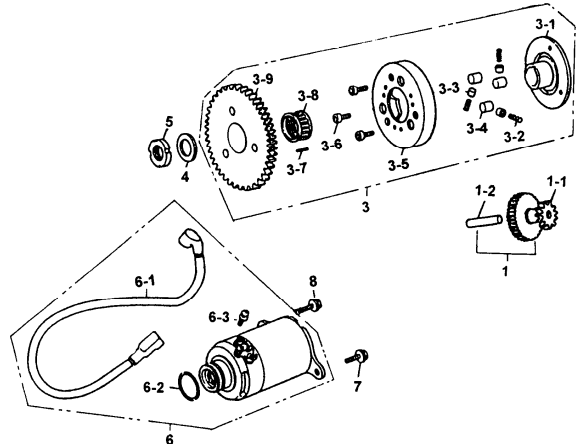
**10. GEAR BOX COVER, REDUCING GEAR**



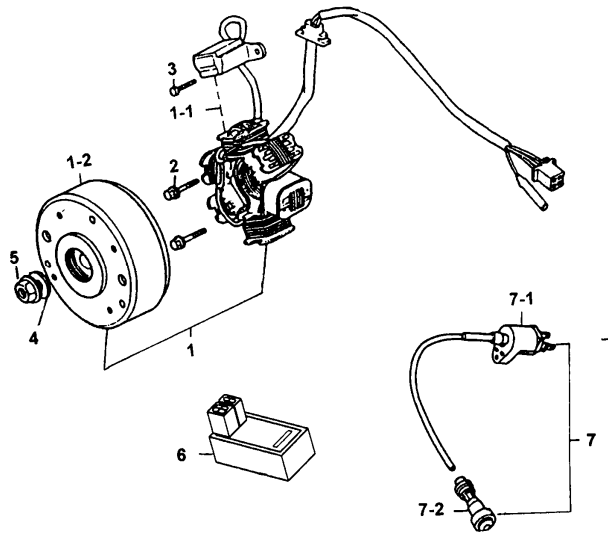
**11. KICK STARTER, CLUTCH COVER, REAR BRAKE**



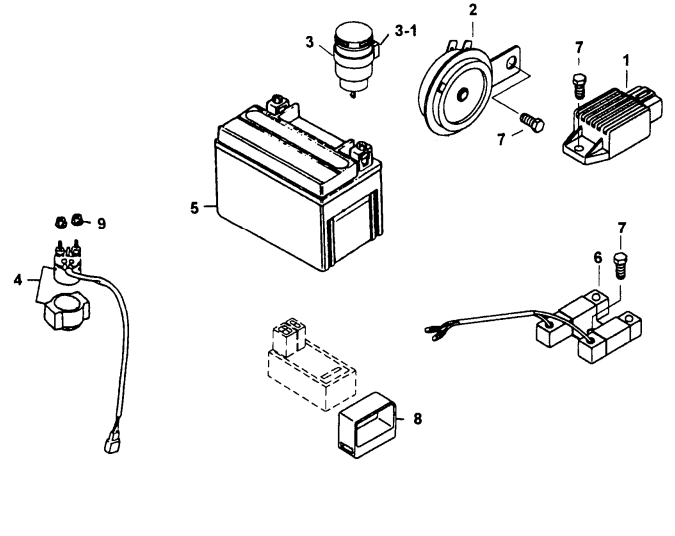
**12. STARTING MOTOR**



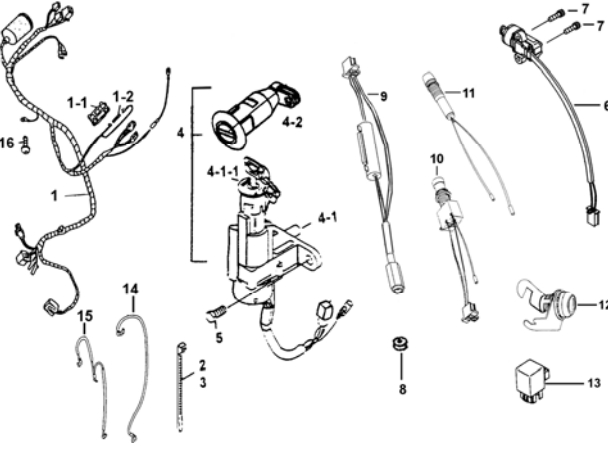
**13. FLYWHEEL MAGNETO AND IGNITION COIL**



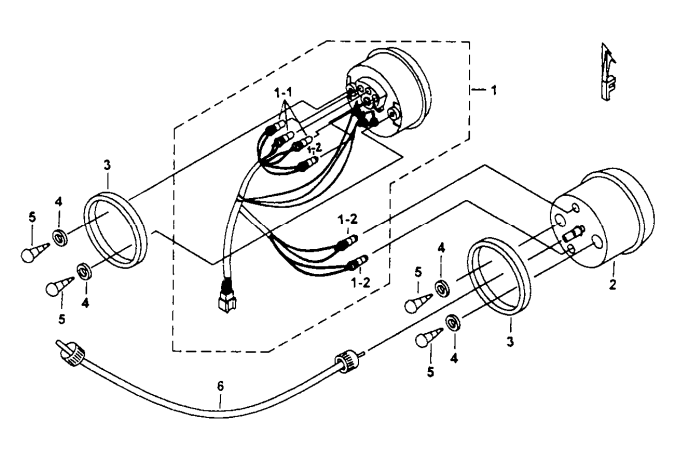
**14. BATTERY, HORN, RELAY, RECTIFIER**



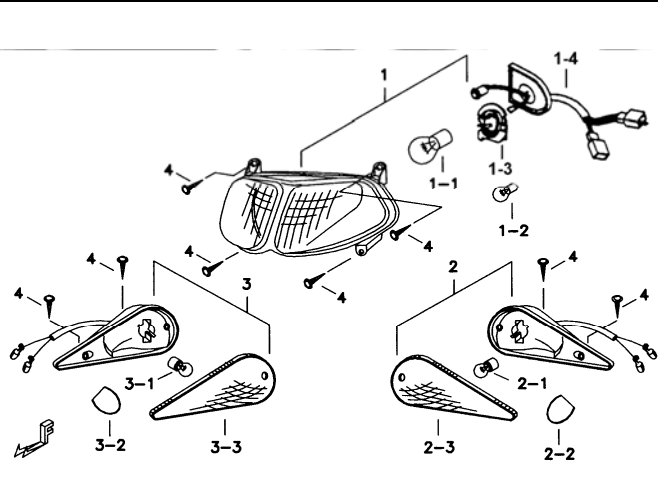
**15. WIRING HARNESS AND LOCK SET**



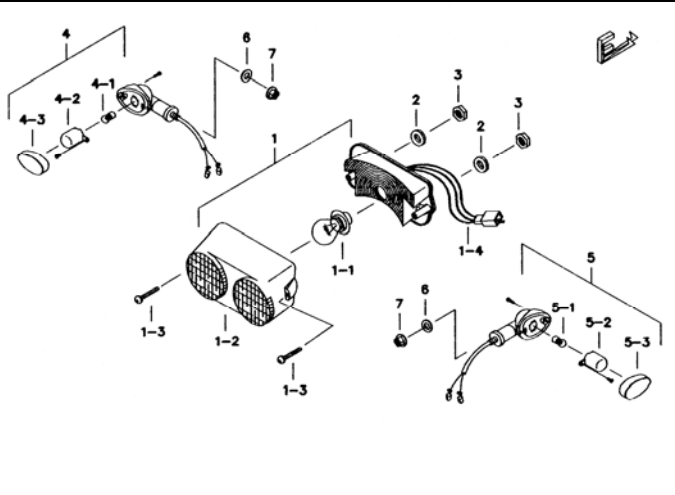
**16. SPEEDOMETER**



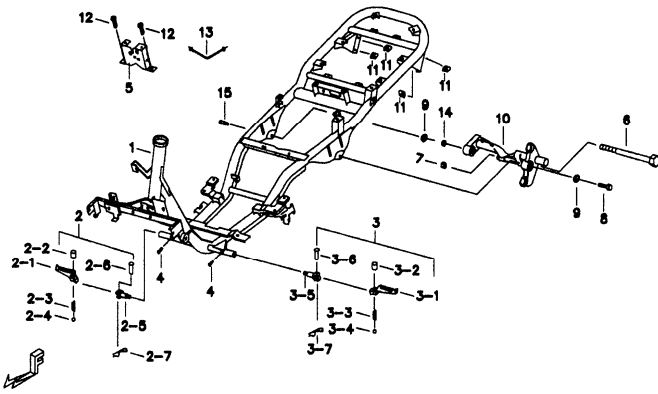
**17. HEAD LAMP AND FRONT TURN SIGNAL LAMP**



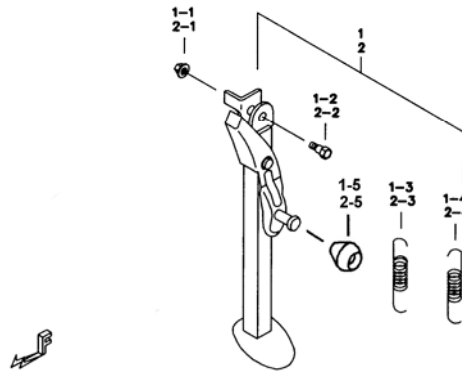
**18. REAR LAMP CLUSTER**



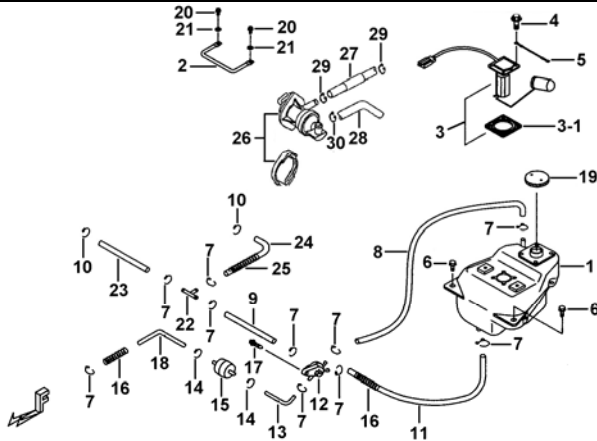
19 . FRAME



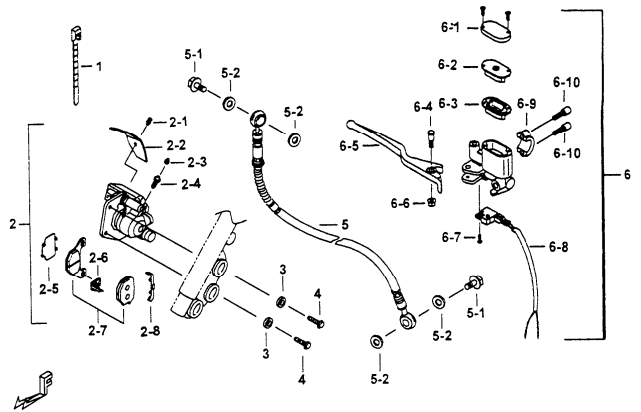
20 . STAND



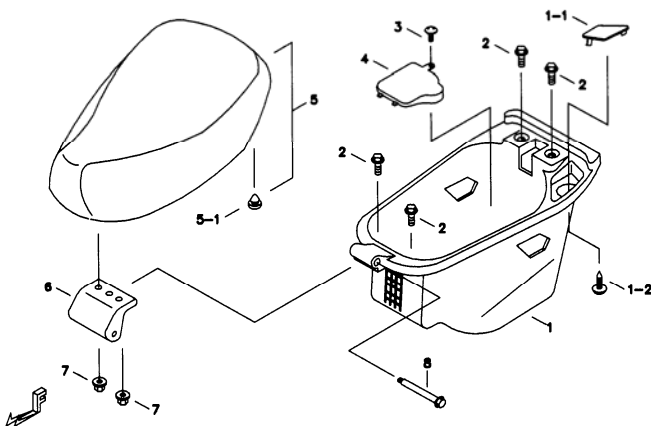
21 . FUEL TANK



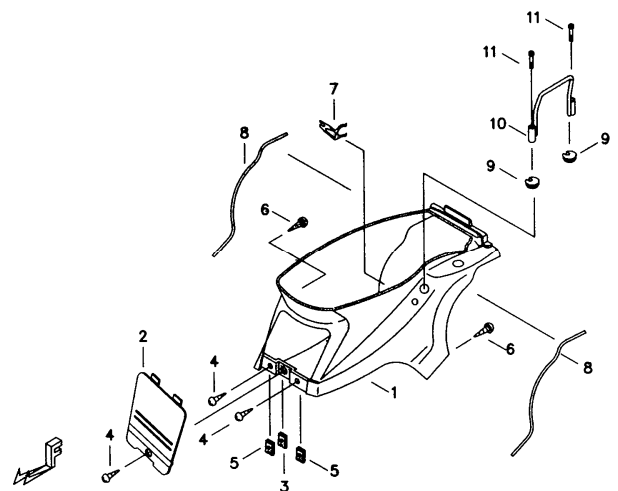
22 . CALIPER, MASTER CYLINDER



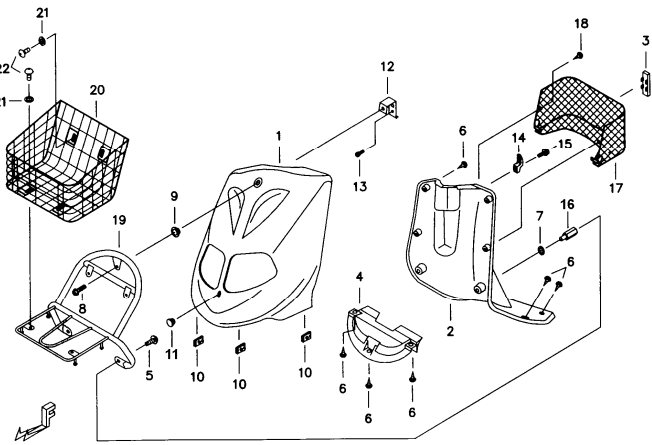
23 . SEAT



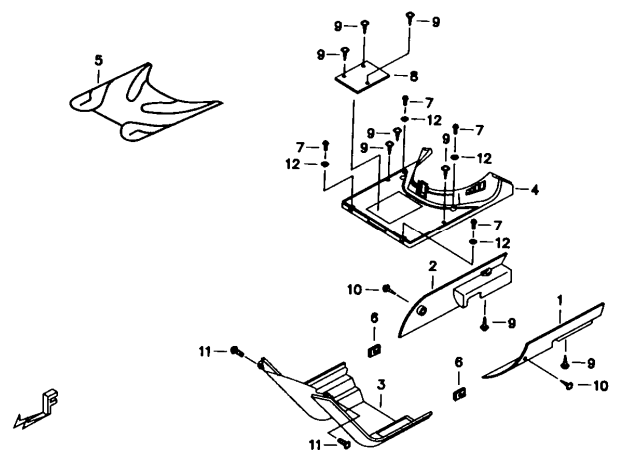
24 . ADDITIONS OF SIDE COVER



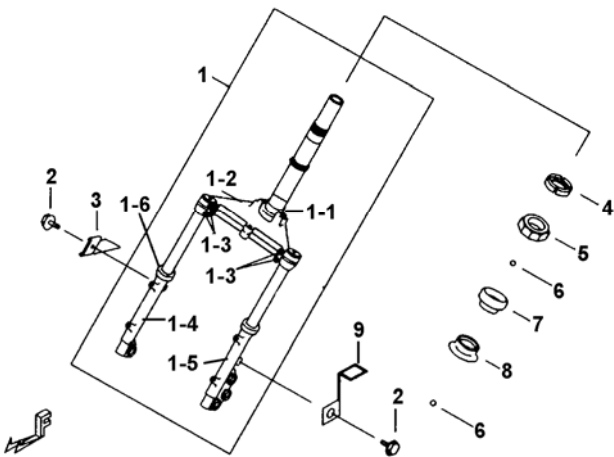
**25 . FRONT LEG SHIELD**



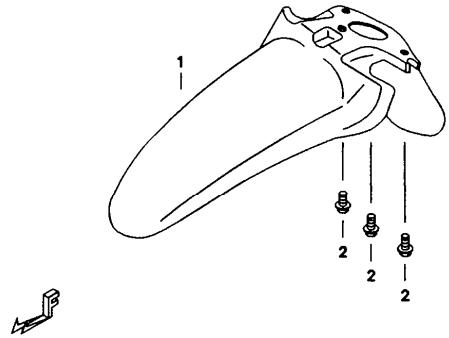
**26 . REAR LEG SHIELD**



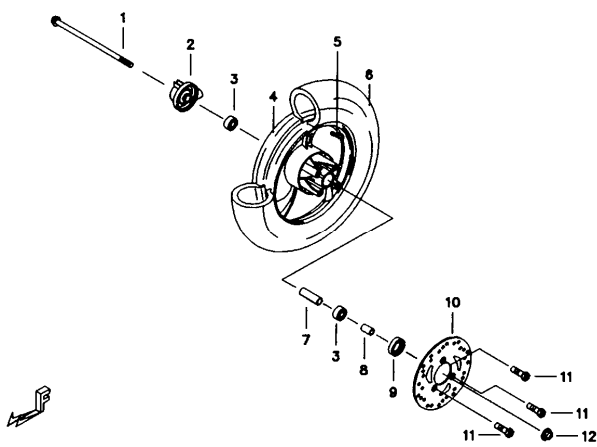
**27 . FRONT FORK**



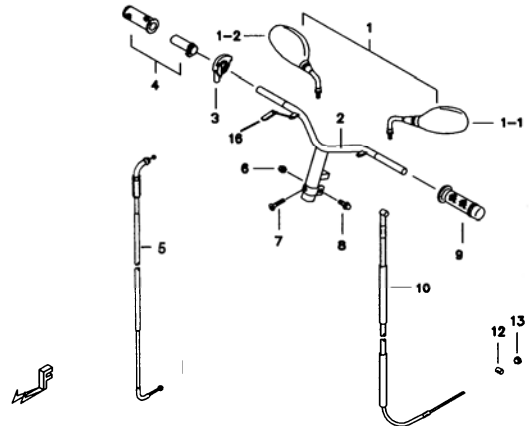
**28 . FRONT FENDER**



**29 . FRONT WHEEL**

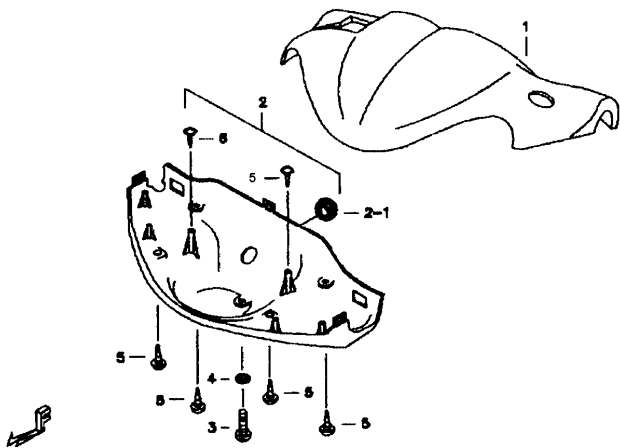


**30 . HANDLE BAR**

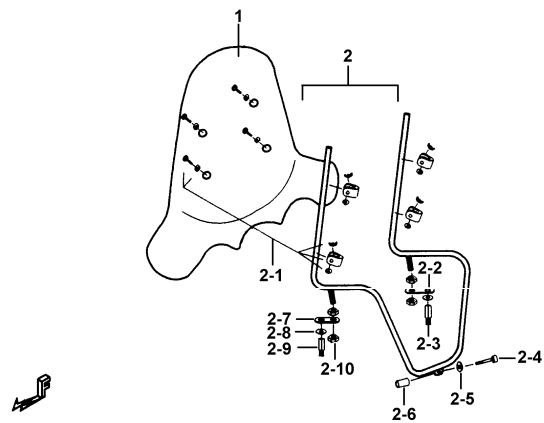




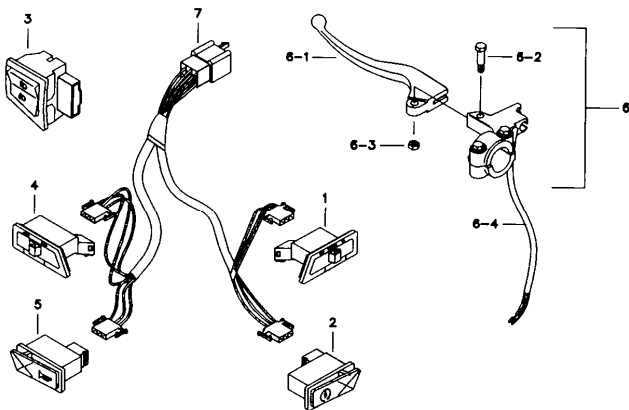
### 31 . HANDLE BAR COVER



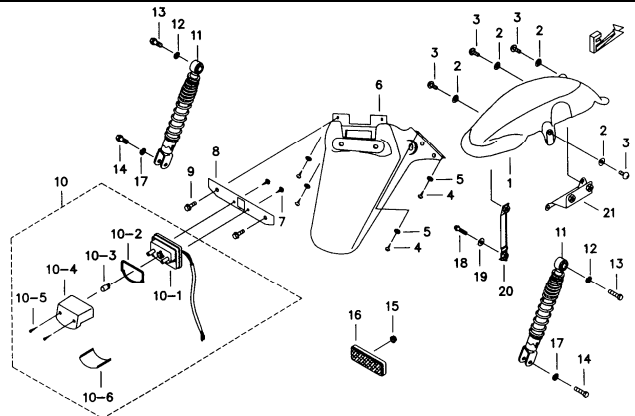
### 3101. WIND-SHIELD(OPTION)



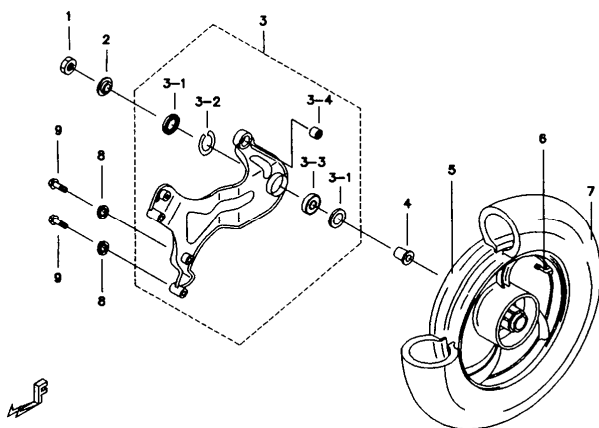
### 32 . HANDLE BAR SWITCH



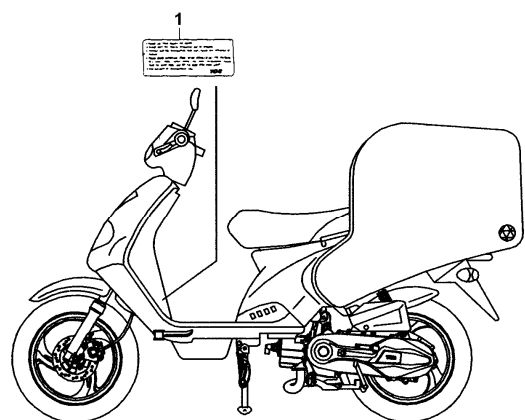
### 33 . REAR FENDER



### 34 . REAR WHEEL



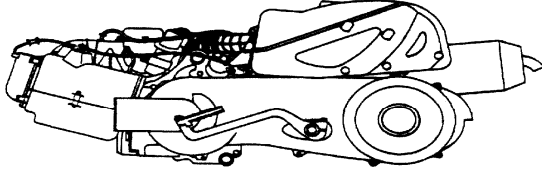
### 35 . LABELS



0

ENGINE ASSY.

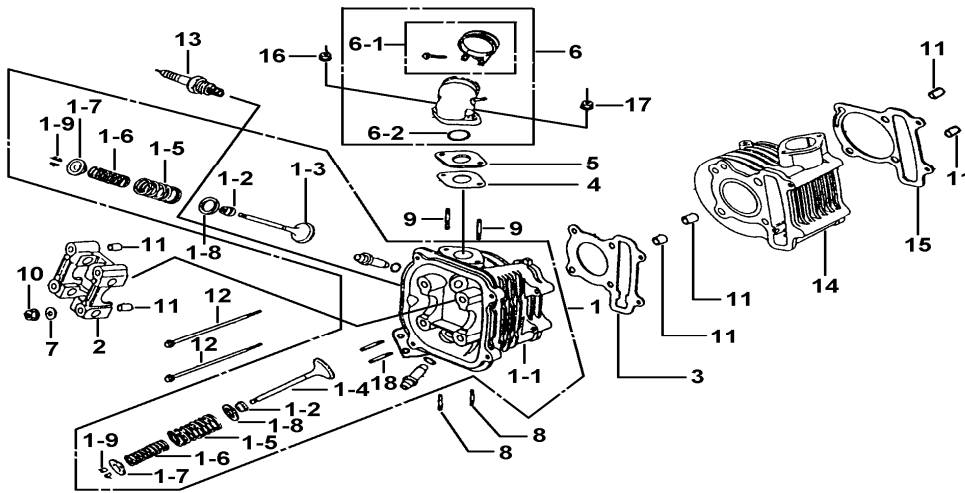
BK8-E



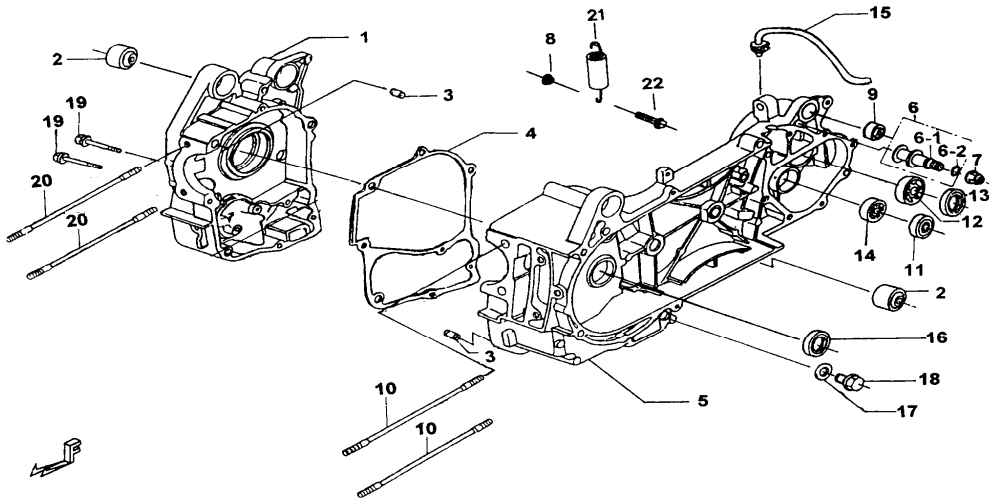
item_no	part_no	description	qty	amend	note1
01	GL8500333U	ENGINE ASSY.(EURO 3)	1		

**1 CYLINDER HEAD, CYLINDER SET, VALVE**

**BK8-E**



item_no	part_no	description	qty	amend	note1
01	400457	CYLINDER HEAD ASSY.	1		
01-1	400442	HEAD, CYLINDER	1		
01-2	400066	SEAL, VALVE STEM	2		
01-3	400087	VALVE, INLET	1		
01-4	400088	VALVE, OUTLET	1		
01-5	400089	SPRING, VALVE, OUTER	2		
01-6	400090	SPRING, VALVE, INNER	2		
01-7	400091	RETAINER, VALVE	2		
01-8	400092	SEAT, VALVE SPRING	2		
01-9	400093	COTTER, VALVE	4		
02	400008	HOLDER, CAMSHAFT	1		
03	400009	GASKET, CYLINDERHEAD	1		
04	400010	GASKET, INSULATOR	1		
05	400011	INSULATOR, CARBURETTOR	1		
06	400012	PIPE ASSY., INTAKE	1		
06-1	400017	CLAMP	1		
06-2	400019	O RING	1		
07	W99806	WASHER 8.5X16X2	4		
08	S96801	STUD M6X18	2		
09	S95603	STUD M6X50	2		
10	N10801	NUT, FLANGE 8mm	4		
11	P40001	PIN, DOWEL 10X16	6		
12	S24601	BOLT, FLANGE M6X100	2		
13	400020	SPARK PLUG (CR7HSA)	1		
14	400021	CYLINDER SET	1		
15	400024	GASKET, CYLINDER	1		
16	N10601	NUT, FLANGE 6mm	1		
17	GA504NT07	NUT, BREAKABLE	1		
18	S95602	STUD M6X18	2		

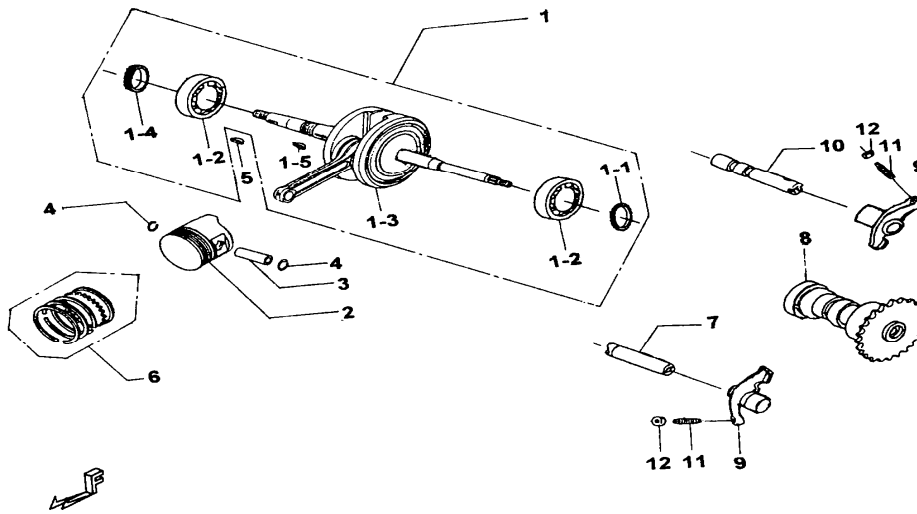


item_no	part_no	description	qty	amend	note1
01	400027	CRANK CASE COMP., RH.	1		
02	400026	BUSH COMP.	2		
03	P40802	PIN, DOWEL 8X14	2		
04	400031	GASKET, CRANKCASE	1		
05	422002	CRANKCASE COMP., LH.	1		
06	422027	PIN, BRAKE SHOE ASSY.	1		
06-1	422008	PIN, BRAKE SHOE	1		
06-2	400036	O RING	1		
07	N25801	NUT, SELFLOCK 8mm	1		
08	GA504NT01	NUT, FLANGE M6	2		
09	400038	BUSH COMP.	1		
10	S95802	STUB M8x195.5	2		
11	400039	BEARING CSB301JR2	1		
12	400040	BEARING 6004uu	1		
13	400041	OIL SEAL 27X42X7	1		
14	400042	BEARING 6002	1		
15	400043	TUBE SET, BREATHER	1		
16	400155	OIL SEAL 19.8X30X5	1		
17	W99201	WASHER 12mm	1		
18	S20201	BOLT,OUTLET 12mm	1		
19	S24602	BOLT, FLANGE M6X50	2		
20	S95801	STUB M8x187.5	2		
21	422028	SPRING, REAR BRAKE	1		
22	S24614	BOLT, FLANGE	1		

3

## CRANK SHAFT, PISTON, CAMSHAFT

BK8-E

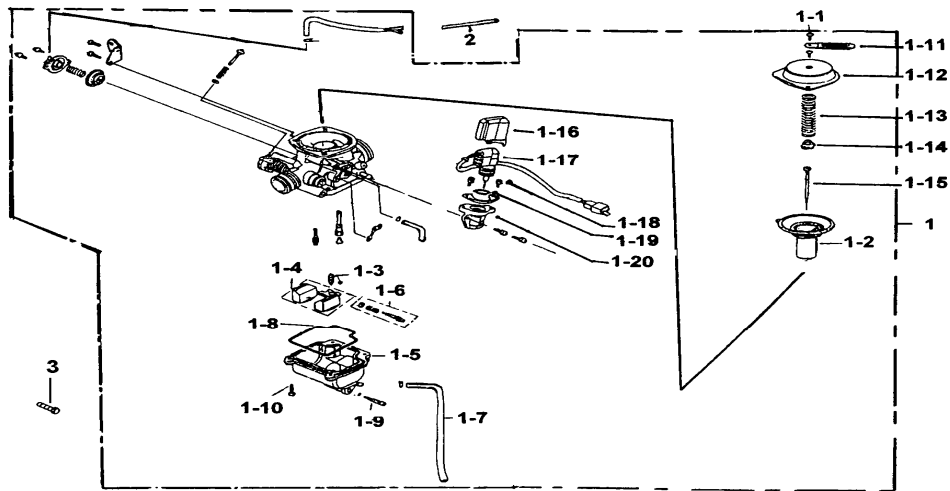


item_no	part_no	description	qty	amend	note1
01	400367	CRANK SHAFT COMP.	1		
01-1	400048	SPROCKET, TIMING	1		
01-2	400050	BEARING, CRANKSHAFT	2		
01-3	400047	CRANKSHAFT ASSY.	1		
01-4	400056	SPROCKET, OIL PUMP	1		
01-5	400060	KEY 25x14x4	1		
02	400057	PISTON	1		
03	400058	PIN, PISTON	1		
04	400059	CIRCLIP	2		
05	400060	KEY 25x14x4	1		
06	400061	RING SET, PISTON	1		
07	400086	SHAFT COMP., ROCKER, OUTLET VALVE	1		
08	400069	CAMSHAFT ASSY.	1		
09	400084	ARM, ROCKER	2		
10	400085	SHAFT COMP., ROCKER, INLET VALVE	1		
11	S06501	BOLT, ADJUSTING	2		
12	N03501	NUT, HEX.	2		

4

## CARBURETOR

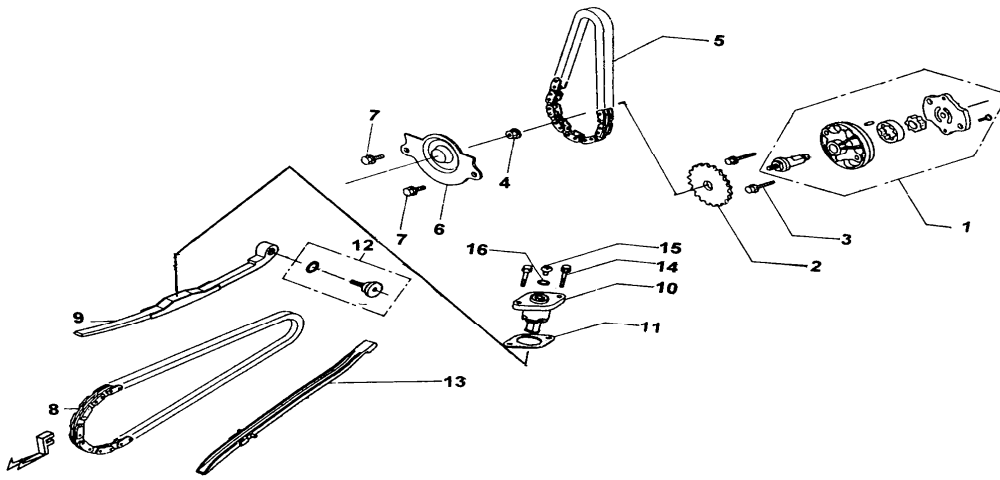
BK8-E



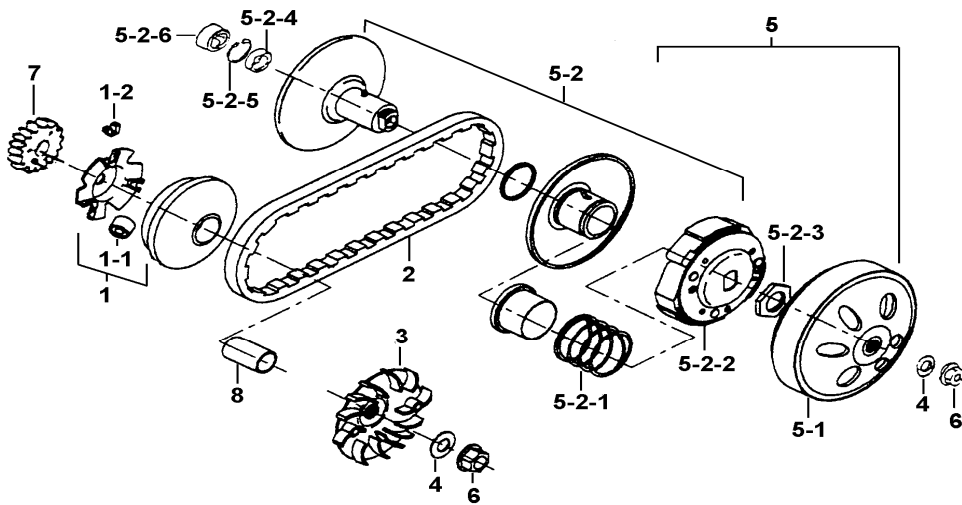
item_no	part_no	description	qty	amend	note1
01	424081	CARBURETOR ASSY.	1		
01-1	S30401	SCREW, OVAL HEAD M4X8	4		
01-10	S30402	SCREW,OVAL HEAD M4X14	4		
01-11	424054	BINDER	1		
01-12	424055	TOP COMP.	1		
01-13	424056	SPRING	1		
01-14	424057	VALVE PLATE SET	1		
01-15	400423	NEEDLE SET. JET	1		
01-16	424059	CAP. HOLDER	1		
01-17	424060	VALVE SET. STARTER	1		
01-18	S30401	SCREW, OVAL HEAD M4X8	2		
01-19	424061	GASET, STARTER VALVE	1		
01-2	400422	PISTON COMP., VACUUM	1		
01-20	424062	STARTER VALVE SEAT	1		
01-3	400096	VALVE SET, FLOAT	1		
01-4	400098	FLOAT SET	1		
01-5	400099	CHAMBER SET, FLOAT	1		
01-6	400100	SCREW, AIR ADJUSTER	1		
01-7	400112	TUBE	1		
01-8	400404	GASKET SET	1		
01-9	400405	SCREW, OVAL HEAD	1		
02	400429	HOSE, NEGATIVE PRESSURE	1		
03	424083	SCREW, IDLE SPEED	1		

**5 OIL PUMP CHAIN TENSIONER**

**BK8-E**



item_no	part_no	description	qty	amend	note1
01	400119	PUMP ASSY., OIL	1		
02	400125	GEAR, DRIVING	1		
03	S24605	BOLT,FLANGE	2		
04	N10601	NUT, FLANGE 6mm	1		
05	400126	SPROCKET, DRIVING	1		
06	400129	DIVIDER, OIL	1		
07	S24604	BOLT,FLANGE M6X12	2		
08	400130	CHAIN, INNER, CAMSHAFT	1		
09	400131	TENSIONER, CHAIN	1		
10	400132	ADJUSTER, CHAIN	1		
11	400143	GASKET, ADJUSTER	1		
12	400144	BOLT, TENSIONER	1		
13	400145	GUIDE COMP. CHAIN	1		
14	S24606	BOLT, FLANGE M6X22	2		
15	S45602	SCREW , OVAL HEAD M6X6	1		
16	400147	O RING 9.5X1.5	1		

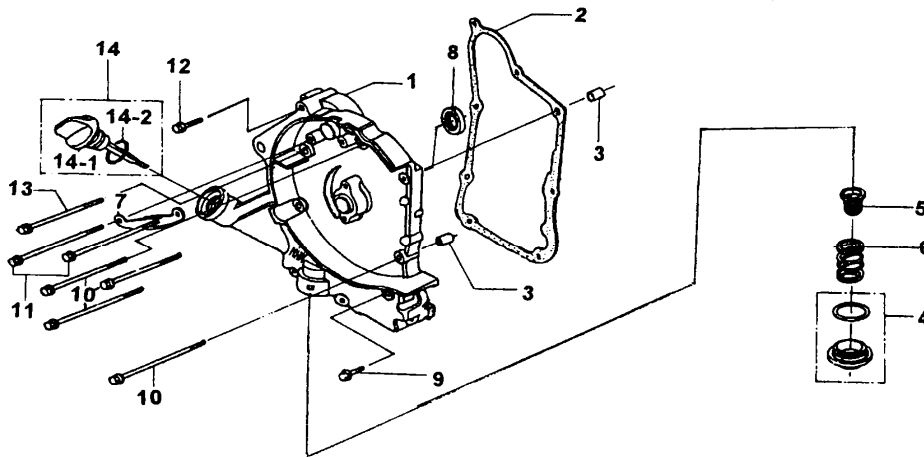


item_no	part_no	description	qty	amend	note1
01	490173	PULLEY COMP., DRIVE	1		
01-1	490252	ROLLER COMP., MOVABLE DRIVE FACE	1		
01-2	490256	GUIDE, MOVABLE DRIVEFACE PLATE	3		
02	490100	V-BELT, DRIVE	1		
03	490172	FACE, FIXED DRIVE	1		
04	W99204	WASHER 12.2X29X2.3t	2		
05	490810A	PULLEY COMP., DRIVEN	1		
05-1	490177	HOUSING COMP., CLUTCH	1		
05-2	490809A	PULLEY ASSY., DRIVEN	1		
05-2-1	490284	SPRING, MOVABLE DRIVEN FACE 53X143	1		
05-2-2	490808	CLUTCH ASSY., SHOE	1		
05-2-3	RT406NT01	NUT, HEX. M28X1.0	1		
05-2-4	428801	BEARING	1		
05-2-5	CTVG227001	CIR-CLIP	1		
05-2-6	82518R	NEEDLE BEARING	1		
06	N10202	NUT, FLANGE 12X8	2		
07	400333	GEAR, DRIVEN, STARTING 20T	1		
08	490174	SPACER	1		



7 COVER, CRANKCASE, RH.

BK8-E

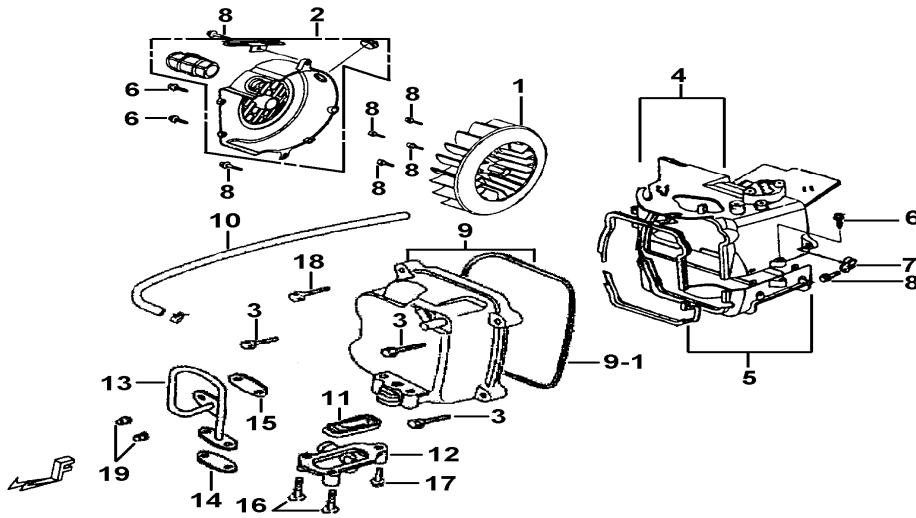


item_no	part_no	description	qty	amend	note1
01	400149	COVER, CRANKCASE, RH.	1		
02	400150	GASKET, CRANKCASE COVER, RH.	1		
03	P40802	PIN, DOWEL 8X14	2		
04	400376	CAP SET, OIL FILTER	1		
05	400152	FILTER, OIL	1		
06	400153	SPRING, FILTER	1		
07	400154	CLAMP, A.C.G.CORD	1		
08	400155	OIL SEAL 19.8X30X5	1		
09	S24607	BOLT, FLANGE M6X32	1		
10	S24608	BOLT, FLANGE M6X95	4		
11	S24609	BOLT, FLANGE M6X110	2		
12	S24610	BOLT, FLANGE M6X40	1		
13	S24601	BOLT, FLANGE M6X100	1		
14	400157	OIL GAUGE, LEVEL ASSY.	1		
14-1	400158	OIL GAUGE, LEVEL	1		
14-2	400159	O RING 18X3	1		

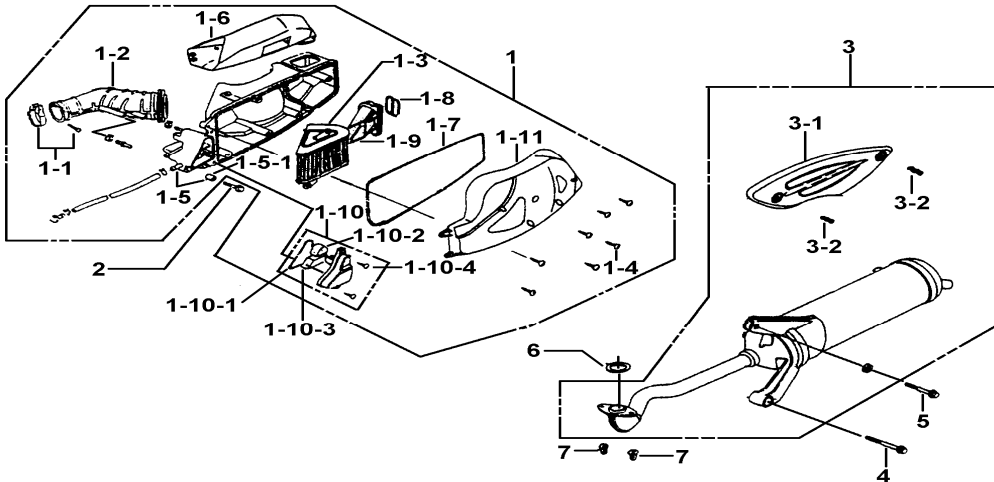
8

## COOLING FAN, SHORUD, CYLINDER HEAD COVER

BK8-E



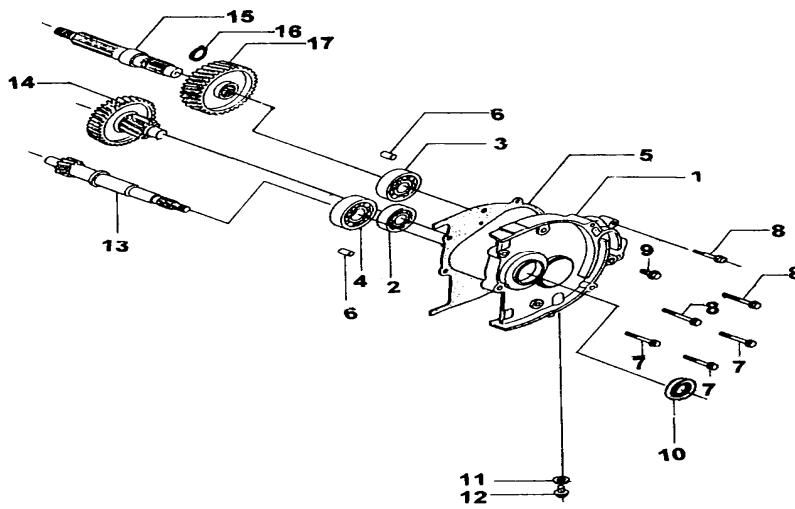
item_no	part_no	description	qty	amend	note1
01	400188	COOLING FAN	1		
02	400167	COVER SET, FAN	1		
03	S24614	BOLT, FLANGE	3		
04	400454	SHROUD SET A	1		
05	400455	SHROUD SET B	1		
06	S14502	BOLT,TAPPING	4		
07	400180	CLAMP, DRAIN TUBE	1		
08	S24605	BOLT,FLANGE	7		
09	400458	COVER COMP., CYLINDER HEAD	1		
09-1	400183	WASHER, CYLINDER HEAD	1		
10	427005	TUBE ASSY., BREATHER	1		
11	400444	REED VALVE	1		
12	400445	COVER, REED VALVE	1		
13	400446	EXHAUST PIPE, BREATHE	1		
14	400447	GASKET	1		
15	400448	GASKET	1		
16	S24611	BOLT, FLANGE M6X40	2		
17	S24605	BOLT,FLANGE	1		
18	S24602	BOLT, FLANGE M6X50	1		
19	N12604	NUT	2		



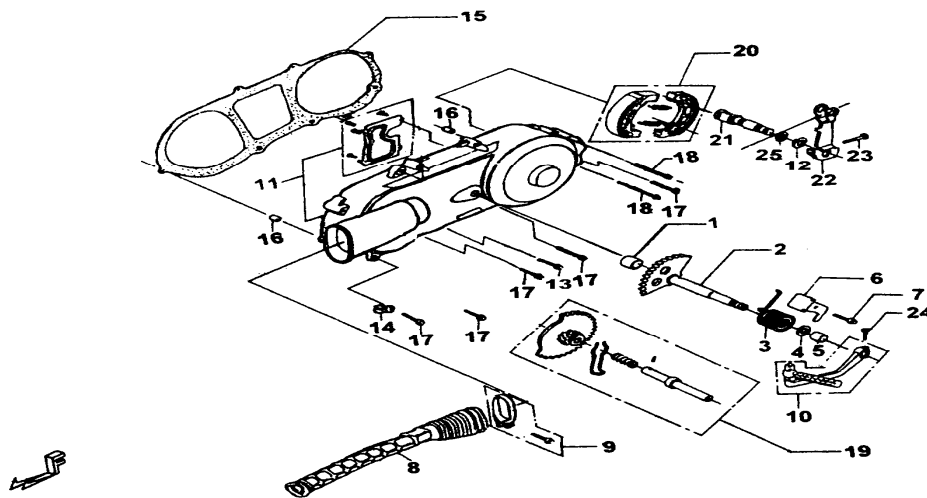
item_no	part_no	description	qty	amend	note1
01	420066	AIR CLEANER ASSY.	1		
01-1	400191	CLAMP	1		
01-10	400303	COVER ASSY. OIL CATCH	1		
01-11	420069	COVER AIR CLEANER	1		
01-2	420049	INLET TUBE	1		
01-3	400302	ELEMENT COMP.	1		
01-4	S45501	STUD M5X20	7		
01-5	400196	CASE AIR CLENER	1		
01-5-1	400197	BUSH	2		
01-6	420067	DUCT AIR CLEANER CASE	1		
01-7	400199	SEAL AIR CLEANER COVER	1		
01-8	400200	SPRING IN DUCT	1		
01-9	400301	DUCT AIR CLEANER IN	1		
02	S24614	BOLT, FLANGE	2		
03	426203	BODY COMP., MUFFLER	1		
03-1	426058	PROTECTOR COMP. MUFFLER	1		
03-2	400319	SCREW SET	2		
04	S20809	BOLT, FLANGE M8X42	1		
05	S21804	BLOT	1		
06	400317	WASHER, MUFFLER	1		
07	N12802	NUT, OVAL HEAD 6mm	2		
1-10-1	400305	SEAL OIL CATCH	1		
1-10-2	400306	FILTER BREATHER	1		
1-10-3	400307	FILTER OIL CATCH	1		
1-10-4	S50402	SCREW,TAPPING M4X10	2		

**10 GEAR BOX COVER, REDUCING GEAR**

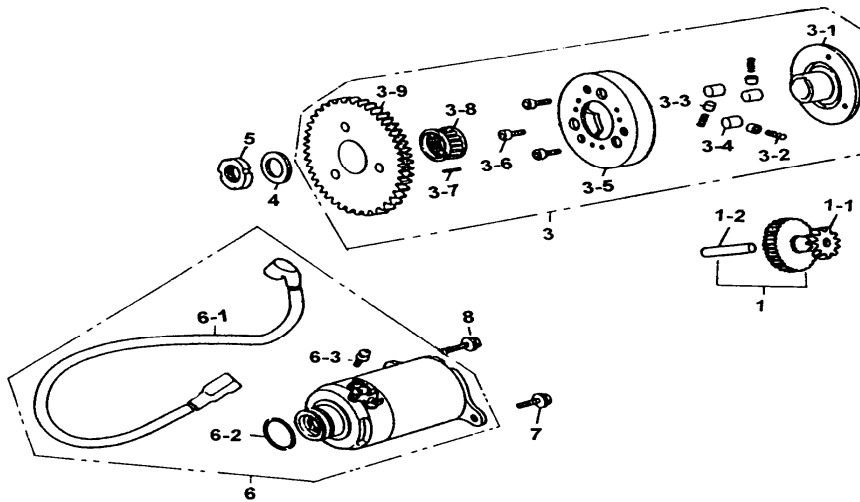
**BK8-E**



item_no	part_no	description	qty	amend	note1
01	427502	COVER, GEAR BOX	1		
02	400322	BEARING, IDLER 6202	1		
03	GA507BR05	BEARING, REAR AXLE, LH.	1		
04	400324	BEARING, IDLER 6204	1		
05	427503	GASKET, GEAR BOX	1		
06	P40802	PIN, DOWEL 8X14	2		
07	S24614	BOLT, FLANGE	3		
08	S24615	BOLT, FLANGE M6X35	3		
09	S20807	BOLT, OUTLET M8X1.25X12L	1		
10	400326	OIL SEAL 20X32X6	1		
11	W99807	WASHER 8mm	1		
12	GA504SC12	BOLT, FLANGE 8X12	1		
13	400327	SHAFT, DRIVE 15T	1		
14	427517	SHAFT COMP., IDLE 42TX14T	1		
15	427514	SHAFT, REAR AXLE	1		
16	R00201	SNAP RING, C TYPE	1		
17	427515	GEAR, FINAL DRIVEN 39T	1		



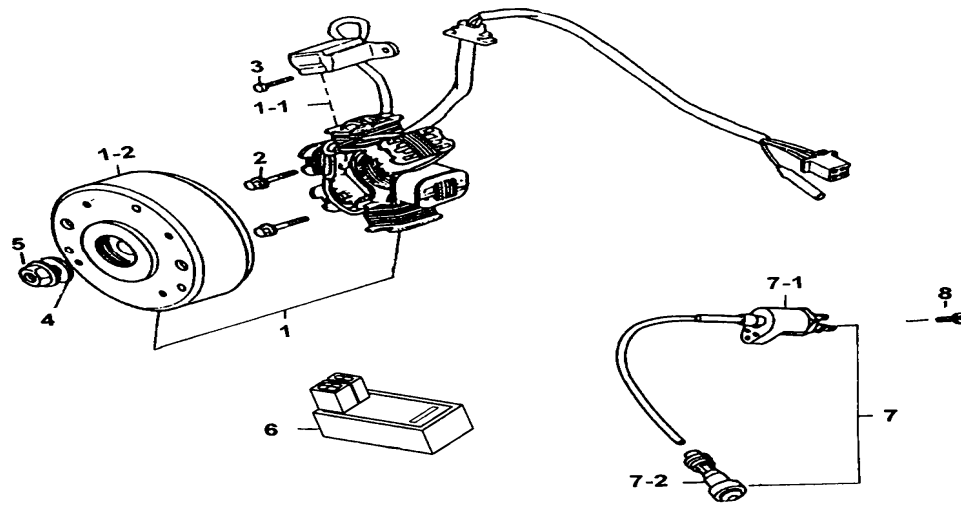
item_no	part_no	description	qty	amend	note1
01	400342	BUSH 12X16X12	1		
02	400343	SHAFT COMP., STARTER	1		
03	400347	SPRING, STARTER	1		
04	W99402	WASHER 14mm	1		
05	400348	BUSH, KICK STARTERSHAFT 14X18X16	1		
06	400349	STOPPER, RETURN	1		
07	S24617	BOLT, FLANGE M6X14	1		
08	400378	DUCT, COOLING	1		
09	400379	CLAMP SET	1		
10	400350	LEVER ASSY., KICKSTARTER	1		
11	421509	COVER ASSY., CLUTCH	1		
12	401852	O RING 13.1X10	1		
13	S24620	BOLT, HEX HEAD	1		
14	400164	CLAMP, DRAIN TUBE	1		
15	421510	GASKET, CLUTCH COVER	1		
16	P40802	PIN, DOWEL 8X14	2		
17	S24611	BOLT, FLANGE M6X40	5		
18	S24612	BOLT, FLANGE M6X65	2		
19	400334	IDLER SET, STARTER	1		
20	411102	LINING SET, REAR BRAKE	1		
21	428503	CAM, REAR BRAKE	1		
22	402105	LEVER, REAR BRAKE	1		
23	S20604	SCREW, PAN HEAD M6X40	1		
24	S99602	BOLT, HEX. HEAD M6X22	1		
25	401853	O RING 11.3X13	1		



item_no	part_no	description	qty	amend	note1
01	400371	GEAR SET, STARTING	1		
01-1	400372	GEAR, STARTING	1		
01-2	400354	SHAFT, STARTING GEAR	1		
03	400353	CLUTCH SET, STARTING	1		
03-1	400356	FLANGE, STARTING CLUTCH	1		
03-2	400357	SPRING, ROLLER	3		
03-3	400374	CAP, ROLLER SPRING	3		
03-4	400359	ROLLER, 10X10	3		
03-5	400360	HOUSING SET, STARTING CLUTCH	1		
03-6	S70612	SCREW M6X12	3		
03-7	P30501	PIN, DOWEL 5X6	1		
03-8	400363	NEEDLE BEARING 28X32X17	1		
03-9	400364	GEAR SET, STARTING CLUTCH	1		
04	W99202	WASHER	1		
05	N50201	NUT 22mm	1		
06	440796	MOTOR COMP., STARTING	1		
06-1	440797	CABLE, STARTING MOTOR	1		
06-2	400513	O RING	2		
06-3	S42501	SCREW,OVAL HEAD M5X8	1		
07	S24603	BOLT, FLANGE M6x16	1		
08	S24616	BOLT, FLANGE	1		

13 FLYWHEEL MAGNETO AND IGNITION COIL

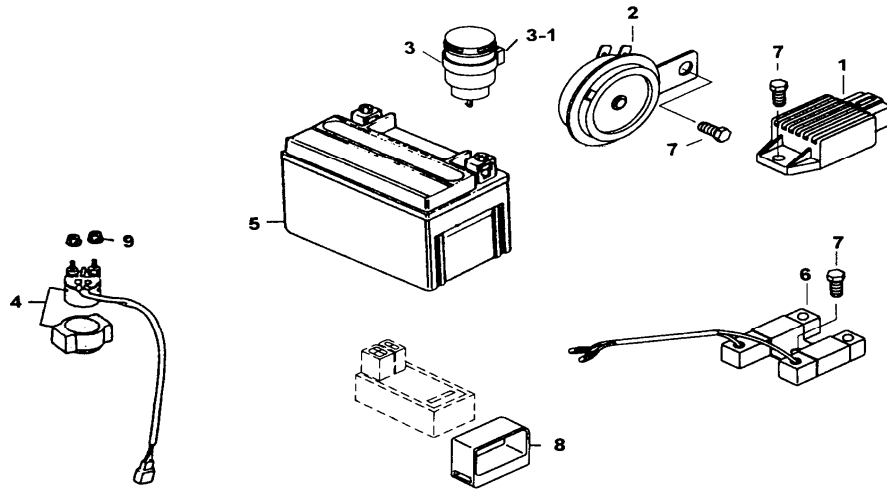
BK8-E



item_no	part_no	description	qty	amend	note1
01	400502	FLYWHEEL MAGNET ASSY.	1		
01-1	400503	STATOR ASSY.	1		
01-2	400504	ROTOR ASSY.	1		
02	S24616	BOLT, FLANGE	2		
03	S24501	SCREW, SOCKET HEADM5x12	2		
04	W99205	WASHER	1		
05	N10203	NUT	1		
06	440977	C.D.I	1		
07	400506	COIL ASSY., IGNITION	1		
07-1	400511	COIL SET, IGNITION	1		
07-2	400512	CAP SET, SPARK PLUG	1		
08	GA510SC10	SCREW, HEX. HEAD M5X20	1		

**14 BATTERY, HORN, RELAY, RECTIFIER**

**BK8-E**

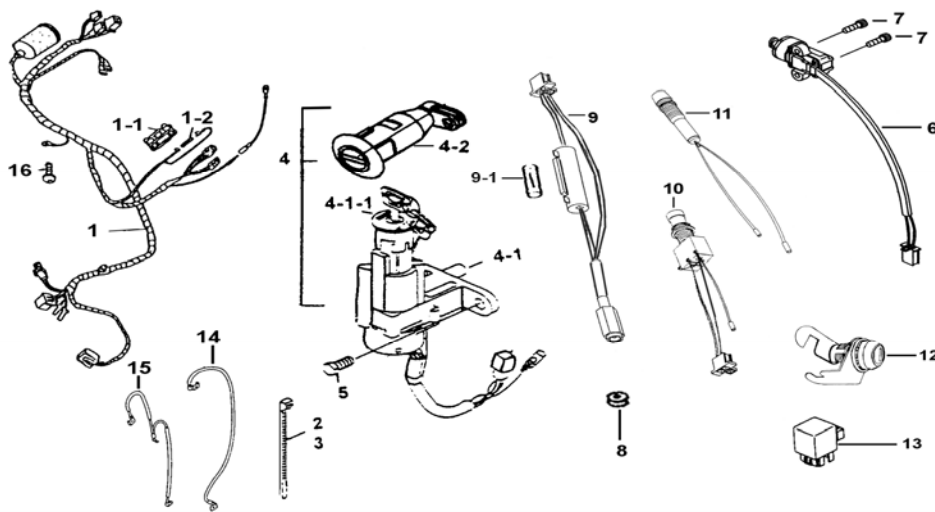


item_no	part_no	description	qty	amend	note1
01	400507	RECTIFIER ASSY.	1		
02	GF5149906	HORN ASSY.	1		
03	440800A	RELAY, TURN SIGNAL	1		
03-1	440745	BUSH, RUBBER	1		
04	400508	RELAY, STARTING	1		
05	440805	BATTERY 12V 9AH	1		
06	400509	RESISTOR	1		
07	GA510SC03	SCREW, HEX. HEAD M6X16	3		
08	400519	BUSH, RUBBER	1		
09	N10601	NUT, FLANGE 6mm	2		

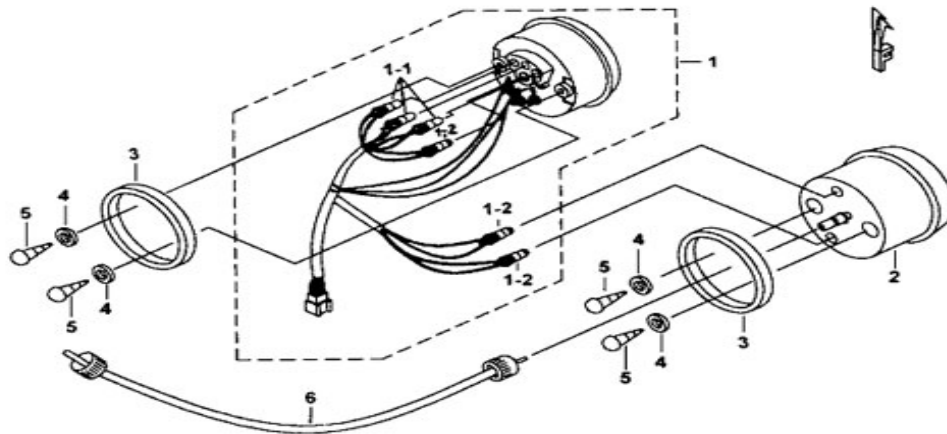


**15 WIRING HARNESS AND LOCK SET**

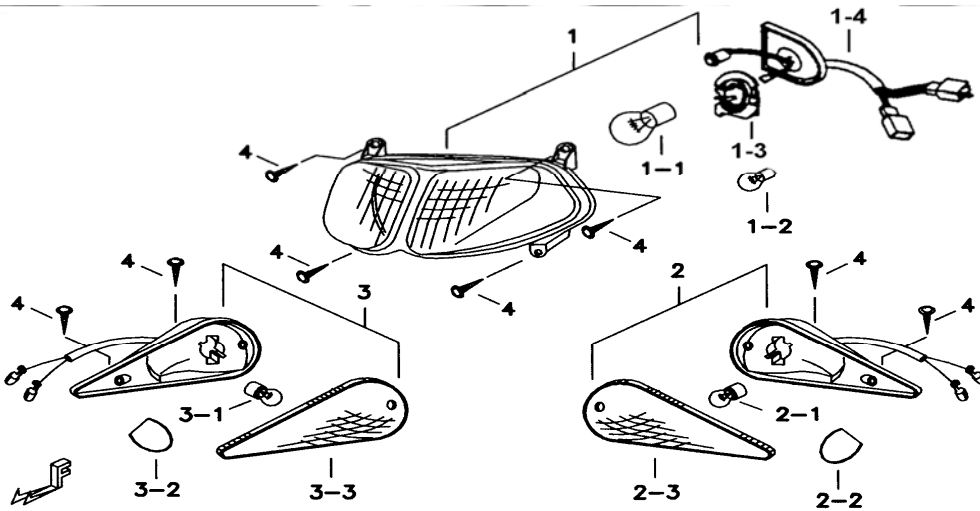
**BK8-E**



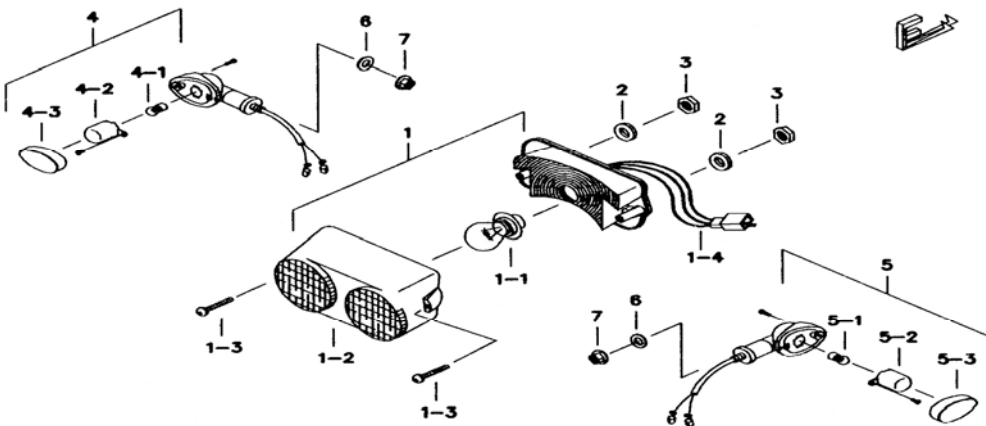
item_no	part_no	description	qty	amend	note1
01	440964	WIRING HARNESS	1		
01-1	GF5159906	CASE SET, FUSE	1		
01-2	GF5159907	FUSE 7A	1		
02	400535	CLAMP L300	2		
03	GA510SR02	CLAMP L200	2		
04	440765	LOCK ASSY.	1		
04-1	440774	LOCK SET, STEERING	1		
04-1-1	BH115PL01	CAP, INDICATOR	1		
04-2	440744-S	LOCK SET, SEAT	1		
05	S71603	BOLT, BREAKABLE, HEX. HEAD M6X16	2		
06	440935	SWITCH, SIDE STAND	2		
07	S79501	SCREW, SOCKET HEAD M5x16	4		
08	440948	BUSH	1		
09	440949	WIRING	1		
09-1	440984	FUSE 5A	1		
10	440950	HEATING SWITCH	1		
11	440951	HEATING LAMP	1		
12	440957	LOCK, CARGO BOX	1		
13	440956	RELAY	2		
14	440966	HARNESS, STARTING	1		
15	400533	HARNESS, EARTH	1		
16	GA556SC01	BOLT, FLANGE M6X1.0X12L	2		



item_no	part_no	description	qty	amend	note1
01	411627	GAUGE ASSY., FUEL LEVEL	1		
01-1	GA5520009	BULB (12V, 1.7W)	3		
01-2	410154	BULB, BLACK HEAD(12V,1.7W)	3		
02	457100	SPEEDOMETER ASSY.	1		
03	GE516RB01	PACKING, RUBBER	2		
04	W99602	WASHER 6.5X12X1.0	4		
05	GA510SC01	SCREW, SOCKET HEAD M6X16	4		
06	411628	CABLE ASSY., SPEEDOMETER	1		



item_no	part_no	description	qty	amend	note1
01	450012	HEAD LAMP ASSY.	1		
01-1	GA5520019	BULB 12V, 35/35W	1		
01-2	400517	BULB 12V, 5W	1		
01-3	450016	STAY, MOUNTION	1		
01-4	450017	SOCKET COMP.	1		
02	450025	TURN SIGNAL LAMP COMP., LH. FRONT	1		
02-1	GF5170006	BULB, 12V, R10W	1		
02-2	450031	LENS	1		
02-3	450029	LENS, TURN SIGNAL, LH. FRONT	1		
03	450026	TURN SIGNAL LAMP COMP., RH. FRONT	1		
03-1	GF5170006	BULB, 12V, R10W	1		
03-2	450031	LENS	1		
03-3	450030	LENS, TURN SIGNAL, RH. FRONT	1		
04	GA552SC11	SCREW, TAPPING M4X16	8		

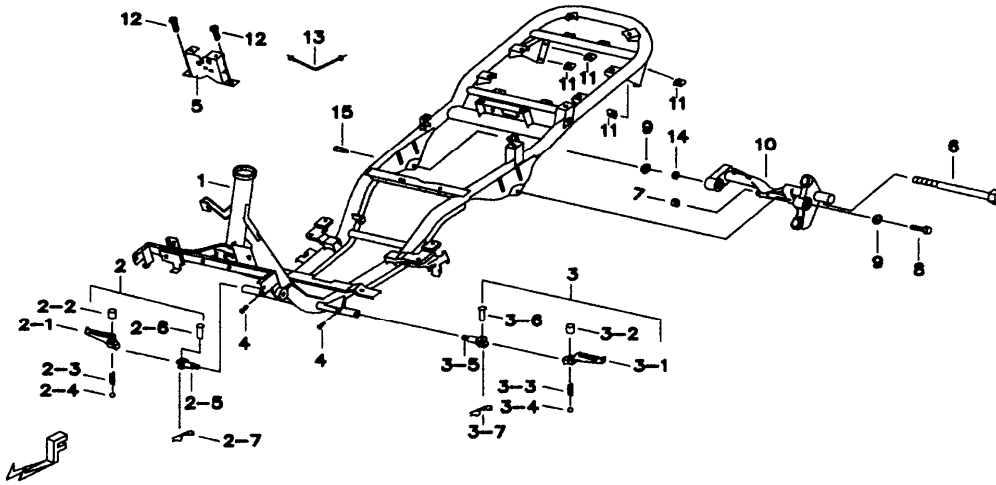


item_no	part_no	description	qty	amend	note1
01	451020	REAR LAMP ASSY.	1		
01-1	GF5180002	BULB 12V, P21/5W	1		
01-2	451021	LENS, REAR COMBINATION	1		
01-3	S60401	SCREW, TAPPING M4x18	2		
01-4	BH1189901	WIRING HARNESS, REAR LAMP	1		
02	W99603	WASHER, RUBBER	2		
03	GA554NT04	NUT, FLANGE M6xP1.0	4		
04	451018	TURN SIGNAL LAMP COMP., LH.	1		
04-1	GF5170006	BULB, 12V, R10W	1		
04-2	450031	LENS	1		
04-3	451022	LENS, TURN SIGNAL LAMP., LH. REAR	1		
05	451019	TURN, SIGNAL LAMP COMP., RH.	1		
05-1	GF5170006	BULB, 12V, R10W	1		
05-2	450031	LENS	1		
05-3	451023	LENS, TURN SIGNAL LAMP., RH. REAR	1		
06	W99005	WASHER	2		
07	GA551NT02	NUT, FLANGE SELRLOCK M10x10	2		

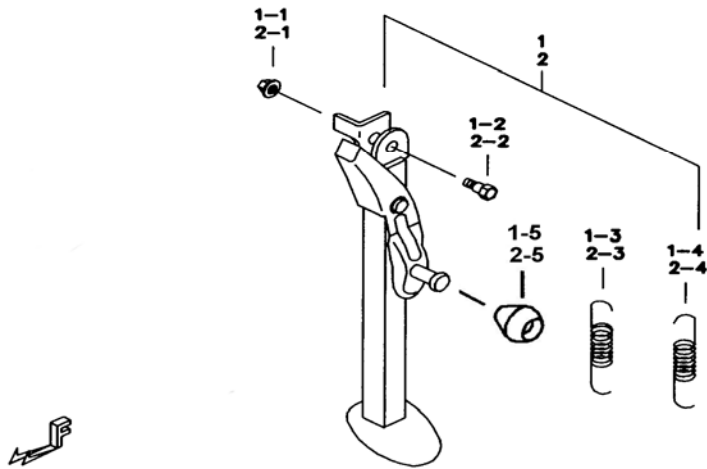
19

FRAME

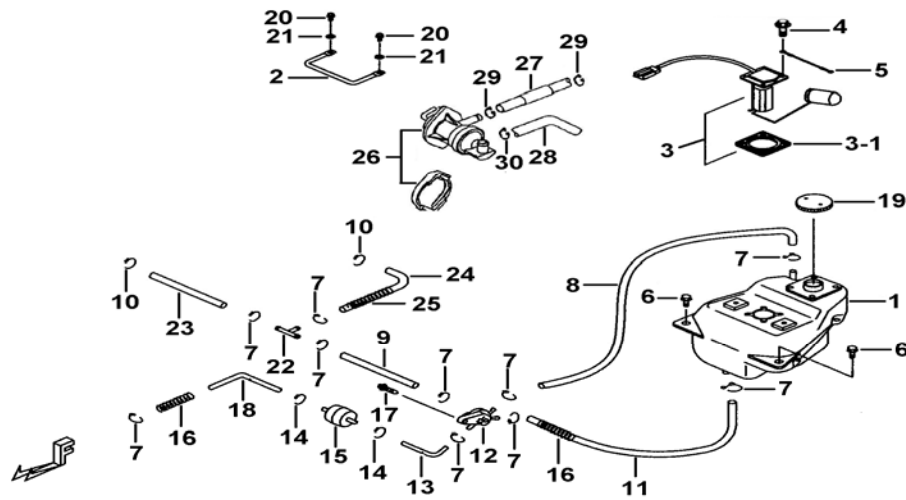
BK8-E



item_no	part_no	description	qty	amend	note1
01	411991	FRAME	1		
02	411953	FOOTREST ASSY., RH., FRONT	1		
02-1	GF519AL06	FOOTREST ASSY., PILLION, RH.	1		
02-2	GF519FE01	COLLAR, PIN 6X8X20	1		
02-3	GF519SP01	SPRING, COMPRESSION 6X12.5	1		
02-4	GF519FE04	BALL $\phi$ 6.35	1		
02-5	411950	BRKT, FOOTREST, PILLION, RH.	1		
02-6	GA551PN02	PIN 6X34	1		
02-7	GA551PN01	COTTER PIN 1.5X30	1		
03	411952	FOOTREST ASSY., LH., FRONT	1		
03-1	GF519AL05	FOOTREST ASSY., PILLION, LH.	1		
03-2	GF519FE01	COLLAR, PIN 6X8X20	1		
03-3	GF519SP01	SPRING, COMPRESSION 6X12.5	1		
03-4	GF519FE04	BALL $\phi$ 6.35	1		
03-5	411949	BRKT, FOOTREST, PILLION, LH.	1		
03-6	GA551PN02	PIN 6X34	1		
03-7	GA551PN01	COTTER PIN 1.5X30	1		
04	S79604	BOLT, FLANGE	2		
05	BH1199904	LOCK SET, SEAT	1		
06	S20003	BOLT	1		
07	GA551NT01	NUT, SELFLOCK M10X1.0	1		
08	S99001	BOLT	1		
09	GA556WS06	WASHER, SPRING 10.2X3.7X2.5t	2		
10	411989	ROCKER ARM ASSY., HANGER	1		
11	GA552NT01	NUT, SPRING M4	4		
12	GA556SC01	BOLT, FLANGE M6X1.0X12L	2		
13	411951	CABLE, LOCK SET, SEAT	1		
14	401921	SPACER	1		
15	S99003	BOLT, FLANGE	1		



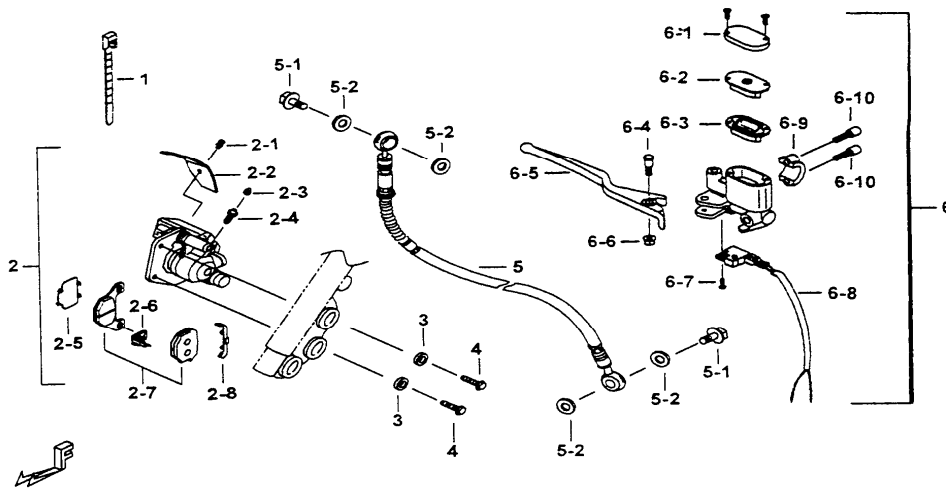
item_no	part_no	description	qty	amend	note1
01	414012	STAND COMP., SIDE LH.	1		
01-1	GA551NT04	NUT, HEX. HEAD M8	1		
01-2	S96804	BOLT M8	1		
01-3	412032	SPRING	1		
01-4	412033	SPRING	1		
01-5	412035	BUBDER	1		
02	414013	STAND COMP., SIDE RH.	1		
02-1	GA551NT04	NUT, HEX. HEAD M8	1		
02-2	S96804	BOLT M8	1		
02-3	412032	SPRING	1		
02-4	412033	SPRING	1		
02-5	412035	BUBDER	1		



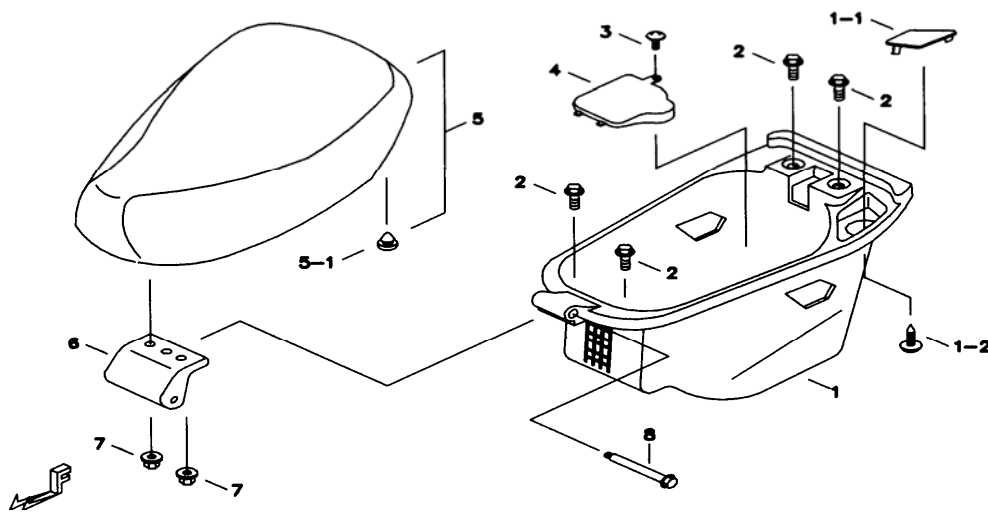
item_no	part_no	description	qty	amend	note1
01	412124	TANK, FUEL	1		
02	412129	HANDLING BAR, FUEL TANK	1		
03	401813	GAUGE ASSY., FUEL LEVEL	1		
03-1	401710	GASKET	1		
04	S07501	BOLT,HEX HEAD	4		
05	412120	HARNESS, EARTH	1		
06	GA555SC05	BOLT, OUTLET M6X1.0X16L	4		
07	R36801	CLIP $\phi$ 8.5	10		
08	412122	HOSE, NEGATIVE PRESSURE	1		
09	401809	HOSE	1		
10	GA553SR04	CLIP $\phi$ 7.5	2		
11	412113	HOSE	1		
12	GA5539902	COCK ASSY., FUEL	1		
13	412121	HOSE	1		
14	R36901	CLIP	2		
15	GA5539904	FILTER, FUEL	1		
16	GA553SP01	SPRING	2		
17	GA553SC01	BOLT, FLANGE M6X1.0X16L	1		
18	412103	HOSE #2	1		
19	412126	CAP COMP. FILLER	1		
20	GA556SC01	BOLT, FLANGE M6X1.0X12L	2		
21	W99605	WASHER	2		
22	412117	THREE WAY TUBE UNIT	1		
23	412108	HOSE, NEGATIVE PRESSURE LOWER #7	1		
24	512127	HOSE	1		
25	401014	SPRING 12X100X0.8	1		
26	400450	AICV ASSY.	1		
27	400452	HOSE	1		
28	400453	HOSE	1		

29	426081	CLIP	2
30	R40701	CLIP	1

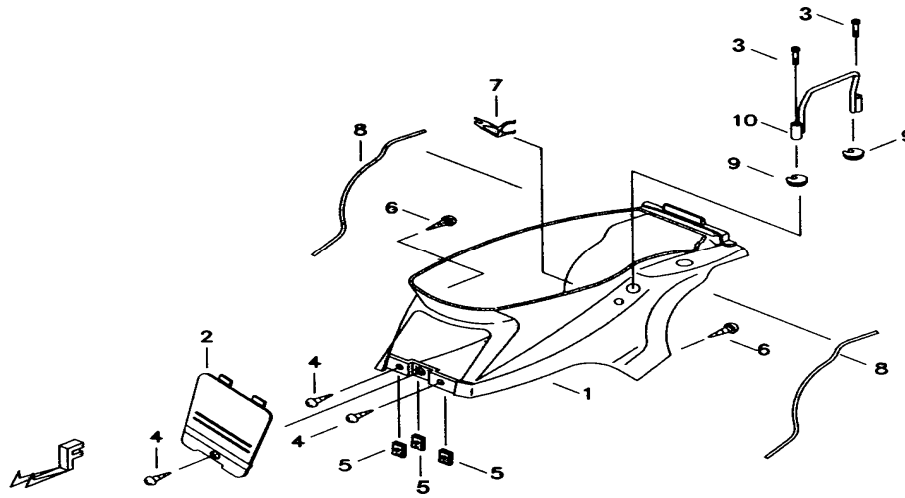




item_no	part_no	description	qty	amend	note1
01	GA510SR01	CLAMP	1		
02	413602Y	CALIPER	1		
02-1	S43501	BOLT	1		
02-2	413607	DUST COVER	1		
02-3	GA559RB01	CAP, GUARD	1		
02-4	GA559SC01	BOLT, FLANGE	1		
02-5	413608	PLATE, WASHER	1		
02-6	413609	SPRING PLATE	1		
02-7	413610	PAD ASSY.	1		
02-8	413611	SPRING PLATE	1		
03	W99805	WASHER	2		
04	GA558SC03	BOLT, HEX. HEAD	2		
05	401622Y	HOSE ASSY., FRONT BRAKE	1		
05-1	S21001	OIL BOLT M10X1.25X22L	2		
05-2	GA559WS04	WASHER, 10.2X15X1.2t	4		
06	401656	MASTER CYLINDER	1		
06-1	402178	COVER, MASTER CYLINDER	1		
06-10	S70610	SCREW, SOCKET HEAD M6x25	2		
06-2	402179	DIAPHRAGM CAP	1		
06-3	402180	DIAPHRAGM	1		
06-4	S04602	BOLT, HEX. HEAD	1		
06-5	402181	LEVER, HANDLE BAR, RH.	1		
06-6	N10602	NUT	1		
06-7	S43401	BOLT	1		
06-8	402182	LIMITEED SWITCH ASSY.	1		
06-9	402183	MASTER CYLINDER HOLDER	1		



item_no	part_no	description	qty	amend	note1
01	452037B	HELMET CASE ASSY.	1		
01-1	452024	ORNAMENT, HELMET CASE	1		
01-2	S50401	SCREW TAPPING M4X12	1		
02	S25602	BOLT M6X16L	4		
03	S45603	SCREW, OVAL HEAD M6x10	1		
04	452014	CAP, HELMET CASE (BLACK)	1		
05	452045	SEAT SET	1		
05-1	401904	DAMPER, RUBBER	2		
06	BH123FE01	BRKT, SEAT	1		
07	GA554NT04	NUT, FLANGE M6xP1.0	2		
08	S47601	SCREW, RECESSED PAN HEAD M6X68	1		

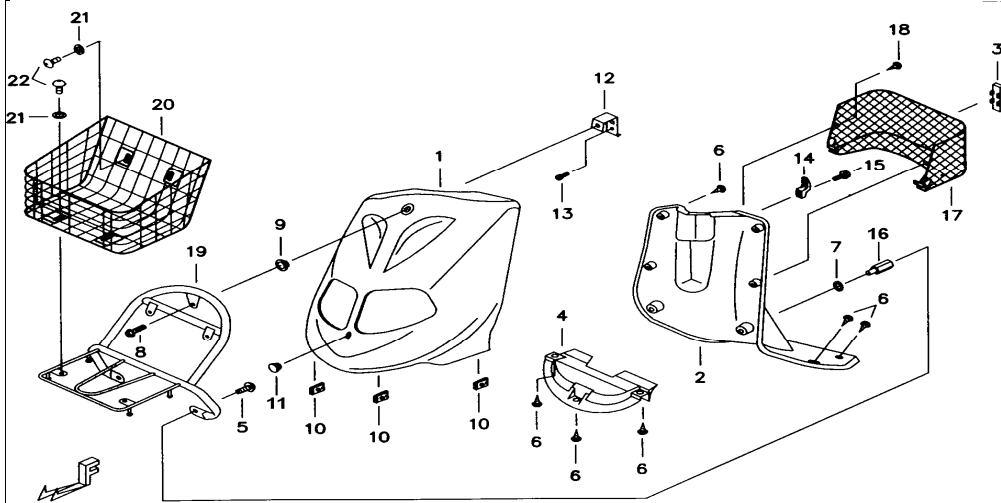


item_no	part_no	description	qty	amend	note1
01	BH124PL01B	COVER, SIDE	1		
02	BH124PL04	COVER, SMALL	1		
03	S70806	BOLT M8X1.25	2		
04	S51501	SCREW,TAPPING M5X16	3		
05	N31501	NUT, SPRING M5	3		
06	S57501	SCREW,OVAL HEAD, FLANGE M5X14	2		
07	401657	REED	1		
08	453016	ORNAMENTAL	2		
09	453017	RUBBER PLUG	2		
10	412404	HANDLING BAR	1		

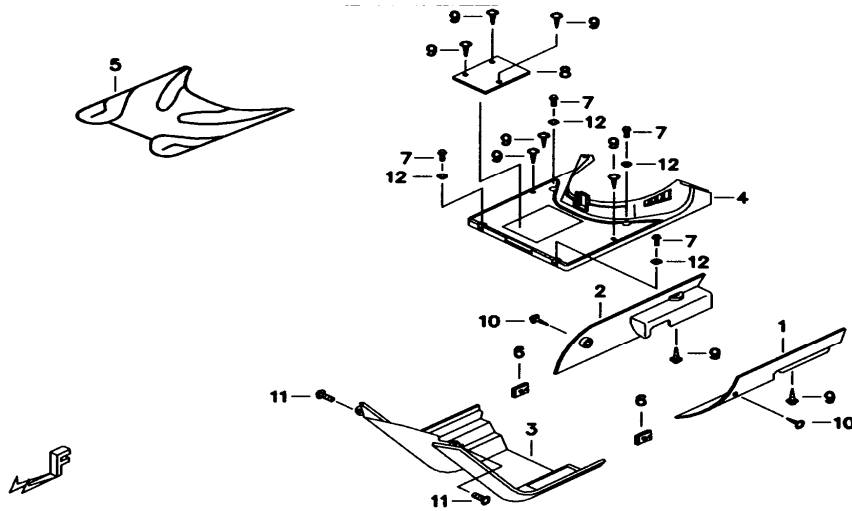
25

## FRONT LEG SHIELD

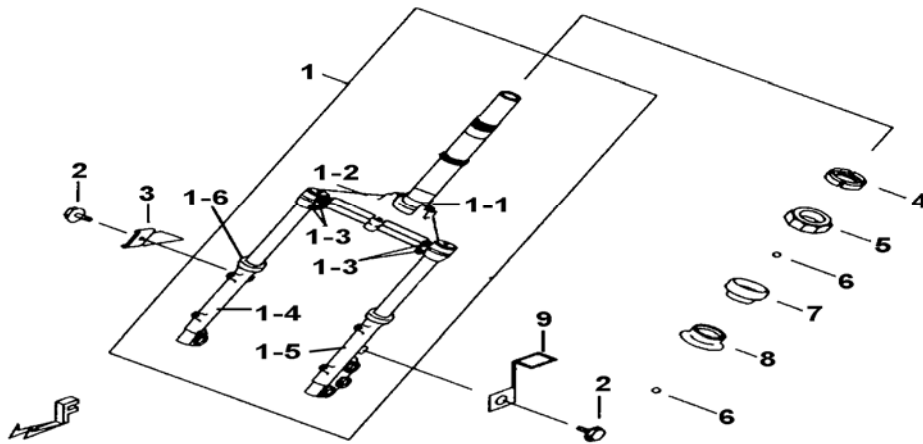
BK8-E



item_no	part_no	description	qty	amend	note1
01	401653	LEG SHIELD FRONT	1		
02	454010	COVER SET, LEG SHIELD	1		
03	BH125PL04	COVER SET, LEG SHIELD, SMALL	1		
04	401655	FRONT FENDER, INNER	1		
05	GA904SC26	SCREW, SOCKET HEAD M6X16	2		
06	S57501	SCREW, OVAL HEAD, FLANGE M5X14	11		
06A	S57501	SCREW, OVAL HEAD, FLANGE M5X14	9		OPTION
07	W99602	WASHER 6.5X12X1.0	2		
08	S72602	BOLT, HEX. HEAD	1		
09	454036	WASHER	1		
10	N31501	NUT, SPRING M5	3		
11	454016	RUBBER PLUG	1		
12	401685	BRACKET	1		
13	S79602	SCREW, SOCKET HEAD M6x16	1		
14	454005	HOOK LUGGAGE	1		
15	GA558SC05	BOLT, HEX. HEAD M6x28	1		
16	413961	SCREW, SPACER	2		OPTION
17	413965	BASKET	1		OPTION
18	S50506	SCREW, TAPPING	2		OPTION
19	413959	BRKT, BASKET	1		OPTION
20	413964	BASKET	1		OPTION
21	W99605	WASHER	4		OPTION
22	GA555SC03	SCREW, AN HEAD M6X16	4		OPTION



item_no	part_no	description	qty	amend	note1
01	BH126PL01A	LEG SHIELD, SIDE, LH.	1		
02	BH126PL02	LEG SHIELD, SIDE, RH.	1		
03	401860A	LEG SHIELD, LOWER	1		
04	401861	LEG SHIELD, RAER	1		
05	455012	CUSHION, LEG SHIELD	1		
06	N31501	NUT, SPRING M5	6		
07	GA551SC09	BOLT, FLANGE M6X20	4		
08	401862	LID, BATTERY BOX	1		
09	S57501	SCREW,OVAL HEAD, FLANGE M5X14	7		
10	S51501	SCREW,TAPPING M5X16	2		
11	GA904SC26	SCREW, SOCKET HEAD M6X16	2		
12	GA556WS02	WASHER	4		

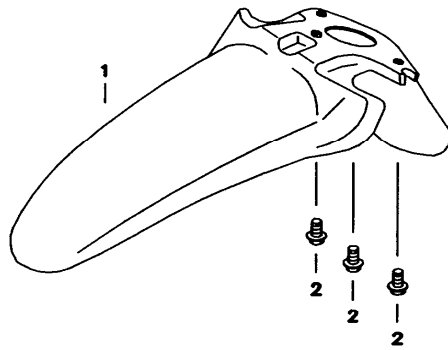


item_no	part_no	description	qty	amend	note1
01	412704	FORK COMP., FRONT	1		
01-1	GF527PS01	RACE, STEERING, OVTER, LOWER	1		
01-2	401970	CENTREL BAR ASSY.	1		
01-3	S20004	BOLT,FLANGE M10X30	4		
01-4	412705	FORK COMP., FRONT RH.	1		
01-5	412706	FORK COMP., FRONT LH.	1		
01-6	401876	SEAL, OIL	2		
02	GA556SC01	BOLT, FLANGE M6X1.0X12L	2		
03	GI527PS02	BRKT, CABLE, SPEEDOMETER	1		
04	GA556NT01	NUT, SLOTTED	1		
05	GA556PS03	RACE, STEERING, INNER, UPPER	1		
06	GA556FE01	BALL	55		
07	GA556PS04	RACE, STEERING, INNER	1		
08	GF527PS02	RACE, STEERING INNER, LOWER	1		
09	410155	BRKT, BRAKE HOSE	1		

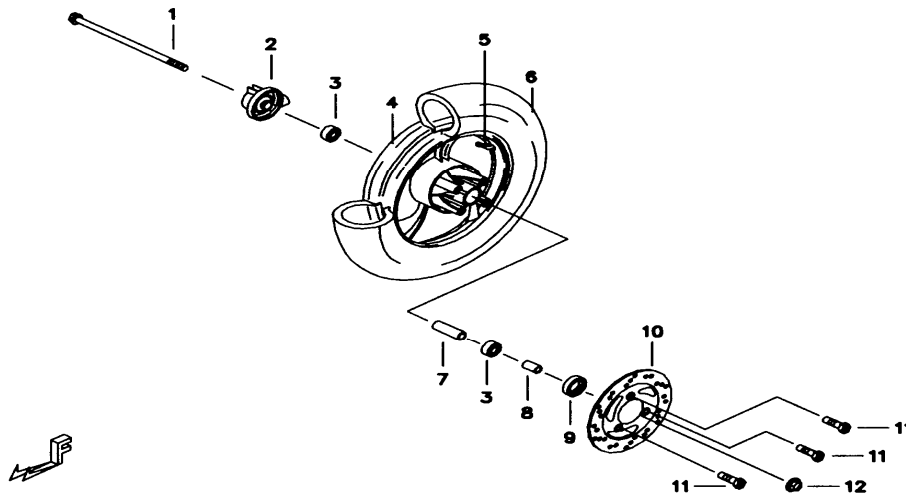
28

FRONT FENDER

BK8-E

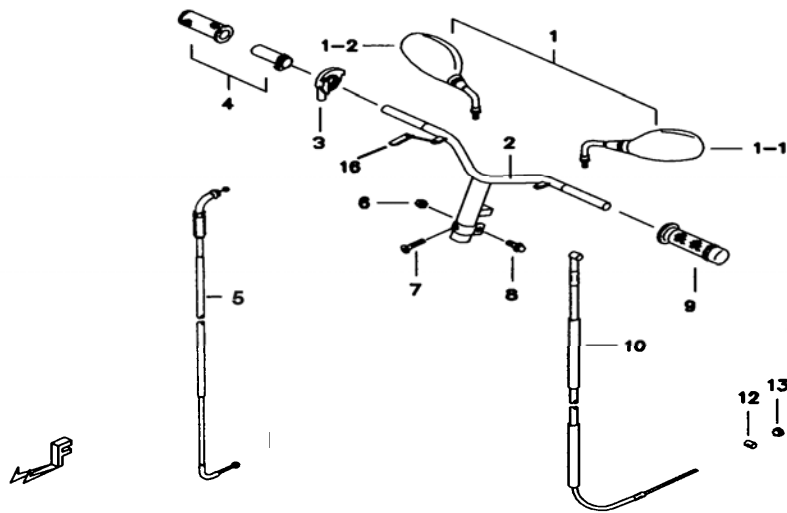


item_no	part_no	description	qty	amend	note1
01	401688	FRONT FENDER	1		
02	GA556SC01	BOLT, FLANGE M6X1.0X12L	3		

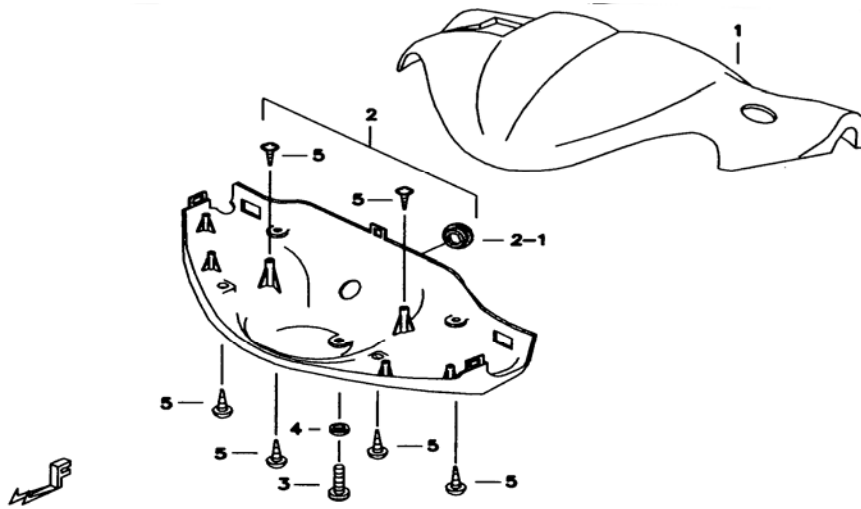


item_no	part_no	description	qty	amend	note1
01	GI529FE01	SHAFT, FRONT WHEEL 12X218	1		
02	GI5299901	GEAR COMP., SPEEDOMETER	1		
03	GI529BR01YT	BEARING 12X32X10	2		
04	412927YSG	RIM COMP., FRONT WHEEL 3.5-13 (AL)(SILVER)	1		
05	GF5299901	INLET COMP., AIR	1		
06	412900-S	TIRE 130/60-13	1		
07	401792	COLLAR SET	1		
08	GI529BS01	COLLAR	1		
09	GI529OS01	OIL SEAL 18X35X7	1		
10	410200Y	DISC, BRAKE 220mm	1		
11	GA558SC02	BOLT M8X1.25X15L	4		
12	N25201	NUT, SELFLOCK M12X1.25	1		

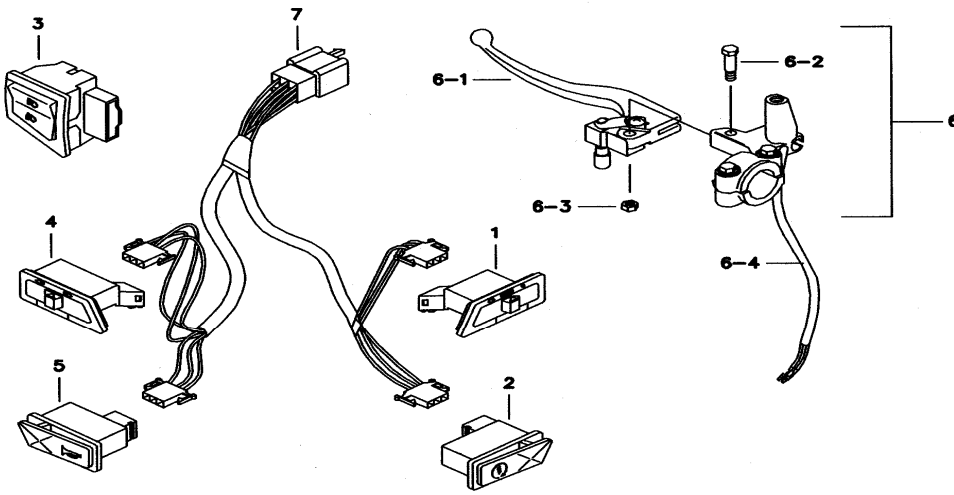




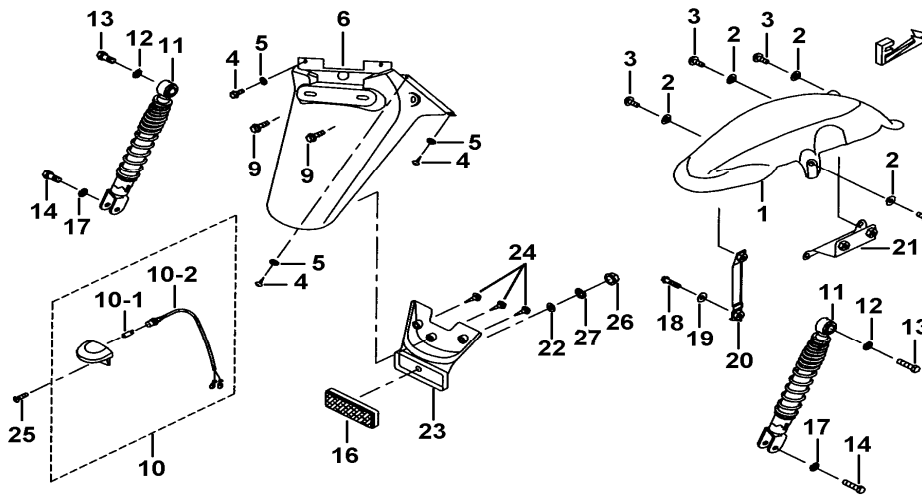
item_no	part_no	description	qty	amend	note1
01	413046	MIRROR ASSY., REAR VIEW(LONG)	1		
01-1	413037	MIRROR, REAR VIEW, LH.(LONG)	1		
01-2	413036	MIRROR, REAR VIEW, RH.(LONG)	1		
02	413026	HANDLE BAR ASSY.	1		
03	413073	THROTTLE HOUSING	1		
04	GF5309906	GRIP ASSY., RH.	1		
05	413053	CABLE, THROTTLE	1		
06	GA551NT01	NUT, SELFLOCK M10X1.0	1		
07	GA557SC02	SCREW, FLAT HEAD M8X35	1		
08	GA557SC01	BOLT, FLANGE M10X43	1		
09	GF530RB02	GRIP, LH.	1		
10	413054	CABLE, REAR BRAKE	1		
12	GI530PN01	PIN, STOP § 12X22	1		
13	GI530NT01	NUT, ADJUSTING M6X16	1		
16	GA501SR01	CLAMP	1		



item_no	part_no	description	qty	amend	note1
01	401610	COVER, HANDLE BAR, UPPER	1		
02	457045E	COVER, HANDLE BAR, UNDER	1		
02-1	457025	RUBBER PLUG	1		
03	S46504	SCRWE, PAN HEAD M5X16	1		
04	GA552WS05	WASHER	1		
05	GA552SC11	SCREW, TAPPING M4X16	6		



item_no	part_no	description	qty	amend	note1
01	400590	LIGHTING, SWITCH UNIT	1		
02	400591	STARTER SWITCH UNIT	1		
03	400592	BEAM SWITCH	1		
04	400593	WINKER SWITCH UNIT	1		
05	400594	HORN SWITCH UNIT	1		
06	413222	LEFT HANDLE BRACKET ASSY.	1		
06-1	413224	LEVER, HANDLE BAR, LH.	1		
06-2	S04501	BOLT, HEX HEAD	1		
06-3	N01501	NUT, SELFLOCK	1		
06-4	413211	SWITCH ASSY., BRAKE	1		
07	440710	HANDLE SWITCH UNIT, WIRING HARNESS	1		

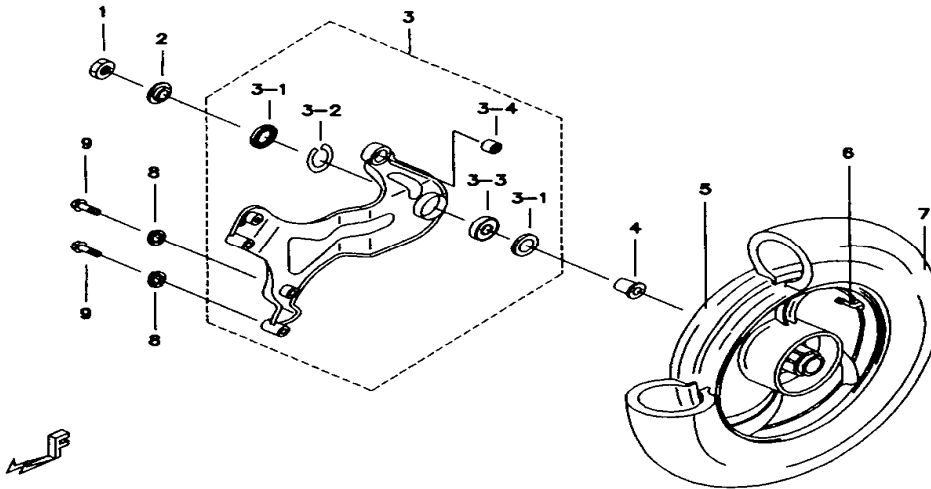


item_no	part_no	description	qty	amend	note1
01	422000B	GUARD, MUD	1		
02	GA556WS02	WASHER	4		
03	GA555SC03	SCREW, AN HEAD M6X16	4		
04	GA552SC11	SCREW, TAPPING M4X16	4		
05	GA552WS05	WASHER	4		
06	458013B	FENDER, REAR, UPPER	1		
09	GA551SC09	BOLT, FLANGE M6X20	2		
10	451047	LAMP, LICENSE PLATE	1		
10-1	451038	BULB 12V 5W	1		
10-2	451048	HOUSING, LAMP	1		
11	413313	ABSORBER ASSY., SHOCK, REAR	2		
12	GA556WS06	WASHER, SPRING 10.2X3.7X2.5t	2		
13	GA556SC03	BOLT, HEX. HEAD M10X1.25X40L	2		
14	S99802	BOLT, HEX. HEAD M8X35	2		
16	458015	REFLECTOR ASSY., REAR	1		
17	GA556WS04	SPRING WASHER 8.2X3.2X2t	2		
18	S24605	BOLT,FLANGE	1		
19	W99604	WASHER	1		
20	458012	BRACKET	1		
21	458011	BRACKET	1		
22	GA552WS05	WASHER	1		
23	458017	REFLECTOR FIXED SEAT	1		
24	GA552SC11	SCREW, TAPPING M4X16	3		
25	S70504	SCREW	1		
26	GA552NT05	NUT, FLANGE M5	1		
27	W10501	SPRING WASHER	1		

34

## REAR WHEEL

BK8-E

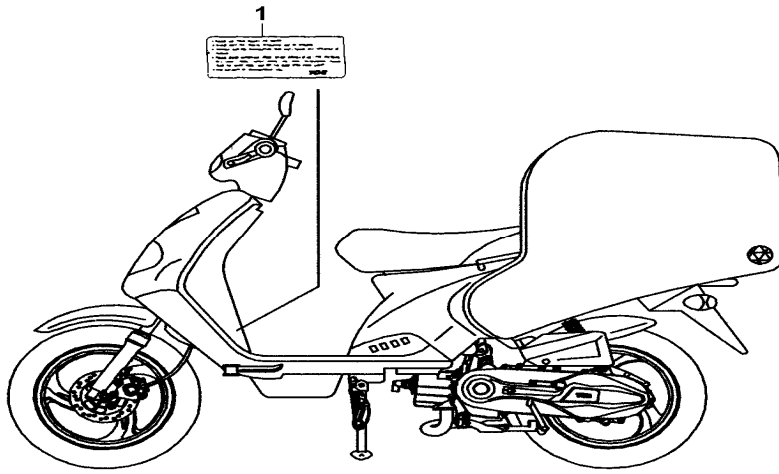


item_no	part_no	description	qty	amend	note1
01	GA558NT03	NUT, SELFLOCK M16X14	1		
02	412921	COLLAR	1		
03	412919	REAR FORK ASSY.	1		
03-1	412917	OIL SEAL	2		
03-2	R01001	RETAINER RING, C TYPE	1		
03-3	412918	BEARING	1		
03-4	400038	BUSH COMP.	1		
04	412916	COLLAR	1		
05	413401YSG	RIM COMP., REAR WHEEL 3.5-13 (AL)(SILVER)	1		
06	GF5299901	INLET COMP., AIR	1		
07	412900-S	TIRE 130/60-13	1		
08	GA556WS04	SPRING WASHER 8.2X3.2X2t	2		
09	S20809	BOLT, FLANGE M8X42	2		

35

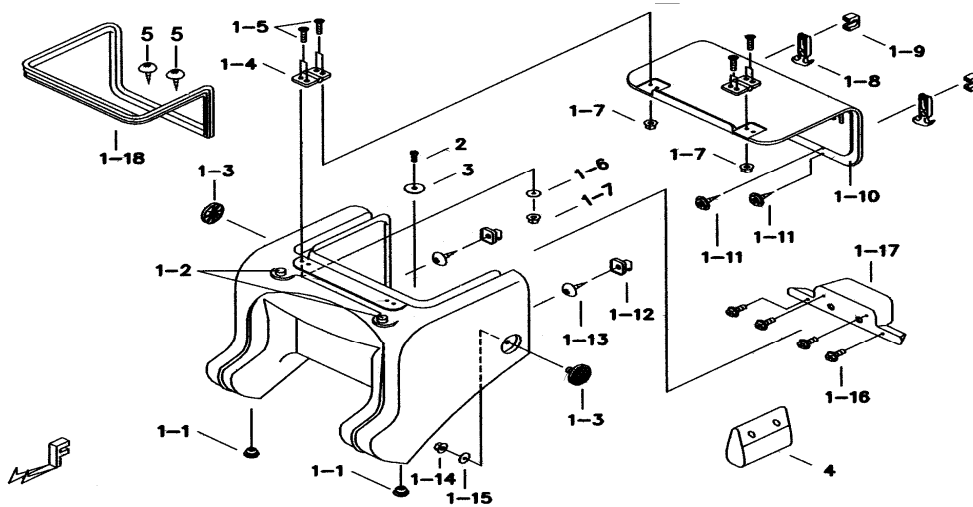
LABELS

BK8-E

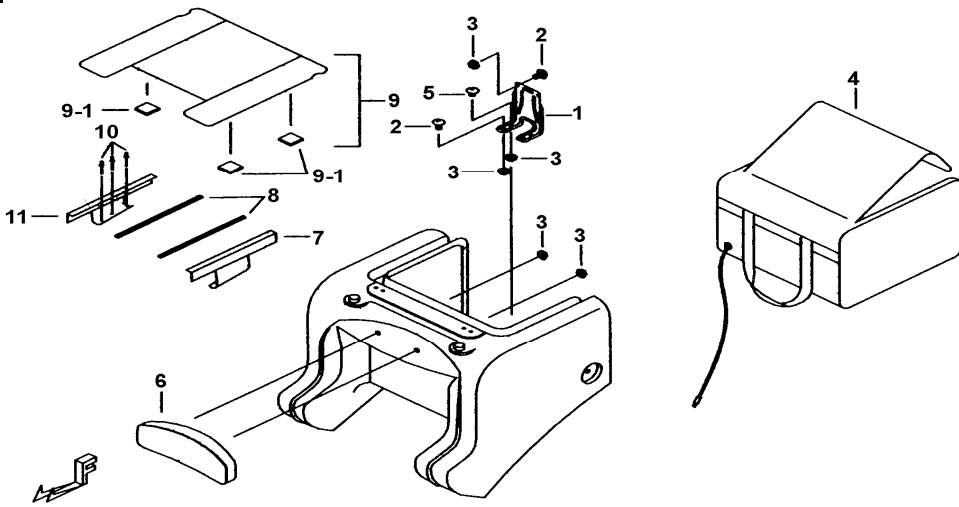


item_no	part_no	description	qty	amend	note1
---------	---------	-------------	-----	-------	-------

01	GF525TH12	LABEL, WARNING	1		
----	-----------	----------------	---	--	--



item_no	part_no	description	qty	amend	note1
01	453026	CARGO BOX COMP.	1		
01-1	454016	RUBBER PLUG	2		
01-10	453024A	CARGO BOX, ABOVE	1		
01-11	S50505	SCREW, CROSS RECESSED, PAN HEAD	4		
01-12	453023	CARGO BOX TO PULL	2		
01-13	GA554SC02	SCREW, TAPPING	2		
01-14	N12603	NUT	2		
01-15	W99605	WASHER	2		
01-16	S07501	BOLT,HEX HEAD	4		
01-17	453019	REAR LAMP HOUSING	1		
01-18	453027	ORNAMENTAL	1		
01-2	401904	DAMPER, RUBBER	2		
01-3	GF5189903	REFLECTOR ASSY., SIDE	2		
01-4	453020	CARGO BOX CRAMP	2		
01-5	S99612	SCREW, HEX HEAD	8		
01-6	W99605	WASHER	4		
01-7	GA554NT04	NUT, FLANGE M6xP1.0	8		
01-8	453021	CARGO BOX TO PULL	2		
01-9	453022	CARGO BOX TO PULL, BODY	2		
02	S72803	BOLT, SOCKET(FOR CARRIER)	6		
03	W99816	WASHER 8.4X38X1.6t	6		
04	421515	PACKAGE, TOOL	1		
05	S50401	SCREW TAPPING M4X12	2		



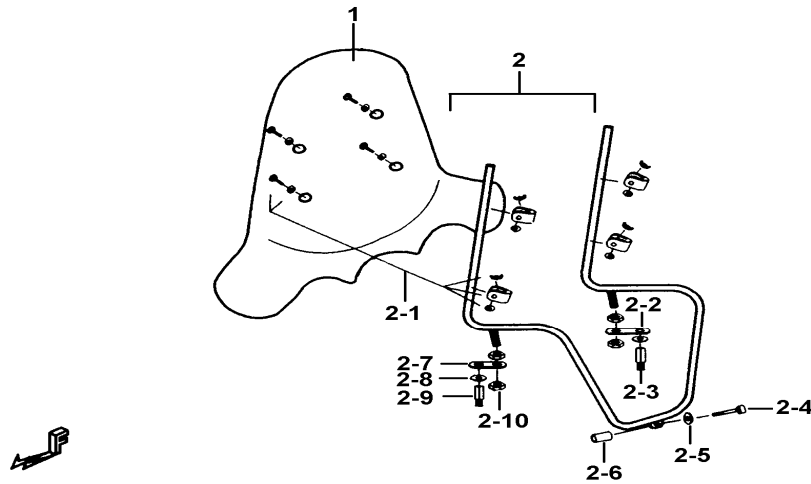
item_no	part_no	description	qty	amend	note1
01	453029	BRACKET	1		
02	GA555SC03	SCREW, AN HEAD M6X16	4		
03	GA554NT04	NUT, FLANGE M6xP1.0	8		
04	440955	THERMOSTATIC BAG (OPTION)	1		
05	GA555SC02	SCREW, AN HEAD	2		
06	413957	SEAT COMP., BACK	1		
07	453039	BRACKET, FLAT BOARD COMP.(LH.)	1		
08	453035	ORNAMENTAL STRIP, REAR	2		
09	453041A	FLAT BOARD, CARGO BOX COMP.	1		
09-1	GF514TH02	CUSHION	6		
10	453034	RIVET	6		
11	453040	BRACKET, FLAT BOARD COMP.(RH.)	1		



3101

WIND-SHIELD(OPTION)

BK8-E



item_no	part_no	description	qty	amend	note1
01	457029	WIND-SHIELD	1		
02	457041	FIXED ROD SET	1		
02-1	457046	BLOT SET	4		
02-10	GA551NT04	NUT, HEX. HEAD M8	4		
02-2	457026	PLATE, RH.	1		
02-3	457044	SPACER, RH.	1		
02-4	S70611	SCREW, SOCKET HEAD M6x50	1		
02-5	W99605	WASHER	1		
02-6	457050	SPACER	1		
02-7	457027	PLATE, LH.	1		
02-8	W99812	WASHER 1.5t	2		
02-9	457043	SPACER, LH.	1		