



SPARE PARTS
Model : FCB

台灣金蜂股份有限公司
TAIWAN GOLDEN BEE CO., LTD.

FCB TABLE OF COLORED PART FOR FRANCE (SIMA)

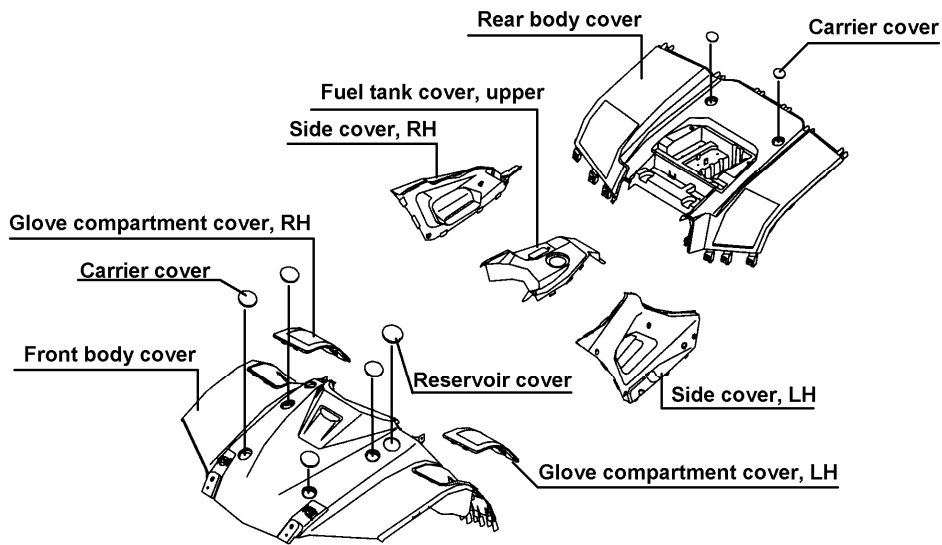


TABLE OF COLORED PART (250 LE)

ITEM NO.	CODE	A	B	C		
	Basic Color	Silver Gray	Blue	Red		
	Description	SG	BE	RD		
B21	Front body cover	512415SG	512415BE	512415RD		
	Glove compartment cover, LH	512421SG	512421BE	512421RD		
	Glove compartment cover, RH	512422SG	512422BE	512422RD		
	Carrier cover	512425SG	512425BE	512425RD		
	Reservoir cover	512424SG	512424BE	512424RD		
B22	Side cover, LH, With emblem	512522CLA	512522CLA	512522CL1		
	Side cover, LH	512522C	512522C	512522C		
	Emblem	513676FR	513676FR	513676BL		
	Emblem	514668FR	514668FR	514668BL		
	Emblem	513675FR	513675FR	513675BL		
	Emblem	513669FR	513669FR	513669BL		
	Emblem	513670FR	513670FR	513670BL		
	Emblem	514651FR	514651FR	514651BL		
	Side cover, RH, With emblem	512523CRA	512523CRA	512523CR1		
	Side cover, RH	512523C	512523C	512523C		
	Emblem	513676FR	513676FR	513676BL		
	Emblem	514668FR	514668FR	514668BL		
	Emblem	513675FR	513675FR	513675BL		
	Emblem	513672FR	513672FR	513672BL		
	Emblem	513673FR	513673FR	513673BL		
Emblem	514652FR	514652FR	514652BL			
Fuel tank cover, upper	512505SG	512505BE	512505RD			
B23	Rear body cover, With emblem	514414ESGR3	514414EBER3	514414ERDR3		
	Rear body cover	514414ESG	514414EBE	514414ERD		
	Emblem	514666	514666	514666		
	Emblem	514667	514667	514667		
	Carrier cover	512425SG	512425BE	512425RD		

FCB TABLE OF COLORED PART FOR FRANCE (SIMA)

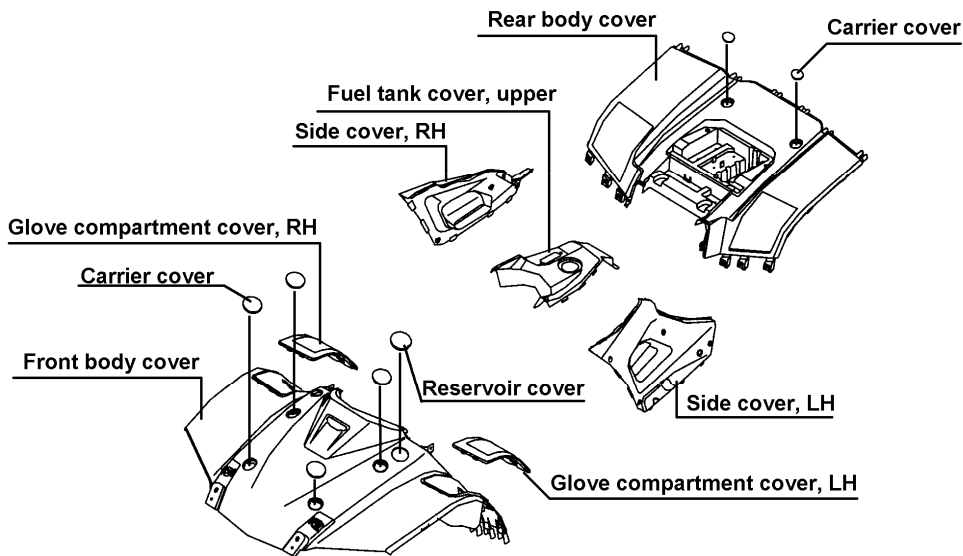


TABLE OF COLORED PART (250S)						
ITEM NO.	CODE	A	B	C	D	E
	Basic Color	Red	Yellow	Blue	Black	Army Green
	Description	RD	YE	BE	BL	AG
B21	Front body cover	512415RD	512415YE	512415BE	512415BL	512415AG
	Glove compartment cover, LH	512421RD	512421YE	512421BE	512421BL	512421AG
	Glove compartment cover, RH	512422RD	512422YE	512422BE	512422BL	512422AG
	Carrier cover	512425RD	512425YE	512425BE	512425BL	512425AG
	Reservoir cover	512424RD	512424YE	512424BE	512424BL	512424AG
B22	Side cover, LH, With emblem (←551809)	512507RDL1	512507YEL2	512507BEL2	512507BLL2	512507AGL2
	Side cover, LH, With emblem (551810→)	512522RDL1	512522YEL2	512522BEL2	512522BLL2	512522AGL2
	Side cover, LH (←551809)	512507RD	512507YE	512507BE	512507BL	512507AG
	Side cover, LH (551810→)	512522RD	512522YE	512522BE	512522BL	512522AG
	Emblem	513669BL	513669FR	513669FR	513669FR	513669FR
	Emblem	513670BL	513670FR	513670FR	513670FR	513670FR
	Emblem	514651BL	514651FR	514651FR	514651FR	514651FR
	Emblem	513675BL	513675FR	513675FR	513675FR	513675FR
	Emblem	513676BL	513676FR	513676FR	513676FR	513676FR
	Side cover, RH, With emblem (←551809)	512508RDR1	512508YER2	512508BER2	512508BLR2	512508AGR2
	Side cover, RH, With emblem (551810→)	512523RDR1	512523YER2	512523BER2	512523BLR2	512523AGR2
	Side cover, RH (←551809)	512508RD	512508YE	512508BE	512508BL	512508AG
	Side cover, RH (551810→)	512523RD	512523YE	512523BE	512523BL	512523AG
	Emblem	513672BL	513672FR	513672FR	513672FR	513672FR
	Emblem	513673BL	513673FR	513673FR	513673FR	513673FR
	Emblem	514652BL	514652FR	514652FR	514652FR	514652FR
	Emblem	513675BL	513675FR	513675FR	513675FR	513675FR
	Emblem	513676BL	513676FR	513676FR	513676FR	513676FR
Fuel tank cover, upper	512505RD	512505YE	512505BE	512505BL	512505AG	
B23	Rear body cover	514414ERD	514414EYE	514414EBE	514414EBL	514414EAG
	Carrier cover	512425RD	512425YE	512425BE	512425BL	512425AG

FCB TABLE OF COLORED PART FOR FRANCE (SIMA)

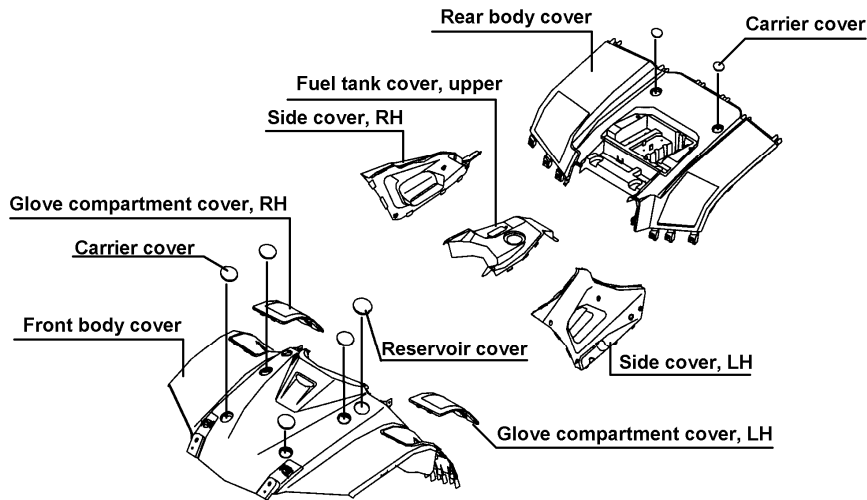
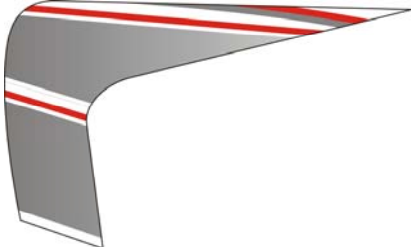














TABLE OF COLORED PART (250E)					
ITEM NO.	CODE	A	B		
	Basic color	Red	Blue		
	Description	RD	BE		
B21	Front body cover, With emblem	512415RDF2	512415BEF2		
	Front body cover	512415RD	512415BE		
	Emblem	514682	514682		
	Emblem	514683	514683		
	Emblem	514684	514684		
	Glove compartment cover, LH	512421RD	512421BE		
	Glove compartment cover, RH	512422RD	512422BE		
	Carrier cover	512425RD	512425BE		
	Reservoir cover	512424RD	512424BE		
B22	Side cover, LH, With emblem	512522RDL D	512522BEL D		
	Side cover, LH	512522RD	512522BE		
	Emblem	514696	514696		
	Emblem	514689	514689		
	Emblem	514690	514690		
	Emblem	514698	514698		
	Side cover, RH, With emblem	512523RDR D	512523BER D		
	Side cover, RH	512523RD	512523BE		
	Emblem	514697	514697		
	Emblem	514693	514693		
	Emblem	514694	514694		
	Emblem	514699	514699		
Fuel tank cover, upper	512505RD	512505BE			
B23	Rear body cover, With emblem	514414ERDR4	514414EBER4		
	Rear body cover	514414ERD	514414EBE		
	Emblem	514685	514685		
	Emblem	514686	514686		
	Emblem	514687	514687		
	Carrier cover	512425RD	512425BE		

FCB TABLE OF LABEL

Label	Drawing	Description
	513669BL 513669FR	Label, Side cover, LH.
	513670BL 513670FR	Label, Side cover, LH.
	514651BL 514651FR	Label, Side cover, LH.
	513672BL 513672FR	Label, Side cover, RH.
	513673BL 513673FR	Label, Side cover, RH.
	514652BL 514652FR	Label, Side cover, RH.
	513675BL 513675FR	"BLADE" Label

	<p>513676BL 513676FR</p>	<p>“250” Label</p>
---	------------------------------	--------------------

Label	Drawing	Description
	<p>514668FR</p>	<p>“LE” Label</p>
	<p>514666</p>	<p>Label,Rear cover, LH.</p>
	<p>514667</p>	<p>Label, Rear cover, RH.</p>
	<p>459416</p>	<p>Label,Rear cover, LH.</p>
	<p>459417</p>	<p>Label, Rear cover, RH.</p>

SUMMARY

1. HOW TO READ PARTS LIST :

1.1 AT FIRST TO JUDGE IN WHICH GROUP YOUR PART BELONG TO, FIND OUT GROUP NUMBER IN THE CONTENTS, NO.101-NO.123 ARE ENGINE AND ELECTRIC PARTS. NO.201-NO.231 ARE FRAME PARTS.

1.2 ACCORDING TO GROUP NUMBER FIND OUT THE DRAWING ON THAT UPPER SIDE PAGE.

1.3 FROM THE ITEM OF THE PART ON THE DRAWING, FIND THE PART NO., DESCRIPTION,REQUIRED QUANTITY.

1.4 USE THIS PART NO. DESCRIPTION AND QUANTITY TO ORDER.

2. COLOR CODE AND EMBLEM CODE:

2.1 COLOR CODE ATTACH TO PART NO. MUST BE TWO ALPHABETS, USE AT DIFFERENT COLOR PART ONLY.

2.2 EMBLEM CODE ATTACH TO COLOR CODE, MUST BE ONE ALPHABET AND ONE ARABIC NUMBER OR TWO ALPHABET, USE AT DIFFERENT COLOR EMBLEM ONLY. ANY EMBLEM WITHOUT DIFFERENT COLOR DON'T NECESSARY EMBLEM CODE.

2.3 WHEN YOU ORDER PARTS THAT HAVE DIFFERENT COLOR,PLEASE PICK UP THE RIGHT PART OR EMBLEM FROM " TABLE OF COLORED PARTS " (PAGE I).

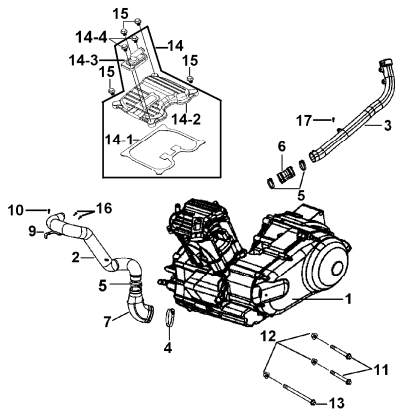
3. AMEND. CODE : INDICATES THE LAST 6 NUMBERS OF FRAME NUMBER TO DISTINGUISH THE SCOOTER BEEN MODIFIED. EXAMPLE :

" ← 518034 " MEANS SCOOTERS BEFORE " □□□□□□□□□□518034 " .

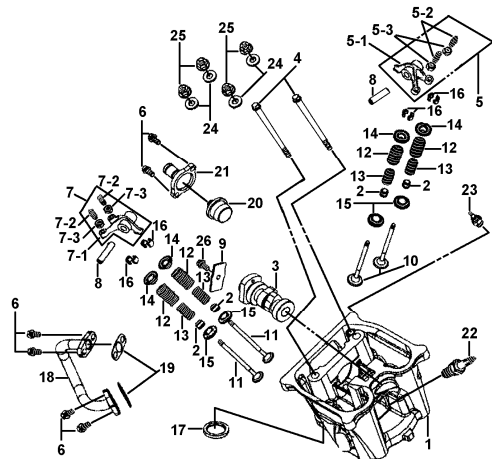
" 518035 → " MEANS SCOOTERS AFTER " □□□□□□□□□□518035 " .

4. IF ANY MODIFICATION AFTER PUBLISHING,WE'LL SEND YOU THE AMENDMENT, PLEASE CORRECT YOUR PARTS LIST RIGHT AWAY.

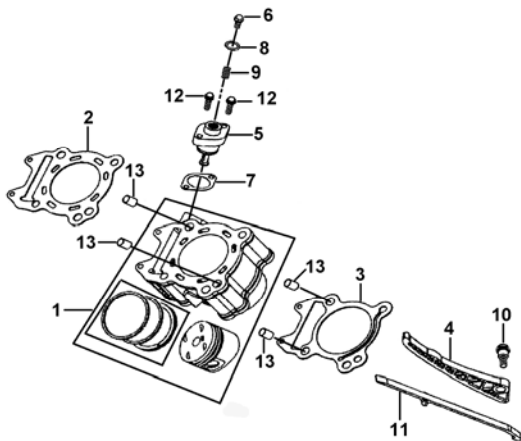
101 ENGINE ASSY & HEAD COVER



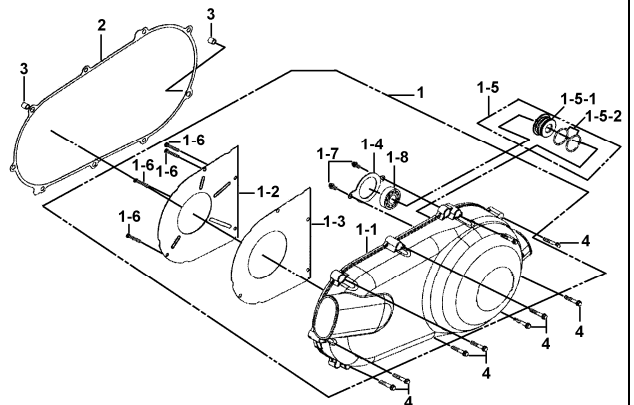
102 CYLINDER HEAD COMP



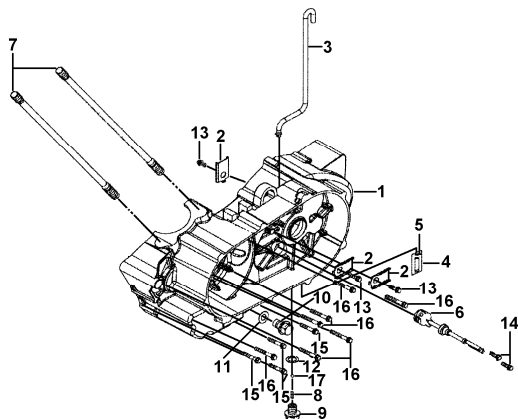
103 CYLINDER ASSY.



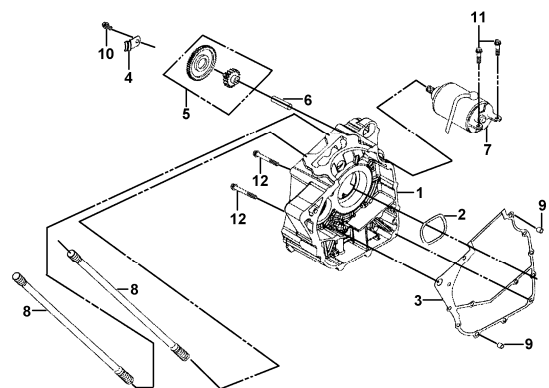
104 L COVER ASSY.



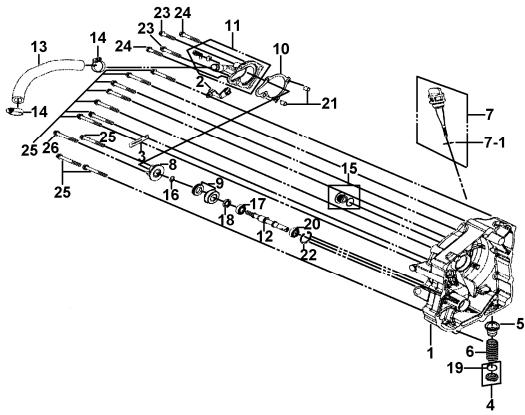
105 L. CASE COVER



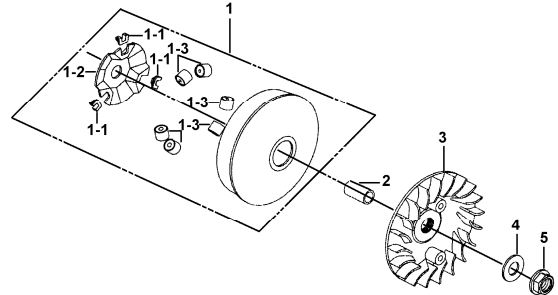
106 R CRANK CASE



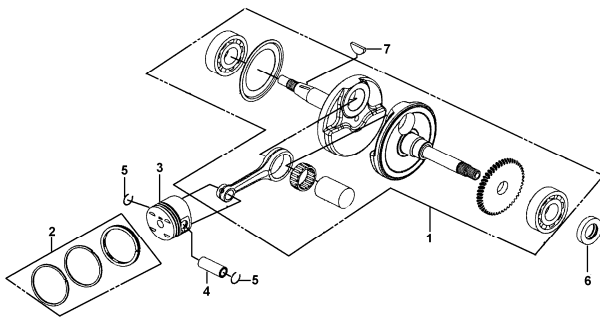
107 R. CASE COVER



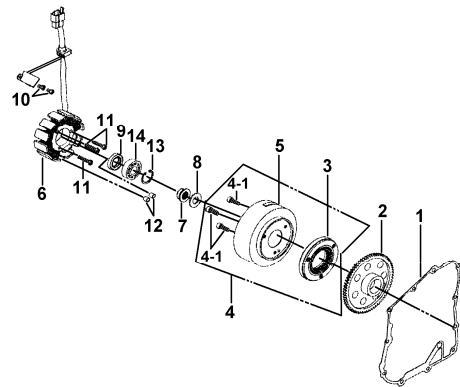
108 MOVABLE DRIVE FACE



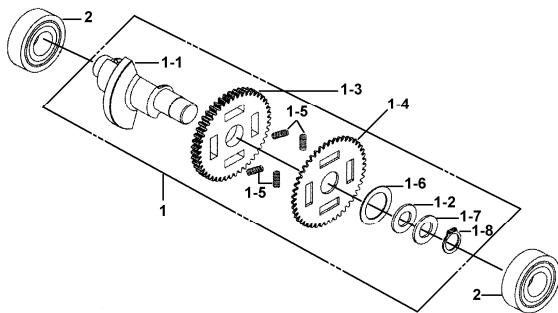
109 CRANK SHAFT



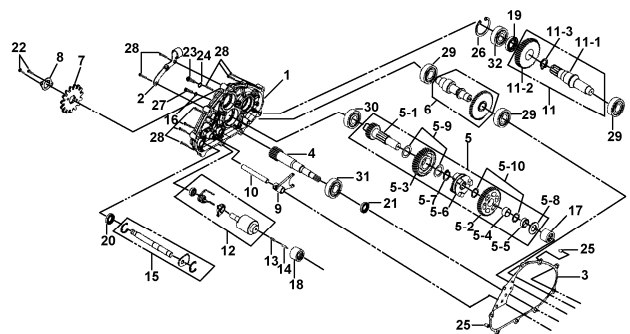
110 AC GEN FLYWHEEL



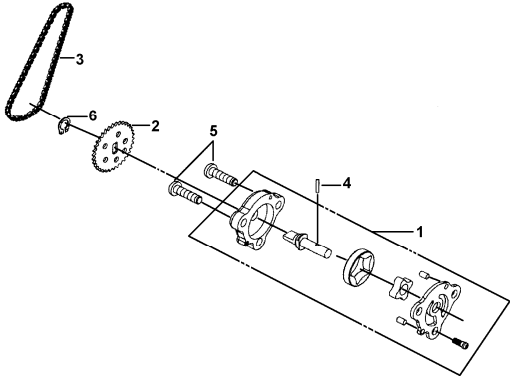
111 BALANCE SHAFT



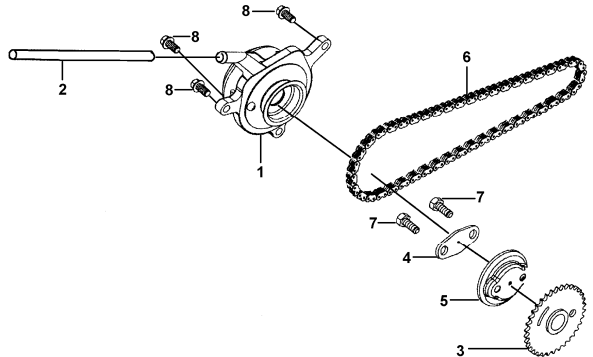
112 MISSION CASE



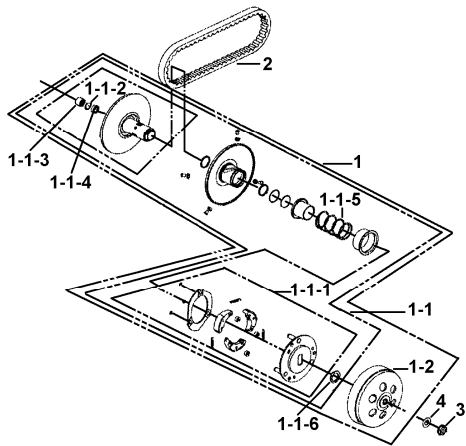
113 OIL PUMP ASSY.



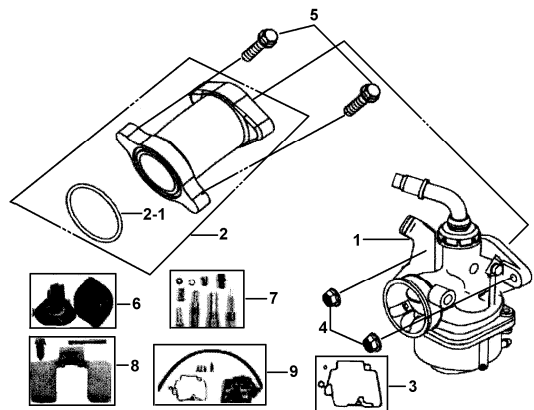
114 CYL. HEAD SIDE COVER ASSY.



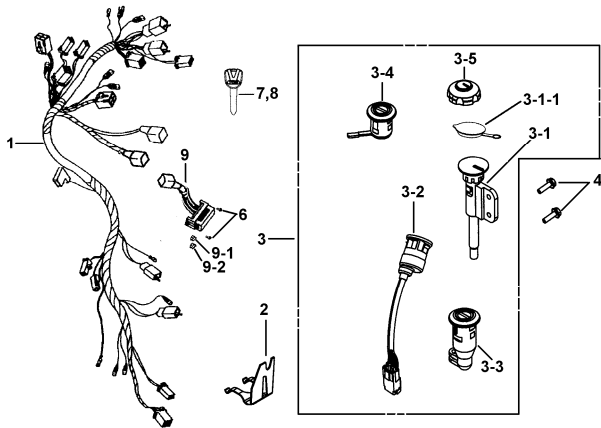
115 DRIVEN PULLEY SET



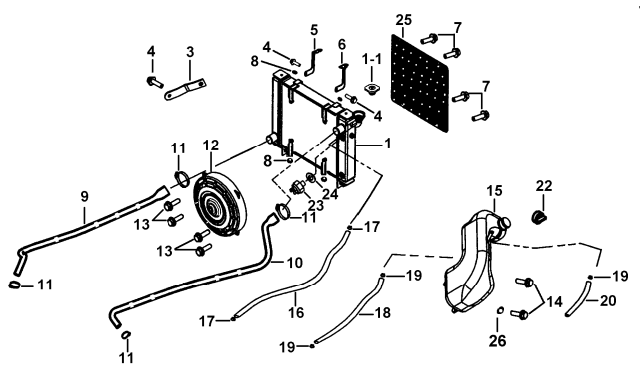
117 CARBURETOR ASSY



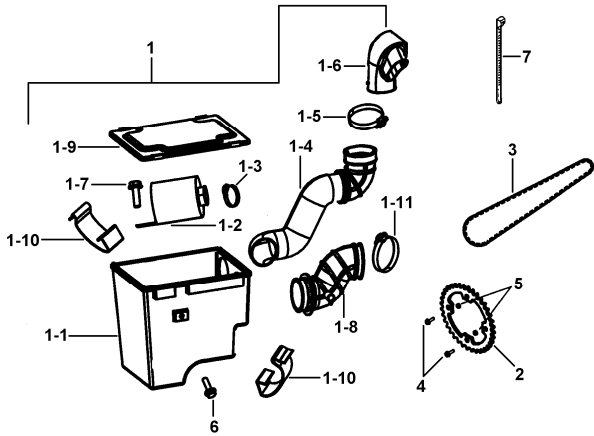
118 WIRING HARNESS AND LOCK SET



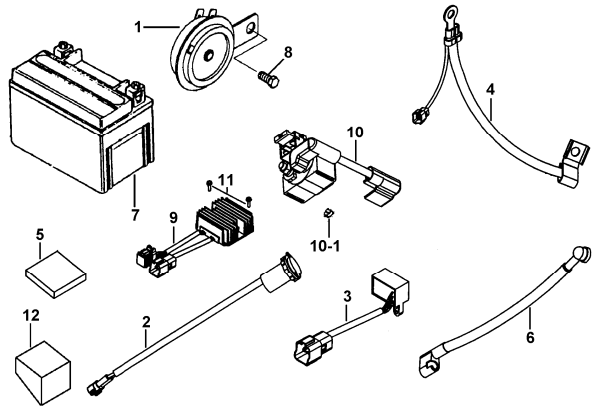
119 RADIATOR & COOLING FAN



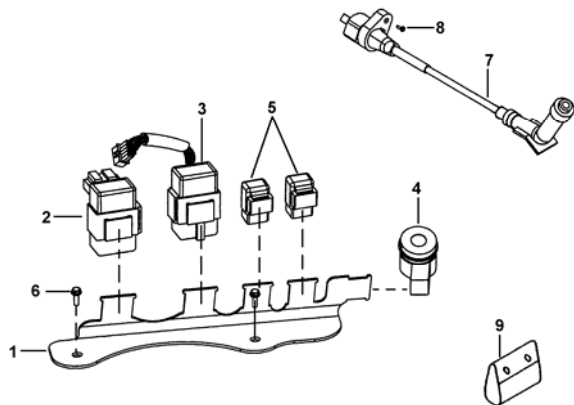
120 AIR CLEANER



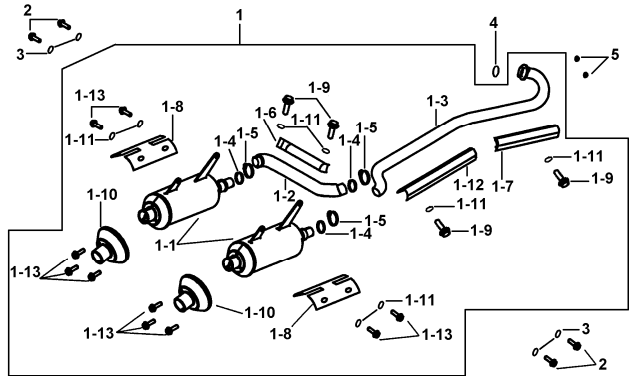
121 BATTERY, HORN, RELAY, RECTIFIER



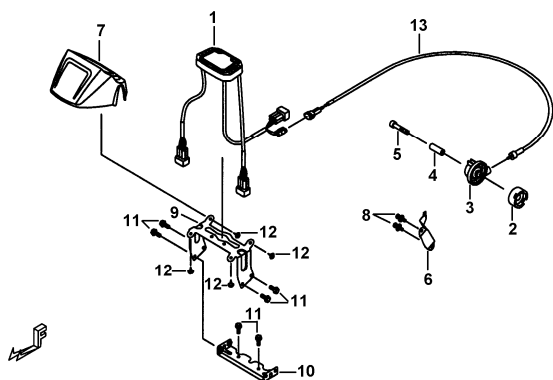
122 FUSE BOX, SWITCH, C.D.I.



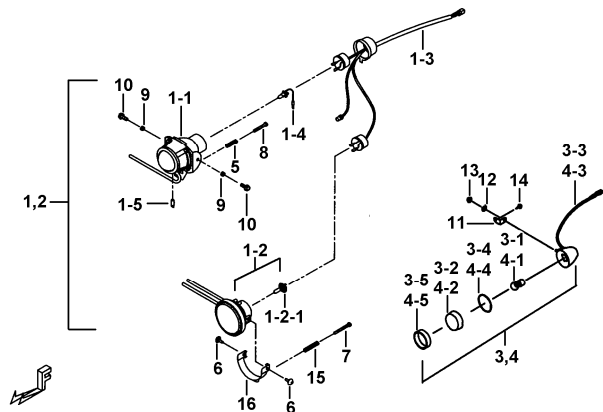
123 MUFFLER



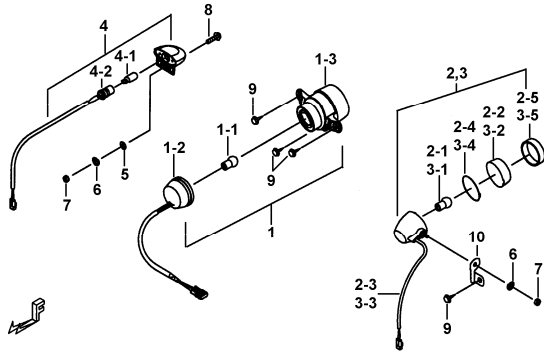
201 SPEEDOMETER



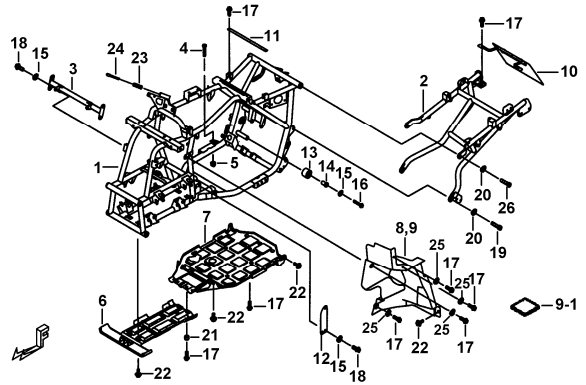
202 HEAD LAMP ASSY.



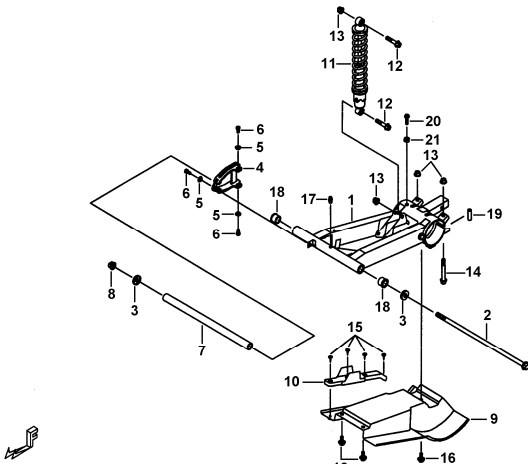
203 REAR LAMP ASSY.



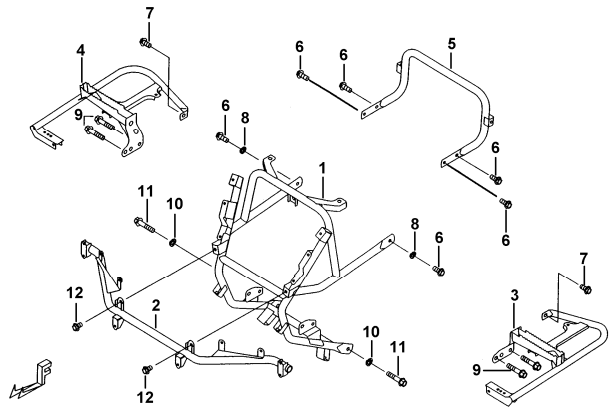
204 FRAME



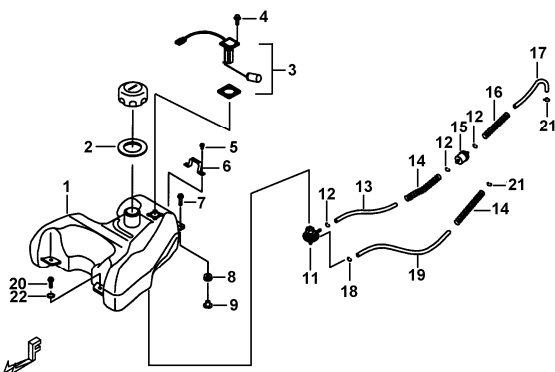
205 REAR FORK



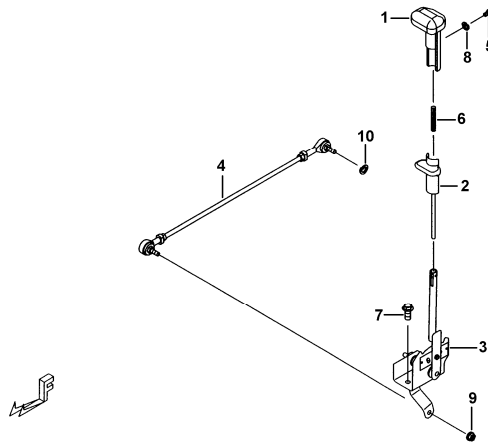
206 BUMPER BRACKET



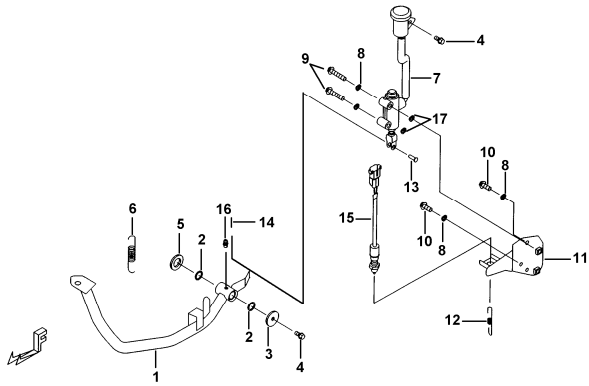
207 FUEL TANK



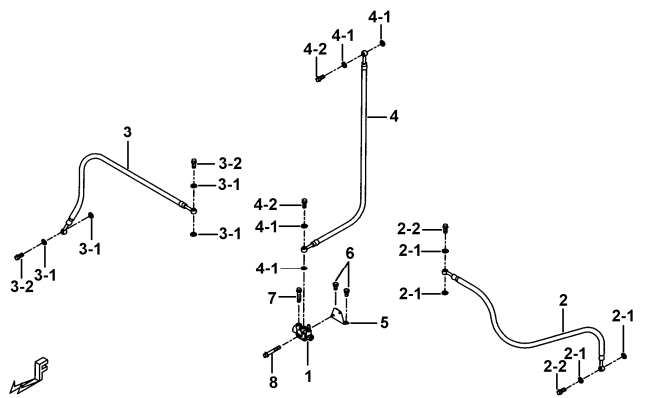
208 SHIFT LEVER



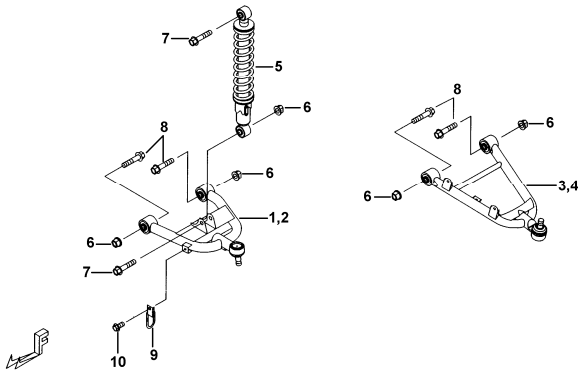
209 BRAKE PEDAL



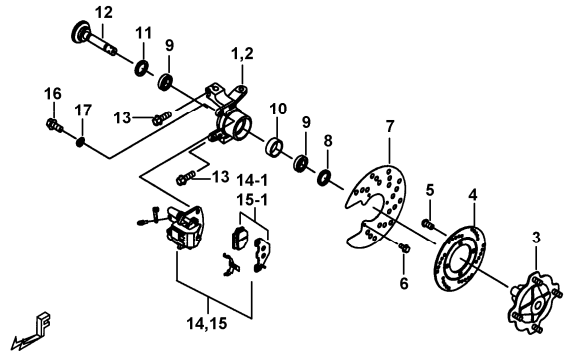
210 FRONT DISTRIBUTOR



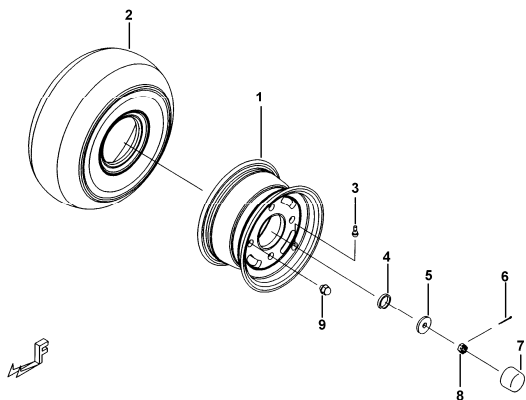
211 FRONT SUSPENSION



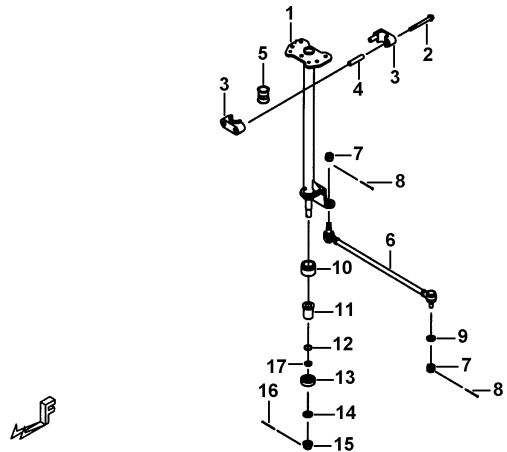
212 STEERING KNUCKLE



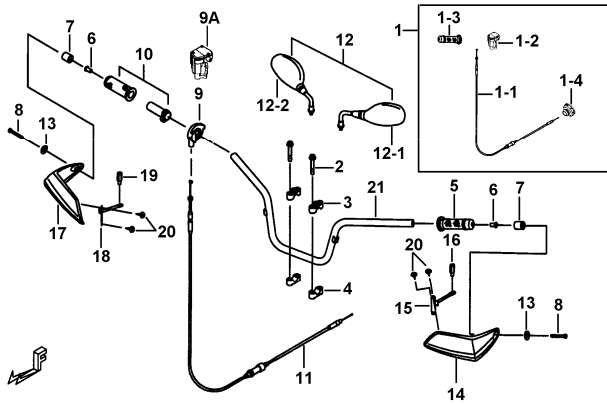
213 FRONT WHEEL



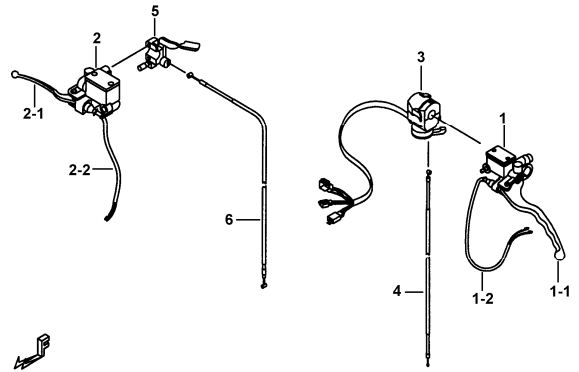
214 STEERING SHAFT



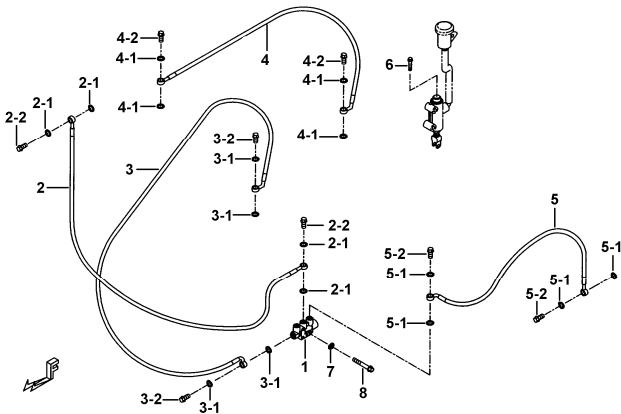
215 HANDLE BAR



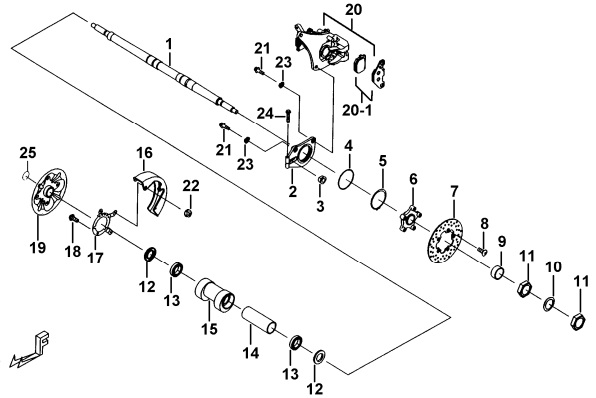
216 MASTER CYLINDER ASSY.



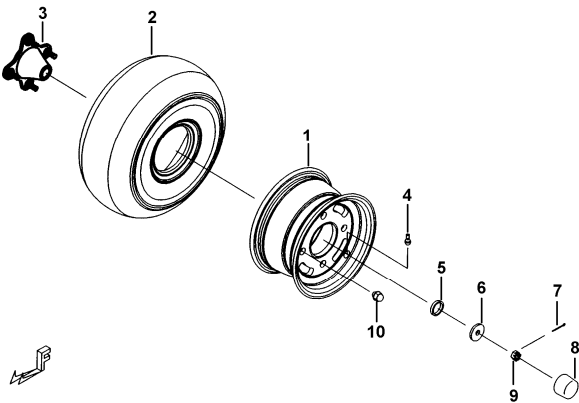
217 REAR DISTRIBUTOR



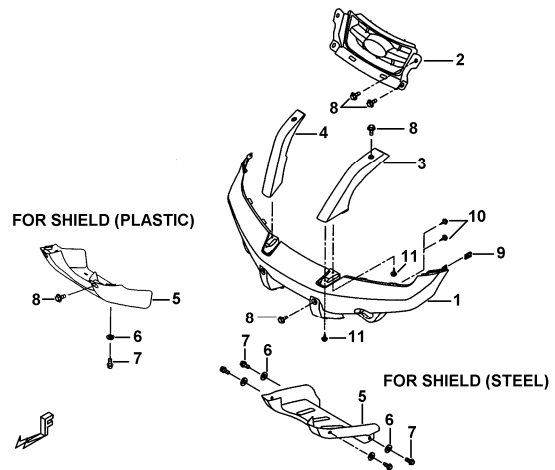
218 REAR AXLE



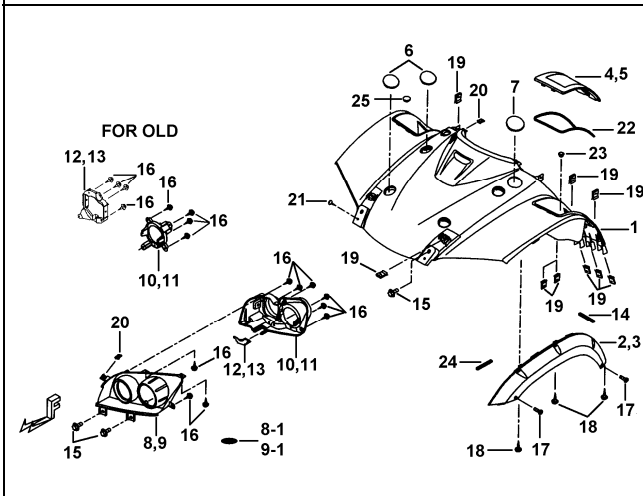
219 REAR WHEEL



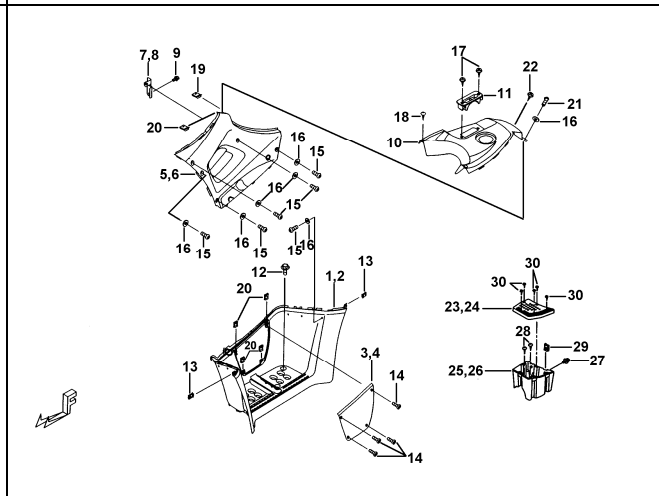
220 FRONT BUMPER



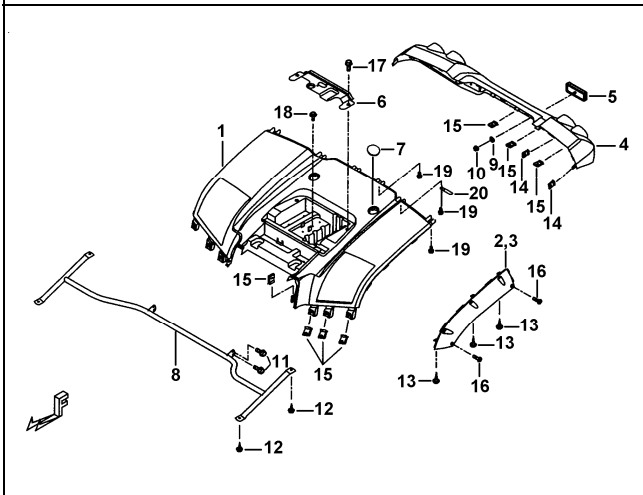
221 FRONT BODY COVER.



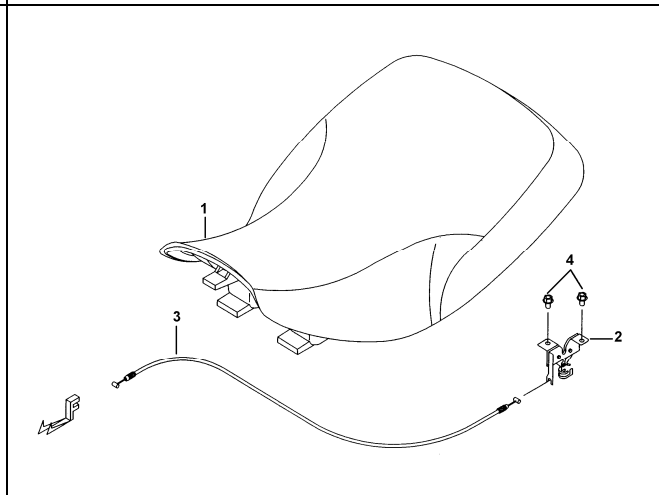
222 FOOT BOARD



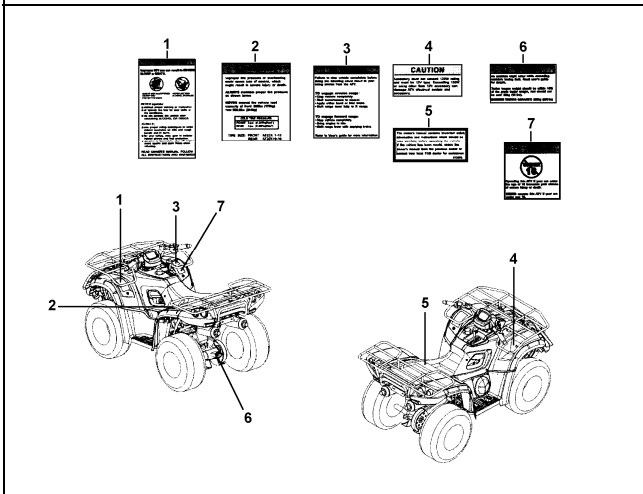
223 REAR BODY COVER



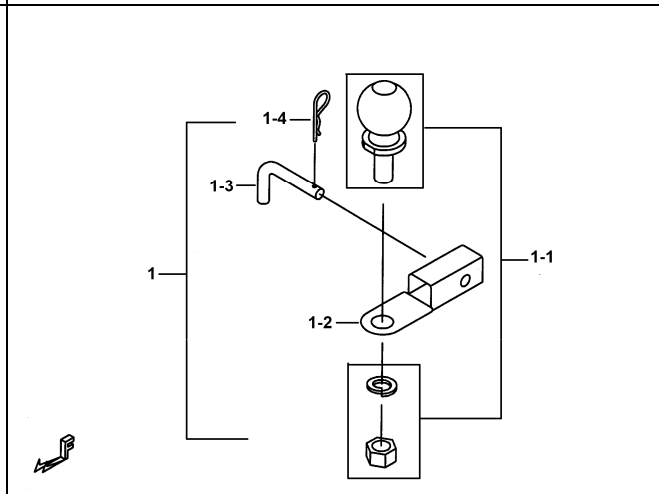
224 SEAT



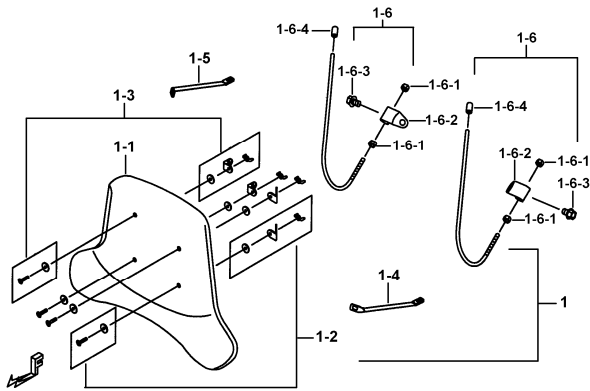
225 LABELS



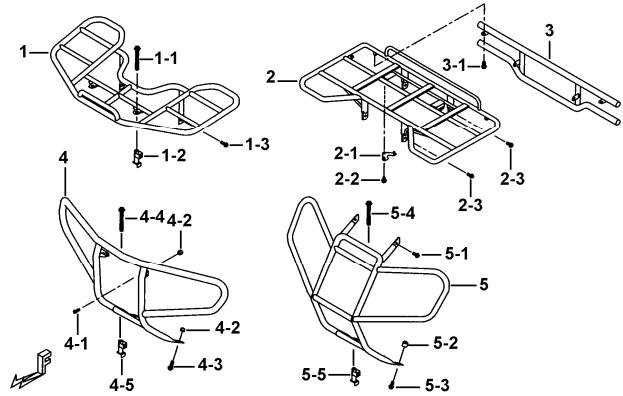
226 TRAILER HITCH ASSY.(OPTION)



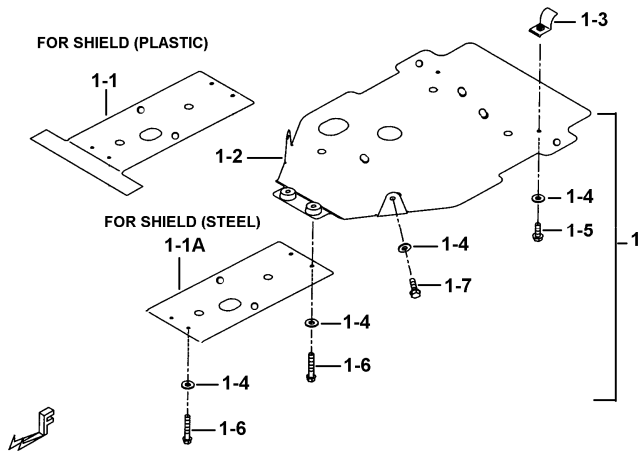
227 FIXED ROD ASSY. (OPTION)



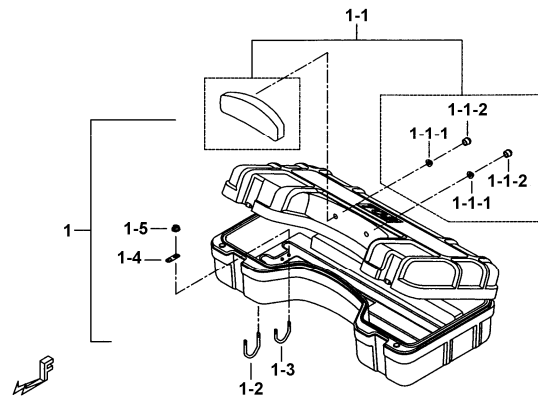
228 CARRIER · BUMPER (OPTION)



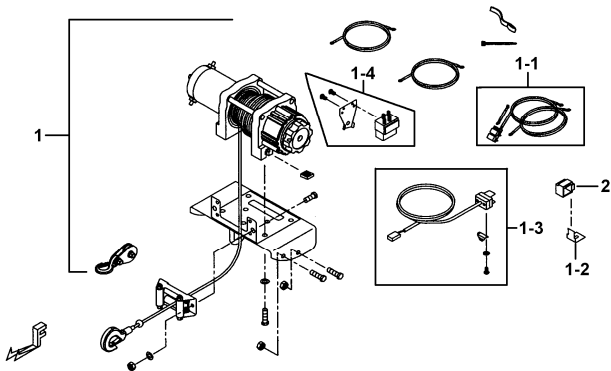
229 PROTECTOR, ASSY.(AL)(OPTION)

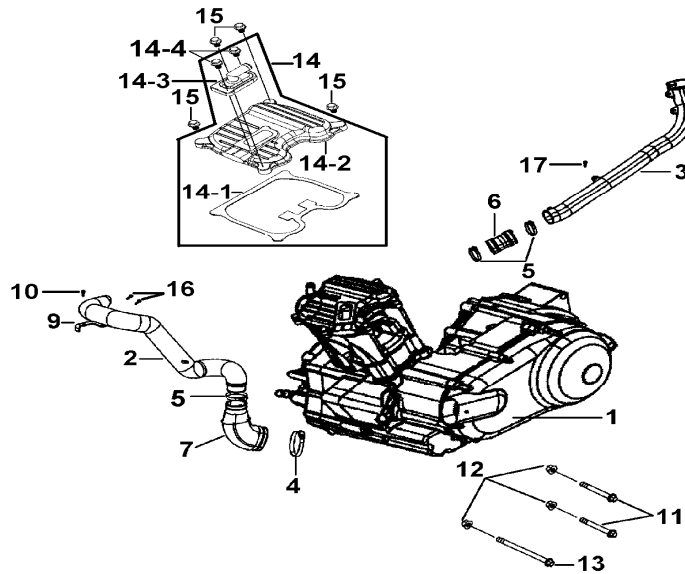


230 REAR CARGO BOX(OPTION)

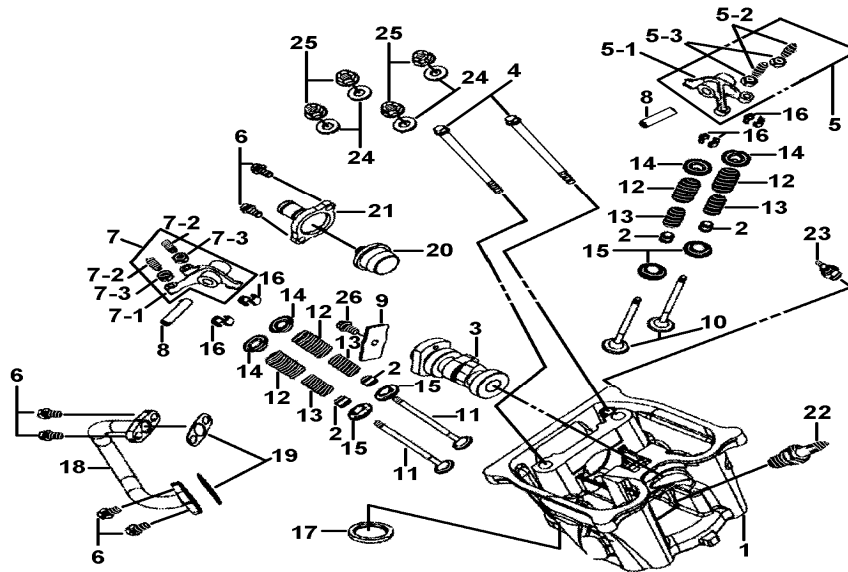


231 WINCH ASSY.(OPTION)



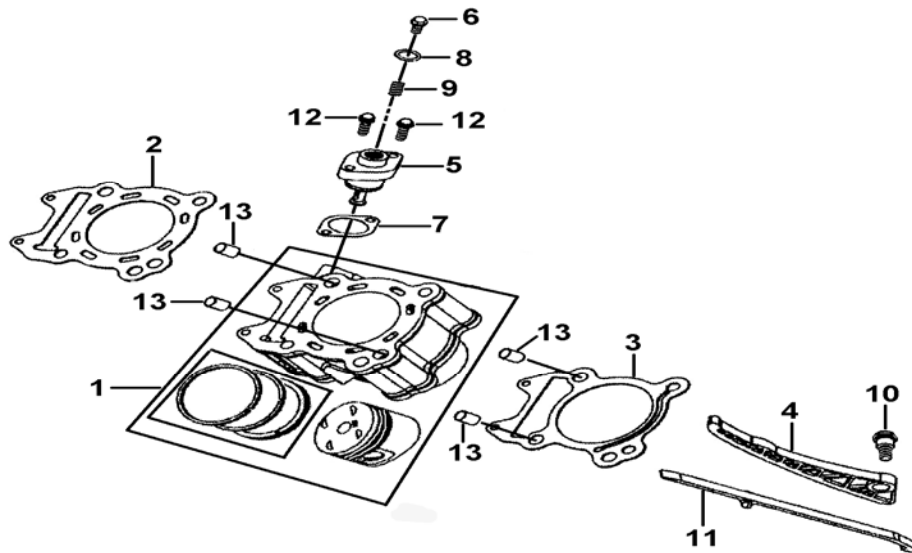


ITEM NO	PART NO	DESCRIPTION	Q'TY	AMEND	NOTE
01	923280	ENGINE ASSY.	1		
02	923003	CVT INLET TUBE	1		
03	923008	CVT OUTLET TUBE	1		
04	923028	L COVER DUCT BAND	1		
05	923029	CVT OUTLET TUBE BAND	3		
06	923002	CVT TUBE, REAR	1		
07	923005	CVT TUBE, FRONT	1		
09	923276	BRKT	1		
10	GA555SC05	BOLT, OUTLET M6X1.0X16L	1		
11	S20208	BOLT	2		
12	N25201	NUT, SELFLOCK M12X1.25	3		
13	S20207	BOLT	1		
14	923030	HEAD COVER ASSY.	1		
14-1	923031	HEAD COVER PACKING	1		
14-2	923032	HEAD COVER	1		
14-3	923033	REED VALVE COMP	1		
14-4	923256	FLANGE BOLT 6x16	2		
15	923255	HEAD COVER BOLT	4		
16	S79602	SCREW, SOCKET HEAD M6x16	2		
17	GA551SC09	BOLT, FLANGE M6X20	1		

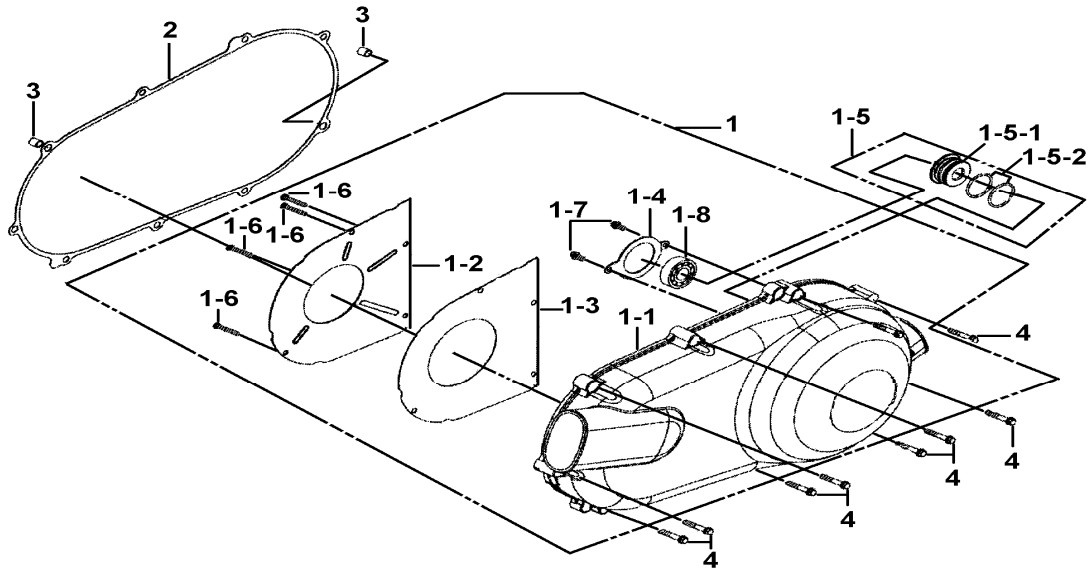


ITEM NO	PART NO	DESCRIPTION	Q'TY	AMEND	NOTE
01	923034	CYLINDER HEAD COMP	1		
02	923037	VALVE STEM SEAL	4		
03	923038	CAM SHAFT COMP	1		
04	923065	FLANGE SH BOLT 6x90	2		
05	923039	IN. VALVE ROCKER ARM ASSY.	1		
05-1	923040	IN. VALVE ROCKER ARM	1		
05-2	923041	TAPPET ADJUSTING SCREW	2		
05-3	923042	TAPPET ADJUSTING SCREW NUT	2		
06	923064	FLANGE BOLT SH 6x16	6		
07	923043	EX. VALVE ROCKER ARM ASSY.	1		
07-1	923044	EX. VALVE ROCKER ARM	1		
07-2	923041	TAPPET ADJUSTING SCREW	2		
07-3	923042	TAPPET ADJUSTING SCREW NUT	2		
08	923045	ROCKER ARM SHAFT	2		
09	923046	CAM SHAFT SETTING PLATE	1		
10	923047	IN. VALVE	2		
11	923048	EX. VALVE	2		
12	923049	VALVE OUTER SPG.	4		
13	923050	VALVE INNER SPG.	4		
14	923051	VALVE SPRING RETAINER	4		
15	923052	VALVE SPRING SEAT	4		
16	923053	VALVE COTTER SET	1		
17	923054	EXH. PIPE GASKE	1		
18	923055	AIR PIPE COMP	1		
19	923058	AIR PIPE GASKET	2		
20	923059	THERMOSTAT ASSY.	1		
21	923060	THERMOSTAT COVER COMP	1		
22	923066	SPARK PLUG (CR8E)	1		
23	923067	THERMO UNIT ASSY	1		

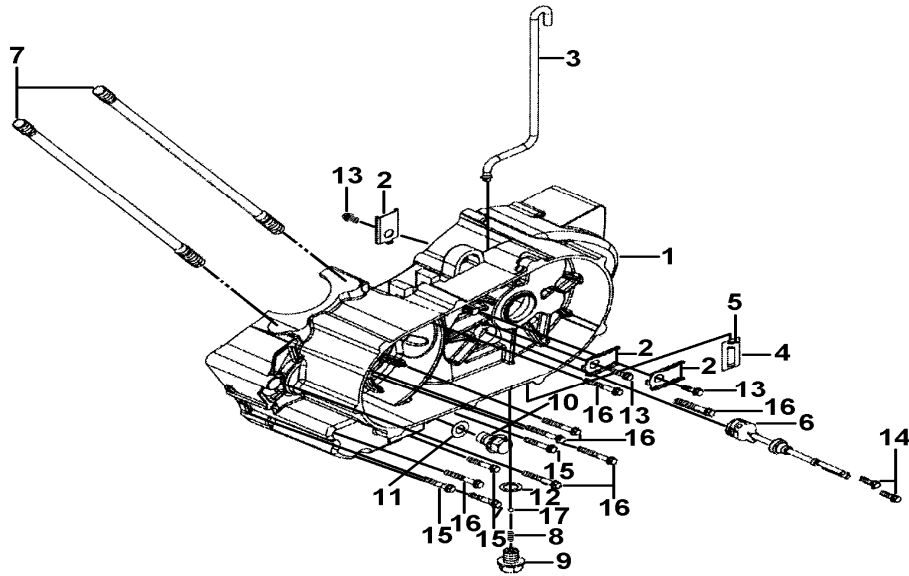
24	923061	SEALING WASHER 10.5MM	4
25	923062	FLANGE NUT 10MM	4
26	923063	FLANGE BOLT 6x14	1



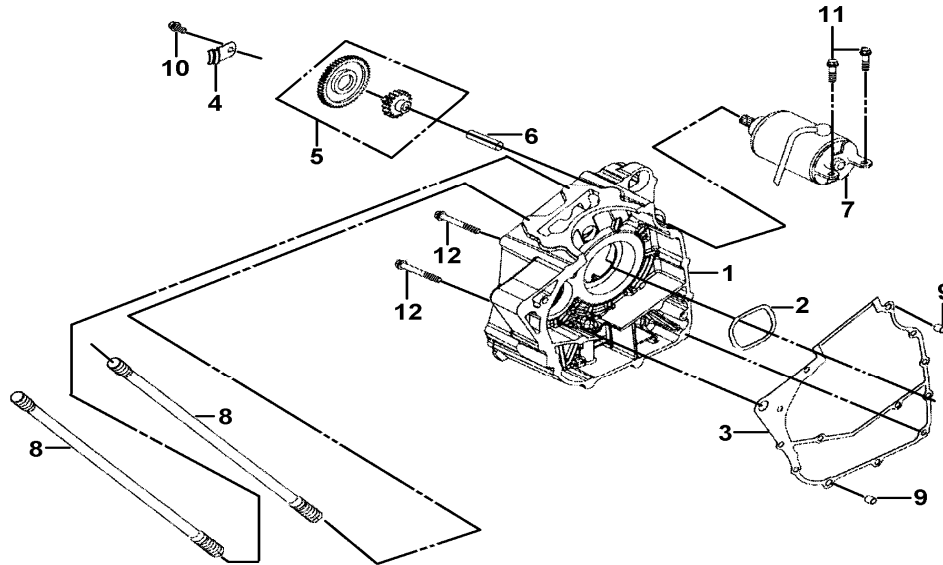
ITEM NO	PART NO	DESCRIPTION	Q'TY	AMEND	NOTE
01	923068	CYLINDER ASSY.	1		
02	923086	CYLINDER HEAD GASKET	1		
03	923075	CYLINDER GASKET	1		
04	923076	CAM CHAIN TENSIONER	1		
05	923078	TENSIONER LIFTER ASSY.	1		
06	923082	ADJUSTER BOLT	1		
07	923079	TENSIONER LIFTER GASKET	1		
08	923081	O-RING	1		
09	923080	ADJUSTER SPRING	1		
10	923083	SCREW	1		
11	923077	CAM CHAIN GUIDE	1		
12	923084	FLANGE SHF BOLT 6x22	2		
13	923085	DOWEL PIN 12x20	4		



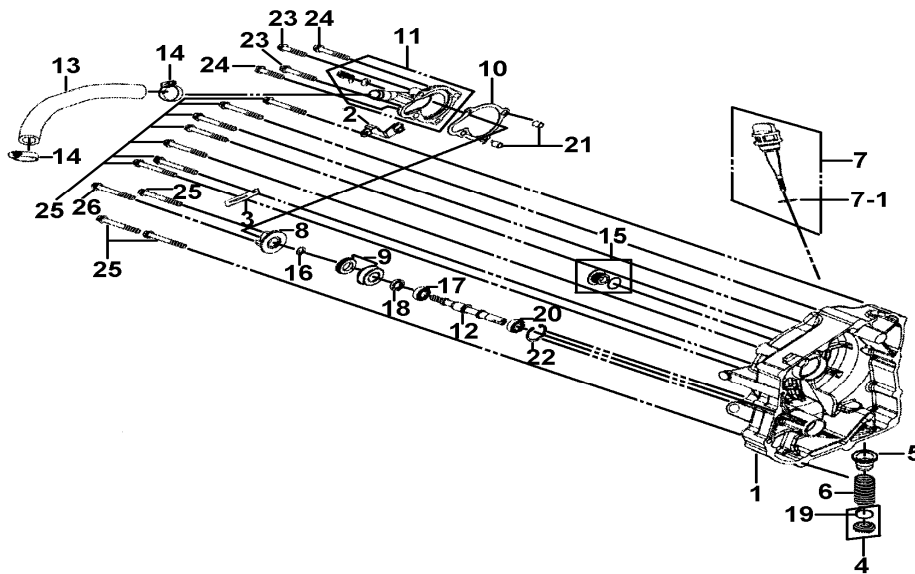
ITEM NO	PART NO	DESCRIPTION	Q'TY	AMEND	NOTE
01	923087	L COVER ASSY.	1		
01-1	923088	L COVER	1		
01-2	923089	L. COVER PLATE	1		
01-3	923090	L. COVER PLATE GASKET	1		
01-4	923091	L. BEARING SETTING PLATE	1		
01-5	923092	BEARING STAY COLLAR ASSY.	1		
01-5-1	923093	BERING STAY COLLAR	1		
01-5-2	923094	O-RING 26.5x2.0	2		
01-6	923096	PAN SCREW 5x12mm	4		
01-7	923098	SH. FLANGE BOLT 6x12	2		
01-8	923100	RADIAL BALL BEARING 6006LLU	1		
02	923095	L COVER GASKET	1		
03	923097	DOWEL PIN 8x14	2		
04	923099	FLANGE SH BOLT 6x35	9		



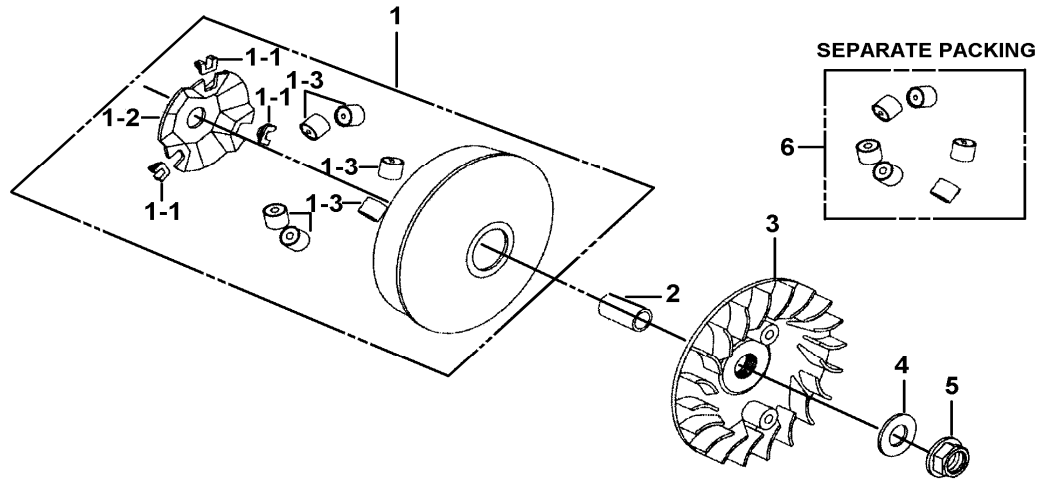
ITEM NO	PART NO	DESCRIPTION	Q'TY	AMEND	NOTE
01	923101	L CRANK CASE COMP	1		
02	923103	SETTING PLATE	3		
03	923102	MISSION BREATHER TUBE	1		
04	923104	DRAIN TUBE ASSY.	1		
05	923105	TUBE CLIP	1		
06	923106	CHANGE SW. ASSY.	1		
07	923107	CYLINDER STUD BOLT B	2		
08	923108	SPRING FIXED CATCH	1		
09	923109	SCREW FIXING	1		
10	923110	DRAIN PLUG BOLT 12MM	1		
11	923111	DRAIN PLUG WASHER 12MM	1		
12	923112	DRAIN PLUG WASHER 14MM	1		
13	923098	SH. FLANGE BOLT 6x12	3		
14	923113	FLANGE BOLT SH 6x18	2		
15	923114	FLANGE SH BOLT 6x50	4		
16	923115	SH. FLANGE BOLT 6x70mm	7		
17	923116	STELL BALL 12	1		



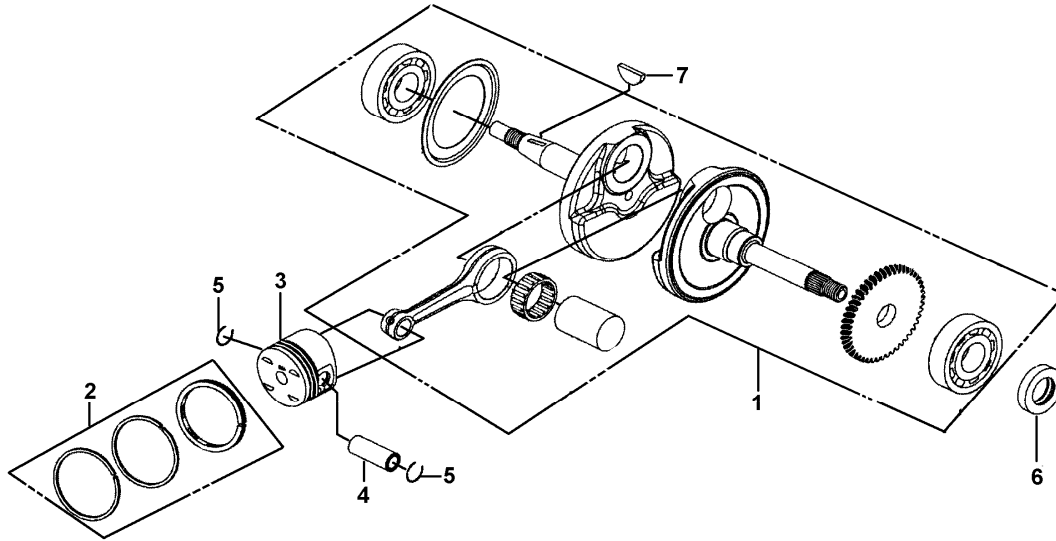
ITEM NO	PART NO	DESCRIPTION	Q'TY	AMEND	NOTE
01	923117	R CRANK CASE COMP	1		
02	923119	WAVE WASHER	1		
03	923118	CRANK CASE GASKET	1		
04	923123	CAM CHAIN SETTING PLATE	1		
05	923120	STAR. REDUCTION GEAR COMP	1		
06	923124	STA. REDUCTION GEAR SHAFT	1		
07	923409	START MOTOR ASSY.	1		
08	923125	CYLINDER STUD BOLT A	2		
09	923097	DOWEL PIN 8x14	2		
10	923126	FLANGE BOLT SH 6x10	1		
11	923127	FLANGE BOLT SH 6x22	2		
12	923128	BOLT FLANGE SH 6x55	2		



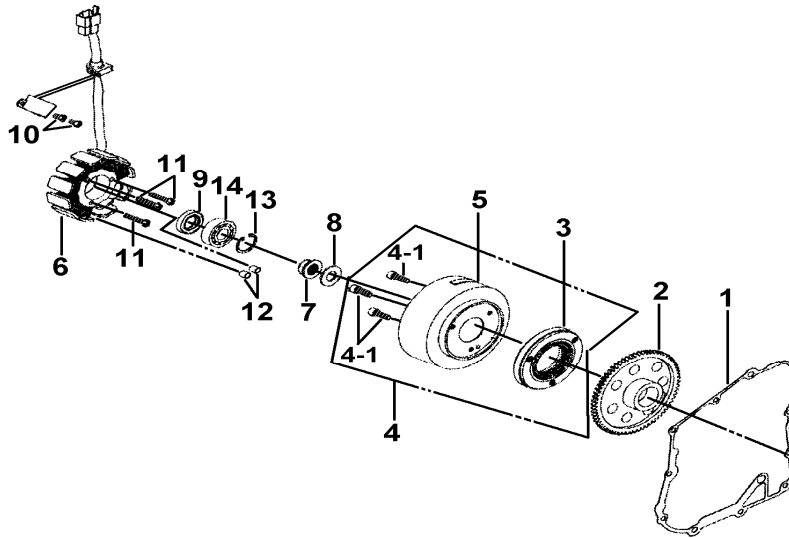
ITEM NO	PART NO	DESCRIPTION	Q'TY	AMEND	NOTE
01	923130	R CASE COVER COMP	1		
02	923134	INNER COVER STAY B	1		
03	923129	CLAMP	1		
04	923131	TAPPET ADJ HOLE CAP ASSY.	1		
05	923136	OIL FILTER SCREEN	1		
06	923135	OIL FILTER SCREW SPG.	1		
07	923137	OIL LEVEL GAUGE ASSY.	1		
07-1	923139	O-RING 18x3	1		
08	923140	WATER PUMP IMPELLER	1		
09	923142	MECHANICAL SEAL	1		
10	923143	WATER PUMP GASKET	1		
11	923144	WATER PUMP COVER COMP	1		
12	923145	WATER PUMP SHAFT	1		
13	923149	WATER HOSE	1		
14	923150	WATER HOSE CLAMP A	2		
15	923148	ACG. CAP ASSY. 14MM	1		
16	923141	WASHER 7.2x13x1.2	1		
17	923146	RADIAL BALL BRG.6901	1		
18	923147	OIL SEAL 12x20x5	1		
19	923132	O-RING 30.8MM	1		
20	923151	RADIAL BALL BRG. 6000	1		
21	923097	DOWEL PIN 8x14	2		
22	923152	CIR CLIP IN 26	1		
23	923127	FLANGE BOLT SH 6x22	2		
24	923153	FLANGE SH BOLT 6x32	2		
25	923154	FLANGE BOLT SH 6x45	10		
26	923115	SH. FLANGE BOLT 6x70mm	1		



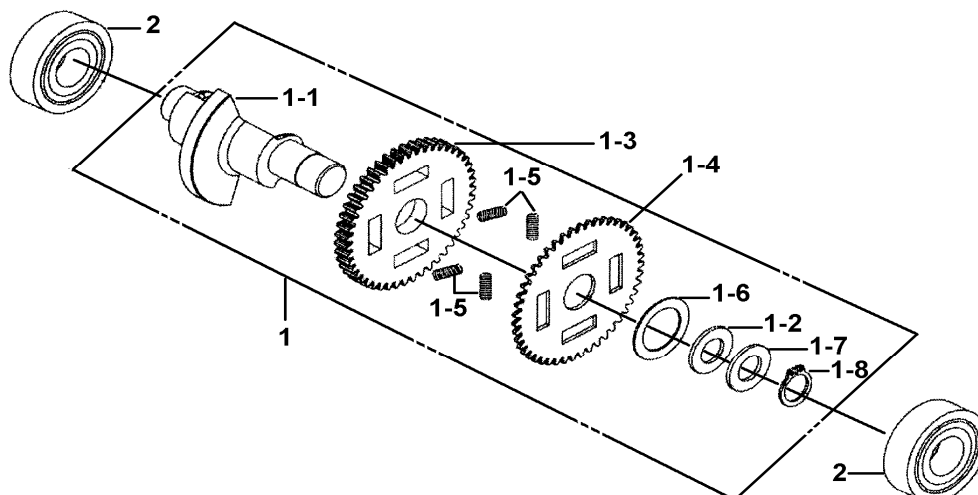
ITEM NO	PART NO	DESCRIPTION	Q'TY	AMEND	NOTE
01	923500	MOVABLE DRIVE FACE ASSY.	1		
01-1	923503	SLIDE PIECE SET	3		
01-2	923504	RAMP PLATE	1		
01-3	923502	WEIGHT ROLLER SET	6		
02	923505	DRIVE FACE BOSS	1		
03	923506	DRIVE FACE	1		
04	923260	THRUST WASHER 14x28x2	1		
05	923259	FLANGE NUT 14MM	1		
06	492156	WEIGHT ROLLER SET(12 gr)	6		



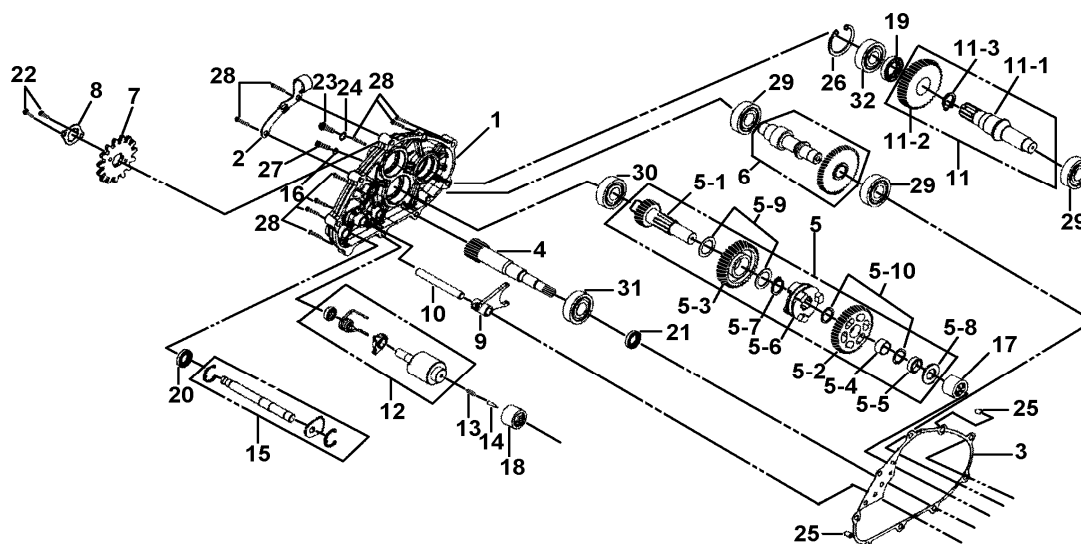
ITEM NO	PART NO	DESCRIPTION	Q'TY	AMEND	NOTE
01	923155	CRANK SHAFT COMP	1		
02	923170	PISTON RING SET	1		
03	923167	PISTON	1		
04	923168	PISTON PIN	1		
05	923169	PISTON PIN CLIP 17MM	2		
06	923164	OIL SAEL TC27x42x7	1		
07	923174	WOODRUFF KEY 25x14x4	1		



ITEM NO	PART NO	DESCRIPTION	Q'TY	AMEND	NOTE
01	923257	R COVER GASKET	1		
02	923258	STARTING CLUTCH GEAR COMP	1		
03	923411	ONE WAY CLUTCH ASSY.	1		
04	923410	AC GEN FLYWHEEL SET	1		
04-1	923264	SOCKET BOLT 8x20	3		
05	923412	FLYWHEEL COMP.	1		
06	923415	STATOR COMP	1		
07	923259	FLANGE NUT 14MM	1		
08	923260	THRUST WASHER 14x28x2	1		
09	923413	OIL SEAL TC12x22x5	1		
10	923261	PAN SCREW 5x16	2		
11	923262	SCREW PAN 6x40	3		
12	923097	DOWEL PIN 8x14	2		
13	923263	IN CIR CLIP 32MM	1		
14	923414	RADIAL BALL BRG. 6201LUC3	1		



ITEM NO	PART NO	DESCRIPTION	Q'TY	AMEND	NOTE
01	923175	BALANCE SHAFT COMP	1		
01-1	923176	BALANCE SHAFT	1		
01-2	923181	WAVE WASHER 28.3x36x1	1		
01-3	923177	BALANCE SHAFT DRIVE GEAR A	1		
01-4	923179	BALANCE SHAFT DRIVE GEAR B	1		
01-5	923178	BALANCE SHAFT DRIVE GEAR SPRING	1		
01-6	923180	WASHER 28.3x47.5x1.4	1		
01-7	923182	WASHER 28.3x36x1	1		
01-8	923183	CIR CLIP EX 28MM	1		
02	923184	RADIAL BALL BRG. 6204	2		



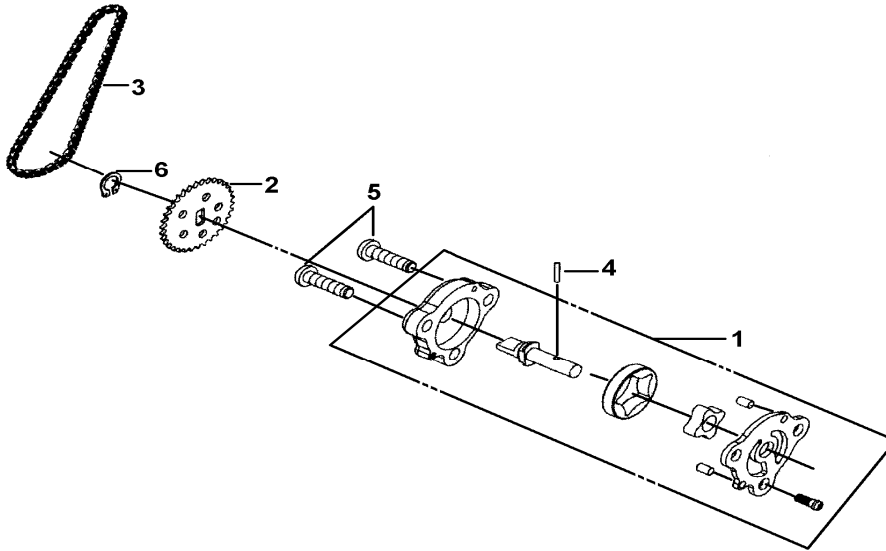
ITEM NO	PART NO	DESCRIPTION	Q'TY	AMEND	NOTE
01	923185	MISSION CASE	1		
02	923186	INNER COVER STAY A	1		
03	923187	MISSION CASE GASKET	1		
04	923188	DRIVE SHAFT	1		
05	923189	COUNTER SHAFT ASSY.	1		
05-1	923190	COUNTER SHAFT	1		
05-10	923197	PLAIN WASHER 20MM	2		
05-2	923191	COUNTER GEAR A	1		
05-3	923192	COUNTER GEAR B COMP	1		
05-4	923193	BUSH 20x13	1		
05-5	923194	SPACER	1		
05-6	923195	SLIDING CLAW	1		
05-7	923202	EX. CIRCLIP 25	1		
05-8	923198	THRUST WASHER 20.5x38x2	1		
05-9	923196	PLAIN WASHER 25MM	2		
06	923207	REVERSE SHAFT COMP	1		
07	923225	DRIVE SPROCKET 15T	1		
08	923226	DRIVE SPROCKET FIXING PLATE	1		
09	923211	SHIFT FORK SHAFT	1		
10	923210	SHIFT FIRK SHAFT	1		
11	923200	FINAL SHAFT COMP	1		
11-1	923201	FINAL SHAFT	1		
11-2	923203	FINAL GEAR	1		
11-3	923202	EX. CIRCLIP 25	1		
12	923212	SHIFT DRUM COMP	1		
13	923217	GEAR INDICATION DRILL SPG	1		
14	923218	GEAR INDICATION DRILL	1		
15	923221	GEAR SHIFT SPINDLE COMP	1		
16	923231	WASHER 8MM	1		

17	923199	NEEDLE BRG. HK2016	1
18	923219	NEEDLE BRG. K25x29x10	1
19	923204	OIL SEAL TC 30x46x7	1
20	923220	OIL SEAL TC14x26x6	1
21	923229	OIL SEAL TC25x40x7	2
22	923227	HEX BOLT 6x10	2
23	923110	DRAIN PLUG BOLT 12MM	1
24	923111	DRAIN PLUG WASHER 12MM	1
25	923230	DOWEL PIN 10x14	2
26	923206	CIRCLIP IN. 52	1
27	923232	BOLT FLANGE 8x12	1
28	923233	FLANGE BOLT 8x40	9
29	923184	RADIAL BALL BRG. 6204	3
30	923234	RADIAL BALL BRG. 6304	1
31	923228	RADIAL BALL BRG. 6305	1
32	923205	RADIAL BALL BEARING 6205LLU	1

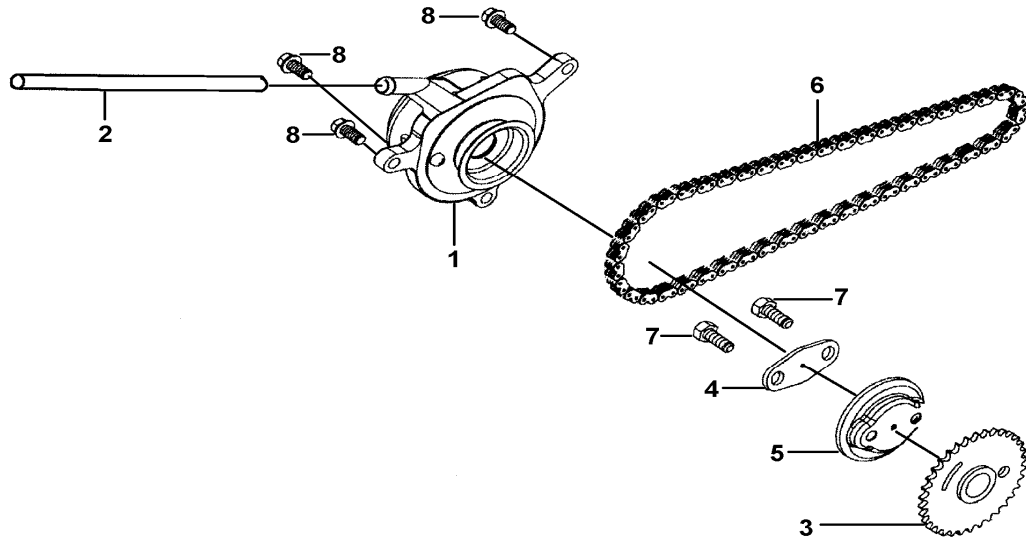
113

OIL PUMP ASSY.

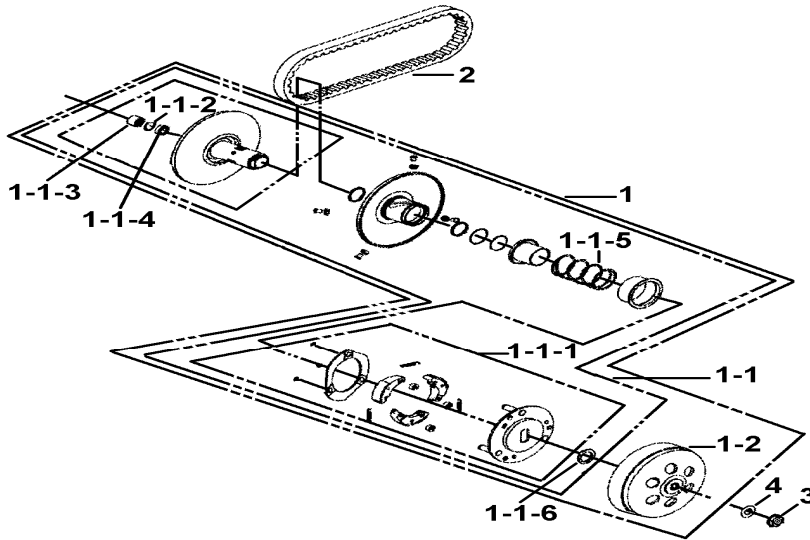
FCB



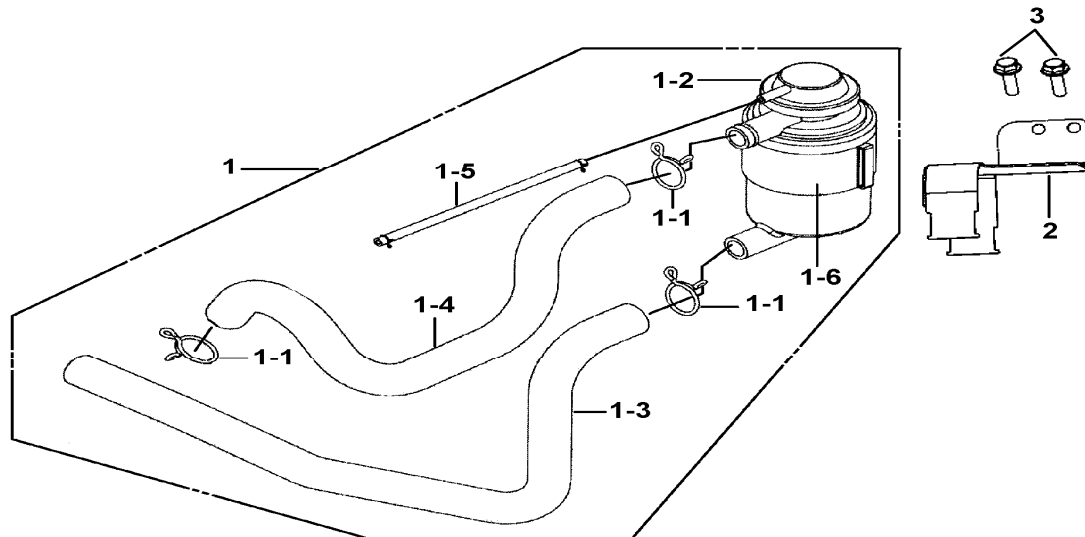
ITEM NO	PART NO	DESCRIPTION	Q'TY	AMEND	NOTE
01	923243	OIL PUMP ASSY.	1		
02	923251	OIL PUMP DRIVEN SPROCKET	1		
03	923253	OIL PUMP CHAIN 48L	1		
04	923248	ROLLER 2.5×11.8	1		
05	923250	PAN SCREW 6×25	2		
06	923252	CIR CLIP EX 10	1		



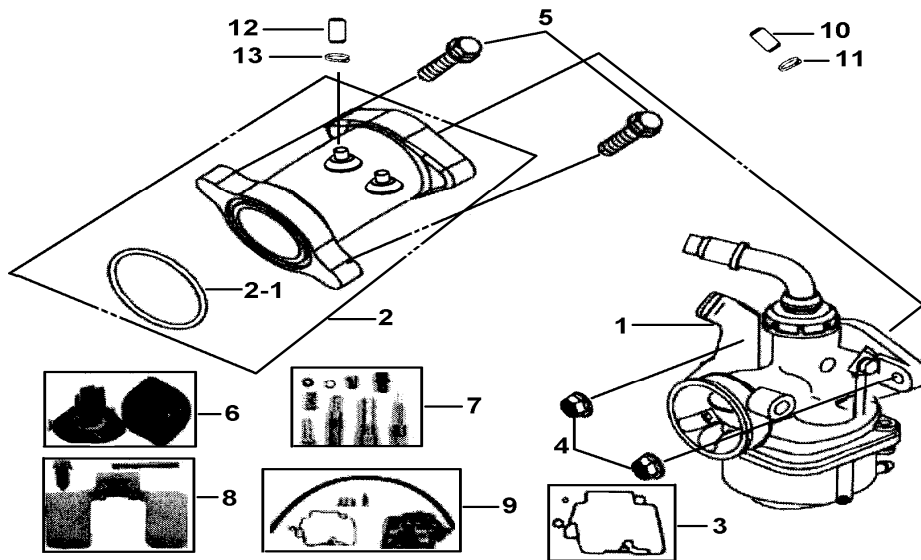
ITEM NO	PART NO	DESCRIPTION	Q'TY	AMEND	NOTE
01	923235	CYL. HEAD SIDE COVER ASSY.	1		
02	923237	BREATHER TUBE	1		
03	923238	CAM SPROCKET	1		
04	923240	CAM SPROCKET WASHER	1		
05	923239	CENTRIFUGAL DISK	1		
06	923242	CAM CHAIN 100L	1		
07	923241	LOCK BOLT 6MM	2		
08	923236	FLANGE BOLT, SH 6x18	3		



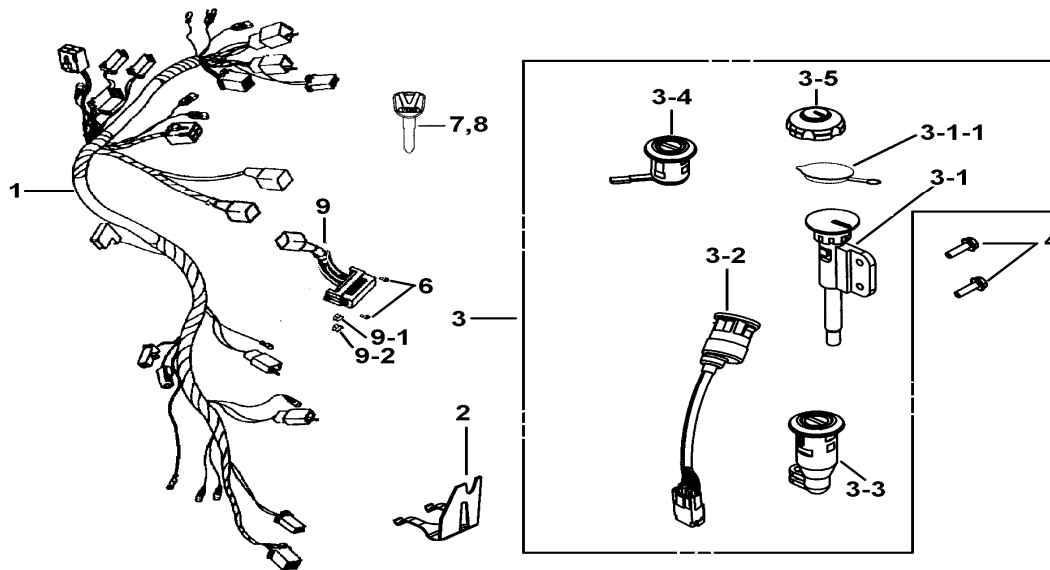
ITEM NO	PART NO	DESCRIPTION	Q'TY	AMEND	NOTE
01	923507	DRIVEN PULLEY ASSY	1		
01-1	923530	DRIVEN PULLEY COMP.	1		
01-1-1	923510	DRIVE PLATE ASSY.	1		
01-1-2	923519	IN. CIRCLIP	1		
01-1-3	923520	NEEDLE BEARING HKS25x32x14	1		
01-1-4	923518	RADIAL BALL BRG. 6903LU	1		
01-1-5	923527	DRIVEN FACE SPRING	1		
01-1-6	923509	SPECIAL NUT 36MM	1		
01-2	923508	CLUTCH OUTER	1		
02	923265	DRIVE BELT	1		
03	923259	FLANGE NUT 14MM	1		
04	923260	THRUST WASHER 14x28x2	1		



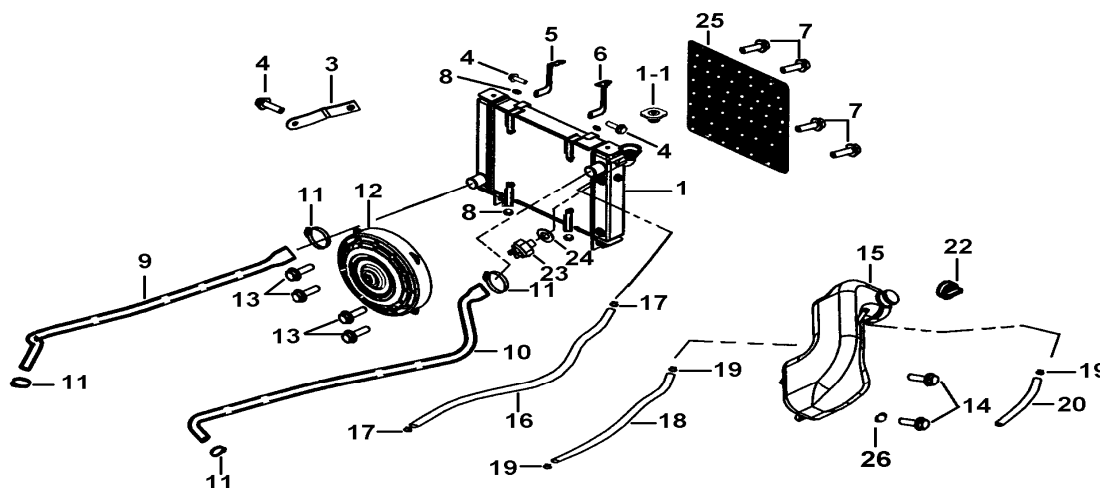
ITEM NO	PART NO	DESCRIPTION	Q'TY	AMEND	NOTE
01	923021	A.I.C.V. UNIT	1	←550776	
01-1	923254	AIR HOSE CLIP	3		
01-2	923022	A.I.C.V. ASSY.	1		
01-3	923023	A.I.C.V. JOINT TUBE	1		
01-4	923024	A.I.C.V. REED JOINT TUBE	1		
01-5	923025	A.I.C.V. INLET PIPE JOINT TUBE ASSY.	1		
01-6	923020	A.I.A.C SETTING BAND	1		
02	923271	BRKT	1	←550776	
03	GA510SC03	SCREW, HEX. HEAD M6X16	2	←550776	



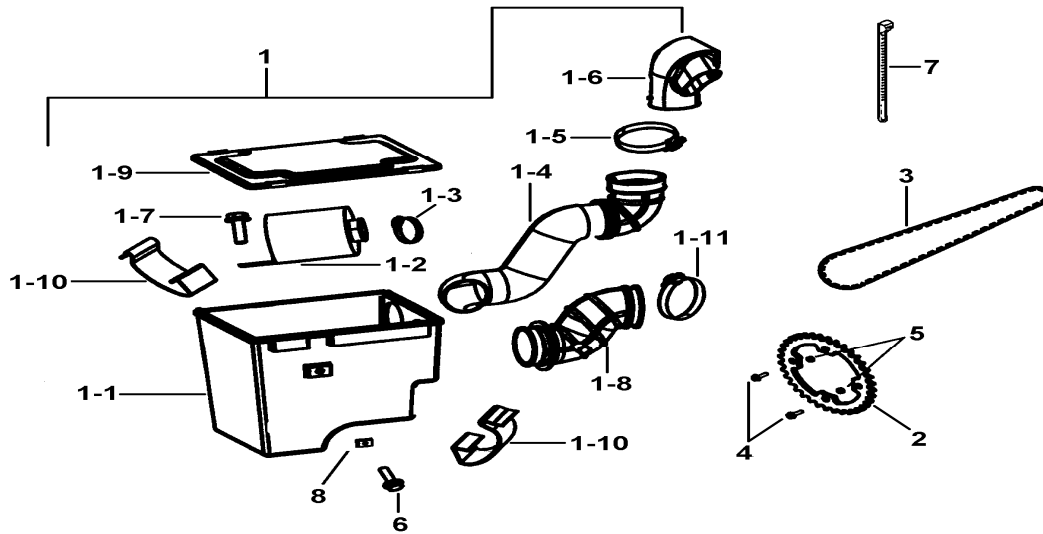
ITEM NO	PART NO	DESCRIPTION	Q'TY	AMEND	NOTE
01	923266	CARB. ASSY.	1		
02	923267	INLET PIPE ASSY.	1		
02-1	923269	O-RING 34x2.0	1		
03	923285	CARB. GASKET FIXING SET	1		
04	923270	NUT FLANGE 6MM	2		
05	923127	FLANGE BOLT SH 6x22	2		
06	923281	CARB. NEEDLE FIXING SET	1		
07	923282	CARB. SCREW FIXING SET	1		
08	923283	CARB. FLOAT FIXING SET	1		
09	923284	CARB. F.C.B FIXING SET	1		
10	923275	RUBBER PLUG	1		
11	426081	CLIP	1		
12	923274	RUBBER PLUG	1		
13	R36801	CLIP ϕ 8.5	1		



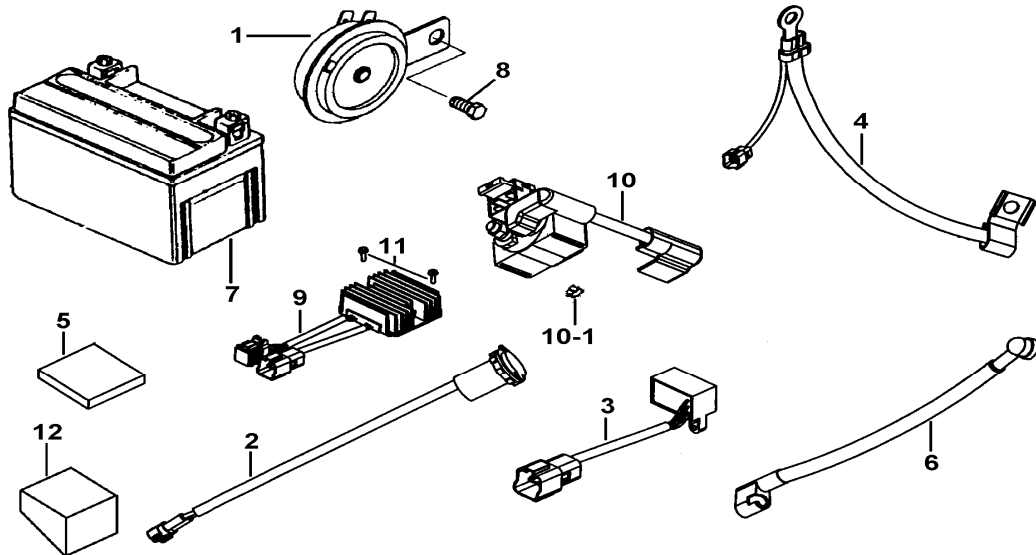
ITEM NO	PART NO	DESCRIPTION	Q'TY	AMEND	NOTE
01	923401	WIRING HARNESS	1	←552060	FOR SPEEDO METER(DIGITAL) FOR
01A	923426	WIRING HARNESS	1	552061-552389	SPEEDO METER(DIGITAL) FOR
01B	923427	WIRING HARNESS	1	←552389	SPEEDO METER(MECHANICAL)
01C	923429	WIRING HARNESS	1	552390→	
02	401657	REED	1	←552389	
02A	923437	REED	1	552390→	
03	924432	LOCK ASSY.	1	←551808	
03-1	924434-S	LOCK SET, STEERING	1	←551808	
03-1-1	924459	LOCK SET, STEERING CAP	1		
03-1A	924457-S	LOCK SET, STEERING	1	551809→	
03-2	924424-S	LOCK SET, IG SW.	1		
03-3	440744-S	LOCK SET, SEAT	1		
03-4	440992-S	LOCK	2		
03-5	924433-S	LOCK SET, FUEL CAP	1		
03A	924449	LOCK ASSY.	1	551809→	
04	S96601	SCREW, SPECIAL	2		
06	S70607	SCREW, SOCKET HEAD M6X20	2		
07	923423	BLANK KEY	1		
08	923424	BLANK KEY	1		
09	923428	FUSE WIRING HARNESS	1		
09-1	924425	FUSE, 10A	6		
09-2	924426	FUSE, 15A	2		



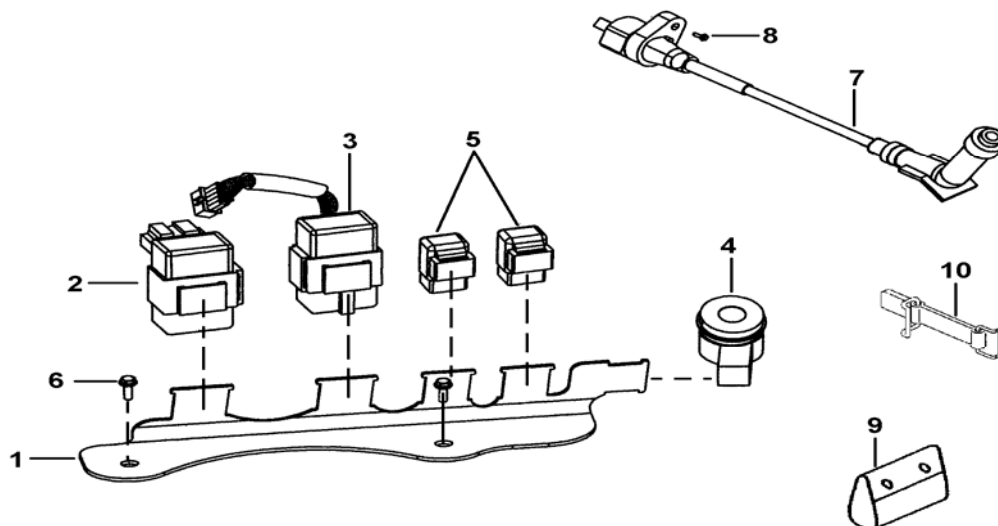
ITEM NO	PART NO	DESCRIPTION	Q'TY	AMEND	NOTE
01	923277A	RADIATOR ASSY.	1	←550530	
01-1	924798	CAP, RADIATOR ASSY.	1		
01A	923277	RADIATOR ASSY.	1	550531→	
03	924638	BRKT, RADIATOR	1		
04	S20814	BOLT, FLANGE	3		
05	923293	BRKT LH.	1		
06	923294	BRKT RH.	1		
07	S20603	BOLT, FLANGE M6X12	4		
08	402129	WASHER, RUBBER	4		
09	923027	HOSE, OUTLET	1		
10	923026	HOSE, INLET	1		
11	R66301	CLIP	4		
12	924155	COOLING FAN ASSY.	1		
13	S20603	BOLT, FLANGE M6X12	4		
14	GA555SC05	BOLT, OUTLET M6X1.0X16L	2		
15	924641	RESERVOIR ASSY.	1		
16	923273	HOSE, RECIRCULATION	1		
17	R40801	CLIP	2		
18	924674	HOSE	1		
19	R40201	CLIP	3		
20	924675	HOSE	1		
22	924642	RESERVOIR CAP	1		
23	924159	SWITCH, COOLING FAN	1		
24	W02001	WASHER	1		
25	924670	PROTECTOR, RADIATOR	1		
26	W99806	WASHER 8.5X16X2	1		



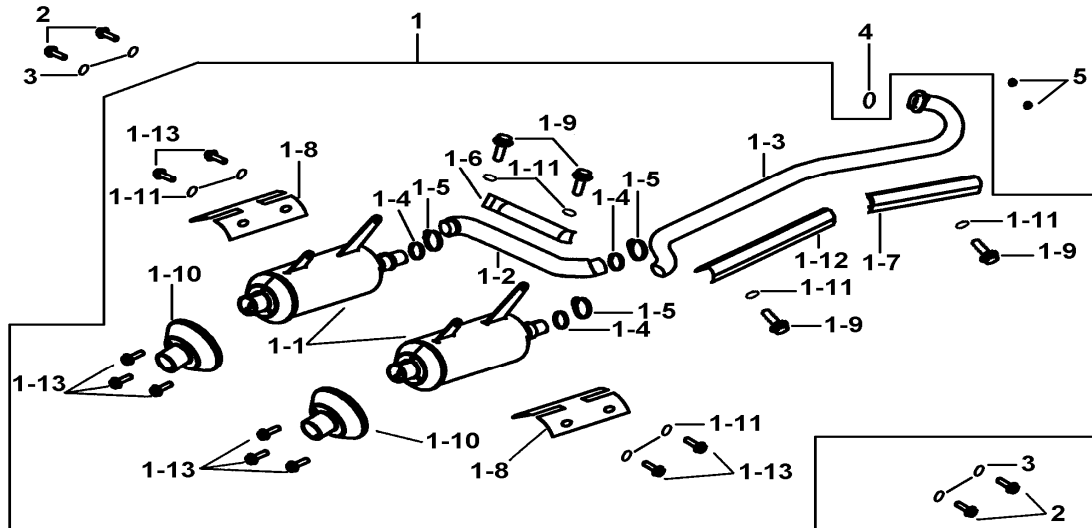
ITEM NO	PART NO	DESCRIPTION	Q'TY	AMEND	NOTE
01	923006	AIR CLEANER ASSY.	1		
01-1	924640	BODY, AIR CLEANER	1		
01-10	923278	"S" CLIP	4		
01-11	R66601	CLIP	1		
01-2	923007	FILTER	1		
01-3	R66802	CLIP	1		
01-4	924132	TUBE, INLET	1		
01-5	R66801	CLIP	1		
01-6	924644	JOINTER, AIR INLET	1		
01-7	GA557SC12	SCREW, PAN HEAD M5X10	1		
01-8	923004	TUBE, CARBURETOR INLET	1		
01-9	924607	COVER, AIR CLEANER	1		
02	923070	SPROCKET (36T), CHAIN	1		
03	923299	CHAIN	1		
04	S06003	SCREW	4		
05	GA551NT01	NUT, SELFLOCK M10X1.0	4		
06	S21605	BOLT, FLANGE M6X10	2		
07	923291	CLAMP	1		
08	924684	NUT, SPECIAL	2		



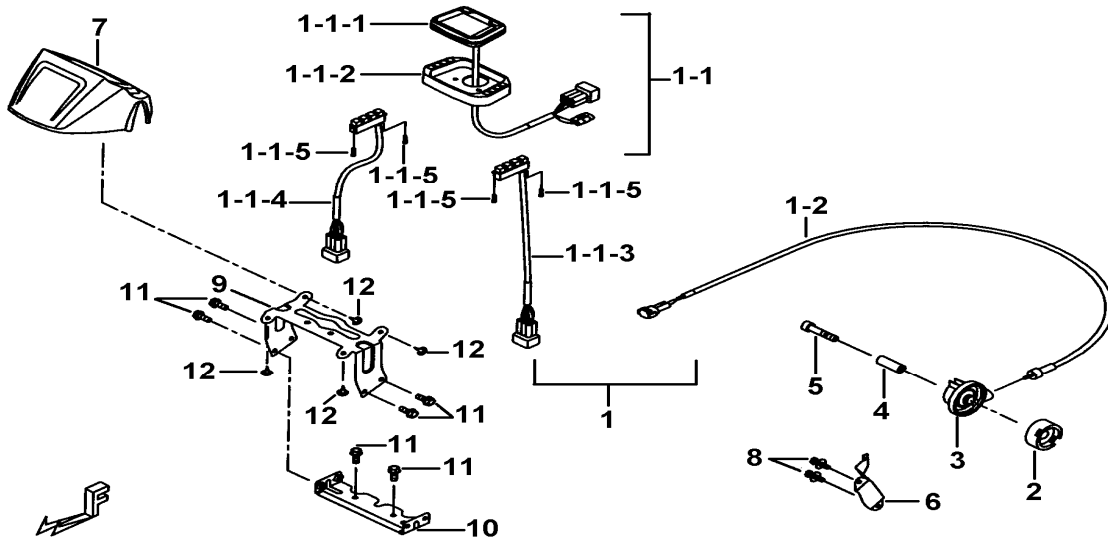
ITEM NO	PART NO	DESCRIPTION	Q'TY	AMEND	NOTE
01	440809	HORN ASSY.	1		
02	924422	POWER SOURCE	2		
03	924447	THERMOSWITCH COMP.	1		
04	924441	CABLE COMP.	1	←552389	
04A	923433	CABLE COMP.	1	552390→	
05	GF514TH02	CUSHION	3		
06	924440	STARTING TERMINAL CABLE COMP.	1	←552389	
06A	923432	STARTING TERMINAL CABLE COMP.	1	552390→	
07	923400	BATTERY 12V 12AH	1		
08	GA510SC03	SCREW, HEX. HEAD M6X16	1		
09	923404B	RECTIFIER ASSY.	1		
10	924409	RELAY, STARTING MOTOR	1	←552389	
10-1	924444	FUSE, 20A	1		
10A	923431	RELAY, STARTING MOTOR	1	552390→	
11	GA555SC05	BOLT, OUTLET M6X1.0X16L	2		
12	924464	CUSHION	1		



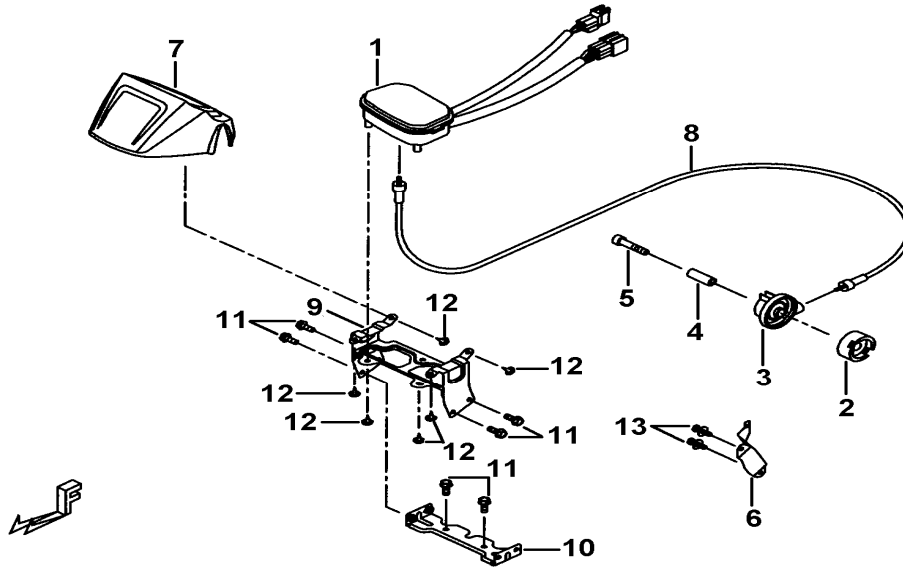
ITEM NO	PART NO	DESCRIPTION	Q'TY	AMEND	NOTE
01	923408	HOLDER, BOX	1	←552060	
01A	923425	HOLDER, BOX	1	552061→	
02	923403	C.D.I	1		
03	923407	SHIFT LEVER WITCH COMP.	1		
04	440800A	RELAY, TURN SIGNAL	1		
05	GA5100004	RELAY	2		
06	GA556SC01	BOLT, FLANGE M6X1.0X12L	2		
07	923402	COIL ASSY., IGNITION	1		
08	GA510SC10	SCREW, HEX. HEAD M5X20	1		
09	923290	PACKAGE, TOOL	1		
10	GF5140001	BAND	1		



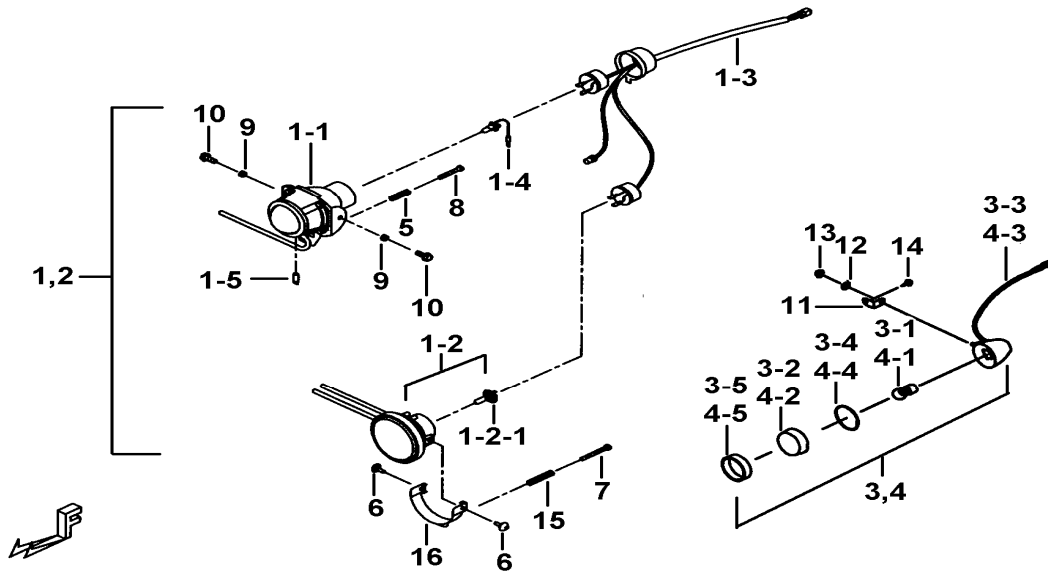
ITEM NO	PART NO	DESCRIPTION	Q'TY	AMEND	NOTE
01	923011	MUFFLER ASSY.	1		
01-1	923013	BODY COMP, MUFFLER	2		
01-10	923017	PROTECTOR COVER,	2		
01-11	W99506	WASHER	10		
01-12	923286	PROTECTOR COVER, EXHAUST PIPE	1		
01-13	S20603	BOLT, FLANGE M6X12	14		
01-2	923014	EXHAUST PIPE "B"	1		
01-3	923012	EXHAUST PIPE	1		
01-4	923019	GASKET, PLUMBAGO	3		
01-5	422039	CLAMP. § 38	3		
01-6	923018	PROTECTOR COVER, EXHAUST PIPE "B"	1		
01-7	923015	PROTECTOR COVER, EXHAUST PIPE	1		
01-8	923016	PROTECTOR COVER, MUFFLER	2		
01-9	S45605	SCREW, OVAL HEAD M6X12	6		
02	S20814	BOLT, FLANGE	4		
03	GA556WS04	SPRING WASHER 8.2X3.2X2t	4		
04	923010	GASKET, EXHAUST PIPE	1		
05	N10801	NUT, FLANGE 8mm	2		



ITEM NO	PART NO	DESCRIPTION	Q'TY	AMEND	NOTE
01	512615	SPEEDOMETER ASSY.(DIGITAL)	1	←552360	
01-1	515083	SPEEDOMETER COMP.	1		
01-1-1	515030	SPEEDOMETER ASSY.	1		
01-1-2	515066	COVER, SPEEDOMETER	1		
01-1-3	515064	SOCKET COMP.	1		
01-1-4	515065	SOCKET COMP.	1		
01-1-5	S61201	SCREW, TAPPING	4		
01-2	514061	WIRE, SPEEDOMETER	1		
01A	512637	SPEEDOMETER ASSY.(DIGITAL)	1	552361→	
02	512621	CONNECTOR	1		
03	GI5299901	GEAR COMP., SPEEDOMETER	1		
04	512622	SPACER	1		
05	S70808	BOLT	1		
06	512623	BRACKET, GEAR FIXED	1		
07	513102	SPEEDOMETER STEADY	1		
08	S07501	BOLT,HEX HEAD	2		
09	512618	BRACKET ASSY., UPPER	1		
10	512636	BRACKET ASSY., LOWER	1		
11	GA555SC05	BOLT, OUTLET M6X1.0X16L	6		
1-1	514060	SPEEDOMETER COMP.	1	←552360	
1-1-2	515031	COVER, SPEEDOMETER	1	←552360	
1-1-2A	515066	COVER, SPEEDOMETER	1	552361→	
1-1-3	515029	SOCKET COMP.	1	←552360	
1-1-3A	515064	SOCKET COMP.	1	552361→	
1-1-4	515028	SOCKET COMP.	1	←552360	
1-1-4A	515065	SOCKET COMP.	1	552361→	
1-1A	515083	SPEEDOMETER COMP.	1	552361→	
12	S57501	SCREW,OVAL HEAD, FLANGE M5X14	4		

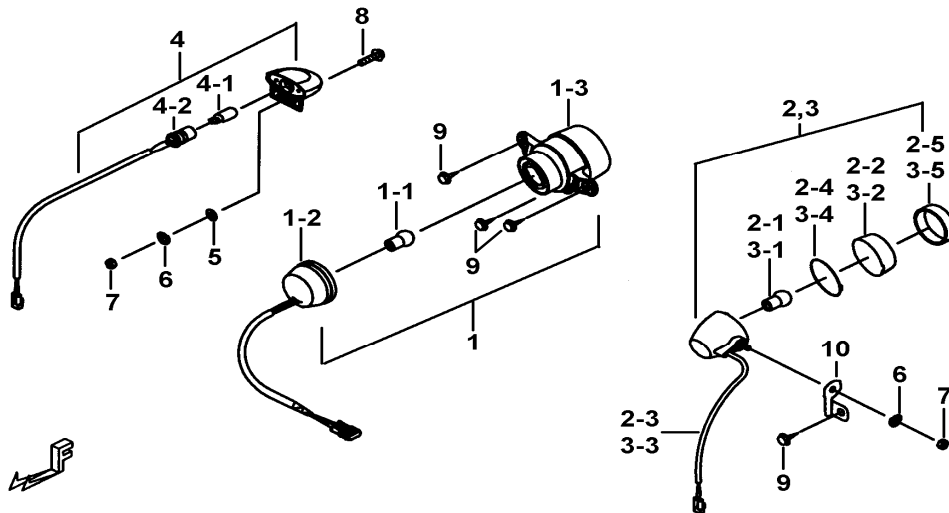


ITEM NO	PART NO	DESCRIPTION	Q'TY	AMEND	NOTE
01	512632	SPEEDOMETER ASSY. (MECHANICAL)	1	←552305	
01A	512640	SPEEDOMETER ASSY. (MECHANICAL)	1	552306→	
02	512621	CONNECTOR	1		
03	512631	GEAR COMP., SPEEDOMETER	1		
04	512622	SPACER	1		
05	S70808	BOLT	1		
06	512623	BRACKET, GEAR FIXED	1		
07	513102	SPEEDOMETER STEADY	1		
08	512626	CABLE, SPEEDOMETER	1		
09	512628	BRACKET ASSY., UPPER	1		
10	512636	BRACKET ASSY., LOWER	1		
11	GA555SC05	BOLT, OUTLET M6X1.0X16L	6		
12	S57501	SCREW, OVAL HEAD, FLANGE M5X14	7		
13	S07501	BOLT, HEX HEAD	2		

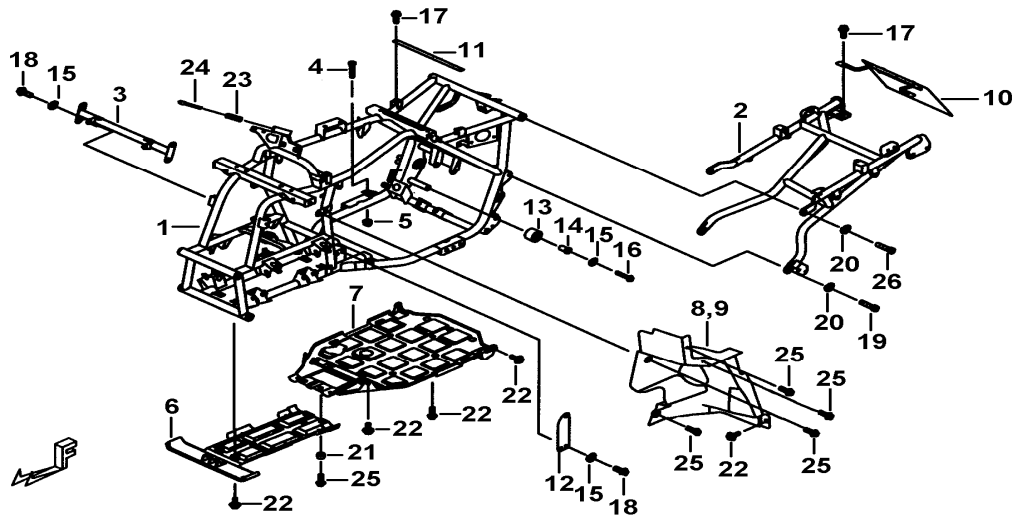


ITEM NO	PART NO	DESCRIPTION	Q'TY	AMEND	NOTE
01	511716	HEAD LAMP ASSY. LH.	1	←551808	
01-1	515004	MAIN BEAM	1		
01-1-1	514028	WIRING ASSY, HEAD LAMP	1	←551808	
01-2	515015	HEAD LAMP COMP., DIPPED	1		
01-2-1	514029	BULB 55W	1		
01-3	515043	WIRING ASSY, HEAD LAMP	1		
01-4	450058	BULB 55W	1		
01-5	514026	BULB 5W	1		
01A	511736	HEAD LAMP ASSY. LH.	1	551809→	
02	511731	HEAD LAMP COMP. RH.	1	←551808	
02A	511737	HEAD LAMP COMP. RH.	1	551809→	
03	511718	TURN SIGNAL LAMP COMP, LH	1		
03-1	514030	BULB 10W	1		
03-2	514031	LENS, TURN SIGNAL , LH	1		
03-3	514033	WIRING SET, TURN SIGNAL , LH	1		
03-4	511728	GASKET, RUBBER	1		
03-5	511726	WATERPROOF BAND	1		
04	511719	TURN SIGNAL LAMP COMP, RH	1		
04-1	514030	BULB 10W	1		
04-2	514032	LENS, TURN SIGNAL , RH	1		
04-3	514034	WIRING SET, TURN SIGNAL , RH	1		
04-4	511728	GASKET, RUBBER	1		
04-5	511726	WATERPROOF BAND	1		
05	511725	SPRING	2		
06	511721	BOLT	4		
07	S46506	BOLT	2		
08	S46505	BOLT	2		
09	512431	SPACER	4		
10	GA555SC05	BOLT, OUTLET M6X1.0X16L	4	←551808	

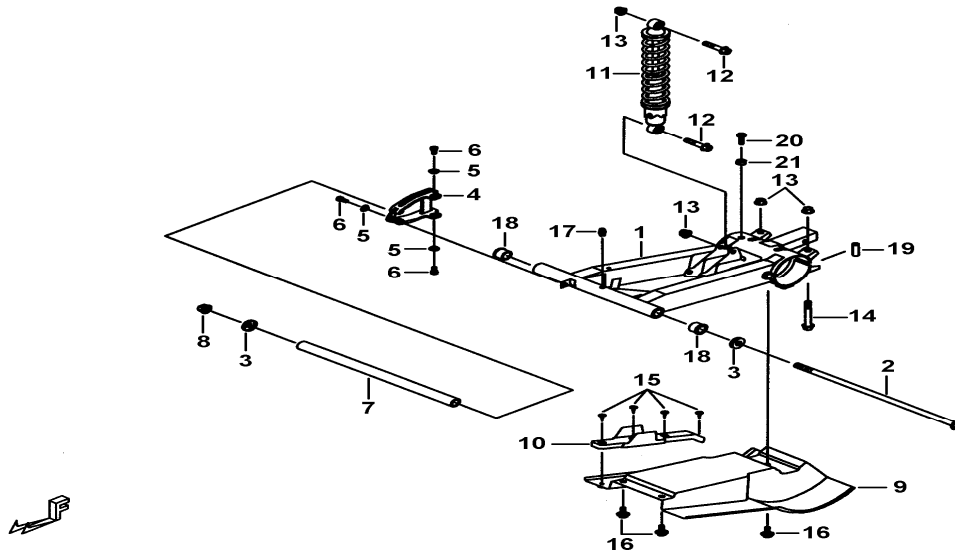
10A	S07601	BOLT, FLANGE	4 551809→
11	511727	BRKT.	2
1-1-1A	515043	WIRING ASSY, HEAD LAMP	1 551809→
12	W10501	SPRING WASHER	2
13	GA552NT05	NUT, FLANGE M5	2
14	S57501	SCREW, OVAL HEAD, FLANGE M5X14	2
15	511724	SPRING	2
16	511720	ADJUST SEAT	2



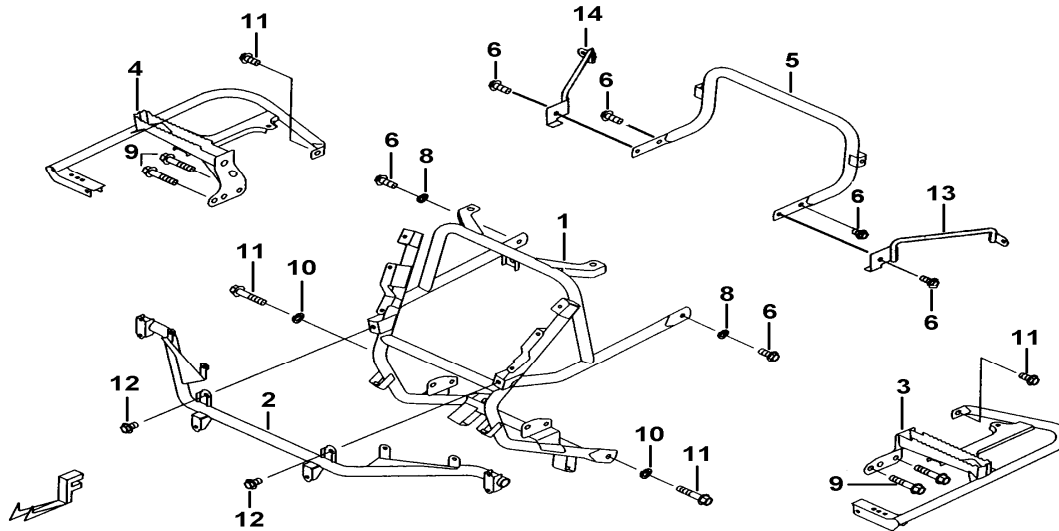
ITEM NO	PART NO	DESCRIPTION	Q'TY	AMEND	NOTE
01	511810Y	REAR LAMP ASSY.	2		
01-1	GF5180002	BULB 12V, P21/5W	2		
01-2	514035Y	WIRING SET, REAR LAMP	2		
01-3	514036Y	REAR LAMP COMP	2		
02	511718	TURN SIGNAL LAMP COMP, LH	1		
02-1	514030	BULB 10W	1		
02-2	514031	LENS, TURN SIGNAL , LH	1		
02-3	514033	WIRING SET, TURN SIGNAL , LH	1		
02-4	511728	GASKET, RUBBER	1		
02-5	511726	WATERPROOF BAND	1		
03	511719	TURN SIGNAL LAMP COMP, RH	1		
03-1	514030	BULB 10W	1		
03-2	514032	LENS, TURN SIGNAL , RH	1		
03-3	514034	WIRING SET, TURN SIGNAL , RH	1		
03-4	511728	GASKET, RUBBER	1		
03-5	511726	WATERPROOF BAND	1		
04	511811	NUMBER-PLATE LAMP	1		
04-1	451038	BULB 12V 5W	1		
04-2	514037	WIRING SET, NUMBER-PLATE LAMP	1		
05	GA552WS05	WASHER	1		
06	W10501	SPRING WASHER	3		
07	GA552NT05	NUT, FLANGE M5	3		
08	GA510SC10	SCREW, HEX. HEAD M5X20	1		
09	S57501	SCREW,OVAL HEAD, FLANGE M5X14	8		
10	511814	BRKT., TURN SIGNAL LAMP	2		



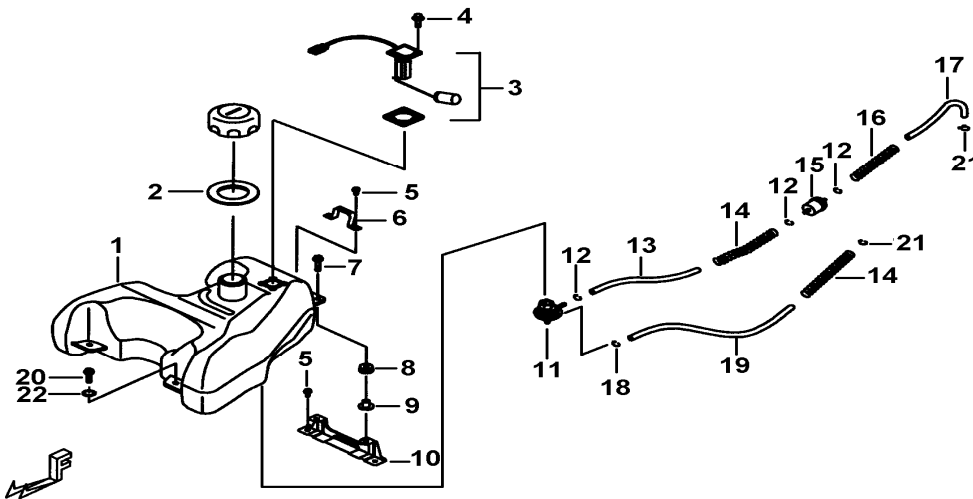
ITEM NO	PART NO	DESCRIPTION	Q'TY	AMEND	NOTE
01	511919	MAIN FRAME	1	←551808	
01A	511947	MAIN FRAME	1	551809→	
02	511920	REAR FRAME	1		
03	511932	BRACKET ASSY., RADIATOR	1		
04	S99004	BOLT M10X1.25X50L	1		
05	GA501NT01	NUT, FLANGE M10	1		
06	511925	PROTECTOR, FRONT (PLASTIC)	1	←551890	
06A	511925A	PROTECTOR, FRONT(PLASTIC)	1	551891→	
07	511926	PROTECTOR, REAR(PLASTIC)	1		
08	511948	FRONT INTERNAL FENDER, LH	1		
09	511949	FRONT INTERNAL FENDER, RH	1		
10	511935	BRACKET ASSY., NUMBER-PLATE	1		
11	511950	SEAT STEADY, FRONT	1		
12	513797	BRACKET, ENGINE, FRONT	2		
13	511930	TENSIONER, CHAIN	2		
14	511931	SPACER	2		
15	GA556WS04	SPRING WASHER 8.2X3.2X2t	8		
16	S20805	BOLT, FLANGE M8X42	2		
17	GA555SC05	BOLT, OUTLET M6X1.0X16L	4		
18	S20801	BOLT, FLANGE M8X20	6		
19	S20004	BOLT,FLANGE M10X30	2		
20	GA556WS06	WASHER, SPRING 10.2X3.7X2.5t	4		
21	GA554BS02	SPACER	2		
22	S25602	BOLT M6X16L	8		
23	511941	SPRING, STEERING LOCK	1	←551808	
23A	511946	SPRING, STEERING LOCK	1	551809→	
24	511940	PIN, STEERING LOCK	1	←551808	
24A	511945	PIN, STEERING LOCK	1	551809→	
25	S07601	BOLT, FLANGE	10		



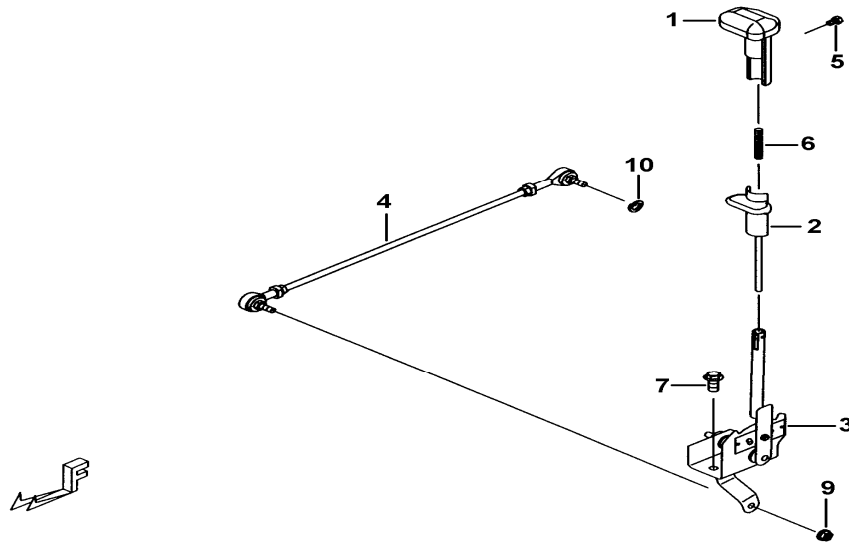
ITEM NO	PART NO	DESCRIPTION	Q'TY	AMEND	NOTE
01	511610	REAR FORK ASSY.	1		
02	S20404	BOLT, FORK PIVOT	1		
03	511603	SWING ARM SEAL COVER	2		
04	511612	CHAIN SLIDER, UPPER	1		
05	W32601	WASHER	3		
06	S46601	SCREW	3		
07	511616	COLLAR	1		
08	N25401	NUT M14	1		
09	511613	PROTECTOR, REAR FORK	1		
10	511614	CHAIN SLIDER, LOWER	1		
11	511611	SHOCK ABSORBER, REAR	1		
12	S20009	BOLT, HEX. HEAD M10X1.25X48L	2		
13	GA551NT01	NUT, SELFLOCK M10X1.0	4		
14	S20012	BOLT	2		
15	GA552SC11	SCREW, TAPPING M4X16	4		
16	S25602	BOLT M6X16L	3		
17	S96604	GREASE NIPPLE	1		
18	511602	GREASE CONTAIN SEAT 20	2		
19	511624	SPACER	2		
20	S99801	BOLT, HEX. HEAD	1		
21	GA551NT04	NUT, HEX. HEAD M8	1		



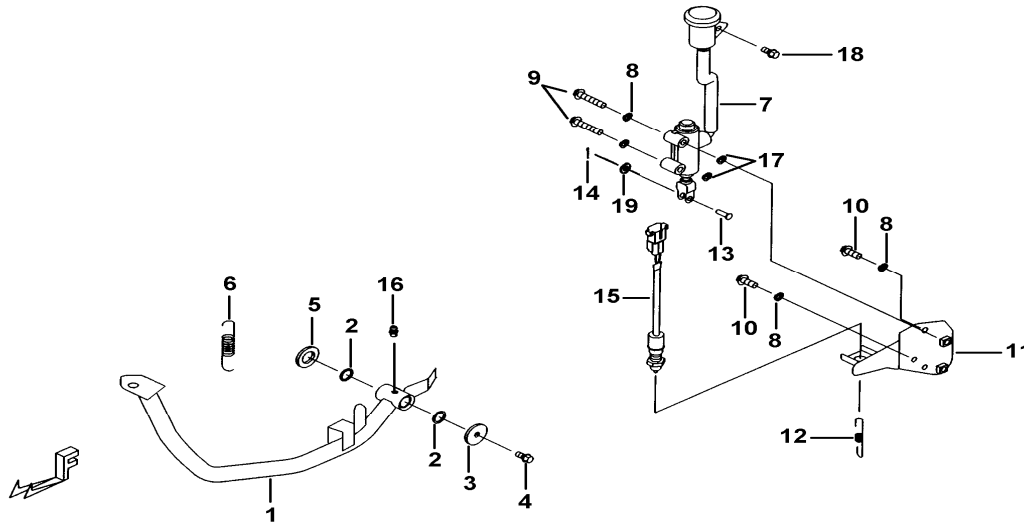
ITEM NO	PART NO	DESCRIPTION	Q'TY	AMEND	NOTE
01	512015	BRACKET, VENTILATION BOARD	1	←551890	
01A	512025	BRACKET, VENTILATION BOARD	1	551891→	
02	512014	BRACKET, BUMPER, FRONT	1		
03	512010	BRACKET, FOOT BOARD, LH	1		
04	512011	BRACKET, FOOT BOARD, RH	1		
05	512021	HAND HOLD, REAR	1		
06	S20801	BOLT, FLANGE M8X20	6		
08	GA556WS04	SPRING WASHER 8.2X3.2X2t	2		
09	S20002	BOLT,FLANGE M10X1.25	4		
10	GA556WS06	WASHER, SPRING 10.2X3.7X2.5t	2		
11	S21008	BOLT M10X20	4		
12	S20807	BOLT, OUTLET M8X1.25X12L	2		
13	512017	BRACKET, BUMPER, REAR, LH	1		
14	512018	BRACKET, BUMPER, REAR, RH	1		



ITEM NO	PART NO	DESCRIPTION	Q'TY	AMEND	NOTE
01	512115	FUEL TANK ASSY.	1		
02	512125	ORNAMENT, FUEL TANK	1		
03	512124	GAUGE ASSY., FUEL LEVEL	1		
04	S07501	BOLT, HEX HEAD	4		
05	GA556SC01	BOLT, FLANGE M6X1.0X12L	2		
06	512123	BRACKET, SEAT, FRONT	1		
07	S20802	BOLT, FLANGE	2		
08	512120	CUSHION	2		
09	512119	SPACER	2		
10	512122	BRACKET, FUEL TANK	1		←552305
11	512118	COCK ASSY. FUEL	1		
12	R36801	CLIP ϕ 8.5	3		
13	GA553PP02	HOSE	1		
14	GA553SP01	SPRING	2		
15	GA5539904	FILTER, FUEL	1		
16	401014	SPRING 12X100X0.8	1		
17	512127	HOSE	1		
18	GA553SR04	CLIP ϕ 7.5	1		
19	512128	HOSE, NEGATIVE PRESSURE	1		
20	S20801	BOLT, FLANGE M8X20	2		
21	BH121SR01	CLIP ϕ 7.8	2		
22	W99005	WASHER	2		



ITEM NO	PART NO	DESCRIPTION	Q'TY	AMEND	NOTE
01	514203	HOLDER	1		
02	514202	PULL ROD ASSY., SHIFT LEVER	1		
03	514200	LEVER ASSY.	1		
04	514207	CONNECTING ROD, SHIFT LEVER	1		
05	S07505	SCREW, W/WASHER	1		
06	514210	SPRING	1		
07	S21809	BOLT M8X1.25X18L	2		
09	GA558NT02	NUT, SELFLOCK 8X7.5	1		
10	GA556WS04	SPRING WASHER 8.2X3.2X2t	1		

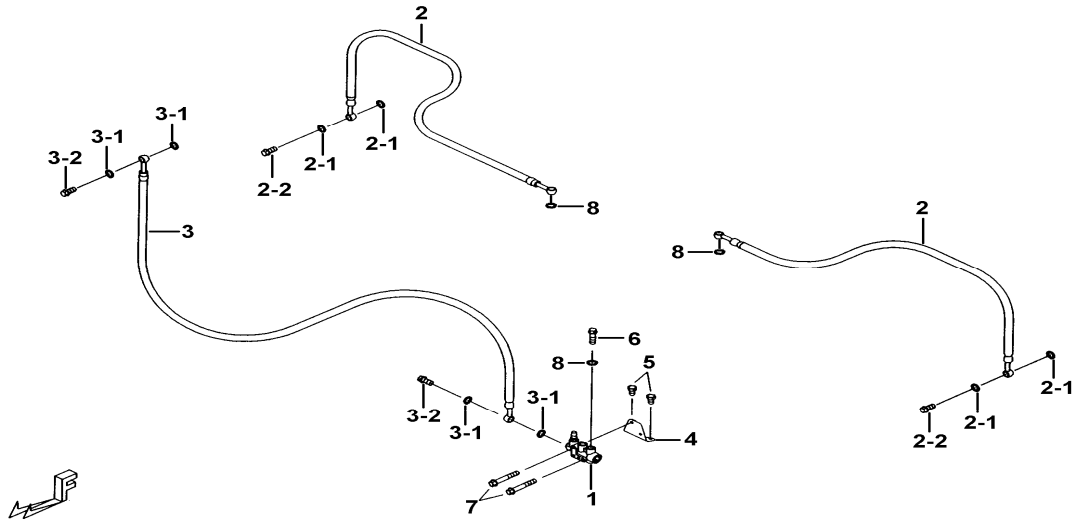


ITEM NO	PART NO	DESCRIPTION	Q'TY	AMEND	NOTE
01	514100	BRAKE PEDAL	1		
02	514103	O RING	2		
03	W99626	WASHER	1	←550571	
03A	W99824	WASHER 8.5	1	550572→	
04	S20603	BOLT, FLANGE M6X12	1	←550571	
04A	S20817	BOLT, FLANGE M8X16	1	550572→	
05	W99702	WASHER	1		
06	GA551SP02	SPRING 16X114X2.8	1		
07	514101	MASTER CYLINDER ASSY., PEDAL	1	←552006	
07A	514122	MASTER CYLINDER ASSY., PEDAL	1	552007→	
08	GA556WS04	SPRING WASHER 8.2X3.2X2t	4		
09	S20805	BOLT, FLANGE M8X42	2		
10	S20814	BOLT, FLANGE	2		
11	514104	BRACKET, MASTER CYLINDER, PEDAL	1		
12	GA551SP04	SPRING 9X107X1.4	1		
13	P31701	PIN	1		
14	P10102	PIN 1.5X20	1		
15	514109	SWITCH, BRAKE LAMP	1		
16	S96604	GREASE NIPPLE	1		
17	514114	SPACER	2		
18	S20603	BOLT, FLANGE M6X12	1		
19	W99805	WASHER	1		

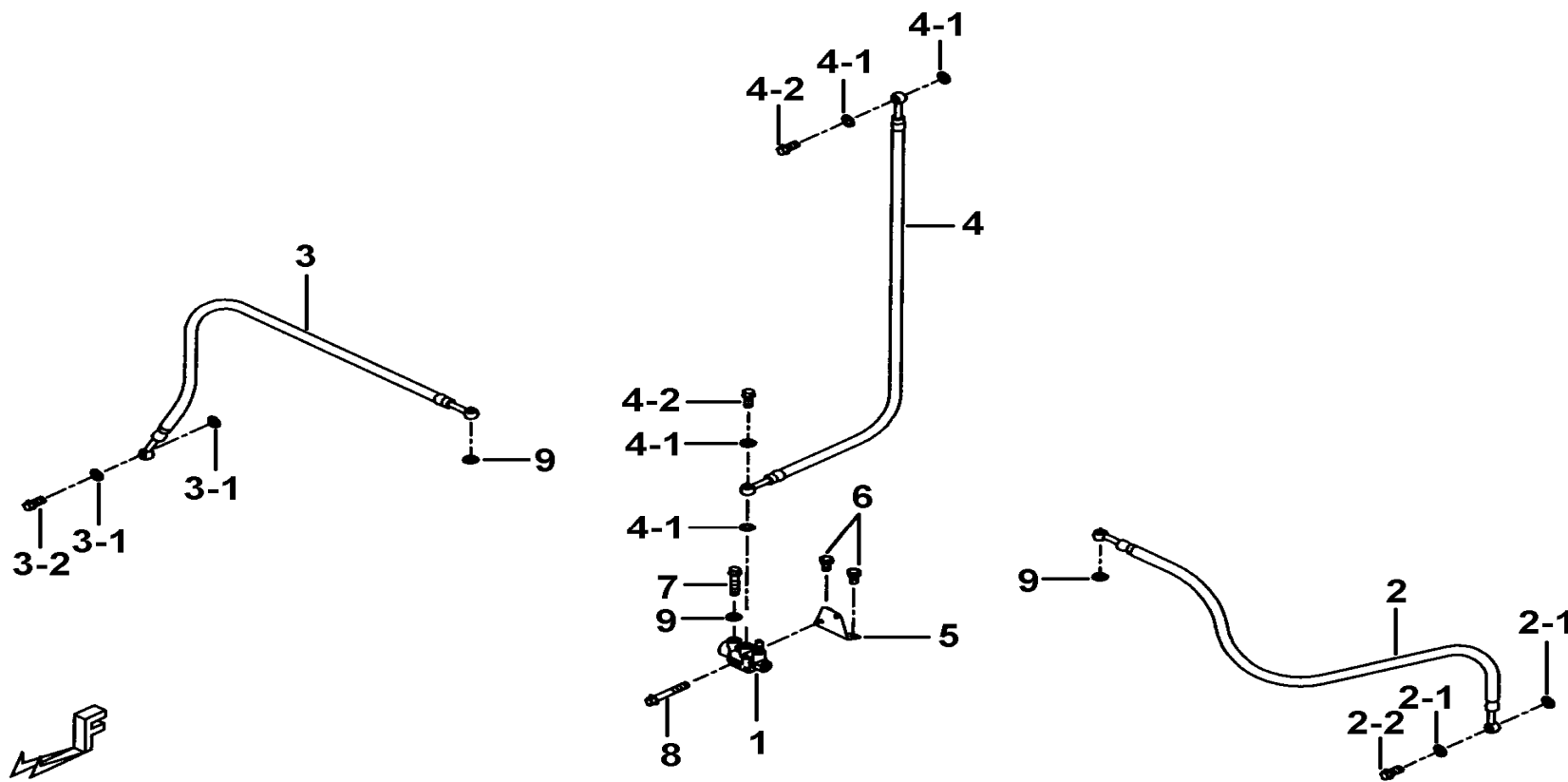
9210

FRONT DISTRIBUTOR (←551169)

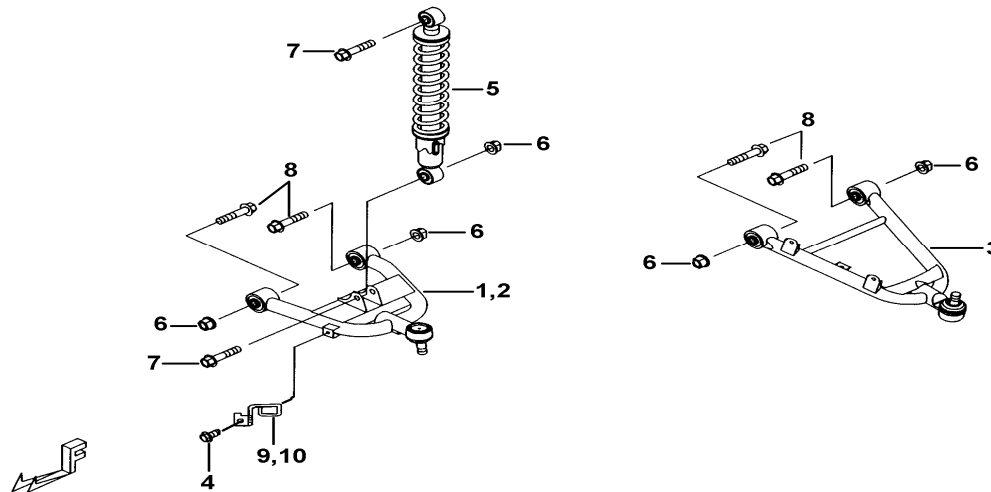
FCB



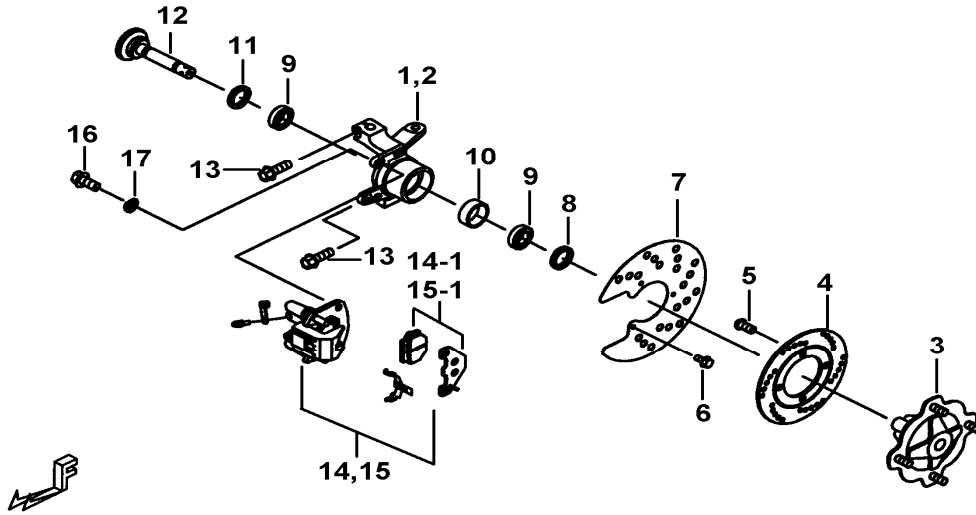
ITEM NO	PART NO	DESCRIPTION	Q'TY	AMEND	NOTE
01	513511	DISTRIBUTOR	1		
02	513509A	HOSE ASSY. #1, BRAKE	2		
02-1	GA559WS04	WASHER, 10.2X15X1.2t	4		
02-2	S96004	OIL BOLT M10X1.25X22L	2		
03	513508	HOSE ASSY. #2, BRAKE	1		
03-1	GA559WS04	WASHER, 10.2X15X1.2t	4		
03-2	S21001	OIL BOLT M10X1.25X22L	2		
04	513512	BRKT., DISTRIBUTOR, FRONT	1		
05	GA557SC15	BOLT, HEX. HEAD M6X10	2		
06	S96002	OIL BOLT	1		
07	S24610	BOLT, FLANGE M6X40	2		
08	GA559WS04	WASHER, 10.2X15X1.2t	3		



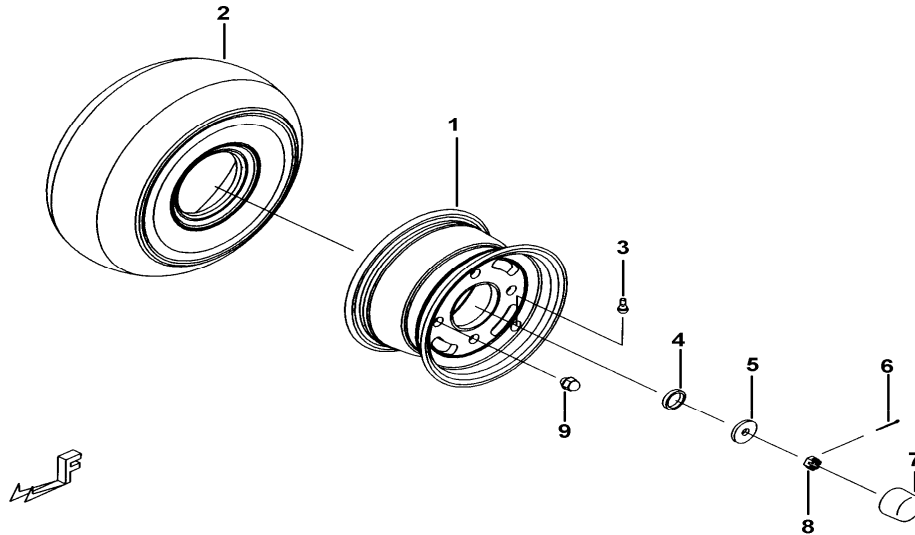
ITEM NO	PART NO	DESCRIPTION	Q'TY	AMEND	NOTE
01	513511	DISTRIBUTOR	1	←552006	
01A	513530A	DISTRIBUTOR	1	552007→	
02	513520A	HOSE ASSY., BRAKE	1		
02-1	GA559WS04	WASHER, 10.2X15X1.2t	2		
02-2	S96004	OIL BOLT M10X1.25X22L	1		
03	513521A	HOSE ASSY., BRAKE	1		
03-1	GA559WS04	WASHER, 10.2X15X1.2t	2		
03-2	S96004	OIL BOLT M10X1.25X22L	1		
04	513519	HOSE ASSY., BRAKE	1		
04-1	GA559WS04	WASHER, 10.2X15X1.2t	4		
04-2	S21001	OIL BOLT M10X1.25X22L	2		
05	513522	BRKT	1		
06	GA557SC15	BOLT, HEX. HEAD M6X10	2		
07	S96002	OIL BOLT	1		
08	S24610	BOLT, FLANGE M6X40	2		
09	GA559WS04	WASHER, 10.2X15X1.2t	3		



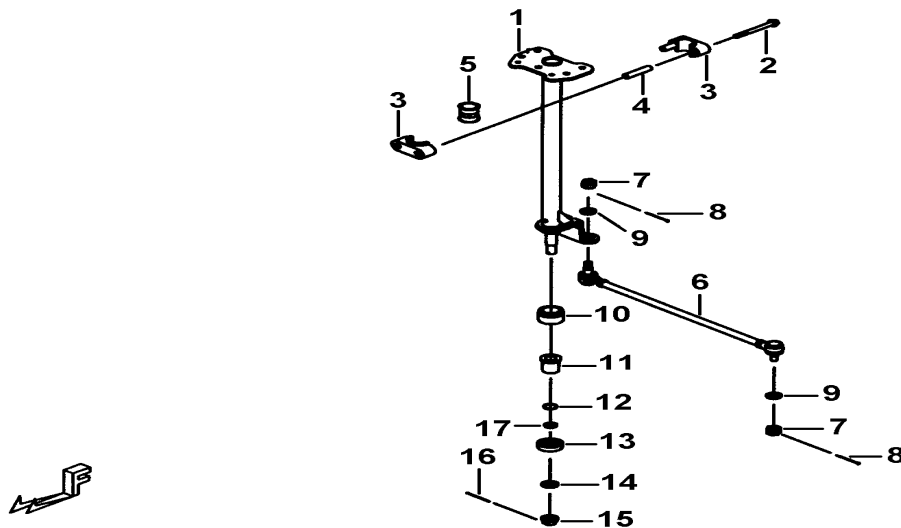
ITEM NO	PART NO	DESCRIPTION	Q'TY	AMEND	NOTE
01	513315	ARM SET, UPPER, LH	1		
02	513316	ARM SET, UPPER, RH	1		
03	513331	ARM SET, LOWER	2		
04	S21605	BOLT, FLANGE M6X10	2		
05	513319	SHOCK ABSORBER ASSY., FRONT	2		
06	GA551NT01	NUT, SELFLOCK M10X1.0	10		
07	S20009	BOLT, HEX. HEAD M10X1.25X48L	4		
08	S20017	BOLT, FLANGE	8		
09	513329	CLAMP (LH.)	1		
10	513330	CLAMP (RH.)	1		



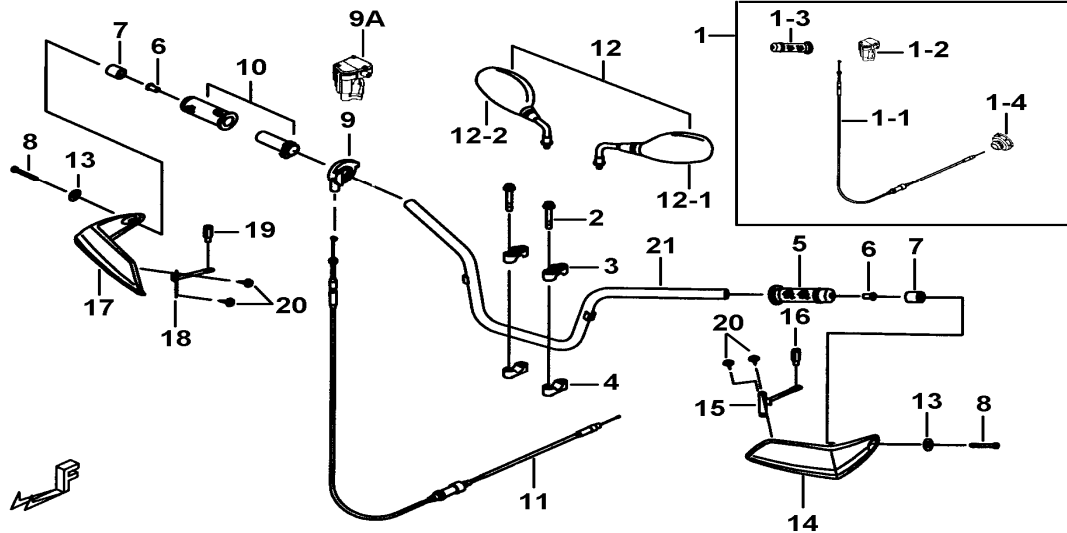
ITEM NO	PART NO	DESCRIPTION	Q'TY	AMEND	NOTE
01	513320	KNUCKLE, STEERING, LH	1		
02	513321	KNUCKLE, STEERING, RH	1		
03	512927	HUB, FRONT WHEEL	2	←550571	
03A	512934	HUB, FRONT WHEEL	2	550572→	
04	512925Y	DISC, BRAKE 180mm	2	←550571	
04A	512935Y	DISC, BRAKE 180mm	2	550572→	
05	S72005	SCREW, SOCKET	8		
06	GA555SC02	SCREW, AN HEAD	6		
07	512944	PROTECTIVE COVER	2		
08	513325	OIL SEAL, OUTER	2		
09	512806	BEARING	4		
10	513324	SPACER	2		
11	513322	OIL SEAL, INNER	2		
12	512924	FRONT AXLE	2		
13	S20021	BOLT	4		
14	513505	CALIPER ASSY., FRONT, LH	1		
14-1	514038	PAD	1		
15	513506	CALIPER ASSY., FRONT, RH	1		
15-1	514038	PAD	1		
16	S21809	BOLT M8X1.25X18L	4		
17	GA556WS04	SPRING WASHER 8.2X3.2X2t	4		



ITEM NO	PART NO	DESCRIPTION	Q'TY	AMEND	NOTE
01	512930Y	RIM COMP, FRONT 10"	2	←550571	
01A	512937Y	RIM COMP, FRONT 10"	2	550572→	
01B	512936	RIM COMP, FRONT 10" (STEEL)	2		
02	512932	TIRE AT 22X7-10	2		
02A	512938Y	TIRE AT 23X8-10	2		
03	515052	INLET COMP., AIR	2		
03A	512906	INLET COMP., AIR	2		FOR RIM 10" (STEEL)
04	512933	SPACER	2		
05	W99822	WASHER	2		
06	P10301	PIN	2		
07	512901	RUBBER CAP	2		
08	N13801	NUT	2		
09	N05003	NUT	8		

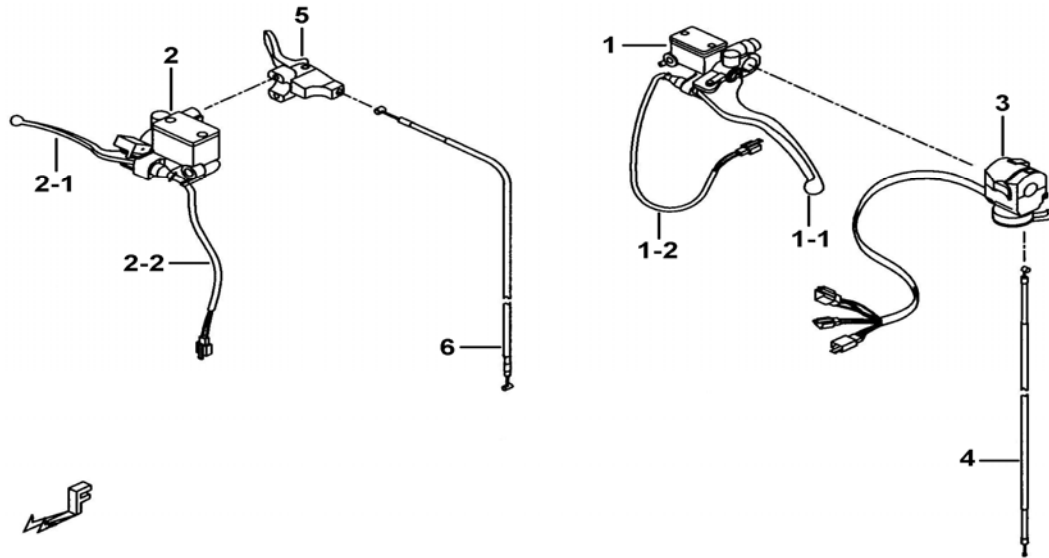


ITEM NO	PART NO	DESCRIPTION	Q'TY	AMEND	NOTE
01	512721	STEERING SHAFT	1		
02	S21814	BOLT	2		
03	512724	BRACKET, STEERING SHAFT	2		
04	512723	SPACER	2		
05	512725	BUSH SLEEVE, STEERING SHAFT	1		
06	512720	STEERING TIE-ROD ASSY.	2		
07	N13001	NUT M10X1.25	4		
08	GA551PN04	PIN, COTTER	4		
09	W99005	WASHER	4		
10	512726	DUST SEAL, STEERING SHAFT	1		
11	512728	BUSH	1		
12	512722	O RING	1		
13	512727	DUST SEAL, STEERING LOWER	1		
14	W99409	WASHER $\text{§ } 14.5 \times \text{§ } 26 \times 2t$	1		
15	N25401	NUT M14	1		
16	P10301	PIN	1		
17	W99532	WASHER	1		

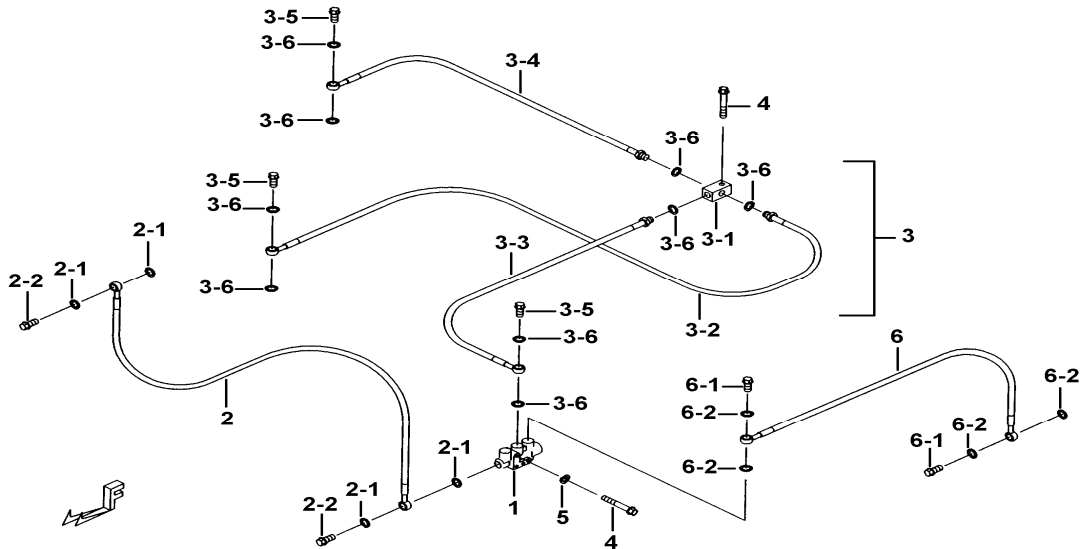


ITEM NO	PART NO	DESCRIPTION	Q'TY	AMEND	NOTE
01	514088	ACCELERATOR(TRIGGER)	1		
01-1	513027	CABLE, THROTTLE	1		
01-2	513215	CASE ASSY. THEROTTLE	1		
01-3	401827	GRIP, LH.	1		
01-4	923303	TOP. CAP	1		
02	S20809	BOLT, FLANGE M8X42	4		
03	513030	HANDLE BAR BRACKET, UPPER	2		
04	513031	HANDLE BAR BRACKET, LOWER	2		
05	401827	GRIP, LH.	1		FOR GRIP
05A	401827	GRIP, LH.	2		FOR TRIGGE R
06	401801	COLLAR	2		
07	513044	END, GRIP	2		
08	S70611	SCREW, SOCKET HEAD M6x50	2		
09	513040	THROTTLE HOUSING	1		FOR GRIP
09A	513215	CASE ASSY. THEROTTLE	1		FOR TRIGGE R
10	513041	GRIP ASSY., RH.	1		FOR GRIP
11	513033	CABLE, THROTTLE	1		FOR GRIP
11A	513027	CABLE, THROTTLE	1		FOR TRIGGE R
12	410151	MIRROR ASSY., REAR VIEW	1		
12-1	410152	MIRROR, REAR VIEW, LH.	1		
12-2	410153	MIRROR, REAR VIEW, RH.	1		
13	W99605	WASHER	2		
14	513100	HAND GUARDS, LH.	1		

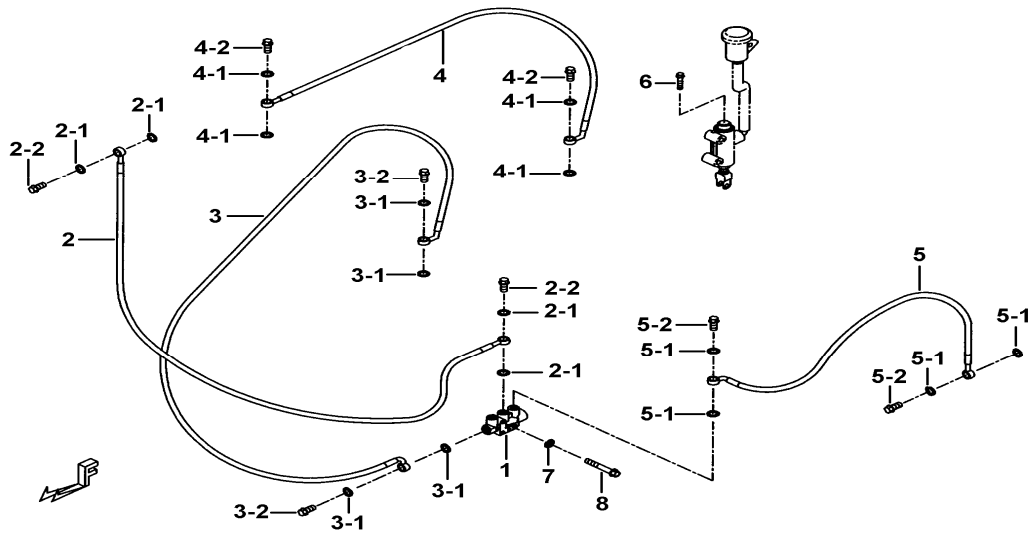
15	513105	BKT., HAND GUARDS, LH.	1
16	457043	SPACER, LH.	1
17	513101	HAND GUARDS, RH.	1
18	513106	BKT., HAND GUARDS, RH.	1
19	457044	SPACER, RH.	1
20	S50501	SCREW, OVAL HEAD M5X12L	4
21	513026	HANDLE BAR ASSY.	1



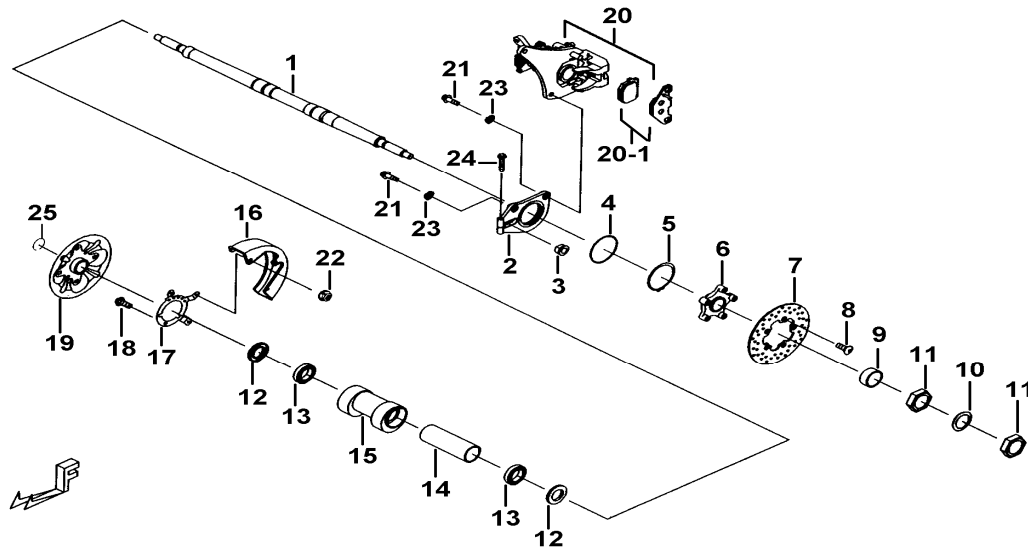
ITEM NO	PART NO	DESCRIPTION	Q'TY	AMEND	NOTE
01	514301	MASTER CYLINDER ASSY., LH	1		
01-1	514059	LEVER	1		
01-2	514062	LIMITED SWITCH ASSY.	1		
02	513518	MASTER CYLINDER ASSY., RH	1		
02-1	514059	LEVER	1		
02-2	514062	LIMITED SWITCH ASSY.	1		
03	513217	SWITCH ASSY., LH	1		
04	513028	CABLE, CHOKE	1		
05	513516	PARKING BRAKE ASSY.	1	←552131	
05A	513529	PARKING BRAKE ASSY.	1	552132→	
06	513513	CABLE, PARKING BRAKE	1	←552131	
06A	513537	CABLE, PARKING BRAKE	1	552132→	



ITEM NO	PART NO	DESCRIPTION	Q'TY	AMEND	NOTE
01	513511	DISTRIBUTOR	1		
02	514302	HOSE ASSY.	1		
02-1	GA559WS04	WASHER, 10.2X15X1.2t	4		
02-2	S21001	OIL BOLT M10X1.25X22L	2		
03	514306	HOSE ASSY.	1		
03-1	514039	THREE WAY	1		
03-2	514041	HOSE ASSY.	1		
03-3	514042	HOSE ASSY.	1		
03-4	514040	HOSE ASSY.	1		
03-5	S21001	OIL BOLT M10X1.25X22L	3		
03-6	GA559WS04	WASHER, 10.2X15X1.2t	9		
04	S24614	BOLT, FLANGE	3		
05	W10601	SPRING WASHER	2		
06	514304	HOSE ASSY.	1		
06-1	S21001	OIL BOLT M10X1.25X22L	2		
06-2	GA559WS04	WASHER, 10.2X15X1.2t	4		



ITEM NO	PART NO	DESCRIPTION	Q'TY	AMEND	NOTE
01	513511	DISTRIBUTOR	1	←552006	
01A	513534A	DISTRIBUTOR	1	552007→	
02	514308	HOSE ASSY., BRAKE	1		
02-1	GA559WS04	WASHER, 10.2X15X1.2t	4		
02-2	S21001	OIL BOLT M10X1.25X22L	2		
03	514310	HOSE ASSY., BRAKE	1		
03-1	GA559WS04	WASHER, 10.2X15X1.2t	4		
03-2	S21001	OIL BOLT M10X1.25X22L	2		
04	514309	HOSE ASSY., BRAKE	1	←552006	
04-1	GA559WS04	WASHER, 10.2X15X1.2t	4		
04-2	S21001	OIL BOLT M10X1.25X22L	2		
04A	514319	HOSE ASSY., BRAKE	1	552007→	
05	514304	HOSE ASSY.	1		
05-1	GA559WS04	WASHER, 10.2X15X1.2t	4		
05-2	S21001	OIL BOLT M10X1.25X22L	2		
06	S96002	OIL BOLT	1		
07	W10601	SPRING WASHER	2		
08	S24614	BOLT, FLANGE	2		

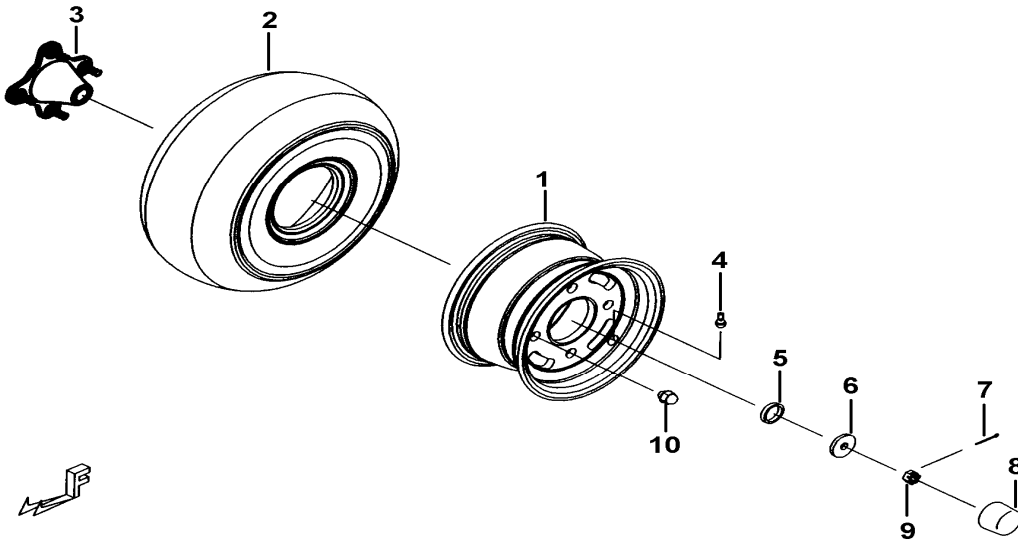


ITEM NO	PART NO	DESCRIPTION	Q'TY	AMEND	NOTE
01	512820	REAR AXLE	1		
02	512821	HOLDER, CALIPER ASSY., REAR	1	←550682	
02A	512843	HOLDER, CALIPER ASSY., REAR	1	550683→	
03	512831	SPACER	1		
04	512833	O RING	1		
05	R00001	C CLIP	1		
06	512822	BASE, BRAKE	1		
07	513413Y	DISC, BRAKE 220 mm	1		
08	S72005	SCREW, SOCKET	5		
09	512830	SPACER	1		
10	512846	WASHER	1		
11	N01002	NUT	2		
12	512828	OIL SEAL	2		
13	512829	BEARING	2		
14	512825	SPACER	1		
15	512826	REAR AXLE FIX SEAT	1		
16	512832	CHAIN PROTECIVE COVER	1		
17	512824	ADJUST BOARD	1		
18	GA558SC02	BOLT M8X1.25X15L	3		
19	512827	BASE, CHAIN	1		
20	514300	CALIPER, REAR	1		
20-1	514089	PAD	1		
21	S20802	BOLT, FLANGE	2	←550682	
21A	S20818	BOLT, FLANGE	2	550683→	
22	GA554NT04	NUT, FLANGE M6xP1.0	3		
23	GA556WS04	SPRING WASHER 8.2X3.2X2t	2		
24	S21810	BOLT, FLANGE	1		
25	R00002	CLIP	1		

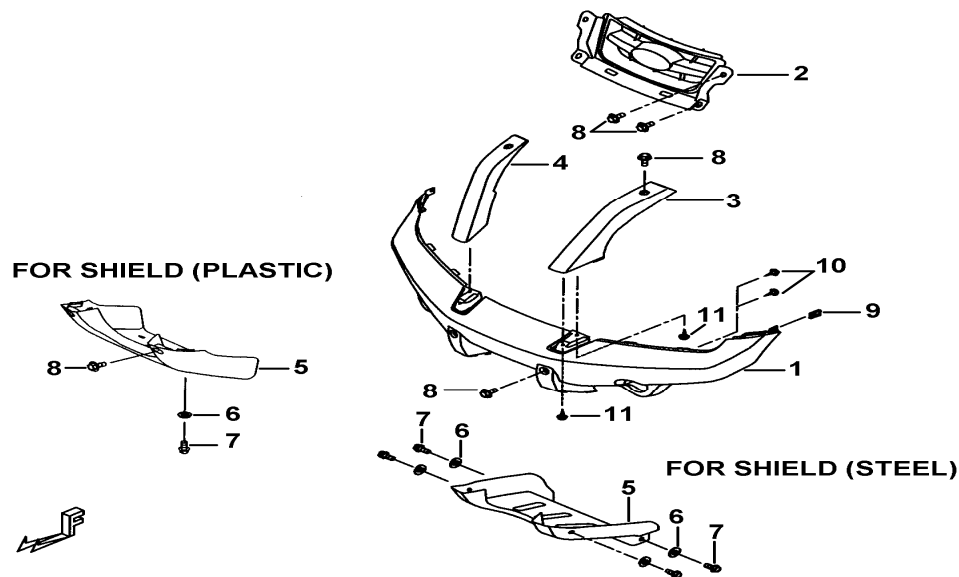
219

REAR WHEEL

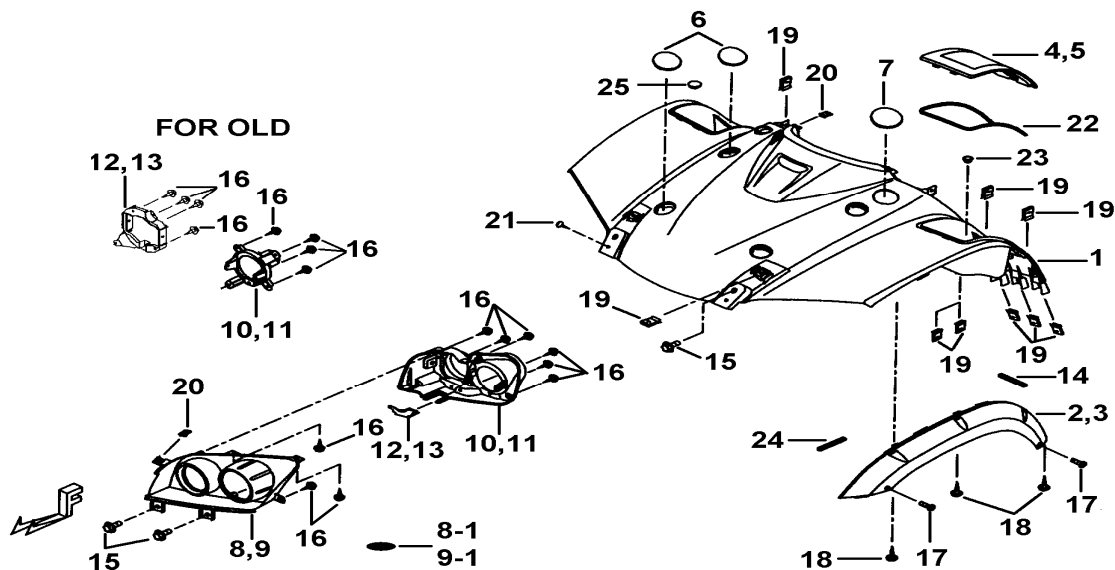
FCB



ITEM NO	PART NO	DESCRIPTION	Q'TY	AMEND	NOTE
01	513410Y	RIM COMP, REAR 10"	2	←550571	
01A	513418Y	RIM COMP, REAR 10"	2	550572→	
01B	513417	RIM COMP, REAR 10"(STEEL)	2		
02	513411	TIRE AT 22X10-10	2		
02A	513419Y	TIRE AT 23X10-10	2		
03	513406	HUB, REAR WHEEL	2	←550571	
03A	513416	HUB, REAR WHEEL	2	550572→	
04	515052	INLET COMP., AIR	2		
04A	512906	INLET COMP., AIR	2		FOR RIM 10" (STEEL)
05	513415	SPACER	2		
06	W99822	WASHER	2		
07	P10301	PIN	2		
08	512901	RUBBER CAP	2		
09	N13801	NUT	2		
10	N05003	NUT	8		

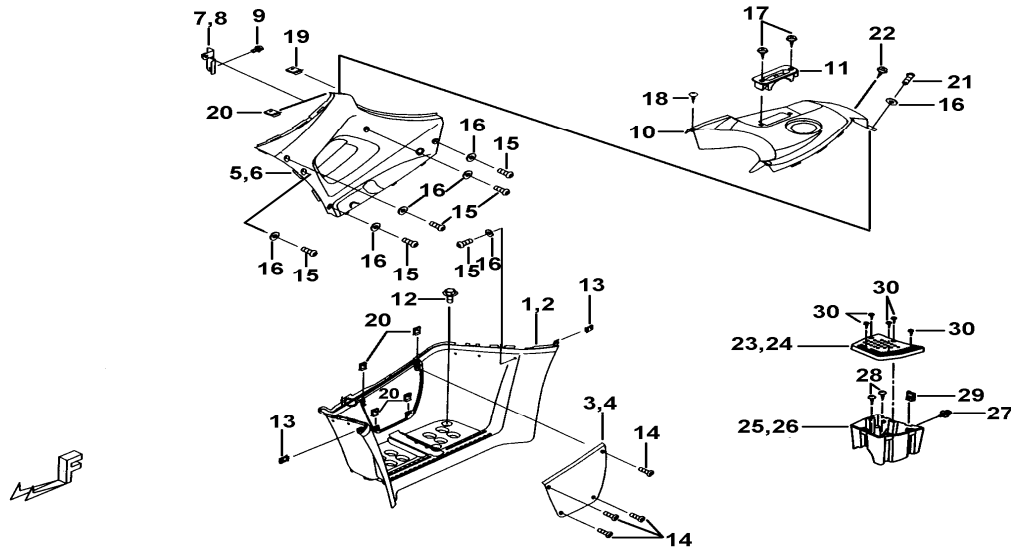


ITEM NO	PART NO	DESCRIPTION	Q'TY	AMEND	NOTE
01	514500	FRONT BUMPER	1		
02	512444	FRONT AIR INLET PLATE	1		
03	514501	FRONT SHOCK MOUNT, LH	1		
04	514502	FRONT SHOCK MOUNT, RH	1		
05	514503	FRONT LOWER LEG SHIELD(PLASTIC)	1	←551890	
05A	514512	FRONT LOWER LEG SHIELD(STEEL)	1	551891→	
06	514504	SPACER	2	←551890	
06A	W99219	WASHER	4	551891→	
07	S21809	BOLT M8X1.25X18L	2	←551890	
07A	S21008	BOLT M10X20	4	551891→	
08	S25602	BOLT M6X16L	10	←551890	
08A	S25602	BOLT M6X16L	8	551891→	
09	N32501	NUT, SPRING M5	2		
10	S57501	SCREW, OVAL HEAD, FLANGE M5X14	4		
11	S50501	SCREW, OVAL HEAD M5X12L	4		



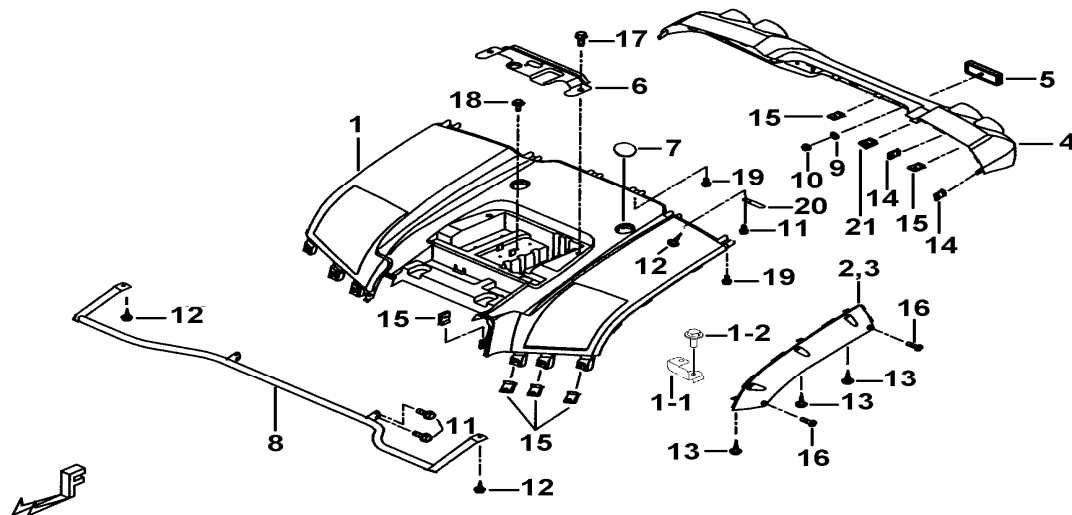
ITEM NO	PART NO	DESCRIPTION	Q'TY	AMEND	NOTE
01	512415	FRONT BODY COVER	1		
02	512418	FRONT FENDER SIDE RAIL, LH	1		
03	512419	FRONT FENDER SIDE RAIL, RH	1		
04	512421	GLOVE COMPARTMENT, LH	1		
05	512422	GLOVE COMPARTMENT, RH	1		
06	512425	CARRIER COVER	4		
07	512424	RESERVOIR COVER	1		
08	512416A	HEAD LAMP SUPPORT ASSY., LH	1		
08-1	514649	ALUMINUM FOIL LABEL	1		
09	512417A	HEAD LAMP SUPPORT ASSY., RH	1		
09-1	514649	ALUMINUM FOIL LABEL	1		
10	512428	LAMP STEADY, LO-BEAM, LH	1		←551808
10A	512437	FENDER, HEAD LAMP LH.	1		551809→
11	512429	LAMP STEADY, LO-BEAM, RH	1		←551808
11A	512438	FENDER, HEAD LAMP RH.	1		551809→
12	512426	LAMP STEADY, HI-BEAM, LH	1		←551808
12A	512442	FENDER, LH.	1		551809→
13	512427	LAMP STEADY, HI-BEAM, RH	1		←551808
13A	512443	FENDER RH.	1		551809→
14	512436	BAND, WATERPROOF	2		
15	S25602	BOLT M6X16L	6		
16	S57501	SCREW, OVAL HEAD, FLANGE M5X14	18		
17	S41501	BOLT M5X12	4		
18	GA552SC11	SCREW, TAPPING M4X16	6		
19	N32601	NUT, SPRING	18		
20	GA552NT01	NUT, SPRING M4	4		
21	S50401	SCREW TAPPING M4X12	2		
22	512423	BAND, WATERPROOF	2		
23	454016	RUBBER PLUG	2		

24	512439	BAND, WATERPROOF	2
25	512434	RUBBER PLUG	1

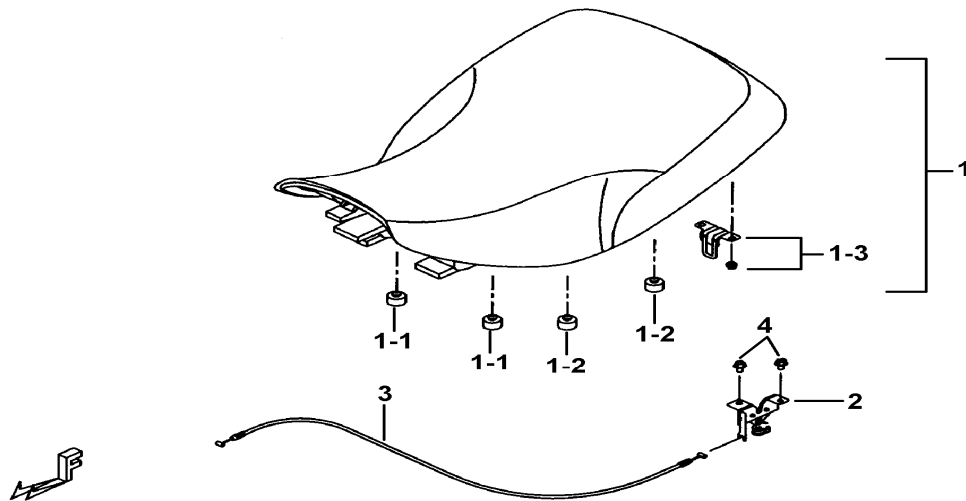


ITEM NO	PART NO	DESCRIPTION	Q'TY	AMEND	NOTE
01	512509	FOOT BOARD, LH	1	←551808	
01A	512524	FOOT BOARD, LH	1	551809→	
02	512510	FOOT BOARD, RH	1	←551808	
02A	512525	FOOT BOARD, RH	1	551809→	
03	512511	OIL FILLER COVER, LH	1		
04	512512	OIL FILLER COVER, RH	1		
05	512507	SIDE COVER, LH	1	←551809	
05A	512522	SIDE COVER, LH	1	551810→	
05B	512522C	SIDE COVER, LH(CARBON COATING)	1		FOR 250 LE
06	512508	SIDE COVER, RH	1	←551809	
06A	512523	SIDE COVER, RH	1	551810→	
06B	512523C	SIDE COVER, RH(CARBON COATING)	1		FOR 250 LE
07	512526	BRKT., SIDE COVER, LH	1		
08	512527	BRKT., SIDE COVER, RH	1		
09	GA556SC01	BOLT, FLANGE M6X1.0X12L	2		
10	512505	FUEL TANK COVER, UPPER	1		
11	512506	GEAR CHANGE INDICATOR SUPPORT	1		
12	S25602	BOLT M6X16L	6		
13	N32501	NUT, SPRING M5	4		
14	S51404	SCREW TAPPING M4X12	8		
15	S72605	BOLT, HEX HEAD M6X16	22		
16	GA555WS02	WASHER	24		
17	S50501	SCREW, OVAL HEAD M5X12L	2		
18	S50406	SCREW, TAPPING M4X16	2		
19	N32601	NUT, SPRING	2		
20	GA552NT01	NUT, SPRING M4	10		
21	S72603	BOLT, HEX HEAD M6X12	2		
22	S50407	SCREW, TAPPING M4X12	2		

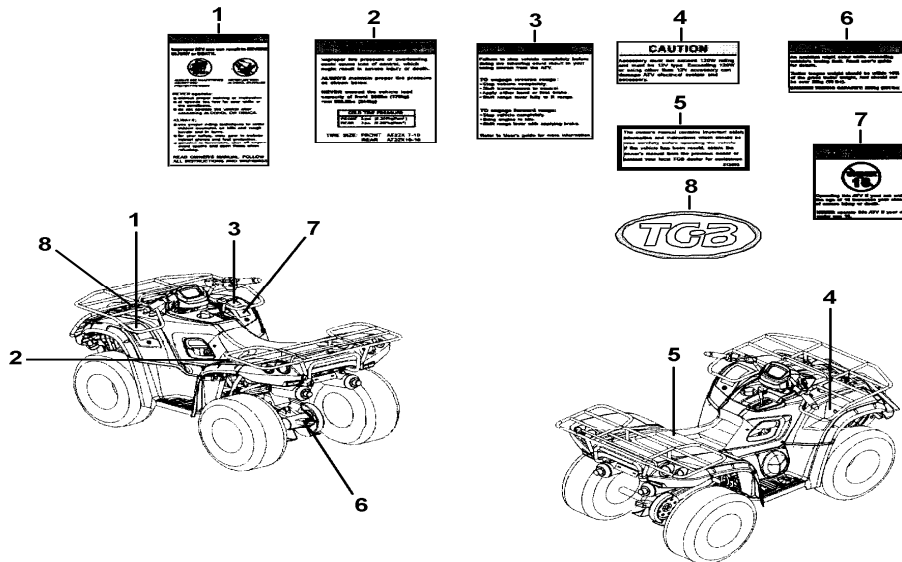
23	512517	LH. FOOT, REST(UPPER)	1 551809→
24	512519	RH. FOOT, REST(UPPER)	1 551809→
25	512518	LH. FOOT, REST(BELOW)	1 551809→
26	512520	RH. FOOT, REST(BELOW)	1 551809→
27	S07601	BOLT, FLANGE	4 551809→
28	S50506	SCREW, TAPPING	4 551809→
29	N32601	NUT, SPRING	4 551809→
30	S50401	SCREW TAPPING M4X12	10 551809→



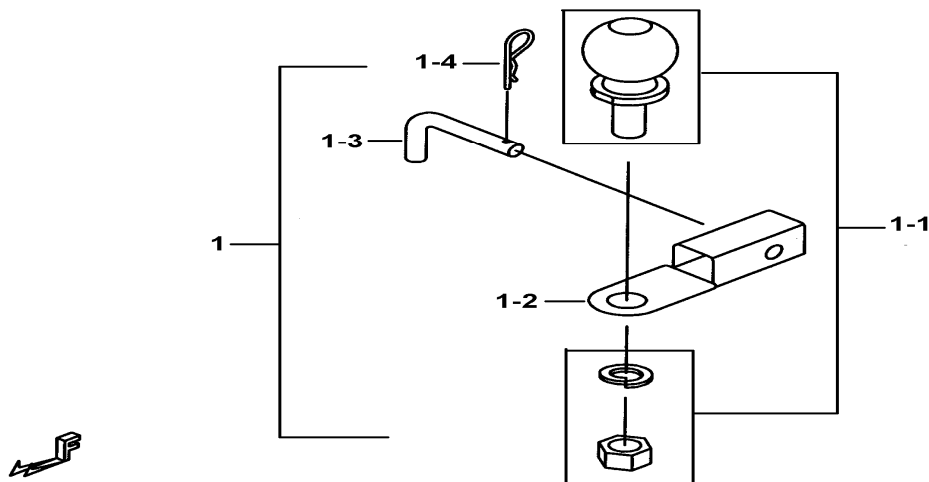
ITEM NO	PART NO	DESCRIPTION	Q'TY	AMEND	NOTE
01	514414E	REAR BODY COVER COMP.	1		
01-1	514417	BRKT	1		
01-2	S07601	BOLT, FLANGE	1		
02	514401	REAR FENDER SIDE RAIL, LH	1		
03	514402	REAR FENDER SIDE RAIL, RH	1		
04	514403	REAR BUMPER	1		
05	511802	REFLECTOR ASSY., REAR	2		
06	514413	BATTERY FIXED	1		
07	512425	CARRIER COVER	2		
08	514405	BRKT, REAR BODY COVER	1		
09	W99605	WASHER	2		
10	GA554NT04	NUT, FLANGE M6xP1.0	2		
11	GA555SC05	BOLT, OUTLET M6X1.0X16L	6		
12	S57501	SCREW, OVAL HEAD, FLANGE M5X14	4		
13	GA552SC11	SCREW, TAPPING M4X16	6		
14	N32501	NUT, SPRING M5	2		
15	N32601	NUT, SPRING	12		
16	S41501	BOLT M5X12	4		
17	S20801	BOLT, FLANGE M8X20	2		
18	S25602	BOLT M6X16L	1		
19	S07601	BOLT, FLANGE	4		
20	514410	CLAMP	2		
21	514411	CONNECTOR	2		



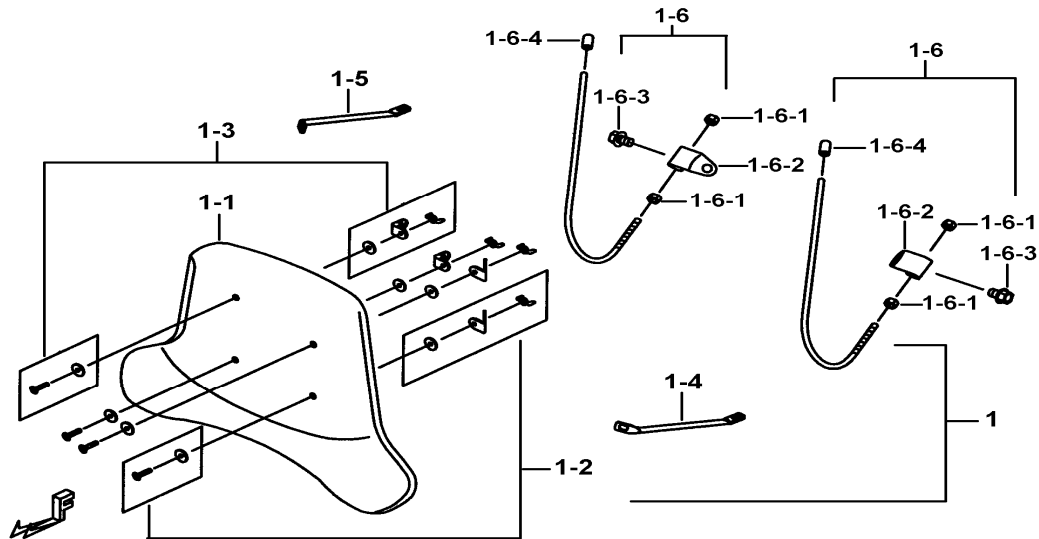
ITEM NO	PART NO	DESCRIPTION	Q'TY	AMEND	NOTE
01	512305	SEAT SET	1	←551808	
01-1	515019	DAMPER, RUBBER (FRONT)	2		
01-2	515022	DAMPER, RUBBER (REAR)	2		
01-3	515020	HOOK	1		
01A	512307	SEAT SET(BLACK)	1	551809→	
01B	512306SG	SEAT SET (GRAY)	1		FOR 250 LE
02	511933	LOCK SET, SEAT	1		
03	511934	CABLE, LOCK SET, SEAT	1	←552389	
03A	512308	CABLE, LOCK SET, SEAT	1	552390→	
04	S21605	BOLT, FLANGE M6X10	2		



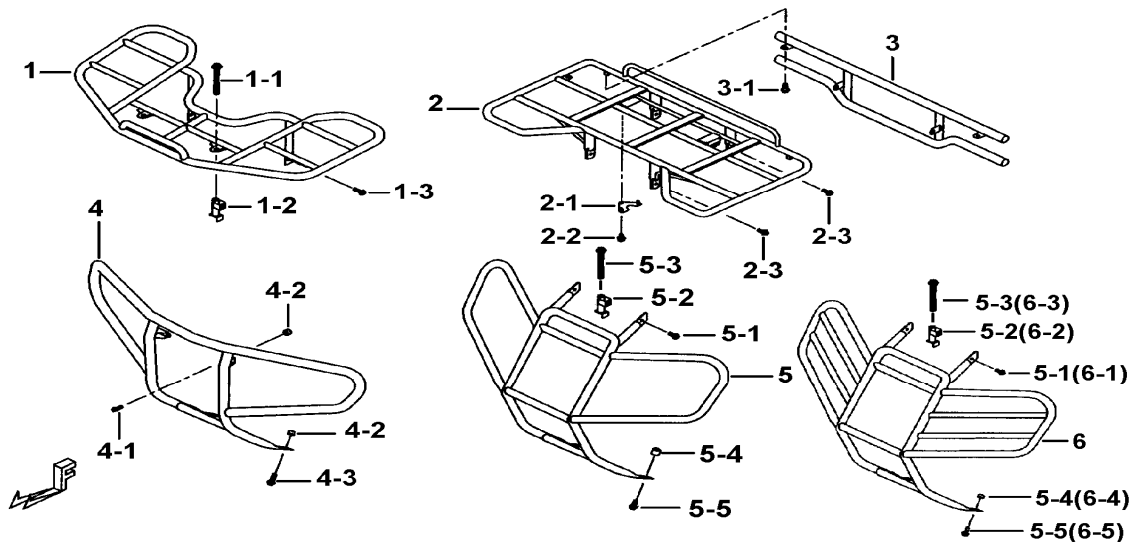
ITEM NO	PART NO	DESCRIPTION	Q'TY	AMEND	NOTE
01	513688	LABEL, WARING	1		
02	513686	LABEL, TIRE PRESSURE.	1		
03	513684	LABEL, SHIFT RANGE.	1		
04	513683	LABEL, D.C. ELECTRIC SOURCE	1		
05	513685	LABEL, INFORMATION.	1		
06	514659	LABEL, TOW CAPACITY	1		
07	513687	LABEL, AGE 16.	1		
08	514665	" TGB " Emblem	1		



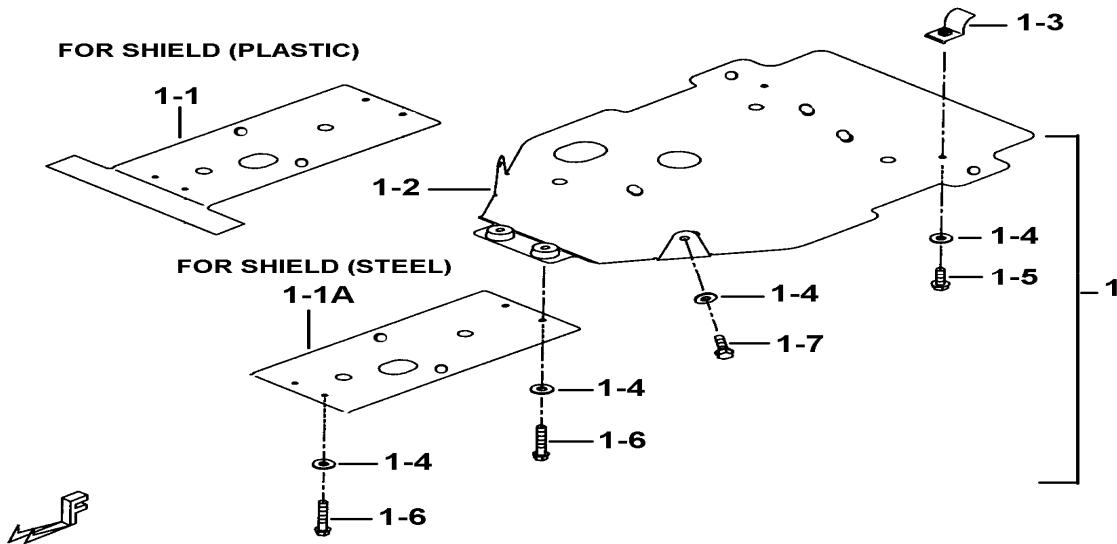
ITEM NO	PART NO	DESCRIPTION	Q'TY	AMEND	NOTE
01	515002	TRAILER HITCH ASSY.	1		
01-1	511627	HITCH BALL ASSY.	1		
01-2	511628	BALL MOUNT	1		
01-3	511620	PIN	1		
01-4	P20001	CLIP	1		



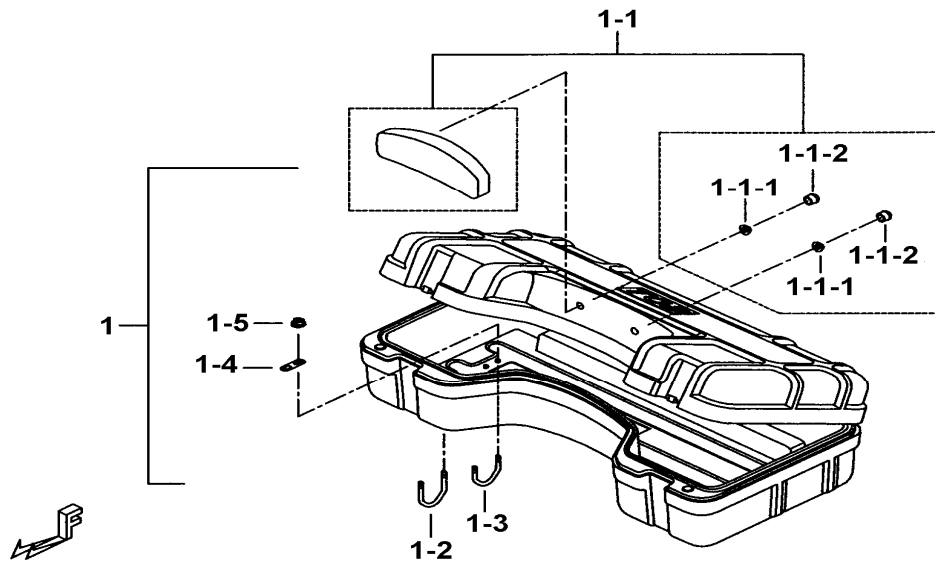
ITEM NO	PART NO	DESCRIPTION	Q'TY	AMEND	NOTE
01	514017	FIXED ROD SET	1		
01-1	457028	WIND-SHIELD	1		
01-2	514052	BLOT SET	2		
01-3	457046	BLOT SET	2		
01-4	514050	BATTEN, LH.	1		
01-5	514051	BATTEN, RH.	1		
01-6	514063	FIXED ROD ASSY.	2		
01-6-1	N01001	NUT M10X1.25	4		
01-6-2	457031	CLAMP	2		
01-6-3	S21808	BOLT M8X1.25X12L	2		
01-6-4	GA524RB02	BUSH, RUBBER	2		



ITEM NO	PART NO	DESCRIPTION	Q'TY	AMEND	NOTE
01	514064A	FRONT CARRIER COMP.	1	←552271	
01-1	S20018	BOLT	2	←552271	
01-1A	S20024	BOLT	2	552272→	
01-2	512016	BRACKET	2	←552271	
01-2A	512027	BRACKET	2	552272→	
01-3	S20002	BOLT,FLANGE M10X1.25	2		
01A	515063A	FRONT CARRIER COMP.	1	552272→	
02	513952A	REAR CARRIER COMP.	1		
02-1	513943	BRACKET	1		
02-2	GA504SC12	BOLT, FLANGE 8X12	1		
02-3	S21809	BOLT M8X1.25X18L	4		
03	514079A	BUMPER, REAR COMP.(STEEL)	1		
03-1	S21809	BOLT M8X1.25X18L	2		
04	512012A	BUMPER, FRONT COMP.(STEEL)	1	←551890	
04-1	S20617	BOLT, FLANGE	2		
04-2	514506	SPACER	4		
04-3	S20812	BOLT, FLANGE	2		
05	514071A	BUMPER, FRONT COMP.(STEEL)	1	←551890	
05-1	S21809	BOLT M8X1.25X18L	2		
05-2	512027	BRACKET	2		
05-3	S20018	BOLT	2		
05-4	514506	SPACER	2	←551890	
05-5	S20812	BOLT, FLANGE	2	←551890	
05A	515045A	BUMPER, FRONT COMP.(STEEL)	1	551891→	
06	514072A	BUMPER, FRONT COMP.(STEEL)	1	←551890	TYPE 3
06A	515048A	BUMPER, FRONT COMP.(STEEL)	1	551891→	



ITEM NO	PART NO	DESCRIPTION	Q'TY	AMEND	NOTE
01	514015	PROTECTOR, ASSY.(AL)	1	←551890	
01-1	515079A	PROTECTOR, FRONT (AL)	1	←551890	
01-1A	515082A	PROTECTOR, FRONT (AL)	1	551891→	
01-2	515080A	PROTECTOR, REAR (AL)	1		
01-3	514047	BRACKET	2		
01-4	W99605	WASHER	8		
01-5	S20621	BOLT M6X32	2		
01-6	S20621	BOLT M6X32	4		
01-7	GA555SC05	BOLT, OUTLET M6X1.0X16L	2		
01A	515051	PROTECTOR, ASSY.(AL)	1	551891→	

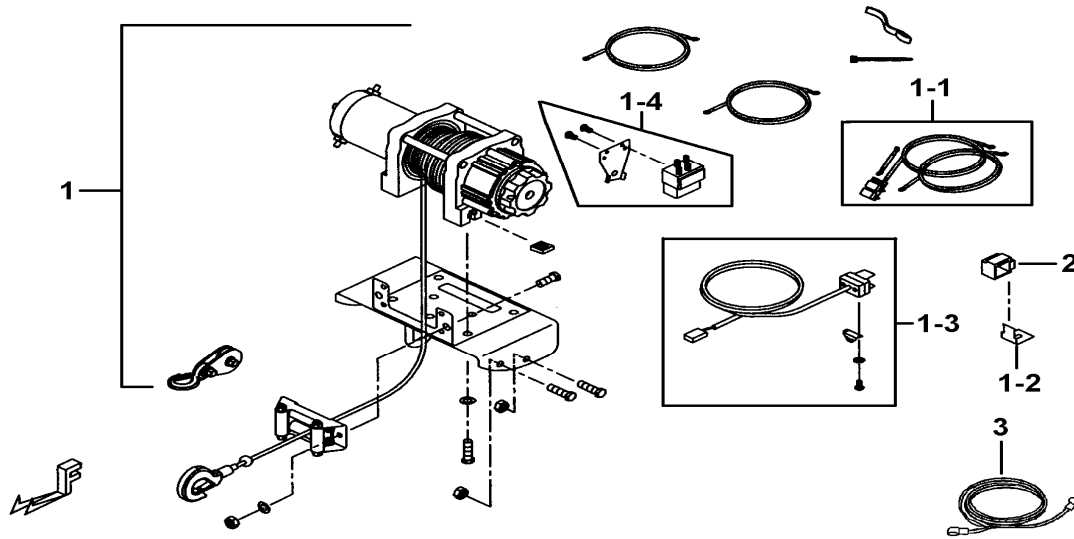


ITEM NO	PART NO	DESCRIPTION	Q'TY	AMEND	NOTE
01	515086A	REAR CARGO BOX	1		
01-1	413957A	SEAT COMP., BACK	1		
01-1-1	512006	RUBBER PLUG	2		
01-1-2	GA554NT04	NUT, FLANGE M6xP1.0	2		
01-2	514091	U BOLT 40L	2		
01-3	514090	U BOLT 46L	2		
01-4	514081	FIXED PLATE	4		
01-5	GA554NT04	NUT, FLANGE M6xP1.0	8		

231

WINCH ASSY.(OPTION)

FCB



ITEM NO	PART NO	DESCRIPTION	Q'TY	AMEND	NOTE
01	514019	WINCH ASSY.	1	←552060	
01-1	515075	OVERLOADING PROTECTOR	1	←552060	
01-1A	515077	OVERLOADING PROTECTOR	1	552061→	
01-2	515026	BRACKET	1		
01-3	515074	TRIGGER SWITCH ASSY.	1	←552060	
01-3A	515076	TRIGGER SWITCH ASSY.	1	552061→	
01-4	515073	SOLENOID	1	←552060	
01-4A	515081	SOLENOID	1	552061→	
01A	515058	WINCH ASSY.	1	552061→	
02	515057	BUSH, RUBBER	1		
03	924442	CONTACT LINE	1	←552060	