



SPARE PARTS
Model : FBE

FBE TABLE OF COLORED PART FOR FRANCE (SIMA)

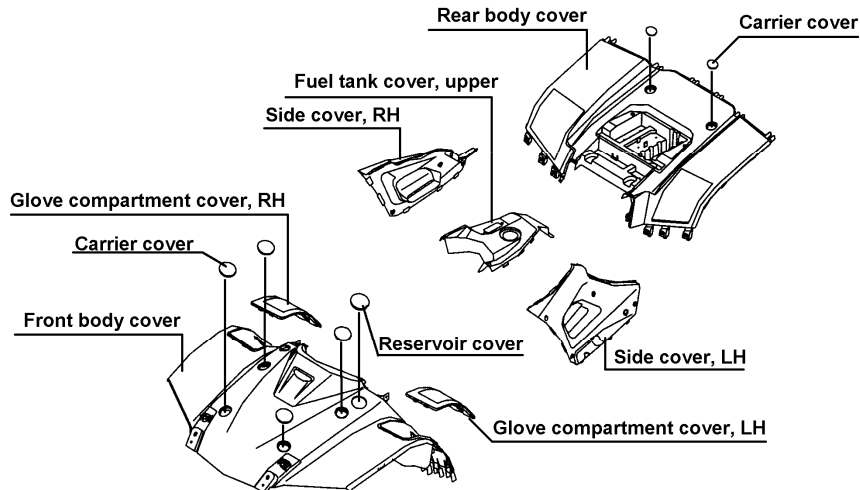


TABLE OF COLORED PART (425 FLE)						
ITEM NO.	CODE	A	B	C		
	Basic color	Silver Gray	Red	Blue		
	Description	SG	RD	BE		
B21	Front body cover	512415SG	512415RD	512415BE		
	Glove compartment cover, LH	512421SG	512421RD	512421BE		
	Glove compartment cover, RH	512422SG	512422RD	512422BE		
	Carrier cover	512425SG	512425RD	512425BE		
	Reservoir cover	512424SG	512424RD	512424BE		
B22	Side cover, LH, With emblem	512522CALA	512522CAL1	512522CALA		
	Side cover, LH	512522CA	512522CA	512522CA		
	Emblem	513669FR	513669FR	513669FR		
	Emblem	513670FR	513670FR	513670FR		
	Emblem	514651FR	514651FR	514651FR		
	Emblem	513675FR	513675FR	513675FR		
	Emblem	514631FR	514631FR	514631FR		
	Emblem	514645FR	514645FR	514645FR		
	Emblem	514668FR	514668FR	514668FR		
	Side cover, RH, With emblem	512523CARA	512523CAR1	512523CARA		
	Side cover, RH	512523CA	512523CA	512523CA		
	Emblem	513672FR	513672FR	513672FR		
	Emblem	513673FR	513673FR	513673FR		
	Emblem	514652FR	514652FR	514652FR		
	Emblem	513675FR	513675FR	513675FR		
	Emblem	514631FR	514631FR	514631FR		
	Emblem	514645FR	514645FR	514645FR		
	Emblem	514668FR	514668FR	514668FR		
	Fuel tank cover, upper	512505C	512505C	512505C		
B23	Rear body cover, With emblem	514414BSGR2	514414BRDR2	514414BBER2		
	Rear body cover	514414BSG	514414BRD	514414BBE		
	Emblem	514666	514666	514666		
	Emblem	514667	514667	514667		
	Carrier cover	512425SG	512425RD	512425BE		

FBE TABLE OF COLORED PART FOR FRANCE (SIMA)

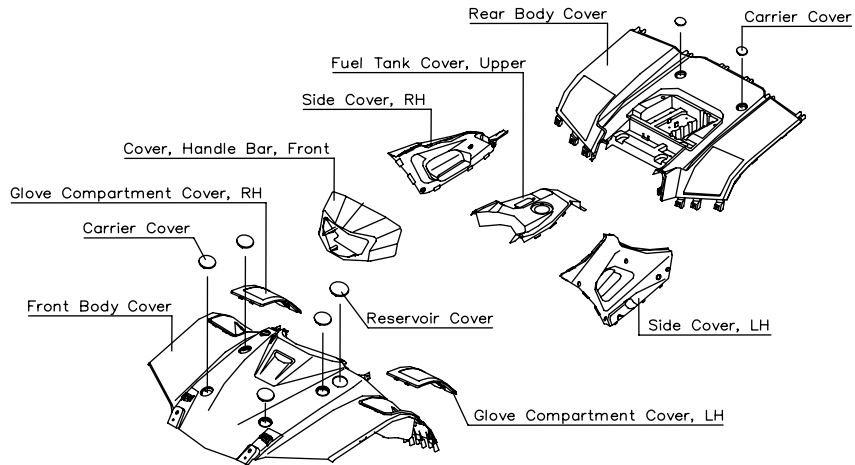


TABLE OF COLORED PART (425 FLE)						
ITEM NO.	CODE	A				
	Description	Basic color	Orange			
		OR				
B01	Cover, Handle Bar, Front	513103OR				
B21	Front body cover	512415OR				
	Glove compartment cover, LH	512421OR				
	Glove compartment cover, RH	512422OR				
	Carrier cover	512425OR				
	Reservoir cover	512424OR				
B22	Side cover, LH, With emblem	512522CALG				
	Side cover, LH	512522CA				
	Emblem	513669FR				
	Emblem	513670FR				
	Emblem	514651FR				
	Emblem	515603				
	Emblem	514631FR				
	Emblem	514645FR				
	Emblem	514668FR				
	Side cover, RH, With emblem	512523CARG				
	Side cover, RH	512523CA				
	Emblem	513672FR				
	Emblem	513673FR				
	Emblem	514652FR				
	Emblem	515603				
	Emblem	514631FR				
	Emblem	514645FR				
	Emblem	514668FR				
	Fuel tank cover, upper	512505C				
	B23	Rear body cover, With emblem	514414BORR2			
Rear body cover		514414BOR				
Emblem		514666				
Emblem		514667				
Carrier cover		512425OR				

FBE TABLE OF COLORED PART FOR FRANCE (SIMA)

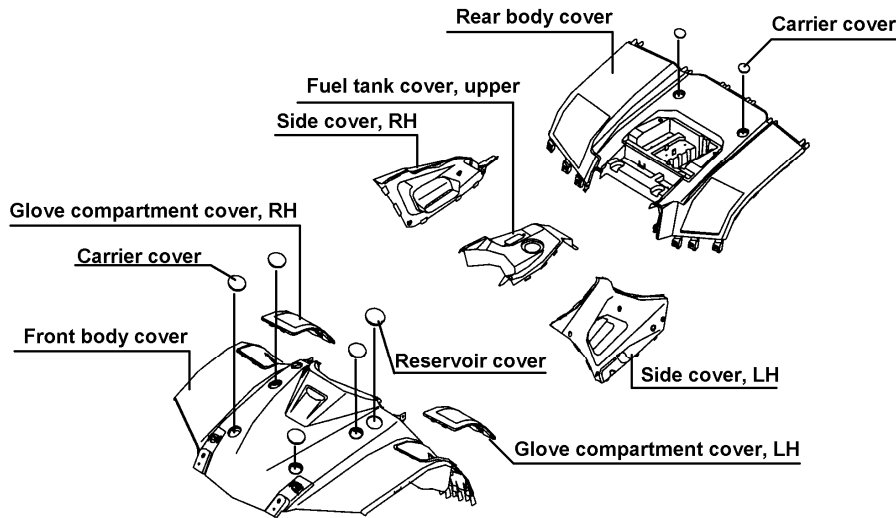


TABLE OF COLORED PART (400E)

ITEM NO.	CODE	A	B	C	
	Basic color	Lemon Green	White	Olive Green	
	Description	LG	WH	OG	
B21	Front body cover, With emblem	512415LGF2	512415WHF2	512415OGF2	
	Front body cover	512415LG	512415WH	512415OG	
	Emblem	514682	514682	514682	
	Emblem	514683	514683	514683	
	Emblem	514684	514684	514684	
	Glove compartment cover, LH	512421LG	512421WH	512421OG	
	Glove compartment cover, RH	512422LG	512422WH	512422OG	
	Carrier cover	512425LG	512425WH	512425OG	
	Reservoir cover	512424LG	512424WH	512424OG	
B22	Side cover, LH, With emblem	512522ALGL7	512522AWHL7	512522AOGL7	
	Side cover, LH	512522ALG	512522AWH	512522AOG	
	Emblem	514688	514688	514688	
	Emblem	514689	514689	514689	
	Emblem	514690	514690	514690	
	Emblem	514691	514691	514691	
	Side cover, RH, With emblem	512523ALGR7	512523AWHR7	512523AOGR7	
	Side cover, RH	512523ALG	512523AWH	512523AOG	
	Emblem	514692	514692	514692	
	Emblem	514693	514693	514693	
	Emblem	514694	514694	514694	
	Emblem	514695	514695	514695	
Fuel tank cover, upper	512505LG	512505WH	512505OG		
B23	Rear body cover, With emblem	514414BLGR3	514414BWHR3	514414BOGR3	
	Rear body cover	514414BLG	514414BWH	514414BOG	
	Emblem	514685	514685	514685	
	Emblem	514686	514686	514686	
	Emblem	814687	814687	814687	
	Carrier cover	512425LG	512425WH	512425OG	

FBE TABLE OF COLORED PART FOR FRANCE (SIMA)

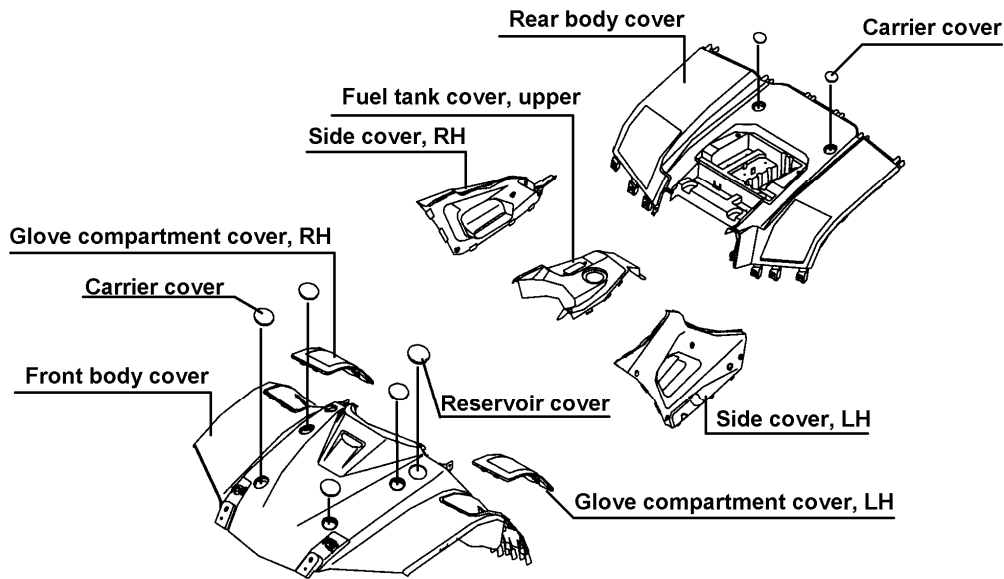


















TABLE OF COLORED PART (425S)

ITEM NO.	CODE	A	B	C	D	E
	Basic Color	Red	Yellow	Blue	Black	Olive Green
	Description	RD	YE	BE	BL	OG
B21	Front body cover	512415RD	512415YE	512415BE	512415BL	512415OG
	Glove compartment cover, LH	512421RD	512421YE	512421BE	512421BL	512421OG
	Glove compartment cover, RH	512422RD	512422YE	512422BE	512422BL	512422OG
	Carrier cover	512425RD	512425YE	512425BE	512425BL	512425OG
	Reservoir cover	512424RD	512424YE	512424BE	512424BL	512424OG
B22	Side cover, LH, With emblem	512522ARDL1	512522AYEL2	512522ABEL2	512522ABLL2	512522AOGL2
	Side cover, LH	512522ARD	512522AYE	512522ABE	512522ABL	512522AOG
	Emblem	513669BL	513669FR	513669FR	513669FR	513669FR
	Emblem	513670BL	513670FR	513670FR	513670FR	513670FR
	Emblem	514651BL	514651FR	514651FR	514651FR	514651FR
	Emblem	513675BL	513675FR	513675FR	513675FR	513675FR
	Emblem	514631BL	514631FR	514631FR	514631FR	514631FR
	Emblem	514645BL	514645FR	514645FR	514645FR	514645FR
	Side cover, RH, With emblem	512523ARDR1	512523AYER2	512523ABER2	512523ABLR2	512523AAGR2
	Side cover, RH	512523ARD	512523AYE	512523ABE	512523ABL	512523AOG
	Emblem	513672BL	513672FR	513672FR	513672FR	513672FR
	Emblem	513673BL	513673FR	513673FR	513673FR	513673FR
	Emblem	514652BL	514652FR	514652FR	514652FR	514652FR
	Emblem	513675BL	513675FR	513675FR	513675FR	513675FR
	Emblem	514631BL	514631FR	514631FR	514631FR	514631FR
Emblem	514645BL	514645FR	514645FR	514645FR	514645FR	
Fuel tank cover, upper	512505RD	512505YE	512505BE	512505BL	512505OG	
B23	Rear body cover, With emblem	514414BRDR1	514414BYER1	514414BBER1	514414BBLR1	514414BOGR1
	Rear body cover	514414BRD	514414BYE	514414BBE	514414BBL	514414BOG
	Emblem	459416WH	459416WH	459416WH	459416WH	459416WH
	Emblem	459417WH	459417WH	459417WH	459417WH	459417WH
	Carrier cover	512425RD	512425YE	512425BE	512425BL	512425OG

FBE TABLE OF LABEL

Label	Drawing	Description
	<p>513669BL 513669FR</p>	<p>Label, Side cover, LH.</p>
	<p>513670BL 513670FR</p>	<p>Label, Side cover, LH.</p>
	<p>514651BL 514651FR</p>	<p>Label, Side cover, LH.</p>
	<p>513672BL 513672FR</p>	<p>Label, Side cover, RH.</p>
	<p>513673BL 513673FR</p>	<p>Label, Side cover, RH.</p>
	<p>514652BL 514652FR</p>	<p>Label, Side cover, RH.</p>
	<p>513675BL 513675FR</p>	<p>“BLADE” Label</p>
	<p>514631BL 514631FR</p>	<p>“425” Label</p>

Label	Drawing	Description
	514663BL 514663FR	"400" Label
	514645BL 514645FR	"4X4" Label
	514668FR	"LE" Label
	514666	Label, Rear cover, LH.
	514667	Label, Rear cover, RH.
	459416	Label, Rear cover, LH.
	459417	Label, Rear cover, RH.
	515603	"ORANGER" Label

SUMMARY

1. HOW TO READ PARTS LIST :

1.1 AT FIRST TO JUDGE IN WHICH GROUP YOUR PART BELONG TO, FIND OUT GROUP NUMBER IN THE CONTENTS, NO.100-NO.121 ARE ENGINE AND ELECTRIC PARTS. NO.201-NO.231 ARE FRAME PARTS.

1.2 ACCORDING TO GROUP NUMBER FIND OUT THE DRAWING ON THAT UPPER SIDE PAGE.

1.3 FROM THE ITEM OF THE PART ON THE DRAWING, FIND THE PART NO., DESCRIPTION,REQUIRED QUANTITY.

1.4 USE THIS PART NO. DESCRIPTION AND QUANTITY TO ORDER.

2. COLOR CODE AND EMBLEM CODE:

2.1 COLOR CODE ATTACH TO PART NO. MUST BE TWO ALPHABETS, USE AT DIFFERENT COLOR PART ONLY.

2.2 EMBLEM CODE ATTACH TO COLOR CODE, MUST BE ONE ALPHABET AND ONE ARABIC NUMBER OR TWO ALPHABET, USE AT DIFFERENT COLOR EMBLEM ONLY. ANY EMBLEM WITHOUT DIFFERENT COLOR DON'T NECESSARY EMBLEM CODE.

2.3 WHEN YOU ORDER PARTS THAT HAVE DIFFERENT COLOR,PLEASE PICK UP THE RIGHT PART OR EMBLEM FROM " TABLE OF COLORED PARTS " (PAGE I).

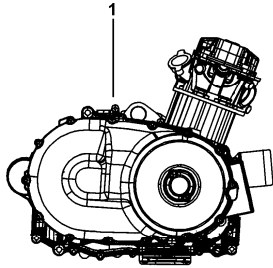
3. AMEND. CODE : INDICATES THE LAST 6 NUMBERS OF FRAME NUMBER TO DISTINGUISH THE SCOOTER BEEN MODIFIED. EXAMPLE :

" ← 518034 " MEANS SCOOTERS BEFORE " □□□□□□□□□□518034 " .

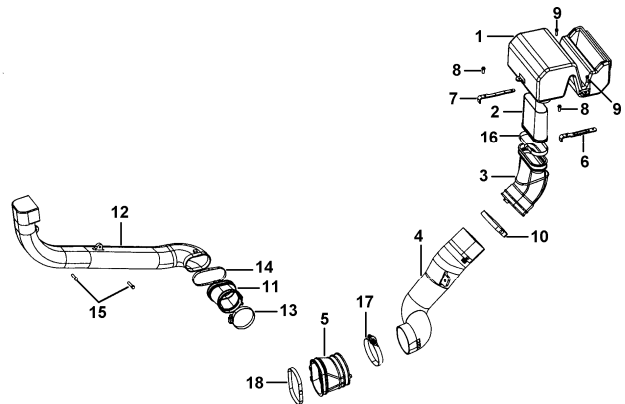
" 518035 → " MEANS SCOOTERS AFTER " □□□□□□□□□□518035 " .

4. IF ANY MODIFICATION AFTER PUBLISHING,WE'LL SEND YOU THE AMENDMENT, PLEASE CORRECT YOUR PARTS LIST RIGHT AWAY.

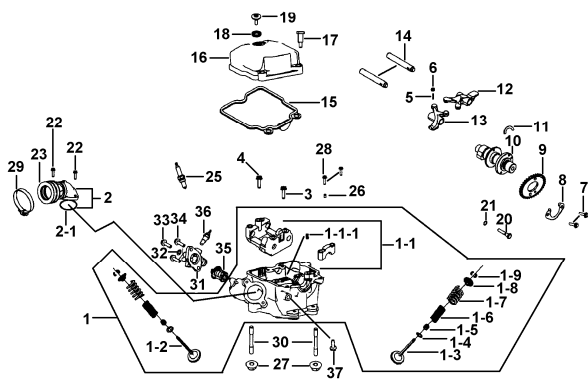
100 ENGINE ASSY.



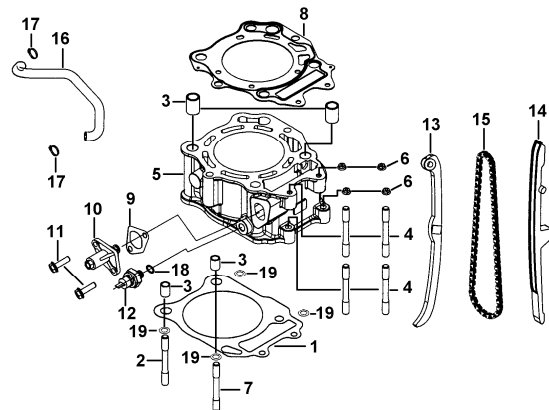
101 INTAKE SYSTEM



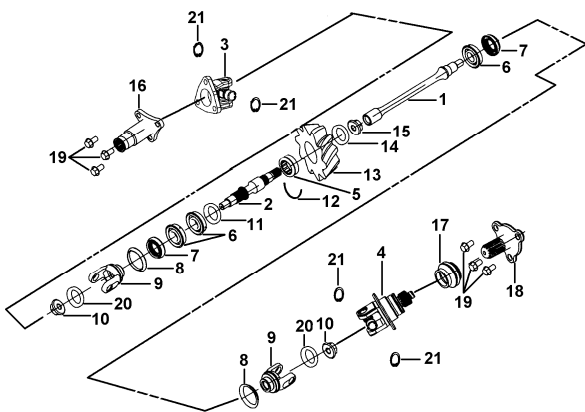
102 HEAD ASSY, CYLINDER



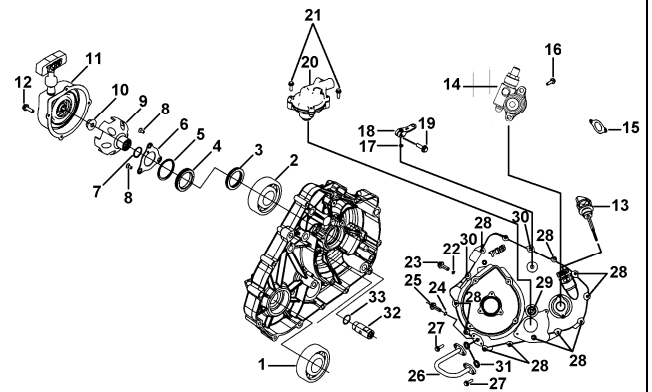
103 CYLINDER



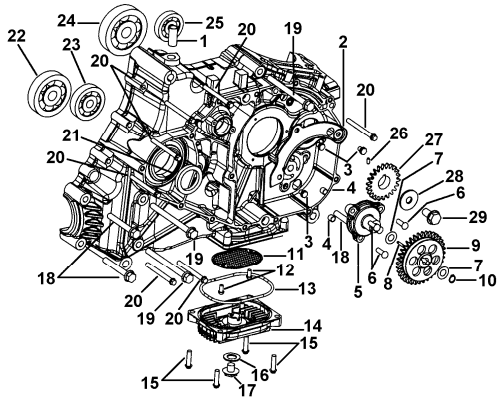
104 TRANSMISSION SYSTEM ASSY.



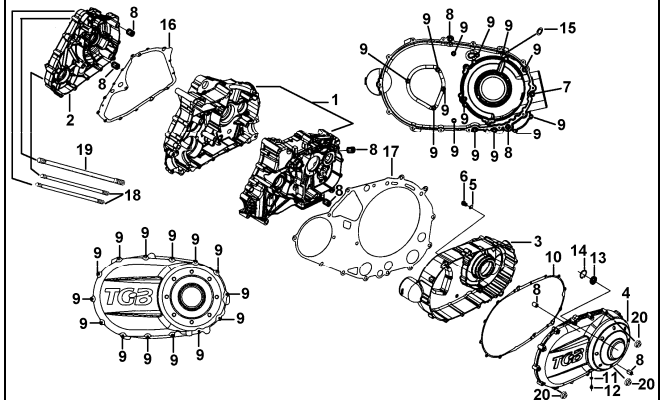
105 L CRANK CASE COVER



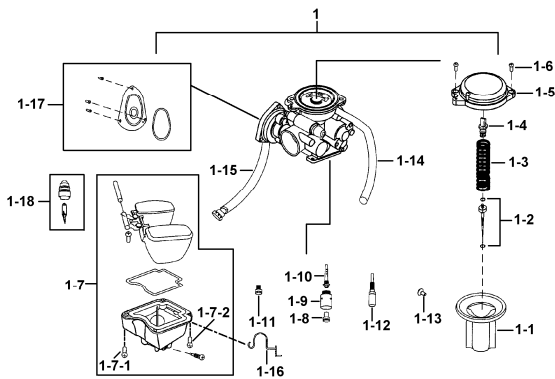
106 R CRANK CASE



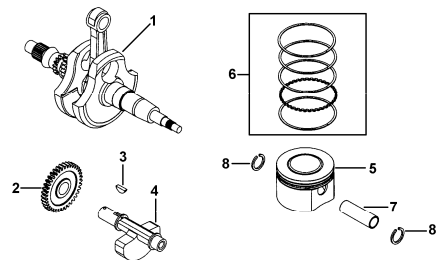
107 CRANKCASE



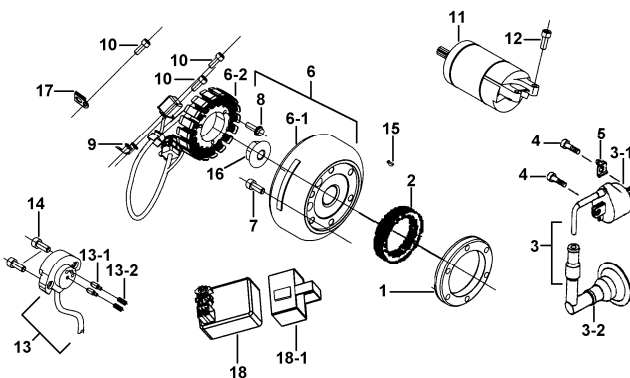
108 CARBURETOR



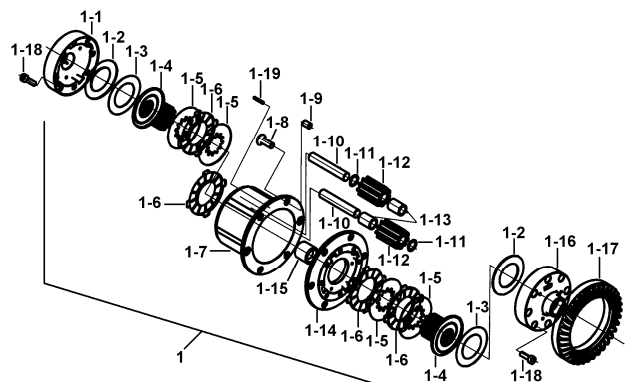
109 CRANKSHAFT SET



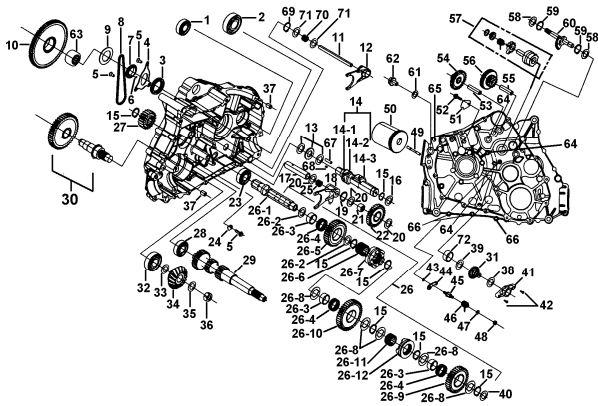
**110 MOTOR STARTING · FLYWHEEL
MAGNETO · C.D.I.**



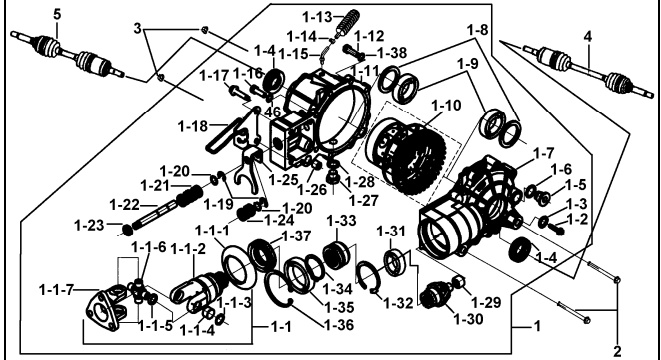
111 SLIP LIMITED GEAR ASSY.



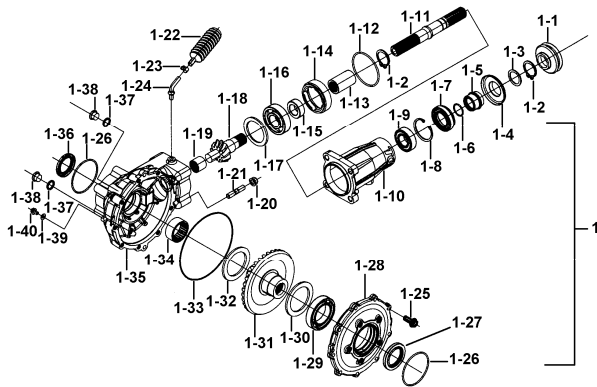
112 L CRANK CASE



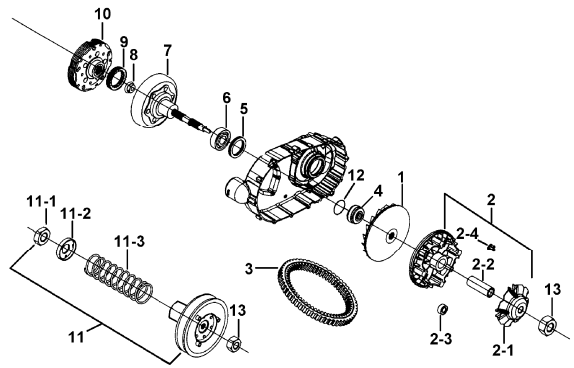
113 FIRST DIFFERENTIAL ASSY.



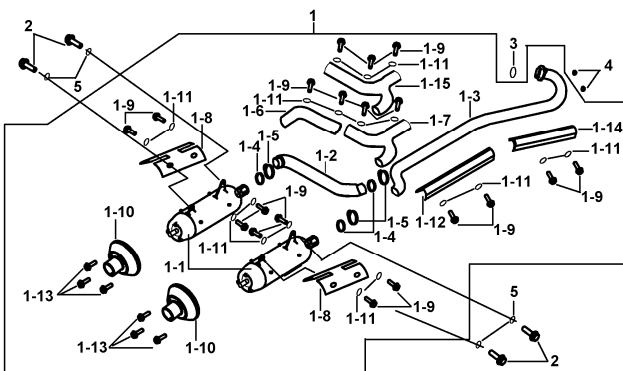
114 FINAL DIFFERENTIAL ASSY.



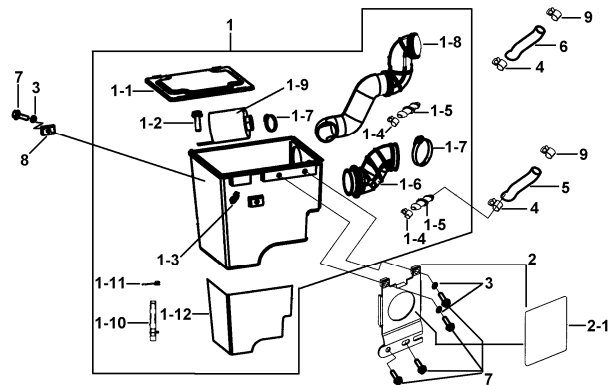
115 C.V.T.



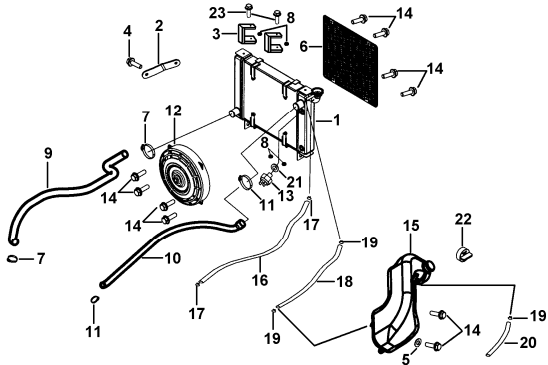
116 MUFFLER ASSY.



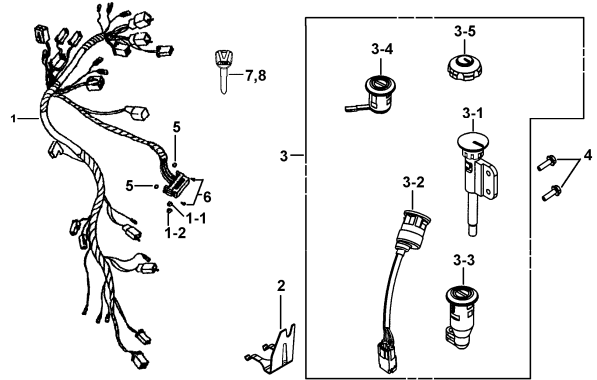
117 AIR CLEANER ASSY.



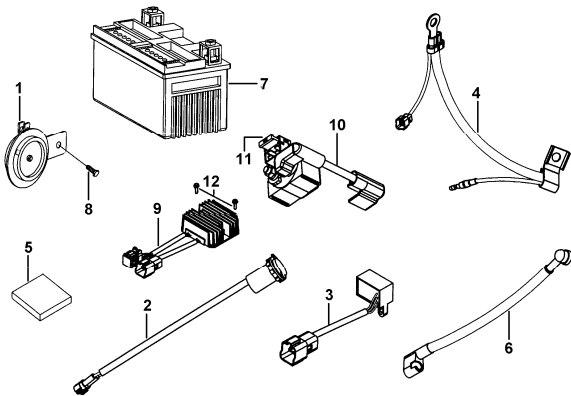
118 RADIATOR ASSY. · COOLING FAN



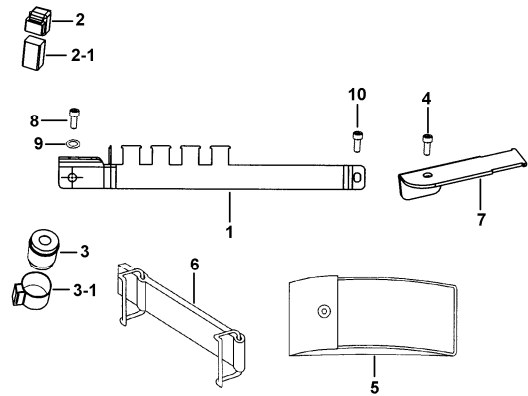
119 WIRING HARNESS · LOCK ASSY.



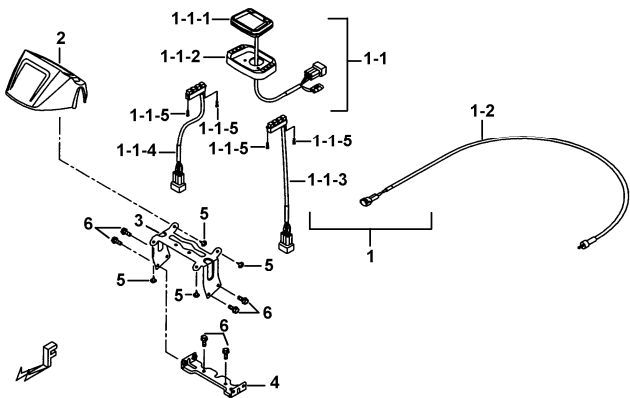
120 BATTERY · HORN · RELAY, STARTING MOTOR · RECTIFIER



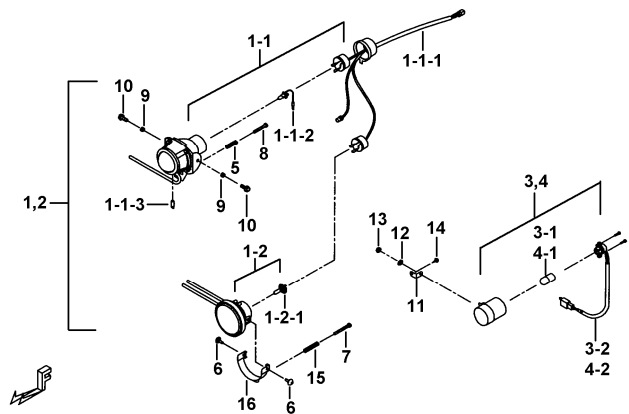
121 HOLDER, BOX



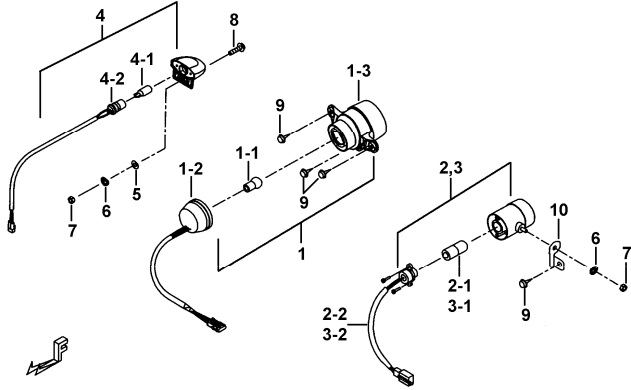
201 SPEEDOMETER



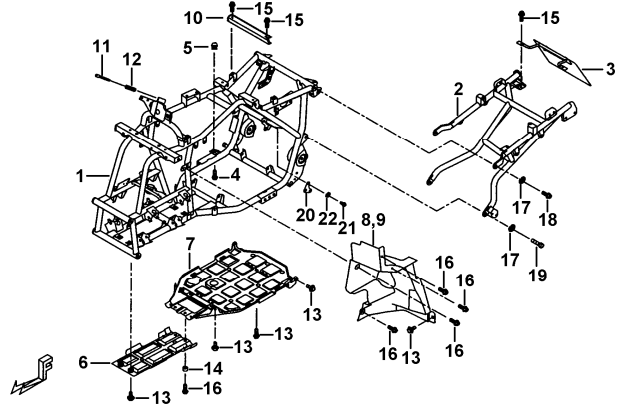
202 HEAD LAMP ASSY.



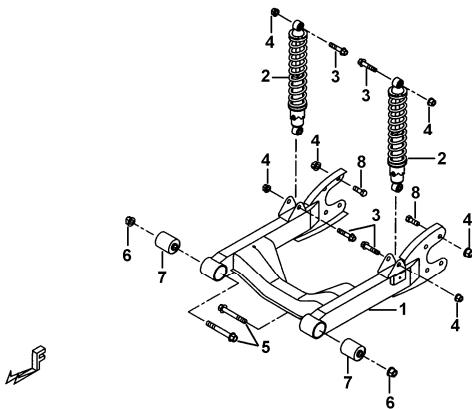
203 REAR LAMP ASSY.



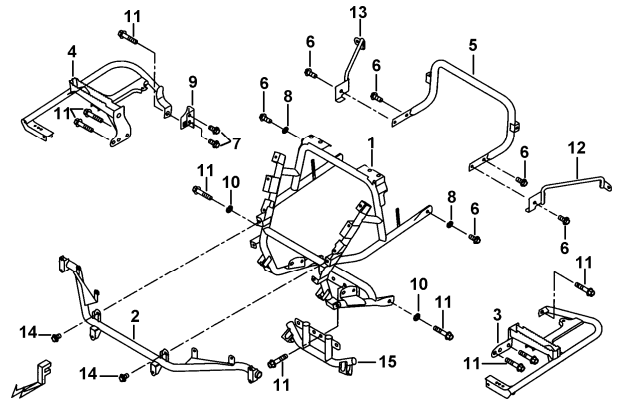
204 FRAME



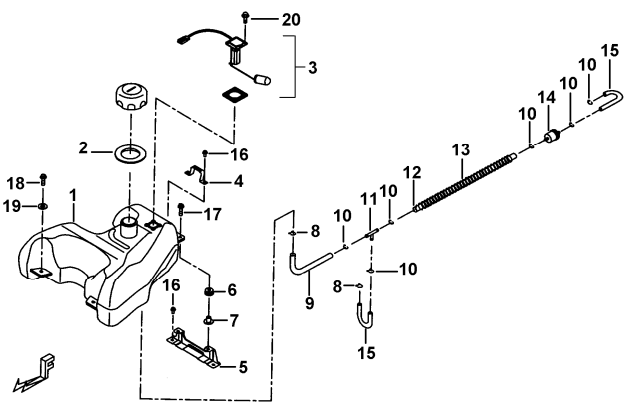
205 REAR FORK



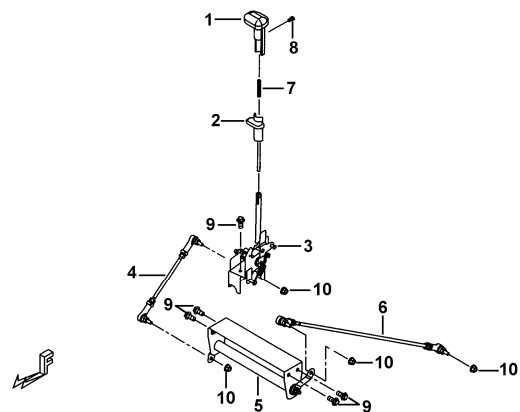
206 BUMPER BRACKET



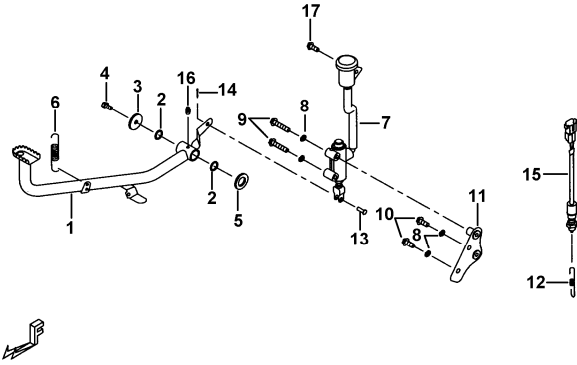
207 FUEL TANK



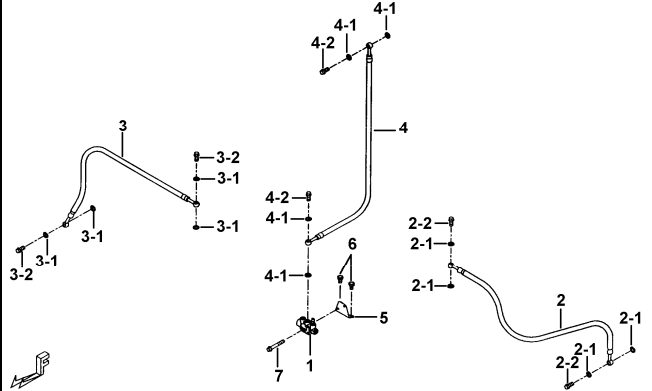
208 SHIFT LEVER



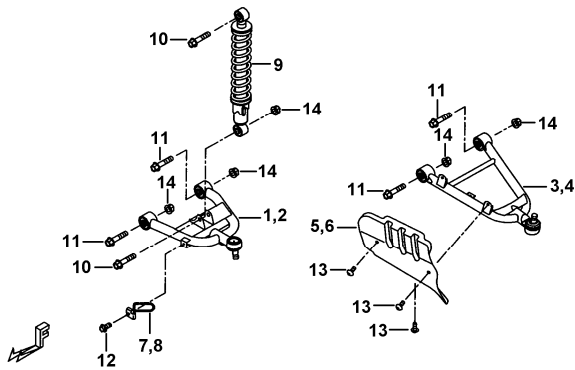
209 BRAKE PEDAL



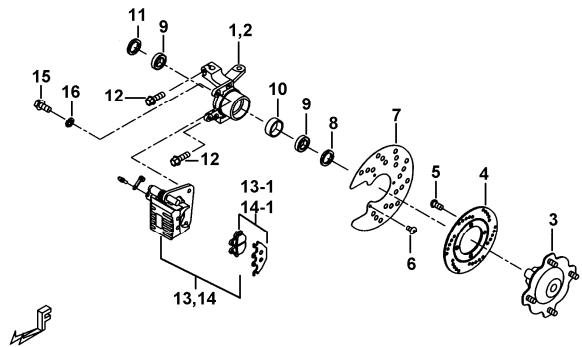
210 FRONT DISTRIBUTOR



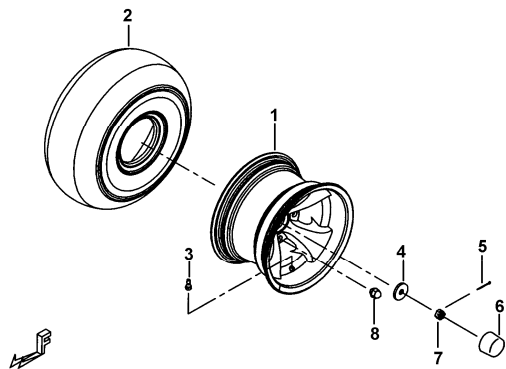
211 FRONT SUSPENSION



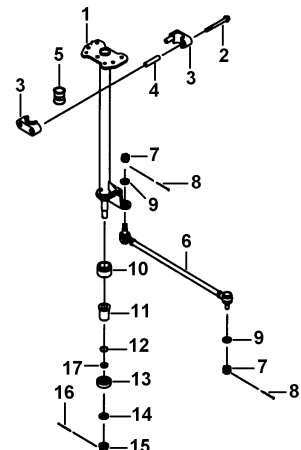
212 STEERING KNUCKLE



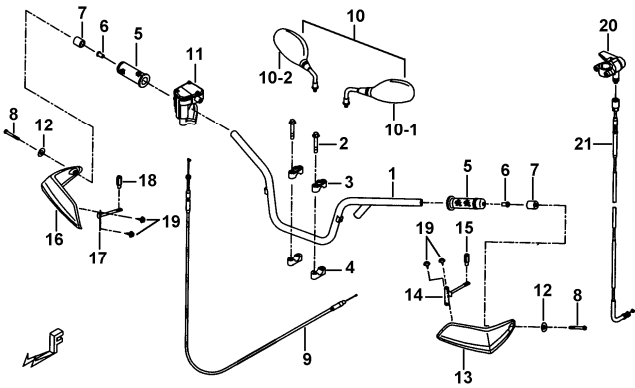
213 FRONT WHEEL



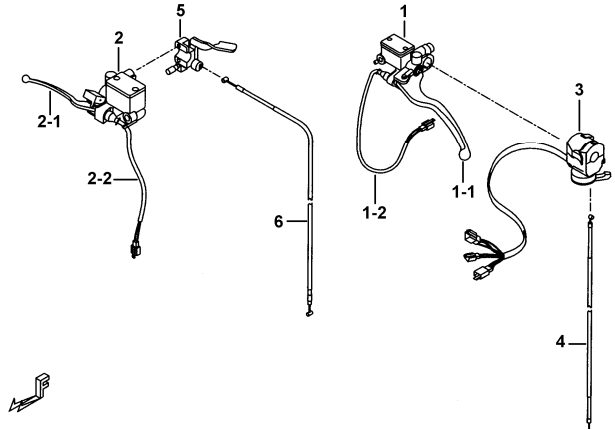
214 STEERING SHAFT



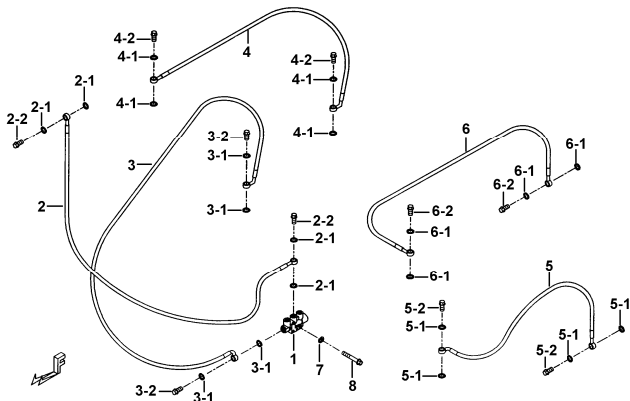
215 HANDLE BAR



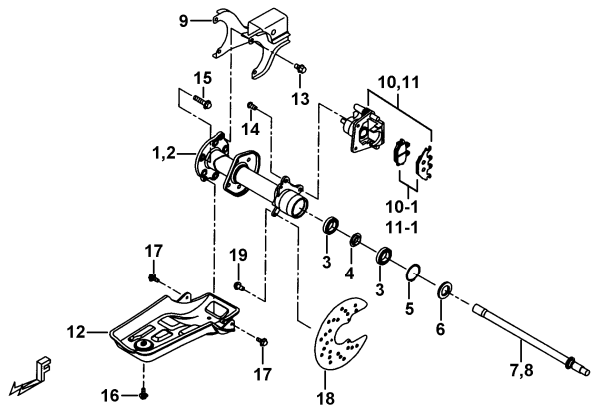
216 MASTER CYLINDER ASSY.



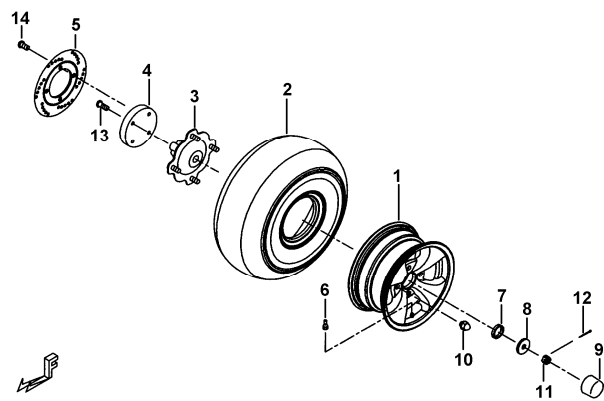
217 REAR DISTRIBUTOR



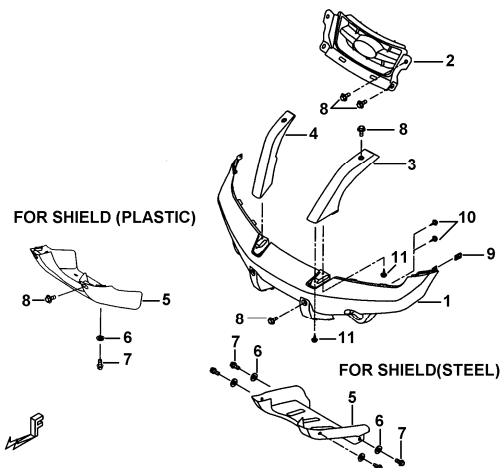
218 REAR AXLE



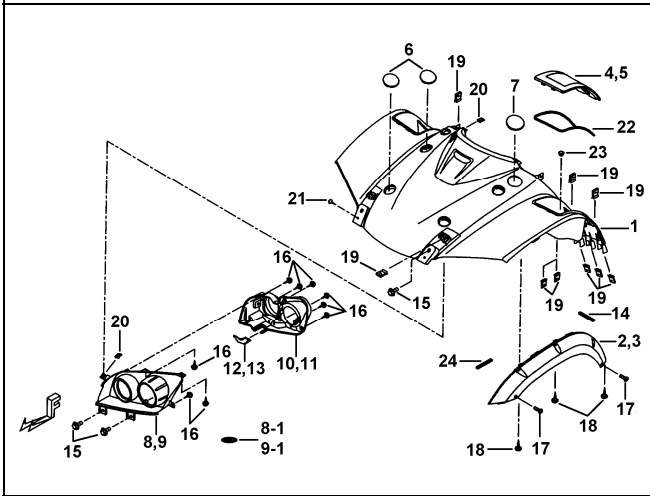
219 REAR WHEEL



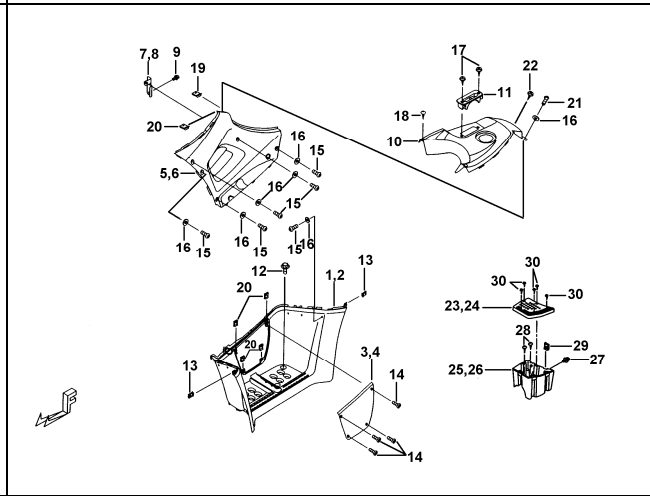
220 FRONT BUMPER



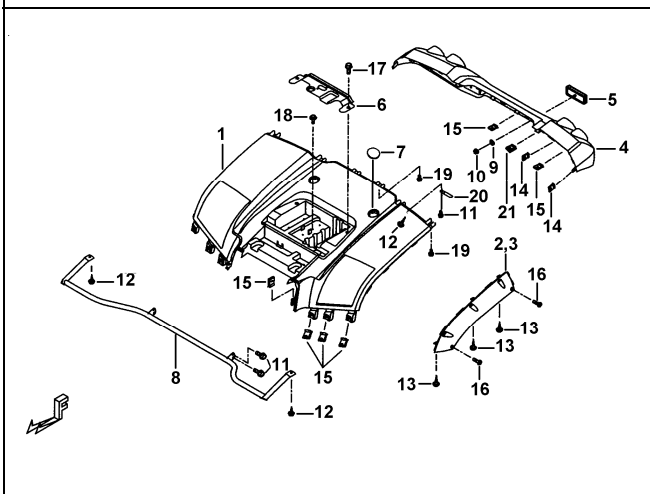
221 FRONT BODY COVER.



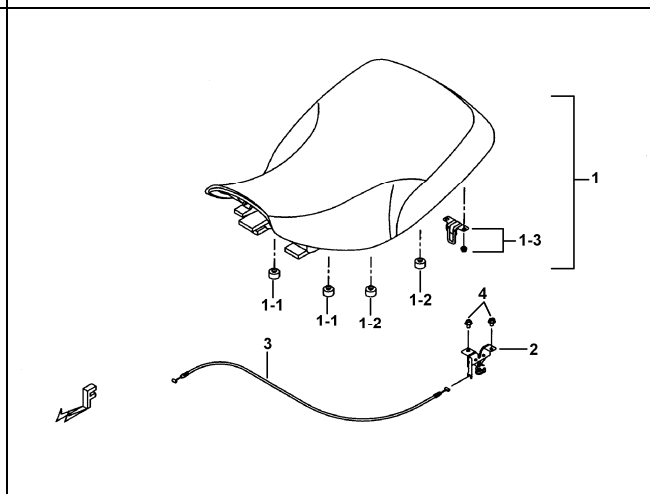
222 FOOT BOARD



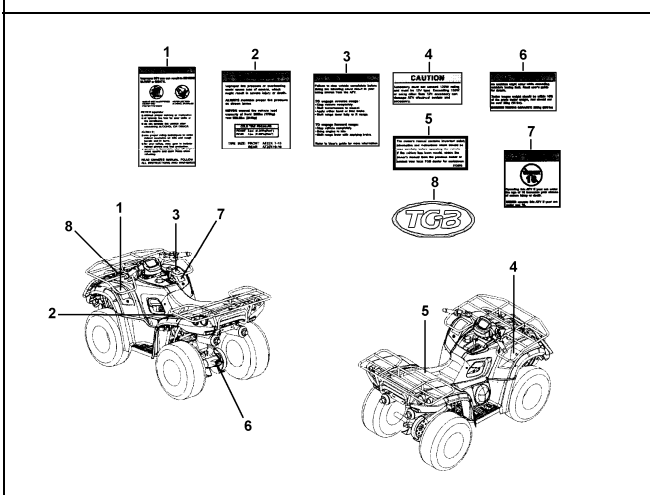
223 REAR BODY COVER



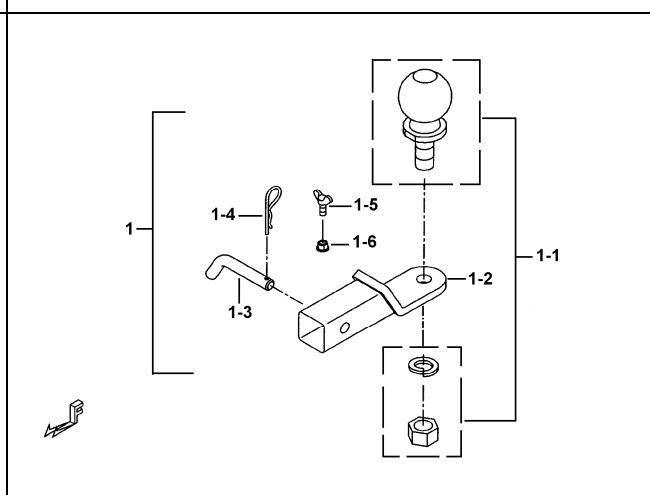
224 SEAT



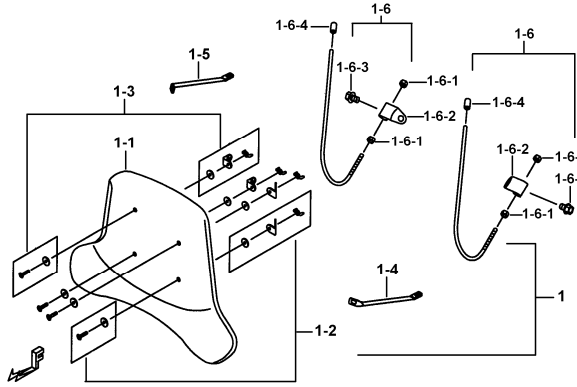
225 LABELS



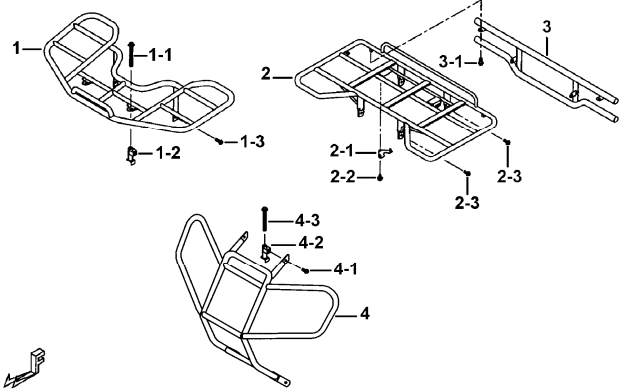
226 TRAILER HITCH ASSY.(OPTION)



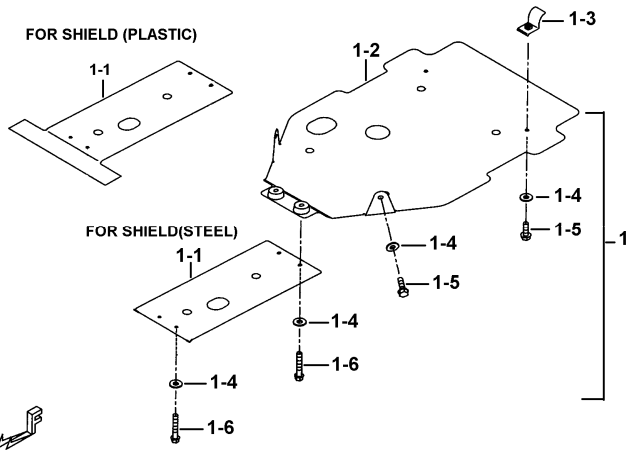
227 FIXED ROD ASSY. (OPTION)



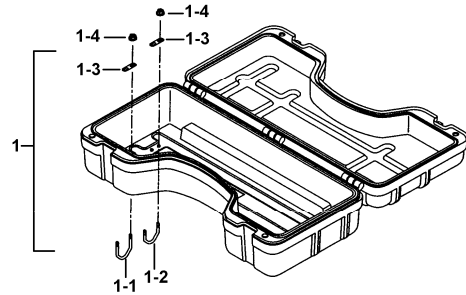
228 CARRIER · BUMPER (OPTION)



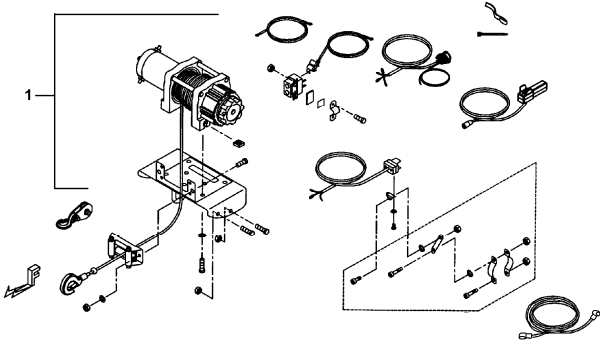
229 PROTECTOR, ASSY. (AL)(OPTION)



230 REAR CARGO BOX(OPTION)



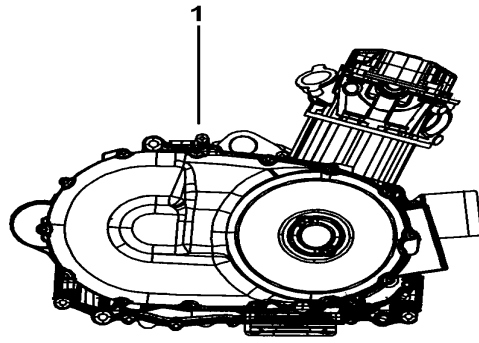
231 WINCH ASSY.(OPTION)



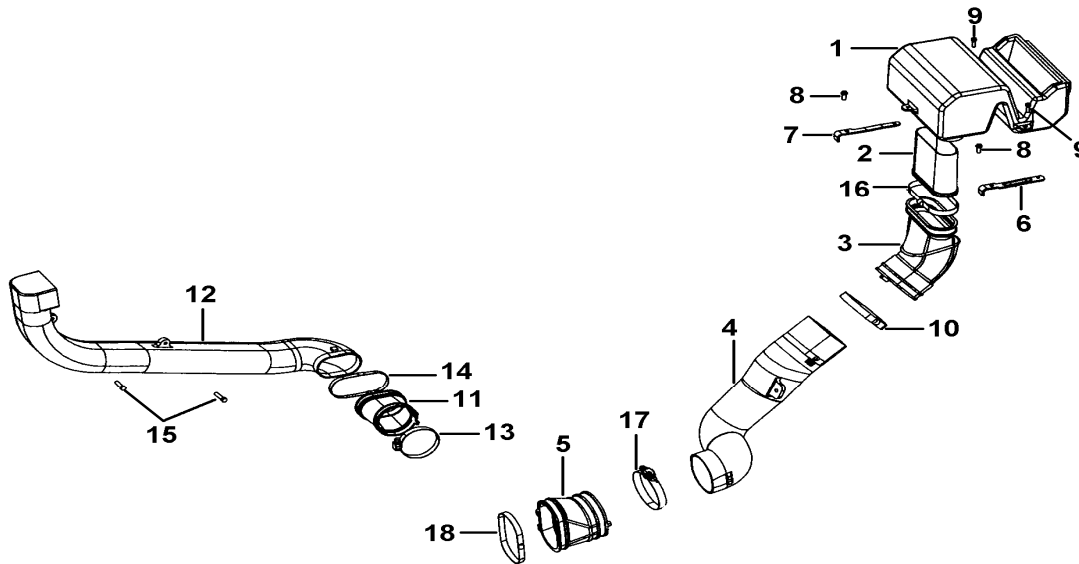
100

ENGINE ASSY.

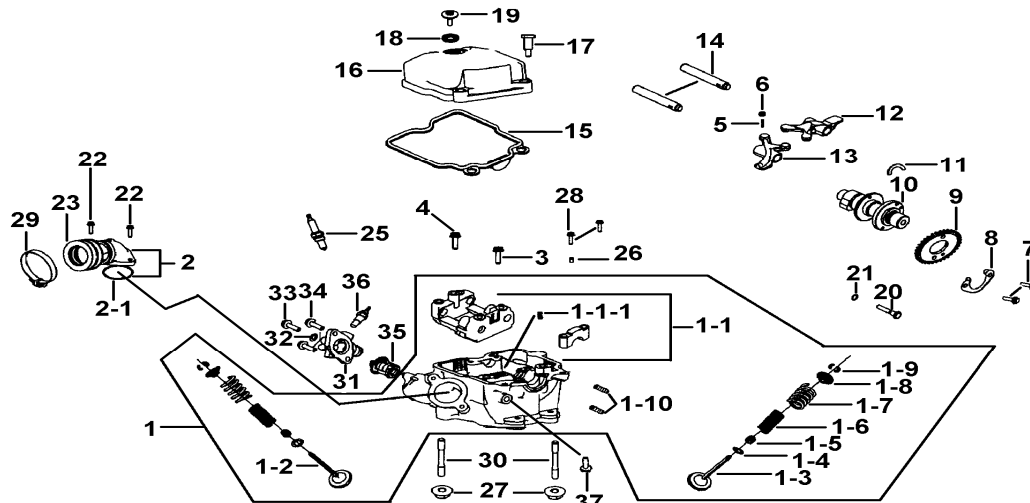
FBE



ITEM NO	PART NO	DESCRIPTION	Q'TY	AMEND	NOTE
01	TBE500100	ENGINE ASSY.	1		
01A	TBE500103	ENGINE ASSY. (FOR 400E)	1		



ITEM NO	PART NO	DESCRIPTION	Q'TY	AMEND	NOTE
01	924101	BOX, CVT INLET	1		
02	924689	DUCT, BELT COOLING FRONT NO.2	1		
03	924672	CONNECTOR, COOLING DUCT FRONT	1		
04	924695	DUCT, BELT COOLING FRONT NO.1	1		
05	924696	CONNECTOR, COOLING DUCT FRONT	1		
06	924680	BRKT (R)	1		
07	924679	BRKT (L)	1		
08	S24603	BOLT, FLANGE M6x16	2		
09	S70503	SCREW, SOCKET HEAD	2		
10	924720	CLAMP	1		
11	924097	CONNECTOR, COOLING DUCT REAR	1		
12	924099	DUCT, BELT COOLING DUCT REAR	1		
13	R66001	CLAMP	1		
14	924713	CLAMP	1		
15	GA551SC09	BOLT, FLANGE M6X20	2		
16	924714	CLAMP	1		
17	924717	CLAMP	1		
18	924719	CLAMP	1		



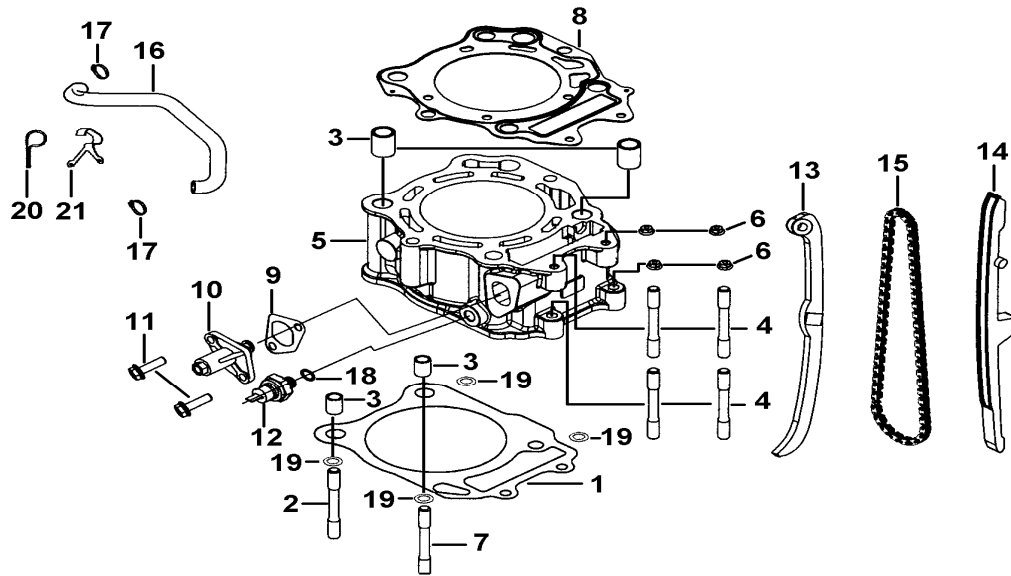
ITEM NO	PART NO	DESCRIPTION	Q'TY	AMEND	NOTE
01	924602	HEAD ASSY., CYLINDER	1		
01-1	924000A	HEAD COMP., CYLINDER	1		
01-10	S95808	STUD ϕ 10.5	2		
01-1-1	924336	SCREW	1		
01-2	924020	VALVE, INTAKE	2		
01-3	924021	VALVE, EXHAUST	2		
01-4	924023	LOWER CUP	4		
01-5	924024	SEAL, VALVE STEM	4		
01-6	924025	SPRING, VALVE, INNER	4		
01-7	924026	SPRING, VALVE, OUTER	4		
01-8	924027	UPPER CUP	4		
01-9	400093	COTTER, VALVE	8		
02	924676A	PIPE ASSY, INTAKE	1	←001374	
02-1	924076	O-RING ϕ 2x41.5	1		
02A	924676	PIPE ASSY, INTAKE	1	001375→	
03	S20615	BOLT, FLANGE M6X45	2		
04	S20614	BOLT, FLANGE M6X60	2		
05	S06501	BOLT,ADJUSTING	4		
06	N03501	NUT, HEX.	4		
07	S99605	BOLT M6X12	2		
08	924031	FIXING PLATE	1		
09	924036	TIMING SPROCKET 34T GB-69	1		
10	924305	CAM SHAFT SET	1		
11	924032	"C" RING	1		
12	924033	ARM, VALVE ROCKER, EX	1		
13	924034	ARM, VALVE ROCKER, IN	1		
14	924035	PIN, ROCKER ARM AXLE	2		
15	924016	GASKET, CYLINDER HEAD	1		
16	924017	COVER, HEAD CYLINDER	1		

17	924019	BOLT M7X31	2
18	924297	GASKET	1
19	924018	BOLT M7X23.5	1
20	S96806	BOLT, CAM CHAIN TENSIONER	1
21	W99818	GASKET	1
22	S24605	BOLT, FLANGE	2
23	924604	RUBBER TUBE	1
25	924090	SPARK PLUG (NGK CR7E)	1
26	P40803	PIN, DOWEL	4
27	N10801	NUT, FLANGE 8mm	2
28	S20616	BOLT, FLANGE	2
29	R66602	CLAMP	2
30	S95807	STUD	2
31	924088	THERMOSTAT COVER	1
32	924295	WASHER	1
33	S96605	BOLT, FLANGE	1
34	S24616	BOLT, FLANGE	2
35	924294	THERMOSTAT	1
36	924089	THERMISTOR M6X20	1
37	S77601	BOLT, FLANGE	1

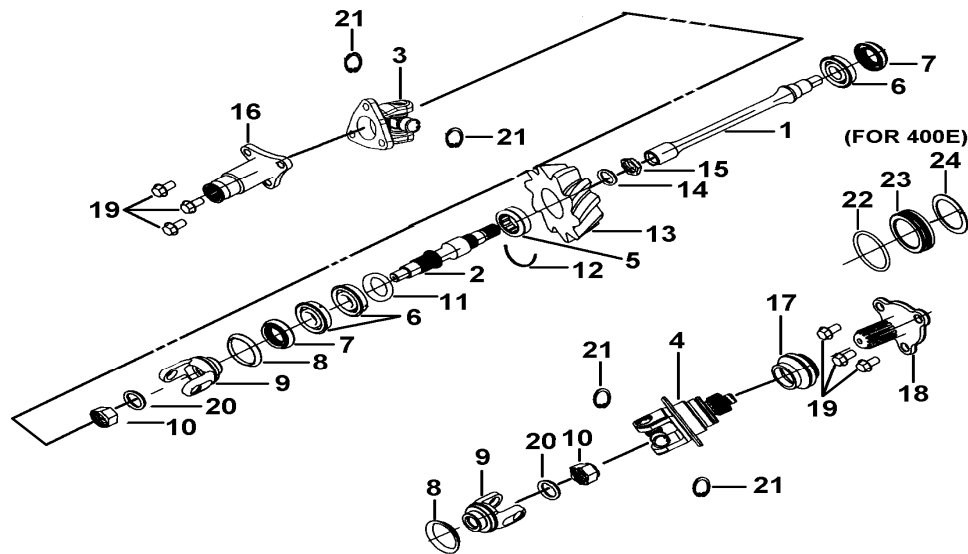
103

CYLINDER

FBE

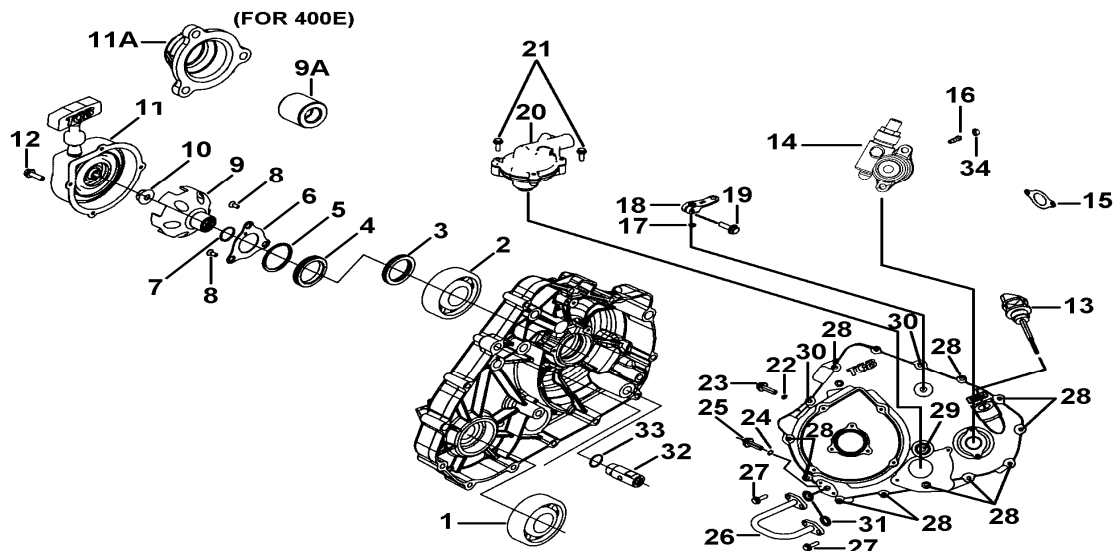


ITEM NO	PART NO	DESCRIPTION	Q'TY	AMEND	NOTE
01	924011	GASKET, CYLINDER 6X25	1		
02	S20023	STUD	2		
03	P40301	PIN, DOWEL	4		
04	S95607	STUD	4		
05	924003	CYLINDER	1		
06	GA504NT01	NUT, FLANGE M6	4		
07	S20022	STUD	2		
08	924012	GASKET, CYLINDER HEAD M6	1		
09	924013	GASKET	1		
10	924014	ADJUSTER ASSY., TENSIONER	1		
11	S24603	BOLT, FLANGE M6x16	2		
12	924160	OIL PRESSURE SENSOR	1		
13	924038	CAM CHAIN TENSIONER	1		
14	924041	CAM CHAIN GUIDE	1		
15	924042	TIMING CHAIN	1		
16	924666	WATER PIPE, WATER PUMP	1		
17	R66701	CLIP	2		
18	W99013	WASHER	1		
19	W99010	WASHER ϕ 10.5X ϕ 22X3.5t	4		
20	924833	CLIP " P "	1		
21	924830	CLIP " Y "	1		



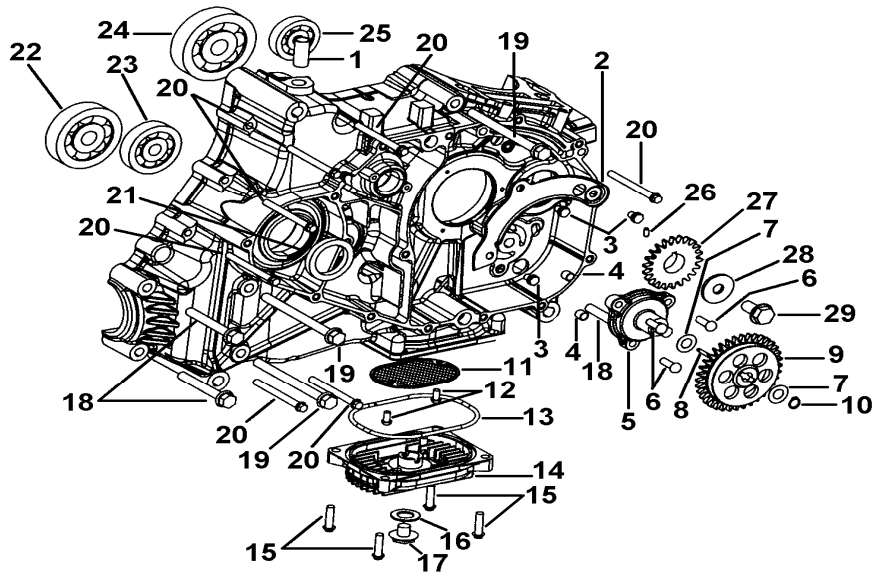
ITEM NO	PART NO	DESCRIPTION	Q'TY	AMEND	NOTE
01	924218	SHAFT, SEC DRIVEN OUTPUT FRONT	1		
02	924205	SHAFT, SEC DRIVEN OUTPUT REAR	1		
03	924626	UNIVERSAL JOINT ASSY.	1		
04	924625	UNIVERSAL JOINT ASSY.	1		
05	924214	BRG. SEC DRIVEN GEAR, MDL	1		
06	924228	BRG. SEC DRIVEN OUTPUT SFT FR	3		
07	924229	OIL SEAL, DRIVEN SFT, FR	2		
08	924207	PLATE, OUTPUT	2		
09	924206	YOKE, FR DRIVE OUTPUT	2		
10	N33601	NUT, HEX HEAD	1	←003255	FOR REAR
10A	N33804	NUT, HEX HEAD	1	003256→	FOR REAR
10B	N33601	NUT, HEX HEAD	1		FOR FRONT
11	W99509	SHIM, SEC. DRIVEN SHAFT $\phi 25 \times \phi 34 \times 0.05t$	1		
11A	W99510	SHIM, SEC. DRIVEN SHAFT $\phi 25 \times \phi 34 \times 0.1t$	1		
11B	W99511	SHIM, SEC. DRIVEN SHAFT $\phi 25 \times \phi 34 \times 0.3t$	1		
11C	W99512	SHIM, SEC. DRIVEN SHAFT $\phi 25 \times \phi 34 \times 0.5t$	1		
11D	W99517	SHIM, REVERSE SHAFT	1		
12	924217	RING, SEC DRIVEN BRG, MDL	1		
13	924204	BEVEL GEAR, SEC DRIVE BEVEL (21T)	1		
14	W99305	WASHER	1		
15	N33802	NUT	1		
16	924209	SHAFT, PROPELLER REAR	1		
17	924224	BOOT, PROPELLER SHAFT	1		
18	924223	SHAFT, PROPELLER	1		
19	S21007	BOLT, MUF BODY SUPPORT RH	6		
20	W99618	WASHER $\phi 16 \times \phi 30 \times 3t$	1	←003255	FOR REAR
20A	W99826	WASHER $\phi 18 \times \phi 30 \times 3t$	1	003256→	FOR REAR

20B	W99618	WASHER ϕ 16X ϕ 30X3t	1	FOR FRONT
21	924212	"C" CLIP	4	
22	924721	O-RING	1	FOR 400E
23	924716	PLUG	1	FOR 400E
24	924715	"C" CLAMP	1	FOR 400E

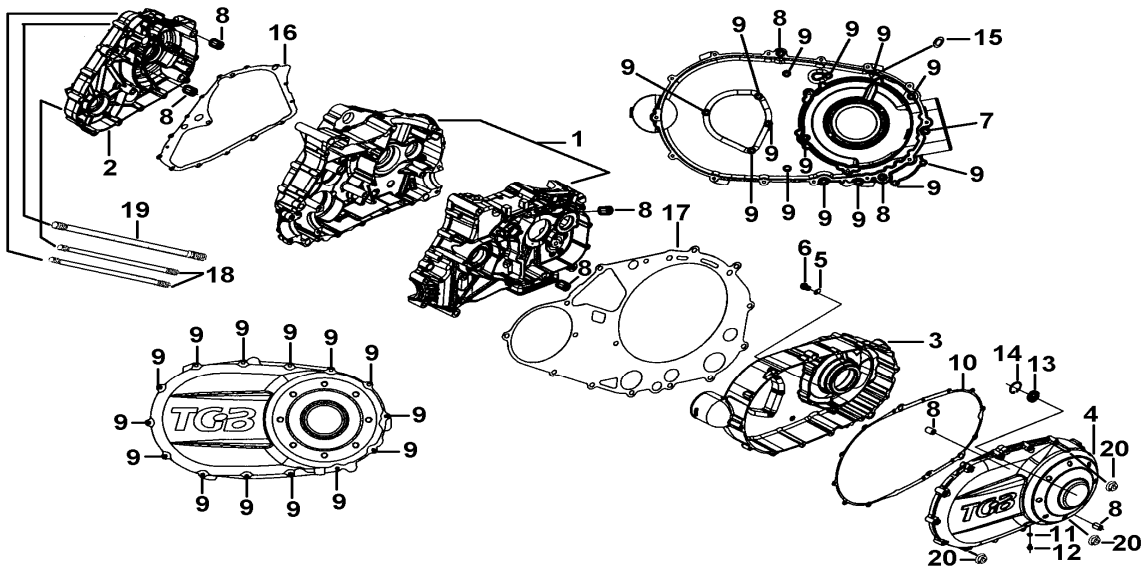


ITEM NO	PART NO	DESCRIPTION	Q'TY	AMEND	NOTE
01	924184	BEARING $\phi 20 \times \phi 52 \times 15$	1		
02	924070	BEARING $\phi 25 \times \phi 47 \times 8$	1		
03	924073	OIL SEAL $\phi 25 \times \phi 36 \times 6$	1		
04	924072	SPACER	1		
05	924071	O-RING $\phi 2.5 \times \phi 43.5$	1		
06	924075	RETAINER, CRANK CASE COVER	1		
07	924074	O-RING $\phi 2.4 \times \phi 14.8$	1		
08	S35607	SCREW M6X10	3		
09	924143	CUP, STARTER	1		
09A	924707	SPACER	1		FOR E400
10	N10203	NUT	1		
11	924136	STARTER ASSY., RECOIL	1		
11A	924708	CAP	1		FOR E400
12	S24604	BOLT, FLANGE M6X12	4		
12A	S24616	BOLT, FLANGE	3		FOR E400
13	400157	OIL GAUGE, LEVEL ASSY.	1		
14	924376	SPEEDOMETER GEAR ASSY.	1		
15	924197	GASKET, SPEEDOMETER GEAR ASSY.	1		
16	S95604	BOLT	2		
17	924240	OIL SEAL $\phi 12 \times \phi 22 \times 9$	1		
18	924764	ARM, GEAR POSITION	1		
19	S21604	BOLT, FLANGE M6X1.0X20L	1		
20	924309	WATER PUMP COMP.	1		
21	S24626	BOLT, FLANGE M6X48	2		
22	W99620	WASHER, TDC $\phi 16.2 \times \phi 22.5 \times 2t$	1		
23	924339	SCREW	1		
24	W99821	WASHER	1		

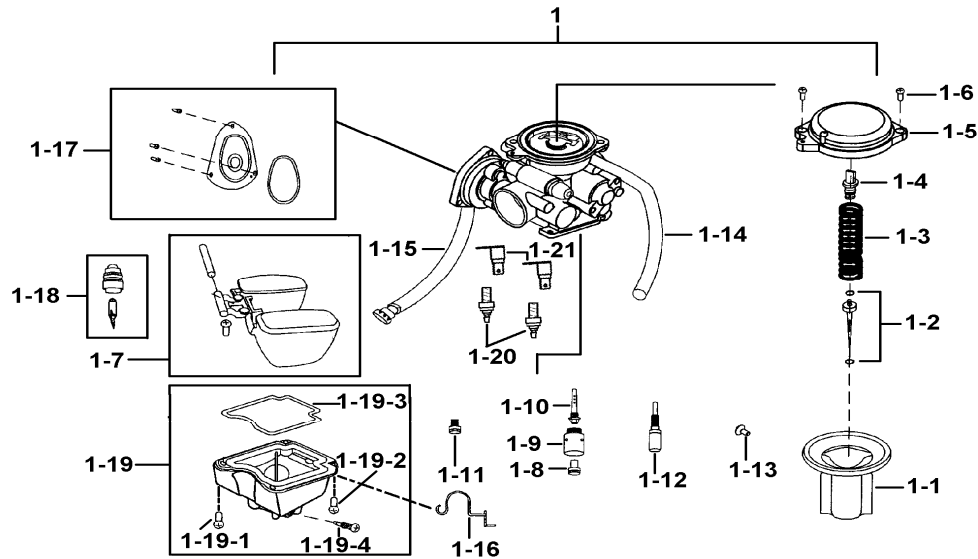
25	S21808	BOLT M8X1.25X12L	1
26	924357	PIPE SET, ENGINE OIL	1
27	S70609	SCREW, SOCKET HEAD M6x16	4
28	S24602	BOLT, FLANGE M6X50	12
29	S20813	BOLT, FLANGE	1
30	S24625	BOLT, FLANGE	2
31	924710	O-RING ϕ 2.4X ϕ 12.3	2
32	924154	OIL PRESSURE VALVE	1
33	W99823	WASHER	1
34	GA504NT01	NUT, FLANGE M6	2



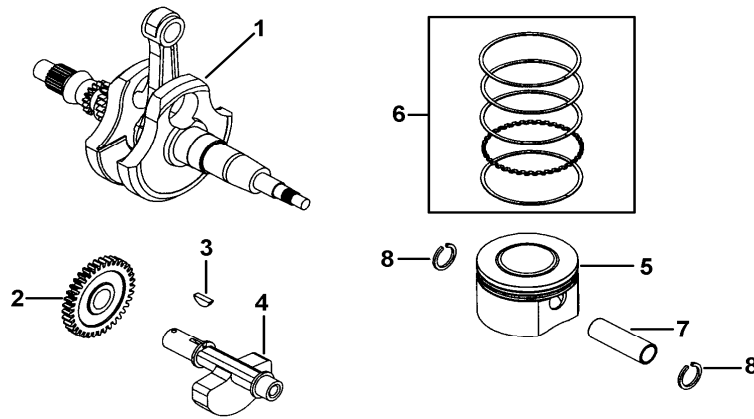
ITEM NO	PART NO	DESCRIPTION	Q'TY	AMEND	NOTE
01	924337	PIPE, BREATHE	1		
02	924047	PLATE, OIL GUIDE	1		
03	S24604	BOLT, FLANGE M6X12	3		
04	GA504PN02	PIN, DOWEL 6.5x9x10	2		
05	924144	PUMP, ENGINE OIL	1		
06	GA502SC01	BOLT 6X25	3		
07	924147	WASHER, DRIVEN GEAR	2		
08	924148	PIN, DOWEL	1		
09	924146	GEAR, DRIVEN	1		
10	924149	"C" RING	1		
11	924150	STRAINER, ENGINE OIL	1		
12	S43501	BOLT	2		
13	924152	O-RING	1		
14	924151	CAP, OIL STRAINER	1		
15	S24605	BOLT, FLANGE	4		
16	W99303	WASHER, DRAIN PLUG	1		
17	924326	DRAIN PLUG BOLT	1		
18	S21810	BOLT, FLANGE	3		
19	S21811	BOLT, FLANGE	3		
20	S24602	BOLT, FLANGE M6X50	7		
21	924168	O-RING $\phi 30 \times \phi 44 \times 7$	1		
22	924179	BEARING $\phi 30 \times \phi 62 \times 23.8$	1		
23	924184	BEARING $\phi 20 \times \phi 52 \times 15$	1		
24	924066	BEARING $\phi 35 \times \phi 72 \times 17$	1		
25	924114	BEARING 20X47X14	1		
26	924118	PIN, DOWEL	1		
27	924117	GEAR, DRIVEN	1		
28	W99011	GASKET	1		
29	S21007	BOLT, MUF BODY SUPPORT RH	1		



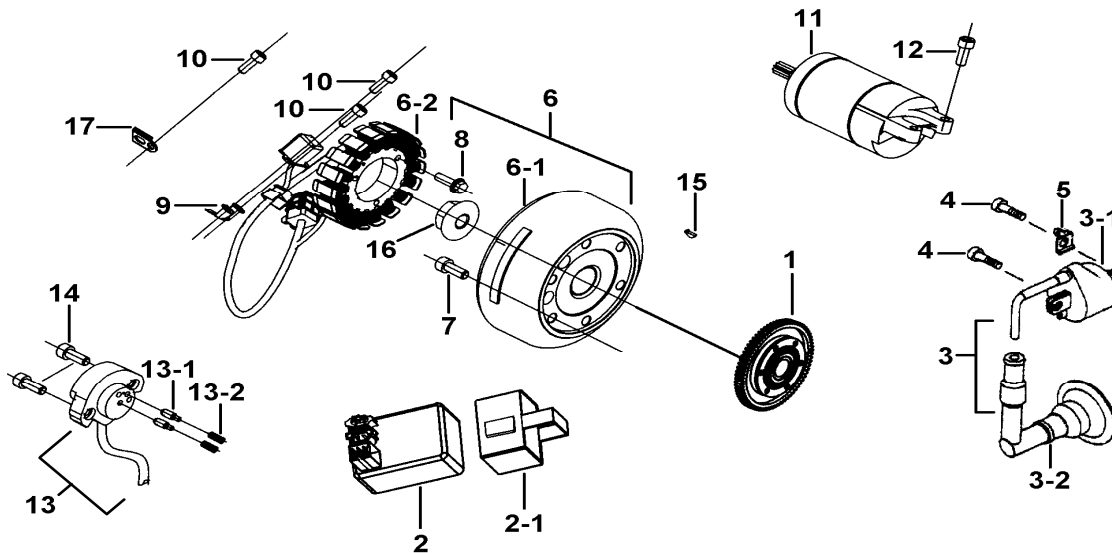
ITEM NO	PART NO	DESCRIPTION	Q'TY	AMEND	NOTE
01	924044	CRANKCASE	1		
02	924054	COVER , CRANKCASE LH	1		
03	924049	COVER , CRANKCASE RH	1		
04	924052	CLUTCH COVER	1		
05	924185	CHUCK, BEARING	2		
06	S46601	SCREW	2		
07	S24627	BOLT, FLANGEM6X74L	1		
08	P40301	PIN, DOWEL	6		
09	S24610	BOLT, FLANGE M6X40	28		
10	924051	GASKET, CLUTCH COVER	1		
11	W99821	WASHER	1		
12	GA504SC12	BOLT, FLANGE 8X12	1		
13	924166	WASHER	1		
14	R01901	"C" RING	1		
15	924295	WASHER	1		
16	924055	GASKET	1		
17	924808	GASKET	1		
18	S20020	BOLT, FLANGE	2		
19	S20011	BOLT, FLANGE	1		
20	GA551NT01	NUT, SELFLOCK M10X1.0	3		



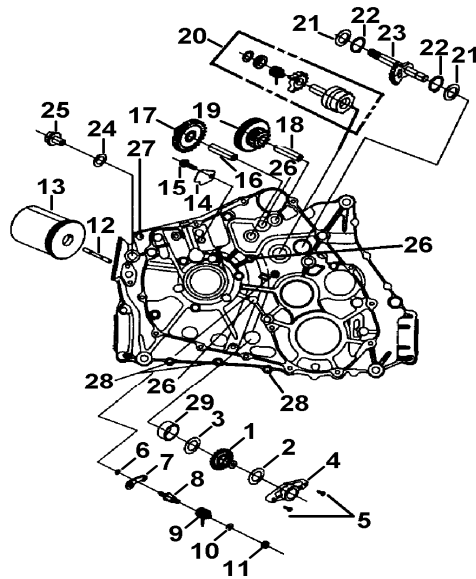
ITEM NO	PART NO	DESCRIPTION	Q'TY	AMEND	NOTE
01	924080	CARBURETOR ASSY.	1		
01-1	924744	PISTON VALVE	1		
01-2	924745	NEEDLE SET. JET(JN)	1		
01-3	924746	SPRING	1		
01-4	924747	HELDER	1		
01-5	924749	TOP COMP	1		
01-6	924748	SCREW	2		
01-7	924750	FLOAT SET	1		
01-8	924751	MAIN JET(MJ)	1		
01-9	924761	RING	1		
1-10	924762	HOLD, MAIN JET	1		
1-11	924906	STARTING JET (GS1 35)	1		
1-12	924753	IDLE JET(PJ)	1		
1-13	924754	SCREW	1		
1-14	924755	HOSE	1		
1-15	924756	CABLE ADJUSTER ASSY.	1		
1-16	924757	CLIP	1		
1-17	924758	THROTTLE VALVE COVER	1		
1-18	924763	VALVE SEAT ASSY.	1		
1-19	924829	COVER, FLOAT CHAMBER	1		
1-19-1	924759	SCREW	3		
1-19-2	924760	SCREW	1		
1-19-3	924831	O-RING	1		
1-19-4	924832	SCREW	1		
1-20	924902	HEATER 30W	2		
1-21	924903	TERMINAL	2		



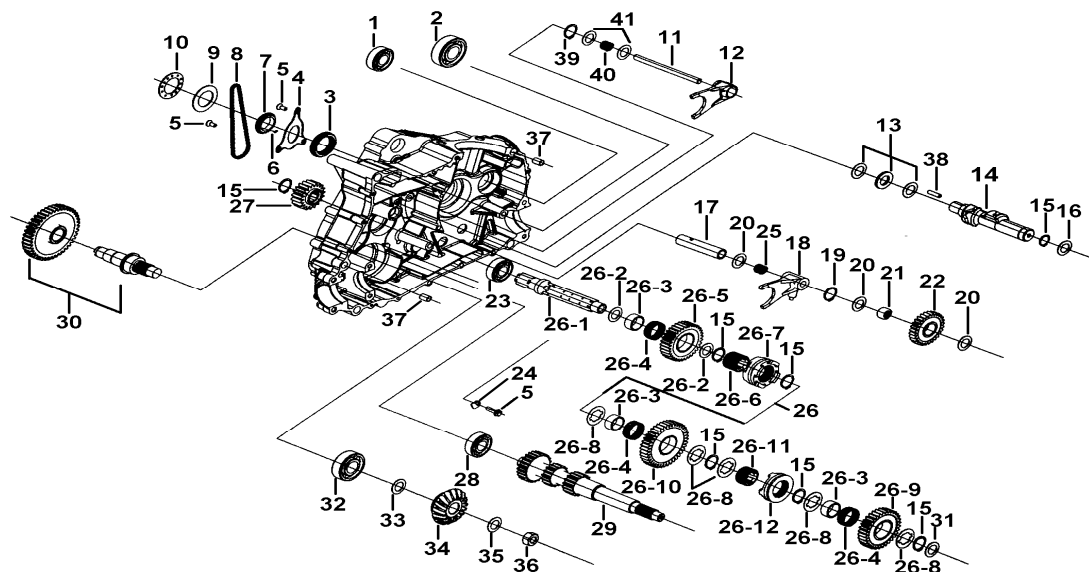
ITEM NO	PART NO	DESCRIPTION	Q'TY	AMEND	NOTE
01	924059	CRANKSHAFT SET	1		
02	924115	GEAR, DRIVEN	1		
03	400060	KEY 25x14x4	1		
04	924113	FIXED SHAFT	1		
05	924004	PISTON	1		
06	924005	PISTON RING SET	1		
07	924009	PISTON PIN	1		
08	924010	PISTON PIN CLIP	2		



ITEM NO	PART NO	DESCRIPTION	Q'TY	AMEND	NOTE
01	924816	CLUTCH ASSY.(STARTING)	1		
02	924283	C.D.I	1		
02-1	924452	BUSH, RUBBER	1		
03	924413	IGNITION HIGH TENSION LINE ASSY.	1		
03-1	GE5139906	COIL SET, IGNITION	1		
03-2	924285	SPARK PLUG ATTACHMENT	1		
04	S70607	SCREW, SOCKET HEAD M6X20	2		
05	440564	EARTH TERMINAL	1		
06	924278	FLYWHEEL MAGNETO ASSY	1		
06-1	924279	ROTOR ASSY	1		
06-2	924415	STATOR ASSY	1		
07	S70811	BOLT	6		
08	S24607	BOLT, FLANGE M6X32	3		
09	924281	NO · 1 CLAMP	1		
10	S13502	SCREW,CROSS RECESSED,PAN HEAD M5X10	3		
11	924277	START MOTOR ASSY,	1		
12	S24607	BOLT, FLANGE M6X32	2		
13	924414	GEAR SENSOR ASSY.	1		
13-1	924246	CONTACT, SWITCH, GEAR SELECT	2		
13-2	924247	SPRING , SWITCH, GEAR SELECT	2		
14	S79501	SCREW, SOCKET HEAD M5x16	2		
15	924280	KEY	1		
16	N10803	NUT, FLANGE	1		
17	924282	NO.2 CLAMP	1		

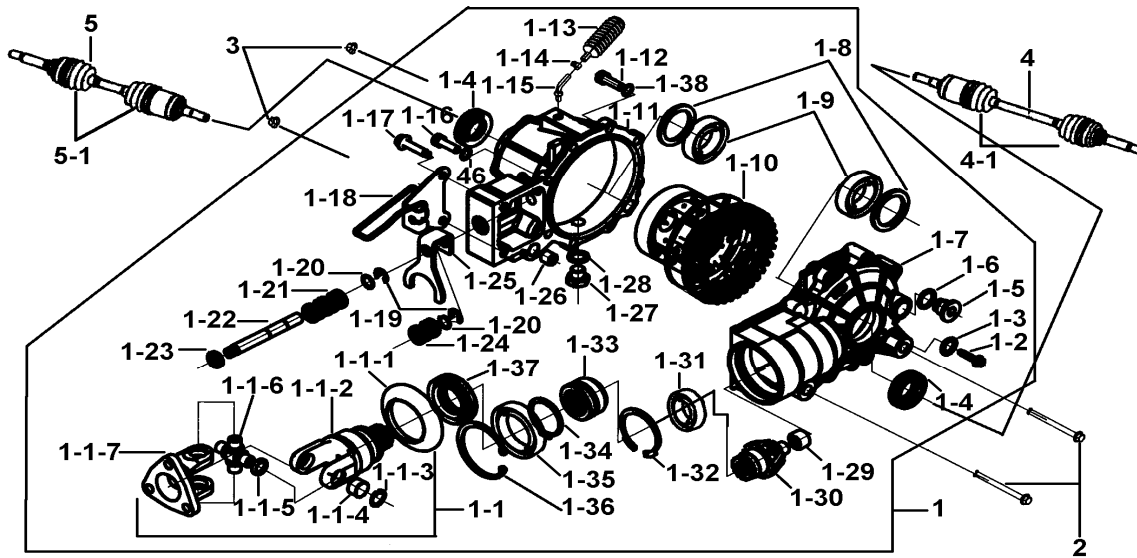


ITEM NO	PART NO	DESCRIPTION	Q'TY	AMEND	NOTE
01	924361	CHAIN WHEEL WATER PNMP.	1		
02	W99412	GASKET 14X32X1	1		
03	W99430	WASHER 12.3x22x1t	1		
04	924393	RETAINER, WATER PUMP	1		
05	S70602	SCREW, HEX. SCCKET M6X1.0X25L	2		
06	W99616	GASKET	1		
07	924231	STOPPER, GEAR SHAFT CAM	1		
08	924233	SET SCREW ,GEAR CAM STOP DOG	1		
09	924232	SPRING	1		
10	W99617	WASHER, SPRING ABATEMENT	1		
11	N10601	NUT, FLANGE 6mm	1		
12	924374	STUD, OIL FILTER	1		
13	924153	ENGINE OIL FILTER	1		
14	924048	PLATE, OIL GUIDE	1		
15	S24604	BOLT,FLANGE M6X12	1		
16	924112	PIN (NO.2 STARTING IDLER)	1		
17	924110	GEAR	1		
18	924111	PIN (NO.1 STARTING IDLER)	1		
19	924109	GEAR, STARTING IDLER	1		
20	924630	SHIFT CAMSHAFT COMP	1		
21	W99218	WASHER	2		
22	R00703	"C" RING	2		
23	924236	SECONDARY DIAL POLE	1		
24	W99303	WASHER, DRAIN PLUG	1		
25	S24401	SCREW M14X12	1		
26	S24627	BOLT, FLANGEM6X74L	3		
27	S21812	BOLT, FLANGE M8X97.5L	1		
28	S24602	BOLT, FLANGE M6X50	3		
29	924739	BUSHING	1		



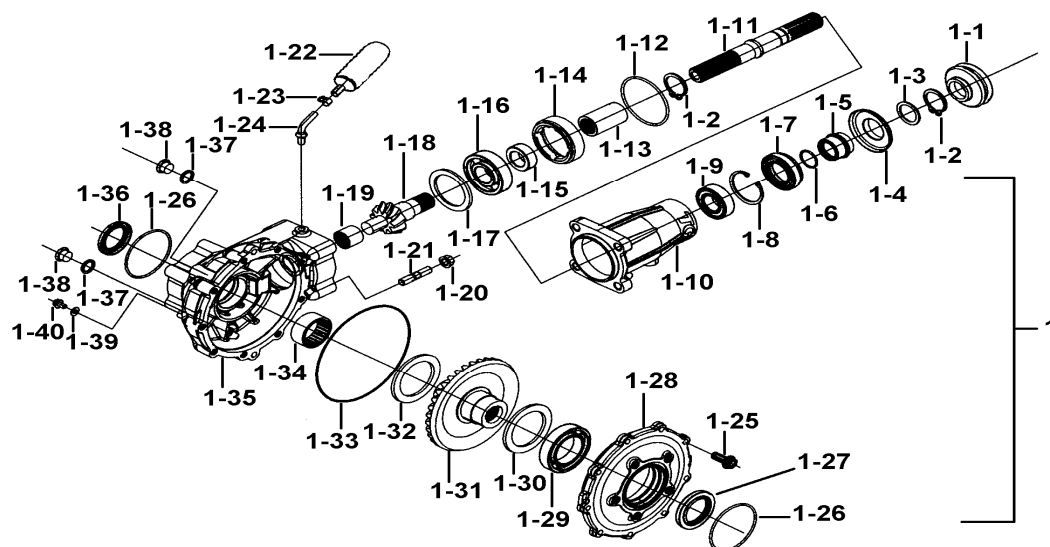
ITEM NO	PART NO	DESCRIPTION	Q'TY	AMEND	NOTE
01	924114	BEARING 20X47X14	1		
02	924067	BEARING $\phi 35 \times \phi 72 \times 17$	1		
03	924068	OIL SEAL $\phi 34 \times \phi 52 \times 6$	1		
04	924069	RETAINER, CRANK CASE LH	1		
05	S46601	SCREW	5		
06	P30303	PIN, DOWEL	1		
07	924360	CHAIN WHEEL, WATER PUMP (22T)	1		
08	924351	CHAIN, WATER PUMP	1		
09	924718	WASHER	1		
10	924366	WASHER	1		
11	924235	FORK POLE	1		
12	924237	FORK	1		
13	924364	THRUST BEARING	1		
14	924701	CAM ASSY, GEAR SHAFT	1		
15	R00206	"C" CLIP, REVERSE GEAR	11		
16	W99517	SHIM, REVERSE SHAFT	1		
17	924186	SHAFT, REVERSE GEAR	1		
18	924636	FORK, REVERSE GEAR	1		
19	R00501	"C" CLIP	1		
20	W99709	WASHER $\phi 17 \times 30 \times 1t$	3		
21	924643	BEARING $\phi 17 \times \phi 24 \times 15$	1		
22	924187	IDLER GEAR(28T)	1		
23	924182	BEARING $\phi 25 \times 52 \times 15$	1		
24	924185	CHUCK, BEARING	2		
25	924699	SPRING, FORK	1		
26	924301	GEAR COMP, TRANSMISSION	1		
26-1	924170	SHAFT, TRANSMISSION GEAR	1		
26-10	924171	GEAR, LOW SPEED(40T)	1		
26-11	924299	BUSHING	1		

26-12	924190	COLLAR, REVERSE GEAR	1
26-2	W99212	WASHER, HIGH SPEED GEAR	2
26-3	924172	BUSHING	3
26-4	924178	BEARING	3
26-5	924173	GEAR, HIGH SPEED (33T)	1
26-6	924300	BUSHING	7
26-7	924174	COLLAR	1
26-8	924177	WASHER	5
26-9	924189	REVERSE GEAR(32T)	1
27	924175	GEAR(19T)	1
28	924180	BEARING Φ 20x47x14	1
29	924167	SHAFT, TRANSMISSION	1
30	924169	OUTPUT COUNTERSHAFT ASSY.	1
31	W99012	WASHER	1
32	924066	BEARING ϕ 35X ϕ 72X17	1
33	W99413	SHIM 24X48X1T	2
33A	W99414	SHIM 24X48X0.5T	1
33B	W99415	SHIM 24X48X0.3T	1
33C	W99417	SHIM 24X48X0.05T	1
34	924203	GEAR, SEC DRIVE BEVEL(17T)	1
35	W99304	SHIM	1
36	N33803	NUT, HEX HEAD	1
37	P40301	PIN, DOWEL	2
38	924645	PIN, DOWEL	1
39	924149	"C" RING	1
40	924700	FORK SPRING	1
41	W99015	WASHER	2



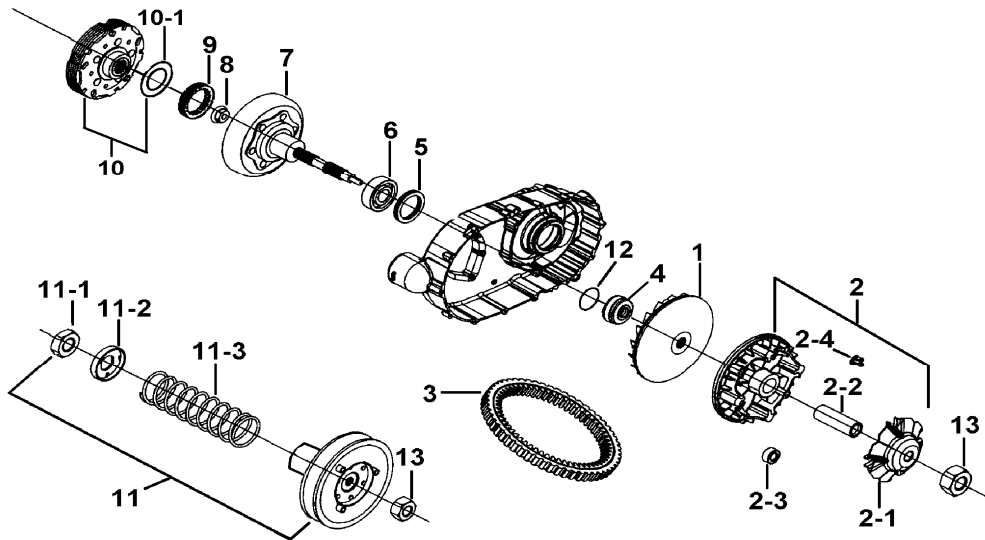
ITEM NO	PART NO	DESCRIPTION	Q'TY	AMEND	NOTE
01	924655	FRONT DIFFERENTIAL ASSY.	1		
01-01	924624	UNIVERSAL JOINT ASSY.	1		
01-02	S21605	BOLT, FLANGE M6X10	1		
01-03	W99621	WASHER $\phi 6.5 \times \phi 13.2 \times 1.3t$	1		
01-04	924379	OIL SEAL	2		
01-05	S96808	BOLT M18X1.5X16L	1		
01-06	W99823	WASHER	1		
01-07	924629	HOUSING FRONT DRIVE, FRONT	1		
01-08	W99530	SHIM $\phi 45.5 \times \phi 54 \times 0.05t$	2		
01-08A	W99529	SHIM $\phi 45.5 \times \phi 54 \times 0.1t$	2		
01-08B	W99528	SHIM $\phi 45.5 \times \phi 54 \times 0.3t$	2		
01-08C	W99531	SHIM $\phi 45.5 \times \phi 54 \times 0.5t$	2		
01-09	924385	BEARING $\phi 30 \times \phi 55 \times 13$	2		
01-10	924617	SLIP LIMITED GEAR ASSY.	1		
01-11	924628	COVER, FRONT DRIVE	1		
01-1-1	924387	DUST GUARD COVER	1		
01-12	S70809	SCREW, SOCKET HEAD M8X1.25X40L	6		
01-1-2	924386	YOKE ASSY.	1		
01-13	924264	CASE, BREATHER	1		
01-1-3	924212	"C" CLIP	4		
01-14	R40802	CLIP	1		
01-1-4	924647	BEARING	4		
01-15	924261	EXHAUST PIPE, BREATHE	1		
01-1-5	924648	OIL SEAL	4		
01-16	S70810	SCREW, SOCKET HEAD M8X1.25X36L	2		
01-1-6	924646	JOINT SET, UNIVERSAL	1		
01-17	S21815	BOLT, FLANGE M8X1.25X50L	2		
01-1-7	924210	YOKE, PROP SHAFT JOINT REAR	1		
01-18	924611	BRACKET ASSY, SHIFT	1		

01-19	R10702	"E" RING	2
01-20	W99218	WASHER	2
01-21	924616	SPRING, RETURN	1
01-22	924614	ROD, SHIFT	1
01-23	924381	OIL SEAL $\phi 12 \times \phi 20 \times 5$	1
01-24	924615	SPRING, SHIFT	1
01-25	924613	FORK, SHIFT	1
01-26	P40301	PIN, DOWEL	2
01-27	924765	SCREW	1
01-28	W99303	WASHER, DRAIN PLUG	1
01-29	924384	BEARING $\phi 15 \times \phi 21 \times 12$	1
01-30	924843	PINION, DRIVE	1
01-31	924383	BEARING $\phi 32 \times \phi 58 \times 13$	1
01-32	924606	CLIP	1
01-33	924398	SLEEVE, SHIFT (14T)	1
01-34	R00105	CLIP	1
01-35	924382	BEARING $\phi 45 \times \phi 68 \times 12$	1
01-36	R01301	CLIP	1
01-37	924380	OIL SEAL $\phi 52 \times \phi 73 \times 14$	1
01-38	GA556WS04	SPRING WASHER 8.2X3.2X2t	8
02	S20019	BOLT, FLANGE M10X1.25	2
03	GA551NT01	NUT, SELFLOCK M10X1.0	2
04	924650	TRANSMISSION SHAFT (R)	1
04-1	924797	BOOT, TRANSMISSION SHAFT	2
05	924651	TRANSMISSION SHAFT (L)	1
05-2	924785	C CLIP TRANSMISSION SHAFT	2

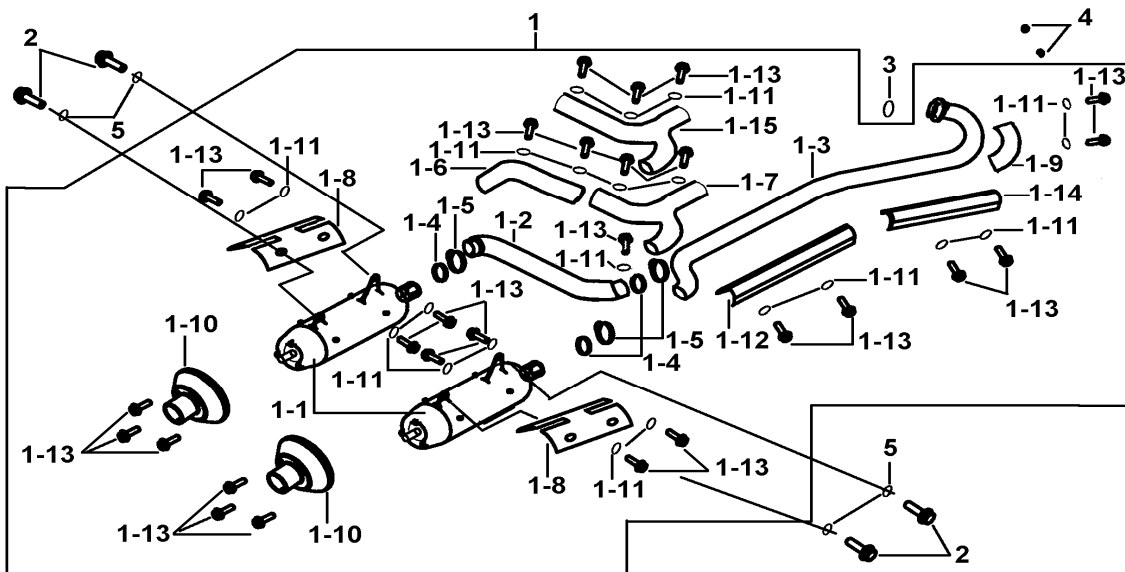


ITEM NO	PART NO	DESCRIPTION	Q'TY	AMEND	NOTE
01	924738	REAR DIFFERENTIAL ASSY.	1		
01-1	924249	DUST GUARD COVER	1		
01-10	924263	HOUSING, RR FINAL DRIVE	1		
01-11	924250	SHAFT, REAR FINAL DRIVE	1		
01-12	924273	O-RING $\phi 3.175.4$	1		
01-13	924252	JOINT, REAR FINAL DRIVE	1		
01-14	924254	RING SNAP	1		
01-15	924255	RING SNAP	1		
01-16	924267	BEARING $\phi 28 \times \phi 68 \times 18$	1		
01-17	W99622	SHIM $\phi 63 \times \phi 68 \times 0.5t$	2		
01-18	924842	GEAR(UMBRELLA)	1		
01-19	924269	BEARING $\phi 20 \times \phi 28 \times 23$	1		
01-2	R00206	"C" CLIP, REVERSE GEAR	2		
01-20	N10001	NUT	4		
01-21	S95003	STUD	4		
01-22	924769	CASE, BREATHER	1		
01-23	R40002	CLIP	1		
01-24	924261	EXHAUST PIPE, BREATHE	1		
01-25	S21813	SCREW	9		
01-26	924378	O-RING $\phi 3.1 \times \phi 71.4$	2		
01-27	924275	OIL SEAL $\phi 42 \times \phi 62 \times 9$	1		
01-28	924262	CASE, REAR FINAL DRIVEN RH	1		
01-29	924268	BEARING $\phi 45 \times \phi 75 \times 16$	1		
01-3	W99527	WASHER $\phi 25 \times \phi 38 \times 1t$	1		
01-30	W99531	SHIM $\phi 45.5 \times \phi 54 \times 0.5t$	1		
01-30A	W99528	SHIM $\phi 45.5 \times \phi 54 \times 0.3t$	1		
01-30B	W99529	SHIM $\phi 45.5 \times \phi 54 \times 0.1t$	1		
01-30C	W99530	SHIM $\phi 45.5 \times \phi 54 \times 0.05t$	1		
01-31	924256	GEAR, FINAL DRIVEN BEVEL	1		

01-32	W99427	SHIM $\phi 40 \times \phi 50 \times 0.5T$	1
01-32A	W99424	SHIM $\phi 40 \times \phi 50 \times 0.3T$	1
01-32B	W99425	SHIM $\phi 40 \times \phi 50 \times 0.1T$	1
01-32C	W99426	SHIM $\phi 40 \times \phi 50 \times 0.05T$	1
01-33	924271	"O" RING $\phi 2.3 \times \phi 158.3$	1
01-34	924270	BEARING $\phi 40 \times \phi 50 \times 20$	1
01-35	924260	CASE, REAR FINAL GEAR	1
01-36	924274	OIL SEAL $\phi 38 \times \phi 54 \times 6$	1
01-37	W99620	WASHER, TDC $\phi 16.2 \times \phi 22.5 \times 2t$	2
01-38	924339	SCREW	2
01-39	W99621	WASHER $\phi 6.5 \times \phi 13.2 \times 1.3t$	1
01-4	924605	DUST GUARD COVER	1
01-40	S21605	BOLT, FLANGE M6X10	1
01-5	924265	OIL SEAL RING	1
01-6	924272	O-RING $\phi 2.9 \times \phi 24.7$	1
01-7	924251	OIL SEAL $\phi 35 \times \phi 59 \times 16.5$	1
01-8	R01801	CILP	1
01-9	924266	BEARING $\phi 25 \times \phi 52 \times 15$	1



ITEM NO	PART NO	DESCRIPTION	Q'TY	AMEND	NOTE
01	924501	FACE, FIXED DRIVE	1		
02	924505	SHEAVE, MOVABLE DRIVE ASSY.	1		
02-1	924512	PLATE, MOVABLE DRIVE FACE	1		
02-2	924518	SPACER, MOVABLE DRIVE SHEAVE	1		
02-3	492074	ROLLER, MOVABLE DRIVE SHEAVE (13.5g)	8		
02-3A	492178A	ROLLER COMP., MOVABLE DRIVE SHEAVE (17g)	1		
02-4	490687	SLIDING PAD	4		
03	924161	V/S BELT	1		
04	924521	SPACER	1		
05	924162	OIL SEAL	1		
06	924163	BEARING, RIGHT	1		
07	924525	CLUTCH HOUSING ASSY.	1		
08	924553	NUT	1		
09	924545	UNIDIRECTIONAL CLUTCH	1		
10	924530	CLUTCH ASSY.	1		
10-1	492184	WASHER	1		
11	924560	PULLEY, DRIVEN ASSY.	1		
11-1	PG433232	NUT, DRIVEN PULLEY	1		
11-2	924581	HOLDER, MOVABLE DRIVEN SHEAVE	1		
11-3	492106	SPRING, MOVABLE DRIVEN SHEAVE	1		
12	924520	O-RING	1		
13	924523	NUT	2		

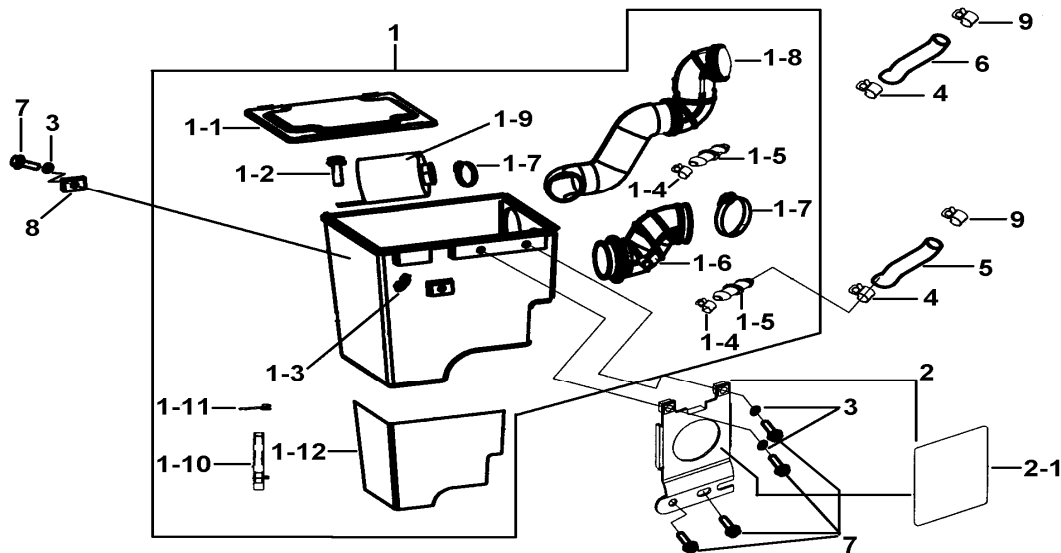


ITEM NO	PART NO	DESCRIPTION	Q'TY	AMEND	NOTE
01	924288	MUFFLER ASSY.	1		
01-1	924820	BODY COMP, MUFFLER	2		
01-10	924821	PROTECTOR COVER	2		
01-11	W99506	WASHER	22		
01-12	923286	PROTECTOR COVER, EXHAUST PIPE	1		
01-13	S20603	BOLT, FLANGE M6X12	28		
01-14	923015	PROTECTOR COVER, EXHAUST PIPE	1		
01-15	924709	PROTECTOR COVER	1		
01-2	924822	EXHAUST PIPE "B"	1		
01-3	924823	EXHAUST PIPE	1		
01-4	924824	GASKET, PLUMBAGO	3		
01-5	924825	CLAMP	3		
01-6	924731	PROTECTOR COVER "L"	1		
01-7	924732	PROTECTOR COVER "Y"	1		
01-8	923016	PROTECTOR COVER, MUFFLER	2		
01-9	923292	PROTECTOR COVER	1		
02	S20814	BOLT, FLANGE	4		
03	924296	GASKET, EXHAUST PIPE	1		
04	N10801	NUT, FLANGE 8mm	2		
05	GA556WS04	SPRING WASHER 8.2X3.2X2t	4		

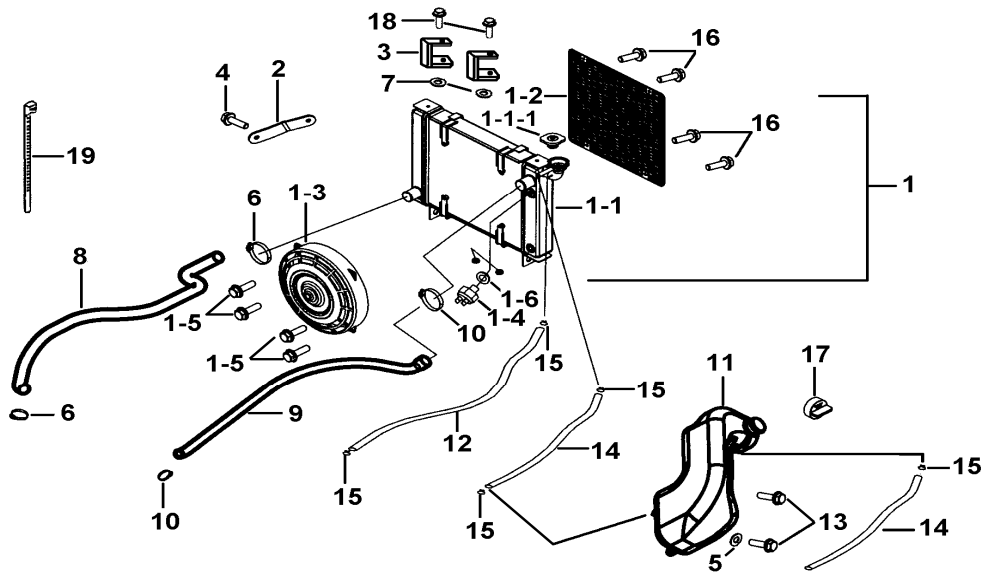
117

AIR CLEANER ASSY.

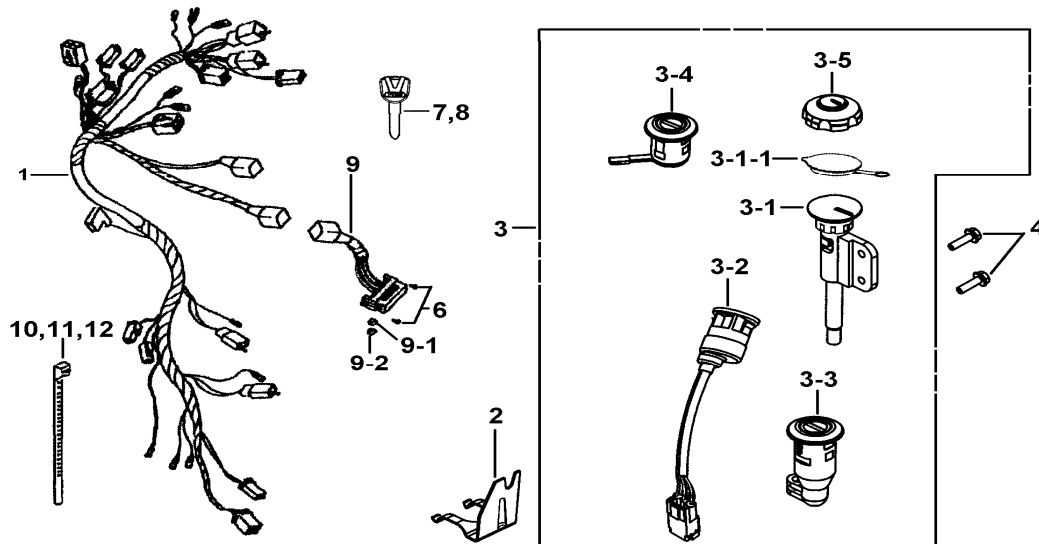
FBE



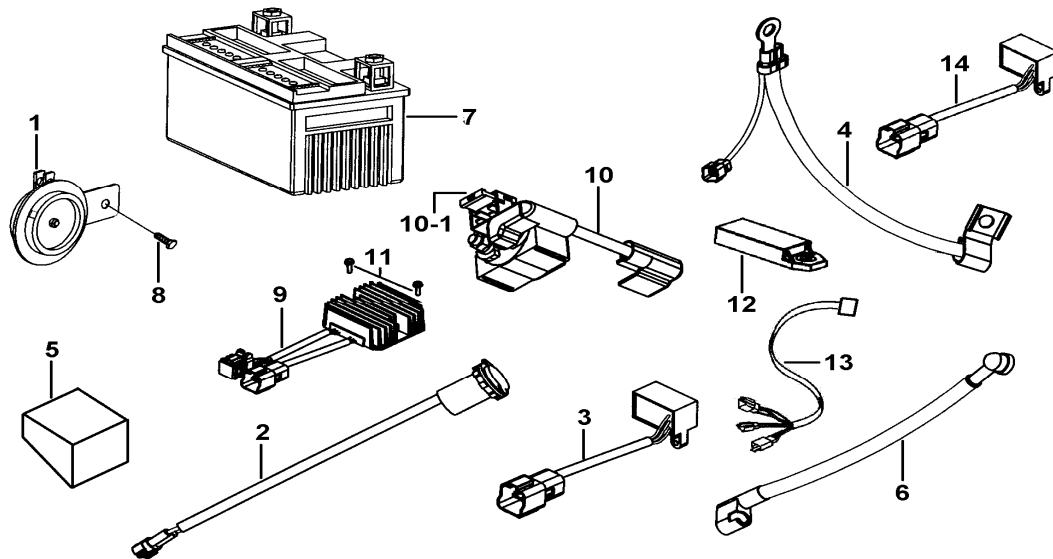
ITEM NO	PART NO	DESCRIPTION	Q'TY	AMEND	NOTE
01	924119A	AIR CLEANER ASSY.	1		
01-1	924607	COVER, AIR CLEANER	1		
01-10	924124	TUBE	1		
01-11	R36401	CLIP	1		
01-12	924740	HEAT INSULATION	1		
01-2	GA557SC12	SCREW, PAN HEAD M5X10	1		
01-3	923278	"S" CLIP	4		
01-4	R40101	HOSE CLAMP BATTEN	2		
01-5	924733	TWO THROUGH -HOLE	2		
01-6	924123	CARBURETOR AIR FEEDER	1		
01-7	R66802	CLIP	2		
01-8	924690	TUBE, INLET	1		
01-9	924120	FILTER	1		
02	924691A	BRACKET, AIR CLEANER	1		
02-1	924743	HEAT INSULATION	1		
03	W99605	WASHER	3		
04	R40201	CLIP	2		
05	924737	TWO INTAKE DUCTS RH.	1		
06	924692	TWO INTAKE DUCTS LH.	1		
07	S20603	BOLT, FLANGE M6X12	5		
08	924684	NUT, SPECIAL	1		
09	R40501	CLIP	2		



ITEM NO	PART NO	DESCRIPTION	Q'TY	AMEND	NOTE
01	924619A	RADIATOR ASSY.	1		
01-1	924619	RADIATOR COMP.	1		
01-1-1	924798	CAP, RADIATOR ASSY.	1		
01-2	924670	PROTECTOR, RADIATOR	1		
01-3	924155	COOLING FAN ASSY.	1		
01-4	924159	SWITCH, COOLING FAN	1		
01-5	S20603	BOLT, FLANGE M6X12	8		
01-6	W02001	WASHER	1		
02	924638	BRKT, RADIATOR	1		
03	924741	BRACKET	2		
04	S20814	BOLT, FLANGE	1		
05	W99806	WASHER 8.5X16X2	1		
06	R66803	CLIP	2		
07	402129	WASHER, RUBBER	4		
08	924355	HOSE, OUTLET	1		
09	924354	HOSE, INLET	1		
10	R66701	CLIP	2		
11	924641	RESERVOIR ASSY.	1		
12	924681	HOSE, RECIRCULATION	1		
13	GA555SC05	BOLT, OUTLET M6X1.0X16L	2		
14	924674	HOSE	2		
15	R40201	CLIP	5		
16	S21605	BOLT, FLANGE M6X10	4		
17	924642	RESERVOIR CAP	1		
18	S21008	BOLT M10X20	2		
19	GA510SR01	CLAMP L150	1		



ITEM NO	PART NO	DESCRIPTION	Q'TY	AMEND	NOTE
01	924418	WIRING HARNESS	1	←002049	
01A	924451	WIRING HARNESS	1	←002049	FOR 400E
01B	924465	WIRING HARNESS	1	002050→	
02	401657	REED	1	←002049	
02A	923437	REED	1	002050→	
03	924449	LOCK ASSY.	1		
03-1	924457-S	LOCK SET, STEERING	1		
03-1-1	924459	LOCK SET, STEERING CAP	1		
03-2	924424-S	LOCK SET, IG SW.	1		
03-3	440744-S	LOCK SET, SEAT	1		
03-4	924448-S	LOCK	2		
03-5	924433-S	LOCK SET, FUEL CAP	1		
04	S96601	SCREW, SPECIAL	2		
06	S70607	SCREW, SOCKET HEAD M6X20	2		
07	923423	BLANK KEY	1		
08	923424	BLANK KEY	1		
09	923428	FUSE WIRING HARNESS	1		
09-1	924425	FUSE, 10A	6		
09-2	924426	FUSE, 15A	2		
10	GA510SR01	CLAMP L150	2		
11	GA510SR02	CLAMP L200	3		
12	400535	CLAMP L300	3		

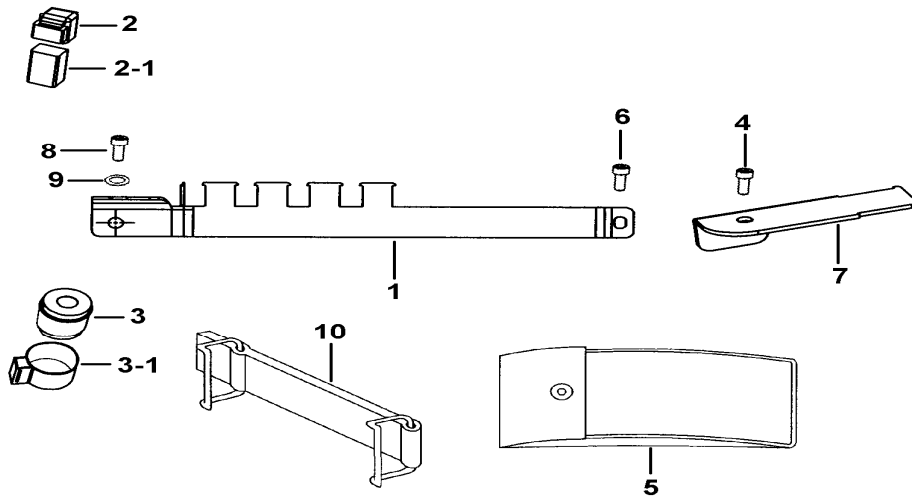


ITEM NO	PART NO	DESCRIPTION	Q'TY	AMEND	NOTE
01	440809	HORN ASSY.	1		
02	924422	POWER SOURCE	2		
03	924447	THERMOSWITCH COMP.	1		
04	924441	CABLE COMP.	1	←002049	
04A	923433	CABLE COMP.	1	002050→	
05	GF514TH02	CUSHION	2	←002049	
05A	924464	CUSHION	1	002050→	
06	924440	STARTING TERMINAL CABLE COMP.	1	←002049	
06A	923432	STARTING TERMINAL CABLE COMP.	1	002050→	
07	924423	BATTERY 12V 18AH	1		
08	GA510SC03	SCREW, HEX. HEAD M6X16	1		
09	924412	RECTIFIER	2		
10	924409	RELAY, STARTING MOTOR	1	←002049	
10-1	924445	FUSE 20A	1		
10A	923431	RELAY, STARTING MOTOR	1	002050→	
11	S70607	SCREW, SOCKET HEAD M6X20	2		
12	924900	CONTROLLER, HEATER	1		
13	924901	WIRING, HEATER	1		
14	924904	OIL LIGHT CONTROL ONIT	1		

121

HOLDER, BOX

FBE

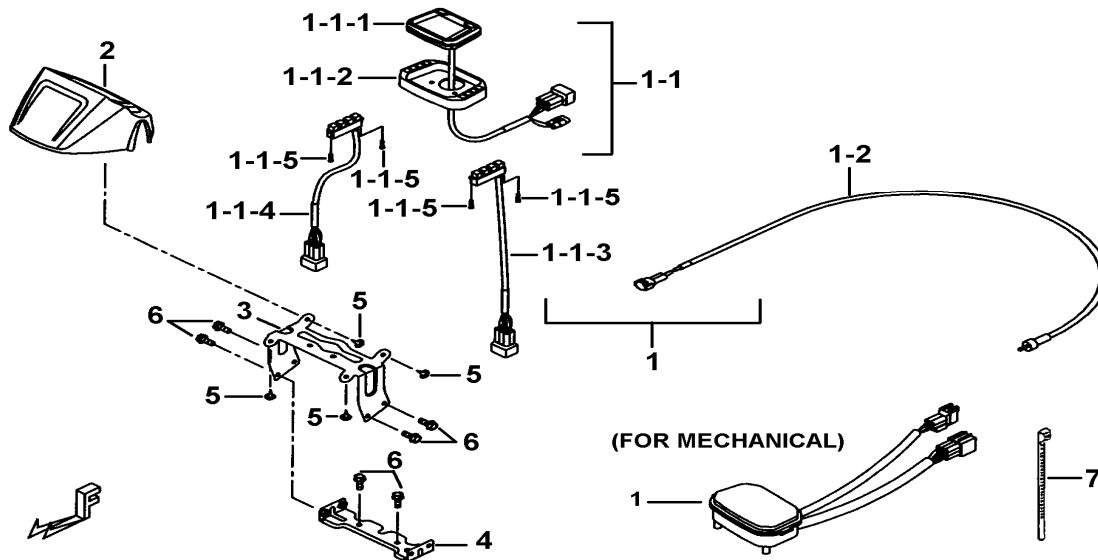


ITEM NO	PART NO	DESCRIPTION	Q'TY	AMEND	NOTE
01	924433	HOLDER, BOX	1		
02	GA5100004	RELAY	4		
02-1	924453	BUSH, RUBBER	1		
03	440800A	RELAY, TURN SIGNAL	1		
03-1	924454	BUSH, RUBBER	1		
04	GA555SC05	BOLT, OUTLET M6X1.0X16L	1		
05	924456	TOOL BAG	1		
06	S70607	SCREW, SOCKET HEAD M6X20	1		
07	924455	HOLDER, C.D.I.	1		
08	S21809	BOLT M8X1.25X18L	1		
09	GA556WS04	SPRING WASHER 8.2X3.2X2t	1		
10	GF5140001	BAND	1		←001069

201

SPEEDOMETER

FBE



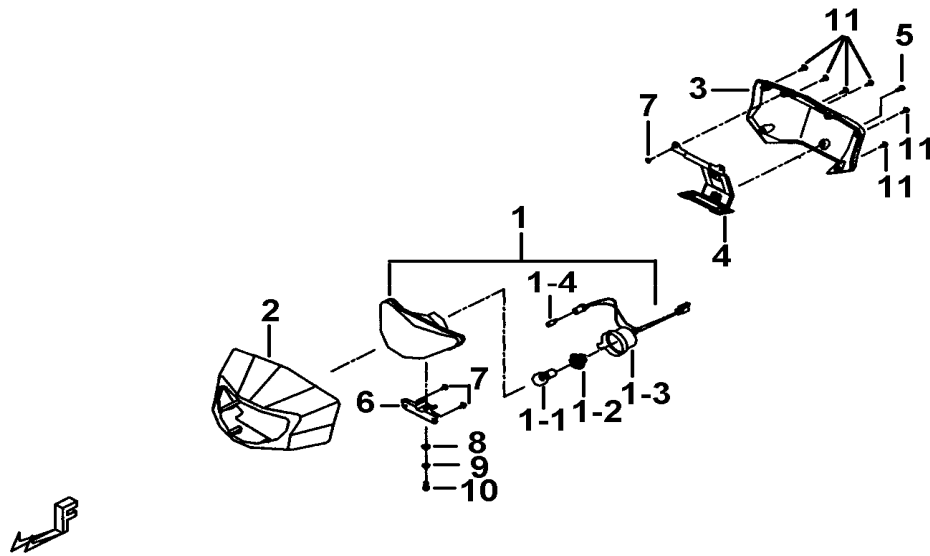
ITEM NO	PART NO	DESCRIPTION	Q'TY	AMEND	NOTE
01	512620	SPEEDOMETER ASSY.	1		
01-1	514080	SPEEDOMETER COMP.	1		
01-1-1	515039	SPEEDOMETER	1		
01-1-2	515040	COVER, SPEEDOMETER	1		
01-1-3	515041	SOCKET COMP.	1		
01-1-4	515042	SOCKET COMP.	1		
01-1-5	S61201	SCREW, TAPPING	4		
01-2	514061	WIRE, SPEEDOMETER	1		
01-2A	512630	CABLE, SPEEDOMETER	1		FOR MECHANICAL (DOES NOT CONTAIN THE WIRE)
01A	512627	SPEEDOMETER ASSY.(MECHANICAL)	1	←002049	CONTAIN THE WIRE) (DOES NOT CONTAIN THE WIRE)
01B	512639	SPEEDOMETER ASSY.(MECHANICAL)	1	002050→	CONTAIN THE WIRE)
02	513102	SPEEDOMETER STEADY	1		
02A	513102C	SPEEDOMETER STEADY(CARBON COATING)	1		
03	512618	BRACKET ASSY., UPPER	1		
03A	512628	BRACKET ASSY., UPPER	1		FOR MECHANICAL
04	512636	BRACKET ASSY., LOWER	1		
05	S57501	SCREW, OVAL HEAD, FLANGE M5X14	4		
05A	S57501	SCREW, OVAL HEAD, FLANGE M5X14	7		FOR MECHANICAL
06	GA555SC05	BOLT, OUTLET M6X1.0X16L	6		
07	GA510SR02	CLAMP L200	4		



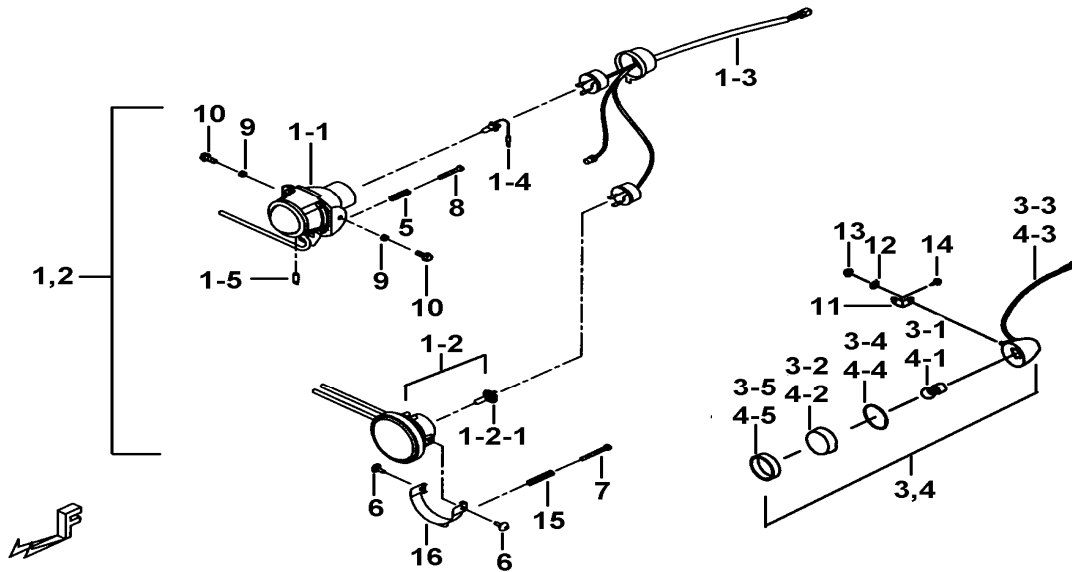
20101

HEAD LAMP ASSY. #3

FBE

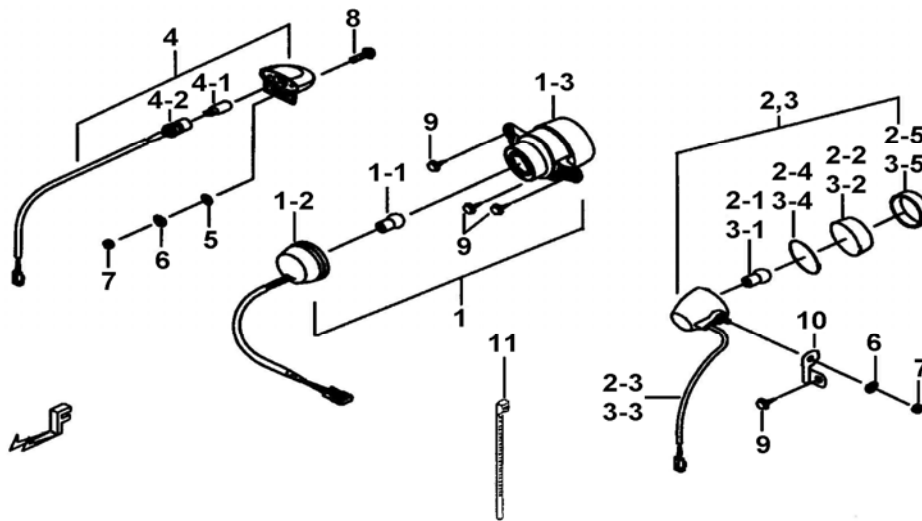


ITEM NO	PART NO	DESCRIPTION	Q'TY	AMEND	NOTE
01	511723	HEAD LAMP ASSY. # 3	1		
01-1	GA5520019	BULB 12V, 35/35W	1		
01-2	513921	STAY, MOUNTION	1		
01-3	514076	SOCKET COMP.	1		
01-4	400517	BULB 12V, 5W	1		
02	513103OR	COVER, HANDLE BAR, FRONT(ORANGE)	1		
03	513107	COVER, HANDLE BAR, REAR	1		
04	512617	BRACKET	1		
05	GA555SC02	SCREW, AN HEAD	1		
06	511722	BRACKET	1		
07	S57501	SCREW, OVAL HEAD, FLANGE M5X14	4		
08	GA552WS05	WASHER	1		
09	W10501	SPRING WASHER	1		
10	S13502	SCREW, CROSS RECESSED, PAN HEAD M5X10	1		
11	GA552SC11	SCREW, TAPPING M4X16	6		

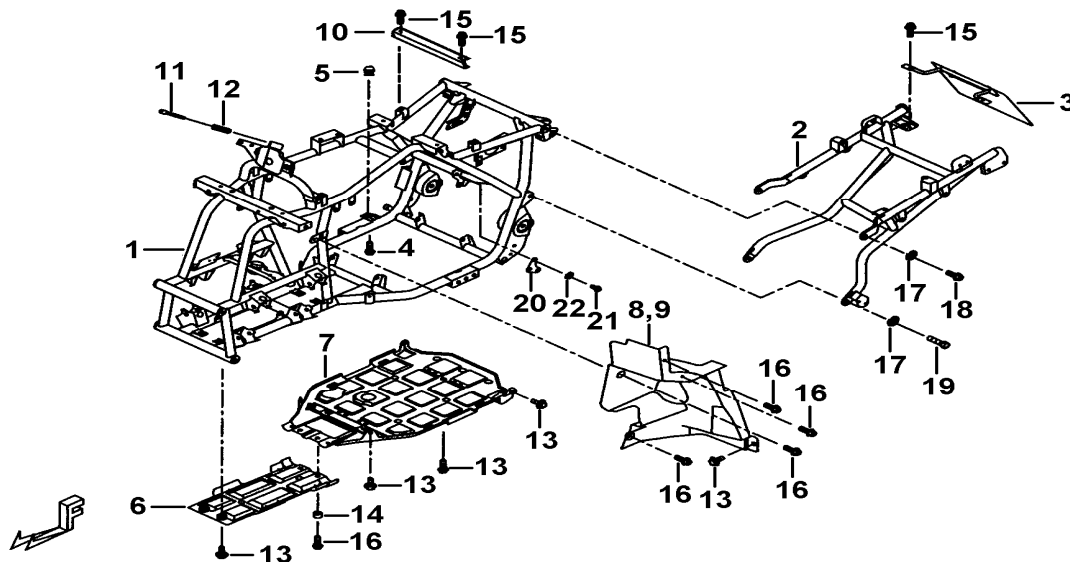


ITEM NO	PART NO	DESCRIPTION	Q'TY	AMEND	NOTE
01	511736	HEAD LAMP ASSY. LH.	1		
01-1	515004	MAIN BEAM	1		
01-2	515015	HEAD LAMP COMP., DIPPED	1		
01-2-1	514029	BULB 55W	1		
01-3	515043	WIRING ASSY, HEAD LAMP	1		
01-4	450058	BULB 55W	1		
01-5	514026	BULB 5W	1		
02	511737	HEAD LAMP COMP. RH.	1		
03	511718	TURN SIGNAL LAMP COMP, LH	1		
03-1	514030	BULB 10W	1		
03-2	514031	LENS, TURN SIGNAL , LH	1		
03-3	514033	WIRING SET, TURN SIGNAL , LH	1		
03-4	511728	GASKET, RUBBER	1		
03-5	511726	WATERPROOF BAND	1		
04	511719	TURN SIGNAL LAMP COMP, RH	1		
04-1	514030	BULB 10W	1		
04-2	514032	LENS, TURN SIGNAL , RH	1		
04-3	514034	WIRING SET, TURN SIGNAL , RH	1		
04-4	511728	GASKET, RUBBER	1		
04-5	511726	WATERPROOF BAND	1		
05	511725	SPRING	2		
06	511721	BOLT	4		
07	S46506	BOLT	2		
08	S46505	BOLT	2		
09	512431	SPACER	4		
10	S07601	BOLT, FLANGE M6X16 (Dark Green)	4		
11	511727	BRKT.	2		
12	W10501	SPRING WASHER	2		
13	GA552NT05	NUT, FLANGE M5	2		

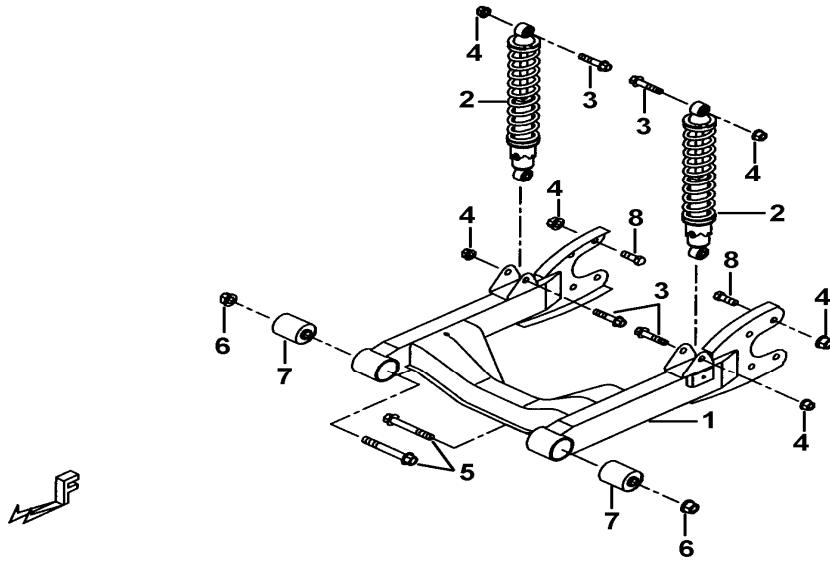
14	S57501	SCREW,OVAL HEAD, FLANGE M5X14	2
15	511724	SPRING	2
16	511720	ADJUST SEAT	2



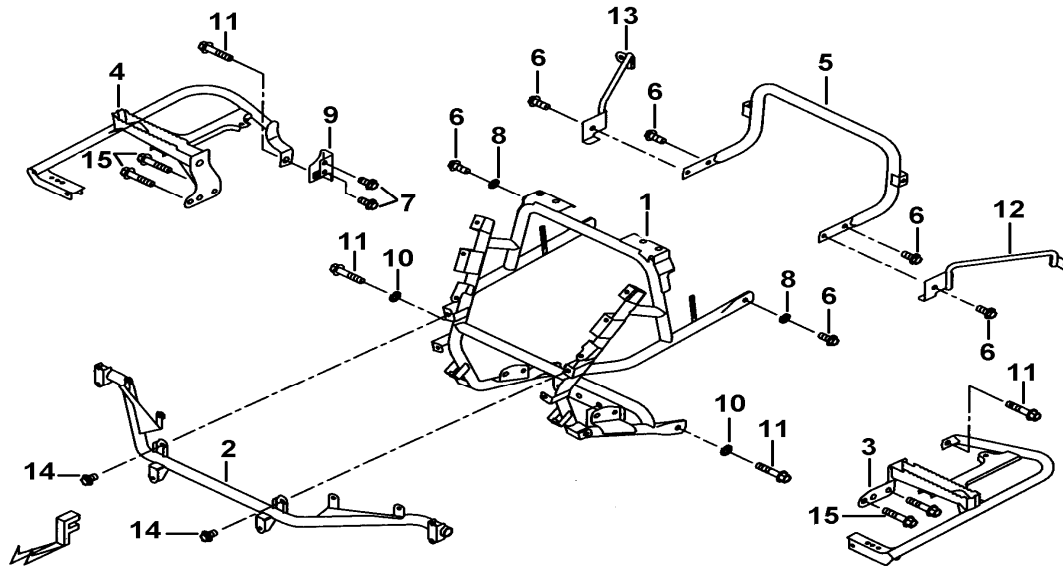
ITEM NO	PART NO	DESCRIPTION	Q'TY	AMEND	NOTE
01	511810Y	REAR LAMP ASSY.	2		
01-1	GF5180002	BULB 12V, P21/5W	2		
01-2	514035Y	WIRING SET, REAR LAMP	2		
01-3	514036Y	REAR LAMP COMP	2		
02	511718	TURN SIGNAL LAMP COMP, LH	1		
02-1	514030	BULB 10W	1		
02-2	514031	LENS, TURN SIGNAL , LH	1		
02-3	514033	WIRING SET, TURN SIGNAL , LH	1		
02-4	511728	GASKET, RUBBER	1		
02-5	511726	WATERPROOF BAND	1		
03	511719	TURN SIGNAL LAMP COMP, RH	1		
03-1	514030	BULB 10W	1		
03-2	514032	LENS, TURN SIGNAL , RH	1		
03-3	514034	WIRING SET, TURN SIGNAL , RH	1		
03-4	511728	GASKET, RUBBER	1		
03-5	511726	WATERPROOF BAND	1		
04	511811	NUMBER-PLATE LAMP	1		
04-1	451038	BULB 12V 5W	1		
04-2	514037	WIRING SET, NUMBER-PLATE LAMP	1		
05	GA552WS05	WASHER	1		
06	W10501	SPRING WASHER	3		
07	GA552NT05	NUT, FLANGE M5	3		
08	GA510SC10	SCREW, HEX. HEAD M5X20	1		
09	S57501	SCREW, OVAL HEAD, FLANGE M5X14	8		
10	511814	BRKT., TURN SIGNAL LAMP	2		
11	GA510SR01	CLAMP L150	2		



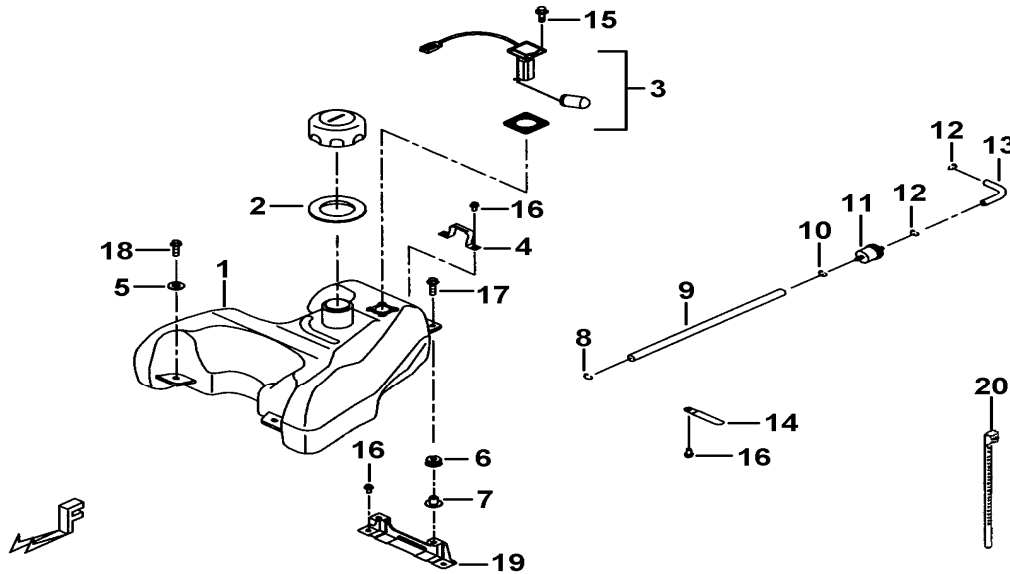
ITEM NO	PART NO	DESCRIPTION	Q'TY	AMEND	NOTE
01	511943	MAIN FRAME	1		
02	511944	REAR FRAME	1		
03	511935	BRACKET ASSY., NUMBER-PLATE	1		
04	S20004	BOLT,FLANGE M10X30	1		
05	GA501NT01	NUT, FLANGE M10	1		
06	511925A	PROTECTOR, FRONT(PLASTIC)	1		
07	511926	PROTECTOR, REAR(PLASTIC)	1		
08	511948	FRONT INTERNAL FENDER, LH	1		
09	511949	FRONT INTERNAL FENDER, RH	1		
10	511950	SEAT STEADY, FRONT	1		
11	511945	PIN, STEERING LOCK	1		
12	511946	SPRING, STEERING LOCK	1		
13	S25602	BOLT M6X16L	8		
14	GA554BS02	SPACER	2		
15	GA555SC05	BOLT, OUTLET M6X1.0X16L	4		
16	S07601	BOLT, FLANGE M6X16 (Dark Green)	10		
17	GA556WS06	WASHER, SPRING 10.2X3.7X2.5t	4		
18	S21008	BOLT M10X20	2		
19	S20004	BOLT,FLANGE M10X30	2		
20	511936	ENGINE FIXED	1		
21	S21809	BOLT M8X1.25X18L	2		
22	GA556WS04	SPRING WASHER 8.2X3.2X2t	2		
	S20011	VIS FIXATION SUPERIEURE AVANT MOTEUR	1		
	S20020	VIS FIXATION ARRIERE MOTEUR	2		



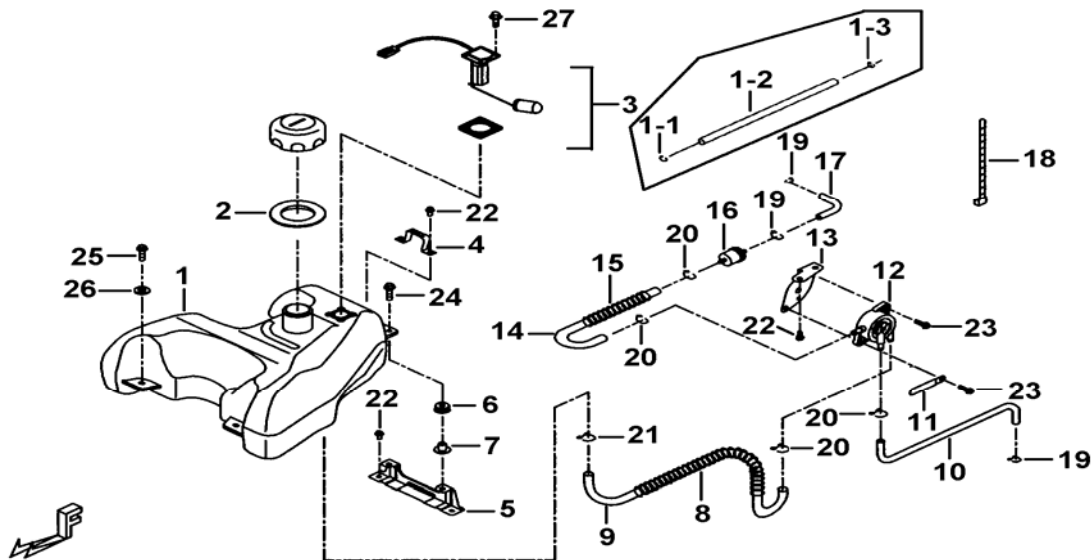
ITEM NO	PART NO	DESCRIPTION	Q'TY	AMEND	NOTE
01	511618	REAR FORK ASSY.	1		
02	511619	SHOCK ABSORBER, REAR	2		
03	S20009	BOLT, HEX. HEAD M10X1.25X48L	4		
04	GA551NT01	NUT, SELFLOCK M10X1.0	12		
05	S20209	BOLT, HEX. HEAD	2		
06	N25201	NUT, SELFLOCK M12X1.25	2		
07	513937	BUSH COMP.	2		
08	S21008	BOLT M10X20	8		



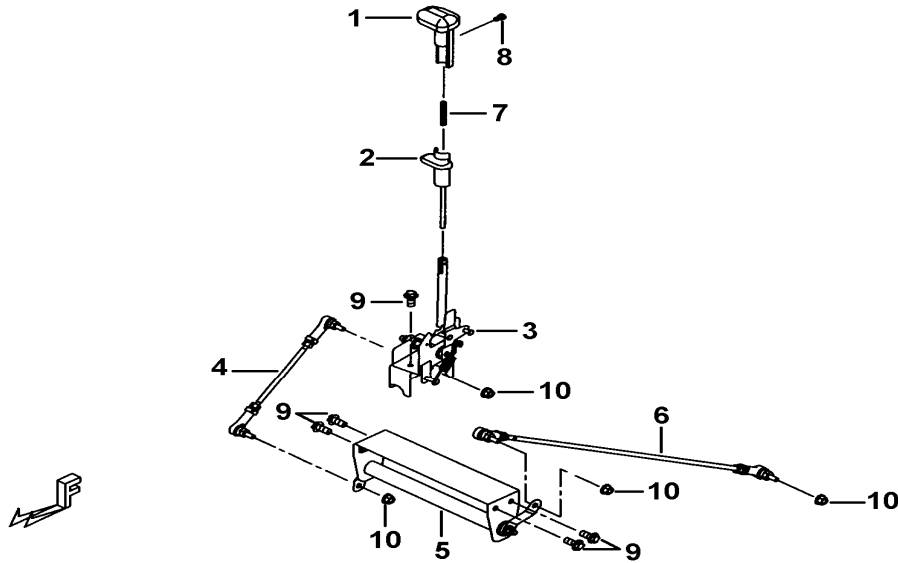
ITEM NO	PART NO	DESCRIPTION	Q'TY	AMEND	NOTE
01	512025	BRACKET, VENTILATION BOARD	1		
02	512014	BRACKET, BUMPER, FRONT	1		
03	512023	BRACKET, FOOT BOARD, LH	1		
04	512022	BRACKET, FOOT BOARD, RH	1		
05	512021	HAND HOLD, REAR	1		
06	S20801	BOLT, FLANGE M8X20	6		
07	S21809	BOLT M8X1.25X18L	2		
08	GA556WS04	SPRING WASHER 8.2X3.2X2t	2		
09	512024	BRACKET	1		
10	GA556WS06	WASHER, SPRING 10.2X3.7X2.5t	2		
11	S21008	BOLT M10X20	4		
12	512017	BRACKET, BUMPER, REAR, LH	1		
13	512018	BRACKET, BUMPER, REAR, RH	1		
14	S20807	BOLT, OUTLET M8X1.25X12L	2		
15	S20004	BOLT,FLANGE M10X30	4		



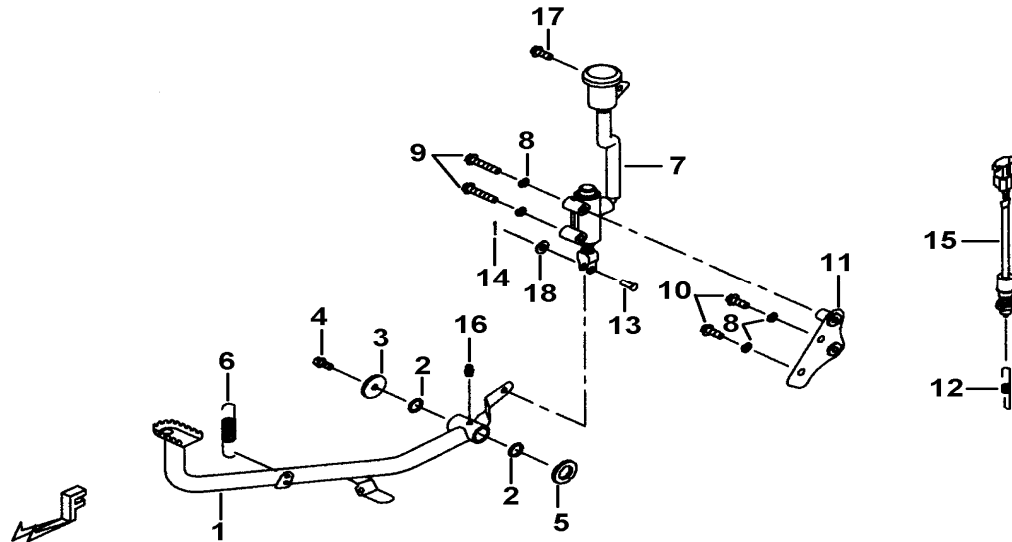
ITEM NO	PART NO	DESCRIPTION	Q'TY	AMEND	NOTE
01	512129	FUEL TANK ASSY.	1	001375→	
02	512125	ORNAMENT, FUEL TANK	1		
03	512124	GAUGE ASSY., FUEL LEVEL	1		
04	512123	BRACKET, SEAT, FRONT	1		
05	W99005	WASHER	2		
06	512120	CUSHION	2		
07	512119	SPACER	2		
08	R40601	CLIP	1		
09	512144	HOSE	1		
10	R40201	CLIP	1		
11	412182	FILTER, FUEL	1		
12	R36801	CLIP ϕ 8.5	2		
13	412103	HOSE #2	1		
14	514410	CLAMP	1		
15	S07501	BOLT, HEX HEAD	4		
16	GA556SC01	BOLT, FLANGE M6X1.0X12L	6		
17	S20802	BOLT, FLANGE	2		
18	S20801	BOLT, FLANGE M8X20	2		
19	512122	BRACKET, FUEL TANK	1		
20	GA510SR01	CLAMP L150	1		



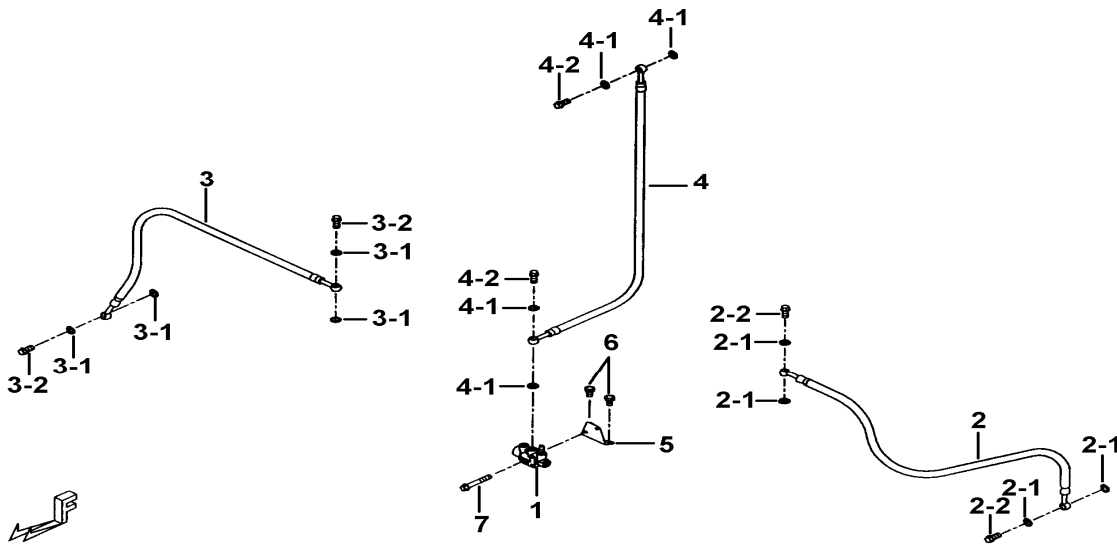
ITEM NO	PART NO	DESCRIPTION	Q'TY	AMEND	NOTE
01	512129A	FUEL TANK ASSY.	1	←001374	
01-1	R40601	CLIP	1		
01-2	512144	HOSE	1		
01-3	R40201	CLIP	1		
02	512125	ORNAMENT, FUEL TANK	1		
03	512124	GAUGE ASSY., FUEL LEVEL	1		
04	512123	BRACKET, SEAT, FRONT	1		
05	512122	BRACKET, FUEL TANK	1		
06	512120	CUSHION	2		
07	512119	SPACER	2		
08	512137	SPRING 250L	1	←001374	
09	512132	HOSE	1	←001374	
10	512142	HOSE	1	←001374	
11	514410	CLAMP	2		
12	410207	GASOLINE PUMP	1	←001374	
13	512141	BRACKET	1	←001374	
14	512111	HOSE	1	←001374	
15	512138	SPRING	1	←001374	
16	412182	FILTER, FUEL	1		
17	412103	HOSE #2	1		
18	GA510SR01	CLAMP L150	1	←001374	
19	R36801	CLIP ϕ 8.5	3		
20	R36901	CLIP	4	←001374	
21	R40201	CLIP	1		
22	GA556SC01	BOLT, FLANGE M6X1.0X12L	6		
23	GA551SC09	BOLT, FLANGE M6X20	2	←001374	
24	S20802	BOLT, FLANGE	2		
25	S20801	BOLT, FLANGE M8X20	2		
26	W99005	WASHER	2		



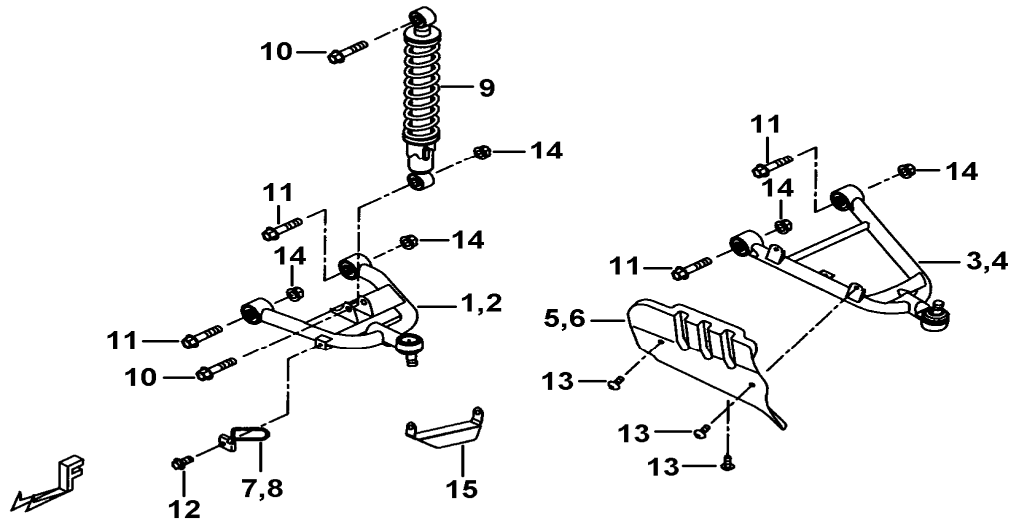
ITEM NO	PART NO	DESCRIPTION	Q'TY	AMEND	NOTE
01	514203	HOLDER	1		
02	514202	PULL ROD ASSY., SHIFT LEVER	1		
03	514209	LEVER ASSY.	1	←001374	
03-1	514210	RESSORT LEVIER SELECTION	1		
03A	514215	LEVER ASSY.	1	001375→	
03A-1	514210	RESSORT LEVIER SELECTION			
04	514212	CONNECTING ROD, SHIFT LEVER (UPPER)	1		
05	514214	SPINDLE, CONNECTING ROD, SHIFT LEVER	1		
06	514213	CONNECTING ROD, SHIFT LEVER (BELOW)	1		
07	514210	SPRING	1		
08	S07505	SCREW, W/WASHER	1		
09	S21809	BOLT M8X1.25X18L	6		
10	GA558NT02	NUT, SELFLOCK 8X7.5	4		



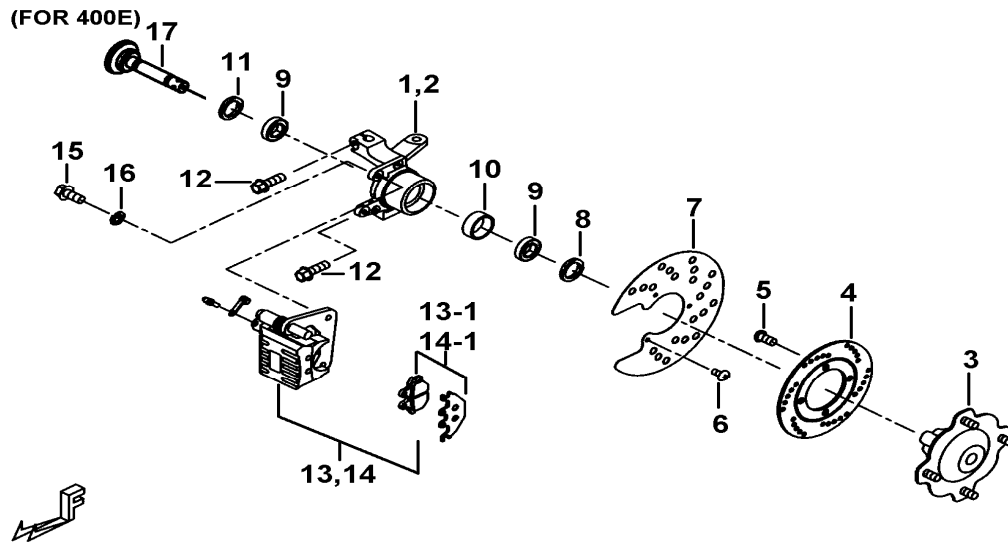
ITEM NO	PART NO	DESCRIPTION	Q'TY	AMEND	NOTE
01	514118	BRAKE PEDAL	1		
02	514103	O RING	2		
03	W99824	WASHER 8.5	1		
04	S20817	BOLT, FLANGE M8X16	1		
05	W99702	WASHER	1		
06	514119	SPRING	1		
07	514120	MASTER CYLINDER ASSY., PEDAL	1	←000679	
07A	514115	MASTER CYLINDER ASSY., PEDAL	1	000680→	
08	GA556WS04	SPRING WASHER 8.2X3.2X2t	4		
09	S20804	BOLT, FLANGE	2		
10	S20814	BOLT, FLANGE	2		
11	514121	BRACKET, MASTER CYLINDER, PEDAL	1		
12	514123	SPRING	1		
13	P31701	PIN	1		
14	P10102	PIN 1.5X20	1		
15	514109	SWITCH, BRAKE LAMP	1		
16	S96604	GREASE NIPPLE	1		
17	S20611	BOLT, HEX HEAD	1		
18	W99810	WASHER	1		



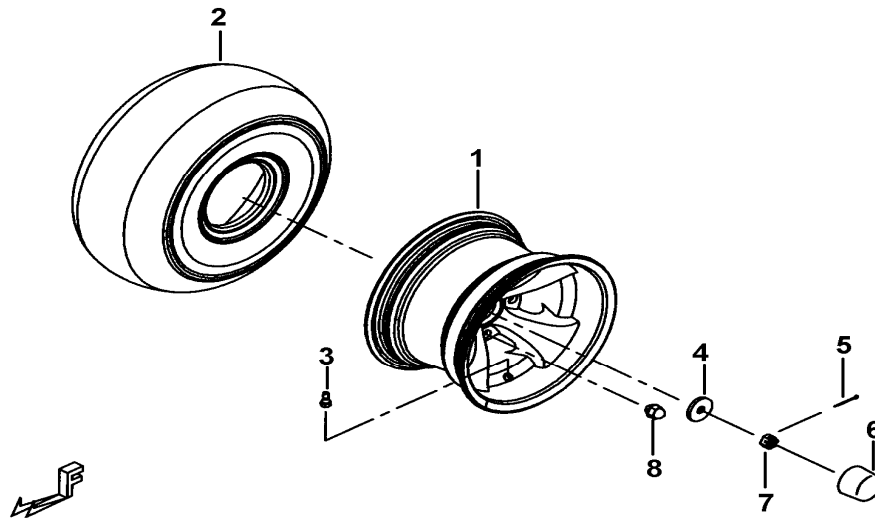
ITEM NO	PART NO	DESCRIPTION	Q'TY	AMEND	NOTE
01	513530A	DISTRIBUTOR	1		
02	513526	HOSE ASSY., BRAKE	1		
02-1	GA559WS04	WASHER, 10.2X15X1.2t	4		
02-2	S21001	OIL BOLT M10X1.25X22L	2		
03	513527	HOSE ASSY., BRAKE	1		
03-1	GA559WS04	WASHER, 10.2X15X1.2t	4		
03-2	S21001	OIL BOLT M10X1.25X22L	2		
04	513528	HOSE ASSY., BRAKE	1		
04-1	GA559WS04	WASHER, 10.2X15X1.2t	4		
04-2	S21001	OIL BOLT M10X1.25X22L	2		
05	513522	BRKT	1		
06	GA557SC15	BOLT, HEX. HEAD M6X10	2		
07	S24610	BOLT, FLANGE M6X40	2		



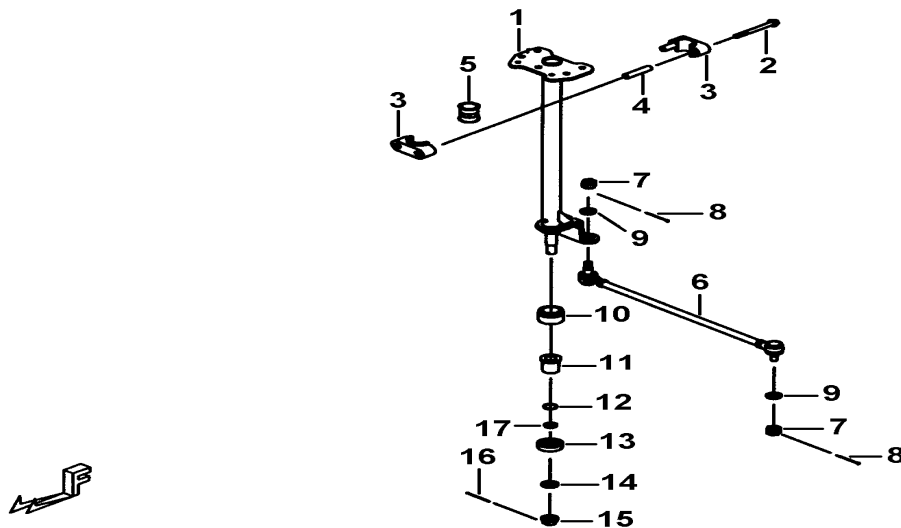
ITEM NO	PART NO	DESCRIPTION	Q'TY	AMEND	NOTE
01	513315	ARM SET, UPPER, LH	1		
02	513316	ARM SET, UPPER, RH	1		
03	513317	ARM SET, LOWER, LH	1		
03A	513331	ARM SET, LOWER	2		FOR 400E
04	513318	ARM SET, LOWER, RH	1		
05	513326	PROTECTOR, COVER(LH.)	1		
06	513327	PROTECTOR, COVER(RH.)	1		
07	513329	CLAMP (LH.)	1		
08	513330	CLAMP (RH.)	1		
09	513332	SHOCK ABSORBER ASSY., FRONT	2		
09A	513319	SHOCK ABSORBER ASSY., FRONT	2		FOR 400E
10	S20009	BOLT, HEX. HEAD M10X1.25X48L	4		
11	S20017	BOLT, FLANGE	8		
12	S21605	BOLT, FLANGE M6X10	2		
13	S07601	BOLT, FLANGE M6X16 (Dark Green)	6		
14	GA551NT01	NUT, SELFLOCK M10X1.0	10		
15	511951	STEEL PROTECTOR	1		



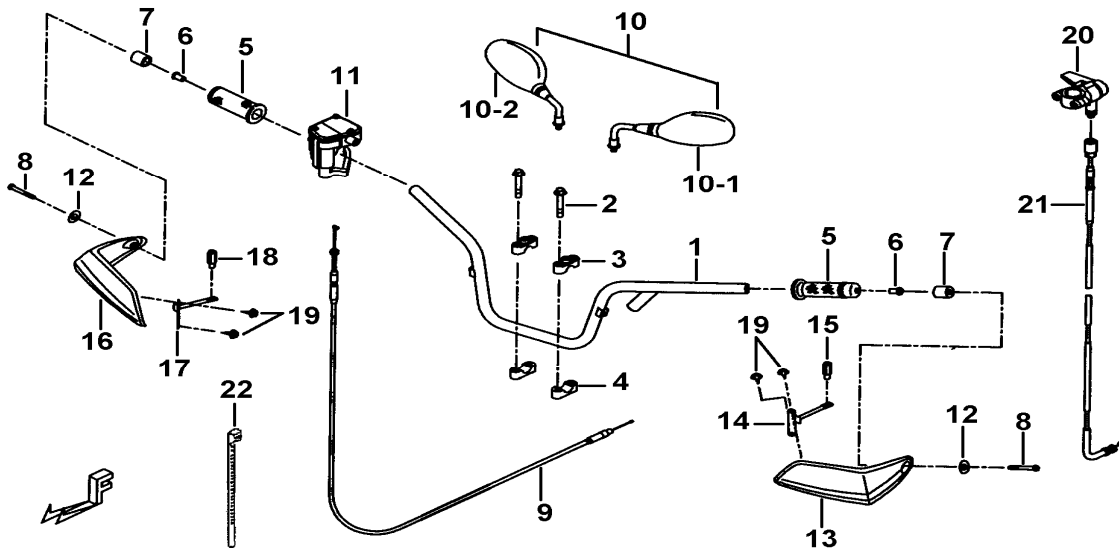
ITEM NO	PART NO	DESCRIPTION	Q'TY	AMEND	NOTE
01	513320	KNUCKLE, STEERING, LH	1		
02	513321	KNUCKLE, STEERING, RH	1		
03	512940	HUB, FRONT WHEEL	2		
03A	512934	HUB, FRONT WHEEL	2		FOR 400E
04	513420Y	DISC, BRAKE 200mm	2		
05	S72005	SCREW, SOCKET	8		
06	GA555SC02	SCREW, AN HEAD	6		
07	512944	PROTECTIVE COVER	2		
08	513325	OIL SEAL, OUTER	2		
09	512806	BEARING	4		
10	513324	SPACER	2		
11	513322	OIL SEAL, INNER	2		
12	S20021	BOLT	4		
13	513523	CALIPER ASSY., FRONT, LH	1		
13-1	515050	PAD	1		
14	513524	CALIPER ASSY., FRONT, RH	1		
14-1	515050	PAD	1		
15	S21809	BOLT M8X1.25X18L	4		
16	GA556WS04	SPRING WASHER 8.2X3.2X2t	4		
17	512924	FRONT AXLE	2		FOR 400E



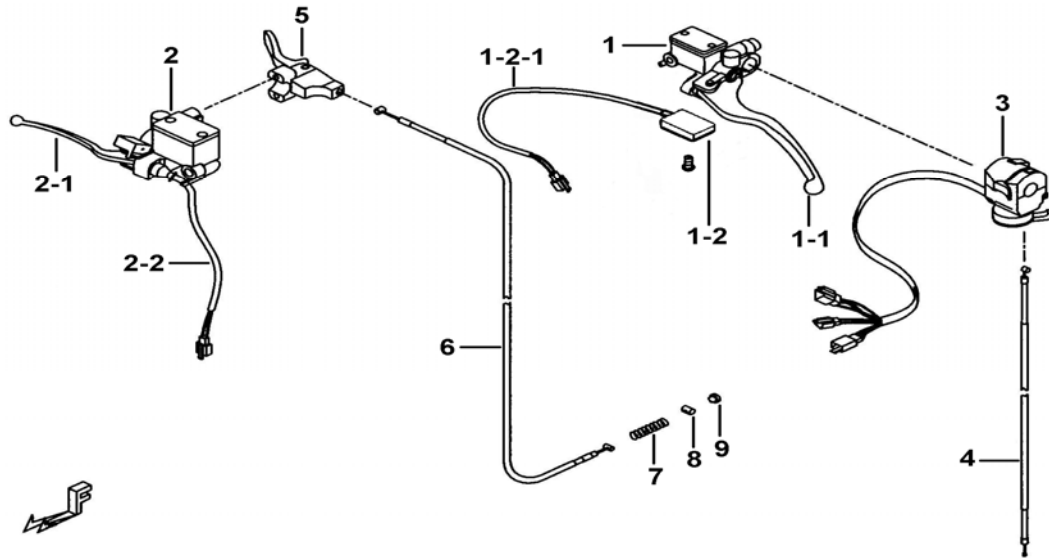
ITEM NO	PART NO	DESCRIPTION	Q'TY	AMEND	NOTE
01	512943SGY	RIM COMP, FRONT 12"(SILVER)(AL)	2		
01A	512943BLY	RIM COMP, FRONT 12"(BLACK)(AL)	2		
01B	512943RDY	RIM COMP, FRONT 12"(RED)(AL)	2		
01C	512943BEY	RIM COMP, FRONT 12" (BLUE)(AL)	2		
01D	512920SGY	RIM COMP. 12"(SILVER)(STEEL)	2		
01E	512943SGAY	RIM COMP, FRONT 12"(POLISHED)(AL)	2		
01F	512943BLAY	RIM COMP, FRONT 12"(POLISHED)(BLACK)(AL)	2		
01G	512943RDAY	RIM COMP, FRONT 12"(POLISHED)(RED)(AL)	2		
01H	512943BEAY	RIM COMP, FRONT 12"(POLISHED)(BLUE)(AL)	2		
02	512928	TIRE AT 25X8-12	2		
02A	512942Y	TIRE AT 25X8-12	2		FOR 400E
03	512906	INLET COMP., AIR	2		
04	W99825	WASHER	2		
05	P10301	PIN	2		
06	512941	RUBBER CAP	2		
07	N13801	NUT	2		
08	N05003	NUT	8		



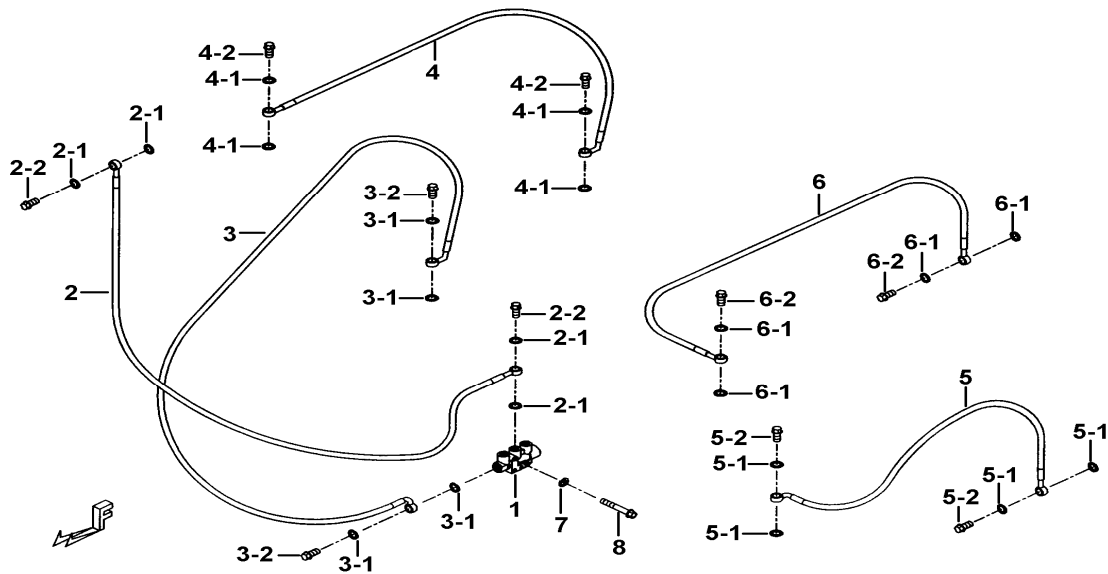
ITEM NO	PART NO	DESCRIPTION	Q'TY	AMEND	NOTE
01	512721	STEERING SHAFT	1		
02	S21814	BOLT	2		
03	512724	BRACKET, STEERING SHAFT	2		
04	512723	SPACER	2		
05	512725	BUSH SLEEVE, STEERING SHAFT	1		
06	512720	STEERING TIE-ROD ASSY.	2		
07	N13001	NUT M10X1.25	4		
08	GA551PN04	PIN, COTTER	4		
09	W99005	WASHER	4		
10	512726	DUST SEAL, STEERING SHAFT	1		
11	512728	BUSH	1		
12	512722	O RING	1		
13	512727	DUST SEAL, STEERING LOWER	1		
14	W99409	WASHER $\text{§ } 14.5 \times \text{§ } 26 \times 2t$	1		
15	N25401	NUT M14	1		
16	P10301	PIN	1		
17	W99532	WASHER	1		



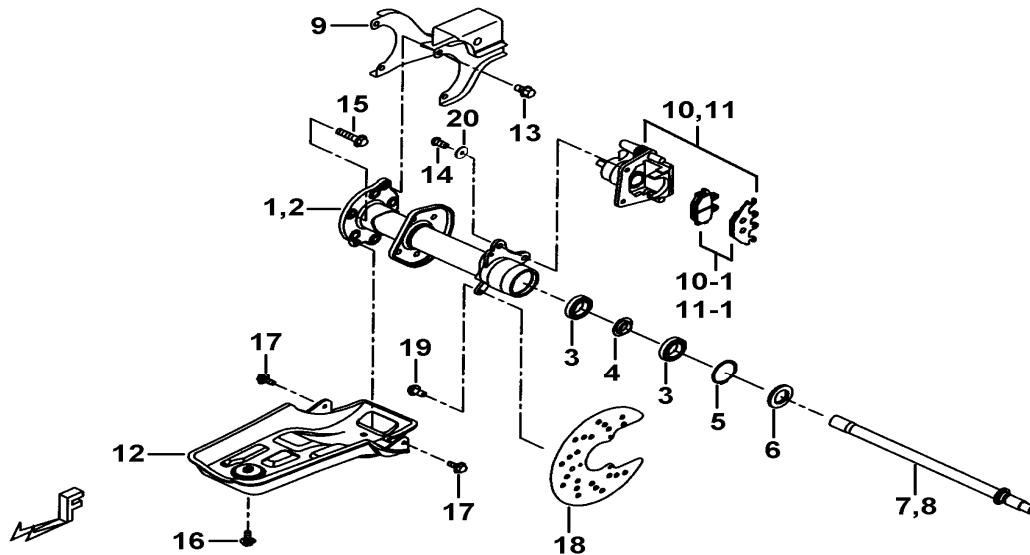
ITEM NO	PART NO	DESCRIPTION	Q'TY	AMEND	NOTE
01	513042	HANDLE BAR ASSY.	1		
01A	513026	HANDLE BAR ASSY.	1		FOR 400E
02	S20809	BOLT, FLANGE M8X42	4		
03	513030	HANDLE BAR BRACKET, UPPER	2		
04	513031	HANDLE BAR BRACKET, LOWER	2		
05	401827	GRIP, LH.	2		
06	401801	COLLAR	2		
07	513044	END, GRIP	2		
08	S70611	SCREW, SOCKET HEAD M6x50	2		
09	513036	CABLE, THROTTLE	1		
10	410151	MIRROR ASSY., REAR VIEW	1		
10-1	410152	MIRROR, REAR VIEW, LH.	1		
10-2	410153	MIRROR, REAR VIEW, RH.	1		
11	513215	CASE ASSY. THE ROTTLER	1		
12	W99605	WASHER	2		
13	513100	HAND GUARDS, LH.	1		
14	513105	BKT., HAND GUARDS, LH.	1		
15	457043	SPACER, LH.	1		
16	513101	HAND GUARDS, RH.	1		
17	513106	BKT., HAND GUARDS, RH.	1		
18	457044	SPACER, RH.	1		
19	S50501	SCREW, OVAL HEAD M5X12L	4		
20	513032	LEVER, TRANSFER	1		
21	513035	CABLE, TRANSFER SHIFT	1		
22	GA510SR01	CLAMP L150	4		



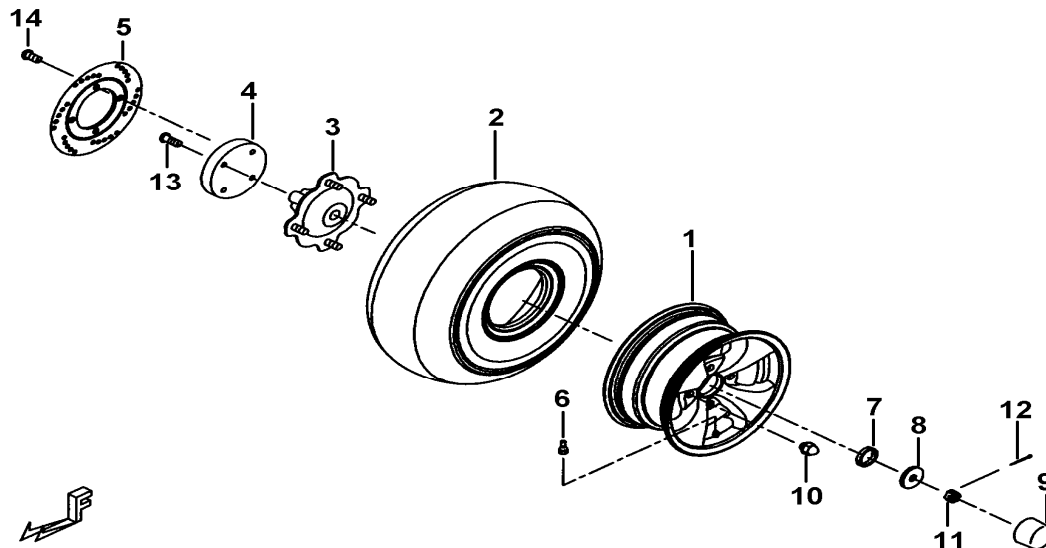
ITEM NO	PART NO	DESCRIPTION	Q'TY	AMEND	NOTE
01	514315	MASTER CYLINDER ASSY., LH	1		
01-1	515046	LEVER	1		
01-2	515099	LIMITED SWITCH ASSY.	1		
01-2-1	515047	WIRING, LIMITED SWITCH	1		
02	513531	MASTER CYLINDER ASSY., RH	1		
02-1	515061	LEVER	1		
02-2	515062	LIMITED SWITCH ASSY.	1		
03	513216	SWITCH ASSY., LH	1		
04	513038	CABLE, CHOKE	1		
05	513516	PARKING BRAKE ASSY.	1	←000679	
05A	513529	PARKING BRAKE ASSY.	1	000680→	
06	513513	CABLE, PARKING BRAKE	1	←000679	
06A	513533	CABLE, PARKING BRAKE	1	000680→	
07	513535	SPRING	1		
08	513536	PIN	1		
09	GI530NT01	NUT, ADJUSTING M6X16	1		



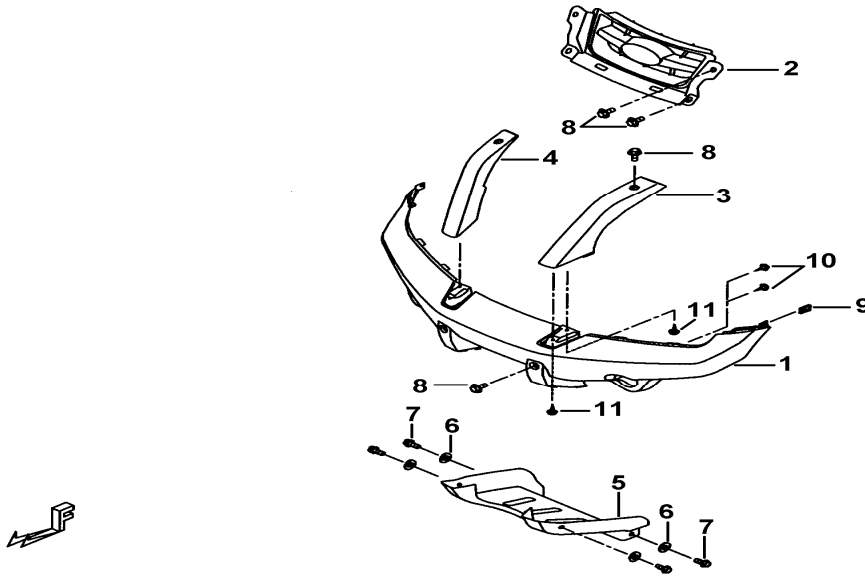
ITEM NO	PART NO	DESCRIPTION	Q'TY	AMEND	NOTE
01	513532A	DISTRIBUTOR	1		
02	514312	HOSE ASSY., BRAKE	1		
02-1	GA559WS04	WASHER, 10.2X15X1.2t	4		
02-2	S21001	OIL BOLT M10X1.25X22L	2		
03	514313	HOSE ASSY., BRAKE	1		
03-1	GA559WS04	WASHER, 10.2X15X1.2t	4		
03-2	S21001	OIL BOLT M10X1.25X22L	2		
04	514314	HOSE ASSY., BRAKE	1		
04-1	GA559WS04	WASHER, 10.2X15X1.2t	4		
04-2	S21001	OIL BOLT M10X1.25X22L	2		
05	514316	HOSE ASSY., BRAKE	1	←000679	
05-1	GA559WS04	WASHER, 10.2X15X1.2t	4		
05-2	S21001	OIL BOLT M10X1.25X22L	2		
05A	514321	HOSE ASSY., BRAKE	1	000680→	
06	514311	HOSE ASSY., BRAKE	1	←000679	
06-1	GA559WS04	WASHER, 10.2X15X1.2t	4		
06-2	S21001	OIL BOLT M10X1.25X22L	2		
06A	514320	HOSE ASSY., BRAKE	1	000680→	
07	W10601	SPRING WASHER	2		
08	S24614	BOLT, FLANGE	2		



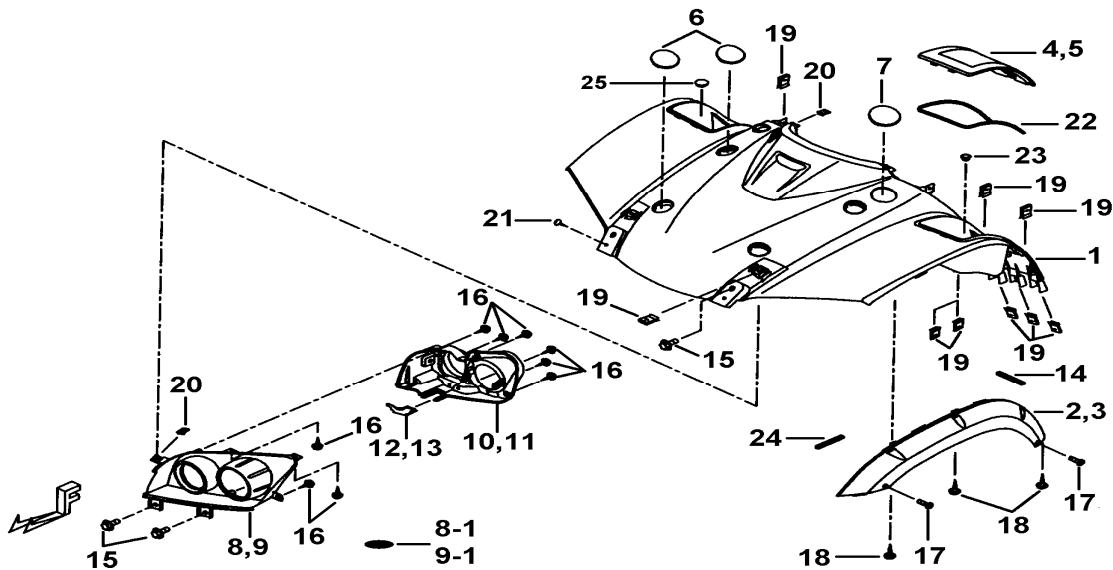
ITEM NO	PART NO	DESCRIPTION	Q'TY	AMEND	NOTE
01	512837	HOUSING, REAR AXLE LH.	1		
02	512838	HOUSING, REAR AXLE RH.	1		
03	512834	BEARING	4		
04	512841	SPACER	2		
05	R01902	C CLIP	2		
06	512840	OIL SEAL	2		
07	512835	REAR AXLE(LH.)	1		
08	512836	REAR AXLE(RH.)	1		
09	512839	BALL MOUNT	1		
10	514317	CALIPER, REAR (LH.)	1	←000679	
10-1	514089	PAD	1	←000679	
10-1A	515050	PAD	1	000680→	
10A	514305	CALIPER, REAR (LH.)	1	000680→	
11	514318	CALIPER, REAR (RH.)	1	←000679	
11-1	514089	PAD	1	←000679	
11-1A	515050	PAD	1	000680→	
11A	514307	CALIPER, REAR (RH.)	1	000680→	
12	511625	REAR FORK PROTECTIVE COVER	1		
13	S21004	BOLT, FLANGE	4		
14	S21004	BOLT, FLANGE	4		
15	S21010	BOLT	10		
16	S25602	BOLT M6X16L	1		
17	S70601	SCREW, SOCKET HEAD M6X45	2		
18	512844	PROTECTIVE COVER	2		
19	GA555SC02	SCREW, AN HEAD	6		
20	GA556WS06	WASHER, SPRING 10.2X3.7X2.5t	4		



ITEM NO	PART NO	DESCRIPTION	Q'TY	AMEND	NOTE
01	513423SGY	RIM COMP, REAR 12"(SILVER)(AL)	2		
01A	513423BLY	RIM COMP, REAR 12"(BLACK)(AL)	2		
01B	513423RDY	RIM COMP, REAR 12" (RED)(AL)	2		
01C	513423BEY	RIM COMP, REAR 12" (BLUE)(AL)	2		
01D	513405SGY	RIM COMP. 12"(SILVER)(STEEL)	2		
01E	513423SGAY	RIM COMP, REAR 12"(POLISHED)(AL)	2		
01F	513423BLAY	RIM COMP, REAR 12"(POLISHED)(BLACK)(AL)	2		
01G	513423RDAY	RIM COMP, REAR 12"(POLISHED)(RED)(AL)	2		
01H	513423BEAY	RIM COMP, REAR 12"(POLISHED)(BLUE)(AL)	2		
02	513408	TIRE AT 25X10-12	2		
02A	513421Y	TIRE AT 25X10-12	2		FOR 400E
03	513422	HUB, REAR WHEEL	2		
04	512842	BRAKE HOUSING	2		
05	513420Y	DISC, BRAKE 200mm	2	←000679	
05A	513414Y	DISC, BRAKE 220mm	2	000680→	
06	512906	INLET COMP., AIR	2		
07	513415	SPACER	2		
08	W99825	WASHER	2		
09	512941	RUBBER CAP	2		
10	N05003	NUT	8		
11	N13801	NUT	2		
12	P10301	PIN	2		
13	S72003	SCREW, SOCKET	8		
14	S72005	SCREW, SOCKET	8		

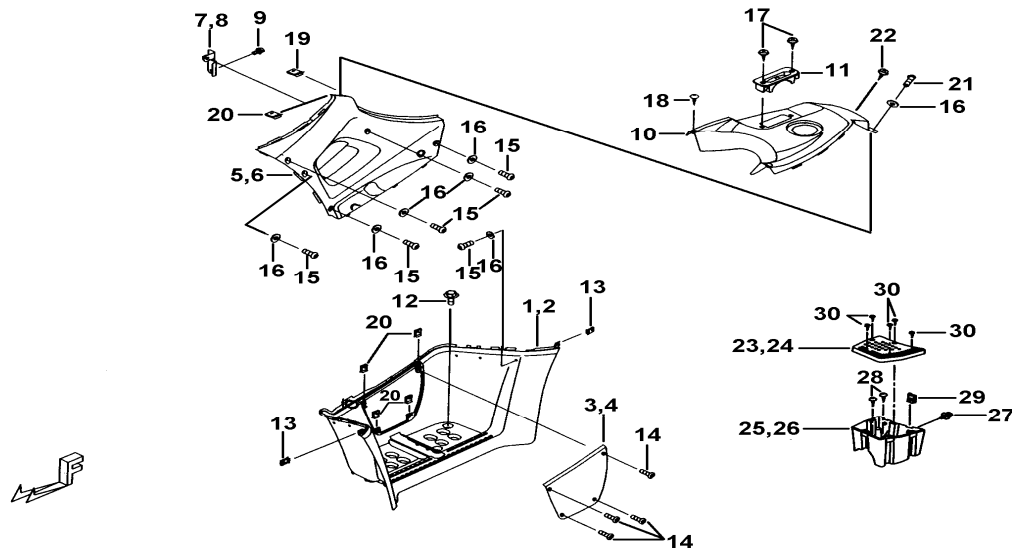


ITEM NO	PART NO	DESCRIPTION	Q'TY	AMEND	NOTE
01	514500	FRONT BUMPER	1		
02	512444	FRONT AIR INLET PLATE	1		
03	514501	FRONT SHOCK MOUNT, LH	1		
04	514502	FRONT SHOCK MOUNT, RH	1		
05	514512	FRONT LOWER LEG SHIELD(STEEL)	1		
06	W99219	WASHER	4		
07	S21008	BOLT M10X20	4		
08	S25602	BOLT M6X16L	8		
09	N32501	NUT, SPRING M5	2		
10	S57501	SCREW, OVAL HEAD, FLANGE M5X14	4		
11	S50501	SCREW, OVAL HEAD M5X12L	4		



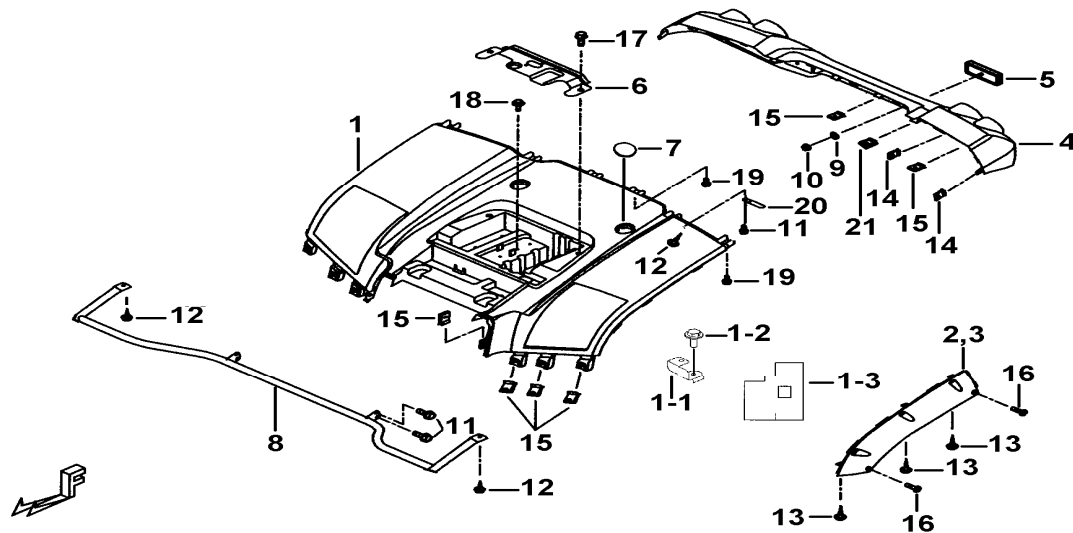
ITEM NO	PART NO	DESCRIPTION	Q'TY	AMEND	NOTE
01	512415	FRONT BODY COVER	1		
01A	512415OR	FRONT BODY COVER(ORANGE)	1		
02	512418	FRONT FENDER SIDE RAIL, LH	1		
03	512419	FRONT FENDER SIDE RAIL, RH	1		
04	512421	GLOVE COMPARTMENT, LH	1		
04A	512421OR	GLOVE COMPARTMENT, LH(ORANGE)	1		
05	512422	GLOVE COMPARTMENT, RH	1		
05A	512422OR	GLOVE COMPARTMENT, RH(ORANGE)	1		
06	512425	CARRIER COVER	4		
07	512424	RESERVOIR COVER	1		
07A	512424OR	RESERVOIR COVER(ORANGE)	1		
08	512416A	HEAD LAMP SUPPORT ASSY., LH	1		
08-1	514649	ALUMINUM FOIL LABEL	1		
09	512417A	HEAD LAMP SUPPORT ASSY., RH	1		
09-1	514649	ALUMINUM FOIL LABEL	1		
10	512437	FENDER, HEAD LAMP LH.	1		
11	512438	FENDER, HEAD LAMP RH.	1		
12	512442	FENDER, LH.	1		
13	512443	FENDER RH.	1		
14	512436	BAND, WATERPROOF	2		
15	S25602	BOLT M6X16L	6		
16	S57501	SCREW, OVAL HEAD, FLANGE M5X14	18		
17	S41501	BOLT M5X12	4		
18	GA552SC11	SCREW, TAPPING M4X16	6		
19	N32601	NUT, SPRING	16		
20	GA552NT01	NUT, SPRING M4	4		
21	S50401	SCREW TAPPING M4X12	2		
22	512423	BAND, WATERPROOF	2		
23	454016	RUBBER PLUG	2		

24	512439	BAND, WATERPROOF	2	
25	512434	RUBBER PLUG	1	FOR 400E

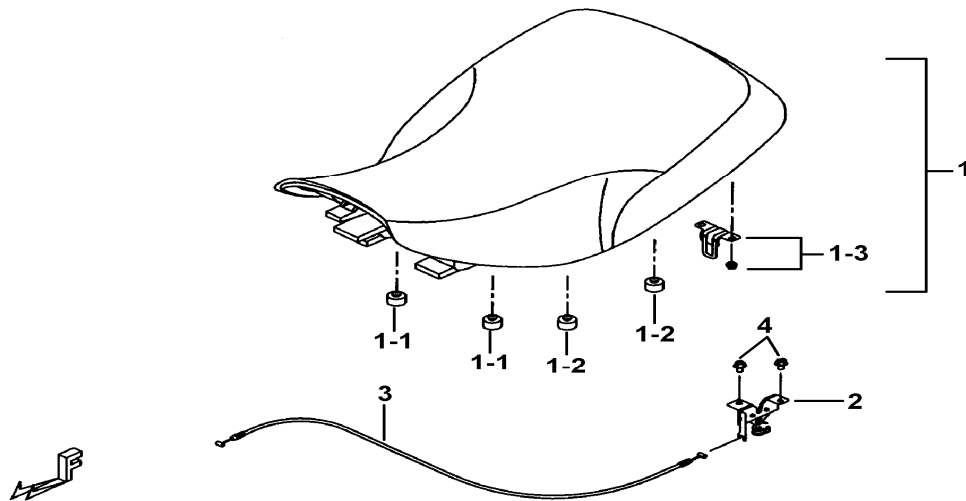


ITEM NO	PART NO	DESCRIPTION	Q'TY	AMEND	NOTE
01	512524A	FOOT BOARD, LH	1		
02	512525	FOOT BOARD, RH	1		
03	512511	OIL FILLER COVER, LH	1		
04	512513	COVER, RH	1		
05	512522A	SIDE COVER, LH	1		
05A	512522CA	SIDE COVER, LH(CARBON COATING)	1		
06	512523A	SIDE COVER, RH	1		
06A	512523C	SIDE COVER, RH(CARBON COATING)	1		
07	512526	BRKT., SIDE COVER, LH	1		
08	512527	BRKT., SIDE COVER, RH	1		
09	GA556SC01	BOLT, FLANGE M6X1.0X12L	2		
10	512505	FUEL TANK COVER, UPPER	1		
10A	512505C	FUEL TANK COVER, UPPER(CARBON COATING)	1		
11	512516	GEAR CHANGE INDICATOR SUPPORT	1		
12	S25602	BOLT M6X16L	6		
13	N32501	NUT, SPRING M5	4		
14	S51404	SCREW TAPPING M4X12	8		
15	S72605	BOLT, HEX HEAD M6X16 (Silver White)	22		
16	GA555WS02	WASHER	24		
17	S50501	SCREW, OVAL HEAD M5X12L	2		
18	S50406	SCREW, TAPPING M4X16	2		
19	N32601	NUT, SPRING	2		
20	GA552NT01	NUT, SPRING M4	10		
21	S72603	BOLT, HEX HEAD M6X12	2		
22	S50407	SCREW, TAPPING M4X12	2		
23	512517	LH. FOOT, REST(UPPER)	1		
24	512519	RH. FOOT, REST(UPPER)	1		
25	512518	LH. FOOT, REST(BELOW)	1		
26	512520	RH. FOOT, REST(BELOW)	1		

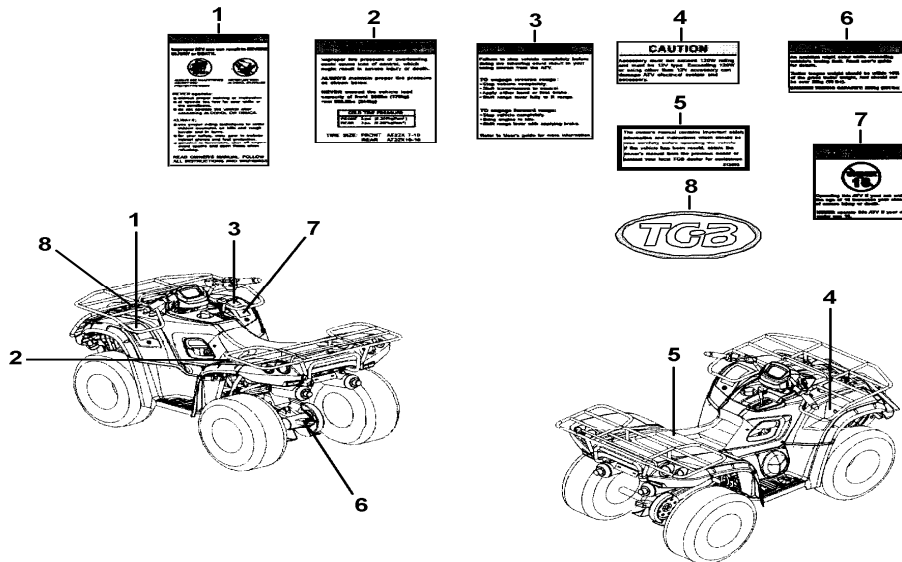
27	S07601	BOLT, FLANGE M6X16 (Dark Green)	4
28	S50506	SCREW, TAPPING	4
29	N32601	NUT, SPRING	4
30	S50401	SCREW TAPPING M4X12	10



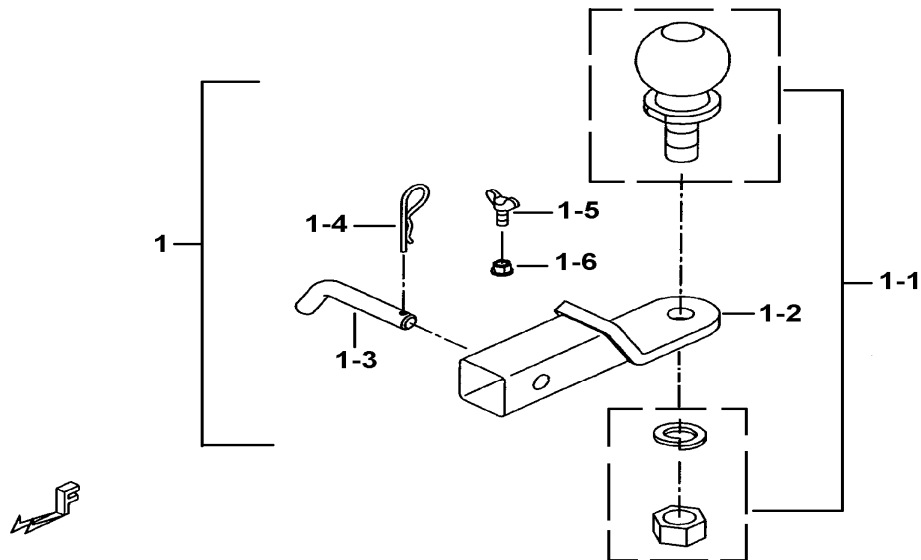
ITEM NO	PART NO	DESCRIPTION	Q'TY	AMEND	NOTE
01	514414B	REAR BODY COVER COMP.	1		
01-1	514417	BRKT	1		
01-2	S07601	BOLT, FLANGE M6X16 (Dark Green)	1		
01-3	514416	HEAT INSULATION	1		
02	514401	REAR FENDER SIDE RAIL, LH	1		
03	514402	REAR FENDER SIDE RAIL, RH	1		
04	514403	REAR BUMPER	1		
05	511802	REFLECTOR ASSY., REAR	2		
06	514413	BATTERY FIXED	1		
07	512425	CARRIER COVER	2		
08	514405	BRKT, REAR BODY COVER	1		
09	W99605	WASHER	2		
10	GA554NT04	NUT, FLANGE M6xP1.0	2		
11	GA555SC05	BOLT, OUTLET M6X1.0X16L	6		
12	S57501	SCREW, OVAL HEAD, FLANGE M5X14	4		
13	GA552SC11	SCREW, TAPPING M4X16	6		
14	N32501	NUT, SPRING M5	2		
15	N32601	NUT, SPRING	12		
16	S41501	BOLT M5X12	4		
17	S20801	BOLT, FLANGE M8X20	2		
18	S25602	BOLT M6X16L	1		
19	S07601	BOLT, FLANGE M6X16 (Dark Green)	4		
20	514410	CLAMP	2		
21	514411	CONNECTOR	2		



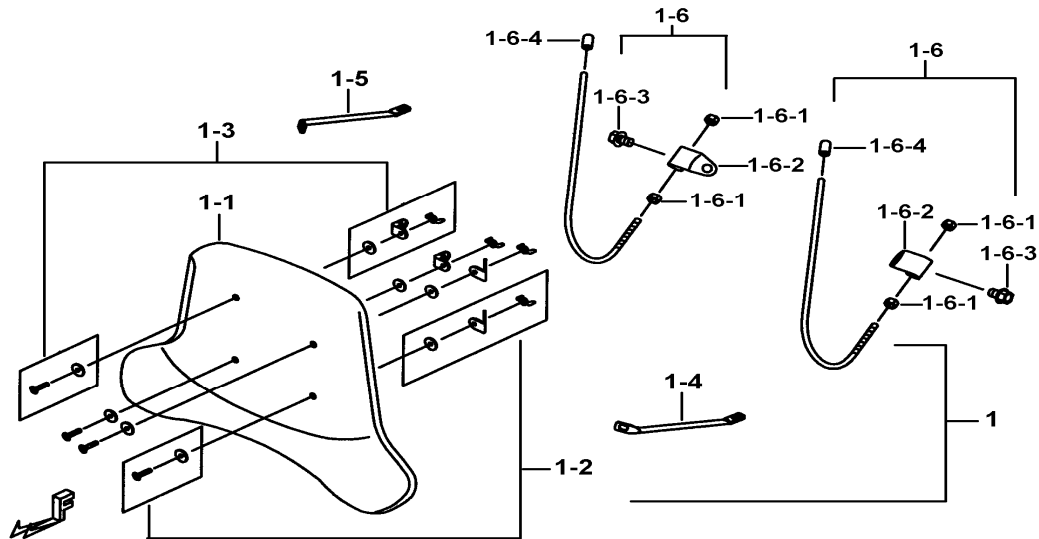
ITEM NO	PART NO	DESCRIPTION	Q'TY	AMEND	NOTE
01	512307	SEAT SET(BLACK)	1		
01-1	515019	DAMPER, RUBBER (FRONT)	2		
01-2	515022	DAMPER, RUBBER (REAR)	2		
01-3	515020	HOOK	1		
01A	512306SG	SEAT SET (GRAY)	1		
01B	512306RD	SEAT SET(RED)	1		
01C	512306BE	SEAT SET(BLUE)	1		
01D	512306OR	SEAT SET(ORANGE)	1		
02	511933	LOCK SET, SEAT	1		
03	511934	CABLE, LOCK SET, SEAT	1	←002049	
03A	512308	CABLE, LOCK SET, SEAT	1	002050→	
04	S21605	BOLT, FLANGE M6X10	2		



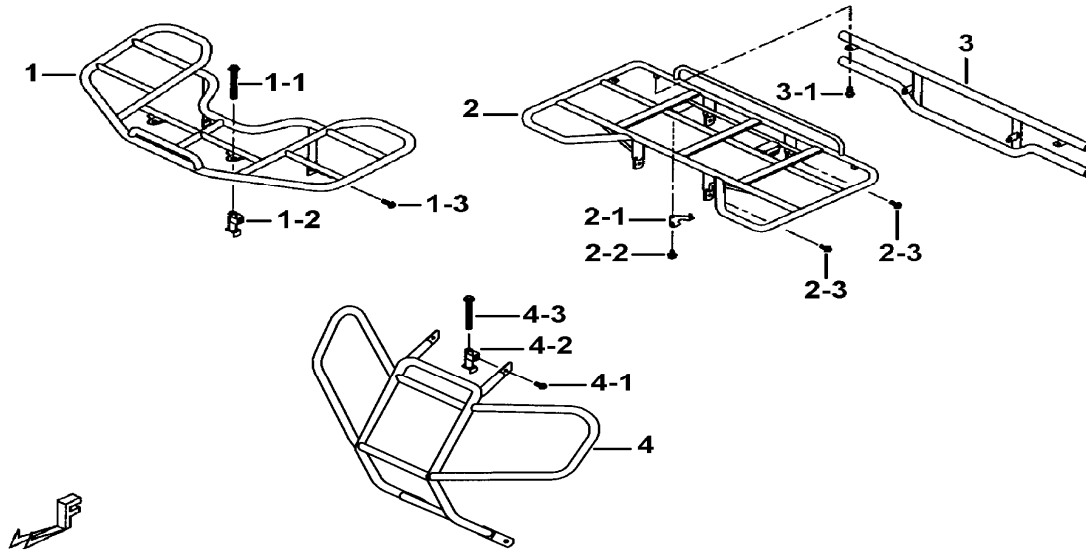
ITEM NO	PART NO	DESCRIPTION	Q'TY	AMEND	NOTE
01	513688	LABEL, WARING	1		
02	514656	LABEL, TIRE PRESSURE.	1		
03	514655	LABEL, SHIFT RANGE.	1		
04	513683	LABEL, D.C. ELECTRIC SOURCE	1		
05	513685	LABEL, INFORMATION.	1		
06	514670	LABEL, TOW CAPACITY	1		
07	513687	LABEL, AGE 16.	1		
08	514665	" TGB " Emblem	1		



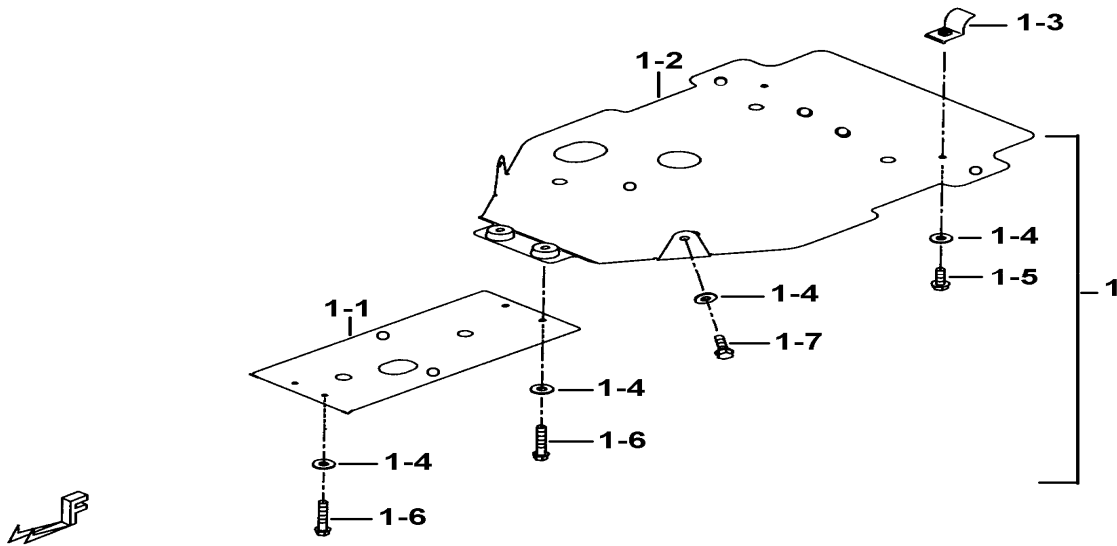
ITEM NO	PART NO	DESCRIPTION	Q'TY	AMEND	NOTE
01	515044	TRAILER HITCH ASSY.	1		
01-1	511627	HITCH BALL ASSY.	1		
01-2	515018	BALL MOUNT	1		
01-3	514068	PIN	1		
01-4	P20001	CLIP	1		
01-5	S97001	WING BOLT	1		
01-6	GA551NT04	NUT, HEX. HEAD M8	1		



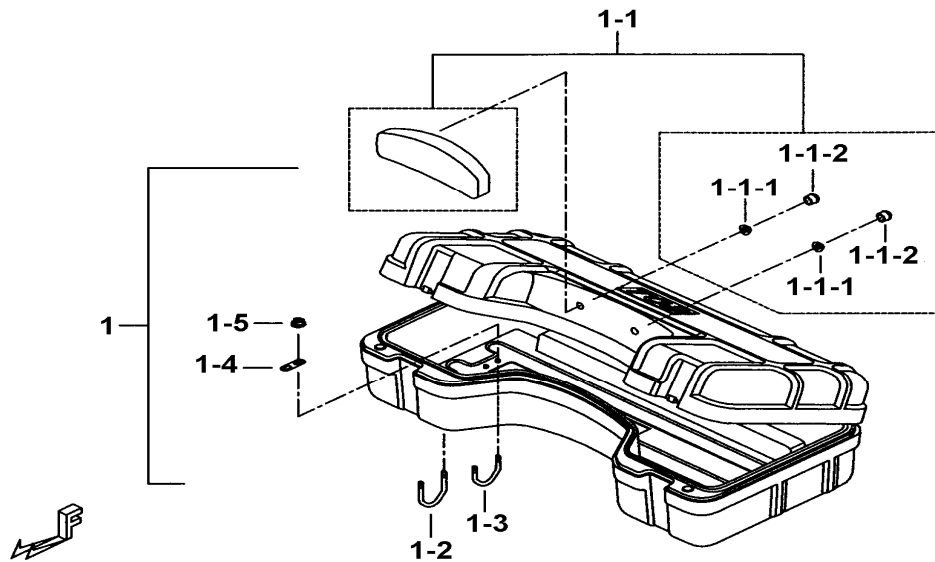
ITEM NO	PART NO	DESCRIPTION	Q'TY	AMEND	NOTE
01	514017	FIXED ROD SET	1		
01-1	457028	WIND-SHIELD	1		
01-2	514052	BLOT SET	2		
01-3	457046	BLOT SET	2		
01-4	514050	BATTEN, LH.	1		
01-5	514051	BATTEN, RH.	1		
01-6	514063	FIXED ROD ASSY.	2		
01-6-1	N01001	NUT M10X1.25	4		
01-6-2	457031	CLAMP	2		
01-6-3	S21808	BOLT M8X1.25X12L	2		
01-6-4	GA524RB02	BUSH, RUBBER	2		



ITEM NO	PART NO	DESCRIPTION	Q'TY	AMEND	NOTE
01	514064A	FRONT CARRIER COMP.	1	←001172	
01-1	S20018	BOLT	2	←001172	
01-1A	S20024	BOLT	2	001173→	
01-2	512016	BRACKET	2	←001172	
01-2A	512027	BRACKET	2	001173→	
01-3	S20002	BOLT,FLANGE M10X1.25	2		
01A	515063A	FRONT CARRIER COMP.	1	001173→	
02	513952A	REAR CARRIER COMP.	1		
02-1	513943	BRACKET	1		
02-2	GA504SC12	BOLT, FLANGE 8X12	1		
02-3	S21809	BOLT M8X1.25X18L	4		
03	514079A	BUMPER, REAR COMP.(STEEL)	1		
03-1	S21809	BOLT M8X1.25X18L	2		
03-2	512020	EMBOUT PLASTIQUE BUMPER AR	4		
04	515045A	BUMPER, FRONT COMP.(STEEL)	1		
04-1	S21809	BOLT M8X1.25X18L	2		
04-2	512027	BRACKET	2		
04-3	S20018	BOLT	2		



ITEM NO	PART NO	DESCRIPTION	Q'TY	AMEND	NOTE
01	515051	PROTECTOR, ASSY.(AL)	1		
01-1	515082A	PROTECTOR, FRONT (AL)	1		
01-2	515080A	PROTECTOR, REAR (AL)	1		
01-3	514047	BRACKET	2		
01-4	W99605	WASHER	8		
01-5	S20621	BOLT M6X32	2		
01-6	S20621	BOLT M6X32	4		
01-7	GA555SC05	BOLT, OUTLET M6X1.0X16L	2		
01-8	515078	SILENT BLOC	6		

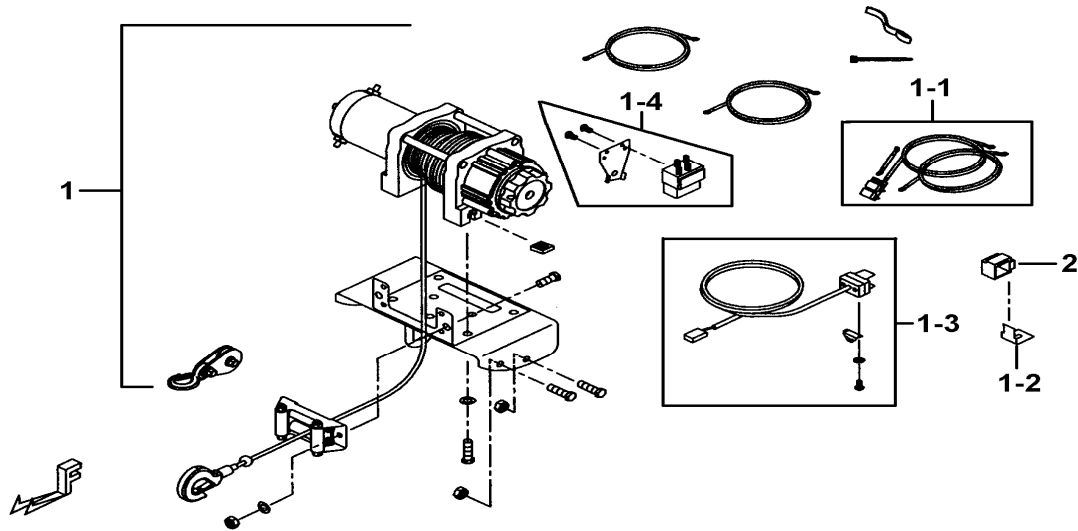


ITEM NO	PART NO	DESCRIPTION	Q'TY	AMEND	NOTE
01	515086A	REAR CARGO BOX	1		
01-1	413957A	SEAT COMP., BACK	1		
01-1-1	GA554NT04	NUT, FLANGE M6xP1.0	2		
01-1-2	512006	RUBBER PLUG	2		
01-2	514091	U BOLT 40L	2		
01-3	514090	U BOLT 46L	2		
01-4	514081	FIXED PLATE	4		
01-5	GA554NT04	NUT, FLANGE M6xP1.0	8		

231

WINCH ASSY.(OPTION)

FBE



ITEM NO	PART NO	DESCRIPTION	Q'TY	AMEND	NOTE
01	515058	WINCH ASSY.	1		
01-1	515077	OVERLOADING PROTECTOR	1		
01-2	515026	BRACKET	1		
01-3	515076	TRIGGER SWITCH ASSY.	1		
01-4	515081	RELAY	1		
02	515057	BUSH, RUBBER	1		