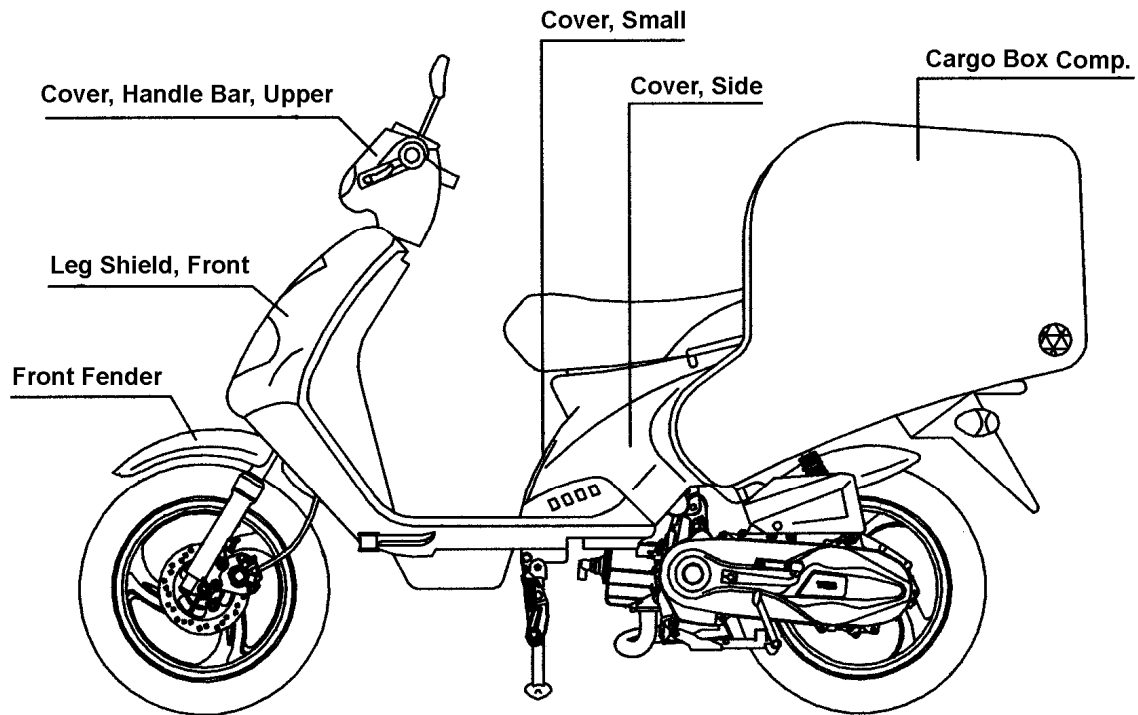




**SPARE PARTS**  
**Model : BK1-B**

**台灣金蜂股份有限公司**  
**TAIWAN GOLDEN BEE CO.,LTD.**

# BK1-B TABLE OF COLORED PART FOR FRANCE (SIMA)



**TABLE OF COLORED PART**

ITEM NO.	CODE		A	B
	Basic Color		Ferrari's Red	Yellow
	Description		FR Red 701	YE Yel 601
24	Cover, Side		BH124PL01BFR	BH124PL01BFR
24	Cover, Small		BH124PL04FR	BH124PL04FR
24	Cargo Box Comp., With Emblem		453026CE	453026CF
	Emblem (Light)		459594FR	459594YE
	Emblem (Right)		459595FR	459595YE
	Emblem (Rear)		459596FR	459596YE
25	Leg Shield, Front With Emblem		401653FRF6	401653FRF6
	Leg Shield, Front		401653FR	401653FR
	TGB Emblem		459102	459102
28	Front Fender		401688FR	401688FR
31	Cover, Handle Bar, Upper		401610FR	401610FR

# SUMMARY

## 1. HOW TO READ PARTS LIST :

1.1 AT FIRST TO JUDGE IN WHICH GROUP YOUR PART BELONG TO, FIND OUT GROUP NUMBER IN THE CONTENTS, NO.1-NO.11 ARE ENGINE PARTS, NO.12-NO.15 ARE ELECTRIC PARTS, NO.16-NO.36 ARE FRAME PARTS.

1.2 ACCORDING TO GROUP NUMBER FIND OUT THE DRAWING ON THAT UPPER SIDE PAGE.

1.3 FROM THE ITEM OF THE PART ON THE DRAWING, FIND THE PART NO., DESCRIPTION,REQUIRED QUANTITY.

1.4 USE THIS PART NO. DESCRIPTION AND QUANTITY TO ORDER.

## 2. COLOR CODE AND EMBLEM CODE:

2.1 COLOR CODE ATTACH TO PART NO. MUST BE TWO ALPHABETS, USE AT DIFFERENT COLOR PART ONLY.

2.2 EMBLEM CODE ATTACH TO COLOR CODE, MUST BE ONE ALPHABET AND ONE ARABIC NUMBER OR TWO ALPHABET, USE AT DIFFERENT COLOR EMBLEM ONLY. ANY EMBLEM WITHOUT DIFFERENT COLOR DON'T NECESSARY EMBLEM CODE.

2.3 WHEN YOU ORDER PARTS THAT HAVE DIFFERENT COLOR,PLEASE PICK UP THE RIGHT PART OR EMBLEM FROM " TABLE OF COLORED PARTS " (PAGE I).

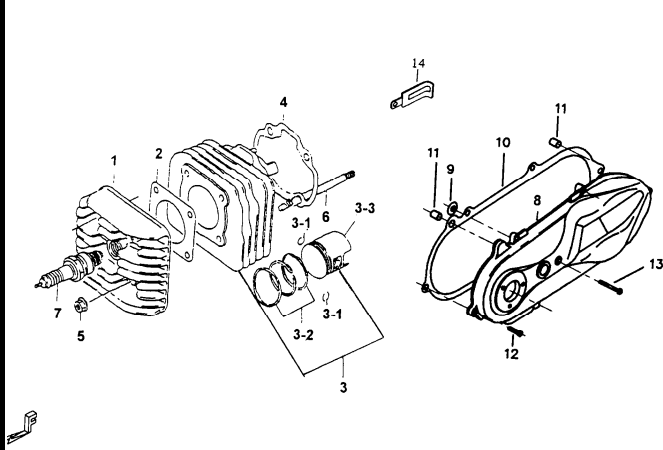
## 3. AMEND. CODE : INDICATES THE LAST 6 NUMBERS OF FRAME NUMBER TO DISTINGUISH THE SCOOTER BEEN MODIFIED. EXAMPLE :

" ← 518034 " MEANS SCOOTERS BEFORE " □□□□□□□□□□518034 " .

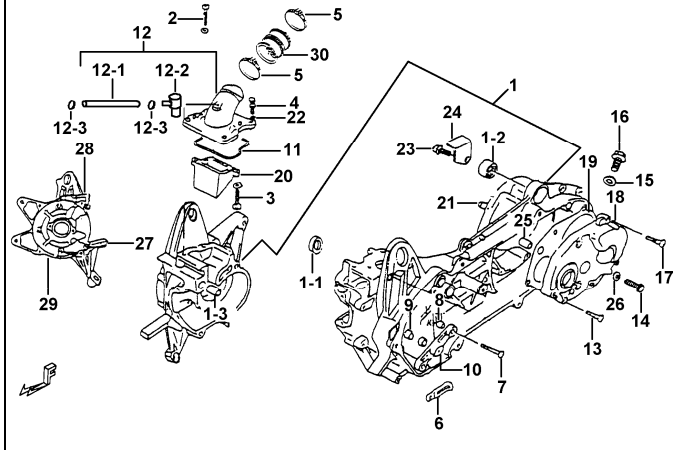
" 518035 → " MEANS SCOOTERS AFTER " □□□□□□□□□□518035 " .

4. IF ANY MODIFICATION AFTER PUBLISHING,WE'LL SEND YOU THE AMENDMENT, PLEASE CORRECT YOUR PARTS LIST RIGHT AWAY.

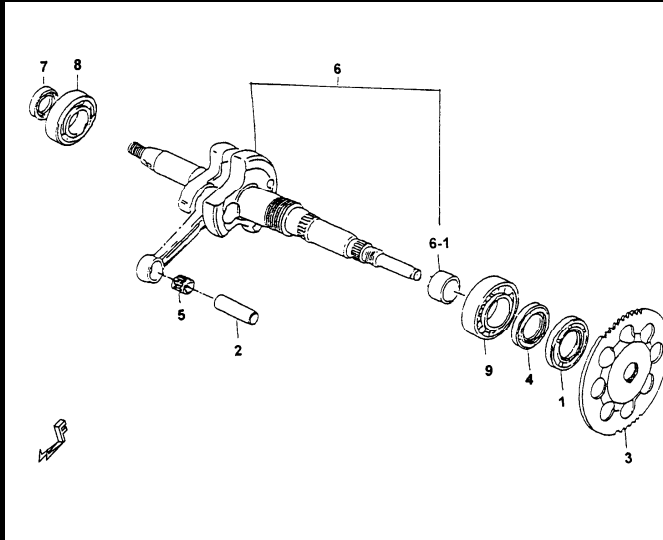
**1. CYLINDER AND CRANK CASE COVER**



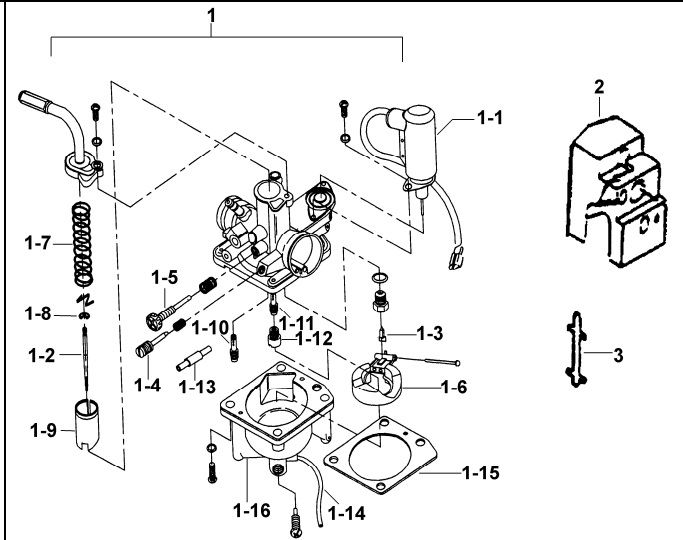
**2. CRANK CASE**



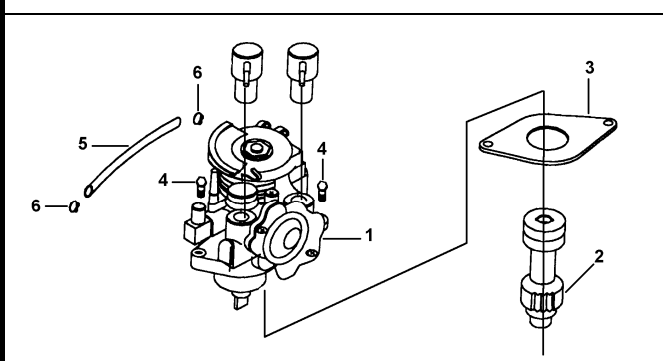
**3. CRANK SHAFT**



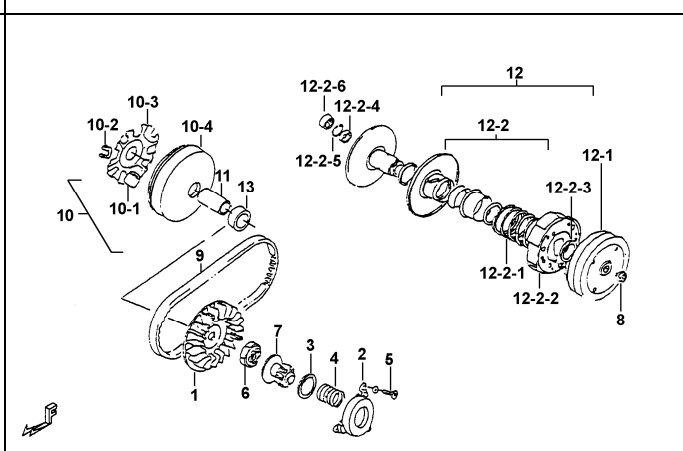
**4. CARBURETOR**



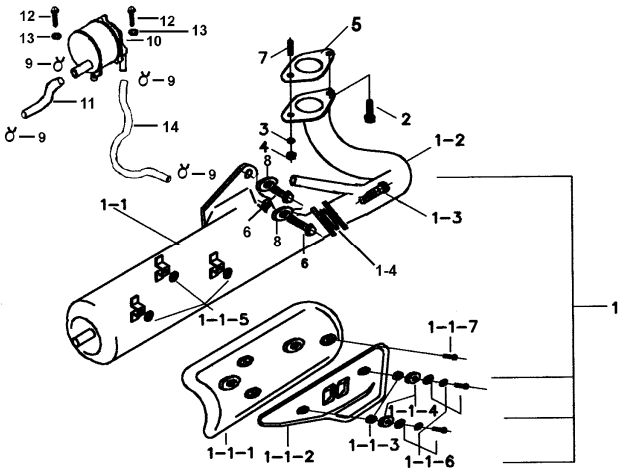
**5. OIL PUMP**



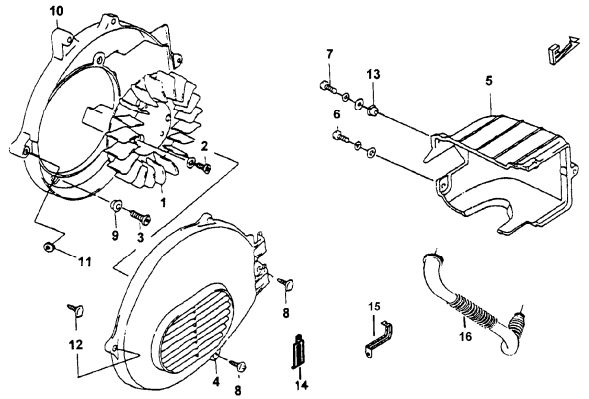
**6. CONTINUOUS VARIABLE TRANSMISSION**



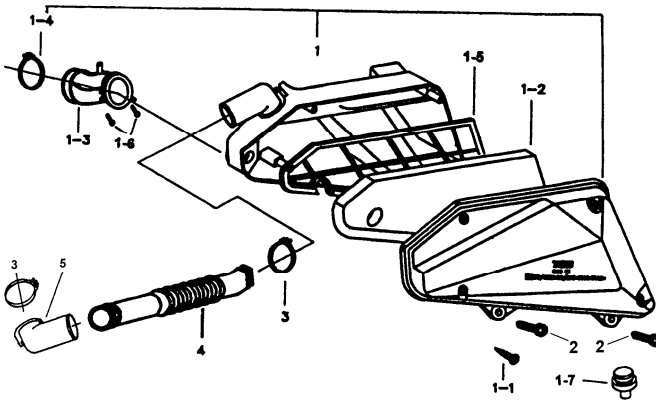
### 7. MUFFLER



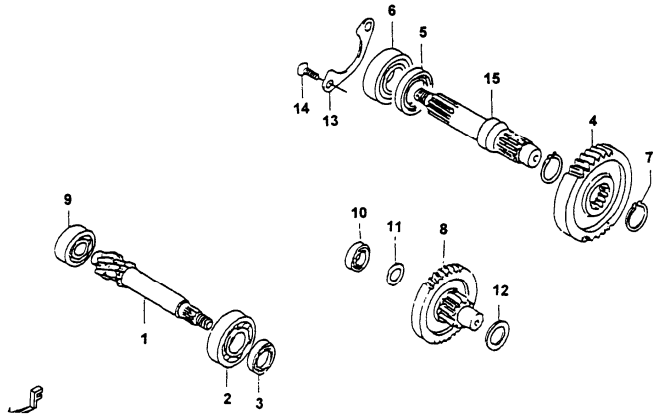
### 8. COOLING FAN



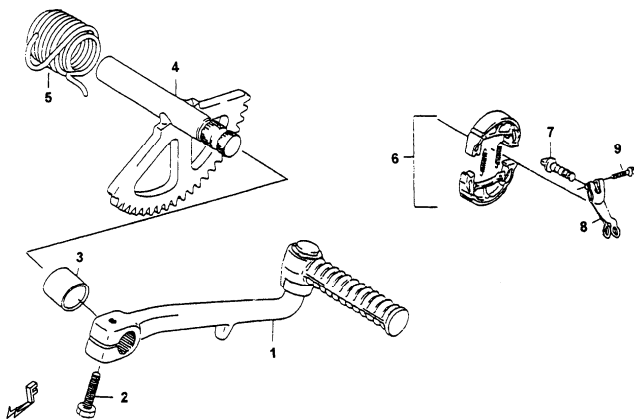
### 9. AIR CLEANER



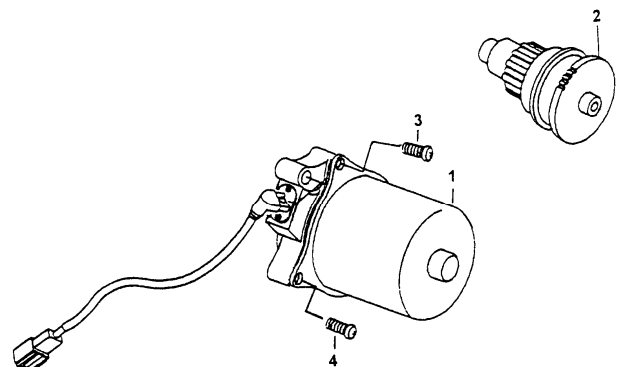
### 10. REDUCING GEAR



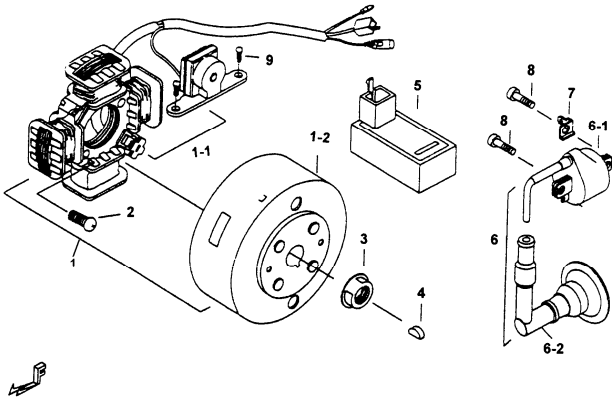
### 11. KICK STARTER



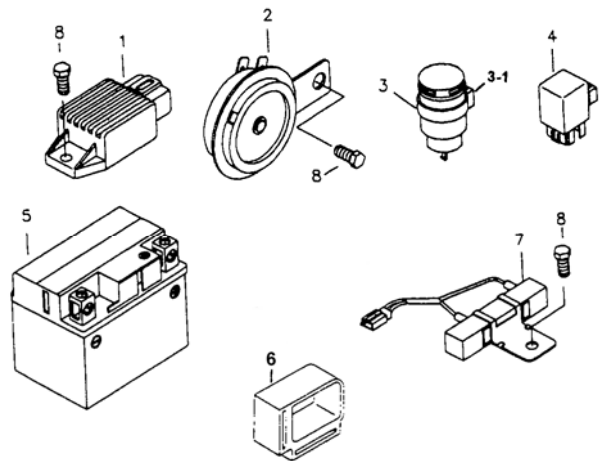
### 12. STARTING MOTOR



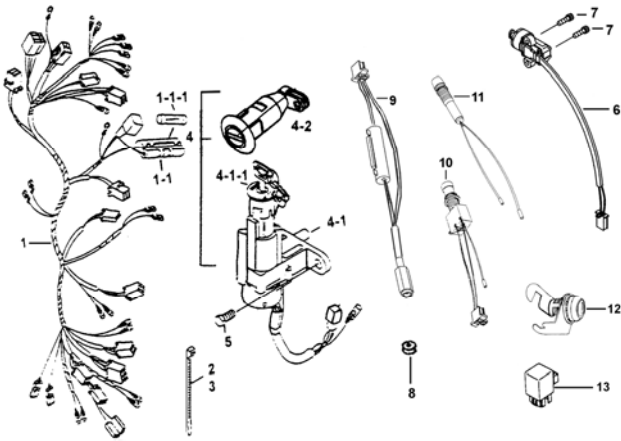
13. FLYWHEEL MAGNETO AND IGNITION COIL



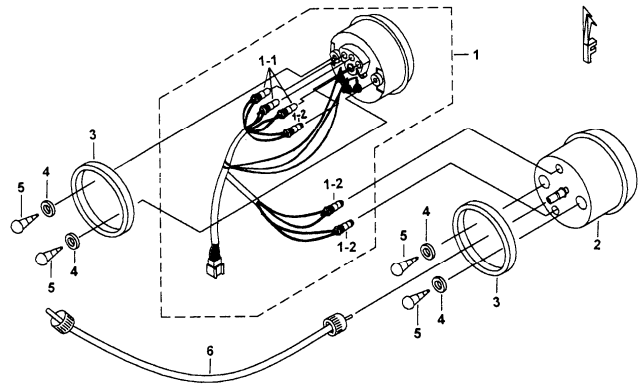
14. BATTERY, HORN, RELAY, RECTIFIER



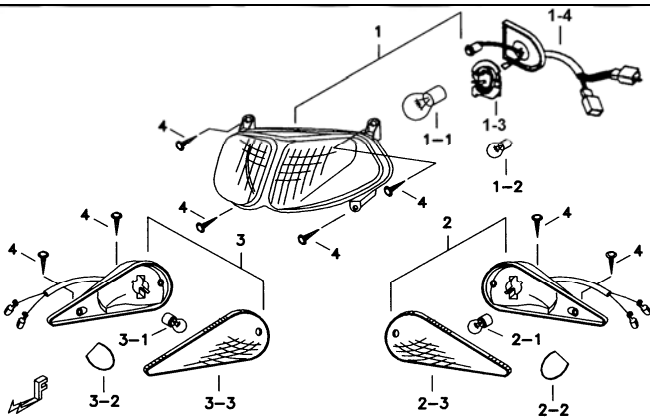
15. WIRING HARNESS AND LOCK SET



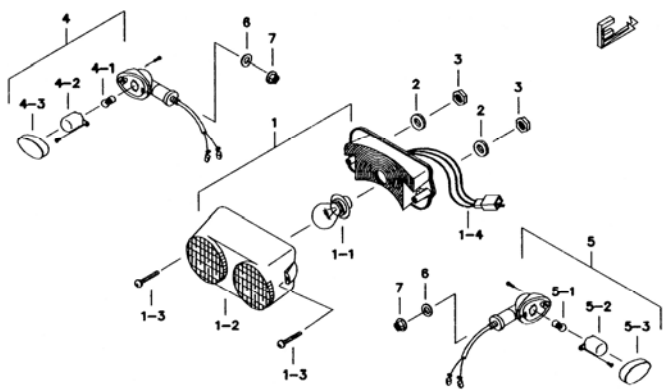
16. SPEEDOMETER



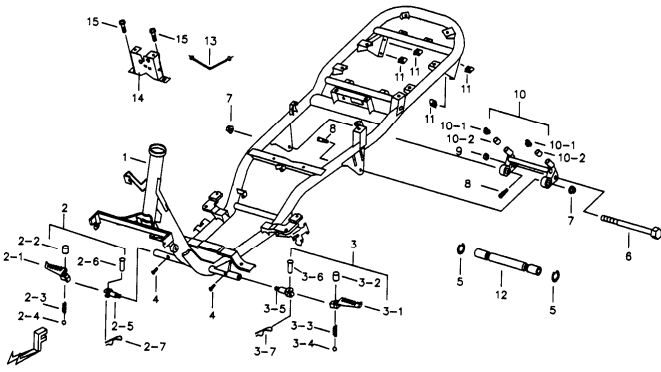
17. HEAD LAMP AND FRONT TURN SIGNAL LAMP



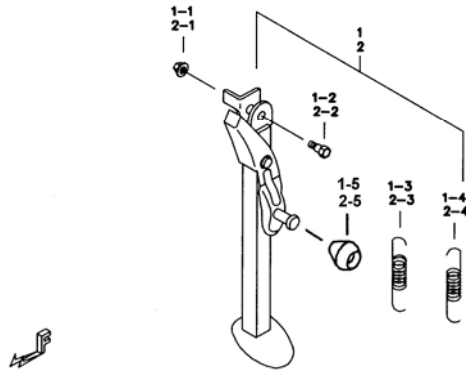
18. REAR LIGHT CLUSTER



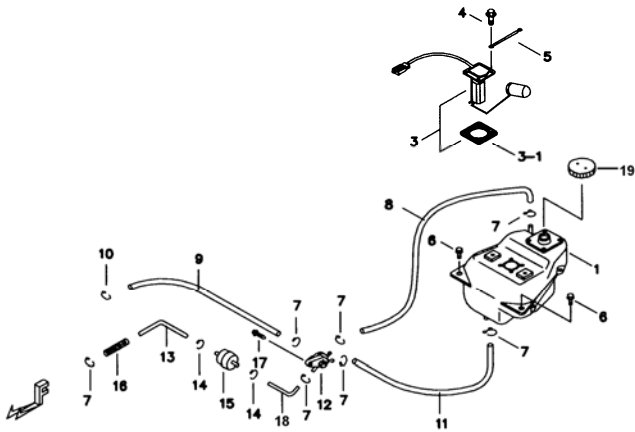
19 . FRAME



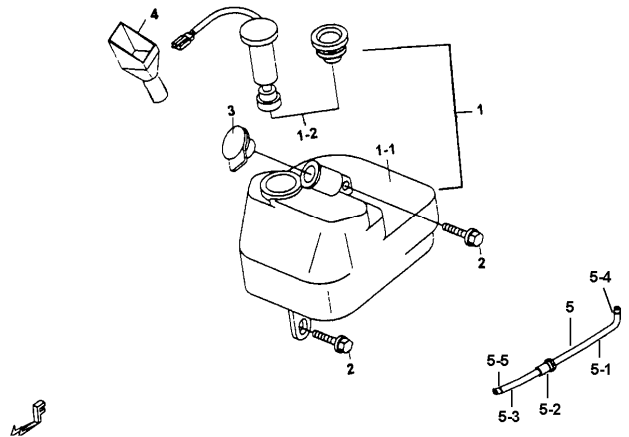
20 . STAND



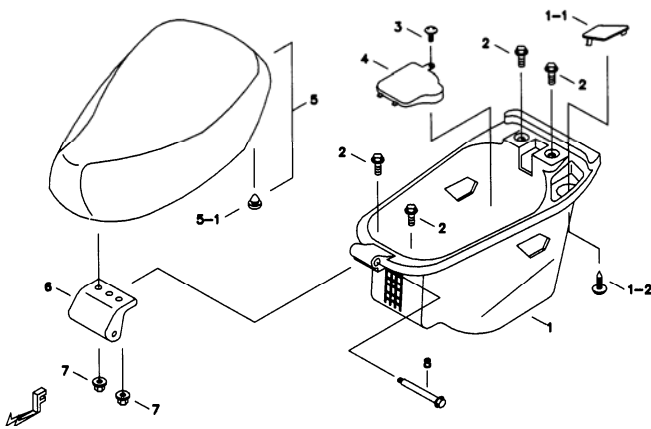
21 .FUEL TANK



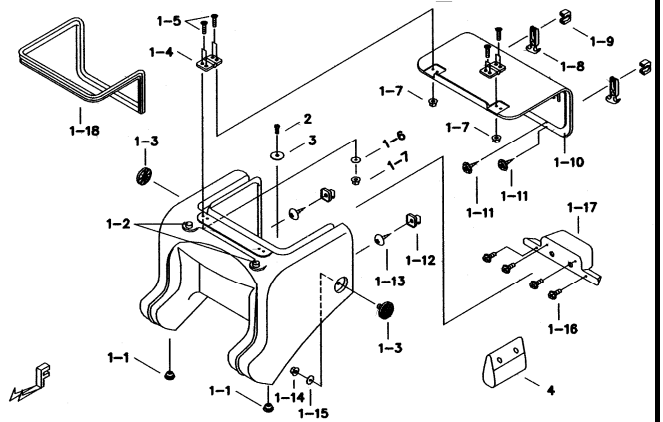
22 .OIL TANK



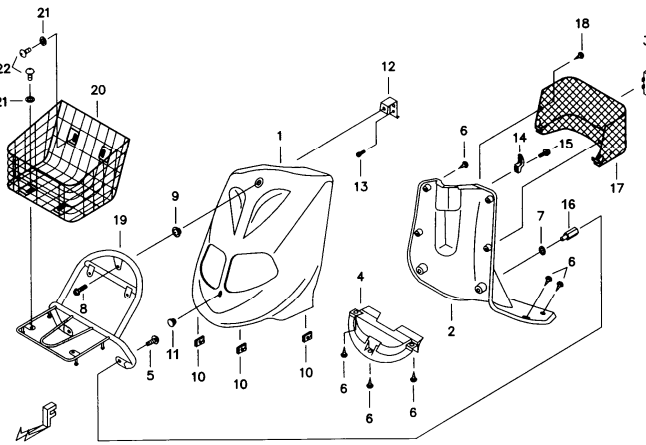
23 . SEAT



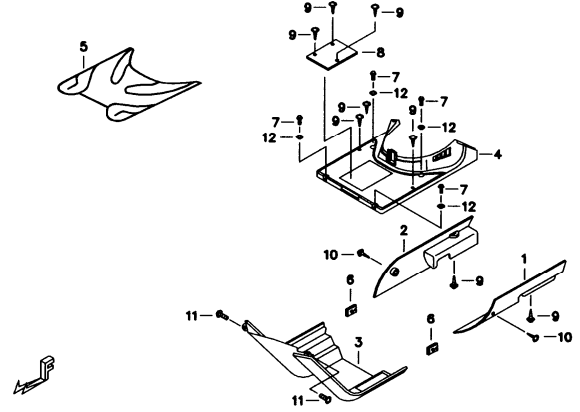
24 . ADDITIONS OF SIDE COVER



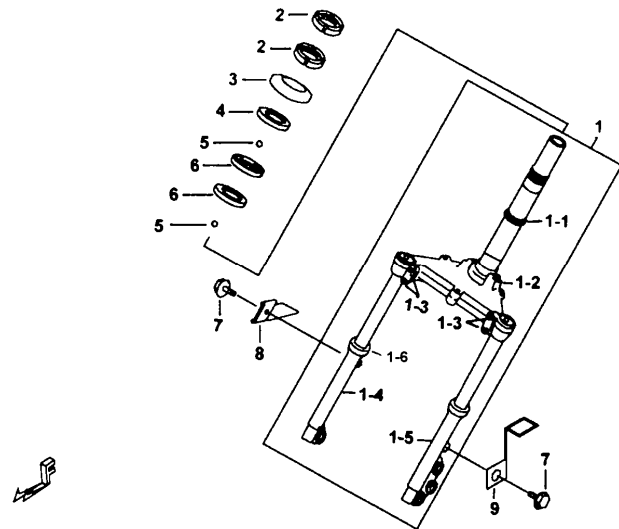
### 25 . FRONT LEG SHIELD



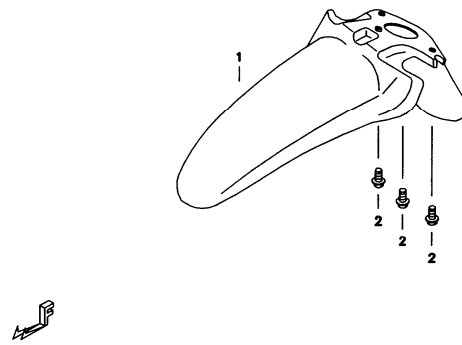
### 26 . REAR LEG SHIELD



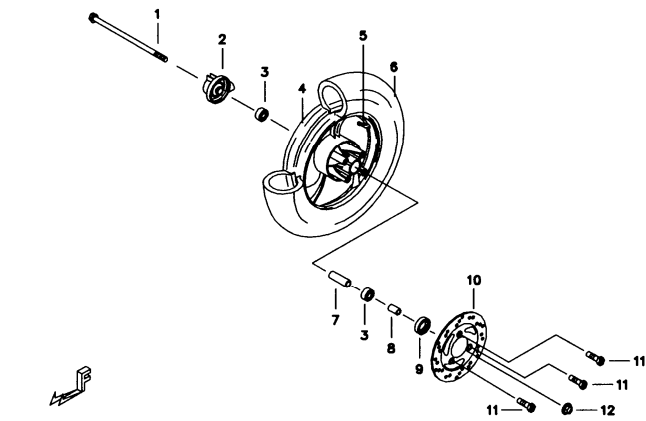
### 27 . FRONT FORK



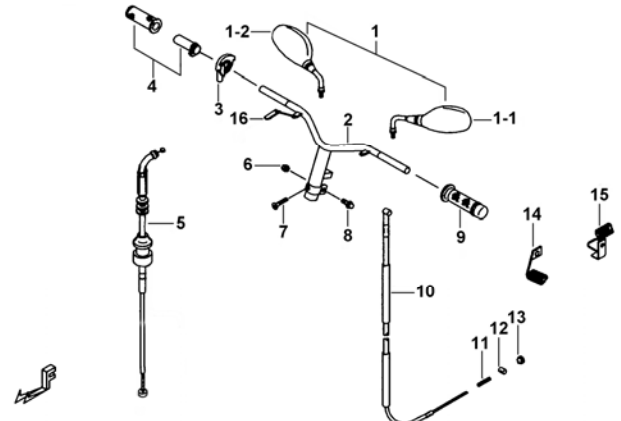
### 28 . FRONT FENDER



### 29 . FRONT WHEEL

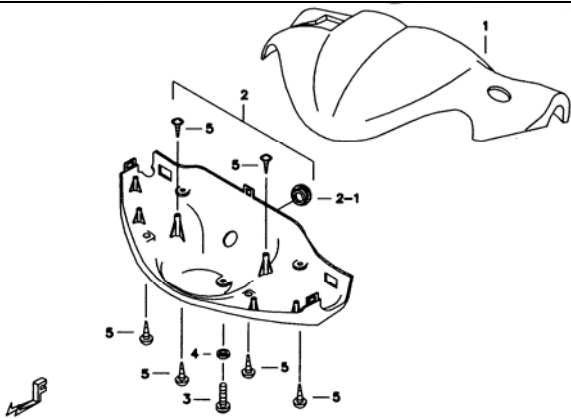


### 30 . HANDLE BAR

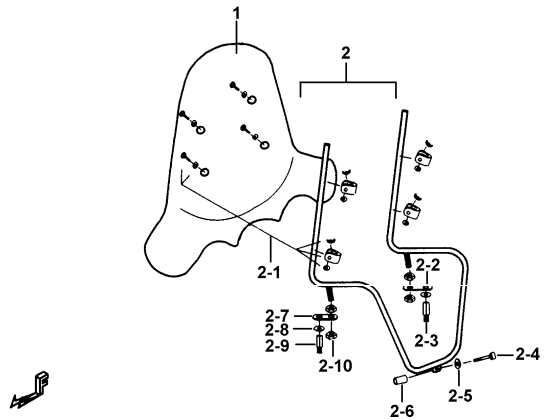




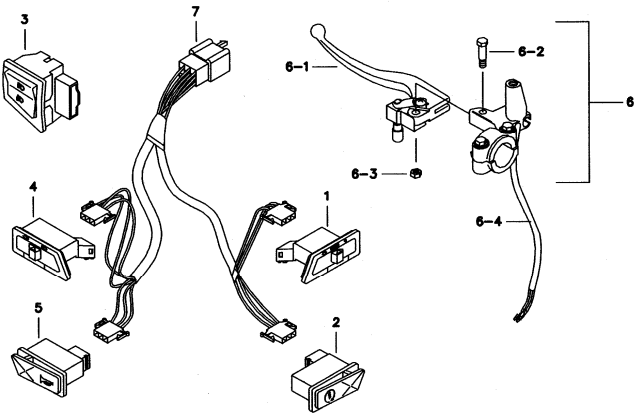
31 . HANDLE BAR COVER



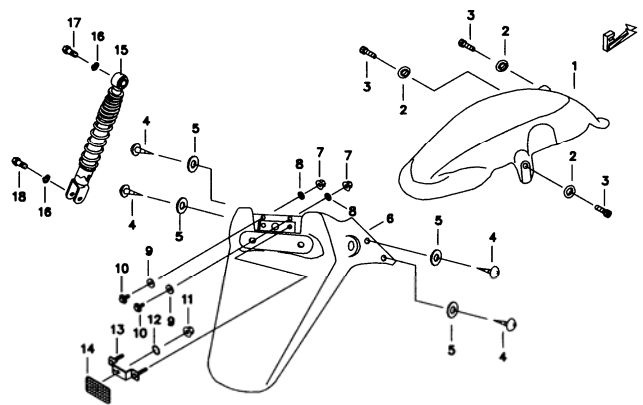
3101. WIND-SHIELD(OPTION)



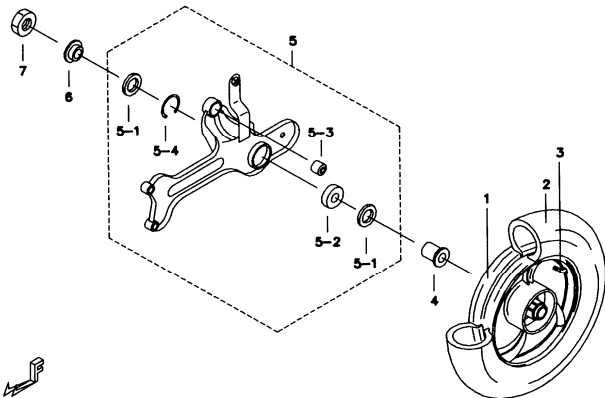
3 2 . HANDLE BAR SWITCH



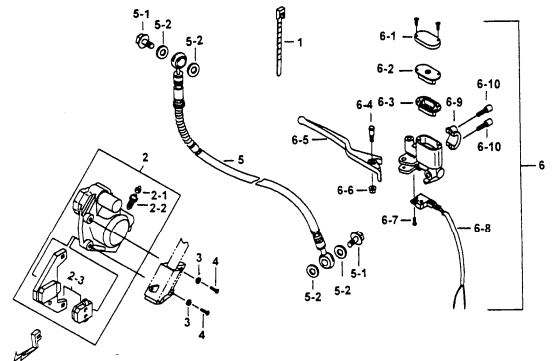
3 3 . REAR FENDER



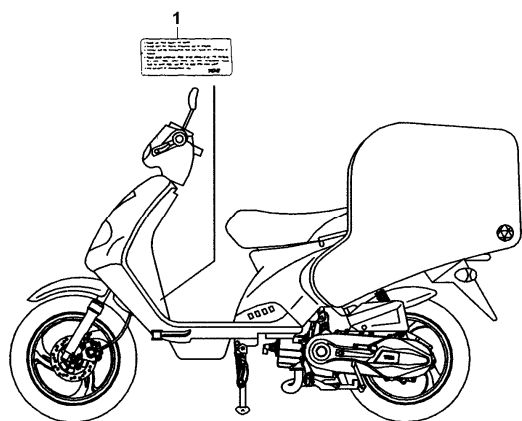
3 4 . RAER WHEEL



35 . CALIPER, MASTER CYLINDER



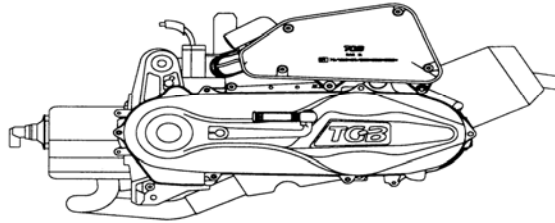
36. LABELS



0

ENGINE ASSY.

BK1-B

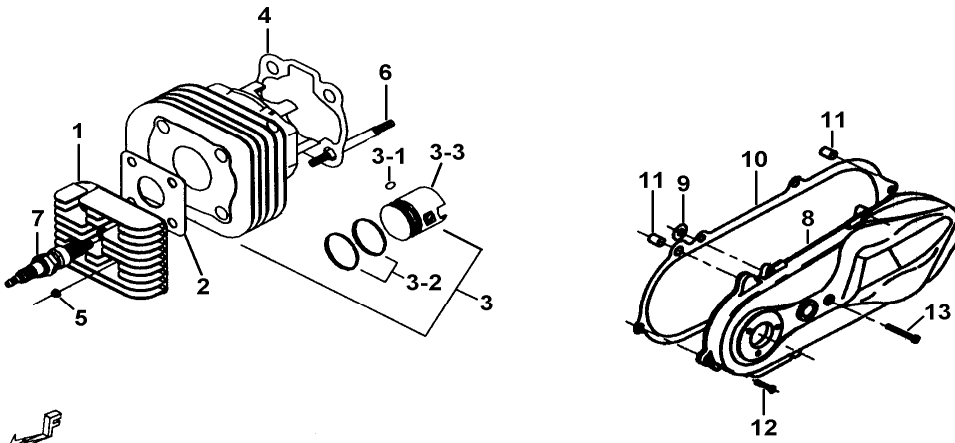


item_no	part_no	description	qty	amend	note1
---------	---------	-------------	-----	-------	-------

01	GI5550400BU	ENGINE ASSY.	1		
----	-------------	--------------	---	--	--

**1 CYLINDER AND CRANK CASE COVER**

**BK1-B**

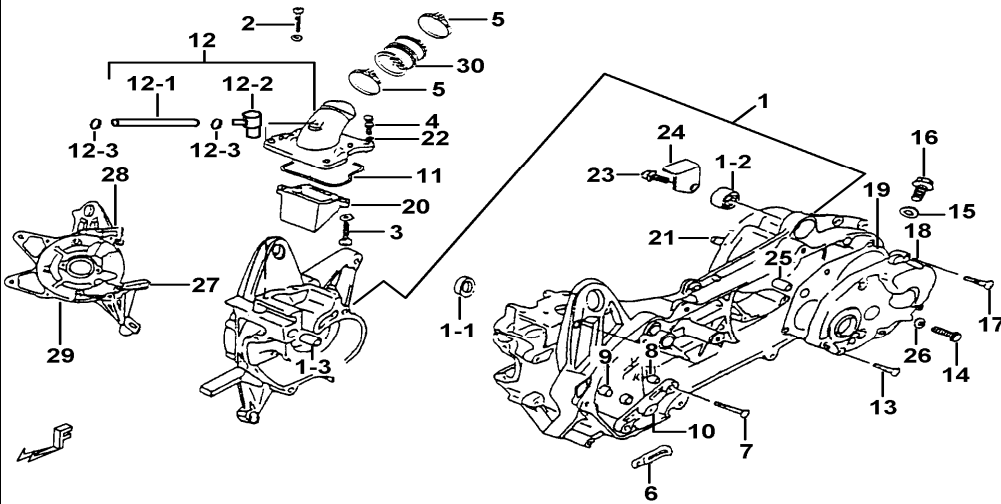


item_no	part_no	description	qty	amend	note1
01	GA504AL01	HEAD, CYLINDER	1		
02	GA504PK01	GASKET, CYLINDER HEAD	1		
03	GA5049911	CYLINDER SET, WITH PISTON, PISTON RING AND CIRCLIP	1		
03-1	GA505SR01	CIRCLIP $\phi$ 11	2		
03-2	GA5059905	RING SET, PISTON	1		
03-3	423046	PISTON	1		
04	GA504PK02	GASKET, CYLINDER	1		
05	GA504NT01	NUT, FLANGE M6	4		
06	GA504SC01	STUD M6X100	4		
07	GI5010005	SPARK PLUG BPR7HS	1		
08	GE501AL15	COVER, CLUTCH	1		
09	GA504PK11	WASHER	1		
10	GE501PK10	GASKET, CLUTCH	1		
11	GA504PN01	PIN, KNOCK 8.5x11x18	2		
12	S70610	SCREW, SOCKET HEAD M6x25	6		
13	S70611	SCREW, SOCKET HEAD M6x50	1		

2

## CRANK CASE

BK1-B



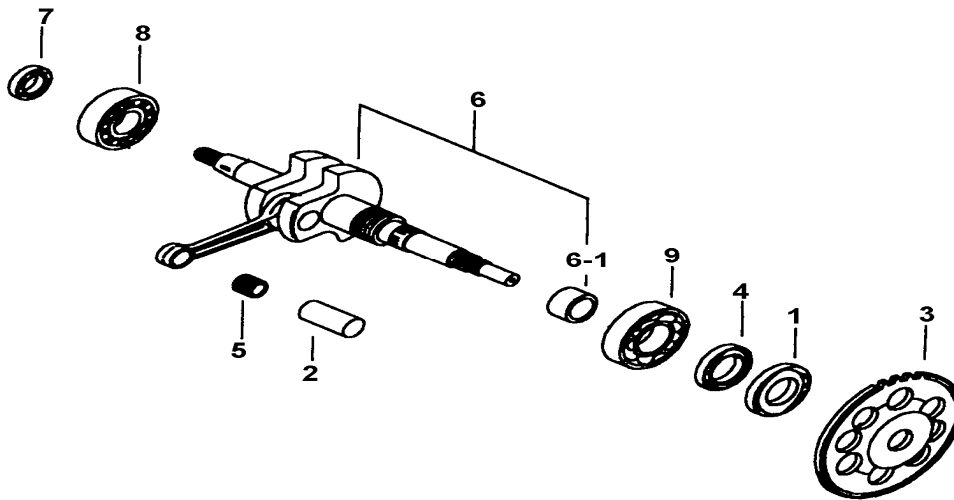
item_no	part_no	description	qty	amend	note1
01	422060	CRANK CASE COMP.	1		
01-1	GL502BR01YT	BEARING 17X35X10	2		
01-2	GA5049904	BUSH COMP.	1		
01-3	GA504PN01	PIN, KNOCK 8.5x11x18	2		
02	S79601	SCREW, SOCKET HEAD M6x20	3		
03	S79401	SCREW, SOCKET HEAD M4x20	2		
04	S71603	BOLT, BREAKABLE, HEX. HEAD M6X16	1		
05	422038	CLIP	2		
06	GA501SR01	CLAMP	1		
07	S70602	SCREW, HEX. SCCKET M6X1.0X25L	2		
08	GA504PN02	PIN, DOWEL 6.5x9x10	2		
09	GA504BS01	BUSH	1		
10	GA6029905	CAP SET, STARTER IDLE GEAR	1		
11	421008	GASKET, INTAKE PIPE	1		
12	421001A	PIPE ASSY., INTAKE	1		
12-1	GA605PP02	HOSE OIL	1		
12-2	GA5049909	VALVE ASSY., NON-RETURN	1		
12-3	R36501	CLIP	2		
13	S70602	SCREW, HEX. SCCKET M6X1.0X25L	5		
14	GA904SC12	BOLT, FLANGE M6X12	1		
15	GA504WS02	WASHER	1		
16	GA504SC12	BOLT, FLANGE 8X12	1		
17	S70603	SCREW, SOCKET HEAD M6x30	1		
18	GA602AL07	COVER, GEAR BOX	1		
19	GA504PK05	GASKET, GEAR BOX COVER	1		
20	GA5049907	VALVE ASSY., REED	1		
21	GA504PN03	PIN, BRAKE SHOE	1		
22	GA504WS04	WASHER, SPRING	1		
23	GA557SC15	BOLT, HEX. HEAD M6X10	1		

24	GA557PS01	BRKT, REAR BRAKE	1
25	GA504PN01	PIN, KNOCK 8.5x11x18	2
26	W99601	WASHER 6X12X2	1
27	S70606	SCREW, SOCKET HEAD M6x75	1
28	S70605	SCREW, SOCKET HEAD M6x85	1
29	S70601	SCREW, SOCKET HEAD M6X45	3
30	421002	RUBBER TUBE	1

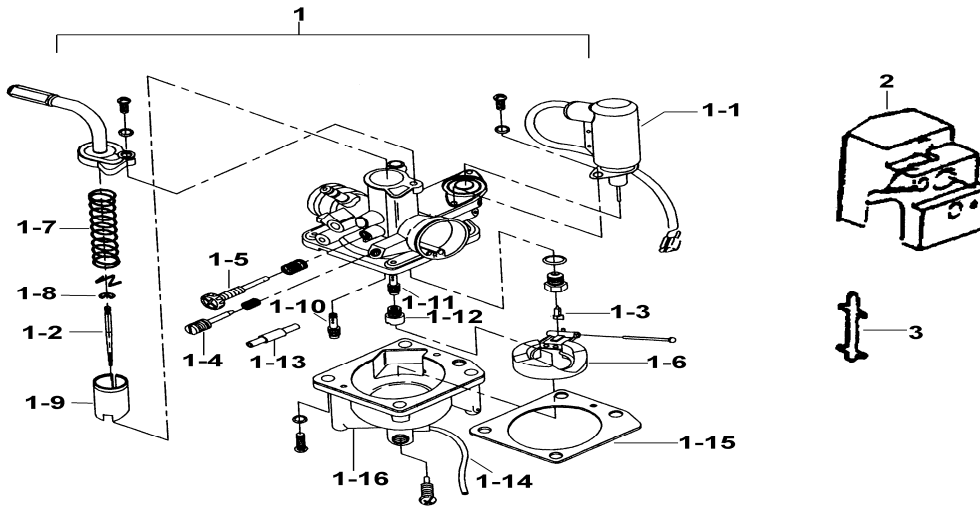
3

## CRANK SHAFT

BK1-B



item_no	part_no	description	qty	amend	note1
01	GA505OS03	SEAL, OIL 24X43X6	1		
02	GA505PN01	PIN, PISTON	1		
03	GA505FE05	GEAR, STARTER	1		
04	GA505OS02	OIL SEAL, LH. 25X37X6	1		
05	GA505BR01A	BEARING, PISTON PIN 10X14X12.5	1		
06	GA5050006	CRANK SHAFT ASSY.	1		
06-1	GA505BS01	SPACER 18X24X14	1		
07	GA505OS01	OIL SEAL, RH. 17X27X6	1		
08	GA505BR03	BEARING, RH. 20X47X14	1		
09	GA505BR04	BEARING, LH. 25X52X13	1		



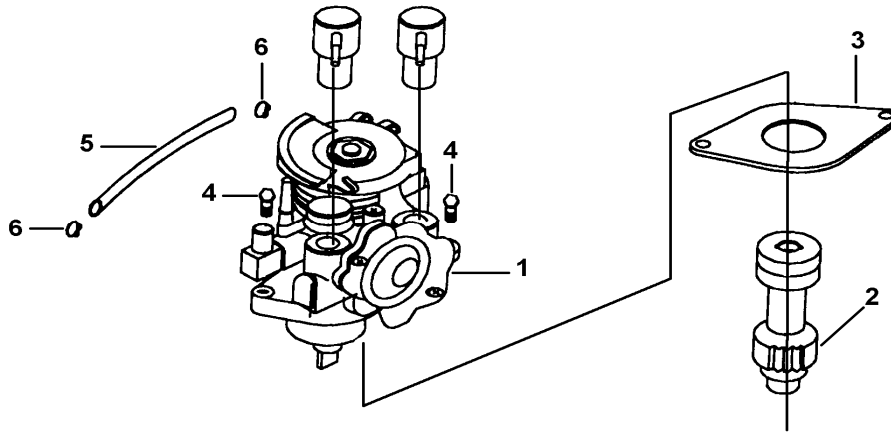
item_no	part_no	description	qty	amend	note1
01	424026A	CARBURETOR ASSY.	1		
01-1	GA5089905	ELEMENT ASSY., THERMO	1		
01-10	GA508CU13	IDLE JET	1		
01-11	424014	MAIN NOZZLE	1		
01-12	GA508CU01	MAIN JET M.J.60	1		
01-13	425016	OIL CHECK VALVE B (LINEAR TYPE)	1		
01-14	424018	CARBURETTOR DRAIN TUBE	1		
01-15	424031	GASKET SET	1		
01-16	424043	CHAMBER SET, FLOAT	1		
01-2	GA508AL01	NEEDLE, JET	1		
01-3	GA508FE05	VALVE, NEEDLE	1		
01-4	GA5089907	SCREW SET, AIR	1		
01-5	GA5089908	SCREW SET, IDLE SPEED	1		
01-6	GA508PL10	FLOAT	1		
01-7	424080	SPRING	1		
01-8	424012	SNAP RING C TYPE	1		
01-9	424013	VALVE, THROTTLE	1		
02	424000	FENDER, CARBURETOR	1		
03	424048	CLAMP	1		



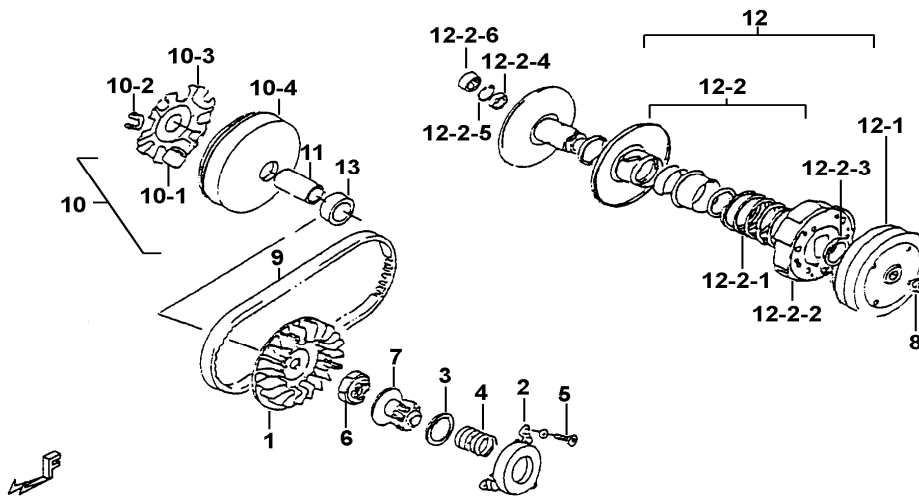
5

OIL PUMP

BK1-B



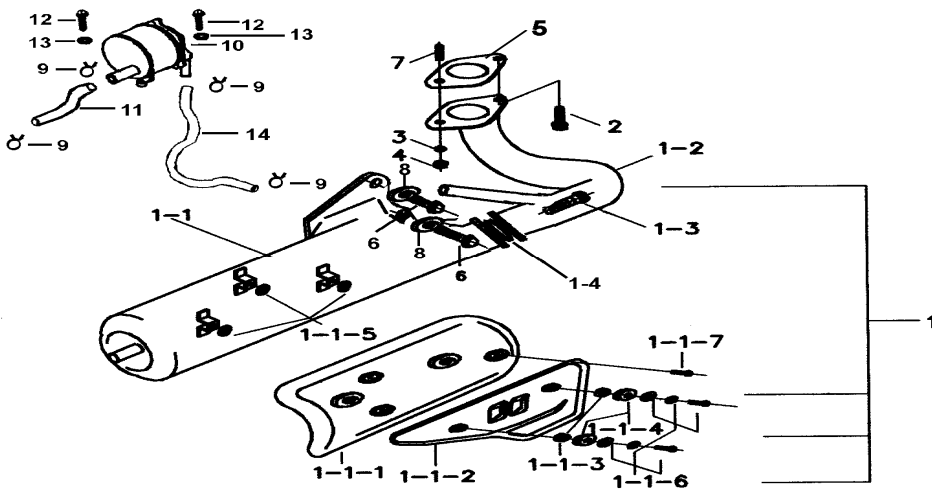
item_no	part_no	description	qty	amend	note1
01	425051	PUMP ASSY., OIL	1		
02	GA508PL01	GEAR, OIL PUMP DRIVEN	1		
03	GA508PK01	GASKET, OIL PUMP	1		
04	S79501	SCREW, SOCKET HEAD M5x16	2		
05	GA605PP02	HOSE OIL	1		
06	R36501	CLIP	2		



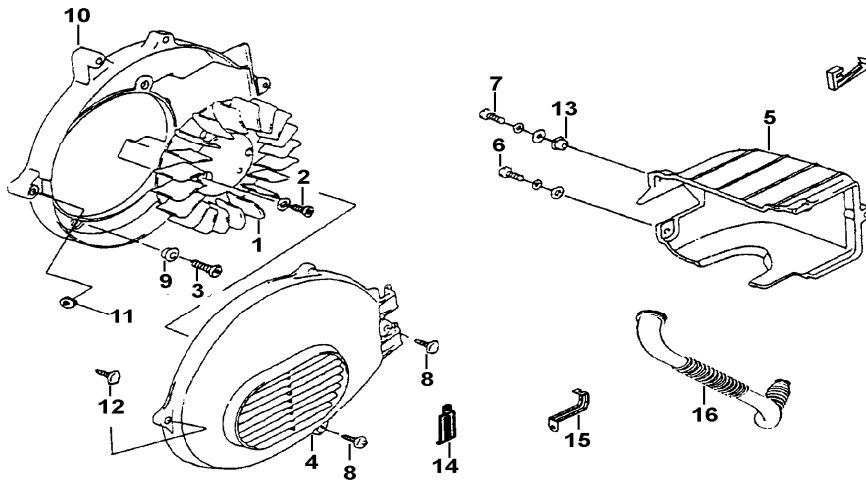
item_no	part_no	description	qty	amend	note1
01	GA906AL01A	FACE, FIXED DRIVE	1		
02	GA906FE01A	HOLDER, KICK DRN GEAR SPRING	1		
03	GA506WS02	WASHER	1		
04	GA506SP01	SPRING 30.5X24.9	1		
05	S79605	SCREW, SOCKET HEAD	3		
06	GA906FE04	STARTER, KICK RH.	1		
07	GA5069904	STARTER SET, KICK LH.	1		
08	GA501NT01	NUT, FLANGE M10	1		
09	GE506RB01	V-BELT, DRIVE	1		
10	490048	PULLEY COMP., DRIVE	1		
10-1	490045	ROLLER COMP., MOVABLE DRIVE FACE	6		
10-2	PG289931	GUIDE, MOVABLE DRIVE FACE PLATE	3		
10-3	490044	PLATE, FIXED DRIVE	1		
10-4	490041	FACE COMP., DRIVE MOVABLE	1		
11	A02806FE01	SPACER	1		
12	490291	PULLEY COMP., DRIVEN	1		
12-1	PG289933	HOUSING COMP., CLUTCH	1		
12-2	490051	PULLEY ASSY., DRIVEN	1		
12-2-1	PT506SP02	SPRING, MOVABLE DRIVEN FACE	1		
12-2-2	490498	CLUTCH ASSY., SHOE	1		
12-2-3	A02806NT01	NUT, HEX. M28	1		
12-2-4	490385	BEARING	1		
12-2-5	A02806SR01	CIR-CLIP	1		
12-2-6	490384	NEEDLE BEARING	1		
13	428000	SPACER 6.0	1		

**701 MUFFLER (FOR EURO 2)**

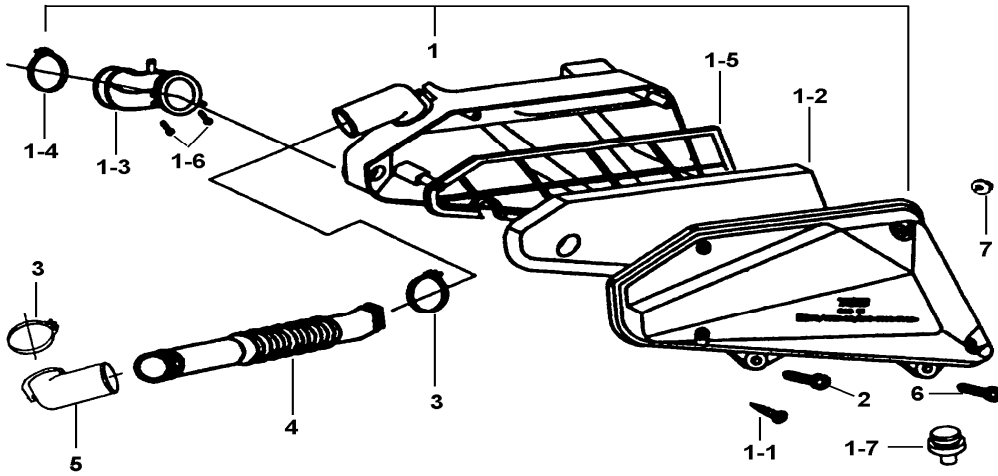
**BK1-B**



item_no	part_no	description	qty	amend	note1
01	426125	BODY COMP., MUFFLER	1		
01-1	426130	BODY, MUFFLER	1		
01-1-1	426040	COVER, MUFFLER (INSIDE)	1		
01-1-2	426041	COVER, MUFFLER (OUTSIDE)	1		
01-1-3	426043	SPACER	2		
01-1-4	426044	CUSHION, MUFFLER COVER	2		
01-1-5	W99703	WASHER 7X16X2	3		
01-1-6	426042	SCREW SET, MUFFLER COVER	2		
01-1-7	S45605	SCREW, OVAL HEAD M6X12	3		
01-2	426131	PIPE, MUFFLER	1		
01-3	S96803	SCREW, SPECIAL	1		
01-4	426104	GASKET, MUFFLER	1		
02	S96601	SCREW, SPECIAL	1		
03	GA504WS04	WASHER, SPRING	1		
04	GA509NT01	NUT, HEX. HEAD M6	1		
05	GA509PK01	GASKET, EXHAUST PIPE	1		
06	S70002	BOLT, FLANGE	2		
07	GA509SC06	STUD M6X25	1		
08	W99005	WASHER	2		
09	R40902	CLIP	4		
10	426083	SECOND-AIR CONTROL ASSY.	1		
11	426123	HOSE, RUBBER	1		
12	S70607	SCREW, SOCKET HEAD M6X20	2		
13	W99602	WASHER 6.5X12X1.0	2		
14	426122	HOSE, RUBBER	1		



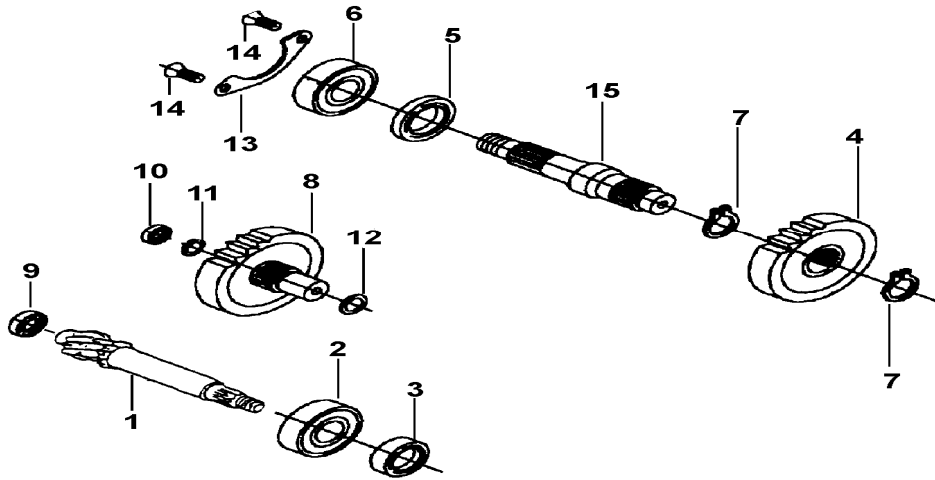
item_no	part_no	description	qty	amend	note1
01	427044	FAN, COOLING	1		
02	S79602	SCREW, SOCKET HEAD M6x16	4		
03	S70609	SCREW, SOCKET HEAD M6x16	4		
04	GA608PL11	COWLING, FAN	1		
05	427002	COWLING, CYLINDER	1		
06	S71602	SCREW, SOCKET HEAD M6x40	1		
07	S71604	SCREW, SOCKET HEAD M6x20	1		
08	GA509SC02	SCREW, TAPPING M6x20	4		
09	GA509WS05	WASHER 6X13X6	4		
10	GE508PL14	CASE, FAN	1		
11	420009	SPACER	1		
12	GA509SC20	SCREW, TAPPING	1		
13	427006	WASHER	1		
14	GA501SR01	CLAMP	1		
15	427003	BATTERY RETAINER	1		
16	427001A	HOT BLAST DUCT	1		



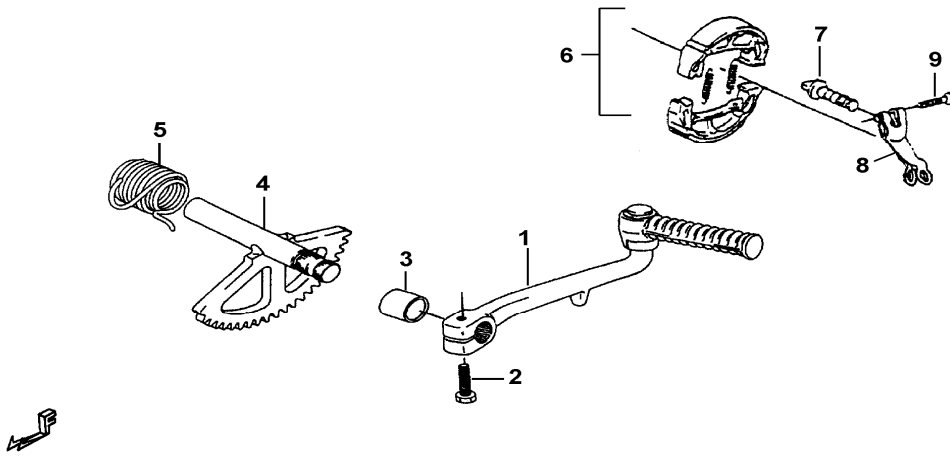
item_no	part_no	description	qty	amend	note1
01	420001	CLEANER ASSY., AIR	1		
01-1	S51502	SCREW, TAPPING	4		
01-2	420031	FILTER	1		
01-3	420003	TUBE, OUTLET	1		
01-4	422039	CLAMP. $\phi$ 38	1		
01-5	420041	DIVISION PLATE	1		
01-6	S50402	SCREW, TAPPING M4X10	2		
01-7	420072	PLUG, LEAK	1		
02	S70603	SCREW, SOCKET HEAD M6x30	1		
03	422037	CLIP $\phi$ 32	2		
04	GA904PL09A	DUCT, COOLING	1		
05	420078	PIPE COMP., INTAKE (INCLUDING A/C BUSH)	1		
06	S70617	SCREW, SOCKET HEAD	1		
07	420009	SPACER	1		

**10 REDUCING GEAR**

**BK1-B**



item_no	part_no	description	qty	amend	note1
01	427529	SHAFT, DRIVE 15T	1		
02	GA507BR04	BEARING, DRIVE SHAFT, LH. 17x47x14	1		
03	GA507OS01	OIL SEAL, DRIVE SHAFT 17x27x5	1		
04	427535	GEAR, FINAL DRIVEN 35T	1		
05	GA507OS02	OIL SEAL, REAL AXLE 27x40x6	1		
06	GA507BR06	BEARING, GEAR AXLE, RH. 20x47x14	1		
07	GA507SR02	CIRCLIP, FINAL DRIVEN GEAR $\phi$ 22	2		
08	427539	SHAFT COMP., IDLE 51T/10T	1		
09	GA507BR03	BEARING, DRIVE SHAFT, RH. 12X32X10	1		
10	GA507BR02	BEARING, IDLER, RH. 12x32x10	1		
11	GA507WS01	WASHER	1		
12	GA507WS02	WASHER, IDLE SHAFT, LH.	1		
13	GA507FE04	RETAINER, REAR AXLE BEARING	1		
14	GA507SC01	SCREW, BEARING RETAINER M6x16	2		
15	427530	SHAFT, REAR AXLE	1		

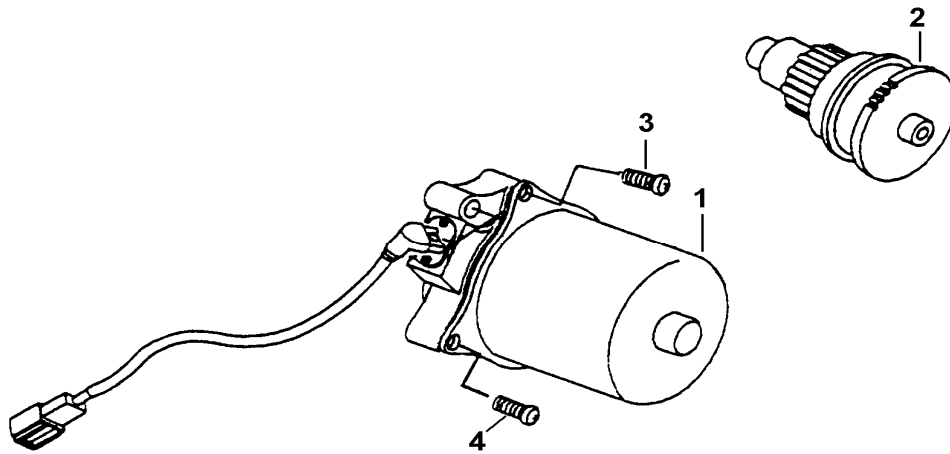


item_no	part_no	description	qty	amend	note1
01	GA9059911	LEVER ASSY., KICK STARTER	1		
02	GA905SC01	BOLT, HEX. HEAD M8X22	1		
03	GA505BS05	BUSH, KICK STARTER SHAFT	1		
04	GA5059910	SHAFT COMP., STARTER	1		
05	GA505SP01	SPRING, KICK STARTER SHAFT	1		
06	GA5580012	SHOE SET, REAR BRAKE	1		
07	GI534FE01	CAM, REAR BRAKE	1		
08	GI534FE02	LEVER, REAR BRAKE	1		
09	GA558SC05	BOLT, HEX. HEAD M6x28	1		

12

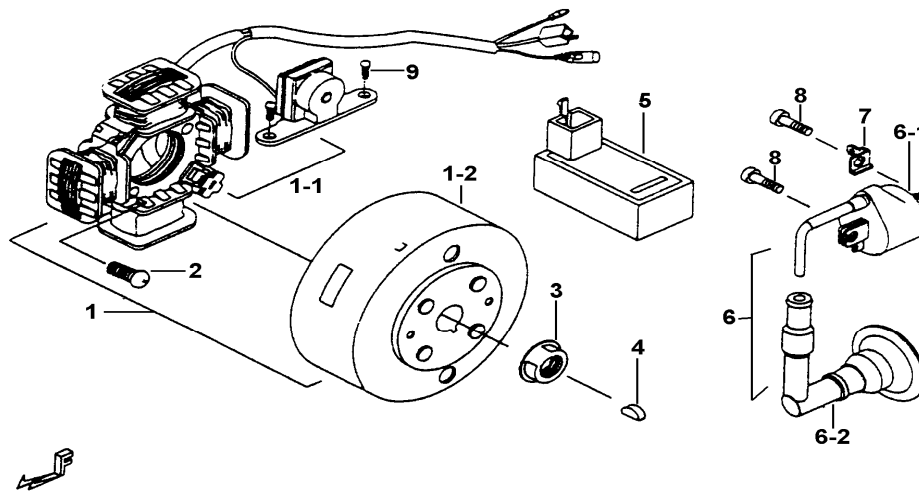
STARTING MOTOR

BK1-B



item_no	part_no	description	qty	amend	note1
01	GA9029901	MOTOR ASSY., STARTING	1		
02	GA9029902	PINION GEAR ASSY.	1		
03	S70602	SCREW, HEX. SCCKET M6X1.0X25L	1		
04	S70603	SCREW, SOCKET HEAD M6x30	1		

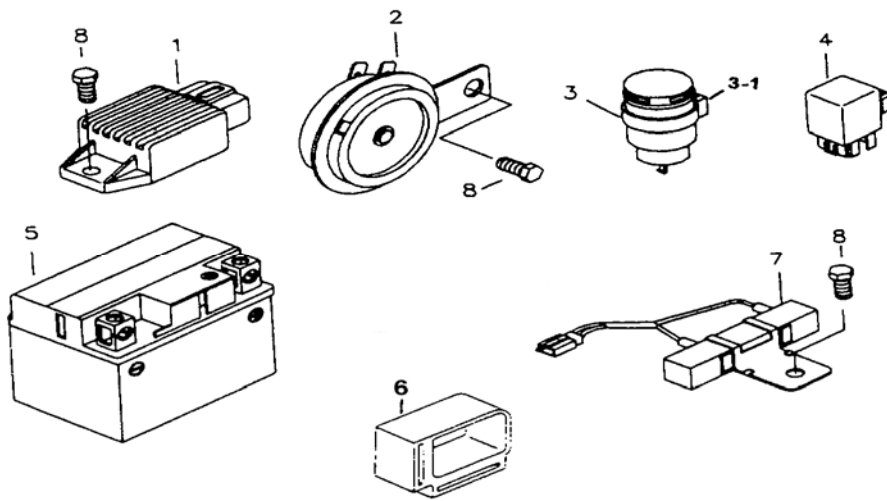




item_no	part_no	description	qty	amend	note1
01	440931	FLYWHEEL MAGNETO ASSY.	1		
01-1	GE5139904	STATOR ASSY.	1		
01-2	440938	ROTOR ASSY.	1		
02	S79603	SCREW, SOCKET HEAD M6X25	2		
03	GA501NT01	NUT, FLANGE M10	1		
04	GA501KY01	KEY	1		
05	GE5139902	C.D.I (UNLIMITED SPEED)	1		
06	440937	COIL COMP., IGNITION	1		
06-1	440942	COIL SET, IGNITION	1		
06-2	GE513RB01	CAP SET, SPARK PLUG	1		
07	440564	EARTH TERMINAL	1		
08	S70607	SCREW, SOCKET HEAD M6X20	2		
09	S79503	SCREW, SOCKET HEAD	2		

14 BATTERY, HORN, RELAY, RECTIFIER

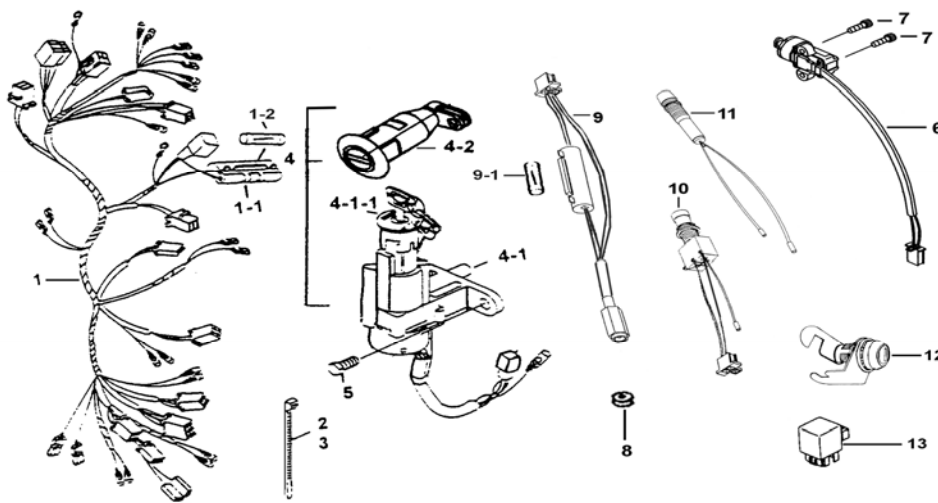
BK1-B



item_no	part_no	description	qty	amend	note1
01	GA5140001	RECTIFIER ASSY.	1		
02	GF5149906	HORN ASSY.	1		
03	440800A	RELAY, TURN SIGNAL	1		
03-1	440745	BUSH, RUBBER	1		
04	GA5100004	RELAY	1		
05	440805	BATTERY 12V 9AH	1		
06	GE514RB02	BUSH, RUBBER	1		
07	400587	RESISTOR SET	1		
08	GA510SC03	SCREW, HEX. HEAD M6X16	3		

**15 WIRING HARNESS AND LOCK SET**

**BK1-B**

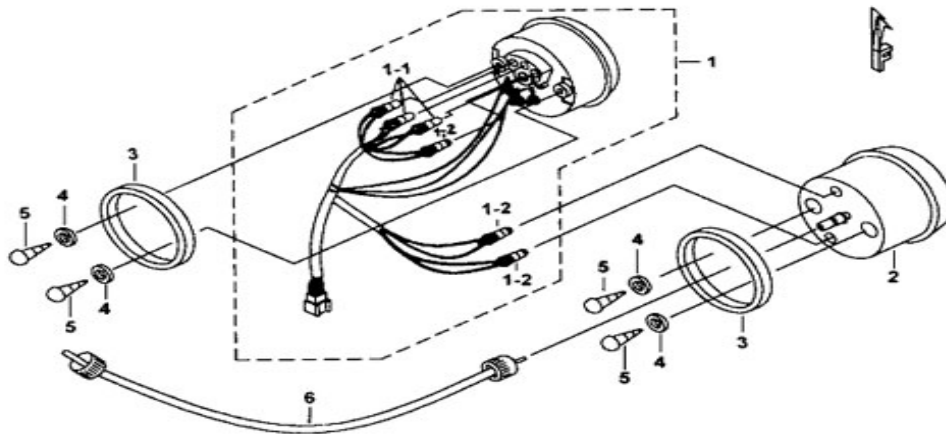


item_no	part_no	description	qty	amend	note1
01	440959	WIRING HARNESS	1		
01-1	GF5159906	CASE SET, FUSE	1		
01-2	GF5159907	FUSE 7A	1		
02	GA510SR01	CLAMP	2		
03	GA510SR02	CLAMP L200	3		
04	440765	LOCK ASSY.	1		
04-1	440774	LOCK SET, STEERING	1		
04-1-1	BH115PL01	CAP, INDICATOR	1		
04-2	440744-S	LOCK SET, SEAT	1		
05	S71603	BOLT, BREAKABLE, HEX. HEAD M6X16	2		
06	440935	SWITCH, SIDE STAND	2		
07	S79501	SCREW, SOCKET HEAD M5x16	4		
08	440948	BUSH	1		
09	440949	WIRING	1		
09-1	440984	FUSE 5A	1		
10	440950	HEATING SWITCH	1		
11	440951	HEATING LAMP	1		
12	440957	LOCK, CARGO BOX	1		
13	440956	RELAY, THERMOSTATIC BAG	2		

16

SPEEDOMETER

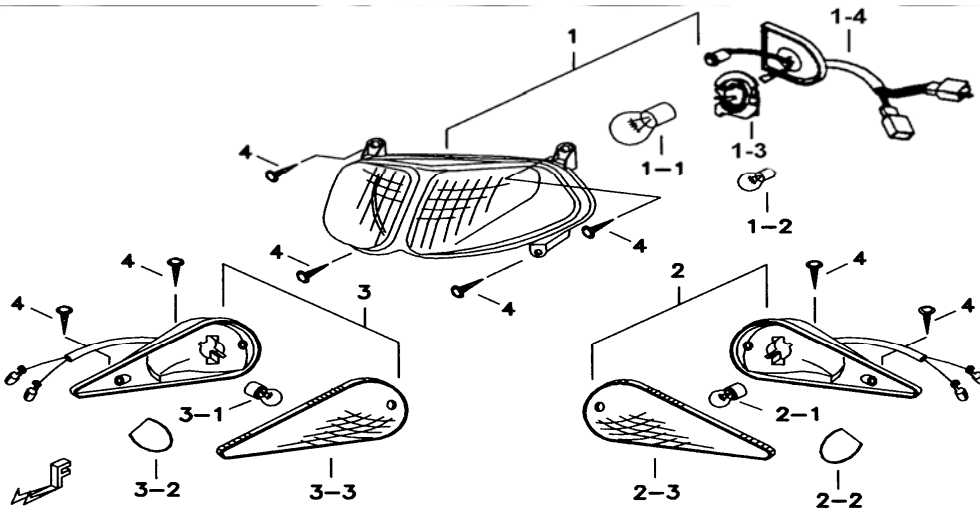
BK1-B



item_no	part_no	description	qty	amend	note1
01	457098	GAUGE ASSY., FUEL LEVEL	1		
01-1	GA5520009	BULB (12V, 1.7W)	3		
01-2	410154	BULB, BLACK HEAD(12V,1.7W)	3		
02	457096	SPEEDOMETER ASSY.	1		
03	GE516RB01	PACKING, RUBBER	2		
04	W99602	WASHER 6.5X12X1.0	4		
05	GA510SC01	SCREW, SOCKET HEAD M6X16	4		
06	401661	CABLE ASSY., SPEEDOMETER	1		

17 HEAD LAMP AND FRONT TURN SIGNAL LAMP

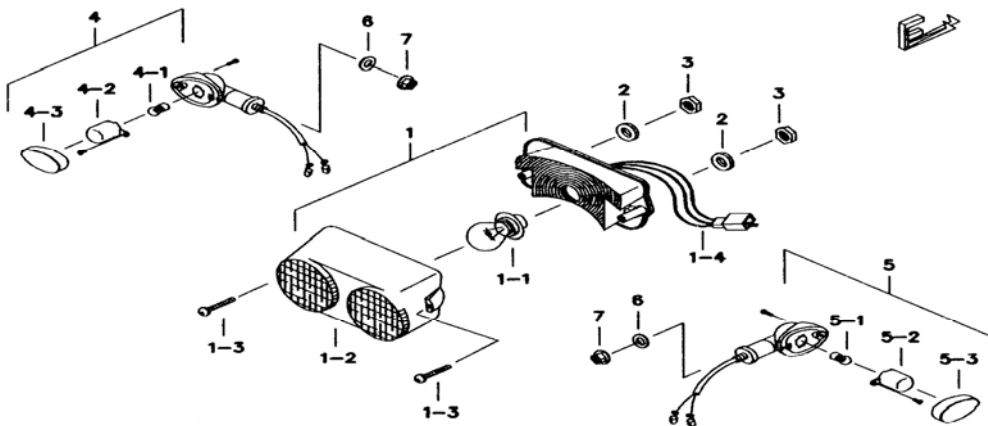
BK1-B



item_no	part_no	description	qty	amend	note1
01	450012	HEAD LAMP ASSY.	1		
01-1	GA5520019	BULB 12V, 35/35W	1		
01-2	400517	BULB 12V, 5W	1		
01-3	450016	STAY, MOUNTION	1		
01-4	450017	SOCKET COMP.	1		
02	450025	TURN SIGNAL LAMP COMP., LH. FRONT	1		
02-1	GF5170006	BULB, 12V, R10W	1		
02-2	450031	LENS	1		
02-3	450029	LENS, TURN SIGNAL, LH. FRONT	1		
03	450026	TURN SIGNAL LAMP COMP., RH. FRONT	1		
03-1	GF5170006	BULB, 12V, R10W	1		
03-2	450031	LENS	1		
03-3	450030	LENS, TURN SIGNAL, RH. FRONT	1		
04	GA552SC11	SCREW, TAPPING M4X16	8		

**18 REAR LAMP CLUSTER**

**BK1-B**

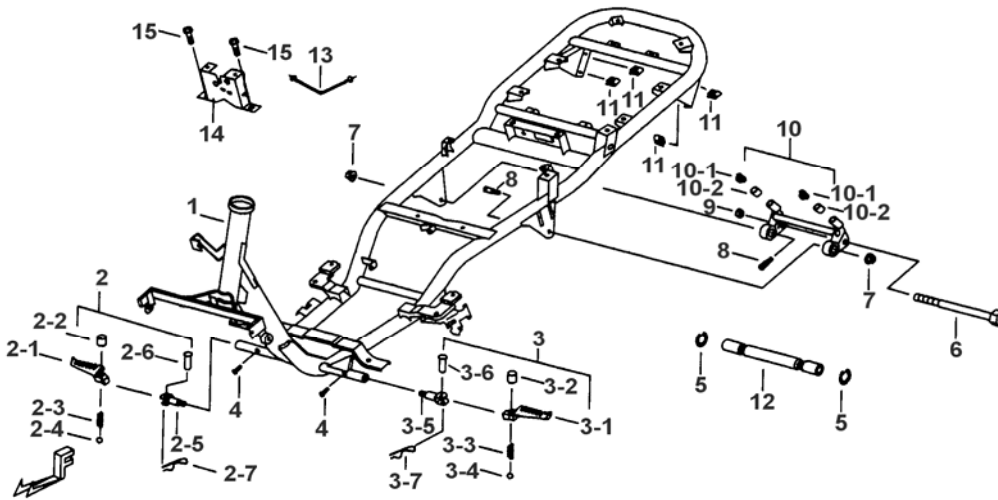


item_no	part_no	description	qty	amend	note1
01	451020	REAR LAMP ASSY.	1		
01-1	GF5180002	BULB 12V, P21/5W	1		
01-2	451021	LENS, REAR COMBINATION	1		
01-3	S60401	SCREW, TAPPING M4x18	2		
01-4	BH1189901	WIRING HARNESS, REAR LAMP	1		
02	W99603	WASHER, RUBBER	2		
03	GA554NT04	NUT, FLANGE M6xP1.0	2		
04	451018	TURN SIGNAL LAMP COMP., LH.	1		
04-1	GF5170006	BULB, 12V, R10W	1		
04-2	450031	LENS	1		
04-3	451022	LENS, TURN SIGNAL LAMP., LH. REAR	1		
05	451019	TURN, SIGNAL LAMP COMP., RH.	1		
05-1	GF5170006	BULB, 12V, R10W	1		
05-2	450031	LENS	1		
05-3	451023	LENS, TURN SIGNAL LAMP., RH. REAR	1		
06	W99005	WASHER	2		
07	GA551NT02	NUT, FLANGE SELRLOCK M10x10	2		

19

FRAME

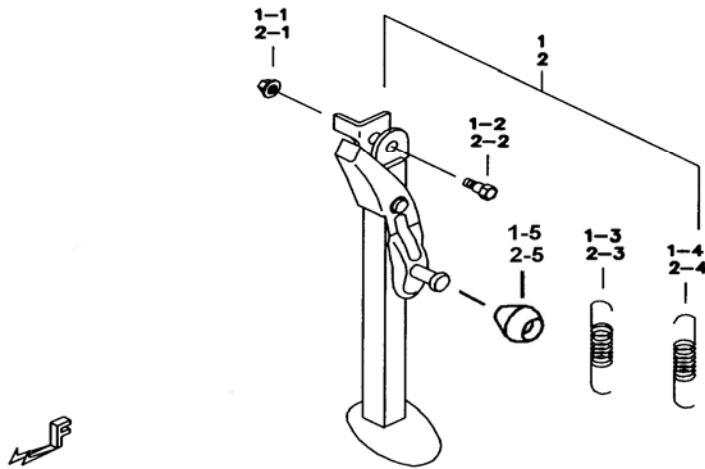
BK1-B



item_no	part_no	description	qty	amend	note1
01	411961	FRAME	1		
02	411953	FOOTREST ASSY., RH., FRONT	1		
02-1	GF519AL06	FOOTREST ASSY., PILLION, RH.	1		
02-2	GF519FE01	COLLAR, PIN 6X8X20	1		
02-3	GF519SP01	SPRING, COMPRESSION 6X12.5	1		
02-4	GF519FE04	BALL $\phi$ 6.35	1		
02-5	411950	BRKT, FOOTREST, PILLION, RH.	1		
02-6	GA551PN02	PIN 6X34	1		
02-7	GA551PN01	COTTER PIN 1.5X30	1		
03	411952	FOOTREST ASSY., LH., FRONT	1		
03-1	GF519AL05	FOOTREST ASSY., PILLON, LH.	1		
03-2	GF519FE01	COLLAR, PIN 6X8X20	1		
03-3	GF519SP01	SPRING, COMPRESSION 6X12.5	1		
03-4	GF519FE04	BALL $\phi$ 6.35	1		
03-5	411949	BRKT, FOOTREST, PILLION, LH.	1		
03-6	GA551PN02	PIN 6X34	1		
03-7	GA551PN01	COTTER PIN 1.5X30	1		
04	S79604	BOLT, FLANGE	2		
05	R00701	RETAINER RING, C TYPE $\phi$ 16	2		
06	S21203	BOLT, HEX. HEAD	1		
07	GA551NT01	NUT, SELFLOCK M10X1.0	2		
08	S06101	BOLT, HANGER M10	2		
09	N25201	NUT, SELFLOCK M12X1.25	1		
10	BH1199903	ROCKER ARM ASSY., HANGER	1		
10-1	GI519RB01	DAMPER, RUBBER	2		
10-2	GI519SP01	SPRING, COMPRESSION	2		
11	GA552NT01	NUT, SPRING M4	4		
12	BH102FE01	SLEEVE, HANGER	1		
13	411951	CABLE, LOCK SET, SEAT	1		

14	BH1199904	LOCK SET, SEAT	1
15	GA556SC01	BOLT, FLANGE M6X1.0X12L	2



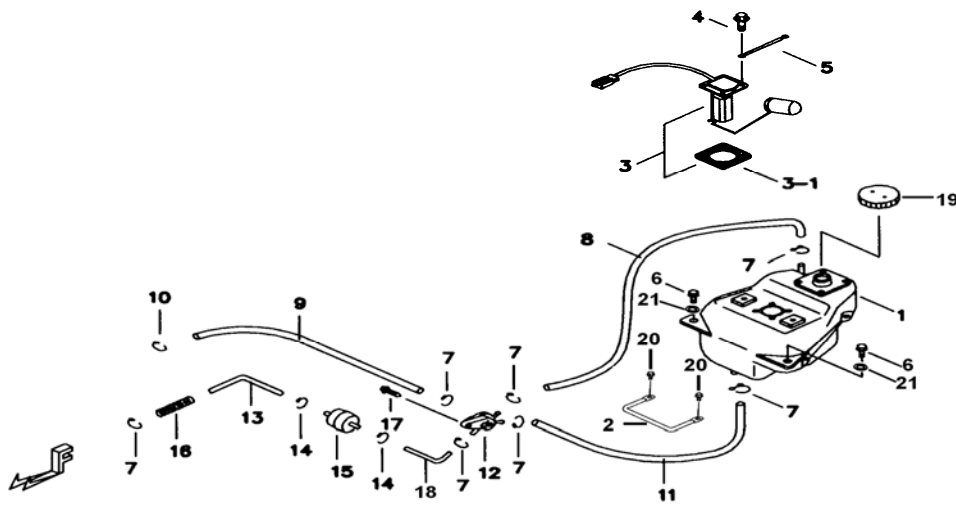


item_no	part_no	description	qty	amend	note1
01	414010	STAND COMP., SIDE LH.	1		
01-1	GA551NT04	NUT, HEX. HEAD M8	1		
01-2	S96804	BOLT M8	1		
01-3	412032	SPRING	1		
01-4	412033	SPRING	1		
01-5	412035	BUBDER	1		
02	414011	STAND COMP., SIDE RH.	1		
02-1	GA551NT04	NUT, HEX. HEAD M8	1		
02-2	S96804	BOLT M8	1		
02-3	412032	SPRING	1		
02-4	412033	SPRING	1		
02-5	412035	BUBDER	1		

21

FUEL TANK

BK1-B

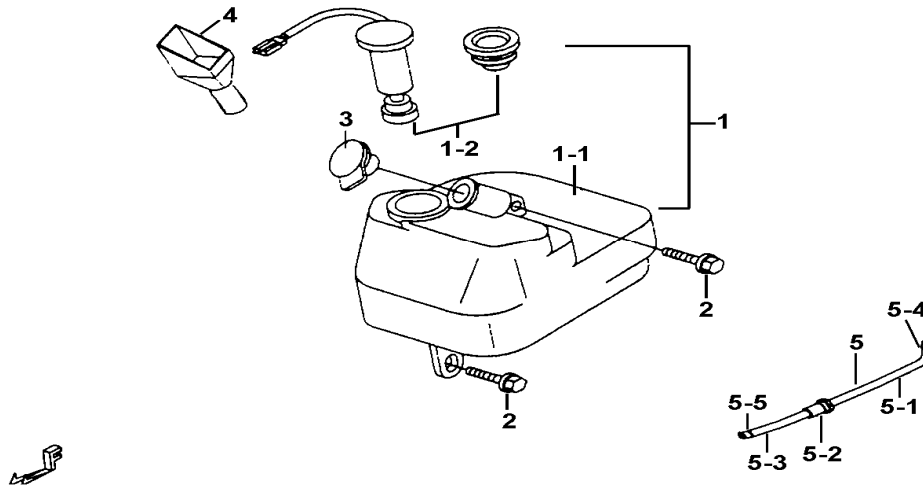


item_no	part_no	description	qty	amend	note1
01	412124	TANK, FUEL	1		
02	412129	HANDLING BAR, FUEL TANK	1		
03	401813	GAUGE ASSY., FUEL LEVEL	1		
03-1	401710	GASKET	1		
04	S07501	BOLT, HEX HEAD	4		
05	412120	HARNESS, EARTH	1		
06	GA555SC05	BOLT, OUTLET M6X1.0X16L	4		
07	R36801	CLIP $\phi$ 8.5	7		
08	412122	HOSE, NEGATIVE PRESSURE	1		
09	401018	HOSE, AIR VENT 4.5X8.5X235	1		
10	GA553SR04	CLIP $\phi$ 7.5	1		
11	412113	HOSE	1		
12	GA5539902	COCK ASSY., FUEL	1		
13	401809	HOSE	1		
14	R36901	CLIP	2		
15	GA5539904	FILTER, FUEL	1		
16	401014	SPRING 12X100X0.8	1		
17	GA553SC01	BOLT, FLANGE M6X1.0X16L	1		
18	412103	HOSE #2	1		
19	412126	CAP COMP. FILLER	1		
20	GA556SC01	BOLT, FLANGE M6X1.0X12L	2		
21	W99605	WASHER	2		

22

OIL TANK

BK1-B

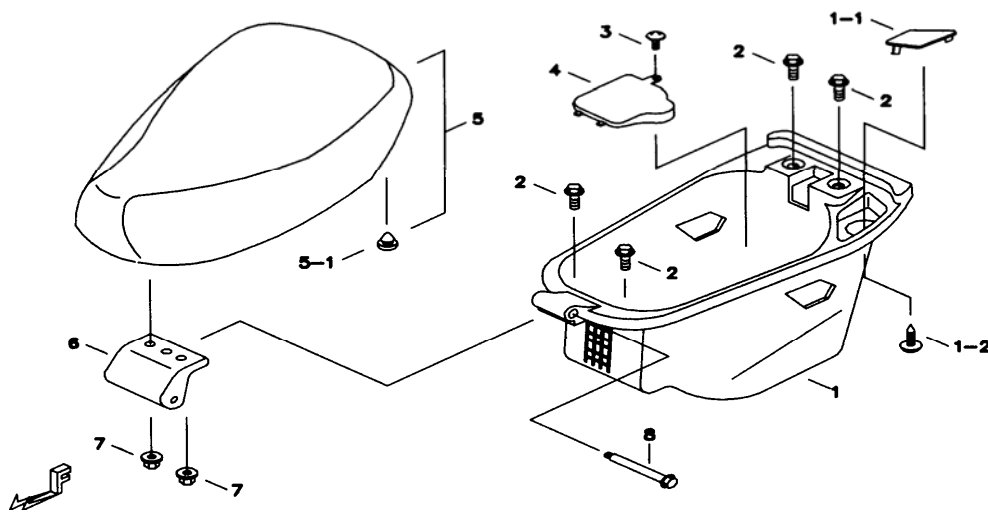


item_no	part_no	description	qty	amend	note1
01	401614	TANK, OIL COMP.	1		
01-1	BH122PL01	TANK, OIL	1		
01-2	BH1229901	SWITCH ASSY., OIL LEVEL	1		
02	GA556SC01	BOLT, FLANGE M6X1.0X12L	2		
03	BH122RB01	CAP, OIL TANK	1		
04	401021	FUNNEL	1		
05	425056	CLEANER COMP., OIL	1		
05-1	425057	HOSE	1		
05-2	425005	CLEANER ASSY., OIL	1		
05-3	425058	HOSE	1		
05-4	R36801	CLIP $\phi$ 8.5	3		
05-5	R50901	CLIP $\phi$ 9.5	1		

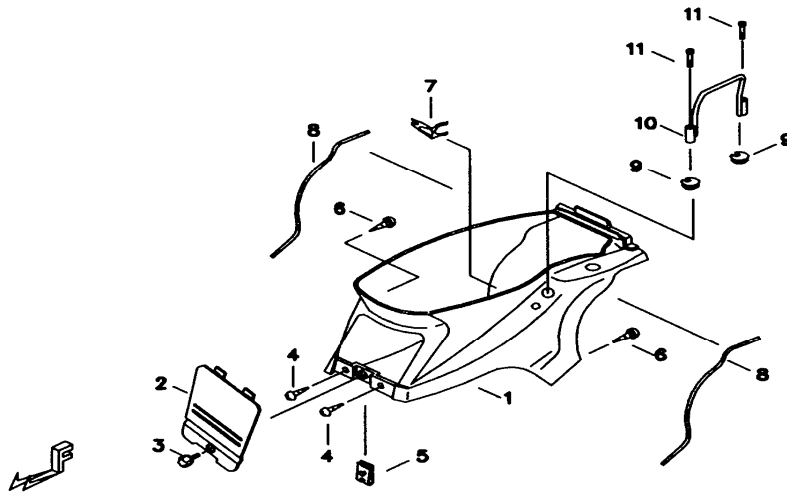
23

SEAT

BK1-B



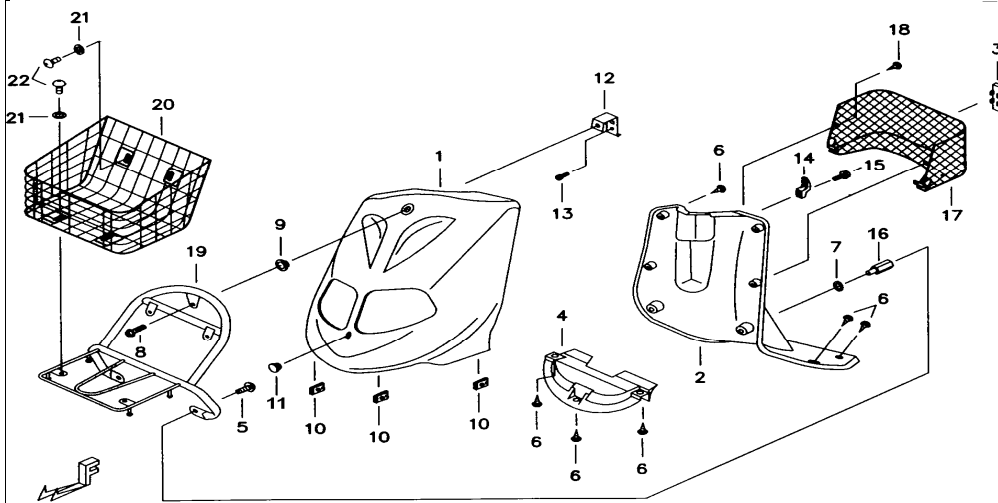
item_no	part_no	description	qty	amend	note1
01	452037B	HELMET CASE ASSY.	1		
01-1	452024	ORNAMENT, HELMET CASE	1		
01-2	S50401	SCREW TAPPING M4X12	1		
02	S25602	BOLT M6X16L	4		
03	S45603	SCREW, OVAL HEAD M6x10	1		
04	452014	CAP, HELMET CASE (BLACK)	1		
05	452045	SEAT SET	1		
05-1	401904	DAMPER, RUBBER	2		
06	BH123FE01	BRKT, SEAT	1		
07	GA554NT04	NUT, FLANGE M6xP1.0	2		
08	S47601	SCREW, RECESSED PAN HEAD M6X68	1		



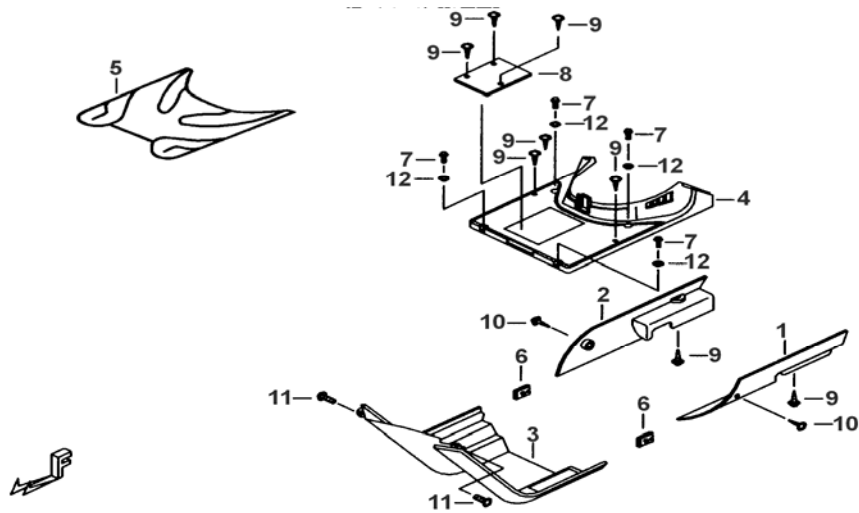
item_no	part_no	description	qty	amend	note1
01	BH124PL01B	COVER, SIDE	1		
02	BH124PL04	COVER, SMALL	1		
03	S96501	BOLT, BATTERY BOX	1		
04	S51501	SCREW,TAPPING M5X16	2		
05	N31501	NUT, SPRING M5	2		
06	S57501	SCREW,OVAL HEAD, FLANGE M5X14	2		
07	401657	REED	1		
08	453016	ORNAMENTAL	2		
09	453017	RUBBER PLUG	2		
10	412404	HANDLING BAR	1		
11	S70806	BOLT M8X1.25	2		

**25 FRONT LEG SHIELD**

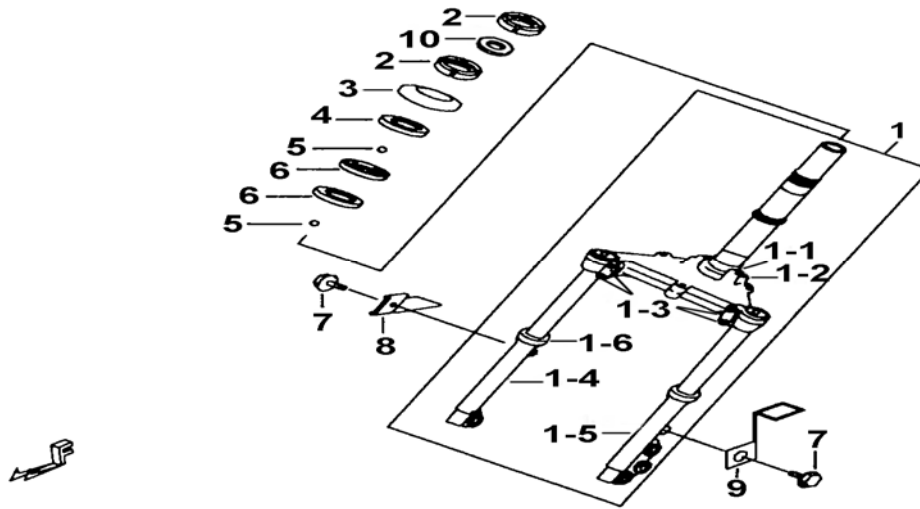
**BK1-B**



item_no	part_no	description	qty	amend	note1
01	401653	LEG SHIELD FRONT	1		
02	454010	COVER SET, LEG SHIELD	1		
03	BH125PL04	COVER SET, LEG SHIELD, SMALL	1		
04	401655	FRONT FENDER, INNER	1		
05	GA904SC26	SCREW, SOCKET HEAD M6X16	2		
06	S57501	SCREW,OVAL HEAD, FLANGE M5X14	11		
06A	S57501	SCREW,OVAL HEAD, FLANGE M5X14	9		OPTION
07	W99602	WASHER 6.5X12X1.0	2		
08	S72602	BOLT, HEX. HEAD	1		
09	GA555WS01	WASHER	1		
10	N31501	NUT, SPRING M5	3		
11	454016	RUBBER PLUG	1		
12	401685	BRACKET	1		
13	S79602	SCREW, SOCKET HEAD M6x16	1		
14	454005	HOOK LUGGAGE	1		
15	GA558SC05	BOLT, HEX. HEAD M6x28	1		
16	413961	SCREW, SPACER	2		OPTION
17	413965	BASKET	1		OPTION
18	S50506	SCREW, TAPPING	2		OPTION
19	413959	BRKT, BASKET	1		OPTION
20	413964	BASKET	1		OPTION
21	W99605	WASHER	4		OPTION
22	GA555SC03	SCREW, AN HEAD M6X16	4		OPTION



item_no	part_no	description	qty	amend	note1
01	BH126PL01	LEG SHIELD, SIDE, LH.	1		
02	BH126PL02	LEG SHIELD, SIDE, RH.	1		
03	401860A	LEG SHIELD, LOWER	1		
04	401861	LEG SHIELD, RAER	1		
05	455012	CUSHION, LEG SHIELD	1		
06	N31501	NUT, SPRING M5	6		
07	GA551SC09	BOLT, FLANGE M6X20	4		
08	401862	LID, BATTERY BOX	1		
09	S57501	SCREW,OVAL HEAD, FLANGE M5X14	7		
10	S51501	SCREW,TAPPING M5X16	2		
11	GA904SC26	SCREW, SOCKET HEAD M6X16	2		
12	GA556WS02	WASHER	4		



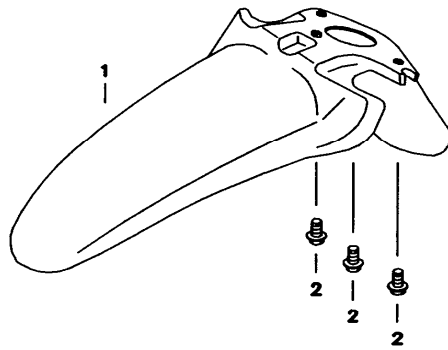
item_no	part_no	description	qty	amend	note1
01	412721	FORK COMP., FRONT	1		
01-1	414009	RACE, STEERING, INNER, LOWER	1		
01-2	412700	CENTREL BAR ASSY.	1		
01-3	S20004	BOLT,FLANGE M10X30	4		
01-4	401972	FORK COMP., FRONT RH.	1		
01-5	401971	FORK COMP., FRONT LH.	1		
01-6	401876	SEAL, OIL	2		
02	N50501	NUT, SLOTTED	2		
03	BH127PS01	WASHER	1		
04	BH127PS02	RACE, STEERING, INNER, UPPER	1		
05	BH127FE01	BALL	44		
06	BH127PS03	RACE, STEERING, OUTER	2		
07	GA556SC01	BOLT, FLANGE M6X1.0X12L	2		
08	GI527PS02	BRKT, CABLE, SPEEDOMETER	1		
09	BH1279901	BRKT, BRAKE HOSE	1		
10	W99533	WASHER	1		



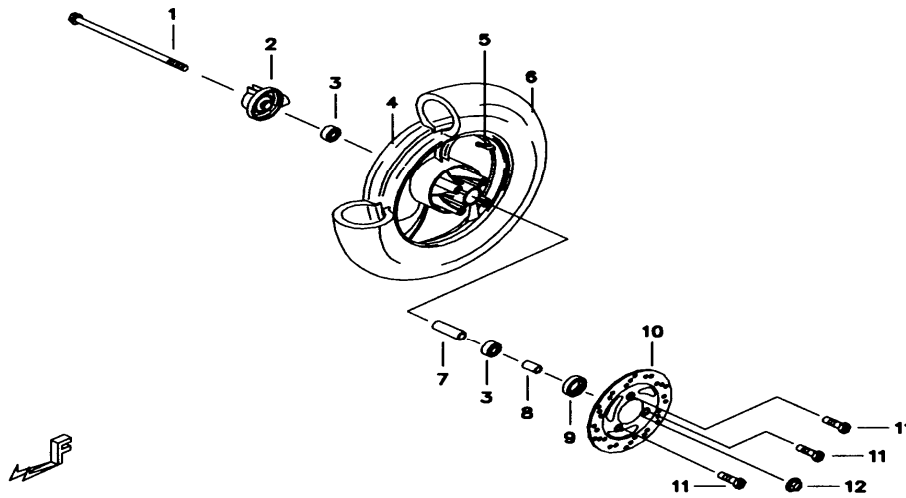
28

FRONT FENDER

BK1-B



item_no	part_no	description	qty	amend	note1
01	401688	FRONT FENDER	1		
02	GA556SC01	BOLT, FLANGE M6X1.0X12L	3		

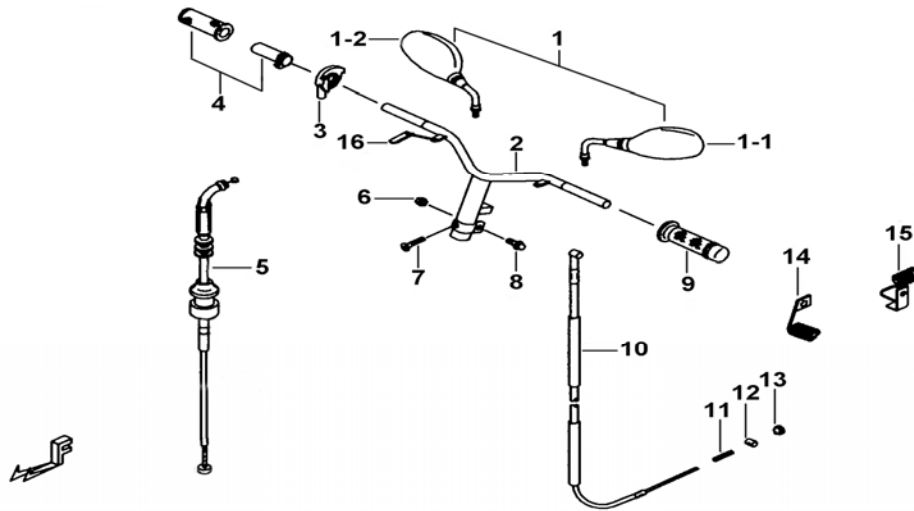


item_no	part_no	description	qty	amend	note1
01	GI529FE01	SHAFT, FRONT WHEEL 12X218	1		
02	401692	GEAR COMP., SPEEDOMETER	1		
03	GI529BR01YT	BEARING 12X32X10	2		
04	412930	RIM COMP., FRONT WHEEL MT 2.15-14	1		
05	GF5299901	INLET COMP., AIR	1		
06	412938-S	TIRE 3.00-14	1		
07	401792	COLLAR SET	1		
08	GI529BS01	COLLAR	1		
09	GI529OS01	OIL SEAL 18X35X7	1		
10	410161Y	DISC, BRAKE 190mm	1		
11	GA558SC02	BOLT M8X1.25X15L	3		
12	N25201	NUT, SELFLOCK M12X1.25	1		

30

## HANDLE BAR

BK1-B

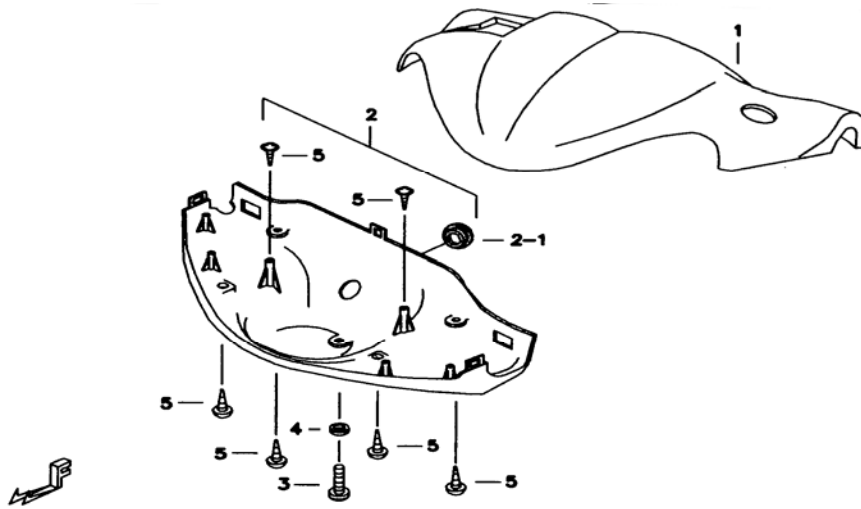


item_no	part_no	description	qty	amend	note1
01	413046	MIRROR ASSY., REAR VIEW(LONG)	1		
01-1	413037	MIRROR, REAR VIEW, LH.(LONG)	1		
01-2	413036	MIRROR, REAR VIEW, RH.(LONG)	1		
02	413026	HANDLE BAR ASSY.	1		
03	413073	THROTTLE HOUSING	1		
04	GF5309906	GRIP ASSY., RH.	1		
05	413072	CABLE, THROTTLE	1		
06	GA551NT01	NUT, SELFLOCK M10X1.0	1		
07	GA557SC02	SCREW, FLAT HEAD M8X35	1		
08	GA557SC01	BOLT, FLANGE M10X43	1		
09	GF530RB02	GRIP, LH.	1		
10	413048	CABLE, REAR BRAKE	1		
11	GF530SP01	SPRING 7X110X1.0	1		
12	GI530PN01	PIN, STOP $\phi$ 12X22	1		
13	GI530NT01	NUT, ADJUSTING M6X16	1		
14	GI5309907	BRKT, SET REAR BRAKE CABKE(MIDDLE)	1		
15	401702	BRKT, SET REAR BRAKE (REAR)	1		
16	GA501SR01	CLAMP	1		

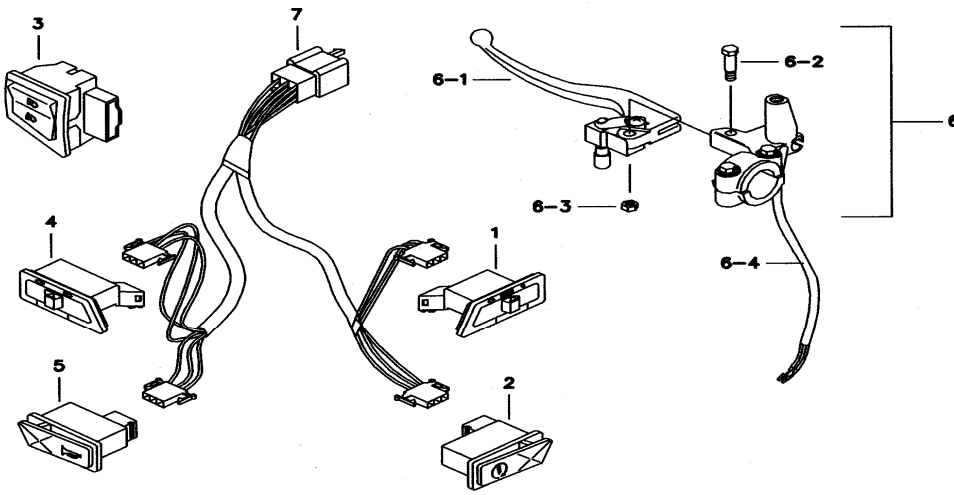
31

## HANDLE BAR COVER

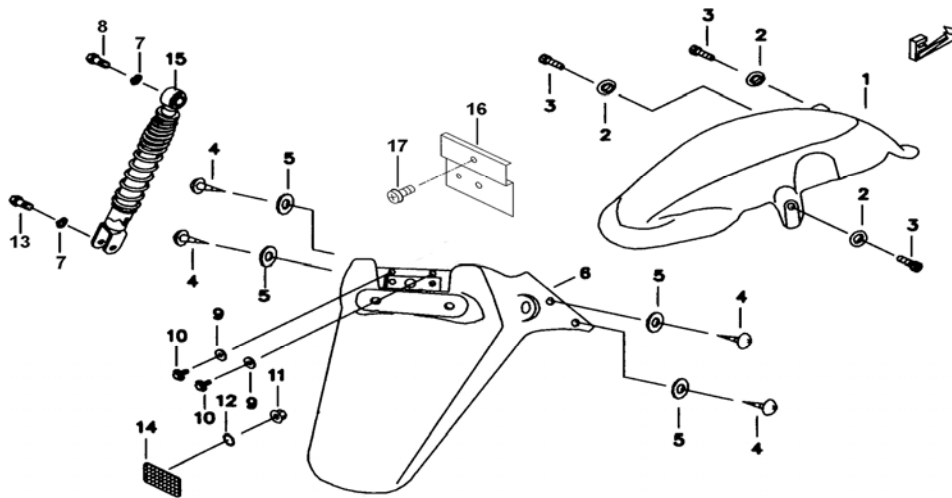
BK1-B



item_no	part_no	description	qty	amend	note1
01	401610	COVER, HANDLE BAR, UPPER	1		
02	457045E	COVER, HANDLE BAR, UNDER	1		
02-1	457025	RUBBER PLUG	1		
03	S46504	SCRWE, PAN HEAD M5X16	1		
04	GA552WS05	WASHER	1		
05	GA552SC11	SCREW, TAPPING M4X16	6		



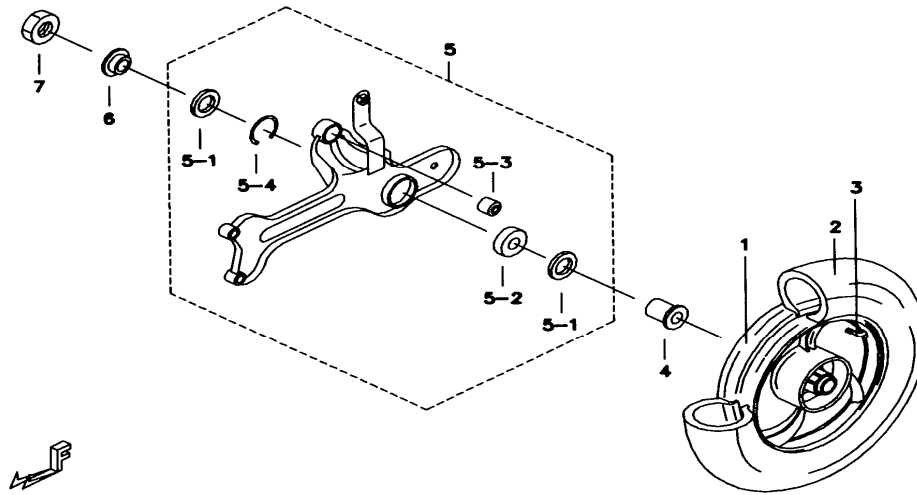
item_no	part_no	description	qty	amend	note1
01	400590	LIGHTING, SWITCH UNIT	1		
02	400591	STARTER SWITCH UNIT	1		
03	400592	BEAM SWITCH	1		
04	400593	WINKER SWITCH UNIT	1		
05	400594	HORN SWITCH UNIT	1		
06	413222	LEFT HANDLE BRACKET ASSY.	1		
06-1	413224	LEVER, HANDLE BAR, LH.	1		
06-2	S04501	BOLT, HEX HEAD	1		
06-3	N01501	NUT, SELFLOCK	1		
06-4	413211	SWITCH ASSY., BRAKE	1		
07	440710	HANDLE SWITCH UNIT, WIRING HARNESS	1		



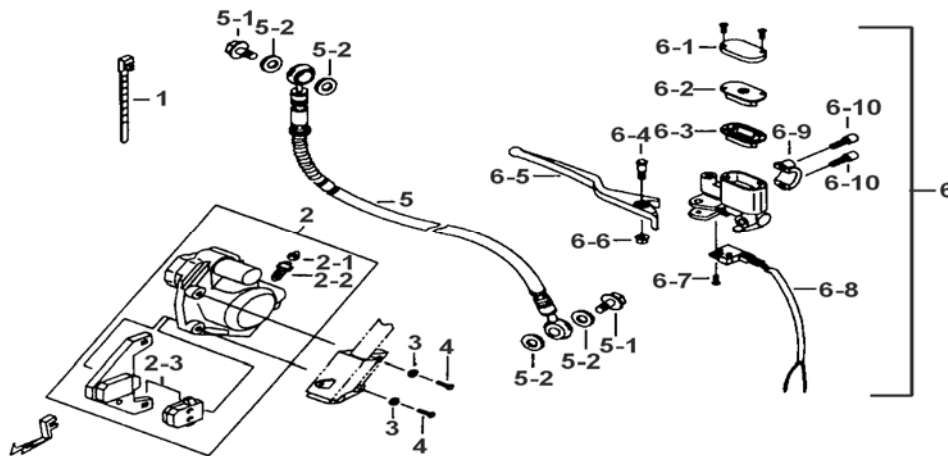
item_no	part_no	description	qty	amend	note1
01	422000	GUARD, MUD	1		
02	GA556WS02	WASHER	3		
03	S70609	SCREW, SOCKET HEAD M6x16	3		
04	GA552SC11	SCREW, TAPPING M4X16	4		
05	GA552WS05	WASHER	4		
06	458013B	FENDER, REAR, UPPER	1		
07	GA556WS06	WASHER, SPRING 10.2X3.7X2.5t	4		
08	GA556SC03	BOLT, HEX. HEAD M10X1.25X40L	2		
09	W99605	WASHER	2		
10	GA555SC05	BOLT, OUTLET M6X1.0X16L	2		
11	GA552NT05	NUT, FLANGE M5	1		
12	W10501	SPRING WASHER	1		
13	GA556SC04	BOLT, HEX. HEAD 10X34	2		
14	GF5189902	REFLECTOR ASSY., REAR	1		
15	413311	ABSORBER ASSY., SHOCK, REAR	2		
16	458025	BRACKET	1		
17	S41501	BOLT M5X12	1		

**34 REAR WHEEL**

**BK1-B**



item_no	part_no	description	qty	amend	note1
01	413406YSG	RIM COMP., REAR WHEEL 3.0-12 (AL)(SILVER)	1		
02	412928-S	TIRE 120/70-12	1		
03	GF5299901	INLET COMP., AIR	1		
04	412916	COLLAR	1		
05	413411	REAR FORK ASSY.	1		
05-1	412917	OIL SEAL	2		
05-2	412918	BEARING	1		
05-3	GA5049904	BUSH COMP.	1		
05-4	R01001	RETAINER RING, C TYPE	1		
06	412921	COLLAR	1		
07	GA558NT03	NUT, SELFLOCK M16X14	1		



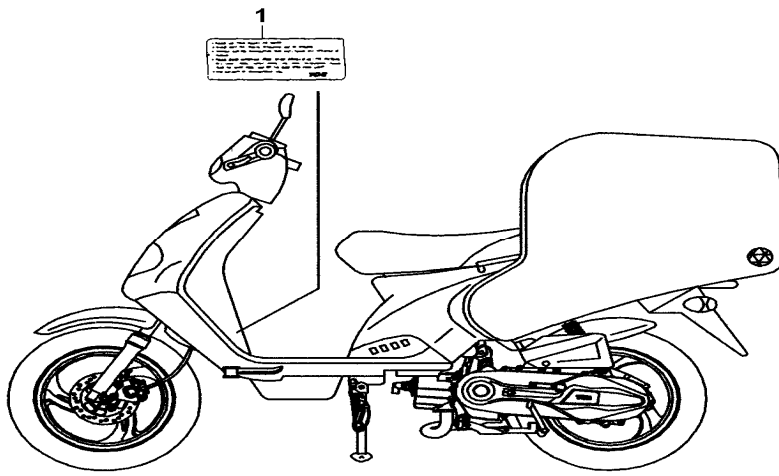
item_no	part_no	description	qty	amend	note1
01	GA510SR01	CLAMP	1		
02	401851	CALIPER	1		
02-1	GA559RB01	CAP, GUARD	1		
02-2	GA559SC01	BOLT, FLANGE	1		
02-3	GF5359902	PAD ASSY.	1		
03	W99805	WASHER	2		
04	GA558SC03	BOLT, HEX. HEAD	2		
05	401622Y	HOSE ASSY., FRONT BRAKE	1		
05-1	S21001	OIL BOLT M10X1.25X22L	2		
05-2	GA559WS04	WASHER, 10.2X15X1.2t	4		
06	401656	MASTER CYLINDER	1		
06-1	402178	COVER, MASTER CYLINDER	1		
06-10	S70610	SCREW, SOCKET HEAD M6x25	2		
06-2	402179	DIAPHRAGM CAP	1		
06-3	402180	DIAPHRAGM	1		
06-4	S04602	BOLT, HEX. HEAD	1		
06-5	402181	LEVER, HANDLE BAR, RH.	1		
06-6	N10602	NUT	1		
06-7	S43401	BOLT	1		
06-8	402182	LIMITEED SWITCH ASSY.	1		
06-9	402183	MASTER CYLINDER HOLDER	1		



36

LABELS

BK1-B



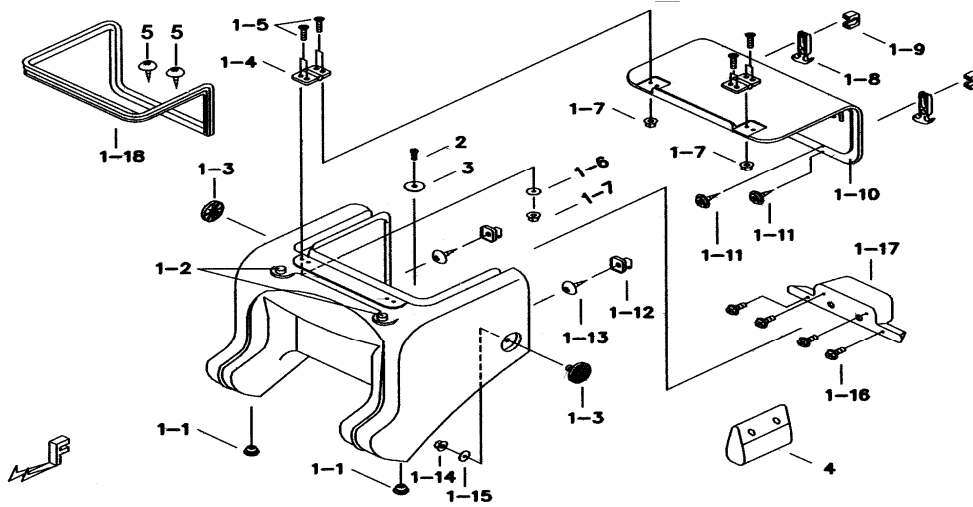
item_no	part_no	description	qty	amend	note1
---------	---------	-------------	-----	-------	-------

01	GF525TH12	LABEL, WARNING	1		
----	-----------	----------------	---	--	--

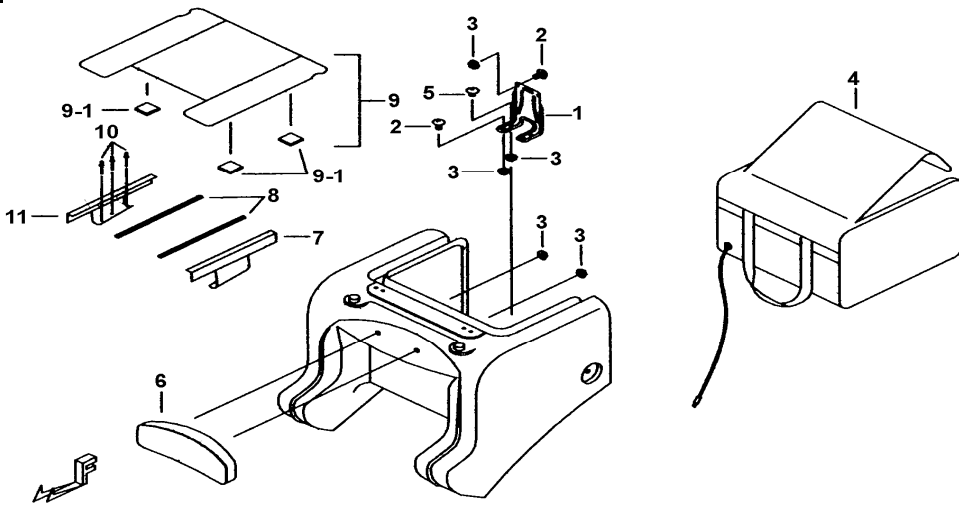
2401

CARGO BOX

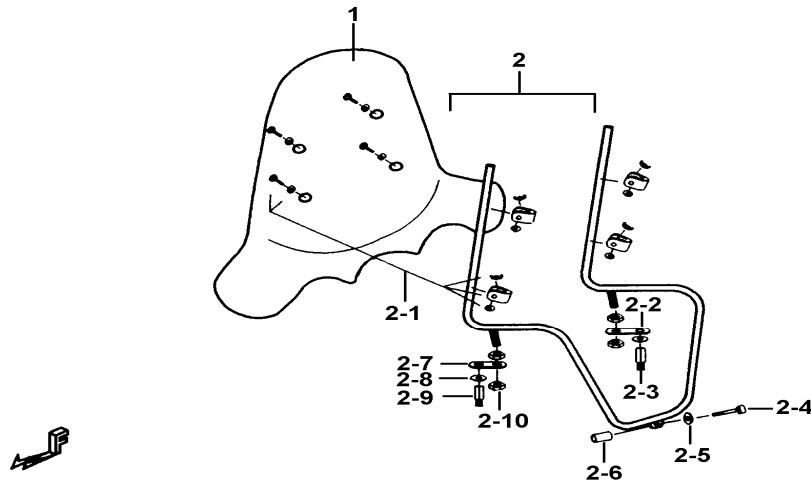
BK1-B



item_no	part_no	description	qty	amend	note1
01	453026	CARGO BOX COMP.	1		
01-1	454016	RUBBER PLUG	2		
01-2	401904	DAMPER, RUBBER	2		
01-3	GF5189903	REFLECTOR ASSY., SIDE	2		
01-4	453020	CARGO BOX CRAMP	2		
01-5	S99612	SCREW, HEX HEAD	8		
01-6	W99605	WASHER	4		
01-7	GA554NT04	NUT, FLANGE M6xP1.0	8		
01-8	453021	CARGO BOX TO PULL	2		
01-9	453022	CARGO BOX TO PULL, BODY	2		
05	S50401	SCREW TAPPING M4X12	2		
1-10	453024A	CARGO BOX, ABOVE	1		
1-11	S50505	SCREW, CROSS RECESSED, PAN HEAD	4		
1-12	453023	CARGO BOX TO PULL	2		
1-13	GA554SC02	SCREW, TAPPING	2		
1-14	N12603	NUT	2		
1-15	W99605	WASHER	2		
1-16	S07501	BOLT,HEX HEAD	4		
1-17	453019	REAR LAMP HOUSING	1		
1-18	453027	ORNAMENTAL	1		
2	S72803	BOLT, SOCKET(FOR CARRIER)	6		
3	W99816	WASHER 8.4X38X1.6t	6		
4	421516	PACKAGE, TOOL	1		



item_no	part_no	description	qty	amend	note1
01	453029	BRACKET	1		
02	GA555SC03	SCREW, AN HEAD M6X16	4		
03	GA554NT04	NUT, FLANGE M6xP1.0	8		
04	440955	THERMOSTATIC BAG (OPTION)	1		
05	GA555SC02	SCREW, AN HEAD	2		
06	413957	SEAT COMP., BACK	1		
07	453039	BRACKET, FLAT BOARD COMP.(LH.)	1		
08	453035	ORNAMENTAL STRIP, REAR	2		
09	453041A	FLAT BOARD, CARGO BOX COMP.	1		
09-1	GF514TH02	CUSHION	6		
10	453034	RIVET	6		
11	453040	BRACKET, FLAT BOARD COMP.(RH.)	1		



item_no	part_no	description	qty	amend	note1
01	457029	WIND-SHIELD	1		
02	457041	FIXED ROD SET	1		
02-1	457046	BLOT SET	4		
02-10	GA551NT04	NUT, HEX. HEAD M8	4		
02-2	457026	PLATE, RH.	1		
02-3	457044	SPACER, RH.	1		
02-4	S70611	SCREW, SOCKET HEAD M6x50	1		
02-5	W99605	WASHER	1		
02-6	457050	SPACER	1		
02-7	457027	PLATE, LH.	1		
02-8	W99812	WASHER 1.5t	2		
02-9	457043	SPACER, LH.	1		