

YAMAHA

PARTS CATALOGUE

XS400'82 (12E)

**SWITZERLAND
FINLAND
SWEDEN**

**DENMARK
NORWAY
AUSTRIA**

1212E-361E1

FOREWORD

This Parts Catalogue is related to the parts in use for the Yamaha XS400'82 (12E)

When you are ordering replacement parts for the XS400'82 (12E), refer to this Parts Catalogue and quote both part numbers and part names correctly.

1. Modifications or additions which have been made after issue of the Parts Catalogue will be announced in the Yamaha Parts News.

It is advisable that according to the Yamaha Parts News you make necessary corrections to the Parts Catalogue on hand to keep it up-to-date.

2. Abbreviations

The following abbreviations are used in this Parts Catalogue.

U.R.	Use size (thickness) and/or number as required.
U.N.	Use as many as you need.
A.P.	Alternate Parts
L.M.	Local Made
F#	Frame No. (Applicable machine No.)

3. The parts marked with (*) in the parts number column of this Catalogue are not supplied with by Yamaha, those have to be found locally.

4. Parts, which are to be supplied in the form of assemblies, are listed with an indention of one letter's space, and a dot (.) is put against the name of each part.

EXAMPLE	CARBURETOR ASS'Y
	. JET, pilot
	. NOZZLE, main

5. Indication of No. of constituent parts for assembly

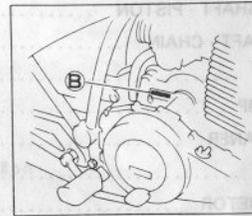
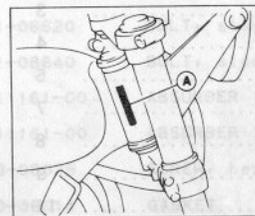
The numeral appearing to the right of each constituent part under the description indicates the quantity of such parts for each individual assembly unit.

EXAMPLE

Part No.	Description	Q'ty	Remarks
2F5-83310-60	FRONT FLASHER LIGHT ASS'Y	2	
115-83311-60	. BULB (6V-18W)	1	
1M1-83309-60	. REFLECTOR	1	

6. Initial Serial No. and Color Code

A	Frame Serial No.	12E-000101 and following
B	Engine Serial No.	12E-000101 and following



Color Code	Color Name	Abbreviate
2U	SUPER RED	SUR
29	CANDY BLUE	CB

7. Applicable colors of graphics are represented in the "Remarks" column by the letter(s) appropriately picked out of the full word(s) showing such colors.

EXAMPLE

Part No.	Description	Q'ty	Remarks
2N4-24110-00-X5	FUEL TANK COMP.	1	MAXIM RED
3J1-24240-10	. GRAPHIC, fuel tank set	1	for MXR

CONTENTS

ENGINE

Fig. 1	CYLINDER HEAD	1
Fig. 2	CYLINDER	2
Fig. 3	CRANKSHAFT · PISTON	3
Fig. 4	CAMSHAFT · CHAIN	4
Fig. 5	VALVE	5
Fig. 6	OIL PUMP	7
Fig. 7	OIL CLEANER	8
Fig. 8	INTAKE	9
Fig. 9	CARBURETOR	11
Fig. 10	EXHAUST	13
Fig. 11	CRANKCASE	14
Fig. 12	CRANKCASE COVER	16
Fig. 13	A.C. GENERATOR	18
Fig. 14	PICKUP COIL · GOVERNOR	19
Fig. 15	STARTING MOTOR	20
Fig. 16	STARTER CLUTCH	21
Fig. 17	CLUTCH	22
Fig. 18	TRANSMISSION	23
Fig. 19	TACHOMETER GEAR	25
Fig. 20	SHIFT CAM · FORK	26
Fig. 21	SHIFT SHAFT · PEDAL	27

CHASSIS

Fig. 22	FRAME	28
Fig. 23	FRONT FENDER · REAR FENDER	29
Fig. 24	SIDE COVER · TOOL	31
Fig. 25	REAR ARM · SUSPENSION	32
Fig. 26	FRONT FORK	33
Fig. 27	STEERING	35
Fig. 28	FUEL TANK	37

Fig. 29	SEAT	38
Fig. 30	FRONT WHEEL	39
Fig. 31	FRONT BRAKE CALIPER	40
Fig. 32	REAR WHEEL	41
Fig. 33	HANDLEBAR · CABLE	43
Fig. 34	FRONT MASTER CYLINDER	44
Fig. 35	STAND · FOOTREST	45
Fig. 36	FLASHER LIGHT	47
Fig. 37	SPEEDOMETER · TACHOMETER	48
Fig. 38	HEADLIGHT	49
Fig. 39	TAILLIGHT	50
Fig. 40	ELECTRICAL 1	51
Fig. 41	ELECTRICAL 2	52
Fig. 42	HANDLE SWITCH · LEVER	53

FOR AUSTRIA

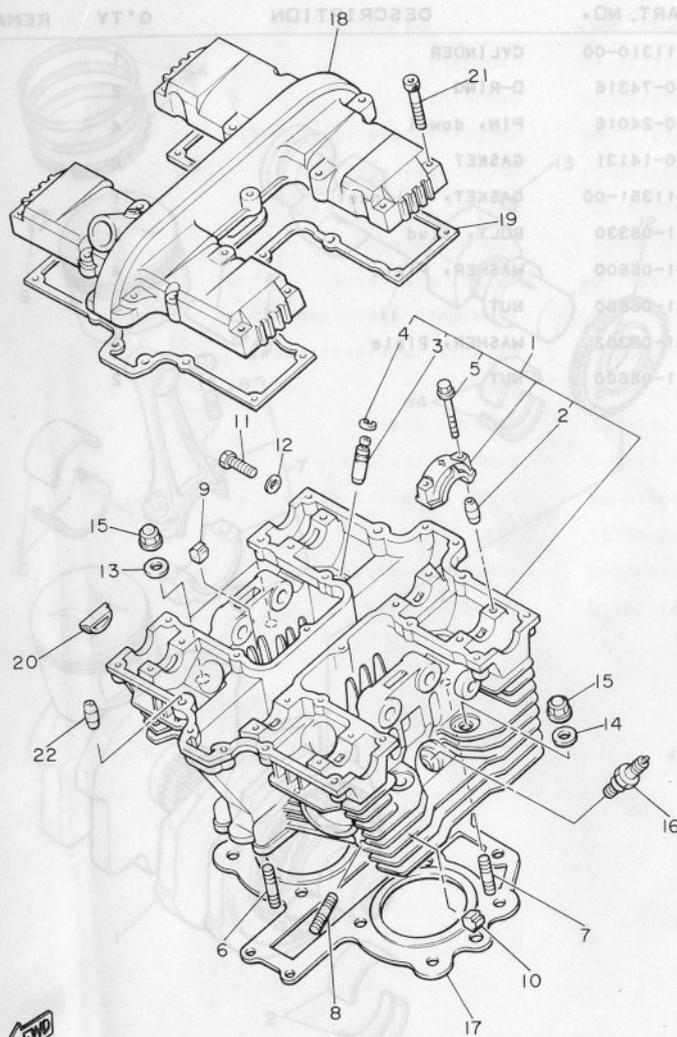
Fig. 43	ALTERNATE (ELECTRICAL)	56
---------	------------------------	----

INDEX

NUMERICAL INDEX
PARTS NAME INDEX

Part No.	Description	Q'ty	Remarks
375-83310-80	FRONT FLASHER LIGHT ASSY	2	
118-83311-80	BULBS (8V-15W)	1	
1M1-83308-80	REFLECTOR	1	

FIG. 1 CYLINDER HEAD



REF. NO.	PART NO.	DESCRIPTION	Q'TY	REMARKS
1	12E-11101-00	CYLINDER HEAD ASSY	1	
2	91810-18016	•PIN, dowel	8	
3	4H7-11133-10	•GUIDE, intake valve (1ST D/S)	4	
4	93440-12052	•CIRCLIP	4	
5	90105-06153	•BOLT, washer based	8	
6	95611-06625	BOLT, stud	2	
7	95621-06620	BOLT, stud	2	
8	95621-08640	BOLT, stud	3	
9	434-11161-00	ABSORBER 1	4	
10	4H7-11161-00	ABSORBER 1	9	
11	90153-06029	SCREW, hexagon	1	
12	90430-06014	GASKET	1	
13	90201-10128	WASHER, Plate	2	
14	90201-11597	WASHER, Plate	6	
15	90179-10277	NUT	8	
16	94701-00203	PLUG, sPark (NGK DR8ES-L)	2	
17	12R-11181-00	GASKET, cylinder head 1	1	
18	12E-11191-00	COVER, cylinder head 1	1	
19	12R-11193-00	GASKET, head cover 1	1	
20	1J7-11138-00	PLUG	4	
21	91316-06035	BOLT	22	
22	91810-02014	PIN, dowel	2	

12R110-3010

FIG. 2 CYLINDER

REMARKS	Q'TY	DESCRIPTION	REF. NO.	PART NO.	DESCRIPTION	Q'TY	REMARKS
---------	------	-------------	----------	----------	-------------	------	---------

Fig. 1	1	CYLINDER HEAD ASSEMBLY	1	12E-11310-00	CYLINDER	1	
Fig. 2	2	O-RING	2	93210-74316	O-RING	2	
Fig. 3	3	PIN, dowel	3	91830-24016	PIN, dowel	4	
Fig. 4	4	GASKET	4	90430-14131	GASKET	2	
Fig. 5	5	GASKET, cylinder	5	12R-11351-00	GASKET, cylinder	1	
Fig. 6	6	BOLT, stud	6	95621-08330	BOLT, stud	2	
Fig. 7	7	WASHER, Plate	7	92901-06600	WASHER, Plate	4	
Fig. 8	8	NUT	8	95311-06600	NUT	4	
Fig. 9	9	WASHER, Plate	9	90201-08382	WASHER, Plate	2	
Fig. 10	10	NUT	10	95311-08600	NUT	2	

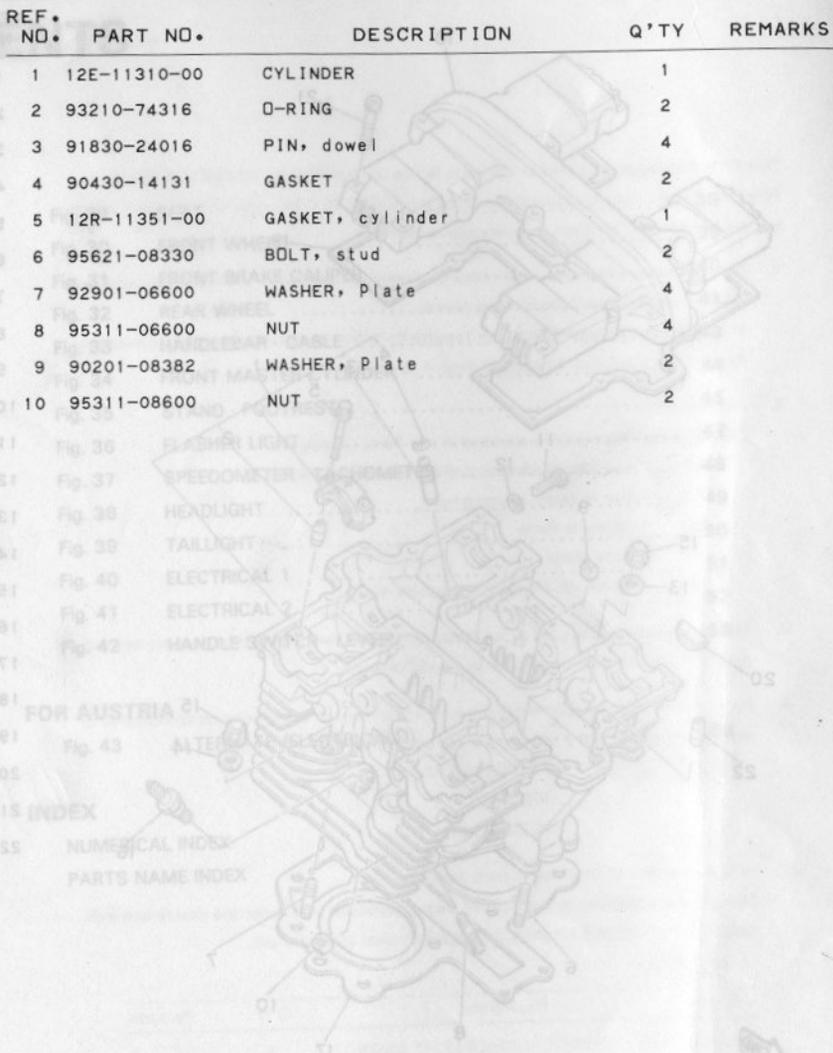
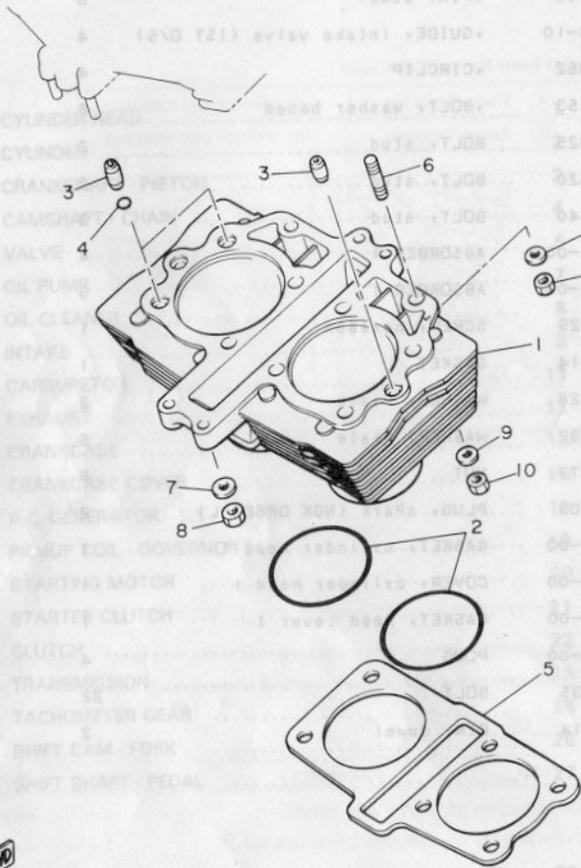
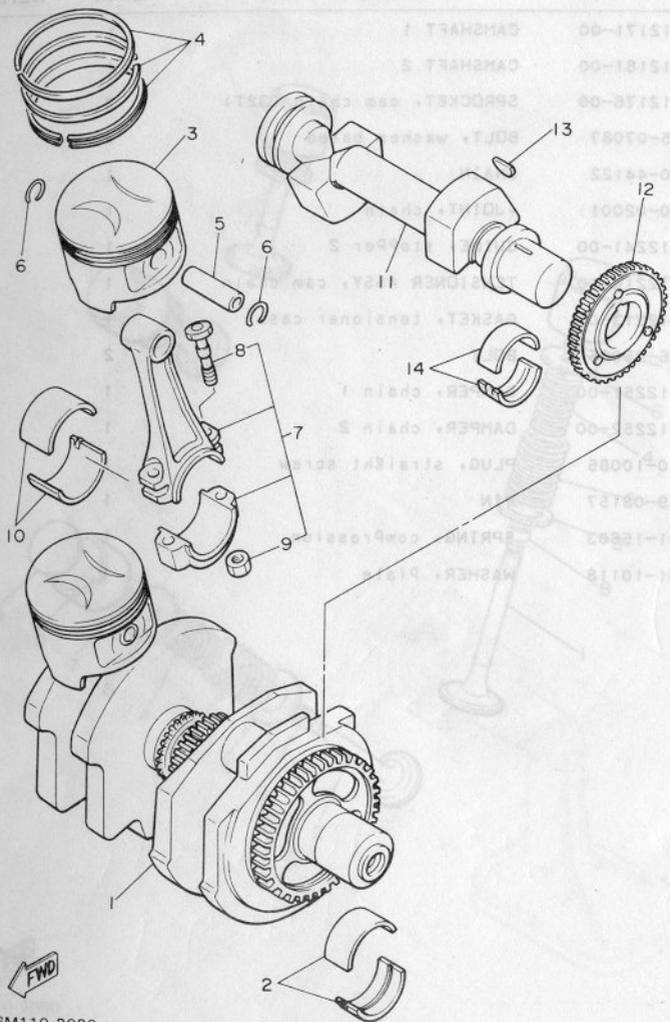


Fig. 22	22	SHIFT SHAFT - PEDAL	22				
Fig. 23	23	FRAME	23				
Fig. 24	24	FRONT FENDER - REAR FENDER	24				
Fig. 25	25	SIDE COVER - TOOL	25				
Fig. 26	26	REAR ARM - SUSPENSION	26				
Fig. 27	27	FRONT FORK	27				
Fig. 28	28	STEERING	28				
Fig. 29	29	FUEL TANK	29				

B3

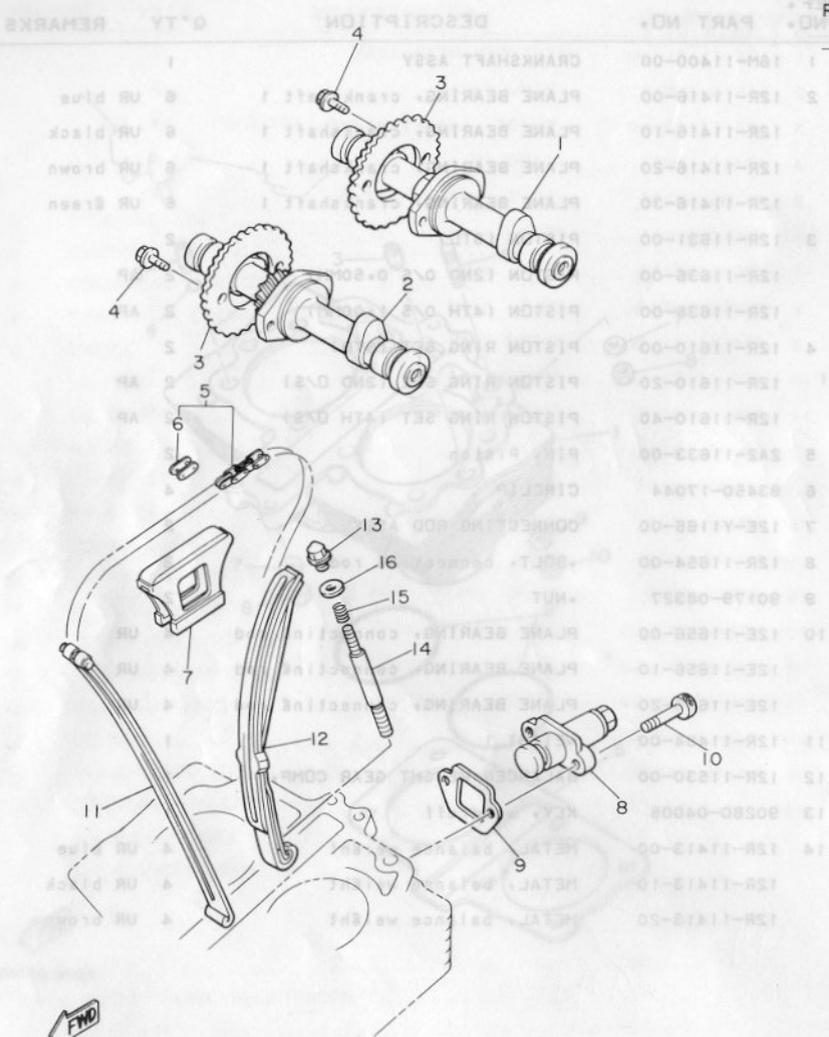


REF. NO.	PART NO.	DESCRIPTION	Q'TY	REMARKS
1	16M-11400-00	CRANKSHAFT ASSY	1	
1	2	12R-11416-00	PLANE BEARING, crankshaft 1	6 UR blue
2	12R-11416-10	PLANE BEARING, crankshaft 1	6 UR black	
3	12R-11416-20	PLANE BEARING, crankshaft 1	6 UR brown	
4	12R-11416-30	PLANE BEARING, crankshaft 1	6 UR green	
3	12R-11631-00	PISTON (STD)	2	
	12R-11636-00	PISTON (2ND O/S 0.50MM)	2	AP
	12R-11638-00	PISTON (4TH O/S 1.00MM)	2	AP
4	12R-11610-00	PISTON RING SET (STD)	2	
	12R-11610-20	PISTON RING SET (2ND O/S)	2	AP
	12R-11610-40	PISTON RING SET (4TH O/S)	2	AP
5	2A2-11633-00	PIN, Piston	2	
6	93450-17044	CIRCLIP	4	
7	12E-Y1165-00	CONNECTING ROD ASSY	2	
8	12R-11654-00	•BOLT, connecting rod	2	
9	90179-08327	•NUT	2	
10	12E-11656-00	PLANE BEARING, connecting rod	4	UR
	12E-11656-10	PLANE BEARING, connecting rod	4	UR
	12E-11656-20	PLANE BEARING, connecting rod	4	UR
11	12R-11454-00	WEIGHT 1	1	
12	12R-11530-00	BALANCER WEIGHT GEAR COMP.	1	UR
13	90280-04005	KEY, woodruff	1	
14	12R-11413-00	METAL, balance weight	4	UR blue
	12R-11413-10	METAL, balance weight	4	UR black
	12R-11413-20	METAL, balance weight	4	UR brown
	1J7-12169-L1	PAD, adjust (2-80)	4	UR
	1J7-12169-M1	PAD, adjust (2-90)	4	UR
	1J7-12169-N1	PAD, adjust (2-95)	4	UR

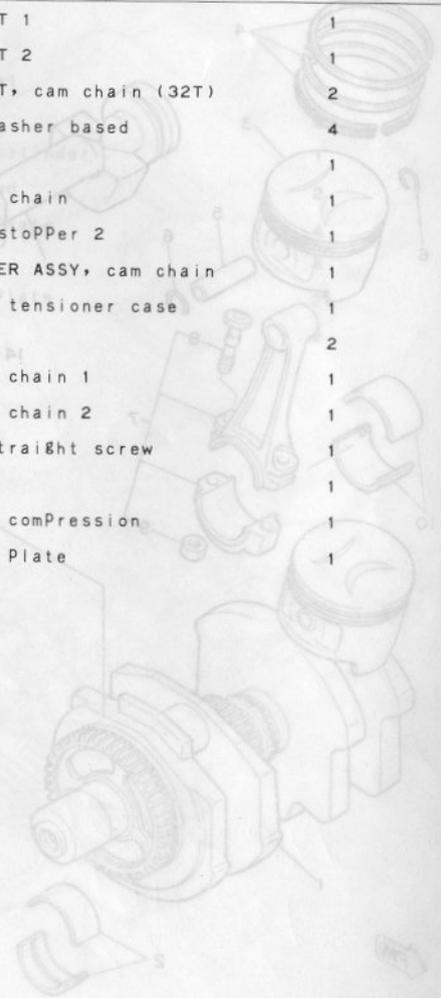
FWD

16M110-3030

FIG. 4 CAMSHAFT.CHAIN



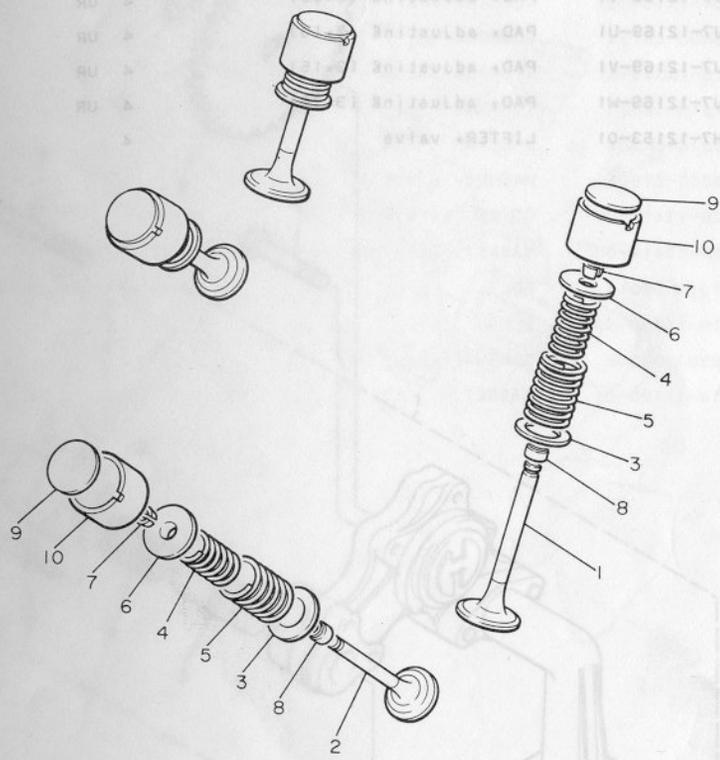
REF. NO.	PART NO.	DESCRIPTION	Q'TY	REMARKS
1	12R-12171-00	CAMSHAFT 1	1	
2	12R-12181-00	CAMSHAFT 2	1	
3	4G0-12176-00	SPROCKET, cam chain (32T)	2	
4	90105-07087	BOLT, washer based	4	
5	94590-44122	CHAIN	1	
6	94600-02001	JOINT, chain	1	
7	4H7-12241-00	GUIDE, stopPer 2	1	
8	12R-12210-10	TENSIONER ASSY, cam chain	1	
9	5G2-12213-00	GASKET, tensioner case	1	
10	91316-06025	BOLT	2	
11	4H7-12251-00	DAMPER, chain 1	1	
12	4H7-12252-00	DAMPER, chain 2	1	
13	90340-10085	PLUG, straight screw	1	
14	90249-08157	PIN	1	
15	90501-15603	SPRING, comPression	1	
16	90201-10118	WASHER, Plate	1	



12R110-3040

B5

REMARKS	Q'TY	DESCRIPTION	REF. NO.	PART NO.	DESCRIPTION	Q'TY	REMARKS
	2	VALVE, intake	1	1J7-12111-01		2	
	2	VALVE, exhaust	2	12R-12121-00		2	
	4	SEAT, valve sPring	3	4H7-12116-00		4	
	4	SPRING, valve inner	4	12R-12113-00		4	
	4	SPRING, valve outer	5	12R-12114-00		4	
	4	RETAINER, valve sPring	6	2F3-12117-00		4	
	8	COTTER, valve	7	1J7-12118-00		8	
	4	SEAL, valve stem	8	1J7-12119-01		4	
	4	PAD, adjustinG (2.00)	9	1J7-12169-01		4	UR
	4	PAD, adjustinG (2.05)	10	1J7-12169-11		4	UR
	4	PAD, adjustinG (2.10)		1J7-12169-21		4	UR
	4	PAD, adjustinG (2.15)		1J7-12169-31		4	UR
	4	PAD, adjustinG (2.20)		1J7-12169-41		4	UR
	4	PAD, adjustinG (2.25)		1J7-12169-51		4	UR
	4	PAD, adjustinG (2.30)		1J7-12169-61		4	UR
	4	PAD, adjustinG (2.35)		1J7-12169-71		4	UR
	4	PAD, adjustinG (2.40)		1J7-12169-81		4	UR
	4	PAD, adjustinG (2.45)		1J7-12169-91		4	UR
	4	PAD, adjustinG (2.50)		1J7-12169-A1		4	UR
	4	PAD, adjustinG (2.55)		1J7-12169-E1		4	UR
	4	PAD, adjustinG (2.60)		1J7-12169-F1		4	UR
	4	PAD, adjustinG (2.65)		1J7-12169-G1		4	UR
	4	PAD, adjustinG (2.70)		1J7-12169-H1		4	UR
	4	PAD, adjustinG (2.75)		1J7-12169-J1		4	UR
	4	PAD, adjustinG (2.80)		1J7-12169-K1		4	UR
	4	PAD, adjustinG (2.85)		1J7-12169-L1		4	UR
	4	PAD, adjustinG (2.90)		1J7-12169-M1		4	UR
	4	PAD, adjustinG (2.95)		1J7-12169-N1		4	UR

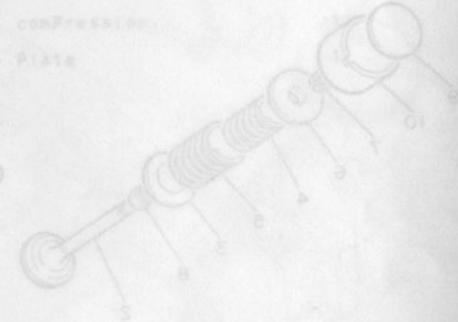
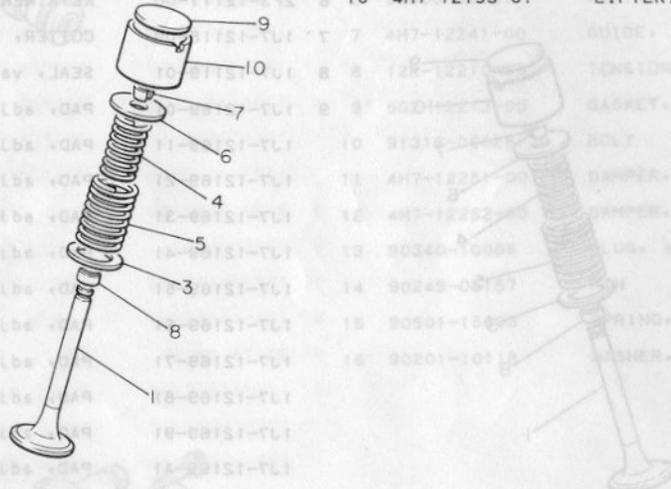
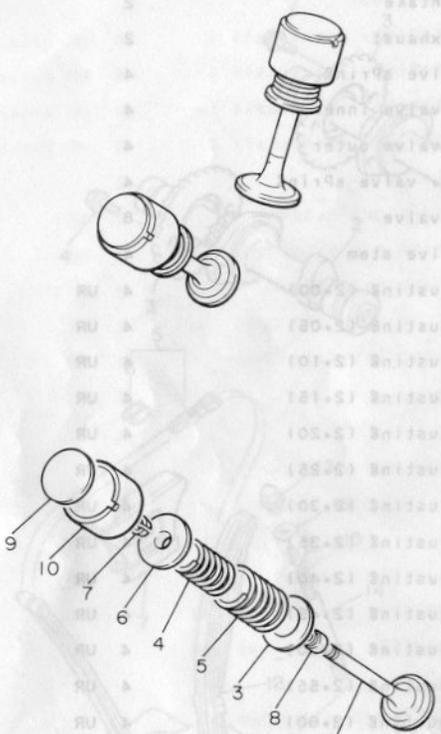


FWD
12R110-3050

B6

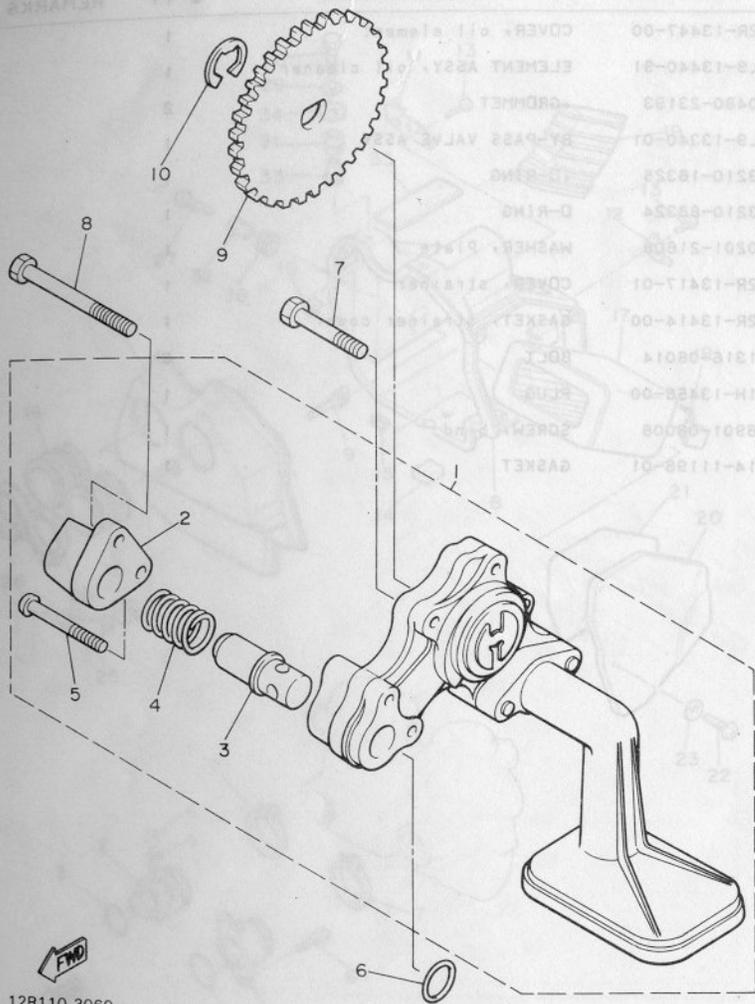
FIG. 5 VALVE

REMARKS	Q'TY	DESCRIPTION	PART NO.	REF. NO.	PART NO.	DESCRIPTION	Q'TY	REMARKS
	4	PAD, adjusting (3.00)	1J7-12169-R1	9	1J7-12169-R1	PAD, adjusting (3.00)	4	UR
	4	PAD, adjusting (3.05)	1J7-12169-T1	2	1J7-12169-T1	PAD, adjusting (3.05)	4	UR
	4	PAD, adjusting (3.10)	1J7-12169-U1	3	1J7-12169-U1	PAD, adjusting (3.10)	4	UR
	4	PAD, adjusting (3.15)	1J7-12169-V1	4	1J7-12169-V1	PAD, adjusting (3.15)	4	UR
	4	PAD, adjusting (3.20)	1J7-12169-W1	5	1J7-12169-W1	PAD, adjusting (3.20)	4	UR
	4	LIFTER, valve	4H7-12153-01	10	4H7-12153-01	LIFTER, valve	4	



FWD
12R110-3050

B7

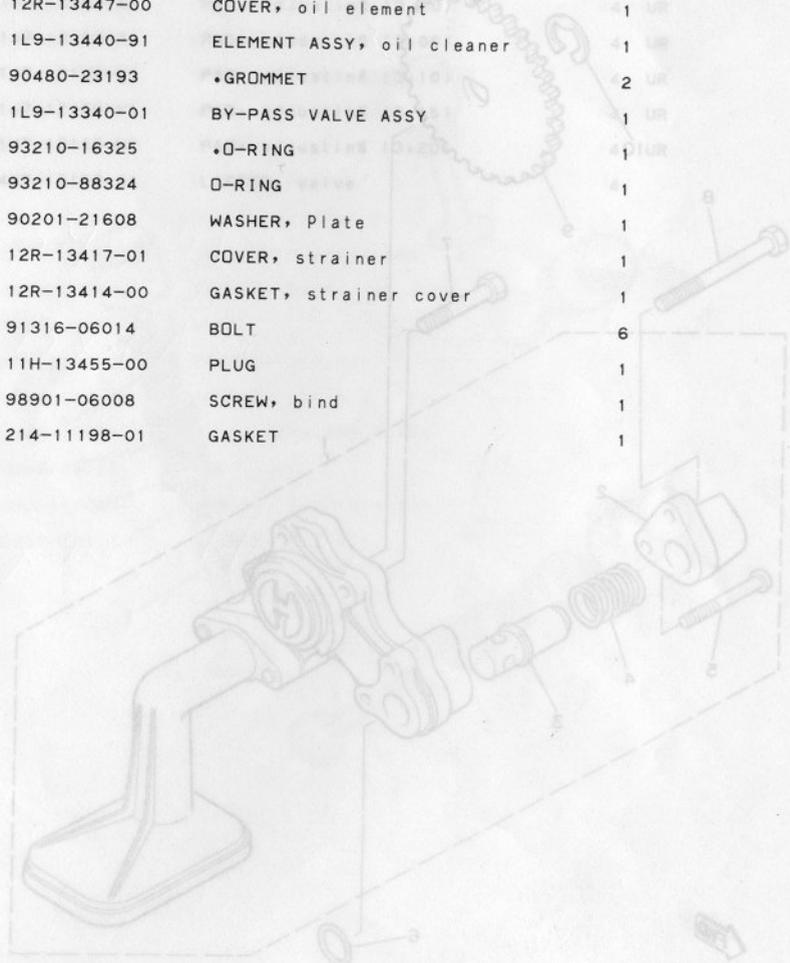
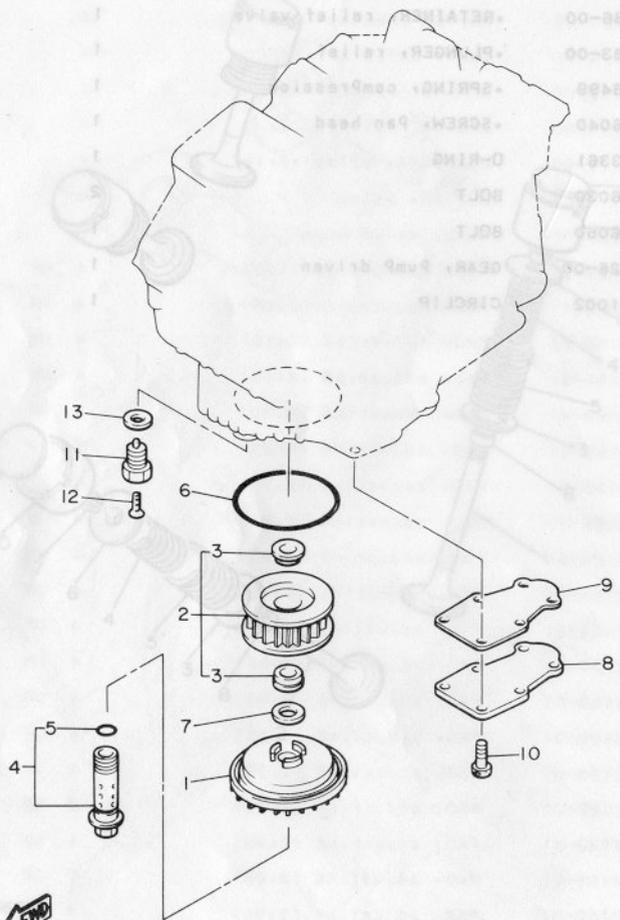


REF. NO.	PART NO.	DESCRIPTION	Q'TY	REMARKS
1	12R-13300-00	OIL PUMP ASSY	1	
2	12R-13486-00	•RETAINER, relief valve	1	
3	2H7-13483-00	•PLUNGER, relief	1	
4	90501-18499	•SPRING, comPression	1	
5	92501-06040	•SCREW, Pan head	1	
6	93210-13361	O-RING	1	
7	91316-06030	BOLT, lock	2	
8	91316-06050	BOLT	1	
9	12R-13325-00	GEAR, PumP driven	1	
10	93410-11002	CIRCLIP	1	
11	12R-14452-00	STAY	1	
12	12R-21444-00	STAY, slot	1	
13	97702-50512	SCREW, clapping	1	
14	9Y1-14452-00	SEAL	1	
15	90179-05380	NUT	1	
16	12R-14453-00	JOINT, air	1	
17	12R-14451-00	ELEMENT, air clean	1	
18	3Y9-14452-00	PLATE, element	1	
19	12R-14437-00	PLATE, cover	1	
20	12R-14452-00	SEAL	1	
21	12R-14452-00	SEAL	1	
22	98501-05016	•SCREW, Pan head	1	
23	92902-05200	WASHER	1	
24	90480-18278	GROMMET	1	
25	4H7-14418-00	PIPE	1	
26	90480-58124	CLAMP, hose	2	
27	90109-08510	BOLT	1	
28	97302-08025	BOLT	1	

12R110-3060

FIG. 7 OIL CLEANER

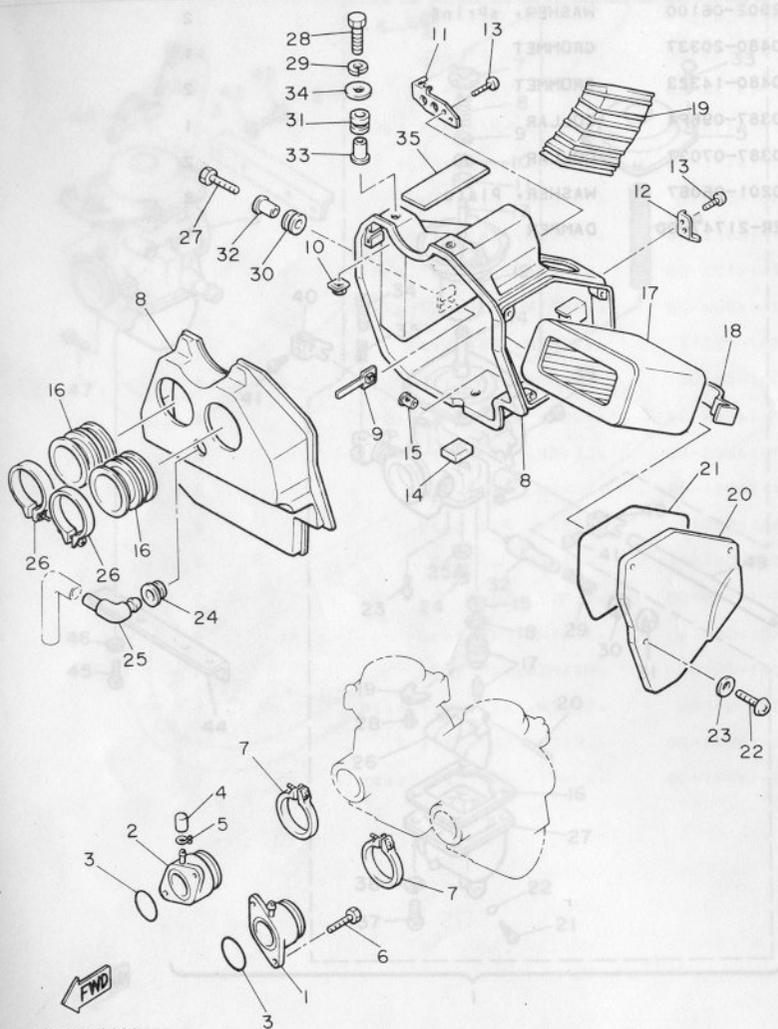
REF. NO.	PART NO.	DESCRIPTION	Q'TY	REMARKS
1	12R-13447-00	COVER, oil element	1	
2	1L9-13440-91	ELEMENT ASSY, oil cleaner	1	
3	90480-23193	•GROMMET	2	
4	1L9-13340-01	BY-PASS VALVE ASSY	1	
5	93210-16325	•O-RING	1	
6	93210-88324	O-RING	1	
7	90201-21608	WASHER, Plate	1	
8	12R-13417-01	COVER, strainer	1	
9	12R-13414-00	GASKET, strainer cover	1	
10	91316-06014	BOLT	6	
11	11H-13455-00	PLUG	1	
12	98901-06008	SCREW, bind	1	
13	214-11198-01	GASKET	1	



12R110-3070

B9

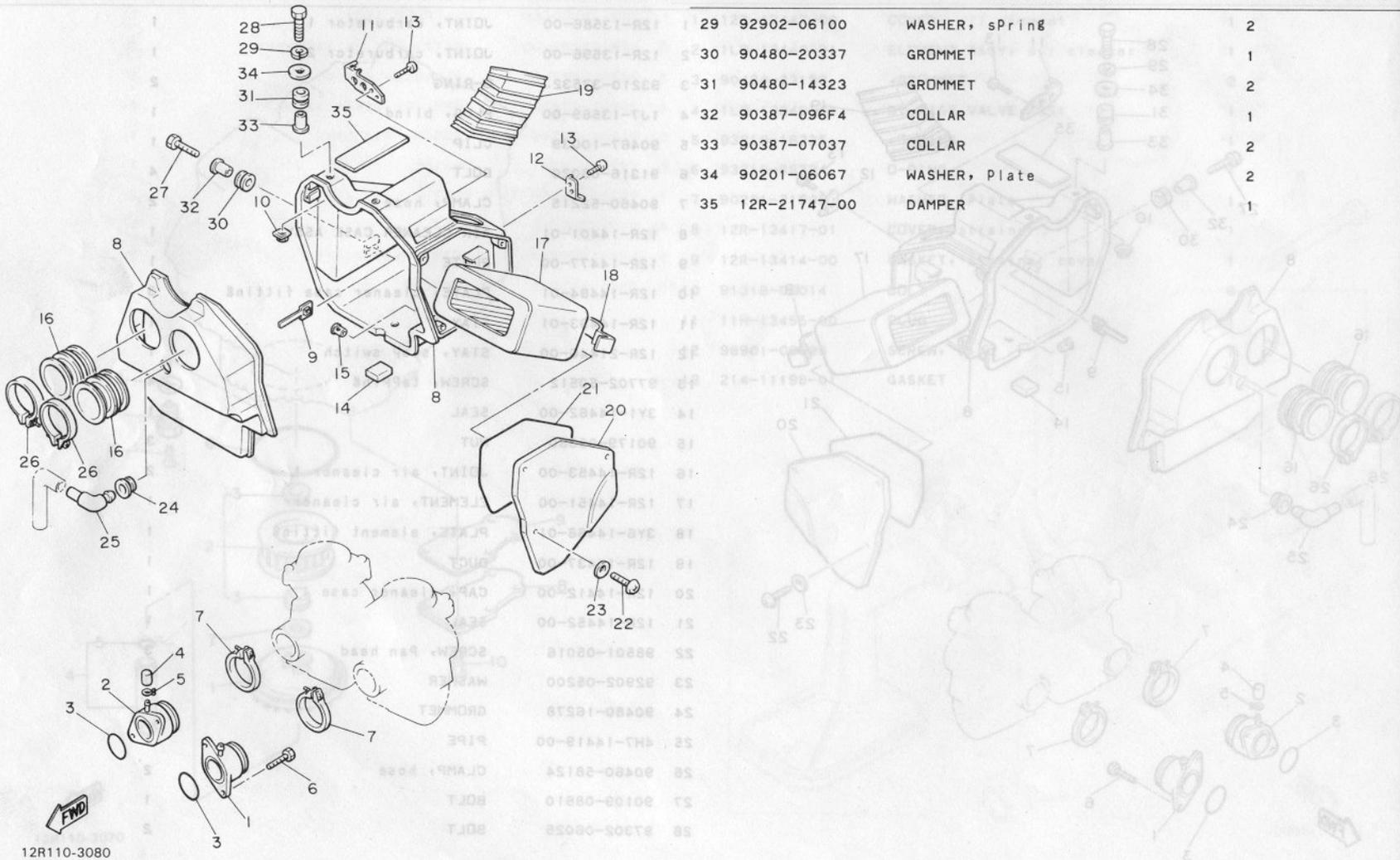
FIG. 8 INTAKE



REF. NO.	PART NO.	DESCRIPTION	Q'TY	REMARKS
1	12R-13586-00	JOINT, carburetor 1	1	
2	12R-13596-00	JOINT, carburetor 2	1	
3	93210-37532	O-RING	2	
4	1J7-13569-00	PLUG, blind	1	
5	90467-10039	CLIP	1	
6	91316-06020	BOLT	4	
7	90460-52215	CLAMP, hose	2	
8	12R-14401-01	AIR CLEANER CASE ASSY	1	
9	12R-14477-00	PLATE	1	
10	12R-14484-01	PLATE, cleaner case fitting	3	
11	12R-14493-01	STAY 1	1	
12	12R-2144G-00	STAY, stop switch	1	
13	97702-50512	SCREW, tapping	4	
14	3Y1-14462-00	SEAL	1	
15	90179-05380	NUT	3	
16	12R-14453-00	JOINT, air cleaner 1	2	
17	12R-14451-00	ELEMENT, air cleaner	1	
18	3Y6-14468-01	PLATE, element fitting	1	
19	12R-14437-00	DUCT	1	
20	12R-14412-00	CAP, cleaner case 1	1	
21	12R-14452-00	SEAL	1	
22	98501-05016	SCREW, Pan head	3	
23	92902-05200	WASHER	3	
24	90480-16278	GROMMET	1	
25	4H7-14419-00	PIPE	1	
26	90460-58124	CLAMP, hose	2	
27	90109-08510	BOLT	1	
28	97302-06025	BOLT	2	

12R110-3080

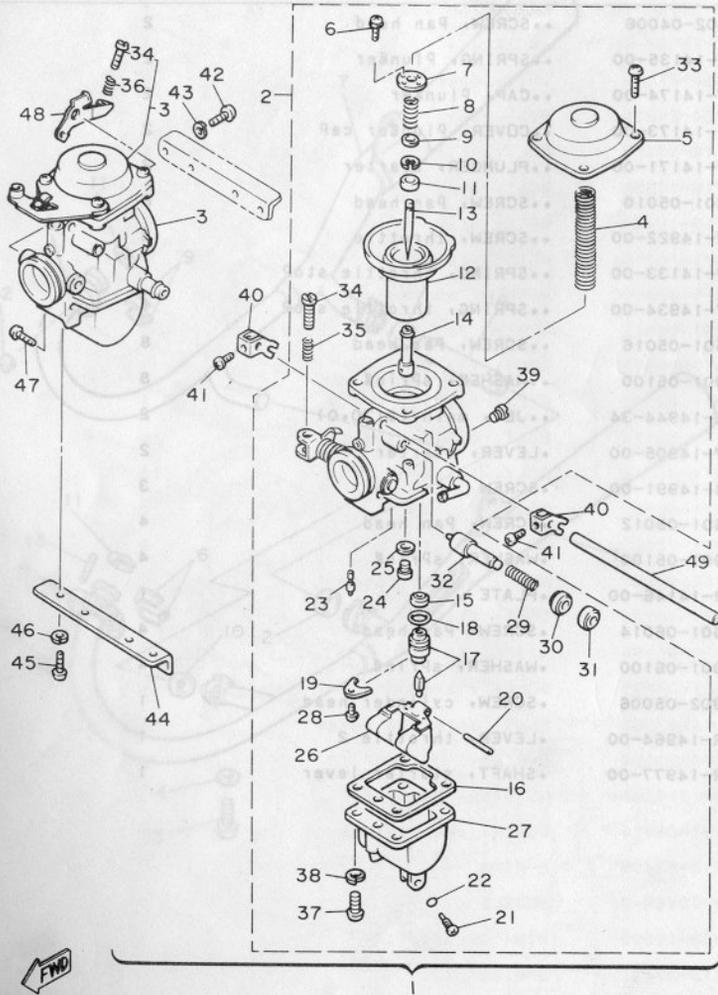
FIG. 8 INTAKE



12R110-3080

B11

FIG. 9 CARBURETOR

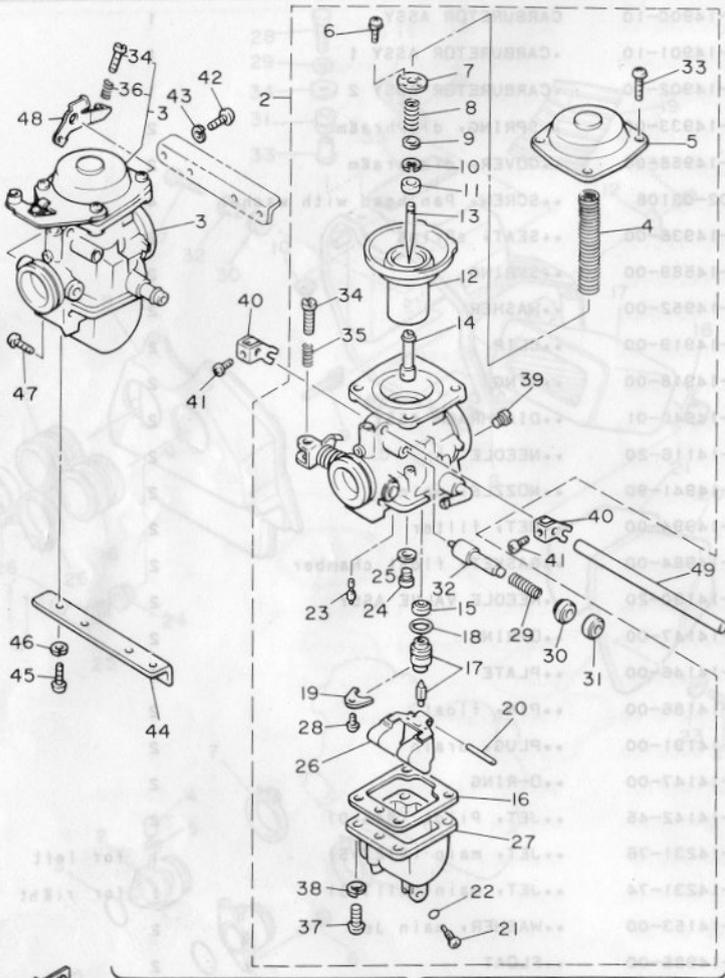


REF. NO.	PART NO.	DESCRIPTION	Q'TY	REMARKS
1	16N-14900-10	CARBURETOR ASSY	1	
2	16N-14901-10	..CARBURETOR ASSY 1	1	
3	16N-14902-10	..CARBURETOR ASSY 2	1	
4	3G1-14933-00	..SPRING, diaPhraǵm	2	
5	12R-14958-00	..COVER, diaPhraǵm	2	
6	97602-03108	..SCREW, Pan head with washer	4	
7	3F7-14936-00	..SEAT, sPring	2	
8	3F7-14589-00	..SPRING	2	
9	3F7-14952-00	..WASHER	2	
10	256-14919-00	..CLIP	2	
11	3F7-14918-00	..RING	2	
12	3F7-14940-01	..DIAPHRAGM ASSY	2	
13	1J7-14116-20	..NEEDLE	2	
14	16H-14941-90	..NOZZLE, main	2	
15	1J7-14994-00	..NET, filter	2	
16	12R-14984-00	..GASKET, float chamber	2	
17	16G-14190-20	..NEEDLE VALVE ASSY	2	
18	8F2-14147-00	..O-RING	2	
19	2H0-14146-00	..PLATE	2	
20	127-14186-00	..PIN, float	2	
21	2L1-14191-00	..PLUG, drain	2	
22	214-14147-00	..O-RING	2	
23	4G0-14142-45	..JET, Pilot (#45.0)	2	
24	620-14231-76	..JET, main (#127.5)	1	for left
	620-14231-74	..JET, main (#117.5)	1	for right
25	137-14153-00	..WASHER, main Jet	2	
26	12R-14985-00	..FLOAT	2	
27	12R-14981-00	..BODY, float chamber	2	

16M110-3090

FIG. 9 CARBURETOR

REMARKS Q'TY DESCRIPTION PART NO.

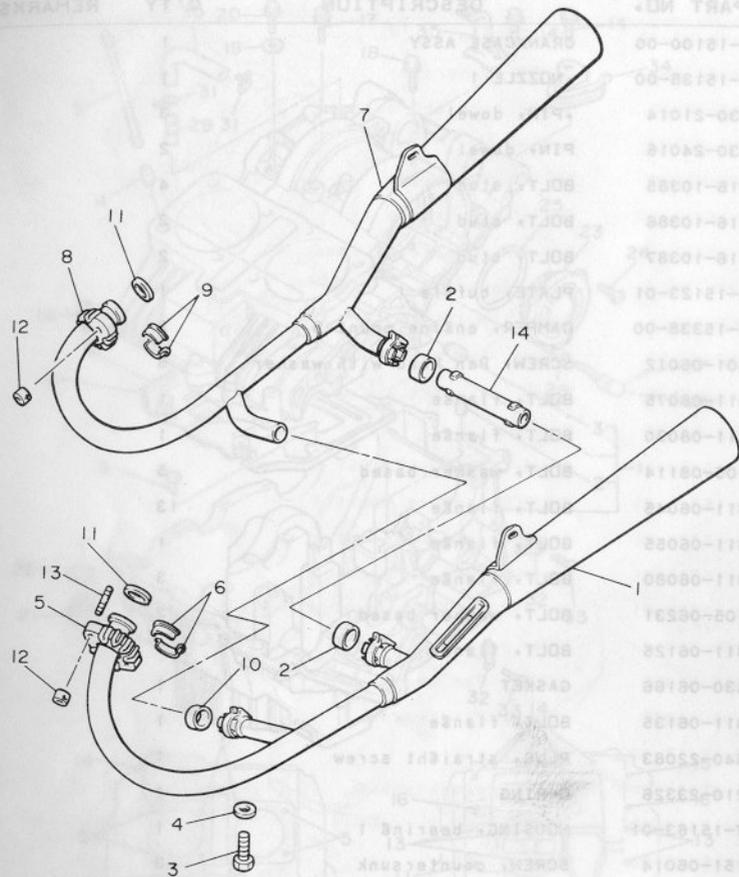


REF. NO.	PART NO.	DESCRIPTION	Q'TY	REMARKS
28	98502-04006	..SCREW, Pan head	2	
29	3F7-14135-00	..SPRING, Plunger	2	
30	3F7-14174-00	..CAP, Plunger	2	
31	3F7-14173-00	..COVER, Plunger cap	2	
32	3F7-14171-00	..PLUNGER, starter	2	
33	97801-05010	..SCREW, Pan head	8	
34	3F7-14922-00	..SCREW, throttle	2	
35	3F7-14133-00	..SPRING, throttle stop	1	
36	3F7-14934-00	..SPRING, throttle stop	1	
37	98501-05016	..SCREW, Pan head	8	
38	92901-05100	..WASHER, spring	8	
39	256-14944-34	..JET, main (#170.0)	2	
40	3F7-14905-00	..LEVER, starter	2	
41	584-14991-00	..SCREW	3	
42	98501-05012	..SCREW, Pan head	4	
43	92901-05100	..WASHER, spring	4	
44	12R-14146-00	..PLATE	1	
45	92501-06014	..SCREW, Pan head	4	
46	92901-06100	..WASHER, spring	4	
47	98302-05006	..SCREW, cylinder head	1	
48	12R-14964-00	..LEVER, throttle 2	1	
49	12R-14977-00	..SHAFT, starter lever	1	



16M110-3090

FIG. 10 EXHAUST

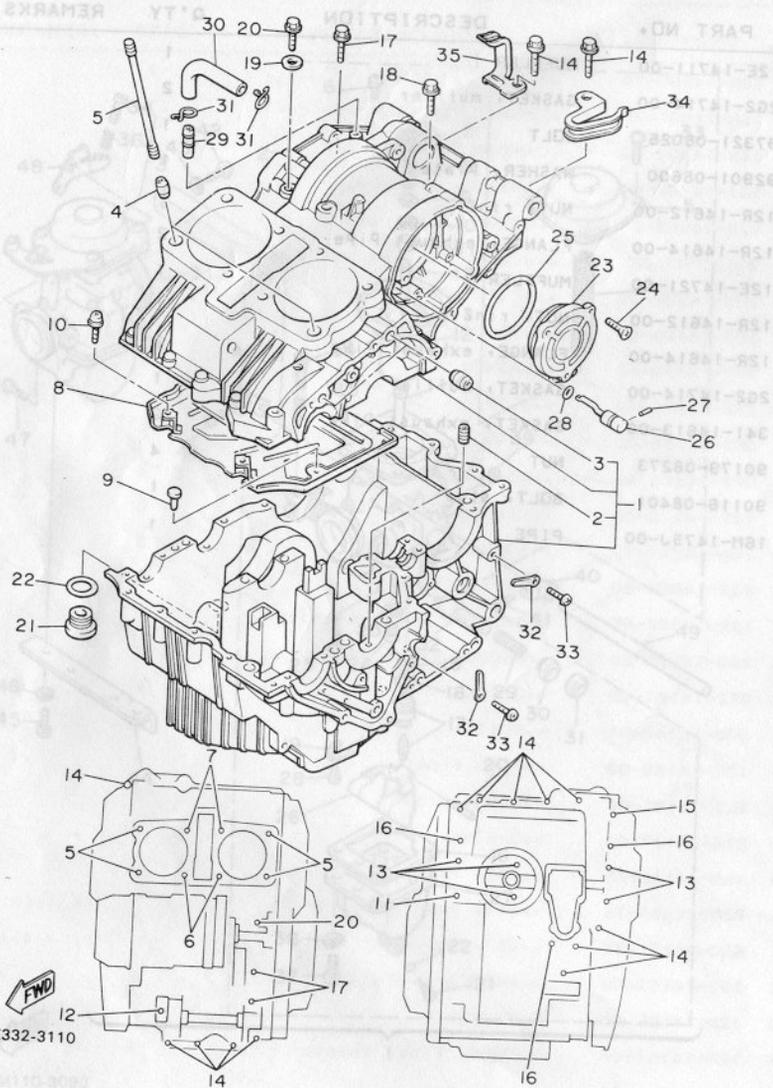


REF. NO.	PART NO.	DESCRIPTION	Q'TY	REMARKS
1	12E-14711-00	MUFFLER 1	1	
2	2G2-14714-00	GASKET, muffler	2	
3	97321-08025	BOLT	1	
4	92901-08600	WASHER, Plate	1	
5	12R-14612-00	NUT, ring	1	
6	12R-14614-00	FLANGE, exhaust Pipe	2	
7	12E-14721-00	MUFFLER 2	1	
8	12R-14612-00	NUT, ring	1	
9	12R-14614-00	FLANGE, exhaust Pipe	2	
10	2G2-14714-00	GASKET, muffler	1	
11	341-14613-00	GASKET, exhaust Pipe	2	
12	90179-08273	NUT	4	
13	90116-08401	BOLT, stud	1	
14	16M-1475J-00	PIPE	1	



12E332-3100

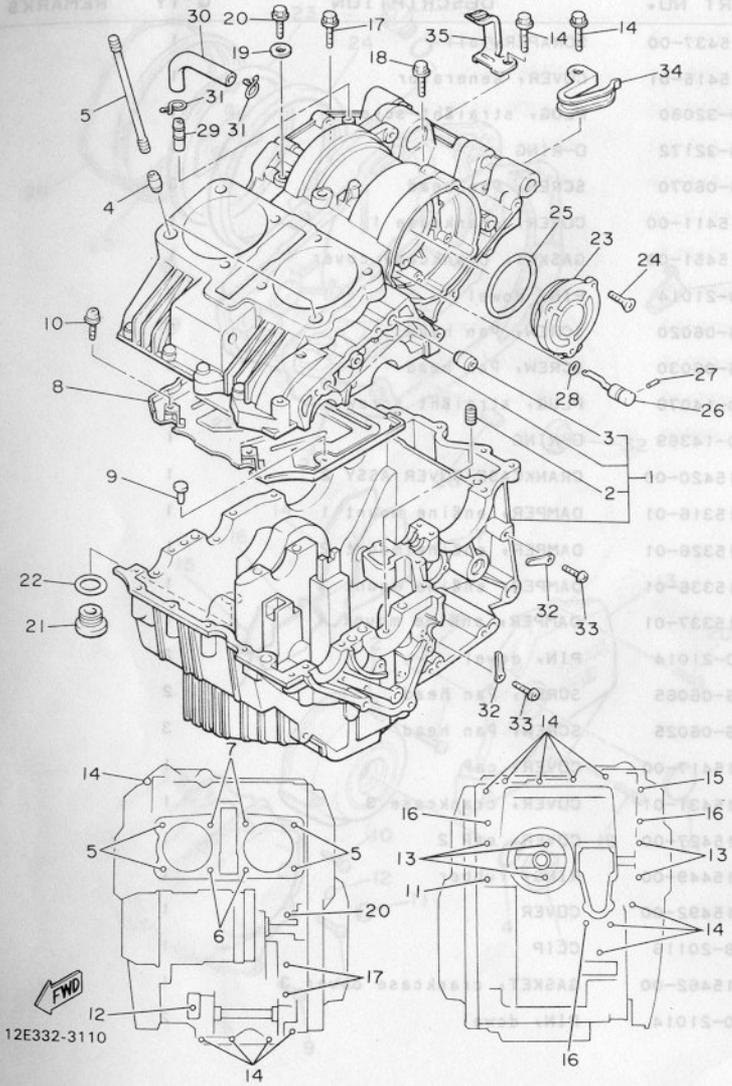
FIG. 11 CRANKCASE



REF. NO.	PART NO.	DESCRIPTION	Q'TY	REMARKS
1	12E-15100-00	CRANKCASE ASSY	1	
2	4H7-15138-00	•NOZZLE 1	1	
3	91830-21014	•PIN, dowel	3	
4	91830-24016	PIN, dowel	2	
5	90116-10385	BOLT, stud	4	
6	90116-10386	BOLT, stud	2	
7	90116-10387	BOLT, stud	2	
8	12R-15123-01	PLATE, baffle 1	1	
9	12R-15338-00	DAMPER, engine mount 5	2	
10	97601-06012	SCREW, Pan head with washer	5	
11	95811-08075	BOLT, flange	1	
12	95811-08090	BOLT, flange	1	
13	90105-08114	BOLT, washer based	5	
14	95811-06045	BOLT, flange	13	
15	95811-06055	BOLT, flange	1	
16	95811-06080	BOLT, flange	3	
17	90105-06231	BOLT, washer based	2	
18	95811-06125	BOLT, flange	1	
19	90430-06166	GASKET	1	
20	95811-06135	BOLT, flange	1	
21	90340-22083	PLUG, straight screw	1	
22	93210-23326	O-RING	1	
23	4H7-15163-01	HOUSING, bearing 1	1	
24	90151-06014	SCREW, countersunk	3	
25	93210-62439	O-RING	1	
26	12R-13454-01	NOZZLE	1	
27	91609-12008	PIN, sPring	1	
28	93210-07435	O-RING	1	

12E332-3110

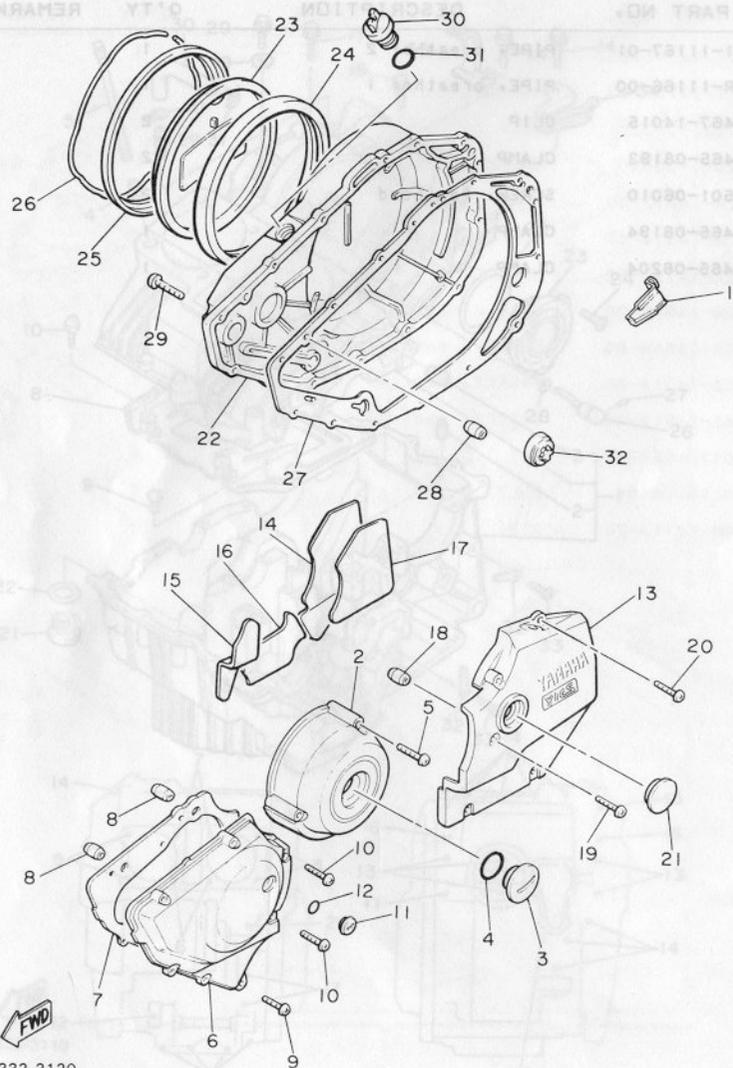
B15



REF. NO.	PART NO.	DESCRIPTION	Q'TY	REMARKS
29	371-11167-01	PIPE, breather 2	1	
30	12R-11166-00	PIPE, breather 1	1	
31	90467-14015	CLIP	2	
32	90465-08193	CLAMP	2	
33	92501-06010	SCREW, Pan head	2	
34	90465-08194	CLAMP	1	
35	90465-08204	CLAMP	1	

12E332-3110

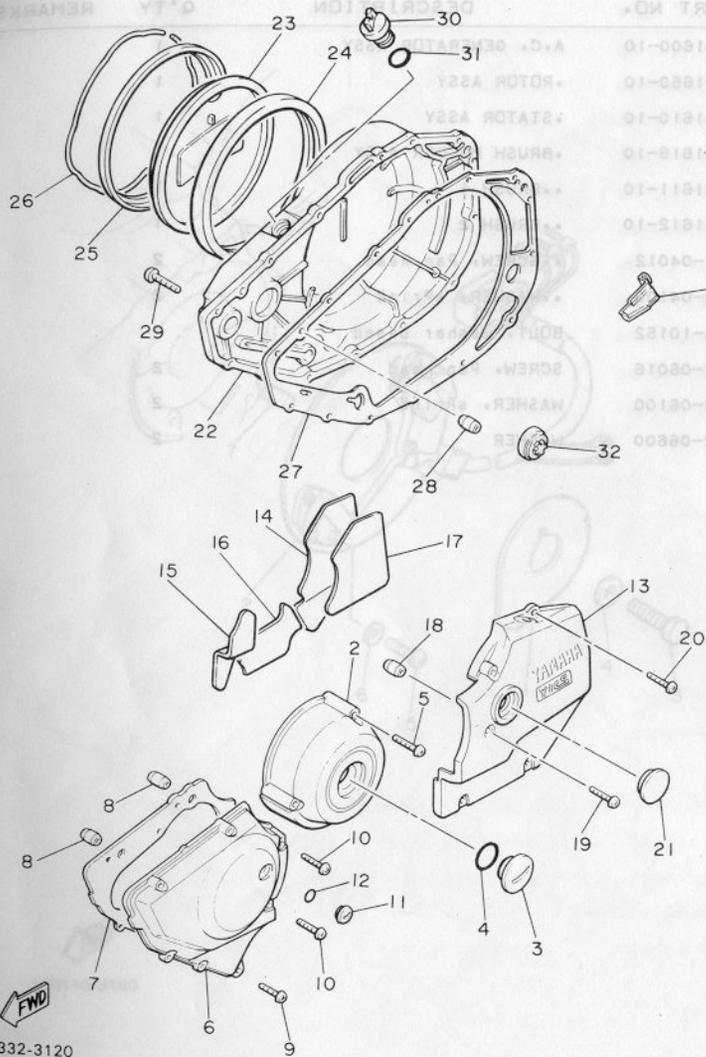
FIG. 12 CRANKCASE COVER



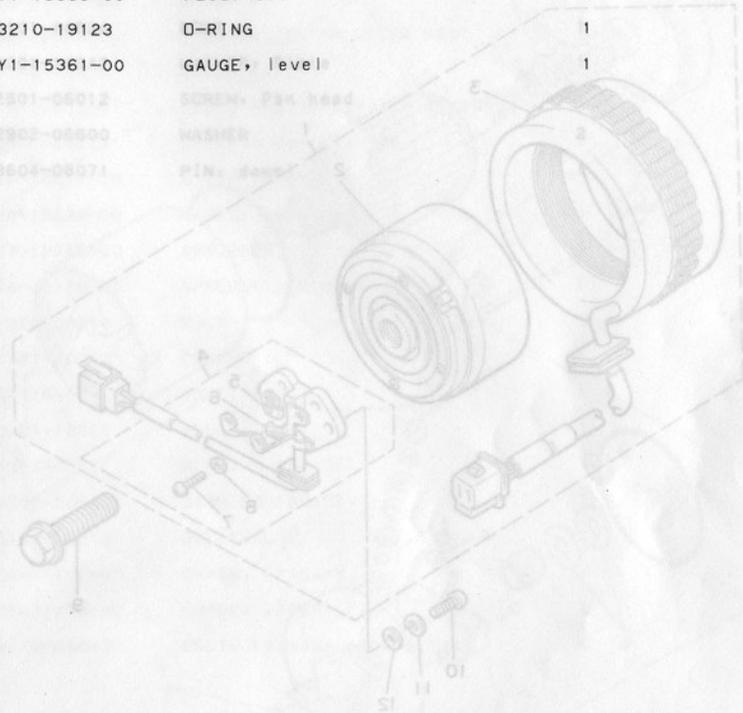
REF. NO.	PART NO.	DESCRIPTION	Q'TY	REMARKS
1	12R-15437-00	SCRAPER, oil	1	
2	12E-15415-01	COVER, generator	1	
3	90340-32080	PLUG, straight screw	1	
4	93210-32172	O-RING	1	
5	92506-06070	SCREW, Pan head	3	
6	12E-15411-00	COVER, crankcase 1	1	
7	12R-15451-00	GASKET, crankcase cover	1	
8	91830-21014	PIN, dowel	2	
9	92506-06020	SCREW, Pan head	5	
10	92506-06030	SCREW, Pan head	2	
11	90340-14079	PLUG, straight screw	1	
12	93210-14369	O-RING	1	
13	12E-15420-00	CRANKCASE COVER ASSY 2	1	
14	12R-15316-01	DAMPER, engine mount 1	1	
15	12R-15326-01	DAMPER, engine mount 2	1	
16	12R-15336-01	DAMPER, engine mount 3	1	
17	12R-15337-01	DAMPER, engine mount 4	1	
18	91830-21014	PIN, dowel	2	
19	92506-06065	SCREW, Pan head	2	
20	92506-06025	SCREW, Pan head	3	
21	1L9-15417-00	COVER, caP	1	
22	12E-15431-01	COVER, crankcase 3	1	
23	12E-15427-00	COVER, caP 2	1	
24	5E5-15449-00	RING, rubber	1	
25	12E-15492-00	COVER	1	
26	90468-20116	CLIP	1	
27	12R-15462-00	GASKET, crankcase cover 3	1	
28	91830-21014	PIN, dowel	2	

12E332-3120

FIG. 12 CRANKCASE COVER

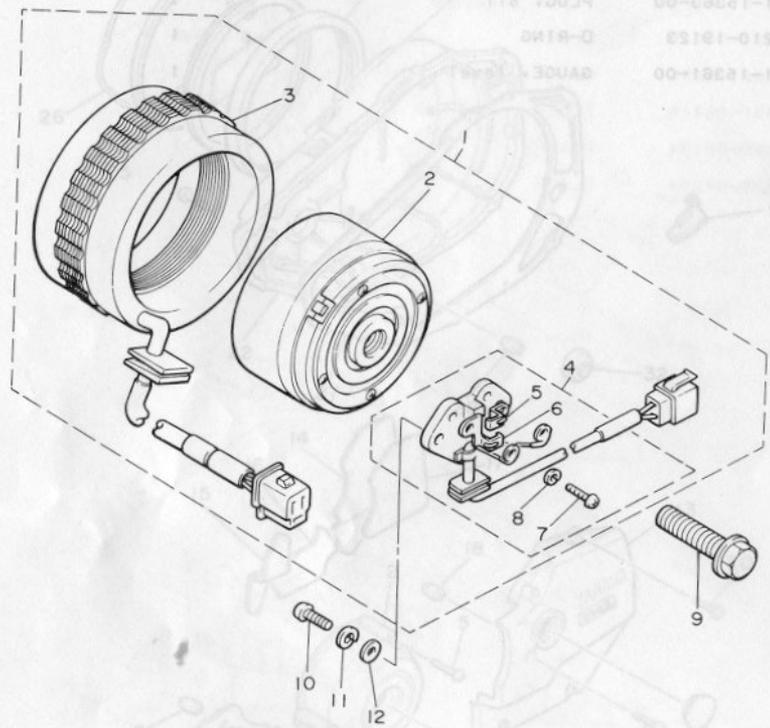


REF. NO.	PART NO.	DESCRIPTION	Q'TY	REMARKS
29	92506-06025	SCREW, Pan head	14	
30	3Y1-15363-00	PLUG, oil	1	
31	93210-19123	O-RING	1	
32	3Y1-15361-00	GAUGE, level	1	



12E332-3120

REF. NO.	PART NO.	DESCRIPTION	Q'TY	REMARKS
----------	----------	-------------	------	---------

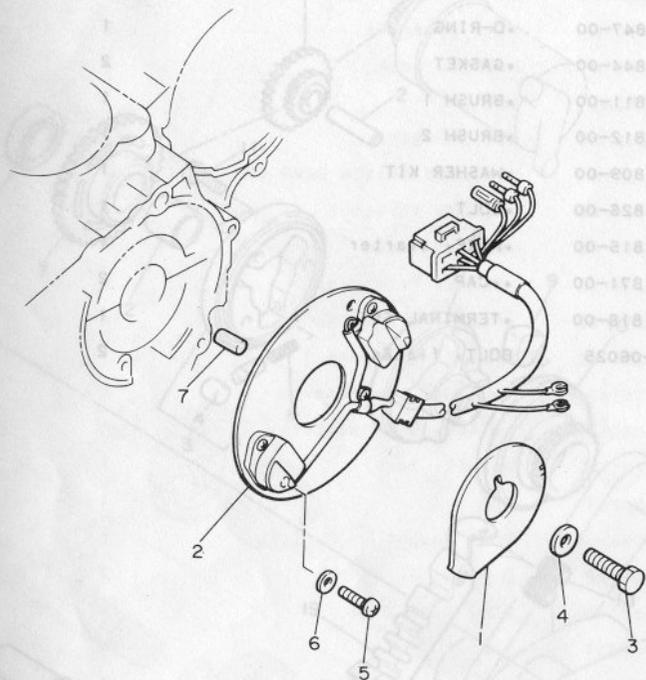


REF. NO.	PART NO.	DESCRIPTION	Q'TY	REMARKS
1	12R-81600-10	A.C. GENERATOR ASSY	1	
2	12R-81650-10	•ROTOR ASSY	1	
3	12R-81610-10	•STATOR ASSY	1	
4	12R-81619-10	•BRUSH HOLDER ASSY	1	
5	4G0-81611-10	••BRUSH 1	1	
6	4G0-81612-10	••BRUSH 2	1	
7	98501-04012	••SCREW, Pan head	2	
8	92902-04100	••WASHER, sPring	2	
9	90105-10152	BOLT, washer based	1	
10	92502-06016	SCREW, Pan head	2	
11	92902-06100	WASHER, sPring	2	
12	92902-06600	WASHER	2	
13	12E-15420-00	CRANKCASE COVER ASSY	1	
14	12R-15316-01	DAMPER, engine	1	
15	12R-15326-01	DAMPER, VIBRATION	1	
16	12R-15336-01	DAMPER, engine	1	
17	12R-15337-01	DAMPER, engine	1	
18	91830-21014	PLUG, drain	2	
19	92506-05060	SCREW, Pan head	2	
20	92506-06025	SCREW, Pan head	3	
21	119-15417-00	COVER, fan	1	
22	12E-15443-010	COVER, fan	1	
23	12E-15443-00	COVER, fan	2	
24	925-15449-00	RIB, fan	1	
25	12E-15492-00	COVER, fan	1	
26	90489-20114	GASKET	1	
27	12E-15482-00	GASKET, crankcase cover	1	
28	91830-21014	PLUG, drain	2	

12R110-3130

FIG. 14 PICKUP COIL GOVERNOR

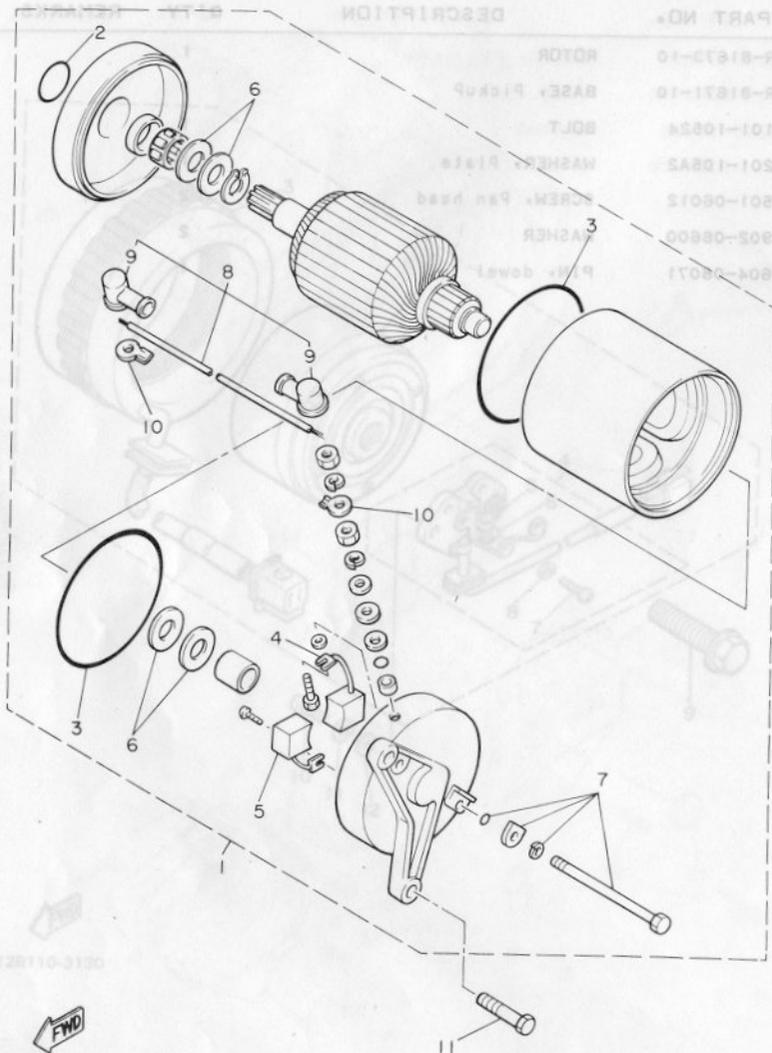
REF. NO.	PART NO.	DESCRIPTION	Q'TY	REMARKS
1	12R-81673-10	ROTOR	1	
2	12R-81671-10	BASE, Pickup	1	
3	90101-10524	BOLT	1	
4	90201-105A2	WASHER, Plate	1	
5	92501-06012	SCREW, Pan head	2	
6	92902-06600	WASHER	2	
7	93604-08071	PIN, dowel	1	



12R110-3140

C6

FIG. 15 STARTING MOTOR

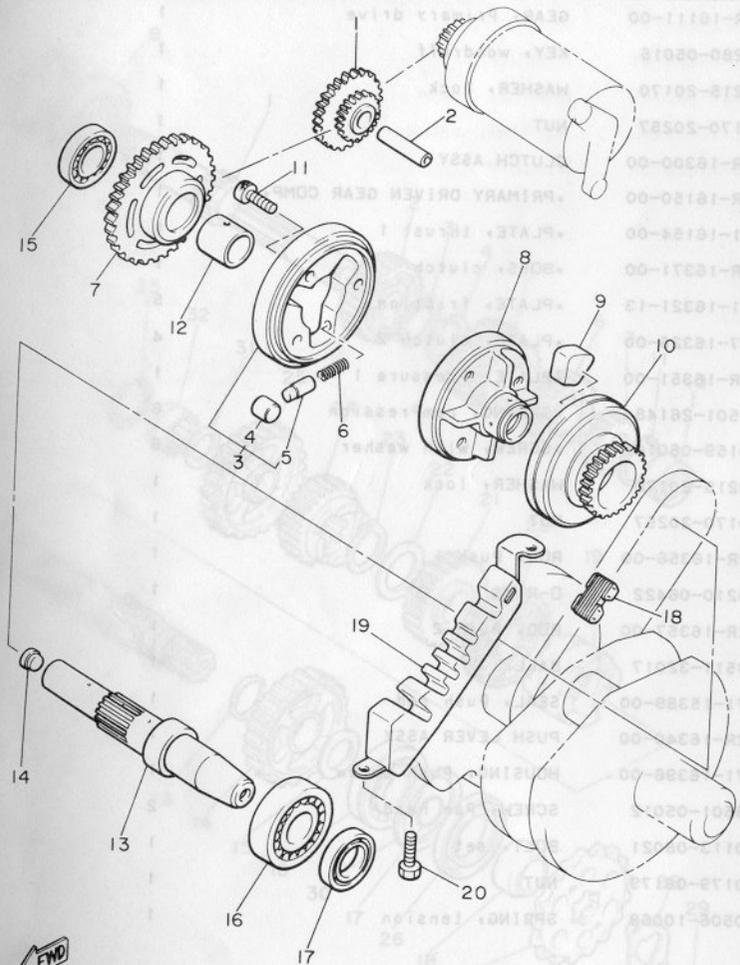


REF. NO.	PART NO.	DESCRIPTION	Q'TY	REMARKS
1	12E-81800-60	STARTING MOTOR ASSY	1	
2	5H0-81847-00	•O-RING	1	
3	5H0-81844-00	•GASKET	2	
4	5H0-81811-00	•BRUSH 1	1	
5	5H0-81812-00	•BRUSH 2	1	
6	5H0-81809-00	•WASHER KIT	1	
7	12E-81826-00	•BOLT	1	
8	12R-81815-00	•WIRE, starter	1	
9	5H0-81871-00	••CAP	2	
10	5H0-81818-00	•TERMINAL SET	1	
11	95826-06025	BOLT, flange	2	

12R110-3150



FIG. 16 STARTER CLUTCH

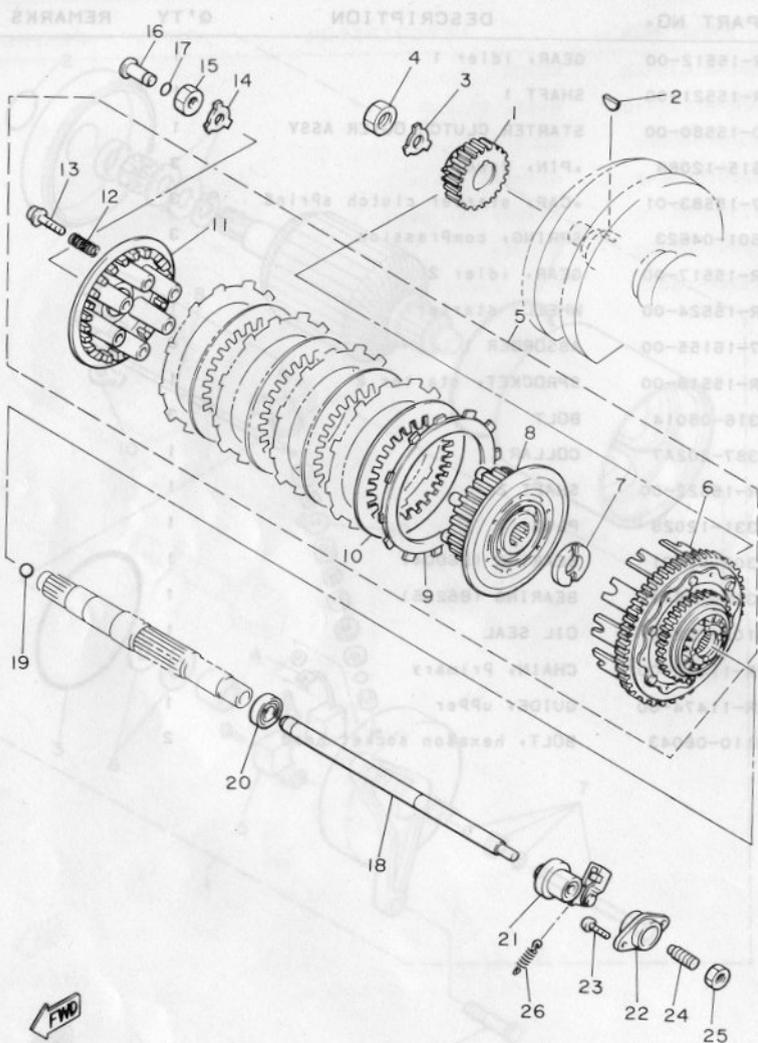


REF. NO.	PART NO.	DESCRIPTION	Q'TY	REMARKS
----------	----------	-------------	------	---------

1	12R-15512-00	GEAR, idler 1	1	
2	12R-15521-00	SHAFT 1	1	
3	4G0-15580-00	STARTER CLUTCH OUTER ASSY	1	
4	93615-12088	.PIN, dowel	3	
5	1J7-15583-01	.CAP, starter clutch spring	3	
6	90501-04623	SPRING, compression	3	
7	12R-15517-00	GEAR, idler 2	1	
8	12R-15524-00	WHEEL, starter	1	
9	4H7-16155-00	ABSORBER 1	8	
10	12R-15519-00	SPROCKET, starter 2	1	
11	91316-08014	BOLT	3	
12	90387-202A7	COLLAR	1	
13	12R-15522-00	SHAFT 2	1	
14	90331-12028	PLUG	1	
15	93306-00401	BEARING (B6004)	1	
16	93306-20541	BEARING (B6205)	1	
17	93102-25218	OIL SEAL	1	
18	12R-11456-00	CHAIN, Primary	1	
19	12R-11474-00	GUIDE, upper	1	
20	90110-06043	BOLT, hexagon socket head	2	

FWD
12R110-3160

FIG. 17 CLUTCH

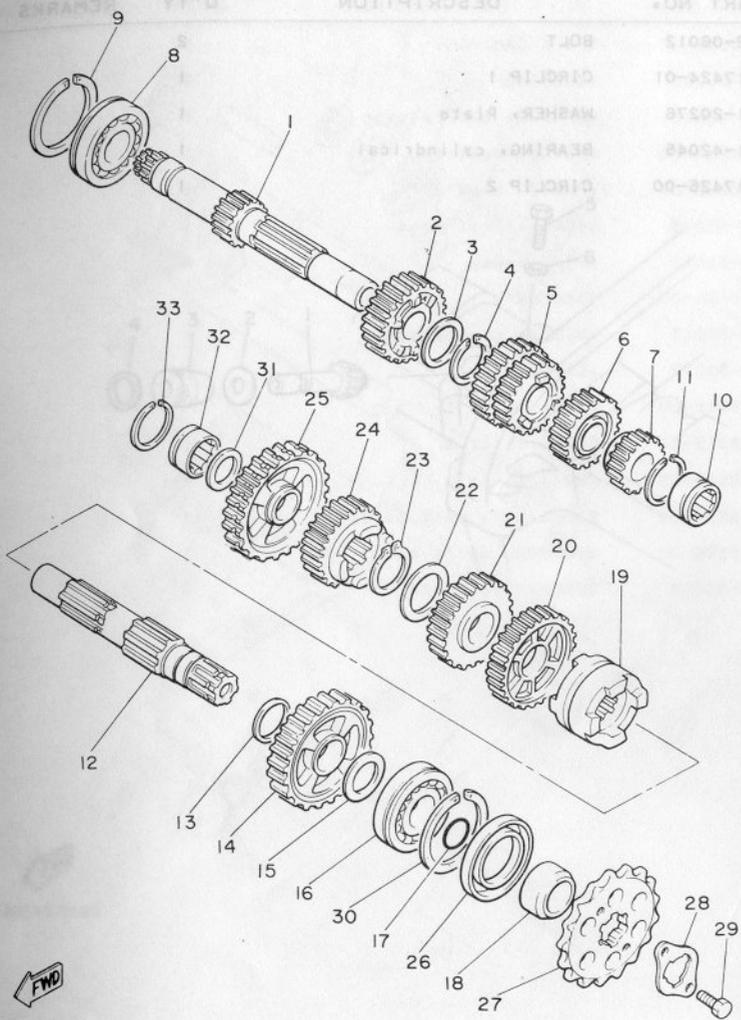


REF. NO.	PART NO.	DESCRIPTION	Q'TY	REMARKS
1	12R-16111-00	GEAR, Primary drive	1	
2	90280-05015	KEY, woodruff	1	
3	90215-20170	WASHER, lock	1	
4	90170-20257	NUT	1	
5	12R-16300-00	CLUTCH ASSY	1	
6	12R-16150-00	•PRIMARY DRIVEN GEAR COMP.	1	
7	3Y1-16154-00	•PLATE, thrust 1	1	
8	12R-16371-00	•BOSS, clutch	1	
9	341-16321-13	•PLATE, friction	5	
10	2H7-16325-00	•PLATE, clutch 2	4	
11	12R-16351-00	•PLATE, Pressure 1	1	
12	90501-26148	•SPRING, compression	6	
13	90159-06016	•SCREW, with washer	6	
14	90215-20170	WASHER, lock	1	
15	90170-20257	NUT	1	
16	12R-16356-00	ROD, Push 1	1	
17	93210-06422	O-RING	1	
18	12R-16357-00	ROD, Push 2	1	
19	93511-32017	BALL	1	
20	371-15389-00	SEAL, Push rod	1	
21	12R-16340-00	PUSH LEVER ASSY	1	
22	371-16396-00	HOUSING, Push screw	1	
23	98501-05012	SCREW, Pan head	2	
24	90113-08021	BOLT, set	1	
25	90179-08179	NUT	1	
26	90506-10069	SPRING, tension	1	



12R110-3170

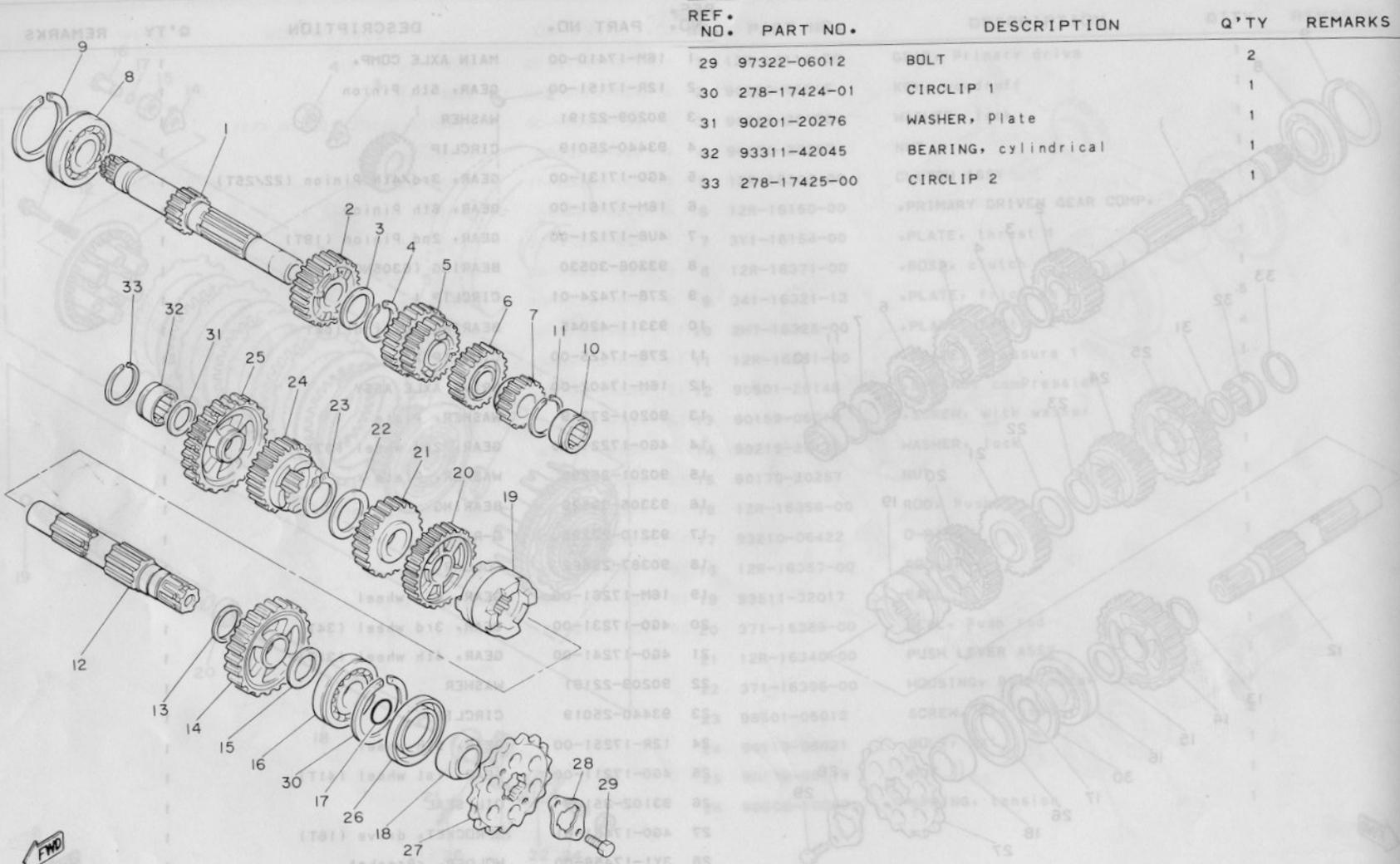
FIG. 18 TRANSMISSION



REF. NO.	PART NO.	DESCRIPTION	Q'TY	REMARKS
1	16M-17410-00	MAIN AXLE COMP.	1	
2	12R-17151-00	GEAR, 5th Pinion	1	
3	90209-22191	WASHER	1	
4	93440-25019	CIRCLIP	1	
5	4G0-17131-00	GEAR, 3rd/4th Pinion (22/25T)	1	
6	16M-17161-00	GEAR, 6th Pinion	1	
7	4U8-17121-00	GEAR, 2nd Pinion (19T)	1	
8	93306-30530	BEARING (6305NC3)	1	
9	278-17424-01	CIRCLIP 1	1	
10	93311-42045	BEARING, cylindrical	1	
11	278-17425-00	CIRCLIP 2	1	
12	16M-17402-00	DRIVE AXLE ASSY	1	
13	90201-273A9	WASHER, Plate	1	
14	4G0-17221-00	GEAR, 2nd wheel (37T)	1	
15	90201-25290	WASHER, Plate	1	
16	93306-30529	BEARING	1	
17	93210-22298	O-RING	1	
18	90387-256F2	COLLAR	1	
19	16M-17261-00	GEAR, 6th wheel	1	
20	4G0-17231-00	GEAR, 3rd wheel (34T)	1	
21	4G0-17241-00	GEAR, 4th wheel (31T)	1	
22	90209-22191	WASHER	1	
23	93440-25019	CIRCLIP	1	
24	12R-17251-00	GEAR, 5th wheel	1	
25	4G0-17211-00	GEAR, 1st wheel (41T)	1	
26	93102-35109	OIL SEAL	1	
27	4G0-17461-61	SPROCKET, drive (16T)	1	
28	3Y1-17456-00	HOLDER, sProcket	1	

16M110-3180

FIG. 18 TRANSMISSION



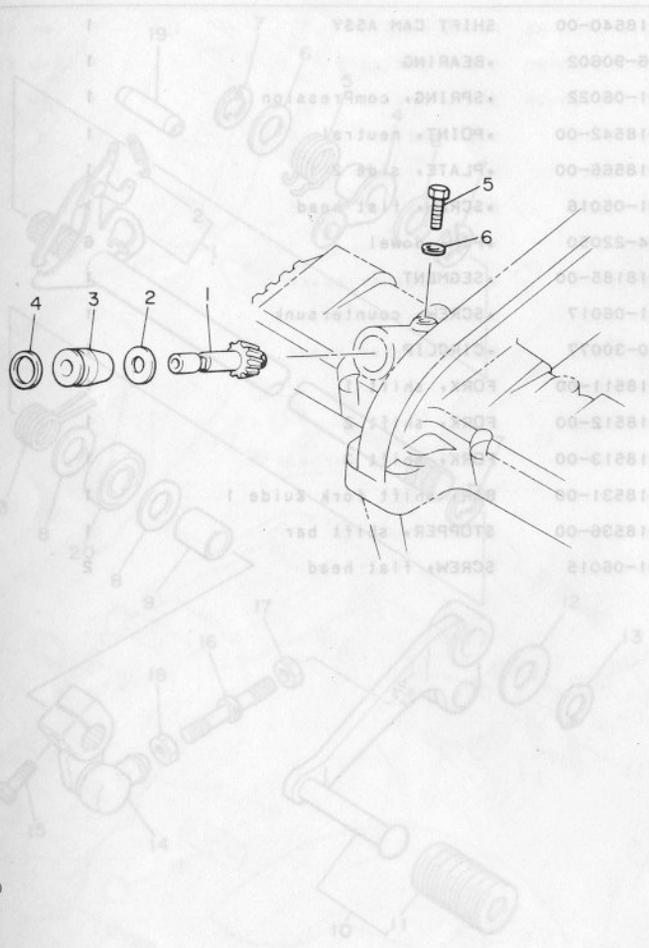
REF. NO.	PART NO.	DESCRIPTION	Q'TY	REMARKS
29	97322-06012	BOLT	2	
30	278-17424-01	CIRCLIP 1	1	
31	90201-20276	WASHER, Plate	1	
32	93311-42045	BEARING, cylindrical	1	
33	278-17425-00	CIRCLIP 2	1	

16M110-3180

C11

FIG. 19 TACHOMETER GEAR

REMARKS Q'TY DESCRIPTION PART NO. REF. NO. PART NO. DESCRIPTION Q'TY REMARKS



REF. NO.	PART NO.	DESCRIPTION	Q'TY	REMARKS
1	3Y3-17841-00	GEAR, driven	1	
2	90201-08624	WASHER, Plate	1	
3	3Y3-17843-00	BUSH, driven gear outer	1	
4	93104-08055	OIL SEAL	1	
5	90109-06418	BOLT	1	
6	90430-06014	GASKET	1	
7	93430-06015	CIRCLIP	3	
8	90201-12588	WASHER, Flat	2	
9	90367-12548	BOLT	1	
10	93440-3007	WASHER, Flat	1	
11	12R-1881-00	WASHER, Flat	1	
12	12R-1882-00	WASHER, Flat	1	
13	12R-1883-00	WASHER, Flat	1	
14	12R-1884-00	WASHER, Flat	1	
15	12R-1885-00	WASHER, Flat	1	
16	12R-1886-00	WASHER, Flat	1	
17	12R-1887-00	WASHER, Flat	1	
18	93701-06018	SCREW, Flat head	1	
19	93701-06018	SCREW, Flat head	1	
20	93102-12105	WASHER, Flat	1	

93101-08132
2-08307



12R110-3190

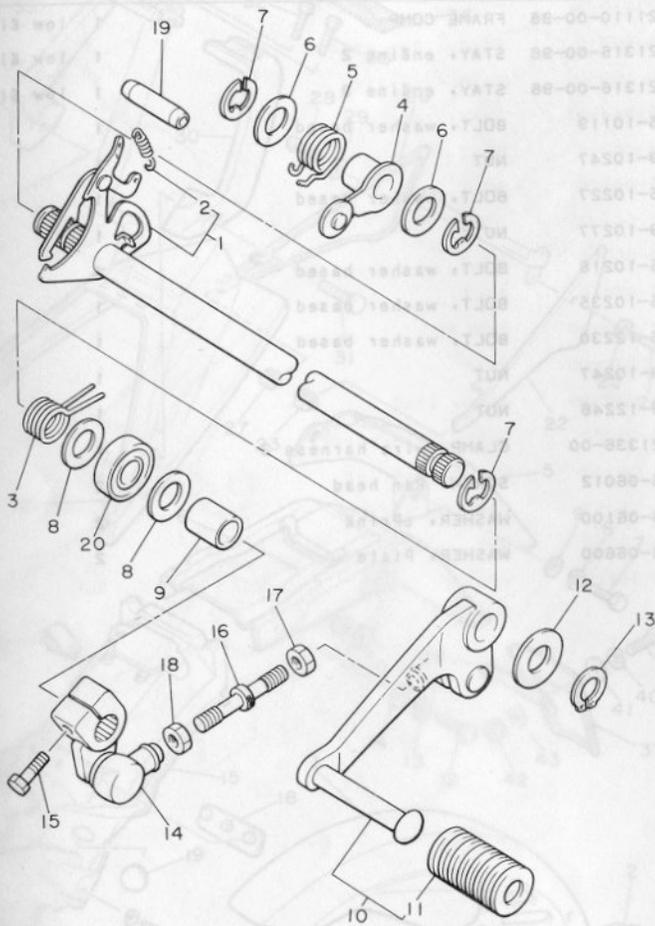
C12

FIG. 20 SHIFT CAM FORK

REF. NO.	PART NO.	DESCRIPTION	Q'TY	REMARKS
1	16M-18540-00	SHIFT CAM ASSY	1	
2	93306-90602	•BEARING	1	
3	90501-06022	•SPRING, comPression	1	
4	278-18542-00	•POINT, neutral	1	
5	278-18566-00	•PLATE, side 2	1	
6	98701-05016	•SCREW, flat head	1	
7	93604-22050	•PIN, dowel	6	
8	12R-18185-00	•SEGMENT	1	
9	90151-06017	•SCREW, countersunk	1	
10	93440-30077	•CIRCLIP	1	
11	12R-18511-00	FORK, shift 1	1	
12	12R-18512-00	FORK, shift 2	1	
13	12R-18513-00	FORK, shift 3	1	
14	12R-18531-00	BAR, shift fork Guide 1	1	
15	12R-18536-00	STOPPER, shift bar	1	
16	92701-06015	SCREW, flat head	2	

FWD
12R110-3200

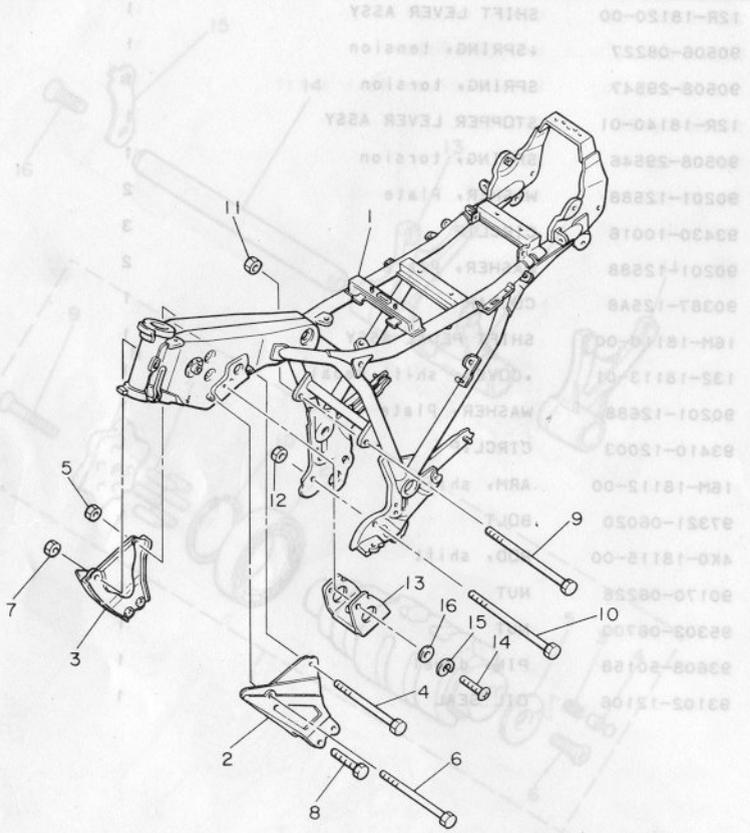
FIG. 21 SHIFT SHAFT • PEDAL



REF. NO.	PART NO.	DESCRIPTION	Q'TY	REMARKS
1	12R-18120-00	SHIFT LEVER ASSY	1	
2	90506-08227	•SPRING, tension	1	
3	90508-29547	SPRING, torsion	1	
4	12R-18140-01	STOPPER LEVER ASSY	1	
5	90508-29546	SPRING, torsion	1	
6	90201-12588	WASHER, Plate	2	
7	93430-10016	CIRCLIP	3	
8	90201-12588	WASHER, Plate	2	
9	90387-125A8	COLLAR	1	
10	16M-18110-00	SHIFT PEDAL ASSY	1	
11	132-18113-01	•COVER, shift Pedal	1	
12	90201-12688	WASHER, Plate	1	
13	93410-12003	CIRCLIP	1	
14	16M-18112-00	ARM, shift	1	
15	97321-06020	BOLT	1	
16	4K0-18115-00	ROD, shift	1	
17	90170-06228	NUT	1	
18	95303-06700	NUT	1	
19	93608-50158	PIN, dowel	1	
20	93102-12106	OIL SEAL	1	
21	90464-12027	CLAMP	1	
22	16M-21651-00-2U	COVER, rear fender	1	UR super red
23	16M-21651-00-29	COVER, rear fender	1	UR candy blue
24	12E-2163A-00	COVER, rear fender 2	1	
25	16M-21648-00	DAMPER	1	
26	93506-08012	SCREW, Pan head	1	
27	92906-05800	WASHER, Plate	1	
28	12E-2163E-00	COVER, rear fender 3	1	

16M110-3210

FIG. 22 FRAME

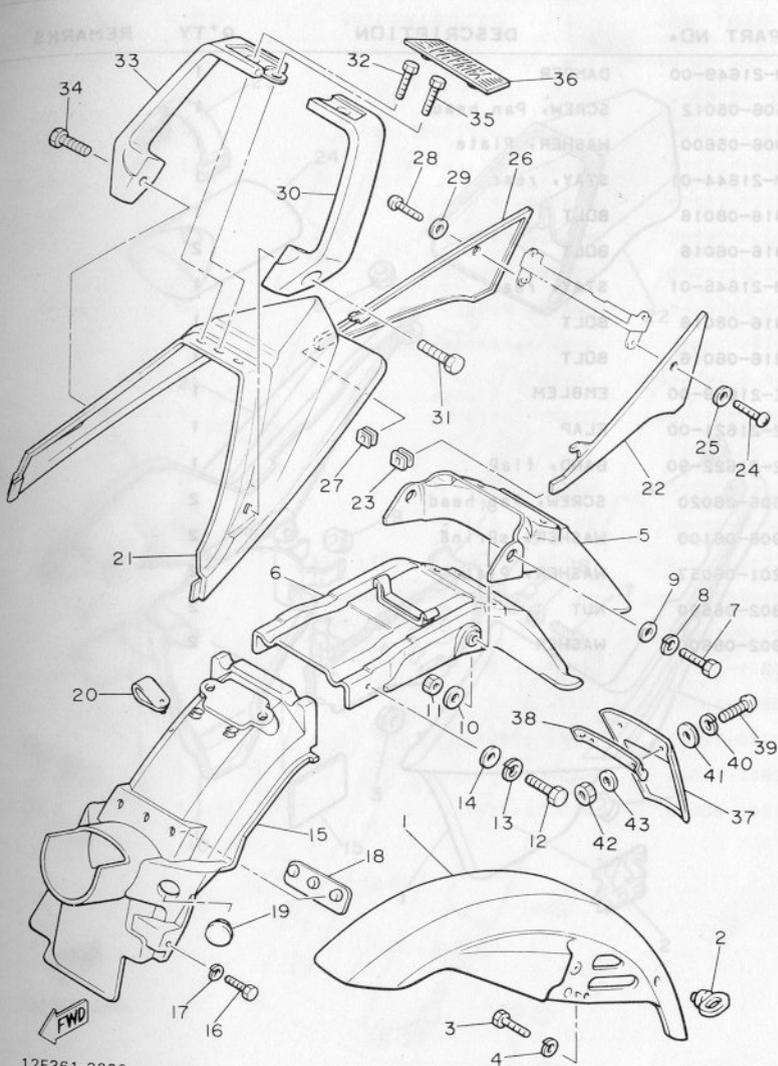


REF. NO.	PART NO.	DESCRIPTION	Q'TY	REMARKS
1	12E-21110-00-98	FRAME COMP	1	low gloss black
2	16M-21315-00-98	STAY, engine 2	1	low gloss black
3	16M-21316-00-98	STAY, engine 3	1	low gloss black
4	90105-10119	BOLT, washer based	1	
5	90179-10247	NUT	1	
6	90105-10227	BOLT, washer based	1	
7	90179-10277	NUT	1	
8	90105-10218	BOLT, washer based	4	
9	90105-10235	BOLT, washer based	1	
10	90105-12230	BOLT, washer based	1	
11	90179-10247	NUT	1	
12	90179-12248	NUT	1	
13	12R-21336-00	CLAMP, wire harness 2	1	
14	92506-06012	SCREW, Pan head	2	
15	92906-06100	WASHER, sPring	2	
16	92906-06600	WASHER, Plate	2	



12E332-3220

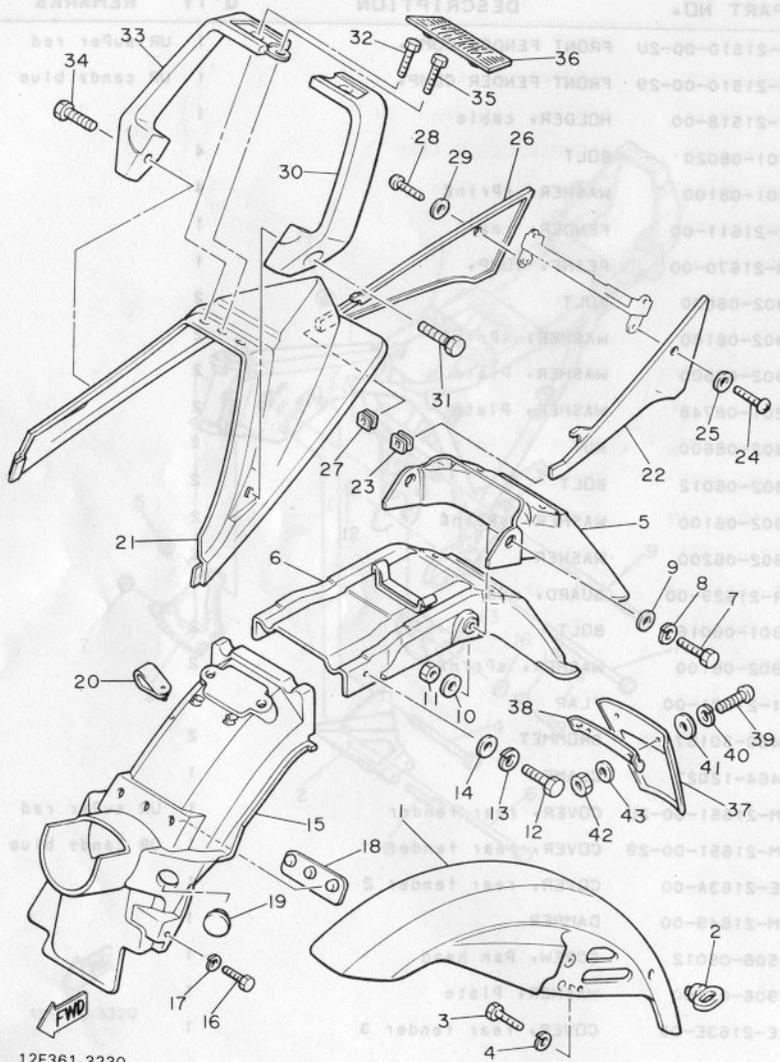
FIG. 23 FRONT FENDER, REAR FENDER



REF. NO.	PART NO.	DESCRIPTION	Q'TY	REMARKS
1	16M-21510-00-2U	FRONT FENDER COMP.	1	UR suPer red
	16M-21510-00-29	FRONT FENDER COMP.	1	UR candy blue
2	1A8-21518-00	HOLDER, cable	1	
3	97301-08020	BOLT	4	
4	92901-08100	WASHER, sPring	4	
5	12E-21611-00	FENDER, rear	1	
6	16M-21670-00	REINF. COMP.	1	
7	97302-08030	BOLT	2	
8	92902-08100	WASHER, sPring	2	
9	92902-08600	WASHER, Plate	2	
10	90201-08748	WASHER, Plate	2	
11	95302-08600	NUT	2	
12	97302-06012	BOLT	2	
13	92902-06100	WASHER, sPring	2	
14	92902-06200	WASHER	2	
15	12R-21629-00	GUARD, mud	1	
16	97301-06016	BOLT	2	
17	92902-06100	WASHER, sPring	2	
18	1M1-21621-00	FLAP	1	
19	90480-30167	GROMMET	2	
20	90464-12027	CLAMP	1	
21	16M-21651-00-2U	COVER, rear fender	1	UR suPer red
	16M-21651-00-29	COVER, rear fender	1	UR candy blue
22	12E-2163A-00	COVER, rear fender 2	1	
23	16M-21649-00	DAMPER	1	
24	98506-05012	SCREW, Pan head	1	
25	92906-05600	WASHER, Plate	1	
26	12E-2163E-00	COVER, rear fender 3	1	

12E361-3230

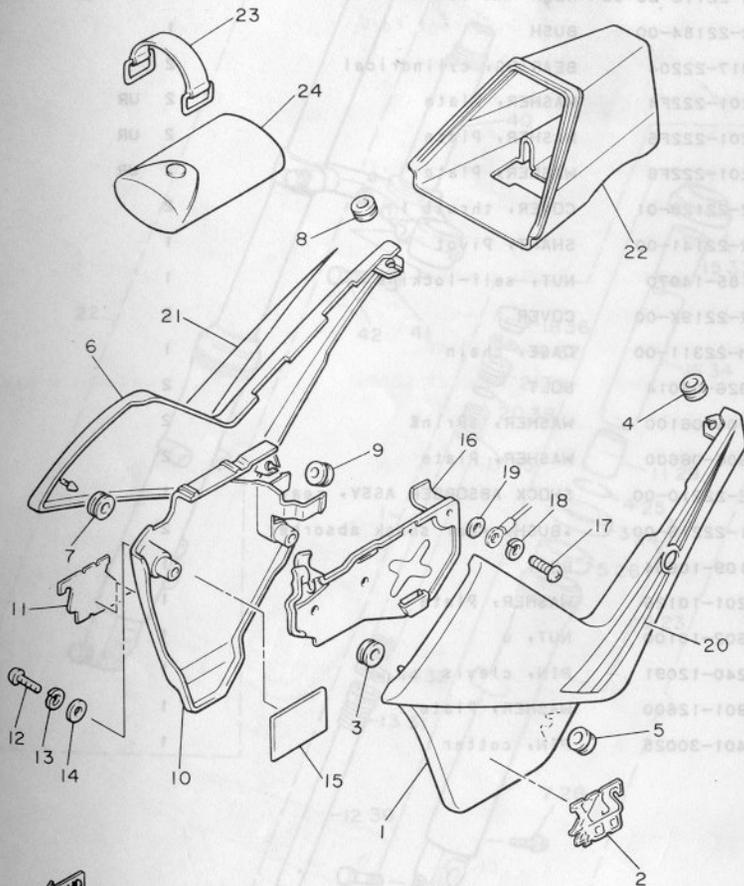
FIG. 23 FRONT FENDER-REAR FENDER



REF. NO.	PART NO.	DESCRIPTION	Q'TY	REMARKS
27	16M-21649-00	DAMPER	1	
28	98506-05012	SCREW, Pan head	1	
29	92906-05600	WASHER, Plate	1	
30	16M-21644-01	STAY, rear	1	
31	91316-08016	BOLT	1	
32	91316-06016	BOLT	2	
33	16M-21645-01	STAY, rear	1	
34	91316-08016	BOLT	1	
35	91316-06016	BOLT	1	
36	12E-21609-00	EMBLEM	1	
37	1H2-21621-00	FLAP	1	
38	1H2-21622-90	BAND, flap	1	
39	92506-06020	SCREW, Pan head	2	
40	92906-06100	WASHER, sPring	2	
41	90201-06057	WASHER, Plate	2	
42	95302-06600	NUT	2	
43	92902-06600	WASHER	2	

12E361-3230

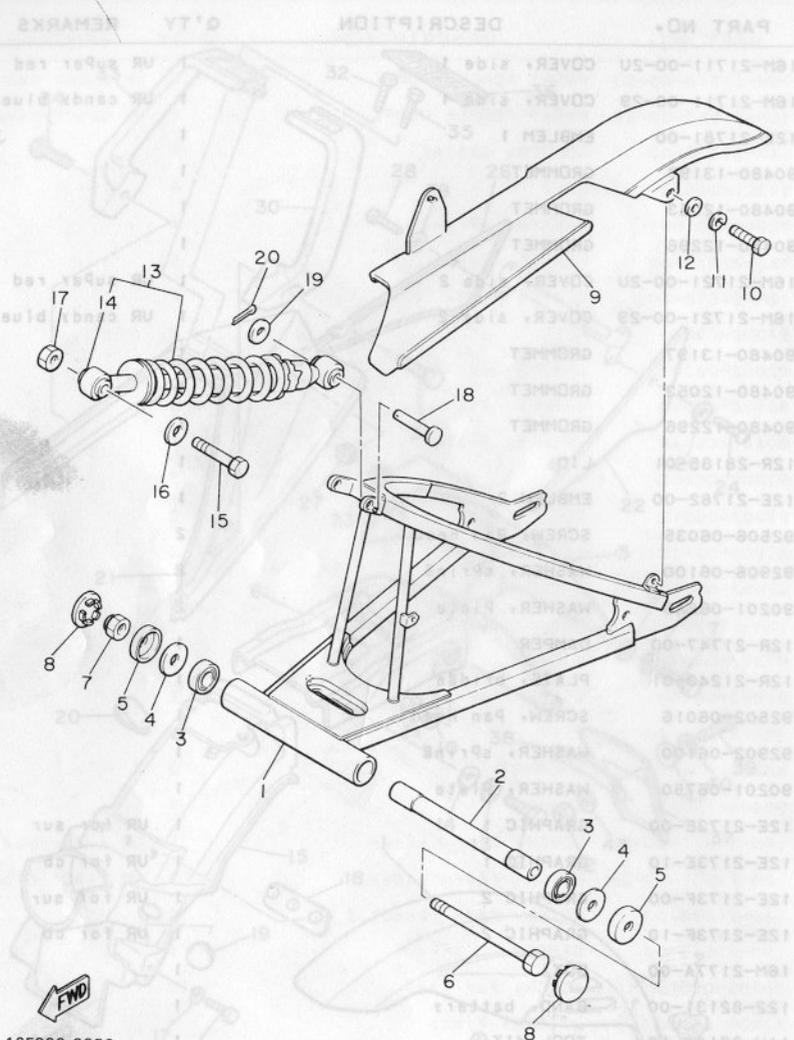
FIG. 24 SIDE COVER. TOOL



REF. NO.	PART NO.	DESCRIPTION	Q'TY	REMARKS
1	16M-21711-00-2U	COVER, side 1	1	UR suPer red
2	16M-21711-00-29	COVER, side 1	1	UR candy blue
2	12E-21781-00	EMBLEM 1	1	
3	90480-13197	GROMMET	1	
4	90480-12053	GROMMET	1	
5	90480-12296	GROMMET	1	
6	16M-21721-00-2U	COVER, side 2	1	UR suPer red
7	16M-21721-00-29	COVER, side 2	1	UR candy blue
7	90480-13197	GROMMET	1	
8	90480-12053	GROMMET	1	
9	90480-12296	GROMMET	1	
10	12R-28185-01	LID	1	
11	12E-21782-00	EMBLEM 2	1	
12	92506-06035	SCREW, Pan head	2	
13	92906-06100	WASHER, sPring	2	
14	90201-062A8	WASHER, Plate	2	
15	12R-21747-00	DAMPER	1	
16	12R-21243-01	PLATE, bridge	1	
17	92502-06016	SCREW, Pan head	1	
18	92902-06100	WASHER, sPring	1	
19	90201-06750	WASHER, Plate	1	
20	12E-2173E-00	GRAPHIC 1	1	UR for sur
21	12E-2173E-10	GRAPHIC 1	1	UR for cb
21	12E-2173F-00	GRAPHIC 2	1	UR for sur
22	12E-2173F-10	GRAPHIC 2	1	UR for cb
22	16M-2177A-00	BOX	1	
23	122-82131-00	BAND, battery	1	
24	11H-28100-10	TOOL KIT	1	

FWD
12E332-3240

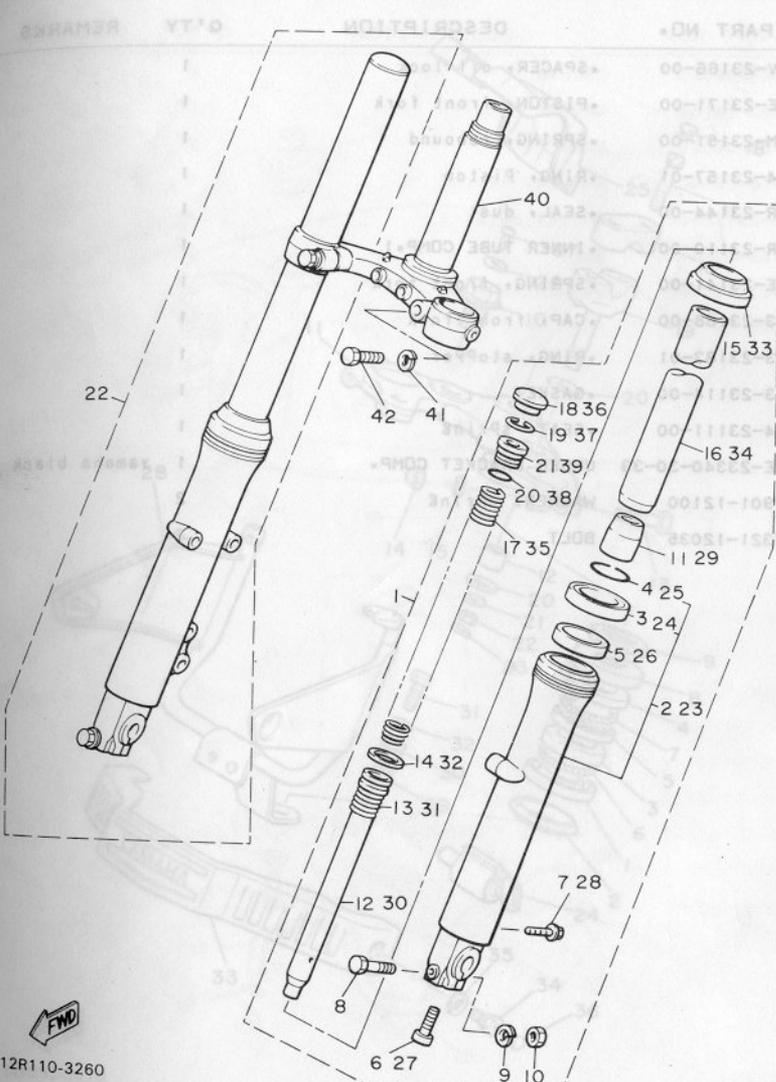
FIG. 25 REAR ARM SUSPENSION



REF. NO.	PART NO.	DESCRIPTION	Q'TY	REMARKS
1	12R-22110-00-35	REAR ARM COMP.	1	silver
2	12R-22184-00	BUSH	1	
3	93317-22204	BEARING, cylindrical	2	
4	90201-222F4	WASHER, Plate	2	UR
	90201-222F5	WASHER, Plate	2	UR
	90201-222F6	WASHER, Plate	2	UR
5	322-22128-01	COVER, thrust 1	2	
6	12R-22141-00	SHAFT, Pivot	1	
7	90185-14070	NUT, self-locking	1	
8	12R-2219X-00	COVER	2	
9	16M-22311-00	CASE, chain	1	
10	97326-06014	BOLT	2	
11	92906-06100	WASHER, sPring	2	
12	92906-06600	WASHER, Plate	2	
13	12E-22210-00	SHOCK ABSORBER ASSY, rear	1	
14	1W1-22216-00	BUSH, rear shock absorber	2	
15	90109-10654	BOLT	1	
16	90201-10126	WASHER, Plate	1	
17	95602-10100	NUT, u	1	
18	90240-12091	PIN, clevis	1	
19	92901-12600	WASHER, Plate	1	
20	91401-30025	PIN, cotter	1	

12E332-3250

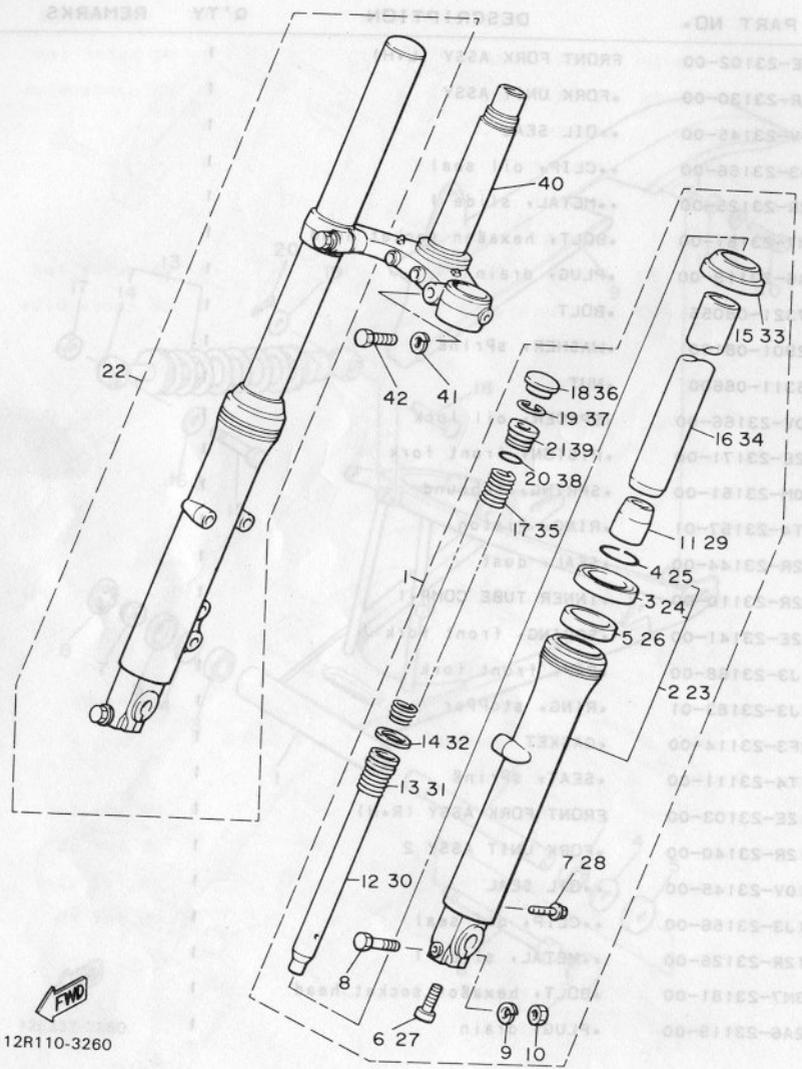
FIG. 26 FRONT FORK



REF. NO.	PART NO.	DESCRIPTION	Q'TY	REMARKS
1	12E-23102-00	FRONT FORK ASSY (L.H)	1	
2	12R-23130-00	•FORK UNIT ASSY	1	
3	10V-23145-00	••OIL SEAL	1	
4	1J3-23156-00	••CLIP, oil seal	1	
5	12R-23125-00	••METAL, slide 1	1	
6	3M7-23181-00	•BOLT, hexa8on socket head	1	
7	2A6-23119-00	•PLUG, drain	1	
8	97321-08055	•BOLT	1	
9	92901-08100	•WASHER, sPring	1	
10	95311-08600	•NUT	1	
11	10V-23166-00	•SPACER, oil lock	1	
12	12E-23171-00	•PISTON, front fork	1	
13	10M-23151-00	•SPRING, rebound	1	
14	1T4-23157-01	•RING, Piston	1	
15	12R-23144-00	•SEAL, dust	1	
16	12R-23110-00	•INNER TUBE COMP.1	1	
17	12E-23141-00	•SPRING, front fork	1	
18	1J3-23168-00	•CAP, front fork	1	
19	1J3-23183-01	•RING, stopPer	1	
20	2F3-23114-00	•GASKET	1	
21	1T4-23111-00	•SEAT, sPring	1	
22	12E-23103-00	FRONT FORK ASSY (R.H)	1	
23	12R-23140-00	•FORK UNIT ASSY 2	1	
24	10V-23145-00	••OIL SEAL	1	
25	1J3-23156-00	••CLIP, oil seal	1	
26	12R-23125-00	••METAL, slide 1	1	
27	3M7-23181-00	•BOLT, hexa8on socket head	1	
28	2A6-23119-00	•PLUG, drain	1	

FWD
12R110-3260

FIG. 26 FRONT FORK



REF. NO.	PART NO.	DESCRIPTION	Q'TY	REMARKS
29	10V-23166-00	•SPACER, oil lock	1	
30	12E-23171-00	•PISTON, front fork	1	
31	10M-23151-00	•SPRING, rebound	1	
32	1T4-23157-01	•RING, Piston	1	
33	12R-23144-00	•SEAL, dust	1	
34	12R-23110-00	•INNER TUBE COMP.1	1	
35	12E-23141-00	•SPRING, front fork	1	
36	1J3-23168-00	•CAP, front fork	1	
37	1J3-23183-01	•RING, stopPer	1	
38	2F3-23114-00	•GASKET	1	
39	1T4-23111-00	•SEAT, sPring	1	
40	12E-23340-30-33	UNDER BRACKET COMP.	1	yamaha black
41	92901-12100	WASHER, sPring	2	
42	97321-12035	BOLT	2	

FWD
12R110-3260

D7

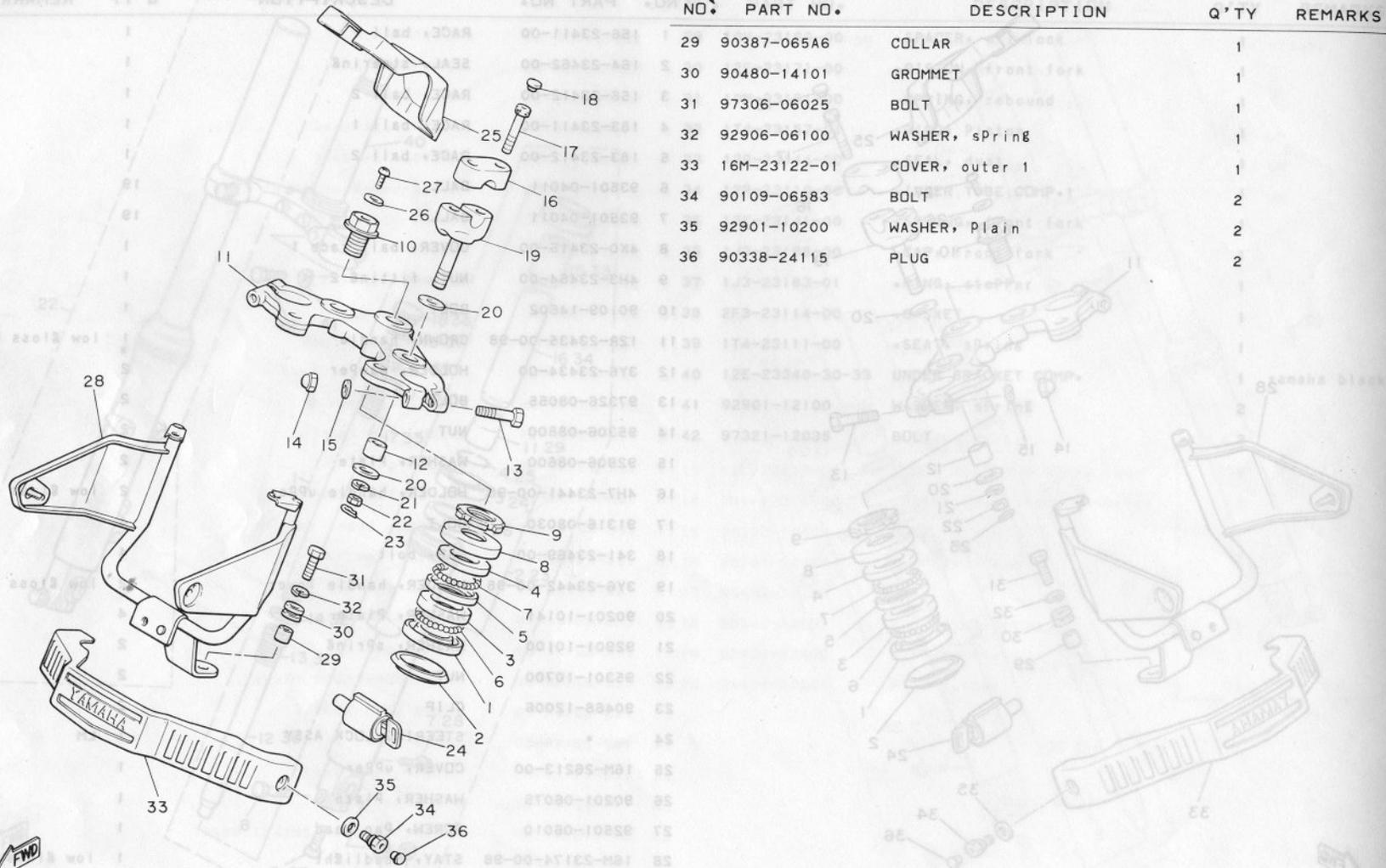
FIG. 27 STEERING

REF. NO.	PART NO.	DESCRIPTION	Q'TY	REMARKS
1	156-23411-00	RACE, ball 1	1	
2	164-23462-00	SEAL, steering	1	
3	156-23412-00	RACE, ball 2	1	
4	183-23411-00	RACE, ball 1	1	
5	183-23412-00	RACE, ball 2	1	
6	93501-04011	BALL	19	
7	93501-04011	BALL	19	
8	4K0-23415-00	COVER, ball race 1	1	
9	4H3-23454-00	NUT, fitting 2	1	
10	90109-14602	BOLT	1	
11	12R-23435-00-98	CROWN, handle	1	low gloss black
12	3Y6-23434-00	HOLDER, damPer	2	
13	97326-08055	BOLT	2	
14	95306-08800	NUT	2	
15	92906-08600	WASHER, Plate	2	
16	4H7-23441-00-98	HOLDER, handle upper	2	low gloss black
17	91316-08030	BOLT	4	
18	341-23469-00	CAP, bolt	4	
19	3Y6-23442-00-98	HOLDER, handle lower	2	low gloss black
20	90201-10141	WASHER, Plate	4	
21	92901-10100	WASHER, sPring	2	
22	95301-10700	NUT	2	
23	90468-12006	CLIP	2	
24	*	STEERING LOCK ASSY	1	LM
25	16M-26213-00	COVER, upper	1	
26	90201-06075	WASHER, Plate	1	
27	92501-06010	SCREW, Pan head	1	
28	16M-23174-00-98	STAY, headlight	1	low gloss black



12E332-3270

FIG. 27 STEERING



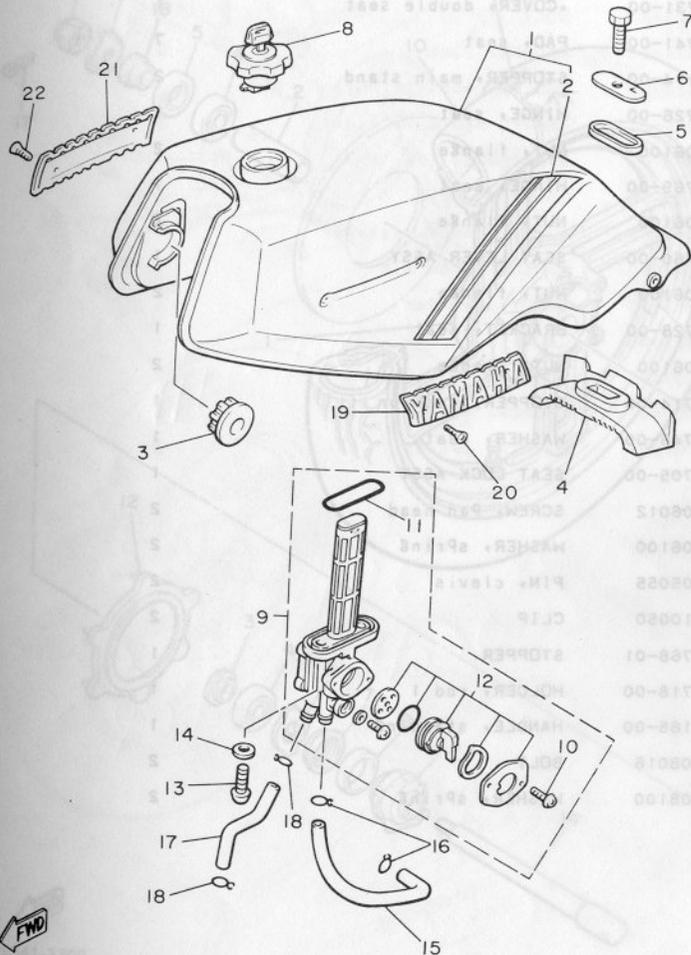
REF. NO.	PART NO.	DESCRIPTION	Q'TY	REMARKS
29	90387-065A6	COLLAR	1	
30	90480-14101	GROMMET	1	
31	97306-06025	BOLT	1	
32	92906-06100	WASHER, sPring	1	
33	16M-23122-01	COVER, outer 1	1	
34	90109-06583	BOLT	2	
35	92901-10200	WASHER, Plain	2	
36	90338-24115	PLUG	2	



12E332-3270

D9

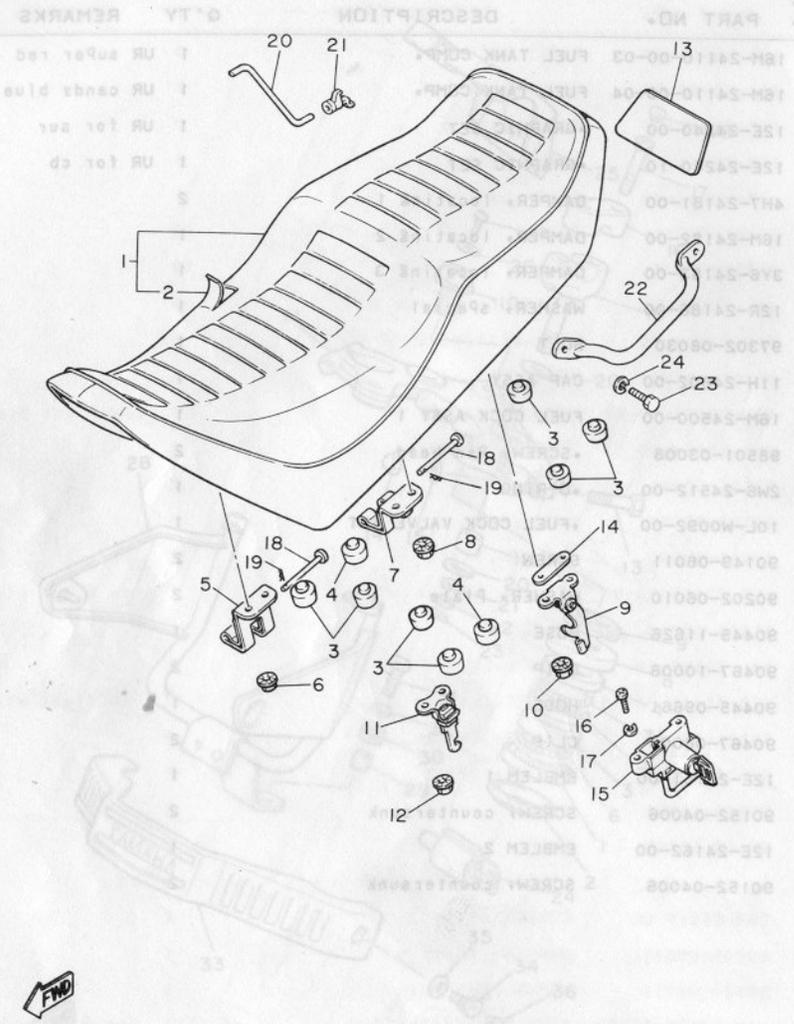
FIG. 28 FUEL TANK



REF. NO.	PART NO.	DESCRIPTION	Q'TY	REMARKS
1	16M-24110-00-03	FUEL TANK COMP.	1	UR suPer red
2	16M-24110-00-04	FUEL TANK COMP.	1	UR candy blue
2	12E-24240-00	•GRAPHIC SET	1	UR for sur
2	12E-24240-10	•GRAPHIC SET	1	UR for cb
3	4H7-24181-00	DAMPER, locatinG 1	2	
4	16M-24182-00	DAMPER, locatinG 2	1	
5	3Y6-24183-00	DAMPER, locatinG 3	1	
6	12R-24186-00	WASHER, sPecial	1	
7	97302-08030	BOLT	1	
8	11H-24602-00	CAP ASSY	1	
9	16M-24500-00	FUEL COCK ASSY 1	1	
10	98501-03008	•SCREW, Pan head	2	
11	2W6-24512-00	•O-RING	1	
12	10L-W0092-00	•FUEL COCK VALVE SET	1	
13	90149-06011	SCREW	2	
14	90202-06010	WASHER, Plate	2	
15	90445-11626	HOSE	1	
16	90467-10008	CLIP	2	
17	90445-09661	HOSE	1	
18	90467-08003	CLIP	2	
19	12E-24161-00	EMBLEM 1	1	
20	90152-04006	SCREW, countersunk	2	
21	12E-24162-00	EMBLEM 2	1	
22	90152-04006	SCREW, countersunk	2	



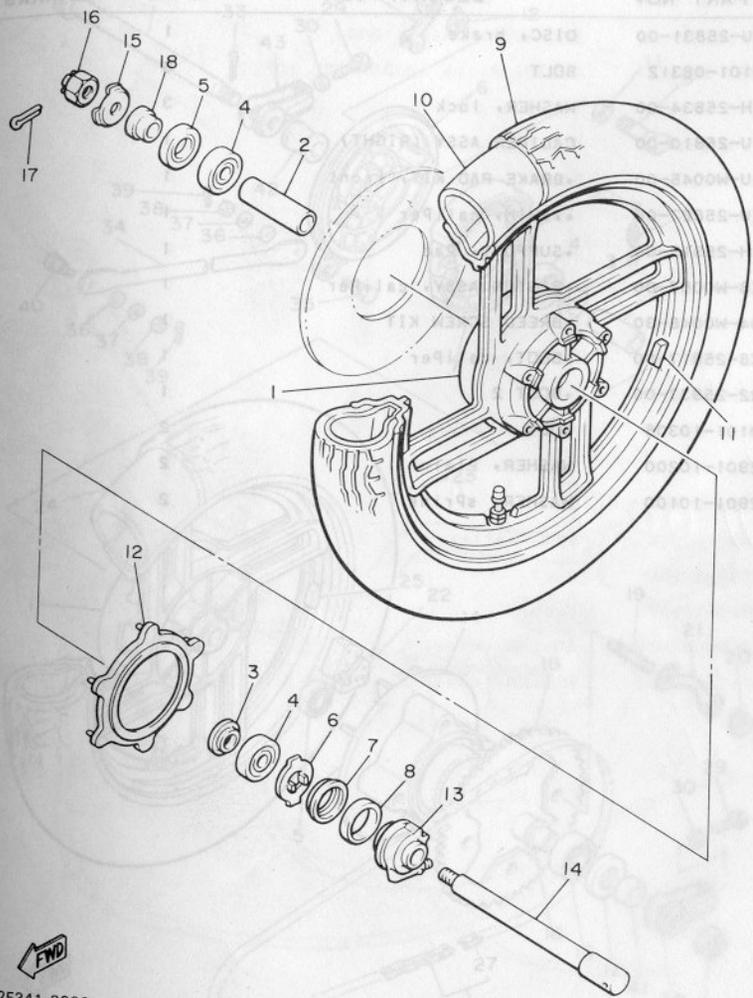
12E332-3280



REF. NO.	PART NO.	DESCRIPTION	Q'TY	REMARKS
1	16M-W2472-00	DOUBLE SEAT ASSY	1	
2	16M-24731-00	COVER, double seat	1	
3	116-24741-00	PAD, seat	7	
4	371-27114-00	STOPPER, main stand	2	
5	16M-24726-00	HINGE, seat	1	
6	95701-06100	NUT, flange	2	
7	16M-24769-00	HINGE, seat	1	
8	95701-06100	NUT, flange	2	
9	4K0-24760-00	SEAT LEVER ASSY	1	
10	95701-06100	NUT, flange	2	
11	4K0-24728-00	BRACKET, seat	1	
12	95701-06100	NUT, flange	2	
13	16M-24714-00	STOPPER, cushion	1	
14	16M-24746-00	WASHER, seat	1	
15	4K0-24705-00	SEAT LOCK ASSY	1	
16	92501-06012	SCREW, Pan head	2	
17	92902-06100	WASHER, sPring	2	
18	91701-05055	PIN, clevis	2	
19	90468-10050	CLIP	2	
20	4K0-24768-01	STOPPER	1	
21	1J7-24718-00	HOLDER, rod 1	1	
22	16M-21165-00	HANDLE, standing	1	
23	97306-08016	BOLT	2	
24	92906-08100	WASHER, sPring	2	

FWD
16M110-3290

FIG. 30 FRONT WHEEL

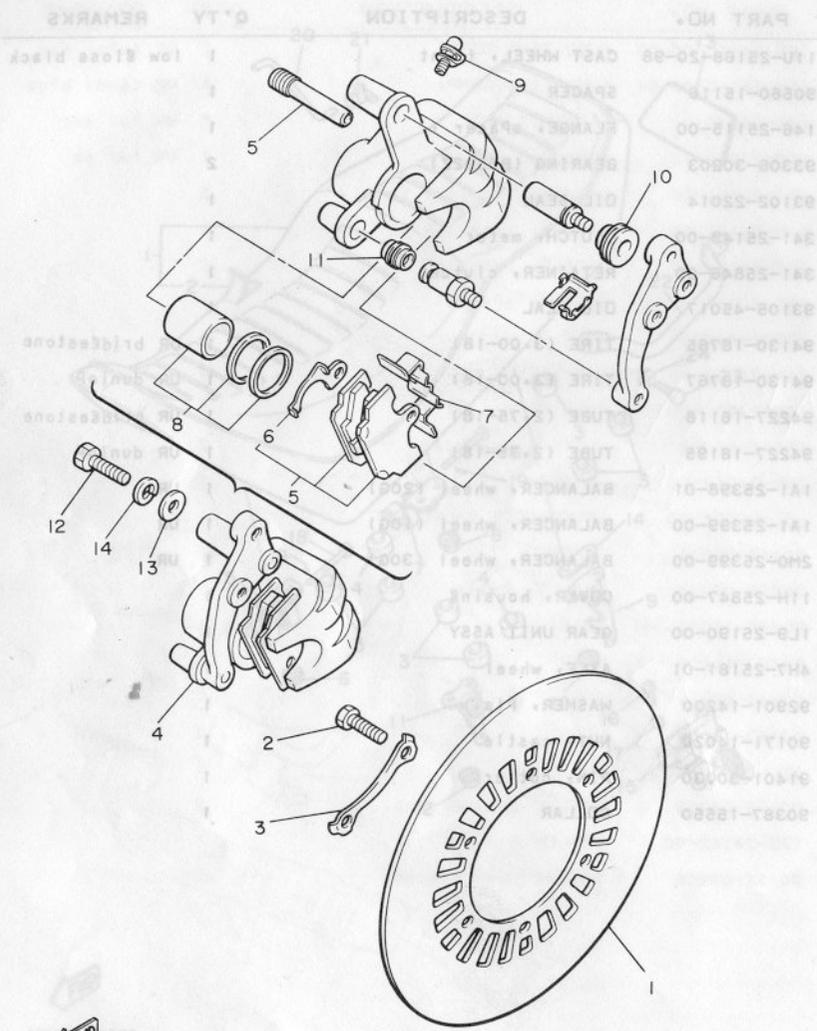


REF. NO.	PART NO.	DESCRIPTION	Q'TY	REMARKS
1	11U-25168-20-98	CAST WHEEL, front	1	low gloss black
2	90560-15116	SPACER	1	
3	146-25115-00	FLANGE, sPacer 1	1	
4	93306-30203	BEARING (B6302Z)	2	
5	93102-22014	OIL SEAL	1	
6	341-25149-00	CLUTCH, meter	1	
7	341-25846-00	RETAINER, clutch	1	
8	93105-45017	OIL SEAL	1	
9	94130-18765	TIRE (3.00-18)	1	UR bridgestone
	94130-18767	TIRE (3.00-18)	1	UR dunlop
10	94227-18118	TUBE (2.75-18)	1	UR bridgestone
	94227-18195	TUBE (2.75-18)	1	UR dunlop
11	1A1-25398-01	BALANCER, wheel (20G)	1	UR
	1A1-25399-00	BALANCER, wheel (10G)	1	UR
	2M0-25399-00	BALANCER, wheel (30G)	1	UR
12	11H-25847-00	COVER, housing	1	
13	1L9-25190-00	GEAR UNIT ASSY	1	
14	4H7-25181-01	AXLE, wheel	1	
15	92901-14200	WASHER, Plain	1	
16	90171-14020	NUT, castle	1	
17	91401-30030	PIN, cotter	1	
18	90387-15550	COLLAR	1	

12E341-3300

D12

FIG. 31 FRONT BRAKE CALIPER

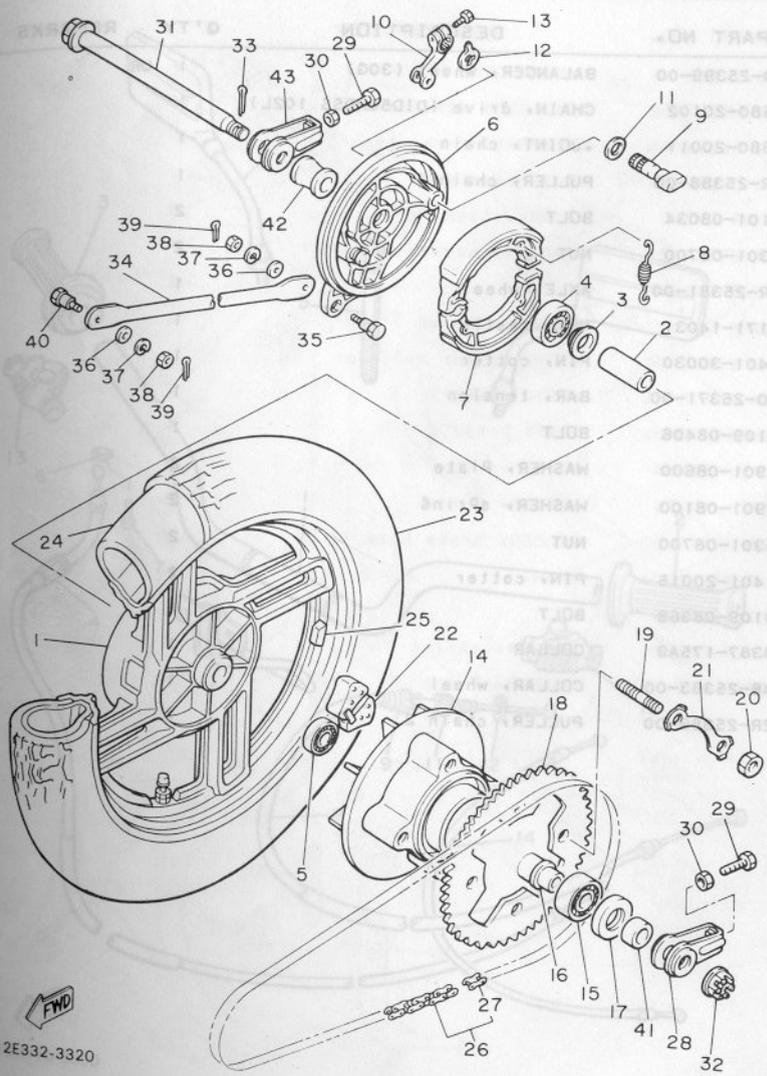


REF. NO.	PART NO.	DESCRIPTION	Q'TY	REMARKS
1	11U-25831-00	DISC, brake	1	
2	90101-08312	BOLT	6	
3	11H-25834-00	WASHER, lock	3	
4	11U-25810-00	CALIPER ASSY (RIGHT)	1	
5	11U-W0045-00	•BRAKE PAD KIT, front	1	
6	11U-25827-00	••SHIM, caliPer	1	
7	11H-25919-00	•SUPPORT, Pad	1	
8	4X8-W0057-00	•PISTON ASSY, caliPer	1	
9	404-W0048-30	•BREED SCREW KIT	1	
10	4X8-25917-00	•BOOT, caliPer	1	
11	5R2-25937-00	•BOOT 2	1	
12	90101-10308	BOLT	2	
13	92901-10200	WASHER, Plain	2	
14	92901-10100	WASHER, sPring	2	



16M110-3310

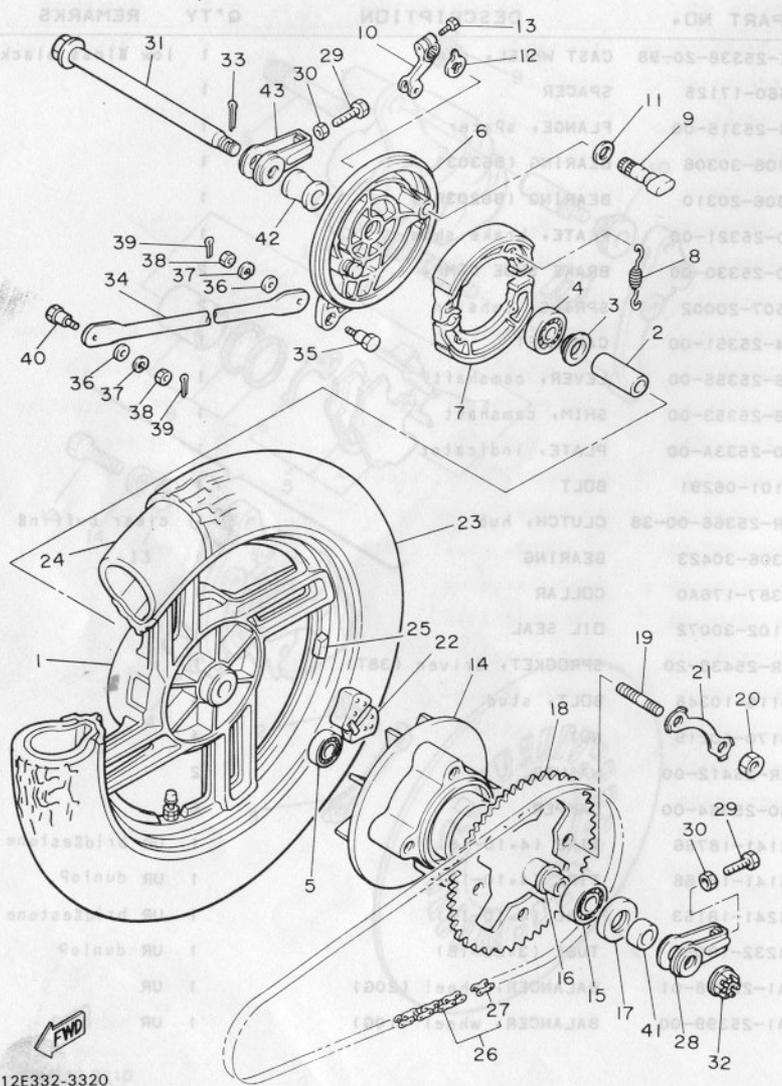
FIG. 32 REAR WHEEL



REF. NO.	PART NO.	DESCRIPTION	Q'TY	REMARKS
1	12E-25338-20-98	CAST WHEEL, rear	1	low gloss black
2	90560-17125	SPACER	1	
3	148-25315-00	FLANGE, sPacer	1	
4	93306-30306	BEARING (B6303)	1	
5	93306-20310	BEARING (B6203RS)	1	
6	4G0-25321-00	PLATE, brake shoe	1	
7	4G0-25330-00	BRAKE SHOE COMP.	2	
8	90507-20002	SPRING, tension	2	
9	4R4-25351-00	CAMSHAFT	1	
10	4V8-25355-00	LEVER, camshaft	1	
11	148-25353-00	SHIM, camshaft	1	
12	4G0-2533A-00	PLATE, indicator	1	
13	90101-06291	BOLT	1	
14	12R-25366-00-38	CLUTCH, hub	1	clear buffing
15	93306-30423	BEARING	1	
16	90387-176A0	COLLAR	1	
17	93102-30072	OIL SEAL	1	
18	12R-25438-20	SPROCKET, driven (38T)	1	
19	90116-10348	BOLT, stud	4	
20	90170-10219	NUT	4	
21	12R-25412-00	WASHER	2	
22	4G0-25364-00	DAMPER	6	
23	94141-18766	TIRE (4.10-18)	1	UR bridgestone
	94141-18768	TIRE (4.10-18)	1	UR dunlop
24	94241-18153	TUBE (4.10-18)	1	UR bridgestone
	94232-18096	TUBE (3.25-18)	1	UR dunlop
25	1A1-25398-01	BALANCER, wheel (20G)	1	UR
	1A1-25399-00	BALANCER, wheel (10G)	1	UR

FWD
12E332-3320

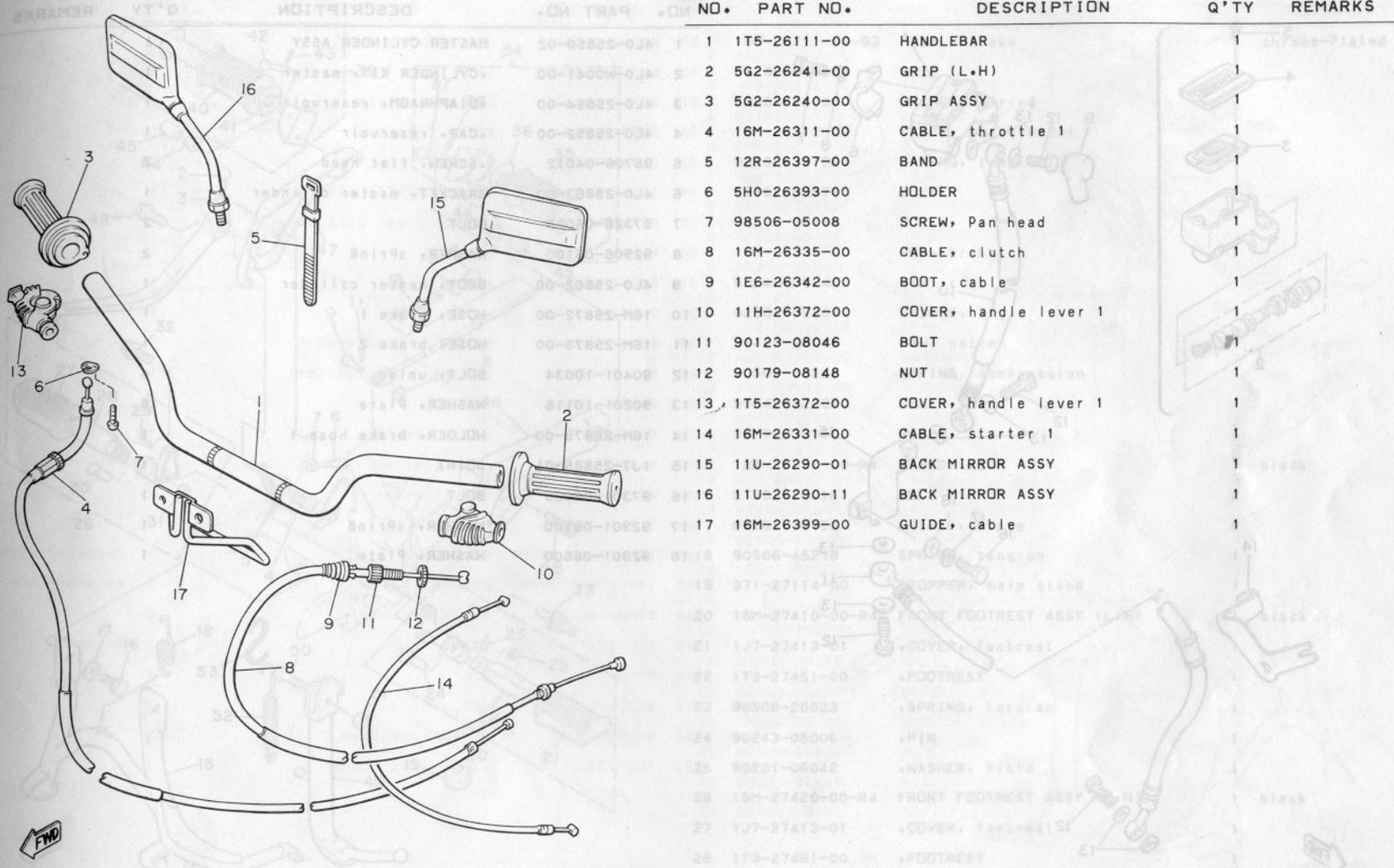
FIG. 32 REAR WHEEL CALIPER



REF. NO.	PART NO.	DESCRIPTION	Q'TY	REMARKS
25	2M0-25399-00	BALANCER, wheel (30G)	1	UR
26	94580-20102	CHAIN, drive (DID50HDSS 102L)	1	
27	94680-20011	JOINT, chain	1	
28	12R-25388-00	PULLER, chain 1	1	
29	90101-08034	BOLT	2	
30	95301-08700	NUT	2	
31	12R-25381-00	AXLE, wheel	1	
32	90171-14031	NUT, castle	1	
33	91401-30030	PIN, cotter	1	
34	4G0-25371-00	BAR, tension	1	
35	90109-08406	BOLT	1	
36	92901-08600	WASHER, Plate	2	
37	92901-08100	WASHER, sPring	2	
38	95301-08700	NUT	2	
39	91401-20015	PIN, cotter	2	
40	90109-08368	BOLT	1	
41	90387-175A9	COLLAR	1	
42	148-25383-00	COLLAR, wheel	1	
43	12R-25389-00	PULLER, chain 2	1	

12E332-3320

FIG. 33 HANDLEBAR CABLE



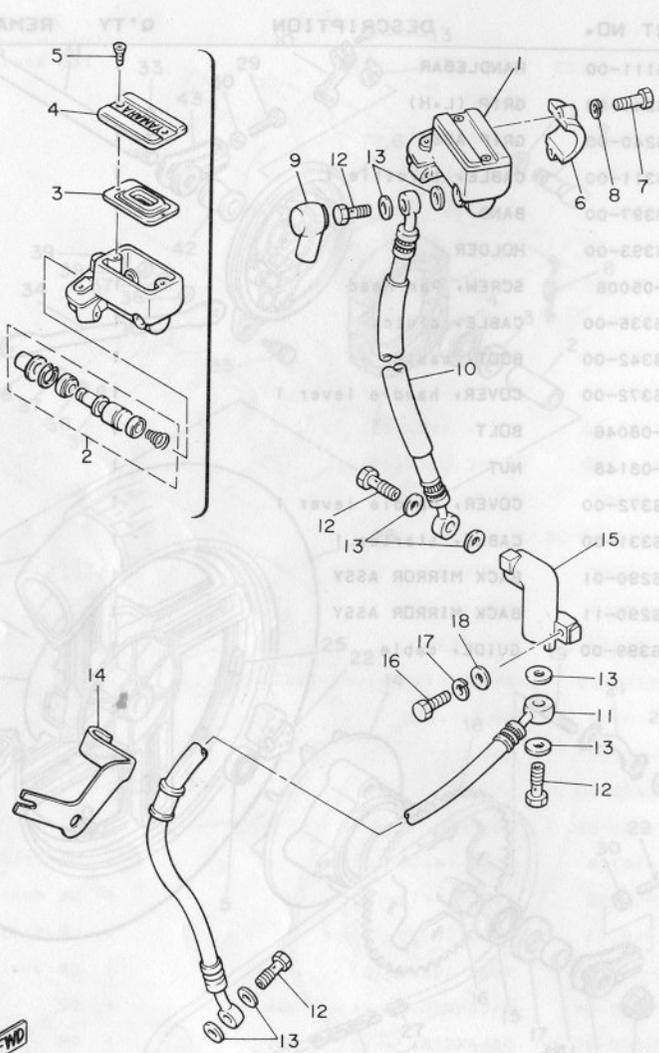
16M110-3330

E2

REF. NO.	PART NO.	DESCRIPTION	Q'TY	REMARKS
1	1T5-26111-00	HANDLEBAR	1	
2	5G2-26241-00	GRIP (L.H)	1	
3	5G2-26240-00	GRIP ASSY	1	
4	16M-26311-00	CABLE, throttle 1	1	
5	12R-26397-00	BAND	1	
6	5H0-26393-00	HOLDER	1	
7	98506-05008	SCREW, Pan head	1	
8	16M-26335-00	CABLE, clutch	1	
9	1E6-26342-00	BOOT, cable	1	
10	11H-26372-00	COVER, handle lever 1	1	
11	90123-08046	BOLT	1	
12	90179-08148	NUT	1	
13	1T5-26372-00	COVER, handle lever 1	1	
14	16M-26331-00	CABLE, starter 1	1	
15	11U-26290-01	BACK MIRROR ASSY	1	
16	11U-26290-11	BACK MIRROR ASSY	1	
17	16M-26399-00	GUIDE, cable	1	
18	90808-45276	SPRING, tension	1	
19	371-27114-1A	COPPER, seal slang	1	
20	16M-27410-00-R4	FRONT FOOTREST ASSY (L&R)	1	
21	1J7-27413-01	COVER, footrest	1	
22	1T3-27481-00	FOOTREST	1	
23	90808-20023	SPRING, tension	1	
24	90808-08006	PIN	1	
25	90801-08042	WASHER, plate	1	
26	16M-27420-00-R4	FRONT FOOTREST ASSY	1	black
27	1J7-27413-01	COVER, footrest	1	
28	1T3-27481-00	FOOTREST	1	

ORC-017MS1

FIG. 34 FRONT MASTER CYLINDER

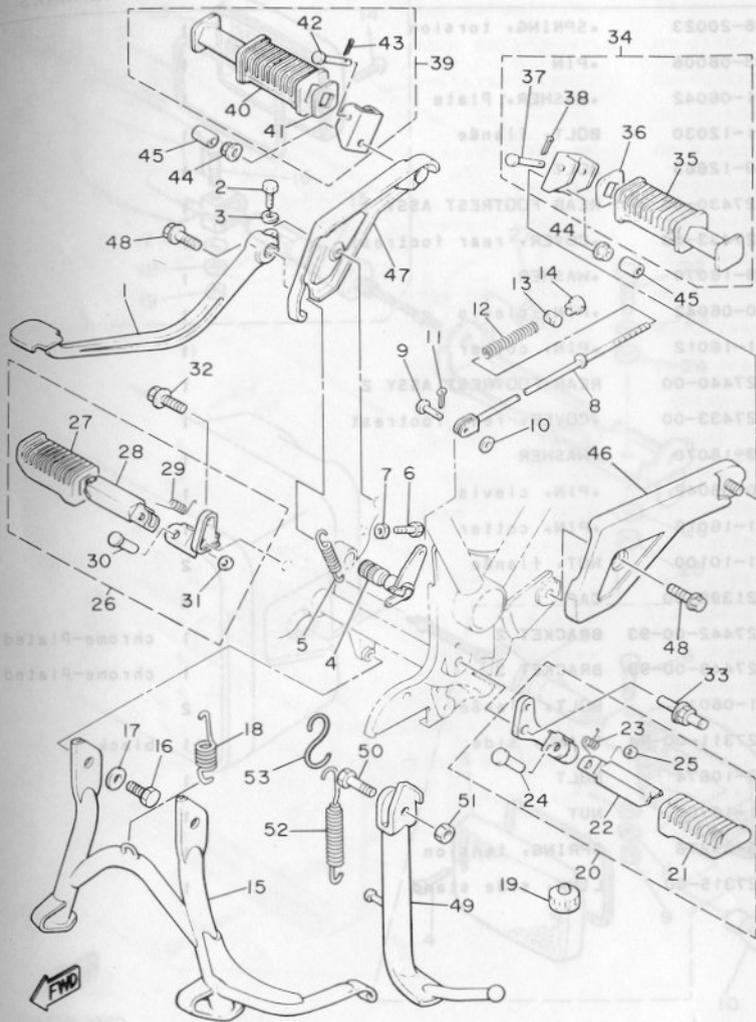


REF. NO.	PART NO.	DESCRIPTION	Q'TY	REMARKS
1	4L0-25850-02	MASTER CYLINDER ASSY	1	
2	4L0-W0041-00	•CYLINDER KIT, master	1	
3	4L0-25854-00	•DIAPHRAGM, reservoir	1	
4	4L0-25852-00	•CAP, reservoir	1	
5	98706-04012	•SCREW, flat head	2	
6	4L0-25867-00	BRACKET, master cylinder	1	
7	97326-06025	BOLT	2	
8	92906-06100	WASHER, sPring	2	
9	4L0-25862-00	BOOT, master cylinder	1	
10	16M-25872-00	HOSE, brake 1	1	
11	16M-25873-00	HOSE, brake 2	1	
12	90401-10034	BOLT, union	4	
13	90201-10118	WASHER, Plate	8	
14	16M-25875-00	HOLDER, brake hose 1	1	
15	1J7-25885-01	JOINT	1	
16	97301-06025	BOLT	1	
17	92901-06100	WASHER, sPring	1	
18	92901-06600	WASHER, Plate	1	



16M110-3340

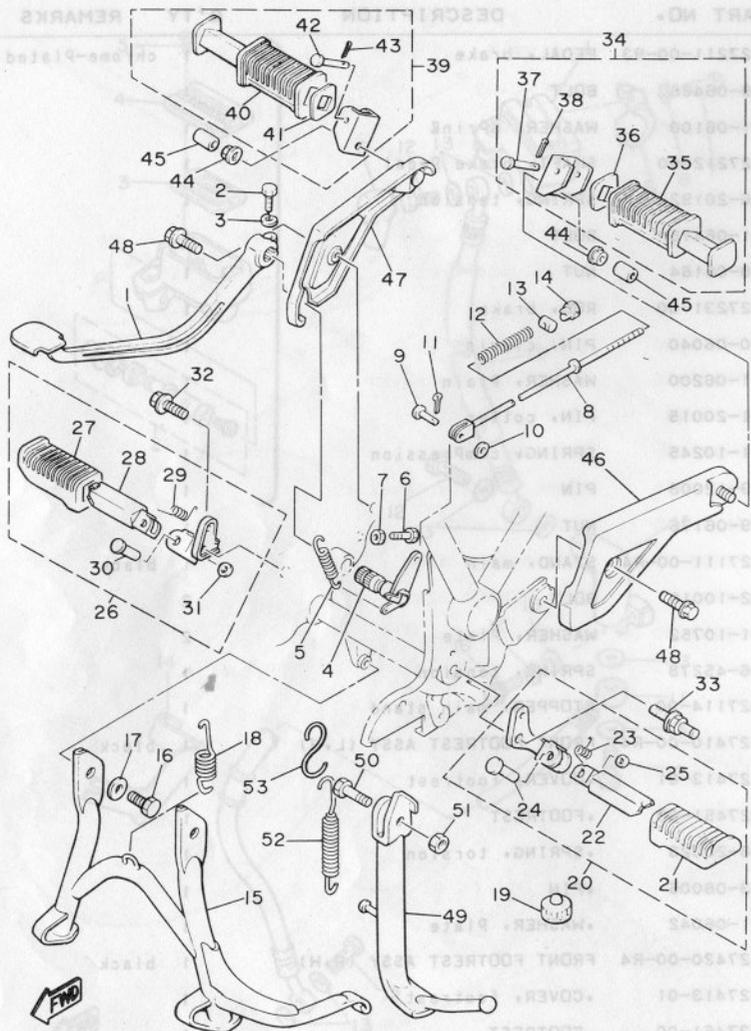
FIG. 35 STAND-FOOTREST



REF. NO.	PART NO.	DESCRIPTION	Q'TY	REMARKS
1	16M-27211-00-93	PEDAL, brake	1	chrome-plated
2	90109-06468	BOLT	1	
3	92901-06100	WASHER, spring	1	
4	16M-27212-00	SHAFT, brake Pedal	1	
5	90506-20192	SPRING, tension	1	
6	90101-06478	BOLT	1	
7	90170-06184	NUT	1	
8	16M-27231-00	ROD, brake	1	
9	90240-06040	PIN, clevis	1	
10	92901-06200	WASHER, Plain	1	
11	91401-20015	PIN, cotter	1	
12	90501-10245	SPRING, compression	1	
13	90249-12008	PIN	1	
14	90179-06176	NUT	1	
15	12R-27111-00-R4	STAND, main	1	black
16	97302-10016	BOLT	2	
17	90201-10752	WASHER, Plate	2	
18	90506-45278	SPRING, tension	1	
19	371-27114-00	STOPPER, main stand	1	
20	16M-27410-00-R4	FRONT FOOTREST ASSY (L.H)	1	black
21	1J7-27413-01	COVER, footrest	1	
22	1T3-27451-00	FOOTREST	1	
23	90508-20023	SPRING, torsion	1	
24	90243-08006	PIN	1	
25	90201-06042	WASHER, Plate	1	
26	16M-27420-00-R4	FRONT FOOTREST ASSY (R.H)	1	black
27	1J7-27413-01	COVER, footrest	1	
28	1T3-27461-00	FOOTREST	1	

12E361-3350

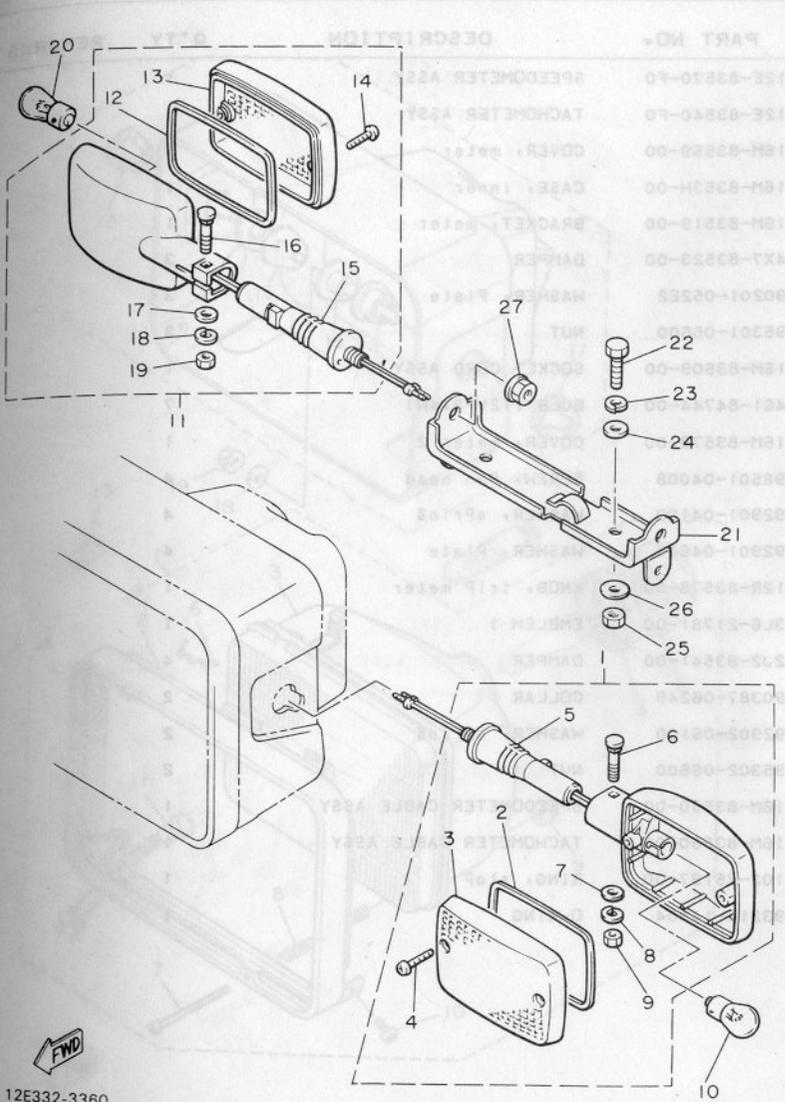
FIG. 35 STAND.FOOTREST



REF. NO.	PART NO.	DESCRIPTION	Q'TY	REMARKS
29	90508-20023	•SPRING, torsion	1	
30	90243-08006	•PIN	1	
31	90201-06042	•WASHER, Plate	1	
32	95821-12030	BOLT, flange	1	
33	90109-12663	BOLT	1	
34	4G0-27430-00	REAR FOOTREST ASSY 1	1	
35	447-27433-00	•COVER, rear footrest	1	
36	90209-18070	•WASHER	1	
37	90240-06042	•PIN, clevis	1	
38	91401-16012	•PIN, cotter	1	
39	4G0-27440-00	REAR FOOTREST ASSY 2	1	
40	447-27433-00	•COVER, rear footrest	1	
41	90209-18070	•WASHER	1	
42	90240-06042	•PIN, clevis	1	
43	91401-16012	•PIN, cotter	1	
44	95701-10100	NUT, flange	2	
45	262-21399-00	CAP	2	
46	16M-27442-00-93	BRACKET 2	1	chrome-Plated
47	16M-27443-00-93	BRACKET 3	1	chrome-Plated
48	95801-06010	BOLT, flange	2	
49	12R-27311-00-R4	STAND, side	1	black
50	90109-10674	BOLT	1	
51	95301-10700	NUT	1	
52	90506-29276	SPRING, tension	1	
53	12E-27315-00	LINK, side stand	1	

12E361-3350

FIG. 36 FLASHER LIGHT

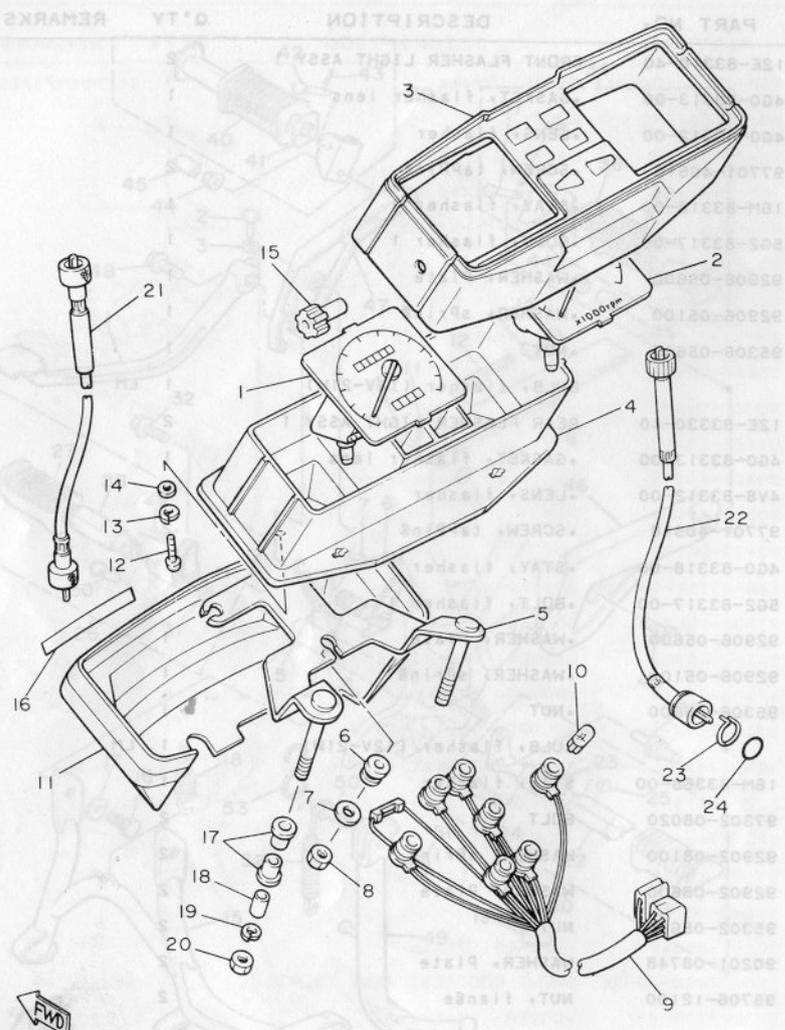


REF. NO.	PART NO.	DESCRIPTION	Q'TY	REMARKS
1	12E-83310-40	FRONT FLASHER LIGHT ASSY 1	2	
2	4G0-83313-00	•GASKET, flasher lens	1	
3	4G0-83312-00	•LENS, flasher	1	
4	97701-40518	•SCREW, tapping	2	
5	16M-83318-00	•STAY, flasher 1	1	
6	5G2-83317-00	•BOLT, flasher 1	1	
7	92906-05600	•WASHER, Plate	1	
8	92906-05100	•WASHER, sPring	1	
9	95306-05600	•NUT	1	
10	*	BULB, flasher (12V-21W)	1	LM
11	12E-83330-40	REAR FLASHER LIGHT ASSY 1	2	
12	4G0-83313-00	•GASKET, flasher lens	1	
13	4V8-83312-00	•LENS, flasher	1	
14	97701-40518	•SCREW, tapping	2	
15	4G0-83318-00	•STAY, flasher 1	1	
16	5G2-83317-00	•BOLT, flasher 1	1	
17	92906-05600	•WASHER, Plate	1	
18	92906-05100	•WASHER, sPring	1	
19	95306-05600	•NUT	1	
20	*	BULB, flasher (12V-21W)	1	LM
21	16M-83368-00	STAY, flasher	1	
22	97302-08020	BOLT	2	
23	92902-08100	WASHER, sPring	2	
24	92902-08600	WASHER, Plate	2	
25	95302-08600	NUT	2	
26	90201-08748	WASHER, Plate	2	
27	95706-12100	NUT, flange	2	

FWD
12E332-3360

E6

FIG. 37 SPEEDOMETER, TACHOMETER

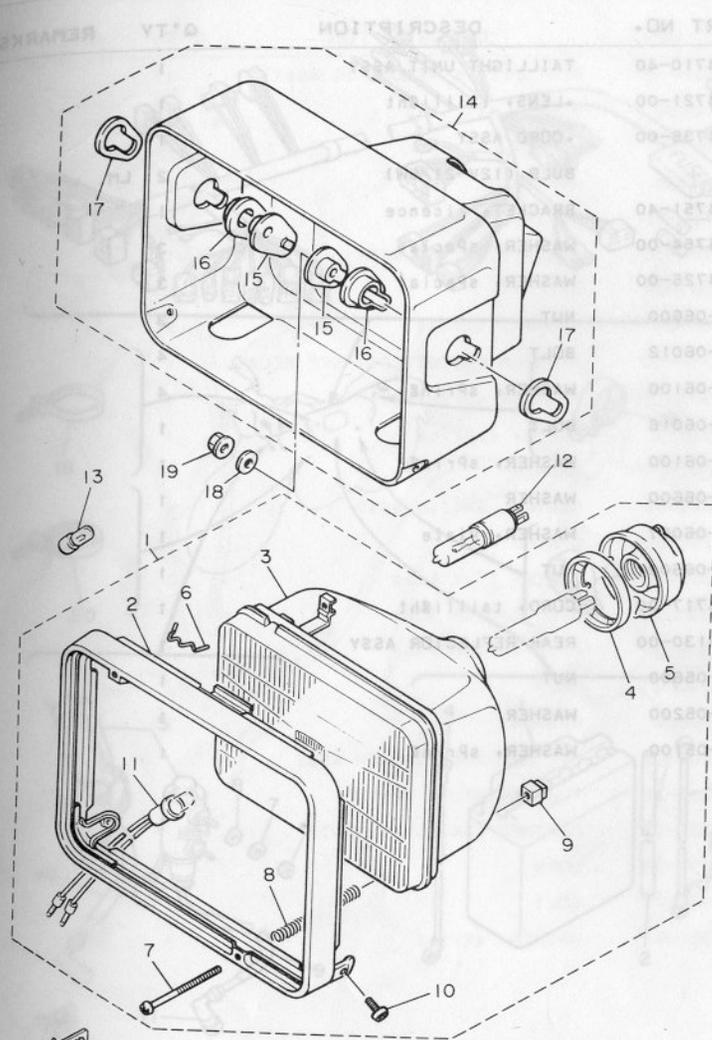


REF. NO.	PART NO.	DESCRIPTION	Q'TY	REMARKS
1	12E-83570-F0	SPEEDOMETER ASSY	1	
2	12E-83540-F0	TACHOMETER ASSY	1	
3	16M-83559-00	COVER, meter	1	
4	16M-8353H-00	CASE, inner	1	
5	16M-83519-00	BRACKET, meter	1	
6	4X7-83523-00	DAMPER	3	
7	90201-052E2	WASHER, Plate	3	
8	95301-05600	NUT	3	
9	16M-83509-00	SOCKET CORD ASSY	1	
10	4G1-84744-00	BULB (12V-3.4W)	7	
11	16M-83579-00	COVER, meter 2	1	
12	98501-04008	SCREW, Pan head	4	
13	92901-04100	WASHER, sPring	4	
14	92901-04600	WASHER, Plate	4	
15	12R-83578-00	KNOB, triP meter	1	
16	3L6-21781-00	EMBLEM 1	1	
17	2J2-83541-00	DAMPER	4	
18	90387-06249	COLLAR	2	
19	92902-06100	WASHER, sPring	2	
20	95302-06600	NUT	2	
21	16M-83550-00	SPEEDOMETER CABLE ASSY	1	
22	16M-83560-00	TACHOMETER CABLE ASSY	1	
23	102-25137-00	RING, stoP	1	
24	93210-14104	O-RING	1	

12E332-3370

E7

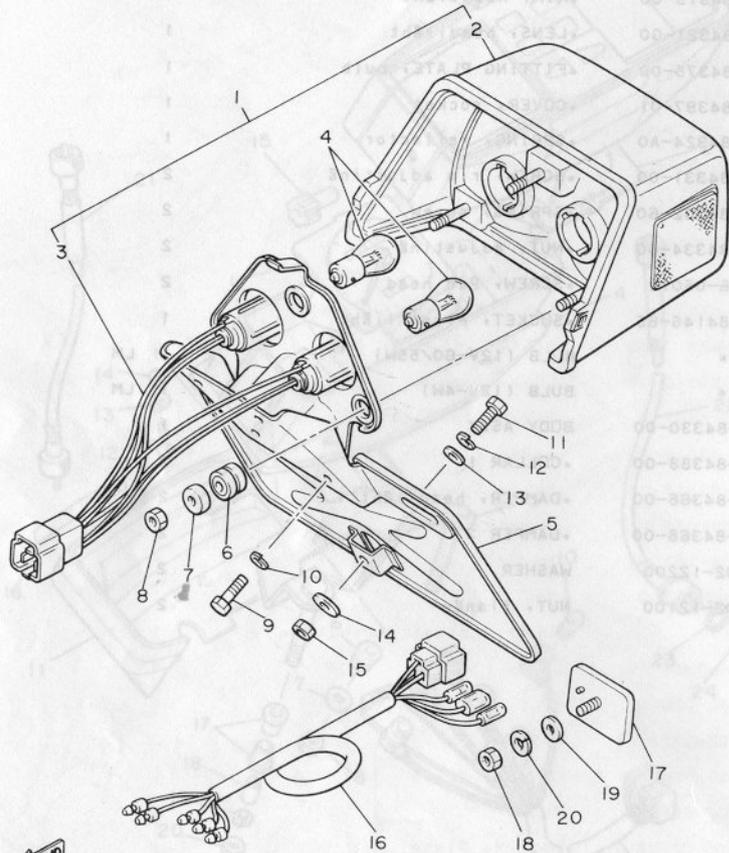
FIG. 38 HEADLIGHT



REF. NO.	PART NO.	DESCRIPTION	Q'TY	REMARKS
1	11U-84303-G0	HEADLIGHT UNIT ASSY	1	
2	11H-84315-00	•RIM, headlight	1	
3	11U-84321-G0	•LENS, headlight	1	
4	2F9-84375-00	•FITTING PLATE, bulb	1	
5	2F9-84397-01	•COVER, socket	1	
6	5G2-84324-A0	•SPRING, reflector	1	
7	2F9-84331-00	•SCREW, rim adjusting	2	
8	341-84332-60	•SPRING, screw	2	
9	198-84334-60	•NUT, adjusting	2	
10	98506-05012	•SCREW, Pan head	2	
11	457-84146-85	•SOCKET, Pilot light	1	
12	12E * 2590-70	BULB (12V-60/55W)	1	LM
13	1A0 * 2181-00	BULB (12V-4W)	1	LM
14	16M-84330-00	BODY ASSY	1	
15	16M-84388-00	•COLLAR 1	2	
16	16M-84366-00	•DAMPER, headlight 1	2	
17	16M-84368-00	•DAMPER 3	2	
18	92902-12200	WASHER	2	
19	95702-12100	NUT, flange	2	

12E332-3380

FIG. 39 TAILLIGHT

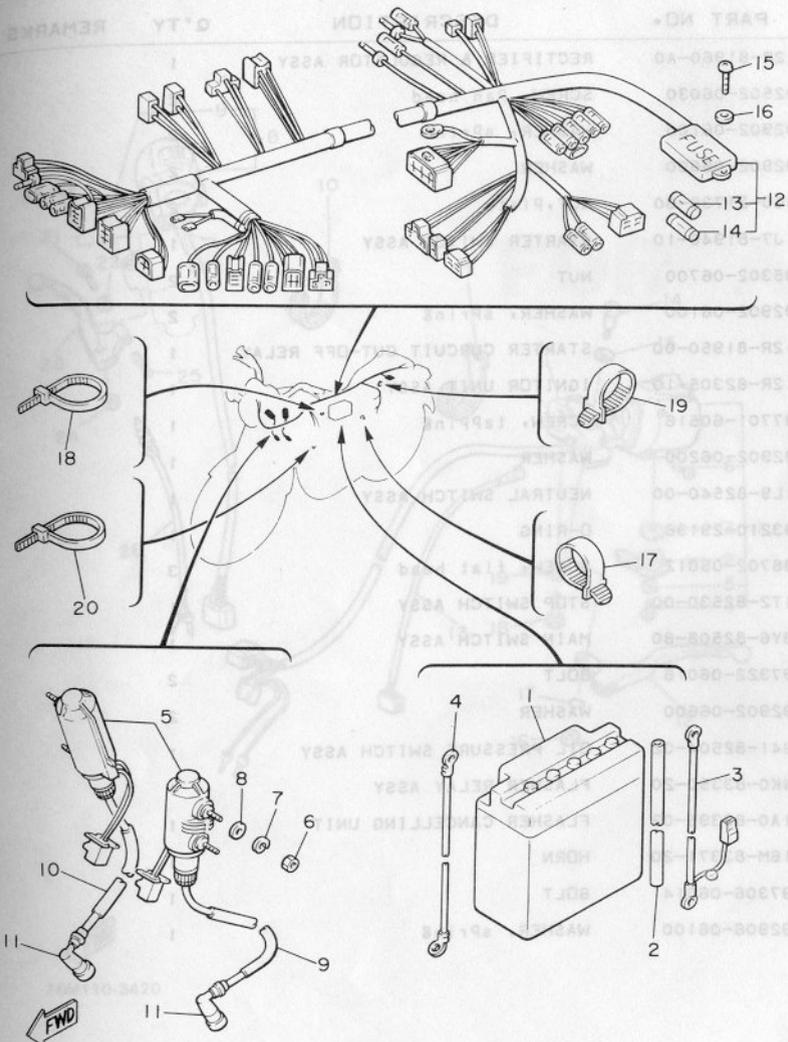


REF. NO.	PART NO.	DESCRIPTION	Q'TY	REMARKS
1	4V8-84710-40	TAILLIGHT UNIT ASSY	1	
2	4V8-84721-00	•LENS, taillight	1	
3	4V8-84735-00	•CORD ASSY	1	
4	*	BULB (12V-21/5W)	2	LM
5	12E-84751-40	BRACKET, licence	1	
6	4G0-84754-00	WASHER, sPecial	3	
7	4G0-84725-00	WASHER, sPecial	3	
8	95301-06600	NUT	3	
9	97302-06012	BOLT	4	
10	92902-06100	WASHER, sPring	4	
11	97301-06016	BOLT	1	
12	92902-06100	WASHER, sPring	1	
13	92902-06600	WASHER	1	
14	90201-06067	WASHER, Plate	1	
15	95302-06600	NUT	1	
16	16M-84717-00	CORD, taillight	1	
17	3Y6-85130-00	REAR REFLECTOR ASSY	1	
18	95302-05600	NUT	1	
19	92902-05200	WASHER	1	
20	92902-05100	WASHER, sPring	1	

FWD

12E332-3390

FIG. 40 ELECTRICAL 1

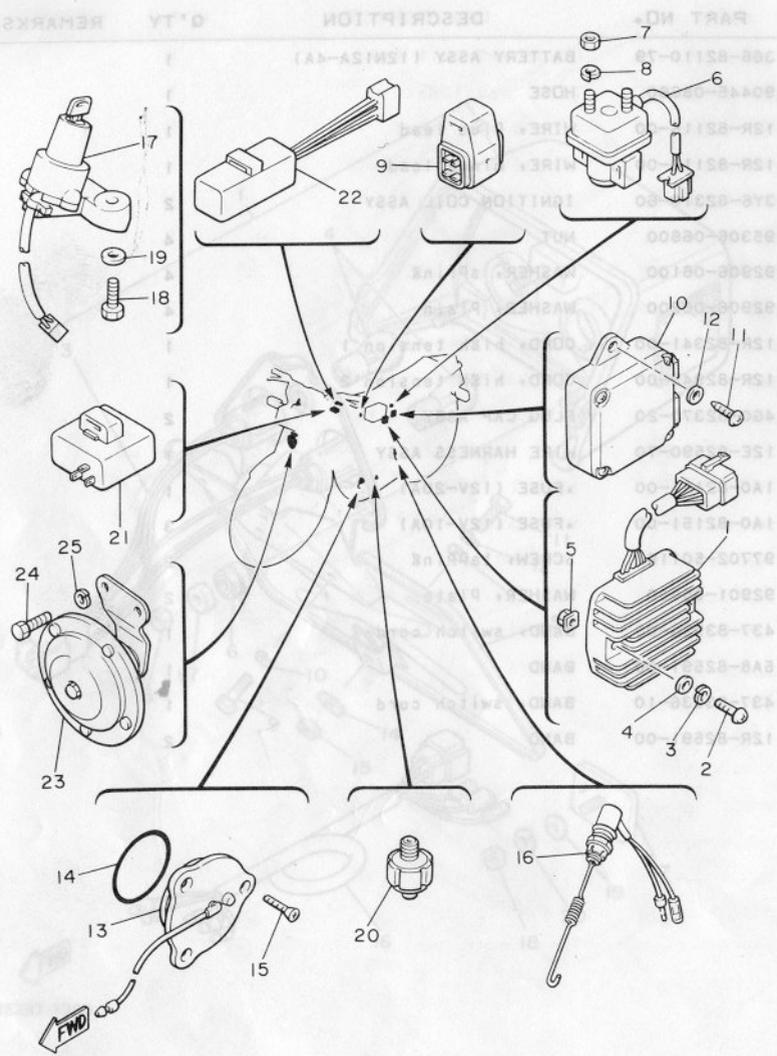


REF. NO.	PART NO.	DESCRIPTION	Q'TY	REMARKS
1	366-82110-79	BATTERY ASSY (12N12A-4A)	1	
2	90445-08660	HOSE	1	
3	12R-82115-00	WIRE, Plus lead	1	
4	12R-82116-00	WIRE, minus lead	1	
5	3Y6-82310-60	IGNITION COIL ASSY	2	
6	95306-06600	NUT	4	
7	92906-06100	WASHER, sPring	4	
8	92906-06200	WASHER, Plain	4	
9	12R-82341-00	CORD, high tension 1	1	
10	12R-82342-00	CORD, high tension 2	1	
11	4G0-82370-20	PLUG CAP ASSY	2	
12	12E-82590-70	WIRE HARNESS ASSY	1	
13	1A0-82161-00	• FUSE (12V-20A)	1	
14	1A0-82151-00	• FUSE (12V-10A)	3	
15	97702-50116	SCREW, tapping	2	
16	92901-05600	WASHER, Plate	2	
17	437-83936-00	BAND, switch cord	1	
18	5A8-82591-00	BAND	1	
19	437-83936-10	BAND, switch cord	1	
20	12R-82591-00	BAND	2	

12E332-3400

E10

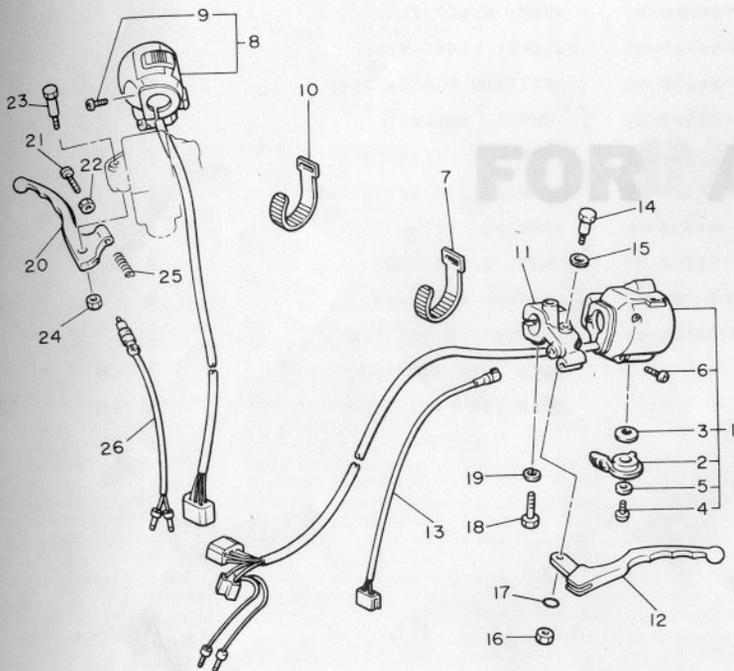
FIG. 41 ELECTRICAL 2



REF. NO.	PART NO.	DESCRIPTION	Q'TY	REMARKS
1	12R-81960-A0	RECTIFIER & REGULATOR ASSY	1	
2	92502-06030	SCREW, Pan head	2	
3	92902-06100	WASHER, sPring	2	
4	92902-06600	WASHER	2	
5	4G0-21736-00	NUT, Plate	2	
6	1J7-81940-10	STARTER SWITCH ASSY	1	
7	95302-06700	NUT	2	
8	92902-06100	WASHER, sPring	2	
9	12R-81950-00	STARTER CURCUIT CUT-OFF RELAY	1	
10	12R-82305-10	IGNITOR UNIT ASSY	1	
11	97701-60516	SCREW, tapping	1	
12	92902-06200	WASHER	1	
13	1L9-82540-00	NEUTRAL SWITCH ASSY	1	
14	93210-29196	O-RING	1	
15	98702-05012	SCREW, flat head	3	
16	1T2-82530-00	STOP SWITCH ASSY	1	
17	3Y6-82508-80	MAIN SWITCH ASSY	1	
18	97322-06016	BOLT	2	
19	92902-06600	WASHER	2	
20	341-82504-02	OIL PRESSURE SWITCH ASSY	1	
21	4K0-83350-20	FLASHER RELAY ASSY	1	
22	1A0-83395-03	FLASHER CANCELLING UNIT	1	
23	16M-83371-20	HORN	1	
24	97306-06014	BOLT	1	
25	92906-06100	WASHER, sPring	1	

12E341-3410

FIG. 42 HANDLE SWITCH-LEVER



REF. NO.	PART NO.	DESCRIPTION	Q'TY	REMARKS
1	11U-83972-00	SWITCH, handle 4	1	
2	10M-83941-00	•LEVER, starter	1	
3	90209-10131	•WASHER	1	
4	92501-06008	•SCREW, Pan head	1	
5	92901-06200	•WASHER, Plain	1	
6	98506-05020	•SCREW, Pan head	2	
7	437-83936-00	BAND, switch cord	1	
8	11U-83963-00	SWITCH, handle 3	1	
9	98506-05020	•SCREW, Pan head	2	
10	437-83936-00	BAND, switch cord	1	
11	11U-82911-00	HOLDER, lever 1	1	
12	11U-83912-00	LEVER 1	1	
13	3Y6-82917-00	SWITCH	1	
14	90109-06576	BOLT	1	
15	90201-082A9	WASHER, Plate	1	
16	95606-06100	NUT, u	1	
17	93210-11368	O-RING	1	
18	97306-06022	BOLT	1	
19	92906-06100	WASHER, sPring	1	
20	2J2-83922-00	LEVER 2	1	
21	90149-06131	SCREW	1	
22	90170-06010	NUT	1	
23	90109-06465	BOLT	1	
24	95601-06100	NUT, u	1	
25	90501-10312	SPRING, comPression	1	
26	1A0-83980-30	FRONT STOP SWITCH ASSY	1	



16M110-3420