

**1973 CADILLAC ELDORADO**

**PARTS CATALOG**

**ILLUSTRATION AND TEXT  
(CHASSIS - BODY - TRIM)**

**Dec-73**

**SUPERSEDES  
May-73  
ENGLISH**



**BUICK CADILLAC CHEVROLET OLDSMOBILE PONTIAC**

**THE GENERAL MOTORS EXCELLENCE**

## INDEX TO INFORMATION PAGE

The use of this Parts Catalog and the arrangement of information herein is explained in the General Information Section as interred below.

<b>Abbreviations</b> _____	<b>INF-1</b>
<b>Alphabetic Index</b> _____	<b>INF-2</b>
<b>Group Index</b> _____	<b>INF-3</b>
<b>Illustration Numbering Index</b> _____	<b>INF-4</b>
<b>What You Need to Know About this Catalog</b> _____	<b>INF-5</b>
<b>VIN Plate Decoding Information</b> _____	<b>INF-6</b>

## Abbreviations

### INF - 1

#### Abbreviations

A/C or AC	Air Condition	MAP	Manifold Absolute Pressure
ABS	Anti-Loch Brakes System	MLDG	Moulding
ADJ	Adjuster	MPH	Miles Per Hour
AR	As Required	O/D	Outside Diameter
ASSY	Assembly	P	Paint As Required
ATC	Automatic Temperature Control	PAR	Paint As Required
AWD	All Wheel Drive	PLR	Pillar
BMPR	Bumper	PNL	Panel
BRKT	Bracket	P/S	Power Steering
BUX	Built Up Export	PSI	Pounds Per Square Inch
CONV	Convertible	PSF	Pounds Per Square Foot
CPL	Coupling	PRNODL	Park, Reverse, Neutral, Overdrive, Drive Low
CTR	Control	PRNDL	Park, Reverse, Neutral, Drive Low
CV	Costant Velocity	PTO	Power Take Off
DOHC	Double Over Head Cam	QTR	Quarter
EFI	Electronic Fuel Injection	RAD	Radiator
EGR	Exhaust Gas Recirculation	REINF	Reinforcement
ECU	Electronic Control Unit	RFI	Radio Frequency Interference
ELEC	Electric	R/L	Right or Left
FRT	Front	RPM	Revolutions Per Minute
FT	Foot	Rr	Rear
FWD	Front Wheel Drive	RTV	Room Temperature Vulcanize (sealant)
HEX	Hexagon	SOHC	Single Over Head Cam
HCU	Hydraulic Control Unit	SPT	Support
HSG	Housing	T/BODY	Throttle Body
I/D	Inside Diameter	U/BODY	Under Body
INR	Inner	UPR	Upper
L	Liter	W/	With
LED	Light Emitting Diode	W/O	Without
LGT	Light	W/STRIP	Weatherstrip
LIC	License		
LWR	Lower		

Alphabetic Index  
INF - 2

Alphabetic Index

AIR CONDITION	Illustration 009	LUGGAGE LID	Illustration 028
ASTRO ROOF	Not Available	MONITOR LAMPS	Illustration 005
AXLE, REAR	Illustration 009	QUARTER GLASS CONVERTIBLE	Illustration 024
BACK WINDOW	Not Available	QUARTER GLASS COUPE	Illustration 025
BACK-UP LAMP	Illustration 033	QUARTER MOULDING	Illustration 026
BODY, REAR	Illustration 030	QUARTER PANEL	Illustration 023
BUMPER, FRONT	Illustration 001	REAR PANEL INTERIOR TRIM	Illustration 027
BUMPER, REAR	Illustration 029	ROCKER PANEL	Illustration 016
COLUMN - STANDARD	Not Available	ROOF	Illustration 020
COLUMN - TILT WHEEL	Not Available	ROOF " BIARRIZ " HALF TOP	Not Available
CONVERTIBLE TOP	Illustration 044	SEAT	Illustration 042
COOLING	Illustration 006	SIDE MARKER LAMP	Illustration 032
CORNERING LAMPS, FRONT	Illustration 004	STEERING GEAR	Illustration 039
COWL & DASH	Illustration 015	STEERING LINKAGE	Illustration 013
DOOR & EXTERIOR TRIM	Illustration 017	SUSPENSION, REAR	Illustration 045
DOOR GLASS & PARTS	Illustration 019	TAIL LAMP	Illustration 031
DOOR HARDWARE	Illustration 043	WHEEL	Illustration 037
DOOR INTERIOR TRIM	Illustration 018	WHEEL STEERING	Illustration 038
ELECTRICAL	Illustration 036	WINDSHIELD	Illustration 040
EMISSION SYSTEM	Illustration 035		
ENGINE	Illustration 008		
EXHAUST SYSTEM	Illustration 007		
EXTERIOR TRIM HALF TOP	Illustration 021		
FRAME	Illustration 014		
FRONT FENDER	Illustration 011		
FRONT SUSPENSION	Illustration 012		
FUEL TANK	Illustration 045		
GRILLE	Illustration 002		
HEADLAMPS	Illustration 003		
HOOD	Illustration 010		
INTERIOR TRIM SUN ROOF	Illustration 022		
LICENSE LAMP	Illustration 034		

**Group Index**  
**INF - 3**

---

**Group Index**

GROUP - 001	AIR CONDITION & HEATHER	AIR CONDITION & HEATHER	GROUP - 001
GROUP - 002	BODY SHEET METAL EXCEPT DOORS	BODY SHEET METAL EXCEPT DOORS	GROUP - 002
GROUP - 003	COOLING	COOLING	GROUP - 003
GROUP - 004	DOORS, RELATED PARTS AND SEAT	DOORS, RELATED PARTS AND SEAT	GROUP - 004
GROUP - 005	ELECTRICAL	ELECTRICAL	GROUP - 005
GROUP - 006	EMISSION SYSTEM	EMISSION SYSTEM	GROUP - 006
GROUP - 007	ENGINE	ENGINE	GROUP - 007
GROUP - 008	EXHAUST	EXHAUST	GROUP - 008
GROUP - 009	FRAME AND BUMPERS	FRAME AND BUMPERS	GROUP - 009
GROUP - 010	INSTRUMENT PANEL	INSTRUMENT PANEL	GROUP - 010
GROUP - 011	ROOF	ROOF	GROUP - 011
GROUP - 012	STEERING	STEERING	GROUP - 012
GROUP - 013	SUSPENSION	SUSPENSION	GROUP - 013
GROUP - 014	WHEELS	WHEELS	GROUP - 014
GROUP - 015	WINDSHIELD & GLASS EXCEPT DOORS	WINDSHIELD & GLASS EXCEPT DOORS	GROUP - 015

**Illustration Numbering Index**  
**INF - 4**

---

**Illustration Numbering Index**

Illustration 001	BUMPER, FRONT	Illustration 033	BACK-UP LAMP
Illustration 002	GRILLE	Illustration 034	LICENSE LAMP
Illustration 003	HEADLAMPS	Illustration 035	EMISSION SYSTEM
Illustration 004	CORNERING LAMPS, FRONT	Illustration 036	ELECTRICAL
Illustration 005	MONITOR LAMPS	Illustration 037	WHEEL
Illustration 006	COOLING	Illustration 038	WHEEL STEERING
Illustration 007	EXHAUST SYSTEM	Illustration 039	STEERING GEAR
Illustration 008	ENGINE	Illustration 040	WINDSHIELD
Illustration 009	AIR CONDITION	Illustration 042	SEAT
Illustration 010	HOOD	Illustration 043	DOOR HARDWARE
Illustration 011	FRONT FENDER	Illustration 044	CONVERTIBLE TOP
Illustration 012	FRONT SUSPENSION	Illustration 045	AXLE, REAR
Illustration 013	STEERING LINKAGE	Illustration 045	FUEL TANK
Illustration 014	FRAME	Illustration 045	SUSPENSION, REAR
Illustration 015	COWL & DASH	Not Available	ASTRO ROOF
Illustration 016	ROCKER PANEL	Not Available	BACK WINDOW
Illustration 017	DOOR & EXTERIOR TRIM	Not Available	COLUMN - STANDARD
Illustration 018	DOOR INTERIOR TRIM	Not Available	COLUMN - TILT WHEEL
Illustration 019	DOOR GLASS & PARTS	Not Available	ROOF " BIARRIZ " HALF TOP
Illustration 020	ROOF		
Illustration 021	EXTERIOR TRIM HALF TOP		
Illustration 022	INTERIOR TRIM SUN ROOF		
Illustration 023	QUARTER PANEL		
Illustration 024	QUARTER GLASS CONVERTIBLE		
Illustration 025	QUARTER GLASS COUPE		
Illustration 026	QUARTER MOULDING		
Illustration 027	REAR PANEL INTERIOR TRIM		
Illustration 028	LUGGAGE LID		
Illustration 029	BUMPER, REAR		
Illustration 030	BODY, REAR		
Illustration 031	TAIL LAMP		
Illustration 032	SIDE MARKER LAMP		

**What You Need to Know About this Catalog**  
**INF - 5**

---

**What You Need to Know About this Catalog**

- 1) All part numbers referring to an original part number.
- 2) Regular part numbers that show as 52005560 referring to right and left.
- 3) Irregular part numbers that show as 52005560-1, this means the right number is 52005560 and the left part is 52005561. this applies whether the right is the higher or lower.
- 4) Any word, title or number is searchable on this catalog by using the computer "Find" key.

**VIN Plate Decoding Information**  
**INF - 6**

---

**VIN Plate Decoding Information**

<b>1st Digit</b>	MAKE	6 = CADILLAC
<b>2nd to 4th Digit</b>	SERIES/BODY TYPE	L47 = ELDORADO 2 Dr. Coupe (1973-79) L67 = ELDORADO 2 Dr. Convertible (1973-76)
<b>5th Digit</b>	ENGINE	S = 8.2L (500 CID) (1973-76)
<b>6th Digit</b>	YEAR	3 = 1973
<b>7th Digit</b>	ASSEMBLY PLANT	Q = Detroit Michigan E = Linden New Jersey
<b>8th to 13th Digit</b>	SEQUENCE NUMBERS	

---

**GROUP - 001  
AIR CONDITIONING & HEATER**

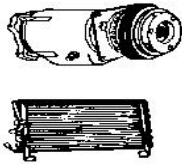
**GROUP 001 - AIR CONDITIONING/HEATER**

ILLUSTRATION TITLE

GROUP - ILL. No

**AIR CONDITIONING/HEATER**

001 - 009





**AIR CONDITIONING/HEATER  
Illustration 009**

ITEM	PART NUMBER	LBS.	PRICE	DESCRIPTION
------	-------------	------	-------	-------------

Note:

1	3027445	18		CONDENSER
2	12300276	38		COMPRESSOR, 1 GROVE
	6551175	7	\$172.50	CLUTCH, 1 GROVE
	5914753	7		CLUTCH, 2 GROVE
	6550835	3	\$57.50	SOLENOID
	3027185	6		EVAPORATOR W/O V.I.R.
	3027527	6		EVAPORATOR WITH V.I.R.
	3027062	2		FAN
	22029905	3	\$71.30	FAN MOTOR
	S-9.277C	1		RELAY
	S-9.405T	6		CONTROL UNIT REBUILT
	S-9.331A	8		CLIMATE CONTROL



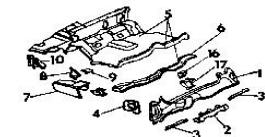
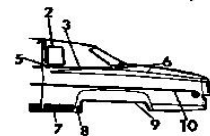
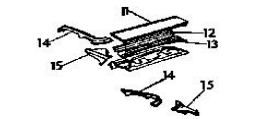
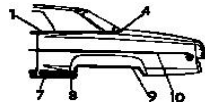
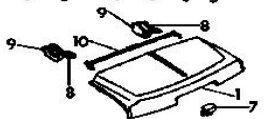
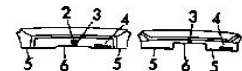
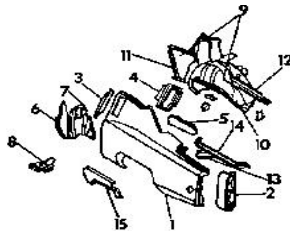
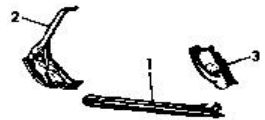
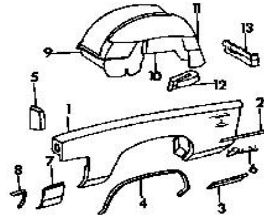
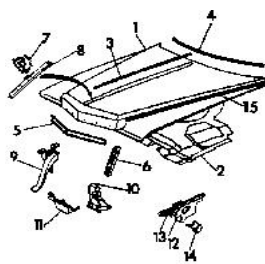
**CHEVROLET BLAZER**  
SERIES

BODY

TRANSMISSION

AR = Use as required, P = Paint to Match, Q = Quantity, TR = Transmission

**GROUP - 002  
BODY SHEET METAL EXCEPT DOORS**

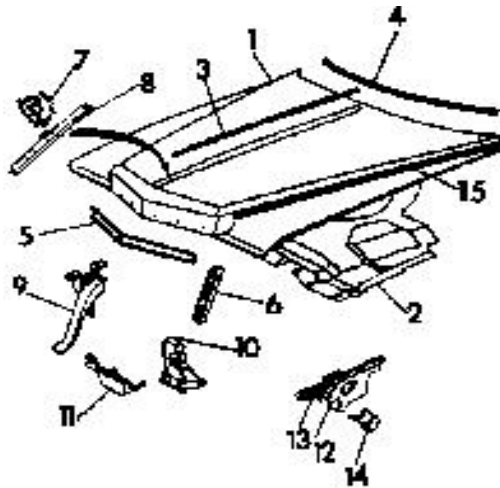


**GROUP 002 - BODY SHEET METAL EXCEPT DOORS**

ILLUSTRATION TITLE	GROUP - ILL. No
HOOD	002 - 010
FRONT FENDER	002 - 011
ROCKER PANEL	002 - 016
QUARTER PANEL	002 - 023
LUGGAGE LID	002 - 028
QUARTER MOULDING	002 - 026
REAR PANEL INTERIOR TRIM	002 - 027
REAR BODY	002 - 030

**HOOD  
Illustration 010**

ITEM	PART NUMBER	LBS.	PRICE	DESCRIPTION
<b>Note:</b>				
1	3516353	325		PANEL, HOOD
2	12306178	28	\$149.50	INSULATOR
3	3633797	16		MOULDING, CENTER
4	1496983	16		REAR
5	3633798	8		FRONT
6	3633865-6	4		EXTENSION HEADER NOT REQUIRED
7	3633594	2		ORN, WREATH & CREST
8	3633825	1		BASE, ORNAMENT
9	1609155	2		CATCH, SAFETY
10	9827558	2		LOCK, HOOD ON TIE BAR
11	1601926	2		GUARD, LOCK
12	1601247-6	6		HINGE
13	1612103	3		SPRING, HINGE
14	1496998	3		BRKT, HINGE
	3515031	3		PLATE, HINGE
	9657499	2		CONTROL ASSY RELEASE
15	1099934-5	16		MOULDING, HOOD SIDE
	1099936-7	2		FRT SPEAR
	3634339	2		PAD, MOULDING SIDE
	3634340	2		FRT SPEAR



**CHEVROLET BLAZER**  
SERIES

BODY

TRANSMISSION

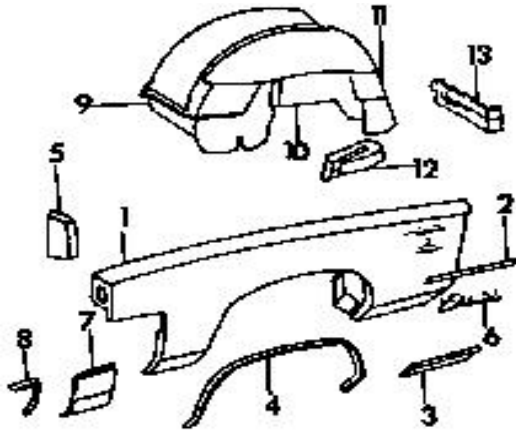
AR = Use as required, P = Paint to Match, Q = Quantity, TR = Transmission

**FENDER  
Illustration 011**

ITEM	PART NUMBER	LBS.	PRICE	DESCRIPTION
------	-------------	------	-------	-------------

Note:

1	3516163-2	220		FENDER, FRONT
2	9633344	7		UPPER CHROME
	9633345	7		PAINTED BLACK
3	3633548-7	3		LOWER, ROCKER
4	3633541-0	18		WHEEL OPENING
5	1602037-6	3		EXTENSION, FENDER FRONT
	3633587	3		ORNAMENT, EXTENSION
6	9633431	1		PLATE UNIT, "Eldorado"
7	1691522-1	4		FILLER, FENDER
8	1601518-7	1		RETAINER, FILLER
9	1605704-3	50		WHEELHOUSE, FENDER
10	14088528	14		SEAL, WHEELHOUSE CENTER
11	3516893-2	14		REAR
12	1600696-5	3		BRACKET, WH/HSE
13	1600786-5	6		STRUT, TO BODY
	1496919-8	6		CONV
	1604262	7		ANTENNA, ELECTRIC



**CHEVROLET BLAZER**  
SERIES

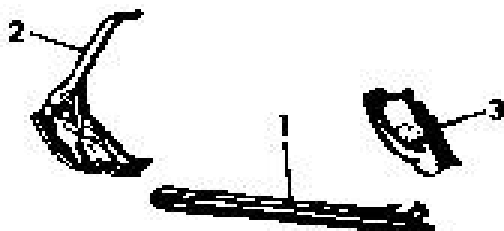
BODY

TRANSMISSION

AR = Use as required, P = Paint to Match, Q = Quantity, TR = Transmission

**ROCKER PANEL  
Illustration 016**

ITEM	PART NUMBER	LBS.	PRICE	DESCRIPTION
<i>Note:</i>				
1	20031073-4	30		PANEL, ROCKER
	3633572-1	24		MOULDING, ROCKER
	9873981	18		PLATE, SCUFF
	9612474-5	3		MLDG, BELT- WSTRIP
	1099671-2	3		MLDG, BELOW REVEAL W/CABRIOLET OPT.
	1099674-5	3		INSERT
2	8707784	6		MOULDING, SIDE CHROME
3	9634359-60	6		MOULDING, LOWER
4	1497550-49	8		MLDG, DOOR EDGE GUARD
	9829412-1	5		MIRROR, REMOTE CONTROL



**CHEVROLET BLAZER**  
SERIES

BODY

TRANSMISSION

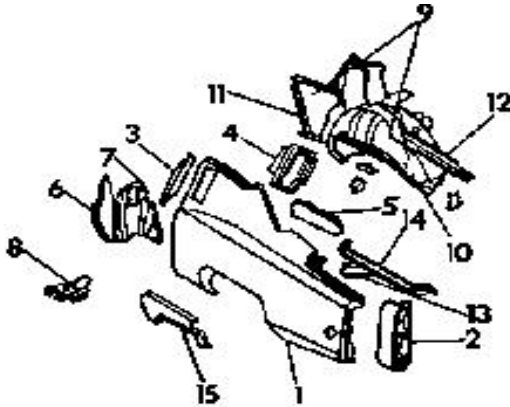
AR = Use as required, P = Paint to Match, Q = Quantity, TR = Transmission

**QUARTER PANEL  
Illustration 023**

ITEM	PART NUMBER	LBS.	PRICE	DESCRIPTION
------	-------------	------	-------	-------------

Note:

1	9892910-1	260		QUARTER COUPE
	9892912-3	260		CONV
2	5965468-7	6		EXT, QTR OUTER
3	9833990-1	4		PANEL, INR UPR FRT
4	9833992-3	5		REINF, WINDOW
5	8792957-8	4		BRACE, PLR TO
6	9603038-9	9		PANEL, LOCK PILLAR COUPE
	9603040-1	9		CONV
7	20018270-1	7		REINF, LOCK PILLAR
8	9611006-7	3		REINF, TO FLOOR PAN
9	1662516-7	40		WHEELHOUSE ASSEMBLY COUPE
	9827092-3	40		CONV
10	8795081-2	18		PANEL, OUTER WHEELHOUSE COUPE
	9811331-2	18		CONV
11	8794010-1	16		PANEL, INNER LOWER COUPE
	9831007-8	16		CONV
12	9607313-4	8		BRACE, WHEELHOUSE TO PAN COUPE
	9623298-9	8		CONV
13	9846520-1	6		BRACE, GUTTER TO WHLHS
14	9613082-3	6		GUTTER, SIDE
15	9842701-2	18		SHIELD, WHEEL



**CHEVROLET BLAZER**  
SERIES

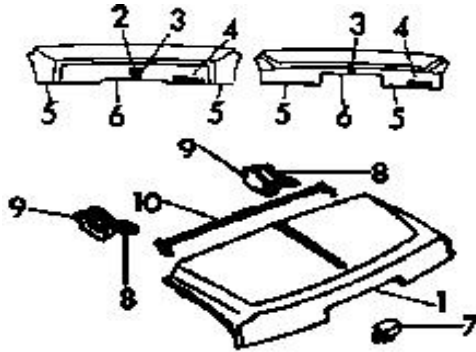
BODY

TRANSMISSION

AR = Use as required, P = Paint to Match, Q = Quantity, TR = Transmission

**LUGGAGE LID  
Illustration 028**

ITEM	PART NUMBER	LBS.	PRICE	DESCRIPTION
Note:				
1	20051736	380		LID
2	8705472	2		EMBLEM, CREST LOCK
3	20348828	1	\$44.85	WREATH
4	9634815	1		NAMEPLATE "Eldorado"
	1099944	1		BIARRITZ
	1706644	1		Fuel Injection
5	8707862	4		MOULDING SIDE
6	8707855	4		CENTER
	20291279	1		LOCK LID
	20169355	1		W/ELEC CLOSE
7	9801751	1	\$6.90	STRIKER, LOCK
	9685136	4		W/ELEC CLOSE
	3961303	1		CYL KIT-UNCODED
	9808558	1		SOLENOID, LOCK RELAY
	9732967	1		ACTUATOR, LOCK
	9721860	6		STRAP & LINK, LID COUPE
	9620655	6		CONV
	9831896-7	6		BOX, HINGE STRAP COUPE
	9832734-5	6		CONV
	9623155-6	6		ROD, TORSION LID COUPE
	9623169-70	6		CONV
	3060942	2	\$141.45	WEATHERSTRIP PER FT



**CHEVROLET BLAZER**  
SERIES

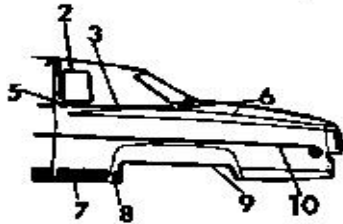
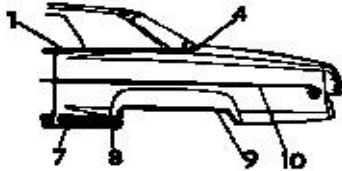
BODY

TRANSMISSION

AR = Use as required, P = Paint to Match, Q = Quantity, TR = Transmission

**QUARTER MOULDING  
Illustration 026**

ITEM	PART NUMBER	LBS.	PRICE	DESCRIPTION
Note:				
1	9829788-9	12		CONV INF
2	9685294-5	6		MLDG, FRONT
	3060732-3	6		MLDG, REAR
	1749130-1	6		HALF TOP
4	R9876920-1	12		FRONT & REAR, CONV
5	9685230	12		ESC, COUPE
	1749107	12		HALF TOP
6	9685308-9	18		REAR, BACK CENTER
7	8704772-3	8		MLDG, LWR FRONT
8	8705433-4	2		MLDG, W/STRIP FRONT
9	8704774-5	9		MLDG, W/STRIP OPENING
10	9630013	22		MOULDING QUARTER SID W/O VINYL TOP
	9630082	22		W/ VINYL TOP



**CHEVROLET BLAZER**  
SERIES

BODY

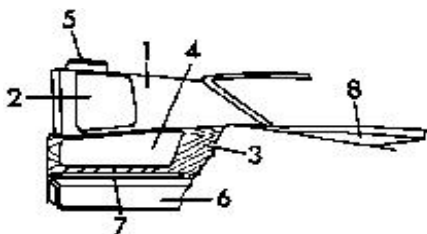
TRANSMISSION

AR = Use as required, P = Paint to Match, Q = Quantity, TR = Transmission



**REAR PANEL INTERIOR TRIM**  
**Illustration 027**

ITEM	PART NUMBER	LBS.	PRICE	DESCRIPTION
<i>Note:</i>				
1	N/A	4		TRIM, UPR ABOVE
2	N/A	8		PANEL, QTR WINDOW
3	N/A	8		TRIM FINISH UPR
	1711929-7	8		CONVERTIBLE
4	N/A	14		TRIM, QTR UPR
5	9685908-9	4		COVER, STRAP RETRACTOR
6	N/A	12		TRIM, LOWER (B)
7	9826703-4	8		MOULDING FINISH
8	9644444	18		PANEL, PACKAGE



**CHEVROLET BLAZER**  
 SERIES

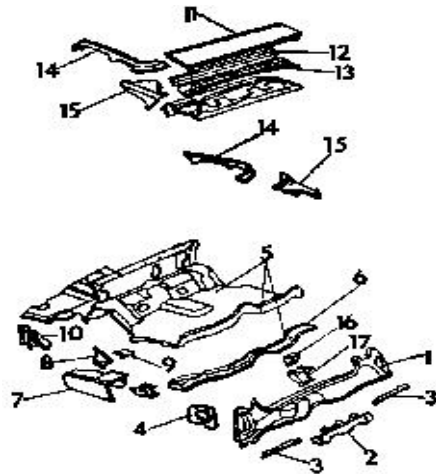
BODY

TRANSMISSION

AR = Use as required, P = Paint to Match, Q = Quantity, TR = Transmission

**REAR BODY  
Illustration 030**

ITEM	PART NUMBER	LBS.	PRICE	DESCRIPTION
Note:				
1	9657561	45		PANEL REAR
2		10		NOT REQUIRED
3		8		NOT REQUIRED
4	9607317-8	5		BRACE, END PANEL
5	N/A	300		PAN, COMPT FLOOR
6	N/A	30		BAR, REAR CROSS
7	9892905-6	18		FILLER, PAN TO QTR
8	9666822-3	3		NOT REQUIRED
9	9666851-2	3		NOT REQUIRED
10	9829997-8	5		BRACE, FLOOR PAN TO LOCK
	9868482-3	5		CONV
11	9678720	26		PANEL UPPER COUPE
12	8792885	26		CONV
13	8792909	26		REINFORCEMENT CONV
14	8792928-9	16		PANEL, UPR SIDE
	8792941	16		PANEL, REAR CONV
15	8793027-8	12		BRACE, TO WHEELHOUSE CONV
16	9801751	1	\$6.90	STRIKER, LOCK
17	9892915	2		PLATE STRIKER, ANCHOR



**CHEVROLET BLAZER**  
SERIES

BODY

TRANSMISSION

AR = Use as required, P = Paint to Match, Q = Quantity, TR = Transmission

**GROUP - 003  
COOLING**

**GROUP 003 - COOLING**

ILLUSTRATION TITLE

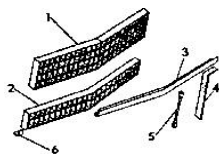
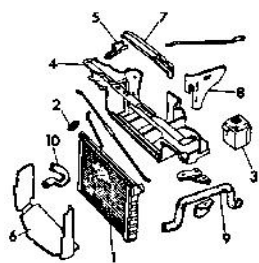
GROUP - ILL. No

**COOLING**

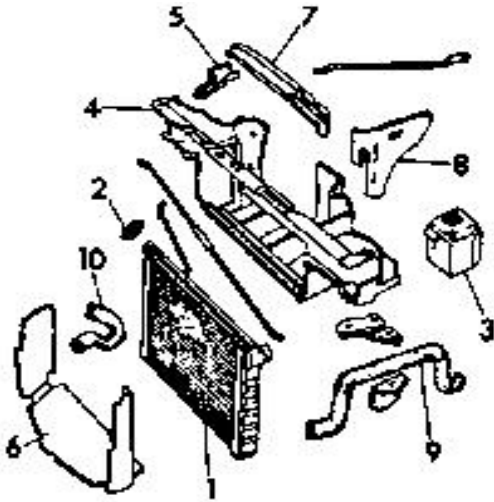
003 - 006

**GRILLE**

003 - 002



**COOLING  
Illustration 006**



ITEM	PART NUMBER	LBS.	PRICE	DESCRIPTION
<b>Note:</b>				
1	3026032	25		RADIATOR W/O AC
	3027339	28		W/AC
2	6410427	1	\$6.90	CAP, RADIATOR
3	1606624	8		RESERVOIR, W/O CAP
4	3515589	70		SUPPORT, RAD W/ BATTERY TRAY
5	1601948-7	6		BRACKET, SUPT UPR
	1601916	6		BRACKET, LOWER CENTER
6	1601041	14		DEFLECTOR AIR LWR
7	1601949	10		SHROUD, UPPER
8	1603927	3		SEAL, SUPT TO W/HSG NOT REQUIRED
9	1492695	4		HOSE, UPPER
10	1493646	4		HOSE, LOWER
	1610813	12		FAN BLADE
	1617047	3		PULLEY, FAN
	9433926	3		BELT, DRIVE
	12306017	12		WATER PUMP, USE W/2 GROVE P/S PULLEY
	12309978	12	\$373.75	WATER PUMP, USE W/1 GROVE P/S PULLEY

**CHEVROLET BLAZER**  
SERIES

BODY

TRANSMISSION

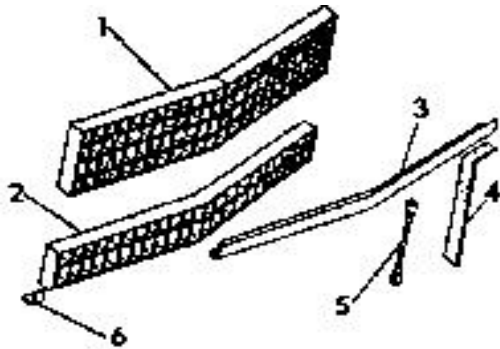
AR = Use as required, P = Paint to Match, Q = Quantity, TR = Transmission

**GRILLE**  
**Illustration 002**

ITEM	PART NUMBER	LBS.	PRICE	DESCRIPTION
------	-------------	------	-------	-------------

Note:

1	1600963	28		UPPER
2	1601033	24		LOWER
3	1601034	16		REINF, UPPER GRILLE
4	3515712-1	6		SUPT, UPR GRILLE (VERTICAL)
5	1601030	6		SUPT, REINF TO BMPR
6	1601219	1		BRKT, LWR GRILLE TO BAR



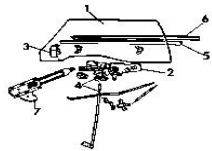
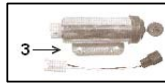
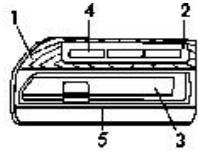
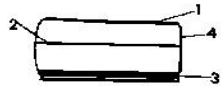
**CHEVROLET BLAZER**  
SERIES

BODY

TRANSMISSION

AR = Use as required, P = Paint to Match, Q = Quantity, TR = Transmission

**GROUP - 004  
DOORS, RELATED PARTS AND SEAT**



**GROUP 004 - DOORS, RELATED PARTS AND SEAT**

ILLUSTRATION TITLE

GROUP - ILL. No

**DOOR & EXTERIOR TRIM**

004 - 017

**DOOR INTERIOR TRIM**

004 - 018

**DOOR HARDWARE**

004 - 043

**DOOR GLASS & PARTS**

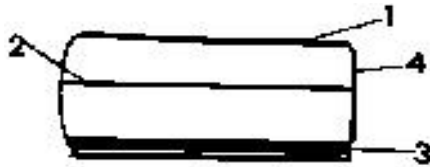
004 - 019

**SEAT**

004 - 042

**DOOR & EXTERIOR TRIM**  
**Illustration 017**

ITEM	PART NUMBER	LBS.	PRICE	DESCRIPTION
Note:				
	20008822-3	280		DOOR SHELL
	9655854-5	240		PANEL, OUTER REPAIR
	9665143	140		BAR, REINF
1	9612474-5	16		MLDG, BELT- W/ STRIP
	1099671-2	16		MLDG, BELOW REVEAL W/CABRIOLET OPTION
	1099674-5	16		INSERT
2	8707784	20		MOULDING, SIDE
3	9634359-60	24		MOULDING, LOWER
4	1497550-49	14		MLDG, DOOR EDGE GUARD
	9829412	5		MIRROR, REMOTE CONTROL RIGHT



**CHEVROLET BLAZER**  
SERIES

BODY

TRANSMISSION

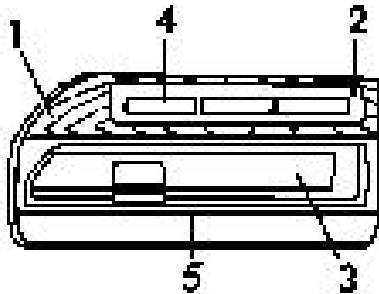
AR = Use as required, P = Paint to Match, Q = Quantity, TR = Transmission

**DOOR INTERIOR TRIM  
Illustration 018**

ITEM	PART NUMBER	LBS.	PRICE	DESCRIPTION
------	-------------	------	-------	-------------

Note:

1	N/A	12		PANEL, UPPER
2	N/A	4		TRIM, UPPER INSERT
	1688592-3	4		CONV
3	N/A	12		TRIM, LOWER
4	9667878-9	10		MOULDING, UPPER
5	9819655	16		MOULDING, LOWER



**CHEVROLET BLAZER**  
SERIES

BODY

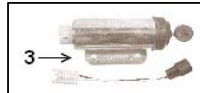
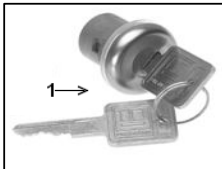
TRANSMISSION

AR = Use as required, P = Paint to Match, Q = Quantity, TR = Transmission



**DOOR HARDWARE  
Illustration 043**

ITEM	PART NUMBER	LBS.	PRICE	DESCRIPTION
<b>Note:</b>				
1	9875867	1		LOCK, DOOR RIGHT
	20005893	1		LEFT
2	9601750	1	\$47.15	STRIKER, LOCK
	1154618	1		CYLINDER, LOCK
	20496054	2		HANDLE, OUTSIDE
	20051810-1	2		COURTESY LGT
	9633926	1		BUTTON, PUSH
	9633786	2		COURTESY LGT
	20029679-8	2		HANDLE, INSIDE
	1706370	3		HINGE, UPPER, RIGHT
	1706371	3	\$187.45	LEFT
	9816926	3	\$319.70	HINGE, LOWER
	9839278-9	4		WEATHERSTRIP, RAIL DOOR COUPE
	9824514-5	4		CONV
	9835058-9	3		WEATHERSTRIP, PILLAR
3	9633788-7	2	\$197.80	ACTUATOR, LOCK



**CHEVROLET BLAZER**  
SERIES

BODY

TRANSMISSION

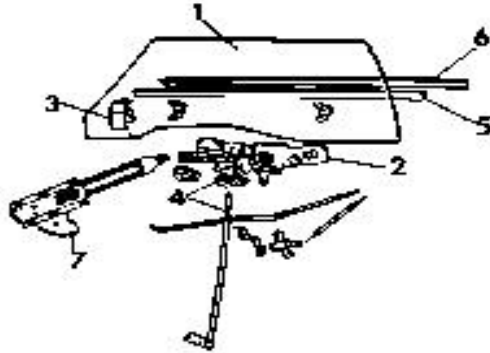
AR = Use as required, P = Paint to Match, Q = Quantity, TR = Transmission

**DOOR GLASS & PARTS**  
**Illustration 019**

ITEM	PART NUMBER	LBS.	PRICE	DESCRIPTION
------	-------------	------	-------	-------------

Note:

1	9824420-1	75		GLASS, DOOR TINTED
	9824384-5	75		CONV
2	9669418-9	6		PLATE, LOWER SASH
3	9867781	3		PLATE, GLASS STABILIZER
4	1710847	6		TUBE W/ GUIDE
5	9829753	9		INNER W/STRIP
6	9612468-9	9		OUTER, ON MLDG
7	20041604-5	18		REGULATOR
	4999678	5		MOTOR, REGULATOR RIGHT
	4999680	5		LEFT



**CHEVROLET BLAZER**  
SERIES

BODY

TRANSMISSION

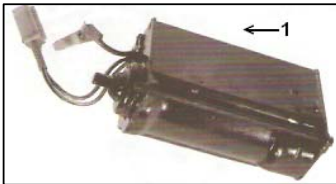
AR = Use as required, P = Paint to Match, Q = Quantity, TR = Transmission

**SEAT  
Illustration 042**

ITEM	PART NUMBER	LBS.	PRICE	DESCRIPTION
------	-------------	------	-------	-------------

Note:

	9625836	24		MANUAL, BENCH TYPE RIGHT
	9625843	24		LEFT
	9669006	24		60/ 40 TYPE RIGHT
	9645391	24		LEFT
	9889930-1	4		ELECTRIC 2 WAY
1	20025484	4		6 WAY RIGHT
	9899983	4		LEFT
	9825015	4		MOTOR, 2 WAY
	4960550	4		6 WAY



**CHEVROLET BLAZER**  
SERIES

BODY

TRANSMISSION

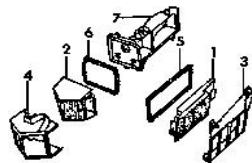
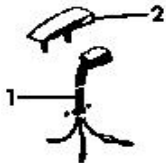
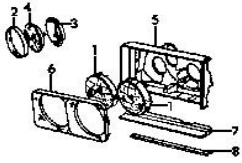
AR = Use as required, P = Paint to Match, Q = Quantity, TR = Transmission

**GROUP - 005  
ELECTRICAL**

**GROUP 005 - ELECTRICAL**

ILLUSTRATION TITLE

GROUP - ILL. No



**ELECTRICAL**

005 - 036

**HEADLAMPS**

005 - 003

**FRONT CORNERING LAMPS**

005 - 004

**MONITOR LAMP**

005 - 005

**TAIL LAMP**

005 - 031

**SIDE MARKER LAMP**

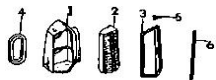
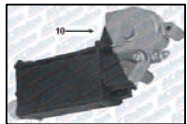
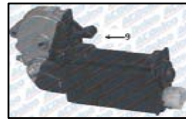
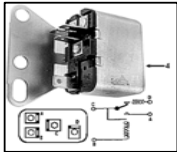
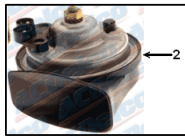
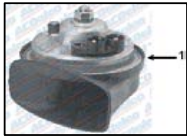
005 - 032

**BACK-UP LAMP**

005 - 033

**LICENSE LAMP**

005 - 034

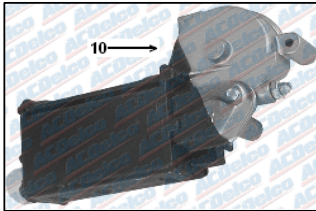
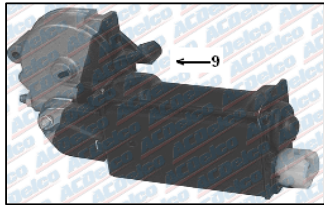
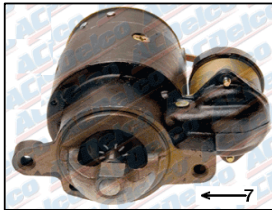
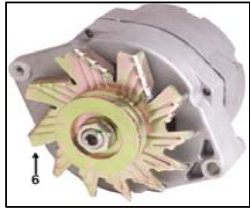
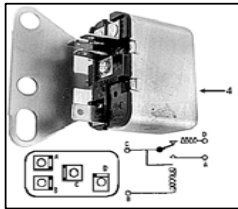
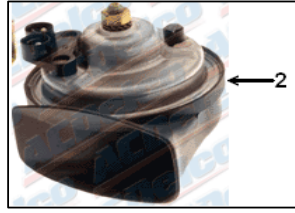
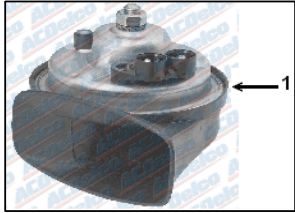


**ELECTRICAL  
Illustration 036**

ITEM	PART NUMBER	LBS.	PRICE	DESCRIPTION
------	-------------	------	-------	-------------

Note:

	1892164	2	\$77.05	A NOTE
1	1892246	2	\$77.05	C NOTE
2	1892162	2	\$78.20	D NOTE
3	1892163	2	\$75.90	F NOTE
	9000062	2		New York CITY HORN
4	1115867	1		RELAY, HORN
5	1116423	1	\$34.50	REGULATOR, VOLTAGE
6	1105360	14	\$158.70	ALTERNATOR ASSY 55/63
	1101061	14	\$414.00	80 AMP
	1944312	2		PULLEY, DRIVE 42 & 63 AMP
	800594	2	\$5.75	FAN, COOLING 42 & 63 AMP
	801808	2	\$35.65	80 AMP
7	10496868	27	\$182.85	STARTER
8	SS304	3		SOLENOID
9	5045665	5	\$223.10	MOTOR, ELECTRIC WINDOW DRIVE SIDE
10	5045664	5	\$288.65	PASSENGER SIDE
	S-14.42B	5		MOTOR, ELECTRIC ROOF CONV



**CHEVROLET BLAZER  
SERIES**

**BODY**

**TRANSMISSION**

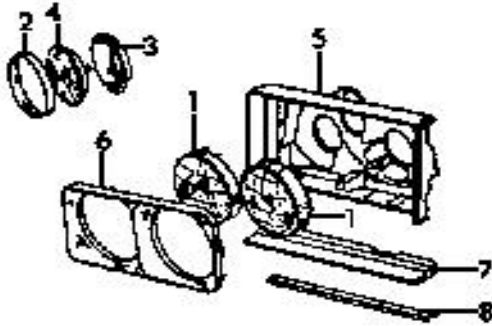
AR = Use as required, P = Paint to Match, Q = Quantity, TR = Transmission

**HEADLAMPS  
Illustration 003**

ITEM	PART NUMBER	LBS.	PRICE	DESCRIPTION
------	-------------	------	-------	-------------

Note:

1	5963837-8	5		CAPSULE ASSY, LAMP
	5963840-39	5		OUTER
2	5954892	3	\$58.65	RING, RETAINING
3	5950506	3	\$65.55	RING, MOUNTING RIGHT
	5950500	3	\$34.50	LEFT
	5950507	3	\$34.50	OUTER RIGHT
	5950513	3		LEFT
4	5965416	5		SEALED BEAM INNER
	5964600	5	\$16.10	OUTER
5	1600642-1	7		HOUSING, HEADLAMP
	1235816	1		SCREW, NUT, ADJ
6	1494987	4		DOOR, HEADLAMP
7	1601703-2	2		FILLER, LAMP HSG TO BMPR
8	1601105	2		RETAINER, FILLER TO BMPR



**CHEVROLET BLAZER**  
SERIES

BODY

TRANSMISSION

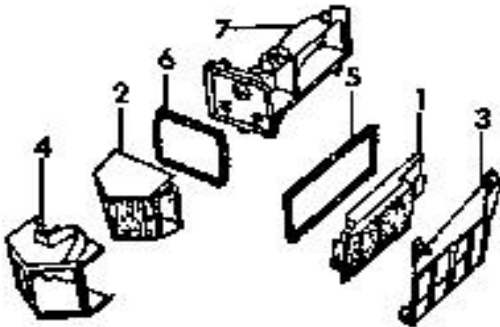
AR = Use as required, P = Paint to Match, Q = Quantity, TR = Transmission

**FRONT CORNERING LAMPS**  
**Illustration 004**

ITEM	PART NUMBER	LBS.	PRICE	DESCRIPTION
------	-------------	------	-------	-------------

Note:

	911750-49	6		LAMP ASSEMBLY
1	5965670-69	3		LENS, CORNERING LAMP
2	5965666-5	3		LENS, PARKLAMP
3	5965674-3	2		BEZEL, CORNERING LAMP
4	5964672-1	3		BEZEL, PARKLAMP
5	5960011	1		GASKET, CORNERING
6	5961226	1		GASKET, PARKLAMP
7	N/A	4		BODY, LAMP
	8904257	1		SOCKET, W/WIRES
	9428554	1	\$8.05	BULB, CORNERING 1295
	9428904	1	\$3.45	BULB, PARKLAMP 1157NA



**CHEVROLET BLAZER**  
 SERIES

BODY

TRANSMISSION

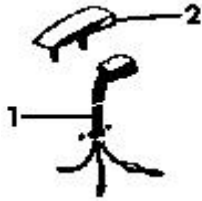
AR = Use as required, P = Paint to Match, Q = Quantity, TR = Transmission

**MONITOR LAMP  
Illustration 005**

ITEM	PART NUMBER	LBS.	PRICE	DESCRIPTION
------	-------------	------	-------	-------------

Note:

1	8913511-0	2		CONDUCTOR, MONITOR HEADLAMP & PARK LAMP
	9621238	2		REAR, Stop & Signal Lamp
	9621515	2		CONV
2	1497484-3	2		HOUSING, ON FENDER



**CHEVROLET BLAZER**  
SERIES

BODY

TRANSMISSION

AR = Use as required, P = Paint to Match, Q = Quantity, TR = Transmission

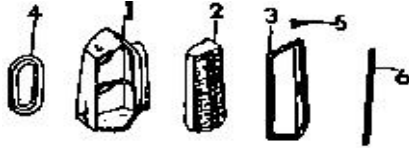


**TAIL LAMP  
Illustration 031**

ITEM	PART NUMBER	LBS.	PRICE	DESCRIPTION
------	-------------	------	-------	-------------

Note:

1	5965468-7	4		BODY, LAMP
2	5965470-69	3		LENS, LAMP
3	5965472-1	3		BEZEL, LAMP
4	1601066	2		GASKET, REAR LAMP
	9428902	1	\$2.30	BULB, 1157
	8912698	1		SOCKET ASSY
5	1601198-7	1		ORNAMENT, REAR LAMP
6	5965474	1		BAR, LENS MOUNTING



**CHEVROLET BLAZER**  
SERIES

BODY

TRANSMISSION

AR = Use as required, P = Paint to Match, Q = Quantity, TR = Transmission

**SIDE MARKER LAMP  
Illustration 032**

ITEM	PART NUMBER	LBS.	PRICE	DESCRIPTION
------	-------------	------	-------	-------------

Note:

1	917564-3	2		LAMP ASSY
2	3633451	1		WREATH, LAMP
3	8901283	1	\$17.25	SOCKET, LAMP
4	9417863	1	\$1.15	BULB - 1895



**CHEVROLET BLAZER**  
SERIES

BODY

TRANSMISSION

AR = Use as required, P = Paint to Match, Q = Quantity, TR = Transmission

**BACK-UP LAMP  
Illustration 033**

ITEM	PART NUMBER	LBS.	PRICE	DESCRIPTION
------	-------------	------	-------	-------------

Note:

1	912988-7	4		LAMP ASSY
2	5967658	3		LENS, LAMP
3	5965792-1	3		BEZEL, LENS
4	5965794	3		GAASKET, LENS
5		3		HOUSING, LAMP-NOT SERVICED
	9417866	1		BULB, 1156



**CHEVROLET BLAZER**  
SERIES

BODY

TRANSMISSION

AR = Use as required, P = Paint to Match, Q = Quantity, TR = Transmission

**LICENSE LAMP  
Illustration 033**

ITEM	PART NUMBER	LBS.	PRICE	DESCRIPTION
------	-------------	------	-------	-------------

Note:

1	897083	2		LAMP ASSY
	6298886	1	\$11.50	SOCKET ASSY, W/WIRE
	9421777	1	\$2.30	BULB 97
	911959	1		LENS, BUMPER RED REFLEX



**CHEVROLET BLAZER**  
SERIES

BODY

TRANSMISSION

AR = Use as required, P = Paint to Match, Q = Quantity, TR = Transmission

---

**GROUP - 006  
EMISSION SYSTEM**

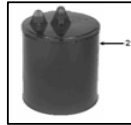
**GROUP 006 - EMISSION SYSTEM**

ILLUSTRATION TITLE

GROUP - ILL. No

**EMISSION SYSTEM**

006 - 035

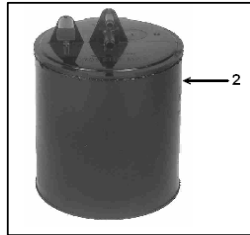


**EMISSION SYSTEM  
Illustration 035**

ITEM	PART NUMBER	LBS.	PRICE	DESCRIPTION
------	-------------	------	-------	-------------

Note:

1	7817811	10		PUMP ASSY
	1602564	3		PULLEY, PUMP
	7813409	2		FAN, PUMP
2	17065031	4		CANISTER, VAPOR



**CHEVROLET BLAZER**  
SERIES

BODY

TRANSMISSION

AR = Use as required, P = Paint to Match, Q = Quantity, TR = Transmission

**GROUP - 007  
ENGINE**

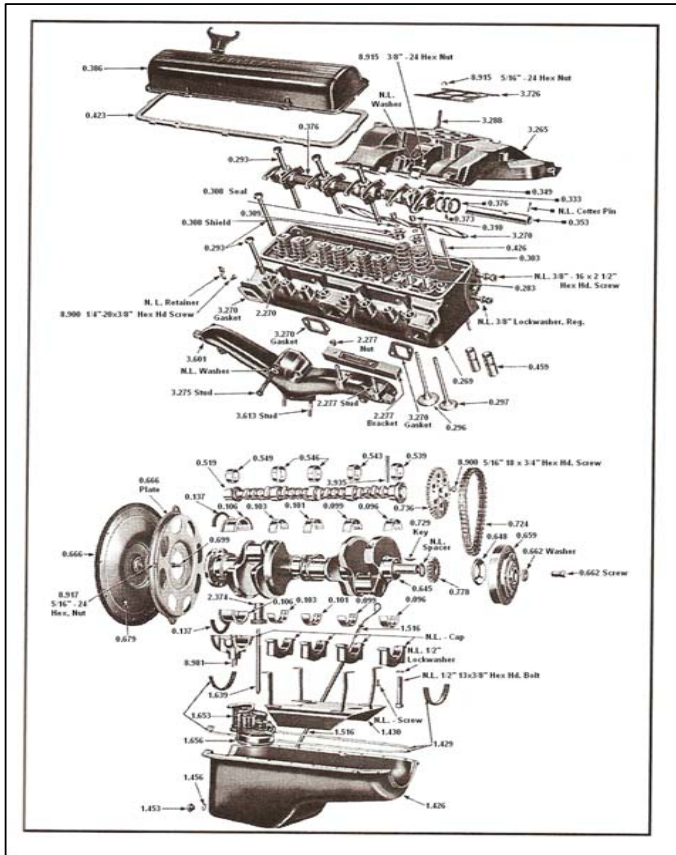
**GROUP 007 - ENGINE**

ILLUSTRATION TITLE

GROUP - ILL. No

**ENGINE**

007 - 008



**ENGINE  
Illustration 008**

ITEM	PART NUMBER	LBS.	PRICE	DESCRIPTION
------	-------------	------	-------	-------------

Note:

	S-0.629D	2		PISTON W/PIN ENGINE
	S-0.630A	1		PISTON PIN
	S-0643D	3		PISTON RINGS
	S-0.616B	3		ROD BEARING KIT
	S-0.539B	3		CAM BEARING KIT
	S-0.096C	4		MAIN BEARING KIT
	S-1.653C	12		OIL PUMP
	AC-PF24	2		OIL FILTER
	S-1.758B	1		OIL CAP
	S-0.646A	100		REBUILT CRANKSHAFT & BEARING ENGINE
	S-666B	9		FLYWHEEL
	3515834	5		HARMONIC BALANCER
	S-0.724C	4		TIMING CHAIN
	S-0.737D	7		TIMING CHAIN KIT 3 Pieces
	S-0.519D	60		CAMSHAFT
	S-0.296E	1		INTAKE VALVE
	S-0.297E	1		EXHAUST VALVE
	S-0.303A	1		VALVE SPRING
	S-0.308E	1		VALVE SEAL
	S-0.283B	1		VALVE GUIDE
	S-0.289C	12		HEAD GASKET SET
	S-0.423C	12		HEAD COVER GASKETS 1 PAIR
	S-1.426C	12		OIL PAN GASKET
	S-1.516L	9		ENGINE OIL STIK
	S-1.453B	1		OIL PAN BOLT
	S-1.453E	1		MAGNETIC
	S-1.453D	1		BOLT GASKET

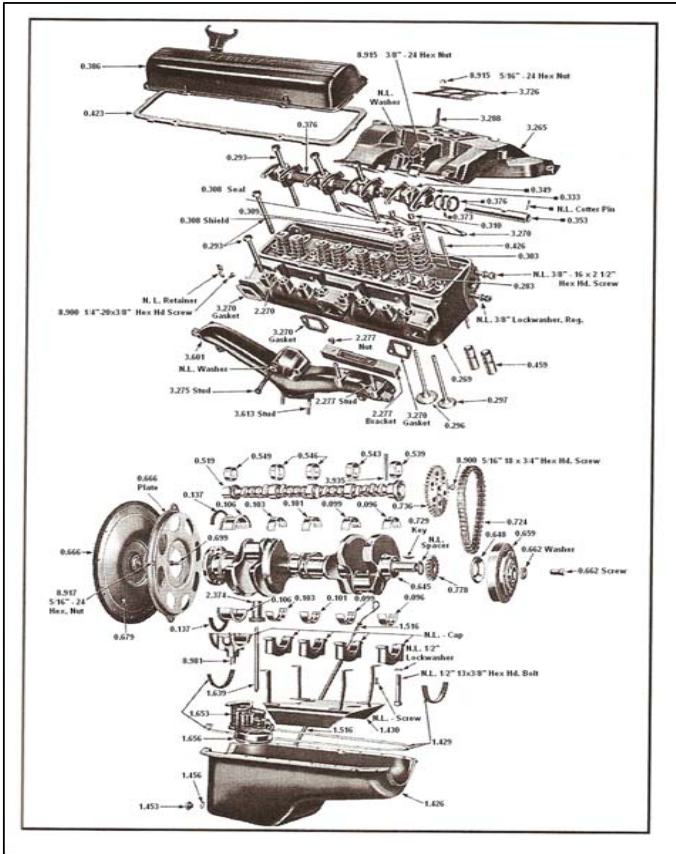
**CHEVROLET BLAZER**

SERIES

BODY

TRANSMISSION

AR = Use as required, P = Paint to Match, Q = Quantity, TR = Transmission



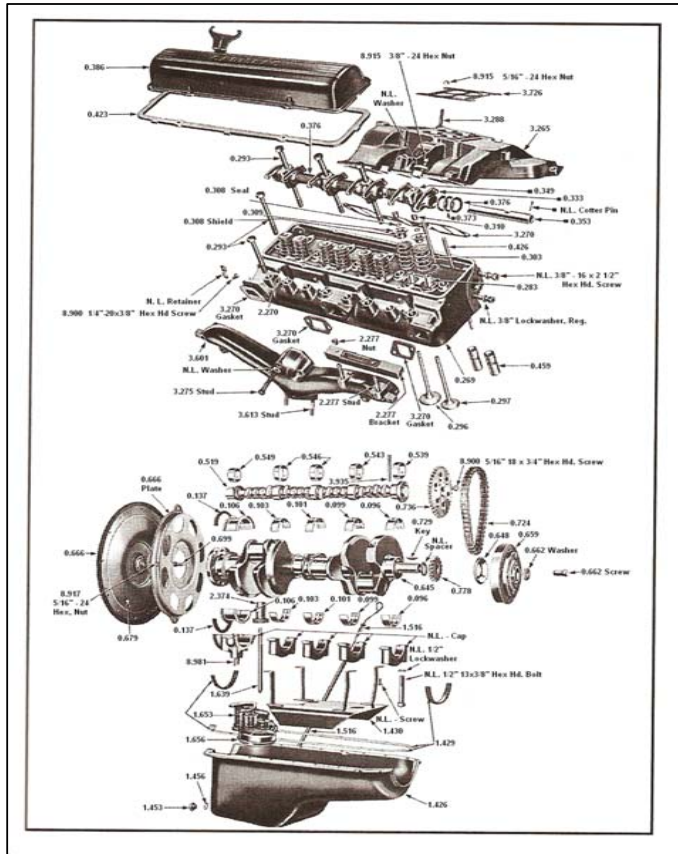


**ENGINE  
Illustration 008**

ITEM	PART NUMBER	LBS.	PRICE	DESCRIPTION
------	-------------	------	-------	-------------

Note:

	S-3.270B	8		INTAKE MANIFOLT GASKETS KIT
	S-3.270E	6		EXHAUST
	1601506	5		ENGINE MOUNT FRONT
	1601304	5		REAR
	3633103	8		TIMING CHAIN COVER
	3514926	16		OIL PAN, W/ PLUG
	6470781	3		FUEL PUMP WITH AC
	6470782	3		W/O AC
	25000917	3		ELECTRIC



**CHEVROLET BLAZER  
SERIES**

BODY

TRANSMISSION

AR = Use as required, P = Paint to Match, Q = Quantity, TR = Transmission

**GROUP - 008  
EXHAUST SYSTEM**

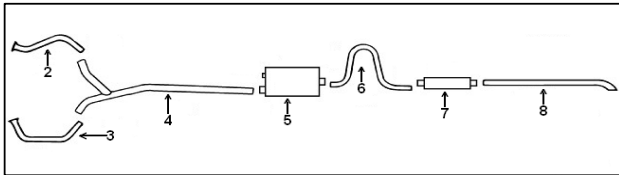
**GROUP 008 - EXHAUST SYSTEM**

ILLUSTRATION TITLE

GROUP - ILL. No

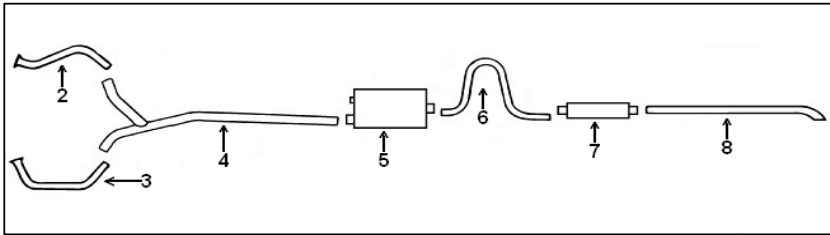
**EXHAUST SYSTEM**

008 - 007



**EXHAUST SYSTEM  
Illustration 007**

ITEM	PART NUMBER	LBS.	PRICE	DESCRIPTION
<b>Note:</b>				
1	S-3.600T	160		COMPLETE EXHAUST
2	1495095	20		EXHAUST MANIFOLD RIGHT
3	1485749	20		LEFT
4	S-3.609AF	40		Y TUBE
5	S-3.701K	16		MUFFLER
6	1603752	30		REAR CURV
7	3.702K	18		RESONATOR
8	43397	50		TAIL PIPE



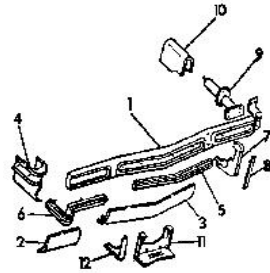
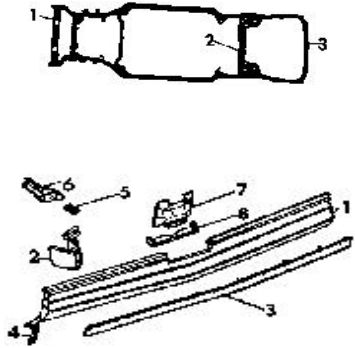
**CHEVROLET BLAZER**  
SERIES

BODY

TRANSMISSION

AR = Use as required, P = Paint to Match, Q = Quantity, TR = Transmission

**GROUP - 009  
FRAME AND BUMPERS**



**GROUP 009 - FRAME AND BUMPERS**

ILLUSTRATION TITLE

GROUP - ILL. No

**FRAME**

009 - 014

**FRONT BUMPER**

009 - 001

**REAR BUMPER**

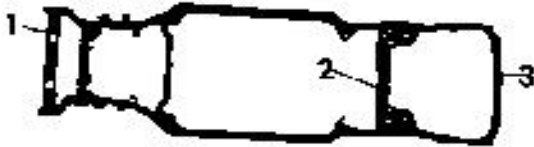
009 - 029

**FRAME  
Illustration 014**

ITEM	PART NUMBER	LBS.	PRICE	DESCRIPTION
------	-------------	------	-------	-------------

Note:

	1600905	300		FRAME ASSY, CPL
1	413024	25		CROSSMEMBER, FRT END
2	1498558	30		CROSSMEMBER INTER
3	415512	36		CROSSMEMBER, REAR



**CHEVROLET BLAZER**  
SERIES

BODY

TRANSMISSION

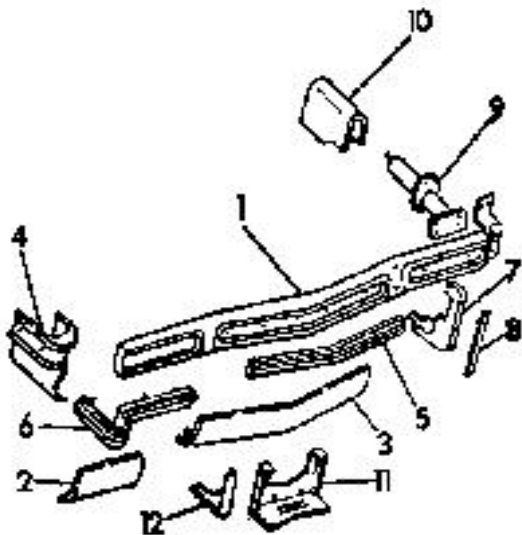
AR = Use as required, P = Paint to Match, Q = Quantity, TR = Transmission

**FRONT BUMPER  
Illustration 001**

ITEM	PART NUMBER	LBS.	PRICE	DESCRIPTION
------	-------------	------	-------	-------------

Note:

1	3515865	140		CENTER W/O HOLES
	3516175	140		W/HOLES
2	1603647-6	16		INTERMEDIATE, LOWER
3	1600526	26		LOWER
4	3515869-8	10		ENDS, W/O HOLES
	3516150-49	10		W/HOLES
5	5970627	8		PAD RUBBER, CENTER
6	1601052	10		OUTER
7	3515710-09	4		GUARD W/PAD
8	1601062	2		PAD, GUARD W/STUDS
9	22007644	15		ENERGY ABSORBER
10	1601419-8	3		BRACKET, ABS Mounting
11	1600891	5		PLATE, License Mounting
^	1601109	7		FILLER, License Plate
^	1601522-1	9		FILLER, TO FENDER
^	1601703-2	9		FILLER, TO HEAD LAMP
^	1601853-2	9		FILLER, TO PARKLAMP
12	1601265-4	3		BRACKET, END MOUNTING



**CHEVROLET BLAZER**  
SERIES

BODY

TRANSMISSION

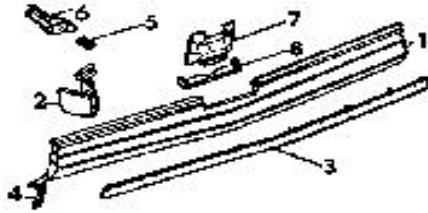
AR = Use as required, P = Paint to Match, Q = Quantity, TR = Transmission

**REAR BUMPER  
Illustration 029**

ITEM	PART NUMBER	LBS.	PRICE	DESCRIPTION
------	-------------	------	-------	-------------

Note:

1	3515864	100		CTR, W/O HOLES FOR PAD
	3515597	100		CENTER, W/HOLES FOR PAD
2	3515621-0	7		ENDS
3	1601111	25		RUBBER CENTER
4	R1601144-3	3		END
5	1601430	2		CUSH, TO MTG BAR
6	1601204-3	4		BAR, MOUNTING
7	3515736	7		DOOR ASSY, FUEL FILLER
8	1601109	5		FILLER, LICENSE PLATE OPG
	1601503	3		RETAINER, LICENSE FILLER
	1601640-39	9		FILLER,END TO QTR PANEL
	1601410-09	7		RETAINER, END FILLER
	1601831-0	7		FILLER, CTR TO END PANEL
	1625876	6	\$62.10	FRAME, LIC PLATE



**CHEVROLET BLAZER**  
SERIES

BODY

TRANSMISSION

AR = Use as required, P = Paint to Match, Q = Quantity, TR = Transmission

**GROUP - 010  
INSTRUMENT PANEL**

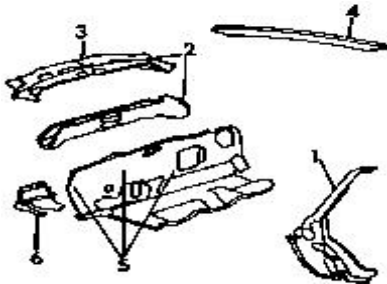
**GROUP 010 - INSTRUMENT PANEL**

ILLUSTRATION TITLE

GROUP - ILL. No

**COWL & DASH**

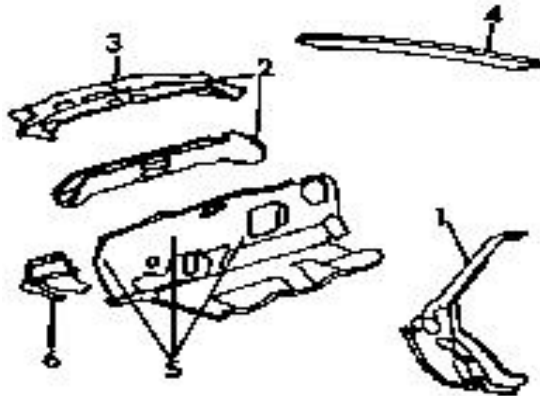
010 - 015





**COWL & DASH  
Illustration 015**

ITEM	PART NUMBER	LBS.	PRICE	DESCRIPTION
<b>Note:</b>				
1	20027814-5	90		PANEL FRONT PILLAR, COUPE
	9659444	90		CONV RIGHT
	9697529	90		LEFT
2	9728729	70		PANEL, CENTER W/O AC
	9728730	70		WITH /AC
	1687799	70		W/ AIR CUSHION
3	1661269	50		PANEL, CENTER
4	9837600	40		FRAME, WS UPPER CONV
5	9731017	250		PANEL, DASH
	9731018	250		W/ AIR CUSHION
6	20054270-1	9		BRACE, TO FRAME
	1601760	14		PANEL, INSTRUMENT UPPER
	3515650	12		LWR, W/O AIR CUSHION
	9666486	4		INFLATOR & MANIFOLD RIGHT
	3515368	12		DOOR, GLOVE BOX, OUTER W/O AIR CUSHION



**CHEVROLET BLAZER**  
SERIES

BODY

TRANSMISSION

AR = Use as required, P = Paint to Match, Q = Quantity, TR = Transmission

**GROUP - 011  
ROOF AND FLOOR**

**GROUP 011 - REMOVABLE TOP AND FLOOR**

ILLUSTRATION TITLE

GROUP - ILL. No

**ROOF**

011 - 020

**EXTERIOR TRIM HALF TOP**

011 - 021

**SUN ROOF INTERIOR TRIM**

011 - 022

**ASTRO ROOF**

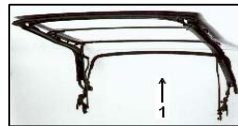
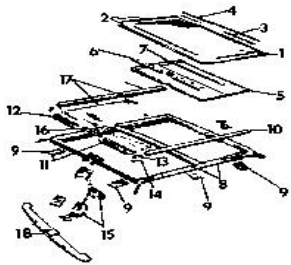
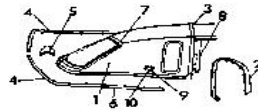
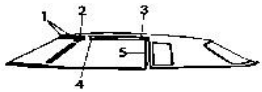
011 -

**BACK WINDOW**

011 -

**CONVERTIBLE TOP**

011 - 044

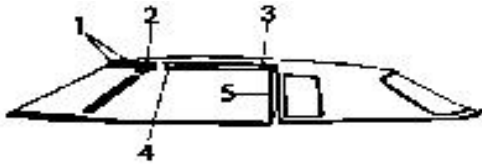


**ROOF**  
**Illustration 020**

ITEM	PART NUMBER	LBS.	PRICE	DESCRIPTION
------	-------------	------	-------	-------------

Note:

1	9685263	18		MLDG, COVER FRONT
2	N/A	3		NOT REQUIRED
3	9851562	16		SIDE, REAR RIGHT
	9685253	16		LEFT
	9835948-9	18		MLDG, DRIP FRONT
5	1720646-7	6		REAR
	9825064-5	6		WEATHERSTRIP, RAIL
	9827192-3	6		RETAINER, ROOF W/STRIP
	N/A	28		COVER, VINYL



**CHEVROLET BLAZER**  
SERIES

BODY

TRANSMISSION

AR = Use as required, P = Paint to Match, Q = Quantity, TR = Transmission

**EXTERIOR TRIM HALF TOP**  
**Illustration 021**

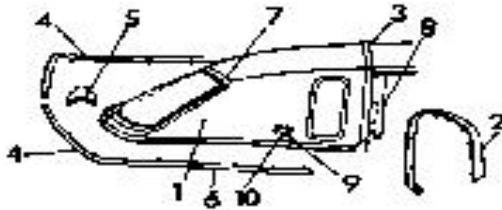
ITEM	PART NUMBER	LBS.	PRICE	DESCRIPTION
------	-------------	------	-------	-------------

Note:

1	N/A	24		COVER, TOP
2	1099670	22		MOULDING, CROWN
3	1099662	23		BINDING, CORD WELT CROWN MLDG BLACK
4	1099659-60	18		MLDG, QTR BELT
5	1654116	3		MLDG, CTR ESC
6	1099592	8		BINDING, CORD WELT
7	1099678	8		FILLER, MLDG
8	1099676-7	5		MLDG, ON PILLAR
9	3632777	1		EMBLEM, CREST
10	3633236	1		EMBLEM, WREATH

**ROOF " BIARRIZ " HALF TOP**

	1099916	24		COVER, TOP
	1099939	22		MOULDING, CROWN
	1099939	14		INSERT
	1099951	16		WELT, TOP
	1099922-3	18		MLDG, BELT LINE SIDE
	1099928-9	18		FRONT
	1099924	18		ESC, REAR BELT
	3634336	14		PAD, BELT MLDG
	1099945-6	2		CAP, BELT MLDG FRT
	1099925	1		NAME " BIARRITZ "



**CHEVROLET BLAZER**  
SERIES

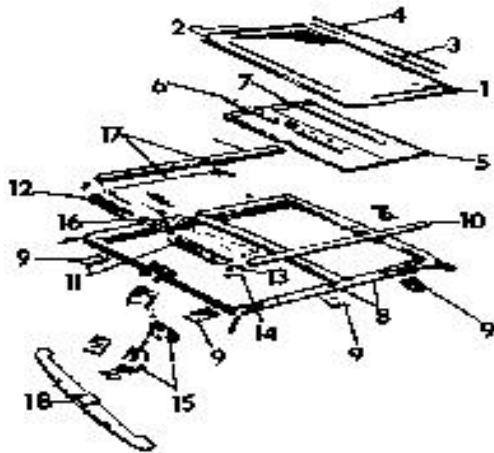
BODY

TRANSMISSION

AR = Use as required, P = Paint to Match, Q = Quantity, TR = Transmission

**SUN ROOF INTERIOR TRIM**  
**Illustration 022**

ITEM	PART NUMBER	LBS.	PRICE	DESCRIPTION
<i>Note:</i>				
1	1099456	50		PANEL, SLIDING
2	3634264	5		WEATHERSTRIP, FRONT & SIDE VELVET
3	1099441	5		WEATHERSTRIP, REAR VELVET
4	556905	5		WSTRIP, RUBBER
5	1099462	24		FRAME, HEADLINING
6	1099458	12		RAIL, PNL TO FRAME
7	1099471	12		REINF, RAIL
8	1099454	30		FRAME ASSY, PNL
9	1099572-3	4		BRKT, FRAME
	1099819	4		BRKT, FRT TO HEADER
10	1099497-6	7		RAIL, SIDE GUIDE
11	1099499-8	7		GUIDE, FRONT UPPER
12	1099502	7		GUIDE, FRONT LOWER
13	1099493-2	4		ELBOW, UPPER GUIDE
14	1099491-0	4		ELBOW, LOWER GUIDE
15	1099646	6		MOTOR, W/GEAR
16	1099494	7		HOUSING, MOTOR COVER
17	1099904-5	8		GUIDE ASSY, W/CABLE
18	1099791	16		PAD, WINDSHIELD HEADER



**CHEVROLET BLAZER**  
SERIES

BODY

TRANSMISSION

AR = Use as required, P = Paint to Match, Q = Quantity, TR = Transmission

**ASTRO ROOF**  
**Illustration non available**

ITEM	PART NUMBER	LBS.	PRICE	DESCRIPTION
------	-------------	------	-------	-------------

Note:

	3634264	4		WEATHERSTRIP, FRT & SIDES
	1099441	4		WEATHERSTRIP, REAR
	1099852	18		MOULDING, PANEL FRT
	1099853	12		BEZEL, PANEL LOWER
	1099497-6	14		RAIL, SIDE

**CHEVROLET BLAZER**  
 SERIES

BODY

TRANSMISSION

AR = Use as required, P = Paint to Match, Q = Quantity, TR = Transmission

**BACK WINDOW**  
**Illustration non available**

ITEM	PART NUMBER	LBS.	PRICE	DESCRIPTION
------	-------------	------	-------	-------------

Note:

	9818734	45		GLASS, BACK WINDOW
	20059435	45		HEATED
	9690579	14		MLDG, UPPER VINYL ROOF
	9695335	15		W/ VINYL ROOF
	9690588-9	9		SIDE W/O VINYL
	9696556-7	9		W/ VINYL
	9690582	9		LOWER , W/O VINYL
	9694773	9		W/ VINYL

**CHEVROLET BLAZER**  
 SERIES

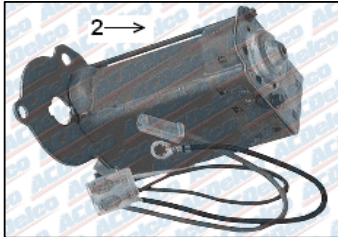
BODY

TRANSMISSION

AR = Use as required, P = Paint to Match, Q = Quantity, TR = Transmission

**CONVERTIBLE TOP  
Illustration 044**

ITEM	PART NUMBER	LBS.	PRICE	DESCRIPTION
<b>Note:</b>				
1	9645115	24		CONVERTIBLE TOP LESS BACK CURTAIN, BLACK
	9645077	30		W/WINDOW DEFOGGER
	9645085	24		W/O WINDOW DEFOGGER
	9612525	200		FRAME, TOP LESS TRIM
	9827061	50		RAIL, FRONT LESS LOCK
	9623923-4	60		RAIL, SIDE W/R LINK
	9829271-2	6		WEATHERSTRIP RAIL SIDE
	9882676-7	6		REAR AT QTR
	9833656	6		W/ FRONT CORNER
	9607041	50		BOW, FRONT W/ LINK
	9607024	50		CENTER, W/R ROOF RAIL
	9846022	50		BOW, REAR
	9607021	6		TRIM, STICK REAR BELT
	9623938-9	3		LOCK, TOP FRONT W/HAND
2	9896761-2	3		HINGE, RAIL
	9606712-3	3		ACTUATOR, TOP
	9874738-9	2	\$87.40	CABLE, ACTUATOR
	22049793	5		MOTOR, ASSY TOP ACTUATOR
	9839089	1		DRIVE GEAR UNIT, PINION
	9839090	2		SHAFT
	9839091	2		COVER
9839092	1		GEAR	



**CHEVROLET BLAZER**  
SERIES

BODY

TRANSMISSION

AR = Use as required, P = Paint to Match, Q = Quantity, TR = Transmission



**GROUP - 012  
STEERING**

**GROUP 012 - STEERING**

ILLUSTRATION TITLE

GROUP - ILL. No

**STEERING LINKAGE**

012 - 013

**WHEEL STEERING**

012 - 038

**STEERING GEAR**

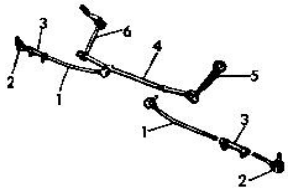
012 - 039

**COLUMN STANDARD**

012 -

**COLUMN - TILT WHEEL**

012 -

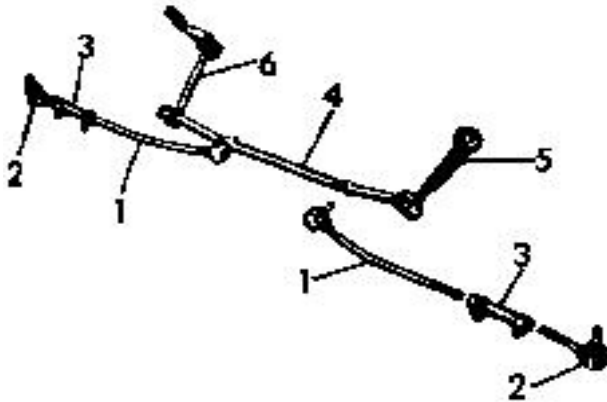


**STEERING LINKAGE**  
**Illustration 013**

ITEM	PART NUMBER	LBS.	PRICE	DESCRIPTION
------	-------------	------	-------	-------------

Note:

1	7817103	5		TIE ROD, INNER
2	7817104	3		END, TIE ROD
3	7839709	3		TUBE, TIE ROD
4	5699838	9		ROD, CONNECTING RELAY
5	7828331	4		ARM, PITMAN
6	12308782	5		ARM, IDLER
	4974098	6	\$31.05	ABSORBER, STEERING



**CHEVROLET BLAZER**  
SERIES

BODY

TRANSMISSION

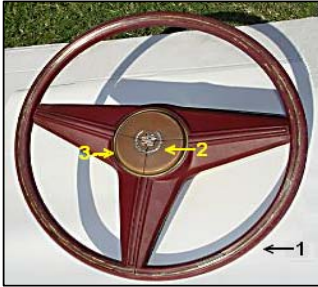
AR = Use as required, P = Paint to Match, Q = Quantity, TR = Transmission

**WHEEL STEERING  
Illustration 038**

ITEM	PART NUMBER	LBS.	PRICE	DESCRIPTION
------	-------------	------	-------	-------------

Note:

1	9756997	12		STEERING WHEEL
2	3633779	1		CREST, HORN PAN
3	1497433	1		PAD, HORN BLOW



**CHEVROLET BLAZER**  
SERIES

BODY

TRANSMISSION

AR = Use as required, P = Paint to Match, Q = Quantity, TR = Transmission

**STEERING GEAR  
Illustration 039**

ITEM	PART NUMBER	LBS.	PRICE	DESCRIPTION
------	-------------	------	-------	-------------

Note:

1	7818773	32		GEAR ASSY - CASTING # 5687962
	7817529	32	\$469.20	RACK & PISTON
	5697803	22		HOUSING, GEAR
2	7815981	12		PUMP, OIL
	1490902	3		PULLEY, PUMP DOUBLE GROVE
	1602561	3		SINGLE GROVE
	7817922	3		HOSE, PUMP TO GEAR, PRESSURE
	7828506	3	\$63.25	RETURN PER FT
	1601298	6		COOLER, OIL PUMP



**CHEVROLET BLAZER**  
SERIES

BODY

TRANSMISSION

AR = Use as required, P = Paint to Match, Q = Quantity, TR = Transmission

**COLUMN - STANDARD**  
**Illustration non available**

ITEM	PART NUMBER	LBS.	PRICE	DESCRIPTION
<i>Note:</i>				
	7810195	40		COLUMN COMPLETE 1ST TYPE TO CHASSIS No 443636
	7816411	40		2ND TYPE FROM CHASSIS 443637
	7816784	20		JACKET ASSY 1ST TYPE TO CHASSIS No 443636
	7816784	20		2ND TYPE FROM CHASSIS 443637
	7810847	20		WHITOUT AIR CUSHION
	391496	3		JOINT, CENTER SHAFT
	7828871	3		FLANGE W/CPLG
	7810077	3		REPAIR KIT FOR ENERGY

**CHEVROLET BLAZER**  
 SERIES

BODY

TRANSMISSION

AR = Use as required, P = Paint to Match, Q = Quantity, TR = Transmission

**COLUMN - TILT WHEEL**  
**Illustration non available**

ITEM	PART NUMBER	LBS.	PRICE	DESCRIPTION
------	-------------	------	-------	-------------

Note:

	7810258	40		COLUMN ASSY, CPL
	7810743	20		JACKET, COLUMN
	7800164	20		SHAFT, UPPER
	7810751	20		SHAFT, CTR W/YOKE
	7811599	20		SHAFT LOWER
	7811719	16		TUBE, SHIFT
	391496	3		JOINT, CENTER SHAFT
	7828871	3		FLAGE, W/COUPLING
	7810077	3	\$66.70	REPAIR KIT FOR ENERGY

**CHEVROLET BLAZER**  
 SERIES

BODY

TRANSMISSION

AR = Use as required, P = Paint to Match, Q = Quantity, TR = Transmission

**GROUP - 013  
SUSPENSION**

**GROUP 013 - SUSPENSION**

ILLUSTRATION TITLE

GROUP - ILL. No

**FRONT SUSPENSION**

013 - 012

**REAR AXLE**

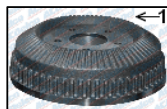
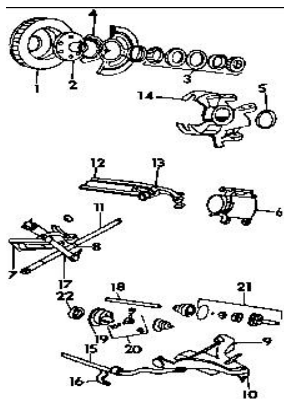
013 - 045

**REAR SUSPENSION**

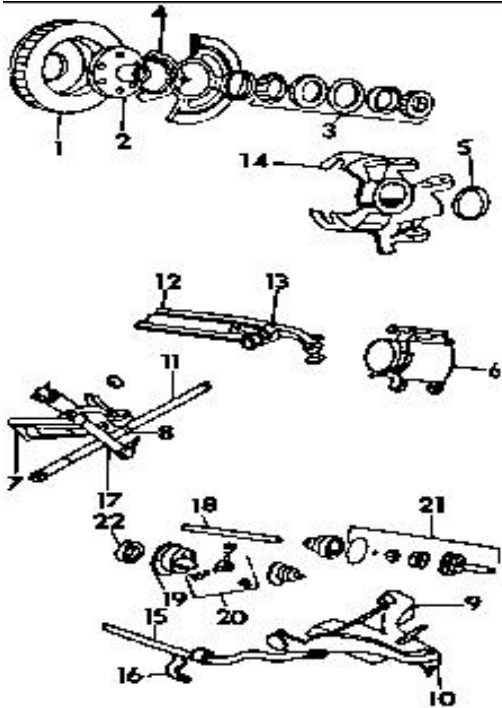
013 - 045

**FUEL TANK**

013 - 045



**FRONT SUSPENSION  
Illustration 012**



ITEM	PART NUMBER	LBS.	PRICE	DESCRIPTION
<b>Note:</b>				
1	1490626	42		DISC, BRAKE
2	417975	20		HUB, W/BOLTS
3	12334875	2		BEARING ASSY, W/SPACER
4	414318	3		RETAINER, BRKT TO KNUCKLE
5	401026	1		SEAL, OIL INNER
	1493776	1		OUTER
6	5472341	12		CALIPER, BRAKE RIGHT
	18004910	12		LEFT
	9758214	2		HOSE, BRAKE RIGHT
	9758888	2		LEFT
	413574	18		ARM, UPPER RIGHT
	415633	18		LEFT
8	415633	2		BALL STUD
9	550594-5	18		ARM, LOWER CONTROL
10	12308802	2		BALL STUD, LOWER
11	408422-3	24		BAR, FRONT TORSION
12	561073	2		SUPT, TORSION BAR
13	413683	2		ARM, ANCHOR
14	407144-5	24		KNUCKLE
15	1604416	28		STABILIZER BAR
16	389097	4		WINCH
	3633791	2		RING
17	4993528	6		SHOCK ABSORBER
	7808130	30		COMPLETE SHAFT DRIVE, OUTER RIGHT
	7807559	30		LEFT
18	3515403	22		SHAFT, OUTPUT INNER, RIGHT
	397473	22		LEFT
<b>CHEVROLET BLAZER</b>				
SERIES		BODY		TRANSMISSION

AR = Use as required, P = Paint to Match, Q = Quantity, TR = Transmission



## REAR AXLE - REAR SUSPENSION - FUEL TANK

### Illustration 045

ITEM	PART NUMBER	LBS.	PRICE	DESCRIPTION
------	-------------	------	-------	-------------

Note:

#### AXLE, REAR

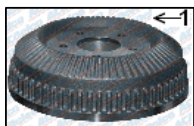
1	1495180	25		DRUM, BRAKE
	6205080-79	6		PLATE, BACKING W/SKID CONTROL
	5467964-3	6		W/O SKID CONTROL
	556913	32		SHAFT, AXLE
	407229	4		SPINDLE, AXLE
	417977	7		HUB, W/SKID CONTROL
2	1605261	7		W/O SKID CONTROL
	7450700	2		BEARING ASSY, INNER
	7450627	2		OUTER
	9752801	1		SEAL, AXLE
	1605397	1		SEAL

#### SUSPENSION, REAR

4	1491226	6		SHOCK ABSORBER RIGHT
	4984819	6		LEFT
	1497848	34		SPRING, COIL STD
	483107	30		ARM, UPPER
	494417	30		LOWER

#### FUEL TANK

6	413755	1		CAP, FUEL TANK
	3515809	140		TANK, FUEL
	6429319	5		GAUGE, W/O AC
	6429320	5		W/ AC



#### CHEVROLET BLAZER

SERIES

BODY

TRANSMISSION

AR = Use as required, P = Paint to Match, Q = Quantity, TR = Transmission

---

**GROUP - 014  
WHEELS**

**GROUP 014 - WHEELS**

ILLUSTRATION TITLE

GROUP - ILL. No

**STEEL WHEEL**

014 - 037



**WHEEL  
Illustration 037**

ITEM	PART NUMBER	LBS.	PRICE	DESCRIPTION
------	-------------	------	-------	-------------

Note:

1	1601505	7		WHEEL COVER
	1602602	7		WHEEL, BLACK PRIME



**CHEVROLET BLAZER**  
 SERIES \_\_\_\_\_ BODY \_\_\_\_\_ TRANSMISSION \_\_\_\_\_

AR = Use as required, P = Paint to Match, Q = Quantity, TR = Transmission

**GROUP - 015  
WINDSHIELD & GLASS EXCEPT DOORS**

**GROUP 015 - WINDSHIELD**

ILLUSTRATION TITLE

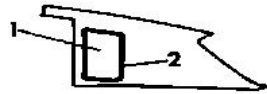
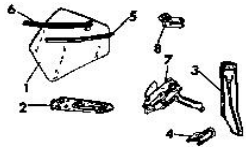
GROUP - ILL. No

**WINDSHIELD**

015 - 040

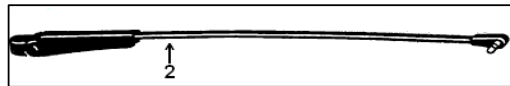
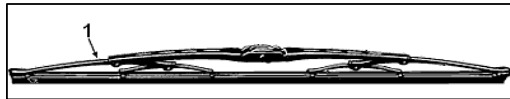
**QUARTER GLASS CONV. & COUPE**

015 - 024 & 025



**WINDSHIELD  
Illustration 040**

ITEM	PART NUMBER	LBS.	PRICE	DESCRIPTION
<b>Note:</b>				
	9664044	250		WINDSHIELD COUPE W/O ANTENNA TINTED
	9820289	250		W/ ANTENNA
	9664043	250		CONV W/O ANTENNA
	9820328	250		W/ ANTENNA
	9739353	18		MOULDING, REVEAL UPPER
	3633624	18		CONV
	9833778-9	2		CORNER, UPPER
	9833858-9	2		SIDE
	3633637	2		CONV RIGHT
	9690671	2		LEFT
	3633639	2		LOWER
	9828323-4	16		MIDG, UPR HEADER CONV
	9828332-3	16		MIDG, SIDE, PILLAR CONV
	918590	5		MIRROR, INSIDE REAR VIEW
	9644545	7		SUNSHADE, STD BLK
	9657033	7		SUNSHADE W/ELEC VANITY
	3070421	2	\$71.30	SUPPORT, VISOR
	9832958-9	2		CONV
1	15595485	2		BLADE, WIPER TRICO
	9612991	2		ANCO
2	9697793	2		ARM, WIPER RIGHT, COUPE'
	9697794	2		CONV
	4939674	5		TRANSMISSION, WIPER RIGHT
	4960490	5		LEFT



**CHEVROLET BLAZER**  
SERIES

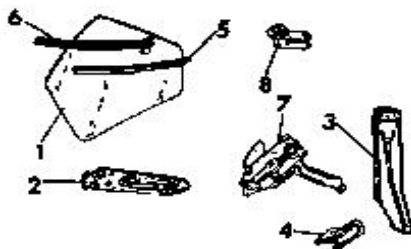
BODY

TRANSMISSION

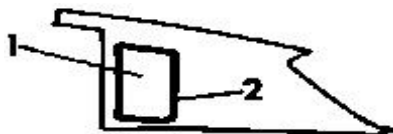
AR = Use as required, P = Paint to Match, Q = Quantity, TR = Transmission

**QUARTER GLASS CONVERTIBLE & COUPE**  
**Illustration 024 & 025**

**QUARTER GLASS CONVERTIBLE**



**QUARTER GLASS COUPE**



ITEM	PART NUMBER	LBS.	PRICE	DESCRIPTION
------	-------------	------	-------	-------------

Note:

**QUARTER GLASS CONVERTIBLE**

1	9824626-7	35		GLASS
2	9625050-1	6		PLATE, LOWER SASH
3	9827516-7	7		GUIDE, QUARTER GLASS
	9738994-5	7		CHANNEL, FRT SASH
	9829540-1	4		WSTRIP, FRT SASH
4	9733948-9	4		WSTRIP, LOCK PLR
5	9642088	4		WEATHERSTRIP, INNER RIGHT
	1671307	4		LEFT
6	9829786-7	4		WEATHERSTRIP, OUTER
7	1666565-6	12		REGULATOR, GLASS
8	4999680	5		MOTOR, REG RIGHT
	4999678	5		LEFT

**QUARTER GLASS COUPE**

1	9834684-5	25		GLASS
	9839838-9	3		WSTRIP, GLASS
2	9685294-5	4		MLDG, FRONT
	3060732-3	4		MLDG, REAR
	3060734-5	4		W/O R VINYL, FRONT
	3060736-7	4		REAR
	9826612-3	2		CORNER, VINYL ROOF
	9851326-7	2		W/VINYL ROOF
	9647404	4		GARNISH INTERIOR UPPER
	9838552-3	4		SIDE
	9840052-3	4		ESCUTCHEON, LWR CORNER

**CHEVROLET BLAZER**  
 SERIES

BODY

TRANSMISSION

AR = Use as required, P = Paint to Match, Q = Quantity, TR = Transmission