

Driving
Innovation

PARTS CATALOG

J200 **OPTRA**
LACETTI
NUBIRA



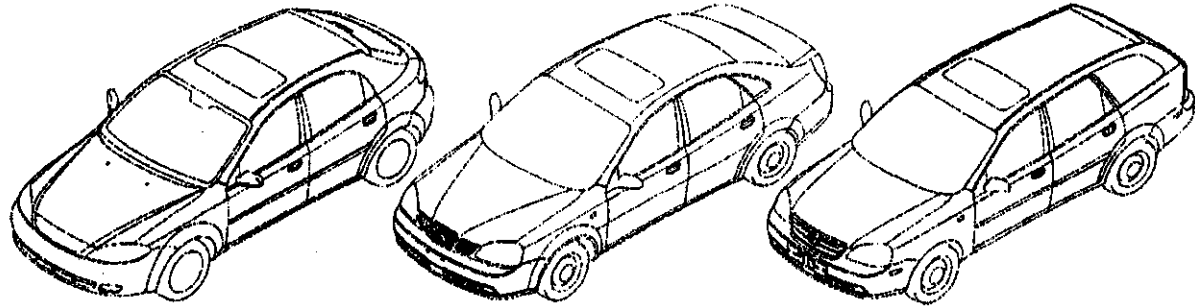
GENERAL

Каталог подготовлен компанией GARANT Co. Ltd. (Южная Корея).

При использовании материала ссылка обязательна.

Copyright (c) www.garant-trading.com





4DOOR HATCHBACK

4DOOR NOTCHBACK

5DOOR SWAGON

INTRODUCTION

This parts catalog provides service parts information for the "OPTRA / LACETTI / NUBIRA". All data and specifications contained in this publication are based on the latest product information available at the time of printing. In order to make the best use of this parts catalog, please be sure to read "the GENERAL INFORMATION" carefully.

JUN., 2006
CHEVROLET

CONTENTS

GENERAL INFORMATION

- I. MODEL & OPTION
- II. COLOR CODE TABLE
- III. EXPLANATION OF CATALOG COMPOSITION
- IV. CONSTRUCTION OF VEHICLE IDENTIFICATION NUMBER
- V. OPTION CODE TABLE
- VI. ABBREVIATIONS

INDEX I

GROUP NO. INDEX
ILLUSTRATION INDEX

ILLUSTRATION & TEXT

1. ENGINE
2. FUEL & ENGINE CONTROL
3. CLUTCH & TRANSAXLE
4. CHASSIS
5. ELECTRICAL EQUIPMENTS
6. BODY & EXTERIOR
7. INTERIOR
8. HEATER & AIR CONDITIONER
9. O.V.M. & ACCESSORY

INDEX II

PART NAME INDEX
PART NO. INDEX
DATE VS VIN NO

I. MODEL & OPTION

1-1. MODEL : CHEVROLET OPTRA / NUBIRA / LACETTI

BODY	LEVEL	ENGINE	TRANSAXLE
4 Door Notchback	BS (BASE)	1.4 DOHC 1.6 DOHC	5 SPEED M/T
	LS	1.4 DOHC 1.6 DOHC 1.8 DOHC	
4 Door Hatchback			1.4 DOHC 1.6 DOHC 1.8 DOHC
5 Door S / Wagon	LT	1.4 DOHC	
		1.6 DOHC	
		1.8 DOHC 2.0 DOHC	

1-2. MODEL : GM DAEWOO NUBIRA / LACETTI

BODY	LEVEL	ENGINE	TRANSAXLE
4 Door Notchback	SE	1.4 DOHC 1.6 DOHC	5 SPEED M/T
	SX	1.4 DOHC 1.6 DOHC 1.8 DOHC	
4 Door Hatchback			1.4 DOHC 1.6 DOHC 1.8 DOHC
5 Door S / Wagon	CDX	1.4 DOHC	
		1.6 DOHC	
		1.8 DOHC	

2-1. OPTION

CODE	DESCRIPTION	TRIM LEVEL		
		S E	S X	C D X
L14	1.4 DOHC 4 CYL MPI (F14D)	B	B	.
L44	1.6 DOHC 4 CYL MPI (F16D)	B	B	O
L84	1.8 DOHC 4 CYL MPI (H18D)	.	O	B
LDA	1.8 DOHC 4 CYL MPI (FAM1)	.	O	B
XSM	SIEMENS	B	B	O
XDP	DELPHI	.	O	B
MG4	D16 5 SPEED M/T, C/R	.	O	B
MG5	D16 5 SPEED M/T, MODIFY C/R	B	B	O
ML4	81-40LE 4SPEED A/T, ELEC. (AISIN)	O	O	O
MM9	4HP16E 4SPEED A/T, ELEC. (ZF)	.	O	O
GM5	AXLE RATIO (3.750) A/T	O	O	.
G38	AXLE RATIO (3.945) A/T	O	O	O
PG9	WHEEL 6J x 15 - ALLOY	O	O	O
JTC	TCS + ABS	.	O	O
N37	TILTABLE & TELESCOPIC	O	O	B
UXA	SSPS (SPEED SENSITIVE POWER STEERING)	.	.	O
C60	MANUAL AIR CONDITIONING	O	O	O
C15	A/C FULL ATC (W/ O/SIDE TEMP. DISPLAY)	.	O	O
C34	AIR FILTER	O	O	O
C35	REAR HEATING DUCT	O	O	O
XLP	LEATHER PACKAGE	.	O	O
WGR	WOOD GRAIN	.	O	B

2 -2. OPTION

CODE	DESCRIPTION	TRIM LEVEL		
		B S	L S	L T
WGM	CENTER PART I/P - METALLIC COLOR (PAINT)	0	0	0
W6R	TRIM - LEATHER	.	0	B
XM3	LUMBAR SUPPORT, PASSENGER SEAT	B	B	0
AYT	HEAD REST-HEIGHT W/ TILTING	.	0	B
AP5	CENTER ARM REST W/ REAR CUP HOLDER	0	0	0
UR7	W/ ASHTRAY (REAR)	0	0	0
CNJ	SUNGLASS HOLDER (DRIVER SIDE)	0	0	.
AJ8	SIDE AIRBAG - BOTH DRV & PASS SIDES	.	0	0
CAL	REMOTE KEYLESS ENTRY SYSTEM (W/O ALARM)	0	0	.
UO7	DUAL WITH TRUMPET TYPE (FANFARE)	0	0	0
DM4	ELEC.FOLDING & POWER REMOTE CONTROL	0	0	0
TCP	TRAILER CONNECTION (DEALER OPTION)	.	0	0
TU1	TOUCH-UP PAINT	0	0	B
T96	FRONT FOG	.	.	0
W6N	D/DIN-40Wx4, LOGIC/5-CDP/RDS	0	0	0
RC2	AUDIO REMOTE CONTROL SWITCH(STRG WHL)	0	0	0
U93	6EA (SPEAKER)	.	0	0
UX5	6EA - STD (SPEAKER)	0	0	0
CF6	SUN ROOF - SLIDE & TILT POWER (1-TOUCH)	0	0	0
VH4	MUD GUARD - FRONT & REAR	.	0	0
PPF	PROTECTOR - PAINT, FILM (WRAP GUARD)	.	0	B

- 0 : OPTION
- B : BASE
- . : NOT APPLIED

II. COLOR CODE TABLE

When order the color parts, the color code should be quoted.

EXTERIOR COLOR		INTERIOR COLOR
CODE	DESCRIPTION	62I
11U	GALAXY WHITE	GREY
31U	DENIM BLUE	
34U	MODERN GREEN	
35U	MINT GREEN	
58U	DARK TURQUOISE	
68U	MELANGE BEIGE	
70U	RED ROCK	
87U	PEARL BLACK	
92U	POLY SILVER (METALLIC)	
26V	IMPERIAL BLUE	
44V	KHAKI GREEN	
73L	SUPER RED (SOLID)	
54U	SUNSET ORANGE (METALLIC)	

① MODEL

This column indicates Trim level.

■ DRV(DRIVE) TYPE

- . : Common
- L : Left hand drive
- R : Right hand drive

■ BODY TYPE

- 4NB : 4 DOOR NOTCHBACK
- 4HB : 4 DOOR HATCHBACK
- 5SW : 5 DOOR STATION WAGON

■ LEVEL (TRIM LEVEL)

- BS : SE / (BASE)
- LS : SX / LS
- LT : CDX / LT

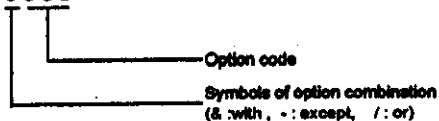
"LEVEL" column indicates the expression of applicable trim level.

- X : Applicable
- . : Not applied

② OPTION

This column indicates option code.
refer to "VI.OPTION CODE TABLE"

ex) ○○○○



③ L/R

This column indicates the mounting position of a part.

- L : Left hand side
- R : Right hand side

④ QTY

This column indicates the quantity required per sub-group.
The quantity is normally shown by number or symbol as below.
A : As required quantity.

⑤ V.I.N.

This column indicates effective body number, engine number
and transaxle number.
It is shown by giving the last 6 digit serial number of the each number.

- ex) 123456 : Body number (KLAJF66ZEXK 123456)
E123456 : Engine number (A16DMN 123456 : FAM I)
(C228ED 123456 : FAM II)
T123456 : Transaxle number (123456 : T/M)
(602200001 : ZF14 A/T)

⑥ REMARKS

Supplementary or reference information is given in this column.
(examples)
Specification, Use, Type, Applicable country etc.

⑦ PICODE(PART IDENTIFICATION CODE)

This column indicates part identification code that is marked with two characters.
Part identification code will help you in discriminating a part easily.
But, all parts will not always carry the part identification code.

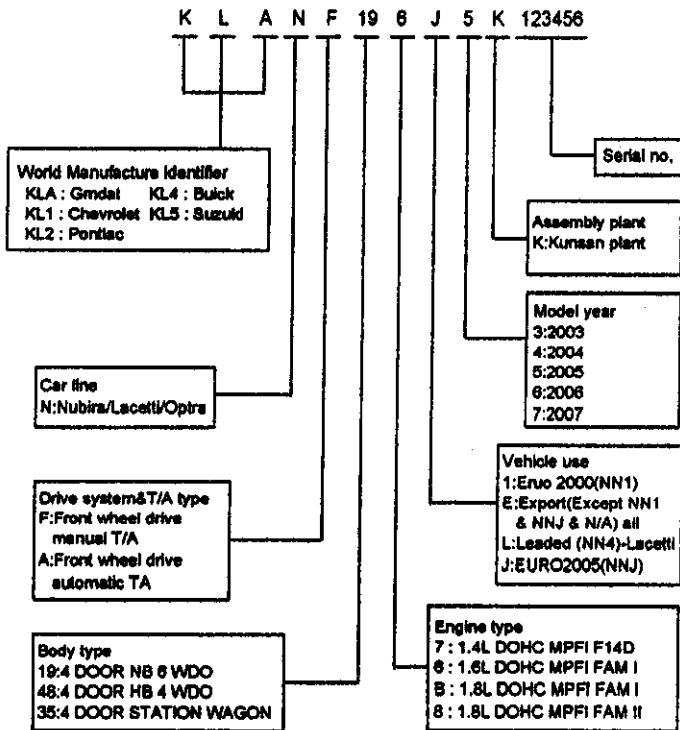
⑧ MODEL YEAR

This column indicates the sales model year of the vehicle or model change year.

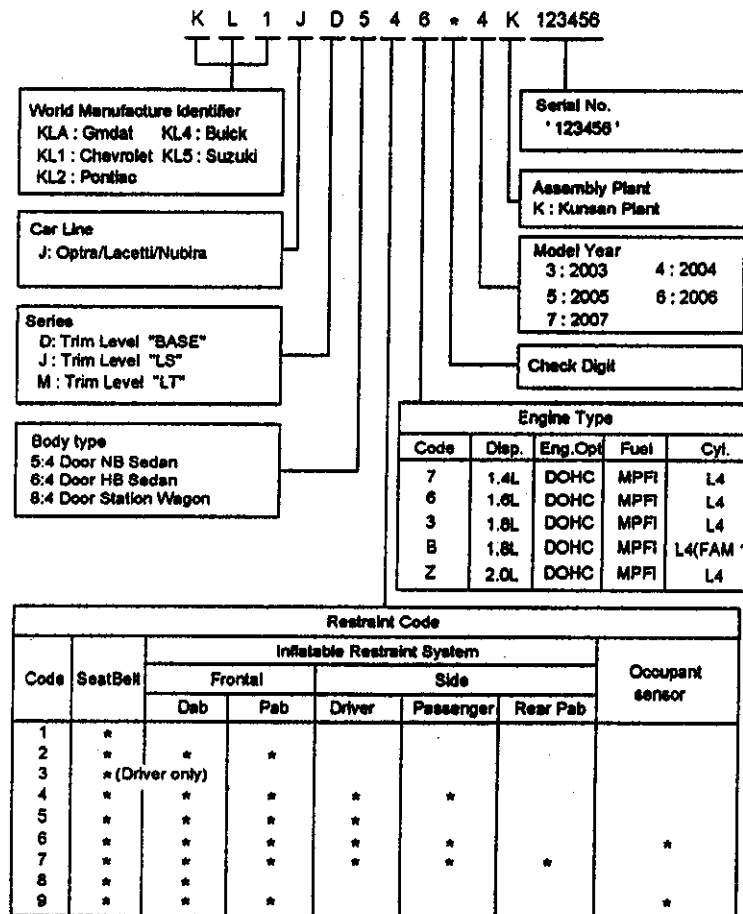
IV. CONSTRUCTION OF VEHICLE IDENTIFICATION NUMBER

1 - 1. VEHICLE IDENTIFICATION NUMBER

A) EU-TYPE



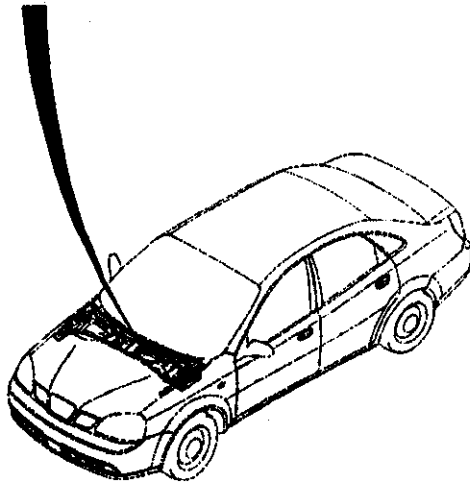
B) US-TYPE



LOCATION OF VEHICLE IDENTIFICATION NUMBER

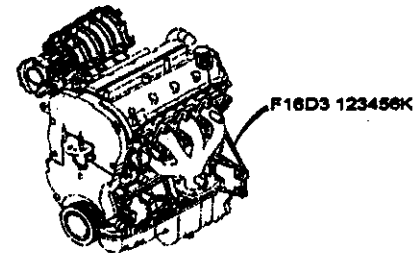
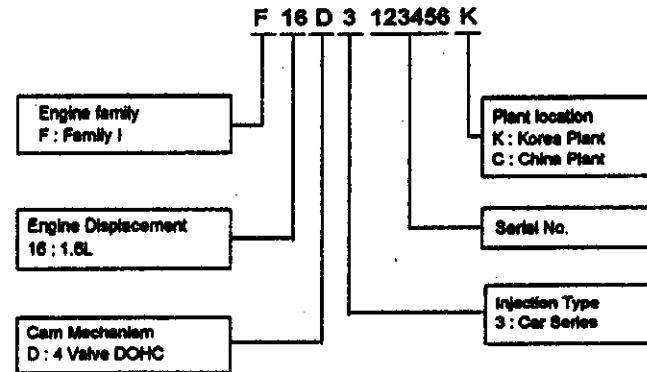
EU-TYPE: **K L A N F 19 6 J 5 K 123456**

US-TYPE: **K L 1 J D 5 4 6 * 4 K 123456**

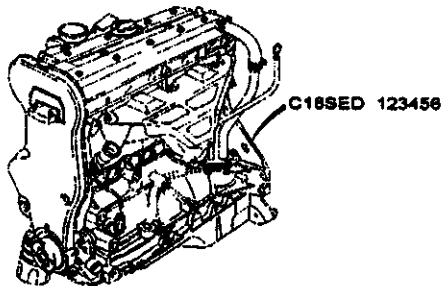
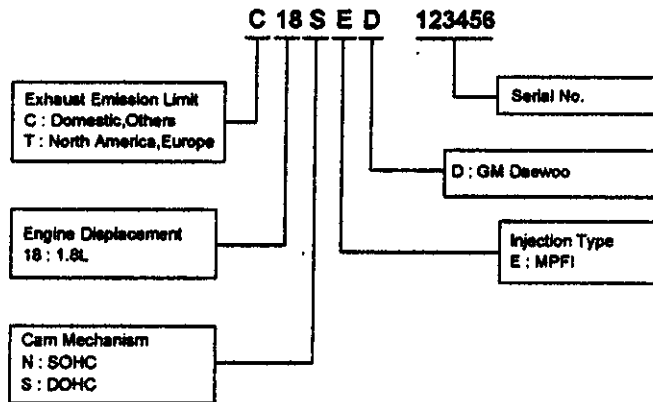


1 - 2. ENGINE IDENTIFICATION NUMBER

FAM I TYPE



FAM II TYPE



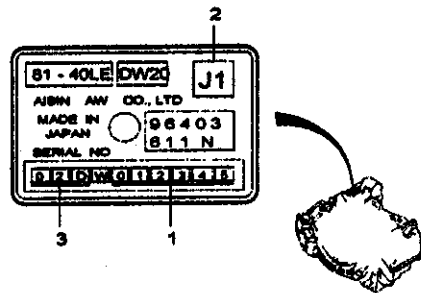
1 - 3. MANUAL TRANSAXLE IDENTIFICATION NUMBER



1. SERIAL NO.
2. P/CODE(PART IDENTIFICATION CODE)

PART CODE	ENGINE	GEAR RATIO
KP	1.4/1.6 DOHC	3.722
CM	1.6 DOHC	3.722
JL	1.8 DOHC	3.722

1 - 4. AUTOMATIC TRANSAXLE IDENTIFICATION NUMBER (AISIN A/T)



1. SERIAL NO.
2. PART IDENTIFICATION CODE(P/CODE)
3. PRODUCT DATE

EX) 02DS012345 — 2002.04

A: JANUARY G: JULY
 B: FEBRUARY H: AUGUST
 C: MARCH J: SEPTEMBER
 D: APRIL K: OCTOBER
 E: MAY L: NOVEMBER
 F: JUNE M: DECEMBER

PART CODE	ENGINE	GEAR RATIO
J4	1.6 DOHC	3.750

1 - 5. AUTOMATIC TRANSAXLE IDENTIFICATION NUMBER (ZF16 A/T)



1. SERIAL NO.
2. PART IDENTIFICATION CODE(P/CODE)

PART CODE	ENGINE	GEAR RATIO
AW	1.8 DOHC	3.945
JW	2.0 DOHC	3.847

V. OPTION CODE TABLE

English

CODE(RPO)	DESCRIPTION	CODE(RPO)	DESCRIPTION	CODE(RPO)	DESCRIPTION	CODE(RPO)	DESCRIPTION
200(200)	SINGAPORE-MANDATORY	8D2(D87)	HANDLE-REAR END, BLACK	FL1(T84)	HEAD LAMP-ECE, LHD	NN1(NT3)	EMISSION-EURO, STAGE 111
203(E09)	EASTERN EUROPE-REGULATION	8D7(D81)	HANDLE-REAR END, BODY COLOR	FL2(T73)	HEAD LAMP-SAE, LHD	NN2(NN9)	EMISSION-KOREAN 2000
205(045)	CANADA-MANDATORY	8F9(B37)	FLOOR MAT-FRT/RR ALX	FL3(T85)	HEAD LAMP-ECE, RHD	NN4(NG7)	EMISSION-OP/LOOP, LEADED
5M1(C0K)	LIBYA-MANDATORY	8H3(D72)	HANDLE-DOOR, BLACK	FL6(T90)	SIDE INDICATOR LAMP, FRT	NN6(NDP)	EMISSION-KOREAN '90
801(801)	BEIGE-INTERIOR	8H4(D75)	HANDLE-DOOR, BODY COLOR	FL7(TR1)	LAMP-REAR COMB, SAE	NN7(NT2)	EMISSION-EURO, STAGE 11
821(821)	GREY-INTERIOR	8S2(886)	BODY SIDE MOLDING-BODY COL	FL8(T89)	LAMP-REAR COMB, ECE	NNJ(NT4)	EMISSION-EURO, STAGE 1V
A30(APW)	WINDOW-POWER, DELETE	8S7(JM2)	BOOSTER-TANDEM 7"+ 8"	F04(FV1)	AXLE RAT10-3.72	NNK(NU2)	EMISSION-ULEV 11
A32(AS2)	WINDOW-POWER OPERATED, FRT	8S9(JM0)	BOOSTER-SINGLE 9"	FWS(FB1)	FLUSH WHEEL COVER-15	NMP(NDL)	EMISSION-KLEV
A33(A31)	WINDOW-PWR, F/R, W/DRS' 1 TCH	C15(C86)	AIR CON-FULL ATC	G39(FR7)	AXLE RATIO-3.945	NOU(NOU)	EMISSION-KOREAN, ULEV
A65(AA7)	WINDOW-POWER, 1 TOUCH, DOWN	C18(K00)	AIR QUALITY CONTROL SYSTEM	G39(FX1)	AXLE RATIO-3.944	P12(W2P)	FLUSH WHEEL COVER-VAR 1
A67(U76)	ANTENNA-WINDSHIELD, RADIO	C20(C04)	VARIABLE SPEED WIPER, FRT	G43(G43)	MANDATORY-SAUDIAR61A	P21(P08)	FLUSH WHEEL COVER-14
A88(AM4)	SEAT-REAR, DELUXE	C24(CE1)	WIPER-RAIN SENSING	GMS(GY5)	AXLE RATIO-3.75	P2W(P2W)	FLUSH WHEEL COVER-SPORT
A89(A04)	SEAT-REAR, STANDARD	C26(C18)	WIPER-INTERMITTENT, FR, VAR2	GPS(UY4)	NAVIGATION SYSTEM	PA5(E87)	HUBCAPS-WHEEL
A99(A69)	LOCK-GLOVE BOX	C34(K11)	AIR FILTER-1/P INLET DUCT	GS4(F03)	OAS SHOCK ABSORBER	PG1(P01)	WHEEL 6JX15 STEEL
AAC(TH5)	W/HEIGHT ADJ-SEAT BELT	C35(C35)	HEATER-REAR, LEG ROOM	GY2(GY1)	AXLE RATIO-3.847	PG4(5P2)	WHEEL 5.5JX14 ALU, SPORT
ABF(AK5)	SIR-FRT, DR & CO-DR SIDE	C48(C48)	HEATER	H0N(HDH)	BADGE-HOLDEN	PG8(PR8)	WHEEL 6JX15 ALU, SPORTY
ABH(C98)	AIR BAG SYSTEM-ADVANCED	C49(C49)	REAR WINDOW-DEFROGGER	HGR(C50)	WINDSHIELD HEATED SWITCH	PG9(P98)	WHEEL 6JX15 ALU
ABK(AAL)	KNEE BOLSTER, LH/RH	C54(C37)	HEATING MAT-FRT SEAT, DRIVE	HL4(TR6)	HEAD LAMP LEVELING DEVICE	PK8(PY8)	WHEEL 5.5JX14 STEEL
ABL(AAM)	KNEE BOLSTER, DRIVE SIDE	C58(C38)	HEATING MAT-FRT SEAT, CO-DR	J85(J41)	FR BRAKE-DRUM	QAF(Q8J)	TIRE-185/65 R 14
ACR(RAO)	SKISLEEVE-REAR SEAT	C59(C68)	AIR CON-UNCOMPLETED MANUAL	J86(J65)	FR BRAKE-DISC	QQA(Q04)	TIRE-SPARE, ALLOY WHEEL
ACD(A04)	SEAT-DR, H/ADJ DUAL, MAN	C60(C80)	AIR CONDITIONING	JL9(JAG)	BRAKE-ANTI LOCK SYS, W/O ASR	QQS(Q05)	TIRE-SPARE, STEEL WHEEL
AJ3(AJ3)	SIR-FRONT, DRIVE SIDE	C94(TCA)	LAMP-ROOM, CENTER	JTC(H99)	TRACTION CONTROL W/ABS	QOT(Q08)	TIRE-SPARE, TEMPORARY
AJ8(AJ7)	AIR BAG-FRT SIDE, DR/CO-DR	C95(T00)	LAMP-ROOF CENTER, DLX	K30(K34)	CRUISE CONTROL	QTL(QRA)	TIRE-185/55 R 15
AJF(AN8)	AIR BAG-FRT SIDE, DR	C99(C74)	LAMP-MAP, FRONT	KLP(AP3)	REM0 CON-ENGINE START	QTL(QVV)	TIRE-175/70 R 14
AK1(A10)	BELT-FRT, DRIVE, 3P ELR	CAL(UAS)	CAR ALARM, ANTI-THEFT	KL7(KAO)	KEY SUPPLY-DUAL	R87(KRC)	OCTANE NO. 87
AK9(AN8)	BELT-RR, L R/ELR & CTR/2PT	CF6(CF5)	SUNROOF-SLIDE & TILT POWER	L14(L95)	ENGINE-4 CYL 1.4 DOHC MPI	R91(KPD)	OCTANE NO. 91
AKC(A1A)	BELT-FRT, CO-DR, 3P ELR	CND(V00)	CARD HOLDER-1/P	L43(LBH)	ENGINE-4 CYL 1.5 DOHC MPI	R95(KRE)	OCTANE NO. 85
AKE(A77)	BELT-RR, ELR & CTR/3 POINT	CUJ(V08)	HOLDER-SUNGLASS	L44(L91)	ENGINE-4 CYL 1.8 DOHC MPI	RC2(UK3)	REMOTE CONTROL 3/W-STRG
AKT(AK9)	BELT-RR, CRS & CTR/3 POINT	CR1(AF8)	SWITCH-DOOR LOCK, ELEC	L84(L79)	ENGINE-4 CYL 1.8 DOHC MPI	RDS(UAL)	RADIO DATA SYSTEM-CASSETTE
AKY(A1F)	BELT-FRT, DR, 3P ELR, L/LIMIT	DO1(D65)	CONSOLE-STANDARD	L88(L34)	ENGINE-4 CYL 2.0 DOHC MPI	RMR(V30)	ROOF RACK-BLACK
AKW(A1D)	BELT-FRT, CO-DR, NLR	DO2(D07)	CONSOLE-DELUXE	L85(VAB)	LABEL-SPANISH	RXS(E98)	TRIM-TRUNK, STD
AKY(A1B)	BELT-FRT, CO-DR, 3P ELR, L/LIM	D40(Z5U)	MIRROR-HEATING FUNCTION	LOA(LDA)	ENGINE-4 CYL 1.8 DOHC MPI	T12(TCU)	LICENSE PLATE, ECE
AMB(ANK)	SEAT-FR, FIXED W/SEMI HI-BK	DBC(D08)	SUNSHADE-PASS, W/MIR, CVR	LUN(LMN)	ENGINE-4 CYL 2.0 DIESEL, BKK	T43(T43)	SPOILER-REAR, STANDARD
AM3(D63)	TRAY-SEAT, UNDER	DB0(D21)	SUNSHADE-DRIVE, W/O MIR	M85(MLK)	TRANSMISSION-MAN, 5 SPD, M/R	T99(T36)	LAMP-C, H.M. STOP
APS(DA5)	SEAT-REAR, ARM REST	DBE(D0F)	SUNSHADE-DRIVE, W/MIR, CVR	M99(MFE)	TRANS-MAN, 5 SPD, D20 CR	T98(T98)	LAMP-FOG, FRONT
APP(A70)	BELT-SEAT, PRETENSIONER, FRT	DBF(D8P)	SUNSHADE-PASS, MIR, W/O CVR	M34(M34)	TRANS-MAN, 5SPD, CR	T98(T79)	LAMP-FOG, REAR
AQ3(AR9)	SEAT-FRONT, ADJ BACK, VAR 3	DHC(E21)	DOOR 1/S HANDLE-Gr TYPE	M05(MFK)	TRANS-MAN, 5SPD, MODIFY CR	TD1(50C)	DOOR TRIM-STD
AQ8(A06)	SEAT-FRONT, ADJ BACK	DMA(DL7)	MIRROR-ELEC, FOLDING, POWER	ML4(ML4)	TRANSMISSION-AUTO, 4 SPEED	TD9(T85)	DOOR TRIM-DLX, VAR 1
AQB(AR7)	SEAT-FRONT, ADJ BACK, VAR 1	DMS(D62)	MIRROR-MANUAL FOLDING, MANU	M89(MFA)	TRANS-AUTO, 4SPD, 4HP16	U07(U07)	HORN-FAIRFARE
ASC(E91)	SEAT BACK POCKET-CO DRIVER	DM7(DL6)	MIRROR-MANUAL FOLDING, POWE	N33(N33)	STEERING COLUMN-TILT/ABLE	U27(U27)	LAMP-GLOVE BOX
ASE(E90)	SEAT BACK POCKET-DRIVER	DMS(DP5)	MIRROR-MOLDED COLOR	N37(N37)	STEERING-TILT & TELESCOPIC	U32(UEB)	CLOCK-DIGITAL, 1/P
AL3(AU3)	LOCK-DOORS, ELECTRIC	DM9(D09)	MIRROR-BODY COLOR	N40(N40)	STEERING-POWER	U44(T44)	SPEED WARNING DEVICE
AL5(AU4)	LOCK-DR, SPEED SENSITIVE	DMA(DP1)	MIRROR-2 WAY GLASS	N55(NK5)	STEERING-WHEEL W/O SIR	U80(U04)	SPEAKER-4EA
AYT(AT2)	HEADREST-FRT, TILT & HEIGHT	DRF(VHD)	PAD-SIDE IMPACT, DOOR TRIM	N58(N46)	STEERING-WHEEL W/SIR	U93(UMG)	SPEAKER-6EA
BC1(BC1)	INSTRUMENT PAD-STD	DTR(T61)	DAY TIME RUNNING LIGHT	NBF(ANF)	NET-FLOOR	UAK(UAK)	RADIO-AM/FM STEREO, COP
BC2(BJO)	INSTRUMENT PAD-DLX	EC1(K35)	EDM-HIGH ALTITUDE	NET(A02)	NET-LUGGAGE	UAV(U48)	AV SYSTEM

V. OPTION CODE TABLE

English

CODE(RPO)	DESCRIPTION	CODE(RPO)	DESCRIPTION
UAX(UAB)	HANDS FREE KIT	WOL(BC2)	INST PANEL-WOOD GRAIN
UCD(UBY)	SPEEDOMETER-KILOMETERS	WOM(C1V)	INST PANEL-METALLIC COLOR
UC1(UBZ)	SPEEDOMETER-MILES	WOP(B10)	METALLIC PAINT
UF6(UJ5)	DIMMER-INSTRUMENT CLUSTER	WOR(B10)	WOOD GRAIN
UL1(KCS)	JACK-EXTRA POWER, CONSOLE	WOS(VED)	METALLIC GRAIN
UL2(KCS)	JACK-EXTRA POWER, LUGGAGE	WPS(E2J)	LETTERING-LS
UM1(BAH)	IMMOBILIZER	XA1(B02)	SOUTH AFRICA-MANDATORY
UM1(UPP)	CASSETTE-AM/FM STD ETR, STD	XAT(B13)	AUSTRALIA-MANDATORY
UM2(LPT)	CASSETTE-AM/FM STD ETR, DLX	XBR(B08)	BRAZIL-MANDATORY
UNG(XXX)	BLANK COVER-ALDIO, W/FRAME	XC1(DZ5)	C. I. S.-MANDATORY
UP1(W10)	CD CHANGER SYSTEM	XCK(VFT)	STD CORROSION SPEC
UPK(UPK)	RADIO-ETR, EQU, CD, MPS, S/D/IN	XCP(TDW)	HEAVY DUTY CORROSION SPEC
UPX(UPX)	RADIO-ETR, EQU, CD, MPS, D/D/IN	XDP(K2D)	EMS SYSTEM-DELPHI
UOD(UOD)	RADIO-ETR, CAS, CDC, MPS, D/D	XEE(E6W)	EQUIPMENT-EAST EUROPE
UR7(D11)	ASHTRAY	XES(CLK)	ESTONIA-MANDATORY
UT3(U77)	ANTENNA-BACK GLASS	XFE(GH4)	U.S.A.-MANDATORY
UX5(UX8)	SPEAKER-SEA	XG7(0C1)	PACKAGE-PATROL CAR
UXA(HVB)	SPEED SENSITIVE PWR STRG	XOU(D8R)	GHANA-MANDATORY
UZD(M07)	KEY INTERLOCK SYSTEM	XJ6(E12)	JAPAN-MANDATORY
V86(E7W)	FIRE EXTINGUISHER	XXO(AH4)	CHILD SEAT BELT PROVISION
V87(E7Y)	FIRE EXTINGUISHER-ASM	XXA(Y0V)	BADGE-CHEVROLET
V84(VB4)	GULF STATES-MANDATORY	XXC(8M3)	BADGE-DAEWOO
VH4(WH4)	ALD GLND-FRT & RR	XXD(8M1)	BADGE-SUZUKI
VT1(E10)	BUMPER-5 MPH	XXE(BLK)	BADGE-BUICK
VT2(E17)	BUMPER-2.5 MPH	XLB(D8X)	LEBANON-MANDATORY
VT3(E2E)	BUMPER-FRT 8MPH, RR 2.5MPH	XLP(TYR)	LEATHER PACKAGE
W2V(W2V)	LETTERING-EQUIP VAR, DELETE	XM2(AM1)	LUMBAR SUPPORT-DRIVER SEAT
W33(K1X)	LETTERING-8X	XMS(AM2)	LUMBAR SUPPORT-CO DR. SEAT
W3T(K1Y)	LETTERING-CDX	XMA(B10)	MALAYSIA-MANDATORY
W4V(K1M)	LETTERING-SE	XME(E11)	MANDATORY-MEXICO
W6C(W6C)	TRIM-CLOTH, STANDARD	XML(CO1)	IMPEDIMENT LEFT HAND
W6E(W6E)	TRIM-CLOTH, DELUXE	XND(B07)	INDIA-MANDATORY
W6G(W6G)	TRIM-CLOTH, SUPER DELUXE	XNZ(E13)	NEW ZEALAND-MANDATORY
W6R(W6R)	TRIM-LEATHER	XPL(XB1)	POLAND-MANDATORY
W6M(UPR)	CD PLAYER-W/MPS	XPR(E10)	PUERTO RICO-MANDATORY
W6N(UPY)	CD CHANGER-IN DASH 5	XRA(2G1)	ISRAEL-MANDATORY
W6R(UPU)	CASSETTE-EQUALIZER, HI DLX	XSM(K21)	EMS SYSTEM-SIEMENS
W6V(UPO)	CD PLAYER	XYM(5TD)	YEMEN-MANDATORY
W6M(41P)	WHEEL-BLACK		
W4V(W4V)	NAME-LACETTI		
W4W(W4W)	NAME-MUBIRA		
W4X(W4X)	NAME-OPTRA		
W44(H12)	MUFFLER-STANDARD		
W6S(HPH)	MUFFLER-HEAVY DUTY		
W6M(W6M)	LETTERING-LT		
W6W(W6W)	NAME-VIVA		

VI. ABBREVIATIONS

English

CODE	DESCRIPTION	CODE	DESCRIPTION	CODE	DESCRIPTION	CODE	DESCRIPTION
1ST	FIRST	CM/SHF	CAMSHAFT	EVAP	EVAPORATOR	INTER	INTERMEDIATE
2ND	SECOND	CMPR	COMPRESS, ED, ION, OR	EVD	ELECTRICALLY VALIABLE	J.T	JOINT
3RD	THIRD	CNDSR	CONDENSER		ORIFICE	K/SOLSTE	KNEE BOLSTER
4TH	FOURTH	CNSL	CONSOLE	EXC	EXCEPT	L	LENGTH
5TH	FIFTH	COL	COLUMN	EXH	EXHAUST	L/COMPT	LOAD COMPARTMENT
A,ASSY	ASSEMBLE, LY	COMB	COMBINATION	EXPN	EXPANSION	L/LIMIT	LOAD LIMIT
AC	AIR CONDITIONER, JNG	COMP,CO	COMPLETE	EXTN	EXTENSION	L/PLATE	LICENSE PLATE
AD	ANALOG TO DIGITAL	COMPT	COMPARTMENT	F/PNL	FLOOR PANEL	LED	LIGHT EMITTING DIODE
A/REST	ARMREST	CONN	CONNECT, OR, ING	F/SEAT	FRONT SEAT	LH	LEFT HAND
AT	AUTO TRANSMISSION	CONT	CONTROL, CONTACT	FAB	FABRIC	LOC	LOCATING
ABS	ANTI-LOCK BRAKE SYTEM	CONV	CONVERTER	FDG	FEEDING	LONGI	LONGITUDINAL
ACCEL	ACCELERATOR	CPS	CRANK POSITION SENSOR	FFG	FRONT FOGLAMP	LVR	LEVER
ACS	AUTO CLUTCH SYSTEM	CR/SHF	CRANK SHAFT	FLEX	FLEXIBLE	LWR	LOWER
ADJ	ADJUSTER, ABLE, ING	CSC	CONCENTRIC SLAVE CYLINDER	FLR	FLOOR	M.P.I	MULTI POINT INJECTOR
AL	ALUMINUM	CTLTC	CATALYSTIC	FRT	FRONT	M/R	MEDRUM RATIO
AQS	AIR QUALITY SYSTEM	CTR	CENTER, -RAL	FWD	FORWARD	M/T	MANUAL TRANSMISSION
ATAS	ANTI THEFT ALARM SYSTEM	CUSH	CUSHION	G/BOX	GLOVE BOX	MAF	MASS AIR FLOW
ATC	AUTO TEMPERATURE CONTROL	CYL	CYLINDER	G/RAIL	GUIDE RAIL	MANIF	MANIFOLD
AUX	AUXILARY	DAB	DRIVER AIR BAG	G/S	GEAR SHIFT	MAP	MANIFOLD AIR PRESSURE
BLR	BLOWER	DIA	DIAMETER	GR	GEAR	MAT	MANIFOLD AIR TEMPERATURE
BPR	BUMPER	DIFF	DIFFERENTIAL	H.C.U	HYDRAULIC CONTROL UNIT	MBR	MEMBER
BRG	BEARING	DIM	DIMMER	HARN	HARNES	MDLG	MOLDING
BRKT	BRACKET	DIR	DIRECT,-TION	HD	HEAD	MIR	MIRROR
BRT	BRIGHT	DIS	DIRECT IGNITION SYSTEM	HDL	HANDLE	MNL	MANUAL
BTM	BOTTOM	DISTR	DISTRIBUTOR,-TION	HLLD	HEAD LAMP LEVELING DEVICE	MOD	MODULE
BTSI	BRAKE TRANSMISSION SHIFT	DLX	DELUXE	HRW	HEATED REAR WINDOW	MRR	MIRROR
	INTER	DMP	DAMP, ER, ING	HSG	HOUSING	MT,MTG	MOUNTED,-JNG
BZW	BUZZER WARNING	DOW	DOOR OPEN WARNING	HTR	HEATER	N/S	NO SERVICE
C/G	CROSS GROOVE	DR	DOOR	HYD	HYDRAULIC	NEU	NEUTRAL
C/MBR	CROSSMEMBER	DRL	DAY TIME RUNNIN LIGHT	I/MANIF	INTAKE MANIFOLD	NSBU	NEUTRAL START BRAKE UNIT
C/R	CLOSE RATION	DRV	DRIVE	I/P	INSTRUMENT PANEL	O/D	OVER DRIVE
C/V	CONSTANT VELOCITY	DSP	DIGITAL SIGNAL PROCESSOR	I/S	INSIDE	O/S	OUTSIDE,OVERSIZE
CATAL	CATALYTIC CONVERTER	E.A.C	ELECTRONIC AUTO CLUTCH	IACV	IDLE AIR CONTROL VALVE	OBD	ON BOARD DIAGNOSTIC
CBL	CABLE	E/MANIF	EXHAUST MANIFOLD	ICS	INTELLIGENCE CONTROL	OPG	OPENING
CO	COMPACT DISC	ECM	ELECTRONIC CONTROL MODULE		SUSPENSIO	OPNR	OPENER
CDC	COMPACT DISK CHANGER	EGR	EXHAUST GAS RECIRCULATION	IGN	IGNITION	OSRVM	OUT SIDE REAR VIEW MIRROR
CDL	CENTRAL DOOR LOCK	EGS	EXHAUST GAS SENSOR	IMMO	IMMOBILIZER	OTLT	OUTLET
CHMSL	CENTER HIGH MOUNTED STOP	ELEC	ELECTRIC,-CAL	INCL	INCLUDING	OTR	OUTER
	LAMP	ELR	EMERGENCY LOCKING	INL	INLET	OVM	OWNER'S VEHICLE
CHNL	CHANNEL		RETRACTOR	INR	INNER		MAINTENANCE TO
CLG	COOLING	ENG	ENGINE	INST	INSTRUMENT	P/AMP	POWER AMP
CLU	CLUTCH	ENGY	ENERGY	INT	INTAKE	P/BRAKE	PARKING BRAKE

CODE	DESCRIPTION	CODE	DESCRIPTION	CODE	DESCRIPTION
P/CABLE	PARKING CABLE	S/TANK	SURGE TANK	TILT	TILTABLE
P/STRG	POWER STEERING	SW	SWITCH	TQC	TRANSAXLE OIL COOLER
P/WDO	POWER WINDOW	SDM	SENSING & DIAGNOSTIC MODULE	TPS	THROTTLE POSITION SENSOR
PAB	PASSENGER AIR BAG	SECD	SECONDARY	TRK	TRUNK
PARK	PARKING	SHF	SHAFT	TXV	THERMAL EXPANSION VALVE
PASS	PASSENGER	SHFT	SHIFT	U/DRIVE	UNDER DRIVE
PCB	PRINTED CIRCUIT BOARD	SIG	SIGNAL	U/S	UNDER SIZE
PCM	POWER TRAIN CONTROL MODULE	SIR	SUPPLEMENTAL INFLATE RESTRAINT	UPR	UPPER
PCS	PIECE	SOL	SOLENOID	VAPOR	VAPORIZER
PCV	POSITIVE CRANKCASE VENTILATION	SPD	SPEED	VENT	VENTILATOR, TION
PKT	POCKET	SPDOM	SPEEDOMETER	VGIS	VARIABLE GAS INDUCTION SYSTEM
PLR	PILLAR	SPKR	SPEAKER	W	WATT
PNL	PANEL	STD	STANDARD	W/	WITH
PRET	PRETENTIONER	STRG	STEERING	WH	WHEEL HOUSE
PRIM	PRIMARY	STSG	SIDE TURN SIGNAL	WHARNE	WRING HARNESS
PROTV	PROTECTIVE	SUCT	SUCTION	W/O	WITHOUT
PWD	POWER WINDOW	SUPT	SUPPORT,ING	WR	WIDE RATIO
PWR	POWER	SUSP	SUSPENSION	WSHIELD	WINDSHIELD
QTR	QUARTER	SVC	SERVICE	WSTRIP	WEATHER STRIP
R/GRILL	RADIATOR GRILLE	SW	SEMI WIDE RATIO	WDO	WINDOW
RAD	RADIATOR	SWD	SPEED WARNING DEVICE	WHL	WHEEL
RECL	RECLINER,ING	SYN	SYNCHRONIZER	WLR	WEBBING LOCKING RESTRAINT
REF	REFRIGERANT	T	THICKNESS	Z	QUANTITY OF GEAR TOOTH
REINF	REINFORCEMENT	T.X.V	THERMAL EXPANSION VALVE		
REL	RELEASE	T/A	TRANSAXLE		
RES	REMOTE ENGINE START	T/BAR	TIE BAR		
REV	REVERSE	T/BODY	THROTTLE BODY		
RFG	REAR FOGLAMP	T/C	TORQUE CONVERTOR		
RGLTR	REGULATOR	T/GATE	TAIL GATE		
RH	RIGHT HAND	T/LID	TRUNK LID		
RKE	REMOTE KEY ENTRY SYSTEM	T/M	TRANSMISSION		
RR	REAR	T/P	TRIPOT, THROTTLE POSITIONER		
RTN	RETURN	T/SIG	TURN SIGNAL		
S.D.M	SENSING & DIAGNOSTIC MODULE	T/W	TOGETHER WITH		
S.I.R	SUPPLEMENTAL INFEATABLE RESTRA	TCC	TORQUE CONVERTER CLUTCH		
S/ABS	SHOCK ABSORBER	TCM	TRANSMISSION CONTROL MODULE		
S/BACK	SEAT BACK	TCS	TRACTION CONTROL SYSTEM		
S/BELT	SEAT BELT	TEMP	TEMPERATURE		
S/COL	STEERING COLUMN	THER	THERMAL		

INTRODUCTION

Ce catalogue de pièces détachées contient des informations concernant les pièces pour le service de la "OPTRA". Toutes les données et spécifications contenues dans ce catalogue sont basées sur les informations les plus récentes obtenues pour l'impression. Afin de maximiser l'emploi de ce catalogue, veuillez lire attentivement les "INFORMATIONS GÉNÉRALES"

JUN., 2006
CHEVROLET

TABLE DES MATIÈRES

INFORMATIONS GÉNÉRALES

- I. MODÈLE ET OPTION
- II. TABLEAU DU CODE DES COULEURS
- III. EXPLICATION DE LA COMPOSITION DU CATALOGUE
- IV. CONSTRUCTION DU NUMÉRO D'IDENTIFICATION DU VÉHICULE

INDEX I

INDEX DES NUMÉROS DE GROUPE
INDEX DES ILLUSTRATIONS

ILLUSTRATION ET TEXTE

1. MOTEUR
2. CONTRÔLE CARBURANT ET MOTEUR
3. DÉBRAYAGE ET TRANSMISSION
4. CHASSIS
5. ÉLECTRIQUE ÉQUIPEMENTS
6. CARROSSERIE ET EXTERIEUR
7. INTERIEUR
8. CHAUFFAGE ET CLIMATISEUR
9. O.V.M. ET ACCESSOIRES

INDEX II

INDEX DES NOMS DES PIÈCES
INDEX DES NUMÉROS DES PIÈCES
DATE VS VIN NO

I. MODÈLE & OPTION

1-1. MODÈLE : CHEVROLET OPTRA / NUBIRA / LACETTI

BODY	LEVEL	ENGINE	TRANSAXLE
4 Door Notchback	BS (BASE)	1.4 DOHC 1.8 DOHC	5 SPEED M/T
	LS	1.4 DOHC 1.8 DOHC 1.8 DOHC	
4 Door Hatchback			4 SPEED A/T, (AISIN)
5 Door S / Wagon	LT	1.4 DOHC	4 SPEED A/T, (ZF)
		1.8 DOHC 1.8 DOHC	

1-2. MODÈLE : GM DAEWOO NUBIRA / LACETTI

BODY	LEVEL	ENGINE	TRANSAXLE
4 Door Notchback	SE	1.4 DOHC 1.8 DOHC	5 SPEED M/T
	SX	1.4 DOHC 1.8 DOHC 1.8 DOHC	
4 Door Hatchback			4 SPEED A/T, (AISIN)
5 Door S / Wagon	CDX	1.4 DOHC	4 SPEED A/T, (ZF)
		1.8 DOHC 1.8 DOHC	

2-1. OPTION

CODE	DESCRIPTION	TRIM LEVEL		
		B S	L S	L T
L14	1.4 DOHC 4 CYL MPI (F14D)	B	B	.
L44	1.8 DOHC 4 CYL MPI (F18D)	B	B	O
L84	1.8 DOHC 4 CYL MPI (H18D)	.	O	B
XSM	SIEMENS	B	B	O
XDP	DELPHI	.	O	B
MG4	D18 5 SPEED M/T, C/R	.	O	B
MG5	D18 5 SPEED M/T, MODIFY C/R	B	B	O
ML4	81-40LE 4SPEED A/T, ELEC. (AISIN)	O	O	.
MM9	4HP18E 4SPEED A/T, ELEC. (ZF)	.	O	O
GM5	AXLE RATIO (3.750) A/T	O	O	.
G38	AXLE RATIO (3.945) A/T	O	O	O
PG9	WHEEL 6J x 15 - ALLOY	O	O	O
JTC	TCS + ABS	.	O	O
N37	TILTABLE & TELESCOPIC	O	O	B
UXA	SSPS (SPEED SENSITIVE POWER STEERING)	.	.	O
C60	MANUAL AIR CONDITIONING	O	O	O
C15	A/C FULL ATC (W/ O/SIDE TEMP. DISPLAY)	.	O	O
C34	AIR FILTER	O	O	O
C35	REAR HEATING DUCT	O	O	O
XLP	LEATHER PACKAGE	.	O	O
WGR	WOOD GRAIN	.	O	B

2-2. OPTION

CODE	DESCRIPTION	NIVEAU		
		B S	L S	L T
WGM	CENTER PART 1/P - METALLIC COLOR (PAINT)	O	O	O
W6R	TRIM - LEATHER	.	O	B
XM3	LUMBAR SUPPORT, PASSENGER SEAT	B	B	O
AYT	HEAD REST-HEIGHT W/ TILTING	.	O	B
AP5	CENTER ARM REST W/ REAR CUP HOLDER	O	O	O
UR7	W/ ASHTRAY (REAR)	O	O	O
CNJ	SUNGLASS HOLDER (DRIVER SIDE)	O	O	.
AJ8	SIDE AIRBAG - BOTH DRV & PASS SIDES	.	O	O
CAL	REMOTE KEYLESS ENTRY SYSTEM (W/O ALARM)	O	O	.
UO7	DUAL W/TH TRUMPET TYPE (FANFARE)	O	O	O
DM4	ELEC.FOLDING & POWER REMOTE CONTROL	O	O	O
TCP	TRAILER CONNECTION (DEALER OPTION)	.	O	O
TU1	TOUCH-UP PAINT	O	O	B
T96	FRONT FOG	.	.	O
W8N	D/DIN-40Wx4, LOGIC/5-CDP/RDS	O	O	O
RC2	AUDIO REMOTE CONTROL SWITCH(STRG WHL)	O	O	O
U93	6EA (SPEAKER)	.	O	O
UX5	8EA - STD (SPEAKER)	O	O	O
CF6	SUN ROOF - SLIDE & TILT POWER (1-TOUCH)	O	O	O
VH4	MUD GUARD - FRONT & REAR	.	O	O
PPF	PROTECTOR - PAINT, FILM (WRAP GUARD)	.	O	B

- O : OPTION
- B : BASE
- . : NOT APPLIQUÉ

II. TABLEAU DU CODE DES COULEURS

Pour la commande des couleurs, le code doit être mentionné

EXTERIOR COLOR		INTERIOR COLOR
CODE	DESCRIPTION	82I
11U	GALAXY WHITE	GRIS
31U	DENIM BLUE	
34U	MODERN GREEN	
35U	MINT GREEN	
58U	DARK TURQUOISE	
68U	MELANGE BEIGE	
70U	RED ROCK	
87U	PEARL BLACK	
92U	POLY SILVER (METALLIC)	
26V	IMPERIAL BLUE	
44V	KHAKI GREEN	
73L	SUPER RED (SOLID)	
54U	SUNSET ORANGE (METALLIC)	

① MODÈLE

Cette colonne indique le type de transmission, le type de carrosserie, le niveau d'équipement.

■ TYPE DE CONDUITE

- . : Commune
- L : Conduite à gauche
- R : Conduite à droite

■ TYPE DE CARROSSERIE

- 4NB : 4 Portes berline
- 4HB : 4 Portes à hayon arrière
- 5WS : 5 Portes break

■ TYPE DE NIVEAU

- BS : SE / (BASE)
- LS : SX / LS
- LT : CDX / LT

"NIVEAU" Cette colonne indique le niveau d'équipement applicable.

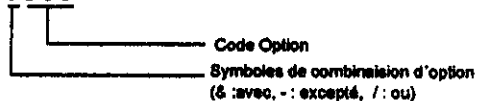
- X : Applicable
- . : Not Applicable

② OPTION

Cette colonne indique le code des options.

Voyez "VI. TABLEAU DU CODE DES OPTIONS"

ex) ○○○○



③ G/D

Cette colonne indique l'emplacement de montage d'une pièce.

- LH : Côté gauche
- RH : Côté droit

④ QTE

Cette colonne indique la quantité par sous-groupe.

La quantité est indiquée par un chiffre ou par un symbole comme ci-dessous.

A : Comme quantité requise.

⑤ V.I.N.

Cette colonne indique le numéro de châssis, le numéro de moteur et le numéro de la boîte de vitesse affecté.

Pour chaque numéro, il est suivi des 6 derniers numéros de série.

ex) 123456 : numéro de châssis (KLAJF66ZEXK 123456)

E123456 : numéro de moteur (A18DMN 123456 : FAM I)

(C228ED 123456 : FAM II)

T123456 : numéro de boîte de vitesse (123456 : T/M)

(602200001 :ZF14 A/T)

⑥ OBSERVATIONS

Des informations supplémentaires ou de référence sont fournies ici.

Spécifications, emploi, type, pays d'application, etc.

⑦ CODE D'IDENTIFICATION DE PIÈCE

Cette colonne indique le code d'identification de chaque pièce qui est composé par 2 caractères.

Vous pouvez facilement trouver la désignation de chaque pièce grâce à ce code, mais on n'a pas encodé toutes les pièces.

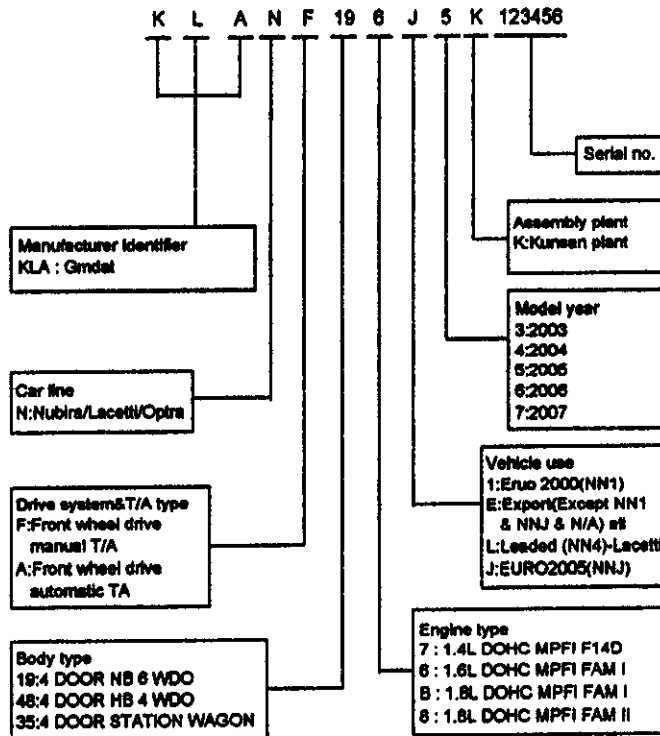
⑧ MODÈLE YEAR

est l'année de ventes de l'année de changement de véhicule ou de modèle

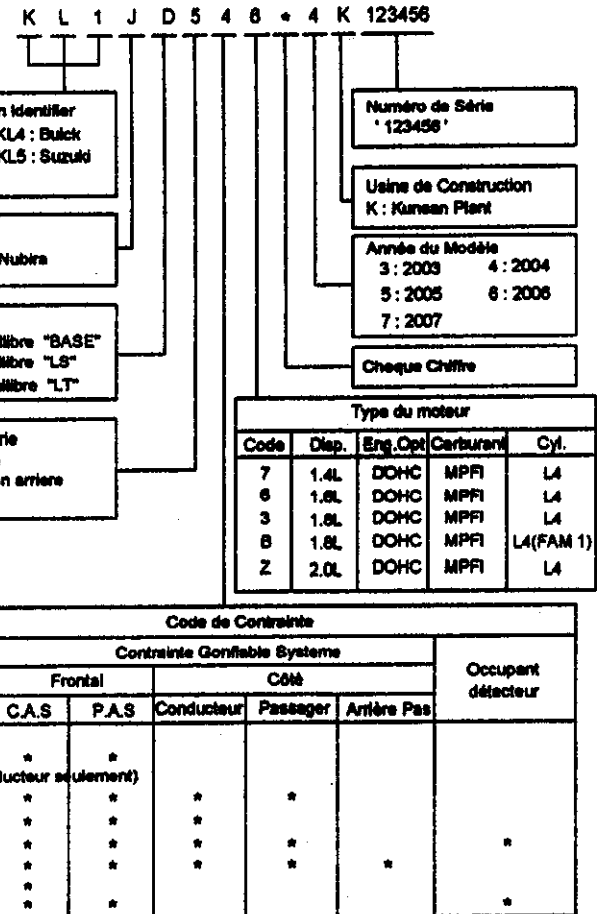
IV. CONSTRUCTION DU NUMERO D'IDENTIFICATION DU VEHICULE

1 - 1. NUMERO D'IDENTIFICATION DU VEHICULE

A) EU-TYPE



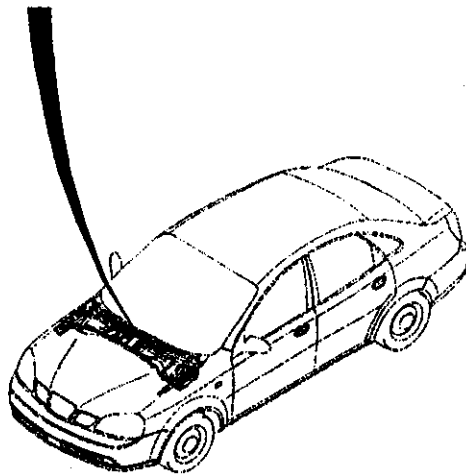
B) US-TYPE



EMPLACEMENT DU NUMERO D'IDENTIFICATION DU VEHICULE

EU-TYPE: **K L A N F 19 6 J 5 K 123456**

US-TYPE: **K L 1 J D 5 4 6 * 4 K 123456**



1 - 2. NUMERO D'IDENTIFICATION DU MOTEUR

FAM I TYPE

F 16 D 3 123456 K

Moteur Famille
F : Famille I

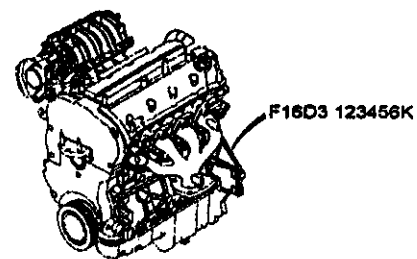
Remplacement de Moteur
16 : 1.6L

Nocken-Art
D : 4 Valve DOHC

Usine de Construction
K : Korea werk
C : China Werk

Numéro de Série

General
3 : Automobile Serie (200)



FAM II TYPE

C 18 S E D 123456

Limitation de Echappement Gaz
 C : Domestic, Others
 X : Europe
 T : North America, Europe

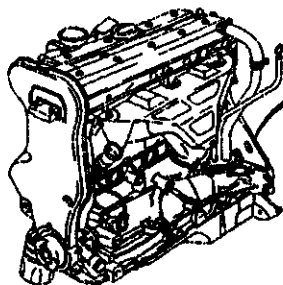
Remplacement de Moteur
 18 : 1.8L

Nocten-Art
 N : SOHC
 S : DOHC

Numéro de Série

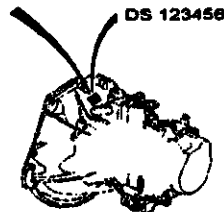
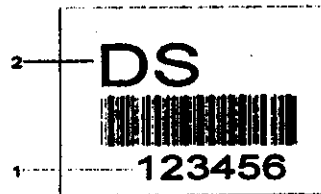
D : GM Daewoo

Type de Injection
 E : MPFI



C18SED 123456

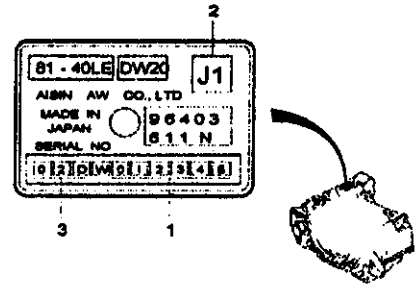
1 - 3. NUMERO D'IDENTIFICATION DU MANUELLE TRANSMISSION



- 1. NUMÉRO DE SERIE
- 2. P/CODE(CODE D'IDENTIFICATION DE PIECE)

CODE D'IDENTIFICATION DE PIECE	MOTEUR	RAPPORT D'ENTRAIEMENT
KP	1.4/1.8 DOHC	3.722
CM	1.8 DOHC	3.722
JL	1.8 DOHC	3.722

1 - 4. NUMERO D'IDENTIFICATION DU AUTOMATIQUE TRANSMISSION(AISIN A/T)



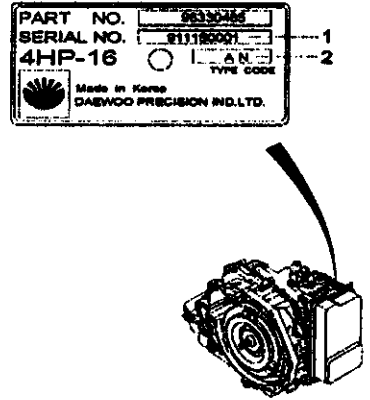
- 1. NUMÉRO DE SERIE
- 2. P/CODE(CODE D'IDENTIFICATION DE PIECE)
- 3. PRODUIT DATE

EX) 02DS012345 --- 2002.04

- A:JANVIER G:JUILLET
- B:FÉVRIER H:AOÛT
- C:MARS J:SEPTEMBRE
- D:AVRIL K:OCTOBRE
- E:MAI L:NOVEMBRE
- F:JUIN M:DÉCEMBRE

CODE D'IDENTIFICATION DE PIECE	MOTEUR	RAPPORT D'ENTRAINEMENT
J4	1.8 DOHC	3.750

1 - 5. NUMERO D'IDENTIFICATION DU AUTOMATIQUE TRANSMISSION(ZF16 A/T)



- 1. NUMÉRO DE SERIE
- 2. CODE D'IDENTIFICATION DE PIECE

CODE D'IDENTIFICATION DE PIECE	MOTEUR	RAPPORT D'ENTRAINEMENT
AW	1.8 DOHC	3.945
JW	2.0 DOHC	3.847

EINFÜHRUNG

Das vorliegende Ersatzteilverzeichnis beinhaltet Daten für das Model "OPTRA".

Die in diesem Verzeichnis enthaltenen Angaben und technischen Beschreibungen beziehen sich auf die aktuellsten Daten, die zur Druckzeit erfasst wurden.

Bei Gebrauch dieses Verzeichnis soll insbes. auf die "Allgemeine Hinweise" geachtet werden.

JUN., 2008
CHEVROLET

INHALT

ALLGEMEINE INFORMATIONEN

- I. MODELLE UND WAHLAUSSTATTUNG
- II. FARBENCODE-TABELLE
- III. ERKLÄRUNG DER KATALOG ZUSAMMENSTELLUNG
- IV. ERSTELLUNG DER FAHRZEUG IDENTIFIZIERUNGSNUMMER

VERZEICHNIS I

GRUPPEN NUMMER VERZEICHNIS
ABBILDUNGS VERZEICHNIS

ABBILDUNGEN & TEXT

1. MOTOR
2. BENZIN-UND MOTORENSTEUE-RUNG
3. KOPPLUNG UND GANGSCHAL-TUNG
4. FAHRGESTELL
5. ELEKTRISCH AUSRÜSTUNG
6. KAROSSERIE UND ÄUSSERE
7. INNERE
8. HEIZ-UND KLIMAAANLAGE
9. O.V.M. UND ZUBEHÖR

VERZEICHNIS II

TEILEBENENNUNGS VERZEICHNIS
TEILENUMMER VERZEICHNIS
DATUM VS VIN NO

I. DAS VORLIEGENDE MODELL UND WAHLAUSSTATTUNG

1-1. MODELL : CHEVROLET OPTRA / NUBIRA / LACETTI

BODY	LEVEL	ENGINE	TRANSAXLE
4 Door Notchback	BS (BASE)	1.4 DOHC 1.6 DOHC	5 SPEED M/T
	LS	1.4 DOHC 1.6 DOHC 1.8 DOHC	
4 Door Hatchback			4 SPEED A/T, (AISIN)
5 Door S / Wagon	LT	1.4 DOHC	4 SPEED A/T, (ZF)
		1.6 DOHC 1.8 DOHC	

1-2. MODELL : GM DAEWOO NUBIRA / LACETTI

BODY	LEVEL	ENGINE	TRANSAXLE
4 Door Notchback	SE	1.4 DOHC 1.6 DOHC	5 SPEED M/T
	SX	1.4 DOHC 1.6 DOHC 1.8 DOHC	
4 Door Hatchback			4 SPEED A/T, (AISIN)
5 Door S / Wagon	CDX	1.4 DOHC	4 SPEED A/T, (ZF)
		1.6 DOHC 1.8 DOHC	

2-1. WAHLFREIE AUSSTATTUNG

CODE	DESCRIPTION	TRIM LEVEL		
		B S	L S	L T
L14	1.4 DOHC 4 CYL MPI (F14D)	B	B	.
L44	1.6 DOHC 4 CYL MPI (F16D)	B	B	O
L84	1.8 DOHC 4 CYL MPI (H18D)	.	O	B
XSM	SIEMENS	B	B	O
XDP	DELPHI	.	O	B
MG4	D16 5 SPEED M/T, C/R	.	O	B
MG5	D16 5 SPEED M/T, MODIFY C/R	B	B	O
ML4	81-40LE 4SPEED A/T, ELEC. (AISIN)	O	O	.
MM9	4HP16E 4SPEED A/T, ELEC. (ZF)	.	O	O
GM5	AXLE RATIO (3.750) A/T	O	O	.
G38	AXLE RATIO (3.945) A/T	O	O	O
PG9	WHEEL 6J x 15 - ALLOY	O	O	O
JTC	TCS + ABS	.	O	O
N37	TILTABLE & TELESCOPIC	O	O	B
UXA	SSPS (SPEED SENSITIVE POWER STEERING)	.	.	O
C60	MANUAL AIR CONDITIONING	O	O	O
C15	A/C FULL ATC (W/ O/SIDE TEMP. DISPLAY)	.	O	O
C34	AIR FILTER	O	O	O
C35	REAR HEATING DUCT	O	O	O
XLP	LEATHER PACKAGE	.	O	O
WGR	WOOD GRAIN	.	O	B

2-2. WAHLFREIE AUSSTATTUNG

CODE	BESCHREIBUNG	NIVEAUE AUSSTATTUNG		
		B S	L S	L T
WGM	CENTER PART UP - METALLIC COLOR (PAINT)	0	0	0
W8R	TRIM - LEATHER	.	0	B
XM3	LUMBAR SUPPORT, PASSENGER SEAT	B	B	0
AYT	HEAD REST-HEIGHT W/ TILTING	.	0	S
AP5	CENTER ARM REST W/ REAR CUP HOLDER	0	0	0
UR7	W/ ASHTRAY (REAR)	0	0	0
CNJ	SUNGLASS HOLDER (DRIVER SIDE)	0	0	.
AJ8	SIDE AIRBAG - BOTH DRV & PASS SIDES	.	0	0
CAL	REMOTE KEYLESS ENTRY SYSTEM (W/O ALARM)	0	0	.
UO7	DUAL WITH TRUMPET TYPE (FANFARE)	0	0	0
DM4	ELEC.FOLDING & POWER REMOTE CONTROL	0	0	0
TCP	TRAILER CONNECTION (DEALER OPTION)	.	0	0
TU1	TOUCH-UP PAINT	0	0	B
T96	FRONT FOG	.	.	0
W8N	D/DIN-40Wx4, LOGIC/5-CDP/RDS	0	0	0
RC2	AUDIO REMOTE CONTROL SWITCH(STRG WHL)	0	0	0
U83	8EA (SPEAKER)	.	0	0
UX5	8EA - STD (SPEAKER)	0	0	0
CF6	SUN ROOF - SLIDE & TILT POWER (1-TOUCH)	0	0	0
VH4	MUD GUARD - FRONT & REAR	.	0	0
PPF	PROTECTOR - PAINT, FILM (WRAP GUARD)	.	0	B

0 : Option

B : Basis

.: Nicht zutreffend

II. FARBENCODE-TABELLE

Bei der Bestellung von Farbteilen, muß der Farbencode angegeben werden.

AUßENFARBE		INNEN FARBE
CODE	BESCHREIBUNG	821
11U	GALAXY WHITE	GRAU
31U	DENIM BLUE	
34U	MODERN GREEN	
35U	MINT GREEN	
58U	DARK TURQUOISE	
88U	MELANGE BEIGE	
70U	RED ROCK	
87U	PEARL BLACK	
92U	POLY SILVER (METALLIC)	
28V	IMPERIAL BLUE	
44V	KHAKI GREEN	
73L	SUPER RED (SOLID)	
54U	SUNSET ORANGE (METALLIC)	

III. ERKLÄRUNG DER KATALOGZUSAMMEN- STELLUNG

② — 4410 HYDRAULIC CLUTCH — ③

① — 3F03

ITC	KEY NO.		PART NAME										P / CODE		
	PART NO.	MODEL YEAR	D R V	MODEL						OPTION	L Q T / R Y	V.I.N.		REMARKS	
				A	B	S	B	L	L			FROM			TO
	[01] — ⑤			(C)CYLINDER A-CLU MASTER (D)ZYLINDER,HALFT								(F)CYLINDRE-MAESTRO (S)CILINDRO-MAESTRO			
	96494422 96494423	03 - 05 03 - 05	L R	B B	B B	S S	X X	X X	X X	2MG4MG5 2MG4MG5		LH1 RH1			
										*** DEFINITIONS *** MG4 : D16 5 SPEED M/T					

① MIKROFICH-NUMMER

Die Mikrofichkarte beinhaltet 13 X 16 Kästchen mit Darstellungs- und Textseiten.
Jedes Kästchen wird wie unten alpha-numerisch geordnet.

A																
B																
C																
D																
E																
F																
G																
H																
I																
J																
K																
L																
M																
N																
	01	02	03	04	05	06	07	08	09	10	11	12	13	14	15	16

② GRUPPEN-NR.

Die erste Ziffer bezieht sich auf die "HAUPT-GRUPPEN-NR." die nächsten drei Ziffer beziehen sich auf die "UNTERE-GRUPPEN-NR."

③ UNTERE-GRUPPEN-BENENUNG

Bezieht sich auf die Benennung der Untere-Gruppe innerhalb der Haupt-Gruppe.

④ TEILE-BEZEICHNUNG

Teile-Namen werden in Englisch, Französisch, Deutsch, Spanisch angegeben.

(Beispiel)

(E).....Englisch

(F).....Französisch

(D).....Deutsch

(S).....Spanisch

⑤ SCHLÜSEL-NUMMER

Die Schlüsselnummer stimmt mit der Bezugsnummer in der Abbildung überein.

In bezug auf Exportmodelle müssen die Schlüsselnummer nicht geachtet werden.

⑥ TEILE-NUMMER

Die jedem Teil zugeordnete Nummer.

Die in der Teile-Nummer Spalte als "N/S" bezeichneten Teile werden nicht einzeln ausgeliefert;

sie sind nur als Satz erhältlich.

Die Schlüsselnummer für den entsprechenden Satz wird in Klammern neben "N/S" angegeben.

⑦ ITC(AUSWECHSELUNGS-CODE)

Die Änderung der Teile-Nummer durch eine Dessin-Modifikation gibt an, ob das neue Teil mit dem alten Teil kompatibel ist.

■ Auswechslungs symbole

Y: Die neuen Teile sind mit den alten Teilen auswechselbar.

N: Die neuen Teile sind mit den alten Teilen nicht auswechselbar.

O: Das neue Teil kann das alte ersetzen, umgekehrt ist es aber nicht möglich.

① MODEL

Diese Spalte identifiziert die T/A(transmission), Karosserie- und Ausstattungs-, Arten.

■ LENKUNG TYP

- : : gemein
- L : fahrsitz/lenkung links
- R : fahrsitz/lenkung rechts

■ BODY (KAROSSERIE TYP)

- 4NB : 4 Türes mit Kofferraum
- 4HB : 4 Türes mit Hecktür
- 5SW : 5 Türes mit Kombiwagen

■ LEVEL (INNERE NIVEAU)

BS : SE / (BASE)
LS : SX / LS
LT : CDX / LT

Die "NIVEAU" Spalte gibt die Ausmaß der Ausstattung an.

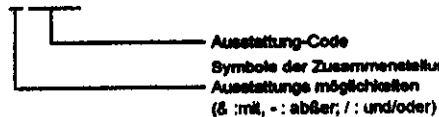
- X : Ausstattung
- . : Nicht zutreffend

② WAHLFREIE AUSSTATTUNG

Cette colonne indique le code des options Diese Spalte gibt den Wahlfreie-Ausstattungs-Code an siehe "VI. Wahlfreie-Ausstattungs-Code-Tabelle"

Beispiel

ex) ○○○○

**③ L/R**

Diese Spalte gibt die Stelle für die Montage des Teils angegeben

- L : Linke Seite
- R : Rechte Seite

④ QTY(Menge)

Diese Spalte zeigt die benötigte Menge pro Unter-Gruppierung, die normalerweise als Zahl oder Symbol wie unten angegeben wird.

- A : Die benötigte Menge

⑤ V.I.N.

Diese Rubrik beinhaltet Fahrgestell-, Motor- und Getriebe- Nummern
Es werden jeweils die letzten 8 Nummern/Buchstaben von der kompletten Seriennummer angegeben

(z.B.) 012345 : Fahrgestell- Nummer (KLAVF89ZDXB012345)

ED12345 : Motor- Nummer (T22SED012345)

T012345 : Getriebe-Nummer (98DW012345)

⑥ ANMERKUNGEN

Zusätzliche bzw. Bezugs-Informationen werden in dieser Spalte angegeben.(ingalt)

Technische Daten, Verwendungszweck, Art, betroffenes Land, usw.

⑦ TEILE KENNZEICHNUNGS CODE

In dieser Spalte ist der Teile Kennzeichnungs Code angezeigt, der in zwei Merkmalen ausgewiesen ist.

Dieser Code erleichtert die Teilezuordnung Jedoch sind nicht alle Teile entsprechend gekennzeichnet.

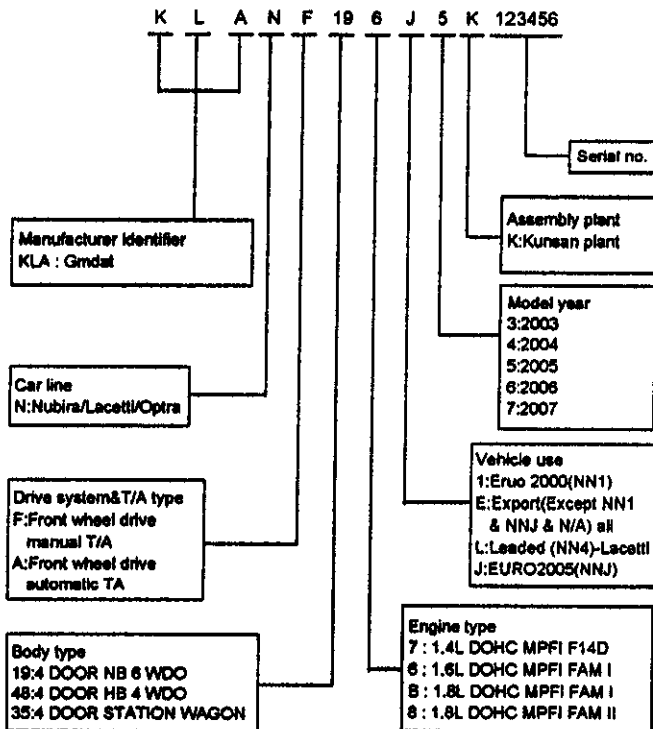
⑧ MODELL JAAR

is het verkoopjaar van het voertuig of modelveranderingsjaar

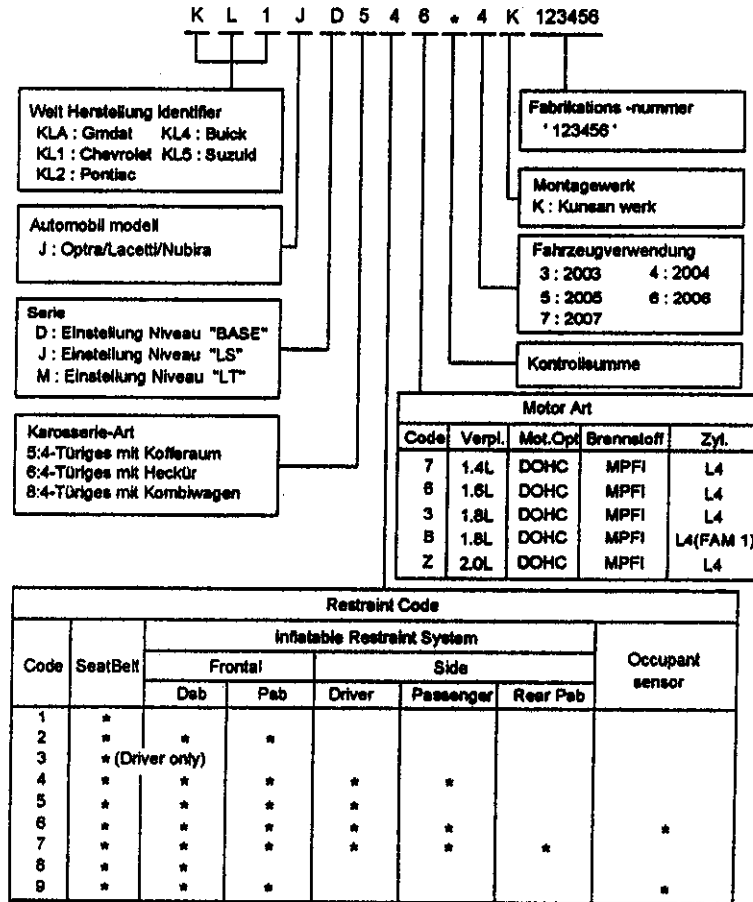
IV. ERSTELLUNG DER FAHRZEUG IDENTIFIZIERUNGS NUMMER

1 - 1. FAHRZEUG IDENTIFIZIERUNGS NUMMER

A) EU-ART



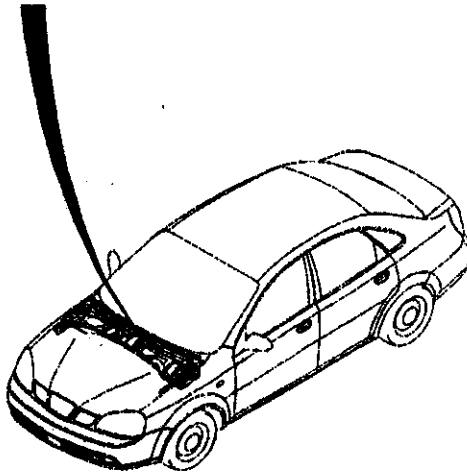
B) US-ART



BAUPLATZ DER FAHRZEUG IDENTIFIZIERUNGS NUMMER

EU-ART: K L A N F 19 6 J 5 K 123456

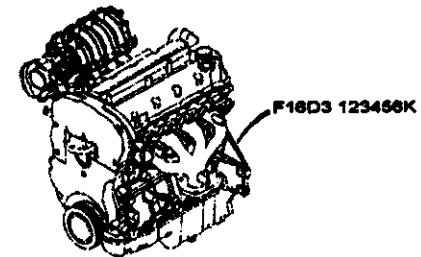
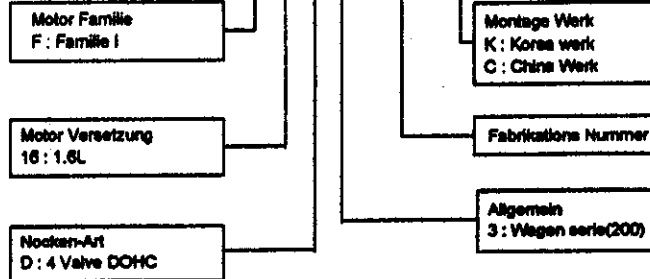
US-ART: K L 1 J D 5 4 6 * 4 K 123456



1 - 2. MOTOR IDENTIFIZIERUNGS NUMMER

FAM I TYPE

F 16 D 3 123456 K



FAM II TYPE

C 18 S E D 123456

Auspuffgas Grenze
C : Domestic, Others
X : Europe
T : North America, Europe

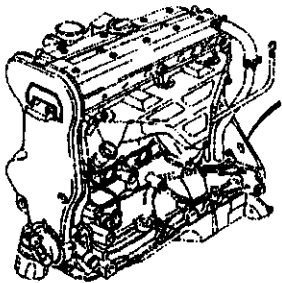
Engine Displacement
18 : 1.8L

Nocken-Art
N : SOHC
S : DOHC

Fabrikations nummer

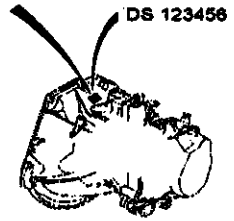
D : GM Daewoo

Einspritzen-Art
E : MPFI



C18SED 123456

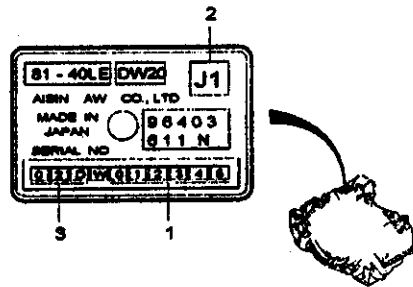
1 - 3. MANUELL KUPPLUNG IDENTIFIZIERUNGS NUMMER



- 1. FABRIKATIONS NUMMER
- 2. P/CODE (TEILE KENNZEICHNUNGS CODE)

TEILE KENNZEICHNUNGS CODE	MOTOR	ACHSEN-VERHÄLTNIS
KP	1.4/1.6 DOHC	3.722
CM	1.8 SOHC	3.722
JL	1.8 SOHC	3.722

1 - 4. AUTOMATISCHE KUPPLUNG IDENTIFIZIERUNGSNUMMER (AISIN A/T)



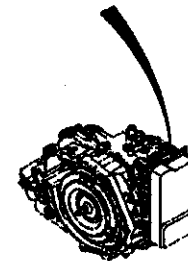
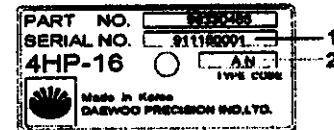
- 1. FABRIKATIONS NUMMER
- 2. P/CODE (TEILE KENNZEICHNUNGS CODE)
- 3. PRODUKT DATUM

EX) 02DS012345 --- 2002.04

- A: JANUAR G: JULI
- B: FEBRUAR H: AUGUST
- C: MÄRZ J: SEPTEMBER
- D: APRIL K: OKTOBER
- E: MAI L: NOVEMBER
- F: JUNI M: DEZEMBER

TEILE KENNZEICHNUNGS CODE	MOTOR	ACHSEN-VERHÄLTNIS
J4	1.6 DOHC	3.750

1 - 5. AUTOMATISCHE KUPPLUNG IDENTIFIZIERUNGSNUMMER (ZF16 A/T)



- 1. FABRIKATIONS NUMMER
- 2. TEILE KENNZEICHNUNGS CODE

TEILE KENNZEICHNUNGS CODE	MOTOR	ACHSEN-VERHÄLTNIS
AW	1.6 DOHC	3.945
JW	2.0 DOHC	3.847

INTRODUCCIÓN

Este catálogo de refacciones provee información de piezas de servicio para el "OPTRA".
 Toda la data y especificaciones contenidas en esta publicación están basadas en la última información disponible al momento de se impresa.
 Para poder hacer el mejor uso de este catálogo de refacciones, favor de asegurarse leer cuidadosamente la " INFORMACIÓN GENERAL."

JUN., 2008
 CHEVROLET

CONTENIDO

INFORMACIÓN GENERAL

- I. MODELO Y OPCIÓN
- II. CUADRO DE CÓDIGOS DE COLORES
- III. EXPLICACIÓN DE LA COMPOSICIÓN DEL CATÁLOGO
- IV. CONSTRUCCIÓN DEL NUMERO DE IDENTIFICACIÓN DEL VEHICULO

ÍNDICE I

ÍNDICE DE NUMERO DE GRUPO
 ÍNDICE DE ILUSTRACIONES

ILUSTRACIÓN Y TEXTO

1. MOTOR
2. CONTROL DEL COMBUSTIBLE Y MOTOR
3. EMBRAGUE Y EJE TRANSVERSAL
4. CHASIS
5. ELECTRICA EQUIPO
6. CARROCERÍA Y EXTERIOR
7. INTERIOR
8. CALENTADOR Y ACONDICIONADOR DE AIRE
9. O.V.M. Y ACCESORIOS

ÍNDICE II

ÍNDICE DE NOMBRE DE PIEZA
 ÍNDICE DE NUMERO DE PIEZA
 DATIL VS VIN NO

I. MODELO Y OPCIÓN

1-1. MODELL : CHEVROLET OPTRA / NUBIRA / LACETTI

BODY	LEVEL	ENGINE	TRANSAXLE
4 Door Notchback	BS (BASE)	1.4 DOHC 1.6 DOHC	5 SPEED M/T
	LS	1.4 DOHC 1.6 DOHC 1.8 DOHC	
4 Door Hatchback			4 SPEED A/T, (AISIN)
5 Door S / Wagon	LT	1.4 DOHC 1.6 DOHC	4 SPEED A/T, (ZF)
		1.8 DOHC	

1-2. MODELL : GM DAEWOO NUBIRA / LACETTI

BODY	LEVEL	ENGINE	TRANSAXLE
4 Door Notchback	SE	1.4 DOHC 1.8 DOHC	5 SPEED M/T
	SX	1.4 DOHC 1.6 DOHC 1.8 DOHC	
4 Door Hatchback			
5 Door S / Wagon	CDX	1.4 DOHC 1.6 DOHC	4 SPEED A/T, (ZF)
		1.8 DOHC	

2-1. OPCIÓN

CODE	DESCRIPTION	TRIM LEVEL		
		B S	L S	L T
L14	1.4 DOHC 4 CYL MPI (F14D)	B	B	.
L44	1.8 DOHC 4 CYL MPI (F18D)	B	B	O
L84	1.8 DOHC 4 CYL MPI (H18D)	.	O	B
XSM	SIEMENS	B	B	O
XDP	DELPHI	.	O	B
MG4	D16 5 SPEED M/T, C/R	.	O	B
MG5	D16 5 SPEED M/T, MODIFY C/R	B	B	O
ML4	81-40LE 4SPEED A/T, ELEC. (AISIN)	O	O	.
MM9	4HP16E 4SPEED A/T, ELEC. (ZF)	.	O	O
GM5	AXLE RATIO (3.750) A/T	O	O	.
G38	AXLE RATIO (3.945) A/T	O	O	O
PG9	WHEEL 6J x 15 - ALLOY	O	O	O
JTC	TCS + ABS	.	O	O
N37	TILTABLE & TELESCOPIC	O	O	B
UXA	SSPS (SPEED SENSITIVE POWER STEERING)	.	.	O
C60	MANUAL AIR CONDITIONING	O	O	O
C15	A/C FULL ATC (W/O/SIDE TEMP. DISPLAY)	.	O	O
C34	AIR FILTER	O	O	O
C35	REAR HEATING DUCT	O	O	O
XLP	LEATHER PACKAGE	.	O	O
WGR	WOOD GRAIN	.	O	B

2-2. OPCIÓN

CÓDIGO	DESCRIPCION	NIVEL DE ADORNO		
		B	L	L
		S	S	T
WGM	CENTER PART I/P - METALLIC COLOR (PAINT)	O	O	O
W6R	TRIM - LEATHER	.	O	B
XM3	LUMBAR SUPPORT, PASSENGER SEAT	B	B	O
AYT	HEAD REST-HEIGHT W/ TILTING	.	O	S
AP5	CENTER ARM REST W/ REAR CUP HOLDER	O	O	O
UR7	W/ ASHTRAY (REAR)	O	O	O
CNJ	SUNGLASS HOLDER (DRIVER SIDE)	O	O	.
AJ8	SIDE AIRBAG - BOTH DRV & PASS SIDES	.	O	O
CAL	REMOTE KEYLESS ENTRY SYSTEM (W/O ALARM)	O	O	.
UO7	DUAL WITH TRUMPET TYPE (FANFARE)	O	O	O
DM4	ELEC.FOLDING & POWER REMOTE CONTROL	O	O	O
TCP	TRAILER CONNECTION (DEALER OPTION)	.	O	O
TU1	TOUCH-UP PAINT	O	O	B
T96	FRONT FOG	.	.	O
W8N	D/DIN-40Wx4, LOGIC/5-CDP/RDS	O	O	O
RC2	AUDIO REMOTE CONTROL SWITCH(STRG WHL)	O	O	O
U93	6EA (SPEAKER)	.	O	O
UX5	8EA - STD (SPEAKER)	O	O	O
CF8	SUN ROOF - SLIDE & TILT POWER (1-TOUCH)	O	O	O
VH4	MUD GUARD - FRONT & REAR	.	O	O
PPF	PROTECTOR - PAINT, FILM (WRAP GUARD)	.	O	B

O : OPCIÓN

B : BASE

. : No se aplica

II. CUADRO DE CÓDIGOS DE COLORES

Cuando ordene las piezas de colores, el código de colores debe de ser citado.

EXTERIOR COLOR		INTERIOR COLOR
CÓDIGO	DESCRIPCION	821
11U	GALAXY WHITE	GREY
31U	DENIM BLUE	
34U	MODERN GREEN	
35U	MINT GREEN	
58U	DARK TURQUOISE	
68U	MELANGE BEIGE	
70U	RED ROCK	
87U	PEARL BLACK	
92U	POLY SILVER (METALLIC)	
26V	IMPERIAL BLUE	
44V	KHAKI GREEN	
73L	SUPER RED (SOLID)	
54U	SUNSET ORANGE (METALLIC)	

① MODELO

Esta columna indica el tipo de eje transmisión, tipo de carrocería, nivel de adorno.

■ CONDUCCIÓN

- : Común
- L : Conducción a la izquierda
- R : Conducción a la derecha

■ TIPO DE CARROCERÍA

- 4NB : 4 Puertas respaldo cortado
- 4HB : 4 Puertas escotilla trasera
- 5SW : 5 Puertas furgoneta

■ LEVEL (NIVEL DE ADORNO)

- BS : SE / (BASE)
- LS : SX / LS
- LT : CDX / LT

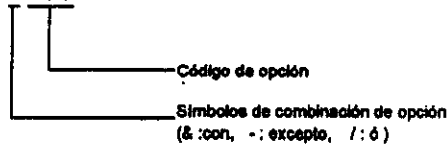
La columna "NIVEL" indica la expresión del nivel de adorno aplicable.

- X : Aplicable
- . : No se aplica

② OPCIÓN

Esta columna indica el código de opción; refiérase a "VI. CUADRO DE CÓDIGO DE OPCIÓN"

Ejemplo: O O O O

**③ L/R(I/D)**

Esta columna indica la posición de montaje de una pieza.

- LH : Lado izquierdo
- RH : Lado derecho

④ QTY(CANTIDAD)

Esta columna indica la cantidad requerida por el sub-grupo. Las cantidades son normalmente mostradas por símbolos o por números como sigue.

A : Cantidad como se requiera.

⑤ V.I.N.

Esta columna indica el número de carrocería, motor y transmisión. Se muestra con los 8 últimos números de cada serie.

- (ej.) 123456 : Número de carrocería (KLAJF60ZEXK123456)
- E123456 : Número de motor (A16DMN 123456 : FAM I)
- (T22BED123456 : FAM II)
- T123456 : Número de transmisión (123456 : T/M)
- (802200001 : ZF14 A/T)

⑥ COMENTARIOS

Información suplementaria o de referencia aparece esta columna (contenidos) Especificaciones, uso, tipo, país al que se aplica, etc.

⑦ CODIAO DE IDENTIFICACION DE PIEZAS

Esta columna indica el código de identificación de piezas expresado con dos caracteres.

Este código ayuda a distinguir fácilmente las piezas. Pero no siempre existe para todas ellas.

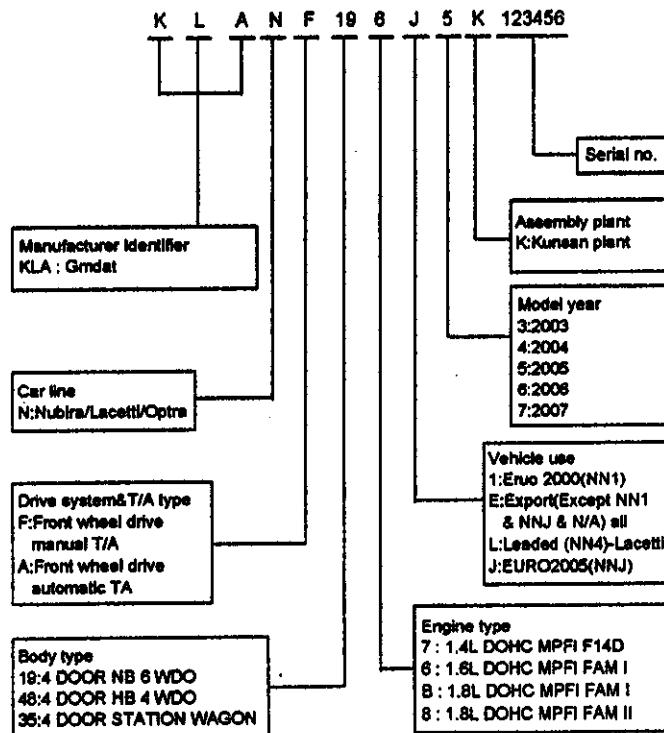
⑧ MODELO YEAR

es el año de las ventas del año del cambio del vehículo o del modelo

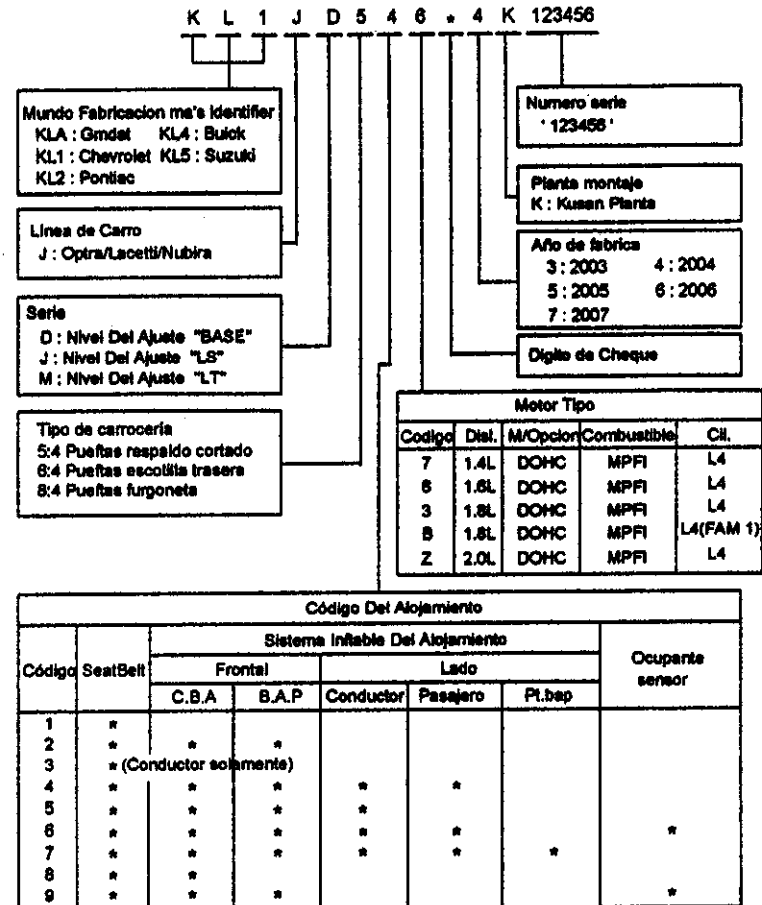
IV. CONSTRUCCIÓN DEL NUMERO DE IDENTIFICACIÓN DEL VEHÍCULO

1 - 1. NUMERO DE IDENTIFICACIÓN DEL VEHÍCULO

A) EU-Tipo de



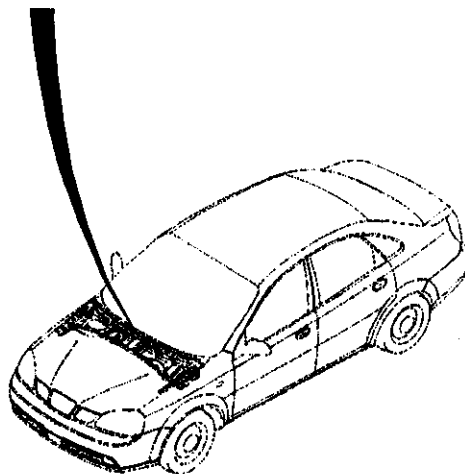
B) US-Tipo de



UBICACIÓN DEL NUMERO DE IDENTIFICACIÓN DEL VEHÍCULO

EU-Tipo de : **KL ANF 19 6 J 5 K 123456**

US-Tipo de : **KL 1 JD 5 4 6 * 4 K 123456**



1 - 2. NUMERO DE IDENTIFICACIÓN DEL MOTOR

FAM I TYPE

F 16 D 3 123456 K

Motor Familia
F : Familie I

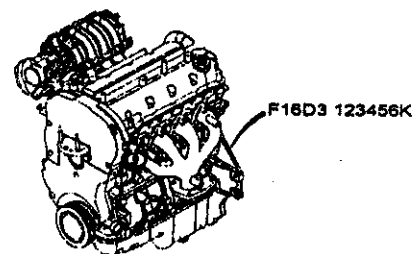
Motor Desplazamiento
16 : 1.6L

Tipo de Cam
D : 4 Valve DOHC

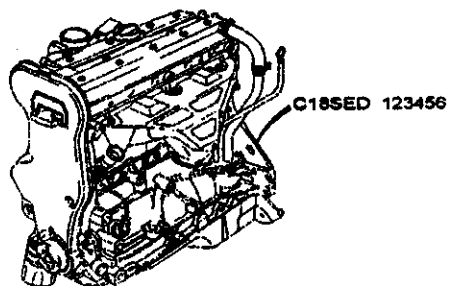
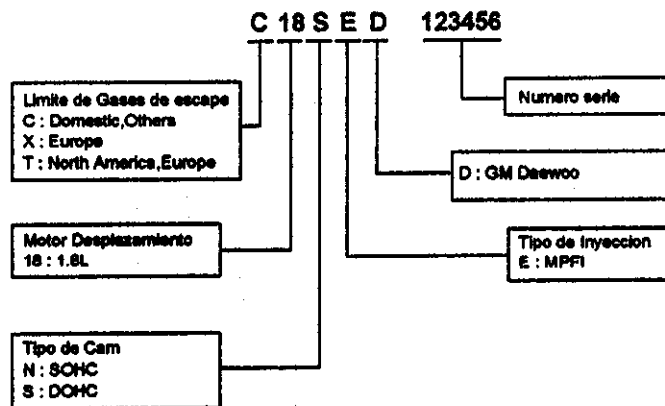
Montaje planta
K : Korea planta
C : China planta

Numero serie
123456

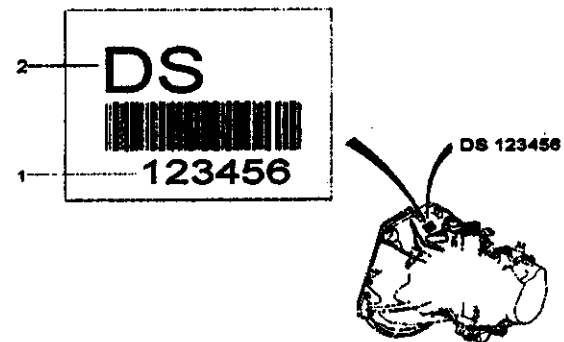
Algemein
3 : Serie de Carro(200)



FAM II TYPE



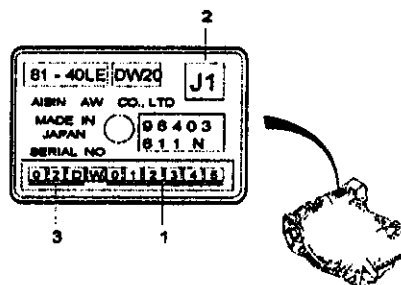
1 - 3. NUMERO DE IDENTIFICACIÓN DEL MANUAL TRANSVERSAL



1. NUMERO SERIE
2. P/CODE(CODIAO DE IDENTIFICACION DE PIEZAS)

CODIAO DE IDENTIFICACION DE PIEZAS	MOTOR	EJE DE PROPORCION
KP	1.4/1.6 DOHC	3.722
CM	1.6 DOHC	3.722
JL	1.6 DOHC	3.722

1 - 4. NUMERO DE IDENTIFICACIÓN DEL AUTOMÁTICA TRANVERSAL(AISIN A/T)



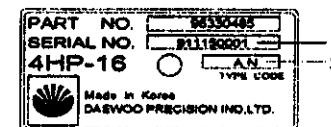
1. NUMERO SERIE
2. P/CODE(CODIAO DE IDENTIFICACION DE PIEZAS)
3. PRODUCTO FECHA

EX) 02DS012345 --- 2002.04

A:ENERO	G:JULIO
B:FEBRERO	H:AGOSTO
C:MARZO	J:SEPTIEMBRE
D:ABRIL	K:PULPO
E: MAYO	L:NOVENA
F: JUNIO	M:DICIEMBRE

CODIAO DE IDENTIFICACION DE PIEZAS	MOTOR	EJE DE PROPORCION
J4	1.6 DOHC	3.750

1 - 5. NUMERO DE IDENTIFICACIÓN DEL AUTOMÁTICA TRANVERSAL(ZF16 A/T)



1. NUMERO SERIE
2. CODIAO DE IDENTIFICACION DE PIEZAS

CODIAO DE IDENTIFICACION DE PIEZAS	MOTOR	EJE DE PROPORCION
AW	1.8 DOHC	3.945
JW	2.0 DOHC	3.847

GROUP NO. INDEX

1

ENGINE

1111 ENGINE UNIT(FAM I DOHC)
 1113 ENGINE UNIT(FAM II DOHC)
 1120 SHORT BLOCK(FAM I)
 1121 SHORT BLOCK(FAM II)
 1130 BELT SYSTEM
 1141 REPAIR KIT(FAM I DOHC)
 1143 REPAIR KIT(FAM II DOHC)
 1210 ENGINE BLOCK(FAM I)
 1211 ENGINE BLOCK(FAM II)
 1220 CRANKSHAFT&PISTON(FAM I)
 1221 CRANKSHAFT&PISTON(FAM II)
 1230 OIL PAN&PUMP(FAM I)
 1231 OIL PAN&PUMP(FAM II)
 1240 ENGINE OIL VENTILATION(FAM I)
 1241 ENGINE OIL VENTILATION(FAM II)
 1311 CYLINDER HEAD(FAM I DOHC)
 1313 CYLINDER HEAD(FAM II DOHC)
 1321 CAM SUPPORT&SHAFT(FAM I DOHC)
 1323 CAM SUPPORT&SHAFT(FAM II DOHC)
 1331 TIMING COVER(FAM I DOHC)
 1333 TIMING COVER(FAM II DOHC)
 1411 FUEL INJECTION(FAM I DOHC)
 1413 FUEL INJECTION(FAM II DOHC)
 1510 THROTTLE BODY(FAM II)
 1521 INTAKE MANIFOLD(FAM I DOHC)
 1523 INTAKE MANIFOLD(FAM II DOHC)
 1531 EXHAUST MANIFOLD(FAM I DOHC)
 1533 EXHAUST MANIFOLD(FAM II DOHC)
 1681 THERMOSTAT(FAM I DOHC)
 1683 THERMOSTAT(FAM II DOHC)
 1711 IGNITION CABLE(FAM I DOHC)

1713 IGNITION CABLE(FAM II DOHC)
 1740 ALTERNATOR UNIT
 1751 ALTERNATOR MOUNT(FAM I DOHC)
 1753 ALTERNATOR MOUNT(FAM II DOHC)
 1760 STARTER

2

FUEL&ENGINE CONTROL

2110 FUEL TANK
 2120 FUEL LINE
 2130 CANISTER&FUEL VACUUM I
 2131 CANISTER&FUEL VACUUM II
 2210 RADIATOR
 2220 COOLING FAN
 2230 RADIATOR HOSE&PIPE I
 2233 RADIATOR HOSE&PIPE II
 2241 OIL COOLER PIPE(ZF A/T)
 2242 OIL COOLER PIPE I (AISIN A/T)
 2410 AIR INTAKE SYSTEM I
 2411 AIR INTAKE SYSTEM II
 2451 VACUUM HOSE(FAM I DOHC)
 2453 VACUUM HOSE(FAM II DOHC)
 2460 EXHAUST PIPE LINE I
 2510 EMISSION MODULE

3

CLUTCH&TRANSAXLE

3110 CLUTCH COVER&DISC
 3210 MANUAL TRANSAXLE
 3220 TRANSAXLE RELATED PARTS
 3230 TRANSAXLE GEAR
 3240 REVERSE&COUNTER GEAR
 3250 BEARING PLATE
 3260 GEAR SHIFT COVER&FORK
 3270 DIFFERENTIAL GEAR

- 3710 AUTOMATIC TRANSAXLE(AISIN)
- 3720 TORQUE CONVERTER&SENSOR(AISIN)
- 3721 TRANSAXLE HOUSING(AISIN)
- 3722 OIL PUMP(AISIN)
- 3723 TRANSAXLE CASE(AISIN)
- 3724 REAR COVER(AISIN)
- 3725 MAIN VALVE LEVER&PARKING(AISIN)
- 3734 FORWARD&REVERSE CLUTCH(AISIN)
- 3735 DIRECT CLUTCH(AISIN)
- 3736 2ND COAST&4TH BRAKE(AISIN)
- 3737 1ST/2ND/REVERSE BRAKE(AISIN)
- 3738 GEAR&SHAFT(AISIN)
- 3739 COUNTER GEAR&SHAFT(AISIN)
- 3750 DIFFERENTIAL(AISIN)
- 3760 VALVE BODY(AISIN)
- 3810 AUTOMATIC TRANSAXLE(ZF16)
- 3820 TORQUE CONVERTER&HOUSING(ZF16)
- 3821 TRANSAXLE HOUSING(ZF16)
- 3822 OIL PUMP(ZF16)
- 3824 REAR COVER&OIL PAN(ZF16)
- 3825 PARKING LEVER(ZF16)
- 3830 F CLUTCH&BRAKE BAND(ZF16)
- 3831 INPUT SHAFT&B,E CLUTCH(ZF16)
- 3832 BEARING PLATE&SPUR GEAR(ZF16)
- 3833 PLANETARY DRIVE GEAR(ZF16)
- 3834 CLUTCH DISC(ZF16)
- 3850 DIFFERENTIAL&SIDE SHAFT(ZF16)
- 3860 VALVE BODY(ZF16)
- 3910 GEARSHIFT CONTROL(M/T)
- 3920 GEARSHIFT CONTROL(A/T)

4 CHASSIS

- 4110 AXLE SHAFT UNIT
- 4120 AXLE SHAFT PARTS I

- 4130 FRONT KNUCKLE&HUB
- 4140 FRONT SHOCK ABSORBER
- 4150 CONTROL ARM
- 4190 ENGINE MOUNT
- 4310 REAR AXLE
- 4320 REAR SHOCK ABSORBER
- 4330 REAR KNUCKLE&HUB
- 4410 HYDRAULIC CLUTCH
- 4420 CLUTCH PEDAL I
- 4430 BRAKE PEDAL I
- 4440 ACCELERATOR CONTROL
- 4510 FRONT BRAKE I
- 4520 REAR BRAKE(DRUM)
- 4521 REAR BRAKE(DISC)
- 4530 PARKING BRAKE
- 4610 MASTER BRAKE UNIT
- 4620 MASTER CYLINDER&BOOSTER I
- 4652 BRAKE PIPE
- 4710 ABS SYSTEM
- 4810 STEERING WHEEL
- 4820 STEERING COLUMN COVER
- 4830 STEERING COLUMN(NON TILTABLE)
- 4831 STEERING COLUMN(TILTABLE)
- 4910 STEERING GEAR UNIT
- 4931 STEERING GEAR PARTS(POWER)
- 4950 POWER STEERING PIPE LINE

5 ELECTRICAL EQUIPMENTS

- 5110 FRONT LAMP
- 5140 REAR LAMP I
- 5220 INSTRUMENT CLUSTER
- 5310 WINDSHIELD WIPER

5320 BACK WINDOW WIPER
5330 WINDSHIELD WASHER
5410 ELECTRICAL PARTS
5420 ANTENNA
5430 AUDIO SYSTEM
5440 CAR ALARM&ANTI-THEFT SYSTEM
5510 AIR BAG SYSTEM
5610 BATTERY
5620 FUSE&RELAY
5710 WIRING HARNESS

6

BODY&EXTERIOR

6110 HOOD PANEL
6130 FRONT PANEL
6140 FENDER PANEL
6150 DASH PANEL&COWL
6210 FRONT DOOR PANEL
6220 FRONT DOOR LOCK
6230 FRONT WINDOW LIFTER
6240 FRONT WEATHERSTRIP
6250 ELECTRIC DOOR LOCK
6310 REAR DOOR PANEL
6320 REAR DOOR LOCK
6330 REAR WINDOW LIFTER
6340 REAR WEATHERSTRIP
6410 SIDE BODY PANEL I
6411 SIDE BODY PANEL II
6413 SIDE BODY PANEL IV
6420 FUEL FILLER LOCK
6430 ROOF PANEL
6440 TRUNK LID PANEL
6441 TAILGATE PANEL I

6442 TAILGATE PANEL II
6450 TRUNK LID LOCK
6451 TAILGATE LOCK I
6452 TAILGATE LOCK II
6460 CAR LOCK
6510 FRONT FLOOR PANEL
6520 REAR FLOOR PANEL
6530 FRAME
6610 SIDE BODY MOLDING
6630 OUTSIDE MIRROR
6640 GLASS I
6641 GLASS II
6650 EMBLEM&LETTERING
6660 WHEEL&WHEEL COVER
6670 LABEL&STICKER
6710 GRILLE I
6711 GRILLE II
6720 FRONT BUMPER
6730 REAR BUMPER I
6732 REAR BUMPER III
6750 MUD GUARD

7

INTERIOR

7113 INSTRUMENT PANEL
7120 MOLDING&SWITCH
7130 INSTRUMENT CENTER PARTS I
7141 CONSOLE
7150 KNEE BOLSTER A
7210 FRONT DOOR TRIM
7220 REAR DOOR TRIM
7231 TAILGATE TRIM I
7232 TAILGATE TRIM II
7310 HEADLINING

7320 SHELF BACK PANEL I
7321 SHELF BACK PANEL II
7322 SHELF BACK PANEL III
7330 FRONT PILLAR TRIM I
7340 REAR PILLAR TRIM I
7341 REAR PILLAR TRIM II
7342 REAR PILLAR TRIM III
7350 SUNSHADE&INSIDE MIRROR

7510 FRONT SEAT
7520 FRONT SEAT PARTS
7530 SEAT GUIDE RAIL
7540 REAR SEAT I
7541 REAR SEAT II
7550 FRONT SEAT BELT
7560 REAR SEAT BELT
7610 FLOOR CARPET

8

HEATER&AIR CONDITIONER

8110 AIR DISTRIBUTOR
8212 AIR CONDITIONER MODULE III
8221 BLOWER&EVAPERATOR
8310 CONDENSER
8320 COMPRESSOR
8331 COMPRESSOR MOUNT II
8340 AIR CONDITIONER HOSE&PIPE LINE I
8350 AIR CONDITIONER CONTROL SWITCH I
8352 AIR CONDITIONER CONTROL SWITCH III

9

O.V.M.&ACCESSORY

9110 TOOL
9120 OIL&PAINT
9210 REAR SPOILER

9250 SUN ROOF
9260 SUN ROOF MOUNT
9739 GEAR SHIFT CONTROL&PARTKING BRAKE
9745 PERFORMANCE BRAKE
9748 STEERING WHEEL&BLUETOOTH
9755 GRILLE
9760 BODY OUTSIDE MOLDING&TIP
9764 TRUNK LID
9766 WHEEL&WHEEL CAP
9771 I/P HANG ON&A/C COVER
9772 DOOR TRIM
9773 PILLAR TRIM
9775 SEAT COVERING
9792 SPOILER&CARGO ORGANIZER

ILLUSTRATION INDEX

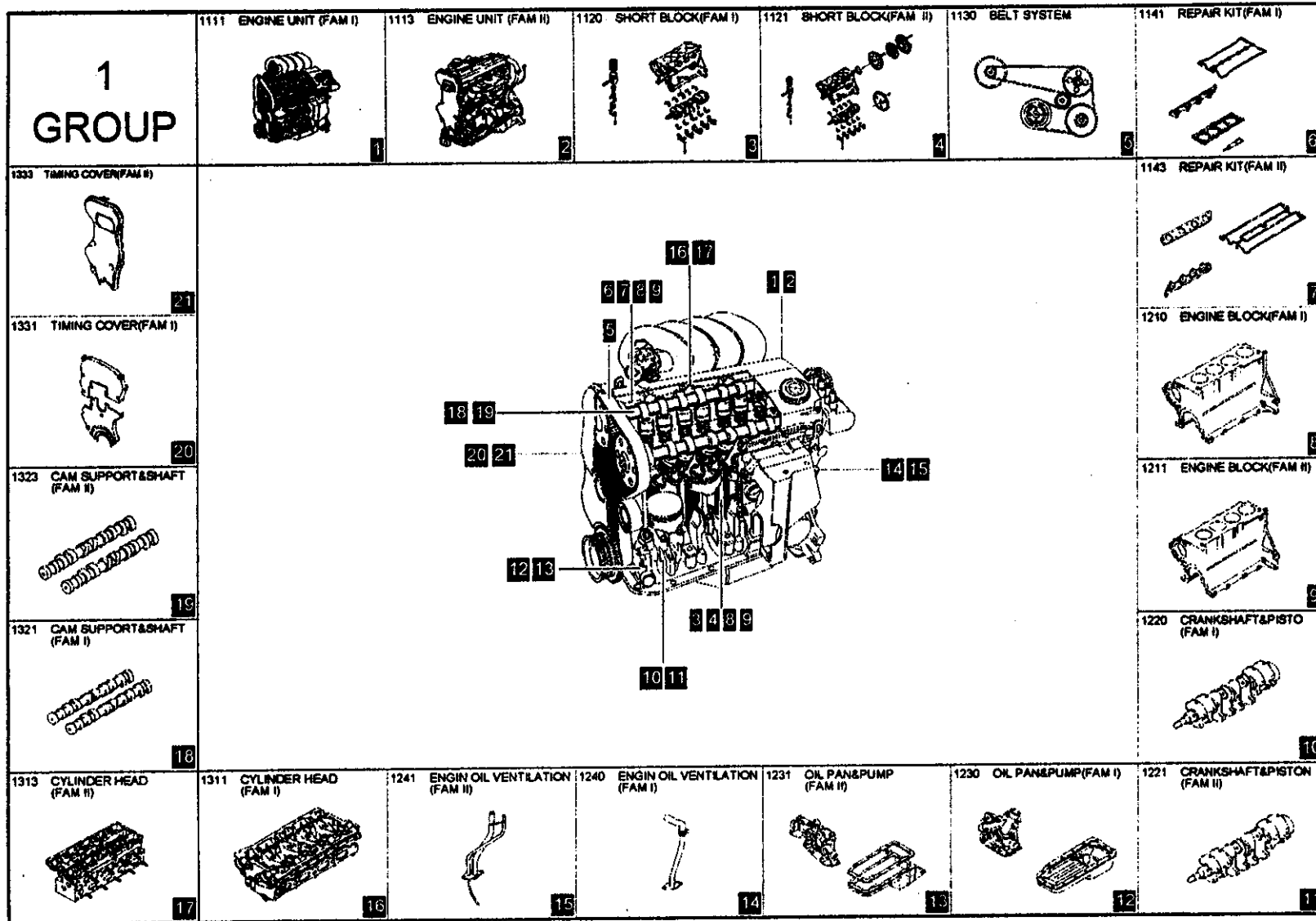
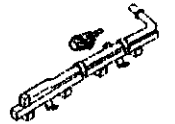

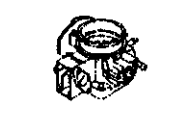
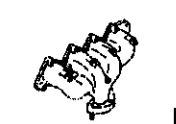

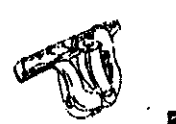
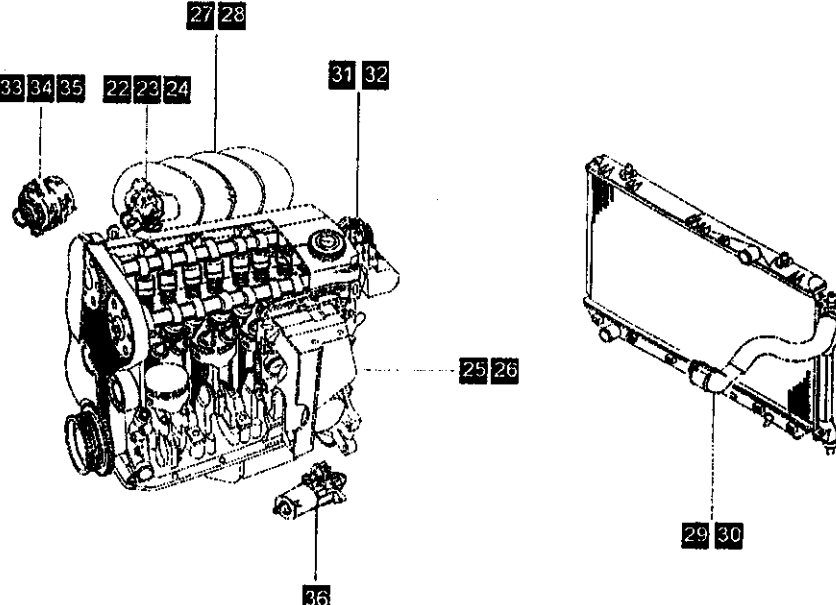


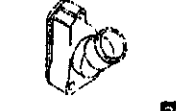


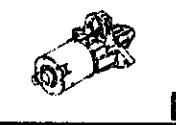





ILLUSTRATION INDEX

<p style="text-align: center;">1 GROUP</p>	<p>1411 FUEL INJECTION (FAM I)</p>  <p style="text-align: right;">22</p>	<p>1413 FUEL INJECTION(FAM II)</p>  <p style="text-align: right;">23</p>	<p>1510 THROTTLE BODY(FAM II)</p>  <p style="text-align: right;">24</p>	<p>1521 INTAKE MANIFOLD (FAM I)</p>  <p style="text-align: right;">25</p>	<p>1523 INTAKE MANIFOLD (FAM II)</p>  <p style="text-align: right;">26</p>	<p>1531 EXHAUST MANIFOLD (FAM I)</p>  <p style="text-align: right;">27</p>	
							
							<p>1533 EXHAUST MANIFOLD (FAM II)</p>  <p style="text-align: right;">28</p>
							<p>1681 THERMOSTAT (FAM I)</p>  <p style="text-align: right;">29</p>
							<p>1683 THERMOSTAT (FAM II)</p>  <p style="text-align: right;">30</p>
							<p>1711 IGNITION CABLE(FAM I)</p>  <p style="text-align: right;">31</p>
							<p>1713 IGNITION CABLE(FAM II)</p>  <p style="text-align: right;">32</p>
			<p>1760 STARTER</p>  <p style="text-align: right;">36</p>	<p>1753 ALTERNATOR MOUNT (FAM II)</p>  <p style="text-align: right;">35</p>	<p>1751 ALTERNATOR MOUNT (FAM I)</p>  <p style="text-align: right;">34</p>	<p>1740 ALTERNATOR UNIT</p>  <p style="text-align: right;">33</p>	

2 GROUP




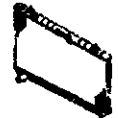


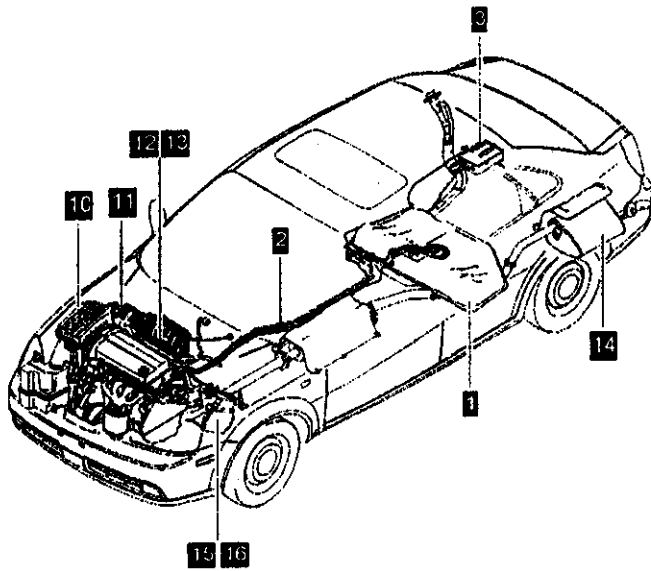





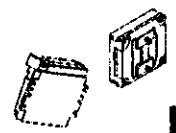


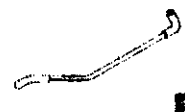









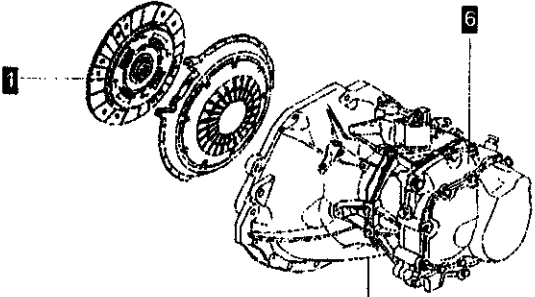
<p>2110 FUEL TANK</p>  <p>1</p>	<p>2120 FUEL LINE</p>  <p>2</p>	<p>2130 CANISTER & FUEL VACUUM</p>  <p>3</p>	<p>2210 RADIATOR</p>  <p>4</p>	<p>2220 COOLING FAN</p>  <p>5</p>	<p>2230 RADIATOR HOSE & PIPE (FAM I)</p>  <p>6</p>	
						<p>2233 RADIATOR HOSE & PIPE (FAM II DOHC)</p>  <p>7</p>
						<p>2241 OIL COOLER PIPE (ZF A/T)</p>  <p>8</p>
						<p>2242 OIL COOLER PIPE I (AISIN A/T)</p>  <p>9</p>
						<p>2410 AIR INTAKE SYSTEM I</p>  <p>10</p>
<p>2520 EMISSION MODULE MOUNT I</p>  <p>16</p>	<p>2510 EMISSION MODULE</p>  <p>15</p>	<p>2480 EXHAUST PIPE LINE I</p>  <p>14</p>	<p>2453 VACUUM HOSE (FAM II DOHC)</p>  <p>12</p>	<p>2451 VACUUM HOSE (FAM I DOHC)</p>  <p>12</p>	<p>2411 AIR INTAKE SYSTEM II</p>  <p>11</p>	

ILLUSTRATION INDEX

<p style="text-align: center;">3 GROUP</p>	<p>3110 CLUTCH COVER&DISC</p>  <p style="text-align: right;">1</p>	<p>3210 MANUAL TRANSAXLE</p>  <p style="text-align: right;">2</p>	<p>3220 TRANSAXLE RELATED PARTS</p>  <p style="text-align: right;">3</p>	<p>3230 TRANSAXLE GEAR</p>  <p style="text-align: right;">4</p>	<p>3240 REVERSE&COUNTER GEAR</p>  <p style="text-align: right;">5</p>	<p>3250 BEARING PLATE</p>  <p style="text-align: right;">6</p>	
						<p>3260 GEAR SHIFT COVER & FORK</p>  <p style="text-align: right;">7</p>	
						<p>3270 DIFFERENTIAL GEAR</p>  <p style="text-align: right;">8</p>	
							







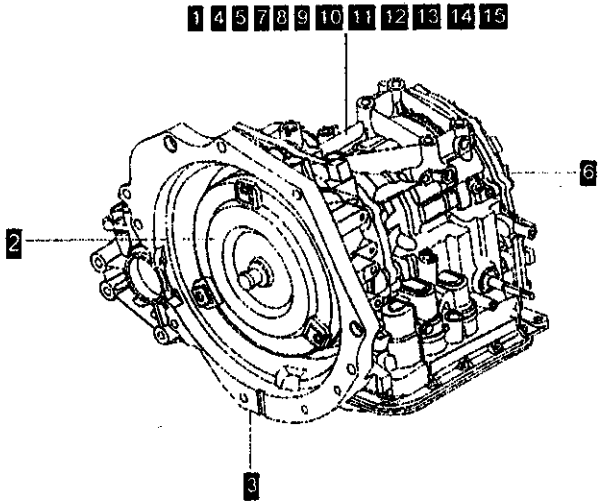

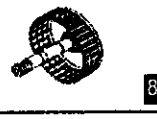













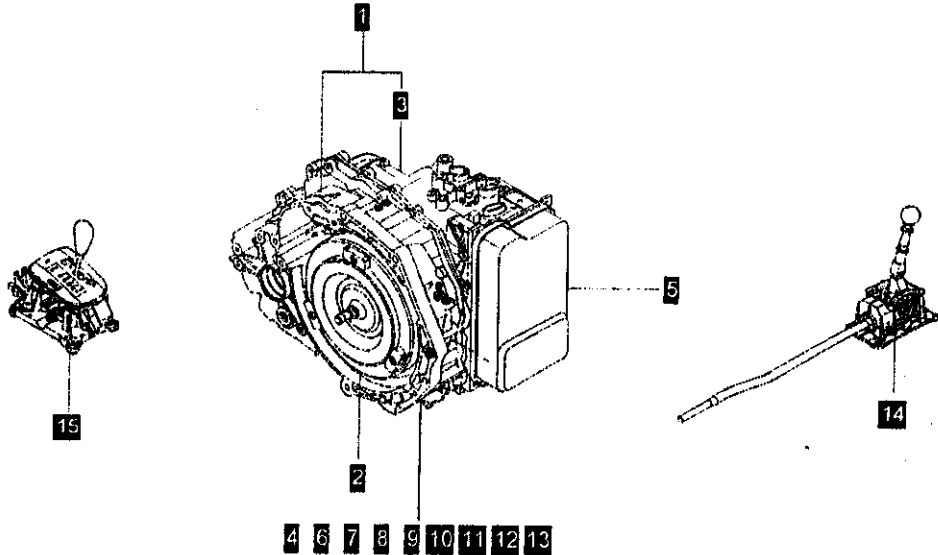









<p style="text-align: center;">3 GROUP</p>	<p>3710 AUTOMATIC TRANSAXLE(AISIN)</p>  <p style="text-align: right;">1</p>	<p>3720 TORQUE CONVERTER & SENSOR(AISIN)</p>  <p style="text-align: right;">2</p>	<p>3721 TRANSAXLE HOUSING (AISIN)</p>  <p style="text-align: right;">3</p>	<p>3722 OIL PUMP(AISIN)</p>  <p style="text-align: right;">4</p>	<p>3723 TRANSAXLE CASE (AISIN)</p>  <p style="text-align: right;">5</p>	<p>3724 REAR COVER(AISIN)</p>  <p style="text-align: right;">6</p>	
							<p>3725 MAIN VALVE LEVER & PARKING(AISIN)</p>  <p style="text-align: right;">7</p>
							<p>3734 FORWARD & REVERSE CLUTCH(AISIN)</p>  <p style="text-align: right;">8</p>
							<p>3735 DIRECT CLUTCH (AISIN)</p>  <p style="text-align: right;">9</p>
							<p>3736 2ND COAST & 4TH BRAKE(AISIN)</p>  <p style="text-align: right;">10</p>
		<p>3760 VALVE BODY(AISIN)</p>  <p style="text-align: right;">15</p>	<p>3750 DIFFERENTIAL(AISIN)</p>  <p style="text-align: right;">14</p>	<p>3739 COUNTER GEAR & SHAFT(AISIN)</p>  <p style="text-align: right;">13</p>	<p>3738 GEAR & SHAFT (AISIN)</p>  <p style="text-align: right;">12</p>	<p>3737 1ST/2ND/REVERSE BRAKE(AISIN)</p>  <p style="text-align: right;">11</p>	

ILLUSTRATION INDEX

<p style="text-align: center;">3 GROUP</p>	<p>3810 AUTOMATIC TRANSAXLE(ZF16)</p>  <p style="text-align: center;">1</p>	<p>3820 TORQUE CONVERTER & SENSOR(ZF16)</p>  <p style="text-align: center;">2</p>	<p>3821 TRANSAXLE HOUSING (ZF16)</p>  <p style="text-align: center;">3</p>	<p>3822 OIL PUMP(ZF16)</p>  <p style="text-align: center;">4</p>	<p>3824 REAR COVER & OIL PAN(ZF16)</p>  <p style="text-align: center;">5</p>	<p>3825 PARKING LEVER(ZF16)</p>  <p style="text-align: center;">6</p>
						<p>3830 F CLUTCH&BRAKE BAND(ZF16)</p>  <p style="text-align: center;">7</p>
						<p>3831 INPUT SHAFT & B.E CLUTCH(ZF16)</p>  <p style="text-align: center;">8</p>
						<p>3832 BEARING PLATE & SPUR GEAR(ZF16)</p>  <p style="text-align: center;">9</p>
						<p>3833 PLANETARY DRIVE GEAR(ZF16)</p>  <p style="text-align: center;">10</p>
	<p>3920 GEARSHIFT CONTROL (A/T)</p>  <p style="text-align: center;">15</p>	<p>3910 GEARSHIFT CONTROL (M/T)</p>  <p style="text-align: center;">14</p>	<p>3860 VALVE BODY(ZF16)</p>  <p style="text-align: center;">13</p>	<p>3850 DIFFERENTIAL&SIDE SHAFT(ZF16)</p>  <p style="text-align: center;">12</p>	<p>3834 CLUTCH DISC(ZF16)</p>  <p style="text-align: center;">11</p>	















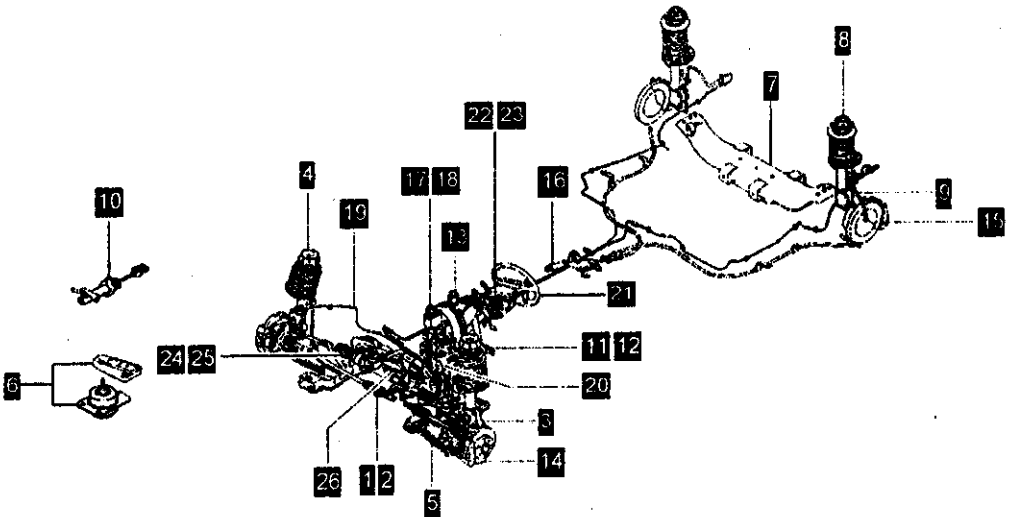













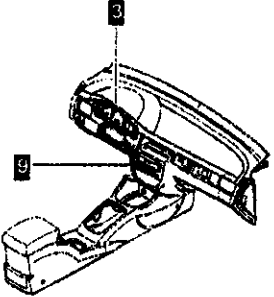
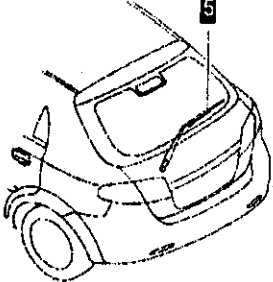
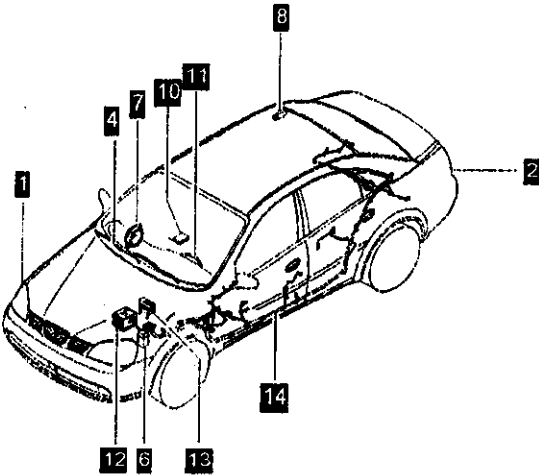








<p>4 GROUP</p>	<p>4110 AXLE SHAFT UNIT</p>  <p>1</p>	<p>4120 AXLE SHAFT PARTS I</p>  <p>2</p>	<p>4130 FRONT KNUCKLE&HUB</p>  <p>3</p>	<p>4140 FRONT SHOCK ABSORBER</p>  <p>4</p>	<p>4150 CONTROL ARM</p>  <p>5</p>	<p>4190 ENGIN MOUNT</p>  <p>6</p>
<p>4810 STEERING WHEEL</p>  <p>21</p>	<p>4820 STEERING COLUMN COVER</p>  <p>22</p>	<p>4831 STEERING COLUMN (TILTABLE)</p>  <p>23</p>	<p>4910 STEERING GEAR UNIT</p>  <p>24</p>	<p>4931 STEERING GEAR PARTS(POWER)</p>  <p>25</p>	<p>4950 POWER STEERING PIPE LINE</p>  <p>26</p>	<p>4310 REAR AXLE</p>  <p>7</p>
<p>4710 ABS SYSTEM</p>  <p>20</p>						<p>4320 REAR SHOCK ABSORBER</p>  <p>8</p>
<p>4052 BRAKE PIPE</p>  <p>10</p>						<p>4330 REAR KNUCKLE&HUB</p>  <p>9</p>
<p>4620 MASTER CYLINDER & BOOSTER I</p>  <p>18</p>						<p>4410 HYDRAULIC CLUTCH</p>  <p>10</p>
<p>4810 MASTER BRAKE UNIT</p>  <p>17</p>						<p>4530 PARKING BRAKE</p>  <p>16</p>

ILLUSTRATION INDEX

<p style="text-align: center;">5 GROUP</p>	<p>5110 FRONT LAMP</p>  <p style="text-align: center;">1</p>	<p>5140 REAR LAMP I</p>  <p style="text-align: center;">2</p>	<p>5220 INSTRUMENT CLUSTER</p>  <p style="text-align: center;">3</p>	<p>5310 WINDSHIELD WIPER</p>  <p style="text-align: center;">4</p>	<p>5320 BACK WINDOW WIPER</p>  <p style="text-align: center;">5</p>	<p>5330 WINDSHIELD WASHER</p>  <p style="text-align: center;">6</p>	
	 <p style="text-align: center;">3</p> <p style="text-align: center;">4</p>	 <p style="text-align: center;">5</p>	 <p style="text-align: center;">1</p> <p style="text-align: center;">2</p> <p style="text-align: center;">3</p> <p style="text-align: center;">4</p> <p style="text-align: center;">7</p> <p style="text-align: center;">10</p> <p style="text-align: center;">11</p> <p style="text-align: center;">12</p> <p style="text-align: center;">13</p> <p style="text-align: center;">14</p>	<p>5410 ELECTRICAL PARTS</p>  <p style="text-align: center;">7</p>	<p>5420 ANTENNA</p>  <p style="text-align: center;">8</p>	<p>5430 AUDIO SYSTEM</p>  <p style="text-align: center;">9</p>	<p>5440 CAR ALARM & ANTI-THEFT SYSTEM</p>  <p style="text-align: center;">10</p>
			<p>5710 WIRING HARNESS</p>  <p style="text-align: center;">14</p>	<p>5620 FUSE&RELAY</p>  <p style="text-align: center;">13</p>	<p>5610 BATTERY</p>  <p style="text-align: center;">12</p>	<p>5610 AIR BAG SYSTEM</p>  <p style="text-align: center;">11</p>	







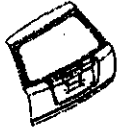
























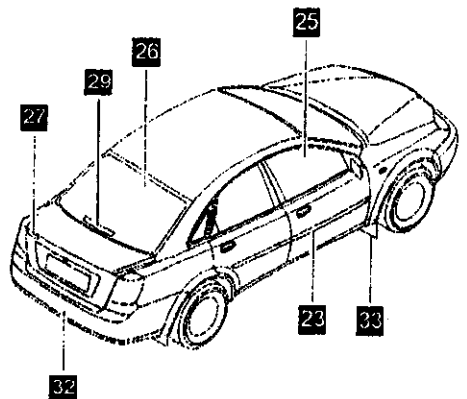
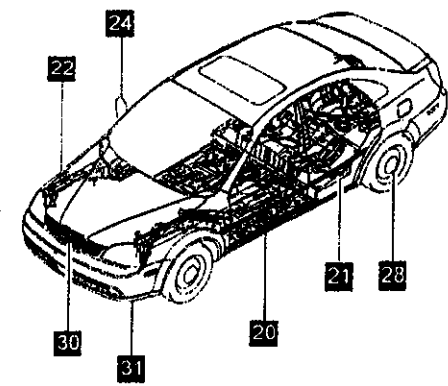











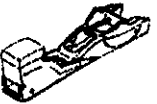



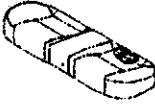
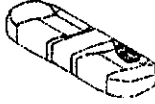
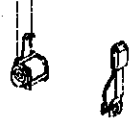
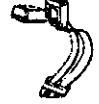
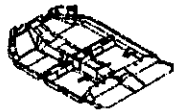

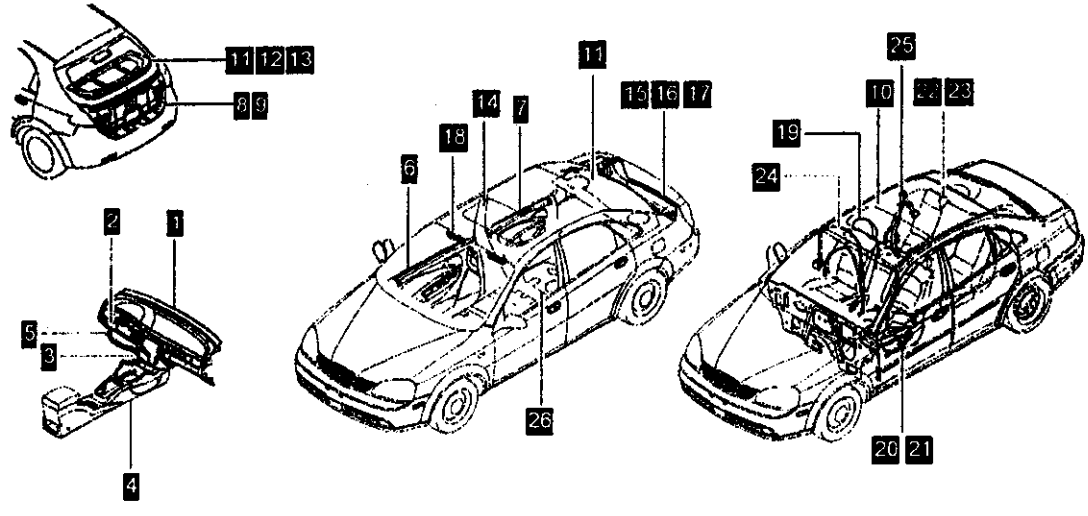







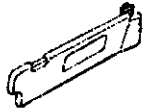





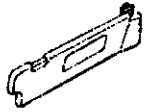





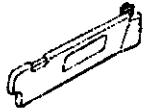





<p>6 GROUP</p>	<p>6110 HOOD PANEL</p>  <p>1</p>	<p>6130 FRONT PANEL</p>  <p>2</p>	<p>6140 FENDER PANEL</p>  <p>3</p>	<p>6150 DASH PANEL&COWL</p>  <p>4</p>	<p>6210 FRONT DOOR PANEL</p>  <p>5</p>	<p>6220 FRONT DOOR LOCK</p>  <p>6</p>
<p>6442 TAILGATE PANEL II</p>  <p>21</p>	<p>6450 TRUNK LID LOCK</p>  <p>22</p>	<p>6451 TAILGATE LOCK I</p>  <p>23</p>	<p>6452 TAILGATE LOCK II</p>  <p>24</p>	<p>6460 CAR LOCK</p>  <p>25</p>		<p>6230 FRONT WINDOW LIFTER</p>  <p>7</p>
<p>6441 TAILGATE PANEL I</p>  <p>20</p>						<p>6240 FRONT WEATHERSTRIP</p>  <p>8</p>
<p>6440 TRUNK LID PANEL</p>  <p>19</p>						<p>6250 ELECTRIC DOOR LOCK</p>  <p>9</p>
<p>6430 ROOF PANEL</p>  <p>18</p>						<p>6310 REAR DOOR PANEL</p>  <p>10</p>
<p>6420 FUEL FILLER LOCK</p>  <p>17</p>	<p>6413 SIDE BODY PANEL IV</p>  <p>16</p>	<p>6411 SIDE BODY PANEL II</p>  <p>15</p>	<p>6410 SIDE BODY PANEL I</p>  <p>14</p>	<p>6340 REAR WEATHERSTRIP</p>  <p>13</p>	<p>6330 REAR WINDOW LIFTER</p>  <p>12</p>	<p>6320 REAR DOOR LOCK</p>  <p>11</p>

ILLUSTRATION INDEX

<p style="text-align: center;">6 GROUP</p>	<p>6510 FRONT FLOOR PANEL</p>  <p style="text-align: right;">26</p>	<p>6520 REAR FLOOR PANEL</p>  <p style="text-align: right;">27</p>	<p>6530 FRAME</p>  <p style="text-align: right;">28</p>	<p>6610 SIDE BODY MOLDING</p>  <p style="text-align: right;">29</p>	<p>6630 OUTSIDE MIRROR</p>  <p style="text-align: right;">30</p>	<p>6640 GLASS I</p>  <p style="text-align: right;">31</p>
 						<p>6641 GLASS II</p>  <p style="text-align: right;">32</p>
						<p>6650 EMBLEM&LETTERING</p> <p style="text-align: center;">OPTRA</p> <p style="text-align: right;">33</p>
						<p>6660 WHEEL&WHEEL COVER</p>  <p style="text-align: right;">34</p>
						<p>6670 LABEL&STICKER</p>  <p style="text-align: right;">35</p>
	<p>6750 MUD GUARD</p>  <p style="text-align: right;">40</p>	<p>6732 REAR BUMPER III</p>  <p style="text-align: right;">39</p>	<p>6730 REAR BUMPER I</p>  <p style="text-align: right;">38</p>	<p>6720 FRONT BUMPER</p>  <p style="text-align: right;">37</p>	<p>6710 GRILLE</p>  <p style="text-align: right;">36</p>	

7 GROUP

<p>7113 INSTRUMENT PANEL</p>  <p>1</p>	<p>7120 MOLDING&SWITCH</p>  <p>2</p>	<p>7130 INSTRUMENT CENTER PARTS I</p>  <p>3</p>	<p>7141 CONSOLE</p>  <p>4</p>	<p>7150 KNEE BOLSTER A</p>  <p>5</p>	<p>7210 FRONT DOOR TRIM</p>  <p>6</p>
<p>7530 SEAT GUIDE RAIL</p>  <p>21</p>	<p>7540 REAR SEAT I</p>  <p>22</p>	<p>7541 REAR SEAT II</p>  <p>23</p>	<p>7550 FRONT SEAT BELT</p>  <p>24</p>	<p>7560 REAR SEAT BELT</p>  <p>25</p>	<p>7610 FLOOR CARPET</p>  <p>26</p>
<p>7520 FRONT SEAT PARTS</p>  <p>20</p>					<p>7231 TAILGATE TRIM I</p>  <p>8</p>
<p>7510 FRONT SEAT</p>  <p>19</p>	<p>7342 REAR PILLAR TRIM III</p>  <p>17</p>	<p>7341 REAR PILLAR TRIM II</p>  <p>18</p>	<p>7340 REAR PILLAR TRIM I</p>  <p>15</p>	<p>7330 FRONT PILLAR TRIM I</p>  <p>14</p>	<p>7322 SHELF BACK PANEL III</p>  <p>13</p>
<p>7350 SUNSHADE&INSIDE MIRROR</p>  <p>18</p>	<p>7341 REAR PILLAR TRIM II</p>  <p>18</p>	<p>7340 REAR PILLAR TRIM I</p>  <p>15</p>	<p>7330 FRONT PILLAR TRIM I</p>  <p>14</p>	<p>7322 SHELF BACK PANEL III</p>  <p>13</p>	<p>7321 SHELF BACK PANEL II</p>  <p>12</p>
<p>7350 SUNSHADE&INSIDE MIRROR</p>  <p>18</p>	<p>7341 REAR PILLAR TRIM II</p>  <p>18</p>	<p>7340 REAR PILLAR TRIM I</p>  <p>15</p>	<p>7330 FRONT PILLAR TRIM I</p>  <p>14</p>	<p>7322 SHELF BACK PANEL III</p>  <p>13</p>	<p>7321 SHELF BACK PANEL II</p>  <p>12</p>
<p>7350 SUNSHADE&INSIDE MIRROR</p>  <p>18</p>	<p>7341 REAR PILLAR TRIM II</p>  <p>18</p>	<p>7340 REAR PILLAR TRIM I</p>  <p>15</p>	<p>7330 FRONT PILLAR TRIM I</p>  <p>14</p>	<p>7322 SHELF BACK PANEL III</p>  <p>13</p>	<p>7321 SHELF BACK PANEL II</p>  <p>12</p>

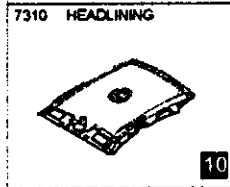
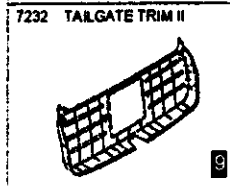

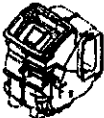

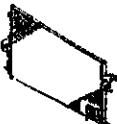
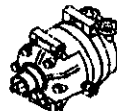

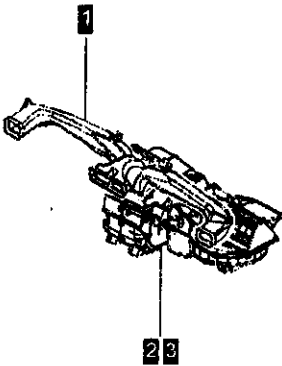

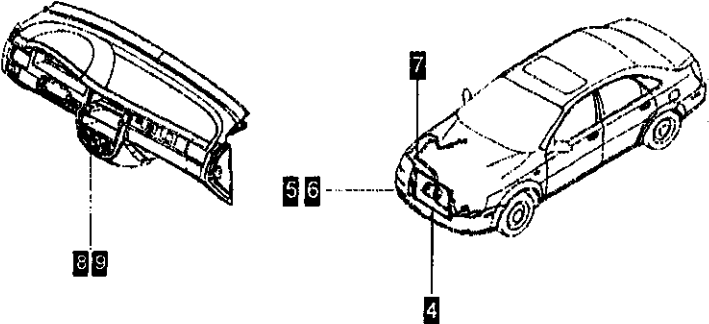
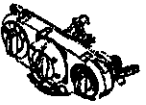
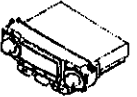


ILLUSTRATION INDEX

<p style="text-align: center; font-size: 2em;">8 GROUP</p>	<p>8110 AIR DISTRIBUTOR</p>  <p style="text-align: center;">1</p>	<p>8212 AIR CONDITIONER MODULE II</p>  <p style="text-align: center;">2</p>	<p>8221 BLOWER&EVAPORATOR</p>  <p style="text-align: center;">3</p>	<p>8310 CONDENSER</p>  <p style="text-align: center;">4</p>	<p>8320 COMPRESSOR</p>  <p style="text-align: center;">5</p>	<p>8331 COMPRESSOR MOUNT II</p>  <p style="text-align: center;">6</p>	
							<p>8340 AIR CONDITIONER HOSE&PIPE LINE I</p>  <p style="text-align: center;">7</p>
							<p>8350 AIR CONDITIONER CON SWITCH I</p>  <p style="text-align: center;">8</p>
							<p>8352 AIR CONDITIONER CON SWITCH II</p>  <p style="text-align: center;">9</p>

9
GROUP

9110 TOOL



9120 OIL&PAINT



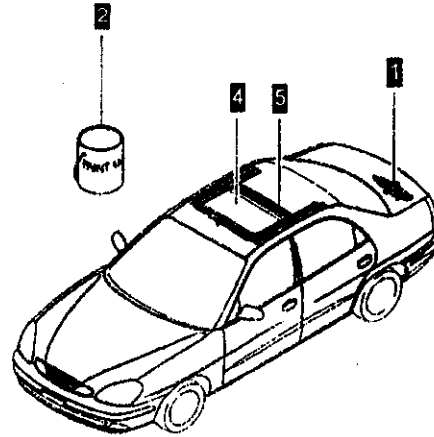
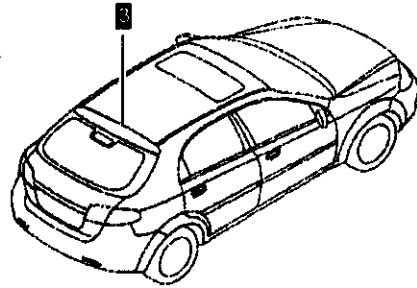
9210 REAR SPOILER



9250 SUN ROOF



9260 SUN ROOF MOUNT

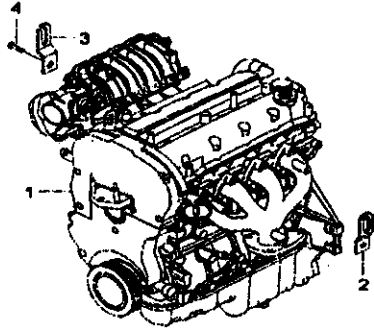


1**ENGINE**

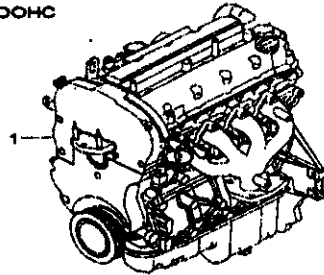
1111	ENGINE UNIT(FAM I DOHC)	1323	CAM SUPPORT&SHAFT(FAM II DOHC)
1113	ENGINE UNIT(FAM II DOHC)	1331	TIMING COVER(FAM I DOHC)
1120	SHORT BLOCK(FAM I)	1333	TIMING COVER(FAM II DOHC)
1121	SHORT BLOCK(FAM II)	1411	FUEL INJECTION(FAM I DOHC)
1130	BELT SYSTEM	1413	FUEL INJECTION(FAM II DOHC)
1141	REPAIR KIT(FAM I DOHC)	1510	THROTTLE BODY(FAM II)
1143	REPAIR KIT(FAM II DOHC)	1521	INTAKE MANIFOLD(FAM I DOHC)
1210	ENGINE BLOCK(FAM I)	1523	INTAKE MANIFOLD(FAM II DOHC)
1211	ENGINE BLOCK(FAM II)	1631	EXHAUST MANIFOLD(FAM I DOHC)
1220	CRANKSHAFT&PISTON(FAM I)	1533	EXHAUST MANIFOLD(FAM II DOHC)
1221	CRANKSHAFT&PISTON(FAM II)	1681	THERMOSTAT(FAM I DOHC)
1230	OIL PAN&PUMP(FAM I)	1683	THERMOSTAT(FAM II DOHC)
1231	OIL PAN&PUMP(FAM II)	1711	IGNITION CABLE(FAM I DOHC)
1240	ENGINE OIL VENTILATION(FAM I)	1713	IGNITION CABLE(FAM II DOHC)
1241	ENGINE OIL VENTILATION(FAM II)	1740	ALTERNATOR UNIT
1311	CYLINDER HEAD(FAM I DOHC)	1751	ALTERNATOR MOUNT(FAM I DOHC)
1313	CYLINDER HEAD(FAM II DOHC)	1753	ALTERNATOR MOUNT(FAM II DOHC)
1321	CAM SUPPORT&SHAFT(FAM I DOHC)	1760	STARTER

1111

ENGINE UNIT(FAM I DOHC)



1.4/1.8 DOHC



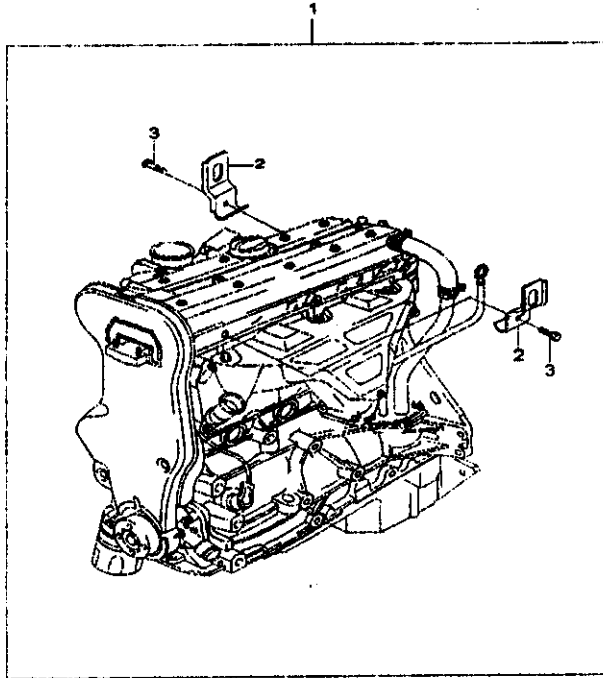
1.8 DOHC

RJ1111GW 05/23/2005

I T C	KEY NO.		PART NAME											P/ C O D E
	PART NO.	MODEL YEAR	D R V	BODY		LEVEL		OPTION	L / R Y	V.I.N.		REMARKS		
				4 N B	4 H B	5 S B	5 S W			B S	L S		L T	
	[01]			(E)ENGINE A (D)MOTOR A								(F)MOTEUR A (S)MOTOR A		
	96377400	04-05		B B . X X .				AL148MO6ANN1				1		4A
	96474547	06-06		B B . X X .				AL148MO6ANN1			251944	1-PCV	4R	
	○ 96475614	06-07		B B . X X .				AL148MO6ANN1			251945	1-PCV	4Q	
	96438138	06-06		B B . X X .				AL148MO6LNUJ			251944	1-PCV	4V	
	○ 96475803	06-07		B B . X X .				AL148MO6LNUJ			251945	1-PCV	4X	
	96377402	04-05		B B . X X .				AL148MO6LNUJN2N3N4N5N6N7				1	4B	
	96474548	06-06		B B . X X .				AL148MO6LNUJN2N3N4N5N6N7			251944	1-PCV	4B	
	○ 96475616	06-07		B B . X X .				AL148MO6LNUJN2N3N4N5N6N7			251945	1-PCV	4T	
	96377410	04-05		B B B X X X				AL448MO4MO6ANN1				1	6A	
	96474549	06-06		B B B X X X				AL448MO4MO6ANN1			251944	1-PCV	8R	
	○ 96475616	06-07		B B B X X X				AL448MO4MO6LNUJ			251945	1-PCV	8X	
	96438136	06-06		B B . X X X				AL448MO6LNUJ			251944	1-PCV	6V	
	○ 96475805	06-07		B B . X X X				AL448MO6LNUJ			251945	1-PCV	6Q	
	96377412	04-05		B B . X X X				AL448ML46NN1				1	6B	
	96474550	06-06		B B . X X X				AL448ML46NN1			251944	1-PCV	6B	
	○ 96475817	06-07		B B . X X X				AL448ML46NN1			251945	1-PCV	6Z	
	96448480	06-06		B B B X X X				AL448ML46NNJ			251944	1-PCV	6W	
	○ 96475806	06-07		B B B X X X				AL448ML46NNJ			251945	1-PCV	6R	
	96377416	04-05		B B . X X X				AL448ML46NN2N3N4N5N6N7				1	6F	
	96474552	06-06		B B . X X X				AL448ML46NN2N3N4N5N6N7			251944	1-PCV	6N	
	○ 96475619	06-07		B B . X X X				AL448ML46NN2N3N4N5N6N7			251945	1-PCV	6U	
	96377420	04-05		B B . X X X				AL448ML46NN4				1	6D	
	96474553	06-06		B B . X X X				AL448ML46NN4			251944	1-PCV	6N	
	○ 96475620	06-07		B B . X X X				AL448ML46NN4			251945	1-PCV	6Y	
	96377426	04-05		B B B X X X				AL448MO4MO6LNUJN2N3N4N5N6N7				1	6E	
	96474551	06-06		B B B X X X				AL448MO4MO6LNUJN2N3N4N5N6N7			251944	1-PCV	6L	
	○ 96475618	06-07		B B B X X X				AL448MO4MO6LNUJN2N3N4N5N6N7			251945	1-PCV	6T	
	96418282	06-07		B B B X X X				ALD48MM6LNUJN1				1	6P	
	96418283	06-07		B B B X X X				ALD48MM6LNUJN1				1	6C	
	96438131	06-07		B B B X X X				ALD48MO6LNUJ				1	6V	
	96438133	06-07		B B B X X X				ALD48MO6LNUJ				1	6Y	
	96438132	06-07		B B B X X X				ALD48MM6LNUJ				1	6W	
	96438134	06-07		B B B X X X				ALD48MM6LNUJ				1	6Z	
	[02]			(E)SHACKLE-ENG TRANSPORT (D)TRANSPORTSCHAEKEL-MOTOR								(F)MANILLE-TRASP MOTEUR (S)SUJECIÓN-TRANSPORTE MOT		
	94580415	04-07		B B B X X X				AL14L44				1		
	96414606	06-07		B B B X X X				ALDA				1		
	[03]			(E)SHACKLE-ENG TRANSPORT (D)TRANSPORTSCHAEKEL-MOTOR								(F)MANILLE-TRASP MOTEUR (S)SUJECIÓN-TRANSPORTE MOT		
	96130651	04-07		B B B X X X				AL14L44				1		
	96414605	06-07		B B B X X X				ALDA				1		

1113

ENGINE UNIT(FAM II DOHC)

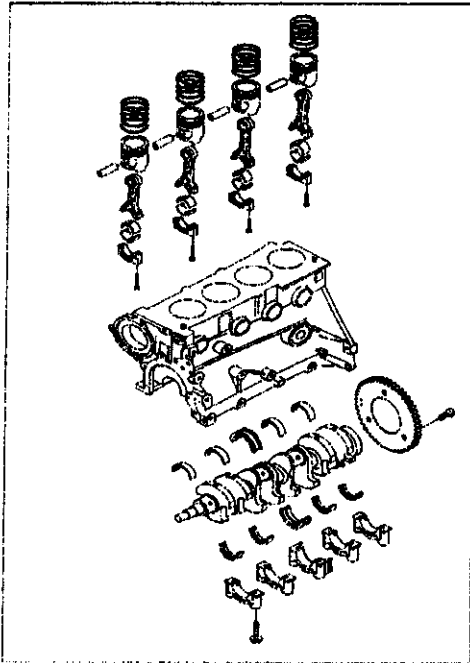


RJ1113GW 10/30/2004

I T C	KEY NO.		PART NAME										L Q T Y	V.I.N.		REMARKS	P Y C O D E		
	PART NO.	MODEL YEAR	D R V	BODY			LEVEL			OPTION	FROM	TO							
				4 N B	4 H B	5 S W	B L S	L L T											
	[01]			(E)ENGINE A (D)MOTOR A								(F)MOTEUR A (S)MOTOR A							
	92066453	04-07		B B B X X X						4LS44M046NN4N7NN7		1					RN		
	92066454	04-07		B B B X X X						4LS44M046NN4N7NN7		1					RP		
	92066455	04-07		B B B X X X						4LS44M046NN1		1	287955				RQ		
	92066456	04-07		B B B X X X						4LS44M046NN1		1	287955				RR		
	92066538	06-07		B . B X X X						4LS66M066NNK		1	383980				1-PCV,U206ED R2		
	92066534	05-06		B . B . X						4LS66M066NNK		1	383959				U206ED RX		
	N 92066527	06-07		B . B X X X						4LS66M066NNK		1	383980				1-PCV,U206ED R1		
	[02]			(E)SHACKLE-ENG TRANSPORT (D)TRANSPORTSCHAEKEL-MOTOR								(F)MANILLE-TRASP MOTEUR (S)SUJECIÓN-TRANSPORTE MOT							
	90501844	04-07		B B B X X X						4LS44L06		2							
	[03]			(E)BOLT (D)BOLZEN								(F)BOULON (S)PERNO							
	92064164	04-07		B B B X X X						4LS44L06		2							
	**** RPO DEFINITIONS ****																		
	LM4 : ENGINE-4 CYL 1.8 DOHC MPI																		
	MG4 : TRANS-MAN,5SPD,CR																		
	NN4 : EMISSION-OP,LOOP,LEADED																		
	NN6 : EMISSION-KOREAN '90																		
	NN7 : EMISSION-EURO,STAGE II																		
	MM6 : TRANS-AUTO,4SPD,4H 16																		
	NN1 : EMISSION-EURO,STAGE III																		
	LM6 : ENGINE-4 CYL 2.0 DOHC MPI																		
	MM6 : TRANS-MAN,5 SPD,D20 CR																		
	NNK : EMISSION-ULEV II																		

1120

SHORT BLOCK(FAM I)

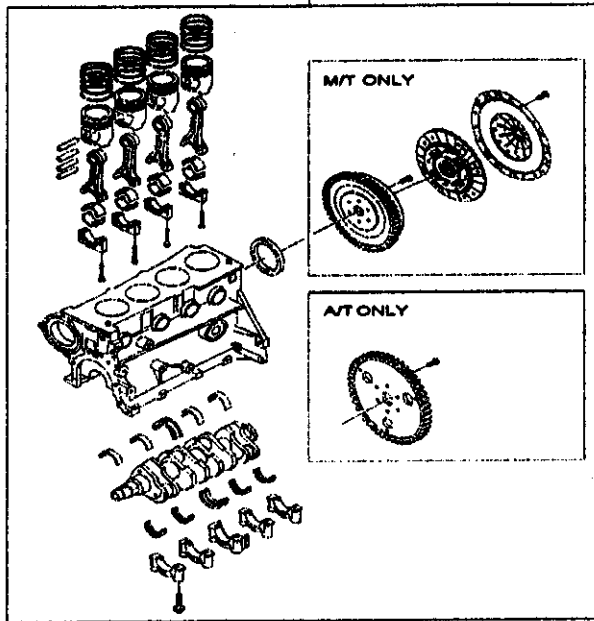


RJ1120DGW 10/30/2004

I T C	KEY NO.		PART NAME											P / C O D E			
	PART NO.	MODEL YEAR	D R I V E	BODY			LEVEL		OPTION	L / R	Q T Y	V.I.N.			REMARKS		
				A N B	4 H W	5 S B	B L S	L L S T				FROM	TO				
	[01]			(E)SHORT BLOCK A (D)KURZBLOCK A									(F)BLOC-CYLINDRES (S)BLOQUE CORTO A		EMBIELLE A		
	93740511	04-05		B	B	.	X	X	.	6L144MG6				1			
	93742694	06-06		B	B	.	X	X	.	6L144MG6			1	357246		I-PCV	
	93744118	06-07		B	B	.	X	X	.	6L144MG6			1	357247		I-PCV	
	93740512	04-05		B	B	B	X	X	X	6L44			1				
	93742685	06-06		B	B	B	X	X	X	6L44			1	357246		I-PCV	
	93744119	06-07		B	B	B	X	X	X	6L44			1	357247		I-PCV	
	93742704	06-06		B	B	B	X	X	X	6LDA			1	357246			
	93744121	06-07		B	B	B	X	X	X	6LDA			1	357247			
				**** RPO DEFINITIONS ****													
				L14 : ENGINE-4 CYL 1.4 DOHC MPI													
				MG6 : TRANS-MAN,SSPD,MODIFY CR													
				L44 : ENGINE-4 CYL 1.6 DOHC MPI													
				LDA : ENGINE-4 CYL 1.8 DOHC MPI													

1121

SHORT BLOCK(FAM II)

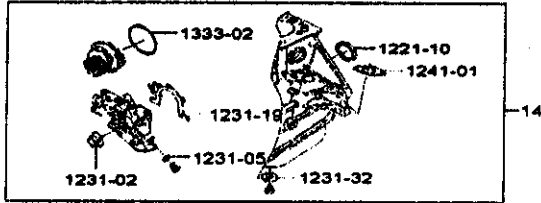
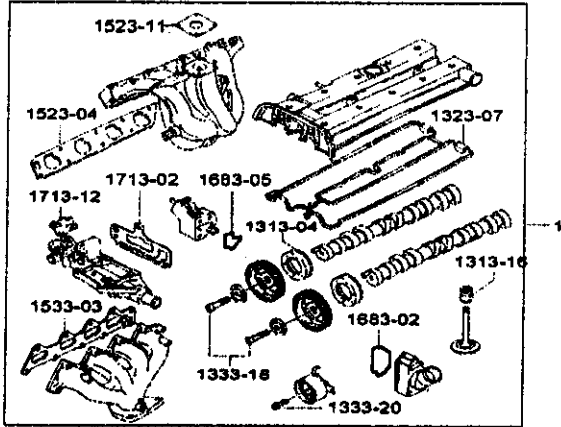


RJ1121GNW 10/30/2004

I T C	KEY NO.		PART NAME										L Q / R Y	V.I.N.		REMARKS	REDO-7 D
	PART NO.	MODEL YEAR	D R V	BODY			LEVEL			OPTION	FROM	TO					
				4 N B	5 H S W	B L S	L L S T										
	[01]			(E)SHORT BLOCK A (D)KURZBLOCK A						(F)BLOC-CYLINDRES (S)BLOQUE CORTO A		EMBIELLE A					
	92067320	04-07		B	B	B	X	X	X	LL84LMQ4		1			T18SED		
	92067321	04-07		B	B	B	X	X	X	LL84LMM9		1			T18SED		
	92067890	06-07		B	.	B	X	X	X	LL86LMM9		1	383960		L-PCV,U20SED		
	92067326	05-06		B	.	B	.	.	X	LL86LMM9		1	383950		U206ED		
	N 92067881	06-07		B	.	B	X	X	X	LL86LMM9		1	383960		L-PCV,U20SED		
	**** RPO DEFINITIONS ****																
	LM4 : ENGINE-4 CYL 1.8 DOHC MPI																
	MQ4 : TRANS-MAN,5SPD,CR																
	MM9 : TRANS-AUTO,4SPD,4-HP 16																
	LB6 : ENGINE-4 CYL 2.0 DOHC MPI																
	MB9 : TRANS-MAN,5 SPD,020CR																

1143

REPAIR KIT(FAM II DOHC)



ex) 1231-02 : 1231 is group number.
02 is key number.

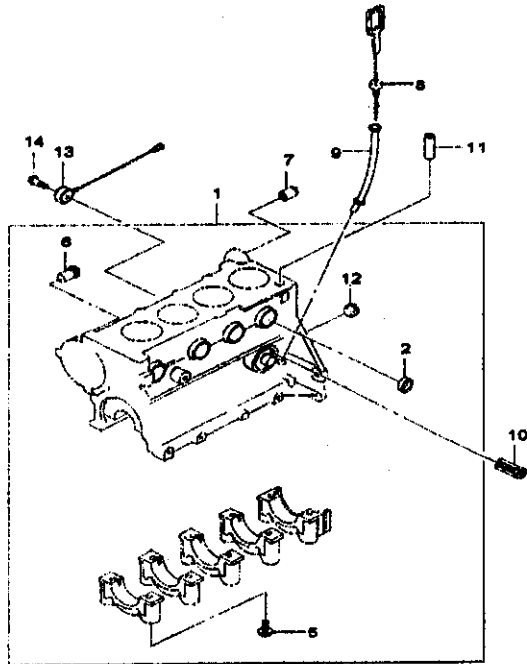
If you want to know the part number of component refer to the group 1231 and the key number 02.

RJ1143GNW 10/30/2004

I T C	KEY NO.	PART NO.	MODEL YEAR	D R V E	PART NAME						L Q T Y	V.I.N.		REMARKS	P C O D E
					BODY		LEVEL		OPTION	FROM		TO			
					4 N B	4 H S B	5 L S S	6 L S S					7 L S S		
	[01]														
	92068550		04 - 07		B	B	X	X	X	6L64	1				
	92068550		04 - 06		.	B	.	.	X	6L68ANNK	1	383950			I-PCV
	N 92067882		06 - 07		B	B	X	X	X	6L68ANNK	1	383900			I-PCV
	[14]														
	92061971		04 - 07		B	B	X	X	X	6L64L68	1				
										**** RPO DEFINITIONS ****					
										L64 : ENGINE-4 CYL 1.8 DOHC MPI					
										L68 : ENGINE-4 CYL 2.0 DOHC MPI					
										NNK : EMISSION-ULEV II					

1210

ENGINE BLOCK(FAM I)

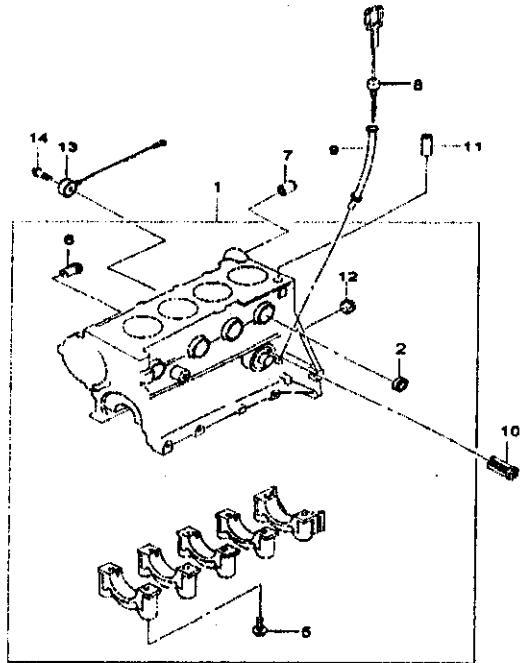


RJ1210DGW 10/30/2004

I T C	KEY NO.		PART NAME										L Q T Y	V.I.N.		REMARKS	P I E C E S	
	PART NO.	MODEL YEAR	D R Y	BODY			LEVEL			OPTION	FROM	TO						
				4 N B	4 H S B	5 S W	B S	L S	L T									
	[01]			(E)BLOCK A-CYL (D)BLOCK A-ZYL									(F)BLOC-CYLINDRES A (S)BLOQUE A-CIL					
	96487435	04-05		B B . X X .				8L14					1					
	96429657	06-06		B B . X X .				8L14					1	357246				I-PCV
	○ 96814877	06-07		B B . X X .				8L14					1	357247				I-PCV
	96487434	04-05		B B B X X X				8L44					1					
	96425656	06-06		B B B X X X				8L44					1	357246				I-PCV
	○ 96814878	06-07		B B B X X X				8L44					1	357247				I-PCV
	96417361	06-06		B B B X X X				8LDA					1	357246				
	○ 96814873	06-07		B B B X X X				8LDA					1	357247				
	[02]			(E)CAP (D)KAPPE									(F)CHAPEAU (S)TAPA					
	96180730	04-07		B B B X X X				8L14A,44LDA					6					STD(34mm)
	94580068	04-07		B B B X X X				8L14A,44LDA					6					O/S(36mm)
	[05]			(E)BOLT (D)BOLZEN									(F)BOULON (S)SPERNO					
	94500822	04-07		B B B X X X				8L14A,44LDA					10					
	[06]			(E)NECK-WATER,INL (D)HALS-WASSEREINLASS									(F)GOULOT-ENTREE D'EAU (S)CUELLO-AGUA,ENT					
	96351207	04-06		B B B X X X				8L14A,44LDA					1	357246				
	○ 96830370	04-07		B B B X X X				8L14A,44LDA					1	357247				
	[07]			(E)SLEEVE (D)MUFFE									(F)MANCHON (S)MANGUITO					
	94580536	04-07		B B B X X X				8L14A,44					2					
	94580536	06-07		B B B X X X				8LDA					1					
	[08]			(E)STICK A-OIL GAUGE,ENG (D)STAB A-OELMESSSTAB,MOT									(F)JAUGE HUILE MOTEUR A (S)VARILLA A-NIVEL DE ACEITE,MOT					
	96376263	04-07		B B B X X X				8L14A,44LDA					1					
	[09]			(E)TUBE-OIL LEVEL STICK (D)ROHR-OELMESSSTAB									(F)TUBE-JAUGE HUILE (S)TUBO-VARILLA DE NIVEL DE					
	96352134	04-07		B B B X X X				8L14A,44LDA					1					
	[10]			(E)VALVE A-BYPASS (D)VENTIL A-BYPASS									(F)CLAPET A-DERIVATION (S)VALVULA A-DE DERIVACION					
	94580569	04-07		B B B X X X				8L14A,44LDA					1					
	[11]			(E)SLEEVE (D)MUFFE									(F)MANCHON (S)MANGUITO					
	94580523	04-07		B B B X X X				8L14A,44LDA					2					
	[12]			(E)PLUG (D)STECKER									(F)BOUCHON (S)TAPON					
	94535679	04-07		B B B X X X				8L14A,44LDA					2					

1210

ENGINE BLOCK(FAM I)

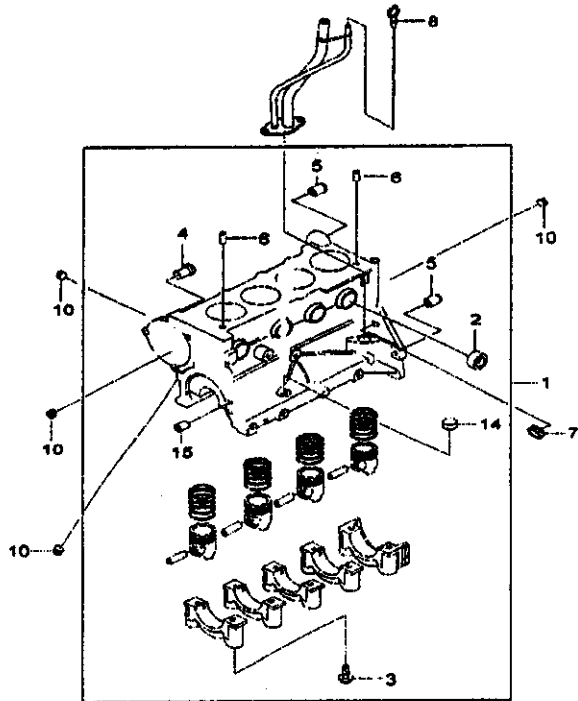


RJ1210DGW 10/30/2004

KEY NO.		PART NAME											
I T C	PART NO.	MODEL YEAR	D R V	BODY		LEVEL		OPTION	L Q T Y	V.I.N.		REMARKS	P R O O F
				4 N B	4 H S W	B L S T	L L T			FROM	TO		
	[13] 96253545	04-07						(E)SENSOR-KNOCK (D)SENSOR-KLOPFEN B B B X X X 8L14L44LDA			(F)DETECTEUR-CLIQUETIS (S)SENSOR-PICADO DE BIELAS 1		EC
	[14] 94500962	04-07						(E)BOLT (D)BOLZEN B B B X X X 8L14L44LDA			(F)BOULON (S)PERNO 1		
<p>**** RPO DEFINITIONS ****</p> <p>L14 : ENGINE-4 CYL 1.4 DOHC MPI</p> <p>L44 : ENGINE-4 CYL 1.6 DOHC MPI</p> <p>LDA : ENGINE-4 CYL 1.6 DOHC MPI</p>													

1211

ENGINE BLOCK(FAM II)



RJ1211GNW 10/30/2004

I T C	KEY NO.	PART NO.	MODEL YEAR	D R V	PART NAME						L Q R Y	V.I.N.		REMARKS	P D O C 7 P
					B O D Y	L E V E L	O P T I O N	F R O M	T O	R E M A R K S					
												4 N B	4 H S B		
	[01]				(E)BLOCK A-CYL (D)BLOCK A-ZYL						(F)BLOC-CYLINDRES A (S)BLOQUE A-CIL				
	92067319		04-07		B B B X X X		LM4				1			T18SED	
	92067324		05-06		B . B . . X		LM8				1	38369		U20SED	
	N 92067879		06-07		B . B X X X		LM8				1	38360		I-PCV,U20SED	
	[02]				(E)CAP (D)KAPPE						(F)CHAPEAU (S)TAPA				
	96180730		04-07		B B B X X X		LM4,LM8				7			STD(34mm)	
	94580088		04-07		B B B X X X		LM4,LM8				7			OS(36mm)	
	[03]				(E)BOLT (D)BOLZEN						(F)BOULON (S)PERNO				
	90502412		04-07		B B B X X X		LM4,LM8				10				
	[04]				(E)NECK-WATER,INL (D)HALS-WASSEREINLASS						(F)GOULOT-ENTREE D'EAU (S)CUELLO-AGUA,ENT				
	90128407		04-07		B B B X X X		LM4,LM8				1				
	Y 90572544		04-07		B B B X X X		LM4,LM8				1				
	[05]				(E)SLEEVE (D)MUFFE						(F)MANCHON (S)MANGUITO				
	94580536		04-07		B B B X X X		LM4,LM8				2				
	[06]				(E)SLEEVE (D)MUFFE						(F)MANCHON (S)MANGUITO				
	90353654		04-07		B B B X X X		LM4,LM8				2				
	[07]				(E)CAP-CYL BLOCK (D)KAPPE-ZYL BLOCK						(F)CHAPEAU BLOC-CYLINDRES (S)TAPA-BLOQUE DE CIL				
	96351041		04-07		B B B X X X		LM4,LM8				1				
	[08]				(E)STICK A-OIL GAUGE,ENG (D)STAB A-OELMESSSTAB,MOT						(F)JAUGE HUILE MOTEUR A (S)VARILLA A-NIVEL DE ACEITE,MOT				
	96348684		04-07		B B B X X X		LM4,LM8				1				
	[10]				(E)PLUG (D)STECKER						(F)BOUCHON (S)TAPÓN				
	94535679		04-07		B B B X X X		LM4,LM8				4				
	[14]				(E)PLUG (D)STECKER						(F)BOUCHON (S)TAPÓN				
	92060612		04-07		B B B X X X		LM4,LM8				1				
	[16]				(E)SLEEVE (D)MUFFE						(F)MANCHON (S)MANGUITO				
	94580526		04-07		B B B X X X		LM4,LM8				2				

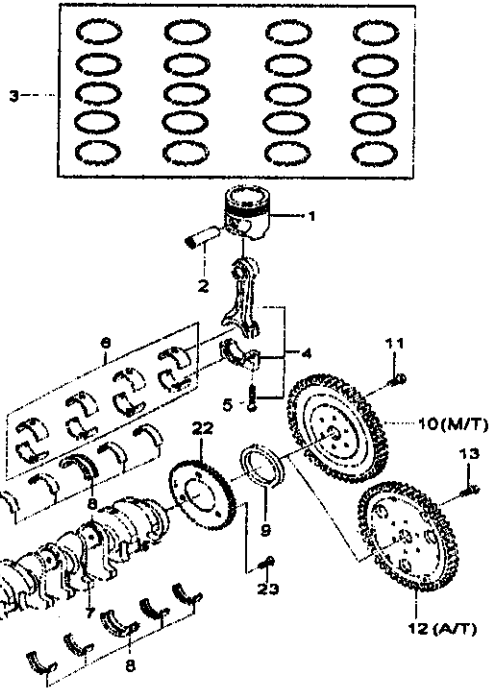
**** RPO DEFINITIONS ****

LM4 : ENGINE-4 CYL 1.8 DOHC MPI

LM8 : ENGINE-4 CYL 2.0 DOHC MPI

1220

CRANKSHAFT&PISTON(FAM I)

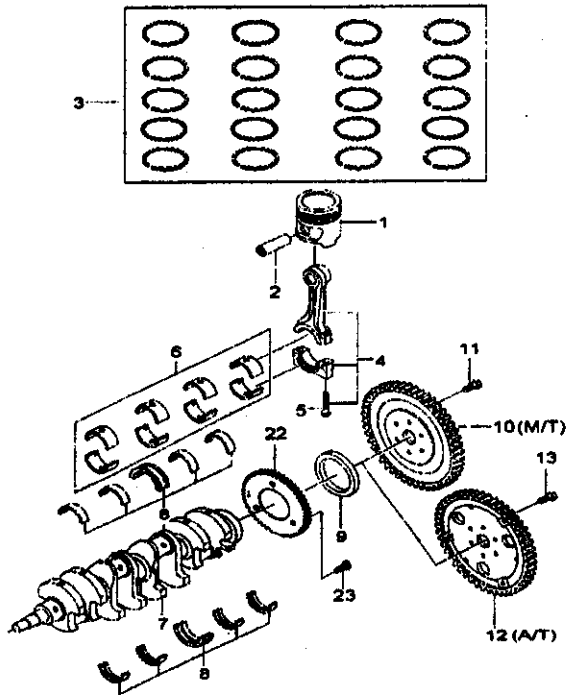


RJ1220DGW 10/30/2004

I T C	KEY NO.	MODEL YEAR	PART NAME						L Q T Y	V.I.N.		REMARKS	P A R T C O D E	
			PART NO.	D R V E	B O D Y		L E V E L			O P T I O N	F R O M			T O
					4 N H S B	4 H S B	B L S T	B L S T						
	[01]		(E)PISTON (D)KOLBEN						(F)PISTON (S)PISTÓN					
	96389056	04 - 07	B B . X X .		4L14				4			STD(77.87mm)		
	93740420	04 - 07	B B . X X .		4L14				4			O/S(0.25mm)		
	93740421	04 - 07	B B . X X .		4L14				4			O/S(0.50mm)		
	96389106	04 - 07	B B B X X X		4L44				4			STD(78.97mm)		
	93740514	04 - 07	B B B X X X		4L44				4			O/S(0.25mm)		
	93740515	04 - 07	B B B X X X		4L44				4			O/S(0.50mm)		
	96493393	06 - 07	B B B X X X		4LDA				4			STD(80.50mm)		
	93742698	06 - 07	B B B X X X		4LDA				4			O/S(0.25mm)		
	93742699	06 - 07	B B B X X X		4LDA				4			O/S(0.50mm)		
	[02]		(E)PIN-PISTON (D)KOLBENBOLZEN						(F)AXE-PISTON (S)BULÓN-PISTÓN					
	96350355	04 - 07	B B B X X X		4L14A4LDA				4					
	[03]		(E)RING KIT-PISTON (D)RINGSATZ-KOLBEN						(F)JEU SEGMENTS-PISTON (S)KIT DE SEGMENTOS-PISTÓN					
	93740229	04 - 07	B B . X X .		4L14				1			STD(77.88mm)		
	93740230	04 - 07	B B . X X .		4L14				1			O/S(0.25mm)		
	93740231	04 - 07	B B . X X .		4L14				1			O/S(0.50mm)		
	93740225	04 - 07	B B B X X X		4L44				1			STD(78.98mm)		
	93740226	04 - 07	B B B X X X		4L44				1			O/S 0.25mm		
	93740227	04 - 07	B B B X X X		4L44				1			O/S 0.50mm		
	93742700	06 - 07	B B B X X X		4LDA				1			STD(80.46mm)		
	93742701	06 - 07	B B B X X X		4LDA				1			O/S 0.25mm		
	93742702	06 - 07	B B B X X X		4LDA				1			O/S 0.50mm		
	[04]		(E)ROD A-CONN (D)PLEUELSTANGE A						(F)BIELLE A (S)BIELA A					
	94580740	04 - 07	B B B X X X		4L14A4LDA				4					
	[05]		(E)BOLT (D)BOLZEN						(F)BOULON (S)PERNO					
	94500779	04 - 07	B B B X X X		4L14A4LDA				8					
	[06]		(E)BEARING KIT-CONN ROD (D)LAGERSATZ-PLEUELSTANGE						(F)KIT COUSSINETS-BIELLE (S)KIT DE COJINETES-DE BIELA					
	93740239	04 - 04	B . . X X X		4L14A44				1	895053		STD(47.5mm)		
	93742276	04 - 05	B B B X X X		4L14A44				1	895054	185680	STD(47.5mm)		
	93742707	04 - 07	B B B X X X		4L14A44LDA				1	185681		STD(47.5mm)		
	93740242	04 - 04	B . . X X X		4L14A44				1	895053		U/S 0.25		
	93742277	04 - 05	B B B X X X		4L14A44				1	895054	185680	U/S 0.25		
	93742708	04 - 07	B B B X X X		4L14A44LDA				1	185681		U/S 0.25		
	[07]		(E)CRANKSHAFT A (D)KURBELWELLE A						(F)VILEBREQUIN A (S)CIGÜEÑAL A					
	96336263	04 - 07	B B . X X .		4L14				1					

1220

CRANKSHAFT&PISTON(FAM I)

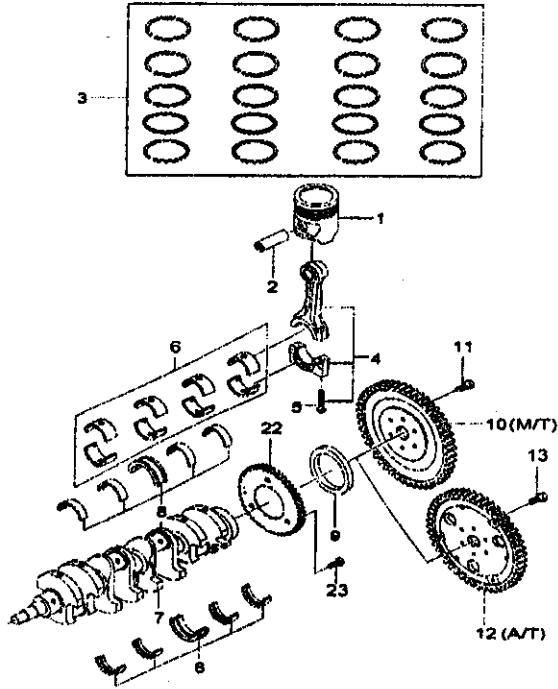


RJ1220DGW 10/30/2004

I T C	KEY NO.		PART NAME								L Q R Y	V.I.N.		REMARKS	P Y C O D E	
	PART NO.	MODEL YEAR	D R V E	BODY		LEVEL		OPTION	FROM	TO		REMARKS				
				4 N B	5 H B W	B L S	L L T									
	[07]															
	96385403	04-07							(E)CRANKSHAFT A (D)KURBELWELLE A				(F)VILEBREQUIN A (S)CIGÜEÑAL A			
	96418467	06-07							B B B X X X	EL44			1			
	Y 96496287	06-07							B B B X X X	ELDA			1			
	[08]								(E)BEARING KIT-CR/SHF (D)LAGERSATZ-KURBELWELLE				(F)KIT COUSSINETS-VILEBREQUIN (S)KIT DE COJNETES-DE CIG			
	93740199	04-04							B . . X X X	EL14A,44			1	895053	STD(80.6mm)	
	○ 93742286	04-05							B B B X X X	EL14A,44			1	895054	185680	STD(80.6mm)
	○ 93742705	04-07							B B B X X X	EL14A,44LDA			1	185681	STD(80.6mm)	
	93740200	04-04							B . . X X X	EL14A,44			1	895053	UIS(0.25mm)	
	○ 93742287	04-05							B B B X X X	EL14A,44			1	895054	185680	UIS(0.25mm)
	○ 93742706	04-07							B B B X X X	EL14A,44LDA			1	185681	UIS(0.25mm)	
	[09]								(E)RING-SHF SEAL (D)WELLENRINGDICHTUNG				(F)BAGUE ETANCH-ARB (S)ARANDELA-DE JUNTA DE EJE			
	96378588	04-07							B B B X X X	EL14A,44LDA			1		60x96x10	
	[10]								(E)FLYWHEEL A (D)SCHWUNGRAD A				(F)VOLANT MOT A (S)VOLANTE MOTOR A			
	96184353	04-07							B B B X X X	EL14A,44LDA8M04M05			1			
	[11]								(E)BOLT (D)BOLZEN				(F)BOULON (S)PERNO			
	94500811	04-07							B B B X X X	EL14A,44LDA8M04M05			6			
	[12]								(E)PLATE A-FLEXIBLE (D)FLEXIBLE PLATTE A				(F)TOLE ENTR A (S)PLACA A-FLEXIBLE			
	96488000	04-07							B B . X X X	EL448M04			1			
	96184893	06-07							B B . X X X	ELDA8M09			1			
	[13]								(E)BOLT (D)BOLZEN				(F)BOULON (S)PERNO			
	94500812	04-07							B B . X X X	EL448M04			6			
	94500812	06-07							B B . X X X	ELDA8M09			6			
	[22]								(E)WHEEL-TARGET (D)ZIELRAD				(F)ROUE-CIBLE (S)PUNTO DE REFERENCIA-RUEDA			
	96385402	04-05							B B B X X X	EL14A,44			1	152151		
	○ 96437909	04-07							B B B X X X	EL14A,44LDA			1	152152		
	[23]								(E)SCREW (D)SCHRAUBE				(F)VIS (S)TORNILLO			
	94520480	04-07							B B B X X X	EL14A,44LDA			3			
									**** RPO DEFINITIONS ****							
									L14 : ENGINE-4 CYL 1.4 DOHC MPI							
									L44 : ENGINE-4 CYL 1.6 DOHC MPI							
									LDA : ENGINE-4 CYL 1.8 DOHC MPI							

1220

CRANKSHAFT&PISTON(FAM I)

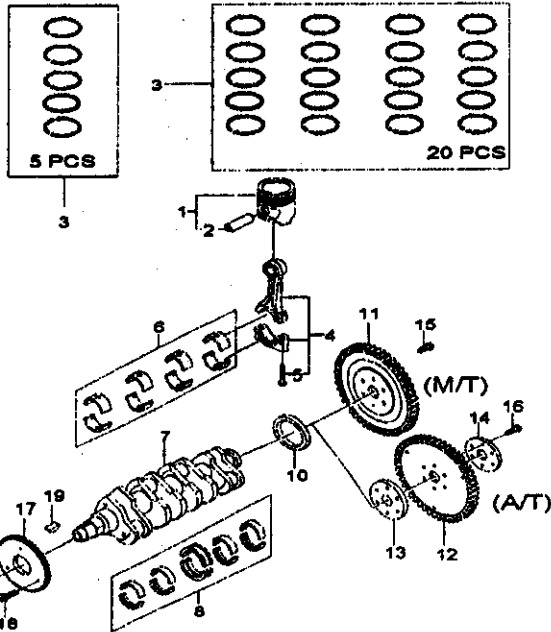


RJ1220DGW 10/30/2004

KEY NO.		PART NAME																
I T C	PART NO.	MODEL YEAR	DRV			BODY			LEVEL		OPTION	L / R	Q T Y	V.I.N.		REMARKS	P / E O D	
			A N B	4 H B	5 S W	B L S	L L T	FROM	TO									
											**** RPO DEFINITIONS **** MG4 : TRANS-MAN,5SPD,CR MG6 : TRANS-MAN,5SPD,MODIFY CR ML4 : TRANSMISSION-AUTO,4 SPEED MM9 : TRANS-AUTO,4SPD,4-16							

1221

CRANKSHAFT&PISTON(FAM II)

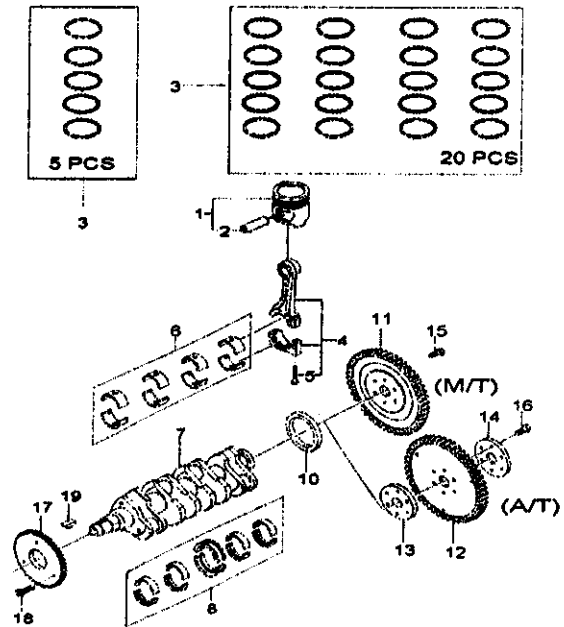


RJ1221GW 11/10/2004

I T C	KEY NO.		PART NAME										L Q / R Y	V.I.N. FROM TO	REMARKS	P / C O D E	
	PART NO.	MODEL YEAR	D R V E	BODY			LEVEL				OPTION						
				4 N B	4 H B	5 S B	B S	L S	L T								
	[01]			(E)PISTON&PIN A (D)KOLBEN&BOLZEN A						(F)PISTON&AXE A (S)PISTÓN Y BULÓN A							
	92062490	04-04		B	B	.	.	X	X	.	AL04		4	907399	STD(81.6mm)		
	N 92066781	04-07		B	B	B	.	X	X	X	AL04		4	907370	STD(81.6mm)		
	92062485	04-04		B	B	.	.	X	X	.	AL04		4	907399	C/S(0.50mm)		
	N 92066784	04-07		B	B	B	.	X	X	X	AL04		4	907370	C/S(0.50mm)		
	90501058	05-05		B	.	B	.	.	X	.	AL08		4	165080	STD(86.0mm)		
	N 92067480	05-07		B	.	B	.	.	X	.	AL08		4	165081	STD(86.0mm)		
	90501072	05-05		B	.	B	.	.	X	.	AL08		4	165080	C/S(0.50mm)		
	N 92067483	05-07		B	.	B	.	.	X	.	AL08		4	165081	C/S(0.50mm)		
	[02]			(E)PIN-PISTON (D)KOLBENBOLZEN						(F)AXE-PISTON (S)BULÓN-PISTÓN							
	90231775	04-07		B	.	B	.	X	X	X	AL04		4				
	90500453	05-07		B	.	B	.	.	X	.	AL08		4				
	[03]			(E)RING KIT-PISTON (D)RINGSATZ-KOLBEN						(F)JEU SEGMENTS-PISTON (S)KIT DE SEGMENTS-PISTÓN							
	92062817	04-04		B	B	.	.	X	X	.	AL04		4	907399	STD(81.6mm),5p cs		
	N 92067238	04-07		B	B	B	.	X	X	X	AL04		1	907370	STD(81.6mm),20 pcs		
	92062818	04-04		B	B	.	.	X	X	.	AL04		1	907399	C/S(0.50mm),20 pcs		
	N 92067239	04-07		B	B	B	.	X	X	X	AL04		1	907370	C/S(0.50mm),20 pcs		
	92062027	05-05		B	.	B	.	.	X	.	AL08		1	165080	STD(86.0mm),20 pcs		
	N 92065115	05-07		B	.	B	.	.	X	.	AL08		1	165081	STD(86.0mm),20 pcs		
	92062028	05-05		B	.	B	.	.	X	.	AL08		1	165080	C/S(0.50mm),20 pcs		
	N 92065116	05-07		B	.	B	.	.	X	.	AL08		1	165081	C/S(0.50mm),20 pcs		
	[04]			(E)ROD A-CONN (D)PLEUJELSTANGE A						(F)BIELLE A (S)BIELA A							
	90530426	04-07		B	B	B	.	X	X	X	AL04L08		4				
	Y 92068153	04-07		B	B	B	.	X	X	X	AL04L08		4				
	[05]			(E)BOLT (D)BOLZEN						(F)BOULON (S)PERNO							
	90281736	04-07		B	B	B	.	X	X	X	AL04L08		8				
	[06]			(E)BEARING KIT-CONN ROD (D)LAGERSATZ-PLEUJELSTANGE						(F)KIT COUSSINETS-BIELLE (S)KIT DE COJNETES-DE BIELA							
	92028617	04-07		B	B	B	.	X	X	X	AL04L08		1		STD(50.0mm)		
	92028818	04-07		B	B	B	.	X	X	X	AL04L08		1		US(0.25mm)		

1221

CRANKSHAFT&PISTON(FAM II)

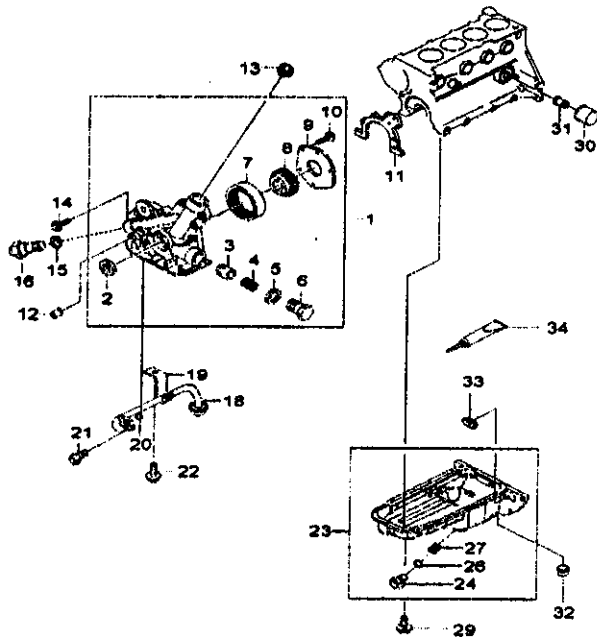


RJ1221GW 11/10/2004

I T C	KEY NO.		PART NAME										L Q / R Y	V.I.N.		REMARKS	P / C O D E		
	PART NO.	MODEL YEAR	D R V	BODY			LEVEL			OPTION	FROM	TO							
				4 N H B	4 S H W	B L S	L S T												
	[06]																		
	92028819	04 - 07								(E)BEARING KIT-CONN ROD (D)LAGERSATZ-PLEUELSTANGE				(F)KIT COUSSINETS-BIELLE (S)KIT DE COJNETES-DE BIELA					
										B B B X X X	6L84A.06		1						URS(0.50mm)
	[07]									(E)CRANKSHAFT A (D)KURBELWELLE A				(F)VILEBREQUIN A (S)CIGÜERAL A					
	90500608	04 - 06								B B B X X X	6L84A.08		1						366365
	92068094	04 - 07								B B B X X X	6L84A.08		1						366366
	[08]									(E)BEARING KIT-CR/SHF (D)LAGERSATZ-KURBELWELLE				(F)KIT COUSSINETS-VILEBREQUIN (S)KIT DE COJNETES-DE CIG					
	92065700	04 - 05								B B B X X X	6L84A.08		1						231106 STD(59.1mm)
	92067468	04 - 07								B B B X X X	6L84A.08		1						231107 STD(59.1mm)
	92065701	04 - 05								B B B X X X	6L84A.08		1						231106 URS(0.25mm)
	92067469	04 - 07								B B B X X X	6L84A.08		1						231107 URS(0.25mm)
	92065702	04 - 07								B B B X X X	6L84A.08		1						URS(0.50mm)
	[10]									(E)SEAL-CR/SHF,RR (D)DICHTUNG-KURBELWELLE,HINTEN				(F)JOINT-VILAR (S)RETÉN-CIG,TR					
	90354378	04 - 07								B B B X X X	6L84A.08		1						
	[11]									(E)FLYWHEEL A (D)SCHWUNGRAD A				(F)VOLANT MOT A (S)VOLANTE MOTOR A					
	90466130	04 - 07								B B B X X X	6L84A.88&MO&MM9		1						
	[12]									(E)PLATE A-FLEXIBLE (D)FLEXIBLE PLATTE A				(F)TOLE ENTR A (S)PLACA A-FLEXIBLE					
	92065206	04 - 07								B B B X X X	6L84A.88&MM9		1						
	[13]									(E)SPACER-FLEXIBLE PLATE (D)Distanzscheibe-FLEXIBLE PLATTE				(F)ENTRETOISE-TOLE ENTR (S)ESPACIADOR-PLACA FLEXIBLE					
	92063305	04 - 07								B B B X X X	6L84A.88&MM9		1						
	[14]									(E)REINFORCING-DISC (D)VERSTAERKUNGSSCHEIBE				(F)DISQUE RENFORT (S)REFUERZO-DISCO					
	90236778	04 - 07								B B B X X X	6L84A.88&MM9		1						
	[15]									(E)BOLT (D)BOLZEN				(F)BOULON (S)PERNO					
	90285303	04 - 07								B B B X X X	6L84A.88&MG&MM9		6						
	[16]									(E)BOLT (D)BOLZEN				(F)BOULON (S)PERNO					
	92063746	04 - 07								B B B X X X	6L84A.88&MM9		6						
	[17]									(E)DISC-TRANSMITTER (D)SCHEIBE-SENDER				(F)DISQUE-EMETTEUR (S)DISCO-TRANSMISOR					
	90285094	04 - 07								B B B X X X	6L84A.08		1						
	[18]									(E)SCREW (D)SCHRAUBE				(F)VIS (S)TORNILLO					
	90280051	04 - 07								B B B X X X	6L84A.08		3						

1230

OIL PAN&PUMP(FAM I)

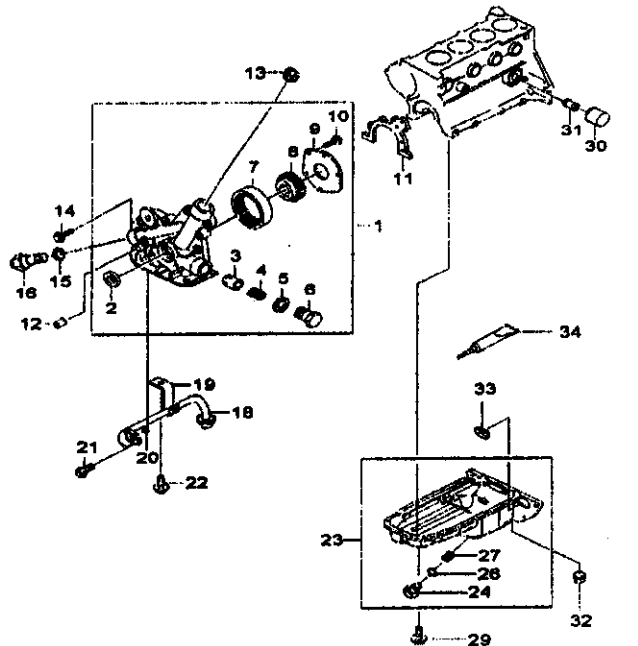


RJ1230DGW 10/30/2004

I T C	KEY NO.		PART NAME										P / C O D E	
	PART NO.	MODEL YEAR	D R V	BODY		LEVEL		OPTION	L / R	Q / T Y	V.I.N.			REMARKS
				4 N B	4 H B	5 S B	5 S B				B L S	L L S		
	[01]			(E)PUMP A-OIL ENG (D)OELPUMPE A,MOT							(F)POMPE A-HUILE,MOT (S)BOMBA A-DE ACEITE,MOT			
	96386834	04-07		B B B X X X			8L14A,44				1			
	96238705	06-07		B B B X X X			8LDA				1			
	[02]			(E)SEAL-CR/SH,FRT (D)DICHTUNG-KURBELWELLE,VORN							(F)JOINT-VILAV (S)RETEN-CIG.DELAN			
	96350161	04-07		B B B X X X			8L14A,44,DA				1	30x42x8		
	[03]			(E)PLUNGER-PRESSURE RELIEF VALVE (D)TAUCHKOLBEN-UEBERDRUCKVENTIL							(F)PLONGEUR-LIMITEUR PRESSION (S)EMBOLO-VALVULA DE DESCARGA			
	94580014	04-07		B B B X X X			8L14A,44,DA				1			
	Y 90530592	04-07		B B B X X X			8L14A,44,DA				1			
	[04]			(E)SPRING-OIL RELIEF (D)FEDER-OELUEBERSTROEMVENTIL							(F)RESSORT-DECHARGE HUILE (S)MUELLE-DESCARGA DE ACEITE			
	94580015	04-07		B B B X X X			8L14A,44,DA				1			
	[05]			(E)RING-SEAL (D)DIADICHTRING							(F)JOINT ANNULAIRE (S)ARANDELA-DE JUNTA			
	11083042	04-07		B B B X X X			8L14A,44,DA				1			
	[06]			(E)PLUG (D)STECKER							(F)BOUCHON (S)TAPÓN			
	94580013	04-07		B B B X X X			8L14A,44,DA				1	M20x1.5		
	[07]			(E)ROTOR-OIL PUMP OTR (D)ROTOR-OELPUMPE,AEUSSERER							(F)ROTOR-POMPE A HUILE,EXT (S)ROTOR-BOMBA DE ACEITE,EXT			
	96386887	04-07		B B B X X X			8L14A,44				1			
	96434212	06-07		B B B X X X			8LDA				1			
	[08]			(E)ROTOR-OIL PUMP INR (D)ROTOR-OELPUMPE,INNERER							(F)ROTOR-POMPE A HUILE,INT (S)ROTOR-BOMBA DE ACEITE,INT			
	96386886	04-07		B B B X X X			8L14A,44				1			
	96434211	06-07		B B B X X X			8LDA				1			
	[09]			(E)COVER-OIL PUMP (D)DECKEL-OELPUMPE							(F)COUVERCLE-POMPE A HUILE (S)TAPA-BOMBA DE ACEITE			
	96352879	04-07		B B B X X X			8L14A,44				1			
	96434210	06-07		B B B X X X			8LDA				1			
	[10]			(E)SCREW (D)SCHRAUBE							(F)VIS (S)TORNILLO			
	94520094	04-07		B B B X X X			8L14A,44,DA				5	M6x14		
	[11]			(E)GASKET-OIL PUMP (D)DICHTRING-OELPUMPE							(F)JOINT-POMPE A HUILE (S)JUNTA-BOMBA DE ACEITE			
	96820135	04-07		B B B X X X			8L14A,44,DA				1			
	[12]			(E)SLEEVE (D)MUFFE							(F)MANCHON (S)MANGUITO			
	94580526	04-07		B B B X X X			8L14A,44,DA				2			

1230

OIL PAN&PUMP(FAM I)

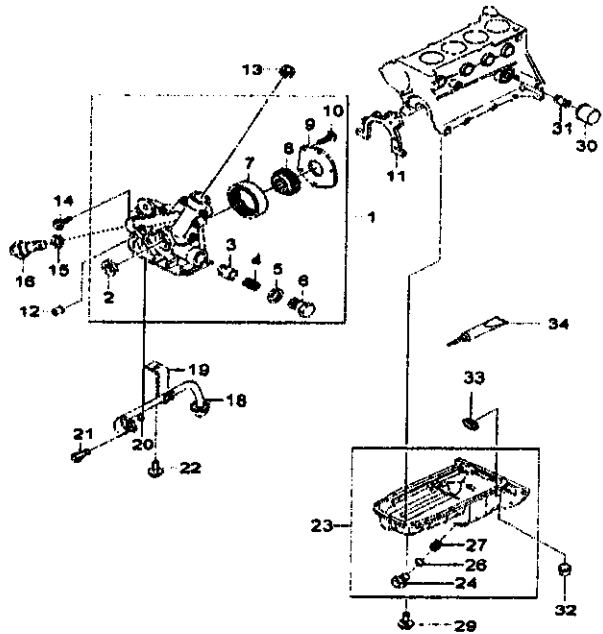


RJ1230DGW 10/30/2004

I T C	KEY NO. PART NO.	MODEL YEAR	D R V E	PART NAME						L Q / R Y	V.I.N.		REMARKS	P D O C P
				B O D Y	L E V E L	O P T I O N					F R O M	T O		
						4 N H B	5 H S B	B L S	L L S T					
	[13] 94535884	04-07		(E)PLUG (D)STECKER B B B X X X							(F)BOUCHON (S)TAPÓN 1	M18		
	[14] 94501465	04-07		(E)BOLT (D)BOLZEN B B B X X X							(F)BOULON (S)PERNO 7			
	[15] 94525114	04-07		(E)WASHER (D)UNTERLEGS SCHEIBE B B B X X X							(F)IRONDELLE (S)ARANDELA 1			
	[16] 96494264 96281689 Y 96494264	04-07 06-07 08-07		(E)SWTCH A-OIL PRESSURE (D)SCHALTER A-OELDRUCK B B B X X X B B B X X X B B B X X X							(F)CONTACTEUR A-PRESS HUILE (S)PRESOSTATO A-DE ACEITE 1 1 1			
	[18] 96462069 Y 94580617	04-07 04-07		(E)PIPE A-OIL SUCT (D)OELSAUGROHR A B B B X X X B B B X X X							(F)TUYAU A-ASP HUILE (S)TUBO A-ASPIRACION DE ACEITE 1 1			
	[19] 94580510	04-07		(E)BRACKET-OIL SUCT PIPE (D)SCHELLE-OELSAUGROHR B B B X X X							(F)SUPPORT-TUYAU ASP HUILE (S)SOPORTE-TUBO DE ASPIRACION 1			
	[20] 94580643	04-07		(E)RING-SEAL (D)ABDICHRING B B B X X X							(F)JOINT ANNULAIRE (S)ARANDELA-DE JUNTA 1			
	[21] 94501460	04-07		(E)BOLT (D)BOLZEN B B B X X X							(F)BOULON (S)PERNO 2	M6x 1.0x18		
	[22] 94500125	04-07		(E)SCREW (D)SCHRAUBE B B B X X X							(F)VIS (S)TORNILLO 1			
	[23] 96481581	04-07		(E)PAN A-OIL,ENG (D)OELWANNE A,MOT B B B X X X							(F)CARTER A-HUILE,MOT (S)CARTER A-DE ACEITE,MOT 1	AL		
	[24] 94500883 Y 94501841 Y 94535699	04-07 04-07 04-07		(E)BOLT (D)BOLZEN B B B X X X B B B X X X B B B X X X							(F)BOULON (S)PERNO 1 1 1	M14x1.5		
	[24] 94525114	04-07		(E)WASHER (D)UNTERLEGS SCHEIBE B B B X X X							(F)IRONDELLE (S)ARANDELA 1			

1230

OIL PAN&PUMP(FAM I)

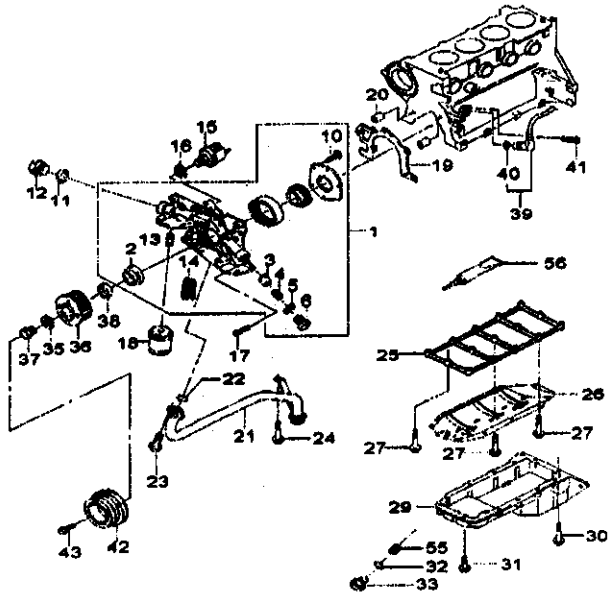


RJ1230DGW 10/30/2004

KEY NO.		PART NAME												
I T C	PART NO.	MODEL YEAR	D R V	BODY		LEVEL		OPTION	L Q T R Y	V.I.N.		REMARKS	P O D O D E	
				4 N B	4 H W	5 S S	B L S			L L S	FROM			TO
	[27]							(E)INSERT-OIL PAN PLUG (D)EINSATZ-OELWANNENVERSCHLUSS	(F)INSERT-BOUCHON CARTER HUILE (S)INSERTO-TAPON DE CARTER DE					
	98490031	04 - 07		B	B	X	X	X	8L14L44LDA	1			M14x1.5	
	[29]							(E)BOLT (D)BOLZEN	(F)BOULON (S)PERNO					
	94500907	04 - 07		B	B	X	X	X	8L14L44LDA	15				
	[30]							(E)FILTER A-OIL_ENG (D)OELFILTER A,MOT	(F)FILTRE A-HUILE,MOT (S)FILTRO A-DE ACEITE,MOT					
	94797406	04 - 07		B	B	X	X	X	8L14L44LDA	1				
	Y 98458873	04 - 07		B	B	X	X	X	8L14L44LDA	1				
	Y 98395221	04 - 07		B	B	X	X	X	8L14L44LDA	1				
	[31]							(E)PIECE-CONN (D)VERBINDUNGSTEIL	(F)PIECE-LIAISON (S)PIEZA-CON					
	94580901	04 - 07		B	B	X	X	X	8L14L44LDA	1				
	[32]							(E)GROMMET (D)DURCHFUEHRUNGSTUELLE	(F)PASSE-TUBE (S)PASACABLES					
	96351680	04 - 07		B	B	X	X	X	8L14L44LDA	2				
	[33]							(E)CAP-CYL BLOCK (D)KAPPE-ZYL BLOCK	(F)CHAPEAU BLOC-CYLINDRES (S)TAPA-BLOQUE DE CIL					
	98351041	04 - 07		B	B	X	X	X	8L14L44LDA	1				
	[34]							(E)GASKET-LIQUID (D)FLUESSIGKEITSDICHTUNG	(F)JOINT LIQUIDE (S)JUNTA-LIQUIDA					
	93740028	04 - 07		B	B	X	X	X	8L14L44LDA	1			50ml	
								**** RPO DEFINITIONS **** L14 : ENGINE-4 CYL 1.4 DOHC MPI L44 : ENGINE-4 CYL 1.6 DOHC MPI LDA : ENGINE-4 CYL 1.8 DOHC MPI						

1231

OIL PAN&PUMP(FAM II)

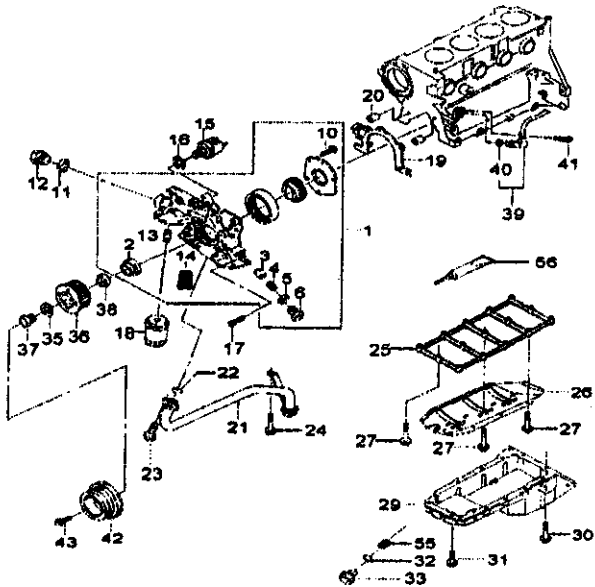


RJ1231GNW 10/30/2004

I T C	KEY NO.	PART NO.	MODEL YEAR	D R V	PART NAME						L Q T Y	V.I.N.		REMARKS	P / C O D E
					BODY	LEVEL	OPTION	FROM	TO	REMARKS					
												4 N B	4 H B		
	[01]				(E)PUMP A-OILENG (D)OELPUMPE A.MOT							(F)POMPE A-HUILE,MOT (S)BOMBA A-DE ACEITE,MOT			
	90570925	04-07			B B B X X X	ALBA,00						1			
	Y 92067276	04-07			B B B X X X	ALBA,00						1			
	[02]				(E)SEAL-CR/SHF,FRT (D)DICHTUNG-KURBELWELLE,VORN							(F)JOINT-VILAV (S)RETEN-CIG,DELAN			
	90183572	04-07			B B B X X X	ALBA,00						1			
	[03]				(E)PLUNGER-PRESSURE RELIEF VALVE (D)TAUCHKOLBEN-UEBERDRUCKVENTIL							(F)PLONGEUR-LIMITEUR PRESSION (S)SEMBOLO-VÁLVULA DE DESCARGA			
	90530592	04-07			B B B X X X	ALBA,00						1			
	[04]				(E)SPRING-OIL RELIEF (D)FEDER-OELUEBERSTROEMVENTIL							(F)RESSORT-DECHARGE HUILE (S)MUELLE-DESCARGA DE ACEITE			
	94580015	04-07			B B B X X X	ALBA,00						1			
	[05]				(E)RING-SEAL (D)ABDICHTRING							(F)JOINT ANNULAIRE (S)ARANDELA-DE JUNTA			
	11093042	04-07			B B B X X X	ALBA,00						1			
	[06]				(E)PLUG (D)STECKER							(F)BOUCHON (S)TAPÓN			
	94580013	04-07			B B B X X X	ALBA,00						1	M20x1.5		
	[10]				(E)SCREW (D)SCHRAUBE							(F)VIS (S)TORNILLO			
	94580075	04-07			B B B X X X	ALBA,00						5	M6x14		
	[11]				(E)SEAL-OIL DUCT PLUG (D)DICHTUNG-OELROHRVERSCHLUSSST							(F)JOINT-BOUCHON CONDUIT (S)RETEN-TAPÓN DE CONDUCTO DE			
	92061013	04-07			B B B X X X	ALBA,00						1			
	Y 11070960	04-07			B B B X X X	ALBA,00						1			
	[12]				(E)PLUG (D)STECKER							(F)BOUCHON (S)TAPÓN			
	11039122	04-07			B B B X X X	ALBA,00						1			
	Y 92066521	04-07			B B B X X X	ALBA,00						1			
	[13]				(E)PIECE-CONN (D)VERBINDUNGSTEIL							(F)PIECE-LIAISON (S)PIEZA-CON			
	94580601	04-07			B B B X X X	ALBA,00						1			
	[14]				(E)VALVE A-BYPASS (D)VENTIL A-BYPASS							(F)CLAPET A-DERIVATION (S)VÁLVULA A-DE DERIVACIÓN			
	94580569	04-07			B B B X X X	ALBA,00						1			
	[15]				(E)SWITCH A-OIL PRESSURE (D)SCHALTER A-OELDRUCK							(F)CONTACTEUR A-PRESS HUILE (S)PRESOSTATO A-DE ACEITE			
	90336039	04-07			B B B X X X	ALBA,00						1			
	Y 96281689	04-07			B . B X X X	ALBA,00						1			
	Y 96494264	04-07			B . B X X X	ALBA,00						1			

1231

OIL PAN&PUMP(FAM II)

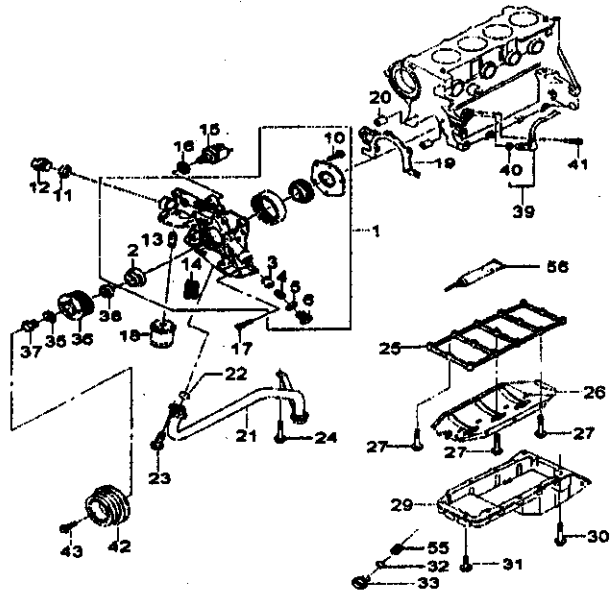


RJ1231GNW 10/30/2004

I T C	KEY NO.		D R V	PART NAME						L Q T R Y	V.I.N.		REMARKS	P / C O D E
	PART NO.	MODEL YEAR		BODY		LEVEL		OPTION	FROM		TO			
				4 N H S B	5 H S W	B L S S	L L S T							
	[16]			(E)WASHER (D)UNTERLEGS SCHEIBE						(F)RONDELLE (S)ARANDELA				
	94525114	04-07		B B B X X X			AL84L08			1			14x20x1.5	
	[17]			(E)SCREW (D)SCHRAUBE						(F)VIS (S)TORNILLO				
	11064662	04-07		B B B X X X			AL84L08			6			M6x1x25	
	[18]			(E)FILTER A-OIL (D)OELFILTER A. MOT						(F)FILTRE A-HUILE. MOT (S)FILTRO A-DE ACEITE. MOT				
	96352845	04-07		B B B X X X			AL84L08			1				
Y	94797406	04-07		B B B X X X			AL84L08			1				
Y	96458673	04-07		B B B X X X			AL84L08			1				
Y	96396521	04-07		B B B X X X			AL84L08			1				
	[19]			(E)GASKET-OIL PUMP (D)DICHTRING-OEL PUMPE						(F)JOINT-POMPE A HUILE (S)JUNTA-BOMBA DE ACEITE				
	92060519	04-07		B B B X X X			AL84L08			1				
	[20]			(E)SLEEVE (D)MUFFE						(F)MANCHON (S)MANGUITO				
	94590526	04-07		B B B X X X			AL84L08			2				
	[21]			(E)PIPE A-OIL SUCT (D)OELSAUGROHR A						(F)TUYAU A-ASP HUILE (S)TUBO A-ASPIRACION DE ACEITE				
	92063625	04-07		B B B X X X			AL84L08			1				
	[22]			(E)RING-SEAL (D)ABDICHTRING						(F)JOINT ANNULAIRE (S)ARANDELA-DE JUNTA				
	94580643	04-07		B B B X X X			AL84L08			1				
	[23]			(E)BOLT (D)BOLZEN						(F)BOULON (S)PERNO				
	94501460	04-07		B B B X X X			AL84L08			2			M6x1.0x16	
	[24]			(E)BOLT (D)BOLZEN						(F)BOULON (S)PERNO				
	11096921	04-07		B B B X X X			AL84L08			1				
	[25]			(E)BRIDGE-OIL PAN (D)BRUECKE-OEL WANNE						(F)PONT-CARTER D' HUILE (S)PUENTE-CARTER DE ACEITE				
	90501900	04-07		B B B X X X			AL84L08			1				
	[26]			(E)SCRAPER-OIL PAN (D)ABSTREIFER-OEL WANNE						(F)RACLEUR-CARTER D' HUILE (S)RASCADOR-CARTER DE ACEITE				
	92063872	04-07		B B B X X X			AL84L08			1				
	[27]			(E)SCREW (D)SCHRAUBE						(F)VIS (S)TORNILLO				
	11096481	04-07		B B B X X X			AL84L08			14				

1231

OIL PAN & PUMP (FAM II)

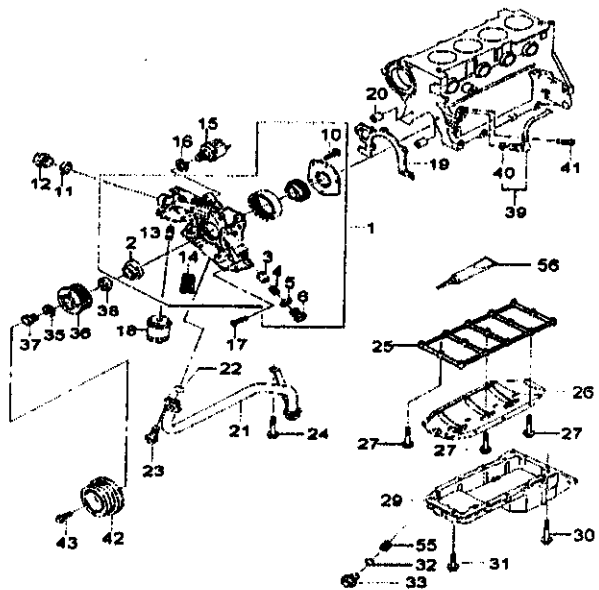


RJ1231GNW 10/30/2004

I T C	KEY NO.		PART NAME						L O T R Y	V.I.N.		REMARKS	P I C O D E
	PART NO.	MODEL YEAR	D R Y	BODY		LEVEL		OPTION		FROM	TO		
				4 N B	5 H W	B S S	L S T						
	[29]			(E)PAN-A-OIL,ENG (D)OELWANNE A,MOT					(F)CARTER A-HUILE,MOT (S)CARTER A-DE ACETE,MOT				
	92065755	04-07		B B B X X X			LL94A,86		1				
	[30]			(E)SCREW (D)SCHRAUBE					(F)VIS (S)TORNILLO				
	92063103	04-07		B B B X X X			LL94A,86		2				
	[31]			(E)SCREW (D)SCHRAUBE					(F)VIS (S)TORNILLO				
	11098481	04-07		B B B X X X			LL94A,86		12				
	[32]			(E)WASHER (D)UNTERLEGS SCHEIBE					(F)RONDELLE (S)ARANDELA				
	11023589	04-07		B B B X X X			LL94A,86		1				
	Y 94525114	04-07		B B B X X X			LL94A,86		1				
	[33]			(E)BOLT (D)BOLZEN					(F)BOULON (S)PERNO				
	94500681	04-07		B B B X X X			LL94A,86		1				
	Y 94500683	04-07		B B B X X X			LL94A,86		1				
	Y 94535699	04-07		B B B X X X			LL94A,86		1				
	[35]			(E)WASHER (D)UNTERLEGS SCHEIBE					(F)RONDELLE (S)ARANDELA				
	92023395	04-07		B B B X X X			LL94A,86		1				
	[38]			(E)GEAR-CR/SHF (D)ZAHNRAD-KURBELWELLE					(F)PIGNON-VILEBREQUIN (S)PIÑÓN DE CIG				
	90411795	04-07		B B B X X X			LL94A,86		1				
	[37]			(E)SCREW (D)SCHRAUBE					(F)VIS (S)TORNILLO				
	11085632	04-07		B B B X X X			LL94A,86		1				
	[38]			(E)WASHER (D)UNTERLEGS SCHEIBE					(F)RONDELLE (S)ARANDELA				
	90158055	04-07		B B B X X X			LL94A,86		1				
	[39]			(E)SENSOR A-CR/SHF POSITION (D)SENSOR A-KURBELWELLENSTELLUNG					(F)CAPTEUR A-POSITION VIL (S)SENSOR A-POSICIÓN DE CIG				
	10456515	04-07		B B B X X X			LL94A,86		1				INCL #40
	Y 96418382	04-07		B B B X X X			LL94A,86		1				INCL #40
	[40]			(E)RING-O (D)O-RING					(F)JOINT TORIQUE (S)JUNTA TÓRICA				
	10473965	04-07		B B B X X X			LL94A,86		1				
	[41]			(E)BOLT (D)BOLZEN					(F)BOULON (S)PERNO				
	11093971	04-07		B B B X X X			LL94A,86		1				

1231

OIL PAN&PUMP(FAM II)

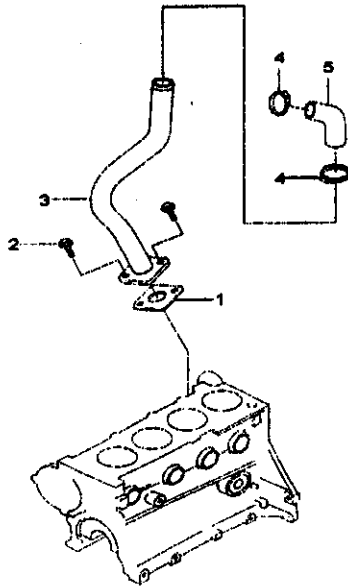


RJ1231GNW 10/30/2004

KEY NO.		PART NAME													
I T C	PART NO.	MODEL YEAR	D R V	BODY			LEVEL			OPTION	L Q T Y	V.I.N.		REMARKS	P / C O D E
				4 N B	4 H B	5 W	B S	L S	L T			FROM	TO		
	[42]									(E)DAMPER A-TORSIONAL (D)SCHWINGUNGSDAEMPFER A	(F)AMORTISSEUR A-TORSION (S)AMORTIGUADOR A-DE TORSION				
	96350547	04 - 07		B	B	B	X	X	X	6L84AL88				1	
Y	96419497	04 - 07		B	B	B	X	X	X	6L84AL88				1	
	[43]									(E)BOLT (D)BOLZEN	(F)BOULON (S)PERNO				
	94500757	04 - 07		B	B	B	X	X	X	6L84AL88				4	
	[56]									(E)INSERT-OIL PAN PLUG (D)EINSATZ-OELWANNENVERSCHLUSS	(F)INSERT-BOUCHON CARTER HUILE (S)INSERTO-TAPON DE CARTER DE				
	11065909	04 - 07		B	B	B	X	X	X	6L84AL88				1	
	[56]									(E)GASKET-LIQUID (D)FLUESSIGKEITSDICHTUNG	(F)JOINT LIQUIDE (S)JUNTA-LIQUIDA				
	93740028	05 - 07		B	B	B	X	X	X	6L84AL88				1	50ml
										**** RPO DEFINITIONS **** L84 : ENGINE-4 CYL 1.8 DOHC MPI L88 : ENGINE-4 CYL 2.0 DOHC MPI					

1240

ENGINE OIL VENTILATION(FAM I)

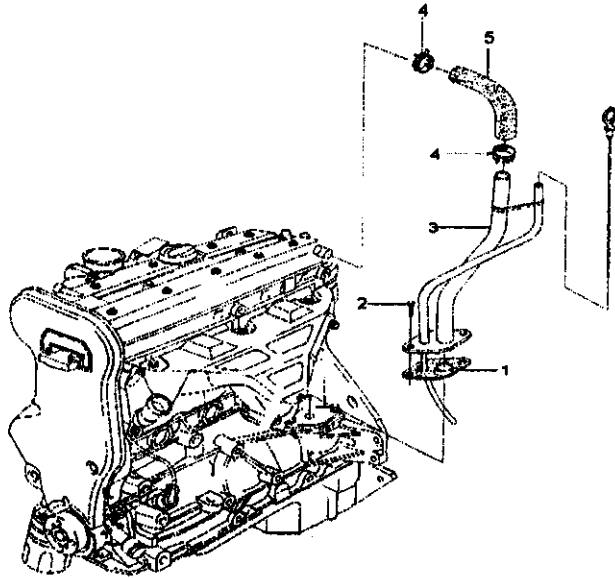


RJ1240DGW 10/30/2004

I T C	KEY NO. PART NO.	MODEL YEAR	D R Y	PART NAME						L Q T Y	V.I.N.		REMARKS	P I C C O D E
				BODY		LEVEL		OPTION	FROM		TO			
				A N B	4 H W	S B W	B L S					L L S		
	[01]			(E)GASKET-ENG VENT (D)DICHTRING-MOTORBELUEFTUNG						(F)JOINT-RENFLARD MOTEUR (S)JUNTA-VENT MOT				
	96181209	04 - 05		B B B	X X X	AL14L44				1				
	96181209	06 - 07		B B B	X X X	ALDA				1				
	[02]			(E)BOLT (D)BOLZEN						(F)BOULON (S)PERNO				
	94500631	04 - 05		B B B	X X X	AL14L44				2				
	94500631	06 - 07		B B B	X X X	ALDA				2				
	[03]			(E)PIPE A-ENG VENT (D)ROHR A-MOTORBELUEFT						(F)TUYAU A-RENIFLARD MOTEUR (S)TUBO A-VENT MOT				
	96353301	04 - 05		B B B	X X X	AL14L44				1				
	96414612	06 - 07		B B B	X X X	ALDA				1				
	[04]			(E)CLIP (D)KLEMME						(F)CLIP (S)CLIP				
	11085952	04 - 05		B B B	X X X	AL14L44				2				
Y	94530682	04 - 05		B B B	X X X	AL14L44				2				
	94530682	06 - 07		B B B	X X X	ALDA				2				
	[05]			(E)HOSE-ENG VENT (D)SCHLAUCH-MOTORBELUEFT						(F)FLEXIBLE-RENIFLARD MOTEUR (S)MANGUITO-VENT MOT				
	96488613	04 - 05		B B B	X X X	AL14L44				1				
	96414390	06 - 07		B B B	X X X	ALDA				1				
				**** RPO DEFINITIONS ****										
				L14 : ENGINE-4 CYL 1.4 DOHC MPI										
				L44 : ENGINE-4 CYL 1.8 DOHC MPI										
				LDA : ENGINE-4 CYL 1.8 DOHC MPI										

1241

ENGINE OIL VENTILATION(FAM II)

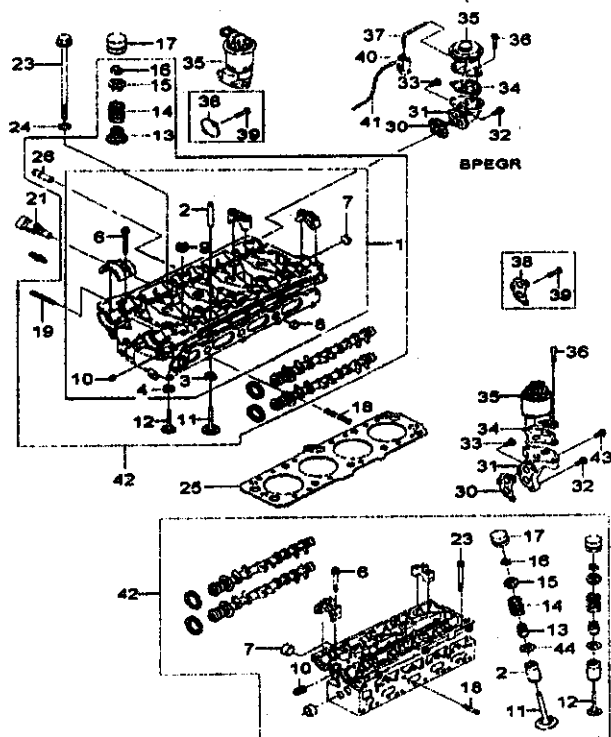


RJ1241GNW 10/30/2004

I T C	KEY NO.		PART NAME											REMARKS	P / C O D E
	PART NO.	MODEL YEAR	D R V E	BODY		LEVEL		OPTION	L Q / T R Y	V.I.N.					
				4 N B	4 H S	5 S S	B L			L S	FROM		TO		
	[01]			(E)GASKET-ENG VENT (D)DICHRING-MOTORBELUEFTUNG						(F)JOINT-RENIFLARD MOTEUR (S)JUNTA-VENT MOT					
	90500571	04-05		B	B	B	X	X	X	6L84L88		1	218874		
	92067502	04-07		B	B	B	X	X	X	6L84L88		1	218875		
	[02]			(E)BOLT (D)BOLZEN						(F)BOULON (S)PERNO					
	94501476	04-07		B	B	B	X	X	X	6L84L88		2			
	[03]			(E)PIPE A-ENG VENT (D)ROHR A-MOTORBELUEFT						(F)TUYAU A-RENIFLARD MOTEUR (S)TUBO A-VENT MOT					
	92062797	04-07		B	B	B	X	X	X	6L84		1			
	92066752	05-06		B	.	B	.	.	X	6L88		1	383959		
	[04]			(E)CLAMP (D)KLEMMSTUECK						(F)COLLIER (S)ABRAZADERA					
	90467971	04-07		B	B	B	X	X	X	6L84		2			
	90469888	05-06		B	.	B	.	.	X	6L88		2	383959		
	[05]			(E)HOSE-ENG VENT (D)SCHLAUCH-MOTORBELUEFT						(F)FLEXIBLE-RENIFLARD MOTEUR (S)MANGUITO-VENT MOT					
	90411945	04-07		B	B	B	X	X	X	6L84		1			
	92066606	05-06		B	.	B	.	.	X	6L88		1	383959		
	[06]			(E)TUBE (D)ROHR						(F)TUBE (S)TUBO					
	92067587	06-07		B	.	B	.	.	X	6L88		1	383960		
**** RPO DEFINITIONS ****															
L84 : ENGINE-4 CYL 1.8 DOHC MPI															
L88 : ENGINE-4 CYL 2.0 DOHC MPI															

1311

CYLINDER HEAD(FAM I DOHC)

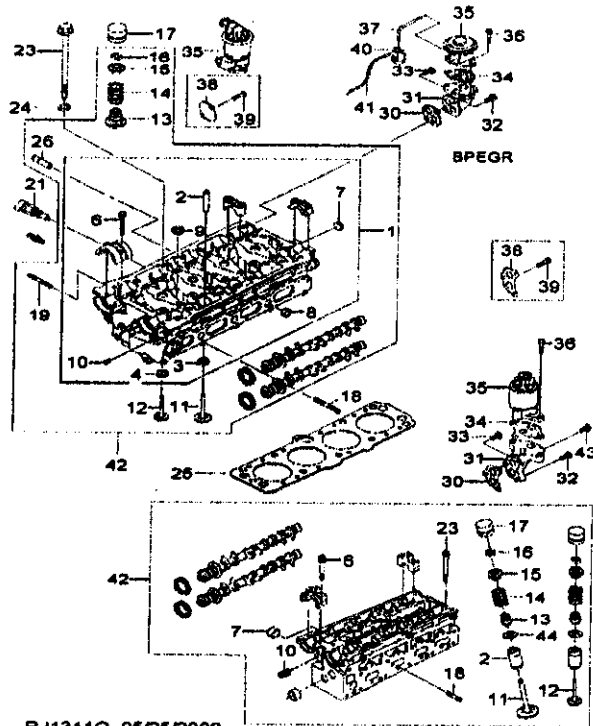


RJ1311G 05/25/2006

I T C	KEY NO.	PART NO.	MODEL YEAR	D R V	PART NAME						L Q T Y	V.I.N.		REMARKS	P R O D U C T I O N
					B O D Y	L E V E L		O P T I O N	F R O M	T O		R E M A R K S			
						4 A S B	4 N H B						3 S B		
	[01]				(E)HEAD A-CYL (D)ZYL-KOPF A					(F)CLASSE A (S)CULATA A					
	98378681	04-05			B B B	X X X	AL14L44			1					
	98448922	06-06			B B B	X X X	AL14L44			1	357248		I-PCV		
	Y 98814882	06-07			B B B	X X X	AL14L44			1	357247		I-PCV		
	[02]				(E)GUIDE-VALVE (D)VENTILFUEHRUNG					(F)GUIDE-SOUPAPE (S)GUIA-VÁLVULA					
	98336871	04-07			B B B	X X X	AL14L44			16			STD(11.05x5.5m)		
	Y 98103034	04-07			B B B	X X X	AL14L44			16			STD(11.05x5.5m)		
	90572642	06-07			B B B	X X X	ALDA			8			STD,INTAKE		
	90572643	06-07			B B B	X X X	ALDA			8			STD,EXHAUST		
	98336872	04-07			B B B	X X X	AL14L44			16			O/S(11.25x5.5m)		
	Y 98103035	04-07			B B B	X X X	AL14L44			16			O/S(11.25x5.5m)		
	09158930	06-07			B B B	X X X	ALDA			8			O/S(0.20mm),IN TAKE		
	09158931	06-07			B B B	X X X	ALDA			8			O/S(0.20mm),EX AHJUST		
	09158932	06-07			B B B	X X X	ALDA			8			O/S(0.40mm),IN TAKE		
	09158933	06-07			B B B	X X X	ALDA			8			O/S(0.40mm),EX AHJUST		
	[03]				(E)RING-INT VALVE SEAT (D)RING-EINLASSVENTILSITZ					(F)ANNEAU-SIEGE SOUPAPE ADM (S)ANILLO-ASIENTO DE VÁLVULA DE					
	98388702	04-07			B B B	X X X	AL14L44			8			STD(31.5x24.5m)		
	98395219	04-07			B B B	X X X	AL14L44			8			O/S		
	[04]				(E)RING-EXH VALVE SEAT (D)RING-AUSLASSVENTILSITZ					(F)ANNEAU-SIEGE SOUPAPE ECHPT (S)ANILLO-ASIENTO DE VÁLVULA DE					
	98388703	04-07			B B B	X X X	AL14L44			8			STD(29.0x23.5m)		
	98395220	04-07			B B B	X X X	AL14L44			8			O/S		
	[06]				(E)SCREW (D)SCHRAUBE					(F)VIS (S)TORNILLO					
	94500901	04-07			B B B	X X X	AL14L44			20					
	11093781	06-07			B B B	X X X	ALDA			20					
	[07]				(E)CAP-WATER CHAMBER (D)DECKEL-WASSERKAMMER					(F)CAPUCHON-CHAMBRE A EAU (S)TAPA-CÁMARA DE AGUA					
	96180731	04-07			B B B	X X X	AL14L44			1					
	96180731	06-07			B B B	X X X	ALDA			1					

1311

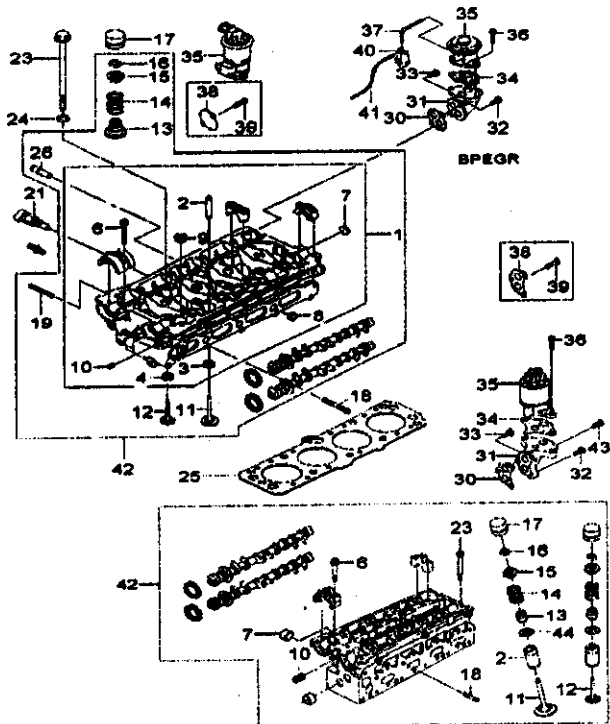
CYLINDER HEAD(FAM I DOHC)



I T C	PART NO.	MODEL YEAR	KEY NO.						PART NAME	L Q T Y	V.I.N.		REMARKS	P- C O D E	
			D R V	BODY			LEVEL				OPTION	FROM			TO
				4 N H S B	4 N H S B	5 L S W	B L L S	L L S T							
	[08]							(E)CAP-OIL DUCT (D)KAPPE-OELLEITUNG			(F)CAPUCHON-CONDJIT D'HUILE (S)TAPON-CONDUCTO DE ACEITE				
	96180732	04-07		B	B	X	X	X	8L14A.44		3				
	[09]							(E)PLUG (D)STECKER			(F)BOUCHON (S)TAPON				
	94535687	04-07		B	B	X	X	X	8L14A.44		2				
	[10]							(E)PLUG (D)STECKER			(F)BOUCHON (S)TAPON				
	94535678	04-07		B	B	X	X	X	8L14A.44		5				
	11095512	06-07		B	B	X	X	X	8LDA		5				
	[11]							(E)VALVE-INT (D)EINLASSVENTIL			(F)SOUPAPE-ADM (S)VÁLVULA-DE ADM				
	96378881	04-05		B	B	X	X	X	8L14A.44		8	101285			
	O 96440081	04-07		B	B	X	X	X	8L14A.44		8	101286			
	93333561	06-07		B	B	X	X	X	8LDA		8				
	[12]							(E)VALVE-EXH (D)VENTIL-ABGAS			(F)SOUPAPE-ECHPT (S)VÁLVULA-DE ESC				
	96378980	04-05		B	B	X	X	X	8L14A.44		8	101285			
	O 96440079	04-07		B	B	X	X	X	8L14A.44		8	101286			
	93333562	06-07		B	B	X	X	X	8LDA		8				
	[13]							(E)SEAL-VALVE STEM (D)DICHTUNG-VENTILSYSTEM			(F)JOINT-TIGE SOUPAPE (S)RETÉN-VÁSTAGO DE VÁLVULA				
	96353035	04-07		B	B	X	X	X	8L14A.44		16				
	Y 96840122	04-07		B	B	X	X	X	8L14A.44		16				
	90410741	06-07		B	B	X	X	X	8LDA		16				
	[14]							(E)SPRING-VALVE (D)VENTILFEDER			(F)RESSORT-SOUPAPE (S)MUELLE-VÁLVULA				
	96353128	04-07		B	B	X	X	X	8L14A.44		16				
	90412706	06-07		B	B	X	X	X	8LDA		16				
	[15]							(E)RETAINER (D)HALTESTIFT			(F)PIECE DE RETENUE (S)RETÉN				
	94580411	04-07		B	B	X	X	X	8L14A.44		16				
	90354649	06-07		B	B	X	X	X	8LDA		16				
	[16]							(E)KEY-VALVE (D)VENTILKLEMMKEGEL			(F)CLAVETTE-SOUPAPE (S)CHAVETA-VÁLVULA				
	96353286	04-07		B	B	X	X	X	8L14A.44		32				
	90354648	06-07		B	B	X	X	X	8LDA		32				
	[17]							(E)TAPPET-HYD (D)VENTILSTÖßSEL-HYD			(F)POUSSOIR HYD (S)TAQUÉ-HID				
	96376382	04-07		B	B	X	X	X	8L14A.44		16				
	Y 96376400	04-07		B	B	X	X	X	8L14A.44		16				
	90570967	06-07		B	B	X	X	X	8LDA		16				

1311

CYLINDER HEAD(FAM I DOHC)

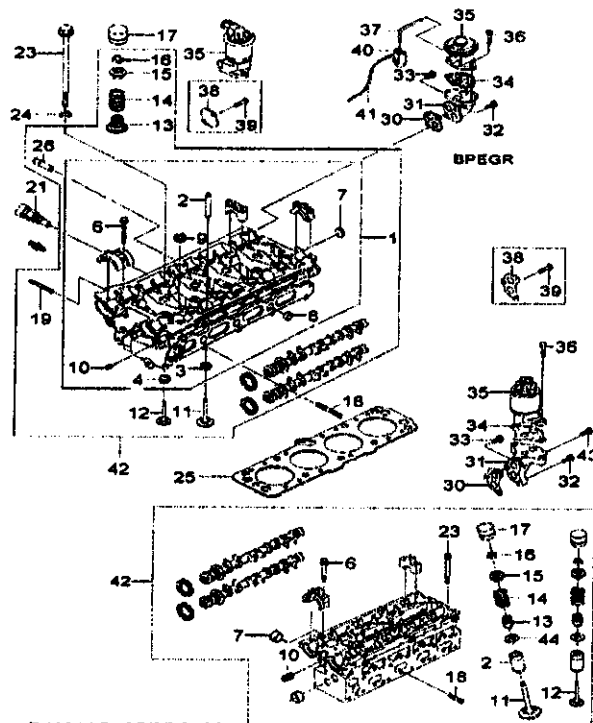


RJ1311G 05/25/2006

I T C	KEY NO.	PART NO.	MODEL YEAR	D R V	PART NAME						L Q T R Y	V.I.N.		REMARKS	P / C O D E
					BODY	LEVEL	OPTION	FROM	TO	V.I.N.					
										4 N B		5 H S B W	6 L S		
	[18]				(E)BOLT (D)BOLZEN						(F)BOULON (S)PERNO				
	94501269	04-07			B B B X X X	AL14L44					10			45mm	
	Y 94525671	04-07			B B B X X X	AL14L44					10			41mm	
	94501869	04-07			B B B X X X	ALDA					9				
	Y 94502144	06-07			B B B X X X	ALDA					9				
	[19]				(E)BOLT (D)BOLZEN						(F)BOULON (S)PERNO				
	94501268	04-07			B B B X X X	AL14L44					2				
	Y 94501869	04-07			B B B X X X	AL14L44					2				
	94501869	06-07			B B B X X X	ALDA					7				
	Y 94502144	06-07			B B B X X X	ALDA					7				
	[21]				(E)SENSOR A-COOLANT TEMP (D)SENSOR A-HUEHLMITTELTEMP						(F)CAPTEUR A-TEMP LIQUIDE (S)SENSOR A-TEMP DE				
	96181508	04-07			B B B X X X	AL14L44					1				
	Y 96182634	04-07			B B B X X X	AL14L44					1				
	96182634	06-07			B B B X X X	ALDA					1				
	[23]				(E)BOLT (D)BOLZEN						(F)BOULON (S)PERNO				
	94501031	04-07			B B B X X X	AL14L44					10				
	94501929	06-07			B B B X X X	ALDA					10				
	[24]				(E)WASHER (D)UNTERLEGSCHIBE						(F)RONDELLE (S)ARANDELA				
	94525082	04-07			B B B X X X	AL14L44ALDA					10				
	[25]				(E)GASKET-CYL HEAD (D)DICHRING-ZYL-KOPF						(F)JOINT DE CULASSE (S)JUNTA-CULATA				
	96378602	04-05			B B B X X X	AL14L44					1				
	96473400	06-07			B B B X X X	AL14L44					1				I-PCV
	96414576	06-07			B B B X X X	ALDA					1				
	[26]				(E)PIPE-HEATER TAKE OFF (D)ABNAHMERDHR-HEIZER						(F)TUYAU-PRISE DE CHAUFFAGE (S)TUBO DE DERIVACION DE CALOR				
	96182608	04-06			B B B X X X	AL14L44					1	357246			
	O 96814870	04-07			B B B X X X	AL14L44					1	357247			
	[30]				(E)GASKET-EGR ADAPTER (D)DICHRING-AGR						(F)JOINT-ADAPTATEUR RGE (S)JUNTA-ADAPTADOR DE EGR				
	96495163	04-05			B B . X X .	AL148NN1					1	900626			
	Y 96352577	04-05			B B . X X .	AL148NN1					1	900627	036993		
	O 96433075	04-07			B B . X X .	AL148NN1UNLI					1	036994			
	96495163	04-05			B B . X X X	AL448ML48NN4					1	900626			
	Y 96352577	04-05			B B . X X X	AL448ML48NN4					1	900627	036993		
	O 96433075	04-07			B B . X X X	AL448ML48NN4					1	036994			
	96495163	04-05			B B B X X X	AL448NN1					1	900626			

1311

CYLINDER HEAD(FAM I DOHC)

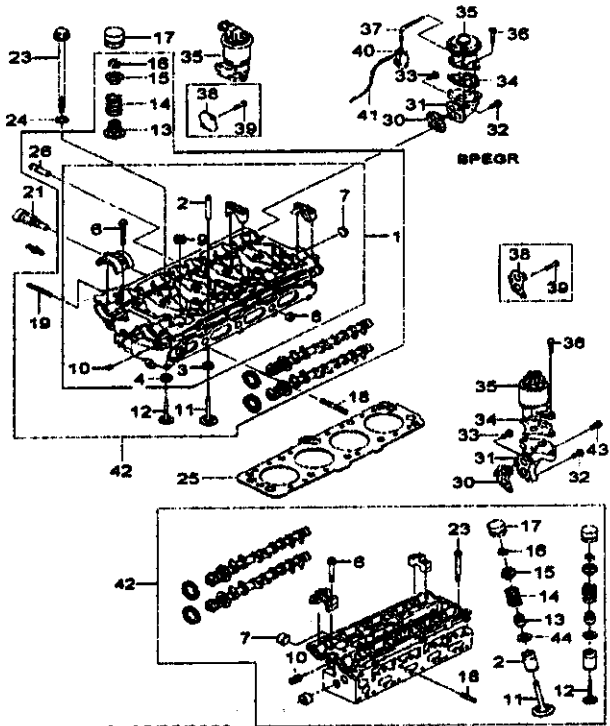


RJ1311G 05/25/2006

I T C	KEY NO.		PART NAME										L Q / R Y	V.I.N.		REMARKS	P / C O D E	
	PART NO.	MODEL YEAR	D R V	BODY		LEVEL		OPTION	FROM	TO	REMARKS							
				4 N H S B	4 I S W	B L S I	L L T											
	[30]																	
	Y 96352577	04 - 06		B	B	B	X	X	X	6L448NN1		1	900627	038993				
	O 96433075	04 - 07		B	B	B	X	X	X	6L448NN1NNJ		1	038994					
	96414590	06 - 07		B	B	B	X	X	X	6LDA		1						
	[31]																	
	96481528	04 - 07		B	B	.	X	X	X	6L148NN1NNJ		1						
	96352915	04 - 07		B	B	.	X	X	X	6L448ML48NN4		1						
	Y 96413038	04 - 07		B	B	.	X	X	X	6L448ML48NN4		1						
	96352915	04 - 07		B	B	B	X	X	X	6L448NN1		1						
	Y 96413038	04 - 07		B	B	.	X	X	X	6L448NN1		1						
	96481528	04 - 07		B	B	.	X	X	X	6L448NNJ		1						
	96435460	06 - 07		B	B	.	X	X	X	6LDA8NN1NNJ		1						
	[32]																	
	94500945	04 - 07		B	B	.	X	X	X	6L148NN1NNJ		1						
	94500945	04 - 07		B	B	.	X	X	X	6L448ML48NN4		1						
	94500945	04 - 07		B	B	B	X	X	X	6L448NN1NNJ		1						
	94500428	06 - 07		B	B	B	X	X	X	6LDA8NN1NNJ		1						
	[33]																	
	94500946	04 - 07		B	B	.	X	X	X	6L148NN1NNJ		1						
	94500946	04 - 07		B	B	.	X	X	X	6L448ML48NN4		1						
	94500946	04 - 07		B	B	B	X	X	X	6L448NN1NNJ		1						
	94500414	06 - 07		B	B	B	X	X	X	6LDA8NN1NNJ		1						
	[34]																	
	96103075	04 - 07		B	B	.	X	X	X	6L148NN1		1						
	96103075	04 - 07		B	B	.	X	X	X	6L448ML48NN4		1						
	96103075	04 - 07		B	B	B	X	X	X	6L448NN1		1						
	96495356	06 - 07		B	B	B	X	X	X	6L148ML48NNJ		1						
	96495356	06 - 07		B	B	B	X	X	X	6LDA8NN1NNJ		1						
	[35]																	
	96253548	04 - 07		B	B	.	X	X	X	6L148NN1		1						EEGR
	96386735	06 - 07		B	B	.	X	X	X	6L148NNJ		1						EEGR
	96291087	04 - 07		B	B	.	X	X	X	6L448ML48NN4		1						BPEGR
	96253548	04 - 07		B	B	B	X	X	X	6L448NN1		1						EEGR
	96386735	06 - 07		B	B	B	X	X	X	6L448NNJ		1						EEGR
	96386735	06 - 07		B	B	B	X	X	X	6LDA8NN1NNJ		1						EEGR

1311

CYLINDER HEAD(FAM I DOHC)

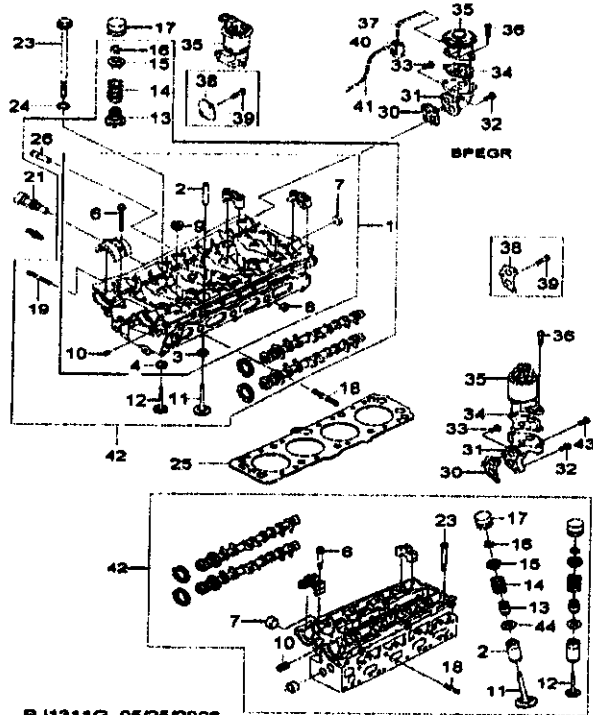


RJ1311G 05/25/2006

I T C	KEY NO. PART NO.	MODEL YEAR	D R Y	PART NAME						L Q T R Y	V.I.N.		REMARKS	P I C O D E
				BODY		LEVEL		OPTION	FROM		TO			
				4 N B	5 H S B	6 S S	7 L S					8 L T		
	[36]			(E)BOLT (D)BOLZEN						(F)BOULON (S)PERNO				
	94500437	04-07		B B . X X .	AL146BN1UNU					2				
	Y 94500438	04-07		B B . X X .	AL146BN1UNU					2				
	94500437	04-07		B B . X X X	AL446ML46NN4					2				
	Y 94500438	04-07		B B . X X X	AL446ML46NN4					2				
	94500437	04-07		B B B X X X	AL446BN1UNU					2				
	Y 94500438	04-07		B B B X X X	AL446BN1UNU					2				
	94500437	06-07		B B B X X X	ALDA6BN1UNU					2				
	[37]			(E)PIPE A-VACUUM (D)ROHR A-VAKUUM						(F)TUYAU A-DEPRESSION (S)TUBO A-DE VACIO				
	96248445	04-07		B B . X X X	AL446ML46NN4					1				A1
	[38]			(E)PLATE-CLOSING EGR (D)VERSCHLUSSPLATTE AGR						(F)PLAQUE-FERMETURE RGE (S)PLACA DE CIERRE DE EGR				
	96181530	04-07		B B . X X .	AL146N20N4MANN7					1			BLANK COVER	
	96181530	04-07		B B B X X X	AL446M04A06ANN4					1			BLANK COVER	
	96181530	04-07		B B B X X X	AL446N20N4MANN7					1				
	96463005	06-07		B B B X X X	ALDA6N4MANN7					1				
	[39]			(E)BOLT (D)BOLZEN						(F)BOULON (S)PERNO				
	94500944	04-07		B B . X X .	AL146N20N4MANN7					1			BLANK COVER	
	94500944	04-07		B B B X X X	AL446M04A06ANN4					1			BLANK COVER	
	94500944	04-07		B B B X X X	AL446N20N4MANN7					1				
	94500406	06-07		B B B X X X	ALDA6N4MANN7					3				
	[40]			(E)VALVE-SOL (D)MAGNETVENTIL						(F)ELECTROVANNE (S)VALVULA-SOL				
	96333470	04-07		B B B X X X	AL446ML46NN4					1				
	Y 96440655	04-07		B B B X X X	AL446ML46NN4					1				
	[41]			(E)PIPE A-VACUUM (D)ROHR A-VAKUUM						(F)TUYAU A-DEPRESSION (S)TUBO A-DE VACIO				
	96348672	04-07		B B B X X X	AL446ML46NN4					1				
	[42]			(E)HEAD COMPLETE-CYL (D)ZYL-KOPF KOMPLETT						(F)CULASSE COMPLETE (S)CULATA-COMPLETA				
	96389236	04-06		B B . X X .	AL14					1				
	96448933	06-06		B B . X X .	AL14					1	357246		I-PCV	
	96814881	06-07		B B . X X .	AL14					1	357247		I-PCV	
	96389035	04-05		B B B X X X	AL44					1				
	96448923	06-06		B B B X X X	AL44					1	357246		I-PCV	
	96814880	06-07		B B B X X X	AL44					1	357247		I-PCV	
	93344106	06-07		B B B X X X	ALDA					1				
	Y 93357885	06-07		B B B X X X	ALDA					1				

1311

CYLINDER HEAD(FAM I DOHC)

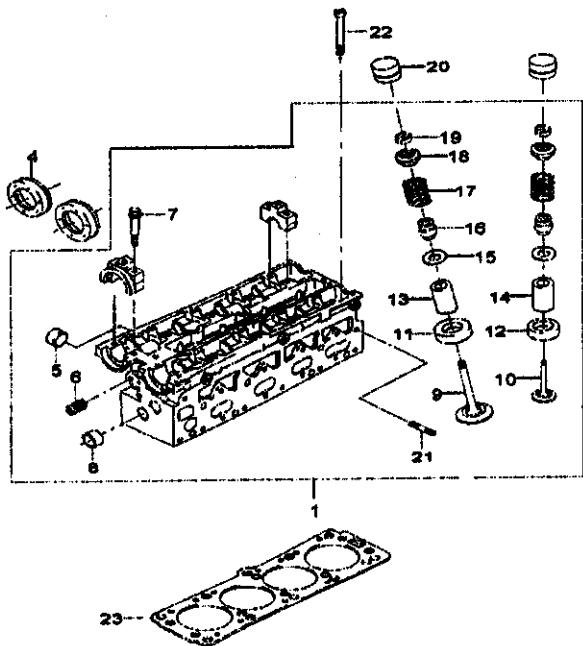


RJ1311G 05/25/2006

I T C	KEY NO.		PART NAME										REMARKS	Q U O T Y	
	PART NO.	MODEL YEAR	D R V	BODY			LEVEL		OPTION	L G T R Y	V.I.N.				
				4 N B	4 H B	5 S W	B S	L S			L T	FROM			TO
	[43] 94500420	06 - 07		(E)BOLT (D)BOLZEN	B	B	B	X	X	X	6LDA2NN1NNU	(F)BOULON (S)PERNO	1		
	[44] 90410740	06 - 07		(E)SEAT-VALVE SPRING (D)SITZ-VENTILFEDER	B	B	B	X	X	X	6LDA	(F)SIEGE-RESSORT SOUPAPE (S)ASIENTO-MUELLE DE VÁLVULA	1		
	<p>**** RPO DEFINITIONS ****</p> <p>L14 : ENGINE-4 CYL 1.4 DOHC MPI L44 : ENGINE-4 CYL 1.6 DOHC MPI LDA : ENGINE-4 CYL 1.6 DOHC MPI NN1 : EMISSION-EURO,STAGE III NNJ : EMISSION-EURO,STAGE IV ML4 : TRANSMISSION-AUTO,4 SPEED NN4 : EMISSION-OP,LOOP,LEADED NN2 : EMISSION-KOREAN 2000 NN6 : EMISSION-KOREAN '90 NN7 : EMISSION-EURO,STAGE II MG4 : TRANS-MAN,5SPD,CR MG6 : TRANS-MAN,5SPD,MODIFY CR</p>														

1313

CYLINDER HEAD(FAM II DOHC)

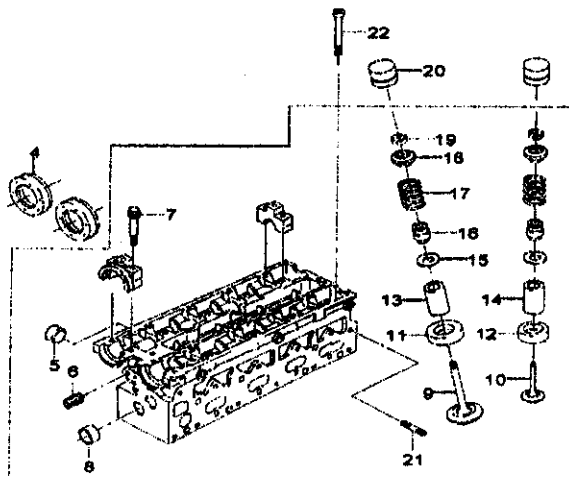


RJ1313GNW 10/30/2004

I T C	KEY NO.		PART NAME										L Q T R Y	V.I.N.		REMARKS	P R O D U C T I O N
	PART NO.	MODEL YEAR	D R V	B O D Y		L E V E L		O P T I O N	F R O M	T O	R E M A R K S						
				4 N B	4 H S B	5 S L S	5 B L S					6 L L T					
	[01]			(E)HEAD A-CYL (D)ZYL-KOPF A							(F)CULASSE A (S)CULATA A						
	92084173	04 - 07		B B B X X X	AL84						1						
	92063980	05 - 06		B . B . . X	AL88						1	383660					
	N 92068046	06 - 07		B . B . . X	AL88						1	383660					
	[04]			(E)RING-SHF SEAL (D)WELLENRINGDICHTUNG							(F)BAGUE ETANCH-ARB (S)ARANDELA-DE JUNTA DE EJE						
	90280463	04 - 07		B B B X X X	AL84L88						2						
	[05]			(E)PLUG (D)STECKER							(F)BOUCHON (S)TAPÓN						
	11062402	04 - 07		B B B X X X	AL84L88						2		18mm				
	11071923	04 - 07		B B B X X X	AL84L88						2		O/S				
	[06]			(E)PLUG (D)STECKER							(F)BOUCHON (S)TAPÓN						
	11047851	04 - 07		B B B . X X	AL84L88						4		M10x1				
	Y 04535675	04 - 07		B B B X X X	AL84L88						4		M10x1				
	[07]			(E)SCREW (D)SCHRAUBE							(F)VIS (S)TORNILLO						
	11093781	04 - 07		B B B X X X	AL84L88						20						
	[08]			(E)PLUG (D)STECKER							(F)BOUCHON (S)TAPÓN						
	90502642	04 - 07		B B B X X X	AL84L88						3		24mm				
	11094191	04 - 07		B B B X X X	AL84L88						3		O/S				
	[09]			(E)VALVE-INT (D)EINLASSVENTIL							(F)SOUPAPE-ADM (S)VÁLVULA-DE ADM						
	90412277	04 - 07		B B B X X X	AL84L88						8		STD				
	90412278	04 - 07		B B B X X X	AL84L88						8		O/S(0.075mm)				
	90412279	04 - 07		B B B X X X	AL84L88						8		O/S(0.15mm)				
	[10]			(E)VALVE-EXH (D)VENTIL-ABGAS							(F)SOUPAPE-ECHPT (S)VÁLVULA-DE ESC						
	90410813	04 - 07		B B B X X X	AL84L88						8		STD(5.96mm)				
	90410814	04 - 07		B B B X X X	AL84L88						8		O/S(0.075mm)				
	90410815	04 - 07		B B B X X X	AL84L88						8		O/S(0.15mm)				
	[11]			(E)RING-INT VALVE SEAT (D)RING-EINLASSVENTILSITZ							(F)ANNEAU-SIEGE SCUPAPE ADM (S)ANILLO-ASIENTO DE VÁLVULA DE						
	90502081	04 - 07		B B . X X X	AL84L88						8		STD(33.6x28.8m m)				
	Y 09240152	04 - 07		B B B X X X	AL84L88						8		STD(33.6x28.8m m)				
	90528688	04 - 07		B B B X X X	AL84L88						8		O/S				
	Y 09240153	04 - 07		B B B X X X	AL84L88						8		O/S				

1313

CYLINDER HEAD(FAM II DOHC)



RJ1313GNW 10/30/2004

I T C	PART NO.	MODEL YEAR	KEY NO.						OPTION	Q T Y	V.I.N.		REMARKS	P / C O D E		
			D R Y	BODY			LEVEL				L / R	F R O M			T O	
				4 N B	5 S B	6 W	7 L S	8 L S								9 L T
	[12]															
	90502082	04 - 07														
	Y 09240154	04 - 07														
	90528687	04 - 07														
	Y 09240155	04 - 07														
	[13]															
	90502079	04 - 07														
	Y 90572842	04 - 07														
	90528683	04 - 07														
	Y 09158930	04 - 07														
	90528685	04 - 07														
	Y 09158932	04 - 07														
	[14]															
	90502080	04 - 07														
	Y 90572643	04 - 07														
	90528684	04 - 07														
	Y 09158931	04 - 07														
	90528688	04 - 07														
	Y 09158933	04 - 07														
	[15]															
	90410740	04 - 07														
	[18]															
	90410741	04 - 07														
	[17]															
	90448050	04 - 07														
	[18]															
	90354649	04 - 07														
	[19]															
	90354648	04 - 07														

(E)RING-EXH VALVE SEAT
(D)RING-AUSLASSVENTILSITZ
B B . X X X
Y 09240154 04 - 07 B B B X X X
90528687 04 - 07 B B B X X X
Y 09240155 04 - 07 B B B X X X

(E)GUIDE INT VALVE
(D)FUEHRUNG-EINLASSVENTIL
B B B X X X
Y 90572842 04 - 07 B B B X X X
90528683 04 - 07 B B B X X X
Y 09158930 04 - 07 B B B X X X
90528685 04 - 07 B B B X X X
Y 09158932 04 - 07 B B B X X X

(E)GUIDE-EXH VALVE
(D)FUEHRUNG-AUSLASSVENTIL
B B B X X X
Y 90572643 04 - 07 B B B X X X
90528684 04 - 07 B B B X X X
Y 09158931 04 - 07 B B B X X X
90528688 04 - 07 B B B X X X
Y 09158933 04 - 07 B B B X X X

(E)SEAT-VALVE SPRING
(D)SITZ-VENTILFEDER
B B B X X X

(E)SEAL-VALVE STEM
(D)DICHTUNG-VENTILSYSTEM
B B B X X X

(E)SPRING-VALVE
(D)VENTILFEDER
B B B X X X

(E)CAP-VALVE SPRING
(D)DECKEL-VENTILFEDER
B B B X X X

(E)RETAINER
(D)HALTESTIFT
B B B X X X

(F)ANNEAU-SIEGE SOUPAPE ECHPT
(S)ANILLO-ASIENTO DE VÁLVULA DE
8 STD(29.9mm)
8 STD(29.9mm)
8 O/S(30.1mm)
8 O/S(30.1mm)

(F)GUIDE-SOUPAPE ADM
(S)GUÍA-VÁLVULA DE ADM
8 STD(10.00x5.25
mm)
8 STD(10.00x5.25
mm)
8 O/S(0.20mm)
8 O/S(0.20mm)
8 O/S(0.40mm)
8 O/S(0.40mm)

(F)GUIDE-SOUPAPE ECHPT
(S)GUÍA-VÁLVULA DE DE ESC
8 STD(10.00x5.30
mm)
8 STD(10.00x5.30
mm)
8 O/S(0.20mm)
8 O/S(0.20mm)
8 O/S(0.40mm)
8 O/S(0.40mm)

(F)SIEGE-RESSORT SOUPAPE
(S)ASIENTO-MUELLE DE VÁLVULA
16

(F)JOINT-TIGE SOUPAPE
(S)RETÉN-VÁSTAGO DE VÁLVULA
16

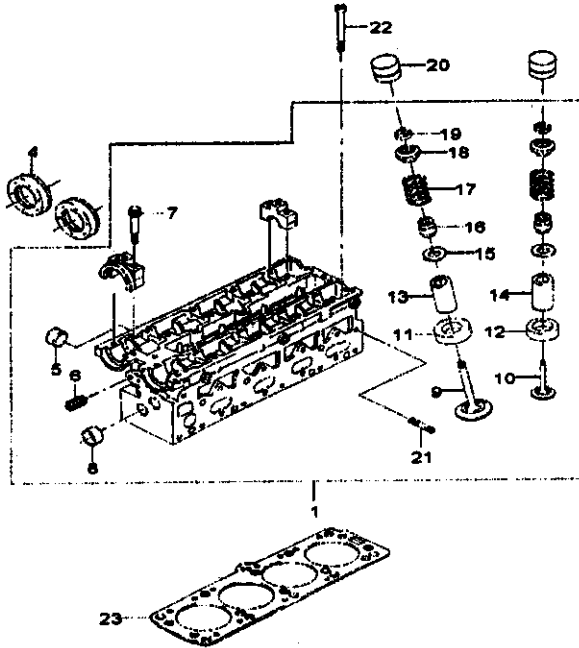
(F)RESSORT-SOUPAPE
(S)MUELLE-VÁLVULA
16

(F)CHAPEAU-RESSORT SOUPAPE
(S)PLATILLO-MUELLE DE VÁLVULA
16

(F)PIECE DE RETENUE
(S)RETÉN
32

1313

CYLINDER HEAD(FAM II DOHC)

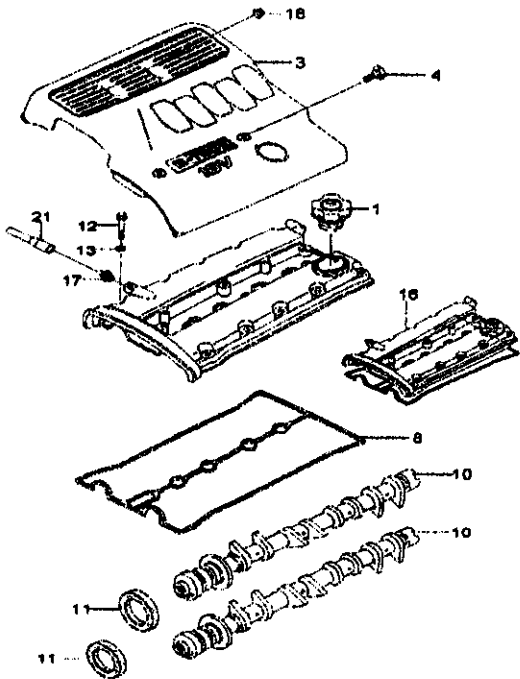


RJ1313GNW 10/30/2004

I T C	KEY NO.		PART NAME										P / C O D E		
	PART NO.	MODEL YEAR	D R V	BODY		LEVEL		OPTION	L / R	Q T Y	V.I.N.			REMARKS	
				4 N B	4 H B	S S S	B L S				L S T	FROM			TO
	[20]			(E)ADJUSTER-TAPPET (D)EINSTELLELEMENT-VENTILSTOESSEL								(F)DISP REGLAGE-POUSOIR (S)DISPOSITIVO DE AJUSTE DE			
	90570967	04 - 07		B	B	B	X	X	X	AL84AL86			18		
	Y 24419109	04 - 07		B	B	B	X	X	X	AL84AL86			18		
	[21]			(E)BOLT (D)BOLZEN								(F)BOULON (S)PERNO			
	92064200	04 - 07		B	B	B	X	X	X	AL84AL86			17		
	Y 92065437	04 - 07		B	B	B	.	X	X	AL84AL86			17		
	[22]			(E)SCREW (D)SCHRAUBE								(F)VIS (S)TORNILLO			
	90486480	04 - 07		B	B	B	X	X	X	AL84AL86			10		M11x105
	[23]			(E)GASKET-CYL HEAD (D)DICHTRING-ZYL-KOPF								(F)JOINT DE CULASSE (S)JUNTA-CULATA			
	90411937	04 - 07		B	B	B	X	X	X	AL84			1		
	92062905	05 - 06		B	.	B	.	.	X	AL86			1		
	Y 09129040	05 - 06		B	.	B	.	.	X	AL86			1		383690
	O 92067765	06 - 07		B	.	B	.	.	X	AL86			1		383690
	**** RPO DEFINITIONS ****														
	L84 : ENGINE-4 CYL 1.8 DOHC MPI														
	L86 : ENGINE-4 CYL 2.0 DOHC MPI														

1321

CAM SUPPORT&SHAFT(FAM I DOHC)

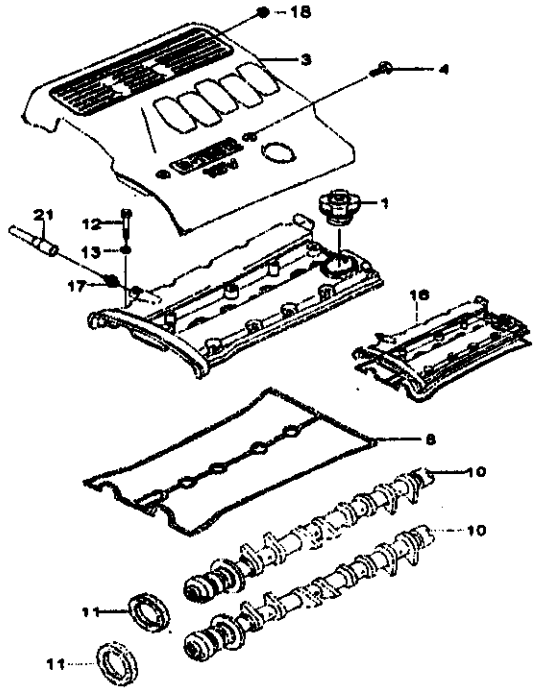


RJ1321GW 10/30/2004

I T C	KEY NO.	PART NO.	MODEL YEAR	PART NAME											L T R Y	Q T Y	V.I.N.		REMARKS	P / C O D E
				O R V	BODY			LEVEL			OPTION	FROM	TO	REMARKS						
					4 N B	4 H S B	S S W	B L L	L L L	S S T										
	[01]			(E)CAP A-OIL FILLER (D)DECKEL A-ÖLEINFUELLSTUTZEN											(F)BOUCHON A-REMPLEISSAGE HUILE (S)TAPÓN A-LLENADO DE ACEITE					
	96351602	04-07		B B B X X X				8L148L44							1					
Y	96413100	04-07		B B B X X X				8L148L44							1					
	96417882	06-07		B B B X X X				8LDA							1					
	[03]			(E)COVER A-CM/SHF,UPR (D)DECKEL A-NOCKENWELLE, OBERER											(F)COUVERCLE A-AAC,SUP (S)TAPA A-ÁRLEV,SUP					
	96494377	04-07		B B B X X X				8L148L44							1					
	96438110	06-07		B B B X X X				8LDA							1					
	[04]			(E)BOLT (D)BOLZEN											(F)BOULON (S)PERNO					
	94501412	04-07		B B B X X X				8L148L44							4					
Y	94502101	04-07		B B B X X X				8L148L44							4					
	94501410	06-07		B B B X X X				8LDA							4					
Y	94502101	06-07		B B B X X X				8LDA							4					
	[08]			(E)GASKET-CM/SHF COVER (D)DICHTUNG-NOCKENWELLENABDECK											(F)JOINT-COUVERCLE AAC (S)JUNTA-TAPA DE ÁRLEV					
	96353002	04-07		B B B X X X				8L148L44							1					
	96414596	06-07		B B B X X X				8LDA							1					
	[10]			(E)CAMSHAFT A (D)NOCKENWELLE A											(F)ÁRBRE A CAMES A (S)ÁRBOL DE LEVAS A					
	96376716	04-07		B B . X X .				8L14							2					
	96182606	04-07		B B B X X X				8L44							2					
	93294710	06-07		B B B X X X				8LDA							2					INTAKE
	93294711	06-07		B B B X X X				8LDA							2					EXHAUST
	[11]			(E)SEAL-CM/SHF,FRT (D)DICHTUNG-NOCKENWELLE,VORN											(F)JOINT-AAC,AV (S)RETÉN-ÁRLEV,DELANTERO					
	94580413	04-07		B B B X X X				8L148L44							2					
	90280463	06-07		B B B X X X				8LDA							2					
	[12]			(E)BOLT (D)BOLZEN											(F)BOULON (S)PERNO					
	94500909	04-07		B B B X X X				8L148L44							15					8.5mm
	94500905	06-07		B B B X X X				8LDA							10					
	[13]			(E)RING-O (D)O-RING											(F)JOINT TORIQUE (S)JUNTA TÓRICA					
	96353007	04-07		B B B X X X				8L148L44							15					
	[16]			(E)COVER A-CM/SHF (D)DECKEL A-NOCKENWELLEN											(F)COUVERCLE A-AAC (S)TAPA A-ÁRLEV					
	96495285	04-05		B B B X X X				8L148L44							1					
Y	96415423	04-05		B B B X X X				8L148L44							1					
Y	96473698	04-05		B B B X X X				8L148L44							1					
	96414131	06-06		B B B X X X				8L148L44							1	241944				I-PCV

1321

CAM SUPPORT&SHAFT(FAM I DOHC)

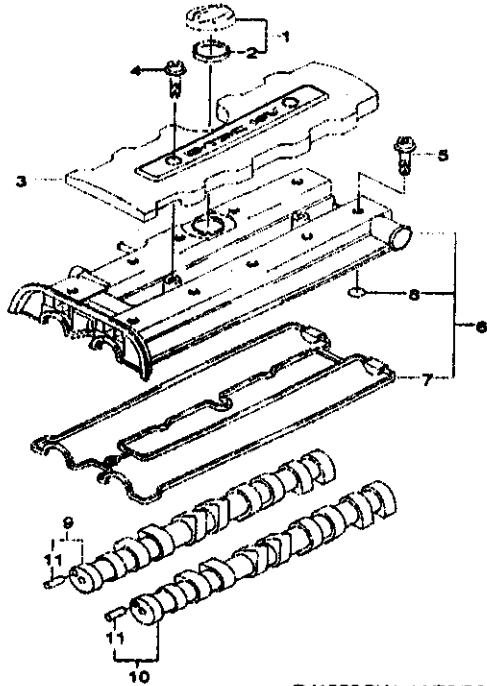


RJ1321GW 10/30/2004

I T C	KEY NO.		D R V	PART NAME						L O T / R Y	V.I.N.		REMARKS	P / C O D E
	PART NO.	MODEL YEAR		BODY		LEVEL		OPTION	FROM		TO			
				A N B	S H B	B S W	L S T							
	[16]			(E)COVER A-CWSHP (D)DECKEL A-MOCKENWELLEN						(F)COUVERCLE A-AAE (S)TAPA A-ARLEV				
	N 96499203	06 - 07		B B B	X X X	AL14L44				1	241945		L-PCV	
	96414614	06 - 07		B B B	X X X	SLDA				1				
	[17]			(E)VALVE-PCV (D)VENTIL-KURBELGEHAEUSEZWANGSE						(F)CLAPET-PCV (S)VALVULA-PCV				
	96495288	04 - 07		B B B	X X X	AL14L44LDA				1				
	[18]			(E)NUT (D)MUTTER						(F)ECROU (S)TUERCA				
	94515355	04 - 07		B B B	X X X	SL14L44LDA				2				
	[21]			(E)HOSE-PCV (D)SCHLAUCH-KURBELGEHAEUSEZWAN						(F)FLEXIBLE-PCV (S)MANGUITO-PCV				
	96495289	04 - 06		B B B	X X X	AL14L44				1	241944			
	N 96473388	06 - 07		B B B	X X X	AL14L44				1	241945			
	96414617	06 - 07		B B B	X X X	SLDA				1				
	**** RPO DEFINITIONS ****													
	L14 : ENGINE-4 CYL 1.4 DOHC MPI													
	L44 : ENGINE-4 CYL 1.6 DOHC MPI													
	LDA : ENGINE-4 CYL 1.8 DOHC MPI													

1323

CAM SUPPORT&SHAFT(FAM II DOHC)



RJ1323GW 11/23/2005

I T C	PART NO.	MODEL YEAR	KEY NO.						PART NAME	L Q R Y	V.I.N.		REMARKS	P / C O D E	
			D R V	BODY			LEVEL				OPTION	FROM			TO
				4 N B	4 H W	5 S B	B L S	L L S T							
	[01]			(E)CAP A-OIL FILLER (D)DECKEL A-OELEINFUELLSTUTZEN						(F)BOUCHON A-REMPLISSAGE HUILE (S)TAPÓN A-LLENADO DE ACEITE					
	92062504	04 - 07		B B B X X X			6L84A,88			1					
	[02]			(E)GASKET-OIL FILLER (D)DICHTRING-OELEINFUELLSTUTZEN						(F)JOINT-REMPLISSAGE D'HUILE (S)JUNTA-LLENADO DE ACEITE					
	90448217	04 - 07		B B B X X X			6L84A,88			1					
	[03]			(E)COVER A-CM/SHF,UPR (D)DECKEL A-NOCKENWELLE.OBERER						(F)COUVERCLE A-AAC,SUP (S)TAPA A-ÁRLEV,SUP					
	96485503	04 - 07		B B B X X X			6L84A,88			1					
	[04]			(E)BOLT (D)BOLZEN						(F)BOULON (S)PERNO					
	94501233	04 - 07		B B B X X X			6L84A,88			2					
	[05]			(E)SCREW (D)SCHRAUBE						(F)VIS (S)TORNILLO					
	11080681	04 - 07		B B B . X X			6L84A,88			10					
	Y 92064836	04 - 07		B B B X X X			6L84A,88			10					
	[06]			(E)COVER A-CM/SHF (D)DECKEL A-NOCKENWELLEN						(F)COUVERCLE A-AAC (S)TAPA A-ÁRLEV					
	92062396	04 - 07		B B B X X X			6L84			1				INCL.#7,8	
	92066535	04 - 06		B . B . . X			6L88			1	383059			INCL.#1,7,8	
	N 92067571	06 - 07		B . B . . X			6L88			1	383960			1-PCV, INCL.#1,7,8	
	[07]			(E)GASKET-CM/SHF COVER (D)DICHTRING-NOCKENWELLENABDECK						(F)JOINT-COUVERCLE AAC (S)JUNTA-TAPA DE ÁRLEV					
	90501944	04 - 07		B B B X X X			6L84A,88			1					
	[08]			(E)RING-O (D)O-RING						(F)JOINT TORIQUE (S)JUNTA TÓRICA					
	90411826	04 - 07		B B B X X X			6L84A,88			10					
	[09]			(E)CAMSHAFT A-INT (D)NOCKENWELLE A-EINLASS						(F)ÁRBRE A CAMES A-ADM (S)ÁRBOL DE LEVAS A-ADM					
	90529082	04 - 07		B B B X X X			6L84A,88			1					
	[10]			(E)CAMSHAFT A-EXH (D)NOCKENWELLE A-AUSLASS						(F)ÁRBRE A CAMES A-ECHPT (S)ÁRBOL DE LEVAS A-ESC					
	90529063	04 - 07		B B B X X X			6L84A,88			1					
	[11]			(E)PIN-CM/SHF GEAR (D)STIFT-NOCKENWELLE ZAHNRAD						(F)GOUPILE-PIGNON D'AAC (S)PASADOR-PIÑÓN DE ÁRLEV					
	90501111	04 - 07		B B B X X X			6L84A,88			2					

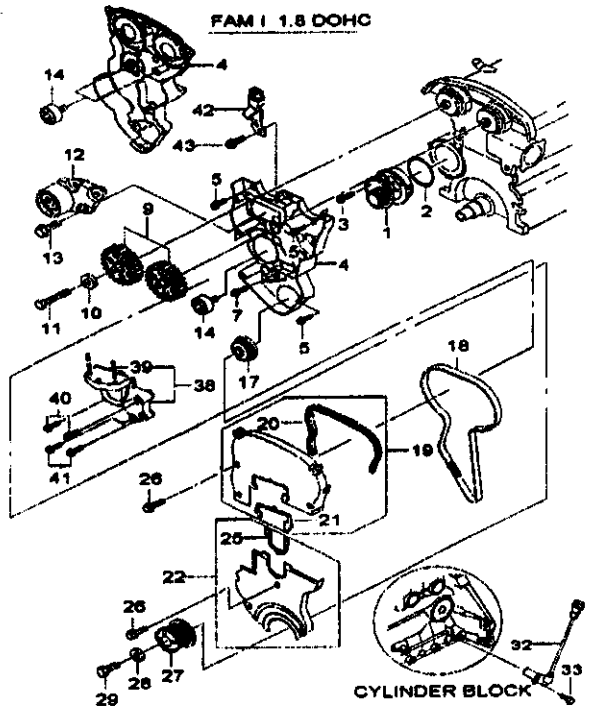
**** RPO DEFINITIONS ****

L84 : ENGINE-4 CYL 1.8 DOHC MPI

L88 : ENGINE-4 CYL 2.0 DOHC MPI

1331

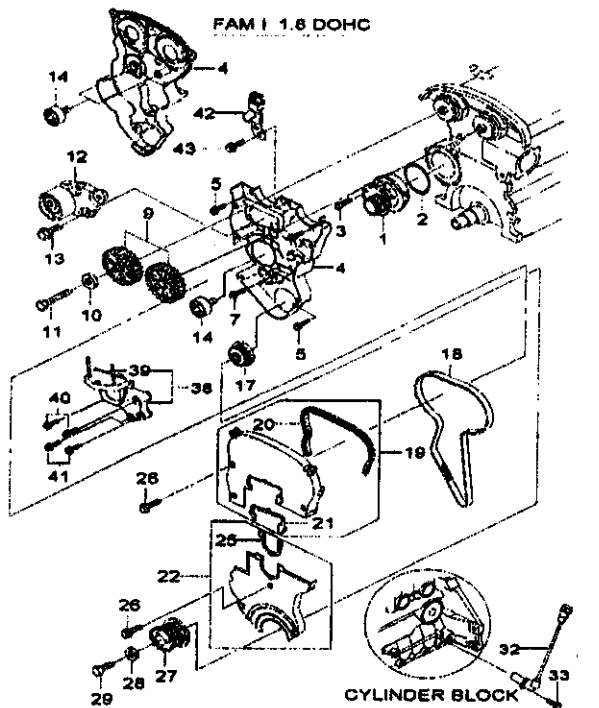
TIMING COVER(FAM I DOHC)



I T C	KEY NO.		PART NAME										L Q / R Y	V.I.N.		REMARKS	P R O D U C T I O N	
	PART NO.	MODEL YEAR	D R V	BODY			LEVEL				OPTION	FROM		TO				
				A N B	4 H B	5 H B	B L S	L L S										
	[01]			(E)PUMP A-WATER (D)WASSERPUMPE A										(F)POMPE A-EAU (S)BOMBA A-DE AGUA				
	96352650	04 - 07		B B B X X X				AL14AL4						1				
	96499089	06 - 07		B B B X X X				ALDA						1				
	[02]			(E)RING-SEAL WATER PUMP (D)ABDICHTUNG WASSERPUMPE										(F)ANNEAU-ETANCHEITE,POMPE A (S)ARANDELA-DE JUNTA,BOMBA DE				
	94580509	04 - 07		B B B X X X				AL14AL4,ALDA						1				
	[03]			(E)BOLT (D)BOLZEN										(F)BOULON (S)PERNO				
	94501228	04 - 07		B B B X X X				AL14AL4,ALDA						3				
	[04]			(E)PLATE A-TIMING BELT BACK (D)HINTERE PLATTE A-STEERRIEMEN										(F)PLAQUE A-COURROIE DIST AR (S)PLACA A-DE APOYO DE CORREA				
	96184082	04 - 07		B B B X X X				AL14AL4						1				
	96499375	06 - 07		B B B X X X				ALDA						1				
	[05]			(E)BOLT (D)BOLZEN										(F)BOULON (S)PERNO				
	94500397	04 - 07		B B B X X X				AL14AL4						3				
	94501927	06 - 07		B B B X X X				ALDA						4				
	[07]			(E)BOLT (D)BOLZEN										(F)BOULON (S)PERNO				
	94500380	04 - 07		B B B X X X				AL14AL4						1				
	[08]			(E)GEAR-CM/SHF (D)GETRIEBE-NOCKENWELLE										(F)PIGNON-AAC (S)PIÑÓN-ARLEV				
	96182888	04 - 07		B B . X X .				AL14						1				INTAKE
	96182888	04 - 07		B B B X X X				AL44,ANU						1				INTAKE
	96458088	06 - 07		B B B X X X				AL44,ANU						1				INTAKE
	96413965	06 - 07		B B B X X X				ALDA						1				INTAKE
	96352896	04 - 07		B B . X X .				AL14						1				EXHAUST
	96352896	04 - 07		B B B X X X				AL44,ANU						1				EXHAUST
	96496123	06 - 07		B B B X X X				AL44,ANU						1				EXHAUST
	96413966	06 - 07		B B B X X X				ALDA						1				EXHAUST
	[10]			(E)WASHER (D)UNTERLEGSCHIBE										(F)RONDELLE (S)ARANDELA				
	96334595	04 - 07		B B B X X X				AL14AL4,ALDA						2				
	[11]			(E)BOLT (D)BOLZEN										(F)BOULON (S)PERNO				
	94500842	04 - 07		B B B X X X				AL14AL4,ALDA						2				
	[12]			(E)TENSIONER A-TIMING BELT (D)SPANNER A-STEERRIEMEN										(F)TENSIEUR A-COURROIE DIST (S)TENSOR A-CORREA DE				
	96350550	04 - 07		B B B X X X				AL14AL4						1				
	24426500	06 - 07		B B B X X X				ALDA						1				

1331

TIMING COVER(FAM I DOHC)

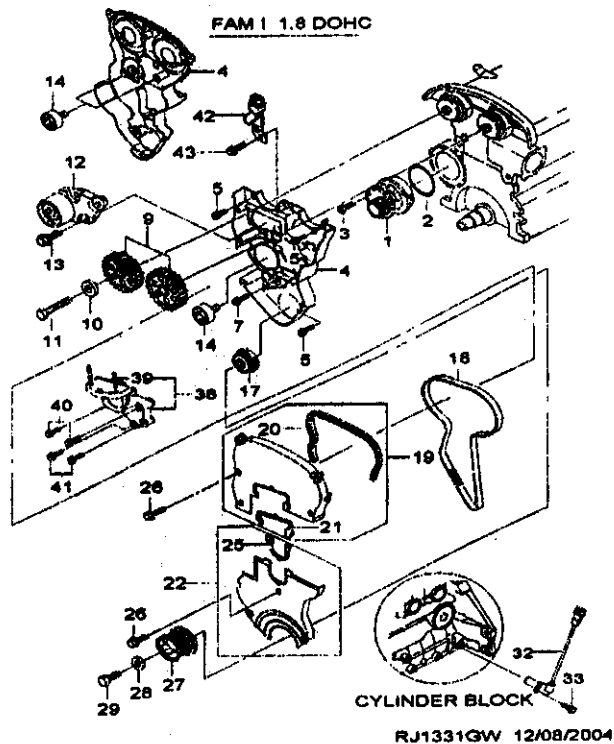


RJ1331GW 12/08/2004

I T C	PART NO.	MODEL YEAR	KEY NO.						PART NAME	L Q T Y	V.I.N.		REMARKS	P / C O D E	
			D R V	BODY			LEVEL				OPTION	FROM			TO
				4 N H	5 S B	6 L W	7 S S	8 L S							
	[13]								(E)BOLT (D)BOLZEN			(F)BOULON (S)PERNO			
	94501477	04 - 07		B	B	B	X	X	X	8L144,44		3		M8x1.25	
	94501925	06 - 07		B	B	B	X	X	X	8LDA		1		M8x1.25	
	[14]								(E)PULLEY-IDLER (D)SPANNRIEMENSCHLEIBE			(F)POULIE-RENOI (S)POLEA-LOCA			
	96350526	04 - 07		B	B	B	X	X	X	8L144,44		1			
	96413863	06 - 07		B	B	B	X	X	X	8LDA		LH 1			
	96413864	06 - 07		B	B	B	X	X	X	8LDA		RH 1			
	[17]								(E)GEAR A-CRUSHF (D)ZAHNRAD A-KURBELWELLE			(F)PIGNON A-VILEBREQUIN (S)PIÑÓN A-CIG			
	96352740	04 - 07		B	B	B	X	X	X	8L144,44		1			
	96413867	06 - 07		B	B	B	X	X	X	8LDA		1			
	[18]								(E)BELT-TIMING (D)STEUERRIEMEN			(F)COURROIE-DISTRIBUTION (S)CORREA-DE DISTRIBUCIÓN			
	96183352	04 - 07		B	B	B	X	X	X	8L144,44		1			
Y	96417177	04 - 07		B	B	B	X	X	X	8L144,44		1			
Y	96814098	04 - 07		B	B	B	X	X	X	8L144,44		1			
	96413861	06 - 07		B	B	B	X	X	X	8LDA		1			
	[19]								(E)COVER A-TIMING BELT,UPR (D)DECKEL A-STEUERRIEMEN, OBERER			(F)COUVERCLE A-COURROIE (S)TAPA A-CORREA DE			
	96350168	04 - 07		B	B	B	X	X	X	8L144,44		1			
	96496376	06 - 07		B	B	B	X	X	X	8LDA		1			
	[20]								(E)SEAL-TIMING COVER,UPR (D)DICHTUNG-STEUERGEHAEUSEDECKE			(F)JOINT-COUVERCLE DIST,SUP (S)RETÉN-TAPA DE DISTRIBUCIÓN			
	96350074	04 - 07		B	B	B	X	X	X	8L144,44		1			
	[21]								(E)SEAL-COVER,UPR (D)DICHTUNG-DECKEL, OBERE			(F)JOINT-COUVERCLE,SUP (S)RETÉN-TAPA,SUP			
	96351470	04 - 07		B	B	B	X	X	X	8L144,44		1			
	[22]								(E)COVER A-TIMING BELT,LWR (D)DECKEL A-STEUERRIEMEN, UNTERER			(F)COUVERCLE A-COURROIE (S)TAPA A-DE DISTRIBUCIÓN			
	96350674	04 - 07		B	B	B	X	X	X	8L144,44		1			
	96499377	06 - 07		B	B	B	X	X	X	8LDA		1			
	[26]								(E)SEAL-COVER,LWR (D)DICHTUNG-DECKEL, UNTERER			(F)JOINT-COUVERCLE,INF (S)RETÉN-TAPA,INFERIOR			
	96351471	04 - 07		B	B	B	X	X	X	8L144,44		1			
	[28]								(E)BOLT (D)BOLZEN			(F)BOULON (S)PERNO			
	94500397	04 - 07		B	B	B	X	X	X	8L144,44		6			
	94501926	06 - 07		B	B	B	X	X	X	8LDA		6			

1331

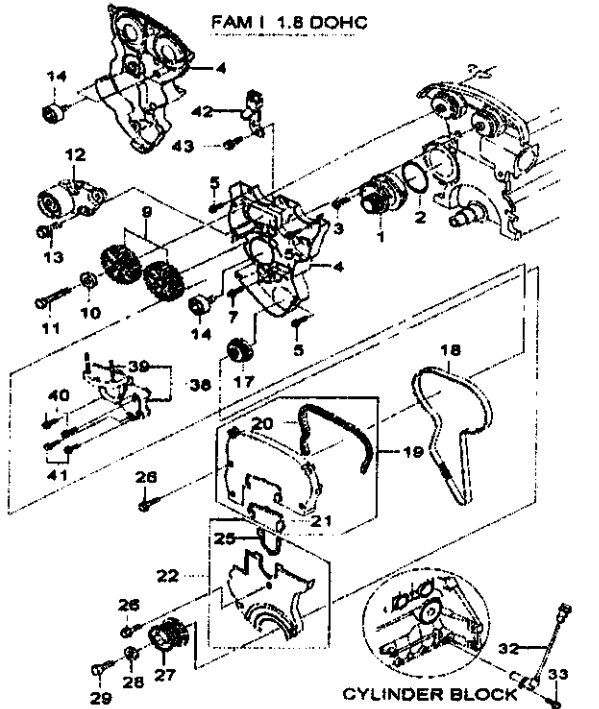
TIMING COVER(FAM I DOHC)



I T C	KEY NO. PART NO.	MODEL YEAR	D R V	PART NAME						L Q R Y	V.I.N.		REMARKS	P R O D U C T I O N
				A N B	4 H B W	S H S	L B L	L S T	OPTION		FROM	TO		
	[27]													
	96352877	04 - 07		B	B	B	X	X	X	AL14L44		1		
	96412728	06 - 07		B	B	B	X	X	X	ALDA		1		
	[28]													
	96352714	04 - 07		B	B	B	X	X	X	AL14L44LDA		1		
	[29]													
	94501119	04 - 07		B	B	B	X	X	X	AL14L44		1	72mm	
	94501143	06 - 07		B	B	B	X	X	X	ALDA		1	63mm	
	[32]													
	96253542	04 - 07		B	B	B	X	X	X	AL14L44NNJ		1		
	96434780	06 - 07		B	B	B	X	X	X	AL14L44NNJ		1		
	96434780	06 - 07		B	B	B	X	X	X	ALDA		1		
	[33]													
	94500752	04 - 07		B	B	B	X	X	X	AL14L44LDA		1	M6x1.0(nominal length 16mm)	
	Y 94500751	04 - 07		B	B	B	X	X	X	AL14L44LDA		1	M6x1.0(nominal length 14mm)	
	Y 94501985	04 - 07		B	B	B	X	X	X	AL14L44LDA		1		
	[38]													
	96457666	04 - 07		B	B	B	X	X	X	AL14L44		1		
	96414766	06 - 07		B	B	B	X	X	X	ALDA		1		
	[39]													
	94501290	04 - 07		B	B	B	X	X	X	AL14L44LDA		2		
	[40]													
	94500968	04 - 07		B	B	B	X	X	X	AL14L44		2		
	94501928	06 - 07		B	B	B	X	X	X	ALDA		3		
	[41]													
	94500932	04 - 07		B	B	B	X	X	X	AL14L44		2		
	[42]													
	96253544	04 - 07		B	B	B	X	X	X	AL14L44		1		
	96414943	06 - 07		B	B	B	X	X	X	ALDA		1		

1331

TIMING COVER(FAM I DOHC)

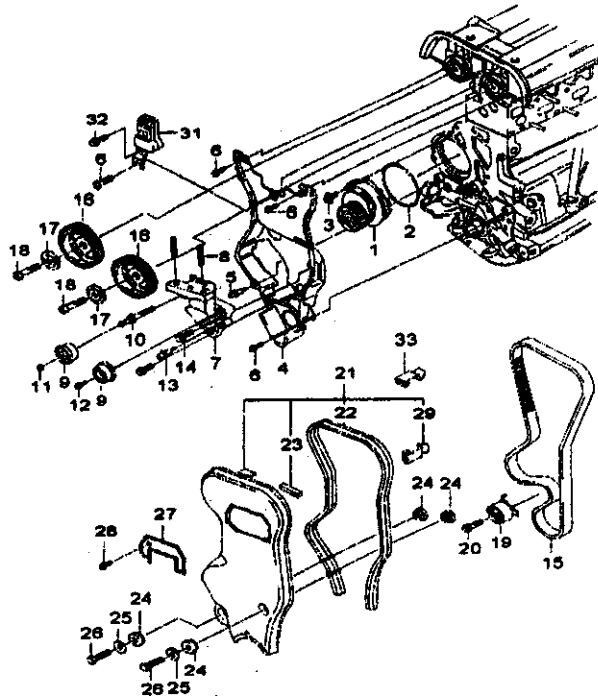


RJ1331GW 12/08/2004

I T C	KEY NO.		PART NAME											REMARKS	P/ C O D E				
	PART NO.	MODEL YEAR	D R V	BODY			LEVEL			OPTION	L I T Y	V.I.N.							
				4 N H	4 S B	5 W	B L	S S	L L			FROM	TO						
	[43]																		
	94500092	04 - 07					(E)BOLT								(F)BOULON				
	94500094	06 - 07					(D)BOLZEN								(S)PERNO				
							B B B	X X X		8L14L44					2				
							B B B	X X X		ALDA					2				
							**** RPO DEFINITIONS ****												
							L14 : ENGINE-4 CYL 1.4 DOHC MPI												
							L44 : ENGINE-4 CYL 1.6 DOHC MPI												
							LDA : ENGINE-4 CYL 1.8 DOHC MPI												
							NLJ : EMISSION-EURO,STAGE IV												

1333

TIMING COVER(FAM II DOHC)

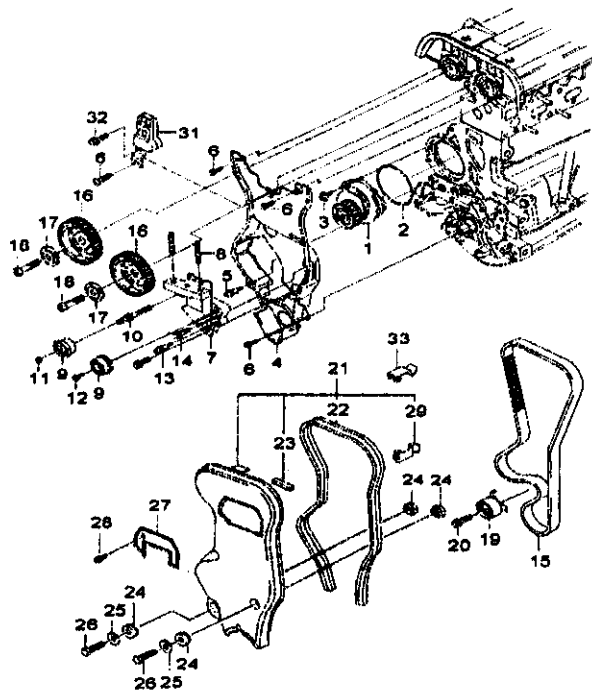


RJ1333GNW 10/30/2004

I T C	KEY NO. PART NO.	MODEL YEAR	D R V	PART NAME						L Q T R Y	V.I.N.		REMARKS	P R O D U C T I O N
				BODY	LEVEL	OPTION	FROM	TO	REMARKS					
											4 A N B	4 H S W		
	[01]			(E)PUMP A-WATER (D)WASSERPUMPE A						(F)POMPE A-EAU (S)BOMBA A-DE AGUA				
	92065969	04 - 07		B B B X X X		ALBA,BS				1				
	Y 24409355	04 - 07		B B B X X X		ALBA,BS				1				
	[02]			(E)RING-SEAL WATER PUMP (D)ABDICHRING,WASSERPUMPE						(F)ANNEAU-ETANCHEITE,POMPE A (S)ARANDELA-DE JUNTA,BOMBA DE				
	90322506	04 - 07		B B B X X X		ALBA,BS				1				
	[03]			(E)SCREW (D)SCHRAUBE						(F)VIS (S)TORNILLO				
	90298530	04 - 07		B B B X X X		ALBA,BS				3				
	Y 92065481	04 - 07		B B B X X X		ALBA,BS				3				
	[04]			(E)HOOD A-RR TOOTH BELT (D)HAUBE A-FRONTEN ZAHNRIEMEN						(F)CAPOT A-CORROIE CRANTEE AR (S)CUBIERTA A-CORREA DENTADA				
	92063246	04 - 07		B B B X X X		ALBA,BS				1				
	[05]			(E)SCREW (D)SCHRAUBE						(F)VIS (S)TORNILLO				
	90352197	04 - 07		B B B X X X		ALBA,BS				1			M6x14	
	[06]			(E)SCREW (D)SCHRAUBE						(F)VIS (S)TORNILLO				
	92138581	04 - 07		B B B X X X		ALBA,BS				4			M6x12	
	[07]			(E)SUPPORT-ENG MT BRACKET (D)TRAEGER-MOTORHALTER						(F)SUPPORT-PATTE SUPPORT (S)SOPORTE-DE APOYO DE FIJ DE				
	92062374	04 - 07		B B B X X X		ALBA,BS				1				
	[08]			(E)BOLT (D)BOLZEN						(F)BOULON (S)PERNO				
	92064284	04 - 07		B B B X X X		ALBA,BS				2				
	Y 92065438	04 - 07		B B B X X X		ALBA,BS				2				
	[09]			(E)ROLLER A-GUIDE (D)FUEHRUNGSWALZE A						(F)ROULEAU A-GUIDE (S)RODILLO A-GUIA				
	09128738	04 - 07		B B B X X X		ALBA,BS				2				
	[10]			(E)SCREW (D)SCHRAUBE						(F)VIS (S)TORNILLO				
	92065719	04 - 05		B . . . X X		ALM				1		972209		
	O 92065833	04 - 07		B B B X X X		ALBA,BS				1		972210		
	[11]			(E)NUT (D)MUTTER						(F)ECROU (S)TUERCA				
	94580071	04 - 07		B B B X X X		ALBA,BS				1			M8	
	[12]			(E)SCREW (D)SCHRAUBE						(F)VIS (S)TORNILLO				
	94500945	04 - 07		B B B X X X		ALBA,BS				1			M8x1,25x25	

1333

TIMING COVER(FAM II DOHC)

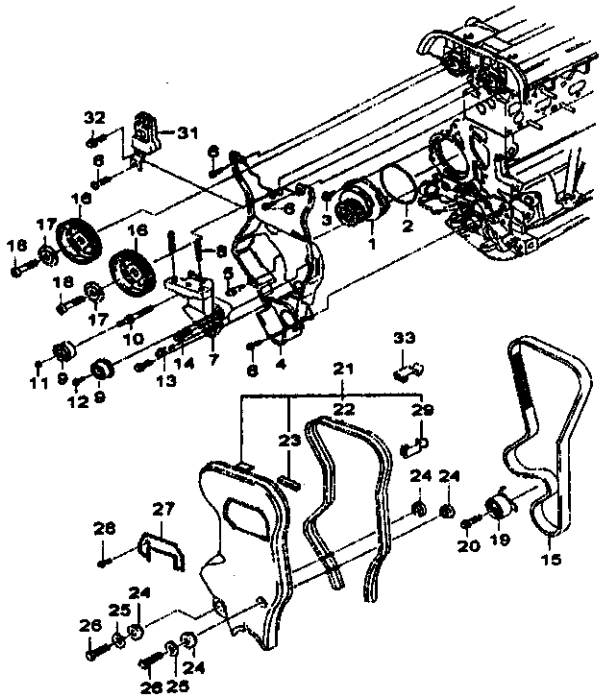


RJ1333GNW 10/30/2004

I T C	KEY NO.		PART NAME										REMARKS	P / C O D E		
	PART NO.	MODEL YEAR	D R V E	BODY			LEVEL			OPTION	L / Q T Y	V.I.N.				
				4 N B	4 H B	5 S W	B S	L S	L T			FROM				TO
	[13]			(E)SCREW (D)SCHRAUBE								(F)VIS (S)TORNILLO				
	90352197	04-07		B B B X X X					AL84A,88			1				M6x14
	[14]			(E)SCREW (D)SCHRAUBE								(F)VIS (S)TORNILLO				
	92138583	04-07		B B B X X X					AL84A,88			2				MACHINED
	[15]			(E)BELT-TIMING (D)STUEURRIEMEN								(F)COURROIE-DISTRIBUTION (S)CORREA-DE DISTRIBUCION				
	92063917	04-07		B B B . X X					AL84A,88			1				
Y	92066312	04-07		B B B X X X					AL84A,88			1				
	[16]			(E)GEAR-CM/SHF (D)GETRIEBE-NOCKENWELLE								(F)PIGNON-AAC (S)PIÑON-ÁRLEV				
	90531683	04-07		B B B X X X					AL84A,88			1				INTAKE
	90411776	04-07		B B B X X X					AL84A,88			1				EXHAUST
	[17]			(E)WASHER (D)UNTERLEGSCHIEBE								(F)RONDELLE (S)ARANDELA				
	90108392	04-07		B B B X X X					AL84A,88			2				
	[18]			(E)SCREW (D)SCHRAUBE								(F)VIS (S)TORNILLO				
	90486737	04-07		B B B X X X					AL84A,88			2				
	[19]			(E)TENSIONER A-TIMING BELT (D)SPANNER A-STUEURRIEMEN								(F)TENSUR A-COURROIE DIST (S)TENSOR A-CORREA DE				
	09158004	04-07		B B B X X X					AL84			1				
	92065368	04-07		B . B . . X					AL88			1				
	[20]			(E)SCREW (D)SCHRAUBE								(F)VIS (S)TORNILLO				
	11084141	04-04		B B B . X X					AL84			1	907369			M6x50
O	92138716	04-07		B B B X X X					AL84A,88			1	907370			M6x50
	[21]			(E)HOOD A-FRT TOOTH BELT (D)HAUBE A-VORN ZAHNRIEMEN								(F)CAPOT A-COURROIE CRANTEE AV (S)CUBIERTA A-CORREA DENTADA				
	92064043	04-07		B B B X X X					AL84A,88			1				
	[22]			(E)GASKET-FRT TOOTH BELT (D)DICHTUNG-VORN ZAHNRIEMEN								(F)JOINT-COURROIE CRANTEE AV (S)JUNTA-CORREA DENTADA				
	92064865	04-07		B B B X X X					AL84A,88			1				
	[23]			(E)SEAL (D)DICHTUNG								(F)JOINT (S)RETEN				
	92062874	04-07		B B B X X X					AL84A,88			1				
	[24]			(E)DAMPER RING (D)DAEMPERRING								(F)BAGUE AMORTISSEUR (S)ANILLO AMORTIGUADOR				
	90233881	04-07		B B B X X X					AL84A,88			4				

1333

TIMING COVER(FAM II DOHC)

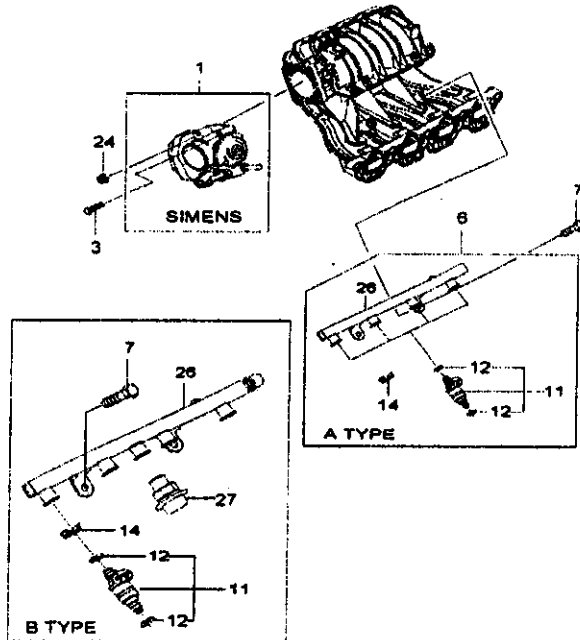


RJ1333GNW 10/30/2004

I T C	KEY NO.		PART NAME										L Q / T R Y	V.I.N.		REMARKS	P R O O C E D U R E	
	PART NO.	MODEL YEAR	O R V	BODY			LEVEL		OPTION	FROM	TO	R E M A R K S						
				4 N B	4 H S B	5 S W	B L S	L L S T										
	[26]			(E)WASHER (D)UNTERLEGSSCHEIBE								(F)FRONDELLE (S)ARANDELA						
	90220983	04 - 07		B B B X X X				AL34L88				2						
	[26]			(E)SCREW (D)SCHRAUBE								(F)VIS (S)TORNILLO						
	11027778	04 - 07		B B B X X X				AL34L88				2					M6x15	
	[27]			(E)COVER A-TORQUE ROLL AXIS (D)DECKEL A-DREHMOMENT								(F)COUVERCLE A-DISP (S)TAPA A-EJE DE BALANCEO POR						
	92062782	04 - 07		B B B X X X				AL34L88				1						
	[28]			(E)SCREW (D)SCHRAUBE								(F)VIS (S)TORNILLO						
	92061165	04 - 07		B B B X X X				AL34L88				1						
	[29]			(E)CLIP (D)KLEMME								(F)CLIP (S)CLIP						
	92063862	04 - 07		B B B X X X				AL34L88				LH 1						
	92063961	04 - 07		B B B X X X				AL34L88				RH 1						
	[31]			(E)SENSOR A-CM5HF POSITION (D)SENSOR								(F)CAPTEUR A-POSITION AAC (S)SENSOR A-POSICION DE ARLEV						
	10456506	04 - 07		B B B . X X				AL34L88				1					WHITE DOT	
	Y 98418393	04 - 07		B B B X X X				AL34L88				1					WHITE DOT	
	[32]			(E)SCREW (D)SCHRAUBE								(F)VIS (S)TORNILLO						
	11093881	04 - 07		B B B X X X				AL34L88				1						
	[33]			(E)CLIP (D)KLEMME								(F)CLIP (S)CLIP						
	92064783	04 - 07		B B B X X X				AL34L88				1						
	**** RPO DEFINITIONS ****																	
	LM : ENGINE-4 CYL 1.8 DOHC MPI																	
	LB : ENGINE-4 CYL 2.0 DOHC MPI																	

1411

FUEL INJECTION(FAM I DOHC)

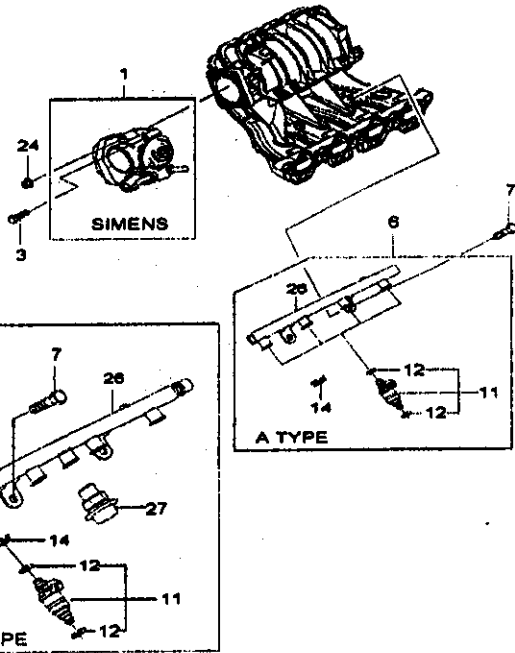


RJ1411GW 05/24/2005

I T C	KEY NO.		PART NAME										L T Y	V.I.N.		REMARKS	P / D O C U M E N T
	PART NO.	MODEL YEAR	D R V	BODY			LEVEL		OPTION	FROM	TO	REMARKS					
				4 N B	5 H B	S S W	B L S	L L T									
	[01]			(E)BODY A-THROTTLE (D)DORSSELKLAPPENGEHAEUSE A	(F)CORPS A-PAPILLON (S)CUERPO A-DEL ACELERADOR												
	96394330	04-06		B B B X X X	8L14A,44							1	357246				
Y	96447960	04-06		B B B X X X	8L14A,44							1	357246				
O	96815480	04-07		B B B X X X	8L14A,44							1	357247				
	96417575	06-06		B B B X X X	8LDA							1	357246				
O	96815500	06-07		B B B X X X	8LDA							1	357247				
	[03]			(E)BOLT (D)BOLZEN	(F)BOULON (S)PERNO												
	94500421	04-07		B B B X X X	8L14A,44							1					
	94501990	06-07		B B B X X X	8LDA							4					
	[06]			(E)RAIL A-FUEL (D)KRAFTSTOFFVERTEILER	(F)RAMPE D'INJECTION A (S)RAMPA A-DE INYECTORAS												
	96386763	04-07		B B B X X X	8L14A,44							1				INS, A TYPE	
	96487555	06-07		B B B X X X	8LDA							1				INS, B TYPE	
	[07]			(E)BOLT (D)BOLZEN	(F)BOULON (S)PERNO												
	94500433	04-07		B B B X X X	8L14A,44							2					
	94500406	06-07		B B B X X X	8LDA							2					
	[11]			(E)INJECTOR A-FUEL (D)KRAFTSTOFFEINSPRITZDUESE	(F)INJECTEUR A-CARBURANT (S)INYECTOR A-DE COMBUSTIBLE												
	96332261	04-07		B B B X X X	8L14A,44							4				W/O CLIP	
	96487557	06-07		B B B X X X	8LDA							4				W/O CLIP	
	[12]			(E)RING-O (D)O-RING	(F)JOINT TORIQUE (S)JUNTA TORICA												
	96253597	04-07		B B B X X X	8L14A,44							8					
	96487489	06-07		B B B X X X	8LDA							4				UPPER	
	96487477	06-07		B B B X X X	8LDA							4				LOWER	
	[14]			(E)CLIP (D)KLEMMME	(F)CLIP (S)CLIP												
	96253530	04-07		B B B X X X	8L14A,44							4					
	96253530	06-07		B B B X X X	8LDA							4					
	[24]			(E)NUT (D)MUTTER	(F)ECROU (S)TUERCA												
	94515128	04-07		B B B X X X	8L14A,44							3					
	[26]			(E)RAIL-FUEL (D)KRAFTSTOFFVERTEILER	(F)RAMPE D'INJECTION (S)RAMPA-DE INYECTORAS												
	96386764	04-07		B B B X X X	8L14A,44							1				A TYPE	
	96487556	06-07		B B B X X X	8LDA							1				B TYPE	
	[27]			(E)DAMPER-FUEL (D)DAEMPFER-KRAFTSTOFF	(F)AMORTISSEUR-CARBURANT (S)AMORTIGUADOR-DE												
	96386769	06-07		B B B X X X	8LDA							1					

1411

FUEL INJECTION(FAM I DOHC)



RJ1411GW 05/24/2005

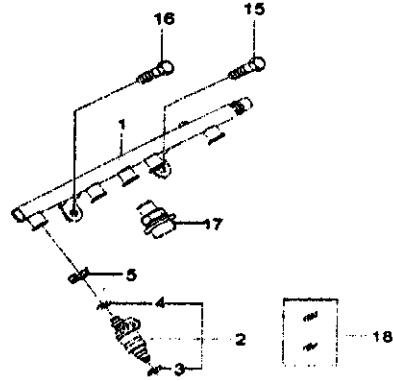
KEY NO.

PART NAME

I T C	PART NO.	MODEL YEAR	D R V	BODY				LEVEL		OPTION	L Q T Y	V.I.N.		REMARKS	P R O D U C T I O N
				4 N B	4 H S W	5 B S	5 L S	B L L	L S T			FROM	TO		
									**** RPO DEFINITIONS **** L14 : ENGINE-4 CYL 1.4 DOHC MPI L4M : ENGINE-4 CYL 1.6 DOHC MPI L4A : ENGINE-4 CYL 1.8 DOHC MPI						

1413

FUEL INJECTION(FAM II DOHC)



RJ1413GN 08/04/2005

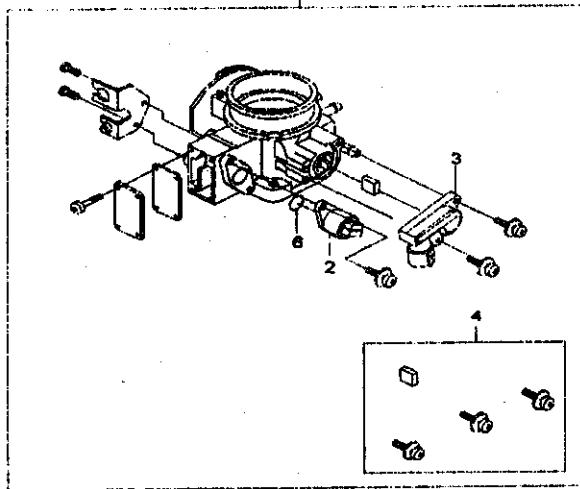
I T C	KEY NO.		D R V	PART NAME						L Q T Y	V.I.N.		REMARKS	P / C O D E
	PART NO.	MODEL YEAR		BODY		LEVEL		OPTION	FROM		TO			
				4 N H S	5 B W	B L	L S T							
	[01]			(E)RAIL-FUEL (D)KRAFTSTOFFVERTEILER						(F)RAMPE D'INJECTION (S)RAMPA-DE INYECTORES				
	96386752	04-07		B B B X X X			6L84A,88			1				
	[02]			(E)INJECTOR A-FUEL (D)KRAFTSTOFFEINSPRITZDUESE						(F)INJECTEUR A-CARBURANT (S)INJECTOR A-DE COMBUSTIBLE				
	96334808	04-07		B B B X X X			6L84			4				
	96334808	04-05		B . B . . X			6L86			4				
	96493843	06-07		B B B X X X			6L88			4				
	[03]			(E)RING-O (D)O-RING						(F)JOINT TORIQUE (S)JUNTA TÓRICA				
	17108225	04-07		B B B X X X			6L84			4		BROWN		
	17108225	04-05		B . B . . X			6L88			4		BROWN		
	[04]			(E)RING-O (D)O-RING						(F)JOINT TORIQUE (S)JUNTA TÓRICA				
	25169195	04-07		B B B X X X			6L84			4		BLACK		
	25169195	04-05		B . B . . X			6L88			4		BLACK		
	[05]			(E)CLIP (D)KLEMME						(F)CLIP (S)CLIP				
	96253530	04-07		B B B X X X			6L84A,88			4				
	[15]			(E)BOLT (D)BOLZEN						(F)BOULON (S)PERNO				
	90325554	04-07		B B B X X X			6L84A,88			1				
	Y 11055137	04-07		B B B X X X			6L84A,88			1				
	[16]			(E)SCREW (D)SCHRAUBE						(F)VIS (S)TORNILLO				
	11055137	04-07		B B B X X X			6L84A,88			1				
	[17]			(E)DAMPER-FUEL (D)DAEMPFER-KRAFTSTOFF						(F)AMORTISSEUR-CARBURANT (S)AMORTIGUADOR-DE				
	96386769	04-07		B B B X X X			6L84A,88			1				
	[18]			(E)RING-O KIT (D)O-RINGSATZ						(F)KIT JOINT TORIQUE (S)KIT DE JUNTAS TÓRICAS				
	17115742	06-07		B B B X X X			6L88			4		RING 16EA		

**** RPO DEFINITIONS ****

6L84 : ENGINE-4 CYL 1.8 DOHC MPI

6L88 : ENGINE-4 CYL 2.0 DOHC MPI

1510
THROTTLE BODY(FAM II)

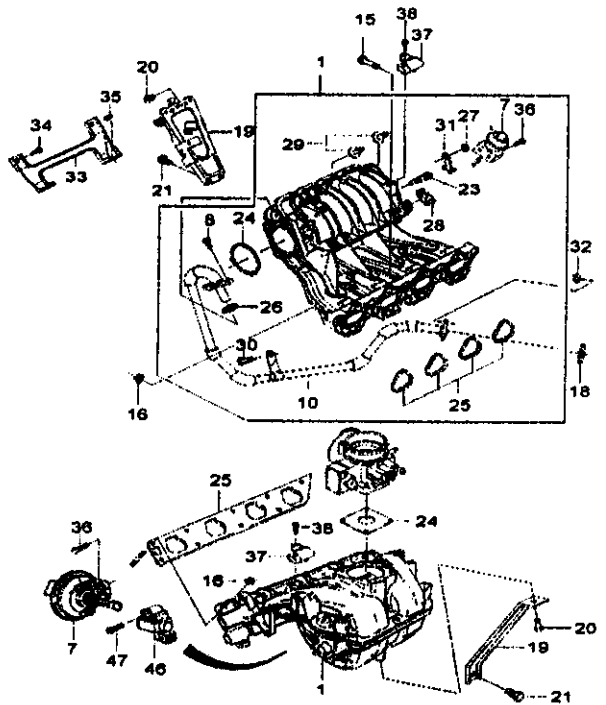


RJ1510GNW 10/30/2004

I T C	KEY NO.		PART NAME											P I C O D E	
	PART NO.	MODEL YEAR	D R V	BODY			LEVEL			OPTION	L I T R Y	V.I.N.			REMARKS
				4 N B	4 H B	5 S W	B L S	L L S	T			FROM	TO		
	[01]			(E)BODY A-THROTTLE (D)DROSSELKLAPPENGEHAUSE A							(F)CORPS A-PAPILLON (S)CUERPO A-DEL ACELERADOR				
	92064237	04 - 07		B	B	B	X	X	X	ALB4AM04				1	
Y	9206487	04 - 07		B	B	B	X	X	X	ALB4AM04				1	
	92064365	04 - 07		B	B	B	X	X	X	ALB4AM00				1	
Y	9206488	04 - 07		B	B	B	X	X	X	ALB4AM00				1	
	92067153	06 - 07		B	.	B	X	X	X	ALB4AM00			383680	1	
	92066544	05 - 07		B	.	B	X	X	X	ALB4AM00				1	
	[02]			(E)MOTOR-IACV (D)MOTOR-LEERLAUFLUFTSTEUERVENTI							(F)MOTEUR-IACV (S)MOTOR-IACV				
	92061898	04 - 07		B	B	B	X	X	X	ALB4A.00				1	
	[03]			(E)SENSOR-THROTTLE POSITION (D)SENSOR-DROSSELKLAPPENSTELLUN							(F)CAPTEUR-POSITION PAPILLON (S)SENSOR-POSICIÓN DE				
	94580175	04 - 07		B	B	B	X	X	X	ALB4A.00				1	
	[04]			(E)IACV&THROTTLE KIT (D)SATZ							(F)KIT IACV&PAPILLON (S)KIT DE ACELERADOR E IACV				
	92140474	04 - 07		B	B	B	X	X	X	ALB4A.00				1	
	[06]			(E)RING-O (D)O-RING							(F)JOINT TORIQUE (S)JUNTA TÓRICA				
	17082049	04 - 07		B	B	B	X	X	X	ALB4A.00				1	
				**** RPO DEFINITIONS ****											
				L04 : ENGINE-4 CYL 1.8 DOHC MPI											
				M04 : TRANS-MAN,5SPD,CR											
				M00 : TRANS-AUTO,4SPD,4HP16											
				L06 : ENGINE-4 CYL 2.0 DOHC MPI											
				M00 : TRANS-MAN,5 SPD,D20 CR											

1521

INTAKE MANIFOLD(FAM I DOHC)

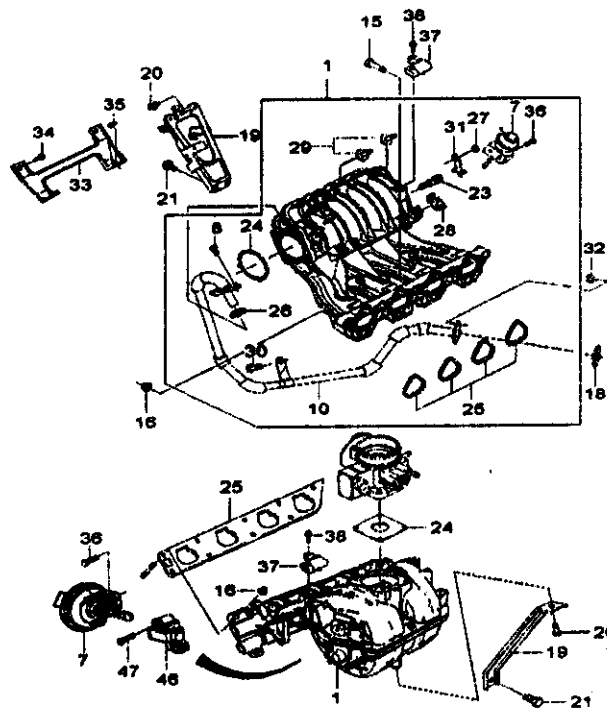


RJ1521GW 12/08/2005

I T C	PART NO.	MODEL YEAR	KEY NO.						PART NAME	L Q T R Y	V.I.N.		REMARKS	P R O O F		
			D R V	BODY			LEVEL				OPTION	FROM			TO	
				4 N H S B	5 B L L S S T	6 L L S S T	7 L L S S T	8 L L S S T								9 L L S S T
	[01]							(E)MANIFOLD A-INT (D)ANSAUGSAMMELLEITUNG A			(F)COLLECTEUR A-ADM (S)COLECTOR A-ADM					
	96396581	04 - 07		B	B	.	X	X	AL148N119NU		1			JT		
	96452342	04 - 07		B	B	.	X	X	AL148N119NU		1			JK		
	96396581	04 - 07		B	B	B	X	X	X	AL448MLA8NN4		1		JT		
	96452342	04 - 07		B	B	.	X	X	X	AL448MLA8NN4		1		JK		
	96396581	04 - 07		B	B	B	X	X	X	AL448N119NU		1		JT		
	96452342	04 - 07		B	B	B	X	X	X	AL448N119NU		1		JK		
	96416703	06 - 07		B	B	B	X	X	X	ALDA		1				
	[07]								(E)ACTUATOR A-VGIS (D)BETAETIGUNGSORGAN A-VARIABLES			(F)ACTIONNEUR A-VGIS (S)ACTUADOR A-VGIS				
	96408135	04 - 07		B	B	B	X	X	X	AL14A,44		1				
	24449447	06 - 07		B	B	B	X	X	X	ALDA		1				
	[08]								(E)BOLT (D)BOLZEN			(F)BOULON (S)PERNO				
	94501839	04 - 07		B	B	.	X	X	AL148N119NU		2					
	94501839	04 - 07		B	B	.	X	X	X	AL448MLA8NN4		2				
	94501839	04 - 07		B	B	B	X	X	X	AL448N119NU		2				
	[10]								(E)PIPE-EGR PASSAGE (D)ROHR-AGR DURCHLASS			(F)TUYAU-CONDUIT EGR (S)TUBO-CONDUCTO DE EGR				
	96461133	04 - 07		B	B	.	X	X	AL148N119NU		1					
	96461133	04 - 07		B	B	.	X	X	X	AL448MLA8NN4		1				
	96461133	04 - 07		B	B	B	X	X	X	AL448N119NU		1				
	[15]								(E)BOLT (D)BOLZEN			(F)BOULON (S)PERNO				
	94500871	04 - 07		B	B	B	X	X	X	AL14A,44		7				
	[16]								(E)NUT (D)MUTTER			(F)ECROU (S)TUERCA				
	94515067	04 - 07		B	B	B	X	X	X	AL14A,44		2				
	94515067	06 - 07		B	B	B	X	X	X	ALDA		7				
	[18]								(E)GASKET-EGR PIPE,VGIS (D)DICHRING-EGR-ROHR, VARIABLES			(F)JOINT-TUYAU EGR,VGIS (S)JUNTA-TUBO DE EGR,VGIS				
	96182631	04 - 07		B	B	.	X	X	AL148N119NU		1					
	96182631	04 - 07		B	B	.	X	X	X	AL448MLA8NN4		1				
	96182631	04 - 07		B	B	B	X	X	X	AL448N119NU		1				
	[19]								(E)BRACKET-MANIF,VGIS (D)HALTER-SAMMELLEITUNG, VARIABLES			(F)SUPPORT-COLL,VGIS (S)SOPORTE-COLEC,VGIS				
	96452104	04 - 07		B	B	B	X	X	X	AL14A,44		1				
	96418479	06 - 07		B	B	B	X	X	X	ALDA		1				
	[20]								(E)BOLT (D)BOLZEN			(F)BOULON (S)PERNO				
	94500101	04 - 07		B	B	B	X	X	X	AL14A,44ALDA		2				

1521

INTAKE MANIFOLD(FAM I DOHC)

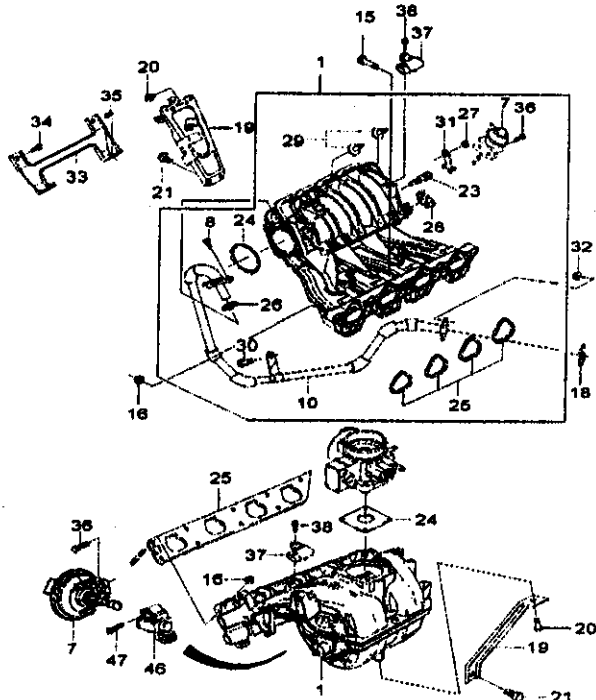


RJ1521GW 12/08/2005

I T C	KEY NO.		D R Y	BODY		LEVEL		OPTION	L Q R Y	V.I.N.		REMARKS	P - O O D I M		
	PART NO.	MODEL YEAR		4	4	S	B			L	L			FROM	TO
				N	H	S	B			L	L				
	[21]			(E)	BOLT					(F)BOULON					
	94501026	04 - 07		(D)	BOLZEN					(S)PERNO					
				B	B	X	X	X	AL14L44LDA	2					
	[23]			(E)	SENSOR A-AIR TEMP					(F)CAPTEUR A-TEMP AIR					
	94253652	04 - 07		(D)	SENSOR A-LUFTTEMP					(S)SENSOR A-TEMP DE AIR					
				B	B	X	X	X	AL14L44	1					
	[24]			(E)	GASKET-T/BODY					(F)JOINT-CORPS PAPILLON					
	96376371	04 - 07		(D)	DICHRING-DROSSELKLAPPENGEHAE					(S)JUNTA-C/AC					
				B	B	X	X	X	AL14L44	1					
	96414579	06 - 07				B	B	X	X	ALDA	1				
	[26]			(E)	GASKET-MANIF					(F)JOINT-COLADM					
	96461130	04 - 07		(D)	DICHRING-ANSAUGSAMMELLEITUNG					(S)JUNTA-COL/ADM					
				B	B	X	X	X	AL14L44	4					
	96414577	06 - 07				B	B	X	X	ALDA	1				
	[26]			(E)	SEAL-EGR					(F)JOINT-RGE					
	96325829	04 - 07		(D)	DICHTUNG-AGR					(S)RETEN-EGR					
				B	B	X	X		AL142NN19NU	1					
	96325829	04 - 07				B	B	X	X	AL442ML42NN4	1				
	96325829	04 - 07				B	B	X	X	AL442NN19NU	1				
	[27]			(E)	NUT					(F)ECROU					
	94515371	04 - 07		(D)	MUTTER					(S)TUERCA					
				B	B	X	X	X	AL14L44	1					
	[28]			(E)	CLIP					(F)CLIP					
	96456153	04 - 07		(D)	KLEMME					(S)CLIP					
				B	B	X	X	X	AL14L44	2					
	[29]			(E)	BOLT					(F)BOULON					
	96453178	04 - 07		(D)	BOLZEN					(S)PERNO					
				B	B	X	X	X	AL14L44	1					
	Y 94501857	04 - 07				B	B	X	X	AL14L44	1				
	[30]			(E)	BOLT					(F)BOULON					
	94500406	04 - 07		(D)	BOLZEN					(S)PERNO					
				B	B	X	X		AL142NN19NU	1					
	94500406	04 - 07				B	B	X	X	AL442ML42NN4	1				
	94500406	04 - 07				B	B	X	X	AL442NN19NU	1				
	[31]			(E)	LEVER-ARM					(F)LEVIER-BRAS					
	96457802	04 - 07		(D)	HEBELARM					(S)PALANCA-BRAZO					
				B	B	X	X	X	AL14L44	1					
	[32]			(E)	NUT					(F)ECROU					
	94515128	04 - 07		(D)	MUTTER					(S)TUERCA					
				B	B	X	X		AL142NN19NU	2					
	94515128	04 - 07				B	B	X	X	AL442ML42NN4	2				

1521

INTAKE MANIFOLD(FAM I DOHC)



RJ1521GW 12/08/2005

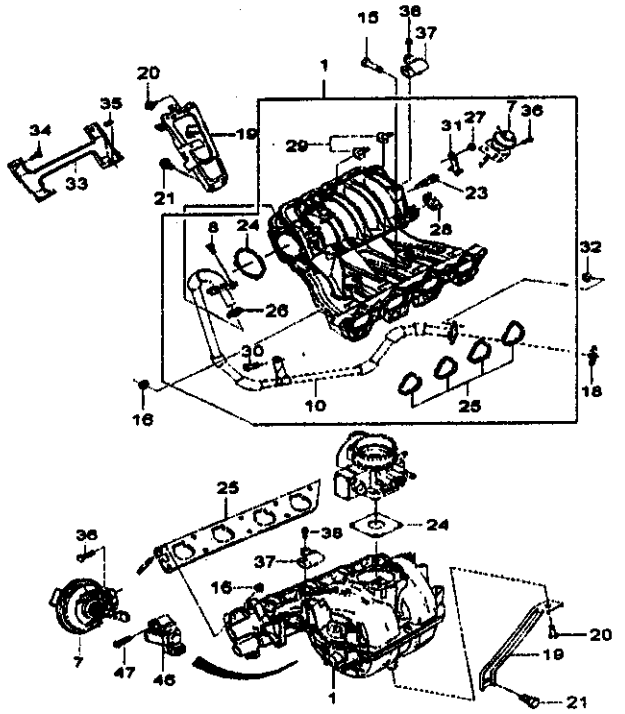
I T C	KEY NO.		PART NAME										REMARKS	P / C O O D I N G		
	PART NO.	MODEL YEAR	D R V	BODY			LEVEL		OPTION	L Q / T Y	V.I.N.					
				4 N B	4 H B	5 S W	B S	L S			T	FROM			TO	
	[32]															
	94515128	04-07												(F)ECROU (S)TUERCA 2		
	[33]													(F)SUPPORT-BOITIER D'AIR (S)SOPORTE-CAMARA DE EMPUJE 1		
	96461137	04-07														
	[34]													(F)BOULON (S)PERNO 2		
	94500400	04-07														
	[35]													(F)ECROU (S)TUERCA 2		
	94515132	04-07														
	Y 94515107	04-07														
	[36]													(F)VIS (S)TORNILLO 2		
	94520594	04-07														
	Y 94520630	04-07														
	Y 94520632	04-07														
	94520594	04-07														
	Y 94520630	04-07														
	Y 94520632	04-07														
	94520594	04-07														
	Y 94520630	04-07														
	Y 94520632	04-07														
	96478087	06-07														
	[37]													(F)CAPTEUR A-MAP (S)SENSOR A-MAP 1		
	96276354	03-07														
	96417830	06-07														
	[38]													(F)BOULON (S)PERNO 1		
	94500407	03-07														
	94500084	06-07														
	[46]													(F)CAPTEUR A-ELECTROVANNE DE (S)SENSOR A-SOL DE PURGA 1		
	90530479	06-07														
	[47]													(F)BOULON (S)PERNO 1		
	96478086	06-07														

**** RPO DEFINITIONS ****

L14 : ENGINE-4 CYL 1.4 DOHC MPI

1521

INTAKE MANIFOLD(FAM I DOHC)



RJ1521GW 12/08/2005

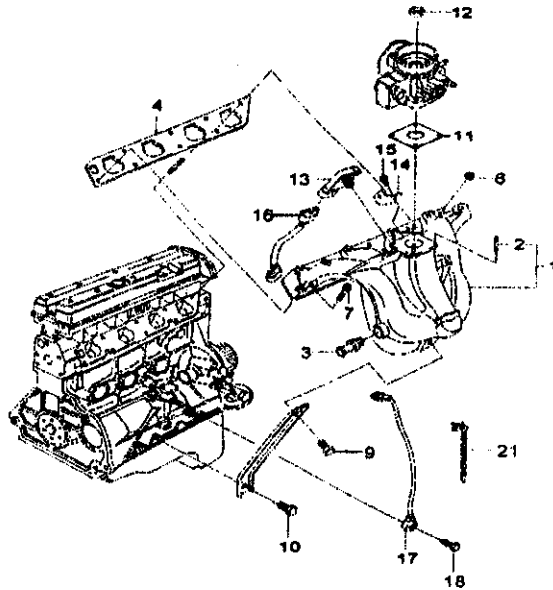
KEY NO.

PART NAME

I T C	PART NO.	MODEL YEAR	D R V	BODY			LEVEL			OPTION	L Q T Y / R Y	V.I.N.		REMARKS	P R O C E D U R E	
				4 N B	4 H S W	5 B S	B S	L S T	L			R	FROM			TO
									<p>**** RPO DEFINITIONS ****</p> <p>NN2 : EMISSION-KOREAN 2000</p> <p>NN4 : EMISSION-OP/LOOP,LEADED</p> <p>NN8 : EMISSION-KOREAN '90</p> <p>NN7 : EMISSION-EURO,STAGE I</p> <p>NN1 : EMISSION-EURO,STAGE III</p> <p>NNU : EMISSION-EURO,STAGE IV</p> <p>L44 : ENGINE-4 CYL 1.6 DOHC MPI</p> <p>M04 : TRANS-MAN,5SPD,CR</p> <p>M05 : TRANS-MAN,5SPD,MODIFY CR</p> <p>M14 : TRANSMISSION-AUTO,4 SPEED</p> <p>LDA : ENGINE-4 CYL 1.8 DOHC MPI</p>							

1523

INTAKE MANIFOLD(FAM II DOHC)

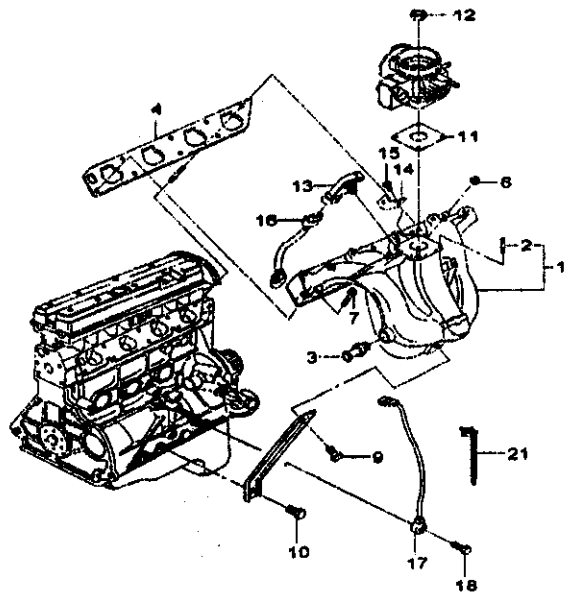


RJ1523GNW 10/30/2004

I T C	PART NO.	MODEL YEAR	KEY NO.						PART NAME	L Q R Y	V.I.N.		REMARKS	P R O D U C T I O N	
			D R V	BODY			LEVEL				OPTION	FROM			TO
				4 N B	4 H W	5 S B	B L S	L L S							
	[01]							(E)MANIFOLD A-INT (D)ANSAUGSAMMELLEITUNG A			(F)COLLECTEUR A-ADM (S)COLECTOR A-ADM				
	92063630	04-07						B B B X X X	8L84A,88		1				
	Y 92066318	04-07						B B B X X X	8L84A,88		1				
	[02]							(E)BOLT (D)BOLZEN			(F)BOULON (S)PERNO				
	11075291	04-07						B B B X X X	8L84A,88		4				
	[03]							(E)CONNECTOR-VACUUM (D)ANSCHLUSSSTUECK VAKUUM			(F)RACCORD-DEPRESSION (S)CONNECTOR-DE VACIO				
	92138072	04-07						B B B X X X	8L84A,88		1				
	[04]							(E)GASKET-I/MANIF (D)DICHTRING-ANSAUGSAMMELLEITUNG			(F)JOINT-COLADM (S)JUNTA-COLADM				
	90412459	04-07						B B B X X X	8L84A,88		1				
	[06]							(E)NUT (D)MUTTER			(F)ECROU (S)TUERCA				
	94580071	04-07						B B B X X X	8L84A,88		7		M8		
	[07]							(E)SCREW (D)SCHRAUBE			(F)VIS (S)TORNILLO				
	11091511	04-05						B B B X X X	8L84A,88		1		972209		
	O 11091514	04-07						B B B X X X	8L84A,88		1		972210		
	[09]							(E)SCREW (D)SCHRAUBE			(F)VIS (S)TORNILLO				
	11051927	04-07						B B B X X X	8L84A,88		1				
	[10]							(E)SCREW (D)SCHRAUBE			(F)VIS (S)TORNILLO				
	92138112	04-07						B B B X X X	8L84A,88		1				
	[11]							(E)GASKET-T/BODY (D)DICHTRING-DROSSELKLAPPENGEHAE			(F)JOINT-CORPS PAPILLON (S)JUNTA-CIAC				
	90412686	04-07						B B B X X X	8L84A,88		1				
	[12]							(E)NUT (D)MUTTER			(F)ECROU (S)TUERCA				
	11094423	04-07						B B B X X X	8L84A,88		4				
	Y 11094425	04-07						B B B X X X	8L84A,88		4				
	[13]							(E)SENSOR A-MAP (D)SENSOR A-LUFTDRUCK			(F)CAPTEUR A-MAP (S)SENSOR A-MAP				
	96482570	04-07						B B B X X X	8L84A,88		1		INCL #16		
	[15]							(E)BOLT (D)BOLZEN			(F)BOULON (S)PERNO				
	11093951	04-04						B B B X X X	8L84		1		972209		
	O 11093953	04-07						B B B X X X	8L84A,88		1		972210		

1523

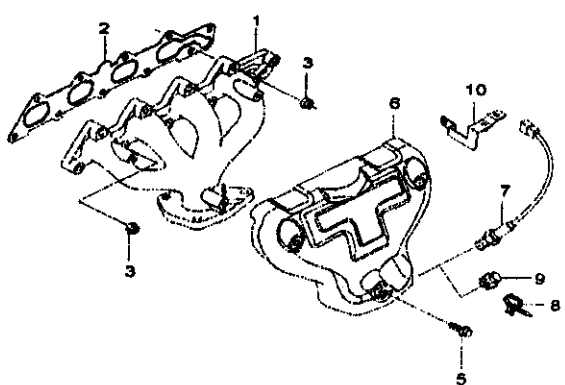
INTAKE MANIFOLD(FAM II DOHC)



RJ1523GNW 10/30/2004

I T C	KEY NO.		PART NAME										REMARKS	P I C O D E
	PART NO.	MODEL YEAR	D R I V E	BODY		LEVEL		OPTION	L Q T Y	V.I.N.				
				4 N B	4 H B	S S	B S			L S	L S	FROM		
	[16] 96482565	04 - 07		(E)W (D)S	H S	X X	X X	ALM LM			(F)FAIS.CBL-CAPTEUR MAP (S)CABLEADO-SENSOR MAP	1	N/S	
	[17] 96253545	04 - 07		(E)S (D)S	H S	X X	X X	ALM LM			(F)DETECTEUR-CLIQETIS (S)SENSOR-PICADO DE BIELAS	1		EC
	[18] 11041092	04 - 07		(E)S (D)S	H S	X X	X X	ALM LM			(F)VIS (S)TORNILLO	1		
	[21] 94580041	04 - 07		(E)S (D)S	H S	X X	X X	ALM LM			(F)S (S)C	1		
<p>**** RPO DEFINITIONS ****</p> <p>LM : ENGINE-4 CYL 1.8 DOHC MPI</p> <p>LS : ENGINE-4 CYL 2.0 DOHC MPI</p>														

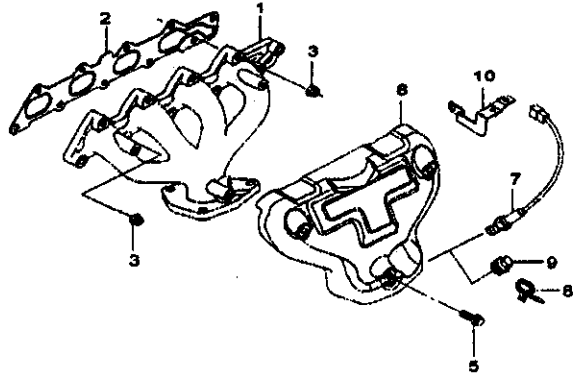
1531 EXHAUST MANIFOLD(FAM I DOHC)	KEY NO.		PART NAME											REMARKS	RPO CODE			
	I T C	PART NO.	MODEL YEAR	D R V	BODY			LEVEL			OPTION	L Q R Y	V.I.N.			REMARKS	RPO CODE	
					4	4	5	B	L	L			FROM					TO
					N	H	S	S	S	T								
	[01]													(E)MANIFOLD A-EXH (D)SAMMELLEITUNG A-ABGAS	(F)COLLECTEUR A-ECHPT (S)COLECTOR A-ESC			
	96481526	04 - 07			B	B	B	X	X	X	6L14A,44			1				
	96419108	06 - 07			B	B	B	X	X	X	6LDA			1				
	[02]													(E)GASKET-E/MANIF (D)DICHTRING-ABGASSAMMELLEITUNG	(F)JOINT-COLECHPT (S)JUNTA-C/ESC			
	96378805	04 - 07			B	B	B	X	X	X	6L14A,44			1				
	96414878	06 - 07			B	B	B	X	X	X	6LDA			1				
	[03]													(E)NUT (D)MUTTER	(F)ECROU (S)TUERCA			
	94515367	04 - 07			B	B	B	X	X	X	6L14A,44			10				
	94515367	06 - 07			B	B	B	X	X	X	6LDA			9				
	[05]													(E)BOLT (D)BOLZEN	(F)BOULON (S)PERNO			
	94500234	04 - 07			B	B	B	X	X	X	6L14A,44A,DA			3				
	[06]													(E)SHIELD A-HEAT,E/MANIF (D)WAERMESCHUTZSCHILD,ABGASSAMM	(F)BOUCLIER (S)ESCUDO A-TÉRMIICO,C/ESC			
	96350821	04 - 07			B	B	B	X	X	X	6L14A,44			1			MD	
	96435410	06 - 07			B	B	B	X	X	X	6LDA			1				
	[07]													(E)SENSOR A-EXH GAS (D)SENSOR A-ABGAS	(F)SONDE A-GAZ ECHPT (S)SENSOR A-GAS ESC			
	96276380	04 - 07			B	B	B	X	X	X	6L14A,44,DA,NN6,NN7			1			WB	
	96291099	04 - 07			B	B	B	X	X	X	6L14A,44,NN1			1			WE	
	96418970	06 - 07			B	B	B	X	X	X	6L14A,44,DA,NNJ			1			NK	
	[08]													(E)CLAMP (D)KLEMMSTUECK	(F)COLLIER (S)ABRAZADERA			
	94530277	04 - 07			B	B	B	X	X	X	6L14A,44A,DA			1				
	[09]													(E)PLUG (D)STECKER	(F)BOUCHON (S)TAPÓN			
	94535696	04 - 07			B	B	B	X	X	X	6L14A,44,NN4			1			XX	
	[10]													(E)BRACKET-O2 SENSOR (D)SCHELLE-O2 SENSOR	(F)SUPPORT-SONDE O2 (S)SOPORTE-SENSOR DE O2			
	96393000	04 - 07			B	B	B	X	X	X	6L14A,44A,DA			1			J2	
														**** RPO DEFINITIONS ****				
														L14 : ENGINE-4 CYL 1.4 DOHC MPI				
														L44 : ENGINE-4 CYL 1.6 DOHC MPI				
														LDA : ENGINE-4 CYL 1.8 DOHC MPI				
														NN6 : EMISSION-KOREAN '90				
														NN7 : EMISSION-EURO,STAGE II				
														NN1 : EMISSION-EURO,STAGE III				
														NNJ : EMISSION-EURO,STAGE IV				



RJ1531G 10/30/2004

1531

EXHAUST MANIFOLD(FAM I DOHC)

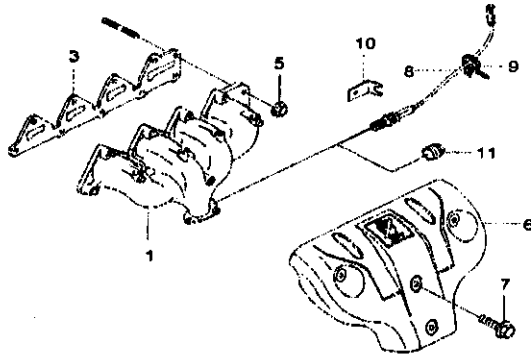


RJ1531G 10/30/2004

KEY NO.		PART NAME												
I T C	PART NO.	MODEL YEAR	D R V	BODY			LEVEL		OPTION	L I T T Y	V.I.N.		REMARKS	P / E D D O C E M E N T
				4 N B	4 H B	5 S W	B L S	L L T			FROM	TO		
									**** RPO DEFINITIONS **** NH4 : EMISSION-OP/LOOP/LEADED					

1533

EXHAUST MANIFOLD(FAM II DOHC)

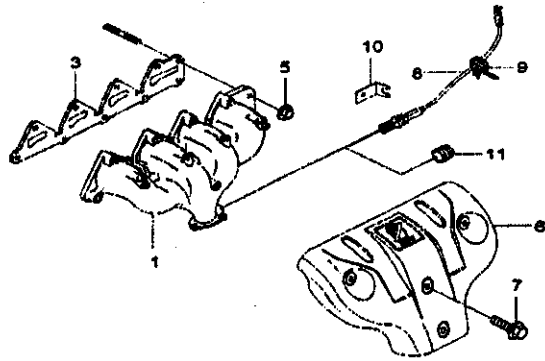


RJ1533G 10/30/2004

I T C	KEY NO. PART NO.	MODEL YEAR	D R V	PART NAME											REMARKS	R E C O D E
				BODY				LEVEL			OPTION	L Q T R Y	V.I.N.			
				4 N B	4 H S	5 S B	B S	L S	L T	FROM			TO			
	[01]			(E)MANIFOLD A-EXH (D)SAMMELLEITUNG A-ABGAS										(F)COLLECTEUR A-ECHPT (S)COLLECTOR A-ESC		
	92062877	04 - 07		B B B X X X					AL84L88					1		
	[03]			(E)GASKET-E/MANIF (D)DICHTRING-ABGASSAMMELLEITUNG										(F)JOINT-COLECHPT (S)JUNTA-C/ESC		
	92063157	04 - 07		B B B X X X					AL84L88					1		
	[05]			(E)NUT (D)MUTTER										(F)ECROU (S)TUERCA		
	94580071	04 - 07		B B B X X X					EL84L88					10	M8	
	[06]			(E)SHIELD A-HEAT,E/MANIF (D)WAERMESCHUTZSCHILD,ABGASSAMM										(F)BOUCHIER (S)ESCUDO A-TÉRMIICO,C/ESC		
	96351339	04 - 07		B B B X X X					EL84L88					1		MF
	[07]			(E)BOLT (D)BOLZEN										(F)BOULON (S)PERNO		
	94500234	04 - 07		B B B X X X					EL84L88					4		
	[08]			(E)SENSOR A-EXH GAS (D)SENSOR A-ABGAS										(F)SONDE A-GAZ ECHPT (S)SENSOR A-GAS ESC		
	96394000	04 - 07		B B B X X X					EL84MNNN7					1	V1	
	96394003	04 - 07		B B B X X X					EL84MNN1					1	287955	S1
	96403222	05 - 07		B . B . . X					AL88					1	4 PIN	WK
	[09]			(E)CLAMP (D)KLEMMSTUECK										(F)COLLIER (S)ABRAZADERA		
	94630230	04 - 07		B B B X X X					EL84MNNN7					1		
	94530230	05 - 07		B . B . . X					AL88					1		
	[10]			(E)BRACKET-O2 SENSOR (D)SCHELLE-O2 SENSOR										(F)SUPPORT-SONDE O2 (S)SOPORTE-SENSOR DE O2		
	96253556	04 - 07		B B B X X X					EL84M048ANN10NN6NN7					1		
	96287789	04 - 07		B B B X X X					EL84M048ANN10NN6NN7					1		
	96433287	06 - 07		B . B . . X					EL88AM048ANNK					1	383960	
	96287789	05 - 06		B . B . . X					EL88MMS					1	383950	
	N 96433288	06 - 07		B . B . . X					EL88AM048ANNK					1	383960	
	[11]			(E)PLUG (D)STECKER										(F)BOUCHON (S)STAPÓN		
	94535696	04 - 07		B B B X X X					EL848ANN4					1		XX
				**** RPO DEFINITIONS ****												
				L84 : ENGINE-4 CYL 1.8 DOHC MPI												
				L88 : ENGINE-4 CYL 2.0 DOHC MPI												
				NN6 : EMISSION-KOREAN '90												
				NN7 : EMISSION-EURO, STAGE II												
				NN1 : EMISSION-EURO, STAGE III												
				M04 : TRANS-MAN, 5SPD, CR												

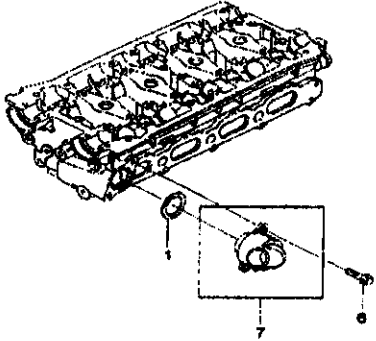
1533

EXHAUST MANIFOLD(FAM II DOHC)



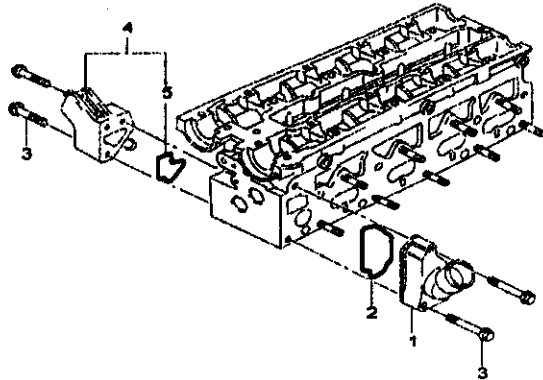
RJ1533G 10/30/2004

I T C	KEY NO.		PART NAME								L Q T Y	V.I.N.		REMARKS	P R O C E D U R E
	PART NO.	MODEL YEAR	D R V	BODY			LEVEL		OPTION	F R O M		T O			
				4 N B	4 H S W	5 S B	B L S T								
									**** RPO DEFINITIONS ****						
									MM9 : TRANS-AUTO,4SPD,4P16						
									MSB : TRANS-MAN,5 SPD,C20CR						
									NNK : EMISSION-ULEV II						
									NNH : EMISSION-OP/LOOP/LEADED						

I T C	KEY NO.		PART NAME										REMARKS	P R E C O D E	
	PART NO.	MODEL YEAR	D R Y	BODY			LEVEL			OPTION	L Q T Y	V.I.N.			
				4 N B	4 H S B	5 W	B L S	L L S T	FROM			TO			
 <p>RJ1681DGW 10/30/2004</p>	[01]			(E)RING-SEAL (D)ABDCHTRING	THERMOSTAT THERMOSTAT							(F)ANNEAU-ETANCHEITE (S)ARANDELA-DE			
	96143112	04-07		B B B	X X X				AL14A.44				1		
	96414626	06-07		B B B	X X X				ALDA				1		
	[06]			(E)BOLT (D)BOLZEN									(F)BOULON (S)PERNO		
	94501478	04-07		B B .	X X X				AL14A.44				2		
	Y 94500294	04-07		B B B	X X X				AL14A.44				2		
	Y 94502129	04-07		B B B	X X X				AL14A.44				2		
	94500439	06-07		B B B	X X X				ALDA				1		
	94500452	06-07		B B B	X X X				ALDA				1		
	[07]			(E)HOUSING A- (D)GEHAEUSE A-	THERMOSTAT THERMOSTAT								(F)BOITIER A- (S)CAJA A-		
	96460002	04-07		B B B	X X X				AL14A.44				1		
	96414627	06-07		B B B	X X X				ALDA				1		
	<p>**** RPO DEFINITIONS ****</p> <p>L14 : ENGINE-4 CYL 1.4 DOHC MPI</p> <p>L44 : ENGINE-4 CYL 1.6 DOHC MPI</p> <p>LDA : ENGINE-4 CYL 1.8 DOHC MPI</p>														

1683

THERMOSTAT(FAM II DOHC)

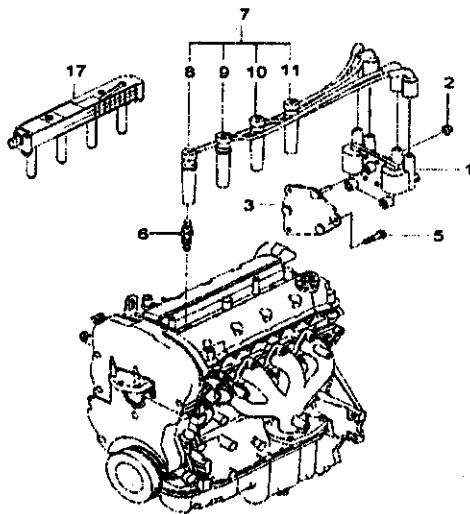


RJ1683GNW 10/30/2004

I T C	KEY NO.		PART NAME										REMARKS	R E C O R D	
	PART NO.	MODEL YEAR	D R V	BODY		LEVEL		OPTION	L / R	Q T Y	V.I.N.				
				4 N B	4 H B	5 S W	B L S				L L T	FROM			TO
	[01]			(E)THERMOSTAT A (D)THERMOSTAT A							(F)THERMOSTAT A (S)TERMOSTATO A				
	92062728	04 - 07		B B B X X X			6L84L86				1				
Y	92067408	04 - 07		B B B X X X			6L84L86				1				
	[02]			(E)RING-SEAL, THERMOSTAT (D)ABDICHRING, THERMOSTAT							(F)ANNEAU-ETANCHEITE, THERMOST (S)ARANDELA-DE				
	90411950	04 - 07		B B B X X X			6L84L86				1				
	[03]			(E)BOLT (D)BOLZEN							(F)BOULON (S)PERNO				
	90411951	04 - 07		B B B X X X			6L84L86				4	M6x55			
	[04]			(E)HOUSING A-BYPASS (D)GEHAUSE A-BYPASS							(F)BOITIER A-DERIVATION (S)ALOJAMIENTO A-DERIVACION				
	92064021	04 - 07		B B B X X X			6L84L86				1				
	[05]			(E)SEAL-BYPASS (D)DICHTUNG-BYPASS							(F)JOINT-DERIVATION (S)RETEN-DERIVACION				
	90411954	04 - 07		B B B X X X			6L84L86				1				
				**** RPO DEFINITIONS ****											
				L84 : ENGINE-4 CYL 1.8 DOHC MPI											
				L86 : ENGINE-4 CYL 2.0 DOHC MPI											

1711

IGNITION CABLE(FAM I DOHC)



RJ1711GW 05/27/2005

I T C	KEY NO.		PART NAME										REMARKS	RPO CODE	
	PART NO.	MODEL YEAR	D R I V E	BODY			LEVEL			OPTION	L I T T L E	V.I.N.			
				4 N B	4 H B	5 S W	B L S	L L S	L L T			FROM			TO
	[01]			(E)COIL-DIS (D)SPULE-VERT									(F)BOBINE-DIS (S)BOBINA-DIS		
	96453420	04-07		B B B X X X				8L14A,44					1		
	[02]			(E)NUT (D)MUTTER									(F)ECROU (S)TUERCA		
	94515128	04-07		B B B X X X				8L14A,44					3		
	[03]			(E)BRACKET A-DIS (D)HALTER A-VERT									(F)SUPPORT A-DIS (S)SOPORTE A-DIS		
	96496800	04-07		B B B X X X				8L14A,44					1		
	[05]			(E)BOLT (D)BOLZEN									(F)BOULON (S)PERNO		
	94500400	04-07		B B B X X X				8L14A,44					3		
	[06]			(E)SPARK PLUG (D)ZUENDKERZE									(F)BOUGIE (S)BUJIA		
	96130723	04-07		B B B X X X				8L14A,44					4		BKR8E-11
	96307729	06-07		B B B X X X				8LDA					4		BKUR6ETB
	[07]			(E)WIRE KIT-HIGH TENSION (D)KABELSATZ-HOCHSPANNUNG									(F)KIT FILS-HAUTE TENSION (S)KIT DE CABLES-ALTA TENSION		
	96450249	04-07		B B B X X X				8L14A,44					1		INCL.88-11
	[08]			(E)WIRE-HIGH TENSION (D)KABEL-HOCHSPANNUNG									(F)FIL HAUTE TENSION (S)CABLE-ALTA TENSION		
	96450250	04-07		B B B X X X				8L14A,44					1		#1
	[09]			(E)WIRE-HIGH TENSION (D)KABEL-HOCHSPANNUNG									(F)FIL HAUTE TENSION (S)CABLE-ALTA TENSION		
	96450251	04-07		B B B X X X				8L14A,44					1		#2
	[10]			(E)WIRE-HIGH TENSION (D)KABEL-HOCHSPANNUNG									(F)FIL HAUTE TENSION (S)CABLE-ALTA TENSION		
	96450252	04-07		B B B X X X				8L14A,44					1		#3
	[11]			(E)WIRE-HIGH TENSION (D)KABEL-HOCHSPANNUNG									(F)FIL HAUTE TENSION (S)CABLE-ALTA TENSION		
	96450253	04-07		B B B X X X				8L14A,44					1		#4
	[17]			(E)IGNITION COIL-CASSETTE (D)ZUENDSPULE-KASSETTE									(F)BOBINE D'ALLUMAGE-CASSETTE (S)BOBINA DE ENCENDIDO-CASETE		
	96415010	06-07		B B B X X X				8LDA					1		

**** RPO DEFINITIONS ****

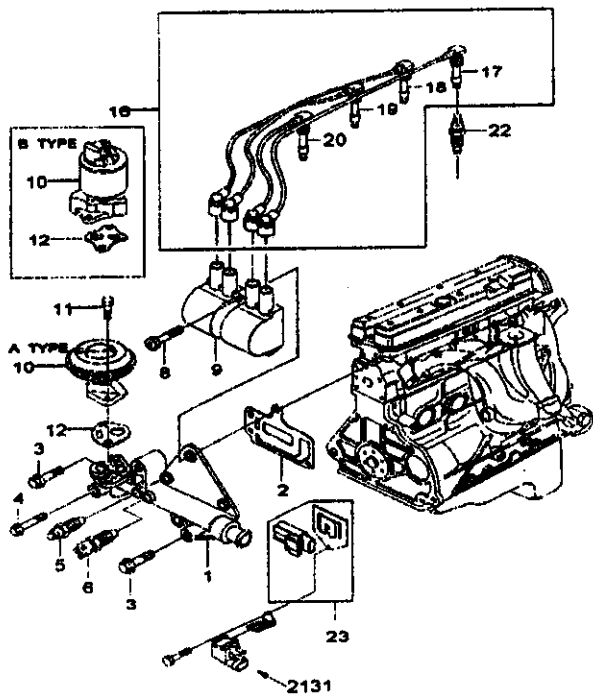
L14 : ENGINE-4 CYL 1.4 DOHC MPI

L44 : ENGINE-4 CYL 1.6 DOHC MPI

LDA : ENGINE-4 CYL 1.8 DOHC MPI

1713

IGNITION CABLE(FAM II DOHC)

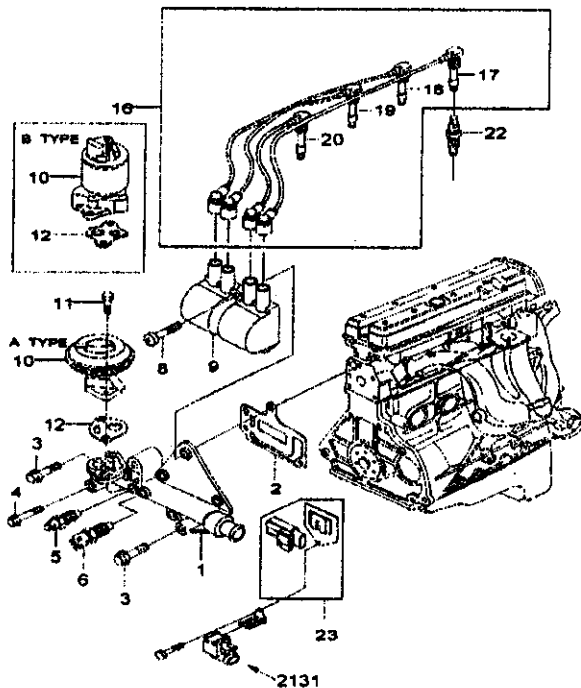


RJ1713G 11/23/2005

I T C	KEY NO. PART NO.	MODEL YEAR	D R V	PART NAME						L / R	Q T Y	V.I.N.		REMARKS	P R O D U C T I O N C O D E
				BODY		LEVEL		OPTION	FROM			TO			
				4 N B	4 H W	5 S S	5 S T						B		
	[01]							(E)ADAPTER-EGR VALVE (D)ADAPTER-AGR				(F)ADAPTEUR-CLAPET RGE (S)ADAPTADOR-VÁLVULA DE EGR			
	92063144	04-07		B	B	X	X	X	ALBANNANNENN7			1			
	92063149	04-07		B	B	X	X	X	ALBANN1			1	287955		
	92063149	05-06		B	.	.	.	X	ALBANK			1	363959		
	N 92067570	06-07		B	.	.	.	X	ALBANK			1	363960	I-PCV	
	[02]								(E)GASKET-EGR&IGN ADAPTER (D)DICHTRING-ABGASRUECKFUHRUNG			(F)JOINT-ADAPTEUR (S)JUNTA-ADAPTADOR DE ENC Y			
	90466993	04-07		B	B	X	X	X	ALB4			1			
	Y 24416792	04-07		B	B	X	X	X	ALB4			1			
	24416792	04-08		B	.	.	.	X	ALB8			1	363959		
	N 92067577	06-07		B	B	X	X	X	ALB8			1	363960		
	[03]								(E)BOLT (D)BOLZEN			(F)BOULON (S)PERNO			
	11094031	04-07		B	B	X	X	X	ALB4ALB8			2			
	[04]								(E)BOLT (D)BOLZEN			(F)BOULON (S)PERNO			
	11093801	04-06		B	B	X	X	X	ALB4			1			
	11093801	04-08		B	.	.	.	X	ALB8			1	366365		
	N 92138878	06-07		B	.	.	X	X	ALB8			1	366366 363959		
	O 92138882	06-07		B	.	.	X	X	ALB8			1	363960		
	[05]								(E)SENSOR A-TEMP (D)TEMPSENSOR A			(F)CAPTEUR TEMP A (S)SENSOR A-DE TEMP			
	96177604	04-07		B	B	X	X	X	ALB4ALB8			1			
	[06]								(E)SENSOR A-COOLANT TEMP (D)SENSOR A-KUEHLMITTELTEMP			(F)CAPTEUR A-TEMP LIQUIDE (S)SENSOR A-TEMP DE			
	96162634	04-07		B	B	X	X	X	ALB4ALB8			1			
	[08]								(E)BOLT (D)BOLZEN			(F)BOULON (S)PERNO			
	92063426	04-07		B	B	X	X	X	ALB4ALB8			3		M6x30	
	[09]								(E)COIL-DIS (D)SPULE-VERT			(F)BOBINE-DIS (S)BOBINA-DIS			
	96253555	04-07		B	B	X	X	X	ALB4ALB8			1			
	[10]								(E)VALVE A-EGR (D)VENTIL A-AGR			(F)CLAPET A-RGE (S)VÁLVULA A-DE EGR			
	17092164	04-07		B	B	X	X	X	ALBANNANNENN7			1			
	17097086	04-07		B	B	X	X	X	ALBANN1			1	287955		
	17097086	05-07		B	.	.	.	X	ALBANK			1			
	[11]								(E)BOLT (D)BOLZEN			(F)BOULON (S)PERNO			
	11052954	04-07		B	B	X	X	X	ALB4ALB8			2			

1713

IGNITION CABLE(FAM II DOHC)



RJ1713G 11/23/2005

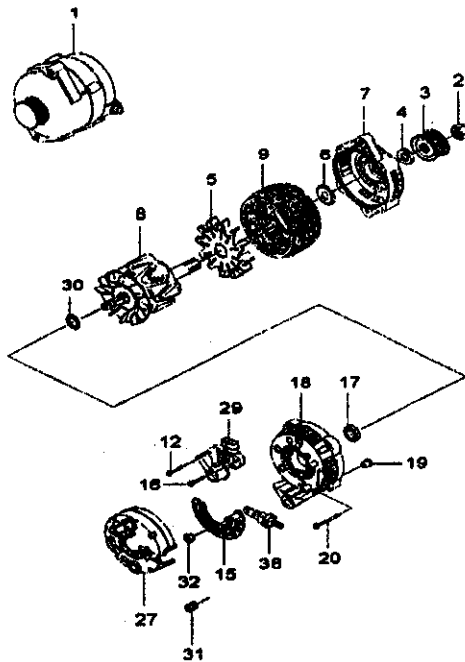
I T C	PART NO.	MODEL YEAR	KEY NO.						PART NAME	L T R Y	Q T Y	V.I.N.		REMARKS	P R O C E D U R E		
			D R V E	BODY			LEVEL					OPTION	FROM			TO	
				4 N B	4 H S W	5 S B	B L S	L L S									L L T
	[12]								(E)GASKET-EGR (D)DICHTRING-AGR			(F)JOINT-RGE (S)JUNTA-EGR					
	92061674	04 - 07		B	B	B	X	X	X	ALB4ANN7		1					
	90467547	04 - 07		B	B	B	X	X	X	ALB4ANN1		1	287955				
	90467547	05 - 07		B	.	B	.	.	X	ALB4ANNK		1					
	[16]											(F)KIT FILS-HAUTE TENSION (S)KIT DE CABLES-ALTA TENSION					
	96190263	04 - 07		B	B	B	X	X	X	ALB4L88		1		INCL.#17-20			
	Y 96460220	04 - 07		B	B	B	X	X	X	ALB4L88		1		INCL.#17-20			
	[17]											(F)FIL HAUTE TENSION (S)CABLE-ALTA TENSION					
	92062321	04 - 07		B	B	B	X	X	X	ALB4L88		1		#1			
	Y 96460221	04 - 07		B	B	B	X	X	X	ALB4L88		1		#1			
	[18]											(F)FIL HAUTE TENSION (S)CABLE-ALTA TENSION					
	92062322	04 - 07		B	B	B	X	X	X	ALB4L88		1		#2			
	Y 96460222	04 - 07		B	B	B	X	X	X	ALB4L88		1		#2			
	[19]											(F)FIL HAUTE TENSION (S)CABLE-ALTA TENSION					
	92062323	04 - 07		B	B	B	X	X	X	ALB4L88		1		#3			
	Y 96460223	04 - 07		B	B	B	X	X	X	ALB4L88		1		#3			
	[20]											(F)FIL HAUTE TENSION (S)CABLE-ALTA TENSION					
	92062324	04 - 07		B	B	B	X	X	X	ALB4L88		1		#4			
	Y 96460224	04 - 07		B	B	B	X	X	X	ALB4L88		1		#4			
	[22]											(F)BOUGIE (S)BUJIA					
	09146367	04 - 07		B	B	B	X	X	X	ALB4L88		4		FLR8LDCU			
	Y 93742299	04 - 07		B	B	B	X	X	X	ALB4L88		4		FLR8LDCU			
	[23]											(F)ELECTROVANNE A-RGE (S)VALVULA A-SOL DE EGR					
	96334826	04 - 07		B	B	B	X	X	X	ALB4ANN1		2	287955				
	96334826	05 - 07		B	.	B	.	.	X	ALB4ANNK		2					

**** RPO DEFINITIONS ****

- LB4 : ENGINE-4 CYL 1.8 DOHC MPI
- NN4 : EMISSION-OP.A.O.P.LEANED
- NN6 : EMISSION-KOREAN '90
- NN7 : EMISSION-EURO,STAGE II
- NN1 : EMISSION-EURO,STAGE III
- LB8 : ENGINE-4 CYL 2.0 DOHC MPI
- NNK : EMISSION-ULEV II

1740

ALTERNATOR UNIT

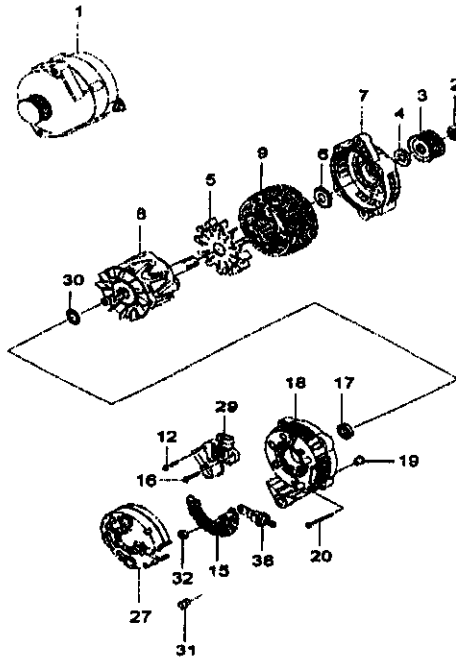


RJ1740GW 10/30/2004

I T C	KEY NO.		PART NAME										REMARKS	P- BOOK
	PART NO.	MODEL YEAR	D R V	BODY		LEVEL		OPTION	L O T R Y	V.I.N.				
				4 N B	4 H S B	B L S	L L S T			FROM	TO			
	[01]			(E)ALTERNATOR A (D)GENERATOR A						(F)ALTERNATEUR A (S)ALTERNADOR A				
	96540542	04 - 07		B B B X X X	AL14A44LDA					1		95A	DB	
	96408588	04 - 07		B B B X X X	AL8AALB					1		95A	VN	
	[02]			(E)NUT (D)MUTTER						(F)ECROU (S)TUERCA				
	93740745	04 - 07		B B B X X X	AL14A44LDA					1		95A		
	93740745	04 - 07		B B B X X X	AL8AALB					1		95A		
	[03]			(E)PULLEY (D)RIEMENSCHIEBE						(F)POULIE (S)POLEA				
	93740746	04 - 07		B B B X X X	AL14A44LDA					1		95A		
	93740746	04 - 07		B B B X X X	AL8AALB					1		95A		
	[04]			(E)COLLAR (D)EINFASSUNG						(F)BAGUE (S)COLLARIN				
	93740747	04 - 07		B B B X X X	AL14A44LDA					1		95A		
	93740768	04 - 07		B B B X X X	AL8AALB					1		95A		
	[05]			(E)FAN (D)LUEFTER						(F)VENTILATEUR (S)VENTILADOR				
	10493056	04 - 07		B B B X X X	AL14A44LDA					1		95A		
	93740769	04 - 07		B B B X X X	AL8AALB					1		95A		
	[06]			(E)COLLAR (D)EINFASSUNG						(F)BAGUE (S)COLLARIN				
	10492344	04 - 07		B B B X X X	AL14A44LDA					1		95A		
	93740770	04 - 07		B B B X X X	AL8AALB					1		95A		
	[07]			(E)FRAME&BEARING A (D)RAHMEN&LAGER A						(F)CARCASSE&ROULEMENT A (S)ARMAZÓN Y COJINETE A				
	93740748	04 - 07		B B B X X X	AL14A44LDA					1		95A		
	93740771	04 - 07		B B B X X X	AL8AALB					1		95A		
	[08]			(E)ROTOR (D)ROTOR						(F)ROTOR (S)ROTOR				
	93740749	04 - 07		B B B X X X	AL14A44LDA					1		95A		
	93740772	04 - 07		B B B X X X	AL8AALB					1		95A		
	[09]			(E)STATOR (D)STATOR						(F)STATOR (S)ESTATOR				
	93740750	04 - 07		B B B X X X	AL14A44LDA					1		95A		
	93740773	04 - 07		B B B X X X	AL8AALB					1		95A		
	[12]			(E)SCREW (D)SCHRAUBE						(F)VIS (S)TORNILLO				
	93740751	04 - 07		B B B X X X	AL14A44LDA					1		95A		
	01989681	04 - 07		B B B X X X	AL8AALB					1		95A		

1740

ALTERNATOR UNIT



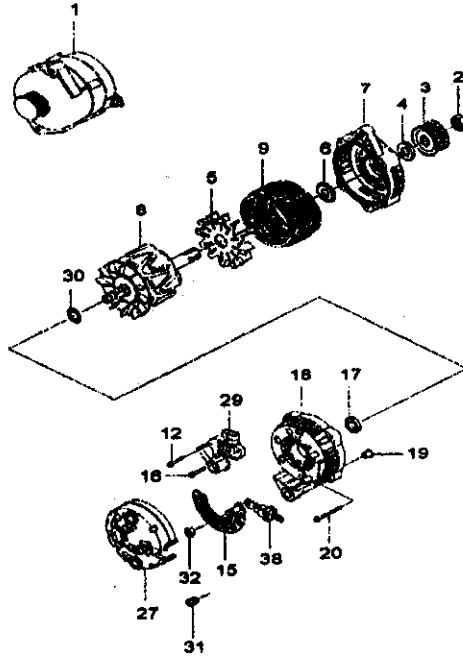
RJ1740GW 10/30/2004

I T C	KEY NO. PART NO.	MODEL YEAR	PART NAME						L Q / R Y	V.I.N.		REMARKS
			D R V	BODY		LEVEL		OPTION		FROM	TO	
				4 N B	5 H W	B S	L L S T					
	[16]			(E)RECTIFIER (D)GLEICHRICHTER					(F)REDRESSEUR (S)RECTIFICADOR			
	93740699	04 - 07		B B B X X X			8L14A,44A,DA		1			85A
	93740776	04 - 07		B B B X X X			8L84A,86		1			95A
	[16]			(E)SCREW (D)SCHRAUBE					(F)VIS (S)TORNILLO			
	01989681	04 - 07		B B B X X X			8L14A,44A,DA		3			85A
	01989681	04 - 07		B B B X X X			8L84A,86		3			95A
	[17]			(E)BEARING-BALL (D)KUGELLAGER					(F)ROULEMENT-BILLES (S)COJINETE-DE BOLLAS			
	93740753	04 - 07		B B B X X X			8L14A,44A,DA		1			85A
	93740753	04 - 07		B B B X X X			8L84A,86		1			95A
	[18]			(E)FRAME-SLIP RING END (D)LAGERSCHILD-SCHLEIFRING					(F)CARCASSE-EXTREMITÉ BAGUE (S)ARMAZÓN-ANILLO COLECTOR			
	93740754	04 - 07		B B B X X X			8L14A,44A,DA		1			85A
	93740777	04 - 07		B B B X X X			8L84A,86		1			95A
	[18]			(E)BUSH (D)BUCHSE					(F)BAGUE (S)CASQUILLO			
	10495216	04 - 07		B B B X X X			8L14A,44A,DA		1			85A
	93740778	04 - 07		B B B X X X			8L84A,86		1			95A
	[20]			(E)BOLT (D)BOLZEN					(F)BOULON (S)PERNO			
	10473999	04 - 07		B B B X X X			8L14A,44A,DA		3			85A
	10473999	04 - 07		B B B X X X			8L84A,86		3			95A
	[27]			(E)COVER (D)DECKEL					(F)COUVERCLE (S)TAPA			
	93740755	04 - 07		B B B X X X			8L14A,44A,DA		1			85A
	93742358	04 - 07		B B B X X X			8L84A,86		1			95A
	[28]			(E)REGULATOR&BRUSH A (D)REGLER&BUERSTE A					(F)REGULATEUR&BALAI A (S)REGULADOR Y CASQUILLO A			
	93740783	04 - 07		B B B X X X			8L14A,44A,DA		1			85A
	93740783	04 - 07		B B B X X X			8L84A,86		1			95A
	[30]			(E)SHIELD (D)SCHILD					(F)BOUCLEUR (S)PROTECCIÓN			
	93740757	04 - 07		B B B X X X			8L14A,44A,DA		1			85A
	93740757	04 - 07		B B B X X X			8L84A,86		1			95A
	[31]			(E)SPACER (D)Distanzscheibe					(F)JENTRETOISE (S)ESPACIADOR			
	93740758	04 - 07		B B B X X X			8L14A,44A,DA		1			85A
	[32]			(E)NUT (D)MUTTER					(F)ECROU (S)TUERCA			

D
C
O
C
O
D
E

1740

ALTERNATOR UNIT

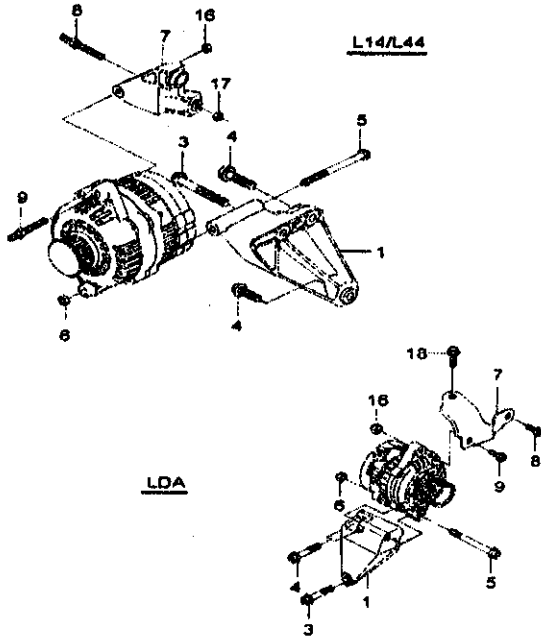


RJ1740GW 10/30/2004

I T C	KEY NO.		PART NAME										REMARKS	P E D O C P
	PART NO.	MODEL YEAR	D R V	BODY			LEVEL		OPTION	L Q T R Y	V.I.N.			
				4 N B	4 H S	5 B W	B S	L S			L T	FROM		
	[32] 93740889	04-07		(E)NUT (D)MUTTER B B B	X X X				4L84L88		(F)ECROU (S)TUERCA 3		95A	
	[38] 93742274	04-07		(E)BOLT (D)BOLZEN B B B	X X X				4L84L88		(F)BOULON (S)PERNO 3		95A	
	<p>**** RPO DEFINITIONS ****</p> <p>L14 : ENGINE-4 CYL 1.4 DOHC MPI</p> <p>L44 : ENGINE-4 CYL 1.6 DOHC MPI</p> <p>LDA : ENGINE-4 CYL 1.6 DOHC MPI</p> <p>L84 : ENGINE-4 CYL 1.8 DOHC MPI</p> <p>L88 : ENGINE-4 CYL 2.0 DOHC MPI</p>													

1751

ALTERNATOR MOUNT(FAM I DOHC)

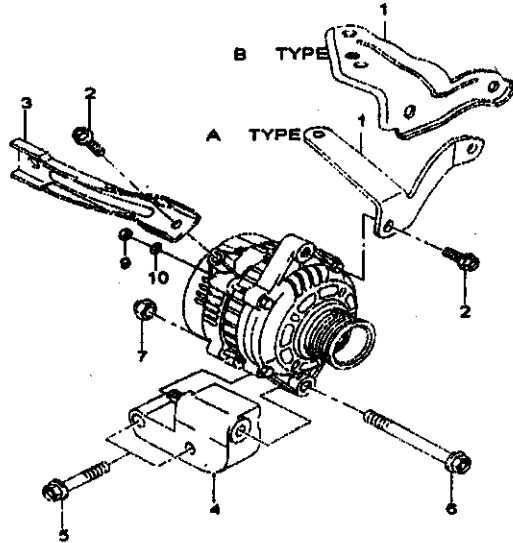


RJ1751GW 05/25/2006

I T C	KEY NO.		PART NAME										REMARKS	P D O O C	
	PART NO.	MODEL YEAR	D R V	BODY			LEVEL			OPTION	L Q / R Y	V.I.N.			
				4 N B	4 H S	5 B W	B S	L L	L S T			FROM			TO
	[01]			(E)BRACKET-ALTERNATOR (D)HALTER-WECHSELSTROMGENERATO								(F)SUPPORT-ALTERNATEUR (S)SOPORTE-ALTERNADOR			
	96352142	04-07		B B B X X X					&L14A,44A,DA			1			
	[03]			(E)BOLT (D)BOLZEN								(F)BOULON (S)PERNO			
	94501028	04-07		B B B X X X					&L14A,44A,DA			1			
	[04]			(E)BOLT (D)BOLZEN								(F)BOULON (S)PERNO			
	94501029	04-07		B B B X X X					&L14A,44A,DA			2			
	[05]			(E)BOLT (D)BOLZEN								(F)BOULON (S)PERNO			
	94500948	04-07		B B B X X X					&L14A,44A,DA			1			
	[06]			(E)NUT (D)MUTTER								(F)ECROU (S)TUERCA			
	94515067	04-07		B B B X X X					&L14A,44A,DA			1			
	[07]			(E)SHACKLE-ALTERNATOR (D)SCHAEKEL-ALTERNATOR								(F)MANILLE-ALTERNATEUR (S)SUJECIÓN-ALTERNADOR			
	96490467	04-07		B B B X X X					&L14A,44			1			
	Y 96428046	04-07		B B B X X X					&L14A,44			1			
	96414826	06-07		B B B X X X					&LDA			1			
	[08]			(E)BOLT (D)BOLZEN								(F)BOULON (S)PERNO			
	94501287	04-07		B B B X X X					&L14A,44			1			
	94500936	06-07		B B B X X X					&LDA			1			
	[09]			(E)BOLT (D)BOLZEN								(F)BOULON (S)PERNO			
	94501286	04-07		B B B X X X					&L14A,44A,DA			1			
	[16]			(E)NUT (D)MUTTER								(F)ECROU (S)TUERCA			
	94515067	04-07		B B B X X X					&L14A,44A,DA			1			
	[17]			(E)NUT (D)MUTTER								(F)ECROU (S)TUERCA			
	94515067	04-07		B B B X X X					&L14A,44			1			
	[18]			(E)BOLT (D)BOLZEN								(F)BOULON (S)PERNO			
	94500401	06-07		B B B X X X					&LDA			1			
				**** RPO DEFINITIONS ****											
				L14 : ENGINE-4 CYL 1.4 DOHC MPI											
				L44 : ENGINE-4 CYL 1.6 DOHC MPI											
				LDA : ENGINE-4 CYL 1.8 DOHC MPI											

1753

ALTERNATOR MOUNT(FAM II DOHC)

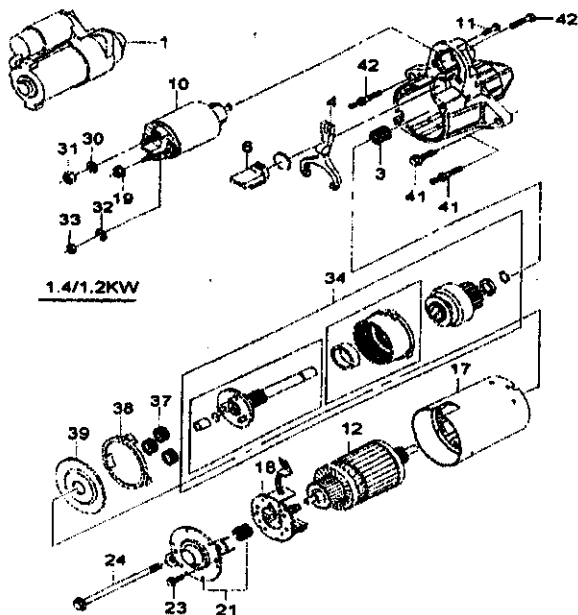


RJ1753GNW 10/30/2004

I T C	KEY NO.		PART NAME										P / D O C E	
	PART NO.	MODEL YEAR	D R V	BODY			LEVEL		OPTION	L Q T Y	V.I.N.			REMARKS
				4 N B	5 H B	S B W	B L S	L L T			FROM	TO		
	[01]			(E)SHACKLE-ALTERNATOR (D)SCHAEKEL-ALTERNATOR							(F)MANILLE-ALTERNATEUR (S)SUJECIÓN-ALTERNADOR			
	98183948	04-07		B B B X X X			LSA	LS		1		A TYPE		
Y	96296940	04-07		B B B X X X			LSA	LS		1		B TYPE		
	[02]			(E)BOLT (D)BOLZEN							(F)BOULON (S)PERNO			
	94500936	04-07		B B B X X X			LSA	LS		5				
	[03]			(E)SUPPORT-ALTERNATOR (D)HALTERUNG-WECHSELSTROMGENER							(F)SUPPORT-ALTERNATEUR (S)SOPORTE-ALTERNADOR			
	96183950	04-07		B B B X X X			LSA	LS		1				
	[04]			(E)BRACKET-ALTERNATOR (D)HALTER-WECHSELSTROMGENERATO							(F)SUPPORT-ALTERNATEUR (S)SOPORTE-ALTERNADOR			
	96183219	04-07		B B B X X X			LSA	LS		1				
	[05]			(E)BOLT (D)BOLZEN							(F)BOULON (S)PERNO			
	94501000	04-07		B B B X X X			LSA	LS		2				
	[06]			(E)BOLT (D)BOLZEN							(F)BOULON (S)PERNO			
	94500995	04-07		B B B X X X			LSA	LS		1				
	[07]			(E)NUT (D)MUTTER							(F)ECROU (S)TUERCA			
	94515110	04-07		B B B X X X			LSA	LS		1				
	[08]			(E)NUT (D)MUTTER							(F)ECROU (S)TUERCA			
	94515049	04-07		B B B X X X			LSA	LS		2				
	[10]			(E)WASHER (D)UNTERLEGSCHIEBE							(F)RONDELLE (S)ARANDELA			
	94525014	04-07		B B B X X X			LSA	LS		1				
				**** RPO DEFINITIONS ****										
				LSA : ENGINE-4 CYL 1.8 DOHC MPI										
				LSB : ENGINE-4 CYL 2.0 DOHC MPI										

1760

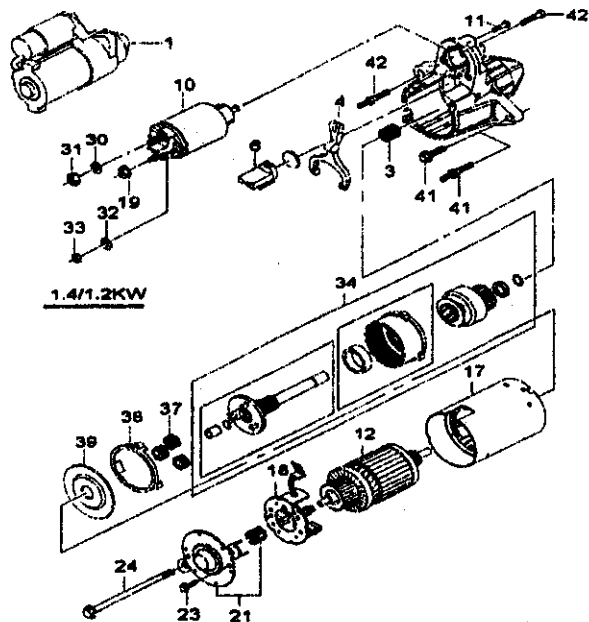
STARTER



RJ1760GW 10/30/2004

I T C	KEY NO.		PART NAME										P I C C O D E
	PART NO.	MODEL YEAR	D R V	BODY		LEVEL		OPTION	L Q /	V.I.N.		REMARKS	
				4 N B	4 H S	5 S S	B L L			L L T	FROM		
	[01]			(E)STARTER A (D)ANLASSER A							(F)DEMARREUR A (S)MOTOR DE ARRANQUE A		
	96550792	04 - 07		B B B X X X			AL14A,44LDA		1	293250	1.2KW	TU	
Y	96469963	04 - 07		B B B X X X			AL14A,44LDA		1	293251	1.2KW	SU	
	96450663	04 - 07		B B B X X X			AL84L,88		1	293250		TT	
Y	96473777	04 - 07		B B B X X X			AL84L,88		1	293251	1.4KW	AT	
	[03]			(E)BEARING (D)LAGER							(F)ROULEMENT (S)COJINETE		
	09440923	04 - 07		B B B X X X			AL14A,44LDA		1				
	09440923	04 - 07		B B B X X X			AL84L,88		1				
	[04]			(E)LEVER-STARTING MOTOR (D)MOTORANLASSHEBEL							(F)FOURCHETTE-DEMARREUR (S)PALANCA-MOTOR DE ARRANQUE		
	10452337	04 - 07		B B B X X X			AL14A,44LDA		1				
	10492448	04 - 07		B B B X X X			AL84L,88		1				
	[06]			(E)PLUG (D)STECKER							(F)BOUCHON (S)TAPON		
	10452334	04 - 07		B B B X X X			AL14A,44LDA		1				
	10451825	04 - 07		B B B X X X			AL84L,88		1				
	[10]			(E)SOLENOID-STARTER (D)MAGNETVENTIL-ANLASSER							(F)SOLENOIDE-DEMARREUR (S)SOLENOIDE-MOTOR DE		
	93740762	04 - 08		B B B X X X			AL14A,44LDA		1	293250			
O	93742953	04 - 07		B B B X X X			AL14A,44LDA		1	293251			
	93740762	04 - 08		B B B X X X			AL84L,88		1	293250			
O	93742953	04 - 07		B B B X X X			AL84L,88		1	293251			
	[11]			(E)SCREW (D)SCHRAUBE							(F)VIS (S)TORNILLO		
	10475636	04 - 07		B B B X X X			AL14A,44LDA		3				
Y	10500187	04 - 07		B B B X X X			AL14A,44LDA		3				
	10475636	04 - 07		B B B X X X			AL84L,88		3				
Y	10500187	04 - 07		B B B X X X			AL84L,88		3				
	[12]			(E)ARMATURE (D)ANKER							(F)INDUIT (S)INDUCIDO		
	10452361	04 - 07		B B B X X X			AL14A,44LDA		1				
Y	10500387	04 - 07		B B B X X X			AL14A,44LDA		1				
	10485270	04 - 07		B B B X X X			AL84L,88		1				
	[17]			(E)FRAME-FIELD (D)FELDDRAHMEN							(F)CARCASSE-CHAMP (S)ARMAZON-POLAR		
	10452356	04 - 07		B B B X X X			AL14A,44LDA		1				
	10454539	04 - 07		B B B X X X			AL84L,88		1				
	[18]			(E)HOLDER-BRUSH (D)BUERSTENHALTER							(F)PORTE-BALAIS (S)PORTAESCOBILLAS		
	10452368	04 - 07		B B B X X X			AL14A,44LDA		1				

**1760
STARTER**

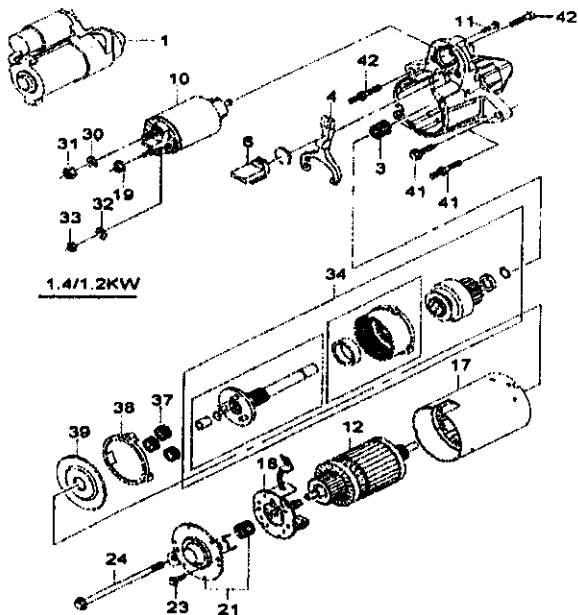


1.4/1.2KW

RJ1760GW 10/30/2004

I T C	KEY NO.		PART NAME								L Q T R Y	V.I.N.		REMARKS	P R O D U C T I O N
	PART NO.	MODEL YEAR	D R V	BODY		LEVEL		OPTION	FROM	TO					
				4 N B	5 H W	B L S	L L T								
	[18]			(E)HOLDER-BRUSH (D)BUERSTENHALTER							(F)PORTE-BALAIS (S)PORTAESCOBILLAS				
Y	10504328	04-07		B B B X X X			SL14A44LDA				1				
	10483483	04-07		B B B X X X			SL8A4L88				1				
Y	93743787	04-07		B B B X X X			SL8A4L88				1				
	[19]			(E)NUT (D)MUTTER							(F)ECROU (S)TUERCA				
	93740784	04-07		B B B X X X			SL14A44LDA				1				
	93740784	04-07		B B B X X X			SL8A4L88				1				
	[21]			(E)FRAME-COMMUTATOR END (D)RAHMEN-KOLLEKTORENDE							(F)CARCASSE-EXTREMITÉ (S)ARMAZÓN-COLECTOR				
	10452341	04-07		B B B X X X			SL14A44LDA				1				
	10452940	04-07		B B B X X X			SL8A4L88				1				
	[23]			(E)SCREW (D)SCHRAUBE							(F)VIS (S)TORNILLO				
	10452332	04-07		B B B X X X			SL14A44LDA				1				
	10497256	04-07		B B B X X X			SL8A4L88				1				
	[24]			(E)BOLT (D)BOLZEN							(F)BOULON (S)PERNO				
	10452331	04-07		B B B X X X			SL14A44LDA				2				
	94580043	04-07		B B B X X X			SL8A4L88				2				
	[30]			(E)WASHER (D)UNTERLEGS-CHEIBE							(F)RONDELLE (S)ARANDELA				
	94525014	04-07		B B B X X X			SL14A44LDA,SL8A4L88				1				
	[31]			(E)NUT (D)MUTTER							(F)ECROU (S)TUERCA				
	94515049	04-07		B B B X X X			SL14A44LDA,SL8A4L88				1				
	[32]			(E)WASHER (D)UNTERLEGS-CHEIBE							(F)RONDELLE (S)ARANDELA				
	94525011	04-07		B B B X X X			SL14A44LDA,SL8A4L88				1				
	[33]			(E)NUT (D)MUTTER							(F)ECROU (S)TUERCA				
	94515048	04-07		B B B X X X			SL14A44LDA,SL8A4L88				1				
Y	94515027	04-07		B B B X X X			SL14A44LDA,SL8A4L88				1				
	[34]			(E)DRIVE SHAFT A (D)ANTRIEBSELLE A							(F)ENTRAÎNEMENT & ARBRE A (S)ACCIONAMENTO Y EJE A				
	10452345	04-07		B B B X X X			SL14A44LDA				1				
	93740786	04-07		B B B X X X			SL8A4L88				1				
	[37]			(E)GEAR (D)GANJ							(F)PIGNON (S)ENGRANAJE				
	10452333	04-08		B B B X X X			SL14A44LDA				3	263250			

1760
STARTER



RJ1760GW 10/30/2004

I T C	KEY NO.		PART NAME											P I C O D E				
	PART NO.	MODEL YEAR	D R V	BODY				LEVEL			OPTION	L Q T R Y	V.I.N.		REMARKS			
				4 N B	4 H S B	5 L S	5 L S	B L L	L L L	FROM			TO					
	[37]			(E)GEAR (D)GANG														
	0 10504148	04 - 07		B B B X X X					8L14A,44LDA					(F)PIGNON (S)ENGRANAJE				
	10453203	04 - 07		B B B X X X					8L84A,88					3 283251 3				
	[38]			(E)CUSHION (D)POLSTER										(F)COUSSIN (S)APOYO				
	10452336	04 - 07		B B B X X X					8L14A,44LDA					1				
	10453205	04 - 07		B B B X X X					8L84A,88					1				
	[39]			(E)SHIELD (D)SCHILD										(F)BOUCLIER (S)PROTECCIÓN				
	10452335	04 - 07		B B B X X X					8L14A,44LDA					1				
	10485269	04 - 07		B B B X X X					8L84A,88					1				
	[41]			(E)BOLT (D)BOLZEN										(F)BOULON (S)PERNO				
	96244281	04 - 07		B B B X X X					8L84A,88					1				
	[42]			(E)BOLT (D)BOLZEN										(F)BOULON (S)PERNO				
	94501159	04 - 07		B B B X X X					8L84A,88&MMS					1				
	94500868	04 - 07		B B B X X X					8L84A,88&MCA&M89					1				
	[43]			(E)SCREW (D)SCHRAUBE										(F)VIS (S)TORNILLO				
	94580031	04 - 07		B B B X X X					8L14A,44LDA					1				STUD BOLT
	[48]			(E)BOLT (D)BOLZEN										(F)BOULON (S)PERNO				
	94580031	04 - 07		B B B X X X					8L14A,44LDA					1				STUD BOLT

**** RPO DEFINITIONS ****
L14 : ENGINE-4 CYL 1.4 DOHC MPI
L44 : ENGINE-4 CYL 1.8 DOHC MPI
LDA : ENGINE-4 CYL 1.8 DOHC MPI
L84 : ENGINE-4 CYL 1.8 DOHC MPI
L88 : ENGINE-4 CYL 2.0 DOHC MPI
MMS : TRANS-AUTO,4SPD,4HT16
MCA : TRANS-MAN,5SPD,CR
M89 : TRANS-MAN,5 SPD,D20 CR

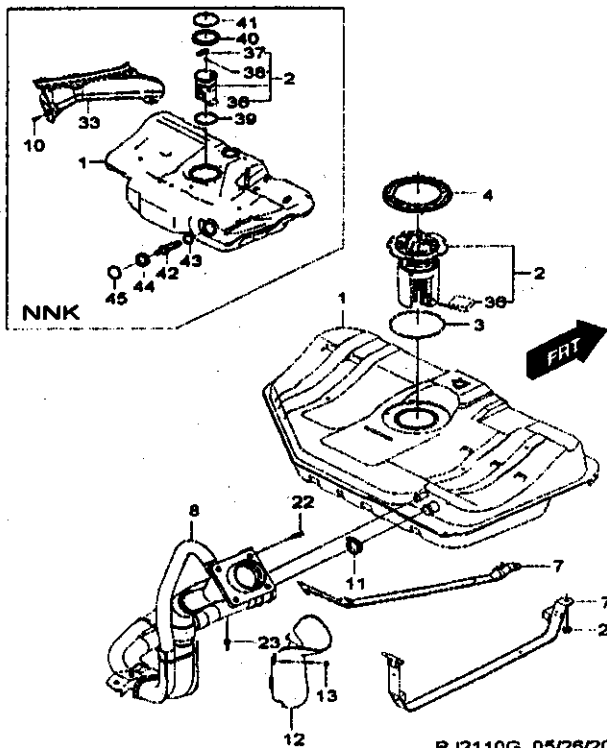
2

FUEL&ENGINE CONTROL

- 2110 FUEL TANK
- 2120 FUEL LINE
- 2130 CANISTER&FUEL VACUUM I
- 2131 CANISTER&FUEL VACUUM II
- 2210 RADIATOR
- 2220 COOLING FAN
- 2230 RADIATOR HOSE&PIPE I
- 2233 RADIATOR HOSE&PIPE II
- 2241 OIL COOLER PIPE(ZF A/T)
- 2242 OIL COOLER PIPE I (AISIN A/T)
- 2410 AIR INTAKE SYSTEM I
- 2411 AIR INTAKE SYSTEM II
- 2451 VACUUM HOSE(FAM I DOHC)
- 2453 VACUUM HOSE(FAM II DOHC)
- 2460 EXHAUST PIPE LINE I
- 2510 EMISSION MODULE



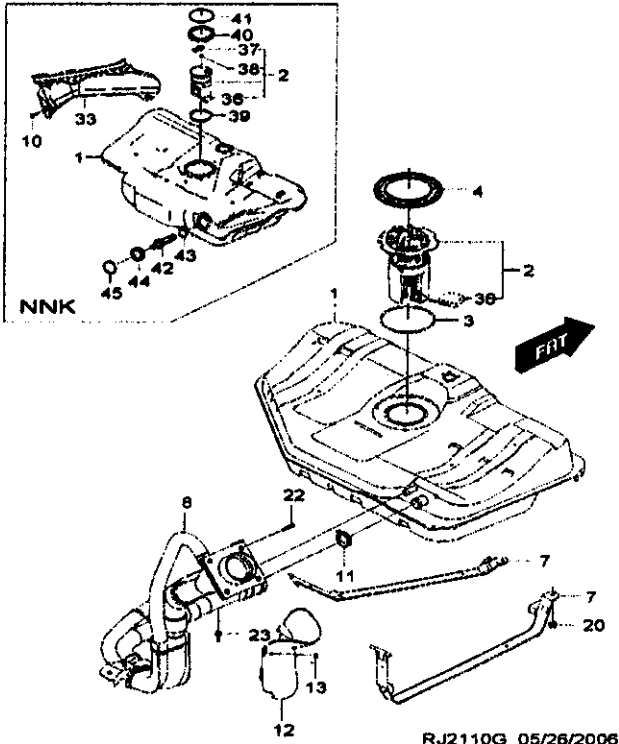
**2110
FUEL TANK**



RJ2110G 05/28/2008

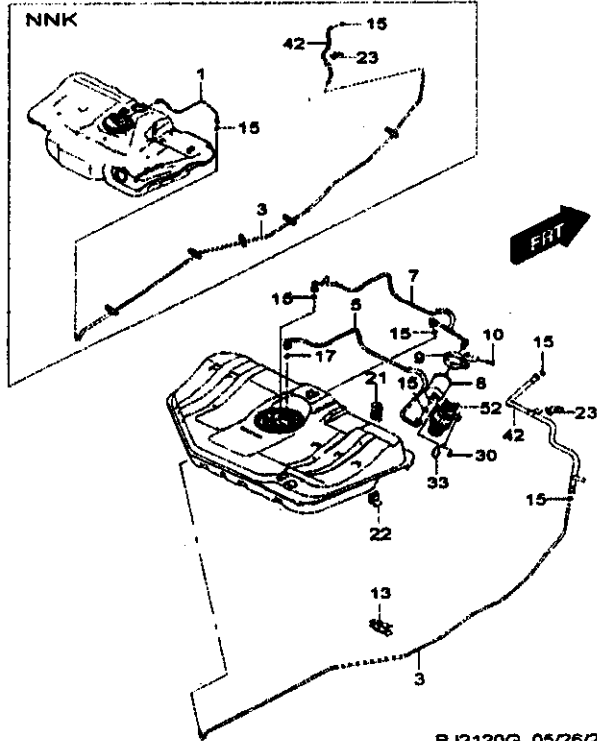
I T C	KEY NO.		PART NAME											L Q T R Y	V.I.N.		REMARKS	P / C O D E
	PART NO.	MODEL YEAR	D R Y	BODY			LEVEL		OPTION	FROM	TO	REMARKS						
				4 N B	5 H S W	8 L S	9 L S T											
	[13]			(E)NUT (D)MUTTER									(F)ECROU (S)TUERCA					
	94515147	04-07		B B B X X X									3					
	[20]			(E)NUT (D)MUTTER									(F)ECROU (S)TUERCA					
	94515107	04-07		B B B X X X									2					
	[22]			(E)SCREW (D)SCHRAUBE									(F)VIS (S)TORNILLO					
	94520301	04-07		B B B X X X									4					
	[23]			(E)BOLT (D)BOLZEN									(F)BOULON (S)PERNO					
	94500400	04-07		B B . X X X									1					
	[33]			(E)INSULATION-FUEL TANK (D)ISOLIERUNG-KRAFTSTOFFTANK									(F)ISOLATION-RESERVOIR DE (S)AISLAMIENTO-DEPOSITO DE					
	96554020	05-07		B . B . . X	NNK								1					
	[36]			(E)SENDER-FUEL (D)SENDER-KRAFTSTOFF									(F)EMETTEUR-CARBURANT (S)TRANSMISOR-DE COMBUSTIBLE					
	96499272	04-04		B B . X X X				AL14A44AXBM					1	943308				
	○ 96495799	04-05		B B B X X X				AL14A44AXBM					1	943307 231110			LB	
	○ 96447443	04-07		B B B X X X				AL14A44ANNNMANN7AXBM					1	231111			LV	
	96447441	06-07		B B B X X X				AL14A44ANNAKXBM					1				LU	
	96499272	04-04		B B . X X X				AL84XDP					1	994847				
	○ 96423726	04-05		B B B X X X				AL84XDP					1	994848 231110			LJ	
	○ 96447441	04-07		B B B X X X				ALDA44ANNNUNN1ANNN7AXDP					1	231111			LU	
	96434279	05-05		B . B . . X				AL88ANNAKXDP					1	231110			LM	
	○ 96447446	05-07		B . B . . X				AL88ANNAKXDP					1	231111			LO	
	[37]			(E)SENSOR-PRESSURE,FUEL PUMP (D)DRUCKSENSOR,KRAFTSTOFFPUMPE									(F)CAPTEUR-PRESSION,POMPE (S)SENSOR-PRESION,BOMBA DE					
	16238409	06-07		B B B X X X				NNK					1					
	[38]			(E)SEAL (D)DICHTUNG									(F)JOINT (S)RETEN					
	25163001	06-07		B B . X X X				NNK					1					
	[39]			(E)SEAL-SPLIT (D)SPALTDICHTUNG									(F)JOINT FENDU (S)RETEN-PARTIDO					
	96554008	05-07		B . B . . X				NNK					1					
	[40]			(E)RING-SPLIT (D)SPALTRING									(F)BAGUE FENDUE (S)ANILLO-PARTIDO					
	96554009	05-07		B . B . . X				NNK					1					
	[41]			(E)CLAMP-SPLIT (D)SPREIZKLAMMER									(F)COLLIER FENDU (S)ABRAZADERA-PARTIDA					
	96554010	05-07		B . B . . X				NNK					1					

**2110
FUEL TANK**



I T C	KEY NO.		PART NAME										REMARKS	P D O C	
	PART NO.	MODEL YEAR	D R V	BODY		LEVEL		OPTION	L Q T R Y	V.I.N.					
				4 N B	5 H B	5 S S	6 L S			6 L S T	FROM				TO
	[42]			(E)VALVE A-FILLER CHECK (D)SPERRVENTILA A-EINFUELLSTUTZEN											
	96554019	05-07		B	B			X	NNK				(F)CLAPET ANTIRETOUR (S)VÁLVULA A-DE LLENADO 1		
	[43]			(E)SEAL-SPLIT (D)SPALTDICHTUNG											
	96554013	04-07		B	B			X	NNK				(F)JOINT FENDU (S)RETÈN-PARTIDO 2		
	[44]			(E)RING-SPLIT (D)SPALTRING											
	96554014	04-07		B	B			X	NNK				(F)BAGUE FENDUE (S)ANILLO-PARTIDO 4		
	[45]			(E)CLAMP-SPLIT (D)SPREIZKLAMMER											
	96554015	04-07		B	B			X	NNK				(F)COLLIER FENDU (S)ABRAZADERA-PARTIDA 2		
				**** RPO DEFINITIONS ****											
				NNJ : EMISSION-EURO,STAGE IV											
				NNP : EMISSION-KLEV											
				NN1 : EMISSION-EURO,STAGE III											
				NN4 : EMISSION-OP/LOOP,LEADED											
				NN7 : EMISSION-EURO,STAGE II											
				NNK : EMISSION-ULEV II											
				L14 : ENGINE-4 CYL 1.4 DOHC MPI											
				L44 : ENGINE-4 CYL 1.8 DOHC MPI											
				XSM : EMS SYSTEM-SIEMENS											
				L84 : ENGINE-4 CYL 1.8 DOHC MPI											
				XDP : EMS SYSTEM-DELPHI											
				LDA : ENGINE-4 CYL 1.8 DOHC MPI											
				L88 : ENGINE-4 CYL 2.0 DOHC MPI											
				NOU : EMISSION-KOREAN,ULEV											

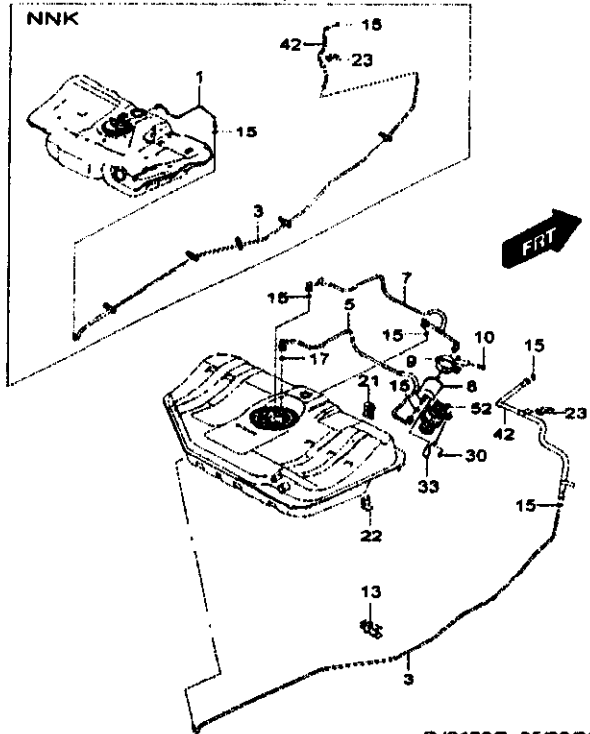
**2120
FUEL LINE**



I T C	KEY NO.		PART NAME											L Q T R Y	V.I.N.		REMARKS	P / E D O C
	PART NO.	MODEL YEAR	D R V E	BODY			LEVEL			OPTION	FROM	TO						
				4 N H B	4 S H W	5 S S	B L L	L L L	S S T									
	[01]			(E)TUBE-FUEL	FDG,RR									(F)TUBE-ALIMENTATION				
	96554017	05-07		(D)ROHR-KRAFTSTOFFZUFUHR,ROC										(S)TUBO-ALM COMBUSTIBLE,TR				
				B . B . . X	NNK									1				
	[03]			(E)PIPE-FUEL	FDG,CTR									(F)TUYAU-ALIMENTATION				
	96553836	04-04		(D)ROHR-KRAFTSTOFFZUFUHR,MITTE										(S)TUBO-ALM COMBUSTIBLE,CTR				
Y	96436570	04-07		B B B X X X	NNK									1				
	96451784	05-05		B . B . . X	NNK									1				
Y	96473670	05-07		B . B . . X	NNK									1				
	[05]			(E)TUBE-FUEL	FILTER,RR									(F)TUBE-FILTRE A CARBURANT,AR				
	96553795	04-07		(D)ROHR-KRAFTSTOFFFILTER,HINTEN										(S)TUBO-FILTRO DE				
				B B B X X X	NNK									1				
	[07]			(E)TUBE-FUEL	FILTER,FRT									(F)TUBE-FILTRE A CARBURANT,AV				
	96553796	04-07		(D)ROHR-KRAFTSTOFFFILTER,VORN										(S)TUBO-FILTRO DE				
				B B B X X X	NNK									1				
	[08]			(E)FILTER-FUEL										(F)FILTRE-CARBURANT				
	96335719	04-07		(D)FILTER-KRAFTSTOFF										(S)FILTRO-DE COMBUSTIBLE				
				B B B X X X	NNK									1				
	[09]			(E)BRACKET-FUEL	FILTER									(F)SUPPORT-FILTRE A CARBURANT				
	96490497	04-07		(D)SCHELLE-KRAFTSTOFFFILTER										(S)SOPORTE-FILTRO DE				
				B B B X X X	NNK									1				
	[10]			(E)BOLT										(F)BOULON				
	94500075	04-07		(D)BOLZEN										(S)PERNO				
				B B B X X X	NNK									2				
	[13]			(E)CLIP										(F)CLIP				
	96493751	04-07		(D)KLEMME										(S)CLIP				
				B B B X X X	NNK									1				
	96493751	04-07		B B B X X X	NNK									1				
	[15]			(E)RETAINER										(F)PIECE DE RETENUE				
	96434270	04-07		(D)HALTESTIFT										(S)RETEN				5/16"
				B B B X X X	NNK									5				
	96434270	04-07		B B B X X X	NNK									1				5/16"
	[17]			(E)RETAINER										(F)PIECE DE RETENUE				
	96434273	04-07		(D)HALTESTIFT										(S)RETEN				3/8"
				B B B X X X	NNK									1				
	[21]			(E)CLIP										(F)CLIP				
	94530335	04-07		(D)KLEMME										(S)CLIP				
				B B B X X X	NNK									2				
	[22]			(E)CLIP										(F)CLIP				
	96351199	04-07		(D)KLEMME										(S)CLIP				
				B B B X X X	NNK									1				

2120

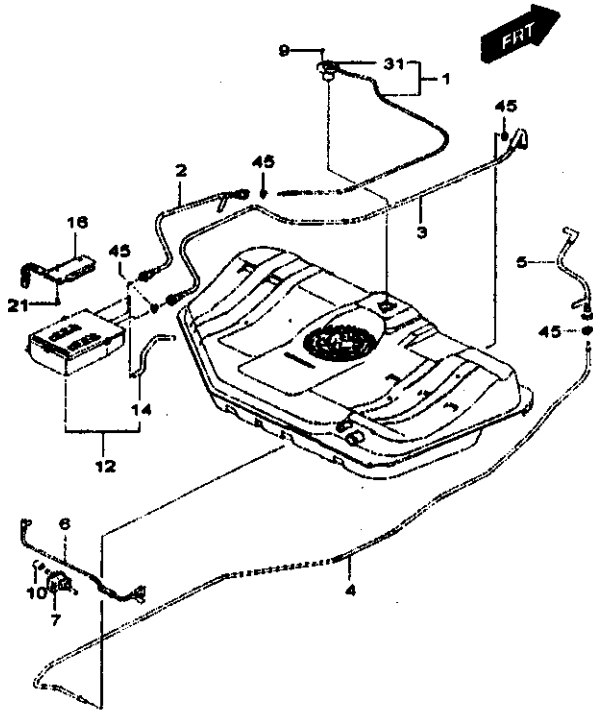
FUEL LINE



I T C	KEY NO. PART NO.	MODEL YEAR	D R V	PART NAME						L Q T Y	V.I.N.		REMARKS	P / C O D E
				BODY		LEVEL		OPTION	FROM		TO			
				4 N B	4 H S B	5 L S	B L L					L L T		
	[23]			(E)CLIP	(D)KLEMM						(F)CLIP			
	96485103	04-07		B B B	X X X	L84/L88					1			
	[30]			(E)BOLT	(D)BOLZEN						(F)BOULON			
	94500071	04-07		B B B	X X X						1			
	[33]			(E)W/HARNES	(D)KABELSTRANG-POLAR						(F)FAIS.CBL-POLAIRE			
	96444762	04-07		B B B	X X X	8N1J1N1P1N11N1M1N1T1N1Q1					1			
	[42]			(E)TUBE A-SUPPLY,FUEL	(D)SPEISEROHR A,KRAFTSTOFF						(F)TUBE			
	96553827	04-07		B B B	X X .	L14/L44					1			JA
	96553829	04-07		B B B	. X X	L84					1			JB
	96553833	05-07		B . B	. . X	L88					1			JN
	96418313	06-07		B B B	X X X	LDA					1			JC
	[52]			(E)PROTECTOR-FILTER,FUEL	(D)SCHUTZVORRICHTUNG-FILTER,KRAFT						(F)PROTECTEUR-FILTRE,CARBURANT			
	96365826	04-07		B B B	X X X	8N1J1N1P1N11N1M1N1T1N1Q1					1			
<p>**** RPO DEFINITIONS ****</p> <p>NNK : EMISSION-ULEV II</p> <p>NNJ : EMISSION-EURO,STAGE IV</p> <p>NNP : EMISSION-KLEV</p> <p>NN1 : EMISSION-EURO,STAGE III</p> <p>NN4 : EMISSION-OP/LOOP,LEADED</p> <p>NN7 : EMISSION-EURO,STAGE II</p> <p>NQU : EMISSION-KOREAN,ULEV</p> <p>VB4 : GULF STATES-MANDATORY</p> <p>XND : INDIA-MANDATORY</p> <p>L84 : ENGINE-4 CYL 1.8 DOHC MPI</p> <p>L88 : ENGINE-4 CYL 2.0 DOHC MPI</p> <p>L14 : ENGINE-4 CYL 1.4 DOHC MPI</p> <p>L44 : ENGINE-4 CYL 1.8 DOHC MPI</p> <p>LDA : ENGINE-4 CYL 1.8 DOHC MPI</p>														

2130

CANISTER&FUEL VACUUM I

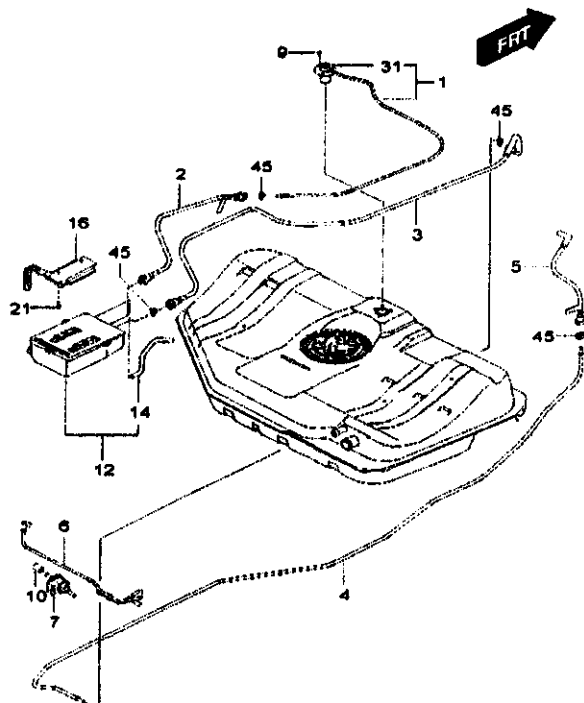


RJ2130G 05/16/2005

I T C	KEY NO.		PART NAME										REMARKS	P MOO /		
	PART NO.	MODEL YEAR	D R V	BODY			LEVEL			OPTION	L Q T Y	V.I.N.				
				4 N B	4 H B	5 S W	B L S	L L T	FROM			TO				
	[01]			(E)TUBE A-FUEL VAPOR (D)ROHR A-KRAFTSTOFFDAMPF								(F)TUBE A-VAPEURS CARBURANT (S)TUBO A-VAPOR DE COMBUSTIBLE				
	96553770	04-07		B B B X X X								1				
	[02]			(E)TUBE-VAPOR,CANISTER (D)ROHR-DAMPF,KANISTER								(F)TUBE-VAPEURS,CARTOUCHE (S)TUBO-DE VAPOR,CARTUCHO				
	96553863	04-07		B B B X X X								1				
	96553863	04-07		B B B X X X								1				
	[03]			(E)TUBE-PURGE,RR (D)SPUELLROHR,HINTERES								(F)TUBE-PURGE,AR (S)TUBO-DE PURGA,TR				
	96553865	04-07		B B B X X X								1				
	96553865	04-07		B B B X X X								1				
	[04]			(E)PIPE-PURGE,CTR (D)SPUELLROHR,MITTE								(F)TUYAU-PURGE,CTR (S)TUBO-DE PURGA,CTR				
	96553873	04-04		B B B X X X								1				
Y	96438569	04-07		B B B X X X								1				
	96553873	04-04		B B B X X X								1				
Y	96438569	04-07		B B B X X X								1				
	[05]			(E)TUBE-PURGE,FRT (D)SPUELLROHR,VORDERES								(F)TUBE-PURGE,AV (S)TUBO-DE PURGA,DELANTERO				
	96553876	04-07		B B B X X X								1		PA		
	96553876	04-07		B B B X X X								1		PA		
	96553876	06-07		B B B X X X								1		PA		
	96553877	04-07		B B B . X X								1		PB		
	96553877	04-07		B B B . X X								1		PB		
	96418314	06-07		B B B X X X								1		PC		
	96418314	06-07		B B B X X X								1		PC		
	[06]			(E)TUBE-PURGE,ENG (D)SPUELLROHR,MOTOR								(F)TUBE-PURGE,MOT (S)TUBO-DE PURGA,MOT				
	96399220	04-07		B B B X X X								1		JO		
	96399220	04-07		B B B X X X								1		JO		
	96417114	06-07		B B B X X X								1		PA		
	96417114	06-07		B B B X X X								1		PA		
	[07]			(E)VALVE-PCV (D)VENTIL-KURBELGEHAEUSEZWANGSE								(F)CLAPET-PCV (S)VALVULA-PCV				
	96387487	04-05		B B B X X X								1	171801	T4		
O	96406210	04-07		B B B X X X								1	171802			
	96387487	04-05		B B B X X X								1	171801	T4		
O	96406210	04-07		B B B X X X								1	171802			
	96334843	06-07		B B B X X X								1		DO		
	96334843	06-07		B B B X X X								1		DO		

2130

CANISTER&FUEL VACUUM I

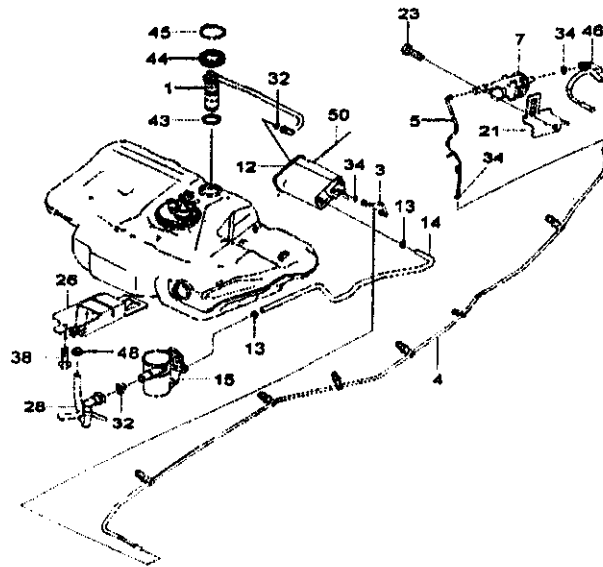


RJ2130G 05/16/2005

I T C	KEY NO.		PART NAME										REMARKS	I M D O C P	
	PART NO.	MODEL YEAR	D R V	BODY			LEVEL		OPTION	L Q T R Y	V.I.N.				
				4 N B	4 H S	5 W B	B S	L L			S T	FROM			
	[09]			(E)BOLT (D)BOLZEN									(F)BOULON (S)PERNO		
	94500070	04-07		B B B X X X					ANNUNPN11ANN7NQU				3		
	[10]			(E)CAP-PURGE (D)DECKEL-SPUELUNG									(F)CHAPEAU-PURGE (S)TAPÓN-DE PURGA		
	96351328	04-06		B B . X X X					ANN4-VB4XND				1	994847	
Y	94580642	04-07		B B B X X X					ANN4-VB4XND				1	994845	
	96351328	04-06		B B . X X X					XXYM				1	994847	
Y	94580642	04-07		B B B X X X					XXYM				1	994848	
	[12]			(E)CANISTER (D)KANISTER									(F)CARTOUCHE (S)CARTUCHO		
	96553838	04-07		B B B X X X					ANN4VB4XND				1		JA
	96553844	04-07		B B B X X X					ANNUNN1				1		JB
	96553838	04-07		B B B X X X					ANN7				1		JA
	[14]			(E)HOSE-AIR VENT,CANISTER (D)SCHLAUCH-ENTLUEFTUNG,KANISTER									(F)FLEXIBLE-EVENT,CARTOUCHE (S)MANGUITO-VENT AIRE,CARTUCHO		
	96553842	04-07		B B B X X X					ANN4VB4XND				1		
	96553842	04-07		B B B X X X					ANNUNN1ANN7				1		
	[16]			(E)BRACKET-GUIDE,CANISTER (D)SCHELLE-FÜHRUNG,KANISTER									(F)SUPPORT-GUIDE,CARTOUCHE (S)SOPORTE-GUÍA,CARTUCHO		
	96553963	04-07		B B B X X X					ANN4VB4XND				1		
	96553963	04-07		B B B X X X					ANNUNPN11ANN7				1		
	[21]			(E)BOLT (D)BOLZEN									(F)BOULON (S)PERNO		
	94500400	04-07		B B B X X X					ANN4VB4XND				3		
	94500400	04-07		B B B X X X					ANNUNN1ANN7				3		
	[31]			(E)VALVE-ROLL OVER (D)VENTIL-UEBERSCHLAG									(F)CLAPET DE SECURITE (S)VÁLVULA-DE INVERSIÓN		
	96328776	04-07		B B B X X X									1		
	[46]			(E)RETAINER (D)HALTESTIFT									(F)PIECE DE RETENUE (S)RETÉN		
	96434270	04-07		B B B X X X									4		5/16"
**** RPO DEFINITIONS ****															
NQU : EMISSION-EURO,STAGE IV															
NMP : EMISSION-KLEV															
NN1 : EMISSION-EURO,STAGE III															
NN4 : EMISSION-OP.A LOOP,LEADED															
NN7 : EMISSION-EURO,STAGE II															
NQU : EMISSION-KOREAN,ULEV															
VB4 : GULF STATES-MANDATORY															
XND : INDIA-MANDATORY															

2131

CANISTER&FUEL VACUUM II

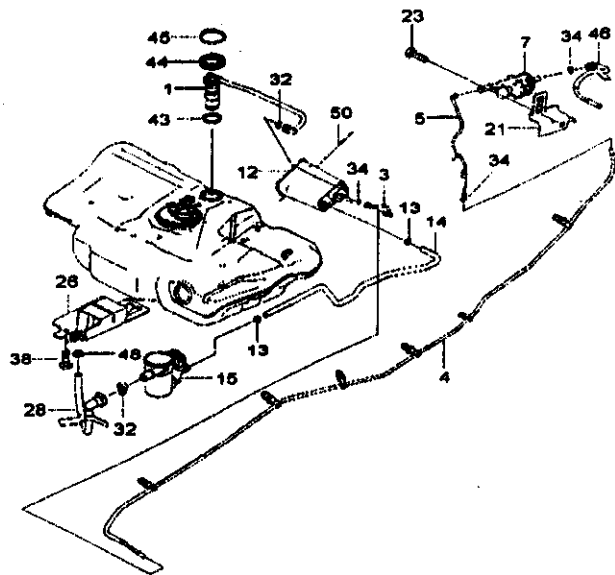


RJ2131GN 10/21/2005

I T C	KEY NO.	PART NO.	MODEL YEAR	PART NAME											L Q T Y	V.I.N. FROM TO	REMARKS	P / C O D E
				D R V	BODY			LEVEL			OPTION	FROM	TO	REMARKS				
					4 N B	4 S B	5 H W	B L S	L L S	T								
		[01]		(E)TUBE A-FUEL VAPOR (D)ROHR A-KRAFTSTOFFDAMPF										(F)TUBE A-VAPEURS (S)TUBO A-VAPOR DE	CARBURANT COMBUSTIBLE			
		98554011	05-07	B . B . . X 4NNK										1				
		[03]		(E)TUBE-PURGE,RR (D)SPUELRROHR,HINTERES										(F)TUBE-PURGE,AR (S)TUBO-DE PURGA,TR				
		98554018	05-07	B . B . . X 4NNK										1				
		[04]		(E)PIPE-PURGE,CTR (D)SPUELRROHR,MITTE										(F)TUYAU-PURGE,CTR (S)TUBO-DE PURGA,CTR				
		98451794	05-07	B . B . . X 4NNK										1				
		Y 98473889	05-07	B . B . . X 4NNK										1				
		[05]		(E)TUBE-PURGE,FRT (D)SPUELRROHR,VORDERES										(F)TUBE-PURGE,AV (S)TUBO-DE PURGA,DELANTERO				
		96553880	05-07	B . B . . X 4L888NNK										1		PN		
		[07]		(E)VALVE-PCV (D)VENTIL-KURBELGEHAEUSEZWANGSE										(F)CLAPET-PCV (S)VALVULA-PCV				
		96553403	05-07	B . B . . X 4NNK										1		NA		
		[12]		(E)CANISTER (D)KANISTER										(F)CARTOUCHE (S)CARTUCHO				
		98554016	05-07	B . B . . X 4NNK										1		TT		
		[13]		(E)CLIP (D)KLEMME										(F)CLIP (S)CLIP				
		94530051	05-07	B . B . . X 4NNK										2				
		[14]		(E)HOSE-AIR VENT,CANISTER (D)SCHLAUCH-ENTLUEFTUNG,KANISTER										(F)FLEXIBLE-EVENT,CARTOUCHE (S)MANGUITO-VENT AIRE,CARTUCHO				
		96554024	05-07	B . B . . X 4NNK										1				
		[16]		(E)VALVE-SOL,CANISTER (D)MAGNETVENTIL,KANISTER										(F)ELECTROVANNE,CARTOUCHE (S)VALVULA-SOL,CARTUCHO				
		98553405	05-07	B . B . . X 4NNK										1				
		[21]		(E)BRACKET A-CANISTER (D)SCHELLE A-KANISTER										(F)SUPPORT A-CARTOUCHE (S)SOPORTE A-CARTUCHO				
		98553404	05-07	B . B . . X 4L888NNK										1				
		98640501	06-07	B B B X X X 4LDA										1				
		[23]		(E)BOLT (D)BOLZEN										(F)BOULON (S)PERNO				
		94500292	05-07	B . B . . X 4NNK										1				
		[28]		(E)BRACKET-ON/OFF,SOL VALVE (D)SCHELLE-EI/VAUS,MAGNETVENTIL										(F)SUPPORT-MARCHE/ARRET,ELECT (S)SOPORTE-ACTIVACION				
		98553856	05-07	B . B . . X 4NNK										1				
		[28]		(E)TUBE A-VAPOR,2 WAY VALVE (D)ROHR A-DAMPF,ZWEIWEGEVENTIL										(F)TUBE A-VAPEUR,VALVE 2 VOIES (S)TUBO A-DE VAPOR,VALVULA DE 2				
		98553401	05-07	B . B . . X 4NNK										1		J8		

2131

CANISTER&FUEL VACUUM II

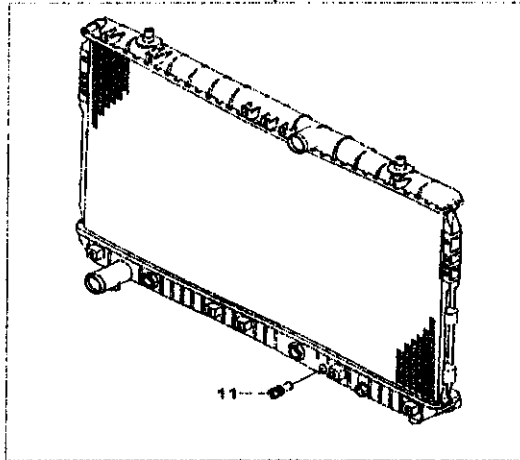


RJ2131GN 10/21/2005

I T C	KEY NO.		PART NAME										L Q T / R Y	V.I.N.		REMARKS	P / D O C U M E N T	
	PART NO.	MODEL YEAR	D R V	BODY			LEVEL			OPTION	FROM	TO						
				4 N B	4 H S W	5 S S	B L S	L L S	T									
	[32]			(E)RETAINER (D)HALTESTIFT									(F)PIECE DE RETENUE (S)RETÉN					
	96434272	05-07		B B B X X X					NNK				1					5/8"
	[34]			(E)RETAINER (D)HALTESTIFT									(F)PIECE DE RETENUE (S)RETÉN					
	96434270	05-07		B B B X X X					NNK				3					5/16"
	[38]			(E)BOLT (D)BOLZEN									(F)BOULON (S)PERNO					
	94500400	05-07		B B B . . X					NNK				2					
	[43]			(E)SEAL-SPLIT (D)SPALTDICHTUNG									(F)JOINT FENDU (S)RETÉN-PARTIDO					
	96554013	05-07		B . B . . X					NNK				2					
	[44]			(E)RING-SPLIT (D)SPALTRING									(F)BAGUE FENDUE (S)ANILLO-PARTIDO					
	96554014	05-07		B . B . . X					NNK				4					
	[45]			(E)CLAMP-SPLIT (D)SPREIZKLAMMER									(F)COLLIER FENDU (S)ABRAZADERA-PARTIDA					
	96554015	05-07		B . B . . X					NNK				2					
	[46]			(E)TUBE A-PURGE,INTERM (D)ZWISCHENROHR A-SPUELUNG									(F)TUBE A-PURGE,INTERM (S)TUBO A-DE PURGA,INTERM					
	96553400	05-07		B . B . . X					LNNK				1					PI
	[48]			(E)GROMMET (D)DURCHFUEHRUNGSTUELLE									(F)PASSE-TUBE (S)PASACABLES					
	96239613	05-07		B . B . . X					NNK				1					
	[50]			(E)STRAP (D)BAND									(F)SANGLE (S)CORREA					
	96404681	05-07		B . B . . X					NNK				1					
				**** RPO DEFINITIONS ****														
				NNK : EMISSION-ULEV II														
				L88 : ENGINE-4 CYL 2.0 DOHC MPI														
				LDA : ENGINE-4 CYL 1.8 DOHC MPI														

2210

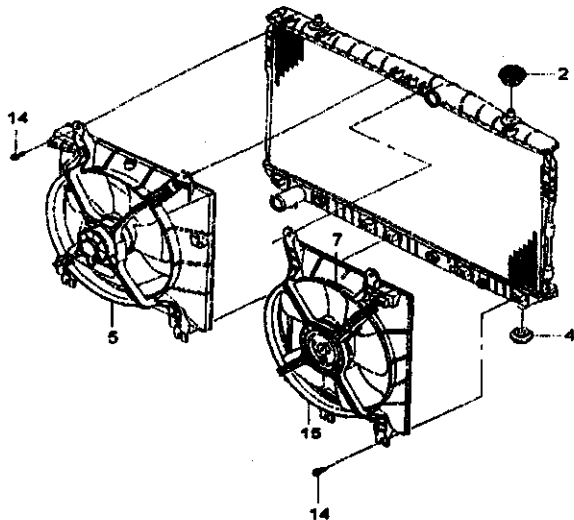
RADIATOR



RJ2210 10/30/2004

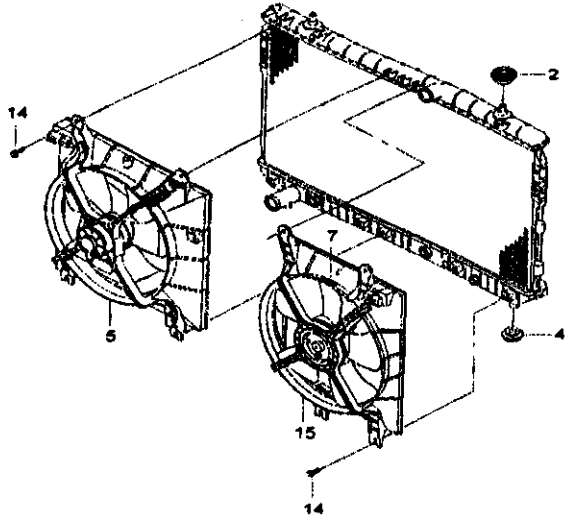
I T C	KEY NO.		PART NAME										L Q / R Y	V.I.N.		REMARKS	P R O O C E D U R E
	PART NO.	MODEL YEAR	D R V	BODY		LEVEL		OPTION	FROM	TO	REMARKS						
				4 N B	4 H B	5 S W	B S					L S		L T			
	[01]			(E)RADIATOR A (D)KUEHLER A							(F)RADIATEUR A (S)RADIADOR A						
	96553378	04-07		B	B	B	X	X	X	&C15/C06L14/LB4/L88/MQ4/MG5M5	1	456630				W	
	○ 96553422	04-07		B	B	B	X	X	X	&C15/C06L14/LB4/L88/MQ4/MG5M5	1	456631				JN	
	96553378	06-07		B	B	B	X	X	X	&C15/C06/C06LDA	1	456630				W	
	○ 96553422	06-07		B	B	B	X	X	X	&C15/C06/C06LDA	1	456631				JN	
	96433350	04-07		B	B	B	X	X	X	&C15/C06L144/MG5	1	456630				XJ	
	○ 96553428	04-07		B	B	B	X	X	X	&C15/C06L444/MG5	1	456631				JU	
	96553243	04-07		B	B	.	X	X	X	&C15/C06L444/M4	1	456630				WU	
	○ 96553424	04-07		B	B	.	X	X	X	&C15/C06L444/M4	1	456631				JQ	
	96553244	04-07		B	B	B	.	X	X	&C15/C06/C06L84/L88/M5	1	456630				WT	
	○ 96553423	04-07		B	B	B	.	X	X	&C15/C06/C06L84/L88/M5	1	456631				JP	
	[11]			(E)COCK A-DRAIN (D)ABLASSTAHN							(F)ROBINET A-VIDANGE (S)GRIFO A-DE DRENAJE						
	96413313	04-07		B	B	B	X	X	X		1						
	**** RPO DEFINITIONS ****																
	C16 : AIR CON-FULL ATC																
	C60 : AIR CONDITIONING																
	L14 : ENGINE-4 CYL 1.4 DOHC MPI																
	L84 : ENGINE-4 CYL 1.8 DOHC MPI																
	L88 : ENGINE-4 CYL 2.0 DOHC MPI																
	MQ4 : TRANS-MAN,5SPD,CR																
	MG5 : TRANS-MAN,5SPD,MODIFY CR																
	MA5 : TRANSMISSION-MAN,5 SPD,M/R																
	C06 : AIR CON-UNCOMPLETED MANUAL																
	LDA : ENGINE-4 CYL 1.8 DOHC MPI																
	L44 : ENGINE-4 CYL 1.6 DOHC MPI																
	ML4 : TRANSMISSION-AUTO,4 SPEED																
	MM9 : TRANS-AUTO,4SPD,4R16																

2220
COOLING FAN



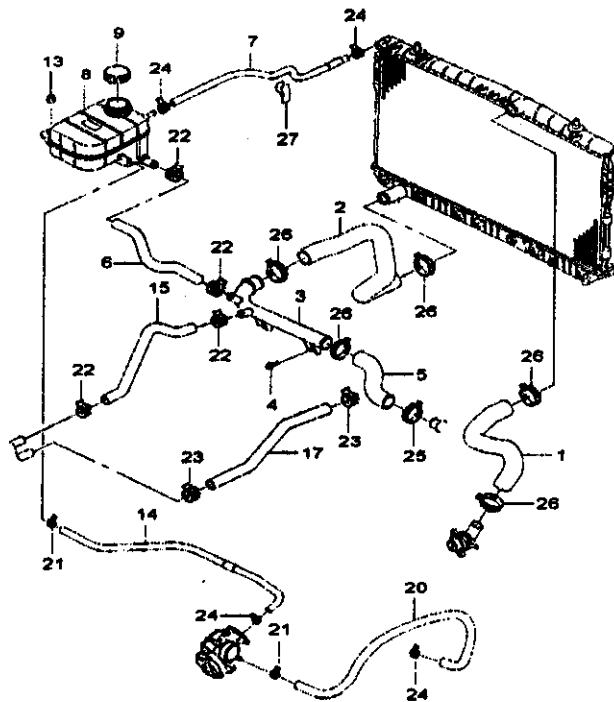
RJ2220GNW 06/22/2005

I T C	KEY NO.		PART NAME											P / D O C E		
	PART NO.	MODEL YEAR	D R V	BODY			LEVEL			OPTION	L / Q T Y	V.I.N.			REMARKS	
				4 N B	3 H S B	5 S W	B S	L L	L S T			FROM	TO			
	[02]			(E)BUMPER-RAD,UPR (D)STOSSDAEMPFER-KUEHLER, OBERER								(F)BUTEE-RAD.SUP (S)TOPE AMORTIGUADOR-RAD,SUP				
	96553258	04 - 07		B B B X X X								2				
	[04]			(E)BUMPER-RAD,LWR (D)STOSSDAEMPFER-KUEHLER, UNTERE								(F)BUTEE-RAD.INF (S)TOPE				
	96184140	04 - 07		B B B X X X								2				
	[05]			(E)FAN A-MAIN (D)HAUPTLUEFTER A								(F)VENTILATEUR A-PRINCIPAL (S)VENTILADOR A-PRINCIPAL				
	96553364	04 - 07		B B B X X X					&C15C18C506L43L448ML4			1				
	96553364	04 - 07		B B B X X X					&C48L14L43L44			1				
	96553242	04 - 07		B B B X X X					&C15C18C50C80L14L43L448MG5			1				
	96553242	04 - 07		B B B X X X					&L84L88L94XKXKC-XJ8			1				
	96425587	05 - 07		B . B . . X					LXJ8			1				
	96553376	06 - 07		B B B X X X					&C15C50C80LLDA			1				
	[07]			(E)STICKER-COOLING FAN (D)AUFKLEBER KUEHLGEBLAESE								(F)AUTOCOLLANT-VENTILATEUR DE (S)PEGATINA-VENTILADOR DE				
	96352665	04 - 05		B . . X X X					&C15C18C50C80-XJ8			1	921218			COOLING FAN
	96413741	05 - 07		B B B X X X					&C15C18C50C80-XJ8			1	921219			COOLING FAN
	96477113	05 - 07		B . B . . X					LXJ8			1				COOLING FAN
	[14]			(E)BOLT (D)BOLZEN								(F)BOULON (S)PERNO				
	94501377	04 - 07		B B B X X X					&C15C18C50C80			4				
	94501377	04 - 07		B B B X X X					&C15C18C50C80			4				
	[15]			(E)FAN A-AUX (D)HILFSLUEFTER A								(F)VENTILATEUR A-AUX (S)VENTILADOR A-AUX				
	96553377	04 - 07		B . . X X X					&C15C80			1	921218			
	Y 96553241	04 - 07		B B B X X X					&C15C18C50LL43L448ML4			1	921219			
	Y 96553241	04 - 07		B B B X X X					&C15C50C80LL84L88-XJ8/XKD			1	921219			
	96425588	05 - 07		B . B . . X					LXJ8			1				
	96553241	06 - 07		B B B X X X					&C15C50C80LLDA			1				
				**** RPO DEFINITIONS ****												
				C15 : AIR CON-FULL ATC												
				C16 : AIR QUALITY CONTROL SYSTEM												
				C80 : AIR CONDITIONING												
				L43 : ENGINE-4 CYL 1.5 DOHC MPI												
				L44 : ENGINE-4 CYL 1.6 DOHC MPI												
				ML4 : TRANSMISSION-AUTO. 8-SPEED												
				C48 : HEATER												
				L14 : ENGINE-4 CYL 1.4 DOHC MPI												
				C59 : AIR CON-UNCOMPLETED MANUAL												
				MG5 : TRANS-MAN,SSPO,MODIFY CR												

2220 COOLING FAN	KEY NO.		PART NAME											
	I T C	PART NO.	MODEL YEAR	D R V	BODY		LEVEL		OPTION	L Q / R Y	V.I.N.		REMARKS	P - 7 C O O L E D
					4 N B	4 H S B	5 S S	5 S S			B L S	L L S T		
<p>**** RPO DEFINITIONS ****</p> <p>LH : ENGINE-4 CYL 1.8 DOHC MPI</p> <p>LSB : ENGINE-4 CYL 2.0 DOHC MPI</p> <p>XKA : BADGE-CHEVROLET</p> <p>XXC : BADGE-DAEWOO</p> <p>XLB : JAPAN-MANDATORY</p> <p>LDA : ENGINE-4 CYL 1.8 DOHC MPI</p> <p>XXD : BADGE-SUZUKI</p>														
 <p style="text-align: center;">RJ2220GNW 06/22/2005</p>														

2230

RADIATOR HOSE&PIPE I

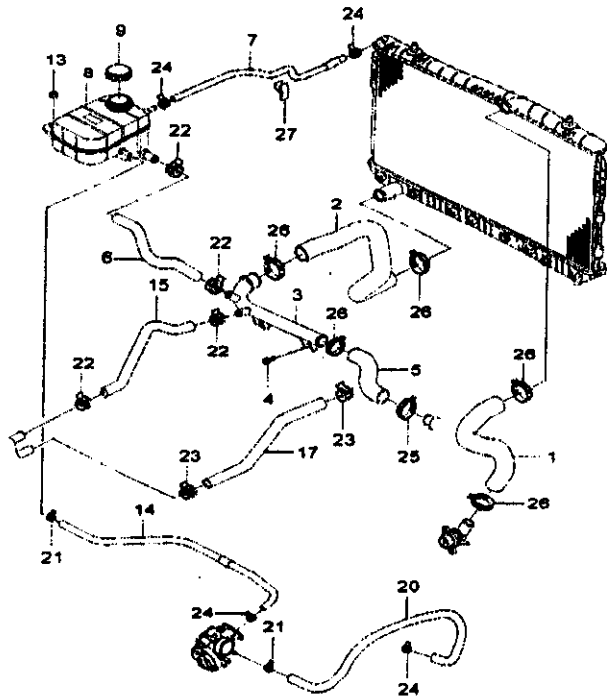


RJ2230DGW 06/09/2006

I T C	KEY NO. PART NO.	MODEL YEAR	PART NAME											P / C O D E			
			D R V	BODY			LEVEL			OPTION	L / Q T Y	V.I.N.			REMARKS		
				4 N B	4 H W	5 S B	B L L	L L L	FROM			TO					
	[01] 96553267	04 - 07		(E)HOSE-RAD,UPR (D)SCHLAUCH-KUEHLER, OBERER								(F)DURIT-RAD,SUP (S)MANGUITO-RAD,SUP		1			LD
	[02] 96553249 96553353	04 - 07 04 - 07		(E)HOSE-RAD,LWR (D)SCHLAUCH KUEHLER, UNTERER								(F)DURIT-RAD,INF (S)MANGUITO-RAD,INFERIOR		1 1			LA LK
	[03] 96273608	04 - 07		(E)PIPE-RAD,PUMP (D)ROHR-KUEHLER,PUMPE								(F)TUYAU-RAD,POMPE (S)TUBO-RAD,BOMBA		1			
	[04] 94500169	04 - 07		(E)BOLT (D)BOLZEN								(F)BOULON (S)PERNO		2			
	[06] 96180071	04 - 07		(E)HOSE-PIPEWATER PUMP (D)SCHLAUCH-ROHR&WASSERPUMPE								(F)DURIT-TUYAU&POMPE A EAU (S)MANGUITO-TUBO Y BOMBA DE		1			
	[06] 96553272	04 - 07		(E)HOSE-SURGE TANK&PIPE (D)SCHLAUCH-DRUCKAUSGLEICHTANK&								(F)DURIT-VASE D'EXPANSION&TUYAU (S)MANGUITO-TANQUE DE		1			
	[07] 96553305	04 - 07		(E)HOSE-RAD&SURGE TANK (D)SCHLAUCH-KUEHLER&DRUCKAUSGLE								(F)DURIT-RAD&VASE D'EXPANSION (S)MANGUITO-RAD Y TANQUE DE		1			
	[08] 96553255	04 - 07		(E)TANK-SURGE (D)DRUCKAUSGLEICHTANK								(F)VASE D'EXPANSION (S)TANQUE-DE COMPENSACION		1			
	[09] 96536649 O 98420303	04 - 04 04 - 07		(E)CAP SURGE TANK (D)DECKEL-DRUCKAUSGLEICHTANK								(F)BOUCHON-VASE D'EXPANSION (S)TAPON-TANQUE DE		1 1	921218 921219		CV
	[13] 94515137	04 - 07		(E)NUT (D)MUTTER								(F)ECROU (S)TUERCA		2			
	[14] 96553134	04 - 07		(E)HOSE-T/BODY,RTN (D)SCHLAUCH-DROSSELKLAPPENGEHAE								(F)FLEXIBLE-CRP,PAR,RTR (S)MANGUITO-C/AC,RETORNO		1			LE
	[15] 96554384	04 - 07		(E)HOSE-HEATER,RTN (D)SCHLAUCH-HEIZER,RUECKLAUFLEITU								(F)DURIT-RETOUR CHAUFFAGE (S)MANGUITO-CALEFACTOR,RETORN		1			
	[17] 96554383	04 - 07		(E)HOSE-HEATER,FDG (D)SCHLAUCH-HEIZER,ZUFUEHRUNG								(F)DURIT-CHAUFFAGE,ALIM (S)MANGUITO-CALEFACTOR,ALM		1			

2230

RADIATOR HOSE&PIPE I

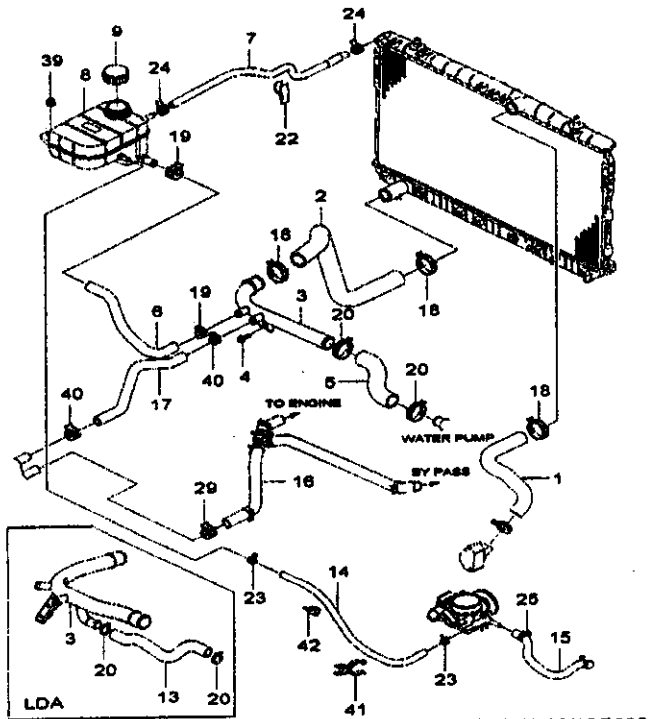


RJ2230DGW 06/08/2006

I T C	KEY NO.		PART NAME										REMARKS	MDC1-9		
	PART NO.	MODEL YEAR	D R V	BODY			LEVEL		OPTION	L / R	Q T Y	V.I.N.				
				4 N B	4 H B	5 S W	B L S	L L T				FROM			TO	
	[20]			(E)HOSE-T/BODY,FDG									(F)FLEXIBLE-CRP.PAR.ALIM			
	96445820	04-07		(D)SCHLAUCH-DROSSELKLAPPENGEHAE									(S)MANGUITO-CIAC,ALM			
	[21]			(E)CLIP									(F)CLIP			
	94530038	04-07		(D)KLEMME									(S)CLIP			
	[22]			(E)CLIP									(F)CLIP			
	94530064	04-07		(D)KLEMME									(S)CLIP			
	Y 94530062	04-07		B B . X X X									2			
	94530062	04-07		B B B X X X									2			
	[23]			(E)CLIP									(F)CLIP			
	94530071	04-07		(D)KLEMME									(S)CLIP			
	Y 94530069	04-07		B B . X X X									2		921218	
	[24]			(E)CLIP									(F)CLIP			
	94530038	04-07		(D)KLEMME									(S)CLIP			
	[25]			(E)CLIP									(F)CLIP			
	94530063	04-07		(D)KLEMME									(S)CLIP			
	[26]			(E)CLIP									(F)CLIP			
	94530086	04-07		(D)KLEMME									(S)CLIP			
	[27]			(E)CLIP									(F)CLIP			
	94530332	04-07		(D)KLEMME									(S)CLIP			
				**** RPO DEFINITIONS ****												
				L14	: ENGINE-4 CYL 1.4 DOHC MPI											
				L44	: ENGINE-4 CYL 1.6 DOHC MPI											
				MG4	: TRANS-MAN,5SPD,CR											
				MG5	: TRANS-MAN,5SPD,MODIFY CR											
				ML4	: TRANSMISSION-AUTO,4 SPEED											
				XJ6	: JAPAN-MANDATORY											
				LDA	: ENGINE-4 CYL 1.6 DOHC MPI											
				L43	: ENGINE-4 CYL 1.5 DOHC MPI											
				LJ4	: ENGINE-4 CYL 1.6 DOHC MPI											
				L88	: ENGINE-4 CYL 2.0 DOHC MPI											

2233

RADIATOR HOSE&PIPE II

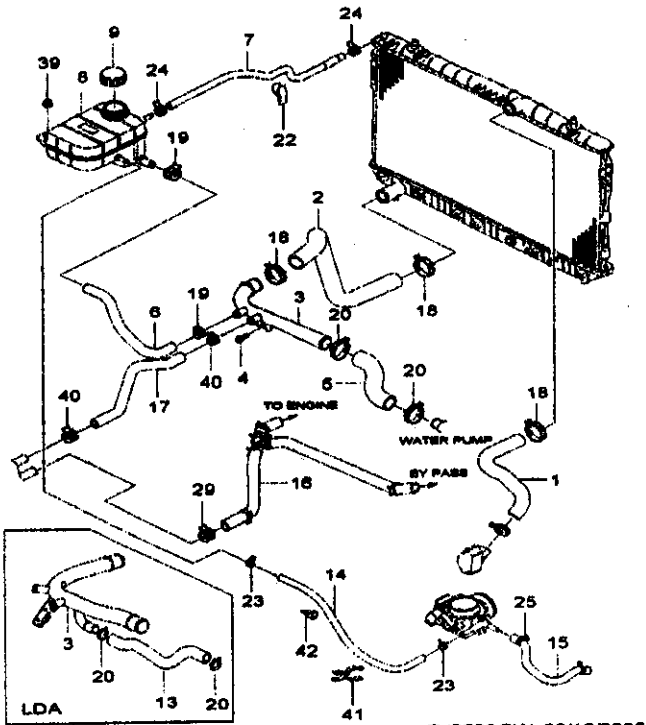


RJ2233GW 06/18/2005

I T C	KEY NO. PART NO.	MODEL YEAR	D R V E	PART NAME						L Q R Y	V.I.N.		REMARKS	P R O D U C T I O N	
				BODY			LEVEL				OPTION	FROM			TO
				4 N B	4 H S	5 B W	B L S	L L S	T						
	[01]			(E)HOSE-RAD,UPR (D)SCHLAUCH-KUEHLER, OBERER							(F)DURIT-RAD,SUP (S)MANGUITO-RAD,SUP				
	96553247	04-07		B B B X X X			ALMALS				1			LM	
	96419282	06-07		B B B X X X			ALDAAMQAMMAMMS				1			LM	
	[02]			(E)HOSE-RAD,LWR (D)SCHLAUCH KUEHLER, UNTERER							(F)DURIT-RAD,INF (S)MANGUITO-RAD,INFERIOR				
	96553316	04-07		B B B X X X			ALMALS				1			LS	
	96419283	06-07		B B B X X X			ALDAAMQAMMAMMS				1			LS	
	[03]			(E)PIPE-WATER (D)WASSERROHR							(F)TUYAU-EAU (S)TUBO-DE AGUA				
	96553368	04-07		B B B X X X			ALMALS				1				
	96419278	06-07		B B B X X X			ALDA				1				
	[04]			(E)BOLT (D)BOLZEN							(F)BOULON (S)PERNO				
	94500169	04-07		B B B . X X							2				
	[05]			(E)HOSE-PIPERWATER PUMP (D)SCHLAUCH-ROHR&WASSERPUMPE							(F)DURIT-TUYAU&POMPE A EAU (S)MANGUITO-TUBO Y BOMBA DE				
	96184371	04-07		B B B X X X			ALMALS				1			LP	
	96419280	06-07		B B B X X X			ALDAAMQAMMAMMS				1			LP	
	[06]			(E)HOSE-SURGE TANK&PIPE (D)SCHLAUCH-DRUCKAUSGLEICHTANK&							(F)DURIT-VASE D'EXPANSION&TUYAU (S)MANGUITO-TANQUE DE				
	96553273	04-07		B B B X X X			ALMALS				1				
	96419279	06-07		B B B X X X			ALDAAMQAMMAMMS				1			LR	
	[07]			(E)HOSE-RAD&SURGE TANK (D)SCHLAUCH-KUEHLER&DRUCKAUSGLE							(F)DURIT-RAD&VASE D'EXPANSION (S)MANGUITO-RAD Y TANQUE DE				
	96553305	04-07		B B B . X X							1				
	[08]			(E)TANK-SURGE (D)DRUCKAUSGLEICHTANK							(F)VASE D'EXPANSION (S)TANQUE-DE COMPENSACION				
	96553255	04-07		B B B . X X			ALJ				1				
	96425589	05-07		B . B . X X			ALJ				1				
	[09]			(E)CAP.SURGE TANK (D)DECKEL-DRUCKAUSGLEICHTANK							(F)BOUCHON-VASE D'EXPANSION (S)TAPON-TANQUE DE				
	96538649	04-04		B B . X X							1	921218			
	O 96420303	04-07		B B B . X X							1	921219		CV	
	[13]			(E)HOSE-BYPASS (D)SCHLAUCH-BYPASS							(F)FLEXIBLE-DERIVATION (S)MANGUITO-DE DERIVACION				
	96419281	06-07		B B B . X X			ALDAAMQAMMAMMS				1			LQ	
	[14]			(E)HOSE-T/BODY,RTN (D)SCHLAUCH-DROSSELKLAPPEGEHAE							(F)FLEXIBLE-CRP,PAP,RTR (S)MANGUITO-CIAC,RETORNO				
	96553278	04-07		B B B X X X			ALMALS				1			LF	
	96419285	06-07		B B B X X X			ALDA				1			LS	

2233

RADIATOR HOSE&PIPE II

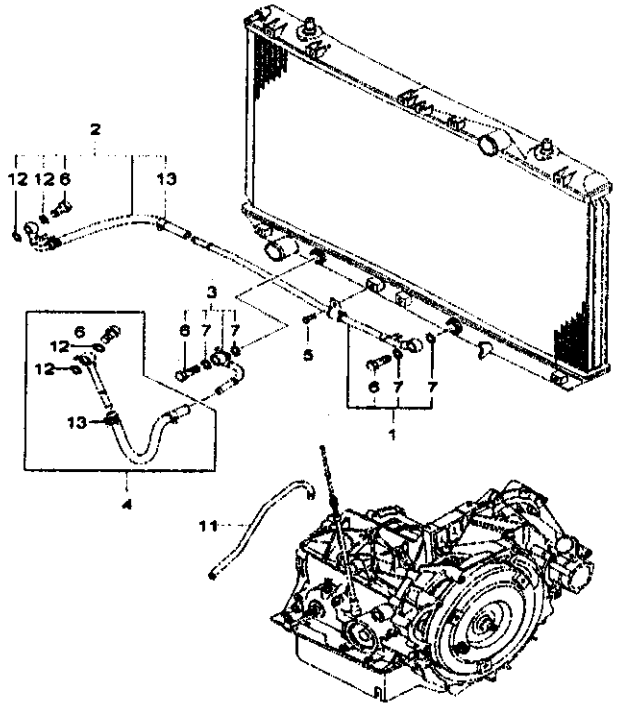


RJ2233GW 06/16/2005

I T C	KEY NO.		PART NAME										L Q / R Y	V.I.N.		REMARKS	M D C - P	
	PART NO.	MODEL YEAR	D R V	BODY			LEVEL			OPTION	FROM	TO						
				4 N H S B	4 H S B	5 S B	B L S	L L S	T									
	[39]			(E)NUT (D)MUTTER										(F)ECROU (S)TUERCA				
	94515137	04-07		B B B . X X										2				
	[40]			(E)CLIP (D)KLEMM										(F)CLIP (S)CLIP				
	94530062	04-07		B B B . X X						6LBA,LS				2				
	94530064	06-07		B B B . X X						6LDA				2				OPTION ADD
	[41]			(E)CLIP (D)KLEMM										(F)CLIP (S)CLIP				
	94530329	04-07		B B B X X X						6LBA,LS				1				
	[42]			(E)BRACKET-HOSE,T/BODY,RTN (D)SCHLE-SCHLAUCH,DROSSELKLAPP										(F)SUPPORT-FLEXIBLE,CRP,PAP,RTN (S)SOPORTE-MANGUTO,C/AC,RETOP				
	96424456	06-07		B B B . X X						6LDA				2				
				**** RPO DEFINITIONS ****														
				LBA : ENGINE-4 CYL 1.8 DOHC MPI														
				LBS : ENGINE-4 CYL 2.0 DOHC MPI														
				LDA : ENGINE-4 CYL 1.8 DOHC MPI														
				MQ4 : TRANS-MAN,5SPD,CR														
				MM5 : TRANS-AUTO,4SPD,4-#16														
				MM5 : TRANSMISSION-MAN,5 SPD,MR														
				XL6 : JAPAN-MANDATORY														

2241

OIL COOLER PIPE(ZF A/T)



RJ2241GNW 10/30/2004

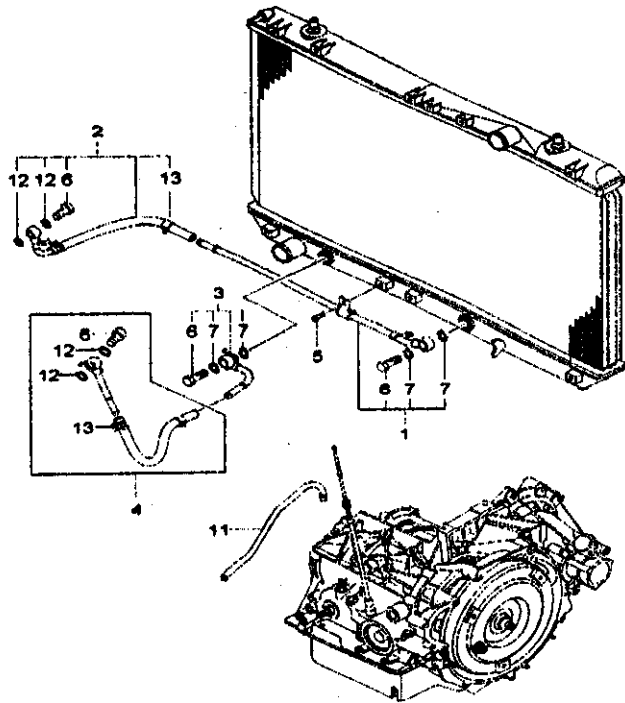
I T C	KEY NO.	MODEL YEAR	D R V E	BODY				LEVEL				OPTION	L / R	Q / T Y	V.I.N.		REMARKS	P / O O C E S	
				4	5	B	L	4	5	B	L				FROM	TO			
				NH	HS	SS	SS	NH	HS	SS	SS								
	[01]																		
	96286398	04 - 04															(F) TUYAU A-REFROIDISSEUR (S) TUBO A-REFRIGERADOR DE		
	Y 96418058	04 - 06														1 933130	039630		
	Y 96425004	04 - 07														1 039631			
	[02]																		
	96289048	04 - 06															(F) TUYAU A-REFROIDISSEUR (S) TUBO A-REFRIGERADOR DE		
	Y 96418062	04 - 07														1 933130			
	[03]																		
	96553383	04 - 04															(F) TUYAU A-REFROIDISSEUR (S) TUBO A-REFRIGERADOR DE		
	Y 96415687	04 - 06														1 933130	039630		
	Y 96425002	04 - 07														1 039631			
	[04]																		
	96553290	04 - 06															(F) TUYAU A-REFROIDISSEUR (S) TUBO A-REFRIGERADOR DE		
	Y 96415699	04 - 07														1 933130			
	[05]																		
	94500075	04 - 07															(F) BOULON (S) PERNO		
	[06]																		
	94535531	04 - 06															(F) BOULON (S) PERNO		
	Y 94535529	04 - 07														4			
	[07]																		
	94525121	04 - 06															(F) RONDELLE (S) ARANDELA		
	Y 94525120	04 - 07														4 039631			
	[11]																		
	96273168	04 - 07															(F) FLEXIBLE-RENIFLARD (S) MANGUITO-RESPIRADERO		
	[12]																		
	94525120	04 - 07															(F) RONDELLE (S) ARANDELA		
	[13]																		
	94530023	04 - 07															(F) CLIP (S) CLIP		
																	2		

**** RPO DEFINITIONS ****

MMB : TRANS-AUTO,4SPD,4H,16

2241

OIL COOLER PIPE(ZF A/T)

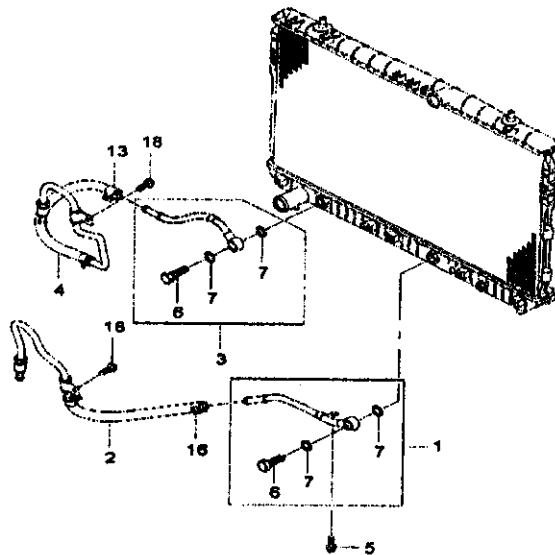


RJ2241GNW 10/30/2004

KEY NO.		PART NAME													
I T C	PART NO.	MODEL YEAR	D R V	BODY			LEVEL			OPTION	L Q T Y	V.I.N.		REMARKS	P R E D O C T
				4 N B	4 H B	5 S W	B S	L S	L T			FROM	TO		
										<p>*** RPO DEFINITIONS ***</p> <p>ML4 : TRANSMISSION-AUTO, SPEED</p>					

2242

OIL COOLER PIPE I (AISIN A/T)



RJ2242DGW 10/30/2004

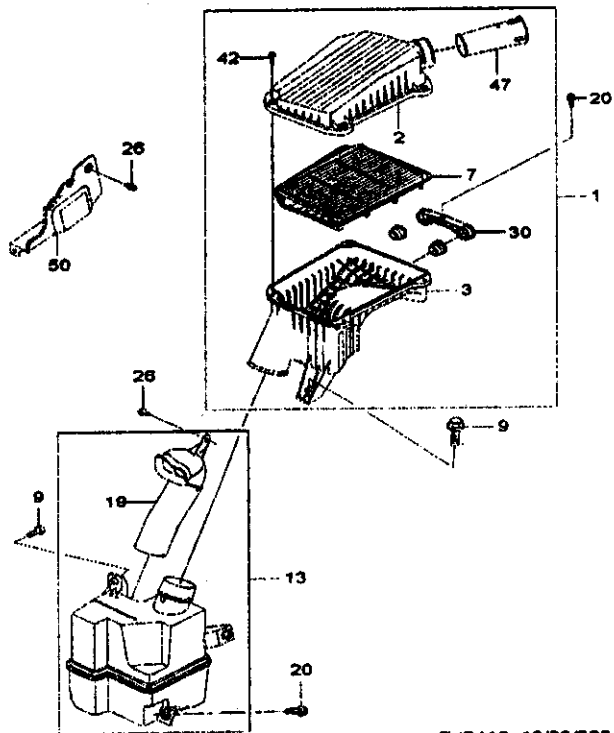
I T C	KEY NO.		PART NAME											P / C O D E	
	PART NO.	MODEL YEAR	D R V E	BODY			LEVEL		OPTION	L / R	Q T Y	V.I.N.			REMARKS
				4 N H S	5 B L	5 S S	B L	L				FROM	TO		
	[01]			(E)PIPE A-OIL COOLER,OTLT (D)ROHR A-OELKUEHLER,AUSLASS										(F)TUYAU A-REFROIDISSEUR (S)TUBO A-REFRIGERADOR DE	
	96553372	04-06		B . . X X X			AML4					1	833129		
	Y 96415689	04-06		B B . X X X			AML4					1	833130 039630		
	Y 96425003	04-07		B B . X X X			AML4					1	039631		
	[02]			(E)PIPE A-OIL COOLER,OTLT (D)ROHR A-OELKUEHLER,AUSLASS										(F)TUYAU A-REFROIDISSEUR (S)TUBO A-REFRIGERADOR DE	
	96553359	04-05		B . . X X X			AML4					1	833129		
	Y 96415695	04-07		B B . X X X			AML4					1	833130		
	[03]			(E)PIPE A-OIL COOLER,INL (D)ROHR A-OELKUEHLER,EINLASS										(F)TUYAU A-REFROIDISSEUR (S)TUBO A-REFRIGERADOR DE	
	96553369	04-06		B . . X X X			AML4					1	833129		
	Y 96415685	04-06		B B . X X X			AML4					1	833130 039630		
	Y 96425001	04-07		B B . X X X			AML4					1	039631		
	[04]			(E)PIPE A-OIL COOLER,INL (D)ROHR A-OELKUEHLER,EINLASS										(F)TUYAU A-REFROIDISSEUR (S)TUBO A-REFRIGERADOR DE	
	96553358	04-06		B . . X X X			AML4					1	833129		
	Y 96415693	04-07		B B . X X X			AML4					1	833130		
	[05]			(E)BOLT (D)BOLZEN										(F)BOULON (S)PERNO	
	94500075	04-07		B B . X X X			AML4					1			
	[06]			(E)BOLT (D)BOLZEN										(F)BOULON (S)PERNO	
	94535529	04-07		B B B X X X			AML4					1			
	94535529	04-07		B B B X X X			AML4					1			
	[07]			(E)WASHER (D)UNTERLEGS SCHEIBE										(F)RONDELLE (S)ARANDELA	
	94525121	04-06		B B . X X X			AML4					2	039630		
	Y 94525120	04-07		B B B X X X			AML4					2	039631		
	[13]			(E)CLIP (D)KLEMME										(F)CLIP (S)CLIP	
	94530023	04-07		B B . X X X			AML4					2			
	[16]			(E)CLIP (D)KLEMME										(F)CLIP (S)CLIP	
	94530023	04-07		B B . X X X			AML4					2			
	[18]			(E)BOLT (D)BOLZEN										(F)BOULON (S)PERNO	
	94500400	04-07		B B . X X X			AML4					2			

**** RPO DEFINITIONS ****

ML4 : TRANSMISSION-AUTO.4 SPEED

2410

AIR INTAKE SYSTEM I

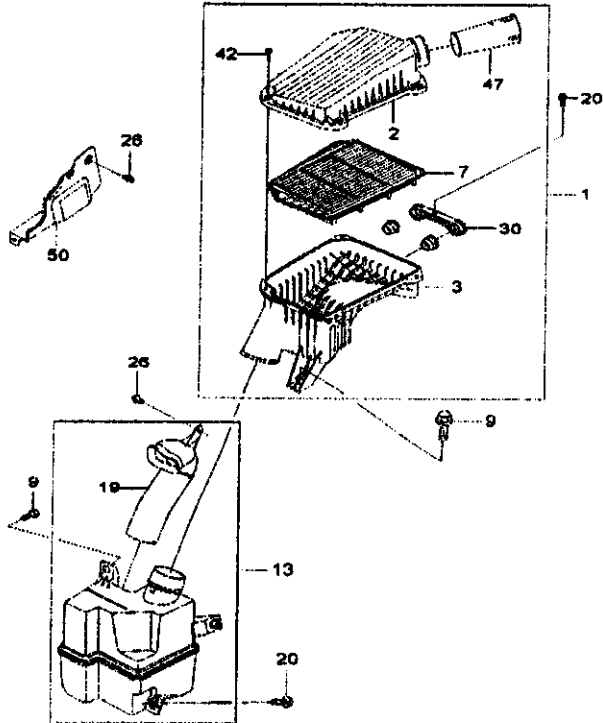


R.J2410 10/30/2004

I T C	KEY NO.		PART NAME											REMARKS	P R E D C T P	
	PART NO.	MODEL YEAR	D R V	BODY			LEVEL			OPTION	L Q R Y	V.I.N.				
				4 N B	4 H B	5 S B	B L S	L L S	T			FROM	TO			
	[01]			(E)CLEANER A AIR (D)LUFTFILTER A										(F)FILTRE A-AIR (S)FILTRO A-DE AIRE		
	96553445	04-07		B B B X X X										1		
	[02]			(E)CLEANER A-AIR,UPR (D)LUFTFILTER A, OBERER										(F)FILTRE A-AIR,SUP (S)FILTRO A-DE AIRE,SUP		
	96553447	04-07		B B B X X X										1		
	[03]			(E)CLEANER-AIR,LWR (D)LUFTFILTER UNTERER										(F)FILTRE-AIR,INF (S)FILTRO-DE AIRE,INFERIOR		
	96553448	04-07		B B B X X X										1		
	[07]			(E)ELEMENT A-AIR CLEANER (D)LUFTFILTERELEMENT A										(F)ELEMENT A-FILTRE A AIR (S)ELEMENTO A-FILTRO DE AIRE		
	96553450	04-07		B B B X X X										1		
	[09]			(E)BOLT (D)BOLZEN										(F)BOULON (S)PERNO		
	94501787	04-07		B B B X X X										1		
	94501787	04-07		B B B X X X										1		
	[13]			(E)RESONATOR A (D)RESONATOR A										(F)RESONATEUR A (S)RESONADOR A		
	96553466	04-07		B B B X X X										1		
	[19]			(E)SNORKEL-AIR CLEANER (D)SCHNORKEL-LUFTFILTER										(F)MANCHON-FILTRE A AIR (S)TUBO DE RESPIRACION-FILTRO DE		
	96553474	04-07		B B B X X X										1		
	[20]			(E)BOLT (D)BOLZEN										(F)BOULON (S)PERNO		
	94501410	04-07		B B B X X X										2		
	94501410	04-07		B B B X X X										1		
	[26]			(E)HOOK (D)HAKEN										(F)CROCHET (S)GANCHO		
	94535628	04-07		B B B X X X										1		
	94535628	04-07		B B B X X X										3		
	[30]			(E)DAMPER-AIR CLEANER (D)DAEMPPER-LUFTFILTER										(F)AMORTISSEUR-FILTRE A AIR (S)AMORTIGUADOR-FILTRO DE AIRE		
	96553506	04-07		B B B X X X										1		
	[42]			(E)BOLT (D)BOLZEN										(F)BOULON (S)PERNO		
	94501383	04-07		B B B X X X										4		
	[47]			(E)DIFFUSER-AIR CLEANER (D)DIFFUSOR-LUFTFILTER										(F)DIFFUSEUR-FILTRE A AIR (S)DIFUSOR-FILTRO DE AIRE		
	96553520	04-07		B B B X X X										1		

2410

AIR INTAKE SYSTEM I

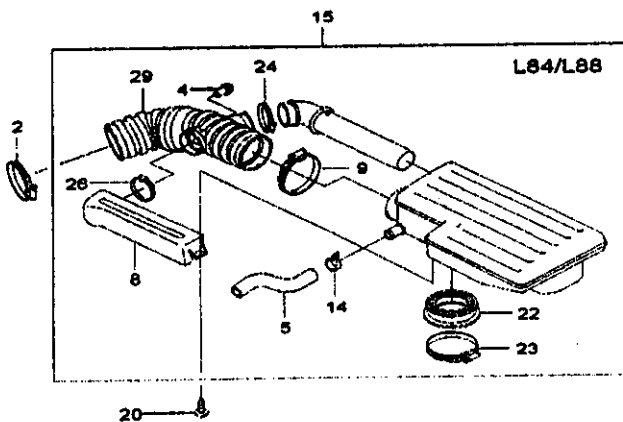
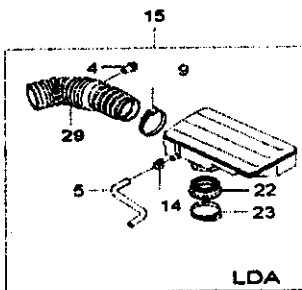
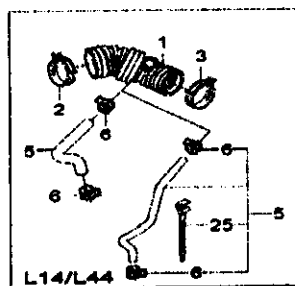


R.J2410 10/30/2004

KEY NO.		PART NAME															
I T C	PART NO.	MODEL YEAR	D R V	BODY			LEVEL			OPTION	L / R	Q T Y	V.I.N.		REMARKS	P - D O O R	
				4 N B	4 H S	5 B W	B L S	L L S T	FROM				TO				
	[50] 96553523	04 - 07		(E) D A M P P E R	A - L U F T	I N L A S S						(F) D E F L E C T E U R	A - A I R	E N T R E E			
				B B B	X X X	X X X						1					

2411

AIR INTAKE SYSTEM II

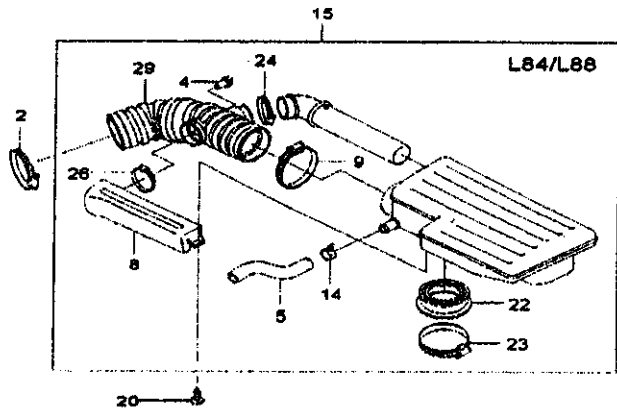
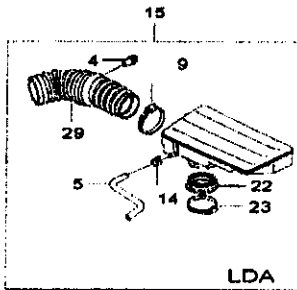
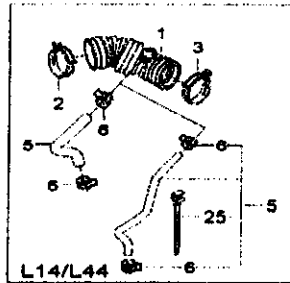


RJ2411GW 06/09/2006

I T C	KEY NO. PART NO.	MODEL YEAR	D R V E	PART NAME						L Q T R Y	V.I.N.		REMARKS	P R O D U C T I O N	
				4 N B	5 H W	B L S	L L S	T	OPTION		FROM	TO			
															BODY
	[01]														
	96553533	04 - 07										(F)FLEXIBLE A-FILTRE A AIR, SOR (S)MANGUITO A-FILTRO DE	1		JK
	[02]											(F)COLLIER (S)ABRAZADERA	1		
	94530125	04 - 07										(F)COLLIER (S)ABRAZADERA	1		
	[03]											(F)CAPTEUR A-TEMP AIR (S)SENSOR A-TEMP DE AIRE	1		
	94530124	04 - 07										(F)CAPTEUR A-TEMP AIR (S)SENSOR A-TEMP DE AIRE	1		
	[04]											(F)CAPTEUR A-TEMP AIR (S)SENSOR A-TEMP DE AIRE	1	294983	
	98183228	04 - 07										(F)CAPTEUR A-TEMP AIR (S)SENSOR A-TEMP DE AIRE	1	294984	
	98417820	06 - 06										(F)CAPTEUR A-TEMP AIR (S)SENSOR A-TEMP DE AIRE	1	294984	
	Y 98183228	06 - 07										(F)CAPTEUR A-TEMP AIR (S)SENSOR A-TEMP DE AIRE	1	294984	
	[05]											(F)FLEXIBLE-RENIFLARD (S)MANGUITO-RESPIRADERO	1	241944	
	96399832	04 - 06										(F)FLEXIBLE-RENIFLARD (S)MANGUITO-RESPIRADERO	1	241945	
	N 96478060	06 - 07										(F)FLEXIBLE-RENIFLARD (S)MANGUITO-RESPIRADERO	1	241945	
	96461014	04 - 07										(F)FLEXIBLE-RENIFLARD (S)MANGUITO-RESPIRADERO	1		
	96414388	06 - 07										(F)FLEXIBLE-RENIFLARD (S)MANGUITO-RESPIRADERO	1		
	[06]											(F)CLIP (S)CLIP	1		
	94530038	04 - 07										(F)CLIP (S)CLIP	1		
	94530038	04 - 07										(F)CLIP (S)CLIP	1		
	94530038	06 - 07										(F)CLIP (S)CLIP	1		
	[08]											(F)RESONATEUR A-AUX (S)RESONADOR A-AUXILIAR	1		
	96553524	04 - 07										(F)RESONATEUR A-AUX (S)RESONADOR A-AUXILIAR	1		
	[09]											(F)COLLIER (S)ABRAZADERA	1		
	94530125	04 - 07										(F)COLLIER (S)ABRAZADERA	1		
	[10]											(F)FLEXIBLE A-RENIFLARD (S)MANGUITO A-RESPIRADERO	1		
	96476060	06 - 07										(F)FLEXIBLE A-RENIFLARD (S)MANGUITO A-RESPIRADERO	1		
	[14]											(F)CLIP (S)CLIP	1	921218	
	94530065	04 - 07										(F)CLIP (S)CLIP	1	921219	
	Y 94530064	04 - 07										(F)CLIP (S)CLIP	1	921219	
	94530038	06 - 07										(F)CLIP (S)CLIP	1		
	[15]											(F)RESONATEUR A-2E (S)RESONADOR A-2º	1		
												(F)RESONATEUR A-2E (S)RESONADOR A-2º	1		

2411

AIR INTAKE SYSTEM II

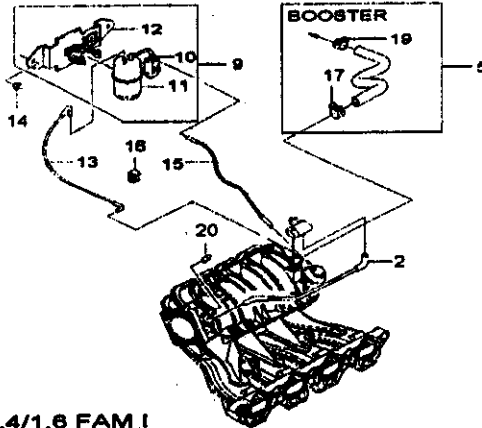


RJ2411GW 06/09/2006

I T C	KEY NO. PART NO.	MODEL YEAR	D R I V E	BODY		LEVEL		OPTION	L Q T R Y	V.I.N.		REMARKS	P / C O D E
				4 N B	4 H S B	B L S	L L S			FROM	TO		
	[15]							(E)RESONATOR A-2ND (D)RESONATOR A-2			(F)RESONATEUR A-2E (S)RESONADOR A-2º		
	96553488	04 - 07			B B B	X X X	AL84AL88				1		JL
	96425642	06 - 07			B B B	. X X	ALDA				1		JT
	[20]							(E)SCREW (D)SCHRAUBE			(F)VIS (S)TORNILLO		
	94520494	04 - 07			B B B	X X X	AL84AL88				1		
	[22]							(E)SEAL-T/BODY (D)DICHTUNG-DROSSELKLAPPEGEHAE			(F)JOINT-CRP PAP (S)RETÉN-CJAC		
	96330001	04 - 06			B B B	X X X	AL84AL88				1		
Y	96455810	04 - 07			B B B	X X X	ALDAAL88				1		TK
	[23]							(E)CLAMP (D)KLEMMSTUECK			(F)COLLIER (S)ABRAZADERA		
	94530126	04 - 07			B B B	X X X	AL84AL88				1		
	94530126	06 - 07			B B B	X X X	ALDAAL84AL88				1		
	[24]							(E)CLAMP (D)KLEMMSTUECK			(F)COLLIER (S)ABRAZADERA		
	94530122	04 - 07			B B B	X X X	AL84AL88				1		
	[25]							(E)CLAMP (D)KLEMMSTUECK			(F)COLLIER (S)ABRAZADERA		
	94530226	06 - 07			B B B	X X X	AL14AL44				1 241945		
	[26]							(E)CLAMP (D)KLEMMSTUECK			(F)COLLIER (S)ABRAZADERA		
	94530122	04 - 07			B B B	X X X	AL84AL88				1		
	[29]							(E)HOSE-AUX RESONATOR (D)SCHLAUCH-HILFSRESONATOR			(F)FLEXIBLE-RESONATEUR AUX (S)MANGUITO-RESONADOR AUXILIAR		
	96553486	04 - 07			B B B	X X X	AL84AL88				1		
	96425645	06 - 07			B B B	. X X	ALDA				1		
								**** RPO DEFINITIONS ****					
								L14 : ENGINE-4 CYL 1.4 DOHC MPI					
								L44 : ENGINE-4 CYL 1.8 DOHC MPI					
								L84 : ENGINE-4 CYL 1.8 DOHC MPI					
								L88 : ENGINE-4 CYL 2.0 DOHC MPI					
								LDA : ENGINE-4 CYL 1.8 DOHC MPI					
								L43 : ENGINE-4 CYL 1.5 DOHC MPI					

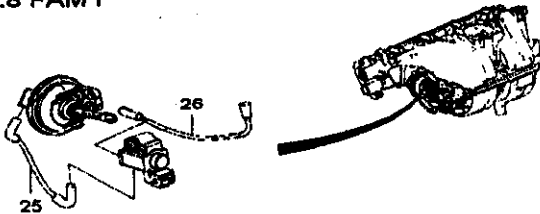
2451

VACUUM HOSE(FAM I DOHC)



1.4/1.6 FAM I

1.8 FAM I

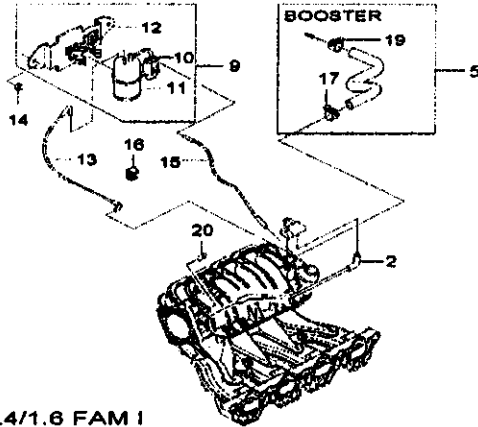


RJ2451GW 07/13/2005

I T C	KEY NO.		PART NAME										L Q T R Y	V.I.N.		REMARKS	P / C O D E			
	PART NO.	MODEL YEAR	D R V E	BODY			LEVEL		OPTION	FROM	TO	REMARKS								
				4 N B	4 H S B W	5 S S	B L	L L												
	[02]																			
	96451064	04-07														(E)PIPE A-VACUUM (D)ROHR A-VAKUUM B B B X X . 8L14A.44			(F)TUYAU A-DEPRESSION (S)TUBO A-DE VACÍO 1	
	[05]																			
	96549542	04-07	L													(E)HOSE A-VACUUM (D)SCHLAUCH A-VAKUUM B B . X X . 8B96L14A.44			(F)FLEXIBLE A-DEPRESSION (S)MANGUITO A-DE VACÍO 1	
	96549554	04-07	L													B B B X X . 8B97L14A.44			1	
	96417240	06-07	L													B B . . X X 8B96LDA			1	
	96419963	06-07	L													B B B . X X 8B97LDA			1	
	96549548	04-07	R													B B . X X . 8B96L14A.44			1	
	96549559	04-07	R													B B B X X . 8B57L14A.44			1	
	96419964	06-07	R													B B . . X X 8B96LDA			1	
	96419965	06-07	R													B B B . X X 8B97LDA			1	
	[09]																			
	96334829	04-07														(E)VALVE-SOL (D)MAGNETVENTIL B B B X X . 8L14A.44			(F)ELECTROVANNE (S)VALVULA-SOL 1	
	[10]																			
	96333470	04-07														(E)VALVE-SOL (D)MAGNETVENTIL B B B X X . 8L14A.44			(F)ELECTROVANNE (S)VALVULA-SOL 1	
	Y 96440955	04-07														B B B X X X 8L14A.44			1	
	[11]																			
	96334828	04-07														(E)TANK A-VACUUM,VGIS (D)BEHAELTER A-VAKUUM,VARIABLES B B B X X . 8L14A.44			(F)RESERVOIR A-DEPRESSION,VGIS (S)DEPÓSITO A-VACÍO,VGIS 1	
	[12]																			
	96334830	04-07														(E)BRACKET-VGIS (D)HALTER-VGIS B B B X X . 8L14A.44			(F)SUPPORT-VGIS (S)SOPORTE-VGIS 1	
	[13]																			
	96249443	04-07	L													(E)PIPE A-VACUUM (D)ROHR A-VAKUUM B B B X X . 8L14A.44			(F)TUYAU A-DEPRESSION (S)TUBO A-DE VACÍO 1	
	96407519	04-07	R													B B B X X . 8L14A.44			1	A2
	[14]																			
	94515120	04-07														(E)NUT (D)MUTTER B B B X X . 8L14A.44			(F)ECROU (S)TUERCA 2	
	[15]																			
	96389963	04-04	L													(E)PIPE A-VACUUM (D)ROHR A-VAKUUM B B . X X . 8L14A.44			1	937554
	N 96417675	04-07	L													B B B X X . 8L14A.44			1	937555
	96407518	04-07	R													B B B X X . 8L14A.44			1	
	[16]																			
	94530261	04-07														(E)CLIP (D)KLEMME B B . X X . 8L14A.44			(F)CLIP (S)CLIP 1	

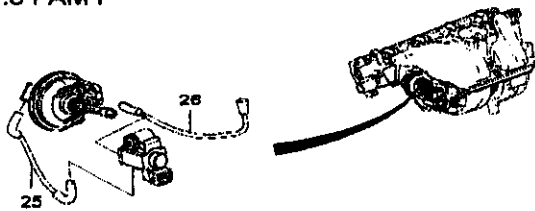
2451

VACUUM HOSE(FAM I DOHC)



1.4/1.6 FAM I

1.8 FAM I

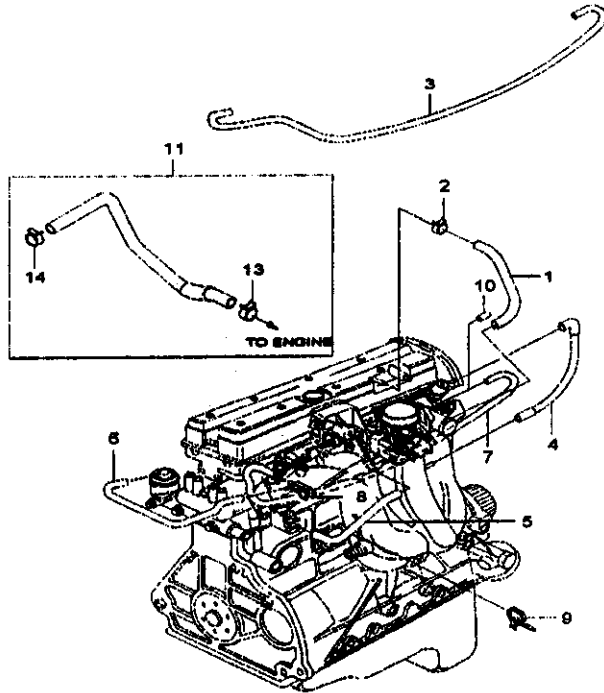


RJ2451GW 07/13/2005

I T C	KEY NO.		PART NAME										REMARKS	P E D O C	
	PART NO.	MODEL YEAR	D R V	BODY		LEVEL		OPTION	L / R	Q / T	V.I.N.				
				4 N B	4 H S	5 B S	5 L S				FROM	TO			
	[17]			(E)CLIP (D)KLEMME							(F)CLIP (S)CLIP				
	94530045	04 - 07		B B B X X .			&L14L44A.LDA				1				
	[18]			(E)CLIP (D)KLEMME							(F)CLIP (S)CLIP				
	94530030	04 - 07		B B B X X .			&L14L44A.LDA				1				
	[20]			(E)CAP (D)KAPPE							(F)CHAPEAU (S)TAPA				
	94580038	04 - 07		B B B X X .			&L14L44&MG4MG5				1				
	94580038	04 - 07		B B B X X .			&L44&ML4&NN1&NN7				1				
	96082625	04 - 07		B B B X X X			&L14L44&MG4MG5				1				
	96082625	04 - 07		B B B X X X			&L14L44&MG5				1				
	96082625	05 - 07		B B . X X X			&L44&ML4&NN1&NN2&NN&NN7				1				
	96082625	05 - 07		B B . X X X			&L44&ML4&NN1&NN&NN1&NN7&NQU				1				
	[25]			(E)HOSE A-UPPER (D)OBERER SCHLAUCH A							(F)FLEXIBLE A-SUP (S)MANGUITO A-SUPERIOR				
	90536266	06 - 07		B B B X X X			&LDA				1				
	[26]			(E)HOSE A-LOWER (D)UNTERER SCHLAUCH A							(F)FLEXIBLE A-INF (S)MANGUITO A-INFERIOR				
	90536267	06 - 07		B B B X X X			&LDA				1				
	90536267	06 - 07		B B B X X X			&LDA				1				
				**** RPO DEFINITIONS ****											
				L14 : ENGINE-4 CYL 1.4 DOHC MPI											
				L44 : ENGINE-4 CYL 1.8 DOHC MPI											
				B&B : BOOSTER-SINGLE 6"											
				B&S7 : BOOSTER-TANDEM 7"x 8"											
				LDA : ENGINE-4 CYL 1.8 DOHC MPI											
				MG4 : TRANS-MAN,SSPD,CR											
				MG5 : TRANS-MAN,SSPD,MODIFY CR											
				ML4 : TRANSMISSION-AUTO, 4 SPEED											
				NN1 : EMISSION-EURO,STAGE II											
				NN7 : EMISSION-EURO,STAGE II											
				NN2 : EMISSION-KOREAN 2000											
				NN&S : EMISSION-KOREAN '90											
				NN4 : EMISSION-EURO,STAGE IV											
				NNP : EMISSION-KLEV											
				NQU : EMISSION-KOREAN,ULEV											

2453

VACUUM HOSE(FAM II DOHC)

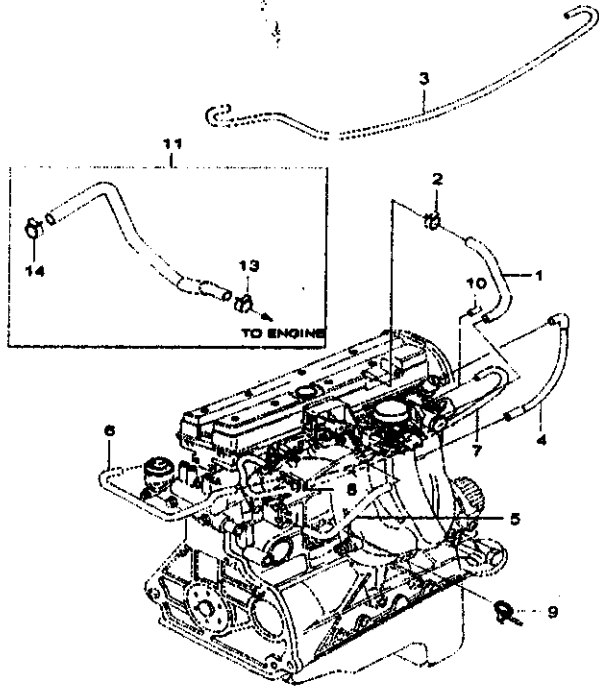


RJ2453G 10/30/2004

I T C	KEY NO.		PART NAME											L Q R Y	V.I.N.		REMARKS	P R O D U C T I O N
	PART NO.	MODEL YEAR	D R V	BODY			LEVEL			OPTION	FROM	TO						
				4 N H B	4 S H S	5 B W	B L	L S	L T									
	[01]			(E)HOSE-T/BODY&CAM COVER (D)SCHLAUCH-DROSSELKLAPPEN&NOCK							(F)FLEXIBLE-CRP.PAP&COUVRE-CUL (S)MANGUITO-CIAC Y TAPA DE LEVAS							
	92062839	04-07		B	B	B	.	X	X	LLB4		1						
	92060650	04-06		B	B	B	.	X	X	LLB6		1	363659					
N	92067742	06-07		B	B	B	.	X	X	LLB8		1	363960					
	[02]			(E)CLAMP (D)KLEMMSTUECK							(F)COLLIER (S)ABRAZADERA							
	92063133	04-07		B	B	B	.	X	X	LLB4		1						
	90469698	04-07		B	B	B	.	X	X	LLB8		1						
	[03]			(E)HOSE-EGR (D)SCHLAUCH-EGR							(F)FLEXIBLE-RGE (S)MANGUITO-EGR							
	92062770	04-07		B	B	B	.	X	X	LLB4&NN4		1						
	[04]			(E)HOSE-VMANIF (D)SCHLAUCH-ANSAUGSAMMELLEITUNG							(F)FLEXIBLE-COL.ADM (S)MANGUITO-COLECTOR DE							
	90499109	04-07		B	B	B	.	X	X	LLB4&B8		1						
	[05]			(E)HOSE-FUEL VAPOR VALVE (D)SCHLAUCH-KRAFTSTOFFDAMPFVENTI							(F)FLEXIBLE-CLAPET DE VAPEURS (S)MANGUITO-VÁLVULA DE VAPOR							
	92063338	04-07		B	B	B	.	X	X	LLB4&B8		1						
	[06]			(E)HOSE-EGR (D)SCHLAUCH-EGR							(F)FLEXIBLE-RGE (S)MANGUITO-EGR							
	92063337	04-07		B	B	B	.	X	X	LLB4&NN7		1						
	[07]			(E)HOSE-T/BODY (D)SCHLAUCH-DROSSELKLAPPENGEHAE							(F)FLEXIBLE-CRP.PAP (S)MANGUITO-CIAC							
	92063336	04-07		B	B	B	.	X	X	LLB4&NN7		1						
	[08]			(E)VALVE A-EGR SOL (D)MAGNETVENTIL A-AGR							(F)ELECTROVANNE A-RGE (S)VÁLVULA A-SOL DE EGR							
	96350601	04-07		B	B	B	.	X	X	LLB4&NN7		1						
	[09]			(E)STRAP (D)BAND							(F)SANGLE (S)CORREA							
	94580041	05-07		B	B	.	.	X		LLB8		1						
	[10]			(E)CAP (D)KAPPE							(F)CHAPEAU (S)TAPA							
	96062625	04-07		B	B	B	X	X	X	LLB4&B4&NN1		1				VACUUM PORT		
	94580642	04-07		B	B	B	X	X	X	LLB4&B8		1				A/C PORT		
	[11]			(E)HOSE A-VACUUM,VMANIF (D)SCHLAUCH							(F)FLEXIBLE (S)MANGUITO A-DE VACIO							
	96549544	04-07	L	B	B	.	.	X	X	BS59&L4		1				LB		
	96549555	04-07	L	B	B	B	X	X	X	BS57&L5&4&L8		1				LD		
	96549549	04-07	R	B	B	.	.	X	X	BS59&L4		1				CB		
	96549560	04-07	R	B	B	B	.	X	X	BS57&L5&4&L8		1				CE		

2453

VACUUM HOSE(FAM II DOHC)

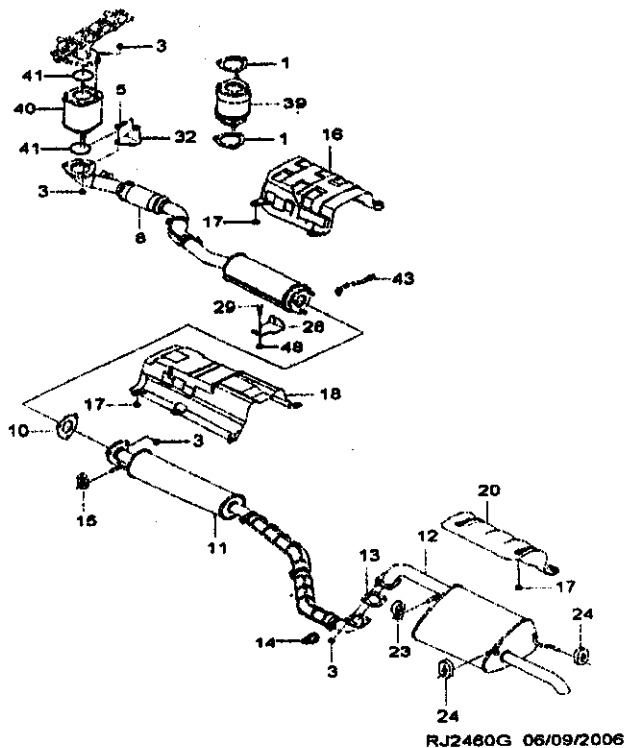


RJ2453G 10/30/2004

KEY NO.		PART NAME													
I T C	PART NO.	MODEL YEAR	D R V	BODY			LEVEL			OPTION	L Q T R Y	V.I.N.		REMARKS	P / C O D E
				4 N B	4 H B	5 S W	B S	L S	L T			FROM	TO		
	[13]														
	94530045	04 - 07		B	B	B	X	X	X	4L84L88	(F)CLIP (S)CLIP				
	94530045	06 - 07		B	B	B	X	X	X	4LDA4L84L88					
	[14]										(F)CLIP (S)CLIP				
	94530030	04 - 07		B	B	B	X	X	X	4LDA4L84L88					
<p>**** RPO DEFINITIONS ****</p> <p>L84 : ENGINE-4 CYL 1.8 DOHC MPI</p> <p>L88 : ENGINE-4 CYL 2.0 DOHC MPI</p> <p>NN4 : EMISSION-OPA,COOP,LEADED</p> <p>NN7 : EMISSION-EURO,STAGE II</p> <p>NN1 : EMISSION-EURO,STAGE III</p> <p>BS9 : BOOSTER-SINGLE 9"</p> <p>BS7 : BOOSTER-TANDEM 7"-8"</p> <p>LDA : ENGINE-4 CYL 1.8 DOHC MPI</p>															

2460

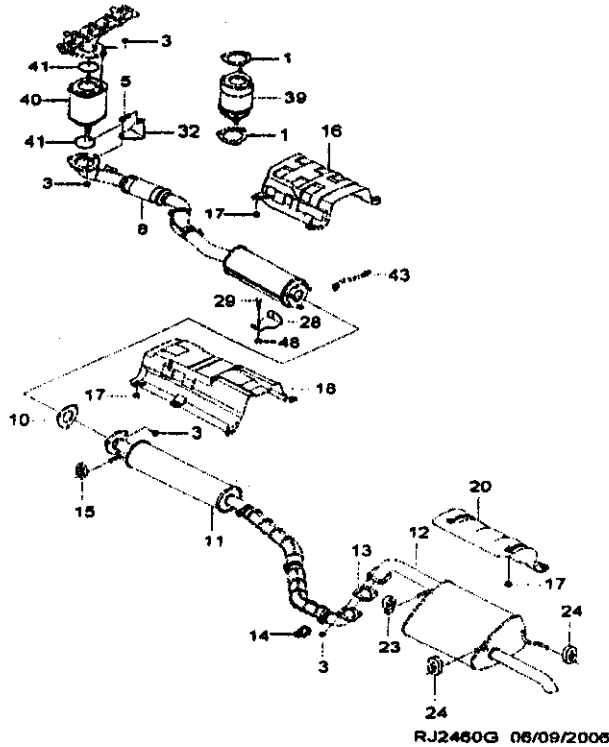
EXHAUST PIPE LINE I



I T C	KEY NO.		PART NAME										L Q T R Y	V.I.N.		REMARKS	P / C O D E	
	PART NO.	MODEL YEAR	D R V	BODY		LEVEL		OPTION	FROM	TO	REMARKS							
				A N B	4 H S B	5 S S	B L S					L L T						
	[01]			(E)GASKET-EXH,FRT PIPE (D)DICHTRING-ABGAS,VORDERES ROHR								(F)JOINT-ECH,TUYAU AV (S)JUNTA-ESC,TUBO DELAN						
	96184840	04 - 07		B B B X X .			AL14L44BNM4					1					UPPER	
	96536668	04 - 07		B B B X X .			AL14L44BNM4					1					LOWER	
	96184655	04 - 07		B B B . X X			ELB4LNM4					2						
	96184655	06 - 07		B B B . X X			ELD4L44LNM4					2						
	[03]			(E)NUT (D)MUTTER								(F)ECROU (S)TUERCA						
	94515068	04 - 07		B B B X X X								11						
	[05]			(E)BOLT (D)BOLZEN								(F)BOULON (S)PERNO						
	94501028	04 - 07		B B B X X X								1						
	[08]			(E)PIPE A-EXH,FRT (D)ROHR A-ABGAS,VORDERES								(F)TUYAU A-ECH,AV (S)TUBO A-ESC,DELAN						
	96490131	04 - 07		B B B X X .			ELM4L43L44BNM4P44BNM4					1						VC
	96492986	04 - 07		B B B X X .			EL14L44BNM7					1						VS
	96490132	04 - 07		B B B X X .			EL14L44BNM1					1						VD
	96490132	06 - 07		B B B X X X			EL14L44BNM1M1					1						VD
	96553713	04 - 07		B B B . X X			ELB4BNM4BNM4					1						VK
	96492987	04 - 07		B B B . X X			ELB4BNM7					1						VT
	96553707	04 - 07		B B B . X X			ELB4BNM1					1						VM
	96553730	05 - 07		B . B . X			ELB4BNM					1						VN
	96481431	06 - 07		B B B . X X			ELD4LNM4					1						CO
	96481435	06 - 07		B B B . X X			ELD4LNM1M1					1						CJ
	96481433	06 - 07		B B B . X X			ELD4LNM7					1						CH
	[10]			(E)GASKET-CATAL CONV (D)DICHTRING-ABGASKATALYSATOR								(F)JOINT-CONV CATAL (S)JUNTA-CONV CATAL						
	96350814	04 - 07		B B B X X X			ELM4LN1M1M2M4BNM7					1						GC
	96350814	06 - 07		B B B X X X			ELM4LN1M1M4M7					1						GC
	96184362	05 - 07		B . B . X			ANM4					1						
	[11]			(E)MUFFLER A-EXH,FRT (D)AUSPUFFTOPF A-ABGAS,VORDERER								(F)SILENCIEUX A-ECH,AV (S)SILENCIADOR A-ESC,DELAN						
	96553591	04 - 07		B . B X X X			EW4					1						WA
	96553593	04 - 07		B . B X X X			EW6					1						WB
	96553591	04 - 07		. B . X X X			EL14L44BW4					1						WA
	96553593	04 - 07		. B . X X X			EL14L44BW6					1						WB
	96497559	04 - 07		. B . X X			ELB4BW4					1						WJ
	96497559	06 - 07		B B B . X X			ELD4BW4					1						WJ
	96497471	04 - 07		. B . X X			ELB4L88BW6					1						WD
	96497471	06 - 07		B B B . X X			ELD4LW6					1						WD

2460

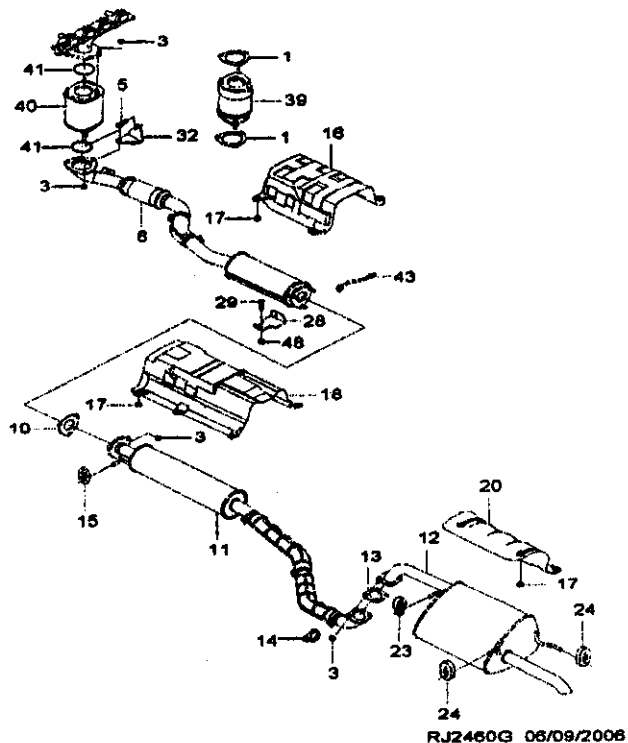
EXHAUST PIPE LINE I



I T C	KEY NO.		PART NAME											L T R Y	V.I.N.		REMARKS	B O O K
	PART NO.	MODEL YEAR	D R Y	BODY			LEVEL			OPTION	FROM	TO						
				4 N H	5 S W	B L L	L S T											
	[12]			(E)MUFFLER A-EXH,RR (D)AUSPUFFTOPF A-ABGAS,HINTERER						(F)SILENCIEUX A-EXH,AR (S)SILENCIADOR A-ESC,TR								
	96553619	04 - 07	B . .	X X .					8L14L448WC4			1			XA			
	96553624	04 - 07	B . .	X X .					8L14L448WC6			1			XB			
	96553627	04 - 07	B . .	X X .					8L848WC4			1			XR			
	96553630	04 - 07	B . .	X X .					8L84L884WC6			1			XT			
	96461483	06 - 07	B . .	X X .					8LDA8WC4			1			LQ			
	96461484	06 - 07	B . .	X X .					8LDA8WC6			1			LR			
	96553617	04 - 07	. B .	X X X					8L14L448WC4			1			XP			
	96553620	04 - 07	. B .	X X X					8L14L448WC6			1			XQ			
	96497556	04 - 07	. B .	X X .					8L848WC4			1			HA			
	96461295	04 - 07	. B .	X X X					8L848WC6			1			HF			
	96497556	06 - 07	. B .	X X .					8LDA848WC4			1			HA			
	96461295	06 - 07	. B .	X X .					8LDA848WC6			1			HF			
	96460431	06 - 07	. . B	X X X					8L448WC4			1			WE			
	96460432	05 - 07	. . B	X X X					8L448WC6			1			WF			
	96460433	05 - 07	. . B	X X X					8L848WC4			1			WG			
	96460434	05 - 07	. . B	X X X					8L84L884WC6			1			WH			
	96461498	06 - 07	. . B	X X .					8LDA8WC4			1			LT			
	96461499	06 - 07	. . B	X X .					8LDA8WC6			1			LV			
	[13]			(E)GASKET-RR, MUFFLER (D)DICHTRING-HINTERER AUSPUFFTOPF						(F)JOINT-SILENCIEUX AR (S)JUNTA-SILENCIADOR TR								
	96536625	04 - 07	B B B	X X X								1						
	[14]			(E)CLAMP (D)KLEMMSTUECK						(F)COLLIER (S)ABRAZADERA								
	96498154	04 - 07	B B	X X X								1						
	[15]			(E)RUBBER-HANGER (D)GUMMAUFHAENGUNG						(F)CAOUTCHOUC-SUPPORT (S)SUSPENSOR-DE GOMA								
	96460427	04 - 07	B B B	X X X								2						
	[16]			(E)SHIELD-CATAL CONV PROT V (D)SCHUTZSCHILD-ABGASKATALYSATOR						(F)BOUCLIER-PROTEC CONV CATAL (S)PROTECCIÓN-CONV CATAL								
	96553542	04 - 07	B B B	X X X					8WC4			1						
	96553543	04 - 07	B B B	X X X					8NNVNNZ8NNVNNZ8NNVNNZ8WC6			1						
	96460430	05 - 07	B . B	. . X					8NNK			1						
	96553543	04 - 07	B B B	X X X					8NNJNN18NNVNNZ8WC6			1						
	[17]			(E)NUT (D)MUTTER						(F)ECROU (S)TUERCA								
	94515325	04 - 07	B B B	X X X								12						
	[18]			(E)SHIELD-FRT MUFFLER PROT V (D)SCHUTZSCHILD-VORN						(F)BOUCLIER-PROTEC SILENCIEUX (S)PROTECCIÓN-SILENCIADOR								
	96553544	04 - 07	B B B	X X X					8WC4			1						
	96553545	04 - 07	B B B	X X X					8WC6			1						

2460

EXHAUST PIPE LINE I

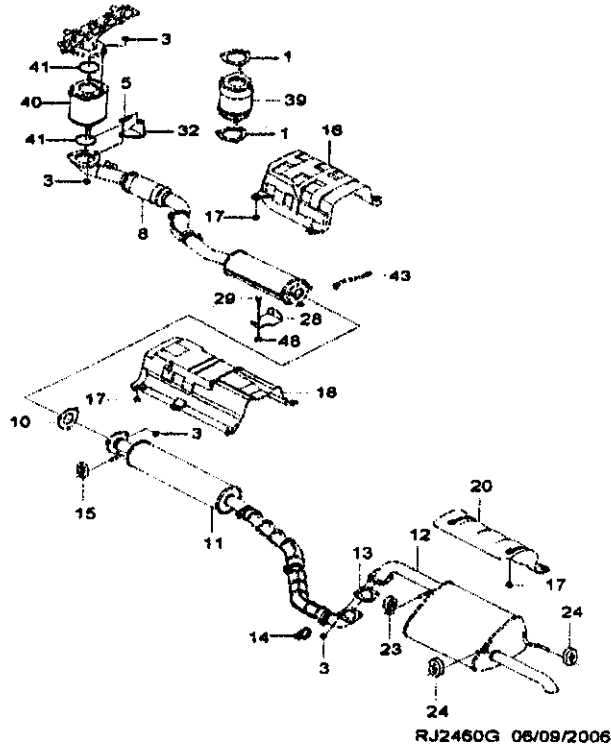


RJ2460G 06/09/2006

I T C	KEY NO. PART NO.	MODEL YEAR	D R V	BODY				LEVEL		OPTION	L Q / T R Y	V.I.N.		REMARKS	P R E D I C T E D
				4	5	B	L	B	L			FROM	TO		
				N H S B	S H S B	B L S T	B L S T								
	[20]														
	96553547	04 - 07		B	B	B	X	X	X	AL14L44				(F)BOUCLIER-PROTEC SILENCIEUX (S)PROTECCIÓN-SILENCIADOR TR	
	96553547	06 - 07		B	B	B	X	X	X	ALDNL14L44				1	
	96494799	04 - 07		B	.	B	X	X	X	ELB4L88				1	
	96553547	04 - 07		.	B	.	X	X	X	ELB4L88				1	
	[23]														
	96553661	04 - 07		B	B	B	X	X	X					(F)CAOUTCHOU-SUPPORT (S)SUSPENSOR-DE GOMA	1
	[24]														
	96351543	04 - 07		B	B	B	X	X	X					(F)CAOUTCHOU-SUPPORT (S)SUSPENSOR-DE GOMA	2
	[28]														
	96399999	05 - 07		B	.	B	.	.	X	ELB8ANNK				(F)SUPPORT-SONDE O2 (S)SOPORTE-SENSOR DE O2	1
	[29]														
	94520296	05 - 07		B	.	B	.	.	X	ELB8ANNK				(F)VIS (S)TORNILLO	1
	[32]														
	96553577	04 - 07		B	B	B	X	X	.	AL14L44				(F)SUPPORT-CONV PUP,EXHT (S)SOPORTE-CONV MINIOXIDACIÓN	1
	96553671	04 - 07		B	B	B	X	X	X	ELB4L88					F1
	96461442	06 - 07		B	B	B	X	X	X	ALDA					WX
	[39]														
	96536995	04 - 07		B	B	B	X	X	.	EL14L448NN4				(F)RESONATEUR A-ECHPT,AV (S)RESONADOR A-ESC.DELAN	1
	96460410	04 - 07		B	B	B	.	X	X	ELB48NN4					LK
	96460410	06 - 07		B	B	B	X	X	X	ALDNL848NN4					LM
	[40]														
	96471611	04 - 05		B	B	B	X	X	.	EL14L448NN1				(F)CONVERTISSEUR A-PUP (S)CONVERTIDOR A-MINIOXIDACIÓN	1
	96427688	04 - 07		B	B	B	X	X	.	EL14L448NN1			173190		PK
	96453702	04 - 07		B	B	B	X	X	.	AL14L43L448NN2P48NN7			173191		TF
	96453166	04 - 07		B	B	B	.	X	X	ELB48NN1					HK
	96452376	04 - 07		B	B	B	.	X	X	ALB48NN7					JC
	96553681	05 - 07		B	.	B	.	.	X	ELB8ANNK					JB
	96424449	06 - 07		B	B	B	X	X	X	ALDASNNJNN1					JP
	96418351	06 - 07		B	B	B	X	X	X	AL14L448NNJ					TC
	[41]														
	96293025	04 - 07		B	B	B	X	X	X	ELNNKNNPNNPNNPNN7				(F)JOINT-CONV PUP (S)JUNTA-CONV MINIOXIDACIÓN	2
	96293025	06 - 07		B	B	B	X	X	X	ELNNJNNKNNPNN1NN7					2

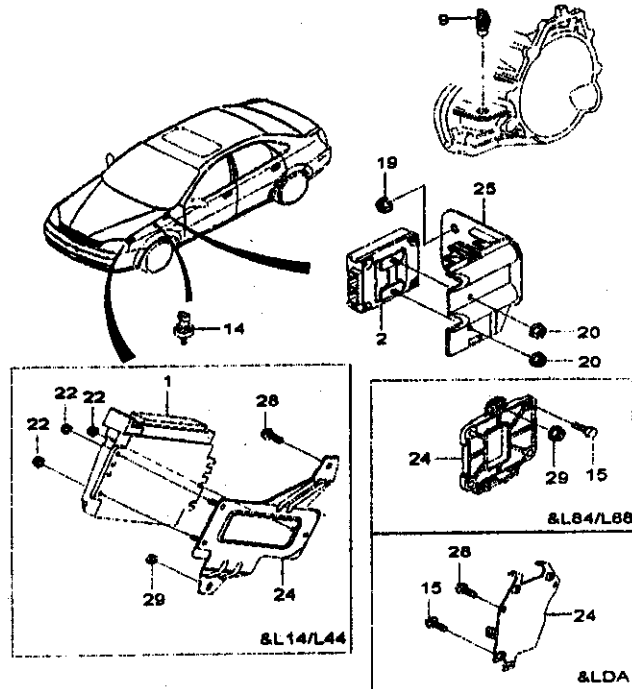
2460

EXHAUST PIPE LINE I



I T C	KEY NO.		PART NAME											P / C O D E			
	PART NO.	MODEL YEAR	D R V	BODY			LEVEL			OPTION	L / R	Q T Y	V.I.N.		REMARKS		
				4 N B	4 H S	5 B W	B L	L L	S S				T			FROM	TO
	[43]			(E)SENSOR A-EXH GAS (D)SENSOR A-ABGAS										(F)SONDE A-GAZ ECHPT (S)SENSOR A-GAS ESC			
	96291099	04 - 07		B	B	B	X	X	X	6L14L446NN1					1		WE
	96394003	04 - 07		B	B	B	X	X	X	6L846NN1				1		S1	
	96253547	05 - 07		B	.	B	.	.	X	6L886NNK				1		WC	
	96418970	05 - 05		B	B	B	.	.	X	6LDA14L448NNJ				1		NK	
	96418970	06 - 07		B	B	B	X	X	X	6L14L446NNJ				1		NK	
	96428810	06 - 07		B	B	B	X	X	X	6LDA8NNJNN1				1		WI	
	[48]			(E)NUT (D)MUTTER										(F)ECROU (S)TUERCA			
	94515251	05 - 07		B	.	B	.	.	X	6L886NNK				1			
	**** RPO DEFINITIONS ****																
	L14 : ENGINE-4 CYL 1.4 DOHC MPI																
	L44 : ENGINE-4 CYL 1.6 DOHC MPI																
	NN4 : EMISSION-OPA,LOP,LEADED																
	L84 : ENGINE-4 CYL 1.8 DOHC MPI																
	LDA : ENGINE-4 CYL 1.8 DOHC MPI																
	L43 : ENGINE-4 CYL 1.5 DOHC MPI																
	NNP : EMISSION-KLEV																
	NN2 : EMISSION-KOREAN 2000																
	NN6 : EMISSION-KOREAN '90																
	NN7 : EMISSION-EURO,STAGE II																
	NN1 : EMISSION-EURO,STAGE III																
	NNJ : EMISSION-EURO,STAGE IV																
	L88 : ENGINE-4 CYL 2.0 DOHC MPI																
	NNK : EMISSION-ULEV II																
	WCA : MUFFLER-STANDARD																
	WCB : MUFFLER-HEAVY DUTY																

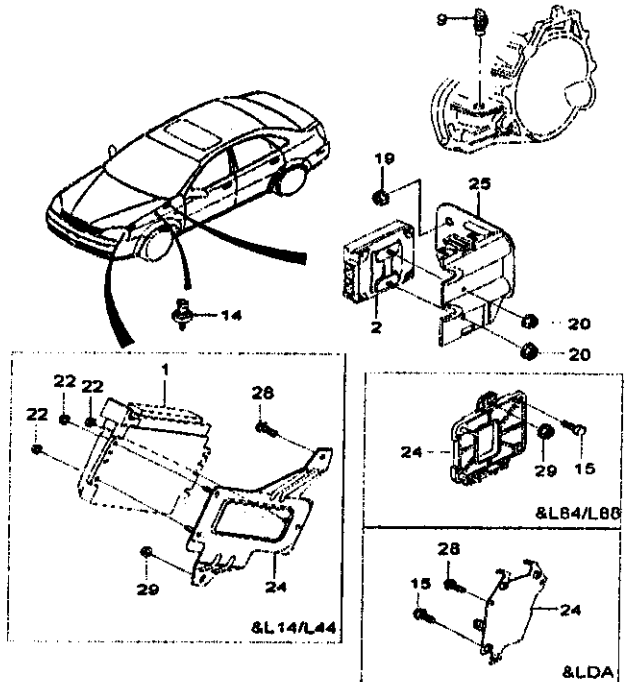
**2510
EMISSION MODULE**



I T C	KEY NO.		PART NAME										REMARKS	P R O D U C T I O N
	PART NO.	MODEL YEAR	D R V	B O D Y		L E V E L		O P T I O N	L / Q / R Y	V.I.N.		R E M A R K S		
				4 N H S B W	4 S H S B W	B L	L S T			FROM	TO			
	[01]			(E)ECM	(D)ECM				(F)ECM	(S)ECM				
	96398944	04 - 07		B B B	X X			8L448M048N14-UM1		1			J8	
	96398943	04 - 07		B B B	X X			8L448M048N14-UM1		1			J5	
	96398942	04 - 07		B B B	X X			8L448M048N17-UM1		1			J4	
	96438422	04 - 07		B B	X X			8L448M048M068N17&JMA200-UM1		1			JT	
	96398941	04 - 07		B B B	X X			8L448M048M068N17&UM1-XMA200		1			J3	
	96437439	04 - 07		B B	X X			8L448M048M068N17&UM1&XMA200		1			JM	
	96458681	04 - 07		B B B	X X			8L448M048N17-JL9/JCAM1		1			N5	
	96394700	04 - 07		B B B	X X			8L448M048N16UM1-JL9/JTC		1			N5	
	96458680	04 - 07		B B B	X X			8L448M048N16JL9/JTC-UM1		1			N4	
	96394699	04 - 07		B B B	X X			8L448M048N16JL9/JTC&UM1		1			N4	
	96398948	04 - 07		B B	X X			8L448M048N14-UM1		1			P7	
	96398947	04 - 07		B B	X X			8L448M048N14&UM1		1			P6	
	96398946	04 - 07		B B	X X			8L448M048N17-UM1		1			P5	
	96398945	04 - 07		B B	X X			8L448M048N17&UM1-XMA200		1			P4	
	96437441	04 - 07		B B	X X			8L448M048N17&UM1&XMA200		1			JN	
	96458683	04 - 07		B B	X X			8L448M048N17-JL9/JCAM1		1			N7	
	96394702	04 - 07		B B	X X			8L448M048N16UM1-JL9/JTC		1			M7	
	96458682	04 - 07		B B	X X			8L448M048N16JL9/JTC-UM1		1			N6	
	96394701	04 - 07		B B	X X			8L448M048N16JL9/JTC&UM1		1			N6	
	96491311	04 - 07		B B B	X X			8L948M048N14-EC1		1			WD	
	96491309	04 - 07		B B B	X X			8L948M048N17-EC1		1			WB	
	94580123	04 - 07		B B B	X X			8L948M048N11		1			3R	
	96491315	04 - 07		B B B	X X			8L948M058N14&EC1		1			WH	
	96491313	04 - 07		B B B	X X			8L948M058N17&EC1		1			WF	
	96491308	04 - 07		B B B	X X			8L948M068N17		1			WA	
	96491310	04 - 07		B B B	X X			8L948M068N14		1			WC	
	94580121	04 - 07		B B B	X X			8L948M068N11		1			4R	
	96407867	04 - 07		B	X X X			8L148M068N14&UM1		1			Q7	
	96407868	04 - 07		B	X X X			8L148M068N14-UM1		1			G8	
	96395448	04 - 07		B B	X X X			8L148M068N16UM1-JL9/JTC		1			L5	
	96395445	04 - 07		B	X X X			8L148M068N16UM1&JL9/JTC		1			L4	
	96395447	04 - 07		B B	X X X			8L148M068N16JL9/JTC-UM1		1			L6	
	96395448	04 - 07		B B	X X X			8L148M068N17-JL9/JTC&UM1		1			L7	
	96407865	04 - 07		B	X X X			8L148M068N17&UM1-EC1		1			G5	
	96407866	04 - 07		B	X X X			8L148M068N17-EC1&UM1		1			G6	
	96407869	04 - 07		B	X X X			8L148M068N17&EC1&UM1		1			G9	
	96407870	04 - 07		B	X X X			8L148M068N17&EC1-UM1		1			F9	
	96428740	05 - 07	R	B B B	X X			8L268M068N16&XJ6		1			DD	
	96419333	06 - 07		B B B	X X			8LDA8M068N11&XDP		1			1N	
	96419334	06 - 07		B B B	X X			8LDA8M068N11&XDP		1			2N	
	96419335	06 - 07		B B B	X X			8LDA8M068N17&XDP-EC1		1			W	

2510

EMISSION MODULE

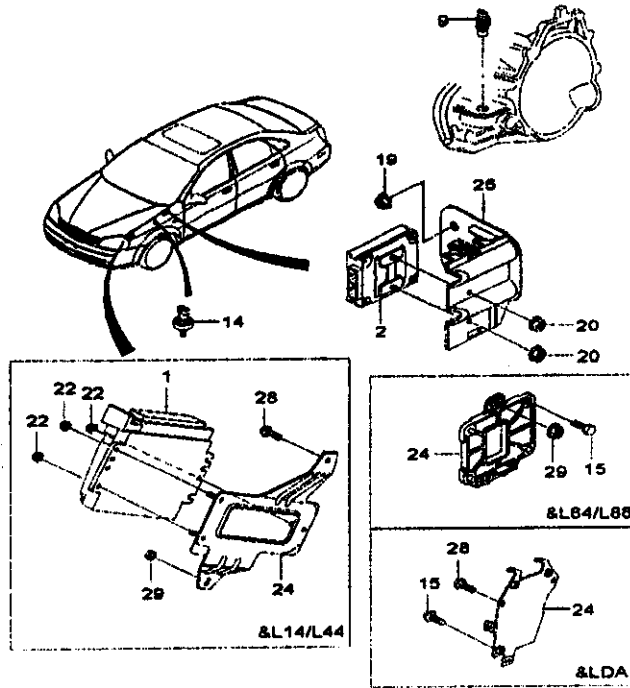


RJ2510GW 07/05/2005

I T C	KEY NO. PART NO.	MODEL YEAR	PART NAME						L Q T R Y	V.I.N.		REMARKS	P / C O D E	
			D R V	BODY			LEVEL			OPTION	FROM			TO
				4 N H	5 S W	B S	L S	L T						
	[01]			(E)ECM (D)ECM						(F)ECM (S)ECM				
	96442955	06-07		B B B . X X				AEC18LDAAMG48NN7AKDP		1			WU	
	96419336	06-07		B B B . X X				&LDAEMMBENNTAKDP-EC1		1			WX	
	96442956	06-07		B B B . X X				AEC18LDAAMMBENNTAKDP		1			WV	
	96419337	06-07		B B B . X X				&LDAAMG48NNAKDP		1			WY	
	96419338	06-07		B B B . X X				&LDAAMMBENNTAKDP		1			WZ	
	96419331	06-07		B B B . X X				&LDAAMG48NNULXDP		1		MR-140	1M	
	96419332	06-07		B B B . X X				&LDAAMMBENNTAKDP		1		MR-140	2M	
	96435547	06-07		B B . X X				&LJ9JTCAL148MO68NNJULUM1		1			KA	
	96435548	06-07		B B . X X				&L148MO68NNJULUM1-JLB/TC		1			KB	
	96422396	06-07		B B B X X X				&LJ9JTCAL448MO68NNJULUM1		1			ZA	
	96422397	06-07		B B B X X X				&L448MO68NNJULUM1-JLB/TC		1			ZB	
	96422412	06-07		B B . X X X				&LJ9JTCAL448ML48NNJULUM1		1			ZW	
	96422413	06-07		B B . X X X				&L448ML48NNJULUM1-JLB/TC		1			ZX	
	96810595	06-07		B B . X X X				&L88AMMBENNKXME		1			62	
	96810596	06-07		B B . X X X				&L88AMMBENNKXME		1			63	
	[02]			(E)TCM (D)TCM						(F)TCM (S)TCM				
	96497172	04-07		B B . X X X				&L448ML48NN278NN48NN7		1			TD	
	96497032	04-07		B B . X X X				&L448ML48NN1		1			TF	
	96433173	06-07		B B . X X X				&L448ML48NNJ		1			UD	
	96342618	04-04		B . . . X X				&L848MM8		1	916008		JV	
	96419589	04-07		B B B . X X				&L848MM8		1	916909		JR	
	96423479	05-07		B . B . . X				&L88AMMBENNKXME		1			JB	
	96448925	06-07		B B B . X X				&LDAEMMB		1			JH	
	96423484	06-07		B B B . X X				&LDAEMMBENNKXME		1			JF	
	96640197	06-07		B B B X X X				&L88AMMBENNKXME		1			JK	
	[09]			(E)SENSOR A-DISTANCE (D)SENSOR A-ENTFERNUNG						(F)CAPTEUR A-DISTANCE (S)SENSOR A-DE DISTANCIA				
	96190708	04-07		B B B X X X				&MGMAM8M8		1			78	
	[14]			(E)SENSOR-ROUGH ROAD (D)SENSOR-UNEBOHNE STRASSE						(F)CAPTEUR-MAUVAISE ROUTE (S)SENSOR-CARRETERA IRREGULAR				
	96184588	04-07		B B B X X X				&L848MM8NN1AKDP-JLB/TC		1			RR	
	96184588	06-07		B B B X X X				&LDAEMMBENNKXME-NN1-JLB/TC		1			RR	
	[15]			(E)BOLT (D)BOLZEN						(F)BOULON (S)PERNO				
	94500747	04-07		B B B X X X				&L8488		3				
	94500754	06-07		B B B . X X				&LDA		3				
	[19]			(E)NUT (D)MUTTER						(F)ECROU (S)TUERCA				

2510

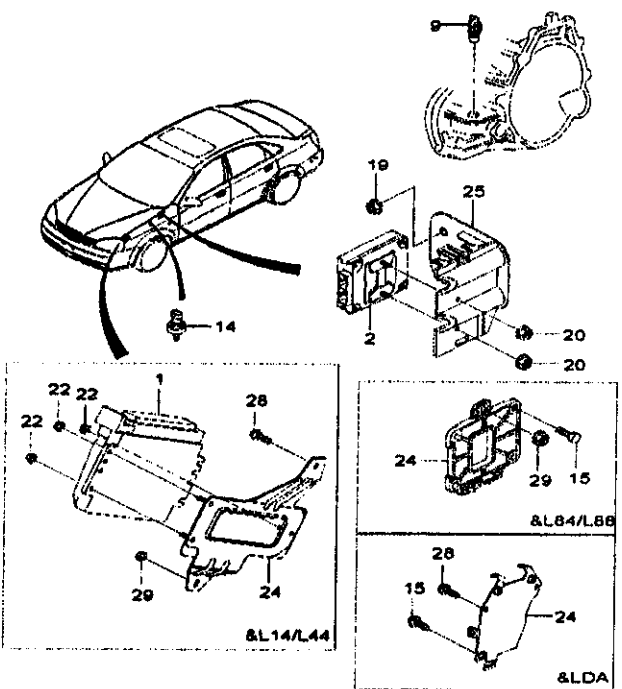
EMISSION MODULE



I T C	KEY NO. PART NO.	MODEL YEAR	D R V	PART NAME						L Q / R Y	V.I.N.		REMARKS	P O O P
				BODY		LEVEL		OPTION	FROM		TO			
				4 N B	4 H B	5 S S	5 L S					B S		
	[19] 94515132	04 - 07		(E)NUT (D)MUTTER B B B X X X					AML4MM9	(F)ECROU (S)TUERCA 4				
	[20] 94515096	04 - 07		(E)NUT (D)MUTTER B B B X X X					AML4	(F)ECROU (S)TUERCA 2				
	[22] 94515096	04 - 07		(E)NUT (D)MUTTER B B B X X X					&L14/L44	(F)ECROU (S)TUERCA 3				
	[24] 94515128	04 - 07		(E)NUT (D)MUTTER B B B X X X					&L94/L88	(F)ECROU (S)TUERCA 1				
	[24] 96455264	04 - 07		(E)BRACKET-ECM (D)HALTER-ECM B B B X X X					&L14/L44	(F)SUPPORT-ECM (S)SOPORTE-ECM 1			BN	
	[24] 96550516	04 - 07		(E)BRACKET-ECM (D)HALTER-ECM B B B X X X					&L94/L88	(F)SUPPORT-ECM (S)SOPORTE-ECM 1			DM	
	[24] 96424586	06 - 07		(E)BRACKET-ECM (D)HALTER-ECM B B B X X X					&LDA&XDP	(F)SUPPORT-ECM (S)SOPORTE-ECM 1			CM	
	[25] 96550533	04 - 07		(E)BRACKET-TCM (D)HALTER-TCM B B B X X X					AML4MM9	(F)SUPPORT-TCM (S)SOPORTE-TCM 1			AZ	
	[28] 94500397	04 - 07		(E)BOLT (D)BOLZEN B B B X X X					&L14/L44	(F)BOULON (S)PERNO 1				
	[28] 94500397	06 - 07		(E)BOLT (D)BOLZEN B B B X X X					&LDA	(F)BOULON (S)PERNO 2				
	[29] 94515128	06 - 07		(E)NUT (D)MUTTER B B B X X X					&L94/L88	(F)ECROU (S)TUERCA 3				
**** RPO DEFINITIONS ****														
L44 : ENGINE-4 CYL 1.6 DOHC MPI														
MQ4 : TRANS-MAN,5SPD,CR														
NM4 : EMISSION-OP,LOOP,LEADED														
UM1 : IMMOBILIZER														
NM7 : EMISSION-EURO,STAGE II														
MQ5 : TRANS-MAN,5SPD,MODIFY CR														
XMA : MALAYSIA-MANDATORY														
Z00 : SINGAPORE-MANDATORY														
NM1 : EMISSION-EURO,STAGE III														
JL9 : BRAKE-ANTI LOCK SYS W/O ASR														
JTC : TRACTION CONTROL V4ABS														
ML4 : TRANSMISSION-AUTO,4 SPEED														
L84 : ENGINE-4 CYL 1.8 DOHC MPI														
EC1 : ECM-HIGH ALTITUDE														
M85 : TRANSMISSION-MAN,5 SPD,M/R														

2510

EMISSION MODULE



RJ2510GW 07/05/2005

I T C	KEY NO.				PART NAME								REMARKS	P/ C O D E
	PART NO.	MODEL YEAR	O R V	BODY			LEVEL		OPTION	L Q T Y	V.I.N.			
				4 N B	4 H B	5 S W	8 S S	L S			L T	FROM		

**** RPO DEFINITIONS ****
M88 : TRANS-AUTO,4SPD,4H*16
L14 : ENGINE-4 CYL 1.4 DOHC MPI
L88 : ENGINE-4 CYL 2.0 DOHC MPI
NNK : EMISSION-ULEV II
XJ6 : JAPAN-MANDATORY
LDA : ENGINE-4 CYL 1.8 DOHC MPI
XDP : EMS SYSTEM-DELPHI
NNJ : EMISSION-EURO,STAGE IV
XME : MANDATORY-MEXICO
M89 : TRANS-MAN,5 SPD,D20CR
NN2 : EMISSION-KOREAN 2000
NN8 : EMISSION-KOREAN '90

3

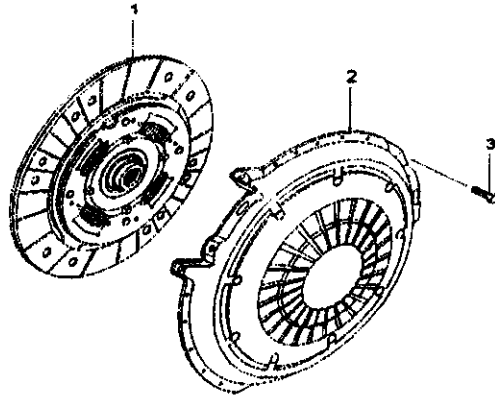
CLUTCH&TRANSAXLE

3110	CLUTCH COVER&DISC	3737	1ST/2ND/REVERSE BRAKE(AISIN)	3910	GEARSHIFT CONTROL(M/T)
3210	MANUAL TRANSAXLE	3738	GEAR&SHAFT(AISIN)	3920	GEARSHIFT CONTROL(A/T)
3220	TRANSAXLE RELATED PARTS	3739	COUNTER GEAR&SHAFT(AISIN)		
3230	TRANSAXLE GEAR	3760	DIFFERENTIAL(AISIN)		
3240	REVERSE&COUNTER GEAR	3760	VALVE BODY(AISIN)		
3250	BEARING PLATE	3810	AUTOMATIC TRANSAXLE(ZF16)		
3290	GEAR SHIFT COVER&FORK	3820	TORQUE CONVERTER&HOUSING(ZF16)		
3270	DIFFERENTIAL GEAR	3821	TRANSAXLE HOUSING(ZF16)		
3710	AUTOMATIC TRANSAXLE(AISIN)	3822	OIL PUMP(ZF16)		
3720	TORQUE CONVERTER&SENSOR(AISIN)	3824	REAR COVER&OIL PAN(ZF16)		
3721	TRANSAXLE HOUSING(AISIN)	3825	PARKING LEVER(ZF16)		
3722	OIL PUMP(AISIN)	3830	F CLUTCH&BRAKE BAND(ZF16)		
3723	TRANSAXLE CASE(AISIN)	3831	INPUT SHAFT&B,E CLUTCH(ZF16)		
3724	REAR COVER(AISIN)	3832	BEARING PLATE&SPUR GEAR(ZF16)		
3725	MAIN VALVE LEVER&PARKING(AISIN)	3833	PLANETARY DRIVE GEAR(ZF16)		
3734	FORWARD&REVERSE CLUTCH(AISIN)	3834	CLUTCH DISC(ZF16)		
3735	DIRECT CLUTCH(AISIN)	3850	DIFFERENTIAL&SIDE SHAFT(ZF16)		
3736	2ND COAST&4TH BRAKE(AISIN)	3860	VALVE BODY(ZF16)		



3110

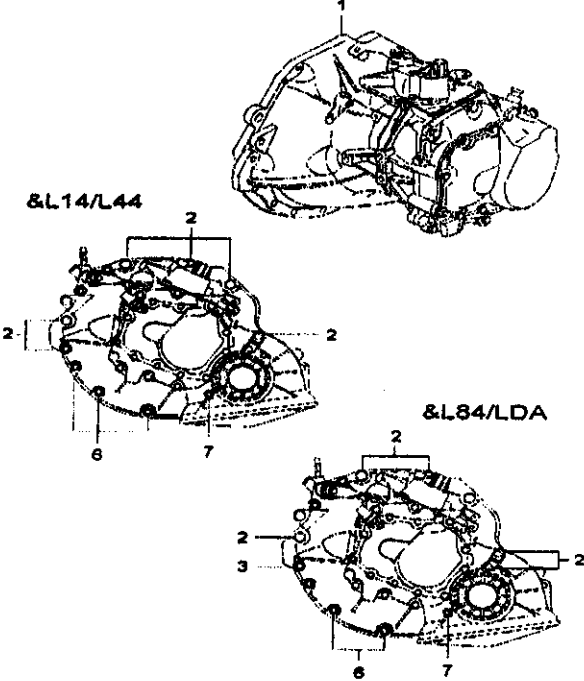
CLUTCH COVER&DISC



RJ3110 10/30/2004

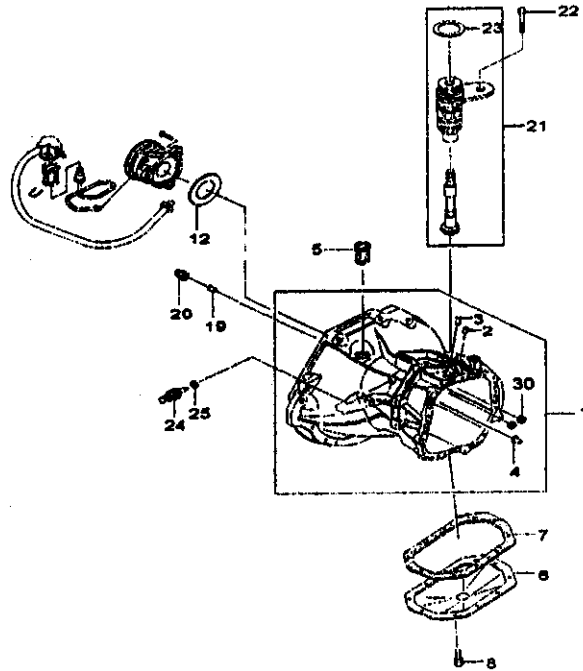
I T C	KEY NO.		PART NAME											REMARKS	P D O C Y P				
	PART NO.	MODEL YEAR	D R V	BODY				LEVEL			OPTION	L Q T Y	V.I.N.						
				4 N B	4 H B	5 S W	5 S W	B L	L L	L L			FROM			TO			
	[01]																		
	96408517	03 - 07		B	B	X	X	X			4L14L44&M04M05			(F)DISQUE-EMB (S)DISCO-EMB	1			8.5 inch	T5
	96407628	03 - 07		B	B	X	X	X			4L84LDA&M04M05			(F)DISQUE-EMB (S)DISCO-EMB	1			8.5 inch	K6
	[02]													(F)COUVERCLE-EMB (S)TAPA-EMB					
	96349031	03 - 07		B	B	X	X	X			4L14L44&M04M05			(F)COUVERCLE-EMB (S)TAPA-EMB	1			8.5 inch	U2
	96184541	03 - 07		B	B	X	X	X			4L84LDA&M04M05			(F)COUVERCLE-EMB (S)TAPA-EMB	1			8.5 inch	P3
	[03]													(F)BOULON (S)PERNO					
	94500773	03 - 07		B	B	X	X	X			4L14L44L84LDA&M04M05M05			(F)BOULON (S)PERNO	6				
														**** RPO DEFINITIONS ****					
														L14 : ENGINE-4 CYL 1.4 DOHC MPI					
														L44 : ENGINE-4 CYL 1.6 DOHC MPI					
														M04 : TRANS-MAN,5SPD,CR					
														M05 : TRANS-MAN,5SPD,MODIFY CR					
														L84 : ENGINE-4 CYL 1.8 DOHC MPI					
														LDA : ENGINE-4 CYL 1.8 DOHC MPI					
														M05 : TRANSMISSION-MAN,5 SPD,M/R					

3210 MANUAL TRANSAXLE	KEY NO.		PART NAME										P / C O D E		
	I T C	PART NO.	MODEL YEAR	D R Y	BODY		LEVEL		OPTION	L Q T Y	V.I.N.			REMARKS	
					4 N B	5 H B	B S	L S			L T	FROM			TO
		[01]		(E)TRANSAXLE A-MANUAL (D)ACHSGETRIEBE A-MANUELLES					(F)BOITE-PONT A-MANUELLE (S)CAJA DE CAMBIOS A-MANUAL						
		96397423	03 - 04	B	X	X			&L14&MG&F04	1	039630		CR 3.722	DU	
		0 96419171	03 - 05	B	B	X	X	X	&L14&L44&MG&F04	1	039631	231109	CR 3.722	DP	
		0 96439731	03 - 06	B	B	B	X	X	&L14&L44&MG&F04	1	231110		CR 3.722	KP	
		0 96613263	03 - 07	B	B	B	X	X	&L14&L44&MG&F04	1			CR 3.722	SP	
		96243157	03 - 04	B	B	X	X	X	&L44&MG&F04	1	039630		CR 3.722	CR	
		Y 96418286	03 - 04	B	B	X	X	X	&L44&MG&F04	1	039630		CR 3.722	CM	
		96243087	03 - 04	B	B	X	X	X	&L44&MG&F04	1	039630		CR 3.722	CU	
		0 96419172	03 - 05	B	B	B	X	X	X	&L84&MG&F04	1	039631	231109	CR 3.722	CT
		0 96439736	03 - 06	B	B	B	X	X	X	&L84&DA&MG&F04	1	231110		CR 3.722	JT
		0 96613248	03 - 07	B	B	B	X	X	X	&L84&DA&MG&F04	1			CR 3.722	7T
		96439737	06 - 06	B	B	B	X	X	X	&L84&DA&MG&F04&XAT	1			CR 3.722	JL
		0 96613249	06 - 07	B	B	B	X	X	X	&L84&DA&MG&F04&XAT	1			CR 3.722	7L
		96410900	03 - 04	B	B	X	X			&L84&M85&0396&EC1	1	039630		M/R 3.944	MM
		0 96419943	03 - 06	B	B	B	X	X		&L84&DA&M85&0396&EC1	1	039631		M/R 3.944	MQ
		0 96613257	03 - 07	B	B	B	X	X		&L84&DA&M85&0396&EC1	1			M/R 3.944	6Q
			[02]		(E)BOLT (D)BOLZEN					(F)BOULON (S)PERNO					
		94500860	03 - 07	B	B	B	X	X	X	&L14&L44&MG&M85	6				
		94500860	03 - 07	B	B	B	X	X	X	&L84&DA&MG&M85	5				
			[03]		(E)BOLT (D)BOLZEN					(F)BOULON (S)PERNO					
		94500864	03 - 07	B	B	B	X	X	X	&L84&DA&MG&M85	1				
			[06]		(E)BOLT (D)BOLZEN					(F)BOULON (S)PERNO					
		94500866	03 - 07	B	B	B	X	X	X	&L14&L44&MG&M85	3				
		94500866	03 - 07	B	B	B	X	X	X	&L84&DA&MG&M85	2				
			[07]		(E)BOLT (D)BOLZEN					(F)BOULON (S)PERNO					
	94501009	03 - 07	B	B	B	X	X	X	&L14&L44&L84&DA&MG&M85	1					
		**** RPO DEFINITIONS ****													
				L14	:	ENGINE-4 CYL 1.4 DOHC MPI									
				MG5	:	TRANS-MAN,5SPD,MODIFY CR									
				F04	:	AXLE RATIO-3.72									
				L44	:	ENGINE-4 CYL 1.6 DOHC MPI									
				MG4	:	TRANS-MAN,5SPD,CR									
				L84	:	ENGINE-4 CYL 1.8 DOHC MPI									
				LDA	:	ENGINE-4 CYL 1.8 DOHC MPI									
				XAT	:	AUSTRALIA-MANDATORY									
				M85	:	TRANSMISSION-MAN,5 SPD,M/R									

3210 MANUAL TRANSAXLE	KEY NO.		PART NAME																														
	I T C	PART NO.	MODEL YEAR	D R V	BODY			LEVEL			OPTION	L / R	Q T Y	V.I.N.		REMARKS	P / C O D E																
					4 N B	4 H S	5 S W	B S	L S	L T				FROM	TO																		
 <p style="text-align: center;">RJ3210GW 10/30/2004</p>																	<p>**** RPO DEFINITIONS ****</p> <p>Q39 : AXLE RATIO-3.944</p> <p>EC1 : ECM-HIGH ALTITUDE</p>																

3220

TRANSAXLE RELATED PARTS

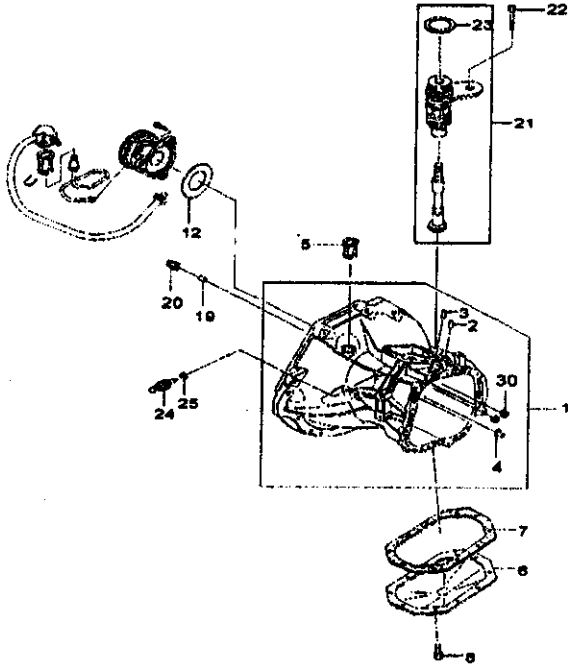


RJ3220 10/30/2004

I T C	KEY NO.		PART NAME										L Q T R Y	V.I.N.		REMARKS	B O O K	
	PART NO.	MODEL YEAR	D R V	BODY			LEVEL				OPTION	FROM		TO				
				4 N B	4 H W	5 S B	5 L S	6 L S	6 L T									
	[01]			(E)CASE A-TIA (D)GEHAEUSE A-T/A										(F)CARTER A-A/T (S)CARCASA A-C/CAMB				
	96344248	03 - 07		B B B X X X	6L14A44L3ALDAA1M04N05M85									1				
	[02]			(E)PIN-DOWEL (D)DUEBEL										(F)GOUPILLE-CENTRAGE (S)PASADOR-GUÍA				
	94580607	03 - 07		B B B X X X	6L14A44L3ALDAA1M04N05M85									1				
	[03]			(E)PIN-DOWEL (D)DUEBEL										(F)GOUPILLE-CENTRAGE (S)PASADOR-GUÍA				
	94580507	03 - 07		B B B X X X	6L14A44L3ALDAA1M04N05M85									2				
	[04]			(E)SLEEVE (D)MUFFE										(F)MANCHON (S)MANGUITO				
	94580549	03 - 07		B B B X X X	6L14A44L3ALDAA1M04N05M85									1				
	[05]			(E)BUSH (D)BUCHSE										(F)BAGUE (S)CASQUILLO				
	96292092	03 - 07		B B B X X X	6L14A44L3ALDAA1M04N05M85									1				
	[06]			(E)COVER-DIFF GEAR (D)DECKEL-AUSGLEICHGETRIEBE										(F)COUVERCLE-DIFFERENTIEL (S)TAPA-ENGRANAJE DIF				
	94580751	03 - 07		B B B X X X	6L14A44L3ALDAA1M04N05M85									1				
	[07]			(E)GASKET-DIFF GEAR COVER (D)DICHRING-AUSGLEICHGETRIEBE										(F)JOINT-COUVERCLE DE (S)JUNTA-TAPA DE ENGRANAJE DIF				
	96179241	03 - 07		B B B X X X	6L14A44L3ALDAA1M04N05M85									1				
	[08]			(E)SCREW (D)SCHRAUBE										(F)VIS (S)TORNILLO				
	94500952	03 - 07		B B B X X X	6L14A44L3ALDAA1M04N05M85									10				
	[12]			(E)RING-O (D)O-RING										(F)JOINT TORIQUE (S)JUNTA TÓRICA				
	94580546	03 - 07		B B B X X X	6L14A44L3ALDAA1M04N05M85									1				50.5x2.2
	[19]			(E)PLUG (D)STECKER										(F)BOUCHON (S)TAPÓN				
	94535685	03 - 07		B B B X X X	6L14A44L3ALDAA1M04N05M85									1				
	[20]			(E)MAGNET (D)MAGNET										(F)AIMANT (S)IMÁN				
	94580016	03 - 07		B B B X X X	6L14A44L3ALDAA1M04N05M85									1				
	[21]			(E)GEAR A-DRIVEN,SPEEDOMETER (D)ZAHNRAD										(F)PIGNON A-MENE,INDICATEUR DE (S)ENGRANAJE A-CONDUCIDO DE				
	90375764	03 - 07		B B B X X X	6L14A44L3ALDAA1M04N05M85									1				
	[22]			(E)BOLT (D)BOLZEN										(F)BOULON (S)PERNO				
	94500765	03 - 07		B B B X X X	6L14A44L3ALDAA1M04N05M85									1				

3220

TRANSAXLE RELATED PARTS

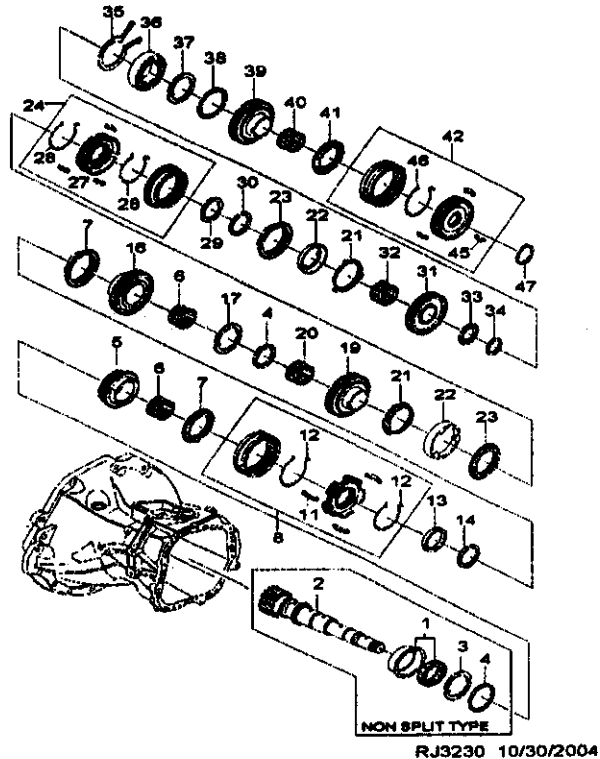


RJ3220 10/30/2004

KEY NO.		PART NAME													
I T C	PART NO.	MODEL YEAR	D R V	BODY			LEVEL			OPTION	L Q / R Y	V.I.N.		REMARKS	P / U O O M
				4 N B	4 H S	5 B W	B S	L S	L T			FROM	TO		
	[23] 94538508	03 - 07		(E)RING-O (D)O-RING B B B	X	X	X			6L14L44L84LDA6M04M05M85			(F)JOINT TORIQUE (S)JUNTA TÓRICA 1		
	[24] 96192077	03 - 07		(E)SWITCH A-BACK UP LIGHT (D)LIGHTSCHALTER B B B	X	X	X			6L14L44L84LDA6M04M05M85			(F)CONTACTEUR A-FEU DE REcul (S)INTERRUPTOR A-LUCES DE 1		
	[26] 94525096	03 - 07		(E)WASHER (D)UNTERLEGSCHIEBE B B B	X	X	X			6L14L44L84LDA6M04M05M85			(F)RONDELLE (S)ARANDELA 1		
	[30] 90334359	03 - 07		(E)BUSH (D)BUCHSE B B B	X	X	X			6L14L44L84LDA6M04M05M85			(F)BAGUE (S)CASQUILLO 2		
<p>**** RPO DEFINITIONS ****</p> <p>L14 : ENGINE-4 CYL 1.4 DOHC MPI L44 : ENGINE-4 CYL 1.6 DOHC MPI L84 : ENGINE-4 CYL 1.8 DOHC MPI LDA : ENGINE-4 CYL 1.8 DOHC MPI M04 : TRANS-MAN,5SPD,CR M06 : TRANS-MAN,5SPD,MODIFY CR M85 : TRANSMISSION-MAN,5 SPD,M/R</p>															

3230

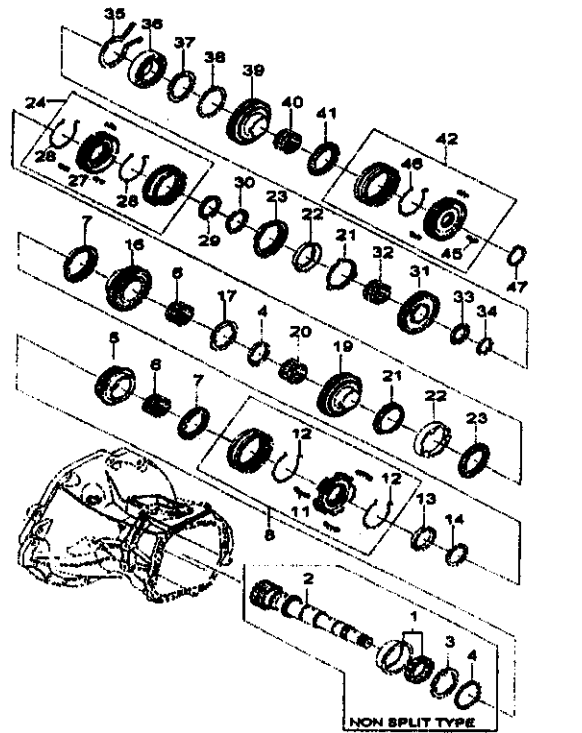
TRANSAXLE GEAR



I T C	KEY NO. PART NO.	MODEL YEAR	D R V	PART NAME						L / R	Q T Y	V.I.N.		REMARKS	P- BOOK
				BODY	LEVEL	OPTION						FROM	TO		
						4 N B	5 H S	B S	L L						
	[01]			(E)BEARING-ROLLER (D)WÄELZLAGER									(F)ROULEMENT-ROULEAUX (S)COJNETE-DE BOLLAS		
	90142090	03-07		B B B X X X			AL14A44LBALDABMG4MG5MB5						1	NON SPLIT	
	[02]			(E)SHAFT A-MAIN,T/A (D)HAUPTWELLE A,T/A									(F)IARBRE (S)EJE A-PRINCIPAL,C/CAMB		
	96350058	03-07		B B B X X X			AL14A44LMG4MG5						1	RATIO:3.722	
	96350515	03-07		B B B X X X			AL8ALDABMG4						1	RATIO:3.722	
	96242686	03-07		B B B . X X			AL8ALDABMG5						1	RATIO:3.944	
	[03]			(E)WASHER (D)UNTERLEGSCHIEBE									(F)RONDELLE (S)ARANDELA		
	94580660	03-07		B B B X X X			AL14A44LBALDABMG4MG5MB5						2		
	[04]			(E)RING-WASHER RETAINING (D)SICHERUNGSRING-UNTERLEGSCHIEBE									(F)ANNEAU-RETENUE DE RESSORT (S)ANILLO-DE RETENCION DE		
	94580543	03-07		B B B X X X			AL14A44LBALDABMG4MG5MB5						2		
	[05]			(E)GEAR A-4TH SPEED (D)ZAHNRAD A-4.GANG									(F)PIGNON A-4E VITESSE (S)ENGRANAJE A-4º		
	96494907	03-05		. B . X X .			AL144MG5						1		
	Y 96180759	03-05		B B B X X X			AL14A44LBABMG4MG5						1		
	96437281	06-07		B B B X X X			AL14A44LBALDABMG4MG5						1		
	96237744	03-07		B B B . X X			AL8ALDABMG5						1		
	[06]			(E)CAGE-NEEDLE (D)NADELKAERIG									(F)CAGE-AIGUILLES (S)JAULA-DE AGUJAS		
	94580614	03-07		B B B X X X			AL14A44LBALDABMG4MG5MB5						2	36x42x24	
	[07]			(E)RING-SYN (D)SYNCHRONRING									(F)BAGUE-SYN (S)ANILLO-SINC		
	94580745	03-07		B B B X X X			AL14A44LBALDABMG4MG5MB5						2		
	[08]			(E)SLEEVE A-SHIFT (D)SCHALTMUFFE A									(F)MANCHON A-CHANGEMENT DE (S)MANGUITO A-DE SELECCION		
	94580898	03-07		B B B X X X			AL14A44LBALDABMG4MG5MB5						1		
	[11]			(E)KEY,SYN,3RD&4TH SPEED (D)SYNCHRONRIEGEL,3.&4.GANG									(F)CLAVETTE-SYN,3E&4E VITESSE (S)CHAVETA-SINC,3º Y 4º		
	90199973	03-07		B B B X X X			AL14A44LBALDABMG4MG5MB5						3		
	[12]			(E)SPRING-SYN,3RD&4TH SPEED (D)SYNCHRONFEDER,3.&4.GANG									(F)RESSORT-SYN,3E&4E VITESSE (S)MUELLE-SINC,3º Y 4º		
	94580706	03-07		B B B X X X			AL14A44LBALDABMG4MG5MB5						2		
	[13]			(E)WASHER (D)UNTERLEGSCHIEBE									(F)RONDELLE (S)ARANDELA		
	94525171	03-07		B B B X X X			AL14A44LBALDABMG4MG5MB5						1		
	[14]			(E)CIRCLIP (D)KLEMME									(F)CIRCLIP (S)CIRCLIP		
	94580602	03-07		B B B X X X			AL14A44LBALDABMG4MG5MB5						1		

3230

TRANSAXLE GEAR

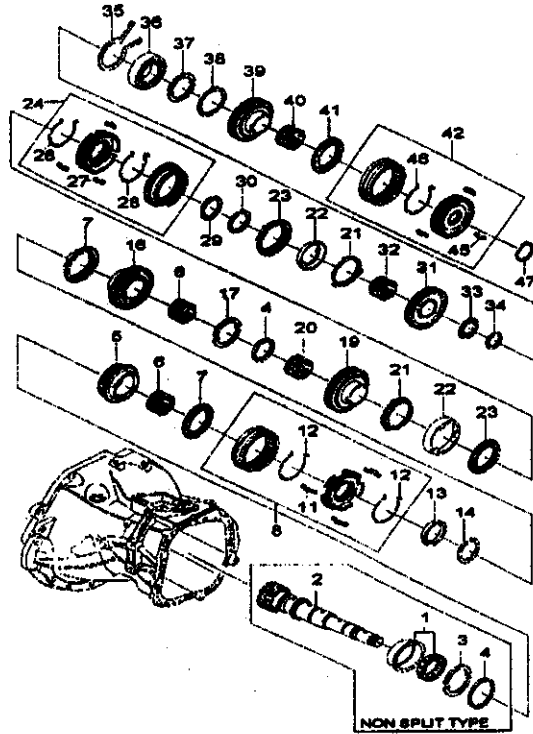


RJ3230 10/30/2004

I T C	PART NO.	MODEL YEAR	KEY NO.						PART NAME				REMARKS	P R O D U C T I O N		
			D R V E	B O D Y			L E V E L			O P T I O N	L I Q U I D Y	V.I.N.			R E M A R K S	
				4 N B	4 H S	5 B W	B L S	L L S	L L T			FROM				TO
	[16]			(E)GEAR A-3RD SPEED (D)ZAHNRAD A 3. GANG								(F)PIGNON A-3E VITESSE (S)ENGRANAJE A-3º				
	96494909	03 - 05		. B . X X .				&L14&M05				1				
Y	96180757	03 - 05		B B B X X X				&L14&L44&B&LDA&M04&M05				1				
	96437282	06 - 07		B B B X X X				&L14&L44&B&LDA&M04&M05				1				
	96237742	03 - 07		B B B . X X				&L&B&LDA&M05				1				
	[17]			(E)WASHER (D)UNTERLEGSCHLEIBE								(F)RONDELLE (S)ARANDELA				
	94580652	03 - 07		B B B X X X				&L14&L44&B&LDA&M04&M05&M05				2				
	[18]			(E)GEAR A-2ND SPEED (D)ZAHNRAD A 2. GANG								(F)PIGNON A-2E VITESSE (S)ENGRANAJE A-2º				
	94580695	03 - 06		B B B X X X				&L14&L44&B&LDA&M04&M05				1				
	96812960	07 - 07		B B B X X X				&L14&L44&B&LDA&M04&M05				1				
	96237740	03 - 06		B B B . X X				&L&B&LDA&M05				1				
	96812967	07 - 07		B B B . X X				&L&B&LDA&M05				1				
	[20]			(E)CAGE-NEEDLE (D)NADELKAEFG								(F)CAGE-AGUILLES (S)MAULA-DE AGUJAS				
	94580606	03 - 07		B B B X X X				&L14&L44&B&LDA&M04&M05&M05				1	38x42x28			
	[21]			(E)RING-SYN. I/S (D)SYNCHRONRING, INNEN								(F)BAGUE-SYN. INT (S)ANILLO-SINC. INTERIOR				
	94580752	03 - 06		B B B X X X				&L14&L44&B&LDA&M04&M05&M05				2				
	96812969	07 - 07		B B B X X X				&L14&L44&B&LDA&M04&M05&M05				2				
	[22]			(E)RING-3 CONE INTER (D)ZW. RING-3 KEGL								(F)BAGUE-CONE INTER 3 (S)ANILLO-INTERMEDIO DE CONO 3				
	96242727	03 - 06		B B B X X X				&L14&L44&B&LDA&M04&M05&M05				2				
	96812968	07 - 07		B B B X X X				&L14&L44&B&LDA&M04&M05&M05				2				
	[23]			(E)RING-SYN. O/S (D)SYNCHRONRING, AUSSEN								(F)BAGUE-SYN. EXT (S)ANILLO-SINC. EXTERIOR				
	94580754	03 - 06		B B B X X X				&L14&L44&B&LDA&M04&M05&M05				2				
	96812971	07 - 07		B B B X X X				&L14&L44&B&LDA&M04&M05&M05				2				
	[24]			(E)GEAR A-SLIDING (D)SCHIEBERAD A								(F)PIGNON A-COULISSANT (S)ENGRANAJE A-DESLUZANTE				
	94580696	03 - 07		B B B X X X				&L14&L44&B&LDA&M04&M05&M05				1				
	[27]			(E)KEY-SYN. 1ST&2ND SPEED (D)SYNCHRONRING, 1.&2. GANG								(F)CLAVETTE-SYN. 1ERE&2E VITESSE (S)CHAVETA-SINC. 1º Y 2º				
	90199019	03 - 07		B B B X X X				&L14&L44&B&LDA&M04&M05&M05				3				
	[28]			(E)SPRING-SYN. 1ST&2ND SPEED (D)SYNCHRONFEDER, 1.&2. GANG								(F)RESSORT-SYN. 1ERE&2E VITESSE (S)MUELLE-SINC. 1º Y 2º				
	94580709	03 - 07		B B B X X X				&L14&L44&B&LDA&M04&M05&M05				2				
	[28]			(E)WASHER (D)UNTERLEGSCHLEIBE								(F)RONDELLE (S)ARANDELA				

3230

TRANSAXLE GEAR

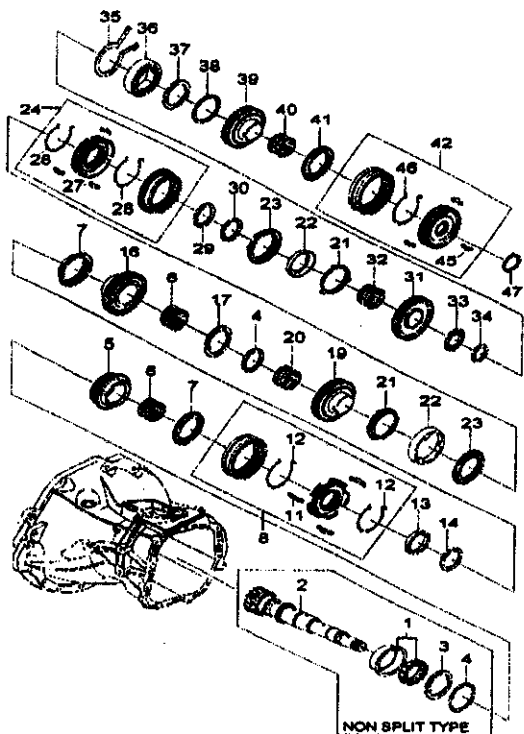


RJ3230 10/30/2004

I T C	KEY NO.		PART NAME										REMARKS	P R O D U C T I O N
	PART NO.	MODEL YEAR	D R V E	BODY		LEVEL		OPTION	L / R Y	Q T Y	V.I.N.			
				4 N B	5 H W	6 S B	7 L S				8 L S	9 T		
	[29]			(E)WASHER (D)UNTERLEGS-CHEIBE							(F)RONDELLE (S)ARANDELA			
	94525183	03-07		B B B X X X				6L14L44L3M4DA8MO4MO6A85			1			
	[30]			(E)CIRCLIP (D)KLEMME							(F)CIRCLIP (S)CIRCLIP			
	94580588	03-07		B B B X X X				6L14L44L3M4DA8MO4MO6A85			1			
	[31]			(E)GEAR A-1ST SPEED (D)ZAHNRAD A 1.GANG							(F)PIGNON A-1ERE VITESSE (S)ENGRANAJE A-1º			
	96494912	03-06		B B B X X X				6L14L44L3M4DA8MO4MO6A85			1			
	96812974	07-07		B B B X X X				6L14L44L3M4DA8MO4MO6A85			1			
	94580789	03-06		B B B X X X				6L44L3M4DA8MO4MO6A85			1			
	96812973	07-07		B B B X X X				6L44L3M4DA8MO4MO6A85			1			
	[32]			(E)CAGE-NEEDLE (D)NADELKAEFIG							(F)CAGE-AGUILLES (S)JAULA-DE AGUJAS			
	94580808	03-07		B B B X X X				6L14L44L3M4DA8MO4MO6A85			1	33x37x26		
	[33]			(E)CAGE-NEEDLE (D)NADELKAEFIG							(F)CAGE-AGUILLES (S)JAULA-DE AGUJAS			
	94580807	03-07		B B B X X X				6L14L44L3M4DA8MO4MO6A85			1	33x52x2		
	[34]			(E)DISC-MAIN SHF (D)HAUPTSCHALTS-CHEIBE							(F)DISQUE-ARBRE SECONDAIRE (S)DISCO-EJE PRINCIPAL			
	94580587	03-07		B B B X X X				6L14L44L3M4DA8MO4MO6A85			1			
	Y 96428312	03-07		B B B X X X				6L14L44L3M4DA8MO4MO6A85			1			
	[35]			(E)RING-RETAINING (D)SICHERUNGSRING							(F)ANNEAU-RETENUE (S)ANILLO-DE RETENCION			
	94580801	03-07		B B B X X X				6L14L44L3M4DA8MO4MO6A85			1			
	[36]			(E)BEARING-GROOVE BALL (D)RILLENKUGELLAGER							(F)ROULEMENT-BILLES, GORGE (S)COMINETE-DE BOLS DE RANURA			
	96108006	03-07		B B B X X X				6L14L44L3M4DA8MO4MO6A85			1			
	[37]			(E)WASHER (D)UNTERLEGS-CHEIBE							(F)RONDELLE (S)ARANDELA			
	94580875	03-07		B B B X X X				6L14L44L3M4DA8MO4MO6A85			2			
	[38]			(E)RING-RETAINING (D)SICHERUNGSRING							(F)ANNEAU-RETENUE (S)ANILLO-DE RETENCION			
	94580582	03-07		B B B X X X				6L14L44L3M4DA8MO4MO6A85			1			
	[39]			(E)GEAR A-5TH SPEED (D)ZAHNRAD A 5.GANG							(F)PIGNON A-5E VITESSE (S)ENGRANAJE A-5º			
	94580772	03-06		B B B X X X				6L14L44L3M4DA8MO4MO6A85			1			
	96813583	07-07		B B B X X X				6L14L44L3M4DA8MO4MO6A85			1			
	96237748	03-06		B B B . X X				6L8M4DA8MO6			1			
	96813439	07-07		B B B . X X				6L8M4DA8MO6			1			

3230

TRANSAXLE GEAR

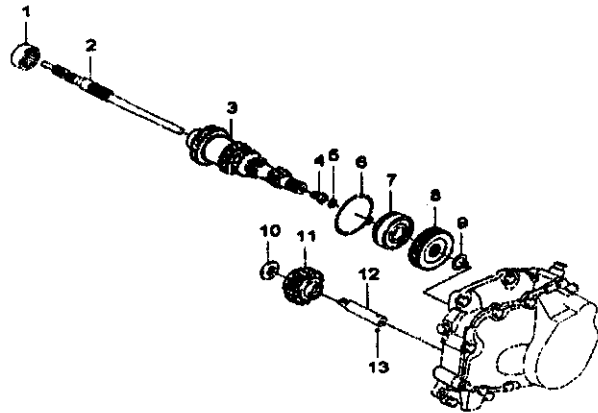


RJ3230 10/30/2004

I T C	KEY NO.		PART NAME											REMARKS	P- CODE	
	PART NO.	MODEL YEAR	D R V	BODY			LEVEL		OPTION	L / R Y	Q T Y	V.I.N.				
				4 N B	4 H S	5 B W	B	L				L	FROM			TO
	[40]			(E)CAGE-NEEDLE (D)NADELKAEFG								(F)CAGE-AIGUILLES (S)JAULA-DE AGUJAS				
	94580805	03-07		B B B X X X					6L14L44L84LDA8MG4MGSMB5		1			20x30x31		
	[41]			(E)RING-SYN (D)SYNCHRONRING								(F)BAGUE-SYN (S)ANILLO-SINC				
	94580747	03-06		B B B X X X					6L14L44L84LDA8MG4MGSMB5		1					
	96180676	07-07		B B B X X X					6L14L44L84LDA8MG4MGSMB5		1					
	[42]			(E)SLEEVE A-SHIFT,5TH SPEED (D)SCHALTMUFFE A,5.GANG								(F)MANCHON A-CHANGEMENT DE (S)MANGUITO A-DE SELECCIÓN,5ª				
	94580638	03-06		B B B X X X					6L14L44L84LDA8MG4MGSMB5		1					
	96182076	07-07		B B B X X X					6L14L44L84LDA8MG4MGSMB5		1					
	[46]			(E)KEY-SYN,5TH SPEED (D)SYNCHRONRIEGEL,5.GANG								(F)CLAVETTE-SYN,5ª VITESSE (S)CHAVETA-SINC,5ª				
	90142143	03-06		B B B X X X					6L14L44L84LDA8MG4MGSMB5		3					
	96180879	07-07		B B B X X X					6L14L44L84LDA8MG4MGSMB5		3					
	[46]			(E)SPRING-SYN,5TH SPEED (D)SYNCHRONFEDER,5.GANG								(F)RESSORT-SYN,5ª VITESSE (S)MUELLE-SINC,5ª				
	94580623	03-06		B B B X X X					6L14L44L84LDA8MG4MGSMB5		1					
	96227531	07-07		B B B X X X					6L14L44L84LDA8MG4MGSMB5		1					
	[47]			(E)RING-RETAINING (D)SICHERUNGSRING								(F)ANNEAU-RETENUE (S)ANILLO-DE RETENCIÓN				
	94580799	03-07		B B B X X X					6L14L44L84LDA8MG4MGSMB5		1					
				**** RPO DEFINITIONS ****												
				L14 : ENGINE-4 CYL 1.4 DOHC MPI												
				L44 : ENGINE-4 CYL 1.6 DOHC MPI												
				L84 : ENGINE-4 CYL 1.8 DOHC MPI												
				LDA : ENGINE-4 CYL 1.8 DOHC MPI												
				MG4 : TRANS-MAN,5SPD,CR												
				MG5 : TRANS-MAN,5SPD,MODIFY CR												
				MB5 : TRANSMISSION-MAN,5 SPD,M/R												

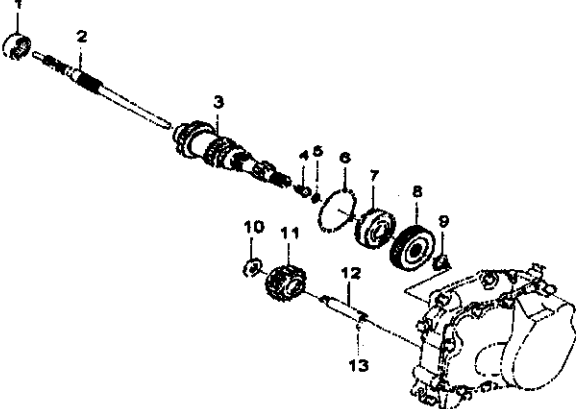
3240

REVERSE&COUNTER GEAR



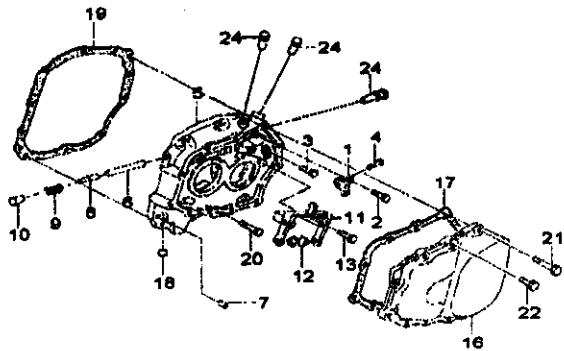
RJ3240 10/30/2004

I T C	KEY NO.		PART NAME										L Q T Y	V.I.N.		REMARKS	P R O D U C T I O N	
	PART NO.	MODEL YEAR	D R V	BODY			LEVEL			OPTION	FROM	TO						
				4 N B	5 H B	6 S W	8 B	9 L S	10 L T									
	[01]			(E)SLEEVE-NEEDLE (D)NADELMUFRE										(F)MANCHON-AIGUILLES (S)MANGUITO-DE AGUJA				
	90142092	03-07		B B B X X X						8L14L44L84LD48MO4MOS4M5				1			35x47x17	
	[02]			(E)SHAFT-INPUT DRIVE (D)EINGANGSANTRIEBSWELLE										(F)ARBRE-PRIMAIRE-ENTRAINEMENT (S)EJE-PRIMARIO				
	94560796	03-07		B B B X X X						8L14L44L84LD48MO4MOS4M5				1				
	[03]			(E)GEAR A-INPUT SHF CLUSTER (D)ZAHNRAD A EINGANGSWELLE										(F)PIGNON A-ENSEMBLE DE PIGNONS (S)TREN A-DE ENGRANAJES DE EJE				
	96494831	03-05		. B B X X X						8L14L44LMOS				1				
Y	96419591	03-05		. B B X X X						8L14L44LMOS				1				
	96437279	06-07		B B B X X X						8L14L44LMOS				1				
	96181761	03-05		B B B X X X						8L44L84LMO4				1				
	96439759	06-07		B B B X X X						8L44L84LD48MO4				1				
	96237736	03-07		B B B . X X						8L84LD48MO5				1				
	[04]			(E)BOLT (D)BOLZEN										(F)BOULON (S)PERNO				
	94501661	03-07		B B B X X X						8L14L44L84LD48MO4MOS4M5				1				
	[05]			(E)RING-RETAINING (D)SICHERUNGSRING										(F)ANNEAU-RETENUE (S)ANILLO-DE RETENCION				
	94560070	03-07		B B B X X X						8L14L44L84LD48MO4MOS4M5				1			17x1	
	[06]			(E)RING-CLUSTER BEARING (D)LAGERRING-RITZELSATZ										(F)ANNEAU-ROULEMENT (S)ANILLO-COJINETE DEL TREN DE				
	94580622	03-07		B B B X X X						8L14L44L84LD48MO4MOS4M5				1			72x2	
	[07]			(E)BEARING-GROOVE BALL (D)RILLENKUGELLAGER										(F)ROULEMENT-BILLES GORGE (S)COJINETE-DE BOLAS DE RANURA				
	96108005	03-07		B B B X X X						8L14L44L84LD48MO4MOS4M5				1				
	[08]			(E)GEAR-CLUSTER 6TH SPEED (D)ZAHNRAD A RITZELSATZ 6.GANG										(F)PIGNON-ENSEMBLE SE VITESSE (S)TREN-DE ENGRANAJES DE 6°				
	96251716	03-07		B B B X X X						8L14L44L84LD48MO4MOS				1				
	96297968	03-07		B B B . X X						8L84LD48MO5				1				
Y	96237739	03-07		B B B . X X						8L84LD48MO5				1				
	[09]			(E)RING-RETAINING (D)SICHERUNGSRING										(F)ANNEAU-RETENUE (S)ANILLO-DE RETENCION				
	94580600	03-07		B B B X X X						8L14L44L84LD48MO4MOS4M5				1			30x2	
	[10]			(E)WASHER (D)UNTERLEGS SCHEIBE										(F)RONDELLE (S)ARANDELA				
	94525131	03-07		B B B X X X						8L14L44L84LD48MO4MOS4M5				1				
	[11]			(E)GEAR A-REV IDLER (D)ZAHNRAD A RUECKWAERTS LOSRAD										(F)PIGNON A-REVOI DE MARR (S)ENGRANAJE A-INTERMEDIO MA				
	96161880	03-07		B B B X X X						8L14L44L84LD48MO4MOS4M5				1				

3240 REVERSE&COUNTER GEAR	KEY NO.		PART NAME												
	I T C	PART NO.	MODEL YEAR	D R V	BODY		LEVEL		OPTION	L / R	Q T Y	V.I.N.		REMARKS	P / C O D E
					4 N B	5 H W	B S	L S				FROM	TO		
	[12]	94580834	03-07		(E)SHAFT-REV (D)LOS RADWELLE-RUECKWAERTS					(F)ARBRE-PIGNON RENVOI DE MARR (S)EJE-ENGRANAJE INTERMEDIO MA					
	[13]	94535263	03-07		(E)BALL (D)KUGEL					(F)BILLE (S)BOLA					
										**** RPO DEFINITIONS **** L14 : ENGINE-4 CYL 1.4 DOHC MPI L44 : ENGINE-4 CYL 1.6 DOHC MPI L44 : ENGINE-4 CYL 1.6 DOHC MPI LDA : ENGINE-4 CYL 1.6 DOHC MPI MG4 : TRANS-MAN,5SPD,CR MG5 : TRANS-MAN,5SPD,MODIFY CR M85 : TRANSMISSION-MAN,5 SPD,M/R					

RJ3240 10/30/2004

3250
BEARING PLATE

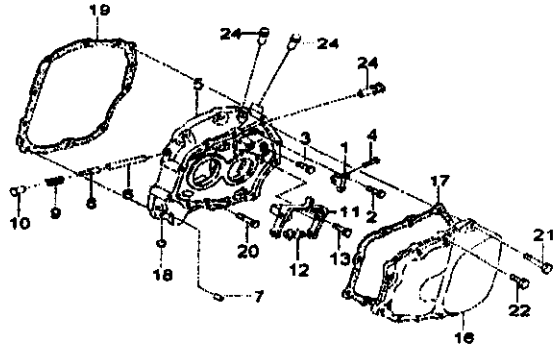


RJ3250 10/30/2004

I T C	PART NO.	MODEL YEAR	KEY NO.						OPTION	L Q T R Y	V.I.N.		REMARKS	P / C O D E	
			D R V	BODY			LEVEL				FROM	TO			
				4 N B	4 H S	5 S W	B L S	L L S							T
	[01]			(E)BRIDGE-STRAIN BOLT (D)BRUECKE-SPANNBOLZEN							(F)PONT-BOULON DE TENSION (S)PUENTE-PERNO DE TENSION				
	94580603	03-07		B B B X X X				SL14L44L84LDA8MO4MOS4M5			1				
	[02]			(E)BOLT (D)BOLZEN							(F)BOULON (S)PERNO				
	94501229	03-07		B B B X X X				SL14L44L84LDA8MO4MOS4M5			2	MGx18			
Y	94501822	03-07		B B B X X X				SL14L44L84LDA8MO4MOS4M5			2	MGx18			
	[03]			(E)BOLT (D)BOLZEN							(F)BOULON (S)PERNO				
	94501230	03-07		B B B X X X				SL14L44L84LDA8MO4MOS4M5			2	MGx24			
	[04]			(E)BOLT (D)BOLZEN							(F)BOULON (S)PERNO				
	94580518	03-07		B B B X X X				SL14L44L84LDA8MO4MOS4M5			1				
	[05]			(E)PLATE-BEARING (D)LAGERPLATTE							(F)PLAQUE-ROULEMENT (S)PLACA-DE APOYO				
	96180888	03-07		B B B X X X				SL14L44L84LDA8MO4MOS4M5			1				
	[06]			(E)BOLT (D)BOLZEN							(F)BOULON (S)PERNO				
	94580495	03-07		B B B X X X				SL14L44L84LDA8MO4MOS4M5			1				
	[07]			(E)PIN-DOWEL (D)DUEBEL							(F)GOUPILE-CENTRAGE (S)PASADOR-GUÍA				
	94580057	03-07		B B B X X X				SL14L44L84LDA8MO4MOS4M5			2				
	[08]			(E)PIN-BLOCKING (D)SPERRSTIFT							(F)GOUPILE-BLOCAGE (S)PASADOR-DE BLOQUEO				
	94580641	03-07		B B B X X X				SL14L44L84LDA8MO4MOS4M5			1				
	[09]			(E)SPRING-CMPR (D)FEDER-QUERTRAEGER							(F)CMPR RESSORT (S)MUELLE-COMPR				
	96334085	03-06		B B B X X X				SL14L44L84LDA8MO4MOS4M5			1				
	96814901	07-07		B B B X X X				SL14L44L84LDA8MO4MOS4M5			1				
	[10]			(E)PLUG (D)STECKER							(F)BOUCHON (S)TAPÓN				
	94580525	03-07		B B B X X X				SL14L44L84LDA8MO4MOS4M5			1				
	[11]			(E)FORK A-G/S SLIDING (D)SCHIEBEGABEL A-GANGSCH.							(F)FOURCHETTE (S)HORQUILLA A-DESILIZANTE DE				
	94580778	03-06		B B B X X X				SL14L44L84LDA8MO4MOS4M5			1				
	96180884	07-07		B B B X X X				SL14L44L84LDA8MO4MOS4M5			1				
	[12]			(E)SHOE-G/S (D)SCHALTSCHUH-GANGSCH.							(F)PATIN-CHGT. VIT (S)ZAPATA-DE SELECCIÓN				
	96305524	03-06		B B B X X X				SL14L44L84LDA8MO4MOS4M5			2				
	96180886	07-07		B B B X X X				SL14L44L84LDA8MO4MOS4M5			2				

3250

BEARING PLATE

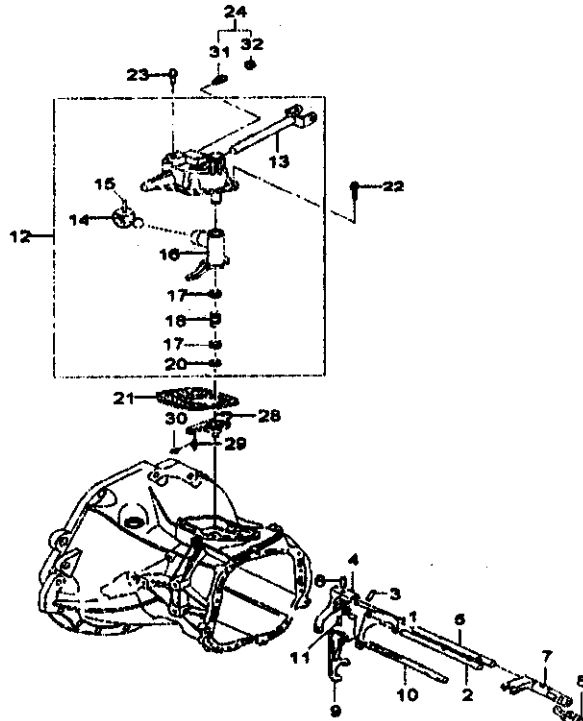


RJ3250 10/30/2004

I T C	KEY NO.		PART NAME											
	PART NO.	MODEL YEAR	D R V	BODY		LEVEL		OPTION	L Q T R Y	V.I.N.		REMARKS		
				4 N B	5 H S W	B S	L S T			FROM	TO			
	[13]			(E)SCREW (D)SCHRAUBE					(F)VIS (S)TORNILLO					
	94501244	03-07		B B B X X X			6L14L44L84LDA8MG4MOSM85		2			M8x20		
	[16]			(E)COVER-TIA (D)DECKEL-TIA					(F)COUVERCLE-TIA (S)TAPA-C/CAMB					
	96175844	03-07		B B B X X X			6L14L44L84LDA8MG4MOSM85		1					
	[17]			(E)GASKET-TIA COVER (D)DICHTUNG-TIA/DECKEL					(F)JOINT-COUVERCLE DE TIA (S)JUNTA-TAPA DE C/CAMB					
	96179238	03-07		B B B X X X			6L14L44L84LDA8MG4MOSM85		1					
	[18]			(E)MAGNET (D)MAGNET					(F)AIMANT (S)IMÁN					
	94580033	03-07		B B B X X X			6L14L44L84LDA8MG4MOSM85		1					
	[19]			(E)GASKET-BEARING PLATE (D)DICHTUNG-UNTERBRECHERSCHEIBE					(F)JOINT-PLAQUE DE ROULEMENT (S)JUNTA-PLACA DE APOYO					
	96179244	03-07		B B B X X X			6L14L44L84LDA8MG4MOSM85		1					
	[20]			(E)BOLT (D)BOLZEN					(F)BOULON (S)PERNO					
	94500791	03-07		B B B X X X			6L14L44L84LDA8MG4MOSM85		5			M8x28		
	[21]			(E)BOLT (D)BOLZEN					(F)BOULON (S)PERNO					
	94500793	03-07		B B B X X X			6L14L44L84LDA8MG4MOSM85		6			M8x58		
	[22]			(E)BOLT (D)BOLZEN					(F)BOULON (S)PERNO					
	94500774	03-07		B B B X X X			6L14L44L84LDA8MG4MOSM85		5			M7x15		
	[24]			(E)SLEEVE-DETENT (D)EINRASTMUFFE					(F)MANCHON-VERROJ (S)MANGUITO-DE RETENCIÓN					
	96242705	03-07		B B B X X X			6L14L44L84LDA8MG4MOSM85		3			50N/m		
				**** RPO DEFINITIONS ****										
				L14 : ENGINE-4 CYL 1.4 DOHC MPI										
				L44 : ENGINE-4 CYL 1.8 DOHC MPI										
				L84 : ENGINE-4 CYL 1.8 DOHC MPI										
				LDA : ENGINE-4 CYL 1.8 DOHC MPI										
				MG4 : TRANS-MAN,5SPD,CR										
				MOS : TRANS-MAN,5SPD,MODIFY CR										
				M85 : TRANSMISSION-MAN,5 SPD,M/R										

3260

GEAR SHIFT COVER&FORK

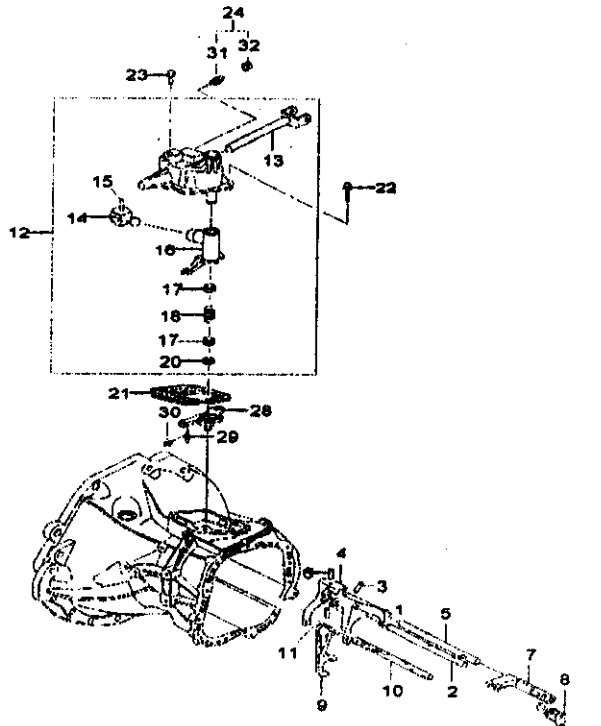


RJ3260 10/30/2004

I T C	KEY NO.		PART NAME										L Q / R Y	V.I.N.		REMARKS	INDOT-B
	PART NO.	MODEL YEAR	D R V	BODY		LEVEL		OPTION	FROM	TO	REMARKS						
				4 N B	5 H W	3 L S	2 L T										
	[01]			(E)FORK A-1ST&2ND G/S (D)GABEL A-1.&2. GANGSCH.										(F)FOURCHETTE A-CHGT.VIT (S)HORQUILLA A-DE SELECCIÓN DE			
	96180849	03 - 07		B B B X X X				8L14A.44L.84L.DA&MG4MGSMB5						1			
	[02]			(E)ROD-1ST&2ND G/S (D)STANGE-1.&2. GANGSCH.										(F)AXE-CHGT.VIT 1ERE&2E (S)BARRA A-DE SELECCIÓN DE 1ª Y			
	94580812	03 - 07		B B B X X X				8L14A.44L.84L.DA&MG4MGSMB5						1			
	[03]			(E)PIN-COILED (D)SPIRALSTIFT										(F)GOUPILE-SPIRALEE (S)PASADOR-ESPIRAL			
	11054212	03 - 07		B B B X X X				8L14A.44L.84L.DA&MG4MGSMB5						1			
	[04]			(E)FORK-3RD&4TH G/S (D)GABEL-3.&4. GANGSCH.										(F)FOURCHETTE-CHGT.VIT 3E&4E (S)HORQUILLA A-DE SELECCIÓN DE			
	96180851	03 - 07		B B B X X X				8L14A.44L.84L.DA&MG4MGSMB5						1			
	[05]			(E)ROD-3RD&4TH G/S (D)STANGE-3.&4. GANGSCH.										(F)AXE DE FOURCHETTE-CHGT.VIT (S)BARRA A-DE SELECCIÓN DE 3ª Y			
	94580813	03 - 07		B B B X X X				8L14A.44L.84L.DA&MG4MGSMB5						1			
	[06]			(E)PIN-COILED (D)SPIRALSTIFT										(F)GOUPILE-SPIRALEE (S)PASADOR-ESPIRAL			
	11054212	03 - 07		B B B X X X				8L14A.44L.84L.DA&MG4MGSMB5						1			
	[07]			(E)PIECE-ENGAGING, 5TH SPEED (D)EINRUECKSTUECK, 5 GANG										(F)PIECE-ENGAGEMENT, 5E VITESSE (S)PIEZA-DE ENGRANE, 5ª			
	96274723	03 - 04		B B . X X X				8L14A.44L.84L.DA&MG4MGSMB5						1	039630		
	N 96180854	05 - 06		B B B X X X				8L14A.44L.84L.DA&MG4MGSMB5						1	039631		
	96274723	07 - 07		B B B X X X				8L14A.44L.84L.DA&MG4MGSMB5						1			
	[08]			(E)PAWL-G/S ROD (D)KLAUE-GANGSCH. STANGE										(F)CLIQUET-AXE CHGT.VIT (S)TRINQUETE-BARRA DE			
	94580584	03 - 07		B B B X X X				8L14A.44L.84L.DA&MG4MGSMB5						1			
	[09]			(E)FORK-G/S, REV (D)GABEL-GANGSCH., RUECKW.										(F)FOURCHETTE-CHGT.VIT, M ARR (S)HORQUILLA-DE SELECCIÓN, MA			
	96180853	03 - 07		B B B X X X				8L14A.44L.84L.DA&MG4MGSMB5						1			
	[10]			(E)ROD-REV G/S (D)STANGE-RUECKW. GANGSCH.										(F)AXE DE (S)BARRA-DE SELECCIÓN MA			
	94580766	03 - 07		B B B X X X				8L14A.44L.84L.DA&MG4MGSMB5						1			
	[11]			(E)PIN-COILED (D)SPIRALSTIFT										(F)GOUPILE-SPIRALEE (S)PASADOR-ESPIRAL			
	11054212	03 - 07		B B B X X X				8L14A.44L.84L.DA&MG4MGSMB5						1			
	[12]			(E)COVER A-G/S (D)DECKEL A-GANGSCH.										(F)COUVERCLE A-CHGT.VIT (S)TAPA A-DEL CAMBIO			
	96273770	03 - 04		B B . X X X				8L14A.44L.84L.DA&MG4MGSMB5						1	039630		
	N 96377721	05 - 06		B B B X X X				8L14A.44L.84L.DA&MG4MGSMB5						1	039631		
	96800036	07 - 07		B B B X X X				8L14A.44L.84L.DA&MG4MGSMB5						1			
	96179220	06 - 06		B B B X X X				6L84L.DA&MG4XAT						1			

3260

GEAR SHIFT COVER&FORK

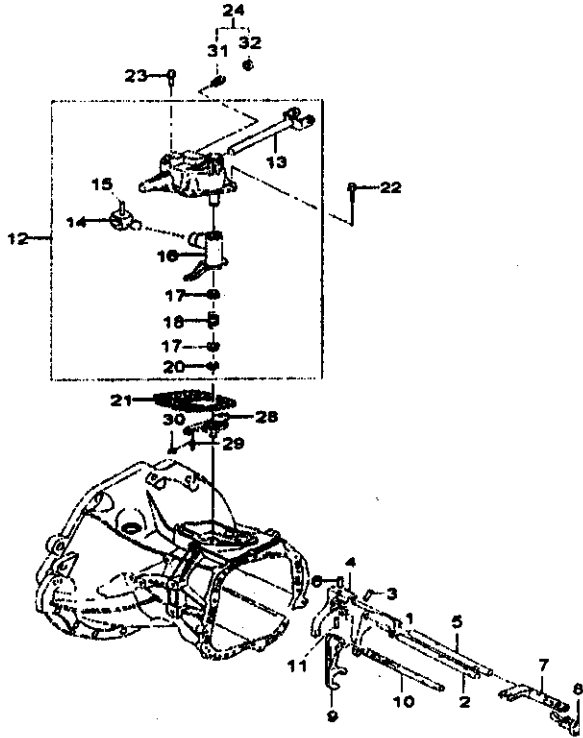


RJ3260 10/30/2004

I T C	KEY NO. PART NO.	MODEL YEAR	D R V	PART NAME								L T R Y	V.I.N.		REMARKS	P / O C C U R E N C E	
				BODY		LEVEL		OPTION	FROM	TO							
				4 N B	5 H W	B L S	L L T										
	[12]																
	96273770	07-07		(E)COVER A-G/S (D)DECKEL A-GANGSCH.	B	B	B	X	X	X	8L84LDA8MG48XAT		(F)COUVERCLE A-CHGT.VIT (S)TAPA A-DEL CAMBIO	1			
	[13]			(E)ROD A-G/S (D)STANGE-A-GANGSCH.	B	B	B	X	X	X	8L14L44L84LDA8MG4MG5M85		(F)TIGE A-CHGT.VIT (S)BARRA A-DE SELECCIÓN	1			
	94580787	03-07			B	B	B	X	X	X							
	[14]			(E)FINGER-SHIFT (D)SCHALTFINGER	B	B	B	X	X	X	8L14L44L84LDA8MG4MG5M85		(F)DOIGT-CHGT (S)DEDO-DEL CAMBIO	1			
	94580621	03-07			B	B	B	X	X	X							
	[15]			(E)PIN-COILED (D)SPIRALSTIFT	B	B	B	X	X	X	8L14L44L84LDA8MG4MG5M85		(F)GOUIPILLE-SPIRALEE (S)PASADOR-ESPIRAL	1			
	11054212	03-07			B	B	B	X	X	X							
	[16]			(E)LEVER-G/S INTER (D)ZW.-HEBEL-GANGSCH.	B	B	X	X	X		8L14L44L84LDA8MG4MG5M85		(F)LEVIER-INTER CHGT.VIT (S)PALANCA-DE CAMBIO INTER	1	039630		
	96274721	03-05			B	B	X	X	X								
	N 96377725	05-08			B	B	B	X	X	X	8L14L44L84LDA8MG4MG5M85			1	039631		
	96800037	07-07			B	B	B	X	X	X	8L14L44L84LDA8MG4MG5M85			1			
	96241607	06-06			B	B	B	X	X	X	8L84LDA8MG48XAT			1			
	96274721	07-07			B	B	B	X	X	X	8L84LDA8MG48XAT			1			
	[17]			(E)PLATE-GUARD (D)SCHUTZBLECH	B	B	B	X	X	X	8L14L44L84LDA8MG4MG5M85		(F)PLAQUE-PROTECTION (S)CHAPA-PROTECTORA	2			
	94580579	03-07			B	B	B	X	X	X							
	[18]			(E)SPRING-CMPR (D)FEDER-QUERTRAEGER	B	B	B	X	X	X	8L14L44L84LDA8MG4MG5M85		(F)CMPR RESSORT (S)MUELLE-COMPR	1			
	94580632	03-07			B	B	B	X	X	X							
	[20]			(E)RING-RETAINING (D)SICHERUNGSRING	B	B	B	X	X	X	8L14L44L84LDA8MG4MG5M85		(F)ANNEAU-RETENUE (S)ANILLO-DE RETENCIÓN	1			
	94580674	03-07			B	B	B	X	X	X							
	[21]			(E)GASKET-G/S COVER (D)DECKELDICHUNG-GANGSCH.	B	B	B	X	X	X	8L14L44L84LDA8MG4MG5M85		(F)JOINT-COUVERCLE DE CHGT.VIT (S)JUNTA-TAPA DEL CAMBIO	1			
	96298951	03-07			B	B	B	X	X	X							
	[22]			(E)BOLT (D)BOLZEN	B	B	B	X	X	X	8L14L44L84LDA8MG4MG5M85		(F)BOULON (S)PERNO	4		MTx20	
	94500775	03-07			B	B	B	X	X	X							
	[23]			(E)PLUG (D)STECKER	B	B	B	X	X	X	8L14L44L84LDA8MG4MG5M85		(F)BOUCHON (S)TAPÓN	1			
	96180617	03-07			B	B	B	X	X	X							
	[24]			(E)PLUG (D)STECKER	B	B	B	X	X	X	8L14L44L84LDA8MG4MG5M85		(F)BOUCHON (S)TAPÓN	1			
	94580520	03-07			B	B	B	X	X	X	8L14L44L84LDA8MG4MG5M85			1			
	Y 96434368	03-07			B	B	B	X	X	X	8L14L44L84LDA8MG4MG5M85			1			

3260

GEAR SHIFT COVER&FORK

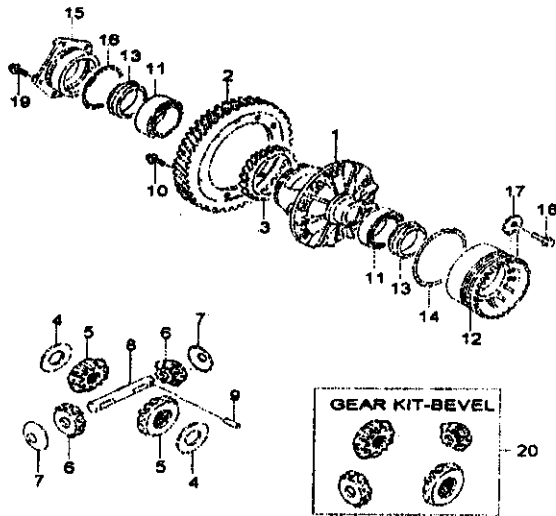


RJ3260 10/30/2004

I T C	KEY NO.		PART NAME										REMARKS	REC'D-P		
	PART NO.	MODEL YEAR	D R V	BODY			LEVEL			OPTION	L / R	Q T Y			V.I.N.	
				4 N B	4 H S B	3 S W	B S	L S	L T						FROM	TO
	[28]			(E)LEVER A-REV (D)HEBEL A-RUECKW.										(F)FLEVER A-MARR (S)PALANCA A-MA		
	96274711	03-04		B	B	B	X	X	X		LL14L44L84LDA8MO4M05M85		1		039630	
Y	96329223	03-04		B	B	B	X	X	X		LL14L44L84LDA8MO4M05M85		1		039630	
	96329223	07-07		B	B	B	X	X	X		LL14L44L84LDA8MO4M05M85		1			
	[29]			(E)PIN (D)STIFT										(F)GOUPILLE (S)PASADOR		
	96274719	03-04		B	B	B	X	X	X		LL14L44L84LDA8MO4M05M85		1		039630	
	96274719	07-07		B	B	B	X	X	X		LL14L44L84LDA8MO4M05M85		1			
	[30]			(E)CLIP (D)KLEMME										(F)CLIP (S)CLIP		
	96274720	03-04		B	B	B	X	X	X		LL14L44L84LDA8MO4M05M85		1		039630	
	96274720	07-07		B	B	B	X	X	X		LL14L44L84LDA8MO4M05M85		1			
	[31]			(E)PLUG (D)STECKER										(F)BOUCHON (S)TAPON		
	94580506	03-07		B	B	B	X	X	X		LL14L44L84LDA8MO4M05M85		1			
	[32]			(E)CAP (D)KAPPE										(F)CHAPEAU (S)TAPA		
	94580011	03-07		B	B	B	X	X	X		LL14L44L84LDA8MO4M05M85		1			
				**** RPO DEFINITIONS ****												
				L14 : ENGINE-4 CYL 1.4 DOHC MPI												
				L44 : ENGINE-4 CYL 1.6 DOHC MPI												
				L84 : ENGINE-4 CYL 1.8 DOHC MPI												
				LDA : ENGINE-4 CYL 1.8 DOHC MPI												
				M04 : TRANS-MAN,5SPD,CR												
				M05 : TRANS-MAN,5SPD,MODIFY CR												
				M85 : TRANSMISSION-MAN,5 SPD,M/R												
				XAT : AUSTRALIA-MANDATORY												

3270

DIFFERENTIAL GEAR

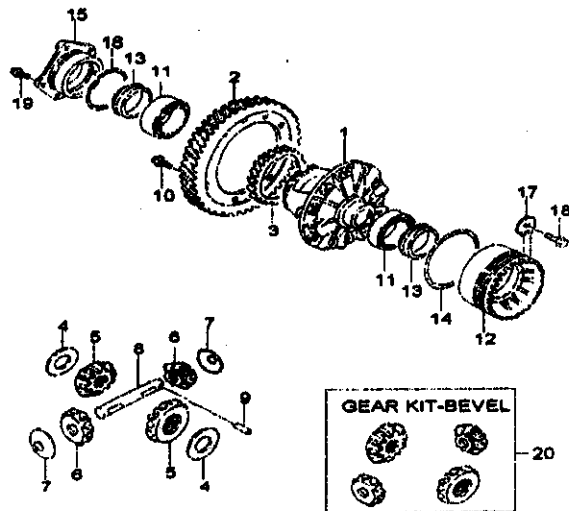


RJ3270 01/23/2006

I T C	KEY NO.		PART NAME										REMARKS	P R O O F
	PART NO.	MODEL YEAR	D R V	BODY		LEVEL		OPTION	L / R	Q T Y	V.I.N.			
				4 N B	5 H W	B S	L S				L L	L T		
	[01]			(E)HOUSING-DIFF GEAR (D)GEHÄUSE-AUSGLEICHGEGETRIEBE								(F)CARTER-DIFFERENTIEL (S)CAJA-PORTASATELITES DE DIF		
	96169394	03-07		B B B X X X			8L14L44L84LDA8MGA4MG5A85					1		
	[02]			(E)GEAR-HELICAL,DIFF (D)SCHRAEGZÄHNRAD,DIFF.								(F)PIGNON-HELICOIDAL,DIFF (S)ENGRANAJE-HELICOIDAL,DIFF		
	94580795	03-07		B B B X X X			8L14L44L84MGA4MG5					1		
	96251719	03-07		B B B X X X			8L84LDA8MG4					1		
	96242699	03-07		B B B . X X			8L84LDA8M85					1		
	[03]			(E)GEAR-SPEEDO DRIVING WORM (D)SCHNECKENRAD-TACHOMETERANTRI								(F)PIGNON-VIS SANS FIN DE (S)ENGRANAJE-TORNILLO SIN FIN DE		
	90125064	03-07		B B B X X X			8L14L44L84LDA8MGA4MG5A85					1		
	[04]			(E)WASHER (D)UNTERLEGS-CHEIBE								(F)RONDELLE (S)ARANDELA		
	14040531	03-07		B B B X X X			8L14L44L84LDA8MGA4MG5A85					2		
	[05]			(E)GEAR-AXLE SHF BEVEL (D)KEGELRAD-ACHSWELLE								(F)PIGNON-COINIQUE D'ARBRE DE (S)ENGRANAJE-CÓNICO DE PALIER		
	96183738	03-07		B B B X X X			8L14L44L84LDA8MGA4MG5A85					2	257007	Z=15
	N 96268063	06-07		B B B X X X			8L14L44L84LDA8MGA4MG5A85					2	257008	Z=14
	[06]			(E)GEAR-BEVEL,DIFF (D)KEGELRAD-DIFF.								(F)PIGNON-COINIQUE,DIFF (S)ENGRANAJE-CÓNICO,DIFF		
	96183739	03-07		B B B X X X			8L14L44L84LDA8MGA4MG5A85					2	257007	Z=11
	N 96268064	06-07		B B B X X X			8L14L44L84LDA8MGA4MG5A85					2	257008	Z=10
	[07]			(E)DISC-BEVEL GEAR (D)SCHEIBE-KEGELRAD								(F)DISQUE-PIGNON COINIQUE (S)DISCO-ENGRANAJE CÓNICO		
	00463081	03-07		B B B X X X			8L14L44L84LDA8MGA4MG5A85					2		
	[08]			(E)SHAFT-DIFF GEAR (D)WELLE-AUSGLEICHGETRIEBE								(F)ARBRE-PIGNON DE DIFFERENTIEL (S)EJE-ENGRANAJE DIF		
	96297027	03-07		B B B X X X			8L14L44L84LDA8MGA4MG5A85					1		
	[09]			(E)PIN-DIFF SPRING (D)FEDERTIFT-DIFF.								(F)GOUPILE ELASTIQUE DE (S)PASADOR-MUELLE DIF		
	96189094	03-07		B B B X X X			8L14L44L84LDA8MGA4MG5A85					1		
	[10]			(E)BOLT (D)BOLZEN								(F)BOULON (S)PERNO		
	94501032	03-07		B B B X X X			8L14L44L84LDA8MGA4MG5A85					10		
	Y 94501830	03-07		B B B X X X			8L14L44L84LDA8MGA4MG5A85					10		
	[11]			(E)BEARING-TAPER ROLLER (D)KEGELROLLENLAGER								(F)ROULEMENT A ROULEAUX (S)COJINETE-DE RODILLOS CÓNICOS		
	96335754	03-07		B B B X X X			8L14L44L84LDA8MGA4MG5A85					2		
	[12]			(E)RING-DIFF BEARING (D)LAGERRING-DIFF.								(F)BAGUE-ROULEMENT DE (S)ANILLO-COJINETE DIF		
	94590553	03-07		B B B X X X			8L14L44L84LDA8MGA4MG5A85					1		

3270

DIFFERENTIAL GEAR



RJ3270 01/23/2006

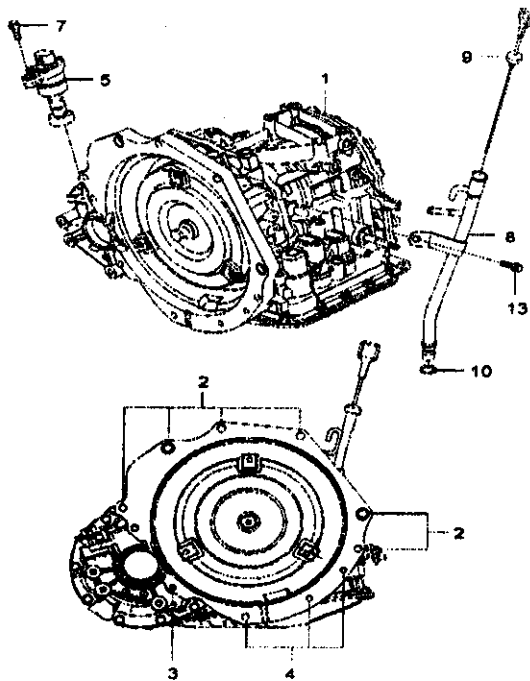
I T C	KEY NO.		PART NAME										L Q T Y /	V.I.N.		REMARKS	P I C C O D E
	PART NO.	MODEL YEAR	D R V	BODY		LEVEL		OPTION	FROM	TO	R						
				4 N B	4 H B	5 S W	5 S B					L L		L T			
	[13]			(E)RING-SHF SEAL (D)WELLENRINGDICHTUNG									(F)BAGUE ETANCHEARS (S)ARANDELA-DE JUNTA DE EJE			35x55x9/14	
	96264738	03-07		B B B X X X				8L144,44L84L,DA8M04,M05M85					2				
	[14]			(E)RING-O (D)O-RING									(F)JOINT TORIQUE (S)JUNTA TÓRICA				
	96243156	03-07		B B B X X X				8L144,44L84L,DA8M04,M05M85					1				
	[15]			(E)FLANGE-DIFF GEAR BEARING (D)LAGERFLANSCH-DIFF.									(F)BRIDE-ROULEMENT DE PIGNON DE (S)BRIDA-COJINETE DE ENGRANAJE				
	94580557	03-07		B B B X X X				8L144,44L84L,DA8M04,M05M85					1				
	[16]			(E)RING-O (D)O-RING									(F)JOINT TORIQUE (S)JUNTA TÓRICA				
	96243159	03-07		B B B X X X				8L144,44L84L,DA8M04,M05M85					1				
	[17]			(E)PLATE-LOCKING (D)SICHERUNGSSCHEIBE									(F)PLAQUE-BLOCAGE (S)PLACA-DE BLOQUEO				
	94580512	03-07		B B B X X X				8L144,44L84L,DA8M04,M05M85					1				
	[18]			(E)BOLT (D)BOLZEN									(F)BOULON (S)PERNO				M6x16
	94501381	03-07		B B B X X X				8L144,44L84L,DA8M04,M05M85					1				
	[19]			(E)BOLT (D)BOLZEN									(F)BOULON (S)PERNO				M8x125
	94500951	03-07		B B B X X X				8L144,44L84L,DA8M04,M05M85					5				
	[20]			(E)GEAR KIT-BEVEL (D)									(F) (S)				
	93743633	03-07		B B B X X X				8L144,44L84L,DA8M04,M05M85					1				INCLUDE #5,#6

**** RPO DEFINITIONS ****

L14 : ENGINE-4 CYL 1.4 DOHC MPI
L44 : ENGINE-4 CYL 1.6 DOHC MPI
L54 : ENGINE-4 CYL 1.8 DOHC MPI
LDA : ENGINE-4 CYL 1.8 DOHC MPI
M04 : TRANS-MAN,5SPD,CR
M05 : TRANS-MAN,5SPD,MODIFY CR
M85 : TRANSMISSION-MAN,5 SPD,M/R

3710

AUTOMATIC TRANSAXLE(AISIN)



RJ3710DGW 10/30/2004

I T C	KEY NO.		PART NAME										REMARKS	P O O D	
	PART NO.	MODEL YEAR	D R V	BODY		LEVEL		OPTION	L / Q T R Y	V.I.N.		FROM			TO
				4 N B	5 H B	B S	L S			L L					
	[01]			(E)TRANSAXLE (D)ACHSGETRIEBE A-AUTOMATISCH	A-AUTOMATIC						(F)BOITE-PONT A-AUTOMATIQUE (S)CAJA DE CAMBIOS A-AUTOMÁTICA				
	96497031	03-07		B B . X X X	ML4	GM5					1				RATIO:3.750 J2
	Y 96423625	03-07		B B . X X X	ML4	GM5					1				RATIO:3.750 J4
	[02]			(E)BOLT (D)BOLZEN							(F)BOULON (S)PERNO				
	94500860	03-07		B B . X X X	ML4						6				
	[03]			(E)BOLT (D)BOLZEN							(F)BOULON (S)PERNO				
	94501009	03-07		B B . X X X	ML4						1				
	[04]			(E)BOLT (D)BOLZEN							(F)BOULON (S)PERNO				
	94500986	03-07		B B . X X X	ML4						3				
	[06]			(E)GEAR A-DRIVEN, SPEEDOMETER (D)ZAHNRAD							(F)PIGNON A-MENE, INDICATEUR DE (S)ENGRANAJE A-CONDUCIDO DE				
	93741426	03-07		B B . X X X	ML4						1				
	[07]			(E)BOLT (D)BOLZEN							(F)BOULON (S)PERNO				
	93741985	03-07		B B . X X X	ML4						1				
	[08]			(E)TUBE A-OIL FILLER (D)ROHR A-OELEINFUELLSTUTZEN							(F)TUBE A-REMPLISSAGE D'HUILE (S)TUBO A-LLENADO DE ACEITE				
	96484444	03-07		B B . X X X	ML4						1				
	[09]			(E)STICK A-OIL GAUGE, T/A (D)OELMESSSTAB, T/A							(F)JAUGE A-NIVEAU D'HUILE, T/A (S)VARILLA A-NIVEL DE ACEITE, T/A				
	96491531	03-04		B B . X X X	ML4						1				029730
	O 96423610	04-07		B B . X X X	ML4						1				029731 294983
	O 96473801	06-06		B B . X X X	ML4						1				294984 419857
	N 96473803	06-07		B B . X X X	ML4						1				419858
	[10]			(E)RING SEAL (D)ABDICHRING							(F)JOINT ANNULAIRE (S)ARANDELA-DE JUNTA				
	96377720	03-07		B B . X X X	ML4						1				
	[13]			(E)BOLT (D)BOLZEN							(F)BOULON (S)PERNO				
	94500400	03-07		B B . X X X	ML4						1				

**** RPO DEFINITIONS ****

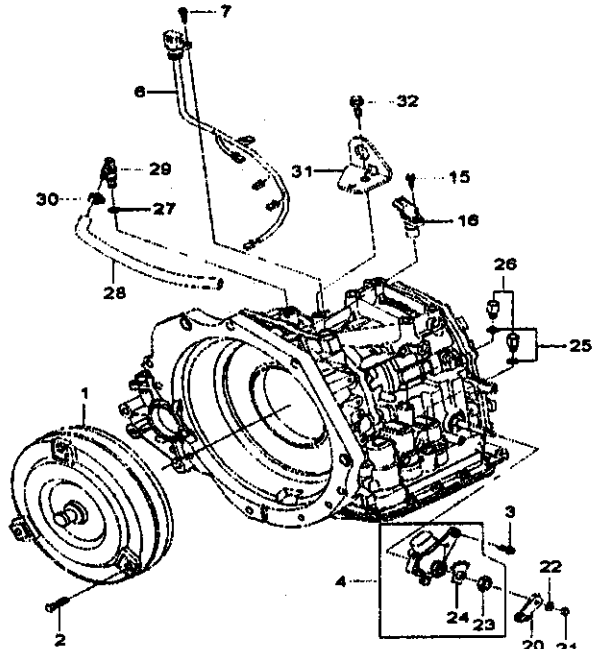
L44 : ENGINE-4 CYL. 1.6 DOHC MPI

ML4 : TRANSMISSION-AUTO, 4 SPEED

GM5 : AXLE RATIO-3.75

3720

TORQUE CONVERTER&SENSOR(AISIN)

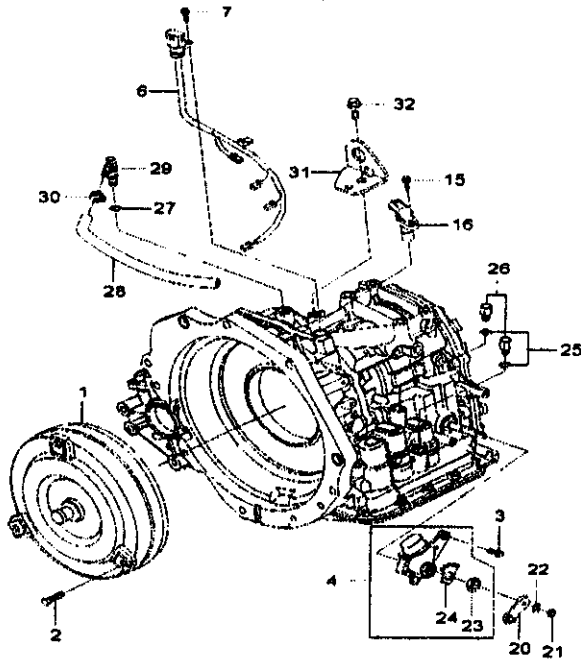


RJ3720DGW 10/30/2004

I T C	KEY NO.		PART NAME										L / Q / R Y	V.I.N.		REMARKS	P / E D O C /
	PART NO.	MODEL YEAR	D R V	BODY			LEVEL			OPTION	FROM	TO					
				4 N B	5 H S	6 B W	B L	L L									
	[01]			(E) CONVERTER-TORQUE (D) DREHMOMENTWANDLER						(F) CONVERTISSEUR DE COUPLE (S) CONVERTIDOR-DE PAR							
	93741423	03-07		B	B	.	X	X	X	6L448ML4			1				
	[02]			(E) BOLT (D) BOLZEN						(F) BOULON (S) PERNO							
	94500830	03-07		B	B	.	X	X	X	6L448ML4			3				
	[03]			(E) BOLT (D) BOLZEN						(F) BOULON (S) PERNO							
	93741408	03-07		B	B	.	X	X	X	6L448ML4			2			M6x1.0x20	
	[04]			(E) SWITCH A-NEU START (D) SCHALTER A-NEU START						(F) CONTACTEUR A-DEMARRAGE AU (S) INTERRUPTOR A-ARRANQUE EN							
	93741830	03-07		B	B	.	X	X	X	6L448ML4			1				
	[06]			(E) W HARNESS-T/A (D) KABELSTRANG-T/A						(F) FAIS.CBL-T/A (S) CABLEADO-C/CAME							
	93741826	03-07		B	B	.	X	X	X	6L448ML4			1			WITH TEMP SENSOR	
	[07]			(E) BOLT (D) BOLZEN						(F) BOULON (S) PERNO							
	93741984	03-07		B	B	.	X	X	X	6L448ML4			1			M6x1.0x16	
	[15]			(E) SCREW (D) SCHRAUBE						(F) VIS (S) TORNILLO							
	93741984	03-07		B	B	.	X	X	X	6L448ML4			1			M6x1.0x16	
	[16]			(E) SENSOR-SPEED (D) DREHZAHLSSENSOR						(F) CAPTEUR-VITESSE (S) SENSOR-DE VELOCIDAD							
	93741837	03-07		B	B	.	X	X	X	6L448ML4			1				
	[20]			(E) LEVER-CONT (D) STEUERHEBEL						(F) LEVIER-CONT (S) PALANCA-CONT							
	93741540	03-07		B	B	.	X	X	X	6L448ML4			1				
	[21]			(E) NUT (D) MUTTER						(F) ECROU (S) TUERCA							
	93741986	03-07		B	B	.	X	X	X	6L448ML4			1			M6x1.25	
	[22]			(E) WASHER (D) UNTERLEGSCHIBE						(F) RONDELLE (S) ARANDELA							
	93741987	03-07		B	B	.	X	X	X	6L448ML4			1				
	[23]			(E) NUT (D) MUTTER						(F) ECROU (S) TUERCA							
	93741848	03-07		B	B	.	X	X	X	6L448ML4			1				
	[24]			(E) WASHER (D) UNTERLEGSCHIBE						(F) RONDELLE (S) ARANDELA							
	93741850	03-07		B	B	.	X	X	X	6L448ML4			1				

3720

TORQUE CONVERTER&SENSOR(AISIN)

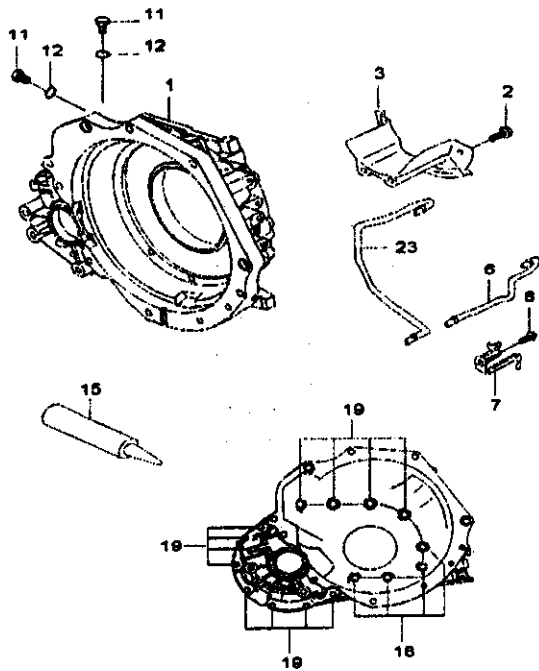


RJ3720DGW 10/30/2004

KEY NO.		PART NAME										REMARKS	R-10000
I T C	PART NO.	MODEL YEAR	D R V	BODY		LEVEL		OPTION	L Q T Y	V.I.N.			
				4 N B	5 H W	B S	L L			FROM	TO		
	[25]			(E)RING-O (D)O-RING						(F)JOINT TORIQUE (S)JUNTA TÓRICA			
	93741367	03-07		B B . X X X			SL448ML4			2		10.4x1.83	
	[26]			(E)UNION (D)ROHRVERBINDUNGSSTUECK						(F)RACCORD UNION (S)UNIÓN			
	93741903	03-07		B B . X X X			SL448ML4			2			
	[27]			(E)RING-O (D)O-RING						(F)JOINT TORIQUE (S)JUNTA TÓRICA			
	93741851	03-07		B B . X X X			SL448ML4			1			
	[28]			(E)HOSE-BREATHER (D)SCHLAUCH-ENTLUEFTER						(F)FLEXIBLE-RENIFLARD (S)MANGUITO-RESPIRADERO			
	93741904	03-07		B B . X X X			SL448ML4			1		L=210	
	[29]			(E)PLUG (D)STECKER						(F)BOUCHON (S)TAPÓN			
	93741981	03-07		B B . X X X			SL448ML4			1			
	[30]			(E)CLIP (D)KLEMME						(F)CLIP (S)CLIP			
	93741988	03-07		B B . X X X			SL448ML4			1			
	[31]			(E)HOOK-T/A (D)HAKEN-T/A						(F)CROCHET-T/A (S)GANCHO-C/CAMB			
	93741425	03-07		B B . X X X			SL448ML4			1			
	[32]			(E)BOLT (D)BOLZEN						(F)BOULON (S)PERNO			
	93741844	03-07		B B . X X X			SL448ML4			1		M6x1.25	
**** RPO DEFINITIONS ****													
L44 : ENGINE-4 CYL 1.6 DOHC MPI													
ML4 : TRANSMISSION-AUTO. 4 SPEED													

3721

TRANSAXLE HOUSING(AISIN)



RJ3721DGW 11/03/2004

I T C	KEY NO.		PART NAME										REMARKS	P R O D U C T I O N
	PART NO.	MODEL YEAR	D R V	BODY		LEVEL		OPTION	L Q T Y	V.I.N.				
				4 N B	5 H W	B L S	L L S T			FROM	TO			
	[01]			(E)HOUSING A-T/A (D)GEHAEUSE A-T/A								(F)CARTER A-AT (S)ALCJAMIENTO A-C/CAMB		
	93741462	03-07		B B . X X X			4L448ML4					1		
	[02]			(E)BOLT (D)BOLZEN								(F)BOULON (S)PERNO		
	93741982	03-07		B B . X X X			4L448ML4					3	M6x1.0x12	
	[03]			(E)PLATE-OIL RESERVOIR (D)PLATTE-OELBEHAELTER								(F)PLAQUE-RESERVOIR D'HUILE (S)PLACA-DEPOSITO DE ACEITE		
	93741474	03-07		B B . X X X			4L448ML4					1		
	[06]			(E)TUBE-DIFF BEARING (D)ROHR-DIFF LAGER								(F)TUBE-ROULEMENT DE (S)TUBO-COJINETE DIF		
	93741988	03-07		B B . X X X			4L448ML4					1		
	[07]			(E)CLAMP (D)KLEMMSTUECK								(F)COLLIER (S)ABRAZADERA		
	93741475	03-07		B B . X X X			4L448ML4					1		
	[08]			(E)BOLT (D)BOLZEN								(F)BOULON (S)PERNO		
	93741982	03-07		B B . X X X			4L448ML4					1	M6x1.0x12	
	[11]			(E)PLUG (D)STECKER								(F)BOUCHON (S)TAPON		
	93741362	03-07		B B . X X X			4L448ML4					2		
	[12]			(E)RING-O (D)O-RING								(F)JOINT TORIQUE (S)JUNTA TORICA		
	93741366	03-07		B B . X X X			4L448ML4					2	8.07x1.78	
	[15]			(E)GASKET-OIL PAN,LIQUID (D)DICHTRING-OELWANNE,FLUESSIGKEI								(F)JOINT-CARTER D'HUILE,LIQUIDE (S)JUNTA-CARTER DE ACEITE,LIQ		
	93741409	03-07		B B . X X X			4L448ML4					1	460g	
	[18]			(E)BOLT (D)BOLZEN								(F)BOULON (S)PERNO		
	93741393	03-07		B B . X X X			4L448ML4					4	M6x1.25x30	
	[19]			(E)BOLT (D)BOLZEN								(F)BOULON (S)PERNO		
	93741841	03-07		B B . X X X			4L448ML4					12	M6x1.25x30	
	[23]			(E)TUBE-LUBRICATION APPLY (D)AUFTRAGSROHR-SCHMIERUNG								(F)TUBE-APPLICATION DE (S)TUBO-APLICACION DE		
	93741667	03-07		B B . X X X			4L448ML4					1		

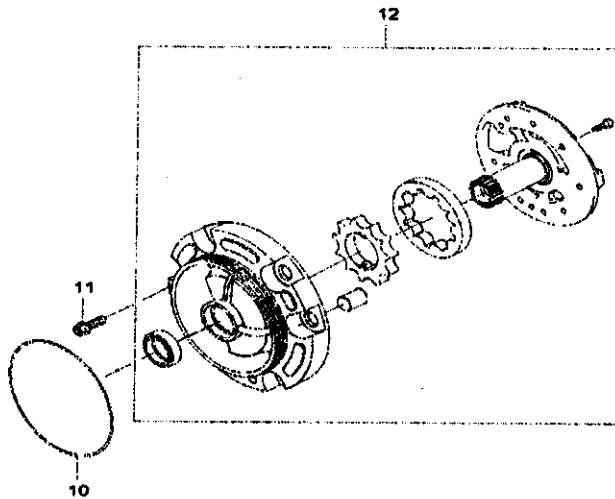
**** RPO DEFINITIONS ****

L44 : ENGINE-4 CYL 1.6 DOHC MPI

ML4 : TRANSMISSION-AUTO. 4 SPEED

3722

OIL PUMP(AISIN)

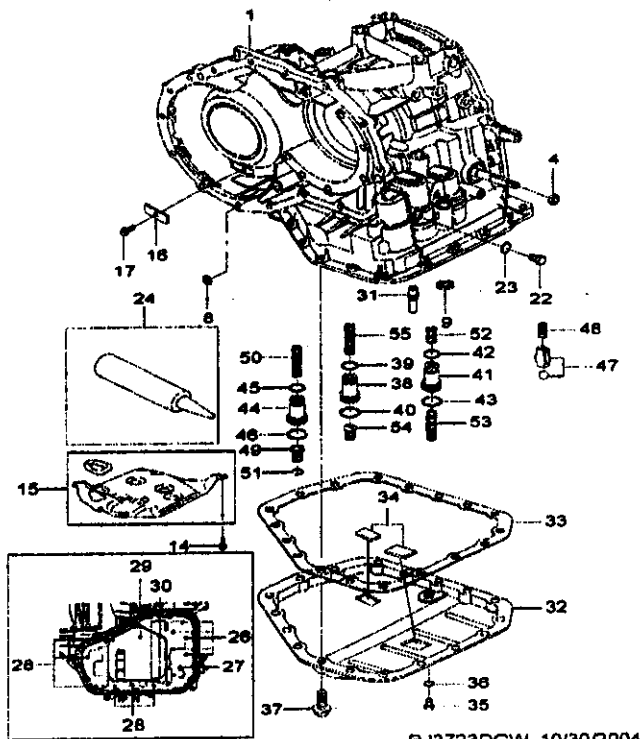


RJ3722DGW 10/30/2004

KEY NO.		PART NAME														
I T C	PART NO.	MODEL YEAR	D R V	BODY			LEVEL			OPTION	L / R	Q / TY	V.I.N.		REMARKS	P / DOC /
				4 N B	4 H B	5 S W	B L S	L L S	L L S				FROM	TO		
	[10]															
	93741867	03-07								6L448ML4					(F)JOINT TORIQUE (S)JUNTA TÓRICA 1	119.5x2.68
	[11]															
	93741843	03-07								6L448ML4					(F)BOULON (S)PERNO 8	
	[12]															
	93741481	03-07								6L448ML4					(F)POMPE A HUILE,T/A (S)BOMBA A-DE ACEITE,C/CAMB 1	
<p>**** RPO DEFINITIONS ****</p> <p>L44 : ENGINE-4 CYL 1.8 DOMC MPI</p> <p>ML4 : TRANSMISSION-AUTO,4 SPEED</p>																

3723

TRANSAXLE CASE(AISIN)

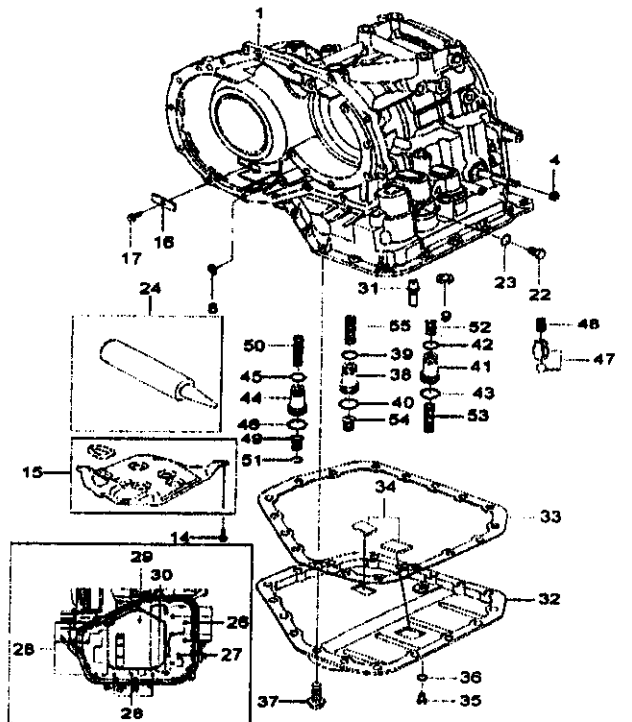


RJ3723DGW 10/30/2004

I T C	KEY NO. PART NO.	MODEL YEAR	PART NAME						L Q T Y	V.I.N.		REMARKS	P I E C E
			D R V	B O D Y		L E V E L		O P T I O N		F R O M	T O		
				4 N B	4 H B	5 S B	8 L S						
	[01]			(E)CASE A-T/A (D)GEHAEUSE A-T/A						(F)CARTER A-AT (S)CARCASA A-C/CAMB			
	93741459	03-07		B B . X X X			8L448M1.4			1			
	Y 93742871	03-07		B B . X X X			8L448M1.4			1			
	[04]			(E)SEAL-OIL (D)OELDICHTUNG						(F)JOINT-HUILE (S)RETEN-DE ACEITE			
	93741397	03-07		B B . X X X			8L448M1.4			1		D=22	
	[08]			(E)GASKET-GOVERNOR APPLY (D)DICHTUNG-AUFBRINGREGLER						(F)JOINT-APPLICATION REGULATEUR (S)JUNTA-DE APLICACION DE			
	93741379	03-07		B B . X X X			8L448M1.4			1		D=13.8	
	[09]			(E)GASKET-GOVERNOR APPLY (D)DICHTUNG-AUFBRINGREGLER						(F)JOINT-APPLICATION REGULATEUR (S)JUNTA-DE APLICACION DE			
	93741466	03-07		B B . X X X			8L448M1.4			1		D=15.1	
	[14]			(E)BOLT (D)BOLZEN						(F)BOULON (S)PERNO			
	93741388	03-07		B B . X X X			8L448M1.4			3		M6x1.0x12	
	[15]			(E)STRAINER A-OIL (D)SIEB A-OEL						(F)CREPINE A-HUILE (S)MALLA FILTRANTE A-DE ACEITE			
	93741509	03-07		B B . X X X			8L448M1.4			1			
	[16]			(E)PLATE-T/A CASE (D)PLATTE-ACHASGETRIEBEGEHAUSE						(F)PLAQUE-CARTER DE T/A (S)PLACA-CARCASA C/CAMB			
	93741471	03-07		B B . X X X			8L448M1.4			1			
	[17]			(E)BOLT (D)BOLZEN						(F)BOULON (S)PERNO			
	93741388	03-07		B B . X X X			8L448M1.4			2		M6x1.0x12	
	[22]			(E)PLUG (D)STECKER						(F)BOUCHON (S)TAPON			
	93741362	03-07		B B . X X X			8L448M1.4			1			
	[23]			(E)RING-O (D)O-RING						(F)JOINT TORIQUE (S)JUNTA TORICA			
	93741366	03-07		B B . X X X			8L448M1.4			1		6.07x1.78	
	[24]			(E)GASKET-OIL PAN, LIQUID (D)DICHTUNG-OELWANNE, FLUESSIGKEI						(F)JOINT-CARTER D'HUILE, LIQUIDE (S)JUNTA-CARTER DE ACEITE, LIQ			
	93741409	03-07		B B . X X X			8L448M1.4			1		#00g	
	[26]			(E)BOLT (D)BOLZEN						(F)BOULON (S)PERNO			
	93741371	03-07		B B . X X X			8L448M1.4			5		M6x1.0x28	
	[27]			(E)BOLT (D)BOLZEN						(F)BOULON (S)PERNO			
	93741374	03-07		B B . X X X			8L448M1.4			1		M6x1.0x40	

3723

TRANSAXLE CASE(AISIN)

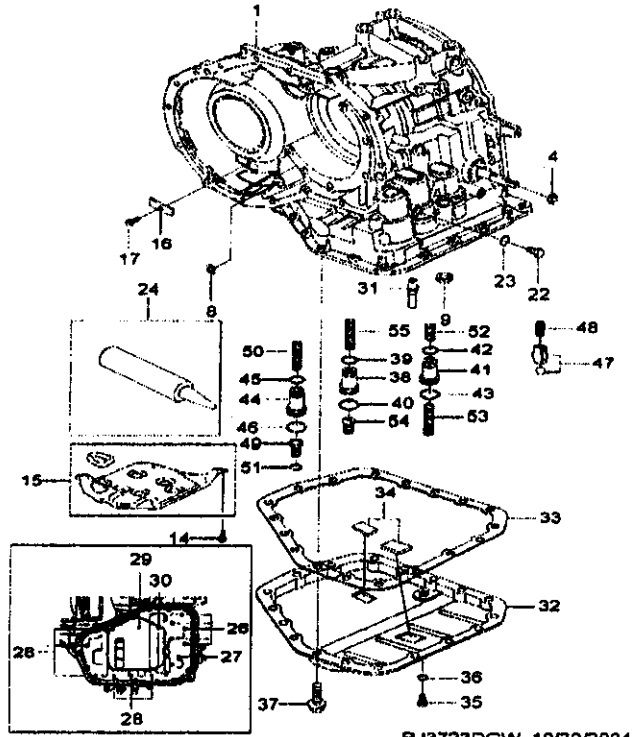


R.J3723DGW 10/30/2004

I T C	KEY NO.		PART NAME										P C O D E
	PART NO.	MODEL YEAR	D R V	BODY		LEVEL		OPTION	L Q R Y	V.I.N.		REMARKS	
				4 N B	5 H W	B L S	L L S T			FROM	TO		
	[28]			(E)BOLT (D)BOLZEN							(F)BOULON (S)PERNO		
	93741404	03-07		B B . X X X			6L448ML4				6	M6x1.0x20	
	[29]			(E)BOLT (D)BOLZEN							(F)BOULON (S)PERNO		
	93741405	03-07		B B . X X X			6L448ML4				1	M6x1.0x36	
	[30]			(E)BOLT (D)BOLZEN							(F)BOULON (S)PERNO		
	93741840	03-07		B B . X X X			6L448ML4				1	M8x1.0x49	
	[31]			(E)GASKET-BRAKE DRUM (D)DICHTRING-BREMSTROMMEL							(F)JOINT-TAMBOR DE FREIN (S)JUNTA-TAMBOR DE FRENO		
	93741469	03-07		B B . X X X			6L448ML4				1		
	[32]			(E)PAN A-OIL (D)OELWANNE							(F)CARTER A-HUILE (S)CARTER A-DE ACEITE		
	93741463	03-07		B B . X X X			6L448ML4				1		
	[33]			(E)GASKET-OIL PAN (D)DICHTRING-OELWANNE							(F)JOINT-CARTER D'HUILE (S)JUNTA-CARTER DE ACEITE		
	93741472	03-07		B B . X X X			6L448ML4				1		
	[34]			(E)MAGNET (D)MAGNET							(F)AIMANT (S)IMÁN		
	93741511	03-07		B B . X X X			6L448ML4				2		
	Y 93742869	03-07		B B . X X X			6L448ML4				2		
	[35]			(E)PLUG (D)STECKER							(F)BOUCHON (S)TAPÓN		
	93741381	03-07		B B . X X X			6L448ML4				1		
	[36]			(E)GASKET-DRAIN PLUG (D)DICHTRING-ABLASSSTOPFEN							(F)JOINT-BOUCHON DE VIDANGE (S)JUNTA-TAPÓN DE DRENAJE		
	93741381	03-07		B B . X X X			6L448ML4				1		
	[37]			(E)BOLT (D)BOLZEN							(F)BOULON (S)PERNO		
	93741407	03-07		B B . X X X			6L448ML4				18	M6x1.0x14.5	
	[38]			(E)PISTON-C1 ACCUMULATOR (D)KOLBEN-C1 DRUCKSPEICHER							(F)PISTON-ACCUMULATEUR C1 (S)PISTÓN-ACUMULADOR C1		
	93741522	03-07		B B . X X X			6L448ML4				1		
	[39]			(E)RING-O (D)O-RING							(F)JOINT TORIQUE (S)JUNTA TÓRICA		
	93741854	03-07		B B . X X X			6L448ML4				1	2.62x21.8	
	[40]			(E)RING-O (D)O-RING							(F)JOINT TORIQUE (S)JUNTA TÓRICA		
	93741856	03-07		B B . X X X			6L448ML4				1	2.62x29.4	

3723

TRANSAXLE CASE(AISIN)

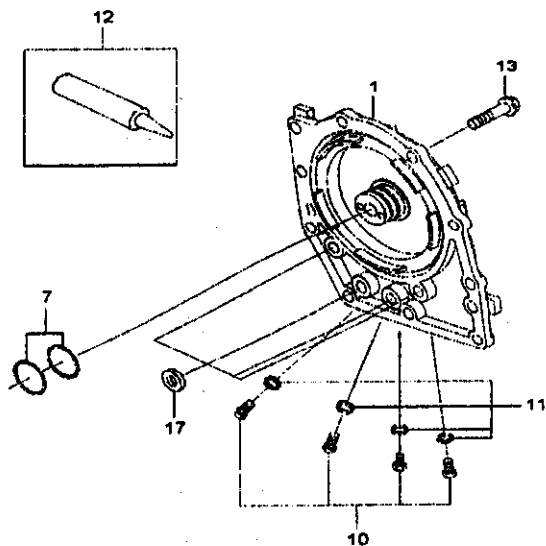


RJ3723DGW 10/30/2004

KEY NO.		PART NAME															
I T C	PART NO.	MODEL YEAR	DR V			BODY			LEVEL			OPTION	L / R Y	V.I.N.		REMARKS	P O O D E
			4	5	B	L	L	4	5	B	L			L	FROM		
	[54] 93741908	03-07									(E)SPRING-CMPR (D)FEDER-QUERTRAEGER B B . X X X 6L448ML4			(F)CMPR RESSORT (S)MUELLE-COMPR 1			
	[55] 93741914	03-07									(E)SPRING-CMPR (D)FEDER-QUERTRAEGER B B . X X X 6L448ML4			(F)CMPR RESSORT (S)MUELLE-COMPR 1			
<p>**** RPO DEFINITIONS ****</p> <p>L44 : ENGINE-4 CYL 1.6 DOHC MPI</p> <p>ML4 : TRANSMISSION-AUTO, 4 SPEED</p>																	

3724

REAR COVER(AISIN)

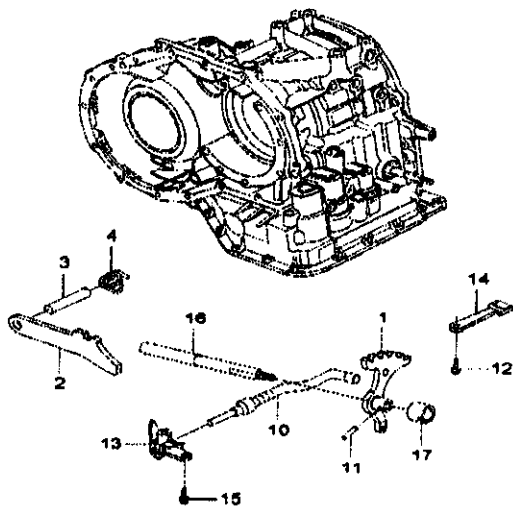


RJ3724DGW 10/30/2004

I T C	KEY NO.		PART NAME										L Q T R Y	V.I.N.		REMARKS	P / E D I T O R	
	PART NO.	MODEL YEAR	D R V	BODY			LEVEL			OPTION	FROM	TO						
				4 N B	4 H W	5 S B	B S	L S	L T									
	[01]			(E)COVER A-TIA,RR (D)DECKEL A-TIA-HINTEN									(F)COUVERCLE A-TIA,RR (S)TAPA A-C/CAMB,TR					
	93741458	03-07		B B . X X X					6L448ML4				1					
	[07]			(E)RING-SEAL (D)ABDICHRING									(F)JOINT ANNULAIRE (S)ARANDELA-DE JUNTA					
	93741564	03-07		B B . X X X					6L448ML4				2					
	[10]			(E)PLUG (D)STECKER									(F)BOUCHON (S)TAPON					
	93741382	03-07		B B . X X X					6L448ML4				4					
	[11]			(E)RING-O (D)O-RING									(F)JOINT TORIQUE (S)JUNTA TORICA					
	93741386	03-07		B B . X X X					6L448ML4				4					6.07x1.78
	[12]			(E)GASKET-OIL PAN,LIQUID (D)DICHRING-OELWANNE,FLUESSIGKEI									(F)JOINT-CARTER D'OILE,LIQUIDE (S)JUNTA-CARTER DE ACEITE,LIQ					
	93741408	03-07		B B . X X X					6L448ML4				1					460g
	[13]			(E)BOLT (D)BOLZEN									(F)BOULON (S)PERNO					
	93741842	03-07		B B . X X X					6L448ML4				9					
	[17]			(E)GASKET-BRAKE APPLY (D)DICHRING-BREMSEN									(F)JOINT-APPLICATION DE FREIN (S)JUNTA-APLICACION DE FRENO					
	93741467	03-07		B B . X X X					6L448ML4				4					
				**** RPO DEFINITIONS ****														
				L44 : ENGINE-4 CYL 1.6 DOHC MPI														
				ML4 : TRANSMISSION-AUTO, 4 SPEED														

3725

MAIN VALVE LEVER&PARKING(AISIN)



RJ3725OGW 11/17/2004

I T C	KEY NO. PART NO.	MODEL YEAR	D R V	PART NAME						L Q T R Y	V.I.N.		REMARKS	P R O O C P
				BODY		LEVEL		OPTION	FROM		TO			
				4 N B	5 H S B	B L S	L L S T							
	[01]			(E)LEVER A-MANUAL VALVE (D)HANDBETÄTIGTES VENTIL							(F)EVIER A-TIROIR MANUEL (S)PALANCA A-VÁLVULA MANUAL			
	93741539	03-07		B B . X X X			6L448ML4				1			
	[02]			(E)PAWL-PARK LOCK (D)KLAUE-PARKSPERRE							(F)CLIQUET-VERROU DE (S)TRINQUETE-BLOQUEO DE			
	93741544	03-07		B B . X X X			6L448ML4				1			
	[03]			(E)SHAFT-PARK LOCK PAWL (D)WELLE-PARKSPERRENKLAUE							(F)ARBRE-CLIQUET DE VERROU DE (S)EJE-TRINQUETE DE BLOQUEO DE			
	93741542	03-07		B B . X X X			6L448ML4				1			
	[04]			(E)SPRING-TORSION,NO.1 (D)TORSIONSFEDER,NO.1							(F)RESSORT-TORSION,NO.1 (S)MUELLE-DE TORSIÓN,N° 1			
	93741917	03-07		B B . X X X			6L448ML4				1			
	[10]			(E)ROD A-PARK LOCK (D)STANGE-PARKSPERRE							(F)TIGE A-VERROU DE (S)VARILLA A-BLOQUEO DE			
	93741537	03-07		B B . X X X			6L448ML4				1			
	[11]			(E)PIN-PARK LOCK (D)STIFT-PARKSPERRE							(F)AXE-VERROU DE STATIONNEMENT (S)PASADOR-BLOQUEO DE			
	93741377	03-07		B B . X X X			6L448ML4				1			
	[12]			(E)BOLT (D)BOLZEN							(F)BOULON (S)PERNO			
	93741391	03-07		B B . X X X			6L448ML4				1	M6x1.0x16		
	[13]			(E)BRACKET-PARK LOCK PAWL (D)KLAUENHALTER-PARKSPERRE							(F)SUPPORT-CLIQUET DE VERROU (S)SOPORTE-TRINQUETE DE			
	93741548	03-07		B B . X X X			6L448ML4				1			
	[14]			(E)SPRING A-DETENT (D)FEDER A-WAEHL							(F)RESSORT A-VERROU (S)MUELLE A-DE RETENCIÓN			
	93741514	03-07		B B . X X X			6L448ML4				1			
	[15]			(E)BOLT (D)BOLZEN							(F)BOULON (S)PERNO			
	93741847	03-07		B B . X X X			6L448ML4				2	M6x1.0x16		
	[16]			(E)SHAFT-MANUAL VALVE (D)WELLE-HANDBETAETIGTES VENTIL							(F)ARBRE-TIROIR MANUEL (S)EJE-VÁLVULA MANUAL			
	93741545	03-07		B B . X X X			6L448ML4				1			
	[17]			(E)SPACER (D)Distanzscheibe							(F)ENTRETOISE (S)ESPACIADOR			
	93741931	03-07		B B . X X X			6L448ML4				1			

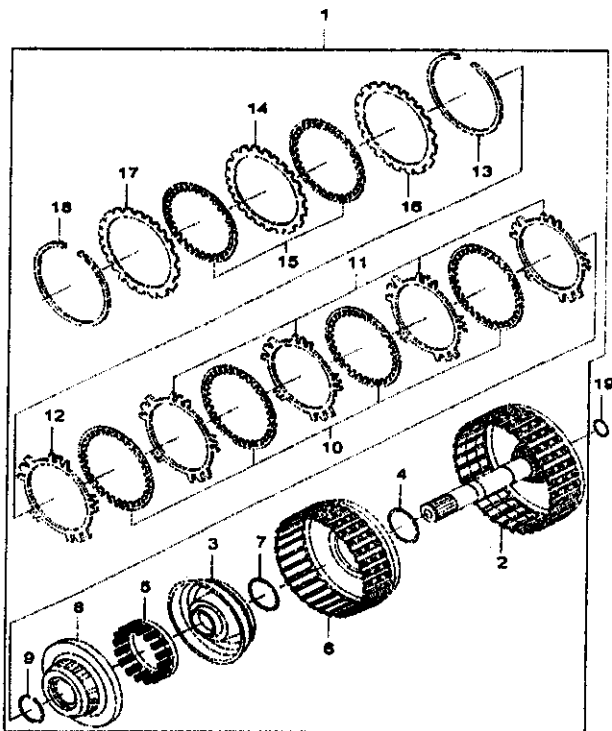
**** RPO DEFINITIONS ****

L44 : ENGINE-4 CYL 1.6 DOHC MPI

ML4 : TRANSMISSION-AUTO,4 SPEED

3734

FORWARD&REVERSE CLUTCH(AISIN)



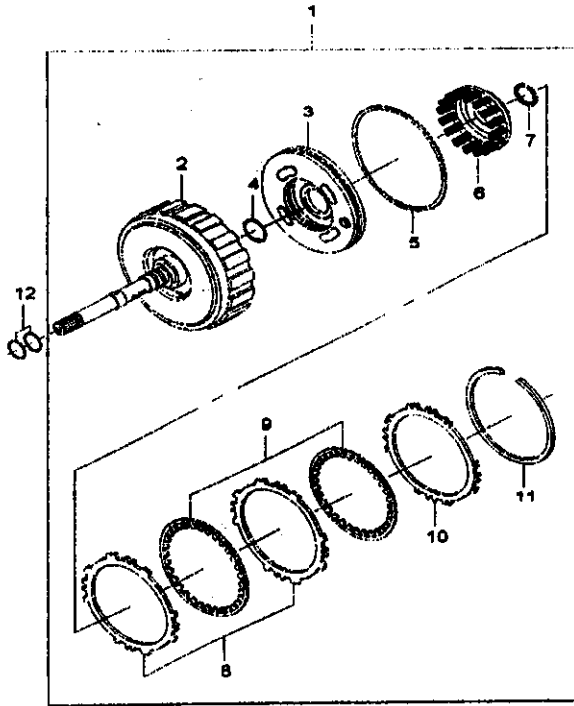
RJ3734DGW 10/30/2004

I T C	KEY NO.		PART NAME												REMARKS	MDOG-3
	PART NO.	MODEL YEAR	D R V	BODY			LEVEL			OPTION	L / R Y	Q T Y	V.I.N.			
				4 N B	4 H S	5 S W	B S	L L	L S T				FROM	TO		
[12]	93741582	03-07		(E)FLANGE-CLU (D)KUPPLUNG\$FLANSCH									(F)BRIDE-EMB (S)BRIDA-EMB	1		H=3.5
[13]	93741924	03-07		(E)RING-SNAP (D)SPRENGRING									(F)JONG D'ARRET (S)ANILLO-ELÁSTICO	1		
[14]	93741588	03-07		(E)PLATE-CLU,NO.3 (D)KUPPLUNGSSCHEIBE NR.3									(F)PLATEAU-EMB,NO.3 (S)PLATO-EMB,N° 3	1		
[15]	93741811	03-07		(E)DISC-CLU (D)KUPPLUNGSSCHEIBE									(F)DISQUE-EMB (S)DISCO-EMB	2		
[16]	93741589	03-07		(E)FLANGE-CLU (D)KUPPLUNG\$FLANSCH									(F)BRIDE-EMB (S)BRIDA-EMB	1		H=3.0
[17]	93741589	03-07		(E)FLANGE-CLU (D)KUPPLUNG\$FLANSCH									(F)BRIDE-EMB (S)BRIDA-EMB	1		H=3.0
	93741590	03-07												1		H=3.2
	93741591	03-07												1		H=3.4
	93741592	03-07												1		H=3.6
[18]	93741925	03-07		(E)RING-SNAP (D)SPRENGRING									(F)JONG D'ARRET (S)ANILLO-ELÁSTICO	1		
[19]	93741643	03-07		(E)RING-SEAL (D)ABDICHRING									(F)JOINT ANNULAIRE (S)ARANDELA-DE JUNTA	1		

*** RPO DEFINITIONS ***
 LM4 : ENGINE-4 CYL 1.8 DOHC MPI
 ML4 : TRANSMISSION-AUTO, 4 SPEED

3735

DIRECT CLUTCH(AISIN)

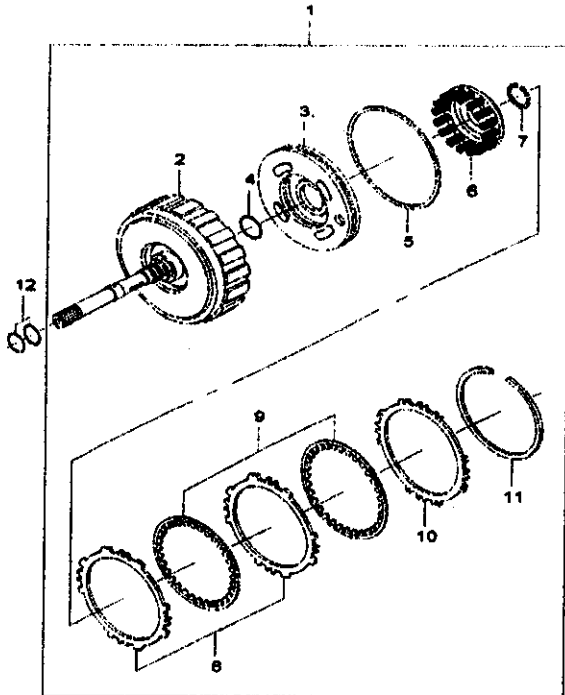


RJ3735DGW 10/30/2004

I T C	KEY NO.		PART NAME										L O T Y	V.I.N.		REMARKS	P I E C E S		
	PART NO.	MODEL YEAR	D R V	BODY			LEVEL			OPTION	R Y	FROM		TO					
				4 N B	4 H W	5 S B	B S	L L	L S T										
	[01]			(E)CLUTCH-DIR MULTIPLE DISC (D)MEHRSCHEIBENDIREKTKUPPLUNG									(F)EMBAYAGE-MULTIDISQUE PRISE (S)EMBRAGUE-DE DIRECTA DE						
	93741595	03-07		B B . X X X				6L448M14					1						
	[02]			(E)SHAFT A-INPUT (D)EINGANGSWELLE A									(F)ARBRE A-PRIMAIRE (S)EJE A-PRIMARIO						
	93741622	03-07		B B . X X X				6L448M14					1						
	[03]			(E)PISTON A-DIR CLU (D)KOLBEN A-DIR.-KUPPLUNG									(F)PISTON A-EMB PRISE DIRECTE (S)PISTÓN A-EMB DIR						
	93741555	03-07		B B . X X X				6L448M14					1						
	[04]			(E)RING-O (D)O-RING									(F)JOINT TORIQUE (S)JUNTA TÓRICA						
	93741855	03-07		B B . X X X				6L448M14					1						
	[05]			(E)RING-O (D)O-RING									(F)JOINT TORIQUE (S)JUNTA TÓRICA						
	93741862	03-07		B B . X X X				6L448M14					1						
	[06]			(E)SPRING A-DIR CLU RTN (D)RUECKHOLFEDER A-DIR.-KUPPLUNG									(F)RESSORT A-RAPPEL EMB PRISE (S)MUELLE A-DE RETORNO DE EMB						
	93741553	03-07		B B . X X X				6L448M14					1						
	[07]			(E)RING-SNAP (D)SPRENGRING									(F)JONC D'ARRET (S)ANILLO-ELÁSTICO						
	93741919	03-07		B B . X X X				6L448M14					1						
	[08]			(E)PLATE-CLU,NO.2 (D)KUPPLUNGSCHEIBE NR.2									(F)PLATEAU-EMB,NO.2 (S)PLATO-EMB,Nº 2						
	93741586	03-07		B B . X X X				6L448M14					1						T=1.8, FRT
	93741587	03-07		B B . X X X				6L448M14					1						T=2.3, RR
	[09]			(E)DISC-CLU,NO.2 (D)KUPPLUNGSCHEIBE NR.2									(F)DISQUE-EMB,NO.2 (S)DISCO-EMB,Nº 2						
	93741600	03-07		B B . X X X				6L448M14					2						
	[10]			(E)FLANGE-DIR CLU (D)FLANSCH-DIR.KUPPLUNG									(F)BRIDE-EMB DE PRISE DIRECTE (S)BRIDA-EMB DIR						
	93741603	03-07		B B . X X X				6L448M14					1						H=3.0
	93741604	03-07		B B . X X X				6L448M14					1						H=3.2
	93741605	03-07		B B . X X X				6L448M14					1						H=3.4
	[11]			(E)RING-SNAP (D)SPRENGRING									(F)JONC D'ARRET (S)ANILLO-ELÁSTICO						
	93741926	03-07		B B . X X X				6L448M14					1						
	[12]			(E)RING-SEAL (D)ABDICHTRING									(F)JOINT ANNULAIRE (S)ARANDELA-DE JUNTA						
	93741630	03-07		B B . X X X				6L448M14					2						

3735

DIRECT CLUTCH(AISIN)



RJ3735DGW 10/30/2004

KEY NO.

PART NAME

I
T
C

PART NO.

MODEL
YEAR

D
R
V

4
N
B

5
H
B
W

B
L
S

L
L
T

OPTION

L
Q
T
Y

R
Y

V.I.N.

FROM

TO

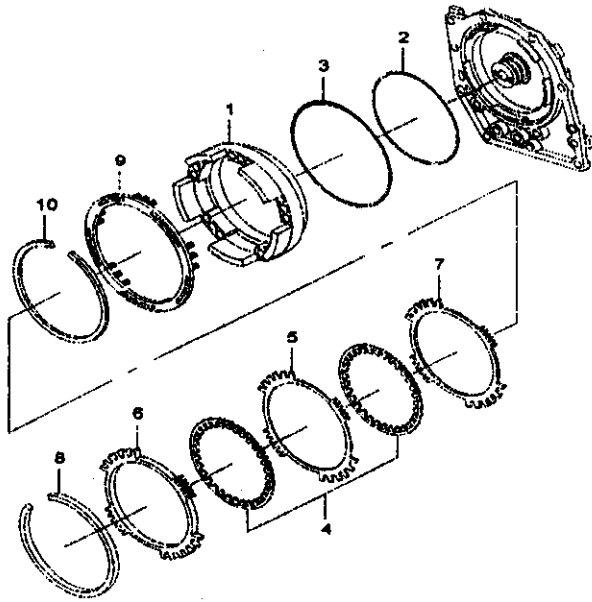
REMARKS

R
E
C
O
R
D

**** RPO DEFINITIONS ****
L44 : ENGINE-4 CYL. 1.6 DOHC MPI
ML4 : TRANSMISSION-AUTO. 4 SPEED

3736

2ND COAST&4TH BRAKE(AISIN)



RJ3736DGW 10/30/2004

I T C	KEY NO.		PART NAME										REMARKS	INDICATOR
	PART NO.	MODEL YEAR	D R V	BODY		LEVEL		OPTION	L Q R Y	V.I.N.				
				A N B	4 H W	5 S B	B L S			L L S T	FROM			
	[01]			(E)PISTON-O/D BRAKE (D)O/D BREMSKOLBEN								(F)PISTON-FREIN DE SURMU (S)PISTÓN-FRENO SM		
	93741441	03-07		B B . X X X			AL448ML4					1		
	[02]			(E)RING-O (D)O-RING								(F)JOINT TORIQUE (S)JUNTA TÓRICA		
	93741863	03-07		B B . X X X			AL448ML4					1		
	[03]			(E)RING-O (D)O-RING								(F)JOINT TORIQUE (S)JUNTA TÓRICA		
	93741864	03-07		B B . X X X			AL448ML4					1		
	[04]			(E)DISC-O/D BRAKE (D)O/D BREMSSCHEIBE								(F)DISQUE-FREIN DE SURMU (S)DISCO-FRENO S/M		
	93741449	03-07		B B . X X X			AL448ML4					2		
	[06]			(E)PLATE-O/D BRAKE (D)O/D BREMSSCHEIBE								(F)PLATEAU-FREIN DE SURMU (S)PLATO-FRENO S/M		
	93741450	03-07		B B . X X X			AL448ML4					1		
	[06]			(E)FLANGE-O/D BRAKE (D)O/D BREMSFLANSCH								(F)BRIDE-FREIN DE SURMU (S)BRIDA-FRENO S/M		
	93741447	03-07		B B . X X X			AL448ML4					1	H=5.0	
	[07]			(E)FLANGE-O/D BRAKE (D)O/D BREMSFLANSCH								(F)BRIDE-FREIN DE SURMU (S)BRIDA-FRENO S/M		
	93741442	03-07		B B . X X X			AL448ML4					1	H=1.8	
	93741443	03-07		B B . X X X			AL448ML4					1	H=2.0	
	93741444	03-07		B B . X X X			AL448ML4					1	H=2.2	
	93741445	03-07		B B . X X X			AL448ML4					1	H=2.4	
	93741446	03-07		B B . X X X			AL448ML4					1	H=2.6	
	[08]			(E)RING-SNAP (D)SPRENGRING								(F)JONC D'ARRET (S)ANILLO-ELÁSTICO		
	93741827	03-07		B B . X X X			AL448ML4					1		
	[09]			(E)SPRING A-O/D BRAKE RTN (D)RUECKHOLFEDER A-O/D BREMSE								(F)RESSORT A-RAPPEL DE FREIN DE (S)MUELLE A-DE RETORNO DE		
	93741440	03-07		B B . X X X			AL448ML4					1		
	[10]			(E)RING-SNAP (D)SPRENGRING								(F)JONC D'ARRET (S)ANILLO-ELÁSTICO		
	93741928	03-07		B B . X X X			AL448ML4					1		

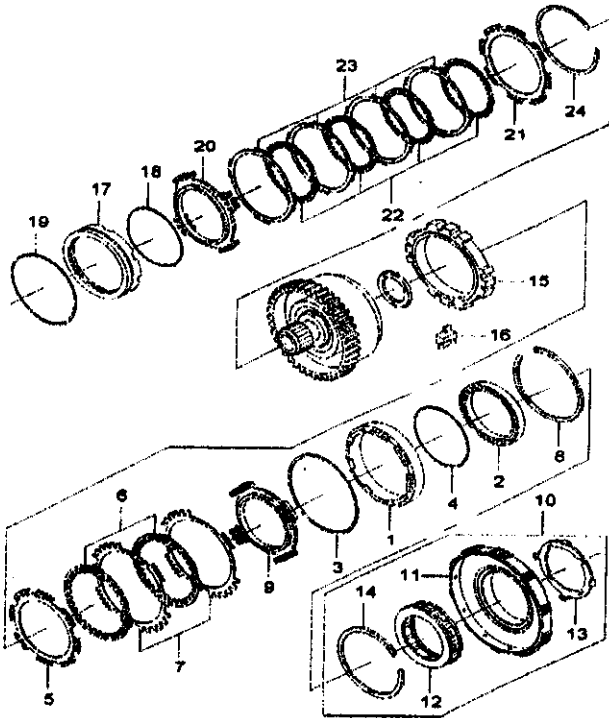
**** RPO DEFINITIONS ****

L44 : ENGINE-4 CYL 1.6 DOHC MPI

ML4 : TRANSMISSION-AUTO, 4 SPEED

3737

1ST/2ND/REVERSE BRAKE(AISIN)

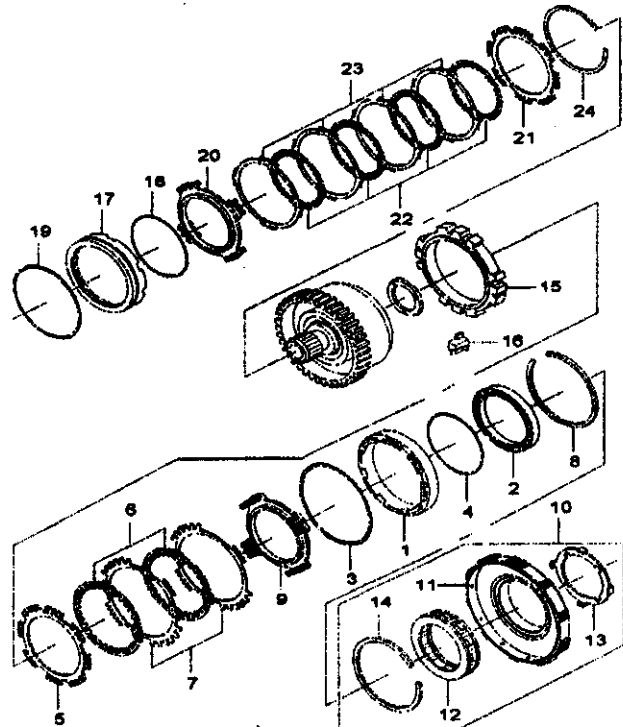


RJ3737DGW 10/30/2004

I T C	KEY NO.		PART NAME											REMARKS	P / C O D E	
	PART NO.	MODEL YEAR	D R Y	BODY			LEVEL			OPTION	L / R	Q T Y	V.I.N.			
				4 N B	4 H B	5 W	B S	L S	L T				FROM			TO
	[01]			(E)PISTON-2ND BRAKE (D)2.BREMSSKOLBEN										(F)PISTON-FREIN DE 2E (S)PISTÓN-FRENO DE 2º		
	93741567	03-07		B B . X X X				6L448M/L4						1		
	[02]			(E)CYLINDER-BRAKE, NO.2 (D)BREMSSZYLINDER NR.2										(F)CYLINDRE-FREIN, NO.2 (S)CILINDRO-FRENO, Nº 2		
	93741588	03-07		B B . X X X				6L448M/L4						1		
	[03]			(E)RING-O (D)O-RING										(F)JOINT TORIQUE (S)JUNTA TÓRICA		
	93741865	03-07		B B . X X X				6L448M/L4						1		
	[04]			(E)RING-O (D)O-RING										(F)JOINT TORIQUE (S)JUNTA TÓRICA		
	93741866	03-07		B B . X X X				6L448M/L4						1		
	[05]			(E)FLANGE-BRAKE, NO.2 (D)BREMSSFLANSCH NR.2										(F)BRIDE-FREIN, NO.2 (S)BRIDA-FRENO, Nº 2		
	93741612	03-07		B B . X X X				6L448M/L4						1		PH=3.0
	[06]			(E)DISC-BRAKE, NO.2 (D)BREMSSSCHEIBE NR.2										(F)DISQUE-FREIN, NO.2 (S)DISCO-FRENO, Nº 2		
	93741615	03-07		B B . X X X				6L448M/L4						2		
	[07]			(E)PLATE-BRAKE, NO.2 (D)BREMSSSCHEIBE NR.2										(F)PLATEAU-FREIN, NO.2 (S)PLATO-FRENO, Nº 2		
	93741617	03-07		B B . X X X				6L448M/L4						2		
	[08]			(E)RING-SNAP (D)SPRENGRING										(F)JONC D'ARRET (S)ANILLO-ELÁSTICO		
	93741927	03-07		B B . X X X				6L448M/L4						1		
	[09]			(E)SPRING A-2ND BRAKE RTN (D)RUECKHOLFEDER A-2.BREMSE										(F)RESSORT A-RAPPEL DE FREIN DE (S)MUELLE A-DE RETORNO DE		
	93741557	03-07		B B . X X X				6L448M/L4						1		
	[10]			(E)CLUTCH A-1 WAY (D)FREILAUFKUPPLUNG A										(F)ROUE LIBRE A (S)EMBRAGUE A-UNIDIRECCIONAL		
	93741658	03-07		B B . X X X				6L448M/L4						1		
	[11]			(E)HUB-2ND BRAKE (D)2.BREMSSNABE										(F)MOYEU-FREIN DE 2E (S)CUBO-FRENO DE 2º		
	93741597	03-07		B B . X X X				6L448M/L4						1		
	[12]			(E)CLUTCH-1 WAY NO.1 (D)FREILAUFKUPPLUNG NR.1										(F)ROUE LIBRE NO.1 (S)EMBRAGUE-UNIDIRECCIONAL, Nº 1		
	93741661	03-07		B B . X X X				6L448M/L4						1		
	[13]			(E)RETAINER-1 WAY CLU (D)HALTESTIFT-FREILAUFKUPPLUNG										(F)RETENUE-ROUE LIBRE (S)RETÉN-EMB UNIDIRECCIONAL		
	93741664	03-07		B B . X X X				6L448M/L4						1		

3737

1ST/2ND/REVERSE BRAKE(AISIN)



RJ3737DGW 10/30/2004

I T C	KEY NO. PART NO.	MODEL YEAR	D R V E	PART NAME											L O T / R Y	V.I.N.		REMARKS	P / C O D E
				BODY			LEVEL			OPTION	FROM	TO							
				4 N B	4 H S	5 S W	B L L	L L L	L L L										
	[14]			(E)RING-SNAP (D)SPRENGRING											(F)JONC D'ARRET (S)ANILLO-ELÁSTICO				
	93741921	03-07		B B . X X X				6L448ML4							1				
	[15]			(E)CLUTCH-1 WAY NO.2 (D)FREILAUFKUPPLUNG NR.2											(F)ROUE LIBRE NO.2 (S)EMBRAGUE-UNIDIRECCIONAL,N° 2				
	93741647	03-07		B B . X X X				6L448ML4							1				
	[16]			(E)RETAINER-OUT RACE (D)HALTESTIFT-AEUSSENER LAUFRING											(F)RETENUE-BAGUE EXTERIEURE (S)RETÉN-PISTA EXT				
	93741439	03-07		B B . X X X				6L448ML4							1				
	[17]			(E)PISTON-1ST&REV BRAKE (D)KOLBEN-1.&RUECKWAERTSBREMSE											(F)PISTON-FREIN DE 1ER&MARR (S)PISTÓN-FRENO DE MAY 1°				
	93741565	03-07		B B . X X X				6L448ML4							1				
	[18]			(E)RING-O (D)O-RING											(F)JOINT TORIQUE (S)JUNTA TÓRICA				
	93741859	03-07		B B . X X X				6L448ML4							1				
	[19]			(E)RING-O (D)O-RING											(F)JOINT TORIQUE (S)JUNTA TÓRICA				
	93741863	03-07		B B . X X X				6L448ML4							1				
	[20]			(E)SPRING A-1ST&REV BRAKE PISTON (D)KOLBENFEDER											(F)RESSORT A-PISTON DE FREIN DE (S)MUELLE A-PISTÓN DE FRENO DE				
	93741452	03-07		B B . X X X				6L448ML4							1				
	[21]			(E)PLANGE-BRAKE, NO.3 (D)BREMSFLANSCH NR.3											(F)BRIDE-FREIN,NO.3 (S)BRIDA-FRENO,N° 3				
	93741613	03-07		B B . X X X				6L448ML4							1				H=3.4
	[22]			(E)DISC-BRAKE, NO.3 (D)BREMSSCHEIBE NR.3											(F)DISQUE-FREIN,NO.3 (S)DISCO-FRENO,N° 3				
	93741616	03-07		B B . X X X				6L448ML4							4				T=1.64
	[23]			(E)PLATE-BRAKE, NO.3 (D)BREMSSCHEIBE NR.3											(F)PLATEAU-FREIN,NO.3 (S)PLATO-FRENO,N° 3				
	93741618	03-07		B B . X X X				6L448ML4							4				T=1.8
	[24]			(E)RING-SNAP (D)SPRENGRING											(F)JONC D'ARRET (S)ANILLO-ELÁSTICO				
	93741929	03-07		B B . X X X				6L448ML4							1				

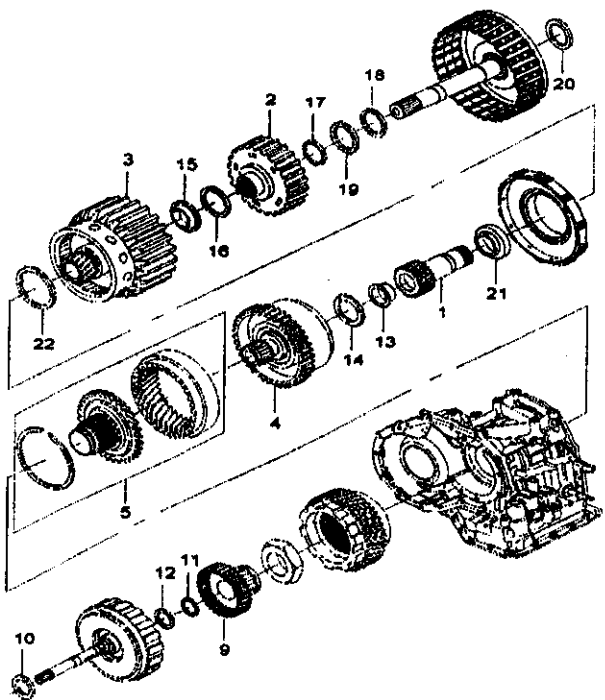
**** RPO DEFINITIONS ****

L44 : ENGINE-4 CYL 1.8 DOHC MPI

ML4 : TRANSMISSION-AUTO, 4 SPEED

3738

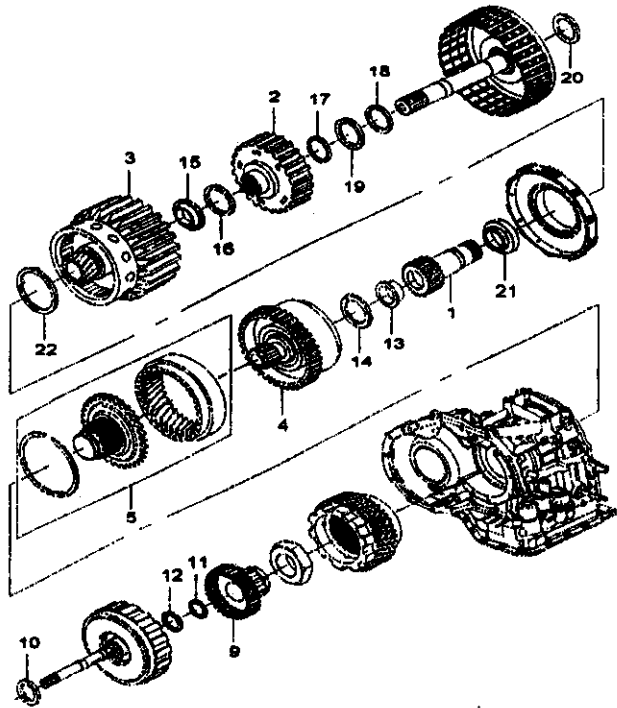
GEAR&SHAFT(AISIN)



RJ3738DGW 10/30/2004

I T C	KEY NO.		PART NAME											L Q T Y	V.I.N.		REMARKS	P R O D U C T I O N
	PART NO.	MODEL YEAR	D R V E	BODY			LEVEL			OPTION	FROM	TO	REMARKS					
				4 N B	5 H B	6 S B	7 L S	8 L S	9 L S									
	[01]			(E)GEAR A-PLANETARY SUN,PRT (D)PLANETENSONNENRAD A-VORN								(F)PLANETAIRE A,AV (S)ENGRANAJE A-CENTRAL						
	93741627	03-07		B B . X X X 6L448M1.4								1						
	[02]			(E)HUB A-FWD CLU (D)VORW-KUPPLUNGSHABE A								(F)MOYEU A-EMB MARCHE AVANT (S)CUBO A-EMB AVANCE						
	93741451	03-07		B B . X X X 6L448M1.4								1						
	[03]			(E)GEAR A-PLANETARY SUN,RR (D)PLANETENSONNENRAD A-HINTEN								(F)PLANETAIRE A,AR (S)ENGRANAJE A-CENTRAL						
	93741635	03-07		B B . X X X 6L448M1.4								1						
Y	93741634	03-07		B B . X X X 6L448M1.4								1						
	[04]			(E)GEAR A-PLANETARY (D)PLANETENRAD A								(F)TRAIN PLANETAIRE A (S)ENGRANAJE A-PLANETARIO						
	93741633	03-07		B B . X X X 6L448M1.4								1						
	[05]			(E)GEAR A-PLANETARY RING (D)PLANETENRINGRAD A								(F)COURONNE DE TRAIN (S)CORONA A-PLANETARIO						
	93741454	03-07		B B . X X X 6L448M1.4								1						N=80
	[09]			(E)HUB DIR CLU (D)KUPPLUNGSHABE-LENKUNG								(F)MOYEU-EMB PRISE DIRECTE (S)CUBO-EMB DIR						
	93741596	03-07		B B . X X X 6L448M1.4								1						
	[10]			(E)BEARING-THRUST (D)AXIALLAGER								(F)BUTEE (S)COJINETE-DE EMPUJE						
	93741894	03-07		B B . X X X 6L448M1.4								1						T=0.8
	93741895	03-07		B B . X X X 6L448M1.4								1						T=1.4
	[11]			(E)RACE-THRUST BEARING (D)LAUFRING-AXIALLAGER								(F)BAGUE-BUTEE (S)PISTA-COJINETE DE EMPUJE						
	93741652	03-07		B B . X X X 6L448M1.4								1						
	[12]			(E)BEARING-THRUST (D)AXIALLAGER								(F)BUTEE (S)COJINETE-DE EMPUJE						
	93741890	03-07		B B . X X X 6L448M1.4								1						
	[13]			(E)RACE-THRUST BEARING (D)LAUFRING-AXIALLAGER								(F)BAGUE-BUTEE (S)PISTA-COJINETE DE EMPUJE						
	93741653	03-07		B B . X X X 6L448M1.4								1						
	[14]			(E)BEARING-THRUST (D)AXIALLAGER								(F)BUTEE (S)COJINETE-DE EMPUJE						
	93741898	03-07		B B . X X X 6L448M1.4								1						
	[18]			(E)RACE-THRUST BEARING (D)LAUFRING-AXIALLAGER								(F)BAGUE-BUTEE (S)PISTA-COJINETE DE EMPUJE						
	93741854	03-07		B B . X X X 6L448M1.4								1						
	[16]			(E)BEARING-THRUST (D)AXIALLAGER								(F)BUTEE (S)COJINETE-DE EMPUJE						
	93741896	03-07		B B . X X X 6L448M1.4								1						

3738
GEAR&SHAFT(AISIN)

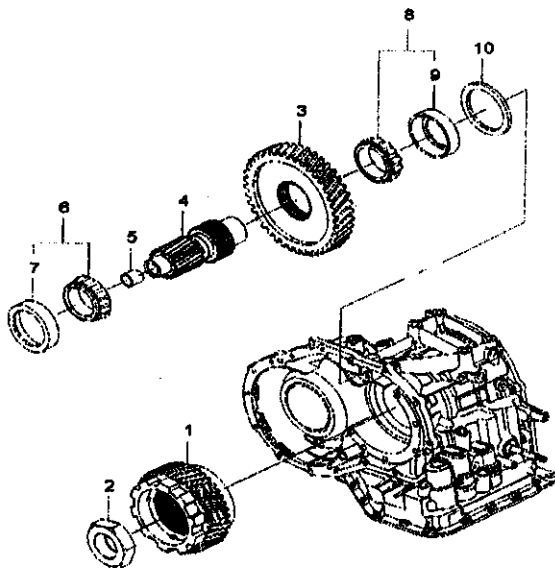


RJ3738D&GW 10/30/2004

I T C	KEY NO.		PART NAME											P / C O D E	
	PART NO.	MODEL YEAR	D R V E	BODY			LEVEL			OPTION	L Q T Y	V.I.N.			REMARKS
				4 N B	4 H S	5 S W	B L	L S	L T			FROM	TO		
	[17]			(E)RACE-THRUST BEARING (D)LAUFRING-AXIALLAGER									(F)BAGUE-BUTEE (S)PISTA-COJNETE DE EMPUJE		
	93741655	03-07		B B . X X X			6L44M6L4						1		
	[18]			(E)RACE-THRUST BEARING (D)LAUFRING-AXIALLAGER									(F)BAGUE-BUTEE (S)PISTA-COJNETE DE EMPUJE		
	93741656	03-07		B B . X X X			6L44M6L4						1		
	[19]			(E)BEARING-THRUST (D)AXIALLAGER									(F)BUTEE (S)COJNETE-DE EMPUJE		
	93741891	03-07		B B . X X X			6L44M6L4						1		
	[20]			(E)BEARING-THRUST (D)AXIALLAGER									(F)BUTEE (S)COJNETE-DE EMPUJE		
	93741899	03-07		B B . X X X			6L44M6L4						1		
	[21]			(E)WASHER-THRUST (D)DRUCKSCHEIBE									(F)RONDELLE-BUTEE (S)ARANDELA-DE EMPUJE		
	93741839	03-07		B B . X X X			6L44M6L4						1		
	[22]			(E)WASHER-THRUST (D)DRUCKSCHEIBE									(F)RONDELLE-BUTEE (S)ARANDELA-DE EMPUJE		
	93741640	03-07		B B . X X X			6L44M6L4						1		
				**** RPO DEFINITIONS **** L44 : ENGINE-4 CYL 1.8 DOHC MPI ML4 : TRANSMISSION-AUTO-4 SPEED											

3739

COUNTER GEAR&SHAFT(AISIN)

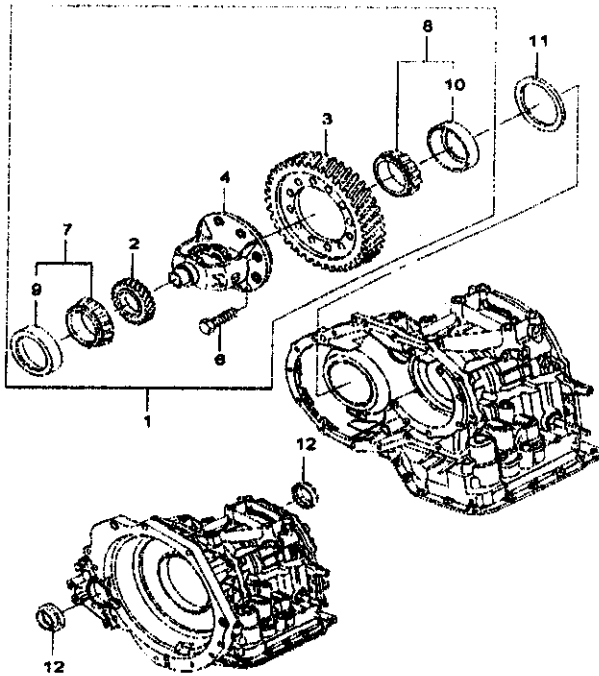


RJ3739DGW 10/30/2004

I T C	KEY NO.		PART NAME										L Q T Y	V.I.N.		REMARKS	P / C O D E
	PART NO.	MODEL YEAR	D R V	BODY		LEVEL		OPTION	FROM	TO	REMARKS						
				4 N B	4 H B	5 S W	5 S W					B L		L S T			
[01]	93741649	03 - 07		(E)GEAR-COUNTER DRIVE (D)GEGENRAD A-ANTRIEB							(F)PIGNON-ENTRAINEMENT (S)ENGRANAJE-DE ACCIONAMIENTO	1			N=51		
[02]	93741849	03 - 07		(E)NUT (D)MUTTER							(F)ECROU (S)TUERCA	1					
[03]	93741851	03 - 07		(E)GEAR-COUNTER DRIVEN (D)GETRIEBENES GEGENRAD							(F)PIGNON-INTERMEDIAIRE MENE (S)ENGRANAJE-CONDUCIDO DE	1			N=52		
[04]	93741872	03 - 07		(E)PINION-DIFF DRIVE (D)DIFF-ANTRIEBSRITZEL							(F)PIGNON-ATAQUE DIFF (S)PIÑON-DE ATAQUE DE DIF	1					
[05]	93741871	03 - 07		(E)PLUG (D)STECKER							(F)BOUCHON (S)TAPON	1					
[06]	93741880	03 - 07		(E)BEARING-TAPER ROLLER (D)KEGELROLLENLAGER							(F)ROULEMENT A ROULEAUX (S)COJINETE-DE RODILLOS CÓNICOS	1					
[07]	93741881	03 - 07		(E)RACE-TAPER ROLLER BEARING (D)LAUFRING-KEGELROLLENLAGER							(F)BAGUE-ROULEMENT A ROULEAUX (S)PISTA-COJINETE DE RODILLOS	1					
[08]	93741876	03 - 07		(E)BEARING-TAPER ROLLER (D)KEGELROLLENLAGER							(F)ROULEMENT A ROULEAUX (S)COJINETE-DE RODILLOS CÓNICOS	1					
[09]	93741877	03 - 07		(E)RACE-TAPER ROLLER BEARING (D)LAUFRING-KEGELROLLENLAGER							(F)BAGUE-ROULEMENT A ROULEAUX (S)PISTA-COJINETE DE RODILLOS	1					
[10]	93741932	03 - 07		(E)SHIM (D)BEILEGESCHEIBE							(F)CALE D'EPaisseur (S)SUPLEMENTO	1			T=1.70		
	93741933	03 - 07										1			T=1.75		
	93741934	03 - 07										1			T=1.80		
	93741935	03 - 07										1			T=1.85		
	93741936	03 - 07										1			T=1.90		
	93741937	03 - 07										1			T=1.93		
	93741938	03 - 07										1			T=1.98		
	93741939	03 - 07										1			T=1.99		
	93741940	03 - 07										1			T=2.02		
	93741941	03 - 07										1			T=2.05		
	93741942	03 - 07										1			T=2.08		
	93741943	03 - 07										1			T=2.11		
	93741944	03 - 07										1			T=2.14		

3750

DIFFERENTIAL(AISIN)

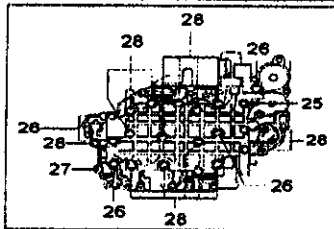
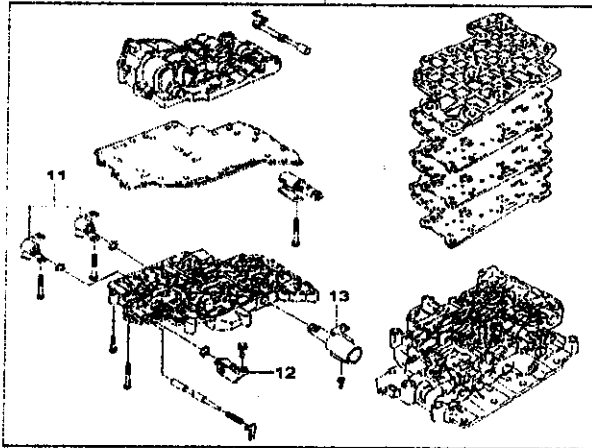


RJ3750DGW 10/30/2004

I T C	PART NO.	MODEL YEAR	D R V	KEY NO.						PART NAME	L / R	Q T Y	V.I.N.		REMARKS	P / C O D E
				BODY		LEVEL		OPTION	FROM				TO			
				4 N B	4 H S	5 B S	5 L S							6 L T		
	[01]			(E)GEAR A-DIFF (D)AUSGLEICHSRAD A								(F)PIGNON A-DIFF (S)ENGRANAJE A-DIF				
	93741682	03-07		B B . X X X				8L448ML4				1				
	[02]			(E)GEAR-SPEEDOMETER (D)ZAHNRAD-TACHOMETER								(F)PIGNON-INDICATEUR DE VITESSE (S)ENGRANAJE-VELOCIMETRO				
	93741428	03-07		B B . X X X				8L448ML4				1				
	[03]			(E)GEAR-DIFF RING (D)RINGRAD-DIFF.								(F)COURONNE DE DIFF (S)CORONA-DIF				
	93741675	03-07		B B . X X X				8L448ML4				1				
	[04]			(E)CASE A-DIFF (D)GEHAEUSE A-DIFF.								(F)BOITIER A-DIFF (S)CARCASA A-DIF				
	93741678	03-07		B B . X X X				8L448ML4				1				
	[06]			(E)BOLT (D)BOLZEN								(F)BOULON (S)PERNO				
	93741845	03-07		B B . X X X				8L448ML4				8				
	[07]			(E)BEARING-TAPER ROLLER (D)KEGELROLLENLAGER								(F)ROULEMENT A ROULEAUX (S)COJINETE-DE RODILLOS CÓNICOS				
	93741886	03-07		B B . X X X				8L448ML4				1				
	[08]			(E)BEARING-TAPER ROLLER (D)KEGELROLLENLAGER								(F)ROULEMENT A ROULEAUX (S)COJINETE-DE RODILLOS CÓNICOS				
	93741888	03-07		B B . X X X				8L448ML4				1				
	[09]			(E)RACE-TAPER ROLLER BEARING,OTR (D)AEUSSERER								(F)BAGUE-ROULEMENT A ROULEAUX (S)PISTA-COJINETE DE RODILLOS				
	93741887	03-07		B B . X X X				8L448ML4				1				
	[10]			(E)RACE-TAPER ROLLER BEARING,OTR (D)AEUSSERER								(F)BAGUE-ROULEMENT A ROULEAUX (S)PISTA-COJINETE DE RODILLOS				
	93741889	03-07		B B . X X X				8L448ML4				1				
	[11]			(E)SHIM (D)BEILEGESCHEIBE								(F)CALE D'EPaisseur (S)SUPLEMENTO				
	93741957	03-07		B B . X X X				8L448ML4				1		H=1.80		
	93741958	03-07		B B . X X X				8L448ML4				1		H=1.85		
	93741959	03-07		B B . X X X				8L448ML4				1		H=1.90		
	93741960	03-07		B B . X X X				8L448ML4				1		H=1.95		
	93741961	03-07		B B . X X X				8L448ML4				1		H=2.00		
	93741962	03-07		B B . X X X				8L448ML4				1		H=2.05		
	93741963	03-07		B B . X X X				8L448ML4				1		H=2.08		
	93741964	03-07		B B . X X X				8L448ML4				1		H=2.11		
	93741965	03-07		B B . X X X				8L448ML4				1		H=2.14		
	93741966	03-07		B B . X X X				8L448ML4				1		H=2.17		
	93741967	03-07		B B . X X X				8L448ML4				1		H=2.20		
	93741968	03-07		B B . X X X				8L448ML4				1		H=2.23		
	93741969	03-07		B B . X X X				8L448ML4				1		H=2.26		

3760

VALVE BODY(AISIN)

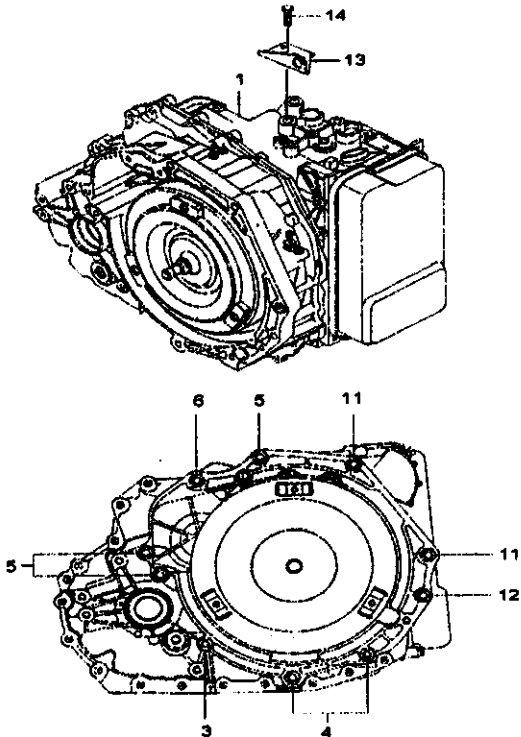


RJ3760DGW 10/30/2004

I T C	KEY NO.		D R V	PART NAME				L Q / R Y	V.I.N.		REMARKS	P R O C E D U R E	
	PART NO.	MODEL YEAR		BODY		LEVEL			OPTION	FROM			TO
				4 N B	4 H S W	B L L S	L L S T						
	[01]			(E)BODY A-CONT VALVE (D)VENTILKOERPER A-KONTR.				(F)CORPS A-VANNE DE COMMANDE (S)CAJA A-VÁLVULAS CONT					
	93741521	03-07		B B . X X X		6L448ML4		1					
	[11]			(E)SOLENOID A-T/A (D)MAGNETVENTIL A-T/A				(F)SOLENOIDE A-AT (S)SOLENOIDE A-C/CAMB					
	93741833	03-07		B B . X X X		6L448ML4		2					
	[12]			(E)SOLENOID A-T/A (D)MAGNETVENTIL A-T/A				(F)SOLENOIDE A-AT (S)SOLENOIDE A-C/CAMB					
	93741834	03-07		B B . X X X		6L448ML4		1					
	[13]			(E)SOLENOID A-T/A (D)MAGNETVENTIL A-T/A				(F)SOLENOIDE A-AT (S)SOLENOIDE A-C/CAMB					
	93741835	03-07		B B . X X X		6L448ML4		1					
	[26]			(E)BOLT (D)BOLZEN				(F)BOULON (S)PERNO					
	93741372	03-07		B B . X X X		6L448ML4		1			M6x1.0x80		
	[26]			(E)BOLT (D)BOLZEN				(F)BOULON (S)PERNO					
	93741404	03-07		B B . X X X		6L448ML4		5			M6x1.0x20		
	[27]			(E)BOLT (D)BOLZEN				(F)BOULON (S)PERNO					
	93741405	03-07		B B . X X X		6L448ML4		1			M6x1.0x36		
	[28]			(E)BOLT (D)BOLZEN				(F)BOULON (S)PERNO					
	93741840	03-07		B B . X X X		6L448ML4		15			M6x1.0x40		
								**** RPO DEFINITIONS ****					
								L44 : ENGINE-4 CYL 1.6 DOHC MPI					
								ML4 : TRANSMISSION-AUTO, 4 SPEED					

3810

AUTOMATIC TRANSAXLE(ZF16)

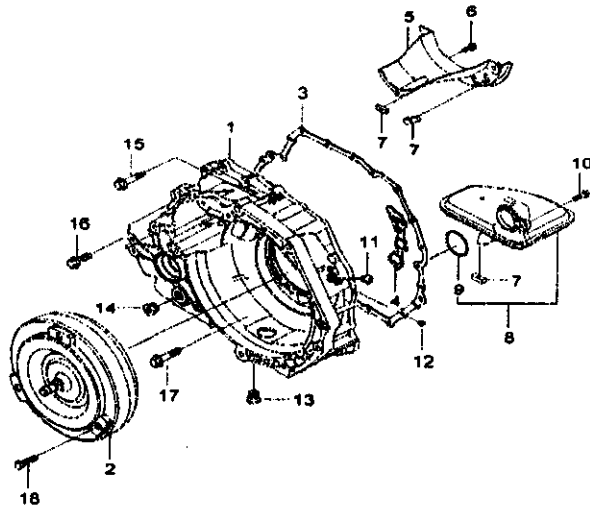


RJ3810GWN 10/30/2004

I T C	KEY NO.	PART NO.	MODEL YEAR	D R V	PART NAME						L Q T R Y	V.I.N.		REMARKS	P / C O D E
					BODY		LEVEL		OPTION	FROM		TO			
					4 N B	4 H S W	5 S S	B L					L L		
	[01]				(E)TRANSAXLE (D)ACHSGETRIEBE	A-AUTOMATIC A-AUTOMATISCH					(F)BOITE-PONT A-AUTOMATIQUE (S)CAJA DE CAMBIOS A-AUTOMATICA				
	96493735	03-03			B B . . X X	LM	MM9	G38			1	916802	RATIO-3.945	JR	
	96286025	03-07			B B B X X X	LM	MM9	G38			1	916803	RATIO-3.945	AW	
	96393636	05-07			B . B . . X	LM	MM9	GY2			1		RATIO-3.847	JW	
	[03]				(E)BOLT (D)BOLZEN						(F)BOULON (S)PERNO				
	94501009	03-07			B B B X X X	LM	MM9				1				
	[04]				(E)BOLT (D)BOLZEN						(F)BOULON (S)PERNO				
	94500966	03-07			B B B X X X	LM	MM9				3				
	[05]				(E)BOLT (D)BOLZEN						(F)BOULON (S)PERNO				
	94500860	03-07			B B B X X X	LM	MM9				3				
	[06]				(E)BOLT (D)BOLZEN						(F)BOULON (S)PERNO				
	94501159	03-07			B B B X X X	LM	MM9				1				
	[11]				(E)BOLT (D)BOLZEN						(F)BOULON (S)PERNO				
	94501134	03-07			B B B X X X	LM	MM9				2				
	[12]				(E)BOLT (D)BOLZEN						(F)BOULON (S)PERNO				
	94500964	03-07			B B B X X X	LM	MM9				1				
	[13]				(E)BRACKET (D)HALTER						(F)SUPPORT (S)SOPORTE				
	93742085	03-07			B B B X X X	LM	MM9				1				
	[14]				(E)BOLT (D)BOLZEN						(F)BOULON (S)PERNO				
	93741997	03-07			B B B X X X	LM	MM9				1				MS:20
	**** RPO DEFINITIONS ****														
	LM : ENGINE-4 CYL 1.8 DOHC MPI														
	MM9 : TRANS-AUTO,4SPD,4H 15														
	G38 : AXLE RATIO-3.945														
	LDA : ENGINE-4 CYL 1.8 DOHC MPI														
	L86 : ENGINE-4 CYL 2.0 DOHC MPI														
	GY2 : AXLE RATIO-3.847														

3820

TORQUE CONVERTER&HOUSING(ZF16)

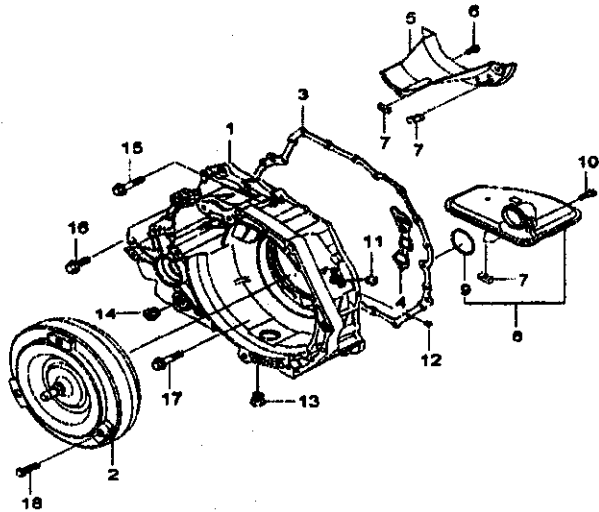


RJ3820GWN 10/30/2004

I T C	KEY NO.		PART NAME										P / C O D E
	PART NO.	MODEL YEAR	D R V	BODY		LEVEL		OPTION	L Q T R Y	V.I.N.		REMARKS	
				4 N H S	5 B B W	B L L	L L T			FROM	TO		
	[01]			(E)HOUSING-TORQUE CONV (D)GEHAEUSE-DREHMOMENTWANDLER								(F)CARTER-CONVERTISSEUR DE (S)CAMPANA-CONV DE PAR	
	93742185	03-07		B B B X X X			AL84L,DA1,886MM9					1	
	[02]			(E)CONVERTER-TORQUE (D)DREHMOMENTWANDLER								(F)CONVERTISSEUR DE COUPLE (S)CONVERTIDOR-DE PAR	
	93742181	03-07		B B B X X X			AL84L,DA1,886MM9					1	
	[03]			(E)GASKET-TORQUE CONV (D)DICHTRING-DREHMOMENTWANDLER								(F)JOINT-CONVERTISSEUR DE (S)JUNTA-CONV DE PAR	
	93742178	03-07		B B B X X X			AL84L,DA1,886MM9					1	
	[04]			(E)GASKET (D)DICHTRING								(F)JOINT (S)JUNTA	
	93742177	03-07		B B B X X X			AL84L,DA1,886MM9					1	
	[05]			(E)PLATE-OIL BAFFLE (D)OELSCHWALBLECH								(F)DEFLECTEUR D'HUILE (S)PLACA-DEFLECTORA DE ACEITE	
	93742183	03-07		B B B X X X			AL84L,DA1,886MM9					1	
	[06]			(E)SCREW (D)SCHRAUBE								(F)VIS (S)TORNILLO	
	93742003	03-07		B B B X X X			AL84L,DA1,886MM9					3	M6x16
	[07]			(E)MAGNET (D)MAGNET								(F)AIMANT (S)IMÁN	
	93742017	03-07		B B B X X X			AL84L,DA1,886MM9					4	
	[08]			(E)FILTER A-OIL T/A (D)OELFILTER A,T/A								(F)FILTRE A-HUILE,T/A (S)FILTRO A-DE ACEITE,C/CAMB	
	93742042	03-07		B B B X X X			AL84L,DA1,886MM9					1	
	[09]			(E)RING-O (D)O-RING								(F)JOINT TORIQUE (S)JUNTA TORICA	
	93741995	03-07		B B B X X X			AL84L,DA1,886MM9					1	
	[10]			(E)SCREW (D)SCHRAUBE								(F)VIS (S)TORNILLO	
	93742000	03-07		B B B X X X			AL84L,DA1,886MM9					1	M6x18
	[11]			(E)PLUG-PRESSURE (D)DRUCKSTOFFEN								(F)BOUCHON-PRESSION (S)TAPÓN-DE PRESIÓN	
	93742014	03-07		B B B X X X			AL84L,DA1,886MM9					1	M14x1.5
	[12]			(E)PLUG-PRESSURE (D)DRUCKSTOFFEN								(F)BOUCHON-PRESSION (S)TAPÓN-DE PRESIÓN	
	93742011	03-07		B B B X X X			AL84L,DA1,886MM9					1	M10x1.0
	[13]			(E)PLUG-OIL (D)OELSTOFFEN								(F)BOUCHON-HUILE (S)TAPÓN-DE ACEITE	
	93742013	03-07		B B B X X X			AL84L,DA1,886MM9					1	M20x1.5

3820

TORQUE CONVERTER&HOUSING(ZF16)

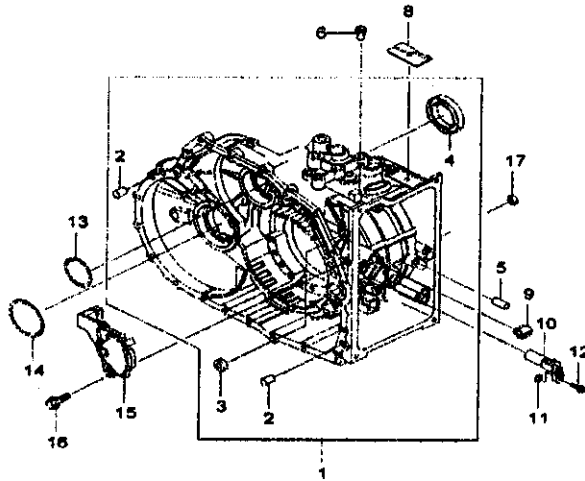


RJ3820GWN 10/30/2004

I T C	KEY NO.		PART NAME										REMARKS	P / E D O C
	PART NO.	MODEL YEAR	D R V	BODY			LEVEL		OPTION	L / R Y	V.I.N.			
				4 N B	4 H S	5 N S	B L	L L			FROM	TO		
	[14]			(E)PLUG-OR. (D)OELSTOPPEN							(F)BOUCHON-HULE (S)TAPÓN-DE ACEITE			
	93742013	03-07		B B B X X X				4L84LDA1886MM9			1		M20x1.5	
	[15]			(E)SCREW (D)SCHRAUBE							(F)VIS (S)TORNILLO			
	93742010	03-07		B B B X X X				4L84LDA1886MM9			3		M8x40	
	[16]			(E)BOLT (D)BOLZEN							(F)BOULON (S)PERNO			
	93742008	03-07		B B B X X X				4L84LDA1886MM9			15		M8x40	
	[17]			(E)BOLT (D)BOLZEN							(F)BOULON (S)PERNO			
	93742007	03-07		B B B X X X				4L84LDA1886MM9			5		M8x50	
	[18]			(E)BOLT (D)BOLZEN							(F)BOULON (S)PERNO			
	94500639	03-07		B B B X X X				4L84LDA1886MM9			3			
									**** RPO DEFINITIONS ****					
									L84 : ENGINE-4 CYL 1.8 DOHC MPI					
									LDA : ENGINE-4 CYL 1.8 DOHC MPI					
									L86 : ENGINE-4 CYL 2.0 DOHC MPI					
									MM9 : TRANS-AUTO,4SPD,4-5-16					

3821

TRANSAXLE HOUSING(ZF16)

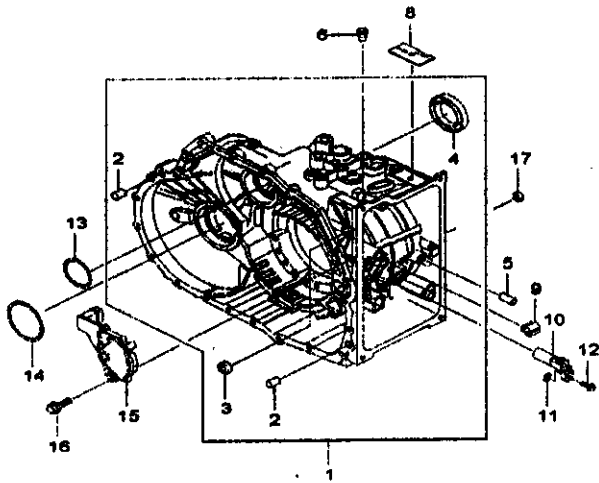


RJ3821GWN 11/04/2004

I T C	KEY NO.		PART NAME										P / C O D E		
	PART NO.	MODEL YEAR	D R V	BODY			LEVEL			OPTION	L / Q T Y	V.I.N.		REMARKS	
				4 N H S B	5 H S W	6 S S	7 L L S T	FROM	TO						
	[01]			(E)HOUSING A-T/A (D)GEHAEUSE A-T/A									(F)CARTER A-AT (S)ALOJAMIENTO A-C/CAMB		
	93742023	03-07		B B B X X X				AL84L.DA1.886MM9					1		
	[02]			(E)BUSH (D)BUCHSE									(F)BAGUE (S)CASQUILLO		
	93741991	03-07		B B B X X X				AL84L.DA1.886MM9					2	16.30	
	[03]			(E)SEAL-SHF (D)WELLENDICHTUNG									(F)JOINT-ARB (S)RETEN-EJE		
	93741990	03-07		B B B X X X				AL84L.DA1.886MM9					1	12x22x7	
	[04]			(E)SEAL-AXLE SHF (D)DICHTUNG-ACHSWELLE									(F)JOINT-ARBRE DE ROUE (S)RETEN-PALIER		
	93742061	03-07		B B B X X X				AL84L.DA1.886MM9					1	OUTER	
	93742176	03-07		B B B X X X				AL84L.DA1.886MM9					1	INNER(TO ENG)	
	[05]			(E)SLEEVE-SEALING (D)DICHTUNGSMUFFE									(F)MANCHON-ETANCHEITE (S)MANGUITO-DE CIERRE		
	93741994	03-07		B B B X X X				AL84L.DA1.886MM9					1		
	[06]			(E)PIPE-BREATHER (D)ENTLUEFTERROHR									(F)TUYAU-REINFLARD (S)TUBO-RESPIRADERO		
	93742086	03-07		B B B X X X				AL84L.DA1.886MM9					1		
	[08]			(E)PLATE-TYPE (D)TYPENSCHILD									(F)PLAQUE-TYPE (S)PLACA-DE CARACTERISTICAS		
	93742084	03-07		B B B X X X				AL84L.DA1.886MM9					1		
	[09]			(E)TERMINAL-CABLE (D)ENCKABEL									(F)BORNE-CABLE (S)TERMINAL-CABLE		
	93742082	03-07		B B B X X X				AL84L.DA1.886MM9					1		
	[10]			(E)SENSOR-SPEED,OUTPUT (D)SENSOR-ABTRIEBSDREHZAHL									(F)CAPTEUR-VITESSE, SORTIE (S)SENSOR-VELOCIDAD DE SALIDA		
	93742189	03-07		B B B X X X				AL84L.DA1.886MM9					1		
	[11]			(E)WASHER (D)UNTERLEGS SCHEIBE									(F)FRONDELLE (S)ARANDELA		
	93742077	03-07		B B B X X X				AL84L.DA1.886MM9					1	16.20	
	[12]			(E)BOLT (D)BOLZEN									(F)BOULON (S)PERNO		
	93741999	03-07		B B B X X X				AL84L.DA1.886MM9					1	16x25	
	[13]			(E)SHIM (D)BEILEGES SCHEIBE									(F)CALE D'EPaisseur (S)SUPLEMENTO		
	93742104	03-07		B B B X X X				AL84L.DA1.886MM9					1	16.120	
	93742106	03-07		B B B X X X				AL84L.DA1.886MM9					1	16.130	
	93742107	03-07		B B B X X X				AL84L.DA1.886MM9					1	16.135	
	93742108	03-07		B B B X X X				AL84L.DA1.886MM9					1	16.140	
	93742109	03-07		B B B X X X				AL84L.DA1.886MM9					1	16.145	

3821

TRANSAXLE HOUSING(ZF16)

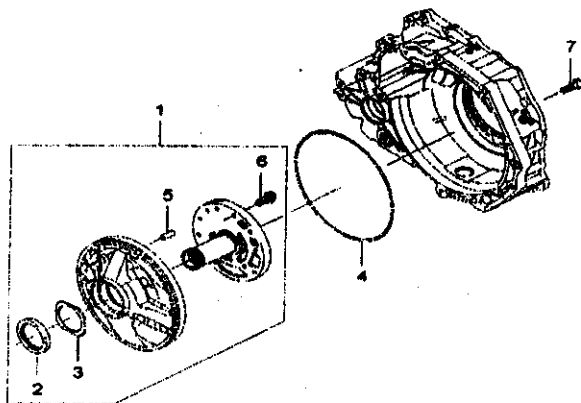


RJ3821GWN 11/04/2004

I T C	KEY NO.		PART NAME											REMARKS	P I C O D E
	PART NO.	MODEL YEAR	D R V	BODY			LEVEL		OPTION	L Q T Y	V.I.N.				
				4 N B	4 H S	5 B W	B S	L S			L T	FROM	TO		
	[13]			(E)SHIM (D)BEILEGESCHEIBE								(F)CALE D'EPaisseur (S)SUPLEMENTO			
	93742110	03-07		B B B X X X				ALB4LDAALB8AMM9				1		≈1.50	
	93742111	03-07		B B B X X X				ALB4LDAALB8AMM9				1		≈1.55	
	93742113	03-07		B B B X X X				ALB4LDAALB8AMM9				1		≈1.65	
	[14]			(E)SHIM (D)BEILEGESCHEIBE								(F)CALE D'EPaisseur (S)SUPLEMENTO			
	93742132	03-07		B B B X X X				ALB4LDAALB8AMM9				1		≈1.35	
	93742131	03-07		B B B X X X				ALB4LDAALB8AMM9				1		≈1.40	
	93742130	03-07		B B B X X X				ALB4LDAALB8AMM9				1		≈1.45	
	93742129	03-07		B B B X X X				ALB4LDAALB8AMM9				1		≈1.50	
	93742128	03-07		B B B X X X				ALB4LDAALB8AMM9				1		≈1.55	
	93742127	03-07		B B B X X X				ALB4LDAALB8AMM9				1		≈1.60	
	93742126	03-07		B B B X X X				ALB4LDAALB8AMM9				1		≈1.65	
	93742125	03-07		B B B X X X				ALB4LDAALB8AMM9				1		≈1.70	
	93742121	03-07		B B B X X X				ALB4LDAALB8AMM9				1		≈1.90	
	[15]			(E)SWITCH A-PARK&NEU (D)SCHALTER A-PARKEN&NEU								(F)CONTACTEUR (S)INTERRUPTOR			
	93742187	03-07		B B B X X X				ALB4LDAALB8AMM9				1			
	Y 93742996	03-07		B B B X X X				ALB4LDAALB8AMM9				1			
	[16]			(E)BOLT (D)BOLZEN								(F)BOULON (S)PERNO			
	93742005	03-07		B B B X X X				ALB4LDAALB8AMM9				2		M16x18	
	[17]			(E)SLEEVE-SEALING (D)DICHTUNGSMUFFE								(F)MANCHON-ETANCHEITE (S)MANGUITO-DE CIERRE			
	93741993	03-07		B B B X X X				ALB4LDAALB8AMM9				2			
	**** RPO DEFINITIONS ****														
	L84 : ENGINE-4 CYL 1.8 DOHC MPI														
	L8A : ENGINE-4 CYL 1.8 DOHC MPI														
	L86 : ENGINE-4 CYL 2.0 DOHC MPI														
	MM9 : TRANS-AUTO,4SPD,4#16														

3822

OIL PUMP(ZF16)

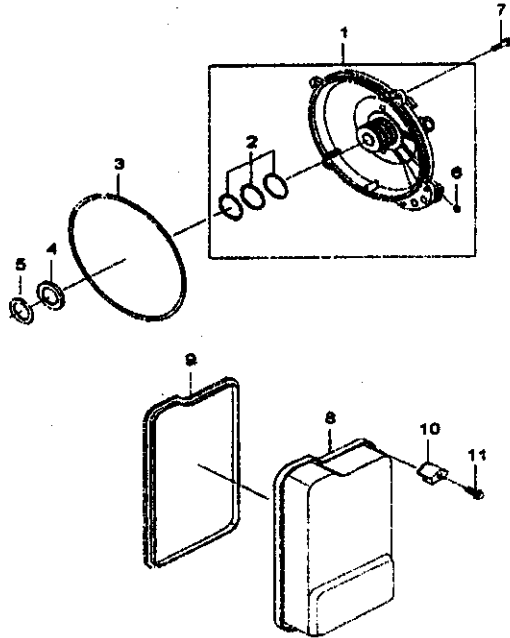


RJ3822GWN 10/30/2004

I T C	KEY NO.		PART NAME											L Q T R Y	V.I.N.		REMARKS	P I E C E		
	PART NO.	MODEL YEAR	D R Y	BODY			LEVEL			OPTION	FROM	TO	REMARKS							
				4 N B	5 H B	8 S W	B	L	L											
	[01]			(E)PUMP A-OIL/T/A (D)OELPUMPE A.T/A											(F)POMPE A HUILE.T/A (S)BOMBA A-DE ACEITE,C/CAMB					
	93742035	03 - 07		B B B X X X				4L84LDA188MM9							1					
	[02]			(E)SEAL-OIL PUMP (D)DICHTUNG-OELPUMPE											(F)JOINT-POMPE A HUILE (S)RETEN-BOMBA DE ACEITE					
	93741992	03 - 07		B B B X X X				4L84LDA188MM9							1					
	[03]			(E)WASHER (D)UNTERLEGS SCHEIBE											(F)RONDELLE (S)ARANDELA					
	93742145	03 - 07		B B B X X X				4L84LDA188MM9							1					
	[04]			(E)RING-O (D)O-RING											(F)JOINT TORIQUE (S)JUNTA TORICA					
	93742265	03 - 07		B B B X X X				4L84LDA188MM9							1					
	[05]			(E)SLEEVE (D)MUFFE											(F)MANCHON (S)MANGUITO					
	93742144	03 - 07		B B B X X X				4L84LDA188MM9							1					
	[06]			(E)SCREW (D)SCHRAUBE											(F)VIS (S)TORNILLO					M6x16
	93742003	03 - 07		B B B X X X				4L84LDA188MM9							9					
	[07]			(E)SCREW (D)SCHRAUBE											(F)VIS (S)TORNILLO					M6x16
	93742003	03 - 07		B B B X X X				4L84LDA188MM9							8					
				**** RPO DEFINITIONS ****																
				L84 : ENGINE-4 CYL 1.8 DOHC MPI																
				LDA : ENGINE-4 CYL 1.8 DOHC MPI																
				L85 : ENGINE-4 CYL 2.0 DOHC MPI																
				MM9 : TRANS-AUTO,4SPD,4HP 16																

3824

REAR COVER&OIL PAN(ZF16)



RJ3824GWN 10/30/2004

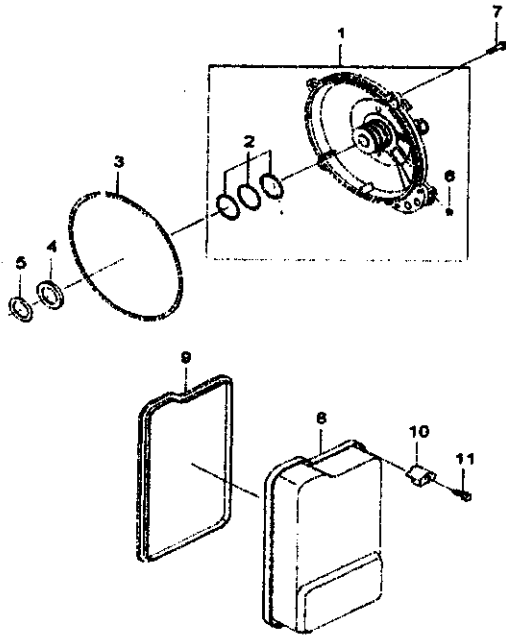
I T C	KEY NO.		PART NAME											L O T R Y	V.I.N.		REMARKS	P / C O D E
	PART NO.	MODEL YEAR	D R V	BODY			LEVEL			OPTION	FROM	TO						
				4 N B	5 H S	6 B W	B L	L S	L T									
	[01]			(E)COVER A-TIA,RR (D)DECKEL A-TIA-HINTEN										(F)COUVERCLE A-TIA,RR (S)TAPA A-C/CAMB,TR				
	93742022	03 - 07		B B B X X X				ALBA,DA,LSBMM9						1				
	[02]			(E)RING-PISTON (D)KOLBENRING										(F)SEGMENT-PISTON (S)ANILLO-PISTÓN				
	93742059	03 - 07		B B B X X X				ALBA,DA,LSBMM9						3				
	[03]			(E)RING-O (D)O-RING										(F)JOINT TORIQUE (S)JUNTA TÓRICA				
	93742283	03 - 07		B B B X X X				ALBA,DA,LSBMM9						1				
	[04]			(E)BEARING-NEEDLE (D)NADELLAGER										(F)ROULEMENT-AIGUILLES (S)COJINETE-DE AGUJAS				
	93742060	03 - 07		B B B X X X				ALBA,DA,LSBMM9						1				
	[05]			(E)SHIM (D)BEILEGESCHEIBE										(F)CALE D'EPaisseur (S)SUPLEMENTO				
	93742074	03 - 07		B B B X X X				ALBA,DA,LSBMM9						1				±1.80
	93742073	03 - 07		B B B X X X				ALBA,DA,LSBMM9						1				±2.00
	93742072	03 - 07		B B B X X X				ALBA,DA,LSBMM9						1				±2.20
	93742071	03 - 07		B B B X X X				ALBA,DA,LSBMM9						1				±2.40
	93742070	03 - 07		B B B X X X				ALBA,DA,LSBMM9						1				±2.80
	93742069	03 - 07		B B B X X X				ALBA,DA,LSBMM9						1				±2.80
	[06]			(E)PLUG-SCREW (D)SCHRAUBVERSCHLUSS										(F)BOUCHON VISSE (S)TAPÓN-ROSCADO				
	93742012	03 - 07		B B B X X X				ALBA,DA,LSBMM9						2				M12x1.5
	[07]			(E)BOLT (D)BOLZEN										(F)BOULON (S)PERNO				
	93742008	03 - 07		B B B X X X				ALBA,DA,LSBMM9						5				M8x28
	[08]			(E)PAN/A-OIL,TA (D)OELWANNE A,TA										(F)CARTER D'HUILE,TA (S)CÁRTER A-DE ACEITE,C/CAMB				
	93742087	03 - 07		B B B X X X				ALBA,DA,LSBMM9						1				
	[09]			(E)GASKET-OIL PAN (D)DICHTRING-OELWANNE										(F)JOINT-CARTER D'HUILE (S)JUNTA-CÁRTER DE ACEITE				
	93742089	03 - 07		B B B X X X				ALBA,DA,LSBMM9						1				
	[10]			(E)BRACKET-OIL PAN (D)HALTER-OELWANNE										(F)SUPPORT-CARTER D'HUILE (S)SOPORTE-CÁRTER DE ACEITE				
	93742088	03 - 07		B B B X X X				ALBA,DA,LSBMM9						4				
	[11]			(E)BOLT (D)BOLZEN										(F)BOULON (S)PERNO				
	93742004	03 - 07		B B B X X X				ALBA,DA,LSBMM9						4				M8x37

**** RPO DEFINITIONS ****

L84 : ENGINE-4 CYL 1.8 DOHC MPI

3824

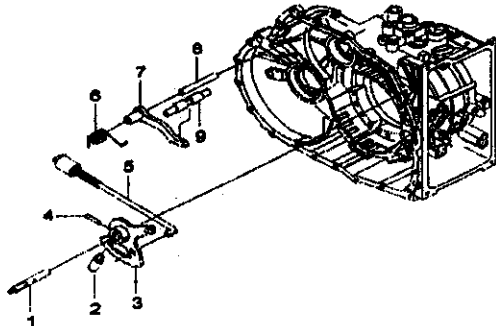
REAR COVER&OIL PAN(ZF16)



RJ3824GWN 10/30/2004

KEY NO.		PART NAME													
I T C	PART NO.	MODEL YEAR	D R V	B O D Y			L E V E L			O P T I O N	L Q T Y /	V. I. N.		R E M A R K S	P / C O D E
				4 N B	4 H S B	5 S W	B S	L S	L T			FROM	TO		
										**** RPO DEFINITIONS **** LDA : ENGINE-4 CYL 1.8 DOHC MPI LBB : ENGINE-4 CYL 2.0 DOHC MPI MM9 : TRANS-AUTO,4SPD,4-16					

3825
PARKING LEVER(ZF16)

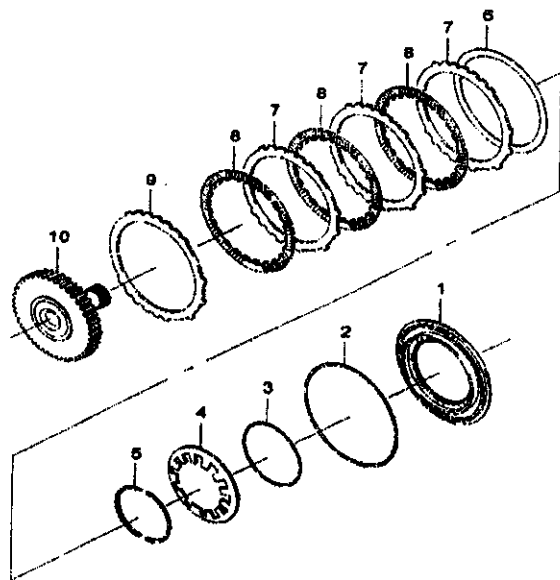


RJ3825GWN 10/30/2004

I T C	KEY NO.		PART NAME										REMARKS	P / C O D E	
	PART NO.	MODEL YEAR	D R V	BODY		LEVEL		OPTION	L / R Y	V.I.N.					
				4 N B	5 H S W	B S	L S T			FROM	TO				
	[01]			(E)SHAFT-SELECTOR (D)SCHALTWEILE							(F)BARRE SELECTEUR (S)EJE-SELECTOR				
	93742084	03-07		B B B X X X			L84/LDA/L88/M88				1				
	[02]			(E)BUSH (D)BUCHSE							(F)BAGUE (S)CASQUILLO				
	93742090	03-07		B B B X X X			L84/LDA/L88/M88				1				
	[03]			(E)DISC-DETENT (D)EINRASTSCHIEBE							(F)DISQUE-VERROU (S)DISCO A-RETENCIÓN				
	93742024	03-07		B B B X X X			L84/LDA/L88/M88				1				
	[04]			(E)SLEEVE-CLAMPING (D)KLEMMHUFFE							(F)MANCHON-SERRAGE (S)MANGUITO-DE SUJECIÓN				
	93742264	03-07		B B B X X X			L84/LDA/L88/M88				1				
	[05]			(E)BAR-CONNECTING (D)VERBINDUNGSSTANGE							(F)BARRE-LIAISON (S)BARRA-DE CONEXIÓN				
	93742025	03-07		B B B X X X			L84/LDA/L88/M88				1				
	[06]			(E)SPRING-LEG (D)BEINFEDER							(F)RESSORT-JAMBE (S)MUELLE-DE PATA				
	93742082	03-07		B B B X X X			L84/LDA/L88/M88				1				
	[07]			(E)PAWL (D)KLAUE							(F)CLIQUET (S)TRINQUETE				
	93742027	03-07		B B B X X X			L84/LDA/L88/M88				1				
	[08]			(E)PIN (D)STIFT							(F)GOUILLE (S)PASADOR				
	93742091	03-07		B B B X X X			L84/LDA/L88/M88				1				
	[09]			(E)BOLT (D)BOLZEN							(F)BOULON (S)PERNO				
	93742093	03-07		B B B X X X			L84/LDA/L88/M88				1				
				**** RPO DEFINITIONS ****											
				L84 : ENGINE-4 CYL 1.8 DOHC MPI											
				LDA : ENGINE-4 CYL 1.8 DOHC MPI											
				L88 : ENGINE-4 CYL 2.0 DOHC MPI											
				M88 : TRANS-AUTO,4SPD,4HP16											

3830

F CLUTCH&BRAKE BAND(ZF16)



RJ3830GWN 10/30/2004

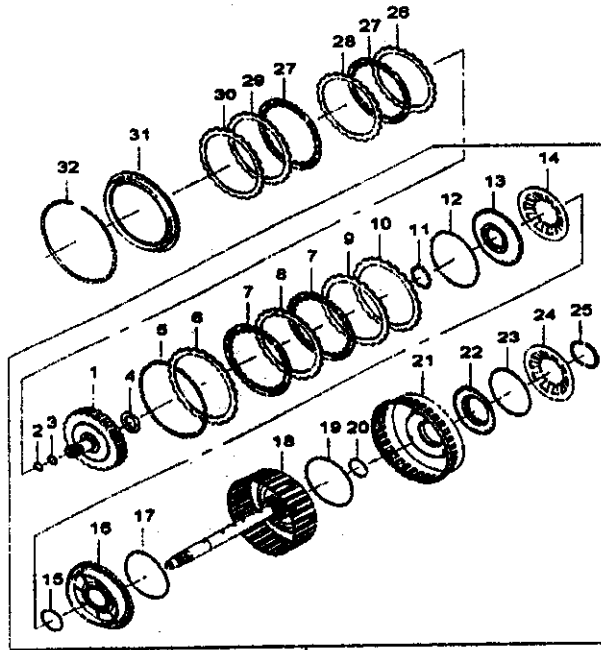
KEY NO.		PART NAME															
I T C	PART NO.	MODEL YEAR	D R V	BODY			LEVEL				OPTION	L T Y	V.I.N.		REMARKS	P / C O D E	
				4 N B	4 H B	5 S W	B L S	L L S	T	FROM			TO				
	[01]																
	93742250	03 - 07									6L84LDA1.886MM8				(F)PISTON 'D' (S)PISTÓN "D"	1	
	[02]														(F)JOINT TORIQUE (S)JUNTA TÓRICA	1	
	93742253	03 - 07									6L84LDA1.886MM8						
	[03]														(F)JOINT TORIQUE (S)JUNTA TÓRICA	1	
	93742254	03 - 07									6L84LDA1.886MM8						
	[04]														(F)RESSORT-CUVETTE (S)MUELLE-DE COPA	1	
	93742260	03 - 07									6L84LDA1.886MM8						
	[05]														(F)BAGUE DE BUTEE (S)ANILLO-TOPE	2	
	93742251	03 - 07									6L84LDA1.886MM8						
	[06]														(F)DISQUE-ELASTIQUE (S)DISCO-MUELLE	1	
	93742252	03 - 07									6L84LDA1.886MM8						
	[07]														(F)DISQUE-EMB,EXT (S)DISCO-EMB,EXT	3	≠1.80
	93742255	03 - 07									6L84LDA1.886MM8						
	[08]														(F)GARNITURE-DISQUE (S)LÍNEA-DISCO EMB	3	
	93742057	03 - 07									6L84LDA1.886MM8						
	[09]														(F)DISQUE-EMB,EXT (S)DISCO-EMB,EXT	1	≠1.80
	93742255	03 - 07									6L84LDA1.886MM8						
	93742256	03 - 07									6L84LDA1.886MM8						
	93742257	03 - 07									6L84LDA1.886MM8						
	[10]														(F)SUPPORT-PIGNON INT (S)PORTAENGRANAJES-INT	1	≠2.10 ≠2.50
	93742058	03 - 07									6L84LDA1.886MM8						

**** RPO DEFINITIONS ****

LB4 : ENGINE-4 CYL 1.8 DOHC MPI
 LDA : ENGINE-4 CYL 1.8 DOHC MPI
 LB6 : ENGINE-4 CYL 2.0 DOHC MPI
 MMB : TRANS-AUTO,4SPD,4-16

3831

INPUT SHAFT&B,E CLUTCH(ZF16)



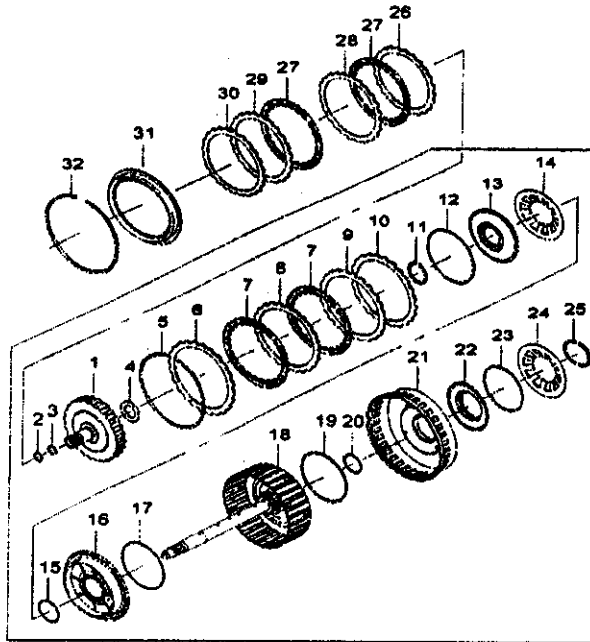
33

RJ3831GWN 10/30/2004

I T C	KEY NO.		PART NAME										P / D O C U M E N T
	PART NO.	MODEL YEAR	D R V	BODY		LEVEL		OPTION	L Q T Y	V.I.N.		REMARKS	
				4 N B	5 H B	6 L S	7 L S			8 L T	FROM		
	[01]			(E)CARRIER-DISC,INR (D)SCHEIBENTRAEGER,INNEN								(F)SUPPORT-DISQUE INT (S)PORTADISCOS-INT	
	93742052	03 - 07		B B B X X X				ALB4LDAL38AM9				1	
	[02]			(E)RING-PISTON (D)KOLBENRING								(F)SEGMENT-PISTON (S)ANILLO-PISTON	
	93741996	03 - 07		B B B X X X				ALB4LDAL38AM9				1	
Y	93742206	03 - 07		B B B X X X				ALB4LDAL38AM9				1	
	[03]			(E)RING-SNAP (D)SPRENGRING								(F)JONC D'ARRET (S)ANILLO-ELÁSTICO	
	93742205	03 - 07		B B B X X X				ALB4LDAL38AM9				1	
	[04]			(E)BEARING-NEEDLE (D)NADELLAGER								(F)ROULEMENT-AIGUILLES (S)COJINETE-DE AGUJAS	
	93742200	03 - 07		B B B X X X				ALB4LDAL38AM9				1	
	[05]			(E)RING-SNAP (D)SPRENGRING								(F)JONC D'ARRET (S)ANILLO-ELÁSTICO	
	93742203	03 - 07		B B B X X X				ALB4LDAL38AM9				1	
	[06]			(E)PLATE-CLU (D)KUPPLUNGSSCHEIBE								(F)PLATEAU-EMB (S)PLATO-EMB	
	93742215	03 - 07		B B B X X X				ALB4LDAL38AM9				1	13.90
	[07]			(E)LIN-CLU DISC (D)BELAG-KUPPLUNGSSCHEIBE								(F)GARNITURE-DISQUE (S)LÍNEA-DISCO EMB	
	93742057	03 - 07		B B B X X X				ALB4LDAL38AM9				4	
	[08]			(E)DISC-CLU,OTR (D)KUPPLUNGSSCHEIBE,AUSSEN								(F)DISQUE-EMB,EXT (S)DISCO-EMB,EXT	
	93742212	03 - 07		B B B X X X				ALB4LDAL38AM9				3	12.10
	[09]			(E)DISC-CLU,OTR (D)KUPPLUNGSSCHEIBE,AUSSEN								(F)DISQUE-EMB,EXT (S)DISCO-EMB,EXT	
	93742211	03 - 07		B B B X X X				ALB4LDAL38AM9				1	11.80
	[10]			(E)DISC-SPRING (D)FEDERSCHEIBE								(F)DISQUE-ELASTIQUE (S)DISCO-MUELLE	
	93742204	03 - 07		B B B X X X				ALB4LDAL38AM9				1	
	[11]			(E)RING-RETAINING (D)SICHERUNGSRING								(F)ANNEAU-RETENUE (S)ANILLO-DE RETENCIÓN	
	93742256	03 - 07		B B B X X X				ALB4LDAL38AM9				1	
	[12]			(E)RING-O (D)O-RING								(F)JOINT TORIQUE (S)JUNTA TÓRICA	
	93742209	03 - 07		B B B X X X				ALB4LDAL38AM9				1	
	[13]			(E)OIL DAM (D)OELDAEMPFER								(F)ARRRET D'HUILE (S)RETÉN DE ACEITE	
	93742202	03 - 07		B B B X X X				ALB4LDAL38AM9				1	

3831

INPUT SHAFT&B,E CLUTCH(ZF16)

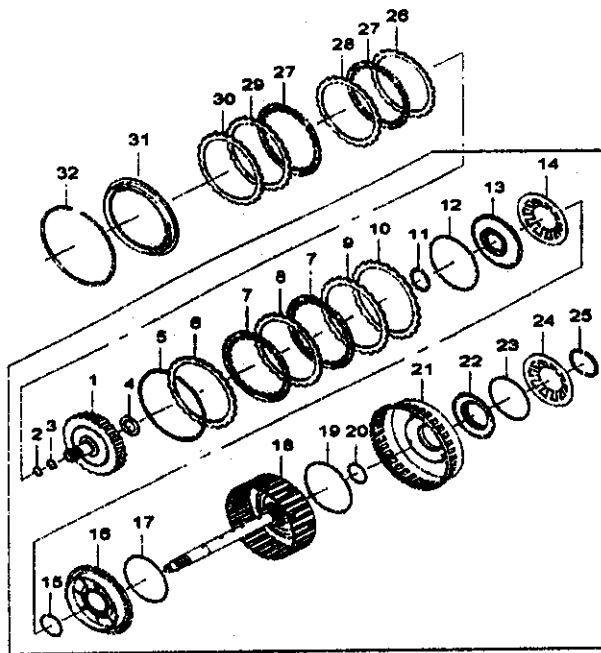


RJ3831GWN 10/30/2004

I T C	KEY NO.		PART NAME											L Q T R Y	V.I.N.		REMARKS	P / C O D E	
	PART NO.	MODEL YEAR	D R V	BODY			LEVEL			OPTION	FROM	TO							
				4 N B	5 H S B	6 L S	7 L S T												
	[14]			(E)SPRING-CUR (D)FEDER-TOPFMANSCHETTE										(F)RESSORT-CUVETTE (S)MUELLE-DE COPA					
	93742218	03 - 07		B B B X X X					AL34LDA1806MM9					1					
	[15]			(E)RING-O (D)O-RING										(F)JOINT TORIQUE (S)JUNTA TÓRICA					
	93742208	03 - 07		B B B X X X					AL34LDA1806MM9					1					
	[16]			(E)PISTON 'E' (D)KOLBEN 'E'										(F)PISTON 'E' (S)PISTÓN 'E'					
	93742210	03 - 07		B B B X X X					AL34LDA1806MM9					1					
	[17]			(E)RING-O (D)O-RING										(F)JOINT TORIQUE (S)JUNTA TÓRICA					
	93742209	03 - 07		B B B X X X					AL34LDA1806MM9					1					
	[18]			(E)SHAFT A-INPUT (D)EINGANGSWELLE A										(F)ARBRE A-PRIMAIRE (S)EJE A-PRIMARIO					
	93742051	03 - 07		B B B X X X					AL34LDA1806MM9					1					
	[19]			(E)RING-O (D)O-RING										(F)JOINT TORIQUE (S)JUNTA TÓRICA					
	93742224	03 - 07		B B B X X X					AL34LDA1806MM9					1					
	[20]			(E)RING-O (D)O-RING										(F)JOINT TORIQUE (S)JUNTA TÓRICA					
	93742222	03 - 07		B B B X X X					AL34LDA1806MM9					1					
	[21]			(E)PISTON (D)KOLBEN										(F)PISTON (S)PISTÓN					
	93742225	03 - 07		B B B X X X					AL34LDA1806MM9					1					
	[22]			(E)OIL DAM (D)OELDAEMPRER										(F)ARRRET D'HUILE (S)RETÉN DE ACEITE					
	93742219	03 - 07		B B B X X X					AL34LDA1806MM9					1					
	[23]			(E)RING-O (D)O-RING										(F)JOINT TORIQUE (S)JUNTA TÓRICA					
	93742223	03 - 07		B B B X X X					AL34LDA1806MM9					1					
	[24]			(E)SPRING-CUR (D)FEDER-TOPFMANSCHETTE										(F)RESSORT-CUVETTE (S)MUELLE-DE COPA					
	93742226	03 - 07		B B B X X X					AL34LDA1806MM9					1					
	[25]			(E)RING-STOP (D)SYNCHRONRING										(F)BAGUE DE BUTEE (S)ANILLO-TOPE					
	93742220	03 - 07		B B B X X X					AL34LDA1806MM9					2					
	[26]			(E)PLATE-CLU (D)KUPPLUNGSSCHEIBE										(F)PLATEAU-EMB (S)PLATO-EMB					
	93742215	03 - 07		B B B X X X					AL34LDA1806MM9					1					P=3.80

3831

INPUT SHAFT&B.E CLUTCH(ZF16)



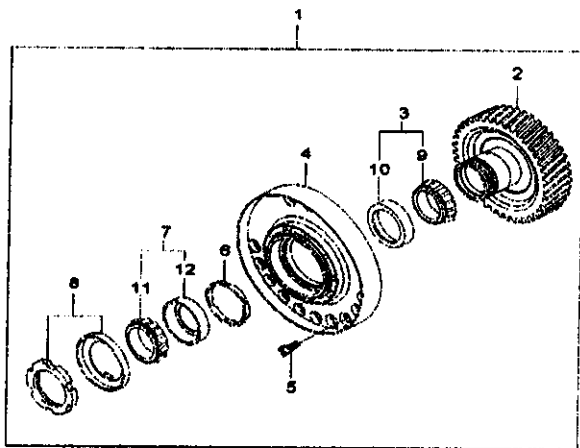
33

RJ3831GWN 10/30/2004

I T C	KEY NO.		PART NAME										L Q T Y	V.I.N.		REMARKS	P I C O D E	
	PART NO.	MODEL YEAR	D R V	BODY			LEVEL		OPTION	FROM	TO	REMARKS						
				4 N B	4 H S B	3 S W	B L S	L L T										
	[27]			(E)LIN-CLU DISC (D)BELAG-KUPPLUNGSSCHEIBE	(F)GARNITURE-DISQUE (S)LINEA-DISCO EMB													
	93742057	03 - 07		B B B X X X	ALB4LDALBMMMS													
	[28]			(E)DISC-CLU,OTR (D)KUPPLUNGSSCHEIBE,AUSSEN	(F)DISQUE-EMB,EXT (S)DISCO-EMB,EXT													
	93742213	03 - 07		B B B X X X	ALB4LDALBMMMS													
	[29]			(E)DISC-CLU,OTR (D)KUPPLUNGSSCHEIBE,AUSSEN	(F)DISQUE-EMB,EXT (S)DISCO-EMB,EXT													
	93742211	03 - 07		B B B X X X	ALB4LDALBMMMS													
	93742212	03 - 07		B B B X X X	ALB4LDALBMMMS													
	93742213	03 - 07		B B B X X X	ALB4LDALBMMMS													
	[30]			(E)DISC-SPRING (D)FEDERSCHEIBE	(F)DISQUE-ELASTIQUE (S)DISCO-MUELLE													
	93742204	03 - 07		B B B X X X	ALB4LDALBMMMS													
	[31]			(E)PISTON 'B' (D)KOLBEN 'B'	(F)PISTON 'B' (S)PISTÓN 'B'													
	93742221	03 - 07		B B B X X X	ALB4LDALBMMMS													
	[32]			(E)RING-SNAP (D)SPRENGRING	(F)JONC D'ARRET (S)ANILLO-ELÁSTICO													
	93742227	03 - 07		B B B X X X	ALB4LDALBMMMS													
	[33]			(E)SHAFT COMPLETE-INPUT (D)EINGANGSVELLE KOMPLETT	(F)ARBRE COMPLET-ENTREE (S)EJE COMPLETO-PRIMARIO													
	93742018	03 - 07		B B B X X X	ALB4LDALBMMMS													
				**** RPO DEFINITIONS ****														
				L84 : ENGINE-4 CYL 1.8 DOHC MPI														
				LDA : ENGINE-4 CYL 1.8 DOHC MPI														
				L88 : ENGINE-4 CYL 2.0 DOHC MPI														
				MM8 : TRANS-AUTO,4SPD,4-F-16														

3832

BEARING PLATE&SPUR GEAR(ZF16)

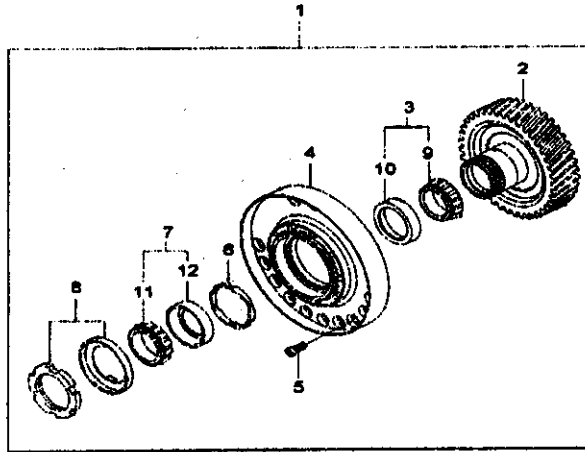


RJ3832GWN 02/04/2005

I T C	KEY NO.		PART NAME											P / C O D E				
	PART NO.	MODEL YEAR	D R V	BODY			LEVEL			OPTION	L Q T Y	V.I.N.			REMARKS			
				4 N H S B	5 S B W	B L L	B L L	B L L	FROM			TO						
	[01]			(E)PLATE A-BEARING (D)UNTERBRECHERSCHEIBE A											(F)PLAQUE A-ROULEMENT (S)PLACA A-DE APOYO			
	93742041	03 - 07		B	B	B	X	X	X	AL34LDA8MM9					1			RATIO=3.945
	93742040	05 - 07		B	B				X	AL388MM9					1			RATIO=3.847
	[02]			(E)GEAR A-SPUR (D)STIRNRAD A											(F)ENGRENAGE A-DENTURE DROITE (S)ENGRANAJE A-RECTO			
	93742039	03 - 07		B	B	B	X	X	X	AL34LDA8MM9					1			RATIO=3.945
	93742038	05 - 07		B	B				X	AL388MM9					1			RATIO=3.847
	[03]			(E)BEARING-ROLLER (D)WÄELZLAGER											(F)ROULEMENT-ROULEAUX (S)COJINETE-DE BOLAS			
	93742152	03 - 05		B	B	B	X	X	X	AL34L388MM9					1			NB
	[04]			(E)PLATE-BEARING (D)LAGERPLATTE											(F)PLAQUE-ROULEMENT (S)PLACA-DE APOYO			
	93742175	03 - 07		B	B	B	X	X	X	AL34LDA1,388MM9					1			
	[05]			(E)SCREW (D)SCHRAUBE											(F)VIS (S)TORNILLO			
	93742009	03 - 07		B	B	B	X	X	X	AL34LDA1,388MM9					15			M6x25
	[06]			(E)RING-ADJUST (D)STELLRING											(F)BAGUE-REGLAGE (S)ANILLO-DE AJUSTE			
	93742157	03 - 07		B	B	B	X	X	X	AL34LDA1,388MM9					1			r=5.15
	93742158	03 - 07		B	B	B	X	X	X	AL34LDA1,388MM9					1			r=5.20
	93742159	03 - 07		B	B	B	X	X	X	AL34LDA1,388MM9					1			r=5.25
	93742160	03 - 07		B	B	B	X	X	X	AL34LDA1,388MM9					1			r=5.30
	93742161	03 - 07		B	B	B	X	X	X	AL34LDA1,388MM9					1			r=5.35
	93742162	03 - 07		B	B	B	X	X	X	AL34LDA1,388MM9					1			r=5.40
	[07]			(E)BEARING-ROLLER (D)WÄELZLAGER											(F)ROULEMENT-ROULEAUX (S)COJINETE-DE BOLAS			
	93742151	03 - 05		B	B	B	X	X	X	AL34L388MM9					1			NB
	[08]			(E)NUT (D)MUTTER											(F)ECROU (S)TUERCA			
	93742015	03 - 07		B	B	B	X	X	X	AL34LDA1,388MM9					1			M40x1.5
	[09]			(E)BEARING-ROLLER,INR (D)WÄELZLAGER,INNEN											(F)ROULEMENT-ROULEAUX,INT (S)COJINETE-DE RODILLOS,INT			
	93742681	03 - 07		B	B	B	X	X	X	AL34LDA1,388MM9					1			
	[10]			(E)BEARING-ROLLER,OTR (D)WÄELZLAGER,AUSSEN											(F)ROULEMENT-ROULEAUX,EXT (S)COJINETE-DE RODILLOS,EXT			
	93742682	03 - 07		B	B	B	X	X	X	AL34LDA1,388MM9					1			
	[11]			(E)BEARING-ROLLER,INR (D)WÄELZLAGER,INNEN											(F)ROULEMENT-ROULEAUX,INT (S)COJINETE-DE RODILLOS,INT			
	93742683	03 - 07		B	B	B	X	X	X	AL34LDA1,388MM9					1			

3832

BEARING PLATE&SPUR GEAR(ZF18)

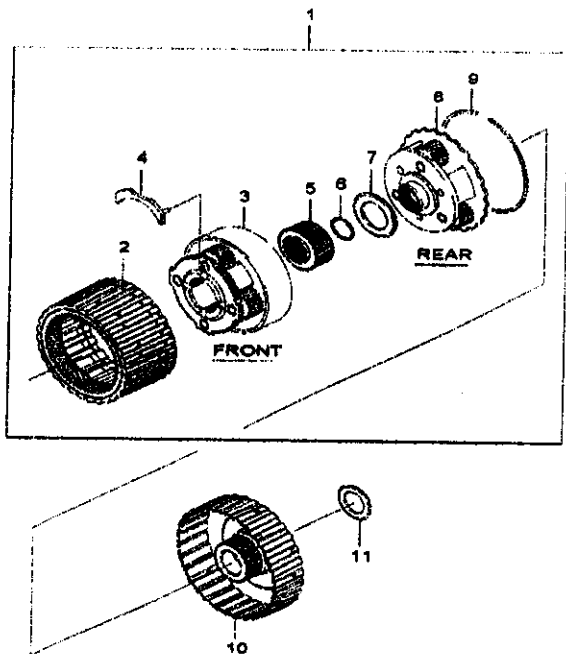


RJ3832GWN 02/04/2005

I T C	KEY NO.		PART NAME										L Q T Y	V.I.N.		REMARKS	P / C O D E
	PART NO.	MODEL YEAR	D R V	BODY			LEVEL			OPTION	FROM	TO					
				4 N B	4 H S	5 S W	B S	L S	L T								
	[12] 93742884	03-07		(E)BEARING-ROLLER,OTR (D)WÄRLZLAGER,AUSSEN B B B	X	X	X				ALM,DALEBMM			(F)ROULEMENT-ROULEAUX,EXT (S)COUINETE-DE ROCILLOS,EXT 1			
				**** RPO DEFINITIONS **** L84 : ENGINE-4 CYL 1.8 DOHC MPI LDA : ENGINE-4 CYL 1.8 DOHC MPI MMB : TRANS-AUTO,4SPD,4HP18 L88 : ENGINE-4 CYL 2.0 DOHC MPI													

3833

PLANETARY DRIVE GEAR(ZF16)



RJ3833GWN 10/30/2004

I T C	KEY NO.		PART NAME										REMARKS	REC'D	
	PART NO.	MODEL YEAR	D R V E	BODY			LEVEL		OPTION	L I Q U I T Y	V.I.N.				REMARKS
				4 N B	4 H B	5 S B	B L S	L L T			FROM	TO			
	[01]			(E)GEAR-PLANETARY DRIVE (D)PLANETENRADTRIEB									(F)PIGNON D'ATTAQUE-TRAIN (S)ENGRANAJE-PLANETARIO		
	93742046	03-07		B B B X X X				6L84LDA1.886MM9					1		
	[02]			(E)GEAR-RING,FRT (D)RINGRAD,VORN									(F)COURONNE,AV (S)CORONA-DELAN		
	93742049	03-07		B B B X X X				6L84LDA1.886MM9					1		
	[03]			(E)GEAR-PLANETARY,FRT (D)PLANETENRAD,VORN									(F)TRAIN PLANETAIRE,AV (S)ENGRANAJE-PLANETARIO,DELAN		
	93742047	03-07		B B B X X X				6L84LDA1.886MM9					1		
	[04]			(E)TRAY-OIL (D)OELSCHALE									(F)PLATEAU-HUILE (S)BANDEJA-DE ACEITE		
	93742198	03-07		B B B X X X				6L84LDA1.886MM9					2		
	[05]			(E)GEAR A-SUN,FRT (D)SONNENRAD A-VORN									(F)PLANETAIRE A,AV (S)ENGRANAJE A-CENTRAL,DELAN		
	93742197	03-07		B B B X X X				6L84LDA1.886MM9					1	Z=38	
	[06]			(E)RING-SNAP (D)SPRENGRING									(F)JONC D'ARRET (S)ANILLO-ELÁSTICO		
	93741989	03-07		B B B X X X				6L84LDA1.886MM9					1		
	[07]			(E)BEARING-NEEDLE (D)NADELLAGER									(F)ROULEMENT-AIGUILLES (S)COJNETE-DE AGUJAS		
	93742199	03-07		B B B X X X				6L84LDA1.886MM9					1		
	[08]			(E)GEAR-PLANETARY,RR (D)PLANETENRAD,HINTEN									(F)TRAIN PLANETAIRE,AR (S)ENGRANAJE-PLANETARIO,DELAN		
	93742048	03-07		B B B X X X				6L84LDA1.886MM9					1		
	[09]			(E)RING-SNAP (D)SPRENGRING									(F)JONC D'ARRET (S)ANILLO-ELÁSTICO		
	93742201	03-07		B B B X X X				6L84LDA1.886MM9					1		
	[10]			(E)GEAR A-SUN,RR (D)SONNENRAD A-HINTEN									(F)PLANETAIRE A,AR (S)ENGRANAJE A-CENTRAL,TR		
	93742050	03-07		B B B X X X				6L84LDA1.886MM9					1		
	[11]			(E)BEARING-NEEDLE (D)NADELLAGER									(F)ROULEMENT-AIGUILLES (S)COJNETE-DE AGUJAS		
	93742200	03-07		B B B X X X				6L84LDA1.886MM9					1		

**** RPO DEFINITIONS ****

L84 : ENGINE-4 CYL 1.8 DOHC MPI

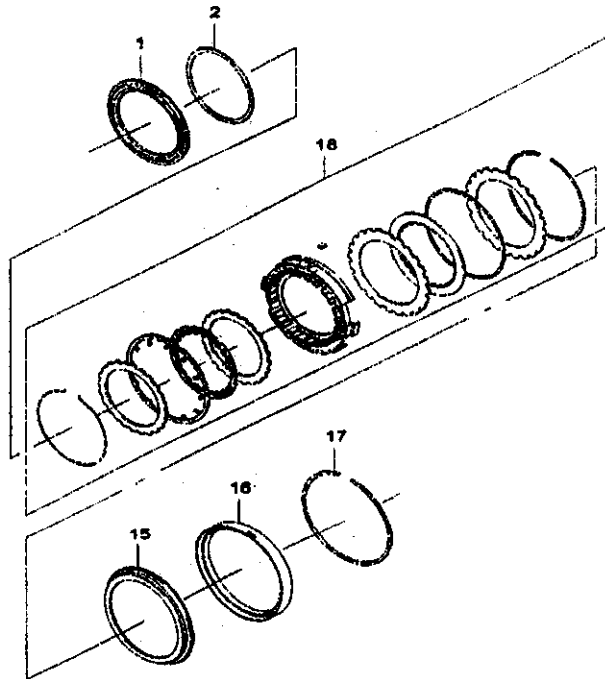
LDA : ENGINE-4 CYL 1.8 DOHC MPI

L86 : ENGINE-4 CYL 2.0 DOHC MPI

MM9 : TRANS-AUTO,4SPD,4-F16

3834

CLUTCH DISC(ZF16)

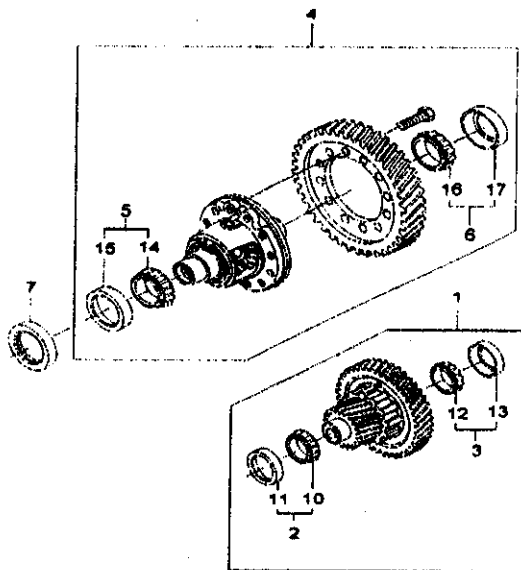


RJ3834GWN 10/30/2004

I T C	KEY NO.		PART NAME										L Q T Y	V.I.N.		REMARKS	P / C O D E	
	PART NO.	MODEL YEAR	D R V	BODY			LEVEL			OPTION	FROM	TO						
				4 N B	4 H B	5 S B	B S	L S	L T									
	[01]			(E)PISTON 'D'	(D)KOLBEN 'D'									(F)PISTON 'D'	(S)PISTÓN 'D'			
	93742241	03-07		B B B	X X X					LSM,DA,LSM,MM9				1				
	[02]			(E)DISC-SPRING	(D)FEDERSCHÄIBE									(F)DISQUE-ELASTIQUE	(S)DISCO-MUELLE			
	93742245	03-07		B B B	X X X					LSM,DA,LSM,MM9				1				
	[15]			(E)PISTON 'C'	(D)KOLBEN 'C'									(F)PISTON 'C'	(S)PISTÓN 'C'			
	93742289	03-07		B B B	X X X					LSM,DA,LSM,MM9				1				
	[16]			(E)CYLINDER-'C'	(D)ZYLINDER 'C'									(F)CYLINDRE-'C'	(S)CILINDRO-'C'			
	93742246	03-07		B B B	X X X					LSM,DA,LSM,MM9				1				
	[17]			(E)RING-SNAP	(D)SPRENGRING									(F)JONC D'ARRET	(S)ANILLO-ELÁSTICO			
	93742229	03-07		B B B	X X X					LSM,DA,LSM,MM9				1				#=3.05
	93742230	03-07		B B B	X X X					LSM,DA,LSM,MM9				1				#=3.20
	93742231	03-07		B B B	X X X					LSM,DA,LSM,MM9				1				#=3.35
	93742232	03-07		B B B	X X X					LSM,DA,LSM,MM9				1				#=3.50
	93742233	03-07		B B B	X X X					LSM,DA,LSM,MM9				1				#=3.65
	93742234	03-07		B B B	X X X					LSM,DA,LSM,MM9				1				#=3.80
	[18]			(E)DISC KIT-C&D	(D)SCHEIBENSATZ-C&D									(F)KIT DISQUES-C&D	(S)KIT DE DISCOS-C Y D			
	93742055	03-07		B B B	X X X					LSM,DA,LSM,MM9				1				
				**** RPO DEFINITIONS ****														
				L84 : ENGINE-4 CYL 1.8 DOHC MPI														
				LDA : ENGINE-4 CYL 1.8 DOHC MPI														
				L86 : ENGINE-4 CYL 2.0 DOHC MPI														
				MM9 : TRANS-AUTO,4SPD,4-W 16														

3850

DIFFERENTIAL&SIDE SHAFT(ZF16)

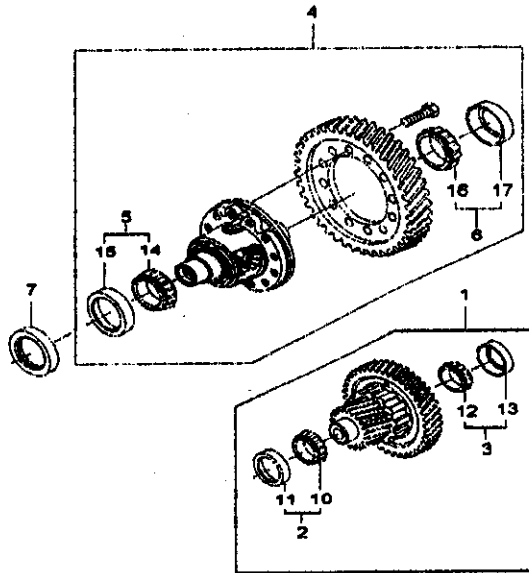


RJ3850GWN 10/30/2004

I T C	KEY NO.		PART NAME											L Q T Y	V.I.N.		REMARKS	P C O O D I C	
	PART NO.	MODEL YEAR	D R V	BODY			LEVEL			OPTION	FROM	TO	REMARKS						
				4 N B	5 H S W	B L	L L	S S T											
	[01]			(E)SHAFT A-SIDE (D)ACHSWELLE A									(F)ARBRE A-LATERAL (S)EJE A-LATERAL						
	93742028	03 - 07		B B B X X X				ALB4LDA6MM9					1					RATIO=3,945	
	93742029	05 - 07		B . B . . X				ALB66MM9					1					RATIO=3,947	
	[02]			(E)BEARING-ROLLER (D)WÄELZLAGER									(F)ROULEMENT-ROULEAUX (S)COJINETE-DE BOLAS						
	93742066	03 - 07		B B B X X X				ALB4LDA1,886MM9					1					NIS	
	[03]			(E)BEARING-ROLLER (D)WÄELZLAGER									(F)ROULEMENT-ROULEAUX (S)COJINETE-DE BOLAS						
	93742098	03 - 07		B B B X X X				ALB4LDA1,886MM9					1					NIS	
	[04]			(E)GEAR A-DIFF (D)AUSGLEICHRAD A									(F)PIGNON A-DIFF (S)ENGRANAJE A-DIF						
	93742032	03 - 07		B B B X X X				ALB4LDA6MM9					1						
	93742033	05 - 07		B . B . . X				ALB66MM9					1						
	[05]			(E)BEARING-ROLLER (D)WÄELZLAGER									(F)ROULEMENT-ROULEAUX (S)COJINETE-DE BOLAS						
	93742099	03 - 07		B B B X X X				ALB4LDA1,886MM9					1					NIS	
	[06]			(E)BEARING-ROLLER (D)WÄELZLAGER									(F)ROULEMENT-ROULEAUX (S)COJINETE-DE BOLAS						
	93742097	03 - 07		B B B X X X				ALB4LDA1,886MM9					1					NIS	
	[07]			(E)SEAL-AXLE SHP (D)DICHTUNG-ACHSWELLE									(F)JOINT-ARBRE DE ROUE (S)RETEN-PALIER						
	93742178	03 - 07		B B B X X X				ALB4LDA1,886MM9					1					37x57x10	
	[10]			(E)BEARING-ROLLER,INR (D)WÄELZLAGER,INNEN									(F)ROULEMENT-ROULEAUX,INT (S)COJINETE-DE RODILLOS,INT						
	93742135	03 - 07		B B B X X X				ALB4LDA1,886MM9					1						
	[11]			(E)BEARING-ROLLER,OTR (D)WÄELZLAGER,AUSSEN									(F)ROULEMENT-ROULEAUX,EXT (S)COJINETE-DE RODILLOS,EXT						
	93742139	03 - 07		B B B X X X				ALB4LDA1,886MM9					1						
	[12]			(E)BEARING-ROLLER,INR (D)WÄELZLAGER,INNEN									(F)ROULEMENT-ROULEAUX,INT (S)COJINETE-DE RODILLOS,INT						
	93742137	03 - 07		B B B X X X				ALB4LDA1,886MM9					1						
	[13]			(E)BEARING-ROLLER,OTR (D)WÄELZLAGER,AUSSEN									(F)ROULEMENT-ROULEAUX,EXT (S)COJINETE-DE RODILLOS,EXT						
	93742141	03 - 07		B B B X X X				ALB4LDA1,886MM9					1						
	[14]			(E)BEARING-ROLLER,INR (D)WÄELZLAGER,INNEN									(F)ROULEMENT-ROULEAUX,INT (S)COJINETE-DE RODILLOS,INT						
	93742138	03 - 07		B B B X X X				ALB4LDA1,886MM9					1						
	[15]			(E)BEARING-ROLLER,OTR (D)WÄELZLAGER,AUSSEN									(F)ROULEMENT-ROULEAUX,EXT (S)COJINETE-DE RODILLOS,EXT						
	93742142	03 - 07		B B B X X X				ALB4LDA1,886MM9					1						

3850

DIFFERENTIAL&SIDE SHAFT(ZF16)

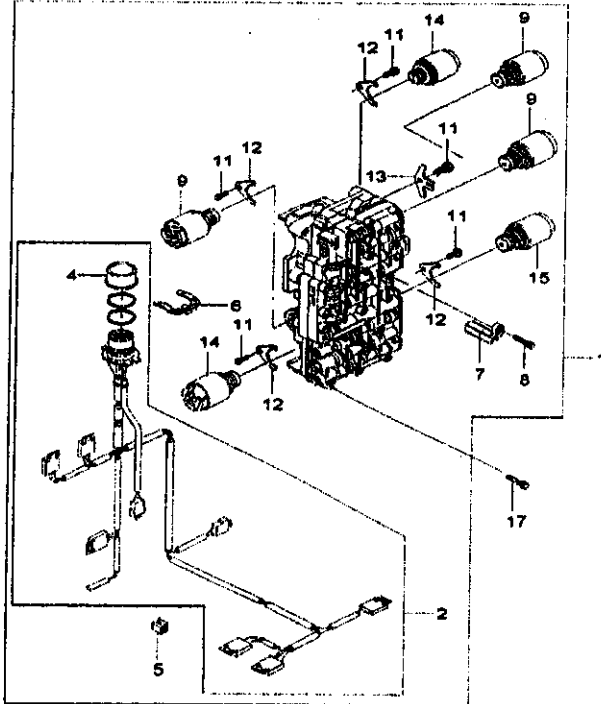


RJ3850GWN 10/30/2004

KEY NO.		PART NAME													
I T C	PART NO.	MODEL YEAR	D R V	BODY			LEVEL			OPTION	L Q T Y	V.I.N.		REMARKS	P / C O D E
				4 N B	4 H S	5 S W	B L S	L L S	T			FROM	TO		
	[16] 93742136	03 - 07		(E)BEARING-ROLLER,INR (D)WÄELZLAGER,INNEN B B B X X X	LSM,LDA,L88,MMS							(F)ROULEMENT-ROULEAUX,INT (S)COJNETE-DE RODILLOS,INT 1			
	[17] 93742140	03 - 07		(E)BEARING-ROLLER,OTR (D)WÄELZLAGER,AUSSEN B B B X X X	LSM,LDA,L88,MMS							(F)ROULEMENT-ROULEAUX,EXT (S)COJNETE-DE RODILLOS,EXT 1			
				**** RPO DEFINITIONS ****											
				L84 : ENGINE-4 CYL 1.8 DOHC MPI											
				LDA : ENGINE-4 CYL 1.8 DOHC MPI											
				MMS : TRANS-AUTO,4SPD,4F16											
				L88 : ENGINE-4 CYL 2.0 DOHC MPI											

3860

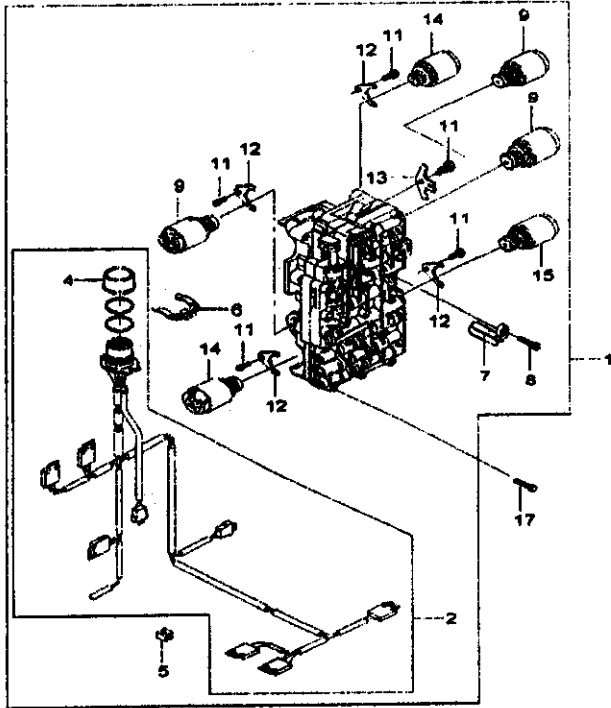
VALVE BODY(ZF16)



RJ3860GWN 10/30/2004

I T C	KEY NO.		PART NAME										P / C O O R D E			
	PART NO.	MODEL YEAR	D R V	BODY			LEVEL				OPTION	L Q T R Y		V.I.N.		REMARKS
				4 N B	4 H B	5 S W	B L S	L L S	T	FROM				TO		
	[01]			(E)BODY A-CONT VALVE (D)VENTILKOEPPER A-KONTR.										(F)CORPS A-VANNE DE COMMANDE (S)CAJA A-VÁLVULAS CONT		
	93742021	03 - 03		B B . . X X									1	916902		
	○ 93742020	03 - 07		B B B X X X									1	916903		
	93742021	05 - 05		B . B . . X									1	916902		
	○ 93742020	05 - 07		B . B . . X									1	916903		
	[02]			(E)W HARNESS VALVE BODY (D)KABELSTRANG-VENTILKOEPPER										(F)FAIS. CBL-BLOC HYDRAULIQUE (S)CABLEADO-CAJA DE VÁLVULAS		
	93742262	03 - 07		B B B X X X									1			
	[04]			(E)PLUG (D)STECKER										(F)BOUCHON (S)TAPÓN		
	93742267	03 - 07		B B B X X X									1			
	[05]			(E)TERMINAL CABLE (D)ENDKABEL										(F)BORNE-CABLE (S)TERMINAL-CABLE		
	93742193	03 - 07		B B B X X X									1			
	[06]			(E)CLIP-RETAINING (D)SICHERUNGSKLEMME										(F)CLIP-RETENUE (S)CLIP-DE RETENCIÓN		
	93742266	03 - 07		B B B X X X									1			
	[07]			(E)SENSOR-SPEED, INPUT (D)SENSOR-EINGANGSDREHZAHL										(F)CAPTEUR-VITESSE, ENTREE (S)SENSOR-VELOCIDAD DE ENTRADA		
	93742195	03 - 07		B B B X X X									1			
	[08]			(E)SCREW (D)SCHRAUBE										(F)VIS (S)TORNILLO		
	93742001	03 - 07		B B B X X X									1		M5x35	
	[09]			(E)VALVE-SOL PRESSURE (D)DRUCK-MAGNETVENTIL										(F)ELECTROVANNE-PRESSION (S)VÁLVULA-SOL DE PRESIÓN		
	93742043	03 - 07		B B B X X X									3			
	[11]			(E)SCREW (D)SCHRAUBE										(F)VIS (S)TORNILLO		
	93741998	03 - 07		B B B X X X									5		M5x16	
	Y 93742623	03 - 07		B B B X X X									5		M5x12	
	[12]			(E)PLATE-FIXING (D)BEFESTIGUNGSPLATTE										(F)PLAQUE-FIXATION (S)PLACA-DE FIJACIÓN		
	93742188	03 - 07		B B B X X X									4			
	[13]			(E)PLATE-FIXING (D)BEFESTIGUNGSPLATTE										(F)PLAQUE-FIXATION (S)PLACA-DE FIJACIÓN		
	93742190	03 - 07		B B B X X X									1			
	[14]			(E)VALVE-SOL, VALVE BODY (D)MAGNETVENTIL, VENTILKOEPPER										(F)ELECTROVANNE, BLOC (S)VÁLVULA-SOL, CAJA DE VÁLVULAS		
	93742194	03 - 07		B B B X X X									2			

3860
VALVE BODY(ZF16)

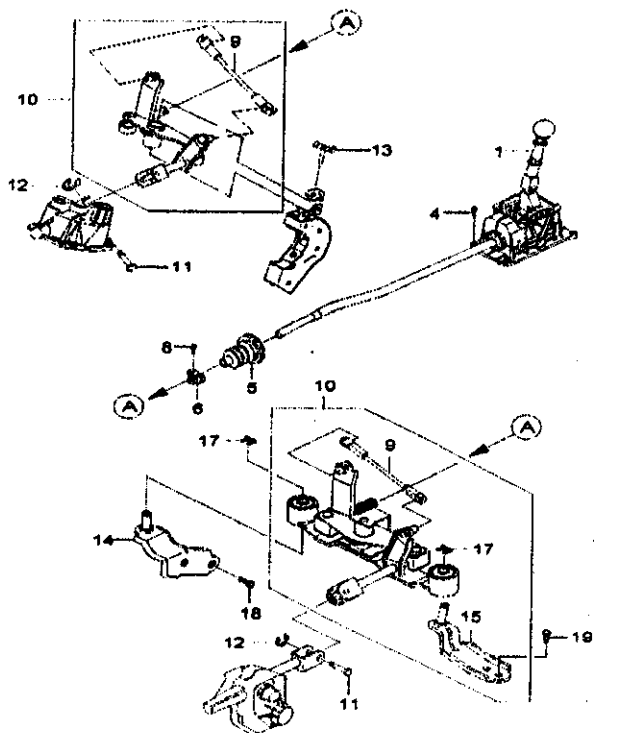


RJ3860GWN 10/30/2004

KEY NO.		PART NAME												
I T C	PART NO.	MODEL YEAR	D R V	BODY			LEVEL		OPTION	L Q T Y	V.I.N.		REMARKS	P / C O D E
				4 N B	4 H S	5 S W	B L S	L L S			FROM	TO		
	[15] 93742044	03 - 07		(E)VALVE-SOL (D)DRUCK-MAGNETVENTIL B B B X X X	PRESSURE VENTIL			ALB4LDALB88MM9		(F)ELECTROVANNE-PRESSION (S)VÁLVULA-SOL DE PRESIÓN 1				
	[17] 93742532	03 - 07		(E)SCREW (D)SCHRAUBE B B B X X X				ALB4LDALB88MM9		(F)VIS (S)TORNILLO 7			M6x55	
<p>**** RPO DEFINITIONS ****</p> <p>LM4 : ENGINE-4 CYL 1.8 DOHC MPI</p> <p>MM9 : TRANS-AUTO,4SPD,4H16</p> <p>LDA : ENGINE-4 CYL 1.8 DOHC MPI</p> <p>LB6 : ENGINE-4 CYL 2.0 DOHC MPI</p>														

3910

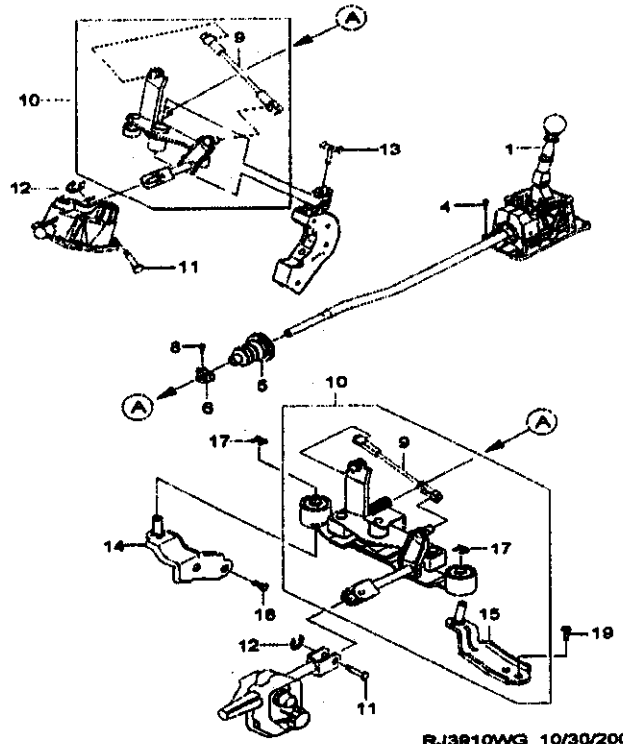
GEARSHIFT CONTROL(M/T)



RJ3910WG 10/30/2004

I T C	PART NO.	MODEL YEAR	KEY NO.						PART NAME	L / R	Q T Y	V.I.N.		REMARKS	P / C O D E		
			D R V	BODY			LEVEL					OPTION	FROM			TO	REMARKS
				4 N B	4 H B	5 S W	B L S	L L T									
	[01]							(E)CONTROL A-G/S (D)SCHALTELEMENT A-GANGSCH.			(F)COMMANDE A-CHGT.VIT (S)CONTROL A-CMAR						
	98549470	03-07		B	B	B	X	X	X	8L14L44L84LD8AMQ4MGSMB5	1				OP		
	Y 98425743	03-07		B	B	B	X	X	X	8L14L44L84LD8AMQ4MGSMB5	1				QQ		
	98549471	03-07		B	B	B	.	X	X	8L14L44L84LD8AMQ4MGSMB5LXLP	1				JL		
	Y 98451323	03-07		B	B	B	.	X	X	8L14L44L84LD8AMQ4MGSMB5LXLP	1				JM		
	Y 98439395	03-07		B	B	B	.	X	X	8L14L44L84LD8AMQ4MGSMB5LXLP	1				JN		
	[04]									(E)BOLT (D)BOLZEN			(F)BOULON (S)PERNO				
	94501369	03-07		B	B	B	X	X	X	8L14L44L84LD8AMQ4MGSMB5	4						
	[05]									(E)BELLOWS A-TUBE,G/S (D)WELLROHR A-GANGSCH.			(F)SOUFFLET A-TUBE CHGT.VIT (S)FUELLE A-TUBO.CMAR				
	98498126	03-07		B	B	B	X	X	X	8L14L44L84LD8AMQ4MGSMB5	1						
	[06]									(E)CLAMP (D)KLEMMSTUECK			(F)COLLIER (S)ABRAZADERA				
	90217840	03-07		B	B	B	X	X	X	8L14L44L84LD8AMQ4MGSMB5	1						
	[08]									(E)BOLT (D)BOLZEN			(F)BOULON (S)PERNO				
	94501471	03-07		B	B	B	X	X	X	8L14L44L84LD8AMQ4MGSMB5	1						
	[09]									(E)ROD-G/S CONT (D)KONTR.-STAB-GANGSCH.			(F)TIGE-COMMANDE CHGT.VIT (S)BARRA-CON CMAR				
	94580711	03-07		B	B	B	X	X	X	8L14L44L84LD8AMQ4MGSMB5	1						
	[10]									(E)CONTROL A-G/S GUIDE (D)FUEHRUNGSSCHALTELEMENT-GANGS			(F)COMMANDE A-GUIDE CHGT.VIT (S)CONTROL A-GUIA CMAR				
	98482030	03-07		B	B	B	X	X	X	8L14L44L84LD8AMQ4MGSMB5	1				XB		
	Y 98425752	03-07		B	B	B	X	X	X	8L14L44L84LD8AMQ4MGSMB5	1				XC		
	98549247	03-03		B	.	B	.	X	X	8L84M04	1	913343			XA		
	[11]									(E)PIN (D)STIFT			(F)GOUPILLE (S)PASADOR				
	94535807	03-07		B	B	B	X	X	X	8L14L44L84LD8AMQ4MGSMB5	1						
	[12]									(E)CLIP (D)KLEMME			(F)CLIP (S)CLIP				
	94530002	03-07		B	B	B	X	X	X	8L14L44L84LD8AMQ4MGSMB5	1						
	[13]									(E)BOLT (D)BOLZEN			(F)BOULON (S)PERNO				
	98182212	03-07		B	B	B	X	X	X	8L14L44L84LD8AMQ4MGSMB5	1						
	[14]									(E)BRACKET A-G/S,RR (D)HALTER A-GANGSCH. HINTEN			(F)SUPPORT A-CHGT.VIT,AR (S)SOPORTE A-CMAR,TR				
	98549396	03-03		B	.	B	.	X	X	8L84M04	1	913343					

3910
GEARSHIFT CONTROL(M/T)

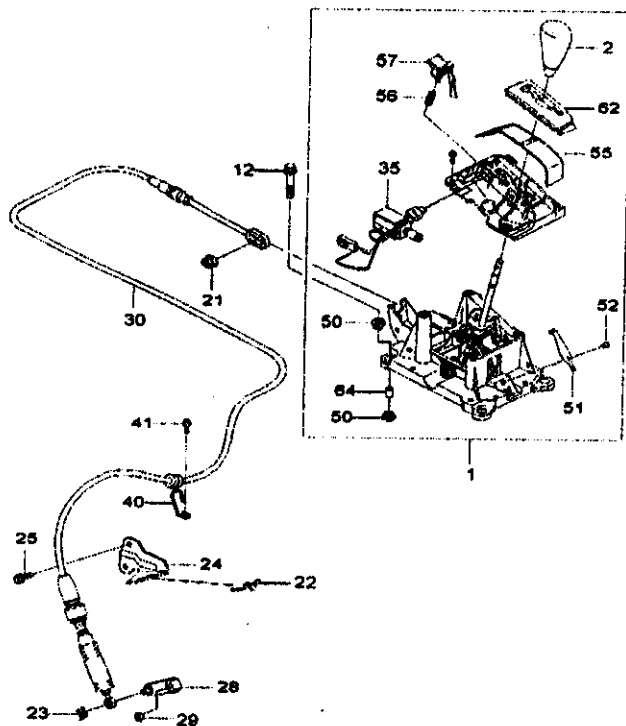


RJ3910WG 10/30/2004

KEY NO.		PART NAME											REMARKS	P / CODE			
I T C	PART NO.	MODEL YEAR	D R V	BODY			LEVEL			OPTION	L Q T Y	V.I.N.					
				4 N B	4 H S B	5 S W	B L S	L S T	W S T			FROM			TO		
	[15]																
	96286041	03 - 03													(F)SUPPORT A-CHGT,MT,AV (S)SOPORTE A-CMAR,DELAN		
	[17]														(F)ECROU (S)TUERCA		
	94515307	03 - 03															
	[18]														(F)BOULON (S)PERNO		
	94501163	03 - 03															
	[19]														(F)BOULON (S)PERNO		
	94501015	03 - 03															
															**** RPO DEFINITIONS ****		
															L14 : ENGINE-4 CYL 1.4 DOHC MPI		
															L44 : ENGINE-4 CYL 1.6 DOHC MPI		
															L84 : ENGINE-4 CYL 1.8 DOHC MPI		
															LDA : ENGINE-4 CYL 1.8 DOHC MPI		
															M04 : TRANS-MAN,5SPD,CR		
															M06 : TRANS-MAN,5SPD,MODIFY CR		
															M05 : TRANSMISSION-MAN,5 SPD,M/R		
															XLP : LEATHER PACKAGE		

3920

GEARSHIFT CONTROL(A/T)

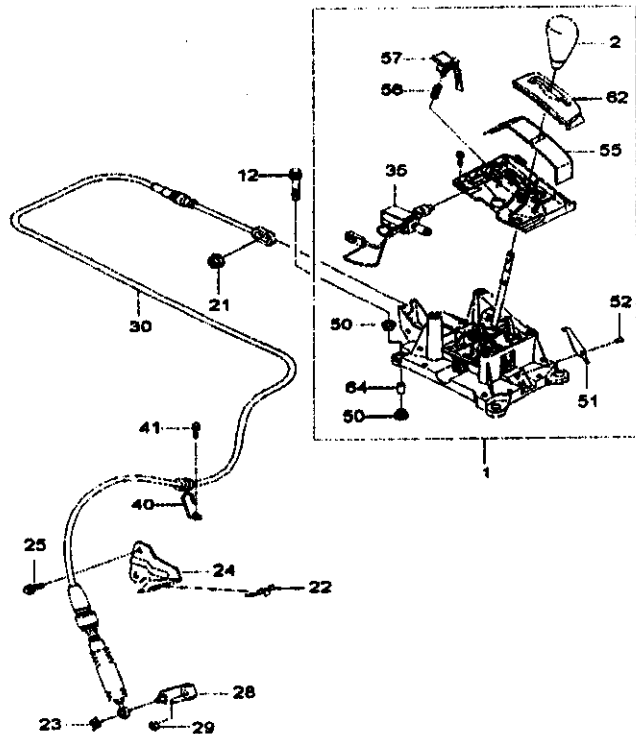


RJ3920WG 07/15/2005

I T C	KEY NO.		PART NAME											RECD P	
	PART NO.	MODEL YEAR	D R V	BODY			LEVEL		OPTION	L / R	Q T Y	V.I.N.			REMARKS
				4 N B	5 H B	5 S B	B L S	L T				FROM	TO		
	[01]			(E)LEVER A-SELECTOR CONT (D)WAEHLHEBEL A. KONTR.					(F)LEVIER A-SELECTEUR CONT (S)PALANCA A-CONT SELECTOR						
	98451393	03-03	L	B	.	.	X	X	6L448ML4		1		922566	RB	
	98414408	03-07	L	B	B	.	X	X	6L448ML4		1	922567		PP	
	98423705	03-07	L	B	B	.	X	X	6L448ML4		1			2E	
	98408550	03-03	L	B	.	.	X	.	6L448ML4XLP		1		922566	RC	
	98414410	03-07	L	B	.	.	X	X	6L448ML4XLP		1	922567		PS	
	98423707	03-07	L	B	.	.	X	X	6L448ML4XLP		1			20	
	98414409	03-07	L	B	.	.	X	X	6L448ML4XLP		1			PR	
	98423706	03-07	L	B	.	.	X	X	6L448ML4XLP		1			2F	
	98495214	03-03	L	B	.	.	X	X	6L848MM9		1		921172	J4	
	98408411	03-07	L	B	B	B	X	X	6L84LDA8MM9		1	921173		PM	
	98423711	03-07	L	B	B	B	X	X	6L84LDA8MM9		1			2N	
	98409552	03-03	L	B	.	.	X	X	6L848MM9XLP		1		921654	RE	
	98409554	03-07	L	B	.	.	X	X	6L84LDA8MM9XLP		1	921655		PC	
	98423713	03-07	L	B	.	.	X	X	6L84LDA8MM9XLP		1			2R	
	98408412	03-07	L	B	B	B	X	X	6L84LDA8MM9XLP		1			PH	
	98423712	03-07	L	B	B	B	X	X	6L84LDA8MM9XLP		1			2Q	
	98398450	03-03	R	B	.	.	X	X	6L448ML4		1		980194	R2	
	98414411	03-07	R	B	B	B	X	X	6L448ML4		1	980195		PT	
	98423708	03-07	R	B	B	B	X	X	6L448ML4		1			2H	
	98409551	03-03	R	B	.	.	X	X	6L448ML4XLP		1		980194	RD	
	98414413	03-07	R	B	.	.	X	X	6L448ML4XLP		1	980195		PV	
	98423710	03-07	R	B	.	.	X	X	6L448ML4XLP		1			2K	
	98414412	03-07	R	B	.	.	X	X	6L448ML4XLP		1			PJ	
	98423709	03-07	R	B	.	.	X	X	6L448ML4XLP		1			2J	
	98414412	03-07	R	B	.	.	X	X	6L448ML4XLPXAT		1			PU	
	98423708	03-07	R	B	.	.	X	X	6L448ML4XLPXAT		1			2J	
	98495218	03-03	R	B	.	.	X	X	6L848MM9		1		980194	JB	
	98414414	03-07	R	B	B	B	X	X	6L84LDA8MM9		1	980195		PW	
	98423714	03-07	R	B	B	B	X	X	6L84LDA8MM9		1			2S	
	98409553	03-03	R	B	.	.	X	X	6L848MM9XLP		1		980194	RF	
	98414416	03-07	R	B	.	.	X	X	6L84LDA8MM9XLP		1	980195		PY	
	98423716	03-07	R	B	.	.	X	X	6L84LDA8MM9XLP		1			2U	
	98414415	03-07	R	B	B	B	X	X	6L84LDA8MM9XLP		1			PX	
	98423715	03-07	R	B	B	B	X	X	6L84LDA8MM9XLP		1			2T	
	98414415	03-07	R	B	.	.	X	X	6L84LDA8MM9XLPXAT		1			PX	
	98423715	03-07	R	B	.	.	X	X	6L84LDA8MM9XLPXAT		1			2T	
	98428476	05-07	R	B	.	.	X	.	6L888MM9XLPXJ6		1			2X	
	98498670	05-07	R	.	B	.	X	.	6L888MM9XLPXJ6		1			2Z	
	[02]			(E)HANDLE A-SELECTOR CONT (D)WAEHLGRIFF A. KONTR.					(F)POIGNEE A-SELECTEUR CONT (S)MANGO A-CONT SELECTOR						
	98408110	03-07	B	B	B	B	X	X	6L44LDA8MM9MM9		1			PVC	

3920

GEARSHIFT CONTROL(A/T)

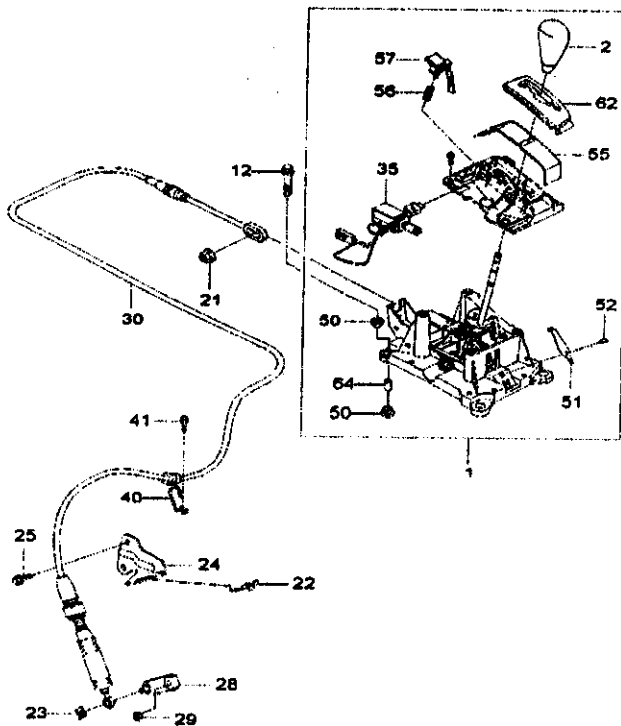


RJ3920WG 07/15/2005

I T C	KEY NO. PART NO.	MODEL YEAR	D R V	PART NAME										L O T Y	V.I.N.		REMARKS	P / C O D E
				4 N H S B	4 S B L	5 S L	6 L L	OPTION	F R O M	T O	REMARKS							
	[02]			(E)HANDLE A-SELECTOR CONT (D)WAHLGRIF A. KONTR.										(F)POIGNEE A-SELECTEUR CONT (S)MANGO A-CONT SELECTOR				
	96406109	03-07		B B B . X X	EL44L84LDAL86AM47MM84XLP8WGR									1			WOOD GRAIN	
	96338667	03-07		. B B . X X	EL44L84LDAA8AM47MM82XLP8WGP									1			METAL GRAIN	
	[12]			(E)BOLT (D)BOLZEN										(F)BOULON (S)PERNO				
	94501369	03-07		B B B X X X	EL44L84LDAL86AM47MM8									4				
	[21]			(E)NUT (D)MUTTER										(F)ECROU (S)TUERCA				
	94515352	03-07		B B B X X X	EL44L84LDAL86AM47MM8									1				
	[22]			(E)RING-E (D)RING-E										(F)ANNEAU EN E (S)ANILLO EN E				
	94535135	03-07		B B B X X X	EL44L84LDAL86AM47MM8									1				
	[23]			(E)RING-E (D)RING-E										(F)ANNEAU EN E (S)ANILLO EN E				
	94535126	03-07		B B B X X X	EL44L84LDAL86AM47MM8									1				
	[24]			(E)FASTENER-SELECTOR CABLE (D)BEFESTIGUNGSELEMENT-SCHALTGR										(F)FIXATION-CABLE SELECTEUR (S)SUJECION-CABLE DE SELECTOR				
	96485151	03-07		B B . X X X	EL44AM84									1				
	96310963	03-07		B B B X X X	EL84LDAL86AM8									1				
	Y 96482231	03-07		B B B X X X	EL84LDAL86AM8									1				
	[26]			(E)BOLT (D)BOLZEN										(F)BOULON (S)PERNO				
	94500048	03-07		B B . X X X	EL44AM84									2				
	94501428	03-07		B B B X X X	EL84LDAL86AM8									2				
	[28]			(E)LEVER A-TIA (D)HEBEL A-TIA										(F)LEVIER A-TIA (S)PALANCA A-C/CAMB				
	96280496	03-07		B . . X . .	EL84LDAL86AM8									1				
	[29]			(E)NUT (D)MUTTER										(F)ECROU (S)TUERCA				
	94515362	03-07		B . . X . .	EL84LDAL86AM8									1				
	[30]			(E)CABLE A-SELECTOR CONT (D)KABEL A-SCHALTGRIF KONTR.										(F)CABLE A-CONT SELECTEUR (S)CABLE A-CONT SELECTOR				
	96549252	03-07		B B . X X X	EL44AM84									1				JC
	Y 96423179	03-07		B B . X X X	EL44AM84									1				SC
	96548395	03-07		B B B X X X	EL84LDAL86AM8									1				JD
	Y 96423180	03-07		B B B X X X	EL84LDAL86AM8									1				SD
	[35]			(E)SOLENOID A-SELECTOR LEVER (D)MAGNETVENTIL A-SCHALTHEBEL										(F)SOLENOIDE A-LEVIER SELECTEUR (S)SOLENOIDE A-PALANCA				
	96546372	03-03	L	B . . X X X	EL44L84LDAL86AM8									1	921172			
	N 96549376	03-07	L	B B B X X X	EL44L84LDAL86AM8									1	921173			

3920

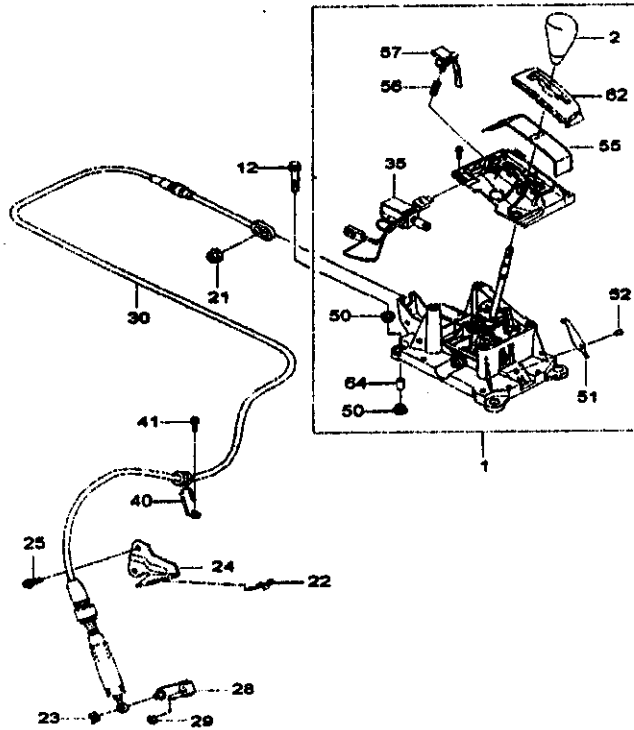
GEARSHIFT CONTROL(A/T)



R.J3920WG 07/15/2005

I T C	KEY NO.		PART NAME											L Q R Y	V.I.N.		REMARKS	P- C O D E
	PART NO.	MODEL YEAR	D R V	BODY			LEVEL		OPTION	FROM	TO	REMARKS						
				4 N H S B	4 H S B	5 S S T	B L	L L										
	[36]			(E)SOLENOID A-SELECTOR LEVER (D)MAGNETVENTIL A-SCHALTBEHEL					(F)SOLENOIDE A-LEVIER SELECTEUR (S)SOLENOIDE A-PALANCA									
	96396706	03-03	R	B	.	X	X	X	SL44L84LDA1L888ML4MM9			1	960194					
	O 96414102	03-07	R	B	B	B	X	X	X	SL44L84LDA1L888ML4MM9		1	960195					
	Y 96412102	03-07	R	B	B	B	X	X	X	SL44L84LDA1L888ML4MM9		1						
	[40]			(E)CLAMP (D)KLEMMSTUECK					(F)COLLIER (S)ABRAZADERA									
	96485154	03-07		B	B	.	X	X	X	SL448ML4		1						
	[41]			(E)BOLT (D)BOLZEN					(F)BOULON (S)PERNO									
	94500431	03-07		B	B	.	X	X	X	SL448ML4		1						
	[50]			(E)BUSH (D)BUCHSE					(F)BAGUE (S)CASQUILLO									
	93740900	03-07		B	B	B	X	X	X	SL44L84LDA1L888ML4MM9		4		FRT				
	93740801	03-07		B	B	B	X	X	X	SL44L84LDA1L888ML4MM9		4		RR				
	[51]			(E)SPRING-POSITIONING (D)POSITIONIERFEDER					(F)RESSORT-POSITIONNEMENT (S)MUELLE-DE POSICIONAMIENTO									
	93740902	03-07		B	B	B	X	X	X	SL44L84LDA1L888ML4MM9		1						
	[52]			(E)SCREW (D)SCHRAUBE					(F)VIS (S)TORNILLO									
	94520015	03-07		B	B	B	X	X	X	SL44L84LDA1L888ML4MM9		1						
	[55]			(E)SLIDER A-STEP GATE (D)SCHIEBER A-STUFENVERSCHLUSS					(F)CURSEUR A-GRILLE ETAGEE (S)CORREDERA TIPOESCALONADO									
	96554637	03-07		B	B	B	X	X	X	SL44L84LDA1L888ML4MM9		1						
	[56]			(E)SPRING-BTSI (D)BTSI-FEDER					(F)RESSORT-BTSI (S)MUELLE-BTSI									
	94535379	03-07		B	B	B	X	X	X	SL44L84LDA1L888ML4MM9		1						
	[57]			(E)BUTTON A-BTSI (D)BTSI-TASTE A-					(F)BOUTON A-BTSI (S)BOTÓN A-BTSI									
	93740904	03-07	L	B	B	B	X	X	X	SL44L84LDA1L888ML4MM9		1						
	93740907	03-07	R	B	B	B	X	X	X	SL44L84LDA1L888ML4MM9		1						
	[62]			(E)COVER (D)DECKEL					(F)COUVERCLE (S)TAPA									
	96486761	03-03	L	B	.	X	X	.	SL448ML4		1	921172						
	N 96414546	03-07	L	B	B	.	X	X	X	SL448ML4		1	921173					
	96486347	03-03	R	B	.	X	X	X	SL448ML4		1	960194						
	N 96414549	03-07	R	B	B	.	X	X	X	SL448ML4		1	960195					
	96555286	03-03	L	B	.	X	X	.	SL848MM9		1	921172						
	N 96408653	03-07	L	B	B	B	X	X	X	SL84LDA1MM9		1	921173					
	96403767	03-03	R	B	.	X	X	.	SL848MM9		1	960194						
	N 96408654	03-07	R	B	B	B	X	X	X	SL84LDA1L888MM9		1	960195					

3920
GEARSHIFT CONTROL(A/T)



RJ3920WG 07/15/2005

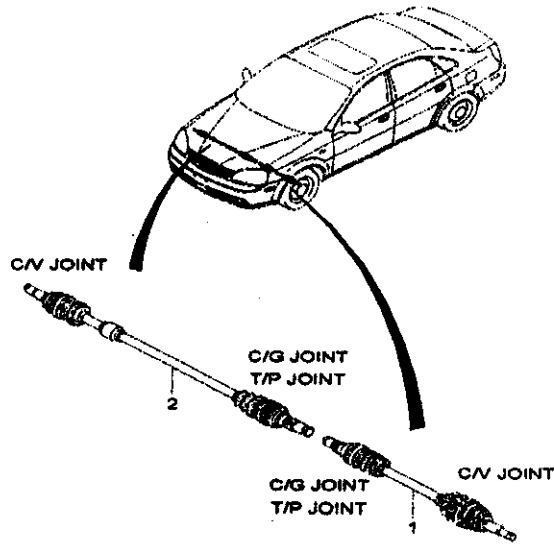
KEY NO.		PART NAME										REMARKS	INDOC-9		
I T C	PART NO.	MODEL YEAR	D R V	BODY		LEVEL		OPTION	L Q R Y	V.I.N.					
				4 N B	4 H B	5 S W	5 S S			B L S	L L T			FROM	TO
	[84]														
	93740905	03 - 07		(E)BUSH							(F)BAGUE				
	93740906	03 - 07		(D)BUCHSE							(S)CASQUILLO				FRT RR
								AL44LS4LDA188ML4MM8			4				
								AL44LS4LDA188ML4MM8			4				
				**** RPO DEFINITIONS ****											
				L44 : ENGINE-4 CYL 1.8 DOHC MPI											
				ML4 : TRANSMISSION-AUTO, 4 SPEED											
				XLP : LEATHER PACKAGE											
				L84 : ENGINE-4 CYL 1.8 DOHC MPI											
				MM8 : TRANS-AUTO, 4SPD, 4-16											
				LDA : ENGINE-4 CYL 1.8 DOHC MPI											
				KAT : AUSTRALIA-MANDATORY											
				L86 : ENGINE-4 CYL 2.0 DOHC MPI											
				XJ6 : JAPAN-MANDATORY											
				WGR : WOOD GRAIN											
				WGP : METALLIC PAINT											

4**CHASSIS**

4110	AXLE SHAFT UNIT	4620	MASTER CYLINDER&BOOSTER I
4120	AXLE SHAFT PARTS I	4652	BRAKE PIPE
4130	FRONT KNUCKLE&HUB	4710	ABS SYSTEM
4140	FRONT SHOCK ABSORBER	4810	STEERING WHEEL
4150	CONTROL ARM	4820	STEERING COLUMN COVER
4180	ENGINE MOUNT	4830	STEERING COLUMN(NON TILTABLE)
4310	REAR AXLE	4831	STEERING COLUMN(TILTABLE)
4320	REAR SHOCK ABSORBER	4910	STEERING GEAR UNIT
4330	REAR KNUCKLE&HUB	4931	STEERING GEAR PARTS(POWER)
4410	HYDRAULIC CLUTCH	4950	POWER STEERING PIPE LINE
4420	CLUTCH PEDAL I		
4430	BRAKE PEDAL I		
4440	ACCELERATOR CONTROL		
4510	FRONT BRAKE I		
4520	REAR BRAKE(DRUM)		
4521	REAR BRAKE(DISC)		
4530	PARKING BRAKE		
4610	MASTER BRAKE UNIT		

4110

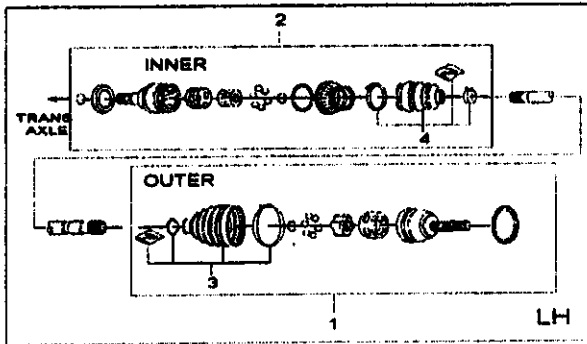
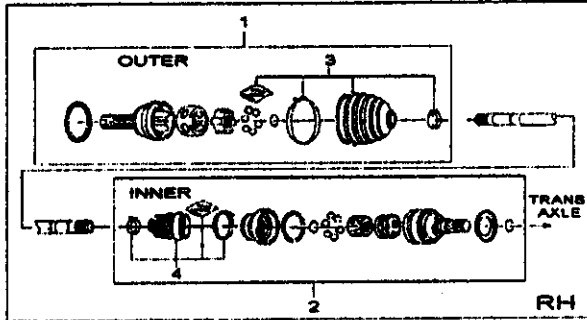
AXLE SHAFT UNIT



RJ4110 10/30/2004

I T C	KEY NO.	PART NO.	MODEL YEAR	D R V	BODY				LEVEL		PART NAME	L Q T R Y	V.I.N.		REMARKS	P L O O M
					4	5	B	L	L				FROM	TO		
					N	H	S	B	L	L						
		[02]														
		Y 96451338	04 - 06								(E)SHAFT A-AXLE,FRT (D)ACHSWELLE A-VORN			(F)ARBRE A-ROUE,AV (S)PALIER A-DELAN		
		96451338	06 - 07								B B B X X X &L,S/JTCSL84L88MM9 B B B X X X &L,S/JTCDVLS4L88MM9			RH 1 137845 RH 1		7X 7X
											**** RPO DEFINITIONS ****					
											L14 : ENGINE-4 CYL 1.4 DOHC MPI					
											L43 : ENGINE-4 CYL 1.5 DOHC MPI					
											L44 : ENGINE-4 CYL 1.8 DOHC MPI					
											M04 : TRANS-MAN,5SPD,CR					
											M05 : TRANS-MAN,5SPD,MODIFY CR					
											NN2 : EMISSION-KOREAN 200D					
											NN4 : EMISSION-CPA,LOOP,LEADED					
											NN7 : EMISSION-EURO,STAGE II					
											JL9 : BRAKE-ANTI LOCK SYS W/O ASR					
											JTC : TRACTION CONTROL WRABS					
											NN1 : EMISSION-EURO,STAGE III					
											NNJ : EMISSION-EURO,STAGE IV					
											NQU : EMISSION-KOREAN,ULEV					
											ML4 : TRANSMISSION-AUTO,4 SPEED					
											NNP : EMISSION-KLEV					
											NN8 : EMISSION-KOREAN '90					
											L84 : ENGINE-4 CYL 1.8 DOHC MPI					
											L86 : ENGINE-4 CYL 2.0 DOHC MPI					
											M86 : TRANSMISSION-MAN,5 SPD,M/R					
											LDA : ENGINE-4 CYL 1.8 DOHC MPI					
											M89 : TRANS-MAN,5 SPD,D2G CR					
											M89 : TRANS-AUTO,4SPD,4HP 16					

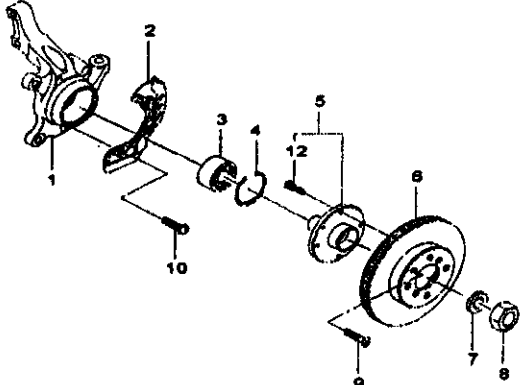
4120
AXLE SHAFT PARTS I



RJ4120 02/22/2005

I T C	KEY NO.		PART NAME										L C / R Y	V.I.N.		REMARKS	P O O P		
	PART NO.	MODEL YEAR	D R V	BODY			LEVEL				OPTION	FROM		TO					
				4 N H B	4 S H W	5 B S	B L S	L L S	T										
	[01]			(E)JOINT SET-CTR (D)GELENKSATZ-AUSSEN											(F)JEU DE JOINTS-EXT (S)JUEGO DE JUNTAS-EXT				
	96273759	04 - 07		B	B	B	X	X	.	AL14L44MNN7-JLBJTC							2		
	96273760	04 - 07		B	B	B	X	X	.	AL14L44MNN1-JLBJTC							LH 1		
	96273759	04 - 07		B	B	B	X	X	.	AL14L44MNN1-JLBJTC							RH 1		
	96273760	04 - 07		B	B	B	X	X	.	AL14L44LBJTC							2		
	96489840	04 - 07		B	B	B	X	X	X	ALB4L86-JLBJTC							2		
	96489842	04 - 07		B	B	B	X	X	X	JLBJTCALB4L86							2		
	[02]			(E)JOINT SET-INT (D)GELENKSATZ-INNEN											(F)JEU DE JOINTS-INT (S)JUEGO DE JUNTAS-INT				
	96243577	04 - 07		B	B	B	X	X	.	AL14L44M0A0G0							2		
	96245311	04 - 07		B	B	B	X	X	.	AL44M0L4							2		
	96489849	04 - 07		B	B	B	X	X	X	ALB4L86M0A0M0M0M0							2		
	96489848	04 - 07		B	B	B	X	X	X	ALB4L86M0M0							2		
	[03]			(E)BOOT SET-CTR (D)DICHTUNGSMANSCHETTENSATZ-AUS											(F)JEU DE SOUFFLETS-EXT (S)JUEGO DE FUNDAS-EXT				
	96391553	04 - 07		B	B	B	X	X	.	AL14L44							2		
	96489855	04 - 07		B	B	B	X	X	X	ALB4L86							2		
	[04]			(E)BOOT SET-INT (D)DICHTUNGSMANSCHETTENSATZ-INNE											(F)JEU DE SOUFFLETS-INT (S)JUEGO DE FUNDAS-INT				
	96243579	04 - 07		B	B	B	X	X	.	AL14L44M0A0G0							2		
	Y 96489856	04 - 07		B	B	B	X	X	.	AL14L44M0A0G0							2		
	96489854	04 - 07		B	B	B	X	X	.	AL44M0L4							2		
	96489854	04 - 07		B	B	B	X	X	X	ALB4L86M0A0M0M0M0M0							2		
				**** RPO DEFINITIONS ****															
				L14 : ENGINE-4 CYL 1.4 DOHC MPI															
				L44 : ENGINE-4 CYL 1.6 DOHC MPI															
				M04 : EMISSION-OP, LOOP, LEADED															
				M07 : EMISSION-EURO, STAGE I															
				JL8 : BRAKE-ANTI LOCK SYS/2WD ASR															
				JTC : TRACTION CONTROL V/W ABS															
				M01 : EMISSION-EURO, STAGE II															
				L84 : ENGINE-4 CYL 1.8 DOHC MPI															
				L86 : ENGINE-4 CYL 2.0 DOHC MPI															
				M04 : TRANS-MAN, 5SPD, CR															
				M06 : TRANS-MAN, 5SPD, MODIFY CR															
				M14 : TRANSMISSION-AUTO, 4 SPEED															
				M85 : TRANSMISSION-MAN, 5 SPD, M/R															
				M89 : TRANS-MAN, 5 SPD, D20 CR															
				M00 : TRANS-AUTO, 4SPD, 4HP 16															

4130 FRONT KNUCKLE&HUB	KEY NO.		PART NAME															
	I T C	PART NO.	MODEL YEAR	D R V E	BODY			LEVEL			OPTION	L / R	Q T Y	V.I.N.		REMARKS	P - C O D E	
					4	5	6	B	L	L				FROM	TO			
					N H S B W	H S S	S S T	S	S	T								
	[01]														(E)KNUCKLE A STRG (D)ACHSSCHENKEL A-LENKUNG	(F)PIVOT DE FUSEE A (S)MANGUETA A-DE DIRECCION		
	96488823	04 - 07													B B B X X X	LH 1		
	96488824	04 - 07													B B B X X X	RH 1		
	[02]														(E)COVER SHEET (D)BLECHDECKEL	(F)COUVERCLE-TOLE (S)CUBIERTA-HOJA		
	96549784	04 - 07													B B B X X X	LH 1		
	96549785	04 - 07													B B B X X X	RH 1		
	[03]														(E)BEARING (D)LAGER	(F)ROULEMENT (S)COJINETE		
	94535259	04 - 07													B B B X X X	2		
	[04]														(E)RING-RETAINING (D)SICHERUNGSRING	(F)ANNEAU-RETENUE (S)ANILLO-DE RETENCION		
	96207566	04 - 07													B B B X X X	2		
	[05]														(E)HUB UNIT-FRT (D)NABENEINHEIT-VORN	(F)MOYEU-AV (S)UNIDAD DE CUBO-DELAN		
	96549779	04 - 07													B B B X X X	2		
	[06]														(E)DISC-BRAKE,FRT (D)BREMSSCHEIBE,VORN	(F)DISQUE-FREIN,AV (S)DISCO-FRENO,DELAN		
	96549782	04 - 07													B B B X X X XJB	2		
	96415413	05 - 07													B . B . . X XJB	2		
	[07]														(E)WASHER (D)UNTERLEGSCHIEBE	(F)FRONDELLE (S)ARANDELA		
	94526149	04 - 07													B B B X X X	2		
	[08]														(E)NUT (D)MUTTER	(F)ECROU (S)TUERCA		
	94515437	04 - 07													B B B X X X	2		
	[09]														(E)SCREW (D)SCHRAUBE	(F)VIS (S)TORNILLO		
	94520093	04 - 07													B B B X X X	2		
	[10]														(E)BOLT (D)BOLZEN	(F)BOULON (S)PERNO		
	94500733	04 - 07													B B B X X X	4		
	[12]														(E)BOLT (D)BOLZEN	(F)BOULON (S)PERNO		
	94501734	04 - 07													B B B X X X	8		

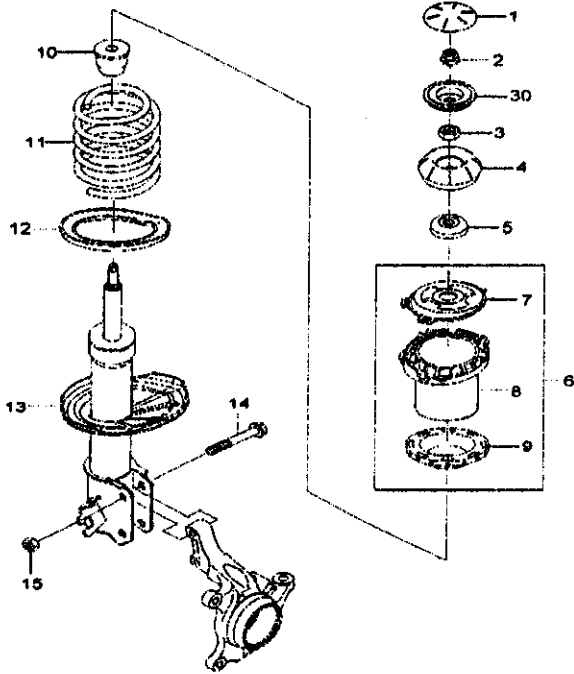


RJ4130 10/30/2004

**** RPO DEFINITIONS ****
XJB : JAPAN-MANDATORY

4140

FRONT SHOCK ABSORBER

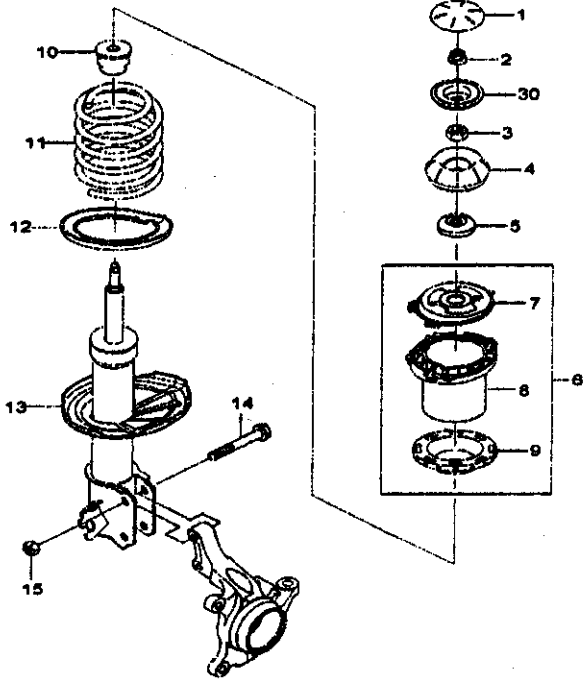


R.J4140 10/30/2004

I T C	KEY NO.		PART NAME													REMARKS	P R O D U C T I O N
	PART NO.	MODEL YEAR	D R Y	BODY			LEVEL			OPTION	L T R Y	Q T Y	V.I.N.		REMARKS		
				4 N B	4 H S	5 S W	B L S	L L S	L L T				FROM	TO			
	[11]			(E)SPRING-PRT (D)FEDER-VORN											(F)RESSORT-AV (S)MUELLE-DELAN		
	96561768	05-05		. . B . X X X						SMMS					2		
	96561768	06-07		. . B . X X X						SMMS-XAT					2		
	96404492	05-07		B . . X X X						SAMBEXJS					2		
	96455629	06-07		B B . X X X						ALDASAMBEXAT					2		
	96404491	06-07		B B . X X X						EXAT					2		
	[12]			(E)INSULATOR-PRT SPRING,LWR (D)FEDERISOLATOR-VORN,UNTEN											(F)BLOC ELASTIQUE-RESSORT (S)AISLADOR-MUELLE DELAN,INF		
	96549919	04-07		B B B X X X										2			
	[13]			(E)DAMPER A-PRT SIABS STRUT (D)FEDERBEINDAEMPFER A-VORN											(F)AMORTISSEUR A-JAMBE (S)AMORTIGUADOR A-CONJUNTO		
	96407819	04-05		B B . X X X						AGSA-XJS					LH 1		
	96407819	06-07		B B . X X X						AGSA-XATXJS					LH 1		
	96407820	04-05		B B . X X X						AGSA-XJS					RH 1		
	96407820	06-07		B B . X X X						AGSA-XATXJS					RH 1		
	96561721	05-05		. . B X X X						AGSA-XJS					LH 1		
	96561721	06-07		. . B X X X						AGSA-XATXJS					LH 1		
	96561722	05-05		. . B X X X						AGSA-XJS					RH 1		
	96561722	06-07		. . B X X X						AGSA-XATXJS					RH 1		
	96425338	05-07		B . . . X						AGSA-XJS					LH 1		
	96425338	05-07		B . . . X						AGBA-XJS					RH 1		
	96425340	05-07		. . B . X						AGBA-XJS					LH 1		
	96425341	05-07		. . B . X						AGBA-XJS					RH 1		
	96455624	06-07		B B B . X						AGBA-XAT					LH 1		
	96455625	06-07		B B B . X						AGBA-XAT					RH 1		
	[14]			(E)BOLT (D)BOLZEN.											(F)BOULON (S)PERNO		
	94500712	04-07		B B B X X X										4			
	[15]			(E)NUT (D)MUTTER											(F)ECROU (S)TUERCA		
	94515070	04-07		B B B X X X										4			
	[30]			(E)PLATE-BUMPER (D)STOSSSTANGENPLATTE											(F)PLAQUE-BUTEE (S)PLACA-TOPE AMORTIGUADOR		
	96549920	04-07		B B B X X X										2			
													**** RPO DEFINITIONS ****				
													LDA	ENGINE-4 CYL 1.8 DOHC MPI			
													L14	ENGINE-4 CYL 1.4 DOHC MPI			
													L44	ENGINE-4 CYL 1.6 DOHC MPI			
													L46	ENGINE-4 CYL 2.0 DOHC MPI			
													MG4	TRANS-MAN,5SPD,CR			

4140

FRONT SHOCK ABSORBER

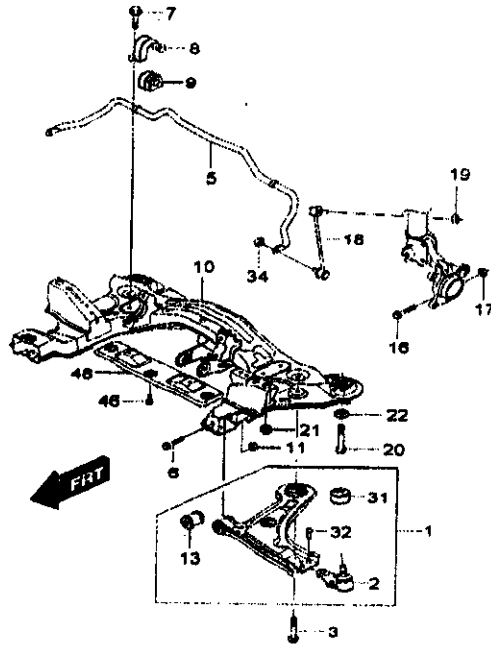


RJ4140 10/30/2004

KEY NO.		PART NAME													
I T C	PART NO.	MODEL YEAR	D R V	BODY			LEVEL			OPTION	L Q T Y	V.I.N.		REMARKS	P / C O D E
				4 N B	4 H S W	5 B S	B L S	L L S T	FROM			TO			
										*** RPO DEFINITIONS *** M06 : TRANS-MAN,5SPD,MODIFY CR M06 : TRANSMISSION-MAN,5 SPD,M/R ML4 : TRANSMISSION-AUTO,4 SPEED MMS : TRANS-AUTO,4SPD,4HP16 L04 : ENGINE-4 CYL 1.8 DOHC MPI M80 : TRANS-MAN,5 SPD,D20CR XAT : AUSTRALIA-MANDATORY XJ6 : JAPAN-MANDATORY GSA : GAS SHOCK ABSORBER					

4150

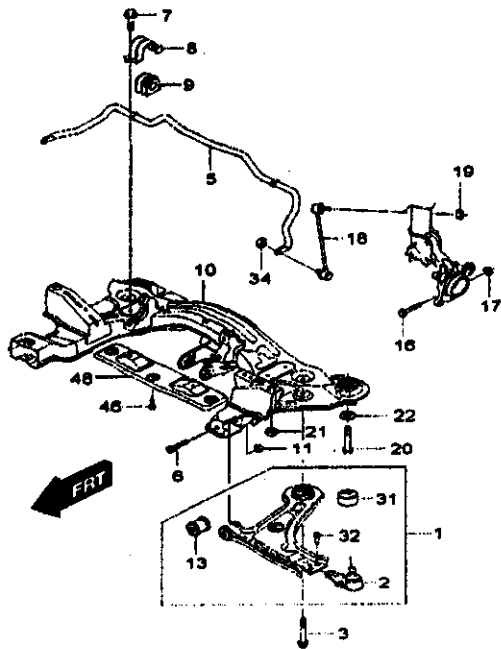
CONTROL ARM



RJ4150 10/30/2004

I T C	KEY NO.		PART NAME											P / C O D E		
	PART NO.	MODEL YEAR	D R V E	BODY			LEVEL			OPTION	L / Q T Y	V.I.N.			REMARKS	
				4 N H S	5 B L S	6 B W S	7 B L S	8 L L S	9 L L S			FROM	TO			
	[01]			(E)ARM A-CONT (D)LENKER A									(F)BRAS A-SUSPENSION (S)PALANCA A-CONT			
	96391850	04 - 07		B . . X X X									LH 1 910186			
Y	96415063	04 - 07		B B B X X X									LH 1 910187			
	96391851	04 - 07		B . . X X X									RH 1 910186			
Y	96415064	04 - 07		B B B X X X									RH 1 910187			
	[02]			(E)JOINT A-BALL ,CONT ARM (D)KUGELGELENK A.LENKER									(F)ROTULE A,BRAS DE SUSPENSION (S)RÓTULA A-PALANCA DE CONTROL			
	96490218	04 - 07		B B B X X X									2			
	[03]			(E)BOLT (D)BOLZEN									(F)BOULON (S)PERNO			
	94500716	04 - 07		B B B X X X									2			
	[05]			(E)BAR-FRT STABILIZER (D)VORDERE STABILISATORSTANGE									(F)BARRE-STABILISATRICE AV (S)BARRA-ESTABILIZADORA DELAN			
	96549922	04 - 05		B B . X X X									1			18
	96549922	06 - 07		B B . X X X					-XAT				1			18
	96399710	05 - 07		. . B X X X									1			19
	96499740	06 - 07		B B B X X X					8XAT				1			J2
	[06]			(E)BOLT (D)BOLZEN									(F)BOULON (S)PERNO			
	94501768	04 - 06		B B B X X X									2		356957	
O	94502001	04 - 07		B B B X X X									2	356958		
	[07]			(E)BOLT (D)BOLZEN									(F)BOULON (S)PERNO			
	94500699	04 - 07		B B B X X X									4			
Y	94500698	04 - 07		B B B X X X									4			
	[08]			(E)CLAMP (D)KLEMMSTUECK									(F)COLLIER (S)ABRAZADERA			
	96444468	04 - 07		B B B X X X									2			
	[09]			(E)BUSH-STABILIZER BAR (D)BUCHSE-STABILISATORSTANGE									(F)BAGUE-BARRE STABILISATRICE (S)CASQUILLO-BARRA			
	96434540	04 - 05		B B . X X X									2	251590		FB
O	96474040	04 - 05		B B . X X X					-XAT				2	251591		JB
	96434540	06 - 06		B B . X X X									2	251590		FB
O	96474040	06 - 07		B B . X X X					-XAT				2	251591		JB
	96434541	05 - 05		. . B X X X									2	251590		FB
O	96474041	05 - 07		. . B X X X					-XAT				2	251591		JB
	96499657	06 - 06		B B . X X X					8XAT				2	251590		BT
O	96474044	06 - 07		B B B X X X					8XAT				2	251591		UO
	[10]			(E)C/MBR A-FRT SUSP (D)QUERTR.A-VORDERRADAUFHAENG.									(F)TRAVERSE A-SUSP AV (S)TRAV A-SUSP DELAN			
	96549877	04 - 07	L	B B B X X .					8L144L4				1			JR

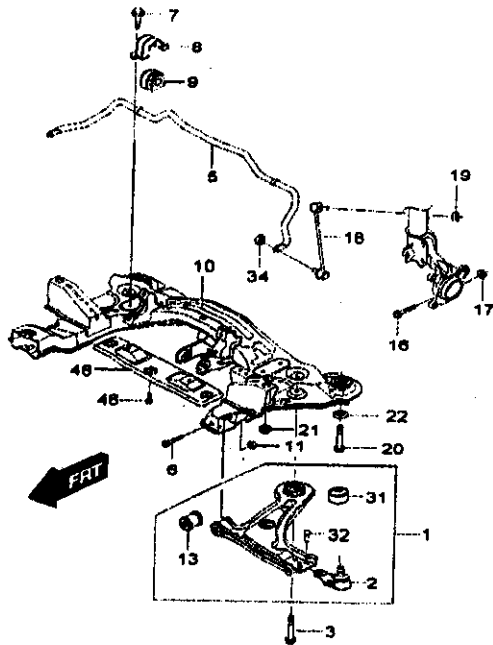
4150
CONTROL ARM



RJ4150 10/30/2004

I T C	KEY NO.		PART NAME											M O D E L		
	PART NO.	MODEL YEAR	D R V	BODY			LEVEL			OPTION	L Q R Y	V.I.N.			REMARKS	
				4 N B	4 H B	5 S W	B L S	L L S	T			FROM	TO			
	[10]			(E)C/MBR A-FRT SUSP (D)QUEBTR.A.VORDERRADAUFHAENG.									(F)TRAVERSE A-SUSP AV (S)TRAV A-SUSP DELAN			
	96561779	04-05	L	B	B	B	X	X	X	ALM4L88			1			JS
	96561779	06-07	L	B	B	B	X	X	X	SLDALM4L88			1			JS
Y	96469197	06-07	L	B	B	B	X	X	X	SLDALM4L88			1			JS
	96549678	04-07	R	B	B	B	X	X	.	SLM4L44			1			JT
	96561780	04-05	R	B	B	B	.	X	X	SLM4L88			1			JU
	96561780	06-07	R	B	B	B	.	X	X	SLDALM4L88			1			JU
Y	96469208	06-07	R	B	B	B	.	X	X	SLDALM4L88			1			JU
	[11]			(E)NUT (D)MUTTER									(F)ECROU (S)TUERCA			
	94515070	04-07		B	B	B	X	X	X				2			
	[13]			(E)BUSH-CONT ARM (D)BUCHSE-LENKER									(F)BAGUE-BRAS DE SUSPENSION (S)CASQUILLO-PALANCA CONT			
	96378346	04-07		B	B	B	X	X	X				2			
	[16]			(E)BOLT (D)BOLZEN									(F)BOULON (S)PERNO			
	94501323	04-07		B	B	B	X	X	X				2			
	[17]			(E)NUT (D)MUTTER									(F)ECROU (S)TUERCA			
	94515069	04-07		B	B	B	X	X	X				2			
	[18]			(E)LINK A-FRT STABILIZER (D)VORDERE DRUCKSTANGE A									(F)BILLETTE-STABILISATEUR AV (S)ARTICULACIÓN A-BARRA			
	96403099	04-07		B	B	B	X	X	X				LH 1			
	96403100	04-07		B	B	B	X	X	X				RH 1			
	[19]			(E)NUT (D)MUTTER									(F)ECROU (S)TUERCA			
	94515390	04-07		B	B	B	X	X	X				2			
	[20]			(E)BOLT (D)BOLZEN									(F)BOULON (S)PERNO			
	94500716	04-07		B	B	B	X	X	X				2			
Y	94525639	04-07		B	B	B	X	X	X				2			
	[21]			(E)NUT (D)MUTTER									(F)ECROU (S)TUERCA			
	94515428	04-07		B	B	B	X	X	X				2			
	[22]			(E)WASHER (D)UNTERLEGSCHIEBE									(F)RONDELLE (S)ARANDELA			
	94525228	04-07		B	B	B	X	X	X				2			
	[31]			(E)BUSH-DMP (D)BUCHSE-DAEMPFER									(F)BAGUE-AMRT (S)CASQUILLO-AMT			
	96391856	04-07		B	B	B	X	X	X	SLDALM4L44L88			2			

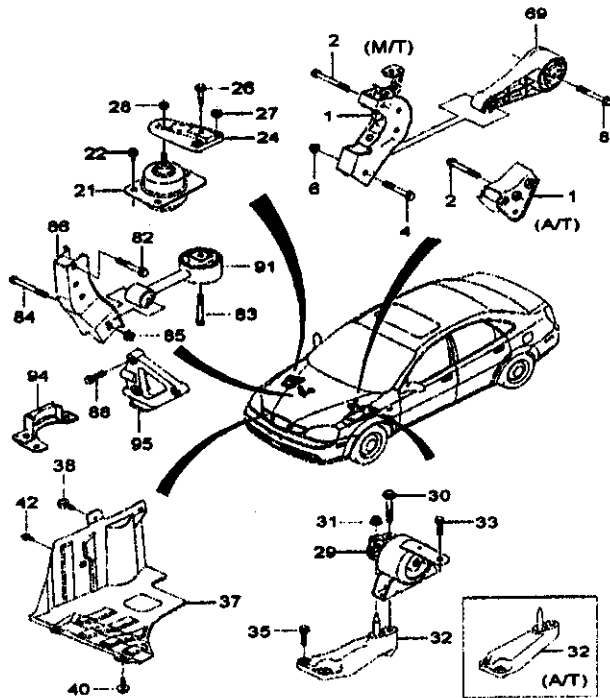
**4150
CONTROL ARM**



RJ4150 10/30/2004

I T C	KEY NO.		PART NAME										REMARKS	P R O C E D U R E		
	PART NO.	MODEL YEAR	D R V	BODY			LEVEL				OPTION	L Q T R Y			V.I.N.	
				4 N B	4 H B	5 S W	B S	L S	L S	L S					FROM	TO
	[32] 94535086	04 - 07		(E)RIVET (D)NIET B B B	X X X								(F)RIVET (S)REMACHE 6			
	[34] 94515390	04 - 07		(E)NUT (D)MUTTER B B B	X X X								(F)ECROU (S)TUERCA 2			
	[46] 94500963	04 - 07		(E)BOLT (D)BOLZEN B B B	X X X								(F)BOULON (S)PERNO 5			
	[48] 96549897	04 - 07		(E)BRACKET-C/MBR,LWR (D)HALTER-QUERTR..UNTERER B B B	X X X								(F)SUPPORT-TRAVERSE,INF (S)SOPORTE-TRAV,INFERIOR 1			
<p>**** RPO DEFINITIONS ****</p> <p>XAT : AUSTRALIA-MANDATORY</p> <p>L14 : ENGINE-4 CYL 1.4 DOHC MPI</p> <p>L44 : ENGINE-4 CYL 1.6 DOHC MPI</p> <p>L84 : ENGINE-4 CYL 1.8 DOHC MPI</p> <p>L86 : ENGINE-4 CYL 2.0 DOHC MPI</p> <p>LDA : ENGINE-4 CYL 1.6 DOHC MPI</p>																

4190
ENGINE MOUNT

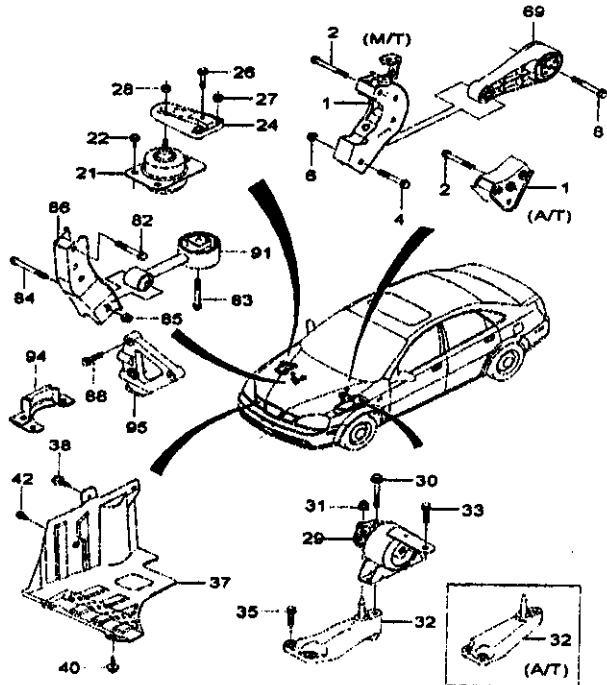


RJ4190GNW 10/30/2004

I T C	KEY NO.	PART NO.	MODEL YEAR	D R V	PART NAME						L Q R Y	V.I.N.		REMARKS	A C C E S O R Y
					BODY	LEVEL	OPTION	FROM	TO	REMARKS					
												4 N H S B	5 H S B		
	[01]				(E)BRACKET A/TIA MT,RR (D)MONTAGEBUEGEL A-TIA						(F)SUPPORT A-TIA,AP (S)SOPORTE A-FIJ C/CAMB,TR				
	96550290	04-04			B . . X X .		6L44AMQAM06			1	912720		81		
	96499100	04-04			B . . X X .		6L84AMQAM05			1	912720		87		
N	96550290	04-07			B B B . X X X		6AMQAMQSMMSAM00			1	912721		81		
	96550296	04-07			B B . X X .		6L44AML4			1			86		
	96550292	04-07			B B B X X X		6LDALB94MM0			1			82		
	[02]				(E)BOLT (D)BOLZEN						(F)BOULON (S)PERNO				
	94501163	04-07			B B B X X X		6AMQAMQSMMSAM00			3					
	94501062	04-07			B B B X X X		6MLAM00			3					
	[04]				(E)BOLT (D)BOLZEN						(F)BOULON (S)PERNO				
	94501824	04-07			B B B X X X					1					
	[08]				(E)NUT (D)MUTTER						(F)ECROU (S)TUERCA				
	94515070	04-07			B B B X X X					1					
	[08]				(E)BOLT (D)BOLZEN						(F)BOULON (S)PERNO				
	94501825	04-07			B B B X X X					1					
	[21]				(E)HYDROMOUNT (D)HYDROLAGER						(F)SUPPORT HYDROMOUNT (S)SOPORTE ANTI VIBRATORIO				
	96550225	04-07			B B B X X .		6L14AL4			RH 1	336273		C1		
O	96550235	04-07			B B B X X .		6L14AL4			RH 1	335274		C2		
	96550227	04-07			B B B X X X		6LDALB94L86			RH 1	335701		E1		
O	96550236	04-07			B B B X X X		6LDALB94L86			RH 1	335702		E2		
	[22]				(E)BOLT (D)BOLZEN						(F)BOULON (S)PERNO				
	94501775	04-04			B . . X X X					4	921900				
O	94501842	04-07			B B B X X X					4	921901				
	[24]				(E)BRACKET-ENG MT (D)BUEGEL-MOT-MONT.						(F)PATTE SUPPORT MOTEUR (S)SOPORTE-FIJ DE MOTOR				
	96550221	04-07			B B B X X .		6L14AL4			RH 1			R1		
	96550222	04-07			B B B X X X		6LDALB94L86			RH 1			R2		
	[26]				(E)BOLT (D)BOLZEN						(F)BOULON (S)PERNO				
	94501755	04-07			B B B X X X					1					
	[27]				(E)NUT (D)MUTTER						(F)ECROU (S)TUERCA				
	94515378	04-07			B B B X X X					2					

4190

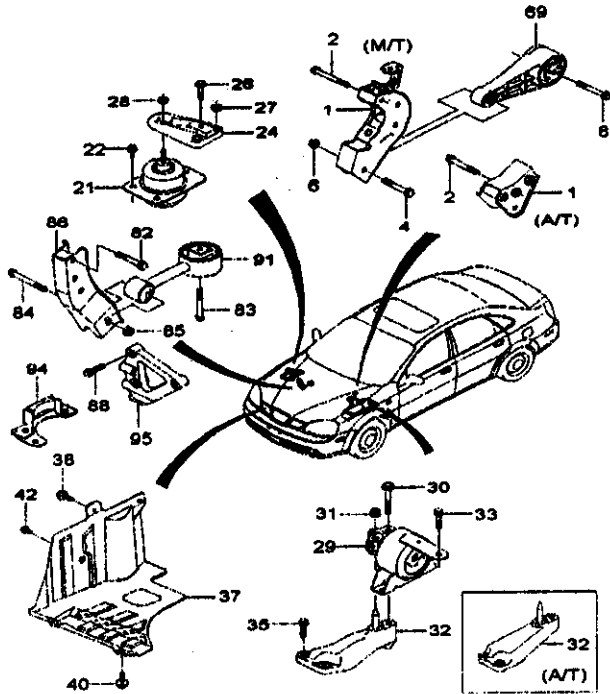
ENGINE MOUNT



RJ4190GNW 10/30/2004

I T C	KEY NO.		PART NAME										P / C O D E	
	PART NO.	MODEL YEAR	D R V E	BODY			LEVEL		OPTION	L T R Y	V.I.N.			REMARKS
				4 N H S B	4 S S W	5 S S	B L S	L L S T			FROM	TO		
	[28]			(E)NUT (D)MUTTER									(F)ECROU (S)TUERCA	
	94515378	04 - 07		B B B X X X									1	
	[28]			(E)CAGE A-TIA MT (D)KAFIG A-TIA LAGER									(F)CAGE A-SUPPORT AT (S)AULA A-FIJ C/CAMB	
	96550232	04 - 07		B B B X X X			8L14L44						LH 1	H2
	96550234	04 - 07		B B B X X X			8LDA4,8AL28						LH 1	H4
	[30]			(E)BOLT (D)BOLZEN									(F)BOULON (S)PERNO	
	94501169	04 - 07		B B B X X X									1	
	[31]			(E)NUT (D)MUTTER									(F)ECROU (S)TUERCA	
	94515415	04 - 07		B B B X X X									1	
	[32]			(E)BRACKET A-TIA MT (D)MONTAGEBUEGEL A-TIA LAGER									(F)PATTE A-SUPPORT TIA (S)SOPORTE A-FIJ C/CAMB, TR	
	96550271	04 - 07		B B B X X X			8MQ4MG5A85A489						LH 1	L1
	96550278	04 - 07		B B . X X .			8ML4						LH 1	L6
	96550272	04 - 07		B B B . X X			8M49						LH 1	L2
	[33]			(E)BOLT (D)BOLZEN									(F)BOULON (S)PERNO	
	94500698	04 - 07		B B B X X X									3	
	[36]			(E)BOLT (D)BOLZEN									(F)BOULON (S)PERNO	
	94501039	04 - 07		B B B X X X			8MQ4MG5A85A489						3	
	94500700	04 - 07		B B . X X .			8ML4						3	
	94501080	04 - 07		B B B . X X			8M49						4	
	[37]			(E)DEFLECTOR-WATER (D)WASSERABWEISER									(F)DEFLECTEUR-EAU (S)DEFLECTOR-DE AGUA	
	96545471	04 - 07		B B B X X X									LH 1	
	96545472	04 - 07		B B B X X X									RH 1	
	[38]			(E)BOLT (D)BOLZEN									(F)BOULON (S)PERNO	
	94501377	04 - 07		B B B X X X									4	
	[40]			(E)CLIP (D)KLEMME									(F)CLIP (S)CLIP	
	94530624	04 - 07		B B B X X X									4	
	[42]			(E)CLIP (D)KLEMME									(F)CLIP (S)CLIP	
	94530623	04 - 07		B B B X X X									2	
	[69]			(E)ROC A-REACTION.LWR (D)REAKTIONSTAB A,UNTEN									(F)BARRE A-REACTION,INF (S)BARRA A-DE REACCIÓN,INFERIOR	

4190
ENGINE MOUNT



RJ4190GNW 10/30/2004

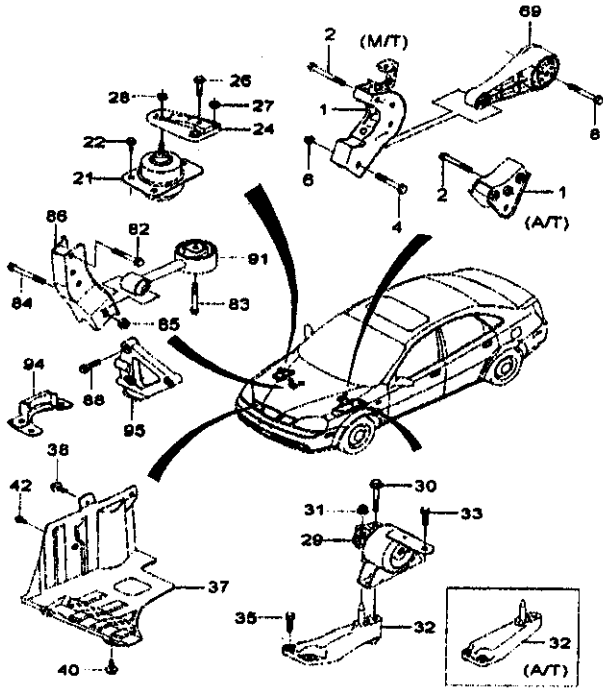
I T C	KEY NO.		PART NAME										L Q R Y	V.I.N.		REMARKS	MO DO S	
	PART NO.	MODEL YEAR	D R V	BODY		LEVEL		OPTION	FROM	TO	REMARKS							
				N H S B	4 5 B W	B L S S	L L S T											
	[88]			(E)ROD A-REACTION,LWR (D)REAKTIONSSTAB A,UNTEN								(F)BARRE A-REACTION,INF (S)BARRA A-DE REACCION,INFERIOR						
	98550281	04-07		B B B X X .			ALM4M4LDA					1						C1
	98550263	04-07		B B B X X X			SLM4L88					1						C3
	[82]			(E)BOLT (D)BOLZEN								(F)BOULON (S)PERNO						
	94501018	04-07		B B B X X X			SLD4M4M4L88					3						
	[83]			(E)BOLT (D)BOLZEN								(F)BOULON (S)PERNO						
	94501784	04-07		B B B X X X			SLD4M4M4L88					1						
	[84]			(E)BOLT (D)BOLZEN								(F)BOULON (S)PERNO						
	94501824	04-07		B B B X X X			SLM4M4LDA					1						
	[86]			(E)NUT (D)MUTTER								(F)ECROU (S)TUERCA						
	94515070	04-07		B B B X X X								1						
	[86]			(E)BRACKET A-REACTION,LWR (D)REAKTIONSBUEGEL A-UNTEN								(F)SUPPORT A-REACTION,INF (S)SOPORTE A-DE REACCION						
	98550330	04-07		B B B X X X			SLM4L88					RH 1						P1
	98418253	06-07		B B B X X X			SLDA					RH 1						P2
	[88]			(E)BOLT (D)BOLZEN								(F)BOULON (S)PERNO						
	94500988	04-04		B B . . X X			SLC4M4L84					3	943306	8331G 01				
	[91]			(E)ROD A-REACTION (D)REAKTIONSSTANGE								(F)BARRE A-REACTION (S)BARRA A-DE REACCION						
	98550315	04-07		B B B X X X			SLM4L88					RH 1						D1
	98438389	06-07		B B B . X X			SLDA					RH 1						D2
	[84]			(E)DAMPER-VIBRATION (D)SCHWINGUNGSDAEMPFER								(F)AMORTISSEUR DE VIBRATIONS (S)AMT-VIBRACION						
	98404530	04-04		B B . X X X								1	039817					
	[95]			(E)BRACKET-REACTION (D)REAKTIONSBUEGEL								(F)SUPPORT-REACTION (S)SOPORTE-DE REACCION						
	98308876	04-04		B B . . X X			SLC4M4L84					1	943306	8331G 01				

**** RPO DEFINITIONS ****

- L44 : ENGINE-4 CYL 1.8 DOHC MPI
- MG4 : TRANS-MAN,5SPD,CR
- MG5 : TRANS-MAN,5SPD,MODIFY CR
- L84 : ENGINE-4 CYL 1.8 DOHC MPI
- M85 : TRANSMISSION-MAN,5 SPD,M/R
- M89 : TRANS-MAN,5 SPD,C20CR

4190

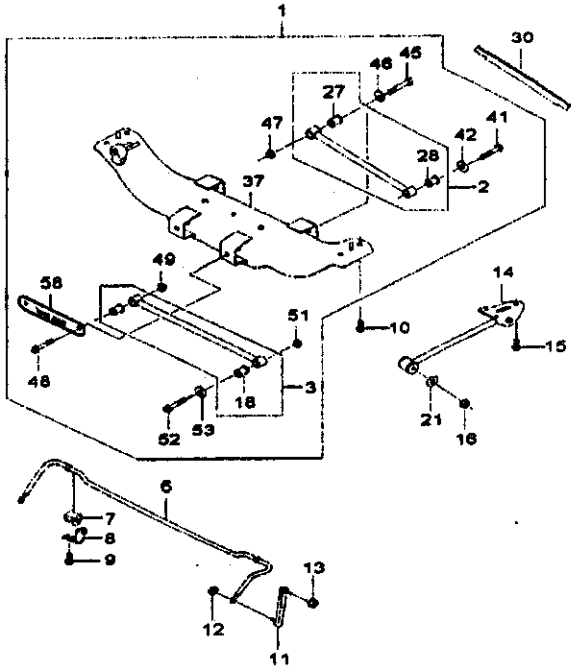
ENGINE MOUNT



RJ4190GNW 10/30/2004

KEY NO.		PART NAME												
I T C	PART NO.	MODEL YEAR	D R V	BODY		LEVEL		OPTION	L Q T R Y	V.I.N.		REMARKS	P I C O D E	
				4 N B	4 H S B W	B L S	L L S T			FROM	TO			
								<p>**** RPO DEFINITIONS ****</p> <p>ML4 : TRANSMISSION-AUTO,4 SPEED</p> <p>LDA : ENGINE-4 CYL 1.8 DOHC MPI</p> <p>L88 : ENGINE-4 CYL 2.0 DOHC MPI</p> <p>MM9 : TRANS-AUTO,4SPD,4HP16</p> <p>L14 : ENGINE-4 CYL 1.4 DOHC MPI</p> <p>C46 : HEATER</p>						

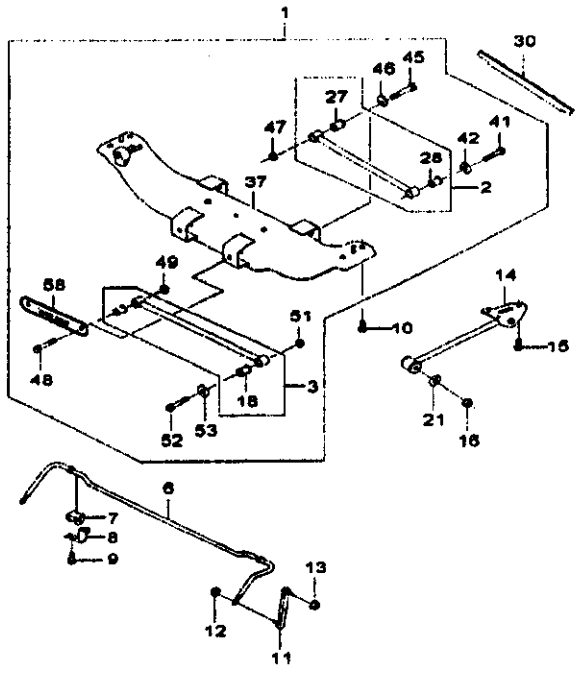
**4310
REAR AXLE**



RJ4310 10/30/2004

I T C	KEY NO.		PART NAME										L Q / R Y	V.I.N.		REMARKS	P R O D U C T I O N
	PART NO.	MODEL YEAR	D R V E	BODY			LEVEL			OPTION	FROM	TO					
				4 N H S B	5 H S B	W	B L L	S S T									
	[01]			(E)AXLE A-RR (D)HINTERACHSE A								(F)BIELLETTA A-AR (S)BARRA A-TR					
	96550044	04-07		B	B	B	X	X	.	4L14A.44			1				
	96412662	04-05		B	B	B	X	X	X	4LMA.06			1				
	96412662	06-07		B	B	B	X	X	X	4LDA18A.08			1				
	[02]			(E)LINK A-PARALLEL,FRT (D)PARALLELENKER A,VORN								(F)BIELLETTA A-PARALLELE,AV (S)BARRA A-PARALELA,DELAN					
	96550053	04-07		B	B	B	X	X	X				2				
	[03]			(E)LINK A-PARALLEL,RR (D)PARALLELENKER A,HINTEN								(F)BIELLETTA A-PARALLELE,AR (S)BARRA A-PARALELA,DELAN					
	96550049	04-07		B	B	B	X	X	X				2				
	[06]			(E)BAR,RR STABILIZER (D)HINTERE STABILISATORSTANGE								(F)BARRE-STABILISATRICE AR (S)BARRA-ESTABILIZADORA TR					
	96407754	04-05		B	B	.	X	X	X	-XJ6			1				RY
	96407754	06-07		B	B	.	X	X	X	-XAT7XJ6			1				RY
	96412670	05-07		.	.	B	X	X	X				1				RX
	96412670	06-07		B	B	.	X	X	X	6XAT7XJ6			1				RX
	[07]			(E)BUSH-STABILIZER BAR (D)BUCHSE-STABILISATORSTANGE								(F)BAGUE-BARRE STABILISATRICE (S)CASQUILLO-BARRA					
	96434543	04-05		B	B	.	X	X	X	-XJ6			2	251590			
	○ 96474043	04-05		B	B	.	X	X	X	-XJ6			2	251591			
	96434543	06-06		B	B	.	X	X	X	-XAT7XJ6			2	251590			
	○ 96474043	06-07		B	B	.	X	X	X	-XAT7XJ6			2	251591			
	96434542	05-06		.	.	B	X	X	X				2	251590			
	○ 96474042	05-07		.	.	B	X	X	X				2	251591			
	96434542	05-06		B	B	.	X	X	X	6XAT7XJ6			2	251590			
	○ 96474042	05-07		B	B	.	X	X	X	6XAT7XJ6			2	251591			
	[08]			(E)CLAMP (D)KLEMMSTUECK								(F)COLLIER (S)ABRAZADERA					
	96488829	04-07		B	B	B	X	X	X				2				
	[09]			(E)BOLT (D)BOLZEN								(F)BOULON (S)PERNO					
	94500454	04-07		B	B	B	X	X	X				4				
	[10]			(E)BOLT (D)BOLZEN								(F)BOULON (S)PERNO					
	94501105	04-07		B	B	B	X	X	X				4				
	[11]			(E)LINK A-RR STABILIZER (D)HINTERE DRUCKSTANGE A								(F)BIELLETTA A-STABILISATEUR AR (S)ARTICULACION A-BARRA					
	96561754	04-07		B	B	B	X	X	X				2				
	[12]			(E)NUT (D)MUTTER								(F)ECROU (S)TUERCA					
	94515140	04-07		B	B	B	X	X	X				2				

**4310
REAR AXLE**

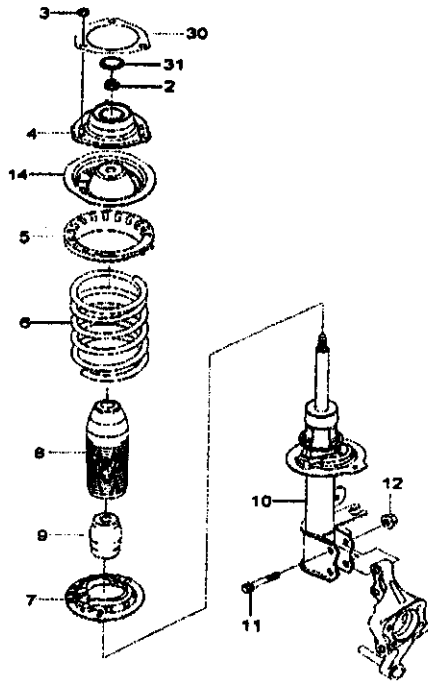


RJ4310 10/30/2004

I T C	KEY NO.		PART NAME										REMARKS	REC'D
	PART NO.	MODEL YEAR	D R V	BODY		LEVEL		OPTION	L O R Y	V.I.N.				
				4 N B	5 H B	8 L S	9 L S T			FROM	TO			
	[48]			(E)PLATE-CAMBOLT (D)WOCKENBOLZENPLATTE								(F)PLAQUE-BOULON EXCENTRIQUE (S)PLACA-PERNO DE LEVA		
	96328505	04-07		B B B X X X								2		
	[47]			(E)NUT (D)MUTTER								(F)ECROU (S)TUERCA		
	94515417	04-07		B . . X X X								2	850264	
Y	94515466	04-07		B B B X X X								2	850265	
	[48]			(E)BOLT (D)BOLZEN								(F)BOULON (S)PERNO		
	94500714	04-07		B B B X X X								2		
	[48]			(E)NUT (D)MUTTER								(F)ECROU (S)TUERCA		
	94515070	04-07		B B B X X X								2		
	[51]			(E)NUT (D)MUTTER								(F)ECROU (S)TUERCA		
	94515481	04-07		B B B X X X								2		
	[52]			(E)BOLT (D)BOLZEN								(F)BOULON (S)PERNO		
	94500718	04-07		B B B X X X								2		
	[53]			(E)WASHER (D)UNTERLEGS-CHEIBE								(F)RONDELLE (S)JARANDELA		
	94525126	04-07		B B B X X X								2		
	[58]			(E)REINF.A (D)VERST.A								(F)RNFT A (S)REFZ A		
	96378564	04-07		B B B X X X								1		
**** RPO DEFINITIONS ****														
L14 : ENGINE-4 CYL 1.4 DOHC MPI														
L44 : ENGINE-4 CYL 1.6 DOHC MPI														
L84 : ENGINE-4 CYL 1.8 DOHC MPI														
L88 : ENGINE-4 CYL 2.0 DOHC MPI														
LDA : ENGINE-4 CYL 1.8 DOHC MPI														
XJ6 : JAPAN-MANDATORY														
XAT : AUSTRALIA-MANDATORY														
JLB : BRAKE-ANTI LOCK SYS W/O ASR														
JTC : TRACTION CONTROL W/ABS														

4320

REAR SHOCK ABSORBER

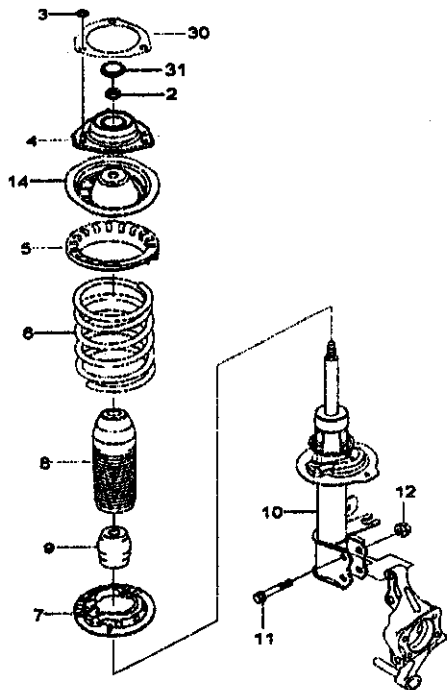


RJ4320 10/30/2004

KEY NO.		PART NAME														
I T C	PART NO.	MODEL YEAR	D R V	BODY			LEVEL			OPTION	L / Q T Y	V.I.N.		REMARKS	P / C O D E	
				4 N B	4 H B	3 S W	B L S	L L S	L L T			FROM	TO			
	[02]			(E)NUT										(F)ECROU		
	94515419	04-07		(D)MUTTER	B	B	X	X	X					(S)TUERCA	2	
	[03]			(E)NUT										(F)ECROU		
	94515455	04-07		(D)MUTTER	B	B	X	X	X					(S)TUERCA	6	
	[04]			(E)STRUT MOUNT A-RR										(F)SUPPORT DE JAMBE ELASTIQUE		
	96457360	04-07		(D)FEDERBEINRAHMEN A-HINTEN	B	B	.	X	X	X				(S)FIJACION DE CONJUNTO	2	
	96407217	05-07			.	.	B	X	X	X					2	
	[05]			(E)INSULATOR-RR SPRING,UPR										(F)BLOC ELASTIQUE-RESSORT		
	96561748	04-07		(D)FEDERISOLATOR-HINTEN,OBEN	B	B	.	X	X	X				(S)AISLADOR-MUELLE TR,SUP	2	
	96457423	05-07			.	.	B	X	X	X					2	
	[06]			(E)SPRING-RR										(F)RESSORT-AR		
	96407753	04-05		(D)FEDER-HINTEN	B	.	.	X	X	X				(S)MUELLE-TR	2	95770
	96407753	06-07			B	.	.	X	X	X	-XAT		2	95771		
	96399760	06-07			B	.	.	X	X	X	AXAT		2			
	96415734	04-05			.	B	.	X	X	X			2	95770		
	96415734	06-07			.	B	.	X	X	X	-XAT		2	95771		
	96455631	06-07			.	B	.	X	X	X	AXAT		2			
	96407219	05-05			.	B	.	X	X	X			2			
	96407219	06-07			.	B	.	X	X	X	-XAT		2			
	96462898	06-07			.	B	.	X	X	X	AXAT		2			
	[07]			(E)INSULATOR-RR SPRING,LWR										(F)BLOC ELASTIQUE-RESSORT		
	96561747	04-07		(D)FEDERISOLATOR-HINTEN,UNTEN	B	B	.	X	X	X				(S)AISLADOR-MUELLE TR,INFERIOR	2	
	96408290	05-07			.	.	B	X	X	X					2	
	[08]			(E)COVER-DUST,RR										(F)PARE-POUSSIERE,AR		
	96561749	04-07		(D)SCHUTZHAUBE,HINTEN	B	B	.	X	X	X				(S)GUARDAPOLVOS-TR	2	
	96407216	05-07			.	.	B	X	X	X					2	
	[09]			(E)BUMPER										(F)PARE-CHOC		
	96403109	04-07		(D)STOSSDAEMPFER	B	B	.	X	X	X				(S)TOPE AMORTIGUADOR	2	
	96549918	05-07			.	.	B	X	X	X					2	
	[10]			(E)DAMPER A-RR SIABS STRUT										(F)AMORTISSEUR A-JAMBE		
	96407821	04-05		(D)FEDERBEINDAEMPFER A-HINTEN	B	B	.	X	X	X	1G8A-XJ6		LH 1			
	96407821	06-07			B	B	.	X	X	X	1G8A-XAT7J6		LH 1			
	96407822	04-05			B	B	.	X	X	X	1G8A-XJ6		RH 1			

4320

REAR SHOCK ABSORBER

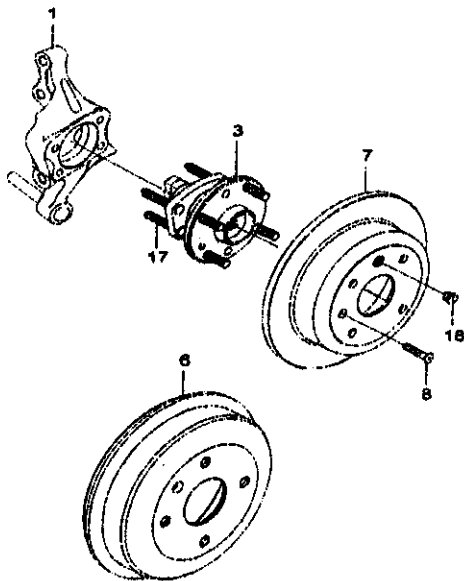


RJ4320 10/30/2004

I T C	KEY NO. PART NO.	MODEL YEAR	PART NAME						L Q / R Y	V.I.N.		REMARKS	P R O C E D U R E
			D R V E	BODY		LEVEL		OPTION		FROM	TO		
				4 N H B	5 S H W	B L S	L B T						
	[10]			(E)DAMPER A-RR SIABS STRUT (D)FEDERBEINDAEMPFER A-HINTEN						(F)SIAMORTISSEUR A-JAMBE (S)AMORTIGUADOR A-CONJUNTO			
	96407822	06-07	B	B	X	X	X	GSB-XAT/XLJ			RH 1		
	96408640	05-05	.	.	B	X	X	X	GSB-XLJ		LH 1		
	96408640	06-07	.	.	B	X	X	X	GSB-XAT/XLJ		LH 1		
	96408641	05-05	.	.	B	X	X	X	GSB-XLJ		RH 1		
	96408641	06-07	.	.	B	X	X	X	GSB-XAT/XLJ		RH 1		
	96425342	05-07	B	X	GSB-XLJ		LH 1		
	96425343	05-07	B	X	GSB-XLJ		RH 1		
	96425344	05-07	.	.	B	.	.	X	GSB-XLJ		LH 1		
	96425345	05-07	.	.	B	.	.	X	GSB-XLJ		RH 1		
	96455626	06-07	B	B	X	X	X	X	GSB-XAT		LH 1		
	96455627	06-07	B	B	X	X	X	X	GSB-XAT		RH 1		
	96462896	06-07	.	.	B	X	X	X	GSB-XAT		LH 1		
	96462897	06-07	.	.	B	X	X	X	GSB-XAT		RH 1		
	[11]			(E)BOLT (D)BOLZEN						(F)BOULON (S)PERNO			
	94500712	04-07	B	B	B	X	X	X			4		
	[12]			(E)NUT (D)MUTTER						(F)ECROU (S)TUERCA			
	94515070	04-07	B	B	B	X	X	X			4		
	[14]			(E)SEAT-UPR SPRING,RR (D)FEDERSITZ-OBEN,HINTEN						(F)SIEGE-SUP RESSORT,AR (S)ASIENTO-MUELLE SUP.TR			
	96561769	04-07	B	B	B	X	X	X			2		
	[30]			(E)INSULATOR STRUT RR (D)STREBENISOLATOR HINTEN						(F)BLOC ELASTIQUE-JAMBE (S)AISLADOR-CONJUNTO			
	96404799	04-07	B	B	B	X	X	X			2		
	[31]			(E)PLUG (D)STECKER						(F)BOUCHON (S)ITAPON			
	94535738	04-07	B	B	B	X	X	X			2		
				**** RPO DEFINITIONS ****									
				XAT : AUSTRALIA-MANDATORY									
				GSB : GAS SHOCK ABSORBER									
				XLJ : JAPAN-MANDATORY									

4330

REAR KNUCKLE&HUB

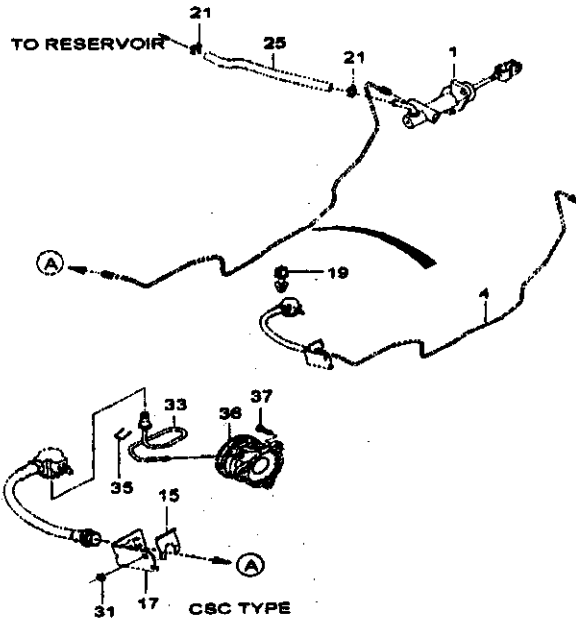


RJ4330G 01/08/2005

I T C	KEY NO.		PART NAME											P / C O D E	
	PART NO.	MODEL YEAR	D R V	BODY			LEVEL		OPTION	L / R	Q T Y	V.I.N.			REMARKS
				4 N H	5 S B	6 L L	7 S S	8 T				FROM	TO		
	[01]			(E)KNUCKLE A-RR (D)ACHSSCHENKEL A-HINTEN										(F)PORTE-MOYEU A-AR (S)MANGUETA A-TR	
	96489001	04 - 05		B	B	.	X	X	X			LH	1	073653	
	○ 96407220	04 - 07		B	B	.	X	X	X			LH	1	073654	
	96407220	05 - 07		.	.	B	X	X	X			LH	1		
	96489002	04 - 05		B	B	.	X	X	X			RH	1	073653	
	○ 96407221	04 - 07		B	B	.	X	X	X			RH	1	073654	
	96407221	05 - 07		.	.	B	X	X	X			RH	1		
	[03]			(E)HUB UNIT-RR (D)NABENEINHEIT-HINTEN										(F)MOYEU-AR (S)UNIDAD DE CUBO-TR	
	96328247	04 - 07		B	.	.	X	X	X	JLB/JTC			2		
	Y 96451752	04 - 07		B	B	B	X	X	X	JLB/JTC			2		
	Y 96639606	04 - 07		B	B	B	X	X	X	JLB/JTC			2		
	96328248	04 - 07		B	B	B	X	X	X	JLB/JTC			2		
	Y 96639607	04 - 07		B	B	B	X	X	X	JLB/JTC			2		
	[06]			(E)DRUM A-BRAKE,RR (D)BREMSSTROMMEL A,HINTEN										(F)TAMBOUR A-FREIN,AR (S)TAMBOR A-FRENO,TR	
	96549625	04 - 07		B	B	.	X	X	X	LJB6			2		
	[07]			(E)DISC-BRAKE SOLID,RR (D)VOLLSCHEIBE BREMSE,HINTEN										(F)DISQUE-FREIN,PLEIN,AR (S)DISCO-DE FRENO MACIZO,TR	
	96549630	04 - 07		B	B	B	X	X	X	LJB6			2		
	[08]			(E)SCREW (D)SCHRAUBE										(F)VIS (S)TORNILLO	
	94520093	04 - 07		B	B	B	X	X	X				2		
	[17]			(E)BOLT (D)BOLZEN										(F)BOULON (S)PERNO	
	94501043	04 - 07		B	B	B	.	X	X				8		
	[18]			(E)RUBBER-PROTV (D)SCHUTZGUMMI										(F)CAOUTCHOUC-PROTEC (S)GOMA-PROTC	
	96378942	04 - 07		B	B	B	X	X	X	LJB6			2		
				**** RPO DEFINITIONS ****											
				JLB : BRAKE-ANTI LOCK SYSW/O ASR											
				JTC : TRACTION CONTROL W/ABS											
				JB6 : RR BRAKE-DRUM											
				JDB : RR BRAKE-DISC											

4410

HYDRAULIC CLUTCH

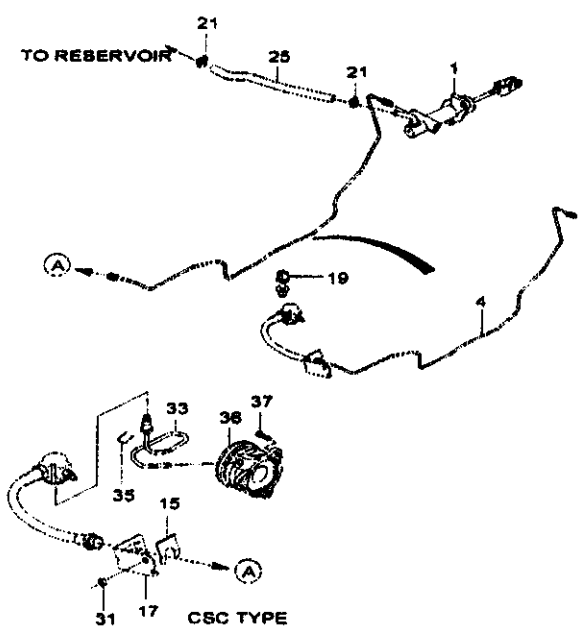


RJ4410 10/30/2004

I T C	KEY NO.	PART NO.	MODEL YEAR	D R V	PART NAME						L Q T Y	V.I.N.		REMARKS	P / C O D E
					BODY	LEVEL	OPTION	FROM	TO	REMARKS					
												4 N B	4 H B		
	[01]				(E)CYLINDER A-CLU MASTER (D)HAUPTZYLINDER-KUPPLUNG						(F)MAITRE-CYLINDRE A-EMBAYAGE (S)CILINDRO A-MAESTRO EMB				
	98494422	04-07	L		B B B X X X			1M04AM05M85			1				
	98494423	04-07	R		B B B X X X			1M04AM05M85			1				
	[04]				(E)PIPE A-CLU MASTER CYL (D)HAUPTZYLINDERROHR A-KUPPLUNG						(F)TUYAU A-MAITRE-CYLINDRE (S)TUBO A-CIL MAESTRO EMB				
	98451312	04-07	L		B B B X X X			1M04AM05M85			1				
	98451313	04-07	R		B B B X X X			1M04AM05M85			1				
	[15]				(E)CLIP (D)KLEMME						(F)CLIP (S)CLIP				
	98144733	04-07			B B B X X X			1M04AM05M85			1				
	[17]				(E)CLAMP (D)KLEMMSTUECK						(F)COLLIER (S)ABRAZADERA				
	98451314	04-07			B B B X X X			1M04AM05M85			1				
	[19]				(E)CLIP (D)KLEMME						(F)CLIP (S)CLIP				
	94530268	04-07			B B B X X X			1M04AM05M85			2				
	[21]				(E)CLIP (D)KLEMME						(F)CLIP (S)CLIP				
	94530024	04-07			B B B X X X			1M04AM05M85			2				
	[25]				(E)HOSE A-RESERVOIR TANK (D)SCHLAUCH A-LAGERBEHAELTER						(F)FLEXIBLE A-RESERVOIR (S)MANGUITO A-DEPOSITO				
	98549182	04-07	L		B B B X X X			1B896M04AM05M85			1			KQ	
	98549195	04-07	L		B B B X X X			1B878M04AM05M85			1			KH	
	98549183	04-07	R		B B B X X X			1B896M04AM05M85			1			KJ	
	98549196	04-07	R		B B B X X X			1B878M04AM05M85			1			KL	
	[31]				(E)NUT (D)MUTTER						(F)ECROU (S)TUERCA				
	94515147	04-07			B B B X X X			1M04AM05M85			1				
	[33]				(E)PIPE A-CONCETRIC SLAVE (D)KONZENTRISCHES SLAVEROHR A						(F)TUYAU A-CYLINDRE RECEPTEUR (S)TUBO-ESCLAVO CONCÉNTRICO				
	98549208	04-07			B B B X X X			1M04AM05M85			1				
	[35]				(E)CLIP (D)KLEMME						(F)CLIP (S)CLIP				
	98290453	04-07			B B B X X X			1M04AM05M85			1				
	[36]				(E)CYLINDER A-CONCENTRIC SLAVE (D)KONZENTRISCHER SLAVEZYLINDER A						(F)CYLINDRE A-RECEPTEUR (S)CILINDRO A-ESCLAVO CONCÉN				
	98286828	04-07			B B B X X X			1M04AM05M85			1				
	[37]				(E)BOLT (D)BOLZEN						(F)BOULON (S)PERNO				
	94500752	04-07			B B B X X X			1M04AM05M85			3				

4410

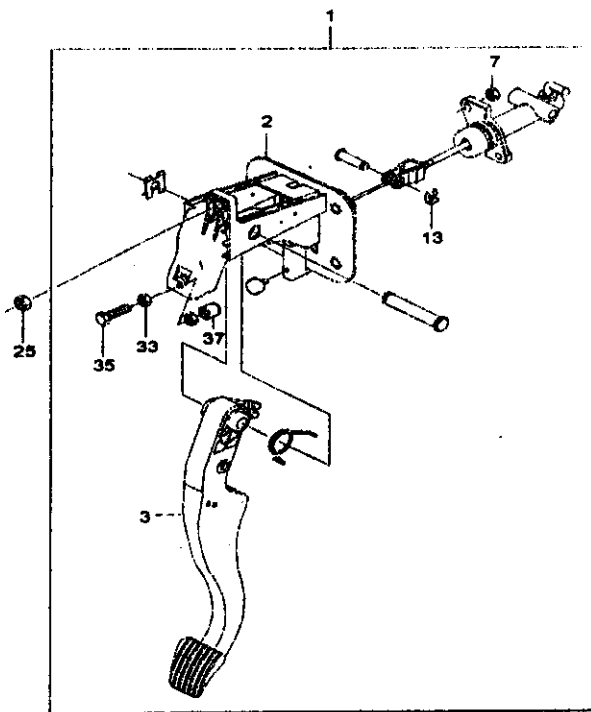
HYDRAULIC CLUTCH



RJ4410 10/30/2004

I T C	PART NO.	KEY NO.	MODEL YEAR	PART NAME				OPTION	L / Q T Y	V.I.N.		REMARKS	R - C O O D	
				D R V	BODY		LEVEL			F R O M	T O			
					4 N B	5 H S W	B L S							L L S T
								**** RPO DEFINITIONS ****						
								M04 : TRANS-MAN,5SPD,CR						
								M05 : TRANS-MAN,5SPD,MODIFY CR						
								M65 : TRANSMISSION-MAN,5 SPD,M/R						
								889 : BOOSTER-SINGLE 9"						
								887 : BOOSTER-TANDEM 7"x8"						

4420
CLUTCH PEDAL I



RJ4420DGW 10/30/2004

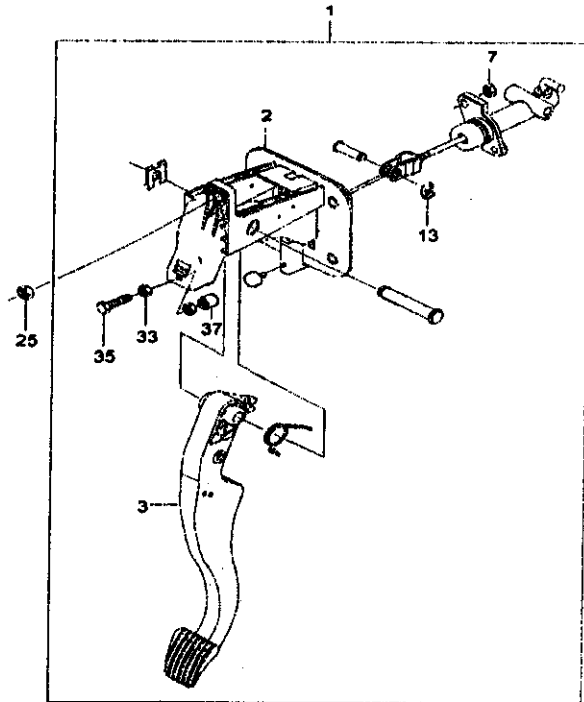
I T C	KEY NO.		PART NAME										L O T Y	V.I.N.		REMARKS	P I C O D E	
	PART NO.	MODEL YEAR	D R V	BODY		LEVEL		OPTION	R Y	FROM	TO							
				4 N H S B	5 B W	B L	L S T											
	[01]			(E)PEDAL A-CLU (D)KUPPLUNGSPEDAL A								(F)PEDALE A-EMB (S)PEDAL A-EMB						
	98549146	04-07	L	B	B	B	X	X	. .	LL14L448MQ4MG5			1					
	98549143	04-05	L	B	B	B	. .	X	X	LB44MQ4M85			1					
	98549143	06-07	L	B	B	B	. .	X	X	LDAL84L88LMQ4M85M85			1					
	98549147	04-07	R	B	B	B	X	X	. .	LL14L448MQ4MG5			1					
	98549225	04-05	R	B	B	B	. .	X	X	LL848MQ4M85			1					
	98549225	06-07	R	B	B	B	. .	X	X	LL14L448MQ4MG5			1					
	[02]			(E)BRACE-CLU (D)KUPPLUNGSPEDALSTREBE								(F)RENFORT-PEDALE D'EMB (S)ANCLAJE-PEDAL EMB						
	98549201	04-05		B	B	B	X	X	X	LMQ4M85M85			1					
	98549201	06-07		B	B	B	X	X	X	LMQ4M85M85M85-100			1					
	[03]			(E)PEDAL-CLU (D)KUPPLUNGSPEDAL								(F)PEDALE-EMB (S)PEDAL-EMB						
	98549158	04-07	L	B	B	B	X	X	X	LMQ4M85M85			1					
	98549159	04-07	R	B	B	B	X	X	X	LMQ4M85M85			1					
	[07]			(E)NUT (D)MUTTER								(F)ECROU (S)TUERCA						
	94515455	04-07	L	B	B	B	X	X	X	LMQ4M85M85			2					
	[13]			(E)RING-E (D)RING-E								(F)ANNEAU EN E (S)ANILLO EN E						
	94535166	04-07	L	B	B	B	X	X	X	LMQ4M85M85			1					
	[26]			(E)NUT (D)MUTTER								(F)ECROU (S)TUERCA						
	94515132	04-07		B	B	B	X	X	X	LMQ4M85M85			5					
	[33]			(E)NUT (D)MUTTER								(F)ECROU (S)TUERCA						
	94515049	04-05	L	B	B	B	X	X	X	LMQ4M85M85			2					
	[35]			(E)BOLT (D)BOLZEN								(F)BOULON (S)PERNO						
	94500802	04-05	L	B	B	B	X	X	X	LMQ4M85M85			1					
	[37]			(E)BUFFER-CLU (D)DAMPFER-KUPPLUNGSPEDAL								(F)BUTEE-PEDALE D'EMBRAYAGE (S)AMORTIGUADOR-PEDAL EMB						
	96263486	04-05	L	B	B	B	X	X	X	LMQ4M85M85			1					

**** RPO DEFINITIONS ****

- L14 : ENGINE-4 CYL 1.4 DOHC MPI
- L44 : ENGINE-4 CYL 1.6 DOHC MPI
- MQ4 : TRANS-MAN,5SPD,CR
- MG5 : TRANS-MAN,5SPD,MODIFY CR
- LB4 : ENGINE-4 CYL 1.6 DOHC MPI
- M85 : TRANSMISSION-MAN,5 SPD,M/R

4420

CLUTCH PEDAL I

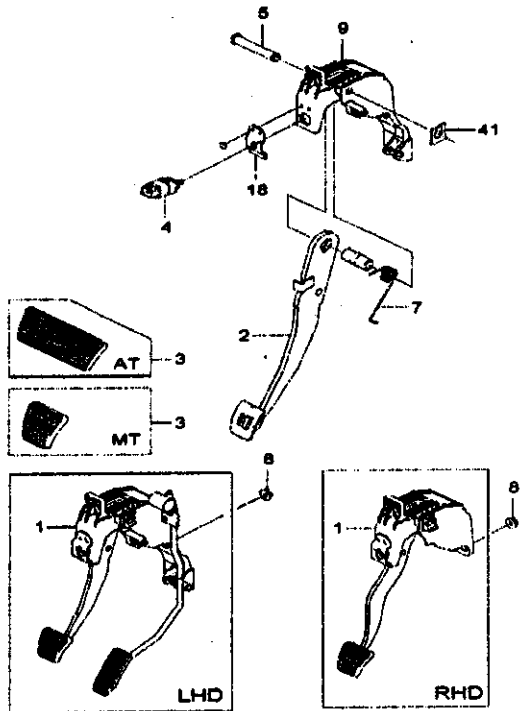


RJ4420DGW 10/30/2004

KEY NO.		PART NAME													
I T C	PART NO.	MODEL YEAR	D R V	BODY			LEVEL			OPTION	L Q T Y	V.I.N.		REMARKS	P / C O D E
				4 N B	4 H S	5 B W	B S	L S	L T			FROM	TO		
										**** RPO DEFINITIONS **** LDA : ENGINE-4 CYL 1.8 DOHC MPI LBS : ENGINE-4 CYL 2.0 DOHC MPI M88 : TRANS-MAN,5 SPD,D20 CR K30 : CRUISE CONTROL					

4430

BRAKE PEDAL I

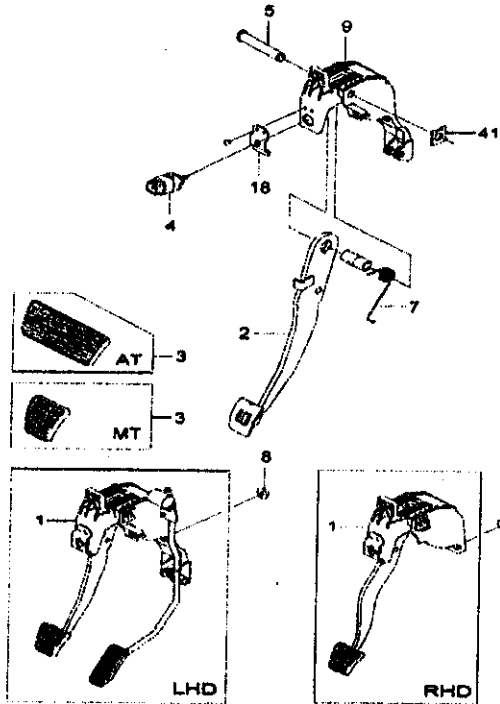


RJ4430GW 06/22/2005

I T C	KEY NO.	PART NO.	MODEL YEAR	D R Y	PART NAME						L Q T Y	V.I.N.		REMARKS	P / C O D E
					B O D Y	L E V E L	O P T I O N	F R O M	T O	R E M A R K S					
												4 N B	4 H S B		
	[01]				(E)PEDAL A-BRAKE (D)BREMSPEDAL A						(F)PEDALE A-FREIN (S)PEDAL A-FRENO				
	96549632	04-07	L	B	B	B	X	X	X	1	943306			P3	
Y	96415621	04-07	L	B	B	B	X	X	X	1	943307			M1	
	96549633	04-07	L	B	B	B	X	X	X	1	943306			P4	
Y	96415622	04-07	L	B	B	B	X	X	X	1	943307			M2	
	96549636	04-07	R	B	B	B	X	X	X	1	039630			RR	
Y	96430742	04-07	R	B	B	B	X	X	X	1	039631			RT	
	96549637	04-07	R	B	B	B	X	X	X	1	039630			RB	
Y	96430743	04-07	R	B	B	B	X	X	X	1	039631			RU	
	[02]				(E)PEDAL-BRAKE (D)BREMSPEDAL						(F)PEDALE-FREIN (S)PEDAL-FRENO				
	96549649	04-07	L	B	B	B	X	X	X	1	943306				
Y	96415625	04-07	L	B	B	B	X	X	X	1	943307				
	96549650	04-07	L	B	B	B	X	X	X	1	943306				
Y	96415626	04-07	L	B	B	B	X	X	X	1	943307				
	96549651	04-07	R	B	B	B	X	X	X	1	039630				
Y	96430744	04-07	R	B	B	B	X	X	X	1	039631				
	96549652	04-07	R	B	B	B	X	X	X	1	039630				
Y	96430745	04-07	R	B	B	B	X	X	X	1	039631				
	[03]				(E)COVER-BRAKE PEDAL (D)ABDECKUNG-KUPPLUNGSPEDAL						(F)COUVRE-PEDALE DE FREIN (S)TAPA-PEDAL DE FRENO				
	94580532	04-07	L	B	B	B	X	X	X	1					
	94807433	04-07	L	B	B	B	X	X	X	1	943306				
Y	96414849	04-07	L	B	B	B	X	X	X	1	943307				
	94580568	04-07	R	B	B	B	X	X	X	1					
	[04]				(E)SWITCH A-STOP LAMP (D)SCHALTER A-BREMSLEUCHTE						(F)CONTACTEUR A-FEU STOP (S)INTERRUPTOR A-LUCES DE				
	96552789	04-05	B	B	B	X	X	X	X	1	119751			WA	
O	96436331	04-05	B	B	B	X	X	X	X	1	119752	232875		ZA	
O	96440825	04-07	B	B	B	X	X	X	X	1	232876			YA	
	96552790	04-05	B	B	B	X	X	X	X	1	119751			WB	
O	96436332	04-05	B	B	B	X	X	X	X	1	119752	232875		ZB	
O	96440926	04-07	B	B	B	X	X	X	X	1	232876			YB	
	[06]				(E)SHAFT-PEDAL (D)PEDALWELLE						(F)AXE-PEDALE (S)JE-PEDAL				
	96389041	04-07	B	B	B	X	X	X	X	1					
	[07]				(E)SPRING (D)FEDER						(F)RESSORT (S)MUELLE				
	96389037	04-07	B	B	B	X	X	X	X	1					

4430

BRAKE PEDAL I

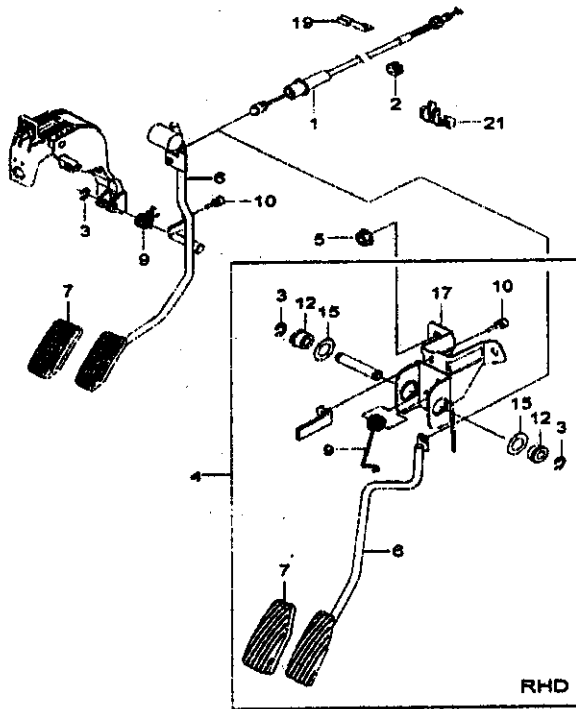


RJ4430GW 05/22/2005

I T C	KEY NO.		PART NAME											P / C O D E				
	PART NO.	MODEL YEAR	D R Y	BODY			LEVEL		OPTION	L / R	Q T Y	V.I.N.			REMARKS			
				4 N B	5 H S W	6 L S	7 B L S T	8 L S T				FROM	TO					
	[08]																	
	94515132	04 - 07	L	B	B	B	X	X	X					(F)ECROU (S)TUERCA 6				
	94515132	04 - 07	R	B	B	B	X	X	X					5				
	[09]																	
	96549641	04 - 07	L	B	B	B	X	X	X					(F)RENFORT-PEDALE DE FREIN (S)ANCLAJE-PEDAL DE FRENO 1				
	96549642	04 - 07	R	B	B	B	X	X	X					1				
	[18]																	
	96549645	04 - 04	L	B	B	.	X	X	X					1	039630			
	96492748	04 - 04	R	B	B	.	X	X	X					1	039630			
	O 96549645	04 - 07		B	B	B	X	X	X					1	039631			
	[41]																	
	94530004	04 - 07		B	B	B	X	X	X					(F)CLIP (S)CLIP 1				
	**** RPO DEFINITIONS ****																	
	M04 : TRANS-MAN,5SPD,CR																	
	M06 : TRANS-MAN,5SPD,MODIFY CR																	
	M86 : TRANSMISSION-MAN,5 SPD,MR																	
	M89 : TRANS-MAN,5 SPD,D20 CR																	
	ML4 : TRANSMISSION-AUTO,4 SPEED																	
	MM9 : TRANS-AUTO,4SPD,4HP 16																	
	K30 : CRUISE CONTROL																	

4440

ACCELERATOR CONTROL

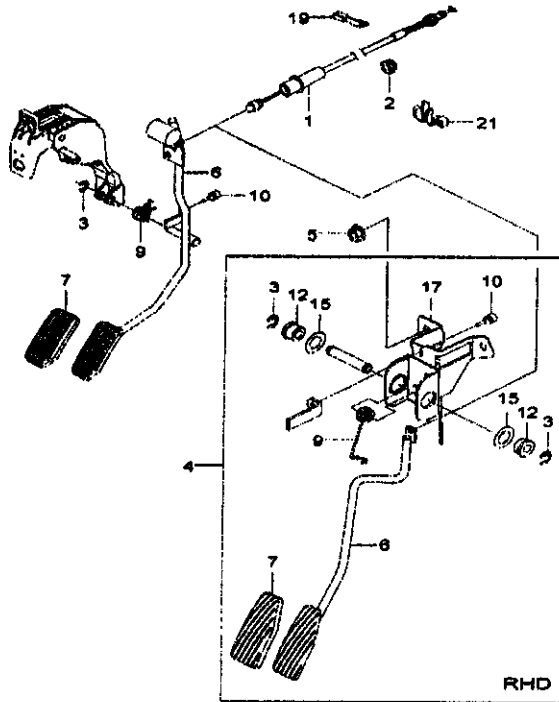


RJ4440GW 10/30/2004

I T C	KEY NO.		PART NAME										L Q R Y	V.I.N.		REMARKS	P I C C O D E
	PART NO.	MODEL YEAR	D R V E	BODY			LEVEL			OPTION	FROM	TO					
				4 N H S B	5 S S W	6 L L	7 S S T	8 L L	9 S S T								
	[01]			(E)CABLE A-ACCEL CONT (D)KABEL A-BESCHLEUN.-STEUERUNG	(F)CABLE A-COMMANDE D'ACCEL (S)CABLE A-CONT ACEL												
	9653698	04-07	L	B	B	B	X	X	X	AL14A,44		1					HA
	9653902	04-05	L	B	B	B	X	X	X	ALM4,88&M0&M85		1					HC
	9653902	06-07	L	B	B	B	X	X	X	ALM4,88&M0&M85&M90		1					HC
	96395073	04-07	L	B	B	B	X	X	X	ALM4,88&M90		1					HE
	96419666	08-07	L	B	B	B	.	X	X	ALDA		1		016618			HL
	9653699	04-06	R	B	B	B	.	X	X	AL14A,44		1	016619	259229			HF
Y	96419662	04-06	R	B	B	B	X	X	X	AL14A,44		1	259230				HS
N	96476254	06-07	R	B	B	B	X	X	X	AL14A,44		1					RD
	9653903	04-06	R	B	B	B	.	X	X	ALM4,88&M0&M85		1			260312		HH
N	96476252	06-07	R	B	B	B	.	X	X	ALM4,88&M0&M85		1	260313				RB
	96490090	04-06	R	B	B	B	.	X	X	ALM4,88&M90		1		261590			HJ
N	96476253	06-07	R	B	B	B	.	X	X	ALM4,88&M90		1	261591				RC
	96419667	06-06	R	B	B	B	.	X	X	ALDA		1		259606			HM
N	96476255	06-07	R	B	B	B	.	X	X	ALDA		1	259609				RE
	[02]			(E)GROMMET (D)DURCHFUEHRUNGSTUELLE	(F)PASSE-TUBE (S)PASACABLES												
	94535027	04-07		B	B	B	X	X	X			1					
	[03]			(E)RING-E (D)RING-E	(F)ANNEAU EN E (S)ANILLO EN E												
	94535159	04-07	L	B	B	B	X	X	X			1					
	94535159	04-05	R	B	B	B	X	X	X			2					
	94535159	06-07	R	B	B	B	X	X	X	ALDAL,14&L4&L84		2					
	[04]			(E)LEVER A-ACCEL CONT PEDAL (D)HEBEL A-GASPEDALSTEUERUNG	(F)LEVIER A-PEDALE DE COMMANDE (S)PALANCA A-PEDAL CONT ACEL												
	96553884	04-05	R	B	B	B	X	X	X			1					
	96553884	06-07	R	B	B	B	X	X	X	ALDAL,14&L4&L84		1					
	[06]			(E)NUT (D)MUTTER	(F)ECROU (S)TUERCA												
	94515132	04-07	R	B	B	B	X	X	X			3					
	[06]			(E)LEVER-ACCEL CONT PEDAL (D)HEBEL A-GASPEDALSTEUERUNG	(F)LEVIER-PEDALE DE COMMANDE (S)PALANCA-PEDAL CONT ACEL												
	96553881	04-05	L	B	B	B	X	X	X	-K00		1					
	96553881	06-07	L	B	B	B	X	X	X	ALDAL,14&L4&L84&L88		1					
	96553885	04-05	R	B	B	B	X	X	X			1					
	96553885	06-07	R	B	B	B	X	X	X	ALDAL,14&L4&L84		1					
	[07]			(E)PAD-PEDAL ACCEL CONT (D)PEDALPAD,GASPEDALSTEUERUNG	(F)PATIN-PEDALE,COMMANDE (S)FORRO-PEDAL,CONT ACEL												
	96184690	04-05	L	B	B	B	X	X	X	ALDAL,14&L43&L44&L84		1					
	96184690	04-07	L	B	B	B	X	X	X			1					
	96396254	04-05	R	B	B	B	X	X	X			1					

4440

ACCELERATOR CONTROL



RJ4440GW 10/30/2004

I T C	KEY NO.		PART NAME											L Q /	V.I.N.		REMARKS	P R O O C E D U R E
	PART NO.	MODEL YEAR	D R V	BODY			LEVEL		OPTION	R Y	FROM TO							
				4 N H S B W	5 S S	B L	L L	S S T										
	[07]			(E)PAD-PEDAL (D)PEDALPAD,GASPEDALSTEUERUNG	ACCEL CONT									(F)PATTIN-PEDALE.COMMANDE (S)TORRO-PEDAL,CONT ACEL				
	96398254	04 - 07	R	B B B	X X X				8LDAAL14L,44L,84					1				
	[08]			(E)SPRING (D)FEDER										(F)RESSORT (S)MUELLE				
	96399038	04 - 05	L	B B B	X X X				8LDAAL14L,43L,44L,84					1				
	96399038	06 - 07	L	B B B	X X X									1				
	96445774	04 - 05	R	B B B	X X X									1				
	96445774	06 - 07	R	B B B	X X X				8LDAAL14L,44L,84					1				
	[10]			(E)BUMPER-ADJUSTING SCREW (D)DAEMPFER-STELLSCHRAUBE										(F)BUTEE-VIS DE REGLAGE (S)TOPE AMORTIGUADOR-TORNILLO				
	96257063	04 - 07	L	B B B	X X X									1				
	96257063	04 - 05	R	B B B	X X X									1				
	96257063	06 - 07	R	B B B	X X X				8LDAAL14L,44L,84					1				
	[12]			(E)BUSH (D)BUCHSE										(F)BAGUE (S)CASQUILLO				
	94580508	04 - 05	R	B B B	X X X									2				
	94580508	06 - 07	R	B B B	X X X				8LDAAL14L,44L,84					2				
	[15]			(E)WASHER (D)UNTERLEGS-CHEIBE										(F)FRONDELLE (S)ARANDELA				
	94525142	04 - 05	R	B B B	X X X									2				
	94525142	04 - 07	R	B B B	X X X				8LDAAL14L,44L,84					2				
	94525201	04 - 05	R	B B B	X X X									2				
	94525201	06 - 07	R	B B B	X X X				8LDAAL14L,44L,84					2				
	[17]			(E)BRACKET-ACCEL CONT CABLE (D)KABEL-BESCHLEUN.-STEUERUNG										(F)SUPPORT-CABLE DE COMMANDE (S)SOPORTE-CABLE CONT ACEL				
	96445772	04 - 05	R	B B B	X X X									1				
	96445772	06 - 07	R	B B B	X X X				8LDAAL14L,44L,84					1				
	[19]			(E)BRACKET-ACCEL CONT CABLE (D)KABEL-BESCHLEUN.-STEUERUNG										(F)SUPPORT-CABLE DE COMMANDE (S)SOPORTE-CABLE CONT ACEL				
	96450059	04 - 07		B B B	X X X				8L14L,44					1				
	[21]			(E)CLIP (D)KLEMME										(F)CLIP (S)CLIP				
	94530686	04 - 07	R	B B B	X X X									2				

**** RPO DEFINITIONS ****

L14 : ENGINE-4 CYL 1.4 DOHC MPI

L44 : ENGINE-4 CYL 1.6 DOHC MPI

L84 : ENGINE-4 CYL 1.8 DOHC MPI

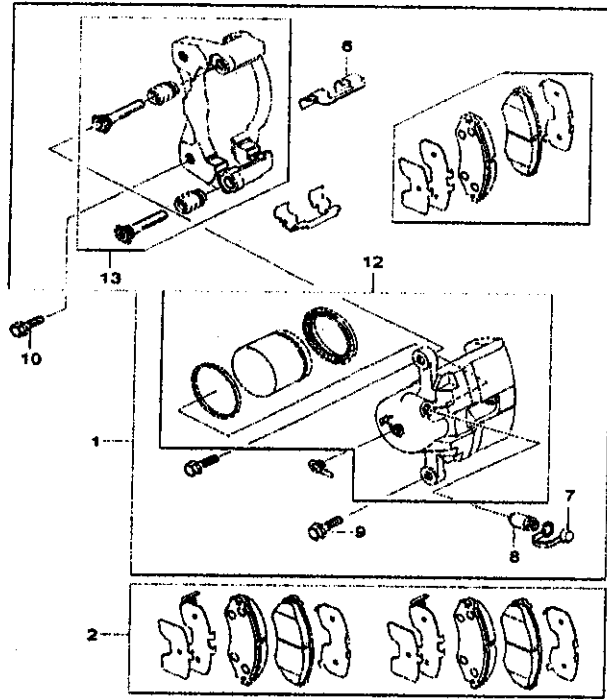
L85 : ENGINE-4 CYL 2.0 DOHC MPI

MG4 : TRANS-MAN,5SPD,CR

M85 : TRANSMISSION-MAN,5 SPD,M/R

4510

FRONT BRAKE I



RJ4510 10/30/2004

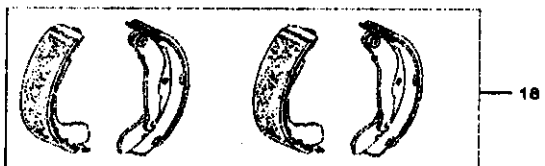
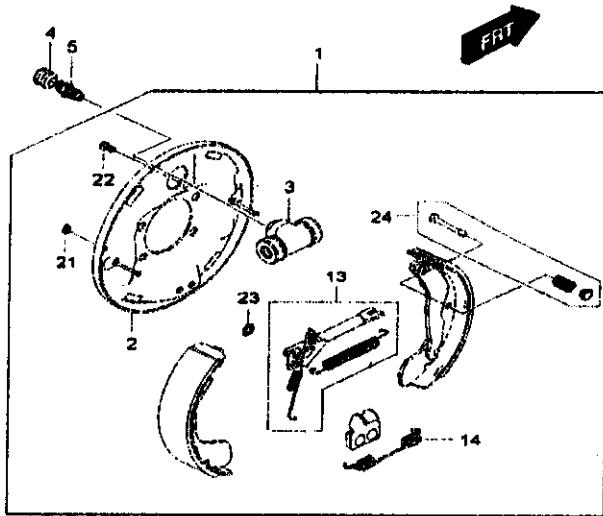
I T C	KEY NO.		PART NAME											REMARKS	P- CODE		
	PART NO.	MODEL YEAR	D R V	BODY		LEVEL		OPTION	L / R	Q T Y	V.I.N.						
				4 N B	4 H W	5 S B	L L S				L L S	FROM				TO	
	[01]																
	96549788	04-07												(F)ETRIER A-FREIN,AV (S)PINZA A-FRENO,DELAN			
	96549789	04-07												LH 1			
	96418145	05-07												RH 1			
	96418146	04-07												LH 1			
														RH 1			
	[02]													(F)KIT PLAQUETTES-FREIN AVANT (S)KIT DE PASTILLAS-FRENO DELAN			
	96405129	04-07												1			
	96418874	05-05												1	168500		
	96449298	05-07												1	168501		
	[08]													(F)RESSORT-PLAQUETTE (S)MUELLE-PASTILLA			
	96418875	04-07												1			
	[07]													(F)PROTECTEUR-PURGEUR (S)PROTECTOR-PURGADOR			
	96418877	04-07												1			
	[08]													(F)VIS (S)TORNILLO			
	96418878	04-07												1			
	[09]													(F)BOULON (S)PERNO			
	96418876	04-07												1			
	[10]													(F)BOULON (S)PERNO			
	94500673	04-07												4			
	[12]													(F)VERIN A (S)CILINDRO A			
	96418871	04-07												LH 1			
	96418872	04-07												RH 1			
	[13]													(F)SUPPORT (S)SOPORTE			
	96418873	04-07												2			

**** RPO DEFINITIONS ****

XJ6 : JAPAN-MANDATORY

4520

REAR BRAKE(DRUM)

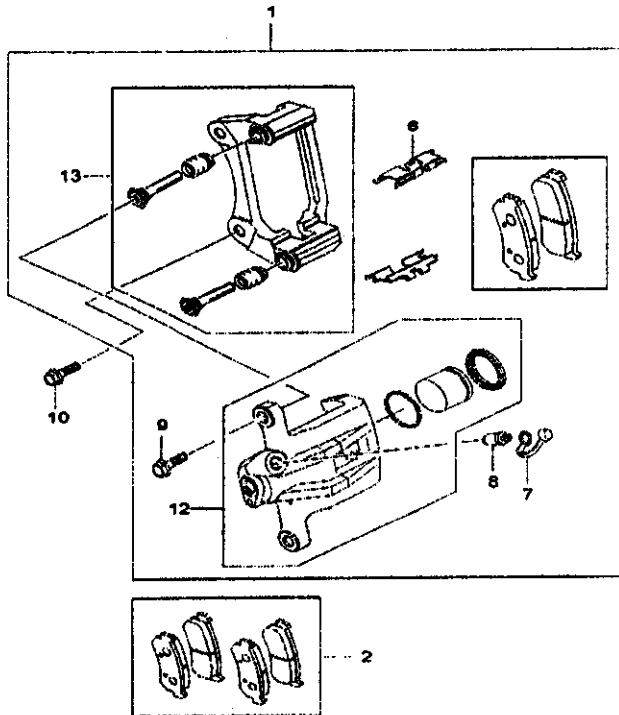


RJ4520G 10/30/2004

KEY NO.		PART NAME											
I T C	PART NO.	MODEL YEAR	D R V E	BODY		LEVEL		OPTION	L Q T Y	V.I.N.		REMARKS	P R O C E D U R E
				4 N B	4 H S	5 B L	5 S I			5 L S	5 T		
								**** RPO DEFINITIONS **** J66 : RR BRAKE-DRUM					

4521

REAR BRAKE(DISC)

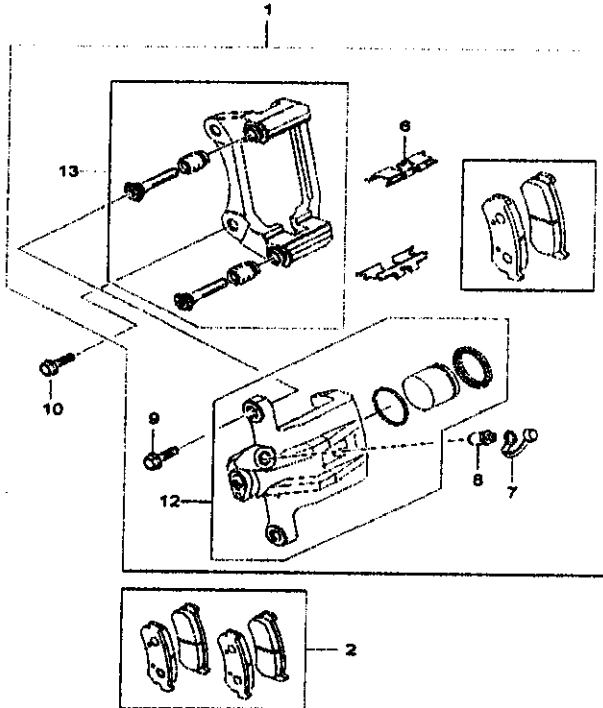


RJ4521 10/30/2004

I T C	KEY NO.		PART NAME										L Q / R Y	V.I.N.		REMARKS	P / C O D E
	PART NO.	MODEL YEAR	D R V	BODY		LEVEL		OPTION	FROM	TO	REMARKS						
				4 N B	4 M B	5 S B	5 L T										
	[01]			(E)CALIPER A-BRAKE,RR (D)BREMSSATTEL A,HINTEN								(F)ETRIER A-FREIN,AR (S)PINZA A-FRENO,TR					
	96549622	04-06		B B B X X X				L,BS				LH 1	271354				
	○ 96483798	04-06		B B B X X X				L,BS				LH 1	271355				
	96800085	07-07		B B B X X X				L,BS				LH 1					
	96549623	04-06		B B B X X X				L,BS				RH 1	259910				
	○ 96483799	04-06		B B B X X X				L,BS				RH 1	259911				
	96800086	07-07		B B B X X X				L,BS				RH 1					
	[02]			(E)PAD KIT-RR BRAKE (D)UNTERLAGENSATZ-HINTERRADBREM								(F)KIT PLAQUETTES-FREIN AR (S)KIT DE PASTILLAS-FRENO TR					
	96405131	04-06		B B B X X X				L,BS				1					
	96800089	07-07		B B B X X X				L,BS				1					
	[06]			(E)SPRING-PAD (D)UNTERLAGEFEDER								(F)RESSORT-PLAQUETTE (S)MUELLE-PASTILLA					
	96413040	04-05		B B B X X X				L,BS				1	197192				
	N 96478995	05-06		B B B X X X				L,BS				4	197193				
	96800088	07-07		B B B X X X				L,BS				1					
	[07]			(E)PROTECTOR-BLEEDER (D)SCHUTZVORRICHTUNG-ENTLUEFTER								(F)PROTECTEUR-PURGEUR (S)PROTECTOR-PURGADOR					
	96418884	04-07		B B B X X X				L,BS				2					
	[08]			(E)SCREW (D)SCHRAUBE								(F)VIS (S)TORNILLO					
	96418883	04-07		B B B X X X				L,BS				2					
	[09]			(E)BOLT (D)BOLZEN								(F)BOULON (S)PERNO					
	96418882	04-07		B B B X X X				L,BS				4					
	[10]			(E)BOLT (D)BOLZEN								(F)BOULON (S)PERNO					
	94500991	04-06		B B B X X X				L,BS				LH 2	260991				
	N 94502035	06-07		B B B X X X				L,BS				LH 2	260992				
	94500991	04-06		B B B X X X				L,BS				RH 2	259910				
	N 94502035	06-07		B B B X X X				L,BS				RH 2	259911				
	[12]			(E)CYLINDER A (D)ZYLINDER A								(F)VERIN A (S)CILINDRO A					
	96418879	04-07		B B B X X X				L,BS				LH 1					
	96418880	04-07		B B B X X X				L,BS				RH 1					
	[13]			(E)CARRIER (D)TRAEGER								(F)SUPPORT (S)SOPORTE					
	96418881	04-06		B B B X X X				L,BS				1	260991				
	○ 96418895	04-07		B B B X X X				L,BS				1	260992				

4521

REAR BRAKE(DISC)

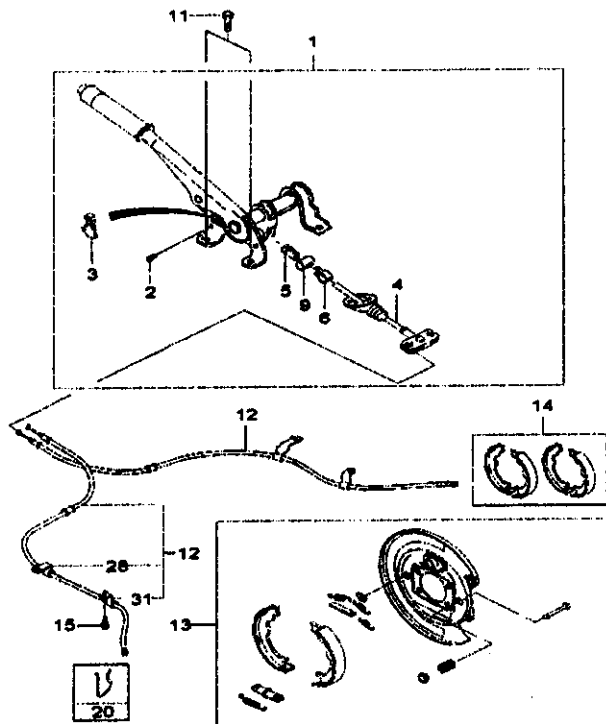


RJ4521 10/30/2004

I T C	KEY NO.		PART NAME								L I Q T Y	V.I.N.		REMARKS	P R O D U C T I O N
	PART NO.	MODEL YEAR	D R Y	BODY		LEVEL		OPTION	FROM	TO					
				4 N B	4 H S	5 B W	B L S					L L T			
									**** RPO DEFINITIONS **** J66 : RR BRAKE-DISC						

4530

PARKING BRAKE

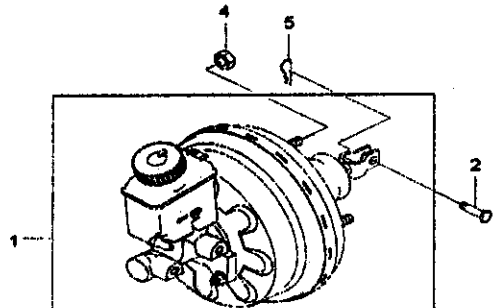


RJ4530 10/30/2004

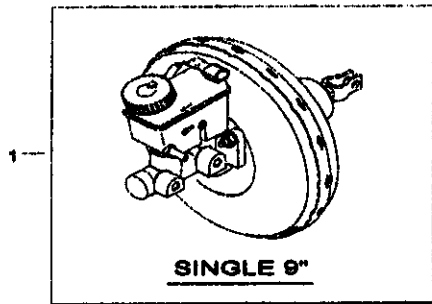
I T C	KEY NO. PART NO.	MODEL YEAR	D R V	BODY LEVEL						OPTION	L Q T Y / R Y	V.I.N.		REMARKS	P A R T C O D E		
				4	4	S	B	L	L			FROM	TO				
				N	H	S	B	L	L								
	[01]																
	98549819	04 - 06		B	B	B	X	X	X					(F)LEVIER A-FREIN DE (D)BREMSHEBEL A-FESTST.BR.	(F)LEVIER A-FREIN DE (S)PALANCA A-FRMANO		
	98549819	07 - 07		B	B	B	X	X	X	-WOPWOR					1		
	98549821	04 - 06		B	B	B	.	X	X	-WOPWOR					1		
	98549821	07 - 07		B	B	B	.	X	X	-WOPWOR					1		
	[02]													(E)BOLT (D)BOLZEN	(F)BOULON (S)PERNO		
	94500158	04 - 07		B	B	B	X	X	X						1		
	[03]													(E)SWITCH A-WARNING,P/BRAKE (D)WARSCHALTER	(F)CONTACTEUR A-TEMOIN,FREIN DE (S)INTERRUPTOR A-AVISO,F/MANO		
	94580521	04 - 07		B	B	B	X	X	X						1		
	[04]													(E)ROD-PULL P/BRAKE CABLE (D)ZUGSTANGE FESTST.BR.SEIL	(F)TIGE-TIRAGE,CABLE DE FREIN DE (S)TIRANTE-CABLE DE FMANO		
	98549845	04 - 07		B	B	B	X	X	X						1		
	[05]													(E)NUT (D)MUTTER	(F)ECROU (S)TUERCA		
	98470186	04 - 07		B	B	B	X	X	X						1		
	[06]													(E)HOLDER-NUT,P/BRAKE (D)MUTTERNHALTER,FESTST.BR.	(F)PIECE DE RETENUE-ECROU,FREIN (S)SOPORTE-TUERCA,FMANO		
	98470187	04 - 07		B	B	B	X	X	X						1		
	[09]													(E)PIN-P/BRAKE (D)STIFT-FESTST.BR.	(F)AXE-FREIN DE STATIONNEMENT (S)PASADOR-FMANO		
	98549843	04 - 07		B	B	B	X	X	X						1		
	[11]													(E)BOLT (D)BOLZEN	(F)BOULON (S)PERNO		
	94500522	04 - 07		B	B	B	X	X	X						4		
	[12]													(E)CABLE A-P/BRAKE (D)BREMSSEIL A-FESTST.BR.	(F)CABLE A-FREIN DE (S)CABLE A-FMANO		
	98549799	04 - 05		B	B	.	X	X	X	AJB6					LH 1	997262	
	Y 98418133	04 - 05		B	B	.	X	X	X	AJB5					LH 1	997263 086404	
	O 98435116	05 - 07		B	B	.	X	X	X	AJB3					LH 1	086405	
	98549800	04 - 05		B	B	.	X	X	X	AJB6					LH 1	997262	
	Y 98418134	04 - 05		B	B	B	X	X	X	AJB6					LH 1	997263 086404	
	O 98435117	05 - 07		B	B	B	X	X	X	AJB6					LH 1	086405	
	98549801	04 - 05		B	B	.	X	X	X	AJB5					RH 1	997262	
	Y 98418135	04 - 05		B	B	.	X	X	X	AJB5					RH 1	997263 086404	
	O 98435118	05 - 07		B	B	.	X	X	X	AJB5					RH 1	086405	
	98549802	04 - 05		B	B	.	X	X	X	AJB6					RH 1	997262	
	Y 98418136	04 - 05		B	B	B	X	X	X	AJB6					RH 1	997263 086404	
	O 98435119	05 - 07		B	B	B	.	.	X	AJB6					RH 1	086405	

4610

MASTER BRAKE UNIT



TANDEM 7"+8"



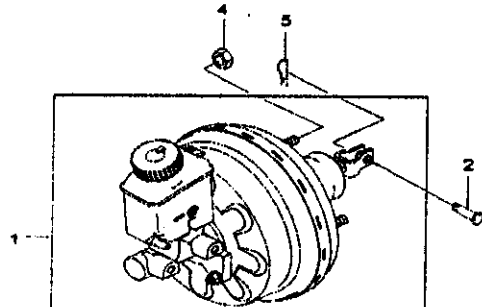
SINGLE 9"

RJ4610DG 10/30/2004

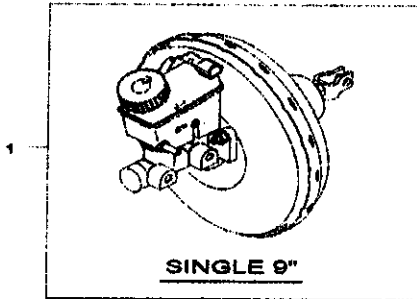
I T C	KEY NO.		PART NAME										L / R	Q / T Y	V.I.N.		REMARKS	P / C O D E
	PART NO.	MODEL YEAR	D R V E	BODY			LEVEL			OPTION	FROM	TO			REMARKS			
				4 N H S B	5 H S B	B S	L S	L S										
	[01]			(E)BRAKE UNIT A-MASTER (D)BETRIEBSBREMSENEINHEIT A											(F)ENSEMBLE FREIN A-PRINCIPAL (S)UNIDAD DE FRENO A-MAESTRO			
	96546565	04-07	L	B	B	.	X	X	X						1			AJ
	96546566	04-07	L	B	B	.	X	X	.						1			BJ
	96349915	04-07	L	B	B	.	.	X	X						1			CJ
	96546568	04-07	L	B	B	.	.	X	X						1			DJ
	96349916	04-07	L	B	B	.	.	X	X						1			DJ
	96546572	04-07	L	B	B	.	X	X	X						1			EX
	96546572	04-07	L	B	B	.	X	X	.						1			EX
	96546572	05-07	L	.	.	B	X	X	X						1			EX
	96546571	04-07	L	.	.	B	X	X	X						1			AX
	96549571	04-07	L	B	B	.	X	X	X						1			AX
	96549571	04-07	L	B	B	.	X	X	X						1			AX
	96349919	04-07	L	.	.	B	.	X	X						1			CX
	96349919	04-07	L	B	B	.	.	X	X						1			CX
	96349920	04-07	L	.	.	B	.	X	X						1			DX
	96349920	04-07	L	B	B	B	.	X	X						1			DX
	96549561	04-07	R	B	B	.	X	X	X						1			EJ
	96549562	04-07	R	B	B	.	X	X	.						1			FJ
	96349923	04-07	R	B	B	.	.	X	X						1			GJ
	96549582	04-07	R	B	B	.	.	X	X						1			FJ
	96349924	04-07	R	B	B	.	.	X	X						1			HJ
	96549568	04-07	R	B	B	.	X	X	.						1			FX
	96549568	05-07	R	.	.	B	X	X	X						1			FX
	96549587	04-07	R	B	B	B	.	X	X	X					1			EX
	96549568	04-07	R	B	B	.	X	X	X						1			FX
	96349926	04-07	R	B	B	B	.	X	X						1			HX
	96349927	04-07	R	B	B	B	.	X	X						1			GX
	96349934	05-07	R	B	B	.	.	X	.						1			MX
	[02]			(E)PIN (D)STIFT											(F)GOUILLE (S)PASADOR			
	94535811	04-07		B	B	B	.	X	X	X					1			
	[04]			(E)NUT (D)MUTTER											(F)ECROU (S)TUERCA			
	94515132	04-07		B	B	B	.	X	X	X					4			
	[06]			(E)RING-E (D)RING-E											(F)ANNEAU EN E (S)ANILLO EN E			
	94535166	04-07		B	B	B	.	X	X	X					1			
**** RPO DEFINITIONS ****																		
										858	:	BOOSTER-SINGLE 9"						
										MG4	:	TRANS-MAN,5SPD,CR						

4610

MASTER BRAKE UNIT



TANDEM 7"+8"



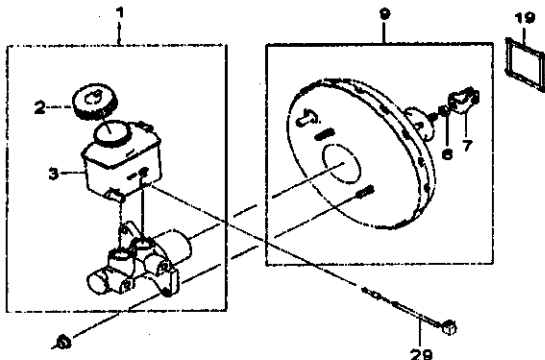
SINGLE 9"

RJ4610DG 10/30/2004

I T C	KEY NO.		PART NAME											REMARKS	P / C O D E		
	PART NO.	MODEL YEAR	D R V	BODY			LEVEL		OPTION	L Q T Y	V.I.N.						
				4 N B	4 H S	5 B W	B S	L S			L T	FROM	TO				
										**** RPO DEFINITIONS ****							
										M05 : TRANS-MAN,5SPD,MODIFY CR							
										JTC : TRACTION CONTROL VVABS							
										ML4 : TRANSMISSION-AUTO,4 SPEED							
										JL9 : BRAKE-ANTI LOCK SYS W/O ABS							
										MM9 : TRANS-AUTO,4SPD,4H16							
										BS7 : BOOSTER-TANDEM 7"+8"							
										EC1 : ECM-HIGH ALTITUDE							
										XME : MANDATORY-MEXICO							
										M06 : TRANSMISSION-MAN,5 SPD,M/R							
										M88 : TRANS-MAN,5 SPD,D20CR							
										XJ6 : JAPAN-MANDATORY							

4620

MASTER CYLINDER&BOOSTER I

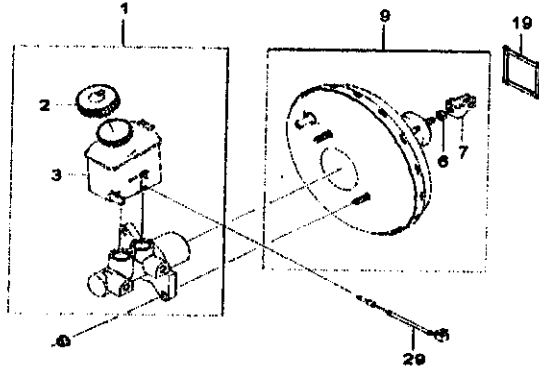


RJ4620DGW 10/30/2004

I T C	KEY NO.		PART NAME											L Q T Y	V.I.N.		REMARKS	P / P O D O C E
	PART NO.	MODEL YEAR	D R V	BODY			LEVEL		OPTION	FROM	TO	REMARKS						
				A N H B	S B W	B W	B L S	L L T										
	[01]			(E)CYLINDER A-BRAKE MASTER (D)HAUPTZYLINDER-BREMSE												(F)MAITRE-CYLINDRE A-FREIN (S)CILINDRO A-MAESTRO DE FRENO		
	96418831	04 - 07	L	B	B	.	X	X	X	ABS0AM04M05-JTC				1				
	96418832	04 - 07	L	B	B	.	X	X	.	ABS0AM04L05				1				
	96418833	04 - 07	L	B	B	.	X	X	.	ABS0AM04M02L-JTC				1				
	96418832	04 - 07	L	B	B	.	X	X	.	ABS9LMD-JTC				1				
	96418834	04 - 07	L	B	B	.	X	X	.	ABS0AM04M02L-JTC				1				
	96418851	04 - 07	L	B	B	B	X	X	X	ABS7AM04M05M05-JTC				1				
	96418852	04 - 07	L	B	B	B	X	X	X	ABS7AM04M05EC1-JTC				1				
	96418852	04 - 07	L	B	B	B	X	X	.	ABS7AM04-EC1L01/JTC				1				
	96418852	04 - 06	L	.	B	.	X	X	X	ABS7AM04L05-JTC				1				
	96418853	04 - 07	L	B	B	B	.	X	X	ABS7AM04M05M06L-JTC				1				
	96418854	04 - 07	L	B	B	B	.	X	X	ABS7AM04M05L-JTC-X16				1				
	96418831	04 - 07	R	B	B	.	X	X	X	ABS0AM04M05-JTC				1				
	96418832	04 - 07	R	B	B	.	X	X	.	ABS0AM04L05				1				
	96418833	04 - 07	R	B	B	.	X	X	.	ABS0AM04M02L-JTC				1				
	96418832	04 - 06	R	B	B	.	X	X	.	ABS0LMD-JTC				1				
	96418834	04 - 07	R	B	B	.	X	X	.	ABS0AM04M02L-JTC				1				
	96418851	04 - 07	R	B	B	B	X	X	X	ABS7AM04M05M05-JTC				1				
	96418852	04 - 07	R	B	B	B	X	X	X	ABS7AM04M05EC1-JTC				1				
	96418852	04 - 07	R	B	B	B	X	X	.	ABS7AM04-EC1L01/JTC				1				
	96418854	04 - 07	R	B	B	B	.	X	X	ABS7LTCAM04M05-X16				1				
	96418853	04 - 07	R	B	B	B	.	X	X	ABS7LTCAM04M05M05				1				
	96418855	05 - 07	B	.	B	.	X	.	.	ABS7LTCAM05L-X16				1				
	[02]			(E)CAP-MASTER BRAKE (D)DECKEL-BETRIEBSBREMSE												(F)CAPUCHON-FREIN PRINCIPAL (S)TAPA-FRENO MAESTRO		
	96418842	04 - 07		B	B	.	X	X	X					1				
	[03]			(E)RESERVOIR BODY (D)BEHAELTER-KAROSSERIE												(F)RESERVOIR-CORPS (S)DEPÓSITO-CUERPO		
	96418840	04 - 07		B	B	.	X	X	X	ABS0AM04M05M05				1				
	96418841	04 - 07		B	B	.	X	X	X	ABS0AM04M05				1				
	96418850	04 - 07		B	B	B	X	X	X	ABS7AM04M05M05				1				
	96418861	04 - 07		B	B	B	X	X	X	ABS7AM04M05-X16				1				
	96418859	04 - 07		B	.	B	.	.	X	ABS7AM05L-X16				1				
	[06]			(E)NUT (D)MUTTER												(F)ECROU (S)TUERCA		
	94515379	04 - 07		B	B	B	X	X	X					1				
	[07]			(E)CLEVIS-MASTER BRAKE (D)BUEGEL-BETRIEBSBREMSE												(F)CHAPE-FREIN PRINCIPAL (S)HORQUILLA-FRENO MAESTRO		
	96300535	04 - 07		B	B	B	X	X	X					1				
	[08]			(E)BOOSTER-MASTER BRAKE (D)AUFLADEGEBLAESE-BETRIEBSBREMS												(F)SERVO-FREIN PRINCIPAL (S)SERVOFRENO-FRENO MAESTRO		

4620

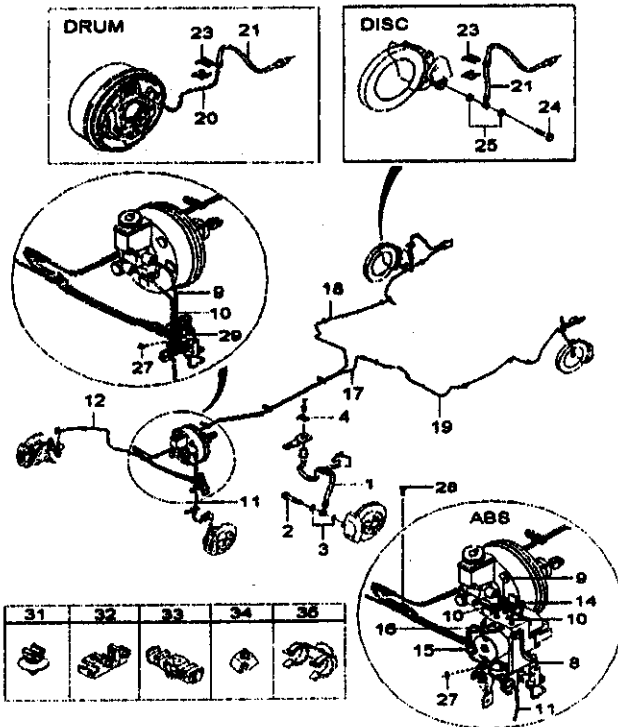
MASTER CYLINDER & BOOSTER I



RJ4620DGW 10/30/2004

I T C	KEY NO.		PART NAME											L Q T R Y	V.I.N.		REMARKS	P- J O O B		
	PART NO.	MODEL YEAR	D R V	BODY			LEVEL			OPTION	FROM	TO	REMARKS							
				4 N B	4 H S	5 B W	B S	L S	L T											
	[09]			(E)BOOSTER-MASTER BRAKE (D)AUFBLADEGEBLAESE-BETRIEBSBREMS						(F)SERVO-FREIN PRINCIPAL (S)SERVOFRENO-FRENO MAESTRO										
	96418844	04-07	L	B	B	.	X	X	X	889					1					
	96418845	04-07	R	B	B	.	X	X	X	889					1					
	96418864	04-07	L	B	B	X	X	X	X	887					1					
	96418865	04-07	R	B	B	X	X	X	X	887					1					
	[19]			(E)GASKET-MASTER BRAKE (D)DICHTRING-BETRIEBSBREMSE						(F)JOINT-FREIN PRINCIPAL (S)JUNTA-FRENO MAESTRO										
	96418848	04-07		B	B	B	X	X	X						1					
	[29]			(E)SENSOR A-RESERVOIR (D)SENSOR A-BEHAELTER						(F)CAPTEUR A-RESERVOIR (S)SENSOR A-DEPOSITO										
	93742508	04-07		B	B	B	X	X	X						1					
				**** RPO DEFINITIONS ****																
				889 : BOOSTER-SINGLE 9"																
				M04 : TRANS-MAN,5SPD,CR																
				M06 : TRANS-MAN,5SPD,MODIFY CR																
				J7C : TRACTION CONTROL WABS																
				ML4 : TRANSMISSION-AUTO,4 SPEED																
				JL9 : BRAKE-ANTI LOCK SYS W/O ASR																
				MM9 : TRANS-AUTO,4SPD,4-8-16																
				887 : BOOSTER-TANDEM 7+8"																
				M85 : TRANSMISSION-MAN,5 SPD,M/R																
				EC1 : ECM-HIGH ALTITUDE																
				XL6 : JAPAN-MANDATORY																

4652
BRAKE PIPE

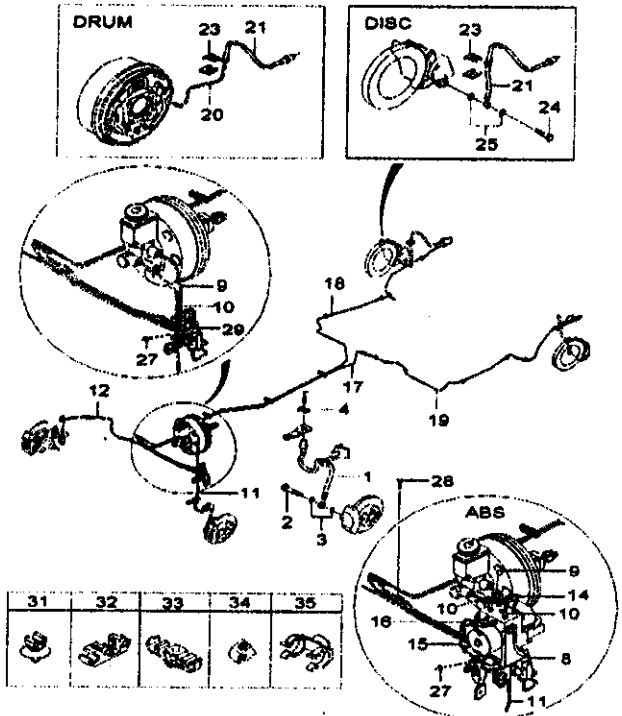


I T C	KEY NO. PART NO.	MODEL YEAR	D R V	PART NAME						L / Q T Y	V.I.N.		REMARKS	P / C O D E
				BODY	LEVEL	OPTION	FROM	TO	REMARKS					
											4 N B	4 H B		
	[01]				(E)HOSE A-BRAKE,FRNT (D)BREMSSCHLAUCH A,VORN					(F)FLEXIBLE A-FREIN,AV (S)MANGUITO A-FRENO,DELAN				
	96397200	04 - 07			B B B X X X					LH 1				
	96397201	04 - 07			B B B X X X					RH 1				
	[02]				(E)BOLT (D)BOLZEN					(F)BOULON (S)PERNO				
	94535522	04 - 07			B B B X X X					2				
	[03]				(E)WASHER (D)UNTERLEGSCHLEIBE					(F)RONDELLE (S)ARANDELA				
	94525077	04 - 07			B B B X X X					4				
	[04]				(E)RING-E (D)RING-E					(F)ANNEAU EN E (S)ANILLO EN E				
	94535131	04 - 07			B B B X X X					2				
	[08]				(E)CONNECTOR A-PORT (D)VERBINDUNGSSTUECK A-ANSCHLUSS					(F)RACCORD A-ORIFICE (S)CONNECTOR A				
	96349945	04 - 07			B B B X X X	AJL/JTC				1				
	[09]				(E)PIPE A-MASTER BRAKE,PRIM (D)BREMSROHR					(F)TUYAU A-FREIN PRINCIPAL,PRIM (S)TUBO A-FRENO MAESTRO,PRIM				
	96549726	04 - 07	L		B B . X X X	AB99-AB/JTC				1			L1	
	96549728	04 - 08	L		B B . X X X	AB99-L9				1			L2	
	96349903	04 - 06	L		B B . X X X	AB99-LTC				1			L3	
Y	96417238	04 - 06	L		B B . X X X	AB99-LTC				1			L4	
	96549734	04 - 07	L		B B B X X X	AB97-AB/JTC				1			L5	
	96549736	04 - 06	L		B B B X X X	AB97-L9				1			L6	
	96349907	04 - 06	L		B B . X X X	AB97-LTC				1			L7	
Y	96417239	04 - 06	L		B B B . X X X	AB97-LTC				1			R1	
	96549730	04 - 07	R		B B B X X X	AB99-AB/JTC				1			R2	
	96549732	04 - 08	R		B B . X X X	AB99-L9				1			R3	
	96349905	04 - 06	R		B B . X X X	AB99-LTC				1			R4	
	96549738	04 - 07	R		B B B X X X	AB97-AB/JTC				1			C1	
	96549740	04 - 06	R		B B B X X X	AB97-L9				1			C2	
	96349909	04 - 06	R		B B B . X X X	AB97-LTC				1			C3	
	96438442	07 - 07	L		B B . X X X	AB99-L9				1			D1	
	96438444	07 - 07	L		B B . X X X	AB99-LTC				1			D2	
	96438446	07 - 07	R		B B . X X X	AB99-L9				1			D3	
	96438450	07 - 07	R		B B . X X X	AB99-LTC				1			D4	
	96438452	07 - 07	L		B B B X X X	AB97-L9				1			D5	
	96438458	07 - 07	L		B B B . X X X	AB97-LTC				1			D6	
	96438458	07 - 07	R		B B B X X X	AB97-L9				1			D7	
	96438462	07 - 07	R		B B B . X X X	AB97-LTC				1			D8	

RJ4652G 10/30/2004

4652

BRAKE PIPE

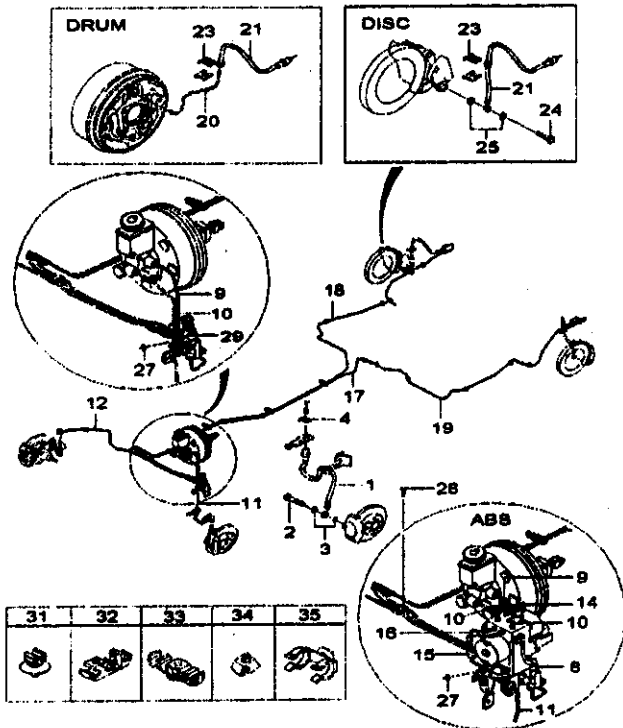


RJ4652G 10/30/2004

I T C	KEY NO.		PART NAME											L O T / R Y	V.I.N.		REMARKS	E D O C P
	PART NO.	MODEL YEAR	D R V	BODY			LEVEL		OPTION	FROM	TO	REMARKS						
				4 N H S B	4 N H S B	5 N H S B	B L	L L										
	[10]			(E)PIPE A-MASTER BRAKE,2ND (D)ROHR A-BETRIEBSBREMSE,2								(F)TUYAU A-FREIN PRINCIPAL,2E (S)TUBO A-FRENO MAESTRO,2°						
	96549727	04-07	L	B	B	.	X	X	X	ABS-JLWTC			1					
	96549729	04-06	L	B	B	.	X	X	X	ABS-LJ9			1			A1		
	96349904	04-06	L	B	B	.	.	X	X	ABS-JTC			1			A6		
	96549735	04-07	L	B	B	B	X	X	X	ABS-JLWTC			1					
	96549737	04-06	L	B	B	B	X	X	X	ABS-LJ9			1			A3		
	96349906	04-06	L	B	B	B	.	X	X	ABS-JTC			1			A7		
	96549731	04-07	R	B	B	B	X	X	X	ABS-JLWTC			1					
	96549733	04-06	R	B	B	.	X	X	X	ABS-LJ9			1			B1		
	96349906	04-06	R	B	B	.	.	X	X	ABS-JTC			1			B2		
	96549739	04-07	R	B	B	B	X	X	X	ABS-JLWTC			1					
	96549741	04-06	R	B	B	B	X	X	X	ABS-LJ9			1			B3		
	96349910	04-06	R	B	B	B	.	X	X	ABS-JTC			1			B4		
	96438443	07-07	L	B	B	.	X	X	X	ABS-LJ9			1			C2		
	96438445	07-07	L	B	B	.	.	X	X	ABS-JTC			1			B2		
	96438447	07-07	R	B	B	.	X	X	X	ABS-LJ9			1			D2		
	96438451	07-07	R	B	B	.	.	X	X	ABS-JTC			1			F2		
	96438453	07-07	L	B	B	B	X	X	X	ABS-LJ9			1			C4		
	96438457	07-07	L	B	B	B	.	X	X	ABS-JTC			1			B4		
	96438461	07-07	R	B	B	B	X	X	X	ABS-LJ9			1			D4		
	96438463	07-07	R	B	B	B	.	X	X	ABS-JTC			1			F4		
	[11]			(E)PIPE A-BRAKE,FRT (D)BREMSROHR A,VORN								(F)TUYAU A-FREIN,AV (S)TUBO A-FRENO,DELAN						
	96549691	04-07		B	B	B	X	X	X	-JLWTC			LH 1					
	96549694	04-06		B	B	B	X	X	X	-LJWTC			LH 1					
	96438432	07-07		B	B	B	.	X	X	-JTC			LH 1					
	96447660	07-07		B	B	B	X	X	X	-LJ9			LH 1					
	[12]			(E)PIPE A-BRAKE,FRT (D)BREMSROHR A,VORN								(F)TUYAU A-FREIN,AV (S)TUBO A-FRENO,DELAN						
	96549696	04-06		B	B	B	X	X	X				RH 1					
	96800083	07-07		B	B	B	X	X	X				RH 1					
	[14]			(E)PIPE A-BRAKE HYD UNIT (D)BREMSROHR A HYD EINHEIT								(F)TUYAU A-CENTRALE (S)TUBO A-UNIDAD HID FRENOS						
	96549748	04-06		B	B	B	X	X	X	-LJWTC			RH 1					
	96438464	07-07		B	B	B	.	X	X	-JTC			RH 1					
	96447661	07-07		B	B	B	X	X	X	-LJ9			RH 1					
	[15]			(E)PIPE A-BRAKE,RR,1ST (D)BREMSROHR A,1.								(F)TUYAU A-FREIN,ARRIERE,1ER (S)TUBO A-FRENO,TR,1°						
	96549749	04-06		B	B	B	X	X	X	-LJWTC			LH 1					
	96438465	07-07		B	B	B	X	X	X	-LJ9/JTC			LH 1					

4652

BRAKE PIPE

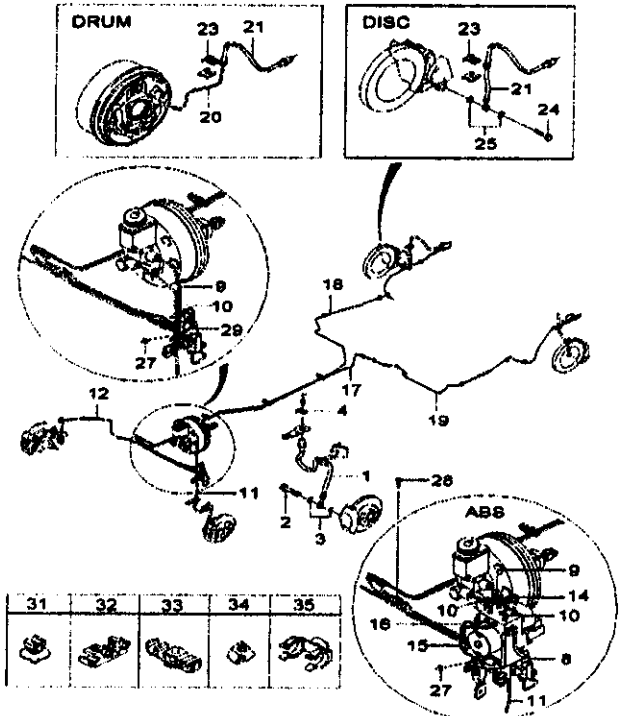


RJ4652G 10/30/2004

I T C	KEY NO.	PART NO.	MODEL YEAR	D R V	PART NAME						L Q T Y	V.I.N.		REMARKS	P / C O D E
					BODY	LEVEL	OPTION	FROM	TO	REMARKS					
												4 N B	4 H B		
		[16]			(E)PIPE A-BRAKE,RR,1ST (D)BREMSROHR A.1.							(F)TUYAU A-FREIN,ARRIERE,1ER (S)TUBO A-FRENO,TR.1°			
		98549750	04-06		B B B X X X							RH 1			
		98438466	07-07		B B B X X X							RH 1			
		[17]			(E)PIPE A-BRAKE,RR 2ND (D)BREMSROHR A.2.							(F)TUYAU A-FREIN,ARRIERE,2E (S)TUBO A-FRENO,TR.2°			
		98549708	04-07		B B B X X X							LH 1			
		[18]			(E)PIPE A-BRAKE,RR 2ND (D)BREMSROHR A.2.							(F)TUYAU A-FREIN,ARRIERE,2E (S)TUBO A-FRENO,TR.2°			
		98549709	04-07		B B B X X X							RH 1			
		[19]			(E)PIPE A-BRAKE,RR 3RD (D)BREMSROHR A.3.							(F)TUYAU A-FREIN,ARRIERE,3E (S)TUBO A-FRENO,TR.3°			
		98549710	04-07		B B B X X X							LH 1			
		[20]			(E)PIPE A-BRAKE,RR SHORT (D)BREMSROHR A,HINTEN KURZ							(F)TUYAU A-FREIN,ARRIERE,COURT (S)TUBO A-FRENO,TR.CORTO			
		98549723	04-07		B B . X X X							LH 1			
		98549724	04-07		B B . X X X							RH 1			
		[21]			(E)HOSE A-BRAKE,RR SHORT (D)BREMSSCHLAUCH,HINTEN KURZ							(F)FLEXIBLE (S)MANGUITO A-FRENO,TR.CORTO			
		98549725	04-07		B B B X X X							LH 1			
		98549722	04-07		B B . X X X							LH 1			
		98387196	04-07		B B B X X X							RH 1			
		98387195	04-07		B B . X X X							RH 1			
		[23]			(E)RING-E (D)RING-E							(F)ANNEAU EN E (S)ANILLO EN E			
		94535131	04-07		B B B X X X							2			
		94535131	04-07		B B B X X X							2			
		94535948	04-07		B B B X X X							2			
		[24]			(E)BOLT (D)BOLZEN							(F)BOULON (S)PERNO			
		94535523	04-07		B B B X X X							2			
		[26]			(E)WASHER (D)UNTERLEGSCHLEIBE							(F)RONDELLE (S)ARANDELA			
		94525077	04-07		B B B X X X							4			
		[27]			(E)NUT (D)MUTTER							(F)ECROU (S)TUERCA			
		94515097	04-07		B B B X X X							1			
		[28]			(E)BOLT (D)BOLZEN							(F)BOULON (S)PERNO			
		94501411	04-07		B B B X X X							4			

4652

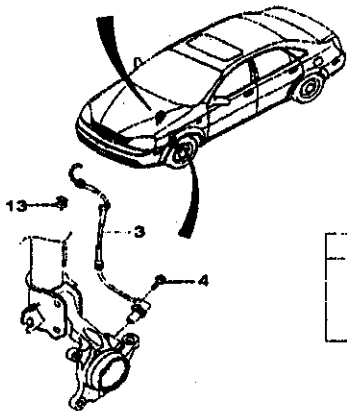
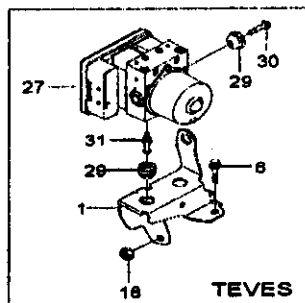
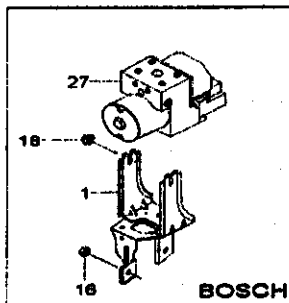
BRAKE PIPE



RJ4652G 10/30/2004

I T C	PART NO.	MODEL YEAR	D R V	KEY NO.						PART NAME	L T Q / R Y	V.I.N.		REMARKS	P / C O D E	
				4 N B	4 S W	5 N S	B L	L S	T			OPTION	FROM			TO
	[28]								(E)VALVE-PROPORTIONING (D)REGELVENTIL			(F)REPARTITEUR DE FREINAGE (S)VÁLVULA-DOSIFICADORA				
	98534549	04 - 04	L	B	B	.	X	X	X	-JLWJTC			1	957975		
N	98414975	04 - 07	L	B	B	B	X	X	X	-JLWJTC			1	957976		
	98534549	04 - 04	R	B	B	.	X	X	X	-JLWJTC			1	957975		
N	98414975	04 - 07	R	B	B	B	X	X	X	-JLWJTC			1	957976		
	[31]									(E)CLIP (D)KLEMME			(F)CLIP (S)CLIP			
	94530268	04 - 07		B	B	B	X	X	X	-JLWJTC			10			
	94530268	04 - 07		B	B	B	X	X	X	-JLWJTC			9			
	[32]									(E)CLIP (D)KLEMME			(F)CLIP (S)CLIP			
	94530253	04 - 07		B	B	B	X	X	X				2			
	94530242	04 - 07	R	B	B	B	X	X	X	-JTC			2			
	94530304	04 - 07	R	B	B	B	.	X	X	-AJTC			2			
Y	94530746	04 - 07	R	B	B	B	.	X	X	-AJTC			1			
	94530277	04 - 07	R	B	B	B	.	X	X	-AJTC			2			
Y	94530746	04 - 07	R	B	B	B	.	X	X	-AJTC			1			
	[33]									(E)CLIP (D)KLEMME			(F)CLIP (S)CLIP			
	96320518	04 - 07		B	B	B	X	X	X				4			
	[34]									(E)CLIP (D)KLEMME			(F)CLIP (S)CLIP			
	94530240	04 - 07		B	B	B	X	X	X				2			
	[35]									(E)CLIP (D)KLEMME			(F)CLIP (S)CLIP			
	94530342	04 - 07		B	B	B	X	X	.	L14L448NH1-JLWJTC			LH 1			
	94530362	04 - 07		B	B	B	X	X	X	-JLWJTC			RH 1			
										**** RPO DEFINITIONS ****						
										JL8 : BRAKE-ANTI LOCK SYS W/O ASR						
										JTC : TRACTION CONTROL W/ABS						
										989 : BOOSTER-SINGLE 9"						
										857 : BOOSTER-TANDEM 7"+8"						
										J85 : RR BRAKE-DRUM						
										J86 : RR BRAKE-DISC						
										L14 : ENGINE-4 CYL 1.4 DOHC MPI						
										L44 : ENGINE-4 CYL 1.6 DOHC MPI						
										NN1 : EMISSION-EURO,STAGE III						

4710
ABS SYSTEM

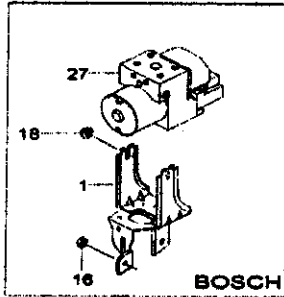


RJ4710 05/26/2006

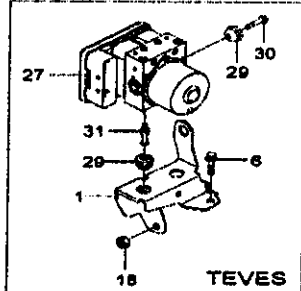
I T C	KEY NO. PART NO.	MODEL YEAR	D R V	PART NAME						L Q T Y	V.I.N.		REMARKS	P I C O D E
				B O D Y	L E V E L	O P T I O N	F R O M	T O	R E M A R K S					
											4 A S B	4 N H S B		
	[01]			(E)BRACKET A-HYD UNIT (D)SCHELLE A-HYD EINHEIT							(F)SUPPORT A-CENTRALE HYD (S)SOPORTE A-UNIDAD HD			
	96549744	04 - 06		B B B X X X	A.L.S/JTC						1		BOSCH	JB
	96463606	07 - 07		B B B X X X	A.L.S						1		TEVES	JT
	96463606	07 - 07		B B B . X X	L/JTC						1		TEVES	
	[03]			(E)SENSOR A-WHEEL SPEED,FRT (D)SENSOR A-RADDREHZAHL,VORN							(F)CAPTEUR A-VEITESSE DE ROUE,AV (S)SENSOR A-VELOCIDAD DE			
	96549712	04 - 06		B B B X X X	A.L.S/JTC						LH 1	313750		
	○ 96455869	04 - 06		B B B X X X	A.L.S/JTC						LH 1	313751		
	96549712	04 - 05		B B B X X .	AL14L44ANNUN1-L.S/JTC						LH 1			
	96549712	06 - 06		B B B X X .	AL14L44ANNUN1-L.S/JTC						LH 1	313750		
	○ 96455869	06 - 06		B B B X X .	AL14L44ANNUN1-L.S/JTC						LH 1	313751		
	96549713	04 - 06		B B B X X X	A.L.S/JTC						RH 1	313750		
	○ 96456870	04 - 07		B B B X X X	A.L.S/JTC						RH 1	313751		
	96436436	07 - 07		B B B X X X	AL14L44ANNUN1ANQU-L.S/JTC						LH 1			
	96436436	07 - 07		B B B X X X	A.L.S/JTC						LH 1			
	[04]			(E)BOLT (D)BOLZEN							(F)BOULON (S)PERNO			
	94500736	04 - 07		B B B X X X	A.L.S/JTC						2			
	94500736	04 - 05		B B B X X .	AL14L44ANNUN1-L.S/JTC						LH 1			
	94500736	06 - 07		B B B X X .	AL14L44ANNUN1ANQU-L.S/JTC						LH 1			
	[06]			(E)BOLT (D)BOLZEN							(F)BOULON (S)PERNO			
	94500525	07 - 07		B B B X X X	A.L.S/JTC						1			
	[13]			(E)CLIP (D)KLEMME							(F)CLIP (S)CLIP			
	94530268	04 - 07		B B B X X X	A.L.S/JTC						1			
	[14]			(E)CLIP (D)KLEMME							(F)CLIP (S)CLIP			
	94530362	04 - 07		B B B X X X	A.L.S/JTC						1			
	94530783	07 - 07		B B B X X X	A.L.S/JTC						1			
	[16]			(E)NUT (D)MUTTER							(F)ECROU (S)TUERCA			
	94515131	04 - 06		B B B X X X	A.L.S/JTC						2			
	[18]			(E)NUT (D)MUTTER							(F)ECROU (S)TUERCA			
	94515107	04 - 07		B B B X X X	A.L.S/JTC						2			
	[27]			(E)MODULE A-ABS (D)ABS MODULA							(F)MODULE A-ABS (S)MÓDULO A-ABS			
	96549743	04 - 06		B B B X X X	A.L.S						1		BOSCH	JB
	96349932	04 - 06		B B B . X X	L/JTC						1		BOSCH	JT
	96463606	07 - 07		B B B . X X	A.L.S						1		TEVES	

4710

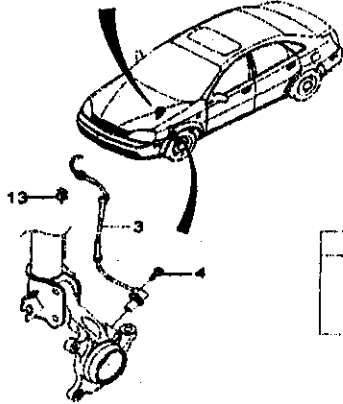
ABS SYSTEM



BOSCH



TEVES

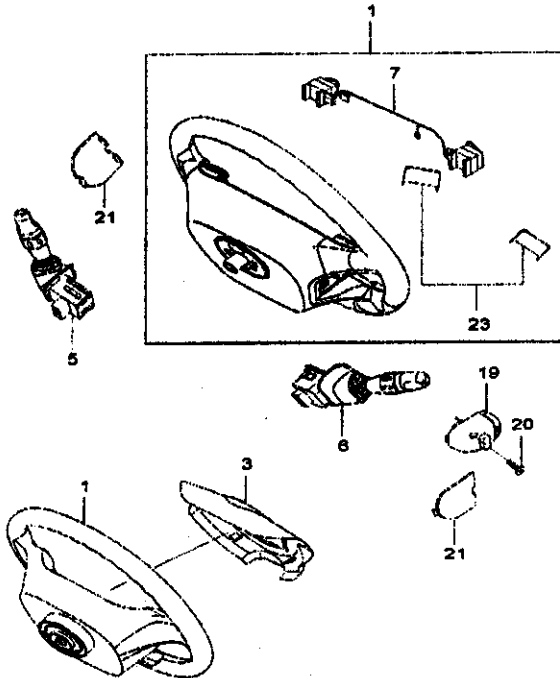


RJ4710 05/26/2006

I T C	KEY NO.		PART NAME										L Q T Y	V.I.N.		REMARKS	P / C O D E		
	PART NO.	MODEL YEAR	D R V	BODY			LEVEL		OPTION	FROM	TO	REMARKS							
				4 N B	4 H S W	S S	B L S S	L L S T											
	[27]																		
	96483607	07-07							(E)MODULE A-ABS (D)ABS MODULA				(F)MODULE A-ABS (S)MÓDULO A-ABS					TEVES	
									B B B . X X	JTC			1						
	[29]								(E)DAMPING-SLEEVE (D)DAEMPFUNGSKUPFE				(F)MANCHON AMORTISSEUR (S)MANGUITO-AMORTIGUADOR						
	96806333	07-07							B B B X X X	A,L,JTC			3						
	[30]								(E)SCREW (D)SCHRAUBE				(F)VIS (S)TORNILLO						
	9665619	07-07							B B B X X X	A,L,JTC			1						
	[31]								(E)SCREW (D)SCHRAUBE				(F)VIS (S)TORNILLO						
	9665620	07-07							B B B X X X	A,L			2						
	96806335	07-07							B B . . X X	JTC			2						
									**** RPO DEFINITIONS ****										
									JL9 : BRAKE-ANTI LOCK SYS W/O ASR										
									JTC : TRACTION CONTROL W/ABS										
									L14 : ENGINE-4 CYL 1.4 DOHC MPI										
									L44 : ENGINE-4 CYL 1.6 DOHC MPI										
									NN1 : EMISSION-EURO,STAGE III										
									NNJ : EMISSION-EURO,STAGE IV										
									NDU : EMISSION-KOREAN,ULEV										

4810

STEERING WHEEL

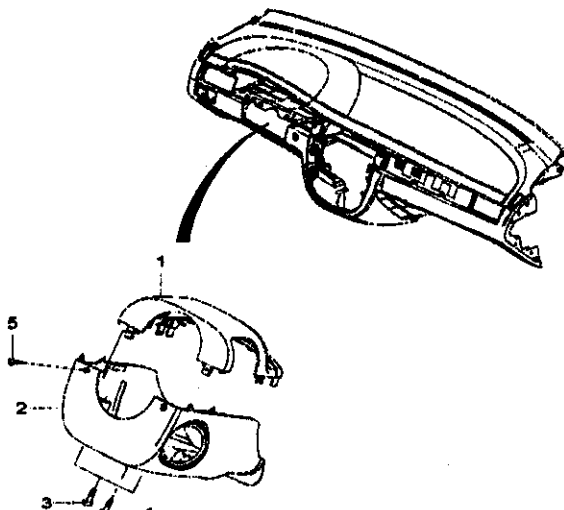


RJ4810G 02/15/2005

I T C	KEY NO.	PART NO.	MODEL YEAR	D R V	BODY						LEVEL	PART NAME	L Q T Y	V.I.N.		REMARKS	P / C O D E	
					4	4	5	B	B	L				L	FROM			TO
					N	H	S	B	L	L								
		[01]									(E)WHEEL A-STRG (D)LENKRAD A			(F)VOLANT A-DIRECTION (S)VOLANTE A				
		96399754	04-07		B	B	B	X	X	X	ANS6		1			KV		
		96399732	04-07		B	B	B	X	X	X	ANS6-RC2XLP		1			JC		
		96399737	04-06		B	B	B	.	X	X	ANS6-RC2XLP-K08UAXXWGL		1			JK		
		96399737	07-07		B	B	B	.	X	X	ANS6-RC2XLP-K08UAXXWGS		1			JK		
		96399736	04-06		B	B	B	.	X	X	ANS6XLP-K08RC2UAXXWGL		1			JH		
		96399736	07-07		B	B	B	.	X	X	ANS6XLP-K08RC2UAXXWGS		1			JH		
		96399733	04-07		B	B	B	.	X	X	ANS6-RC2-XLP		1			JD		
		96806897	07-07		B	.	.	.	X	X	ANS66V08XLP-RC2UAX		1			DC		
		96806896	07-07		B	.	.	.	X	X	ANS6-RC26V08XLP-UAX		1			DD		
		[03]									(E)CAP A-HORN (D)HUPENDECKEL A			(F)CHAPEAU A-AVERTISSEUR (S)TAPA A-CLAXON				
		96399750	04-07		B	B	B	X	X	X	ANS6XKA		1			LC		
		96407336	04-07		B	B	B	X	X	X	ANS6XKC		1			LS		
		[05]									(E)SWITCH A-WIPER (D)WISCHERSCHALTER A			(F)COMMUTATEUR A-ESSUIE-GLACE (S)INTERRUPTOR				
		96550643	04-07		B	.	.	X	X	X	AC29-T98XJ6		1			DA		
		96552842	04-07		B	.	.	X	X	X	AC206-T98-XJ6		1			DF		
		96552847	04-07		B	.	.	X	X	X	AC24-T98XJ6		1			DB		
		96552852	04-07		B	.	.	X	X	X	AC246-T98-XJ6		1			DH		
		96425383	05-07		B	.	.	.	X	X	AC246-T98XJ6/KML		1			HF		
		96279224	04-07		.	B	B	X	X	X	AC20-T98XJ6		1			HE		
		96552843	04-07		.	B	B	X	X	X	AC204-T98-XJ6		1			DD		
		96552848	04-07		.	B	B	.	X	X	AC24-T98XJ6		1			DC		
		96552851	04-07		.	B	B	.	X	X	AC246-T98-XJ6		1			DG		
		96425384	05-07		.	B	B	.	X	X	AC246-T98XJ6		1			HO		
		96430348	06-07		B	.	.	X	X	X	AC206XATXJ6/KML-T98		1			MA		
		96430349	06-07		.	B	B	.	X	X	AC206XATXJ6-T98		1			HE		
		[06]									(E)SWITCH A-SIGNAL&LIGHT (D)SCHALTER			(F)COMMUTATEUR (S)INTERRUPTOR A-LUCES E				
		96392862	04-07		B	B	B	X	X	X	-T98XJ6		1			HW		
		96387324	04-07		B	B	B	X	X	X	AT98-XJ6		1			HF		
		96430347	05-07		B	B	B	.	X	X	AXJ6/KML-T98		1			HJ		
		96430346	05-07		B	B	B	.	X	X	AT98XJ6/KML		1			HK		
		[07]									(E)SWITCH A-HORN (D)SCHALTER A-HUPE			(F)CONTACTEUR A-AVERTISSEUR (S)INTERRUPTOR A-CLAXON				
		93742520	04-07		B	B	B	X	X	X	ANS6		1					
		[18]									(E)SWITCH A-AUDIO REMOCON (D)SCHALTER A-AUDIOFERNSTEUERUNG			(F)COMMUTATEUR A-COMMANDE A (S)INTERRUPTOR A-MANDO A				
		96550711	04-07		B	B	B	.	X	X	ANS6-RC2-RDS		1			WD		
		96453381	04-07		B	B	B	X	X	X	ANS6-RC2RDS		1			WE		

4820

STEERING COLUMN COVER

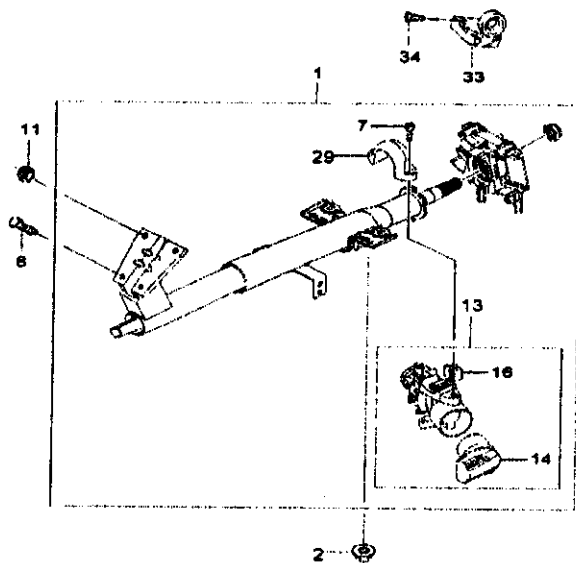


RJ4820 10/30/2004

I T C	PART NO.	MODEL YEAR	D R V	PART NAME						L Q T R Y	V.I.N.		REMARKS	P - C O D E
				BODY		LEVEL		OPTION	FROM		TO			
				4 N B	4 H S B	5 L S B	5 L L S T							
	[01]							(E)COVER-S/COL,UPR (D)LENKSAEULENABDECKUNG,OBEN			(F)COUVERCLE-COL DIR,SUP (S)TAPA-COL/DIR,SUP			
	96615568	04 - 07		B	B	B	X	X	. -N37		1		DA	
	96615695	04 - 07		B	B	B	.	X	X &N37-XAT/XJ6/XML		1			
	96407511	04 - 07		B	B	B	.	X	X &N37LXAT/XJ6/XML		1			
	[02]										(F)COUVERCLE-COL DIR,INF (S)TAPA-COL/DIR,INFERIOR			
	96615571	04 - 07		B	B	B	X	.	. -N33&N37		1		CC	
	96615570	04 - 07		B	B	B	X	X	X &N33&N37-XAT/XJ6		1		CB	
	96417310	05 - 07		B	B	B	.	X	X &N33&N37LXAT/XJ6		1		JA	
	[03]										(F)VIS (S)TORNILLO			
	94520177	04 - 07		B	B	B	X	X	X		2			
	[04]										(F)VIS (S)TORNILLO			
	94520142	04 - 07		B	B	B	X	X	X		1			
	[05]										(F)VIS (S)TORNILLO			
	94520377	04 - 07		B	B	B	X	X	X		2			
**** RPO DEFINITIONS ****														
N37 : STEERING-TILT & TELESCOPIC														
XAT : AUSTRALIA-MANDATORY														
XJ6 : JAPAN-MANDATORY														
XML : IMPEDIMENT LEFT HAND														
N33 : STEERING COLUMN-TILTABLE														

4830

STEERING COLUMN(NON TILTABLE)

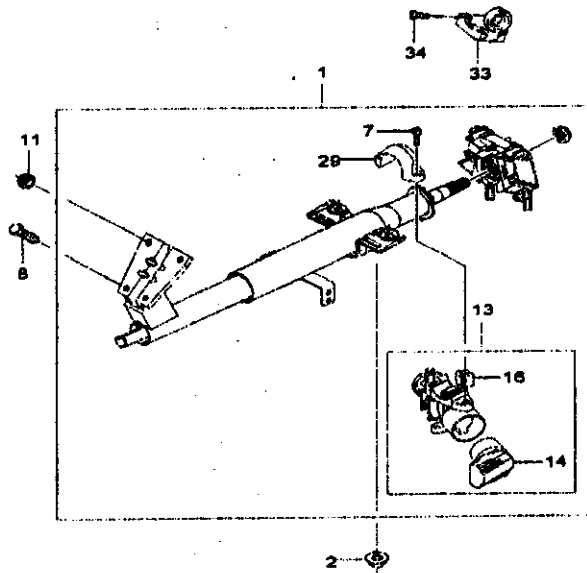


RJ4830G 02/17/2005

I T C	PART NO.	MODEL YEAR	KEY NO.						PART NAME	L / R	Q T Y	V.I.N.		REMARKS	P / C O D E	
			D R I V E	BODY			LEVEL					OPTION	FROM			TO
				4 N H S B	4 S W	5 S T	B L	L S T								
	[01]							(E)COLUMN A-STRG,NON TILT (D)LENKSAEULENABDECKUNG,NICHT				(F)COLONNE A-DIRECTION,NON (S)COLUMNA A-DIREC:NO				
	96603009	04-06	L	B	B	B	X	. . .	-ABFJAJ3N33N37		1					
	Y 96455504	04-06	L	B	B	B	X	. . .	4M4-ABFJAJ3AJB4N33N37		1	466537				
	N 96815413	06-07	L	B	B	B	X	. . .	4M4-ABFJAJ3AJB4N33N37		1	466538				
	96603008	04-06	L	B	B	B	X	. . .	4ABFJAJ3-N33N37		1					
	Y 96455503	04-06	L	B	B	B	X	. . .	4ABFJAJ3AJB4M4-N33N37A1Z9		1	466537				
	N 96815412	06-07	L	B	B	B	X	. . .	4ABFJAJ3AJB4M4-N33N37A1Z9		1	466538				
	96803011	04-06	R	B	B	B	X	. . .	-ABFJAJ3N33N37		1					
	Y 96455506	04-06	R	B	B	B	X	. . .	4M4-ABFJAJ3AJB4N33N37		1	466537				
	N 96815415	06-07	R	B	B	B	X	. . .	4M4-ABFJAJ3AJB4N33N37		1	466538				
	96603010	04-06	R	B	B	B	X	. . .	4ABFJAJ3-N33N37		1					
	Y 96455505	04-06	R	B	B	B	X	. . .	4ABFJAJ3AJB4M4-N33N37		1	466537				
	N 96815414	06-07	R	B	B	B	X	. . .	4ABFJAJ3AJB4M4-N33N37		1	466538				
	[02]								(E)NUT (D)MUTTER			(F)ECROU (S)TUERCA				
	94515152	04-07		B	.	B	X	X X			2					
	[07]								(E)BOLT (D)BOLZEN			(F)BOULON (S)PERNO				
	93740644	04-07		B	B	B	X	X X			2					
	[08]								(E)BOLT (D)BOLZEN			(F)BOULON (S)PERNO				
	94500679	04-07		B	.	B	X	X X			2					
	[11]								(E)NUT (D)MUTTER			(F)ECROU (S)TUERCA				
	94515152	04-07		B	.	B	X	X X			2					
	[13]								(E)HOUSING A-STRG LOCK (D)GEHAEUSE A-LENKUNGSSCHLOSS			(F)LOGEMENT A-VERROU DE (S)ALOJAMIENTO A-BLOQUEO DE				
	96261298	04-07		B	.	B	X	X X			1					
	[14]								(E)SWITCH A-IGN (D)SCHALTER A-ZUENDUNG			(F)COMMUTATEUR A-ALLUMAGE (S)INTERRUPTOR A-ENC				
	96238726	04-07		B	.	B	X	X X			1					
	[18]								(E)SWITCH A-KEY REMINDER (D)SCHALTER			(F)CONTACTEUR A-RAPPEL DE CLE (S)INTERRUPTOR A-RECORDATORIO				
	96238727	04-07		B	.	B	X	X X			1					
	[29]								(E)CLAMP (D)KLEMMSTUECK			(F)COLLIER (S)ABRAZADERA				
	96261307	04-07		B	B	B	X	X X			1					
	[33]								(E)CONTROL UNIT-IMMOBILIZER (D)STEUEREINHEIT-WEGFAHRSPERRE			(F)MODULE DE (S)UNIDAD DE				
	96450677	04-07		B	.	B	X	X X	4UM1		1					

4830

STEERING COLUMN(NON TILTABLE)

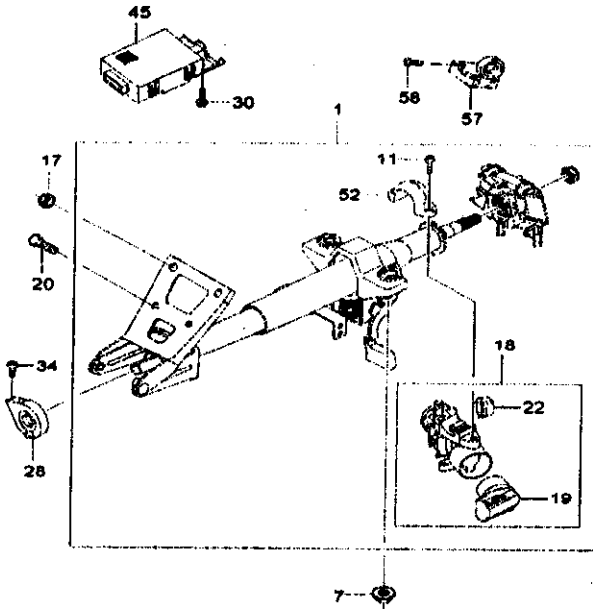


RJ4830G 02/17/2005

KEY NO.		PART NAME										REMARKS	P C O D E
I T C	PART NO.	MODEL YEAR	D R V	BODY		LEVEL		OPTION	L O T R Y	V.I.N.			
				4 N B	4 H S B	5 S B	B L S			L S T	FROM		
	[34] 94520142	04 - 07		(E)SCREW (D)SCHRAUBE					6UM1		(F)MS (S)TORNILLO		
<p>**** RPO DEFINITIONS ****</p> <p>ABF : SIR-FRT,DR & CO-DR SIDE</p> <p>AJ0 : SIR-FRONT,DRIVE SIDE</p> <p>N03 : STEERING COLUMN-TILTABLE</p> <p>N07 : STEERING-TILT & TELESCOPIC</p> <p>N40 : STEERING-POWER</p> <p>AJ8 : AIR BAG-FRT SIDE,DR/CO-DR</p> <p>U29 : KEY INTERLOCK SYSTEM</p> <p>UM1 : IMMOBILIZER</p>													

4831

STEERING COLUMN(TILTABLE)

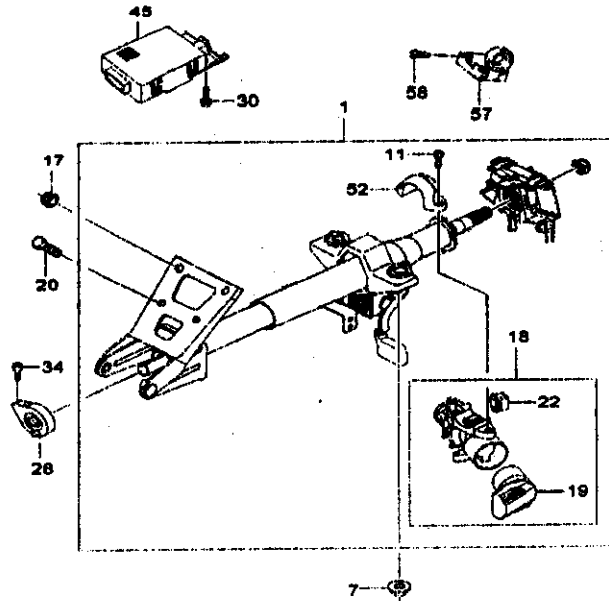


RJ4831G 02/17/2005

I T C	PART NO.	MODEL YEAR	D R V	KEY NO.						PART NAME	L / R	Q / T Y	V.I.N.		REMARKS	P / C O D E
				BODY		LEVEL		OPTION	FROM				TO			
				4 N B	5 H S	B S	L L							S T		
	[01]								(E)COLUMN A-STRG,TILT (D)LENKSAEULENABDECKUNG,KIPPBAR			(F)COLONNE (S)COLUMNA A-DIREC,INCLINABLE				
	96603004	04-05	L	B	B	B	X	X	6N33-ABFAJ3	1		088780				
	O 96454244	05-06	L	B	B	B	X	X	6N33-ABFAJ3AJ6	1	088781					
	Y 96455501	05-06	L	B	B	B	X	X	6N33-ABFAJ3AJ6	1		466537				
	N 96815409	06-07	L	B	B	B	X	X	6N33-ABFAJ3AJ6	1	466538					
	96603002	04-05	L	B	B	B	X	X	6N33LABFAJ3	1		088780				
	O 96454242	05-06	L	B	B	B	X	X	6ABFAJ3AJ6AN33	1	088781					
	Y 96454747	05-06	L	B	B	B	X	X	6ABFAJ3AJ6AN33	1		466537				
	N 96815407	06-07	L	B	B	B	X	X	6ABFAJ3AJ6AN33	1	466538					
	96602997	04-05	L	B	B	B	.	X	6N37-ABFAJ3	1		088780				
	O 96454253	05-06	L	B	B	B	.	X	6N37-ABFAJ3AJ6	1	088781					
	Y 96455468	05-06	L	B	B	B	.	X	6N37-ABFAJ3AJ6	1		466537				
	N 96815401	06-07	L	B	B	B	.	X	6N37-ABFAJ3AJ6LU29	1	466538					
	96602996	04-05	L	B	B	B	.	X	6N37LABFAJ3	1		088780				
	O 96454239	05-06	L	B	B	B	.	X	6ABFAJ3AJ6AN37	1	088781					
	Y 96454745	05-06	L	B	B	B	.	X	6ABFAJ3AJ6AN37	1		466537				
	N 96815400	06-07	L	B	B	B	.	X	6ABFAJ3AJ6AN37	1	466538					
	96603005	04-05	R	B	B	B	X	X	6N33-ABFAJ3	1		088780				
	O 96454245	05-06	R	B	B	B	X	X	6N33-ABFAJ3AJ6	1	088781					
	Y 96455502	05-06	R	B	B	B	X	X	6N33-ABFAJ3AJ6	1		466537				
	N 96815410	06-07	R	B	B	B	X	X	6N33-ABFAJ3AJ6	1	466538					
	96603006	04-05	R	B	B	B	X	X	6N33LABFAJ3	1		088780				
	O 96454246	05-06	R	B	B	B	X	X	6ABFAJ3AJ6AN33	1	088781					
	Y 96454748	05-06	R	B	B	B	X	X	6ABFAJ3AJ6AN33	1		466537				
	N 96815411	06-07	R	B	B	B	X	X	6ABFAJ3AJ6AN33	1	466538					
	96602999	04-05	R	B	B	B	.	X	6N37-ABFAJ3	1		088780				
	O 96454254	05-06	R	B	B	B	.	X	6N37-ABFAJ3AJ6	1	088781					
	Y 96455469	05-06	R	B	B	B	.	X	6N37-ABFAJ3AJ6	1		466537				
	N 96815405	05-06	R	B	B	B	.	X	6N37-ABFAJ3AJ6	1	466538					
	96602998	04-05	R	B	B	B	.	X	6ABFAJ3AN37	1		088780				
	O 96454240	05-06	R	B	B	B	.	X	6ABFAJ3AJ6AN37	1	088781					
	Y 96454746	05-06	R	B	B	B	.	X	6ABFAJ3AJ6AN37	1		466537				
	N 96815404	06-07	R	B	B	B	.	X	6ABFAJ3AJ6AN37	1	466538					
	96810908	06-06	L	B	.	.	.	X	6N376LU29-ABFAJ3AJ6	1	466537					FOR GMM
	N 96815402	06-07	L	B	.	.	.	X	6N376LU29-ABFAJ3AJ6	1	466538					FOR GMM
	96810947	06-06	L	B	.	.	.	X	6ABFAJ3AJ6AN376LU29	1	466537					FOR GMM
	N 96815403	06-07	L	B	.	.	.	X	6ABFAJ3AJ6AN376LU29	1	466538					FOR GMM
	[07]								(E)NUT (D)MUTTER			(F)ECROU (S)TUERCA				
	94515152	04-07	B	B	B	X	X	X		2						

4831

STEERING COLUMN(TILTABLE)

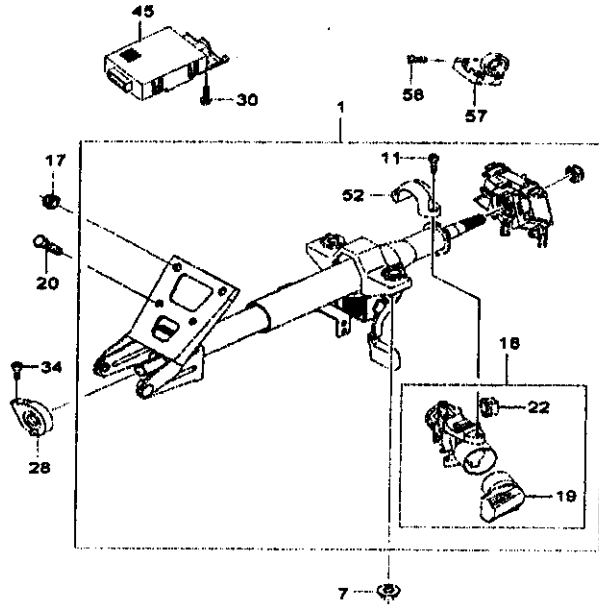


RJ4831G 02/17/2005

I T C	KEY NO.		PART NAME						L C T Y R Y	V.I.N.		REMARKS	P / C O D E
	PART NO.	MODEL YEAR	D R V	BODY		LEVEL		OPTION		FROM	TO		
				4 N B	4 H S W	S B L	L S T						
	[11]			(E)BOLT (D)BOLZEN					(F)BOULON (S)PERNO				
	93740844	03 - 07		B B B	X X X				2				
	[17]			(E)NUT (D)MUTTER					(F)ECROU (S)TUERCA				
	94515152	04 - 07		B B B	X X X				2				
	[18]			(E)HOUSING A-STRG LOCK (D)GEHÄUSE A-LENKUNGSSCHLOSS					(F)LOGEMENT A-VERROU DE (S)ALOJAMIENTO A-BLOQUEO DE				
	95261298	04 - 07		B B B	X X X		-U29		1				
	95261299	06 - 07		B . . .	X X X		SUZUKI		1				
	[19]			(E)SWITCH A-IGN (D)SCHALTER A-ZÜNDUNG					(F)COMMUTEUR A-ALLUMAGE (S)INTERRUPTOR A-ENC				
	95238726	04 - 07		B B B	X X X				1				
	[20]			(E)BOLT (D)BOLZEN					(F)BOULON (S)PERNO				
	94500679	04 - 07		B B B	X X X				2				
	[22]			(E)SWITCH A-KEY REMINDER (D)SCHALTER					(F)CONTACTEUR A-RAPPEL DE CLE (S)INTERRUPTOR A-RECORDATORIO				
	95238727	04 - 07		B B B	X X X				1				
	[28]			(E)SENSOR A-WHEEL EVO,COLUMN (D)SENSOR A-RAD EVO,SAEULE					(F)CAPTEUR A-OVE ROUE,COLONNE (S)SENSOR A-EVO DE				
	98403077	05 - 06		B B B	. . . X		ALFA		1	466537			
	N 98815275	06 - 07		B B B	. . . X		ALFA		1	466538			
	[30]			(E)BOLT (D)BOLZEN					(F)BOULON (S)PERNO				
	94500367	04 - 07		B B B	. . . X		ALFA		2				
	[34]			(E)SCREW (D)SCHRAUBE					(F)VIS (S)TORNILLO				
	94520176	05 - 07		B B B	. . . X		ALFA		1				
	[45]			(E)MODULE A-EVO (D)MODUL A-EVB					(F)MODULE A-OVE (S)MÓDULO A-EVO				
	98413272	04 - 07		B B B	. . . X		AMAGANOSAMBROSALFA		1				LE
	98413274	04 - 07		B X		AMLAALFA		1				LD
	[52]			(E)CLAMP (D)KLEMMSTUECK					(F)COLLIER (S)ABRAZADERA				
	95261307	04 - 07		B B B	X X X				1				
	[57]			(E)CONTROL UNIT-IMMOBILIZER (D)STEUEREINHEIT-WEGFAHRSPERRE					(F)MODULE DE (S)UNIDAD DE				
	96456677	04 - 07		B B B	X X X		ALFA		1				

4831

STEERING COLUMN(TILT/ABLE)

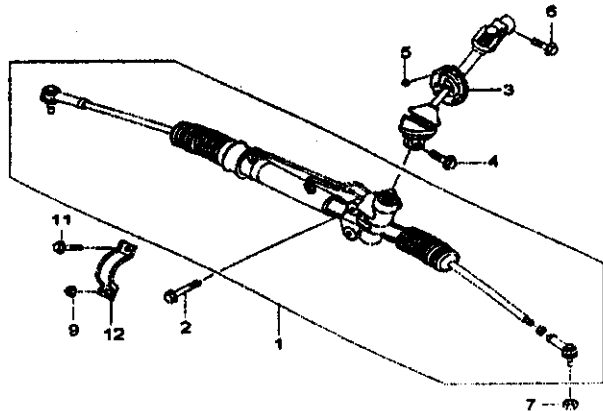


RJ4831G 02/17/2005

KEY NO.		PART NAME													
I T C	PART NO.	MODEL YEAR	D R V	BODY			LEVEL			OPTION	L Q T R Y	V.I.N.		REMARKS	MCOO-2
				4 N B	4 H B	5 S W	B S	L S	L T			FROM	TO		
	[58] 04520142	04-07		(E)SCREW (D)SCHRAUBE B B B			X X X			4UM1		(F)VIS (S)TORNILLO 1			
<p>**** RPO DEFINITIONS ****</p> <p>N33 : STEERING COLUMN-TILT/ABLE</p> <p>A8F : SIR-FRT,DR & CO-DR SIDE</p> <p>AJ3 : SIR-FRONT,DRIVE SIDE</p> <p>AJ6 : AIR BAG-FRT SIDE,DR/CO-DR</p> <p>N37 : STEERING-TILT & TELESCOPIC</p> <p>U29 : KEY INTERLOCK SYSTEM</p> <p>XME : MANDATORY-MEXICO</p> <p>UKA : SPEED SENSITIVE PWR STRG</p> <p>M04 : TRANS-MAN,5SPD,CR</p> <p>M06 : TRANS-MAN,5SPD,MODIFY CR</p> <p>M09 : TRANS-AUTO,4SPD,4HP 16</p> <p>M88 : TRANS-MAN,5 SPD,D20 CR</p> <p>ML4 : TRANSMISSION-AUTO,4 SPEED</p> <p>UM1 : IMMOBILIZER</p>															

4910

STEERING GEAR UNIT

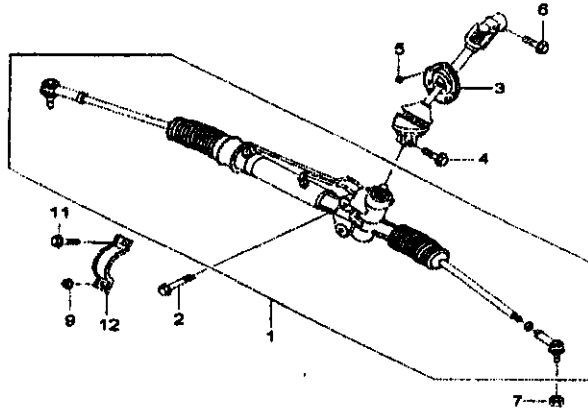


RJ4910 10/30/2004

I T C	KEY NO.		PART NAME										L Q / R Y	V.I.N.		REMARKS	RECDY P
	PART NO.	MODEL YEAR	D R V	BODY			LEVEL			OPTION	FROM	TO					
				4 N B	4 H S	5 B W	B	L	L					S	T		
	[01]			(E)GEAR A-STRG (D)LENKGETRIEBE A									(F)BOITIER A-DIRECTION (S)MECANISMO A-DE DIRECCION				
	96407341	04-07	L	B	B	.	X	X	X	LN40			1	039630			LC
Y	96451951	04-07	L	B	B	B	X	X	X	LN40			1	039631			DC
Y	96442383	04-07	L	B	B	B	X	X	X	LN40			1				JC
	96409545	04-07	R	B	B	.	X	X	X	LN40			1	039630			RL
Y	96451959	04-07	R	B	B	B	X	X	X	LN40			1	039631			RD
Y	96442395	04-07	R	B	B	B	X	X	X	LN40-HDN			1				JG
	96475097	04-07	R	B	B	B	X	X	X	LN40LHON			1				JH
	96451983	05-07	R	B	B	LN40			1				RV
Y	96442397	08-07	R	B	B	LN40			1				VR
	96451981	06-07	L	B	LN40			1				DB
	96442383	07-07	L	B	B	B	X	X	X	ALDAL 14L44L98LUXA			1				JC
	96442385	07-07	L	B	ALDAL 14L44L98LUXA			1				JV
	96442397	07-07	R	B	B	ALDAL 14L44L98LUXA			1				VR
	[02]			(E)BOLT (D)BOLZEN									(F)BOULON (S)PERNO				
	94501445	04-07		B	B	B	X	X	X	LN40LUXA			1				
	[03]			(E)SHAFT A-INTERM (D)ZWISCHENWELLE A									(F)EMBRAYAGE A-INTERM (S)EJE A-INTERM				
	96550190	04-06	L	B	B	.	X	X	X				1	903208			L
Y	96409535	04-06	L	B	B	B	X	X	X				1	903207	102812		LJ
Y	96430691	04-06	L	B	B	B	X	X	X				1	102813			MJ
	96801726	07-07	L	B	B	B	X	X	X	ALDAL 14L44L98LUXA			1				ML
	96409536	04-08	R	B	B	B	X	X	X				1	102812			RJ
Y	96430692	04-08	R	B	B	B	X	X	X				1	102813			SJ
	96801727	07-07	R	B	B	B	X	X	X				1				RR
	[04]			(E)BOLT (D)BOLZEN									(F)BOULON (S)PERNO				
	94501675	04-07		B	B	B	X	X	X				1				
	[05]			(E)NUT (D)MUTTER									(F)ECROU (S)TUERCA				
	94515097	04-07		B	B	B	X	X	X				3				
	[06]			(E)BOLT (D)BOLZEN									(F)BOULON (S)PERNO				
	94500819	04-04		B	B	.	X	X	X				1	903208			
N	94501827	04-07		B	B	B	X	X	X				1	903207			
	[07]			(E)NUT (D)MUTTER									(F)ECROU (S)TUERCA				
	94515405	04-07		B	B	B	X	X	X	LN40LUXA			2				

4910

STEERING GEAR UNIT

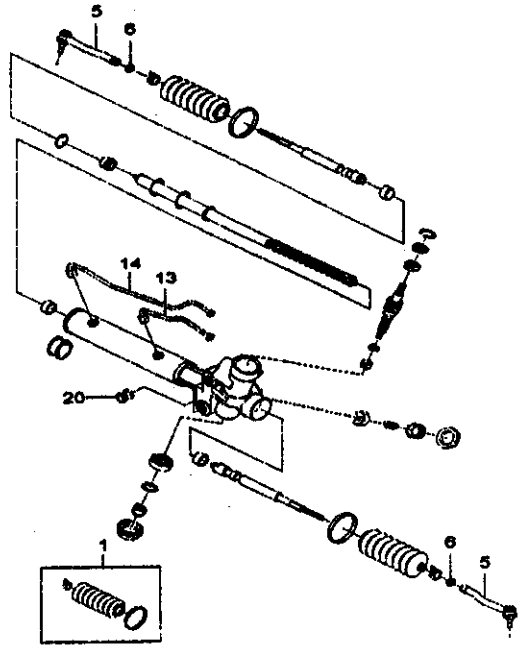


RJ4910 10/30/2004

I T C	KEY NO.		PART NAME										REMARKS	P / C O D E	
	PART NO.	MODEL YEAR	D R V	BODY		LEVEL		OPTION	L Q / T Y	V.I.N.					
				4 N S B	4 H S W	B S	L L S T			FROM	TO				
	[08]			(E)NUT (D)MUTTER							(F)ECROU (S)TUERCA				
	94515069	04-07		B B B X X X			8N40LUXA				2				
	[11]			(E)BOLT (D)BOLZEN							(F)BOULON (S)PERNO				
	94500699	04-07		B B B X X X			8N40LUXA				1				
	Y 94500698	04-07		B B B X X X			8N40LUXA				1				
	[12]			(E)BRACKET-HOUSING,STRG GEAR (D)GEHAEUSEHALTER,LENKGETRIEBE							(F)SUPPORT-BOITIER DE DIRECTION (S)SOPORTE-ALOJAMIENTO,MECANIS				
	96321405	04-07		B B B X X X			8N40LUXA				1				
				**** RPO DEFINITIONS ****											
				N40 : STEERING-POWER											
				H0N : BADGE-HOLDEN											
				LUXA : SPEED SENSITIVE PWR STRG											
				XME : MANDATORY-MEXICO											
				LDA : ENGINE-4 CYL 1.6 DOHC MPI											
				L14 : ENGINE-4 CYL 1.4 DOHC MPI											
				L44 : ENGINE-4 CYL 1.6 DOHC MPI											
				L88 : ENGINE-4 CYL 2.0 DOHC MPI											

4931

STEERING GEAR PARTS(POWER)

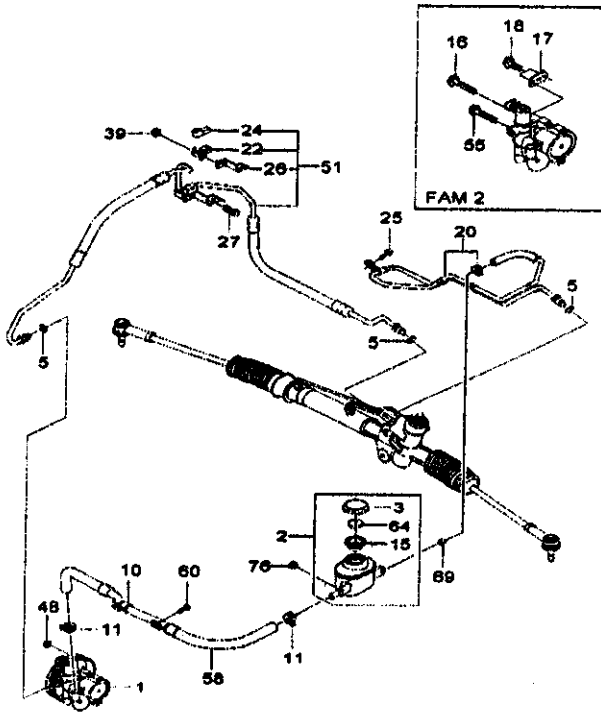


RJ4931 10/30/2004

I T C	KEY NO.		PART NAME						L Q T R Y	V.I.N.		REMARKS	P I E C E S
	PART NO.	MODEL YEAR	D R V	BODY		LEVEL		OPTION		FROM	TO		
				4 N B	5 H W	B S	L T						
	[01]			(E)BOCK KIT (D)STAUBSCHUTZKAPPENSATZ					(F)KIT SOUFFLETS (S)KIT DE GUARDAPOLVOS				
	93742552	04-07		B B B X X X					2				
	[05]			(E)END-TIE ROD (D)SPURSTANGENENDE					(F)EXTREMITE-BIELLETTE (S)EXTREMO-DE TIRANTE				
	96407485	04-07		B B B X X X			SHMOLUKA		LH 1				
	96407486	04-07		B B B X X X			SHMOLUKA		RH 1				
	[06]			(E)NUT (D)MUTTER					(F)ECROU (S)TUERCA				
	94515052	04-07		B B B X X X			SHMOLUKA		2				
	[13]			(E)PIPE A-PISTRG GEAR (D)ROHR A-SERVOL.GETRIEBE					(F)TUYAU A-BOITIER DE DIR.ASS (S)TUBO A-MECANISMO D'ASIST				
	93742653	04-07	L	B B B X X X					1				
	93742554	04-07	R	B B B X X X					1				
	[14]			(E)PIPE A-PISTRG GEAR (D)ROHR A-SERVOL.GETRIEBE					(F)TUYAU A-BOITIER DE DIR.ASS (S)TUBO A-MECANISMO D'ASIST				
	93742555	04-07	L	B B B X X X					1				
	93742556	04-07	R	B B B X X X					1				
	[20]			(E)GRIMMET (D)DURCHFUEHRUNGSTUELLE					(F)PASSE-TUBE (S)PASACABLES				
	93742557	04-07		B B B X X X					2				
								**** RPO DEFINITIONS ****					
								NHO : STEERING-POWER					
								UKA : SPEED SENSITIVE PWR STRG					

4950

POWER STEERING PIPE LINE

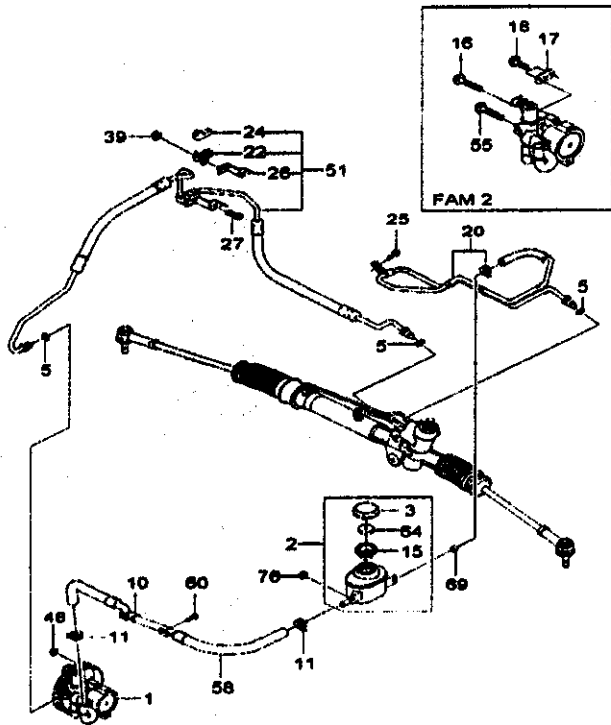


RJ4950GW 08/05/2005

I T C	KEY NO.		PART NAME										L Q T / R Y	V.I.N.		REMARKS	M D C O D E
	PART NO.	MODEL YEAR	D R V	BODY			LEVEL			OPTION	FROM	TO					
				4 N B	4 H S	5 W	B S	L S	L T								
	[01]			(E)PUMP A-P/STRG (D)PUMPE A-SERVOL									(F)POMPE A-DIR.ASS (S)BOMBA A-DIASIST				
	96550071	04-07		B . B . X X X				8L148N40					1				PP
	96409001	04-07		B B B X X .				8LDAAL448N40					1				BL
Y	96451976	04-07		B B B X X X				8LDAAL448N40					1				GD
	96450001	04-07		B B B . X X				8L8AL88AN40					1	039631			HP
Y	96452809	04-07		B B B . X X				8L8AL88AN40					1				HN
	96451465	04-07		B . B . . X				8L8AL88ALXA					1				HV
Y	96452856	04-07		B . B . . X				8L8AL88ALXA					1				HT
	[02]			(E)RESERVOIR A-P/STRG OIL (D)OELBEHAELTER A-SERVOL									(F)RESERVOIR A-HUILE DIR.ASS (S)DEPÓSITO A-DE ACEITE DIASIST				
	96452735	04-04		B B . X X X									1	921218			J2
O	96451797	04-07		B B B X X X				8N40LXA					1	921219			JR
	[03]			(E)CAP OIL, RESERVOIR, P/STRG (D)OELDECKEL, OELBEHAELTER, SERVOL									(F)BOUCHON-HUILE, RESERVOIR, DIR. (S)TAPÓN-DEPÓSITO DE				
	96396757	04-07		B B . X X X									1	921218			
Y	96451788	04-07		B B B X X X				8N40LXA					1	921219			
	[05]			(E)RING-O (D)O-RING									(F)JOINT TORIQUE (S)JUNTA TÓRICA				
	94535975	04-07		B B B X X X				8N40LXA					3				
	[10]			(E)CLAMP (D)KLEMMSTUECK									(F)COLLIER (S)ABRAZADERA				
	96451099	04-07		B B B X X X				8N40LXA					2				
	[11]			(E)CLIP (D)KLEMME									(F)CLIP (S)CLIP				
	94530057	04-07		B B B X X X				8N40LXA					2				
	[15]			(E)SHIELD-OIL RESERVOIR (D)SCHILD-OELBEHAELTER									(F)BOUCLIER-RESERVOIR D'HUILE (S)PROTECCIÓN-DEPÓSITO DE				
	96263705	04-07		B B B X X X				8N40LXA					1				
	[16]			(E)BOLT (D)BOLZEN									(F)BOULON (S)PERNO				
	94500298	04-07		B B B X X X				8L8AL88AN40LXA					1				
	94500298	05-07		B . B . . X				8L88AN40LXA					1				
	[17]			(E)BRACKET-PUMP, HYD UNIT (D)SCHELLE A-PUMPE, HYD EINHEIT									(F)SUPPORT-POMPE, CENTRALE HYD (S)SOPORTE-BOMBA, UNIDAD HID				
	96221420	04-05		B B B X X X				8L8AL88AN40LXA					1				
	96221420	06-07		B . B . . X				8L88AN40LXA					1				
	[18]			(E)BOLT (D)BOLZEN									(F)BOULON (S)PERNO				
	94500292	04-05		B B B X X X				8L8AL88AN40LXA					2				
	94500292	06-07		B . B . . X				8L88AN40LXA					2				

4950

POWER STEERING PIPE LINE

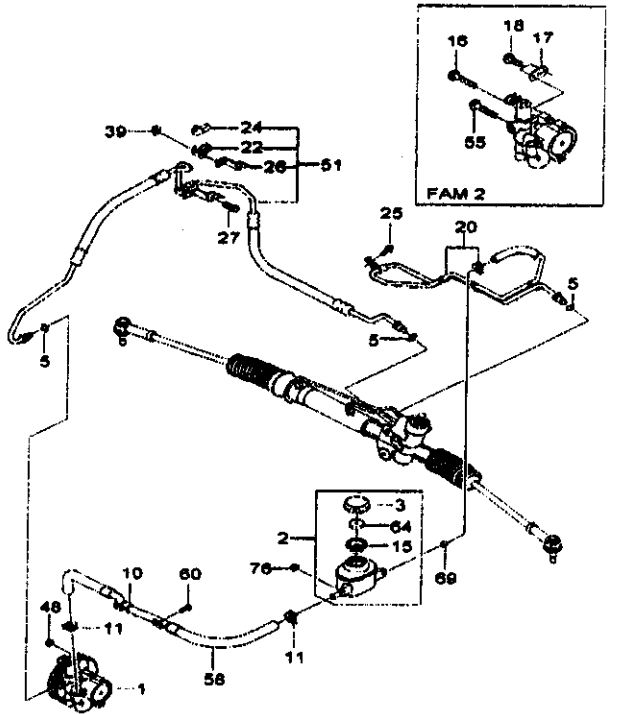


RJ4950GW 08/05/2005

I T C	KEY NO. PART NO.	MODEL YEAR	D R V	PART NAME						L O R Y	V.I.N.		REMARKS	P R O D U C T I O N	
				4 N S B	4 H S B	5 L L	B L L	L L L	S T		OPTION	FROM			TO
	[20]			(E)PIPE A-RTN FLOW (D)RUECKLAUFROHR A							(F)TUYAU A-DEBIT DE RETOUR (S)TUBO A-FLUJO DE RETORNO				
	96550111	04-07	L	B	B	B	X	X	X	2N40LXA	1	400000		JL	
	O 96473776	04-07	L	B	B	B	X	X	X	2N40LXA	1	400001		JP	
	96550112	04-07	R	B	B	B	X	X	X	2N40LXA	1			JR	
	[22]			(E)CLAMP (D)KLEMMSTUECK								(F)COLLIER (S)ABRAZADERA			
	96287491	04-05		B	B	B	X	X	.	2L14L44	1				
	96287491	06-07		B	B	B	X	X	X	2LDA114L448N40LXA	1				
	96253620	04-05		B	B	B	X	X	X	2LBA128N40LXA	1				
	96253620	06-07		B	.	B	.	.	X	2LBA1N40LXA	1				
	94530185	04-07	R	B	B	B	X	X	X	2N40LXA	1				
	[24]			(E)GROMMET (D)DURCHFUEHRUNGSTUELLE								(F)PASSE-TUBE (S)PASACABLES			
	96234131	04-05		B	B	B	X	X	.	2L14L44	1				
	96234131	04-07		B	B	B	.	X	X	2L44	1				
	96234131	06-07		B	B	B	X	X	X	2LDA114L448N40LXA	1				
	96234131	06-07		B	.	B	.	.	X	2LBA1N40LXA	1				
	94535020	04-07	R	B	B	B	X	X	X	2N40LXA	1				
	[25]			(E)BOLT (D)BOLZEN								(F)BOULON (S)PERNO			
	94500400	04-07	L	B	B	B	X	X	X		1				
	[26]			(E)BRACKET A-PISTRG PIPE (D)HALTER A-SERVOL.ROHR								(F)SUPPORT A-TUYAU DE DIR.ASS (S)SOPORTE A-TUBO DASIST			
	96535369	04-05		B	B	B	X	X	.	2L14L44	1				
	96535369	06-07		B	B	B	X	X	X	2LDA114L448N40LXA	1				
	96454151	05-07		B	B	B	.	X	X	2LDA1N40LXA	1				
	[27]			(E)BOLT (D)BOLZEN								(F)BOULON (S)PERNO			
	94500906	04-04		B	.	.	.	X	X	2L44	1	921218			
	O 94500400	04-07		B	.	B	X	X	X	2LBA128N40LXA	1	921219			
	94500400	06-07		B	.	B	.	.	X	2LBA1N40LXA	1				
	[39]			(E)NUT (D)MUTTER								(F)ECROU (S)TUERCA			
	94515099	04-05		B	B	B	X	X	.	2L14L44	1				
	94515099	06-07		B	B	B	X	X	X	2LDA114L448N40LXA	1				
	[48]			(E)NUT (D)MUTTER								(F)ECROU (S)TUERCA			
	94515107	04-07		B	B	B	X	X	.	2L14L44	2				
	94515107	06-07		B	B	B	X	X	X	2LDA114L448N40LXA	2				

4950

POWER STEERING PIPE LINE

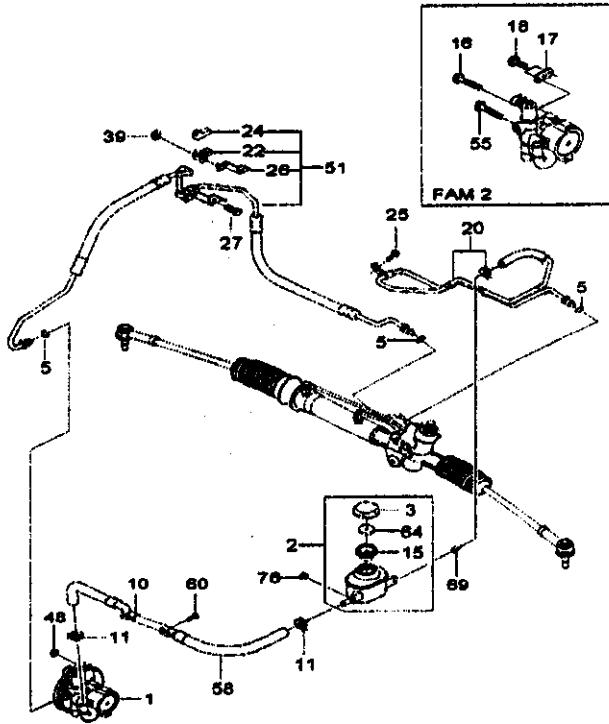


RJ4950GW 08/05/2005

I T C	KEY NO.		PART NAME											REMARKS	P- CODE		
	PART NO.	MODEL YEAR	D R V	BODY			LEVEL		OPTION	L / R	Q / TY	V.I.N.					
				4 N B	5 H S	5 S W	B S	L L				S T	FROM				TO
	[51]			(E)PIPE A-PRESSURE (D)DRUCKROHR A									(F)TUYAU A-PRESSION (S)TUBO A-PRESION				
	96451205	04-07	L	B	B	B	X	X		6L14L448NMO		1					
	96450008	04-05	L	B	.	.	X	X		6L04ANMO		1		943306			
	○ 96451818	04-07	L	B	B	B	X	X	X	6L04L088NMO		1		943307			
	96451207	06-07	L	B	.	B	.	X		6L14L448LIXA		1					
	96451205	06-07	L	B	.	B	.	X		6L14L448LIXA		1					
	96451819	06-07	L	B	.	B	.	X		6L08AUMA		1					
	96451818	06-07	L	B	.	B	.	X		6L08ANMO		1					
	96451905	06-07	L	B	B	B	X	X		6LDAANMO		1					
	96451907	06-07	L	B	.	B	.	X		6LDAALIXA		1					
	96403142	04-07	R	B	B	B	X	X	.	6L14L448NMO		1					
	96450009	04-06	R	B	B	B	X	X		6L04ANMO		1					
	96450007	05-07	R	B	B	B	.	X		6L04L088LIXA		1					
	96450007	06-07	R	B	.	B	.	X		6L08ALIXA		1					
	96403141	04-07	R	B	.	B	.	X		6L14L448LIXA		1					
	96451908	06-07	R	B	.	B	.	X	X	6LDAANMO		1					
	96451908	06-07	R	B	.	B	.	X		6LDAALIXA		1					
	[55]			(E)BOLT (D)BOLZEN									(F)BOULON (S)PERNO				
	94500302	04-07		B	B	B	X	X	X	6L04L088NMO/LIXA		1					
	[58]			(E)PIPE A-SUCT (D)SAUGROHR A									(F)TUYAU A-ASP (S)TUBO A-ASPIRACION				
	96550118	04-05		B	B	B	X	X	.	6L14L448NMO		1		053807			
	○ 96451955	04-05		B	B	B	X	X	.	6L14L448NMO		1		053808			
	96451955	06-07		B	B	B	X	X	.	6LDAAL14L448NMO/LIXA		1					
	96450005	04-05		B	B	B	X	X	X	6L04L088NMO/LIXA		1		053807			
	○ 96451967	04-05		B	B	B	X	X	X	6L04L088NMO/LIXA		1		053808			
	96451967	06-07		B	B	B	X	X	X	6L088NMO/LIXA		1					
	[60]			(E)BOLT (D)BOLZEN									(F)BOULON (S)PERNO				
	94500400	04-07		B	B	B	X	X	X	6N04/LIXA		2					
	[64]			(E)SPONGE-OIL RESERVOIR (D)SCHWAMM-ÖLBEHALTER									(F)EPONGE-RESERVOIR D'HUILE (S)ESPONJA-DEPOSITO DE ACEITE				
	96263717	04-07		B	B	B	X	X	X	6N04/LIXA		1					
	[69]			(E)RESTRICTOR-OIL (D)ÖELDROSSEL									(F)RESTRICTEUR-HUILE (S)REDUCTOR-DE ACEITE				
	96275005	04-07		B	B	B	X	X	X	6N04/LIXA		1					
	[76]			(E)NUT (D)MUTTER									(F)ECROU (S)TUERCA				
	94515147	04-07		B	B	.	X	X	X			2		850284			
	Y 94515119	04-07		B	B	.	X	X	X			2		850285 039617			

4950

POWER STEERING PIPE LINE



RJ4950GW/08/05/2005

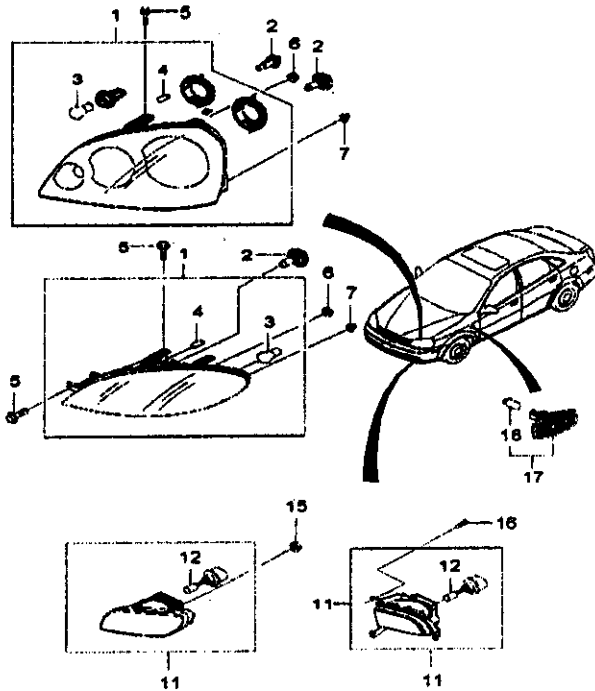
KEY NO.		PART NAME												
I T C	PART NO.	MODEL YEAR	D R V	BODY		LEVEL		OPTION	L Q T R Y	V.I.N.		REMARKS	P / C O D E	
				4 N B	4 H B	5 S W	B L S			L L S	FROM			TO
	[76] Y 94515345 Y 94525855	04 - 07 04 - 07		(E)NUT (D)NUTTER B B . X X X B B B X X X					(F)ECROU (S)TUERCA 2 039618 102314 2 102315					
<p>**** RPO DEFINITIONS ****</p> <p>L14 : ENGINE-4 CYL 1.4 DOHC MPI M40 : STEERING-POWER LDA : ENGINE-4 CYL 1.8 DOHC MPI L44 : ENGINE-4 CYL 1.6 DOHC MPI L84 : ENGINE-4 CYL 1.8 DOHC MPI L88 : ENGINE-4 CYL 2.0 DOHC MPI UKA : SPEED SENSITIVE PWR STRG</p>														

5

ELECTRICAL EQUIPMENTS

- 5110 FRONT LAMP
- 5140 REAR LAMP I
- 5220 INSTRUMENT CLUSTER
- 5310 WINDSHIELD WIPER
- 5320 BACK WINDOW WIPER
- 5330 WINDSHIELD WASHER
- 5410 ELECTRICAL PARTS
- 5420 ANTENNA
- 5430 AUDIO SYSTEM
- 5440 CAR ALARM&ANTI-THEFT SYSTEM
- 5510 AIR BAG SYSTEM
- 5610 BATTERY
- 5620 FUSE&RELAY
- 5710 WRING HARNESS

**5110
FRONT LAMP**

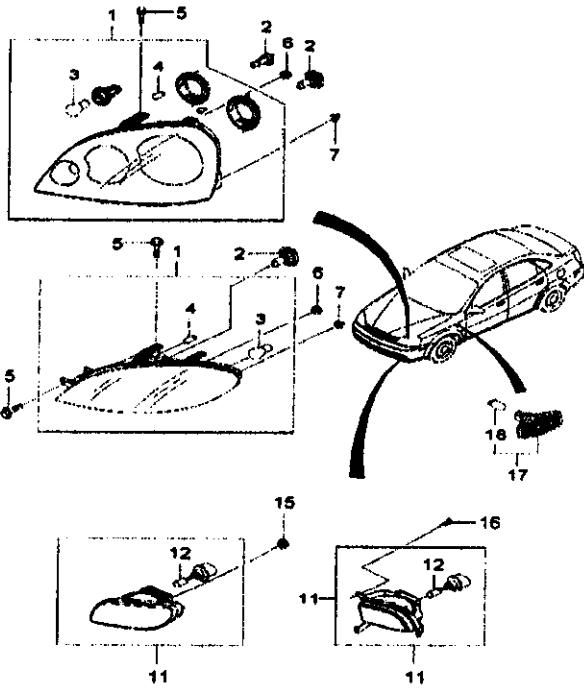


RJ5110DGW 06/08/2005

I T C	KEY NO. PART NO.	MODEL YEAR	D R V	BODY				LEVEL		PART NAME OPTION	L Q T R Y	V.I.N.		REMARKS	REC'D P
				4	5	B	L	B	L			FROM	TO		
				N H S B	H S B W	B L S T	B L S T								
	[01]									(E)LAMP A-HEAD (D)FRONTSCHEINWERFER A	(F)FIPHARE A (S)FARO A				
	96456613	04-04	L	B	.	X	X	X	APL1-HE4		LH 1			BA	
	96425287	05-07	L	B	.	B	X	X	X	APL1-HE4	LH 1			M1	
	96456809	04-04	L	B	.	.	X	X	X	APL18HE4	LH 1			EP	
	96425285	05-07	L	B	.	B	X	X	X	APL18HE4	LH 1			E1	
	96456611	04-07	L	.	B	.	X	X	X	APL18HE4	LH 1			GY	
	96456615	04-07	L	.	B	.	X	X	X	APL1-HE4	LH 1			NZ	
	96456814	04-04	L	B	.	.	X	X	X	APL1-HE4	RH 1			BA	
	96425288	05-07	L	B	.	B	X	X	X	APL1-HE4	RH 1			M1	
	96456810	04-04	L	B	.	.	X	X	X	APL18HE4	RH 1			EP	
	96425286	05-07	L	B	.	B	X	X	X	APL18HE4	RH 1			E1	
	96456812	04-07	L	.	B	.	X	X	X	APL18HE4	RH 1			GY	
	96456816	04-07	L	.	B	.	X	X	X	APL1-HE4	RH 1			NZ	
	96456823	04-04	R	B	.	.	X	X	X	APL34HE4	LH 1			BB	
	96426263	05-07	R	B	.	B	X	X	X	APL38HE4	LH 1			B3	
	96456819	04-04	R	B	.	.	X	X	X	APL3-HE4	LH 1			B0	
	96426291	05-07	R	B	.	B	X	X	X	APL3-HE4	LH 1			M3	
	96456821	04-07	R	.	B	.	X	X	X	APL3-HE4	LH 1			MO	
	96456825	04-07	R	.	B	.	X	X	X	APL34HE4	LH 1			GG	
	96456824	04-04	R	B	.	.	X	X	X	APL34HE4	RH 1			BB	
	96423294	05-07	R	B	.	B	X	X	X	APL34HE4	RH 1			B3	
	96456820	04-04	R	B	.	.	X	X	X	APL3-HE4	RH 1			B0	
	96425292	05-07	R	B	.	B	X	X	X	APL3-HE4	RH 1			M3	
	96456822	04-07	R	.	B	.	X	X	X	APL3-HE4	RH 1			MO	
	96456826	04-07	R	.	B	.	X	X	X	APL34HE4	RH 1			GG	
	96425289	06-07	L	B	.	.	X	X	X	APL2	LH 1			M1	
	96425290	06-07	L	B	.	.	X	X	X	APL2	RH 1			M1	
	[02]									(E)BULB (D)GLUEHLAMPE	(F)AMPOULE (S)BOMBILLA				
	94535546	04-06	B	.	B	.	X	X	X		2	294810		LOW BEAM	
	94536018	04-07	B	.	B	.	X	X	X		2	294811		LOW BEAM	
	94535541	04-07	B	.	B	.	X	X	X		2			HIGH BEAM	
	94535545	04-07	.	B	.	.	X	X	X		2			HALOGEN, 12V 60/55W	
	[03]									(E)BULB (D)GLUEHLAMPE	(F)AMPOULE (S)BOMBILLA				
	94535578	04-07	B	B	B	.	X	X	X	-HL4	2				
	94535561	04-07	B	B	B	.	X	X	X	-HL4	2				
	[04]									(E)BULB (D)GLUEHLAMPE	(F)AMPOULE (S)BOMBILLA				
	94535581	04-07	B	B	B	.	X	X	X	-HL4	2				

5110

FRONT LAMP



RJ5110DGW 06/08/2005

I T C	KEY NO.		PART NAME										REMARKS	P D O C
	PART NO.	MODEL YEAR	D R V	BODY		LEVEL		OPTION	L Q / R Y	V.I.N.				
				4 N B	5 H W	B S	L L			FROM	TO			
	[05]			(E)BOLT (D)BOLZEN								(F)BOULON (S)PERNO		
	94501516	04-07		B . B X X X								4		
	94501516	04-07		. B . X X X								6		
	[06]			(E)NUT (D)MUTTER								(F)ECROU (S)TUERCA		
	94515340	04-07		B B B X X X								2		
	[07]			(E)CLIP (D)KLEMME								(F)CLIP (S)CLIP		
	94530337	04-07		B . B X X X								2		
	94530630	04-07		. B . X X X								2		
	[11]			(E)LAMP A-FOG,FRONT (D)NEBELLEUCHE A,VORN								(F)FEU A-ANTIBROUILLARD,AV (S)LUZ A-ANTINIEBLA,DELANT		
	96551093	04-07		B . B X X X				6T96				LH 1		
	96551094	04-07		B . B X X X				6T96				RH 1		
	96551091	04-07		. B . X X X				6T96				LH 1		
	96551092	04-07		. B . X X X				6T96				RH 1		
	[12]			(E)BULB (D)GLUEHLAMPE								(F)AMPOULE (S)BOMBILLA		
	94535555	04-07		B B B X X X				6T96				2		
	[15]			(E)NUT (D)MUTTER								(F)ECROU (S)TUERCA		
	94515340	04-07		. B . X X X				6T96				6		
	[16]			(E)SCREW (D)SCHRAUBE								(F)VIS (S)TORNILLO		
	94520491	04-07		B . B X X X				6T96				6		
	[17]			(E)LAMP A-T/SIG, SIDE (D)LAMPE A-BLINKER, SEITE								(F)FEU A-CUIGN, LATERAL (S)LUZ A-INTERMITENTE, LATERAL		
	96337460	04-07		B B B X X X				6FL6-XME				2		DD
	96430629	04-07		B . . X X X				6FL6A-XME				2		FF
	[18]			(E)BULB (D)GLUEHLAMPE								(F)AMPOULE (S)BOMBILLA		
	94535582	04-07		B B B X X X				6FL6-XME				2		
	94535696	06-07		B . . X X X				6FL6A-XME				2		

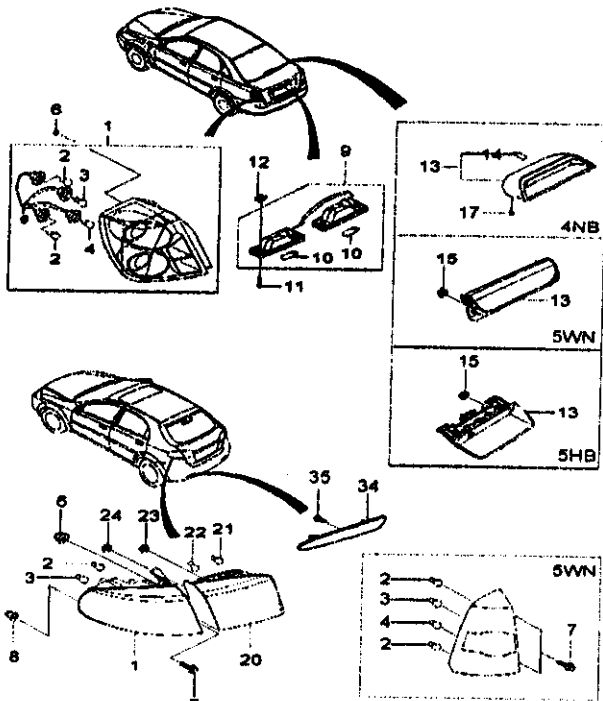
**** RPO DEFINITIONS ****

- FL1 : HEAD LAMP-ECE,LHD
- FL4 : HEAD LAMP LEVELING DEVICE
- FL3 : HEAD LAMP-ECE,RHD
- FL2 : HEAD LAMP-BAE,LHD
- T96 : LAMP-FOG,FRONT
- FL6 : SIDE INDICATOR LAMP,FRONT

5140 REAR LAMP I	KEY NO.		PART NAME										REMARKS	INDIC-P			
	I T C	PART NO.	MODEL YEAR	D R V	BODY			LEVEL			OPTION	L Q / R Y			V.I.N.		
					A N S B	4 H S B	8 L S T	B L L	B L L	B L L					FROM	TO	
<p>RJ5140GW 10/30/2004</p>		[07]			(E)SCREW (D)SCHRAUBE								(F)VIS (S)TORNILLO				
		94520499	04-07			. B B X X X								4			
		[08]			(E)RETAINER (D)HALTESTIFT									(F)PIECE DE RETENUE (S)RETEN			
		96260548	04-07			. B B X X X								4			
		[09]			(E)LAMP A-LICENSE (D)KENNZEICHENBELEUCHTUNG A									(F)FEU A-ECLAIRAGE DE PLAQUE (S)LUZ A-MATRÍCULA			
		96190751	04-07			B B B X X X								1		LD	
		96312748	08-07			B . . X X X								1		LS	
		[10]			(E)BULB (D)GLUEHLAMPE									(F)AMPOULE (S)BOMBILLA			
		94536581	04-07			B B B X X X								2			
		94536587	08-07			B . . X X X								2			
		[11]			(E)SCREW (D)SCHRAUBE									(F)VIS (S)TORNILLO			
		94520166	04-07			B B B X X X								4			
		[12]			(E)NUT (D)MUTTER									(F)ECROU (S)TUERCA			
		94518264	04-07			B B B X X X								4			
		[13]			(E)LAMP A-HIGH MT STOP (D)STOPPLICHT A-HOHER RAHMEN									(F)FEU A-3E STOP (S)LUZ A-FRENO DE FUJ SUPERIOR			
		96461822	04-07			B . . X X X								1		ZB	
		96461824	08-07			B . . X X X								1		ZD	
		96551214	04-07			. B . X X X								1		BC	
		96410973	05-07			. . B X X X								1		BD	
		[14]			(E)BULB (D)GLUEHLAMPE									(F)AMPOULE (S)BOMBILLA			
	94536581	04-07			B B B X X X								6				
	94536587	04-07			B . . X X X								6				
	[15]			(E)NUT (D)MUTTER									(F)ECROU (S)TUERCA				
	94518248	04-07			. B . X X X								2				
	94515115	05-07			. . B X X X								2				
	[17]			(E)SCREW (D)SCHRAUBE									(F)VIS (S)TORNILLO				
	94520208	04-07			B B . X X X								4				
	[20]			(E)LAMP A-EXTN (D)AUSSENLAMPE A									(F)FEU A-EXTN (S)LUZ A-EXTN				
	96551200	04-07			. B . X X X								LH 1		MC		
	96551215	04-07			. B . X X X								RH 1		ME		

5140

REAR LAMP I

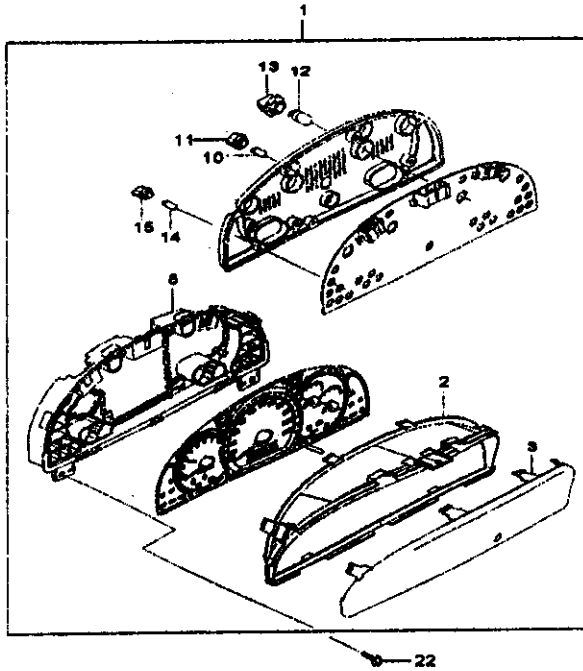


RJ5140GW 10/30/2004

I T C	KEY NO.		PART NAME										REMARKS	P / C O D E
	PART NO.	MODEL YEAR	D R V	BODY		LEVEL		OPTION	L / Q / R Y	V.I.N.		REMARKS		
				4 N B	5 H S	B L L	L L T			FROM	TO			
	[20]			(E)LAMP A-EXTN (D)AUSSENLAMPE A							(F)FEU A-EXTN (S)LUZ A-EXTN			
	96551216	04-07		. B . X X X			AFLA6T08				LH 1		ED	
	96551217	04-07		. B . X X X			AFLA6T08				RH 1		EF	
	96499787	06-07		. B . X X X			AFLAAXAT-T08				LH 1		HG	
	96499788	06-07		. B . X X X			AFLAAXAT-T08				RH 1		HG	
	[21]			(E)BULB (D)GLUEHLAMPE							(F)AMPOULE (S)BOMBILLA			
	94535571	04-07		. B . X X X			AFL7				2		BACK UP	
	94535580	04-07		. B . X X X			AFL8				2		BACK UP	
	[22]			(E)BULB (D)GLUEHLAMPE							(F)AMPOULE (S)BOMBILLA			
	94535574	04-07		. B . X X X			AFL7				2		STOP LAMP	
	94535560	04-07		. B . X X X			AFLA4T08				2		REAR FOG LAMP	
	[23]			(E)NUT (D)MUTTER							(F)ECROU (S)TUERCA			
	94515115	04-07		. B . X X X							4			
	[24]			(E)NUT (D)MUTTER							(F)ECROU (S)TUERCA			
	94515211	04-07		. B . X X X							4			
	[34]			(E)REFLECTOR A-REFLEX,RR (D)RUECKSTRAHLER A-REFLEX,RR							(F)REFLECTEUR A-AR (S)REFLECTOR A-TR			
	96551202	04-07		. B . X X X							LH 1		XA	
	96551203	04-07		. B . X X X							RH 1		XA	
	96410971	05-07		. B . X X X							LH 1		XB	
	96410972	05-07		. B . X X X							RH 1		XB	
	[36]			(E)SCREW (D)SCHRAUBE							(F)VIS (S)TORNILLO			
	94520339	04-07		. B B X X X							2			
	**** RPO DEFINITIONS ****													
	FL7 : LAMP-REAR COMB,SAE													
	FL8 : LAMP-REAR COMB,ECE													
	T08 : LAMP-FOG,REAR													
	XAT : AUSTRALIA-MANDATORY													
	XME : MANDATORY-MEXICO													
	S2 : GREY-INTERIOR													
	T09 : LAMP-C.H.M STOP													

5220

INSTRUMENT CLUSTER

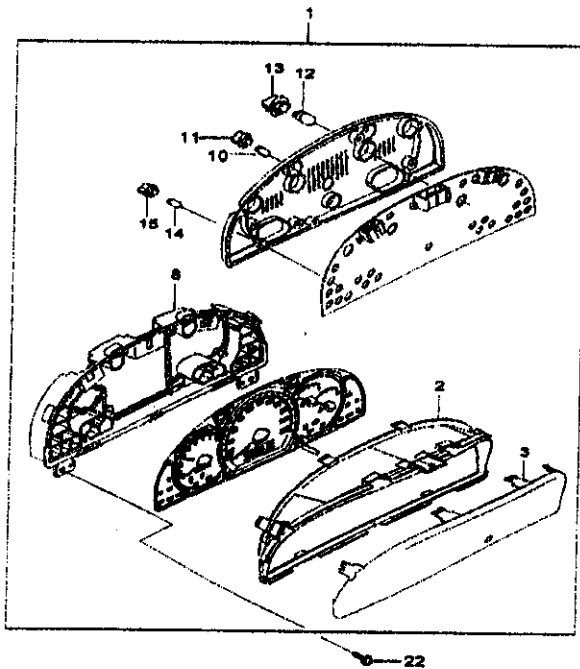


RJ5220 10/30/2004

I T C	KEY NO.		PART NAME										L Q R Y	V.I.N.		REMARKS	P R O D U C T I O N	
	PART NO.	MODEL YEAR	D R V	BODY			LEVEL		OPTION	FROM	TO							
				4 N B	5 H S	6 B W	B S	L T										
	[01]			(E)CLUSTER A-INST (D)KOMBIINSTRUMENT A											(F)TABLEAU DE BORD A (S)CUADRO A-INST			
	96489998	04-04	B	B	X	X	X	X	AMQAMQSSQAFQTLUC08U44			1					AP	
	96430986	05-06	B	.	X	X	X	X	AMQAMQSSQAFQTLUC08U44			1					Q4	
	96430933	05-06	.	B	B	X	X	X	AMQAMQSSQAFQTLUC08U44			1					PZ	
	96499013	04-04	B	B	X	X	X	X	AMQAMQSSQAFQTLUC1			1					HS	
	96430956	05-06	B	.	X	X	X	X	AMQAMQSSQAFQTLUC1			1					QR	
	96430964	05-06	.	B	B	X	X	X	AMQAMQSSQAFQTLUC1			1					QP	
	96550400	04-04	.	B	X	X	X	X	AMQAMQSSQTLUC08U44			1					AC	
	96430927	05-06	.	B	X	X	X	X	AMQAMQSSQTLUC08U44			1					PS	
	96550367	04-04	.	B	X	X	X	X	AMQAMQSSQTLUC1			1					HH	
	96430948	05-06	.	B	X	X	X	X	AMQAMQSSQTLUC1			1					QH	
	96489997	04-04	B	B	X	X	X	X	AMQAMQSSMSQAFQTLUC0-U44			1					AO	
	96430985	05-06	B	.	X	X	X	X	AMQAMQSSMSQAFQTLUC0-U44			1					Q3	
	96430932	05-06	.	B	B	X	X	X	AMQAMQSSMSQAFQTLUC0-U44			1					PY	
	96550399	04-04	.	B	X	X	X	X	AMQAMQSSMSQTLUC0-U44			1					AB	
	96430925	05-06	.	B	X	X	X	X	AMQAMQSSMSQTLUC0-U44			1					PQ	
	96499080	04-04	B	B	X	X	X	X	AMLASQAFQTLUC08U44			1					BC	
	96430944	05-06	B	.	X	X	X	X	AMLASQAFQTLUC08U44			1					GD	
	96430943	05-06	.	B	B	X	X	X	AMLASQAFQTLUC08U44			1					QC	
	96499059	04-04	B	B	X	X	X	X	AMLASQAFQTLUC0-U44			1					BA	
	96430942	05-06	B	.	X	X	X	X	AMLASQAFQTLUC0-U44			1					QB	
	96430941	05-06	.	B	B	X	X	X	AMLASQAFQTLUC0-U44			1					QA	
	96499171	04-04	B	B	X	X	X	X	AMLASQAFQTLUC1			1					BG	
	96430963	05-06	B	.	X	X	X	X	AMLASQAFQTLUC1			1					QY	
	96430962	05-06	.	B	B	X	X	X	AMLASQAFQTLUC1			1					QX	
	96492981	04-04	B	X	X	X	X	X	AMLASQTLUC08U44			1					CA	
	96430939	05-06	.	B	X	X	X	X	AMLASQTLUC08U44			1					PS	
	96499165	04-04	B	X	X	X	X	X	AMLASQTLUC0-U44			1					AX	
	96430937	05-06	.	B	X	X	X	X	AMLASQTLUC0-U44			1					PE	
	96499168	04-04	B	X	X	X	X	X	AML45QTLUC1			1					BE	
	96430952	05-06	.	B	X	X	X	X	AML45QTLUC1			1					GM	
	96499000	04-04	B	B	.	X	X	X	AMMSQAFQTLUC08U44			1					AR	
	96430936	05-06	B	.	X	X	X	X	AMMSQAFQTLUC08U44			1					PS	
	96430935	05-06	.	B	B	X	X	X	AMMSQAFQTLUC08U44			1					P4	
	96489999	04-04	B	B	.	X	X	X	AMMSQAFQTLUC0-U44			1					AQ	
	96430967	05-06	B	.	X	X	X	X	AMMSQAFQTLUC0-U44			1					Q5	
	96430934	05-06	.	B	B	X	X	X	AMMSQAFQTLUC0-U44			1					P3	
	96499028	04-04	B	B	.	X	X	X	AMMSQAFQTLUC1			1					HT	
	96430960	05-06	B	.	X	X	X	X	AMMSQAFQTLUC1			1					QV	
	96430958	05-06	.	B	B	X	X	X	AMMSQAFQTLUC1			1					QT	
	96550402	04-04	.	B	X	X	X	X	AMMSQTLUC08U44			1					AF	
	96430931	05-06	.	B	X	X	X	X	AMMSQTLUC08U44			1					PX	

5220

INSTRUMENT CLUSTER

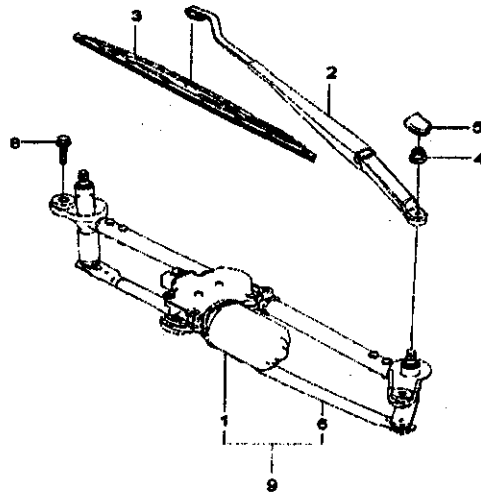


RJ5220 10/30/2004

I T C	KEY NO.		PART NAME											P R O D U C T I O N
	PART NO.	MODEL YEAR	D R V	B O D Y			L E V E L		O P T I O N	L I Q U I T Y	V.I.N.		R E M A R K S	
				4 N B	4 H B	5 S W	S B L	L L S T			FROM	TO		
	[01]			(E)CLUSTER A-INST (D)KOMBIINSTRUMENT A								(F)TABLEAU DE BORD A (S)CUADRO A-INST		
	96550401	04-04	.	B	.	X	X	.	4MM96QTUSUC0-U44	1			AD	
	96430829	05-06	.	B	.	X	X	.	4MM96QTUSUC0-U44	1			FU	
	96550371	04-04	.	B	.	X	X	.	4MM96QTUSUC1	1			KU	
	96430850	05-06	.	B	.	X	X	.	4MM96QTUSUC1	1			QK	
	96804364	07-07	.	B	4MG4AG054M954M96QTUSUC0-LMN-U44	1			EP	
	96804365	07-07	B	4MG4AG054M954M96QTUSUC0-LMN-U44	1			BQ	
	96804366	07-07	.	B	4MG4AG054QTUSUC0-U44-LMN	1			ER	
	96804367	07-07	B	4MG4AG054QTUSUC0-U44-LMN	1			ES	
	96804368	07-07	.	B	4MM96QTUSUC0-LMN-U44	1			EU	
	96804369	07-07	B	4MM96QTUSUC0-LMN-U44	1			ET	
	96806600	07-07	.	B	4MM96QTUSUC0-U44-LMN	1			EV	
	96804371	07-07	.	B	B	.	.	.	4MG4AG054M954M96QAFQTUSUC0-LMN-U44	1			EW	
	96804372	07-07	.	B	B	.	.	.	4MG4AG054QAFQTUSUC0-U44-LMN	1			EX	
	96804373	07-07	.	B	B	.	.	.	4MM96QAFQTUSUC0-LMN-U44	1			EY	
	96804374	07-07	.	B	B	.	.	.	4MM96QAFQTUSUC0-U44-LMN	1			EZ	
	96804375	07-07	B	4MM96QAFQTUSUC0-U44-LMN	1			FA	
	96804376	07-07	.	B	4ML48QTUSUC0-LMN-U44	1			FB	
	96804377	07-07	B	4ML48QTUSUC0-LMN-U44	1			FC	
	96804378	07-07	.	B	4ML48QTUSUC0-U44-LMN	1			FD	
	96804379	07-07	B	4ML48QTUSUC0-U44-LMN	1			FE	
	96804380	07-07	.	B	B	.	.	.	4ML48QAFQTUSUC0-LMN-U44	1			FF	
	96804381	07-07	B	4ML48QAFQTUSUC0-LMN-U44	1			FG	
	96804382	07-07	.	B	B	.	.	.	4ML48QAFQTUSUC0-U44-LMN	1			FH	
	96804383	07-07	B	4ML48QAFQTUSUC0-U44-LMN	1			FI	
	96804387	07-07	.	B	4MG4AG054QTUSUC1-LMN	1			FM	
	96804388	07-07	B	4MG4AG054QTUSUC1-LMN	1			FN	
	96804389	07-07	.	B	4MM96QTUSUC1-LMN	1			FO	
	96804390	07-07	B	4MM96QTUSUC1-LMN	1			FP	
	96804391	07-07	.	B	4ML48QTUSUC1-LMN	1			FQ	
	96804392	07-07	B	4ML48QTUSUC1-LMN	1			FR	
	96804393	07-07	.	B	B	.	.	.	4MG4AG054QAFQTUSUC1-LMN	1			FS	
	96804395	07-07	B	4MG4AG054QAFQTUSUC1-LMN	1			FU	
	96804397	07-07	.	B	B	.	.	.	4MM96QAFQTUSUC1-LMN	1			FW	
	96804399	07-07	B	4MM96QAFQTUSUC1-LMN	1			FY	
	96804401	07-07	.	B	B	.	.	.	4ML48QAFQTUSUC1-LMN	1			GA	
	96804402	07-07	B	4ML48QAFQTUSUC1-LMN	1			GB	
	96804403	07-07	B	4MM96QTUSUC0-U44-LMN	1			GC	
	96804404	07-07	B	4MG4AG054M954M96QAFQTUSUC0-LMN-U44	1			GD	
	96804405	07-07	B	4MG4AG054QAFQTUSUC0-U44-LMN	1			GE	
	96804406	07-07	B	4MM96QAFQTUSUC0-LMN-U44	1			GH	

5310

WINDSHIELD WIPER

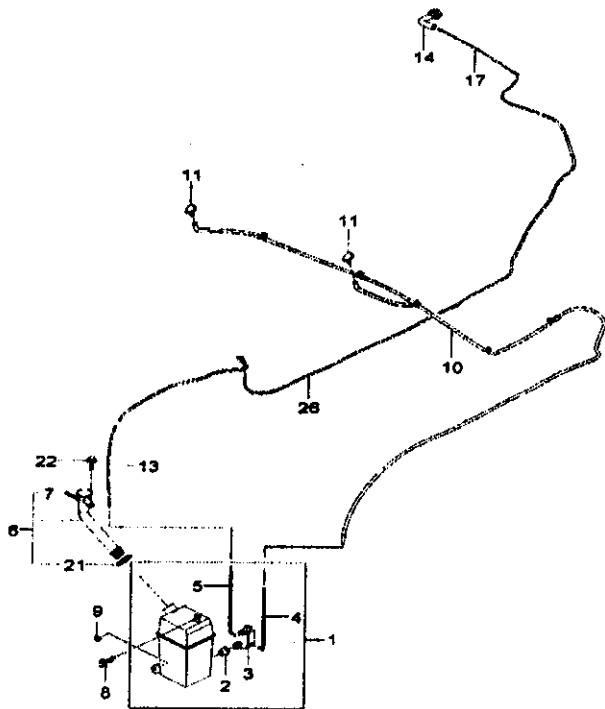


RJ5310DGN 10/30/2004

I T C	KEY NO.		PART NAME										P / C O D E		
	PART NO.	MODEL YEAR	D R V	BODY		LEVEL		OPTION	L / R	Q T Y	V.I.N.			REMARKS	
				4 N B	4 H W	5 S S	5 S S				B L L	L L T			FROM
	[09]			(E)WIPER UNIT A (D)WISCHEREINHEIT A								(F)ESSUIE-GLACE A (S)UNIDAD DE LIMPIA PARABRISAS A			
	96435500	04-06	L	.	B	B	X	X	X	AC20	1		281935		MB
	○ 96435500	04-07	L	B	B	B	X	X	X	AC20	1	281936		MB	
	96398533	04-06	L	B	.	.	X	X		AC24	1		281935	RW	
	96435501	04-06	L	.	B	B	.	X	X	AC24	1		281935	RB	
	○ 96435501	04-07	L	B	B	B	.	X	X	AC24	1	281936		RB	
	96398534	04-06	R	B	.	.	X	X	X	AC20	1		281935	WR	
	96435502	04-06	R	.	B	B	X	X	X	AC20	1		281935	BR	
	○ 96435502	04-07	R	B	B	B	X	X	X	AC20	1	281936		BR	
	96398535	04-06	R	B	.	.	X	X		AC24	1		281935	WR	
	96435503	04-06	R	.	B	B	.	X	X	AC24	1		281935	BR	
	○ 96435503	04-07	R	B	B	B	.	X	X	AC24	1	281936		BR	
										**** RPO DEFINITIONS ****					
										C20 : VARIABLE SPEED WIPER,FRT					
										C24 : WIPER-RAIN SENSING					

5330

WINDSHIELD WASHER

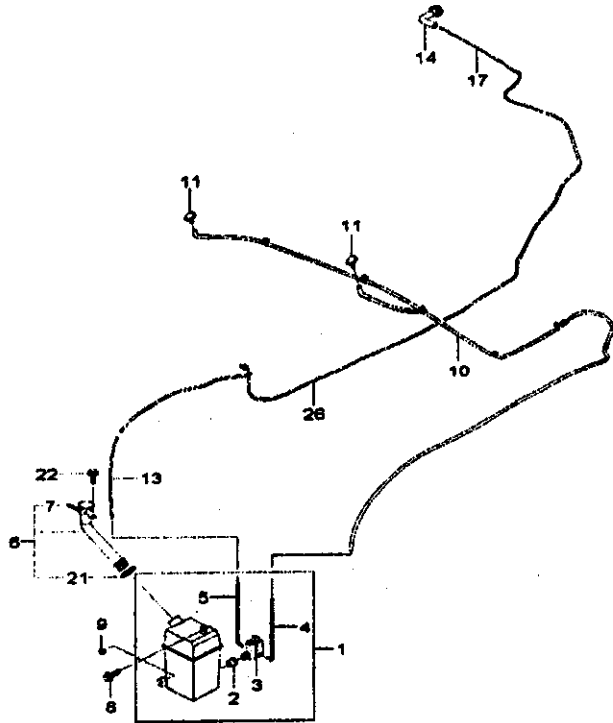


RJ5330 04/28/2005

I T C	KEY NO.		PART NAME										L Q R Y	V.I.N.		REMARKS	MO D E L P	
	PART NO.	MODEL YEAR	D R V	BODY		LEVEL		OPTION	FROM	TO	REMARKS							
				4 N B	4 H S B	B L L	L L S T											
	[01]			(E)RESERVOIR A-WISHIELD (D)BEHAELTER A-WINDSCHUTZS.								(F)RESERVOIR A-PARB (S)DEPÓSITO A-LAVAPARB						
	96550797	04-07		B . . X X X								1						
	96550798	04-07		. B B X X X								1						
	[02]			(E)SEAL (D)DICHTUNG								(F)JOINT (S)RETÉN						
	96190256	04-07		B B B X X X								1						
	[03]			(E)PUMP A-WISHIELD WASHER (D)PUMPE								(F)POMPE A-LAVE-GLACE DE PARB (S)BOMBA A-LAVAPARABRISAS						
	96396602	04-07		B . . X X X								1						
	96389088	04-07		. B B X X X								1						
	[04]			(E)HOSE A-RESERVOIR (D)SCHLAUCH A-BEHAELTER								(F)FLEXIBLE A-RESERVOIR (S)MANGUITO A-DEPÓSITO						
	96389090	04-07		B . . X X X								1						
	[05]			(E)HOSE A-RESERVOIR (D)SCHLAUCH A-BEHAELTER								(F)FLEXIBLE A-RESERVOIR (S)MANGUITO A-DEPÓSITO						
	96389091	04-07		. B B X X X								1						
	[06]			(E)FUNNEL A-WISHIELD WASHER (D)TRICHTER								(F)ENTONNOIR A-LAVE-GLACE DE (S)EMBUDO A-LAVAPARABRISAS						
	96550799	04-07		B B B X X X								1						
	[07]			(E)CAP-RESERVOIR (D)BEHÄLTERVERSCHLUSSKAPPE								(F)BOUCHON-RESERVOIR (S)TAPÓN-DEPÓSITO						
	96327689	04-07		B B B X X X								1						
	[08]			(E)BOLT (D)BOLZEN								(F)BOULON (S)PERNO						
	94501371	04-07		B B B X X X								2						
	[09]			(E)NUT (D)MUTTER								(F)ECROU (S)TUERCA						
	94515147	04-07		B B B X X X								1						
	[10]			(E)HOSE A-WISHIELD WASHER (D)SCHLAUCH								(F)FLEXIBLE A-LAVE-GLACE DE PARB (S)MANGUITO A-LAVAPARABRISAS						
	96550800	04-07		B B B X X X								1						
	[11]			(E)NOZZLE A-WISHIELD WASHER (D)DUSE								(F)GICLEUR A-LAVE-GLACE DE PARB (S)TOBERA A-LAVAPARABRISAS						
	96231860	04-04		B . . X X X								2	921218					
	96550793	04-07		B . B X X X								2	921219					
	[13]			(E)HOSE-RR WASHER (D)SCHLAUCH-HINTERE WASCHANLAGE								(F)FLEXIBLE-LAVE-GLACE AR (S)MANGUITO-LAVAPARABRISAS TR						
	96550794	04-07		. B . X X X								1						
	96431036	05-07		. . B X X X								1						

5330

WINDSHIELD WASHER

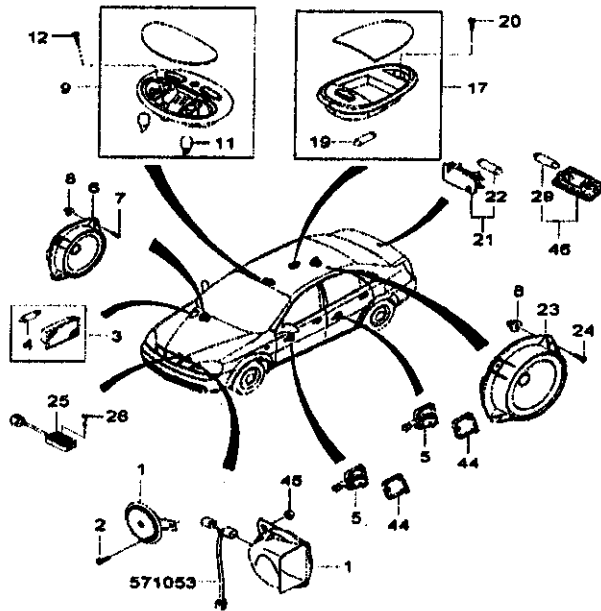


RJ5330 04/28/2005

I T C	KEY NO.		PART NAME										REMARKS	REDOO-D		
	PART NO.	MODEL YEAR	D R V	BODY			LEVEL		OPTION	L / R Y	V.I.N.					
				4 N B	4 H B	8 B W	B L	L L			FROM	TO				
	[14]															
	96550795	04-07												(F)GICLEUR A-LAVE-GLACE AR (S)TOBERA A-LAVAPARABRISAS TR		
	96423325	05-07												1		
	[17]													(F)FLEXIBLE A-HAYON (S)MANGUITO A-PTAT		
	96550803	04-07												1		
	96431037	05-07												1		
	[21]													(F)JOINT TORIQUE (S)JUNTA TORICA		
	96389092	04-07												2		
	[22]													(F)BOULON (S)PERNO		
	94525633	04-07												1		
	[26]													(F)FLEXIBLE-CORPS DE LAVE-GLACE (S)MANGUITO-LAV CARROCERIA		
	96419239	04-07												1		
	96419107	05-07												1		

5410

ELECTRICAL PARTS

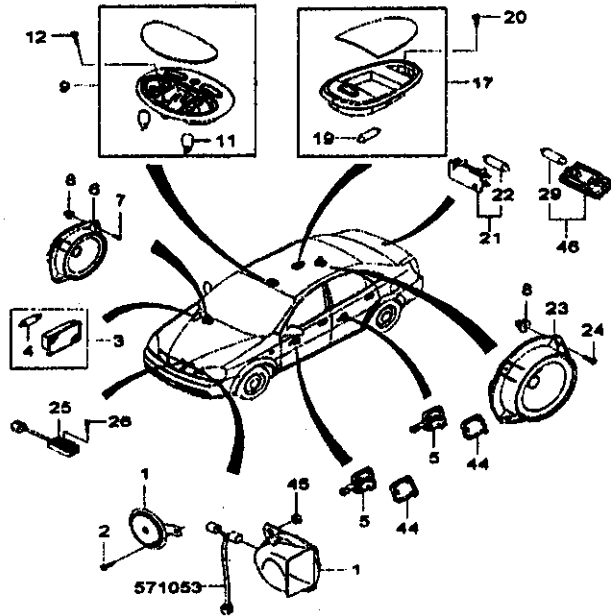


RJ5410GW 03/27/2006

I T C	KEY NO.		PART NAME											REMARKS	P R O D U C T I O N
	PART NO.	MODEL YEAR	D R V E	BODY		LEVEL		OPTION	L / R	Q / T	V.I.N.				
				4 N B	5 H W	8 L S	9 L S T				FROM	TO			
	[01]			(E)HORN A (D)HUPE A								(F)AVERTISSEUR SONORE A (S)CLAXON A			
	96336790	04-07		B B B X X X			-J07					RH 1		GL	
	96349111	04-07		B B B X X X			8J07					LH 1		PH	
	96349109	04-07		B B B X X X			8J07					RH 1		PL	
	[02]			(E)BOLT (D)BOLZEN								(F)BOULON (S)PERNO			
	94500233	04-07		B B B X X X			-J07					1			
	94500295	04-07		B B B X X X			8J07					2			
	[03]			(E)LAMP A-PASS COMPT (D)LAMPE A-FAHRGASTRAUM								(F)LAMPE A-HABITACLE (S)LUZ A-HABITACULO			
	96247399	04-07		B B B X X X			8J27					1		GB	
	[04]			(E)BULB (D)GLUEHLAMPE								(F)JAMPOULE (S)BOMBILLA			
	94535566	04-07		B B B X X X			8J27					1			
	[05]			(E)SPEAKER-BALANCE TWEETER (D)LAUTSPRECHER-BALANCE								(F)HAUT-PARLEUR-BALANCE AGUS (S)ALTAVOZ-BALANCE AGUDOS			
	96470071	04-07		B . . . X X			8JX5A03					LH 1	FRT	KT	
	Y 96550651	04-07		B . . . X X			8JX5A03					LH 1	FRT	LY	
	96470071	04-07		B . . . X X			8JX5					LH 1	RR	KT	
	Y 96550651	04-07		B . . . X X			8JX5					LH 1	RR	LT	
	96470072	04-07		B . . . X X			8JX5A03					RH 1	FRT	MT	
	Y 96550657	04-07		B . . . X X			8JX5A03					RH 1	FRT	RT	
	96470072	04-07		B . . . X X			8JX5					RH 1	RR	NT	
	Y 96550657	04-07		B . . . X X			8JX5					RH 1	RR	RT	
	[06]			(E)SPEAKER A-FRT (D)LAUTSPRECHER A-VORN								(F)HAUT-PARLEUR A-AV (S)ALTAVOZ A-DELAN			
	96453084	04-07		B B B X X X								LH 1		F4	
	96453562	04-07		B B B X X X								RH 1		F3	
	[07]			(E)SCREW (D)SCHRAUBE								(F)VIS (S)TORNILLO			
	94520183	04-07		B B B X X X								8			
	[08]			(E)NUT (D)MUTTER								(F)ECROU (S)TUERCA			
	94515248	04-07		B B B X X X								8			
	94515248	04-07		B B B X X X								8			
	[09]			(E)LAMP A-MAP,FRT (D)LAMPE A-MAP,VORN								(F)LAMPE A-LECTURE,AV (S)LUZ A-LECTURA DE MAPAS,DELAN			
	96615323	04-07		B B B X X X			8828LCP8L-08LAX					1		MB	
	96615327	04-07		B B B X X X			8828LCP8L-08LAX					1		MF	

5410

ELECTRICAL PARTS

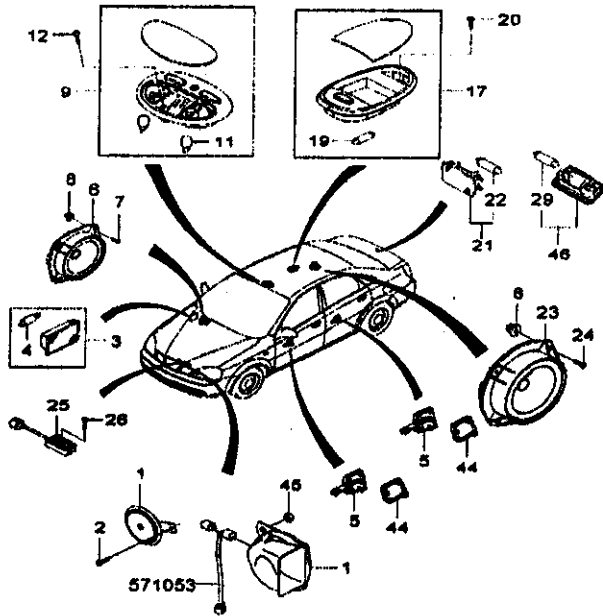


RJ5410GW 03/27/2006

I T C	KEY NO.		PART NAME										REMARKS	P M D C T P
	PART NO.	MODEL YEAR	D R V	BODY		LEVEL		OPTION	L Q R Y	V.I.N.				
				4 N B	4 H B	5 S W	B L S			L L S T	FROM			
	[11]			(E)BULB (D)GLUEHLAMPE								(F)AMPOULE (S)BOMBILLA		
	94539600	04-07		B B B X X X			AC99					2		
	[12]			(E)SCREW (D)SCHRAUBE								(F)VIS (S)TORNILLO		
	94520339	04-07		B B B X X X			AC99					2		
	[17]			(E)LAMP A-ROOM,CTR (D)RAUHLAMPE,MITTE								(F)LAMPE A-ECLAIRAGE INT,CTR (S)LUZ A-HABITACULO,CTR		
	96615319	04-07		B B B X X X			482AC95					1		MB
	96615321	04-07		. B . X X X			482AC94					1		MD
	[19]			(E)BULB (D)GLUEHLAMPE								(F)AMPOULE (S)BOMBILLA		
	94535591	04-07		B B B X X X								1		
	[20]			(E)SCREW (D)SCHRAUBE								(F)VIS (S)TORNILLO		
	94520344	04-07		B B B X X X								2		
	[21]			(E)LAMP A-PASS COMPT (D)LAMPE A-FAHRGASTRAUM								(F)LAMPE A-HABITACLE (S)LUZ A-HABITACULO		
	96247398	04-07		B . . X X X								1		TR
	[22]			(E)BULB (D)GLUEHLAMPE								(F)AMPOULE (S)BOMBILLA		
	94535591	04-07		B . . X X X								1		
	[23]			(E)SPEAKER A,RR (D)LAUTSPRECHER A-HINTEN								(F)HAUT-PARLEUR A-AR (S)ALTAVOZ A-TR		
	96453086	04-07		B B B X X X								LH 1		R3
	96453582	04-07		B B B X X X								RH 1		R2
	[24]			(E)SCREW (D)SCHRAUBE								(F)VIS (S)TORNILLO		
	94520183	04-07		B B B X X X								8		
	[25]			(E)RESISTOR A-COOLING FAN (D)WIDERSTAND A-KUEHLGEBLAESE								(F)RESISTANCE A-VENTILATEUR DE (S)RESISTENCIA A-VENTILADOR DE		
	96614412	04-07		B B . X X .			4C98L44					1		
	96614412	04-07		. B . X X .			6L144MG5					1		
	[26]			(E)BOLT (D)BOLZEN								(F)BOULON (S)PERNO		
	94500203	04-07		B B . X X .			4C98L44					1		
	94500203	04-07		. B . X X .			6L144MG5					1		
	[29]			(E)BULB (D)GLUEHLAMPE								(F)AMPOULE (S)BOMBILLA		
	94539590	05-07		. . B X X X								1		

5410

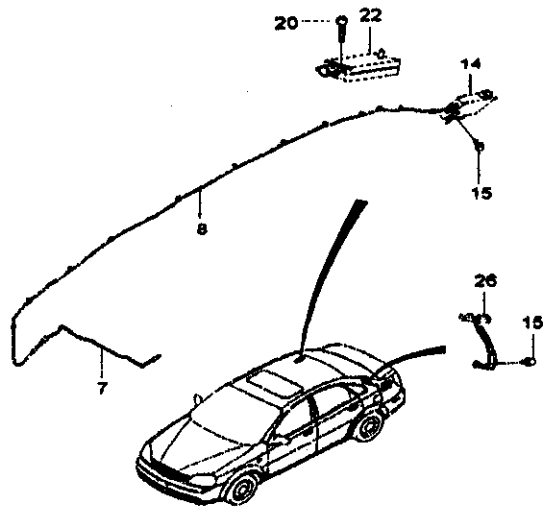
ELECTRICAL PARTS



RJ5410GW 03/27/2006

I T C	KEY NO.		D R V	PART NAME						L I T T Y	V.I.N.		REMARKS	P R O D U C T I O N
	PART NO.	MODEL YEAR		BODY		LEVEL		OPTION	FROM		TO			
				A N B	4 H S B	5 L S S	B L L S T							
	[44]							(E)GRILLE-TWEEETER (D)GITTER-HOCHTONLAUTSPRECHER			(F)GRILLE-H.P AGUS (S)REJILLA-ALTAVOZ DE AGUDOS			
	96550653	04 - 07		B	.	X	X	X	AUB0UB3			LH 1		
	96550653	04 - 07		B	.	X	X	.	AUB0			LH 1		
	96550654	04 - 07		B	.	X	X	X	AUB0UB3			RH 1		
	96550654	04 - 07		B	.	X	X	.	AUB0			RH 1		
	[45]							(E)NUT (D)MUTTER			(F)ECROU (S)TUERCA			
	94515292	04 - 07		B	B	B	X	X	X	AU07		2		
	[46]							(E)LAMP A-ROOM,LUGGAGE (D)RAUMLAMPE A,KOFFERRAUM			(F)LAMPE A-ECLAIRAGE (S)LUZ A-MALETERO			
	96412484	05 - 07		.	.	B	X	X	X	A423		1	LUGGAGE HB	
								**** RPO DEFINITIONS ****						
								U07 : HORN-FANFARE						
								U27 : LAMP-GLOVE BOX						
								LX5 : SPEAKER-BA						
								UB3 : SPEAKER-BA						
								82 : GREY-INTERIOR						
								C89 : LAMP-MAP, FRONT						
								CF8 : SUNROOF-SLIDE & TILT POWER						
								UAX : HANDS FREE KIT						
								C85 : LAMP-ROOF,CENTER,DLX						
								CM4 : LAMP-ROOM,CENTER						
								C46 : HEATER						
								L44 : ENGINE-4 CYL 1.6 DOHC MPI						
								L14 : ENGINE-4 CYL 1.4 DOHC MPI						
								MG6 : TRANS-MAN,58PD,MODIFY CR						
								UB0 : SPEAKER-4EA						

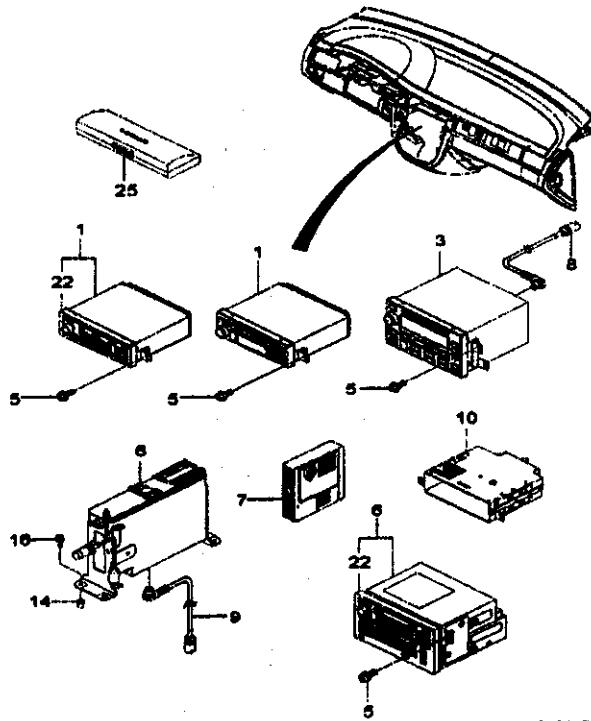
5420
ANTENNA



RJ5420GNW 10/30/2004

I T C	KEY NO.		PART NAME										L Q / T R Y	V.I.N.		REMARKS	REC'D P/B
	PART NO.	MODEL YEAR	D R V	BODY		LEVEL		OPTION	FROM	TO	REMARKS						
				4 N B	4 H B	5 S B	B L S					L L S					
	[07]			(E)CABLE-ANTENNA,MP (D)ANTENNENKABEL,INSTR.TAFEL						(F)CABLE-ANTENNE,IB (S)CABLE-ANTENA,PA							
	96550688	04-07		B	B	X	X	X				1					
	[08]			(E)CABLE-ANTENNA,RR (D)ANTENNENKABEL,HINTEN						(F)CABLE-ANTENNE,AR (S)CABLE-ANTENA,TR							
	96550691	04-07		B	.	X	X	X	UT3			1					
	96453655	04-07		.	B	X	X	X	A67			1					
	[14]			(E)MODULE A-GLASS ANTENNA (D)MODUL A-GLASANTENNE						(F)MODULE A-ANTENNE DE VITRE (S)MÓDULO A-ANTENA DE CRISTAL							
	96550675	04-07		B	.	X	X	X	UT3-XJ6			1					
	96454106	04-07	R	B	.	.	.	X	UT3XJ6			1			AJ		
	[16]			(E)BOLT (D)BOLZEN						(F)BOULON (S)PERNO							
	94501349	04-07		B	.	X	X	X				1					
	94501352	04-06		B	.	X	X	X	UT3			1					
	Y 94501876	04-07		B	.	.	.	X	UT3			1					
	[20]			(E)SCREW (D)SCHRAUBE						(F)VIS (S)TORNILLO							
	94520339	04-07		.	B	X	X	X	A67			1					
	[22]			(E)MODULE-ANTENNA GLASS (D)ANTENNENMODUL-GLAS						(F)MODULE-ANTENNE DE VITRE (S)MÓDULO-ANTENA DE CRISTAL							
	96453130	04-04		.	B	X	X	X	A67-XJ6			1	015452				
	N 96454105	04-07		.	B	X	X	X	A67-XJ6			1	015453		WA		
	96437619	05-07		.	B	.	.	X	A67XJ6			1			WB		
	[26]			(E)WIRE A-NOISE FILTER (D)DRAHT A-GERÄUSCHFILTER						(F)FIL A-FILTRE ANTI-PARASITE (S)CABLE A-FILTRO DE RUIDO							
	96488170	04-07		B	.	X	X	X	-UAV			1					
				*** RPO DEFINITIONS ***													
				UT3 : ANTENNA-BACK GLASS													
				A67 : ANTENNA-WINDSHIELD,RADIO													
				XJ6 : JAPAN-MANDATORY													
				UAV : AV SYSTEM													

**5430
AUDIO SYSTEM**

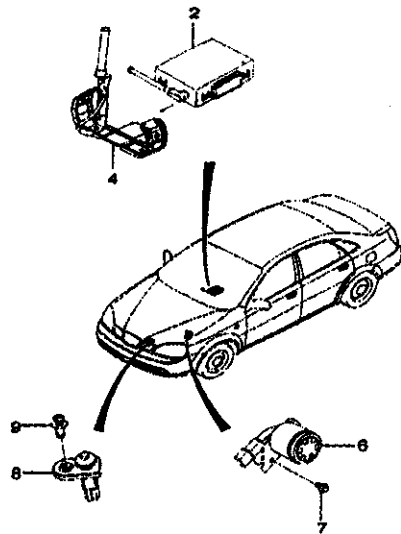


RJ8430G 10/30/2004

I T C	KEY NO.		PART NAME										L Q T Y	V.I.N.		REMARKS	P R O D U C T I O N	
	PART NO.	MODEL YEAR	D R V	BODY		LEVEL		OPTION	L T R Y	FROM	TO							
				4 N B	5 H B	5 L S	8 S T											
	[14]			(E)NUT (D)MUTTER									(F)ECROU (S)TUERCA					
	94515353	04-06		B . . . X X			8UAVAP1						3					
	[16]			(E)BOLT (D)BOLZEN									(F)BOULON (S)PERNO					
	94500038	04-06		B . . . X X			8UAVAP1						3					
	[22]			(E)PANEL A-RELEASE,R/CASSETTE (D)AUSWURFFACH A-KASSETTENRADIO									(F)PANNEL (S)PANEL A-APERTURA,R/CASETE					
	96453853	04-07		B B B X X X			8RDSUN2						1					
	96453854	04-07		B B B X X X			8RDS4WH						1					
	96453852	04-07		B B B X X X			8RDS4UH1						1					
	[25]			(E)CASE-RELEASE PNL (D)GEHAEUSE-AUSWURFFACH									(F)BOITIER-DEGAGEMENT PAN (S)CARCASA-PNL APERTURA					
	96453337	04-07		B B B . X .			8RDS4UN1UN2WH						1					
				**** RPO DEFINITIONS ****														
				UN2 : CASSETTE-AMFM ST0ETR,DLX														
				RDS : RADIO DATA SYSTEM-CASSETTE														
				WBR : CASSETTE-EQUALIZER-HI DLX														
				UN1 : CASSETTE-AMFM ST0ETR,STD														
				WVW : CD PLAYER														
				WVM : CD PLAYER-WMP3														
				UPK : RADIO-ETR,EQU,CD,MP3,SDIN														
				HON : BADGE-HOLDEN														
				UPX : RADIO-ETR,EQU,CD,MP3,DDIN														
				XME : MANDATORY-MEXICO														
				UNG : BLANK COVER-AUDIO, WFRAME														
				WBN : CD CHANGER-IN DASH 5														
				UP1 : CD CHANGER SYSTEM														
				UOD : RADIO-ETR,CAS,COC,MP3,DD														
				UAV : AV SYSTEM														
				UAK : RADIO-AMFM STREG,CDP														

5440

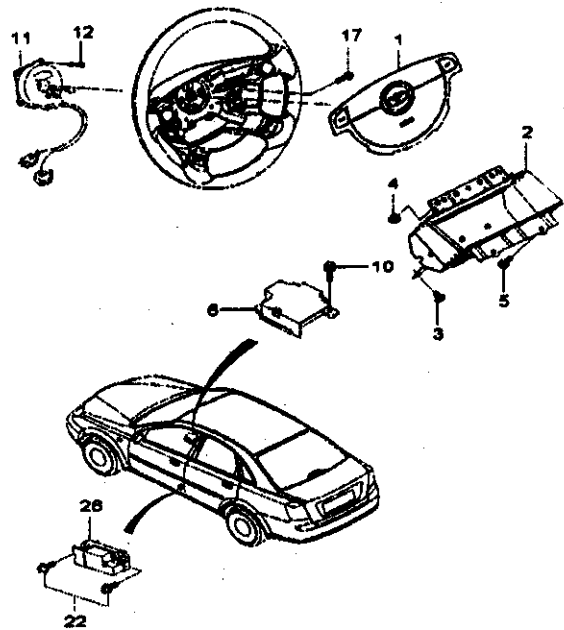
CAR ALARM&ANTI-THEFT SYSTEM



RJ5440G 05/27/2005

I T C	PART NO.	MODEL YEAR	D R V	KEY NO.						PART NAME	L Q T R Y	V.I.N.		REMARKS	R P O C O D
				4	5	LEVEL		OPTION	FROM			TO			
						B	L						S		
	[02]								(E)CONTROL UNIT A-RKE&ATAS (D)STEUEREREINHEIT A-FERNENTR.&DWA				(F)MODULE DE COMMANDE (S)UNIDAD DE CONTROL A-RKE Y		
	96550505	04-07				X	X	X	SAUSCAL-HONXJS	1				RC	
	96404668	04-07		B	B	X	X	X	SAUSCAL-HONXJS	1				RD	
	96407680	06-07				X	X	X	SAUSCAL-HON	1				RE	
	96407681	06-07		B	B	X	X	X	SAUSCAL-HON	1				RF	
	96454097	05-05		B				X	SAUSCALXJS	1				RG	
	96463007	06-07		B				X	SAUSCALXJS	1				RK	
	96439831	05-05			B			X	SAUSCALXJS	1				JW	
	96463006	06-07			B			X	SAUSCALXJS	1				MS	
	96800989	06-07		B		X	X	X	SAUSCALXME	1				AN	
	[04]								(E)ANTENNA A-ATAS (D)ANTENNE A-DWA				(F)ANTENNE A-SAAV (S)ANTENA A-ATAS		
	96454116	05-07		B	B			X	SAUSCALXJS	1					
	[06]								(E)SIREN A-RKE&ATAS (D)SIRENE A-FERNENTR.&DWA				(F)SIRENE A-SAVCD&SAAV (S)SIRENA A-RKE Y ATAS		
	96450416	04-07		B	B	X	X	X	SAUSCAL-XJS	1					
	96450416	06-07		B	B	X	X	X	SAUSCAL-HON	1					
	[07]								(E)SCREW (D)SCHRAUBE				(F)VIS (S)TORNILLO		
	94520297	04-07		B	B	X	X	X	SAUSCAL-XJS	2					
	94520297	06-07		B	B	X	X	X	SAUSCAL-HON	2					
	[08]								(E)SWITCH A-CONTACT,HOOD (D)KONTAKTSCHALTER A,HAUBE				(F)CONTACTEUR A-CONTACT,CAPOT (S)INTERRUPTOR		
	96540548	04-07		B	B	X	X	X	SCALXLP-HON	1				AS	
	[09]								(E)CLIP (D)KLEMME				(F)CLIP (S)CLIP		
	94530372	04-07		B	B	X	X	X	SCALXLP-HON	1					
									**** RPO DEFINITIONS ****						
									AUS : LOCK-DOORS,ELECTRIC						
									CAL : CAR ALARM,ANTI-THEFT						
									HON : BADGE-HOLDEN						
									XJS : JAPAN-MANDATORY						
									XME : MANDATORY-MEXICO						
									XLP : REMO CON-ENGINE START						

5510
AIR BAG SYSTEM

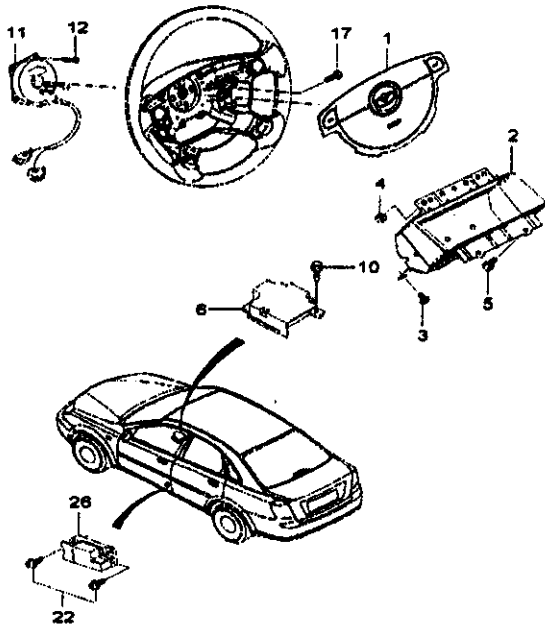


RJ5510DGW 10/30/2004

I T C	KEY NO. PART NO.	MODEL YEAR	D R V	BODY LEVEL						OPTION	V.I.N.		REMARKS	P / C O D E
				4	5	B	L	L	L O T Y		FROM	TO		
				N H S B	S H S W	B L S T	L L S T							
	[01]								(E)MODULE A-AIR BAG,DRIVER (D)MODUL A-AIRBAG,FAHRER	(F)MODULE A-AIRBAG, CONDUCTEUR (S)MÓDULO A-AIRBAG, CONDUCTOR				
	96399504	04-06		B	B	B	X	X	X	LAFALJA181XKA	1			CW
Y	96474818	04-07		B	B	B	X	X	X	LAFALJA181XKA	1			NV
	96404797	04-06		B	B	B	X	X	X	LAFALJA181XKC	1			CY
Y	96474817	04-07		B	B	B	X	X	X	LAFALJA181XKC	1			NJ
	96440692	06-07		B	B	B	.	X	.	LAFALJA181H0N	1			PV
	[02]									(E)MODULE A-AIR BAG,PASS (D)MODUL A-AIRBAG,BEIFÄHRER	(F)MODULE A-AIRBAG,PASS (S)MÓDULO A-AIRBAG,PAS			
	96557006	04-06		B	.	.	X	X	X	LAFALJ181BC2	1			CJ
Y	96474822	04-07		B	.	.	X	X	X	LAFALJ181BC2	1			NJ
	96557002	04-06	L	.	B	B	X	X	X	LAFALJ181BC1	RH 1			CG
Y	96474823	06-07	L	.	B	B	X	X	X	LAFALJ181BC1	RH 1			NK
	96557003	04-06	R	.	B	B	X	X	X	LAFALJ181BC1	LH 1			NH
Y	96474824	04-07	R	.	B	B	X	X	X	LAFALJ181BC1	LH 1			NL
	[03]									(E)BOLT (D)BOLZEN	(F)BOULON (S)PERNO			
	94501379	04-07		B	B	B	X	X	X	LAFALJ18	2			
	[04]									(E)NUT (D)MUTTER	(F)ECROU (S)TUERCA			
	94515119	04-07		B	B	B	X	X	X	LAFALJ18	3			
	[05]									(E)BOLT (D)BOLZEN	(F)BOULON (S)PERNO			
	94501401	04-07		B	B	B	X	X	X	LAFALJ18	2			
	[06]									(E)SENSOR-AIR BAG (D)SENSOR-AIRBAG	(F)CAPTEUR-AIRBAG (S)SENSOR-AIRBAG			
	96406712	04-07		B	B	B	X	X	X	LAF1-APP	1			NK
	96406711	04-07		B	B	B	X	X	X	LAF1-APP	1			NJ
	96406715	04-05		B	B	B	.	X	X	LAF1-APP	1	204330		NH
O	96830361	04-05		B	B	B	.	X	X	LAF1-APP	1	204331	204331	NH
N	96428774	05-06		B	B	B	.	X	X	LAF1-APP	1	204331	282797	NJ
O	96830363	05-07		B	B	B	.	X	X	LAF1-APP	1	282796		NV
	96428776	06-06		B	B	B	.	X	.	LAF1-APP	1		282797	NV
O	96830364	06-07		B	B	B	.	X	.	LAF1-APP	1	282796		NK
	[10]									(E)BOLT (D)BOLZEN	(F)BOULON (S)PERNO			
	94501378	04-07		B	B	B	X	X	X		3			
	[11]									(E)SPRING A-CLOCK (D)UHRFEDER A	(F)RESSORT A-SPIRALE (S)MUELLE A-EN ESPRAL			
	96489137	04-07		B	B	B	X	X	X	LAFALJA181RC2UAXXKLS	1			PR
	96387578	04-07		B	B	B	.	X	X	LAFALJA181RC2UAXX0N	1			PT
	96485219	06-07		B	B	B	.	X	X	LAFALJA181H0N1RC2UAX	1			PU

5510

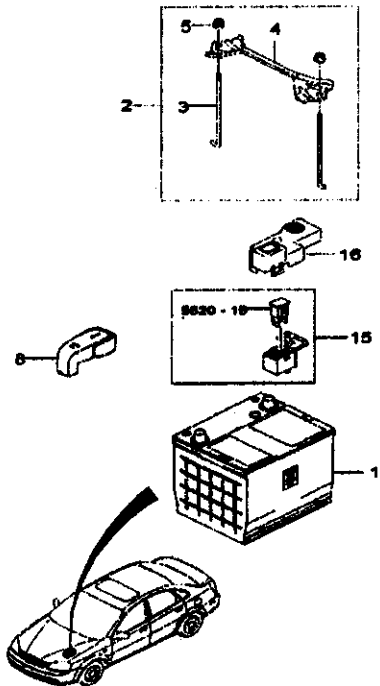
AIR BAG SYSTEM



RJ5510DGW 10/30/2004

I T C	KEY NO.		PART NAME										REMARKS	P A C K C O D E	
	PART NO.	MODEL YEAR	D R V	BODY		LEVEL		OPTION	L Q / T R Y	V.I.N.		FROM			TO
				4 N B	4 H S B	5 L S	B L L			L L L	FROM				
	[11]			(E)SPRING A-CLOCK (D)UHRFEDER A									(F)RESSORT A-SPIRALE (S)MUELLE A-EN ESPIRAL		
	96424021	05-07		B B B . . X			1ABFAJ3AJ8XJ6-RC2UAX						1		RR
	[12]			(E)SCREW (D)SCHRAUBE									(F)VIS (S)TORNILLO		
	94520176	04-07		B B B X X X			1ABFAJ3AJ8K30RC2						4		
	[17]			(E)BOLT (D)BOLZEN									(F)BOULON (S)PERNO		
	94501702	04-07		B B B X X X			1ABFAJ3AJ8						2		
	[22]			(E)BOLT (D)BOLZEN									(F)BOULON (S)PERNO		
	94501803	04-06		B B B . . X X			1AJ8						4		
	Y 94502026	04-07		B B B . . X X			1AJ8						4		
	[26]			(E)SENSOR-AIR BAG, SIDE (D)SENSOR-SETENAIRBAG									(F)CAPTEUR-AIRBAG, LATERAL (S)SENSOR-AIRBAG, LATERAL		
	96432502	04-05		B B . . X X			1AJ8						2	119752	NX
	96557000	05-05		. . B . . X X			1AJ8						2	119752	BZ
	Y 96432502	05-05		B B B . . X X			1AJ8						2	119753 204330	NX
	N 96464999	05-07		B B B . . X X			1AJ8						2	204331	CY
	**** RPO DEFINITIONS ****														
	ABF : SIR-FRT, DR & CO-DR SIDE														
	AJ3 : SIR-FRONT, DRIVE SIDE														
	AJ8 : AIR BAG-FRT SIDE, DR/CO-DR														
	XJA : BADGE-CHEVROLET														
	XKC : BADGE-DAEWOO														
	HDM : BADGE-HOLDEN														
	BC2 : INSTRUMENT PAD-DLX														
	BC1 : INSTRUMENT PAD-STD														
	APP : BELT-SEAT, PRETENSIONER, FRT														
	RC2 : REMOTE CONTROL SW-STRG														
	UAX : HANDS FREE KIT														
	XJ6 : JAPAN-MANDATORY														
	K30 : CRUISE CONTROL														

**5610
BATTERY**

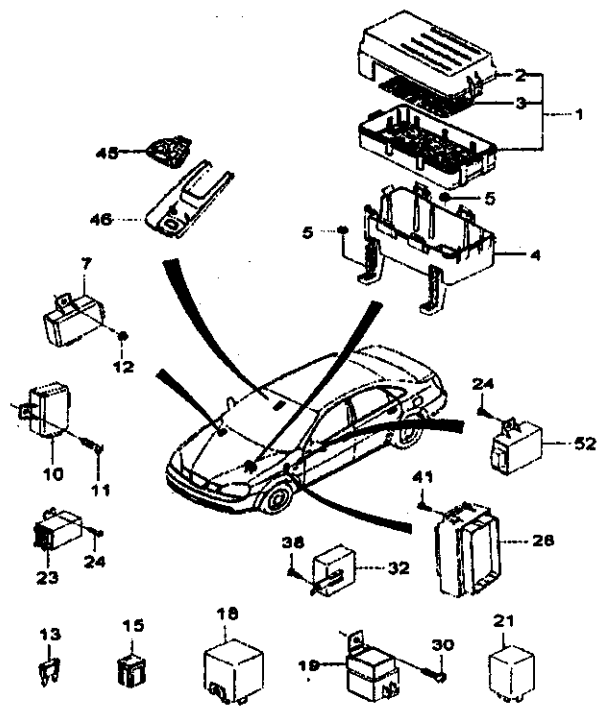


RJ5610GN 06/27/2005

I T C	KEY NO.		PART NAME										L Q T R Y	V.I.N.		REMARKS	P R O D U C T I O N
	PART NO.	MODEL YEAR	D R V E	B O D Y		L E V E L		O P T I O N	F R O M	T O	R E M A R K S						
				4 N H S B W	5 B L W	B S	L S T										
	[01]			(E)BATTERY A (D)BATERIE A								(F)BATTERIE A (S)BATERIA A					
	96230967	04-04		B . . X X X								1	921218				JC
	○ 96416243	04-05		B B . X X X								1	921219 039630				JD
	○ 96432343	04-07		B B B X X X				8HDN/XPE/XGU/XPR/205				1	039631				AJ
	○ 96432342	04-07		B B B X X X				8LDA/L14/L44/L88/HON				1	039631				AH
	[02]			(E)HOLDER A-BATTERY (D)BATERIEHALTER A								(F)SUPPORT A-BATTERIE (S)SOPORTE A-BATERIA					
	96280186	04-07		B B B X X X								1					
	[03]			(E)ROD-HOLDER (D)HALTERSTAB								(F)TIGE-SUPPORT (S)VARILLA-SOPORTE					
	96280188	04-07		B B B X X X -XG7								2					
	[04]			(E)BAR-HOLDER (D)HALTERSTANGE								(F)BARRE-SUPPORT (S)BARRA-SOPORTE					
	96280187	04-07		B B B X X X -XG7								1					
	[05]			(E)NUT (D)MUTTER								(F)ECROU (S)TUERCA					
	94515147	04-07		B B B X X X -XG7								2					
	[06]			(E)CAP-BATTERY (D)BATERIEKAPPE								(F)CAPUCHON-BATTERIE (S)TAPA-BATERIA					
	96452251	04-07		B B B X X X								1					NEGATIVE
	96452250	04-07		B B B X X X				8NHJ/8NHJ/8NHJ/8NHJ				1					POSITIVE
	[15]			(E)FUSE-BLOCK (D)SICHERUNGSBLOCK								(F)PORTE-FUSIBLES (S)FUSIBLE-BLOQUE					
	96819859	04-07		B B B . . X 8NHK								1					RED(+),W/FUSE (100AMP)
	[16]			(E)COVER-FUSE BLOCK (D)ABDECKUNG-SICHERUNGSBLOCK								(F)COUVERCLE-PORTE-FUSIBLES (S)TAPA-BLOQUE DE FUSIBLES					
	96820770	05-07		B . B . . X 8NHK								1					POSITIVE
**** RPO DEFINITIONS ****																	
HON : BADGE-HOLDEN																	
XPE : U.S.A.-MANDATORY																	
XGU : GUAM-MANDATORY																	
XPR : PUERTO RICO-MANDATORY																	
205 : CANADA-MANDATORY																	
LDA : ENGINE-4 CYL 1.8 DOHC MPI																	
L14 : ENGINE-4 CYL 1.4 DOHC MPI																	
L44 : ENGINE-4 CYL 1.6 DOHC MPI																	
L88 : ENGINE-4 CYL 2.0 DOHC MPI																	
XG7 : PACKAGE-PATROL CAR																	
NHJ : EMISSION-EURO.STAGE IV																	

5620
FUSE&RELAY

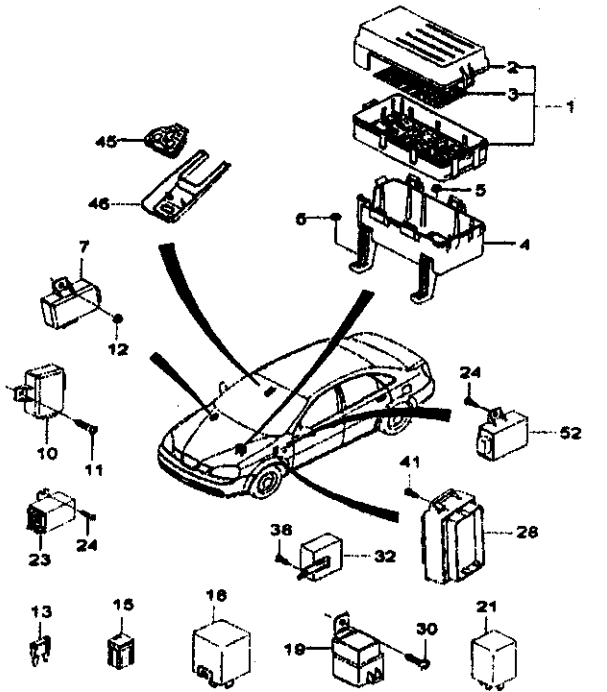
I T C	PART NO.	MODEL YEAR	PART NAME										L Q T Y	V.I.N.		REMARKS	P / C O D E	
			D R V E	BODY			LEVEL		OPTION	F R O M	T O	R E M A R K S						
				4 N B	5 H S	6 B W	B L	L L										
	[01]		(E)BOX A-FUSE&RELAY (D)KASTEN A-SICHERUNG&RELAIS															
	98451739	04 - 07	B B B X X .				AC48-JLJ/TC798					1						AA
	98451740	04 - 07	B B B X X .				AC48LJL/TC798					1						AB
	98451741	04 - 07	B B B X X X				AC48LJL/TC798					1						AC
	98451742	04 - 07	B B B X X X				AC48LJL/TC798					1						AD
	98451743	04 - 07	B B B X X .				AC15C80-JLJ/TC798					1						AE
	98451744	04 - 07	B B B X X .				AC15C80LJL/TC798					1						AF
	98451745	04 - 07	B B B X X X				AC15C80LJL/TC798					1						AG
	98451746	04 - 07	B B B X X X				AC15C80LJL/TC798					1						AH
	[02]		(E)COVER-FUSE BOX,UPR (D)DECKEL-SICHERUNGSKASTEN,OBEN															
	98551399	04 - 07	B B B X X X									1						E1
	[03]		(E)LABEL-FUSE BOX (D)ETIKETT-SICHERUNGSKASTEN															
	98551401	04 - 07	B B B X X X									1						
	[04]		(E)COVER-FUSE BOX,LWR (D)DECKEL-SICHERUNGSKASTEN,UNTEN															
	98551400	04 - 07	B B B X X X									1						
	[06]		(E)NUT (D)MUTTER															
	94515096	04 - 07	B B B X X X									3						
	[07]		(E)RELAY A-CTR DR LOCK (D)RELAIS A-MITTE TUERSCHLOSS															
	98190176	04 - 07	B B B X X X				ALJ3-AJ8					1						
	[10]		(E)MODULE A-CHIME BELL (D)MODUL A-SIGNALGLOCKE															
	98459510	04 - 04	B B . X X X				U44					1						MR
	98427140	05 - 07	B B B X X X				U44					1						MA
	98459511	04 - 04	B B . X X X				ALU44					1						MS
	98427150	05 - 07	B B B X X X				ALU44					1						MB
	[11]		(E)SCREW (D)SCHRAUBE															
	94520326	04 - 06	B . . X X X									2						
	Y 94520424	04 - 07	B B B X X X									2						
	[12]		(E)NUT (D)MUTTER															
	94515096	04 - 07	B B B X X X				ALJ3-AJ8					1						
	[13]		(E)FUSE-MINI (D)MINISICHERUNG															
	98234926	04 - 07	B . . X X X									1						SA
	98234924	04 - 07	B B B X X X									11						10A



RJ6620GW 06/23/2005

5620

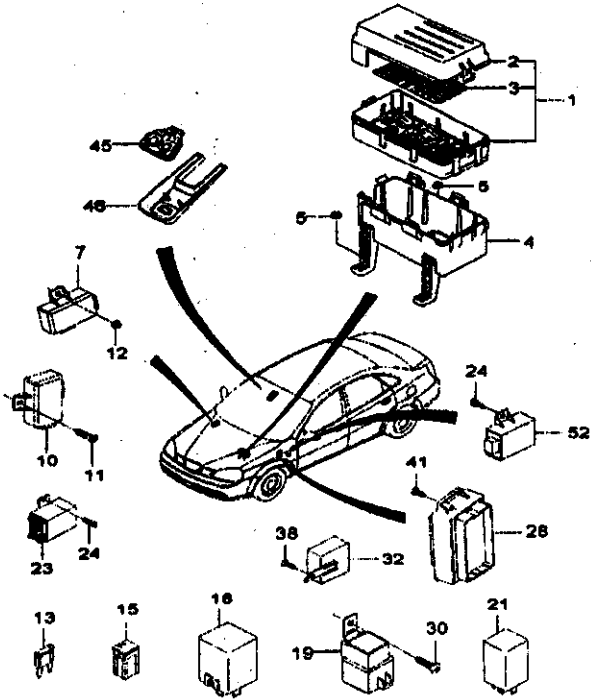
FUSE&RELAY



RJ5620GW 08/23/2005

I T C	KEY NO.		PART NAME											P/ C O D E
	PART NO.	MODEL YEAR	D R V E	BODY			LEVEL		OPTION	L Q T Y	V.I.N.		REMARKS	
				4 N B	4 H B	5 S W	B L	L L			FROM	TO		
	[13]			(E)FUSE-MINI (D)MINISICHERUNG						(F)FUSIBLE-MINI (S)FUSIBLE-MINI				
	96234923	04 - 07		B B B X X X				AT96		1			15A	
	96234922	04 - 07		B B B X X X						1			20A	
	96234921	04 - 07		B B B X X X						2			25A	
	96234920	04 - 07		B B B X X X						2			30A	
	[15]			(E)FUSE-SLOW BLOW (D)TRAEGE SICHERUNG						(F)FUSIBLE-FUSION LENTE (S)FUSIBLE-ACCION RETARDADA				
	96377976	04 - 07		B B B X X X						1			20A	
	96584144	04 - 07		B B B X X X						7			30A	
	96377976	04 - 07		B B B X X X				ALL/JTC		1			60A	
	[16]			(E)RELAY A-T/SIG (D)RELAIS A-T/SIG						(F)RELAIS A-CLIGN (S)RELE A-INTERMITENTE				
	96312545	04 - 07		B B B X X X						1				B4
	[19]			(E)RELAY A-COOLING FAN (D)RELAIS A-KUEHLGEBLAESE						(F)RELAIS A-VENTILATEUR DE (S)RELE A-VENTILADOR DE				
	96251271	04 - 07		B B B X X X				AC15/C60C96L4A4M4		1				
	96251271	04 - 07		B B B X X X				AC15/C60C96LDA184L8		1				
	[21]			(E)RELAY A (D)RELAIS A						(F)RELAIS A (S)RELE A				
	96190189	04 - 07		B B B X X X						1			BL/MOTOR	F7
	96190189	04 - 07		B B B X X X						1			HIGH FAN	F7
	96190189	04 - 07		B B B X X X						1			LOW FAN	F7
	96190187	04 - 07		B B B X X X				AC15/C60		1			ILLUMINATION	E5
	96190187	04 - 07		B B B X X X				AC15/C60		1			HORN	E5
	96190189	04 - 07		B B B X X X						1			RR DEFRO.	F7
	96190189	04 - 07		B B B X X X						1			FUEL PUMP	F7
	96190189	04 - 07		B B B X X X						1			HEAD LAMP	F7
	96190187	04 - 07		B B B X X X				AT96		1			FR FOG LAMP	E5
	96190189	04 - 07		B B B X X X				AA96		1			PWR WOO	F7
	96190187	04 - 07		B B B X X X				AC15/C60		1			A/C CMPR	E5
	96344573	04 - 07		B B B X X X				APL8		1				C3
	96190189	04 - 07		B B B X X X				ADTR		1			DRL	F7
	96190189	04 - 07		B B B X X X				EL84		1				F7
	96190189	04 - 07		B B B X X X				AC15		1			ATC	F7
	[23]			(E)RELAY A-DRL (D)TFL RELAIS A						(F)RELAIS A-FEUX DE JOUR (S)RELE A-DRL				
	90414786	04 - 07	L	B B B X X X				ADTR		1				EU
	[24]			(E)SCREW (D)SCHRAUBE						(F)VIS (S)TORNILLO				
	94520424	04 - 07		B B B X X X				ADTR		2				

5620
FUSE&RELAY

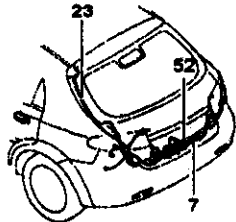


RJ5620GW 06/23/2005

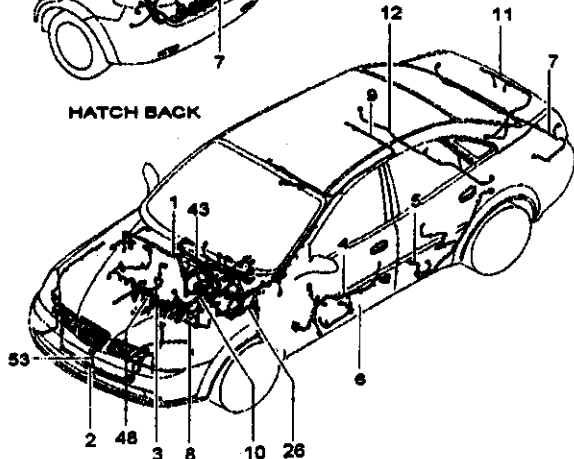
I T C	KEY NO. PART NO.	MODEL YEAR	D R V	PART NAME										L O T Y	V.I.N.		REMARKS	P R O D U C T I O N
				BODY				LEVEL		OPTION	FROM	TO						
				4 N B	4 H S B	5 S W	W	B L S	L L T									
	[28] 96451738	04-07		(E)BOX A-FUSE,PASS (D)SICHERUNGSKASTEN A-BEIFAHRE B B B X X X											(F)BOITE A-FUSIBLES,PASS (S)CAJA A-DE FUSIBLES,PAS 1			SA
	[30] 94500400 94500400	04-07 04-07		(E)BOLT (D)BOLZEN B B B X X X B B B X X X							8C18/C08/C08LL4M4L4 8C18/C08/C08LL4M4L4M				(F)BOULON (S)PERNO 1 1			
	[32] 96550552	04-07		(E)MODULE A- (D)MODUL A-KLAPPSPIEGEL B B B . X X							8DM4				(F)MODULE A-RETROVISEURS (S)MÓDULO A-RETROVISOR 1			
	[38] 94520515	04-07		(E)SCREW (D)SCHRAUBE B B B . X X							8DM4				(F)VIS (S)TORNILLO 1			
	[41] 94520326	04-07		(E)SCREW (D)SCHRAUBE B B B X X X											(F)VIS (S)TORNILLO 1			
	[46] 96334229	04-07		(E)SENSOR A-RAIN (D)REGENSENSOR A B B B . X X							8C24				(F)DETECTEUR A-PLUIE (S)SENSOR A-LLUVIA 1			
	[46] 96456210	04-07		(E)COVER A-RAIN SENSOR (D)ABDECKUNG A-REGENSENSOR B B B . X X							8C24				(F)COUVERCLE A-DETECTEUR DE (S)TAPA A-SENSOR DE LLUVIA 1			
	[82] 96406390	05-07		(E)SAVER UNIT (D)BATTERIESPAREINHEIT B B B X X X											(F)ECONOMISEUR-BATTERIE (S)UNIDAD DE ECONOMIZADOR-DE 1			BS
				**** RPO DEFINITIONS ****														
				C46 : HEATER														
				J49 : BRAKE-ANTI LOCK SYSTEM ASR														
				J7C : TRACTION CONTROL WABS														
				T98 : LAMP-FOG,FRONT														
				C15 : AIR CON-FULL ATC														
				C80 : AIR CONDITIONING														
				AU3 : LOCK-DOORS,ELECTRIC														
				AU8 : LOCK-DR,SPEED SENSITIVE														
				U44 : SPEED WARNING DEVICE														
				C59 : AIR CON-UNCOMPLETED MANUAL														
				L44 : ENGINE-4 CYL 1.6 DOHC MPI														
				ML4 : TRANSMISSION-AUTO,4 SPEED														
				LDA : ENGINE-4 CYL 1.8 DOHC MPI														
				L84 : ENGINE-4 CYL 1.8 DOHC MPI														
				L88 : ENGINE-4 CYL 2.0 DOHC MPI														

5710

WIRING HARNESS



HATCH BACK



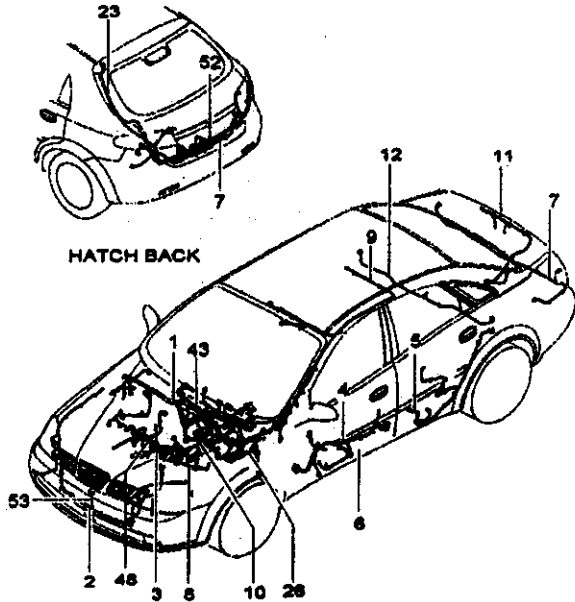
For ground					
27	33	35	38	41	54

RJ5710G 10/30/2004

I T C	KEY NO.		PART NAME										L T Q R Y	V.I.N.		P L C O D E	
	PART NO.	MODEL YEAR	D R V	BODY			LEVEL		OPTION	FROM	TO						
				4 N H	5 S B	W	B S	L S				T					
	[01]	(E)WIRING HARNESS-UP (D)KABELSTRANG-INSTR.TAFEL (F)FAIS.CBL-TB (S)CABLEADO-PH															
N	9840095	04-04	L	B	B	.	.	X	X	AC15MLAMMSABFAJ3DRDSUM1		1	921167	LF			
	98415953	04-04	L	B	B	B	.	X	X	ABFAJ3C13AMLAAMBSRDSUM1		1	921168	PR			
	98409073	04-04	L	B	B	.	.	X	X	AC15MLAMMSABFAJ3DRDSUM1		1	921167	LG			
N	98415954	04-04	L	B	B	B	.	X	X	ABFAJ3C13AMLAAMBSRDSUM1		1	921168	PS			
	98410642	04-04	L	B	B	.	.	X	X	SC15MLAMMSABFAJ3DRDSUM1-OTRFL4		1	921167	LB			
N	98415956	04-04	L	B	B	B	.	X	X	ABFAJ3C13AMLAAMBSRDSUM1-OTRFL4		1	921168	PW			
	98814063	04-04	L	B	B	.	.	X	X	ABFAJ3C13AMLAAMBSRDSUM1-OTRFL4		1	921167	BU			
N	98415908	04-04	L	B	B	B	.	X	X	ABFAJ3C13AMLAAMBSRDSUM1-OTRFL4		1	921168	NC			
	98814054	04-04	L	B	B	.	.	X	X	ABFAJ3C13AMLAAMBSRDSUM1-OTRFL4		1	921167	EV			
N	98415909	04-04	L	B	B	B	.	X	X	ABFAJ3C13AMLAAMBSRDSUM1-OTRFL4		1	921168	ND			
	98814045	04-04	L	B	B	.	.	X	X	ABFAJ3C13AMLAAMBSRDSUM1-OTRFL4		1	921167	BL			
N	98415999	04-04	L	B	B	B	.	X	X	ABFAJ3C13AMLAAMBSRDSUM1-OTRFL4		1	921168	M4			
	98409059	04-04	L	B	B	.	.	X	X	SC15MLAMMSABFAJ3DRDSUM1		1	921167	LC			
N	98415950	04-04	L	B	B	B	.	X	X	ABFAJ3C13AMLAAMBSRDSUM1		1	921168	PN			
	98814041	04-04	L	B	B	.	.	X	X	SC15MLAMMSABFAJ3DRDSUM1		1	921167	EG			
N	98415888	04-04	L	B	B	B	.	X	X	ABFAJ3C13AMLAAMBSRDSUM1		1	921168	NY			
	98419191	04-04	L	B	B	.	.	X	X	ABFAJ3C13AMLAAMBSRDSUM1-OTR		1		RG			
	98410818	04-04	L	B	B	.	.	X	X	ABFAJ3C13AMLAAMBSRDSUM1-OTRFL4		1		LN			
	98424546	04-04	L	B	B	B	.	X	X	ABFAJ3C13AMLAAMBSRDSUM1-OTRFL4		1		ZU			
	98814021	04-04	L	B	B	B	.	X	X	ABFAJ3C13AMLAAMBSRDSUM1-OTRFL4		1		DU			
	98814074	04-04	L	B	B	B	.	X	X	ABFAJ3C13AMLAAMBSRDSUM1-OTRFL4		1		PH			
	98419184	04-04	L	B	B	B	.	X	X	ABFAJ3C13AMLAAMBSRDSUM1-OTRFL4		1		QS			
	98424509	04-04	L	B	B	B	.	X	X	ABFAJ3C13AMLAAMBSRDSUM1-OTRFL4		1		YN			
	98424555	04-04	L	B	B	B	.	X	X	ABFAJ3C13AMLAAMBSRDSUM1-OTRFL4		1		Z8			
	98409041	04-04	L	B	B	B	.	X	X	ABFAJ3C13AMLAAMBSRDSUM1-OTRFL4		1		K3			
	98409043	04-04	L	B	B	B	.	X	X	ABFAJ3C13AMLAAMBSRDSUM1-OTRFL4		1		K4			
	98814013	04-04	L	B	B	B	.	X	X	ABFAJ3C13AMLAAMBSRDSUM1-OTRFL4		1		DL			
	98424505	04-04	L	B	B	B	.	X	X	ABFAJ3C13AMLAAMBSRDSUM1-OTRFL4		1		YJ			
	98409037	04-04	L	B	B	B	.	X	X	ABFAJ3C13AMLAAMBSRDSUM1-OTRFL4		1		KZ			
	98409039	04-04	L	B	B	B	.	X	X	ABFAJ3C13AMLAAMBSRDSUM1-OTRFL4		1		K2			
	98814009	04-04	L	B	B	B	.	X	X	ABFAJ3C13AMLAAMBSRDSUM1-OTRFL4		1		DO			
	98814010	04-04	L	B	B	B	.	X	X	ABFAJ3C13AMLAAMBSRDSUM1-OTRFL4		1		DH			
	98422383	05-07	L	B	B	.	.	X	X	ABFAJ3C13AMLAAMBSRDSUM1-OTRFL4		1		7H			

5710

WIRING HARNESS



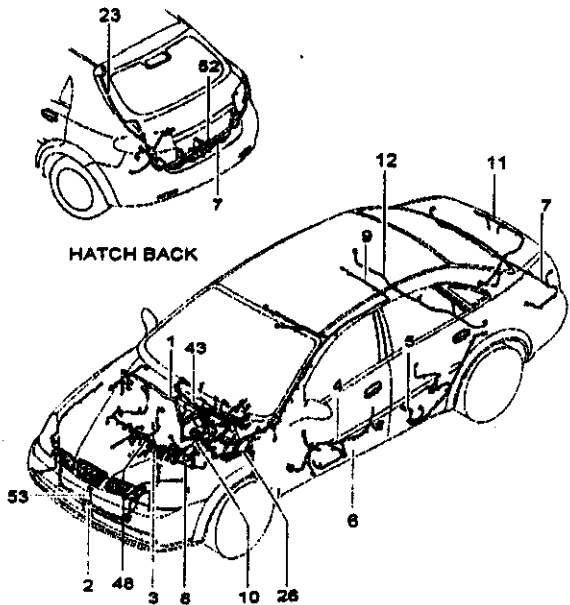
For ground					
27	33	35	38	41	54

RJ5710G 10/30/2004

I T C	KEY NO.		PART NAME										L / R	Q T Y	V.I.N.		P C O D E	
	PART NO.	MODEL YEAR	D R V	BODY			LEVEL				OPTION	FROM			TO			
				4 N B	4 H B	5 S W	B L S	B L S	L L T									
	[91]	(E) W HARNESS-UP (D) KABELSTRANG-INSTR. TAFEL																
	98422329	05-07	L	B	B	B	.	X	X			1						5X
	98422382	05-07	L	B	B	B	.	X	X			1						7L
	98433974	05-07	L	B	B	B	.	X	X			1						W5
	98422366	05-07	L	B	B	B	.	X	X			1						7D
	98433954	05-07	L	B	B	B	.	X	X			1						W6
	98422374	05-07	L	B	B	B	.	X	X			1						7C
	98433970	05-07	L	B	B	B	.	X	X			1						WZ
	98420893	05-07	L	B	B	B	.	X	X			1						5L
	98420894	05-07	L	B	B	B	.	X	X			1						5M
	98433955	05-07	L	B	B	B	.	X	X			1						WJ
	98422350	05-07	L	B	B	B	.	X	X			1						6L
	98422378	05-07	L	B	B	B	.	X	X			1						7D
	98422351	05-07	L	B	B	B	.	X	X			1						6M
	98433952	05-07	L	B	B	B	.	X	X			1						W7
	98420891	05-07	L	B	B	B	.	X	X			1						5J
	98420892	05-07	L	B	B	B	.	X	X			1						5K
	98433953	05-07	L	B	B	B	.	X	X			1						W8
	98422348	05-07	L	B	B	B	.	X	X			1						6J
	98422349	05-07	L	B	B	B	.	X	X			1						6K
	98433948	05-07	L	B	B	B	.	X	X			1						W9
	98422358	05-07	L	B	B	B	.	X	X			1						6U
	98433962	05-07	L	B	B	B	.	X	X			1						W9
	98420885	05-07	L	B	B	B	.	X	X			1						5C
	98420886	05-07	L	B	B	B	.	X	X			1						5D
	98433947	05-07	L	B	B	B	.	X	X			1						WA
	98422342	05-07	L	B	B	B	.	X	X			1						6C
	98422362	05-07	L	B	B	B	.	X	X			1						6Y
	98422343	05-07	L	B	B	B	.	X	X			1						6D

5710

WIRING HARNESS



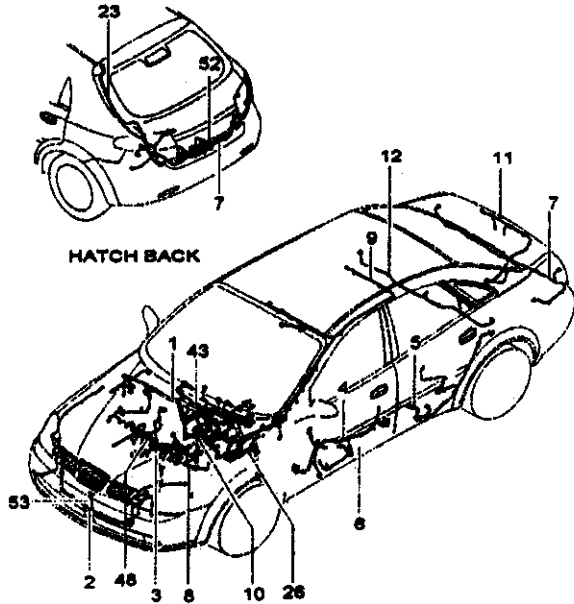
For ground					
27	33	35	38	41	54

RJ5710G 10/30/2004

I T C	PART NO.	MODEL YEAR	KEY NO.						PART NAME	L Q T Y	V.I.N.		P / D O C U M E N T
			D R V E	B O D Y		L E V E L		O P T I O N			F R O M	T O	
				4 N B	4 H S	5 B W	5 L S						
	[01]		(E)W/HARNESS-IP										
			(D)KABELSTRANG-INSTR.TAFEL										
								(F)FAIS.CBL-TB					
								(S)CABLEADO-PI					
	96433944	05-07	L	B	B	B	X	X	4C156M04M05M85-ABFAJ3A/BOTRFLMHL4RDBAUF9LULUM1	1			V7
	96433980	05-07	L	B	B	B	X	X	4C156M04M05M85L-RDS-ABFAJ3A/BALUM1	1			XB
	96422392	05-07	L	B	B	B	X	X	4C156M04M05M85L-RDS-ABFAJ3A/BUM1	1			7W
	96422393	05-07	L	B	B	B	X	X	4C156M04M05M85L-RDS-ABFAJ3A/B	1			7X
	96433981	05-07	L	B	B	B	X	X	4C156M04M05M85L-RDS-ABFAJ3A/BUL1	1			XC
	96422366	05-07	L	B	B	B	X	X	4C156M04M05M85L-UF9LUL15UM1-ABFAJ3A/BOTRFLM4	1			64
	96433966	05-07	L	B	B	B	X	X	4C156M04M05M85L-UF9LUM1-ABFAJ3A/BOTRFLM4UL1	1			WV
	96420683	05-07	L	B	B	B	X	X	4C156M04M05M85L-1-ABFAJ3A/BOTRFLMHL4RDBAUF9LUM1	1			5A
	96420684	05-07	L	B	B	B	X	X	4C156M04M05M85L-15UM1-ABFAJ3A/BOTRFLMHL4RDBAUF9	1			5B
	96433945	05-07	L	B	B	B	X	X	4C156M04M05M85LUM1-ABFAJ3A/BOTRFLMHL4RDBAUF9L1	1			V9
	96422340	05-07	L	B	B	B	X	X	4C156M44M85-ABFAJ3A/BOTRFLMHL4RDBAUF9LUM1	1			6A
	96428070	05-07	L	B	B	B	X	X	4C156M44M85L-RDS-ABFAJ3A/BUM1	1			76
	96428071	05-07	L	B	B	B	X	X	4C156M44M85L-RDS-UM1-ABFAJ3A/B	1			77
	96422370	05-07	L	B	B	B	X	X	4C156M44M85L-UF9LUM1-ABFAJ3A/BOTRFLM4	1			68
	96422341	05-07	L	B	B	B	X	X	4C156M44M85LUM1-ABFAJ3A/BOTRFLMHL4RDBAUF9	1			6B
	96422360	05-07	L	B	B	B	X	X	4C48C06LDT8HL48M04M05M85LUM1-ABFAJ3A/B9	1			7J
	96433972	05-07	L	B	B	B	X	X	4C48C06LDT8HL48M04M05M85LUM1-ABFAJ3A/B9LUL1	1			W3
	96422384	05-07	L	B	B	B	X	X	4C48C06LDT8HL48M05LUM1-ABFAJ3A/B9	1			7N
	96433938	05-07	L	B	B	B	X	X	4C48C06LFL8HL48M04M05M85-ABFAJ3A/BOTRFLM1UM1	1			VZ
	96422372	05-07	L	B	B	B	X	X	4C48C06LFL8HL48M04M05M85L-UF9LUL15UM1-ABFAJ3A/BOTR	1			7A
	96433968	05-07	L	B	B	B	X	X	4C48C06FL8HL48M04M05M85L-UF9LUM1-ABFAJ3A/BOTRFLM1	1			WX
	96420677	05-07	L	B	B	B	X	X	4C48C06FL8HL48M04M05M85L-1-ABFAJ3A/BOTRFLM1	1			44
	96420678	05-07	L	B	B	B	X	X	4C48C06FL8HL48M04M05M85LUM1-ABFAJ3A/BOTRFLM1	1			4S
	96433939	05-07	L	B	B	B	X	X	4C48C06FL8HL48M04M05M85LUM1-ABFAJ3A/BOTRFLM1	1			V2
	96422334	05-07	L	B	B	B	X	X	4C48C06FL8HL48M44M85-ABFAJ3A/BOTRFLM1	1			54
	96422376	05-07	L	B	B	B	X	X	4C48C06FL8HL48M44M85L-UF9LUM1-ABFAJ3A/BOTR	1			7E
	96422335	05-07	L	B	B	B	X	X	4C48C06FL8HL48M44M85LUM1-ABFAJ3A/BOTRFLM1	1			55
	96433936	05-07	L	B	B	B	X	X	4C48C06FL8M04M05M85-ABFAJ3A/BOTRFLM4U	1			VX

5710

WIRING HARNESS



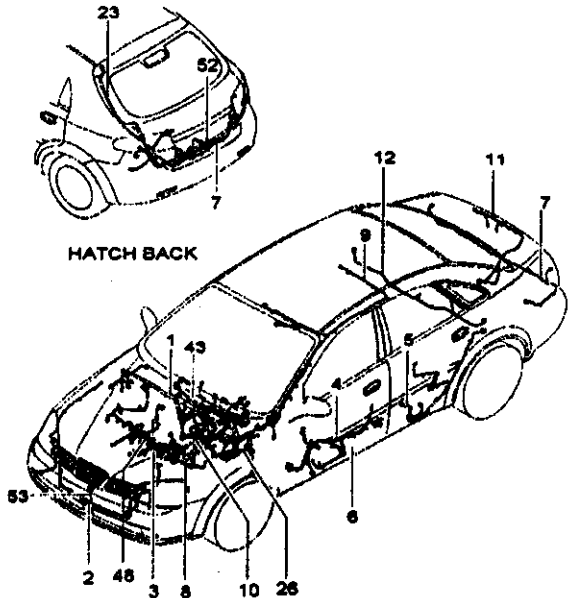
For ground					
27	33	35	38	41	54

RJ5710G 10/30/2004

I T C	KEY NO.	PART NO.	MODEL YEAR	D R V	BODY LEVEL						PART NAME	L / R	Q T Y	V.I.N.		P O D E
					4	4	5	B	L	L				FROM	TO	
					N H B	H S B	S S W	B L S	L L T							
	[01]	(E)WIRING HARNESS-UP (D)KABELSTRANG-INSTR.TAFEL								(F)FAIS.CBL-TB (S)CABLEADO-FM						
	98420675	05-07	L	B	B	B	X	X	X	FMULVUM1 LAUFLAUFM1	1			42		
	98420676	05-07	L	B	B	B	X	X	X	LAUFLAUFM1 DTRHLAUFM1	1			43		
	98433937	05-07	L	B	B	B	X	X	X	LAUFLAUFM1 DTRHLAUFM1	1			VY		
	98422332	05-07	L	B	B	B	X	X	X	LAUFLAUFM1 DTRHLAUFM1	1			52		
	98422333	05-07	L	B	B	B	X	X	X	LAUFLAUFM1 DTRHLAUFM1	1			53		
	98433930	05-07	L	B	B	B	X	X	X	LAUFLAUFM1 DTRHLAUFM1	1			VR		
	98422356	05-07	L	B	B	B	X	X	X	LAUFLAUFM1 DTRHLAUFM1	1			68		
	98433960	05-07	L	B	B	B	X	X	X	LAUFLAUFM1 DTRHLAUFM1	1			WP		
	98420686	05-07	L	B	B	B	X	X	X	LAUFLAUFM1 DTRHLAUFM1	1			4U		
	98420670	05-07	L	B	B	B	X	X	X	LAUFLAUFM1 DTRHLAUFM1	1			4V		
	98433931	05-07	L	B	B	B	X	X	X	LAUFLAUFM1 DTRHLAUFM1	1			V8		
	98422326	05-07	L	B	B	B	X	X	X	LAUFLAUFM1 DTRHLAUFM1	1			SU		
	98422360	05-07	L	B	B	B	X	X	X	LAUFLAUFM1 DTRHLAUFM1	1			6W		
	98422327	05-07	L	B	B	B	X	X	X	LAUFLAUFM1 DTRHLAUFM1	1			5V		
	98433928	05-07	L	B	B	B	X	X	X	LAUFLAUFM1 DTRHLAUFM1	1			VP		
	98433976	05-07	L	B	B	B	X	X	X	LAUFLAUFM1 DTRHLAUFM1	1			W7		
	98422388	05-07	L	B	B	B	X	X	X	LAUFLAUFM1 DTRHLAUFM1	1			78		
	98422389	05-07	L	B	B	B	X	X	X	LAUFLAUFM1 DTRHLAUFM1	1			7T		
	98433977	05-07	L	B	B	B	X	X	X	LAUFLAUFM1 DTRHLAUFM1	1			W6		
	98422364	05-07	L	B	B	B	X	X	X	LAUFLAUFM1 DTRHLAUFM1	1			62		
	98433964	05-07	L	B	B	B	X	X	X	LAUFLAUFM1 DTRHLAUFM1	1			WT		
	98420667	05-07	L	B	B	B	X	X	X	LAUFLAUFM1 DTRHLAUFM1	1			48		
	98420668	05-07	L	B	B	B	X	X	X	LAUFLAUFM1 DTRHLAUFM1	1			4T		
	98433929	05-07	L	B	B	B	X	X	X	LAUFLAUFM1 DTRHLAUFM1	1			VQ		
	98422324	05-07	L	B	B	B	X	X	X	LAUFLAUFM1 DTRHLAUFM1	1			58		
										LAUFLAUFM1 DTRHLAUFM1				72		

5710

WIRING HARNESS



For ground					
27	33	35	38	41	54

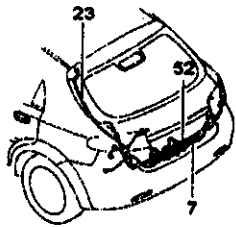
RJ5710G 10/30/2004

I T C	KEY NO.	PART NO.	MODEL YEAR	PART NAME						L Q T Y	V.I.N.		P R O D U C T I O N	
				D R V E	B O D Y		L E V E L		O P T I O N		F R O M	T O		
					4 N H B	5 S H W	B S	L S T						
		[01]	(E)WHARNESS-IP (D)KABELSTRANG-INSTR.TAFEL						(F)FAIS.CBL-TB (S)CABLEADO-PH					
		96428117	05-07	R	B	B	B	X	X	X	SCAC080FL75ML4MM85UM1-ABFAJ3A,BAF8	1		T7
		96428140	05-07	R	B	B	B	X	X	X	SCAC080M04M085MS-ABFAJ3A,8FLAUP8UL1UM1	1		UW
		96428096	05-07	R	B	B	B	X	X	X	SCAC080M04M085MSUL1-ABFAJ3A,8FLAUP8UM1	1		TJ
		96428097	05-07	R	B	B	B	X	X	X	SCAC080M04M085MSUL16UM1-ABFAJ3A,8FLAUP8UM1	1		TK
		96428141	05-07	R	B	B	B	X	X	X	SCAC080M04M085MSUL1-ABFAJ3A,8FLAUP8UL1	1		UX
		96428112	05-07	R	B	B	B	X	X	X	SCAC080M4MM8-ABFAJ3A,8FLAUP8UM1	1		T2
		96428113	05-07	R	B	B	B	X	X	X	SCAC080M4MM8UM1-ABFAJ3A,8FLAUP8UM1	1		T3
		96464026	06-07	R	B	.	.	.	X	.	8ABFAJ3A,8AC080H08M04M085LUP8UL1UM1	1		KA
		96464027	06-07	R	B	.	.	.	X	.	8ABFAJ3A,8AC080H08M085LUP8UM1	1		KB
		96469968	06-07	R	B	B	.	.	X	.	8ABFAJ3A,8AC080H08M04M085LUP8UL1UM1	1		KD
		96469969	06-07	R	B	B	.	.	X	.	8ABFAJ3A,8AC080H08M085LUP8UM1	1		KC
		96428129	06-07	R	B	B	B	.	X	X	8ABFAJ3A,8AC080FL75M04M085MSLUP8UM1	1		UK
		96464081	06-07	L	B	B	B	.	.	.	8ABFAJ3A,8AC080C08FL75ML4MM8LUP8UL1-DTRH4R08UM1	1		SA
		96464082	06-07	L	B	B	B	.	.	.	8AC080C08FL75M04M085MSLUP8-ABFAJ3A,8DTRH4R08UM1	1		SB
		96464083	06-07	L	B	B	B	.	.	.	8AC080C08FL75ML4MM8LUP8-ABFAJ3A,8DTRH4R08UM1	1		SC
		96464084	06-07	L	B	B	B	.	.	.	8ABFAJ3A,8AC080C08FL75M04M085MSLUP8-DTRH4R08UM1	1		SD
		96613020	06-07	L	B	B	B	.	.	.	8C48M88LXME-ABFLJLJTC	1		MA
		96613021	06-07	L	B	B	B	.	.	.	8C08080L88LXME-ABFLJLJTC	1		MB
		96613030	06-07	L	B	B	B	.	.	.	8C080C08FL75M085LH08LUP8LXME-ABF	1		MC
		96613043	06-07	L	B	B	B	.	.	.	8ABFA080C08FL75M085LUP8LXME	1		MD
		[02]	(E)WHARNESS-FRT (D)KABELSTRANG-VORN								(F)FAIS.CBL-AV (S)CABLEADO-DELAN			
		96618220	04-04	B	.	.	.	X	X	X	8C080L44L848N02R08N08N07-T98-JLJTC/T98	1		CG
		96613771	04-04	B	.	.	.	X	X	X	8C080L44L848N02R08N08N07-CALJLJTC/T98	1		H6
		96603063	04-04	B	.	.	.	X	X	X	8CAL8C080L44L848N02R08N08N07-JLJTC/T98	1		CC
		96613773	04-04	B	.	.	.	X	X	X	8CAL8C080L44L848N02R08N08N07-T98-JLJTC/T98	1		H8
		96603101	04-04	B	.	.	.	X	X	X	8CAL8C080L44L848N02R08N08N07-T98-JLJTC/T98	1		CL
		96613611	04-04	B	.	.	.	X	X	X	8C080L44L848N02R08N08N07-T98-CALJLJTC	1		KE
		96613613	04-04	B	.	.	.	X	X	X	8CAL8C080L44L848N02R08N08N07-T98-JLJTC	1		K0
		96613663	04-04	B	.	.	.	X	X	X	8CAL8C080L44L848N02R08N08N07-T98-JLJTC	1		EL
		96603106	04-04	B	.	.	.	X	X	X	8C198JLJTCAL44L848N02R08N07-T98	1		CT
		9661456	04-04	B	.	.	.	X	X	X	8C48JLJTCAL44L848N02R08N07-T98	1		BK
		96613748	04-04	B	.	.	.	X	X	X	8C48JLJTCAL44L848N02R08N07-CAL/T98	1		HF
		96603084	04-04	B	.	.	.	X	X	X	8C48JLJTCAL44L848N02R08N07-T98	1		B3
		96613764	04-04	B	.	.	.	X	X	X	8C48JLJTCAL44L848N02R08N07-CAL/T98	1		HX

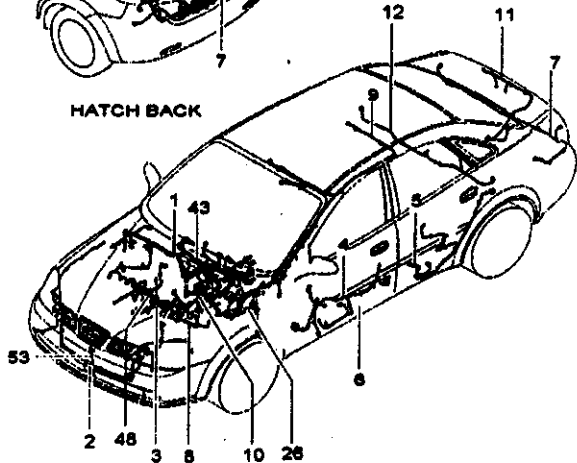
5710

WIRING HARNESS

I T C	KEY NO.	PART NO.	MODEL YEAR	PART NAME						L Q R T Y	V.I.N.		P / C O D E
				D R V E	BODY		LEVEL		OPTION		FROM	TO	
					4 N B	4 H B	5 S W	B S					



HATCH BACK



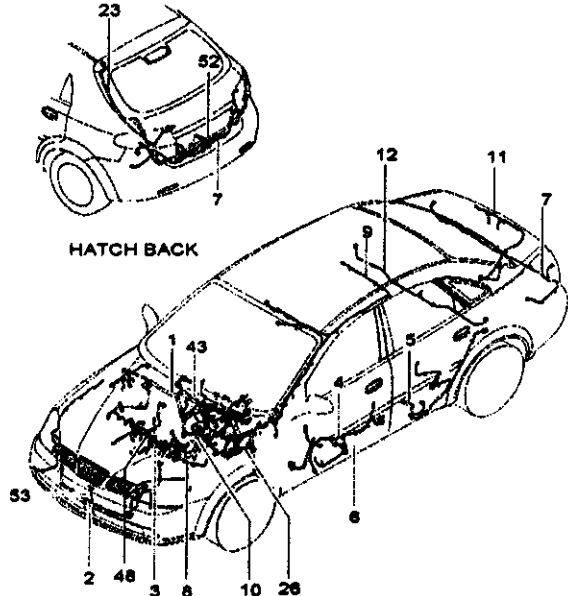
For ground					
27	33	35	38	41	54

RJ5710G 10/30/2004

[02]	(E)WIRING-HARN-FRT (D)KABELSTRANG-VORN	(F)FAIS.CBL-AV (S)CABLEADO-DELAN		
96451079	04-04	B . . . X	AC08LJL9JTCAL148NN18ND-CAL/T96	1
96903134	04-04	B . . . X	AC08LJL9JTCAL148NN18ND6T96-CAL	1
96903092	04-04	B . . . X	AC08LJL9JTCAL448NN18ND-CAL/T96	1
96613772	04-04	B . . . X	AC08LJL9JTCAL448NN18ND6T96-CAL/T96	1
96903100	04-04	B . . . X	AC08LJL9JTCAL848NN18ND-CAL/T96	1
96613782	04-04	B . . . X	SCALAC15LJL9JTCAL448NN18ND6T96-CAL/T96	1
96903118	04-04	B . . . X	SCALAC15LJL9JTCAL848NN18ND-T96	1
96903094	04-04	B . . . X	SCALAC08LJL9JTCAL448NN18ND-T96	1
96913774	04-04	B . . . X	SCALAC08LJL9JTCAL448NN18ND6T96-CAL/T96	1
96903102	04-04	B . . . X	SCALAC08LJL9JTCAL848NN18ND-T96	1
96618340	04-04	B . . . X X	AC19L44L848NN18ND76-CALJL9JTCAL96L97	1
96613672	04-04	B . . . X X	AC19LJL9JTCAL448NN18ND6T96-CAL	1
96613820	04-04	B . . . X X	AC19LJL9JTCAL448NN18ND6T96-CAL	1
96613682	04-04	B . . . X X	AC19LJL9JTCAL848NN18ND6T96-CAL	1
96903124	04-04	B . . . X X	AC08LJL9JTCAL448NN18ND6T96-CAL	1
96903142	04-04	B . . . X X	AC08LJL9JTCAL848NN18ND6T96-CAL	1
96613804	04-04	B . . . X X	SC08LJL9JTCAL848NN18ND6T96-CAL	1
96613682	04-04	B . . . X X	AC08LJL9JTCAL448NN18ND6T96-CAL	1
96613812	04-04	B . . . X X	AC08LJL9JTCAL448NN18ND6T96-CAL	1
96613682	04-04	B . . . X X	AC08LJL9JTCAL848NN18ND6T96-CAL	1
96613822	04-04	B . . . X X	SCALAC15LJL9JTCAL448NN18ND6T96-CAL/T96	1
96613684	04-04	B . . . X X	SCALAC15LJL9JTCAL848NN18ND6T96	1
96613854	04-04	B . . . X X	SCALAC08LJL9JTCAL448NN18ND6T96	1
96613814	04-04	B . . . X X	SCALAC08LJL9JTCAL448NN18ND6T96	1
96613684	04-04	B . . . X X	SCALAC08LJL9JTCAL848NN18ND6T96	1
96415340	04-07	. B . . X X	AC08L44L848NN22NN18ND6T96-CALJL9JTC/T96	1
96419024	04-07	. B . . X X	SCALAC48L148NN22NN18ND6T96-JL9JTC	1
96415342	04-07	. B . . X X	SCALAC08L44L848NN22NN18ND6T96-JL9JTC/T96	1
96415360	04-07	. B . . X X X	AC08L44L848NN22NN18ND6T96-CALJL9JTC	1
96415362	04-07	. B . . X X X	AC08L44L848NN22NN18ND6T96-JL9JTC	1
96415252	04-07	. B . . . X	AC08LJL9JTCAL448NN18ND-CAL/T96	1
96415341	04-07	. B . . . X	AC08LJL9JTCAL44L848NN22NN18ND6T96-CAL/T96	1
96415343	04-07	. B . . . X	ACALAC08LJL9JTCAL44L848NN22NN18ND6T96	1
96415279	04-07	. B . . X X	AC08LJL9JTCAL448NN18ND6T96-CAL	1
96415391	04-07	. B . . X X	AC08LJL9JTCAL44L848NN22NN18ND6T96-CAL	1
96415363	04-07	. B . . X X	SCALAC08LJL9JTCAL44L848NN22NN18ND6T96	1
96415242	04-07	. B . . . X	AC08LJL9JTCAL448NN18ND-CAL/T96	1
96415245	04-07	. B . . X X	AC08L148NN18ND-CALJL9JTC/T96	1
96415246	04-07	. B . . . X	AC08LJL9JTCAL148NN18ND-CAL/T96	1
96415272	04-07	. B . . . X	AC08LJL9JTCAL148NN18ND6T96-CAL	1
96415964	04-07	. B . . . X	AC08LJL9JTCAL148NN18ND-CAL/T96	1

5710

WIRING HARNESS



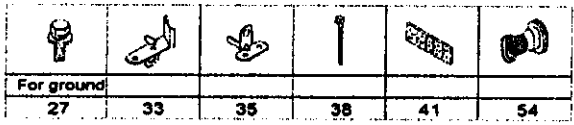
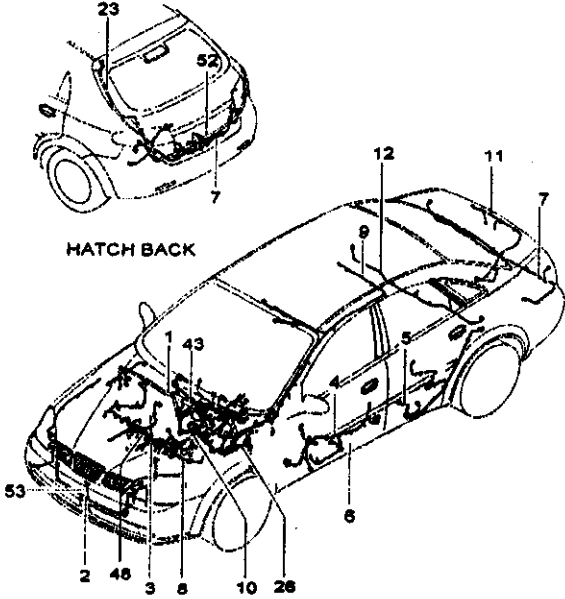
For ground					
27	33	35	38	41	54

RJ5710G 10/30/2004

KEY NO.	PART NAME										P C O O D			
	I T C	PART NO.	MOOEL YEAR	D R V E	BODY			LEVEL		OPTION		L Q T Y	V.I.N.	
					A N B	4 H B	5 S W	B S	L S				L T	FROM
[02]		(R)W/HARNESS-FRT (D)KABELSTRANG-VORN								(F)FAIS.CBL-AV (S)CABLEADO-DELAN				
96415065	04 - 07	. B . . . X .	AC486.L.S/UTCEL146NN18N408T96-CAL	1										RA
96415248	04 - 06	. B . . . X .	AC486L846NN18N40-JLS/UTCT96	1										MD
96415249	04 - 06	. B . . . X .	AC486.L.S/UTCEL846NN18N40-CAL/T96	1										ME
96415250	04 - 06	. B . . . X .	ACALAC486L846NN18N40-JLS/UTCT96	1										MF
96415255	04 - 06	. B . . . X .	AC806L846NN18N40-CALJLS/UTCT96	1										ML
96415256	04 - 06	. B . . . X .	EC806.L.S/UTCEL846NN18N40-CAL/T96	1										MM
96415257	04 - 06	. B . . . X .	ACALAC806L846NN18N40-JLS/UTCT96	1										MN
96415259	04 - 06	. B . . . X .	ACALAC806L.S/UTCAL846NN18N40-T96	1										MP
96415274	04 - 06	. B . . . X X	AC486L846NN18N408T96-CALJLS/UTCT	1										M7
96415275	04 - 06	. B . . . X X	AC486.L.S/UTCEL846NN18N408T96-CAL	1										M8
96415276	04 - 06	. B . . . X X	ACALAC486L846NN18N408T96-JLS/UTCT	1										M9
96415277	04 - 06	. B . . . X X	ACALAC486.L.S/UTCEL846NN18N408T96	1										NA
96415282	04 - 06	. B . . . X X	AC806L846NN18N408T96-CALJLS/UTCT	1										NF
96415283	04 - 06	. B . . . X X	AC806.L.S/UTCEL846NN18N408T96-CAL	1										NO
96415284	04 - 06	. B . . . X X	ACALAC806L846NN18N408T96-JLS/UTCT	1										NH
96415285	04 - 06	. B . . . X X	ACALAC806.L.S/UTCAL846NN18N408T96	1										NJ
96415369	04 - 06	. B . . . X .	ACALAC486.L.S/UTCEL846NN18N40-T96	1										Q6
96428202	05 - 07	B X .	AC806.L.S/UTCAL146NN18N40-CAL/T96	1										4Q
96428231	05 - 07	B X .	AC806.L.S/UTCEL146NN18N408T96-CAL	1										5M
96440032	05 - 07	B X .	EC156.L.S/UTCAL146NN18N408T96-CAL	1										85
96428293	05 - 07	B X .	AC486.L.S/UTCEL146NN18N40-CAL/T96	1										7K
96428261	05 - 07	B . B X X .	AC486L448L486NNUNN4NN7-CALJLS/UTCT96	1										8K
96428269	05 - 07	B . B X X .	AC806L846NNUNN4NN7-CALJLS/UTCT96	1										6T
96428269	05 - 07	B . B X X .	AC806L448L486NNUNN4NN7-CALJLS/UTCT96	1										6T
96428271	05 - 07	B . B X X .	SCALAC806L846NNUNN4NN7-JLS/UTCT96	1										6V
96428271	05 - 07	B . B X X .	SCALAC806L448L486NNUNN4NN7-JLS/UTCT96	1										6V
96428267	05 - 07	B . B X X X	ACALAC806L846NNUNN4NN78T96-JLS/UTCT	1										7D
96428267	05 - 07	B . B X X X	SCALAC806L448L486NNUNN4NN78T96-JLS/UTCT	1										7D
96428270	05 - 07	B . B . . X .	AC806.L.S/UTCEL846NNUNN4NN7-CAL/T96	1										8U
96428270	05 - 07	B . B . . X .	AC806.L.S/UTCEL448L486NNUNN4NN7-CAL/T96	1										8U
96428272	05 - 07	B . B . . X .	SCALAC806.L.S/UTCAL448L486NNUNN4NN7-T96	1										8W
96428272	05 - 07	B . B . . X .	SCALAC806.L.S/UTCAL448L486NNUNN4NN78T96	1										8W
96428276	05 - 07	B . B . . X X	AC486.L.S/UTCEL448L486NNUNN4NN78T96-CAL	1										84
96428286	05 - 07	B . B . . X X	AC806.L.S/UTCEL846NNUNN4NN78T96-CAL	1										7C
96428286	05 - 07	B . B . . X X	AC806.L.S/UTCEL448L486NNUNN4NN78T96-CAL	1										7C
96428292	05 - 06	B . B . . X X	SCALAC156.L.S/UTCAL448L486NNUNN4NN78T96	1									119839	7J
N 96454373	05 - 07	B . B . . X X	SCALAC156.L.S/UTCEL448L486NNUNN4NN78T96	1						119840				H5
N 96454373	05 - 07	B . B . . X X	SCALAC156.L.S/UTCAL448L486NNUNN4NN78T96	1						119840				H5
96428291	05 - 06	B . B . . X X	SCALAC156L448L486NNUNN4NN78T96-JLS/UTCT	1							119839			7H
N 96454371	05 - 07	B . B . . X X	SCALAC156L448L486NNUNN4NN78T96-JLS/UTCT	1						119840				H5
N 96454371	05 - 07	B . B . . X X	SCALAC156L448L486NNUNN4NN78T96-JLS/UTCT	1						119840				H5

5710

WIRING HARNESS

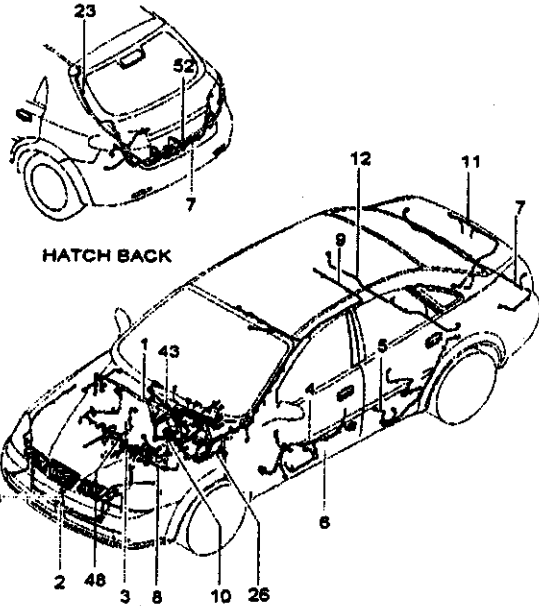


RJ5710G 10/30/2004

I T C	PART NO.	MODEL YEAR	KEY NO.						PART NAME	L / R	Q T Y	V.I.N.		P R O D U C T I O N C O D E	
			D R V E	BODY			LEVEL					OPTION	FROM		TO
				4 N B	4 H B	5 S B	B L S	L S T							
	[02]							(E)WHARNES-FRT (D)KABELSTRANG-VORN							
	96415361	05-07		B			X X	AC006.JLBJTCAL448M448NNJNNHANN78T96-CAL		1			QW		
	96415361	05-07		B			X X	AC006.JLBJTCAL448M448NNJNNHANN78T96-CAL		1			QV		
	96415360	05-07		B			X X	AC006.L448M448NNJNNHANN78T96-CALJLBJTC		1			QV		
	96415367	04-05		B			X X	ACALAC156.JLBJTCAL448M448NNJNNHANN78T96		1	119839		Q4		
N	96454417	05-07		B			X X	ACALAC156.JLBJTCAL448M448NNJNNHANN78T96		1	119840		LH		
N	96454417	05-07		B			X X	ACALAC156.JLBJTCAL448M448NNJNNHANN78T96		1	119840		LH		
	96415363	05-07		B			X X	ACALAC006.JLBJTCAL448M448NNJNNHANN78T96		1			QY		
	96415363	05-07		B			X X	ACALAC006.JLBJTCAL448M448NNJNNHANN78T96		1			QY		
	96415362	05-07		B			X X	ACALAC006.L448M448NNJNNHANN78T96-JLBJTC		1			QX		
	96433332	05-07		B			X	AC006.JLBJTCAL448M066ANN16H40-CAL/T96		1			HB		
	96433336	05-07		B			X X	AC006.JLBJTCAL448M066ANN16H40T96-CAL		1			HF		
	96433339	05-07		B			X X	AC006.L448M066ANN16H40N7-CALJLBJTC/T96		1			HJ		
	96433341	05-07		B			X X	ACALAC006.L448M066ANN16H40N7-JLBJTC/T96		1			HL		
	96433342	05-07		B			X	ACALAC006.JLBJTCAL448M066ANN16H40N7-T96		1			HM		
	96433344	05-07		B			X X	AC006.JLBJTCAL448M066ANN16H40N78T96-CAL		1			HP		
	96433345	05-07		B			X X X	ACALAC006.L448M066ANN16H40N78T96-JLBJTC		1			HQ		
	96415260	04-05		B			X	EC156.JLBJTCAL448N16H40-CAL/T96		1	119839		MIR		
N	96454378	05-07		B			X	EC156.JLBJTCAL448M448NN16H40-CAL/T96		1	119840		JK		
	96454379	05-07		B			X	EC156.JLBJTCAL448M066ANN16H40-CAL/T96		1			JL		
	96454391	05-07		B			X X	EC156.JLBJTCAL448M066ANN16H406T96-CAL		1			J5		
	96415289	04-05		B			X X	ACALAC156.JLBJTCAL448ANN16H406T96		1	119839		NN		
N	96454394	05-07		B			X X	ACALAC156.JLBJTCAL448M448NN16H406T96		1	119840		NL		
	96428205	05-06	B	B			X X	AC486.L848NN16H40-CALJLBJTC/T96		1			4T		
	96428206	05-06	B	B			X	AC486.JLBJTCAL848NN16H40-CAL/T96		1			4U		
	96428207	05-06	B	B			X X	ACALAC486.L848NN16H40-JLBJTC/T96		1			4V		
	96428208	05-06	B	B			X	ACALAC486.JLBJTCAL848NN16H40-T96		1			4W		
	96428213	05-06	B	B			X X	AC006.L848NN16H40-CALJLBJTC/T96		1			43		
	96428214	05-06	B	B			X	AC006.JLBJTCAL848NN16H40-CAL/T96		1			44		
	96428215	05-06	B	B			X X	ACALAC006.L848NN16H40-JLBJTC/T96		1			45		
	96428216	05-06	B	B			X	ACALAC006.JLBJTCAL848NN16H40-T96		1			46		
	96428236	05-06	B	B			X X X	AC486.L848NN16H406T96-CALJLBJTC		1			58		
	96428237	05-06	B	B			X X	AC486.JLBJTCAL848NN16H406T96-CAL		1			5T		
	96428238	05-06	B	B			X X X	ACALAC486.L848NN16H406T96-JLBJTC		1			5U		
	96428239	05-06	B	B			X X	ACALAC486.JLBJTCAL848NN16H406T96		1			5V		
	96428246	05-06	B	B			X X X	AC006.L848NN16H406T96-CALJLBJTC		1			54		
	96428247	05-06	B	B			X X	AC006.JLBJTCAL848NN16H406T96-CAL		1			55		
	96428248	05-06	B	B			X X X	ACALAC006.L848NN16H406T96-JLBJTC		1			56		
	96428249	05-06	B	B			X X	ACALAC006.JLBJTCAL848NN16H406T96		1			57		
	96428257	05-05	B	B			X X	EC156.JLBJTCAL848NN16H406T96-CAL		1	119839		6P		
N	96454355	05-06	B	B			X X	EC156.JLBJTCAL848NN16H406T96-CAL		1	119840		FR		
	96428259	05-05	B	B			X X	ACALAC156.JLBJTCAL848NN16H406T96		1	119839		6H		

5710

WIRING HARNESS



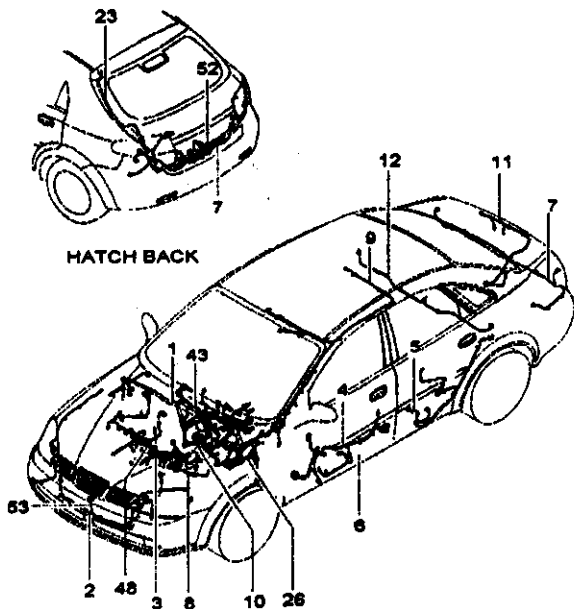
For ground:					
27	33	35	38	41	54

RJ5710G 10/30/2004

I T C	KEY NO.		PART NAME											L Q T Y	V.I.N.		P / C O D E	
	PART NO.	MODEL YEAR	D R V	BODY			LEVEL		OPTION	FROM	TO							
				4 N B	4 H B	5 S W	B L S	L L T										
	[02]	(E)WHARNESS-FRT (D)KABELSTRANG-VORN																
		(F)FAIS.CBL-AV (S)CABLEADO-DELAN																
	96446902	06-07	B			X	X		6C156.JL9JTCALDA8NNUNN18N40T96-CAL				1				AX	
	96446903	06-07	B			X	X		6CAL6C156LDA8NNUNN18N40T96-JL9JTC				1				AY	
	96446904	06-07	B			X	X		6CAL6C156LJ9JTCALDA8NNUNN18N40T96				1				AZ	
	96454417	06-07	B			X	X		6CAL6C156LJ9JTCALDA8NNUNN18N40T96				1				LH	
	96454417	06-07	B			X	X		6CAL6C156LJ9JTCALDA8NNUNN18N40T96				1				LN	
	96446184	06-07	B			X	X		6C08LH0NLD8NNU				1				AD	
	96446185	06-07	B			X	X		6C08LH0NLD8NNU				1				AE	
	96428198	06-07	B	B		X			6C08LJ9JTCAL448NNUNN18N40CAL/T96				1				4L	
	96445907	06-07	B	B	X	X	X		6C08LDA8NNUNN18N40CALJL9JTC/T96				1				WN	
	96445908	06-07	B	B	X	X	X		6C08LJ9JTCALDA8NNUNN18N40CAL/T96				1				WP	
	96445909	06-07	B	B	X	X	X		6CAL6C08LDA8NNUNN18N40-JL9JTC/T96				1				WQ	
	96445910	06-07	B	B	X	X	X		6CAL6C08LJ9JTCALDA8NNUNN18N40-T96				1				WR	
	96428210	06-07	B	B	X	X			6C08LJ9JTCAL448ML48NNUNN18N40CAL/T96				1				4Y	
	96433303	06-07	B	B	X	X			6C08LJ9JTCAL448M0858NNUNN18N40CAL/T96				1				GB	
	96433304	06-07	B	B	X	X			6CAL6C08L448M0858NNUNN18N40-JL9JTC/T96				1				GC	
	96445911	06-07	B	B	X	X	X		6C08LDA8NNUNN18N40CALJL9JTC/T96				1				WE	
	96445912	06-07	B	B	X	X	X		6C08LJ9JTCALDA8NNUNN18N40CAL/T96				1				WT	
	96445913	06-07	B	B	X	X	X		6CAL6C08LDA8NNUNN18N40-H0NLD8NNU/T96				1				WU	
	96445914	06-07	B	B	X	X	X		6CAL6C08LJ9JTCALDA8NNUNN18N40-H0NLD8NNU				1				WV	
	96454334	06-07	B	B	X	X			6C156LJ9JTCAL448ML48NNUNN18N40CAL/T96				1				EN	
	96454335	06-07	B	B	X	X			6C156LJ9JTCAL448M0858NNUNN18N40CAL/T96				1				BQ	
	96445915	06-07	B	B	X	X			6C156LDA8NNUNN18N40CALJL9JTC/T96				1				W	
	96445916	06-07	B	B	X	X			6C156LJ9JTCALDA8NNUNN18N40CAL/T96				1				WX	
	96445917	06-07	B	B	X	X			6CAL6C156LDA8NNUNN18N40-JL9JTC/T96				1				WY	
	96445918	06-07	B	B	X	X			6CAL6C156LJ9JTCALDA8NNUNN18N40-T96				1				WZ	
	96428226	06-07	B	B	X	X			6C08LJ9JTCAL448NNUNN18N40T96-CAL				1				5G	
	96445942	06-07	B	B	X	X	X		6C08LDA8NNUNN18N40T96-CALJL9JTC				1				W2	
	96445943	06-07	B	B	X	X	X		6C08LJ9JTCALDA8NNUNN18N40T96-CAL				1				W3	
	96445944	06-07	B	B	X	X	X		6CAL6C08LDA8NNUNN18N40T96-JL9JTC				1				W4	
	96445945	06-07	B	B	X	X	X		6CAL6C08LJ9JTCALDA8NNUNN18N40T96				1				W5	
	96428242	06-07	B	B	X	X	X		6C08LJ9JTCAL448ML48NNUNN18N40T96-CAL				1				5Y	
	96433307	06-07	B	B	X	X	X		6C08LJ9JTCAL448M0858NNUNN18N40T96-CAL				1				6F	
	96428244	06-07	B	B	X	X	X		6CAL6C08LJ9JTCAL448ML48NNUNN18N40T96				1				5Z	
	96445947	06-07	B	B	X	X	X		6C08LDA8NNUNN18N40T96-CALJL9JTC				1				W7	
	96445948	06-07	B	B	X	X	X		6C08LJ9JTCALDA8NNUNN18N40T96-CAL				1				W8	
	96445949	06-07	B	B	X	X	X		6CAL6C08LDA8NNUNN18N40T96-JL9JTC				1				W9	
	96445950	06-07	B	B	X	X	X		6CAL6C08LJ9JTCALDA8NNUNN18N40T96				1				XB	
	96454344	06-07	B	B	X	X			6C156L448ML48NNUNN18N40T96-CALJL9JTC				1				PE	
	96454346	06-07	B	B	X	X			6C156LJ9JTCAL448ML48NNUNN18N40T96-CAL				1				PG	
	96454347	06-07	B	B	X	X			6C156LJ9JTCAL448M0858NNUNN18N40T96-CAL				1				PH	

5710

WIRING HARNESS



HATCH BACK

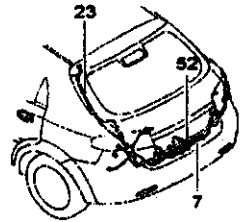
For ground					
27	33	35	36	41	54

RJ5710G 10/30/2004

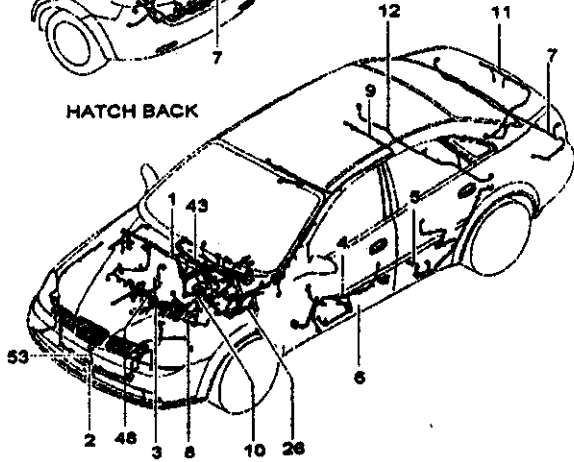
I T C	KEY NO. PART NO.	MODEL YEAR	PART NAME						L Q T Y	V.I.N.		P I C C O D E		
			D R V E	BODY			LEVEL			O P T I O N	F R O M		T O	
				4 N H S B	5 H S W	B L S T	B L S T	B L S T						
	[02]	(E)WHARNESS-PRT (D)KABELSTRANG-VORN							(F)FAIS,CBL-AV (S)CABLEADO-DELAN					
	96454350	06-07	B	B	X	X			ACALAC158LJ9JTCCL448ML48NNHANN78T96	1		FL		
	96445652	06-07	B	B	X	X			AC158LDA8NNHANN78T96-CALJL9JTC	1		XD		
	96445653	06-07	B	B	X	X			AC158LJ9JTCCLDA8NNHANN78T96-CAL	1		XE		
	96445654	06-07	B	B	X	X			ACALAC158LDA8NNHANN78T96-JL9JTC	1		XF		
	96445655	06-07	B	B	X	X			ACALAC158LJ9JTCCLDA8NNHANN78T96	1		XG		
	96428261	06-07	B	B	X	X			AC488LDA8ML48NNHANN7-CALJL9JTC96	1		9K		
	96428269	06-07	B	B	X	X			LC088LDA8ML48NNHANN7-CALJL9JTC96	1		6T		
	96428269	06-07	B	B	X	X			LC088L448ML48NNHANN7-CALJL9JTC96	1		6T		
	96433322	06-07	B	B	X	X			LC088L448M088NNHANN7-CALJL9JTC96	1		6K		
	96428270	06-07	B	B	X	X			LC088LJ9JTCCLDA8ML48NNHANN7-CALJL9JTC96	1		6U		
	96428270	06-07	B	B	X	X			LC088LJ9JTCCL448ML48NNHANN7-CALJL9JTC96	1		6U		
	96433323	06-07	B	B	X	X			LC088LJ9JTCCL448M088NNHANN7-CALJL9JTC96	1		6L		
	96428271	06-07	B	B	X	X			LCALAC088LDA8ML48NNHANN7-JL9JTC96	1		6V		
	96428271	06-07	B	B	X	X			LCALAC088L448ML48NNHANN7-JL9JTC96	1		6V		
	96433324	06-07	B	B	X	X			LCALAC088L448M088NNHANN7-JL9JTC96	1		6W		
	96428272	06-07	B	B	X	X			LCALAC088LJ9JTCCLDA8ML48NNHANN7-T96	1		6W		
	96428272	06-07	B	B	X	X			LCALAC088LJ9JTCCL448ML48NNHANN7-T96	1		6W		
	96433325	06-07	B	B	X	X			LCALAC088LJ9JTCCL448M088NNHANN7-T96	1		6N		
	96428278	06-07	B	B	X	X			LC088LJ9JTCCLDA8ML48NNHANN78T96-CAL	1		64		
	96428286	06-07	B	B	X	X			LC088LJ9JTCCLDA8ML48NNHANN78T96-CAL	1		7C		
	96428286	06-07	B	B	X	X			LC088LJ9JTCCL448ML48NNHANN78T96-CAL	1		7C		
	96428287	06-07	B	B	X	X			LCALAC088LDA8ML48NNHANN78T96-JL9JTC	1		7D		
	96428287	06-07	B	B	X	X			LCALAC088L448ML48NNHANN78T96-JL9JTC	1		7D		
	96433329	06-07	B	B	X	X			LCALAC088L448M088NNHANN78T96-JL9JTC	1		6U		
	96428288	06-07	B	B	X	X			LCALAC088LJ9JTCCLDA8ML48NNHANN78T96	1		7E		
	96428288	06-07	B	B	X	X			LCALAC088LJ9JTCCL448ML48NNHANN78T96	1		7E		
	96433330	06-07	B	B	X	X			LCALAC088LJ9JTCCL448M088NNHANN78T96	1		6V		
	96454371	06-07	B	B	X	X			LCALAC158LDA8ML48NNHANN78T96-JL9JTC	1		H3		
	96454371	06-07	B	B	X	X			LCALAC158L448ML48NNHANN78T96-JL9JTC	1		H3		
	96454372	06-07	B	B	X	X			LCALAC158L448M088NNHANN78T96-JL9JTC	1		H4		
	96454373	06-07	B	B	X	X			LCALAC158LJ9JTCCLDA8ML48NNHANN78T96	1		H5		
	96454373	06-07	B	B	X	X			LCALAC158LJ9JTCCL448ML48NNHANN78T96	1		H5		
	96464721	06-07	B	B	X	X			LCALAC158LJ9JTCCL88NNHANN78T96	1		XJ		
	96445611	06-07	B	B	X	X			LC088LHONLDA8MLJ	1		WS		
	96445612	06-07	B	B	X	X			LC088LHONLJ9JTC	1		WT		
	96419024	06-07	B	B	X	X			LCALAC088L148NNHANN78T96-JL9JTC	1		FC		
	96415242	06-07	B	B	X	X			LC088LJ9JTCCL448ML48NNHANN78T96-CALJL9JTC	1		WK		
	96415245	06-07	B	B	X	X			LC088L148NNHANN78T96-CALJL9JTC96	1		MA		
	96415246	06-07	B	B	X	X			LC088LJ9JTCCL448ML48NNHANN78T96-CALJL9JTC96	1		MB		
	96446181	06-07	B	B	X	X			LCALAC158LJ9JTCCLDA8ML48NNHANN78T96	1		AA		
	96446182	06-07	B	B	X	X			LCALAC158LJ9JTCCLDA8ML48NNHANN78T96-CALJL9JTC96	1		AB		

5710

WIRING HARNESS



HATCH BACK



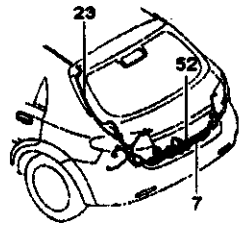
For ground					
27	33	35	38	41	54

RJ5710G 10/30/2004

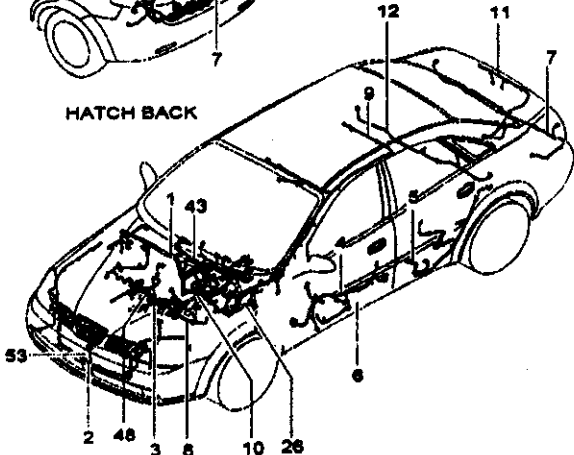
I T C	KEY NO. PART NO.	MODEL YEAR	D R V E	BODY						L S T	LEVEL	PART NAME	L Q T Y	V.I.N.		P / C O D E	
				4	5	B	B	B	B					OPTION	FROM		TO
				N H S B	S H W	S	S	S	S								
	[03]	(E)WHARNESS-ENG (D)KABELSTRANG-MOTOR									(F)FAIS.CBL-MOT (S)CABLEADO-MOT						
	96614103	04-04	B	B	X	X	AC15C06L144AM06N11R95-JLWTC	1	949034	08			
	○ 96418813	04-08	B	B	B	.	.	.	X	X	AC15C06L144AM06N11R95-JLWTC	1	949035	TL			
	96614108	04-04	B	B	X	X	AC15C06L144AM06N11R95-JLWTC	1	949034	RD			
	○ 96418581	04-06	B	B	B	.	.	.	X	X	AC15C06L144AM06N11R95-JLWTC	1	949035	SZ			
	96614112	04-04	B	B	X	X	AC15C06L144AM06N11R95-JLWTC	1	949034	RH			
	○ 96418585	04-08	B	B	B	.	.	.	X	X	AC15C06L144AM06N11R95-JLWTC	1	949035	S5			
	96404301	04-04	B	B	X	X	AC15C06L144AM06N11R95-JLWTC	1	949034	RY			
	○ 96418816	04-08	B	B	B	.	.	.	X	X	AC15C06L144AM06N11R95-JLWTC	1	949035	TP			
	96614098	04-04	B	B	X	X	AC15C06L144AM06N11R95-JLWTC	1	949034	Q3			
	○ 96418800	04-06	B	B	B	.	.	.	X	X	AC15C06L144AM06N11R95-JLWTC	1	949035	TF			
	96404305	04-04	B	B	X	X	AC15C06L144AM06N11R95-JLWTC	1	949034	FM			
	○ 96418820	04-06	B	B	B	.	.	.	X	X	AC15C06L144AM06N11R95-JLWTC	1	949035	TT			
	96614102	04-04	B	B	X	X	AC15C06L144AM06N11R95-JLWTC	1	949034	Q7			
	○ 96418812	04-06	B	B	B	.	.	.	X	X	AC15C06L144AM06N11R95-JLWTC	1	949035	TK			
	96404300	04-04	B	B	X	X	AC15C06L144AM06N11R95-JLWTC	1	949034	RK			
	○ 96418815	04-06	B	B	B	.	.	.	X	X	AC15C06L144AM06N11R95-JLWTC	1	949035	TN			
	96614097	04-04	B	B	X	X	AC15C06L144AM06N11R95-JLWTC	1	949034	Q2			
	○ 96418799	04-06	B	B	B	.	.	.	X	X	AC15C06L144AM06N11R95-JLWTC	1	949035	TE			
	96614109	04-04	B	B	X	X	AC15C06L144AM06N11R95-JLWTC	1	949034	RE			
	○ 96418582	04-06	B	B	B	.	.	.	X	X	AC15C06L144AM06N11R95-JLWTC	1	949035	S2			
	96404304	04-04	B	B	X	X	AC15C06L144AM06N11R95-JLWTC	1	949034	R3			
	○ 96418819	04-06	B	B	B	.	.	.	X	X	AC15C06L144AM06N11R95-JLWTC	1	949035	T9			
	96614101	04-04	B	B	X	X	AC15C06L144AM06N11R95-JLWTC	1	949034	Q6			
	○ 96418811	04-06	B	B	B	.	.	.	X	X	AC15C06L144AM06N11R95-JLWTC	1	949035	TJ			
	96614111	04-04	B	B	X	X	AC15C06L144AM06N11R95-JLWTC	1	949034	R3			
	○ 96418584	04-06	B	B	B	.	.	.	X	X	AC15C06L144AM06N11R95-JLWTC	1	949035	S4			
	96613828	04-07	B	B	B	.	.	.	X	X	AC15C06L144AM06N11R95-JLWTC	1		QH			
	96613832	04-07	B	B	B	.	.	.	X	X	AC15C06L144AM06N11R95-JLWTC	1		QM			
	96613827	04-07	B	B	B	.	.	.	X	X	AC15C06L144AM06N11R95-JLWTC	1		QQ			
	96418862	04-07	B	B	B	.	.	.	X	X	AC15C06L144AM06N11R95-JLWTC	1		UB			
	96613834	04-07	B	B	B	.	.	.	X	X	AC15C06L144AM06N11R95-JLWTC	1		QP			
	96399949	04-07	B	B	B	.	.	.	X	X	AC15C06L144AM06N11R95-JLWTC	1		RV			
	96613831	04-07	B	B	B	.	.	.	X	X	AC15C06L144AM06N11R95-JLWTC	1		QL			
	96551313	04-07	B	B	B	.	.	.	X	X	AC15C06L144AM06N11R95-JLWTC	1		QF			
	96613830	04-07	B	B	B	.	.	.	X	X	AC15C06L144AM06N11R95-JLWTC	1		QK			
	96551212	04-07	B	B	B	.	.	.	X	X	AC15C06L144AM06N11R95-JLWTC	1		QE			
	96418861	04-07	B	B	B	.	.	.	X	X	AC15C06L144AM06N11R95-JLWTC	1		UA			
	96613833	04-07	B	B	B	.	.	.	X	X	AC15C06L144AM06N11R95-JLWTC	1		QJ			
	96613829	04-07	B	B	B	.	.	.	X	X	AC15C06L144AM06N11R95-JLWTC	1		QI			
	96551301	04-05	B	B	B	.	.	.	X	X	AC15C06L144AM06N11R95-JLWTC	1		QA			
	96551302	04-05	B	B	B	.	.	.	X	X	AC15C06L144AM06N11R95-JLWTC	1		QB			

5710

WIRING HARNESS



HATCH BACK



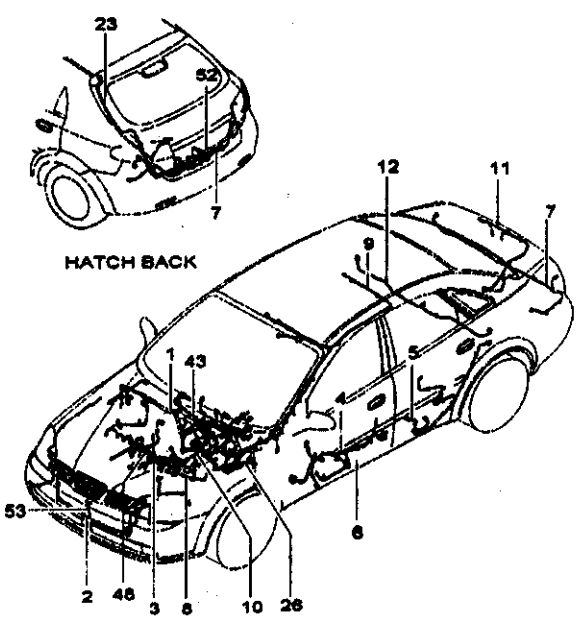
For ground					
27	33	35	38	41	54

RJ5710G 10/30/2004

I T C	KEY NO.	PART NO.	MODEL YEAR	BODY LEVEL						PART NAME	L Q T R Y	V.I.N.		P O O C O D E
				D R V E	4 N H S B	5 H S W	B L S T	L L	OPTION			FROM	TO	
	[03]	(E)W/HARNESS-ENG (D)KABELSTRANG-MOTOR							(F)FAIS.CBL-MOT (S)CABLEADO-MOT					
	98448943	06-07	B	B	B	X	X	X	AC08LDAAMMBENUNN1R91-LSJTC	1			WH	
	98448944	06-07	B	B	B	X	X	X	AC08L.SJ/TCALDAAMMBENUNN1R91	1			WP	
	98448945	06-07	B	B	B	X	X	X	AC15CB0ALDAMMBENUNN1R91-LSJ/TC	1			WO	
	98489734	06-07	B	B	B	X	X	X	AC15CB0ALJLJUTCALDAAMMBENUNN1R91	1			WA	
	98447426	06-07	B	B	B	X	X	X	AC08LDAALM0AMMBENN7	1			QB	
	98447427	06-07	B	B	B	X	X	X	AC15CB0ALDAMMBENN7	1			QT	
	98447428	06-07	B	B	B	X	X	X	AC08LDAAMMBENN7	1			QU	
	98447429	06-07	B	B	B	X	X	X	AC15CB0ALDAMMBENN7	1			QV	
	98447430	06-07	B	B	B	X	X	X	AC08LDAALM0AMMBENN4	1			QW	
	98447431	06-07	B	B	B	X	X	X	AC15CB0ALDAMMBENN4	1			QX	
	98447432	06-07	B	B	B	X	X	X	AC08LDAAMMBENN4	1			QY	
	98447433	06-07	B	B	B	X	X	X	AC15CB0ALDAMMBENN4	1			QZ	
	98418823	06-07	B	AC08LDAAMMBENN4LJL	1			TW	
	98418793	06-07	B	AC15CB0C0LLS0AMMBENN4LJL	1			SS	
	98418797	06-07	B	AC15CB0C0LLS0AMMBENN4LJL	1			TC	
	98813059	06-07	B	AC15CB0ALJLJUTCALASAMMBENN4LJL	1			MA	
	98438875	06-07	B	B	B	B	B	B	AC15CB0C0LLS0AMMBENN4LJL	1			RH	
	98438883	06-07	B	B	B	B	B	B	AC15CB0C0LLS0AMMBENN4LJL	1			RT	
	[04]	(E)W/HARNESS-FRT DR (D)KABELSTRANG-VORDERRADANTRIEB							(F)FAIS.CBL-ORTE AV (S)CABLEADO-PTA DELAN					
	98464033	06-07	L	B	.	.	.	X	LAUSA986DM4UB0-CALAM1	1			DA	
	98613878	04-07	L	B	.	.	.	X	LAUSA328CALDM78UB0-CWYDM4	1			LN	
	98613876	04-07	L	B	.	.	.	X	LAUSA328CALDM78UB0-CWYDM4	1			LN	
	98613864	04-07	L	B	.	.	.	X	LAUSA328DM78UB0-CALCWM4UM1	1			LX	
	98418000	04-07	L	B	.	.	.	X	LAUSA328DM78UM18UB0-CALCWM4UM1	1			VA	
	98418001	04-07	L	B	.	.	.	X	LAUSA328DM78UM18UB0-CALCWM4UM1	1			VB	
	98613885	04-07	L	B	.	.	.	X	LAUSA328DM78UB0-CALCWM4UM1	1			LY	
	98613883	04-07	L	B	.	.	.	X	LAUSA986CALCWM4DM78UB0B3	1			LR	
	98404088	04-07	L	B	.	.	.	X	LAUSA986CALCWM4DM78UB0B3-DM4	1			HL	
	98613875	04-07	L	B	.	.	.	X	LAUSA986CALDM78UB0-CWYDM4	1			L3	
	98613880	04-07	L	B	.	.	.	X	LAUSA986CALDM78UB0B3-CWYDM4	1			LQ	
	98418006	04-07	L	B	.	.	.	X	LAUSA986CWI1DM4DM78UM18UB0B3-CAL	1			VG	
	98613876	04-07	L	B	.	.	.	X	LAUSA986CWI1DM4DM78UB0B3-CALAM1	1			L4	
	98418007	04-07	L	B	.	.	.	X	LAUSA986CWI1DM78UM18UB0B3-CALDM4	1			VH	
	98404212	04-07	L	B	.	.	.	X	LAUSA986CWI1DM78UB0B3-CALDM4UM1	1			FX	
	98613871	04-07	L	B	.	.	.	X	LAUSA986DM78UB0-CALCWM4UM1	1			LZ	
	98418005	04-07	L	B	.	.	.	X	LAUSA986DM78UM18UB0-CALCWM4UM1	1			VF	
	98418002	04-07	L	B	.	.	.	X	LAUSA986DM78UM18UB0B3-CALCWM4UM1	1			VC	
	98613845	06-07	L	B	.	.	.	X	LAUSA986DM8UB0-CALAM1	1			LB	
	98404211	04-07	L	B	.	.	.	X	LAUSA986DM78UB0B3-CALCWM4UM1	1			PW	
	98613837	04-07	L	B	.	.	.	X	LAUSA986DM4DM78UB0-CALRP	1			WL	

5710

WIRING HARNESS



HATCH BACK

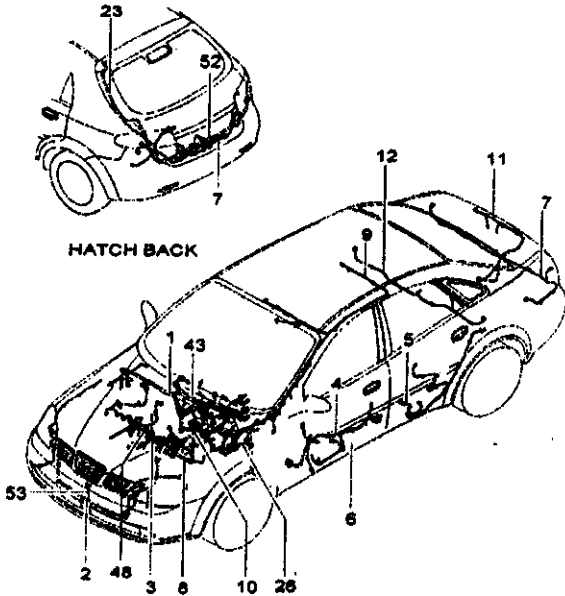
For ground					
27	33	35	38	41	54

RJ5710G 10/30/2004

I T C	KEY NO.		PART NAME												L Q T R Y	V.I.N.		P L E D O C E
	PART NO.	MODEL YEAR	D R V E	BODY			LEVEL			OPTION	FROM	TO						
				4 N H S B	5 H S W	3 B L S	6 L L S	7 L L S										
	[04]	(E)WIRING-HARNES-FRT DR (D)KABELSTRANG-VORDERRADANTRIEB (S)CABLEADO-PTA DELAN																
	98813865	05-07	L	B	LY
	98813863	05-07	L	B	LR
	98404088	05-07	L	B	LL
	98813875	05-07	L	B	LD
	98813880	05-07	L	B	LE
	98418008	05-07	L	B	LF
	98813878	05-07	L	B	LG
	98418007	05-07	L	B	LH
	98404212	05-07	L	B	LI
	98813871	05-07	L	B	LJ
	98418005	05-07	L	B	LK
	98418002	05-07	L	B	LL
	98404211	05-07	L	B	LM
	98813832	05-07	L	B	B	LN
	98813831	05-07	L	B	B	LO
	98813838	05-07	L	B	B	B	LP
	98813840	05-07	L	B	B	B	LQ
	98813834	05-07	L	B	B	B	LR
	98813836	05-07	L	B	B	B	LS
	98813837	05-07	L	B	B	B	LT
	98813839	05-07	L	B	B	B	LU
	98813833	05-07	L	B	B	B	LV
	98813835	05-07	L	B	B	B	LW
	98813821	05-07	L	B	B	B	LX
	98813824	05-07	L	B	B	B	LY
	98813819	05-07	L	B	B	B	LZ
	98813822	05-07	L	B	B	B	MA
	98813830	05-07	L	B	B	B	MB
	98813828	05-07	L	B	B	B	MC
	98813828	05-07	L	B	B	B	MD
	98813829	05-07	L	B	B	B	ME
	98813825	05-07	L	B	B	B	MF
	98813827	05-07	L	B	B	B	MG
	98813820	05-07	L	B	B	B	MH
	98813823	05-07	L	B	B	B	MI
	98814361	04-07	R	B	MJ
	98814362	04-07	R	B	MK
	98814371	04-07	R	B	ML
	98418008	04-07	R	B	MM
	98418009	04-07	R	B	MN
	98814372	04-07	R	B	MO

5710

WRING HARNESS



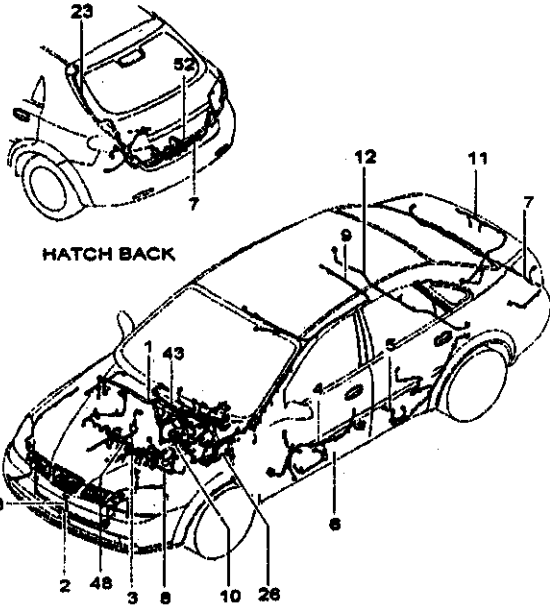
For ground					
27	33	35	36	41	54

RJ5710G 10/30/2004

I T C	KEY NO.		PART NAME											L T Y	V.I.N.		P R O C E D E	
	PART NO.	MODEL YEAR	D R V E	BODY			LEVEL		OPTION	R Y	FROM	TO						
				4 N B	4 H S	5 B W	B L	S S					L T					
	[04]	(E)WHARNESS-FRT DR (D)KABELSTRANG-VORDERRADANTRIES (F)FAIS.CBL-PORTE AV (S)CABLEADO-PTA DELAN																
	96613729	04-07	R	B	.	.	X	X										DY
	96404069	04-07	R	B	.	.	X	X										HM
	96614375	04-07	R	B	.	.	X	X										EA
	96614364	04-07	R	B	.	.	X	.										DX
	96453396	04-07	R	B	.	.	X	X										FQ
	96613683	04-07	R	B	.	.	X	X										EB
	96453396	04-07	R	B	.	.	X	X										FP
	96404214	04-07	R	B	.	.	X	X										FZ
	96614373	04-07	R	B	.	.	X	X										DE
	96418010	04-07	R	B	.	.	X	.										VL
	96404213	04-07	R	B	.	.	X	.										FY
	96614196	04-07	R	B	B	.	.	X	X									XA
	96614168	04-07	R	B	B	.	.	X	X									XC
	96614162	04-07	R	B	B	.	.	X	X	X								WB
	96614184	04-07	R	B	B	.	.	X	X									WB
	96614185	04-07	R	B	B	.	.	X	X									WB
	96614167	04-07	R	B	B	B	.	.	X	X								XB
	96614161	04-07	R	B	B	B	.	.	X	X	X							WB
	96614183	04-07	R	B	B	B	.	.	X	X								W7
	96614405	04-07	R	.	B	B	.	.	X	X	X							EP
	96614406	04-07	R	.	B	B	.	.	X	X								EQ
	96399919	04-07	R	.	B	B	.	.	X	X	X							E6
	96418019	04-07	R	.	B	B	.	.	X	X	X							VV
	96418020	04-07	R	.	B	B	.	.	X	X								VW
	96399920	04-07	R	.	B	B	.	.	X	X								E7
	96399912	04-07	R	.	B	B	.	.	X	X	X							EX
	96399913	04-07	R	.	B	B	.	.	X	X								EY
	96399923	04-07	R	.	B	B	.	.	X	X	X							FA
	96418023	04-07	R	.	B	B	.	.	X	X								VZ
	96418024	04-07	R	.	B	B	.	.	X	X								V2
	96404558	04-07	R	.	B	B	.	.	X	X								FB
	96614366	04-07	R	B	.	.	X	.										DZ
	96418011	04-07	R	B	.	.	X	.										VW
	96614370	04-07	R	B	.	.	X	.										D5
	96614367	04-07	R	B	.	.	X	.										D2
	96418012	04-07	R	B	.	.	X	.										VN
	96614155	04-07	R	.	B	.	X	.										WX
	96614156	04-07	R	.	B	.	X	.										WY
	96614157	04-07	R	.	B	.	X	.										WZ
	96399915	04-07	R	.	B	.	X	.										E2
	96399914	04-07	R	.	B	.	X	.										EZ

5710

WIRING HARNESS



HATCH BACK

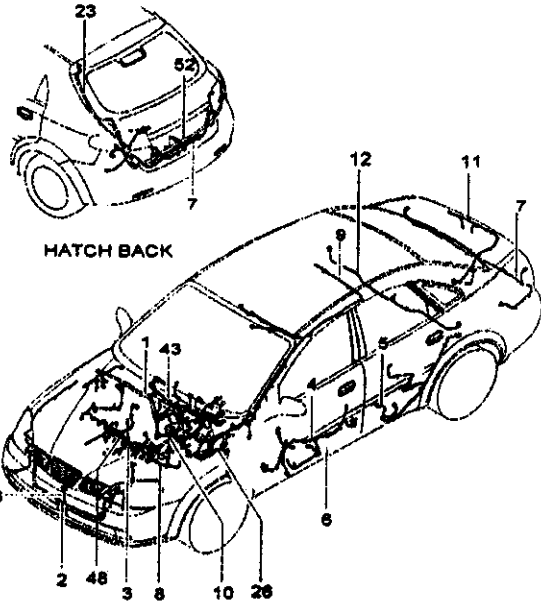
For ground					
27	33	35	39	41	54

RJ5710G 10/30/2004

I T C	KEY NO.		PART NAME										L Q T Y	V.I.N.		P / C O D E	
	PART NO.	MODEL YEAR	D R V E	BODY			LEVEL				OPTION	FROM		TO			
				4 N B	5 H S B	5 S W	B S	L S	L T								
	[04]	(E)WIRING HARNESS-PRT DR (D)KABELSTRANG-VORDERRADANTRIEB (F)FAIS.CBL-PORTE AV (S)CABLEADO-PTA DELAN															
	96418014	04-07	R	B	B	X	VQ
	96399916	04-07	R	B	B	X	X	ES
	96418016	04-07	R	B	B	X	X	V8
	96614390	04-07	R	B	B	X	EF
	96418015	04-07	R	B	B	X	VR
	96614403	04-07	R	B	B	X	X	X	EM
	96614404	04-07	R	B	B	.	X	X	EN
	96399917	04-07	R	B	B	X	X	X	E4
	96418017	04-07	R	B	B	X	X	X	VT
	96418018	04-07	R	B	B	X	X	X	VU
	96399918	04-07	R	B	B	.	X	X	E5
	96614411	04-07	R	B	B	X	X	X	EV
	96399911	04-07	R	B	B	.	X	X	EW
	96399921	04-07	R	B	B	X	X	X	E8
	96418021	04-07	R	B	B	X	X	X	VX
	96418022	04-07	R	B	B	.	X	X	VY
	96399922	04-07	R	B	B	.	X	X	E9
	96614158	04-07	R	B	B	X	.	X	W2
	96614160	04-07	R	B	B	X	X	X	W4
	96614159	04-07	R	B	B	X	X	X	W3
	96614375	05-07	R	B	.	X	X	EA
	96614405	05-07	R	B	B	.	X	X	EP
	96614406	05-07	R	B	B	.	X	X	EQ
	96399912	05-07	R	B	B	.	X	X	EX
	96399913	05-07	R	B	B	.	X	X	EY
	96614361	05-07	R	B	.	X	X	DU
	96614362	05-07	R	B	.	.	X	DV
	96614371	05-07	R	B	.	X	X	D6
	96418008	05-07	R	B	.	X	X	VJ
	96418009	05-07	R	B	.	.	X	VK
	96614372	05-07	R	B	.	.	X	D7
	96430746	05-07	R	B	.	X	X	DY
	96404069	05-07	R	B	.	.	X	X	V7
	96614364	05-07	R	B	.	.	X	HM
	96455396	05-07	R	B	.	.	X	X	DX
	96613983	05-07	R	B	.	.	X	X	PQ
	96430747	05-07	R	B	.	X	X	V8
	96455395	05-07	R	B	.	.	X	X	PP
	96404214	05-07	R	B	.	.	X	X	PZ
	96614373	05-07	R	B	.	X	X	D8

5710

WIRING HARNESS



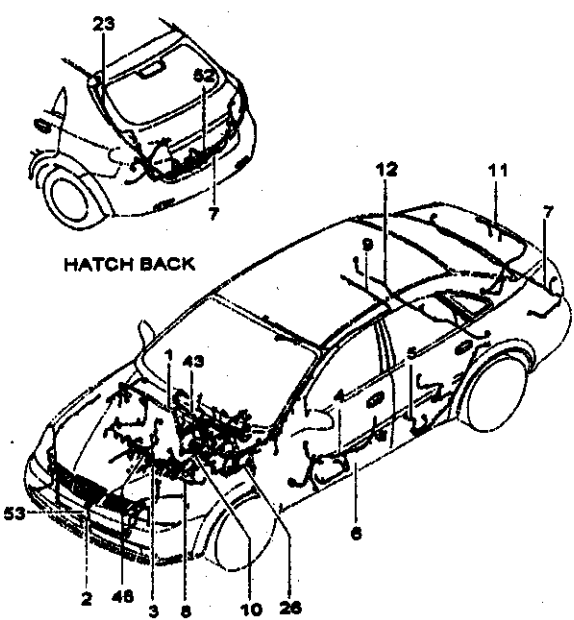
For ground					
27	33	35	38	41	54

RJ5710G 10/30/2004

I T C	KEY NO. PART NO.	MODEL YEAR	BODY						LEVEL	PART NAME OPTION	L Q T R Y	V.I.N.		P / C O D E	
			D R V E	4 N B	4 H S	5 B W	L S	L L				S T	FROM		TO
	[08]								(E)WHARNESS-FLR (D)KABELSTRANG-BODEN (F)FAIS.CBL-PLCH (S)CABLEADO-PISO						
	96614232	04-04	R	B	.	.	.	X X	SAUSAA86CALC24DM76JLJUTC-AJBAPPDM4	1			QR		
	96614256	04-04	R	B	.	.	.	X X	SAUSAA86CALC24DM76JLJUTC-AJBAPP	1			RH		
	96614248	04-04	R	B	.	.	.	X X	SAUSAA86CALC24DM76JLJUTC-AJBAPPDM4	1			QH		
	96422564	04-04	R	B	.	.	.	X X	SAUSAA86CALC24DM76JLJUTC-AJBAPPDM4	1			ND		
	96422578	04-04	R	B	.	.	.	X X	SAUSAA86CALC24DM76JLJUTC-AJBAPPDM4	1			NT		
	96614353	04-04	R	B	.	.	.	X X	SAUSAA86CALC24DM76JLJUTC-DM4	1			Y5		
	96422554	04-04	R	B	.	.	.	X X	SAUSAA86CALC24DM76JLJUTC-AJBAPPICALDM4	1			L3		
	96422566	04-04	R	B	.	.	.	X X	SAUSAA86CALC24DM76JLJUTC-AJBAPPICALDM4JLJUTC	1			MF		
	96614349	04-04	R	B	.	.	.	X X	SAUSAA86CALC24DM76JLJUTC-AJBDM4	1			Y2		
	96614209	04-06	R	B	.	.	.	X .	SA32DM6-APPALJCALJLJUTC/T93	1			P2		
	96614213	04-06	R	B	.	.	.	X .	SA32DM6-T93-APPALJCALJLJUTC	1			P6		
	96614211	04-06	R	B	.	.	.	X .	SAUSAA32DM6-APPICALJLJUTC/T93	1			P4		
	96614215	04-06	R	B	.	.	.	X .	SAUSAA32DM6-T93-APPICALJLJUTC	1			P8		
	96614234	05-05	R	B	.	.	.	X X	SAUSAA86CALC24DM76JLJUTC-APPICAL	1	204330		QT		
N	96497304	05-06	R	B	.	.	.	X X	SAUSAA86CALC24DM76JLJUTC-APPICAL	1	204331		98		
	96614236	05-05	R	B	.	.	.	X X	SAUSAA86CALC24DM76JLJUTC-APP	1	204330		QV		
N	96467307	05-06	R	B	.	.	.	X X	SAUSAA86CALC24DM76JLJUTC-APP	1	204331		9V		
	96614260	05-05	R	B	.	.	.	X .	SAUSAA86CALC24DM4JLJUTCANUNNHNANNT-APP	1	204330		RM		
N	96467322	05-06	R	B	.	.	.	X .	SAUSAA86CALC24DM4JLJUTCANUNNHNANNT-APP	1	204331		YU		
	96428331	05-05	R	B	.	.	.	X .	SAUSAA86CALC24DM4JLJUTCANNK	1	204330		88		
N	96467328	05-05	R	B	.	.	.	X .	SAUSAA86CALC24DM4JLJUTCANNK	1	204331		YB		
	96614252	05-05	R	B	.	.	.	X .	SAUSAA86CALC24DM76JLJUTC-APP	1	204330		RD		
N	96467317	05-06	R	B	.	.	.	X .	SAUSAA86CALC24DM76JLJUTC-APP	1	204331		XC		
	96614223	05-06	R	B	.	.	.	X X	SAUSAA32CALC24DM76JLJUTC-AJBAPPJLJUTC	1			QG		
	96614224	05-06	R	B	.	.	.	X .	SAUSAA32CALC24DM76JLJUTC-T93-AJBAPP	1			QH		
	96614218	05-06	R	B	.	.	.	X .	SAUSAA32DM76JLJUTC-AJBAPPICALT93	1			QB		
	96614222	05-06	R	B	.	.	.	X .	SAUSAA32DM76JLJUTC-T93-AJBAPPICAL	1			QF		
	96614221	05-06	R	B	.	.	.	X X	SAUSAA32DM76JLJUTC-AJBAPPICALJLJUTC	1			QE		
	96614229	05-06	R	B	.	.	.	X X X	SAUSAA86CALC24DM76JLJUTC-AJBAPPICALJLJUTC	1			QN		
	96614230	05-06	R	B	.	.	.	X X	SAUSAA86CALC24DM76JLJUTC-AJBAPPICAL	1			QP		
	96614240	05-06	R	B	.	.	.	X X	SAUSAA86CALC24DM4JLJUTC-AJBAPP	1			QZ		
	96614231	05-06	R	B	.	.	.	X X X	SAUSAA86CALC24DM76JLJUTC-AJBAPPICALJLJUTC	1			QQ		
	96614232	05-06	R	B	.	.	.	X X	SAUSAA86CALC24DM76JLJUTC-AJBAPP	1			QR		
	96614256	05-06	R	B	.	.	.	X .	SAUSAA86CALC24DM4JLJUTCANUNNHNANNT-AJBAPP	1			RH		
	96614248	05-06	R	B	.	.	.	X .	SAUSAA86CALC24DM76JLJUTC-AJBAPP	1			QB		
	96426713	05-06	R	B	.	.	.	X .	SA32DM6-APPALJCALJLJUTC	1			Z6		
	96426613	05-06	R	B	.	.	.	X X	SA32DM6-AJBALJCALJLJUTC	1			NP		
	96426617	05-06	R	B	.	.	.	X .	SA32DM6JLJUTC-AJBAPPALJCAL	1			NW		
	96426715	05-06	R	B	.	.	.	X .	SAUSAA32DM6-APPICALJLJUTC	1			ZJ		

5710

WIRING HARNESS



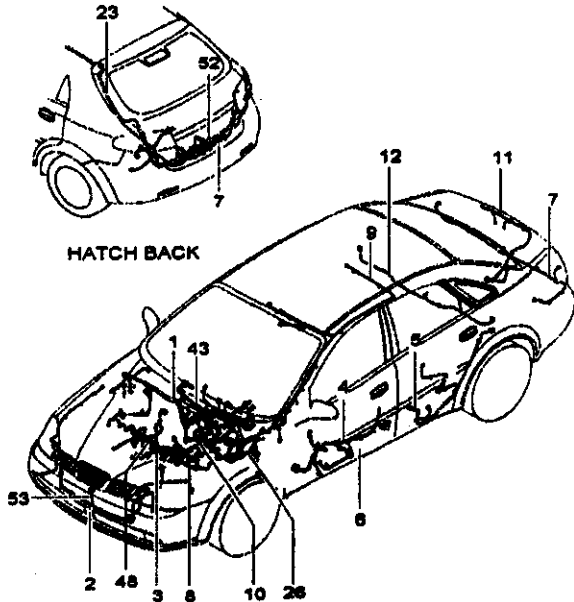
For ground					
27	33	35	38	41	54

RJ5710G 10/30/2004

I T C	KEY NO.	PART NO.	MODEL YEAR	BODY						L S T	LEVEL	PART NAME	L Q T Y	V.I.N.		P / C O D E	
				D R V E	4 N B	5 H B	8 S W	B L	L S T					OPTION	FROM		TO
	[06]	[E]WIRING HARNESS-FLR [D]KABELSTRANG-BODEN									(F)FAIS.CBL-PLCH (S)CABLEADO-PISO						
	98428622	05-08	R	B				X	X		SAUSA328CAL8DM8ONT-AJ8LS/UTC	1			NS		
	98428624	05-08	R	B				X	X		SAUSA328CALADMT8LS/UTC-AJB	1			NS		
	98428615	05-08	R	B			X	X			SAUSA328DM8-AJ8CAL8LS/UTC	1			NJ		
	98428616	05-08	R	B				X			SAUSA328DM8LS/UTC-AJBAPPCAL	1			NV		
	98428689	05-08	R	B				X	X		SAUSA328DM8DM7LS/UTC-AJBAPPCAL	1			XP		
	98428688	05-08	R	B				X	X		SAUSA328DM7-AJBAPPCAL8LS/UTC	1			XN		
	98428698	05-08	R	B				X	X		SAUSA888C28ADM4-AJBAPPCAL8LS/UTC	1			XY		
	98428699	05-08	R	B				X	X		SAUSA888C28ADM4LS/UTC-AJBAPPCAL	1			XZ		
	98428693	05-08	R	B				X	X		SAUSA888C28DM7-AJBAPPCAL8LS/UTC	1			XT		
	98428694	05-08	R	B				X	X		SAUSA888C28DM7LS/UTC-AJBAPPCAL	1			XU		
	98428708	05-08	R	B				X			SAUSA888C28ADM4-AJBAPPCAL8LS/UTC	1			YM		
	98428709	05-08	R	B				X			SAUSA888C28ADM4LS/UTC-AJBAPPCAL	1			ZW		
	98428703	05-08	R	B				X			SAUSA888C28DM7-AJBAPPCAL8LS/UTC	1			YC		
	98428704	05-08	R	B				X			SAUSA888C28DM7LS/UTC-AJBAPPCAL	1			YD		
	98428642	05-08	R	B				X	X		SAUSA888CAL8C28ADM4-AJB8LS/UTC	1			RH		
	98428644	05-08	R	B				X	X		SAUSA888CAL8C28ADM4LS/UTC-AJB	1			RQ		
	98428632	05-08	R	B				X	X		SAUSA888CAL8C28DM7-AJB8LS/UTC	1			PH		
	98428634	05-08	R	B				X	X		SAUSA888CAL8C28DM7LS/UTC-AJB	1			PP		
	98428663	05-08	R	B				X			SAUSA888CAL8C28ADM4-AJB8LS/UTC	1			UT		
	98428665	05-08	R	B				X			SAUSA888CAL8C28ADM4LS/UTC-AJB	1			UV		
	98428663	05-08	R	B				X			SAUSA888CAL8C28DM7-AJB8LS/UTC	1			UH		
	98428665	05-08	R	B				X			SAUSA888CAL8C28DM7LS/UTC-AJB	1			UK		
	98422952	05-05	R	B				X			SAUSA888CAL8C28ADM4-CAL8LS/UTC	1		204330	VH		
	N 98467185	05-05	R	B				X			SAUSA888CAL8C28ADM4-CAL8LS/UTC	1	204331		BY		
	98422948	05-05	R	B				X			SAUSA888CAL8C28DM7-CAL8LS/UTC	1		204330	VD		
	N 98467181	05-05	R	B				X			SAUSA888CAL8C28DM7-CAL8LS/UTC	1	204331		BK		
	98422948	05-05	R	B				X	X		SAUSA888CAL8C28ADM4LS/UTC	1		204330	VB		
	N 98467179	05-05	R	B				X	X		SAUSA888CAL8C28ADM4LS/UTC	1	204331		SH		
	98422943	05-05	R	B				X	X		SAUSA888CAL8C28DM7LS/UTC	1		204330	T8		
	N 98467176	05-05	R	B				X	X		SAUSA888CAL8C28DM7LS/UTC-HDN	1	204331		48		
	98464077	05-05	R	B				X	X		SAUSA888CAL8C28DM7LS/UTC-HDN	1			CT		
	98438518	05-05	R	B				X			SAUSA888CAL8C28ADM4LS/UTC-BANK	1		204330	BG		
	N 98467188	05-05	R	B				X			SAUSA888CAL8C28ADM4LS/UTC-BANK	1	204331		ST		
	98422950	05-05	R	B				X			SAUSA888CAL8C28DM7LS/UTC	1		204330	VF		
	N 98467183	05-05	R	B				X			SAUSA888CAL8C28DM7LS/UTC	1	204331		SM		
	98422980	05-08	R	B				X			SAUSA328C28ADM4-AJB8CAL8LS/UTC	1			WD		
	98422961	05-08	R	B				X			SAUSA328C28ADM4LS/UTC-AJB8CAL	1			WE		
	98422918	05-08	R	B				X	X		SAUSA328C28DM8DM7-CAL8LS/UTC	1			RT		
	98422919	05-08	R	B				X			SAUSA328C28DM8DM7LS/UTC-AJB8CAL	1			RU		
	98422962	05-08	R	B				X			SAUSA328CAL8C28ADM4-AJB8LS/UTC	1			WP		
	98422963	05-08	R	B				X			SAUSA328CAL8C28ADM4LS/UTC-AJB	1			WG		

5710

WIRING HARNESS



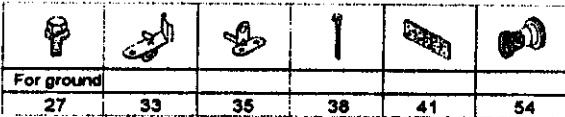
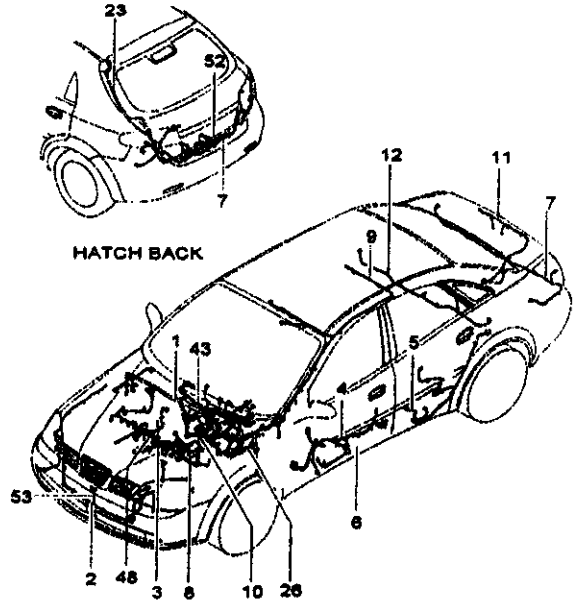
For ground					
27	33	35	38	41	54

RJ5710G 10/30/2004

I T C	KEY NO.		PART NAME										L Q T Y	V.I.N.		P C O D E		
	PART NO.	MODEL YEAR	D R V E	B O D Y			L E V E L				O P T I O N	F R O M		T O				
				4 N B	4 H B	5 B W	B L	S L	L T									
	[06]	(E)WIRING HARNESS-FLR (D)KABELSTRANG-BODEN																
	98816042	07-07	B															MA
	98816043	07-07	B															MO
	98816044	07-07	B															MN
	98816045	07-07	B															MR
	98816046	07-07	B															MN
	98816047	07-07	B															MS
	98816048	07-07	B															MT
	98816049	07-07	B															MZ
	98816050	07-07	B															MZ
	98816051	07-07	B															NO
	98816052	07-07	B															NJ
	98816053	07-07	B															NK
	98816054	07-07	B															NY
	98816055	07-07	B															PA
	98816056	07-07	B															PC
	98816057	07-07	B															PE
	98816058	07-07	B															PG
	98816059	07-07	B															PR
	98816060	07-07	B															PS
	98816061	07-07	B															PT
	98816062	07-07	B															PU
	98816063	07-07	B															QJ
	98816064	07-07	B															QK
	98816065	07-07	B															QL

5710

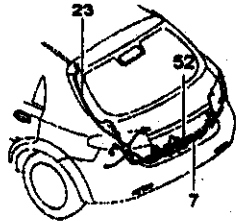
WIRING HARNESS



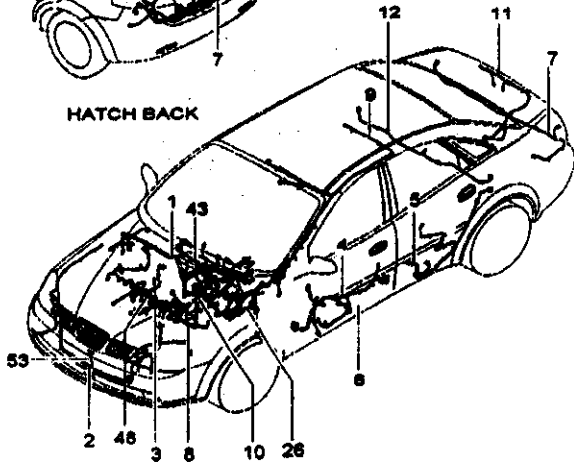
RJ5710G 10/30/2004

I T C	KEY NO.		PART NAME										L / R Y	V.I.N.		P - C O D E	
	PART NO.	MODEL YEAR	O R V	BODY			LEVEL				OPTION	FROM		TO			
				4 N B	5 H S W	8	B L S	L S T									
	[06]	(E)WHARNES-FLR (D)KABELSTRANG-BODEN (F)FAIS.CBL-PLCH (S)CABLEADO-PISO															
	96816066	07-07	B	.	.												QM
	96816067	07-07	B	.	.												QS
	96816068	07-07	B	.	.												QT
	96816069	07-07	B	.	.												QU
	96816070	07-07	B	.	.												QV
	96816071	07-07	B	.	.												RJ
	96816072	07-07	B	.	.												RK
	96816073	07-07	B	.	.												RL
	96816074	07-07	B	.	.												RM
	96816075	07-07	B	.	.												TN
	96816076	07-07	B	.	.												TP
	96816077	07-07	B	.	.												TQ
	96816078	07-07	B	.	.												TR
	96816079	07-07	B	.	.												T5
	96816080	07-07	B	.	.												U2
	96816081	07-07	B	.	.												U8
	96816082	07-07	B	.	.												VT
	96816083	07-07	B	.	.												VU
	96816084	07-07	B	.	.												V3
	96816104	07-07	B	.	.												W7
	96816105	07-07	B	.	.												W8
	96816106	07-07	B	.	.												W9
	96816107	07-07	B	.	.												XH
	96816108	07-07	B	.	.												XJ

5710
WIRING HARNESS



HATCH BACK



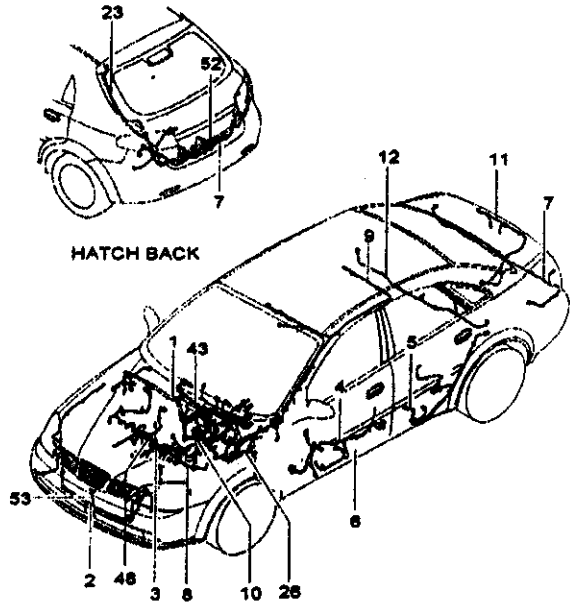
For ground					
27	33	35	38	41	54

RJ5710G 10/30/2004

I T C	KEY NO.	PART NO.	MODEL YEAR	BODY LEVEL						PART NAME	L I T Y	V.I.N.		P C O D E
				D R V	4 N B	5 H S B	B L S T	L L T	OPTION			FROM	TO	
	[06]	(E)WIRING HARNESS-FLR (D)KABELSTRANG-SODEN							(F)FAIS.CBL-PLCH (S)CABLEADO-PISO					
	98816157	07-07	B . .						EAJ08A326CALC208DM8M78LDAL14L44L84L88N40-AJBAPPHOW	1			5T	
	98816158	07-07	B . .						EAJ08A326C208DM8M78L8JL8JTCALDA14L44L84L88N40-AJBAPP	1			7L	
	98816159	07-07	B . .						EAJ08A326C208DM8M78LDAL14L44L84L88N40-AJBAPPCALPHOW	1			7M	
	98816160	07-07	B . .						EAJ08A326C208DM8M78L8JL8JTCALDA14L44L84L88N40-AJBAPPPLUS	1			7N	
	98816161	07-07	B . .						EAJ08A326C208DM8M78LDAL14L44L84L88N40-AJBAPPFAU3CALPHOW	1			7P	
	98816162	07-07	B . .						EAJ08A88CALC208DM8M78L8JL8JTCALDA14L44L84L88N40-AJB	1			7Q	
	98816163	07-07	B . .						EAJ08A88CALC208DM8M78LDAL14L44L84L88N40-AJBAPPHOW	1			7R	
	98816164	07-07	B . .						EAJ08A88C208DM8M78L8JL8JTCALDA14L44L84L88N40-AJBAPP	1			7S	
	98816165	07-07	B . .						EAJ08A88C208DM8M78LDAL14L44L84L88N40-AJBAPPCALPHOW	1			7T	
	98816166	07-07	B . .						EAJ08A88C208DM8M78L8JL8JTCALDA14L44L84L88N40-AJBAPPPLUS	1			8P	
	98816167	07-07	B . .						EAJ08A88C208DM8M78LDAL14L44L84L88N40-AJBAPPFAU3CALPHOV	1			8Q	
	98816168	07-07	B . .						EAJ08A88CALC208DM8L8JL8JTCALDA14L44L84L88N40-AJBAPP	1			8X	
	98816169	07-07	B . .						EAJ08A88CALC208DM8LDAL14L44L84L88N40-AJBAPPHOWELS	1			8Y	
	98816170	07-07	B . .						EAJ08A88C208DM8L8JL8JTCALDA14L44L84L88N40-AJBAPPCAL	1			8Z	
	98816171	07-07	B . .						EAJ08A88C208DM8LDAL14L44L84L88N40-AJBAPPCALPHOWELS	1			8W	
	98816172	07-07	B . .						EAJ08A88A88CALC208DM8L8JL8JTCALDA14L44L84L88N40-AJBAPP	1			MX	
	98816173	07-07	B . .						EAJ08A88CALC208DM8L8JL8JTCALDA14L44L84L88N40-AJBAPPKURA	1			PA	
	98816174	07-07	B . .						EAJ08A88CALC208DM8M78H8M8L8JL8JTCALDA14L44L84L88N40-AJBAPP	1			PB	
	98816175	07-07	B . .						EAJ08A88CALC208DM8M78H8M8LDAL14L44L84L88N40-AJBAPP	1			PC	
	98816176	07-07	B . .						EAJ08A88C208DM8M78H8M8L8JL8JTCALDA14L44L84L88N40-AJBAPP	1			PD	
	98816177	07-07	B . .						EAJ08A88C208DM8M78H8M8LDAL14L44L84L88N40-AJBAPP	1			PE	
	98816216	07-07	. B .						EAJ08A88A308A326CALC208DM78L8JL8JTCALDA14L44L84L88N40-AJBAPP	1			VE	
	98816217	07-07	. B .						EAJ08A88A308A326CALC208DM78LDAL14L44L84L88N40-AJBAPP	1			WD	
	98816218	07-07	. B .						EAJ08A88A308A326C208DM78L8JL8JTCALDA14L44L84L88N40-AJBAPP	1			WE	

5710

WIRING HARNESS



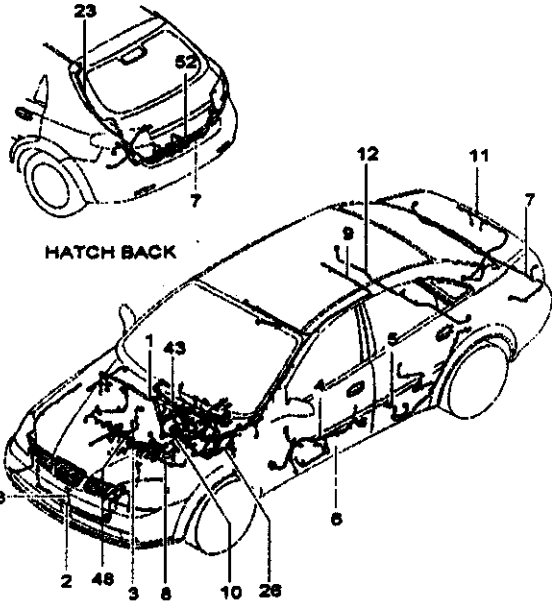
For ground					
27	33	35	38	41	54

RJ5710G 10/30/2004

I T C	KEY NO.	PART NO.	MODEL YEAR	PART NAME						L Q T Y	V.I.N.		P R E D C T I O N	
				D R I V E	B O D Y			L E V E L			O P T I O N	F R O M		T O
					4 N H S	4 H S W	5 B S	B L S	L S T					
	[06]	(E)WIRING HARNESS-FLR (D)KABELSTRANG-BODEN							(F)FAIS, CBL-PLCH (S)CABLEADO-PISO					
	96816219	07-07	.	B					SAJBAUSA30A328C208DM78LDAAL14L44L848NHO-PPICALHONKLS	1		WF		
	96816220	07-07	.	B					SAJBAUSA888CALC208DM48LJNUTCALDAAL14L44L848NHO-APPHOW	1		WG		
	96816221	07-07	.	B					SAJBAUSA888CALC208DM48LDAAL14L44L848NHO-APPHOWLSJUTC	1		WH		
	96816222	07-07	.	B					SAJBAUSA888CALC208DM78LJNUTCALDAAL14L44L848NHO-APPHOW	1		WN		
	96816223	07-07	.	B					SAJBAUSA888CALC208DM78LDAAL14L44L848NHO-APPHOWLSJUTC	1		WP		
	96816224	07-07	.	B					SAJBAUSA888C208DM48LJNUTCALDAAL14L44L848NHO-APPICALHOW	1		WQ		
	96816225	07-07	.	B					SAJBAUSA888C208DM48LDAAL14L44L848NHO-APPICALHONKLSJUTC	1		WR		
	96816226	07-07	.	B					SAJBAUSA888C208DM78LJNUTCALDAAL14L44L848NHO-APPICALHOW	1		WS		
	96816227	07-07	.	B					SAJBAUSA888C208DM78LDAAL14L44L848NHO-APPICALHONKLSJUTC	1		WT		
	96816228	07-07	.	B					SAJBAUSA328CALC208DM48LJNUTCALDAAL14L44L848NHO-APPHOW	1		WU		
	96816229	07-07	.	B					SAJBAUSA328CALC208DM48LDAAL14L44L848NHO-APPHOWLSJUTC	1		45		
	96816230	07-07	.	B					SAJBAUSA328C208DM48LJNUTCALDAAL14L44L848NHO-APPICALHOW	1		46		
	96816231	07-07	.	B					SAJBAUSA328C208DM48LDAAL14L44L848NHO-APPICALHONKLSJUTC	1		47		
	96816232	07-07	.	B					SAJBAUSA328CALC208DM78LJNUTCALDAAL14L44L848NHO-AJ8APP	1		88		
	96816233	07-07	.	B					SAJBAUSA328CALC208DM78LDAAL14L44L848NHO-AJ8APPHONKLS	1		90		
	96816234	07-07	.	B					SAJBAUSA328C208DM78LJNUTCALDAAL14L44L848NHO-AJ8APPICAL	1		9H		
	96816235	07-07	.	B					SAJBAUSA328C208DM78LDAAL14L44L848NHO-AJ8APPICALHONKLS	1		9J		
	96816236	07-07	.	B					SAJBA888CALC208DM48LJNUTCALDAAL14L44L848NHO-AJ8APPHOW	1		9K		
	96816237	07-07	.	B					SAJBA888CALC208DM48LDAAL14L44L848NHO-AJ8APPHOWLSJUTC	1		9L		
	96816238	07-07	.	B					SAJBA888CALC208DM78LJNUTCALDAAL14L44L848NHO-AJ8APPHOW	1		9M		
	96816239	07-07	.	B					SAJBA888CALC208DM78LDAAL14L44L848NHO-AJ8APPHOWLSJUTC	1		9V		
	96816240	07-07	.	B					SAJBA888C208DM48LJNUTCALDAAL14L44L848NHO-AJ8APPICALHOW	1		9Y		
	96816241	07-07	.	B					SAJBA888C208DM48LDAAL14L44L848NHO-AJ8APPICALHONKLSJUTC	1		9S		
	96816242	07-07	.	B					SAJBA888C208DM78LJNUTCALDAAL14L44L848NHO-AJ8APPICALHOW	1		98		

5710

WIRING HARNESS



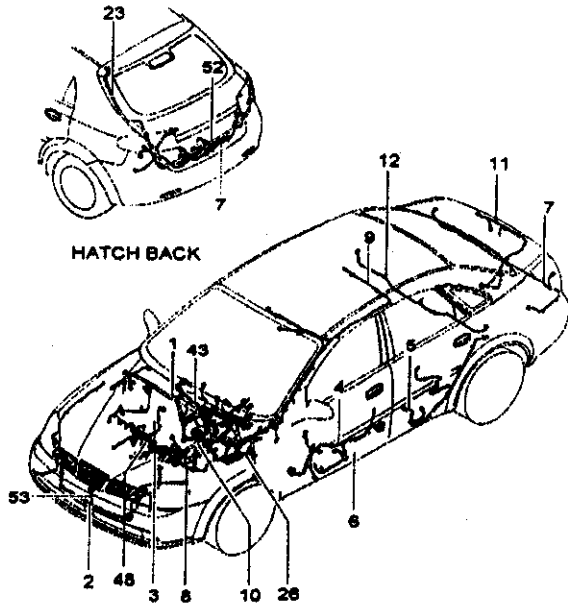
For ground					
27	33	35	38	41	54

RJ5710G 10/30/2004

I T C	KEY NO.		PART NAME										L Q T Y	V.I.N.		P Y C O D E			
	PART NO.	MODEL YEAR	D R V E	B O D Y			L E V E L				O P T I O N	F R O M		T O					
				4 N B	4 H B	5 S W	B S	L S	T										
	[06]	(E)WIRING HARNESS-FLR (D)KABELSTRANG-BODEN																	
	96816243	07-07	.	B	5V
	96816244	07-07	.	B	8P
	96816245	07-07	.	B	55
	96816246	07-07	.	B	56
	96816247	07-07	.	B	57
	96816248	07-07	.	B	58
	96816249	07-07	.	B	59
	96816250	07-07	.	B	E2
	96816251	07-07	.	B	E2
	96816252	07-07	.	B	6C
	96816253	07-07	.	B	83
	96816254	07-07	.	B	86
	96816255	07-07	.	B	QJ
	96816256	07-07	.	B	GK
	96816257	07-07	.	B	GL
	96816258	07-07	.	B	QM
	96816259	07-07	.	B	GT
	96816260	07-07	.	B	GU
	96816261	07-07	.	B	73
	96816262	07-07	.	B	74
	96816263	07-07	.	B	75
	96816296	07-07	.	B	8M
	96816297	07-07	.	B	8N
	96816298	07-07	.	B	8T

5710

WIRING HARNESS

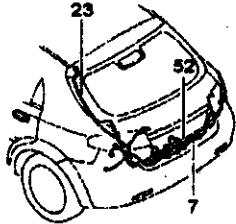


RJ5710G 10/30/2004

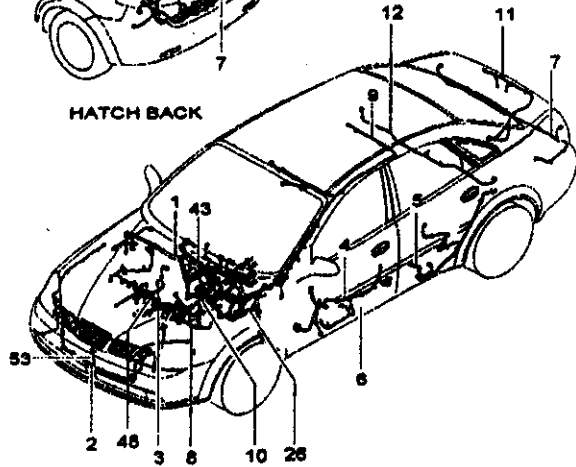
I T C	KEY NO.	PART NO.	MODEL YEAR	BODY LEVEL						OPTION	L T R Y	V.I.N.		P / C O D E
				D R V	4 N B	4 H S W	5 B S	L S T	L S T			FROM	TO	
	[06]	(E)WHARNESS-FLR (D)KABELSTRANG-BODEN							(F)FAIS.CBL-PLCH (S)CABLEADO-PISO					
	98816289	07-07	. B .						6AJ8A1PPLAUS1A88CALC208DM78HNDAL14L44L848NHD-APP	1			BU	
	98816300	07-07	. B .						6AJ8A1US6A30A328CALC208DM78LJ8JTCALDA14L44L848NHD-APP	1			BZ	
	98816301	07-07	. B .						6AJ8A1US6A30A328CALC208DM78LDA14L44L848NHD-APP	1			B2	
	98816302	07-07	. B .						6AJ8A1US6A30A328CALC208DM78LJ8JTCALDA14L44L848NHD-APP	1			T4	
	98816303	07-07	. B .						6AJ8A1US6A30A328CALC208DM78LDA14L44L848NHD-APP	1			B6	
	98816304	07-07	. B .						6AJ8A1US6A88CALC208DM78LJ8JTCALDA14L44L848NHD-APP	1			B7	
	98816305	07-07	. B .						6AJ8A1US6A88CALC208DM78LDA14L44L848NHD-APP	1			4P	
	98816306	07-07	. B .						6AJ8A1US6A88CALC208DM78LJ8JTCALDA14L44L848NHD-APP	1			HJ	
	98816307	07-07	. B .						6AJ8A1US6A88CALC208DM78LDA14L44L848NHD-APP	1			HC	
	98816308	07-07	. B .						6AJ8A1US6A88CALC208DM78LJ8JTCALDA14L44L848NHD-APP	1			HL	
	98816309	07-07	. B .						6AJ8A1US6A88CALC208DM78LDA14L44L848NHD-APP	1			HU	
	98816310	07-07	. B .						6AJ8A1US6A88CALC208DM78LJ8JTCALDA14L44L848NHD-APP	1			HV	
	98816311	07-07	. B .						6AJ8A1US6A88CALC208DM78LDA14L44L848NHD-APP	1			HW	
	98816312	07-07	. B .						6AJ8A1US6A328CALC208DM78LJ8JTCALDA14L44L848NHD-APP	1			HX	
	98816313	07-07	. B .						6AJ8A1US6A328CALC208DM78LDA14L44L848NHD-APP	1			KO	
	98816314	07-07	. B .						6AJ8A1US6A328CALC208DM78LJ8JTCALDA14L44L848NHD-APP	1			KH	
	98816315	07-07	. B .						6AJ8A1US6A328CALC208DM78LDA14L44L848NHD-APP	1			KP	
	98816316	07-07	. B .						6AJ8A1US6A328CALC208DM78LJ8JTCALDA14L44L848NHD-APP	1			K7	
	98816317	07-07	. B .						6AJ8A1US6A328CALC208DM78LDA14L44L848NHD-APP	1			K8	
	98816318	07-07	. B .						6AJ8A1US6A328CALC208DM78LJ8JTCALDA14L44L848NHD-APP	1			LC	
	98816319	07-07	. B .						6AJ8A1US6A328CALC208DM78LDA14L44L848NHD-APP	1			LD	
	98816320	07-07	. B .						6AJ8A1US6A88CALC208DM78LJ8JTCALDA14L44L848NHD-APP	1			LE	
	98816321	07-07	. B .						6AJ8A1US6A88CALC208DM78LDA14L44L848NHD-APP	1			LF	
	98816322	07-07	. B .						6AJ8A1US6A88CALC208DM78LJ8JTCALDA14L44L848NHD-APP	1			LP	

5710

WIRING HARNESS



HATCH BACK



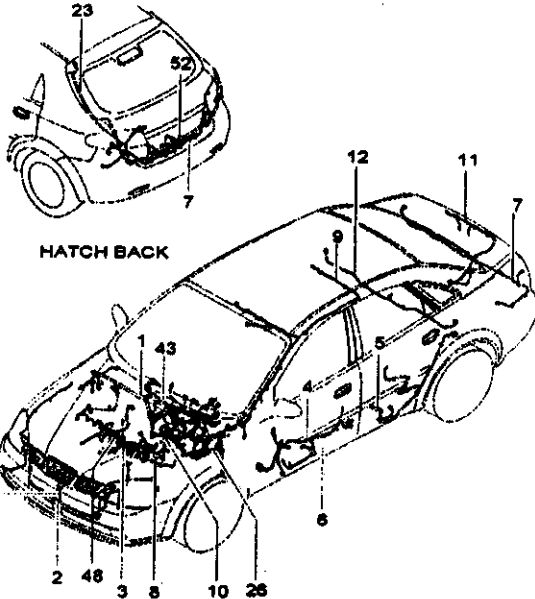
For ground:					
27	33	35	38	41	54

RJ5710G 10/30/2004

I T C	KEY NO.		PART NAME											L Q T Y	V.I.N.		P / C O D E		
	PART NO.	MODEL YEAR	D R V	BODY			LEVEL		OPTION	L / R Y	FROM	TO							
				4 N B	5 H S	6 B W	L S	L T											
	[98]	(E)WIRING HARNESS-FLR (D)KABELSTRANG-BODEN																	
		(F)FAIS. CBL-PLCH (S)CABLEADO-PISO																	
	98816323	07-07	.	B						EAJ3BA88LC20ADM78LDA1.14L44L848N40-AJ8P ALH0W4LSJTC				1				LV	
	98816324	07-07	.	B						EAJ3BA88LC20ADM48LJ8JTC8LDA1.14L44L848N40-A J8APPAUCALH0W				1				NG	
	98816326	07-07	.	B						EAJ3BA88LC20ADM48LDA1.14L44L848N40-AJ8P ALH0W4LSJTC				1				MJ	
	98816326	07-07	.	B						EAJ3BA88LC20ADM78LJ8JTC8LDA1.14L44L848N40-A J8APPAUCALH0W				1				MP	
	98816327	07-07	.	B						EAJ3BA88LC20ADM78LDA1.14L44L848N40-AJ8P ALH0W4LSJTC				1				MQ	
	98816328	07-07	.	B						EAJ3BA328LC20ADM48LJ8JTC8LDA1.14L44L848 N40-AJ8APPAUCALH0W				1				MU	
	98816329	07-07	.	B						EAJ3BA328LC20ADM48LDA1.14L44L848N40-AJ8P APPAUCALH0W				1				MV	
	98816330	07-07	.	B						EAJ3BA328LC20ADM48LJ8JTC8LDA1.14L44L848N40-A J8APPAUCALH0W				1				MS	
	98816331	07-07	.	B						EAJ3BA328LC20ADM48LDA1.14L44L848N40-AJ8P ALH0W4LSJTC				1				MB	
	98816332	07-07	.	B						EAJ3BA308LC20ADM78LJ8JTC8LDA1.14L44L848N 40-APPAUCALH0W				1				ME	
	98816333	07-07	.	B						EAJ3BA308LC20ADM78LDA1.14L44L848N40-APPA UCALH0W4LS				1				MP	
	98816334	07-07	.	B						EAJ3BA88LC20ADM48LJ8JTC8LDA1.14L44L848N40-A PPAU3CALH0W				1				NR	
	98816335	07-07	.	B						EAJ3BA88LC20ADM48LDA1.14L44L848N40-APPAUC ALH0W4LSJTC				1				NV	
	98816336	07-07	.	B						EAJ3BA88LC20ADM78LJ8JTC8LDA1.14L44L848N40-A PPAU3CALH0W				1				NW	
	98816337	07-07	.	B						EAJ3BA88LC20ADM78LDA1.14L44L848N40-APPAUC ALH0W4LSJTC				1				PN	
	98816338	07-07	.	B						EAJ3BA328LC20ADM48LJ8JTC8LDA1.14L44L848N40-A PPAU3CALH0W				1				PP	
	98816339	07-07	.	B						EAJ3BA328LC20ADM48LDA1.14L44L848N40-APPAUC ALH0W4LSJTC				1				PZ	
	98816340	07-07	.	B						EA30A328LC20ADM78LJ8JTC8LDA1.14L44L848N40-A J8APPAUCALH0W				1				PN	
	98816341	07-07	.	B						EA30A328LC20ADM78LDA1.14L44L848N40-AJ8P PAUCALH0W4LS				1				RP	
	98816342	07-07	.	B						EA88LC20ADM48LJ8JTC8LDA1.14L44L848N40-AJ8P PAUCALH0W				1				UG	
	98816343	07-07	.	B						EA88LC20ADM48LDA1.14L44L848N40-AJ8P ALH0W4LSJTC				1				UH	
	98816344	07-07	.	B						EA88LC20ADM78LJ8JTC8LDA1.14L44L848N40-AJ8P PAUCALH0W				1				UJ	
	98816345	07-07	.	B						EA88LC20ADM78LDA1.14L44L848N40-AJ8P ALH0W4LSJTC				1				UK	
	98816346	07-07	.	B						EA328LC20ADM48LJ8JTC8LDA1.14L44L848N40-AJ8P PAUCALH0W				1				UL	

5710

WIRING HARNESS



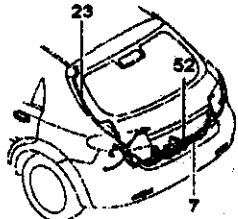
For ground					
27	33	35	38	41	54

RJ5710G 10/30/2004

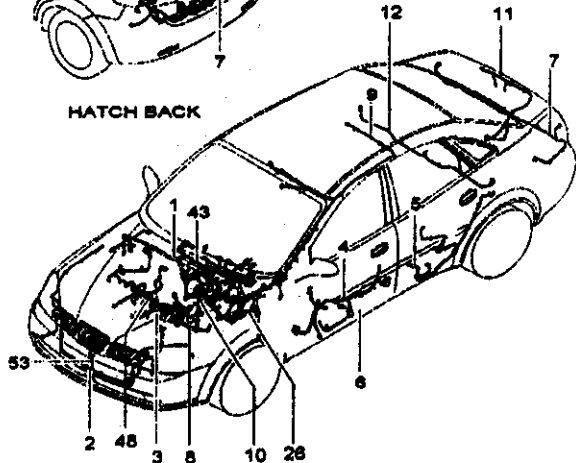
I T C	KEY NO.		PART NAME										L / R Y	Q T Y	V.I.N.		P / C O D E	
	PART NO.	MODEL YEAR	D R V	BODY			LEVEL				OPTION	FROM			TO			
				4 N B	4 H B	5 S B	B L S	L L T										
	[06]	(E)W/HARNESS-PLR (D)KABELSTRANG-BODEN																
		(F)FAIS.CBL-PLCH (S)CABLEADO-PISO																
	98816347	07-07	.	B							EA328C204DM78LDAL44L848N40-AJBAPPNU3C ALHGWKLBUTC		1				UT	
	98816378	07-07	.	B							EAJ8A328CALAC208DM78LDAL44L848N40-AJBAPP 8N40-AJBAPP		1				33	
	98816379	07-07	.	B							EAJ8A328CALAC208DM78LDAL44L848N40-AJBAPP APPXLBUTC		1				35	
	98816380	07-07	.	B							EAJ8A328C208DM78LDAL44L848N40-AJBAPP APPXLBUTC		1				36	
	98816381	07-07	.	B							EAJ8A328C208DM78LDAL44L848N40-AJBAPP CALULBUTC		1				37	
	98816382	07-07	.	B							EAJ8A898CALAC208DM78LDAL44L848N40-AJBAPP AJBAPP		1				38	
	98816383	07-07	.	B							EAJ8A898CALAC208DM78LDAL44L848N40-AJBAPP JLBUTC		1				39	
	98816384	07-07	.	B							EAJ8A898C208DM78LDAL44L848N40-AJBAPP PPICAL		1				4A	
	98816385	07-07	.	B							EAJ8A898C208DM78LDAL44L848N40-AJBAPP LJLBUTC		1				4B	
	98816386	07-07	.	B							EAJ8A898A328CALAC208DM78LDAL44L848N40-AJBAPP 8N40-APP		1				4C	
	98816387	07-07	.	B							EAJ8A898A328CALAC208DM78LDAL44L848N40-APP JLBUTC		1				4D	
	98816388	07-07	.	B							EAJ8A898A328C208DM78LDAL44L848N40-APP APPICAL		1				4E	
	98816389	07-07	.	B							EAJ8A898A328C208DM78LDAL44L848N40-APP JLBUTC		1				4F	
	98816390	07-07	.	B							EAJ8A898A868CALAC208DM78LDAL44L848N40-APP 8N40-APP		1				4G	
	98816391	07-07	.	B							EAJ8A898A868CALAC208DM78LDAL44L848N40-APP JLBUTC		1				4H	
	98816392	07-07	.	B							EAJ8A898A868C208DM78LDAL44L848N40-APP APPICAL		1				4J	
	98816393	07-07	.	B							EAJ8A898A868C208DM78LDAL44L848N40-APP JLBUTC		1				4K	
	98816394	07-07	.	B							EA328C204DM78LDAL44L848N40-AJBAPP PPXLBUTC		1				BB	
	98816395	07-07	.	B							EA328C208DM78LDAL44L848N40-AJBAPP ALJLBUTC		1				4T	
	98816396	07-07	.	B							EA898C208DM78LDAL44L848N40-AJBAPP USICAL		1				BE	
	98816397	07-07	.	B							EA898C208DM78LDAL44L848N40-AJBAPP RJBUTC		1				4V	
	98816398	07-07	.	B							EAJ8A328C208DM78LDAL44L848N40-APP USICAL		1				BH	
	98816399	07-07	.	B							EAJ8A328C208DM78LDAL44L848N40-APP LJLBUTC		1				BL	
	98816400	07-07	.	B							EAJ8A898C208DM78LDAL44L848N40-APP USICAL		1				BP	

5710

WIRING HARNESS



HATCH BACK



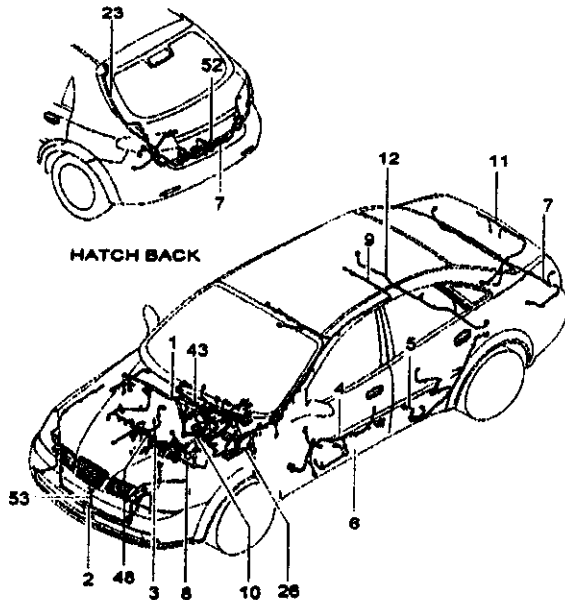
For ground					
27	33	35	38	41	54

RJ5710G 10/30/2004

I T C	KEY NO. PART NO.	MODEL YEAR	D R V	BODY LEVEL						PART NAME OPTION	L / Q T / R Y	V.I.N.		P O O D E	
				4	4	5	B	L	L			FROM	TO		
				A	H	S	B	L	L						
	[06]	(E)WIRING HARNESS-FLR (D)KABELSTRANG-BODEN													
	98816401	07-07	.	.	B					EAUSBA981C20ADM7&LDAL44L84L881N40-APPNUSCAL L&NJC	1			SU	
	98816420	07-07	.	.	B					EAUSBA981AUSBA981CALC20ADM7&HONLJL9JTCAL DAL44L84L881N40	1			NE	
	98816421	07-07	.	.	B					EAUSBA981AUSBA981CALC20ADM7&HONLJL9JTCAL 4L881N40-HONVUL9	1			PB	
	98816422	07-07	.	.	B					EAUSBA326CALC20ADM6OM7&LJL9JTCALDAL44L84L L881N40-AJ8APP	1			FJ	
	98816423	07-07	.	.	B					EAUSBA326CALC20ADM6OM7&LDAL44L84L881N40- AJ8APPJL9JTC	1			PQ	
	98816424	07-07	.	.	B					EAUSBA326C20ADM6OM7&LJL9JTCALDAL44L84L881 N40-AJ8APPICAL	1			PV	
	98816425	07-07	.	.	B					EAUSBA326C20ADM6OM7&LDAL44L84L881N40-AJ8A PPICALJL9JTC	1			UA	
	98816426	07-07	.	.	B					EAUSBA981CALC20ADM7&LJL9JTCALDAL44L84L881 N40-AJ8APP	1			UF	
	98816427	07-07	.	.	B					EAUSBA981CALC20ADM7&LDAL44L84L881N40-AJ8 APPJL9JTC	1			UL	
	98816428	07-07	.	.	B					EAUSBA981C20ADM7&LJL9JTCALDAL44L84L881N40-A J8APPICAL	1			UR	
	98816429	07-07	.	.	B					EAUSBA981C20ADM7&LDAL44L84L881N40-AJ8APPIC ALJL9JTC	1			7Z	
	98816430	07-07	.	.	B					EAUSBA326CALC20ADM7&LJL9JTCALDAL44L84L L881N40-APP	1			7Z	
	98816431	07-07	.	.	B					EAUSBA326CALC20ADM7&LDAL44L84L881N40- APPJL9JTC	1			SU	
	98816432	07-07	.	.	B					EAUSBA326C20ADM7&LJL9JTCALDAL44L84L881 N40-APPICAL	1			8W	
	98816433	07-07	.	.	B					EAUSBA326C20ADM7&LDAL44L84L881N40-APP CALJL9JTC	1			8X	
	98816434	07-07	.	.	B					EAUSBA326CALC20ADM7&LJL9JTCALDAL44L84L L881N40-APP	1			8Y	
	98816435	07-07	.	.	B					EAUSBA326CALC20ADM7&LDAL44L84L881N40- APPJL9JTC	1			8Z	
	98816436	07-07	.	.	B					EAUSBA326CALC20ADM7&LJL9JTCALDAL44L84L881 N40-APPICAL	1			8Z	
	98816437	07-07	.	.	B					EAUSBA326CALC20ADM7&LDAL44L84L881N40-APP CALJL9JTC	1			83	
	98816438	07-07	.	.	B					EA326C20ADM6OM7&LJL9JTCALDAL44L84L881N40-A J8APPICAL	1			84	
	98816439	07-07	.	.	B					EA326C20ADM6OM7&LDAL44L84L881N40-AJ8APP ICALJL9JTC	1			86	
	98816440	07-07	.	.	B					EA981C20ADM7&LJL9JTCALDAL44L84L881N40-AJ8A PPICAL	1			87	
	98816441	07-07	.	.	B					EA981C20ADM7&LDAL44L84L881N40-AJ8APPICAL ALJL9JTC	1			88	
	98816442	07-07	.	.	B					EAUSBA326C20ADM7&LJL9JTCALDAL44L84L881N40-A PPICAL	1			88	

5710

WIRING HARNESS

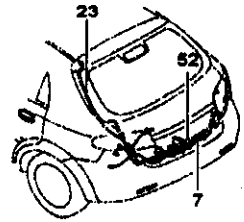


For ground:					
27	33	35	38	41	54

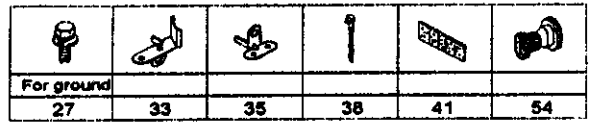
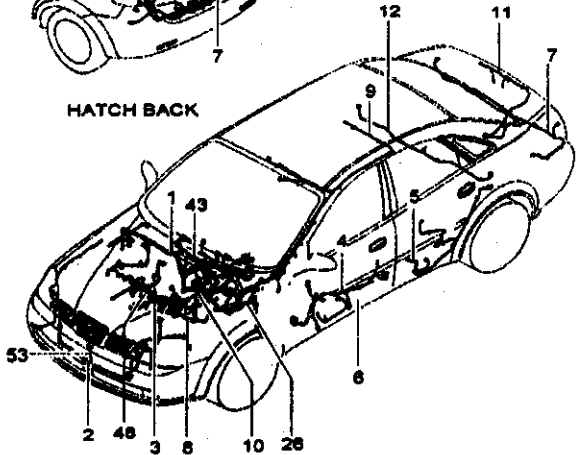
RJ5710G 10/30/2004

I T C	KEY NO. PART NO.	MODEL YEAR	PART NAME						L T Y	V.I.N.		P C O D E
			D R V E	B O D Y		L E V E L		O P T I O N		F R O M	T O	
				4 N H	5 H S	B L	L L					
	[06]		(E)W/HARNESS-FLR (D)KABELSTRANG-BODEN							(F)FAIS.CBL-PLCH (S)CABLEADO-PISO		
	96816443	07-07	.	.	B				LAJ8A326C206DM76LDA44L84L886N40-APPJAU3C ALJL8JTC	1		9B
	96816444	07-07	.	.	B			LAJ8A886C206DM76L8JTCALDA44L84L886N40-A PPJAU3CAL	1		9C	
	96816445	07-07	.	.	B			LAJ8A886C206DM76LDA44L84L886N40-APPJAU3C ALJL8JTC	1		9H	
	96816446	07-07	.	.	B			LAJ8AUSA886CALC242DM48H0VWLEJ8JTCALDA44L84L886N40LUXA	1		9L	
	96816447	07-07	.	.	B			LAJ8A886CALC242DM48H0VWLEJ8JTCALDA44L84L886N40LUXA-AJB	1		9M	
	96816097	07-07	B	B	B			LAJ86L14L44	1		WY	
	96816098	07-07	B	B	B			LAJ86LDA446	1		WZ	
	96816099	07-07	B	B	B			LAJTC8L14L44	1		W2	
	96816100	07-07	B	B	B			LAJTCALDA446	1		W3	
	[07]		(E)W/HARNESS-TRK ROOM (D)KABELSTRANG-KOFFERRAUM							(F)FAIS.CBL-COFFRE (S)CABLEADO-MALETERO		
	96613941	04-04	B	.	.	X	X	X	FL8	1		5C
	96651378	04-04	B	.	.	X	X	X	FL7-UAVXG7	1		5A
	96651378	05-06	B	.	.	X	X	X	FL78NUNN188N48N7-UAVXG7	1		5A
	96613941	05-06	B	.	.	X	X	X	FL88NUNN188N48N7	1		5G
	96428329	05-06	B	X	FL88NKK	1		5H
	96551423	04-07	.	B	.	X	X	X		1		5F
	96551423	06-07	.	B	.	X	X	X	LNNUNN188N48N7	1		5F
	96813088	07-07	B	X	FL78NUNN188N48N7-UAVXG7	1		7A
	96813083	07-07	B	X	FL88NUNN188N48N7	1		7F
	96813085	07-07	B	X	FL88NKK	1		7H
	96813086	07-07	B	X	FL78NKK	1		7J
	[08]		(E)W/HARNESS-BATTERY (D)KABELSTRANG-BATTERIE							(F)FAIS.CBL-BATTERIE (S)CABLEADO-BATERIA		
	96551281	04-07	B	B	B	X	X	X	8L14L43A44-XG7	1		PA
	96551291	06-07	B	B	B	X	X	X	8L14L44-XG7	1		PA
	96551294	04-06	B	B	B	X	X	X	8L84	1		PB
	96418041	05-07	B	B	.	.	.	X	8L86	1		PG
	96484216	06-07	B	B	B	.	.	X	8LDA8MG4885	1		PH
	96484045	06-07	B	B	B	.	.	X	8LDA8MM9	1		PJ
	[09]		(E)W/HARNESS-ROOF (D)KABELSTRANG-DACH							(F)FAIS.CBL-PAVILLON (S)CABLEADO-TECHO		
	96551382	04-07	B	.	.	X	X	X	8C20-CF8	1		7A
	96551393	04-07	B	.	.	X	X	X	8CF8AC20	1		7J
	96613947	04-07	B	.	.	X	X	X	8C24-CF8	1		7C
	96613953	04-07	B	.	.	X	X	X	8CF8AC24	1		7L
	96613949	04-07	.	B	.	X	X	X	8C208C99-CF6	1		7E

5710
WIRING HARNESS



HATCH BACK



RJ5710G 10/30/2004

I T C	KEY NO.		PART NAME										L Q T Y	V.I.N.		P C O D E		
	PART NO.	MODEL YEAR	D R V	B O D Y			L E V E L				O P T I O N	F R O M		T O				
				4 N B	4 H S B	5 S W	B L S	L S T										
	[43]	(E)W/HARNESS-AIR BAG (D)KABELSTRANG-AIRBAG																
	N 98487329	05 - 07	L	B	B	B	.	X	X		AAJB-APP	1	204331					9P
	98487330	06 - 07	L	B	B	B	.	X			AAJBAPP	1						9Q
	98613728	04 - 04	R	B	B	B	.	X	X		AAJFAJB	1	821218					9L
	N 98415959	04 - 04	R	B	B	B	.	X	X		AAJFAJB	1	921166					9M
	98613727	04 - 07	R	B	B	B	X	X	X		AAJF-AJBAPP	1						9N
	98428481	04 - 04	R	B	B	B	.	X	X		AAJFAJB-APP	1						9O
	98613726	04 - 07	R	B	B	B	X	X	X		AAJ3	1						9P
	98613727	05 - 07	R	B	B	B	X	X	X		AAJF-APP	1						9Q
	98428481	05 - 05	R	B	B	B	.	X	X		AAJ3-APP	1	204330					9R
	N 98487331	05 - 07	R	B	B	B	.	X	X		AAJ3-APP	1	204331					9S
	98487332	06 - 07	R	B	B	B	.	X			AAJBAPP	1						9T
	[48]	(E)WIRE-ROD,S/W (D)DRAHT-ROZ,SCHALTER																
	98456318	04 - 07		B	B	B	X	X	X		AAJ3W/HARNESS/RS7	1						9U
	98456333	04 - 07		B	B	B	X	X	X		AAJ3W/HARNESS/RS1	1						9V
	98456319	04 - 07		B	B	B	X	X	X		AAJ3W/HARNESS/RS6	1						9W
	98456318	05 - 07		B	B	B	X	X	X		AAJ3W/HARNESS/RS7	1						9X
	98456333	05 - 07		B	B	B	X	X	X		AAJ3W/HARNESS/RS1	1						9Y
	98456319	05 - 07		B	B	B	X	X	X		AAJ3W/HARNESS/RS6	1						9Z
	[52]	(E)W/HARNESS-TIGATE (D)KABELSTRANG-HECKKLAPPE																
	98424019	04 - 07	.	B	.	X	X	.			AAJ3	1						9A
	98418086	04 - 04	.	B	.	X	X	X			AAJ3-CAL	1	020476					9B
	98418085	04 - 04	.	B	.	X	X	X			AAJ3CAL	1	020476					9C
	98424017	04 - 07	.	B	.	X	X	X			AAJ3-CAL/CLP	1						9D
	98424016	04 - 07	.	B	.	X	X	X			AAJ3CAL/CLP	1						9E
	98424019	05 - 07	.	B	.	X	X	.			AAJ3CAL/T96	1						9F
	98437831	05 - 07	.	B	.	X	X	X			AAJ3CAL/T96	1						9G
	98437842	05 - 07	.	B	.	X	X	X			AAJ3AT96-CAL	1						9H
	98437843	05 - 07	.	B	.	X	X	.			AT96-AAJ3CAL	1						9I
	98424017	05 - 07	.	B	.	X	X	X			AAJ3-CAL/T96	1						9J
	98424016	05 - 07	.	B	.	X	X	X			AAJ3CAL-T96	1						9K
	98464814	06 - 07	.	B	.	X	X	X			AAJ3CAL/CC26-T96	1						9L
	98437831	06 - 07	.	B	.	X	X	X			AAJ3CALAT96-C26	1						9M
	98464815	06 - 07	.	B	.	X	X	X			AAJ3CAL/CC26AT96	1						9N
	98464816	06 - 07	.	B	.	X	X	X			AAJ3CC26-CAL/T96	1						9O
	98437842	06 - 07	.	B	.	X	X	X			AAJ3AT96-CAL/C26	1						9P
	98464817	06 - 07	.	B	.	X	X	X			AAJ3CC26AT96-CAL	1						9Q
	98424019	06 - 07	.	B	.	X	X	.			AAJ3CAL/C26/T96	1						9R
	98464819	06 - 07	.	B	.	X	X	X			CC26-AAJ3CAL/T96	1						9S
	98437843	06 - 07	.	B	.	X	X	.			AT96-AAJ3CAL/C26	1						9T

6

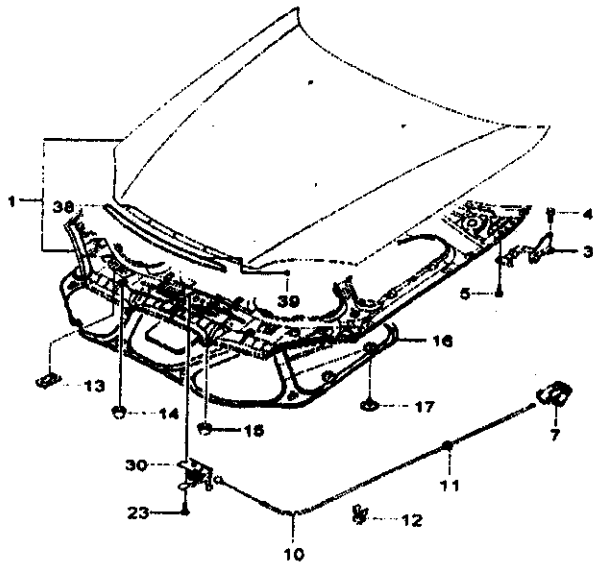
BODY&EXTERIOR

6110	HOOD PANEL	6440	TRUNK LID PANEL	6711	GRILLE II
6130	FRONT PANEL	6441	TAILGATE PANEL I	6720	FRONT BUMPER
6140	FENDER PANEL	6442	TAILGATE PANEL II	6730	REAR BUMPER I
6150	DASH PANEL&COWL	6450	TRUNK LID LOCK	6732	REAR BUMPER III
6210	FRONT DOOR PANEL	6451	TAILGATE LOCK I	6750	MUD GUARD
6220	FRONT DOOR LOCK	6452	TAILGATE LOCK II		
6230	FRONT WINDOW LIFTER	6460	CAR LOCK		
6240	FRONT WEATHERSTRIP	6510	FRONT FLOOR PANEL		
6250	ELECTRIC DOOR LOCK	6520	REAR FLOOR PANEL		
6310	REAR DOOR PANEL	6530	FRAME		
6320	REAR DOOR LOCK	6610	SIDE BODY MOLDING		
6330	REAR WINDOW LIFTER	6630	OUTSIDE MIRROR		
6340	REAR WEATHERSTRIP	6640	GLASS I		
6410	SIDE BODY PANEL I	6641	GLASS II		
6411	SIDE BODY PANEL II	6650	EMBLEM&LETTERING		
6413	SIDE BODY PANEL IV	6660	WHEEL&WHEEL COVER		
6420	FUEL FILLER LOCK	6670	LABEL&STICKER		
6430	ROOF PANEL	6710	GRILLE I		



6110

HOOD PANEL

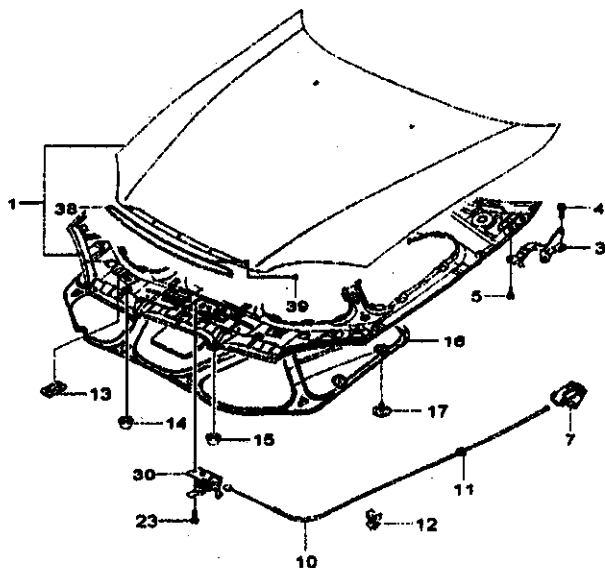


RJ6110 02/15/2005

I T C	PART NO.	MODEL YEAR	KEY NO.						PART NAME	L Q T Y	V.I.N.		REMARKS	P R O O F		
			D R V	BODY			LEVEL				OPTION	FROM			TO	
				4 N H S B	5 B L S W	6 L L S T	7 B L L S T	8 L L S T								9 L L S T
	[01]							(E)PANEL A-HOOD (D)MOTORHAUBENPLATTE A		(F)PANNEAU A-CAPOT (S)PANEL A-CAPÓ						
	98549084	04 - 04		B . .	X X X			AKCPAKDA		1				BN		
	98549085	04 - 04		B . .	X X X			AKCPAKDA		1				CH		
	98549010	04 - 04		B . .	X X X			AKCPAKDC		1				HW		
	98549011	04 - 04		B . .	X X X			AKCPAKDC		1				HC		
	98414573	05 - 07		B . B	X X X			AKCK		1				BN		
	98410549	05 - 07		B . B	X X X			AKCP		1				CH		
	98548973	04 - 07		. B .	X X X			AKCK		1				HE		
	98548974	04 - 07		. B .	X X X			AKCP		1				HT		
	[03]							(E)HINGE A-HOOD (D)SCHARNIER A-MOTORHAUBE		(F)CHARNIERE A-CAPOT (S)BISAGRA A-CAPÓ						
	98548998	04 - 07		B B .	X X X					LH 1						
	Y 98417504	04 - 07		B B B	X X X					LH 1						
	98549000	04 - 07		B B .	X X X					RH 1						
	Y 98417505	04 - 07		B B B	X X X					RH 1						
	[04]							(E)BOLT (D)BOLZEN		(F)BOULON (S)PERNO						
	94501318	04 - 07		B B B	X X X					4						
	[05]							(E)BOLT (D)BOLZEN		(F)BOULON (S)PERNO						
	94500958	04 - 07		B B B	X X X					4						
	[07]							(E)LEVER A-HOOD RELEASE (D)HEBEL		(F)LEVIER A-OUVERTURE DE CAPOT (S)PALANCA A-APERTURA DE CAPÓ						
	98815276	04 - 07		B B B	X X X			483		1						
	[10]							(E)CABLE A-HOOD RELEASE (D)KABEL		(F)CABLE A-OUVERTURE DE CAPOT (S)CABLE A-APERTURA DE CAPÓ						
	98408953	04 - 07	L	B B B	X X X					1						
	98408952	04 - 07	R	B B B	X X X					1						
	[11]							(E)GROMMET (D)DURCHFUEHRUNGSTUELLE		(F)PASSE-TUBE (S)PASACABLES						
	98222845	04 - 07		B B B	X X X					1						
	[12]							(E)CLIP (D)KLEMMER		(F)CLIP (S)CLIP						
	94530268	04 - 07	L	B B B	X X X					1						
	94530268	04 - 07	R	B B B	X X X					2						
	[13]							(E)SEAT-ROD HOOD, HOLD OPEN (D)SITZ-HAUBENSTAB, OFFENHALTEN		(F)SIEGE-BEQUILLE DE CAPOT (S)ASIENTO-VARILLA PARA						
	94580619	04 - 07		B B B	X X X					1						
	[14]							(E)BUMPER (D)STOSSDAEMPFER		(F)PARE-CHOC (S)TOPE AMORTIGUADOR						
	98301472	04 - 04		B . B	X X X					4						

6110

HOOD PANEL

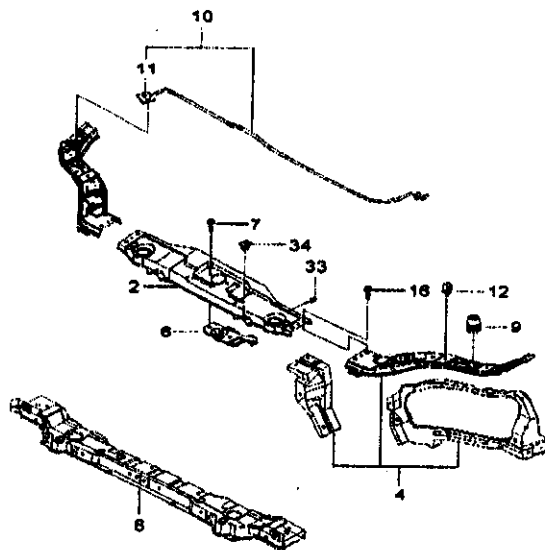


RJ6110 02/15/2005

I T C	KEY NO.		PART NAME										L Q T Y	V.I.N.		REMARKS	P C O D E
	PART NO.	MODEL YEAR	D R V	BODY			LEVEL			OPTION	R	T		FROM	TO		
				4 N B	4 H S B	4 S S W	B L S	L L S	L L S								
	[14]			(E)BUMPER (D)STOSSDAEMPFER								(F)PARE-CHOCS (S)TOPE AMORTIGUADOR					
	96301472	05-07		B . B X X X								2					
	96301472	04-07		. B . X X X								2					
	[15]			(E)BUMPER (D)STOSSDAEMPFER								(F)PARE-CHOCS (S)TOPE AMORTIGUADOR					
	96417839	05-07		B . B X X X								2					
	[16]			(E)INSULATION-HOOD,ENG (D)HAUBENISOLIERUNG,MOTOR								(F)ISOLATION-CAPOT,MOT (S)AISLAMIENTO-CAPO,MOT					
	96590912	04-05		B . B X X X								1	235118				NB
	O 96484758	04-07		B . B X X X								1	235117				BN
	96490629	04-05		. B . X X X								1	235118				HA
	O 96484759	04-07		. B . X X X								1	235117				AH
	[17]			(E)CLIP (D)KLEMME								(F)CLIP (S)CLIP					
	94530503	04-07		B B B X X X								14					
	[23]			(E)BOLT (D)BOLZEN								(F)BOULON (S)PERNO					
	94501522	04-07		B B B X X X								2					
	[30]			(E)STRIKER A-HOOD (D)VERRIEGELUNGSBUEGEL A-HAUBE								(F)GACHE A-CAPOT (S)TRINGUETE A-CAPO					
	96345989	04-04		B . . X X X								1					SA
	96917967	05-07		B . B X X X								1					SB
	96548882	04-07		. B . X X X								1					SC
	[38]			(E)GARNISH A-HOOD (D)HAUBENANSKLEIDUNG A								(F)GARNITURE A-CAPOT (S)EMBELLECEDOR A-CAPO					
	96547251	05-07		B . B X X X								1					
	[39]			(E)NUT (D)MUTTER								(F)ECROU (S)TUERCA					
	94515211	05-07		B . B X X X								4					
				**** RPO DEFINITIONS ****													
				XCK : STD CORROSION SPEC													
				XKA : BADGE-CHEVROLET													
				XCP : HEAVY DUTY CORROSION SPEC													
				XNC : BADGE-DAEWOO													
				82 : GREY-INTERIOR													

6130

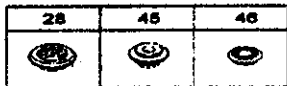
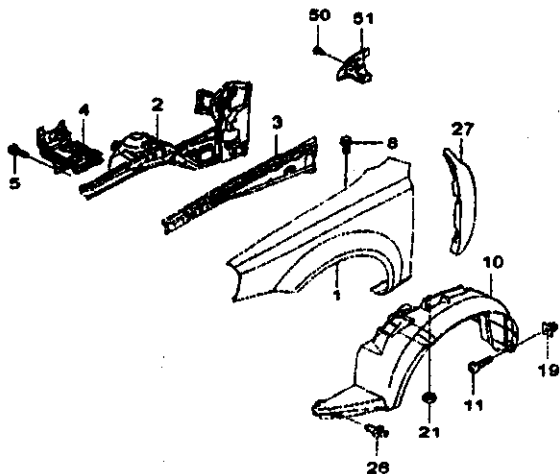
FRONT PANEL



RJ6130 10/30/2004

I T C	KEY NO.		PART NAME											REMARKS	P / C O D E	
	PART NO.	MODEL YEAR	D R Y	BODY			LEVEL			OPTION	L / R	Q T Y	V.I.N.			
				4 N B	5 H S	6 W S	B S	L S	L T				FROM			TO
	[02]			(E)PANEL A-FRT,UPR (D)VORDERE PLATTE A,VORN,OBEN										(F)PANNEAU A-AV,SUP (S)PANEL A-DELAN,SUP		
	98617416	04 - 07		B B B X X X										1		
	[04]			(E)PANEL A-FRT,SIDE (D)VORDERE PLATTE A,SEITE										(F)PANNEAU A-AV,LATERAL (S)PANEL A-DELAN,LATERAL		
	98544479	04 - 07		B . B X X X										LH 1		
	98544543	04 - 07		. B . X X X										LH 1		
	98544480	04 - 07		B . B X X X										RH 1		
	98544544	04 - 07		. B . X X X										RH 1		
	[06]			(E)LATCH A-HOOD (D)HAUBENVERRIEGELUNG A										(F)VERROU A-CAPO (S)CIERRE A-CAPO		
	98548875	04 - 07	L	B B B X X X										1		
	98548876	04 - 07	R	B B B X X X										1		
	[07]			(E)BOLT (D)BOLZEN										(F)BOULON (S)PERNO		
	94501522	04 - 07		B B B X X X										2		
	[08]			(E)C/M/R A-RAD (D)QUERTR. A-KUEHLER										(F)TRAVERSE A-RAD (S)TRAV A-RAD		
	98544664	04 - 07		B B B X X X					6LDM,16L,4ML,38					1		
	[09]			(E)BUMPER (D)STOSSDAEMPFER										(F)PARE-CHOC (S)TOPE AMORTIGUADOR		
	98251089	04 - 07		B B B X X X										2		
	[10]			(E)ROD A-SPT,HOOD (D)HALTESTANGE A,HAUBE										(F)BEQUILLE A-CAPO (S)VARILLA A-SPT,CAPO		
	96549024	04 - 07		B B B X X X										1		
	Y 96417508	04 - 07		B B B X X X										1		
	[11]			(E)PIVOT A-SPT,HOOD (D)HALTEZAPFEN A,HAUBE										(F)PIVOT A-BEQUILLE DE CAPO (S)PIVOTE A-SPT,CAPO		
	98185288	04 - 07		B B B X X X										1		
	[12]			(E)CLAMP (D)KLEMMSTUECK										(F)COLLIER (S)ABRAZADERA		
	94530159	04 - 07		B B B X X X										1		
	[16]			(E)BOLT (D)BOLZEN										(F)BOULON (S)PERNO		
	94501513	04 - 07		B B B X X X										4		
	[33]			(E)CLIP (D)KLEMME										(F)CLIP (S)CLIP		
	94530286	04 - 07		B B B X X X										1		
	[34]			(E)NUT (D)MUTTER										(F)ECROU (S)TUERCA		
	94515246	04 - 07		B B B X X X										2		

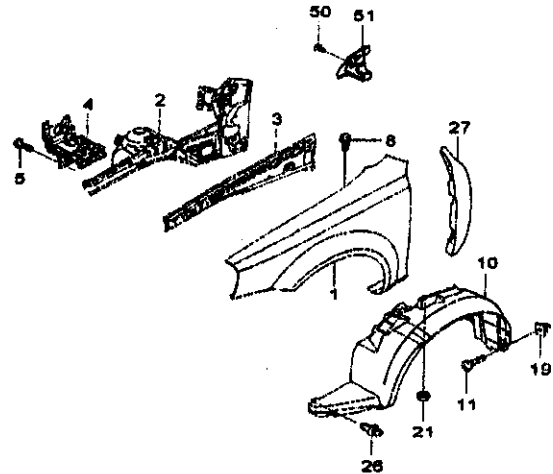
6140
FENDER PANEL



RJ6140GW 10/30/2004

I T C	KEY NO.		PART NAME										REMARKS	P C O D E			
	PART NO.	MODEL YEAR	D R Y	BODY			LEVEL				OPTION	L / R Y			V.I.N.		
				4 N B	4 H B	5 S W	B L S	L L S	T	FROM					TO		
	[10]			(E)LINER A-FENDER (D)RADKASTEN-INNENBLECH A										(F)DOUBLURE A-AILE (S)FORRO A-GUARDABARROS			
	96548778	04-06		B	B	X	X	X	X						RH 1	399949	
	○ 96810478	04-07		B	B	X	X	X	X						RH 1	399960	
	96548771	04-07		.	B	X	X	X							LH 1		
	96548772	04-06		.	B	X	X	X							RH 1	399250	
	○ 96810478	04-07		.	B	X	X	X							RH 1	399251	
	[11]			(E)SCREW (D)SCHRAUBE										(F)VIS (S)TORNILLO			
	94520336	04-07		B	B	B	X	X	X						4		
	94520336	04-07		B	B	B	X	X	X						8		
	[19]			(E)NUT (D)MUTTER										(F)ECROU (S)TUERCA			
	94515246	04-07		B	B	B	X	X	X						4		
	[21]			(E)NUT (D)MUTTER										(F)ECROU (S)TUERCA			
	94515325	04-07		B	B	B	X	X	X						2		
	94515325	04-07		B	B	B	X	X	X						4		
	94515325	04-07		B	B	B	X	X	X						4		
	[26]			(E)HOOK (D)HAKEN										(F)CROCHET (S)GANCHO			
	94535928	04-07		B	B	B	X	X	X		ALDA14A.44L28				2		
	[27]			(E)INSULATION-FENDER (D)ISOLIERUNG-KOTFLUEGEL										(F)ISOLATION-AILE (S)AISLAMIENTO-GUARDABARROS			
	96556793	04-07		B	B	B	X	X	X						LH 1		
	96556794	04-07		B	B	B	X	X	X						RH 1		
	[28]			(E)PLUG (D)STECKER										(F)BOUCHON (S)TAPÓN			
	94535659	04-07		B	B	B	X	X	X						2		
	[45]			(E)PLUG (D)STECKER										(F)BOUCHON (S)TAPÓN			
	94535734	04-07		B	B	B	X	X	X						2		
	[46]			(E)PLUG (D)STECKER										(F)BOUCHON (S)TAPÓN			
	94535717	04-07		B	B	B	X	X	X						2		
	Y 94536689	04-07		B	B	B	X	X	X						2		
	[50]			(E)CLIP (D)KLEMME										(F)CLIP (S)CLIP			
	94530432	04-07		B	B	.	X	X	X		AL84L20				RH 1		
	94530432	04-07		.	B	X	X	X	X		AL84L20				RH 1		

6140
FENDER PANEL



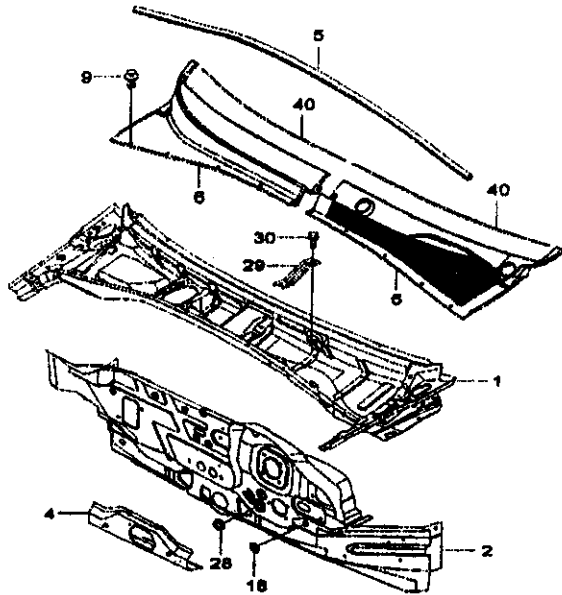
RJ6140GW 10/30/2004

I T C	KEY NO.		PART NAME										REMARKS	P / C O D E	
	PART NO.	MODEL YEAR	D R V E	BODY			LEVEL		OPTION	L I Q U I T Y	V.I.N.				
				4 N B	4 H S	5 S W	B L S	L L T			FROM	TO			
	[51] 96484321 96484321	04 - 07 04 - 07		(E)NSULATION-FENDER (D)SOLIERUNG-KOTFLUEGEL							(F)NSOLATION-AILE (S)AISLAMENTO-GUARDABARROS				
				B	B	.	X	X	ALBA,LS			RH 1			
				.	B	X	X	X	ALBA,LS			RH 1			
				**** RPO DEFINITIONS ****											
				XCK : STD CORROSION SPEC											
				FLS : SIDE INDICATOR LAMP PRT											
				XCP : HEAVY DUTY CORROSION SPEC											
				LDA : ENGINE-4 CYL 1.8 DOHC MPI											
				L14 : ENGINE-4 CYL 1.4 DOHC MPI											
				L44 : ENGINE-4 CYL 1.6 DOHC MPI											
				L88 : ENGINE-4 CYL 2.0 DOHC MPI											
				L84 : ENGINE-4 CYL 1.8 DOHC MPI											

6150 DASH PANEL&COWL	KEY NO.		PART NAME										REMARKS	P R O C E D U R E
	I T C	PART NO.	MODEL YEAR	D R V	BODY		LEVEL		OPTION	L Q R Y	V.I.N.			
					4 N B	4 H B	5 S W	B S			L S	L T		
<p>RJ6150 02/22/2006</p>	[01]					(E)PANEL A-DASH,UPR (D)ARMATURENBRETT A.OBEN					(F)PANNEAU A-PLANCHE DE (S)PANEL A-SALPICADERO,SUP			
	98817436	04-04	L	B	.	X	X	X			1	912721		
	O 98617503	04-06	L	B	B	B	X	X	X		1	912721		
	Y 98430856	04-06	L	B	B	B	X	X	X		1	356075		
	N 98430887	04-07	L	B	B	B	X	X	X		1	356076		
	98817438	04-04	R	B	.	X	X	X			1	912721		
	O 98617505	04-06	R	B	B	B	X	X	X		1	912721	371983	
	N 98430869	04-07	R	B	B	B	X	X	X		1	371984		
	[02]						(E)PANEL A-DASH,LWR (D)ARMATURENBRETT A.UNTEN					(F)PANNEAU A-PLANCHE DE (S)PANEL A-SALPICADERO,INFERIOR		
	98544289	04-05	L	B	B	B	X	X	X		1			
	Y 98424609	04-05	L	B	B	B	X	X	X	EXCP	1	155807		
	N 98435263	05-07	L	B	B	B	X	X	X	EXCP	1	155808		
	98544271	04-06	R	B	B	B	X	X	X		1			
	Y 98424611	04-06	R	B	B	B	X	X	X	EXCP	1	260000		
	N 98473594	06-07	R	B	B	B	X	X	X	EXCP	1	260001		
	[04]						(E)CAMBR A-DASH,LWR (D)QUERTR.					(F)TRAVERSE A-PLANCHE DE (S)TRAV A-SALPICADERO,INFERIOR		
	98544389	04-07		B	B	B	X	X	X		1			
	[06]						(E)W/STRIP A-HOOD (D)DICHT. A-HAUBE					(F)JOINT D'ETANCHEITE A-CAPOT (S)BUR A-CAPO		
	98544603	04-07		B	B	B	X	X	X		1			
	[08]						(E)COWL A (D)WINDLAUF A					(F)AUVENT A (S)CAPO A		
	98544353	04-07	L	B	B	B	X	X	X		LH 1			
	98544354	04-07	L	B	B	B	X	X	X		RH 1			
	98544355	04-07	R	B	B	B	X	X	X		LH 1			
	98544356	04-07	R	B	B	B	X	X	X		RH 1			
	[09]						(E)CLIP (D)KLEMME					(F)CLIP (S)CLIP		
	94530397	04-07		B	B	B	X	X	X		1			
	[18]						(E)PLUG (D)STECKER					(F)BOUCHON (S)TAPON		
	94535720	04-07		B	B	B	X	X	X		1			
[28]						(E)PLUG (D)STECKER					(F)BOUCHON (S)TAPON			
94535859	04-07		B	B	B	X	X	X		2				
[29]						(E)STIFFENER-DASH,UPR (D)VERSTEIFUNG-ARMATURENBRETT,OB					(F)RAIDISSEUR-PLANCHE DE (S)REFUERZO-SALPICADERO,SUP			
98544636	04-05	L	B	B	B	X	X	X		1	093639			

6150

DASH PANEL&COWL

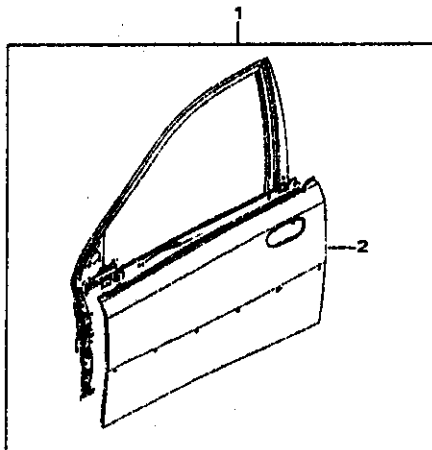


RJ6150 02/22/2006

KEY NO.		PART NAME													
I T C	PART NO.	MODEL YEAR	D R V	BODY			LEVEL			OPTION	L Q T R Y	V.I.N.		REMARKS	P Y C O D E
				4 N B	5 H B	5 S W	B L S	L L S	L L T			FROM	TO		
	[30]														
	94501393	04 - 05		B	B	B	X	X	X			(F)BOULON (S)PERNO LH 2	093639		
	[40]														
	96544501	04 - 07		B	B	B	X	X	X			(F) (S) LH 1			
	Y 96544502	04 - 07		B	B	B	X	X	X			RH 1			
												**** RPO DEFINITIONS **** XCP : HEAVY DUTY CORROSION SPEC			

6210

FRONT DOOR PANEL

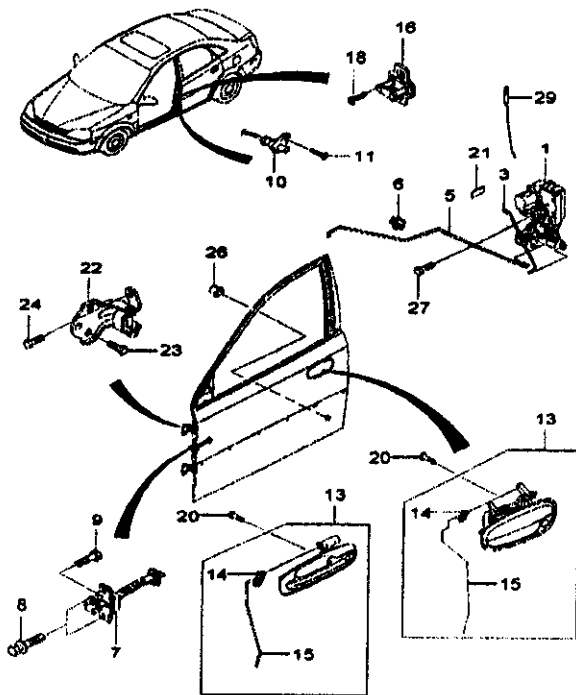


RJ6210GNW 10/30/2004

I T C	KEY NO.		PART NAME											P C O D E	
	PART NO.	MODEL YEAR	D R V	BODY		LEVEL		OPTION	L O T / R Y	V.I.N.		REMARKS			
				4 N B	4 H B	5 S B	5 L S			6 L S	6 L S		FROM		TO
	[01]			(E)PANEL A-FRT DR (D)PLATTE A-VORDERTUER						(F)Panneau A-Porte AV (S)Panel A-PTA DELAN					
	96547279	04 - 04		B	B	.	X	.	.	ANCK-882		LH	1		AA
	96547283	04 - 04		B	B	.	X	.	.	ANCP-882		LH	1		AE
	96547281	04 - 04		B	B	.	X	X	X	AB82ANCK		LH	1		AC
	96547285	04 - 04		B	B	.	X	X	X	AB82ANCP		LH	1		AG
	96547849	05 - 07		B	B	B	X	X	X	ANCK		LH	1		PA
	96547851	05 - 07		B	B	B	X	X	X	ANCP		LH	1		PC
	96547280	04 - 04		B	B	.	X	.	.	ANCK-882		RH	1		AB
	96547284	04 - 04		B	B	.	X	.	.	ANCP-882		RH	1		AF
	96547282	04 - 04		B	B	.	X	X	X	AB82ANCK		RH	1		AD
	96547286	04 - 04		B	B	.	X	X	X	AB82ANCP		RH	1		AH
	96547850	05 - 07		B	B	B	X	X	X	ANCK		RH	1		PB
	96547852	05 - 07		B	B	B	X	X	X	ANCP		RH	1		PD
	[02]			(E)PANEL-FRT DR,OTR (D)PLATTE-VORDERTUER,AUSSEN						(F)Panneau-Porte AV,EXT (S)Panel-PTA DELAN,EXT					
	96547397	04 - 04		B	B	.	X	.	.	ANCK-882		LH	1		AA
	96547401	04 - 04		B	B	.	X	.	.	ANCP-882		LH	1		AE
	96547399	04 - 04		B	B	.	X	X	X	AB82ANCK		LH	1		AC
	96547403	04 - 04		B	B	.	X	X	X	AB82ANCP		LH	1		AG
	96547867	05 - 07		B	B	B	X	X	X	ANCK		LH	1		PA
	96547871	05 - 07		B	B	B	X	X	X	ANCP		LH	1		PC
	96547386	04 - 04		B	B	.	X	.	.	ANCK-882		RH	1		AB
	96547402	04 - 04		B	B	.	X	.	.	ANCP-882		RH	1		AF
	96547400	04 - 04		B	B	.	X	X	X	AB82ANCK		RH	1		AD
	96547404	04 - 04		B	B	.	X	X	X	AB82ANCP		RH	1		AH
	96547868	05 - 07		B	B	B	X	X	X	ANCK		RH	1		PB
	96547872	05 - 07		B	B	B	X	X	X	ANCP		RH	1		PD
				**** RPO DEFINITIONS ****											
				ANCK : STD CORROSION SPEC											
				882 : BODY SIDE MOLDING-BODY COL											
				ANCP : HEAVY DUTY CORROSION SPEC											

6220

FRONT DOOR LOCK

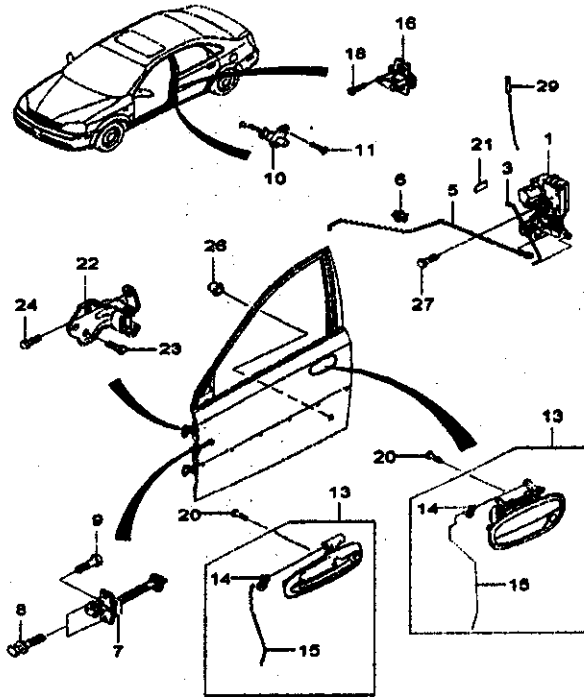


RJ6220 10/30/2004

I T C	KEY NO.		PART NAME										REMARKS	P L C O D E			
	PART NO.	MODEL YEAR	D R V E	BODY			LEVEL			OPTION	L / R	Q / T			V.I.N.		
				4 N B	4 H S	5 S W	B L	S L	L T						FROM	TO	
	[01]			(E)LATCH A-FRT DR (D)VERRIEGELUNG A-VORDERTUER										(F)PENE A-PORTE AV (S)CIERRE A-PTA DELAN			
	96272636	04-07	L	B	B	B	X	.	.	.	-AUS					LH 1	ML
	96272640	04-07	L	B	B	B	X	X	X	X	SAUS-CALCUM					LH 1	
	96272641	04-07	L	B	X	SAUSCHY-CAL					LH 1	
	96272643	04-07	L	B	B	B	X	X	X	X	SAUSCAL					LH 1	
	96272639	04-07	L	B	B	B	X	.	.	.	-AUS					RH 1	
	96272642	04-07	L	B	B	B	X	X	X	X	SAUS-CAL					RH 1	
	96272644	04-07	L	B	B	B	X	X	X	X	SAUSCAL					RH 1	
	96272645	04-07	R	B	B	B	X	.	.	.	-AUS					LH 1	
	96272647	04-07	R	B	B	B	X	X	X	X	SAUS-CAL					LH 1	
	96272650	04-07	R	B	B	B	X	X	X	X	SAUSCAL					LH 1	
	96272646	04-07	R	B	B	B	X	.	.	.	-AUS					RH 1	
	96272648	04-07	R	B	B	B	X	X	X	X	SAUS-CALCUM					RH 1	
	96272649	04-07	R	B	X	SAUSCHY-CAL					RH 1	
	96272651	04-07	R	B	B	B	X	X	X	X	SAUSCAL					RH 1	
	[03]			(E)ROD-KEY CYL,DR (D)STANGE-ZYL,INDERSCHLOSS,TUER										(F)TRINGLE-BARILLET DE (S)VARILLA-CIL CERRADURA,PTA			
	96548023	04-04		B	B	.	X	X	X	X						LH 1	
	96548617	05-07		B	B	B	X	X	X	X						LH 1	
	96548024	04-04		B	B	.	X	X	X	X						RH 1	
	96548618	05-07		B	B	B	X	X	X	X						RH 1	
	[05]			(E)ROD-INS HANDLE,FRT DR (D)STANGE INNEN GRIFF,VORDERTUER										(F)TRINGLE-POIGNEE INT,PORTE AV (S)VARILLA-TIRADOR INTERIOR,PTA			
	96548025	04-05		B	.	.	X	X	X	X						LH 1	
	96548025	06-07		B	.	.	X	X	X	X	-XAT					LH 1	
	96548026	04-05		B	.	.	X	X	X	X						RH 1	
	96548026	06-07		B	.	.	X	X	X	X	-XAT					RH 1	
	96548489	04-05		.	B	B	X	X	X	X						LH 1	
	96548489	06-07		.	B	B	X	X	X	X	-XAT					LH 1	
	96548489	06-07		B	B	B	X	X	X	X	-XAT					LH 1	
	96548490	04-05		.	B	B	X	X	X	X						RH 1	
	96548490	06-07		.	B	B	X	X	X	X	-XAT					RH 1	
	96548490	06-07		B	B	B	X	X	X	X	-XAT					RH 1	
	[06]			(E)CLIP (D)KLEMME										(F)CLIP (S)CLIP			
	94530599	04-07		B	B	B	X	X	X	X						2	
	[07]			(E)CHECK A-DR,FRT DR (D)TUERVERSCHLUSS A,VORDERTUER										(F)FARRET A-PORTE AV (S)FRENO A-DE PUERTA,PTA DELAN			
	96548021	04-07		B	B	B	X	X	X	X						2	
	[08]			(E)BOLT (D)BOLZEN										(F)BOULON (S)PERNO			

6220

FRONT DOOR LOCK

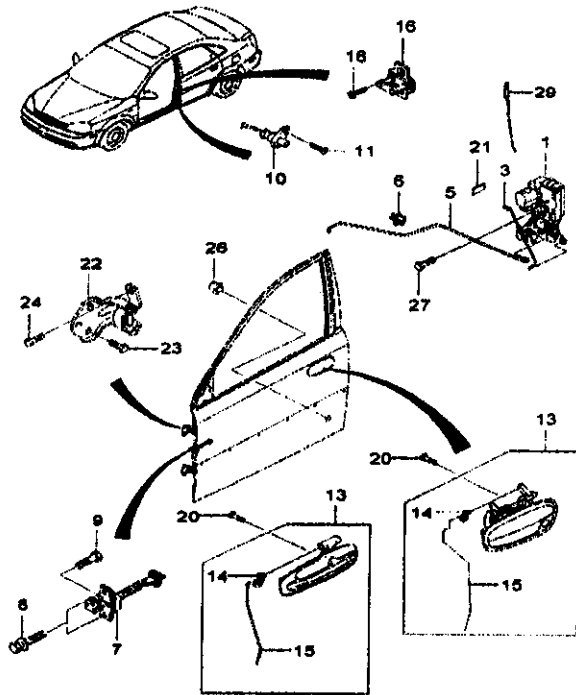


RJ6220 10/30/2004

I T C	KEY NO.		PART NAME										L Q T R Y	V.I.N.		REMARKS	E R E C O D E
	PART NO.	MODEL YEAR	D R V	BODY			LEVEL			OPTION	FROM	TO					
				4 N B	4 H B	5 S W	B L S	L L S									
	[08]			(E)BOLT (D)BOLZEN									(F)BOULON (S)PERNO				
	94500090	04-07		B B B X X X									4				
	[09]			(E)BOLT (D)BOLZEN									(F)BOULON (S)PERNO				
	94501540	04-07		B B B X X X									2				
	[10]			(E)SWITCH A-CONTACT,DR (D)KONTAKTSCHALTER A.TUER									(F)CONTACTEUR A-CONTACT,PORTE (S)INTERRUPTOR A-CONTACTO,PTA				
	96338784	04-07		B B B X X X									1				
	96338783	04-07		B B B X X X									1				
	[11]			(E)SCREW (D)SCHRAUBE									(F)VIS (S)TORNILLO				
	94520339	04-05		B B . X X X									2				
	Y 94520258	04-06		B B B X X X									2		077952		
	N 94520177	05-07		B B B X X X									2		077953		
	[13]			(E)HANDLE A-FRT DR,O/S (D)GRIFF A-VORDERTUER,AUSSEN									(F)POIGNEE A-PORTE AV,EXT (S)TIRADOR A-PTA DELAN,EXTERIOR				
	96615187	04-05		B B . X . .									LH 1				
	96548041	04-04		B B . . X X									LH 1		039630		
	N 96547951	05-07		B B B X X X									LH 1		039631		
	96615188	04-05		B B . X . .									RH 1				
	96548042	04-04		B B . . X X									RH 1		039630		
	N 96547952	05-07		B B B X X X									RH 1		039631		
	[14]			(E)CLAMP (D)KLEMMSTUECK									(F)COLLIER (S)ABRAZADERA				
	94530139	04-07		B B B X X X									2				
	Y 94530721	04-07		B B B X X X									2				
	Y 94530138	04-07		B B B X X X									2				
	[15]			(E)ROD,O/S HANDLE,FRT DR (D)STANGE AUSSEN									(F)TRINGLE-POIGNEE EXT,PORTE AV (S)VARILLA-TIRADOR,EXTERIOR,PTA				
	96548059	04-04		B B . X X X									LH 1				
	96548060	04-04		B B . X X X									RH 1				
	96547977	05-07		B B B X X X									2				
	[16]			(E)STRIKER A-DR (D)TUERSCHLIESSZAPFEN A									(F)GACHE A-PTE (S)TRINQUETE A-PTA				
	96301668	04-07		B B B X X X									2				
	[18]			(E)BOLT (D)BOLZEN									(F)BOULON (S)PERNO				
	94501668	04-07		B B B X X X									4				
	[20]			(E)BOLT (D)BOLZEN									(F)BOULON (S)PERNO				
	94500073	04-07		B B B X X X									4				

6220

FRONT DOOR LOCK

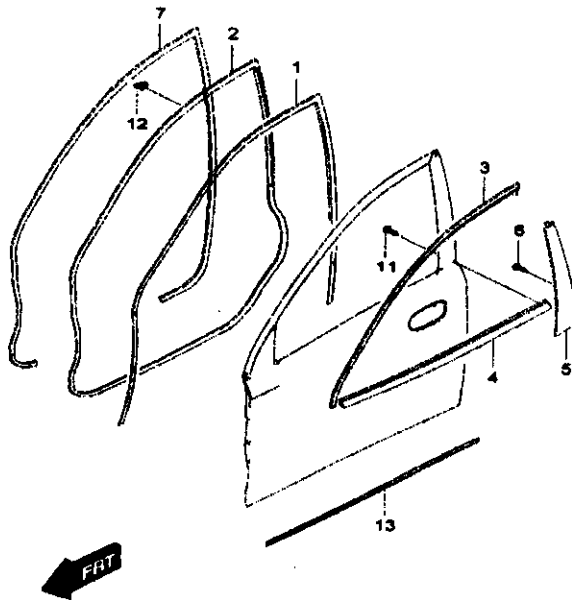


RJ6220 10/30/2004

I T C	PART NO.	MODEL YEAR	D R V	KEY NO.						PART NAME	L Q T Y	V.I.N.		REMARKS	P- CODE
				BODY		LEVEL		OPTION	FROM			TO			
				4 N B	4 H B	5 S W	B S						L S		
	[21]								(E)STRIP-INSULATING (D)ISOLIERSTREIFEN	(F)BANDE-ISOLANTE (S)TIRA-DE AISLAMIENTO					
	96288972	04 - 07							B B B X X X	2					
	[22]								(E)HINGE A-DR (D)TUERSCHARNIER A	(F)CHARNIERE A-PTE (S)BISAGRA A-PTA					
	96547421	04 - 07							B B B X X X	2				UPR RH,LWR LH	
	96547289	04 - 07							B B B X X X	2				UPR LH,LWR RH	
	[23]								(E)BOLT (D)BOLZEN	(F)BOULON (S)PERNO					
	94500963	04 - 07							B B B X X X	10					
	[24]								(E)BOLT (D)BOLZEN	(F)BOULON (S)PERNO					
	94501318	04 - 07							B B B X X X	8					
	[26]								(E)BUMPER (D)STOSSDAEMPFER	(F)PARE-CHOCS (S)TOPE AMORTIGUADOR					
	96240768	04 - 07							B B B X X X	2					
	[27]								(E)BOLT (D)BOLZEN	(F)BOULON (S)PERNO					
	94501601	04 - 07							B B B X X X	6					
	[29]								(E)BUTTON-LOCKING,DR (D)TUERVERRIEGLUNGSKNOPF	(F)BOUON-VERROUILLAGE,PT (S)BOTÓN-BLOQUEO,PTA					
	96548338	04 - 07							B B B X X X	1821				LH 1	
	96548340	04 - 07							B B B X X X	1821				RH 1	
									**** RPO DEFINITIONS ****						
									AUS : LOCK-DOORS,ELECTRIC						
									CAL : CAR ALARM,ANTI-THEFT						
									GW1 : SWITCH-DOOR LOCK,ELEC						
									XAT : AUSTRALIA-MANDATORY						
									BH3 : HANDLE-DOOR,BLACK						
									BH4 : HANDLE-DOOR,BODY COLOR						
									82 : GREY-INTERIOR						

6240

FRONT WEATHERSTRIP



RJ6240 10/30/2004

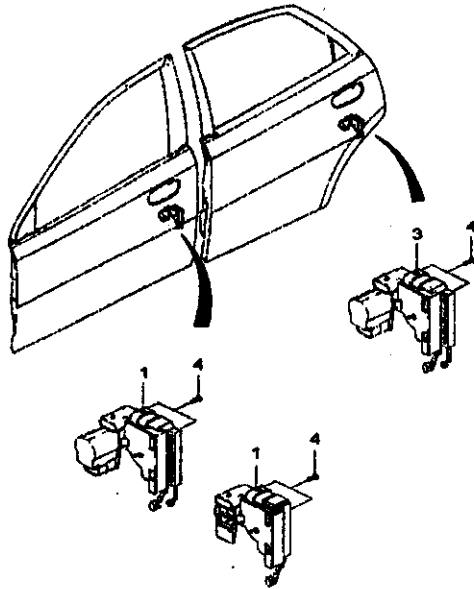
I T C	KEY NO.		PART NAME										REMARKS	P / M O D E L		
	PART NO.	MODEL YEAR	D R V E	BODY			LEVEL			OPTION	L / R Y	Q T Y			V.I.N.	
				4 N B	4 H W	5 S W	B L S	L L S	L L T						FROM	TO
	[01]			(E)GLASS RUN FRT DR (D)SCHEIBENLAUF-VORDERTUER										(F)COULISSE DE VITRE-PORTE AV (S)CANAL GUÍA DE CRISTAL-PTA		
	98548118	04-07		B B B X X X										LH 1		
	98548119	04-07		B B B X X X										RH 1		
	[02]			(E)W/STRIP A-FRT DR (D)DICHT. A-VORDERTUER										(F)JT.ETAN A-PORTE AV (S)BUR A-PTA DELAN		
	98548102	04-07		B B B X X X										LH 1		
	98548103	04-07		B B B X X X										RH 1		
	[03]			(E)W/STRIP A-2ND.FRAME,FRT DR (D)DICHT.A-2.FAHMEN,VORDERTUER										(F)JT.ETAN A-2E,CADRE,PTE AV (S)BUR A-2°.MARCO,PTA DELAN		
	98548110	04-07		B B B X X X										LH 1		
	98548111	04-07		B B B X X X										RH 1		
	[04]			(E)MOLDING A-CTR CHANNEL,FRT (D)FORMTEIL A-AUSSEN Rinne,VORN										(F)MOULURE A-COULISSE EXT,AV (S)MOLDURA A-CANAL EXT,DELAN		
	98548216	04-07		B B B X X X										LH 1		
	Y 98901688	04-07		B B B X X X										LH 1		
	98548217	04-07		B B B X X X										RH 1		
	Y 98901689	04-07		B B B X X X										RH 1		
	[05]			(E)GARNISH A-FRT DR,CTR (D)DEKO A-VORDERTUER,MITTE										(F)GARNITURE A-PTE AV,CTR (S)EMBELECEDOR A-PTA		
	98548098	04-07		B B B X X X										LH 1		
	98548099	04-07		B B B X X X										RH 1		
	[06]			(E)SCREW (D)SCHRAUBE										(F)VIS (S)TORNILLO		
	94520337	04-07		B B B X X X										6		
	[07]			(E)W/STRIP A-DR OPG,FRT (D)DICHT.-TUEROEFFNUNG,VORN										(F)JT.ETAN A-BAIE DE PORTE,AV (S)BUR A-VANO PTA,DELAN		
	98615178	04-07		B B B X X X 682										LH 1		
	98615178	04-07		B B B X X X 682										RH 1		
	[11]			(E)SCREW (D)SCHRAUBE										(F)VIS (S)TORNILLO		
	94520533	04-07		B B B X X X										2		
	[12]			(E)CLIP (D)KLEMME										(F)CLIP (S)CLIP		
	96329880	04-07		B B B X X X										4		
	[13]			(E)W/STRIP A-FRT DR,LWR (D)DICHT. A-VORDERTUER,UNTEN										(F)JT.ETAN A-PORTE AV,INF (S)BUR A-PTA DELAN,INFERIOR		
	98548461	04-07		B B B X X X										2		

**** RPO DEFINITIONS ****

82 : GREY-INTERIOR

6250

ELECTRIC DOOR LOCK

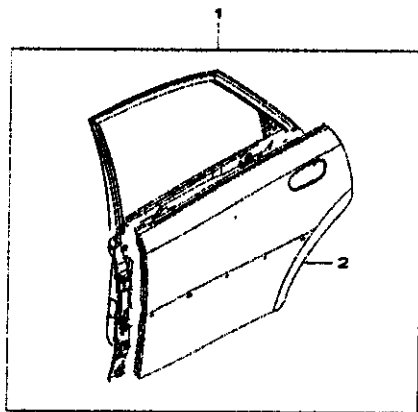


RJ6250GNW 10/30/2004

I T C	KEY NO. PART NO.	MODEL YEAR	D R V	PART NAME						L Q T Y	V.I.N.		REMARKS	P / C C E D O C O	
				BODY			LEVEL				OPTION	FROM			TO
				4 N B	4 H S B	5 S W	B L	L S	T						
	[01]											(E)ACTUATOR A-DR (D)TUERBETAETIGSORGAN	(F)ACTIONNEUR A-PTE (S)ACTUADOR A-PTA		
	96236255	04-07	L	B	B	B	X	X	X	AUS-CALCWI		LH 1			
	96272676	04-07	L	B	X	AUSACWI-CAL		LH 1			
	96252707	04-07	L	B	B	B	X	X	X	AUS&CAL		LH 1			
	96229552	04-07	L	B	B	B	X	X	X	AUS-CAL		RH 1			
	96252709	04-07	L	B	B	B	X	X	X	AUS&CAL		RH 1			
	96229551	04-07	R	B	B	B	X	X	X	AUS-CAL		LH 1			
	96252710	04-07	R	B	B	B	X	X	X	AUS&CAL		LH 1			
	96236256	04-07	R	B	B	B	X	X	.	AUS-CALCWI		RH 1			
	96272677	04-07	R	B	X	AUSACWI-CAL		RH 1			
	96252708	04-07	R	B	B	B	X	X	X	AUS&CAL		RH 1			
	[03]											(E)ACTUATOR A-DR (D)TUERBETAETIGSORGAN	(F)ACTIONNEUR A-PTE (S)ACTUADOR A-PTA		
	96229551	04-07		B	B	B	X	X	X	AUS		LH 1			
	96229552	04-07		B	B	B	X	X	X	AUS		RH 1			
	[04]											(E)SCREW (D)SCHRAUBE	(F)VIS (S)TORNILLO		
	94520449	04-07		B	B	B	X	X	X			4			
										**** RPO DEFINITIONS ****					
										AUS : LOCK-DOORS,ELECTRIC					
										CAL : CAR ALARM,ANTI-THEFT					
										CWI : SWITCH-DOOR LOCK,ELEC					

6310

REAR DOOR PANEL

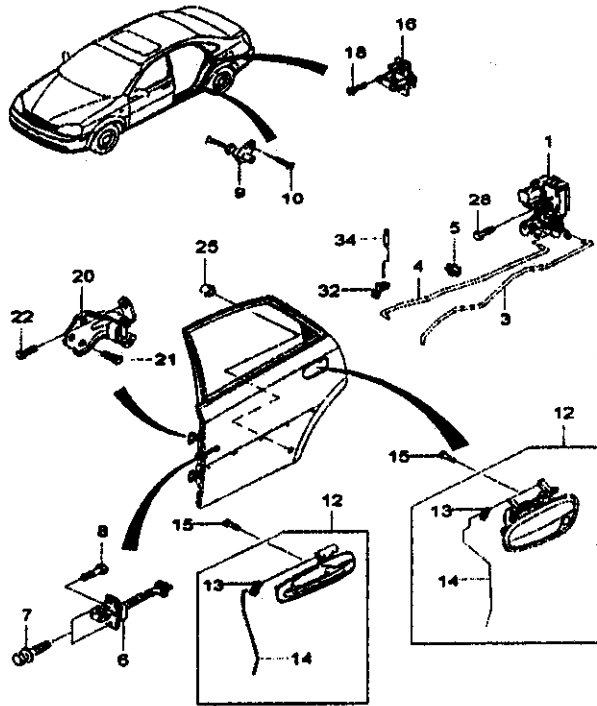


RJ6310GNW 10/30/2004

I T C	KEY NO.		PART NAME											L Q T Y	V.I.N.		REMARKS	P / O O D E	
	PART NO.	MODEL YEAR	D R V	BODY			LEVEL			OPTION	L / R Y	FROM	TO						
				4 N B	4 H S	5 B W	B S	L L	L T										
	[01]			(E)PANEL A-RR DR (D)BLECH A-HINTERTUER												(F)PANNEAU A-PTA AR (S)PANEL A-PTA TR			
	96547663	04 - 04		B	.	X	.	.			AXCK-BS2		LH	1				NA	
	96547669	04 - 04		B	.	X	.	.			AXCP-BS2		LH	1			NE		
	96547681	04 - 04		B	.	X	X	X			AB82AXCK		LH	1			NC		
	96547683	04 - 04		B	.	X	X	X			AB82AXCP		LH	1			ND		
	96547697	05 - 07		B	.	X	X	X			AXCK		LH	1			NU		
	96547699	05 - 07		B	.	X	X	X			AXCP		LH	1			NL		
	96547684	04 - 04		B	.	X	.	.			AXCK-BS2		RH	1			NB		
	96547670	04 - 04		B	.	X	.	.			AXCP-BS2		RH	1			NF		
	96547682	04 - 04		B	.	X	X	X			AB82AXCK		RH	1			ND		
	96547684	04 - 04		B	.	X	X	X			AB82AXCP		RH	1			NH		
	96547698	05 - 07		B	.	X	X	X			AXCK		RH	1			NK		
	96547900	05 - 07		B	.	X	X	X			AXCP		RH	1			NM		
	96547659	04 - 04		B	.	X	.	.			AXCK-BS2		LH	1			NA		
	96547603	04 - 04		B	.	X	X	X			AB82AXCK		LH	1			HC		
	96547685	04 - 04		B	.	X	.	.			AXCP-BS2		LH	1			HE		
	96547675	04 - 04		B	.	X	X	X			AB82AXCP		LH	1			HG		
	96547905	05 - 07		B	.	X	X	X			AXCK		LH	1			HJ		
	96547907	05 - 07		B	.	X	X	X			AXCP		LH	1			HL		
	96547660	04 - 04		B	.	X	.	.			AXCK-BS2		RH	1			HB		
	96547604	04 - 04		B	.	X	X	X			AB82AXCK		RH	1			HD		
	96547666	04 - 04		B	.	X	.	.			AXCP-BS2		RH	1			HF		
	96547676	04 - 04		B	.	X	X	X			AB82AXCP		RH	1			HH		
	96547908	05 - 07		B	.	X	X	X			AXCK		RH	1			NK		
	96547908	05 - 07		B	.	X	X	X			AXCP		RH	1			NM		
	96547913	05 - 07		B	.	X	X	X			AXCK		LH	1			WJ		
	96547915	05 - 07		B	.	X	X	X			AXCP		LH	1			WL		
	96547914	05 - 07		B	.	X	X	X			AXCK		RH	1			WK		
	96547916	05 - 07		B	.	X	X	X			AXCP		RH	1			WM		
	[02]			(E)PANEL-RR DR,OTR (D)BLECH-HINTERTUER,AUSSEN												(F)PANNEAU-PORTE AR,EXT (S)PANEL-PTA TR,EXT			
	96547784	04 - 04		B	B	.	X	.	.			AXCK-BS2		LH	1			EA	
	96547788	04 - 04		B	B	.	X	.	.			AXCP-BS2		LH	1			EB	
	96547792	04 - 04		B	B	.	X	X	X			AB82AXCK		LH	1			EC	
	96547786	04 - 04		B	B	.	X	X	X			AB82AXCP		LH	1			EG	
	96547931	05 - 07		B	B	B	X	X	X			AXCK		LH	1			RA	
	96547935	05 - 07		B	B	B	X	X	X			AXCP		LH	1			RC	
	96547785	04 - 04		B	B	.	X	.	.			AXCK-BS2		RH	1			EB	
	96547789	04 - 04		B	B	.	X	.	.			AXCP-BS2		RH	1			EF	
	96547783	04 - 04		B	B	.	X	X	X			AB82AXCK		RH	1			ED	
	96547787	04 - 04		B	B	.	X	X	X			AB82AXCP		RH	1			EH	
	96547932	05 - 07		B	B	B	X	X	X			AXCK		RH	1			EB	

6320

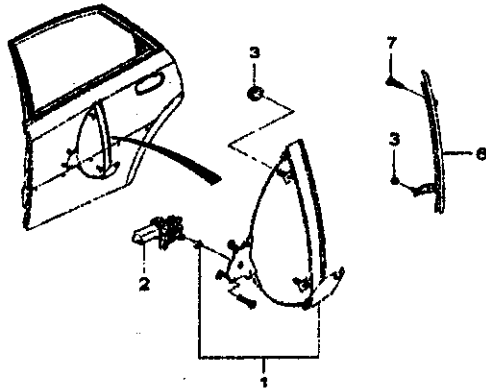
REAR DOOR LOCK



RJ6320 10/30/2004

I T C	KEY NO. PART NO.	MODEL YEAR	D R V E	PART NAME				L Q / T R Y	V.I.N.		REMARKS	INDICATED
				BODY N H S B	LEVEL L L S T	OPTION	FROM		TO			
	[10] N 94520177	05-07		(E)SCREW (D)SCHRAUBE B B B X X X			(F)VIS (S)TORNILLO 2 077953					
	[12] 98818233 98818233 98548182 98547981 98818234 98818234 98548183 98547982	04-04 04-04 04-04 05-07 04-04 04-04 04-04 05-07		(E)HANDLE A-RR DR,O/S (D)GRIFF A-HINTERTUER,AUSSEN B . . X . . . B . X X . B B . . X X B B B X X X B . . X . . . B . X X . B B . . X X B B B X X X	LRH0 LRH0 LRH4 LRH4 LRH0 LRH0 LRH4 LRH4		(F)POIGNEE A-PORTE AR,EXT (S)TIRADOR A-PTA TR,EXTERIOR LH 1 LH 1 LH 1 LH 1 RH 1 RH 1 RH 1 RH 1					
	[13] 94530139 Y 94530721 Y 94530138	04-07 04-07 04-07		(E)CLAMP (D)KLEMMSTUECK B B B X X X B B B X X X B B B X X X			(F)COLLIER (S)ABRAZADERA 2 2 2					
	[14] 98548183 98548184 98547983	04-04 04-04 05-07		(E)ROD-O/S HANDLE,RR DR (D)GRIFFSTANGE,HINTERTUER B B . X X X B B . X X X B B B X X X			(F)TRINGLE-POIGNEE EXT, PTE AR (S)VARILLA-TIRADOR,EXTERIOR,PTA LH 1 RH 1 2					
	[15] 94500073	04-07		(E)BOLT (D)BOLZEN B B B X X X			(F)BOULON (S)PERNO 4					
	[16] 98301888	04-07		(E)STRIKER A-DR (D)TUERSCHLIESSZAPFEN A B B B X X X			(F)GACHE A-PTE (S)TRINQUETE A-PTA 2					
	[18] 94501888	04-07		(E)BOLT (D)BOLZEN B B B X X X			(F)BOULON (S)PERNO 4					
	[20] 98547872 98547871 98547874 98547873	04-05 04-05 04-07 04-07		(E)HINGE A-DR (D)TUERSCHARNIER A B B B X X X B B B X X X B B B X X X B B B X X X	LRCK LRCK		(F)CHARNIERE A-PTE (S)BISAGRA A-PTA 2 2 2 2	088316 088316	UPR RH,LWR LH UPR LH,LWR RH UPR RH,LWR LH UPR LH,LWR RH			

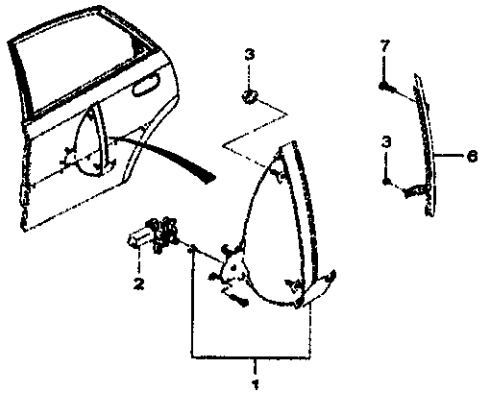
6330
REAR WINDOW LIFTER



RJ6330 10/30/2004

I T C	KEY NO.		PART NAME										REMARKS	E D O C T R O
	PART NO.	MODEL YEAR	D R V	BODY			LEVEL		OPTION	L Q / T R Y	V.I.N.			
				4 N B	4 H B	5 S W	8 S B	L L T			FROM	TO		
	[01]			(E)REGULATOR-WDO,RR (D)FENSTERHEBER-HINTEN								(F)LEVE-VITRE AR (S)REGULADOR-VTA, TR		
	96548165	04-07		B B B X X .				EA30/A32				LH 1		
	96548171	04-07		B B B X X X				EA33/A86				LH 1		
	96548166	04-07		B B B X X .				EA30/A32				RH 1		
	96548172	04-07		B B B X X X				EA33/A86				RH 1		
	[02]			(E)MOTOR A-PANZO (D)MOTOR A-EL.FH								(F)MOTEUR A-LEVE-VITRE (S)MOTOR A-ELEV ELECTRICO		
	96548518	04-06		B . B X X X				EA33/A86				LH 1	260102	
	○ 96475131	04-07		B B B X X X				EA33/A86				LH 1	260103	
	96548518	04-06		. B . X X				EA33/A86				LH 1	260102	
	○ 96475131	04-07		B B B . X X				EA33/A86				LH 1	260103	
	96548519	04-06		B . B X X X				EA33/A86				RH 1	260102	
	○ 96475132	04-07		B B B X X X				EA33/A86				RH 1	260103	
	96548519	04-06		. B . X X				EA33/A86				RH 1	260102	
	○ 96475132	04-07		B B B . X X				EA33/A86				RH 1	260103	
	[03]			(E)NUT (D)MUTTER								(F)NOCROU (S)TUERCA		
	94515119	04-07		B B B X X X								2		FOR RAIL-GUIDE RE AR DOOR
	94515119	04-07		. B . X . .				EA30				12		WREG TO INNER PANEL-DOOR
	94515119	04-07		B . B X X .				EA32				12		WREG TO INNER PANEL-DOOR
	94515119	04-07		. B . X X X				EA32				12		WREG TO INNER PANEL-DOOR
	94515119	04-07		B B B X X X				EA86				14		WREG TO INNER PANEL-DOOR
	[06]			(E)RAIL A-GUIDE,RR DR (D)FUEHRUNGSSCHIENE A,HINTERTUER								(F)GLISSIERE A-GUIDE,PORTE AR (S)CARRIL A-GUÍA,PTA TR		
	96548529	04-07		B . . X X X								LH 1		
	96548530	04-07		B . . X X X								RH 1		
	96548525	04-07		. B . X X X								LH 1		
	96548526	04-07		. B . X X X								RH 1		
	96617763	05-07		. . B X X X								LH 1		
	96617764	05-07		. . B X X X								RH 1		

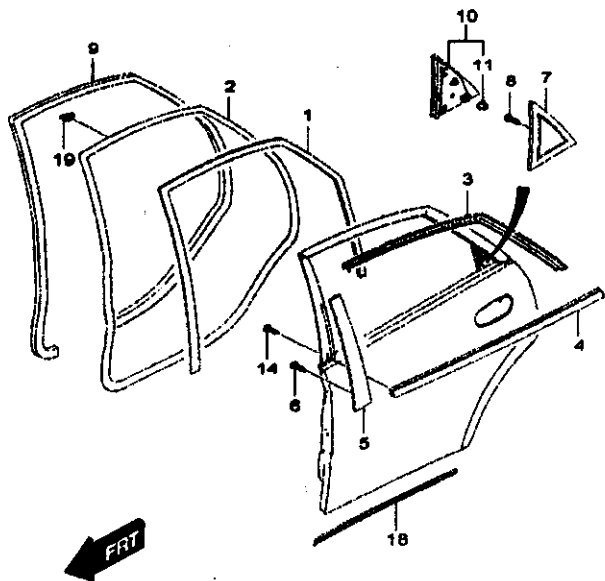
6330 REAR WINDOW LIFTER		KEY NO.		PART NAME													
		I T C	PART NO.	MODEL YEAR	D R V	BODY			LEVEL			OPTION	L Q T Y	V.I.N.		REMARKS	P / C O D E
						4 N B	4 H S	5 S W	B L S	L L S	T			FROM	TO		
	[07] 94500087		04 - 07		(E)BOLT (D)BOLZEN B B B X X X								(F)BOULON (S)PERNO 2				
<p>**** RPO DEFINITIONS ****</p> <p>A30 : WINDOW-POWER,DELETE A32 : WINDOW-POWER OPERATED,FRT A33 : WINDOW-PWR,F/R,WDRS'1 TCH A66 : WINDOW-POWER,1 TOUCH,DOWN</p>																	



RJ6330 10/30/2004

6340

REAR WEATHERSTRIP

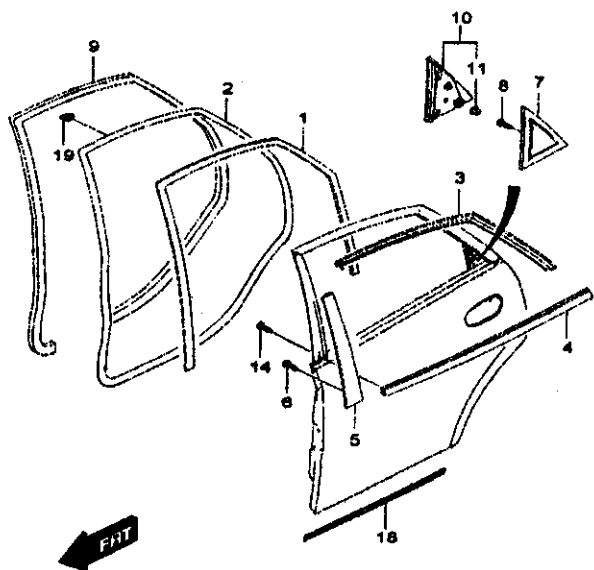


RJ6340 10/30/2004

I T C	KEY NO. PART NO.	MODEL YEAR	D R V	PART NAME						L Q / R Y	V.I.N.		REMARKS	MO D E L
				BODY		LEVEL		OPTION	FROM		TO			
				4 N B	4 H B	5 L S	5 L S							
	[01]			(E)GLASS RUN,RR DR (D)SCHEIBENLAUF-HINTERTUER						(F)COULISSE DE VITRE-PORTE AR (S)CANAL GUIA DE CRISTAL-PTA TR				
	96548250	04 - 07		B . . X X X						LH 1				
	96548251	04 - 07		B . . X X X						RH 1				
	96548248	04 - 07		. B . X X X						LH 1				
	96548249	04 - 07		. B . X X X						RH 1				
	96617783	05 - 07		. . B X X X						LH 1				
	96617784	05 - 07		. . B X X X						RH 1				
	[02]			(E)WSTRIP A-RR DR (D)DICHT. A-HINTERTUER						(F)J.T.ETAN A-PORTE AR (S)BUR A-PTA TR				
	96548238	04 - 07		B . . X X X						LH 1				
	96548239	04 - 07		B . . X X X						RH 1				
	96548234	04 - 07		. B . X X X						LH 1				
	96548235	04 - 07		. B . X X X						RH 1				
	96617775	05 - 07		. . B X X X						LH 1				
	96617776	05 - 07		. . B X X X						RH 1				
	[03]			(E)WSTRIP A-2ND.FRAME,RR DR (D)DICHT. A-2. RAHMEN,HINTERTUER						(F)J.T.ETAN A-2E.CADRE,PTA AR (S)BUR A-2°.MARCO,PTA TR				
	96548208	04 - 07		B . . X X X						LH 1				
	96548209	04 - 07		B . . X X X						RH 1				
	96548206	04 - 07		. B . X X X						LH 1				
	96548207	04 - 07		. B . X X X						RH 1				
	96617779	05 - 07		. . B X X X						LH 1				
	96617780	05 - 07		. . B X X X						RH 1				
	[04]			(E)MOLDING A-OTR CHANNEL,RR (D)FORMTEIL A-AUSSENRINNE,HINTEN						(F)MOULURE A-COULISSE EXT.AR (S)MOLDURA A-CANAL EXT.TR				
	96548228	04 - 07		B B B X X X						LH 1				
Y	96801692	04 - 07		B B B X X X						LH 1				
	96548229	04 - 07		B B B X X X						RH 1				
Y	96801693	04 - 07		B B B X X X						RH 1				
	[05]			(E)GARNISH A-RR DR,CTR (D)AUSKLEIDUNG A-HINTERTUER,MITTE						(F)GARNITURE A-PTE,AR,CTR (S)SEMBELLECEDOR A-PTA TR,CTR				
	96548177	04 - 07		B B B X X X						LH 1				
	96548178	04 - 07		B B B X X X						RH 1				
	[06]			(E)SCREW (D)SCHRAUBE						(F)VIS (S)TORNILLO				
	94520337	04 - 07		B B B X X X						B				
	[07]			(E)GARNISH A-RR DR,RR (D)AUSKLEIDUNG A-HINTERTUER,HINTEN						(F)GARNITURE A-PTE,AR,AR (S)SEMBELLECEDOR-TR,PTA TR				
	96548202	04 - 07		B . . X X X						LH 1				
	96548203	04 - 07		B . . X X X						RH 1				
	96548200	04 - 07		. B . X X X						LH 1				

6340

REAR WEATHERSTRIP



RJ6340 10/30/2004

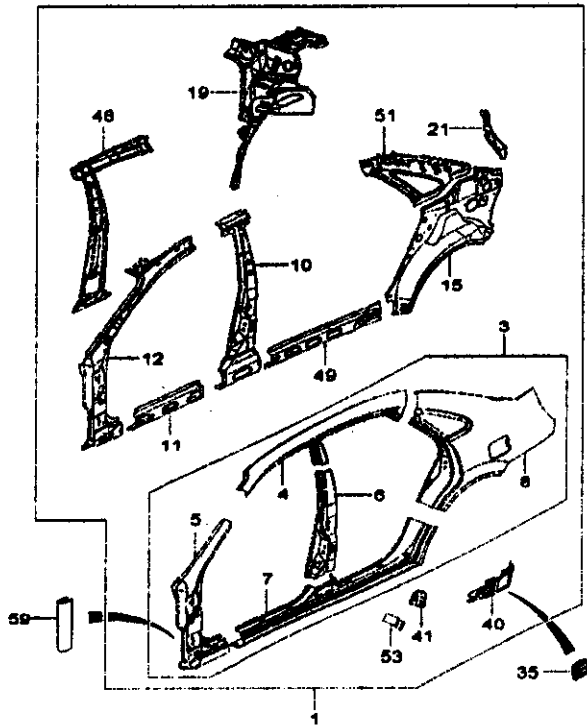
I T C	KEY NO.		PART NAME											REMARKS	EDOC/P
	PART NO.	MODEL YEAR	D R V	BODY			LEVEL		OPTION	L T R	V.I.N.				
				4 N B	4 H S	5 S W	B L	L L			FROM	TO			
	[07]			(E)GARNISH A-RR DR,RR (D)AUSKLEIDUNG A-HINTERTUER,HINTEN	(F)GARNITURE A-PTE AR,AR (S)EMBELLECEDOR-TR,PTA TR										
	96548201	04 - 07		. B . X X X										RH 1	
	96617769	05 - 07		. . B X X X										LH 1	
	96617770	05 - 07		. . B X X X										RH 1	
	[08]			(E)SCREW (D)SCHRAUBE	(F)VIS (S)TORNILLO										
	94520337	04 - 07		B B B X X X										4	
	94520222	04 - 07		B B B X X X										2	
	[09]			(E)W/STRIP A-OR OPG,RR (D)DICHT.-TUEROEFFNUNG,HINTEN	(F)J.T.ETAN A-BAIE DE PORTE,AR (S)BUR A-VANO PTA, TR										
	96615184	04 - 07		B . . X X X	442									LH 1	
	96615186	04 - 07		B . . X X X	442									RH 1	
	96616180	04 - 07		. B . X X X	442									LH 1	
	96615182	04 - 07		. B . X X X	442									RH 1	
	96617759	05 - 07		. . B X X X	442									LH 1	
	96617762	05 - 07		. . B X X X	442									RH 1	
	[10]			(E)COVER A-INR,RR DR (D)INNERE ABDECKUNG A,HINTERTUER	(F)COUVERCLE A-INT,PTA AR (S)TAPA-INT,PTA TR										
	96548266	04 - 07		B . . X X X										LH 1	
	96548257	04 - 07		B . . X X X										RH 1	
	96548254	04 - 07		. B . X X X										LH 1	
	96548255	04 - 07		. B . X X X										RH 1	
	96617785	05 - 07		. . B X X X										LH 1	
	96617786	05 - 07		. . B X X X										RH 1	
	[11]			(E)CLIP (D)KLEMME	(F)CLIP (S)CLIP										
	94530650	04 - 07		B B B X X X										4	
	[14]			(E)SCREW (D)SCHRAUBE	(F)VIS (S)TORNILLO										
	94520533	04 - 07		B B B X X X										2	
	[18]			(E)W/STRIP A-RR DR,LWR (D)DICHTUNG A-HINTERTUER,UNTEN	(F)J.T.ETAN A-PTE AR,INF (S)BUR A-PTA TR,INFERIOR										
	96548465	04 - 07		B B B X X X										2	
	[19]			(E)CLIP (D)KLEMME	(F)CLIP (S)CLIP										
	96329890	04 - 07		B B B X X X										4	

**** RPO DEFINITIONS ****

62 : GREY-INTERIOR

6410

SIDE BODY PANEL I

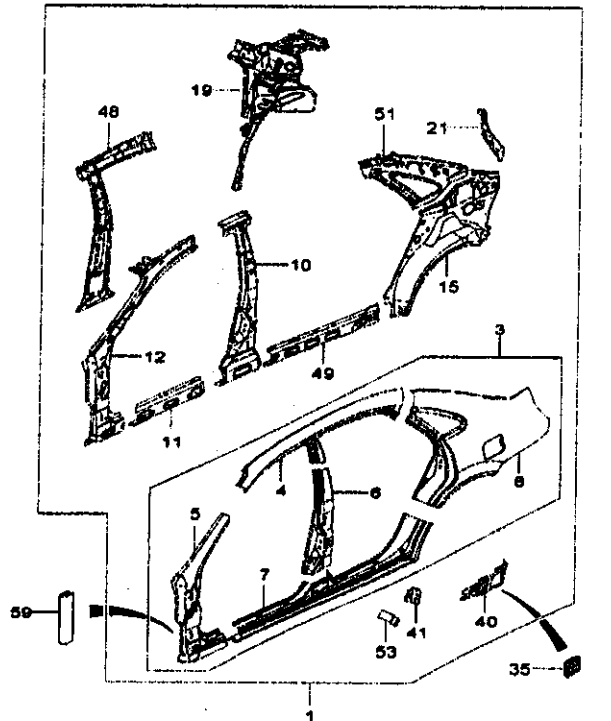


RJ6410 10/30/2004

I T C	KEY NO.		PART NAME										L Q / R Y	V.I.N.		REMARKS	P R O D U C T I O N
	PART NO.	MODEL YEAR	D R V	BODY		LEVEL		OPTION	FROM	TO	REMARKS						
				4 N H S B W	4 S H S B W	B L S T	L L S T										
	[01]			(E)PANEL A-SIDE, COMPL (D)SEITENBLECH A, KOMPL					(F)PANNEAU A-LATERAL, COMPL (S)PANEL A-LATERAL, COMPL								
	96544823	04-07		B . . .	X X X	LASS/ABD					LH 1						
	96544827	04-07		B . . .	X . .	LAMB					LH 1						
	96544824	04-07		B . . .	X X X	LASS/ABD					RH 1						
	96544828	04-07		B . . .	X . .	LAMB					RH 1						
	[03]			(E)PANEL-SIDE, OTR (D)SEITENBLECH, AUSSEN					(F)PANNEAU-LATERAL, EXT (S)PANEL-LATERAL, EXT								
	96544873	04-07		B . . .	X X X						LH 1						
Y	96450667	04-07		B . . .	X X X						LH 1						
	96544874	04-07		B . . .	X X X						RH 1						
Y	96450668	04-07		B . . .	X X X						RH 1						
	[04]			(E)PANEL-SIDE, ROOF (D)SEITENBLECH, DACH					(F)PANNEAU-LATERAL, PAVILLON (S)PANEL-LATERAL, TECHO								
	96404743	04-07		B . . .	X X X						LH 1						
	96404744	04-07		B . . .	X X X						RH 1						
	[05]			(E)PANEL-PILLAR, SIDE, OTR, FRT (D)BLECH-SAEULE, SEITE, AUSSEN, VORN					(F)PANNEAU-MONTANT, LATERAL, EXT, FRT (S)PANEL-MONTANT, LATERAL, EXT, FRT								
	96404741	04-07		B . . .	X X X	LXCP					LH 1						
	96404742	04-07		B . . .	X X X	LXCP					RH 1						
	[06]			(E)PANEL-PILLAR, SIDE, OTR, CTR (D)BLECH-SAEULE, SEITE, AUSSEN, MITTE					(F)PANNEAU-MONTANT, LATERAL, EXT, CTR (S)PANEL-MONTANT, LATERAL, EXT, CTR								
	96404747	04-07		B . . .	X X X	LXCP					LH 1						
	96404748	04-07		B . . .	X X X	LXCP					RH 1						
	[07]			(E)PANEL-ROCKER (D)SCHWELLER					(F)PANNEAU-BAS DE CAISSE (S)PANEL-DE ESTRIBERA								
	96404745	04-07		B . . .	X X X	LXCP					LH 1						
	96404746	04-07		B . . .	X X X	LXCP					RH 1						
	[08]			(E)PANEL-SIDE, OTR, RR (D)SEITENBLECH, AUSSEN, HINTEN					(F)PANNEAU-LATERAL, EXT, AR (S)PANEL-LATERAL, EXT, TR								
	96404749	04-07		B . . .	X X X						LH 1						
	96404750	04-07		B . . .	X X X						RH 1						
	[10]			(E)REINF A-CTR PILLAR (D)VERST. A-MITTLERE SAEULE					(F)RNFT A-MONTANT CTR (S)REFZ A-MONTANTE CTR								
	96544877	04-05		B . . .	X X X						LH 1	088623					
	○ 96435717	04-07		B . . .	X X X						LH 1	088624					
	96544878	04-05		B . . .	X X X						RH 1	088623					
	○ 96435718	04-07		B . . .	X X X						RH 1	088624					
	[11]			(E)REINF-ROCKER PNL (D)VERST.-SCHWELLER					(F)RNFT-PANNEAU DE BAS DE (S)REFZ-PNL DE ESTRIBERA								
	96545415	04-07		B . . .	X X X						LH 1						
	96545416	04-07		B . . .	X X X						RH 1						

6410

SIDE BODY PANEL I

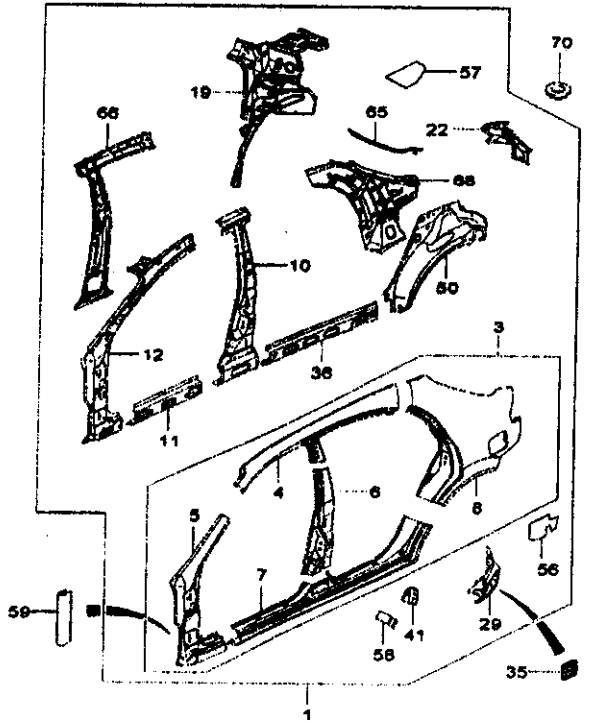


RJ6410 10/30/2004

I T C	PART NO.	MODEL YEAR	KEY NO.						PART NAME	L / R	Q T Y	V.I.N.		REMARKS	P R O D U C T I O N
			D R V	B O D Y		L E V E L		O P T I O N				F R O M	T O		
				4 N B	5 H S W	B L L	L L S T								
	[12]							(E)PILLAR A-FRT (D)A-SAEULE A				(F)MONTANT A-AV (S)MONTANTE A-DELAN			
	96544733	04-07						B . . X X X				LH 1			
	96544734	04-07						B . . X X X				RH 1			
	[16]							(E)PANEL-SIDE,INR,RR (D)SEITENBLECH,INNEN,HINTEN				(F)PANNEAU-LATERAL,INT,AR (S)PANEL-LATERAL,INT,TR			
	96544697	04-07						B . . X X X				LH 1			
	96547080	04-07						B . . X X X				RH 1			
	[19]							(E)WHEELHOUSE A-RR (D)RADKASTEN A-HINTEN				(F)PASSAGE DE ROUE A-AR (S)ALOJAMIENTO DE RUEDA A-TR			
	96544816	04-07						B . . X X X LAMB				LH 1			
	96544810	04-07						B . . X . . LAMB				LH 1			
	96544817	04-07						B . . X X X LAMB				RH 1			
	96544811	04-07						B . . X . . LAMB				RH 1			
	[21]							(E)PATCH-TAIL LAMP HOUSING (D)PATCH-HECKLEUCHTENGEHAUSE				(F)PLAQUE-LOGEMENT DE FEUX AR (S)PARCHE-ALOJAMIENTO DE LUZ DE			
	96545017	04-07						B . . X X X				LH 1			
	96545018	04-07						B . . X X X				RH 1			
	[36]							(E)INSERT A-VENT (D)EINSATZ A-VENT.				(F)INSERT A-VENT (S)INSERTO A-VENT			
	96546894	04-07						B . . X X X				LH 1			
	96546895	04-07						B . . X X X				RH 1			
	[40]							(E)EXTENSION-SIDE PNL,OTR (D)VERLAENGERUNG-SEITENBLECH,AUS				(F)EXTENSION-PAN LATERAL,EXT (S)EXTENSION-PANEL LATERAL,EXT			
	96545073	04-05						B . . X X X				LH 1 059847			
	○ 96545071	04-07						B . . X X X				LH 1 059848			
	96545074	04-05						B . . X X X				RH 1 058847			
	○ 96545072	04-07						B . . X X X				RH 1 059848			
	[41]							(E)REINF A-STRIKER,RR,PILLAR (D)VERST.				(F)RNFT A-GACHE,AR MONTANT (S)REFZ A-TRINQUETE,TR,MONTANTE			
	96545067	04-07						B . . X X X				LH 1			
	96545088	04-07						B . . X X X				RH 1			
	[48]							(E)PANEL A-CTR PILLAR,INR (D)BLECH A-MITTLERE SAEULE,INNEN				(F)PANNEAU A-MONTANT CTR,INT (S)PANEL A-MONTANTE CTR,INT			
	96544707	04-07						B . . X X X				LH 1			
	96544708	04-07						B . . X X X				RH 1			
	[49]							(E)REINF A-ROCKER,RR (D)VERST. A-SCHWELLER,HINTEN				(F)RNFT A-BAS DE CAISSE,AR (S)REFZ A-ESTRIBERA,TR			
	96547065	04-07						B . . X X X				LH 1			
	96547066	04-07						B . . X X X				RH 1			

6411

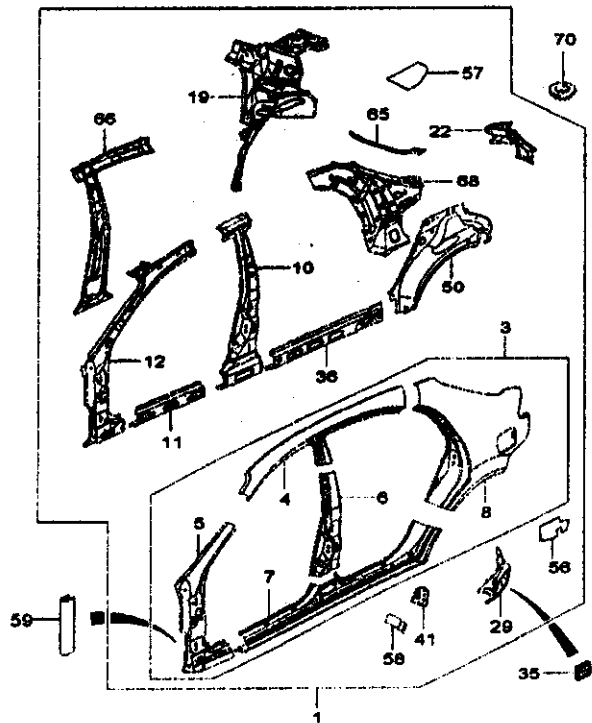
SIDE BODY PANEL II



RJ6411 12/02/2004

I T C	KEY NO.		PART NAME										REMARKS	R-00000	
	PART NO.	MODEL YEAR	D R V	BODY			LEVEL			OPTION	L Q T	V.I.N.			
				4 N B	4 H S	5 B W	B S	L L	L S T			FROM			TO
	[01]			(E)PANEL A-SIDE, COMPL (D)SEITENBLECH A, KOMPL									(F)PANNEAU A-LATERAL, COMPL (S)PANEL A-LATERAL, COMPL		
	96544917	04-07		. B . X X X									LH 1		
	96544918	04-07		. B . X X X									RH 1		
	[03]			(E)PANEL-SIDE, OTR (D)SEITENBLECH, AUSSEN									(F)PANNEAU-LATERAL, EXT (S)PANEL-LATERAL, EXT		
	96544967	04-07		. B . X X X									LH 1		
	Y 96453963	04-07		. B . X X X									LH 1		
	96544968	04-07		. B . X X X									RH 1		
	Y 96453984	04-07		. B . X X X									RH 1		
	[04]			(E)PANEL-SIDE, ROOF (D)SEITENBLECH, DACH									(F)PANNEAU-LATERAL, PAVILLON (S)PANEL-LATERAL, TECHNO		
	96617553	04-07		. B . X X X									LH 1		
	96617554	04-07		. B . X X X									RH 1		
	[06]			(E)PANEL-PILLAR, SIDE, OTR, FRT (D)BLECH-SAEULE, SEITE, AUSSEN, VORN									(F)PANNEAU-MONTANT, LATERAL, EXT (S)PANEL-MONTANT, LATERAL, EXT, O		
	96617551	04-07		. B . X X X									LH 1		
	Y 96404741	04-07		. B . X X X									LH 1		
	96617552	04-07		. B . X X X									RH 1		
	Y 96404742	04-07		. B . X X X									RH 1		
	[08]			(E)PANEL-PILLAR, SIDE, OTR, CTR (D)BLECH-SAEULE, SEITE, AUSSEN, MITTE									(F)PANNEAU-MONTANT, LATERAL, EXT (S)PANEL-MONTANT, LATERAL, EXT, O		
	96617557	04-07		. B . X X X									LH 1		
	Y 96404747	04-07		. B . X X X									LH 1		
	96617558	04-07		. B . X X X									RH 1		
	Y 96404748	04-07		. B . X X X									RH 1		
	[07]			(E)PANEL-ROCKER (D)SCHWELLER									(F)PANNEAU-BAS DE CAISSE (S)PANEL-DE ESTRIBERA		
	96617555	04-07		. B . X X X									LH 1		
	Y 96404745	04-07		. B . X X X									LH 1		
	96617556	04-07		. B . X X X									RH 1		
	Y 96404746	04-07		. B . X X X									RH 1		
	[08]			(E)PANEL-SIDE, OTR, RR (D)SEITENBLECH, AUSSEN, HINTEN									(F)PANNEAU-LATERAL, EXT, AR (S)PANEL-LATERAL, EXT, TR		
	96617559	04-07		. B . X X X									LH 1		
	96617560	04-07		. B . X X X									RH 1		
	[10]			(E)REINF A-CTR PILLAR (D)VERST. A-MITTLERE SAEULE									(F)RNFT A-MONTANT CTR (S)REFZ A-MONTANTE CTR		
	96544977	04-07		. B . X X X									LH 1		
	Y 96435717	04-07		. B . X X X									LH 1		
	96544978	04-07		. B . X X X									RH 1		
	Y 96435718	04-07		. B . X X X									RH 1		

6411
SIDE BODY PANEL II

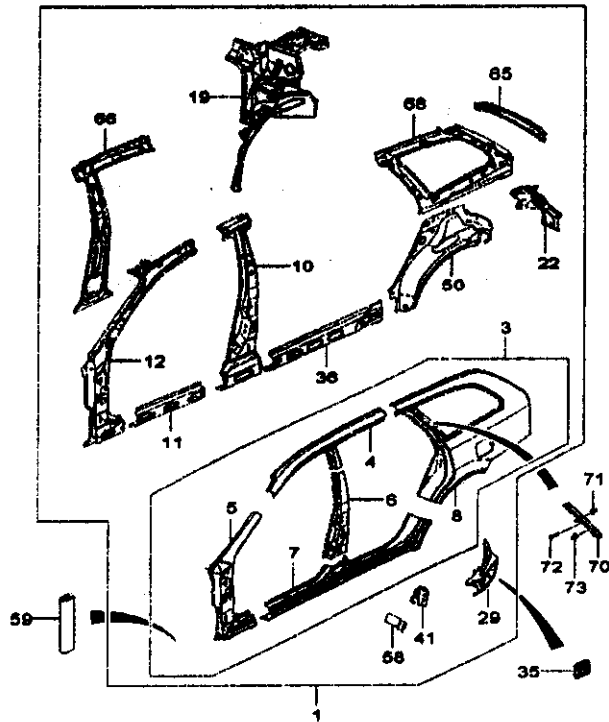


RJ6411 12/02/2004

I T C	KEY NO.		PART NAME											REMARKS	EDOC P	
	PART NO.	MODEL YEAR	D R V	BODY				LEVEL			OPTION	L Q T Y	V.I.N.			
				4 N B	4 H S	5 S B	5 S W	B L	L L	L L			FROM			TO
	[11]			(E)REINF-ROCKER PNL (D)VERST.-SCHWELLER										(F)RNFT-PANNEAU DE BAS DE (S)REFZ-PNL DE ESTRIBERA		
	98545415	04-07		. B . X X X										LH 1		
	98545416	04-07		. B . X X X										RH 1		
	[12]			(E)PILLAR A-FRT (D)A-SAEULE A										(F)MONTANT A-AV (S)MONTANTE A-DELAN		
	98544733	04-07		. B . X X X										LH 1		
	98544734	04-07		. B . X X X										RH 1		
	[19]			(E)WHEELHOUSE A-RR (D)RADKASTEN A-HINTEN										(F)PASSAGE DE ROUE A-AR (S)ALOJAMIENTO DE RUEDA A-TR		
	98544739	04-07		. B . X X X										LH 1		
	98544780	04-07		. B . X X X										RH 1		
	[22]			(E)PANEL-TAIL LAMP HOUSING (D)PLATTE-HECKLEUCHTENGHAUSE										(F)PANNEAU-LOGEMENT DE FEUX AR (S)PANEL-ALOJAMIENTO DE LUZ DE		
	98545025	04-07		. B . X X X										LH 1		
	98545026	04-07		. B . X X X										RH 1		
	[29]			(E)EXTENSION-SIDE PNL,OTR (D)VERLAENGERUNG-SEITENBLECH,AUS										(F)EXTENSION-PAN LATERAL,EXT (S)EXTENSION-PANEL LATERAL,EXT		
	98545069	04-07		. B . X X X										LH 1		
	Y 98545067	04-07		. B . X X X										LH 1		
	98545070	04-07		. B . X X X										RH 1		
	Y 98545068	04-07		. B . X X X										RH 1		
	[36]			(E)INSERT A-VENT (D)EINSATZ A-VENT.										(F)INSERT A-VENT (S)INSERTO A-VENT		
	98546894	04-07		. B . X X X										LH 1		
	98546895	04-07		. B . X X X										RH 1		
	[38]			(E)REINF A-ROCKER,RR (D)VERST. A-SCHWELLER,HINTEN										(F)RNFT A-BAS DE CAISSE AR (S)REFZ A-ESTRIBERA,TR		
	98547085	04-07		. B . X X X										LH 1		
	98547086	04-07		. B . X X X										RH 1		
	[41]			(E)REINF A-STRIKER,RR,PILLAR (D)VERST.										(F)RNFT A-GACHE,AR,MONTANT (S)REFZ A-TRINQUETE,TR,MONTANTE		
	98545087	04-07		. B . X X X										LH 1		
	98545088	04-07		. B . X X X										RH 1		
	[50]			(E)PANEL-SIDE,INR,RR (D)SEITENBLECH,INNEN,HINTEN										(F)PANNEAU-LATERAL,INT,AR (S)PANEL-LATERAL,INT,TR		
	98544693	04-07		. B . X X X										LH 1		
	98544694	04-07		. B . X X X										RH 1		
	[56]			(E)INSULATION-SIDE PNL,OTR (D)SOLIERUNG-SEITENBLECH,AUSSEN										(F)ISOLATION-PAN LATERAL,EXT (S)AISLAMIENTO-PANEL		
	98412846	04-07		. B . X X X										LH 1		
	98412847	04-07		. B . X X X										RH 1		

6413

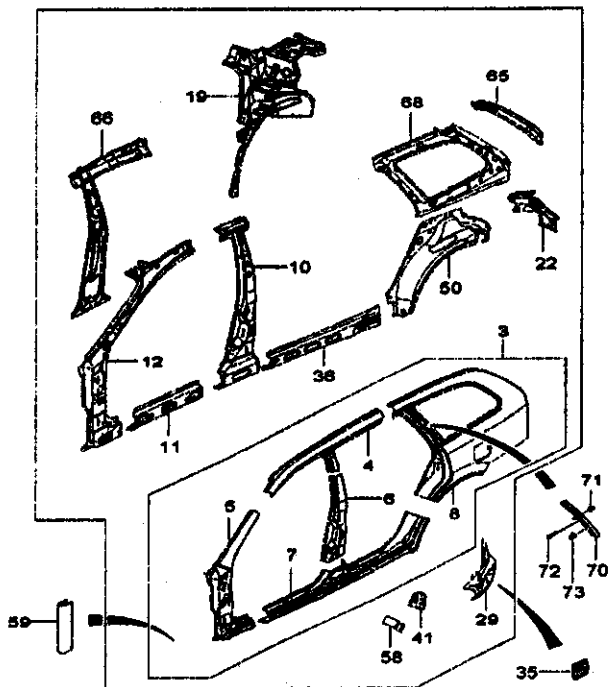
SIDE BODY PANEL IV



I T C	KEY NO. PART NO.	MODEL YEAR	D R Y	PART NAME						L Q /	V.I.N.		REMARKS	P R O D U C T I O N
				B O D Y	L E V E L	O P T I O N	R Y	F R O M	T O					
											4 N H B	5 H S B		
	[01]			(E)PANEL A-SIDE,COMPL (D)SEITENBLECH A,KOMPL							(F)PANNEAU A-LATERAL,COMPL (S)PANEL A-LATERAL,COMPL			
	96617220	05-07		. . B X X X							LH 1			
	96617221	05-07		. . B X X X							RH 1			
	[03]			(E)PANEL SIDE,OTR (D)SEITENBLECH,AUSSEN							(F)PANNEAU-LATERAL_EXT (S)PANEL-LATERAL_EXT			
	96617228	05-07		. . B X X X							LH 1			
Y	96468833	05-07		. . B X X X							LH 1			
	96617229	05-07		. . B X X X							RH 1			
Y	96468834	05-07		. . B X X X							RH 1			
	[04]			(E)PANEL SIDE,ROOF (D)SEITENBLECH,DACH							(F)PANNEAU-LATERAL_PAVILLON (S)PANEL-LATERAL_TECHE			
	96633501	05-07		. . B X X X							LH 1			
	96633502	05-07		. . B X X X							RH 1			
	[06]			(E)PANEL PILLAR,SIDE,OTR,PRT (D)BLECH-SAEULE,SEITE,AUSSEN,VORN							(F)PANNEAU-MONTANT,LATERAL_EXT (S)PANEL-MONTANTE,LATERAL_EXT,O			
	96633499	05-07		. . B X X X EXCP							LH 1			
Y	96404741	05-07		. . B X X X EXCP							LH 1			
	96633500	05-07		. . B X X X EXCP							RH 1			
Y	96404742	05-07		. . B X X X EXCP							RH 1			
	[06]			(E)PANEL PILLAR,SIDE,OTR,CTR (D)BLECH-SAEULE,SEITE,AUSSEN,MITTE							(F)PANNEAU-MONTANT,LATERAL_EXT (S)PANEL-MONTANTE,LATERAL_EXT,O			
	96633505	05-07		. . B X X X EXCP							LH 1			
Y	96404747	05-07		. . B X X X EXCP							LH 1			
	96633506	05-07		. . B X X X EXCP							RH 1			
Y	96404748	05-07		. . B X X X EXCP							RH 1			
	[07]			(E)PANEL ROCKER (D)SCHWELLEN							(F)PANNEAU-BAS DE CAISSE (S)PANEL-DE ESTRIBERA			
	96633503	05-07		. . B X X X EXCP							LH 1			
Y	96404745	05-07		. . B X X X EXCP							LH 1			
	96633504	05-07		. . B X X X EXCP							RH 1			
Y	96404746	05-07		. . B X X X EXCP							RH 1			
	[08]			(E)PANEL SIDE,OTR,RR (D)SEITENBLECH,AUSSEN,HINTEN							(F)PANNEAU-LATERAL_EXT,AR (S)PANEL-LATERAL_EXT,TR			
	96633507	05-07		. . B X X X							LH 1			
	96633508	05-07		. . B X X X							RH 1			
	[10]			(E)REINF A-CTR PILLAR (D)VERST.A-MITTLERE SAEULE							(F)RNFT A-MONTANT CTR (S)REFZ A-MONTANTE CTR			
	96617238	05-05		. . B X X X							LH 1	06623		
O	96435719	05-07		. . B X X X							LH 1	06624		
Y	96473665	05-07		. . B X X X							LH 1			
	96617239	05-05		. . B X X X							RH 1	06623		

6413

SIDE BODY PANEL IV



RJ6413GNW 01/10/2006

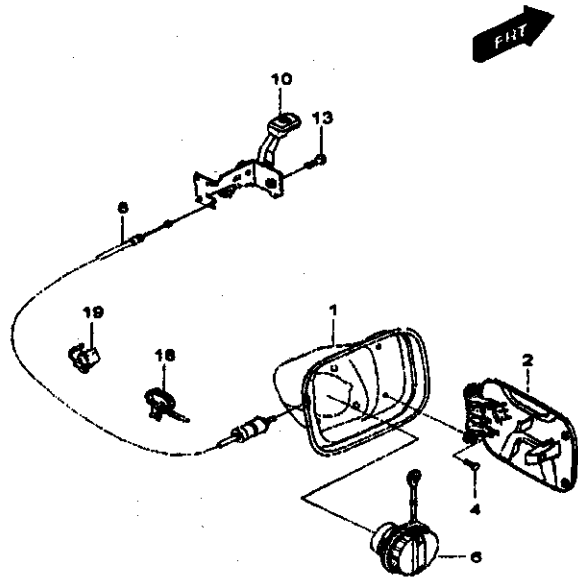
I T C	KEY NO.		PART NAME										L Q T R Y	V.I.N.		REMARKS	E D O C P	
	PART NO.	MODEL YEAR	D R V	BODY			LEVEL			OPTION	FROM	TO						
				4 N B	4 H W	5 S B	B L S	L L S										
	[66]			(E) SEAL PILLAR (D) DICHTUNG-SAEULE										(F) JOINT-MONTANT (S) JUNTA ESTANCA-MONTANTE				
	96544040	04-07		. . . B X X X										2				
	[59]			(E) COVER-FLANGE, FRT POST (D) FLANSCHDECKEL, VORDERER										(F) COUVERCLE-REBORD, MONTANT (S) TAPA-BRIDA, POSTE DELAN				
	96544053	04-07		. . . B X X X										2				
	[65]			(E) PIECE A-COIN, SIDE, OTR (D) VERBINDUNGSTEIL A. SEITE, AUSSEN										(F) PIECE A-LIAISON, LATERALE, EXT (S) PIECE A-COIN, LATERAL, EXT				
	96617260	05-07		. . . B X X X										LH 1				
	96617261	05-07		. . . B X X X										RH 1				
	[68]			(E) PANEL A-CTR PILLAR, INR (D) BLECH A-MITTLERE SAEULE, INNEN										(F) PANNEAU A-MONTANT CTR, INT (S) PANEL A-MONTANTE CTR, INT				
	96617286	05-07		. . . B X X X										LH 1				
	96617287	05-07		. . . B X X X										RH 1				
	[69]			(E) PANEL A-QUARTER, INR (D) BLECH A-DREIECK, INNEN										(F) PANNEAU A-CUSTODE, INT (S) PANEL A-LATERAL, INT				
	96617292	05-07		. . . B X X X										LH 1				
	96617293	05-07		. . . B X X X										RH 1				
	[70]			(E) COVER A-C PILLAR, OUTER (D) ABDECKUNG A-C SAEULE, AUSSEN										(F) COUVERCLE A-MONTANT C, EXT (S) CUBIERTA A-MONTANTE C, EXT				
	96617703	05-07		. . . B X X X										LH 1				
	96617704	05-07		. . . B X X X										RH 1				
	[71]			(E) NUT (D) MUTTER										(F) ECROU (S) TUERCA				
	94618242	05-07		. . . B X X X										6				FOR COVER-C PILLAR OUTER
	[72]			(E) SCREW (D) SCHRAUBE										(F) VIS (S) TORNILLO				
	94520491	05-07		. . . B X X X										6				FOR COVER-C PILLAR OUTER
	[73]			(E) RETAINER (D) HALTESTIFT										(F) PIECE DE RETENUE (S) RETEN				
	96260548	05-07		. . . B X X X										4				FOR COVER-C PILLAR OUTER

**** RPO DEFINITIONS ****

XCP : HEAVY DUTY CORROSION SPEC

6420

FUEL FILLER LOCK

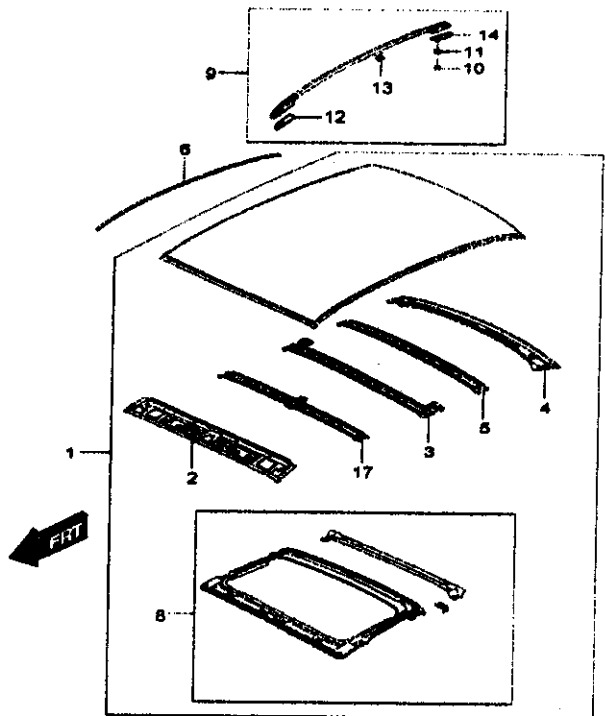


RJ6420GW 10/30/2004

KEY NO.		PART NAME													
I T C	PART NO.	MODEL YEAR	D R V	BODY			LEVEL			OPTION	L O T Y	V.I.N.		REMARKS	P / E D O C
				4 N B	4 H S	5 S W	B S	L S	L T			FROM	TO		
										**** RPO DEFINITIONS ****					
										NK : EMISSION-ULEV II					
										NM : EMISSION-OP/LOOP, LEADED					
										NW : EMISSION-EURO, STAGE II					
										NU : EMISSION-EURO, STAGE IV					
										NV : EMISSION-EURO, STAGE III					
										NU : EMISSION-KOREAN, ULEV					

6430

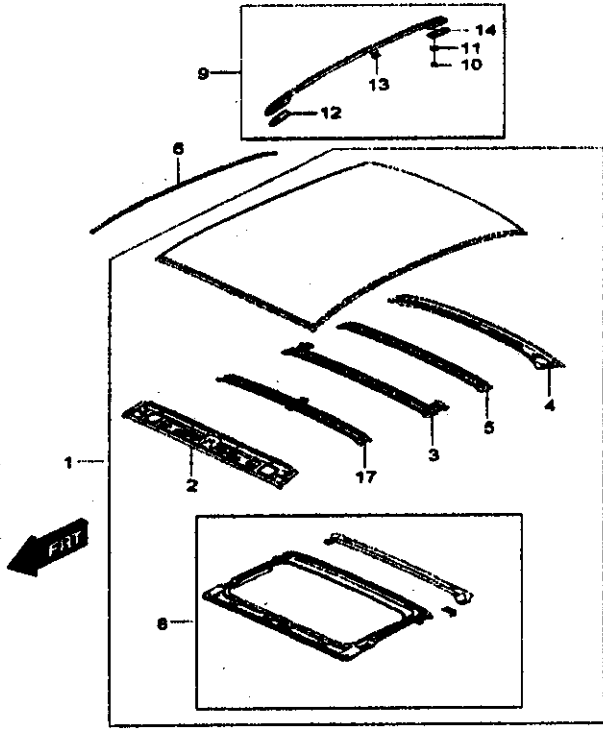
ROOF PANEL



RJ6430GNW 10/30/2004

I T C	KEY NO.		PART NAME										REMARKS	PROG-D	
	PART NO.	MODEL YEAR	D R V	BODY			LEVEL			OPTION	L Q R Y	V.I.N.			
				4 N B	4 H B	5 S W	B L S	L L S T	FROM			TO			
	[01]			(E)PANEL A-ROOF (D)DACHPLATTE A								(F)PANNEAU A-TOIT (S)PANEL A-TECHO			
	96545140	04-07		B	.	.	X	X	X	-CF6				1	
	96545141	04-07		B	.	.	X	X	X	ACF6				1	
	96545142	04-07		.	B	.	X	X	X	-CF6				1	
	96545143	04-07		.	B	.	X	X	X	ACF6				1	
	96617302	05-07		.	.	B	X	X	X	-CF6RMR				1	
	96617303	05-07		.	.	B	X	X	X	ARMR-CF6				1	
	96617304	05-07		.	.	B	X	X	X	ACF6-RMR				1	
	96617305	05-07		.	.	B	X	X	X	ACF6&RMR				1	
	[02]			(E)RAIL A-WINDSHIELD HEADER (D)SCHIENE A-WINDSCHUTZS.								(F)TRaverse A-SUPERIEURE DE (S)CARRIL A-PLANCHA DE PARB			
	96545155	04-07		B	B	.	X	X	X	-RMR				1	
	96545155	04-07		.	.	B	X	X	.	-RMR				1	
	96617308	05-07		.	.	B	X	X	X	ARMR				1	
	[03]			(E)SUPPORT A-ROOF,CTR (D)HALTERUNG A-DACH,MITTE								(F)SUPPORT A-PAVILLON,CTR (S)SOPORTE A-TECHO,CTR			
	96617408	05-07		.	.	B	X	X	X	ARMR				1	
	96617313	05-07		.	.	B	X	X	.	-RMR				1	
	[04]			(E)FRAME A-ROOF,RR (D)RAHMEN A-DACH,HINTEN								(F)CADRE A-PAVILLON,AR (S)BASTIDOR A-TECHO,TR			
	96545176	04-07		B	.	.	X	X	X					1	
	96545176	04-07		.	.	B	X	X	X					1	
	96617315	05-07		.	.	B	X	X	X	-RMR				1	
	96617316	05-07		.	.	B	X	X	X	ARMR				1	
	[05]			(E)SUPPORT A-ROOF,RR (D)HALTERUNG A-DACH,HINTEN								(F)SUPPORT A-PAVILLON,AR (S)SOPORTE A-TECHO,RR			
	96545168	04-07		B	.	.	X	X	X					1	
	96545169	04-07		.	.	B	X	X	X					1	
	96617314	05-07		.	.	B	X	X	X					1	
	[06]			(E)MOLDING A-ROOF (D)FORMTEIL A-DACH								(F)MOULURE A-PAVILLON (S)MOLDURA A-TECHO			
	96545679	04-07		B	.	.	X	X	X					LH 1	
	96545680	04-07		B	.	.	X	X	X					RH 1	
	96545677	04-07		.	.	B	X	X	X					LH 1	
	96545678	04-07		.	.	B	X	X	X					RH 1	
	96617670	05-07		.	.	B	X	X	X					LH 1	
	96617671	05-07		.	.	B	X	X	X					RH 1	
	[08]			(E)FRAME A-SUN ROOF (D)RAHMEN A-SONNENDACH								(F)CADRE A-TOIT OUVRANT (S)BASTIDOR A-TECHO CORREDZCO			
	96545189	04-07		B	B	B	X	X	X	ACF6				1	

**6430
ROOF PANEL**

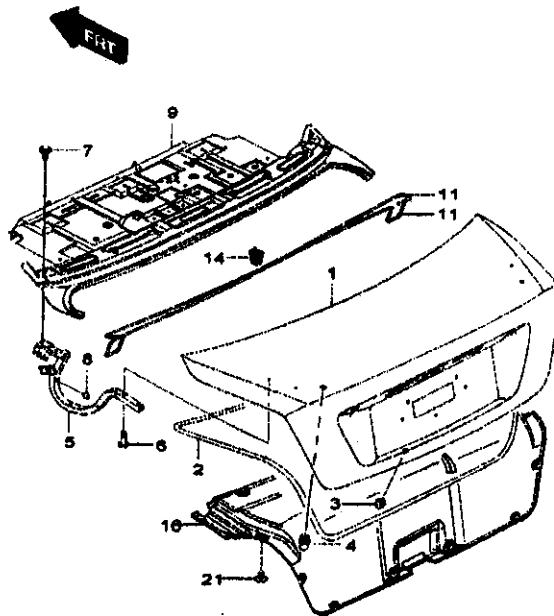


RJ8430GNW 10/30/2004

I T C	KEY NO.		PART NAME										L Q / R Y	V.I.N.		REMARKS	P D O C / Y
	PART NO.	MODEL YEAR	D R V	BODY			LEVEL		OPTION	FROM	TO	REMARKS					
				4 N B	5 H S	8 B W	B	L						L	S		
	[09]			(E)RACK A-ROOF (D)DACHGEPAECKTRAEGER A									(F)GALERIE A-TOIT (S)BACA A				
	98617677	05-07		. .	B	X	X	X	ARMR			LH 1					
	98617678	05-07		. .	B	X	X	X	ARMR			RH 1					
	[10]			(E)NUT (D)MUTTER									(F)ECROU (S)TUERCA				
	94519067	05-07		. .	B	X	X	X	ARMR			10					
	[11]			(E)SEAL-ROOF RACK,UPR (D)DICHTUNG-DACHGEPAECKTRAEGER,									(F)JOINT-GALERIE DE TOIT,SUP (S)JUNTA ESTACA-BACA,SUP				
	98427378	05-07		. .	B	X	X	X	ARMR			10					
	[12]			(E)PAD-ROOF RACK,FRT (D)UNTERLAGE-DACHGEPAECKTRAEGER									(F)PATIN-GALERIE DE TOIT,AV (S)ALMOHADILLA-BACA,DELAN				
	98617701	05-07		. .	B	X	X	X	ARMR			LH 1					
	98617702	05-07		. .	B	X	X	X	ARMR			RH 1					
	[13]			(E)PAD-ROOF RACK,CTR (D)UNTERLAGE-DACHGEPAECKTRAEGER									(F)PATIN-GALERIE DE TOIT,CTR (S)ALMOHADILLA-BACA,CTR				
	98413717	05-07		. .	B	X	X	X	ARMR			LH 1					
	98413718	05-07		. .	B	X	X	X	ARMR			RH 1					
	[14]			(E)PAD-ROOF RACK,RR (D)UNTERLAGE-DACHGEPAECKTRAEGER									(F)PATIN-GALERIE DE TOIT,AR (S)ALMOHADILLA-BACA,TR				
	98413719	05-07		. .	B	X	X	X	ARMR			LH 1					
	98413720	05-07		. .	B	X	X	X	ARMR			RH 1					
	[17]			(E)SUPPORT A-ROOF,FRT (D)DACHHALTERUNG A-,VORN									(F)SUPPORT A-PAVILLON,AV (S)SOPORTE A-TECHO,DELAN				
	98546188	04-07		B	B	B	X	X	X	-CPS		1					
				**** RPO DEFINITIONS ****													
				CPS : SUNROOF-SLIDE & TILT POWER													
				RMR : ROOF RACK-BLACK													

6440

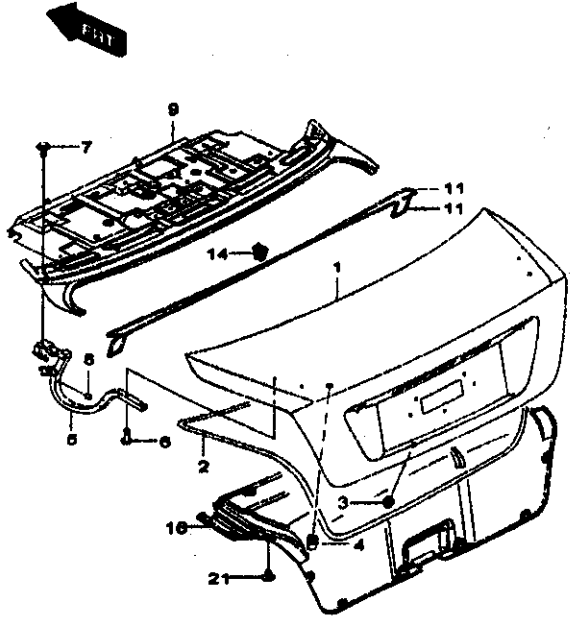
TRUNK LID PANEL



RJ6440DGW 10/30/2004

I T C	KEY NO.		PART NAME										L Q T Y	V.I.N.		REMARKS	P R O D U C T I O N
	PART NO.	MODEL YEAR	D R V	BODY			LEVEL			OPTION	FROM	TO					
				4 N B	5 H W	6 S B	7 L S	8 L L	9 L S T								
	[01]			(E)PANEL A-T/LID (D)PLATTE A-KOFFERRAUMDECKEL									(F)PANNEAU A-CV.COF (S)PANEL A- PTAMAL				
	96548828	04-07		B . . X X X					AXCK-XME				1				
	96548827	04-06		B . . X X X					AXCK-XBR				1				
	96548830	04-07		B . . X X X					AXCP-XLB				1				
	96418907	05-07		B X					AXCPA-XLB				1				
	96548829	06-07		B . . X X X					AXME				1				
	[02]			(E)WSTRIP A-T/LID (D)DICHT. A-KOFFERRAUMDECKEL									(F)JT.ETAN A-CV.COF (S)BUR A-PTAMAL				
	96545244	04-07		B . . X X X									1				
	[03]			(E)BUMPER (D)STOSSDAEMPFER									(F)PARE-CHOCS (S)TOPE AMORTIGUADOR				
	96240768	04-07		B . . X X X									2				
	[04]			(E)BUMPER (D)STOSSDAEMPFER									(F)PARE-CHOCS (S)TOPE AMORTIGUADOR				
	96169594	04-07		B . . X X X									2				
	[05]			(E)HINGE A-T/LID (D)SCHARNIER A-KOFFERRAUMDECKEL									(F)CHARNIERE A-CV.COF (S)BISAGRA A- PTAMAL				
	96548816	04-07		B . . X X X									LH 1				
	96548817	04-07		B . . X X X									RH 1				
	[06]			(E)BOLT (D)BOLZEN									(F)BOULON (S)PERNO				
	94501529	04-07		B . . X X X									4				
	[07]			(E)BOLT (D)BOLZEN									(F)BOULON (S)PERNO				
	94501769	04-07		B . . X X X									4				
	[08]			(E)BUMPER-T/LID HINGE (D)DAEMPFER-SCHARNIER									(F)BUTEE-CHARNIERE DE CV.COF (S)TOPE AMORTIGUADOR-BISAGRA				
	96185310	04-07		B . . X X X									2				
	[09]			(E)PANEL A-BACK,UPR (D)BLECH A.HINTEN,OBEN									(F)PANNEAU A-ARRIERE,SUP (S)PANEL A-TRASERO,SUP				
	96545122	04-07		B . . X . .					LAMB&XCK-XKD				1				
	96545128	04-07		B . . X X X					LABB&B&XCK-XKD				1				
	96545129	04-07		B . . X X X					AXCP				1				
	96545124	04-07		B . . X X X					AXCK&XKD				1				
	[11]			(E)BAR-T/LID TORSION (D)TORSIONSSTAB-KOFFERRAUMDECKE									(F)BARRE-TORSION,CV.COF (S)BARRA-DE TORSION DE PTAMAL				
	96548843	04-07		B . . X X X					-RTS				LH 1				
	96405839	04-07		B . . X X X					RTS				LH 1				
	96548844	04-07		B . . X X X					-RTS				RH 1				
	96405840	04-07		B . . X X X					RTS				RH 1				

6440
TRUNK LID PANEL

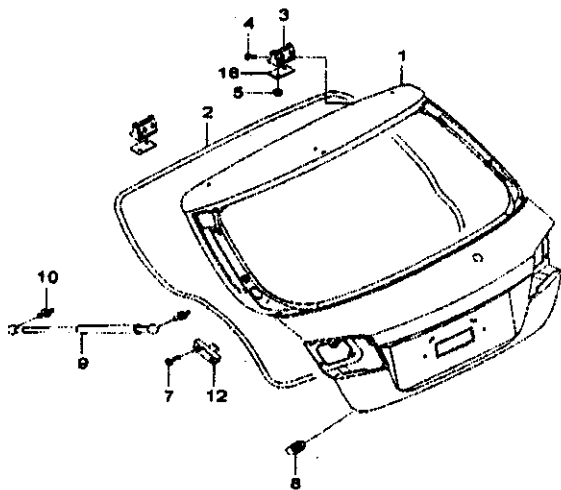


RJ6440DGW 10/30/2004

I T C	KEY NO.		PART NAME										REMARKS	E T D O C I D		
	PART NO.	MODEL YEAR	D R V	BODY			LEVEL			OPTION	L G T R Y	V.I.N.				
				4 N B	4 H B	5 S W	B L S	L L S	T			FROM				TO
	[14] 96379720	04 - 07		(E)CLIP (D)KLEMME B . . X X X								(F)CLIP (S)CLIP 1				
	[16] 96615960	04 - 07		(E)TRIM-TA/JD,INR (D)VERKLEIDUNG-KOFFERRAUMDECKEL B . . X X X					ARTS			(F)GARNISSAGE-CV.COF.INT (S)GUARNECIDO-PTA/MAL.INT 1				
	[21] 94530432	04 - 07		(E)CLIP (D)KLEMME B . . X X X					ARTS			(F)CLIP (S)CLIP 16				
<p>**** RPO DEFINITIONS ****</p> <p>XCK : STD CORROSION SPEC XME : MANDATORY-MEXICO XBR : BRAZIL-MANDATORY XCP : HEAVY DUTY CORROSION SPEC XJS : JAPAN-MANDATORY AMS : SEAT-RR,FIXED WSEMI HI-BK XND : CHILD SEAT BELT PROVISION ABS : SEAT-REAR,DELUXE ABD : SEAT-REAR,STANDARD RTS : TRIM-TRUNK,STD</p>																

6441

TAILGATE PANEL I

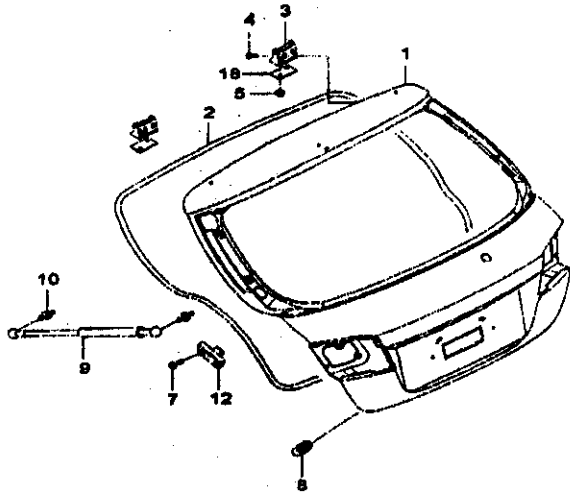


RJ6441 10/30/2004

I T C	KEY NO. PART NO.	MODEL YEAR	PART NAME						L R	Q TY	V.I.N.		REMARKS	P- CODE
			D R V	BODY		LEVEL		OPTION			FROM	TO		
				4 N B	4 H S	5 B W	B L L							
	[01]			(E)PANEL A-TIGATE (D)BLECH A-HECKKLAPPE						(F)PANNEAU A-HAYON (S)PANEL A-PTAT				
	96548848	04-07		. B . X X X		ST43&XCK				1				
	96387132	04-07		. B . X X X		&XCK-T43				1				
	96548848	04-07		. B . X X X		ST43&XCP				1				
	96387133	04-07		. B . X X X		&XCP-T43				1				
	[02]			(E)WSTRIP A-TIGATE (D)DICHT. A-HECKKLAPPE						(F)JT.ETAN A-HAYON (S)BUR A-PTAT				
	96545246	04-07		. B . X X X						1				
	[03]			(E)HINGE A-TIGATE (D)SCHARNIER A-HECKKLAPPE						(F)CHARNIERE A-HAYON (S)BISAGRA A-PTAT				
	96549037	04-07		. B . X X X						LH 1				
	96549038	04-07		. B . X X X						RH 1				
	[04]			(E)BOLT (D)BOLZEN						(F)BOULON (S)PERNO				
	94500433	04-07		. B . X X X						4				
	[05]			(E)NUT (D)MUTTER						(F)ECROU (S)TUERCA				
	94515124	04-07		. B . X X X						4				
Y	94515132	04-07		. B . X X X						4				
	[07]			(E)BOLT (D)BOLZEN						(F)BOULON (S)PERNO				
	94500824	04-07		. B . X X X						4				
	[08]			(E)BUMPER (D)STOSSDAEMPFER						(F)PARE-CHOC (S)TOPE AMORTIGUADOR				
	96168594	04-07		. B . X X X						2				
	[09]			(E)SPRING-GAS,TIGATE (D)GASFEDER,HECKKLAPPE						(F)RESSORT-GAZ,HAYON (S)MUELLE-DE GAS,PTA/MAL				
	96548931	04-07		. B . X X X						2				
	[10]			(E)JOINT A-BALL (D)KUGELGELENK A						(F)ROTULE A (S)RÓTULA A				
	96228420	04-07		. B . X X X						4				
	[12]			(E)BUMPER-TIGATE,SIDE (D)DAEMPFER-HECKKLAPPE,SEITE						(F)BUTEE-HAYON,LATERALE (S)TOPE				
	96548806	04-07		. B . X X X						LH 1				
	96548807	04-07		. B . X X X						RH 1				
	[18]			(E)WASHER (D)UNTERLEGSCHIBE						(F)RONDELLE (S)ARANDELA				
	96379820	04-07		. B . X X X						2				
Y	96423424	04-07		. B . X X X						2				

6441

TAILGATE PANEL I

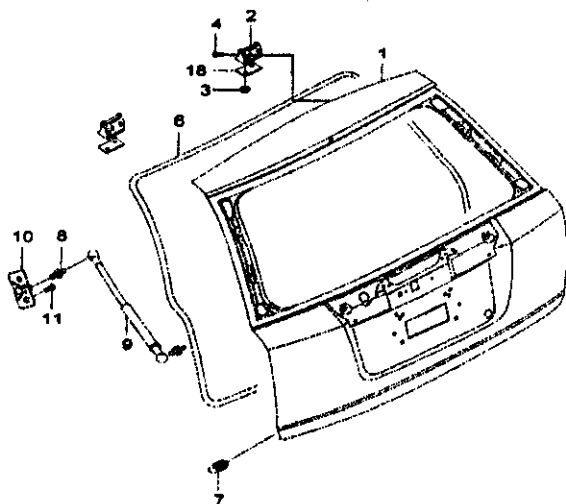


RJ6441 10/30/2004

KEY NO.		PART NAME													
I T C	PART NO.	MODEL YEAR	D R V	BODY			LEVEL			OPTION	L Q T Y	V.I.N.		REMARKS	P / C O D E
				4 N B	4 H S	5 B W	B S	L S	L T			FROM	TO		
										**** RPO DEFINITIONS **** T43 : SPOILER-REAR, STANDARD XCK : STD CORROSION SPEC XCP : HEAVY DUTY CORROSION SPEC					

6442

TAILGATE PANEL II



RJ6442GNW 10/30/2004

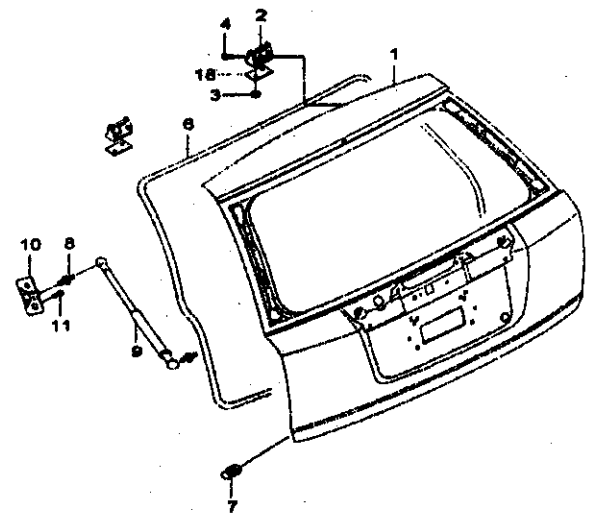
I T C	KEY NO.		PART NAME										L Q / R Y	V.I.N.		REMARKS	P R O C E D U R E
	PART NO.	MODEL YEAR	D R Y	BODY		LEVEL		OPTION	FROM	TO	REMARKS						
				4 N S B	5 H S W	B L S	L L T										
	[01]			(E)PANEL A-TIGATE (D)BLECH A-HECKKLAPPE									(F)PANNEAU A-HAYON (S)PANEL A-PTAT				
	96617825	05-07		. . B X X X			ANCK						1				
	96617827	05-07		. . B X X X			ANCP-XJ6						1				
	96423266	05-07		. . B . . X			ANCP&XJ6						1				
	[02]			(E)HINGE A-TIGATE (D)SCHARNIER A-HECKKLAPPE									(F)CHARNIERE A-HAYON (S)SISAGRA A-PTAT				
	96549037	05-07		. . B X X X									LH 1				
	96549038	05-07		. . B X X X									RH 1				
	[03]			(E)NUT (D)MUTTER									(F)ECROU (S)TUERCA				
	94515124	05-07		. . B X X X									4				
	Y 94515132	05-07		. . B X X X									4				
	[04]			(E)BOLT (D)BOLZEN									(F)BOULON (S)PERNO				
	94500433	05-07		. . B X X X									4				
	[06]			(E)W/STRIP A-TIGATE (D)DICHT. A-HECKKLAPPE									(F)J.T.ETAN A-HAYON (S)SIBUR A-PTAT				
	96617325	05-07		. . B X X X									1				
	[07]			(E)BUMPER (D)STOSSDAEMPFER									(F)PARE-CHOC (S)TOPE AMORTIGUADOR				
	96160694	05-07		. . B X X X									2				
	[08]			(E)JOINT A-BALL (D)KUGELGELENK A									(F)ROTULE A (S)RÓTULA A				
	96228420	05-07		. . B X X X									2				
	[09]			(E)SPRING A-GAS OPERATION (D)GASFEDER A BEDIENUNG									(F)RESSORT A-GAZ (S)MUELLE A-DE				
	96617850	05-07		. . B X X X									2				
	[10]			(E)BRACKET A-GAS SPRING (D)HALTER A-GASFEDER									(F)SUPPORT A-RESSORT A-GAZ (S)SOPORTE A-MUELLE DE GAS				
	96417944	05-07		. . B X X X									LH 1				
	96417945	05-07		. . B X X X									RH 1				
	[11]			(E)BOLT (D)BOLZEN									(F)BOULON (S)PERNO				
	94501380	05-07		. . B X X X									4				
	Y 94500824	05-07		. . B X X X									4				
	[18]			(E)WASHER (D)UNTERLEGSCHIEBE									(F)RONDELLE (S)ARANDELA				
	96378620	05-07		. . B X X X									2				
	Y 96423424	05-07		. . B X X X									2				

6442

TAILGATE PANEL II

I T C	KEY NO.		PART NAME										L Q T Y	V.I.N.		REMARKS	P R O D U C T I O N
	PART NO.	MODEL YEAR	D R V	BODY			LEVEL			OPTION	FROM	TO					
				4 N S	4 H S	5 B W	B L	L S	L T								

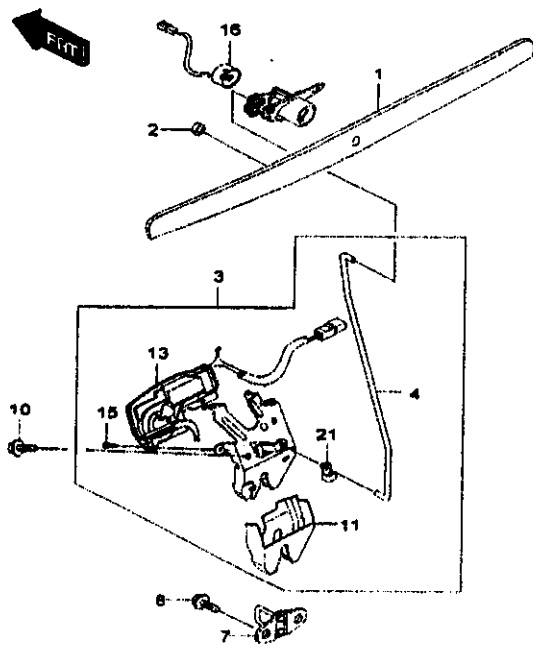
**** RPO DEFINITIONS ****
 XCK : STD CORROSION SPEC
 XCP : HEAVY DUTY CORROSION SPEC
 XJB : JAPAN-MANDATORY



RJ6442GNW 10/30/2004

6450

TRUNK LID LOCK



RJ6450GW 10/30/2004

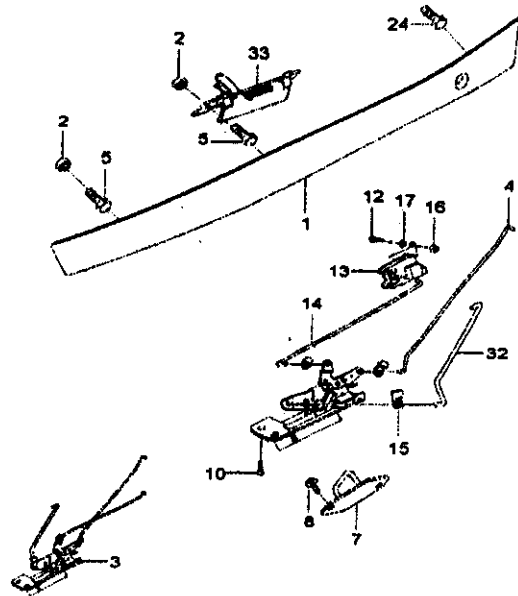
I T C	KEY NO.		PART NAME										REMARKS	P- CODE
	PART NO.	MODEL YEAR	DRV	BODY		LEVEL		OPTION	L R	Q TY	V.I.N.			
				4 N B	4 H S	5 B L	5 L L				FROM	TO		
	[01]			(E)HANDLE A-T/LID (D)GRIFF A-KOFFERRAUMDECKEL							(F)POIGNEE A-CV.COF (S)TIRADOR A-PTAMAL			
	96545783	04-07		B . . X X X							1			
	96391751	06-07		B . . X X X			4807&XME				1		FOR GMM	
	[02]			(E)NUT (D)MUTTER							(F)ECROU (S)TUERCA			
	94515128	04-07		B . . X X X							6			
	[03]			(E)LATCH A-T/LID (D)VERRIEGELUNG							(F)SERRURE A-CV.COF (S)CIERRE A-PTAMAL			
	96349668	04-07		B . . X X X							1			
	[04]			(E)ROD-PULL,LATCH,T/LID (D)ZUGSTANGE,VERRIEGELUNG,KOFFER							(F)TRINGLE-TIRAGE,SERRURE,CV.CO (S)TIRANTE-CIERRE,PTAMAL			
	96349668	04-07		B . . X X X							1			
	[07]			(E)STRIKER A-LATCH,T/LID (D)SCHLISSBOLZEN							(F)GACHE A-SERRURE DE CV.COF (S)TRINQUETE A-CIERRE,PTAMAL			
	96327157	04-07		B . . X X X							1			
	[08]			(E)BOLT (D)BOLZEN							(F)BOULON (S)PERNO			
	94501522	04-07		B . . X X X							2			
	Y 94501375	04-07		B . . X X X							2			
	[10]			(E)BOLT (D)BOLZEN							(F)BOULON (S)PERNO			
	94501383	04-07		B . . X X X							2			
	[11]			(E)COVER-PLASTIC LATCH T/LID (D)PLASTIKDECKEL VERRIEGELUNG							(F)COUVERCLE (S)TAPA-DE CIERRE DE PLÁS			
	96327156	04-07		B . . X X X							1			
	[13]			(E)ACTUATOR A-LATCH,TRK (D)BETAETIGUNGSORGAN							(F)ACTIONNEUR A-SERRURE,COF (S)ACTUADOR A-CIERRE,MAL			
	96327155	04-07		B . . X X X							1			
	[15]			(E)SCREW (D)SCHRAUBE							(F)VIS (S)TORNILLO			
	96327158	04-07		B . . X X X							1			
	[16]			(E)SWITCH A-UNLOCK,KEY CYL (D)OEFFNUNGSSCHALTER							(F)CONTACTEUR (S)INTERRUPTOR			
	96327923	04-07		B . . X X X							1			
	[21]			(E)CLIP (D)KLEMME							(F)CLIP (S)CLIP			
	94530295	04-07		B . . X X X							1			

**** RPO DEFINITIONS ****

807 : HANDLE-REAR END,BODY COLOR

6451

TAILGATE LOCK I

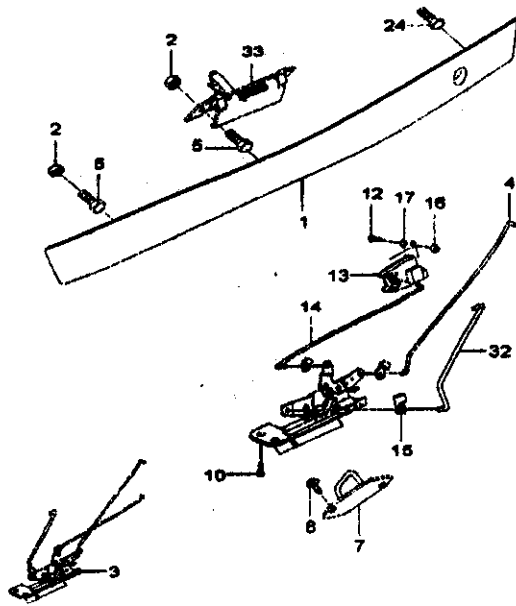


RJ6451 10/30/2004

I T C	KEY NO.		PART NAME										REMARKS	P / C O D E
	PART NO.	MODEL YEAR	D R V	BODY		LEVEL		OPTION	L / Q T Y	V.I.N.				
				4 N B	5 H B	B L S	L L S T			FROM	TO			
	[01]			(E)HANDLE A-TIGATE (D)GRIFF A-HECKKLAPPE								(F)POIGNEE A-HAYON (S)TIRADOR A-PTAT		
	96545779	04-07		. B . X X X			4802					1		
	96545782	04-07		. B . X X X			4807					1		
	[02]			(E)NUT (D)MUTTER								(F)ECROU (S)TUERCA		
	94515128	04-07		. B . X X X								5		
	[03]			(E)LATCH A-TIGATE (D)VERRIEGELUNG A-HECKKLAPPE								(F)SERRURE A-HAYON (S)CIERRE A-PTAT		
	96548890	04-05		. B . X X X			-ALU3					1	102120	
	O 96425931	04-07		. B . X X X			-ALU3					1	102121	
	96548889	04-05		. B . X X X			4ALU3					1		
	Y 96425250	04-05		. B . X X X			4ALU3					1	102120	
	O 96425632	04-07		. B . X X X			4ALU3					1	102121	
	[04]			(E)ROD-KEY CYL,TIGATE (D)ZYLINDERSCHLOSSSTAB,HECKKLAPP								(F)TRINGLE-BARILLET,HAYON (S)VARILLA-CIL CERRADURA,PTAT		
	96548898	04-07		. B . X X X								1		
	[05]			(E)BOLT (D)BOLZEN								(F)BOULON (S)PERNO		
	94501629	04-07		. B . X X X								3		
	[07]			(E)STRIKER A-LATCH,TIGATE (D)SCHLIESSBOLZEN A,VERRIEGELUNG								(F)GACHE A-SERRURE DE HAYON (S)TRINQUETE A-CIERRE,PTAT		
	96238274	04-07		. B . X X X								1		
	[08]			(E)BOLT (D)BOLZEN								(F)BOULON (S)PERNO		
	94501375	04-07		. B . X X X								2		
	[10]			(E)SCREW (D)SCHRAUBE								(F)VIS (S)TORNILLO		
	94520565	04-07		. B . X X X								3		
	[12]			(E)SCREW (D)SCHRAUBE								(F)VIS (S)TORNILLO		
	94520488	04-07		. B . X X X								3		
	[13]			(E)ACTUATOR A-TIGATE (D)BETRIEGUNGSORGAN								(F)ACTIONNEUR A-HAYON (S)ACTUADOR A-PTAT		
	96423809	04-07		. B . X X X			4ALU3					1		
	[14]			(E)ROD-ACTUATOR,TIGATE (D)BETRIEGUNGSTANGE,HECKKLAPPE								(F)TRINGLE-ACTIONNEUR,HAYON (S)VARILLA-ACTUADOR,PTAT		
	96548900	04-07		. B . X X X			4ALU3					1		
	[15]			(E)CLIP (D)KLEMMME								(F)CLIP (S)CLIP		
	94530295	04-07		. B . X X X								2		

6451

TAILGATE LOCK I

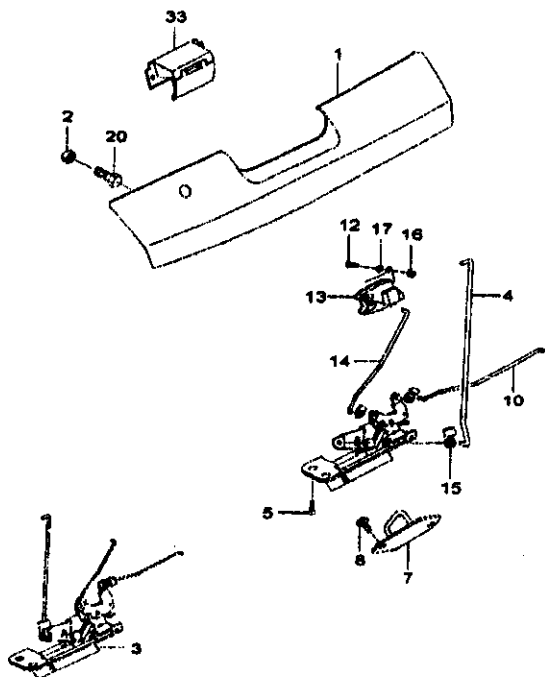


RJ6451 10/30/2004

I T C	KEY NO.		PART NAME										REMARKS	P / C O D E		
	PART NO.	MODEL YEAR	D R Y	BODY			LEVEL			OPTION	L Q T Y	V.I.N.				
				4 N B	4 H S	5 S W	B S	L S	L T			FROM				TO
	[16] 94533328	04-07		(E)BUSH (D)BUCHSE . B . X X X								(F)BAGUE (S)CASQUILLO 3				
	[17] 94533303	04-07		(E)BUSH (D)BUCHSE . B . X X X								(F)BAGUE (S)CASQUILLO 3				
	[24] 94501887	04-07		(E)BOLT (D)BOLZEN . B . X X X								(F)BOULON (S)PERNO 2				
	[32] 96386976	04-07		(E)ROD-HANDLE,TIGATE (D)GRIFFSTANGE,HECKKLAPPE . B . X X X								(F)TRINGLE-POIGNEE,HAYON (S)VARILLA-TIRADOR,PTAT 1				
	[33] 96349857	04-07		(E)HANDLE A-RELEASE,TIGATE (D)LOESEGRIF,HECKKLAPPE . B . X X X								(F)POIGNEE A-OUVERTURE,HAYON (S)TIRADOR A-APERTURA,PTAT 1				
				**** RPO DEFINITIONS ****												
				802 : HANDLE-REAR END,BLACK												
				807 : HANDLE-REAR END,BODY COLOR												
				A13 : LOCK-DOORS,ELECTRIC												

6452

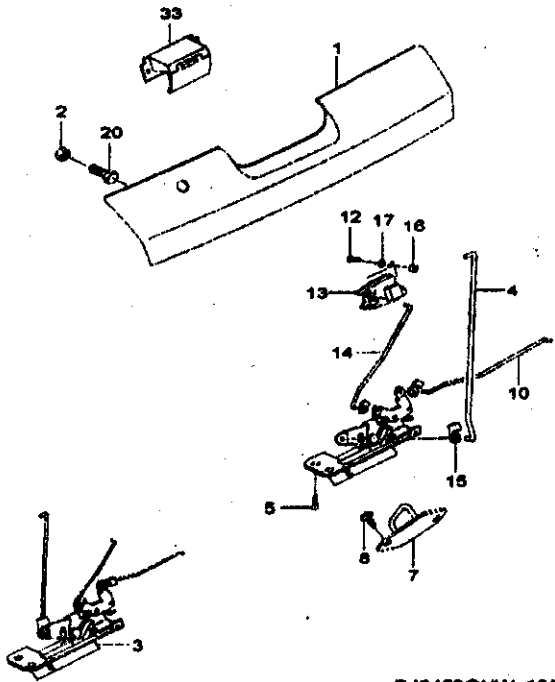
TAILGATE LOCK II



RJ6452GNW 10/30/2004

KEY NO.		PART NAME										REMARKS	P MOOC		
I T C	PART NO.	MODEL YEAR	D R V	BODY		LEVEL		OPTION	L Q / R Y	V.I.N.					
				4 N B	4 H W	B L S	L L S T			FROM	TO				
	[01]														
	96617923	05-07						(E)HANDLE A-TIGATE (D)GRIFF A-HECKKLAPPE ... B X X X 4807			(F)POIGNEE A-HAYON (S)TIRADOR A-PTAT 1				
	[02]														
	94515128	05-07						(E)NUT (D)MUTTER ... B X X X			(F)ECROU (S)TUERCA 8				
	[03]														
	96617934	05-07						(E)LATCH A-TIGATE (D)VERRIEGELUNG A-HECKKLAPPE ... B X X X 4AUS			(F)SERRURE A-HAYON (S)CIERRE A-PTAT 1				
Y	96435002	05-07						... B X X X 4AUS			1				
	96617935	05-07						... B X X X 4AUS			1				
Y	96435003	05-07						... B X X X 4AUS			1				
	[04]														
	96617937	05-07						(E)ROD-KEY CYL,TIGATE (D)ZYLINDERSCHLOSSSTAB,HECKKLAPP ... B X X X			(F)TRINGLE-BARILLET,HAYON (S)VARILLA-CIL CERRADURA,PTAT 1				
	[05]														
	94520665	05-07						(E)SCREW (D)SCHRAUBE ... B X X X			(F)VIS (S)TORNILLO 3				
	[07]														
	96220034	05-07						(E)STRIKER A-LATCH,TIGATE (D)SCHLIESSBOLZEN A,VERRIEGELUNG ... B X X X			(F)GACHE A-SERRURE DE HAYON (S)TRINQUETE A-CIERRE,PTAT 1				
	[08]														
	94501375	05-07						(E)SCREW (D)SCHRAUBE ... B X X X			(F)VIS (S)TORNILLO 2				
	[10]														
	96617936	05-07						(E)ROD-HANDLE,TIGATE (D)GRIFFSTANGE,HECKKLAPPE ... B X X X			(F)TRINGLE-POIGNEE,HAYON (S)VARILLA-TIRADOR,PTAT 1				
	[12]														
	94520488	05-07						(E)BOLT (D)BOLZEN ... B X X X			(F)BOULON (S)PERNO 3				
	[13]														
	96518906	05-07						(E)ACTUATOR A-TIGATE (D)BETAETIGUNGSORGAN ... B X X X 4AUS			(F)ACTIONNEUR A-HAYON (S)ACTUADOR A-PTAT 1				
	[14]														
	96617938	05-07						(E)ROD-ACTUATOR,TIGATE (D)BETAETIGUNGSSTANGE,HECKKLAPPE ... B X X X 4AUS			(F)TRINGLE-ACTIONNEUR,HAYON (S)VARILLA-ACTUADOR,PTAT 1				
	[15]														
	94530295	05-07						(E)CLIP (D)KLEMME ... B X X X			(F)CLIP (S)CLIP 2				

**6452
TAILGATE LOCK II**

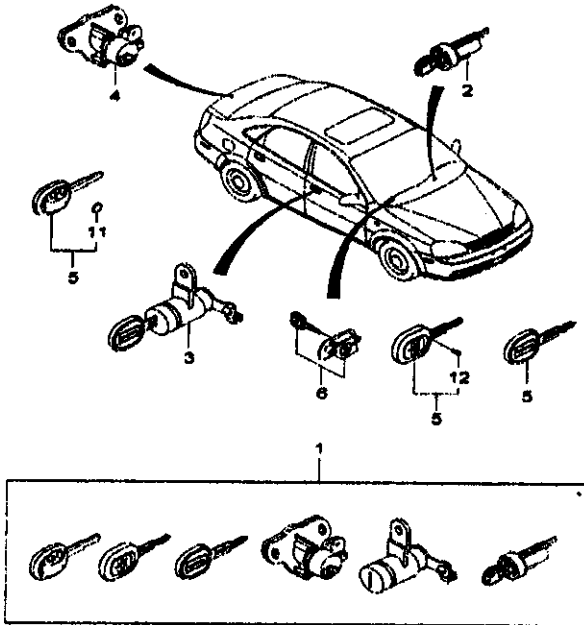


RJ6452GNW 10/30/2004

KEY NO.		PART NAME										REMARKS	P / CODE			
I T C	PART NO.	MODEL YEAR	D R Y	BODY			LEVEL				OPTION			L I T R Y	V.I.N.	
				4 N B	4 H B	5 S W	B B	L S	L S	L S					FROM	TO
	[16] 94535328	05 - 07		(E)BUSH (D)BUCHSE										(F)BAGUE (S)CASQUILLO 3		
	[17] 94535303	05 - 07		(E)BUSH (D)BUCHSE										(F)BAGUE (S)CASQUILLO 3		
	[20] 94501629	05 - 07		(E)BOLT (D)BOLZEN										(F)BOULON (S)PERNO 6		
	[33] 98617924	05 - 07		(E)HANDLE A-RELEASE, TIGATE (D)LOESEGRIF, HECKKLAPPE										(F)POIGNEE A-OUVERTURE, HAYON (S)TIRADOR A-APERTURA, PTAT 1		
<p>**** RPO DEFINITIONS ****</p> <p>B07 : HANDLE-REAR END, BODY COLOR</p> <p>AU3 : LOCK-DOORS, ELECTRIC</p>																

6460

CAR LOCK

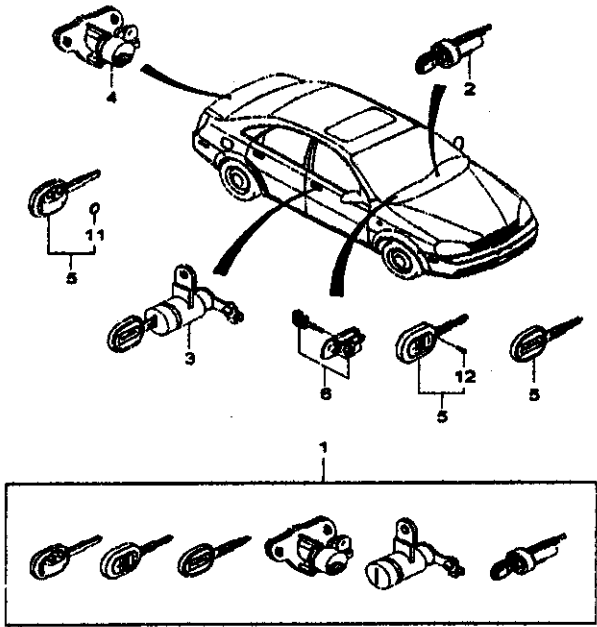


R.6460GW 10/30/2004

I T C	KEY NO. PART NO.	MODEL YEAR	D R V	BODY						LEVEL	PART NAME OPTION	L Q T Y	V.I.N.		REMARKS	P / C O D E
				4	5	B	L	L					FROM	TO		
				N	H	S	S	L								
	[01]									(E)LOCK SET-CAR (D)FAHRZEUGSCHLOSSET				(F)SERRURE COMPLETE-VOITURE (S)JUEGO DE CERRADURAS-COCH		
	96548481	04 - 04		B	.	X	X	X		43XA-CALUM1	1				HA	
	96419747	05 - 07	L	B	.	X	X	X		432LAB93XA-CALUM1	1				KA	
	96419749	05 - 07	R	B	.	X	X	X		432LAB93XA-CALUM1	1				EA	
	96548482	04 - 04		B	.	X	X	X		4CAL3XA-UM1	1				HB	
	96419750	05 - 05	L	B	.	X	X	X		432LAB9CAL3XA-UM1	1				KB	
	96482847	06 - 07	L	B	.	X	X	X		432LAB9CAL3XA-UM1	1				QX	
	96419752	05 - 05	R	B	.	X	X	X		432LAB9CAL3XA-UM1	1				EB	
	96482849	06 - 07	R	B	.	X	X	X		432LAB9CAL3XA-UM1	1				QY	
	96548484	04 - 04		B	.	X	X	X		4UM13XA-CAL	1				HD	
	96419756	05 - 07	L	B	.	X	X	X		432LAB9UM13XA-CAL	1				KD	
	96419758	05 - 07	R	B	.	X	X	X		432LAB9UM13XA-CAL	1				ED	
	96548483	04 - 04		B	.	X	X	X		4CALUM13XA-XRA	1				HC	
	96419753	05 - 05	L	B	.	X	X	X		432LAB9CALUM13XA-XRA	1				KC	
	96482851	06 - 07	L	B	.	X	X	X		432LAB9CALUM13XA-XJMG.T	1				RE	
	96419755	05 - 05	R	B	.	X	X	X		432LAB9CALUM13XA-XRA	1				EC	
	96482853	06 - 07	R	B	.	X	X	X		432LAB9CALUM13XA-XJMG.T	1				FX	
	96617782	04 - 04		B	.	X	X	X		4CALUM13XAXRA	1				HV	
	96419762	05 - 05	L	B	.	X	X	X		432LAB9CALUM13XA	1				KV	
	96482859	06 - 07	L	B	.	X	X	X		432LAB9KLTSCALUM13XA	1				RO	
	96548401	04 - 04		B	.	X	X	X		43XA-CALUM1	1				HF	
	96419763	05 - 07	L	B	.	X	X	X		432LAB93XA-CALUM1	1				KG	
	96419765	05 - 07	R	B	.	X	X	X		432LAB93XA-CALUM1	1				EG	
	96548402	04 - 04		B	.	X	X	X		4CAL3XA-UM1	1				HG	
	96419766	05 - 05	L	B	.	X	X	X		432LAB9CAL3XA-UM1	1				KH	
	96482867	06 - 07	L	B	.	X	X	X		432LAB9CAL3XA-UM1	1				OE	
	96419768	05 - 05	R	B	.	X	X	X		432LAB9CAL3XA-UM1	1				EH	
	96482869	06 - 07	R	B	.	X	X	X		432LAB9CAL3XA-UM1	1				GF	
	96548403	04 - 04		B	.	X	X	X		4CALUM13XA	1				HH	
	96419769	05 - 05	L	B	.	X	X	X		432LAB9CALUM13XAXRA	1				KJ	
	96482871	06 - 07	L	B	.	X	X	X		432LAB9CALUM13XA	1				QJ	
	96419771	05 - 05	R	B	.	X	X	X		432LAB9CALUM13XAXRA	1				EJ	
	96482873	06 - 07	R	B	.	X	X	X		432LAB9CALUM13XA	1				OK	
	96617793	04 - 04		B	.	X	X	X		4CALUM13XAXRA	1				HW	
	96419778	05 - 05	L	B	.	X	X	X		432LAB9CALUM13XAXRA	1				KW	
	96483501	06 - 07	L	B	.	X	X	X		432LAB9CALUM13XA	1				QL	
	96548404	04 - 04		B	.	X	X	X		4UM13XA-CAL	1				HJ	
	96419772	05 - 07	L	B	.	X	X	X		432LAB9UM13XA-CAL	1				KK	
	96419774	05 - 07	R	B	.	X	X	X		432LAB9UM13XA-CAL	1				EK	
	96419779	05 - 07	L	B	.	X	X	X		432LAB93XA-CALUM1	1				KN	
	96419781	05 - 07	R	B	.	X	X	X		432LAB93XA-CALUM1	1				EN	
	96419782	05 - 05	L	B	.	X	X	X		432LAB9CAL3XA-UM1	1				KP	

**6460
CAR LOCK**

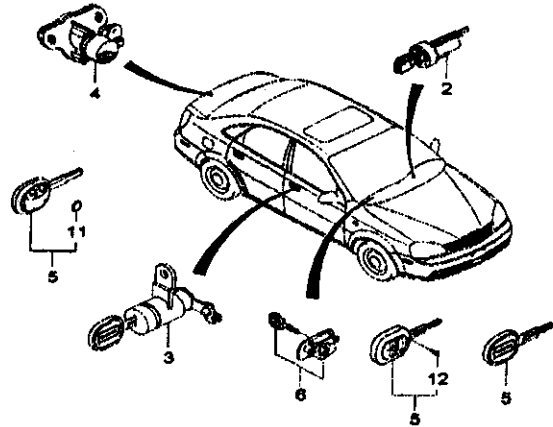
I T C	KEY NO.		PART NAME										L O T Y	V.I.N.		REMARKS	P I C O D E	
	PART NO.	MODEL YEAR	D R V	BODY			LEVEL		OPTION	FROM	TO	REMARKS						
				4 N B	5 H S B	5 L S S	B L S T	LEVEL										
	[01]			(E)LOCK SET-CAR (D)FAHRZEUGSCHLOSSET											(F)SERREURE COMPLETE-VOITURE (S)JUEGO DE CERRADURAS-COCHÉ			
	96483505	06-07	L	.	B	X	X	X				82L88BCALXKA-UM1	1				RR	
	96419784	05-06	R	.	B	X	X	X				82L88BCALXKA-UM1	1				EP	
	96483507	06-07	R	.	B	X	X	X				82L88BCALXKA-UM1	1				RS	
	96419785	05-06	L	.	B	X	X	X				82L88BCALXUM1XKA-XPA	1				KQ	
	96483609	06-07	L	.	B	X	X	X				82L88BCALXUM1XKA	1				RT	
	96419787	05-06	R	.	B	X	X	X				82L88BCALXUM1XKA-XPA	1				BQ	
	96483511	06-07	R	.	B	X	X	X				82L88BCALXUM1XKA	1				NU	
	96419794	05-06	L	.	B	X	X	X				82L88BCALXUM1XKALXPA	1				KX	
	96483517	06-07	L	.	B	X	X	X				82L88BCALXUM1XKA	1				RV	
	96419788	05-07	L	.	B	X	X	X				82L88BUM1XKA-CAL	1				KR	
	96419790	06-09	R	.	B	X	X	X				82L88BUM1XKA-CAL	1				BR	
	96548430	04-04	B	.	X	X	X					LCALXUM1XNC	1				NN	
	96419711	05-05	L	B	.	X	X	X				82L88BCALXUM1XNC	1				AF	
	96482814	06-07	L	B	.	X	X	X				82L88BCALXUM1XNC	1				QT	
	96419713	06-05	R	B	.	X	X	X				82L88BCALXUM1XNC	1				JP	
	96482816	06-07	R	B	.	X	X	X				82L88BCALXUM1XNC	1				GU	
	96648429	04-04	B	.	X	X	X					8UM1XNC-CAL	1				NN	
	96419708	05-07	L	B	.	X	X	X				82L88BUM1XNC-CAL	1				AE	
	96419710	05-07	R	B	.	X	X	X				82L88BUM1XNC-CAL	1				JE	
	96548427	04-04	B	.	X	X	X					LCALXNC-UM1	1				NP	
	96419705	05-05	L	B	.	X	X	X				82L88BCALXNC-UM1	1				AD	
	96482810	06-07	L	B	.	X	X	X				82L88BCALXNC-UM1	1				OR	
	96419707	06-06	R	B	.	X	X	X				82L88BCALXNC-UM1	1				JD	
	96482812	06-07	R	B	.	X	X	X				82L88BCALXNC-UM1	1				GS	
	96548909	04-04	B	.	X	X	X					XNC-CALUM1	1				NB	
	96419702	05-07	L	B	.	X	X	X				82L88BUNC-CALUM1	1				JA	
	96419704	05-07	R	B	.	X	X	X				82L88BUNC-CALUM1	1				JS	
	96435121	06-05	R	B	.	.	.	X				82L88BCALXUBXKA-UM1	1				EY	
	96482863	06-07	R	B	.	.	.	X				82L88BCALXUBXKA-UM1	1				OZ	
	96435122	05-06	R	B	.	.	.	X				82L88BCALXUBXKA-UM1-PLT	1				KY	
	96482865	06-07	R	B	.	.	.	X				82L88BCALXUM1XUBXKA-PLT	1				RH	
	96548421	04-04	B	.	X	X	X					XNC-CALUM1	1				LA	
	96419717	05-07	L	B	.	X	X	X				82L88BUNC-CALUM1	1				AJ	
	96419719	05-07	R	B	.	X	X	X				82L88BUNC-CALUM1	1				JJ	
	96548441	04-04	B	.	X	X	X					8CALXNC-UM1	1				LK	
	96419720	05-05	L	B	.	X	X	X				82L88BCALXNC-UM1	1				AN	
	96482823	06-07	L	B	.	X	X	X				82L88BCALXNC-UM1	1				PS	
	96419722	05-05	R	B	.	X	X	X				82L88BCALXNC-UM1	1				JM	
	96482825	06-07	R	B	.	X	X	X				82L88BCALXNC-UM1	1				PQ	
	96548423	04-04	B	.	X	X	X					8UM1XNC-CAL	1				LC	
	96419723	05-07	L	B	.	X	X	X				82L88BUM1XNC-CAL	1				AN	



RJ6460GW 10/30/2004

6460

CAR LOCK

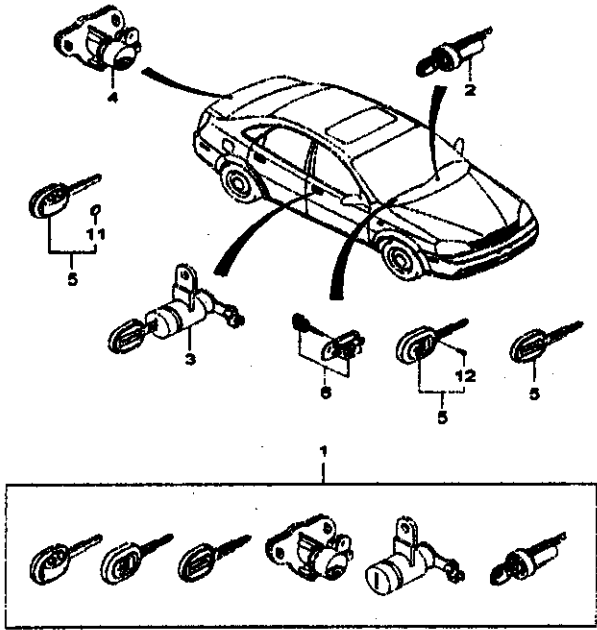


RJ6460GW 10/30/2004

I T C	KEY NO.		PART NAME										L Q T Y	V.I.N.		REMARKS	P C O D E	
	PART NO.	MODEL YEAR	D R V	BODY			LEVEL			OPTION	FROM	TO		REMARKS				
				4 N B	4 S B	5 H W	B L S	L L S T										
	[01]			(E)LOCK SET-CAR (D)FAHRZEUGSCHLOSSET											(F)SERRURE COMPLETE-VOITURE (S)JUEGO DE CERRADURAS-COCHÉ			
	96419725	05-07	R	B	X	X	X	X	823A98LUM18XKC-CAL				1				JN	
	96548424	04-04		B	X	X	X	X	8CALSUM18XKC				1				LD	
	96419726	05-05	L	B	X	X	X	X	823A98CALSUM18XKC				1				AP	
	96462827	06-07	L	B	X	X	X	X	823A98CALSUM18XKC				1				OE	
	96419728	05-05	R	B	X	X	X	X	823A98CALSUM18XKC				1				JP	
	96462829	06-07	R	B	X	X	X	X	823A98CALSUM18XKC				1				QF	
	96419732	05-07	L	B	X	X	X	X	823A98XKC-CALUM1				1				AS	
	96419734	05-07	R	B	X	X	X	X	823A98XKC-CALUM1				1				JS	
	96419735	05-05	L	B	X	X	X	X	823A98CALXKC-UM1				1				AT	
	96462835	06-07	L	B	X	X	X	X	823A98CALXKC-UM1				1				RK	
	96419737	05-05	R	B	X	X	X	X	823A98CALXKC-UM1				1				JT	
	96462837	06-07	R	B	X	X	X	X	823A98CALXKC-UM1				1				RL	
	96419738	05-07	L	B	X	X	X	X	823A98LUM18XKC-CAL				1				AU	
	96419740	05-07	R	B	X	X	X	X	823A98LUM18XKC-CAL				1				JU	
	96419741	05-05	L	B	X	X	X	X	823A98CALSUM18XKC				1				AV	
	96462839	06-07	L	B	X	X	X	X	823A98CALSUM18XKC				1				RM	
	96419743	05-06	R	B	X	X	X	X	823A98CALSUM18XKC				1				JV	
	96462841	06-07	R	B	X	X	X	X	823A98CALSUM18XKC				1				RM	
	96464848	06-07	R	B	823A98CALSHONKLT8UM1				1				PF	
	96464846	06-07	R	B	823A98CALSHONKLT8UM1				1				PE	
	96464850	06-07	R	B	823A98CALSHONKLT8UM1				1				PG	
	[02]			(E)LOCK SET-STRG (D)SCHLOSSET LENKUNG											(F)SERRURE COMPLETE-DIRECTION (S)JUEGO DE			
	96548631	04-07	B	B	B	X	X	X	8XKA-CALUM1				1					
	96548632	04-07	B	B	B	X	X	X	8UM18XKA-CAL				1					
	96548633	04-05	B	.	.	X	X	X	8CAL8XKA-UM1				1					
	96464900	06-07	B	.	.	X	X	X	8CAL8XKA-UM1				1					
	96548636	04-05	.	B	B	X	X	X	8CAL8XKA-UM1				1					
	96464914	06-07	.	B	B	X	X	X	8CAL8XKA-UM1				1					
	96548635	04-05	B	.	.	X	X	X	8CAL8UM18XKA				1					
	96464911	06-07	B	.	.	X	X	X	8CAL8UM18XKA				1					
	96548638	04-05	.	B	B	X	X	X	8CAL8UM18XKA				1					
	96464916	06-07	.	B	B	X	X	X	8CAL8UM18XKA				1					
	96548626	04-05	B	.	.	X	X	X	8CAL8UM18XKC				1					
	96464903	06-07	B	.	.	X	X	X	8CAL8UM18XKC				1					
	96548630	04-05	.	B	B	X	X	X	8CAL8UM18XKC				1					
	96464907	06-07	.	B	B	X	X	X	8CAL8UM18XKC				1					
	96548625	04-05	B	.	.	X	X	X	8CAL8XKC-UM1				1					
	96464902	06-07	B	.	.	X	X	X	8CAL8XKC-UM1				1					
	96548629	04-05	.	B	B	X	X	X	8CAL8XKC-UM1				1					
	96464906	06-07	.	B	B	X	X	X	8CAL8XKC-UM1				1					

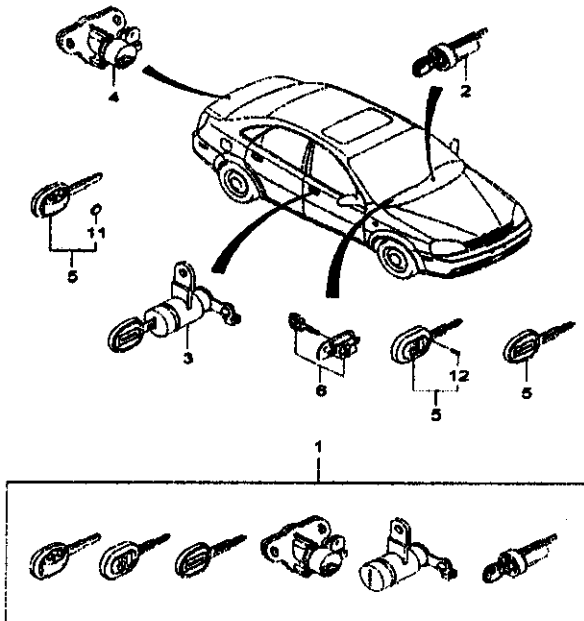
**6460
CAR LOCK**

I T C	KEY NO.		PART NAME											L Q T Y	V.I.N.		REMARKS	P / C O D E		
	PART NO.	MODEL YEAR	D R V	BODY			LEVEL			OPTION	R Y	FROM	TO							
				4 N B	4 S B	5 H W	B L	B L	L T											
	[02]			(E)LOCK SET-STRG (D)SCHLOSSET LENKUNG												(F)SERRURE COMPLETE-DIRECTION (S)JUEGO DE				
	98548621	04 - 07		B	B	B	X	X	X									1		
	98548622	04 - 07		B	B	B	X	X	X									1		
	98434804	05 - 05		B	X									1		
	98484912	06 - 07		B	X									1		
	98434805	05 - 05		B	X									1		
	98484913	05 - 07		B	X									1		
	98815512	06 - 07		B	X									1		
	98815513	06 - 07		.	B	B	.	.	X									1		
	[03]			(E)LOCK SET-DR (D)SCHLOSSET TUER												(F)SERRURE COMPLETE-PT (S)JUEGO DE CERRADURA-PTA				
	98548642	04 - 04		B	B	.	X	X	X										LH 1	
	98548735	05 - 07		B	B	B	X	X	X										LH 1	
	98548644	04 - 04		B	B	.	X	X	X										LH 1	
	98548737	05 - 07		B	B	B	X	X	X										LH 1	
	98548843	04 - 04		B	B	.	X	X	X										RH 1	
	98548736	05 - 07		B	B	B	X	X	X										RH 1	
	98548645	04 - 04		B	B	.	X	X	X										RH 1	
	98548738	05 - 07		B	B	B	X	X	X										RH 1	
	98815257	06 - 07		B	X										LH 1	
	98815258	06 - 07		B	X										RH 1	
	98815514	06 - 07		.	B	B	.	.	X										LH 1	
	98815515	06 - 07		.	B	B	.	.	X										RH 1	
	[04]			(E)LOCK SET-TLID (D)SCHLOSSET-KOFFERRAUMDECKEL												(F)SERRURE COMPLETE-CV.COF (S)JUEGO DE CERRADURA-PT/MAL				
	98548650	04 - 07		B	.	.	X	X	X											1
	98548651	04 - 07		B	.	.	X	X	X											1
	98548649	04 - 07		B	.	.	X	X	X											1
	98548648	04 - 07		B	.	.	X	X	X											1
	98548654	04 - 07		.	B	.	X	X	X											1
	98548655	04 - 07		.	B	.	X	X	X											1
	98548656	04 - 07		.	B	.	X	X	X											1
	98548659	04 - 07		.	B	.	X	X	X											1
	98548657	05 - 07		.	B	.	X	X	X											1
	98548660	05 - 07		.	B	.	X	X	X											1
	98548661	05 - 07		.	B	.	X	X	X											1
	98815259	06 - 07		B	X											1
	98815269	06 - 07		.	B	B	.	.	X											1
	[05]			(E)KEY-BLANK (D)ROHSCHLUESSEL												(F)CLE-BRUTE (S)LLAVE-EN BLANCO				
	98548418	04 - 07		B	B	B	X	X	X											2



RJ6460GW 10/30/2004

**6460
CAR LOCK**

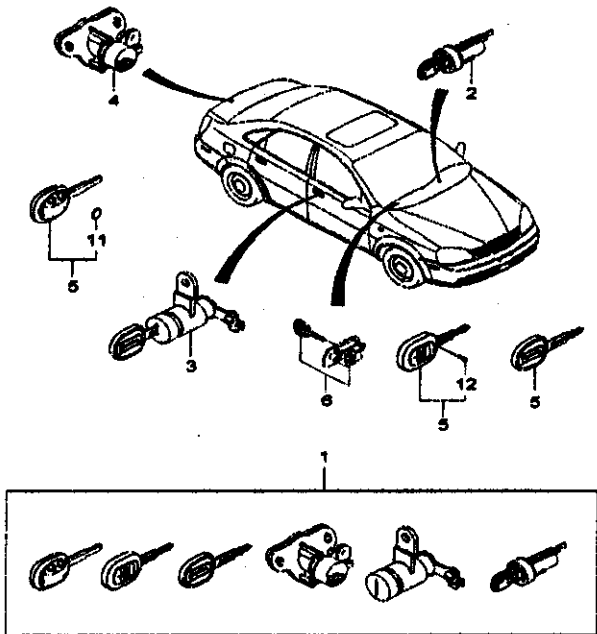


RJ6460GW 10/30/2004

I T C	KEY NO.		PART NAME											REMARKS	P / C O D E	
	PART NO.	MODEL YEAR	D R V	BODY			LEVEL		OPTION	L / Q T Y	V.I.N.		FROM			TO
				4 N B	4 H S B	5 S W	B L S	L L S T			FROM	TO				
	[06]			(E)KEY-BLANK (D)ROHSCHLUESSEL											(F)CLE-BRUTE (S)LLAVE-EN BLANCO	
	98399799	04 - 05		B	.	.	X	X	X	8AUSCALUM18XKA					1	
	98458347	06 - 07		B	.	.	X	X	X	8AUSCALUM18XKA					1	
	98405780	04 - 05		.	B	B	X	X	X	8AUSCALUM18XKA					1	
	98458350	06 - 07		.	B	B	X	X	X	8AUSCALUM18XKA					1	
	98399800	04 - 05		B	.	.	X	X	X	8AUSCALXKA-UM1					1	
	98458346	06 - 07		B	.	.	X	X	X	8AUSCALXKA-UM1					1	
	98405760	04 - 05		.	B	B	X	X	X	8AUSCALXKA-UM1					1	
	98458349	06 - 07		.	B	B	X	X	X	8AUSCALXKA-UM1					1	
	98550513	04 - 05		B	.	.	X	X	X	8AUSCALXKC-UM1					1	LH
	98458337	06 - 07		B	.	.	X	X	X	8AUSCALXKC-UM1					1	
	98404495	04 - 05		.	B	B	X	X	X	8AUSCALXKC-UM1					1	
	98458341	06 - 07		.	B	B	X	X	X	8AUSCALXKC-UM1					1	
	98550514	04 - 05		B	.	.	X	X	X	8AUSCALUM18XKC					1	LJ
	98458338	06 - 07		B	.	.	X	X	X	8AUSCALUM18XKC					1	
	98404494	04 - 05		.	B	B	X	X	X	8AUSCALUM18XKC					1	
	98458342	06 - 07		.	B	B	X	X	X	8AUSCALUM18XKC					1	
	98548419	04 - 07		B	B	B	X	X	X	XKC-UM1					2	
	98548420	04 - 07		B	B	B	X	X	X	UM18XKC					2	
	98454103	05 - 05		B	X	8AUSCALXJ8BXKA-UM1					1	
	98462458	06 - 07		B	X	8AUSCALXJ8BXKA-UM1					1	
	98439833	05 - 05		.	B	.	.	.	X	8AUSCALXJ8BXKA-UM1					1	
	98462461	06 - 07		.	B	.	.	.	X	8AUSCALXJ8BXKA-UM1					1	
	98454102	05 - 05		B	X	8AUSCALUM18XJ8BXKA					2	
	98462459	06 - 07		B	X	8AUSCALUM18XJ8BXKA					2	
	98439832	05 - 05		.	B	.	.	.	X	8AUSCALUM18XJ8BXKA					2	
	98462460	06 - 07		.	B	.	.	.	X	8AUSCALUM18XJ8BXKA					2	
	98458357	06 - 07		B	X	8AUSCALHON8LTAUM1					1	
	98458358	06 - 07		B	B	.	.	.	X	8AUSCALHON8LTAUM1					1	
	98458345	06 - 07		B	.	.	X	X	X	8AUSCALXKABXME					1	FOR GMM
	[06]			(E)LOCK SET-GLOVE BOX (D)SCHLOSSET-HANDSCHUHFACH											(F)SERRURE COMPLETE-BOITE A (S)JUEGO DE	
	98419798	05 - 07	L	B	B	B	X	X	X	882A88BXKC					1	039631
	98424600	05 - 07	L	B	B	B	X	X	X	882A88BXKA					1	039631
	98419798	05 - 07	R	B	B	B	X	X	X	882A88BXKC					1	039631
	98424802	05 - 07	R	B	B	B	X	X	X	882A88BXKA					1	039631
	98815274	06 - 07	R	B	X	AHON					1	
	98815517	06 - 07	R	.	B	B	.	.	X	AHON					1	
	[11]			(E)BATTERY A-KEY (D)SCHLUESSELBATTERIE A											(F)PILE A-CLE (S)BATERIA A-LLAVE	
	98406849	04 - 04		B	B	.	X	X	X	8AUSCAL					1	850284
	98406848	04 - 07		B	B	B	X	X	X	8AUSCAL					1	850285

**6460
CAR LOCK**

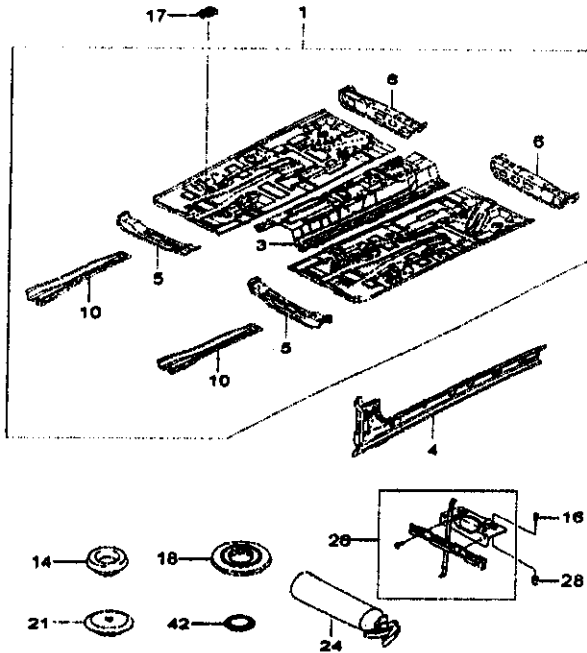
KEY NO.		PART NAME													
I T C	PART NO.	MODEL YEAR	D R V	BODY			LEVEL			OPTION	L Q T Y	V.I.N.		REMARKS	P / C O D E
				A H B	4 H B	S B W	B L S	L L S	T			FROM	TO		
	[12] 93742534	05 - 07		(E)SCREW (D)SCHRAUBE B B B X X X							(F)VIS (S)TORNILLO 1				
<p>**** RPO DEFINITIONS ****</p> <ul style="list-style-type: none"> XKA : BADGE-CHEVROLET CAL : CAR ALARM,ANTI-THEFT UM1 : IMMOBILIZER B3 : GREY-INTERIOR A99 : LOCK-GLOVE BOX XRA : ISRAEL-MANDATORY XJB : JAPAN-MANDATORY KLT : KEY SUPPLY-DUAL XKC : BADGE-DAEWOO XCK : STD CORROSION SPEC HON : BADGE-HOLDEN AU3 : LOCK-DOORS,ELECTRIC XME : MANDATORY-MEXICO 															



RJ6460GW 10/30/2004

6510

FRONT FLOOR PANEL

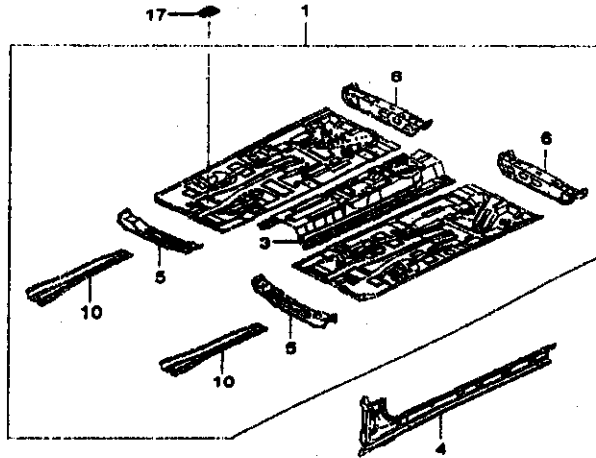


RJ8510G 05/27/2005

I T C	KEY NO.		PART NAME										REMARKS	MDDC-2	
	PART NO.	MODEL YEAR	D R V	BODY			LEVEL		OPTION	L T R Y	V.I.N.				REMARKS
				4 N B	4 H S	5 W S	B L S	L L T			FROM	TO			
	[01]			(E)PANEL A-FRT FLR (D)VORDERE BODENPLATTE A					(F)PANNEAU A-PLANCHER AV (S)PANEL A-PISO DELAN						
	96543472	04 - 06		B	B	B	X	X	X				1		
	96814972	07 - 07		B	B	B	X	X	X				1		
	[03]			(E)REINF A-TUNNEL (D)VERST.-TUNNEL					(F)RENFORT A-TUNNEL (S)REFZ A-TUNEL						
	96543491	04 - 04		B	.	.	X	X	X				1	907355	
	○ 96617516	04 - 05		B	B	B	X	X	X				1	907356 155806	
	○ 96442732	04 - 07		B	B	B	X	X	X				1	105807	
	[04]			(E)PANEL A-FLR, SIDE (D)BODENSEITENPLATTE A					(F)PANNEAU A-PLANCHER, LATERAL (S)PANEL A-PISO, LATERAL						
	96543512	04 - 07		B	B	B	X	X	X				LH 1		
	96543513	04 - 07		B	B	B	X	X	X				RH 1		
	[06]			(E)CMBR A-FRT SEAT, PRT (D)VORDERER QUERTR.-VORDERSITZ					(F)TRAVERSE A-SIEGE AVANT, AV (S)TRAV A-DELAN, ASIENTO DELAN						
	96543492	04 - 07		B	B	B	X	X	X				LH 1		
	96543493	04 - 07		B	B	B	X	X	X				RH 1		
	[06]			(E)CMBR A-FRT SEAT, RR (D)HINTERER QUERTR.-VORDERSITZ					(F)TRAVERSE A-SIEGE AVANT, AR (S)TRAV A-TR, ASIENTO DELAN						
	96543498	04 - 07		B	B	B	X	X	X				LH 1		
	96543499	04 - 07		B	B	B	X	X	X				RH 1		
	[10]			(E)LONGITUDINAL A-FLR, LWR (D)LAENGSTRAEGER A-BODEN, UNTEN					(F)LONGERON A-PLANCHER, INF (S)LARGUERO A-INFERIOR, PISO						
	96543506	04 - 07		B	B	B	X	X	X				2		
	[14]			(E)PLUG (D)STECKER					(F)BOUCHON (S)TAPÓN						
	Y 94536659	04 - 07		B	B	B	X	X	X				2		
	[16]			(E)BOLT (D)BOLZEN					(F)BOULON (S)PERNO						
	94500397	04 - 07		B	B	.	X	X	X	6V87			LH 2		
	Y 94501376	04 - 07		B	B	B	X	X	X	6V86/87			LH 2		
	[17]			(E)CAP-FRT FLR (D)BOCKENKAPPE-VORN					(F)GARNITURE-PLCH AV (S)TAPA-PISO DELAN						
	96238373	04 - 07		B	B	B	X	X	X				2		
	[18]			(E)PLUG (D)STECKER					(F)BOUCHON (S)TAPÓN						
	94536665	04 - 07		B	B	.	X	X	X				2		
	Y 94536667	04 - 07		B	B	B	X	X	X				2		
	[21]			(E)PLUG (D)STECKER					(F)BOUCHON (S)TAPÓN						
	94535738	04 - 07		B	B	B	X	X	X				11		

6510

FRONT FLOOR PANEL



14

18

21

42

26

24

16

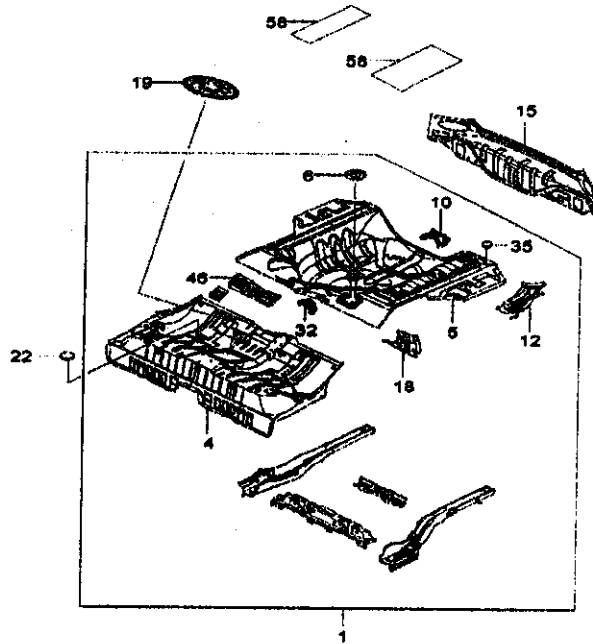
28

RJ6510G 06/27/2005

I T C	KEY NO.		PART NAME											REMARKS	B-DOOR	
	PART NO.	MODEL YEAR	D V R	BODY			LEVEL			OPTION	L / R	Q / T	V.I.N.			
				A N B	4 H B	S H W	B L S	L L S	L L T				FROM			TO
	[24] 96543880	04-07		(E)EXTINGUISHER A-FIRE (D)FEUERLOESCHER A B B B X X X ANLBNM1V67									(F)EXTINCTEUR A (S)EXTINTOR A-DE INCENDIOS LH 1			
	[26] 96543881	04-07		(E)BRACKET A-FIRE EXTINGUISH (D)HALTER A-FEUERLOESCHER B B B X X X 4V67									(F)SUPPORT A-EXTINCTEUR (S)SOPORTE A-EXTINTOR LH 1			
	[28] 96311271	04-07		(E)NUT (D)MUTTER B B B X X X 4V67									(F)ECROU (S)TUERCA LH 2			
	[42] 94535715	04-07		(E)PLUG (D)STECKER B B B X X X									(F)BOUCHON (S)TAPON 4			
	**** RPO DEFINITIONS **** V67 : FIRE EXTINGUISHER-ASM V66 : FIRE EXTINGUISHER XLB : LEBANON-MANDATORY 6M1 : LIBYA-MANDATORY															

6520

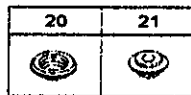
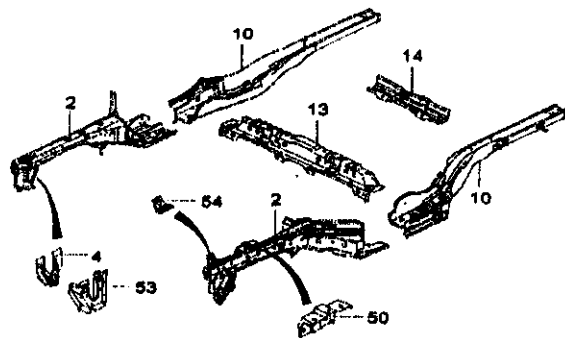
REAR FLOOR PANEL



RJ6520G 05/13/2005

I T C	KEY NO.		PART NAME										L Q T / R Y	V.I.N.		REMARKS	P R O D U C T I O N C O D E	
	PART NO.	MODEL YEAR	D R V	BODY			LEVEL				OPTION	FROM		TO				
				4 N B	5 H S	5 B W	B L	L L	S S	T								
	[01]			(E)PANEL A-RR FLR (D)PLATTE A-HINTEN FUSSBODEN										(F)PANNEAU A-PLANCHER AR (S)PANEL A-PISO TR				
	96543578	04 - 07		B . . X X X						AKCP-UP1				1				
	96543688	04 - 07		B . . . X X						AUP1&AKCP				1				
	96543572	04 - 07		. B . X X X						AKCP				1				
	96617364	05 - 07		. . B X X X						AKCP				1				
	[04]			(E)PANEL-RR FLR,FRT (D)BODENPLATTE HINTEN,VORN										(F)PANNEAU-PLCH AR,AV (S)PANEL-DELAN,PISO TR				
	96543605	04 - 04		B B . X X X										1	963643			
	O 96418693	04 - 07		B B B X X X										1	963644			
	[05]			(E)PANEL-RR FLR,RR (D)BODENPLATTE HINTEN,VORN										(F)PANNEAU-PLCH AR,AR (S)PANEL-TR,PISO TR				
	96543603	04 - 07		B . B X X X						UP1				1				
	96543679	04 - 07		B . . . X X						AUP1				1				
	96543601	04 - 04		. B . X X X										1	029730			
	O 96423601	04 - 07		. B . X X X										1	029731			
	[06]			(E)STAND A-SPARE WHEEL (D)ERSATZRADHALTER										(F)SUPPORT A-ROUE DE SECOURS (S)SOPORTE A-RUEDA DE REPUESTO				
	96543609	04 - 07		B B . X X X										1				
	Y 96632035	04 - 07		B B B X X X										1				
	[10]			(E)BRACKET A JACK,NO 1 (D)HALTER-A-WAGENHEBER,NR.1										(F)SUPPORT A-CRIC,NO.1 (S)SOPORTE A-GATO,Nº 1				
	96543787	04 - 07		B . B X X X										1				
	[12]			(E)TOWING EYE A-RR (D)ABSCHLEPPOESE A-HINTEN										(F)OEILLET DE REMORQUAGE A-AR (S)ARGOLLA DE REMOLQUE A-TR				
	96543611	04 - 07		B . B X X X										1				
	96543622	04 - 07		. B . X X X										1				
	[15]			(E)PANEL A-BACK,LWR (D)HECKABSCHLUSSBLECH A,UNTEN										(F)PANNEAU A-DOSSIER,INF (S)PANEL A-TRASERO,INFERIOR				
	96543762	04 - 07		B . . X X X										1				
	96543735	04 - 07		. B . X X X										1				
	96617361	05 - 07		. . B X X X										1				
	[18]			(E)BRACE A-WH,LWR (D)STREBE A-RADKASTEN,UNTEN										(F)RENFORT A-PASS,RO,INF (S)REFUERZO A-AR,INFERIOR				
	96543846	04 - 07		B B . X X X										LH 1				
	96543847	04 - 07		B B . X X X										RH 1				
	96617457	05 - 07		. . B X X X										LH 1				
	96617458	05 - 07		. . B X X X										RH 1				
	[18]			(E)COVER-FUEL TANK HOLE (D)DECKEL-KRAFTSTOFFTANKOFFNUN										(F)COUVERCLE-TROU DE RESERVOIR (S)TAPA-ORIFICIO DE DEPÓSITO DE				
	96543635	04 - 07		B B B X X X										1				

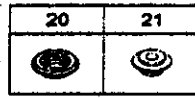
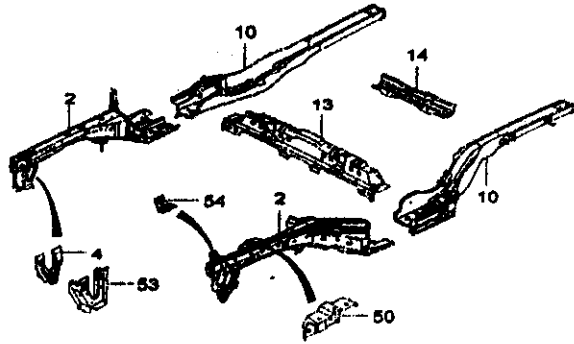
I T C	KEY NO.	PART NAME										P / C O D E			
		PART NO.	MODEL YEAR	D N V	BODY		LEVEL		OPTION	L / R	Q / Y		V.I.N.		REMARKS
					4 N B	5 H S	B L L	L L T					FROM	TO	
	6530	FRAME													
	[02]				(E)LONGITUDINAL A-FRT (D)LAENGSTRAGER A-VORN						(F)LONGERON A-AV (S)LARGUERO A-DELAN				
	96617433	04-05			B B . X X X						LH 1 907355				
	○ 96617508	04-07			B B B X X X						LH 1 907356				
	96617434	04-05			B B . X X X						RH 1				
	Y 96617509	04-05			B B B X X X						RH 1 155001				
	○ 96436299	05-07			B B B X X X						RH 1 155002				
	[04]				(E)SUPPORT-CMBR RAD,OTR (D)HALTERUNG-QUERTR.,KUEHLER,AUS						(F)SUPPORT-TRAVERSE,RAD,EXT (S)SOPORTE-TRAV,RAD,EXT				
	96544161	04-07			B B B X X X						LH 1				
	96544162	04-07			B B B X X X						RH 1				
	[10]				(E)LONGITUDINAL A-RR (D)LAENGSTRAGER A-HINTEN						(F)LONGERON A-AR (S)LARGUERO A-TR				
	96543662	04-04			B . . X X X						LH 1 912720				
	○ 96617497	04-07			B . B X X X						LH 1 912721				
	96543663	04-04			B . . X X X						RH 1 912720				
	○ 96617498	04-07			B . B X X X						RH 1 912721				
	96617493	04-07			. B . X X X						LH 1				
	96617494	04-07			. B . X X X						RH 1				
	[13]				(E)CMBR A-RR FLR,FR (D)QUERTR. A-HINTERER BODEN,VORN						(F)TRAVERSE A-PLCH AR,AR (S)TRAV A-DELAN,PISO TR				
	96543707	04-04			B B . X X X						1 963643				
	○ 96419941	04-04			B B . X X X						1 963644 964012				
	○ 96418991	04-07			B B B X X X						1 964013				
	Y 96448562	04-07			B B B X X X						1				
	[14]				(E)CMBR A-RR FLR,RR (D)QUERTR. A-HINTERER BODEN,HINTEN						(F)TRAVERSE A-PLCH AR,AR (S)TRAV A-TR,PISO TR				
	96617490	04-07			B B B X X X						1				
	[20]				(E)PLUG (D)STECKER						(F)BOUCHON (S)TAPON				
	94535717	04-07			B B B X X X						2				
	Y 94535659	04-07			B B B X X X						2				
	[21]				(E)PLUG (D)STECKER						(F)BOUCHON (S)TAPON				
	94535715	04-07			B B B X X X						2				
	[50]				(E)SUPPORT A-TRAY,OTR (D)HALTERUNG A-SCHALE,AUSSEN						(F)SUPPORT A-PLATEAU,EXT (S)SOPORTE A-BANDEJA,TR				
	96544351	04-07			B B B X X X						1				
	[53]				(E)SUPPORT A-CMBR,RAD,INR (D)HALTERUNG						(F)SUPPORT A-TRAVERSE,RAD,INT (S)SOPORTE A-TRAV,RAD,INT				
	93742510	04-07			B B B X X X						LH 1				
	93742511	04-07			B B B X X X						RH 1				



RJ6530 10/30/2004

6530
FRAME

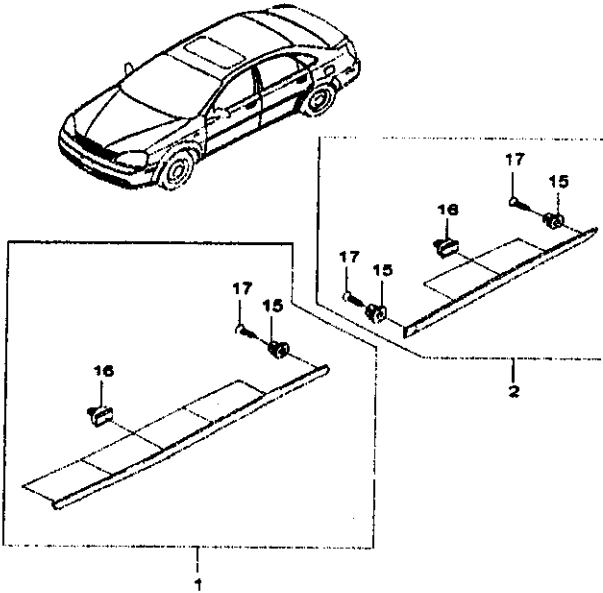
I T C	KEY NO.		PART NAME										L O G T Y R Y	V.I.N.		REMARKS	P R O D U C T I O N
	PART NO.	MODEL YEAR	D R V	BODY			LEVEL			OPTION	FROM	TO					
				4 N B	4 H S	5 S W	B S	L S	L T								
	[54]			(E)PIECE A-CONN,FRT PNL,UPR (D)VERBIND.TEIL									(F)PIECE A-LIAISON,PAN AV,SUP (S)PIEZA A-CON,PNL DELAN,SUP				
	93742512	04-07		B	B	B	X	X	X				LH 1				
	93742513	04-07		B	B	B	X	X	X				RH 1				



RJ6530 10/30/2004

6610

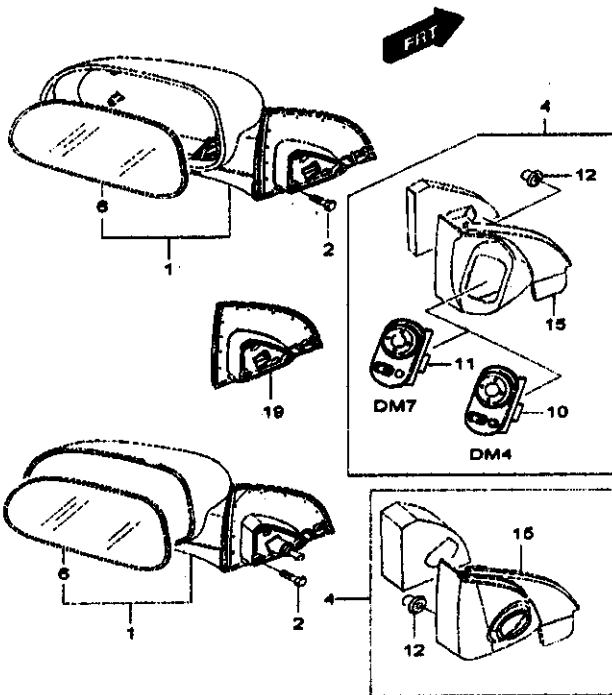
SIDE BODY MOLDING



RJ6610 11/11/2004

I T C	KEY NO.		PART NAME										R E M A R K S	P R O D U C T I O N			
	PART NO.	MODEL YEAR	D R V E	BODY			LEVEL			OPTION	L / R	Q / T Y			V.I.N.		REMARKS
				4 N B	4 H S W	5 B S	B L S	L L S T	FROM						TO		
	[01]			(E)MOLDING A-PROTV,FRT DR (D)FORMTEIL A-SCHUTZ,VORDERTUER										(F)MOULURE A-PROTEC,PORTE AV (S)MOLDURA A-PROTC,PTA DELAN			
	96545851	04-07		B B B X X X					4882					LH 1			
	96545852	04-07		B B B X X X					4882					RH 1			
	[02]			(E)MOLDING A-PROTV,RR DR (D)FORMTEIL A-SCHUTZ,HINTERTUER										(F)MOULURE A-PROTEC,PORTE AR (S)MOLDURA A-PROTC,PTA TR			
	96545853	04-07		B B B X X X					4882					LH 1			
	96545854	04-07		B B B X X X					4882					RH 1			
	[16]			(E)CLIP (D)KLEMME										(F)CLIP (S)CLIP			
	94530629	04-07		B B B X X X										6			
	[16]			(E)CLIP (D)KLEMME										(F)CLIP (S)CLIP			
	94530542	04-07		B B B X X X										16			
	[17]			(E)SCREW (D)SCHRAUBE										(F)VIS (S)TORNILLO			
	94520216	04-07		B B B X X X										6			
<p>**** RPO DEFINITIONS ****</p> <p>882 : BODY SIDE MOLDING-BODY COL</p>																	

6630
OUTSIDE MIRROR

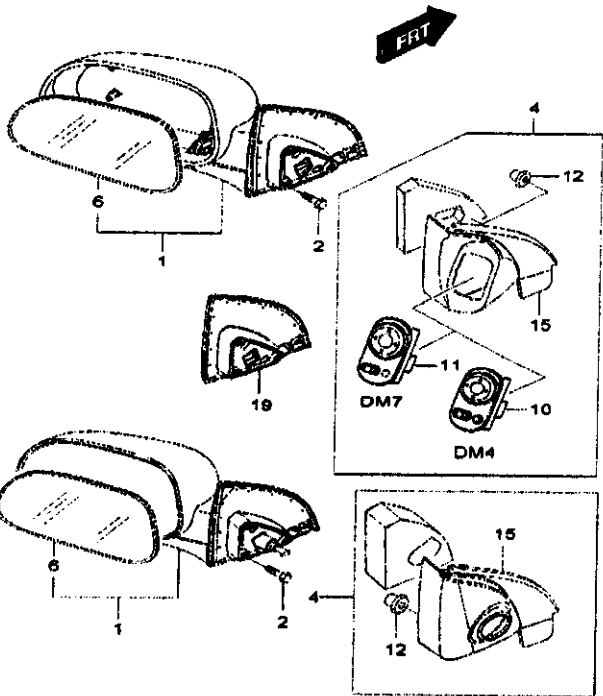


RJ6630DGW 05/24/2006

I T C	KEY NO.		PART NAME										L O R Y	Q T Y	V.I.N.		REMARKS	P I C C O D E
	PART NO.	MODEL YEAR	D R V E	BODY			LEVEL			OPTION	FROM	TO			REMARKS			
				4 N B	5 H B W	6 S B	7 L S	8 L T										
	[01]			(E)MIRROR A-OPS (D)SPIEGEL A-AUSSEN												(F)RETROVISEUR A-EXT (S)RETROVISOR A-EXT		
	98615009	04-07	L	B	B	.	X	.	.	ADM6LDM6			LH 1					JA
	98546712	04-07	L	B	B	B	.	X	X	ADM7ADM6LD40-DMA			LH 1					
	98546791	04-07	L	B	B	B	.	X	X	ADM4ADM7ADM6LD40			LH 1					
	98546794	04-07	L	B	B	B	.	X	X	ADM4ADM4ADM6LD40			LH 1					
	98546905	04-07	L	.	B	.	X	.	.	ADM6LDM6			LH 1					
	98615018	04-07	L	B	B	B	X	.	.	ADM6LDM6-VB4/KPL			RH 1					JB
	98615019	04-07	L	B	B	B	X	.	.	ADM6LDM6VB4			RH 1					JC
	98545714	04-07	L	B	B	B	.	X	X	ADM7ADM6LD40-VB4/KPL			RH 1					
	98545718	04-07	L	B	B	B	.	X	X	ADM4ADM6LD40			RH 1					
	98545715	04-07	L	B	B	B	.	X	X	ADM7ADM6LD40-VB4			RH 1					
	98412175	04-07	L	B	B	B	X	.	.	ADM6LDM6			RH 1					
	98615124	04-07	R	B	B	B	X	.	.	ADM6LDM6			LH 1					JF
	98545723	04-07	R	B	B	B	.	X	X	ADM7ADM6LD40			LH 1					
	98545725	04-07	R	B	B	B	.	X	X	ADM4ADM6LD40			LH 1					
	98615123	04-07	R	B	B	B	X	.	.	ADM6LDM6			RH 1					JH
	98545722	04-07	R	B	B	B	.	X	X	ADM7ADM6LD40-DMA			RH 1					
	98546535	04-07	R	B	B	B	.	X	X	ADM4ADM7ADM6LD40-DMA			RH 1					
	98545724	04-07	R	B	B	B	.	X	X	ADM4ADM4ADM6LD40L-DMA			RH 1					
	[02]			(E)SCREW (D)SCHRAUBE												(F)VIS (S)TORNILLO		
	94520572	04-07		B	B	B	X	X	X	ADM4ADM6DM7			6					
	[04]			(E)COVER A-WO FRAME,INR (D)AABDECKUNG												(F)GARNITURE A-CADRE DE (S)TAPA A-MARCO VIA,INT		
	98545757	04-05	.	B	.	.	X	.	.	ADM6			LH 1	063076				
	98428820	04-07	.	B	.	.	X	.	.	ADM6			LH 1	063075				
	98545758	04-05	.	B	.	.	X	.	.	ADM6			RH 1		063076			
	98428819	04-07	.	B	.	.	X	.	.	ADM6			RH 1	063075				
	98545759	04-05	L	B	B	B	.	X	X	ADM7-DM4			LH 1		040708			
	98428815	04-07	L	B	B	B	.	X	X	ADM7-DM4			LH 1	040709				
	98546543	04-05	L	B	B	B	.	X	X	ADM4ADM7			LH 1		063076			
	98428816	04-07	L	B	B	B	.	X	X	ADM4ADM7			LH 1	063075				
	98545760	04-05	L	B	B	B	.	X	X	ADM7			RH 1		063076			
	98428818	04-07	L	B	B	B	.	X	X	ADM7			RH 1	063075				
	98546847	04-05	R	B	B	B	.	X	X	ADM7			LH 1		063076			
	98428817	04-07	R	B	B	B	.	X	X	ADM4ADM7			LH 1	063075				
	98546848	04-05	R	B	B	B	.	X	X	ADM7-DM4			RH 1		063076			
	98428813	04-07	R	B	B	B	.	X	X	ADM7-DM4			RH 1	063075				
	98546544	04-05	R	B	B	B	.	X	X	ADM4ADM7			RH 1		063076			
	98428814	04-07	R	B	B	B	.	X	X	ADM4ADM7			RH 1	063075				

6630

OUTSIDE MIRROR



RJ6630DGW 05/24/2006

I T C	KEY NO.	PART NO.	MODEL YEAR	D R V E	BODY						L S T	L S T	OPTION	L Q T R Y	V.I.N.		REMARKS	P R O D U C T I O N
					4	5	B	L	B	L					FROM	TO		
					N H S B	H S W	S	S	S	S								
		[06]																
		96545744	04-07	L	B	B	B	X	.	.	.	&DM6				(F)GLACE A-RETROVISEUR (S)CRISTAL A-RETROVISOR		
		96545745	04-07	L	B	B	B	.	X	X	&DM4&DM7&DM0-DMA				LH 1			
		96545798	04-07	L	B	B	B	.	X	X	&DM6&DM4&DM7&D40				LH 1			
		96545747	04-07	L	B	B	B	X	.	.	&DM6-VB4XPL				RH 1			
		96545748	04-07	L	B	B	B	X	.	.	&DM6-VB4				RH 1			
		96545750	04-07	L	B	B	B	.	X	X	&DM4/DM7&D40-VB4XPL				RH 1			
		96545751	04-07	L	B	B	B	.	X	X	&DM4/DM7&D40-VB4				RH 1			
		96545752	04-07	R	B	B	B	X	.	.	&DM6				LH 1			
		96545753	04-07	R	B	B	B	.	X	X	&DM4/DM7&D40				LH 1			
		96545754	04-07	R	B	B	B	.	X	.	&DM6				RH 1			
		96545755	04-07	R	B	B	B	.	X	X	&DM4/DM7&D40-DMA				RH 1			
		96546801	04-07	R	B	B	B	.	X	X	&DM6&DM4&DM7&D40				RH 1			
		[10]														(F)COMMUTEUR (S)INTERRUPTOR A-RETROVISOR		
		96546914	04-07		B	B	B	.	X	X	&DM4				1			
		[11]														(F)COMMUTEUR A-REGLEGE (S)INTERRUPTOR A-AJUSTE DE		
		96546913	04-07		B	B	B	.	X	X	&DM7				1			
		[12]														(F)CLIP (S)CLIP		
		94530641	04-07		B	B	B	.	X	X	X				4			
		[15]														(F)GARNITURE-INT,RETROVISEUR (S)TAPA-INT,RETROVISOR EXT		
		96546861	04-07		B	B	B	X	.	.	&DM6				LH 1			
		96546862	04-07		B	B	B	X	.	.	&DM6				RH 1			
		96546867	04-07	L	B	B	B	.	X	X	&DM4/DM7				LH 1			
		96546864	04-07	L	B	B	B	.	X	X	&DM4/DM7				RH 1			
		96546865	04-07	R	B	B	B	.	X	X	&DM4/DM7				LH 1			
		96546868	04-07	R	B	B	B	.	X	X	&DM4/DM7				RH 1			
		[19]														(F)JOINT (S)JUNTA A-RETROVISOR EXTERIOR		
		96547163	04-07		B	B	B	X	X	X	&DM4/DM7				LH 1			
		96547164	04-07		B	B	B	X	X	X	&DM4/DM7				RH 1			
		96425594	04-07		B	B	B	X	X	X	&DM6				LH 1			
		96425595	04-07		B	B	B	X	X	X	&DM6				RH 1			

**** RPO DEFINITIONS ****

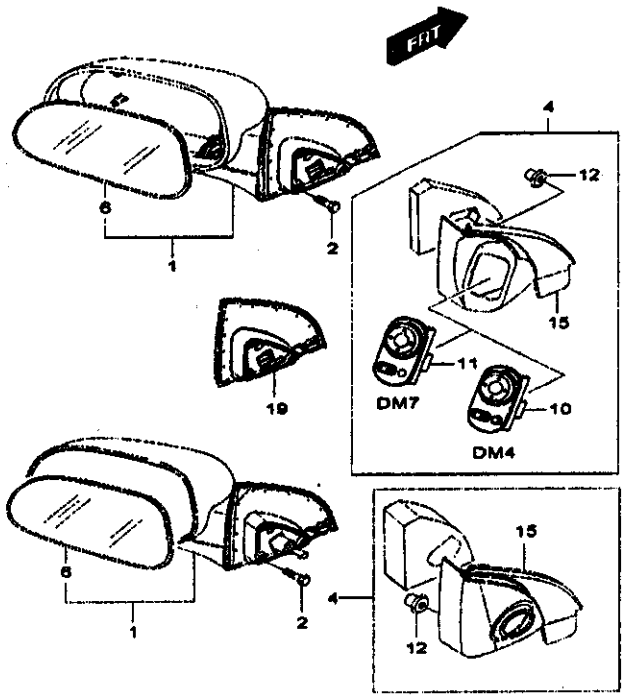
&DM6 : MIRROR-MANUAL FOLDING,MANU

&DM6 : MIRROR-MOLDED COLOR

&DM7 : MIRROR-MANUAL FOLDING,POWE

6630

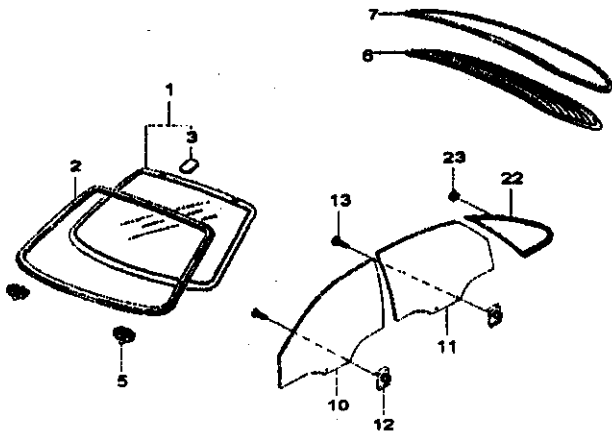
OUTSIDE MIRROR



RJ6630DGW 05/24/2006

KEY NO.		PART NAME													
I T C	PART NO.	MODEL YEAR	D R V	BODY			LEVEL			OPTION	L Q T R Y	V.I.N.		REMARKS	REC'D
				4	5	B	L	S	B			L	FROM		
										**** RPO DEFINITIONS **** DM5 : MIRROR-BODY COLOR DA0 : MIRROR-HEATING FUNCTION DMA : MIRROR-2 WAY GLASS DM4 : MIRROR-ELEC.FOLDING POWER VB4 : GULF STATES-MANDATORY XPL : POLAND-MANDATORY					

6640
GLASS I

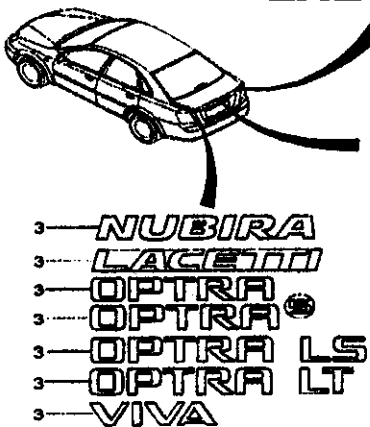
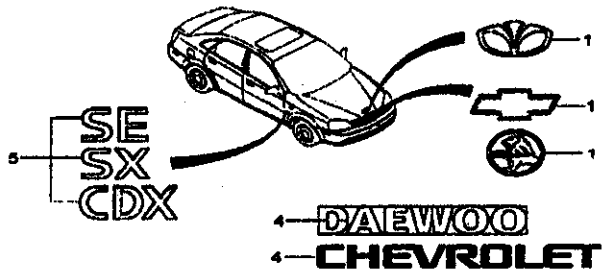


RJ6640 10/30/2004

I T C	KEY NO.		PART NAME										L Q / R Y	V.I.N.		REMARKS	P D O C P	
	PART NO.	MODEL YEAR	D R V	BODY			LEVEL			OPTION	FROM	TO						
				4 N B	4 H S B W	5 S B W	B L L	L L L										
	[12]			(E)NUT (D)MUTTER										(F)ECROU (S)TUERCA				
	94515281	04-07		B B B	X X X									4				
	94515281	04-07		B B B	X X X									4				
	[13]			(E)SCREW (D)SCHRAUBE										(F)VIS (S)TORNILLO				
	94520266	04-07		B B B	X X X									4				
	94520266	04-07		B B B	X X X									4				
	[22]			(E)GLASS A-QUARTER WDO,RR (D)SCHEIBE										(F)VITRE A-CUSTODE AR (S)CRISTAL A-VTA PRACTICABLE,TR.				
	96617455	04-07		B . .	X X X									LH 1				
	96617456	04-07		B . .	X X X									RH 1				
	[23]			(E)NUT (D)MUTTER										(F)ECROU (S)TUERCA				
	94515115	04-07		B . .	X X X									8				
				**** RPO DEFINITIONS ****														
				C24 : WPER-RAIN SENSING														
				H0W : WINDSHIELD HEATED SWITCH														
				A57 : ANTENNA-WINDSHIELD RADIO														
				XJ8 : JAPAN-MANDATORY														
				C49 : REAR WINDOW-DEFOGGER														
				U73 : ANTENNA-BACK GLASS														
				U4V : AV SYSTEM														

6650

EMBLEM&LETTERING

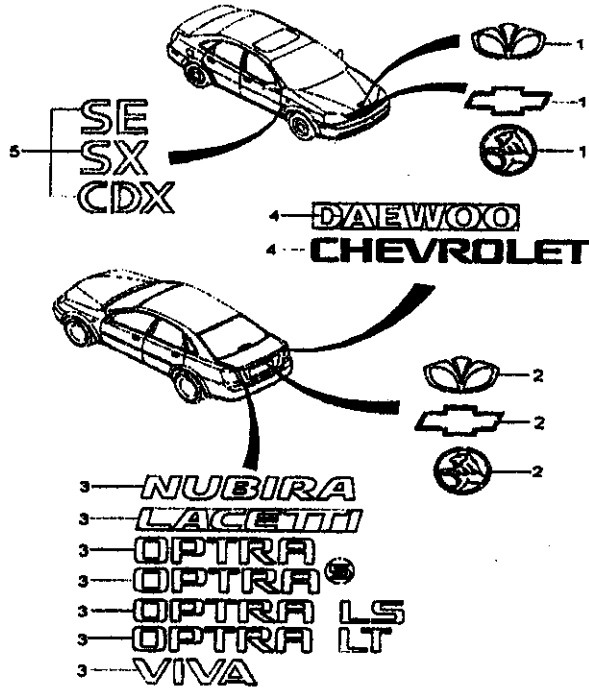


RJ6650G 04/28/2005

I T C	KEY NO.	PART NO.	MODEL YEAR	PART NAME						L Q / R Y	V.I.N.		REMARKS	INDUSTRY
				DR V	BODY		LEVEL		OPTION		FROM	TO		
					4 N H S B	5 H S W	B L S T	L L T						
		[01]		(E)EMBLEM A (D)SYMBOL A						(F)EMBLEME A (S)EMBLEMA A				
		96547118	04-04	B	.	X	X	X	X	EXXC			1	DAEWOO
		96430499	05-07	B	.	B	X	X	X	EXXC			1	
		96547002	04-04	B	.	.	X	X	X	EXXA			1	CHEVROLET
		96546997	05-07	B	.	B	X	X	X	EXXA			1	
		96413921	04-04	.	B	.	X	X	X	EXXC			1	
		96430527	05-07	.	B	.	X	X	X	EXXC			1	
		96546997	04-07	.	B	.	X	X	X	EXXA			1	
		96440698	06-07	B	.	B	X	X	X	EXDN			1	
		96440691	06-07	.	B	.	X	X	X	EXDN			1	
		[02]		(E)EMBLEM A (D)SYMBOL A						(F)EMBLEME A (S)EMBLEMA A				
		96547118	04-07	B	.	X	X	X	X	EXXA			1	CHEVROLET B2
		96547119	04-07	B	.	X	X	X	X	EXXC			1	DAEWOO A1
		96547061	04-07	.	B	B	X	X	X	EXXA			1	
		96404900	04-07	.	B	B	X	X	X	EXXC			1	
		96437670	06-07	B	.	X	X	X	X	EXDN			1	
		96437671	06-07	.	B	B	X	X	X	EXDN			1	
		[03]		(E)LETTERING A-CAR NAME (D)SCHRIFTZUG A-WAGENNAME						(F)INSCRIPTION A-NOM DE LA (S)LETRAS A-NOMBRE DE COCHE				
		96547008	04-07	B	.	X	X	X	X	EXWV			1	LACETTI
		96416140	04-07	.	B	.	X	X	X	EXWV			1	LACETTI
		96429014	05-07	.	B	X	X	X	X	EXWV			1	LACETTI
		96547225	04-07	B	.	X	X	X	X	EXWV			1	NUBIRA
		96425013	05-07	.	B	X	X	X	X	EXWV			1	NUBIRA
		96547114	04-07	B	.	X	.	.	.	EXWVEXZV			1	OPTRA
		96547208	04-07	B	.	.	X	.	.	EXWVEXPS			1	OPTRA LS
		96547219	04-07	B	.	.	.	X	.	EXWVEXCM			1	OPTRA LT
		96416132	04-07	.	B	X	.	.	.	EXWVEXZV-XMAZ00			1	OPTRA
		96416133	04-07	.	B	.	X	.	.	EXWVEXPS-XMAZ00			1	OPTRA LS
		96416135	04-07	.	B	.	.	X	.	EXWVEXCM-XMAZ00			1	OPTRA LT
		96416134	05-07	.	B	.	.	X	.	EXWVEXMAZ00			1	OPTRA 5
		96425016	05-07	.	B	X	.	.	.	EXWVEXZV			1	OPTRA
		96425017	05-07	.	B	.	X	.	.	EXWVEXPS			1	OPTRA LS
		96425018	05-07	.	B	.	.	X	.	EXWVEXCM			1	OPTRA LT
		96437663	06-07	B	.	.	X	.	.	EXDN			1	VIVA
		96437665	06-07	.	B	.	X	.	.	EXDN			1	VIVA
		96437667	06-07	.	B	.	X	.	.	EXDN			1	VIVA
		[04]		(E)LETTERING A-BRAND (D)SCHRIFTZUG A-MARKE						(F)INSCRIPTION A-MARQUE (S)LETRAS A-MARCA				
		96546747	04-07	B	.	X	X	X	X	EXXC			1	DAEWOO
										EXXA				CHEVROLET

6650

EMBLEM&LETTERING

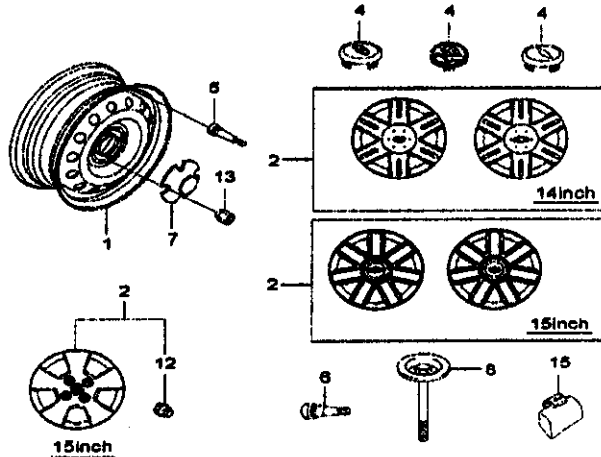
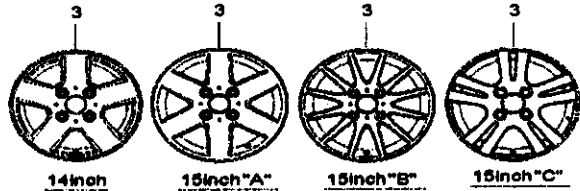


RJ6650G 04/28/2005

I T C	KEY NO.		PART NAME										REMARKS	R-CDX REC-73			
	PART NO.	MODEL YEAR	D R V	BODY			LEVEL			OPTION	L Q T R Y	V.I.N.					
				4 N B	4 H B	5 S W	B L S	L L S T	FROM			TO					
	[04]																
	96416129	04-07		.	B	.	X	X	X	6JKC	(E)LETTERING A-BRAND (D)SCHRIFTZUG A-MARKE	(F)INSCRIPTION A-MARQUE (S)LETRAS A-MARCA	1			DAEWOO	
	96416130	04-07		.	B	.	X	X	X	6JK6			1			CHEVROLET	
	96425010	05-07		.	B	.	X	X	X	6JKC			1			DAEWOO	
	96425011	05-07		.	B	.	X	X	X	6JK6			1			CHEVROLET	
	[05]										(E)LETTERING A-CAR LEVEL (D)SCHRIFTZUG	(F)INSCRIPTION A-NIVEAU DE LA (S)LETRAS A-NIVEL DE COCHE					
	96547227	04-07		B	B	B	X	.	.	6WV6			2			SE	
	96547228	04-07		B	B	B	.	X	.	6W68			2			6X	
	96547229	04-07		B	B	B	.	X	.	6W6T			2			CDX	
											**** RPO DEFINITIONS ****						
											JKC : BADGE-DAEWOO						
											JK6 : BADGE-CHEVROLET						
											JKH : BADGE-HOLDEN						
											WV6 : NAME-LACETTI						
											WVW : NAME-NUBIRA						
											WAX : NAME-OPTRA						
											W6V : LETTERING-EQUIP VAR DELETE						
											W68 : LETTERING-LS						
											W6M : LETTERING-LT						
											KMA : MALAYSIA-MANDATORY						
											Z00 : SINGAPORE-MANDATORY						
											W6W : NAME-VIVA						
											WVW : LETTERING-SE						
											W68 : LETTERING-SX						
											W6T : LETTERING-CDX						

6660

WHEEL&WHEEL COVER

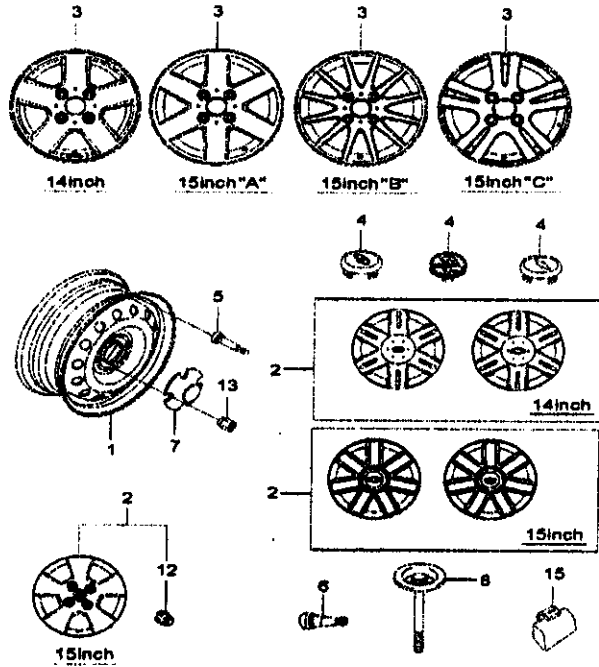


R.J6660G 07/04/2005

I T C	KEY NO. PART NO.	MODEL YEAR	D R V E	PART NAME						L Q T Y	V.I.N.		REMARKS	A D D I T I O N
				BODY		LEVEL		OPTION	FROM		TO			
				4 N H B	4 S H W	B L S T	B L L T							
	[01]			(E)WHEEL A (D)RAD A						(F)ROUE A (S)RUEDA A				
	96456156	04-07		B	B	B	X	X	X	SPX8W8M	4			J4
	96499271	04-05		B	B	B	X	X	X	SPG1	4	171999		J5
N	96430737	05-07		B	B	B	X	X	X	SPG1	4	172000		J6
	96456156	04-07		B	B	B	X	X	X	SPX8QQS4W8M	1		FOR SPARE	J4
	96456156	04-07		B	B	B	X	X	X	SPQ4QQS	1		FOR SPARE	J4
	96499271	04-05		B	B	B	X	X	X	SPQVPGM/PGM/QQS	1	171999		J5
N	96430737	05-07		B	B	B	X	X	X	SPQVPGM/PGM/QQS	1	172000		J6
	[02]			(E)COVER A-WHEEL (D)ABDECKUNG A-RAD						(F)ENJOLIVEUR A-ROUE (S)TAPACUBO A				
	96452301	04-07		B	.	B	X	X	X	SP21XKA	4			P2
	96452304	04-07		B	B	B	X	X	X	SPW8XKA	4			P6
	96452325	04-07		B	.	B	X	X	X	SP21XKC	4			S5
	96452327	04-07		B	B	B	X	X	X	SPW8XKC	4			K8
	96452326	04-07		.	B	.	X	X	X	SP12XKC	4			HJ
	96452303	04-07		.	B	.	X	X	X	SP12XKA	4			P4
	96454659	06-07		B	B	B	.	X	.	SHDNLP2W	4			J2
	96424410	06-07		B	.	.	X	X	.	SP21XKA	4			G2
	[03]			(E)WHEEL A (D)RAD A						(F)ROUE A (S)RUEDA A				
	96470023	04-07		B	B	B	X	X	X	SPG4	4		14 inch	JB
	96406013	04-06		B	B	B	.	X	X	SPG8	4		15 inch "B"	JK
	96820398	07-07		B	B	B	.	X	X	SPG8	4		15 inch "B"	TB
	96470024	04-05		B	.	B	.	X	X	SPG8	4		15 inch "A"	JE
	96470024	04-05		.	B	.	.	X	.	SPG8	4		15 inch "A"	JE
	96454456	06-06		B	B	B	.	X	X	SPG8	4		15 inch "C"	JB
	96820398	07-07		B	B	B	.	X	X	SPG8	4		15 inch "C"	TC
	96470023	04-07		B	B	B	X	X	X	SPQ4QQA	1		14 inch	JB
	96470024	04-05		B	B	B	.	X	X	SPQ8QQA	1		15 inch "A"	JE
	96406013	04-06		B	B	B	.	X	X	SPQ8QQA	1		15 inch "B"	JK
	96454456	06-06		B	B	B	.	X	X	SPQ8QQA	1		15 inch "C"	JB
	[04]			(E)CAP-WHEEL CTR (D)RADKAPPE, MITTE						(F)CHAPEAU-ROUE,CTR (S)TAPA-RUEDA,CTR				
	96452311	04-07		B	B	B	X	X	X	SPQ4PGM/PGM/XKA	4			JA
	96452236	04-07		B	B	B	X	X	X	SPQ4PGM/PGM/XKC	4			S2
	96454298	06-07		B	B	B	X	X	X	SHDNLPQ6	4			CK
	[05]			(E)VALVE-TIRE (D)REIFENVENTIL						(F)VALVE-PNEU (S)VALVULA-NEUMÁTICO				
	94581012	04-07		B	B	B	X	X	X	SPGVPTS	4			
	94581012	04-07		B	B	B	X	X	X	QQS	1			

6660

WHEEL&WHEEL COVER

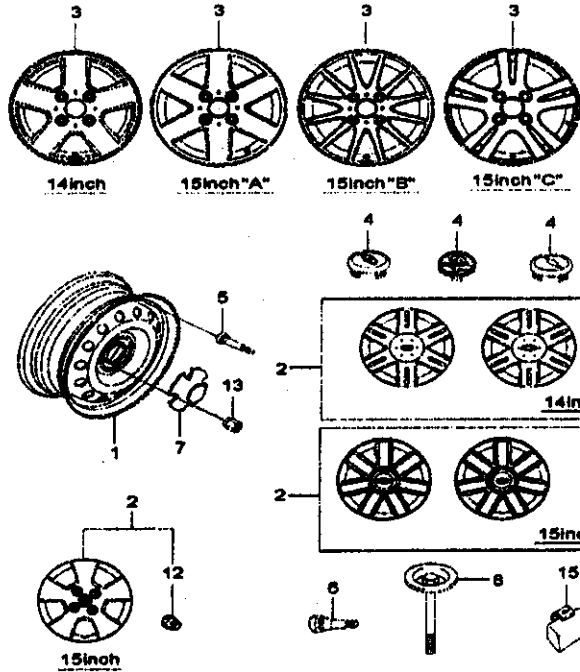


I T C	KEY NO.		PART NAME											L Q T Y	V.I.N.		REMARKS	P / C O D E	
	PART NO.	MODEL YEAR	DR V	BODY			LEVEL		OPTION	FROM	TO	REMARKS							
				4 N H S B	4 N H S B	5 H S B	L L S S	L L S S											
	[06]																		
	94580051	04 - 07		B	B	B	X	X	X	X	SP04PQ8PQ8								
	94580051	04 - 07		B	B	B	X	X	X	X	8QCA								
	[07]																		
	96452237	04 - 07		B	B	B	X	X	.	SP04XJC									
	96452289	04 - 07		B	B	B	X	X	.	SP04XKA									
	[08]																		
	96403115	04 - 05		B	B	.	X	X	X	8Q08QGT									
Y	96425318	04 - 05		B	B	B	X	X	X	8Q08QGT				032628					
O	96428807	04 - 07		B	B	B	X	X	X	8Q08QGT				032629					
	[12]																		
	96427364	06 - 07		B	B	B	.	X	.	8H0NXXKAP2W									
	[13]																		
	94837389	04 - 07		B	B	B	X	X	X	8P04PQ8PQ8									
	94515412	04 - 07		B	B	B	X	X	X	8P04PXS									
	94515463	06 - 07		B	B	B	.	X	.	8P04PXS&P2W									
	[16]																		
	96407505	04 - 05		B	B	B	X	X	X	8P04PQ8PQ8									
	96407504	04 - 05		B	B	B	X	X	X	8P04PQ8PQ8									
	96407503	04 - 05		B	B	B	X	X	X	8P04PQ8PQ8									
	96407502	04 - 05		B	B	B	X	X	X	8P04PQ8PQ8									
	96407489	04 - 05		B	B	B	X	X	X	8P04PQ8PQ8									
	96407488	04 - 05		B	B	B	X	X	X	8P04PQ8PQ8									
	96407497	04 - 05		B	B	B	X	X	X	8P04PQ8PQ8									
	96407496	04 - 05		B	B	B	X	X	X	8P04PQ8PQ8									
	96452316	04 - 07		B	B	B	X	X	X	8P04PQ8PQ8									
	96499267	04 - 07		B	B	B	X	X	X	8P04PQ8PQ8									
	96499266	04 - 07		B	B	B	X	X	X	8P04PQ8PQ8									
	96499265	04 - 07		B	B	B	X	X	X	8P04PQ8PQ8									
	96499264	04 - 07		B	B	B	X	X	X	8P04PQ8PQ8									
	96499263	04 - 07		B	B	B	X	X	X	8P04PQ8PQ8									
	96499262	04 - 07		B	B	B	X	X	X	8P04PQ8PQ8									
	96499261	04 - 07		B	B	B	X	X	X	8P04PQ8PQ8									
	96209679	04 - 07		B	B	B	X	X	X	8P04PQ8PQ8									
	96209725	04 - 05		B	.	.	X	X	X	8P04PXS									
	96209724	04 - 05		B	.	.	X	X	X	8P04PXS									

RJ6660G 07/04/2005

6660

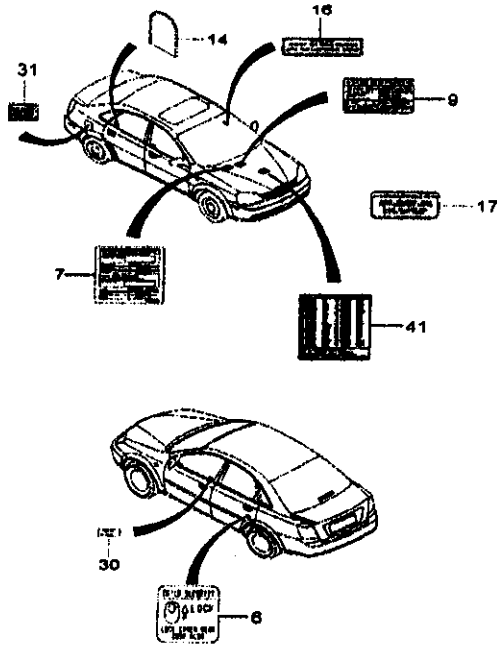
WHEEL&WHEEL COVER



I T C	KEY NO.		PART NAME										L / R	Q / T Y	V.I.N.		REMARKS	INDOOR
	PART NO.	MODEL YEAR	D R V	BODY			LEVEL		OPTION	FROM	TO	REMARKS						
				4 N B	4 H B	5 S B	B L S	L L T										
	[15]			(E)WEIGHT-BALANCE (D)AUSGLEICHSGEWICHT						(F)MASSE-EQUILIBRAGE (S)CONTRAPESO								
	96208723	04-05	B	.	.	X	X	X	EPG1PXB		1	957839	60G					
	96208722	04-05	B	.	.	X	X	X	EPG1PXB		1	957839	45G					
	96208721	04-05	B	.	.	X	X	X	EPG1PXB		1	957839	40G					
	96208720	04-05	B	.	.	X	X	X	EPG1PXB		1	957839	35G					
	96208719	04-05	B	.	.	X	X	X	EPG1PXB		1	957839	30G					
	96208718	04-05	B	.	.	X	X	X	EPG1PXB		1	957839	25G					
	96208717	04-05	B	.	.	X	X	X	EPG1PXB		1	957839	20G					
	96208716	04-05	B	.	.	X	X	X	EPG1PXB		1	957839	15G					
	96208715	04-05	B	.	.	X	X	X	EPG1PXB		1	957839	10G					
	96208681	04-05	B	.	.	X	X	X	EPG1PXB		1		5G					
	96407831	04-07	B	B	B	X	X	X	EPG1PXB		1		9G					
	96407832	04-07	B	B	B	X	X	X	EPG1PXB		1		10G					
	96407833	04-07	B	B	B	X	X	X	EPG1PXB		1		15G					
	96407834	04-07	B	B	B	X	X	X	EPG1PXB		1		20G					
	96407835	04-07	B	B	B	X	X	X	EPG1PXB		1		25G					
	96407836	04-07	B	B	B	X	X	X	EPG1PXB		1		30G					
	96407837	04-07	B	B	B	X	X	X	EPG1PXB		1		35G					
	96407838	04-07	B	B	B	X	X	X	EPG1PXB		1		40G					
	96407839	04-07	B	B	B	X	X	X	EPG1PXB		1		45G					
	96414025	04-07	B	B	B	X	X	X	EPG1PXB		1		50G					
	96414026	04-07	B	B	B	X	X	X	EPG1PXB		1		55G					
	96414027	04-07	B	B	B	X	X	X	EPG1PXB		1		60G					
									**** RPO DEFINITIONS ****									
									PXB : WHEEL 5.5JX14 STEEL									
									WBM : WHEEL-BLACK									
									PG1 : WHEEL 6JX15 STEEL									
									QCB : TIRE-SPARE,STEEL WHEEL									
									P04 : WHEEL 5.5JX14 ALU,SPORT									
									P08 : WHEEL 6JX15 ALU,SPORTY									
									P09 : WHEEL 6JX15 ALU									
									P21 : FLUSH WHEEL COVER-14									
									XKA : BADGE-CHEVROLET									
									FWS : FLUSH WHEEL COVER-15									
									XXC : BADGE-DAEWOO									
									P12 : FLUSH WHEEL COVER-WAR 1									
									H0N : BADGE-HOLDEN									
									P2W : FLUSH WHEEL COVER-SPORT									
									QDA : TIRE-SPARE,ALLOY WHEEL									
									PA5 : HUBCAPS-WHEEL									
									Q0T : TIRE-SPARE,TEMPORARY									

6670

LABEL&STICKER

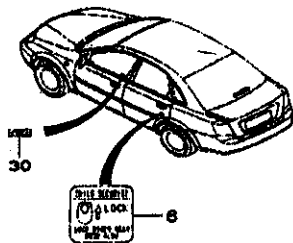
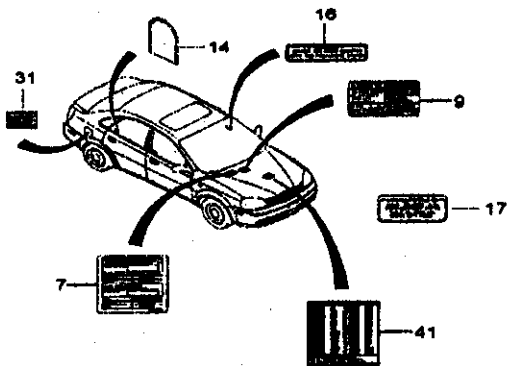


RJ6670G 10/30/2004

I T C	KEY NO.		PART NAME										L Q R Y	V.I.N.		REMARKS	P / C O D E		
	PART NO.	MODEL YEAR	D R I V E	BODY			LEVEL		OPTION	FROM	TO	REMARKS							
				4 N B	4 H S	5 B W	B L	L L											
	[08]																		
	96252711	04 - 05																	
	Y 96548512	04 - 07																	
	[07]																		
	96458018	04 - 07							L8S0XAT00Z									G1	
	96458021	04 - 07							8QTLXAT00Z									G3	
	96458020	04 - 07							8QAFXAT00Z									G4	
	96499268	04 - 07							8L8S-XAT00Z									G2	
	96458073	05 - 07							8XJ8									J3	
	96458019	04 - 07							8GTU8XAT00Z									G3	
	96458074	05 - 07							8XJ8									J4	
	96458080	05 - 07							8AT0L800Z									W1	
	96458062	05 - 05							8QAF8XAT00Z									W3	
	96458063	05 - 05							8QTL8XAT00Z									W4	
	96486950	06 - 07							8QTL8XAT00Z									H1	
	[09]																		
	96554403	04 - 04							8C18C80									JA	
	96554403	05 - 06							8C18C80-XJ8				242195					JA	
	O 96488290	05 - 06							8C18C80-XJ8				242195	348675				JC	
	N 96804276	06 - 06							8C18C80-XJ8				348676					JH	
	96419828	05 - 06							8C18C80LXJ8				348675					JJ	
	N 96804279	06 - 07							8C18C80LXJ8				348676					JK	
	[14]																		
	96452919	04 - 05							8L44AM84XAT										GD
	96452918	04 - 06							8L44AM84XAT										GA
	96452921	04 - 07							8L84AM86XAT										GC
	96452920	04 - 07							8L84AM84XAT										GB
	96412819	04 - 07							8L84AM84XAT										LB
	96412820	04 - 07							8L84AM86XAT										LC
	96475160	06 - 07							8LD8AM84XAT										UC
	96475161	06 - 07							8LD8AM86XAT										VE
	[16]																		
	96207808	04 - 07							8CALUM18UN28NH8RMBV				LH 1	407952					VE
	96207809	04 - 07							8CALUM18UN1				LH 1	407953					VE
	[17]																		
	96490750	04 - 07							8LUN28NR88WA-CALUM1				LH 1	407952					VB

6670

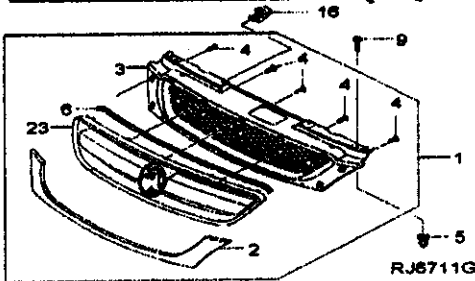
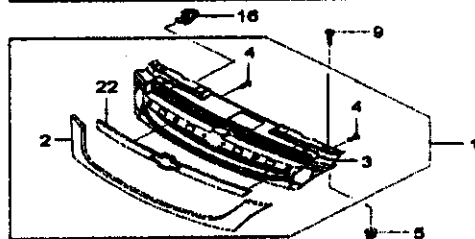
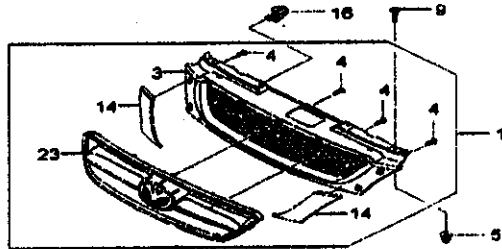
LABEL&STICKER



RJ6670G 10/30/2004

I T C	KEY NO.		PART NAME											L Q R Y	V.I.N.		REMARKS	R E C O R D
	PART NO.	MODEL YEAR	D R V	BODY			LEVEL			OPTION	FROM	TO						
				4 N B	4 H B	5 S W	B L S	L L S T										
	[30]			(E)LABEL-KEYLESS (D)ETIQUETA-CHLUSSELLOS						(F)ETIQUETTE-ACCES SANS CLE (S)ETIQUETA-MANDO A DISTANCIA								
	96224565	04-07		B	B	B	X	X	X	8	CA	UM	16	UN	1	407952		KL
	96224565	04-07		B	B	B	X	X	X	8	CA	UM	1	UN	1	407953		KL
	[31]			(E)STICKER-DR FUEL FILLER (D)AUFKLEBER-TUER						(F)AUTOCOLLANT-TRAPPE DE (S)PEGATINA-COMPUERTA DE								
	96490699	04-07		B	B	B	X	X	X	8	LB	66	UN	1				89
	96450552	04-07		B	B	B	X	X	X	8	AN	74	UN	1				UN
	96362130	04-07		B	B	B	X	X	X	8	AN	74	UN	1				UN
	94580186	04-07		B	B	B	X	X	X	8	AN	11	UN	1				UN
	[41]			(E)LABEL-ECE (D)ETIQUETA-ECE						(F)ETIQUETTE-ECE (S)ETIQUETA-ECE								
	96410181	04-04		B	B	.	X	X	X	8	X	2	UN	1	910523			
	N 96414576	04-04		B	B	.	X	X	X	8	X	2	UN	1	910524	958826		
	N 96419133	04-05		B	B	.	X	X	X	8	X	2	UN	1	958827	039636		
	N 96432497	06-05		B	B	B	X	X	X	8	X	2	UN	1	039637			JD
	96442546	06-07		B	B	B	X	X	X	8	X	2	UN	1				2G3 CHANGED/JE TO XEE
	[42]			(E)STICKER-WARNING,GCC (D)AUFKLEBER-WARNING,GCC						(F)AUTOCOLLANT-AVERTISSEMENT,G (S)PEGATINA-AVISO,GCC								
	96410680	04-07		B	B	B	X	X	X	8	V	84	UN	1				WARNING,GCCBA
				**** RPO DEFINITIONS ****														
				L86 : LABEL-SPANISH														
				XAT : AUSTRALIA-MANDATORY														
				XNZ : NEW ZEALAND-MANDATORY														
				QTL : TIRE-195/65 R 15														
				QAF : TIRE-185/65 R 14														
				JL8 : JAPAN-MANDATORY														
				QTU : TIRE-175/70 R 14														
				C15 : AIR CON-FULL ATC														
				C80 : AIR CONDITIONING														
				L44 : ENGINE-4 CYL 1.6 DOHC MPI														
				ML4 : TRANSMISSION-AUTO,4 SPEED														
				M04 : TRANS-MAN,58PD,CR														
				L84 : ENGINE-4 CYL 1.8 DOHC MPI														
				M89 : TRANS-AUTO,4SPD,4HP 16														
				LDA : ENGINE-4 CYL 1.6 DOHC MPI														
				CAL : CAR ALARM,ANTI-THEFT														
				UM1 : IMMOBILIZER														
				UN2 : CASSETTE-AM/FM 8TO ETR,DLX														
				V8N : CD CHANGER-IN DASH														

6711
GRILLE II

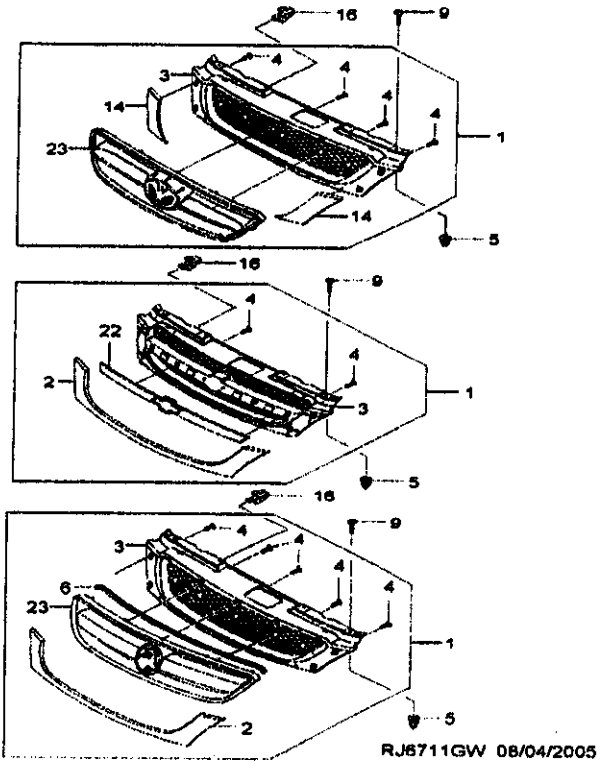


RJ6711GW 08/04/2005

I T C	KEY NO.		PART NAME										L Q / R Y	V.I.N.		REMARKS	INDIC-9		
	PART NO.	MODEL YEAR	D R V	BODY		LEVEL		OPTION	FROM	TO	REMARKS								
				4 N H B	5 S W	B L S	L L T												
	[01]																		
	96547127	04 - 07														(E)GRILLE A-RAD (D)GRILL A-KUEHLER	(F)CALANDRE A (S)REJILLA A-RAD		
	96546667	04 - 07														. B . X X X	LNKA	1	
	96439096	06 - 07														. B . X X X	LNKC	1	
																. B . X X X	LNHN	1	
	[02]																		
	96547128	04 - 07														(E)COVER-RAD GRILLE (D)ABDECKUNG-KUEHLERGRILL	(F)GARNITURE-CALANDRE (S)CUBIERTA A-REJILLA RAD		
	96440690	06 - 07														. B . X X X	LNKA	1	
																. B . X X X	LNHN	1	
	[03]																		
	96547129	04 - 07														(E)HOUSING A-RAD GRILLE (D)GEHAEUSE A-KUEHLERGRILL	(F)LOGEMENT A-CALANDRE (S)ALOJAMIENTO A-REJILLA RAD		
	96546669	04 - 05														. B . X X X	LNKA	1	
	96546669	06 - 07														. B . X X X	LNHNKNC	1	
	[04]																		
	94520483	04 - 07														(E)SCREW (D)SCHRAUBE	(F)VIS (S)TORNILLO		
	94520483	04 - 07														. B . X X X	LNKC	23	
	94520483	06 - 07														. B . X X X	LNKA	15	
																. B . X X X	LNHN	21	
	[05]																		
	94515246	04 - 07														(E)NUT (D)MUTTER	(F)ECROU (S)TUERCA		
																. B . X X X		4	
	[06]																		
	96469091	06 - 07														(E)SEAL A-GRILLE (D)DICHTUNG A-GRILL	(F)JOINT A-CALANDRE (S)JUNTA ESTANCA A-REJILLA		
																. B . X X X	LNHN	21	
	[08]																		
	94520483	04 - 07														(E)SCREW (D)SCHRAUBE	(F)VIS (S)TORNILLO		
																. B . X X X		4	
	[14]																		
	96413049	04 - 07														(E)COVER-RAD GRILLE (D)ABDECKUNG-KUEHLERGRILL	(F)GARNITURE-CALANDRE (S)CUBIERTA A-REJILLA RAD		
	96413050	04 - 07														. B . X X X	LNKC	LH 1	
																. B . X X X	LNKC	RH 1	
	[16]																		
	94530326	04 - 07														(E)CLIP (D)KLEMME	(F)CLIP (S)CLIP		
																. B . X X X	LNKA/LNHN	2	
	[22]																		
	96547130	04 - 07														(E)BAR-RAD GRILLE (D)STAB-KUEHLERGRILL	(F)BARRE-CALANDRE (S)BARRA-REJILLA RAD		
																. B . X X X	LNKA	1	
	[23]																		
	96546668	04 - 07														(E)COVER-HOUSING, RAD GRILLE (D)ABDECKUNG-GEHAEUSE, KUEHLERGR	(F)GARNITURE-LOGEMENT, CALANDRE (S)CUBIERTA		
																. B . X X X	LNKC	1	

6711

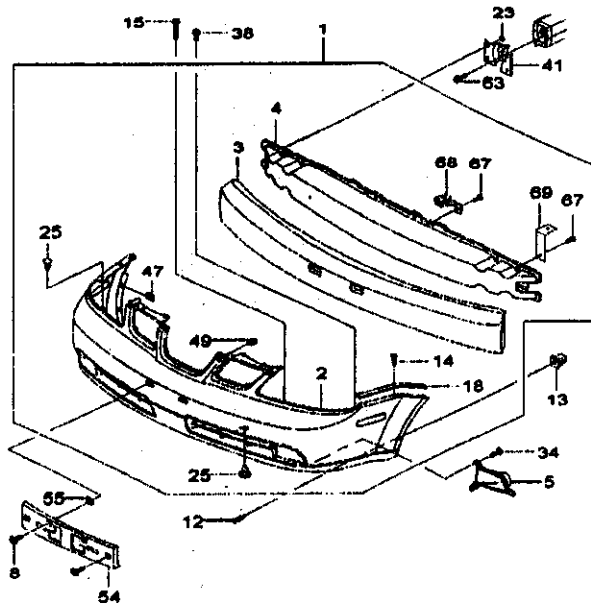
GRILLE II



KEY NO.		PART NAME												
I T C	PART NO.	MODEL YEAR	D R V E	BODY		LEVEL		OPTION	L / R	Q T Y	V.I.N.		REMARKS	P- L- D- C- U- M
				4 N B	4 H S W	5 B S	5 L S T				FROM	TO		
	[23] 98437740	06-07						(E)COVER-HOUSING,RAD GRILLE (D)ABDECKUNG-GEHAEUSE,KUEHLERGR . B . X X X 640H			(F)GARNITURE-LOGEMENT,CALANDR (S)CUBIERTA 1			
								**** RPO DEFINITIONS **** XKA : BADGE-CHEVROLET XKC : BADGE-DAEWOO HDN : BADGE-HOLDEN						

6720

FRONT BUMPER

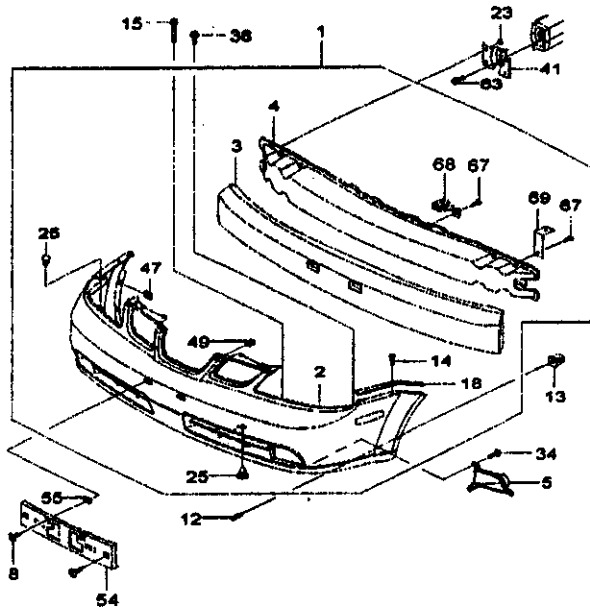


RJ6720GW 10/30/2004

I T C	KEY NO.		PART NAME											L Q R Y	V.I.N.		REMARKS	I D O C U M E N T
	PART NO.	MODEL YEAR	D R V	BODY			LEVEL		OPTION	L Q R Y	FROM	TO						
				4 N H S B	4 S B W	6 S	8 S	L							T			
	[01]			(E)BUMPER A-FRT (D)STOSSSTANGE A-VORN						(F)PARE-CHOCS A-AV (S)PARACHOQUES A-DELAN								
	93740292	04-04		B . .	X X X				AVT2		1	030630						
N	93742393	05-07		B . B	X X X				AVT2		1	030631						
	93740298	04-04		B . .	X X X				AVT3		1	030630						
N	93742394	05-07		B . B	X X X				AVT3		1	030631						
	93740298	04-07		. B .	X X X				AVT2		1							
	93740293	04-07		. B .	X X X				AVT3		1							
	93742484	05-07		B . B . .	X				AVT3AVT1AVT3XUS-T12		1							
	[02]			(E)FASCIA A-BUMPER,FRT (D)VERKLEIDUNG						(F)BOUCLIER A-PARE-CHOCS,AV (S)STABLERO								
	96545493	04-04		B . .	X X X				AVT2VT3		1	030630						
N	96416043	05-07		B . B	X X X				AVT2VT3		1	030631						
	96424481	05-07		B . B . .	X				AVT1AVT2VT3XUS		1							
	96545491	04-07		. B .	X X X				AVT2VT3		1							
	[03]			(E)ABSORBER-ENGY,FRT BUMPER (D)ENERGIEABSORBER, VORDERE						(F)ABSORBEUR-ENERGIE,PARE-CHO (S)ABSORBEDOR-ENER,PARACHOQU								
	96545498	04-04		B . .	X X X				AVT2		1	030630			J2			
N	96410589	05-07		B . B	X X X				AVT2		1	030631			J6			
	96545497	04-04		B . .	X X X				AVT3		1	030630			J1			
N	96547253	05-07		B . B	X X X				AVT3		1	030631			J5			
	96545498	04-07		. B .	X X X				AVT2		1				J4			
	96545495	04-07		. B .	X X X				AVT3		1				J3			
	[04]			(E)BEAM A-FRT BUMPER IMPACT (D)AUFRALLBUEGEL A-VORDERE						(F)POUTRE A-IMPACT,PARE-CHOCS (S)VIGA A-DE IMPACTO DE								
	96545532	04-07		B B B	X X X				AVT2		1							
	96545531	04-07		B B B	X X X				AVT3		1							
	[06]			(E)COVER A-FOG LAMP (D)EINFASSUNG A-NEBELLEUCHTE						(F)COUVERCLE A-ANTIBROUILLARD (S)TAPA A-LUZ ANTINEBLA								
	96548903	04-07		B . B	X X X				-T06		LH 1							
	96548904	04-07		B . B	X X X				-T06		RH 1							
	96545523	04-07		. B .	X X X				AVT2VT3-T06		LH 1							
	96545524	04-07		. B .	X X X				AVT2VT3-T06		RH 1							
	[08]			(E)SCREW (D)SCHRAUBE						(F)VIS (S)TORNILLO								
	94520536	04-07		B B B	X X X				AVT12		4							
	[12]			(E)SCREW (D)SCHRAUBE						(F)VIS (S)TORNILLO								
	94520536	04-07		B . B	X X X						2							
	94520536	04-07		. B .	X X X						4							

6720

FRONT BUMPER

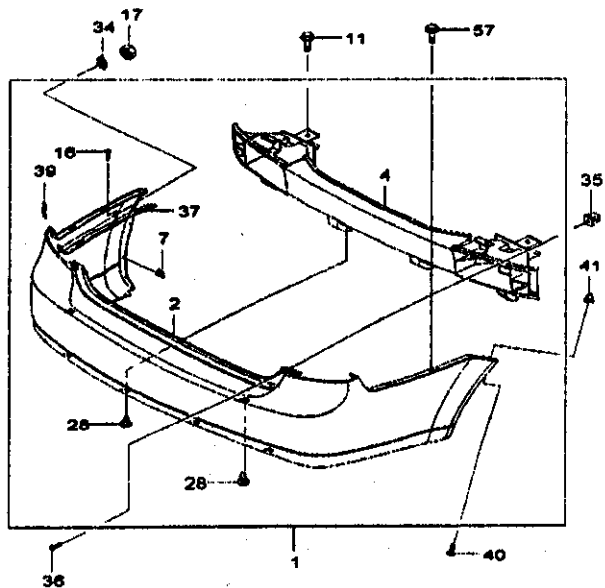


RJ6720GW 10/30/2004

I T C	KEY NO.		PART NAME										L Q T R Y	V.I.N.		REMARKS	P I C O D E	
	PART NO.	MODEL YEAR	D R V	BODY			LEVEL				OPTION	FROM		TO				
				4 N B	4 H B	5 S W	B S	L S	L S	L S								
	[64]			(E)BRACKET A/L/PLATE,PRT (D)HALTER A-KENNZ,VORN										(F)SUPPORT A-PL/IM/LAY (S)SOPORTE A-MATRICULA,DELAN				
	9654551	04-04		B . B X X X						6T12				1				
	9641989	05-07		B . B X X X						6T12				1				
	9654552	04-07		. B . X X X						6T12				1				
	[65]			(E)NUT (D)MUTTER										(F)ECROU (S)TUERCA				
	9451529	04-07		B B B X X X						6T12				2				
	[63]			(E)BOLT (D)BOLZEN										(F)BOULON (S)SPERNO				
	94501534	04-07		B B B X X X										4				
	[67]			(E)SCREW (D)SCHRAUBE										(F)VIS (S)TORNILLO				
	94520288	04-07		B B B X X X										4				
	[68]			(E)SUPPORT (D)HALTERUNG										(F)SUPPORT (S)SOPORTE				
	9654551	04-07		B . B X X X										LH 1				
	9654552	04-07		B . B X X X										RH 1				
	9654551	04-07		. B . X X X						6VT2VT3				LH 1				
	9654552	04-07		. B . X X X						6VT2VT3				RH 1				
	[69]			(E)SUPPORT (D)HALTERUNG										(F)SUPPORT (S)SOPORTE				
	9654554	04-07		B . B X X X										2				
	9654553	04-07		. B . X X X						6VT2VT3				2				
				**** RPO DEFINITIONS ****														
				VT2 : BUMPER-2.5 MPH														
				VT3 : BUMPER-PRT 5MPH,RR 2.5MPH														
				T86 : LAMP-FOG,FRONT														
				VT1 : BUMPER-5 MPH														
				XJ6 : JAPAN-MANDATORY														
				T12 : LICENSE PLATE,ECE														

6730

REAR BUMPER I

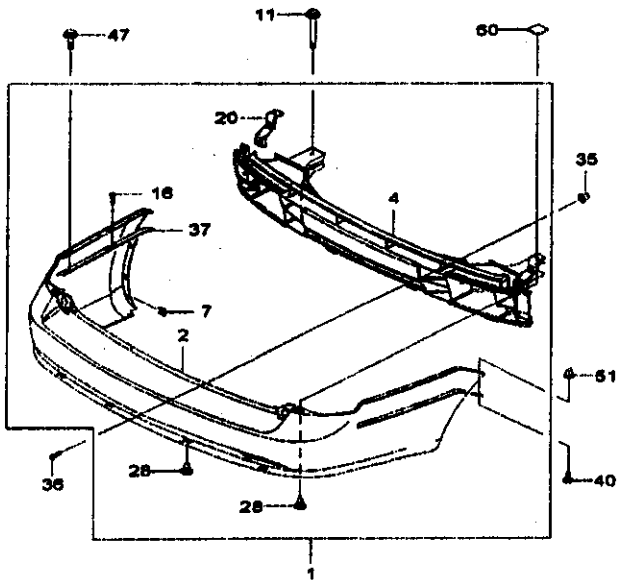


RJ6730GW 10/30/2004

I T C	KEY NO.		PART NAME												
	PART NO.	MODEL YEAR	D R V E R	BODY		LEVEL			OPTION	L / R	Q T Y	V.I.N.		REMARKS	P R O D U C T I O N
				4 N B	5 H W	B S	L S	L T				FROM	TO		
	[37]			(E)REINF-RR FASCIA, SIDE (D)VERST.-HINTERE									(F)RNFT-BOUCLIER AR, LATERAL (S)REFZ-TABLERO TR, LATERAL		
	96545628	04-07		B . .		X X X			&VT2VT3					RH 1	
	96545623	04-07		. B .		X X X			&VT2VT3					LH 1	
	96545624	04-07		. B .		X X X			&VT2VT3					RH 1	
	[39]			(E)REINF A-RR FASCIA, SPACER (D)VERST.-HINTERE									(F)RNFT A-BOUCLIER (S)REFZ A-TABLERO TR, ESPACIADOR		
	96546935	04-07		. B .		X X X								LH 1	
	96546936	04-07		. B .		X X X								RH 1	
	[40]			(E)SCREW (D)SCHRAUBE									(F)VIS (S)TORNILLO		
	94520536	04-07		B B .		X X X								2	
	[41]			(E)NUT (D)MUTTER									(F)ECROU (S)TUERCA		
	94515246	04-07		B B .		X X X								2	
	[67]			(E)BOLT (D)BOLZEN									(F)BOULON (S)PERNO		
	94501395	04-07		B . .		X X X								4	
	**** RPO DEFINITIONS ****														
	VT2 : BUMPER-2.5 MPH														
	VT3 : BUMPER-FRT 5MPH, RR 2.5MPH														

6732

REAR BUMPER III

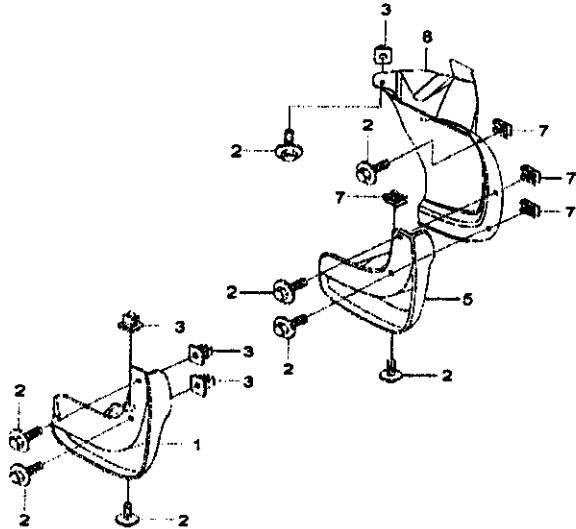


RJ6732GW 10/30/2004

I T C	KEY NO.		PART NAME										P / C O D E				
	PART NO.	MODEL YEAR	D R V	BODY			LEVEL				OPTION	L / R		Q T Y	V.I.N.		REMARKS
				4 N B	4 H S	5 B W	B S	L S	L S T	FROM					TO		
	[81] 94515246	04 - 07		(E)NUT (D)MUTTER . . B X X X									(F)ECROU (S)TUERCA 2				
	[80] 96244896	05 - 07		(E)BRADENER (D)SCHWINGUNGSDAEMPFER . . B X X X						&VT2/VT3			(F)INSONORISANT (S)MATERIAL INSONORIZANTE 1 STD				
	<p>**** RPO DEFINITIONS ****</p> <p>VT2 : BUMPER-2.5 MPH</p> <p>VT3 : BUMPER-FRT 5MPH,RR 2.5MPH</p>																

6750

MUD GUARD



RJ6750 10/30/2004

I T C	KEY NO.		PART NAME											REMARKS	P I D O C		
	PART NO.	MODEL YEAR	D R V	BODY			LEVEL		OPTION	L / R	Q / R	V.I.N.					
				4 N B	4 H S B	5 S W	B L	L S T				FROM	TO				
	[01]			(E)GUARD A-MUD,FRT (D)KOTFLUEGEL A,VORN											(F)GARDE-BOUE A,AV (S)GUARDABARROS A-DELAN		
	96545665	04-07		B	B	B	X	X	X	SVH4					LH 1		
	96545666	04-07		B	B	B	X	X	X	SVH4					RH 1		
	[02]			(E)SCREW (D)SCHRAUBE											(F)VIS (S)TORNILLO		
	94520536	04-07		B	B	B	X	X	X	SVH4					6		TO FRONT
	94520536	04-07		B	B	B	X	X	X					10		TO REAR	
	[03]			(E)NUT (D)MUTTER											(F)ECROU (S)TUERCA		
	94515246	04-07		B	B	B	X	X	X	SVH4					6		TO FRONT
	94515246	04-07		B	B	B	X	X	X					2		TO REAR	
	[05]			(E)GUARD A-MUD,RR (D)KOTFLUEGEL A,HINTEN											(F)GARDE-BOUE A,AR (S)GUARDABARROS A-TR		
	96545639	04-07		B	.	.	X	X	X	SVH4					LH 1		
	96545640	04-07		B	.	.	X	X	X	SVH4					RH 1		
	96545637	04-07		.	B	.	X	X	X	SVH4					LH 1		
	96545638	04-07		.	B	.	X	X	X	SVH4					RH 1		
	96617615	05-07		.	.	B	X	X	X	SVH4					LH 1		
	96617616	05-07		.	.	B	X	X	X	SVH4					RH 1		
	[07]			(E)NUT (D)MUTTER											(F)ECROU (S)TUERCA		
	94515267	04-07		B	B	B	X	X	X						8		
	[08]			(E)LINER A-RR BUMPER (D)BUCHSE A-HINTERE STOSSSTANGE											(F)DOUBLURE A-PARE-CHOCs AR (S)REVESTIMENTO		
	96545645	04-07		B	.	.	X	X	X						LH 1		
	96545646	04-07		B	.	.	X	X	X						RH 1		
	96545643	04-07		.	B	.	X	X	X						LH 1		
	96545644	04-07		.	B	.	X	X	X						RH 1		
	96617617	05-07		.	.	B	X	X	X						LH 1		
	96617618	05-07		.	.	B	X	X	X						RH 1		
				**** RPO DEFINITIONS **** VH4 : MUD GUARD-FRT & RR													

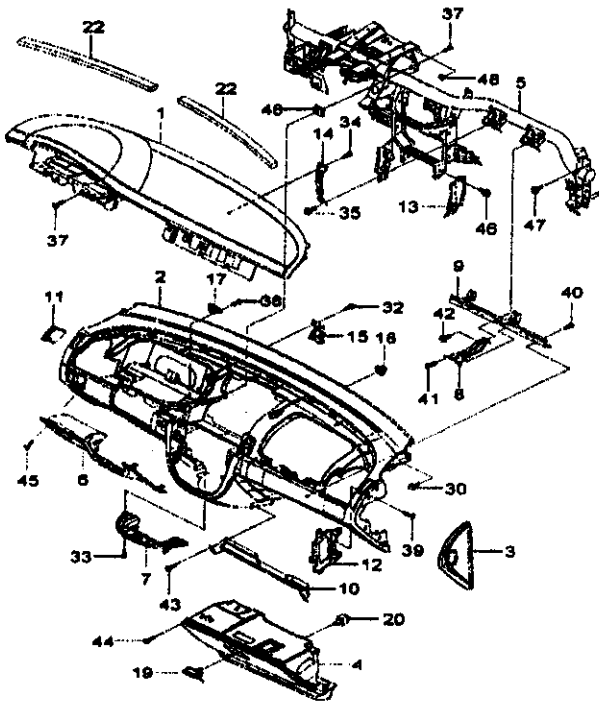
7

INTERIOR

7113	INSTRUMENT PANEL	7610	FRONT SEAT
7120	MOLDING&SWITCH	7620	FRONT SEAT PARTS
7130	INSTRUMENT CENTER PARTS I	7630	SEAT GUIDE RAIL
7141	CONSOLE	7640	REAR SEAT I
7160	KNEE BOLSTER A	7641	REAR SEAT II
7210	FRONT DOOR TRIM	7650	FRONT SEAT BELT
7220	REAR DOOR TRIM	7660	REAR SEAT BELT
7231	TAILGATE TRIM I	7610	FLOOR CARPET
7232	TAILGATE TRIM II		
7310	HEADLINING		
7320	SHELF BACK PANEL I		
7321	SHELF BACK PANEL II		
7322	SHELF BACK PANEL III		
7330	FRONT PILLAR TRIM I		
7340	REAR PILLAR TRIM I		
7341	REAR PILLAR TRIM II		
7342	REAR PILLAR TRIM III		
7350	SUNSHADE&INSIDE MIRROR		

7113

INSTRUMENT PANEL

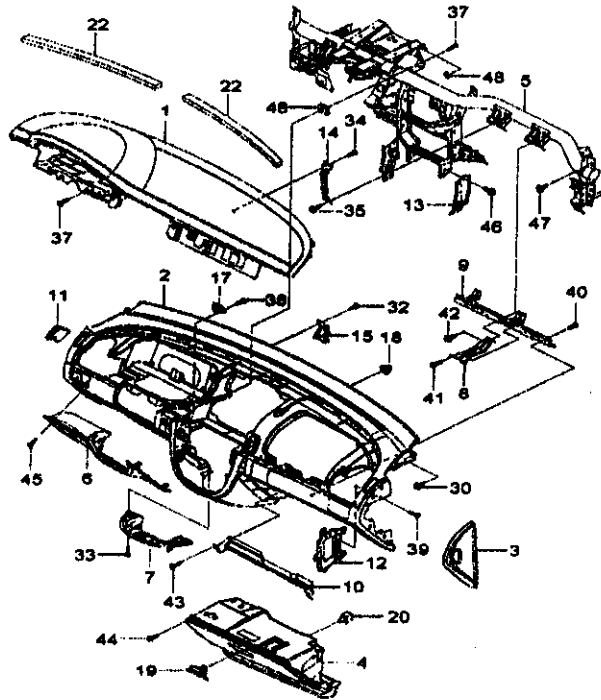


RJ7113G 10/30/2004

I T C	KEY NO.		PART NAME											REMARKS	P R O D U C T I O N		
	PART NO.	MODEL YEAR	D R V	BODY			LEVEL		OPTION	L R	Q T Y	V.I.N.				REMARKS	
				4 N B	4 H S	5 B W	B S	L S T				FROM	TO				
	[01]			(E)PANEL A-INST,UPR (D)AMRATURE/BRETT A,OBEN						(F)PANNEAU A-TABLEAU DE (S)PANEL A-INST,SUP							
	96615647	04-07	L	B	.	X	X	X	-ABFAJ8		1						
	96615648	04-07	L	B	.	X	X	X	ABFAJ8		1						
	96615651	04-07	R	B	.	X	X	X	-ABFAJ8		1						
	96615650	04-07	R	B	.	X	X	X	ABFAJ8		1						
	96615648	04-07	L	.	B	B	X	X	X	ABFAJ8BC1	1						
	96615649	04-07	L	.	B	B	X	X	X	BC1-ABFAJ8	1						
	96615652	04-07	R	.	B	B	B	X	X	X	ABFAJ8BC1	1					
	96615653	04-07	R	.	B	B	X	X	X	BC1-ABFAJ8	1						
	[02]			(E)PANEL A-INST,MAIN (D)HAUPTINSTRUMENTAFEL						(F)TABLEAU DE BORD A,PRINCIPAL (S)PANEL A-INST,PRINCIPAL							
	96397991	04-07	L	B	B	B	X	X	X	AB2	1						
	Y 96425691	04-07	L	B	B	B	X	X	X	AB2	1						
	96397993	04-07	R	B	B	B	X	X	X	AB2	1						
	Y 96425694	04-07	R	B	B	B	X	X	X	AB2	1						
	[03]			(E)COVER A-VP, SIDE (D)ABDECKUNG A-INSTR.TAFEL,SEITE						(F)GARNITURE A-TB,LATERALE (S)TAPA A-LATERAL,PA							
	96615527	04-07	L	B	B	B	X	X	X	AB2-AJ8	LH 1					D1	
	96398449	04-07	L	B	B	B	.	X	X	AB2AJ8	LH 1					D3	
	96615529	04-04	L	B	B	.	X	X	X	AB2-ABFAJ8	RH 1	039630				D4	
	Y 96427337	04-07	L	B	B	B	X	X	X	AB2	RH 1	039631				H1	
	96615531	04-04	L	B	B	.	X	X	X	AB2ABFAJ8	RH 1	039630				D5	
	96615535	04-04	R	B	B	.	X	X	X	AB2-ABFAJ8	LH 1	039630				D7	
	O 96427346	04-07	R	B	B	B	X	X	X	AB2	LH 1	039631				H4	
	96615533	04-04	R	B	B	.	X	X	X	AB2ABFAJ8	LH 1	039630				D6	
	96615537	04-07	R	B	B	B	X	X	X	AB2-AJ8	RH 1					D8	
	96398492	04-07	R	B	B	B	.	X	X	AB2AJ8-XJ8	RH 1					D9	
	96427362	05-07	R	B	B	B	.	.	X	AB2AJ8AJ8J8	RH 1					J1	
	[04]			(E)BOX A-GLOVE (D)HANDSCHUHFACH A						(F)BOITE A GANTS A (S)GUANTERA A-							
	96615576	04-04	L	B	B	.	X	X	X	AB2AC8C29	1					KC	
	96419210	05-07	L	B	B	B	X	X	X	AB2AC8C29	1					KM	
	96615574	04-04	L	B	B	.	X	X	X	AB2C15C29	1					KB	
	96419207	05-07	L	B	B	B	X	X	X	AB2C15C29	1					KL	
	96615582	04-04	R	B	B	.	X	X	X	AB2AC8C29	1					KF	
	96419216	05-07	R	B	B	B	X	X	X	AB2AC8C29	1					KQ	
	96615580	04-04	R	B	B	.	X	X	X	AB2AC15C29	1					KE	
	96419213	05-07	R	B	B	B	X	X	X	AB2L986C15C29	1					KN	
	[05]			(E)BAR A-TIE (D)ZUGSTANGE A						(F)TIRANT A (S)TIRANTE A							
	96655200	04-05	L	B	B	B	X	X	X		1	069101				PA	

7113

INSTRUMENT PANEL

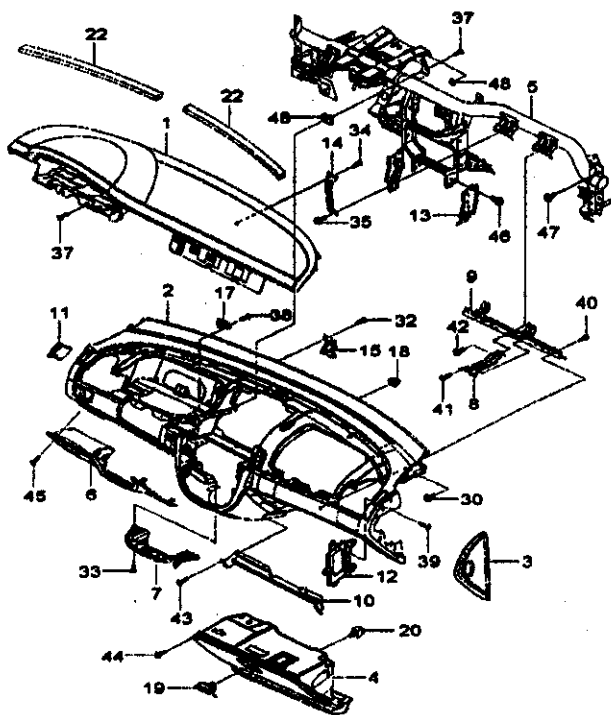


RJ7113G 10/30/2004

I T C	KEY NO. PART NO.	MODEL YEAR	D R V E	PART NAME						L Q T R Y	V.I.N.		REMARKS	P / C O D E
				BODY	LEVEL	OPTION		FROM	TO					
						4 N B	4 H S				5 B L	5 S S		
	[16] 96554557	04-07		(E)BRACKET A- (D)HALTER	GUIDE PIN,IP					(F)SUPPORT A-AXE DE GUIDAGE,PI (S)SOPORTE A-PASADOR GUIA,PI	2			
	[17] 96554568	04-07		(E)CONNECTOR A- (D)STECKER A-AUTOSENSOR	INCAR SENSOR					(F)CONNECTEUR A-CAPTEUR (S)CONECTOR A-SENSOR DENTRO	1			
	[18] 96327723	04-05		(E)DOWEL- (D)DUEBEL-FUEHRUNGSSTIFT	GUIDE PIN					(F)GOUPILLE-GUIDAGE (S)PASADOR-GUIA	2	119160		
	[18] 96428935	04-07									2	119190		
	[19] 96615608	04-04	L	(E)LOCK A- (D)SCHLOSS A-HANDSCHUHFACH	GLOVE BOX					(F)SERRURE A-BOITE A GANTS (S)CERRADURA A-GUANTERA	1	039630		
	96615610	04-04	R								1	039630		
	96419228	07-07	L					4A96823			1			
	96419231	07-07	R					4A96821			1			
	[20] 90033510	05-07		(E)SWITCH A- (D)SCHALTER A-SCHWEINWERFER	LIGHT					(F)COMMUTATEUR A-ECLAIRAGE (S)INTERRUPTOR A-LUCES	1			
	[22] 96554573	04-06		(E)SEAL- (D)SCHWAMMDICHTUNG	SPONGE					(F)JOINT-EPONGE (S)JUNTA ESTANCA-ESPONJA	2	335477		
	[22] 96802616	04-07									1	335478		
	[30] 94501363	04-07		(E)BOLT (D)BOLZEN						(F)BOULON (S)PERNO	2			
	94501419	04-07									2			
	[32] 94520326	04-07		(E)SCREW (D)SCHRAUBE						(F)VIS (S)TORNILLO	8			
	[33] 94520326	04-07		(E)SCREW (D)SCHRAUBE						(F)VIS (S)TORNILLO	1			
	94520326	04-07									3			
	[34] 94520326	04-07		(E)SCREW (D)SCHRAUBE						(F)VIS (S)TORNILLO	1			
	94520326	04-07									1			
	[35] 94501383	04-07		(E)BOLT (D)BOLZEN						(F)BOULON (S)PERNO	1			

7113

INSTRUMENT PANEL

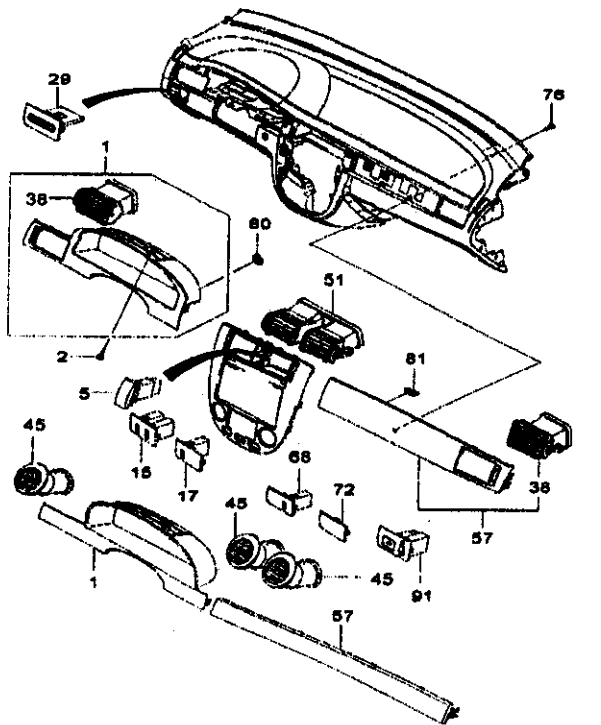


RJ7113G 10/30/2004

I T C	KEY NO.		PART NAME								L / R	Q / T Y	V.I.N.		REMARKS	P / P / P / P /
	PART NO.	MODEL YEAR	D R V	BODY		LEVEL		OPTION	FROM	TO						
				4 N H B	5 H S W	B L S	L S T									
	[37]			(E)SCREW (D)SCHRAUBE							(F)VIS (S)TORNILLO					
	94520326	04 - 07		B B B X X X							4					
	94520326	04 - 07		B B B X X X							2					
	94520326	04 - 07		B B B X X X							19					
	[38]			(E)SCREW (D)SCHRAUBE							(F)VIS (S)TORNILLO					
	94520326	04 - 07		B B B . X X			6C15				2					
	[39]			(E)SCREW (D)SCHRAUBE							(F)VIS (S)TORNILLO					
	94520326	04 - 07		B B B X X X							10					
	[40]			(E)SCREW (D)SCHRAUBE							(F)VIS (S)TORNILLO					
	94520326	04 - 07		B B B X X X							7					
	[41]			(E)SCREW (D)SCHRAUBE							(F)VIS (S)TORNILLO					
	94520326	04 - 07		B B B X X X							2					
	[42]			(E)BOLT (D)BOLZEN							(F)BOULON (S)PERNO					
	94501383	04 - 07		B B B X X X							1					
	[43]			(E)SCREW (D)SCHRAUBE							(F)VIS (S)TORNILLO					
	94520326	04 - 07		B B B X X X							4					
	[44]			(E)SCREW (D)SCHRAUBE							(F)VIS (S)TORNILLO					
	94520326	04 - 07		B B B X X X							6					
	[45]			(E)SCREW (D)SCHRAUBE							(F)VIS (S)TORNILLO					
	94520326	04 - 07		B B B X X X							2					
	[46]			(E)BOLT (D)BOLZEN							(F)BOULON (S)PERNO					
	94500400	04 - 07		B B B X X X							8					
	[47]			(E)BOLT (D)BOLZEN							(F)BOULON (S)PERNO					
	94500433	04 - 07		B B B X X X							6					
	[48]			(E)NUT (D)MUTTER							(F)ECROU (S)TUERCA					
	94515248	04 - 07		B B B X X X							2					
	94515017	04 - 07		B B B X X X							1					
	94515451	04 - 07		B B B X X X			LABFAJH				2					

7120

MOLDING&SWITCH



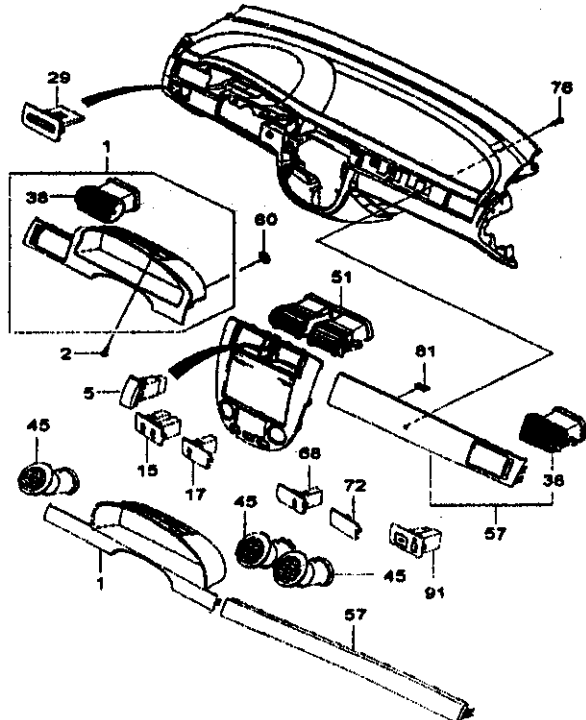
RJ7120G 05/13/2005

I T C	KEY NO.		PART NAME											P R O D U C T I O N					
	PART NO.	MODEL YEAR	D R V E	BODY				LEVEL			OPTION	L T R Y	V.I.N.		REMARKS				
				4 N B	4 H B	5 S W	5 S W	B L L	L L L	FROM			TO						
	[05]																		
	96651006	04 - 07																	
	96651005	04 - 07																	
	[16]																		
	96615342	04 - 07																	
	[17]																		
	96615341	04 - 07																	
	[29]																		
	96615616	04 - 07																	
	[38]																		
	96615677	04 - 05																	
	○ 96435859	04 - 07																	
	96615678	04 - 05																	
	○ 96435861	04 - 07																	
	[45]																		
	96615707	04 - 05																	
	○ 96435863	04 - 07																	
	96654908	04 - 05																	
	○ 96435864	04 - 07																	
	[51]																		
	96615564	04 - 05																	
	○ 96435857	05 - 07																	
	[57]																		
	96615672	04 - 05	L																
	○ 96435849	04 - 06	L																
	96435849	07 - 07	L																
	96554798	04 - 05	L																
	○ 96435850	04 - 06	L																
	96615673	04 - 05	R																
	○ 96435853	04 - 06	R																
	96435853	07 - 07	R																
	96554800	04 - 05	R																
	○ 96435854	04 - 06	R																
	96615670	04 - 07	L																

P
R
O
D
U
C
T
I
O
N

7120

MOLDING&SWITCH

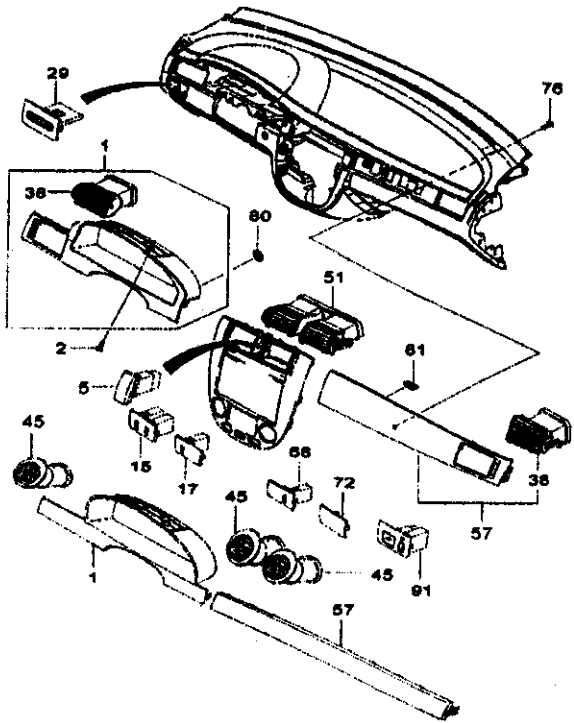


RJ7120G 05/13/2005

I T C	KEY NO.		PART NAME										L I T Y	V.I.N.		REMARKS	P I C O D E
	PART NO.	MODEL YEAR	D R I V E	B O D Y		L E V E L		O P T I O N	F R O M	T O	R E M A R K S						
				4 N B	4 H S	4 S B	4 L S					4 L S		4 L S			
	[67]			(E)MOLDING A-GARNISH (D)FORMITEL A-DEKO				(F)MOULURE A-GARNITURE (S)MOLDURA A-EMBELECEDORA									
	98554794	04-07	L	B	B	X	X	X	ABC1AWOP			1					K2
	98615671	04-07	R	B	B	X	X	X	ABC1AWOP			1					K3
	98554796	04-07	R	B	B	X	X	X	ABC1AWOP			1					K4
	98435851	06-06	L	B	.	X	X	X	ABC2AWOP			1			FOR GMM		G8
	98802453	07-07	L	B	.	X	X		ABC2AWOS			1					H4
	98802454	07-07	R	B	.	X	X		ABC2AWOS			1					T7
	98435855	07-07	R	B	.	X	X	X	ABC2AWOP			1					G4
	[68]			(E)COVER A-SWITCH, DIMMER (D)ABDECKUNG A-SCHALTER, DIMMER					(F)COUVERCLE (S)TAPA A-POTENCIOMETRO DE								
	98615340	04-07		B	B	B	X	X	ABZ1UFS-CHDNDH14			1					
	[72]			(E)COVER A-BLANK (D)DECKEL A-LEER					(F)COUVERCLE A-OBTURATEUR (S)TAPA A-CIEGA								
	98615343	04-07		B	B	B	X	X	ABZ-CHDHLUFS			1					
	[76]			(E)SCREW (D)SCHRAUBE					(F)VIS (S)TORNILLO								
	94520326	04-07		B	B	B	X	X				3					
	[80]			(E)NUT (D)MUTTER					(F)ECROU (S)TUERCA								
	94515241	04-07		B	B	B	X	X				5					
	[81]			(E)CLIP (D)KLEMME					(F)CLIP (S)CLIP								
	94530831	04-07		B	B	B	X	X				5					
	[81]			(E)SWITCH-TRUNK OPEN&DIMMER (D)SCHALTER-KOFFERRAUM					(F)COMMUTATEUR-OUVERTURE (S)INTERRUPTOR-APERTURA DE								
	96444390	06-07		B	.	.	X	.	ABZ1HNDUFS-CHDHL1			1					
				**** RPO DEFINITIONS ****													
				BC2 : INSTRUMENT PAD-OLX													
				N07 : STEERING-TILT & TELESCOPIC													
				WOP : METALLIC PAINT													
				WGR : WOOD GRAIN													
				WGS : METALLIC GRAIN													
				XHL : IMPEDIMENT LEFT HAND													
				BC1 : INSTRUMENT PAD-STD													
				XJB : JAPAN-MANDATORY													
				XAT : AUSTRALIA-MANDATORY													
				XES : ESTONIA-MANDATORY													
				XPL : POLAND-MANDATORY													
				G3 : GREY-INTERIOR													
				HL4 : HEAD LAMP LEVELING DEVICE													

7120

MOLDING&SWITCH

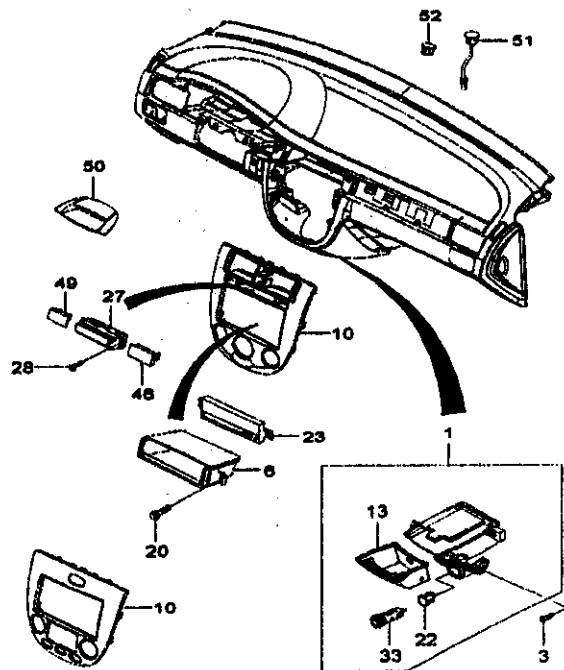


RJ7120G 05/13/2005

I T C	KEY NO.		PART NAME								REMARKS	P / C O D E			
	PART NO.	MODEL YEAR	D R V	BODY		LEVEL		OPTION	L Q T Y	V.I.N.					
				A H B	S H W	B L S	L L S T			FROM			TO		
								<p>**** RPO DEFINITIONS ****</p> <p>UP8 : DIMMER-INSTRUMENT CLUSTER</p> <p>OND : CARD HOLDER-IP</p> <p>HON : BADGE-HOLDEN</p>							

7130

INSTRUMENT CENTER PARTS I

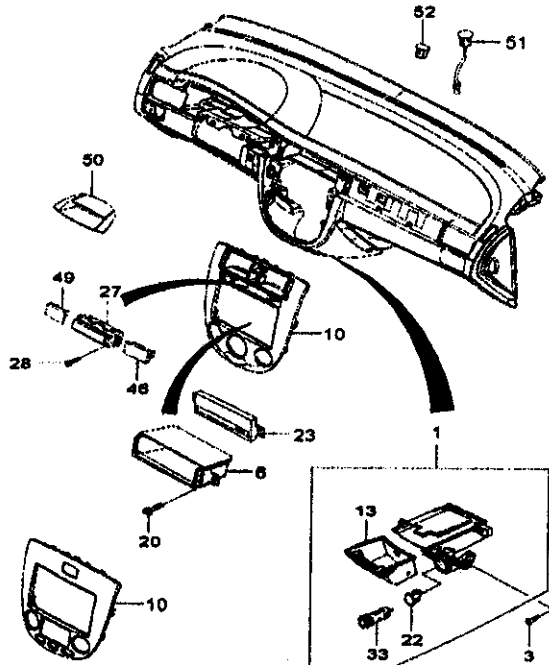


RJ7130G 10/30/2004

I T C	KEY NO.		PART NAME										L O T R Y	V.I.N.		REMARKS	P / C O D E	
	PART NO.	MODEL YEAR	D R V	BODY			LEVEL				OPTION	FROM		TO				
				4 N H S B W	4 H S B W	5 S B W	B L S T	B L S T	B L S T	B L S T								
	[01]			(E)ASHTRAY A/UP (D)ASCHENBECHER A-INSTR.TAFEL									(F)GENORIER A-TB (S)CENICERO A-PI					
	98815702	04 - 07		B B B X X X									1					MB
	[03]			(E)SCREW (D)SCHRAUBE									(F)VIS (S)TORNILLO					
	94520328	04 - 07		B B B X X X									3					
	[06]			(E)BOX DEPOSIT,UP,CTR (D)ABLAGEBOX INSTR.TAFEL MITTE									(F)BOITIER-DEPOT,TE,CTR (S)CAJA-DEPOSITO,PI,CTR					
	98815546	04 - 07		B B B X X X									1					
	[10]			(E)MOLDING A-UP,CTR (D)FORMTEIL A-INSTR.TAFEL OBEN									(F)MOULURE A-TB,CTR (S)MOLDURA A-PI,CTR					
	98815552	04 - 07		B . . X X X									1					PH
	98303041	04 - 07		B . . . X X									1					PJ
	9855042	04 - 07		B . . . X X									1					PG
	9855038	04 - 07		. B B . X X									1					PA
	9855127	04 - 07		. B B X X X									1					PB
	98815550	04 - 06		. B B . X X									1					PC
	98815551	04 - 07		. B B X X X									1					PD
	[13]			(E)TRAY-ASHTRAY,UP (D)SCHALEN-ASCHENBECHER, INSTR.TAF									(F)GENORIER-TB (S)BANDEJA-CENICERO,PI					
	98450526	04 - 07		B B B X X X									1					
	[20]			(E)BOLT (D)BOLZEN									(F)BOULON (S)PERNO					
	94501387	04 - 07		B B B X X X									2					
	[22]			(E)RING A-LIGHT (D)LICHTRING A									(F)BAGUE A-FEU (S)JARO A-LUMINOSO					
	98457062	04 - 07		B B B X X X									1					
	[23]			(E)COVER-BLANK,RADIO (D)ABDECKUNG-LEER,RADIO									(F)COUVERCLE-OBTURATEUR,RADIO (S)TAPA-CIEGA,RADIO					
	98281248	04 - 07		B B B X X X									1					
	[27]			(E)CLOCK A-DIGITAL (D)DIGITALUHR A									(F)MONTRE A-NUMERIQUE (S)RELOJ A-DIGITAL					
	98550342	04 - 07		B . . X X X									1					NA
	Y 98812050	04 - 07		B . . X X X									1					NV
	98490020	04 - 07		. B B X X X									1					NA
	Y 98812053	04 - 07		. B B X X X									1					HT
	98490020	06 - 07		B B B X X X									1					HA
	Y 98812053	06 - 07		B B B X X X									1					HT
	[28]			(E)SCREW (D)SCHRAUBE									(F)VIS (S)TORNILLO					
	94520338	04 - 07		B . B X X X									2					
	94520328	04 - 07		. B . X X X									2					

7130

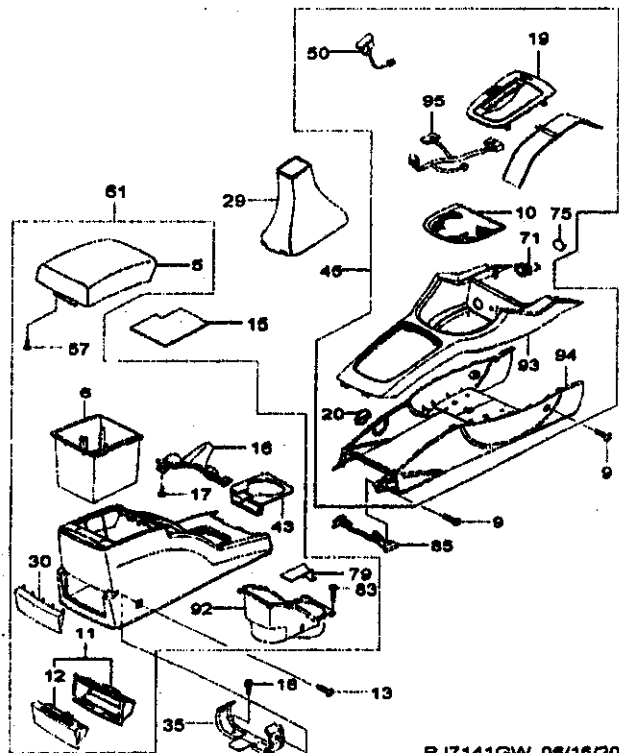
INSTRUMENT CENTER PARTS I



RJ7130G 10/30/2004

I T C	KEY NO.		PART NAME													P / C O D E	
	PART NO.	MODEL YEAR	D R V	B O D Y			L E V E L			O P T I O N	L Q T Y	V.I.N.		R E M A R K S			
				4 A H B	4 S H B	5 S B W	B L S T	L L S T	FROM			TO					
	[33]			(E)LIGHTER A-CIGAR (D)ZIGARETTEANZUENDER A										(F)ALLUME-CIGARES A (S)ENCENDEDOR A-DE CIGARRILLOS			
	96457065	04-07		B B B X X X										1			
	[46]			(E)COVER-BLANK (D)ABDECKUNG,LEER										(F)COUVERCLE-OBTURATEUR (S)TAPA-CIEGA			
	96615566	04-07		B . . X X X					8BC3-UAX					1	BLANK COVER		
	[49]			(E)COVER-BLANK (D)ABDECKUNG,LEER										(F)COUVERCLE-OBTURATEUR (S)TAPA-CIEGA			
	96615565	04-07		B . . X X X					8BC3-C14					1			
	[50]			(E)COVER-BLANK (D)ABDECKUNG,LEER										(F)COUVERCLE-OBTURATEUR (S)TAPA-CIEGA			
	96615698	04-07		. B B X X X					8BC1-U32					1	BLANK COVER		
	96615696	04-07		. B B X X X					8BC1&U32					1			
	[51]			(E)SENSOR A-SUN (D)SONNENSENSOR A										(F)CAPTEUR A-ENSOLEILLEMENT (S)SENSOR A-SOLAR			
	96271342	04-07		B B B . X X					8C16					1			
	[52]			(E)COVER-BLANK (D)ABDECKUNG,LEER										(F)COUVERCLE-OBTURATEUR (S)TAPA-CIEGA			
	96615669	04-07		B B B X X X					8S2&C&M/C80					1			
				**** RPO DEFINITIONS ****													
				82 : GREY-INTERIOR													
				UAX : RADIO-AM/FM STREG,CDP													
				UN0 : BLANK COVER-AUDIO, W/FRAME													
				UN1 : CASSETTE-AM/FM ST0 ETR, STD													
				UN2 : CASSETTE-AM/FM ST0 ETR, DLX													
				UPK : RADIO-ETR, EQU, CD, MP3, MDIN													
				C16 : HEATER													
				C69 : AIR CON-UNCOMPLETED MANUAL													
				C80 : AIR CONDITIONING													
				WGM : INST PANEL-METALLIC COLOR													
				8C2 : INSTRUMENT PAD-DLX													
				C16 : AIR CON-FULL ATC													
				8C1 : INSTRUMENT PAD-STD													
				X37 : PACKAGE-PATROL CAR													
				U32 : CLOCK-DIGITAL, IP													
				8B1 : AIR BAG SYSTEM-ADVANCED													
				HDN : BADGE-HOLDEN													
				UAX : HANDS FREE KIT													
				C16 : AIR QUALITY CONTROL SYSTEM													

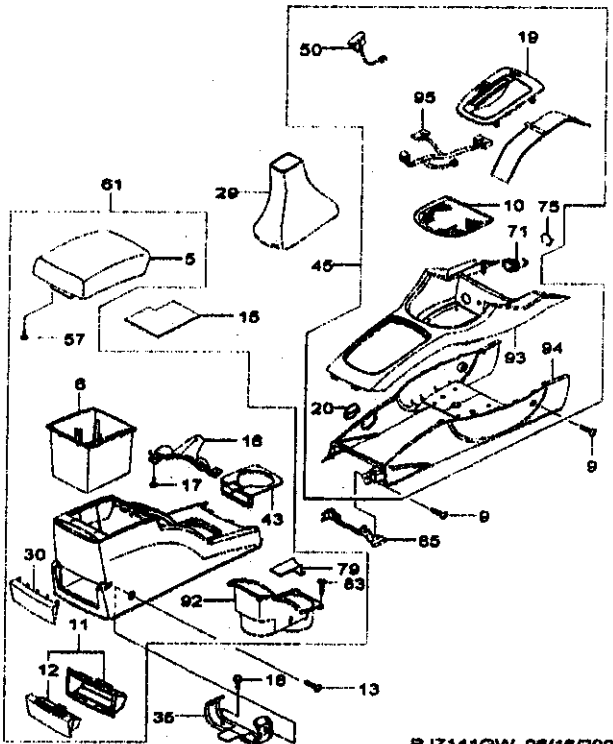
7141
CONSOLE



RJ7141GW 06/16/2005

I T C	KEY NO. PART NO.	MODEL YEAR	D R V	PART NAME						L Q T Y	V.I.N. FROM TO	REMARKS	P I C O D E	
				BODY A N H B	LEVEL B L L	OPTION	L	Q	T					Y
	[06] 96396624 Y 96425944	04 - 07 04 - 07		(E)LID A-CNSL,RR (D)DECKEL A-KONSOLE,HINTEN						(F)COUVERCLE A-CNSL,RR (S)CUBIERTA A-CNSL,TR				
				B B B . X X						1				
				B B B . X X						1				
	[06] 96615479	04 - 07		(E)BOX-CNSL,RR (D)BOX-KONSOLE,HINTEN						(F)BOITE-CNSL,RR (S)CAJA-CNSL,TR				
				B B B . X X						1				
	[09] 94520326 94520326	04 - 07 04 - 07		(E)SCREW (D)SCHRAUBE						(F)VIS (S)TORNILLO				
				B B B X X X						2				
				B B B X X X						2				
	[10] 96615463 O 96615452	04 - 04 04 - 07		(E)LINING-INSERT,CNSL (D)AUSKLEIDUNG-EINSATZ,KONSOLE						(F)DOUBLURE-INSERT,CNSL (S)REVESTIMIENTO-INSERTO,CNSL				
				B . . X X X						1	850264			
				B B B X X X						1	850265			
	[11] 96615485	04 - 07		(E)HOUSING A-ASHTRAY,CNSL (D)GEHAEUSE						(F)LOGEMENT A-CENDRIER,CNSL (S)ALOJAMIENTO A-CENICERO,CNSL				
				B B B . X X						1				
	[12] 96615487	04 - 07		(E)TRAY A-ASHTRAY,CNSL,RR (D)SCHALE A-ASCHENBECHER						(F)CENDRIER A-CNSL,RR (S)BANDEJA A-CENICERO,CNSL,TR				
				B B B . X X						1				
	[13] 94520326	04 - 07		(E)SCREW (D)SCHRAUBE						(F)VIS (S)TORNILLO				
				B B B X X X						2				
	[15] 96615507 96615509	04 - 07 04 - 07		(E)MAT-CNSL BODY (D)MATITE-KONSOLE KAROSSERIE						(F)TAPIS-CORPS DE CONSOLE (S)ESTERILLA-CUERPO CNSL				
				B B B X . .						1				
				B B B . X X						1				
	[16] 96615480	04 - 07		(E)BOOT A-P/BRAKE (D)SCHUTZKAPPE A-FESTST.BR.						(F)SOUFFLET A-FREIN DE (S)GUARDAPOLVO A-FRMANO				
				B B B X X X						1				
	[17] 94520163	04 - 07		(E)SCREW (D)SCHRAUBE						(F)VIS (S)TORNILLO				
				B B B X X X						4				
	[18] 94501375	04 - 07		(E)BOLT (D)BOLZEN						(F)BOULON (S)PERNO				
				B B B X X X						2				
	[19] 96455421 96455418	04 - 07 04 - 07	L L	(E)CAP A-CNSL (D)KAPPE A-KONSOLE						(F)GARNITURE A-CNSL (S)TAPA A-CNSL				
				B . . X X .						1				
				B B B . X X						1				

7141
CONSOLE

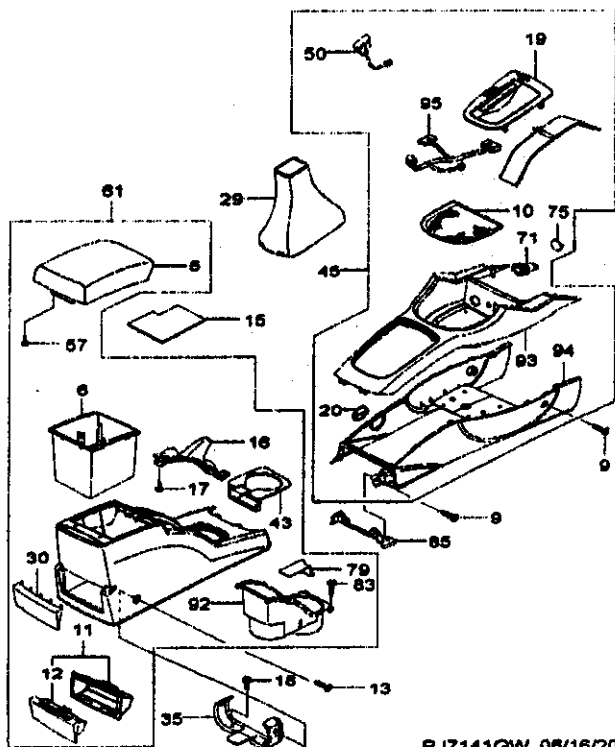


RJ7141GW 06/16/2005

I T C	KEY NO.		PART NAME													P / C O D E
	PART NO.	MODEL YEAR	D R V	BODY			LEVEL			OPTION	L / Q T Y	V.I.N.		REMARKS		
				4 N H S B	4 N H S B	5 B L L	5 B L L	5 B L L	5 B L L			5 B L L	5 B L L		FROM	
	[19]			(E)CAP A-CNSL (D)KAPPE A-KONSOLE										(F)GARNITURE A-CNSL (S)TAPA A-CNSL		
	96468355	04-07	R	B	B	B	X	X		4ML4				1		
	96468340	04-07	R	B	B	B	X	X		4MM9				1		
	[20]			(E)CAP-CNSL AUTOMATIC (D)KAPPE-KONSOLE AUTOMATIK										(F)GARNITURE-CNSL AUTOMATIQUE (S)TAPA-CNSL AUTOMATICA		
	96615451	04-07		B	B	B	X	X		4M2				1		
	[28]			(E)BOOT A-PRY CNSL,MT (D)SCHUTZKAPPE A-VORDERE										(F)GAINE A-CNSL AV,MT (S)GUARDAPOLVO-CNSL DELAN,MT		
	96615460	04-07		B	B	B	X	X		4M04M06M05M06				1		
	[30]			(E)COVER-BLANK,ASHTRAY,RR (D)ABDECKUNG-LEER,ASCHENBECHER,H										(F)COUVERCLE-OBTURATEUR,CEND (S)TAPA-CIEGA,CENICERO,TR		
	96615491	04-07		B	B	B	X	X		4M2-URT				1		
	[35]			(E)BRACKET A-CNSL,RR (D)HALTER A-KONSOLE,HINTEN										(F)SUPPORT A-CNSL,AR (S)SOPORTE A-CNSL,TR		
	96554730	04-07		B	B	B	X	X		JL6				1		
	96554730	05-07		B	B	B	X	X		4XJRM1E				1		
	[43]			(E)HOLDER A-CUP (D)TASSENHALTER A										(F)PORTE-GOBELET A (S)SPOSAVASOS A		
	96615493	04-07		B	B	B	X	X		4M2				1		
	[45]			(E)CONSOLE A-PRY (D)KONSOLE A-VORN										(F)CONSOLE A-AV (S)CONSOLA A-DELAN		
	96404037	04-07	L	B	B	B	X	X		4824M4M04M05M06M07-UL1				1	DQ	
	96615419	04-07	L	B	B	B	X	X		4824M4M04M05M06M07-UL1				1	AG	
	96404052	04-07	L	B	B	B	X	X		4824ML4-UL1				1	DE	
	96615425	04-07	L	B	B	B	X	X		4824ML44UL1-MGS				1	AE	
	96404046	04-07	L	B	B	B	X	X		4824MM06-UL1				1	DC	
	96615439	04-07	L	B	B	B	X	X		4824MM06-UL1				1	AG	
	96404055	04-07	R	B	B	B	X	X		4824M04M05M06M07-UL1				1	DF	
	96615427	04-07	R	B	B	B	X	X		4824M04M05M06M07-UL1				1	AF	
	96404067	04-07	R	B	B	B	X	X		4824ML4-UL1				1	DK	
	96615433	04-07	R	B	B	B	X	X		4824ML44UL1				1	AK	
	96404061	04-07	R	B	B	B	X	X		4824MM06-UL1				1	DH	
	96615443	04-07	R	B	B	B	X	X		4824MM06UL1-XJ6				1	AH	
	96447695	04-07	R	B	B	B	X	X		4824MM06UL1XJ6				1	FA	
	[50]			(E)SWITCH A-HOLD MODE (D)SCHALTER A-HALTEBETRIEB										(F)COMMUTATEUR A-MODE MAINTIEN (S)INTERRUPTOR A-MODO DE		
	96550867	04-07	L	B	B	B	X	X		4ML4MM9				1		
	96550868	04-07	R	B	B	B	X	X		4ML4MM9				1		
	[57]			(E)SCREW (D)SCHRAUBE										(F)VIS (S)TORNILLO		
	94520315	05-07		B	B	B	X	X		4D02				2		

7141

CONSOLE



RJ7141GW 08/16/2005

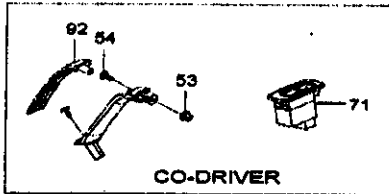
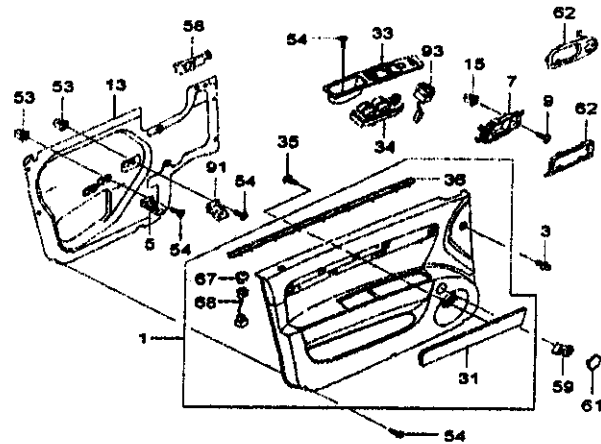
I T C	KEY NO. PART NO.	MODEL YEAR	D R Y	PART NAME								L Q T Y	V.I.N.		REMARKS	P / C O D E
				BODY	LEVEL	OPTION	FROM	TO	REMARKS	P / C O D E						
											4 N B		4 H S B	5 L S S		
	[81]			(E)CONSOLE ARR (D)KONSOLE A HINTEN							(F)CONSOLE A-AR (S)CONSOLA A-TR					
	96451479	04-07		B B B X . .							1				00	
	96615469	04-05		B B B . X .							1	072366			00	
	O 96425941	04-07		B B B . X .							1	072367			03	
	96615467	04-05		B B B . X X							1		072366		03	
	O 96425935	04-07		B B B . X X							1	072367			01	
	96451478	04-07		B B B X . .							1				01	
	[71]			(E)SOCKET A-ADAPTER (D)FASSUNG A-ADAPTER							(F)DOUILLE A-ADAPTEUR (S)ENCHUFE A-ADAPTOR					
	96482587	04-07		B B B X X X							1					
	96439055	04-07		B B B X X X							1					
	[78]			(E)COVER-BLANK-PWR SOCKET (D)ABDECKUNG-LEER-LEIST.FASSUNG							(F)COUVERCLE-OBTURATEUR, PRISE (S)TAPA-CIEGA, TOMA DE CORRIENTE					
	96615336	04-07		B B B X . .							1					
	[79]			(E)CAP-CNLSL,RR (D)KAPPE-KONSOLE, HINTEN							(F)BARNITURE-CNLSL,AR (S)TAPA-CNLSL, TR					
	96615305	04-07		B B B X X X							1					
	[83]			(E)SCREW (D)SCHRAUBE							(F)VIS (S)TORNILLO					
	94520163	04-07		B B B X X X							4					
	[86]			(E)BRACKET A-CNLSL,FRT (D)HALTER A-KONSOLE, VORN							(F)SUPPORT A-CNLSL,AV (S)SOPORTE A-CNLSL,DELAN					
	96368595	04-07		B B B X X X							1					
	[92]			(E)BOX-CUP HOLDER (D)BOX-TASSENHALTER							(F)BOITE-PORTE-GOBELET (S)CAJA-POSAVASOS					
	96615503	04-07		B B B X X X							1					
	[83]			(E)CONSOLE-FRT,UPR (D)KONSOLE-VORN;OBEN							(F)CONSOLE-AV,SUP (S)CONSOLA-DELAN,SUP					
	96615444	04-07		B B B X X X							1					
	[84]			(E)CONSOLE-FRT,LWR (D)KONSOLE-VORN,UNTEN							(F)CONSOLE-AV,INF (S)CONSOLA-DELAN,INFERIOR					
	96615447	04-07	L	B B B X X X							1					
	96615449	04-07	R	B B B X X X							1					
	[95]			(E)WARRANTY CONSOLE (D)KABELSTRANG-KONSOLE							(F)FAIS.CBL-CONSOLE (S)CABLEADO-CONSOLA					
	96347324	04-07		B B B X . .							1				00	
	96347325	04-07		B B B X X X							1				00	

**** RPO DEFINITIONS ****

82 : GREY-INTERIOR

7210

FRONT DOOR TRIM



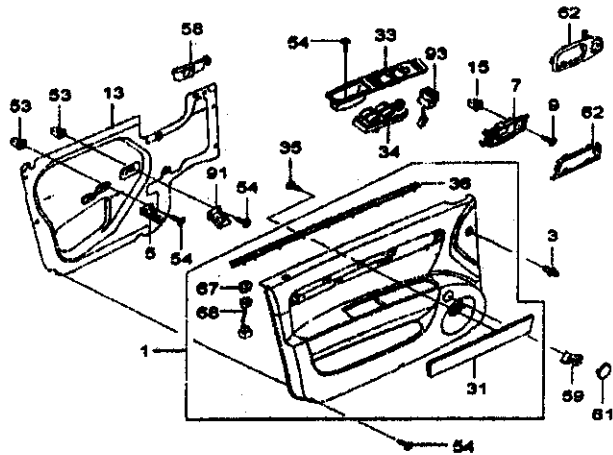
CO-DRIVER

RJ7210GW 10/30/2004

I T C	KEY NO.		PART NAME											REMARKS	P / C O D E
	PART NO.	MODEL YEAR	D R V	BODY			LEVEL		OPTION	L O T	V.I.N.				
				4 N B	5 H B	S S W	B L S	L L T			FROM	TO			
	[01]			(E)TRIM A-FRT DR	(D)ZIERLEISTE A-VORDERTUER							(F)GARNISSAGE A-PORTE AV	(S)GUARNECIDO A-PTA DELAN		
	96493713	04 - 04	L	B	.	X	X	.	822LA32A988CALUM18DRF5TDB8WBC-WGR	LH 1					YQ
	96471380	05 - 07	L	B	.	X	X	.	822LA32A988CALUM18DRF5TDB8WBC-WGR	LH 1					NN
	96493715	04 - 04	L	B	.	X	X	.	822LA32A988DRF5TDB8WBC-CALUM11WGR	LH 1					YS
	96471384	05 - 07	L	B	.	X	X	.	822LA32A988DRF5TDB8WBC-CALUM11WGR	LH 1					NQ
	96471378	05 - 06	L	B	.	X	X	.	822LA988DRF5TDB8WGR8WBC-CALUM11HON	LH 1					NM
	96493707	04 - 04	L	B	.	X	X	.	822LA988CALUM18DRF5TDB8WGR8WBC	LH 1					YJ
	96471374	05 - 06	L	B	.	X	X	.	822LA988CALUM18DRF5TDB8WGR8WBC-HON	LH 1					NK
	96618049	04 - 04	L	B	.	X	X	.	822LA988CALUM18TDB8WGR8WBC-C-DRF	LH 1					QX
	96471414	05 - 06	L	B	.	X	X	.	822LA988CALUM18TDB8WGR8WBC-C-DRF-HON	LH 1					VF
	96618047	04 - 04	L	B	.	X	X	.	822LA988TDB8WGR8WBC-CALDRFUUM1	LH 1					RE
	96471422	05 - 06	L	B	.	X	X	.	822LA988TDB8WGR8WBC-CALDRFUUM1HON	LH 1					VK
	96618065	04 - 04	L	B	.	X	X	.	822LA32A988TDB8WBC-CALDRFUUM1WGR	LH 1					RW
	96471434	05 - 07	L	B	.	X	X	.	822LA32A988TDB8WBC-CALDRFUUM1WGR8HONWGR	LH 1					VR
	96618061	04 - 04	L	B	.	X	X	.	822LA32A988CALUM18TDB8WBC-DRF-WGR	LH 1					RR
	96471428	05 - 07	L	B	.	X	X	.	822LA32A988CALUM18TDB8WBC-DRF-HONWGRWGR	LH 1					VM
	96618071	04 - 05	L	B	.	.	X	X	822LA32A988TDB8WBC-CALDRFUUM1WGR	LH 1					8C
	96443807	06 - 07	L	B	.	.	X	X	8A32A988TDB8WBC82-CALDRFHDNUM1WGRWGR	LH 1					Q2
	96618041	04 - 05	L	B	.	.	X	X	822LA32A988DRF5TDB8WBC-CALUM11WGR	LH 1					QU
	96443583	06 - 07	L	B	.	.	X	X	8A32A988DRF5TDB8WBC82-CALUM1WGRWGR	LH 1					8B
	96618067	04 - 05	L	B	.	.	X	X	822LA32A988CALUM18TDB8WBC-DRF-WGR	LH 1					RY
	96443569	06 - 07	L	B	.	.	X	X	8A32A988CALUM18TDB8WBC82-DRF-HONWGRWGR	LH 1					F7
	96618037	04 - 05	L	B	.	.	X	X	822LA32A988CALUM18DRF5TDB8WBC-WGR	LH 1					QQ
	96443575	06 - 07	L	B	.	.	X	X	8A32A988CALUM18DRF5TDB8WBC82-HONWGRWGRWGR	LH 1					84
	96618049	04 - 05	L	B	.	.	X	X	822LA988CALUM18TDB8WGR8WBC-DRF	LH 1					RD

7210

FRONT DOOR TRIM



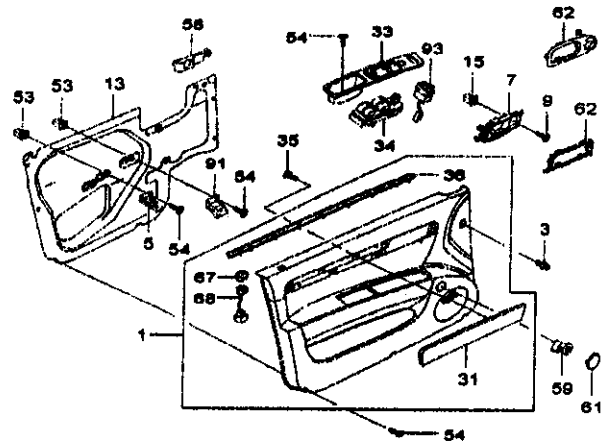
CO-DRIVER

RJ7210GW 10/30/2004

I T C	PART NO.	MODEL YEAR	KEY NO.						PART NAME	L Q T Y	V.I.N.		REMARKS	P / C O D E		
			D R V	B O D Y			L E V E L				O P T I O N	F R O M			T O	
				4 N B	5 H S	6 B W	B S	L L								L L
	[01]			(E)TRIM A-FRT DR								(F)GARNISSAGE A-PORTE AV				
				(D)ZIERLEISTE A-VORDERTUER								(S)GUARNECIDO A-PTA DELAN				
	96443587	06-06	L	B	.	.	X	X	A48L3CALUM14TD8WGRWWE32	LH	1			F1		
	96616019	04-05	L	B	.	.	X	X	A82LA88L3CALUM14DRF4TD8WGRWWE	LH	1			PW		
	96443563	06-06	L	B	.	.	X	X	A48L3CALUM14DRF4TD8WGRWWE	LH	1			D7		
	96616053	04-05	L	B	.	.	X	X	A82LA88L3CALUM14DRF4TD8WGRWWE-CALORVUM1	LH	1			RH		
	96443566	06-06	L	B	.	.	X	X	A48L3CALUM14DRF4TD8WGRWWE-CALORVUM1	LH	1			P5		
	96616023	04-05	L	B	.	.	X	X	A82LA88L3CALUM14DRF4TD8WGRWWE-CALUM1	LH	1			QA		
	96443571	06-06	L	B	.	.	X	X	A48L3CALUM14DRF4TD8WGRWWE-CALUM1	LH	1			E2		
	96616059	04-06	L	B	.	.	X	X	A82LA88L3CALUM14DRF4TD8WGRWWE-CALORVUM14HDN	LH	1			RP		
	96616055	04-06	L	B	.	.	X	X	A82LA88L3CALUM14DRF4TD8WGRWWE-CALORVUM14HDN	LH	1			RK		
	96493712	04-06	L	B	.	.	X	X	A82LA88L3CALUM14DRF4TD8WGRWWE-CALUM14HDN	LH	1			YP		
	96493710	04-06	L	B	.	.	X	X	A82LA88L3CALUM14DRF4TD8WGRWWE-CALUM14HDN	LH	1			YB		
	96616067	04-04	L	B	.	X	.	.	A82LA308L3CALUM14DRF4TD14WBC-WGP	LH	1			TH		
	96471310	05-07	L	B	.	X	.	.	A82LA308L3CALUM14DRF4TD14WBC-WGP	LH	1			MP		
	96616069	04-04	L	B	.	X	.	.	A82LA308L3CALUM14DRF4TD14WBC-WGP	LH	1			TK		
	96471314	05-07	L	B	.	X	.	.	A82LA308L3CALUM14DRF4TD14WBC-WGP	LH	1			MR		
	96616125	04-04	L	B	.	X	.	.	A82LA308L3CALUM14DRF4TD14WBC-WGP	LH	1			WD		
	96471334	05-07	L	B	.	X	.	.	A82LA308L3CALUM14DRF4TD14WBC-WGP	LH	1			NB		
	96616127	04-04	L	B	.	X	.	.	A82LA308L3CALUM14DRF4TD14WBC-WGP	LH	1			WF		
	96471338	05-07	L	B	.	X	.	.	A82LA308L3CALUM14DRF4TD14WBC-WGP	LH	1			ND		
	96616085	04-04	L	B	.	X	X	X	A82LA32M88L3CALUM14DRF4TD14WGP4WBC	LH	1			SH		
	96471302	05-07	L	B	B	X	X	X	A82LA32M88L3CALUM14DRF4TD14WGP4WBC	LH	1			MK		
	96616087	04-04	L	B	.	X	X	X	A82LA32M88L3CALUM14DRF4TD14WGP4WBC	LH	1			SG		
	96471306	05-07	L	B	B	X	X	X	A82LA32M88L3CALUM14DRF4TD14WGP4WBC	LH	1			MM		
	96616101	04-04	L	B	.	X	X	X	A82LA32M88L3CALUM14DRF4TD14WBC-WGP	LH	1			TP		
	96471318	05-07	L	B	B	X	X	X	A82LA32M88L3CALUM14DRF4TD14WBC-WGP	LH	1			MT		
	96616103	04-04	L	B	.	X	X	X	A82LA32M88L3CALUM14DRF4TD14WBC-WGP	LH	1			TR		
									A82LA32M88L3CALUM14DRF4TD14WBC-WGP					NV		

7210

FRONT DOOR TRIM



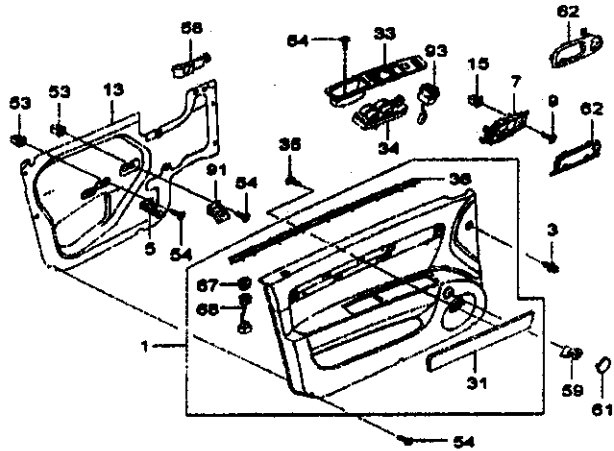
CO-DRIVER

RJ7210GW 10/30/2004

I T C	KEY NO.		PART NAME										P/ C O D E
	PART NO.	MODEL YEAR	O R V	B O D Y		L E V E L		O P T I O N	L Q T Y	V.I.N.		R E M A R K S	
				4 N B	4 H B	5 S B	5 S W			B L	L T		
	[01]			(E)TRIM A-FRT DR	(D)ZIERLEISTE	A-VORDERTUER		(F)GARNISSAGE A-PORTE AV	(S)GUARNECIDO A-PTA DELAN				
	96616113	04 - 04	L	B	X	X		4826A32A986CALUM1&TD1&WGP&VWC-DRF	LH 1				UJ
	96471326	05 - 07	L	B	B	X	X	4826A32A986CALUM1&TD1&WGP&VWC-DRF	LH 1				MX
	96616115	04 - 04	L	B	X	X		4826A32A986TD1&WGP&VWC-DRF	LH 1				UL
	96471330	05 - 07	L	B	B	X	X	4826A32A986TD1&WGP&VWC-DRF/CALUM1	LH 1				MZ
	96616129	04 - 04	L	B	X	X		4826A32A986CALUM1&TD1&WBC-DRF&WGP	LH 1				WK
	96471342	05 - 07	L	B	B	X	X	4826A32A986CALUM1&TD1&WBC-DRF&WGP	LH 1				NF
	96616131	04 - 04	L	B	X	X		4826A32A986TD1&WBC-DRF&WGP	LH 1				WM
	96471346	05 - 07	L	B	B	X	X	4826A32A986TD1&WBC-DRF&WGP/CALUM1	LH 1				NH
	96616138	04 - 05	L	B	B	X	X	4826A32A986TD1&WBC-DRF&WGP	LH 1				XA
	96443709	06 - 07	L	B	B	X	X	4A32A986TD1&WBC&S2-ONL/DRF&M1&WGP	LH 1				4A
	96616119	04 - 05	L	B	B	X	X	4826A32A986TD1&WGP&VWC-DRF	LH 1				U8
	96443685	06 - 07	L	B	B	X	X	4A32A986TD1&WGP&VWC&S2-CAL/DRF&M1	LH 1				K8
	96616111	04 - 05	L	B	B	X	X	4826A32A986DRF&TD1&WBC-WGP	LH 1				UE
	96443671	06 - 07	L	B	B	X	X	4A32A986DRF&TD1&WBC&S2-CAL/M1&WGP	LH 1				K2
	96616091	04 - 05	L	B	B	X	X	4826A32A986DRF&TD1&WGP&WBC	LH 1				8X
	96443649	06 - 07	L	B	B	X	X	4A32A986DRF&TD1&WGP&VWC&S2-CALUM1	LH 1				9D
	96616089	04 - 05	L	B	B	X	X	4826A32A986CALUM1&DRF&TD1&WGP&WBC	LH 1				8U
	96443641	06 - 07	L	B	B	X	X	4A32A986CALUM1&DRF&TD1&WGP&VWC&S2	LH 1				5D
	96616109	04 - 05	L	B	B	X	X	4826A32A986CALUM1&DRF&TD1&WBC-WGP	LH 1				UG
	96443665	06 - 07	L	B	B	X	X	4A32A986CALUM1&DRF&TD1&WBC&S2-WGP	LH 1				J8
	96616117	04 - 05	L	B	B	X	X	4826A32A986CALUM1&TD1&WGP&VWC-DRF	LH 1				UQ
	96443681	06 - 07	L	B	B	X	X	4A32A986CALUM1&TD1&WGP&VWC&S2-DRF	LH 1				K7
	96616137	04 - 05	L	B	B	X	X	4826A32A986CALUM1&TD1&WBC-DRF&WGP	LH 1				WY
	96443705	06 - 07	L	B	B	X	X	4A32A986CALUM1&TD1&WBC&S2-DRF&WGP	LH 1				2A
	96616095	04 - 07	L	B	B	X	X	4826A32A986DRF&TD1&WGP&VWC-CALUM1	LH 1				TD
	96616093	04 - 07	L	B	B	X	X	4826A32A986CALUM1&DRF&TD1&WGP&VWC	LH 1				TB

7210

FRONT DOOR TRIM



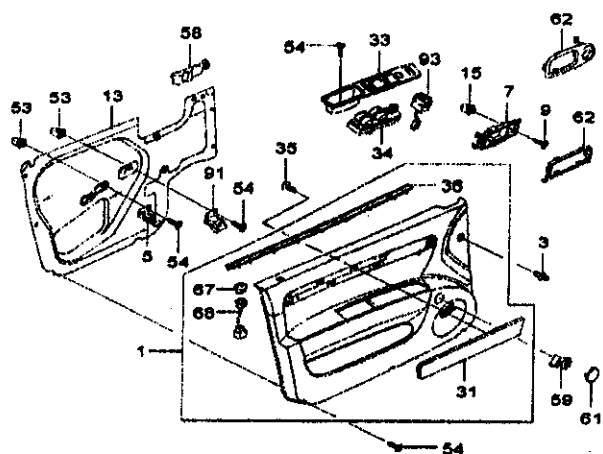
CO-DRIVER

RJ7210GW 10/30/2004

I T C	KEY NO.	PART NO.	MODEL YEAR	D R V	PART NAME						L / R	Q / T Y	V.I.N.		REMARKS	P O O C O D E
					B O D Y	L E V E L	O P T I O N		F R O M	T O			R E M A R K S			
							4 N B	5 H B						6 S B		
	[01]				(E)TRIM A-FRT DR							(F)GARNISSAGE A-PORTE AV				
					(D)ZIERLEISTE A-VORDERTUER							(S)GUARNECIDO A-PTA DELAN				
	98616123	04-07	L	B	B	.	X	X	822LA86LTD18WGP8W8-CALORP	LH	1				UZ	
	98616121	04-07	L	B	B	.	X	X	822LA86CALUM18TD18WGP8W8	LH	1				UX	
	98618084	04-04	L	B	.	.	X	X	822LA32P86LTD8W8C-DRF8W8R	RH	1				RJ	
	98471432	05-07	L	B	.	.	X	X	822LA32P86LTD8W8C-DRF8W8R	RH	1				VQ	
	98489714	04-04	L	B	.	.	X	X	822LA32P86LDRF8TD8W8C-W8R	RH	1				YR	
	98471382	05-07	L	B	.	.	X	X	822LA32P86LDRF8TD8W8C-W8R	RH	1				NP	
	98618046	04-04	L	B	.	.	X	X	822LA86LTD8W8C-DRF	RH	1				RA	
	98471420	05-06	L	B	.	.	X	X	822LA86LTD8W8C-DRF8W8R	RH	1				VJ	
	98483708	04-04	L	B	.	.	X	X	822LA86LDRF8TD8W8C-DRF	RH	1				YK	
	98471376	05-06	L	B	.	.	X	X	822LA86LDRF8TD8W8C-DRF8W8R	RH	1				NL	
	98618070	04-05	L	B	.	.	X	X	822LA32P86LTD8W8C-DRF8W8R	RH	1				SB	
	98443805	06-07	L	B	.	.	X	X	822LA32P86LDRF8TD8W8C-DRF8W8R	RH	1				G1	
	98618040	04-05	L	B	.	.	X	X	822LA32P86LDRF8TD8W8C-W8R	RH	1				QT	
	98443581	06-07	L	B	.	.	X	X	822LA32P86LDRF8TD8W8C-DRF8W8R	RH	1				E7	
	98618052	04-05	L	B	.	.	X	X	822LA86LTD8W8C-DRF	RH	1				R0	
	98443583	06-06	L	B	.	.	X	X	822LA86LDRF8TD8W8C-DRF8W8R	RH	1				M4	
	98618022	04-05	L	B	.	.	X	X	822LA86LDRF8TD8W8C-DRF	RH	1				PZ	
	98443568	06-06	L	B	.	.	X	X	822LA86LDRF8TD8W8C-DRF8W8R	RH	1				E1	
	98618058	04-06	L	B	.	.	X	X	822LA86LDRF8TD8W8C-DRF8W8R	RH	1				RN	
	98489711	04-06	L	B	.	.	X	X	822LA86LDRF8TD8W8C-DRF8W8R	RH	1				YN	
	98618128	04-04	L	B	.	.	X	.	822LA30LTD18W8C-DRF8W8P	RH	1				WG	
	98471340	05-07	L	B	.	.	X	.	822LA30LTD18W8C-DRF8W8P	RH	1				NE	
	98618100	04-04	L	B	.	.	X	.	822LA30LDRF8TD18W8C-W8P	RH	1				TL	
	98471316	05-07	L	B	.	.	X	.	822LA30LDRF8TD18W8C-W8P	RH	1				MS	
	98618132	04-04	L	B	.	.	X	X	822LA32P86LTD18W8C-DRF8W8P	RH	1				WN	
	98471348	05-07	L	B	.	.	X	X	822LA32P86LTD18W8C-DRF8W8P	RH	1				NJ	
	98618104	04-04	L	B	.	.	X	X	822LA32P86LDRF8TD18W8C-W8P	RH	1				TS	
	98471324	05-07	L	B	.	.	X	X	822LA32P86LDRF8TD18W8C-W8P	RH	1				RW	
	98618116	04-04	L	B	.	.	X	X	822LA32P86LTD18W8C-DRF	RH	1				UM	
	98471332	05-07	L	B	.	.	X	X	822LA32P86LTD18W8C-DRF	RH	1				NA	
	98618068	04-04	L	B	.	.	X	X	822LA32P86LDRF8TD18W8C-DRF	RH	1				SR	
	98471308	05-07	L	B	.	.	X	X	822LA32P86LDRF8TD18W8C-DRF	RH	1				NN	
	98618140	04-05	L	B	.	.	X	X	822LA32P86LTD18W8C-DRF8W8P	RH	1				XB	
	98443711	06-07	L	B	.	.	X	X	822LA32P86LTD18W8C-DRF8W8P	RH	1				SA	
	98618112	04-05	L	B	.	.	X	X	822LA32P86LDRF8TD18W8C-W8P	RH	1				UP	

7210

FRONT DOOR TRIM



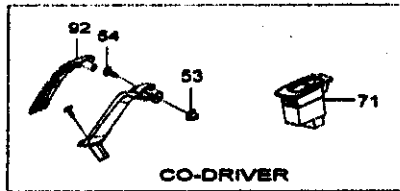
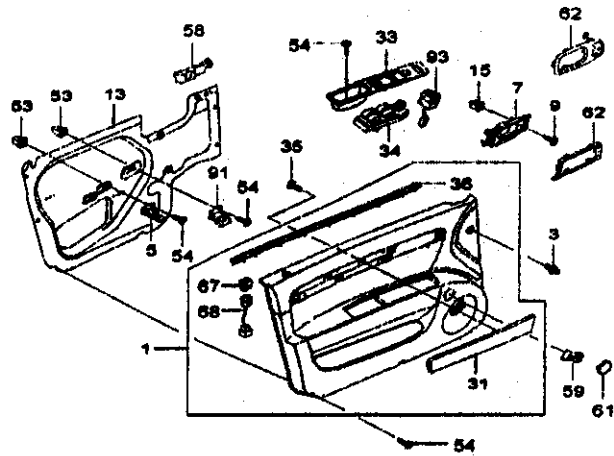
CO-DRIVER

RJ7210GW 10/30/2004

I T C	KEY NO.		PART NAME											L Q T Y	V.I.N.		REMARKS	P / C O D E	
	PART NO.	MODEL YEAR	D R V	BODY			LEVEL		OPTION	L / R	Q T Y	FROM	TO						
				4 N B	4 H S	5 B W	B L	L S								L T			
	[01]			(E)TRIM A-FRT DR (D)ZIERLEISTE A-VORDERTUER												(F)GARNISSAGE A-PORTE AV (S)GUARNECIDO A-PTA DELAN			
	96443673	06-07	L	B	B	X	X			A42/A86LDRF8 TD16W8E421-WGP	RH	1						IG	
	96616120	04-05	L	B	B	X	X			A42/A32P868 TD16WGP1W8E-DRF	RH	1						UT	
	96443687	06-07	L	B	B	X	X			A42/A86LTD16WGP1W8E421-DRF	RH	1						2C	
	96616092	04-05	L	B	B	X	X			A42/A32P868DRF8TD16WGP1W8E	RH	1						SY	
	96443647	06-07	L	B	B	X	X			A42/A86LDRF8 TD16WGP1W8E421	RH	1						SD	
	96616124	04-07	L	B	B	X	X			A42/A86LTD16WGP1W8E-DRF	RH	1						WA	
	96616096	04-07	L	B	B	X	X			A42/A32P868DRF8TD16WGP1W8E	RH	1						TE	
	96616063	04-04	R	B	B	X	X			A42/A32P868 TD86W8C-DRF/WGR	LH	1						RT	
	96471430	05-07	R	B	B	X	X			A42/A32P868 TD86W8C-DRF/WGR/ HD1W8E	LH	1						VP	
	96616033	04-04	R	B	B	X	X			A42/A32P868DRF8TD86W8C-WGR	LH	1						QL	
	96471410	05-07	R	B	B	X	X			A42/A32P868DRF8TD86W8C-WGP/ WGRHD1W8E	LH	1						VD	
	96616045	04-04	R	B	B	X	X			A42/A86LTD86WGR1W8E-DRF	LH	1						QZ	
	96471418	05-06	R	B	B	X	X			A42/A86LTD86WGR1W8C-DRF/HDN	LH	1						VH	
	96616015	04-04	R	B	B	X	X			A42/A86LDRF8 TD86WGR1W8C	LH	1						PR	
	96471366	05-06	R	B	B	X	X			A42/A86LDRF8 TD86WGR1W8C-HD N	LH	1						NS	
	96616069	04-05	R	B	B	X	X			A42/A32P868 TD86W8E-DRF/WGR	LH	1						SA	
	96443603	06-07	R	B	B	X	X			A42/A86LTD86W8E421-DRF/HDN/ WGR1W8E	LH	1						PS	
	96616039	04-05	R	B	B	X	X			A42/A32P868DRF8TD86W8E-WGR	LH	1						QS	
	96443579	06-07	R	B	B	X	X			A42/A86LDRF8TD86W8E421-HDN/ WGP1WGR1W8E	LH	1						ES	
	96616051	04-05	R	B	B	X	X			A42/A86LTD86WGR1W8E-DRF	LH	1						RF	
	96443561	06-06	R	B	B	X	X			A42/A86LTD86WGR1W8E421-DRF/HDN	LH	1						FS	
	96616021	04-05	R	B	B	X	X			A42/A86LDRF8 TD86WGR1W8E	LH	1						PY	
	96443567	06-06	R	B	B	X	X			A42/A86DRF8 TD86WGR1W8E421-HD N	LH	1						DS	
	96616057	04-06	R	B	B	X	X			A42/A86LTD86WGR1W8E-DRF/HDN	LH	1						RM	
	96470676	04-06	R	B	B	X	X			A42/A86LDRF8 TD86WGR1W8E-HDN	LH	1						LO	
	96616027	04-06	R	B	B	X	X			A42/A86LDRF8 TD86WGR1W8E-HD N	LH	1						QE	
	96616066	04-04	R	B	B	X	X			A42/A32P868DRF8TD16W8C-WGP	LH	1						TK	
	96471314	05-07	R	B	B	X	X			A42/A32P868DRF8TD16W8C-WGP	LH	1						MR	
	96616127	04-04	R	B	B	X	X			A42/A32P868TD16W8C-DRF/WGP	LH	1						NP	
	96471338	05-07	R	B	B	X	X			A42/A32P868TD16W8C-DRF/WGP	LH	1						ND	
	96616103	04-04	R	B	B	X	X			A42/A32P868DRF8TD16W8C-WGP	LH	1						TR	
	96471322	05-07	R	B	B	X	X			A42/A32P868DRF8TD16W8C-WGP	LH	1						MV	
	96616115	04-04	R	B	B	X	X			A42/A32P868 TD16WGP1W8C-DRF	LH	1						UL	
	96471330	05-07	R	B	B	X	X			A42/A32P868 TD16WGP1W8C-DRF	LH	1						NZ	
	96616131	04-04	R	B	B	X	X			A42/A32P868 TD16W8C-DRF/WGP	LH	1						WM	
	96471346	05-07	R	B	B	X	X			A42/A32P868 TD16W8C-DRF/WGP	LH	1						NH	

7210

FRONT DOOR TRIM



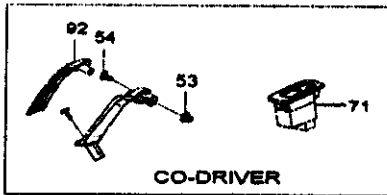
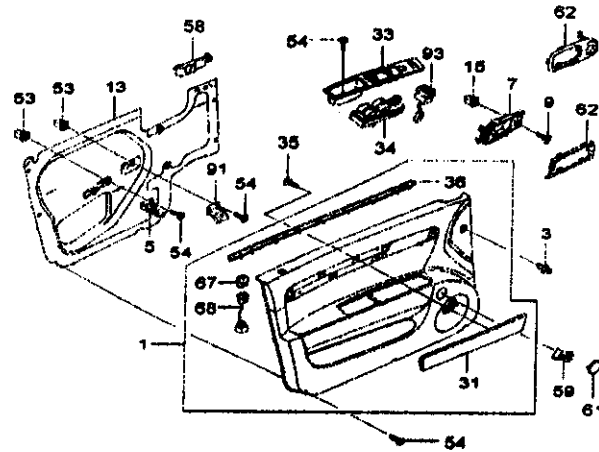
CO-DRIVER

RJ7210GW 10/30/2004

I T C	KEY NO.		PART NAME										REMARKS	P I E C E	
	PART NO.	MODEL YEAR	D R V	BODY		LEVEL		OPTION	L / R	Q T Y	V.I.N.				
				4 N B	4 S B	B L S	L L T				FROM	TO			
	[01]			(E)TRIM A-FRT DR								(F)GARNISSAGE A-PORTE AV			
				(D)ZIERLEISTE								(S)GUARNECIDO A-PTA DELAN			
	96616067	04-04	R	B	X	X						LH 1		8Q	
	96471306	05-07	R	B		X	X					LH 1		8M	
	96616061	04-05	R	B	B		X	X				LH 1		8X	
	96443649	06-07	R	B			X	X				LH 1		9D	
	96616111	04-05	R	B	B		X	X				LH 1		UE	
	96443671	06-07	R	B	B		X	X				LH 1		U2	
	96616119	04-05	R	B	B		X	X				LH 1		U8	
	96443685	06-07	R	B	B		X	X				LH 1		U9	
	96616139	04-05	R	B	B		X	X				LH 1		XA	
	96443709	06-07	R	B	B		X	X				LH 1		4A	
	96616123	04-07	R	B	B		X	X				LH 1		U2	
	96616065	04-05	R	B	B		X	X				LH 1		TD	
	96616065	06-07	R	B			X	X				LH 1		TD	
	96616066	04-04	R	B			X	X				RH 1		RX	
	96471436	05-07	R	B			X	X				RH 1		VS	
	96616062	04-04	R	B			X	X				RH 1		RS	
	96471428	05-07	R	B			X	X				RH 1		VN	
	96616036	04-04	R	B			X	X				RH 1		QP	
	96471412	05-07	R	B			X	X				RH 1		VE	
	96616032	04-04	R	B			X	X				RH 1		OK	
	96471408	05-07	R	B			X	X				RH 1		VC	
	96616048	04-04	R	B			X	X				RH 1		RC	
	96471424	05-06	R	B			X	X				RH 1		VL	
	96616044	04-04	R	B			X	X				RH 1		QY	
	96471416	05-06	R	B			X	X				RH 1		VG	
	96616018	04-04	R	B			X	X				RH 1		FU	
	96471360	05-06	R	B			X	X				RH 1		NT	
	96616014	04-04	R	B			X	X				RH 1		PQ	
	96471366	05-06	R	B			X	X				RH 1		NR	

7210

FRONT DOOR TRIM



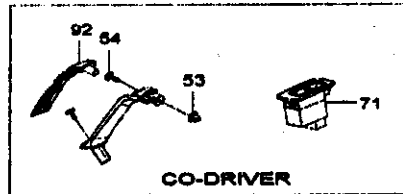
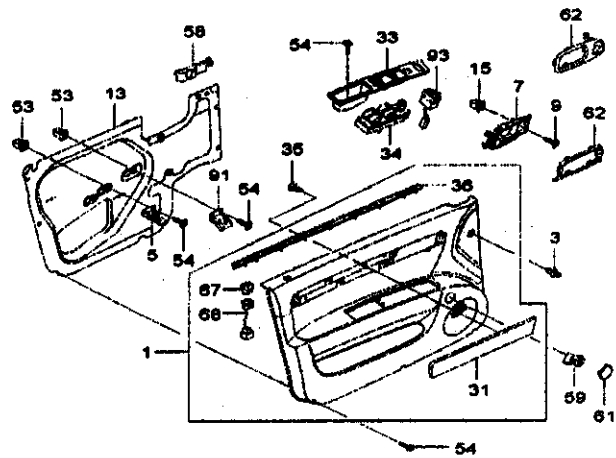
CO-DRIVER

RJ7210GW 10/30/2004

I T C	KEY NO.	PART NO.	MODEL YEAR	D R Y	PART NAME								L Q T Y	V.I.N.		REMARKS	I M P O R T	
					BODY				LEVEL					OPTION	FROM			TO
					4 N B	5 H W	6 S B	7 L S	8 L L	9 L S	10 L L	11 L S						
		[01]			(E)TRIM A-FRT DR (D)ZIERLEISTE A-VORDERTUER								(F)GARNISSAGE A-PORTE AV (S)GUARNECIDO A-PTA DELAN					
	96616072	04 - 05	R	B . . . X X	4B32A32W06TD06W06-CALORFU M1W0R							RH 1			8D			
	96443609	06 - 07	R	B . . . X X	4A32A08ATD06W06S3-CALDRFM DNUM1W0RW0S							RH 1			03			
	96616042	04 - 05	R	B . . . X X	4B32A32W06DRF8TD06W06-CALU M1W0R							RH 1			0W			
	96443585	06 - 07	R	B . . . X X	4A32A08DRF8TD06W06S3-CALM DNUM1W0RW0S							RH 1			8B			
	96616068	04 - 05	R	B . . . X X	4B32A32W06CALUM16TD06W06-D RFW0R							RH 1			RZ			
	96443601	06 - 07	R	B . . . X X	4A32A08CALUM16TD06W06S2-D RF4DNW0RW0S							RH 1			FB			
	96616038	04 - 05	R	B . . . X X	4B32A32W06CALUM16DRF8TD06 W06W0R							RH 1			0R			
	96443577	06 - 07	R	B . . . X X	4A32A08CALUM16DRF8TD06W06 4B32A32W06W0RW0S							RH 1			85			
	96618054	04 - 05	R	B . . . X X	4B32A08TD06W06W06-CALORF UM1							RH 1			RJ			
	96443597	06 - 06	R	B . . . X X	4A06TD06W06W06S3-CALDRF H0NUN1							RH 1			FB			
	96616060	04 - 06	R	B . . . X X	4B32A08TD06W06W06-CALDRF UM1W0N							RH 1			NQ			
	96616050	04 - 05	R	B . . . X X	4B32A08CALUM16TD06W06W06 S-DRF							RH 1			RE			
	96443589	06 - 06	R	B . . . X X	4A06CALUM16TD06W06W06S2 1-DRFM0N							RH 1			F2			
	96616066	04 - 06	R	B . . . X X	4B32A08CALUM16TD06W06W06 R-DRFM0N							RH 1			RL			
	96616024	04 - 05	R	B . . . X X	4B32A08DRF8TD06W06W06-CALU M1							RH 1			0B			
	96443573	06 - 06	R	B . . . X X	4A06DRF8TD06W06W06S3-CAL UM0NUM1							RH 1			03			
	96616030	04 - 06	R	B . . . X X	4B32A08DRF8TD06W06W06-CALU M1W0N							RH 1			0H			
	96616020	04 - 05	R	B . . . X X	4B32A08CALUM16DRF8TD06W06 4W06							RH 1			PX			
	96443565	06 - 06	R	B . . . X X	4A06CALUM16DRF8TD06W06W06 S0S2-W0N							RH 1			08			
	96616026	04 - 06	R	B . . . X X	4B32A08CALUM16DRF8TD06W06 4W06W0N							RH 1			0D			
	96470872	04 - 06	R	B . . . X X	4B32A08CALUM16DRF8TD06W06 W06W0N							RH 1			LE			
	96616096	04 - 04	R	B . . . X . .	4B32A306CALUM16DRF8TD16W0C W0P							RH 1			TJ			
	96471312	05 - 07	R	B . . . X . .	4B32A306CALUM16DRF8TD16W0C W0P							RH 1			MQ			
	96616100	04 - 04	R	B . . . X . .	4B32A306DRF8TD16W0C-W0P							RH 1			TL			

7210

FRONT DOOR TRIM



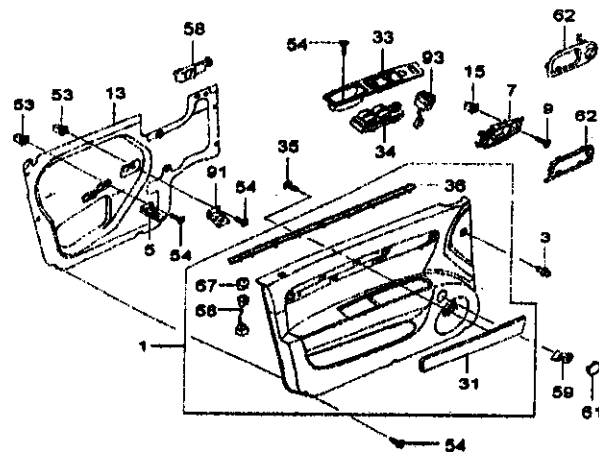
CO-DRIVER

RJ7210GW 10/30/2004

I T C	KEY NO.	PART NO.	MODEL YEAR	D R V	PART NAME						L Q T Y	V.I.N.		REMARKS	P R O D U C T I O N
					BODY	LEVEL	OPTION	R Y	FROM	TO		REMARKS			
													4 N B		
	[01]				(E)TRIM A-FRT DR							(F)GARNISSAGE A-PORTE AV			
					(D)ZIERLEISTE A-VORDERTUER							(S)GUARNECIDO A-PTA DELAN			
	96471316	05-07	R	B	X			422A304DRF3TD16WBC-WGP				RH 1		MS	
	96616126	04-04	R	B	X			422A304CALUM16TD16WBC-DRF/WGP				RH 1		WE	
	96471336	05-07	R	B	X			422A304CALUM16TD16WBC-DRF/WGP				RH 1		NC	
	96616128	04-04	R	B	X			422A306TD16WBC-DRF/WGP				RH 1		WG	
	96471340	05-07	R	B	X			422A306TD16WBC-DRF/WGP				RH 1		NE	
	96616066	04-04	R	B	X	X		422A32066CALUM16DRF3TD16WGP1WBC				RH 1		SP	
	96471304	05-07	R	B	X	X		422A32066CALUM16DRF3TD16WGP1WBC				RH 1		ML	
	96616068	04-04	R	B	X	X		422A32066DRF4TD16WGP1WBC				RH 1		SR	
	96471308	05-07	R	B	X	X		422A32066DRF4TD16WGP1WBC				RH 1		MM	
	96616102	04-04	R	B	X	X		422A32066CALUM16DRF3TD16WBC-WGP				RH 1		TQ	
	96471320	05-07	R	B	X	X		422A32066CALUM16DRF3TD16WBC-WGP				RH 1		MU	
	96616104	04-04	R	B	X	X		422A32066DRF3TD16WBC-WGP				RH 1		TS	
	96471324	05-07	R	B	X	X		422A32066DRF4TD16WBC-WGP-CALUM1				RH 1		MM	
	96616114	04-04	R	B	X	X		422A32066CALUM16TD16WGP1WBC-DRF				RH 1		UK	
	96471328	05-07	R	B	X	X		422A32066CALUM16TD16WGP1WBC-DRF				RH 1		NY	
	96616116	04-04	R	B	X	X		422A32066TD16WGP1WBC-DRF				RH 1		UM	
	96471332	05-07	R	B	X	X		422A32066TD16WGP1WBC-DRF-CALUM1				RH 1		NA	
	96616130	04-04	R	B	X	X		422A32066CALUM16TD16WBC-DRF/WGP				RH 1		WL	
	96471344	05-07	R	B	X	X		422A32066CALUM16TD16WBC-DRF/WGP				RH 1		NG	
	96616132	04-04	R	B	X	X		422A32066TD16WBC-DRF/WGP				RH 1		WN	
	96471348	05-07	R	B	X	X		422A32066TD16WBC-DRF/WGP-CALUM1				RH 1		NJ	
	96616090	04-05	R	B	X	X		422A32066CALUM16DRF3TD16WGP1WBE				RH 1		SW	
	96443643	06-07	R	B	X	X		422A32066CALUM16DRF3TD16WGP1WBE				RH 1		GD	
	96616094	04-05	R	B	X	X		422A32066CALUM16DRF3TD16WGP1WBR				RH 1		TC	
	96616094	06-07	R	B	X	X		422A32066CALUM16DRF3TD16WGP1WBR				RH 1		TC	
	96616092	04-05	R	B	X	X		422A32066DRF4TD16WGP1WBE-CALUM1				RH 1		BY	
	96443647	06-07	R	B	X	X		422A32066DRF4TD16WGP1WBE-CALUM1				RH 1		SD	
	96616096	04-07	R	B	X	X		422A32066DRF4TD16WGP1WBR				RH 1		TE	

7210

FRONT DOOR TRIM



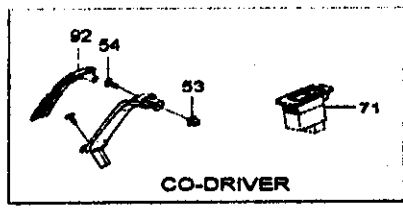
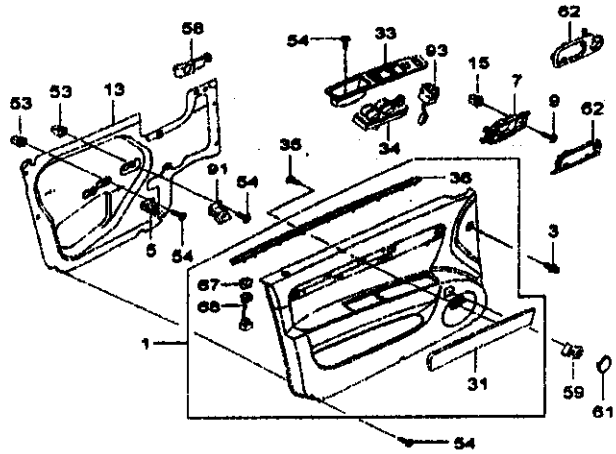
CO-DRIVER

RJ7210GW 10/30/2004

I T C	KEY NO.		PART NAME												
	PART NO.	MODEL YEAR	D R V	BODY			LEVEL			OPTION	L T Q R / Y	V.I.N.		REMARKS	P / C O D E
				4 N B	4 H B	5 S W	B L S	L L S T	FROM			TO			
	[01]									(E)TRIM A-FRT DR (D)ZIERLEISTE A-VORDERTUER			(F)GARNISSAGE A-PORTE AV (S)GUARNECIDO A-PTA DELAN		
	96616110	04 - 05	R	B	B	.	X	X		822A32W66CALUM14DRF8TD14W6E-WGP	RH	1		UD	
	96443669	06 - 07	R	B	B	.	X	X		8A32A66CALUM14DRF8TD14W6E822-WGP	RH	1		K1	
	96616118	04 - 05	R	B	B	.	X	X		822A32W66CALUM14TD14W6P8W6E-W6E-DRF	RH	1		UR	
	96443663	06 - 07	R	B	B	.	X	X		8A32A66CALUM14TD14W6P8W6E822-DRF	RH	1		K6	
	96616112	04 - 05	R	B	B	.	X	X		822A32W66DRF8TD14W6E-WGP	RH	1		UF	
	96443673	06 - 07	R	B	B	.	X	X		8A32A66DRF8TD14W6E822-CALUM1WGP	RH	1		K3	
	96616120	04 - 05	R	B	B	.	X	X		822A32W66TD14W6P8W6E-DRF	RH	1		UT	
	96443667	06 - 07	R	B	B	.	X	X		8A32A66TD14W6P8W6E822-CALUM1DRF	RH	1		2C	
	96616138	04 - 05	R	B	B	.	X	X		822A32W66CALUM14TD14W6E-DRF	RH	1		WZ	
	96443707	06 - 07	R	B	B	.	X	X		8A32A66CALUM14TD14W6E822-DRF	RH	1		3A	
	96616140	04 - 05	R	B	B	.	X	X		822A32W66TD14W6E-DRF	RH	1		XB	
	96443711	06 - 07	R	B	B	.	X	X		8A32A66TD14W6E822-CALUM1WGP	RH	1		8A	
	96616124	04 - 07	R	B	B	.	X	X		822A66TD14W6P8W6E-DRF/CALUM1	RH	1		WA	
	96616122	04 - 07	R	B	B	.	X	X		822A66CALUM14TD14W6P8W6E-R-DRF	RH	1		UY	
	96443621	06 - 07	L	B	.	.	.	X		822A66CALDRF8TD6W6P8W6E822-O	LH	1	FOR GMM	H2	
	96471392	06 - 07	L	B	.	.	X	X		822A32W66CALUM14DRF8TD6W6P8W6E-W6E	LH	1	FOR GMM	NU	
	96471400	06 - 08	L	B	.	.	.	X		822A66CALUM14DRF8TD6W6P8W6E-W6E	LH	1	FOR GMM	NY	
	96471398	06 - 07	L	B	.	.	X	X		822A32W66DRF8TD6W6P8W6E	RH	1	FOR GMM	NX	
	96443624	06 - 07	L	B	.	.	.	X		822A32W66DRF8TD6W6P8W6E	RH	1	FOR GMM	H4	
	96471406	06 - 08	L	B	.	.	.	X		822A66DRF8TD6W6P8W6E	RH	1	FOR GMM	VB	
	96603401	07 - 07	L	B	.	.	.	X	X	8A66CALUM14DRF8TD6W6E822-HDN	LH	1		6N	
	96603403	07 - 07	L	B	.	.	.	X	X	8A66DRF8TD6W6E822-HDN	RH	1		6N	
	96603405	07 - 07	L	B	.	.	.	X	X	8A66DRF8TD6W6E822-HDN	LH	1		2P	
	96603407	07 - 07	L	B	.	.	.	X	X	8A66CALUM14DRF8TD6W6E822-HDN	LH	1		3P	
	96603409	07 - 07	L	B	.	.	.	X	X	8A66DRF8TD6W6E822-HDN	RH	1		4P	
	96603802	07 - 07	L	B	.	.	.	X	X	8A66DRF8TD6W6E822-HDN	LH	1		5P	

7210

FRONT DOOR TRIM



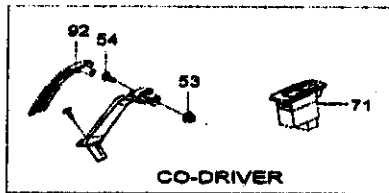
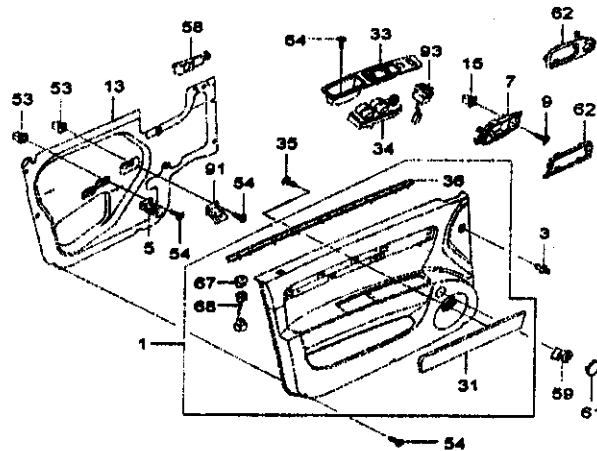
CO-DRIVER

RJ7210GW 10/30/2004

I T C	KEY NO. PART NO.	MODEL YEAR	D R V E R	BODY				LEVEL		PART NAME OPTION	L Q T R Y	V.I.N.		REMARKS	P R O D U C T I O N
				4 N B	4 H S	5 B W	8 S	8 L S	9 L T			FROM	TO		
	[01]									(B)TRIM A-FRT DR (D)ZIERLEISTE A-VORDERTUER		(F)GARNISSAGE A-PORTE AV (S)GUARNECIDO A-PTA DELAN			
	96903804	07-07	R	B	.	.	.	X	.	SABSECALUM14DRFATD8W08W8 C8E2-HDN	RH	1		6P	
	96903806	07-07	R	B	.	.	.	X	.	SABSECALUM14DRFATD8W08W8 C8E2-HDN	LH	1		7P	
	96903808	07-07	R	B	.	.	.	X	.	SABSECALUM14DRFATD8W08W8 C8E2-CA LHDNUM1	RH	1		8P	
	96903810	07-07	L	B	.	.	.	X	X	SABSECALUM14DRFATD8W08W8 E8E2-HDN	LH	1		9P	
	96903812	07-07	R	B	.	.	.	X	X	SABSECALUM14DRFATD8W08W8 E8E2-HDN	RH	1		2Q	
	96903814	07-07	R	B	.	.	.	X	X	SABSECALUM14DRFATD8W08W8 E8E2-HDN	LH	1		3Q	
	96903816	07-07	L	B	.	.	.	X	X	SABSECALUM14DRFATD8W08W8 E8E2-HDN	RH	1		4Q	
	96903818	07-07	L	B	.	.	.	X	X	SABSECALUM14DRFATD8W08W8 E8E2-CAL AHDNUM1	LH	1		5Q	
	96903820	07-07	R	B	.	.	.	X	X	SABSECALUM14DRFATD8W08W8 E8E2-CAL AHDNUM1	RH	1		6Q	
	96903822	07-07	R	B	.	.	.	X	X	SABSECALUM14DRFATD8W08W8 E8E2-HDN	RH	1		7Q	
	96903824	07-07	R	B	.	.	.	X	X	SABSECALUM14DRFATD8W08W8 E8E2-HDN	LH	1		8Q	
	96903842	07-07	R	B	.	.	.	X	X	SABSECALUM14DRFATD8W08W8 E8E2-CA LHDNUM1	RH	1		9Q	
	96903844	07-07	L	B	.	.	.	X	.	SABSECALUM14DRFATD8W08W8 C8E2 -DRFHON	LH	1		2R	
	96903846	07-07	R	B	.	.	.	X	.	SABSECALUM14DRFATD8W08W8 C8E2 -DRFHON	RH	1		3R	
	96903848	07-07	R	B	.	.	.	X	.	SABSECALUM14DRFATD8W08W8 C8E2-DRFHON	LH	1		4R	
	96903850	07-07	L	B	.	.	.	X	.	SABSECALUM14DRFATD8W08W8 C8E2-DRFHON	RH	1		5R	
	96903852	07-07	L	B	.	.	.	X	.	SABSECALUM14DRFATD8W08W8 C8E2-CALDRV HDNUM1	LH	1		6R	
	96903854	07-07	R	B	.	.	.	X	.	SABSECALUM14DRFATD8W08W8 C8E2-CALDRV HDNUM1	RH	1		7R	
	96903856	07-07	L	B	.	.	.	X	X	SABSECALUM14DRFATD8W08W8 E8E2 -DRFHON	LH	1		8R	
	96903858	07-07	R	B	.	.	.	X	X	SABSECALUM14DRFATD8W08W8 E8E2 -DRFHON	RH	1		9R	
	96903860	07-07	R	B	.	.	.	X	X	SABSECALUM14DRFATD8W08W8 E8E2-DRFHON	LH	1		2S	
	96903862	07-07	L	B	.	.	.	X	X	SABSECALUM14DRFATD8W08W8 E8E2-DRFHON	RH	1		3S	
	96903864	07-07	L	B	.	.	.	X	X	SABSECALUM14DRFATD8W08W8 E8E2-CALDRV HDNUM1	LH	1		4S	
	96903866	07-07	R	B	.	.	.	X	X	SABSECALUM14DRFATD8W08W8 E8E2-CALDRV HDNUM1	RH	1		5S	
	96903868	07-07	L	B	.	.	.	X	X	SABSECALUM14DRFATD8W08W8 E8E2 -DRFHON	LH	1		6S	
	96903870	07-07	R	B	.	.	.	X	X	SABSECALUM14DRFATD8W08W8 E8E2 -DRFHON	RH	1		7S	

7210

FRONT DOOR TRIM



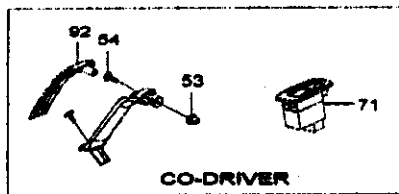
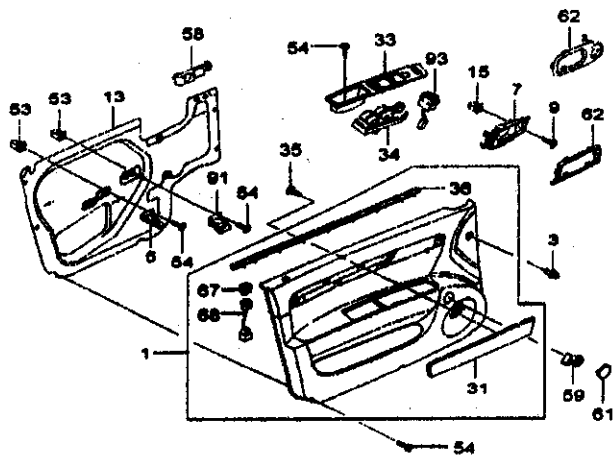
CO-DRIVER

RJ7210GW 10/30/2004

I T C	KEY NO.	PART NO.	MODEL YEAR	D R V E	BODY LEVEL						OPTION	L Q / R Y	V.I.N.		REMARKS	P / C O D E
					4	5	B	L	L				FROM	TO		
					N	S	B	S	S	T						
		[01]								(E)TRIM A-FRT DR (D)ZIERLEISTE A-VORDERTUER			(F)GARNISSAGE A-PORTE AV (S)GUARNECIDO A-PTA DELAN			
		96803872	07-07	R	B	.	.	X	X	A498TD8W08LW08L82-DRFACH	LH 1			88		
		96803874	07-07	L	B	.	.	X	X	A498TD8W08LW08L82-DRFACH	RH 1			88		
		96803876	07-07	L	B	.	.	X	X	A498TD8W08LW08L82-CALOW HDNUM1	LH 1			2T		
		96803878	07-07	R	B	.	.	X	X	A498TD8W08LW08L82-CALDRF HDNUM1	RH 1			3T		
		[03]								(E)CLIP (D)KLEMME			(F)CLIP (S)CLIP			
		94530620	04-07		B	B	B	X	X	A82			2			
		[05]								(E)BRACKET-DR HANDLE (D)HALTER A-TUERGRIF			(F)SUPPORT-POIGNEE DE PTE (S)SOPORTE-TIRADOR DE PTA			
		96447031	04-07	L	B	.	.	X	X	STDHON	LH 1					
		96447031	04-07	R	B	.	.	X	X	STDHON	RH 1					
		96550090	04-07		.	B	B	X	X	STD1			2			
		96550090	06-07		B	.	.	X	.	SHDSTD1			2			
		[07]								(E)HANDLE A-DR,IS (D)GRIEF A-TUER,INNEN			(F)POIGNEE A-PTE,INT (S)TIRADOR A-PTA,INTERIOR			
		96548115	04-07		B	.	.	X	X	-DHC	LH 1					
		96548063	05-07		B	.	.	X	X	SDHC	LH 1					
		96548116	04-07		B	.	.	X	X	-DHC	RH 1					
		96548064	05-07		B	.	.	X	X	SDHC	RH 1					
		96548094	04-07		.	B	B	X	X	-DHC	LH 1					
		96548092	05-07		.	B	B	X	X	SDHC	LH 1					
		96548095	04-07		.	B	B	X	X	-DHC	RH 1					
		96548093	05-07		.	B	B	X	X	SDHC	RH 1					
		[09]								(E)SCREW (D)SCHRAUBE			(F)VIS (S)TORNILLO			
		94520328	04-07		B	.	.	X	X	X			2			
		Y 94520329	04-07		B	B	B	X	X	X			2			
		[10]								(E)CRANK A-WDO LIFTER (D)KURBEL A-FENSTERHEBER			(F)MANIVELLE A-LEVE-VITRE (S)MANIVELA A-ELEVAVINAS			
		96615226	04-07		.	B	.	X	.	A82&A30			2			
		[12]								(E)WASHER (D)UNTERLEGSCHIBE			(F)RONDELLE (S)ARANDELA			
		96548332	04-07		.	B	.	X	.	A82&A30			2			
		[13]								(E)SEA,TRIM,FRY DR (D)DICHTUNG,ZIERLEISTE,VORDERTUER			(F)JOINT-GARNISSAGE,PTE AV (S)JUNTA			
		96550081	04-07		B	B	B	X	X	X	LH 1					
		96550082	04-07		B	B	B	X	X	X	RH 1					

7210

FRONT DOOR TRIM



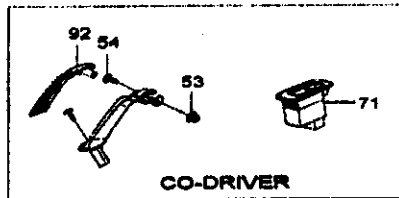
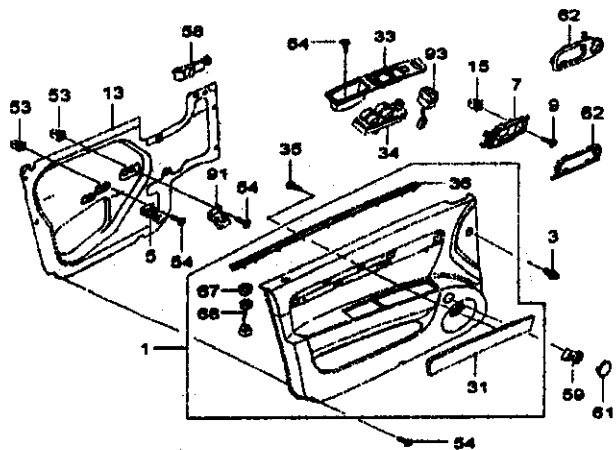
CO-DRIVER

RJ7210GW 10/30/2004

I T C	KEY NO.		PART NAME										L / R	Q T Y	V.I.N.		REMARKS	P - C O D E
	PART NO.	MODEL YEAR	D R V	B O D Y		L E V E L		O P T I O N	L / R	Q T Y	F R O M	T O						
				A N S B	S H S B	B L S T	L L T											
	[15]			(E)NUT (D)MUTTER									(F)ECROU (S)TUERCA					
	94515248	04-07		B B B X X X									2					
	[31]			(E)GARNISH-PT DR,TRIM (D)AUSKLEIDUNG-VORDERTUER,ZIERLEI									(F)GARNITURE-PORTE (S)EMBELECEDOR-PTA					
	96616210	04-07		B . . X X X	ATD8-HONWGPWGWG8								LH 1					
	96556267	04-06		B . . . X X	ATD8WGR-HON								LH 1					
	96556327	04-07		. B B X X X	ATD18WGP								LH 1					
	96616212	04-07		. B B X X X	ATD18WGP								LH 1					
	96616211	04-07		B . . X X X	ATD8-HONWGPWGWG8								RH 1					
	96556268	04-06		B . . . X X	ATD8WGR-HON								RH 1					
	96556328	04-07		. B B X X X	ATD18WGP								RH 1					
	96616213	04-07		. B B X X X	ATD18WGP								RH 1					
	96463911	06-06		B . . X X X	ATD8WGP								LH 1					FOR GMM
	96463912	06-06		B . . X X X	ATD8WGP								RH 1					FOR GMM
	96803360	07-07		B . . . X X	ATD8WGS								LH 1					
	96803361	07-07		B . . . X X	ATD8WGS								RH 1					
	[33]			(E)COVER-PWDO SW,PT DR (D)ABDECKUNG A-SCHALTER									(F)COUVERCLE-COMM LV,EL,PT E AV (S)TAPA-INTERRUPTOR ELEV ELEC					
	96615370	04-07	L	B . . X X .	AE28A32								LH 1					
	96615366	04-07	L	B . . X X .	AE28A86-CW1								LH 1					
	96615366	04-07	L	B . . . X	AE28A86-CW1								LH 1					
	96615373	04-07	R	B . . X X .	AE28A32								RH 1					
	96615372	04-07	R	B . . . X	AE28A86-CW1ATD8								RH 1					
	96615371	04-07	R	B . . . X	AE28A86-CW1								RH 1					
	96615360	04-07		. B . X X X	AE28A30								LH 1					BLANK COVER
	96615362	04-07		. B . X X X	AE28A30								RH 1					BLANK COVER
	96615362	04-07	L	. B B X X X	AE28A32								LH 1					
	96615361	04-07	L	. B B X X X	AE28A86-CW1								LH 1					
	96615364	04-07	R	. B B X X X	AE28A32								RH 1					
	96615363	04-07	R	. B B X X X	AE28A86ATD1-CW1								RH 1					
	[34]			(E)SWITCH A-WD LIFTER (D)SCHALTER A-FENSTERHEBER									(F)COMMUTEUR A-LEVE-VITRE (S)INTERRUPTOR A-ELEVANUNAS					
	96552811	04-04	L	B B . X X .	AA32								1					
	96417639	05-07	L	B B B X X .	AA32								1					
	96552814	04-04	L	B B . X X X	AA86								1					
	96418302	05-07	L	B B B X X X	AA86								1					
	96552816	04-04	R	B B . X X X	AA86								1					
	96418303	05-07	R	B B B X X X	AA86								1					
	[35]			(E)SCREW (D)SCHRAUBE									(F)VIS (S)TORNILLO					
	94520311	04-07		B B B X X X									14					

7210

FRONT DOOR TRIM



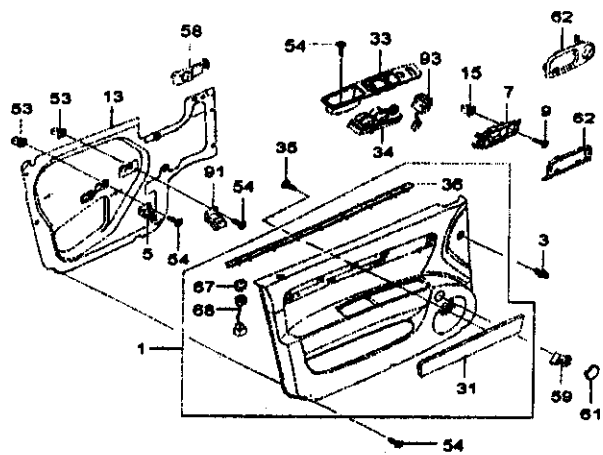
CO-DRIVER

RJ7210GW 10/30/2004

I T C	KEY NO.	PART NO.	MODEL YEAR	PART NAME						L Q / R Y	V.I.N.		REMARKS	P R O C E D U R E		
				D R V	BODY			LEVEL			OPTION	FROM			TO	
					4 N B	5 H B	5 S W	B S	L S							L T
	[88]				(E) BUSHING-LOCK, FRT DR, LWR (D) BUCHSE-SCHLOSS, VORDERTUER, UNT						(F) DOUILLE-SERRURE, PTE AV, INF (S) CASQUILLO-CERRADURA, PTA					
	96447633	04-07	R	B	.	.	X	X	X	6TD8-CAL/HDN/UM1	LH 1					
	96447634	04-07	R	B	.	.	X	X	X	6TD8-CAL/HDN/UM1	RH 1					
	96447632	04-07	R	B	.	.	X	X	X	6CALUM1&TD8-HDN	RH 1					
	96482347	04-07	L	.	B	B	X	X	X	6CALUM1	LH 1					
	96482348	04-07	L	B	B	B	X	X	X	6TD1-CALUM1	LH 1					
	96482350	04-07	L	B	B	B	X	X	X		RH 1					
	96482349	04-07	R	B	B	B	X	X	X	6TD1	LH 1					
	96482348	04-07	R	.	B	B	X	X	X	6CALUM1&TD1	RH 1					
	96482350	04-07	R	B	B	B	X	X	X	6CALUM1	RH 1					
	[71]				(E) COVER-P/WOOD 8/W, FRT DR (D) ABDECKUNG A-SCHALTER						(F) COUVERCLE-COMM LV, EL, PTE AV (S) TAPA-INTERRUPTOR ELEV ELEC					
	96615376	04-04	L	B	.	.	X	X	X	6A28A328P88LTD8	RH 1		KJ			
	96417454	05-07	L	B	.	.	X	X	X	6A28A328P88LTD8	RH 1		SJ			
	96615376	04-04	R	B	.	.	X	X	X	6A28A328P88LTD8	LH 1		KJ			
	96417454	05-07	R	B	.	.	X	X	X	6A28A328P88LTD8	LH 1		SJ			
	96618380	04-07	.	B	.	.	X	.	.	6A28A308LTD1	LH 1					
	96618382	04-07	.	B	.	.	X	.	.	6A28A308LTD1	RH 1					
	96615375	04-04	L	B	.	.	X	X	X	6A28A328P88LTD1	RH 1		KO			
	96418305	05-07	L	B	B	.	X	X	X	6A28A328P88LTD1	RH 1		SO			
	96615376	04-04	R	B	.	.	X	X	X	6A28A328P88LTD1	LH 1		KH			
	96418307	05-07	R	B	B	.	X	X	X	6A28A328P88LTD1	LH 1		SH			
	[91]				(E) BRACKET-DR HANDLE (D) HALTER A-TJERGRIF						(F) SUPPORT-POIGNEE DE PTE (S) SOPORTE-TIRADOR DE PTA					
	96550884	04-07	L	B	.	.	X	X	X	6TD8-HDN	RH 1					
	96550884	04-07	R	B	.	.	X	X	X	6TD8-HDN	LH 1					
	[92]				(E) COVER-GRIP HANDLE, FRT DR (D) ABDECKUNG-KLINKENGRIF, VORDER						(F) COUVERCLE-POIGNEE DE (S) TAPA-MANECILLA, PTA DELAN					
	96618233	04-07	L	B	.	.	X	X	X	6A28LTD8-HDN	RH 1					
	96618234	04-07	R	B	.	.	X	X	X	6A28LTD8-HDN	LH 1					
	[93]				(E) SWITCH A-CTR LOCK, DR (D) KONTROLLSCHALTER TUERSCHLOSS						(F) COMMUTATEUR A-VERROUILLAGE (S) INTERRUPTOR A-CIERRE					
	96552824	04-07	L	B	.	B	.	.	X	6A888C/W1	1					
	96408427	04-07	R	B	.	B	.	.	X	6A33P88L/W1	1					
					**** RPO DEFINITIONS ****											
										82 :	GREY-INTERIOR					
										A32 :	WINDOW-POWER OPERATED, FRT					
										A88 :	WINDOW-POWER, 1 TORCH, DOWN					
										CAL :	CAR ALARM, ANTI-THEFT					
										UM1 :	IMMOBILIZER					

7210

FRONT DOOR TRIM



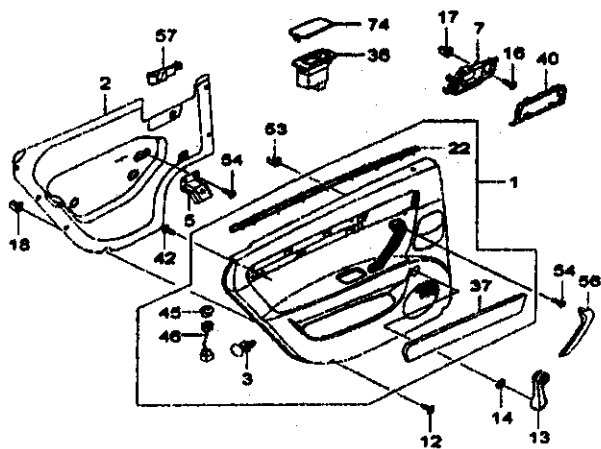
CO-DRIVER

RJ7210GW 10/30/2004

KEY NO.		PART NAME										REMARKS	P/DOC			
I T C	PART NO.	MODEL YEAR	D R V E	BODY			LEVEL		OPTION	L I T Y	V.I.N.					
				4 N B	4 H S	5 B W	B S	L S			T			FROM	TO	
										**** RPO DEFINITIONS ****						
										DRP : PAD-SIDE IMPACT,DOOR TRIM						
										TD8 : DOOR TRIM-DLX,VAR 1						
										W8C : TRIM-CLOTH,STANDARD						
										WGR : WOOD GRAIN						
										WGP : METALLIC PAINT						
										H0N : BADGE-HOLDEN						
										WGS : METALLIC GRAIN						
										W8E : TRIM-CLOTH,DELUXE						
										W8R : TRIM-LEATHER						
										A33 : WINDOW-POWER,FR,WDRS'1 TCH						
										A30 : WINDOW-POWER,DELETE						
										TD1 : DOOR TRIM-STD						
										W8D : TRIM-CLOTH,SUPER DELUXE						
										DHC : DOOR IS HANDLE-C TYPE						
										OW1 : SWITCH-DOOR LOCK,ELEC						
										UX0 : SPEAKER-8EA						
										UX3 : SPEAKER-8EA						
										UX0 : SPEAKER-4EA						

7220

REAR DOOR TRIM

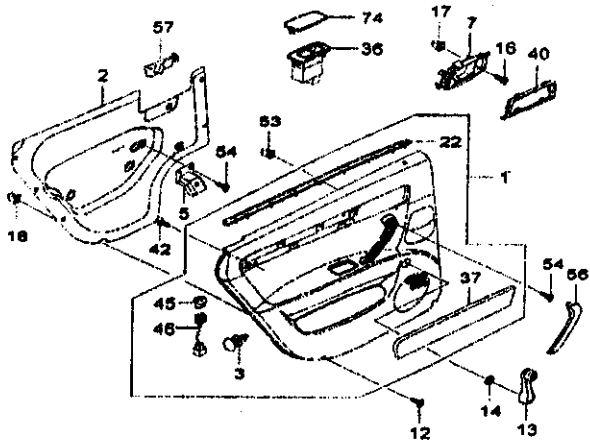


RJ7220 10/30/2004

I T C	KEY NO.	PART NO.	MODEL YEAR	D R V	PART NAME						L Q T Y	V.I.N.		REMARKS	P A R T C O D E
					BODY	LEVEL		OPTION	FROM	TO		REMARKS			
						4 N B	4 H B						5 S W		
	[02]														
	96556065	04 - 07											(F)JOINT-GARNISSAGE, PTE AR (S)JUNTA		
	96556066	04 - 07											LH 1 RH 1		
	[03]												(F)CLIP (S)CLIP		
	94530564	04 - 07											6		
	[05]												(F)SUPPORT-POIGNEE DE PTE (S)SOPORTE-TIRADOR DE PTA		
	96556084	04 - 07											2		
	96556090	04 - 07											2		
	96556090	06 - 07											2		
	96482359	04 - 07											LH 1		
	96482359	06 - 07											LH 1		
	96482360	04 - 07											RH 1		
	96482360	06 - 07											RH 1		
	[07]												(F)POIGNEE A-PTE,INT (S)TIRADOR A-PTA,INTERIOR		
	96548115	04 - 07											LH 1		
	96548063	05 - 07											LH 1		
	96548116	04 - 07											RH 1		
	96548064	05 - 07											RH 1		
	96548094	04 - 07											LH 1		
	96548092	05 - 07											LH 1		
	96548095	04 - 07											RH 1		
	96548093	05 - 07											RH 1		
	[12]												(F)VIS (S)TORNILLO		
	94520326	04 - 07											4		
	[13]												(F)MANIVELLE A-LEVE-VITRE (S)MANIVELA A-ELEVAVINAS		
	96615226	04 - 07											2		
	[14]												(F)RONDELLE (S)ARANDELA		
	96615232	04 - 07											2		
	96548332	04 - 07											2		
	[16]												(F)VIS (S)TORNILLO		
	94520328	04 - 07											2		
	Y 94520329	04 - 07											2		

7220

REAR DOOR TRIM

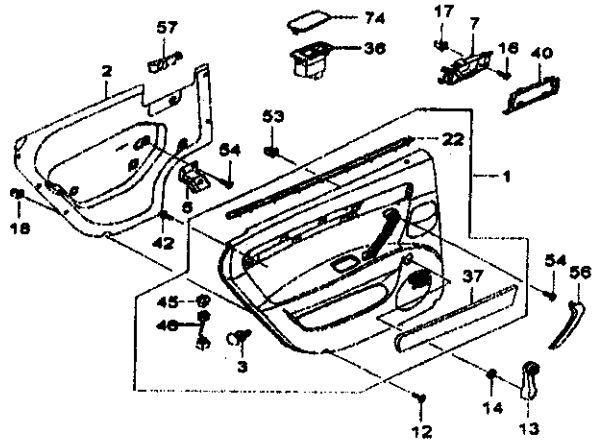


RJ7220 10/30/2004

I T C	KEY NO. PART NO.	MODEL YEAR	D R V	PART NAME											L Q T R Y	V.I.N.		REMARKS	P R O C E D U R E
				BODY			LEVEL			OPTION	FROM	TO	REMARKS						
				4 N B	4 H B	5 S W	B S	L L	L S T										
	[17]			(E)NUT (D)MUTTER											(F)ECROU (S)TUERCA				
	94515248	04-07		B B B X X X											2				
	[18]			(E)NUT (D)MUTTER											(F)ECROU (S)TUERCA				
	94515248	04-07		B B B X X X											4				
	[22]			(E)W/STRIP A-RR DR,INR (D)DICHTUNG A-HINTERTUER,INNEN											(F)J.T.ETAN A-PTE AR,INT (S)BUR A-PTA TR,INT				
	96556375	04-07		B B B X X X											LH 1				
	96556376	04-07		B B B X X X											RH 1				
	[36]			(E)COVER A-PINDO SW,RR DR (D)ABDECKUNG A-SCHALTER											(F)COUVERCLE A-COMM LV,EL,PTÉ (S)TAPA A-INTERRUPTOR ELEV ELEC				
	96615378	04-04		B . . X X X							682A33M86TD8				2				KJ
	96417454	05-07		B . . X X X							682A33M86TD8				2				SJ
	96615392	04-04		. B . X X X							682A866TD1				LH 1				
	96417456	05-07		. B B X X X							682A33M86TD1				LH 1				86
	96615394	04-04		. B . X X X							682A866TD1				RH 1				
	96417462	05-07		. B B X X X							682A33M86TD1				RH 1				8H
	[37]			(E)GARNISH-RR DR,TRIM (D)DEKO A-HINTERTUER,ZIERLEISTE											(F)GARNITURE-PTE AR,GARNISSAGE (S)EMBELLECEDOR-PTA				
	96616383	04-07		B . . X X X							6TD8HGNWGPWGRWGS				LH 1				
	96563367	04-06		B . . . X X							6TD8WGN-HGN				LH 1				
	96616384	04-07		B . . . X X X							6TD8HGNWGPWGRWGS				RH 1				
	96563368	04-06		B . . . X X							6TD8WGN-HGN				RH 1				
	96391351	04-07		. B B X X X							6TD16WGP				LH 1				
	96616385	04-07		. B B X X X							6TD1-WGP				LH 1				
	96391352	04-07		. B B X X X							6TD16WGP				RH 1				
	96616386	04-07		. B B X X X							6TD1-WGP				RH 1				
	96493613	06-06		B . . X X X							6TD86WGP				LH 1				
	96493614	06-06		B . . X X X							6TD86WGP				RH 1				
	96803392	07-07		B . . . X X							6TD86WGS				LH 1				
	96803393	07-07		B . . . X X							6TD86WGS				RH 1				
	[40]			(E)ESCUTCHEON-RR DR (D)GRIFPLATTE-HINTERTUER											(F)ECUSSON-PORTE AR (S)ESCUDO-PTA TR				
	96548326	04-07		B . . X X X											LH 1				OL
	96548327	04-07		B . . X X X											RH 1				OR
	96453088	04-07		. B B X X X							6LUX5				LH 1				TL
	96548065	04-07		. B B X X X							6LUX9U83				LH 1				BL
	96453089	04-07		. B B X X X							6LUX5				RH 1				TR
	96548066	04-07		. B B X X X							6LUX9U83				RH 1				ER

7220

REAR DOOR TRIM



RJ7220 10/30/2004

KEY NO.

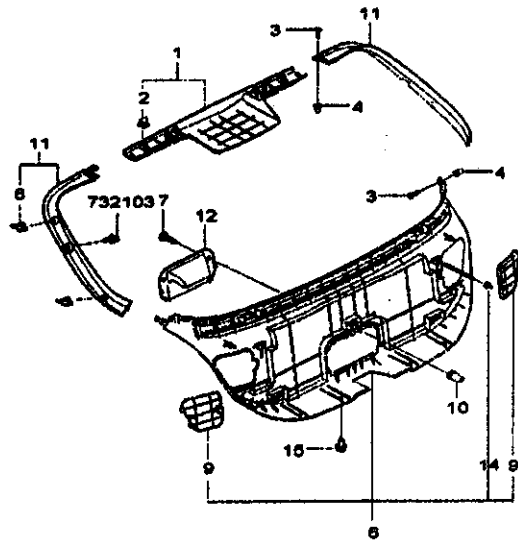
PART NAME

I T C	PART NO.	MODEL YEAR	D R V	BODY			LEVEL			OPTION	L / R Y	V.I.N.		REMARKS	REC'D
				4 N B	4 H S B	5 W	B L S	L L S T	FROM			TO			

- **** RPO DEFINITIONS ****
- WBC : TRIM-CLOTH,STANDARD
 - WGR : WOOD GRAIN
 - WGP : METALLIC PAINT
 - HDN : BADGE-HOLDEN
 - WGS : METALLIC GRAIN
 - A86 : WINDOW-POWER,1 TOUCH,DOWN
 - WBE : TRIM-CLOTH,DELUXE
 - WLR : TRIM-LEATHER
 - TD1 : DOOR TRIM-STD
 - A30 : WINDOW-POWER,DELETE
 - A33 : WINDOW-PWR,FR,WDRS 1 TCH
 - WSD : TRIM-CLOTH,SUPER DELUXE
 - DHC : DOOR IS HANDLE-CY TYPE
 - UX6 : SPEAKER-6EA
 - UX8 : SPEAKER-8EA
 - UX2 : SPEAKER-2EA

7231

TAILGATE TRIM I

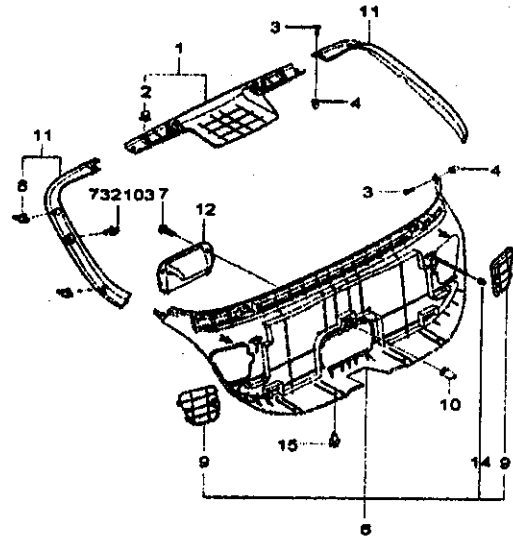


RJ7231 10/30/2004

I T C	KEY NO.		PART NAME										REMARKS	P R O D U C T I O N	
	PART NO.	MODEL YEAR	D R V	BODY			LEVEL		OPTION	L / R	V.I.N.				
				4 N B	5 H W	5 S B	B L	L S T			FROM	TO			
	[01]			(E)TRIM A-TGATE,UPR (D)ZIERLEISTE A-HECKKLAPPE,OBEN								(F)GARNISSAGE A-HAYON,SUP (S)GUARNECIDO A-PTAT,SUP			
	96615965	04-07		. B . X X X				823-793				1			
	96615967	04-07		. B . X X X				823A-793				1			
	[02]			(E)CLIP (D)KLEMME								(F)CLIP (S)CLIP			
	94530566	04-07		. B . X X X								4			
	[03]			(E)SCREW (D)SCHRAUBE								(F)VIS (S)TORNILLO			
	94520180	04-07		. B . X X X								2			
	Y 94520326	04-07		. B . X X X								2			
	94520180	04-07		. B . X X X								2			
	Y 94520326	04-07		. B . X X X								2			
	[04]			(E)NUT (D)MUTTER								(F)ECROU (S)TUERCA			
	94515248	04-07		. B . X X X								2			
	94515248	04-07		. B . X X X								2			
	[06]			(E)TRIM A-TGATE,LWR (D)ZIERLEISTE A-HECKKLAPPE,UNTEN								(F)GARNISSAGE A-HAYON,INF (S)GUARNECIDO A-PTAT,INFERIOR			
	96615974	04-04		. B . X X X				823				1	992308		
	O 96423381	04-07		. B . X X X				823				1	992309		
	[07]			(E)SCREW (D)SCHRAUBE								(F)VIS (S)TORNILLO			
	94520180	04-07		. B . X X X								2			
	[08]			(E)CLIP (D)KLEMME								(F)CLIP (S)CLIP			
	94530640	04-07		. B . X X X								4			
	[09]			(E)COVER-INT,TIGATE,LWR (D)INNERE								(F)GARNITURE-INT,HAYON,INF (S)TAPA-INT,PTAT,INFERIOR			
	96615963	04-07		. B . X X X				823				LH 1			
	96615995	04-07		. B . X X X				823				RH 1			
	[10]			(E)NUT (D)MUTTER								(F)ECROU (S)TUERCA			
	94515248	04-07		. B . X X X								2			
	[11]			(E)TRIM A-TGATE,SIDE (D)ZIERLEISTE A-HECKKLAPPE,SEITE								(F)GARNISSAGE A-HAYON,LATERAL (S)GUARNECIDO A-PTAT,LATERAL			
	96615978	04-07		. B . X X X				823				LH 1			
	96615980	04-07		. B . X X X				823				RH 1			
	[12]			(E)HANDLE-TIGATE,LWR (D)GRIFF-KOFFERRAUM,UNTEN								(F)POIGNEE-HAYON,INF (S)TIRADOR-PTAT,INFERIOR			
	96615997	04-07		. B . X X X				823				1			

7231

TAILGATE TRIM I

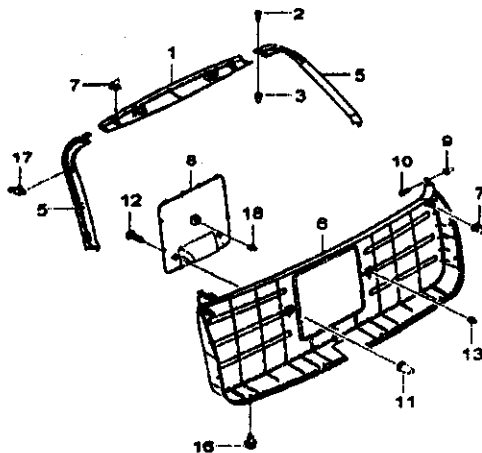


RJ7231 10/30/2004

KEY NO.		PART NAME													
I T C	PART NO.	MODEL YEAR	D R Y	BODY			LEVEL			OPTION	L Q T Y	V.I.N.		REMARKS	P R O C E D U R E
				4 N B	4 H S	5 S W	B S	L S	L T			FROM	TO		
	[14] 94530802	04 - 07		(E)CLIP (D)KLEMME . B . X X X							(F)CLIP (S)CLIP 3				
	[16] 94530899	04 - 07		(E)CLIP (D)KLEMME . B . X X X					822		(F)CLIP (S)CLIP 4				
<p>**** RPO DEFINITIONS ****</p> <p>82 : GREY-INTERIOR</p> <p>822 : LAMP-CH.M. STOP</p>															

7232

TAILGATE TRIM II

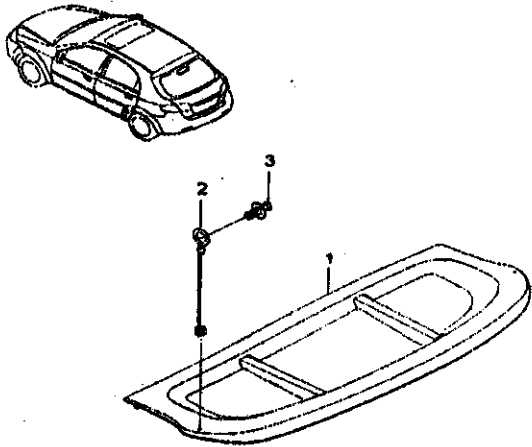


R.J7232GNW 10/30/2004

I T C	KEY NO.		PART NAME										L Q / R Y	V.I.N.		REMARKS	R- C O D E
	PART NO.	MODEL YEAR	D R V	BODY		LEVEL		OPTION	FROM	TO	REMARKS						
				4 N H S B	5 H S B W	B L S T	L L S T										
	[01]			(E)TRIM A-TGATE,UPR (D)ZIERLEISTE A-HECKKLAPPE,OBEN							(F)GARNISSAGE A-HAYON,SUP (S)GUARNECIDO A-PTAT,SUP						
	96458672	05-07		. . B X X X			482				1						
	[02]			(E)SCREW (D)SCHRAUBE							(F)VIS (S)TORNILLO						
	94520326	05-07		. . B X X X							2						
	[03]			(E)NUT (D)MUTTER							(F)ECROU (S)TUERCA						
	94515248	05-07		. . B X X X							2						
	[05]			(E)TRIM A-TGATE,SIDE (D)ZIERLEISTE A-HECKKLAPPE,SEITE							(F)GARNISSAGE A-HAYON,LATERAL (S)GUARNECIDO A-PTAT,LATERAL						
	96453547	05-07		. . B X X X			482				RH 1						
	96495628	05-07		. . B X X X			482				LH 1						
	[06]			(E)TRIM A-TGATE,LWR (D)ZIERLEISTE A-HECKKLAPPE,UNTEN							(F)GARNISSAGE A-HAYON,INF (S)GUARNECIDO A-PTAT,INFERIOR						
	96618010	05-07		. . B X X X			482				1						
	[07]			(E)CLIP (D)KLEMME							(F)CLIP (S)CLIP						
	94530566	05-07		. . B X X X							2						
	94530566	05-07		. . B X X X							4						
	[08]			(E)HANDLE-TGATE,LWR (D)GRIFF-KOFFERRAUM,UNTEN							(F)POIGNEE-HAYON,INF (S)TIRADOR-PTAT,INFERIOR						
	96490289	05-07		. . B X X X			482				1						
	[09]			(E)NUT (D)MUTTER							(F)ECROU (S)TUERCA						
	94515248	05-07		. . B X X X							2						
	[10]			(E)SCREW (D)SCHRAUBE							(F)VIS (S)TORNILLO						
	94520326	05-07		. . B X X X							2						
	[11]			(E)NUT (D)MUTTER							(F)ECROU (S)TUERCA						
	94515248	05-07		. . B X X X							2						
	[12]			(E)SCREW (D)SCHRAUBE							(F)VIS (S)TORNILLO						
	94520180	05-07		. . B X X X							2						
	[13]			(E)CLIP (D)KLEMME							(F)CLIP (S)CLIP						
	94530602	05-07		. . B X X X							2						
	[14]			(E)CLIP (D)KLEMME							(F)CLIP (S)CLIP						
	94530699	05-07		. . B X X X			482				2						

7321

SHELF BACK PANEL II

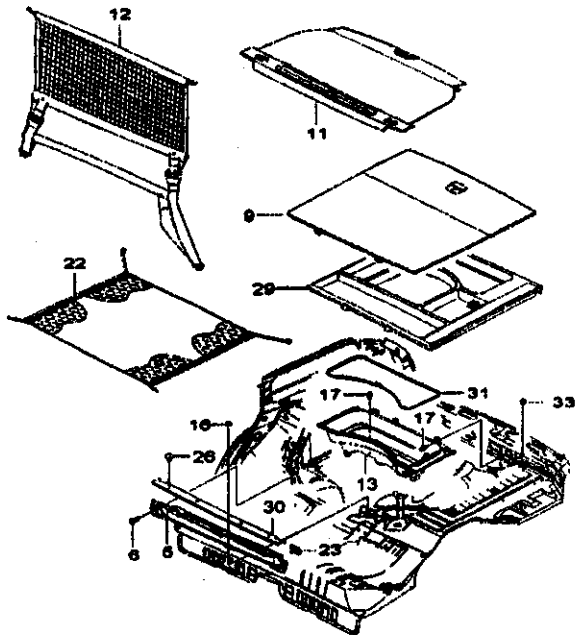


RJ7321 10/30/2004

KEY NO.		PART NAME													
I T C	PART NO.	MODEL YEAR	D R V	BODY			LEVEL			OPTION	L Q T Y	V.I.N.		REMARKS	P / C O D E
				4 N B	4 H B	5 S B	B L S	L L S	T			FROM	TO		
	[01]									(E)COVER A-CTR,L/COMPT (D)ABDECKUNG A-MITTE,GEPAECKRAUM			(F)GARNITURE A-CTR,COMPT.CHG (S)TAPA A-CTR,COMPT/CAR		
	96414562	04 - 07								. B . X X X 442			1		
	[02]									(E)STRAP (D)BAND			(F)SANGLE (S)CORREA		
	96285502	04 - 07								. B . X X X			2		
	[03]									(E)BUTTON-FIXING (D)KNÖPFBEFESTIGUNG			(F)BOUTON-FIXATION (S)BOTÓN-DE FIJACION		
	96615059	04 - 07								. B . X X X 442			2		
										**** RPO DEFINITIONS **** 42 : GREY-INTERIOR					

7322

SHELF BACK PANEL III

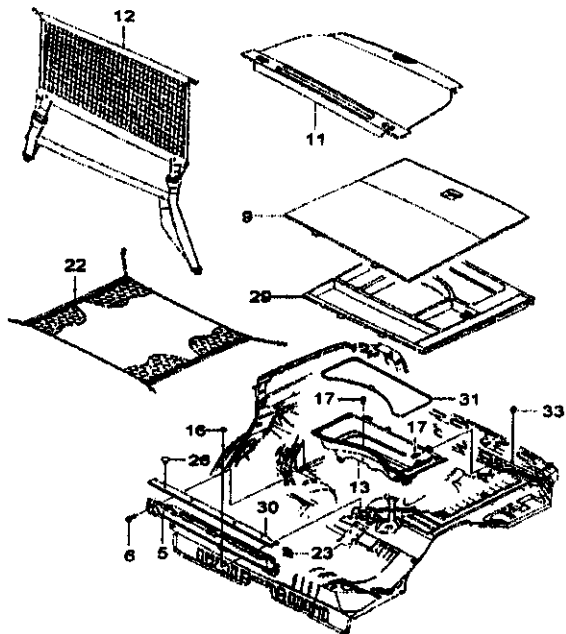


RJ7322GNW 01/20/2005

I T C	PART NO.	MODEL YEAR	D R Y	PART NAME						L Q T Y	V.I.N.		REMARKS	P / C O D E
				4 N S	5 H S	6 B W	7 L S	8 L T	OPTION		FROM	TO		
	[06]			(E)SUPPORT A-L/COMPT,FRT (D)HALTERUNG A-GEPAECKRAUM,VORN							(F)SUPPORT A-COMPT,CHG,AV (S)SOPORTE A-COMPT/CAR,DELAN			
	96618069	05-07		. . B X X X				3000			1			
	96470907	05-07		. . B X X X				3300			1			
	[06]			(E)BOLT (D)BOLZEN							(F)BOULON (S)PERNO			
	94501383	05-07		. . B X X X							6	119839		
	94501383	05-07		. . B X X X							4	119840		
	[09]			(E)FLOOR A-L/COMPT,FRT (D)BODEN A-GEPAECKRAUM,VORN							(F)PLANCHER A-COMPT,CHG,AV (S)PISO A-COMPT/CAR,DELAN			
	96618078	05-07		. . B X X X				383			1		WA	
	[11]			(E)SHELF A-L/COMPT (D)REGALFACH A-GEPAECKRAUM							(F)TABLETTE A-COMPT,CHG (S)REPISA A-COMPT/CAR			
	96617989	05-07		. . B X X X				383			1			
	Y 96442422	05-07		. . B X X X				383			1			
	[12]			(E)NET A-L/COMPT (D)NETZ A-GEPAECKRAUM							(F)FILET A-COMPT,CHG (S)RED A-COMPT/CAR			
	96618168	05-07		. . B X X X				ANET			1			
	[13]			(E)BOX A-L/COMPT (D)BOX A-GEPAECKRAUM							(F)BOITE A-COMPT,CHG (S)CAJA A-COMPT/CAR			
	96618103	05-07		. . B X X X							1			
	[18]			(E)NUT (D)MUTTER							(F)ECROU (S)TUERCA			
	94515138	05-07		. . B X X X							2	119840		
	[17]			(E)CLIP (D)KLEMME							(F)CLIP (S)CLIP			
	94530533	05-07		. . B X X X							6			
	[22]			(E)NET A-F/PNL (D)NETZ A-BODENBLECH							(F)FILET A-PAN,PLCH (S)RED A-PNL PISO			
	96413903	05-07		. . B X X X				ANEP			1			
	[23]			(E)RESTRAINT A-L/COMPT (D)RUECKHALTETEIL A-GEPAECKRAUM							(F)DISPOSITIF DE RETENUE (S)SUJECION A-COMPT/CAR			
	96413904	05-07		. . B X X X				ANET			2			
	[28]			(E)CLIP (D)KLEMME							(F)CLIP (S)CLIP			
	94530562	05-07		. . B X X X				383			4			
	[29]			(E)TRAY A-L/COMPT (D)SCHALE A-GEPAECKRAUM							(F)PLATEAU A-COMPT,CHG (S)BANDEJA A-COMPT/CAR			
	96618095	05-07		. . B X X X							1			

7322

SHELF BACK PANEL III



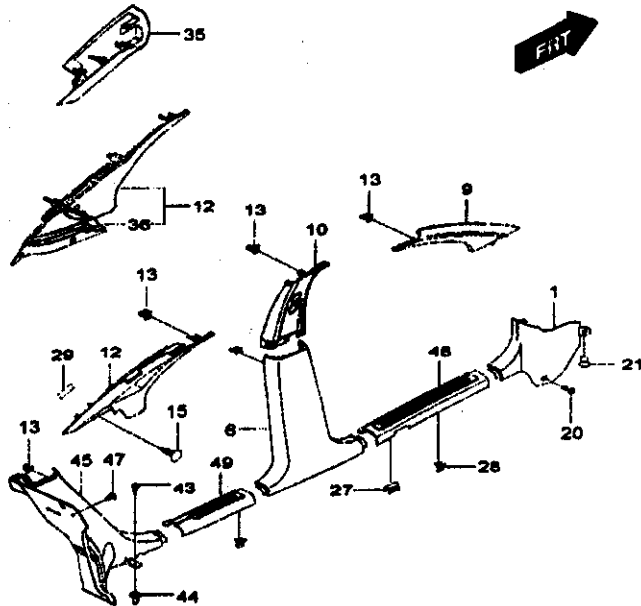
RJ7322GNW 01/20/2005

KEY NO.		PART NAME													
I T C	PART NO.	MODEL YEAR	D R V	BODY			LEVEL			OPTION	L Q T R Y	V.I.N.		REMARKS	REC'D
				4 N B	4 H S	5 S W	B S	L S	L S T			FROM	TO		
	[30]									(E)COVER-SUPT,L/COMPT (D)ABEDECKUNG-HALTER.,GEPAECKRAU				(F)GARNITURE-SUPT,COMPT.CHG (S)TAPA-SPT,COMPT/CAR	
	96413909	05-07								. . B X X X 8824X00				1	
	96618083	05-07								. . B X X X 882-X00				1	
	[31]									(E)COVER-BOX,L/COMPT (D)ABEDECKUNG-BOX.,GEPAECKRAUM				(F)GARNITURE-BOITE,COMPT.CHG (S)TAPA-CAJA,COMPT/CAR	
	96618105	05-07								. . B X X X				1	
	[33]									(E)CLAMP (D)KLEMMSTUECK				(F)COLLIER (S)ABRAZADERA	
	96424723	05-07								. . B X X X				2	
										**** RPO DEFINITIONS ****					
										XK0 : CHILD SEAT BELT PROVISION					
										82i : GREY-INTERIOR					
										NET : NET-LUGGAGE					
										NEF : NET-FLOOR					

7330

FRONT PILLAR TRIM I

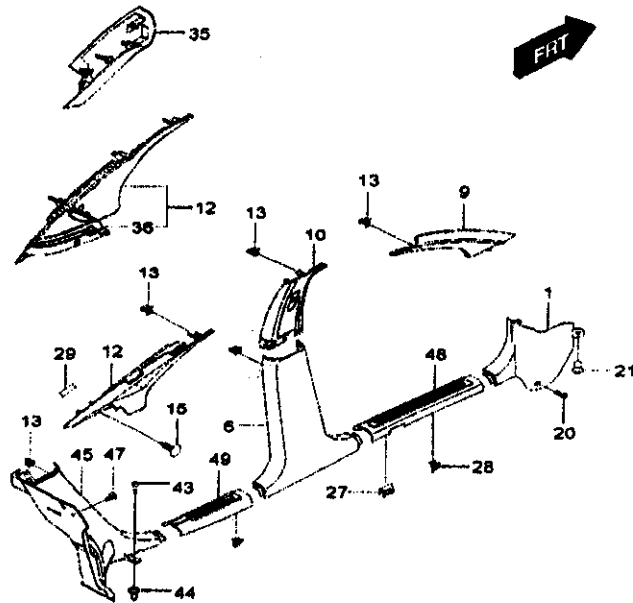
I T C	KEY NO.		PART NAME										REMARKS	RECD-7
	PART NO.	MODEL YEAR	D R V	BODY		LEVEL		OPTION	L / R	Q / T Y	V.I.N.			
				4 N B	5 H B W	B L	L L T				FROM	TO		
	[01]			(E)TRIM A-SHROUD, SIDE (D)ZIERLEISTE A-SCHUTZMANTEL, SEITE	(F)GARNISSAGE (S)GUARNECIDO									
	96407193	04-07		B B B X X X	442							LH 1		
	96407196	04-07		B B B X X X	442							RH 1		
	[06]			(E)TRIM A-B PILLAR, LWR (D)ZIERLEISTE A-B SAEULE, UNTEN	(F)GARNISSAGE A-MONTANT B, INF (S)GUARNECIDO A-MONTANTE									
	96405874	04-07		B B B X X X	442							LH 1	PS	
	96405877	04-07		B B B X X X	442							RH 1	PS	
	[08]			(E)TRIM A-A PILLAR (D)ZIERLEISTE A-A SAEULE	(F)GARNISSAGE A-MONTANT A (S)GUARNECIDO A-MONTANTE A									
	96615750	04-07		B B B X X X	442							LH 1		
	96615752	04-07		B B B X X X	442							RH 1		
	[10]			(E)TRIM A-B PILLAR, UP (D)ZIERLEISTE A-B SAEULE, OBEN	(F)GARNISSAGE A-MONTANT, SUP (S)GUARNECIDO A-MONTANTE B, SUP									
	96615838	04-07		B B B X . .	442AAC							LH 1	PK	
	96615834	04-07		B B B X X X	442AAC							LH 1	PS	
	96615840	04-07		B B B X . .	442AAC							RH 1	PS	
	96615836	04-07		B B B X X X	442AAC							RH 1	PS	
	[12]			(E)TRIM A-C PILLAR (D)ZIERLEISTE A-A C SAEULE	(F)GARNISSAGE A-MONTANT C (S)GUARNECIDO A-MONTANTE C									
	96615831	04-07		B . . X X X	442							LH 1		
	96615833	04-07		B . . X X X	442							RH 1		
	96615835	04-07		. B . X X X	442							LH 1		
	96615837	04-07		. B . X X X	442							RH 1		
	96617977	05-07		. . B X X X	442							LH 1		
	96617980	05-07		. . B X X X	442							RH 1		
	[13]			(E)CLIP (D)KLEMME	(F)CLIP (S)CLIP									
	94530506	04-07		B B B X X X								4		
	[15]			(E)CLIP (D)KLEMME	(F)CLIP (S)CLIP									
	94530501	04-07		. B . X X X	442							2		
	[20]			(E)SCREW (D)SCHRAUBE	(F)VIS (S)TORNILLO									
	94520326	04-07		B B B X X X								2		
	[21]			(E)CLIP (D)KLEMME	(F)CLIP (S)CLIP									
	94530496	04-07		B B B X X X	442							2		
	[27]			(E)CLIP (D)KLEMME	(F)CLIP (S)CLIP									
	94530664	04-07		B B B X X X								4	FRONT	
	94530664	04-07		B B B X X X								2	REAR	



RJ7330GNW 09/28/2005

7330

FRONT PILLAR TRIM I

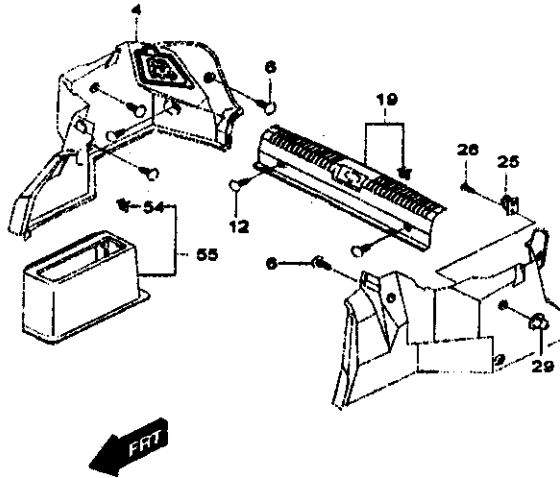


RJ7330GNW 09/28/2005

I T C	KEY NO.		D R V	PART NAME						L Q T Y	V.I.N.		REMARKS	P / C O D E
	PART NO.	MODEL YEAR		BODY		LEVEL		OPTION	FROM		TO			
				4 N H S B	5 H S W	B L S I	L L S T							
	[28]													
	94530566	04-07		B	B	X	X	X				(F)CLIP (S)CLIP	6	FRONT
	94530566	04-07		B	B	X	X	X				4	REAR	
	[29]													
	96615651	04-07		B	.	X	X	X	483			(F)GARNITURE-MONTANT C (S)CUBIERTA-MONTANTE C	LH 1	
	96615653	04-07		B	.	X	X	X	483			RH 1		
	[35]													
	96617998	05-07		.	B	X	X	X	483			(F)GARNISSAGE A-MONTANT D (S)GUARNECIDO A-MONTANTE D	LH 1	
	96618001	05-07		.	B	X	X	X	483			RH 1		
	[36]													
	96615647	04-07		.	B	X	X	X	483			(F)GARNITURE-LATERALE, COMPT. CH (S)TAPA-LATERAL, COMPT DE CARGA	LH 1	
	96615649	04-07		.	B	X	X	X	483			RH 1		
	[43]													
	94520328	04-07		B	B	X	X	X				(F)VIS (S)TORNILLO	4	
	[44]													
	94515242	04-07		B	B	X	X	X				(F)ECROU (S)TUERCA	4	
	94515248	04-07		B	B	X	X	X				4		
	[45]													
	96615875	04-07		B	.	X	.	.	483LAMB			(F)GARNISSAGE A-PASS. RO. AV (S)GUARNECIDO A-A/R, DELAN	LH 1	
	96615871	04-07		B	.	X	X	X	483LAMB90			LH 1		
	96615877	04-07		B	.	X	.	.	483LAMB			RH 1		
	96615873	04-07		B	.	X	X	X	483LAMB90			RH 1		
	96615879	04-07		.	B	X	X	X	483			LH 1		
	96615881	04-07		.	B	X	X	X	483			RH 1		
	96617985	05-07		.	B	X	X	X	483			LH 1		
	96617968	05-07		.	B	X	X	X	483			RH 1		
	[47]													
	94530560	04-07		B	B	X	X	X	483			(F)CLIP (S)CLIP	4	
	94530699	04-07		.	B	X	X	X	483			2		
	[48]													
	96615734	04-07		B	B	X	X	X	483			(F)GARNISSAGE A-PAN DE BAS DE (S)GUARNECIDO A-PANEL DE	LH 1	
	96615736	04-07		B	B	X	X	X	483			RH 1		

7340

REAR PILLAR TRIM I



RJ7340DGN 10/30/2004

I T C	KEY NO.		D R V	PART NAME						L T Y	V.I.N.		REMARKS	P / C O D E
	PART NO.	MODEL YEAR		BODY		LEVEL		OPTION	FROM		TO			
				A N S B	S H S W	B L S S	L L S T							
	[04]			(E)TRIM A-SIDE				PNL,RR			(F)GARNISSAGE A-PAN LATERAL,AR			
	96615661	04-07		(D)ZIERLEISTE				A-SEITENBLECH,HINTEN			(S)GUARNECIDO A-PNL LATERAL,TR			
	96615663	04-07		B . .	X	X	X				LH 1		LA	
	96615662	04-07		B . .	X	X	X	GPSUAVUP1			RH 1		RB	
				B . .	X	X	X	LGPSUAVUP1			RH 1		RA	
	[06]			(E)CLIP							(F)CLIP			
	94530432	04-07		(D)KLEMME							(S)CLIP			
				B . .	X	X	X				11			
	[12]			(E)CLIP							(F)CLIP			
	94530432	04-07		(D)KLEMME							(S)CLIP			
				B . .	X	X	X				2			
	[18]			(E)COVER A-BACK				PNL,LWR			(F)GARNITURE A-PAN AR,INF			
	96615666	04-07		(D)ABDECKUNG A-							(S)TAPA A-PNL TR,INFERIOR			
				B . .	X	X	X				1			
	[25]			(E)HOOK							(F)CROCHET			
	96615669	04-07		(D)HAKEN							(S)GANCHO			
				B . .	X	X	X				LH 1			
	[28]			(E)SCREW							(F)VIS			
	94520326	04-07		(D)SCHRAUBE							(S)TORNILLO			
				B . .	X	X	X				LH 1			
	[29]			(E)NUT							(F)ECROU			
	94515248	04-07		(D)MUTTER							(S)TUERCA			
				B . .	X	X	X				LH 1			
	[54]			(E)CLIP							(F)CLIP			
	94530566	04-07		(D)KLEMME							(S)CLIP			
				B . .	X	X	X	GPSUAVUP1			2			
	[55]			(E)COVER A-CD CHANGER							(F)GARNITURE A-CHANGEUR DE CD			
	96615667	04-07		(D)ABDECKUNG A-CD WECHSLER							(S)TAPA A-CARGADOR DE CD			
				B . . .	X	X	X	GPSUAVUP1			1			

**** RPO DEFINITIONS ****

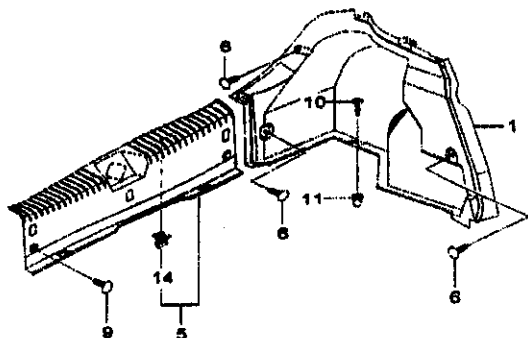
GPS : NAVIGATION SYSTEM

UAV : AV SYSTEM

LUP1 : CD CHANGER SYSTEM

7341

REAR PILLAR TRIM II

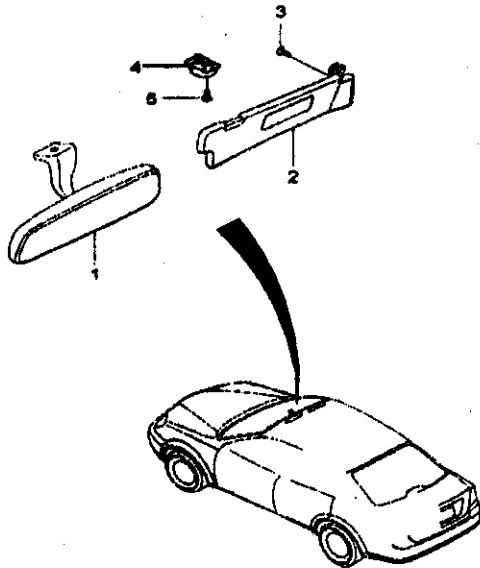


RJ7341 10/30/2004

I T C	KEY NO. PART NO.	MODEL YEAR	PART NAME										L Q T R Y	V.I.N.		REMARKS	P / C O D E		
			D R Y	BODY			LEVEL			OPTION	FROM	TO							
				4 N B	4 H S	5 B W	B S	L S	L T										
	[01]																		
	98615859	04 - 04	.	B	.	X	X	X											
	○ 98470804	04 - 07	.	B	.	X	X	X											
	98615860	04 - 04	.	B	.	X	X	X											
	○ 98470906	04 - 07	.	B	.	X	X	X											
	[05]																		
	98615899	04 - 07	.	B	.	X	X	X	X10										
	98413727	04 - 07	.	B	.	X	X	X	6302										CA CC
	[06]																		
	94530432	04 - 07	.	B	.	X	X	X											
	[09]																		
	94530501	04 - 07	.	B	.	X	X	X	LR2										
	[10]																		
	94520530	04 - 07	.	B	.	X	X	X											
	[11]																		
	94515242	04 - 07	.	B	.	X	X	X											
	[14]																		
	94530432	04 - 07	.	B	.	X	X	X											
	**** RPO DEFINITIONS ****																		
	X10 : CHILD SEAT BELT PROVISION																		
	B21 : GREY-INTERIOR																		

7350

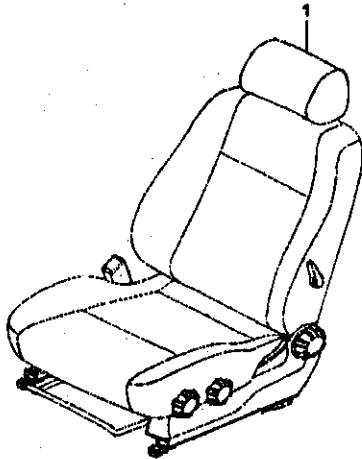
SUNSHADE&INSIDE MIRROR



RJ7350 10/30/2004

I T C	KEY NO.		PART NAME										L Q T Y	V.I.N.		REMARKS	P / C O D E
	PART NO.	MODEL YEAR	D R Y	BODY			LEVEL			OPTION	R Y	FROM		TO			
				4 N B	5 H S W	5 B L	5 L S	5 T									
	[01]			(E)MIRROR A-INT,TLT (D)SPIGEL A-INNEN,KIPPBAR									(F)MIRROR A-INT,INCL (S)RETROVISOR A-INT,INCL				
	90378732	04-07		B B B X X X									1				
	[02]			(E)SUNSHADE A (D)SONNENBLÄNDE A									(F)PARE-SOLEIL A (S)PERSIANA A				
	90615777	04-07	L	B B B X X X	A234DB-V84								LH 1				PS
	90615777	04-04	L	B B . X X X	A234DBEVB4-ABFAJ3								LH 1				PS
	90615777	05-07	L	B B B X X X	A234DBEVB4-ABFAJ3A3								LH 1				PS
	90615778	04-07	L	B B B X X X	A234DBEVB4								LH 1				PT
	90615778	04-04	L	B B . X X X	A234DBEVB4-ABFAJ3								LH 1				PT
	90615778	05-07	L	B B B X X X	A234DBEVB4-ABFAJ3A3								LH 1				PT
	90615779	04-04	L	B B . X X X	A234DBEVB4-ABFAJ3A3								LH 1				PU
	90615779	05-07	L	B B B X X X	A234DBEVB4-ABFAJ3A3								LH 1				PU
	90615780	04-04	L	B B . X X X	A234DBEVB4-ABFAJ3A3								LH 1				PW
	90615780	05-07	L	B B B X X X	A234DBEVB4-ABFAJ3A3								LH 1				PW
	90615786	04-04	L	B B . X X X	A234DBEVB4-ABFAJ3A3								RH 1				QC
	90428845	05-07	L	B B B X X X	A234DBEVB4-ABFAJ3A3								RH 1				AD
	90428851	04-04	L	B B . X X X	A234DBEVB4-ABFAJ3A3								RH 1				AH
	90428851	05-07	L	B B B X X X	A234DBEVB4-ABFAJ3A3								RH 1				AH
	90615770	04-04	L	B B . X X X	A234DBEVB4-ABFAJ3A3								RH 1				PK
	90615770	05-07	L	B B B X X X	A234DBEVB4-ABFAJ3A3								RH 1				PK
	90615772	04-04	L	B B . X X X	A234DBEVB4-ABFAJ3A3								RH 1				PM
	90615772	05-07	L	B B B X X X	A234DBEVB4-ABFAJ3A3								RH 1				PM
	90615781	04-04	L	B B . X X X	A234DBEVB4-ABFAJ3A3								RH 1				PX
	90615781	05-07	L	B B B X X X	A234DBEVB4-ABFAJ3A3								RH 1				PX
	90615782	04-04	L	B B . X X X	A234DBEVB4-ABFAJ3A3								RH 1				PY
	90615782	05-07	L	B B B X X X	A234DBEVB4-ABFAJ3A3								RH 1				PY
	90428842	04-04	R	B B . X X X	A234DBEVB4-ABFAJ3A3								LH 1				AB
	90428842	05-07	R	B B B X X X	A234DBEVB4-ABFAJ3A3								LH 1				AB
	90428848	04-04	R	B B . X X X	A234DBEVB4-ABFAJ3A3								LH 1				AF
	90428848	05-07	R	B B B X X X	A234DBEVB4-ABFAJ3A3								LH 1				AF
	90615778	04-04	R	B B . X X X	A234DBEVB4-ABFAJ3A3								LH 1				PT
	90615778	05-07	R	B B B X X X	A234DBEVB4-ABFAJ3A3								LH 1				PT
	90615795	04-04	R	B B . X X X	A234DBEVB4-ABFAJ3A3								LH 1				QM
	90615795	05-07	R	B B B X X X	A234DBEVB4-ABFAJ3A3								LH 1				QM
	90615772	04-07	R	B B B X X X	A234DBEVB4-ABFAJ3A3								RH 1				PM
	90615796	04-07	R	B B B X X X	A234DBEVB4-ABFAJ3A3								RH 1				QN
	90428823	05-07	R	B B B . . X	A234DBEVB4-ABFAJ3A3								LH 1				AN
	90428826	05-07	R	B B B . . X	A234DBEVB4-ABFAJ3A3								RH 1				AP
	[03]			(E)SCREW (D)SCHRAUBE									(F)VIS (S)TORNILLO				
	94520526	04-07		B B B X X X									2				

**7510
FRONT SEAT**

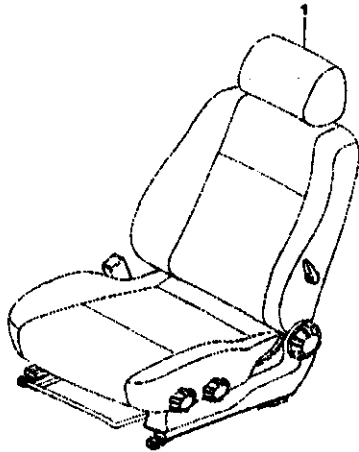


RJ7510 10/30/2004

I T C	KEY NO. PART NO.	MODEL YEAR	D R V	BODY				LEVEL		OPTION	L / R	Q T Y	V.I.N.		REMARKS	M O D E L P
				4 N B	5 H B	S S W	B L	S B	L T				FROM	TO		
				(E)SEAT A-FRT (D)VORDERSTZ A									(F)SIEGE A-AV (S)ASIENTO A-DELAN			
	[01]															
	98470830	04-04	L	B	.	.	X	.				LH 1	023409		ZF	
N	98471858	04-05	L	B	.	.	X	.				LH 1	023470 036830		TJ	
N	98471057	05-07	L	B	B	.	X	.				LH 1	036831		YW	
	98616470	04-04	L	B	B	.	X	X				LH 1			AM	
	98471037	05-07	L	B	B	B	X	X				LH 1			YL	
	98498337	04-04	L	B	B	.	X	X				LH 1			QP	
	98471073	05-07	L	B	B	B	X	X				LH 1			SU	
	98616471	04-04	L	B	.	.	X	X				LH 1			AM	
	98471039	05-07	L	B	B	.	X	X				LH 1			YM	
	98498338	04-04	L	B	.	.	X	X				LH 1			QQ	
	98471075	05-07	L	B	B	.	X	X				LH 1			SV	
	98471053	05-07	L	B	B	.	X	X				LH 1			YU	
	98498329	04-04	L	B	.	.	X	X				LH 1			QP	
	98471055	05-07	L	B	B	.	X	X				LH 1			YV	
	98616426	04-04	L	B	.	.	X	X				LH 1			GD	
	98471005	05-07	L	B	B	.	X	X				LH 1			Y4	
	98616427	04-04	L	B	.	.	X	X				LH 1			CE	
	98471007	05-07	L	B	B	.	X	X				LH 1			Y5	
	98471001	05-07	L	.	B	.	X	X				LH 1			Y2	
	98616468	04-04	L	.	B	.	X	X				LH 1			AK	
	98471033	05-07	L	.	B	.	X	X				LH 1			YJ	
	98471009	05-07	L	.	B	.	.	X				LH 1			Y6	
	98616478	04-05	L	B	B	B	.	X	X			LH 1			AT	
	98472463	06-07	L	B	B	B	.	X	X			LH 1			SP	
	98616480	04-05	L	B	B	B	.	X	X			LH 1			DP	

7510

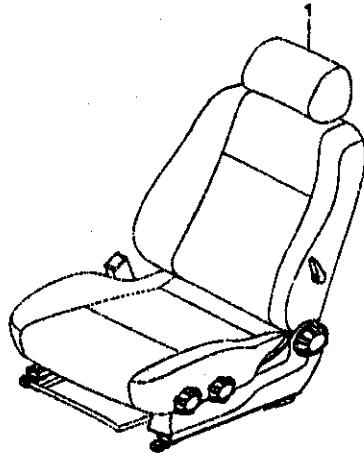
FRONT SEAT



RJ7510 10/30/2004

I T C	KEY NO. PART NO.	MODEL YEAR	PART NAME								L Q T Y	V.I.N.		REMARKS	P / C O D E		
			D R Y	BODY				LEVEL				OPTION	FROM			TO	
				4 N B	4 H B	5 S W	B S	L L	L L	L L							L L
	[01]																
	95473314	06-07	L	B	B	B	.	X	X	4828AC08A8E8AYT8W8R3XM2-AJB	LH 1				WJ		
	95616462	04-05	L	B	B	B	.	X	X	4828AC08A8E8AYT8W8R3XM2	LH 1	023469			DR		
N	96471540	04-05	L	B	B	B	.	X	X	4828AC08A8E8AYT8W8R3XM2	LH 1	023470	039973		PH		
O	96471623	04-05	L	B	B	B	.	X	X	4828AC08A8E8AYT8W8R3XM2	LH 1	039974			M9		
	96473318	06-07	L	B	B	B	.	X	X	4828AC08A8E8AYT8W8R3XM2	LH 1				WL		
	96472471	06-07	L	B	B	B	.	X	X	4828AC08A8E8AYT8W8R3XM2-AJB	LH 1				5E		
	96473334	06-07	L	B	B	B	.	.	X	4828AC08A8E8AYT8W8R3XM2-C54	LH 1				WU		
	96616452	04-05	L	B	.	B	.	X	X	4828AC08A8E8AYT8W8R3XM2-AJB	LH 1				DB		
	96472487	06-07	L	B	.	B	.	X	X	4828AC08A8E8AYT8W8R3XM2-AJB/C54	LH 1				9G		
	96616466	04-05	L	B	B	B	.	.	X	4828AC08A8E8AYT8W8R3XM2-AJB/C54	LH 1				BB		
	96473330	06-07	L	B	B	B	.	.	X	4828AC08A8E8AYT8W8R3XM2-AJB/C54	LH 1				WS		
	96616446	04-04	L	B	B	.	.	X	X	4828AC08A8E8AYT8W8R3XM2-ASE	LH 1				CV		
	96471807	05-05	L	B	B	B	.	X	X	4828AC08A8E8AYT8W8R3XM2-ASE	LH 1				LS		
	96472475	06-07	L	B	B	B	.	X	X	4828AC08A8E8AYT8W8R3XM2-ASE/C54	LH 1				2F		
	96616454	04-04	L	B	.	.	.	X	X	4828AC08A8E8AYT8W8R3XM2	LH 1	023469			DD		
N	96471532	04-05	L	B	.	B	.	X	X	4828AC08A8E8AYT8W8R3XM2	LH 1	023470	039973		K8		
O	96471815	04-05	L	B	.	B	.	X	X	4828AC08A8E8AYT8W8R3XM2	LH 1	039974			M5		
	96472491	06-07	L	B	.	B	.	X	X	4828AC08A8E8AYT8W8R3XM2-C54	LH 1				SH		
	96616469	04-04	L	B	B	.	X	X	X	4828AC08A8E8AYT8W8R3XM2-M3	RH 1				AL		
	96471035	05-07	L	B	B	B	.	X	X	4828AC08A8E8AYT8W8R3XM2-M3	RH 1				YK		
	96616425	04-04	L	B	B	.	X	X	X	4828AC08A8E8AYT8W8R3XM2-M3	RH 1				CC		
	96471003	05-07	L	B	B	B	.	X	X	4828AC08A8E8AYT8W8R3XM2-M3	RH 1				Y3		
	96496339	04-04	L	B	.	.	X	X	X	4828AC08A8E8AYT8W8R3XM2-M3	RH 1				QR		
	96471077	05-07	L	B	.	B	.	X	X	4828AC08A8E8AYT8W8R3XM2-M3	RH 1				5W		
	96496330	04-04	L	B	.	.	X	X	X	4828AC08A8E8AYT8W8R3XM2-M3	RH 1				QQ		
	96471059	05-07	L	B	.	B	.	X	X	4828AC08A8E8AYT8W8R3XM2-M3	RH 1				YX		

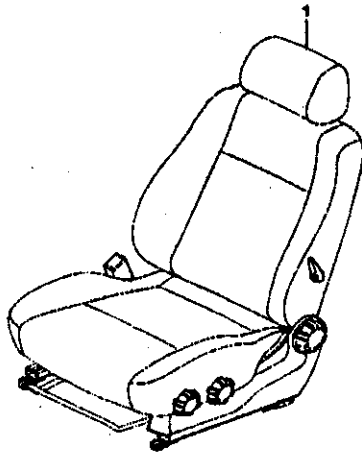
**7510
FRONT SEAT**



RJ7510 10/30/2004

I T C	KEY NO.		PART NAME											REMARKS	P/ I C O D E		
	PART NO.	MODEL YEAR	D R V	BODY			LEVEL		OPTION	L / R	Q T Y	V.I.N.					
				A N B	A H B	S S W	B S	L L				S T	FROM				TO
	[01]			(E)SEAT A-FRT (D)VORDERSITZ A									(F)SIEGE A-AY (S)ASIENTO A-DELAN				
	98496331	04-05	L	B	.	.	X	.									GM
N	98471680	04-05	L	B	.	.	X	.				RH 1	023470	030630			TK
N	98471081	05-07	L	B	.	B	.	X	.			RH 1	030631				YY
	98816461	04-05	L	B	B	B	.	X	X			RH 1					DQ
	98473316	06-07	L	B	B	B	.	X	X			RH 1					WK
	98816430	04-05	L	.	B	.	.	X	.			RH 1		023468			CG
N	98471510	04-05	L	.	B	.	.	X	.			RH 1	023470	030630			UQ
N	98471011	05-07	L	.	B	.	.	X	.			RH 1	030631				Y7
	98816463	04-05	L	B	B	B	.	X	X			RH 1		023468			DU
N	98471542	04-05	L	B	B	B	.	X	X			RH 1	023470	030673			PJ
O	98471825	04-05	L	B	B	B	.	X	X			RH 1	030674				MA
	98473320	06-07	L	B	B	B	.	X	X			RH 1					WM
	98473336	06-07	L	B	B	B	.	X	.			RH 1					WV
	98816487	04-05	L	B	B	B	.	X	.			RH 1					BC
	98473332	06-07	L	B	B	B	.	X	.			RH 1					WT
	98816481	04-05	L	B	.	B	.	X	X			RH 1					AW
	98472467	06-07	L	B	.	B	.	X	X			RH 1					7P
	98816453	04-05	L	B	.	B	.	X	X			RH 1					DC
	98472486	06-07	L	B	.	B	.	X	X			RH 1					2H
	98816455	04-04	L	B	.	B	.	X	X			RH 1		023468			DG
N	98471534	04-05	L	B	.	B	.	X	X			RH 1	023470	030673			K9
O	98471817	04-05	L	B	.	B	.	X	X			RH 1	030674				88
	98472493	06-07	L	B	.	B	.	X	X			RH 1					6J
	98472473	06-07	L	.	B	.	.	X	X			RH 1					6E
	98816479	04-05	L	.	B	.	.	X	X			RH 1					AU
	98472485	06-07	L	.	B	.	.	X	X			RH 1					6P
	98816447	04-04	L	.	B	.	.	X	X			RH 1					6W

7510
FRONT SEAT

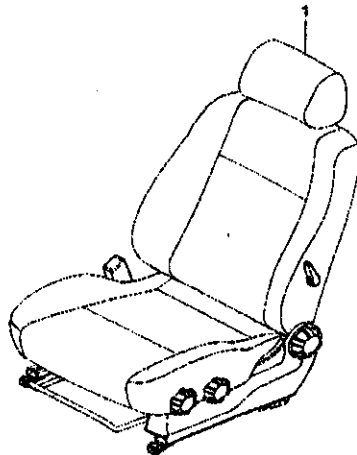


RJ7510 10/30/2004

I T C	KEY NO.		PART NAME													REMARKS	P C O D E	
	PART NO.	MODEL YEAR	D R V	BODY			LEVEL			OPTION	L Q T Y	V.I.N.						
				4 N B	4 H B	5 S W	B L S	L L S	T			FROM	TO					
	[01]			(E)SEAT A-PRT (D)VORDER/SITZ A														
				(F)SIEGE A-AV (S)ASIENTO A-DELAN														
	96616483	04 - 05	R	.	B	.	.	X	X	A62LAC08A5CCLAYT8W8E-AJ8W8V XN3	LH	1					AY	
	96472505	06 - 07	R	.	B	.	.	X	X	A62LAC08A5CCLAYT8W8E-AJ8W8V C687XN3	LH	1					SP	
	96616464	04 - 05	R	B	B	B	.	X	X	A62LAC08A5CCLAYT8W8E-LXN 3-AJ8C54	RH	1					DV	
	96473322	06 - 07	R	B	B	B	.	X	X	A62LAC08A5CCLAYT8W8E-LXN 3-AJ8C54	RH	1					WN	
	96616490	04 - 05	R	B	B	B	.	.	X	A62LAC08A5EAYT8W8E-LXN2-AJ8	RH	1					BF	
	96473338	06 - 07	R	B	B	B	.	.	X	A62LAC08A5EAYT8W8E-LXN2-AJ8	RH	1					W	
	96616486	04 - 04	R	B	B	B	.	.	X	X	A62LAC08A5A8A5EAYT8W8E R6XN2	RH	1	023469			DX	
	96471827	05 - 05	R	B	B	B	.	.	X	X	A62LAC08A5A8A5EAYT8W8E R6XN2-C54	RH	1				NS	
	96473326	06 - 07	R	B	B	B	.	.	X	X	A62LAC08A5A8A5EAYT8W8E R6XN2-C54	RH	1				WQ	
	96473342	06 - 07	R	B	B	B	.	.	X	X	A62LAC08A5A8A5EAYT8W8E R6XN2	RH	1				WY	
	96616475	04 - 04	R	B	B	.	.	X	X	A62LAC08A5W8C-AJ88EAYT8 M2	RH	1					AR	
	96471045	05 - 07	R	B	B	B	X	X	.	A62LAC08A5W8C-AJ88EAYT8 M2	RH	1					YQ	
	96616476	04 - 04	R	B	.	.	X	X	.	A62LAC08A5W8C-XN3-AJ88E AYT	RH	1					AS	
	96471047	05 - 07	R	B	.	B	X	X	.	A62LAC08A5W8C-XN3-AJ88E AYT	RH	1					YR	
	96616436	04 - 04	R	B	.	.	X	X	.	A62LAC08A5A8EAYT8W8E-AJ8AYT XN2	RH	1					CM	
	96471021	05 - 07	R	B	.	B	X	X	.	A62LAC08A5A8EAYT8W8E-AJ8AYT XN2	RH	1					YC	
	96616437	04 - 04	R	B	.	.	X	X	.	A62LAC08A5A8EAYT8W8E-LXN2-AJ8 AYT	RH	1					CN	
	96471023	05 - 07	R	B	.	B	X	X	.	A62LAC08A5A8EAYT8W8E-LXN2-AJ8 AYT	RH	1					YD	
	96471017	05 - 07	R	.	B	.	.	X	X	A62LAC08A5W8C-ADD-AJ88EAYT8 M2	RH	1					YA	
	96471041	05 - 07	R	.	B	.	.	X	X	A62LAC08A5W8C-ADD-AJ88EAYT8 M2	RH	1					YN	
	96471067	05 - 07	R	.	B	.	.	X	X	A62LAC08A5W8C-AJ88EAYT8 M2	RH	1					SR	
	96616482	04 - 05	R	B	B	B	.	X	X	A62LAC08A5AYT8W8E-LXN2-AJ8 A8E	RH	1					AX	
	96472469	06 - 07	R	B	B	B	.	X	X	A62LAC08A5AYT8W8E-LXN2-AJ8 A8E/C54	RH	1					SP	
	96616456	04 - 05	R	B	.	B	.	X	X	A62LAC08A5A8EAYT8W8E-LXN 3-AJ8C54	RH	1					CH	
	96472495	06 - 07	R	B	.	B	.	X	X	A62LAC08A5A8EAYT8W8E-LXN	RH	1					7J	

7510

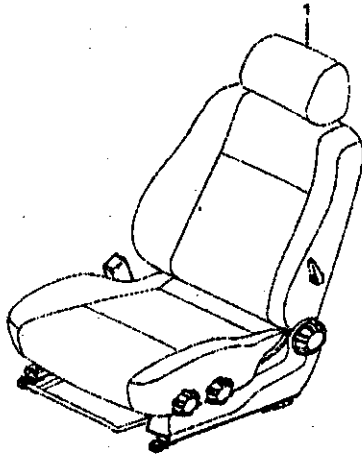
FRONT SEAT



RJ7510 10/30/2004

I T C	KEY NO.		PART NAME										REMARKS	PROD. P.	
	PART NO.	MODEL YEAR	D R V	BODY			LEVEL		OPTION	L / R	Q / T	V.I.N.			
				4 N B	4 H B	5 S B	B S	L S				L T			FROM
	[01]			(E)SEAT A-FRT (D)VORDERSITZ A								(F)SIEGE A-AV (S)ASIENTO A-DELAN			
	96616458	04 - 04	R	B	B	.	X	X	2-AJ8/C54 4826AQDAAJ8A08SABEAYT&WBE X/M2	RH 1		023469		OK	
N	96471536	04 - 05	R	B	B	.	X	X	4826AQDAAJ8A08SABEAYT&WBE X/M2	RH 1	023470	039673		PF	
O	96471819	04 - 05	R	B	B	.	X	X	4826AQDAAJ8A08SABEAYT&WBE X/M2-C54	RH 1	036974		M7		
	96472469	06 - 07	R	B	B	.	X	X	4826AQDAAJ8A08SABEAYT&WBE X/M2-C54	RH 1			3P		
	96472479	06 - 07	R	.	B	.	X	X	4826AQDAAJ8A08SABEAYT&WBE X/M2-AJ8 A/8E/C54	RH 1			4F		
	96472483	06 - 07	R	.	B	.	X	X	4826AQDAAJ8A08SABEAYT&WBE X/M2 2-ASE/C54	RH 1			8F		
	96496341	04 - 05	L	B	B	.	X	X	4826AQMASEAYT&WBE X/M2-AJ8	LH 1			QT		
	96472509	06 - 07	L	B	B	.	X	X	4AGDAAQMA8EAYT&WBE X/M2-8 2-AJ8/C54	LH 1			7X		
	96469210	06 - 07	R	B	B	.	X	X	4826AQDAAJ8A08SABEAYT&WBE X/M2-ASE AYT/C54	RH 1			LD		
	96469212	06 - 07	R	.	B	.	X	X	4826AQDAAJ8A08SABEAYT&WBE X/M2-8 8-AYT/C54	RH 1			LH		
	96469214	06 - 07	R	.	B	.	X	.	4826AJ8ACSLASCWBE-ANS AYT/ C58/XM3	LH 1			LJ		
	96473434	06 - 07	R	B	B	.	X	X	4826AJ8A8A8A08SABEAYT&WBE-AYT/ C58/XM3	LH 1			VJ		
	96840222	06 - 07	L	B	.	.	X	.	4826AQDAAJ8A08SABEAYT&WBE X/M2 2-AJ8/C54	LH 1			FOR GMM A4		
	96840220	06 - 07	L	B	.	.	X	.	4826AQDAAJ8A08SABEAYT&WBE X/M2-AJ8/ANS/ C58/XM3	RH 1			FOR GMM A2		
<p>**** RPO DEFINITIONS ****</p> <p>82 : GREY-INTERIOR</p> <p>AGD : SEAT-DR, HADJ DUAL, MAN</p> <p>AJ8 : AIR BAG-FRT SIDE, DR/CO-DR</p> <p>A08 : SEAT-FRONT, ADJ BACK</p> <p>WBE : TRIM-CLOTH, STANDARD</p> <p>XM2 : LUMBAR SUPPORT-DRIVER SEAT</p> <p>ASE : SEAT BACK POCKET-DRIVER</p> <p>AYT : HEADREST-FRT, TILT & HEIGHT</p> <p>A06 : SEAT-FRONT, ADJ BACK, VAR 1</p> <p>WBE : TRIM-CLOTH, DELUXE</p> <p>C54 : HEATING MAT-FRT SEAT, DRIVE</p> <p>WBR : TRIM-LEATHER</p> <p>A03 : SEAT-FRONT, ADJ BACK, VAR 3</p> <p>ASC : SEAT BACK POCKET-DRIVER</p> <p>AN3 : TRAY-SEAT, UNDER</p>															

7510
FRONT SEAT



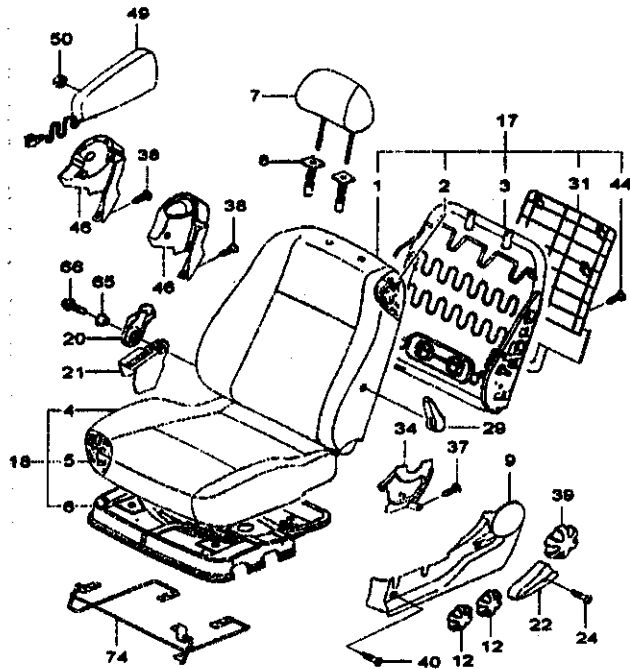
RJ7510 10/30/2004

I T C	KEY NO.		PART NAME										REMARKS	P R O D U C T I O N				
	PART NO.	MODEL YEAR	D R V	BODY			LEVEL			OPTION	L Q T Y	V.I.N.						
				N B	4 H S	5 B W	B S	L S	L S T			FROM			TO			

**** RPO DEFINITIONS ****
 XM3 : LUMBAR SUPPORT CO-DR SEAT
 CS8 : HEATING MAT-FRT SEAT,CO-DR
 W80 : TRIM-CLOTH,SUPER DELUXE

7520

FRONT SEAT PARTS

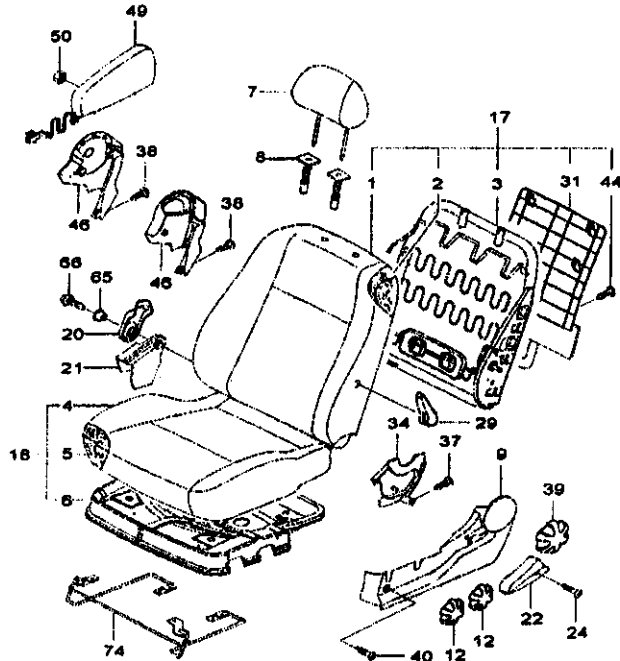


RJ7520G 01/27/2005

I T C	KEY NO.	PART NO.	MODEL YEAR	D R V	PART NAME										L Q T Y	V.I.N.		REMARKS	MOO D		
					BODY					LEVEL						OPTION	FROM			TO	
					4 N B	4 H S	5 S W	B L	L S T	B L	L S T	B L	L S T								
		[01]																			
		96472090	05-07	L	B	B	B	.	X	.	A62LAJBWCAE				(F)HOUSSE-DOSSIER AV (S)FUNDA-RAS DELAN						
		96498456	04-04	L	B	B	B	.	X	.	A62LAJBWBC				RH 1						
		96472062	05-07	L	B	B	B	.	X	.	A62LAJBWBC				RH 1						
		96498470	04-05	L	B	B	B	.	X	X	A62LAJBWBE				RH 1						
		96472745	06-07	L	B	B	B	.	X	X	A62LAJBWBE				RH 1						
		96498474	04-05	R	B	B	B	.	X	X	A62LAJBWBE				LH 1						
		96472749	06-07	R	B	B	B	.	X	X	A62LAJBWBE				LH 1						
		96472757	06-07	R	B	B	B	.	.	X	A62LAJBABEWBE				RH 1						
		96840231	06-07	L	B	B	B	.	X	.	A62LAJG5W80				LH 1					FOR GMM	
		96472776	06-07	L	B	B	B	.	X	.	A62LAJG5W80				RH 1					FOR GMM	
		[02]																			
		96493484	04-07		B	B	B	.	X	X	X	AJFAJ8				(F)REMBOURRAGE-DOSSIER AV (S)ALMOHADILLA-RAS DELAN					
		96493485	04-07		B	B	B	.	X	X	X	AJFAJ8				LH 1					
		96493484	04-07		B	B	B	.	X	X	X	AJFAJ8				RH 1					
		96493486	04-07		B	B	B	.	X	X		IAJ8				RH 1					
		[03]																			
		96479907	04-07		B	B	B	.	X	.	.	A62LJG220M3				(F)ARMATURE-DOSSIER AV (S)BASTIDOR-RAS DELAN					
		96479905	04-07		B	B	B	.	X	X	.	A62LJG220M3				LH 1					
		96479911	04-07		B	B	B	.	X	.	.	A62LJG220M3				LH 1					
		96479909	04-07		B	B	B	.	X	X	X	A62LJG220M3-AJFAJ8W8R				LH 1					
		96479912	04-07		B	B	B	.	X	X	X	AJFAJ8A62LJG220M3W8R				LH 1					
		96483477	04-07		B	B	B	.	X	X	.	A62LJG220M3-AJFAJ8				LH 1					
		96493480	04-07		B	B	B	.	X	X	X	AJFAJ8A62LJG220M3W8R				LH 1					
		96479908	04-07		B	B	B	.	X	.	.	A62LJG220M3				RH 1					
		96479906	04-07		B	B	B	.	X	X	.	A62LJG220M3				RH 1					
		96479911	04-07		B	B	B	.	X	.	.	A62LJG220M3				RH 1					
		96479910	04-07		B	B	B	.	X	X	X	A62LJG220M3-AJ8W8R				RH 1					
		96479913	04-07		B	B	B	.	X	X	X	AJ8A62LJG220M3W8R				RH 1					
		96483478	04-07		B	B	B	.	X	X	.	A62LJG220M3-AJ8				RH 1					
		96493481	04-07		B	B	B	.	X	X	X	AJ8A62LJG220M3W8R				RH 1					
		96479914	04-07		B	B	B	.	X	X	.	AJ8A62LJG220M3				LH 1					
		96479915	04-07		B	B	B	.	X	X	.	AJ8A62LJG220M3				RH 1					
		[04]																			
		96495556	04-04	L	.	B	.	X	X	.	A62B WBC AGD				(F)HOUSSE-COUSSIN SIEGE AV (S)FUNDA-COJ ASIEN TO DELAN						
		96471982	05-07	L	.	B	.	X	X	.	A62B WBC AGD				LH 1						
		96495560	04-04	L	B	B	B	.	X	X	.	A62B WBC				LH 1					
		96471990	05-07	L	B	B	B	.	X	X	.	A62B WBE				LH 1					

7520

FRONT SEAT PARTS

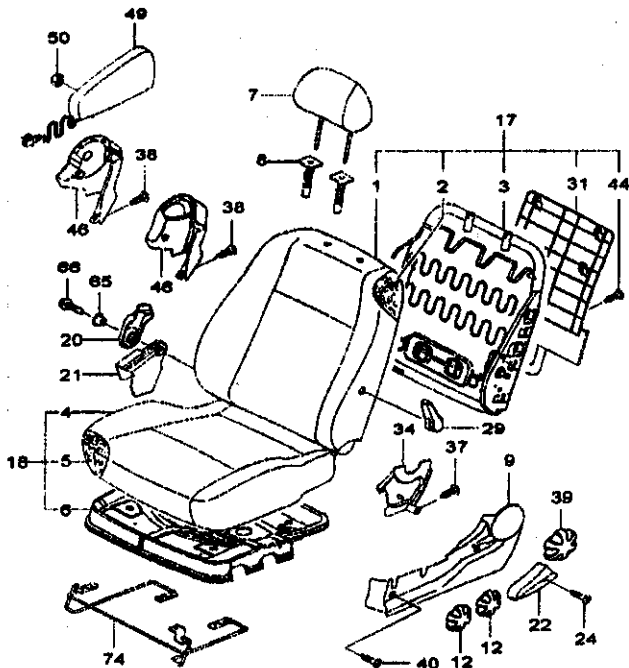


RJ7520G 01/27/2005

I T C	KEY NO.		D R V	PART NAME						L / R	Q T Y	V.I.N.		REMARKS	P / C O D E	
	PART NO.	MODEL YEAR		BODY			LEVEL					OPTION	FROM			TO
				4 N B	4 H S B	5 S W	B L S	L L T								
	[17]			(E)SEAT A-FRT BACK (D)VORSITZ A RUECKENLEHNE								(F)SIEGE A-DOSSIER AV (S)ASIENTO A-RESPALDO DELAN				
	N 96471588	04-04	L	B	B	X	X		8828AJ8A081W0C2-XM2-ASE	LH 1	023470	039630				
	96472012	05-07	L	B	B	X	X		8828AJ8A081W0C3-XM2-ASE	LH 1	023470					
	96495878	04-04	L	B	B	X	X		8828AJ8A081W0C-ASE/XM2	LH 1		023469				
	N 96471701	04-04	L	B	B	X	X		8828AJ8A081W0C-ASE/XM2	LH 1	023470	039630				
	96472024	05-07	L	B	B	X	X		8828AJ8A081W0C-ASE/XM2	LH 1	023470					
	96495828	04-05	L	B	B	B	X	X	8828AC81W0E-AJ8ASE	LH 1						
	96496701	04-05	L	B	B	B	X	X	8828AC81ASE1W0E1XM2-AJ8	LH 1						
	96472644	06-07	L	B	B	B	X	X	8828AC81ASE1W0E1XM2-AJ8	LH 1						
	96496402	04-05	L	B	B	B	X	X	8828AC81W0E-AJ8ASE	LH 1						
	96472667	06-07	L	B	B	B	X	X	8828AC81W0E-AJ8ASE	LH 1						
	96496418	04-05	L	B	B	B	X	X	8828AC81ASE1W0E-AJ8	LH 1						
	96472711	06-07	L	B	B	B	X	X	8828AC81ASE1W0E-AJ8	LH 1						
	96496406	04-04	L	B	B	B	X	X	8828AJ8A081W0E-ASE	LH 1		023469				
	N 96471721	04-05	L	B	B	B	X	X	8828AJ8A081W0E-ASE	LH 1	023470	039630				
	N 96472108	05-05	L	B	B	B	X	X	8828AJ8A081W0E-ASE	LH 1	023470					
	96472693	06-07	L	B	B	B	X	X	8828AJ8A081W0E-ASE	LH 1						
	96496420	04-04	L	B	B	B	X	X	8828AC81AJ8ASE1W0E	LH 1		023469				
	N 96471733	04-05	L	B	B	B	X	X	8828AJ8A081ASE1W0E	LH 1	023470	039630				
	N 96472114	05-05	L	B	B	B	X	X	8828AJ8A081ASE1W0E	LH 1	023470					
	96472713	06-07	L	B	B	B	X	X	8828AJ8A081ASE1W0E	LH 1						
	96495844	04-07	L	B	B	B	X	X	8828W0R-AJ8	LH 1						
	96495848	04-04	L	B	B	B	X	X	8828W0R-AJ8	LH 1		023469				
	N 96471580	04-05	L	B	B	B	X	X	8828AJ81W0R	LH 1	023470	039630				
	N 96472122	05-07	L	B	B	B	X	X	8828AJ81W0R	LH 1	023470					
	96495810	04-04	L	B	B	B	X	X	8828AQ81W0C-AJ8	RH 1						
	96471998	05-07	L	B	B	B	X	X	8828AQ81W0C-AJ8	RH 1						
	96495870	04-04	L	B	B	B	X	X	8828AQ81W0C-AJ80043	RH 1						
	96472016	05-07	L	B	B	B	X	X	8828AQ81W0C-AJ80043	RH 1						
	96495878	04-04	L	B	B	B	X	X	8828AJ8A081W0C-XM3	RH 1		023469				
	N 96471703	04-04	L	B	B	B	X	X	8828AJ8A081W0C-XM3	RH 1	023470	039630				
	96472026	05-07	L	B	B	B	X	X	8828AJ8A081W0C-XM3	RH 1	023470					
	96495830	04-05	L	B	B	B	X	X	8828AC81W0E	RH 1						
	96472646	06-07	L	B	B	B	X	X	8828AC81W0E	RH 1						
	96496404	04-05	L	B	B	B	X	X	8828AC81W0E-AJ8	RH 1						
	96472689	06-07	L	B	B	B	X	X	8828AC81W0E-AJ8	RH 1						
	96496408	04-04	L	B	B	B	X	X	8828AJ8A081W0E-XM3	RH 1		023469				
	N 96471723	04-05	L	B	B	B	X	X	8828AJ8A081W0E-XM3	RH 1	023470	039630				
	N 96472108	05-05	L	B	B	B	X	X	8828AJ8A081W0E-XM3	RH 1	023470					
	96472695	06-07	L	B	B	B	X	X	8828AJ8A081W0E-XM3	RH 1						
	96495846	04-07	L	B	B	B	X	X	8828W0R-AJ8	RH 1						
	96495850	04-04	L	B	B	B	X	X	8828W0R-AJ8	RH 1		023469				

7520

FRONT SEAT PARTS

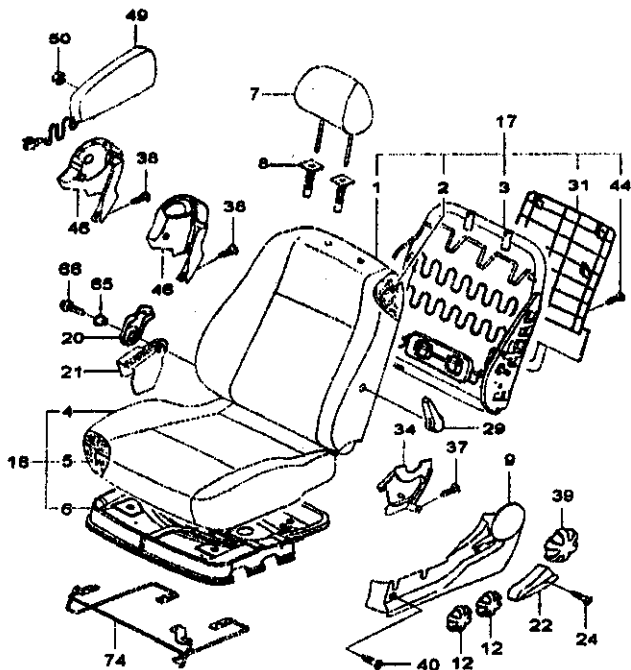


RJ7520G 01/27/2005

I T C	KEY NO.		PART NAME											L Q / R Y	V.I.N.		REMARKS	P R O D U C T I O N	
	PART NO.	MODEL YEAR	D R V	BODY			LEVEL			OPTION	FROM	TO	REMARKS						
				4 N B	4 H B	5 S W	B S	L S	L T										
	[17]			(E)SEAT A-FRT/BACK (D)VORDERSTZ A RUECKENLEHNE												(F)SIEGE A-DOSSIER AV (S)ASIENTO A-RESPALDO DELAN			
N	96471582	04-05	L	B	B	B	.	X	X		182LAABAWR	RH	1	023470	039630				
N	96472124	05-07	L	B	B	B	.	X	X		182LAABAWR	RH	1	023470					
	96495818	04-04	R	B	B	B	.	X	X		182LAQBAWBC	LH	1						
	96472006	05-07	R	B	B	B	.	X	X		182LAQBAWBC	LH	1						
	96495886	04-04	R	B	B	B	.	X	X		182LAQBAWBC-AJB	LH	1						
	96472036	05-07	R	B	B	B	.	X	X		182LAQBAWBC-AJB	LH	1						
	96495838	04-05	R	B	B	B	.	X	X		182LAQBAWBE	LH	1						
	96472850	06-07	R	B	B	B	.	X	X		182LAQBAWBE	LH	1						
	96496412	04-05	R	B	B	B	.	X	X		182LAQBAWBE-AJB0M3	LH	1						
	96472701	06-07	R	B	B	B	.	X	X		182LAQBAWBE-AJB0M3	LH	1						
	96496416	04-04	R	B	B	B	.	X	X		182LAJBAQBAWBE-XM3	LH	1			023469			
N	96471729	04-05	R	B	B	B	.	X	X		182LAJBAQBAWBE-XM3	LH	1	023470	039630				
N	96472112	05-05	R	B	B	B	.	X	X		182LAJBAQBAWBE-XM3	LH	1	023470					
	96472707	06-07	R	B	B	B	.	X	X		182LAJBAQBAWBE-XM3	LH	1						
	96495854	04-07	R	B	B	B	.	X	X		182AWR-AJB	LH	1						
	96495858	04-04	R	B	B	B	.	X	X		182AWR-AJB	LH	1			023469			
N	96471586	04-05	R	B	B	B	.	X	X		182LAABAWR	LH	1	023470	039630				
N	96472128	05-07	R	B	B	B	.	X	X		182LAABAWR	LH	1	023470					
	96495816	04-04	R	B	B	B	.	X	X		182LAQBAWBC-XM2	RH	1						
	96472004	05-07	R	B	B	B	.	X	X		182LAQBAWBC-XM2	RH	1						
	96495822	04-04	R	B	B	B	.	X	X		182LAQBAWBC-XM2	RH	1						
	96472006	05-07	R	B	B	B	.	X	X		182LAQBAWBC-XM2	RH	1						
	96495888	04-04	R	B	B	B	.	X	X		182LAQBAWBC-AJB7XM2	RH	1						
	96472040	05-07	R	B	B	B	.	X	X		182LAQBAWBC-AJB0M2	RH	1						
	96495890	04-04	R	B	B	B	.	X	X		182LAQBAWBC-AJB0M2-AJB	RH	1						
	96472042	05-07	R	B	B	B	.	X	X		182LAQBAWBC-AJB0M2-AJB	RH	1						
	96495884	04-04	R	B	B	B	.	X	X		182LAQBAWBC-AJB0M2-AJB	RH	1						
	96472034	06-07	R	B	B	B	.	X	X		182LAQBAWBC-AJB0M2-AJB	RH	1						
	96495836	04-05	R	B	B	B	.	X	X		182LAQBAWBE-AJB0M2	RH	1						
	96472648	06-07	R	B	B	B	.	X	X		182LAQBAWBE-AJB0M2	RH	1						
	96496422	04-05	R	B	B	B	.	X	X		182LAQBAWBE-AJB	RH	1						
	96472715	06-07	R	B	B	B	.	X	X		182LAQBAWBE-AJB	RH	1						
	96496424	04-04	R	B	B	B	.	X	X		182LAJBAQBAWBE	RH	1			023469			
N	96471735	04-05	R	B	B	B	.	X	X		182LAJBAQBAWBE	RH	1	023470	039630				
N	96472118	05-05	R	B	B	B	.	X	X		182LAJBAQBAWBE	RH	1	023470					
	96472717	06-07	R	B	B	B	.	X	X		182LAJBAQBAWBE	RH	1						
	96496410	04-05	R	B	B	B	.	X	X		182LAQBAWBE-AJB0M2	RH	1						
	96472699	06-07	R	B	B	B	.	X	X		182LAQBAWBE-AJB0M2	RH	1						
	96496414	04-04	R	B	B	B	.	X	X		182LAJBAQBAWBE-ASE	RH	1			023469			
N	96471727	04-05	R	B	B	B	.	X	X		182LAJBAQBAWBE-ASE	RH	1	023470	039630				
N	96472110	05-05	R	B	B	B	.	X	X		182LAJBAQBAWBE-ASE	RH	1	023470					

7520

FRONT SEAT PARTS

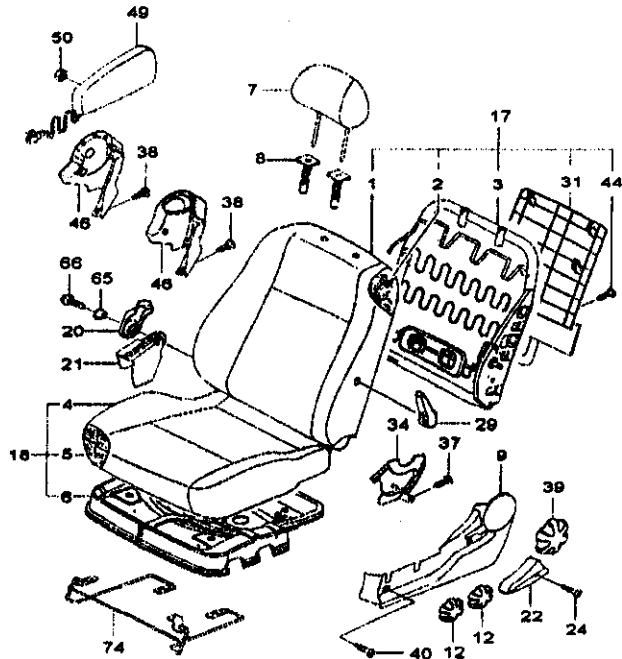


RJ7520G 01/27/2005

I T C	KEY NO.	PART NO.	MODEL YEAR	PART NAME						L Q / R Y	V.I.N.		REMARKS	INDOOR
				D R V	B O D Y		L E V E L		O P T I O N		F R O M	T O		
					4 N H S B W	5 S B W	B L L	L L S T						
	[18]			(E)SEAT A-FRT CUSH (D)VORDERSITZ A POLSTER						(F)SIEGE A-COUSSIN AV (S)ASIENTO A-COJ DELAN				
	96472584	06-07	R	B	B	. X X	482LAG3AWSE			LH 1				
	96495544	04-05	R	B	B	. X X	482LAG3AWR			LH 1				
	96473361	06-07	R	B	B	. X X	482LAG3AWR			LH 1				
	96495514	04-04	R	B	. X X X		482AVRCACD			RH 1				
	96471970	06-07	R	B	. X X X		482AVRCACD			RH 1				
	96495520	04-04	R	B	B	. X X	482LAG04WRC			RH 1				
	96471976	05-07	R	B	B	. X X	482LAG04WRC			RH 1				
	96495530	04-05	R	B	B	. X X	482LAG04WSE			RH 1				
	96472580	06-07	R	B	B	. X X	482LAG04WSE			RH 1				
	96495542	04-05	R	B	B	. X X	482LAG04WR			RH 1				
	96473369	06-07	R	B	B	. X X	482LAG04WR			RH 1				
	96840224	06-07	L	B	. . . X		482LAG04WRG			LH 1		FOR GMM		
	96840223	06-07	L	B	. . . X		482AVRC-ANG			RH 1		FOR GMM		
	[20]			(E)CAP HINGE, FRT S/BACK (D)KAPPE-SCHARNIER, VORDERE						(F)GARNITURE-CHARNIERE, DOSSIER (S)TAPA-BISAGRA, R/AS DELAN				
	96616521	04-07		B	B	. X X X	482LAC8			2				
	[21]			(E)CAP HINGE, FRT SEAT CUSH (D)KAPPE-SCHARNIER, VORDERSITZPOLS						(F)GARNITURE-CHARNIERE, COUSSIN (S)TAPA-BISAGRA, COJ ASIENTO				
	96616523	04-07		B	B	. X X X	482LAC8			LH 1				
	96616525	04-07		B	B	. X X X	482LAC8			RH 1				
	[22]			(E)GRIP-RECL FRT SEAT (D)LEHNENVERSTELLGRIFF VORDERSITZ						(F)POIGNEE-SIEGE AV INCL (S)MANGO-RECL ASIENTO DELAN				
	96616507	04-07		B	B	. X X X	482LAC3AC8			LH 1				
	96616509	04-07		B	B	. X X X	482LAC3AC8			RH 1				
	[24]			(E)SCREW (D)SCHRAUBE						(F)VIS (S)TORNILLO				
	94520490	04-07		B	B	. X X X	48Q3AC8			2				
	[29]			(E)GRIP-LUMBAR SUPT SEAT (D)GRIFF-LENDENWIRBELSTUTZE SITZ						(F)POIGNEE-SUPT LOMBAIRE SIEGE (S)MANGO-APOYO LUMBAR DE				
	96616513	04-07		B	B	. X X	482LXM2			1				
	96616513	04-07		B	B	. X X	482LXM2			1				
	[31]			(E)COVER A-FRT S/BACK (D)ABDECKUNG A-VORDERE						(F)GARNITURE A-DOSSIER AV (S)CUBIERTA A-R/AS DELAN				
	96493527	04-07		B	B	. X X	482AWR			2				
	[34]			(E)COVER-FRT SEAT, INR (D)ABDECKUNG-VORDERSITZ, INNEN						(F)GARNITURE-SIEGE AV, INT (S)CUBIERTA-ASIENTO DELAN, INT				
	96616527	04-07		B	B	. X X X	482LAC3AC8			LH 1				
	96616530	04-07		B	B	. X X X	482LAC8			LH 1				
	96616526	04-07		B	B	. X X X	482LAC3AC8			RH 1				
	96616531	04-07		B	B	. X X X	482LAC8			RH 1				

7520

FRONT SEAT PARTS

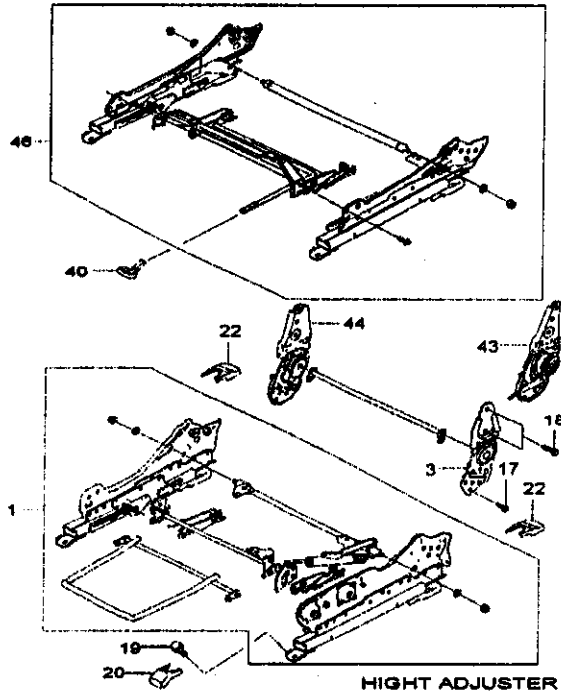


RJ7520G 01/27/2005

I T C	KEY NO. PART NO.	MODEL YEAR	D R V E	PART NAME										L / R	Q T Y	V.I.N.		REMARKS	P / C O D E
				BODY		LEVEL		OPTION	FROM	TO									
				4 N B	4 H S B	B L S	L L S T												
	[37]			(E)SCREW (D)SCHRAUBE									(F)VIS (S)TORNILLO						
	94520177	04-07		B B B . . X			SAQ3						2						
	[38]			(E)SCREW (D)SCHRAUBE									(F)VIS (S)TORNILLO						
	94520177	04-07		B B B X X X			SAQ5						4						
	94520380	04-07		B B B . . X			SAQ3						2						
	[39]			(E)REGULATOR-RECL,FRT SEAT (D)VERSTELLER-SITZLEHNENVERSTELLU									(F)DISP REGLAGE-SIEGE AV INCL (S)REGULADOR-RECL,ASIENTO						
	96452906	04-07		B B B X X X			682SAQ5						2						
	[40]			(E)SCREW (D)SCHRAUBE									(F)VIS (S)TORNILLO						
	94520177	04-07		B B B X X X									6						
	[44]			(E)SCREW (D)SCHRAUBE									(F)VIS (S)TORNILLO						
	94520241	04-07		B B B X X X			1W6R						4						
	[48]			(E)COVER A-FRT SEAT,INR (D)ABDECKUNG A-VORDERSITZ,INNEN									(F)GARNITURE A-SIEGE AV,INT (S)TAPA A-ASIENTO DELAN,INT						
	96618544	04-07		B B B X X X			1A2BAC8						LH 1						
	96618547	04-07		B B B . . X			1A2BAC8						LH 1						
	96618545	04-07		B B B X X X			1A2BAC8						RH 1						
	96618549	04-07		B B B . . X			1A2BAC3						RH 1						
	[48]			(E)MODULE A-AIR BAG,SIDE (D)MODUL A-AIRBAG,SEITE									(F)MODULE A-AIRBAG,LATERAL (S)MÓDULO A-AIRBAG,LATERAL						
	96557004	04-04		B B . . X X			1ABFLAJ8						LH 1	023489					DT
	N 96427366	04-04		B B B . X X			1AJ8						LH 1	023490	039630				AF
	N 96470791	05-07		B B B . X X			1AJ8						LH 1	039631					NE
	96557005	04-04		B B . . X X			1ABFLAJ8						RH 1	023489					PT
	N 96427367	04-04		B B B . X X			1AJ8						RH 1	023490	039630				AO
	N 96470792	05-07		B B B . X X			1AJ8						RH 1	039631					NC
	[50]			(E)NUT (D)MUTTER									(F)ECROU (S)TUERCA						
	94515339	04-07		B B B . X X			1AJ8						4						
	[65]			(E)BUSH (D)BUCHSE									(F)BAGUE (S)CASQUILLO						
	94535313	04-07		B B B X X X			SAQ5						2						
	[66]			(E)BOLT (D)BOLZEN									(F)BOULON (S)PERNO						
	94501700	04-07		B B B X X X			SAQ5						2						
	[74]			(E)WIRE A-UNDERTRAY (D)DRAHT A-UNTERWANNE									(F)FIL A-CARENAGE INF (S)CABLE A-DEBAJO DE BANDEJA						

7530

SEAT GUIDE RAIL

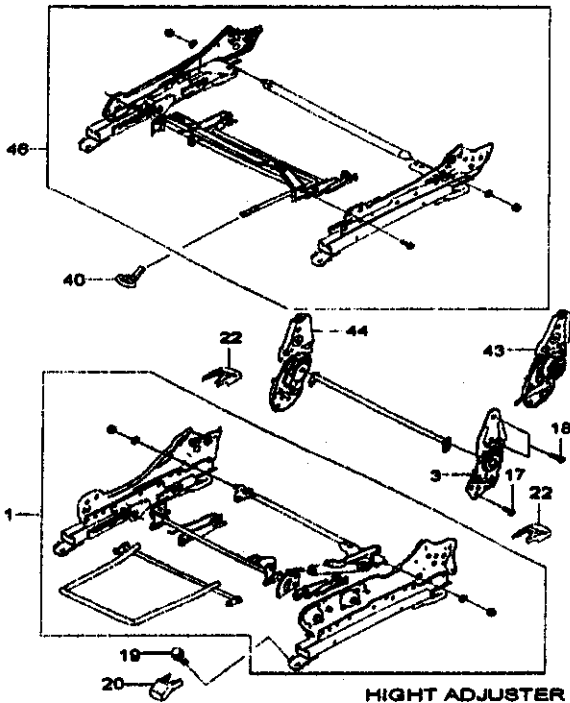


RJ7530G 10/30/2004

I T C	KEY NO.		PART NAME											P / R O O C		
	PART NO.	MODEL YEAR	D R V	BODY			LEVEL			OPTION	L / R	Q T Y	V.I.N.		REMARKS	
				A N B	B H W	S B S	L B L	L B L	FROM				TO			
	[01]			(E)ADJUSTER A-HEIGHT,FRT SEAT (D)HOEHENVERSTELER A-VORDERSITZ										(F)REGLAGE A-HAUTEUR,SIEGE AV (S)REGULADOR A-ALTURA,ASIENTO		
	96479053	04 - 07	L	B	B	B	X	X	X	SAQ8				LH 1		
	96479051	04 - 07	L	B	B	B	X	X	X	SAQ3AQS				LH 1		
	96479054	04 - 07	R	B	B	B	X	X	X	SAQ8				RH 1		
	96479052	04 - 07	R	B	B	B	X	X	X	SAQD1AQ3AQS				RH 1		
	[03]			(E)RECLINER A-FRT SEAT (D)SITZLEHNERVERSTELLER										(F)REGLAGE INCLINAISON A-SIEGE (S)RECLINADOR A-ASIENTO DELAN		
	96249009	04 - 07		B	B	B	X	X	X	SAQ8				4		
	[17]			(E)BOLT (D)BOLZEN										(F)BOULON (S)PERNO		
	94501494	04 - 07		B	B	B	X	X	X	SAQ8				4		
	94501494	04 - 07		B	B	B	X	X	X	SAQ3AQS				8		
	[18]			(E)BOLT (D)BOLZEN										(F)BOULON (S)PERNO		
	94501495	04 - 07		B	B	B	X	X	X	SAQ8				4		
	94501495	04 - 07		B	B	B	X	X	X	SAQ3AQS				8		
	[19]			(E)BOLT (D)BOLZEN										(F)BOULON (S)PERNO		
	94501418	04 - 07		B	B	B	X	X	X					8		
	[20]			(E)PIECE-END,FRT SEAT,FRT (D)ENDSTUECK,VORDERSITZ,VORN										(F)PIECE-EXTREMITE SIEGE AV,AV (S)PIEZA-FINAL,DELAN,ASIENTO		
	96618551	04 - 07		B	B	B	X	X	X	SA2				2		
	[22]			(E)PIECE-END,FRT SEAT,RR (D)ENDSTUECK,VORDERSITZ,HINTEN										(F)PIECE-EXTREMITE SIEGE AV,AR (S)PIEZA-FINAL,TR,ASIENTO DELAN		
	96618553	04 - 07		B	B	B	X	X	X	SA2				4		
	[40]			(E)KNOB-G/RAL,FRT SEAT (D)KNOPF-FUEHRUNGSSCH.,VORDERSITZ										(F)BOULTON-GLISSIERE,SIEGE AV (S)MANDO-CARRIL GUIA,ASIENTO		
	96616517	04 - 07	L	B	B	B	.	X	X	SA21AAS				RH 1		
	96616515	04 - 07	R	B	B	B	.	X	X	SA21AAS				LH 1		
	[43]			(E)RECLINER A-QTR (D)SITZLEHNERVERSTELLER A-AUSSEN										(F)DISPOSITIF D'INCLINAISON A-EXT (S)RECLINADOR A-EXT		
	96452203	04 - 07		B	B	B	X	X	X	SAQ8				LH 1		
	96452201	04 - 07		B	B	B	.	X	X	SAQ3				LH 1		
	96452204	04 - 07		B	B	B	X	X	X	SAQ8				RH 1		
	96452202	04 - 07		B	B	B	.	X	X	SAQ3				RH 1		
	[44]			(E)RECLINER A-INT (D)SITZLEHNERVERSTELLER A-INNEN										(F)DISPOSITIF D'INCLINAISON A-INT (S)RECLINADOR A-INT		
	96492969	04 - 07		B	.	B	.	X	X	SAQ3				LH 1		
	96492970	04 - 07		B	.	B	.	X	X	SAQ3				RH 1		
	96492970	04 - 07		B	B	B	X	X	X	SAQ3				RH 1		

7530

SEAT GUIDE RAIL

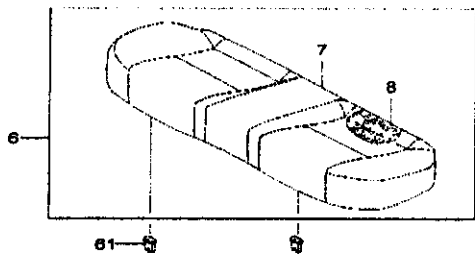
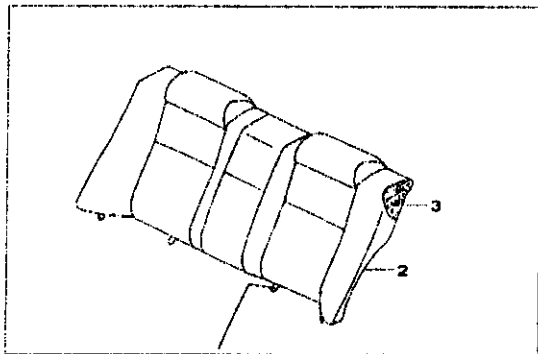


RJ7530G 10/30/2004

I T C	KEY NO.		PART NAME										L Q / R Y	V.I.N.		REMARKS	P- DOC- 9
	PART NO.	MODEL YEAR	D R V	BODY			LEVEL				OPTION	FROM		TO			
				4 N B	4 H S	5 B W	B L	L S	L T								
	[46]			(E)RAIL A-GUIDE,FRT SEAT (D)FUEHRUNGSSCHIENE A,VORDERSITZ (F)GLISSIERE A-SIEGE AV (S)CARRIL A-GUÍA,ASIENTO DELAN													
	96498352	04-07		B	B	B	X	.	.	LAQ8-ANG				LH	1		
	96479849	04-07		B	B	B	.	X	X	LAQ8-ANG				LH	1		
	96498350	04-07		B	B	B	X	.	.	LAQ3AQS-ANG				LH	1		
	96479847	04-07		B	B	B	.	X	X	LAQ3AQS-ANG				LH	1		
	96498353	04-07		B	B	B	X	.	.	LAQ8-ANG				RH	1		
	96479850	04-07		B	B	B	.	X	X	LAQ8-ANG				RH	1		
	96498351	04-07		B	B	B	X	.	.	LAQ3AQS-ANG				RH	1		
	96479848	04-07	L	B	B	B	.	X	X	LAQ3AQS-ANG				RH	1		
										**** RPO DEFINITIONS ****							
										AQ8 : SEAT-FRONT,ADJ BACK,VAR 1							
										AQ3 : SEAT-FRONT,ADJ BACK,VAR 3							
										AQ6 : SEAT-FRONT,ADJ BACK							
										AQD : SEAT-DR,HAJQ DUAL,MAN							
										82 : GREY-INTERIOR							
										ANG : TRAY-SEAT,UNDER							

7540

REAR SEAT I



RJ7540G 10/30/2004

I T C	KEY NO.		PART NAME											REMARKS	P / C O D E		
	PART NO.	MODEL YEAR	D R V	BODY			LEVEL			OPTION	L Q T Y	V.I.N.					
				4 N B	4 H S	5 B W	B L	L L	S S			T	FROM			TO	
	[01]																
	96616573	04 - 04								(E)SEAT A-RR BACK (D)RUECKSITZ A- RUECKENLEHNE				(F)SIEGE A-DOSSIER AR (S)ASIENTO A-TR,RESPALDO		FR	
	96471091	05 - 07								B . . X X . 8826AMB6WBC-APS B . . X X . 8826AMB6WBC-ACRIAPS	1 1					TT	
	[02]									(E)COVERING A-RR S/BACK (D)ABDECKUNG A-HINTEN				(F)HOUSSE A-DOSSIER AR (S)FUNDA A-R/AS TR			
	96496612	04 - 04								B . . X X . 8826AMB6WBC-APS	1						
	96472082	05 - 07								B . . X X . 8826AMB6WBC-APS	1						
	[03]									(E)PAD A-RR S/BACK (D)UNTERLAGE A-HINTEN				(F)REMBOURRAGE A-DOSSIER AR (S)ALMOHADILLA A-R/AS TR			
	96479927	04 - 07								B . . X . . 8AMB-APS	1						
	[05]									(E)BOLT (D)BOLZEN				(F)BOULON (S)PERNO			
	94501418	04 - 07								B . . X . . 8AMB	4						
	[06]									(E)SEAT A-RR CUSH (D)RUECKSITZ A- POLSTER				(F)SIEGE A-COUS AR (S)ASIENTO A-TR.COJ			
	96616561	04 - 04								B B . X X . 8826WBC	1					BJ	
	96471089	05 - 07								B B B X X . 8826WBC	1					TB	
	96616562	04 - 05								B B B . X X 8826WBE	1					BL	
	96472793	06 - 07								B B B . X X 8826WBE	1					DS	
	96399396	04 - 05								B B B . X X 8826WBR	1					BM	
	96473347	06 - 07								B B B . X X 8826WBR	1					VO	
	96840234	06 - 07								B . . . X . 8826WBG	1				FOR GMM	AS	
	[07]									(E)COVERING A-RR SEAT CUSH (D)ABDECKUNG A-HINTEN SITZPOLSTER				(F)HOUSSE A-COUS SIEGE AR (S)FUNDA A-COJ ASIENTO TR			
	96496674	04 - 04								B B B X X . 8826WBC	1						
	96472080	05 - 07								B B B X X . 8826WBC	1						
	96496678	04 - 05								B B B . X X 8826WBE	1						
	96472816	06 - 07								B B B . X X 8826WBE	1						
	96496680	04 - 05								B B B . X X 8826WBR	1						
	96473377	06 - 07								B B B . X X 8826WBR	1						
	96840235	06 - 07								B . . . X . 8826WBG	1				FOR GMM		
	[08]									(E)PAD A-RR SEAT CUSH (D)UNTERLAGE A-RUECKSITZPOLSTER				(F)REMBOURRAGE A-COUS SIEGE AR (S)ALMOHADILLA A-COJ ASIENTO TR			
	96479926	04 - 07								B B B X X X	1						
	[61]									(E)HOOK (D)HAKEN				(F)CROCHET (S)GANCHO			
	94535628	04 - 07								B B B X X X	2						

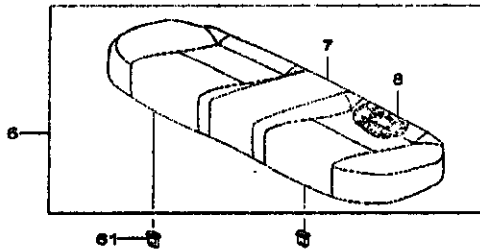
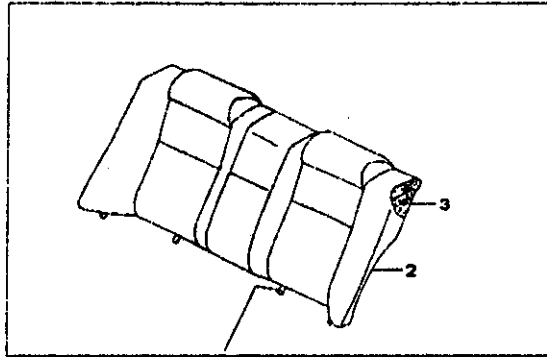
**** RPO DEFINITIONS ****

82 : GREY-INTERIOR

AMB : SEAT-RR, FIXED WSEM HI-BK

7540

REAR SEAT I

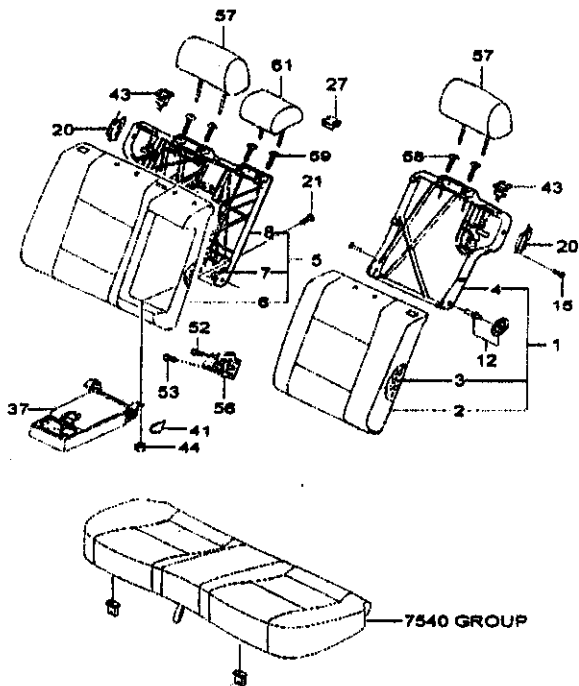


RJ7540G 10/30/2004

KEY NO.		PART NAME															
I T C	PART NO.	MODEL YEAR	D R V	BODY			LEVEL			OPTION	L / R	Q T Y	V.I.N.		REMARKS	P R O D U C T I O N	
				4 N B	5 H B	5 S W	B S	L S	L T				FROM	TO			
										**** RPO DEFINITIONS **** W6C : TRIM-CLOTH,STANDARD AP6 : SEAT-REAR,ARM REST ACR : SKISLEEVE-REAR SEAT W6E : TRIM-CLOTH,DELUXE W6R : TRIM-LEATHER W6S : TRIM-CLOTH,SUPER DELUXE							

7541

REAR SEAT II

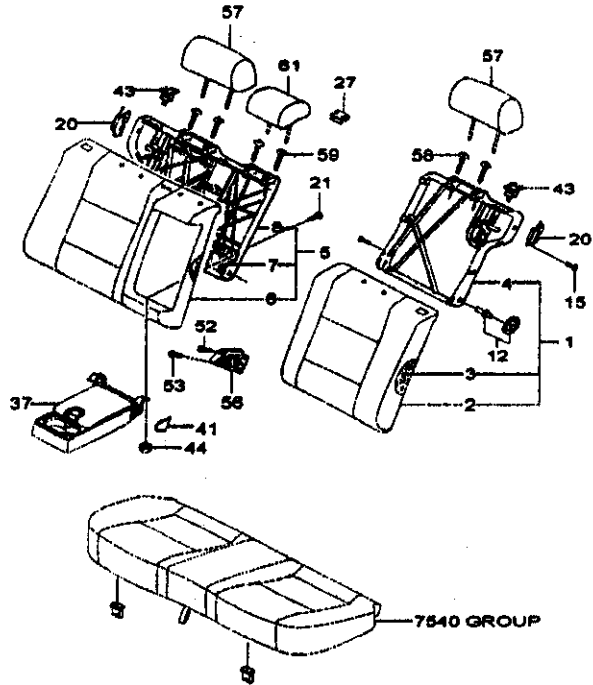


RJ7541DG 10/30/2004

I T C	KEY NO.		PART NAME											P / C O D E		
	PART NO.	MODEL YEAR	D R V	BODY			LEVEL			OPTION	L / Q T Y	V.I.N.			REMARKS	
				4 N B	5 H S B	6 L S	7 L S T	FROM	TO							
	[01]			(E)SEAT A-RR BACK (D)RUECKSITZ A- RUECKENLEHNE									(F)SIEGE A-DOSSIER AR (S)ASIENTO A-TR.RESPALDO			
	96616582	04 - 04		B	B	B	X	X	.	4826A88A86VWC		LH 1				FT
	96471093	05 - 07		B	B	B	X	X	.	4826A88A86VWC		LH 1				TU
	96616588	04 - 05		B	B	B	.	X	X	4826A88A86VWE		LH 1				FX
	96472841	06 - 07		B	B	B	.	X	X	4826A88A86VWE		LH 1				JS
	96616594	04 - 07		B	B	B	.	X	X	4826A88A86VWR		LH 1				GO
	96840236	06 - 07		B	.	.	.	X	.	4826A88A86VWG		LH 1				FOR GMM A7
	[02]			(E)COVERING A-RR S/BACK (D)ABDECKUNG A-HINTEN									(F)HOUSSE A-DOSSIER AR (S)FUNDA A-RIAS TR			
	96496614	04 - 04		B	B	B	X	X	.	4826A88A86VWC		LH 1				
	96472084	05 - 07		B	B	B	X	X	.	4826A88A86VWC		LH 1				
	96496622	04 - 05		B	B	B	.	X	X	4826A88A86VWE		LH 1				
	96472881	06 - 07		B	B	B	.	X	X	4826A88A86VWE		LH 1				
	96496630	04 - 07		B	B	B	.	X	X	4826A88A86VWR		LH 1				
	96840239	06 - 07		B	.	.	.	X	.	4826A88A86VWG		LH 1				FOR GMM
	[03]			(E)PAD A-RR S/BACK (D)UNTERLAGE A-HINTEN									(F)REMBOURRAGE A-DOSSIER AR (S)ALMOHADILLA A-RIAS TR			
	96479637	04 - 07		B	B	B	X	X	X	4888A88		LH 1				
	[04]			(E)FRAME A-RR S/BACK (D)RAHMEN A-HINTEN SITZRUECKENL.									(F)ARMATURE A-DOSSIER AR (S)BASTIDOR A-RIAS TR			
	96479843	04 - 07		B	B	B	X	X	X	4888A88		LH 1				
	[05]			(E)SEAT A-RR BACK (D)RUECKSITZ A- RUECKENLEHNE									(F)SIEGE A-DOSSIER AR (S)ASIENTO A-TR.RESPALDO			
	96616583	04 - 04		B	B	B	X	X	.	4826A88VWC-APS		RH 1				FU
	96471095	05 - 07		B	B	B	X	X	.	4826A88VWC-APS		RH 1				TV
	96616589	04 - 05		B	B	B	.	X	X	4826A88VWE-APS		RH 1				FY
	96472843	06 - 07		B	B	B	.	X	X	4826A88VWE-APS		RH 1				K3
	96616595	04 - 07		B	B	B	.	X	X	4826A88VWE-APS		RH 1				GH
	96616597	04 - 04		B	.	.	X	X	.	4826AKEA88VWC-APS		RH 1				PW
	96471099	05 - 07		B	.	.	X	X	.	4826A88VWC-APS		RH 1				TX
	96616584	04 - 04		.	B	B	X	X	.	4826AKEA88VWC-APS		RH 1		039630		FV
	N 96471097	05 - 05		.	B	B	X	X	.	4826AKEA88VWC-APS		RH 1	039631	197908		TW
	O 96472348	05 - 07		.	B	B	X	X	.	4826AKEA88VWC-APS		RH 1	197907			9C
	96616593	04 - 05		B	.	.	X	X	.	4826AKEA88VWE		RH 1				GE
	96472849	06 - 07		B	.	.	X	X	.	4826A88A86VWE		RH 1				K8
	96616597	04 - 07		B	.	.	X	X	.	4826A88A86VWR		RH 1				GK
	96473436	06 - 07		B	.	.	X	X	.	4826A88VWE-APS		RH 1				VK
	96616590	04 - 05		.	B	B	X	X	.	4826AKEA88VWE		RH 1		197906		GA
	O 96472350	04 - 05		.	B	B	X	X	.	4826AKEA88VWE		RH 1	197907			2D
	96472845	06 - 07		.	B	B	X	X	.	4826AKEA88VWE-LJS		RH 1				K4
	96472847	06 - 07		.	B	B	X	X	.	4826AKTA88VWE-LJS		RH 1				K5

7541

REAR SEAT II

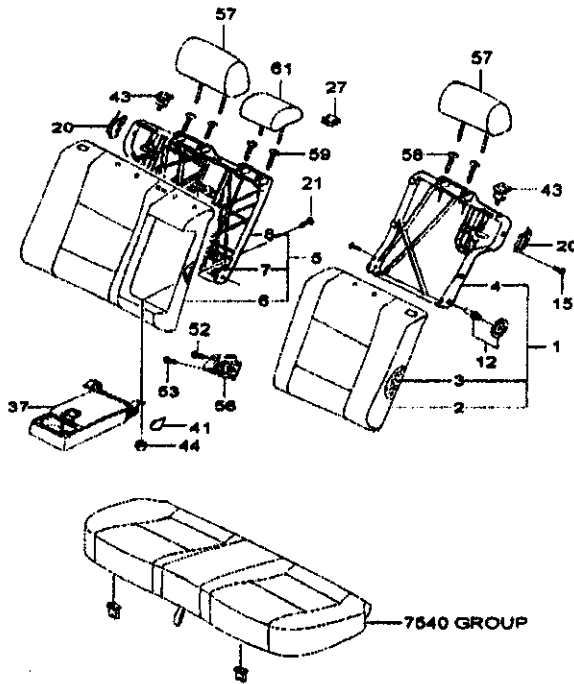


RJ7541DG 10/30/2004

I T C	KEY NO.		PART NAME										P I C C O D E			
	PART NO.	MODEL YEAR	D R V	BODY			LEVEL			OPTION	L T R	Q T Y		V.I.N.		REMARKS
				4 N B	4 H B	5 S B	B L S	B L S	B L S					FROM	TO	
	[05]			(E)SEAT A-RR S/BACK (D)RUECKSITZ A- RUECKENLEHNE						(F)SIEGE A-DOSSIER AR (S)ASIENTO A-TR,RESPALDO						
	96616696	04 - 05		. B B .	. X X	. X X	. X X	. X X	. X X	. X X	. X X	RH 1	197906			GJ
	96472352	04 - 05		. B B .	. X X	. X X	. X X	. X X	. X X	. X X	. X X	RH 1	197907			3D
	96472352	06 - 07		. B B .	. X X	. X X	. X X	. X X	. X X	. X X	. X X	RH 1				3D
	96469216	06 - 07		. B B .	. X X	. X X	. X X	. X X	. X X	. X X	. X X	RH 1				LK
	96472851	06 - 07		. B B .	. X X	. X X	. X X	. X X	. X X	. X X	. X X	RH 1				K7
	96640238	06 - 07		. B . .	. X .	. X .	. X .	. X .	. X .	. X .	. X .	RH 1				FOR GMM A8
	[06]			(E)COVERING A-RR S/BACK (D)ABDECKUNG A-HINTEN						(F)HOUSSE A-DOSSIER AR (S)FUNDA A-RIAS TR						
	96496616	04 - 04		. B B B .	. X X X	. X X X	. X X X	. X X X	. X X X	. X X X	. X X X	RH 1				
	96472066	05 - 07		. B B B .	. X X X	. X X X	. X X X	. X X X	. X X X	. X X X	. X X X	RH 1				
	96496624	04 - 05		. B B B .	. X X X	. X X X	. X X X	. X X X	. X X X	. X X X	. X X X	RH 1				
	96472863	06 - 07		. B B B .	. X X X	. X X X	. X X X	. X X X	. X X X	. X X X	. X X X	RH 1				
	96496632	04 - 07		. B B B .	. X X X	. X X X	. X X X	. X X X	. X X X	. X X X	. X X X	RH 1				
	96496620	04 - 04		. B . .	. X X .	. X X .	. X X .	. X X .	. X X .	. X X .	. X X .	RH 1				
	96472090	05 - 07		. B . .	. X X .	. X X .	. X X .	. X X .	. X X .	. X X .	. X X .	RH 1				
	96496628	04 - 05		. B . .	. X X .	. X X .	. X X .	. X X .	. X X .	. X X .	. X X .	RH 1				
	96472867	06 - 07		. B . .	. X X .	. X X .	. X X .	. X X .	. X X .	. X X .	. X X .	RH 1				
	96496638	04 - 07		. B . .	. X X .	. X X .	. X X .	. X X .	. X X .	. X X .	. X X .	RH 1				
	96473438	06 - 07		. B . .	. X X .	. X X .	. X X .	. X X .	. X X .	. X X .	. X X .	RH 1				
	96496618	04 - 04		. B B .	. X X .	. X X .	. X X .	. X X .	. X X .	. X X .	. X X .	RH 1				
	96472066	05 - 07		. B B .	. X X .	. X X .	. X X .	. X X .	. X X .	. X X .	. X X .	RH 1				
	96496626	04 - 05		. B B .	. X X .	. X X .	. X X .	. X X .	. X X .	. X X .	. X X .	RH 1				
	96472865	06 - 07		. B B .	. X X .	. X X .	. X X .	. X X .	. X X .	. X X .	. X X .	RH 1				
	96496636	04 - 07		. B B .	. X X .	. X X .	. X X .	. X X .	. X X .	. X X .	. X X .	RH 1				
	96496224	06 - 07		. B B .	. X X .	. X X .	. X X .	. X X .	. X X .	. X X .	. X X .	RH 1				
	96640241	06 - 07		. B . .	. X .	. X .	. X .	. X .	. X .	. X .	. X .	RH 1				FOR GMM
	[07]			(E)PAD A-RR S/BACK (D)UNTERLAGE A-HINTEN						(F)REMOBOURRAGE ADOSSIER AR (S)ALMOHADILLA A-RIAS TR						
	96493487	04 - 07		. B . .	. X .	. X .	. X .	. X .	. X .	. X .	. X .	RH 1				
	96479636	04 - 07		. B . .	. X X .	. X X .	. X X .	. X X .	. X X .	. X X .	. X X .	RH 1				
	96493487	04 - 07		. B B .	. X .	. X .	. X .	. X .	. X .	. X .	. X .	RH 1				
	96496361	04 - 07		. B B .	. X X X	. X X X	. X X X	. X X X	. X X X	. X X X	. X X X	RH 1				
	96479636	04 - 07		. B B .	. X X .	. X X .	. X X .	. X X .	. X X .	. X X .	. X X .	RH 1				
	96496360	04 - 07		. B B .	. X X X	. X X X	. X X X	. X X X	. X X X	. X X X	. X X X	RH 1				
	[08]			(E)FRAME A-RR S/BACK (D)RAHMEN A-HINTEN SITZRUECKENL.						(F)ARMATURE A-DOSSIER AR (S)BASTIDOR A-RIAS TR						
	96493566	04 - 07		. B . .	. X X X	. X X X	. X X X	. X X X	. X X X	. X X X	. X X X	RH 1				
	96493566	04 - 07		. B B .	. X X X	. X X X	. X X X	. X X X	. X X X	. X X X	. X X X	RH 1				
	96493600	04 - 07		. B B .	. X X X	. X X X	. X X X	. X X X	. X X X	. X X X	. X X X	RH 1				

7541

REAR SEAT II

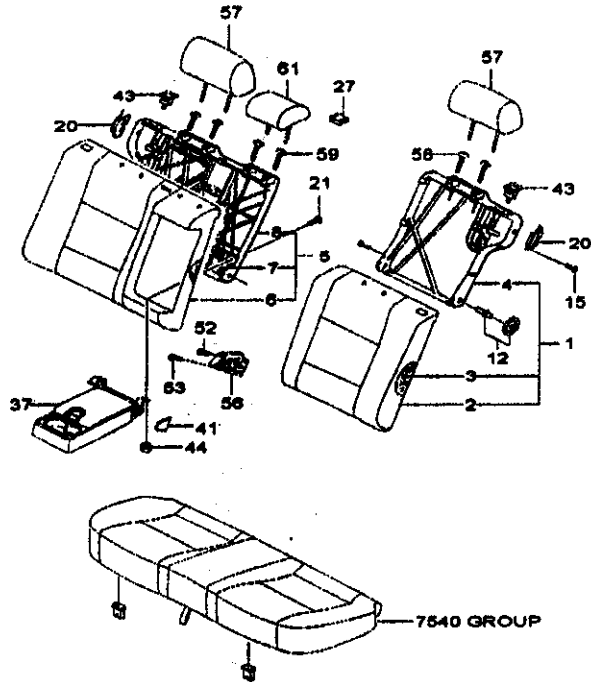


RJ7541DG 10/30/2004

I T C	KEY NO.		D R V	PART NAME						L Q R Y	V.I.N.		REMARKS	P / C O D E
	PART NO.	MODEL YEAR		BODY		LEVEL		OPTION	FROM		TO			
				4 N B	5 H S W	B L L	L L S T							
	[12]			(E)PIN-PIVOT (D)GELENKZAPFEN							(F)AXE-PIVOT (S)PASADOR-DE ARTICULACIÓN			
	96496835	04-07		B B B X X X			LASS/ABD				2			
	[16]			(E)BOLT (D)BOLZEN							(F)BOULON (S)PERNO			
	94500759	04-07		B B B X X X			LASS/ABD				6			
	[20]			(E)LATCH A-RR S/BACK (D)VERRIEGELUNG A-HINTEN							(F)VERROU A-DOSSIER AR (S)CIERRE A-RIAS TR			
	96479831	04-07		B B B X X X			LASS/ABD				LH 1			
	96479832	04-07		B B B X X X			LASS/ABD				RH 1			
	[21]			(E)SCREW (D)SCHRAUBE							(F)VIS (S)TORNILLO			
	94520604	04-07		B B B . X X			LAPS/LASS/ABD				3			
	[27]			(E)CLIP (D)KLEMME							(F)CLIP (S)CLIP			
	94525636	04-07		B B B X X X			LASS/ABD				6			
	[37]			(E)ARMREST A-RR S/BACK (D)ARMSTUETZE A-HINTEN							(F)ACCOCOUDOIR A-DOSSIER AR (S)REPOSABRAZOS A-RIAS TR			
	96496856	04-05		B B B . X X			L02LAPS/LASS/ABD/ABW				1			
	96472912	06-07		B B B . X X			L02LAPS/LASS/ABD/ABW				1			
	96496806	04-07		B B B . X X			L02LAPS/LASS/ABD/ABW				1			
	[41]			(E)COVER-BRACKET ARMREST (D)ABDECKUNG-HALTER ARMSTUETZE							(F)GARNITURE-SUPPORT,ACCOCOUDOIR (S)CUBIERTA-SOPORTE DE			
	96616603	04-07		B B B . X X			L02LAPS/LASS/ABD				1			
	[43]			(E)KNOB-LOCK,RR BACK (D)KNOPF-SCHLOSS HINTEN ZURÜCK							(F)COLLERETTE-VERROU,DOSSIER (S)MANDO-BLOQUEO,SOPORTE DE			
	96616605	04-07		B B B X X X			L02LASS/ABD				2			
	[44]			(E)NUT (D)MUTTER							(F)ECROU (S)TUERCA			
	94515125	04-07		B B B . X X			LAPS/LASS/ABD				2			
	[52]			(E)BOLT (D)BOLZEN							(F)BOULON (S)PERNO			
	94501368	04-07		B B B X X X			LASS/ABD				1			
	[53]			(E)BOLT (D)BOLZEN							(F)BOULON (S)PERNO			
	94501418	04-07		B B B X X X			LASS/ABD				2			
	94501418	04-07		B B B X X X			LASS/ABD				4			
	[56]			(E)HINGE A-RR S/BACK,FOLDING (D)GELENK A-HINTEN							(F)CHARNIERE A-DOSSIER (S)BISAGRA A-RIAS TR,ABATIBLE			
	96556787	04-07		B B B X X X			LASS/ABD				1			

7541

REAR SEAT II

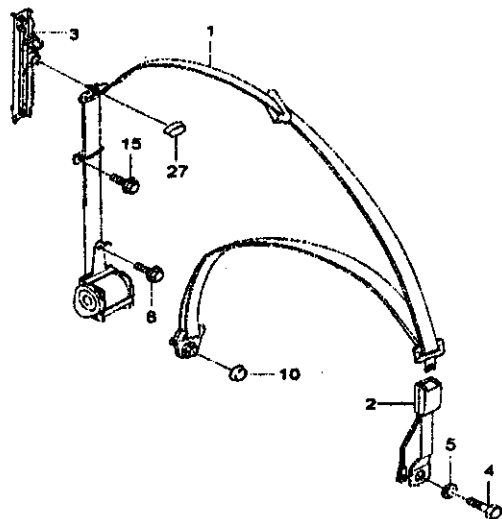


RJ7541DG 10/30/2004

I T C	KEY NO.		PART NAME											P / C O D E	
	PART NO.	MODEL YEAR	D R V E	BODY			LEVEL		OPTION	L / Q T Y	V.I.N.		REMARKS		
				4 N B	5 H B	5 S B	B L S	B L T			FROM	TO			
	[57]			(E)HEADREST A-RR SEAT (D)ARMSTUETZE A-RUECKSITZ							(F)APPUI-TETE A-SIEGE AR (S)REPOSACABEZAS A-ASIEN TO TR				
	9849888	04-04		B	B	B	X	X	.	422LABARRWVC			2		KC
	98471101	06-07		B	B	B	X	X	.	422LABARRWVC			2		TY
	98498848	04-05		B	B	B	.	X	X	422LABARRWVE			2		KE
	98472834	06-07		B	B	B	.	X	X	422LABARRWVE			2		VS
	98498889	04-07		B	B	B	.	X	X	422LABARRWVR			2		KG
	98472832	06-07		B	.	.	.	X	.	422LABARRWVG			2	FOR GMM	V7
	[58]			(E)SLEEVE-HEADREST (D)HUELSE-KOPFSTUETZE							(F)MANCHON-APPUI-TETE (S)MANGUITO-REPOSACABEZAS				
	98498832	04-07		B	B	B	X	X	X	422LAB8			2		
	98498832	04-07		B	B	B	X	X	X	422LAB8			3		
	[59]			(E)SLEEVE-HEADREST (D)HUELSE-KOPFSTUETZE							(F)MANCHON-APPUI-TETE (S)MANGUITO-REPOSACABEZAS				
	98498834	04-07		B	B	B	X	X	X	422LAB8			2		
	98498834	04-07		B	B	B	X	X	X	422LAB8			3		
	[81]			(E)HEADREST A-RR SEAT,CTR (D)KOPFSTUETZE A-RUECKSITZ,MITTE							(F)APPUI-TETE A-SIEGE AR,CTR (S)REPOSACABEZAS A-ASIEN TO				
	98498491	04-04		B	B	B	X	X	.	422LABAYVC			1		KD
	98471103	05-07		B	B	B	X	X	.	422LABAYVC			1		TZ
	98498850	04-05		B	B	B	.	X	X	422LABAYVE			1		KP
	98472850	06-07		B	B	B	.	X	X	422LABAYVE			1		XS
	98498492	04-07		B	B	B	.	X	X	422LABAYVR			1		KH
				**** RPO DEFINITIONS ****											
				82 : GREY-INTERIOR											
				ARR : SEAT-REAR,DELUXE											
				ARR : SEAT-REAR,STANDARD											
				WVC : TRIM-CLOTH,STANDARD											
				WVE : TRIM-CLOTH,DELUXE											
				WVR : TRIM-LEATHER											
				WVG : TRIM-CLOTH,SUPER DELUXE											
				APS : SEAT-REAR,ARM REST											
				AKB : BELT-RR,BLR & CTR/3 POINT											
				XJ6 : JAPAN-MANDATORY											
				AKT : BELT-RR,CRS & CTR/3 POINT											
				AKR : BELT-RR,L RELR & CTR/2PT											

7550

FRONT SEAT BELT

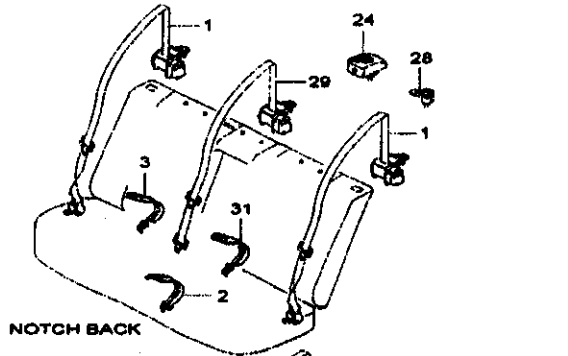


RJ7550DGW 10/30/2004

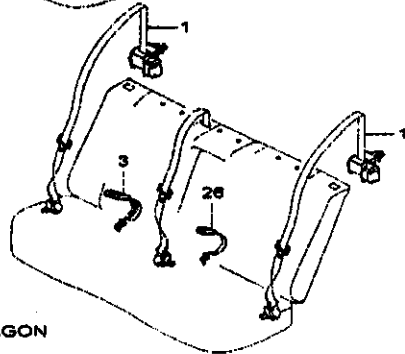
I T C	KEY NO.		PART NAME										L Q / R Y	V.I.N.		REMARKS	P P C O D E
	PART NO.	MODEL YEAR	D R V	BODY		LEVEL		OPTION	FROM	TO	REMARKS						
				4 N B	5 H B	B L S	L L T										
	[01]			(E)BELT A-FRT SEAT (D)GURT A-VORDERSITZ						(F)CEINTURE DE SECURITE A-SIEGE (S)CINTURÓN DE SEGURIDAD							
	96616646	04 - 07	L	B	B	B	X	.	.	882BAK1AACVB4	LH 1		1L				
	96616646	04 - 07	R	B	B	B	X	.	.	882BAKD-AACVB4	LH 1		1L				
	96616647	04 - 07	L	B	B	B	X	X	X	882BAACBAK1VB4	LH 1		1M				
	96616647	04 - 07	R	B	B	B	X	X	X	882BAACBAKC-VB4	LH 1		1M				
	96616656	04 - 06		B	B	B	X	.	.	882BAK1VB4-AAC	LH 1		1N				
	96616657	04 - 06		B	B	B	X	X	X	882BAK1AACVB4	LH 1		1Q				
	96616644	04 - 07		B	.	B	X	X	X	882BAACLABFJAJBLAKY	LH 1		1J				
	96616648	04 - 07		B	B	B	X	.	.	882BAK1AACVB4	RH 1		6G				
	96616649	04 - 07		B	B	B	X	X	X	882BAK2AACVB4	RH 1		1P				
	96616658	04 - 06		B	B	B	X	.	.	882BAKCVB4-AAC	RH 1		1T				
	96616659	04 - 06		B	B	B	X	X	X	882BAK2AACVB4	RH 1		1V				
	96616645	04 - 07		B	.	B	X	X	X	882BAACLABFJAJBLAKY	RH 1		1K				
	96616654	04 - 06	R	B	B	B	X	X	X	882BAACBAKXATRDZ	LH 1		1H				
	96616655	04 - 07		B	B	B	X	X	X	882BAACLAJBLAKW	RH 1		3D				
	96414891	06 - 07		B	B	B	.	X	.	882BAACLABFJAJBLAPP	LH 1		8P				
	96414898	06 - 07		B	B	B	.	X	.	882BAACLABFJAJBLAPP	RH 1		9P				
	[02]			(E)BUCKLE A-FRT S/BELT (D)SCHNALLE A-VORDERSITZ						(F)BOUCLE A-CEINTURE DE (S)HEBILLA A-CINT/SEG ASIENTO							
	96405842	04 - 07	L	B	.	B	X	X	X	882BAK1WAK1APP	LH 1		DRIVER				
	96403606	04 - 07	L	B	.	.	X	X	X	882BAK2WAK1WAKY	RH 1		CO-DRIVER				
Y	96415492	04 - 07	L	B	.	B	X	X	X	882BAK2WAK1WAKYAPP	RH 1		CO-DRIVER				
	96403606	04 - 07	R	B	.	.	X	X	X	882BAK2WAK1WAKY	LH 1		CO-DRIVER				
Y	96415492	04 - 07	R	B	.	B	X	X	X	882BAK2WAK1WAKYAPP	LH 1		CO-DRIVER				
	96405842	04 - 07	R	B	.	B	X	X	X	882BAK1WAK1APP	RH 1		DRIVER				
	96415492	04 - 07		B	B	B	X	X	X	882BAK2WAK1WAKYAPP	LH 1						
	96415492	04 - 07		B	B	B	X	X	X	882BAK2WAK1WAKYAPP	RH 1						
	[03]			(E)ADJUSTER A-HEIGHT,S/BELT (D)HOEHENVERSTELLER,SICHERHEITSG						(F)REGLAGE HAUTEUR (S)REGULADOR A-ALTURA,CINT/SEG							
	96481173	04 - 04		B	B	.	X	X	X	LAAC	2	957975	KB				
O	96457801	04 - 07		B	B	B	X	X	X	LAAC	2	957976	DA				
	[04]			(E)BOLT (D)BOLZEN						(F)BOULON (S)PERNO							
	96246219	04 - 07		B	B	B	X	X	X		2						
	[05]			(E)WASHER (D)UNTERLEGSCHHEIBE						(F)RONDELLE (S)ARANDELA							
	94525211	04 - 07		B	B	B	X	X	X		2						
Y	94525293	04 - 07		B	B	B	X	X	X		2						
	[08]			(E)BOLT (D)BOLZEN						(F)BOULON (S)PERNO							
	94501612	04 - 07		B	B	B	X	X	X		2						

7560

REAR SEAT BELT



NOTCH BACK



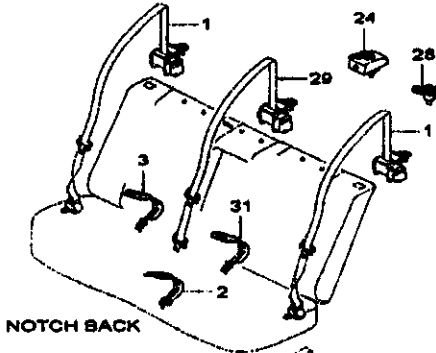
HATCH BACK WAGON

RJ7560G 10/30/2004

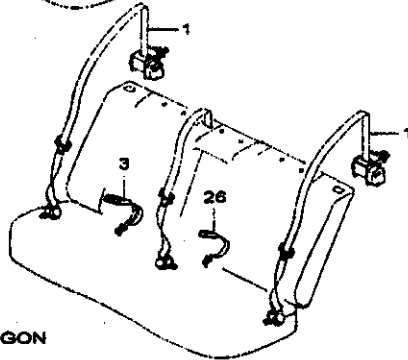
I T C	KEY NO. PART NO.	MODEL YEAR	D R V E	PART NAME						L Q T Y	V.I.N.		REMARKS	P / C O D E
				BODY		LEVEL		OPTION	R Y		F R O M	T O		
				4 N B	4 H S	5 W	B L S							
	[01]							(E)BELT A-RR SEAT (D)GURT A-RUECKSITZ			(F)CEINTURE A-SIEGE AR (S)CINTURÓN DE SEGURIDAD			
	96616666	04 - 05		B . .	X X X			A82LAKEAKG-VB4	2		197906		2F	
	○ 96448811	04 - 07		B . .	X X X			A82LAKEAKG-VB4	2	197907			A6	
	96616672	04 - 05		B . .	X X X			A82LAKE8LVB4	2		197906		2F	
	○ 96448819	04 - 06		B . .	X X X			A82LAKE8LVB4	2	197907			B1	
	96616670	04 - 05		. B .	X X X			A82LAKEAKG-VB4	LH 1		197906		2J	
	○ 96448813	04 - 07		. B .	X X X			A82LAKEAKG-VB4	LH 1	197907			A7	
	96616673	04 - 05		. B .	X X X			A82LAKE8LVB4	LH 1		197906		2Q	
	○ 96448821	04 - 06		. B .	X X X			A82LAKE8LVB4	LH 1	197907			B2	
	96616671	04 - 05		. B .	X X X			A82LAKEAKG-VB4	RH 1		197906		2K	
	○ 96448817	04 - 07		. B .	X X X			A82LAKEAKG-VB4	RH 1	197907			A9	
	96616674	04 - 05		. B .	X X X			A82LAKE8LVB4	RH 1		197906		2R	
	○ 96448825	04 - 06		. B .	X X X			A82LAKE8LVB4	RH 1	197907			B4	
	96406696	05 - 05		. . B	X X X			A82LAKEAKG-VB4	2		197906		RP	
	○ 96448815	05 - 07		. . B	X X X			A82LAKEAKG-VB4	2	197907			A6	
	96407015	05 - 05		. . B	X X X			A82LAKE8LVB4	2		197906		RR	
	○ 96448823	05 - 06		. . B	X X X			A82LAKE8LVB4	2	197907			B3	
	96443003	06 - 07		B X			A82BAKT	2				6Y	
	96443005	06 - 07		. . B . .	. X			A82BAKT	2				6Y	
	[02]							(E)BELT A-PELVIS,RR SEAT,CTR (D)BECKENGURT A,RUECKSITZ,MITTE			(F)CEINTURE A-VENTRALE,SIEGE (S)CINTURÓN DE SEGURIDAD			
	96616687	04 - 07		B B B	X X X			A82BAKB-VB4	1				20	
	96616688	04 - 06		B B B	X X X			A82BAKB8LVB4	1				26	
	[03]							(E)BUCKLE A-RR S/BELT (D)SCHNALLE A-RUECKSITZ			(F)BOUCLE A-CEINTURE DE (S)HEBILLA A-CINT/SEG ASIENTO TR			
	96616693	04 - 07		B B B	X X X			A82BAKEAKG	LH 1				2L	
	96616695	04 - 07		. B B	X X X			A82BAKE	RH 1				2M	
	96616697	04 - 07		B . .	X X X			A82BAKE	RH 1				2N	
	[24]							(E)ANCHOR A-TETHER,CTR (D)TANKDECKELBEFESTIGUNG A,MITTE			(F)ANCRAGE A-SANGLE,CTR (S)ANCLAJE A-SUJECIÓN,CTR			
	96399187	04 - 07		B . .	X X X			A82BAKATRNZ&XKD	1					
	Y 96412891	04 - 07		B . .	X X X			A82BAKATRA100&Z&XKD	1					
	96399189	04 - 06		. B .	X X X			A82BAKAXKRA&XKD	1		314450			
	N 96802136	06 - 07		. B .	X X X			A82BAKAXKRA&XKD	1	314451				
	96399189	04 - 06		. B .	X X X			A82BAKAT&XKD	3		314450			
	N 96802136	06 - 07		. B .	X X X			A82BAKAT&XKD	3	314451				
	96417680	05 - 07		. . B	X X X			A82BXKD	1					
	[26]							(E)BUCKLE A-RR S/BELT (D)SCHNALLE A-RUECKSITZ			(F)BOUCLE A-CEINTURE DE (S)HEBILLA A-CINT/SEG ASIENTO TR			
	96616695	04 - 07		. B B	X X X			A82BAKE	1				2M	

7560

REAR SEAT BELT



NOTCH BACK



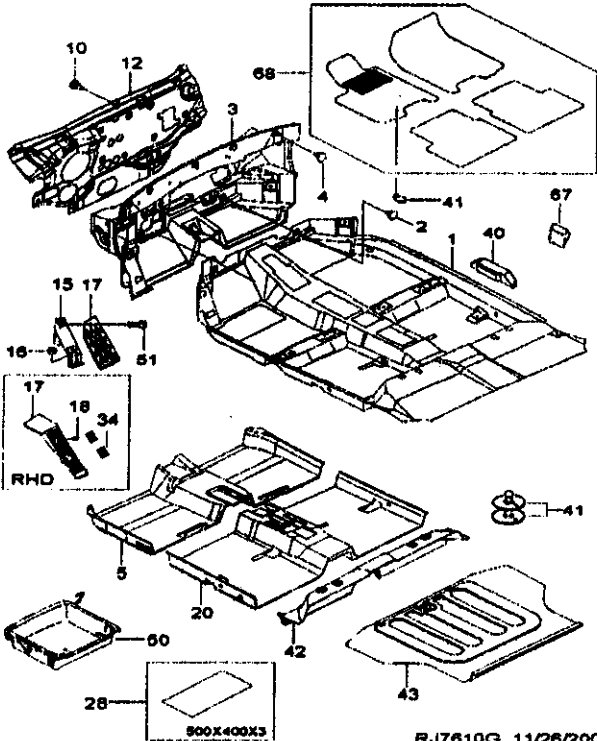
HATCH BACK WAGON

RJ7580G 10/30/2004

I T C	KEY NO.	PART NO.	MODEL YEAR	D R V E	PART NAME						L O T R Y	V.I.N.		REMARKS	P R O D U C T I O N
					BODY		LEVEL		OPTION	FROM		TO			
					4 N B	4 H B	5 S W	B L S					L L S T		
	[28]				(E)ANCHOR A-	TETHER,SIDE						(F)ANCRAGE A-SANGLE,LATERAL			
		96412893	04-07		(D)TANKDECKELBEFESTIGUNG A,SEITE							(S)ANCLAJE A-SUJECION,LATERAL			
		96396551	04-07		B . . X X X	AXATRA	MINZLJ00					1			
					. B . X X X	AXATRA	MINZLJ00					1			
	[28]				(E)BELT A-RR SEAT,CTR							(F)CEINTURE A-SIEGE AR,CTR			
					(D)GURT A,RUECKSITZ,MITTE							(S)CINTURON DE SEGURIDAD			
		96618868	04-05		B . . X X X	SE2LAKE	AS88A8JLJ6					1	197905		2H
		0 96445907	04-07		B . . X X X	SE2LAKE	AS88A8JLJ6					1	197907		A4
		96424627	05-05		B X	SE2LAKE	AS88A8JLJ6					1	197906		3Q
		0 96445909	05-06		B X	SE2LAKE	AS88A8JLJ6					1	197907		A5
		96443001	06-07		B X	SE2LAKE	AS88A8JLJ6					1			SZ
		96616708	04-07		. B B . . X	SE2LAKE	AS88A8JLJ6					1			20
		Y 96445957	04-07		. B B . . X	SE2LAKE	AS88A8JLJ6					1			05
		96443007	06-07		. . B . . X	SE2LAKE	AS88A8JLJ6					1			6Z
	[31]				(E)BUCKLE A-RR S/BELT							(F)BOUCLE A-CEINTURE DE			
					(D)SCHNALLE A-RUECKSITZ							(S)HEBILLA A-CINT/SEG ASIENTO TR			
		96616997	04-07		B . . X X X	SE2LAKE						1			2H
					**** RPO DEFINITIONS ****										
					B2 : GREY-INTERIOR										
					AKE : BELT-RR,ELR & CTR3 POINT										
					AK9 : BELT-RR,L R/ELR & CTR3PT										
					VB4 : GULF STATES-MANDATORY										
					AKT : BELT-RR,CRS & CTR3 POINT										
					XAT : AUSTRALIA-MANDATORY										
					XNZ : NEW ZEALAND-MANDATORY										
					XND : CHILD SEAT BELT PROVISION										
					XA1 : SOUTH AFRICA-MANDATORY										
					XRA : ISRAEL-MANDATORY										
					AS8 : SEAT-REAR,DELUXE										
					AS9 : SEAT-REAR,STANDARD										
					XJ6 : JAPAN-MANDATORY										

7610

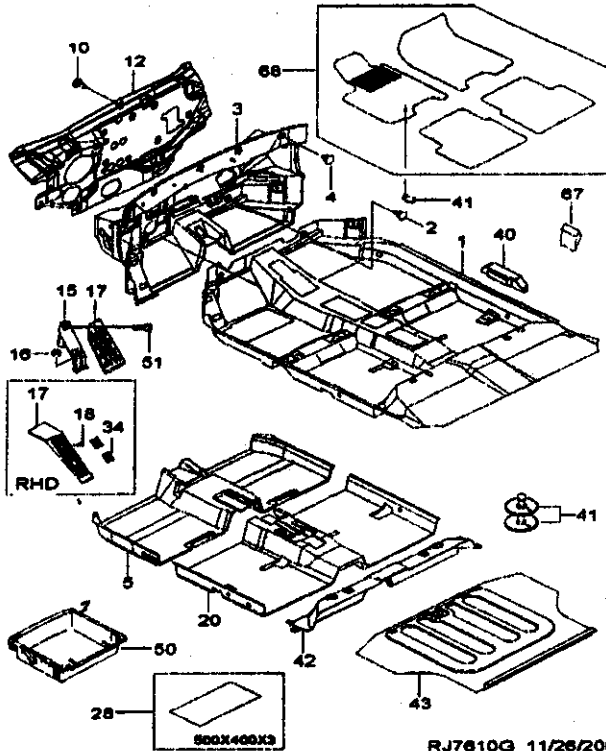
FLOOR CARPET



I T C	KEY NO.		PART NAME											P / C O D E			
	PART NO.	MODEL YEAR	D R Y	BODY				LEVEL			OPTION	L Q T Y	V.I.N.		REMARKS		
				4 N B	4 H S	4 S B	4 L S	4 L L	4 L S	4 L L			FROM			TO	
	[01]			(E)LINING-F/PNL (D)AUSKLEIDUNG-BODENBLECH (F)DOUBLURE-PAN.PLCH (S)REVESTIMIENTO-PNL PISO													
	96616613	04-05	L	B	B	B	X	X	X				A82-NET/V8A/V87	1	145249		PC
	96433109	04-07	L	B	B	B	X	X	X				A82-BF8A-NET/V8A/V87	1	145250		2C
	96433109	06-07	L	B	B	B	X	X	X				A82A-XME	1			2C
	96616616	04-05	L	B	B	B	X	X	X				A82A-V8A/V87-NET	1	145249		PE
	96433110	04-07	L	B	B	B	X	X	X				A82A-V8A/V87-BF8A-NET	1	145250		2E
	96616175	05-05	L	B	B	B	X	X	X				A82A-NET-V8A/V87	1	145249		PL
	96438879	05-07	L	B	B	B	X	X	X				A82A-NET-BF8A/V8A/V87	1	145250		2L
	96616178	05-05	L	B	B	B	X	X	X				A82A-NET-V8A/V87	1	145249		PN
	96438880	05-07	L	B	B	B	X	X	X				A82A-NET-V8A/V87-BF9	1	145250		2N
	96616618	04-07	R	B	B	B	X	X	X				A82-NET/XAT	1			QA
	96613350	06-07	R	B	B	B	X	X	X				A82A-XAT-NET	1	421672		J8
	96616187	05-07	R	B	B	B	X	X	X				A82A-NET-XAT	1			OE
	96613352	06-07	R	B	B	B	X	X	X				A82A-XAT-NET	1	421672		JT
	96432757	05-07	B	B	B	B	X	X	X				A82A-BF8A-NET/V8A/V87	1			2Q
	96432758	06-07	B	B	B	B	X	X	X				A82A-BF8A-NET-V8A/V87	1			2B
	96442653	05-07	L	B	B	B	X	X	X				A82A-V8A/V87-BF8A-NET	1			E2
	96445635	05-07	L	B	B	B	X	X	X				A82A-NET-V8A/V87-BF9	1			N2
	[02]			(E)CLIP (D)KLEMME (F)CLIP (S)CLIP													
	94530478	04-07	B	B	B	B	X	X	X					1			
	[03]			(E)INSULATION-DASH PNL,INR (D)ISOLIERUNG-ARMATURENBRETT,INNE (F)ISOLATION-TABLIER,INT (S)AISLAMIENTO-PNL													
	96556821	04-05	L	B	B	B	X	X	X					1			DL
	Y 96438031	04-05	L	B	B	B	X	X	X					1	133892		LL
	96432628	04-06	L	B	B	B	X	X	X					1	133893		2L
	Y 96484783	05-07	L	B	B	B	X	X	X					1			3L
	96556822	04-05	R	B	B	B	X	X	X					1			DR
	Y 96438032	04-05	R	B	B	B	X	X	X					1	145161		RR
	96556822	04-06	R	B	B	B	X	X	X					1	145162 249902		DR
	96438032	05-07	R	B	B	B	X	X	X					1	249903		RR
	[04]			(E)CLIP (D)KLEMME (F)CLIP (S)CLIP													
	94530387	04-07	B	B	B	B	X	X	X					11			
	[05]			(E)INSULATION-F/PNL,FRT (D)ISOLIERUNG-BODENBLECH,VORN (F)ISOLATION-PAN,PLCH,AV (S)AISLAMIENTO-PNL,PISO,DELAN													
	96556823	04-07	B	B	B	B	X	X	X				-C35	1			FA
	Y 96438033	04-07	B	B	B	B	X	X	X				-C35	1			AA
	96556827	04-07	B	B	B	B	X	X	X				8C35	1			FB
	Y 96438034	05-07	B	B	B	B	X	X	X				8C35	1			BB

7610

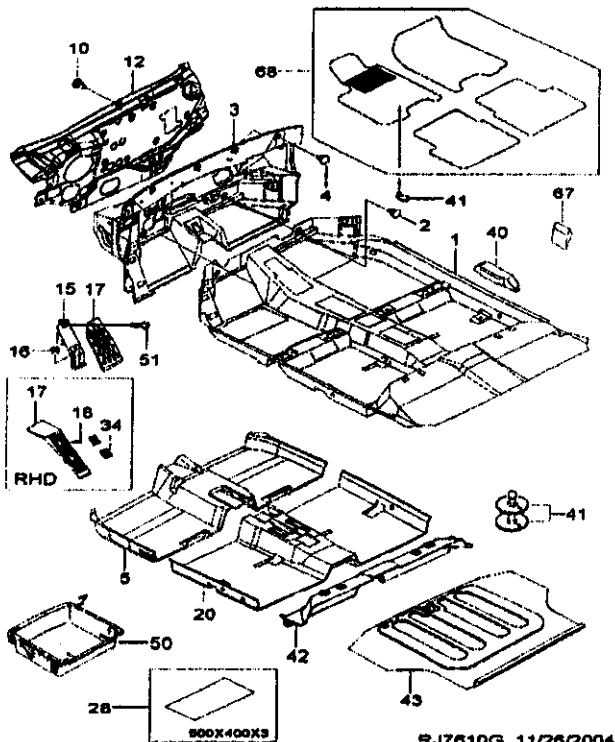
FLOOR CARPET



I T C	KEY NO.	PART NO.	MODEL YEAR	D R V E	PART NAME						L Q / R Y	V.I.N.		REMARKS	P / C O D E
					BODY	LEVEL	OPTION	FROM	TO	L		T			
													4 N B		
		[10]			(E)CLIP (D)KLEMME						(F)CLIP (S)CLIP				
		94530387	04-07	L	B	B	B	X	X	X	13				
		94530387	04-07	R	B	B	B	X	X	X	9				
		94530734	05-07	R	B	B	B	X	X	X	2	155056			
		[12]			(E)INSULATION-DASH PNL,OTR (D)ISOLIERUNG-ARMATURENBRETT,AUS						(F)ISOLATION-TABLIER,EXT (S)AISLAMENTO-PNL				
		96556629	04-07	L	B	B	B	X	X	X	1				J1
		Y 96436037	04-07	L	B	B	B	X	X	X	1				J5
		96497010	04-05	L	B	B	B	X	X	X	1	145269			J2
		O 96433097	04-07	L	B	B	B	X	X	X	1	145290			J7
		96497011	04-04	R	B	B	B	X	X	X	1	154839			J4
		O 96442650	04-05	R	B	B	B	X	X	X	1	154940	263367		AJ
		O 96448413	06-07	R	B	B	B	X	X	X	1	263356			QJ
		[15]			(E)BRACKET A FOOTREST (D)HALTER A FUSSSTUETZE						(F)SUPPORT A-REPOSE-PIED (S)SOPORTE A-REPOSAPIÉS				
		96656628	04-07	L	B	B	B	X	X	X	LH 1				
		96656612	04-07	R	B	B	B	X	X	X	RH 1				
		[16]			(E)NUT (D)MUTTER						(F)ECROU (S)TUERCA				
		94515096	04-07	L	B	B	B	X	X	X	LH 3				
		[17]			(E)FOOTREST A (D)FUSSSTUETZE A						(F)REPOSE-PIED A (S)REPOSAPIÉS A				
		96616635	04-07	L	B	B	B	X	X	X	LH 1				
		96616636	04-07	R	B	B	B	X	X	X	RH 1				
		[18]			(E)BOLT (D)BOLZEN						(F)BOULON (S)PERNO				
		94501363	04-07	R	B	B	B	X	X	X	RH 2				
		[20]			(E)INSULATION-F/PNL,RR (D)ISOLIERUNG-BODENBLECH,HINTEN						(F)ISOLATION-PAN.PICH,AR (S)AISLAMENTO-PNL,PISO,TR				
		96556626	04-07	B	B	B	X	X	X		1				
		Y 96436035	04-07	B	B	B	X	X	X		1				
		[28]			(E)DEADENER-STD (D)SCHWINGUNGSDAEMPFER-STD.						(F)INSONORISANT-STD (S)MATERIAL INSONORIZANTE-STD				
		93740116	04-06	B	B	B	X	X	X		1				STD
		96247406	04-07	B	B	X	X	X			2	933129			FOR ROOF PNL
		Y 96229803	04-07	B	B	B	X	X	X		2	933130			FOR ROOF PNL
		[34]			(E)CAP-FOOTREST (D)KAPPE-FUSSSTUETZE						(F)GARNITURE-REPOSE-PIED (S)TAPA-REPOSAPIÉS				
		96616637	04-07	R	B	B	B	X	X	X	RH 2				

7610

FLOOR CARPET

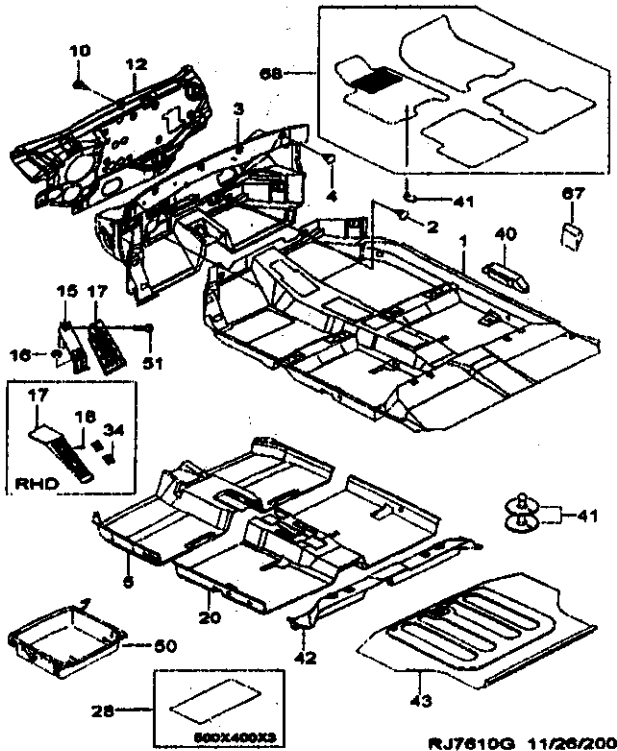


RJ7610G 11/25/2004

I T C	KEY NO.		PART NAME										L Q / R Y	V.I.N.		REMARKS	REC'D P
	PART NO.	MODEL YEAR	D R V	BODY		LEVEL		OPTION	FROM	TO	REMARKS						
				4 N B	4 S W	B L S	L L S T										
	[40]			(E)INSULATION-B PILLAR (D)ISOLIERUNG-B SAEULE							(F)ISOLATION-MONTANT B (S)AISLAMIENTO-MONTANTE B						
	96556891	04-07		B	B	B	X	X	X			LH 1					
	96556892	04-07		B	B	B	X	X	X			RH 1					
	[41]			(E)HOOK A-SERVICE MAT (D)HAKEN A-SERVICEMATTE							(F)CROCHET A-TAPIS SERVICE (S)GANCHO A-ESTERILLA DE						
	94535973	04-07		B	B	B	X	X	X	663		1					
	[42]			(E)INSULATION-RR SEAT (D)ISOLIERUNG-RUECKSITZ							(F)ISOLATION-SIEGE AR (S)AISLAMIENTO-ASIENTO TR						
	96556829	04-07		B	B	B	X	X	X			1					
	Y 96438036	04-07		B	B	B	X	X	X			1					
	[43]			(E)LINING A-F/PNL,TRK (D)AUSKLEIDUNG							(F)DOUBLURE A-PAN,PLCH,COP (S)REVESTIMIENTO A-PNL PISO,MAL						
	96815715	04-07		B	.	.	X	X	X	1QQAVQ8LQTL-QP8AVVUP1		1				RB	
	96815716	04-07		B	.	.	X	X	X	1QP8AVVUP1QQAVQ8LQTL		1				SB	
	96815713	04-07		B	.	.	X	X	X	1QAF1QQAVQ8-QP8AVVUP1		1				RA	
	96815714	04-07		B	.	.	X	X	X	1QP8AVVUP1QAF1QQAVQ8		1				SA	
	96815710	04-07		.	B	.	X	X	X	1QQAVQ8LQTL-XXB		1				TB	
	96498985	04-07		.	B	.	X	X	X	1QQAVQ8LQTL-XXB		1				TF	
	96815711	04-07		.	B	.	X	X	X	1QAF1QQAVQ8-XXB		1				TC	
	96498984	04-07		.	B	.	X	X	X	1QAF1QQAVQ8LXXB		1				TG	
	96815712	04-07		.	B	.	X	X	X	1QQAVQ8LQTL-XXB		1				TD	
	96498983	04-07		.	B	.	X	X	X	1QQAVQ8LQTL-XXB		1				TH	
	[46]			(E)CLIP (D)KLEMME							(F)CLIP (S)CLIP						
	94530693	04-07		B	B	B	X	X	X			1				LOWER	
	94530695	04-07		B	B	B	X	X	X			1				UPPER	
	[60]			(E)TRAY A-UNDER,FRONT SEAT (D)UNTERSCHALE A,VORDERSTZ							(F)TABLETTE A-SOUS SIEGE AV (S)BANDEJA A-DEBAJO DE ASIENTO						
	96818519	04-07	L	B	B	B	.	X	X	1822AWB		RH 1					
	96818519	04-07	R	B	B	B	.	X	X	1822AWB		LH 1					
	[51]			(E)SCREW (D)SCHRAUBE							(F)VIS (S)TORNILLO						
	94520326	04-07	L	B	B	B	X	X	X			LH 1					
	[67]			(E)INSULATION-BACK PNL,UPR (D)ISOLIERUNG-HINTERE PLATTE,OBEN							(F)ISOLATION-PAN AR,SUP (S)AISLAMIENTO-PNL TRASERO,SUP						
	96556858	04-07		B	.	.	X	X	X			LH 1					
	96556859	04-07		B	.	.	X	X	X			RH 1					
	[68]			(E)MAT A-FLR (D)BODENMATTE A							(F)TAPIS A-PLANCHER (S)ESTERILLA A-PISO						
	96413734	04-07		B	B	B	X	X	X	1822AWB		1					

7610

FLOOR CARPET



RJ7610G 11/26/2004

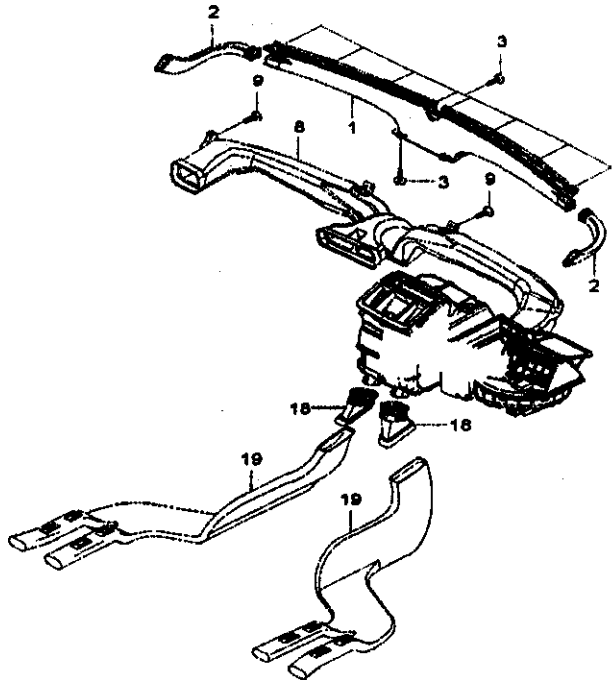
I T C	KEY NO.		PART NAME										L Q / R Y	V.I.N.		REMARKS	P R O O C E D U R E
	PART NO.	MODEL YEAR	D R V E	BODY			LEVEL			OPTION	FROM	TO					
				4 N B	4 H S B	5 S B	B S	L S	L S								
	[89] 96412007	04-07		(E)HOOK A (D)HAKEN A B . . X X X									(F)CROCHET A (S)GANCHO A 1				
	<p>**** RPO DEFINITIONS ****</p> <ul style="list-style-type: none"> 82 : GREY-INTERIOR NET : NET-LUGGAGE V86 : FIRE EXTINGUISHER V87 : FIRE EXTINGUISHER-ASM 8F9 : FLOOR MAT-FRT&RR AUX XME : MANDATORY-MEXICO XAT : AUSTRALIA-MANDATORY C95 : HEATER-REAR,LEG ROOM LDA : ENGINE-4 CYL 1.8 DOHC MPI LM4 : ENGINE-4 CYL 1.8 DOHC MPI LM6 : ENGINE-4 CYL 2.0 DOHC MPI XL8 : JAPAN-MANDATORY XCK : STD CORROSION SPEC XCP : HEAVY DUTY CORROSION SPEC QQA : TIRE-SPARE,ALLOY WHEEL QCS : TIRE-SPARE,STEEL WHEEL QTL : TIRE-185/65 R 15 QPS : NAVIGATION SYSTEM UAV : AV SYSTEM UP1 : CD CHANGER SYSTEM QAF : TIRE-185/65 R 14 QTU : TIRE-175/70 R 14 XU2 : CHILD SEAT BELT PROVISION AN3 : TRAY-SEAT,UNDER 																

8**HEATER&AIR CONDITIONER**

- 8110 AIR DISTRIBUTOR
- 8212 AIR CONDITIONER MODULE III
- 8221 BLOWER&EVAPERATOR
- 8310 CONDENSER
- 8320 COMPRESSOR
- 8331 COMPRESSOR MOUNT II
- 8340 AIR CONDITIONER HOSE&PIPE LINE I
- 8350 AIR CONDITIONER CONTROL SWITCH I
- 8352 AIR CONDITIONER CONTROL SWITCH III

8110

AIR DISTRIBUTOR

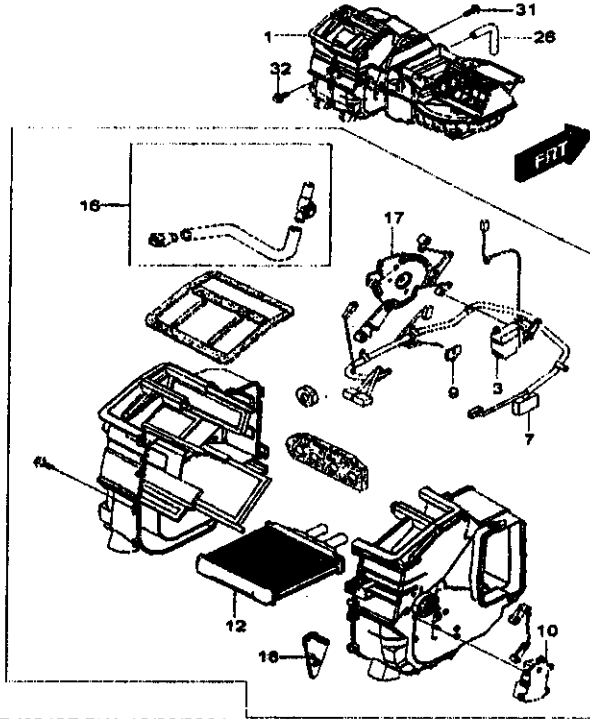


RJ8110 10/30/2004

I T C	KEY NO.		PART NAME													P Y C O D E
	PART NO.	MODEL YEAR	D R V E R	BODY			LEVEL			OPTION	L Q T Y	V.I.N.		REMARKS		
				4 N B	5 H S	6 B W	B L	L L	L L			FROM	TO			
	[01]			(E)DUCT-AIR,MP (D)LUFTKANAL INSTR.TAFEL										(F)CONDUIT-AIR,TS (S)CONDUCTO-AIRE,PA		
	96554840	04-07		B B B X X X			AL14L,44							1	RA	
	96451400	04-07		B B B X X X			AL14L,88							1	RB	
	[02]			(E)HOSE-DEFROSTER,SIDE (D)SCHLAUCHENTEISER,SEITE										(F)FLEXIBLE-DEGIVREUR,LATERAL (S)MANGUITO-ANTIVAH0,LATERAL		
	96554846	04-07		B B B X X X										LH 1		
	96554847	04-07		B B B X X X										RH 1		
	[03]			(E)SCREW (D)SCHRAUBE										(F)VIS (S)TORNILLO		
	94520326	04-07		B B B X X X										8		
	[08]			(E)HOSE-VENT (D)VENT.SCHLAUCH										(F)FLEXIBLE-VENT (S)MANGUITO-VENT		
	96554815	04-07		B . . X X X			ABC2							1		
Y	96414976	04-07	L	B . . X X X			ABC2							1		
	96802631	06-07	R	B . . X X X			ABC2							1		
	96414977	04-07		. B B X X X			ABC1							1		
	[09]			(E)SCREW (D)SCHRAUBE										(F)VIS (S)TORNILLO		
	94520326	04-07		B B B X X X										2		
	94520326	04-07		B B B X X X										4		
	[18]			(E)CONNECTOR A-AIR DISTR (D)STECKER A-LUFTVERTEILER										(F)RACCORD A-DISTR AIR (S)CONNECTOR A-DISTR AIRE		
	96554674	04-07		B B B X X X			AC36							LH 1		
	96554675	04-07		B B B X X X			AC36							RH 1		
	[19]			(E)DUCT A-LEG ROOM,RR (D)KANAL A-FUSSRAUM,HINTEN										(F)CONDUIT A-ESPACE JAMBES,AR (S)CONDUCTO A-ESPACIO PARA		
	96554672	04-07		B B B X X X			AC36							LH 1		
	96554673	04-07		B B B X X X			AC36							RH 1		
				**** RPO DEFINITIONS ****												
				L14 : ENGINE-4 CYL 1.4 DOHC MPI												
				L44 : ENGINE-4 CYL 1.6 DOHC MPI												
				L84 : ENGINE-4 CYL 1.8 DOHC MPI												
				L88 : ENGINE-4 CYL 2.0 DOHC MPI												
				BC2 : INSTRUMENT PAD-DLX												
				BC1 : INSTRUMENT PAD-STD												
				C36 : HEATER-REAR,LEG ROOM												

8212

AIR CONDITIONER MODULE III

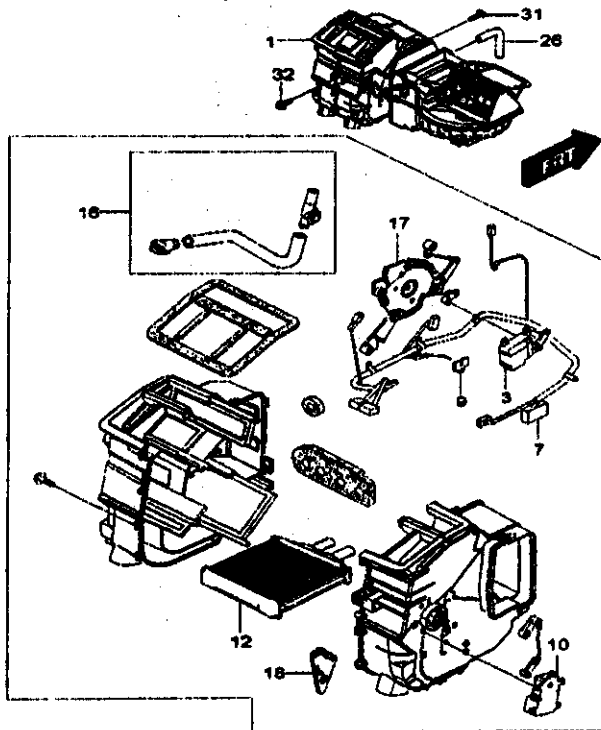


RJ8212DGW 10/30/2004

I T C	KEY NO.		PART NAME											REMARKS	P R O D U C T I O N
	PART NO.	MODEL YEAR	D R V	BODY			LEVEL		OPTION	L Q T Y	V.I.N.				
				4 N B	5 H S	6 B S	7 L S	8 L S			FROM	TO			
	[01]			(E)MODULE A-A/C (D)MODUL A-A/C									(F)MODULE A-A/C (S)MÓDULO A-A/C		
	96554466	04 - 04	L	B	B	B	X	X	X	AC48L C34-C36	1		086405	AB	
	96554410	04 - 07	L	B	B	B	X	X	X	AC48L C34C36	1		086405	AA	
	O 96554466	04 - 06	L	B	B	B	X	X	X	AC48L C36	1	086405	443427	AB	
	N 96813362	06 - 07	L	B	B	B	X	X	X	AC48L C36	1	443428		GB	
	96554467	04 - 04	L	B	B	B	X	X	X	AC48L C34&C36	1		086405	AD	
	96554411	04 - 07	L	B	B	B	X	X	X	AC48L C36-C34	1		086405	AC	
	O 96554467	04 - 06	L	B	B	B	X	X	X	AC48L C36	1	086405	443427	AD	
	N 96813364	06 - 07	L	B	B	B	X	X	X	AC48L C36	1	443428		GD	
	96554489	04 - 04	L	B	B	B	X	X	X	AC48L C34-C36	1		086405	AE	
	96554413	04 - 07	L	B	B	B	X	X	X	AC48L C34C36	1		086405	AG	
	O 96554469	04 - 06	L	B	B	B	X	X	X	AC48L C36	1	086405	443427	AG	
	N 96813361	06 - 07	L	B	B	B	X	X	X	AC48L C36	1	443428		GG	
	96554470	04 - 04	L	B	B	B	X	X	X	AC48L C34&C36	1		086405	AL	
	96554414	04 - 07	L	B	B	B	X	X	X	AC48L C36-C34	1		086405	AJ	
	O 96554470	04 - 06	L	B	B	B	X	X	X	AC48L C36	1	086405	443427	AL	
	N 96813364	06 - 07	L	B	B	B	X	X	X	AC48L C36	1	443428		GK	
	96554472	04 - 07	L	B	B	B	.	X	X	AC158L C34&C36	1		443427	GC	
	N 96813360	04 - 07	L	B	B	B	.	X	X	AC158L C34&C36	1	443428		HA	
	96554468	04 - 04	R	B	B	B	X	X	X	AC48L C34-C36	1		086405	AR	
	96554412	04 - 07	R	B	B	B	X	X	X	AC48L C34C36	1		086405	AS	
	O 96554468	04 - 06	R	B	B	B	X	X	X	AC48L C36	1	086405	443427	AS	
	N 96813366	06 - 07	R	B	B	B	X	X	X	AC48L C36	1	443428		GN	
	96554471	04 - 07	R	B	B	B	X	X	X	AC48L C34-C36	1		086405	AU	
	96554415	04 - 07	R	B	B	B	X	X	X	AC48L C34C36	1		086405	AT	
	O 96554471	04 - 07	R	B	B	B	X	X	X	AC48L C36	1	086405	443427	AU	
	N 96813367	04 - 07	R	B	B	B	X	X	X	AC48L C36	1	443428		GR	
	96554473	04 - 06	R	B	B	B	.	X	X	AC158L C34-C36	1		443427	CM	
	N 96813394	06 - 07	R	B	B	B	.	X	X	AC158L C34-C36	1	443428		HE	
	96419829	05 - 06	R	B	B	B	X	X	X	AC348L C36&C46	1		443427	AY	
	N 96813388	06 - 07	R	B	B	B	X	X	X	AC348L C36&C46	1	443428		BS	
	96419831	05 - 06	R	B	B	B	.	X	X	AC158L C34&C36-C18	1		443427	CN	
	N 96813396	06 - 07	R	B	B	B	.	X	X	AC158L C34&C36-C18	1	443428		HQ	
	96425613	05 - 07	R	B	B	B	X	X	X	AC358L C46-C34	1			AX	
	96425614	05 - 06	R	B	B	B	X	X	X	AC348L C35&C46	1	443427		AZ	
	N 96813388	06 - 07	R	B	B	B	X	X	X	AC348L C35&C46	1	443428		GP	
	[03]			(E)MOTOR-MODE (D)MOTOR-BETRIEBSART									(F)MOTEUR-MODE (S)MOTOR-MODO		
	96554434	04 - 07	L	B	B	B	.	X	X	AC15	1				
	96554429	04 - 07	R	B	B	B	.	X	X	AC15	1				

8212

AIR CONDITIONER MODULE III



RJ8212DGW 10/30/2004

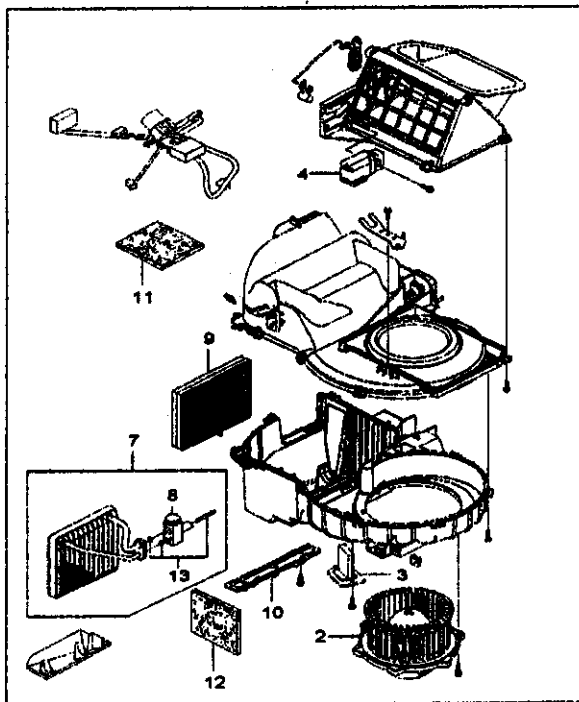
I T C	KEY NO.		PART NAME											L Q T R Y	V.I.N.		REMARKS	P / C O D E
	PART NO.	MODEL YEAR	D R Y	BODY			LEVEL			OPTION	FROM	TO	REMARKS					
				4 N B	5 H B	6 S B	7 L S	8 L S	9 L S									
	[07]			(E)W HARNESS-ATC (D)KABELSTRANG-ATC									(F)FAIS.CBL-ATC (S)CABLEADO-ATC					
	96554430	04-07	L	B B B . X X				AC15					1					
	96554431	04-07	R	B B B . X X				AC15					1					
	[08]			(E)SENSOR A-WATER (D)SENSOR A-WASSER									(F)CAPTEUR A-EAU (S)SENSOR A-AGUA					
	96554435	04-07		B B B . X X				AC15					1					
	[10]			(E)MOTOR-TEMP (D)MOTOR-TEMP									(F)MOTEUR-TEMP (S)MOTOR-TEMP					
	96554370	04-08	L	B B . . X X				AC16					1	921218				
	Y 96554433	04-08	L	B B B . X X				AC15					1	921219	038630			
	Y 96433313	04-07	L	B B B . X X				AC15					1	921219				
	96494196	04-08	R	B . . . X X				AC15					1	921218				
	Y 96554428	04-08	R	B B B . X X				AC15					1	921219	038630			
	Y 96433314	05-07	R	B B B . X X				AC15					1	038631				
	[12]			(E)CORE HEATER (D)HEIZERBLOCK									(F)RADIATEUR-CHAUFFAGE (S)NÚCLEO-CALEFACTOR					
	96554446	04-07		B B B X X X									1					
	[16]			(E)HOSE-ASPIRATOR (D)SCHLAUCH-ANSAUGVORRICHTUNG									(F)FLEXIBLE-ASPIRATEUR (S)MANGUITO-ASPIRADOR					
	96554438	04-07		B B B . X X				AC15					1					
	[17]			(E)LINK-MAIN (D)HAUPTVERBINDUNGSLIED									(F)BIELLETTE-PRINCIPALE (S)ARTICULACIÓN-PRINCIPAL					
	96419142	04-07	L	B B B X X X				AC16C80					1					
	96419143	04-07	R	B B B X X X				AC16C80					1					
	[18]			(E)LINK A-TEMP (D)VERBINDUNGSLIED A-TEMP									(F)BIELLETTE A-TEMP (S)ARTICULACIÓN A-TEMP					
	96419144	04-07	L	B B B X X X				AC16C80					1					
	96419145	04-07	R	B B B X X X				AC16C80					1					
	[26]			(E)HOSE-WATER DRAIN (D)SCHLAUCH-WASSERABLAUF									(F)FLEXIBLE-EVACUATION D'EAU (S)MANGUITO-DRENAJE DE AGUA					
	96211764	04-07		B B B X X X									1					
	[31]			(E)SCREW (D)SCHRAUBE									(F)VIS (S)TORNILLO					
	94520580	04-07		B B B X X X									8					
	[32]			(E)SCREW (D)SCHRAUBE									(F)VIS (S)TORNILLO					
	94520326	04-07		B B B X X X									3					

**** RPO DEFINITIONS ****

C46 : HEATER

8221

BLOWER&EVAPERATOR



RJ8221 06/01/2005

I T C	KEY NO.		D R V	PART NAME						L Q T Y	V.I.N.		REMARKS	P / C O D E
	PART NO.	MODEL YEAR		BODY	LEVEL	OPTION	FROM	TO						
									4 N B		4 H S	5 B W		
	[02]			(E)MOTOR-BLOWER (D)MOTOR-GEBLAESE						(F)MOTEUR-SOUFFLERIE (S)MOTOR-VENTILADOR				
	96554418	04 - 07	L	B B B X X X						1				
	96554426	04 - 07	R	B B B X X X						1				
	[03]			(E)RESISTOR-BLOWER (D)WIDERSTAND-GEBLAESE						(F)RESISTANCE-SOUFFLERIE (S)RESISTENCIA-VENTILADOR				
	96327360	04 - 05		B B B X X X	6C48C60					1	036630			
Y	96433310	04 - 06		B B B X X X	6C48C60					1	036631	443427		
N	96484371	06 - 07		B B B X X X	6C48C60					1	443428			
	96327381	04 - 07		B B B . X X	6C16					1				
	[04]			(E)MOTOR-INT (D)MOTOR-EINL						(F)MOTEUR-ADM (S)MOTOR-INT				
	96554432	04 - 07	L	B B B X X X						1				
	96554427	04 - 07	R	B B B X X X	6C15C48C59C60					1				
	[07]			(E)CORE A-EVAPORATOR (D)BLOCK A-VERDAMPFER						(F)FAISCEAU A-EVAPORATEUR (S)NÚCLEO A-EVAPORADOR				
	96554439	04 - 07	L	B B B X X X	6C15C60					1				
	96554440	04 - 07	R	B B B X X X	6C15C60					1				
	[08]			(E)VALVE-THERMOSTAT EXPN (D)VENTIL-THERMOSTAT EXPANSION						(F)DETENDEUR-THERMOSTAT (S)VALVULA-EXPN TERMOSTATO				
	96492806	04 - 07		B B B X X X	6C15C60					1				
	[09]			(E)FILTER A-AIR (D)LUFTFILTER A						(F)FILTRE A-AIR (S)FILTRO A-DE AIRE				
	96554378	04 - 07		B B B X X X	6C15C48C59C60&C34					1				
Y	96554421	04 - 07		B B B X X X	6C15C48C59C60&C34					1				
	[10]			(E)COVER A-AIR FILTER (D)ABDECKUNG A-LUFTFILTER						(F)COUVERCLE A-FILTRE A AIR (S)TAPA A-FILTRO DE AIRE				
	96496684	04 - 07		B B B . X X						1				
	[11]			(E)SEAL-SPONGE (D)SCHWAMMDICHTUNG						(F)JOINT-EPONGE (S)JUNTA ESTANCA-ESPONJA				
	96498722	04 - 07		B B B X X X						1				
	[12]			(E)SEAL-SPONGE (D)SCHWAMMDICHTUNG						(F)JOINT-EPONGE (S)JUNTA ESTANCA-ESPONJA				
	96496723	04 - 05		B B B X X X						1				
	[13]			(E)VALVE KIT-EXPN (D)VENTILSATZ-EXPANSION						(F)KIT DETENDEUR (S)KIT DE VALVULA-EXPN				
	96410801	04 - 07		B B B X X X	6C15C60					1				

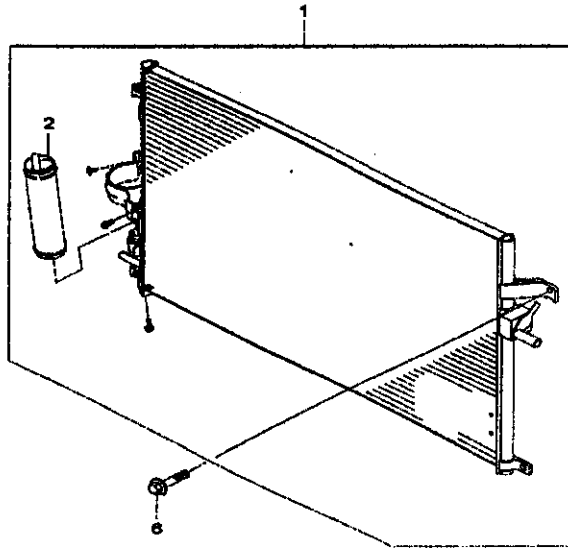
**** RPO DEFINITIONS ****

C46 : HEATER

C60 : AIR CONDITIONING

8310

CONDENSER

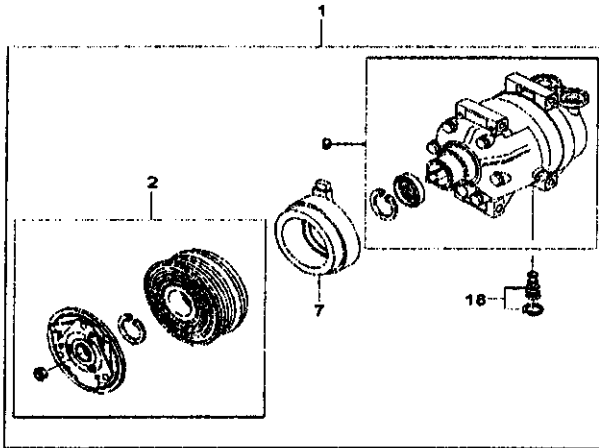


RJ8310GNW 10/30/2004

I T C	KEY NO.		PART NAME													
	PART NO.	MODEL YEAR	D R V	BODY			LEVEL			OPTION	L / R	Q T Y	V.I.N.		REMARKS	P R O C E D U R E
				4 N B	4 H B	5 S W	B S	L S	L T				FROM	TO		
	[01] 96484931 O 96804274	04 - 06 06 - 07		(E)CONDENSER A (D)KONDENSATOR A	B B B	X X X	X X X	AC18C80-C18 AC18C80-C18				(F)CONDENSEUR A (S)CONDENSADOR A	1 1	348675 348676	PA PE	
	[02] 96405845	04 - 07		(E)DRYER A-RECEIVER (D)TROCKNER A-EMPFÄNGER	B B B	X X X	X X X	AC18C80				(F)DESHYDRATEUR A-RESERVOIR (S)SECADOR A-RECEPTOR	1			
	[06] 94500405	04 - 07		(E)BOLT (D)BOLZEN	B B B	X X X	X X X	AC18C80				(F)BOULON (S)PERNO	4			
<p>**** RPO DEFINITIONS ****</p> <p>C15 : AIR CON-FULL ATC</p> <p>C80 : AIR CONDITIONING</p> <p>C18 : AIR QUALITY CONTROL SYSTEM</p>																

8320

COMPRESSOR



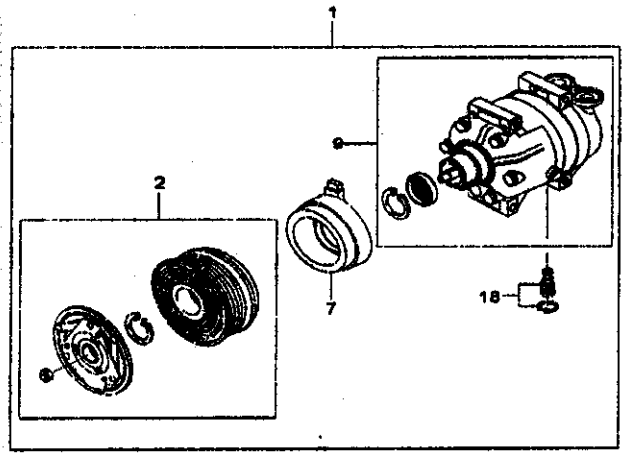
RJ8320 10/30/2004

I T C	KEY NO.		PART NAME											REMARKS	P I C O D E
	PART NO.	MODEL YEAR	D R V E	BODY			LEVEL		OPTION	L / R	Q T Y	V.I.N.			
				4 N B	4 H S	5 S L	B L	S S				L T	FROM		
	[01]			(E)COMPRESSOR A (D)KOMPRESSOR A								(F)COMPRESSEUR A (S)COMPRESOR A			
	96484832	04 - 06		B B B X X .				&C15C08LL14L44			1	154740		DA	
	Y 96442920	04 - 06		B B B X X .				&C15C08LL14L44			1	154750	348675	HA	
	N 96804280	06 - 06		B B B X X .				&C15C08LL14L44			1	348676	443427	EB	
	N 96813346	06 - 07		B B B X X .				&C15C08LL14L44			1	443428			
	96450078	04 - 06		B B B . X X				&C15C08LL84			1	154740		BJ	
	Y 96442926	04 - 06		B B B . X X				&C15C08LL84			1	154750	348675		
	N 96804282	06 - 06		B B B . X X				&C15C08LL84			1	348676			
	96442924	06 - 06		B B B X X X				&C15C08LLDA			1	348675		WBKCT	
	N 96804286	06 - 06		B B B X X X				&C15C08LLDA			1	348676	443427	WOBKCT	
	N 96813345	06 - 07		B B B X X X				&C15C08LLDA			1	443428		WOBKCT	
	96399985	05 - 06		B . B X X X				&C15C08LL88			1	154740		DE	
	Y 96442927	05 - 06		B . B X X X				&C15C08LL88			1	154750	348675		
	N 96804284	06 - 06		B . B X X X				&C15C08LL88			1	348676	443427		
	N 96813343	06 - 07		B . B X X X				&C15C08LL88			1	443428			
	[02]			(E)CLUTCH&PULLEY KIT (D)SATZ KUPPLUNG&RIEMENSCHLEIBE								(F)KIT EMBRAYAGE&POULIE (S)KIT DE POLEA Y EMBRAGUE			
	96405815	04 - 06		B B . X X X				&C15C80			1				
	Y 96408442	04 - 07		B B B . X X				&C15			1				
	[07]			(E)COIL&HOUSING A (D)SPULE&GEHAEUSE A								(F)SERPENTIN&LOGEMENT A (S)BOBINA Y ALOJAMIENTO A			
	96405814	04 - 07		B B B X X X				&C15C80			1				
	[09]			(E)COMPRESSOR SUB A (D)KOMPRESSOR SUB A								(F)COMPRESSEUR SUB A (S)COMPRESOR SECO A			
	96405813	04 - 04		B B B X X .				&C15C08LL44			1	348675			
	N 96804287	04 - 06		B B B X X .				&C15C08LL44			1	348676	443427		
	N 96813694	06 - 07		B B B X X .				&C15C08LL44			1	443428			
	96405817	04 - 04		B B B . X X				&C15C08LL84			1	348675			
	N 96804289	06 - 07		B B B . X X				&C15C08LL84			1	348676			
	96801340	05 - 06		B B B . X X				&C15C08LLDA			1	348675			
	N 96804288	06 - 06		B B B . X X				&C15C08LLDA			1	348676	443427		
	N 96813695	06 - 07		B B B . X X				&C15C08LLDA			1	443428			
	96405798	04 - 06		B B B . X X				&C15C08LL88			1	348675			
	N 96804290	06 - 06		B B B . X X				&C15C08LL88			1	348676	443427		
	N 96813697	06 - 07		B B B . X X				&C15C08LL88			1	443428			
	[18]			(E)VALVE KIT-CONT (D)VENTILSATZ-KONTR.								(F)KIT VANNE-CONT (S)KIT DE VALVULA-CONT			
	96405816	04 - 04		B B B X X X				&C15C80			1	154740	44 PSI		
	N 96801344	04 - 06		B B B X X X				&C15C80			1	154750	348675	43 PSI	
	N 96804291	06 - 06		B B B X X X				&C15C80			1	348676	443427	41 PSI	
	N 96813684	06 - 07		B B B X X X				&C15C80			1	443428		38 PSI	

8320
COMPRESSOR

I T C	KEY NO.		PART NAME										L Q T Y /	R	V.I.N.		REMARKS	P D O C /
	PART NO.	MODEL YEAR	D R V	B O D Y			L E V E L			O P T I O N	F R O M	T O						
				4 N B	4 H B	5 S W	8 B	8 L	8 S T									

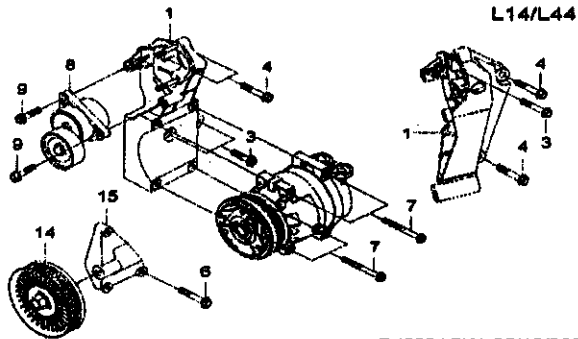
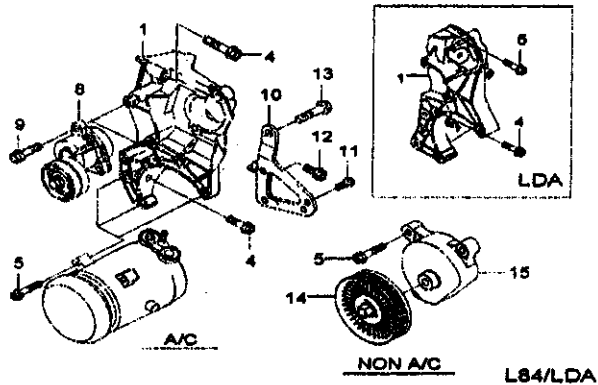
**** RPO DEFINITIONS ****
 C15 : AIR CON-FULL ATC
 C20 : AIR CONDITIONING
 L14 : ENGINE-4 CYL 1.4 DOHC MPI
 L44 : ENGINE-4 CYL 1.8 DOHC MPI
 L84 : ENGINE-4 CYL 1.8 DOHC MPI
 LDA : ENGINE-4 CYL 1.8 DOHC MPI
 L88 : ENGINE-4 CYL 2.0 DOHC MPI



RJ8320 10/30/2004

8331

COMPRESSOR MOUNT II

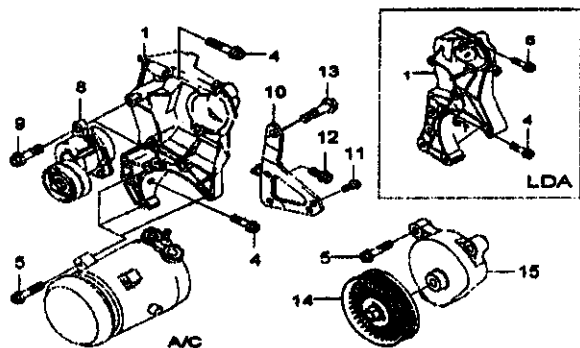


RJ8331GW 05/12/2005

I T C	KEY NO.		PART NAME											REMARKS	P / C O D E	
	PART NO.	MODEL YEAR	D R I V E	BODY			LEVEL			OPTION	L Q T Y	V.I.N.				
				4 N H B	4 H S B	5 S W	B L S	B L S	B L S			FROM	TO			
	[01]			(E)BRACKET-CMPR&P/STRG PUMP (D)HALTER-KOMP.&SERVOL. PUMPE									(F)SUPPORT-CMPR&POMPE DIR.ASS (S)SOPORTE A-COMP Y BOMBA DE			
	96450411	04-07		B B B X X .					8C48LL14L44			1			J3	
	96352822	04-07		B B B X X .					8C15C80LL14L44			1			N7	
	96311663	04-04		B B . . X X					8C48LL84			1	943306		J0	
	O 96286799	04-07		B B B X X X					8L84L88			1	943307		U5	
	96376273	06-07		B B B X X X					8LDA			1			U4	
	[03]			(E)BOLT (D)BOLZEN									(F)BOULON (S)PERNO			
	94501018	04-07		B B B X X .					8C48LL14L44			1				
	94501018	04-07		B B B X X .					8C15C80LL14L44			2				
	[04]			(E)BOLT (D)BOLZEN									(F)BOULON (S)PERNO			
	94500998	04-07		B B B X X .					8L14L44			2				
	94500998	04-04		B B . . X X					8C48LL84			1	943306			
	94501027	04-04		B . . . X X					8C48LL84			1	943306			
	94500998	04-04		B B . . X X					8C15C80LL84			3	943306			
	N 94500998	04-07		B B B . X X					8C15C80LL84			3	943307			
	94500998	06-07		B B B . X X					8C48C80LLDA			3				
	94500998	06-07		B B B . X X					8LDA			3				
	[05]			(E)BOLT (D)BOLZEN									(F)BOULON (S)PERNO			
	94500999	04-07		B B B X X X					8L84L88			3				
	94501018	06-06		B B B X X X					8LDA			3				
	[06]			(E)BOLT (D)BOLZEN									(F)BOULON (S)PERNO			
	94500442	04-07		B B B X X .					8C80LL14L44			3				
	[07]			(E)BOLT (D)BOLZEN									(F)BOULON (S)PERNO			
	94500452	04-07		B B B X X .					8C15C80LL14L44			4				
	[08]			(E)TENSIONER A-AIR CMPR (D)SPANNELEMENT A-LUFT KOMP.									(F)TENDEUR A-CMPRAIR (S)TENSOR A-COMP DE AIRE			
	96346976	04-07		B B B X X .					8L14L44			1				
	96458042	04-05		B B B X X X					8L84L88			1			08	
	Y 96435136	04-07		B B B X X X					8L84L84DA			1			08	
	[09]			(E)BOLT (D)BOLZEN									(F)BOULON (S)PERNO			
	94500979	04-07		B B B X X .					8L14L44			2				
	94500937	04-07		B B B X X X					8L84L88			2				
	[10]			(E)BRACKET-CMPR,RR (D)HALTER-KOMPRESSOR,HINTEN									(F)SUPPORT-CMPR,AR (S)SOPORTE-COMP,TR			
	96298935	04-07		B B B X X X					8C15C80LL84L88			1				

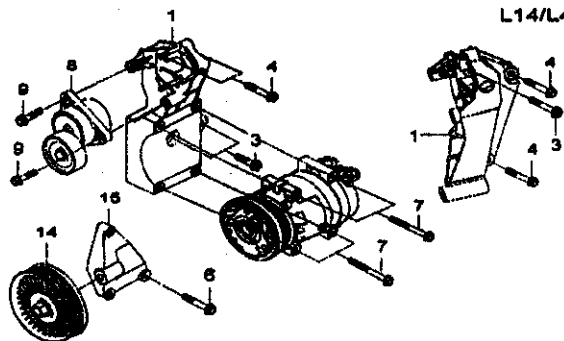
8331

COMPRESSOR MOUNT II



L84/LDA

L14/L44

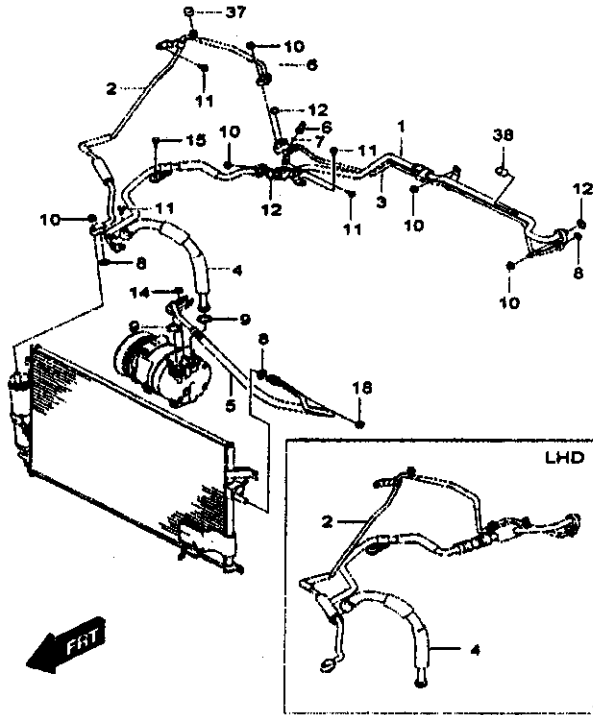


RJ8331GW 05/12/2005

I T C	KEY NO.		PART NAME										
	PART NO.	MODEL YEAR	D R V	BODY		LEVEL		OPTION	L O T T Y	V.I.N.		REMARKS	P I C O D E
				4 N B	4 H W	5 S W	B L S			L L S	FROM		
	[10]			(E)BRACKET-CMPR,RR (D)HALTER-KOMPRESSOR,HINTEN					(F)SUPPORT-CMPRAR (S)SOPORTE-COMP,TR				
	96182803	06 - 07		B B B X X X			AC15C08LLDA		1				
	[11]			(E)BOLT (D)BOLZEN					(F)BOULON (S)PERNO				
	94500134	04 - 07		B B B X X X			AC15C08LL84L88		3				
	94500436	04 - 07		B B B X X X			AC15C08LLDA		3				
	[12]			(E)BOLT (D)BOLZEN					(F)BOULON (S)PERNO				
	94501009	04 - 07		B B B X X X			AC15C08LL84L88		1				
	94501009	04 - 07		B B B X X X			AC15C08LLDA		1				
	[13]			(E)BOLT (D)BOLZEN					(F)BOULON (S)PERNO				
	94500986	04 - 07		B B B X X X			AC15C08LL84L88		1				
	94500436	04 - 07		B B B X X X			AC15C08LLDA		2				
	[14]			(E)ROLLER (D)LOS RAD					(F)POULIE DE RENVOI (S)POLEA LOCA				
	96183113	04 - 07		B B B X X X			AC08C08LL44		1				
	96183113	04 - 07		B B B X X X			AC08LL84L88		1				
	[15]			(E)BRACKET-ROLLER, NON A/C (D)HALTER-LOS RAD, NICHT A/C					(F)SUPPORT-POULIE DE (S)SOPORTE-POLEA LOCA, SIN A/C				
	96352858	04 - 07		B B B X X X			AC08LL84L88		1				
	96376397	04 - 07		B B B X X X			AC08LL14L44		1				
	**** RPO DEFINITIONS ****												
	C46 : HEATER												
	L14 : ENGINE-4 CYL 1.4 DOHC MPI												
	L44 : ENGINE-4 CYL 1.6 DOHC MPI												
	C15 : AIR CON-FULL ATC												
	C80 : AIR CONDITIONING												
	L84 : ENGINE-4 CYL 1.8 DOHC MPI												
	L88 : ENGINE-4 CYL 2.0 DOHC MPI												
	LDA : ENGINE-4 CYL 1.8 DOHC MPI												
	C09 : AIR CON-UNCOMPLETED MANUAL												

8340

AIR CONDITIONER HOSE&PIPE LINE I

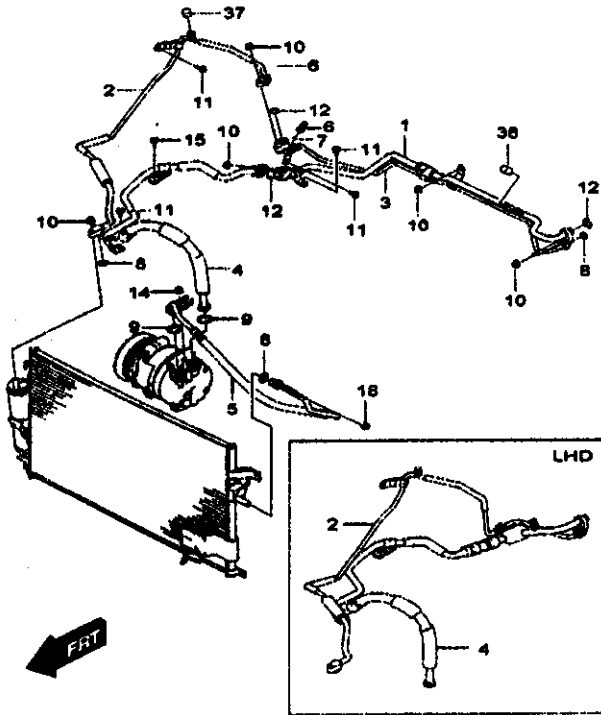


RJ8340GW 06/09/2006

I T C	KEY NO.		PART NAME										REMARKS	P/O COM		
	PART NO.	MODEL YEAR	D R V	BODY			LEVEL			OPTION	L / R	Q T Y			V.I.N.	
				4 N B	4 H S	5 W	B L	L S T	FROM						TO	
	[01]			(E)HOSE A-REF,SUCT&EVAP (D)SCHLAUCH						(F)FLEXIBLE A-FRIG,ASP&EVAP (S)MANGUITO A-REFRIG,ASP Y EVAP						
	96554347	04 - 06	R	B	B	B	X	X	X	AC15/C00	1		933120		JE	
	Y 96413314	04 - 07	R	B	B	B	X	X	X	AC16/C00	1		933130		JJ	
	[02]			(E)PIPE A-LIQUID,CONDENSER (D)ROHR						(F)TUYAU A-LIQUIDE,CONDENSEUR (S)TUBO A-LIQUIDO,CONDENSADOR						
	96554363	04 - 07	L	B	B	B	X	X	X	AC15/C00	1				JC	
	96554364	04 - 07	R	B	B	B	X	X	X	AC15/C00	1				JO	
	[03]			(E)PIPE A-LIQUID,EVAPORATOR (D)ROHR A-FLUESSIGKEIT,VERDAMPFER						(F)TUYAU A-LIQUIDE,EVAPORATEUR (S)TUBO A-LIQUIDO,EVAPORADOR						
	96554365	04 - 07	R	B	B	B	X	X	X	AC15/C00	1				JF	
	[04]			(E)HOSE A-REF,SUCT (D)ANSAUGSCHLAUCH A-KUEHLMITTEL						(F)FLEXIBLE A-FRIG,ASP (S)MANGUITO A-REFRIG,EVAP						
	96554346	04 - 07	L	B	B	B	X	X	X	AC15/C00	1				JM	
	96481081	04 - 07	R	B	B	B	X	X	X	AC15/C00	1				JN	
	[05]			(E)HOSE A-REF,DISCHARGE (D)DRUCKSCHLAUCH A-KUEHLMITTEL						(F)FLEXIBLE A-FRIG,DECHARGE (S)MANGUITO A-REFRIG,DESCARGA						
	96554366	04 - 07		B	B	B	X	X	X	AC15/C00	1				JB	
	[06]			(E)TRANSDUCER-PRESSURE (D)DRUCKSENSOR						(F)TRANSDUCTEUR-PRESSION (S)TRANSDUCTOR-PRESION						
	96345744	04 - 06		B	B	B	X	X	X	AC15/C00	1		250839			
	Y 96448991	04 - 07		B	B	B	X	X	X	AC15/C00	1		250840			
	[07]			(E)RING-O (D)O-RING						(F)JOINT TORIQUE (S)JUNTA TÓRICA						
	94535492	04 - 07		B	B		X	X	X	AC15/C00	2					
	[08]			(E)RING-O (D)O-RING						(F)JOINT TORIQUE (S)JUNTA TÓRICA						
	94535504	04 - 07		B	B	B	X	X	X	AC15/C00	2					
	94535504	04 - 07		B	B	B	X	X	X	AC15/C00	1					
	94535504	04 - 07	R	B	B	B	X	X	X	AC15/C00	1					
	[09]			(E)RING-O (D)O-RING						(F)JOINT TORIQUE (S)JUNTA TÓRICA						
	94580424	04 - 07		B	B	B	X	X	X	AC15/C00	1					
	94580424	04 - 07		B	B	B	X	X	X	AC15/C00	1					
	[10]			(E)NUT (D)MUTTER						(F)ECROU (S)TUERCA						
	94515119	04 - 07		B	B	B	X	X	X	AC15/C00	3					
	94515119	04 - 07	R	B	B	B	X	X	X	AC15/C00	3					
	[11]			(E)BOLT (D)BOLZEN						(F)BOULON (S)PERNO						
	94500405	04 - 07		B	B	B	X	X	X	AC15/C00	3					

8340

AIR CONDITIONER HOSE&PIPE LINE I

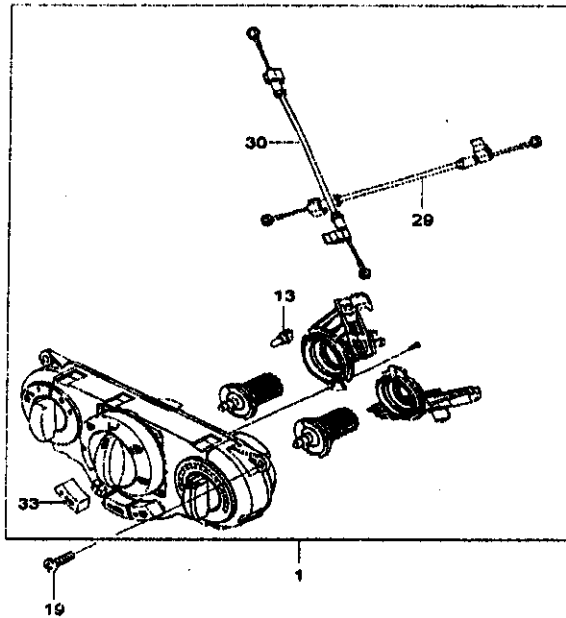


RJ8340GW 06/09/2006

I T C	KEY NO.		PART NAME										L Q T / R Y	V.I.N.		REMARKS	P / C O D E	
	PART NO.	MODEL YEAR	D R V	BODY			LEVEL			OPTION	FROM	TO						
				4 N B	5 H S B	8 W	B L	S L	T									
	[11]			(E)BOLT (D)BOLZEN										(F)BOULON (S)PERNO				
	94500405	04 - 07	R	B	B	B	X	X	X	X	AC15C80			1				
	[12]			(E)RING-O (D)O-RING										(F)JOINT TORIQUE (S)JUNTA TÓRICA				
	94535515	04 - 07		B	B	B	X	X	X	X	AC15C80			1				
	94535515	04 - 07	R	B	B	B	X	X	X	X	AC15C80			1				
	[14]			(E)NUT (D)MUTTER										(F)ECROU (S)TUERCA				
	94515363	04 - 07		B	B	B	X	X	X	X	AC15C80			1				
	[16]			(E)BOLT (D)BOLZEN										(F)BOULON (S)PERNO				
	94501369	04 - 07		B	B	B	X	X	X	X	AC15C80			1				
	[18]			(E)NUT (D)MUTTER										(F)ECROU (S)TUERCA				
	94515040	04 - 07		B	B	B	X	X	X	X	AC15C80			1				
	[37]			(E)CAP-PIPE, HIGH (D)KAPPE-ROHR, HOCH										(F)CHAPEAU-TUYAU, HAUT (S)TAPON-TUBO, ALTA				
	96800053	04 - 07		B	B	B	X	X	X	X	AC15C80			1				
	[38]			(E)CAP-PIPE, LOW (D)KAPPE-ROHR, NIEDRIG										(F)CHAPEAU-TUYAU, BAS (S)TAPON-TUBO, BAJA				
	96800054	04 - 07		B	B	B	X	X	X	X	AC15C80			1				
				**** RPO DEFINITIONS ****														
				C15 : AIR CON-FULL ATC														
				C80 : AIR CONDITIONING														

8350

AIR CONDITIONER CONTROL SWITCH I



RJB350 04/20/2006

I T C	KEY NO.		PART NAME										P / C O D E		
	PART NO.	MODEL YEAR	D R V	BODY			LEVEL			OPTION	L / Q T Y	V.I.N.		REMARKS	
				4 N B	4 H B	5 S W	B L S	L L S	T			FROM			TO
	[01]			(E)SWITCH A-A/C CONT (D)SCHALTER A-A/C STEUERUNG						(F)COMMUTATEUR A-CONT A/C (S)INTERRUPTOR A-CONT A/C					
	96615406	04-07	L	B	B	B	X	X	X	AC48	1			JA	
	96615408	04-07	L	B	B	B	X	X	X	AC80	1			JC	
	96615407	04-07	R	B	B	B	X	X	X	AC48	1			JB	
	96615412	04-07	R	B	B	B	X	X	X	AC80	1			JD	
	96615410	04-07	L	B	B	B	X	X	X	AC48LC50	1			JF	
	96615413	04-07	R	B	B	B	X	X	X	AC48LC50	1			JG	
	[13]			(E)BULB (D)GLUEHLAMPE						(F)AMPOULE (S)BOMBILLA					
	96817976	04-07		B	B	B	X	X	X	AC48/C50/C80	3				
	[19]			(E)SCREW (D)SCHRAUBE						(F)VIS (S)TORNILLO					
	94520338	04-07		B	.	B	X	X	X		4				
	[29]			(E)CABLE A-MODE (D)KABEL A-BETRIEBSART						(F)CABLE A-MODE (S)CABLE A-DE MODD					
	96470353	04-07		B	B	B	X	X	X	AC48/C50/C80	1				
	[30]			(E)CABLE A-TEMP (D)KABEL A-TEMP						(F)CABLE A-TEMP (S)CABLE A-TEMP					
	96470354	04-07		B	B	B	X	X	X	AC48/C50/C80	1				
	[33]			(E)SWITCH A-PUSH (D)TASTENSCHALTER A						(F)COMMUTATEUR A-POUSS (S)INTERRUPTOR A-PULSADOR					
	96413310	04-07		B	B	B	X	X	X	AC80	1				
				**** RPO DEFINITIONS ****											
				C48 : HEATER											
				C80 : AIR CONDITIONING											
				C49 : REAR WINDOW-DEFOGGER											
				C50 : AIR CON-UNCOMPLETED MANUAL											

9

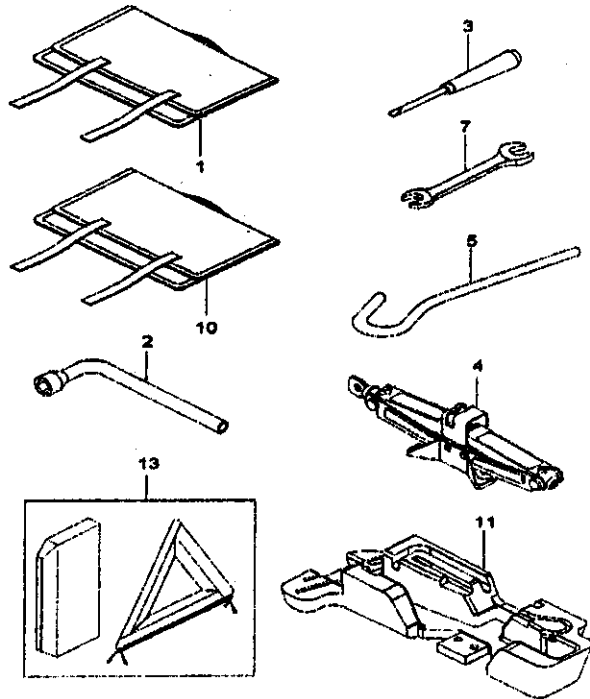
O.V.M.&ACCESSORY

- 9110 TOOL
- 9120 OIL&PAINT
- 9210 REAR SPOILER
- 9250 SUN ROOF
- 9280 SUN ROOF MOUNT
- 9739 GEAR SHIFT CONTROL&PARTKING BRAKE
- 9745 PERFORMANCE BRAKE
- 9748 STEERING WHEEL&BLUETOOTH
- 9755 GRILLE
- 9760 BODY OUTSIDE MOLDING&TIP
- 9764 TRUNK LID
- 9766 WHEEL&WHEEL CAP
- 9771 I/P HANG ON&A/C COVER
- 9772 DOOR TRIM
- 9773 PILLAR TRIM
- 9775 SEAT COVERING
- 9792 SPOILER&CARGO ORGANIZER

J
C
E

+

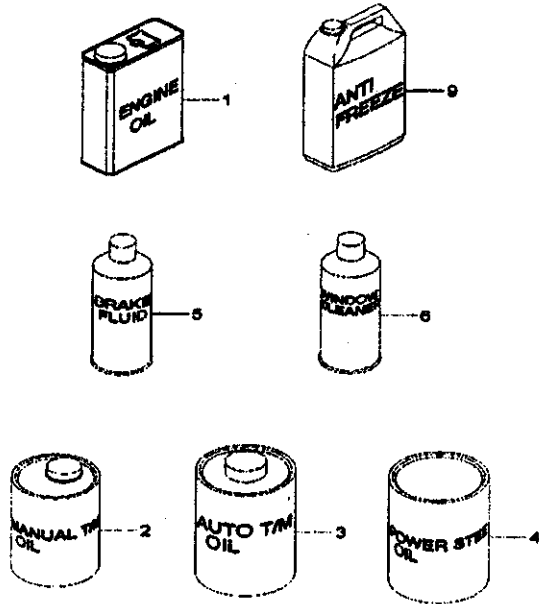
9110
TOOL



RJ9110G 10/30/2004

I T C	KEY NO. PART NO.	MODEL YEAR	D R V	PART NAME						L Q T Y	V.I.N.		REMARKS	P - C O D E
				B O D Y	L E V E L	O P T I O N	F R O M	T O	R E M A R K S					
											4 N I B	4 H S B		
	[01] 94535627	04 - 07		(E)BAG-TOOL (D)WERKZEUGTASCHE B . . X X X	ACC4V028					(F)SAC-OUTIL (S)BOLSA-DE HERRAMIENTAS 1				
	[02] 94535652	04 - 07		(E)WRENCH-WHEEL (D)RADSCHLUESSEL B B B X X X						(F)CLE-ROUE (S)LLAVE-DE RUEDA 1				
	[03] 94535647	04 - 07		(E)DRIVER (D)DREHER B B B X X X						(F)OUTIL D'ENTRAINEMENT (S)DESTORNILLADOR 1				
	[04] 96550031	04 - 07		(E)JACK A (D)HEBER A B B B X X X	VB4XL8					(F)CRIC A (S)GATO A 1			JA	
	96412837	04 - 07		B B B X X X	VB4					1			JG	
	96434328	05 - 07		B . B . . X	XJ8					1			JD	
	[05] 96254006	04 - 07		(E)JACK-LEVER (D)STECKHEBEL B B B X X X						(F)CRIC-LEVER (S)GATO-DE PALANCA 1				
	[07] 94535639	04 - 07		(E)SPANNER (D)SPANNER B B B X X X						(F)CLE (S)LLAVE DE TUERCAS 1				
	[10] 94535629	04 - 07		(E)BAG-JACK (D)HEBERTASCHE . B . X X X						(F)SAC-CRIC (S)BOLSA-DE GATO 1				
	[11] 96618204	05 - 07		(E)TRAY-JACK&TOOLS (D)SCHALE-WAGENHEBER&WERKZEUGE . . B X X X						(F)SAC-CRIC&OUTILS (S)BANDEJA-GATO Y HERRAMIENTAS 1				
	[13] 96406718	04 - 07		(E)REFLECTOR A-WARNING (D)WARNRUECKSTRAHLER A B B B X X X	LGH3					(F)REFLECTEUR A-SIGNALISATION (S)REFLECTOR A-DE AVISO 1			AA	
<p>**** RPO DEFINITIONS ****</p> <p>Q04 : TIRE-SPARE,ALLOY WHEEL</p> <p>Q05 : TIRE-SPARE,STEEL WHEEL</p> <p>VB4 : GULF STATES-MANDATORY</p> <p>XJ8 : JAPAN-MANDATORY</p> <p>GH3 : MANDATORY-SAUDIARABIA</p>														

**9120
OIL&PAINT**

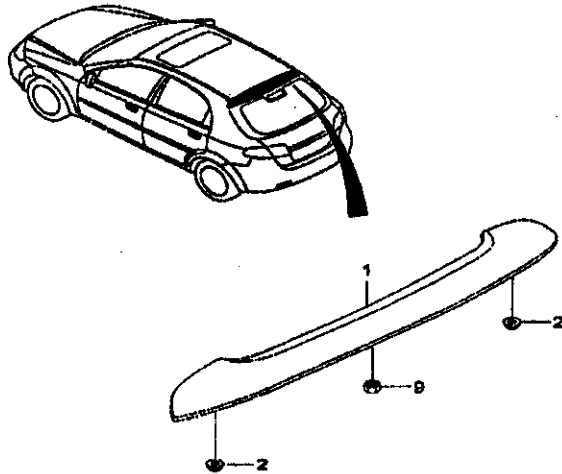


RJ9120DGW 10/30/2004

I T C	KEY NO.		PART NAME										REMARKS	R-0000	
	PART NO.	MODEL YEAR	D R V	B O D Y			L E V E L			O P T I O N	L Q U A N T I T Y	V.I.N.			
				4 N H S B	4 H S B	5 S B	B L S S	L L S S	L L S S			FROM			TO
	[01]			(E)OIL-ENG	(D)OEL-MOTOR							(F)HUILE-MOT	(S)ACEITE-MOT		
	93740127	04-07		B B B	X X X							4			5W30, 8L, 4L
	93740126	04-07		B B B	X X X							4			5W30, 8L, 1L
	[02]			(E)OIL-WT	(D)OEL-WT							(F)HUILE-WT	(S)ACEITE-WT		
	93740130	04-07		B B B	X X X	AMG4						1	251590		1.0L(80W)
	N 93740315	06-07		B B B	X X X	AMG4						1	251590		1.0L(75W80)
	[03]			(E)OIL-AT	(D)OEL-AT							(F)HUILE-AT	(S)ACEITE-AT		
	93740314	04-07		B B B	X X X	ML4						1			4L
	93740313	04-07		B B B	X X X	ML4						1			1L
	93740193	04-07		B B B	X X X	MMS						1			
	[04]			(E)OIL-P/STRG	(D)OEL-SERVOL							(F)HUILE-DIR.ASS	(S)ACEITE-DIASIST		
	93740134	04-07		B B B	X X X							1			1L
	[05]			(E)FLUID-BRAKE	(D)BREMSFLUESSIGKEIT							(F)LIQUIDE-FREINS	(S)LIQUIDO-FRENOS		
	93740136	04-07		B B B	X X X							1			1L
	93740135	04-07		B B B	X X X							1			0.5L
	[06]			(E)FLUID-WDO CLEANER	(D)FLUESSIGKEIT-FENSTERWASCHANLA							(F)LIQUIDE-LAVE-VITRE	(S)LIQUIDO-LIMPIACR/STALES		
	93740137	04-07		B B B	X X X							1			1L
	[08]			(E)ANTIFREEZER	(D)FROSTSCHUTZMITTEL							(F)ANTIGEL	(S)ANTICONGELANTE		
	93740141	04-07		B B B	X X X							1			4L
	93740140	04-07		B B B	X X X							1			2L

**** RPO DEFINITIONS ****
 MG4 : TRANS-MAN,58PD,CR
 ML4 : TRANSMISSION-AUTO,4 SPEED
 MMS : TRANS-AUTO,4SPD,4HP16

**9210
REAR SPOILER**

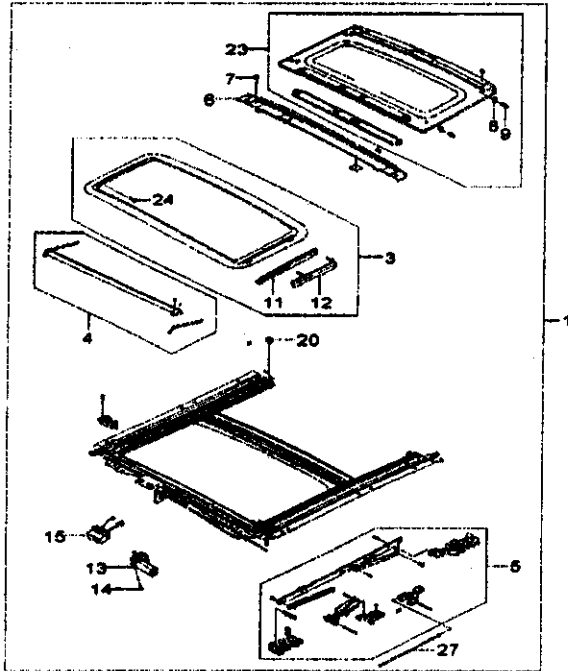


RJ9210 10/30/2004

I T C	KEY NO.		PART NAME										L Q / R Y	V.I.N.		REMARKS	MO D E L Y E A R
	PART NO.	MODEL YEAR	D R V	BODY		LEVEL		OPTION	FROM	TO	REMARKS						
				A N B	S H W	B L S	L L S T										
	[01] 96545706	04 - 07		(E)SPOILER A-RR (D)SPOILER A-HINTEN . B . X X X	ET43						(F)DEFLECTEUR A-AR (S)DEFLECTOR AERODINAMICO 1						
	[02] 94515215	04 - 07		(E)NUT (D)MUTTER . B . X X X	ET43						(F)ECROU (S)TUERCA 2						
	94515343	04 - 07		. B . X X X	ET43						1						
	[09] 94515343	04 - 07		(E)NUT (D)MUTTER . B . X X X	ET43						(F)ECROU (S)TUERCA 1						
	<p>**** RPO DEFINITIONS **** T43 : SPOILER-REAR,STANDARD</p>																

9250

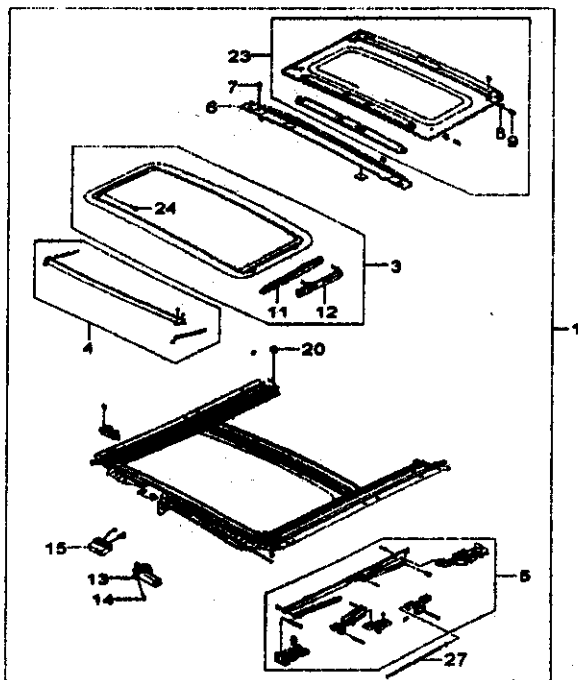
SUN ROOF



RJ9250 10/30/2004

I T C	KEY NO.		PART NAME										REMARKS	MDCYR
	PART NO.	MODEL YEAR	D R V E	BODY		LEVEL		OPTION	L Q R Y	V.I.N.				
				4 N B	4 H W	5 S B	B L S			L L S T	FROM			
	[01]			(E)ROOF A-SUN (D)SONNENDACH A	(F)TOIT OUVRANT A (S)TECHO A-CORREDZO									
	96614614	04-07		B . B X X X	426CF6							1		BB
	96617536	04-07		. B . X X X	426CF6							1		BE
	[03]			(E)GLASS A-PNL (D)GLASPLATTE A	(F)Panneau Vitre A (S)CRISTAL A-PNL							1		
	96404811	04-07		B B B X X X	4CF6							1		
	[04]			(E)DEFLECTOR-WDO (D)ABWEISER-FENSTER	(F)DEFLECTEUR-VITRE (S)DEFLECTOR-VTA							1		
	96404812	04-07		B B B X X X	4CF6							1		
	[06]			(E)MECHANISM (D)MECHANISMUS	(F)MECANISME (S)MECANISMO							LH 1		
	96404813	04-07		B B B X X X	4CF6							LH 1		
	Y 96810566	04-07		B B B X X X	4CF6							RH 1		
	96404814	04-07		B B B X X X	4CF6							RH 1		
	Y 96810567	04-07		B B B X X X	4CF6							RH 1		
	[08]			(E)CHANNEL-DRAIN (D)ABLAUFKANAL	(F)GOUTTIERE (S)CANAL-DRENAJE							1		
	96404815	04-07		B B B X X X	4CF6							1		
	[07]			(E)SCREW (D)SCHRAUBE	(F)VIS (S)TORNILLO							2		
	96404816	04-07		B B B X X X	4CF6							2		
	[08]			(E)SPRING-SLIDE BLOCK (D)FEDER-GLEITSTUECK	(F)RESSORT-GLOC COULISSANT (S)MUELLE-PATIN							4		
	96404817	04-07		B B B X X X	4CF6							4		
	[09]			(E)BLOCK-SLIDE (D)GLEITSTUECK	(F)BLOC COULISSANT (S)PATIN							4		
	96404818	04-07		B B B X X X	4CF6							4		
	[11]			(E)COVER-SIDE,INR (D)ABDECKUNG-SEITE,INNEN	(F)GARNITURE-LATERALE,INT (S)TAPA-LATERAL,INT							LH 1		
	96404819	04-07		B B B X X X	4CF6							LH 1		
	96404820	04-07		B B B X X X	4CF6							RH 1		
	[12]			(E)COVER-SIDE,OTR (D)ABDECKUNG-SEITE,AUSSEN	(F)GARNITURE-LATERALE,EXT (S)TAPA-LATERAL,EXT							LH 1		
	96404821	04-07		B B B X X X	4CF6							LH 1		
	96404822	04-07		B B B X X X	4CF6							RH 1		
	[13]			(E)MOTOR&DRIVE GEAR A (D)MOTOR&ANTRIEBSZAHNRAD A	(F)MOTEUR&PIGNON (S)MOTOR Y ENGRANAJE DE							1		
	96404823	04-07		B B B X X X	4CF6							1		
	[14]			(E)SCREW (D)SCHRAUBE	(F)VIS (S)TORNILLO							1		

**9250
SUN ROOF**

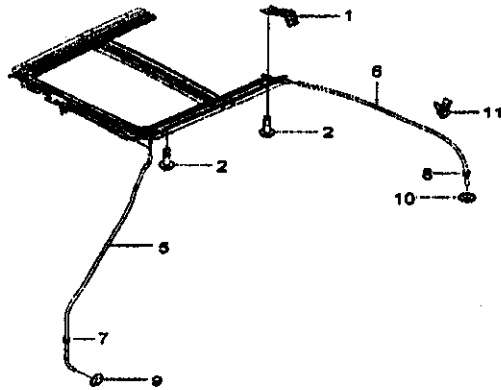


RJ9250 10/30/2004

I T C	KEY NO.		PART NAME										L Q T Y /	V.I.N.		REMARKS	P C O D E
	PART NO.	MODEL YEAR	D R V	BODY			LEVEL				OPTION	R Y		FROM	TO		
				4 N B	4 H W	5 S W	B S	L S	L T								
	[14] 96404824	04 - 07		(E)SCREW (D)SCHRAUBE B B B X X X	LCF6							(F)VIS (S)TORNILLO 1					
	[15] 96404825	04 - 07		(E)BOX A-RELAY (D)KASTEN A-RELAIS B B B X X X	LCF6							(F)BOITE A-RELAIS (S)CAJA A-RELES 1					
	[20] 96404826	04 - 07		(E)STOPPER-SUNSHADE,RR (D)STOPFEN-SONNENBLLENDE,HINTEN B B B X X X	LCF6							(F)BUTEE-PARE-SOLEIL,AR (S)TOPE-PERSIANA,TR 1					
	[23] 96404828	04 - 07		(E)SUNSHADE A-SUN ROOF (D)SONNENBLLENDE A-SONNENDACH B B B X X X	LCF6							(F)STORE A-TOIT OUVRANT (S)PERSIANA A-TECHO CORREDIZO 1					
	[24] 96404829	04 - 07		(E)BOLT (D)BOLZEN B B B X X X	LCF6							(F)BOULON (S)PERNO 1					
	[27] 96404830	04 - 07		(E)CABLE A-DRIVE SUNROOF (D)KABEL A-ANTRIEB SONNENDACH B B B X X X	LCF6							(F)CABLE A-COMMANDE TOIT (S)CABLE A-ACCIONAMIENTO TECHO 2					
				**** RPO DEFINITIONS ****													
				23 : GREY-INTERIOR													
				CF6 : SUNROOF-SLIDE & TILT POWER													

9260

SUN ROOF MOUNT

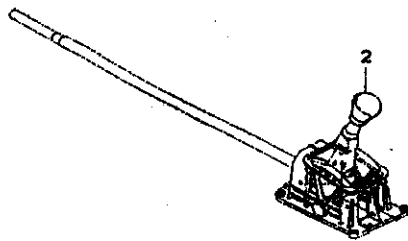
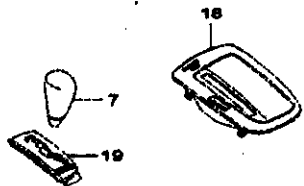


RJ9260 10/30/2004

I T C	KEY NO.		PART NAME											L Q T R Y	V.I.N.		REMARKS	P C O D E	
	PART NO.	MODEL YEAR	O R V	B O D Y			L E V E L			O P T I O N	F R O M	T O							
				4 N H S B	4 H S B	5 S B	B L S S	L L S T											
	[01]			(E)BRACKET-SUPT,SUNROOF (D)HALTEBUEGEL,SONNENDACH							(F)SUPPORT-TOIT OUVRANT (S)SOPORTE-APOYO,TECHO								
	96545197	04-07		B	B	B	X	X	X	CF6			2						
	[02]			(E)BOLT (D)BOLZEN							(F)BOULON (S)PERNO								
	94500656	04-07		B	B	B	X	X	X	CF6			11						
	[05]			(E)TUBE-DRAIN,SUNROOF,FRT (D)ABLAUFROHR,SONNENDACH,VORN							(F)TUBE-DRAINAGE,TOIT (S)TUBO-DRENAJE,TECHO								
	96617453	04-04		B	B	.	X	X	X	CF6			2	958057					
	○ 96617529	04-07		B	B	B	X	X	X	CF6			2	958056					
	[06]			(E)TUBE-DRAIN,SUNROOF,RR (D)ABLAUFROHR,SONNENDACH,HINTEN							(F)TUBE-DRAINAGE,TOIT (S)TUBO-DRENAJE,TECHO								
	96544035	04-04		B	B	.	X	X	X	CF6			2	958057					
	○ 96617630	04-07		B	B	.	X	X	X	CF6			2	958466					
	96418661	05-07		.	.	B	X	X	X	CF6			2						
	[07]			(E)GROMMET-DRAIN TUBE (D)DURCHFUEHRUNGSTUELLE-ABLAUFR							(F)PASSE-TUBE DE DRAINAGE (S)PASACABLES-TUBO DE DRENAJE								
	96245671	04-07		B	B	B	X	X	X	CF6			2						
	[08]			(E)GROMMET-DRAIN TUBE (D)DURCHFUEHRUNGSTUELLE-ABLAUFR							(F)PASSE-TUBE DE DRAINAGE (S)PASACABLES-TUBO DE DRENAJE								
	96230613	04-07		B	B	B	X	X	X	CF6			2						
	[09]			(E)PLUG (D)STECKER							(F)BOUCHON (S)TAPON								
	94535734	04-07		B	B	B	X	X	X	CF6			2						
	[10]			(E)PLUG (D)STECKER							(F)BOUCHON (S)TAPON								
	94535659	04-07		B	B	B	X	X	X	CF6			2						
	[11]			(E)CLIP (D)KLEMME							(F)CLIP (S)CLIP								
	96242655	04-07		B	B	B	X	X	X	CF6			2						
				**** RPO DEFINITIONS ****															
				CF6 : SUNROOF-SLIDE & TILT POWER															

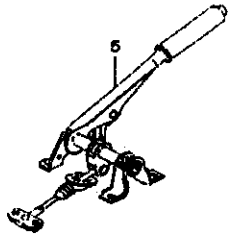
9739

GEAR SHIFT CONTROL & PARKING BRAKE



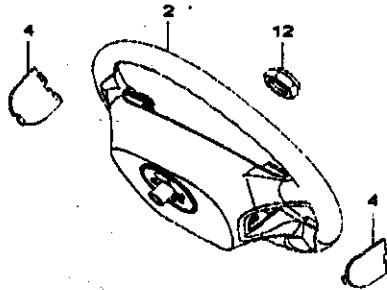
RJ9739 03/07/2006

I T C	KEY NO.		PART NAME											R E M A R K S	P R O D U C T C O D E
	PART NO.	MODEL YEAR	D R I V E	BODY		LEVEL		OPTION	L Q T Y	V.I.N.		REMARKS			
				4 N B	4 H S	S B W	B L S			L L T	FROM		TO		
	[02]			(E) LEVER A-GEAR SHIFT CONTROL (D) HEBEL							(F) LEVIER A-COMMANDE DE (S) PALANCA A-CONTROL DE CAMBIO				
	96468818	06-07		B	.	.	X	X	X	AMQAMQAMQAMQ		1		JO	
	96468819	06-07		.	B	.	X	X	X	AMQAMQAMQAMQ		1		JR	
	[07]			(E) KNOB A-SELECTOR LEVER (A/T) (D) KNOPF A-WAEHLHEBEL (A/T)							(F) BOUTON A-LEVIER (S) MANDO A-PALANCA				
	96468820	06-07		B	.	.	X	X	X	AMLAMQ		1			
	96473664	06-07		.	B	.	X	X	X	AMLAMQ		1			
	[18]			(E) CAP A-CONSOLE A/T, UPPER (D)							(F) (S)				
	96474776	06-07	L	B	B	B	X	X	X	AMQ		1			
	96474779	06-07	L	B	B	B	X	X	X	AMQ		1			
	96474780	06-07	L	B	B	B	X	X	X	ML4		1			
	[19]			(E) COVER-STEP GATE, A/T (D)							(F) (S)				
	96474784	06-07	L	B	B	B	X	X	X	AMQ		LH 1			
	96474786	06-07	L	B	B	B	X	X	X	ML4		1			
	96474787	06-07	L	B	B	B	X	X	X	AMQ		1			
	96474788	06-07	L	B	B	B	X	X	X	ML4		1			
	**** RPO DEFINITIONS ****														
	M04 : TRANS-MAN, 5SPD, CR														
	M06 : TRANS-MAN, 5SPD, MODIFY CR														
	M06 : TRANSMISSION-MAN, 5 SPD, M/R														
	M09 : TRANS-MAN, 5 SPD, D20 CR														
	ML4 : TRANSMISSION-AUTO, 4 SPEED														
	MM0 : TRANS-AUTO, 4SPD, 4-1-16														

9745 PERFORMANCE BRAKE		KEY NO.		PART NAME													
		I T C	PART NO.	MODEL YEAR	D R V	BODY			LEVEL			OPTION	L Q T Y	V.I.N.		REMARKS	P / C O D E
						4 N B	4 H S B	5 S W	B L S S	L L S T	FROM			TO			
 <p>RJ9745W 04/06/2006</p>		[06]															
		96484480	06 - 07			(E)LEVER A-PARKING BRAKE (D)BREMSHEBEL A-FESTST.BR. B B B X X X						(F)LEVIER A-FREIN DE (S)PALANCA A-FRENO DE MANO 1					

9748

STEERING WHEEL & BLUETOOTH

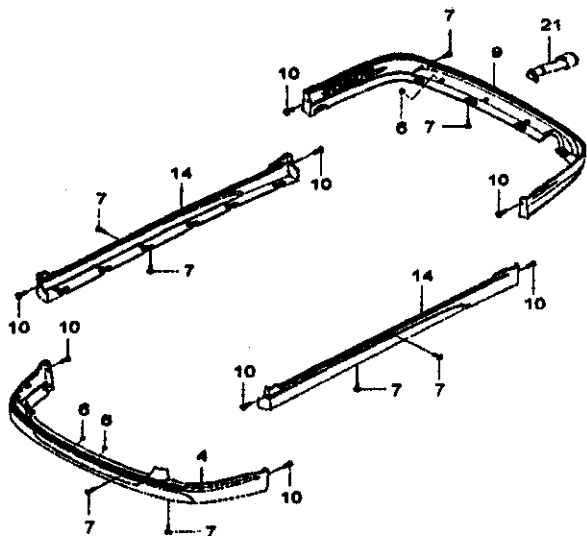


RJ9748 04/07/2006

I T C	KEY NO.		PART NAME										L Q / R Y	V.I.N.		REMARKS	P R O D U C T I O N
	PART NO.	MODEL YEAR	D R V	BODY			LEVEL			OPTION	FROM	TO		REMARKS			
				A N B	S H B	B W	B S	L S	L T								
	[02]			(E)WHEEL A-STRG (D)LENKRAD A							(F)VOLANT A-DIRECTION (S)VOLANTE A						
	96478275	06-07		B	.	.	X	X	X	ANS6XLP-K30RCUAX		1				SA	
	96478276	06-07		B	.	.	X	X	X	ANS6RC2XLP-K30UAX		1				SB	
	96478277	06-07		B	.	.	X	X	X	AK00UAXANS6XLP-RC2		1				SC	
	96478278	06-07		B	.	.	X	X	X	AK00UAXANS6RC2XLP		1				SD	
	96478279	06-07		.	B	.	X	X	X	ANS6XLP-K30RCUAX		1				SE	
	96478280	06-07		.	B	.	X	X	X	ANS6RC2XLP-K30UAX		1				SF	
	96478281	06-07		.	B	.	X	X	X	AK00UAXANS6XLP-RC2		1				SG	
	96478282	06-07		.	B	.	X	X	X	AK00UAXANS6RC2XLP		1				SH	
	[04]			(E)COVER-SHROUD, WHEEL, STRG (D)SCHUTZDECKEL, RAD, LENKUNG							(F)COUVERCLE-COQUILLE, VOLANT, D (S)TAPA-DE						
	96603040	06-07		B	B	B	X	X	X	ANS-RC2		LH 1					
	96603041	06-07		B	B	B	X	X	X	ANS-K30UAX		RH 1					
	[12]			(E)NUT (D)MUTTER							(F)ECROU (S)TUERCA						
	94515429	06-07		B	B	B	X	X	X			1					
				**** RPO DEFINITIONS ****													
				NS6 : STEERING-WHEEL W/SR													
				XLP : LEATHER PACKAGE													
				K30 : CRUISE CONTROL													
				RC2 : REMOTE CONTROL SW-STRG													
				UAX : HANDS FREE KIT													

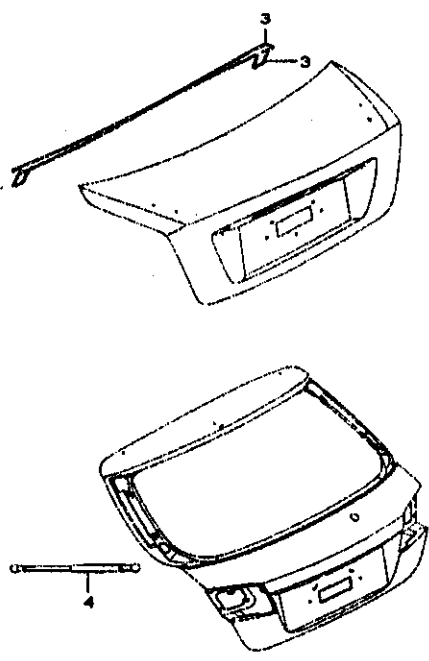
9760

BODY OUTSIDE MOLDING&TIP



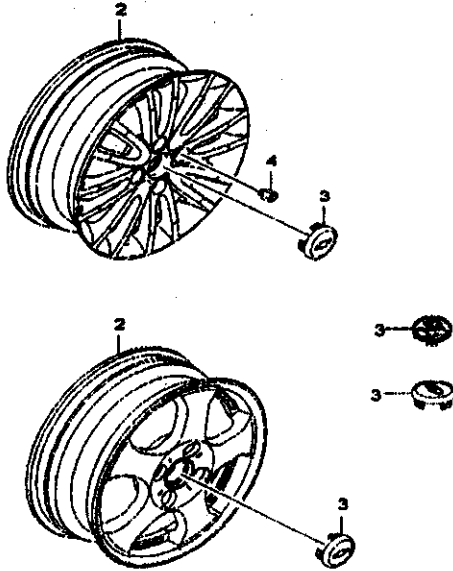
RJ9760 05/3/2006

I T C	KEY NO.		PART NAME										L Q / R Y	V.I.N.		REMARKS	P / R D C
	PART NO.	MODEL YEAR	D R V	BODY		LEVEL		OPTION	FROM	TO	REMARKS						
				4 N B	5 H W	8 S B	9 L S					10 L T					
	[04]			(E)LIP A-FRT FASCIA (D)LIPPE A-VORDERE VERKLEIDUNG	(F)REBORD A-BOUCLIER AV (S)REBORDE A-TABLERO DELAN												
	96458469	06-07		B . . . X X X								1					
	96458480	06-07		. B . . . X X X								1					
	[06]			(E)NUT-SPEED,N01 (D)MUTTER-DREHZAHL,NR. 1	(F)ECROU-SPEED,N01 (S)TUERCA-VELOCIDAD,N° 1												
	94515340	06-07		B X								7					
	94515340	06-07		. B X								8					
	[07]			(E)NUT (D)	(F) (S)												
	94520483	06-07		B . . . X X X								20					
	[09]			(E)LIP A-RR FASCIA (D)LIPPE A-HINTERE VERKLEIDUNG	(F)REBORD A-BOUCLIER AR (S)REBORDE A-TABLERO TR												
	96458470	06-07		B . . . X X X								1					
	96458481	06-07		. B . . . X X X								1					
	[10]			(E)NUT (D)	(F) (S)												
	94520318	06-07		B X								32					
	94520318	06-07		. B X								28					
	[14]			(E)SKIRT A-SIDE (D)SCHUERZE A-SEITE	(F)JUPE A-LATERALE (S)FALDÓN A-LATERAL												
	96458471	06-07		B . . . X X X								1					
	96458472	06-07		B . . . X X X								1					
	96458482	06-07		. B . . . X X X								1					
	96458483	06-07		. B . . . X X X								1					
	[21]			(E)TIP A-EXHAUST,TAIL (D)	(F) (S)												
	96461925	06-07		B . . . X X X	AL14L30L44							1					
	96461927	06-07		B . . . X X X	SLDALS4L86							1					
	96461928	06-07		. B . . . X X X	SLDALS4L86							1					
	96461926	06-07		. B . . . X X X	AL14L30L44							1				WB	
	**** RPO DEFINITIONS ****																
	L14 : ENGINE-4 CYL 1.4 DOHC MPI																
	L43 : ENGINE-4 CYL 1.5 DOHC MPI																
	L44 : ENGINE-4 CYL 1.6 DOHC MPI																
	LDA : ENGINE-4 CYL 1.8 DOHC MPI																
	LMA : ENGINE-4 CYL 1.8 DOHC MPI																
	LMB : ENGINE-4 CYL 2.0 DOHC MPI																

9764 TRUNK LID		KEY NO.		PART NAME															
		I T C	PART NO.	MODEL YEAR	D R V	BODY			LEVEL			OPTION	L Q T R Y	V.I.N.		REMARKS	P / C O D E		
						4 N B	4 H B	5 S W	B L S	L L S	T			FROM	TO				
 <p>RJ9764 04/11/2006</p>		[03]																	
		96449209	06 - 07								(E)BAR-TORSION,HINGE,TALID (D)TOERSIONSSTAB,SCHARNIER,KOFFE			(F)BARRE-TORSION,CHARNIERE,CV.0 (S)BARRA-DE TORSION					
		96449300	06 - 07								B . . X X X &RTS			LH 1					
		96449207	06 - 07								B . . X X X &RTS			RH 1					
		96449511	06 - 07								B . . X X X -RTS			LH 1					
											B . . X X X -RTS			RH 1					
		[04]									(E)SPRING-GAS,TAILGATE (D)GASFEDER,HECKKLAPPE			(F)RESSORT-GAZ,HAYON (S)MUELLE-DE GAS,PUERTA DE					
		96442483	06 - 07								. B . X X X			2					
		<p>**** RPO DEFINITIONS ****</p> <p>RTS : TRIM-TRUNK,STD</p>																	

9766

WHEEL&WHEEL CAP

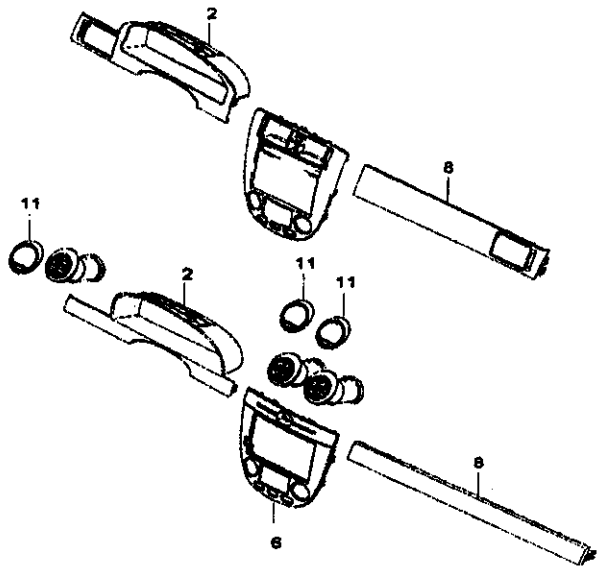


RJ9766G 05/02/2006

I T C	KEY NO.		D R V	PART NAME						L Q / R Y	V.I.N.		REMARKS	M D O T - D
	PART NO.	MODEL YEAR		BODY		LEVEL		OPTION	FROM		TO			
				4 N B	4 H B	S S W	B L S					L L S T		
	[02]			(E)WHEEL (D)RAD							(F)ROUE (S)RUEDA			
	96454576	06-07		B . .	X X X						4			HJ
	96464659	06-07		. B .	X X X						4			DH
	[03]			(E)CAP WHEEL ALLOY (D)RADKAPPE, LEICHTMETALL							(F)CHAPEAU-ROUE ALLIAGE (S)TAPACUBO-LLANTA DE ALEACION			
	96452311	06-07		B B .	X X X	ALMA					4			JA
	96454299	06-07		B B .	X X X	ALDN					4			CK
	96452238	06-07		B B .	X X X	ALXC					4			82
	[04]			(E)NUT (D)MUTTER							(F)ECROU (S)TUERCA			
	94837389	06-07		B B .	X X X						16			SL
<p>**** RPO DEFINITIONS ****</p> <p>ALMA : BADGE-CHEVROLET</p> <p>ALDN : BADGE-HOLDEN</p> <p>ALXC : BADGE-DAEWOO</p>														

9771

I/P HANG ON&A/C COVER

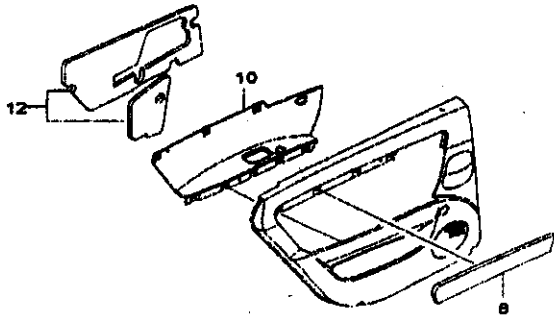
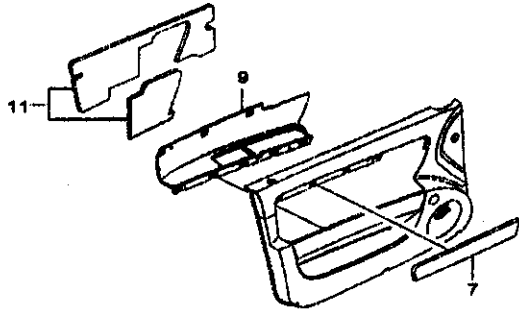


RJ9771 10/30/2004

I T C	KEY NO.		PART NAME										L / R	Q T Y	V.I.N.		REMARKS	P / C O D E
	PART NO.	MODEL YEAR	D R V E	BODY		LEVEL		OPTION	FROM	TO	REMARKS							
				4 N B	4 H B	5 S S	B L S					L L S						
	[02]			(E)MOLDING A-CLUSTER (D)FORMTEIL A-KOMBINSTRUMENT													(F)MOULURE A-TABLEAU DE BORD (S)MOLDURA A-CUADRO	
	96474756	06-07	L	B	.	.	X	X	X	ABC2-N37				1				
	96474757	06-07	R	B	.	.	X	X	X	ABC2-N37				1				
	96474758	06-07	L	B	.	.	X	X	X	ABC2AN37				1				
	96474759	06-07	R	B	.	.	X	X	X	ABC2AN37				1				
	96474780	06-07	L	.	B	B	X	X	X	ABC1-N37				1				
	96474781	06-07	R	.	B	B	X	X	X	ABC1-N37				1				
	96474782	06-07	L	.	B	B	X	X	X	ABC1AN37				1				
	96474783	06-07	R	.	B	B	X	X	X	ABC1AN37				1				
	[06]			(E)MOLDING A-INST PANEL_CTR (D)FORMTEIL A-INST.R.TAFELMITTE													(F)MOULURE A-TB,CTR (S)MOLDURA A-PANEL INST,CTR	
	96474740	06-07	.	B	B	X	X	X	ABC1AC15					1				
	96474741	06-07	.	B	B	X	X	X	ABC1C46/C59/C80					1				
	[08]			(E)MOLDING A-GARNISH (D)FORMTEIL A-DEKO													(F)MOULURE A-GARNITURE (S)MOLDURA A-EMBELLECEDORA	
	96474748	06-07	L	.	B	B	X	X	X	ABC1				1				
	96474749	06-07	R	.	B	B	X	X	X	ABC1				1				
	96474750	06-07	L	B	.	.	X	X	X	ABC2				1				
	96474751	06-07	R	B	.	.	X	X	X	ABC2				1				
	[11]			(E)COVER A-NOZZLE (D)													(F) (S)	
	96474794	06-07	.	B	B	X	X	X	ABC1					4				
				**** RPO DEFINITIONS ****														
				BC2 : INSTRUMENT PAD-DLX														
				N37 : STEERING-TILT & TELESCOPIC														
				BC1 : INSTRUMENT PAD-STD														
				C15 : AIR CON-FULL ATC														
				C46 : HEATER														
				C59 : AIR CON-UNCOMPLETED MANUAL														
				C80 : AIR CONDITIONING														

9772

DOOR TRIM



RJ9772 04/28/2008

I T C	KEY NO. PART NO.	MODEL YEAR	D R V	PART NAME						L Q T R Y	V.I.N.		REMARKS	I N D O O R
				BODY	LEVEL	OPTION	FROM	TO	REMARKS					
											4 N B	4 H B		
	[07]				(E)GARNISH-FRT DOOR,TRIM (D)DEKO-VORDERTUER,ZIERLEISTE					(F)GARNITURE-PORTE (S)EMBELLECEDOR-PTA				
	96455859	06-07			B . . X X X	ATD9				LH 1				
	96455861	06-07			B . . X X X	ATD9				RH 1				
	96455867	06-07			B B B X X X	ATD1				LH 1				
	96455869	06-07			B B B X X X	ATD1				RH 1				
	[08]				(E)GARNISH-RR DOOR,TRIM (D)DEKO A-HINTERTUER,ZIERLEISTE					(F)GARNITURE-PTE AR,GARNISSAGE (S)EMBELLECEDOR-FUERTA				
	96455863	06-07			B . . X X X	ATD9				LH 1				
	96455865	06-07			B . . X X X	ATD9				RH 1				
	96455871	06-07			B B B X X X	ATD1				LH 1				
	96455873	06-07			B B B X X X	ATD1				RH 1				
	[09]				(E)TRIM A-FRT DOOR,CENTER (D)ZIERLEISTENSATZ VORDERTUER					(F)GARNISSAGE A-PORTE AV,CTR (S)GUARNECIDO A-CENTRAL,PUERTA				
	96455875	06-07	L		B . . X X X	ATD9				LH 1				
	96455877	06-07	L		B . . X X X	ATD9				RH 1				
	96455895	06-07	R		B . . X X X					LH 1				
	96455897	06-07	R		B . . X X X					RH 1				
	96455883	06-07			B B B X X X	ATD1				LH 1				
	96455895	06-07			B B B X X X	ATD1				RH 1				
	[10]				(E)TRIM A-RR DOOR,CENTER (D)ZIERLEISTE A-HINTERTUER.MITTE					(F)GARNISSAGE A-PORTE AR,CTR (S)GUARNECIDO A-CENTRAL,PUERTA				
	96455879	06-07			B . . X X X	ATD9				LH 1				
	96455881	06-07			B . . X X X	ATD9				RH 1				
	96455887	06-07			B B B X X X	ATD1				LH 1				
	96455889	06-07			B B B X X X	ATD1				RH 1				
	[11]				(E)INSULATION-FRT DOOR,UPR (D)ISOLIERUNG-VORDERTUER,OBEN					(F)INSULATION-PORTE AV,SUP (S)AISLAMIENTO-SUP PUERTA DELAN				
	96470911	06-07			B . . X X X	ATD9				LH 1				
	96470912	06-07			B . . X X X	ATD9				RH 1				
	[12]				(E)INSULATION-RR DOOR,UPR (D)ISOLIERUNG-HINTERTUER,OBEN					(F)INSULATION-PORTE AR,SUP (S)AISLAMIENTO-SUP PUERTA TR				
	96470917	06-07			B . . X X X	ATD9				LH 1				
	96470918	06-07			B . . X X X	ATD9				RH 1				

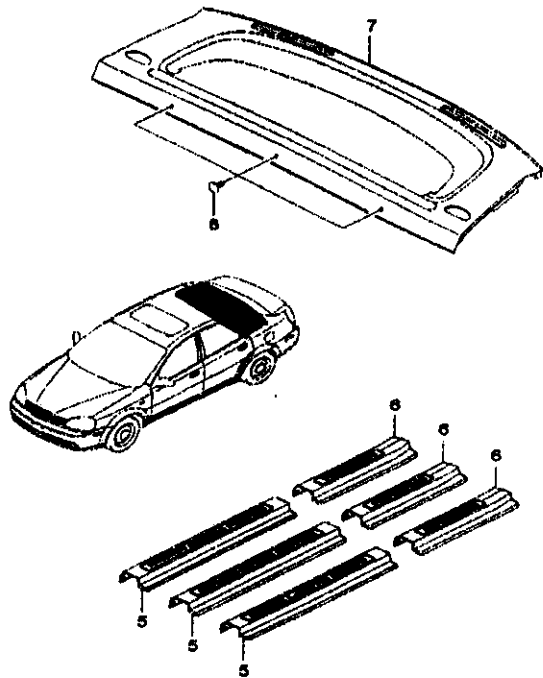
**** RPO DEFINITIONS ****

TD9 : DOOR TRIM-CLX,VAR 1

TD1 : DOOR TRIM-STD

9773

PILLAR TRIM

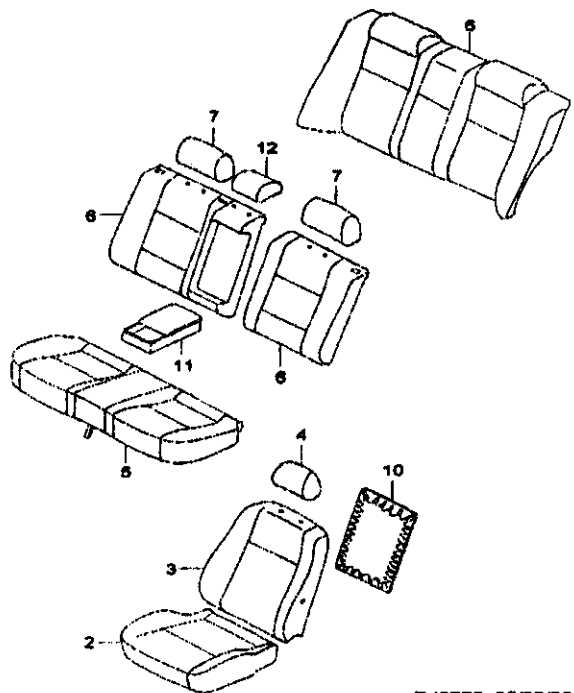


RJ9773GW 04/17/2006

I T C	KEY NO.		PART NAME											L Q T Y	V.I.N.		REMARKS	P E D O C
	PART NO.	MODEL YEAR	D R V E	BODY			LEVEL		OPTION	R H / L H	F R O M	T O						
				4 N B	5 H B	5 B W	B L S	L L S T										
	[06]			(E)TRIM A-ROCKER PANEL,FRT (D)ZIERLEISTE A-SCHWELLER,VORN							(F)GARNISSAGE A-PANNEAU DE BAS (S)GUARNECIDO A-PANEL DE							
	96455661	06 - 07		B	B	B	X	X	X	AWWV801			LH 1		LACETTI			
	96455660	06 - 07		B	B	B	X	X	X	AWWV802			LH 1		LACETTI			
	96455663	06 - 07		B	B	B	X	X	X	AWWV801			RH 1		LACETTI			
	96455661	06 - 07		B	B	B	X	X	X	AWWV802			RH 1		LACETTI			
	96466523	06 - 07		B	.	B	X	X	X	AWWV801			LH 1		NUBIRA			
	96466524	06 - 07		B	.	B	X	X	X	AWWV802			LH 1		NUBIRA			
	96466526	06 - 07		B	.	B	X	X	X	AWWV801			RH 1		NUBIRA			
	96466527	06 - 07		B	.	B	X	X	X	AWWV802			RH 1		NUBIRA			
	96466529	06 - 07		B	B	B	X	X	X	AWXV801			LH 1		OPTRA			
	96466530	06 - 07		B	B	B	X	X	X	AWXV802			LH 1		OPTRA			
	96466532	06 - 07		B	B	B	X	X	X	AWXV801			RH 1		OPTRA			
	96466533	06 - 07		B	B	B	X	X	X	AWXV802			RH 1		OPTRA			
	96466547	06 - 07		B	B	B	X	X	X	AVDW801			LH 1		VIVA			
	96466548	06 - 07		B	B	B	X	X	X	AVDW802			LH 1		VIVA			
	96466550	06 - 07		B	B	B	X	X	X	AVDW801			RH 1		VIVA			
	96466551	06 - 07		B	B	B	X	X	X	AVDW802			RH 1		VIVA			
	96466553	06 - 07		B	B	B	X	X	X	AJDE801			LH 1		EXCELLE			
	96466554	06 - 07		B	B	B	X	X	X	AJDE802			LH 1		EXCELLE			
	96466556	06 - 07		B	B	B	X	X	X	AJDE801			RH 1		EXCELLE			
	96466557	06 - 07		B	B	B	X	X	X	AJDE802			RH 1		EXCELLE			
	[06]			(E)TRIM A-ROCKER PANEL,RR (D)ZIERLEISTE A-SCHWELLER,HINTEN							(F)GARNISSAGE A-PAN BAS DE (S)GUARNECIDO A-PANL DE							
	96455655	06 - 07		B	B	B	X	X	X	801			LH 1					
	96455662	06 - 07		B	B	B	X	X	X	802			LH 1					
	96455657	06 - 07		B	B	B	X	X	X	801			RH 1					
	96455663	06 - 07		B	B	B	X	X	X	802			RH 1					
	[07]			(E)SHELF A-BACK PANEL,UPPER (D)PLATTE HECKABLAGEFACH A.OBEN							(F)TABLETTE A-PANNEAU AR,SUP (S)REPISA A-PANEL TR,SUPERIOR							
	96615913	06 - 07		B	.	.	X	X	X	LAH8LXAT&J00N823-T83AT			1			PK		
	96403800	06 - 07		B	.	.	X	X	X	LAH8AKT&KATAJ00N823-T83			1			PB		
	96615912	06 - 07		B	.	.	X	X	X	LAH8L823-T83/000			1			PJ		
	96403801	06 - 07		B	.	.	X	X	X	LAH8LXAT&J00N823-T83			1			PU		
	[08]			(E)CLIP (D)KLEMME							(F)CLIP (S)CLIP							
	94530560	06 - 07		B	.	.	X	X	X				9					
				**** RPO DEFINITIONS ****														
				WAV : NAME-LACETTI														
				001 : BEIGE-INTERIOR														
				821 : GREY-INTERIOR														

9775

SEAT COVERING



RJ9775 05/02/2006

I T C	PART NO.	MODEL YEAR	D R V	PART NAME											L Q T R Y	V.I.N.		REMARKS	P I C O D E
				BODY			LEVEL			OPTION	FROM	TO							
				4 N B	4 H B	5 S W	B L S	L L S	T										
	[02]			(E)COVERING A-FRT CUSHION (D)BEZUG A-VORDERES POLSTER											(F)HOUSSE A-COUSSIN AV (S)FUNDA A-COJIN DELAN				
	96474610	06-07		B	B	.	X	X	X	LAPCAVWR						LH	1		
	96474611	06-07		B	.	.	X	X	X	LWBR-AGD							1		
	96474612	06-07		B	B	.	X	X	X	LWBR							1		
	[03]			(E)COVERING A-FRT BACK (D)BEZUG A-HINTERES POLSTER											(F)HOUSSE A-DOSSIER AV (S)FUNDA A-RESPALDO DELAN				
	96474615	06-07		B	B	.	X	X	X	LWBR-AJABE						LH	1		
	96806253	06-07		B	B	.	X	X	X	LABRWR-AJB						LH	1		
	96474616	06-07		B	B	.	X	X	X	LAPCAVWR-AJB						RH	1		
	[04]			(E)COVERING A-FRT HEADREST (D)BEZUG A-VORDERE KOPFSTUETZE											(F)HOUSSE A-APPUI-TETE AV (S)FUNDA A-REPOSACABEZAS DELAN				
	96474618	06-07		B	B	.	X	X	X	LAYTWR							2		
	96474619	06-07		B	B	.	X	X	X	LWBR-AYT							2		
	[05]			(E)COVERING A-RR CUSHION (D)BEZUG A-HINTERES POLSTER											(F)HOUSSE A-COUSSIN AR (S)FUNDA A-COJIN TR				
	96474620	06-07		B	B	.	X	X	X	LWBR							1		
	[06]			(E)COVERING A-RR BACK (D)BEZUG A-HINTERE SITZRUECKENL											(F)HOUSSE A-DOSSIER AR (S)FUNDA A-RESPALDO ASIEN TO TR				
	96474621	06-07		B	B	.	X	X	X	LAPLAPSWR							1		
	96474622	06-07		B	.	.	X	X	X	LAPLAPWR-APS							1		
	96474624	06-07		B	B	.	X	X	X	LAPLAPSWR						LH	1		
	96474625	06-07		B	B	.	X	X	X	LAPLAPLAPSWR						RH	1		
	96474626	06-07		B	B	.	X	X	X	LAPLAPLAPWR-APS						RH	1		
	[07]			(E)COVERING A-RR HEADREST (D)BEZUG A-HINTERE KOPFSTUETZE											(F)HOUSSE A-APPUI-TETE AR (S)FUNDA A-REPOSACABEZAS TR				
	96474630	06-07		B	B	.	X	X	X	LAPLAPSWR							2		
	[10]			(E)COVERING A-FRT BACK COVER (D)BEZUG A-VORDERE SITZRUECKENL											(F)HOUSSE A-DOSSIER AV (S)FUNDA A-CUBIERTA RESPALDO				
	96474617	06-07		B	.	.	X	X	X	LWBR							2		
	[11]			(E)COVERING A-REAR ARMREST (D)											(F) (S)				
	96474623	06-07		B	.	.	X	X	X	LAPLAPLAPWR							1		
	96474627	06-07		B	B	.	X	X	X	LAPLAPLAPLAPWR							1		
	[12]			(E)COVERING A-REAR H/WRST,CTR (D)											(F) (S)				
	96474631	06-07		B	B	.	X	X	X	LAPLAPWR							1		
				**** RPO DEFINITIONS ****															
				AGD : SEAT-DR.HADJ DUAL.MAN															
				WBR : TRIM-LEATHER															
				AJB : AIR BAG-FRT SIDE,DRGO-DR															

PART NAME INDEX

PART NAME INDEX

English

PART NAME	LOC.NO.	PART NAME	LOC.NO.	PART NAME	LOC.NO.	PART NAME	LOC.NO.
ABSORBER-ENGY,FRT BUMPER	6720 03	BEAM A-RR BUMPER IMPACT	6730 04	BEARING-THRUST	3738 14	BRACKET A-CNSL,RR	7141 35
ACTUATOR A-DR	6250 01	BEARING	1780 03		3738 16	BRACKET A-DIS	1711 03
	6250 03		4130 03		3738 19	BRACKET A-FIRE EXTINGUISH	6610 26
ACTUATOR A-LATCH,TRK	6450 13		4140 05		3738 20	BRACKET A-FOOTREST	7610 15
ACTUATOR A-T/GATE	6451 13	BEARING KIT-CONN ROD	1220 06	BELLOWS A-TUBE,G/S	3610 05	BRACKET A-G/S,FRT	3610 16
	6452 13		1221 06	BELT A-FRT SEAT	7560 01	BRACKET A-G/S,RR	3610 14
ACTUATOR A-VGIS	1521 07	BEARING KIT-CR/SHF	1220 06	BELT A-PELVIS,RR SEAT,CTR	7560 02	BRACKET A-GAS SPRING	6442 10
ADAPTER-EGR VALVE	1311 31		1221 06	BELT A-RR SEAT	7560 01	BRACKET A-GUIDE PIN,VP	7113 15
	1713 01	BEARING-BALL	1740 17	BELT A-RR SEAT,CTR	7560 29	BRACKET A-HYD UNIT	4710 01
ADJUSTER A-HEIGHT,FRT SEAT	7530 01	BEARING-GROOVE BALL	3230 36	BELT-TIMING	1331 18	BRACKET A-IP,SIDE	7113 12
ADJUSTER A-HEIGHT,S/BELT	7560 03		3240 07		1333 15	BRACKET A-JACK,NO 1	6520 10
ADJUSTER-TAPPET	1313 20	BEARING-NEEDLE	3824 04	BLADE A-WIPER	5310 03	BRACKET A-L/COMPT	6520 32
ALTERNATOR A	1740 01		3831 04		5320 03	BRACKET A-L/PLATE,FRT	6720 54
ANCHOR A-TETHER,CTR	7560 24		3833 07	BLOCK A-CYL	1210 01	BRACKET A-P/STRG PIPE	4660 26
ANCHOR A-TETHER,SIDE	7560 28		3833 11		1211 01	BRACKET A-REACTION,LWR	4190 86
ANTENNA A-ATAS	6440 04	BEARING-ROLLER	3230 01	BLOCK-SLIDE	9260 09	BRACKET A-T/A MT	4190 32
ANTIFREEZER	9120 09		3832 03	BODY A-CONT VALVE	3760 01	BRACKET A-T/A MT,RR	4190 01
ARM A-CONT	4150 01		3832 07		3860 01	BRACKET A-TIE BAR	7113 13
ARM A-WIPER	5310 02		3850 02	BODY A-THROTTLE	1411 01	BRACKET-ACCEL CONT CABLE	4440 17
	5320 02		3850 03		1510 01		4440 19
ARMATURE	1780 12		3850 05	BOOSTER-MASTER BRAKE	4620 09	BRACKET-ALTERNATOR	1751 01
ARMREST A-RR S/BACK	7541 37		3850 06	BOOT A-FRT CNSL,M/T	7141 29		1753 04
ASHTRAY A-IP	7130 01	BEARING-ROLLER,INR	3832 09	BOOT A-P/BRAKE	7141 16	BRACKET-BRAKE PEDAL	4430 18
AXLE A-RR	4310 01		3832 11	BOOT KIT	4691 01	BRACKET-CMBR,LWR	4150 48
AXLE-RR	4310 37		3850 10	BOOT SET-INR	4120 04	BRACKET-CMPR&P/STRG PUMP	8331 01
BAG-JACK	9110 10		3850 12	BOOT SET-OTR	4120 03	BRACKET-CMPR,RR	8331 10
BAG-TOOL	9110 01		3850 14	BOX A-FUSE&RELAY	5620 01	BRACKET-DR HANDLE	7210 05
BALANCER-CLU, NO.1	3734 06		3850 16	BOX A-FUSE,PASS	5620 28		7210 91
BALL	3240 13	BEARING-ROLLER,OTR	3832 10	BOX A-GLOVE	7113 04		7220 05
BAR A-IMPACT,RR BUMPER	6732 04		3832 12	BOX A-L/COMPT	7322 13	BRACKET-ECM	2510 24
BAR A-TIE	7113 05		3850 11	BOX A-RELAY	9250 15	BRACKET-ENG CONT HARN	5710 33
BAR-CONNECTING	3825 05		3850 13	BOX-CNSL,RR	7141 06	BRACKET-ENG HARN	5710 35
BAR-FRT STABILIZER	4150 05		3850 15	BOX-CUP HOLDER	7141 92	BRACKET-ENG MT	4190 24
BAR-HOLDER	5610 04		3850 17	BOX-DEPOSIT,VP,CTR	7130 06	BRACKET-FUEL FILTER	2120 09
BAR-RAD GRILLE	6711 22	BEARING-TAPER ROLLER	3270 11	BRACE A-FRT W/H	6140 03	BRACKET-GUIDE,CANISTER	2130 16
BAR-RR STABILIZER	4310 06		3739 06	BRACE A-W/H,LWR	6520 18	BRACKET-HOSE,T/BODY,RTN	2233 42
BAR-T/LID TORSION	6440 11		3739 08	BRACE-BRAKE PEDAL	4430 09	BRACKET-HOUSING,STRG GEAR	4910 12
BAR-TORSION,HINGE,T/LID	9764 03		3750 07	BRACE-CLU PEDAL	4420 02	BRACKET-IDLER,NON A/C	8331 15
BATTERY A	5610 01		3750 08	BRACKET	3610 13	BRACKET-MANIF,VGIS	1521 19
BATTERY A-KEY	6460 11	BEARING-THRUST	3738 10	BRACKET A-CANISTER	2131 21	BRACKET-NET,UPR,FRT	7310 10
BEAM A-FRT BUMPER IMPACT	6720 04		3738 12	BRACKET A-CNSL,FRT	7141 85	BRACKET-NET,UPR,RR	7310 12

PART NAME	LOC.NO.	PART NAME	LOC.NO.	PART NAME	LOC.NO.	PART NAME	LOC.NO.
BRACKET-O2 SENSOR	1531 10	BULB	5410 11	BUSH-CONT ARM	4150 13	CANISTER	2131 12
	1533 10		5410 19	BUSH-DMP	4180 31	CAP	1210 02
	2480 28		5410 22	BUSH-STABILIZER BAR	4180 08		1211 02
BRACKET-OIL PAN	3824 10		5410 29		4310 07		2451 20
BRACKET-OIL SUCT PIPE	1230 19		8350 13	BUSHING-LOCK,FRT DR,LWR	7210 68		2453 10
BRACKET-ON/OFF,SOL. VALVE	2131 28		8352 04	BUSHING-LOCK,FRT DR,UPR	7210 67		3280 32
BRACKET-PARK LOCK PAWL	3725 13	BUMPER	4320 08	BUSHING-LOCK,RR DR,LWR	7220 46	CAP A-CNSL	7141 19
BRACKET-PLENUM	1921 33		6110 14	BUSHING-LOCK,RR DR,UPR	7220 45	CAP A-CONSOLE A/T,UPPER	8736 18
BRACKET-PUMP,HYD UNIT	4850 17		6110 15	BUTTON A-BT8I	3820 57	CAP A-HORN	4810 03
BRACKET-PUP CONV,EXH	2480 32		6130 08	BUTTON-FIXING	7321 03	CAP A-OIL FILLER	1321 01
BRACKET-REACTION	4180 95		6220 28	BUTTON-LOCKING,DR	6220 29		1323 01
BRACKET-SUNSHADE	7550 04		6320 25		6320 34	CAP-BATTERY	5610 06
BRACKET-SUPT,SUNROOF	9260 01		6440 03	CAMBR A-DASH,LWR	8150 04	CAP-BOLT,FRT S/BELT	7550 10
BRACKET-TCM	2510 25		6440 04	CAMBR A-FRT SEAT,FRT	6510 05	CAP-BRACKET NET	7310 28
BRACKET-VGIS	2451 12		6441 08	CAMBR A-FRT SEAT,RR	6510 06	CAP-CNSL,AUTOMATIC	7141 20
BRAKE A-PARK,RR	4530 13		6442 07	CAMBR A-FRT SUSP	4150 10	CAP-CNSL,RR	7141 79
BRAKE A-RR	4520 01	BUMPER A-FRT	6720 01	CAMBR A-RAD	6130 08	CAP-CYL BLOCK	1211 07
BRAKE UNIT A-MASTER	4610 01	BUMPER A-RR	6730 01	CAMBR A-RR FLR,FRT	6530 13		1230 33
BRIDGE-OIL PAN	1231 25		6732 01	CAMBR A-RR FLR,RR	6530 14	CAP-DUST	4820 04
BRIDGE-STRAIN BOLT	3250 01	BUMPER-ADJUSTING SCREW	4440 10	CABLE A-ACCEL CONT	4440 01	CAP-FOOTREST	7610 34
BUCKLE A-FRT S/BELT	7550 02	BUMPER-HOLLOW,FRT	4140 10	CABLE A-DRIVE SUNROOF	9250 27	CAP-FRT FLR	6510 17
BUCKLE A-RR S/BELT	7550 03	BUMPER-RAD,LWR	2220 04	CABLE A-FUEL FILLER DR	6420 08	CAP-FUEL FILLER	6420 01
	7550 28	BUMPER-RAD,UPR	2220 02	CABLE A-HOOD RELEASE	6110 10	CAP-GUIDE PULLEY	7550 27
	7550 31	BUMPER-T/GATE,SIDE	6441 12	CABLE A-MODE	8350 29	CAP-HINGE,FRT S/BACK	7520 20
BUFFER-CLU PEDAL	4420 37	BUMPER-T/LJD HINGE	6440 08	CABLE A-P/BRAKE	4530 12	CAP-HINGE,FRT SEAT CUSH	7520 21
BULB	5110 02	BUSH	1740 19	CABLE A-SELECTOR CONT	3920 30	CAP-MASTER BRAKE	4620 02
	5110 03		3220 05	CABLE A-TEMP	8350 30	CAP-NUT	6850 12
	5110 04		3220 30	CABLE-ANTENNA,I/P	5420 07	CAP-OIL DUCT	1311 08
	5110 12		3821 02	CABLE-ANTENNA,RR	5420 08	CAP-OIL,RESERVOIR,P/STRG	4850 03
	5110 18		3825 02	CAGE A-T/A MT	4180 28	CAP-PIPE, HIGH	8340 37
	5140 02		3820 50	CAGE-NEEDLE	3230 06	CAP-PIPE, LOW	8340 38
	5140 03		3820 64		3230 20	CAP-PURGE	2130 10
	5140 04		4310 18		3230 32	CAP-RESERVOIR	5330 07
	5140 10		4310 27		3230 33	CAP-SCREW	6420 06
	5140 14		4310 28		3230 40	CAP-STRUT MT	4140 01
	5140 21		4440 12	CALIPER A-BRAKE,FRT	4510 01	CAP-SURGE TANK	2230 88
	5140 22		6451 16	CALIPER A-BRAKE,RR	4521 01		2233 06
	5220 10		6451 17	CAMSHAFT A	1321 10	CAP-VALVE SPRING	1313 18
	5220 12		6452 16	CAMSHAFT A-EXH	1323 10	CAP-WATER CHAMBER	1311 07
	5220 14		6452 17	CAMSHAFT A-INT	1323 08	CAP-WHEEL,ALLOY	9766 03
	5410 04		7520 65	CANISTER	2130 12	CAP-WHEEL,CTR	6860 04

PART NAME INDEX

English

PART NAME	LOC.NO.	PART NAME	LOC.NO.	PART NAME	LOC.NO.	PART NAME	LOC.NO.
CAP-WHEEL,CTR	6660 07	COMPRESSOR SUB A	8320 09	COVER A-1/P,SIDE	7113 03	COVER-HANDLE,RR DR	7220 58
CAP-WIPER ARM	5310 05	CONDENSER A	8310 01	COVER A-INR,RR DR	6340 10	COVER-HOUSING,RAD GRILLE	6711 23
	5320 06	CONNECTOR A-AIR DISTR	8110 18	COVER A-NOZZLE	9771 11	COVER-INR,O/S MIRROR	6630 15
CARGO A-TRUNK	9792 06	CONNECTOR A-INCAR SENSOR	7113 17	COVER A-PAWDO S/W,RR DR	7220 36	COVER-INR,T/GATE,LWR	7231 09
CARRIER	4510 13	CONNECTOR A-PORT	4652 08	COVER A-RAIN SENSOR	5620 46	COVER-INST	5220 02
	4521 13	CONNECTOR A-VACUUM	1523 03	COVER A-RR	6362 03	COVER-OIL PUMP	1230 09
CARRIER-DISC,INR	3831 01	CONSOLE A-FRT	7141 45	COVER A-SWITCH,DIMMER	7120 68	COVER-OTR,FRT SEAT	7520 09
CARRIER-INR GEAR	3630 10	CONSOLE A-RR	7141 81	COVER A-T/A,RR	3724 01	COVER-PAWDO S/W,FRT DR	7210 33
CASE A-DIFF	3750 04	CONSOLE-FRT,LWR	7141 94		3824 01		7210 71
CASE A-T/A	3220 01	CONSOLE-FRT,UPR	7141 93	COVER A-TIMING BELT,LWR	1331 22	COVER-PLASTIC LATCH T/LID	6450 11
	3723 01	CONTROL A-G/S	3910 01	COVER A-TIMING BELT,UPR	1331 19	COVER-RAD GRILLE	6710 02
CASE-INST	5220 06	CONTROL A-G/S GUIDE	3910 10	COVER A-TORQUE ROLL AXIS	1333 27		6710 14
CASE-RELEASE PNL	5430 25	CONTROL UNIT A-RKE&ATAS	5440 02	COVER A-WDO FRAME,INR	6630 04		6711 02
CASSETTE-AM/FM STEREO	5430 01	CONTROL UNIT-IMMOBILIZER	4630 33	COVER A-WHEEL	6660 02		6711 14
CHANGER A-CD	5430 08		4631 57	COVER-ASSIST GRIP	7310 15	COVER-S/COL,LWR	4820 02
CHANNEL-DRAIN	9250 06	CONVERTER A-PUP	2460 40	COVER-BACK PNL,LWR	7342 17	COVER-S/COL,UPR	4820 01
CHECK A-DR,FRT DR	6220 07	CONVERTER-TORQUE	3720 01	COVER-BLANK	7130 46	COVER-SHEET	4130 02
CHECK A-DR,RR DR	6320 06		3820 02		7130 49	COVER-SHROUD	4810 21
CIRCLIP	3230 14	CORD-CD CHANGER 1/P	5430 06		7130 50	COVER-SHROUD,WHEEL,STRG	9748 04
	3230 30	CORD-CD CHANGER,RR	5430 09		7130 62	COVER-SIDE,INR	9250 11
CLEANER A-AIR	2410 01	CORE A-EVAPORATOR	8221 07	COVER-BLANK,ASHTRAY,RR	7141 30	COVER-SIDE,LOAD COMPT	7330 36
CLEANER A-AIR,UPR	2410 02	CORE-HEATER	8212 12	COVER-BLANK,PWR SOCKET	7141 75	COVER-SIDE,OTR	9250 12
CLEANER-AIR,LWR	2410 03	COVER	1740 27	COVER-BLANK,RADIO	7130 23	COVER-STEP GATE,A/T	9739 19
CLEVIS-MASTER BRAKE	4620 07		3920 62	COVER-BLANK,S/W	7220 74	COVER-SUPT,L/COMPT	7322 30
CLOCK A-DIGITAL	7130 27	COVER A-AIR FILTER	8221 10	COVER-BLANK,TRK OPEN S/W	7210 61	COVER-T/A	3250 16
CLUSTER A-INST	5220 01	COVER A-BACK PNL,LWR	7340 19	COVER-BOX,L/COMPT	7322 31	COVER-TETHER ANCHOR	7310 30
CLUTCH A-1 WAY	3737 10		7341 05	COVER-BRACKET ARMREST	7541 41	COVERING A-FRT BACK	9775 03
CLUTCH A-FWD MULTIPLE DISC	3734 01	COVER A-BLANK	7120 72	COVER-BRAKE PEDAL	4430 03	COVERING A-FRT BACK COVER	9775 10
CLUTCH&PULLEY KIT	8320 02	COVER A-C PILLAR,OUTER	6413 70	COVER-C PILLAR	7330 29	COVERING A-FRT CUSHION	9775 02
CLUTCH-1 WAY NO.1	3737 12	COVER A-CD CHANGER	7340 55	COVER-CLU	3110 02	COVERING A-FRT HEADREST	9775 04
CLUTCH-1 WAY NO.2	3737 15	COVER A-CM/SHF	1321 18	COVER-DIFF GEAR	3220 06	COVERING A-REAR ARMREST	9775 11
CLUTCH-DR MULTIPLE DISC	3736 01		1323 06	COVER-DUST,RR	4320 08	COVERING A-REAR HRST,CTR	9775 12
COCK A-DRAIN	2210 11	COVER A-CM/SHF,UPR	1321 03	COVER-FLANGE,FRT POST	6410 59	COVERING A-RR BACK	9775 06
COIL&HOUSING A	8320 07		1323 03		6411 59	COVERING A-RR CUSHION	9775 05
COIL-DIS	1711 01	COVER A-CTR,L/COMPT	7321 01		6413 59	COVERING A-RR HEADREST	9775 07
	1713 09	COVER A-FOG LAMP	6720 05	COVER-FRT SEAT,INR	7520 34	COVERING A-RR S/BACK	7540 02
	1740 04	COVER A-FRT S/BACK	7520 31	COVER-FUEL TANK HOLE	6520 19		7541 02
	1740 06	COVER A-FRT SEAT,INR	7520 46	COVER-FUSE BLOCK	5610 16		7541 06
COLUMN A-STRG,NON TILT	4830 01	COVER A-G/S	3260 12	COVER-FUSE BOX,LWR	5620 04	COVERING A-RR SEAT CUSH	7540 07
COLUMN A-STRG,TILT	4831 01	COVER A-1/P,CTR,LWR	7113 07	COVER-FUSE BOX,UPR	5620 02	COVERING-FRT S/BACK	7520 01
COMPRESSOR A	8320 01	COVER A-1/P,LWR	7113 06	COVER-GRIP HANDLE,FRT DR	7210 92	COVERING-FRT SEAT CUSH	7520 04

PART NAME	LOC.NO.	PART NAME	LOC.NO.	PART NAME	LOC.NO.	PART NAME	LOC.NO.
COWL A	6180 06	DISC-CLU	3734 10	FAN A-AUX	2220 16	FRAME-FRT SEAT CUSH	7520 06
CRANK A-OR	6320 32		3734 15	FAN A-MAIN	2220 05	FRAME-RADIO	6430 10
CRANK A-WDO LIFTER	7210 10	DISC-CLU,NO.2	3735 09	FASCIA A-BUMPER,FRT	6720 02	FRAME-SLIP RING END	1740 18
	7220 13	DISC-CLU,OTR	3830 07	FASCIA A-BUMPER,RR	6730 02	FUNNEL A-WSHIELD WASHER	5330 06
CRANKSHAFT A	1220 07		3830 09		6732 02	FUSE-BLOCK	5610 15
	1221 07		3831 08	FASTENER-SELECTOR CABLE	3620 24	FUSE-MINI	5620 13
CUSHION	1760 38		3831 09	FILTER A-AIR	8221 09	FUSE-SLOW BLOW	5620 15
CYLINDER A	4910 12		3831 28	FILTER A-OIL,ENG	1230 30	GARNISH A-FRT DR,CTR	6340 05
	4921 12		3831 29		1231 18	GARNISH A-HOOD	6110 36
CYLINDER A-BRAKE MASTER	4620 01	DISC-DETENT	3825 03	FILTER A-OIL,T/A	3620 08	GARNISH A-RR DR,CTR	6340 06
CYLINDER A-CLU MASTER	4410 01	DISC-MAIN SHF	3230 34	FILTER-FUEL	2120 08	GARNISH A-RR DR,RR	6340 07
CYLINDER A-CONCENTRIC	4410 36	DISC-OVD BRAKE	3736 04	FINGER-SHIFT	3280 14	GARNISH-FRT DOOR,TRIM	9772 07
CYLINDER A-WHEEL BRAKE	4520 03	DISC-SPRING	3830 06	FINISHER-HEADLINING	7310 02	GARNISH-FRT DR,TRIM	7210 31
CYLINDER-'C'	3834 16		3831 10	FLANGE-BRAKE, NO.2	3737 05	GARNISH-RR DOOR,TRIM	9772 06
CYLINDER-BRAKE, NO.2	3737 02		3831 30	FLANGE-BRAKE, NO.3	3737 21	GARNISH-RR DR,TRIM	7220 37
DAM A-AIR,INL	2410 50		3834 02	FLANGE-CLU	3734 12	GASKET	3620 04
DAM-GLASS,QUATER	6641 18	DISC-TRANSMITTER	1221 17		3734 16	GASKET A-MIRROR,OUTSIDE	6630 19
DAM-GLASS,T/GATE	6641 16	DOOR A-FUEL FILLER	6420 02		3734 17	GASKET KIT-ENG OVERHAUL	1141 01
DAMPER A-FRT S/ABS STRUT	4140 13	DOWEL-GUIDE PIN	7113 18	FLANGE-DIFF GEAR BEARING	3270 15		1143 01
DAMPER A-RR S/ABS STRUT	4320 10	DRIVE&SHAFT A	1760 34	FLANGE-DIR CLU	3736 10		1143 14
DAMPER A-TORSIONAL	1231 42	DRIVER	9110 03	FLANGE-OVD BRAKE	3736 06	GASKET-BEARING PLATE	3250 19
DAMPER RING	1333 24	DRUM A-BRAKE,RR	4330 06		3736 07	GASKET-BRAKE APPLY	3724 17
DAMPER-AIR CLEANER	2410 30	DRUM A-FWD CLU	3734 08	FLOOR A-L/COMPT,FRT	7322 09	GASKET-BRAKE DRUM	3723 31
DAMPER-ASSIST GRIP	7310 36	DRYER A-RECEIVER	8310 02	FLUID-BRAKE	9120 05	GASKET-CATAL CONV	2480 10
DAMPER-FUEL	1411 27	DUCT A-LEG ROOM,RR	8110 19	FLUID-WDO CLEANER	9120 06	GASKET-CM/SHF COVER	1321 06
	1413 17	DUCT-AIR,VP	8110 01	FLYWHEEL A	1220 10		1323 07
DAMPER-VIBRATION	4180 94	ECM	2610 01		1221 11	GASKET-CYL HEAD	1311 25
DAMPING-SLLEVE	4710 29	ELEMENT A-AIR CLEANER	2410 07	FOAM-FLR PNL,TRK	6620 56		1313 23
DEADENER	6520 35	EMBLEM A	6650 01	FOOTREST A	7610 17	GASKET-DIFF GEAR COVER	3220 07
	6732 60		6650 02	FORK A-1ST&2ND G/S	3260 01	GASKET-DRAIN PLUG	3723 36
DEADENER-STD	7610 26	END-TIE ROD	4931 05	FORK A-G/S,SLIDING	3250 11	GASKET-E/MANIF	1531 02
DEFLECTOR-WATER	4180 37	ENGINE A	1111 01	FORK-3RD&4TH G/S	3260 04		1533 03
DEFLECTOR-WDO	9280 04		1113 01	FORK-G/S,REV	3260 09	GASKET-EGR	1713 12
DIFFUSER-AIR CLEANER	2410 47	ESCUTCHEON-FRT DR	7210 62	FRAME A-ROOF,RR	6430 04	GASKET-EGR ADAPTER	1311 30
DISC KIT-C&D	3834 18	ESCUTCHEON-RR DR	7220 40	FRAME A-RR S/BACK	7541 04	GASKET-EGR PIPE,VGIS	1521 18
DISC-BEVEL GEAR	3270 07	EXTENSION-SIDE PNL,OTR	6410 40		7541 08	GASKET-EGR VALVE	1311 34
DISC-BRAKE SOLID,RR	4330 07		6411 29	FRAME A-SUN ROOF	6430 06	GASKET-EGR&IGN ADAPTER	1713 02
DISC-BRAKE, NO.2	3737 08		6413 29	FRAME&BEARING A	1740 07	GASKET-ENG VENT	1240 01
DISC-BRAKE, NO.3	3737 22	EXTINGUISHER A-FIRE	6510 24	FRAME-COMMUTATOR END	1760 21		1241 01
DISC-BRAKE,FRT	4130 08	EXTRUSION-HARN,RR ABS	4310 30	FRAME-FIELD	1760 17	GASKET-EXH,FRT PIPE	2480 01
DISC-CLU	3110 01	FAN	1740 05	FRAME-FRT S/BACK	7520 03	GASKET-FRT TOOTH BELT	1333 22

PART NAME INDEX

English

PART NAME	LOC.NO.	PART NAME	LOC.NO.	PART NAME	LOC.NO.	PART NAME	LOC.NO.
GASKET-G/S COVER	3260 21	GEAR A-STRG	4910 01	GROMMET	2131 48	HOLDER A-CARD	7120 29
GASKET-GOVERNOR APPLY	3723 08	GEAR A-SUN,FRT	3833 05		4440 02	HOLDER A-CUP	7141 43
	3723 09	GEAR A-SUN,RR	3833 10		4931 20	HOLDER A-SUNGLASS	7310 37
GASKET-I/MANIF	1821 25	GEAR KIT-BEVEL	3270 20		4650 24	HOLDER-BRUSH	1760 18
	1523 04	GEAR-AXLE SHF BEVEL	3270 05		5710 54	HOLDER-NUT,P/BRAKE	4530 09
GASKET-LIQUID	1230 34	GEAR-BEVEL DIFF	3270 06		6110 11	HOOD A-FRT TOOTH BELT	1333 21
	1231 58	GEAR-CLUSTER 5TH SPEED	3240 08	GROMMET-DRAIN TUBE	9260 07	HOOD A-RR TOOTH BELT	1333 04
GASKET-MASTER BRAKE	4620 19	GEAR-CM/SHF	1331 09		9260 08	HOOK	2410 26
GASKET-OIL FILLER	1323 02		1333 16	GROMMET-WIPER	5320 04		6140 26
GASKET-OIL PAN	3723 33	GEAR-COUNTER DRIVE	3739 01	GUARD A-MUD,FRT	6750 01		7340 25
	3824 09	GEAR-COUNTER DRIVEN	3739 03	GUARD A-MUD,RR	6750 05		7540 61
GASKET-OIL PAN,LIQUID	3721 15	GEAR-CR/SHF	1231 36	GUIDE-EXH VALVE	1313 14	HOOK A	7610 69
	3723 24	GEAR-DIFF RING	3750 03	GUIDE-INT VALVE	1313 13	HOOK A-SERVICE MAT	7610 41
	3724 12	GEAR-HELICAL,DIFF	3270 02	GUIDE-VALVE	1311 02	HOOK-T/A	3720 31
GASKET-OIL PUMP	1230 11	GEAR-PLANETARY DRIVE	3833 01	HANDLE A-DR,IS	7210 07	HORN A	5410 01
	1231 19	GEAR-PLANETARY,FRT	3833 03		7220 07	HOSE A-AIR CLEANER,OTLT	2411 01
GASKET-PUP CONV	2460 41	GEAR-PLANETARY,RR	3833 08	HANDLE A-FRT DR,O/S	6220 13	HOSE A-BRAKE,FRT	4652 01
GASKET-RR MUFFLER	2460 13	GEAR-RING,FRT	3833 02	HANDLE A-RELEASE,T/GATE	6451 33	HOSE A-BRAKE,RR SHORT	4652 21
GASKET-T/A COVER	3250 17	GEAR-SPEEDO DRIVING WORM	3270 03		6452 33	HOSE A-BREATHER	2411 10
GASKET-T/BODY	1521 24	GEAR-SPEEDOMETER	3750 02	HANDLE A-RR DR,O/S	6320 12	HOSE A-LOWER	2451 26
	1523 11	GLASS A-BACK WDO	6840 05	HANDLE A-SELECTOR CONT	3620 02	HOSE A-REF,DISCHARGE	8340 05
GASKET-TORQUE CONV	3820 03	GLASS A-MIRROR	6630 06	HANDLE A-T/GATE	6451 01	HOSE A-REF,SUCT	8340 04
GEAR	1700 37	GLASS A-PNL	9250 03		6452 01	HOSE A-REF,SUCT&EVAP	8340 01
GEAR A-1ST SPEED	3230 31	GLASS A-QUARTER WDO	6641 17	HANDLE A-T/LID	6450 01	HOSE A-RESERVOIR	5330 04
GEAR A-2ND SPEED	3230 19	GLASS A-QUARTER WDO,RR	6640 22	HANDLE-T/GATE,LWR	7231 12		5330 05
GEAR A-3RD SPEED	3230 16	GLASS A-T/GATE	6641 06		7232 08	HOSE A-RESERVOIR TANK	4410 25
GEAR A-4TH SPEED	3230 05	GLASS A-W/SHIELD	6640 01	HEAD A-CYL	1311 01	HOSE A-T/GATE	5330 17
GEAR A-5TH SPEED	3230 39	GLASS RUN-FRT DR	6240 01		1313 01	HOSE A-UPPER	2451 25
GEAR A-CR/SHF	1331 17	GLASS RUN-RR DR	6340 01	HEAD COMPLETE-CYL	1311 42	HOSE A-VACUUM	2451 05
GEAR A-DIFF	3750 01	GLASS-DROP WDO,FRT DR	6640 10	HEADLINING A	7310 01	HOSE A-VACUUM,I/MANIF	2453 11
	3850 04	GLASS-DROP WDO,RR DR	6640 11	HEADREST A-FRT SEAT	7520 07	HOSE A-W/SHIELD WASHER	5330 10
GEAR A-DRIVEN,SPEEDOMETER	3220 21	GRILLE A-DEFROSTER,SIDE	7113 11	HEADREST A-RR SEAT	7541 57	HOSE-AIR VENT,CANISTER	2130 14
	3710 05	GRILLE A-RAD	6710 01	HEADREST A-RR SEAT,CTR	7541 61		2131 14
	3240 03		6711 01	HINGE A-DR	6220 22	HOSE-ASPIRATOR	8212 16
GEAR A-INPUT SHF CLUSTER	3240 03		6711 01		6320 20	HOSE-AUX REBONATOR	2411 29
GEAR A-PLANETARY	3738 04	GRILLE ASM-RAD	9755 02	HINGE A-HOOD	6110 03	HOSE-BODY WASHER	5330 26
GEAR A-PLANETARY RING	3738 05	GRILLE-TWEETER	5410 44	HINGE A-RR S/BACK,FOLDING	7541 56	HOSE-BREATHER	2241 11
GEAR A-PLANETARY SUN,FRT	3738 01	GRIP A-ASSIST	7310 05	HINGE A-T/GATE	6441 03		2411 05
GEAR A-PLANETARY SUN,RR	3738 03		7310 06		6442 02		3720 28
GEAR A-REV IDLER	3240 11	GRIP-LUMBAR SUPT SEAT	7520 29	HINGE A-T/LID	6440 05	HOSE-BYPASS	2233 13
GEAR A-SLIDING	3230 24	GRIP-RECL FRT SEAT	7620 22	HOLDER A-BATTERY	5610 02	HOSE-DEFROSTER,SIDE	6110 02
GEAR A-SPUR	3832 02	GROMMET	1230 32				

J.
C.
(C)

PART NAME	LOC.NO.	PART NAME	LOC.NO.	PART NAME	LOC.NO.	PART NAME	LOC.NO.
HOSE-EGR	2453 03	HOUSING-TORQUE CONV	3820 01	JOINT A-BALL	6442 08	LATCH A-T/LID	6450 03
	2489 08	HUB A-FWD CLU	3738 02	JOINT A-BALL ,CONT ARM	4190 02	LENS-INST	6220 03
HOSE-ENG VENT	1240 05	HUB UNIT-FRT	4130 05	JOINT SET-INSR	4120 02	LETTERING A-BRAND	6850 04
	1241 05	HUB UNIT-RR	4330 03	JOINT SET-OTR	4120 01	LETTERING A-CAR LEVEL	6850 05
HOSE-FUEL VAPOR VALVE	2453 05	HUB-2ND BRAKE	3737 11	KEY-BLANK	6460 05	LETTERING A-CAR NAME	6850 03
HOSE-HEATER,FDG	2230 17	HUB-DIR CLU	3738 09	KEY-SYN,1ST&2ND SPEED	3230 27	LEVER A-ACCEL CONT PEDAL	4440 04
	2233 16	HYDROMOUNT	4190 21	KEY-SYN,3RD&4TH SPEED	3230 11	LEVER A-GEAR SHIFT CONTROL	9738 02
HOSE-HEATER,RTN	2230 15	IACV&THROTTLE KIT	1810 04	KEY-SYN,5TH SPEED	3230 48	LEVER A-HOOD RELEASE	6110 07
	2233 17	IDLER	8331 14	KEY-VALVE	1311 16	LEVER A-MANUAL VALVE	3725 01
HOSE-I/MANIF	2453 04	IGNITION COIL-CASSETTE	1711 17	KEY-WOODRUFF	1221 19	LEVER A-P/BRAKE	4530 01
HOSE-PCV	1321 21	INJECTOR A-FUEL	1411 11	KNEE BOLSTER A-DRV	7150 01	LEVER A-PARKING BRAKE	9745 05
HOSE-PIPE&WATER PUMP	2230 05		1413 02	KNOB A-SELECTOR LEVER(AT)	9738 07	LEVER A-REV	3280 28
	2233 05	INSERT A-VENT	6410 35	KNOB-G/RAIL,FRT SEAT	7530 40	LEVER A-SELECTOR CONT	3820 01
HOSE-RAD&SURGE TANK	2230 07		6411 35	KNOB-LOCK,RR BACK	7541 43	LEVER A-T/A	3820 28
	2233 07		6413 35	KNUCKLE A-RR	4330 01	LEVER A-T/LID&FUEL FILLER	6420 10
HOSE-RAD,LWR	2230 02	INSERT-OIL PAN PLUG	1230 27	KNUCKLE A-STRG	4130 01	LEVER-ACCEL CONT PEDAL	4440 06
	2233 02		1231 55	LABEL-AUDIO WARNING	6870 17	LEVER-ARM	1521 31
HOSE-RAD,UPR	2230 01	INSULATION-B PILLAR	7810 40	LABEL-CHILD SECURITY LOCK	6870 06	LEVER-CONT	3720 20
	2233 01	INSULATION-BACK PNL,UPR	7810 87	LABEL-ECE	6870 41	LEVER-G/S INTER	3280 16
HOSE-RR WASHER	5330 13	INSULATION-C PILLAR,LWR	6411 57	LABEL-FUEL ECONOMY	6870 14	LEVER-STARTING MOTOR	1780 04
HOSE-SURGE TANK&PIPE	2230 08	INSULATION-DASH PNL,INSR	7810 03	LABEL-FUSE BOX	5820 03	LID A-CNSL,RR	7141 05
	2233 06	INSULATION-DASH PNL,OTR	7810 12	LABEL-IMMOBILIZER	6870 16	LIGHTER A-CIGAR	7130 33
HOSE-T/BODY	2489 07	INSULATION-F/PNL,FRT	7810 05	LABEL-KEYLESS	6870 30	LIN-CLU DISC	3830 08
HOSE-T/BODY&CAM COVER	2453 01	INSULATION-F/PNL,RR	7810 20	LAMP A-EXTN	5140 20		3831 07
HOSE-T/BODY,FDG	2230 20	INSULATION-FENDER	8140 27	LAMP A-FOG,FRT	5110 11		3831 27
	2233 15		8140 51	LAMP A-HEAD	5110 01	LINER A-FENDER	6140 10
HOSE-T/BODY,RTN	2230 14	INSULATION-FRT DOOR,UPR	9772 11	LAMP A-HIGH MT STOP	5140 13	LINER A-RR BUMPER	6750 08
	2233 14	INSULATION-FUEL TANK	2110 33	LAMP A-LICENSE	5140 09	LINING A-F/PNL,TRK	7810 43
HOSE-VENT	8110 08	INSULATION-HOOD,ENG	8110 18	LAMP A-MAP,FRT	5410 09	LINING KIT-BRAKE,RR	4820 18
HOSE-WATER DRAIN	8212 28	INSULATION-RR DOOR,UPR	9772 12	LAMP A-MAP,FRT	5410 03	LINING-F/PNL	7810 01
HOUSING A-ASHTRAY,CNSL	7141 11	INSULATION-RR SEAT	7810 42		5410 21	LINING-INSERT,CNSL	7141 10
HOUSING A-BYPASS	1883 04	INSULATION-SIDE PNL,OTR	6411 56	LAMP A-ROOM,CTR	5410 17	LINK A-FRT STABILIZER	4150 18
HOUSING A-CLUSTER	7120 01	INSULATOR-FRT SPRING,LWR	4140 12	LAMP A-ROOM,LUGGAGE	5410 48	LINK A-PARALLEL,FRT	4310 02
HOUSING A-RAD GRILLE	8710 03	INSULATOR-FRT SPRING,UPR	4140 09	LAMP A-RR COMB	5140 01	LINK A-PARALLEL,RR	4310 03
	8711 03	INSULATOR-RR SPRING,LWR	4320 07	LAMP A-T/SIG,SIDE	5110 17	LINK A-RR STABILIZER	4310 11
HOUSING A-STRG LOCK	4830 13	INSULATOR-RR SPRING,UPR	4320 05	LATCH A-FRT DR	6220 01	LINK A-TEMP	8212 18
	4831 18	INSULATOR-STRUT RR	4320 30	LATCH A-HOOD	6130 06	LINK A-TRAILING,RR	4310 14
HOUSING A-T/A	3721 01	JACK A	9110 04	LATCH A-RR DR	6320 01	LINK-MAIN	8212 17
	3821 01	JACK-LEVER	9110 05	LATCH A-RR S/BACK	7541 20	LINKAGE A-WIPER	5310 08
HOUSING A-THERMOSTAT	1681 07	JET	4520 05	LATCH A-T/GATE	6451 03	LIP A-FRT FASCIA	9780 04
HOUSING-DIFF GEAR	3270 01	JOINT A-BALL	6441 10		6452 03	LIP A-RR FASCIA	9780 09

PART NAME INDEX

English

PART NAME	LOC.NO.	PART NAME	LOC.NO.	PART NAME	LOC.NO.	PART NAME	LOC.NO.
LOCATING-PIECE	6640 05	MOLDING A-WP,CTR	7130 10	PAD-FRT S/BACK	7520 02	PANEL-PILLAR,SIDE,OTR,CTR	6410 06
LOCATOR-FRT SPRING	4140 08	MOLDING A-INST PANEL,CTR	9771 06	PAD-FRT SEAT CUSH	7520 05		6411 06
LOCK A-GLOVE BOX	7113 19	MOLDING A-OTR CHANNEL,FRT	6240 04	PAD-PEDAL,ACCEL CONT	4440 07		6413 06
LOCK SET-CAR	6460 01	MOLDING A-OTR CHANNEL,RR	6340 04	PAD-ROOF RACK,CTR	6430 13	PANEL-PILLAR,SIDE,OTR,FRT	6410 05
LOCK SET-DR	6460 03	MOLDING A-PROTV,FRT DR	6610 01	PAD-ROOF RACK,FRT	6430 12		6411 05
LOCK SET-GLOVE BOX	6460 06	MOLDING A-PROTV,RR DR	6610 02	PAD-ROOF RACK,RR	6430 14		6413 05
LOCK SET-STRG	6460 02	MOLDING A-ROOF	6430 06	PAN A-OIL	3723 32	PANEL-ROCKER	6410 07
LOCK SET-T/LID	6460 04	MOLDING A-W/SHIELD	6640 02	PAN A-OIL,ENG	1230 23		6411 07
LONGITUDINAL A-FLR,LWR	6510 10	MOTOR A-P/WOO	6230 02		1231 29		6413 07
LONGITUDINAL A-FRT	6530 02		6330 02	PAN A-OIL,T/A	3824 06	PANEL-RR DR,OTR	6310 02
LONGITUDINAL A-RR	6530 10	MOTOR A-WIPER,FRT	5310 01	PANEL A-BACK,LWR	6520 15	PANEL-RR FLR,FRT	6520 04
MAGAZINE-CD	5430 07	MOTOR A-WIPER,RR	5320 01	PANEL A-BACK,UPR	6440 09	PANEL-RR FLR,RR	6520 05
MAGNET	3220 20	MOTOR&DRIVE GEAR A	9250 13	PANEL A-CONT	8352 02	PANEL-SIDE,INR,RR	6410 15
	3250 18	MOTOR-BLOWER	8221 02	PANEL A-CTR PILLAR,INR	6410 48		6411 50
	3723 34	MOTOR-IACV	1510 02		6411 66		6413 50
	3820 07	MOTOR-INT	8221 04		6413 66	PANEL-SIDE,OTR	6410 03
MANIFOLD A-EXH	1531 01	MOTOR-MODE	8212 03	PANEL A-DASH,LWR	6150 02		6411 03
	1533 01	MOTOR-TEMP	8212 10	PANEL A-DASH,UPR	6150 01		6413 03
MANIFOLD A-INT	1521 01	MUFFLER A-EXH,FRT	2460 11	PANEL A-FENDER	6140 01	PANEL-SIDE,OTR,RR	6410 08
	1523 01	MUFFLER A-EXH,RR	2460 12	PANEL A-FLR,SIDE	6510 04		6411 08
MAT A-FLR	7610 08	NECK-WATER,INL	1210 06	PANEL A-FRT DR	6210 01		6413 08
MAT-CNSL BODY	7141 15		1211 04	PANEL A-FRT FLR	6510 01	PANEL-SIDE,ROOF	6410 04
MECHANISM	9250 05	NET A-F/PNL	7322 22	PANEL A-FRT,SIDE	6130 04		6411 04
MIRROR A-VS,TILT	7350 01	NET A-L/COMPT	7322 12	PANEL A-FRT,UPR	6130 02		6413 04
MIRROR A-O/S	6630 01	NOZZLE A-OTR	7120 36	PANEL A-HOOD	6110 01	PANEL-TAIL LAMP HOUSING	6411 22
MODULE A-A/C	8212 01		7120 45	PANEL A-INST,MAIN	7113 02		6413 22
MODULE A-ABS	4710 27	NOZZLE A-RR WASHER	5330 14	PANEL A-INST,UPR	7113 01	PATCH A-RR FLR,SIDE	6620 46
MODULE A-AIR BAG,DRIVER	5510 01	NOZZLE A-VENT,CTR	7120 51	PANEL A-QUARTER,INR	6410 51	PATCH-TAIL LAMP HOUSING	6410 21
MODULE A-AIR BAG,PASS	8510 02	NOZZLE A-W/SHIELD WASHER	5330 11		6411 68	PAWL	3825 07
MODULE A-AIR BAG,SIDE	7520 49	OIL DAM	3831 13		6413 68	PAWL-G/S ROD	3260 08
MODULE A-CHIME BELL	5620 10		3831 22	PANEL A-RELEASE,R/CASSETTE	5430 22	PAWL-PARK LOCK	3725 02
MODULE A-EVO	4831 45	OIL-A/T	9120 03	PANEL A-ROOF	6430 01	PEDAL A-BRAKE	4430 01
MODULE A-FOLDING MIRROR	5620 32	OIL-ENG	9120 01	PANEL A-RR DR	6310 01	PEDAL A-CLU	4420 01
MODULE A-FUEL PUMP	2110 02	OIL-M/T	9120 02	PANEL A-RR FLR	6520 01	PEDAL-BRAKE	4430 02
MODULE A-GLASS ANTENNA	5420 14	OIL-P/STRG	9120 04	PANEL A-SIDE,COMPL	6410 01	PEDAL-CLU	4420 03
MODULE-ANTENNA GLASS	5420 22	PAD A-RR S/BACK	7540 03		6411 01	PIECE A-CONN,FRT PNL,UPR	6630 54
MOLDING A-BACK GLASS	6640 07		7541 03		6413 01	PIECE A-CONN,SIDE,OTR	6411 65
MOLDING A-CLUSTER	9771 02		7541 07	PANEL A-T/GATE	6441 01		6413 65
MOLDING A-GARNISH	7120 57	PAD A-RR SEAT CUSH	7540 08		6442 01	PIECE-ADDITIONAL	4810 23
	9771 06	PAD KIT-FRT BRAKE	4510 02	PANEL A-T/LID	6440 01	PIECE-CONN	1230 31
MOLDING A-GLASS,T/GATE	6641 07	PAD KIT-RR BRAKE	4521 02	PANEL-FRT DR,OTR	6210 02		1231 13

PART NAME	LOC.NO.	PART NAME	LOC.NO.	PART NAME	LOC.NO.	PART NAME	LOC.NO.
PIECE-END,FRT SEAT,FRT	7830 20	PIPE A-LIQUID,EVAPORATOR	8340 03	PISTON-1ST&REV BRAKE	3737 17	PULLEY	1740 03
PIECE-END,FRT SEAT,RR	7830 22	PIPE A-MASTER BRAKE,2ND	4852 10	PISTON-2ND BRAKE	3737 01	PULLEY-CR/SHF	1331 27
PIECE-ENGAGING,5TH SPEED	3280 07	PIPE A-MASTER BRAKE,PRIM	4852 09	PISTON-B1 ACCUMULATOR	3723 41	PULLEY-IDLER	1331 14
PILLAR A-FRT	6410 12	PIPE A-OIL COOLER,INL	2241 03	PISTON-C1 ACCUMULATOR	3723 38	PUMP A-OIL,ENG	1230 01
	6411 12		2241 04	PISTON-C2 ACCUMULATOR	3723 44		1231 01
	6413 12		2242 03	PISTON-O/D BRAKE	3736 01	PUMP A-OIL,T/A	3722 12
PIN	3280 29		2242 04	PIVOT A-SUPT HOOD	6130 11		3822 01
	3625 06	PIPE A-OIL COOLER,OTLT	2241 01	PLATE A-BEARING	3832 01	PUMP A-P/STRG	4950 01
	3910 11		2241 02	PLATE A-FLEXIBLE	1220 12	PUMP A-WSHIELD WASHER	5330 03
	4910 02		2242 01		1221 12	PUMP A-WATER	1331 01
PIN-BLOCKING	3280 08		2242 02	PLATE A-TIMING BELT BACK	1331 04		1333 01
PIN-CM/SHF GEAR	1323 11	PIPE A-OIL SUCT	1230 18	PLATE-BEARING	3280 05	RACE-TAPER ROLLER BEARING	3736 07
PIN-COILED	3280 03		1231 21		3832 04		3739 09
	3280 06	PIPE A-P/STRG GEAR	4931 13	PLATE-BRAKE BACKING	4520 02	RACE-TAPER ROLLER	3750 09
	3280 11		4931 14	PLATE-BRAKE, NO.2	3737 07		3750 10
	3280 15	PIPE A-PRESSURE	4950 51	PLATE-BRAKE, NO.3	3737 23	RACE-THRUST BEARING	3736 11
PIN-DIFF SPRING	3270 09	PIPE A-RTN FLOW	4980 20	PLATE-BUMPER	4140 30		3736 13
PIN-DOWEL	3220 02	PIPE A-SUCT	4950 58	PLATE-CAMBOLT	4310 46		3736 15
	3220 03	PIPE A-VACUUM	1311 37	PLATE-CARRIER	6640 03		3736 17
	3250 07		1311 41	PLATE-CLOSING EGR	1311 58		3736 18
PIN-PIBRAKE	4530 09		2451 02	PLATE-CLU	3831 08	RACK A-ROOF	6430 09
PIN-PARK LOCK	3725 11		2451 13		3831 28	RADIATOR A	2210 01
PIN-PISTON	1220 02		2451 15	PLATE-CLU,NO.1	3734 11	RAIL A-FUEL	1411 06
	1221 02	PIPE-BREATHER	3821 06	PLATE-CLU,NO.2	3735 08	RAIL A-GUIDE,FRT DR,FRT	6230 07
PIN-PIVOT	7541 12	PIPE-EGR PASSAGE	1521 10	PLATE-CLU,NO.3	3734 14	RAIL A-GUIDE,FRT SEAT	7830 46
PINION-DIFF DRIVE	3739 04	PIPE-FUEL FDG,CTR	2120 03	PLATE-FIXING	3680 12	RAIL A-GUIDE,RR DR	6330 06
PIPE A-BRAKE HYD UNIT	4852 14	PIPE-HEATER TAKE OFF	1311 28		3680 13	RAIL A-WSHIELD HEADER	6430 02
PIPE A-BRAKE,FRT	4852 11	PIPE-PURGE,CTR	2130 04	PLATE-GUARD	3280 17	RAIL-FUEL	1411 26
	4852 12		2131 04	PLATE-LOCKING	3270 17		1413 01
PIPE A-BRAKE,RR 2ND	4852 17	PIPE-RAD,PUMP	2230 03	PLATE-O/D BRAKE	3736 05	READJUSTING UNIT	4520 13
	4852 18	PIPE-WATER	2233 03	PLATE-OIL BAFFLE	3820 05	RECLINER A-FRT SEAT	7830 03
PIPE A-BRAKE,RR 3RD	4852 19	PISTON	1220 01	PLATE-OIL RESERVOIR	3721 03	RECLINER A-INR	7830 44
PIPE A-BRAKE,RR SHORT	4852 20		3831 21	PLATE-PRESSURE	1331 28	RECLINER A-OTR	7830 43
PIPE A-BRAKE,RR,1ST	4852 15	PISTON 'B'	3831 31	PLATE-T/A CASE	3723 16	RECTIFIER	1740 15
	4852 16	PISTON 'C'	3834 15	PLATE-TYPE	3821 08	REFLECTOR A-REFLEX,RR	5140 34
PIPE A-CLU MASTER CYL	4410 04	PISTON 'D'	3830 01	PLAYER-CD	5430 03	REFLECTOR A-WARNING	9110 13
PIPE A-CONCETRIC SLAVE	4410 33		3834 01	PLUNGER-PRESSURE RELIEF	1230 03	REGULATOR&BRUSH A	1740 29
PIPE A-ENG VENT	1240 03	PISTON 'E'	3831 16		1231 03	REGULATOR-FRT SEAT	7820 12
	1241 03	PISTON A-DIR CLU	3735 03	PROTECTOR-BLEEDER	4510 07	REGULATOR-RECL,FRT SEAT	7520 39
PIPE A-EXH,FRT	2480 08	PISTON A-FWD CLU	3734 03		4521 07	REGULATOR-W/O,FRT	6230 01
PIPE A-LIQUID,CONDENSER	8340 02	PISTON&PIN A	1221 01	PROTECTOR-FILTER,FUEL	2120 52	REGULATOR-W/O,RR	6330 01

PART NAME INDEX

English

PART NAME	LOC.NO.	PART NAME	LOC.NO.	PART NAME	LOC.NO.	PART NAME	LOC.NO.
REINF A	4310 58	RETAINER	2120 15	RING-SEAL	1231 22	ROD A-CONN	1221 04
REINF A-CTR PILLAR	6410 10		2120 17		3710 10	ROD A-G/S	3260 13
	6411 10		2130 45		3724 07	ROD A-PARK LOCK	3725 10
	6413 10		2131 32		3734 19	ROD A-REACTION	4190 91
REINF A-GLOVE BOX,LWR	7113 10		2131 34		3735 12	ROD A-REACTION,LWR	4190 69
REINF A-GLOVE BOX,UPR	7113 09		5140 08	RING-SEAL,THERMOSTAT	1681 01	ROD A-SUPT,HOOD	6130 10
REINF A-ROCKER,RR	6410 49		6413 73		1683 02	ROD-1ST&2ND G/S	3260 02
	6411 38	RETAINER-1 WAY CLU	3737 13	RING-SEAL,WATER PUMP	1331 02	ROD-3RD&4TH G/S	3260 05
	6413 38	RETAINER-OUT RACE	3737 16		1333 02	ROD-ACTUATOR,T/GATE	6451 14
REINF A-RR FASCIA,SPACER	6730 39	RING A-LIGHT	7130 22	RING-SHF SEAL	1220 09		6452 14
REINF A-STRIKER,G/BOX	7113 08	RING KIT-PISTON	1220 03		1313 04	ROD-G/S CONT	3910 09
REINF A-STRIKER,RR,PILLAR	6410 41		1221 03		3270 13	ROD-HANDLE,T/GATE	6451 32
	6411 41	RING-3 CONE INTER	3230 22	RING-SNAP	3723 51		6452 10
	6413 41	RING-ADJUST	3832 06		3734 09	ROD-HOLDER	5810 03
REINF A-TUNNEL	6510 03	RING-CLUSTER BEARING	3240 06		3734 13	ROD-V/S HANDLE,FRT DR	6220 05
REINF-FRT FASCIA,SIDE	6720 18	RING-DIFF BEARING	3270 12		3734 16	ROD-V/S HANDLE,RR DR	6320 03
REINF-ROCKER PNL	6410 11	RING-E	3920 22		3735 07	ROD-KEY CYL,DR	6220 03
	6411 11		3920 23		3735 11	ROD-KEY CYL,T/GATE	6451 04
	6413 11		4420 13		3736 08		6452 04
REINF-RR FASCIA,SIDE	6730 37		4440 03		3736 10	ROD-LOCKING,RR DR	6320 04
	6732 37		4610 05		3737 08	ROD-O/S HANDLE,FRT DR	6220 15
REINFORCING-DISC	1221 14		4652 04		3737 14	ROD-O/S HANDLE,RR DR	6320 14
RELAY A	5620 21		4652 23		3737 24	ROD-PULL P/BRAKE CABLE	4530 04
RELAY A-COOLING FAN	5620 19	RING-EXH VALVE SEAT	1311 04		3831 03	ROD-PULL,LATCH,T/LID	6450 04
RELAY A-CTR DR LOCK	5620 07		1313 12		3831 05	ROD-REV G/S	3260 10
RELAY A-DRL	5620 23	RING-INT VALVE SEAT	1311 03		3831 32	ROLLER A-GUIDE	1333 09
RELAY A-T/SIG	5620 18		1313 11		3833 06	ROOF A-SUN	9250 01
RESERVOIR A-P/STRG OIL	4950 02	RING-LOCKING	2110 04		3833 09	ROTOR	1740 06
RESERVOIR A-WSHIELD	5330 01	RING-PISTON	3824 02		3834 17	ROTOR-OIL PUMP,INR	1230 06
RESERVOIR-BODY	4620 03		3831 02	RING-SPLIT	2110 40	ROTOR-OIL PUMP,OTR	1230 07
RESISTOR A-COOLING FAN	5410 25	RING-RETAINING	3230 35		2110 44	RUBBER-HANGER	2460 15
RESISTOR-BLOWER	8221 03		3230 38		2131 44		2460 23
RESONATOR A	2410 13		3230 47	RING-STOP	3830 05		2460 24
RESONATOR A-2ND	2411 15		3240 05		3831 25	RUBBER-PROTV	4330 18
RESONATOR A-AUX	2411 08		3240 09	RING-SYN	3230 07	SAVER UNIT-BATTERY	5620 52
RESONATOR A-EXH,FRT	2460 39		3260 20		3230 41	SCRAPER-OIL PAN	1231 26
RESTRAINT A-LCOMPT	7322 23		3831 11	RING-SYN,V/S	3230 21	SEAL	1333 23
	7342 03		4130 04	RING-SYN,O/S	3230 23		2110 38
RESTRICTOR-OIL	4950 69	RING-SEAL	1230 05	RING-WASHER RETAINING	3230 04		5330 02
RETAINER	1311 15		1230 20	RIVET	4150 32	SEAL A-GRILLE	6711 06
	1313 19		1231 05	ROD A-CONN	1220 04	SEAL-AXLE SHF	3821 04

J.
C.
(

PART NAME	LOC.NO.	PART NAME	LOC.NO.	PART NAME	LOC.NO.	PART NAME	LOC.NO.
SEAL-AXLE SHF	3950 07	SEAT A-RR BACK	7541 05	SHACKLE-ALTERNATOR	1753 01	SIREN A-RKE&ATAS	5440 06
SEAL-BYPASS	1683 05	SEAT A-RR CUSH	7540 06	SHACKLE-ENG TRANSPORT	1111 02	SKIRT A-SIDE	9760 04
SEAL-CM/SHF,FRT	1321 11	SEAT-ROD HOOD,HOLD OPEN	6110 13		1111 03	SLEEVE	1210 17
SEAL-COVER,LWR	1331 25	SEAT-UPR SPRING,RR	4320 14		1113 02		1210 11
SEAL-COVER,UPR	1331 21	SEAT-VALVE SPRING	1311 44	SHAFT A-AXLE,FRT	4110 01		1211 05
SEAL-COWL	6150 40		1313 15		4110 02		1211 06
SEAL-CR/SHF,FRT	1230 02	SENDER-FUEL	2110 36	SHAFT A-INPUT	3735 02		1211 15
	1231 02	SENSOR A-AIR TEMP	1521 23		3631 16		1230 12
SEAL-CR/SHF,RR	1221 10		2411 04	SHAFT A-INTERM	3734 02		1231 20
SEAL-EGR	1521 26	SENSOR A-AMBIENT	8362 06		4910 03		3220 04
SEAL-INR COVER,FRT DR	7210 56	SENSOR A-CM/SHF POSITION	1331 42	SHAFT A-MAIN,T/A	3230 02		3622 06
SEAL-INR COVER,RR DR	7220 57		1333 31	SHAFT A-SIDE	3650 01	SLEEVE A-SHIFT	3230 06
SEAL-OIL	3723 04	SENSOR A-COOLANT TEMP	1311 21	SHAFT COMPLETE-INPUT	3631 33	SLEEVE A-SHIFT,5TH SPEED	3230 42
	3750 12		1713 06	SHAFT-DIFF GEAR	3270 06	SLEEVE-CLAMPING	3625 04
SEAL-OIL DUCT PLUG	1231 11	SENSOR A-CR/SHF POSITION	1231 39	SHAFT-INPUT DRIVE	3240 02	SLEEVE-DETENT	3260 24
SEAL-OIL PUMP	3622 02		1331 32	SHAFT-MANUAL VALVE	3725 16	SLEEVE-HEADREST	7520 06
SEAL-PILLAR	6410 53	SENSOR A-DISTANCE	2510 09	SHAFT-PARK LOCK PAWL	3725 03		7541 56
	6411 56	SENSOR A-EXH GAS	1531 07	SHAFT-PEDAL	4430 05		7541 59
	6413 56		1533 06	SHAFT-REV IDLER GEAR	3240 12	SLEEVE-NEEDLE	3240 01
SEAL-ROOF RACK,UPR	6430 11		2460 43	SHAFT-SELECTOR	3626 01	SLEEVE-SEALING	3621 06
SEAL-RR FASCIA	6730 34	SENSOR A-MAP	1621 37	SHELF A-BACK PANEL,UPPER	9773 07		3621 17
SEAL-SHF	3621 03		1523 13	SHELF A-BACK PNL,UPR	7320 01	SLIDER A-STEP GATE	3620 55
SEAL-SPLIT	2110 39	SENSOR A-PURGE SOL	1521 46	SHELF A-U/COMPT	7322 11	SNORKEL-AIR CLEANER	2410 19
	2110 43	SENSOR A-RAIN	5620 45	SHIELD	1740 30	SOCKET A-ADAPTER	7141 71
	2131 43	SENSOR A-RESERVOIR	4620 29		1760 39		7342 16
SEAL-SPONGE	7113 22	SENSOR A-SUN	7130 51	SHIELD A-HEAT,E/MANIF	1531 06	SOCKET A-BULB	5220 11
	8221 12	SENSOR A-TEMP	1713 05		1533 06		5220 13
	8221 12	SENSOR A-WATER	8212 09	SHIELD-CATAL CONV PROTV	2460 16		5220 15
SEAL-T/BODY	2411 22	SENSOR A-WHEEL EVO,COLUMN	4831 28	SHIELD-FRT MUFFLER PROTV	2460 16	SOLENOID A-SELECTOR LEVER	3620 35
SEAL-TIMING COVER,UPR	1331 20	SENSOR A-WHEEL SPEED,FRT	4710 03	SHIELD-FUEL FILLER	2110 12	SOLENOID A-T/A	3760 11
SEAL-TRIM,FRT DR	7210 13	SENSOR-AIR BAG	5510 06	SHIELD-OIL RESERVOIR	4950 15		3760 12
SEAL-TRIM,RR DR	7220 02	SENSOR-AIRBAG,SIDE	5510 26	SHIELD-RR MUFFLER PROTV	2460 20		3760 13
SEAL-VALVE STEM	1311 13	SENSOR-KNOCK	1210 13	SHIM	3739 10	SOLENOID-STARTER	1760 10
	1313 16		1523 17		3750 11	SPACER	1740 31
SEAT A-FRT	7510 01	SENSOR-PRESSURE,FUEL PUMP	2110 37		3621 13		3725 17
SEAT A-FRT BACK	7520 17	SENSOR-ROUGH ROAD	2510 14		3621 14	SPACER-FLEXIBLE PLATE	1221 13
SEAT A-FRT CUSH	7520 18	SENSOR-SPEED	3720 16		3624 05	SPANNER	9110 07
SEAT A-FRT SPRING,UPR	4140 06	SENSOR-SPEED,INPUT	3660 07	SHOE A-P/BRAKE	4530 14	SPARK PLUG	1711 06
	4140 07	SENSOR-SPEED,OUTPUT	3621 10	SHOE-G/S	3250 12		1713 22
SEAT A-RR BACK	7540 01	SENSOR-THROTTLE POSITION	1510 03	SHORT BLOCK A	1120 01	SPEAKER A-FRT	5410 06
	7541 01	SHACKLE-ALTERNATOR	1751 07		1121 01	SPEAKER A-RR	5410 23

PART NAME INDEX

English

PART NAME	LOC.NO.	PART NAME	LOC.NO.	PART NAME	LOC.NO.	PART NAME	LOC.NO.
SPEAKER-BALANCE TWEETER	5410 05	SPRING-SYN,3RD&4TH SPEED	3230 12	SUPPORT A-C/MBR,RAD,INR	6530 83	SWTCH A-WDO LIFTER	7210 34
SPOILER A-RR	9210 01	SPRING-SYN,5TH SPEED	3230 48	SUPPORT A-L/COMPT,FRT	7322 05	SWTCH A-WIPER	4810 05
	9782 02	SPRING-TORSION,NO.1	3725 04	SUPPORT A-ROOF,CTR	6430 03	SWTCH-HEADLAMP&DIMMER	7120 15
SPONGE-OIL RESERVOIR	4650 84	SPRING-VALVE	1311 14	SUPPORT A-ROOF,FRT	6430 17	SWTCH-TRUNK OPEN&DIMMER	7120 91
SPRING	4430 07		1313 17	SUPPORT A-ROOF,RR	6430 05	TANK A-FUEL	2110 01
	4440 09	STAND A-SPARE WHEEL	6520 08	SUPPORT A-TRAY,OTR	6530 50	TANK A-VACUUM,VGIS	2451 11
	4520 14	STARTER A	1760 01	SUPPORT-ALTERNATOR	1753 03	TANK-SURGE	2230 08
SPRING A-1ST&REV BRAKE	3737 20	STATOR	1740 09	SUPPORT-C/MBR RAD,OTR	6530 04		2233 08
SPRING A-2ND BRAKE RTN	3737 09	STAY A-FRT BUMPER	8720 41	SUPPORT-ENG MT BRACKET	1331 38	TAPPET-HYD	1311 17
SPRING A-CLOCK	5510 11	STICK A-OIL GAUGE,ENG	1210 08		1333 07	TCM	2510 02
SPRING A-DETENT	3725 14		1211 08	SUPPORT-I/P,UPR	7113 14	TENSIONER A-AIR CMPR	8331 08
SPRING A-DIR CLU RTN	3735 06	STICK A-OIL GAUGE,T/A	3710 09	SUPPORT-RR BUMPER,UPR	6732 20	TENSIONER A-TIMING BELT	1331 12
SPRING A-FWD CLU RTN	3734 05	STICKER-A/C	6670 09	SWTCH A-AC CONT	8350 01		1333 19
SPRING A-GAS OPERATION	6442 09	STICKER-COOLING FAN	2220 07		8352 01	TERMINAL-CABLE	3821 09
SPRING A-OVD BRAKE RTN	3736 09	STICKER-DR FUEL FILLER	6670 31	SWTCH A-AUDIO REMOCON	4810 19		3860 05
SPRING KIT	4520 24	STICKER-TIRE PRESSURE	6670 07	SWTCH A-BACK UP LIGHT	3220 24	THERMOSTAT A	1683 01
SPRING-BTSL	3920 56	STICKER-WARNING,GCC	6670 42	SWTCH A-CONTACT,DR	8220 10	TIP A-EXHAUST,TAIL	9780 21
SPRING-CMPR	3250 09	STIFFENER-DASH,UPR	6150 29		6320 09	TOWING EYE A-RR	6520 12
	3260 18	STOPPER-SUNSHADE,RR	9250 20	SWTCH A-CONTACT,HOOD	5440 08	TRANSAXLE A-AUTOMATIC	3710 01
	3723 48	STRAINER A-OIL	3723 15	SWTCH A-CTR LOCK,DR	7210 89		3810 01
	3723 49	STRAP	1523 21	SWTCH A-HAZARD LIGHT	7120 05	TRANSAXLE A-MANUAL	3210 01
	3723 50		2110 07	SWTCH A-HEAD LAMP,LEVEL	7120 17	TRANSODUCER-PRESSURE	8340 06
	3723 52		2131 50	SWTCH A-HOLD MODE	7141 50	TRAY A-ASHTRAY CNSL,RR	7141 12
	3723 53		2453 09	SWTCH A-HORN	4810 07	TRAY A-BATTERY	6140 04
	3723 54		5710 38	SWTCH A-IGN	4830 14	TRAY A-L/COMPT	7322 29
	3723 55		7321 02		4831 19	TRAY A-L/COMPT,SIDE	7342 15
SPRING-CUP	3830 04	STRIKER A-DR	6220 18	SWTCH A-KEY REMINDER	4830 16	TRAY A-UNDER,FRT SEAT	7610 50
	3831 14		6320 16		4831 22	TRAY-ASHTRAY,I/P	7130 13
	3831 24	STRIKER A-HOOD	8110 30	SWTCH A-LIGHT	7113 20	TRAY-JACK&TOOLS	9110 11
SPRING-FRT	4140 11	STRIKER A-LATCH,T/GATE	6451 07	SWTCH A-MIRROR ADJUST	6630 11	TRAY-OIL	3833 04
SPRING-GAS,T/GATE	6441 09		6452 07	SWTCH A-MIRROR,FOLDING	6630 10	TRIM A-A PILLAR	7330 09
SPRING-GAS,TAILGATE	9784 04	STRIKER A-LATCH,T/LID	6450 07	SWTCH A-NEU START	3720 04	TRIM A-B PILLAR,LWR	7330 06
SPRING-LEG	3825 06	STRIP	5710 41	SWTCH A-OIL PRESSURE	1230 16	TRIM A-B PILLAR,UPR	7330 10
SPRING-OIL RELIEF	1230 04		6420 18		1231 15	TRIM A-BACK PNL,UPR	7320 16
	1231 04	STRIP-INSULATING	6220 21	SWTCH A-PARK&NEU	3821 15	TRIM A-C PILLAR	7330 12
SPRING-PAD	4510 06	STRUT MOUNT A-FRT	4140 04	SWTCH A-PUSH	8360 33	TRIM A-D PILLAR	7330 35
	4521 06	STRUT MOUNT A-RR	4320 04	SWTCH A-SIGNAL&LIGHT	4810 06	TRIM A-FRT DOOR,CENTER	9772 09
SPRING-POSITIONING	3920 51	SUNSHADE A	7350 02	SWTCH A-STOP LAMP	4430 04	TRIM A-FRT DR	7210 01
SPRING-RR	4320 06	SUNSHADE A-SUN ROOF	9250 23	SWTCH A-TRK OPEN	7210 59	TRIM A-ROCKER PANEL,FRT	9773 05
SPRING-SLIDE BLOCK	9250 06	SUPPORT	6720 68	SWTCH A-UNLOCK,KEY CYL	6450 16	TRIM A-ROCKER PANEL,RR	9773 06
SPRING-SYN,1ST&2ND SPEED	3230 28		6720 69	SWTCH A-WARNING,P/BRAKE	4530 03	TRIM A-ROCKER PNL,FRT	7330 48

PART NAME	LOC.NO.	PART NAME	LOC.NO.	PART NAME	LOC.NO.	PART NAME	LOC.NO.
TRIM A-ROCKER PNL,RR	7330 40	VALVE A-CHECK	3723 47	WHARNESS-ROOF	5710 09	WIRE-HIGH TENSION	1711 10
TRIM A-RR DOOR,CENTER	9772 10	VALVE A-EGR	1311 35	WHARNESS-RR DR	5710 05		1711 11
TRIM A-RR DR	7220 01		1713 10	WHARNESS-T/A	3720 05		1713 17
TRIM A-SHROUD,SIDE	7330 01	VALVE A-EGR SOL	1713 23	WHARNESS-T/GATE	5710 52		1713 18
TRIM A-SIDE PNL,RR	7340 04		2453 08	WHARNESS-T/GATE,EXTN	5710 23		1713 19
	7341 01	VALVE A-FILLER CHECK	2110 42	WHARNESS-T/LID	5710 11		1713 20
	7342 01	VALVE KIT-CONT	8320 18	WHARNESS-TCM	5710 28	WIRE-RON,SW	5710 48
TRIM A-T/GATE,LWR	7231 08	VALVE KIT-EXPN	8221 13	WHARNESS-TRK ROOM	5710 07	WRENCH-WHEEL	9110 02
	7232 05	VALVE-EXH	1311 12	WHARNESS-VALVE BODY	3880 02		
TRIM A-T/GATE,SIDE	7231 11		1313 10	WSTRIP A-2ND,FRAME,FRT DR	6340 03		
	7232 05	VALVE-INT	1311 11	WSTRIP A-2ND,FRAME,RR DR	6340 03		
TRIM A-T/GATE,UPR	7231 01		1313 09	WSTRIP A-DR OPG,FRT	6340 07		
	7232 01	VALVE-PCV	1321 17	WSTRIP A-DR OPG,RR	6340 09		
	7330 45		2130 07	WSTRIP A-FRT DR	6240 02		
TRIM A-WH,FRT	6440 16		2131 07	WSTRIP A-FRT DR,INR	7210 36		
TRIM-T/LID,INR	6440 16	VALVE-PROPORTIONING	4882 29	WSTRIP A-FRT DR,LWR	6240 13		
TUBE	1241 08	VALVE-ROLL OVER	2130 31	WSTRIP A-HOOD	6180 05		
TUBE A-FUEL FILLER	2110 08	VALVE-RUBBER	6880 08	WSTRIP A-RR DR	6340 02		
TUBE A-FUEL VAPOR	2130 01	VALVE-SOL	1311 40	WSTRIP A-RR DR,INR	7220 22		
	2131 01		2451 09	WSTRIP A-RR DR,LWR	6340 18		
TUBE A-OIL FILLER	3710 08		2451 10	WSTRIP A-T/GATE	6441 02		
TUBE A-PURGE,INTERM	2131 48	VALVE-SOL PRESSURE	3880 09		6442 06		
TUBE A-SUPPLY,FUEL	2120 42		3880 15	WSTRIP A-T/LID	6440 02		
TUBE A-VAPOR,2 WAY VALVE	2131 28	VALVE-SOL,CANISTER	2131 15	WEIGHT-BALANCE	6880 15		
TUBE-DIFF BEARING	3721 05	VALVE-SOL,VALVE BODY	3880 14	WHEEL	9786 02		
TUBE-DRAIN,SUNROOF,FRT	9280 05	VALVE-THERMOSTAT EXPN	8221 08	WHEEL A	6880 01		
TUBE-DRAIN,SUNROOF,RR	9280 05	VALVE-TIRE	6880 05	WHEEL A-STRO	4810 01		
TUBE-FUEL FDG,RR	2120 01	WHARNESS-ABS	5710 10		9748 02		
TUBE-FUEL FILTER,FRT	2120 07	WHARNESS-ABS RR SENSOR	5710 12	WHEEL-TARGET	1220 22		
TUBE-FUEL FILTER,RR	2120 05	WHARNESS-AIR BAG	5710 43	WHEELHOUSE A-FRT	6140 02		
TUBE-LUBRICATION APPLY	3721 23	WHARNESS-ATC	8212 07	WHEELHOUSE A-RR	6410 19		
TUBE-OIL LEVEL STICK	1210 09	WHARNESS-BATTERY	5710 08		6411 19		
TUBE-PURGE,ENG	2130 06	WHARNESS-CONSOLE	7141 85		6413 19		
TUBE-PURGE,FRT	2130 05	WHARNESS-ENG	5710 03	WPER UNIT A	5310 09		
	2131 05	WHARNESS-FLR	5710 06	WIRE A-NOISE FILTER	6420 26		
TUBE-PURGE,RR	2130 03	WHARNESS-FRT	5710 02	WIRE A-UNDERTRAY	7520 74		
	2131 03	WHARNESS-FRT DR	5710 04	WIRE KIT-HIGH TENSION	1711 07		
TUBE-VAPOR,CANISTER	2130 02	WHARNESS-HORN	5710 53		1713 16		
UNION	3720 26	WHARNESS-I/P	5710 01	WIRE-HIGH TENSION	1711 08		
V BELT	1130 01	WHARNESS-MAP SENSOR	1523 16		1711 09		
VALVE A-BYPASS	1210 10	WHARNESS-POLAR	2120 33				
	1231 14						

INDEX DES NOMS DES PIECES

NOMS DES PIECES	LOC.NO.	NOMS DES PIECES	LOC.NO.	NOMS DES PIECES	LOC.NO.	NOMS DES PIECES	LOC.NO.
ABSORBEUR-ENERGIE,PARE-CH	6720 03	POUTRE A-IMPACT,PARE-CHOCS	6730 04	BUTEE	3738 14	SUPPORT A-CNSLAR	7141 35
ACTIONNEUR A-PTE	6290 01	ROULEMENT	1760 03		3738 16	SUPPORT A-DNS	1711 03
	6290 03		4130 03		3738 19	SUPPORT A-EXTINCTEUR	6610 26
ACTIONNEUR A-SERRURE,COF	6450 13		4140 05		3738 20	SUPPORT A-REPOSE-PIED	7610 15
ACTIONNEUR A-HAYON	6451 13	KIT COUSSINETS-BIELLE	1220 06	SOUFFLET A-TUBE,CHGT,VIT	3910 05	SUPPORT A-CHGT,VIT,AV	3910 15
	6452 13		1221 06	CEINTURE DE SECURITE	7550 01	SUPPORT A-CHGT,VIT,AR	3910 14
ACTIONNEUR A-VGIS	1621 07	KIT COUSSINETS-VILEBREQUN	1220 06	CEINTURE A-VENTRALE,SIEGE	7560 02	SUPPORT A-RESSORT A GAZ	6442 10
ADAPTATEUR-CLAPET RGE	1311 31		1221 06	CEINTURE A-SIEGE AR	7980 01	SUPPORT A-AXE DE GUIDAGE,TB	7113 15
	1719 01	ROULEMENT-BILLES	1740 17	CEINTURE A-SIEGE AR,CTR	7660 29	SUPPORT A-CENTRALE HYD	4710 01
REGLAGE A-HAUTEUR,SIEGE AV	7530 01	ROULEMENT-BILLES,GORGE	3230 36	COURROIE-DISTRIBUTION	1331 18	SUPPORT A-TB,LATERAL	7113 12
REGLAGE HAUTEUR	7550 03		3240 07		1333 15	SUPPORT A-CRIC,NO.1	6520 10
DISP REGLAGE-POUSSOIR	1313 20	ROULEMENT-AIGUILLES	3624 04	BALAI A-ESSUIE-GLACE	5310 03	SUPPORT A-COMPT.CHG	6620 32
ALTERNATEUR A	1740 01		3631 04		5320 03	SUPPORT A-PL,MM,AV	6720 54
ANCRAGE A-SANGLE,CTR	7580 24		3633 07	BLOC-CYLINDRES A	1210 01	SUPPORT A-TUYAU DE DIR,ASS	4920 26
ANCRAGE A-SANGLE,LATERAL	7580 28		3633 11		1211 01	SUPPORT A-REACTION,INF	4190 86
ANTENNE A-SAAV	5440 04	ROULEMENT-ROULEAUX	3230 01	BLOC COULISSANT	9250 09	PATTE A-SUPPORT T/A	4190 32
ANTIGEL	9120 09		3632 03	CORPS A-VANNE DE COMMANDE	3760 01	SUPPORT A-T/A,AR	4190 01
BRAS A-SUSPENSION	4150 01		3632 07		3660 01	SUPPORT A-TIRANT	7113 13
BRAS A-ESSUIE-GLACE	6310 02		3650 02	CORPS A-PAPILLON	1411 01	SUPPORT-CABLE DE COMMANDE	4440 17
	5320 02		3650 03		1510 01		4440 19
INDUIT	1760 12		3650 05	SERVO-FREIN PRINCIPAL	4620 09	SUPPORT-ALTERNATEUR	1751 01
ACCOUDOIR A-DOSSIER AR	7541 37		3650 06	GAINE A-CNSL AV,MT	7141 29		1753 04
CENDRIER A-TB	7130 01	ROULEMENT-ROULEAUX,INT	3632 09	SOUFFLET A-FREIN DE	7141 16	SUPPORT-PEDALE DE FREIN	4430 16
ESSIEU A-AR	4310 01		3632 11	KIT SOUFFLETS	4931 01	SUPPORT-TRAVERSE,INF	4190 48
ESSIEU-AR	4310 37		3650 10	JEU DE SOUFFLETS-INT	4120 04	SUPPORT-CMPR&POMPE	8331 01
SAC-CRIC	9110 10		3650 12	JEU DE SOUFFLETS-EXT	4120 03	SUPPORT-CMPR,AR	8331 10
SAC-OUTIL	9110 01		3650 14	BOITE A-FUSIBLES&RELAIS	5620 01	SUPPORT-POIGNEE DE PTE	7210 05
EQUILIBREUR-EMB,NO.1	3734 08		3650 16	BOITE A-FUSIBLES,PASS	5620 28		7210 91
BILLE	3240 13	ROULEMENT-ROULEAUX,EXT	3632 10	BOITE A GANTS A	7113 04		7220 05
BARRE A-IMPACT,PARE-CHOCS	6732 04		3632 12	BOITE A-COMPT.CHG	7322 13	SUPPORT-ECM	2510 24
TIRANT A	7113 05		3650 11	BOITE A-RELAIS	9250 15	SUPPORT-FAISCEAU CONT MOT	5710 33
BARRE-LIAISON	3625 05		3650 13	BOITE-CNSL,AR	7141 06	SUPPORT-FAISCEAU MOT	5710 35
BARRE-STABILISATRICE AV	4150 05		3650 15	BOITE-PORTE-GOBELET	7141 92	PATTE SUPPORT MOTEUR	4190 24
BARRE-SUPPORT	5610 04		3650 17	BOTIER-DEPOT,TB,CTR	7130 08	SUPPORT-FILTRE A CARBURANT	2120 09
BARRE-CALANDRE	6711 22	ROULEMENT A ROULEAUX	3270 11	RENFORT A-PASS,RO AV	6140 03	SUPPORT-GUIDE,CARTOUCHE	2130 16
BARRE-STABILISATRICE AR	4310 08		3739 06	RENFORT A-PASS,RO,INF	6520 18	SUPPORT-FLEXIBLE,CRP,PAP,RT	2233 42
BARRE-TORSION,CV,COF	6440 11		3739 08	RENFORT-PEDALE DE FREIN	4430 09	SUPPORT-BOTIER DE	4910 12
BARRE-TORSION,CHARNIERE,CV	9784 03		3750 07	RENFORT-PEDALE D'EMB	4420 02	SUPPORT-POULIE DE	8331 15
BATTERIE A	5610 01		3750 08	SUPPORT	3610 13	SUPPORT-COLL,VGIS	1921 19
PILE A-CLE	6460 11	BUTEE	3738 10	SUPPORT A-CARTOUCHE	2131 21	SUPPORT-FILET,SUP,AV	7310 10
POUTRE A-IMPACT,PARE-CHOCS	6720 04		3738 12	SUPPORT A-CNSL,AV	7141 85	SUPPORT-FILET,SUP,AR	7310 12

INDEX DES NOMS DES PIECES

Français

NOMS DES PIECES	LOC.NO.	NOMS DES PIECES	LOC.NO.	NOMS DES PIECES	LOC.NO.	NOMS DES PIECES	LOC.NO.
SUPPORT-SONDE O2	1531 10	AMPOULE	5410 11	BAGUE-BRAS DE SUSPENSION	4150 13	CARTOUCHE	2131 12
	1533 10		5410 19	BAGUE-AMRT	4150 31	CHAPEAU	1210 02
	2460 28		5410 22	BAGUE-BARRE STABILISATRICE	4150 09		1211 02
SUPPORT-CARTER D'HUILE	3624 10		5410 29		4310 07		2451 20
SUPPORT-TUYAU ASP HUILE	1230 19		8350 13	DOUILLE-SERRURE,PTE AV,INF	7210 58		2453 10
SUPPORT-MARCHE/ARRET,ELEC	2131 26		8352 04	DOUILLE-SERRURE,PTE AV,SUP	7210 67		3260 32
SUPPORT-CLIQUET DE VERROU	3725 13	PARE-CHOC	4320 09	DOUILLE-SERRURE,PTE AR,INF	7220 46	GARNITURE A-CNSL	7141 19
SUPPORT-BOITIER D'AIR	1521 33		8110 14	DOUILLE-SERRURE,PTE AR,SUP	7220 45		9739 18
SUPPORT-POMPE,CENTRALE	4950 17		8110 15	BOUTON A-BTSI	3920 57	CHAPEAU A-AVERTISSEUR	4810 03
SUPPORT-CONV PUP,ECHPT	2460 32		6130 09	BOUTON-FIXATION	7321 03	BOUCHON A-REMPLISSAGE	1321 01
SUPPORT-REACTION	4190 85		6220 26	BOUTON-VERROUILLAGE,PTE	6220 29		1323 01
SUPPORT-PARE-SOLEIL	7350 04		6320 25		6320 34	CAPUCHON-BATTERIE	5610 08
SUPPORT-TOIT OUVRANT	9260 01		6440 03	TRAVERSE A-PLANCHE DE	6150 04	CACHE-VIS,CEINTURE DE	7550 10
SUPPORT-TCM	2510 25		6440 04	TRAVERSE A-SIEGE AVANT,AV	6510 05	GARNITURE-SUPPORT,FILET	7310 29
SUPPORT-VGIS	2451 12		6441 08	TRAVERSE A-SIEGE AVANT,AR	6510 06	GARNITURE-CNSL,AUTOMATIQUE	7141 20
FREIN A-STATIONNEMENT,AR	4530 13		6442 07	TRAVERSE A-SUSP AV	4150 10	GARNITURE-CNSLAR	7141 79
FREIN A-AR	4520 01	PARE-CHOC A-AV	6720 01	TRAVERSE A-RAD	6130 08	CHAPEAU BLOC-CYLINDRES	1211 07
ENSEMBLE FREIN A-PRINCIPAL	4610 01	PARE-CHOC A-AR	6730 01	TRAVERSE A-PLCH AR,AV	6530 13		1230 33
PONT-CARTER D'HUILE	1231 25		6732 01	TRAVERSE A-PLCH AR,AR	6530 14	CACHE-POUSSIERE	4520 04
PONT-BOULON DE TENSION	3250 01	BUTEE-VIS DE REGLAGE	4440 10	CABLE A-COMMANDE D'ACCEL	4440 01	GARNITURE-REPOSE-PIED	7910 34
BOUCLE A-CEINTURE DE	7560 02	BUTEE-CREUSE,AV	4140 10	CABLE A-COMMANDE TOIT	9260 27	GARNITURE-PLCH AV	6510 17
BOUCLE A-CEINTURE DE	7560 03	BUTEE-RAD,INF	2220 04	CABLE A-TRAPPE REMPLISSAGE	6420 08	BOUCHON-REMPLISSAGE	6420 01
	7560 28	BUTEE-RAD,SUP	2220 02	CABLE A-OUVERTURE DE CAPOT	6110 10	GARNITURE-POULIE GUIDE	7560 27
	7560 31	BUTEE-HAYON,LATERALE	6441 12	CABLE A-MODE	8350 29	GARNITURE-CHARNIERE,DOSSIE	7520 20
BUTEE-PEDALE D'EMBRAYAGE	4420 37	BUTEE-CHARNIERE DE CV.COF	6440 06	CABLE A-FREIN DE	4630 12	GARNITURE-CHARNIERE,COUSSE	7620 21
AMPOULE	5110 02	BAGUE	1740 19	CABLE A-COINT SELECTEUR	3920 30	CAPUCHON-FREIN PRINCIPAL	4620 02
	5110 03		3220 05	CABLE A-TEMP	8350 30	CAPUCHON-ECROU	6660 12
	5110 04		3220 30	CABLE-ANTENNE,TB	5420 07	CAPUCHON-CONDUIT D'HUILE	1311 06
	5110 12		3821 02	CABLE-ANTENNE,AR	5420 08	BOUCHON-HUILE,RESERVOIR,DI	4950 03
	5110 18		3825 02	CAGE A-SUPPORT AT	4190 29	CHAPEAU-TUYAU,HAUT	8340 37
	5140 02		3920 50	CAGE-AIGUILLES	3230 06	CHAPEAU-TUYAU,BAS	8340 38
	5140 03		3920 64		3230 20	CHAPEAU-PURGE	2130 10
	5140 04		4310 18		3230 32	BOUCHON-RESERVOIR	5330 07
	5140 10		4310 27		3230 33	BOUCHON-VISSE	6420 06
	5140 14		4310 28		3230 40	CHAPEAU-SUPPORT DE JAMBE	4140 01
	5140 21		4440 12	ETRIER A-FREIN,AV	4510 01	BOUCHON-VASE D'EXPANSION	2230 09
	5140 22		6451 16	ETRIER A-FREIN,AR	4521 01		2233 09
	5220 10		6451 17	ARBRE A CAMES A	1321 10	CHAPEAU-RESSORT SOUPAPE	1313 18
	5220 12		6452 16	ARBRE A CAMES A-ECHPT	1323 10	CAPUCHON-CHAMBRE A EAU	1311 07
	5220 14		6452 17	ARBRE A CAMES A-ADM	1323 09	CHAPEAU-ROUE ALLIAGE	9766 03
	5410 04		7520 65	CARTOUCHE	2130 12	CHAPEAU-ROUE,CTR	6660 04

NOMS DES PIECES	LOC.NO.	NOMS DES PIECES	LOC.NO.	NOMS DES PIECES	LOC.NO.	NOMS DES PIECES	LOC.NO.
CHAPEAU-ROUE,CTR	6660 07	COMPRESSEUR SUB A	6320 09	GARNITURE A-TB,LATERALE	7113 03	COUVERCLE-POIGNEE,PTE AR	7220 56
CAPUCHON-BRAS	5310 05	CONDENSEUR A	8310 01	COUVERCLE A-INT,PTE AR	6340 10	GARNITURE-LOGEMENT,CALAND	6711 23
	5320 06	RACCORD A-DISTR AIR	8110 18		9771 11	GARNITURE-INT,RETROVISEUR	6630 15
CHRG A-COFFRE	9792 06	CONNECTEUR A-CAPTEUR	7113 17	COUVERCLE A-COMM LV.EL,PTE	7220 36	GARNITURE-INT,HAYON,INF	7231 09
SUPPORT	4510 13	RACCORD A-ORIFICE	4652 08	COUVERCLE A-DETECTEUR DE	5620 46	COUVERCLE-INST	5220 02
	4521 13	RACCORD-DEPRESSION	1523 03	COUVERCLE A-AR	8352 03	COUVERCLE-POMPE A HUILE	1230 08
SUPPORT-DISQUE,INT	3831 01	CONSOLE A-AV	7141 45	COUVERCLE	7120 68	GARNITURE-EXT,SIEGE AV	7520 09
SUPPORT-PIGNON INT	3830 10	CONSOLE A-AR	7141 61	COUVERCLE A-T/A,AR	3724 01	COUVERCLE-COMM LV.EL,PTE	7210 33
BOITIER A-DIFF	3750 04	CONSOLE-AV,INF	7141 94		3824 01		7210 71
CARTER A-AV	3220 01	CONSOLE-AV,SUP	7141 93	COUVERCLE A-COURROIE	1331 22	COUVERCLE	6450 11
	3723 01	COMMANDE A-CHGT,VIT	3910 01	COUVERCLE A-COURROIE	1331 19	GARNITURE-CALANDRE	6710 02
	5220 08	COMMANDE A-GUIDE CHGT,VIT	3910 10	COUVERCLE A-DISP	1333 27		6710 14
BOITIER-INS	5220 08	MODULE DE COMMANDE	5440 02	GARNITURE A-CADRE DE	6630 04		6711 02
BOITIER-DEGAGEMENT PAN	5430 25	MODULE DE	4830 33	ENJOLIVEUR A-ROUE	6660 02		6711 14
CASSETTE-AM/FM STEREO	5430 01		4831 57	GARNITURE-POIGNEE DE	7310 15	COUVERCLE-COL.DIR,INF	4820 02
CHANGEUR A-CD	5430 08		2460 40	GARNITURE-PAN AR,INF	7342 17	COUVERCLE-COL.DIR,SUP	4820 01
GOUTTIERE	8250 06	CONVERTISSEUR A-PUP	3720 01	COUVERCLE-OBTURATEUR	7130 46	COUVERCLE-TOLE	4130 02
ARRET A-PORTE AV	8220 07	CONVERTISSEUR DE COUPLE	3820 02		7130 49	COUVERCLE-COQUILLE	4810 21
ARRET A-PORTE AR	8320 08		5430 08		7130 50	COUVERCLE-COQUILLE,VOLANT,	9746 04
CIRCLIP	3230 14	CORDON-CHANGEUR DE CD,TB	5430 09		7130 82	GARNITURE-LATERALE,INT	9280 11
	3230 30	CORDON-CHANGEUR DE CD,AR	5430 09	COUVERCLE-OBTURATEUR,CEN	7141 30	GARNITURE-LATERALE,COMPT.C	7330 36
FILTRE A-AIR	2410 01	FAISCEAU A-EVAPORATEUR	8221 07	COUVERCLE-OBTURATEUR,PRIS	7141 75	GARNITURE-LATERALE,EXT	9250 12
FILTRE A-AIR,SUP	2410 02	RADIATEUR-CHAUFFAGE	8212 12	COUVERCLE-OBTURATEUR,RADI	7130 23		9739 19
FILTRE-AIR,INF	2410 03	COUVERCLE	1740 27	COUVERCLE-OBTURATEUR,COM	7220 74	GARNITURE-SUPT,COMPT.CHG	7322 30
CHAPE-FREIN PRINCIPAL	4820 07		3920 82	COUVERCLE-OBTURATEUR,COM	7210 61	COUVERCLE-T/A	3290 16
MONTRE A-NUMERIQUE	7130 27	COUVERCLE A-FILTRE A AIR	8221 10	GARNITURE-BOITE,COMPT.CHG	7322 31	GARNITURE-ANCRAGE DE	7310 30
TABLEAU DE BORD A	5220 01	GARNITURE A-PAN AR,INF	7340 19	GARNITURE-SUPPORT,ACCOUD	7541 41	HOUSSE A-DOSSIER AV	9775 03
ROUE LIBRE A	3737 10		7341 05	COUVRE-PEDALE DE FREIN	4430 03		9775 10
EMBAYAGE A-MULTIDISQUE	3734 01	COUVERCLE A-OBTURATEUR	7120 72	GARNITURE-MONTANT C	7330 29	HOUSSE A-COUSSIN AV	9775 02
KIT EMBRAYAGE&POULIE	8320 02	COUVERCLE A-MONTANT C,EXT	6413 70	COUVERCLE-EMB	3110 02	HOUSSE A-APPULTETE AV	9775 04
ROUE LIBRE NO.1	3737 12	GARNITURE A-CHANGEUR DE CD	7340 55	COUVERCLE-DIFFERENTIEL	3220 06		9775 11
ROUE LIBRE NO.2	3737 15	COUVERCLE A-AAC	1321 16	PARE-POUSSIERE,AR	4320 08		9775 12
EMBRAYAGE-MULTIDISQUE	3735 01		1323 06	COUVERCLE-REBORD,MONTANT	6410 59	HOUSSE A-DOSSIER AR	9775 06
ROBINET A-VIDANGE	2210 11	COUVERCLE A-AAC,SUP	1321 03		6411 59	HOUSSE A-COUSSIN AR	9775 05
SERPENTIN&LOGEMENT A	8320 07		1323 03	GARNITURE-SIEGE AV,INT	6413 59	HOUSSE A-APPULTETE AR	9775 07
BOBINE-DIS	1711 01	GARNITURE A-CTR,COMPT.CHG	7321 01		7520 34	HOUSSE A-DOSSIER AR	7540 02
	1713 09	COUVERCLE A-ANTIBROUILLARD	8720 05	COUVERCLE-TROU DE	6520 19		7541 02
BAGUE	1740 04	GARNITURE A-DOSSIER AV	7520 31	COUVERCLE-PORTE-FUSIBLES	5610 16		7541 06
	1740 06	GARNITURE A-SIEGE AV,INT	7520 48	COUVERCLE-BOITE A	5620 04	HOUSSE A-COUS SIEGE AR	7540 07
COLONNE A-DIRECTION,NON	4830 01	GARNITURE A-SIEGE AV,INT	7520 48	COUVERCLE-BOITE A	5620 02	HOUSSE-DOSSIER AV	7520 01
COLONNE	4831 01	COUVERCLE A-CHGT,VIT	3280 12	COUVERCLE-BOITE A	5620 02	HOUSSE-COUSSIN SIEGE AV	7520 04
COMPRESSEUR A	8320 01	GARNITURE A-TB,CTR,INF	7113 07	COUVERCLE-POIGNEE DE	7210 92		
		GARNITURE A-TB,INF	7113 08				

INDEX DES NOMS DES PIECES

Français

NOMS DES PIECES	LOC.NO.	NOMS DES PIECES	LOC.NO.	NOMS DES PIECES	LOC.NO.	NOMS DES PIECES	LOC.NO.
AUVENT A	6150 06	DISQUE-EMB	3734 10	VENTILATEUR A-AUX	2220 15	ARMATURE-COUSSIN SIEGE AV	7520 08
MANIVELLE A-PTE	6320 32		3734 15	VENTILATEUR A-PRINCIPAL	2220 05	CADRE-RADIO	5430 10
MANIVELLE A-LEVE-VITRE	7210 10	DISQUE-EMB,NO.2	3735 09	BOUCLIER A-PARE-CHOCS,AV	6720 02	CARCASSE-EXTREMITE BAGUE	1740 18
	7220 13	DISQUE-EMB,EXT	3830 07	BOUCLIER A-PARE-CHOCS,AR	6730 02	ENTONNOIR A-LAVE-GLACE DE	5330 06
VILEBREQUIN A	1220 07		3830 09		6732 02	PORTE-FUSIBLES	5610 15
	1221 07		3831 08	FIXATION-CABLE SELECTEUR	3920 24	FUSIBLE-MINI	5620 13
COUSSIN	1760 38		3831 09	FILTRE A-AIR	8221 09	FUSIBLE-FUSION LENTE	5620 15
VERIN A	4510 12		3831 28	FILTRE A-HUILE,MOT	1230 30	GARNITURE A-PTE AV,CTR	6240 05
	4521 12		3831 29		1231 18	GARNITURE A-CAPOT	6110 38
MAITRE-CYLINDRE A-FREIN	4620 01	DISQUE-VERROU	3825 03	FILTRE A-HUILE,T/A	3820 08	GARNITURE A-PTE AR,CTR	6340 05
MAITRE-CYLINDRE	4410 01	DISQUE-ARBRE SECONDAIRE	3230 34	FILTRE-CARBURANT	2120 08	GARNITURE A-PTE AR,AR	6340 07
CYLINDRE A-RECEPTEUR	4410 36	DISQUE-FREIN DE SURMU	3736 04	DOIGT-CHGT	3290 14	GARNITURE-PORTE	9772 07
CYLINDRE A-FREIN DE ROUE	4520 03	DISQUE-ELASTIQUE	3830 06	ENJOLIVEUR-GARNITURE DE	7310 02		7210 31
CYLINDRE-'C'	3834 16		3831 10	BRIDE-FREIN,NO.2	3737 05	GARNITURE-PTE	9772 08
CYLINDRE-FREIN,NO.2	3737 02		3831 30	BRIDE-FREIN,NO.3	3737 21		7220 37
DEFLECTEUR A-AIR,ENT	2410 50		3834 02	BRIDE-EMB	3734 12	JOINT	3620 04
JOINT-VITRE,CUSTODE	6641 18	DISQUE-EMETTEUR	1221 17		3734 16	JOINT	6630 19
JOINT-VITRE,HAYON	6641 16	TRAPPE A-REMPLISSAGE	6420 02		3734 17	JEU DE JOINTS-REVISION	1141 01
AMORTISSEUR A-JAMBE	4140 13	GOUPILLE-GUIDAGE	7113 18	BRIDE-ROULEMENT DE PIGNON	3270 15		1143 01
AMORTISSEUR A-JAMBE	4320 10	ENTRAINEMENT&ARBRE A	1760 34	BRIDE-EMB DE PRISE DIRECTE	3735 10		1143 14
AMORTISSEUR A-TORSION	1231 42	OUTIL D'ENTRAINEMENT	9110 03	BRIDE-FREIN DE SURMU	3736 06	JOINT-PLAQUE DE ROULEMENT	3250 19
BAGUE AMORTISSEUR	1333 24	TAMBOUR A-FREIN,AR	4330 08		3736 07	JOINT-APPLICATION DE FREIN	3724 17
AMORTISSEUR-FILTRE A AIR	2410 30	TAMBOUR A-EMB MARCHE	3734 06	PLANCHER A-COMPT.CHG,AV	7322 09	JOINT-TAMBOUR DE FREIN	3723 31
AMORTISSEUR-POIGNEE DE	7310 38	DESHYDRATEUR A-RESERVOIR	8310 02	LIQUIDE-FREINS	9120 05	JOINT-CONV CATAL	2480 10
AMORTISSEUR-CARBURANT	1411 27	CONDUIT A-ESPACE JAMBES,AR	8110 19	LIQUIDE-LAVE-VITRE	9120 06	JOINT-COUVERCLE AAC	1321 08
	1413 17	CONDUIT-AIR,TB	8110 01	VOLANT MOT A	1220 10		1323 07
AMORTISSEUR DE VIBRATIONS	4190 94	ECM	2510 01		1221 11	JOINT DE CULASSE	1311 25
MANCHON AMORTISSEUR	4710 29	ELEMENT A-FILTRE A AIR	2410 07	MOUSSE-PAN,PLCH,COFFRE	6520 58		1313 23
INSONORISANT	6520 35	EMBLEME A	6650 01	REPOSE-PIED A	7610 17	JOINT-COUVERCLE DE	3220 07
	6732 00		6650 02	FOURCHETTE A-CHGT,VIT	3290 01	JOINT-BOUCHON DE VIDANGE	3723 36
INSONORISANT-STD	7810 28	EXTREMITE-BIELLETTE	4931 05	FOURCHETTE	3250 11	JOINT-COLECHPT	1631 02
DEFLECTEUR-EAU	4190 37	MOTEUR A	1111 01	FOURCHETTE-CHGT,VIT 3E&4E	3290 04		1633 03
DEFLECTEUR-VITRE	9250 04		1113 01	FOURCHETTE-CHGT,VIT,M,ARR	3290 06	JOINT-RGE	1713 12
DIFFUSEUR-FILTRE A AIR	2410 47	ECUSSON-PORTE AV	7210 62	CADRE A-PAVILLON,AR	6430 04	JOINT-ADAPTATEUR RGE	1311 30
KIT DISQUES-C&D	3834 18	ECUSSON-PORTE AR	7220 40	ARMATURE A-DOSSIER AR	7541 04	JOINT-TUYAU RGE,VGIS	1521 18
DISQUE-PIGNON CONIQUE	3270 07	EXTENSION-PAN LATERAL,EXT	6410 40		7541 06	JOINT-CLAPET RGE	1311 34
DISQUE-FREIN,PLEIN,AR	4330 07		6411 29	CADRE A-TOIT OUVRANT	6430 08	JOINT-ADAPTATEUR	1713 02
DISQUE-FREIN,NO.2	3737 06		6413 29	CARCASSE&ROULEMENT A	1740 07	JOINT-RENIPLARD MOTEUR	1240 01
DISQUE-FREIN,NO.3	3737 22	EXTINCTEUR A	6510 24	CARCASSE-EXTREMITE	1760 21		1241 01
DISQUE-FREIN,AV	4130 08	EXTRUSION-FAISC,AR ABS	4310 30	CARCASSE-CHAMP	1760 17	JOINT-ECH,TUYAU AV	2480 01
DISQUE-EMB	3110 01	VENTILATEUR	1740 05	ARMATURE-DOSSIER AV	7520 03	JOINT-COURROIE CRANTEE AV	1333 22

NOMS DES PIECES	LOC.NO.	NOMS DES PIECES	LOC.NO.	NOMS DES PIECES	LOC.NO.	NOMS DES PIECES	LOC.NO.
JOINT-COUVERCLE DE CHGT.VIT	3260 21	BOUTIER A-DIRECTION	4910 01	PASSE-TUBE	2131 48	PORTE-CARTE A	7120 29
JOINT-APPLICATION	3723 08	PLANETAIRE A,AV	3633 05		4440 02	PORTE-GOBELET A	7141 43
	3723 09	PLANETAIRE A,AR	3633 10		4631 20	ETUI A-LUNETTES DE SOLEIL	7310 37
JOINT-COLADM	1521 25		3270 20		4650 24	PORTE-BALAIS	1780 18
	1523 04	PIGNON-CONIQUE D'ARBRE DE	3270 05		5710 54	PIECE DE	4630 05
JOINT LIQUIDE	1230 34	PIGNON-CONIQUE DIFF	3270 06		6110 11	CAPOT A-COURROIE CRANTEE	1333 21
	1231 56	PIGNON-ENSEMBLE,5E VITESSE	3240 06	PASSE-TUBE DE DRAINAGE	9260 07	CAPOT A-COURROIE CRANTEE	1333 04
JOINT-FREIN PRINCIPAL	4820 19	PIGNON-AAC	1331 09		9260 08	CROCHET	2410 26
JOINT-REMPLISSAGE D'HUILE	1323 03		1333 16	DOUILLE-ESBUIE-GLACE	5320 04		6140 26
JOINT-CARTER D'HUILE	3723 22	PIGNON-ENTRAINEMENT	3739 01	GARDE-BOUE A,AV	6750 01		7340 25
	3624 09	PIGNON-INTERMEDIAIRE MENE	3739 03	GARDE-BOUE A,AR	6750 05		7540 61
JOINT-CARTER D'HUILE,LIQUIDE	3721 15	PIGNON-VILEBREQUIN	1231 36	GUIDE-SOUPAPE ECHPT	1313 14	CROCHET A	7610 69
	3723 24	COURONNE DE DIFF	3750 03	GUIDE-SOUPAPE ADM	1313 13	CROCHET A-TAPIS SERVICE	7610 41
	3724 12	PIGNON-HELICOIDAL,DIFF	3270 02	GUIDE-SOUPAPE	1311 02	CROCHET-TIA	3720 31
JOINT-POMPE A HUILE	1230 11	PIGNON D'ATTAQUE-TRAIN	3633 01	POIGNEE A-PTE,INT	7210 07	AVERTISSEUR SONORE A	6410 01
	1231 19	TRAIN PLANETAIRE,AV	3633 03		7220 07	FLEXIBLE A-FILTRE A AIR,SOR	2411 01
JOINT-CONV PUP	2460 41	TRAIN PLANETAIRE,AR	3633 08	POIGNEE A-PORTE AV,EXT	6220 13	FLEXIBLE A-FREIN,AV	4652 01
JOINT-SILENCIEUX AR	2460 13	COURONNE,AV	3633 02	POIGNEE A-OUVERTURE,HAYON	6451 33	FLEXIBLE	4652 21
JOINT-COUVERCLE DE T/A	3250 17	PIGNON-VIS BANS FIN DE	3270 03		6452 33	FLEXIBLE A-RENIFLARD	2411 10
JOINT-CORPS PAPILLON	1521 24	PIGNON-INDICATEUR DE	3750 02	POIGNEE A-PORTE AR,EXT	6320 12	FLEXIBLE A-INF	2451 26
	1523 11	VITRE A-LUNETTE AR	6640 06	POIGNEE A-SELECTEUR CONT	3620 02	FLEXIBLE A-FRIG,DECHARGE	6340 05
JOINT-CONVERTISSEUR DE	3620 03	GLACE A-RETROVISEUR	6630 06	POIGNEE A-HAYON	6451 01	FLEXIBLE A-FRIG,ASP	6340 04
PIGNON	1780 37	PANNEAU VITRE A	9250 03		6452 01	FLEXIBLE A-FRIG,ASP&EVAP	6340 01
PIGNON A-1ERE VITESSE	3230 31	VITRE A-CUSTODE	6641 17	POIGNEE A-CV,COF	6450 01	FLEXIBLE A-RESERVOIR	6330 04
PIGNON A-2E VITESSE	3230 19	VITRE A-CUSTODE,AR	6640 22	POIGNEE-HAYON,INF	7231 12		5330 05
PIGNON A-3E VITESSE	3230 16	VITRE A-HAYON	6641 06		7232 06		4410 25
PIGNON A-4E VITESSE	3230 05	VITRE A-PARB	6640 01	CULASSE A	1311 01	FLEXIBLE A-HAYON	5330 17
PIGNON A-5E VITESSE	3230 39	COULISSE DE VITRE-PORTE AV	6240 01		1313 01	FLEXIBLE A-SUP	2451 25
PIGNON A-VILEBREQUIN	1331 17	COULISSE DE VITRE-PORTE AR	6340 01	CULASSE COMPLETE	1311 42	FLEXIBLE A-DEPRESSION	2451 05
PIGNON A-DIFF	3750 01	VITRE-OUVRANTE,PORTE AV	6640 10	GARNITURE DE PAVILLON A	7310 01	FLEXIBLE	2453 11
	3630 04	VITRE-OUVRANTE,PORTE AR	6640 11	APPUI-TETE A-SIEGE AV	7520 07	FLEXIBLE A-LAVE-GLACE DE	6330 10
PIGNON A-MENE,INDICATEUR DE	3220 21	GRILLE	7113 11	APPUI-TETE A-SIEGE AR	7541 57	FLEXIBLE-EVENT,CARTOUCHE	2130 14
	3710 05	CALANDRE A	6710 01	APPUI-TETE A-SIEGE AR,CTR	7541 61		2131 14
PIGNON A-ENSEMBLE DE	3240 03		6711 01	CHARNIERE A-PTE	6220 22	FLEXIBLE-ASPIRATEUR	6212 16
TRAIN PLANETAIRE A	3736 04	ENS CALANDRE	9795 02		6320 20	FLEXIBLE-RESONATEUR AUX	2411 29
COURONNE DE TRAIN	3736 05	GRILLE-H.P AIGUS	5410 44	CHARNIERE A-CAPOT	6110 03	FLEXIBLE-CORPS DE	5330 26
PLANETAIRE A,AV	3736 01	POIGNEE A-MAINTIEN	7310 05	CHARNIERE A-DOSSIER	7541 56	FLEXIBLE-RENIFLARD	2241 11
PLANETAIRE A,AR	3736 03		7310 06	CHARNIERE A-HAYON	6441 03		2411 05
PIGNON A-RENOI DE M.ARR	3240 11	POIGNEE-SUPT LOMBAIRE SIEGE	7520 29		6442 02		3720 26
PIGNON A-COULISSANT	3230 24	POIGNEE-SIEGE AV INCL	7520 22	CHARNIERE A-CV,COF	6440 05	FLEXIBLE-DERIVATION	2233 13
ENGRENAGE A-DENTURE	3632 02	PASSE-TUBE	1230 32	SUPPORT A-BATTERIE	5610 02	FLEXIBLE-DEGIVREUR,LATERAL	6110 02

INDEX DES NOMS DES PIECES

Français

NOMS DES PIECES	LOC.NO.	NOMS DES PIECES	LOC.NO.	NOMS DES PIECES	LOC.NO.	NOMS DES PIECES	LOC.NO.
FLEXIBLE-RGE	2453 03	CARTER-CONVERTISSEUR DE	3820 01	ROTULE A	6442 08	SERRURE A-CV.COF	6450 03
	2453 06	MOYEU A-EMB MARCHE AVANT	3738 02	ROTULE A,BRAS DE	4150 02	GLACE-INST	5220 03
FLEXIBLE-RENIFLARD MOTEUR	1240 05	MOYEU-AV	4130 05	JEU DE JOINTS-INT	4120 02	INSCRIPTION A-MARQUE	6650 04
	1241 05	MOYEU-AR	4330 03	JEU DE JOINTS-EXT	4120 01	INSCRIPTION A-NIVEAU DE LA	6650 06
FLEXIBLE-CLAPET DE VAPEURS	2453 05	MOYEU-FREIN DE 2E	3737 11	CLE-BRUTE	6460 05	INSCRIPTION A-NOM DE LA	6650 03
DURIT-CHAUFFAGE.ALIM	2230 17	MOYEU-EMB PRISE DIRECTE	3738 09	CLAVETTE-SYN,1ERE&2E	3230 27	LEVIER A-PEDALE DE	4440 04
	2233 16	SUPPORT HYDROMOUNT	4190 21	CLAVETTE-SYN,3E&4E VITESSE	3230 11	LEVIER A-COMMANDE DE	9739 02
DURIT-RETOUR CHAUFFAGE	2230 15	KIT IACV&PAPILLON	1510 04	CLAVETTE-SYN,5E VITESSE	3230 45	LEVIER A-OUVERTURE DE	6110 07
	2233 17	POULIE DE RENVOI	8331 14	CLAVETTE-SOUPAPE	1311 16	LEVIER A-TIROIR MANUEL	3725 01
FLEXIBLE-COLADM	2453 04	BOBINE D'ALLUMAGE-CASSETTE	1711 17	CLAVETTE WOODRUFF	1221 19	LEVIER A-FREIN DE	4530 01
FLEXIBLE-PCV	1321 21	INJECTEUR A-CARBURANT	1411 11	APPUI-GENOUX A-CONDUCTEUR	7150 01		9745 05
DURIT-TUYAU&POMPE A EAU	2230 05		1413 02	BOUTON A-LEVIER	9739 07	LEVIER A-M.ARR	3260 28
	2233 05	INSERT A-VENT	6410 35	BOUTON-GLISSIERE,SIEGE AV	7530 40	LEVIER A-SELECTEUR CONT	3920 01
DURIT-RAD&VASE D'EXPANSION	2230 07		6411 35	COLLERETTE-VERROU,DOSSIER	7541 43	LEVIER A-T/A	3920 28
	2233 07		6413 35	PORTE-MOYEU A-AR	4330 01	LEVIER	6420 10
DURIT-RAD,INF	2230 02	INSERT-BOUCHON CARTER	1230 27	PIVOT DE FUSEE A	4130 01	LEVIER-PEDALE DE COMMANDE	4440 06
	2233 02		1231 55	ETIQUETTE-AVERTISSEMENT	6670 17	LEVIER-BRAS	1521 31
DURIT-RAD,SUP	2230 01	ISOLATION-MONTANT B	7610 40	ETIQUETTE-SERRURE DE	6670 06	LEVIER-CONT	3720 20
	2233 01	ISOLATION-PAN AR,SUP	7610 67	ETIQUETTE-ECE	6670 41	LEVIER-INTER CHGT.VIT	3260 16
FLEXIBLE-LAVE-GLACE AR	5330 13	ISOLATION-MONTANT C,INF	6411 57	ETIQUETTE-CONSOMMATION DE	6670 14	POURCHETTE-DEMARREUR	1760 04
DURIT-VASE	2230 08	ISOLATION-TABLIER,INT	7610 03	ETIQUETTE-BOITE A FUSIBLES	6620 03	COUVERCLE A-CNSL,AR	7141 05
	2233 08	ISOLATION-TABLIER,EXT	7610 12	ETIQUETTE-BLOCAGE DU	6670 16	ALLUME-CIGARES A	7130 33
FLEXIBLE-CRP.PAP	2453 07	ISOLATION-PAN.PLCH,AV	7610 05	ETIQUETTE-ACCES SANS CLE	6670 30	GARNITURE-DISQUE	3830 08
FLEXIBLE-CRP.PAP&COUVRE-CU	2453 01	ISOLATION-PAN.PLCH,AR	7610 20	FEU A-EXTN	5140 20		3831 07
FLEXIBLE-CRP.PAP,ALIM	2230 20	ISOLATION-AILE	6140 27	FEU A-ANTIBROUILLARD,AV	5110 11		3831 27
	2233 15		6140 51	PHARE A	5110 01	DOUBLURE A-AILE	6140 10
FLEXIBLE-CRP.PAP,RTR	2230 14	ISOLATION-PORTE AV,SUP	9772 11	FEU A-3E STOP	5140 13	DOUBLURE A-PARE-CHOCS AR	6750 08
	2233 14	ISOLATION-RESERVOIR DE	2110 33	FEU A-ECLAIRAGE DE PLAQUE	5140 09	DOUBLURE A-PAN.PLCH,COF	7610 43
FLEXIBLE-VENT	8110 06	ISOLATION-CAPOT,MOT	6110 16	LAMPE A-LECTURE,AV	5410 09	JEU DE GARNITURES-FREIN,AR	4520 18
FLEXIBLE-EVACUATION D'EAU	8212 26	ISOLATION-PORTE AR,SUP	9772 12	LAMPE A-HABITACLE	5410 03	DOUBLURE-PAN.PLCH	7610 01
LOGEMENT A-CENDRIER,CNSL	7141 11	ISOLATION-SIEGE AR	7610 42		5410 21	DOUBLURE-INSERT,CNSL	7141 10
BOITIER A-DERIVATION	1683 04	ISOLATION-PAN LATERAL,EXT	6411 56	LAMPE A-ECLAIRAGE INT,CTR	5410 17	BIELLETTE-STABILISATEUR AV	4150 18
LOGEMENT A-TABLEAU DE BORD	7120 01	BLOC ELASTIQUE-RESSORT	4140 12	LAMPE A-ECLAIRAGE	5410 46	BIELLETTE A-PARALLELE,AV	4310 02
LOGEMENT A-CALANDRE	6710 03	BLOC ELASTIQUE-RESSORT	4140 09	FEU A-COMB AR	5140 01	BIELLETTE A-PARALLELE,AR	4310 03
	6711 03	BLOC ELASTIQUE-RESSORT	4320 07	FEU A-CLIGN,LATERAL	5110 17	BIELLETTE A-STABILISATEUR AR	4310 11
LOGEMENT A-VERROU DE	4630 13	BLOC ELASTIQUE-RESSORT	4320 05	PENE A-PORTE AV	6220 01	BIELLETTE A-TEMP	8212 18
	4631 18	BLOC ELASTIQUE-JAMBE	4320 30	VERROU A-CAPOT	6130 06	BIELLETTE A-TIREE,AR	4310 14
CARTER A-AT	3721 01	CRIC A	9110 04	PENE A-PTE AR	6320 01	BIELLETTE-PRINCIPALE	8212 17
	3821 01	CRIC-LEVIER	9110 05	VERROU A-DOSSIER AR	7541 20	TRINGLERIE A-ESSUIE-GLACE	5310 06
BOITIER A-THERMOSTAT	1681 07	GICLÉUR	4520 05	SERRURE A-HAYON	6451 03	REBORD A-BOUCLIER AV	9760 04
CARTER-DIFFERENTIEL	3270 01	ROTULE A	6441 10		6452 03	REBORD A-BOUCLIER AR	9760 09

NOMS DES PIECES	LOC.NO.	NOMS DES PIECES	LOC.NO.	NOMS DES PIECES	LOC.NO.	NOMS DES PIECES	LOC.NO.
PIECE DE POSITIONNEMENT	6640 05	MOULURE A-TB,CTR	7130 10	REMBOURRAGE-DOSSIER AV	7520 02	PANNEAU-MONTANT,LATERALE	6410 06
PIECE DE	4140 08		9771 08	REMBOURRAGE-COUSSIN SIEGE	7520 05		6411 06
SERRURE A-BOITE A GANTS	7113 19	MOULURE A-COULISSE EXT,AV	8240 04	PATIN-PEDALE,COMMANDE	4440 07		6413 06
SERRURE COMPLETE-VOITURE	6460 01	MOULURE A-COULISSE EXT,AR	8340 04	PATIN-GALERIE DE TOIT,CTR	6430 13	PANNEAU-MONTANT,LATERALE	6410 05
SERRURE COMPLETE-PTE	6460 03	MOULURE A-PROTEC,PORTE AV	6610 01	PATIN-GALERIE DE TOIT,AV	6430 12		6411 05
SERRURE COMPLETE-BOITE A	6460 06	MOULURE A-PROTEC,PORTE AR	6610 02	PATIN-GALERIE DE TOIT,AR	6430 14		6413 05
SERRURE	6460 02	MOULURE A-PAVILLON	6430 06	CARTER A-HUILE	3723 32	PANNEAU-BAS DE CAISSE	6410 07
SERRURE COMPLETE-CV,COF	6460 04	MOULURE A-PARB	6640 02	CARTER A-HUILE,MOT	1230 23		6411 07
LONGERON A-PLANCHER,INF	6510 10	MOTEUR A-LEVE-VITRE	6230 02		1231 29		6413 07
LONGERON A-AV	6530 02		6330 02	CARTER D'HUILE,T/A	3624 06	PANNEAU-PORTE AR,EXT	6310 02
LONGERON A-AR	6530 10	MOTEUR A-ESSUIE-GLACE,AV	5310 01	PANNEAU A-DOSSIER,INF	6520 15	PANNEAU-PLCH AR,AV	6520 04
CHARGEUR-CD	5430 07	MOTEUR A-ESSUIE-GLACE,AR	5320 01	PANNEAU A-ARRIERE,SUP	6440 09	PANNEAU-PLCH AR,AR	6520 05
AIMANT	3220 20	MOTEUR&PIGNON	9250 13	PANNEAU A-COMMANDE	8362 02	PANNEAU-LATERAL,INT,AR	6410 15
	3250 18	MOTEUR-SOUFFLERIE	8221 02	PANNEAU A-MONTANT CTR,INT	6410 48		6411 50
	3723 34	MOTEUR-IACV	1510 02		6411 66		6413 50
	3820 07	MOTEUR-ADM	8221 04		6413 66	PANNEAU-LATERAL,EXT	6410 03
COLLECTEUR A-ECHPT	1831 01	MOTEUR-MODE	8212 03	PANNEAU A-PLANCHE DE	6150 02		6411 03
	1533 01	MOTEUR-TEMP	8212 10	PANNEAU A-PLANCHE DE	6150 01		6413 03
COLLECTEUR A-ADM	1821 01	SILENCIEUX A-ECH,AV	2460 11	PANNEAU A-AILE	6140 01	PANNEAU-LATERAL,EXT,AR	6410 08
	1523 01	SILENCIEUX A-ECH,AR	2460 12	PANNEAU A-PLANCHER,LATERAL	6510 04		6411 08
TAPIS A-PLANCHER	7610 68	GOULOT-ENTREE D'EAU	1210 06	PANNEAU A-PORTE AV	8210 01		6413 08
TAPIS-CORPS DE CONSOLE	7141 15		1211 04	PANNEAU A-PLANCHER AV	6510 01	PANNEAU-LATERAL,PAVILLON	6410 04
MECANISME	9250 05	FILET A-PAN,PLCH	7322 22	PANNEAU A-AV,LATERAL	6130 04		6411 04
MIROIR A-INT,INCLNB	7350 01	FILET A-COMPT.CHG	7322 12	PANNEAU A-AV,SUP	6130 02		6413 04
RETROVISEUR A-EXT	6630 01	BUSE A-EXT	7120 38	PANNEAU A-CAPOT	6110 01	PANNEAU-LOGEMENT DE FEUX	6411 22
MODULE A-AC	8212 01		7120 45	TABEAU DE BORD A,PRINCIPAL	7113 02		6413 22
MODULE A-ABS	4710 27	GICLEUR A-LAVE-GLACE AR	5330 14	PANNEAU A-TABLEAU DE	7113 01	PLAQUE A-PLCH AR,LATERALE	6520 46
MODULE	5510 01	BUSE A-VENT,CTR	7120 51	PANNEAU A-CUSTODE,INT	6410 51	PLAQUE-LOGEMENT DE FEUX AR	6410 21
MODULE A-AIRBAG,PASS	5510 02	GICLEUR A-LAVE-GLACE DE	5330 11		6411 68	CLIQUET	3825 07
MODULE A-AIRBAG,LATERAL	7520 49	ARRET D'HUILE	3631 13		6413 68	CLIQUET-AXE CHGT,VIT	3280 08
MODULE A-CARILLON	5620 10		3631 22	PANNEAU	5430 22	CLIQUET-VERROU DE	3725 02
MODULE A-OVE	4831 45	HUILE-A/T	9120 03	PANNEAU A-TOIT	6430 01	PEDALE A-FREIN	4430 01
MODULE A-RETROVISEURS	5620 32	HUILE-MOT	9120 01	PANNEAU A-PTE AR	6310 01	PEDALE A-EMB	4420 01
MODULE A-POMPE	2110 02	HUILE-M/T	9120 02	PANNEAU A-PLANCHER AR	6620 01	PEDALE-FREIN	4430 02
MODULE A-ANTENNE DE VITRE	5420 14	HUILE-DIR,ASS	9120 04	PANNEAU A-LATERAL,COMPL	6410 01	PEDALE-EMB	4420 03
MODULE-ANTENNE DE VITRE	5420 22	REMBOURRAGE A-DOSSIER AR	7540 03		6411 01	PIECE A-LIAISON,PAN AV,SUP	6630 54
MOULURE A-VITRE ARRIERE	6640 07		7541 03		6413 01	PIECE A-LIAISON,LATERALE,EXT	6411 65
MOULURE A-TABLEAU DE BORD	9771 02		7541 07	PANNEAU A-HAYON	6441 01		6413 65
MOULURE A-GARNITURE	7120 57	REMBOURRAGE A-COUS SIEGE	7540 06		6442 01	PIECE-ADDITIONNELLE	4810 23
	9771 08	KIT PLAQUETTES-FREIN AVANT	4510 02	PANNEAU A-CV,COF	6440 01	PIECE-LIAISON	1230 31
MOULURE A-VITRE,HAYON	6641 07	KIT PLAQUETTES-FREIN AR	4521 02	PANNEAU-PORTE AV,EXT	6210 02		1231 13

INDEX DES NOMS DES PIECES

Français

NOMS DES PIECES	LOC.NO.	NOMS DES PIECES	LOC.NO.	NOMS DES PIECES	LOC.NO.	NOMS DES PIECES	LOC.NO.
PIECE-EXTREMITE,SIEGE AV,AV	7530 20	TUYAU	8340 03	PISTON-FREIN DE 1ERE&M.ARR	3737 17	POULIE	1740 03
PIECE-EXTREMITE,SIEGE AV,AR	7530 22	TUYAU A-FREIN PRINCIPAL,2E	4652 10	PISTON-FREIN DE 2E	3737 01	POULIE-VIL	1331 27
PIECE-ENGAGEMENT,SE	3280 07	TUYAU A-FREIN PRINCIPAL,PRIM	4652 09	PISTON-ACCUMULATEUR B1	3723 41	POULIE-RENOVI	1331 14
MONTANT A-AV	6410 12	TUYAU A-REFROIDISSEUR	2241 03	PISTON-ACCUMULATEUR C1	3723 38	POMPE A-HUILE,MOT	1230 01
	6411 12		2241 04	PISTON-ACCUMULATEUR C2	3723 44		1231 01
	6413 12		2242 03	PISTON-FREIN DE SURMU	3736 01	POMPE A HUILE,T/A	3722 12
GOUPILLE	3260 29		2242 04	PIVOT A-BEQUILLE DE GAPOT	6130 11		3822 01
	3825 08	TUYAU A-REFROIDISSEUR	2241 01	PLAQUE A-ROULEMENT	3632 01	POMPE A-DIR,ASS	4950 01
	3910 11		2241 02	TOLE ENTR A	1220 12	POMPE A-LAVE-GLACE DE PARB	5330 03
	4610 02		2242 01		1221 12	POMPE A-EAU	1331 01
	3250 08		2242 02	PLAQUE A-COURROIE DIST AR	1331 04		1333 01
GOUPILLE-BLOCAGE	3250 08	TUYAU A-ASP HUILE	1230 18	PLAQUE-ROULEMENT	3250 05	BAGUE-ROULEMENT A	3739 07
GOUPILLE-PIGNON D'AAC	1323 11		1231 21		3832 04		3739 09
GOUPILLE-SPIRALEE	3280 03	TUYAU A-BOITIER DE DIR,ASS	4931 13	FLASQUE DE FREIN	4520 02	BAGUE-ROULEMENT A	3780 09
	3280 06		4931 14	PLATEAU-FREIN,NO.2	3737 07		3780 10
	3280 11	TUYAU A-PRESSION	4950 51	PLATEAU-FREIN,NO.3	3737 23	BAGUE-BUTEE	3738 11
	3280 15	TUYAU A-DEBIT DE RETOUR	4950 20	PLAQUE-BUTEE	4140 30		3738 13
GOUPILLE ELASTIQUE DE	3270 09	TUYAU A-ASP	4950 58	PLAQUE-BOULON EXCENTRIQUE	4310 46		3738 15
GOUPILLE-CENTRAGE	3220 02	TUYAU A-DEPRESSION	1311 37	PLAQUE-SUPPORT	6840 03		3738 17
	3220 03		1311 41	PLAQUE-FERMETURE RGE	1311 38		3738 18
	3280 07		2451 02	PLATEAU-EMB	3831 06	GALERIE A-TOIT	6430 09
AXE-FREIN DE STATIONNEMENT	4530 09		2451 13		3831 26	RADIATEUR A	2210 01
AXE-VERROU DE	3725 11		2451 15	PLATEAU-EMB,NO.1	3734 11	RAMPE D'INJECTION A	1411 06
AXE-PISTON	1220 02	TUYAU-RENIPLARD	3821 06	PLATEAU-EMB,NO.2	3735 06	GLISSIERE A-GUIDE,PORTE	6230 07
	1221 02	TUYAU-CONDUIT RGE	1521 10	PLATEAU-EMB,NO.3	3734 14	GLISSIERE A-SIEGE AV	7530 46
AXE-PIVOT	7541 12	TUYAU-ALIMENTATION	2120 03	PLAQUE-FIXATION	3860 12	GLISSIERE A-GUIDE,PORTE AR	6330 06
PIGNON-ATTAQUE DIFF	3739 04	TUYAU-PRISE DE CHAUFFAGE	1311 26		3860 13	TRAVERSE A-SUPERIEURE DE	6430 02
TUYAU A-CENTRALE	4652 14	TUYAU-PURGE,CTR	2130 04	PLAQUE-PROTECTION	3260 17	RAMPE D'INJECTION	1411 26
TUYAU A-FREIN,AV	4652 11		2131 04	PLAQUE-BLOCAGE	3270 17		1413 01
	4652 12	TUYAU-RAD,POMPE	2230 03	PLATEAU-FREIN DE SURMU	3736 06	DISPOSITIF DE REGLAGE	4520 13
TUYAU A-FREIN,ARRIERE,2E	4652 17	TUYAU-EAU	2233 03	DEFLECTEUR D'HUILE	3820 05	REGLAGE INCLINAISON A-SIEGE	7530 03
	4652 18	PISTON	1220 01	PLAQUE-RESERVOIR D'HUILE	3721 03	DISPOSITIF D'INCLINAISON A-INT	7530 44
	4652 19		3831 21	PLATEAU-PRESSION	1331 28	DISPOSITIF D'INCLINAISON	7530 43
TUYAU A-FREIN,ARRIERE,3E	4652 19	PISTON 'B'	3831 31	PLAQUE-CARTER DE T/A	3723 16	REDRESSEUR	1740 15
TUYAU A-FREIN,ARRIERE,COURT	4652 20	PISTON 'C'	3834 15	PLAQUE-TYPE	3821 08	REFLECTEUR A-AR	5140 34
TUYAU A-FREIN,ARRIERE,1ER	4652 16	PISTON 'D'	3830 01	LECTEUR DE CD	5430 03	REFLECTEUR A-SIGNALISATION	9110 13
	4652 18		3834 01	PLONGEUR-LIMITEUR PRESSION	1230 03	REGULATEUR&BALAI A	1740 29
TUYAU A-MAITRE-CYLINDRE	4410 04	PISTON 'E'	3831 16		1231 03	DISP REGLAGE-SIEGE AV	7520 12
TUYAU A-CYLINDRE RECEPTEUR	4410 33	PISTON A-EMB PRISE DIRECTE	3735 03	PROTECTEUR-PURGEUR	4510 07	DISP REGLAGE-SIEGE AV INCL	7520 39
TUYAU A-RENIPLARD MOTEUR	1240 03	PISTON A-EMB DE MARCHÉ	3734 03		4521 07	LEVE-VITRE,AV	6230 01
	1241 03	PISTON&AXE A	1221 01	PROTECTEUR-FILTRE,CARBURA	2120 52	LEVE-VITRE,AR	6330 01
TUYAU A-ECH,AV	2480 08						
TUYAU A-LIQUIDE,CONDENSEUR	8340 02						

J:
C
(C

NOMS DES PIECES	LOC.NO.	NOMS DES PIECES	LOC.NO.	NOMS DES PIECES	LOC.NO.	NOMS DES PIECES	LOC.NO.
RNFT A	4310 58	PIECE DE RETENUE	2120 15	JOINT ANNULAIRE	1231 22	BIELLE A	1221 04
RNFT A-MONTANT CTR	6410 10		2120 17		3710 10	TIGE A-CHGT.VIT	3280 13
	6411 10		2130 45		3724 07	TIGE A-VERROU DE	3726 10
	6413 10		2131 32		3734 19	BARRE A-REACTION	4190 91
RENFORT A-BOITE A GANTS,INF	7113 10		2131 34		3735 12	BARRE A-REACTION,INF	4190 89
RENFORT A-BOITE A GANTS,SUP	7113 09		5140 08	ANNEAU-ETANCHEITE,THERMOS	1681 01	BEQUILLE A-CAPOT	6130 10
RNFT A-BAS DE CAISSE,AR	6410 49		6413 73		1683 02	AXE-CHGT.VIT 1ERE&2E	3280 02
	6411 36	RETENUE-ROUE LIBRE	3737 13	ANNEAU-ETANCHEITE,POMPE A	1331 02	AXE DE FOURCHETTE-CHGT.VIT	3280 05
	6413 36	RETENUE-BAGUE EXTERIEURE	3737 16		1333 02	TRINGLE-ACTIONNEUR,HAYON	6461 14
RNFT A-BOUCLIER	6730 39	BAGUE A-FEU	7130 22	BAGUE ETANCH-ARB	1220 09		6452 14
RENFORT A-GACHE,BOITE A	7113 06	JEU SEGMENTS-PISTON	1220 03		1313 04	TIGE-COMMANDE CHGT.VIT	3910 09
RNFT A-GACHE,AR,MONTANT	6410 41		1221 03	JONG D'ARRET	3270 13	TRINGLE-POIGNEE,HAYON	6451 32
	6411 41	BAGUE-CONE INTER 3	3230 22		3723 51		6462 10
	6413 41	BAGUE-REGLAGE	3832 06		3734 09	TIGE-SUPPORT	5610 03
RENFORT A-TUNNEL	6510 03	ANNEAU-ROULEMENT	3240 08		3734 13	TRINGLE-POIGNEE INT,PORTE	6220 05
RENF-BOUCLIER AV,LATERAL	6720 18	BAGUE-ROULEMENT DE	3270 12		3734 18	TRINGLE-POIGNEE INT,PORTE	6320 03
RNFT-PANNEAU DE BAS DE	6410 11	ANNEAU EN E	3920 22		3735 07	TRINGLE-BARILLET DE	6220 03
	6411 11		3920 23		3735 11	TRINGLE-BARILLET,HAYON	6451 04
	6413 11		4420 13		3736 08		6462 04
RNFT-BOUCLIER AR,LATERAL	6730 37		4440 03		3736 10	TRINGLE-VERROUILLAGE,PORTE	6320 04
	6732 37		4610 09		3737 08	TRINGLE-POIGNEE EXT,PORTE	6220 15
DISQUE RENFORT	1221 14		4652 04		3737 14	TRINGLE-POIGNEE EXT,PTE AR	6320 14
RELAIS A	5620 21		4652 23		3737 24	TIGE-TIRAGE,CABLE DE FREIN	4530 04
RELAIS A-VENTILATEUR DE	5620 19	ANNEAU-SIEGE SOUPAPE ECHPT	1311 04		3831 03	TRINGLE-TIRAGE,SERRURE,CV.C	6450 04
RELAIS A-VERROUILLAGE CTR	5620 07		1313 12		3831 05	AXE DE	3280 10
RELAIS A-FEUX DE JOUR	5620 23	ANNEAU-SIEGE SOUPAPE ADM	1311 03		3831 32	ROULEAU A-GUIDE	1333 09
RELAIS A-CLIGN	5620 18		1313 11		3833 08	TOIT OUVRANT A	9280 01
RESERVOIR A-HUILE DIR.ASS	4950 02	ANNEAU-BLOCAGE	2110 04		3833 09	ROTOR	1740 06
RESERVOIR A-PARB	6330 01	SEGMENT-PISTON	3824 02		3834 17	ROTOR-POMPE A HUILE,INT	1230 06
RESERVOIR-CORPS	4620 03		3831 02	BAGUE FENDUE	2110 40	ROTOR-POMPE A HUILE,EXT	1230 07
RESISTANCE A-VENTILATEUR DE	5410 25	ANNEAU-RETENUE	3230 35		2110 44	CAOUTCHOUC-SUPPORT	2490 15
RESISTANCE-SOUFFLERIE	8221 03		3230 38		2131 44		2490 23
RESONATEUR A	2410 13		3230 47	BAGUE DE BUTEE	3630 05		2490 24
RESONATEUR A-2E	2411 15		3240 05		3831 25	CAOUTCHOUC-PROTEG	4330 18
RESONATEUR A-AUX	2411 08		3240 09	BAGUE-SYN	3230 07	ECONOMISEUR-BATTERIE	5620 52
RESONATEUR A-ECHPT,AV	2460 39		3260 20		3230 41	RACLEUR-CARTER D'HUILE	1231 26
DISPOSITIF DE RETENUE	7322 23		3631 11	BAGUE-SYN,INT	3230 21	JOINT	1333 23
	7342 03		4130 04	BAGUE-SYN,EXT	3230 23		2110 36
RESTRICTEUR-HUILE	4950 69	JOINT ANNULAIRE	1230 05	ANNEAU-RETENUE DE RESSORT	3230 04		5330 02
PIECE DE RETENUE	1311 15		1230 20	RIVET	4150 32	JOINT A-CALANDRE	6711 06
	1313 19		1231 05	BIELLE A	1220 04	JOINT-ARBRE DE ROUE	3821 04

INDEX DES NOMS DES PIECES

Français

NOMS DES PIECES	LOC.NO.	NOMS DES PIECES	LOC.NO.	NOMS DES PIECES	LOC.NO.	NOMS DES PIECES	LOC.NO.
JOINT-ARBRE DE ROUE	3830 07	SIEGE A-DOSSIER AR	7541 05	MANILLE-ALTERNATEUR	1753 01	SIRENE A-SAVCD&SAAV	5440 05
JOINT-DERIVATION	1683 05	SIEGE A-COUBS AR	7540 06	MANILLE-TRANSP MOTEUR	1111 02	JUPE A-LATERALE	9780 14
JOINT-AAC,AV	1321 11	SIEGE-BEQUILLE DE CAPOT	6110 13		1111 03	MANCHON	1210 07
JOINT-COUVERCLE,INF	1331 25	SIEGE-SUP RESSORT,AR	4320 14		1113 02		1210 11
JOINT-COUVERCLE,SUP	1331 21	SIEGE-RESSORT SOUPAPE	1311 44	ARBRE A-ROUE,AV	4110 01		1211 05
	6150 40		1313 15		4110 02		1211 08
JOINT-VIL,AV	1230 02	EMETTEUR-CARBURANT	2110 36	ARBRE A-PRIMAIRE	3736 02		1211 15
	1231 02	CAPTEUR A-TEMP AIR	1521 23		3831 18		1230 12
	1221 10		2411 04	EMBRAYAGE A-INTERM	3734 02		1231 20
JOINT-VIL,AR	1521 26	CAPTEUR A-AMBIANT	8352 09		4910 03		3220 04
JOINT-RGE	7210 58	CAPTEUR A-POSITION AAC	1331 42	ARBRE	3230 02		3822 05
JOINT-COUVERCLE INT,PORTE	7220 57		1333 31	ARBRE A-LATERAL	3850 01	MANCHON A-CHANGEMENT DE	3230 06
JOINT-GARNITURE INT,PORTE	3723 04	CAPTEUR A-TEMP LIQUIDE	1311 21	ARBRE COMPLET-ENTREE	3831 33	MANCHON A-CHANGEMENT DE	3230 42
JOINT-HUILE	3750 12		1713 06	ARBRE-PIGNON DE	3270 06	MANCHON-SERRAGE	3825 04
	1231 11	CAPTEUR A-POSITION VIL	1231 39	ARBRE	3240 02	MANCHON-VERROU	3250 24
JOINT-BOUCHON CONDUIT	3822 02		1331 32	ARBRE-TIROIR MANUEL	3725 16	MANCHON-APPUITETE	7520 08
JOINT-POMPE A HUILE	6410 53	CAPTEUR A-DISTANCE	2510 09	ARBRE-CLIQUET DE VERROU DE	3725 03		7541 58
JOINT-MONTANT	6411 58	SONDE A-GAZ ECHPT	1531 07	AXE-PEDALE	4430 05		7541 59
	6413 58		1533 08	ARBRE-PIGNON RENVOI DE	3240 12	MANCHON-AIGUILLES	3240 01
	6430 11		2480 43	ARBRE SELECTEUR	3825 01	MANCHON-ETANCHEITE	3821 05
JOINT-GALERIE DE TOIT,SUP	6730 34	CAPTEUR A-MAP	1521 37	TABLETTE A-PANNEAU AR,SUP	9773 07		3821 17
JOINT-BOUCLIER AR	3821 09		1523 13		7320 01	CURSEUR A-GRILLE ETAGEE	3820 55
JOINT-ARB	2110 39	CAPTEUR A-ELECTROVANNE DE	1521 46	TABLETTE A-COMPT.CHG	7322 11	MANCHON-FILTRE A AIR	2410 19
JOINT FENDU	2110 43	DETECTEUR A-PLUIE	5620 45	BOUCLIER	1740 30	DOUILLE A-ADAPTATEUR	7141 71
	2131 43	CAPTEUR A-RESERVOIR	4620 29		1760 39		7342 16
	7113 22	CAPTEUR A-ENSOLEILLEMENT	7130 51	BOUCLIER	1531 06	DOUILLE A-AMPOULE	5220 11
	8221 11	CAPTEUR TEMP A	1713 05		1533 06		5220 13
	8221 12	CAPTEUR A-EAU	8212 09	BOUCLIER-PROTEC CONV CATAL	2460 16		5220 15
JOINT-CRP,PAP	2411 22	CAPTEUR A-OVE	4831 28	BOUCLIER-PROTEC SILENCIEUX	2460 18	SOLENOIDE A-LEVIER	3820 35
JOINT-COUVERCLE DIST,SUP	1331 20	CAPTEUR A-VITESSE DE	4710 03	ECRAN-REMPLISSAGE DE	2110 12	SOLENOIDE A-AT	3780 11
JOINT-GARNISSAGE,PTE AV	7210 13	CAPTEUR A-RESERVOIR	4620 29	BOUCLIER-RESERVOIR D'HUILE	4950 15		3780 12
JOINT-GARNISSAGE,PTE AR	7220 02	CAPTEUR A-ENSOLEILLEMENT	7130 51	BOUCLIER-PROTEC SILENCIEUX	2460 20		3780 13
JOINT-TIGE SOUPAPE	1311 13	DETECTEUR-CLIQUETIS	1210 13	CALE D'EPaisseur	3739 10	SOLENOIDE-DEMARREUR	1780 10
	1313 16		1523 17		3750 11	ENTRETOISE	1740 31
SIEGE A-AV	7510 01	CAPTEUR-PRESSION,POMPE	2110 37		3821 13		3725 17
SIEGE A-DOSSIER AV	7520 17	CAPTEUR-MAUVAISE ROUTE	2510 14		3821 14	ENTRETOISE-TOLE ENTR	1221 13
SIEGE A-COUSSIN AV	7520 18	CAPTEUR-VITESSE	3720 16		3824 05	CLE	9110 07
SIEGE A-RESSORT AV,SUP	4140 06	CAPTEUR-VITESSE,ENTREE	3880 07	SEGMENT A-FREIN DE	4530 14	BOUGIE	1711 06
	4140 07	CAPTEUR-VITESSE,SORTIE	3821 10	PATIN-CHGT,VIT	3250 12		1713 22
SIEGE A-DOSSIER AR	7540 01	CAPTEUR-POSITION PAPILLON	1510 03	BLOC-CYLINDRES EMBIELLE A	1120 01	HAUT-PARLEUR A-AV	5410 06
	7541 01	MANILLE-ALTERNATEUR	1751 07		1121 01	HAUT-PARLEUR A-AR	5410 23

NOMS DES PIECES	LOC.NO.	NOMS DES PIECES	LOC.NO.	NOMS DES PIECES	LOC.NO.	NOMS DES PIECES	LOC.NO.
HAUT-PARLEUR-BALANCE,AIGUS	5410 05	RESSORT-SYN,3E&4E VITESSE	3230 12	SUPPORT A-TRAVERSE,RAD,INT	6530 53	COMMUTATEUR A-LEVE-VITRE	7210 34
DEFLECTEUR A-AR	9210 01	RESSORT-SYN,5E VITESSE	3230 48	SUPPORT A-COMPT.CHG,AV	7322 05	COMMUTATEUR	4810 05
	9782 02	RESSORT-TORSION,NO.1	3725 04	SUPPORT A-PAVILLON,CTR	6430 03	COMMUTATEUR-PHARES&GRAD	7120 15
EPONGE-RESERVOIR D'HUILE	4950 84	RESSORT-SOUPAPE	1311 14	SUPPORT A-PAVILLON,AV	6430 17	COMMUTATEUR-OUVERTURE	7120 91
RESSORT	4430 07		1313 17	SUPPORT A-PAVILLON,AR	6430 05	RESERVOIR A-CARBURANT	2110 01
	4440 09	SUPPORT A-ROUE DE SECOURS	6520 08	SUPPORT A-PLATEAU,EXT	6530 50	RESERVOIR	2451 11
	4520 14	DEMARREUR A	1760 01	SUPPORT-ALTERNATEUR	1753 03	VASE D'EXPANSION	2230 08
RESSORT A-PISTON DE FREIN	3737 20	STATOR	1740 09	SUPPORT-TRAVERSE,RAD,EXT	6530 04		2233 08
RESSORT A-RAPPEL DE FREIN	3737 08	RENFORT A-PARE-CHOCs AV	6720 41	SUPPORT-PATTE SUPPORT	1331 38	POUSSOIR HYD	1311 17
RESSORT A-SPIRALE	5510 11	JAUGE HUILE MOTEUR A	1210 08		1333 07	TCM	2510 02
RESSORT A-VERROU	3725 14		1211 08	SUPPORT-TB,SUP	7113 14	TENDEUR A-CMPR AIR	8331 08
RESSORT A-RAPPEL EMB PRISE	3735 06	JAUGE A-NIVEAU D'HUILE,T/A	3710 09	SUPPORT-PARE-CHOCs AR,SUP	6732 20	TENDEUR A-COURROIE DIST	1331 12
RESSORT A-RTR EMB MARCHÉ	3734 05	AUTOCOLLANT-A/C	6670 09	COMMUTATEUR A-CONT A/C	8350 01		1333 19
RESSORT A-GAZ	6442 09	AUTOCOLLANT-VENTILATEUR DE	2220 07		8352 01	BORNE-CABLE	3821 09
RESSORT A-RAPPEL DE FREIN	3736 09	AUTOCOLLANT-TRAPPE DE	6670 31	COMMUTATEUR A-COMMANDE A	4810 19		3880 05
KT RESSORTS	4520 24	AUTOCOLLANT-PRESSION DES	6670 07	CONTACTEUR A-FEU DE RECUL	3220 24	THERMOSTAT A	1683 01
RESSORT-BTSl	3920 58	AUTOCOLLANT-AVERTISSEMENT	6670 42	CONTACTEUR	6220 10		9760 21
CMPR RESSORT	3250 09	RAIDISSEUR-PLANCHE DE	6150 29		6320 09	OEILLET DE REMORQUAGE A-AR	6520 12
	3260 18	BUTE-PARE-SOLEIL,AR	9250 20	CONTACTEUR	5440 08	BOITE-PONT A-AUTOMATIQUE	3710 01
	3723 48	CREPINE A-HUILE	3723 15	COMMUTATEUR	7210 93		3810 01
	3723 49	SANGLE	1823 21	COMMUTATEUR A-FEUX DE	7120 06	BOITE-PONT A-MANUELLE	3210 01
	3723 50		2110 07	COMMUTATEUR	7120 17	TRANSDUCTEUR-PRESSION	8340 08
	3723 52		2131 50	COMMUTATEUR A-MODE	7141 50	CENDRIER A-CNSLAR	7141 12
	3723 53		2453 09	CONTACTEUR A-AVERTISSEUR	4810 07	SUPPORT A-BATTERIE	6140 04
	3723 54		5710 38	COMMUTATEUR A-ALLUMAGE	4830 14	PLATEAU A-COMPT.CHG	7322 29
	3723 55		7321 02		4831 19	TABLETTE	7342 15
RESSORT-CUVETTE	3830 04	GACHE A-PTE	6220 16	CONTACTEUR A-RAPPEL DE CLE	4830 16	TABLETTE A-SOUS SIEGE AV	7610 50
	3831 14		6320 16		4831 22	CENDRIER-TB	7130 13
	3831 24	GACHE A-CAPOT	6110 30	COMMUTATEUR A-ECLAIRAGE	7113 20	BAC-CRIC&OUTILS	9110 11
RESSORT-AV	4140 11	GACHE A-SERRURE DE HAYON	6451 07	COMMUTATEUR A-REGLAGE	6630 11	PLATEAU-HUILE	3833 04
RESSORT-GAZ,HAYON	6441 09		6452 07	COMMUTATEUR	6630 10	GARNISSAGE A-MONTANT A	7330 09
	9764 04	GACHE A-SERRURE DE CV,COF	6450 07	CONTACTEUR A-DEMARRAGE AU	3720 04	GARNISSAGE A-MONTANT B,INF	7330 06
RESSORT-JAMBE	3825 08	BANDE	5710 41	CONTACTEUR A-PRESS HUILE	1230 16	GARNISSAGE A-MONTANT,SUP	7330 10
RESSORT-DECHARGE HUILE	1230 04		6420 18		1231 15	GARNISSAGE A-PANNEAU	7320 18
	1231 04	BANDE-ISOLANTE	6220 21	CONTACTEUR	3821 15	GARNISSAGE A-MONTANT C	7330 12
RESSORT-PLAQUETTE	4510 08	SUPPORT DE JAMBE ELASTIQUE	4140 04	COMMUTATEUR A-POUSS	8350 33	GARNISSAGE A-MONTANT D	7330 35
	4521 08	SUPPORT DE JAMBE ELASTIQUE	4320 04	COMMUTATEUR	4810 06	GARNISSAGE A-PORTE AV,CTR	9772 09
RESSORT-POSITIONNEMENT	3620 51	PARE-SOLEIL A	7350 02	CONTACTEUR A-FEU STOP	4430 04	GARNISSAGE A-PORTE AV	7210 01
RESSORT-AR	4320 08	STORE A-TOIT OUVRANT	9250 23	COMMUTATEUR A-OUVERTURE	7210 59	GARNISSAGE A-PANNEAU DE	9773 05
RESSORT-GLOC COULISSANT	9260 08	SUPPORT	6720 68	CONTACTEUR	6450 16	GARNISSAGE A-PAN BAS DE	9773 06
RESSORT-SYN,1ERE&2E	3230 28		6720 69	CONTACTEUR A-TEMOIN,FREIN	4530 03	GARNISSAGE A-PAN DE BAS DE	7330 48

INDEX DES NOMS DES PIECES

Français

NOMS DES PIECES	LOC.NO.	NOMS DES PIECES	LOC.NO.	NOMS DES PIECES	LOC.NO.	NOMS DES PIECES	LOC.NO.
GARNISSAGE A-PAN PASS.RO,AR	7330 49	CLAPET A-ANTIRETOUR	3723 47	FAIS.CBL-PAVILLON	5710 09	FIL HAUTE TENSION	1711 10
GARNISSAGE A-PORTE AR,CTR	9772 10	CLAPET A-RGE	1311 35	FAIS.CBL-PORTE AR	5710 05		1711 11
GARNISSAGE A-PTE AR	7220 01		1713 10	FAIS.CBL-T/A	3720 06		1713 17
GARNISSAGE	7330 01	ELECTROVANNE A-RGE	1713 23	FAIS.CBL-HAYON	5710 52		1713 18
GARNISSAGE A-PAN LATERAL,AR	7340 04		2453 08	FAIS.CBL-HAYON,EXTN	5710 23		1713 19
	7341 01	CLAPET ANTIRETOUR	2110 42	FAIS.CBL-CV.COF	5710 11		1713 20
	7342 01	KIT VANNE-CONT	8320 18	FAIS.CBL-TCM	5710 26	FIL-RON,COMM	5710 48
GARNISSAGE A-HAYON,INF	7231 06	KIT DETENDEUR	8221 13	FAIS.CBL-COFFRE	5710 07	CLE-ROUE	9110 02
	7232 06	SOUPAPE-ECHPT	1311 12	FAIS.CBL-BLOC HYDRAULIQUE	3880 02		
GARNISSAGE A-HAYON,LATERAL	7231 11		1313 10	JT.ETAN A-2E,CADRE,PTE AV	6240 03		
	7232 05	SOUPAPE-ADM	1311 11	JT.ETAN A-2E,CADRE,PTE AR	6340 03		
GARNISSAGE A-HAYON,SUP	7231 01		1313 09	JT.ETAN A-BAIE DE PORTE,AV	6240 07		
	7232 01	CLAPET-PCV	1321 17	JT.ETAN A-BAIE DE PORTE,AR	6340 09		
GARNISSAGE A-PASS.RO,AV	7330 45		2130 07	JT.ETAN A-PORTE AV	6240 02		
GARNISSAGE-CV.COF,INT	6440 16		2131 07	JT.ETAN A-PORTE AV,INT	7210 38		
TUBE	1241 06	REPARTITEUR DE FREINAGE	4652 29	JT.ETAN A-PORTE AV,INF	6240 13		
TUBE A-REMPLISSAGE DE	2110 08	CLAPET DE SECURITE	2130 31	JOINT D'ETANCHEITE A-CAPOT	6150 05		
TUBE A-VAPEURS CARBURANT	2130 01	VALVE-CAOUTCHOUC	6660 06	JT.ETAN A-PORTE AR	6340 02		
	2131 01	ELECTROVANNE	1311 40	JT.ETAN A-PTE AR,INT	7220 22		
TUBE A-REMPLISSAGE D'HUILE	3710 08		2451 09	JT.ETAN A-PTE AR,INF	6340 18		
TUBE A-PURGE,INTERM	2131 46		2451 10	JT.ETAN A-HAYON	6441 02		
TUBE	2120 42	ELECTROVANNE-PRESSION	3660 09		6442 06		
TUBE A-VAPEUR,VALVE 2 VOIES	2131 28		3660 15	JT.ETAN A-CV.COF	6440 02		
TUBE-ROULEMENT DE	3721 06	ELECTROVANNE,CARTOUCHE	2131 15	MASSE-EQUILIBRAGE	6660 15		
TUBE-DRAINAGE,TOIT	9260 05	ELECTROVANNE,BLOC	3880 14	ROUE	9766 02		
TUBE-DRAINAGE,TOIT	9260 06	DETENDEUR-THERMOSTAT	8221 08	ROUE A	6660 01		
TUBE-ALIMENTATION	2120 01	VALVE-PNEU	6660 05	VOLANT A-DIRECTION	4810 01		
TUBE-FILTRE A CARBURANT,AV	2120 07	FAIS.CBL-ABS	5710 10		9748 02		
TUBE-FILTRE A CARBURANT,AR	2120 05	FAIS.CBL-CAPTEUR ABS AR	5710 12	ROUE-CIBLE	1220 22		
TUBE-APPLICATION DE	3721 23	FAIS.CBL-AIRBAG	5710 43	PASSAGE DE ROUE A-AV	6140 02		
TUBE-JAUGE HUILE	1210 09	FAIS.CBL-ATC	8212 07	PASSAGE DE ROUE A-AR	6410 19		
TUBE-PURGE,MOT	2130 06	FAIS.CBL-BATTERIE	5710 08		6411 19		
TUBE-PURGE,AV	2130 05	FAIS.CBL-CONSOLE	7141 95		6413 19		
	2131 05	FAIS.CBL-MOT	5710 03	ESSUIE-GLACE A	5310 09		
TUBE-PURGE,AR	2130 03	FAIS.CBL-PLCH	5710 06	FIL A-FILTRE ANTIPARASITE	5420 26		
	2131 03	FAIS.CBL-AV	5710 02	FIL A-CARENAGE INF	7520 74		
TUBE-VAPEURS,CARTOUCHE	2130 02	FAIS.CBL-PORTE AV	5710 04	KIT FILS-HAUTE TENSION	1711 07		
RACCORD UNION	3720 26	FAIS.CBL-AVERTISSEUR	5710 53		1713 16		
COURROIE TRAPEZOIDALE	1130 01	FAIS.CBL-TB	5710 01	FIL HAUTE TENSION	1711 08		
CLAPET A-DERIVATION	1210 10	FAIS.CBL-CAPTEUR MAP	1523 16		1711 09		
	1231 14	FAIS.CBL-POLAIRE	2120 33				

**TEILEBENENNUNGSVE
RZEICHNIS**

TEILEBENENNUNGSVERZEICHNIS

Deutsche

J. C. C.

TEILEBENENNUNGS	LOC.NO.	TEILEBENENNUNGS	LOC.NO.	TEILEBENENNUNGS	LOC.NO.	TEILEBENENNUNGS	LOC.NO.
ENERGIEABSORBER,VORDERE	6720 03	AUFPRALLBUEGEL A-HINTERE	6730 04	AXIALLAGER	3738 14	HALTER A-KONSOLE,HINTEN	7141 35
TUERBETAETIGUNGSORGAN	6250 01	LAGER	1760 03		3738 16	HALTER A-VERT	1711 03
	6250 03		4130 03		3738 19	HALTER A-FEUERLOESCHER	6610 28
BETAETIGUNGSORGAN	6450 13		4140 05		3738 20	HALTER A-FUSSSTUETZE	7610 15
BETAETIGUNGSORGAN	6451 13	LAGERSATZ-PLEUELSTANGE	1220 06	WELLROHR A-GANGSCH.	3610 05	HALTER A-GANGSCH.VORN	3910 15
	6452 13		1221 06	GURT A-VORDERSITZ	7550 01	HALTER A-GANGSCH. HINTEN	3910 14
BETAETIGUNGSORGAN	1521 07	LAGERSATZ-KURBELWELLE	1220 08	BECKENGURT	7560 02	HALTER A-GASFEDER	6442 10
ADAPTER-AGR	1311 31		1221 08	GURT A-RUECKSITZ	7560 01	HALTER	7113 15
	1713 01	KUGELLAGER	1740 17	GURT A,RUECKSITZ,MITTE	7560 29	SCHELLE A-HYD EINHEIT	4710 01
HOEHNVERSTELER	7530 01	RILLENKUGELLAGER	3230 36	STEUERRIEMEN	1331 18	ABDECKUNG	7113 12
	7550 03		3240 07		1333 15	HALTER-A-WAGENHEBER,NR.1	6520 10
HOEHNVERSTELLER,SICHERHE	7550 03	NADELLAGER	3624 04	WISCHERBLATT A	5310 03	HALTER A-GEPAECKRAUM	6520 32
EINSTELLELEMENT-VENTILSTOE	1313 20		3631 04		5320 03	HALTER A-KENNZ.,VORN	6720 54
GENERATOR A	1740 01		3633 07	BLOCK A-ZYL	1210 01	HALTER A-SERVOL.ROHR	4930 26
TANKDECKELBEFESTIGUNG	7560 24		3633 11		1211 01	REAKTIONSBUEGEL A-UNTEN	4190 86
TANKDECKELBEFESTIGUNG	7560 28	WAEZLAGER	3230 01	GLEITSTUECK	6250 09	MONTAGEBUEGEL A-T/A LAGER	4190 32
ANTENNE A-DWA	5440 04		3632 03	VENTILKOERPER A-KONTR.	3760 01	MONTAGEBUEGEL A-T/A	4160 01
FROSTSCHUTZMITTEL	9120 09		3632 07		3860 01	HALTER A-ZUGSTANGE	7113 13
LENKER A	4160 01		3650 02	DROSSELKLAPPEGEHAEUSE A	1411 01	KABEL-BESCHLEUN.-STEUERUN	4440 17
WISCHERARM A	5310 02		3650 03		1510 01		4440 19
	5320 02		3650 05	AUFLADEGEBLAESE-BETRIEBSB	4620 09	HALTER-WECHSELSTROMGENE	1751 01
ANKER	1760 12		3650 06	SCHUTZKAPPE A-VORDERE	7141 29		1753 04
ARMSTUETZE A-HINTEN	7541 37	WAEZLAGER,INNEN	3632 09	SCHUTZKAPPE A-FESTST.BR.	7141 16	HALTER-BREMSPEDAL	4430 16
ASCHENSBECHER A-INSTR.TAFEL	7130 01		3632 11	STAUBSCHUTZKAPPENSATZ	4931 01	HALTER-QUERTR.,UNTERER	4150 48
HINTERACHSE A	4310 01		3650 10	DICHTUNGSMANSCHETTENSATZ	4120 04	HALTER-KOMP.&SERVOL. PUMPE	8331 01
HINTERACHSE	4310 37		3650 12	DICHTUNGSMANSCHETTENSATZ	4120 03	HALTER-KOMPRESSOR,HINTEN	8331 10
HEBERTASCHE	9110 10		3650 14	KASTEN A-SICHERUNG&RELAIS	5620 01	HALTER A-TUERGRIFF	7210 05
WERKZEUGTASCHE	9110 01		3650 16	SICHERUNGSKASTEN	5620 28		7210 91
KUPPLUNGSAusGLEICHER NR.1	3734 08	WAEZLAGER,AUSSEN	3632 10	HANDSCHUHFACH A	7113 04		7220 05
KUGEL	3240 13		3632 12	BOX A-GEPAECKRAUM	7322 13	HALTER-ECM	2510 24
PRALLSTANGE A,HINTERE	6732 04		3650 11	KASTEN A-RELAIS	9250 15	SCHELLE-MOTORKONTAKT	5710 33
ZUGSTANGE A	7113 05		3650 13	BOX-KONSOLE,HINTEN	7141 06	SCHELLE-MOTORKABELSTRANG	5710 35
VERBINDUNGSSTANGE	3826 05		3650 15	BOX-TASSENHALTER	7141 92	BUEGEL-MOT-MONT.	4190 24
VORDERE	4150 05		3650 17	ABLAGEBOX,INSTR.TAFEL,MITTE	7130 06	SCHELLE-KRAFTSTOFFFILTER	2120 09
HALTERSTANGE	9610 04	KEGELROLLENLAGER	3270 11	STREBE A-VORDERER	6140 03	SCHELLE-FÜHRUNG,KANISTER	2130 16
STAB-KUEHLERGRILL	6711 22		3739 08	STREBE A-RADKASTEN,UNTEN	6520 18	SCHELLE-SCHLAUCH,DROSSELK	2233 42
HINTERE STABILISATORSTANGE	4310 06		3739 08	STREBE-BREMSPEDAL	4430 09	GEHAEUSEHALTER,LENKGETRIE	4910 12
TORSIONSSTAB-KOFFERRAUMD	6440 11		3750 07	KUPPLUNGSPEDALSTREBE	4420 02	HALTER-LOSRAD,NICHT A/C	8331 15
TOERSIONSSTAB,SCHARNIER,K	9784 03		3750 08	HALTER	3610 13	HALTER-SAMMELLEITUNG,VARIA	1521 19
BATTERIE A	5610 01	AXIALLAGER	3738 10	SCHELLE A-KANISTER	2131 21	NETZHALTER,OBEN,VORN	7310 10
SCHLUESSELBATTERIE A	6460 11		3738 12	HALTER A-KONSOLE,VORN	7141 85	NETZHALTER,OBEN,HINTEN	7310 12
AUFPRALLBUEGEL A-VORDERE	6720 04						

TEILEBENENNUNGS	LOC.NO.	TEILEBENENNUNGS	LOC.NO.	TEILEBENENNUNGS	LOC.NO.	TEILEBENENNUNGS	LOC.NO.
SCHELLE-O2 SENSOR	1531 10	GLUEHLAMPE	5410 11	BUCHSE-LENKER	4190 13	KANISTER	2131 12
	1533 10		5410 19	BUCHSE-DAEMPFER	4190 31	KAPPE	1210 02
	2460 28		5410 22	BUCHSE-STABILISATORSTANGE	4190 09		1211 02
HALTER-OELWANNE	3624 10		5410 29		4310 07		2451 20
SCHELLE-OELBAUGROHR	1230 19		8350 13	BUCHSE-SCHLOSS,VORDERTUE	7210 68		2453 10
SCHELLE-EIN/AUS,MAGNETVENT	2131 28		8392 04	BUCHSE-SCHLOSS,VORDERTUE	7210 67		3260 32
KLAUENHALTER-PARKSPERRE	3725 13	STOSSDAEMPFER	4320 09	BUCHSE-SCHLOSS,HINERTUER,U	7220 46	KAPPE A-KONSOLE	7141 19
SCHELLE-SAMMELSAUGROHR	1521 33		6110 14	BUCHSE-SCHLOSS,HINTERTUER,	7220 45		9739 18
SCHELLE A-PUMPE,HYD EINHEIT	4950 17		6110 15	ETS1-TASTE A-	3920 57	HUPENDECKEL A	4810 03
HALTER-PUP WANDLER,ABGAS	2480 32		6130 09	KNOPFBEFESTIGUNG	7321 03	DECKEL	1321 01
REAKTIONSBUEGEL	4190 95		6220 28	TUERVERRIEGELUNGSKNOPF	6220 29		1323 01
HALTER-SONNENBLLENDE	7360 04		6320 25		6320 34	BATTERIEKAPPE	5610 08
HALTEBUEGEL,SONNENDACH	9260 01		6440 03	QUERTR.	6150 04	KAPPE-BOLZEN,VORN	7560 10
HALTER-TCM	2510 25		6440 04	VORDERER	6510 05	KAPPE-NETZHALTER	7310 29
HALTER-VGIS	2451 12		6441 08	HINTERER	6510 06	KAPPE-KONSOLE,AUTOMATIK	7141 20
FESTST.BREMSE A,HINTEN	4530 13		6442 07	QUERTR.A-VORDERRADAUFHAE	4190 10	KAPPE-KONSOLE,HINTEN	7141 79
HINTERRADBREMSE A	4520 01	STOSSSTANGE A-VORN	6720 01	QUERTR. A-KUEHLER	6130 08	KAPPE-ZYL BLOCK	1211 07
BETRIEBSBREMSENEINHEIT A	4610 01	STOSSSTANGE A-HINTEN	6730 01	QUERTR. A-HINTERER	6530 13		1230 33
BRUECKE-OELWANNE	1231 25		6732 01	QUERTR. A-HINTERER	6630 14	SCHUTZHAUBE	4520 04
BRUECKE-SPANNBOLZEN	3250 01	DAEMPFER-STELLSCHRAUBE	4440 10	KABEL	4440 01	KAPPE-FUSSSTUETZE	7610 34
SCHNALLE A-VORDERSTZ	7550 02	HOHLE STOSSSTANGE,VORN	4140 10	KABEL A-ANTRIEB SONNENDACH	9250 27	BOEDENKAPPE-VORN	6510 17
SCHNALLE A-RUECKSTZ	7560 03	STOSSDAEMPFER-KUEHLER,UNT	2220 04	KABEL	6420 08	DECKEL-KRAFTSTOFFEINFUELLS	6420 01
	7560 26	STOSSDAEMPFER-KUEHLER,OB	2220 02	KABEL	6110 10	KAPPE-LEITROLLE	7550 27
	7560 31	DAEMPFER-HECKKLAPPE,SEITE	6441 12	KABEL A-BETRIEBSART	6350 29	KAPPE-SCHARNIER,VORDERE	7520 20
DAMPFER-KUPLUNGSPEDAL	4420 37	DAEMPFER-SCHARNIER	6440 08	BREMSSSEIL A-FESTST.BR.	4530 12	KAPPE-SCHARNIER,VORDERSTZ	7520 21
GLUEHLAMPE	5110 02	BUCHSE	1740 19	KABEL A-SCHALTGRIF KONT.	3920 30	DECKEL-BETRIEBSBREMSE	4620 02
	5110 03		3220 05	KABEL A-TEMP	8350 30	HUTMUTTER	6680 12
	5110 04		3220 30	ANTENNENKABEL,INSTR.TAFEL	5420 07	KAPPE-OELLEITUNG	1311 06
	5110 12		3621 02	ANTENNENKABEL,HINTEN	5420 08	OELDECKEL,OELBEHALTER,SE	4950 03
	5110 18		3625 02	KAEFIG A-T/A LAGER	4190 29	KAPPE-ROHR,HOCH	8340 37
	5140 02		3620 50	NADELKAEFIG	3230 06	KAPPE-ROHR,NIEDRIG	8340 38
	5140 03		3620 64		3230 20	DECKEL-SPUELUNG	2130 10
	5140 04		4310 18		3230 32	BEHALTERVERSCHLUSSKAPPE	5330 07
	5140 10		4310 27		3230 33	SCHRAUBDECKEL	6420 06
	5140 14		4310 28		3230 40	FEDERBEINDECKEL RAHMEN	4140 01
	5140 21		4440 12	BREMSSATTEL A,VORN	4510 01	DECKEL-DRUCKAUSGLEICHTANK	2230 09
	5140 22		6451 16	BREMSSATTEL A,HINTEN	4521 01		2233 09
	5220 10		6451 17	NOCKENWELLE A	1321 10	DECKEL-VENTILFEDER	1313 18
	5220 12		6452 16	NOCKENWELLE A-AUSLASS	1323 10	DECKEL-WASSERKAMMER	1311 07
	5220 14		6452 17	NOCKENWELLE A-EINLASS	1323 09	RADKAPPE,LEICHTMETALL	9766 03
	5410 04		7520 65	KANISTER	2130 12	RADKAPPE,MITTE	6680 04

TEILEBENENNUNGSVERZEICHNIS

Deutsche

TEILEBENENNUNGS	LOC.NO.	TEILEBENENNUNGS	LOC.NO.	TEILEBENENNUNGS	LOC.NO.	TEILEBENENNUNGS	LOC.NO.
RADKAPPE,MITTE	6680 07	KOMPRESSOR SUB A	8320 09	ABDECKUNG	7113 03	ABDECKUNG-GRIFF,HINTERTUER	7220 56
WISCHERARMABDECKUNG	5310 05	KONDENSATOR A	8310 01	INNERE ABDECKUNG	6340 10	ABDECKUNG-GEMAEUSE,KUHEHL	6711 23
	5320 06	STECKER A-LUFTVERTEILER	8110 18		9771 11	INNENABDECKUNG,AUSSENSPIE	6830 15
FRACHTRAUM A	9792 06	STECKER A-AUTOSENSOR	7113 17	ABDECKUNG A-SCHALTER	7220 36	INNERE	7231 09
TRAEGER	4510 13	VERBINDUNGSSTUECK	4852 08	ABDECKUNG A-REGENSENSOR	5620 46	ABDECKUNG-INST.	5220 02
	4521 13	ANSCHLUSSSTUECK VAKUUM	1523 03	ABDECKUNG A-HINTEN	6352 03	DECKEL-OELPUMPE	1230 09
SCHEIBENTRAEGER,INNEN	3831 01	KONSOLE A-VORN	7141 45	ABDECKUNG	7120 68	ABDECKUNG-AUSSEN,VORDERSE	7520 09
RADTRAEGER-INNERER	3830 10	KONSOLE A-HINTEN	7141 81	DECKEL A-T/A-HINTEN	3724 01	ABDECKUNG A-SCHALTER	7210 33
GEMAEUSE A-DIFF.	3750 04	KONSOLE-VORN,UNTEN	7141 94		3824 01		7210 71
GEMAEUSE A-T/A	3220 01	KONSOLE-VORN,OBEN	7141 93	DECKEL	1331 22	PLASTIKDECKEL VERRIEGELUNG	6450 11
	3723 01	SCHALTELEMENT A-GANGSCH.	3910 01	DECKEL	1331 19	ABDECKUNG-KUEHLERGRILL	6710 02
INSTR.KASTEN	5220 08	FUEHRUNGSSCHALTELEMENT-GA	3910 10	DECKEL A-DREHMOMENT	1333 27		6710 14
GEMAEUSE-AUSWURFFACH	5430 25	STEUEREINHEIT	5440 02	AABDECKUNG	6630 04		6711 02
KASSETTE-AM/FM STEREO	5430 01	STEUEREINHEIT-WEGFAHRSPER	4830 33	ABDECKUNG A-RAD	6660 02		6711 14
CD-WECHSLER	5430 08		4831 57	ABDECKUNG-HALTEGRIFF	7310 15	LENKSAEULENABDECKUNG,UNT	4820 02
ABLAUFKANAL	9290 06	WANDLER A-PUP	2460 40	ABDECKUNG-HECKABSCHLUSSB	7342 17	LENKSAEULENABDECKUNG,OBEN	4820 01
TUERVERSCHLUSS	6220 07	DREHMOMENTWANDLER	3720 01	ABDECKUNG,LEER	7130 46	BLECHDECKEL	4130 02
TUERVERSCHLUSS	6320 06		3820 02		7130 49	SCHUTZDECKEL	4810 21
KLEMME	3230 14	KABEL CD-WECHSLER	5430 08		7130 50	SCHUTZDECKEL,RAD,LENKUNG	9748 04
	3230 30	KABEL CD-WECHSLER,HINTEN	5430 09		7130 82	ABDECKUNG-SEITE,INNEN	9250 11
LUFTFILTER A	2410 01	BLOCK A-VERDAMPFER	8221 07	ABDECKUNG-LEER,ASCHENBEC	7141 30	ABDECKUNG-SEITE,GEPACKRA	7330 36
LUFTFILTER A,OBENER	2410 02	HEIZERBLOCK	8212 12	ABDECKUNG-LEER,LEIST.FASSU	7141 75	ABDECKUNG-SEITE,AUSSEN	9250 12
LUFTFILTER,UNTERER	2410 03	DECKEL	1740 27	ABDECKUNG-LEER,RADIO	7130 23		9739 19
BUEGEL-BETRIEBSBREMSE	4620 07		3920 62	DECKEL-LEER,SCHALTER	7220 74	ABDECKUNG-HALTER.,GEPAC	7322 30
DIGITALUHR A	7130 27	ABDECKUNG A-LUFTFILTER	8221 10	ABDECKUNG,LEERSCHALTER	7210 61	DECKEL-T/A	3250 16
KOMBINSTRUMENT A	5220 01	ABDECKUNG A-	7340 19	ABDECKUNG-BOX.,GEPACKRA	7322 31	ABDECKUNG-TANKDECKELBEFE	7310 30
FREILAUFKUPPLUNG A	3737 10		7341 05	ABDECKUNG-HALTER	7541 41	BEZUG A-HINTERES POLSTER	9775 03
MEHRSCHEIBENVORW.-KUPPLU	3734 01	DECKEL A-LEER	7120 72	ABDECKUNG-KUPPLUNGSPEDAL	4430 03	BEZUG A-VORDERE	9775 10
SATZ	8320 02	ABDECKUNG A-C	6413 70	ABDECKUNG C-SAEULE	7330 29	BEZUG A-VORDERES POLSTER	9775 02
FREILAUFKUPPLUNG NR.1	3737 12	ABDECKUNG A-CD WECHSLER	7340 56	ABDECKUNG-KUPPLUNG	3110 02	BEZUG A-VORDERE	9775 04
FREILAUFKUPPLUNG NR.2	3737 15	DECKEL A-NOCKENWELLEN	1321 16	DECKEL-AUSGLEICHGETRIEB	3220 06		9775 11
MEHRSCHEIBENDIREKTKUPPLU	3735 01		1323 06	SCHUTZHAUBE,HINTEN	4320 08		9775 12
ABLASSHAHN	2210 11	DECKEL	1321 03	FLANSCHDECKEL,VORDERER	6410 59	BEZUG A-HINTERE	9775 06
SPULE&GEMAEUSE A	8320 07		1323 03		6411 59	BEZUG A-HINTERES POLSTER	9775 05
SPULE-VERT	1711 01	ABDECKUNG	7321 01		6413 59	BEZUG A-HINTERE	9775 07
	1713 09	EINFASSUNG A-NEBELLEUCHTE	6720 05	ABDECKUNG-VORDERESITZ,INNE	7620 34	ABDECKUNG A-HINTEN	7540 02
EINFASSUNG	1740 04	ABDECKUNG A-VORDERE	7520 31	DECKEL-KRAFTSTOFFTANKKOEFF	6520 19		7541 02
	1740 06	ABDECKUNG	7520 46	ABDECKUNG-SICHERUNGSBLOC	5610 16		7541 06
LENKSAEULENABDECKUNG,NICH	4830 01	DECKEL A-GANGSCH.	3280 12	DECKEL-SICHERUNGSKASTEN,U	5620 04	ABDECKUNG A-HINTEN	7540 07
LENKSAEULENABDECKUNG,KIPP	4831 01	ABDECKUNG	7113 07	DECKEL-SICHERUNGSKASTEN,O	5620 02	ABDECKUNG-VORDERE	7520 01
KOMPRESSOR A	8320 01	ABDECKUNG	7113 06	ABDECKUNG-KLINKENGRIFF,VO	7210 92	ABDECKUNG-VORDERESITZPOLST	7520 04

TEILEBENENNUNGS	LOC.NO.	TEILEBENENNUNGS	LOC.NO.	TEILEBENENNUNGS	LOC.NO.	TEILEBENENNUNGS	LOC.NO.
WINDLAUF A	6150 06	KUPPLUNGSSCHEIBE	3734 10	HILFSLUEFTER A	2220 15	RAHMEN-VORDERSITZPOLSTER	7520 08
KUREL A-TUER	6320 32		3734 15	HAUPTLUEFTER A	2220 05	RADIORAHMEN	5430 10
KURBEL A-FENSTERHEBER	7210 10	KUPPLUNGSSCHEIBE NR.2	3735 09	VERKLEIDUNG	6720 02	LAGERSCHILD-SCHLEIFRING	1740 18
	7220 13	KUPPLUNGSSCHEIBE,AUSSEN	3630 07		6730 02	TRICHTER	5330 08
KURBELWELLE A	1220 07		3630 09		6732 02	SICHERUNGSBLOCK	5610 15
	1221 07		3631 06	BEFESTIGUNGSELEMENT-SCHAL	3920 24	MINISICHERUNG	5620 13
POLSTER	1760 36		3631 09	LUFFTFILTER A	8221 09	TRAEGE SICHERUNG	5620 15
ZYLINDER A	4510 12		3631 28	OELFILTER A,MOT	1230 30	DEKO A-VORDERTUER,MITTE	6240 05
	4521 12		3631 29		1231 18	HJAUBENAUSKLEIDUNG A	6110 36
HAUPTZYLINDER-BREMSE	4620 01	EINRASTSCHHEIBE	3625 03	OELFILTER A,T/A	3620 06	AUSKLEIDUNG	6340 05
HAUPTZYLINDER-KUPPLUNG	4410 01	HAUPTSCHALTSCHHEIBE	3230 34	FILTER-KRAFTSTOFF	2120 08	AUSKLEIDUNG	6340 07
KONZENTRISCHER	4410 36	O/D BREMSSCHHEIBE	3736 04	SCHALTFINGER	3260 14	DEKO-VORDERTUER,ZIERLEISTE	9772 07
RADBREMSSZYLINDER A	4520 03	FEDERSCHHEIBE	3630 06	DACHHIMMELAPPRETUR	7310 02	AUSKLEIDUNG-VORDERTUER,ZIE	7210 31
ZYLINDER C	3634 16		3631 10	BREMSSFLANSCH NR.2	3737 05	DEKO	9772 08
BREMSSZYLINDER NR.2	3737 02		3631 30	BREMSSFLANSCH NR.3	3737 21		7220 37
DAEMPFER A-LUFT,EINLASS	2410 50		3634 02	KUPPLUNGSFLANSCH	3734 12	DICHTRING	3620 04
SCHEIBENSPERRE,DREIECKSFE	6641 18	SCHEIBE-SENDER	1221 17		3734 16	DICHTRING A-SPIEGEL,AUSSEN	6630 19
SCHEIBENSPERRE,HECKKLAPPE	6641 16	TUER	6420 02		3734 17	DICHTRINGSATZ-MOTORUEBERH	1141 01
FEDERBEINDAEMPFER A-VORN	4140 13	DUEBEL-FUEHRUNGSSTIFT	7113 18	LAGERFLANSCH-DIFF.	3270 15		1143 01
FEDERBEINDAEMPFER A-HINTEN	4320 10	ANTRIEBSWELLE A	1760 34	FLANSCH-DIR.KUPPLUNG	3735 10		1143 14
SCHWINGUNGSDAEMPFER A	1231 42	DREHER	9110 03	O/D BREMSSFLANSCH	3736 06	DICHTUNG-UNTERBRECHERSCH	3250 19
DAEMPFERRING	1333 24	BREMSTROMMEL A,HINTEN	4330 06		3736 07	DICHTRING-BREMSEN	3724 17
DAEMPFER-LUFFTFILTER	2410 30	TROMMEL A-VORW.- KUPPLUNG	3734 06	BODEN A-GEPAECKKRAUM,VORN	7322 09	DICHTRING-BREMSTROMMEL	3723 31
DAEMPFER-HALTEGRIFF	7310 36	TROCKNER A-EMPPFAENGER	6310 02	BREMSSFLUESSIGKEIT	9120 05	DICHTRING-ABGASKATALYSATO	2460 10
DAEMPFER-KRAFTSTOFF	1411 27	KANAL A-FUSSRAUM,HINTEN	6110 19	FLUESSIGKEIT-FENSTERWASCH	9120 06	DICHTRING-NOCKENWELLENABD	1321 06
	1413 17	LUFFTKANAL,INSTR.TAFEL	6110 01	SCHWUNGRAD A	1220 10		1323 07
SCHWINGUNGSDAEMPFER	4190 84	ECM	2610 01		1221 11	DICHTRING-ZYL-KOPF	1311 25
DAEMPFUNGSMUFFE	4710 29	LUFFTFILTERELEMENT A	2410 07	SCHAUM-BODENBLECH,KOFFER	6520 56		1313 23
SCHWINGUNGSDAEMPFER	6520 35	SYMBOL A	6650 01	FUSSSTUETZE A	7610 17	DICHTRING-AUSGLEICHGETRIEB	3220 07
	6732 60		6650 02	GABEL A-1.&2. GANGSCH.	3260 01	DICHTRING-ABLASSSTOPFEN	3723 36
SCHWINGUNGSDAEMPFER-STD.	7610 26	SPURSTANGENENDE	4931 05	SCHIEBEGABEL A-GANGSCH.	3250 11	DICHTRING-ABGASSAMMELLEIT	1531 02
WASSERABWEISER	4190 37	MOTOR A	1111 01	GABEL-3.&4. GANGSCH.	3260 04		1533 03
ABWEISER-FENSTER	9250 04		1113 01	GABEL-GANGSCH.,RUECKW.	3260 09	DICHTRING-AGR	1713 12
DIFFUSOR-LUFFTFILTER	2410 47	GRIFFPLATTE-VORDERTUER	7210 62	RAHMEN A-OACH,HINTEN	6430 04		1311 30
SCHEIBENSATZ-C&D	3634 18	GRIFFPLATTE-HINTERTUER	7220 40	RAHMEN A-HINTEN	7541 04	DICHTRING-EGR-ROHR,VARIABL	1521 18
SCHEIBE-KEGELRAD	3270 07	VERLAENGERUNG-SEITENBLECH	6410 40		7541 06	DICHTRING-AGR	1311 34
VOLLSCHHEIBE BREMSE,HINTEN	4330 07		6411 29	RAHMEN A-SONNENDACH	6430 06	DICHTRING-ABGASRUECKFUEHR	1713 02
BREMSSCHHEIBE NR.2	3737 06		6413 29	RAHMEN&LAGER A	1740 07	DICHTRING-MOTORBELUEFTUNG	1240 01
BREMSSCHHEIBE NR.3	3737 22	FEUERLOESCHER A	6510 24	RAHMEN-KOLLEKTORENDE	1760 21		1241 01
BREMSSCHHEIBE,VORN	4130 06	KABELSTRANG-EXTRUSION,HINT	4310 30	FELDRAHMEN	1760 17	DICHTRING-ABGAS,VORDERES	2460 01
KUPPLUNGSSCHHEIBE	3110 01	LUEFTER	1740 05	RAHMEN-VORDERE	7520 03	DICHTRING-VORN ZAHNRIEMEN	1333 22

TEILEBENENNUNGSVERZEICHNIS

Deutsche

TEILEBENENNUNGS	LOC.NO.	TEILEBENENNUNGS	LOC.NO.	TEILEBENENNUNGS	LOC.NO.	TEILEBENENNUNGS	LOC.NO.
DECKELDICHUNG-GANGSCH.	3280 21	LENKGETRIEBE A	4910 01	DURCHFUEHRUNGSTUELLE	2131 48	KARTENHALTER A	7120 29
DICHUNG-AUFBRINGREGLER	3723 08	SONNENRAD A-VORN	3833 05		4440 02	TASSENHALTER A	7141 43
	3723 09	SONNENRAD A-HINTEN	3833 10		4931 20	SONNENBRILLENHALTER A	7310 37
DICHRING-ANSAUGSAMMELLE!	1521 25		3270 20		4950 24	BUERSTENHALTER	1760 18
	1523 04	KEGELRAD-ACHSWELLE	3270 05		5710 54	MUTTERNHALTER,FESTST.BR.	4530 06
FLUESSIGKEITSDICHUNG	1230 34	KEGELRAD-DIFF.	3270 08		6110 11	HAUBE A-VORN ZAHNRIEMEN	1333 21
	1231 56	ZAHNRAD A-RITZELSATZ 5.GANG	3240 06	DURCHFUEHRUNGSTUELLE-ABL	9280 07	HAUBE A-HINTEN ZAHNRIEMEN	1333 04
DICHRING-BETRIEBSBREMSE	4620 19	GETRIEBE-NOCKENWELLE	1331 09		9280 08	HAKEN	2410 26
DICHRING-OELEINFUELLSTUTZ	1323 02		1333 16	SCHUTZDURCHFUEHRUNGSTUE	5320 04		6140 26
DICHRING-OELWANNE	3723 33	GEGENRAD A-ANTRIEB	3739 01	KOTFLUEGEL A,VORN	6750 01		7340 25
	3824 09	GETRIEBENES GEGENRAD	3739 03	KOTFLUEGEL A,HINTEN	6750 05		7540 61
DICHRING-OELWANNE,FLUESSI	3721 15	ZAHNRAD-KURBELWELLE	1231 36	FUEHRUNG-AUSLASSVENTIL	1313 14	HAKEN A	7610 69
	3723 24	RINGRAD-DIFF.	3750 03	FUEHRUNG-EINLASSVENTIL	1313 13	HAKEN A-SERVICEMATTE	7610 41
	3724 12	SCHRAEGZAHNRAD,DIFF.	3270 02	VENTILFUEHRUNG	1311 02	HAKEN-T/A	3720 31
DICHRING-OELPUMPE	1230 11	PLANETENRADTRIEB	3833 01	GRIFF A-TUER,INNEN	7210 07	HUPE A	5410 01
	1231 19	PLANETENRAD,VORN	3833 03		7220 07	SCHLAUCH	2411 01
DICHRING-PUP-WANDLER	2460 41	PLANETENRAD,HINTEN	3833 08	GRIFF A-VORDERTUER,AUSSEN	6220 13	BREMSSCHLAUCH A,VORN	4652 01
DICHRING-HINTERER	2460 13	RINGRAD,VORN	3833 02	LOESEGRIF,HECKKLAPPE	6451 33	BREMSSCHLAUCH,HINTEN KURZ	4652 21
DICHRING-T/ADECKEL	3250 17	SCHNECKENRAD-TACHOMETERA	3270 03		6452 33	SCHLAUCH A-ENTLUEFTER	2411 10
DICHRING-DROSSELKLAPPENG	1521 24	ZAHNRAD-TACHOMETER	3750 02	GRIFF A-HINTERTUER,AUSSEN	6320 12	UNTERER SCHLAUCH A	2451 26
	1523 11	SCHEIBE A-HECKFENSTER	6640 08	WAEHLGRIFF A. KONTR.	3920 02	DRUCKSCHLAUCH	6340 05
DICHRING-DREHMOMENTWAND	3820 03	SPIEGELGLAS A	6630 06	GRIFF A-HECKKLAPPE	6451 01	ANSAUGSCHLAUCH	6340 04
GANG	1760 37	GLASPLATTE A	9250 03		6452 01	SCHLAUCH	6340 01
ZAHNRAD A-1.GANG	3230 31	SCHEIBE A-DREIECKSFENSTER	6641 17	GRIFF A-KOFFERRAUMDECKEL	6450 01	SCHLAUCH A-BEHAELTER	5330 04
ZAHNRAD A-2.GANG	3230 19	SCHEIBE	6640 22	GRIFF-KOFFERRAUM,UNTEN	7231 12		5330 05
ZAHNRAD A-3.GANG	3230 16	SCHEIBE A-HECKKLAPPE	6641 06		7232 06	SCHLAUCH A-LAGERBEHAELTER	4410 25
ZAHNRAD A-4.GANG	3230 05	SCHEIBE A-WINDSCHUTZS.	6640 01	ZYL-KOPF A	1311 01	SCHLAUCH A-HECKKLAPPE	5330 17
ZAHNRAD A-5.GANG	3230 36	SCHEIBENLAUF-VORBERTUER	6240 01		1313 01	OBERER SCHLAUCH A	2451 25
ZAHNRAD A-KURBELWELLE	1331 17	SCHEIBENLAUF-HINTERTUER	6340 01	ZYL-KOPF KOMPLETT	1311 42	SCHLAUCH A-VAKUUM	2451 05
AUSGLEICHSRAD A	3750 01	SCHEIBE-VERSENFENSTER,VO	6640 10	DACHHIMMEL A	7310 01	SCHLAUCH	2453 11
	3850 04	SCHEIBE-VERSENFENSTER,HIN	6640 11	KOPFSTUETZE A-VORDERSITZ	7520 07	SCHLAUCH	5330 10
ZAHNRAD	3220 21	GITTER A-ENTEISER,SEITE	7113 11	ARMSTUETZE A-RUECKSITZ	7541 57	SCHLAUCH-ENTLUEFTUNG,KANI	2130 14
	3710 05	GRILL A-KUEHLER	6710 01	KOPFSTUETZE	7541 61		2131 14
ZAHNRAD A-EINGANGSWELLE	3240 03		6711 01	TUERSCHARNIER A	6220 22	SCHLAUCH-ANSAUGVORRICHTU	8212 16
PLANETENRAD A	3738 04	GITTER ASM-KUEHLER	9755 02		6320 20	SCHLAUCH-HILFSRESONATOR	2411 29
PLANETENRINGRAD A	3738 05	GITTER-HOCHTONLAUTSPRECH	5410 44	SCHARNIER A-MOTORHAUBE	6110 03	SCHLAUCH-GEHAEUSE	5330 26
PLANETENSONNENRAD A-VORN	3738 01	HALTEGRIFF	7310 05	GELENK A-HINTEN	7541 56	SCHLAUCH-ENTLUEFTER	2241 11
PLANETENSONNENRAD	3738 03		7310 06	SCHARNIER A-HECKKLAPPE	6441 03		2411 05
ZAHNRAD A-RUECKWAERTS	3240 11	GRIFF-LENDENWRIBELSTUTZE	7520 29		6442 02		3720 28
SCHIEBERAD A	3230 24	LEHNENVERSTELLGRIFF	7520 22	SCHARNIER	6440 05	SCHLAUCH-BYPASS	2233 13
STIRNRAD A	3832 02	DURCHFUEHRUNGSTUELLE	1230 32	BATTERIEHALTER A	5610 02	SCHLAUCHENTEISER,SEITE	8110 02

J.C.C.

TEILEBENENNUNGS	LOC.NO.	TEILEBENENNUNGS	LOC.NO.	TEILEBENENNUNGS	LOC.NO.	TEILEBENENNUNGS	LOC.NO.
SCHLAUCH-EGR	2453 03	GEHAUESE-DREHMOMENTWAND	3620 01	KUGELGELENK A	6442 08	VERRIEGELUNG	6450 03
	2469 08	VORW.-KUPPLUNGSNABE A	3738 02	KUGELGELENK A,LENKER	4150 02	LAMPENGLAS-INST.	6220 03
SCHLAUCH-MOTORBELUEFT	1240 05	NABENEINHEIT-VORN	4130 05	GELENKSATZ-INNEN	4120 02	SCHRIFTZUG A-MARKE	6650 04
	1241 05	NABENEINHEIT-HINTEN	4330 03	GELENKSATZ-AUSSEN	4120 01	SCHRIFTZUG	6650 05
SCHLAUCH-KRAFTSTOFFDAMPF	2453 05	2.BREMSNABE	3737 11	ROHSCHLUESSEL	6460 05	SCHRIFTZUG A-WAGENNAME	6650 03
SCHLAUCH-HEIZER,ZUFUEHRUN	2230 17	KUPPLUNGSNABE-LENKUNG	3738 09	SYNCHRONRING,1.&2.GANG	3230 27	HEBEL A-GASPEDALSTEUERUNG	4440 04
	2233 16	HYDROLAGER	4190 21	SYNCHRONRIEGEL,3.&4.GANG	3230 11	HEBEL	9739 02
SCHLAUCH-HEIZER,RUECKLAUFL	2230 15	SATZ	1510 04	SYNCHRONRIEGEL,5.GANG	3230 45	HEBEL	6110 07
	2233 17	LOS RAD	6331 14	VENTILKLEMMKEGEL	1311 16	HANDBETÄTIGTES VENTIL	3725 01
SCHLAUCH-ANSAUGSAMMELLEIT	2453 04	ZUENDSPULE-KASSETTE	1711 17	SCHIEBENFEDER	1221 19	BREMSHEBEL A-FESTST.BR.	4530 01
SCHLAUCH-KURBELGEHAUESEZ	1321 21	KRAFTSTOFFEINSPRITZDUESE	1411 11	KNIESCHUTZPOLSTER	7160 01		9746 05
SCHLAUCH-ROHR&WASSERPUM	2230 05		1413 02	KNOPF A-WAEHLHEBEL(A/T)	9739 07	HEBEL A-RUECKW.	3290 28
	2233 05	EINSATZ A-VENT.	6410 35	KNOPF-FUEHRUNGSSCH.,VORDE	7530 40	WAEHLHEBEL A. KONTR.	3920 01
SCHLAUCH-KUEHLER&DRUCKAU	2230 07		6411 35	KNOPF-SCHLOSS HINTEN ZURÜC	7541 43	HEBEL A-T/A	3920 26
	2233 07		6413 35	ACHSSCHENKEL A-HINTEN	4330 01	HEBEL	6420 10
SCHLAUCH KUEHLER,UNTERER	2230 02	EINSATZ-OELWANNENVERSCHL	1230 27	ACHSSCHENKEL A-LENKUNG	4130 01	HEBEL A-GASPEDALSTEUERUNG	4440 06
	2233 02		1231 55	ETIKETT-AUDIOWARNUNG	6670 17	HEBELARM	1521 31
SCHLAUCH-KUEHLER,OBERER	2230 01	ISOLIERUNG-B SAEULE	7610 40	ETIKETT-KINDERSICHERUNG	6670 06	STEUERHEBEL	3720 20
	2233 01	ISOLIERUNG-HINTERE	7610 67	ETIKETT-ECE	6670 41	ZW.-HEBEL-GANGSCH.	3260 16
SCHLAUCH-HINTERE	5330 13	ISOLIERUNG-C SAEULE,UNTEN	6411 57	ETIKETT-KRAFTSTOFFSPAREN	6670 14	MOTORANLABSHEBEL	1760 04
SCHLAUCH-DRUCKAUSGLEICHT	2230 08	ISOLIERUNG-ARMATURENBRETT,	7610 03	ETIKETT-SICHERUNGSKASTEN	5620 03	DECKEL A-KONSOLE,HINTEN	7141 05
	2233 06	ISOLIERUNG-ARMATURENBRETT,	7610 12	ETIKETT-WEGFAHRSPERRE	6670 16	ZIGARETTENANZUENDER A	7130 33
SCHLAUCH-DROSSELKLAPPENG	2453 07	ISOLIERUNG-BODENBLECH,VOR	7610 05	ETIKETT-SCHLUESSELLOS	6670 30	BELAG-KUPPLUNGSSCHEIBE	3830 06
SCHLAUCH-DROSSELKLAPPEN&	2453 01	ISOLIERUNG-BODENBLECH,HINT	7610 20	AUSSENLAMPE A	5140 20		3831 07
SCHLAUCH-DROSSELKLAPPENG	2230 20	ISOLIERUNG-KOTFLUEGEL	6140 27	NEBELLEUCHTE A,VORN	5110 11		3831 27
	2233 15		6140 51	FRONTSCHIEBWERFER A	5110 01	RADKASTEN-INNENBLECH A	6140 10
SCHLAUCH-DROSSELKLAPPENG	2230 14	ISOLIERUNG-VORDERTUER, OBE	9772 11	STOPPLICHT A-HOHER RAHMEN	5140 13	BUCHSE A-HINTERE	6790 06
	2233 14	ISOLIERUNG-KRAFTSTOFFTANK	2110 33	KENNZEICHENBELEUCHTUNG A	5140 09	AUSKLEIDUNG	7610 43
VENT.SCHLAUCH	8110 06	HAUBENISOLIERUNG,MOTOR	6110 16	LAMPE A-MAP,VORN	5410 09	BREMSBELAGSATZ,HINTEN	4520 18
SCHLAUCH-WASSERABLAUF	8212 26	ISOLIERUNG-HINTERTUER,OBEN	9772 12	LAMPE A-FAHRGASTRAUM	5410 03	AUSKLEIDUNG-BODENBLECH	7610 01
GEHAUESE	7141 11	ISOLIERUNG-RUECKSITZ	7610 42		5410 21	AUSKLEIDUNG-EINSATZ,KONSOL	7141 10
GEHAUESE A-BYPASS	1683 04	ISOLIERUNG-SEITENBLECH,AUS	6411 56	RAUMLAMPE,MITTE	6410 17	VORDERE DRUCKSTANGE A	4150 18
GEHAUESE	7120 01	FEDERISOLATOR-VORN,UNTEN	4140 12	RAUMLAMPE A,KOFFERRAUM	5410 46	PARALLELENKER A,VORN	4310 02
GEHAUESE A-KUEHLERGRILL	6710 03	FEDERISOLATOR-VORN,OBEN	4140 09	RUECKLICHT A KOMB.	5140 01	PARALLELENKER A,HINTEN	4310 03
	6711 03	FEDERISOLATOR-HINTEN,UNTEN	4320 07	LAMPE A-BLINKER,SEITE	5110 17	HINTERE DRUCKSTANGE A	4310 11
GEHAUESE	4830 13	FEDERISOLATOR-HINTEN,OBEN	4320 06	VERRIEGELUNG A-VORDERTUER	6220 01	VERBINDUNGSGLIED A-TEMP	6212 18
	4831 18	STREBENISOLATOR HINTEN	4320 30	HAUBENVERRIEGELUNG A	6130 06	LAENGSLENKER,HINTEN	4310 14
GEHAUESE A-T/A	3721 01	HEBER A	9110 04	VERRIEGELUNG A-HINTERTUER	6320 01	HAUPTVERBINDUNGSGLIED	6212 17
	3621 01	STECKHEBEL	9110 05	VERRIEGELUNG A-HINTEN	7541 20	WISCHERVERBINDUNG A	5310 06
GEHAUESE A-THERMOSTAT	1081 07	STRAHL	4520 05	VERRIEGELUNG A-HECKKLAPPE	6451 03	LIPPE A-VORDERE	9760 04
GEHAUESE-AUSGLEICHGEGETRI	3270 01	KUGELGELENK A	6441 10		6452 03	LIPPE A-HINTERE VERKLEIDUNG	9760 09

TEILEBENENNUNGSVERZEICHNIS

Deutsche

TEILEBENENNUNGS	LOC.NO.	TEILEBENENNUNGS	LOC.NO.	TEILEBENENNUNGS	LOC.NO.	TEILEBENENNUNGS	LOC.NO.
FUEHRUNGSTEIL	9640 05	FORMTEIL A-INSTR.TAFEL,OBEN	7130 10	UNTERLAGE-VORDERE	7520 02	BLECH-SAEULE,SEITE,AUSSEN,M	6410 06
FEDERPOSITIONIERELEMENT-VO	4140 08	FORMTEIL A-INSTR.TAFEL,MITTE	9771 06	ABDECKUNG-VORDERSITZPOLST	7520 05		6411 06
SCHLOSS A-HANDSCHUHFACH	7113 19	FORMTEIL	8240 04	PEDALPAD,GASPEDALSTEUERU	4440 07		6413 06
FAHRZEUGSCHLOSSSET	6480 01	FORMTEIL	6340 04	UNTERLAGE-DACHGEPAECKTRA	6430 13	BLECH-SAEULE,SEITE,AUSSEN,V	6410 05
SCHLOSSSET TUER	6480 03	FORMTEIL	6610 01	UNTERLAGE-DACHGEPAECKTRA	6430 12		6411 05
SCHLOSSSET-HANDSCHUHFACH	6480 06	FORMTEIL	6610 02	UNTERLAGE-DACHGEPAECKTRA	6430 14		6413 05
SCHLOSSSET LENKUNG	6480 02	FORMTEIL A-DACH	6430 06	OELWANNE A	3723 32	SCHWELLER	6410 07
SCHLOSSSET-KOFFERRAUMDEC	6480 04	FORMTEIL A,WINDSCHUTZS.	6640 02	OELWANNE A,MOT	1230 23		6411 07
LAENGSTRAEGER	6510 10	MOTOR A-EL.FH	6230 02		1231 29		6413 07
LAENGSTRAGER A-VORN	6530 02		6330 02	OELWANNE A,T/A	3824 08	BLECH-HINTERTUER,AUSSEN	6310 02
LAENGSTRAGER A-HINTEN	6530 10	WISCHERMOTOR A,VORN	5310 01	HECKABSCHLUSSBLECH	6520 15	BODENPLATTE HINTEN,VORN	6520 04
CD-MAGAZIN	5430 07	WISCHERMOTOR A,HINTEN	5320 01	BLECH A,HINTEN,OBEN	6440 09		6520 05
MAGNET	3220 20	MOTOR&ANTRIEBSZAHNRAD A	9250 13	PLATTE A-KONTR.	8352 02	SEITENBLECH.INNEN,HINTEN	6410 15
	3250 18	MOTOR-GEBLAESE	8221 02	BLECH A-MITTLERE	6410 46		6411 50
	3723 34	MOTOR-LEERLAUFLUFTSTEUER	1510 02		6411 66		6413 50
	3620 07	MOTOR-EINL.	8221 04		6413 66	SEITENBLECH,AUSSEN	6410 03
SAMMELLEITUNG A-ABGAS	1531 01	MOTOR-BETRIEBSART	8212 03	ARMATURENBRETT A,UNTEN	6150 02		6411 03
	1533 01	MOTOR-TEMP	8212 10	AMRATURENBRETT A,OBEN	6150 01		6413 03
ANSAUGSAMMELLEITUNG A	1521 01	AUSPUFFTOPF	2460 11	RADKASTEN-INNENBLECH A	6140 01	SEITENBLECH,AUSSEN,HINTEN	6410 06
	1523 01	AUSPUFFTOPF	2460 12	BODENSEITENPLATTE A	6510 04		6411 06
BODENMATTE A	7610 66	HALS-WASSEREINLASS	1210 06	PLATTE A-VORDERTUER	6210 01		6413 06
MATTE-KONSOLE KAROSSERIE	7141 15		1211 04	VORDERE BODENPLATTE A	6510 01	SEITENBLECH,DACH	6410 04
MECHANISMUS	9250 05	NETZ A-BODENBLECH	7322 22	VORDERE PLATTE A,SEITE	6130 04		6411 04
SPIEGEL A-INNEN,KIPPBAR	7350 01	NETZ A-GEPAECKRAUM	7322 12	VORDERE PLATTE A,VORN,OBEN	6130 02		6413 04
SPIEGEL A-AUSSEN	6630 01	DUESE A-AUSSEN	7120 38	MOTORHAUBENPLATTE A	6110 01	PLATTE-HECKLEUCHTENGEHAE	6411 22
MODUL A-AC	8212 01		7120 45	HAUPTINSTRUMENTENTAFEL	7113 02		6413 22
ABS MODUL A	4710 27	DUESE A-HINTERE	5330 14	AMRATURENBRETT A,OBEN	7113 01	PATCH A-HINTERER	6520 46
MODUL A-AIRBAG,FAHRER	5510 01	DUESE A-VENT.,MITTE	7120 51	BLECH A-DREIECK,INNEN	6410 51	PATCH-HECKLEUCHTENGEHAEU	6410 21
MODUL A-AIRBAG,BEIFAHRER	5510 02	DUESE	5330 11		6411 66	KLAUE	3825 07
MODUL A-AIRBAG,SEITE	7520 49	OELDAEMPFER	3631 13		6413 66	KLAUE-GANGSCH. STANGE	3260 08
MODUL A-SIGNALGLOCKE	5620 10		3631 22	AUSWURFFACH	5430 22	KLAUE-PARKSPERRE	3725 02
MODUL A-EVB	4831 45	OEL-AT	9120 03	DACHPLATTE A	6430 01	BREMSPEDAL A	4430 01
MODUL A-KLAPPSPIEGEL	5620 32	OEL-MOTOR	9120 01	BLECH A-HINTERTUER	6310 01	KUPPLUNGSPEDAL A	4420 01
MODUL A-KRAFTSTOFFPUMPE	2110 02	OEL-M/T	9120 02	PLATTE A-HINTEN FUSSBODEN	6520 01	BREMSPEDAL	4430 02
MODUL A-GLASANTENNE	5420 14	OEL-SERVOL.	9120 04	SEITENBLECH A,KOMPL	6410 01	KUPPLUNGSPEDAL	4420 03
ANTENNENMODUL-GLAS	5420 22	UNTERLAGE A-HINTEN	7540 03		6411 01	VERBIND.TEIL	6530 54
FORMTEIL A-HINTERE SCHEIBE	6640 07		7541 03		6413 01	VERBINDUNGSTEIL	6411 65
FORMTEIL A-KOMBIINSTRUMENT	9771 02		7541 07	BLECH A-HECKKLAPPE	6441 01		6413 65
FORMTEIL A-DEKO	7120 57	UNTERLAGE	7540 06		6442 01	ZUSATZTEIL	4810 23
	9771 08	UNTERLAGENSATZ-VORDERRAD	4510 02	PLATTE A-KOFFERRAUMDECKEL	6440 01	VERBINDUNGSTEIL	1230 31
FORMTEIL	6641 07	UNTERLAGENSATZ-HINTERRAD	4521 02	PLATTE-VORDERTUER,AUSSEN	6210 02		1231 13

Ji
C.
(C)

TEILEBENENNUNGS	LOC.NO.	TEILEBENENNUNGS	LOC.NO.	TEILEBENENNUNGS	LOC.NO.	TEILEBENENNUNGS	LOC.NO.
ENDSTUECK,VORDERBITZ,VORN	7530 20	ROHR	8340 03	KOLBEN-1.&RUECKWAERTSBRE	3737 17	RIEMENSCHLEIBE	1740 03
ENDSTUECK,VORDERBITZ,HINTE	7530 22	ROHR A-BETRIEBSBREMSE,2.	4652 10	2.BREMSSKOLBEN	3737 01	RIEMENSCHLEIBE-KURBELWELLE	1331 27
EINRUECKSTUECK,5. GANG	3260 07	BREMSROHR	4652 09	KOLBEN-B1 DRUCKSPEICHER	3723 41	SPANNRIEMENSCHLEIBE	1331 14
A-SAEULE A	6410 12	ROHR A-OELKUEHLER,EINLASS	2241 03	KOLBEN-C1 DRUCKSPEICHER	3723 38	OELPUMPE A,MOT	1230 01
	6411 12		2241 04	KOLBEN-C2DRUCKSPEICHER	3723 44		1231 01
	6413 12		2242 03	O/D BREMSKOLBEN	3736 01	OELPUMPE A,T/A	3722 12
STIFT	3260 29		2242 04	HALTEZAPFEN A,HAUBE	6130 11		3622 01
	3825 06	ROHR A-OELKUEHLER,AUSLASS	2241 01	UNTERBRECHERSCHLEIBE A	3632 01	PUMPE A-SERVOL.	4980 01
	3910 11		2241 02	FLEXIBLE PLATTE A	1220 12	PUMPE	6330 03
	4610 02		2242 01		1221 12	WASSERPUMPE A	1331 01
SPERRSTIFT	3250 06		2242 02	HINTERE PLATTE	1331 04		1333 01
STIFT-NOCKENWELLE ZAHNRAD	1323 11	OELSAUGROHR A	1230 18	LAGERPLATTE	3250 05	LAUFRING-KEGELROLLENLAGER	3739 07
SPIRALSTIFT	3260 03		1231 21		3632 04		3739 09
	3260 06	ROHR A-SERVOL.GETRIEBE	4931 13	TRAEGERSCHLEIBE BREMSE	4630 02	AEUSSERER	3750 09
	3260 11		4931 14	BREMSSCHLEIBE NR.2	3737 07		3750 10
	3260 15	DRUCKROHR A	4950 51	BREMSSCHLEIBE NR.3	3737 23	LAUFRING-AXIALLAGER	3738 11
FEDERSTIFT-DIFF.	3270 09	RUECKLAUFROHR A	4950 20	STOSSSTANGENPLATTE	4140 30		3738 13
DUEBEL	3220 02	SAUGROHR A	4960 58	NOCKENBOLZENPLATTE	4310 46		3736 15
	3220 03	ROHR A-VAKUUM	1311 37	TRAEGERPLATTE	6640 03		3738 17
	3290 07		1311 41	VERSCHLUSSPLATTE AGR	1311 39		3738 18
STIFT-FESTST.BR.	4530 09		2451 02	KUPPLUNGSSCHLEIBE	3631 06	DACHGEPAECKTRAEGER A	6430 09
STIFT-PARKSPERRE	3725 11		2451 13		3631 26	KUEHLER A	2210 01
KOLBENBOLZEN	1220 02		2451 15	KUPPLUNGSSCHLEIBE NR.1	3734 11	KRAFTSTOFFVERTEILER	1411 06
	1221 02	ENTLUEFTERROHR	3821 06	KUPPLUNGSSCHLEIBE NR.2	3735 06	FUEHRUNGSSCHLEIBE	6230 07
GELENKZAPFEN	7541 12	ROHR-AGR DURCHLASS	1821 10	KUPPLUNGSSCHLEIBE NR.3	3734 14	FUEHRUNGSSCHLEIBE	7530 46
DIFF.-ANTRIEBSRITZEL	3739 04	ROHR-KRAFTSTOFFZUFUHR,MIT	2120 03	BEFESTIGUNGSPATTE	3660 12	FUEHRUNGSSCHLEIBE	6330 06
BREMSROHR A HYD EINHEIT	4652 14	ABNAHMEROHR-HEIZER	1311 26		3660 13	SCHLEIBE A-WINDSCHUTZS.	6430 02
BREMSROHR A,VORN	4652 11	SPUELROHR,MITTE	2130 04	SCHUTZBLECH	3260 17	KRAFTSTOFFVERTEILER	1411 26
	4652 12		2131 04	SICHERUNGSSCHLEIBE	3270 17		1413 01
BREMSROHR A,2.	4652 17	ROHR-KUEHLER;PUMPE	2230 03	O/D BREMSSCHLEIBE	3736 05	NACHSTELLEINHEIT	4520 13
	4652 18	WASSERROHR	2233 03	OELSCHWALLBLECH	3620 05	SITZLEHNENVERSTELLER	7530 03
BREMSROHR A,3.	4652 19	KOLBEN	1220 01	PLATTE-OELBEHALTER	3721 03	SITZLEHNENVERSTELLER	7530 44
BREMSROHR A,HINTEN KURZ	4652 20		3631 21	DRUCKPLATTE	1331 28	SITZLEHNENVERSTELLER	7530 43
BREMSROHR A,1.	4652 15	KOLBEN 'B'	3631 31	PLATTE-ACHASGETRIEBEGEHAE	3723 16	GLEICHRICHTER	1740 15
	4652 16	KOLBEN 'C'	3634 15	TYPENSCHILD	3621 06	RUECKSTRAHLER A-REFLEX,RR	5140 34
HAUPTZYLINDERROHR	4410 04	KOLBEN 'D'	3630 01	CD-PLAYER	5430 03	WARNRUECKSTRAHLER A	9110 13
KONZENTRISCHES SLAVEROHR	4410 33		3634 01	TAUCHKOLBEN-UEBERDRUCKVE	1230 03	REGLER&BUERSTE A	1740 29
ROHR A-MOTORBELUEFT	1240 03	KOLBEN 'E'	3631 16		1231 03	VERSTELLER-VORDERESITZ	7520 12
	1241 03	KOLBEN A-DIR.-KUPPLUNG	3735 03	SCHUTZVORRICHTUNG-ENTLUEF	4510 07	VERSTELLER-SITZLEHNENVERST	7520 39
ROHR A-ABGAS,VORDERES	2480 06	KOLBEN A-VORW.-KUPPLUNG	3734 03		4521 07	FENSTERHEBER,VORN	6230 01
ROHR	8340 02	KOLBEN&BOLZEN A	1221 01	SCHUTZVORRICHTUNG-FILTER,K	2120 52	FENSTERHEBER,-HINTEN	6330 01

TEILEBENENNUNGSVERZEICHNIS

Deutsche

TEILEBENENNUNGS	LOC.NO.	TEILEBENENNUNGS	LOC.NO.	TEILEBENENNUNGS	LOC.NO.	TEILEBENENNUNGS	LOC.NO.
VERST.A	4310 58	HALTESTIFT	2120 15	ABDICHRING	1231 22	PLEUELSTANGE A	1221 04
VERST.A-MITTLERE SAEULE	6410 10		2120 17		3710 10	STANGE-A-GANGSCH.	3280 13
	6411 10		2130 45		3724 07	STANGE-PARKSPERRE	3725 10
	6413 10		2131 32		3734 19	REAKTIONSTANGE	4190 91
VERST.	7113 10		2131 34		3735 12	REAKTIONSTAB A,UNTEN	4190 69
VERST.	7113 09		5140 08	ABDICHRING,THERMOSTAT	1681 01	HALTESTANGE A,HAUBE	6130 10
VERST. A-SCHWELLER,HINTEN	6410 49		6413 73		1683 02	STANGE-1.&2. GANGSCH.	3260 02
	6411 36	HALTESTIFT-FREILAUFKUPPLUN	3737 13	ABDICHRING,WASSERPUMPE	1331 02	STANGE-3.&4. GANGSCH.	3260 05
	6413 36	HALTESTIFT-AEUSSERER	3737 16		1333 02	BETAETIGUNGSSTANGE,HECKKL	6451 14
VERST.-HINTERE	6730 39	UCHTRING A	7130 22	WELLENRINGDICHTUNG	1220 09		6452 14
VERST.	7113 08	RINGSATZ-KOLBEN	1220 03		1313 04	KONTR.-STAB-GANGSCH.	3910 09
VERST.	6410 41		1221 03		3270 13	GRIFFSTANGE,HECKKLAPPE	6451 32
	6411 41	ZW.RING-3 KEGEL	3230 22	SPRENGRING	3723 51		6452 10
	6413 41	STELLRING	3832 06		3734 09	HALTERSTAB	5610 03
VERST.-TUNNEL	6510 03	LAGERRING-RITZELSATZ	3240 06		3734 13	STANGE INNEN	6220 05
VERST.-VORD.VERKLEIDUNG,SEI	6720 18	LAGERRING-DIFF.	3270 12		3734 18	GRIFFSTANGE,HINTERTUER	6320 03
VERST.-SCHWELLER	6410 11	RING-E	3920 22		3735 07	STANGE-ZYLUNDERSCHLOSS,TU	6220 03
	6411 11		3920 23		3735 11	ZYLUNDERSCHLOSSSTAB,HECKK	6451 04
	6413 11		4420 13		3736 08		6452 04
VERST.-HINTERE	6730 37		4440 03		3736 10	VERSCHLUSSSTAB,HINTERTUER	6320 04
	6732 37		4610 05		3737 08	STANGE AUSSEN	6220 15
VERSTAERKUNGSSCHEIBE	1221 14		4652 04		3737 14	GRIFFSTANGE,HINTERTUER	6320 14
RELAIS A	5620 21		4652 23		3737 24	ZUGSTANGE FESTST.BR.SEIL	4530 04
RELAIS A-KUEHLGEBLAESE	5620 19	RING-AUSLASSVENTILSITZ	1311 04		3831 03	ZUGSTANGE,VERRIEGELUNG,KO	6450 04
RELAIS A-MITTE TUERSCHLOSS	5620 07		1313 12		3831 05	STANGE-RUECKW. GANGSCH.	3260 10
TFL RELAIS A	5620 23	RING-EINLASSVENTILSITZ	1311 03		3831 32	FUEHRUNGSWALZE A	1333 09
RELAIS A-T/SIG	5620 18		1313 11		3833 06	SONNENDACH A	9250 01
OELBEHAELTER A-SERVOL.	4950 02	VERSCHLUSSRING	2110 04		3833 09	ROTOR	1740 08
BEHAELTER A-WINDSCHUTZS.	5330 01	KOLBENRING	3824 02		3834 17	ROTOR-OELPUMPE,INNERER	1230 08
BEHAELTER-KAROSSERIE	4620 03		3831 02	SPALTRING	2110 40	ROTOR-OELPUMPE,AEUSSERER	1230 07
WIDERSTAND	5410 25	SICHERUNGSRING	3230 35		2110 44	GUMMIAUFHAENGUNG	2460 15
WIDERSTAND-GEBLAESE	8221 03		3230 38		2131 44		2460 23
RESONATOR A	2410 13		3230 47	SYNCHRONRING	3830 05		2460 24
RESONATOR A-2.	2411 15		3240 05		3831 25	SCHUTZGUMMI	4330 18
HAUPTRESONATOR A	2411 06		3240 09		3230 07	BATTERIESPAREINHEIT	5620 52
RESONATOR	2460 39		3260 20		3230 41	ABSTREIFER-OELWANNE	1231 26
RUECKHALTEILE	7322 23		3831 11	SYNCHRONRING,INNEN	3230 21	DICHTUNG	1333 23
	7342 03		4130 04	SYNCHRONRING,AUSSEN	3230 23		2110 38
OELDROSSEL	4950 89	ABDICHRING	1230 05	SICHERUNGSRING-UNTERLEGSC	3230 04	DICHTUNG A-GRILL	6711 06
HALTESTIFT	1311 15		1230 20	NIET	4150 32	DICHTUNG-ACHSWELLE	3621 04
	1313 19		1231 05	PLEUELSTANGE A	1220 04		

TEILEBENENNUNGS	LOC.NO.	TEILEBENENNUNGS	LOC.NO.	TEILEBENENNUNGS	LOC.NO.	TEILEBENENNUNGS	LOC.NO.
DICHTUNG-ACHSWELLE	3850 07	RUECKSITZ A- RUECKENLEHNE	7541 05	SCHAEKEL-ALTERNATOR	1753 01	SIRENE A-FERNENTR.&DWA	5440 08
DICHTUNG-BYPASS	1883 05	RUECKSITZ A- POLSTER	7540 06	TRANSPORTSCHAEKEL-MOTOR	1111 02	SCHUERZE A-SEITE	9780 14
DICHTUNG-NOCKENWELLE,VOR	1321 11	SITZ-HAUBENSTAB,OFFENHALTE	6110 13		1111 03	MUFFE	1210 07
DICHTUNG-DECKEL,UNTERER	1331 25	FEDERSITZ-OBEN,HINTEN	4320 14		1113 02		1210 11
DICHTUNG-DECKEL,OBERE	1331 21	SITZ-VENTILFEDER	1311 44	ACHSWELLE A-VORN	4110 01		1211 05
	6150 40		1313 15		4110 02		1211 08
DICHTUNG-KURBELWELLE,VORN	1230 02	SENDER-KRAFTSTOFF	2110 36	EINGANGSWELLE A	3735 02		1211 15
	1231 02	SENSOR A-LUFTTEMP	1821 23		3831 18		1230 12
DICHTUNG-KURBELWELLE,HINTE	1221 10		2411 04	ZWISCHENWELLE A	3734 02		1231 20
DICHTUNG-AGR	1521 26	SENSOR A-UMGEBUNG	8352 09		4910 03		3220 04
DICHTUNG-INNENABDECKUNG,V	7210 58	SENSOR	1331 42	HAUOTWELLE A,T/A	3230 02		3822 05
DICHTUNG-INNENABDECKUNG,HI	7220 57		1333 31	ACHSWELLE A	3850 01	SCHALTMUFFE A	3230 08
OELDICHTUNG	3723 04	SENSOR A-KUEHLMITTELTEMP	1311 21	EINGANGSWELLE KOMPLETT	3831 33	SCHALTMUFFE A,S.GANG	3230 42
	3780 12		1713 06	WELLE-AUSGLEICHGETRIEBE	3270 06	KLEMMMUFFE	3825 04
DICHTUNG-OELROHRVERSCHLU	1231 11	SENSOR	1231 39	EINGANGSANTRIEBSWELLE	3240 02	EINRASTMUFFE	3250 24
DICHTUNG-OELPUMPE	3822 02		1331 32	WELLE-HANDBETAETIGTES	3725 16	HUELSE-KOPFSTUETZE	7520 08
DICHTUNG-SAEULE	6410 53	SENSOR A-ENTFERNUNG	2510 09	WELLE-PARKSPERRENKLAUE	3725 03		7541 58
	6411 58	SENSOR A-ABGAS	1531 07	PEDALWELLE	4430 05		7541 59
	6413 58		1533 08	LOSRADWELLE-RUECKWAERTS	3240 12	NADELMUFFE	3240 01
DICHTUNG-DACHGEPAECKTRAE	6430 11		2480 43	SCHALTWELLE	3825 01	DICHTUNGSMUFFE	3821 05
DICHTUNG-HINTERE	6730 34	SENSOR A-LUFTDRUCK	1521 37	PLATTE HECKABLAGEFACH	9773 07		3821 17
WELLENDICHTUNG	3821 03		1523 13	REGALFACH A-GEPAECKKRAUM	7322 11	SCHIEBER	3820 55
SPALTDICHTUNG	2110 39	SENSOR	1521 46	SCHILD	1740 30	SCHNORKEL-LUFTFILTER	2410 19
	2110 43	REGENSENSOR A	5620 45		1780 39	FASSUNG A-ADAPTER	7141 71
	2131 43	SENSOR A-BEHAEALTER	4620 29	WAERMESCHUTZSCHILD,ABGAS	1531 08		7342 18
SCHWAMMDICHTUNG	7113 22	SONNENSENSOR A	7130 51		1533 08	GLUEHBIRNENFASSUNG A	5220 11
	8221 11	TEMPSENSOR A	1713 05	SCHUTZSCHILD-ABGASKATALYS	2460 16		5220 13
	8221 12	SENSOR A-WASSER	6212 09	SCHUTZSCHILD-VORN	2460 18	MAGNETVENTIL A-SCHALTHEBEL	3820 35
DICHTUNG-DROSSELKLAPPENG	2411 22	SENSOR A-RAD EVB,SAEULE	4831 28	SCHILD-KRAFTSTOFFEINFUELLS	2110 12	MAGNETVENTIL A-T/A	3780 11
DICHTUNG-STEUERGEHAEUSED	1331 20	SENSOR A-RADDREHZAHL,VORN	4710 03	SCHILD-OELBEHAELTER	4950 15		3780 12
DICHTUNG-ZIERLEISTE;VORDER	7210 13	SENSOR-AIRBAG	5510 06	SCHUTZSCHILD-HINTERER	2460 20		3780 13
DICHTUNG-ZIERLEISTE;HINTERT	7220 02	SENSOR-SEITENAIRBAG	5510 26	BEILEGESCHEIBE	3739 10	MAGNETVENTIL-ANLASSER	1780 10
DICHTUNG-VENTILSYSTEM	1311 13	SENSOR-KLOPFEN	1210 13		3750 11	DISTANZSCHEIBE	1740 31
	1313 16		1523 17		3821 13		3725 17
VORDERSITZ A	7510 01	DRUCKSENSOR,KRAFTSTOFFPU	2110 37		3821 14	DISTANZSCHEIBE-FLEXIBLE	1221 13
VORDERSITZ A RUECKENLEHNE	7520 17	SENSOR-UNEbene STRASSE	2510 14		3824 05	SPANNER	9110 07
VORDERSITZ A POLSTER	7520 18	DREHZAHLSENSOR	3720 16	BREMSSCHUH A-FESTST.BR.	4530 14	ZUENDKERZE	1713 22
FEDERSITZ A-VORN,OBEN	4140 06	SENSOR-EINGANGSDREHZAHL	3860 07	SCHALTSCHUH-GANGSCH.	3250 12		1713 22
	4140 07	SENSOR-ABTRIEBSDREHZAHL	3821 10	KURZBLOCK A	1120 01	LAUTSPRECHER A-VORN	5410 08
RUECKSITZ A- RUECKENLEHNE	7540 01	SENSOR-DROSSELKLAPPENSTE	1510 03		1121 01	LAUTSPRECHER A-HINTEN	5410 23
	7541 01	SCHAEKEL-ALTERNATOR	1751 07				

TEILEBENENNUNGSVERZEICHNIS

Deutsche

TEILEBENENNUNGS	LOC.NO.	TEILEBENENNUNGS	LOC.NO.	TEILEBENENNUNGS	LOC.NO.	TEILEBENENNUNGS	LOC.NO.
LAUTSPRECHER-BALANCE	5410 05	SYNCHRONFEDER,3.&4.GANG	3230 12	HALTERUNG	6530 53	SCHALTER A-FENSTERHEBER	7210 34
SPOILER A-HINTEN	9210 01	SYNCHRONFEDER,5.GANG	3230 46	HALTERUNG	7322 05	WISCHERSCHALTER A	4810 05
	9792 02	TORSIONSFEDER,NO.1	3725 04	HALTERUNG A-DACH,MITTE	6430 03	SCHALTER-SCHEINWERFER&DM	7120 15
SCHWAMM-OELBEHAELTER	4990 64	VENTILFEDER	1311 14	DACHHALTERUNG A-VORN	6430 17	SCHALTER-KOFFERRAUM	7120 94
FEDER	4430 07		1313 17	HALTERUNG A-DACH,HINTEN	6430 05	TANK A-KRAFTSTOFF	2110 01
	4440 09	ERSATZRADHALTER	6520 06	HALTERUNG A-SCHALE,AUSSEN	6530 50	BEHAELTER	2451 11
	4520 14	ANLASSER A	1760 01	HALTERUNG-WECHSELSTROMG	1753 03	DRUCKAUSGLEICHTANK	2230 08
KOLBENFEDER	3737 20	STATOR	1740 09	HALTERUNG-QUERTR.,KUEHLER,	6530 04		
RUECKHOLFEDER A-2.BREMSE	3737 09	STUETZE A-VORDERE	6720 41	TRAEGER-MOTORHALTER	1331 38	VENTILSTOESSEL-HYD	1311 17
UHRFEDER A	5510 11	STAB A-OELMESSSTAB,MOT	1210 06		1333 07	TCM	2510 02
FEDER A-WAEHL.	3725 14		1211 06	HALTERUNG-INSTR.TAFEL,OBEN	7113 14	SPANNELEMENT A-LUFT KOMP.	8331 08
RUECKHOLFEDER	3735 06	OELMESSSTAB,T/A	3710 09	HALTERUNG-HINTERE	6732 20	SPANNER A-STEUERRIEMEN	1331 12
RUECKHOLFEDER	3734 05	AUFKLEBER-A/C	6670 09	SCHALTER A-A/C STEUERUNG	8350 01		
GASFEDER A BEDienung	6442 09	AUFKLEBER KUEHLGEBLAESE	2220 07		8362 01	ENDKABEL	3621 09
RUECKHOLFEDER A-O/D	3736 09	AUFKLEBER-TUER	6670 31	SCHALTER	4810 19		3860 05
FEDERSATZ	4520 24	AUFKLEBER-REIFENDRUCK	6670 07	LICHTSCHALTER	3220 24	THERMOSTAT A	1683 01
BTSI-FEDER	3920 56	AUFKLEBER-WARNUNG,GCC	6670 42	KONTAKTSCHALTER A,TUER	6220 10		9780 21
FEDER-QUERTRAEGER	3250 09	VERSTEIFUNG-ARMATURENBRE	6150 29		6320 09	ABSCHLEPPOESE A-HINTEN	6520 12
	3260 18	STOPFEN-SONNENBLLENDE,HINT	9250 20	KONTAKTSCHALTER A,HAUBE	5440 06	ACHSGETRIEBE	3710 01
	3723 48	SIEB A-OEL	3723 15	KONTROLLSCHALTER	7210 93		3810 01
	3723 49	BAND	1523 21	SCHALTER A-WARNLEUCHE	7120 05	ACHSGETRIEBE A-MANUELLES	3210 01
	3723 50		2110 07	SCHALTER	7120 17	DRUCKSENSOR	8340 06
	3723 52		2131 50	SCHALTER A-HALTEBETRIEB	7141 50	SCHALE A-ASCHENBECHER	7141 12
	3723 53		2453 09	SCHALTER A-HUPE	4810 07	BATTERIETRAEGER A	6140 04
	3723 54		5710 38	SCHALTER A-ZUENDUNG	4830 14	SCHALE A-GEPAECKKRAUM	7322 29
	3723 55		7321 02		4831 19	SCHALE A-GEPAECKKRAUM,SEITE	7342 15
FEDER-TOPFMANSCHETTE	3830 04	TUERSCHLIESSZAPPEN A	6220 16	SCHALTER	4830 16	UNTERSCHALE A,VORDERSITZ	7810 50
	3831 14		6320 16		4831 22	SCHALEN-ASCHENBECHER,INST	7130 13
	3831 24	VERRIEGELUNGSBUEGEL	6110 30	SCHALTER A-SCHEINWERFER	7113 20	SCHALE-WAGENHEBER&WERKZ	9110 11
FEDER-VORN	4140 11	SCHLIESSBOLZEN	6451 07	KLAPPSCHALTER	6630 11	OELSCHALE	3633 04
GASFEDER,HECKKLAPPE	6441 09		6452 07	SCHALTER A-SPIEGEL,KLAPPEN	6630 10	ZIERLEISTE A-A SAEULE	7330 09
	9764 04	SCHLIESSBOLZEN	6450 07	SCHALTER A-NEU START	3720 04	ZIERLEISTE A-B SAEULE,UNTEN	7330 06
BEINFEDER	3625 06	BAND	5710 41	SCHALTER A-OELDRUCK	1230 16	ZIERLEISTE A-B SAEULE,OBEN	7330 10
FEDER-OELUEBERSTROEMVENTI	1230 04		6420 18		1231 15	ZIERLEISTE A	7320 16
	1231 04	ISOLIERSTREIFEN	6220 21	SCHALTER A-PARKEN&NEU	3621 15	ZIERLEISTE A-A C SAEULE	7330 12
UNTERLAGEFEDER	4510 06	FEDERBEINRAHMEN A-VORN	4140 04	TASTENSCHALTER A	6350 33	ZIERLEISTE A-A D SAEULE	7330 35
	4521 06	FEDERBEINRAHMEN A-HINTEN	4320 04	SCHALTER	4810 06	ZIERLEISTENSATZ VORDERTUER	9772 09
POSITIONIERFEDER	3920 51	SONNENBLLENDE A	7350 02	SCHALTER A-BREMSLEUCHE	4430 04	ZIERLEISTE A-VORDERTUER	7210 01
FEDER-HINTEN	4320 06	SONNENBLLENDE	9250 23	SCHALTER A-KOFFERRAUM	7210 59	ZIERLEISTE	9773 05
FEDER-GLEITSTUECK	9260 06	HALTERUNG	6720 68	OEFFNUNGSSCHALTER	6450 16	ZIERLEISTE	9773 06
SYNCHRONFEDER,1.&2.GANG	3230 28		6720 69	WARNSCHALTER	4530 03	ABDECKUNG	7330 48

J
C
(C)

TEILEBENENNUNGS	LOC.NO.	TEILEBENENNUNGS	LOC.NO.	TEILEBENENNUNGS	LOC.NO.	TEILEBENENNUNGS	LOC.NO.
ZIERLEISTE	7330 49	SPERRVENTILA A	3723 47	KABELSTRANG-DACH	5710 09	KABEL-HOCHSPANNUNG	1711 10
ZIERLEISTE	9772 10	VENTIL A-AGR	1311 35	KABELSTRANG-HINTERRADANTR	5710 05		1711 11
ZIERLEISTE A-HINTERTUER	7220 01		1713 10	KABELSTRANG-T/A	3720 06		1713 17
ZIERLEISTE	7330 01	MAGNETVENTIL A-AGR	1713 23	KABELSTRANG-HECKKLAPPE	5710 52		1713 18
ZIERLEISTE	7340 04		2453 06	KABELSTRANG-HECKKLAPPE,VE	5710 23		1713 19
	7341 01	SPERRVENTILA	2110 42	KABELBAUM-KOFFERRAUMDECK	5710 11		1713 20
	7342 01	VENTILSATZ-KONTR.	8320 18	KABELSTRANG-TCM	5710 26	DRAHT-ROZ,SCHALTER	5710 48
ZIERLEISTE	7231 06	VENTILSATZ-EXPANSION	8221 13	KABELSTRANG-KOFFERRAUM	5710 07	RADSCHLUESSEL	9110 02
	7232 06	VENTIL-ABGAS	1311 12	KABELSTRANG-VENTILKOERPER	3660 02		
ZIERLEISTE	7231 11		1313 10	DICHT.A-2.,RAHMEN,VORDERTUE	6240 03		
	7232 05	EINLASSVENTIL	1311 11	DICHT.A-2.,RAHMEN,HINTERTUE	6340 03		
ZIERLEISTE	7231 01		1313 09	DICHT.-TUEROEFFNUNG,VORN	6240 07		
	7232 01	VENTIL-KURBELGEHAEUSEZWAN	1321 17	DICHT.-TUEROEFFNUNG,HINTEN	6340 09		
ZIERLEISTE A-RADKASTEN,VORN	7330 46		2130 07	DICHT. A-VORDERTUER	6240 02		
VERKLEIDUNG-KOFFERRAUMDE	6440 16		2131 07	DICHT. A-VORDERTUER,INNEN	7210 36		
ROHR	1241 06	REGELVENTIL	4652 29	DICHT. A-VORDERTUER,UNTEN	6240 13		
ROHR	2110 08	VENTIL-UEBERSCHLAG	2130 31	DICHT. A-HAUBE	6150 05		
ROHR A-KRAFTSTOFFDAMPF	2130 01	GUMMIVENTIL	6660 06	DICHT. A-HINTERTUER	6340 02		
	2131 01	MAGNETVENTIL	1311 40	DICHTUNG A-HINTERTUER,INNEN	7220 22		
ROHR A-OELEINFUELLSTUTZEN	3710 08		2451 09	DICHTUNG	6340 18		
ZWISCHENROHR A-SPUELUNG	2131 46		2451 10	DICHT. A- HECKKLAPPE	6441 02		
SPEISEROHRE A,KRAFTSTOFF	2120 42	DRUCK-MAGNETVENTIL	3660 09		6442 06		
ROHR	2131 28		3660 15	DICHT. A- KOFFERRAUMDECKEL	6440 02		
ROHR-DIFF.LAGER	3721 06	MAGNETVENTIL,KANISTER	2131 15	AUSGLEICHSGEWICHT	6660 15		
ABLAUFROHR,SONNENDACH,VO	9260 05	MAGNETVENTIL,VENTILKOERPE	3660 14	RAD	9766 02		
ABLAUFROHR,SONNENDACH,HIN	9260 06	VENTIL-THERMOSTAT	8221 08	RAD A	6660 01		
ROHR-KRAFTSTOFFZUFUHR,RÜC	2120 01	REIFENVENTIL	6660 05		6660 03		
ROHR-KRAFTSTOFFFILTER,VOR	2120 07	KABELSTRANG-ABS	5710 10	LENKRAD A	4810 01		
ROHR-KRAFTSTOFFFILTER,HINT	2120 05	KABELSTRANG-ABS HINTEN	5710 12		9748 02		
AUFTRAGSROHR-SCHMIERUNG	3721 23	KABELSTRANG-AIRBAG	5710 43	ZIELRAD	1220 22		
ROHR-OELMESSSTAB	1210 09	KABELSTRANG-ATC	8212 07	RADKASTEN A-VORN	6140 02		
SPUELROHR,MOTOR	2130 06	KABELSTRANG-BATTERIE	5710 08	RADKASTEN A-HINTEN	6410 19		
SPUELROHR,VORDERES	2130 05	KABELSTRANG-KONSOLE	7141 95		6411 19		
	2131 05	KABELSTRANG-MOTOR	5710 03		6413 19		
SPUELROHR,HINTERES	2130 03	KABELSTRANG-BODEN	5710 06	WISCHEREINHEIT A	5310 09		
	2131 03	KABELSTRANG-VORN	5710 02	DRAHT A-GERAEUSCHFILTER	5420 26		
ROHR-DAMPF,KANISTER	2130 02	KABELSTRANG-VORDERRADANT	5710 04	DRAHT A-UNTERWANNE	7520 74		
ROHRVERBINDUNGSSTUECK	3720 26	KABELSTRANG-HUPE	5710 53	KABELSATZ-HOCHSPANNUNG	1711 07		
KEILRIEMEN	1130 01	KABELSTRANG-INSTR.TAFEL	5710 01		1713 16		
VENTIL A-BYPASS	1210 10	SENSOR	1523 16	KABEL-HOCHSPANNUNG	1711 06		
	1231 14	KABELSTRANG-POLARER	2120 33		1711 09		

ÍNDICE DE NOMBRE DE PIEZA

NOMBRE DE PIEZA	LOC.NO.	NOMBRE DE PIEZA	LOC.NO.	NOMBRE DE PIEZA	LOC.NO.	NOMBRE DE PIEZA	LOC.NO.
ABSORBEDOR-ENER,PARACHOQ	6720 03	VIGA A-DE IMPACTO DE	6730 04	COJINETE-DE EMPUJE	3738 14	SOPORTE A-CNSL,TR	7141 35
ACTUADOR A-PTA	6250 01	COJINETE	1760 03		3738 18	SOPORTE A-DIS	1711 03
	6250 03		4130 03		3738 19	SOPORTE A-EXTINTOR	6510 28
ACTUADOR A-CIERRE,MAL	6450 13		4140 05		3738 20	SOPORTE A-REPOSAPIÉS	7610 15
ACTUADOR A-PTAVT	6461 13	KIT DE COJINETES-DE BIELA	1220 06	FUELLE A-TUBO,C/MAR	3910 05	SOPORTE A-C/MAR,DELAN	3910 15
	6452 13		1221 06	CINTURÓN DE SEGURIDAD	7560 01	SOPORTE A-C/MAR,TR	3910 14
ACTUADOR A-VGIS	1521 07	KIT DE COJINETES-DE CIG	1220 08	CINTURÓN DE SEGURIDAD	7560 02	SOPORTE A-MUELLE DE GAS	6442 10
ADAPTADOR-VÁLVULA DE EGR	1311 31		1221 06	CINTURÓN DE SEGURIDAD	7560 01	SOPORTE A-PASADOR GUÍA,P/I	7113 15
	1713 01	COJINETE-DE BOLAS	1740 17	CINTURÓN DE SEGURIDAD	7560 26	SOPORTE A-UNIDAD HID	4710 01
REGULADOR A-ALTURA,ASIENTO	7530 01	COJINETE-DE BOLAS DE	3230 36	CORREA-DE DISTRIBUCIÓN	1331 18	SOPORTE A-LATERAL,P/I	7113 12
REGULADOR	7550 03		3240 07		1333 16	SOPORTE A-GATO,Nº 1	6520 10
DISPOSITIVO DE AJUSTE DE	1313 20	COJINETE-DE AGUJAS	3624 04	ESCOBILLA	5310 03	SOPORTE A-COMPTCAR	6520 32
ALTERNADOR A	1740 01		3631 04		5320 03	SOPORTE A-MATRÍCULA,DELAN	6720 54
ANCLAJE A-SUJECIÓN,CTR	7560 24		3633 07	BLOQUE A-CIL	1210 01	SOPORTE A-TUBO DIASIST	4950 26
ANCLAJE A-SUJECIÓN,LATERAL	7560 28		3633 11		1211 01	SOPORTE A-DE REACCIÓN	4190 86
ANTENA A-ATAS	5440 04	COJINETE-DE BOLAS	3230 01	PATÍN	9250 09	SOPORTE A-FUJ C/CAMB,TR	4190 32
ANTICONGELANTE	9120 09		3632 03	CAJA A-VÁLVULAS CONT	3760 01		4190 01
PALANCA A-CONT	4150 01		3632 07		3660 01	SOPORTE A-TIRANTE	7113 13
BRAZO A-LIMPIAPARABRISAS	5310 02		3650 02	CUERPO A-DEL ACELERADOR	1411 01	SOPORTE-CABLE CONT ACEL	4440 17
	5320 02		3650 03		1510 01		4440 19
INDUCIDO	1780 12		3650 05	SERVOFRENO-FRENO MAESTRO	4620 09	SOPORTE-ALTERNADOR	1761 01
REPOBABRAZOS A-R/AS TR	7541 37		3650 06	GUARDAPOLVO-CNSL DELAN,MT	7141 29		1753 04
CENICERO A-P/I	7130 01	COJINETE-DE RODILLOS,INT	3632 09	GUARDAPOLVO A-F/MANO	7141 16	SOPORTE-PEDAL DE FRENO	4430 18
EJE A-TR	4310 01		3632 11	KIT DE GUARDAPOLVOS	4931 01	SOPORTE-TRAV,INFERIOR	4150 48
EJE-TR	4310 37		3650 10	JUEGO DE FUNDAS-INT	4120 04	SOPORTE A-COMP Y BOMBA DE	8331 01
BOLSA-DE GATO	9110 10		3650 12	JUEGO DE FUNDAS-EXT	4120 03	SOPORTE-COMP,TR	8331 10
BOLSA-DE HERRAMIENTAS	9110 01		3650 14	CAJA A-FUSIBLES Y RELÉS	5620 01	SOPORTE-TIRADOR DE PTA	7210 05
EQUILIBRADOR-EMB,Nº 1	3734 06		3650 16	CAJA A-DE FUSIBLES,PAS	5620 28		7210 91
BOLA	3240 13	COJINETE-DE RODILLOS,EXT	3632 10	GUANTERA A-	7113 04		7220 05
BARRA A-DE	6732 04		3632 12	CAJA A-COMPT/CAR	7322 13	SOPORTE-ECM	2510 24
TIRANTE A	7113 05		3650 11	CAJA A-RELÉS	9250 15	SOPORTE-CABLEADO CONT MOT	5710 33
BARRA-DE CONEXIÓN	3625 05		3650 13	CAJA-CNSL,TR	7141 06	SOPORTE-CABLEADO MOT	5710 35
BARRA-ESTABILIZADORA DELAN	4150 05		3650 15	CAJA-POSAVASOS	7141 92	SOPORTE-FUJ DE MOTOR	4180 24
BARRA-SOPORTE	5610 04		3650 17	CAJA-DEPÓSITO,P/I,CTR	7130 06	SOPORTE-FILTRO DE	2120 09
BARRA-REJILLA RAD	6711 22	COJINETE-DE RODILLOS CÓN	3270 11	ANCLAJE A-A/R DELAN	6140 03	SOPORTE-GUÍA,CARTUCHO	2130 16
BARRA-ESTABILIZADORA TR	4310 06		3739 06	REFUERZO A-A/R,INFERIOR	6520 18	SOPORTE-MANGUITO,C/AC,RETO	2233 42
BARRA-DE TORSIÓN DE PTAMAL	6440 11		3739 06	ANCLAJE-PEDAL DE FRENO	4430 09	SOPORTE-ALOJAMIENTO,MECAN	4910 12
BARRA-DE TORSIÓN	9764 03		3750 07	ANCLAJE-PEDAL EMB	4420 02	SOPORTE-POLEA LOCA,SIN AC	8331 15
BATERÍA A	5610 01		3750 08	SOPORTE	3910 13	SOPORTE-COLEC,VGIS	1521 19
BATERÍA A-LLAVE	6460 11	COJINETE-DE EMPUJE	3738 10	SOPORTE A-CARTUCHO	2131 21	SOPORTE-RED,SUP,DELAN	7310 10
VIGA A-DE IMPACTO DE	6720 04		3738 12	SOPORTE A-CNSL,DELAN	7141 65	SOPORTE-RED,SUP,TR	7310 12

INDICE DE NOMBRE DE PIEZA

Español

NOMBRE DE PIEZA	LOC.NO.	NOMBRE DE PIEZA	LOC.NO.	NOMBRE DE PIEZA	LOC.NO.	NOMBRE DE PIEZA	LOC.NO.
SOPORTE-SENSOR DE O2	1531 10	BOMBILLA	5410 11	CASQUILLO-PALANCA CONT	4150 13	CARTUCHO	2131 12
	1633 10		5410 19	CASQUILLO-AMT	4150 31	TAPA	1210 02
	2460 28		5410 22	CASQUILLO-BARRA	4150 08		1211 02
SOPORTE-CÁRTER DE ACEITE	3824 10		5410 29		4310 07		2451 20
SOPORTE-TUBO DE ASPIRACIÓN	1230 19		8350 13	CASQUILLO-CERRADURA,PTA	7210 68		2453 10
SOPORTE-ACTIVACIÓN	2131 28		8352 04	CASQUILLO-CERRADURA,PTA	7210 67		3280 32
SOPORTE-TRINQUETE DE	3725 13	TOPE AMORTIGUADOR	4320 09	CASQUILLO-CERRADURA,PTA	7220 46	TAPA A-CNSL	7141 19
SOPORTE-CÁMARA DE EMPUJE	1521 33		6110 14	CASQUILLO-CERRADURA,PTA	7220 45		9739 18
SOPORTE-BOMBA,UNIDAD HID	4950 17		6110 15	BOTÓN A-BTSI	3920 57	TAPA A-CLAXON	4810 03
SOPORTE-CONV MINIOXIDACIÓN	2480 32		6130 09	BOTÓN-DE FIJACIÓN	7321 03	TAPÓN A-LLENADO DE ACEITE	1321 01
SOPORTE-DE REACCIÓN	4190 95		6220 26	BOTÓN-BLOQUEO,PTA	6220 29		1323 01
SOPORTE-PERSIANA	7350 04		6320 25		8320 34	TAPA-BATERÍA	5610 08
SOPORTE-APOYO,TECHO	9290 01		6440 03	TRAV A-SALPICADERO,INFERIOR	6150 04	TAPA-PERNO,CINT/SEG ASIENTO	7550 10
SOPORTE-TCM	2510 25		6440 04	TRAV A-DELAN,ASIENTO DELAN	6510 05	TAPA-RED DE SOPORTE	7310 29
SOPORTE-VGIS	2451 12		6441 08	TRAV A-TR,ASIENTO DELAN	6510 08	TAPA-CNSL,AUTOMÁTICA	7141 20
FRENO A-DE MANO,TR	4530 13		6442 07	TRAV A-SUSP DELAN	4150 10	TAPA-CNSL,TR	7141 79
FRENO A-TR	4520 01	PARACHOQUES A-DELAN	6720 01	TRAV A-RAD	6130 08	TAPA-BLOQUEO DE CIL	1211 07
UNIDAD DE FRENO A-MAESTRO	4610 01	PARACHOQUES A-TR	6730 01	TRAV A-DELAN,PISO TR	6630 13		1230 33
PUENTE-CÁRTER DE ACEITE	1231 25		6732 01	TRAV A-TR,PISO TR	6530 14	TAPÓN-GUARDAPOLVO	4520 04
PUENTE-PERNO DE TENSIÓN	3250 01	TOPE	4440 10	CABLE A-CONT ACEL	4440 01	TAPA-REPOSAPIÉS	7610 34
HEBILLA A-CINT/SEG ASIENTO	7550 02	TOPE	4140 10	CABLE A-ACCIONAMIENTO	9250 27	TAPA-PISO DELAN	6510 17
HEBILLA A-CINT/SEG ASIENTO	7560 03	TOPE	2220 04	CABLE A-COMPUERTA DE	6420 08	TAPÓN-LLENADO COMBUSTIBLE	6420 01
	7560 26	TOPE AMORTIGUADOR-RAD,SUP	2220 02	CABLE A-APERTURA DE CAPO	6110 10	TAPA-POLEA GUÍA	7590 27
	7560 31	TOPE	6441 12	CABLE A-DE MODO	8350 29	TAPA-BISAGRA,R/AS DELAN	7520 20
AMORTIGUADOR-PEDAL EMB	4420 37	TOPE AMORTIGUADOR-BISAGRA	6440 08	CABLE A-F/MANO	4530 12	TAPA-BISAGRA,COJ ASIENTO	7520 21
BOMBILLA	5110 02	CASQUILLO	1740 19	CABLE A-CONT SELECTOR	3920 30	TAPA-FRENO MAESTRO	4620 02
	5110 03		3220 05	CABLE A-TEMP	8350 30	TAPA-TUERCA	6680 12
	5110 04		3220 30	CABLE-ANTENA,P/I	5420 07	TAPÓN-CONDUCTO DE ACEITE	1311 08
	5110 12		3821 02	CABLE-ANTENA,TR	5420 08	TAPÓN-DEPÓSITO DE	4930 03
	5110 18		3825 02	JAULA A-FIJ C/CAMB	4190 29	TAPÓN-TUBO,ALTA	8340 37
	5140 02		3920 50	JAULA-DE AGUJAS	3230 06	TAPÓN-TUBO,BAJA	8340 38
	5140 03		3920 64		3230 20	TAPÓN-DE PURGA	2130 10
	5140 04		4310 18		3230 32	TAPÓN-DEPÓSITO	5330 07
	5140 10		4310 27		3230 33	TAPÓN-ROSCADO	6420 06
	5140 14		4310 28		3230 40	TAPA-FIJACIÓN DE CONJUNTO	4140 01
	5140 21		4440 12	PINZA A-FRENO,DELAN	4510 01	TAPÓN-TANQUE DE	2230 09
	5140 22		6451 16	PINZA A-FRENO,TR	4521 01		2233 09
	5220 10		6451 17	ÁRBOL DE LEVAS A	1321 10	PLATILLO-MUELLE DE VÁLVULA	1313 18
	5220 12		6452 16	ÁRBOL DE LEVAS A-ESC	1323 10	TAPA-CÁMARA DE AGUA	1311 07
	5220 14		6452 17	ÁRBOL DE LEVAS A-ADM	1323 09	TAPACUBO-LLANTA DE	9766 03
	5410 04		7520 65	CARTUCHO	2130 12	TAPA-RUEDA,CTR	6680 04

NOMBRE DE PIEZA	LOC.NO.	NOMBRE DE PIEZA	LOC.NO.	NOMBRE DE PIEZA	LOC.NO.	NOMBRE DE PIEZA	LOC.NO.
TAPA-RUEDA,CTR	6660 07	COMPRESOR SECD A	8320 09	TAPA A-LATERAL,P/I	7113 03	TAPA-TIRADOR,PTA TR	7220 56
TAPA-BRAZO LIMPIAPARABRISAS	5310 05	CONDENSADOR A	8310 01	TAPA-INT,PTA TR	6340 10	CUBIERTA	6711 23
	5320 08	CONECTOR A-DISTR AIRE	8110 18		9771 11	TAPA-INT,RETROVISOR EXT	6630 15
CARGA A-MALETERO	9792 08	CONECTOR A-SENSOR DENTRO	7113 17	TAPA A-INTERRUPTOR ELEV	7220 36	TAPA-INT,PTA/T,INFERIOR	7231 09
SOPORTE	4510 13	CONECTOR A	4652 08	TAPA A-SENSOR DE LLUVIA	5620 46	TAPA-INST	5220 02
	4521 13	CONECTOR-DE VACÍO	1523 03	TAPA A-TR	6352 03	TAPA-BOMBA DE ACEITE	1230 09
PORTADISCOS-INT	3831 01	CONSOLA A-DELAN	7141 45	TAPA A-POTENCIÓMETRO DE	7120 68	CUBIERTA-EXT,ASIENTO DELAN	7520 09
PORTAENGRANAJES-INT	3830 10	CONSOLA A-TR	7141 81	TAPA A-C/CAMB,TR	3724 01	TAPA-INTERRUPTOR ELEV ELÉC	7210 33
CARCABA A-DIF	3730 04	CONSOLA-DELAN,INFERIOR	7141 94		3824 01		7210 71
CARCABA A-C/CAMB	3220 01	CONSOLA-DELAN,SUP	7141 93	TAPA A-DE DISTRIBUCIÓN	1331 22	TAPA-DE CIERRE DE PLÁS	6490 11
	3723 01	CONTROL A-C/MAR	3910 01	TAPA A-CORREA DE	1331 19	CUBIERTA A-REJILLA RAD	6710 02
CAJA-INST	5220 06	CONTROL A-GUÍA C/MAR	3910 10	TAPA A-EJE DE BALANCEO POR	1333 27		6710 14
CARCABA-PNL APERTURA	5430 25	UNIDAD DE CONTROL A-RKE Y	5440 02	TAPA A-MARCO VTA,INT	6630 04		6711 02
RADIOCASETE-AM/FM ESTÉREO	5430 01	UNIDAD DE	4830 33	TAPACUBO A	6660 02		6711 14
CARGADOR A-CD	5430 06		4831 57	CUBIERTA-ASIDERO	7310 15	TAPA-COL/DIR,INFERIOR	4820 02
CANAL-DRENAJE	9290 08	CONVERTIDOR	2490 40	TAPA-PNL TR,INFERIOR	7342 17	TAPA-COL/DIR,SUP	4820 01
FRENO A-DE PUERTA,PTA DELAN	6220 07	CONVERTIDOR-DE PAR	3720 01	TAPA-CIEGA	7130 46	CUBIERTA-HOJA	4130 02
FRENO A-DE PUERTA,PTA TR	6320 06		3620 02		7130 49	TAPA-DE RECUBRIMIENTO	4810 21
CIRCLIP	3230 14	CABLE-CARGADOR DE CD,P/I	5430 06		7130 50	TAPA-DE	9748 04
	3230 30	CABLE-CARGADOR DE CD,TR	5430 09		7130 52	TAPA-LATERAL,INT	9250 11
FILTRO A-DE AIRE	2410 01	NÚCLEO A-EVAPORADOR	8221 07	TAPA-CIEGA,CENICERO,TR	7141 30	TAPA-LATERAL,COMPT DE	7330 36
FILTRO A-DE AIRE,SUP	2410 02	NÚCLEO-CALEFACTOR	8212 12	TAPA-CIEGA,TOMA DE	7141 75	TAPA-LATERAL,EXT	9250 12
FILTRO-DE AIRE,INFERIOR	2410 03	TAPA	1740 27	TAPA-CIEGA,RADIO	7130 23		9739 19
HORQUILLA-FRENO MAESTRO	4820 07		3620 62	TAPA-CIEGA,INTERRUPTOR	7220 74	TAPA-SPT,COMPT/CAR	7322 30
RELOJ A-DIGITAL	7130 27	TAPA A-FILTRO DE AIRE	8221 10	TAPA-CIEGA,INTERRUPTOR DE	7210 61	TAPA-C/CAMB	3260 16
CUADRO A-INST	5220 01	TAPA A-PNL TR,INFERIOR	7340 19	TAPA-CAJA,COMPT/CAR	7322 31	TAPA-ANCLAJE DE SUJECIÓN	7310 30
EMBRAGUE A-UNIDIRECCIONAL	3737 10		7341 05	CUBIERTA-SOPORTE DE	7541 41	FUNDA A-RESPALDO DELAN	9775 03
EMBRAGUE A-AVANCE DE	3734 01	TAPA A-CIEGA	7120 72	TAPA-PEDAL DE FRENO	4430 03	FUNDA A-CUBIERTA RESPALDO	9775 10
KIT DE POLEA Y EMBRAGUE	6320 02	CUBIERTA A-MONTANTE C,EXT	6413 70	CUBIERTA-MONTANTE C	7330 29	FUNDA A-COJÍN DELAN	9775 02
EMBRAGUE-UNIDIRECCIONAL,Nº	3737 12	TAPA A-CARGADOR DE CD	7340 55	TAPA-EMB	3110 02	FUNDA A-REPOSACABEZAS	9775 04
EMBRAGUE-UNIDIRECCIONAL,Nº	3737 15	TAPA A-ÁR/LEV	1321 16	TAPA-ENGRANAJE DIF	3220 06		9775 11
EMBRAGUE-DE DIRECTA DE	3735 01		1323 06	GUARDAPOLVOS-TR	4320 08		9775 12
GRIFO A-DE DRENAJE	2210 11	TAPA A-ÁR/LEV,SUP	1321 03	TAPA-BRIDA,POSTE DELAN	6410 59	FUNDA A-RESPALDO ASIENTO	9775 06
BOBINA Y ALOJAMIENTO A	6320 07		1323 03		6411 59	FUNDA A-COJÍN TR	9775 05
BOBINA-DIS	1711 01	TAPA A-CTR,COMPT/CAR	7321 01		6413 59	FUNDA A-REPOSACABEZAS TR	9775 07
	1713 09	TAPA A-LUZ ANTINEBLA	6720 05	CUBIERTA-ASIENTO DELAN,INT	7520 34	FUNDA A-R/AS TR	7540 02
COLLARÍN	1740 04	CUBIERTA A-R/AS DELAN	7520 31	TAPA-ORIFICIO DE DEPÓSITO DE	6520 19		7541 02
	1740 06	TAPA A-ASIENTO DELAN,INT	7520 46	TAPA-BLOQUE DE FUSIBLES	5610 16		7541 06
COLUMNA A-DIREC,NO	4830 01	TAPA A-DEL CAMBIO	3260 12	TAPA-CAJA DE	5620 04	FUNDA A-COJ ASIENTO TR	7540 07
COLUMNA A-DIREC,INCLINABLE	4831 01	TAPA A-P/I,CTR,INFERIOR	7113 07	TAPA-CAJA DE FUSIBLES,SUP	6620 02	FUNDA-R/AS DELAN	7520 01
COMPRESOR A	8320 01	TAPA A-INFERIOR,P/I	7113 06	TAPA-MANECILLA,PTA DELAN	7210 92	FUNDA-COJ ASIENTO DELAN	7520 04

ÍNDICE DE NOMBRE DE PIEZA

Español

NOMBRE DE PIEZA	LOC.NO.	NOMBRE DE PIEZA	LOC.NO.	NOMBRE DE PIEZA	LOC.NO.	NOMBRE DE PIEZA	LOC.NO.
CAPO A	6150 08	DISCO-EMB	3734 10	VENTILADOR A-AUX	2220 15	BASTIDOR-COJ ASIENTO DELAN	7520 08
MANIVELA A-PTA	6320 32		3734 15	VENTILADOR A-PRINCIPAL	2220 05	MARCO-RADIO	5430 10
MANIVELA A-ELEVALUNAS	7210 10	DISCO-EMB,Nº 2	3735 09	TABLERO	6720 02	ARMAZÓN-ANILLO COLECTOR	1740 18
	7220 13	DISCO-EMB,EXT	3830 07	TABLERO A-PARACHOQUES,TR	6730 02	EMBUDO A-LAVAPARABRISAS	5330 06
CIGÜEÑAL A	1220 07		3830 09		6732 02	FUSIBLE-BLOQUE	5810 15
	1221 07		3831 08	SUJECIÓN-CABLE DE SELECTOR	3920 24	FUSIBLE-MINI	5620 13
APOYO	1780 38		3831 09	FILTRO A-DE AIRE	8221 09	FUSIBLE-ACCIÓN RETARDADA	5620 15
CILINDRO A	4510 12		3831 28	FILTRO A-DE ACEITE,MOT	1230 30	EMBELLECEDOR A-PTA	6240 05
	4521 12		3831 29		1231 18	EMBELLECEDOR A-CAPO	6110 38
CILINDRO A-MAESTRO DE	4620 01	DISCO A-RETENCIÓN	3825 03	FILTRO A-DE ACEITE,C/CAMB	3820 06	EMBELLECEDOR A-PTA TR,CTR	6340 05
CILINDRO A-MAESTRO EMB	4410 01	DISCO-EJE PRINCIPAL	3230 34	FILTRO-DE COMBUSTIBLE	2120 08	EMBELLECEDOR-TR,PTA TR	6340 07
CILINDRO A-ESCLAVO CONCÉN	4410 36	DISCO-FRENO S/M	3736 04	DEDO-DEL CAMBIO	3260 14	EMBELLECEDOR-PTA	9772 07
CILINDRO A-FRENO DE RUEDA	4520 03	DISCO-MUELLE	3830 08	ACABADOR-FORRO DE TECHO	7310 02		7210 31
CILINDRO-"C"	3834 16		3831 10	BRIDA-FRENO,Nº 2	3737 05	EMBELLECEDOR-PUERTA	9772 08
CILINDRO-FRENO,Nº 2	3737 02		3831 30	BRIDA-FRENO,Nº 3	3737 21	EMBELLECEDOR-PTA	7220 37
RETÉN A-ENTRADA DE AIRE	2410 50		3834 02	BRIDA-EMB	3734 12	JUNTA	3820 04
RETÉN-CRISTAL PRACTICABLE	6641 18	DISCO-TRANSMISOR	1221 17		3734 16	JUNTA A-RETROVISOR	6630 19
RETÉN-CRISTAL,PTA/T	6641 16	COMPUERTA A-LLENADO DE	6420 02		3734 17	KIT DE JUNTAS-REVISIÓN	1141 01
AMORTIGUADOR A-CONJUNTO	4140 13	PASADOR-GUÍA	7113 18	BRIDA-COJINETE DE	3270 15		1143 01
AMORTIGUADOR A-CONJUNTO	4320 10	ACCIONAMIENTO Y EJE A	1760 34	BRIDA-EMB DIR	3735 10		1143 14
AMORTIGUADOR A-DE TORSIÓN	1231 42	DESTORNILLADOR	9110 03	BRIDA-FRENO S/M	3736 06	JUNTA-PLACA DE APOYO	3250 19
ANILLO AMORTIGUADOR	1333 24	TAMBOR A-FRENO,TR	4330 06		3736 07	JUNTA-APLICACIÓN DE FRENO	3724 17
AMORTIGUADOR-FILTRO DE	2410 30	TAMBOR A-EMB AVANCE	3734 08	PISO A-COMPT/CAR,DELAN	7322 09	JUNTA-TAMBOR DE FRENO	3723 31
AMORTIGUADOR-ASIDERO	7310 38	SECADOR A-RECEPTOR	8310 02	LÍQUIDO-FRENOS	9120 05	JUNTA-CONV CATAL	2480 10
AMORTIGUADOR-DE	1411 27	CONDUCTO A-ESPACIO PARA	8110 19	LÍQUIDO-LIMPIACRISTALES	9120 06	JUNTA-TAPA DE ÁR,LEV	1321 08
	1413 17	CONDUCTO-AIRE,P/I	8110 01	VOLANTE MOTOR A	1220 10		1323 07
AMT-VIBRACIÓN	4180 94	ECM	2510 01		1221 11	JUNTA-CULATA	1311 25
MANGUITO-AMORTIGUADOR	4710 29	ELEMENTO A-FILTRO DE AIRE	2410 07	ESPUMA-PNL PISO,MAL	6520 58		1313 23
MATERIAL INSONORIZANTE	6520 35	EMBLEMA A	6650 01	REPOSAPIÉS A	7610 17	JUNTA-TAPA DE ENGRANAJE DIF	3220 07
	6732 60		6650 02	HORQUILLA A-DE SELECCIÓN DE	3260 01	JUNTA-TAPON DE DRENAJE	3723 36
MATERIAL INSONORIZANTE-STD	7610 26	EXTREMO-DE TIRANTE	4931 05	HORQUILLA A-DESIZANTE DE	3250 11	JUNTA-C/ESC	1531 02
DEFLECTOR-DE AGUA	4190 37	MOTOR A	1111 01	HORQUILLA A-DE SELECCIÓN DE	3260 04		1533 03
DEFLECTOR-VTA	9250 04		1113 01	HORQUILLA-DE SELECCIÓN,MA	3260 09	JUNTA-EGR	1713 12
DIFUSOR-FILTRO DE AIRE	2410 47	ESCUDO-PTA DELAN	7210 62	BASTIDOR A-TECHO,TR	6430 04	JUNTA-ADAPTADOR DE EGR	1311 30
KIT DE DISCOS-C Y D	3834 18	ESCUDO-PTA TR	7220 40	BASTIDOR A-R/AS TR	7541 04	JUNTA-TUBO DE EGR,VGIS	1521 16
DISCO-ENGRANAJE CÓNICO	3270 07	EXTENSIÓN-PANEL LATERAL,EXT	6410 40		7541 08	JUNTA-VÁLVULA DE EGR	1311 34
DISCO-DE FRENO MACIZO,TR	4330 07		6411 29	BASTIDOR A-TECHO CORREDIZO	6430 06	JUNTA-ADAPTADOR DE ENC Y	1713 02
DISCO-FRENO,Nº 2	3737 06		6413 29	ARMAZÓN Y COJINETE A	1740 07	JUNTA-VENT MOT	1240 01
DISCO-FRENO,Nº 3	3737 22	EXTINTOR A-DE INCENDIOS	9510 24	ARMAZÓN-COLECTOR	1760 21		1241 01
DISCO-FRENO,DELAN	4130 06	EXTRUSIÓN-CABLEADO,ABS TR	4310 30	ARMAZÓN-POLAR	1760 17	JUNTA-ESC,TUBO DELAN	2460 01
DISCO-EMB	3110 01	VENTILADOR	1740 05	BASTIDOR-R/AS DELAN	7520 03	JUNTA-CORREA DENTADA	1333 22

J.
C
(C

NOMBRE DE PIEZA	LOC.NO.	NOMBRE DE PIEZA	LOC.NO.	NOMBRE DE PIEZA	LOC.NO.	NOMBRE DE PIEZA	LOC.NO.
JUNTA-TAPA DEL CAMBIO	3280 21	MECANISMO A-DE DIRECCIÓN	4910 01	PASACABLES	2131 48	PORTATARJETAS A	7120 29
JUNTA-DE APLICACIÓN DE	3723 08	ENGRANAJE A-CENTRAL,DELAN	3833 05		4440 02	POSAVASCOS A	7141 43
	3723 09	ENGRANAJE A-CENTRAL,TR	3833 10		4931 20	COMPARTIMENTO A-PARA	7310 37
JUNTA-COL/ADM	1521 25		3270 20		4980 24	PORTAESCOBILLAS	1780 18
	1523 04	ENGRANAJE-CÓNICO DE PALIER	3270 05		6710 84	SOPORTE-TUERCA,F/MANO	4830 08
JUNTA-LÍQUIDA	1230 34	ENGRANAJE-CÓNICO DIF	3270 06		6110 11	CUBIERTA A-CORREA DENTADA	1333 21
	1231 56	TREN-DE ENGRANAJES DE 5º	3240 08	PASACABLES-TUBO DE DRENAJE	9260 07	CUBIERTA A-CORREA DENTADA	1333 04
JUNTA-FRENO MAESTRO	4620 19	PIÑÓN-ÁR/LEV	1331 09		9260 06	GANCHO	2410 28
JUNTA-LLENADO DE ACEITE	1523 02		1333 16	PASACABLES-LIMPIAPARABRISA	5320 04		6140 28
JUNTA-CÁRTER DE ACEITE	3723 33	ENGRANAJE-DE	3739 01	GUARDABARROS A-DELAN	6750 01		7340 25
	3824 09	ENGRANAJE-CONDUcido DE	3739 03	GUARDABARROS A-TR	6750 05		7840 61
JUNTA-CÁRTER DE ACEITE,LÍQ	3721 15	PIÑÓN DE CIG	1231 38	GUÍA-VÁLVULA DE DE ESC	1313 14	GANCHO A	7810 69
	3723 24	CORONA-DIF	3750 03	GUÍA-VÁLVULA DE ADM	1313 13	GANCHO A-ESTERILLA DE	7810 41
	3724 12	ENGRANAJE-HELICOIDAL,DIF	3270 02	GUÍA-VÁLVULA	1311 02	GANCHO-C/CAMB	3720 31
JUNTA-BOMBA DE ACEITE	1230 11	ENGRANAJE-PLANETARIO	3833 01	TIRADOR A-PTA,INTERIOR	7210 07	CLAXON A	6410 01
	1231 19	ENGRANAJE-PLANETARIO,DELA	3833 03		7220 07	MANGUITO A-FILTRO DE	2411 01
	2480 41		3833 08	TIRADOR A-PTA	8220 13	MANGUITO A-FRENO,DELAN	4852 01
JUNTA-CONV MINIOXIDACIÓN	2480 13	CORONA-DELAN	3833 02	TIRADOR A-APERTURA,PTA/T	6451 33	MANGUITO A-FRENO,TR CORTO	4852 21
JUNTA-SILENCIADOR TR	3250 17	ENGRANAJE-TORNILLO SIN FIN	3270 03		6452 33	MANGUITO A-RESPIRADERO	2411 10
JUNTA-TAPA DE C/CAMB	1521 24	ENGRANAJE-VELOCÍMETRO	3750 02	TIRADOR A-PTA TR,EXTERIOR	6320 12	MANGUITO A-INFERIOR	2451 28
JUNTA-C/CAC	1523 11	CRISTAL A-LUNETAS TR	6840 08	MANGO A-CONT SELECTOR	3820 02	MANGUITO A-REFRIG,DESCARGA	8340 05
	3820 03	CRISTAL A-RETROVISOR	6830 08	TIRADOR A-PTA/T	6481 01	MANGUITO A-REFRIG,EVAP	8340 04
JUNTA-CONV DE PAR	1780 37	CRISTAL A-PNL	8250 03		6482 01	MANGUITO A-REFRIG,ASP Y	8340 01
ENGRANAJE	3230 31	CRISTAL A-VTA PRACTICABLE	6841 17	TIRADOR A- PTA/MAL	6450 01	MANGUITO A-DEPÓSITO	5330 04
ENGRANAJE A-1º	3230 19	CRISTAL A-VTA PRACTICABLE,TR	6840 22	TIRADOR-PTA/T,INFERIOR	7231 12		6330 05
ENGRANAJE A-2º	3230 16	CRISTAL A-PTA/T	6841 06		7232 06		4410 25
ENGRANAJE A-3º	3230 05	CRISTAL A-PARB	6840 01	CULATA A	1311 01	MANGUITO A-PTA/T	5330 17
ENGRANAJE A-4º	3230 39	CANAL GUÍA DE CRISTAL-PTA	6240 01		1313 01	MANGUITO A-SUPERIOR	2451 25
ENGRANAJE A-5º	1331 17	CANAL GUÍA DE CRISTAL-PTA TR	6340 01	CULATA-COMPLETA	1311 42	MANGUITO A-DE VACÍO	2451 05
PIÑÓN A-CIG	3750 01	CRISTAL-VTA ABATIBLE,PTA	6840 10	FORRO DE TECHO A	7310 01	MANGUITO A-DE VACÍO	2453 11
ENGRANAJE A-DIF	3860 04	CRISTAL-VTA ABATIBLE,PTA TR	6840 11	REPOSACABEZAS A-ASIENTO	7520 07	MANGUITO A-LAVAPARABRISAS	5330 10
	3220 21	REJILLA A-ANTIVAH0,LATERAL	7113 11	REPOSACABEZAS A-ASIENTO TR	7541 57	MANGUITO-VENT	2130 14
ENGRANAJE A-CONDUcido DE	3710 05	REJILLA A-RAD	6710 01	REPOSACABEZAS A-ASIENTO	7541 61		2131 14
	3240 03		6711 01	BISAGRA A-PTA	6220 22	MANGUITO-ASPIRADOR	8212 16
TREN A-DE ENGRANAJES DE EJE	3738 04	REJILLA ASM-RAD	9755 02		6320 20	MANGUITO-RESONADOR	2411 29
ENGRANAJE A-PLANETARIO	3738 05	REJILLA-ALTAVOZ DE AGUDOS	5410 44	BISAGRA A-CAPO	6110 03	MANGUITO-LAV CARROCERÍA	5330 28
CORONA A-PLANETARIO	3738 01	ASIDERO A	7310 05	BISAGRA A-R/AS TR,ABATIBLE	7541 56	MANGUITO-RESPIRADERO	2241 11
ENGRANAJE A-CENTRAL	3738 03		7310 06	BISAGRA A-PTA/T	6441 03		2411 05
ENGRANAJE A-CENTRAL	3240 11	MANGO-ÁPOYO LUMBAR DE	7520 29		6442 02		3720 28
ENGRANAJE A-INTERMEDIO MA	3230 24	MANGO-RECL ASIENTO DELAN	7520 22	BISAGRA A- PTAMAL	6440 05	MANGUITO-DE DERIVACIÓN	2233 13
ENGRANAJE A-DESGLIZANTE	3832 02	PASACABLES	1230 32	SOPORTE A-BATERÍA	5610 02	MANGUITO-ANTIVAH0,LATERAL	8110 02
ENGRANAJE A-RECTO							

INDICE DE NOMBRE DE PIEZA

Español

NOMBRE DE PIEZA	LOC.NO.	NOMBRE DE PIEZA	LOC.NO.	NOMBRE DE PIEZA	LOC.NO.	NOMBRE DE PIEZA	LOC.NO.
MANGUITO-EGR	2453 03	CAMPANA-CONV DE PAR	3820 01	RÓTULA A	6442 08	CIERRE A- PTAMAL	6450 03
	2453 06	CUBO A-EMB AVANCE	3738 02	RÓTULA A-PALANCA DE	4150 02	LENTE-INST	5220 03
MANGUITO-VENT MOT	1240 05	UNIDAD DE CUBO-DELAN	4130 05	JUEGO DE JUNTAS-INT	4120 02	LETRAS A-MARCA	6650 04
	1241 05	UNIDAD DE CUBO-TR	4330 03	JUEGO DE JUNTAS-EXT	4120 01	LETRAS A-NIVEL DE COCHE	6650 05
MANGUITO-VÁLVULA DE VAPOR	2453 06	CUBO-FRENO DE 2ª	3737 11	LLAVE-EN BLANCO	6460 05	LETRAS A-NOMBRE DE COCHE	6650 03
MANGUITO-CALEFACTOR,ALM	2230 17	CUBO-EMB DIR	3738 09	CHAVETA-SINC, 1ª Y 2ª	3230 27	PALANCA A-PEDAL CONT ACEL	4440 04
	2233 16	SOPORTE ANTIVIBRATORIO	4190 21	CHAVETA-SINC, 3ª Y 4ª	3230 11	PALANCA A-CONTROL DE	9739 02
MANGUITO-CALEFACTOR,RETOR	2230 15	KIT DE ACELERADOR E IACV	1510 04	CHAVETA-SINC, 5ª	3230 45	PALANCA A-APERTURA DE CAPÓ	6110 07
	2233 17	POLEA LOCA	8331 14	CHAVETA-VÁLVULA	1311 16	PALANCA A-VÁLVULA MANUAL	3725 01
MANGUITO-COLECTOR DE	2453 04	BOBINA DE ENCENDIDO-CASETTE	1711 17	CHAVETA-MEDIA LUNA	1221 19	PALANCA A-F/MANO	4530 01
MANGUITO-PCV	1321 21	INYECTOR A-DE COMBUSTIBLE	1411 11	PROTECTOR DE	7150 01	PALANCA A-FRENO DE MANO	9745 05
MANGUITO-TUBO Y BOMBA DE	2230 05		1413 02	MANDO A-PALANCA	9739 07	PALANCA A-MA	3260 28
	2233 05	INSERTO A-VENT	6410 35	MANDO-CARRIL GUÍA,ASIENTO	7530 40	PALANCA A-CONT SELECTOR	3620 01
MANGUITO-RAD Y TANQUE DE	2230 07		6411 35	MANDO-BLOQUEO,SOPORTE DE	7541 43	PALANCA A-C/CAMB	3620 28
	2233 07		6413 35	MANGUETA A-TR	4330 01	PALANCA A-PTAMAL Y LLENADO	6420 10
MANGUITO-RAD,INFERIOR	2230 02	INSERTO-TAPÓN DE CÁRTER DE	1230 27	MANGUETA A-DE DIRECCIÓN	4130 01	PALANCA-PEDAL CONT ACEL	4440 06
	2233 02		1231 55	ETIQUETA-CUIDADO CON AUDIO	6670 17	PALANCA-BRAZO	1521 31
MANGUITO-RAD,SUP	2230 01	AISLAMIENTO-MONTANTE B	7610 40	ETIQUETA-SEGURO PARA NIÑOS	6670 06	PALANCA-CONT	3720 20
	2233 01	AISLAMIENTO-PNL	7610 67	ETIQUETA-ECE	6670 41	PALANCA-DE CAMBIO INTER	3260 16
MANGUITO-LAVAPARABRISAS TR	5330 13	AISLAMIENTO-MONTANTE	6411 57	ETIQUETA-ECONOMÍA DE	6670 14	PALANCA-MOTOR DE ARRANQUE	1780 04
MANGUITO-TANQUE DE	2230 06	AISLAMIENTO-PNL	7610 03	ETIQUETA-CAJA DE FUSIBLES	5620 03	CUBIERTA A-CNSL,TR	7141 05
	2233 06	AISLAMIENTO-PNL	7610 12	ETIQUETA-INMOVILIZADOR	6670 16	ENCENDEDOR A-DE	7130 33
MANGUITO-C/AC	2453 07	AISLAMIENTO-PNL PISO,DELAN	7610 05	ETIQUETA-MANDO A DISTANCIA	6670 30	LÍNEA-DISCO EMB	3630 08
MANGUITO-C/AC Y TAPA DE	2453 01	AISLAMIENTO-PNL PISO,TR	7610 20	LUZ A-EXTN	5140 20		3631 07
MANGUITO-C/AC,ALM	2230 20	AISLAMIENTO-GUARDABARROS	6140 27	LUZ A-ANTINEBLA,DELAN	5110 11		3631 27
	2233 15		6140 51	FARO A	5110 01	FORRO A-GUARDABARROS	6140 10
MANGUITO-C/AC,RETORNO	2230 14	AISLAMIENTO-SUP,PUERTA	9772 11	LUZ A-FRENO DE FIJ SUPERIOR	5140 13	REVESTIMIENTO	6750 08
	2233 14	AISLAMIENTO-DEPÓSITO DE	2110 33	LUZ A-MATRÍCULA	5140 09	REVESTIMIENTO A-PNL	7610 43
MANGUITO-VENT	6110 06	AISLAMIENTO-CAPÓ,MOT	6110 18	LUZ A-LECTURA DE	5410 09	KIT DE FORROS-FRENO,TR	4520 18
MANGUITO-DRENAJE DE AGUA	8212 26	AISLAMIENTO-SUP,PUERTA TR	9772 12	LUZ A-HABITÁCULO	5410 03	REVESTIMIENTO-PNL PISO	7610 01
ALOJAMIENTO	7141 11	AISLAMIENTO-ASIENTO TR	7610 42		5410 21	REVESTIMIENTO-INSERTO,CNSL	7141 10
ALOJAMIENTO A-DERIVACIÓN	1683 04	AISLAMIENTO-PANEL	6411 56	LUZ A-HABITÁCULO,CTR	5410 17	ARTICULACIÓN A-BARRA	4150 18
ALOJAMIENTO A-CUADRO	7120 01	AISLADOR-MUELLE DELAN,INF	4140 12	LUZ A-MALETERO	5410 46	BARRA A-PARALELA,DELAN	4310 02
ALOJAMIENTO A-REJILLA RAD	6710 03	AISLADOR-MUELLE DELAN,SUP	4140 09	LUZ A-COMB TR	6140 01		4310 03
	6711 03	AISLADOR-MUELLE TR,INFERIOR	4320 07	LUZ A-INTERMITENTE,LATERAL	6110 17	ARTICULACIÓN A-BARRA	4310 11
ALOJAMIENTO A-BLOQUEO DE	4830 13	AISLADOR-MUELLE TR,SUP	4320 05	CIERRE A-PTA DELAN	6220 01	ARTICULACIÓN A-TEMP	6212 18
	4831 18	AISLADOR-CONJUNTO	4320 30	CIERRE A-CAPÓ	6130 06	PALANCA A-PORTADORA,TR	4310 14
ALOJAMIENTO A-C/CAMB	3721 01	GATO A	9110 04	CIERRE A-PTA TR	6320 01	ARTICULACIÓN-PRINCIPAL	6212 17
	3821 01	GATO-DE PALANCA	9110 05	CIERRE A-RVAS TR	7541 20	VARILLAJE-LIMPIAPARABRISAS	5310 06
CAJA A-TERMOSTATO	1681 07	BURTIDOR	4520 05	CIERRE A-PTA/T	6451 03	REBORDE A-TABLERO DELAN	9760 04
CAJA-PORTASATÉLITES DE DIF	3270 01	RÓTULA A	6441 10		6452 03	REBORDE A-TABLERO TR	9760 09

J.
C
C

NOMBRE DE PIEZA	LOC.NO.	NOMBRE DE PIEZA	LOC.NO.	NOMBRE DE PIEZA	LOC.NO.	NOMBRE DE PIEZA	LOC.NO.
LOCALIZACIÓN-PIEZA	6840 05	MOLDURA A-PA,CTR	7130 10	ALMOHADILLA-RIAS DELAN	7520 02	PANEL-MONTANTE,LATERAL,EXT	6410 08
CERRAZADOR-MUELLE DELAN	4140 08	MOLDURA A-PANEL INST,CTR	9771 06	ALMOHADILLA-COJ ASIENTO	7520 05		6411 08
JUEGO DE CERRADURA A-GUANTERA	7113 19	MOLDURA A-CANAL EXT,DELAN	6240 04	FORRO-PEDAL,CONT ACEL	4440 07		6413 08
JUEGO DE CERRADURAS-COCHE	6480 01	MOLDURA A-CANAL EXT,TR	6340 04	ALMOHADILLA-BACA,CTR	6430 13	PANEL-MONTANTE,LATERAL,EXT	6410 05
JUEGO DE CERRADURA-PTA	6480 03	MOLDURA A-PROTC,PTA DELAN	6610 01	ALMOHADILLA-BACA,DELAN	6430 12		6411 05
JUEGO DE	6480 06	MOLDURA A-PROTC,PTA TR	6610 02	ALMOHADILLA-BACA,TR	6430 14		6413 05
JUEGO DE	6480 02	MOLDURA A-TECHO	6430 06	CÁRTER A-DE ACEITE	3723 32	PANEL-DE ESTRIBERA	6410 07
JUEGO DE CERRADURA-PTAMAL	6480 04	MOLDURA A-PARB	6640 02	CÁRTER A-DE ACEITE,MOT	1230 23		6411 07
LARGUERO A-INFERIOR,PISO	6510 10	MOTOR A-ELEV ELÉCTRICO	6230 02		1231 29		6413 07
LARGUERO A-DELAN	6530 02		6330 02	CÁRTER A-DE ACEITE,C/CAMB	3824 08	PANEL-PTA TR,EXT	6310 02
LARGUERO A-TR	6530 10	MOTOR	5310 01	PANEL A-TRASERO,INFERIOR	6520 15	PANEL-DELAN,PISO TR	6520 04
PORTADISCOS-CD	5430 07	MOTOR A-LIMPIAPARABRISAS,TR	5320 01	PANEL A-TRASERO,SUP	6440 09	PANEL-TR,PISO TR	6520 05
IMÁN	3220 20	MOTOR Y ENGRANAJE DE	9290 13	PANEL A-CONT	8352 02	PANEL-LATERAL,INT,TR	6410 15
	3250 18	MOTOR-VENTILADOR	8221 02	PANEL A-MONTANTE CTR,INT	6410 45		6411 50
	3723 34	MOTOR-IACV	1510 02		6411 66		6413 50
	3820 07	MOTOR-INT	8221 04		6413 66	PANEL-LATERAL,EXT	6410 08
COLECTOR A-ESC	1531 01	MOTOR-MODO	8212 03	PANEL	6150 02		6411 03
	1533 01	MOTOR-TEMP	8212 10	PANEL A-SALPICADERO,SUP	6150 01		6413 03
COLECTOR A-ADM	1521 01	SILENCIADOR A-ESC,DELAN	2490 11	PANEL A-GUARDABARROS	6140 01	PANEL-LATERAL,EXT,TR	6410 08
	1523 01	SILENCIADOR A-ESC,TR	2490 12	PANEL A-PISO,LATERAL	6510 04		6411 08
ESTERILLA A-PISO	7610 68	CUELLO-AGUA,ENT	1210 08	PANEL A-PTA DELAN	6210 01		6413 08
ESTERILLA-CUERPO CNSL	7141 15		1211 04	PANEL A-PISO DELAN	6510 01	PANEL-LATERAL,TECHO	6410 04
MECANISMO	9290 05	RED A-PNL PISO	7322 22	PANEL A-DELAN,LATERAL	6130 04		6411 04
RETROVISOR A-INT,INCL	7350 01	RED A-COMPT/CAR	7322 12	PANEL A-DELAN,SUP	6130 02		6413 04
RETROVISOR A-EXT	6630 01	TOBERA A-EXT	7120 38	PANEL A-CAPO	6110 01	PANEL-ALOJAMIENTO DE LUZ DE	6411 22
MÓDULO A-AC	4812 01		7120 45	PANEL A-INST,PRINCIPAL	7113 02		6413 22
MÓDULO A-ABS	4710 27	TOBERA A-LAVAPARABRISAS TR	5330 14	PANEL A-INST,SUP	7113 01	PARCHE A-PISO TR,LATERAL	6520 46
MÓDULO A-AIRBAG,CONDUCTOR	5510 01	TOBERA A-VENT,CTR	7120 51	PANEL A-LATERAL,INT	6410 51	PARCHE-ALOJAMIENTO DE LUZ	6410 21
MÓDULO A-AIRBAG,PAS	5510 02	TOBERA A-LAVAPARABRISAS	5330 11		6411 68	TRINQUETE	3825 07
MÓDULO A-AIRBAG,LATERAL	7520 49	RETÉN DE ACEITE	3831 13		6413 68	TRINQUETE-BARRA DE	3260 08
MÓDULO A-AVISADOR ACÚSTICO	5620 10		3831 22	PANEL A-APERTURA,R/CASETE	5430 22	TRINQUETE-BLOQUEO DE	3725 02
MÓDULO A-EVO	4831 45	ACEITE-A/T	9120 03	PANEL A-TECHO	6430 01	PEDAL A-FRENO	4430 01
MÓDULO A-RETROVISOR	5620 32	ACEITE-MOT	9120 01	PANEL A-PTA TR	6310 01	PEDAL A-EMB	4420 01
MÓDULO A-BOMBA DE	2110 02	ACEITE-M/T	9120 02	PANEL A-PISO TR	6520 01	PEDAL-FRENO	4430 02
MÓDULO A-ANTENA DE CRISTAL	5420 14	ACEITE-DIASIST	9120 04	PANEL A-LATERAL,COMPL	6410 01	PEDAL-EMB	4420 03
MÓDULO-ANTENA DE CRISTAL	5420 22	ALMOHADILLA A-R/AS TR	7540 03		6411 01	PIEZA A-CON,PNL DELAN,SUP	6530 54
MOLDURA A-LUNETA TR	6640 07		7541 03		6413 01	PIEZA A-CON,LATERAL,EXT	6411 66
MOLDURA A-CUADRO	9771 02		7541 07	PANEL A-PTA/T	6441 01		6413 65
MOLDURA A-EMBELLECEDORA	7120 57	ALMOHADILLA A-COJ ASIENTO	7540 08		6442 01	PIEZA-ADICIONAL	4810 23
	9771 08	KIT DE PASTILLAS-FRENO DELAN	4510 62	PANEL A- PTA/MAL	6440 01	PIEZA-CON	1230 31
MOLDURA A-CRISTAL,PTA/T	6641 07	KIT DE PASTILLAS-FRENO TR	4521 02	PANEL-PTA DELAN,EXT	6210 02		1231 13

INDICE DE NOMBRE DE PIEZA

Español

NOMBRE DE PIEZA	LOC.NO.	NOMBRE DE PIEZA	LOC.NO.	NOMBRE DE PIEZA	LOC.NO.	NOMBRE DE PIEZA	LOC.NO.
PIEZA-FINAL,DELAN,ASIENTO	7530 20	TUBO A-LÍQUIDO,EVAPORADOR	8340 03	PISTÓN-FRENO DE MA Y 1'	3737 17	POLEA	1740 03
PIEZA-FINAL,TR,ASIENTO DELAN	7530 22	TUBO A-FRENO MAESTRO,2"	4652 10	PISTÓN-FRENO DE 2"	3737 01	POLEA-CIG	1331 27
PIEZA-DE ENGRANE,5"	3280 07	TUBO A-FRENO MAESTRO,PRIM	4652 09	PISTÓN-ACUMULADOR B1	3723 41	POLEA-LOCA	1331 14
MONTANTE A-DELAN	6410 12	TUBO A-REFRIGERADOR DE	2241 03	PISTÓN-ACUMULADOR C1	3723 38	BOMBA A-DE ACEITE,MOT	1230 01
	8411 12		2241 04	PISTÓN-ACUMULADOR C2	3723 44		1231 01
	8413 12		2242 03	PISTÓN-FRENO S/M	3736 01	BOMBA A-DE ACEITE,C/CAMB	3722 12
PASADOR	3280 29		2242 04	PIVOTE A-SPT,CAPO	6130 11		3822 01
	3625 08	TUBO A-REFRIGERADOR DE	2241 01	PLACA A-DE APOYO	3832 01	BOMBA A-D/ASIST	4950 01
	3910 11		2241 02	PLACA A-FLEXIBLE	1220 12	BOMBA A-LAVAPARABRISAS	5330 03
	4610 02		2242 01		1221 12	BOMBA A-DE AGUA	1331 01
PASADOR-DE BLOQUEO	3250 08		2242 02	PLACA A-DE APOYO DE CORREA	1331 04		1333 01
PASADOR-PIÑÓN DE ÁR/LEV	1323 11	TUBO A-ASPIRACIÓN DE ACEITE	1230 18	PLACA-DE APOYO	3250 05	PISTA-COJINETE DE RODILLOS	3739 07
PASADOR-ESPIRAL	3280 03		1231 21		3832 04		3739 08
	3280 06	TUBO A-MECANISMO D/ASIST	4931 13	PLACA-DE APOYO DE FRENO	4520 02	PISTA-COJINETE DE RODILLOS	3750 09
	3280 11		4931 14	PLATO-FRENO,Nº 2	3737 07		3750 10
	3280 15	TUBO A-PRESIÓN	4950 51	PLATO-FRENO,Nº 3	3737 23	PISTA-COJINETE DE EMPUJE	3738 11
PASADOR-MUELLE DIF	3270 09	TUBO A-FLUJO DE RETORNO	4950 20	PLACA-TOPE AMORTIGUADOR	4140 30		3738 13
PASADOR-GUÍA	3220 02	TUBO A-ASPIRACIÓN	4950 58	PLACA-PERNO DE LEVA	4310 46		3738 15
	3220 03	TUBO A-DE VACÍO	1311 37	PLACA-PORTADORA	6640 03		3738 17
	3250 07		1311 41	PLACA DE CIERRE DE EGR	1311 38		3738 18
PASADOR-F/MANO	4530 09		2451 02	PLATO-EMB	3831 08	BACA A	6430 09
PASADOR-BLOQUEO DE	3725 11		2451 13		3831 26	RADIADOR A	2210 01
BULÓN-PISTÓN	1220 02		2451 15	PLATO-EMB,Nº 1	3734 11	RAMPA A-DE INYECTORES	1411 06
	1221 02	TUBO-RESPIRADERO	3821 08	PLATO-EMB,Nº 2	3735 06	CARRIL A-GUÍA DELAN,PTA	6230 07
PASADOR-DE ARTICULACIÓN	7541 12	TUBO-CONDUCTO DE EGR	1521 10	PLATO-EMB,Nº 3	3734 14	CARRIL A-GUÍA,ASIENTO DELAN	1730 46
PIÑÓN-DE ATAQUE DE DIF	3739 04	TUBO-ALM COMBUSTIBLE,CTR	2120 03	PLACA-DE FIJACIÓN	3860 12	CARRIL A-GUÍA,PTA TR	6330 06
TUBO A-UNIDAD HID FRENOS	4652 14	TUBO DE DERIVACIÓN DE CALOR	1311 28		3860 13	CARRIL A-PLANCHA DE PARB	6430 02
TUBO A-FRENO,DELAN	4652 11	TUBO-DE PURGA,CTR	2130 04	CHAPA-PROTECTORA	3280 17	RAMPA-DE INYECTORES	1411 26
	4652 12		2131 04	PLACA-DE BLOQUEO	3270 17		1413 01
TUBO A-FRENO,TR 2"	4652 17	TUBO-RAD,BOMBA	2230 03	PLATO-FRENO S/M	3736 05	UNIDAD DE REAJUSTE	4520 13
	4652 18	TUBO-DE AGUA	2233 03	PLACA-DEFLECTORA DE ACEITE	3820 05	RECLINADOR A-ASIENTO DELAN	7530 03
TUBO A-FRENO,TR 3"	4652 19	PISTÓN	1220 01	PLACA-DEPÓSITO DE ACEITE	3721 03	RECLINADOR A-INT	7530 44
TUBO A-FRENO,TR CORTO	4652 20		3831 21	PLATO-DE PRESIÓN	1331 28	RECLINADOR A-EXT	7530 43
TUBO A-FRENO,TR,1"	4652 15	PISTÓN "B"	3831 31	PLACA-CARCASA C/CAMB	3723 16	RECTIFICADOR	1740 15
	4652 16	PISTÓN "C"	3834 15	PLACA-DE CARACTERÍSTICAS	3821 08	REFLECTOR A-TR	5140 34
TUBO A-CIL MAESTRO EMB	4410 04	PISTÓN "D"	3830 01	REPRODUCTOR-CD	5430 03	REFLECTOR A-DE AVISO	9110 13
TUBO-ESCLAVO CONCÉNTRICO	4410 33		3834 01	ÉMBOLO-VÁLVULA DE	1230 03	REGULADOR Y CASQUILLO A	1740 29
TUBO A-VENT MOT	1240 03	PISTÓN "E"	3831 16		1231 03	REGULADOR-ABIERTO DELAN	7520 12
	1241 03	PISTÓN A-EMB DIR	3735 03	PROTECTOR-PURGADOR	4510 07	REGULADOR-RECL,ASIENTO	7520 39
TUBO A-ESC,DELAN	2460 08	PISTÓN A-EMB AVANCE	3734 03		4521 07	REGULADOR-VTA,DELAN	6230 01
TUBO A-LÍQUIDO,CONDENSADOR	8340 02	PISTÓN Y BULÓN A	1221 01	PROTECTOR-FILTRO,COMBUSTIB	2120 52	REGULADOR-VTA,TR	6330 01

J
C
(C

NOMBRE DE PIEZA	LOC.NO.	NOMBRE DE PIEZA	LOC.NO.	NOMBRE DE PIEZA	LOC.NO.	NOMBRE DE PIEZA	LOC.NO.
REFZ A	4310 08	RETÉN	2120 15	ARANDELA-DE JUNTA	1231 22	BIELA A	1221 04
REFZ A-MONTANTE CTR	6410 10		2120 17		3710 10	BARRA A-DE SELECCIÓN	3260 13
	6411 10		2130 45		3724 07	VARILLA A-BLOQUEO DE	3725 10
	6413 10		2131 32		3734 19	BARRA A-DE REACCIÓN	4190 91
REFZ A-GUANTERA,INFERIOR	7113 10		2131 34		3735 12	BARRA A-DE REACCIÓN	4190 69
REFZ A-GUANTERA,SUP	7113 09		5140 08	ARANDELA-DE	1681 01	VARILLA A-SPT,CAPO	6130 10
REFZ A-ESTRIBERA,TR	6410 40		6413 73		1683 02	BARRA A-DE SELECCIÓN DE 1º Y	3260 02
	6411 36	RETÉN-EMB UNIDIRECCIONAL	3737 13	ARANDELA-DE JUNTA,BOMBA DE	1331 02	BARRA A-DE SELECCIÓN DE 3º Y	3260 05
	6413 36	RETÉN-PISTA EXT	3737 16		1333 02	VARILLA-ACTUADOR,PTAT	6451 14
REFZ A-TABLERO	6730 39	ARO A-LUMINOSO	7130 22	ARANDELA-DE JUNTA DE EJE	1220 09		6452 14
REFZ A-TRINQUETE,QUANT	7113 08	KIT DE SEGMENTOS-PISTÓN	1220 03		1313 04	BARRA-CON C/MAR	3910 09
REFZ	6410 41		1221 03		3270 13	VARILLA-TIRADOR,PTAT	6451 32
	6411 41	ANILLO-INTERMEDIO DE CONO 3	3230 22	ANILLO-ELÁSTICO	3723 51		6452 10
	6413 41	ANILLO-DE AJUSTE	3832 06		3734 09	VARILLA-SOPORTE	5610 03
REFZ A-TÚNEL	6510 03	ANILLO-COJINETE DEL TREN DE	3240 06		3734 13	VARILLA-TIRADOR INTERIOR,PTA	6220 05
REFZ -TABLERO DELAN,LATERAL	6720 18	ANILLO-COJINETE DIF	3270 12		3734 18	VARILLA-TIRADOR INTERIOR,PTA	6320 03
REFZ -PNL DE ESTRIBERA	6410 11	ANILLO EN E	3920 22		3736 07	VARILLA-CIL CERRADURA,PTA	6220 03
	6411 11		3920 23		3736 11	VARILLA-CIL CERRADURA,PTAT	6451 04
	6413 11		4420 13		3736 08		6452 04
REFZ-TABLERO TR,LATERAL	6730 37		4440 03		3736 10	VARILLA-BLOQUEO,PTA TR	6320 04
	6732 37		4610 05		3737 06	VARILLA-TIRADOR	6220 15
REFUERZO-DISCO	1221 14		4652 04		3737 14	VARILLA-TIRADOR	6320 14
RELÉ A	5620 21		4652 23		3737 24	TIRANTE-CABLE DE F/MANO	4530 04
RELÉ A-VENTILADOR DE	5620 19	ANILLO-ASIENTO DE VÁLVULA	1311 04		3631 03	TIRANTE-CIERRE,PTA/MAL	6450 04
RELÉ A-CERRADURA PTA CTR	5620 07		1313 12		3631 05	BARRA-DE SELECCIÓN MA	3260 10
RELÉ A-DRL	5620 23	ANILLO-ASIENTO DE VÁLVULA	1311 03		3631 32	RODILLO A-GUÍA	1333 09
RELÉ A-INTERMITENTE	5620 18		1313 11		3633 06	TECHO A-CORREDIZO	9200 01
DEPÓSITO A-DE ACEITE D/ASIST	4950 02	ANILLO-DE RETENCIÓN	2110 04		3633 09	ROTOR	1740 08
DEPÓSITO A-LAVAPARB	5330 01	ANILLO-PISTÓN	3824 02		3634 17	ROTOR-BOMBA DE ACEITE,INT	1230 08
DEPÓSITO-CUERPO	4620 03		3631 02	ANILLO-PARTIDO	2110 40	ROTOR-BOMBA DE ACEITE,EXT	1230 07
RESISTENCIA A-VENTILADOR DE	5410 25	ANILLO-DE RETENCIÓN	3230 35		2110 44	SUSPENSOR-DE GOMA	2460 15
RESISTENCIA-VENTILADOR	8221 03		3230 36		2131 44		2460 23
RESONADOR A	2410 13		3230 47	ANILLO-TOPE	3830 05		2460 24
RESONADOR A-2º	2411 15		3240 05		3831 25	GOMA-PROTC	4330 18
RESONADOR A-AUXILIAR	2411 08		3240 09	ANILLO-SINC	3230 07	UNIDAD DE ECONOMIZADOR-DE	5620 52
RESONADOR A-ESC,DELAN	2480 36		3260 20		3230 41	RASCADOR-CÁRTER DE ACEITE	1231 26
SUJECCIÓN A-COMPT/CAR	7322 23		3831 11	ANILLO-SINC,INTERIOR	3230 21	RETÉN	1333 23
	7342 03		4130 04	ANILLO-SINC,EXTERIOR	3230 23		2110 36
REDUCTOR-DE ACEITE	4950 69	ARANDELA-DE JUNTA	1230 05	ANILLO-DE RETENCIÓN DE	3230 04		5330 02
RETÉN	1311 15		1230 20	REMACHE	4150 32	JUNTA ESTANCA A-REJILLA	6711 06
	1313 19		1231 05	BIELA A	1220 04	RETÉN-PALIER	3621 04

INDICE DE NOMBRE DE PIEZA

Español

NOMBRE DE PIEZA	LOC.NO.	NOMBRE DE PIEZA	LOC.NO.	NOMBRE DE PIEZA	LOC.NO.	NOMBRE DE PIEZA	LOC.NO.
RETÉN-PALIER	3850 07	ASIENTO A-TR,RESPALDO	7541 05	SUJECIÓN-ALTERNADOR	1753 01	SIRENA A-RKE Y ATAS	5440 05
RETÉN-DERIVACIÓN	1683 05	ASIENTO A-TR,COJ	7540 06	SUJECIÓN-TRANSPORTE MOT	1111 02	FALDÓN A-LATERAL	9780 14
RETÉN-ÁR/LEV,DELANTERO	1321 11	ASIENTO-VARILLA PARA	6110 13		1111 03	MANGUITO	1210 07
RETÉN-TAPA,INFERIOR	1331 25	ASIENTO-MUELLE SUP,TR	4320 14		1113 02		1210 11
RETÉN-TAPA,SUP	1331 21	ASIENTO-MUELLE DE VÁLVULA	1311 44	PALIER A-DELAN	4110 01		1211 05
	6150 40		1313 15		4110 02		1211 06
RETÉN-CIG,DELAN	1230 02	TRANSMISOR-DE COMBUSTIBLE	2110 36	EJE A-PRIMARIO	3735 02		1211 15
	1231 02	SENSOR A-TEMP DE AIRE	1521 23		3831 18		1230 12
RETÉN-CIG,TR	1221 10		2411 04	EJE A-INTERM	3734 02		1231 20
RETÉN-EGR	1521 26	SENSOR A-AMBIENTE	8352 09		4910 03		3220 04
JUNTA ESTANCA-TAPA INT,PTA	7210 58	SENSOR A-POSICIÓN DE ÁR/LEV	1331 42	EJE A-PRINCIPAL,C/CAMB	3230 02		3622 05
JUNTA ESTANCA-TAPA INT,PTA	7220 57		1333 31	EJE A-LATERAL	3850 01	MANGUITO A-DE SELECCIÓN	3230 08
RETÉN-DE ACEITE	3723 04	SENSOR A-TEMP DE	1311 21	EJE COMPLETO-PRIMARIO	3831 33	MANGUITO A-DE SELECCIÓN,5ª	3230 42
	3750 12		1713 06	EJE-ENGRANAJE DIF	3270 08	MANGUITO-DE SUJECIÓN	3625 04
RETÉN-TAPÓN DE CONDUCTO	1231 11	SENSOR A-POSICIÓN DE CIG	1231 39	EJE-PRIMARIO	3240 02	MANGUITO-DE RETENCIÓN	3250 24
RETÉN-BOMBA DE ACEITE	3622 02		1331 32	EJE-VÁLVULA MANUAL	3725 16	MANGUITO-REPOSACABEZAS	7520 08
JUNTA ESTANCA-MONTANTE	6410 53	SENSOR A-DE DISTANCIA	2510 09	EJE-TRINQUETE DE BLOQUEO	3725 03		7541 58
	6411 58	SENSOR A-GAS ESC	1531 07	EJE-PEDAL	4430 05		7541 59
	6413 58		1533 06	EJE-ENGRANAJE INTERMEDIO	3240 12	MANGUITO-DE AGUJA	3240 01
JUNTA ESTACA-BACA,SUP	6430 11		2480 43	EJE-SELECTOR	3825 01	MANGUITO-DE CIERRE	3821 05
JUNTA ESTANCA-TABLERO TR	6730 34	SENSOR A-MAP	1521 37	REPISA A-PANEL TR,SUPERIOR	9773 07		3821 17
RETÉN-EJE	3821 03		1823 13	REPISA A-PNL TR,SUP	7320 01	CORREDERA TIPO ESCALONADO	3620 55
RETÉN-PARTIDO	2110 39	SENSOR A-SOL DE PURGA	1821 46	REPISA A-COMPT/CAR	7322 11	TUBO DE RESPIRACIÓN-FILTRO	2410 19
	2110 43	SENSOR A-LLUVIA	5620 45	PROTECCIÓN	1740 30	ENCHUFE A-ADAPTADOR	7141 71
	2131 43	SENSOR A-DEPÓSITO	4620 29		1760 39		7342 16
JUNTA ESTANCA-ESPONJA	7113 22	SENSOR A-SOLAR	7130 51	ESCUDO A-TÉRMICO,C/ESC	1531 06	ENCHUFE A-BOMBILLA	5220 11
	8221 11	SENSOR A-DE TEMP	1713 05		1533 08		5220 13
	8221 12	SENSOR A-AGUA	8212 09	PROTECCIÓN-CONV CATAL	2460 16		5220 15
RETÉN-CIAC	2411 22	SENSOR A-EVO DE	4831 28	PROTECCIÓN-SILENCIADOR	2460 18	SOLENOIDE A-PALANCA	3620 35
RETÉN-TAPA DE DISTRIBUCIÓN	1331 20	SENSOR A-VELOCIDAD DE	4710 03	PROTECCIÓN-LLENADO DE	2110 12	SOLENOIDE A-C/CAMB	3780 11
JUNTA	7210 13	SENSOR-AIRBAG	5510 08	PROTECCIÓN-DEPÓSITO DE	4950 15		3780 12
JUNTA	7220 02	SENSOR-AIRBAG,LATERAL	6510 28	PROTECCIÓN-SILENCIADOR TR	2460 20		3780 13
RETÉN-VÁSTAGO DE VÁLVULA	1311 13	SENSOR-PICADO DE BIELAS	1210 13	SUPLEMENTO	3739 10	SOLENOIDE-MOTOR DE	1780 10
	1313 16		1523 17		3750 11	ESPACIADOR	1740 31
ASIENTO A-DELAN	7510 01	SENSOR-PRESIÓN,BOMBA DE	2110 37		3821 13		3725 17
ASIENTO A-RESPALDO DELAN	7520 17	SENSOR-CARRETERA	2510 14		3821 14	ESPACIADOR-PLACA FLEXIBLE	1221 13
ASIENTO A-COJ DELAN	7520 18	SENSOR-DE VELOCIDAD	3720 16		3824 05	LLAVE DE TUERCAS	9110 07
ASIENTO A-MUELLE DELAN,SUP	4140 06	SENSOR-VELOCIDAD DE	3860 07	ZAPATA A-F/MANO	4530 14	BUJÍA	1711 08
	4140 07	SENSOR-VELOCIDAD DE SALIDA	3821 10	ZAPATA-DE SELECCIÓN	3250 12		1713 22
ASIENTO A-TR,RESPALDO	7540 01	SENSOR-POSICIÓN DE	1510 03	BLOQUE CORTO A	1120 01	ALTAVOZ A-DELAN	5410 08
	7541 01	SUJECIÓN-ALTERNADOR	1751 07		1121 01	ALTAVOZ A-TR	5410 23

3
C
C

NOMBRE DE PIEZA	LOC.NO.	NOMBRE DE PIEZA	LOC.NO.	NOMBRE DE PIEZA	LOC.NO.	NOMBRE DE PIEZA	LOC.NO.
ALTAVOZ-BALANCE AGUDOS	5410 05	MUELLE-SINC,3° Y 4°	3230 12	SOPORTE A-TRAV,RAD,INT	6530 53	INTERRUPTOR A-ELEVALUNAS	7210 34
DEFLECTOR AERODINÁMICO	9210 01	MUELLE-SINC,5°	3230 46	SOPORTE A-COMPT/CAR,DELAN	7322 05	INTERRUPTOR	4810 05
	9782 02	MUELLE-DE TORSIÓN,N° 1	3725 04	SOPORTE A-TECHO,CTR	6430 03	INTERRUPTOR-FAROS Y	7120 15
ESPONJA-DEPÓSITO DE ACEITE	4890 84	MUELLE-VÁLVULA	1311 14	SOPORTE A-TECHO,DELAN	6430 17	INTERRUPTOR-APERTURA DE	7120 81
MUELLE	4430 07		1313 17	SOPORTE A-TECHO,RR	6430 05	DEPÓSITO A-DE COMBUSTIBLE	2110 01
	4440 09	SOPORTE A-RUEDA DE	6520 06	SOPORTE A-BANDEJA,TR	6530 50	DEPÓSITO A-VACÍO,VGIS	2451 11
	4520 14	MOTOR DE ARRANQUE A	1760 01	SOPORTE-ALTERNADOR	1753 03	TANQUE-DE COMPENSACIÓN	2230 08
MUELLE A-PISTÓN DE FRENO DE	3737 20	ESTÁTOR	1740 09	SOPORTE-TRAV,RAD,EXT	6530 04		2233 08
MUELLE A-DE RETORNO DE	3737 09	PUNTAL A-PARACHOQUES	6720 41	SOPORTE-DE APOYO DE FIJ DE	1331 38	TAQUÉ-HID	1311 17
MUELLE A-EN ESPIRAL	5510 11	VARILLA A-NIVEL DE ACEITE,MOT	1210 08		1333 07	TCM	2510 02
MUELLE A-DE RETENCIÓN	3725 14		1211 08	SOPORTE-PI,SUP	7113 14	SENSOR A-COMP DE AIRE	8331 08
MUELLE A-DE RETORNO DE EMB	3735 06	VARILLA A-NIVEL DE ACEITE,T/A	3710 09	SOPORTE-PARACHOQUES	6732 20	SENSOR A-CORREA DE	1331 12
MUELLE A-DE RETORNO EMB	3734 05	PEGATINA-AC	6870 09	INTERRUPTOR A-CONT AC	6360 01		1333 19
MUELLE A-DE	6442 09	PEGATINA-VENTILADOR DE	2220 07		6362 01	TERMINAL-CABLE	3621 09
MUELLE A-DE RETORNO DE	3736 09	PEGATINA-COMPUERTA DE	6870 31	INTERRUPTOR A-MANDO A	4810 19		3660 05
KOT DE MUELLES	4620 24	PEGATINA-PRESIÓN DE NEUMÁT	6870 07	INTERRUPTOR A-LUCES DE	3220 24	TERMOSTATO A	1683 01
MUELLE-BTSI	3820 56	PEGATINA-AVISO,GCC	6870 42	INTERRUPTOR A-CONTACTO,PTA	6220 10		9760 21
MUELLE-COMPR	3290 09	REFUERZO-SALPICADERO,SUP	6150 29		6320 09	ARGOLLA DE REMOLQUE A-TR	6520 12
	3290 18	TOPE-PERSIANA,TR	9250 20	INTERRUPTOR	6440 08	CAJA DE CAMBIOS A-AUTOMÁT	3710 01
	3723 46	MALLA FILTRANTE A-DE ACEITE	3723 15	INTERRUPTOR A-CIERRE	7210 93		3610 01
	3723 49	CORREA	1823 21	INTERRUPTOR A-LUCES DE	7120 05	CAJA DE CAMBIOS A-MANUAL	3210 01
	3723 50		2110 07	INTERRUPTOR A-REGLAJE DE	7120 17	TRANSDUCTOR-PRESIÓN	8340 08
	3723 52		2131 50	INTERRUPTOR A-MODO DE	7141 50	BANDEJA A-CENICERO,CNBL,TR	7141 12
	3723 83		2453 09	INTERRUPTOR A-CLAXON	4810 07	BANDEJA A-BATERÍA	6140 04
	3723 54		6710 38	INTERRUPTOR A-ENC	4830 14	BANDEJA A-COMPT/CAR	7322 29
	3723 55		7321 02		4831 19	BANDEJA	7342 15
MUELLE-DE COPA	3630 04	TRINQUETE A-PTA	6220 16	INTERRUPTOR	4830 16	BANDEJA A-DEBAJO DE ASIENTO	7610 50
	3631 14		6320 16		4831 22	BANDEJA-CENICERO,PI	7130 13
	3631 24	TRINQUETE A-CAPO	6110 30	INTERRUPTOR A-LUCES	7113 20	BANDEJA-GATO Y	9110 11
MUELLE-DELAN	4140 11	TRINQUETE A-CIERRE,PTAT	6451 07	INTERRUPTOR A-AJUSTE DE	6830 11	BANDEJA-DE ACEITE	3833 04
MUELLE-DE GAS,PTAMAL	6441 09		6452 07	INTERRUPTOR A-RETROVISOR	6630 10	GUARNECIDO A-MONTANTE A	7330 09
MUELLE-DE GAS,PUERTA DE	9764 04	TRINQUETE A-CIERRE,PTAMAL	6450 07	INTERRUPTOR A-ARRANQUE EN	3720 04	GUARNECIDO A-MONTANTE	7330 08
MUELLE-DE PATA	3625 06	TIRA	5710 41	PRESOSTATO A-DE ACEITE	1230 16	GUARNECIDO A-MONTANTE	7330 10
MUELLE-DESCARGA DE ACEITE	1230 04		6420 18		1231 15	GUARNECIDO A-PNL TR,SUP	7320 16
	1231 04	TIRA-DE AISLAMIENTO	6220 21	INTERRUPTOR	3621 15	GUARNECIDO A-MONTANTE C	7330 12
MUELLE-PASTILLA	4510 06	FIJACIÓN DE CONJUNTO	4140 04	INTERRUPTOR A-PULSADOR	8350 33	GUARNECIDO A-MONTANTE D	7330 35
	4521 06	FIJACIÓN DE CONJUNTO	4320 04	INTERRUPTOR A-LUCES E	4810 06	GUARNECIDO	9772 09
MUELLE-DE POSICIONAMIENTO	3920 51	PERSIANA A	7350 02	INTERRUPTOR A-LUCES DE	4430 04	GUARNECIDO A-PTA DELAN	7210 01
MUELLE-TR	4320 06	PERSIANA A-TECHO CORREDIZO	9250 23	INTERRUPTOR A-APERTURA DE	7210 69	GUARNECIDO A-PANEL DE	9773 05
MUELLE-PATÍN	9250 06	SOPORTE	6720 68	INTERRUPTOR	6450 16	GUARNECIDO A-PNL DE	9773 08
MUELLE-SINC,1° Y 2°	3230 28		6720 69	INTERRUPTOR A-AVISO,F/MANO	4530 03	GUARNECIDO A-PANEL DE	7330 48

INDICE DE NOMBRE DE PIEZA

Español

NOMBRE DE PIEZA	LOC.NO.	NOMBRE DE PIEZA	LOC.NO.	NOMBRE DE PIEZA	LOC.NO.	NOMBRE DE PIEZA	LOC.NO.
GUARNECIDO A-PNL DE	7330 49	VÁLVULA A-DE RETENCIÓN	3723 47	CABLEADO-TECHO	5710 09	CABLE-ALTA TENSIÓN	1711 10
GUARNECIDO	9772 10	VÁLVULA A-DE EGR	1311 35	CABLEADO-PTA TR	5710 05		1711 11
GUARNECIDO A-PTA TR	7220 01		1713 10	CABLEADO-C/CAMB	3720 06		1713 17
GUARNECIDO	7330 01	VÁLVULA A-SOL DE EGR	1713 23	CABLEADO-PTA/T	5710 52		1713 18
GUARNECIDO A-PNL LATERAL,TR	7340 04		2453 08	CABLEADO-PTA/T,EXTN	5710 23		1713 19
	7341 01	VÁLVULA A-DE LLENADO	2110 42	CABLEADO-PTA/MAL	5710 11		1713 20
	7342 01	KIT DE VÁLVULA-CONT	8320 18	CABLEADO-TCM	5710 26	CABLE-INT RON	5710 48
GUARNECIDO A-PTA/T,INFERIOR	7231 06	KIT DE VÁLVULA-EXPN	8221 13	CABLEADO-MALETERO	5710 07	Llave-DE RUEDA	9110 02
	7232 06	VÁLVULA-DE ESC	1311 12	CABLEADO-CAJA DE VÁLVULAS	3960 02		
GUARNECIDO A-PTA/T,LATERAL	7231 11		1313 10	BUR A-2°,MARCO,PTA DELAN	6240 03		
	7232 05	VÁLVULA-DE ADM	1311 11	BUR A-2°,MARCO,PTA TR	6340 03		
GUARNECIDO A-PTA/T,SUP	7231 01		1313 09	BUR A-VANO PTA,DELAN	6240 07		
	7232 01	VÁLVULA-PCV	1321 17	BUR A-VANO PTA,TR	6340 09		
GUARNECIDO A-A/R,DELAN	7330 45		2130 07	BUR A-PTA DELAN	6240 02		
GUARNECIDO-PTA/MAL,INT	6440 16		2131 07	BUR A-PTA DELAN,INT	7210 36		
TUBO	1241 06	VÁLVULA-DOSIFICADORA	4852 29	BUR A-PTA DELAN,INFERIOR	6240 13		
TUBO A-LLENADO DE	2110 08	VÁLVULA-DE INVERSIÓN	2130 31	BUR A-CAPO	6150 05		
TUBO A-VAPOR DE	2130 01	VÁLVULA-GOMA	6660 06	BUR A-PTA TR	6340 02		
	2131 01	VÁLVULA-SOL	1311 40	BUR A-PTA TR,INT	7220 22		
TUBO A-LLENADO DE ACEITE	3710 08		2451 09	BUR A-PTA TR,INFERIOR	6340 18		
TUBO A-DE PURGA,INTERM	2131 46		2451 10	BUR A-PTA/T	6441 02		
TUBO A-DE	2120 42	VÁLVULA-SOL DE PRESIÓN	3860 09		6442 06		
TUBO A-DE VAPOR,VÁLVULA DE	2131 28		3860 15	BUR A-PTA/MAL	6440 02		
TUBO-COJINETE DIF	3721 06	VÁLVULA-SOL,CARTUCHO	2131 15	CONTRAPESO	6660 15		
TUBO-DRENAJE,TECHO	9260 05	VÁLVULA-SOL,CAJA DE VÁL	3860 14	RUEDA	9766 02		
TUBO-DRENAJE,TECHO	9260 06	VÁLVULA-EXPN TERMOSTATO	8221 08	RUEDA A	6660 01		
TUBO-ALM COMBUSTIBLE,TR	2120 01	VÁLVULA-NEUMÁTICO	6660 06		6660 03		
TUBO-FILTRO DE	2120 07	CABLEADO-ABS	5710 10	VOLANTE A	4610 01		
TUBO-FILTRO DE	2120 05	CABLEADO-SENSOR TR ABS	5710 12		9748 02		
TUBO-APLICACIÓN DE	3721 23	CABLEADO-AIRBAG	5710 43	PUNTO DE REFERENCIA-RUEDA	1220 22		
TUBO-VARILLA DE NIVEL DE	1210 09	CABLEADO-ATC	8212 07	ALOJAMIENTO DE RUEDA	6140 02		
TUBO-DE PURGA,MOT	2130 06	CABLEADO-BATERÍA	5710 08	ALOJAMIENTO DE RUEDA A-TR	6410 19		
TUBO-DE PURGA,DELANTERO	2130 05	CABLEADO-CONSOLA	7141 95		6411 19		
	2131 05	CABLEADO-MOT	5710 03		6413 19		
TUBO-DE PURGA,TR	2130 03	CABLEADO-PISO	5710 06	UNIDAD DE LIMPIAPARABRISAS	5310 09		
	2131 03	CABLEADO-DELAN	5710 02	CABLE A-FILTRO DE RUIDO	5420 26		
TUBO-DE VAPOR,CARTUCHO	2130 02	CABLEADO-PTA DELAN	5710 04	CABLE A-DEBAJO DE BANDEJA	7520 74		
UNIÓN	3720 26	CABLEADO-CLAXON	5710 63	KIT DE CABLES-ALTA TENSIÓN	1711 07		
CORREA TRAPEZOIDAL	1130 01	CABLEADO-P/I	5710 01		1713 16		
VÁLVULA A-DE DERIVACIÓN	1210 10	CABLEADO-SENSOR MAP	1523 16	CABLE-ALTA TENSIÓN	1711 08		
	1231 14	CABLEADO-POLAR	2120 33		1711 09		

J. C. C.

PART NO. INDEX

PART NO. INDEX

PART NO.	LOC.NO.	PART NO.	LOC.NO.	PART NO.	LOC.NO.	PART NO.	LOC.NO.	PART NO.	LOC.NO.	PART NO.	LOC.NO.	PART NO.	LOC.NO.
00463061	3270 07	10456515	1231 39	11085932	1231 37	90033510	7113 20	90410814	1313 10	90502062	1313 12	92062322	1713 18
01989881	1740 12	10473985	1231 40	11085952	1240 04	90108392	1333 17	90410815	1313 10	90602412	1211 03	92062323	1713 19
	1740 16	10473999	1740 20	11091511	1523 07	90125064	3270 03	90411776	1333 16	90502542	1313 08	92062324	1713 20
	1740 16		1740 20	11091514	1523 07	90128407	1211 04	90411795	1231 36	90528683	1313 13	92062374	1333 07
09128738	1333 08	10475636	1780 11	11093042	1230 05	90142090	3230 01	90411826	1323 06	90528684	1313 14	92062396	1323 06
09129040	1313 23		1780 11		1231 05	90142092	3240 01	90411937	1313 23	90528685	1313 13	92062480	1221 01
09146367	1713 22	10483463	1780 18	11093781	1311 08	90142143	3230 45	90411945	1241 05	90528686	1313 11	92062485	1221 01
09158004	1333 19	10485289	1780 39		1313 07	90158055	1231 38	90411950	1683 02	90528687	1313 12	92062504	1323 01
09158930	1311 02	10485270	1780 12	11093801	1713 04	90183572	1231 02	90411951	1683 03	90528688	1313 14	92062605	1313 23
	1313 13	10492344	1740 06		1713 04	90199019	3230 27	90411954	1683 05	90529062	1323 09	92062728	1683 01
09158931	1311 02	10492448	1780 04	11093881	1333 32	90199973	3230 11	90412277	1313 09	90529063	1323 10	92062770	2453 03
	1313 14	10493058	1740 05	11093951	1523 15	90217840	3910 06	90412278	1313 09	90530426	1221 04	92062782	1333 27
09158932	1311 02	10495216	1740 19	11093953	1523 15	90220983	1333 25	90412279	1313 09	90530479	1621 46	92062797	1241 03
	1313 13	10497256	1780 23	11093971	1231 41	90231775	1221 02	90412459	1523 04	90530592	1230 03	92062817	1221 03
09158933	1311 02	10500187	1780 11	11094031	1713 03	90233681	1333 24	90412686	1523 11		1231 03	92062818	1221 03
	1313 14		1780 11	11094191	1313 08	90236776	1221 14	90412706	1311 14	90531683	1333 16	92062839	2453 01
09240152	1313 11	10500387	1780 12	11094423	1523 12	90285094	1221 17	90414786	5620 23	90538266	2451 25	92062874	1333 23
09240153	1313 11	10504148	1780 37	11094425	1523 12	902890051	1221 18	90448050	1313 17	90536267	2451 28	92062877	1533 01
09240154	1313 12	10504328	1780 18	11095512	1311 10	90289483	1313 04	90448217	1323 02		2451 28	92063103	1231 30
09240155	1313 12	11010612	1221 19	11096481	1231 27		1321 11	90468130	1221 11	90570925	1231 01	92063133	2453 02
09440923	1780 03	11023589	1231 32		1231 31	90281736	1221 05	90468460	1313 22	90570967	1311 17	92063144	1713 01
	1780 03	11027776	1333 26	11096921	1231 24	90285303	1221 15	90466737	1333 18		1313 20	92063149	1713 01
10372244	6420 06	11039122	1231 12	14040531	3270 04	90298830	1333 03	90468693	1713 02	90572644	1211 04		1713 01
10451825	1780 06	11041092	1523 18	16238409	2110 37	90322506	1333 02	90467547	1713 12	90572642	1311 02	92063157	1533 03
10452331	1780 24	11047851	1313 06	17082049	1510 06	90325554	1413 15		1713 12		1313 13	92063246	1333 04
10452332	1780 23	11051927	1523 09	17092164	1713 10	90334359	3220 30	90467971	1241 04	90572643	1311 02	92063305	1221 13
10452333	1780 37	11052954	1713 11	17097086	1713 10	90336039	1231 15	90468888	1241 04		1313 14	92063336	2453 07
10452334	1780 06	11054212	3260 03		1713 10	90352197	1333 05		2453 02	92023966	1231 35	92063337	2453 06
10452335	1780 39		3260 06	17108225	1413 03		1333 13	90499109	2453 04	92028617	1221 06	92063338	2453 05
10452336	1780 38		3260 11		1413 03	90353854	1211 06	90500453	1221 02	92028618	1221 06	92063426	1713 08
10452337	1780 04		3260 15	17115742	1413 18	90354378	1221 10	90500571	1241 01	92028619	1221 06	92063625	1231 21
10452341	1780 21	11055137	1413 15	22591475	6420 06	90354648	1311 16	90500608	1221 07	92060519	1231 19	92063630	1523 01
10452345	1780 34		1413 16	24409355	1333 01		1313 19	90501056	1221 01	92060612	1211 14	92063746	1221 16
10452356	1780 17	11062402	1313 05	24416792	1713 02	90354849	1311 15	90501072	1221 01	92061013	1231 11	92063861	1333 29
10452361	1780 12	11065809	1231 55		1713 02		1313 18	90501111	1323 11	92061165	1333 28	92063862	1333 29
10452368	1780 18	11070960	1231 11	24418109	1313 20	90375764	3220 21	90501844	1113 02	92061674	1713 12	92063872	1231 26
10452940	1780 21	11071923	1313 05	24426500	1331 12	90410740	1311 44	90501800	1231 25	92061898	1510 02	92063917	1333 15
10453203	1780 37	11075291	1523 02	24449447	1521 07		1313 15	90501844	1323 07	92061971	1143 14	92063980	1313 01
10453205	1780 38	11080681	1323 05	25183001	2110 38	90410741	1311 13	90502079	1313 13	92062027	1221 03	92064021	1683 04
10454539	1780 17	11084141	1333 20	25189185	1413 04		1313 18	90502080	1313 14	92062028	1221 03	92064043	1333 21
10456506	1333 31	11084962	1231 17		1413 04	90410813	1313 10	90502081	1313 11	92062321	1713 17	92064164	1113 03

PART NO.	LOC.NO.	PART NO.	LOC.NO.	PART NO.	LOC.NO.	PART NO.	LOC.NO.	PART NO.	LOC.NO.	PART NO.	LOC.NO.	PART NO.	LOC.NO.
92064173	1313 01	92067153	1510 01	93333562	1311 12	93740644	4831 11	93740689	1740 32	93741444	3736 07	93741580	3734 01
92064200	1313 21	92067236	1221 03	93344166	1311 42	93740745	1740 02	93741361	3723 36	93741445	3736 07	93741582	3734 03
92064237	1510 01	92067239	1221 03	93357685	1311 42			93741362	3721 11	93741446	3736 07	93741584	3724 07
92064264	1333 06	92067276	1231 01	93740028	1230 34	93740746	1740 03		3723 22	93741447	3736 06	93741585	3737 17
92064365	1510 01	92067319	1211 01		1231 56		1740 03		3724 10	93741449	3736 04	93741587	3737 01
92064783	1333 33	92067320	1121 01	93740116	7610 28	93740747	1740 04	93741366	3721 12	93741450	3736 05	93741571	3734 10
92064836	1323 06	92067321	1121 01	93740126	9120 01	93740748	1740 07		3723 23	93741451	3736 02	93741572	3734 11
92064866	1333 22	92067324	1211 01	93740127	9120 01	93740749	1740 06		3724 11	93741452	3737 20	93741576	3734 12
92065115	1221 03	92067326	1121 01	93740130	9120 02	93740750	1740 06	93741367	3720 26	93741454	3736 05	93741577	3734 12
92065116	1221 03	92067406	1683 01	93740133	9120 03	93740751	1740 12	93741371	3723 26	93741456	3724 01	93741578	3734 12
92065206	1221 12	92067466	1221 06	93740134	9120 04	93740753	1740 17	93741372	3760 25	93741466	3723 01	93741579	3734 12
92065366	1333 19	92067469	1221 06	93740135	9120 05		1740 17	93741374	3723 27	93741462	3721 01	93741580	3734 12
92065437	1313 21	92067480	1221 01	93740136	9120 05	93740754	1740 18	93741377	3726 11	93741463	3723 32	93741581	3734 12
92065436	1333 06	92067483	1221 01	93740137	9120 06	93740755	1740 27	93741379	3723 06	93741466	3723 09	93741582	3734 12
92065461	1333 03	92067502	1241 01	93740140	9120 09	93740757	1740 30	93741381	3723 35	93741467	3724 17	93741586	3735 08
92065700	1221 06	92067567	1241 06	93740141	9120 09		1740 30	93741388	3723 14	93741469	3723 31	93741587	3735 08
92065701	1221 06	92067570	1713 01	93740169	1220 06	93740766	1740 31		3723 17	93741471	3723 16	93741588	3734 14
92065702	1221 06	92067571	1323 06	93740200	1220 06	93740762	1780 10	93741391	3725 12	93741472	3723 33	93741589	3734 16
92065719	1333 10	92067577	1713 02	93740225	1220 03		1780 10	93741393	3721 18	93741474	3721 03		3734 17
92065755	1231 29	92067742	2453 01	93740226	1220 03	93740764	1780 19	93741397	3723 04	93741475	3721 07	93741590	3734 17
92065833	1333 10	92067766	1313 23	93740227	1220 03		1780 19	93741404	3723 28	93741476	3723 49	93741591	3734 17
92065969	1333 01	92067879	1211 01	93740229	1220 03	93740768	1740 04		3760 26	93741481	3722 12	93741592	3734 17
92066050	2453 01	92067880	1121 01	93740230	1220 03	93740769	1740 05	93741405	3723 29	93741509	3723 15	93741596	3735 01
92066312	1333 15	92067881	1121 01	93740231	1220 03	93740770	1740 06		3760 27	93741511	3723 34	93741596	3738 09
92066318	1623 01	92067882	1143 01	93740239	1220 06	93740771	1740 07	93741407	3723 37	93741514	3726 14	93741597	3737 11
92066453	1113 01	92068046	1313 01	93740242	1220 06	93740772	1740 06	93741408	3720 03	93741521	3760 01	93741598	3737 02
92066454	1113 01	92068094	1221 07	93740289	6720 01	93740773	1740 09	93741409	3721 15	93741522	3723 38	93741600	3735 06
92066455	1113 01	92068153	1221 04	93740292	6720 01	93740776	1740 15		3723 24	93741524	3723 44	93741601	3734 06
92066456	1113 01	92068527	1113 01	93740293	6720 01	93740777	1740 18		3724 12	93741526	3723 41	93741603	3735 10
92066487	1510 01	92068536	1113 01	93740296	6720 01	93740778	1740 19	93741412	3723 51	93741537	3725 10	93741604	3735 10
92066488	1510 01	92136072	1523 03	93740313	9120 03	93740783	1740 29	93741416	3723 48	93741539	3725 01	93741605	3735 10
92066521	1231 12	92136112	1523 10	93740314	9120 03		1740 29	93741418	3723 47	93741540	3720 20	93741611	3734 15
92066534	1113 01	92136581	1333 06	93740315	9120 02	93740786	1760 34	93741423	3720 01	93741542	3726 03	93741612	3737 05
92066535	1323 06	92136583	1333 14	93740420	1220 01	93740899	1740 15	93741425	3720 31	93741544	3726 02	93741613	3737 21
92066544	1510 01	92136716	1333 20	93740421	1220 01	93740900	3920 50	93741426	3710 05	93741545	3726 16	93741615	3737 06
92066550	1143 01	92136878	1713 04	93740511	1120 01	93740801	3920 50	93741428	3750 02	93741548	3725 13	93741616	3737 22
	1143 01	92136962	1713 04	93740512	1120 01	93740802	3920 51	93741439	3737 16	93741550	3734 06	93741617	3737 07
92066606	1241 05	92140474	1510 04	93740513	1141 01	93740804	3920 57	93741440	3736 09	93741552	3734 05	93741618	3737 23
92066732	1241 03	93294710	1321 10	93740514	1220 01	93740805	3920 64	93741441	3736 01	93741553	3736 06	93741622	3735 02
92066761	1221 01	93294711	1321 10	93740515	1220 01	93740806	3920 64	93741442	3736 07	93741555	3736 03	93741627	3738 01
92066764	1221 01	93333561	1311 11	93740644	4830 07	93740907	3920 57	93741443	3736 07	93741557	3737 09	93741629	3734 02

PART NO. INDEX

PART NO.	LOC.NO.	PART NO.	LOC.NO.	PART NO.	LOC.NO.	PART NO.	LOC.NO.	PART NO.	LOC.NO.	PART NO.	LOC.NO.	PART NO.	LOC.NO.	PART NO.	LOC.NO.
93741630	3735 12	93741851	3720 27	93741911	3723 50	93741959	3750 11	93742000	3820 10	93742046	3833 01	93742108	3821 13		
93741633	3738 04	93741853	3723 42	93741914	3723 55	93741960	3750 11	93742001	3880 08	93742047	3833 03	93742109	3821 13		
93741634	3736 03	93741854	3723 39	93741917	3726 04	93741961	3750 11	93742003	3820 06	93742048	3833 08	93742110	3821 13		
93741635	3736 03		3723 45	93741918	3734 09	93741962	3750 11		3822 06	93742048	3833 02	93742111	3821 13		
93741639	3738 21	93741855	3735 04	93741919	3735 07	93741963	3750 11		3822 07	93742050	3833 10	93742113	3821 13		
93741640	3738 22	93741856	3723 40	93741921	3737 14	93741964	3750 11	93742004	3824 11	93742051	3831 18	93742121	3821 14		
93741643	3734 19		3723 43	93741924	3734 13	93741965	3750 11	93742005	3821 16	93742052	3831 01	93742125	3821 14		
93741647	3737 15		3723 46	93741925	3734 18	93741966	3750 11	93742006	3820 16	93742055	3834 18	93742126	3821 14		
93741649	3739 01	93741857	3734 04	93741926	3735 11	93741967	3750 11	93742007	3820 17	93742057	3830 08	93742127	3821 14		
93741651	3739 03	93741858	3734 07	93741927	3736 08	93741968	3750 11	93742008	3824 07		3831 07	93742128	3821 14		
93741652	3738 11	93741859	3737 18		3737 08	93741969	3750 11	93742009	3832 05		3831 27	93742129	3821 14		
93741653	3738 13	93741862	3735 05	93741928	3736 10	93741970	3750 11	93742010	3820 15	93742058	3830 10	93742130	3821 14		
93741654	3738 15	93741863	3736 02	93741929	3737 24	93741971	3750 11	93742011	3820 12	93742059	3824 02	93742131	3821 14		
93741655	3738 17		3737 19	93741931	3725 17	93741972	3750 11	93742012	3824 06	93742060	3824 04	93742132	3821 14		
93741656	3738 18	93741864	3736 03	93741932	3739 10	93741973	3750 11	93742013	3820 13	93742061	3821 04	93742135	3850 10		
93741658	3737 10	93741865	3737 03	93741933	3739 10	93741974	3750 11		3820 14	93742069	3824 05	93742136	3850 16		
93741661	3737 12	93741866	3737 04	93741934	3739 10	93741975	3750 11	93742014	3820 11	93742070	3824 05	93742137	3850 12		
93741664	3737 13	93741867	3722 10	93741935	3739 10	93741976	3750 11	93742015	3832 06	93742071	3824 05	93742138	3850 14		
93741667	3721 23	93741869	3760 12	93741936	3739 10	93741977	3760 11	93742017	3820 07	93742072	3824 05	93742139	3850 11		
93741668	3721 06	93741870	3750 12	93741937	3739 10	93741978	3750 11	93742018	3831 33	93742073	3824 05	93742140	3850 17		
93741672	3739 04	93741871	3739 05	93741938	3739 10	93741979	3750 11	93742020	3860 01	93742074	3824 05	93742141	3850 13		
93741675	3750 03	93741876	3739 08	93741939	3739 10	93741981	3720 29		3860 01	93742077	3821 11	93742142	3850 15		
93741678	3760 04	93741877	3739 06	93741940	3739 10	93741982	3721 02	93742021	3860 01	93742082	3821 09	93742144	3822 05		
93741682	3750 01	93741880	3739 06	93741941	3739 10		3721 08		3860 01	93742084	3821 08	93742145	3822 03		
93741826	3720 06	93741881	3739 07	93741942	3739 10	93741984	3720 07	93742022	3824 01	93742085	3810 13	93742151	3832 07		
93741830	3720 04	93741886	3750 07	93741943	3739 10		3720 15	93742023	3821 01	93742086	3821 06	93742152	3832 03		
93741833	3760 11	93741887	3750 09	93741944	3739 10	93741985	3710 07	93742024	3825 03	93742087	3824 08	93742157	3832 06		
93741834	3760 12	93741888	3750 08	93741945	3739 10	93741986	3720 21	93742025	3825 05	93742088	3824 10	93742158	3832 06		
93741835	3760 13	93741889	3750 10	93741946	3739 10	93741987	3720 22	93742027	3825 07	93742089	3824 09	93742159	3832 06		
93741837	3720 16	93741890	3736 12	93741947	3739 10	93741988	3720 30	93742028	3850 01	93742090	3825 02	93742160	3832 06		
93741840	3723 30	93741891	3738 19	93741948	3739 10	93741989	3833 06	93742029	3850 01	93742091	3825 08	93742161	3832 06		
	3760 28	93741894	3738 10	93741949	3739 10	93741990	3821 03	93742032	3850 04	93742092	3825 06	93742162	3832 06		
93741841	3721 19	93741895	3738 10	93741950	3739 10	93741991	3821 02	93742033	3850 04	93742093	3825 09	93742175	3832 04		
93741842	3724 13	93741896	3738 16	93741951	3739 10	93741992	3822 02	93742035	3822 01	93742094	3825 01	93742176	3821 04		
93741843	3722 11	93741898	3738 14	93741952	3739 10	93741993	3821 17	93742038	3832 02	93742096	3850 02	93742177	3850 07		
93741844	3720 32	93741899	3738 20	93741953	3739 10	93741994	3821 05	93742039	3832 02	93742097	3850 08	93742178	3820 04		
93741845	3750 06	93741903	3720 26	93741954	3739 10	93741995	3820 09	93742040	3832 01	93742098	3850 03	93742178	3820 03		
93741847	3725 15	93741904	3720 28	93741955	3739 10	93741996	3831 02	93742041	3832 01	93742099	3850 05	93742181	3820 02		
93741848	3720 23	93741907	3723 52	93741956	3739 10	93741997	3810 14	93742042	3820 08	93742104	3821 13	93742183	3820 05		
93741849	3739 02	93741908	3723 54	93741957	3750 11	93741998	3860 11	93742043	3860 09	93742106	3821 13	93742185	3820 01		
93741850	3720 24	93741910	3723 53	93741958	3750 11	93741999	3821 12	93742044	3860 15	93742107	3821 13	93742187	3821 15		

PART NO.	LOC.NO.	PART NO.	LOC.NO.	PART NO.	LOC.NO.	PART NO.	LOC.NO.	PART NO.	LOC.NO.	PART NO.	LOC.NO.	PART NO.	LOC.NO.	PART NO.	LOC.NO.
93742188	3880 12	93742230	3834 17	93742520	4810 07	94500071	2120 30	94500397	2510 28	94500437	1311 38	94500752	4410 37		
93742189	3821 10	93742231	3834 17	93742532	3880 17	94500073	6220 20		4831 30		1311 36	94500754	2510 15		
93742190	3880 13	93742232	3834 17	93742534	6480 12		6820 16		6810 18		1311 36		7310 18		
93742193	3880 05	93742233	3834 17	93742532	4831 01	94500075	2120 10	94500400	1521 34	94500438	1311 38	94500756	7310 18		
93742194	3880 14	93742234	3834 17	93742533	4831 13		2241 05		1711 05		1311 38	94500757	1231 43		
93742195	3880 07	93742241	3834 01	93742554	4831 13		2242 05		2110 23		1311 35	94500759	7541 15		
93742197	3833 05	93742245	3834 02	93742555	4831 14	94500087	6230 06		2130 21	94500439	1881 08	94500765	3220 22		
93742198	3833 04	93742246	3834 16	93742556	4831 14		6330 07		2130 21	94500442	6331 08	94500773	3110 03		
93742199	3833 07	93742250	3830 01	93742557	4831 20	94500089	6220 08		2131 36	94500462	1881 08	94500774	3280 22		
93742200	3831 04	93742251	3830 05	93742523	3880 11		6320 07		2242 18		6331 07	94500775	3280 22		
	3833 11	93742252	3830 08	93742581	3832 09	94500092	1331 43		3710 13	94500454	4310 09	94500779	1220 05		
93742201	3833 09	93742253	3830 02	93742582	3832 10	94500094	1331 43		4950 25	94500522	4830 11	94500791	3250 20		
93742202	3831 13	93742254	3830 03	93742583	3832 11		1821 38		4950 27		4830 15	94500799	3250 21		
93742203	3831 05	93742255	3830 07	93742584	3832 12	94500101	1821 20		4950 27	94500525	4710 08	94500802	4420 35		
93742204	3831 10		3830 09	93742585	1120 01		5710 27		4950 60	94500519	4910 05	94500811	1220 11		
	3831 30	93742256	3830 09	93742587	1141 01	94500114	6140 05		5620 30	94500631	1240 02	94500812	1220 13		
93742205	3831 03	93742257	3830 09	93742594	1120 01		6140 05		5620 30		1240 02		1220 13		
93742206	3831 02	93742260	3830 04	93742596	1220 01	94500125	1230 22		7113 46	94500666	6260 02	94500822	1210 05		
93742208	3831 15	93742262	3880 02	93742599	1220 01	94500134	8331 11	94500401	1751 18	94500679	4830 08	94500830	3720 02		
93742209	3831 12	93742263	3824 03	93742700	1220 03	94500158	4530 02	94500405	8310 08		4831 20	94500839	3820 18		
	3831 17	93742264	3825 04	93742701	1220 03	94500167	1111 04		8340 11	94500688	6730 11	94500842	1331 11		
93742210	3831 18	93742266	3822 04	93742702	1220 03	94500169	2230 04		8340 11		6732 11	94500860	3210 02		
93742211	3831 09	93742268	3880 05	93742703	1141 01		2233 04	94500406	1311 39	94500698	4190 07		3210 02		
	3831 29	93742267	3880 04	93742704	1120 01	94500191	4520 22		1411 07		4190 33		3710 02		
93742212	3831 08	93742268	3831 11	93742705	1220 08	94500203	5410 26		1521 30		4810 11		3810 05		
	3831 29	93742269	3834 15	93742706	1220 08		5410 26		1521 30	94500699	4150 07	94500864	3210 03		
93742213	3831 28	93742274	1740 38	93742707	1220 06	94500233	5410 02		1521 30		4910 11		3810 12		
	3831 29	93742276	1220 06	93742708	1220 06	94500234	1531 05	94500407	1821 38	94500700	4190 35	94500868	1760 42		
93742215	3831 08	93742277	1220 06	93742809	3723 34		1533 07	94500414	1311 33	94500712	4140 14	94500873	4510 10		
	3831 26	93742286	1220 06	93742871	3723 01	94500282	2131 23	94500420	1311 43		4320 11	94500881	1231 33		
93742218	3831 14	93742287	1220 06	93742953	1780 10		4950 18	94500421	1411 03	94500714	4310 48	94500883	1230 24		
93742219	3831 22	93742299	1713 22		1780 10		4950 18	94500428	1311 32	94500716	4150 03		1231 33		
93742220	3831 25	93742358	1740 27	93742966	3821 15	94500294	1681 06	94500431	3920 41		4150 20	94500901	1311 06		
93742221	3831 31	93742363	6720 01	93743633	3270 20	94500295	5410 02	94500433	1411 07	94500718	4310 52	94500905	1321 12		
93742222	3831 20	93742364	6720 01	93743787	1780 18	94500298	4950 16		6441 04	94500733	4130 10	94500906	4950 27		
93742223	3831 23	93742464	6720 01	93744118	1120 01		4950 16		6442 04	94500736	4710 04	94500907	1230 29		
93742224	3831 19	93742508	4820 29	93744119	1120 01	94500302	4950 55		7113 47		4710 04	94500909	1321 12		
93742225	3831 21	93742510	6530 53	93744121	1120 01	94500380	1331 07		7150 02		4710 04	94500924	6441 07		
93742226	3831 24	93742511	6530 53	94500036	5430 16	94500397	1331 05	94500436	8331 11	94500747	2510 15		6442 11		
93742227	3831 32	93742512	6530 54	94500048	3820 25		1331 26		8331 13	94500751	1331 33	94500932	1331 41		
93742229	3834 17	93742513	6530 54	94500070	2130 09		2510 28	94500437	1311 36	94500752	1331 33	94500936	1751 08		

PART NO. INDEX

PART NO.	LOC.NO.	PART NO.	LOC.NO.	PART NO.	LOC.NO.	PART NO.	LOC.NO.	PART NO.	LOC.NO.	PART NO.	LOC.NO.	PART NO.	LOC.NO.	PART NO.	LOC.NO.
94500936	1753 02	94501000	1753 05	94501287	1751 08	94501383	7322 06	94501529	8440 06	94501885	4310 41	94515070	4310 49		
94500937	8331 09	94501009	3210 07	94501290	1331 39		7610 18	94501534	6720 63	94501925	1331 13		4320 12		
94500944	1311 39		3710 03	94501318	6110 04	94501387	5430 05	94501540	6220 09	94501926	1331 26	94515098	2510 20		
	1311 39		3810 03		6220 24		5430 05		6320 08	94501927	1331 05		2510 22		
	1311 39		8331 12		6320 22		7130 20	94501601	6220 27	94501928	1331 40		5140 06		
94500945	1311 32		8331 12	94501323	4150 16	94501393	6150 30		6320 28	94501929	1311 23		5620 05		
	1311 32	94501015	3910 19	94501349	5420 15	94501395	6720 38	94501603	5510 22	94501985	1331 33		5620 12		
	1311 32	94501016	4190 82		5710 27		6730 57	94501612	7550 06	94501990	1411 03		6730 17		
	1333 12		8331 03		5710 27		6732 47	94501629	6451 05	94502001	4150 06		7610 16		
94500946	1311 33		8331 03		5710 27	94501401	6510 05		6452 20	94502026	5510 22	94515097	4652 27		
	1311 33		8331 05		5710 27	94501410	1321 04	94501639	1521 08	94502035	4521 10		4910 05		
	1311 33	94501026	1521 21		5710 27		2410 20		1521 08		4521 10	94515099	4950 39		
94500948	1751 05		2480 05		5710 27		2410 20		1521 08	94502101	1321 04		4950 39		
94500951	3270 19	94501027	8331 04	94501350	5710 27	94501411	4652 28	94501661	3240 04		1321 04		5320 05		
94500952	3220 08	94501028	1751 03	94501352	5420 15	94501412	1321 04	94501675	4910 04	94502113	5710 27	94515107	1521 35		
94500956	6110 05	94501029	1751 04	94501363	2410 42	94501418	7530 19	94501688	6220 18	94502129	1681 06		2110 20		
94500962	1210 14	94501031	1311 23	94501368	5320 08		7540 05		6320 18	94502144	1311 18		4710 18		
94500963	4150 46	94501032	3270 10		7541 52		7541 53	94501700	7520 66		1311 19		4950 48		
	6220 23	94501039	4190 35	94501369	3910 04		7541 53	94501702	5510 17	94515001	6720 49		4950 48		
	8320 21	94501043	4330 17		3620 12	94501419	7113 30	94501734	4190 12	94515017	7113 48	94515110	1753 07		
94500968	1331 40	94501060	4190 35		8340 15	94501428	3620 25	94501755	4190 26	94515027	1760 33	94515115	5140 15		
94500971	1521 15	94501062	4190 02	94501371	5330 06	94501445	4910 02	94501764	4190 83	94515040	8340 18		5140 23		
94500979	8331 09	94501105	4310 10		6140 08	94501460	1230 21	94501767	2410 09	94515048	1760 33		6640 23		
94500986	3210 06	94501119	1331 29		6140 08		1231 23		2410 09	94515049	1753 09	94515119	4950 76		
	3210 06	94501134	3810 11	94501375	6450 08	94501465	1230 14	94501768	4150 06		1760 31		5510 04		
	3710 04	94501143	1331 29		6451 08	94501471	3910 08	94501769	6440 07		4420 33		6230 04		
	3810 04	94501159	1760 42		6452 06	94501476	1241 02	94501775	4190 22	94515052	4931 06		6230 04		
	8331 13		3810 06		7141 18		1681 06	94501822	3250 02	94515067	1521 16		6330 03		
94500987	4310 15	94501163	3910 18	94501376	6510 16	94501477	1331 13	94501824	4190 04		1521 16		6330 03		
94500991	4521 10		4190 02	94501377	2220 14	94501494	7530 17		4190 84		1751 06		6330 03		
	4521 10	94501169	4190 30		2220 14		7530 17	94501825	4190 06		1751 16		6330 03		
94500993	6720 15	94501213	4310 41		4190 38	94501495	7530 18	94501827	4910 06		1751 17		6330 03		
94500995	1753 06	94501228	1331 03	94501379	5510 03		7530 18	94501830	3270 10		6430 10		8340 10		
94500998	4190 88	94501229	3250 02		5510 10	94501513	6130 16	94501841	1230 24	94515068	2480 03		8340 10		
	8331 04	94501230	3250 03	94501380	6442 11	94501514	6420 13	94501842	4190 22	94515069	4150 17	94515120	2451 14		
	8331 04	94501233	1323 04	94501381	3270 18	94501516	5110 05	94501857	1521 29		4910 09	94515124	6441 05		
	8331 04	94501244	3250 13	94501383	6450 10		5110 05	94501867	6451 24	94515070	4140 02		6442 03		
	8331 04	94501268	1311 19		7113 30	94501522	6110 23	94501869	1311 18		4140 15	94515125	7541 44		
	8331 04	94501269	1311 18		7113 35		6130 07		1311 19		4150 11	94515128	1411 24		
	8331 04	94501286	1751 09		7113 42		6450 08		1311 19		4190 06		1521 32		
94500999	8331 05	94501287	1111 04		7322 06	94501524	5310 08	94501878	5420 15		4190 85		1521 32		

PART NO.	LOC.NO.	PART NO.	LOC.NO.	PART NO.	LOC.NO.	PART NO.	LOC.NO.	PART NO.	LOC.NO.	PART NO.	LOC.NO.	PART NO.	LOC.NO.
94515128	1821 32	94515242	7341 11	94515325	6140 21	94515461	4310 51	94520286	2480 29	94520328	7231 03	94520483	6711 04
	1711 02	94515246	6130 34		6140 21	94515463	6660 13	94520297	5440 07		7232 02		6711 04
	2510 22		6140 19		6140 21	94515468	4310 47		5440 07		7232 10		6711 09
	2510 29		6710 05	94515339	7520 50	94520015	3620 52	94520301	2110 22		7330 20		9760 07
	6480 02		6711 06	94515340	5110 08	94520093	4130 09	94520311	7210 35		7330 43	94520488	6451 12
	6451 02		6720 13		5110 15		4330 08		7220 42		7340 28		6452 12
	6452 02		6730 41		9780 06	94520084	1230 10	94520313	6710 09		7342 02	94520490	7520 24
94515131	4710 16		6732 51		9780 06	94520142	4820 04	94520315	7141 57		7810 51	94520491	5110 16
94515132	1521 35		6750 03	94515341	6730 17		4830 34		7220 54		8110 03		6413 72
	2510 19		6750 03		9792 03		4831 58	94520318	9780 10		8110 09		6710 09
	4420 25	94515248	6140 15	94515343	9210 02	94520163	7141 17		9780 10		8110 09		6720 34
	4430 08		5410 08		9210 09		7141 83	94520325	7580 15		8212 32	94520494	2411 20
	4430 08		5410 08	94515345	4980 76	94520186	5140 11	94520326	5220 22	94520328	7210 09	94520499	5140 07
	4440 05		7113 48	94515352	3620 21	94520176	4831 34		5620 11		7220 16	94520515	5620 38
	4610 04		7210 15	94515353	5430 14		5510 12		5620 41	94520329	7210 09	94520526	7350 03
	6441 05		7210 53	94515355	1321 18	94520177	4820 03		7113 32		7220 18		7350 05
	6442 03		7220 17	94515362	3620 29		6220 11		7113 33	94520337	6240 08	94520530	7341 10
94515137	2230 13		7220 18	94515365	6720 23		6320 10		7113 33		6340 06	94520533	6240 11
	2233 39		7220 53	94515367	1531 03		7520 37		7113 34		6340 08		6340 14
94515138	7322 16		7220 53		1531 03		7520 38		7113 37	94520338	7130 28	94520536	6140 11
94515140	4310 12		7231 04	94515371	1521 27		7520 40		7113 37		8360 19		6140 11
	4310 13		7231 04	94515376	4190 27	94520180	7231 03		7113 37		8362 06		6720 08
94515147	2110 13		7231 10		4190 28		7231 03		7113 38	94520339	5140 35		6720 12
	4410 31		7232 03	94515379	4620 06		7231 07		7113 39		5410 12		6720 12
	4660 76		7232 09	94515383	8340 14		7232 12		7113 40		5420 20		6720 34
	5330 09		7232 11	94515390	4190 19	94520183	5410 07		7113 41		6220 11		6730 40
	5610 05		7330 44		4190 34		5410 24		7113 43		6320 10		6732 40
94515152	4830 02		7340 29	94515394	5310 04	94520208	5140 17		7113 44	94520344	5410 20		6750 02
	4830 11		7342 12	94515405	4910 07	94520216	6610 17		7113 45	94520360	7520 38		6750 02
	4831 07	94515251	2480 48	94515412	6660 13	94520217	6710 21		7120 02	94520377	4820 05	94520542	6730 36
	4831 17	94515254	5140 12	94515415	4190 31	94520220	6720 14		7120 76	94520424	5620 11		6732 36
94515211	5140 24	94515267	6720 47	94515417	4310 47		6720 14		7130 03		6620 24	94520565	6451 10
	6110 39		6730 07	94515419	4320 02		6730 16		7130 28	94520444	6420 04		6452 05
94515215	9210 02		6732 07	94515420	4140 03		6732 16		7141 09	94520449	6250 04	94520572	6630 02
	9792 13		6750 07	94515424	4310 16	94520222	6340 08		7141 09	94520460	1220 23	94520580	8212 31
94515241	7120 80	94515261	6640 12	94515428	4190 21	94520241	7520 44		7141 13	94520483	6710 04	94520594	1521 36
94515242	5140 06		6640 12	94515429	9748 12	94520258	6220 11		7210 54		6710 04		1521 36
	6413 71	94515290	6720 55	94515437	4130 05		6320 10		7220 12		6710 04		1521 36
	6730 35	94515292	5410 45	94515431	7113 48	94520266	6640 13		7220 54		6710 04	94520604	7941 21
	6732 35	94515307	3910 17	94515455	4320 03		6640 13		7220 54		6710 04	94520618	2110 10
	7330 44	94515325	2460 17		4420 07	94520288	6720 67		7231 03		6711 04	94520630	1521 36

PART NO. INDEX

PART NO.	LOC.NO.	PART NO.	LOC.NO.	PART NO.	LOC.NO.	PART NO.	LOC.NO.	PART NO.	LOC.NO.	PART NO.	LOC.NO.	PART NO.	LOC.NO.	PART NO.	LOC.NO.
94520630	1521 36	94525671	1311 18	94530122	2411 28	94530342	4852 35	94530802	7231 14	94535135	3920 22	94535571	5140 04		
	1521 36	94530002	3910 12	94530124	2411 03	94530362	4852 35		7232 13	94535159	4440 03		5140 21		
94520632	1521 36	94530004	4430 41	94530125	2411 02		4710 14		7232 18		4440 03	94535572	5140 03		
	1521 36	94530023	2241 13		2411 09	94530372	5440 09	94530820	7210 03		4440 03	94535574	5140 02		
	1521 36		2242 13	94530126	2411 23	94530387	7610 04	94530623	4190 42	94535166	4420 13		5140 22		
94520953	4810 20		2242 16		2411 23		7610 10		6720 25		4610 05	94535578	5110 03		
94525011	1760 32	94530024	4410 21	94530138	6220 14		7610 10		6730 28	94535236	4140 05	94535579	5220 12		
94525014	1753 10	94530030	2451 19		6320 13	94530397	6150 09		6732 28	94535239	4130 03	94535581	5110 04		
	1760 30		2453 14	94530139	6220 14	94530432	6140 50	94530624	4190 40	94535263	3240 13		5140 10		
94525077	4652 03	94530036	2230 21		6320 13		6140 50		6720 25	94535303	6451 17		5140 14		
	4652 25		2230 24	94530159	6130 12		6440 21		6720 25		6452 17	94535582	5110 18		
94525082	1311 24		2233 23	94530185	4950 22		7340 06	94530629	6610 15	94535313	7520 65	94535587	5140 10		
94525098	3220 25		2233 24	94530226	2411 25		7340 12	94530630	5110 07	94535328	6451 16		5140 14		
94525114	1230 15		2233 25	94530230	1533 09		7341 08	94530631	7120 81		6452 16	94535588	5410 04		
	1230 26		2411 06		1533 09		7341 14	94530640	7231 08	94535379	3920 56	94535590	5410 29		
	1231 16		2411 06	94530240	4652 34	94530478	7610 02		7232 17	94535492	6340 07	94535591	5410 19		
	1231 32		2411 08	94530242	4652 32	94530498	7330 21	94530641	6630 12	94535504	6340 08		5410 22		
94525120	2241 07		2411 14	94530249	6420 19	94530500	7310 03	94530650	6340 11		6340 08	94535596	5220 14		
	2241 12	94530045	2451 17	94530253	4652 32	94530501	7330 15	94530664	7330 27		6340 08	94535598	5220 10		
	2242 07		2453 13	94530261	2451 16		7341 09		7330 27	94535506	3220 23	94535600	5410 11		
94525121	2241 07		2453 13	94530268	4410 19	94530503	6110 17	94530682	1240 04	94535515	6340 12	94535627	9110 01		
	2242 07	94530051	2131 13		4652 31	94530533	7322 17		1240 04		6340 12	94535629	9110 10		
94525125	4310 21	94530057	4950 11		4652 31		7342 04	94530686	4440 21	94535522	4652 02	94535639	9110 07		
94525126	4310 42	94530062	2230 22		4710 13	94530542	6610 16	94530693	7610 45	94535523	4652 24	94535647	9110 03		
	4310 53		2230 22		6110 12	94530560	7320 04	94530695	7610 45	94535529	2241 06	94535652	9110 02		
94525131	3240 10		2233 40		6110 12		7320 17	94530699	7231 15		2242 06	94535659	6140 28		
94525142	4440 15	94530064	2230 22		6130 33		7330 47		7232 18		2242 06		6140 46		
	4440 15		2233 19		6420 19		7342 11		7330 47	94535631	2241 06		6150 28		
94525149	4130 07		2233 40	94530277	1531 06		9773 06	94530721	6220 14	94535641	5110 02		6610 14		
94525163	3230 29		2411 14		4652 32	94530562	7322 26		6320 13	94535645	5110 02		6630 20		
94525171	3230 13	94530065	2411 14	94530295	6450 21	94530564	7220 03	94530734	7610 10	94535546	5110 02		9260 10		
94525201	4440 15	94530069	2230 23		6451 15	94530566	7231 02	94530746	4652 32	94535555	5110 12	94535665	6510 18		
	4440 15	94530071	2230 23		6452 15		7232 07		4652 32	94535560	5140 02	94535675	1313 06		
94525211	7560 05		2233 29	94530304	4652 32		7232 07	94530783	4710 14		5140 04	94535678	1311 10		
94525226	4520 23	94530093	2230 25	94530326	6711 16		7330 13	94530920	4950 24		5140 21	94535679	1210 12		
94525228	4150 22		2233 20	94530329	2233 41		7330 28	94535027	4440 02		5140 22		1211 10		
94525293	7560 05	94530096	2230 26	94530332	2230 27		7330 28	94535066	4150 32	94535561	6110 03	94535684	1230 13		
94525633	5330 22		2233 18		2233 22		7340 54	94535126	3920 23		6140 03	94535685	3220 19		
94525636	7541 27		2233 20	94530335	2120 21		7342 10	94535131	4652 04	94535564	5140 02	94535687	1311 09		
94525639	4150 20		2233 20	94530337	5110 07	94530599	6220 06		4652 23		5140 02	94535696	1531 09		
94525655	4950 76	94530122	2411 24	94530341	6420 19		6320 05		4652 23	94535571	5140 03		1533 11		

PART NO.	LOC.NO.	PART NO.	LOC.NO.	PART NO.	LOC.NO.	PART NO.	LOC.NO.	PART NO.	LOC.NO.	PART NO.	LOC.NO.	PART NO.	LOC.NO.
94535669	1230 24	94580041	1523 21	94580536	1211 05	94580709	3230 28	96103034	1311 02	96180886	3250 12	96184588	2510 14
	1231 33		2453 09	94580543	3230 04	94580711	3910 09	96103036	1311 02	96180917	3260 23		2510 14
94535714	6411 70	94580043	1780 24	94580548	3220 12	94580740	1220 04	96103075	1311 34	96181209	1240 01	96184055	2480 01
94535715	6510 42	94580051	6880 06	94580549	3220 04	94580745	3230 07		1311 34		1240 01		2480 01
	6530 21		6880 06	94580553	3270 12	94580747	3230 41		1311 34	96181508	1311 21	96184660	4440 07
94535717	6140 46	94580057	3250 07	94580557	3270 15	94580751	3220 06	96108005	3240 07	96181530	1311 36		4440 07
	6530 20	94580068	1210 02	94580568	4430 03	94580752	3230 21	96108006	3230 36		1311 36	96184693	1220 12
94535720	6150 18		1211 02	94580569	1210 10	94580754	3230 23	96130723	1711 06		1311 36	96184640	2480 01
94535734	6140 45	94580070	3240 05	1231 14	94580766	3260 10	96130851	1111 03	96181761	3240 03	96185310	6440 06	
	6260 09	94580071	1333 11	94580579	3280 17	94580769	3230 31	96143112	1881 01	96182076	3230 42	96190176	5620 07
94535738	4320 31		1523 06	94580582	3230 38	94580772	3230 39	96144733	4410 15	96182212	3910 13	96190187	5620 21
	6510 21		1533 05	94580584	3260 06	94580778	3250 11	96161680	3240 11	96182603	6331 10		5620 21
	6530 22	94580075	1231 10	94580587	3230 34	94580787	3260 13	96165266	6130 11	96182606	1321 10		5620 21
94535807	3910 11	94580121	2510 01	94580596	3230 30	94580795	3270 02	96168064	3270 09	96182631	1621 18		5620 21
94535811	4610 02	94580123	2510 01	94580601	1230 31	94580796	3240 02	96168394	3270 01		1921 18	96190189	5620 21
94535826	7540 61	94580175	1510 03		1231 13	94580799	3230 47	96169594	6440 04		1521 18		5620 21
94535828	2410 26	94580186	6670 31	94580803	3250 01	94580800	3240 09		6441 06	96182634	1311 21		5620 21
	2410 26	94580411	1311 15	94580807	3220 02	94580801	3230 35		6442 07		1311 21		5620 21
	6140 26	94580413	1321 11	94580814	3230 06	94580802	3230 14	96175844	3250 16		1713 08		5620 21
94535830	4520 05	94580415	1111 02	94580819	6110 13	94580805	3230 40	96177804	1713 05	96182608	1311 26		5620 21
94535848	4652 23	94580424	8340 09	94580821	3260 14	94580806	3230 20	96179133	4620 14	96182668	1331 09		5620 21
94535873	7910 41		8340 09	94580822	3240 06	94580807	3230 33	96179220	3260 12		1331 09		5620 21
94535875	4950 05	94580465	3280 06	94580823	3230 46	94580808	3230 32	96179236	3250 17	96183106	1130 01		5620 21
94535880	7320 07	94580806	3280 31	94580832	3260 18	94580812	3260 02	96179241	3220 07	96183113	6331 14		5620 21
94535887	6510 18	94580507	3220 03	94580834	3240 12	94580813	3260 05	96179244	3260 19		6331 14	96190209	5320 01
94535888	5110 18	94580508	4440 12	94580836	3230 42	94580817	1230 18	96180071	2230 05	96183169	2110 04	96190258	5330 02
94535899	6411 70		4440 12	94580841	3250 06	94581012	6660 05	96180730	1210 02	96183170	2110 03	96190263	1713 16
94536018	5110 02	94580509	1331 02	94580842	2130 10		6660 05		1211 02	96183219	1753 04	96190706	2510 09
94580011	3260 32	94580610	1230 19		2130 10	94797406	1230 30	96180731	1311 07	96183226	2411 04	96190751	5140 09
94580013	1230 06	94580612	3270 17		2453 10		1231 18		1311 07		2411 04	96192077	3220 24
	1231 06	94580518	3250 04	94580643	1230 20	94797519	5220 13	96180732	1311 06	96183352	1331 18	96209561	5310 03
94580014	1230 03	94580520	3260 24		1231 22	94797520	5220 15	96180757	3230 16	96183736	3270 05	96209565	4130 04
94580015	1230 04	94580521	4530 03	94580650	3230 03	94807433	4430 03	96180759	3230 05	96183739	3270 06	96207809	6670 16
	1231 04	94580523	1210 11	94580652	3230 17	94837369	6660 13	96180849	3260 01	96183948	1753 01		6670 16
94580016	3220 20	94580525	3250 10	94580690	4140 09		9766 04	96180851	3260 04	96183950	1753 03	96209679	6660 15
94580023	4520 04	94580526	1211 15	94580674	3260 20	96077679	5220 11	96180653	3260 09	96184082	1331 04	96209681	6660 15
94580031	1760 43		1230 12	94580675	3230 37	96082625	2451 20	96180854	3260 07	96184140	2220 04	96209715	6660 15
	1760 45		1231 20	94580695	3230 19		2451 20	96180859	3250 05	96184353	1220 10	96209716	6660 15
94580033	3250 18	94580532	4430 03	94580696	3230 24		2451 20	96180876	3230 41	96184362	2480 10	96209717	6660 15
94580035	2451 20	94580536	1210 07	94580698	3230 08		2451 20	96180879	3230 45	96184371	2233 05	96209718	6660 15
	2451 20		1210 07	94580706	3230 12		2453 10	96180884	3250 11	96184541	3110 02	96209719	6660 15

PART NO. INDEX

PART NO.	LOC.NO.	PART NO.	LOC.NO.	PART NO.	LOC.NO.	PART NO.	LOC.NO.	PART NO.	LOC.NO.	PART NO.	LOC.NO.	PART NO.	LOC.NO.	PART NO.	LOC.NO.
96209720	0880 15	96234926	5620 13	96246219	7550 04	96280894	6320 01	96273770	3280 12	96287988	3240 08	96327723	7113 18		
96209721	0880 15	96235056	6320 09	96247398	5410 21	96280995	6320 01		3260 12	96288935	8331 10	96327823	6450 16		
96209722	0880 15	96236255	6260 01	96247399	5410 03	96280996	6320 01	96274711	3260 28	96288940	1753 01	96327899	5330 07		
96209723	0880 15	96236256	6250 01	96247406	7810 28	96281246	7130 23	96274719	3260 29	96288951	3260 21	96328066	5430 07		
96209724	0880 15	96236550	7550 10	96248443	2451 13	96281298	4830 13		3260 29	96300082	4140 08	96328247	4330 03		
96209725	0880 15	96237736	3240 03	96248445	1311 37		4831 18	96274720	3260 30	96300535	4620 07	96328248	4330 03		
96211784	8212 28	96237739	3240 08	96249009	7830 03	96281299	4831 18		3260 30	96301472	6110 14	96328505	4310 46		
96220034	8452 07	96237740	3230 19	96251089	8130 09	96281307	4830 29	96274721	3260 18		6110 14	96328776	2130 31		
96221420	4950 17	96237742	3230 16	96251271	5620 19		4831 52		3260 16		6110 14	96329223	3260 28		
	4950 17	96237744	3230 05		5620 19	96262507	5310 05	96274723	3260 07	96301068	6220 18		3260 28		
96222777	5710 41	96237748	3230 39	96251716	3240 08	96263705	4950 15		3260 07		6320 16	96329880	6240 12		
	5710 41	96238274	6451 07	96251719	3270 02	96263717	4950 64	96275005	4950 69	96301843	5320 08		6340 19		
	5710 41	96238373	6510 17	96252707	6250 01	96264738	3270 13	96276354	1521 37	96305524	3250 12	96330001	2411 22		
	5710 41	96238705	1230 01	96252708	6250 01	96268041	3910 15	96276380	1531 07	96306976	4190 95	96332261	1411 11		
	6420 18	96238726	4830 14	96252709	6250 01	96268063	3270 05	96279224	4810 05	96307729	1711 08	96333470	1311 40		
96222845	6110 11		4831 19	96252710	6250 01	96268064	3270 06	96280186	5810 02	96308074	6840 05		2451 10		
96224564	5710 38	96238727	4830 16	96252711	6670 06	96271342	7130 51	96280187	5810 04	96308272	4530 20	96334085	3250 09		
	5710 38		4831 22	96252835	5710 33	96271343	8352 09	96280188	5810 03	96308566	6730 34	96334229	5620 45		
	5710 38	96239613	2131 48	96253530	1411 14	96271579	6320 32	96280498	3920 28		6730 34	96334595	1331 10		
96224565	6670 30		9260 08		1411 14	96272638	6220 01	96281689	1230 16	96309068	1130 01	96334804	2233 15		
	6670 30	96240768	6220 26		1413 05	96272639	6220 01		1231 15		1130 01	96334808	1413 02		
96227531	3230 46		6320 25	96253542	1331 32	96272640	6220 01	96283486	4420 37	96310389	6420 10		1413 02		
96227855	5310 03		6440 03	96253544	1331 42	96272641	6220 01	96285502	7321 02	96310390	6420 10	96334826	1713 23		
96228420	6441 10	96241807	3260 16	96253545	1210 13	96272642	6220 01	96286025	3810 01	96310683	3920 24		1713 23		
	6442 08	96242655	9260 11		1523 17	96272643	6220 01	96286398	2241 01	96311271	6510 28	96334828	2451 11		
96229551	6250 01	96242662	5710 35	96253547	2460 43	96272644	6220 01	96286799	8331 01	96311863	8331 01	96334829	2451 09		
	6250 03	96242686	3230 02	96253548	1311 35	96272645	6220 01	96288828	4410 36	96312546	5620 18	96334830	2451 12		
96229552	6250 01	96242699	3270 02		1311 35	96272646	6220 01	96287491	4950 22	96312748	5140 09	96334843	2130 07		
	6230 03	96242705	3250 24	96253552	1521 23	96272647	6220 01		4950 22	96313240	2110 11		2130 07		
96229803	7610 28	96242727	3230 22	96253555	1713 09	96272648	6220 01	96287789	1533 10	96320518	4652 33	96335719	2120 08		
96230987	5610 01	96243087	3210 01	96253556	1533 10	96272649	6220 01		1533 10	96321150	6840 03	96335754	3270 11		
96231860	5330 11	96243157	3210 01	96253597	1411 12	96272650	6220 01	96288972	6220 21	96321406	4910 12	96336263	1220 07		
96234131	4950 24	96243158	3270 14	96253820	4950 22	96272651	6220 01	96289046	2241 02	96325629	1521 26	96336671	1311 02		
	4950 24	96243159	3270 16		4950 22	96272676	6250 01	96290453	4410 35		1521 26	96336872	1311 02		
	4950 24	96243577	4120 02	96254006	9110 05	96272677	6250 01	96291067	1311 35		1521 26	96336790	5410 01		
	4950 24	96243579	4120 04	96257063	4440 10	96273188	2241 11	96291099	1531 07	96327155	6450 13	96336867	3920 02		
96234920	5620 13	96244281	1780 41		4440 10	96273808	2230 03		2480 43	96327156	6450 11	96337460	5110 17		
96234921	5620 13	96244896	6520 35		4440 10	96273759	4120 01	96292062	3220 05	96327157	6450 07	96338783	6220 10		
96234922	5620 13		6732 60	96260546	5140 08		4120 01	96293025	2480 41	96327158	6450 15	96338784	6220 10		
96234923	5620 13	96245311	4120 02		6413 73	96273760	4120 01		2480 41	96327381	8221 03	96341429	5320 03		
96234924	5620 13	96245671	9260 07	96260993	8320 01		4120 01	96297027	3270 06	96327390	8221 03	96342618	2510 02		

PART NO.	LOC.NO.	PART NO.	LOC.NO.	PART NO.	LOC.NO.	PART NO.	LOC.NO.	PART NO.	LOC.NO.	PART NO.	LOC.NO.	PART NO.	LOC.NO.
98344248	3220 01	98380327	1130 01	98382915	1311 31	98379820	8441 18	98389056	1220 01	98388525	5310 01	98388581	1521 01
98344573	8630 21	98380386	1220 02		1311 31		8442 18	98389088	6330 03	98388526	5310 01		1521 01
98344841	5710 09	98380515	3230 02	98383002	1321 08	98385402	1220 22	98389090	6330 04	98388802	5330 03	98389710	4150 05
98345744	8340 06	98380528	1331 14	98383007	1321 13	98385403	1220 07	98389091	5330 05	98387200	4652 01	98389732	4810 01
98345999	6110 30	98380547	1231 42	98383035	1311 13	98385826	2120 52	98389092	5330 21	98387201	4652 01	98389733	4810 01
98347324	7141 95	98380590	1331 12	98383128	1311 14	98385978	6451 32	98389106	1220 01	98387423	3210 01	98389736	4810 01
98347325	7141 95	98380801	2453 08	98383286	1311 16	98386095	5430 10	98389235	1311 42	98387978	5310 09		4810 01
98348672	1311 41	98380874	1331 22	98383301	1240 03	98386735	1311 35	98389273	4530 28	98387991	7113 02	98389737	4810 01
98348884	1211 08	98380814	2490 10	98386263	1210 08		1311 35	98389274	4530 28	98387993	7113 02		4810 01
98349031	3110 02		2490 10	98386273	8331 01		1311 35	98389543	4310 45	98388085	5310 06	98389746	4810 23
98349109	5410 01	98380821	1831 08	98386362	1311 17	98386752	1413 01	983891351	7220 37	98388254	4440 07	98389747	4810 23
98349111	5410 01	98381041	1211 07	98386371	1521 24	98386783	1411 06	983891352	7220 37		4440 07	98389750	4810 03
98349688	6480 04		1230 33	98386397	8331 15	98386784	1411 26	983891553	4120 03	98388281	6320 01	98389754	4810 01
98349689	6450 03	98381199	2120 22	98386400	1311 17	98386789	1411 27	983891751	6450 01	98388449	7113 03	98389757	4950 03
98349857	6451 33	98381207	1210 06	98386589	1220 09		1413 17	983891850	4150 01	98388492	7113 03	98389780	4320 06
98349903	4652 09	98381328	2130 10	98386716	1321 10	98386986	1230 08	983891851	4150 01	98388533	5310 09	98389799	6480 05
98349904	4652 10		2130 10	98386881	1311 11	98386987	1230 07	983891856	4180 31	98388534	5310 09	98389800	6480 05
98349905	4652 09	98381339	1933 06	98386980	1311 12	983869834	1230 01	983891898	4820 21	98388535	5310 09	98389824	7141 05
98349906	4652 10	98381470	1331 21	98387400	1111 01	98387132	6441 01	983892862	4810 06	98388547	7150 01	98389811	5710 04
98349907	4652 09	98381471	1331 25	98387402	1111 01	98387133	6441 01	983893000	1931 10	98388555	7141 85	98389812	5710 04
98349908	4652 10	98381543	2480 24	98387410	1111 01	98387195	4852 21	983893041	7130 10	98388706	3920 35		5710 04
98349909	4652 09	98381602	1321 01	98387412	1111 01	98387196	4852 21	983893636	3910 01	98388841	2510 01		5710 04
98349910	4652 10	98381680	1230 32	98387416	1111 01	98387324	4810 06	983894000	1833 08	98388842	2510 01	98388913	5710 04
98349915	4610 01	98381800	8420 06	98387420	1111 01	98387487	2130 07	983894003	1933 06	98388943	2510 01		5710 04
98349916	4610 01	98382130	6670 31	98387426	1111 01		2130 07		2480 43	98388944	2510 01		5710 04
98349919	4610 01	98382134	1210 09	98387720	3710 10	98387578	5510 11	983894330	1411 01	98388945	2510 01	98389914	5710 04
	4610 01	98382142	1781 01	98387721	3280 12	98387724	5140 01	983894999	2510 01	98388946	2510 01	98389915	5710 04
98349920	4610 01	98382677	1311 30	98387725	3280 16		5140 01	983894700	2510 01	98388947	2510 01	98389916	5710 04
	4610 01		1311 30	98387978	5620 15		5140 01	983894701	2510 01	98388948	2510 01	98389917	5710 04
98349923	4610 01		1311 30	98387978	5620 15	98387725	5140 01	983894702	2510 01	98388906	7550 27	98389918	5710 04
98349924	4610 01	98382650	1331 01	98387834	4150 13		5140 01	983894702	2510 01	98389098	5310 06	98389919	5710 04
98349927	4610 01	98382658	8331 15	98387854	4310 58		5140 01	983895073	4440 01	98389187	7560 24		5710 04
98349928	4610 01	98382695	2220 07	98387891	1311 01	98388702	1311 03	983895219	1311 03	98389189	7560 24	98389920	5710 04
98349932	4710 27	98382714	1331 28	983878732	7350 01	98388703	1311 04	983895220	1311 04		7560 24		5710 04
98349934	4610 01	98382740	1331 17	983878781	5710 06	98388963	2451 15	983895221	1230 30	983899220	2130 06	98389921	5710 04
98349946	4652 08	98382822	8331 01	983878786	5710 06	98389035	1311 42		1231 18		2130 06	98389922	5710 04
98349976	6331 08	98382845	1231 16	983878787	5710 06	98389037	4430 07	983895445	2510 01	98389386	7540 06	98389923	5710 04
98350058	3230 02	98382877	1331 27	98388002	1311 25	98389038	4440 09	983895446	2510 01	98389504	5510 01		5710 04
98350074	1331 20	98382879	1230 09	98388005	1531 02		4440 09	983895447	2510 01	98389532	2411 05	98389949	5710 03
98350161	1230 02	98382998	1331 09	98388942	4330 18	98389041	4430 05	983895448	2510 01	98389551	7560 28	98389950	5710 03
98350168	1331 19		1331 09	983879720	6440 14	98389050	6420 08	983896450	3920 01	98389561	1521 01	98389955	8320 01

PART NO. INDEX

PART NO.	LOC.NO.	PART NO.	LOC.NO.	PART NO.	LOC.NO.	PART NO.	LOC.NO.	PART NO.	LOC.NO.	PART NO.	LOC.NO.	PART NO.	LOC.NO.	PART NO.	LOC.NO.
96399999	2480 28	96404211	5710 04	96404748	6410 06	96405842	7550 02	96407519	2451 13	96408290	4320 07	96410971	5140 34		
96403077	4831 28	96404212	5710 04		6411 06	96405845	8310 02	96407628	3110 01	96408390	5620 52	96410972	5140 34		
96403089	4150 18		5710 04		6413 06	96405854	7310 38	96407631	6660 15	96408411	3920 01	96410973	5140 13		
96403100	4150 18	96404213	5710 04	96404749	6410 08	96405874	7330 06	96407632	6660 15	96408412	3920 01	96410980	6670 42		
96403109	4320 09		5710 04	96404750	6410 08	96405877	7330 06	96407633	6660 15	96408427	7210 93	96412007	7610 69		
96403115	6660 08	96404214	5710 04	96404797	5510 01	96406013	6660 03	96407634	6660 15	96408442	8320 02	96412102	3920 35		
96403141	4950 51		5710 04	96404799	4320 30		6660 03	96407635	6660 15	96408510	6732 20	96412175	6630 01		
96403142	4950 51	96404300	5710 03	96404811	9250 03	96406109	3920 02	96407636	6660 15	96408517	3110 01	96412484	5410 46		
96403222	1833 08	96404301	5710 03	96404812	9250 04	96406110	3920 02	96407637	6660 15	96408545	4910 01	96412662	4310 01		
96403606	7550 02	96404302	5710 03	96404813	9250 05	96406711	5510 06	96407638	6660 15	96408568	1740 01		4310 01		
	7550 02	96404303	5710 03	96404814	9250 05	96406712	5510 06	96407639	6660 15	96408640	4320 10	96412663	4310 37		
96403767	3920 62	96404304	5710 03	96404815	9250 06	96406715	5510 06	96407665	2510 01		4320 10	96412666	7320 01		
96403798	7320 01	96404305	5710 03	96404816	9250 07	96406718	9110 13	96407666	2510 01	96408641	4320 10	96412670	4310 06		
96403800	7320 01	96404306	5710 03	96404817	9250 08	96406952	6110 10	96407667	2510 01		4320 10		4310 06		
	9773 07	96404307	5710 03	96404818	9250 09	96406953	6110 10	96407668	2510 01	96408663	3920 62	96412728	1331 27		
96403801	7320 01	96404461	4140 11	96404819	9250 11	96406968	7560 01	96407669	2510 01	96408654	3920 62	96412801	5140 01		
	9773 07	96404462	4140 11	96404820	9250 11	96407015	7560 01	96407670	2510 01	96408648	6480 11	96412802	5140 01		
96404037	7141 45	96404494	6460 05	96404821	9250 12	96407193	7330 01	96407680	5440 02	96408649	6480 11	96412803	5140 01		
96404046	7141 45	96404495	6460 05	96404822	9250 12	96407196	7330 01	96407681	5440 02	96409001	4950 01	96412804	5140 01		
96404052	7141 45	96404530	4190 94	96404823	9250 13	96407216	4320 08	96407751	4140 11	96409037	5710 01	96412805	7310 05		
96404055	7141 45	96404558	5710 04	96404824	9250 14	96407217	4320 04		4140 11	96409039	5710 01	96412806	7310 06		
96404061	7141 45		5710 04	96404825	9250 15	96407219	4320 06		4140 11	96409041	5710 01	96412811	7310 37		
96404067	7141 45	96404868	5440 02	96404826	9250 20		4320 06		4140 11	96409043	5710 01	96412814	7310 06		
96404081	5710 01	96404681	2131 50	96404828	9250 23	96407220	4330 01	96407752	4140 11	96409059	5710 01	96412819	6670 14		
96404082	5710 01	96404741	6410 05	96404829	9250 24		4330 01		4140 11	96409065	5710 01	96412820	6670 14		
96404083	5710 01		6411 05	96404830	9250 27	96407221	4330 01		4140 11	96409073	5710 01	96412837	9110 04		
96404084	5710 01		6413 05	96404900	6650 02		4330 01	96407753	4320 06	96409117	5710 04	96412846	6411 56		
96404088	5710 04	96404742	6410 06	96405129	4510 02	96407336	4810 03		4320 06	96409121	5710 04	96412847	6411 56		
	5710 04		6411 05	96405131	4521 02	96407341	4910 01	96407754	4310 06	96409535	4910 03	96412848	6411 57		
96404099	5710 04		6413 05	96405132	4520 18	96407485	4931 05		4310 06	96409536	4910 03	96412849	6411 57		
	5710 04	96404743	6410 04	96405760	6460 06	96407486	4931 05	96407819	4140 13	96409550	3920 01	96412891	7560 24		
96404172	5710 03	96404744	6410 04	96405780	6460 05	96407496	6660 15		4140 13	96409551	3920 01	96412893	7560 28		
96404173	5710 03	96404745	6410 07	96405798	8320 09	96407497	6660 15	96407820	4140 13	96409552	3920 01	96413038	1311 31		
96404174	5710 03		6411 07	96405813	8320 09	96407498	6660 15		4140 13	96409553	3920 01		1311 31		
96404175	5710 03		6413 07	96405814	8320 07	96407499	6660 15	96407821	4320 10	96409554	3920 01	96413040	4521 06		
96404176	5710 03	96404746	6410 07	96405815	8320 02	96407502	6660 15		4320 10	96410181	6670 41	96413046	6710 01		
96404177	5710 03		6411 07	96405816	8320 18	96407503	6660 15	96407822	4320 10	96410549	6110 01	96413047	6710 02		
96404178	5710 03		6413 07	96405817	8320 09	96407504	6660 15		4320 10	96410801	8221 13	96413049	6711 14		
96404179	5710 03	96404747	6410 06	96405839	6440 11	96407505	6660 15	96408135	1521 07	96410900	3210 01	96413050	6711 14		
96404180	5710 03		6411 06	96405840	6440 11	96407511	4820 01	96408210	2130 07	96410918	5710 01	96413100	1321 01		
96404211	5710 04		6413 06	96405842	7550 02	96407518	2451 15		2130 07	96410942	5710 01	96413272	4831 45		

PART NO.	LOC.NO.	PART NO.	LOC.NO.	PART NO.	LOC.NO.	PART NO.	LOC.NO.	PART NO.	LOC.NO.	PART NO.	LOC.NO.	PART NO.	LOC.NO.
98413274	4831 45	98414412	3820 01	98415245	5710 02	98415342	5710 02	98415576	5710 04	98416703	1521 01	98418004	5710 04
98413310	8390 33		3820 01	98415248	5710 02		5710 02	98415589	2510 02	98417114	2130 08	98418005	5710 04
98413313	2210 11	98414413	3820 01		5710 02		5710 02	98415621	4430 01		2130 08		5710 04
98413314	8340 01	98414414	3820 01	98415248	5710 02	98415343	5710 02	98415622	4430 01	98417177	1331 18	98418006	5710 04
98413315	2233 16	98414415	3820 01	98415249	5710 02		5710 02	98415625	4430 02	98417238	4652 09		5710 04
98413420	6420 02		3820 01	98415250	5710 02		5710 02	98415626	4430 02	98417239	4652 09	98418007	5710 04
98413444	6420 02	98414416	3820 01	98415252	5710 02		5710 02	98415685	2242 03	98417240	2451 05		5710 04
98413691	7310 01	98414546	3820 62		5710 02		5710 02	98415687	2241 03	98417260	5710 04	98418008	5710 04
98413695	7310 01	98414549	3820 62		5710 02	98415360	5710 02	98415689	2242 01	98417361	1210 01		5710 04
98413717	6430 13	98414562	7321 01	98415255	5710 02		5710 02	98415693	2242 04	98417411	7310 29	98418009	5710 04
98413718	6430 13	98414573	6110 01	98415256	5710 02		5710 02	98415695	2242 02	98417454	7210 71		5710 04
98413719	6430 14	98414575	6670 41	98415257	5710 02		5710 02	98415699	2241 04		7210 71	98418010	5710 04
98413720	6430 14	98414576	1311 25	98415258	5710 02		5710 02	98415734	4320 06		7220 36		5710 04
98413727	7341 05	98414577	1521 25	98415260	5710 02	98415361	5710 02		4320 06	98417456	7220 36	98418011	5710 04
98413734	7010 68	98414578	1531 02	98415272	5710 02		5710 02	98415886	5710 01	98417462	7220 36	98418012	5710 04
98413741	2220 07	98414579	1521 24		5710 02		5710 02	98415899	5710 01	98417504	6110 03	98418014	5710 04
98413861	1331 18	98414590	1311 30	98415274	5710 02		5710 02	98415906	5710 01	98417505	6110 03	98418015	5710 04
98413863	1331 14	98414596	1321 08	98415275	5710 02		5710 02	98415909	5710 01	98417509	6130 10	98418016	5710 04
98413864	1331 14	98414605	1111 03	98415276	5710 02	98415362	5710 02	98415950	5710 01	98417510	4620 02	98418017	5710 04
98413865	1331 09	98414606	1111 02	98415277	5710 02		5710 02	98415953	5710 01	98417514	7120 01	98418018	5710 04
98413866	1331 09	98414612	1240 03	98415279	5710 02		5710 02	98415954	5710 01	98417516	7120 01	98418019	5710 04
98413867	1331 17	98414614	1321 16		5710 02		5710 02	98415956	5710 01	98417575	1411 01		5710 04
98413894	6520 58	98414617	1321 21		5710 02		5710 02	98415959	5710 43	98417639	7210 34	98418020	5710 04
98413895	6520 58	98414626	1751 07	98415282	5710 02	98415363	5710 02	98415964	5710 02	98417675	2451 15		5710 04
98413903	7322 22	98414627	1681 07	98415283	5710 02		5710 02		5710 02	98417680	7980 24	98418021	5710 04
98413904	7322 23	98414628	1681 01	98415284	5710 02		5710 02	98415965	5710 02	98417820	2411 04	98418022	5710 04
98413909	7322 30	98414766	1331 38	98415285	5710 02		5710 02		5710 02	98417830	1521 37	98418023	5710 04
98413921	6650 01	98414849	4430 03	98415289	5710 02		5710 02	98416043	6720 02	98417839	6110 15		5710 04
98414025	6680 15	98414891	7590 01	98415292	5710 02	98415367	5710 02	98416066	2241 01	98417862	1321 01	98418024	5710 04
98414026	6680 15	98414896	7590 01	98415340	5710 02	98415369	5710 02	98416062	2241 02	98417896	5710 01		5710 04
98414027	6680 15	98414943	1331 42		5710 02	98415367	5710 23	98416129	6650 04	98417928	5710 01	98418041	5710 08
98414102	3820 35	98414975	4652 29		5710 02		5710 23	98416130	6650 04	98417944	6442 10	98418054	5710 09
98414131	1321 16		4652 29		5710 02	98415390	5710 09	98416132	6650 03	98417945	6442 10	98418055	5710 09
98414233	7590 27	98414976	8110 06		5710 02	98415396	5710 83	98416133	6650 03	98417960	6420 02	98418066	5710 06
98414234	7590 27	98414977	8110 06	98415341	5710 02	98415413	4130 06	98416134	6650 03	98418000	5710 04	98418068	5710 06
98414388	2411 05	98415010	1711 17		5710 02	98415423	1321 16	98416135	6650 03		5710 04	98418065	5710 52
98414390	1240 05	98415063	4150 01		5710 02	98415492	7550 02	98416140	6650 03	98418001	5710 04	98418066	5710 52
98414406	3820 01	98415064	4150 01		5710 02		7550 02	98416145	4510 01		5710 04	98418067	6420 02
98414409	3820 01	98415242	5710 02		5710 02		7550 02	98416146	4510 01	98418002	5710 04	98418133	4530 12
98414410	3820 01		5710 02	98415342	5710 02		7550 02	98416243	5610 01		5710 04	98418134	4530 12
98414411	3820 01	98415245	5710 02		5710 02	98415575	5710 04	98416253	4190 86	98418003	5710 04	98418135	4530 12

PART NO. INDEX

PART NO.	LOC.NO.	PART NO.	LOC.NO.	PART NO.	LOC.NO.	PART NO.	LOC.NO.	PART NO.	LOC.NO.	PART NO.	LOC.NO.	PART NO.	LOC.NO.
96418136	4530 12	96418822	5710 03	96418877	4510 07	96419228	7113 19	96419732	6480 01	96419831	8212 01	96420672	5710 01
96418282	1111 01	96418823	5710 03	96418878	4510 08	96419231	7113 19	96419734	6480 01	96419891	6720 54	96420673	5710 01
96418283	1111 01	96418831	4620 01	96418879	4521 12	96419239	5330 26	96419735	6480 01	96419941	6530 13	96420674	5710 01
96418286	3210 01		4620 01	96418880	4521 12	96419276	5710 54	96419737	6480 01	96419943	3210 01	96420675	5710 01
96418302	7210 34	96418832	4620 01	96418881	4521 13	96419278	2233 03	96419738	6480 01	96419958	5710 08	96420676	5710 01
96418303	7210 34		4620 01	96418882	4521 08	96419279	2233 06	96419740	6480 01	96419962	4440 01	96420677	5710 01
96418305	7210 71		4620 01	96418883	4521 08	96419280	2233 05	96419741	6480 01	96419963	2451 05	96420678	5710 01
96418307	7210 71		4620 01	96418884	4521 07	96419281	2233 13	96419743	6480 01	96419964	2451 05	96420679	5710 01
96418313	2120 42	96418833	4620 01	96418885	4520 02	96419282	2233 01	96419747	6480 01	96419965	2451 05	96420680	5710 01
96418314	2130 05		4620 01	96418886	4520 02	96419283	2233 02	96419749	6480 01	96419966	4440 01	96420681	5710 01
	2130 05	96418834	4620 01	96418887	4520 13	96419284	2233 15	96419750	6480 01	96419967	4440 01	96420682	5710 01
96418318	2110 02		4620 01	96418888	4520 13	96419285	2233 14	96419752	6480 01	96420303	2230 09	96420683	5710 01
96418351	2480 40	96418840	4620 03	96418889	4520 24	96419331	2510 01	96419753	6480 01		2233 09	96420684	5710 01
96418382	1231 39	96418841	4620 03	96418895	4521 13	96419332	2510 01	96419755	6480 01	96420313	5710 05	96420685	5710 01
96418393	1333 31	96418842	4620 02	96418896	4520 02	96419333	2510 01	96419756	6480 01	96420316	5710 05	96420686	5710 01
96418467	1220 07	96418844	4620 08	96418897	4520 02	96419334	2510 01	96419758	6480 01	96420318	5710 05	96420687	5710 01
96418479	1621 19	96418845	4620 09	96418907	6440 01	96419335	2510 01	96419762	6480 01	96420319	5710 05	96420688	5710 01
96418578	5710 03	96418848	4620 19	96418961	9280 06	96419336	2510 01	96419763	6480 01	96420321	5710 05	96420689	5710 01
96418591	5710 03	96418851	4620 01	96418970	1531 07	96419337	2510 01	96419765	6480 01	96420322	5710 05	96420690	5710 01
96418592	5710 03		4620 01		2480 43	96419338	2510 01	96419766	6480 01	96420325	5710 05	96420691	5710 01
96418593	5710 03	96418852	4620 01		2480 43	96419497	1231 42	96419768	6480 01	96420345	5710 05	96420692	5710 01
96418594	5710 03		4620 01	96418991	6530 13	96419599	6720 03	96419769	6480 01	96420346	5710 05	96420693	5710 01
96418595	5710 03		4620 01	96418993	6520 04	96419691	3240 03	96419771	6480 01	96420348	5710 05	96420694	5710 01
96418793	5710 03		4620 01	96419024	5710 02	96419681	5710 03	96419772	6480 01	96420349	5710 05	96420695	5710 01
96418797	5710 03		4620 01		5710 02	96419682	5710 03	96419774	6480 01	96420351	5710 05	96420696	5710 01
96418798	5710 03	96418853	4620 01		5710 02	96419702	6480 01	96419776	6480 01	96420352	5710 05	96420697	5710 01
96418799	5710 03		4620 01	96419107	5330 26	96419704	6480 01	96419779	6480 01	96420354	5710 05	96420698	5710 01
96418800	5710 03	96418864	4620 01	96419108	1531 01	96419705	6480 01	96419781	6480 01	96420355	5710 05	96422324	5710 01
96418809	5710 03		4620 01	96419133	6670 41	96419707	6480 01	96419782	6480 01	96420367	5710 05	96422325	5710 01
96418810	5710 03	96418855	4620 01	96419142	8212 17	96419708	6480 01	96419784	6480 01	96420368	5710 05	96422326	5710 01
96418811	5710 03	96418859	4620 03	96419143	8212 17	96419710	6480 01	96419785	6480 01	96420429	5710 05	96422327	5710 01
96418812	5710 03	96418860	4620 03	96419144	8212 18	96419711	6480 01	96419787	6480 01	96420501	5710 05	96422328	5710 01
96418813	5710 03	96418861	4620 03	96419145	8212 18	96419713	6480 01	96419788	6480 01	96420502	5710 05	96422329	5710 01
96418814	5710' 03	96418864	4620 06	96419171	3210 01	96419717	6480 01	96419790	6480 01	96420503	5710 05	96422330	5710 01
96418815	5710 03	96418865	4620 09	96419172	3210 01	96419719	6480 01	96419794	6480 01	96420504	5710 05	96422331	5710 01
96418816	5710 03	96418871	4510 12	96419184	5710 01	96419720	6480 01	96419796	6480 05	96420506	5710 05	96422332	5710 01
96418817	5710 03	96418872	4510 12	96419191	5710 01	96419722	6480 01	96419798	6480 05	96420667	5710 01	96422333	5710 01
96418818	5710 03	96418873	4510 13	96419207	7113 04	96419723	6480 01	96419824	5710 03	96420668	5710 01	96422334	5710 01
96418819	5710 03	96418874	4510 02	96419210	7113 04	96419725	6480 01	96419827	5710 03	96420669	5710 01	96422335	5710 01
96418820	5710 03	96418875	4510 06	96419213	7113 04	96419726	6480 01	96419828	6670 09	96420670	5710 01	96422336	5710 01
96418821	5710 03	96418876	4510 09	96419216	7113 04	96419728	6480 01	96419829	8212 01	96420671	5710 01	96422337	5710 01

PART NO.	LOC.NO.	PART NO.	LOC.NO.	PART NO.	LOC.NO.	PART NO.	LOC.NO.	PART NO.	LOC.NO.	PART NO.	LOC.NO.	PART NO.	LOC.NO.
96422338	5710 01	96422379	5710 01	96422928	5710 08	96423711	3920 01	96425002	2241 03	96425845	2411 29	96426803	5710 06
96422339	5710 01	96422380	5710 01	96422929	5710 08	96423712	3920 01	96425003	2242 01	96425886	1210 01	96426813	5710 06
96422340	5710 01	96422381	5710 01	96422930	5710 08	96423713	3920 01	96425004	2241 01	96425887	1210 01	96426815	5710 06
96422341	5710 01	96422382	5710 01	96422931	5710 08	96423714	3920 01	96425010	6950 04	96425888	7113 02	96426816	5710 06
96422342	5710 01	96422383	5710 01	96422932	5710 08	96423715	3920 01	96425011	6950 04	96425889	7113 02	96426817	5710 06
96422343	5710 01	96422384	5710 01	96422933	5710 08		3920 01	96425013	6950 03	96425743	3910 01	96426822	5710 06
96422344	5710 01	96422385	5710 01	96422934	5710 08	96423716	3920 01	96425014	6950 03	96425752	3910 10	96426824	5710 06
96422345	5710 01	96422386	5710 01	96422935	5710 08	96423728	2110 36	96425016	6950 03	96425931	6451 03	96426832	5710 06
96422346	5710 01	96422387	5710 01	96422936	5710 08	96423808	6451 13	96425017	6950 03	96425932	6451 03	96426834	5710 06
96422347	5710 01	96422388	5710 01	96422937	5710 08	96423901	6920 05	96425018	6950 03	96425935	7141 61	96426842	5710 06
96422348	5710 01	96422389	5710 01	96422938	5710 08	96424013	7310 30	96425250	6451 03	96425941	7141 61	96426844	5710 06
96422349	5710 01	96422390	5710 01	96422939	5710 08	96424016	5710 52	96425265	5110 01	96425944	7141 05	96426853	5710 06
96422360	5710 01	96422391	5710 01	96422943	5710 08		5710 52	96425286	5110 01	96426046	1751 07	96426855	5710 06
96422361	5710 01	96422392	5710 01	96422946	5710 08	96424017	5710 52	96425287	5110 01	96426006	5710 08	96426863	5710 06
96422362	5710 01	96422393	5710 01	96422948	5710 08		5710 52	96425288	5110 01	96426008	5710 08	96426865	5710 06
96422363	5710 01	96422394	5710 01	96422950	5710 08	96424019	5710 52	96425289	5110 01	96426009	5710 08	96426868	5710 06
96422364	5710 01	96422395	5710 01	96422952	5710 08		5710 52	96425290	5110 01	96426511	5710 08	96426869	5710 06
96422365	5710 01	96422396	2510 01	96422960	5710 08		5710 52	96425291	5110 01	96426514	5710 08	96426863	5710 06
96422366	5710 01	96422397	2510 01	96422961	5710 08	96424021	6510 11	96425292	5110 01	96426515	5710 08	96426864	5710 06
96422367	5710 01	96422412	2510 01	96422962	5710 08	96424030	6641 06	96425293	5110 01	96426518	5710 08	96426866	5710 06
96422368	5710 01	96422413	2510 01	96422963	5710 08	96424031	6641 06	96425294	5110 01	96426524	5710 08	96426869	5710 06
96422369	5710 01	96422503	5710 06	96423179	3920 30	96424410	6660 02	96425312	3230 34	96426526	5710 08	96426703	5710 06
96422360	5710 01	96422908	5710 06	96423180	3920 30	96424449	2480 40	96425318	6960 06	96426531	5710 08	96426704	5710 06
96422361	5710 01	96422510	5710 06	96423266	6442 01	96424456	2233 42	96425338	4140 13	96426534	5710 08	96426706	5710 06
96422362	5710 01	96422554	5710 06	96423325	5330 14	96424481	6720 02	96425339	4140 13	96426536	5710 08	96426708	5710 06
96422363	5710 01	96422584	5710 06	96423381	7231 08	96424505	5710 01	96425340	4140 13	96426544	5710 08	96426713	5710 06
96422364	5710 01	96422586	5710 06	96423420	6640 01	96424509	5710 01	96425341	4140 13	96426548	5710 08	96426715	5710 06
96422365	5710 01	96422578	5710 06	96423421	6640 01	96424548	5710 01	96425342	4320 10	96426554	5710 08	96426736	5710 04
96422366	5710 01	96422589	5710 52	96423424	6441 18	96424555	5710 01	96425343	4320 10	96426556	5710 08	96427140	5620 10
96422367	5710 01		5710 52		6442 18	96424582	5710 01	96425344	4320 10	96426562	5710 08	96427160	5620 10
96422368	5710 01		5710 52	96423479	2510 02	96424586	2510 24	96425345	4320 10	96426566	5710 08	96427337	7113 03
96422369	5710 01	96422916	5710 06	96423484	2510 02	96424589	6640 06	96425383	4810 05	96426568	5710 08	96427346	7113 03
96422370	5710 01	96422918	5710 06	96423610	3710 09	96424600	6480 06	96425384	4810 05	96426569	5710 08	96427362	7113 03
96422371	5710 01	96422919	5710 06	96423626	3710 01	96424602	6480 06	96425567	2220 05	96426563	5710 08	96427364	6960 12
96422372	5710 01	96422920	5710 06	96423705	3920 01	96424609	6150 02	96425568	2220 15	96426567	5710 08	96427366	7520 49
96422373	5710 01	96422921	5710 06	96423708	3920 01	96424611	6150 02	96425569	2233 08	96426568	5710 08	96427367	7520 49
96422374	5710 01	96422922	5710 06	96423707	3920 01	96424627	7580 29	96425594	6630 19	96426569	5710 08	96427378	6430 11
96422375	5710 01	96422924	5710 06	96423708	3920 01	96424723	7322 33	96425595	6630 19	96426563	5710 08	96427888	2480 40
96422376	5710 01	96422925	5710 06	96423709	3920 01	96424740	7342 03	96425613	8212 01	96426567	5710 08	96428066	5710 01
96422377	5710 01	96422926	5710 06		3920 01		7342 03	96425614	8212 01	96426568	5710 08	96428067	5710 01
96422378	5710 01	96422927	5710 06	96423710	3920 01	96425001	2242 03	96425642	2411 15	96426602	5710 08	96428068	5710 01

PART NO. INDEX

PART NO.	LOC.NO.	PART NO.	LOC.NO.	PART NO.	LOC.NO.	PART NO.	LOC.NO.	PART NO.	LOC.NO.	PART NO.	LOC.NO.	PART NO.	LOC.NO.	PART NO.	LOC.NO.
96428069	5710 01	96428132	5710 01	96428239	5710 02	96428288	5710 02	96428851	7350 02	96430982	5220 01	96433314	8212 10		
96428070	5710 01	96428134	5710 01	96428242	5710 02		5710 02	96428923	7350 02	96430984	5220 01	96433317	8352 09		
96428071	5710 01	96428135	5710 01		5710 02		5710 02	96428926	7350 02	96430986	5220 01	96433319	2233 17		
96428072	5710 01	96428140	5710 01	96428244	5710 02		5710 02	96428935	7113 18	96430988	5220 01	96433322	5710 02		
96428079	5710 01	96428141	5710 01		5710 02	96428291	5710 02	96430346	4810 06	96430990	5220 01		5710 02		
96428096	5710 01	96428142	5710 01	96428246	5710 02	96428292	5710 02	96430347	4810 06	96430992	5220 01	96433323	5710 02		
96428097	5710 01	96428143	5710 01	96428247	5710 02	96428293	5710 02	96430348	4810 05	96430993	5220 01		5710 02		
96428098	5710 01	96428144	5710 01	96428248	5710 02		5710 02	96430349	4810 05	96430995	5220 01	96433324	5710 02		
96428099	5710 01	96428145	5710 01	96428249	5710 02	96428329	5710 07	96430499	6950 01	96430998	5220 01		5710 02		
96428100	5710 01	96428146	5710 01	96428252	5710 02	96428331	5710 06	96430527	6950 01	96430997	5220 01	96433325	5710 02		
96428101	5710 01	96428147	5710 01	96428254	5710 02	96428332	5710 01	96430529	5110 17	96430999	6841 18		5710 02		
96428102	5710 01	96428148	5710 01	96428257	5710 02	96428333	5710 01	96430656	6150 01	96430995	8352 01	96433329	5710 02		
96428103	5710 01	96428149	5710 01	96428259	5710 02	96428342	5710 03	96430691	4910 03	96430998	8352 01		5710 02		
96428104	5710 01	96428150	5710 01	96428261	5710 02	96428343	5710 03	96430692	4910 03	96431036	5330 13	96433330	5710 02		
96428105	5710 01	96428151	5710 01		5710 02	96428344	5710 03	96430737	6960 01	96431037	5330 17		5710 02		
96428106	5710 01	96428152	5710 01	96428269	5710 02	96428347	5710 03		6960 01	96432342	5810 01	96433332	5710 02		
96428107	5710 01	96428153	5710 01		5710 02	96428350	5710 02	96430742	4430 01	96432343	5810 01		5710 02		
96428108	5710 01	96428154	5710 01		5710 02	96428476	3920 01	96430743	4430 01	96432497	6870 41	96433336	5710 02		
96428109	5710 01	96428155	5710 01		5710 02	96428479	5710 43	96430744	4430 02	96432502	5510 26		5710 02		
96428110	5710 01	96428198	5710 02	96428270	5710 02		5710 43	96430745	4430 02		5510 26	96433339	5710 02		
96428111	5710 01		5710 02		5710 02	96428481	5710 43	96430746	5710 04	96432628	7810 03		5710 02		
96428112	5710 01	96428202	5710 02		5710 02		5710 43	96430747	5710 04	96432757	7810 01	96433341	5710 02		
96428113	5710 01		5710 02		5710 02	96428740	2510 01	96430856	7342 01	96432758	7810 01		5710 02		
96428114	5710 01	96428205	5710 02	96428271	5710 02	96428774	5510 06	96430859	7342 01	96433075	1311 30	96433342	5710 02		
96428115	5710 01	96428206	5710 02		5710 02	96428776	5510 06	96430925	5220 01		1311 30		5710 02		
96428116	5710 01	96428207	5710 02		5710 02	96428807	6980 08	96430927	5220 01		1311 30	96433344	5710 02		
96428117	5710 01	96428208	5710 02		5710 02	96428810	2480 43	96430929	5220 01	96433097	7810 12		5710 02		
96428118	5710 01	96428210	5710 02	96428272	5710 02	96428813	6930 04	96430931	5220 01	96433109	7810 01		5710 02		
96428119	5710 01		5710 02		5710 02	96428814	6930 04	96430932	5220 01		7810 01	96433345	5710 02		
96428120	5710 01	96428213	5710 02		5710 02	96428815	6930 04	96430933	5220 01	96433110	7810 01		5710 02		
96428122	5710 01	96428214	5710 02		5710 02	96428816	6930 04	96430934	5220 01	96433173	2510 02	96433350	2210 01		
96428123	5710 01	96428215	5710 02	96428278	5710 02	96428817	6930 04	96430935	5220 01	96433267	1533 10	96433408	7113 05		
96428124	5710 01	96428216	5710 02		5710 02	96428818	6930 04	96430936	5220 01	96433288	1533 10	96433928	5710 01		
96428125	5710 01	96428218	5710 02	96428296	5710 02	96428819	6930 04	96430937	5220 01	96433303	5710 02	96433929	5710 01		
96428126	5710 01	96428226	5710 02		5710 02	96428820	6930 04	96430939	5220 01		5710 02	96433930	5710 01		
96428127	5710 01		5710 02		5710 02	96428842	7350 02	96430941	5220 01	96433304	5710 02	96433931	5710 01		
96428128	5710 01	96428231	5710 02		5710 02		7350 02	96430942	5220 01		5710 02	96433932	5710 01		
96428129	5710 01		5710 02	96428287	5710 02	96428845	7350 02	96430943	5220 01	96433307	5710 02	96433933	5710 01		
	5710 01	96428236	5710 02		5710 02	96428848	7350 02	96430944	5220 01		5710 02	96433934	5710 01		
96428130	5710 01	96428237	5710 02		5710 02		7350 02	96430946	5220 01	96433310	8221 03	96433935	5710 01		
96428131	5710 01	96428238	5710 02		5710 02	96428851	7350 02	96430950	5220 01	96433313	8212 10	96433936	5710 01		

PART NO.	LOC.NO.	PART NO.	LOC.NO.	PART NO.	LOC.NO.	PART NO.	LOC.NO.	PART NO.	LOC.NO.	PART NO.	LOC.NO.	PART NO.	LOC.NO.
98433937	5710 01	98433978	5710 01	98435117	4530 12	98435843	7120 01	98437871	6850 02	98438883	5710 03	98442853	7810 01
98433938	5710 01	98433979	5710 01	98435118	4530 12	98435844	7120 01	98437739	6710 02	98438879	7810 01	98442732	6510 03
98433939	5710 01	98433980	5710 01	98435119	4530 12	98435845	7120 01	98437740	6711 23	98438880	7810 01	98442820	8320 01
98433940	5710 01	98433981	5710 01	98435121	6480 01	98435849	7120 57	98437831	5710 52	98438085	7141 71	98442824	8320 01
98433941	5710 01	98433982	5710 01	98435122	6480 01		7120 57		5710 52	98438087	6150 01	98442826	8320 01
98433942	5710 01	98433983	5710 01	98435129	4530 31	98435850	7120 57	98437842	5710 52	98438089	6150 01	98442927	8320 01
98433943	5710 01	98434210	1230 09	98435130	4530 31	98435851	7120 57		5710 52	98438095	6710 01	98442955	2510 01
98433944	5710 01	98434211	1230 08	98435138	8331 08	98435853	7120 57	98437843	5710 52	98438096	6711 01	98442956	2510 01
98433945	5710 01	98434212	1230 07	98435280	6520 32		7120 57		5710 52	98438098	3910 01	98443001	7580 29
98433946	5710 01	98434270	2120 15	98435283	6150 02	98435854	7120 57	98437909	1220 22	98438731	3210 01	98443003	7580 01
98433947	5710 01		2120 15	98435410	1531 08	98435855	7120 57	98438110	1321 03	98438736	3210 01	98443005	7580 01
98433948	5710 01		2130 45	98435460	1311 31	98435857	7120 51	98438131	1111 01	98438737	3210 01	98443007	7580 29
98433949	5710 01		2131 34	98435500	5310 09	98435859	7120 38	98438132	1111 01	98438759	3240 03	98443583	7210 01
98433950	5710 01	98434272	2131 32		5310 09	98435861	7120 38	98438133	1111 01	98438831	5440 02	98443585	7210 01
98433951	5710 01	98434273	2120 17	98435501	5310 09	98435863	7120 45	98438134	1111 01	98438832	6480 05	98443587	7210 01
98433952	5710 01	98434279	2110 36		5310 09	98435864	7120 45	98438136	1111 01	98438833	6480 05	98443589	7210 01
98433953	5710 01	98434326	9110 04	98435502	5310 09	98438031	7810 03	98438138	1111 01	98440079	1311 12	98443571	7210 01
98433954	5710 01	98434368	3280 24		5310 09	98438032	7810 03	98438422	2510 01	98440081	1311 11	98443573	7210 01
98433955	5710 01	98434540	4180 09	98435503	5310 09		7810 03	98438432	4852 11	98440085	1311 40	98443575	7210 01
98433956	5710 01		4150 09		5310 09	98438033	7810 05	98438436	4710 03		2451 10	98443577	7210 01
98433957	5710 01	98434541	4180 09	98435518	5710 06	98438034	7810 05		4710 03	98440886	6850 01	98443579	7210 01
98433958	5710 01	98434542	4310 07	98435547	2510 01	98438035	7810 20	98438442	4852 09	98440890	6711 02	98443581	7210 01
98433959	5710 01		4310 07	98435548	2510 01	98438036	7810 42	98438443	4852 10	98440891	6850 01	98443583	7210 01
98433960	5710 01	98434543	4310 07	98435716	6840 05	98438037	7810 12	98438444	4852 09	98440892	5510 01	98443585	7210 01
98433961	5710 01		4310 07	98435717	6410 10	98438299	6830 02	98438445	4852 10	98440925	4430 04	98443587	7210 01
98433962	5710 01	98434730	5310 01		6411 10	98438331	4430 04	98438446	4852 09	98440928	4430 04	98443589	7210 01
98433963	5710 01		5310 01	98435718	6410 10	98438332	4430 04	98438447	4852 10	98442363	4910 01	98443591	7210 01
98433964	5710 01	98434731	5310 01		6411 10	98438399	4190 91	98438450	4852 09		4910 01	98443593	7210 01
98433965	5710 01		5310 01	98435719	6413 10	98438999	2130 04	98438451	4852 10	98442365	4910 01	98443595	7210 01
98433966	5710 01	98434732	5310 01	98435720	6413 10		2130 04	98438452	4852 09	98442366	4910 01	98443597	7210 01
98433967	5710 01		5310 01	98435831	7120 01	98438570	2120 03	98438453	4852 10	98442367	4910 01	98443599	7210 01
98433968	5710 01	98434733	5310 01		7120 01	98437279	3240 03	98438456	4852 09		4910 01	98443601	7210 01
98433969	5710 01		5310 01	98435833	7120 01	98437281	3230 05	98438457	4852 10	98442422	7322 11	98443603	7210 01
98433970	5710 01	98434738	7113 05		7120 01	98437282	3230 16	98438458	4852 09	98442463	9784 04	98443605	7210 01
98433971	5710 01	98434780	1331 32	98435834	7120 01	98437439	2510 01	98438461	4852 10	98442537	6840 01	98443607	7210 01
98433972	5710 01		1331 32	98435835	7120 01	98437441	2510 01	98438462	4852 09	98442538	6840 01	98443609	7210 01
98433973	5710 01	98434804	6480 02	98435837	7120 01	98437619	5420 22	98438463	4852 10	98442539	6840 01	98443621	7210 01
98433974	5710 01	98434805	6480 02	98435838	7120 01	98437663	6850 03	98438464	4852 14	98442540	6840 01	98443624	7210 01
98433975	5710 01	98435002	6482 03	98435841	7120 01	98437885	6850 03	98438465	4852 15	98442541	6840 01	98443641	7210 01
98433976	5710 01	98435003	6482 03		7120 01	98437887	6850 03	98438466	4852 16	98442546	6870 41	98443643	7210 01
98433977	5710 01	98435116	4530 12	98435843	7120 01	98437670	6850 02	98438675	5710 03	98442590	7810 12	98443647	7210 01

PART NO. INDEX

PART NO.	LOC.NO.	PART NO.	LOC.NO.	PART NO.	LOC.NO.	PART NO.	LOC.NO.	PART NO.	LOC.NO.	PART NO.	LOC.NO.	PART NO.	LOC.NO.
98443647	7210 01	98445916	5710 02	98448906	5710 02	98447634	7210 68	98449356	7220 01	98451335	4110 01	98451905	4950 51
98443649	7210 01	98445917	5710 02	98448922	1311 01	98447635	7220 48	98449358	7220 01		4110 01	98451906	4950 51
	7210 01	98445918	5710 02	98448923	1311 42	98447636	7220 46	98449360	7220 01	98451336	4110 02	98451907	4950 51
98443665	7210 01	98445935	7610 01	98448933	1311 42	98447680	4852 11	98449364	7220 01		4110 02	98451908	4950 51
98443669	7210 01	98445942	5710 02	98448935	5710 03	98447681	4852 14	98449311	9764 03	98451337	4110 01	98451951	4910 01
98443671	7210 01	98445943	5710 02	98448936	5710 03	98447682	5710 02	98450001	4950 01		4110 01	98451956	4950 58
	7210 01	98445944	5710 02	98448937	5710 03	98447683	5320 01	98450005	4950 58	98451338	4110 02		4950 58
98443673	7210 01	98445945	5710 02	98448938	5710 03	98447685	7141 45	98450007	4950 51		4110 02	98451959	4910 01
	7210 01	98445947	5710 02	98448939	5710 03	98447680	1411 01		4950 51	98451393	3920 01	98451961	4910 01
98443681	7210 01	98445948	5710 02	98448940	5710 03	98448032	5710 02	98450008	4950 51	98451400	8110 01	98451963	4910 01
98443683	7210 01	98445949	5710 02	98448941	5710 03		5710 02	98450009	4950 51	98451465	4950 01	98451967	4950 58
98443685	7210 01	98445950	5710 02	98448942	5710 03	98448413	7610 12	98450059	4440 19	98451476	7141 61		4950 58
	7210 01	98445952	5710 02	98448943	5710 03	98448480	1111 01	98450078	8320 01	98451479	7141 61	98451976	4950 01
98443687	7210 01	98445953	5710 02	98448944	5710 03	98448552	6530 13	98450249	1711 07	98451496	5710 52	98452104	1521 19
	7210 01	98445954	5710 02	98448945	5710 03	98448609	9792 08	98450250	1711 08		5710 52	98452201	7530 43
98443705	7210 01	98445955	5710 02	98448946	5710 03	98448607	7580 29	98450251	1711 09	98451497	5710 23	98452202	7530 43
98443707	7210 01	98446181	5710 02	98447031	7210 05	98448609	7580 29	98450252	1711 10		5710 23	98452203	7530 43
98443709	7210 01	98446182	5710 02		7210 05	98448611	7580 01	98450253	1711 11	98451498	4310 30	98452204	7530 43
	7210 01	98446183	5710 02	98447426	5710 03	98448613	7580 01	98450411	8331 01	98451501	5710 11	98452237	6680 07
98443711	7210 01	98446184	5710 02	98447427	5710 03	98448615	7580 01	98450416	5440 06		5710 11	98452238	6680 04
	7210 01		5710 02	98447428	5710 03	98448617	7580 01		5440 06	98451720	5710 10		9766 03
98444390	7120 91	98446185	5710 02	98447429	5710 03	98448619	7580 01	98450526	7130 13		5710 10	98452250	5610 08
98444468	4150 08		5710 02	98447430	5710 03	98448621	7580 01	98450663	1760 01	98451738	5620 28	98452251	5610 08
98444762	2120 33	98446186	5710 02	98447431	5710 03	98448623	7580 01	98451064	2451 02	98451739	5620 01	98452269	6680 07
98444823	5430 03	98446187	5710 02	98447432	5710 03	98448625	7580 01	98451079	5710 02	98451740	5620 01	98452301	6680 02
98445772	4440 17	98446188	5710 02	98447433	5710 03	98448625	2510 02	98451099	4950 10	98451741	5620 01	98452303	6680 02
	4440 17	98446189	5710 02	98447440	2110 02	98448691	8340 06	98451205	4950 51	98451742	5620 01	98452304	6680 02
98445774	4440 09	98446190	5710 02		2110 02	98449297	9764 03		4950 51	98451743	5620 01	98452311	6680 04
	4440 09	98446191	5710 02	98447441	2110 36	98449298	4510 02	98451207	4950 51	98451744	5620 01		9766 03
98445820	2230 20	98446192	5710 02		2110 36	98449299	9764 03	98451312	4410 04	98451745	5620 01	98452316	6680 15
98445807	5710 02	98446193	5710 02	98447442	2110 02	98449300	9764 03	98451313	4410 04	98451746	5620 01	98452325	6680 02
98445908	5710 02	98446194	5710 02	98447443	2110 36	98449302	7220 01	98451314	4410 17	98451748	5710 09	98452326	6680 02
98445909	5710 02	98446195	5710 02	98447446	2110 36	98449304	7220 01	98451323	3910 01	98451749	5710 09	98452327	6680 02
98445910	5710 02	98446196	5710 02	98447447	2110 02	98449306	7220 01	98451331	4110 01	98451752	4330 03	98452342	1521 01
98445911	5710 02	98446197	5710 02	98447490	5710 23	98449306	7220 01		4110 01	98451764	2120 03		1521 01
	5710 02	98446198	5710 02		5710 23	98449310	7220 01	98451332	4110 02	98451768	4950 03		1521 01
98445912	5710 02	98446199	5710 02	98447631	7210 68	98449312	7220 01		4110 02	98451794	2131 04	98452376	2460 40
	5710 02	98446201	5710 02	98447632	7210 68	98449344	7220 01	98451333	4110 01	98451797	4950 02	98452735	4950 02
98445913	5710 02	98446902	5710 02	98447633	7210 68	98449346	7220 01		4110 01	98451818	4950 51	98452809	4950 01
98445914	5710 02	98446903	5710 02		7210 68	98449348	7220 01	98451334	4110 02		4950 51	98452858	4950 01
98445915	5710 02	98446904	5710 02	98447634	7210 68	98449352	7220 01		4110 02	98451819	4950 51	98452906	7520 39

PART NO.	LOC.NO.	PART NO.	LOC.NO.	PART NO.	LOC.NO.	PART NO.	LOC.NO.	PART NO.	LOC.NO.	PART NO.	LOC.NO.	PART NO.	LOC.NO.	PART NO.	LOC.NO.
98452918	6670 14	98454240	4831 01	98454394	5710 02	98455863	9772 08	98458552	6870 31	98458510	9755 02	98480433	2460 12		
98452919	6670 14	98454242	4831 01	98454399	5710 02	98455865	9772 08	98458677	4830 33	98458520	9755 02	98480434	2460 12		
98452920	6670 14	98454244	4831 01	98454417	5710 02	98455867	9772 07		4831 57	98458525	9755 02	98481014	2411 05		
98452921	6670 14	98454245	4831 01		5710 02	98455869	9772 07	98458718	2233 16	98458672	7232 01	98481130	1521 25		
98453084	5410 06	98454246	4831 01		5710 02	98455871	9772 08	98457062	7130 22	98458680	2510 01	98481133	1521 10		
98453086	5410 23	98454253	4831 01		5710 02	98455873	9772 08	98457065	7130 33	98458681	2510 01		1521 10		
98453088	7210 62	98454254	4831 01	98454456	6860 03	98455875	9772 08	98457360	4320 04	98458682	2510 01		1521 10		
	7220 40	98454299	6860 04		6860 03	98455877	9772 08	98457423	4320 05	98458683	2510 01	98481137	1521 33		
98453089	7210 62		9708 03	98454576	9708 02	98455879	9772 10	98457801	7990 03	98458689	5110 01	98481296	2460 12		
	7220 40	98454334	5710 02	98454659	6860 02	98455881	9772 10	98457802	1521 31	98458610	5110 01		2460 12		
98453130	5420 22		5710 02	98454745	4831 01	98455883	9772 09	98458018	6670 07	98458611	5110 01	98481431	2460 08		
98453186	2460 40	98454335	5710 02	98454748	4831 01	98455885	9772 09	98458019	6670 07	98458612	5110 01	98481433	2460 08		
98453178	1621 29		5710 02	98454747	4831 01	98455887	9772 10	98458020	6670 07	98458613	5110 01	98481435	2460 08		
98453337	5430 25	98454344	5710 02	98454748	4831 01	98455889	9772 10	98458021	6670 07	98458614	5110 01	98481442	2460 32		
98453376	6430 06	98454346	5710 02	98455264	2510 24	98455890	9773 05	98458060	6670 07	98458615	5110 01	98481483	2460 12		
98453381	4810 19		5710 02	98455395	5710 04	98455891	9773 05	98458062	6670 07	98458616	5110 01	98481484	2460 12		
98453420	1711 01	98454347	5710 02		5710 04	98455892	9773 06	98458063	6670 07	98458619	5110 01	98481486	2460 12		
98453547	7232 05		5710 02	98455396	5710 04	98455893	9773 06	98458073	6670 07	98458620	5110 01	98481488	2460 12		
98453549	7120 01		5710 02		6710 04	98455896	9772 09	98458074	6670 07	98458621	5110 01	98481922	5140 13		
98453550	7120 01	98454350	5710 02	98455418	7141 19	98455897	9772 09	98458337	6480 05	98458622	5110 01	98481924	5140 13		
98453562	5410 06		5710 02	98455421	7141 19	98455810	2411 22	98458338	6480 05	98458623	5110 01	98481925	9760 21		
98453582	5410 23	98454355	5710 02	98455468	4831 01	98455899	4710 03	98458341	6480 05	98458624	5110 01	98481926	9760 21		
98453636	6430 01	98454357	5710 02	98455469	4831 01		4710 03	98458342	6480 05	98458625	5110 01	98481927	9760 21		
98453639	5430 01	98454371	5710 02	98455501	4831 01	98455870	4710 03	98458345	6480 05	98458626	5110 01	98481928	9760 21		
98453702	2460 40		5710 02	98455502	4831 01	98455863	6411 03	98458346	6480 05	98458673	1230 30	98482231	3620 24		
98453709	7120 01		5710 02	98455503	4830 01	98455864	6411 03	98458347	6480 05		1231 18	98482458	6460 05		
98453710	7120 01		5710 02	98455504	4830 01	98455867	6410 03	98458349	6480 05	98458042	8331 08	98482459	6460 05		
98453852	5430 22	98454372	5710 02	98455505	4830 01	98455868	6410 03	98458350	6480 05	98458510	5620 10	98482460	6460 05		
98453853	5430 22		5710 02	98455506	4830 01	98458098	1331 09	98458357	6480 05	98458511	5620 10	98482461	6460 05		
98453854	5430 22	98454373	5710 02	98458624	4140 13	98458099	4440 01	98458358	6480 05	98480002	1681 07	98482810	6460 01		
98453855	5420 08		5710 02	98455625	4140 13	98458153	1521 28	98458469	9760 04	98480220	1713 16	98482812	6460 01		
98454097	5440 02		5710 02	98455626	4320 10	98458156	6660 01	98458470	9760 09	98480221	1713 17	98482814	6460 01		
98454102	6460 05		5710 02	98458627	4320 10		6660 01	98458471	9760 14	98480222	1713 18	98482816	6460 01		
98454103	6460 05	98454375	5710 02	98458629	4140 11		6660 01	98458472	9760 14	98480223	1713 19	98482823	6460 01		
98454105	5420 22	98454376	5710 02	98458631	4320 06	98458210	5620 46	98458480	9760 04	98480224	1713 20	98482825	6460 01		
98454106	5420 14		5710 02	98458651	9773 05	98458318	5710 48	98458481	9760 09	98480410	2460 39	98482827	6460 01		
98454116	5440 04	98454379	5710 02	98458653	9773 05		5710 48	98458482	9760 14		2460 39	98482829	6460 01		
98454151	4950 26		5710 02	98458655	9773 05	98458319	5710 48	98458483	9760 14	98480427	2460 15	98482835	6460 01		
98454206	5710 52	98454391	5710 02	98458657	9773 06		5710 48	98458491	9792 02	98480430	2460 16	98482837	6460 01		
	5710 52		5710 02	98458659	9772 07	98458333	5710 48	98458496	9792 02	98480431	2460 12	98482839	6460 01		
98454239	4831 01	98454394	5710 02	98458661	9772 07		5710 48	98458505	9755 02	98480432	2460 12	98482841	6460 01		

PART NO. INDEX

PART NO.	LOC.NO.	PART NO.	LOC.NO.	PART NO.	LOC.NO.	PART NO.	LOC.NO.	PART NO.	LOC.NO.	PART NO.	LOC.NO.	PART NO.	LOC.NO.	PART NO.	LOC.NO.
98462847	6480 01	98464081	5710 01	98464999	5510 28	98468308	5710 06	98470680	7220 01	98471091	7540 01	98471348	7210 01		
98462849	6480 01	98464082	5710 01	98466219	5510 11	98468309	5710 06	98470791	7520 49	98471093	7541 01		7210 01		
98462851	6480 01	98464083	5710 01	98466523	9773 05	98468618	9739 02	98470792	7520 49	98471095	7541 05	98471350	7220 01		
98462853	6480 01	98464084	5710 01	98466524	9773 05	98468619	9739 02	98470804	7341 01	98471097	7541 05	98471352	7220 01		
98462859	6480 01	98464216	5710 08	98466526	9773 05	98468620	9739 07	98470806	7341 01	98471099	7541 05	98471354	7220 01		
98462863	6480 01	98464460	9745 05	98466527	9773 05	98468633	6413 03	98470907	7322 05	98471101	7541 57	98471356	7220 01		
98462865	6480 01	98464614	5710 52	98466529	9773 05	98468634	6413 03	98470911	9772 11	98471103	7541 81	98471358	7220 01		
98462867	6480 01	98464615	5710 52	98466530	9773 05	98468637	5710 06	98470912	9772 11	98471302	7210 01	98471360	7220 01		
98462869	6480 01	98464616	5710 52	98466532	9773 05	98468638	5710 06	98470917	9772 12	98471304	7210 01	98471362	7220 01		
98462871	6480 01	98464617	5710 52	98466533	9773 05	98468699	7113 08	98470918	9772 12	98471306	7210 01	98471364	7220 01		
98462873	6480 01	98464619	5710 52	98466547	9773 05	98469167	7113 10	98470950	7510 01		7210 01	98471374	7210 01		
98462885	4320 10	98464620	5710 52	98466548	9773 05	98469168	7113 10	98470952	7520 17	98471308	7210 01	98471376	7210 01		
98462897	4320 10	98464651	5710 23	98466550	9773 05	98469197	4150 10	98471001	7510 01		7210 01	98471378	7210 01		
98462898	4320 08	98464652	5710 23	98466551	9773 05	98469203	1321 16	98471003	7510 01	98471310	7210 01	98471380	7210 01		
98463005	1311 38	98464659	9766 02	98466553	9773 05	98469206	4150 10	98471005	7510 01	98471312	7210 01	98471382	7210 01		
98463006	5440 02	98464721	5710 02	98466554	9773 05	98469210	7510 01	98471007	7510 01	98471314	7210 01	98471384	7210 01		
98463007	5440 02	98464723	5710 06	98466556	9773 05	98469212	7510 01	98471009	7510 01		7210 01	98471388	7210 01		
98463501	6480 01	98464724	5710 06	98466557	9773 05	98469214	7510 01	98471011	7510 01	98471316	7210 01	98471388	7210 01		
98463505	6480 01	98464727	5710 06	98467139	5710 06	98469216	7541 05	98471017	7510 01		7210 01	98471390	7210 01		
98463507	6480 01	98464728	5710 06	98467176	5710 06	98469224	7541 06	98471019	7510 01	98471318	7210 01	98471392	7210 01		
98463509	6480 01	98464731	5710 06	98467179	5710 06	98469291	6711 08	98471021	7510 01	98471320	7210 01	98471398	7210 01		
98463511	6480 01	98464732	5710 06	98467181	5710 06	98469250	6670 07	98471023	7510 01	98471322	7210 01	98471400	7210 01		
98463517	6480 01	98464735	5710 06	98467183	5710 06	98469263	1760 01	98471033	7510 01		7210 01	98471406	7210 01		
98463606	4710 27	98464736	5710 06	98467185	5710 06	98469268	5710 01	98471035	7510 01	98471324	7210 01	98471408	7210 01		
98463607	4710 27	98464738	5710 06	98467188	5710 06	98469269	5710 01	98471037	7510 01		7210 01	98471410	7210 01		
98463608	4710 01	98464756	6110 16	98467254	5710 06	98470023	6680 03	98471039	7510 01	98471326	7210 01	98471412	7210 01		
98463609	4710 01	98464759	6110 16	98467277	5710 06		6680 03	98471041	7510 01	98471328	7210 01	98471414	7210 01		
98463796	4530 13	98464763	7810 03	98467287	5710 06	98470024	6680 03	98471043	7510 01	98471330	7210 01	98471416	7210 01		
98463797	4530 13	98464846	6480 01	98467289	5710 06		6680 03	98471045	7510 01		7210 01	98471418	7210 01		
98463798	4521 01	98464848	6480 01	98467292	5710 06		6680 03	98471047	7510 01	98471332	7210 01	98471420	7210 01		
98463799	4521 01	98464850	6480 01	98467304	5710 06	98470071	5410 05	98471053	7510 01		7210 01	98471422	7210 01		
98464026	5710 01	98464902	6480 02	98467307	5710 06		5410 05	98471055	7510 01	98471334	7210 01	98471424	7210 01		
98464027	5710 01	98464903	6480 02	98467317	5710 06	98470072	5410 05	98471057	7510 01	98471336	7210 01	98471426	7210 01		
98464031	5710 11	98464906	6480 02	98467322	5710 06		5410 05	98471059	7510 01	98471338	7210 01	98471428	7210 01		
	5710 11	98464907	6480 02	98467328	5710 06	98470188	4530 05	98471061	7510 01		7210 01	98471430	7210 01		
98464032	5710 11	98464908	6480 02	98467329	5710 43	98470187	4530 06	98471067	7510 01	98471340	7210 01	98471432	7210 01		
98464033	5710 04	98464911	6480 02	98467330	5710 43	98470353	8350 29	98471073	7510 01		7210 01	98471434	7210 01		
98464042	5710 01	98464912	6480 02	98467331	5710 43	98470354	8350 30	98471075	7510 01	98471342	7210 01	98471436	7210 01		
98464043	5710 01	98464913	6480 02	98467332	5710 43	98470672	7210 01	98471077	7510 01	98471344	7210 01	98471438	7220 01		
98464045	5710 08	98464914	6480 02	98467335	5710 08	98470676	7210 01	98471079	7510 01	98471346	7210 01	98471440	7220 01		
98464077	5710 06	98464916	6480 02	98468290	6670 09	98470678	7220 01	98471089	7540 08		7210 01	98471442	7220 01		

PART NO.	LOC.NO.	PART NO.	LOC.NO.	PART NO.	LOC.NO.	PART NO.	LOC.NO.	PART NO.	LOC.NO.	PART NO.	LOC.NO.	PART NO.	LOC.NO.
98471444	7220 01	98471988	7520 18	98472078	7520 07	98472485	7510 01	98472745	7520 01	98473344	7510 01	98474549	1111 01
98471448	7220 01	98471970	7520 18	98472080	7540 07	98472487	7510 01	98472747	7520 01	98473347	7540 08	98474550	1111 01
98471448	7220 01	98471972	7520 18	98472082	7540 02	98472489	7510 01	98472749	7520 01	98473355	7520 18	98474551	1111 01
98471454	7220 01	98471974	7520 18	98472084	7541 02	98472501	7510 01	98472751	7520 01	98473357	7520 18	98474552	1111 01
98471458	7220 01	98471976	7520 18	98472086	7541 06	98472505	7510 01	98472753	7520 01	98473359	7520 18	98474553	1111 01
98471458	7220 01	98471978	7520 18	98472088	7541 06	98472507	7510 01	98472755	7520 01	98473361	7520 18	98474510	9775 02
98471480	7220 01	98471980	7520 18	98472090	7541 06	98472509	7510 01	98472757	7520 01	98473367	7520 04	98474511	9775 02
98471510	7510 01	98471982	7520 04	98472108	7520 17	98472554	7520 18		7520 01	98473369	7520 04	98474512	9775 02
98471532	7510 01	98471984	7520 04	98472108	7520 17	98472556	7520 18	98472776	7520 01	98473371	7520 04	98474515	9775 03
98471534	7510 01	98471986	7520 04	98472110	7520 17	98472558	7520 18	98472787	7520 07	98473373	7520 04	98474516	9775 03
98471538	7510 01	98471988	7520 04	98472112	7520 17	98472560	7520 18	98472793	7540 06	98473377	7540 07	98474517	9775 10
98471538	7510 01	98471990	7520 04		7520 17	98472562	7520 18	98472816	7540 07	98473386	1321 21	98474518	9775 04
98471540	7510 01	98471992	7520 04	98472114	7520 17	98472564	7520 18	98472841	7541 01	98473400	1311 25	98474519	9775 04
98471542	7510 01	98471994	7520 17	98472116	7520 17	98472566	7520 04	98472843	7541 05	98473426	5430 01	98474520	9775 05
98471558	7510 01	98471996	7520 17		7520 17	98472600	7520 04	98472845	7541 05	98473434	7510 01	98474521	9775 08
98471560	7510 01	98471998	7520 17	98472122	7520 17	98472602	7520 04	98472847	7541 05	98473436	7541 05	98474522	9775 06
98471560	7520 17	98472000	7520 17	98472124	7520 17	98472604	7520 04	98472849	7541 05	98473438	7541 06	98474523	9775 11
98471582	7520 17	98472002	7520 17	98472126	7520 17	98472644	7520 17	98472851	7541 05	98473439	5430 03	98474524	9775 06
98471584	7520 17	98472004	7520 17		7520 17	98472646	7520 17	98472851	7541 02	98473443	5430 03	98474525	9775 06
98471588	7520 17	98472006	7520 17	98472128	7520 17	98472648	7520 17	98472853	7541 06	98473445	5430 03	98474526	9775 06
98471588	7520 17	98472008	7520 17		7520 17	98472650	7520 17	98472855	7541 06	98473451	5430 06	98474527	9775 11
98471611	2460 40	98472010	7520 17	98472348	7541 05	98472657	7520 17	98472857	7541 06	98473901	3710 09	98474530	9775 07
98471701	7520 17	98472012	7520 17	98472350	7541 05	98472659	7520 17	98472912	7541 37	98473903	3710 09	98474531	9775 12
98471703	7520 17	98472014	7520 17	98472352	7541 05	98472693	7520 17	98472932	7541 57	98473999	2131 04	98474740	9771 06
98471721	7520 17	98472016	7520 17		7541 05	98472695	7520 17	98472934	7541 57	98473970	2120 03	98474741	9771 06
98471723	7520 17	98472020	7520 17	98472483	7510 01	98472699	7520 17	98472950	7541 61	98473996	1321 16	98474748	9771 08
98471727	7520 17	98472022	7520 17	98472485	7510 01	98472701	7520 17	98473314	7510 01	98473776	4950 20	98474749	9771 08
98471729	7520 17	98472024	7520 17	98472487	7510 01	98472705	7520 17	98473316	7510 01	98473777	1780 01	98474750	9771 08
98471733	7520 17	98472026	7520 17	98472489	7510 01	98472707	7520 17	98473318	7510 01	98473964	9739 07	98474751	9771 08
98471735	7520 17	98472034	7520 17	98472471	7510 01		7520 17	98473320	7510 01	98473985	6413 10	98474756	9771 02
98471807	7510 01	98472036	7520 17	98472473	7510 01	98472711	7520 17	98473322	7510 01	98473986	6413 10	98474757	9771 02
98471809	7510 01	98472040	7520 17	98472475	7510 01	98472713	7520 17	98473324	7510 01	98474040	4150 09	98474758	9771 02
98471815	7510 01	98472042	7520 17	98472477	7510 01	98472715	7520 17	98473326	7510 01		4150 09	98474759	9771 02
98471817	7510 01	98472054	7520 01	98472479	7510 01	98472717	7520 17	98473328	7510 01	98474041	4150 09	98474760	9771 02
98471819	7510 01	98472056	7520 01	98472481	7510 01		7520 17	98473330	7510 01	98474042	4310 07	98474761	9771 02
98471821	7510 01	98472058	7520 01	98472483	7510 01		7520 17	98473332	7510 01		4310 07	98474762	9771 02
98471823	7510 01	98472060	7520 01	98472485	7510 01	98472735	7520 01	98473334	7510 01	98474043	4310 07	98474763	9771 02
98471825	7510 01	98472062	7520 01	98472487	7510 01	98472737	7520 01	98473336	7510 01		4310 07	98474776	9739 18
98471827	7510 01	98472066	7520 01	98472489	7510 01	98472739	7520 01	98473338	7510 01	98474044	4150 09	98474779	9739 18
98471829	7510 01	98472068	7520 01	98472491	7510 01	98472741	7520 01	98473340	7510 01	98474547	1111 01	98474780	9739 18
98471986	7520 18	98472070	7520 01	98472493	7510 01	98472743	7520 01	98473342	7510 01	98474548	1111 01	98474784	9739 19

PART NO. INDEX

PART NO.	LOC.NO.	PART NO.	LOC.NO.	PART NO.	LOC.NO.	PART NO.	LOC.NO.	PART NO.	LOC.NO.	PART NO.	LOC.NO.	PART NO.	LOC.NO.	PART NO.	LOC.NO.
96474786	9739 19	96478278	9748 02	96479953	7530 01	96487477	1411 12	96480750	6670 17	96493716	7220 01	96495512	7520 18		
96474787	9739 19	96478279	9748 02	96479954	7530 01	96487489	1411 12	96480899	6670 31	96493717	7220 01	96495514	7520 18		
96474788	9739 19	96478280	9748 02	96481061	8340 04	96487555	1411 06	96491308	2510 01	96493718	7220 01		7520 18		
96474794	9771 11	96478281	9748 02	96481173	7550 03	96487556	1411 26	96491309	2510 01	96493719	7220 01	96495516	7520 18		
96474817	5510 01	96478282	9748 02	96481526	1531 01	96487557	1411 11	96491310	2510 01	96493720	7220 01	96495520	7520 18		
96474818	5510 01	96478695	4521 06	96481528	1311 31	96487666	5710 26	96491311	2510 01	96493721	7220 01	96495522	7520 18		
96474822	5510 02	96477713	2220 07		1311 31	96487696	1331 38	96491313	2510 01	96493722	7220 01	96495524	7520 18		
96474823	5510 02	96479901	7520 06	96481581	1230 23	96487809	5710 54	96491315	2510 01	96493723	7220 01	96495528	7520 18		
96474824	5510 02	96479902	7520 06	96481951	7550 27	96488000	1220 12	96491531	3710 09	96493751	2120 13	96495530	7520 18		
96475078	2233 18	96479903	7520 06	96482030	3910 10	96488170	5420 26	96492748	4430 18		2120 13	96495532	7520 18		
96475097	4910 01		7520 06	96482069	1230 18	96488623	4130 01	96492766	5320 04	96493755	3810 01	96495536	7520 18		
96475128	6230 02	96479904	7520 06	96482347	7210 68	96488824	4130 01	96492806	8221 08	96493843	1413 02	96495538	7520 18		
96475129	6230 02		7520 06	96482348	7210 68	96488829	4310 08	96492999	7530 44	96493911	7210 31	96495540	7520 18		
96475131	6330 02	96479905	7520 03	96482349	7210 68	96489001	4330 01	96492970	7530 44	96493912	7210 31	96495542	7520 18		
	6330 02	96479906	7520 03		7210 68	96489002	4330 01		7530 44	96493913	7220 37	96495544	7520 18		
96475132	6330 02	96479907	7520 03	96482350	7210 68	96489137	5510 11	96492981	5220 01	96493914	7220 37	96495554	7520 07		
	6330 02	96479908	7520 03		7210 68	96489813	1240 05	96492986	2480 08	96494198	8212 10	96495556	7520 04		
96475180	6670 14	96479909	7520 03	96482355	7220 46	96489940	4120 01	96492987	2480 06	96494264	1230 16		7520 04		
96475181	6670 14	96479910	7520 03	96482356	7220 46	96489942	4120 01	96493393	1220 01		1230 16	96495558	7520 04		
96475803	1111 01	96479911	7520 03	96482359	7220 05	96489948	4120 02	96493477	7520 03		1231 15		7520 04		
96475805	1111 01		7520 03		7220 05	96489949	4120 02	96493478	7520 03	96494377	1321 03	96495560	7520 04		
96475806	1111 01	96479912	7520 03	96482360	7220 05	96489954	4120 04	96493480	7520 03	96494422	4410 01	96495562	7520 04		
96475814	1111 01	96479913	7520 03		7220 05		4120 04	96493481	7520 03	96494423	4410 01	96495564	7520 04		
96475815	1111 01	96479914	7520 03	96482565	1523 16	96489955	4120 03	96493484	7520 02	96494799	2480 20	96495566	7520 04		
96475816	1111 01	96479915	7520 03	96482570	1523 13	96489956	4120 04		7520 02	96494831	3240 03	96495572	7520 04		
96475817	1111 01	96479916	7520 05	96482587	7141 71	96489997	5220 01	96493485	7520 02	96494907	3230 05	96495574	7520 04		
96475818	1111 01	96479917	7520 05		7342 16	96489998	5220 01	96493486	7520 02	96494909	3230 16	96495580	7520 04		
96475819	1111 01	96479926	7540 06	96484321	6140 51	96489999	5220 01	96493487	7541 07	96494912	3230 31	96495582	7520 04		
96475820	1111 01	96479927	7540 03		6140 51	96490020	7130 27		7541 07	96495154	7150 01	96495584	7520 04		
96475894	6150 02	96479931	7541 20	96484371	8221 03		7130 27	96493527	7520 31	96495163	1311 30	96495586	7520 04		
96476080	2411 05	96479932	7541 20	96484444	3710 06	96490031	1230 27	96493598	7541 08		1311 30	96495595	7520 01		
	2411 10	96479937	7541 03	96484931	8310 01	96490131	2480 08		7541 08		1311 30	96495596	7520 01		
96476096	1521 47	96479938	7541 07	96484932	8320 01	96490132	2480 08	96493600	7541 08	96495214	3920 01	96495598	7520 07		
96476097	1521 36		7541 07	96485103	2120 23		2480 08	96493707	7210 01	96495218	3920 01	96495799	2110 36		
96476252	4440 01	96479943	7541 04	96485151	3920 24	96490146	6641 07	96493708	7210 01	96495285	1321 16	96495806	7520 17		
96476253	4440 01	96479947	7530 46	96485154	3920 40	96490147	6641 07	96493710	7210 01	96495288	1321 17	96495810	7520 17		
96476254	4440 01	96479948	7530 46	96486561	7520 12	96490218	4180 02	96493711	7210 01	96495289	1321 21	96495814	7520 17		
96476255	4440 01	96479949	7530 46	96486562	7520 08	96490289	7232 08	96493712	7210 01	96495356	1311 34	96495816	7520 17		
96476275	9748 02	96479950	7530 46	96486761	3920 62	96490467	1751 07	96493713	7210 01		1311 34	96495818	7520 17		
96476276	9748 02	96479951	7530 01	96487434	1210 01	96490497	2120 09	96493714	7210 01	96495503	1323 03	96495822	7520 17		
96476277	9748 02	96479952	7530 01	96487435	1210 01	96490629	6110 16	96493715	7210 01	96495512	7520 18	96495828	7520 17		

PART NO.	LOC.NO.	PART NO.	LOC.NO.	PART NO.	LOC.NO.	PART NO.	LOC.NO.	PART NO.	LOC.NO.	PART NO.	LOC.NO.	PART NO.	LOC.NO.
9849830	7320 17	98498402	7520 17	98498594	7520 18	98497032	2510 02	98498271	6880 01	98543482	6510 05	98544053	6410 59
9849836	7320 17	98498404	7520 17	98498598	7520 17	98497068	4310 28	6880 01	98543483	6510 05			6411 59
9849838	7320 17	98498408	7520 17	98498606	7520 17	98497172	2910 02	98498272	2110 36	98543486	6510 06		6413 59
9849844	7320 17	98498406	7520 17	98498600	7520 17	98497471	2480 11		2110 36	98543488	6510 06	98544086	6840 01
9849846	7320 17	98498410	7520 17	98498602	7520 07		2480 11	98498375	1331 04	98543506	6510 10	98544161	6530 04
9849848	7320 17	98498412	7520 17	98498606	7541 37	98497556	2480 12	98498376	1331 19	98543512	6510 04	98544162	6530 04
9849850	7320 17	98498414	7520 17	98498612	7540 02		2480 12	98498377	1331 22	98543513	6510 04	98544299	6150 02
9849852	7320 17	98498416	7520 17	98498614	7541 02	98497559	2480 11	98498657	4150 09	98543536	6520 19	98544271	6150 02
9849854	7320 17	98498418	7520 17	98498616	7541 06		2480 11	98498670	3920 01	98543572	6520 01	98544391	6530 50
9849856	7320 17	98498420	7520 17	98498618	7541 06	98498123	1331 09	98498734	5710 03	98543578	6520 01	98544393	6150 06
9849858	7320 17	98498422	7520 17	98498620	7541 06	98498126	3910 05	98498735	5710 03	98543601	6520 05	98544354	6150 06
9849860	7320 17	98498424	7520 17	98498622	7541 02	98498154	2480 14	98498736	5710 03	98543603	6520 05	98544355	6150 06
98498670	7320 17	98498426	7520 01	98498624	7541 06	98498340	7141 19	98498737	5710 03	98543605	6520 04	98544356	6150 06
98498672	7320 17	98498428	7520 01	98498626	7541 06	98498347	3920 82	98498740	4150 05	98543609	6520 06	98544369	6150 04
98498674	7320 17	98498430	7520 01	98498628	7541 06	98498355	7141 19	98498785	5140 01	98543611	6520 12	98544461	6140 03
98498676	7320 17	98498432	7520 01	98498630	7541 02	98498670	5310 03	98498786	5140 01	98543622	6520 12	98544479	6130 04
98498678	7320 17	98498434	7520 01	98498632	7541 06	98498686	5310 03	98498787	5140 20	98543682	6530 10	98544480	6130 04
98498684	7320 17	98498436	7520 01	98498636	7541 06	98498722	8221 11	98498788	5140 20	98543683	6530 10	98544490	6150 40
98498686	7320 17	98498438	7520 01	98498638	7541 06	98498723	8221 12	98498789	5140 01	98543707	6530 13	98544502	6150 40
98498688	7320 17	98498440	7520 01	98498646	7541 02	98498780	4140 06	98498790	5140 01	98543735	6520 15	98544503	6150 05
98498690	7320 17	98498442	7520 01	98498650	7541 61	98498781	4140 07	98498884	8221 10	98543782	6520 15	98544543	6130 04
98498928	7232 05	98498444	7520 01	98498656	7541 37	98498000	5220 01	98498893	8352 04	98543787	6520 10	98544544	6130 04
98498939	2110 02	98498452	7520 01	98498668	7541 57	98498013	5220 01	98498984	8352 04	98543846	6520 18	98544617	6140 03
98498962	7320 74	98498454	7520 01	98498669	7541 57	98498028	5220 01	98498989	8352 02	98543847	6520 18	98544618	6140 03
98498963	7320 74	98498456	7520 01	98498674	7540 07	98498059	5220 01	98498998	8352 03	98543854	6520 46	98544636	6150 29
98498969	2110 02	98498460	7520 01	98498676	7540 07	98498060	5220 01	98498999	8352 03	98543863	6420 01	98544664	6130 06
98498967	1220 07	98498468	7520 01	98498680	7540 07	98498089	1331 01	98518906	6452 13	98543879	6520 05	98544663	6411 50
98498929	7510 01	98498470	7520 01	98498701	7520 17	98498100	4190 01	98534549	4852 29	98543880	6510 24	98544684	6411 50
98498930	7510 01	98498472	7520 01	98498764	4530 14	98498165	5220 01		4852 29	98543881	6510 26	98544687	6410 15
98498931	7510 01	98498474	7520 01	98498800	1711 03	98498168	5220 01	98535369	4950 26	98543886	6520 01	98544707	6410 48
98498937	7510 01	98498476	7520 01	98498832	7541 58	98498171	5220 01		4950 26	98543892	6411 66	98544708	6410 48
98498938	7510 01	98498478	7520 01		7541 58	98498257	5310 01	98538649	2230 09	98543893	6411 66	98544733	6410 12
98498939	7510 01	98498480	7520 01	98498834	7541 59	98498258	5310 01		2233 09	98543951	6640 02		6411 12
984989340	7510 01	98498482	7520 01		7541 59	98498261	6880 15	98538825	2460 13	98544023	6410 51	98544734	6410 12
984989341	7510 01	98498483	7520 01	98498835	7541 12	98498262	6880 15	98538895	2460 39	98544024	6410 51		6411 12
984989350	7530 46	98498484	7520 01	98498983	7610 43	98498263	6880 15	98538998	2460 01	98544035	6260 06	98544759	6411 19
984989351	7530 46	98498485	7520 01	98498984	7610 43	98498264	6880 15	98540520	5320 04	98544040	6410 53	98544760	6411 19
984989362	7530 46	98498486	7520 01	98498985	7610 43	98498265	6880 15	98540542	1740 01		6411 58	98544810	6410 19
984989353	7530 46	98498491	7541 61	98497010	7610 12	98498266	6880 15	98540548	5440 06		6413 58	98544811	6410 19
984989380	7541 07	98498492	7541 61	98497011	7610 12	98498267	6880 15	98543472	6510 01	98544047	6411 66	98544816	6410 19
984989381	7541 07	98498592	7520 18	98497031	3710 01	98498268	6670 07	98543491	6510 03	98544048	6411 66	98544817	6410 19

PART NO. INDEX

PART NO.	LOC.NO.	PART NO.	LOC.NO.	PART NO.	LOC.NO.	PART NO.	LOC.NO.	PART NO.	LOC.NO.	PART NO.	LOC.NO.	PART NO.	LOC.NO.	PART NO.	LOC.NO.
98544917	6411 01	98545143	6430 01	98545536	6720 41	98545706	9210 01	98546864	6630 15	98547129	6711 03	98547666	6310 01		
98544918	6411 01	98545155	6430 02	98545541	6720 68	98545712	6630 01	98546865	6630 15	98547130	6711 22	98547669	6310 01		
98544923	6410 01		6430 02	98545542	6720 88	98545714	6630 01	98546867	6630 15	98547163	6830 19	98547670	6310 01		
98544924	6410 01	98545159	6430 05	98545543	6720 89	98545715	6630 01	98546868	6630 15	98547164	6830 19	98547671	6320 20		
98544927	6410 01	98545166	6430 17	98545547	6720 18	98545718	6630 01	98546869	6410 35	98547206	6650 03	98547672	6320 20		
98544928	6410 01	98545168	6430 05	98545548	6720 18	98545722	6630 01		6411 35	98547219	6650 03	98547673	6320 20		
98544967	6411 03	98545175	6430 04	98545551	6720 54	98545723	6630 01		6413 35	98547225	6650 03	98547674	6320 20		
98544968	6411 03	98545178	6430 04	98545554	6730 01	98545724	6630 01	98546895	6410 35	98547227	6650 05	98547675	6310 01		
98544973	6410 03	98545189	6430 08	98545556	6730 01	98545725	6630 01		6411 35	98547228	6650 05	98547676	6310 01		
98544974	6410 03	98545197	9260 01	98545559	6730 02	98545744	6630 06		6413 35	98547229	6650 05	98547681	6310 01		
98544977	6410 10	98545212	6640 06	98545561	6730 02	98545745	6630 06	98546903	6720 05	98547248	6710 01	98547682	6310 01		
	6411 10	98545216	6640 07	98545561	6730 04	98545747	6630 06	98546904	6720 05	98547249	6710 02	98547683	6310 01		
98544978	6410 10	98545244	6440 02	98545569	6730 04	98545748	6630 06	98546905	6630 01	98547250	6710 03	98547684	6310 01		
	6411 10	98545246	6441 02	98545623	6730 37	98545750	6630 06	98546913	6630 11		6710 03	98547782	6310 02		
98545017	6410 21	98545247	6420 02	98545624	6730 37	98545751	6630 06	98546914	6630 10	98547251	6110 38	98547783	6310 02		
98545018	6410 21	98545261	6640 01	98545627	6730 37	98545752	6630 06	98546935	6730 39	98547253	6720 03	98547784	6310 02		
98545025	6411 22	98545415	6410 11	98545628	6730 37	98545753	6630 06	98546936	6730 39	98547279	6210 01	98547785	6310 02		
98545026	6411 22		6411 11	98545637	6750 05	98545754	6630 06	98546997	6650 01	98547280	6210 01	98547786	6310 02		
98545067	6411 29		6413 11	98545638	6750 05	98545755	6630 06		6650 01	98547281	6210 01	98547787	6310 02		
98545068	6411 29	98545416	6410 11	98545639	6750 05	98545757	6630 04	98547002	6650 01	98547282	6210 01	98547788	6310 02		
98545069	6411 29		6411 11	98545640	6750 05	98545758	6630 04	98547006	6660 03	98547283	6210 01	98547789	6310 02		
98545070	6411 29		6413 11	98545643	6750 06	98545759	6630 04	98547010	6710 01	98547284	6210 01	98547849	6210 01		
98545071	6410 40	98545471	4190 37	98545644	6750 06	98545760	6630 04	98547011	6710 03	98547285	6210 01	98547850	6210 01		
98545072	6410 40	98545472	4190 37	98545645	6750 06	98545762	6451 01	98547061	6650 02	98547286	6210 01	98547851	6210 01		
98545073	6410 40	98545491	6720 02	98545646	6750 06	98545763	6450 01	98547065	6410 49	98547289	6220 22	98547852	6210 01		
98545074	6410 40	98545493	6720 02	98545651	6610 01	98545779	6451 01		6411 36	98547397	6210 02	98547867	6210 02		
98545087	6410 41	98545495	6720 03	98545652	6610 01	98546500	6710 02		6413 36	98547398	6210 02	98547868	6210 02		
	6411 41	98545496	6720 03	98545653	6610 02	98546501	6710 14	98547066	6410 49	98547399	6210 02	98547871	6210 02		
	6413 41	98545497	6720 03	98545654	6610 02	98546502	6710 14		6411 36	98547400	6210 02	98547872	6210 02		
98545088	6410 41	98545498	6720 03	98545665	6750 01	98546535	6630 01		6413 36	98547401	6210 02	98547897	6310 01		
	6411 41	98545511	6720 68	98545666	6750 01	98546543	6630 04	98547077	6420 01	98547402	6210 02	98547898	6310 01		
	6413 41	98545512	6720 68	98545667	6711 01	98546544	6630 04	98547080	6410 15	98547403	6210 02	98547899	6310 01		
98545111	6411 65	98545513	6720 68	98545668	6711 23	98546747	6650 04	98547083	6140 02	98547404	6210 02	98547900	6310 01		
98545112	6411 65	98545517	6720 18	98545669	6711 03	98546791	6630 01	98547085	6140 02	98547421	6220 22	98547905	6310 01		
98545122	6440 09	98545518	6720 18		6711 03	98546794	6630 01	98547114	6650 03	98547803	6310 01	98547906	6310 01		
98545124	6440 09	98545521	6720 54	98545670	6710 01	98546798	6630 06	98547116	6650 02	98547804	6310 01	98547907	6310 01		
98545126	6440 09	98545523	6720 05	98545672	6710 03	98546801	6630 06	98547118	6650 01	98547899	6310 01	98547908	6310 01		
98545129	6440 09	98545524	6720 05	98545677	6430 06	98546847	6630 04	98547119	6650 02	98547890	6310 01	98547913	6310 01		
98545140	6430 01	98545531	6720 04	98545678	6430 06	98546848	6630 04	98547126	6650 04	98547863	6310 01	98547914	6310 01		
98545141	6430 01	98545532	6720 04	98545679	6430 06	98546861	6630 15	98547127	6711 01	98547864	6310 01	98547915	6310 01		
98545142	6430 01	98545535	6720 41	98545680	6430 06	98546862	6630 15	98547128	6711 02	98547865	6310 01	98547916	6310 01		

PART NO.	LOC.NO.	PART NO.	LOC.NO.	PART NO.	LOC.NO.	PART NO.	LOC.NO.	PART NO.	LOC.NO.	PART NO.	LOC.NO.	PART NO.	LOC.NO.
98547931	6310 02	98548088	6240 08	98548191	6640 11	98548404	6480 01	98548532	6480 02	98548843	6440 11	98548037	6442 02
98547932	6310 02	98548089	6240 05	98548200	6340 07	98548412	6480 05	98548533	6480 02	98548844	6440 11	98548038	6441 03
98547935	6310 02	98548102	6240 02	98548201	6340 07	98548418	6480 05	98548535	6480 02	98548846	6441 01		6442 02
98547936	6310 02	98548103	6240 02	98548202	6340 07	98548419	6480 05	98548536	6480 02	98548848	6441 01	98548084	6110 01
98547951	6220 13	98548107	7210 58	98548203	6340 07	98548420	6480 05	98548538	6480 02	98548875	6130 08	98548085	6110 01
98547962	6220 13	98548108	7210 58	98548208	6340 03	98548421	6480 01	98548542	6480 03	98548876	6130 08	98548082	4110 02
98547977	6220 15	98548110	6240 03	98548207	6340 03	98548423	6480 01	98548543	6480 03	98548882	6110 30	98548084	4110 02
98547981	6320 12	98548111	6240 03	98548206	6340 03	98548424	6480 01	98548544	6480 03	98548886	6451 03	98549101	4110 01
98547982	6320 12	98548115	7210 07	98548209	6340 03	98548427	6480 01	98548545	6480 03	98548888	6451 03	98549102	4110 02
98547983	6320 14		7220 07	98548216	6240 04	98548428	6480 01	98548546	6480 04	98548888	6451 04	98549103	4110 01
98548021	6220 07	98548116	7210 07	98548217	6240 04	98548430	6480 01	98548549	6480 04	98548900	6451 14		4110 01
98548023	6220 03		7220 07	98548228	6340 04	98548441	6480 01	98548550	6480 04	98548925	6641 06		4110 01
98548024	6220 03	98548118	6240 01	98548229	6340 04	98548461	6240 13	98548551	6480 04	98548927	6641 06	98549104	4110 02
98548025	6220 05	98548119	6240 01	98548234	6340 02	98548465	6340 18	98548554	6480 04	98548931	6441 09	98549117	4110 01
	6220 05	98548128	6320 08	98548235	6340 02	98548461	6480 01	98548555	6480 04	98548935	6420 08	98549118	4110 02
98548026	6220 05	98548132	6320 04	98548236	6340 02	98548462	6480 01	98548557	6480 04	98548937	6420 08	98549119	4110 01
	6220 05	98548133	6320 04	98548239	6340 02	98548463	6480 01	98548558	6480 04	98548938	6420 08	98549120	4110 02
98548041	6220 13	98548134	6320 03	98548248	6340 01	98548464	6480 01	98548559	6480 04	98548951	6140 01	98549121	4110 01
98548042	6220 13		6320 03	98548249	6340 01	98548469	6220 05	98548560	6480 04	98548952	6140 01	98549122	4110 02
98548059	6220 15		6320 03	98548250	6340 01		6220 05	98548561	6480 04	98548953	6140 01	98549123	4110 01
98548060	6220 15	98548135	6320 03	98548251	6340 01		6220 05	98548735	6480 03	98548954	6140 01	98549124	4110 02
98548063	7210 07		6320 03	98548254	6340 10	98548460	6220 05	98548736	6480 03	98548955	6140 01	98549137	4110 01
	7220 07		6320 03	98548255	6340 10		6220 05	98548737	6480 03	98548957	6140 01		4110 01
98548064	7210 07	98548136	6320 03	98548256	6340 10		6220 05	98548738	6480 03	98548958	6140 01	98549139	4110 01
	7220 07		6320 03	98548257	6340 10	98548512	6670 06	98548771	6140 10	98548959	6140 01		4110 01
98548065	7210 62		6320 03	98548321	7220 57	98548525	6330 06	98548772	6140 10	98548973	6110 01		4110 01
	7220 40	98548137	6320 03	98548322	7220 57	98548526	6330 06	98548777	6140 10	98548974	6110 01	98549143	4420 01
98548066	7210 62		6320 03	98548324	7210 62	98548529	6330 06	98548778	6140 10	98548969	6140 01		4420 01
	7220 40	98548152	6320 12	98548325	7210 62	98548530	6330 06	98548785	5310 02	98548990	6140 01	98549146	4420 01
98548080	6230 01	98548153	6320 12	98548326	7220 40	98548509	6480 01	98548786	5310 02	98548991	6140 01	98549147	4420 01
98548061	6230 01	98548163	6320 14	98548327	7220 40	98548513	6640 10	98548787	5310 02	98548992	6140 01	98549158	4420 03
98548066	6230 01	98548164	6320 14	98548332	7210 12	98548514	6640 10	98548789	5310 02	98548993	6140 01	98549159	4420 03
98548067	6230 01	98548165	6330 01		7220 14	98548517	6220 03	98548791	5320 02	98548994	6140 01	98549162	4410 25
98548092	7210 07	98548166	6330 01	98548338	6220 29	98548518	6220 03	98548806	6441 12	98548995	6140 01	98549163	4410 25
	7220 07	98548171	6330 01	98548340	6220 29	98548521	6480 02	98548807	6441 12	98548996	6140 01	98549195	4410 25
98548093	7210 07	98548172	6330 01	98548344	6320 34	98548522	6480 02	98548816	6440 05	98548998	6110 03	98549196	4410 25
	7220 07	98548177	6340 05	98548352	6230 07	98548525	6480 02	98548817	6440 05	98549000	6110 03	98549201	4420 02
98548094	7210 07	98548178	6340 05	98548353	6230 07	98548526	6480 02	98548827	6440 01	98549010	6110 01		4420 02
	7220 07	98548186	6640 11	98548401	6480 01	98548529	6480 02	98548828	6440 01	98549011	6110 01	98549206	4410 33
98548095	7210 07	98548187	6640 11	98548402	6480 01	98548530	6480 02	98548829	6440 01	98549024	6130 10	98549225	4420 01
	7220 07	98548190	6640 11	98548403	6480 01	98548531	6480 02	98548830	6440 01	98549037	6441 03		4420 01

PART NO. INDEX

PART NO.	LOC.NO.	PART NO.	LOC.NO.	PART NO.	LOC.NO.	PART NO.	LOC.NO.	PART NO.	LOC.NO.	PART NO.	LOC.NO.	PART NO.	LOC.NO.	PART NO.	LOC.NO.
98549247	3910 10	98549621	4530 13	98549736	4652 09	98550049	4310 03	98550514	6460 05	98551194	5140 01	98551400	5620 04		
98549252	3920 30	98549622	4521 01	98549737	4652 10	98550051	4310 18	98550516	2510 24	98551195	5140 01	98551401	5620 03		
98549372	3920 35	98549623	4521 01	98549738	4652 09	98550053	4310 02	98550517	5710 26	98551200	5140 20	98551421	5710 54		
98549376	3920 35	98549625	4330 06	98549739	4652 10	98550055	4310 27	98550533	2510 25	98551202	5140 34	98551423	5710 07		
98549395	3920 30	98549630	4330 07	98549740	4652 09	98550057	4310 14	98550552	5620 32	98551203	5140 34		5710 07		
98549398	3910 14	98549632	4430 01	98549741	4652 10	98550071	4950 01	98550651	5410 05	98551214	5140 13	98551427	5710 54		
98549470	3910 01	98549633	4430 01	98549743	4710 27	98550111	4950 20		5410 05	98551215	5140 20	98551458	5710 02		
98549471	3910 01	98549636	4430 01	98549744	4710 01	98550112	4950 20	98550653	5410 44	98551216	5140 20	98552789	4430 04		
98549516	6230 02	98549637	4430 01	98549748	4652 14	98550118	4950 58		5410 44	98551217	5140 20	98552790	4430 04		
98549517	6230 02	98549641	4430 09	98549749	4652 15	98550190	4910 03	98550654	5410 44	98551223	5140 01	98552811	7210 34		
98549518	6330 02	98549642	4430 09	98549750	4652 16	98550221	4190 24		5410 44	98551224	5140 01	98552814	7210 34		
	6330 02	98549645	4430 18	98549779	4130 05	98550222	4190 24	98550657	5410 05	98551225	5140 01	98552815	7210 34		
98549519	6330 02		4430 18	98549782	4130 06	98550225	4190 21		5410 05	98551226	5140 01	98552824	7210 93		
	6330 02	98549649	4430 02	98549784	4130 02	98550227	4190 21	98550675	5420 14	98551291	5710 08	98552842	4810 05		
98549542	2451 05	98549660	4430 02	98549785	4130 02	98550232	4190 29	98550688	5420 07		5710 08	98552843	4810 05		
98549544	2453 11	98549651	4430 02	98549788	4510 01	98550234	4190 29	98550691	5420 06	98551294	5710 08	98552847	4810 05		
98549548	2451 05	98549652	4430 02	98549789	4510 01	98550235	4190 21	98550711	4810 19	98551298	5710 12	98552848	4810 05		
98549549	2453 11	98549691	4652 11	98549799	4530 12	98550236	4190 21	98550722	5430 08	98551299	5710 10	98552851	4810 05		
98549554	2451 05	98549694	4652 11	98549800	4530 12	98550261	4190 69	98550725	5430 09		5710 10	98552852	4810 05		
98549555	2453 11	98549696	4652 12	98549801	4530 12	98550263	4190 69	98550734	5430 08	98551301	5710 03	98553134	2230 14		
98549559	2451 05	98549708	4652 17	98549802	4530 12	98550271	4190 32	98550737	5430 03	98551302	5710 03	98553241	2220 15		
98549560	2453 11	98549709	4652 18	98549819	4530 01	98550272	4190 32	98550741	5430 01	98551303	5710 03		2220 15		
98549565	4610 01	98549710	4652 19		4530 01	98550276	4190 32	98550745	5430 01	98551311	5710 03		2220 15		
98549566	4610 01	98549712	4710 03	98549821	4530 01	98550290	4190 01	98550792	1760 01	98551312	5710 03	98553242	2220 05		
	4610 01		4710 03		4530 01		4190 01	98550793	5330 11		5710 03		2220 05		
98549571	4610 01		4710 03	98549843	4530 08	98550292	4190 01	98550794	5330 13	98551313	5710 03	98553243	2210 01		
	4610 01	98549713	4710 03	98549845	4530 04	98550296	4190 01	98550795	5330 14		5710 03	98553244	2210 01		
	4610 01	98549722	4652 21	98549877	4150 10	98550315	4190 91	98550797	5330 01	98551364	5710 04	98553247	2233 01		
98549572	4610 01	98549723	4652 20	98549878	4150 10	98550330	4190 86	98550798	5330 01	98551365	5710 04	98553249	2230 02		
	4610 01	98549724	4652 20	98549897	4150 48	98550342	7130 27	98550799	5330 06	98551366	5710 04	98553255	2230 08		
	4610 01	98549725	4652 21	98549918	4320 08	98550367	5220 01	98550800	5330 10	98551367	5710 04		2233 08		
98549581	4610 01	98549726	4652 09	98549919	4140 12	98550371	5220 01	98550803	5330 17	98551378	5710 07	98553258	2220 02		
98549582	4610 01	98549727	4652 10	98549920	4140 30	98550381	5220 02	98550843	4610 05		5710 07	98553267	2230 01		
	4610 01	98549728	4652 09	98549921	4140 04	98550382	5220 03	98550857	7141 50	98551379	5710 11	98553272	2230 06		
98549587	4610 01	98549729	4652 10	98549922	4150 05	98550383	5220 08	98550858	7141 50		5710 11	98553273	2233 06		
98549588	4610 01	98549730	4652 09		4150 05	98550399	5220 01	98551005	7120 05	98551387	5710 05	98553278	2233 14		
	4610 01	98549731	4652 10	98549924	4140 01	98550400	5220 01	98551008	7120 05	98551388	5710 05	98553290	2241 04		
	4610 01	98549732	4652 09	98549925	4140 10	98550401	5220 01	98551091	5110 11	98551389	5710 05	98553305	2230 07		
98549594	4520 01	98549733	4652 10	98550031	9110 04	98550402	5220 01	98551092	5110 11	98551392	5710 09		2233 07		
98549595	4520 01	98549734	4652 09	98550044	4310 01	98550505	5440 02	98551093	5110 11	98551393	5710 09	98553318	2233 02		
98549620	4530 13	98549735	4652 10	98550045	4310 37	98550513	6460 05	98551094	5110 11	98551399	5620 02	98553353	2230 02		

PART NO.	LOC.NO.	PART NO.	LOC.NO.	PART NO.	LOC.NO.	PART NO.	LOC.NO.	PART NO.	LOC.NO.	PART NO.	LOC.NO.	PART NO.	LOC.NO.
9853368	2242 04	98533647	2480 20	98533665	2130 03	98554030	2110 07	98554468	8212 01	98550042	7130 10	98558891	7810 40
9853369	2242 02		2480 20		2130 03	98554035	2110 07		8212 01	98558127	7130 10	98558892	7810 40
9853364	2220 05	98533577	2480 32	98533673	2130 04	98554346	8340 04	98554469	8212 01	98555196	7113 13	98558912	8110 16
	2220 05	98533591	2480 11		2130 04	98554347	8340 01		8212 01	98555197	7113 13	98558928	7810 15
9853368	2223 03		2480 11	98533676	2130 05	98554356	8340 05	98554470	8212 01	98558200	7113 05	98558929	7810 12
9853369	2242 03	98533583	2480 11		2130 05	98554363	8340 02		8212 01	98558201	7113 05	98558935	7810 67
9853372	2242 01		2480 11		2130 05	98554364	8340 02	98554471	8212 01	98558282	7113 10	98558939	7810 67
9853378	2220 05	98533617	2480 12	98533677	2130 05	98554365	8340 03		8212 01	98558283	7113 10	98557000	5510 26
9853377	2220 15	98533619	2480 12		2130 05	98554370	8212 10	98554472	8212 01	98558286	3920 62	98557002	5510 02
9853378	2210 01	98533620	2480 12	98533680	2131 05	98554378	8221 09	98554473	8212 01	98558061	7210 13	98557003	5510 02
	2210 01	98533624	2480 12	98533681	4440 06	98554383	2230 17	98554657	7113 15	98558082	7210 13	98557004	7520 49
9853383	2241 03	98533627	2480 12		4440 06	98554384	2230 15	98554658	7113 14	98558084	7210 91	98557006	7520 49
9853400	2131 46	98533630	2480 12	98533684	4440 04	98554386	2233 17	98554663	7113 14		7210 91	98557008	5510 02
9853401	2131 28	98533691	2480 23		4440 04	98554403	9670 09	98554564	7113 12		7220 05	98561721	4140 13
9853403	2131 07	98533671	2480 32	98533685	4440 06		9670 09	98554565	7113 12	98558085	7220 02		4140 13
9853404	2131 21	98533681	2480 40		4440 06	98554410	8212 01	98554568	7113 17	98558086	7220 02	98561722	4140 13
9853405	2131 15	98533707	2480 08	98533696	4440 01	98554411	8212 01	98554573	7113 22	98558090	7210 05		4140 13
9853422	2210 01	98533713	2480 06	98533699	4440 01	98554412	8212 01	98554637	3920 55		7210 05	98561747	4320 07
	2210 01	98533730	2480 08	98533902	4440 01	98554413	8212 01	98554672	8110 19		7220 05	98561748	4320 05
9853423	2210 01	98533743	2110 01		4440 01	98554414	8212 01	98554673	8110 19		7220 05	98561749	4320 08
9853424	2210 01	98533770	2130 01	98533903	4440 01	98554415	8212 01	98554674	8110 18	98558287	7210 31	98561754	4310 11
9853428	2210 01	98533795	2120 05	98533963	2130 16	98554418	8221 02	98554676	8110 18	98558288	7210 31	98561767	4140 11
9853445	2410 01	98533796	2120 07		2130 16	98554421	8221 09	98554730	7141 35	98558293	7210 39		4140 11
9853447	2410 02	98533801	2110 07	98554001	2110 02	98554426	8221 02		7141 35	98558294	7210 36	98561768	4140 11
9853448	2410 03	98533805	2110 07	98554003	2110 01	98554427	8221 04	98554791	7113 09	98558327	7210 31		4140 11
9853450	2410 07	98533811	2110 06	98554008	2110 39	98554428	8212 10	98554792	7113 09	98558328	7210 31	98561769	4320 14
9853486	2410 13	98533815	2110 08	98554009	2110 40	98554429	8212 03	98554794	7120 57	98558367	7220 37	98561778	4150 10
9853474	2410 19	98533819	2110 08	98554010	2110 41	98554430	8212 07	98554798	7120 57	98558368	7220 37		4150 10
9853486	2411 29	98533823	2110 12	98554011	2131 01	98554431	8212 07	98554798	7120 57	98558375	7220 22	98561780	4150 10
9853488	2411 15	98533827	2120 42	98554013	2110 43	98554432	8221 04	98554800	7120 57	98558378	7220 22		4150 10
9853506	2410 30	98533829	2120 42		2131 43	98554433	8212 10	98554815	8110 08	98558787	7541 56	98574719	4520 03
9853520	2410 47	98533833	2120 42	98554014	2110 44	98554434	8212 03	98554840	8110 01	98558793	6140 27	98584144	5620 15
9853523	2410 50	98533836	2120 03		2131 44	98554435	8212 09	98554846	8110 02	98558794	6140 27	98602996	4831 01
9853524	2411 08	98533838	2130 12	98554015	2110 45	98554436	8212 16	98554847	8110 02	98558812	7810 15	98602997	4831 01
9853533	2411 01		2130 12		2131 45	98554439	8221 07	98554857	7113 06	98558821	7810 03	98602998	4831 01
9853542	2480 16	98533842	2130 14	98554016	2131 12	98554440	8221 07	98554890	7120 01	98558822	7810 03	98602999	4831 01
9853543	2480 16		2130 14	98554017	2120 01	98554446	8212 12	98554891	7120 01		7810 03	98603002	4831 01
	2480 16	98533944	2130 12	98554018	2131 03	98554466	8212 01	98554894	7120 01	98558823	7810 05	98603004	4831 01
9853544	2480 18	98533856	2131 26	98554019	2110 42		8212 01	98554895	7120 01	98558826	7810 20	98603005	4831 01
9853545	2480 18	98533863	2130 02	98554020	2110 33	98554467	8212 01	98554908	7120 45	98558827	7810 05	98603006	4831 01
9853547	2480 20		2130 02	98554024	2131 14		8212 01	98555036	7130 10	98558829	7810 42	98603008	4830 01

PART NO. INDEX

PART NO.	LOC.NO.	PART NO.	LOC.NO.	PART NO.	LOC.NO.	PART NO.	LOC.NO.	PART NO.	LOC.NO.	PART NO.	LOC.NO.	PART NO.	LOC.NO.	PART NO.	LOC.NO.
98803008	4830 01	98813773	5710 02	98813917	5710 04	98813939	5710 04	98814098	5710 03	98814209	5710 08	98814285	5710 08		
98803010	4830 01	98813774	5710 02	98813918	5710 04	98813940	5710 04	98814099	5710 03	98814211	5710 08	98814286	5710 08		
98803011	4830 01	98813782	5710 02	98813919	5710 04	98813941	5710 07	98814100	5710 03	98814213	5710 08		5710 08		
98803040	4810 21	98813804	5710 02		5710 04		5710 07	98814101	5710 03	98814215	5710 08	98814288	5710 08		
	9748 04	98813811	5710 02	98813920	5710 04	98813942	5710 05	98814102	5710 03	98814218	5710 08		5710 08		
98803041	4810 21	98813812	5710 02		5710 04	98813943	5710 05	98814103	5710 03		5710 08	98814290	5710 08		
	9748 04	98813813	5710 02	98813921	5710 04	98813944	5710 05	98814104	5710 03	98814221	5710 08		5710 08		
98803084	5710 02	98813814	5710 02		5710 04	98813945	5710 05	98814106	5710 03		5710 08	98814291	5710 08		
98803082	5710 02	98813820	5710 02	98813922	5710 04	98813946	5710 05	98814108	5710 03	98814222	5710 08		5710 08		
98803083	5710 02	98813822	5710 02		5710 04	98813947	5710 09	98814109	5710 03		5710 08	98814292	5710 08		
98803084	5710 02	98813827	5710 03	98813923	5710 04	98813949	5710 09	98814110	5710 03	98814223	5710 08		5710 08		
98803100	5710 02		5710 03		5710 04		5710 09	98814111	5710 03		5710 08	98814294	5710 08		
98803101	5710 02	98813828	5710 03	98813924	5710 04	98813951	5710 09	98814112	5710 03	98814224	5710 08		5710 08		
98803102	5710 02		5710 03		5710 04	98813953	5710 09	98814155	5710 04		5710 08	98814297	5710 08		
98803108	5710 02	98813829	5710 03	98813925	5710 04	98813955	5710 09	98814156	5710 04	98814229	5710 08		5710 08		
98803118	5710 02		5710 03		5710 04	98813957	5710 09	98814157	5710 04		5710 08	98814298	5710 08		
98803124	5710 02	98813830	5710 03	98813926	5710 04	98813961	5710 04	98814158	5710 04	98814230	5710 08		5710 08		
98803134	5710 02		5710 03		5710 04	98813964	5710 04	98814159	5710 04		5710 08	98814299	5710 08		
98803142	5710 02	98813831	5710 03	98813927	5710 04		5710 04	98814160	5710 04	98814231	5710 08		5710 08		
98813852	5710 02		5710 03		5710 04	98813965	5710 04	98814161	5710 04		5710 08	98814300	5710 08		
98813854	5710 02	98813832	5710 03	98813928	5710 04		5710 04		5710 04	98814232	5710 08		5710 08		
98813862	5710 02		5710 03		5710 04	98813971	5710 04	98814162	5710 04		5710 08	98814302	5710 08		
98813863	5710 02	98813833	5710 03	98813929	5710 04		5710 04		5710 04	98814234	5710 08		5710 08		
98813864	5710 02	98813834	5710 03		5710 04	98813975	5710 04	98814163	5710 04		5710 08	98814304	5710 08		
98813872	5710 02	98813835	5710 03	98813930	5710 04		5710 04		5710 04	98814236	5710 08		5710 08		
98813882	5710 02	98813836	5710 03		5710 04	98813976	5710 04	98814164	5710 04		5710 08	98814306	5710 08		
98813884	5710 02	98813845	5710 04	98813931	5710 04		5710 04		5710 04	98814240	5710 08		5710 08		
98813723	5710 43	98813875	5710 04		5710 04	98813983	5710 04	98814165	5710 04		5710 08	98814320	5710 08		
98813724	5710 43		5710 04		5710 04		5710 04		5710 04	98814248	5710 08		5710 08		
	5710 43	98813876	5710 04	98813932	5710 04	98813986	5710 26	98814166	5710 04		5710 08	98814322	5710 08		
98813725	5710 43		5710 04		5710 04	98813987	5710 26		5710 04	98814252	5710 08		5710 08		
98813726	5710 43	98813880	5710 04	98813933	5710 04	98814009	5710 01	98814167	5710 04		5710 08	98814324	5710 08		
98813727	5710 43		5710 04		5710 04	98814010	5710 01		5710 04	98814256	5710 08		5710 08		
	5710 43	98813883	5710 04	98813934	5710 04	98814013	5710 01	98814168	5710 04		5710 08	98814326	5710 08		
98813728	5710 43		5710 04	98813935	5710 04	98814021	5710 01		5710 04	98814260	5710 08		5710 08		
98813729	5710 04	98813884	5710 04		5710 04	98814041	5710 01	98814171	5710 01		5710 08	98814328	5710 08		
	5710 04	98813887	5710 04	98813936	5710 04	98814045	5710 01	98814172	5710 01	98814277	5710 08		5710 08		
98813748	5710 02	98813896	5710 04	98813937	5710 04	98814053	5710 01	98814187	5710 01	98814279	5710 08	98814349	5710 08		
98813764	5710 02	98813899	5710 04		5710 04	98814054	5710 01	98814202	5710 01	98814281	5710 08	98814353	5710 08		
98813771	5710 02	98813900	5710 04	98813938	5710 04	98814074	5710 01	98814204	5710 01	98814283	5710 08	98814361	5710 04		
98813772	5710 02	98813916	5710 04	98813939	5710 04	98814097	5710 03	98814206	5710 01	98814285	5710 08		5710 04		

PART NO.	LOC.NO.	PART NO.	LOC.NO.	PART NO.	LOC.NO.	PART NO.	LOC.NO.	PART NO.	LOC.NO.	PART NO.	LOC.NO.	PART NO.	LOC.NO.
98814362	5710 04	98815167	6220 13	98815394	7220 36	98815531	7113 03	98815665	7120 01	98815781	7350 02	98815912	9773 07
	5710 04	98815188	6220 13	98815398	7220 74	98815533	7113 03	98815688	7120 01		7350 02	98815913	9773 07
98814364	5710 04	98815226	7210 10	98815398	7220 74	98815535	7113 03	98815687	7120 01	98815782	7350 02	98815915	7320 01
	5710 04		7220 13	98815400	7220 74	98815537	7113 03	98815688	7120 01		7350 02	98815931	7330 12
98814366	5710 04	98815232	7220 14	98815406	8350 01	98815548	7130 08	98815689	7120 01	98815786	7350 02	98815933	7330 12
98814367	5710 04	98815233	6320 12	98815407	8350 01	98815550	7130 10	98815690	7120 01	98815795	7350 02	98815935	7330 12
98814370	5710 04		6320 12	98815408	8350 01	98815551	7130 10	98815695	4820 01		7350 02	98815937	7330 12
98814371	5710 04	98815234	6320 12	98815410	8350 01	98815552	7130 10	98815696	7130 50	98815796	7350 02	98815947	7330 36
	5710 04		6320 12	98815412	8350 01	98815564	7120 51	98815698	7130 50	98815802	7350 04	98815949	7330 36
98814372	5710 04	98815276	6110 07	98815413	8350 01	98815565	7130 49	98815702	7130 01	98815804	7350 04	98815951	7330 29
	5710 04	98815319	5410 17	98815414	8352 01	98815568	7130 46	98815707	7120 45	98815806	7310 01	98815953	7330 29
98814373	5710 04	98815321	5410 17	98815415	8352 01	98815568	4820 01	98815710	7610 43	98815808	7310 01	98815959	7321 03
	5710 04	98815323	5410 09	98815419	7141 45	98815570	4820 02	98815711	7610 43	98815818	7310 01	98815980	6440 16
98814375	5710 04	98815327	5410 09	98815425	7141 45	98815571	4820 02	98815712	7610 43	98815818	7310 01	98815970	7310 15
	5710 04	98815336	7141 75	98815427	7141 45	98815574	7113 04	98815713	7610 43	98815820	7310 01	98815974	7231 08
	5710 04	98815340	7120 68	98815433	7141 45	98815576	7113 04	98815714	7610 43	98815834	7330 10	98815978	7231 11
98814380	5710 04	98815341	7120 17	98815439	7141 45	98815580	7113 04	98815715	7610 43	98815836	7330 10	98815980	7231 11
98814403	5710 04	98815342	7120 15	98815443	7141 45	98815582	7113 04	98815716	7610 43	98815838	7330 10	98815985	7231 01
98814404	5710 04	98815343	7120 72	98815444	7141 83	98815608	7113 19	98815734	7330 48	98815840	7330 10	98815987	7231 01
98814405	5710 04	98815361	7210 33	98815447	7141 84	98815610	7113 19	98815738	7330 48	98815859	7341 01	98815983	7231 09
	5710 04	98815362	7210 33	98815449	7141 84	98815616	7120 29	98815742	7330 49	98815860	7341 01	98815995	7231 08
	5710 04	98815363	7210 33	98815451	7141 20	98815646	7113 01	98815744	7330 49	98815861	7340 04	98815997	7231 12
98814406	5710 04	98815364	7210 33	98815452	7141 10	98815647	7113 01	98815750	7330 09	98815862	7340 04	98816014	7210 01
	5710 04	98815366	7210 33	98815453	7141 10	98815648	7113 01	98815752	7330 09	98815863	7340 04	98816015	7210 01
	5710 04	98815368	7210 33	98815460	7141 29	98815649	7113 01	98815770	7350 02	98815867	7340 55	98816018	7210 01
98814411	5710 04	98815370	7210 33	98815467	7141 61	98815650	7113 01		7350 02	98815869	7340 25	98816019	7210 01
98814412	5410 25	98815371	7210 33	98815469	7141 61	98815651	7113 01	98815772	7350 02	98815871	7330 45	98816020	7210 01
	5410 25	98815372	7210 33	98815479	7141 06	98815652	7113 01		7350 02	98815873	7330 45	98816021	7210 01
98814614	9230 01	98815373	7210 33	98815480	7141 18	98815653	7113 01		7350 02	98815875	7330 45	98816022	7210 01
98814618	7310 02	98815375	7210 71	98815486	7141 11	98815667	7113 07	98815777	7350 02	98815877	7330 45	98816023	7210 01
98815009	6630 01	98815376	7210 71	98815487	7141 12	98815669	7130 52		7350 02	98815879	7330 45	98816024	7210 01
98815016	6630 01	98815378	7210 71	98815491	7141 30	98815670	7120 57		7350 02	98815881	7330 45	98816026	7210 01
98815019	6630 01		7210 71	98815493	7141 43	98815671	7120 57	98815778	7350 02	98815885	7320 16	98816027	7210 01
98815123	6630 01		7220 36	98815503	7141 82	98815672	7120 57		7350 02	98815898	7340 19	98816030	7210 01
98815124	6630 01	98815380	7210 33	98815505	7141 79	98815673	7120 57		7350 02	98815909	7341 05	98816032	7210 01
98815176	6240 07		7210 71	98815507	7141 15	98815677	7120 38		7350 02	98815905	7320 01	98816033	7210 01
98815178	6240 07	98815382	7210 33	98815509	7141 15	98815678	7120 38		7350 02	98815906	7320 01	98816036	7210 01
98815180	6340 06		7210 71	98815511	7113 08	98815680	7113 11	98815779	7350 02	98815908	7320 01	98816037	7210 01
98815182	6340 06	98815389	7210 59	98815513	7113 06	98815682	7113 11		7350 02	98815910	7320 01	98816038	7210 01
98815184	6340 06	98815390	7210 59	98815527	7113 03	98815683	7120 01	98815780	7350 02		7320 01	98816039	7210 01
98815186	6340 06	98815392	7220 36	98815529	7113 03	98815684	7120 01		7350 02	98815912	7320 01	98816040	7210 01

PART NO. INDEX

PART NO.	LOC.NO.	PART NO.	LOC.NO.	PART NO.	LOC.NO.	PART NO.	LOC.NO.	PART NO.	LOC.NO.	PART NO.	LOC.NO.	PART NO.	LOC.NO.
98818041	7210 01	98818091	7210 01	98818121	7210 01	98818275	7220 01	98818449	7510 01	98818519	7610 50	98818616	7610 01
98818042	7210 01	98818092	7210 01	98818122	7210 01	98818276	7220 01	98818452	7510 01	98818519	7610 50	98818618	7610 01
98818043	7210 01		7210 01	98818123	7210 01	98818307	7220 01	98818453	7510 01	98818521	7520 20	98818635	7610 17
98818044	7210 01	98818093	7210 01		7210 01	98818308	7220 01	98818454	7510 01	98818523	7520 21	98818636	7610 17
98818045	7210 01	98818094	7210 01	98818124	7210 01	98818309	7220 01	98818455	7510 01	98818525	7520 21	98818637	7610 34
98818046	7210 01		7210 01		7210 01	98818310	7220 01	98818456	7510 01	98818527	7520 34	98818644	7550 01
98818047	7210 01	98818095	7210 01	98818125	7210 01	98818311	7220 01	98818457	7510 01	98818529	7520 34	98818645	7550 01
98818048	7210 01		7210 01	98818126	7210 01	98818312	7220 01	98818458	7510 01	98818530	7520 34	98818646	7550 01
98818049	7210 01		7210 01	98818127	7210 01	98818313	7220 01	98818459	7510 01	98818531	7520 34		7550 01
98818050	7210 01	98818096	7210 01		7210 01	98818314	7220 01	98818460	7510 01	98818533	7520 09	98818647	7550 01
98818051	7210 01		7210 01	98818128	7210 01	98818315	7220 01	98818461	7510 01	98818535	7520 09		7550 01
98818052	7210 01	98818097	7210 01		7210 01		7220 01	98818462	7510 01	98818537	7520 09	98818648	7550 01
98818053	7210 01	98818098	7210 01	98818129	7210 01	98818316	7220 01	98818463	7510 01	98818539	7520 09	98818649	7550 01
98818054	7210 01	98818099	7210 01	98818130	7210 01		7220 01	98818464	7510 01	98818540	7520 09	98818654	7550 01
98818055	7210 01		7210 01	98818131	7210 01	98818317	7220 01	98818465	7510 01	98818541	7520 09	98818655	7550 01
98818056	7210 01	98818100	7210 01		7210 01	98818318	7220 01	98818466	7510 01	98818542	7520 09	98818656	7550 01
98818057	7210 01		7210 01	98818132	7210 01	98818319	7220 01	98818467	7510 01	98818543	7520 09	98818657	7550 01
98818058	7210 01	98818101	7210 01		7210 01	98818320	7220 01	98818468	7510 01	98818544	7520 46	98818658	7550 01
98818059	7210 01	98818102	7210 01	98818137	7210 01	98818321	7220 01	98818469	7510 01	98818545	7520 46	98818659	7550 01
98818060	7210 01	98818103	7210 01	98818138	7210 01	98818322	7220 01	98818470	7510 01	98818547	7520 46	98818666	7550 29
98818061	7210 01		7210 01	98818139	7210 01	98818323	7220 01	98818471	7510 01	98818549	7520 46	98818669	7550 01
98818062	7210 01	98818104	7210 01		7210 01	98818324	7220 01	98818474	7510 01	98818551	7530 20	98818670	7550 01
98818063	7210 01		7210 01	98818140	7210 01	98818383	7220 37	98818475	7510 01	98818553	7530 22	98818671	7550 01
98818064	7210 01	98818109	7210 01		7210 01	98818384	7220 37	98818476	7510 01	98818551	7540 06	98818672	7550 01
98818065	7210 01	98818110	7210 01	98818209	7210 61	98818385	7220 37	98818478	7510 01	98818552	7540 06	98818673	7550 01
98818066	7210 01	98818111	7210 01	98818210	7210 31	98818386	7220 37	98818479	7510 01	98818573	7540 01	98818674	7550 01
98818067	7210 01		7210 01	98818211	7210 31	98818396	7220 45	98818481	7510 01	98818582	7541 01	98818687	7550 02
98818068	7210 01	98818112	7210 01	98818212	7210 31	98818398	7220 45	98818482	7510 01	98818583	7541 05	98818688	7550 02
98818069	7210 01		7210 01	98818213	7210 31	98818400	7220 45	98818483	7510 01	98818584	7541 05	98818683	7550 03
98818070	7210 01	98818113	7210 01	98818223	7210 67	98818402	7220 45	98818485	7510 01	98818587	7541 05	98818685	7550 03
98818071	7210 01	98818114	7210 01	98818224	7210 67	98818412	7220 56	98818486	7510 01	98818588	7541 01		7550 26
98818072	7210 01	98818115	7210 01	98818226	7210 67	98818414	7220 56	98818487	7510 01	98818589	7541 05	98818697	7550 03
98818085	7210 01		7210 01		7210 67	98818425	7510 01	98818490	7510 01	98818590	7541 05		7550 31
98818086	7210 01	98818116	7210 01	98818227	7210 67	98818426	7510 01	98818491	7510 01	98818593	7541 05	98817220	6413 01
98818087	7210 01		7210 01		7210 67	98818427	7510 01	98818507	7520 22	98818594	7541 01	98817221	6413 01
	7210 01	98818117	7210 01	98818233	7210 92	98818430	7510 01	98818509	7520 22	98818595	7541 05	98817228	6413 03
98818088	7210 01	98818118	7210 01	98818234	7210 92	98818435	7510 01	98818511	7520 08	98818596	7541 05	98817229	6413 03
	7210 01	98818119	7210 01	98818285	7220 01	98818436	7510 01	98818513	7520 29	98818597	7541 05	98817230	6413 12
98818089	7210 01		7210 01	98818286	7220 01	98818437	7510 01		7520 29	98818903	7541 41	98817231	6413 12
98818090	7210 01	98818120	7210 01	98818273	7220 01	98818446	7510 01	98818515	7530 40	98818905	7541 43	98817238	6413 10
98818091	7210 01		7210 01	98818274	7220 01	98818447	7510 01	98818517	7530 40	98818913	7610 01	98817239	6413 10

PART NO.	LOC.NO.	PART NO.	LOC.NO.	PART NO.	LOC.NO.	PART NO.	LOC.NO.	PART NO.	LOC.NO.	PART NO.	LOC.NO.	PART NO.	LOC.NO.
98817244	6413 22	98817453	6200 05	98817677	6430 09	98817944	6641 16	98833503	6413 07	98803391	7210 31	98803684	7220 01
98817245	6413 22	98817455	6640 22	98817678	6430 09	98817948	7310 01	98833504	6413 07	98803392	7220 37	98803686	7220 01
98817254	6413 29	98817456	6640 22	98817701	6430 12	98817950	7310 01	98833505	6413 06	98803393	7220 37	98803688	7220 01
98817255	6413 29	98817457	6520 18	98817702	6430 12	98817955	7330 45	98833506	6413 06	98803401	7210 01	98803690	7220 01
98817256	6413 29	98817458	6520 18	98817703	6413 70	98817958	7330 45	98833507	6413 08	98803403	7210 01	98804274	6310 01
98817257	6413 29	98817480	6530 14	98817704	6413 70	98817977	7330 12	98833508	6413 06	98803406	7210 01	98804276	6670 09
98817260	6413 65	98817483	6530 10	98817759	6340 09	98817980	7330 12	98833606	4330 03	98803407	7210 01	98804279	6670 09
98817261	6413 65	98817484	6530 10	98817762	6340 09	98817989	7322 11	98833607	4330 03	98803409	7210 01	98804280	6320 01
98817274	6413 50	98817497	6530 10	98817763	6330 06	98817996	7322 11	98840501	2131 21	98803502	7210 01	98804282	6320 01
98817275	6413 50	98817498	6530 10	98817764	6330 06	98818001	7330 35	98865819	4710 30	98803604	7210 01	98804284	6320 01
98817276	6413 19	98817503	6150 01	98817767	6640 11	98818010	7232 06	98865820	4710 31	98803606	7210 01	98804286	6320 01
98817279	6413 19	98817505	6150 01	98817768	6640 11	98818078	7322 09	98860036	3260 12	98803608	7210 01	98804287	6320 09
98817286	6413 66	98817508	6530 02	98817769	6340 07	98818089	7322 05	98860037	3260 16	98803610	7210 01	98804288	6320 09
98817287	6413 66	98817509	6530 02	98817770	6340 07	98818093	7322 30	98860053	6340 37	98803612	7210 01	98804289	6320 09
98817292	6413 68	98817516	6510 03	98817775	6340 02	98818095	7322 29	98860054	6340 38	98803614	7210 01	98804290	6320 09
98817293	6413 68	98817520	6640 01	98817776	6340 02	98818103	7322 13	98860063	4662 12	98803616	7210 01	98804291	6320 18
98817302	6430 01	98817521	6640 01	98817779	6340 03	98818105	7322 31	98860065	4521 01	98803618	7210 01	98804364	5220 01
98817303	6430 01	98817529	6260 05	98817780	6340 03	98818108	7310 10	98860066	4521 01	98803620	7210 01	98804365	5220 01
98817304	6430 01	98817530	6260 05	98817783	6340 01	98818111	7310 10	98860068	4521 06	98803622	7210 01	98804366	5220 01
98817305	6430 01	98817536	6250 01	98817784	6340 01	98818114	7310 12	98860069	4521 02	98803624	7210 01	98804367	5220 01
98817306	6430 02	98817551	6411 05	98817785	6340 10	98818117	7310 12	98860069	5440 02	98803642	7210 01	98804368	5220 01
98817313	6430 03	98817552	6411 05	98817786	6340 10	98818119	7342 15	988601340	6320 09	98803644	7210 01	98804369	5220 01
98817314	6430 05	98817553	6411 04	98817792	6460 01	98818123	7342 15	988601344	6320 18	98803646	7210 01	98804371	5220 01
98817315	6430 04	98817554	6411 04	98817793	6460 01	98818129	7342 01	988601668	6240 04	98803648	7210 01	98804372	5220 01
98817316	6430 04	98817555	6411 07	98817825	6442 01	98818132	7342 01	988601689	6240 04	98803650	7210 01	98804373	5220 01
98817321	6641 17	98817556	6411 07	98817827	6442 01	98818166	7342 17	988601692	6340 04	98803652	7210 01	98804374	5220 01
98817322	6641 17	98817557	6411 06	98817850	6442 06	98818168	7322 12	988601693	6340 04	98803654	7210 01	98804375	5220 01
98817323	6641 18	98817558	6411 06	98817852	5320 02	98818175	7610 01	988601726	4910 03	98803656	7210 01	98804376	5220 01
98817325	6442 06	98817559	6411 08	98817853	5320 03	98818178	7610 01	988601727	4910 03	98803658	7210 01	98804377	5220 01
98817326	6420 02	98817560	6411 08	98817854	5320 06	98818187	7610 01	988602136	7560 24	98803660	7210 01	98804378	5220 01
98817364	6520 01	98817561	6732 01	98817867	6110 30	98818204	9110 11		7560 24	98803662	7210 01	98804379	5220 01
98817372	6520 32	98817562	6732 02	98817897	6420 08	98818220	5710 02	98802453	7120 57	98803664	7210 01	98804380	5220 01
98817361	6520 15	98817907	6732 04	98817923	6452 01	98818222	5710 53	98802454	7120 57	98803666	7210 01	98804381	5220 01
98817393	6140 03	98817611	6732 37	98817924	6452 33	98818340	5710 02	98802457	7120 01	98803668	7210 01	98804382	5220 01
98817408	6430 03	98817612	6732 37	98817934	6452 03	98818659	5610 15	98802458	7120 01	98803670	7210 01	98804383	5220 01
98817416	6130 02	98817615	6750 05	98817935	6452 03	98820770	5610 16	98802459	7120 01	98803672	7210 01	98804387	5220 01
98817433	6530 02	98817616	6750 05	98817936	6452 10	98832035	6520 06	98802460	7120 01	98803674	7210 01	98804388	5220 01
98817434	6530 02	98817617	6750 08	98817937	6452 04	98833499	6413 05	98802461	7120 01	98803676	7210 01	98804389	5220 01
98817436	6150 01	98817618	6750 08	98817938	6452 14	98833500	6413 05	98802531	8110 06	98803678	7210 01	98804390	5220 01
98817438	6150 01	98817670	6430 06	98817939	6641 06	98833501	6413 04	98802616	7113 22	98803680	7220 01	98804391	5220 01
98817440	6140 04	98817671	6430 06	98817940	6641 07	98833502	6413 04	98803390	7210 31	98803682	7220 01	98804392	5220 01

PART NO. INDEX

PART NO.	LOC.NO.	PART NO.	LOC.NO.	PART NO.	LOC.NO.	PART NO.	LOC.NO.	PART NO.	LOC.NO.	PART NO.	LOC.NO.	PART NO.	LOC.NO.
98804393	5220 01	98813015	5710 02	98814877	1210 01	98818044	5710 06	98818097	5710 06	98818141	5710 06	98818220	5710 06
98804395	5220 01	98813019	5710 02	98814880	1311 42	98818045	5710 06	98818098	5710 06	98818142	5710 06	98818221	5710 06
98804397	5220 01	98813020	5710 01	98814881	1311 42	98818046	5710 06	98818099	5710 06	98818143	5710 06	98818222	5710 06
98804399	5220 01	98813021	5710 01	98814882	1311 01	98818047	5710 06	98818100	5710 06	98818144	5710 06	98818223	5710 06
98804401	5220 01	98813030	5710 01	98814901	3230 09	98818048	5710 06	98818104	5710 06	98818145	5710 06	98818224	5710 06
98804402	5220 01	98813043	5710 01	98814972	6510 01	98818049	5710 06	98818105	5710 06	98818146	5710 06	98818225	5710 06
98804403	5220 01	98813059	5710 03	98815257	6460 03	98818050	5710 06	98818106	5710 06	98818147	5710 06	98818226	5710 06
98804404	5220 01	98813068	5710 07	98815258	6460 03	98818051	5710 06	98818107	5710 06	98818148	5710 06	98818227	5710 06
98804405	5220 01	98813093	5710 07	98815259	6460 04	98818052	5710 06	98818108	5710 06	98818149	5710 06	98818228	5710 06
98804406	5220 01	98813095	5710 07	98815269	6460 04	98818053	5710 06	98818109	5710 06	98818150	5710 06	98818229	5710 06
98805102	5430 01	98813096	5710 07	98815274	6460 06	98818054	5710 06	98818110	5710 06	98818151	5710 06	98818230	5710 06
98805103	5430 03	98813248	3210 01	98815275	4831 28	98818055	5710 06	98818111	5710 06	98818152	5710 06	98818231	5710 06
98805107	5430 03	98813249	3210 01	98815400	4831 01	98818056	5710 06	98818112	5710 06	98818153	5710 06	98818232	5710 06
98805108	5430 03	98813257	3210 01	98815401	4831 01	98818057	5710 06	98818113	5710 06	98818154	5710 06	98818233	5710 06
98805110	5430 06	98813263	3210 01	98815402	4831 01	98818058	5710 06	98818114	5710 06	98818155	5710 06	98818234	5710 06
98806253	9775 03	98813343	8320 01	98815403	4831 01	98818059	5710 06	98818115	5710 06	98818156	5710 06	98818235	5710 06
98806333	4710 29	98813345	8320 01	98815404	4831 01	98818060	5710 06	98818116	5710 06	98818157	5710 06	98818236	5710 06
98806335	4710 31	98813346	8320 01	98815405	4831 01	98818061	5710 06	98818117	5710 06	98818158	5710 06	98818237	5710 06
98809800	5220 01	98813350	7610 01	98815407	4831 01	98818062	5710 06	98818118	5710 06	98818159	5710 06	98818238	5710 06
98809897	4810 01	98813352	7610 01	98815409	4831 01	98818063	5710 06	98818119	5710 06	98818160	5710 06	98818239	5710 06
98809898	4810 01	98813362	8212 01	98815410	4831 01	98818064	5710 06	98818120	5710 06	98818161	5710 06	98818240	5710 06
98810478	6140 10	98813364	8212 01	98815411	4831 01	98818065	5710 06	98818121	5710 06	98818162	5710 06	98818241	5710 06
98810479	6140 10	98813368	8212 01	98815412	4830 01	98818066	5710 06	98818122	5710 06	98818163	5710 06	98818242	5710 06
98810565	9250 05	98813368	8212 01	98815413	4830 01	98818067	5710 06	98818123	5710 06	98818164	5710 06	98818243	5710 06
98810567	9250 05	98813381	8212 01	98815414	4830 01	98818068	5710 06	98818124	5710 06	98818165	5710 06	98818244	5710 06
98810568	2510 01	98813384	8212 01	98815415	4830 01	98818069	5710 06	98818125	5710 06	98818166	5710 06	98818245	5710 06
98810569	2510 01	98813387	8212 01	98815480	1411 01	98818070	5710 06	98818126	5710 06	98818167	5710 06	98818246	5710 06
98810727	7220 01	98813388	8212 01	98815500	1411 01	98818071	5710 06	98818127	5710 06	98818168	5710 06	98818247	5710 06
98810729	7220 01	98813390	8212 01	98815512	6460 02	98818072	5710 06	98818128	5710 06	98818169	5710 06	98818248	5710 06
98810906	4831 01	98813394	8212 01	98815513	6460 02	98818073	5710 06	98818129	5710 06	98818170	5710 06	98818249	5710 06
98810947	4831 01	98813396	8212 01	98815514	6460 03	98818074	5710 06	98818130	5710 06	98818171	5710 06	98818250	5710 06
98812050	7130 27	98813439	3230 39	98815515	6460 03	98818075	5710 06	98818131	5710 06	98818172	5710 06	98818251	5710 06
98812053	7130 27	98813583	3230 39	98815517	6460 06	98818076	5710 06	98818132	5710 06	98818173	5710 06	98818252	5710 06
	7130 27	98813684	8320 18	98816036	5710 06	98818077	5710 06	98818133	5710 06	98818174	5710 06	98818253	5710 06
98812960	3230 19	98813684	8320 09	98816037	5710 06	98818078	5710 06	98818134	5710 06	98818175	5710 06	98818254	5710 06
98812967	3230 19	98813695	8320 09	98816038	5710 06	98818079	5710 06	98818135	5710 06	98818176	5710 06	98818255	5710 06
98812968	3230 22	98813697	8320 09	98816039	5710 06	98818080	5710 06	98818136	5710 06	98818177	5710 06	98818256	5710 06
98812969	3230 21	98814066	1331 18	98816040	5710 06	98818081	5710 06	98818137	5710 06	98818178	5710 06	98818257	5710 06
98812971	3230 23	98814870	1311 26	98816041	5710 06	98818082	5710 06	98818138	5710 06	98818179	5710 06	98818258	5710 06
98812973	3230 31	98814873	1210 01	98816042	5710 06	98818083	5710 06	98818139	5710 06	98818180	5710 06	98818259	5710 06
98812974	3230 31	98814876	1210 01	98816043	5710 06	98818084	5710 06	98818140	5710 06	98818181	5710 06	98818260	5710 06

PART NO.	LOC.NO.	PART NO.	LOC.NO.	PART NO.	LOC.NO.	PART NO.	LOC.NO.
98816261	5710 06	98816334	5710 06	98816423	5710 06	98840228	7520 17
98816262	5710 06	98816335	5710 06	98816424	5710 06	98840230	7520 17
98816263	5710 06	98816336	5710 06	98816425	5710 06	98840231	7520 01
98816266	5710 06	98816337	5710 06	98816426	5710 06	98840233	7520 07
98816267	5710 06	98816338	5710 06	98816427	5710 06	98840234	7540 06
98816268	5710 06	98816339	5710 06	98816428	5710 06	98840235	7540 07
98816269	5710 06	98816340	5710 06	98816429	5710 06	98840236	7541 01
98816300	5710 06	98816341	5710 06	98816430	5710 06	98840238	7541 05
98816301	5710 06	98816342	5710 06	98816431	5710 06	98840239	7541 02
98816302	5710 06	98816343	5710 06	98816432	5710 06	98840241	7541 06
98816303	5710 06	98816344	5710 06	98816433	5710 06		
98816304	5710 06	98816345	5710 06	98816434	5710 06		
98816305	5710 06	98816346	5710 06	98816435	5710 06		
98816306	5710 06	98816347	5710 06	98816436	5710 06		
98816307	5710 06	98816378	5710 06	98816437	5710 06		
98816308	5710 06	98816379	5710 06	98816438	5710 06		
98816309	5710 06	98816380	5710 06	98816439	5710 06		
98816310	5710 06	98816381	5710 06	98816440	5710 06		
98816311	5710 06	98816382	5710 06	98816441	5710 06		
98816312	5710 06	98816383	5710 06	98816442	5710 06		
98816313	5710 06	98816384	5710 06	98816443	5710 06		
98816314	5710 06	98816385	5710 06	98816444	5710 06		
98816315	5710 06	98816386	5710 06	98816445	5710 06		
98816316	5710 06	98816387	5710 06	98816446	5710 06		
98816317	5710 06	98816388	5710 06	98816447	5710 06		
98816318	5710 06	98816389	5710 06	98817976	8350 13		
98816319	5710 06	98816390	5710 06	98820135	1230 11		
98816320	5710 06	98816391	5710 06	98820398	6690 03		
98816321	5710 06	98816392	5710 06	98820399	6690 03		
98816322	5710 06	98816393	5710 06	98830361	5510 06		
98816323	5710 06	98816394	5710 06	98830363	5510 06		
98816324	5710 06	98816395	5710 06	98830364	5510 06		
98816325	5710 06	98816396	5710 06	98830370	1210 06		
98816326	5710 06	98816397	5710 06	98840122	1311 13		
98816327	5710 06	98816398	5710 06	98840197	2510 02		
98816328	5710 06	98816399	5710 06	98840220	7510 01		
98816329	5710 06	98816400	5710 06	98840222	7510 01		
98816330	5710 06	98816401	5710 06	98840223	7520 18		
98816331	5710 06	98816420	5710 06	98840224	7520 18		
98816332	5710 06	98816421	5710 06	98840225	7520 04		
98816333	5710 06	98816422	5710 06	98840226	7520 04		

DATE VS VIN NO

DATE	V.I.N	DATE	V.I.N
2003.04.01 ~ 2003.05.05	883191 ~ 892940	2005.02.01 ~ 2005.02.28	171999 ~ 183784
2003.05.06 ~ 2003.06.01	892941 ~ 898248	2005.03.01 ~ 2005.03.31	183785 ~ 197192
2003.06.02 ~ 2003.06.30	898249 ~ 905521	2005.04.01 ~ 2005.04.30	197193 ~ 211423
2003.07.01 ~ 2003.08.10	905522 ~ 914826	2005.05.01 ~ 2005.05.31	211424 ~ 226276
2003.08.11 ~ 2003.08.30	914826 ~ 920704	2005.06.01 ~ 2005.06.30	226276 ~ 241784
2003.09.01 ~ 2003.10.01	920705 ~ 932530	2005.07.01 ~ 2005.07.31	241785 ~ 260856
2003.10.02 ~ 2003.11.03	932531 ~ 948000	2005.08.01 ~ 2005.08.31	260857 ~ 275703
2003.11.04 ~ 2003.11.30	948001 ~ 957976	2005.09.01 ~ 2005.09.30	275704 ~ 294809
2003.12.01 ~ 2004.01.04	957976 ~ 973481	2005.10.01 ~ 2005.10.31	294810 ~ 314433
		2005.11.01 ~ 2005.11.30	314434 ~ 334705
		2005.12.01 ~ 2005.12.31	334706 ~ 358180
2004.01.05 ~ 2004.01.31	973482 ~ 984399		
2004.02.01 ~ 2004.02.28	984000 ~ 000003	2006.01.01 ~ 2006.01.31	358181 ~ 377213
2004.03.01 ~ 2004.03.31	000004 ~ 014318	2006.02.01 ~ 2006.02.28	377214 ~ 398793
2004.04.01 ~ 2004.04.30	014319 ~ 029103	2006.03.01 ~ 2006.03.31	398794 ~ 421412
2004.05.01 ~ 2004.05.31	029104 ~ 043106	2006.04.01 ~ 2006.04.30	421413 ~ 443946
2004.06.01 ~ 2004.06.30	043107 ~ 059712	2006.05.01 ~ 2006.05.31	443947 ~ 465232
2004.07.01 ~ 2004.08.09	059713 ~ 072807	2006.06.01 ~ 2006.06.30	465233 ~
2004.08.10 ~ 2004.08.31	072808 ~ 085866		
2004.09.01 ~ 2004.09.30	085867 ~ 102247		
2004.10.01 ~ 2004.10.31	102248 ~ 119752		
2004.11.01 ~ 2004.11.30	119753 ~ 138225		
2004.12.01 ~ 2004.12.31	138226 ~ 155062		
2005.01.01 ~ 2005.01.31	155063 ~ 171998		

