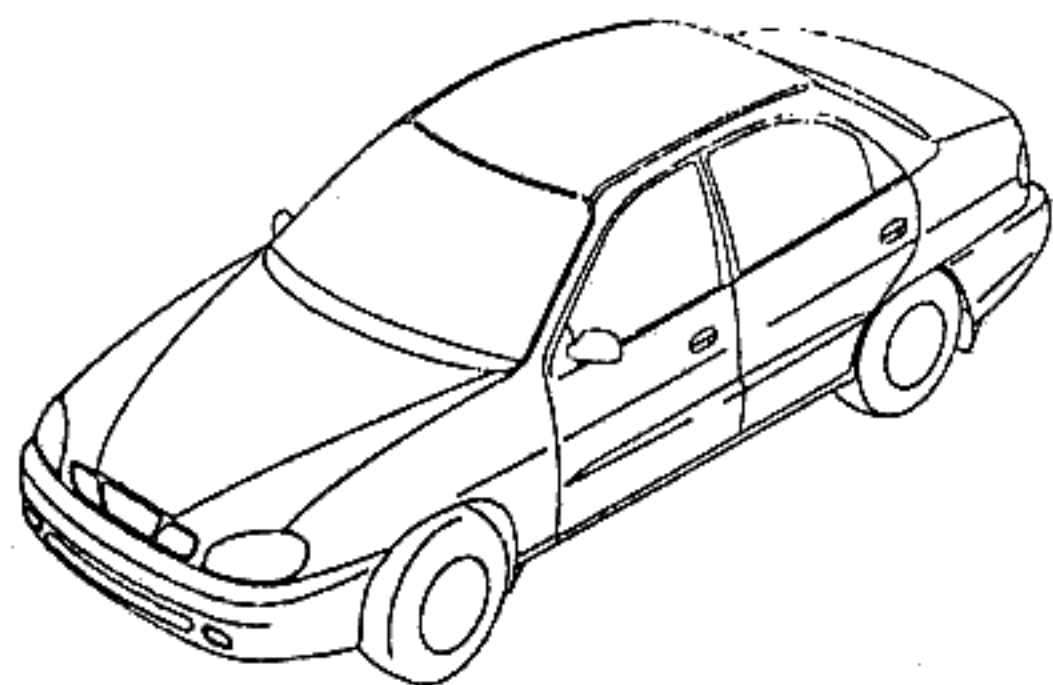
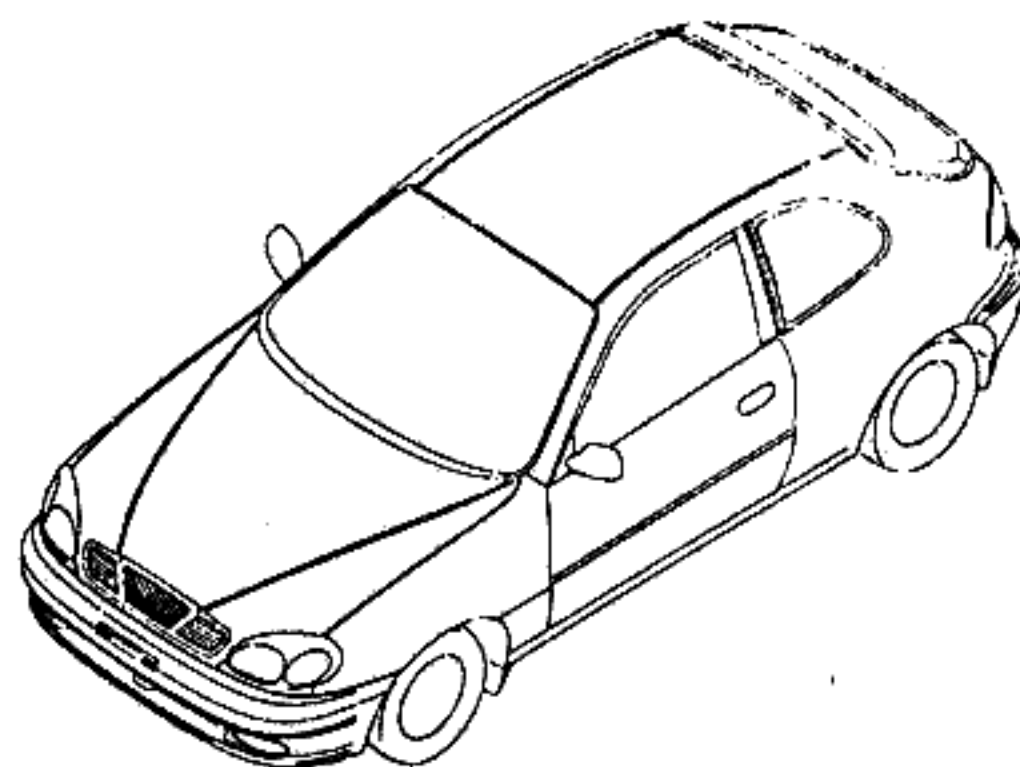
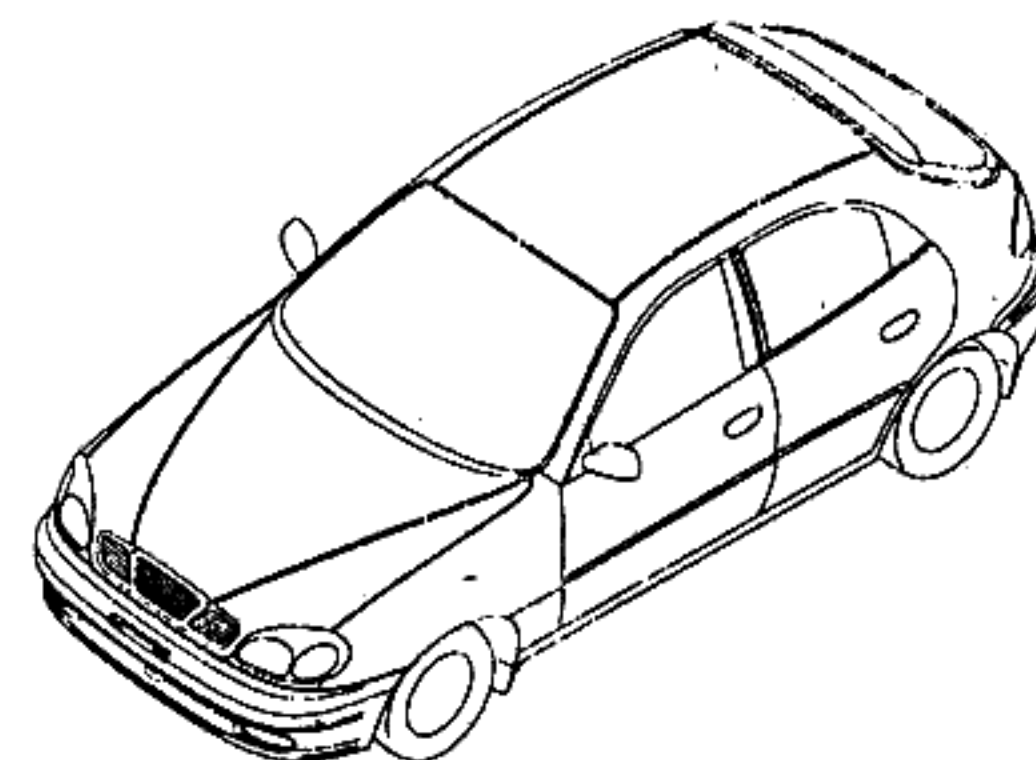


I. GENERAL VIEW**4-DOOR NOTCH BACK****3-DOOR HATCH BACK****5-DOOR HATCH BACK**

II. MODEL & OPTION

1. MODEL

ENGINE	T/A	BODY	LEVEL
Y / 6	M / A	4N / 3H / 5H	S / SE / SX

■ ENGINE TYPE

- Y : 1.5L SOHC
- 6 : 1.6L DOHC
- . : Common

■ T/A(TRANSAXLE)TYPE

- M : Manual T/A
- A : Automatic T/A
- . : Common

■ BODY TYPE

- 4N : 4 Door Notchback
- 3H : 3 Door Hatchback
- 5H : 5 Door Hatchback

NOTE : Please be sure to read "the EXPLANATION OF CATALOG COMPOSITION" to find out the details on "the MODEL COLUMN".

2. OPTION

CODE	DESCRIPTION	BODY			LEVEL		
		4 N	3 H	5 H	S	S E	S X
A31	Window-power,front&rear	B	.	B	.	O	O
A32	Window-power,front	B	B	B	O	O	B
ABF	Air bag-dual	B	B	B	.	O	O
AJ3	Air bag-driver side only	B	B	B	.	O	O
AU3	Central door lock	B	B	B	O	O	B
C59	Uncompleted Air conditioner	B	B	B	O	O	O
C60	Air conditioner	B	B	B	O	O	O
CF6	Sun roof,power	B	B	B	O	O	O
JL9	Antilock brake system	B	B	B	.	O	O
ML4	4 speed automatic T/A	B	B	B	O	O	O
N40	Power steering	B	B	B	O	O	B
PG4	Alloy wheel,5.5JX14	B	B	B	.	.	O
T45	Rear spoiler	.	B	B	.	.	O
U83	Speaker-coaxial 2 way	B	B	B	.	O	O
UNA	Cassette(mech), 7wX2ch(AKF-4331)	B	B	B	O	O	O
UN1	Cassette(mech),25wX2ch(AKF-4036)	B	B	B	O	O	O
UN6	Cassette(logic) ,25wX4ch(AKF-0816)	B	B	B	.	O	O
W8V	CD player	B	B	B	.	O	O

- O : OPTION
- B : BASE
- . : NOT APPLICABLE

III. COLOR CODE TABLE

When order the color parts, the color code should be quoted.

EXTERIOR COLOR		INTERIOR COLOR
CODE	DESCRIPTION	
11U	GALAXY WHITE	GREY
21U	AZURITE BLUE	GREY
27U	VIOLET BLUE	GREY
42U	DEEP BLUISH GREEN	GREY
43U	LIGHT EVERGREEN	GREY
73L	SUPER RED	GREY
74U	SPINEL RED	GREY
81U	STREAMLINE GREY	GREY
83L	GRANADA BLACK	GREY
92U	POLY SILVER	GREY

⑧ MODEL

This column indicates Engine type, Transaxle type, Body type, Trim level.

■ ENG(ENGINE) TYPE

- Y : 1.5L SOHC
- 6 : 1.6L DOHC
- . : COMMON

■ T/A(TRANSAXLE)TYPE

- M : Manual T/A
- A : Automatic T/A
- . : Common

■ BODY TYPE

- 4N : 4 Door Notchback
- 3H : 3 Door Hatchback
- 5H : 5 Door Hatchback

"BODY" column indicates the expression of applicable body type.

- B : Applicable
- . : Not applicable

■ TRIM LEVEL

- S
- SE
- SX

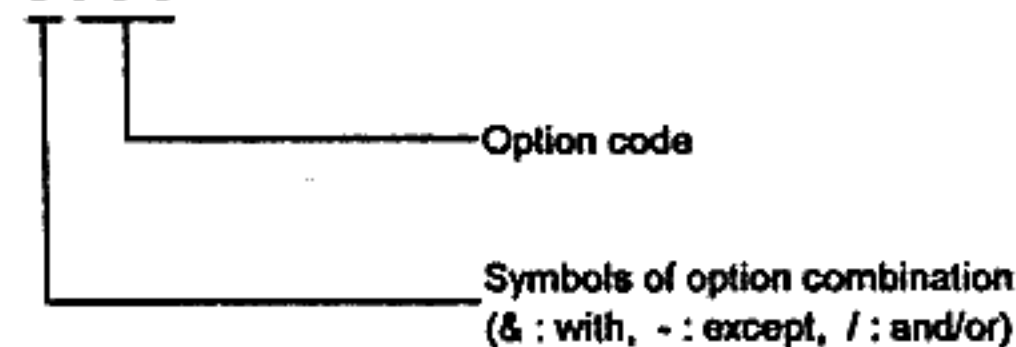
"LEVEL" column indicates the expression of applicable trim level.

- S : Standard equipment.
- O : Option equipment.
- A : Available equipment for the special package according to the area regulation

⑨ OPTION

This column indicates option code.
Refer to "VI.OPTION CODE TABLE"

ex) O O O O



⑩ L/R

This column indicates the mounting position of a part.

- LH : Left hand side
- RH : Right hand side

⑪ QTY

This column indicates the quantity required per sub-group.
The quantity is normally shown by number or symbol as below.
A : As required quantity.

⑫ EFFECTIVE DATE

This column indicates effective "date in production".
It is shown by the year, month and date or start of production(S.O.P).

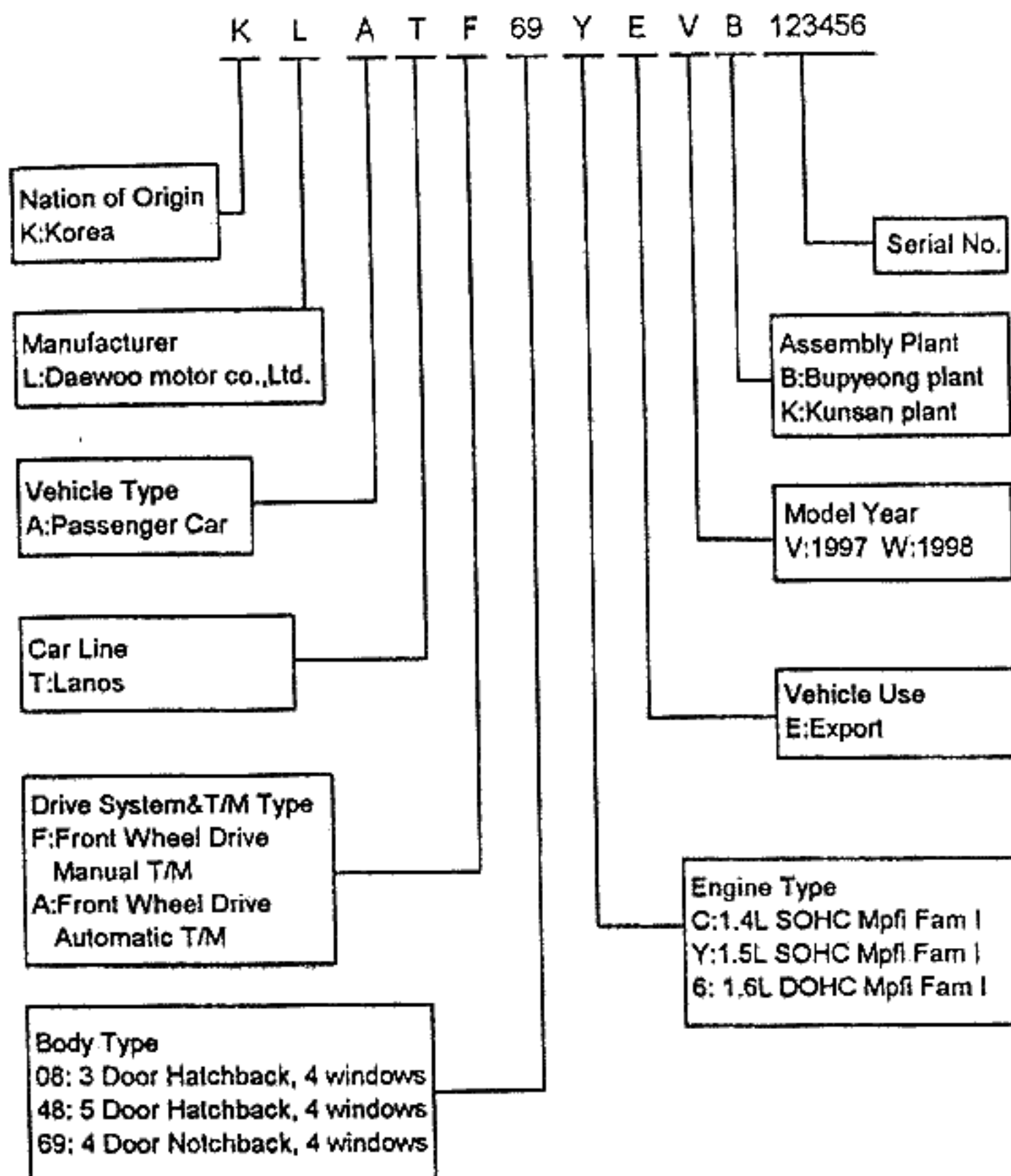
⑬ REMARKS

Supplementary or reference information is given in this column.
(examples)
Specification, Use, Type, Applicable country etc.

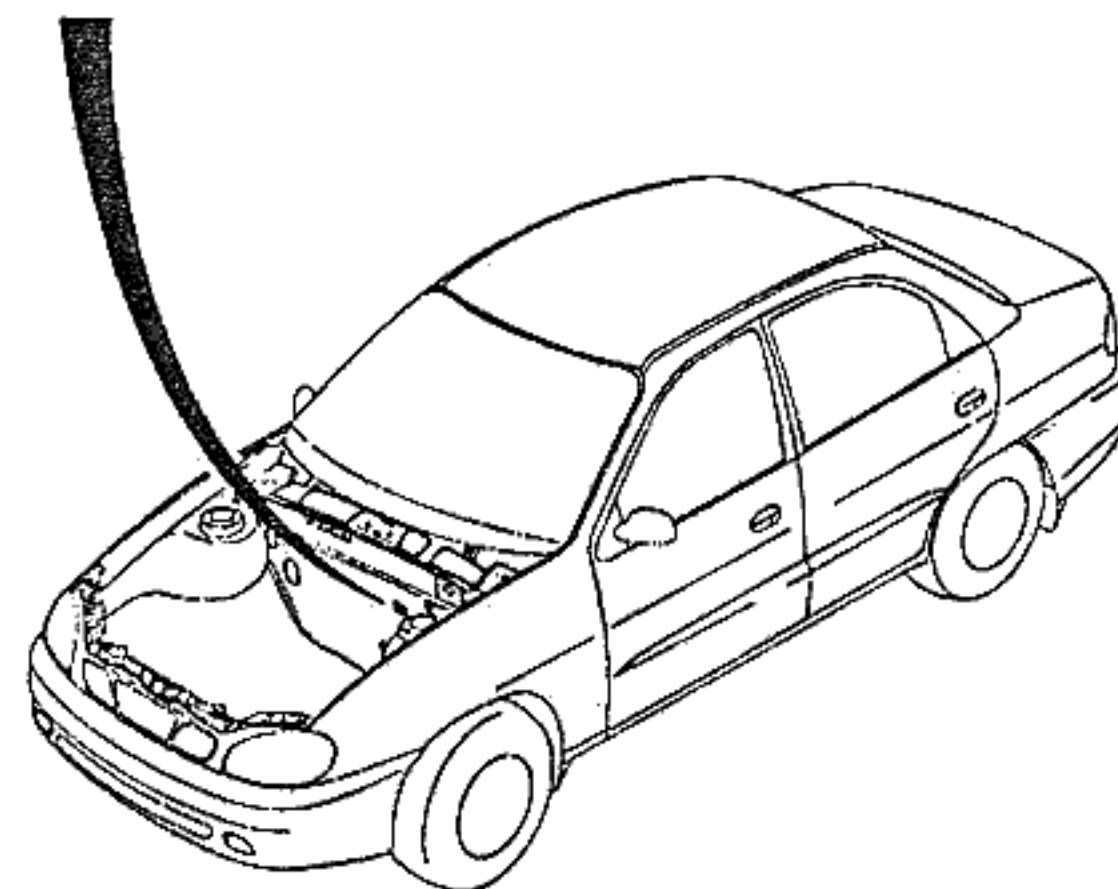
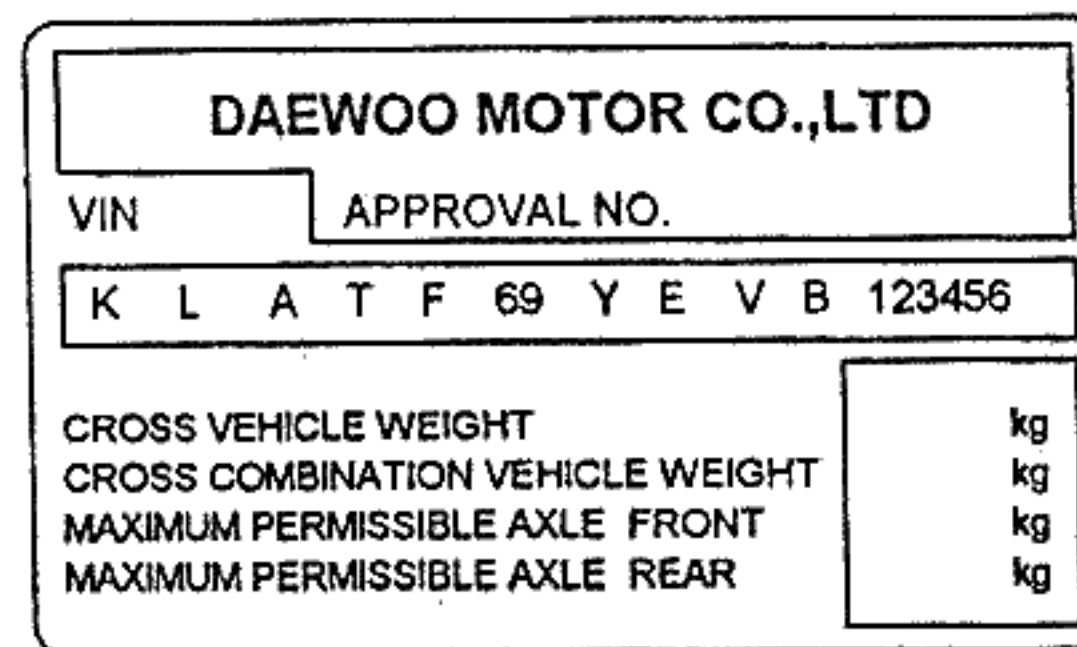
⑭ PART IDENTIFICATION CODE

This column indicates part identification code that is marked with two characters.
Part identification code will help you in discriminating a part easily.
But, all parts will not always carry the part identification code.

V. CONSTRUCTION OF VEHICLE IDENTIFICATION NUMBER



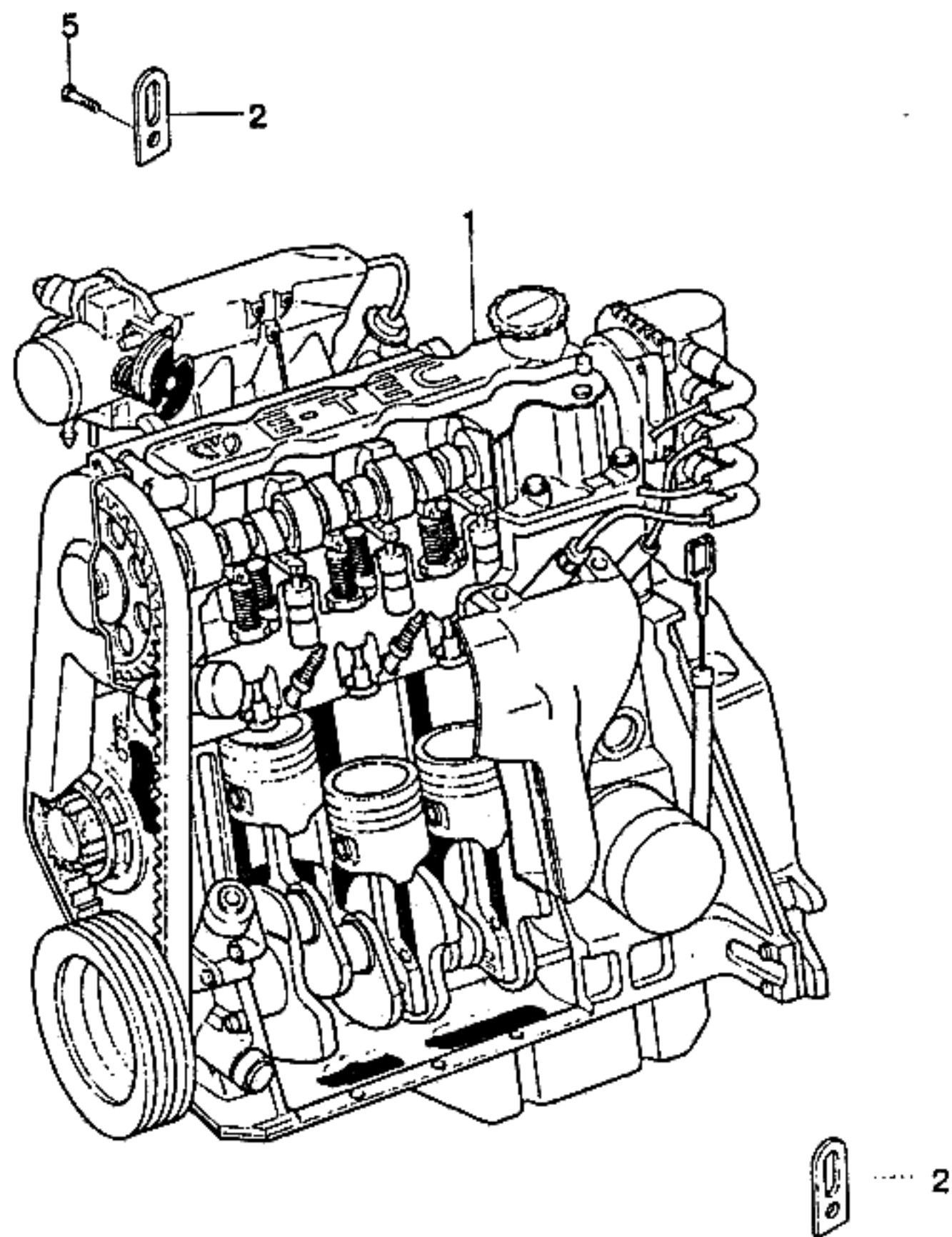
LOCATION OF VEHICLE IDENTIFICATION NUMBER



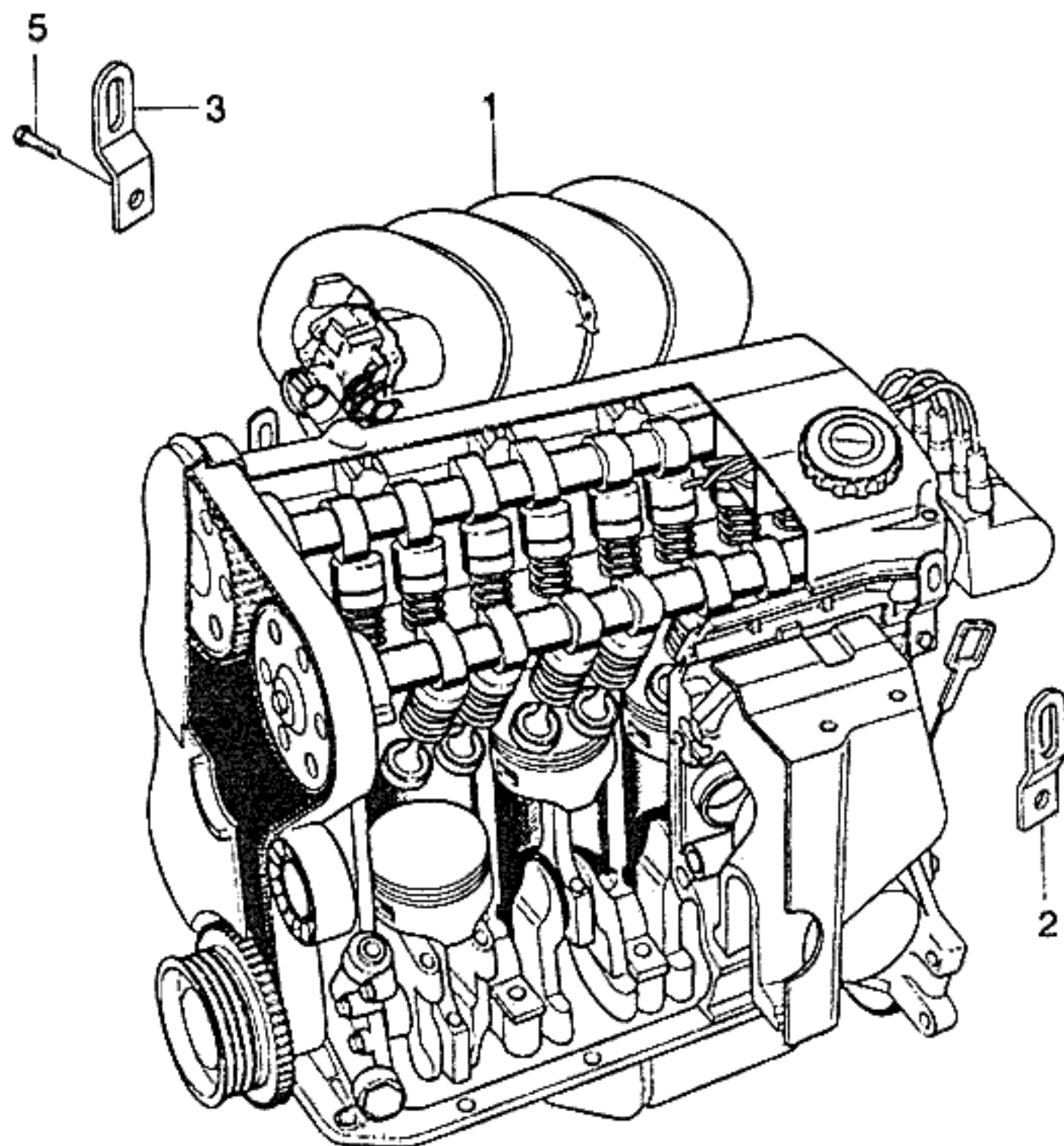
1

ENGINE

1110	ENGINE UNIT(SOHC)	1650	RADIATOR HOSE&PIPE(SOHC)
1111	ENGINE UNIT(DOHC)	1651	RADIATOR HOSE&PIPE(DOHC)
1120	SHORT ENGINE	1680	THERMOSTAT(SOHC)
1130	BELT SYSTEM	1681	THERMOSTAT(DOHC)
1140	REPAIR KIT(SOHC)	1690	OIL COOLER PIPE(A/T)
1141	REPAIR KIT(DOHC)	1710	IGNITION CABLE(SOHC)
1210	ENGINE BLOCK	1711	IGNITION CABLE(DOHC)
1220	CRANKSHAFT&PISTON	1740	ALTERNATOR UNIT(12V,85A)
1230	OIL PAN&PUMP	1741	ALTERNATOR UNIT(12V,95A)
1240	ENGINE OIL VENTILATION	1750	ALTERNATOR MOUNT(SOHC)
1310	CYLINDER HEAD(SOHC)	1751	ALTERNATOR MOUNT(DOHC)
1311	CYLINDER HEAD(DOHC)	1760	STARTER(0.8KW)
1320	CAM SUPPORT&SHAFT(SOHC)	1761	STARTER(1.4KW)
1321	CAM SUPPORT&SHAFT(DOHC)	1910	ENGINE MOUNT
1330	TIMING COVER(SOHC)		
1331	TIMING COVER(DOHC)		
1610	RADIATOR		
1630	COOLING FAN		



I T C	KEY NO.		PART NAME										P I C O D E	
	PART NO	E T N / G A	MODEL			OPTION	L / R	Q T Y	EFFECTIVE DATE		REMARKS			
			4 N	3 H	5 H				S S	S S		FROM		TO
	[01]		(E)ENGINE A (D)MOTOR									(F)MOTEUR (S)MOTOR		
	96184293	Y	M	B	B	B	S	S	S	&NN4-XCA		1		HF
	96352333	Y	M	B	B	B	A	A	A	&NN4&XCA		1		H2
	96184301	Y	M	B	B	B	A	A	A	&NN6-XCA		1		HB
	96352331	Y	M	B	B	B	A	A	A	&NN6&XCA		1		H8
	96350294	Y	M	B	B	B	A	A	A	&NN7-XCA		1		HJ
	96352335	Y	M	B	B	B	A	A	A	&NN7&XCA		1		H6
	96184297	Y	A	B	B	B	O	O	O	&NN4-XCA		1		HH
	96352334	Y	A	B	B	B	A	A	A	&NN4&XCA		1		H3
	96184305	Y	A	B	B	B	A	A	A	&NN6-XCA		1		HD
	96352332	Y	A	B	B	B	A	A	A	&NN6&XCA		1		H9
	96350292	Y	A	B	B	B	A	A	A	&NN7-XCA		1		HL
	96352336	Y	A	B	B	B	A	A	A	&NN7&XCA		1		H7
	[02]		(E)SHACKLE-ENGINE TRANSPORT (D)HALTER,MOTOR TRANSPORT									(F)BRIDES-TRANSPORT (S)GRILLETE-TRANSPORTE		
	90076951	Y	.	B	B	B	S	S	S			2		
	[05]		(E)BOLT (D)SCHRAUBE									(F)BOULON (S)PERNO		
	02865535	Y	.	B	B	B	S	S	S			1	M8X22	
ENG(ENGINE)			T/A(TRANSAXLE)				BODY TYPE							
Y = 1.5SOHC 6 = 1.6DOHC . = COMMON			M = MANUAL T/A A = AUTOMATIC T/A . = COMMON				4 N = 4 DOOR NOTCHBACK 3 H = 3 DOOR HATCHBACK 5 H = 5 DOOR HATCHBACK							

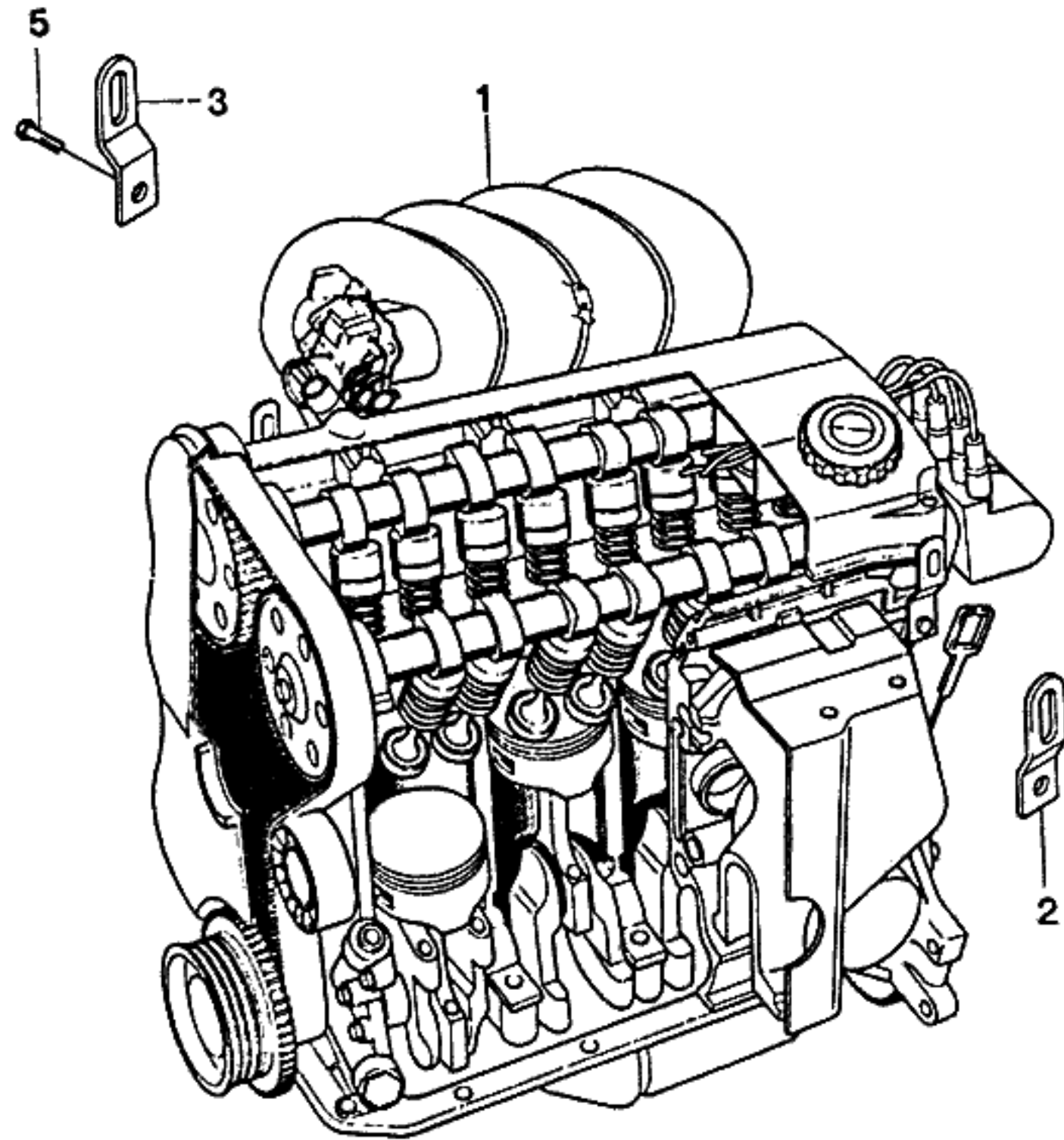


KEY NO.	PART NAME													
	PART NO	MODEL						OPTION	L / R	QTY	EFFECTIVE DATE		REMARKS	P / CODE
		E	T	BODY			LEVEL				FROM	TO		
N	G	4	3	5	S	S	S							
		A	N	H	H	S	E	X						
[01]	(E)ENGINE A (D)MOTOR									(F)MOTEUR (S)MOTOR				
96350534	6 M B B B . . O								&NN4-XHA	1			UB	
96352343	6 M B B B . . A								&NN4&XHA	1			U2	
96352351													NOT APPLIED	
96352339													NOT APPLIED	
96184154	6 M B B B . . A								&NN7-XHA	1			UJ	
96352347	6 M B B B . . A								&NN7&XHA	1			U6	
96352477													NOT APPLIED	
96352761	6 M B B B . . A								&KL9	1			FOR BRAZIL G2	
96350538	6 A B B B . . O								&NN4-XHA	1			UF	
96352345	6 A B B B . . A								&NN4&XHA	1			U3	
96352353													NOT APPLIED	
96352341													NOT APPLIED	
96184157	6 A B B B . . A								&NN7-XHA	1			UN	
96352349	6 A B B B . . A								&NN7&XHA	1			U7	
96352479													NOT APPLIED	
96352763	6 A B B B . . A								&KL9	1			FOR BRAZIL G3	
[02]	(E)SHACKLE-ENGINE TRANSPORT (D)HALTER,MOTOR TRANSPORT									(F)BRIDES-TRANSPORT (S)GRILLETE-TRANSPORTE				
5094021004	6 . B B B . . O									1				
[03]	(E)SHACKLE-ENGINE TRANSPORT (D)HALTER,MOTOR TRANSPORT									(F)BRIDES-TRANSPORT (S)GRILLETE-TRANSPORTE				
96130851	6 . B B B . . O									1				
[05]	(E)BOLT (D)SCHRAUBE									(F)BOULON (S)PERNO				

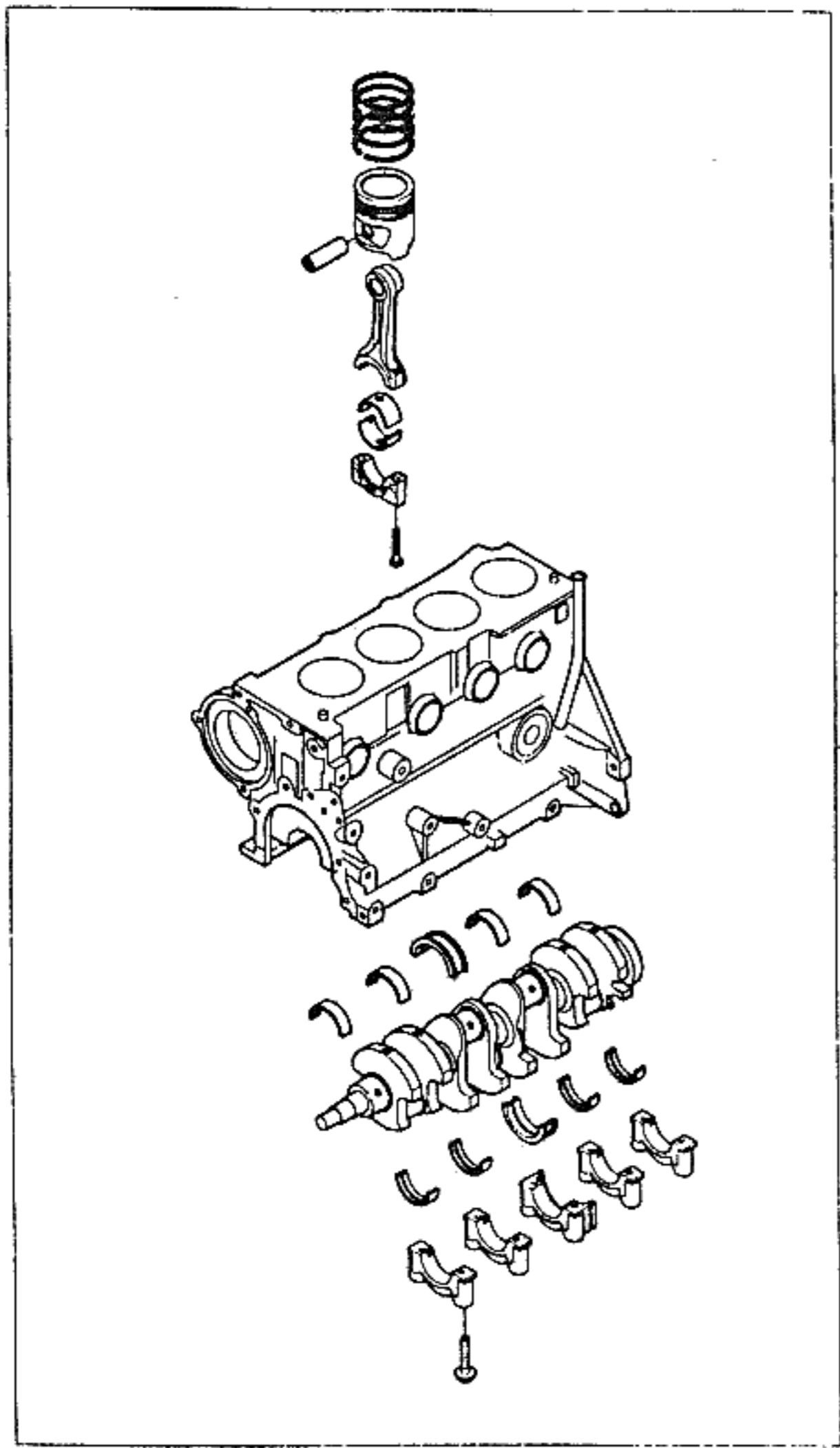
ENG(ENGINE)	T/A(TRANSAXLE)	BODY TYPE
Y = 1.5SOHC 6 = 1.6DOHC . = COMMON	M = MANUAL T/A A = AUTOMATIC T/A . = COMMON	4 N = 4 DOOR NOTCHBACK 3 H = 3 DOOR HATCHBACK 5 H = 5 DOOR HATCHBACK

11 ENGINE UNIT(DOHC)

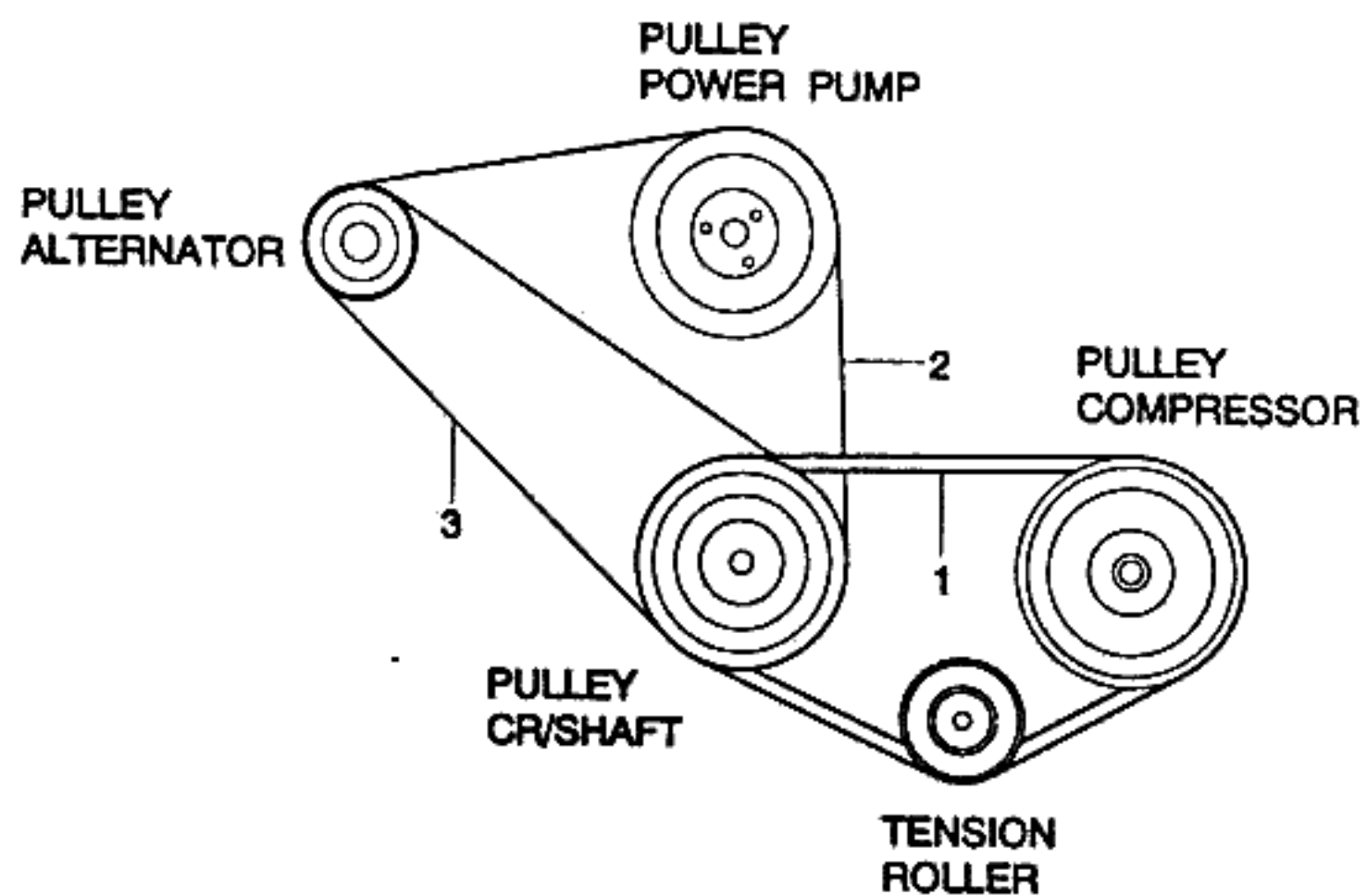
3D05



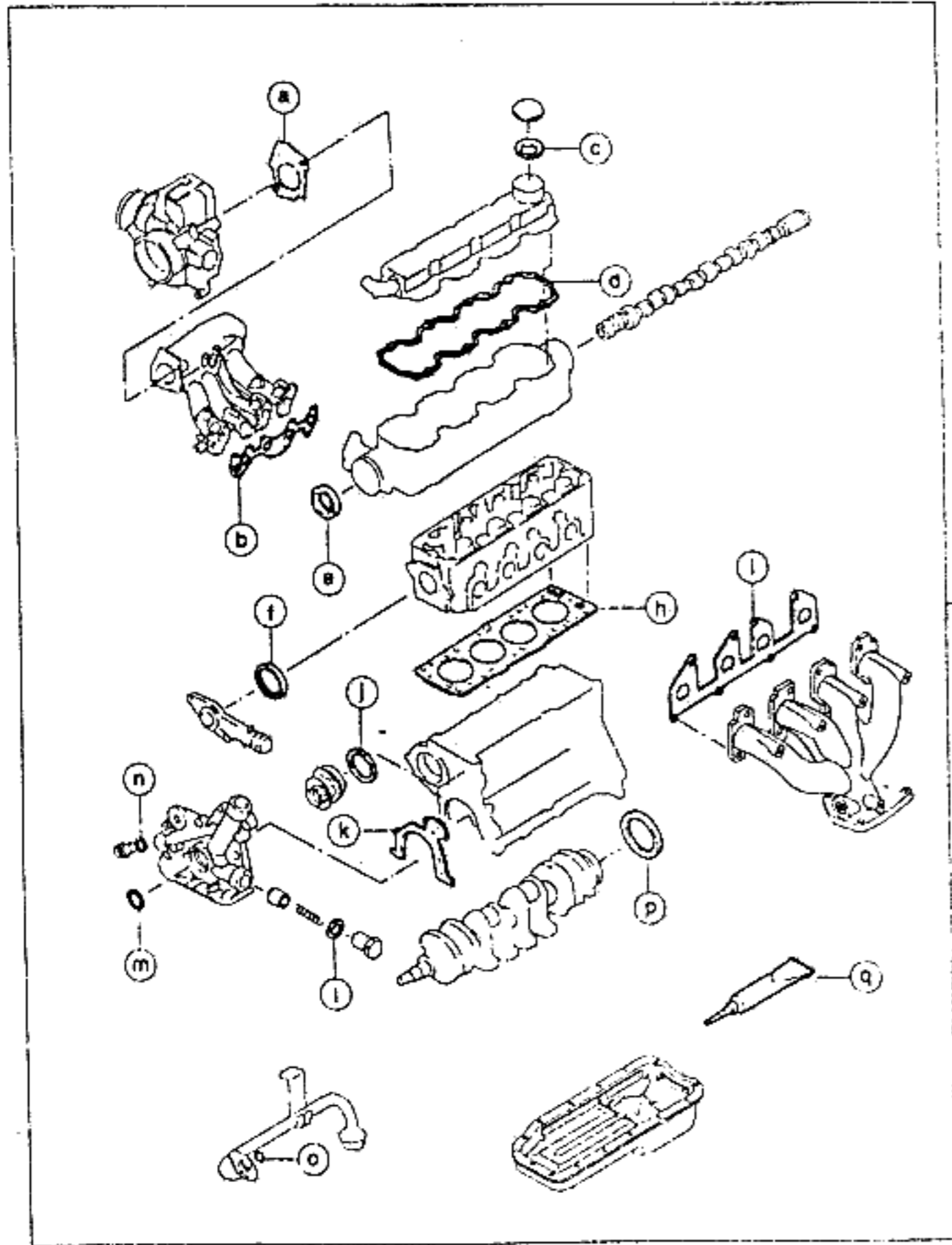
KEY NO.		PART NAME													
I T C	PART NO	MODEL						OPTION	L / R	Q T Y	EFFECTIVE DATE		REMARKS	P / C O D E	
		E N G	T / A	BODY			LEVEL				FROM	TO			
				4 N H	3 H	5 H	S								S E
	09117-08011	6	.	B	B	B	.	.	.	O			1		
ENG(ENGINE)		T/A(TRANSAXLE)			BODY TYPE										
Y = 1.5SOHC 6 = 1.6DOHC . = COMMON		M = MANUAL T/A A = AUTOMATIC T/A . = COMMON			4 N = 4 DOOR NOTCHBACK 3 H = 3 DOOR HATCHBACK 5 H = 5 DOOR HATCHBACK										



KEY NO.		PART NAME														
I T C	PART NO	MODEL						OPTION	L / R	Q T Y	EFFECTIVE DATE		REMARKS	P / C O D E		
		E N G	T / A	BODY			LEVEL				FROM	TO				
				4 N	3 H	5 H	S								S	S
	[01]	(E)SHORT BLOCK A (D)KURZ BLOCK									(F)BLOC COURT (S)BLOQUE CORTO					
	A96184803Y	Y	M	B	B	B	S	S	S			1				
	A96184804Y	Y	A	B	B	B	O	O	O			1				
	A96184805W	6	M	B	B	B	.	.	O			1				
	A96184806W	6	A	B	B	B	.	.	O			1				
ENG(ENGINE)		T/A(TRANSAXLE)				BODY TYPE										
Y = 1.5SOHC 6 = 1.6DOHC . = COMMON		M = MANUAL T/A A = AUTOMATIC T/A . = COMMON				4 N = 4 DOOR NOTCHBACK 3 H = 3 DOOR HATCHBACK 5 H = 5 DOOR HATCHBACK										



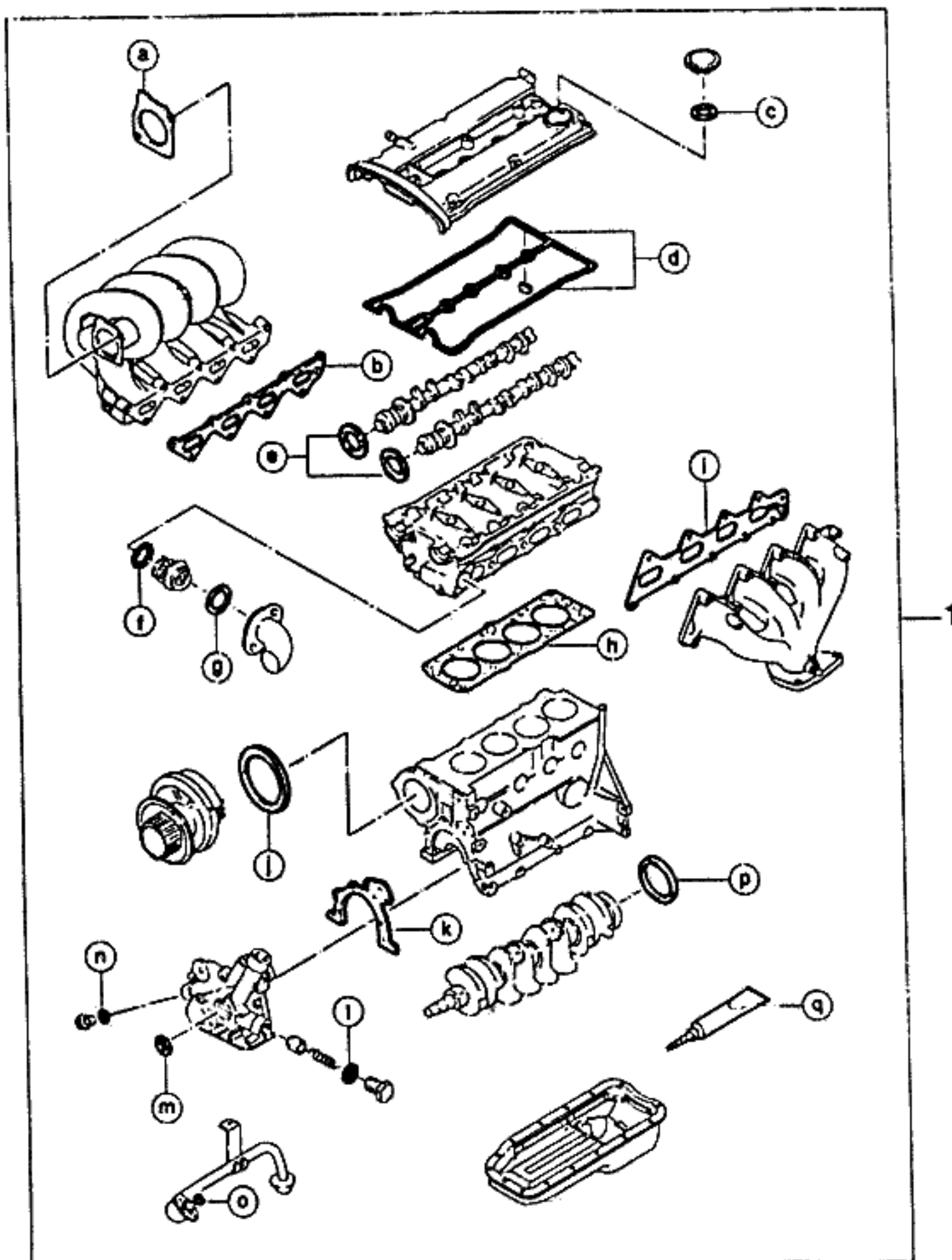
I T C	KEY NO.		PART NAME										P / C O D E
	PART NO	E N G	MODEL			OPTION	L / R	Q T Y	EFFECTIVE DATE		REMARKS		
			4 N G	3 H H	6 H H				S S	S E		S X	
	[01]	(E)V BELT (D)V GURT										(F)COURROIE EN V (S)CORREA V	
	96350467	. . .	B	B	B	O	O	O	&C60			1	840mm
	[02]	(E)V BELT (D)V GURT										(F)COURROIE EN V (S)CORREA V	
	96144933	Y . .	B	B	B	O	O	S	&N40-XHA			1	970mm
	96352454	Y . .	B	B	B	A	A	A	&N40&XHA			1	
	96144934	6 . .	B	B	B	.	.	O	&N40-XHA			1	1008mm
	96352455	6 . .	B	B	B	.	.	A	&N40&XHA			1	
	[03]	(E)V BELT (D)V GURT										(F)COURROIE EN V (S)CORREA V	
	96144932	. . .	B	B	B	S	S	.	&N51-XHA			1	925mm
	96352456	. . .	B	B	B	A	A	.	&N51&XHA			1	
ENG(ENGINE)			T/A(TRANSAXLE)				BODY TYPE						
Y = 1.5SOHC 6 = 1.6DOHC . = COMMON			M = MANUAL T/A A = AUTOMATIC T/A . = COMMON				4 N = 4 DOOR NOTCHBACK 3 H = 3 DOOR HATCHBACK 5 H = 5 DOOR HATCHBACK						



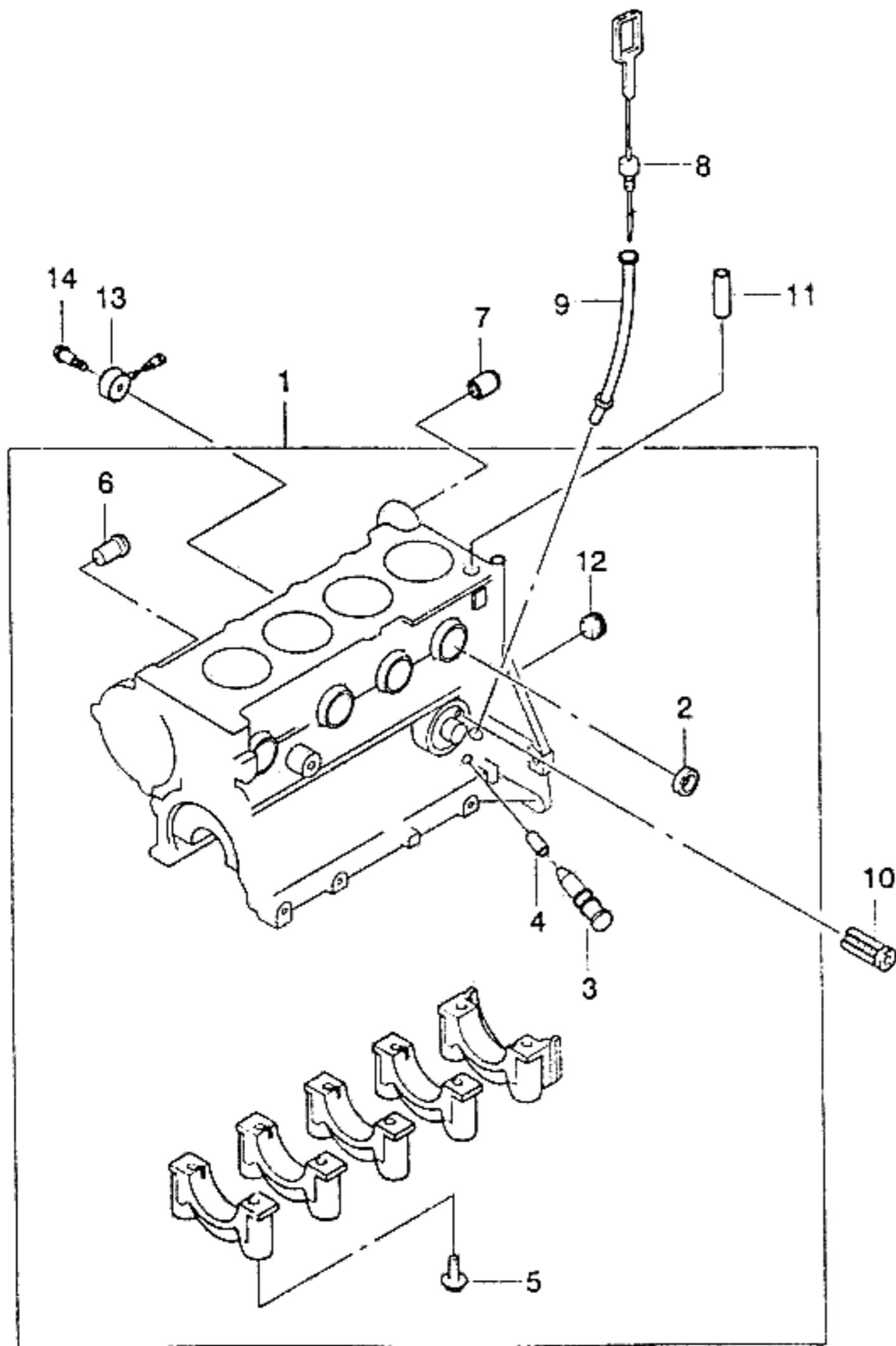
KEY NO.	PART NAME										
	PART NO	MODEL			OPTION	L / R	Q / Y	EFFECTIVE DATE		REMARKS	P / CODE
		E T	BODY	LEVEL				FROM	TO		
		N / G	4 N	3 H	5 H	S	S	S			
[01] S1140005	(E)GASKET KIT-ENG OVERHAUL (D)DICHTUNGS-SATZ, ÜBERHOLUNG Y . B B B S S S								(F)JEU DE JOINTS (S)JUEGO DE JUNTA		
	- CONSIST OF -										
	Ⓐ : GASKET-THROTTLE BODY								1		REFER TO BELOW
	Ⓑ : GASKET-INTAKE MANIFOLD								1		2210-02
	Ⓒ : SEAL-BAYONET CAP								1		2430-02
	Ⓓ : GASKET- CAMSHAFT SUPT CVR								1		1320-02
	Ⓔ : RING-CAMSHAFT SEAL								1		1320-05
	Ⓛ : RING-THER. HOUSING SEAL								1		1320-11
	Ⓜ : GASKET-CYLINDER HEAD								1		1680-02
	Ⓝ : GASKET-EXH. MANIFOLD								1		1310-22
	Ⓟ : RING-CYL BLOCK SEAL								1		2440-02
	Ⓠ : GASKET-OIL PUMP BODY								1		1330-02
	Ⓡ : RING-OIL PUMP SEAL								1		1230-11
	Ⓢ : RING-CRANKSHAFT SEAL								1		1230-05
	Ⓣ : WASHER-PLAIN								1		1230-02
	Ⓤ : RING-SEAL								1		1230-15
	Ⓡ : RING-CRANKSHAFT SEAL								1		1230-20
	Ⓢ : GASKET-OIL PAN								1		1220-09
											9120-13

GROUP NO KEY NO

ENG(ENGINE)	T/A(TRANSAXLE)	BODY TYPE
Y = 1.5SOHC 6 = 1.6DOHC . = COMMON	M = MANUAL T/A A = AUTOMATIC T/A . = COMMON	4 N = 4 DOOR NOTCHBACK 3 H = 3 DOOR HATCHBACK 5 H = 5 DOOR HATCHBACK

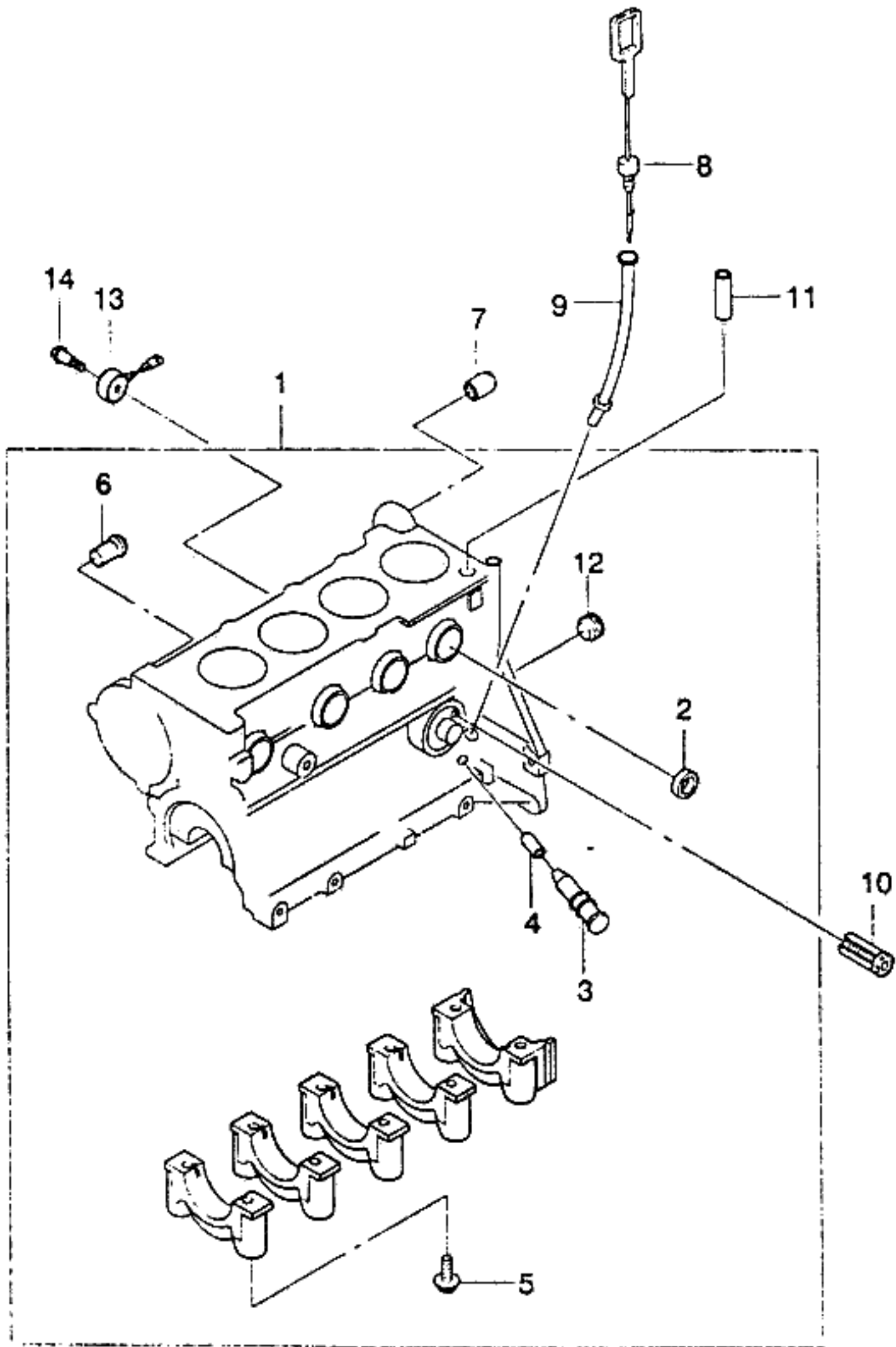


KEY NO.	PART NAME											
	PART NO	MODEL					OPTION	L / Q R / Y	EFFECTIVE DATE		REMARKS	P / C O D E
		E N G	T / A	BODY 4 N	LEVEL 3 H	5 H			S S	S S		
[01] S1141024	(E)GASKET KIT-ENG OVERHAUL (D)DICHTUNGS-SATZ ÜBERHOLUNG							(F)JEU DE JOINTS (S)JUEGO DE JUNTA				
	6 . B B B . . O							1				
	- CONSIST OF -							1			REFER TO BELOW	
	ⓐ : GASKET-THROTTLE BODY							1			2211-02	
	ⓑ : GASKET-INTAKE MANIFOLD							1			2431-02	
	ⓒ : SEAL-BAYONET CAP							1			1321-02	
	ⓓ : GASKET- CAMSHAFT SUPT CVR							1			1321-09	
	ⓔ : RING-CAMSHAFT SEAL							2			1321-11	
	ⓕ : RING-THER. COVER SEAL							1			1681-01	
	ⓖ : RING-THER. HOUSING SEAL							1			1681-04	
	ⓗ : GASKET-CYLINDER HEAD							1			1311-25	
	Ⓢ : GASKET-EXH. MANIFOLD							1			2441-02	
	Ⓣ : RING-CYL. BLOCK SEAL							1			1331-02	
	Ⓤ : GASKET-OIL PUMP BODY							1			1230-11	
	Ⓥ : RING-OIL PUMP SEAL							1			1230-05	
	Ⓦ : RING-CRANKSHAFT SEAL							1			1230-02	
	Ⓧ : WASHER-PLAIN							1			1230-15	
	Ⓨ : RING-SEAL							1			1230-20	
	Ⓩ : RING-CRANKSHAFT SEAL							1			1220-09	
	ⓑ : GASKET-OIL PAN							1			9120-13	
												GROUP NO
												KEY NO
	ENG(ENGINE)											
	Y = 1.5SOHC 6 = 1.6DOHC . = COMMON											
	T/A(TRANSAXLE)											
	M = MANUAL T/A A = AUTOMATIC T/A . = COMMON											
	BODY TYPE											
	4 N = 4 DOOR NOTCHBACK 3 H = 3 DOOR HATCHBACK 5 H = 5 DOOR HATCHBACK											



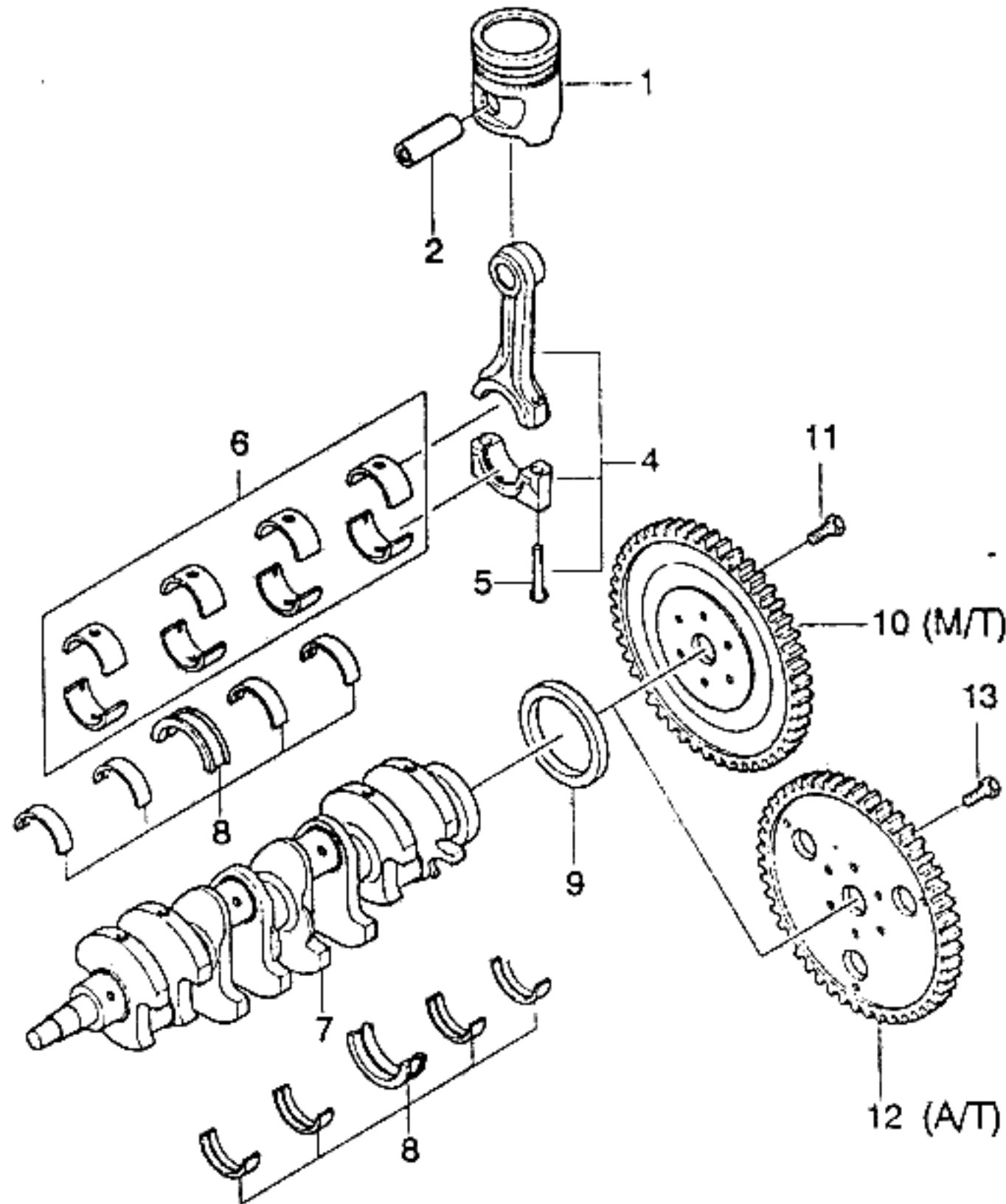
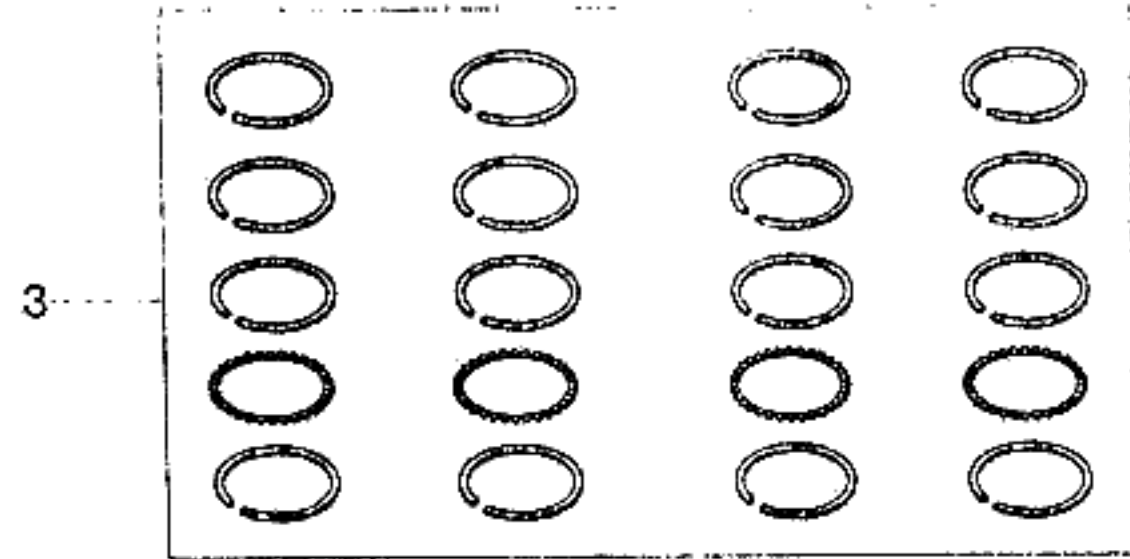
KEY NO.	PART NAME													
	PART NO	MODEL						OPTION	L / R	Q / T Y	EFFECTIVE DATE		REMARKS	P / CODE
		E	T	BODY			LEVEL				FROM	TO		
	N / G	A	4	3	5	S	S	S						
[01]	(E)BLOCK A-CYLINDER (D)BLOCK,ZYLINDER												(F)BLOC-CYLINDRE (S)BLOQUE-CILINDRO	
A96184803	Y M B B B S S S												1	
A96184804	Y A B B B O O O												1	
A96184805	6 M B B B . . O												1	
A96184806	6 A B B B . . O												1	
[02]	(E)CAP (D)DECKEL												(F)CHAPEAU (S)TAPA	
96180730	. . B B B S S S												6	34-STD
11070803	. . B B B S S S												6	36-OIS
[03]	(E)PLUG-IGNITION TIMING (D)STÖPSEL												(F)BOUCHON (S)TAPON-TIEMPO DE IGNICION	
90091048	. . B B B S S S												1	971001
[04]	(E)BUSHING-IGNITION TIMING (D)LAGERFUTTER												(F)MANCHON (S)BUJE-TIEMPO DE IGNICION	
90091049	. . B B B S S S												1	
[05]	(E)BOLT-HEXAGON (D)SCHRAUBE												(F)BOULON (S)PERNO	
09100-10008	. . B B B S S S												10	
[06]	(E)NECK-WATER INLET (D)HALS,WASSERLEITUNG												(F)COU-ENTREE EAU (S)CUELLO-ENTRADA DE AGUA	
96351207	. . B B B S S S												1	
[07]	(E)SLEEVE (D)HÜLSE,KUPPLUNG GEHÄUSE												(F)CHEMISE (S)MANGA-CARTER DE EMBRAGUE	
90108591	. . B B B S S S												2	
[08]	(E)STICK A-OIL LEVEL GAUGE (D)MEßSTAB,ÖL PEGEL												(F)JAUGE (S)VARILLA-MEDIDOR	
96352131	. M B B B S S S												1	

ENG(ENGINE)	T/A(TRANSAXLE)	BODY TYPE
Y = 1.5SOHC 6 = 1.6DOHC . = COMMON	M = MANUAL T/A A = AUTOMATIC T/A . = COMMON	4 N = 4 DOOR NOTCHBACK 3 H = 3 DOOR HATCHBACK 5 H = 5 DOOR HATCHBACK



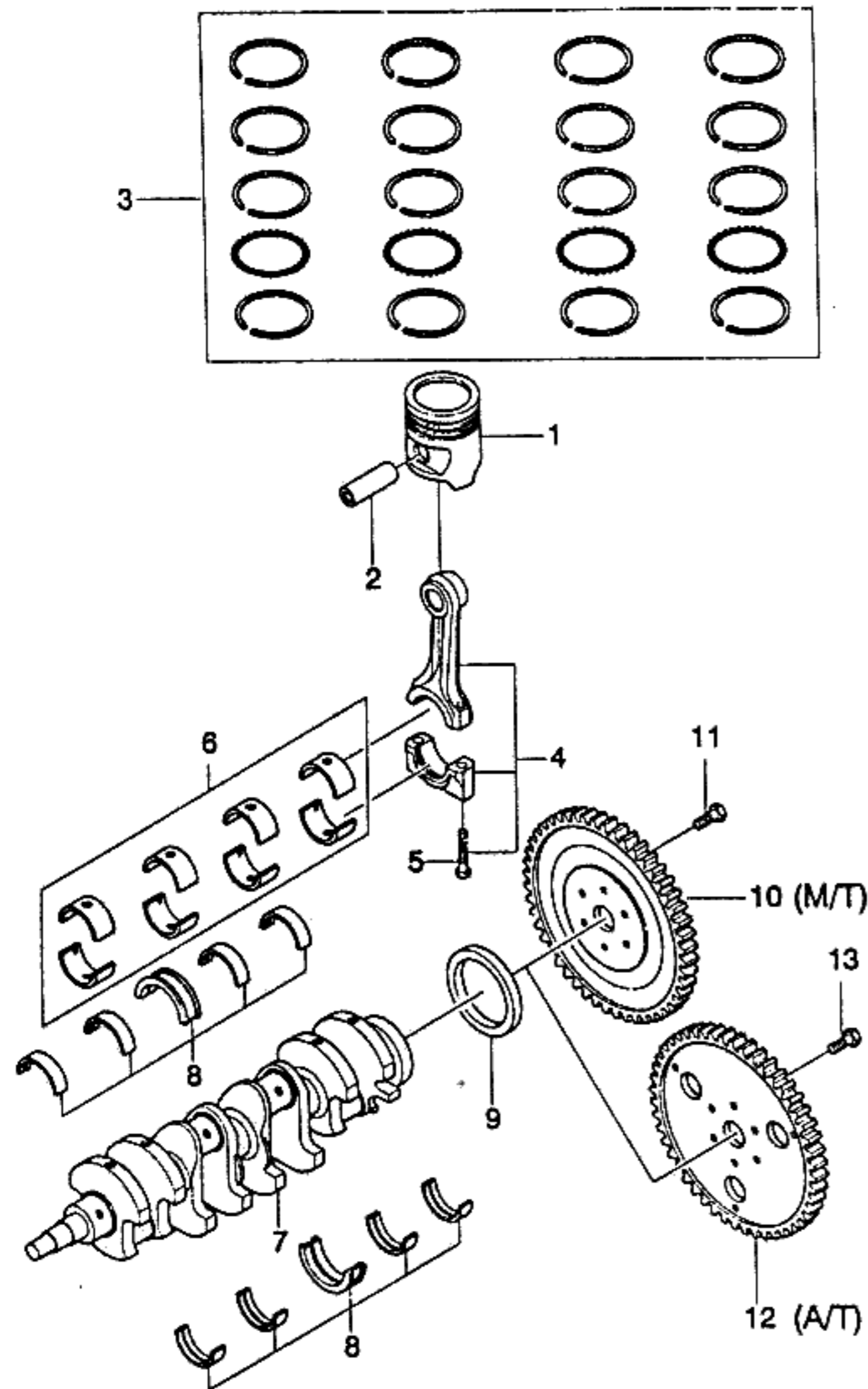
KEY NO.	PART NAME													
	PART NO	MODEL						OPTION	L / R	QTY	EFFECTIVE DATE		REMARKS	P / CODE
		E / N / G	T / A	BODY	LEVEL						FROM	TO		
96352132	. A B B B O O O								1			(E)TUBE-GAUGE STICK (D)ROHRLEITUNG,MEßSTAB	(F)TUYAU-JAUGE EN BATON (S)TUBO-VARILLA DE MEDIDOR	
[09]														
96352134	. . B B B S S S								1			(E)VALVE A-BYPASS (D)VENTIL,ÜBERGANG	(F)SOUPAPE-DERIVATION (S)VALVULA-BY PASS	
[10]														
90136113	. . B B B S S S								1			(E)SLEEVE (D)HÜLSE	(F)CHEMISE (S)MANGA	
[11]														
90091779	. . B B B S S S								2			(E)PLUG (D)STÖPSEL	(F)BOUCHON (S)TAPON	
[12]														
09246-14001	. . B B B S S S								2			(E)SENSOR-KNOCK (D)SENSOR	(F)DETECTEUR (S)SENSOR	
[13]														
10456240	6 . B B B . . O								1			(E)BOLT (D)SCHRAUBE	(F)BOULON (S)PERNO	
[14]														
09111-08002	6 . B B B . . O								1					

ENG(ENGINE)	T/A(TRANSAXLE)	BODY TYPE
Y = 1.5SOHC 6 = 1.6DOHC . = COMMON	M = MANUAL T/A A = AUTOMATIC T/A . = COMMON	4 N = 4 DOOR NOTCHBACK 3 H = 3 DOOR HATCHBACK 5 H = 5 DOOR HATCHBACK



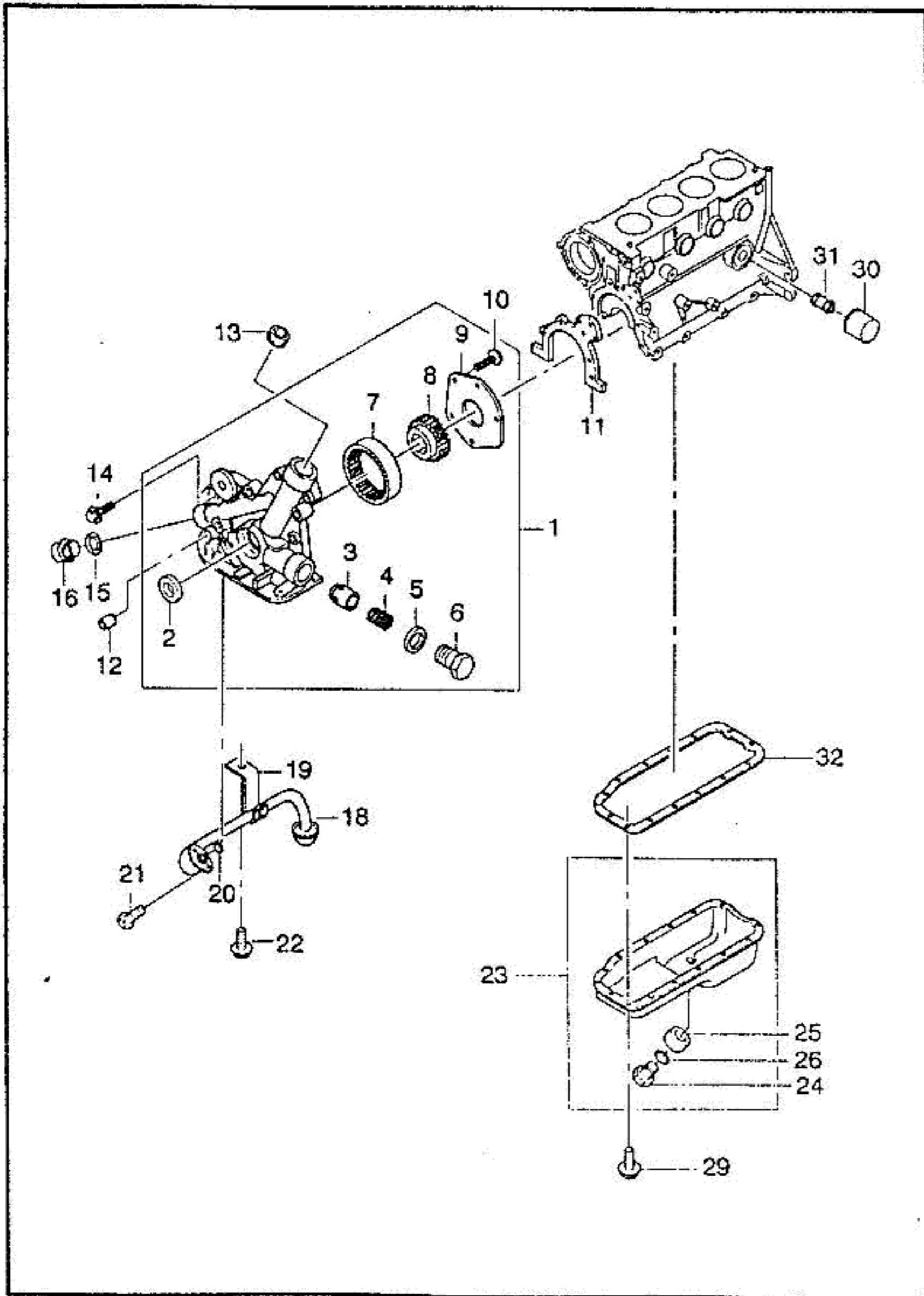
KEY NO.	PART NAME													
	PART NO	MODEL						OPTION	L / R	QTY	EFFECTIVE DATE		REMARKS	P / CODE
		E	T	BODY			LEVEL				FROM	TO		
N	G	4	3	5	S	S	S							
[01]	(E)PISTON (D)KOLBEN											(F)PISTON (S)PISTON		
96350120	Y . B B B S S S											4	STD	
S1220008	Y . B B B S S S											4	O/S 0.25	
S1220009	Y . B B B S S S											4	O/S 0.5	
96182846	6 . B B B . . O											4	STD	
S1220019	6 . B B B . . O											4	O/S 0.25	
S1220020	6 . B B B . . O											4	O/S 0.5	
[02]	(E)PIN-PISTON (D)STIFT,KOLBEN											(F)BROCHE-PISTON (S)PASADOR-PISTON		
96110730	Y . B B B S S S											4		
96350355	6 . B B B . . O											4		
[03]	(E)RING SET-PISTON (D)RING SATZ,KOLBEN											(F)JEU DE SEGMENTS-PISTON (S)JUEGO DE ANILLOS-PISTON		
NP960	Y . B B B S S S											1	STD	
NP1015	Y . B B B S S S											1	O/S 0.25	
NP1016	Y . B B B S S S											1	O/S 0.5	
S1220014	6 . B B B . . O											1	STD	
S1220015	6 . B B B . . O											1	O/S 0.25	
S1220016	6 . B B B . . O											1	O/S 0.5	
[04]	(E)ROD A-CONNECTING (D)STAB,VERBINDUNGS											(F)BIELLE-BIELLE (S)VARILLA-CONECTANDO		
A90281724	. . B B B S S S											4		
[05]	(E)BOLT-HEXAGON (D)SCHRAUBE											(F)BOULON (S)PERNO		
09100-08004	. . B B B S S S											8		

ENG(ENGINE)	T/A(TRANSAXLE)	BODY TYPE
Y = 1.5SOHC 6 = 1.6DOHC . = COMMON	M = MANUAL T/A A = AUTOMATIC T/A . = COMMON	4 N = 4 DOOR NOTCHBACK 3 H = 3 DOOR HATCHBACK 5 H = 5 DOOR HATCHBACK

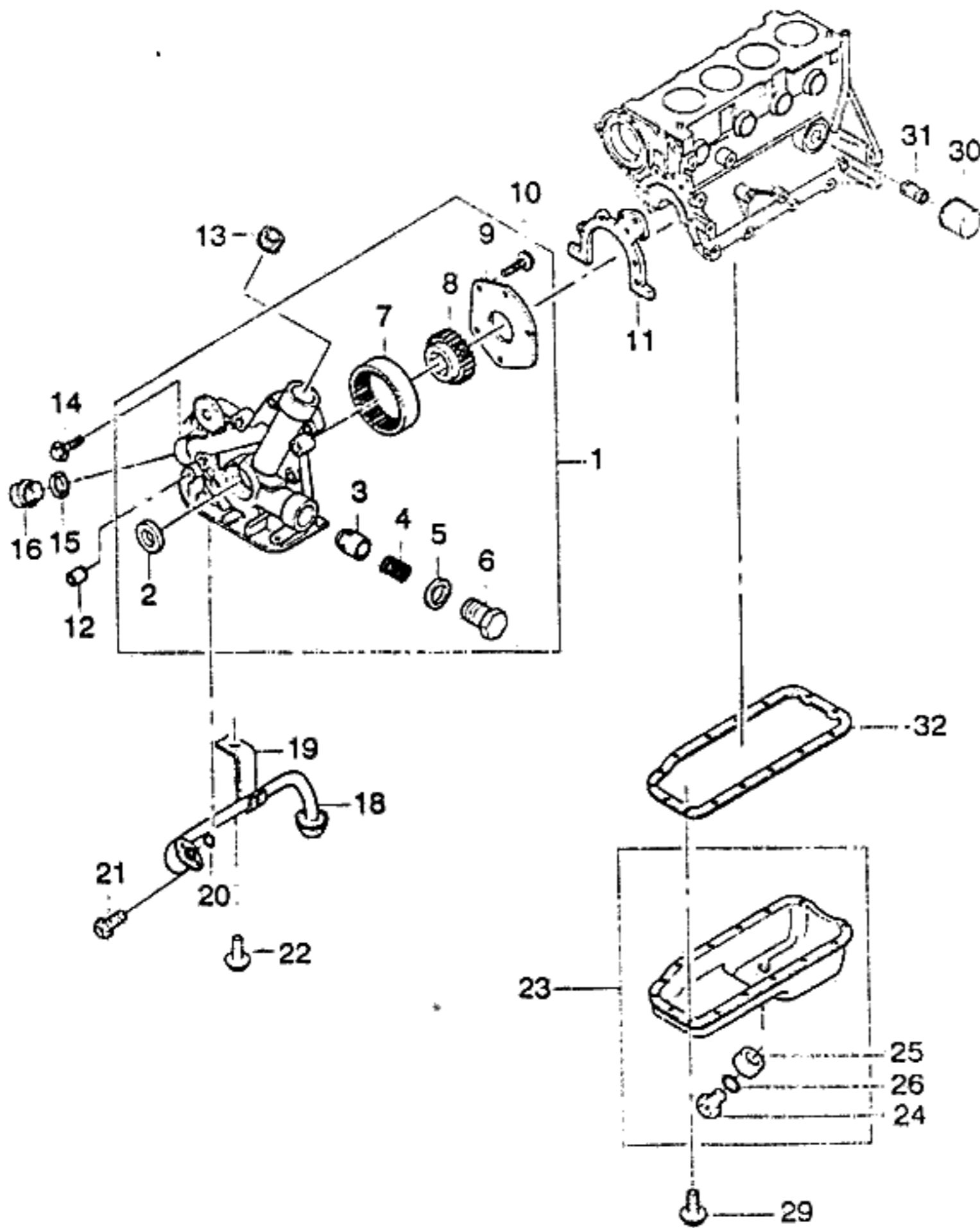


KEY NO.	PART NAME													
	PART NO	MODEL						OPTION	L / R	Q / T Y	EFFECTIVE DATE		REMARKS	P / C O D E
		E T	BODY			LEVEL					FROM	TO		
N / G	4	3	5	S	S	S								
[06]	(E)BEARING SET-CONNECTING ROD (D)KUGELLAGER											(F)ROULEMENT-BIELLE (S)COJINETE-VARA DE CONEXION		
96351662S	. . B B B S S S											1		
96351663S	. . B B B S S S											1		
[07]	(E)CRANKSHAFT A (D)KURBELWELLE											(F)VILEBREQUIN (S)CIGUEÑAL		
A96350171	. . B B B S S S											1		
[08]	(E)BEARING SET-CRANKSHAFT (D)KUGELLAGER STELLUNG											(F)JEU DE ROULEMENT (S)JUEGO DE COJINETE		
S1220012	. . B B B S S S											1	STD	
S1220013	. . B B B S S S											1	UIS 0.25	
[09]	(E)RING-SHAFT SEAL (D)RING,STAB DICHTUNG											(F)ANNEAU-JOINT D'ARBRE (S)ANILLO-BROCHE DE EJE		
96101489	. . B B B S S S											1	80X98X10	
[10]	(E)FLYWHEEL A (D)SCHWUNGRAD											(F)VOLANT D'ENTRAINEMENT (S)VOLANTE		
96184979	Y M B B B S S S											1		
96184353	6 M B B B . . O											1	POT	
[11]	(E)BOLT-HEXAGON (D)SCHRAUBE											(F)BOULON (S)PERNO		
09100-09001	Y M B B B S S S											6		
09100-09003	6 M B B B . . O											6		
[12]	(E)PLATE A-FLEXIBLE (D)PLATTE,FLEXIBEL											(F)PLAQUE-FLEXIBLE (S)PLACA-FLEXIBLE		
90236309	. A B B B O O O											1		
[13]	(E)BOLT-HEXAGON (D)SCHRAUBE											(F)BOULON (S)PERNO		
09100-09004	. A B B B O O O											6		

ENG(ENGINE)	T/A(TRANSAXLE)	BODY TYPE
Y = 1.5SOHC 6 = 1.6DOHC . = COMMON	M = MANUAL T/A A = AUTOMATIC T/A . = COMMON	4 N = 4 DOOR NOTCHBACK 3 H = 3 DOOR HATCHBACK 5 H = 5 DOOR HATCHBACK

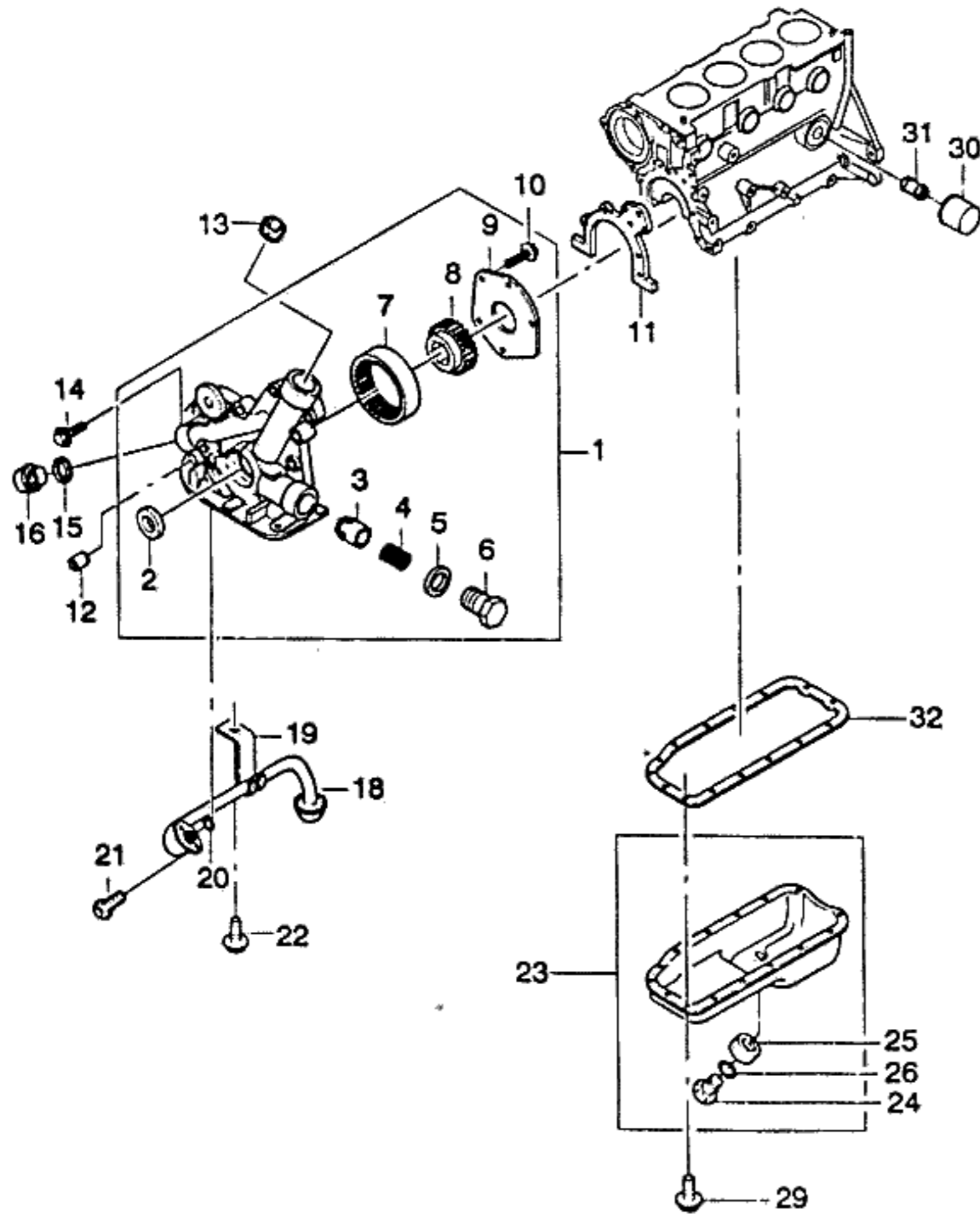


I T C	KEY NO.		PART NAME											
	PART NO	E N G	MODEL					OPTION	L / R	Q T Y	EFFECTIVE DATE		REMARKS	P / C O D E
			4	3	5	S	S				FROM	TO		
	[01]	(E)PUMP A-OIL (D)PUMPE,ÖL										(F)POMPE-HUILE (S)BOMBA-ACEITE		
	96350159	. . . B B B S S S										1		
	[02]	(E)RING-SHAFT SEAL (D)RING,KURBELWELLE DICHTUNG										(F)ANNEAU-JOINT VLEBREQUIN (S)ANILLO-SELLO DE CIGUEÑAL		
	96350161	. . . B B B S S S										1	30X42X8	
	[03]	(E)PLUNGER-PRESS VALVE (D)TAUCHER										(F)PISTON PLONGEUR (S)EMBOLO		
	03448846	. . . B B B S S S										1		
	[04]	(E)SPRING (D)FEDERUNG										(F)RESSORT (S)RESORTE		
	03448847	. . . B B B S S S										1		
	[05]	(E)RING-SEAL (D)RING,ÖLPUMPE DICHTUNG										(F)ANNEAU (S)ANILLO-SELLO		
	11093042	. . . B B B S S S										1		
	[06]	(E)PLUG-SCREW (D)STÖPSEL,SCHRAUBEN										(F)BOUCHON-VIS (S)TAPON-TORNILLO		
	03448834	. . . B B B S S S										1	M20X1.5	
	[07]	(E)ROTOR-OIL PUMP OUTER (D)DREHTEIL										(F)ROTOR (S)ROTOR		
	96350165	. . . B B B S S S										1		
	[08]	(E)ROTOR-OIL PUMP INNER (D)DREHTEIL										(F)ROTOR (S)ROTOR		
	96350164	. . . B B B S S S										1		
	[09]	(E)COVER-OIL PUMP (D)DECKEL,ÖLPUMPE										(F)CARTER-POMPE A HUILE (S)CUBIERTA-BOMBA DE ACEITE		
	96350166	. . . B B B S S S										1		
	[10]	(E)SCREW (D)SCHRAUBE										(F)VIS (S)TORNILLO		
ENG(ENGINE)			T/A(TRANSAXLE)				BODY TYPE							
Y = 1.5SOHC 6 = 1.6DOHC . = COMMON			M = MANUAL T/A A = AUTOMATIC T/A . = COMMON				4 N = 4 DOOR NOTCHBACK 3 H = 3 DOOR HATCHBACK 5 H = 5 DOOR HATCHBACK							



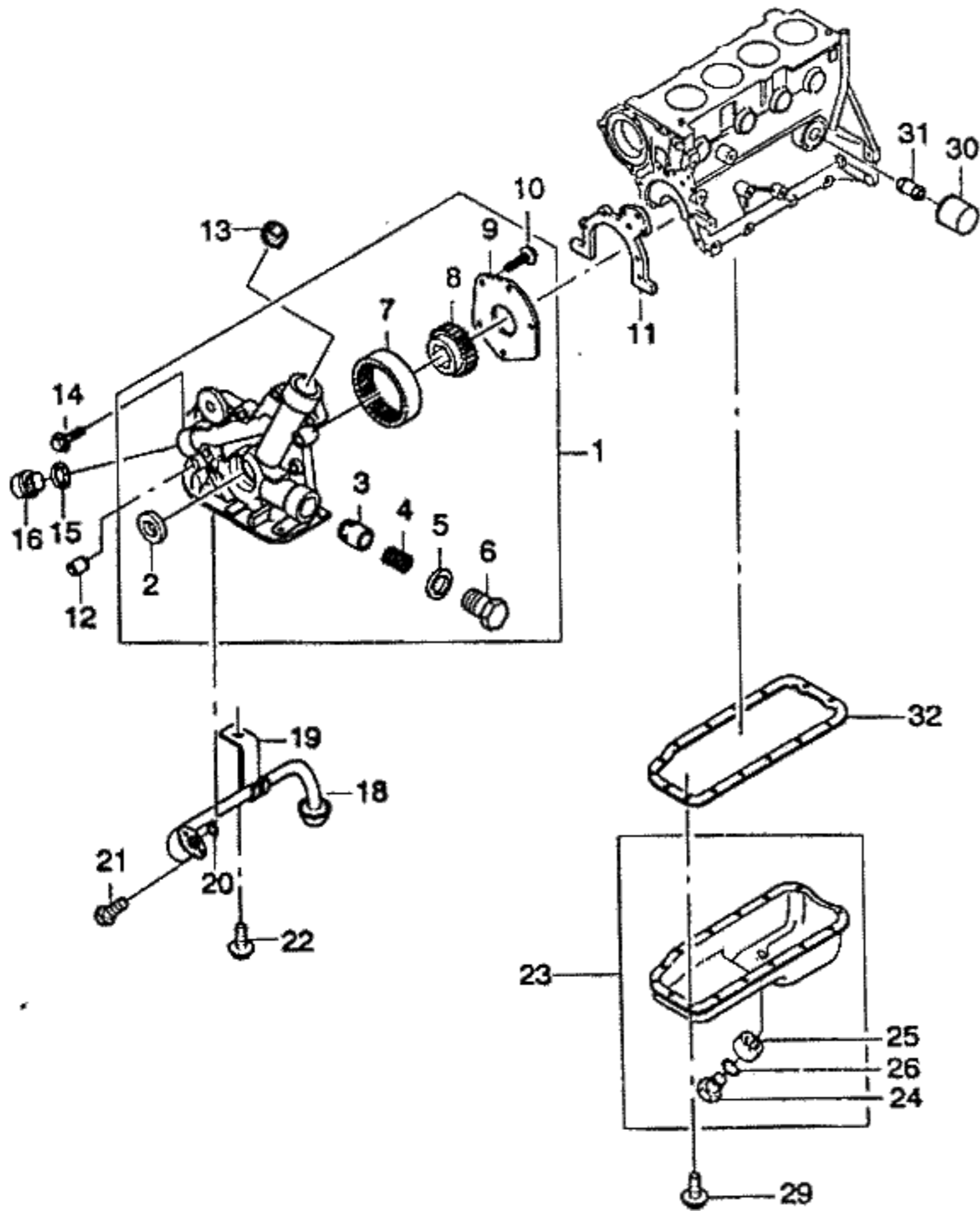
KEY NO.	PART NAME													
	PART NO	MODEL				OPTION	L / R	QTY	EFFECTIVE DATE		REMARKS	P / CODE		
		E T	BODY		LEVEL				FROM	TO				
N / G	4	3	5	S	S	S								
11085861	[11]	.	.	B	B	B	S	S	S		5	M6X14	(E)GASKET-OIL PUMP BODY (D)DICHTUNG,ÖL-PUMPE-KÖRPER (F)JOINT-CORPS POMPE A HUILE (S)JUNTA-CUERPO DE BOMBA	
96181208		.	.	B	B	B	S	S	S	&NN4	1			
96100599		.	.	B	B	B	A	A	A	&NN6	1			
90353564		.	.	B	B	B	A	A	A	&NN7	1	970608		
Y 96181208	[12]	.	.	B	B	B	A	A	A	&NN7	1	970608	(E)SLEEVE-OIL PUMP (D)HÜLSE,ÖLPUMPE (F)CHEMISE-POMPE A HUILE (S)MANGA-BOMBA DE ACEITE	
90096047	[13]	.	.	B	B	B	S	S	S		2		(E)PLUG-SCREW (D)STÖPSEL,SCHRAUBEN (F)BOUCHON-VIS (S)TAPON-TORNILLO	
09246-18002	[14]	.	.	B	B	B	S	S	S		1		(E)BOLT-HEXAGON (D)SCHRAUBE (F)BOULON (S)PERNO	
01130-06253														NOT APPLIED
09117-06008	[15]	.	.	B	B	B	S	S	S		6		(E)WASHER-PLAIN (D)DICHTUNGSRING (F)RONDELLE (S)ARANDELA	
09160-14003	[16]	.	.	B	B	B	S	S	S		1		(E)SWITCH A-OIL PRESSURE (D)SCHALTER,ÖL DRUCK (F)COMMUTATEUR (S)INTERRUPTOR	
90336039	[18]	.	.	B	B	B	S	S	S		1		(E)PIPE A-OIL SUCTION (D)ROHR,ÖL SAUG (F)TUYAU-ASPIRATION HUILE (S)TUBERIA-SUCCION DE ACEITE	
90410981	[19]	.	.	B	B	B	S	S	S		1		(E)BRACKET-OIL SUCTION PIPE (D)TRÄGER,ÖLLEITUNGSROHR (F)SUPPORT (S)SOPORTE	

ENG(ENGINE)	T/A(TRANSAXLE)	BODY TYPE
Y = 1.5SOHC 6 = 1.6DOHC . = COMMON	M = MANUAL T/A A = AUTOMATIC T/A . = COMMON	4 N = 4 DOOR NOTCHBACK 3 H = 3 DOOR HATCHBACK 5 H = 5 DOOR HATCHBACK

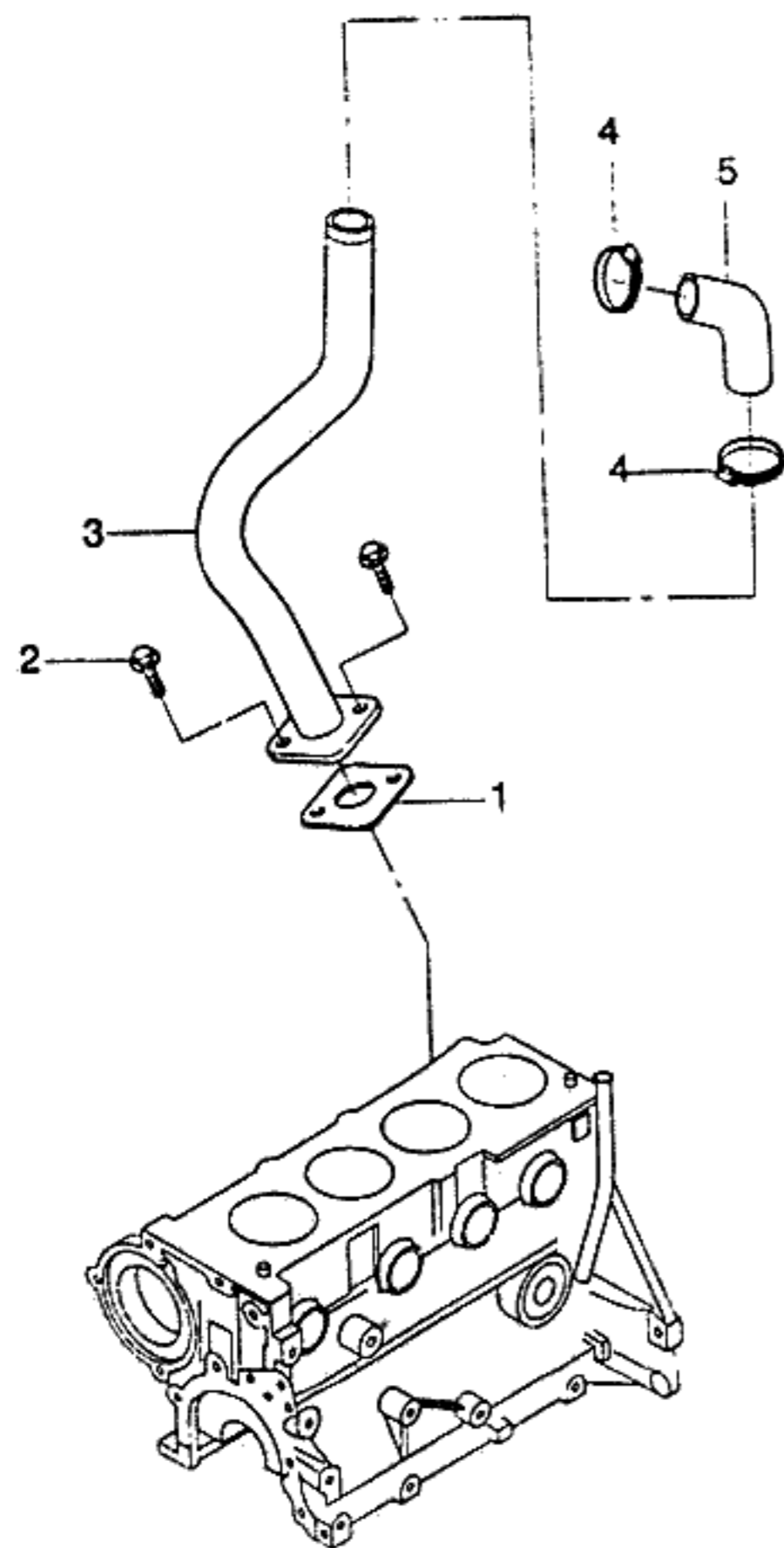


KEY NO.	PART NAME														
	PART NO	MODEL					OPTION	L / R	Q / Y	EFFECTIVE DATE		REMARKS	P / CODE		
		E T	4 3 5	B O D Y	L E V E L	S S S				FROM	TO				
N / G	A	N H H	S S S	S S S											
09100-14005	[25]	.	.	B	B	B	S	S	S	S			1	(F) ANNEAU-FILETE (S) ANILLO-CON ROSCA	
96351497	[26]	.	.	B	B	B	S	S	S	S			1	(F) RONDELLE (S) ARANDELA	
09160-14003	[29]	.	.	B	B	B	S	S	S	S			1	(F) BOULON (S) PERNO	
09117-06005		.	.	B	B	B	S	S	S	S	-NN7		15	970701	
Y 09103-06007		.	.	B	B	B	S	S	S	S	-NN7		15	970701 971001	
09117-06006		.	M	B	B	B	A	A	A	A	&NN7		15	970701	
Y 09103-06006		.	M	B	B	B	A	A	A	A	&NN7		15	970701 971001	
09117-06005		.	A	B	B	B	A	A	A	A	&NN7		15	970701	
Y 09103-06007		.	A	B	B	B	A	A	A	A	&NN7		15	970701 971001	
09103-06007		.	.	B	B	B	S	S	S	S			15	971001	FOR STEEL OIL PAN
09103-06006		.	.	B	B	B	S	S	S	S			15	971001	FOR ALUMINUM OIL PAN
[30]		(E) FILTER A-OIL (D) FILTER, ÖL													(F) FILTRE-HUILE (S) FILTRO-ACEITE
94797406		.	.	B	B	B	S	S	S	S			1		(F) PIECE-DE CONNEXION (S) PIEZA-CONEXION
[31]		(E) PIECE-CONNECTING (D) TEIL, VERBINDUNGS													
90144360		.	.	B	B	B	S	S	S	S			1		(F) JOINT-CARTER D'HUILE (S) JUNTA
[32]		(E) GASKET-OIL PAN (D) DICHTUNG, ÖL-PFANNE													

ENG (ENGINE)	T/A (TRANSAXLE)	BODY TYPE
Y = 1.5SOHC 6 = 1.6DOHC . = COMMON	M = MANUAL T/A A = AUTOMATIC T/A . = COMMON	4 N = 4 DOOR NOTCHBACK 3 H = 3 DOOR HATCHBACK 5 H = 5 DOOR HATCHBACK

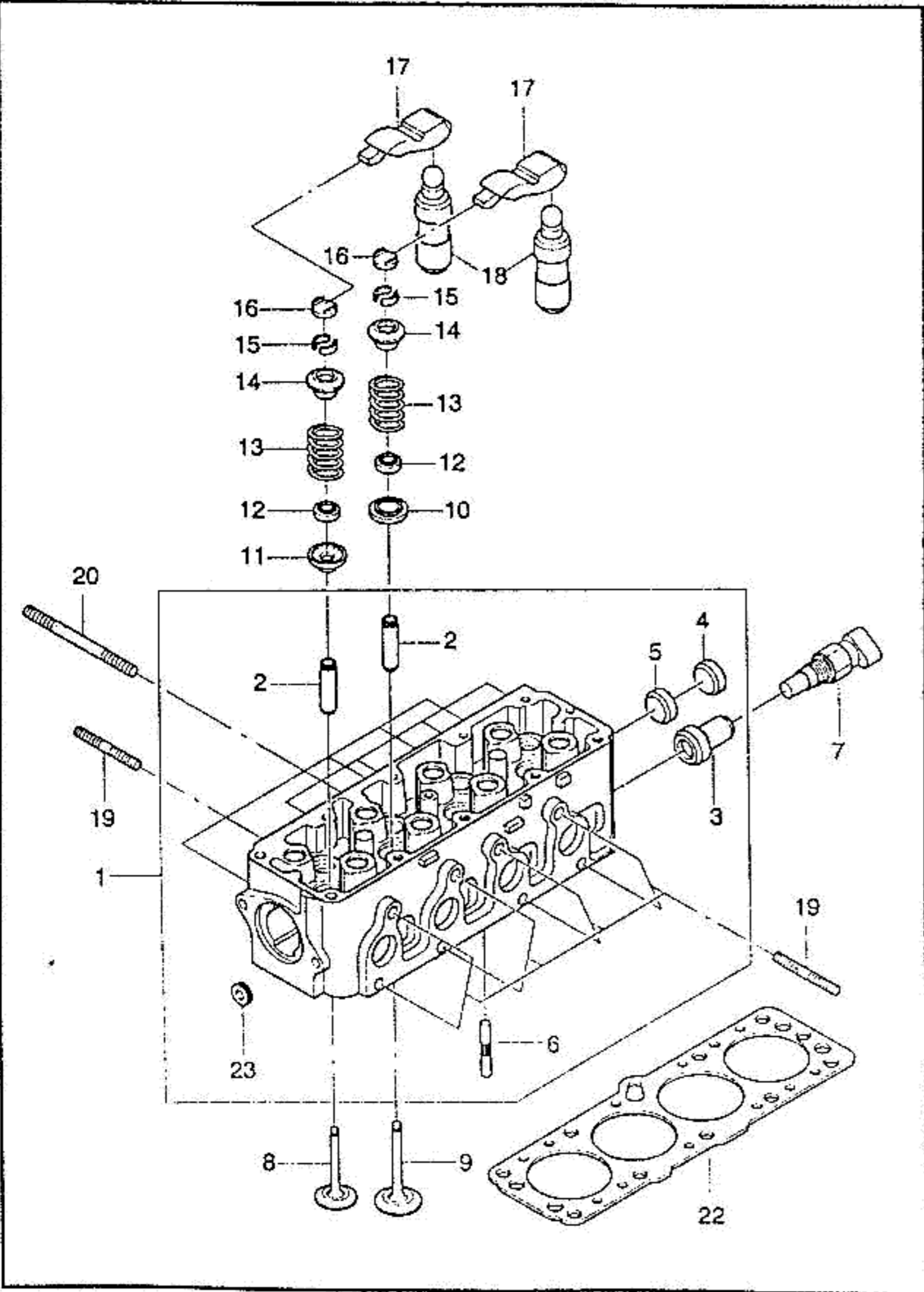


KEY NO.		PART NAME													
I T C	PART NO	MODEL					OPTION	L / R	Q T Y	EFFECTIVE DATE		REMARKS	P / C O D E		
		E	T	BODY		LEVEL				FROM	TO				
		N	G	4	3	5								S	S
												REFER GROUP 9120 KEY NO. 13	1	SEALING	
ENG(ENGINE)						T/A(TRANSAXLE)				BODY TYPE					
Y = 1.5SOHC 6 = 1.6DOHC . = COMMON						M = MANUAL T/A A = AUTOMATIC T/A . = COMMON				4 N = 4 DOOR NOTCHBACK 3 H = 3 DOOR HATCHBACK 5 H = 5 DOOR HATCHBACK					



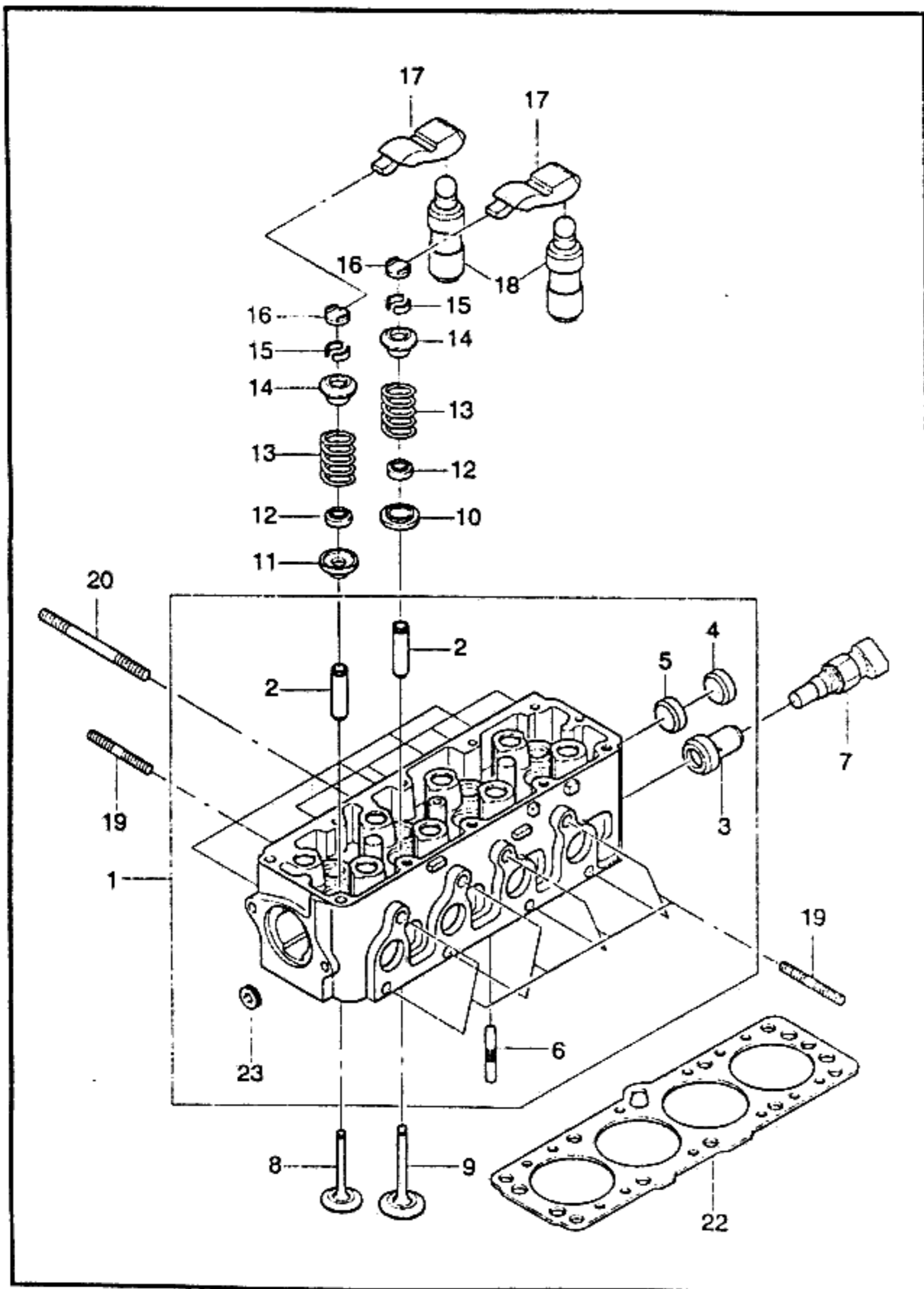
KEY NO.	PART NAME										P / CODE		
	PART NO	MODEL					OPTION	L / R	Q / T Y	EFFECTIVE DATE		REMARKS	
		E T	BODY	LEVEL	FROM	TO							
	N / G	4 3 5	S S S										
[01]	96181209	(E)GASKET-OIL SEPARATOR (D)DICHTUNG,ÖL TRENNUNG									(F)JOINT-SEPARATEUR D'HUILE (S)JUNTA-SEPARADOR DE ACEITE		
[02]	02647-06165	(E)BOLT-HEX PILOT (D)SCHRAUBE	B	B	B	S	S	S			1 (F)BOULON (S)PERNO		
[03]	96143870	(E)PIPE A-ENGINE VENTILATION (D)ROHR,MOTOR BELÜFTUNG	B	B	B	S	S	S			2 (F)TUYAU-VENTILATION MOTEUR (S)TUBERIA-VENTILACION		
[04]	96130215	(E)CLAMP-SPRING (D)KLAMMER	B	B	B			O			1 (F)PINCE (S)ABRAZADERA		
	09401-27403	(E)HOSE-ENGINE VENTILATION (D)SCHLAUCH,MOTOR BELÜFTUNG	B	B	B	S	S	S			2		
	11085952		B	B	B			O			2	20-32	
[05]	90409191		B	B	B	S	S	S			1 (F)TUYAU-VENTILATION MOTEUR (S)MANGUERA-VENTILACION		
	5094405002		B	B	B			O			1		

ENG(ENGINE)	T/A(TRANSAXLE)	BODY TYPE
Y = 1.5SOHC 6 = 1.6DOHC . = COMMON	M = MANUAL T/A A = AUTOMATIC T/A . = COMMON	4 N = 4 DOOR NOTCHBACK 3 H = 3 DOOR HATCHBACK 5 H = 5 DOOR HATCHBACK



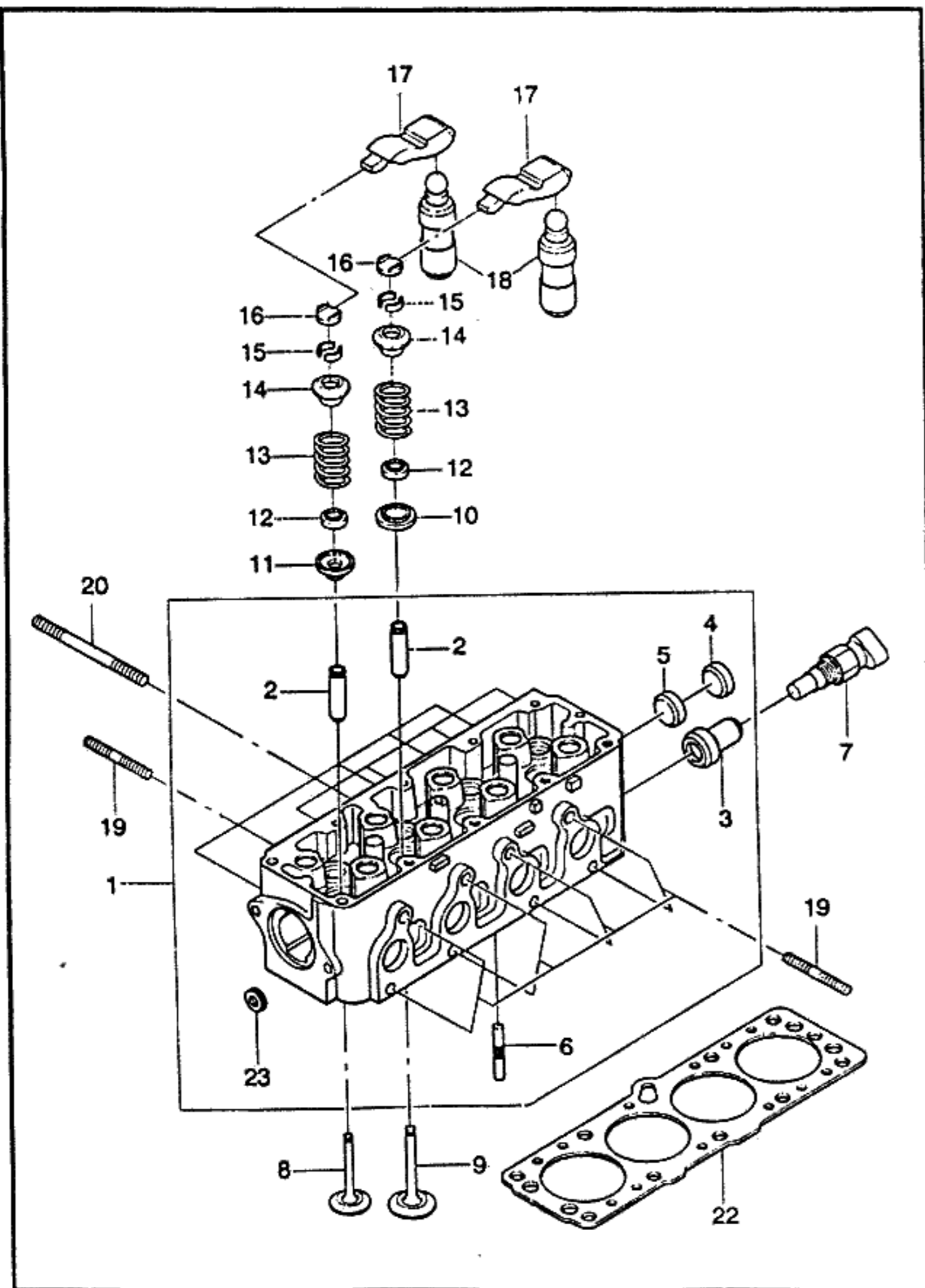
KEY NO.	PART NAME													
	PART NO	MODEL					OPTION	L / R	Q / T Y	EFFECTIVE DATE		REMARKS	P / CODE	
		E	T	BODY						LEVEL	FROM			TO
I	N	4	3	5	S	S	S							
C	G	A	N	H	H	S	S	S						
[01]	(E)HEAD A-CYLINDER (D)ZYLINDERKOPF											(F)CULASSE-CYLINDRE (S)CABEZA-CILINDRO		
A96182931	Y . B B B S S S											1		
[02]	(E)GUIDE-VALVE (D)FÜHRING,VENTIL											(F)GUIDE-SOUPAPE (S)GUIA-VALVULA		
90108699	Y . B B B S S S											4	970819	INTAKE,STD
90108700	Y . B B B S S S											4	970819	INTAKE,OIS
96350912	Y . B B B S S S											4	970819	EXHAUST,STD
96350913	Y . B B B S S S											4	970819	EXHAUST,OIS
96350912	Y . B B B S S S											B	970819	STD
96350913	Y . B B B S S S											B	970819	OIS
[03]	(E)ADAPTER (D)ADAPTER											(F)ADAPTATEUR (S)ADAPTADOR		
90299068	Y . B B B S S S											1		
[04]	(E)CAP-OIL DUCT (D)DECKEL,ÖL-LEITUNG											(F)CHAPEAU-CONDUIT HUILE (S)TAPA-CONDUCTO DE ACEITE		
96180732	Y . B B B S S S											1		φ 20
[05]	(E)CAP-OIL DUCT (D)DECKEL,ÖL-LEITUNG											(F)CHAPEAU-CONDUIT HUILE (S)TAPA-CONDUCTO DE ACEITE		
11062401	Y . B B B S S S											1		φ 18
[06]	(E)SLEEVE (D)HÜLSE											(F)CHEMISE (S)MANGA		
90108642	Y . B B B S S S											1		
[07]	(E)SENSOR-TEMPERATURE (D)SENSOR,TEMPERATUR											(F)DETECTEUR-TEMPERATURE (S)SENSOR-TEMPERATURA		
96181508	Y . B B B S S S											1		
[08]	(E)VALVE-EXHAUST (D)VENTIL,ABGAS											(F)SOUPAPE-ECHAPPEMENT (S)VALVULA-ESCAPE		

ENG(ENGINE)	T/A(TRANSAXLE)	BODY TYPE
Y = 1.5SOHC B = 1.6DOHC . = COMMON	M = MANUAL T/A A = AUTOMATIC T/A . = COMMON	4 N = 4 DOOR NOTCHBACK 3 H = 3 DOOR HATCHBACK 5 H = 5 DOOR HATCHBACK

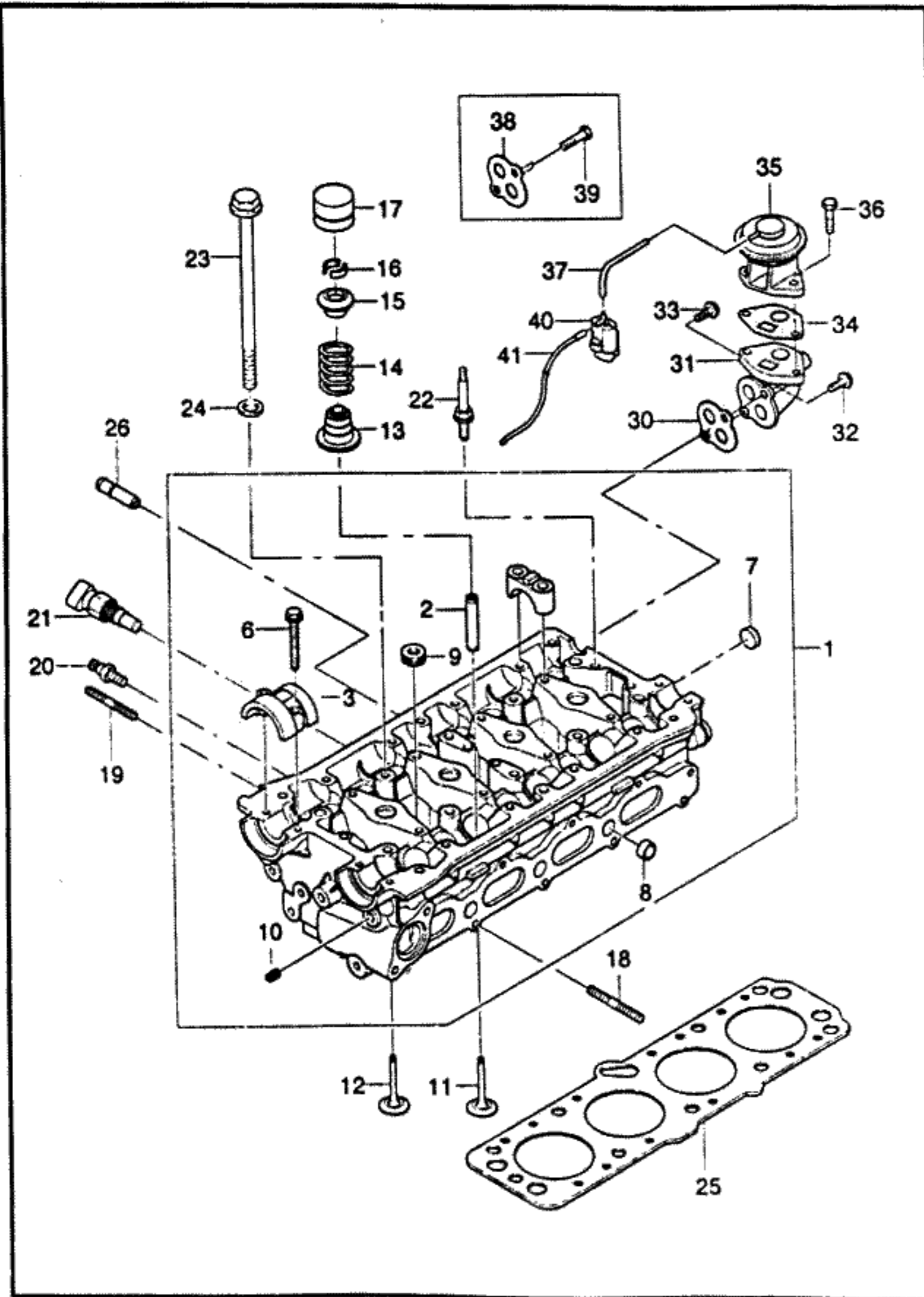


KEY NO.	PART NAME													
	PART NO	MODEL					OPTION	L / Q / R / Y	EFFECTIVE DATE		REMARKS	P / C / O / D / E		
		E	T	BODY					LEVEL	FROM			TO	
N / G	A	4	3	5	S	S	S							
96182933	Y . B B B S S S										4	(E)VALVE-INTAKE (D)VENTIL,EINLAß	(F)SOUPAPE-ADMISSION (S)VALVULA-ENTRADA	
[09]														
96182934	Y . B B B S S S										4	(E)SEAT-INTAKE VALVE SPRING (D)SITZ,EINLAßVENTIL	(F)SIEGE (S)ASIENTO-RESORTE	
[10]														
90128720	Y . B B B S S S										4	(E)CAP-EXHAUST VALVE ROTARY (D)DECKEL,ABGASVENTIL DREHTE	(F)CHAPEAU (S)TAPA-ROTATORIO	
[11]														
90106266	Y . B B B S S S										4	(E)SEAL-VALVE STEM (D)DICHTUNG,VENTIL STIEL	(F)JOINT-TIGE DE SOUPAPE (S)SELLO-TALLO DE VALVULA	
[12]														
90215296	Y . B B B S S S										8	(E)SPRING-VALVE (D)FEDERUNG,VENTIL	(F)RESSORT-SOUPAPE (S)RESORTE-VALVULA	
[13]														
90180310	Y . B B B S S S										8	(E)PLATE-VALVE SPRING (D)PLATTE	(F)PLAQUE-RESSORT DE SOUPAP (S)PLACA-RESORTE DE VALVUL	
[14]														
90280894	Y . B B B S S S										8	(E)KEY-VALVE (D)SCHLÜßEL,VENTIL	(F)CLE-SOUPAPE (S)LLAVE-VALVULA	
[15]														
90076732	Y . B B B S S S										16	(E)PIECE-VALVE THRUST (D)TEIL,SCHUB	(F)PIECE-BUTEE DE SOUPAPE (S)PIEZA-EMPUJE VALVULA	
[16]														
96144735	Y . B B B S S S										8	(E)FOLLOWER-CAM (D)ANHÄNGER,NOCKE	(F)SATELLITE-CAME (S)SEGUIDOR-LEVA	
[17]														
96351051	Y . B B B S S S										8			

ENG(ENGINE)	T/A(TRANSAXLE)	BODY TYPE
Y = 1.5SOHC 6 = 1.6DOHC . = COMMON	M = MANUAL T/A A = AUTOMATIC T/A . = COMMON	4 N = 4 DOOR NOTCHBACK 3 H = 3 DOOR HATCHBACK 5 H = 5 DOOR HATCHBACK

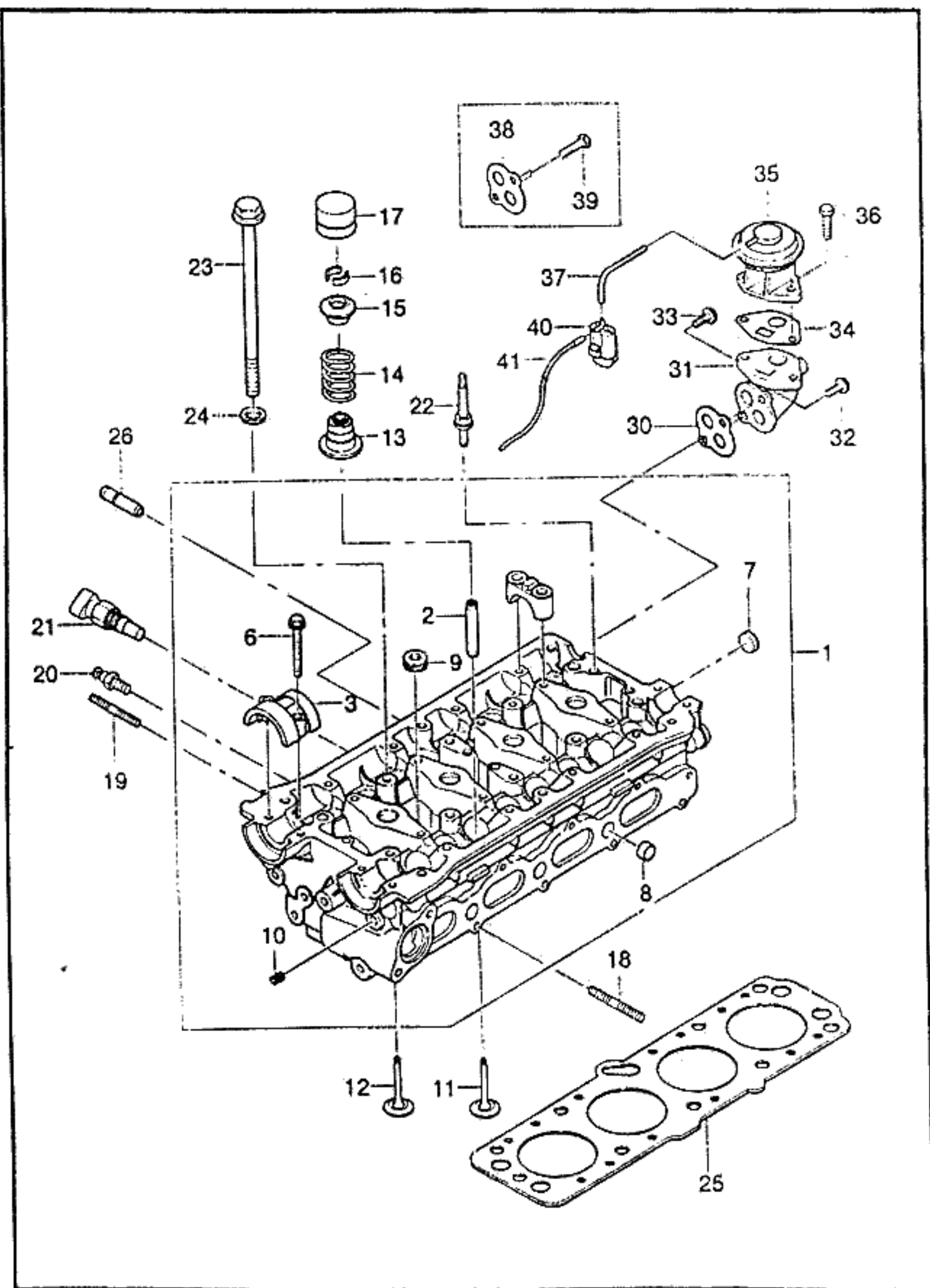


KEY NO.	PART NAME										
	PART NO	MODEL				OPTION	L / Q R / Y	EFFECTIVE DATE		REMARKS	P / I C O D E
		E N G	T / A	BODY	LEVEL			FROM	TO		
[18]	(E)LIFTER A-CAM FOLLOWER (D)HEBER,NOCKEN ANHÄNGER									(F)LEVIER-SATELLITE DE CAME (S)LEVANTADOR	
05233315	Y . B B B S S S									8	
[19]	(E)BOLT-STUD (D)STIFTSCHRAUBE									(F)BOULON-TETON (S)PERNO-ESPIGA	
09108-08002	Y . B B B S S S									13	
[20]	(E)BOLT-STUD (D)STIFTSCHRAUBE									(F)BOULON-TETON (S)PERNO-ESPIGA	
09108-08003	Y . B B B S S S									4	
[22]	(E)GASKET-CYLINDER HEAD (D)DICHTUNG,ZYLINDERKOPF									(F)JOINT-CULASSE CYLINDRE (S)JUNTA	
96181216	Y . B B B S S S									1	
[23]	(E)PLUG-SCREW (D)STÖPSEL,SCHRAUBEN									(F)BOUCHON-VIS (S)TAPON-TORNILLO	
09246-10001	Y . B B B S S S									1	
ENG(ENGINE)		T/A(TRANSAXLE)				BODY TYPE					
Y = 1.5SOHC 6 = 1.6DOHC . = COMMON		M = MANUAL T/A A = AUTOMATIC T/A . = COMMON				4 N = 4 DOOR NOTCHBACK 3 H = 3 DOOR HATCHBACK 5 H = 5 DOOR HATCHBACK					



KEY NO.	PART NAME										
	PART NO	MODEL				OPTION	L / Q R / Y	EFFECTIVE DATE		REMARKS	P / I C O D E
		E N G	T / A	BODY 4 N 3 H 5 H	LEVEL S S S X			FROM	TO		
[01]	(E)HEAD A-CYLINDER (D)ZYLINDERKOPF						(F)CULASSE-CYLINDRE (S)CABEZA-CILINDRO				
A96350007	6 . B B B . . O						1				
[02]	(E)GUIDE-VALVE (D)FÜHRING,VENTIL						(F)GUIDE-SOUPAPE (S)GUIA-VALVULA				
96103034	6 . B B B . . O						16			STD	
96103035	6 . B B B . . O						16			OIS	
[03]	(E)CAP-CAMSHAFT, FRONT (D)DECKEL,NOCKENWELLE,VORNE						(F)CHAPEAU (S)TAPA-CIGUEÑAL,DELANTERO				
96143123	6 . B B B . . O						2				
[06]	(E)SCREW (D)SCHRAUBE						(F)VIS (S)TORNILLO				
09103-06004	6 . B B B . . O						20				
[07]	(E)CAP-WATER CHAMBER (D)DECKEL,WASSER-KAMMER						(F)CHAPEAU-CHAMBRE A EAU (S)TAPA-CAMARA DE AGUA				
11044142	6 . B B B . . O						1			26	
[08]	(E)CAP-OIL DUCT (D)DECKEL,ÖL-LEITUNG						(F)CHAPEAU-CONDUIT HUILE (S)TAPA-CONDUCTO DE ACEITE				
96180732	6 . B B B . . O						3			20	
[09]	(E)PLUG-SCREW (D)STÖPSEL,SCHRAUBEN						(F)BOUCHON-VIS (S)TAPON-TORNILLO				
09246-24001	6 . B B B . . O						2				
[10]	(E)PLUG-SCREW (D)STÖPSEL,SCHRAUBEN						(F)BOUCHON-VIS (S)TAPON-TORNILLO				
09246-12001	6 . B B B . . O						5				
[11]	(E)VALVE-INTAKE (D)VENTIL,EINLAB						(F)SOUPAPE-ADMISSION (S)VALVULA-ENTRADA				
96182806	6 . B B B . . O						8				

ENG(ENGINE)	T/A(TRANSAXLE)	BODY TYPE
Y = 1.5SOHC 6 = 1.6DOHC . = COMMON	M = MANUAL T/A A = AUTOMATIC T/A . = COMMON	4 N = 4 DOOR NOTCHBACK 3 H = 3 DOOR HATCHBACK 5 H = 5 DOOR HATCHBACK

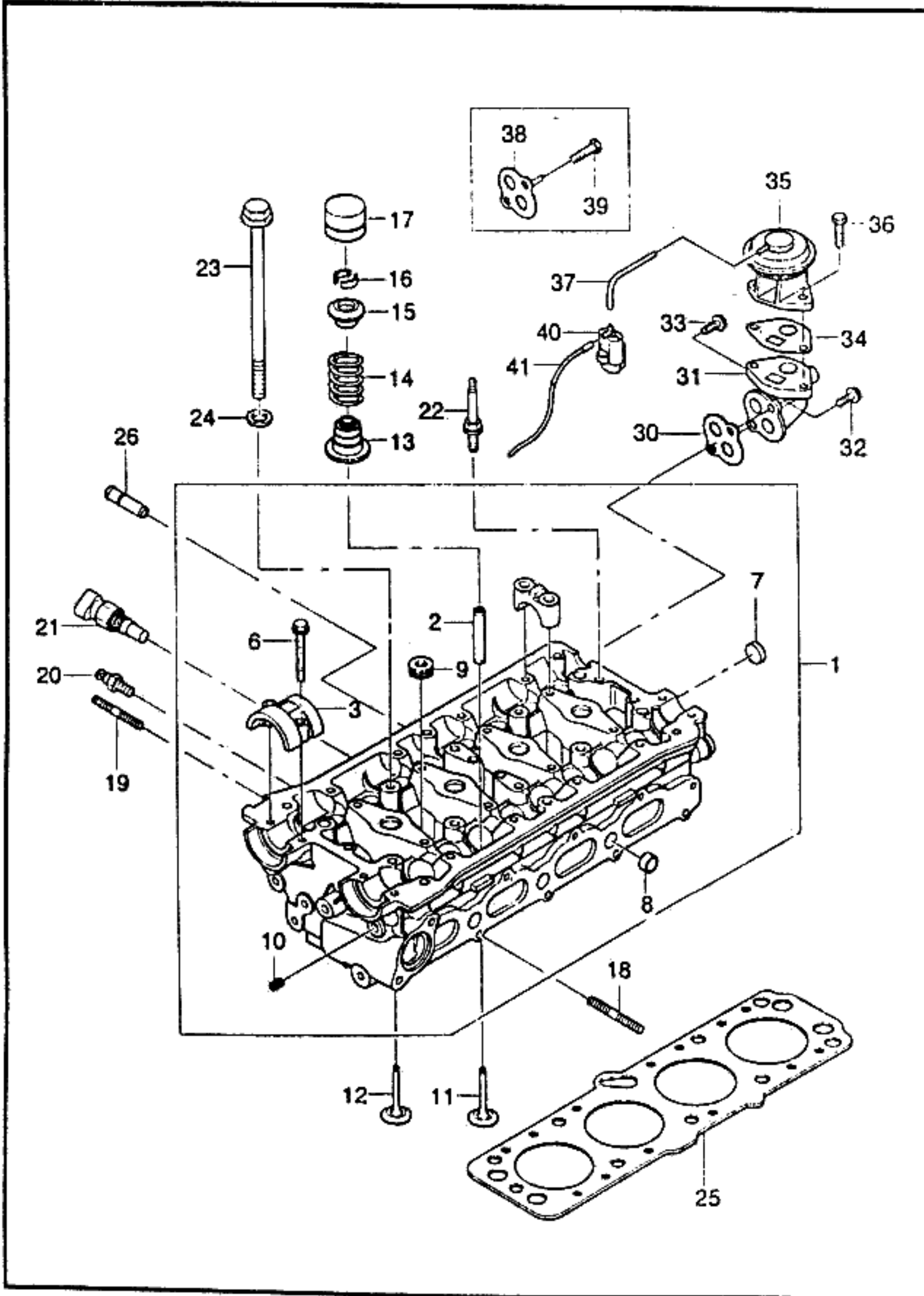


I T C	KEY NO.		PART NAME									
	PART NO	MODEL	OPTION	L / R	Q T Y	EFFECTIVE DATE		REMARKS	P / C O D E			
						FROM	TO					
	[12]	(E)VALVE-EXHAUST (D)VENTIL,ABGAS						(F)SOUPAPE-ECHAPPEMENT (S)VALVULA-ESCAPE				
	96182805	6 . B B B . . O						8				
	[13]	(E)SEAL-VALVE STEM (D)DICHTUNG,VENTIL STIEL						(F)JOINT-TIGE DE SOUPAPE (S)SELLO-TALLO DE VALVULA				
	96103095	6 . B B B . . O						16				
	[14]	(E)SPRING-VALVE (D)FEDERUNG,VENTIL						(F)RESSORT-SOUPAPE (S)RESORTE-VALVULA				
	96352140								NOT APPLIED			
	96352139	6 . B B B . . O						16				
	[15]	(E)RETAINER-VALVE SPRING (D)HALTER,VENTIL FEDERUNG						(F)ARRETOIR (S)RETENEDOR				
	5094005026	6 . B B B . . O						16				
	[16]	(E)KEY-VALVE (D)SCHLÜßEL,VENTIL						(F)CLE-SOUPAPE (S)LLAVE-VLVULA				
	5094005601	6 . B B B . . O						32				
	[17]	(E)TAPPET-HYDRAULIC (D)NOCKE,HYDRAULIK						(F)POUSSOIR-HYDRAULIQUE (S)GRIFO-HIDRAULICO				
	96134997	6 . B B B . . O						16				
	[18]	(E)BOLT-STUD (D)STIFTSCHRAUBE						(F)BOULON-TETON (S)PERNO-ESPIGA				
	09108-08005	6 . B B B . . O						10				
	[19]	(E)BOLT-STUD (D)STIFTSCHRAUBE						(F)BOULON-TETON (S)PERNO-ESPIGA				
	09108-08004	6 . B B B . . O						2				
	[20]	(E)SENSOR A-TEMPERATURE (D)SENSOR,TEMPERATUR						(F)DETECTEUR-TEMPERATURE (S)SENSOR-TEMPERATURA				
	96177604	6 . B B B . . O						1				

ENG(ENGINE)	T/A(TRANSAXLE)	BODY TYPE
Y = 1.5SOHC 6 = 1.6DOHC . = COMMON	M = MANUAL T/A A = AUTOMATIC T/A . = COMMON	4 N = 4 DOOR NOTCHBACK 3 H = 3 DOOR HATCHBACK 5 H = 5 DOOR HATCHBACK

1311 CYLINDER HEAD(DOHC)

3M06

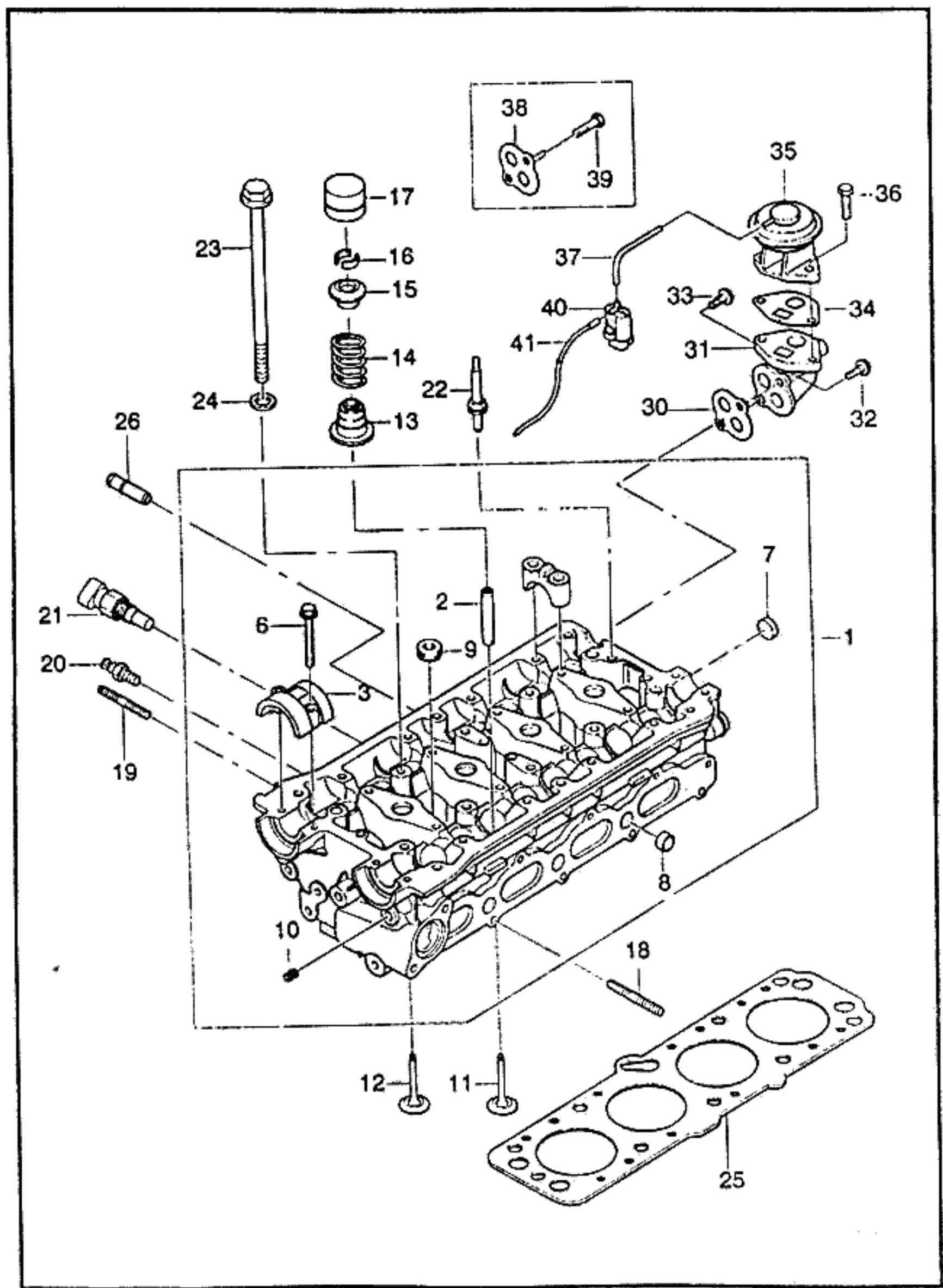


KEY NO.	PART NAME												
	PART NO	MODEL						OPTION	L / R	QTY	EFFECTIVE DATE	REMARKS	P / CODE
		E	T	BODY			LEVEL						
N	G	4	3	5	S	S	S						
[21]	(E)SENSOR A-TEMPERATURE (D)SENSOR,TEMPERATUR										(F)DETECTEUR-TEMPERATURE (S)SENSOR-TEMPERATURA		
96181508	6 . B B B . . O										1		
[22]	(E)BOLT-STUD (D)STIFTSCHRAUBE										(F)BOULON-TETON (S)PERNO-ESPIGA		
96144431	6 . B B B . . O										11		
[23]	(E)BOLT-CYLINDER HEAD (D)SCHRAUBE,ZYLINDERKOPF										(F)BOULON-CULASSE (S)PERNO-TAPA DE CILINDRO		
09103-10056	6 . B B B . . O										10		
[24]	(E)WASHER-CYLINDER HEAD (D)DICHTUNGSRING,ZYLINDERKOPF										(F)RONDELLE-CULASSE CYLINDRE (S)ARANDELA		
09160-10007	6 . B B B . . O										10		
[25]	(E)GASKET-CYLINDER HEAD (D)DICHTUNG,ZYLINDERKOPF										(F)JOINT-CULASSE CYLINDRE (S)JUNTA		
96103003	6 . B B B . . O										1		
[26]	(E)PIPE-HEATER TAKE OFF (D)ROHR										(F)TUYAU (S)TUBERIA		
96182808	6 . B B B . . O										1		
[30]	(E)GASKET-EGR ADAPTER (D)DICHTUNG										(F)JOINT (S)JUNTA		
96103076	6 . B B B . . O										1		
[31]	(E)ADAPTER-EGR VALVE (D)ADAPTER										(F)ADAPTATEUR (S)ADAPTADOR		
96103111	6 . B B B . . O										1		
[32]	(E)BOLT-HEXAGON FLANGE (D)SCHRAUBE										(F)BOULON (S)PERNO		
09103-08020	6 . B B B . . O										1		
[33]	(E)BOLT-HEXAGON FLANGE (D)SCHRAUBE										(F)BOULON (S)PERNO		

ENG(ENGINE)	T/A(TRANSAXLE)	BODY TYPE
Y = 1.5SOHC 6 = 1.6DOHC . = COMMON	M = MANUAL T/A A = AUTOMATIC T/A . = COMMON	4 N = 4 DOOR NOTCHBACK 3 H = 3 DOOR HATCHBACK 5 H = 5 DOOR HATCHBACK

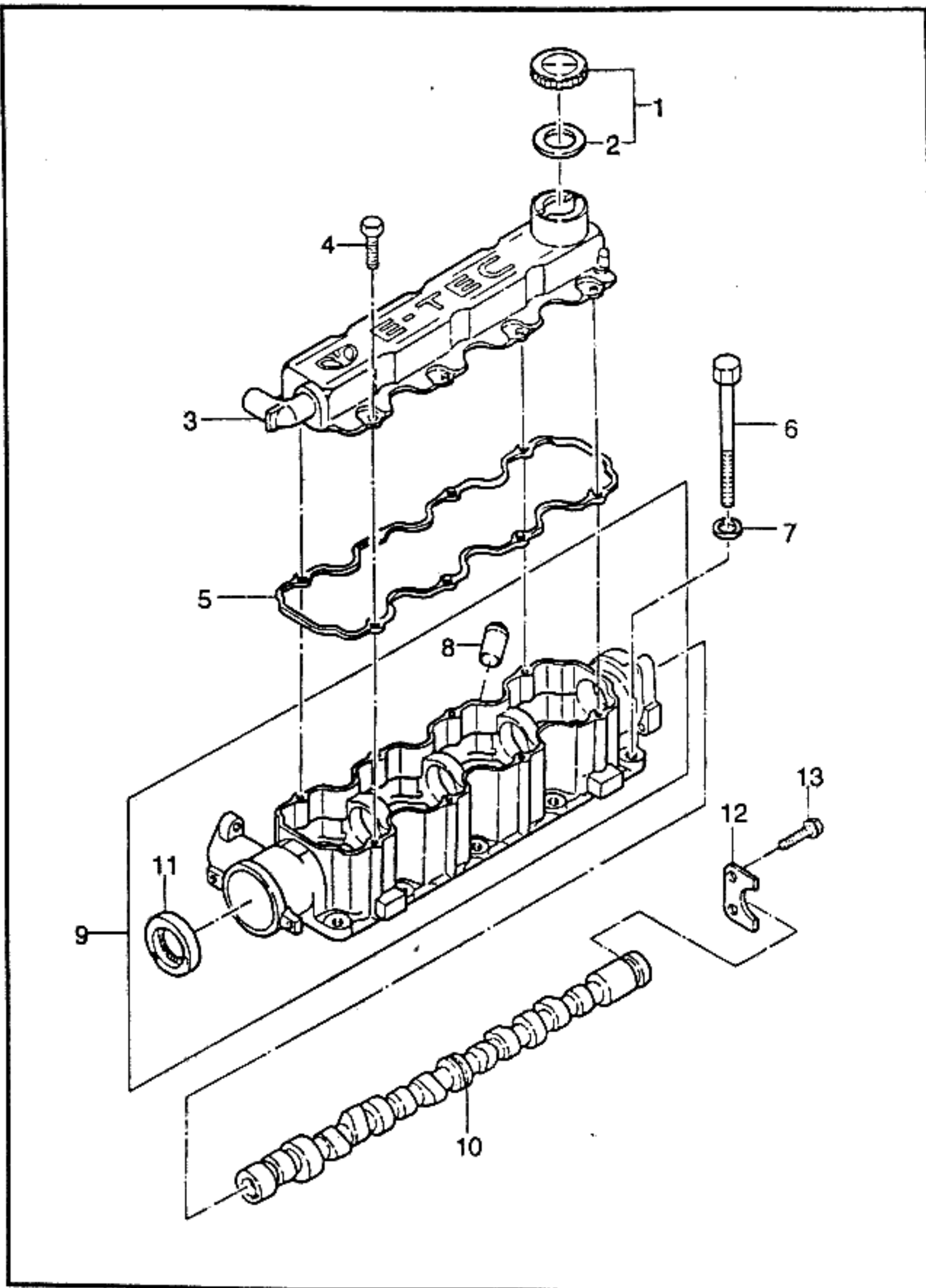
1311 CYLINDER HEAD(DOHC)

3N06



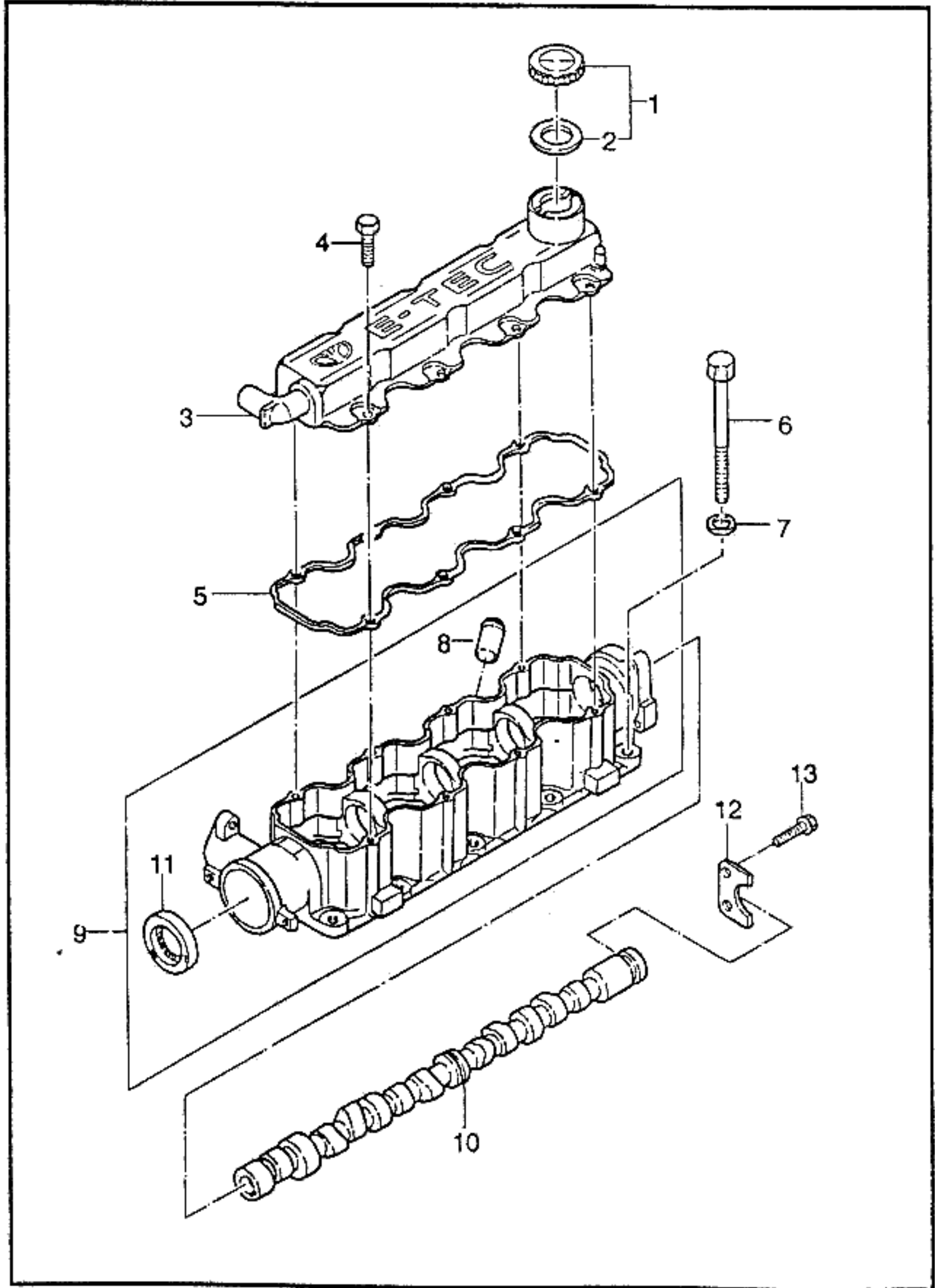
KEY NO.	PART NAME												
	PART NO	MODEL					OPTION	L / R	QTY	EFFECTIVE DATE		REMARKS	P / CODE
		E N G	T / A	B O D Y	L E V E L					FROM	TO		
09103-08021	6 . B B B . . O							1			(F)JOINT (S)JUNTA		
[34]	(E)GASKET-EGR VALVE (D)DICHTUNG												
96103075	6 . B B B . . O							1			(F)SOUPAPE (S)VALVULA		
[35]	(E)VALVE A-EGR (D)VENTIL												
17092164	6 . B B B . . O							1			(F)BOULON (S)PERNO		
[26]	(E)BOLT-HEXAGON (D)SCHRAUBE												
11048333	6 . B B B . . O							2			(F)TUYAU-DEPRESSION (S)TUBERIA-VACIO		
[37]	(E)PIPE A-VACUUM (D)ROHR, VAKUUM												
96248445	6 . B B B . . O -KL9							1					
96239364	6 . B B B . . A &KL9							1			(F)PLAQUE (S)PLACA		
[38]	(E)PLATE-EGR CLOSING (D)PLATTE											NOT APPLIED	
96181530												NOT APPLIED	
[39]	(E)BOLT-HEXAGON FLANGÉ (D)SCHRAUBE												
09103-08019												NOT APPLIED	
[40]	(E)VALVE-SOLENOID (D)VENTIL												
96350594	6 . B B B . . O -KL9							1			(F)TUYAU-DEPRESSION (S)TUBERIA-VACIO		
[41]	(E)PIPE A-VACUUM (D)ROHR, VAKUUM												
96242230	6 . B B B . . O -KL9							1					

ENG(ENGINE)	T/A(TRANSAXLE)	BODY TYPE
Y = 1.5SOHC 6 = 1.6DOHC . = COMMON	M = MANUAL T/A A = AUTOMATIC T/A . = COMMON	4 N = 4 DOOR NOTCHBACK 3 H = 3 DOOR HATCHBACK 5 H = 5 DOOR HATCHBACK



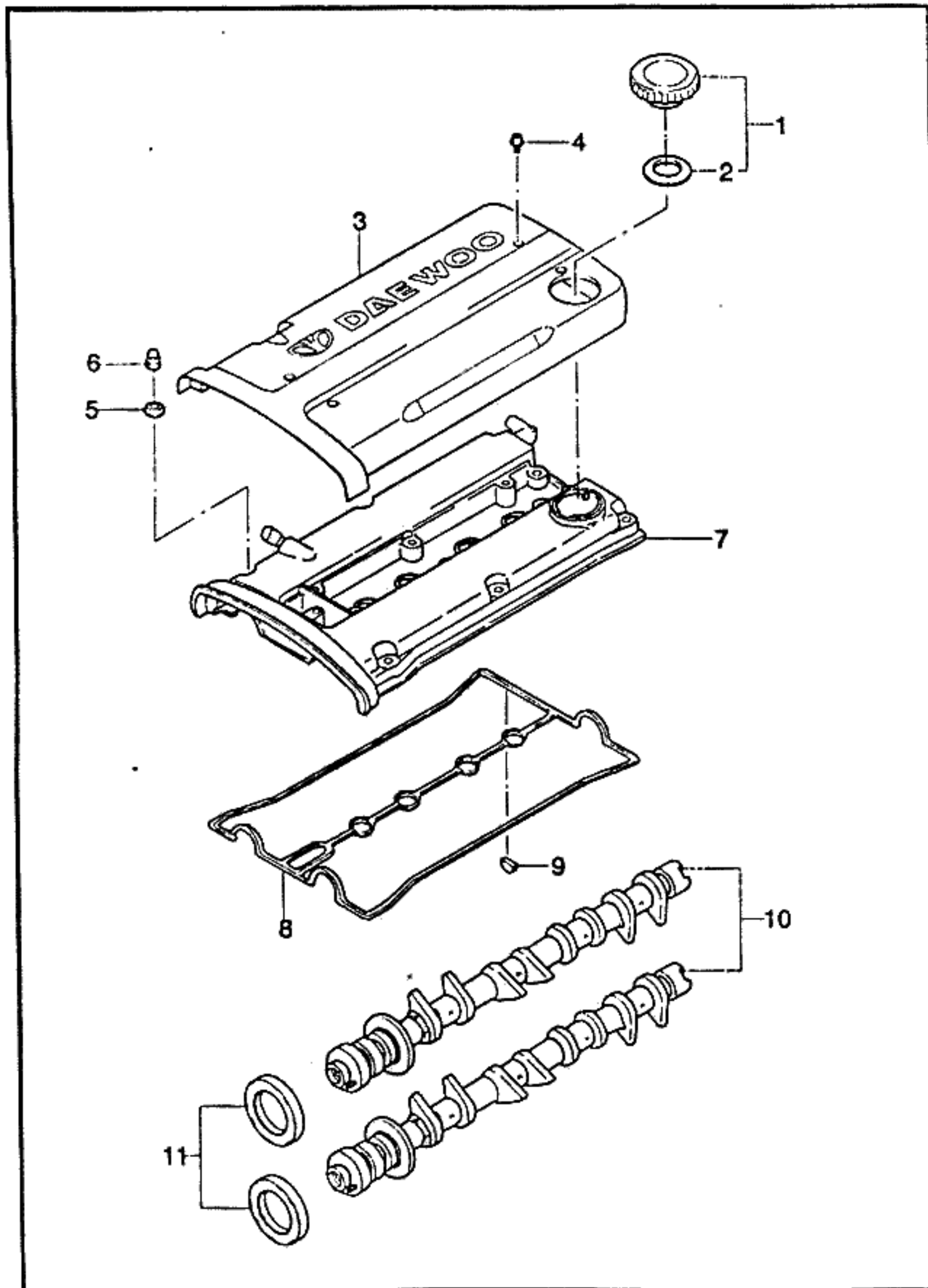
I T C	KEY NO.	PART NAME										P / C O D E			
		PART NO	MODEL					OPTION	L / R	Q T Y	EFFECTIVE DATE		REMARKS		
			E T N /	B O D Y	L E V E L	FROM	TO								
	[01]	(E)CAP A-BAYONET JOINT (D)DECKEL,BAYONETTEN-GLIED													
	96351602	Y . B B B S S S	4	3	5	S	S	S							
	[02]	(E)SEAL-BAYONET CAP (D)DICHTUNG,BAYONNETTE KAPPE													
	N/S(1)														
	[03]	(E)COVER A-CAMSHAFT SUPPORT (D)DECKEL,NOCKENWELLE-TRÄGER													
	96181319	Y . B B B S S S													INCL #1,2,5
	[04]	(E)BOLT-HEXAGON (D)SCHRAUBE													
	09117-06007	Y . B B B S S S													
	O 09103-06008	Y . B B B S S S													
	[05]	(E)GASKET-CAMSHAFT SUPT CVR (D)DICHTUNG													
	96181318	Y . B B B S S S													
	[06]	(E)BOLT-HEXAGON FLANGE (D)SCHRAUBE													
	09103-10024	Y . B B B S S S													
	[07]	(E)WASHER (D)DICHTUNGSRING													
	96180642	Y . B B B S S S													
	[08]	(E)TUBE (D)ROHRLEITUNG													
	90220615	Y . B B B S S S													
	[09]	(E)SUPPORT A-CAMSHAFT (D)TRÄGER,NOCKENWELLE													
	A96182962	Y . B B B S S S													

ENG(ENGINE)	T/A(TRANSAXLE)	BODY TYPE
Y = 1.5SOHC 6 = 1.6DOHC . = COMMON	M = MANUAL T/A A = AUTOMATIC T/A . = COMMON	4 N = 4 DOOR NOTCHBACK 3 H = 3 DOOR HATCHBACK 5 H = 5 DOOR HATCHBACK



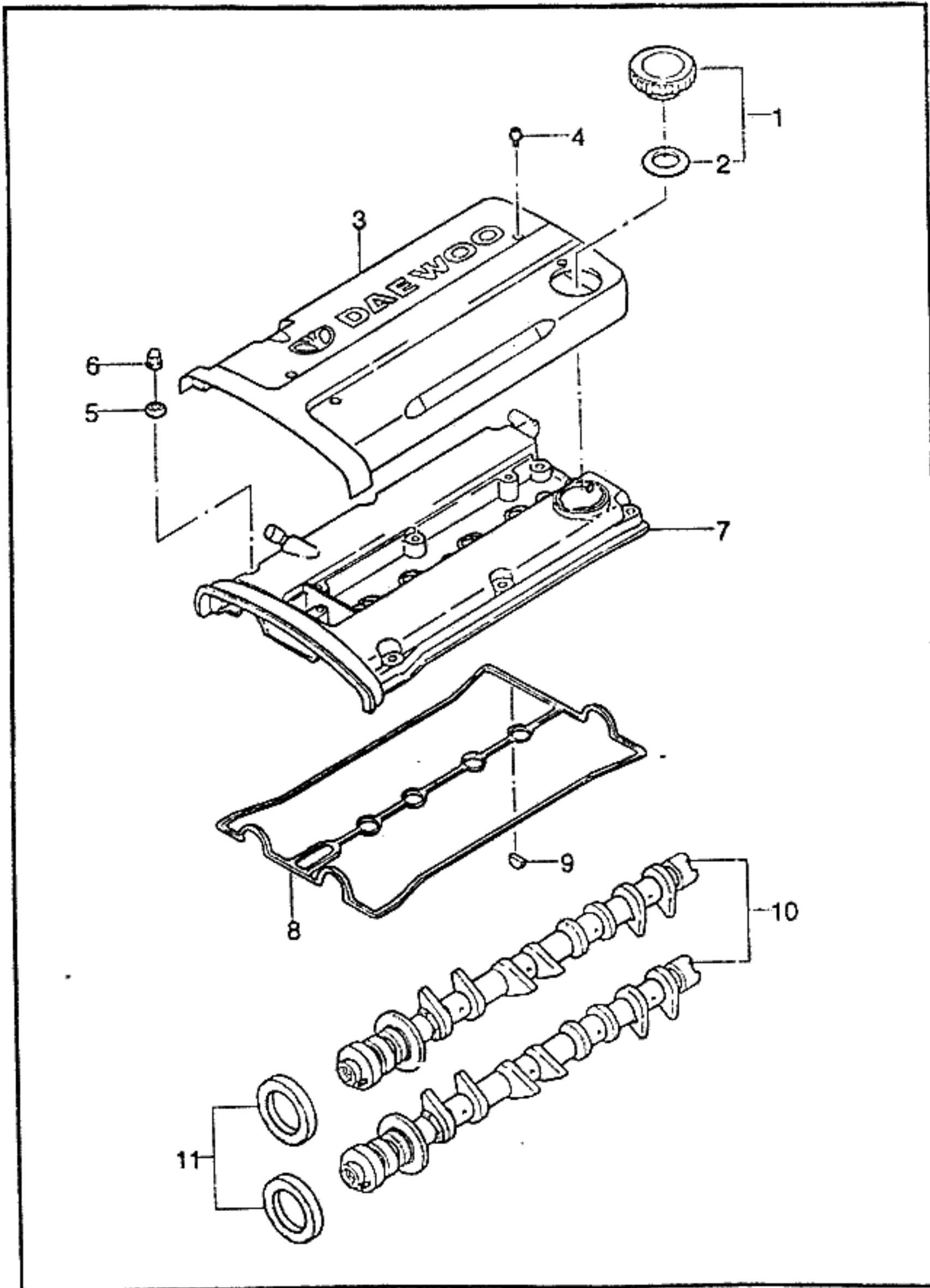
KEY NO.	PART NAME											
	PART NO	MODEL			OPTION	L / R	QTY	EFFECTIVE DATE		REMARKS	P / CODE	
		E	T	BODY				LEVEL	FROM			TO
	N / G	A	4 N	3 H	5 H	S	S	S	S			
[10]	A96182964	(E)CAMSHAFT A (D)NOCKENWELLE	Y .	B	B	B	S	S	S	(F)ARBRE A CAMES (S)CIGUEÑAL	1	
[11]	90122609	(E)RING-SHAFT SEAL (D)RING,STAB DICHTUNG	Y .	B	B	B	S	S	S	(F)ANNEAU-JOINT D'ARBRE (S)ANILLO-BROCHE DE EJE	1	971001 35X48X 7
[12]	90233647	(E)PLATE-CAMSHAFT PRESSURE (D)PLATTE,KURBELWELLE DRUCK	Y .	B	B	B	S	S	S	(F)PLAQUE (S)PLACA	1	
[13]	07130-06169	(E)BOLT-HEXAGON SOCKET TYPE (D)SCHRAUBE	Y .	B	B	B	S	S	S	(F)BOULON (S)PERNO	2	

ENG(ENGINE)	T/A(TRANSAXLE)	BODY TYPE
Y = 1.5SOHC 6 = 1.6DOHC . = COMMON	M = MANUAL T/A A = AUTOMATIC T/A . = COMMON	4 N = 4 DOOR NOTCHBACK 3 H = 3 DOOR HATCHBACK 5 H = 5 DOOR HATCHBACK

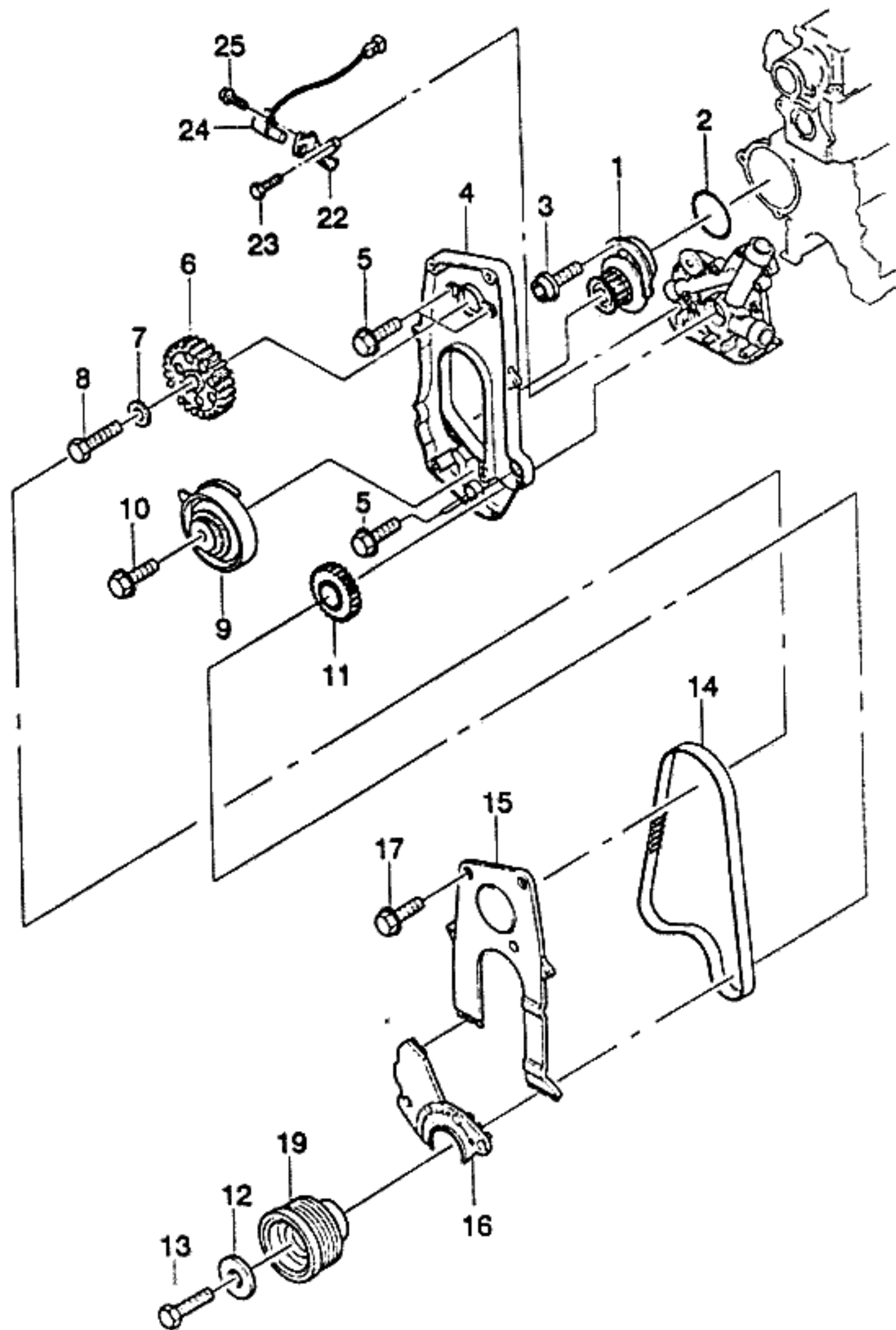


KEY NO.	PART NAME												
	PART NO	MODEL					OPTION	L / R	Q / Y	EFFECTIVE DATE		REMARKS	P / CODE
		E T	BODY	LEVEL	FROM	TO							
I T C	N / G	4 N	3 H	5 H	S S	S S	S S						
[01]	96351472	(E)CAP A-BAYONET JOINT (D)DECKEL,BAYONETTEN-GLIED	6 . B B B . . O								(F)CHAPEAU-JOINT BAYONETTE (S)TAPA-UNION DE BAYONETA	1	
[02]	96181851	(E)SEAL-BAYONET CAP (D)DICHTUNG,BAYONNETTE KAPPE	6 . B B B . . O								(F)JOINT-CHAPEAU BAYONETTE (S)SELLO-TAPA DE BAYONETA	1	
[03]	96351473	(E)COVER A-CAMSHAFT,UPPER (D)DECKEL	6 . B B B . . O								(F)CARTER (S)CUBIERTA	1	
[04]	07130-06125	(E)BOLT-HEXAGON SOCKET TYPE (D)SCHRAUBE	6 . B B B . . O								(F)BOULON (S)PERNO	4	
[05]	96144569	(E)WASHER-SEALING (D)RING,DICHTUNG	6 . B B B . . O								(F)RONDELLE-ETANCHEITE (S)ARANDELA-SELLANTE	11	970625
[06]	O 96352732	(E)NUT-FLANGE CAP (D)MUTTER,GEFLANSCHTE KAPPE	6 . B B B . . O								(F)ECROU-CHAPEAU A FLASQUES (S)TUERCA-TAPO CON PESTAÑA	11	970625
[07]	09145-06004	(E)COVER A-CAMSHAFT (D)DECKEL,NOCKENWELLE	6 . B B B . . O								(F)CARTER-ARBRE A CAMES (S)CUBIERTA-CIGUEÑAL	11	
[08]	96351548	(E)GASKET-CAMSHAFT COVER (D)DICHTUNG	6 . B B B . . O								(F)JOINT-CARTER (S)JUNTA	1	
[09]	96351213	(E)SEAL-'D' (D)DICHTUNG	6 . B B B . . O								(F)JOINT D'ETANCHEITE (S)SELLO	1	
	96144621		6 . B B B . . O									2	

ENG(ENGINE)	T/A(TRANSAXLE)	BODY TYPE
Y = 1.5SOHC 6 = 1.6DOHC . = COMMON	M = MANUAL T/A A = AUTOMATIC T/A . = COMMON	4 N = 4 DOOR NOTCHBACK 3 H = 3 DOOR HATCHBACK 5 H = 5 DOOR HATCHBACK

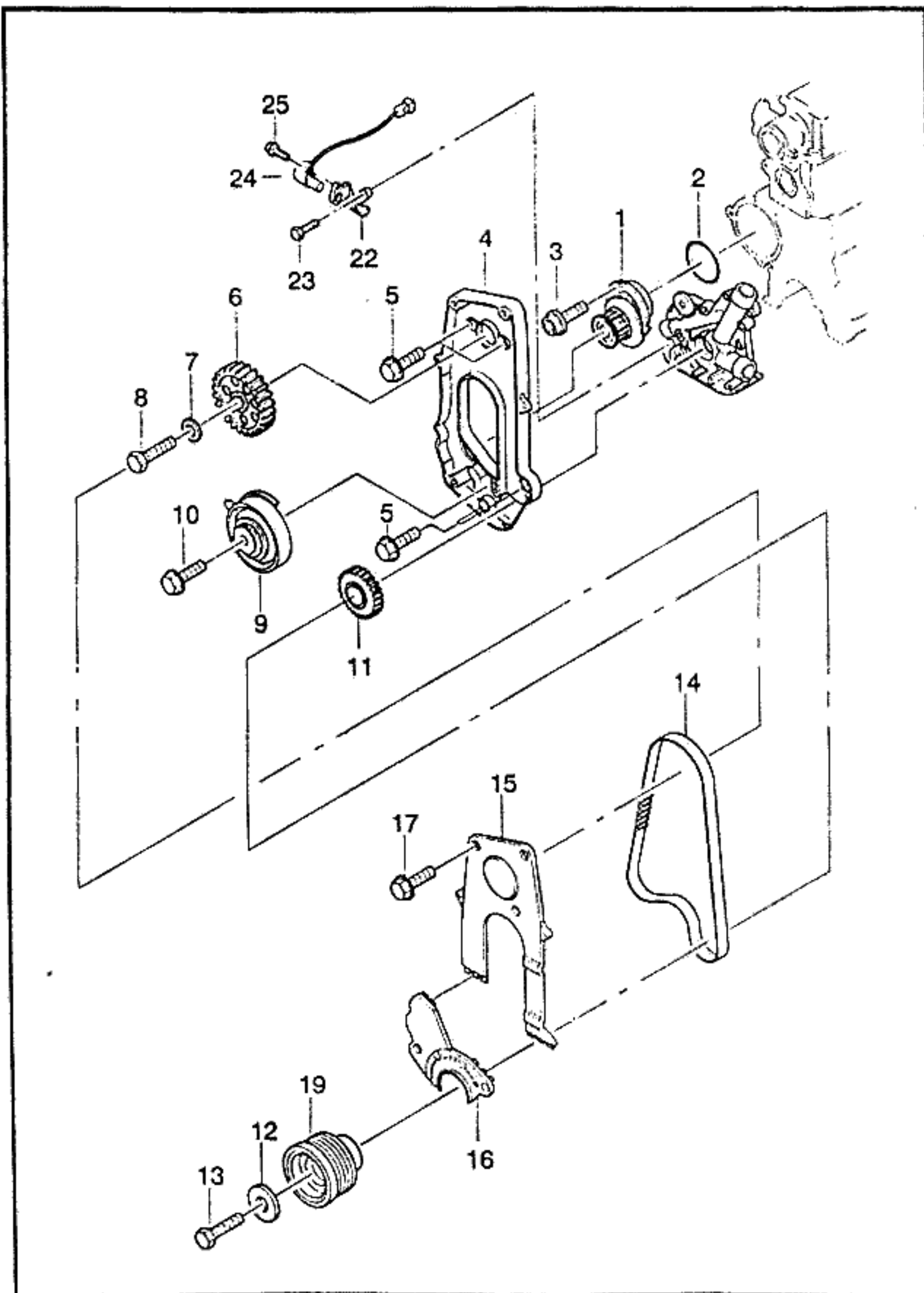


KEY NO.		PART NAME													
I T C	PART NO	MODEL						OPTION	L / R	Q T Y	EFFECTIVE DATE		REMARKS	P / C O D E	
		E	T	BODY			LEVEL				FROM	TO			
		N	/	4	3	5	S								S
	[10] A96182606	(E)CAMSHAFT A (D)NOCKENWELLE	6	.	B	B	B	.	.	O		(F)ARBRE A CAMES (S)CIGUEÑAL	2		
	[11] 5094005604	(E)SEAL-CAMSHAFT,FRONT (D)DICHTUNG,NOCKENWELLE	6	.	B	B	B	.	.	O		(F)JOINT-ARBRE A CAMES,AVANT (S)SELLO-ARBOL DE LEVA	2		
		ENG(ENGINE)	T/A(TRANSAXLE)					BODY TYPE							
		Y = 1.5SOHC 6 = 1.6DOHC . = COMMON	M = MANUAL T/A A = AUTOMATIC T/A . = COMMON					4 N = 4 DOOR NOTCHBACK 3 H = 3 DOOR HATCHBACK 5 H = 5 DOOR HATCHBACK							

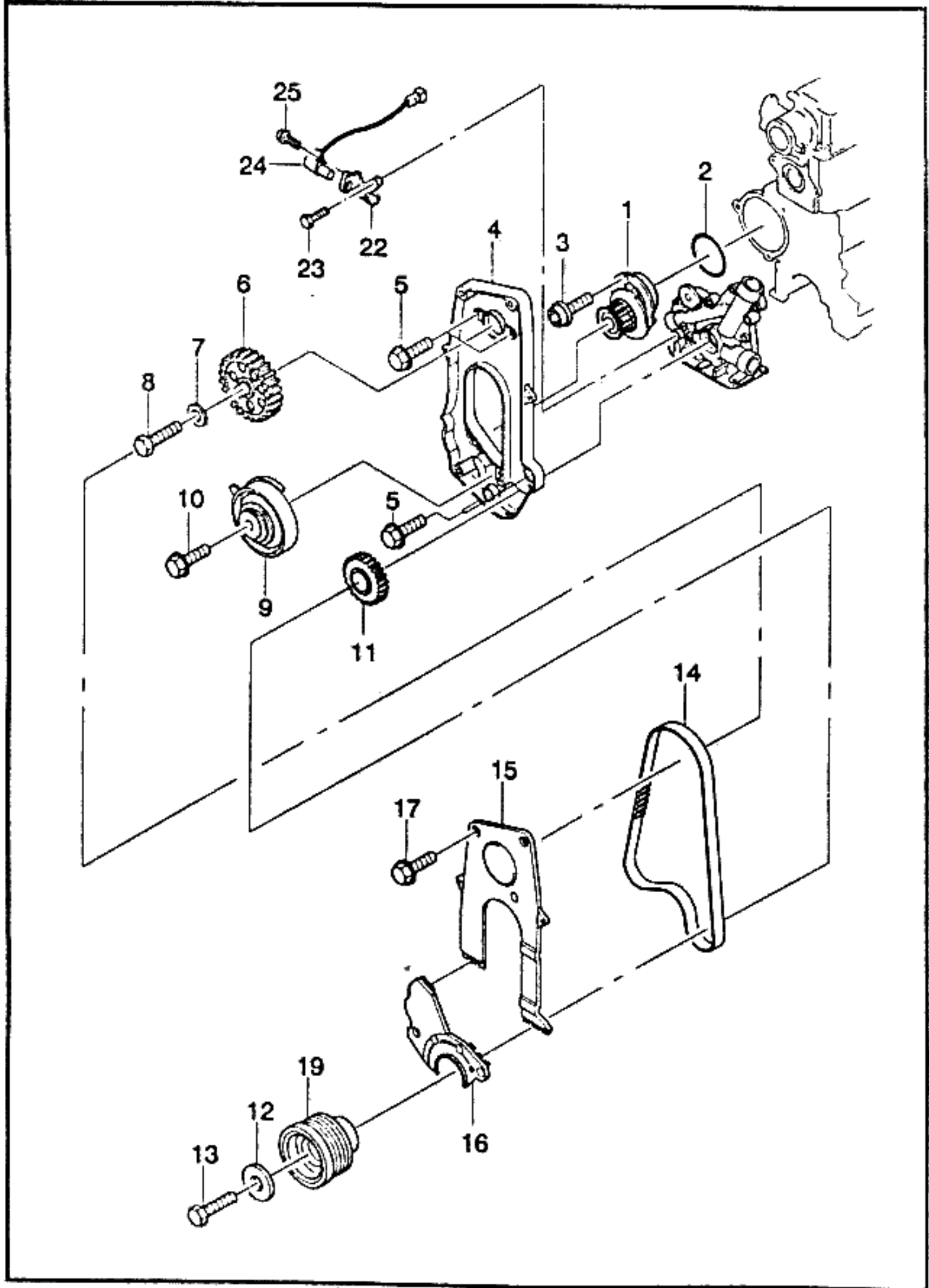


KEY NO.	PART NAME												
	PART NO	MODEL			OPTION	L / R	Q / Y	EFFECTIVE DATE		REMARKS	P / CODE		
		E	T	MODEL				LEVEL	FROM			TO	
	N / G	A	4 3 5 N H H	S S S S E X									
[01]	96350799	(E)PUMP A-WATER (D)PUMPE,WASSER	Y .	B	B	B	S	S	S	(F)POMPE-EAU (S)BOMBA-AGUA	1		
[02]	90076127	(E)RING-SEAL (D)RING,DICHTUNG	Y .	B	B	B	S	S	S	(F)ANNEAU (S)ANILLO-SELLO	1		
[03]	09106-06001	(E)BOLT (D)SCHRAUBE	Y .	B	B	B	S	S	S	(F)BOULON (S)PERNO	3		
[04]	96182950	(E)HOOD-TIMING BELT,REAR (D)HAUBE,ZÜNDFOLGEGURT	Y .	B	B	B	S	S	S	(F)CAPOT (S)TAPA-CORREA DISTRIBUCION	1		
[05]	09116-06016	(E)BOLT (D)SCHRAUBE	Y .	B	B	B	S	S	S	(F)BOULON (S)PERNO	4		
[06]	90231882	(E)GEAR-CAMSHAFT (D)GETRIEBE,NOCKENWELLE	Y .	B	B	B	S	S	S	(F)ENGRENAGE-ARBRE A CAMES (S)ENGRANAJE-ARBOL DE LEVAS	1		
[07]	96180642	(E)WASHER (D)DICHTUNGSRING	Y .	B	B	B	S	S	S	(F)RONDELLE (S)ARANDELA	1		
[08]	09100-10007	(E)BOLT-HEXAGON (D)SCHRAUBE	Y .	B	B	B	S	S	S	(F)BOULON (S)PERNO	1		
[09]	90499401	(E)TENSIONER A-TIMING BELT (D)SPANNUNG	Y .	B	B	B	S	S	S	(F)TENDEUR (S)SENSOR	1		
[10]		(E)BOLT-HEXAGON (D)SCHRAUBE	Y .	B	B	B	S	S	S	(F)BOULON (S)PERNO.	1		

ENG(ENGINE)	T/A(TRANSAXLE)	BODY TYPE
Y = 1.5SOHC 6 = 1.6DOHC . = COMMON	M = MANUAL T/A A = AUTOMATIC T/A . = COMMON	4 N = 4 DOOR NOTCHBACK 3 H = 3 DOOR HATCHBACK 5 H = 5 DOOR HATCHBACK

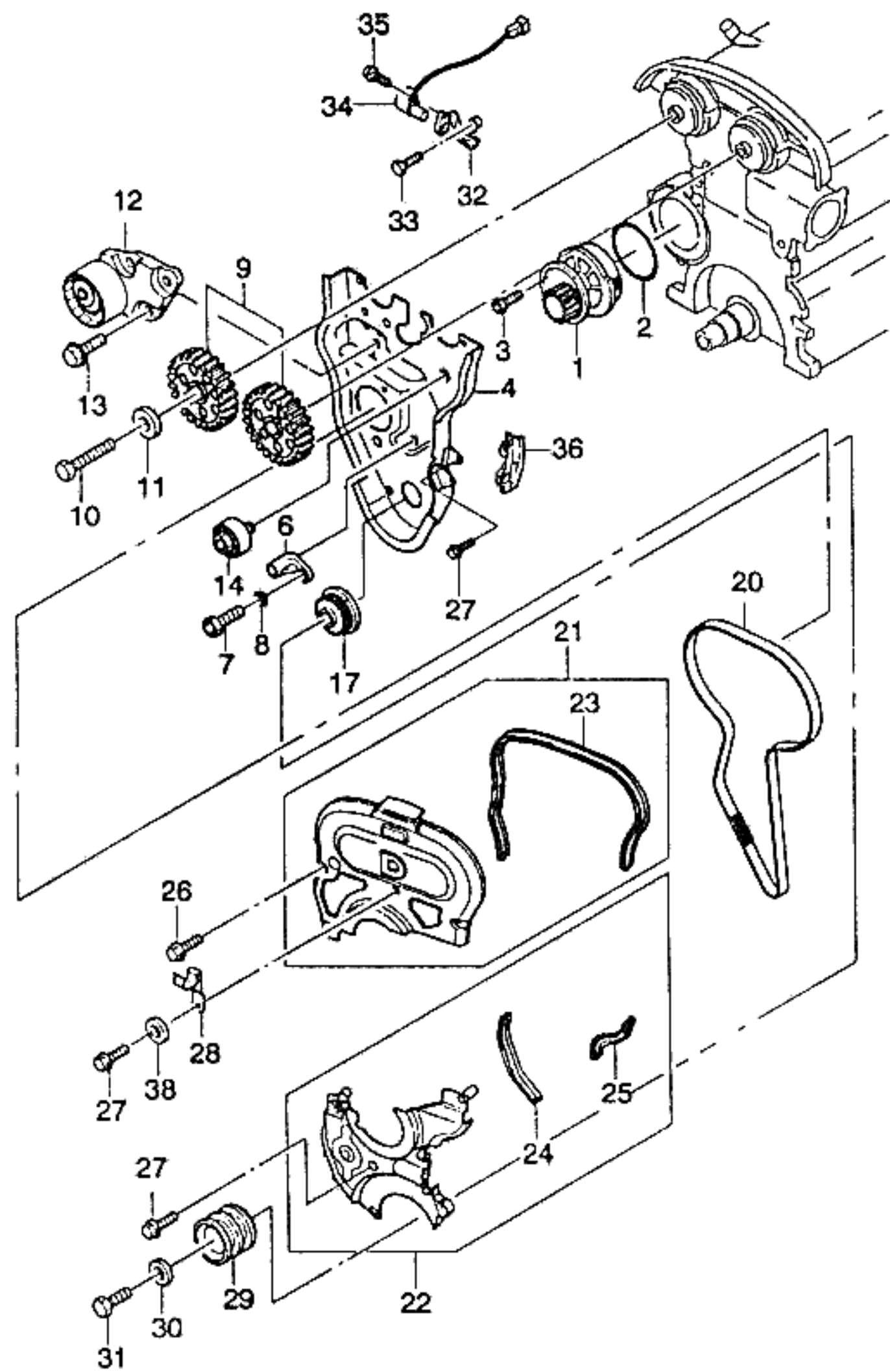


KEY NO.	PART NAME										REMARKS	P / CODE
	PART NO	MODEL			OPTION	L / Q / R	EFFECTIVE DATE					
		E	T	MODEL			LEVEL	FROM				
09100-08007	[11]	Y .	B B B S S S						1		(E)GEAR A-CRANKSHAFT (D)GETRIEBE,KURBELWELLE	(F)ENGRENAGE-VILEBREQUIN (S)ENGRANAJE-CIGUEÑAL
96144520	[12]	Y .	B B B S S S						1		(E)PLATE-PRESSURE (D)PLATTE,DRUCK	(F)PLAQUE-PRESSION (S)PLACA-PRESION
90409703	[13]	Y .	B B B S S S						1		(E)BOLT-HEXAGON FLANGE (D)SCHRAUBE	(F)BOULON (S)PERNO
09103-12032	[14]	Y .	B B B S S S						1		(E)BELT-TIMING (D)GURT,ZÜNDFOLGESTEUERUNG	(F)COURROIE (S)CORREA-DISTRIBUCION
96183353												NOT APPLIED
96352407	[15]	Y .	B B B S S S						1		(E)HOOD-FRONT,UPPER (D)HAUBE,VORNE,OBEN	(F)CAPOT-AVANT,HAUT (S)TAPA-FRENTE SUPERIOR
96182952	[16]	Y .	B B B S S S						1		(E)HOOD-FRONT,LOWER (D)HAUBE,VORNE,UNTEN	(F)CAPOT-AVANT,BAS (S)TAPA-FRENTE,BAJO
96182951	[17]	Y .	B B B S S S						1		(E)BOLT-HEXAGON FLANGE (D)SCHRAUBE	(F)BOULON (S)PERNO
01517-06123	[19]	Y .	B B B S S S						7		(E)PULLEY-CRANKSHAFT (D)RÖLLE,KURBELWELLE	(F)POULIE-VILEBREQUIN (S)POLEA-CIGUEÑAL
96351111	[22]	Y .	B B B S S S						1		(E)BRACKET A-CPS (D)TRÄGER	(F)SUPPORT (S)SOPORTE
ENG(ENGINE)		T/A(TRANSAXLE)			BODY TYPE							
Y = 1.5SOHC 6 = 1.6DOHC . = COMMON		M = MANUAL T/A A = AUTOMATIC T/A . = COMMON			4 N = 4 DOOR NOTCHBACK 3 H = 3 DOOR HATCHBACK 5 H = 5 DOOR HATCHBACK							

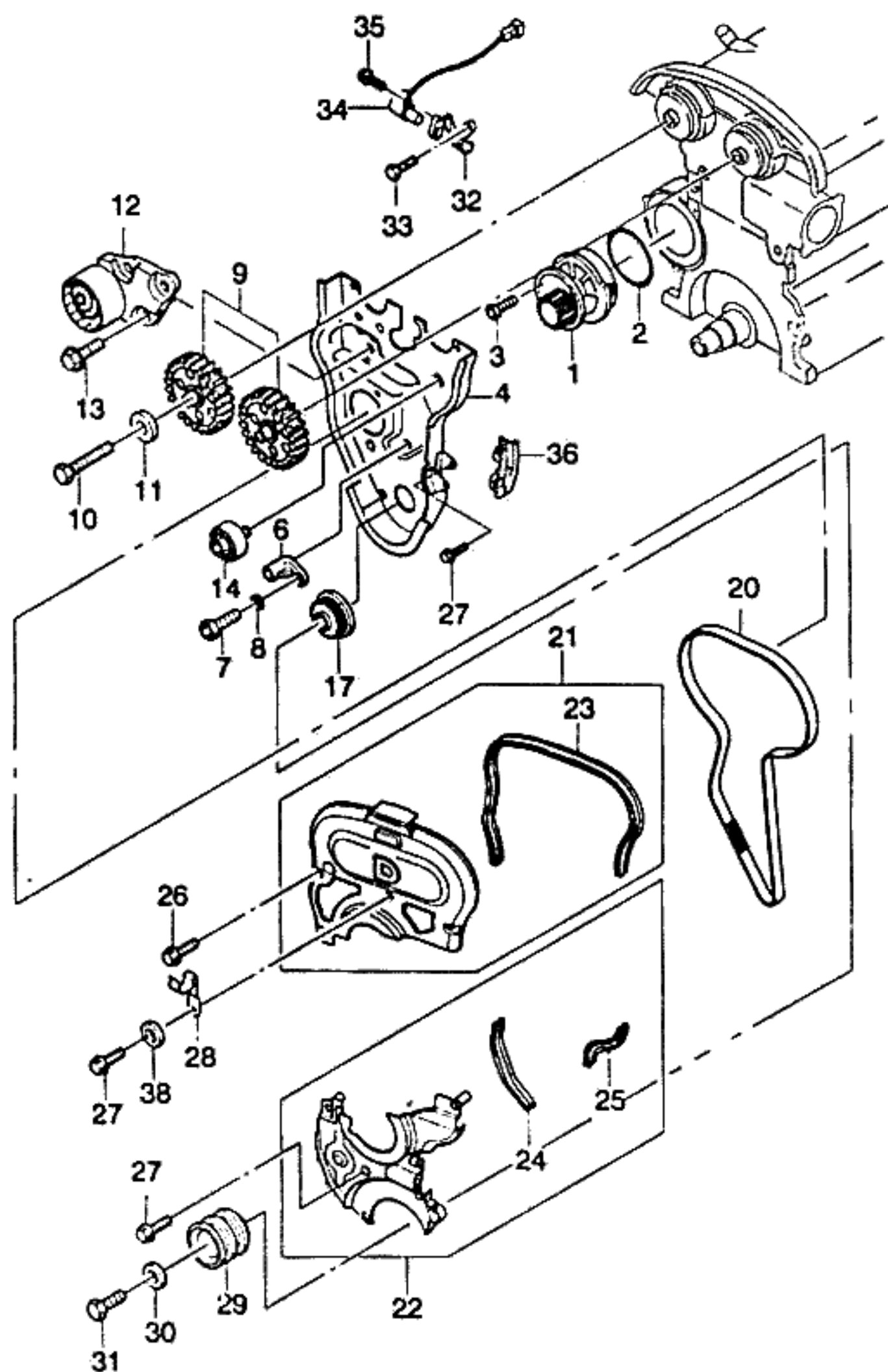


KEY NO.	PART NAME													
	PART NO	MODEL					OPTION	L / R	QTY	EFFECTIVE DATE		REMARKS	P / CODE	
		E	T	BODY						LEVEL	FROM			TO
N / G	A	4	3	5	S	S	S							
96351257	Y . B B B S S S													
[23]	(E)BOLT-HEXAGON FLANGE (D)SCHRAUBE													
01517-06353	Y . B B B S S S													
[24]	(E)SENSOR-CRANKSHAFT POSITION (D)SENSOR													
96183235	Y . B B B S S S													
[25]	(E)BOLT-HEXAGON SOCKET TYPE (D)SCHRAUBE													
07130-06165	Y . B B B S S S													

ENG(ENGINE)	T/A(TRANSAXLE)	BODY TYPE
Y = 1.5SOHC 6 = 1.6DOHC . = COMMON	M = MANUAL T/A A = AUTOMATIC T/A . = COMMON	4 N = 4 DOOR NOTCHBACK 3 H = 3 DOOR HATCHBACK 5 H = 5 DOOR HATCHBACK

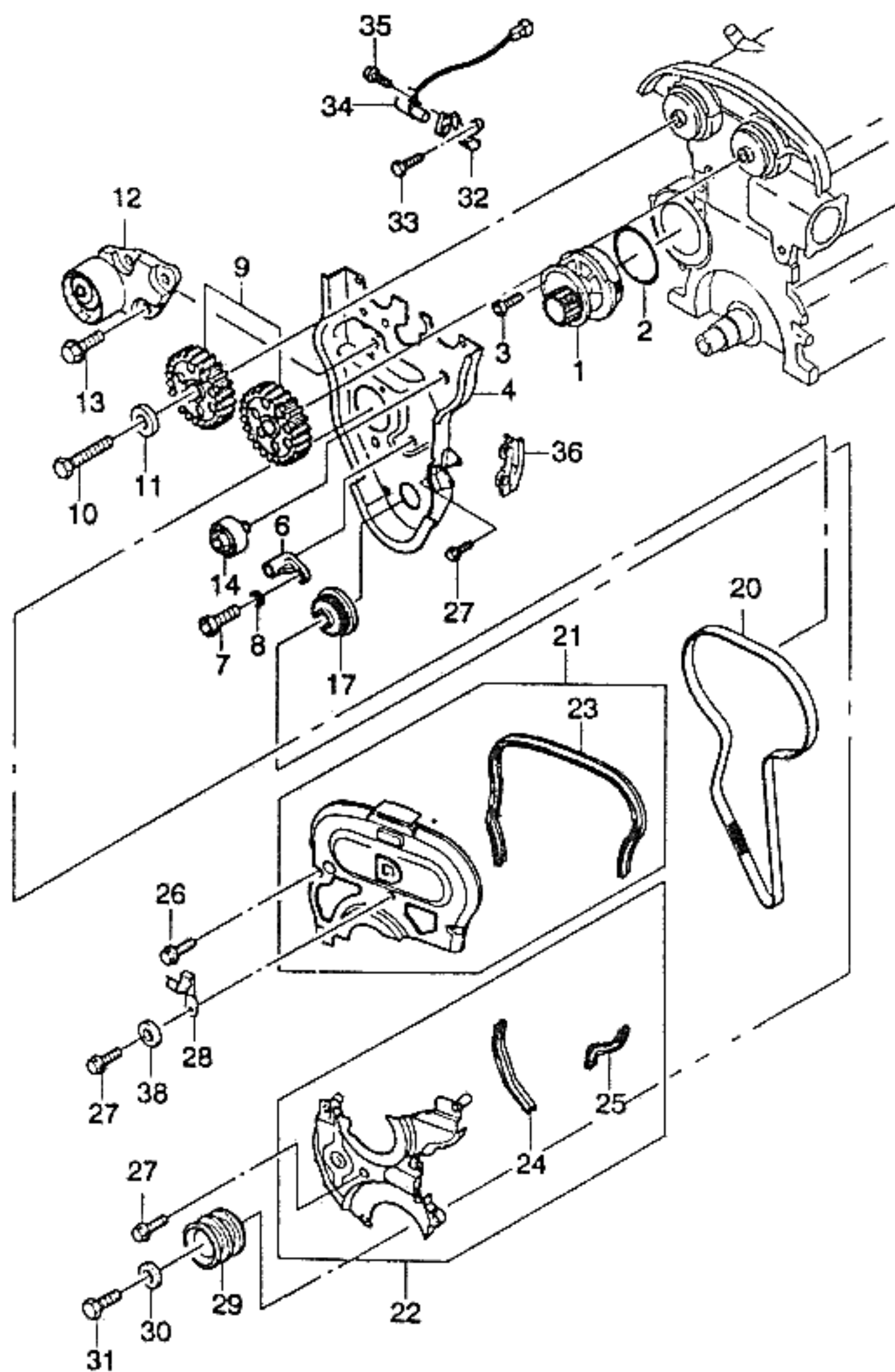


KEY NO.	PART NAME													
	PART NO	MODEL						OPTION	L / R	Q / T Y	EFFECTIVE DATE		REMARKS	P / C O D E
		E T N / G	B O D Y	L E V E L	FROM	TO								
[01]	(E)PUMP A-WATER (D)PUMPE,WASSER													
96351284	6 . B B B . . O													
[02]	(E)RING-SEAL (D)RING,DICHTUNG													
90076127	6 . B B B . . O													
[03]	(E)BOLT (D)SCHRAUBE													
09106-06001	6 . B B B . . O													
[04]	(E)PLATE A-TIMING BELT BACK (D)HINTERE TAFEL													
96184800	6 . B B B . . O													
[06]	(E)BRACKET-STEPPED MOUNTING (D)TRÄGER,STUFEN-MONTAGE													
96184861	6 . B B B . . O													
[07]	(E)BOLT-HEXAGON (D)SCHRAUBE													
09100-08019	6 . B B B . . O													
[08]	(E)WASHER (D)DICHTUNGSRING													
09160-08011	6 . B B B . . O													
[09]	(E)GEAR-CAMSHAFT (D)GETRIEBE,NOCKENWELLE													
96182888	6 . B B B . . O													INTAKE
96184322	6 . B B B . . O													EXHAUST
[10]	(E)BOLT-CAMSHAFT GEAR (D)SCHRAUBE													
09100-10018	6 . B B B . . O													
ENG(ENGINE)		T/A(TRANSAXLE)					BODY TYPE							
Y = 1.5SOHC 6 = 1.6DOHC . = COMMON		M = MANUAL T/A A = AUTOMATIC T/A . = COMMON					4 N = 4 DOOR NOTCHBACK 3 H = 3 DOOR HATCHBACK 5 H = 5 DOOR HATCHBACK							



KEY NO.	PART NAME														
	PART NO	MODEL						OPTION	L / R	Q / T Y	EFFECTIVE DATE		REMARKS	P / C O D E	
		E N G	T / A	B O D Y	L E V E L						FROM	TO			
[11]	5094008002	6	B	B	B	. . . O						(F)WASHER-CAMSHAFT GEAR (D)DICHTUNGSRING 2	(F)RONDELLE (S)ARANDELA		
[12]	96350550	6	B	B	B	. . . O						(E)TENSIONER A-TIMING BELT (D)SPANNUNG 1	(F)TENDEUR (S)SENSOR		
[13]	09117-08010	6	B	B	B	. . . O						(E)BOLT-HEXAGON FLANGE (D)SCHRAUBE 3	(F)BOULON (S)PERNO		
[14]	96350526	6	B	B	B	. . . O						(E)PULLEY-IDLER (D)ROLLE,LEERLAUF 1	(F)POULIE-LIBRE (S)POLEA-OCIOSA		
[17]	96143232	6	B	B	B	. . . O						(E)GEAR A-CRANKSHAFT (D)GETRIEBE,KURBELWELLE 1	(F)ENGRENAGE-VILEBREQUIN (S)ENGRANAJE-CIGÜENAL		
[20]	96183352	6	B	B	B	. . . O						(E)BELT-TIMING (D)GURT,ZÜNDFOLGESTEUERUNG 1	(F)COURROIE (S)CORREA-DISTRIBUCION		
[21]	96351626	6	B	B	B	. . . O						(E)COVER A-TIMING BELT,UPPER (D)DECKEL,ZÜNDFOLGE-GURT 1	(F)CARTER (S)CUBIERTA-CORREA DISTRIBUC		
[22]	96351627	6	B	B	B	. . . O						(E)COVER A-TIMING BELT,LOWER (D)DECKEL,ZÜNDFOLGE-GURT 1	(F)CARTER (S)CUBIERTA-CORREA DISTRIBUC		
[23]	96351628	6	B	B	B	. . . O						(E)SEAL-TIMING COVER,UPPER (D)DICHTUNG,VORDER-DECKEL 1	(F)JOINT-CARTER AVANT (S)SELLO-CUBIERTA DEL FRENTE		
[24]	96351628	6	B	B	B	. . . O						(E)SEAL-TIMING COVER,LOWER (D)DICHTUNG,VORDER-DECKEL 1	(F)JOINT-CARTER AVANT (S)SELLO-CUBIERTA DEL FRENTE		

ENG(ENGINE)	T/A(TRANSAXLE)	BODY TYPE
Y = 1.5SOHC 6 = 1.6DOHC . = COMMON	M = MANUAL T/A A = AUTOMATIC T/A . = COMMON	4 N = 4 DOOR NOTCHBACK 3 H = 3 DOOR HATCHBACK 5 H = 5 DOOR HATCHBACK

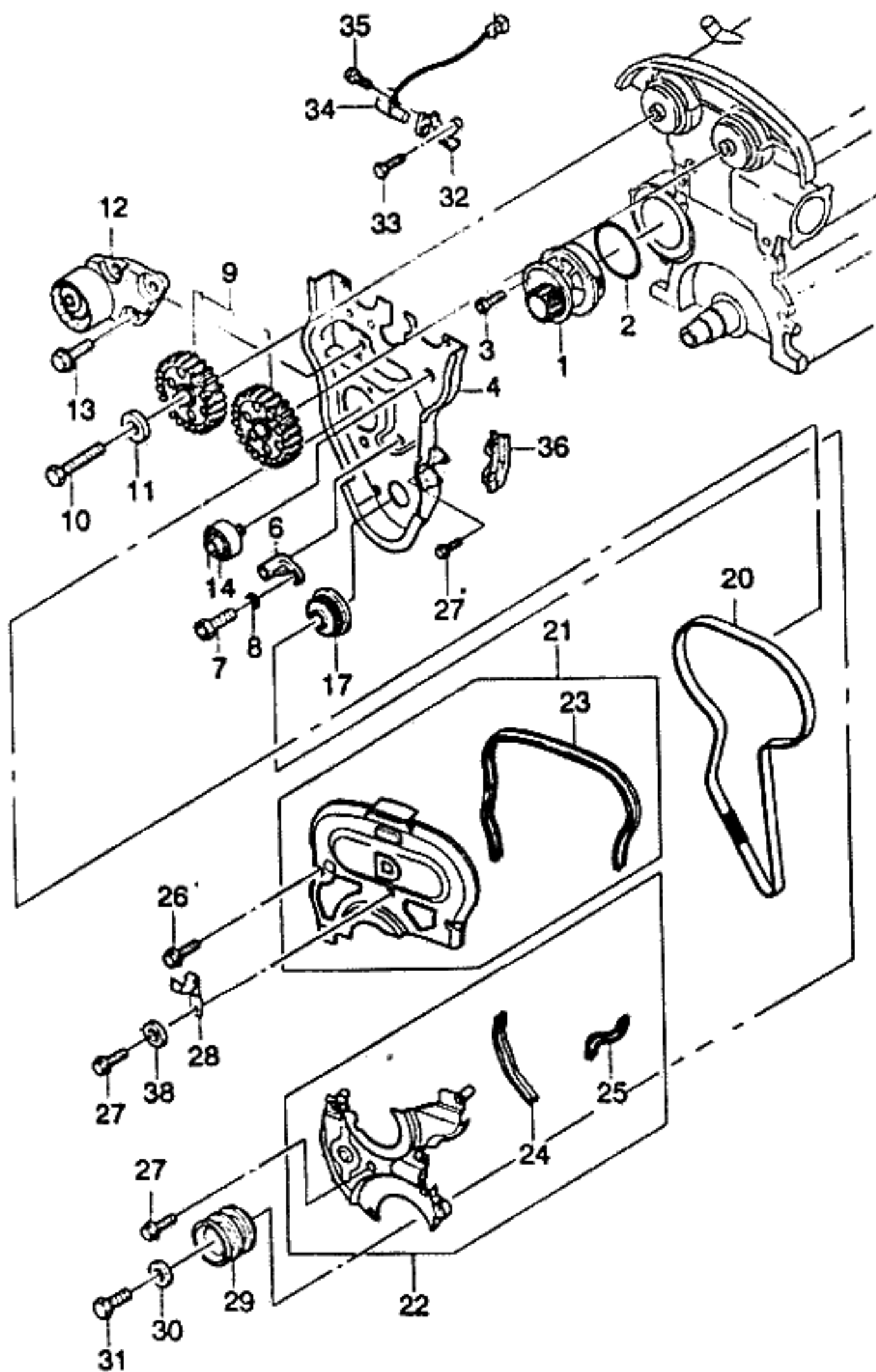


I T C	KEY NO.	PART NAME										L / R	Q T Y	EFFECTIVE DATE		REMARKS	P / C O D E
		PART NO	E N G	T / A	MODEL			OPTION	FROM	TO	REMARKS						
					BODY	LEVEL											
				4 N	3 H	5 H	S S	S S	S S								
	96351629	6 . B B B . . O										1					
	[25]	(E)SEAL-TIMING COVER,LOWER (D)DICHTUNG,VORDER-DECKEL															(F)JOINT-CARTER AVANT (S)SELLO-CUBIERTA DEL FRENTE
	96351630	6 . B B B . . O										1					
	[26]	(E)BOLT-HEXAGON FLANGE (D)SCHRAUBE															(F)BOULON (S)PERNO
	01517-06453	6 . B B B . . O										3					
	[27]	(E)BOLT-HEXAGON FLANGE (D)SCHRAUBE															(F)BOULON (S)PERNO
	01517-06103	6 . B B B . . O										6					
	[28]	(E)BRACKET-HOSE (D)TRÄGER,SCHLAUCH															(F)SUPPORT-TUYAU (S)SOPORTE-MANGUERA
	96180354	6 . B B B . . O										1					
	[29]	(E)PULLEY-CRANKSHAFT (D)ROLLE,KURBELWELLE															(F)POULIE-VILEBREQUIN (S)POLEA-CIGUEÑAL
	96351111	6 . B B B . . O										1					
	[30]	(E)PLATE-PRESSURE (D)PLATTE,DRUCK															(F)PLAQUE-PRESSION (S)PLACA-PRESION
	90409703	6 . B B B . . O										1					
	[31]	(E)BOLT-HEXAGON FLANGE (D)SCHRAUBE															(F)BOULON (S)PERNO
	09103-12031	6 . B B B . . O										1					970804
	O 09103-12045	6 . B B B . . O										1					970804
	[32]	(E)BRACKET A-CPS (D)TRÄGER															(F)SUPPORT (S)SOPORTE
	96351255	6 . B B B . . O										1					
	[33]	(E)BOLT-HEXAGON FLANGE (D)SCHRAUBE															(F)BOULON (S)PERNO

ENG(ENGINE)	T/A(TRANSAXLE)	BODY TYPE
Y = 1.5SOHC 6 = 1.6DOHC . = COMMON	M = MANUAL T/A A = AUTOMATIC T/A . = COMMON	4 N = 4 DOOR NOTCHBACK 3 H = 3 DOOR HATCHBACK 5 H = 5 DOOR HATCHBACK

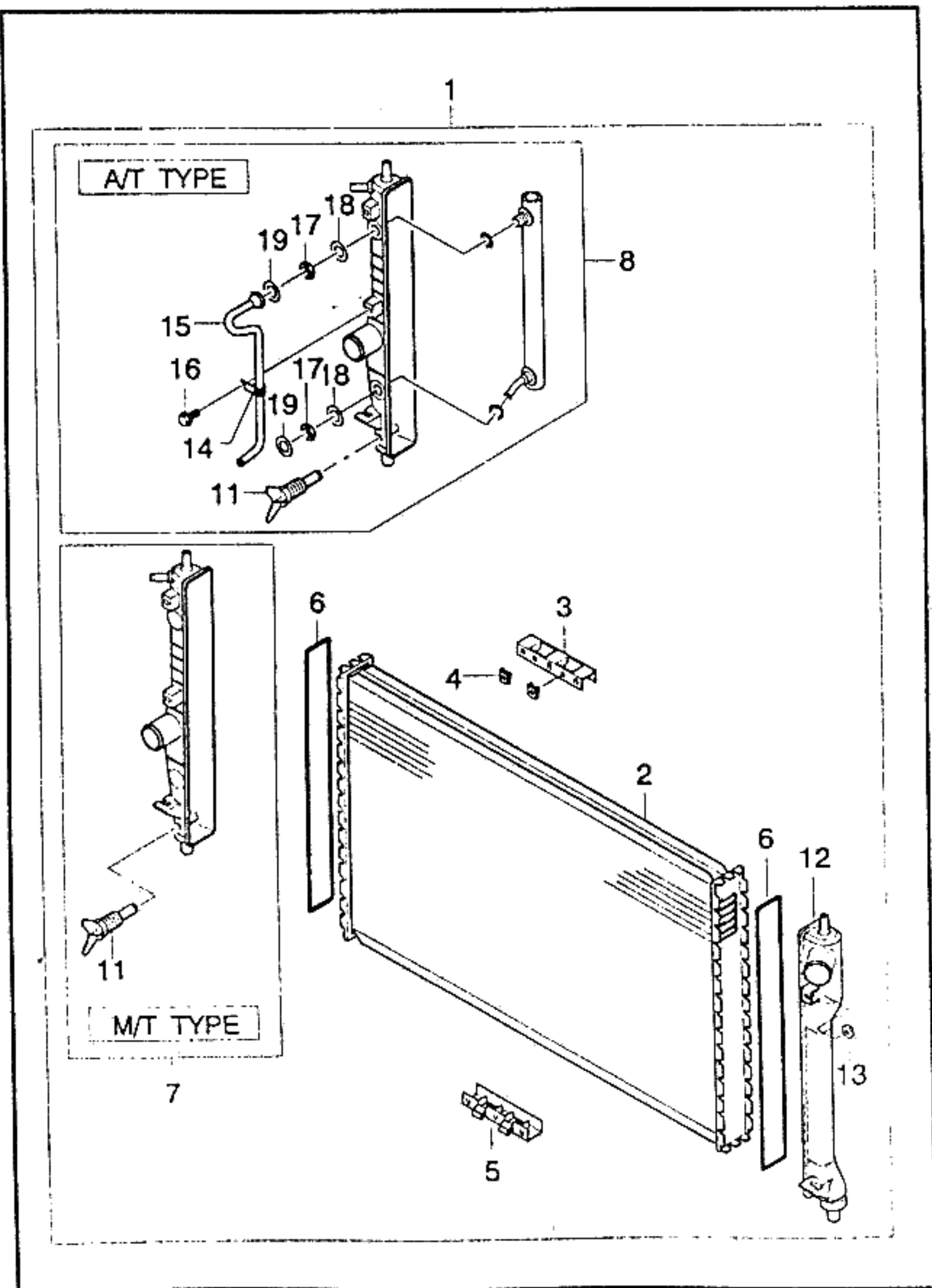
1331 TIMING COVER(DOHC)

3M07



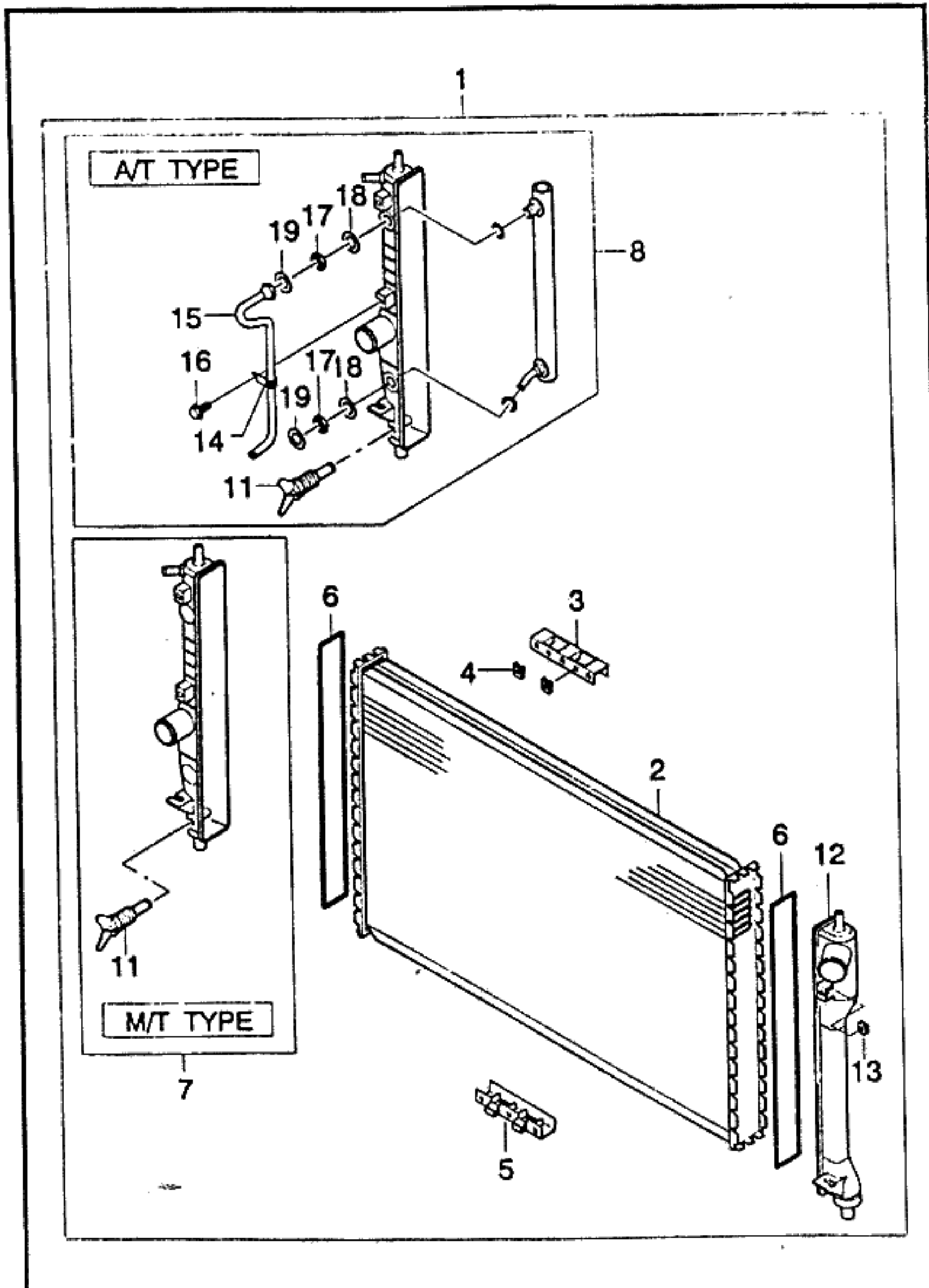
KEY NO.	PART NAME										REMARKS	P / CODE
	PART NO	MODEL				OPTION	L / R	Q / T Y	EFFECTIVE DATE			
		E T N / G	BODY	LEVEL	FROM				TO			
01517-06353 [34]	6 . B B B . . O	(E)SENSOR-CR/SHAFT POSITION (D)SENSOR						1	(F)DETECTEUR (S)SENSOR			
96183235 [35]	6 . B B B . . O	(E)BOLT-HEXAGON SOCKET TYPE (D)SCHRAUBE						1	(F)BOULON (S)PERNO			
07130-06165 [36]	6 . B B B . . O	(E)SEAL (D)DICHTUNG						1	(F)JOINT (S)SELLO			
96350088 [38]	6 . B B B . . O	(E)WASHER (D)DICHTUNGSRING						1	(F)RONDELLE (S)ARANDELA			
9091607060	6 . B B B . . O							2				

ENG(ENGINE)	T/A(TRANSAXLE)	BODY TYPE
Y = 1.5SOHC 6 = 1.6DOHC . = COMMON	M = MANUAL T/A A = AUTOMATIC T/A . = COMMON	4 N = 4 DOOR NOTCHBACK 3 H = 3 DOOR HATCHBACK 5 H = 5 DOOR HATCHBACK



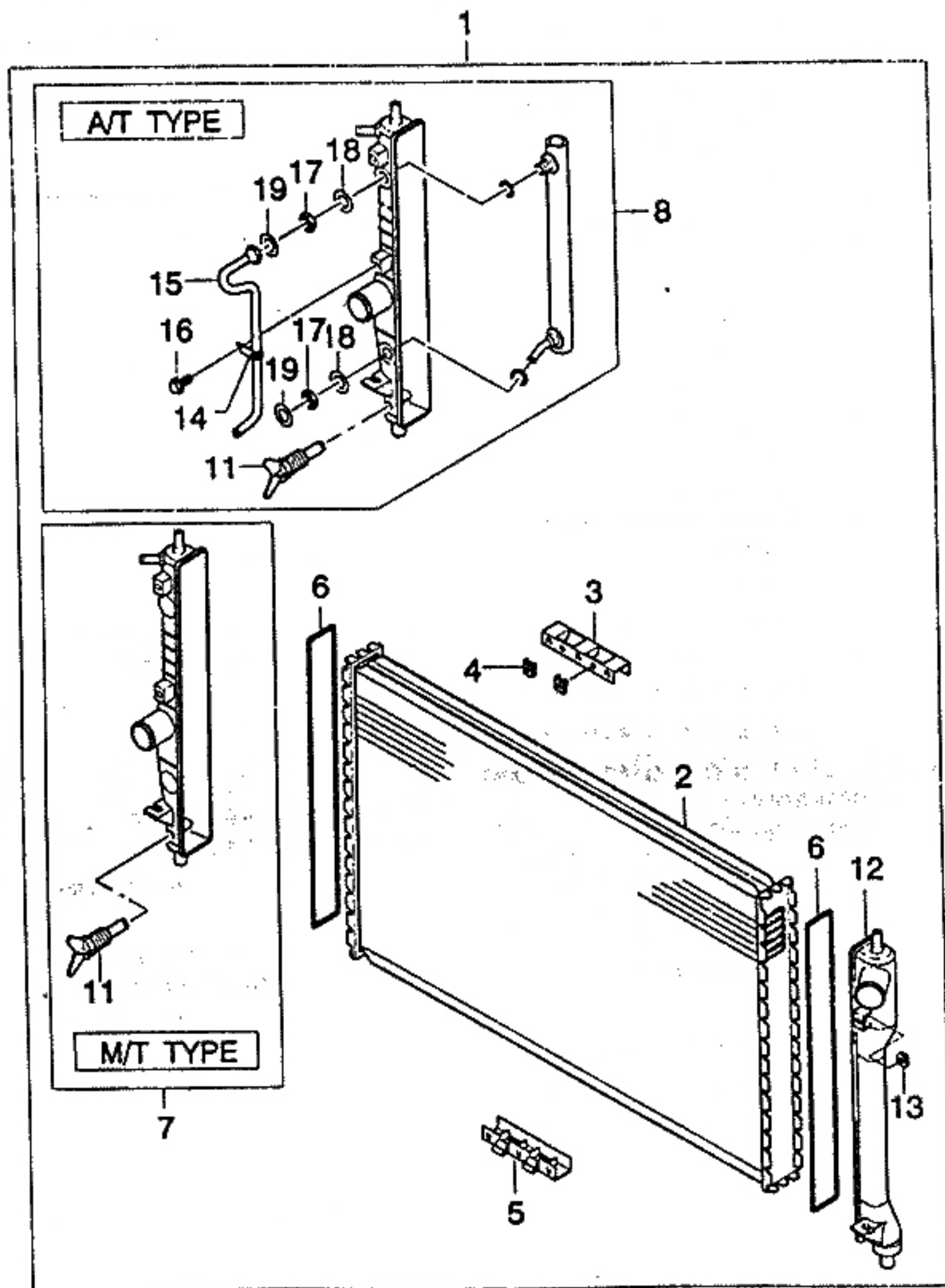
KEY NO.	PART NAME													
	PART NO	MODEL						OPTION	L / R	Q / T Y	EFFECTIVE DATE		REMARKS	P / C O D E
		E T N / G	4	3	5	S	S				S	FROM		
[01]	(E)RADIATOR A (D)KÜHLER											(F)RADIATEUR (S)RADIADOR		
96351263	. M B B B S S S						&C46					1	RF	
96182261	. M B B B O O O						&C59/C60					1	RB	
96182281													NOT APPLIED	
96351262	. A B B B O O O						&C46					1	RE	
96182260	. A B B B O O O						&C59/C60					1	RA	
96182280													NOT APPLIED	
[02]	(E)CORE (D)GEHÄUSE KÜHLER											(F)NOYAU-RADIATEUR (S)NUCLEO-RADIADOR		
620730	. . B B B S S S						&C46					1	500X382.4X16	
620741	. . B B B O O O						&C59/C60					1	635X382.4X16	
620742													NOT APPLIED	
[03]	(E)BRACKET-SHROUD MOUNT,UPPER (D)TRÄGER,HÜLLE-MONTAGE,OBEN											(F)SUPPORT (S)SOPORTE-MONTAJE DE TAPADO		
620580	. . B B B S S S											1		
[04]	(E)CLIP-SHROUD MOUNT (D)KLEMME											(F)ATTACHE (S)GRAPA		
620579	. . B B B S S S											1		
[05]	(E)BRACKET-SHROUD MOUNT,LOWER (D)TRÄGER,HÜLLE-MONTAGE											(F)SUPPORT (S)SOPORTE-MONTAJE DE TAPADO		
620581	. . B B B S S S											1		
[06]	(E)SEAL-GASKET (D)DICHTUNG											(F)JOINT (S)SELLO		
620586	. . B B B S S S											2		
[07]	(E)TANK A-OUTLET (D)GEHÄUSE AUSFUHR TANK											(F)ENVELOPPE (S)CAPARAZON-TANQUE		

ENG(ENGINE)	T/A(TRANSAXLE)	BODY TYPE
Y = 1.5SOHC 6 = 1.6DOHC . = COMMON	M = MANUAL T/A A = AUTOMATIC T/A . = COMMON	4 N = 4 DOOR NOTCHBACK 3 H = 3 DOOR HATCHBACK 5 H = 5 DOOR HATCHBACK

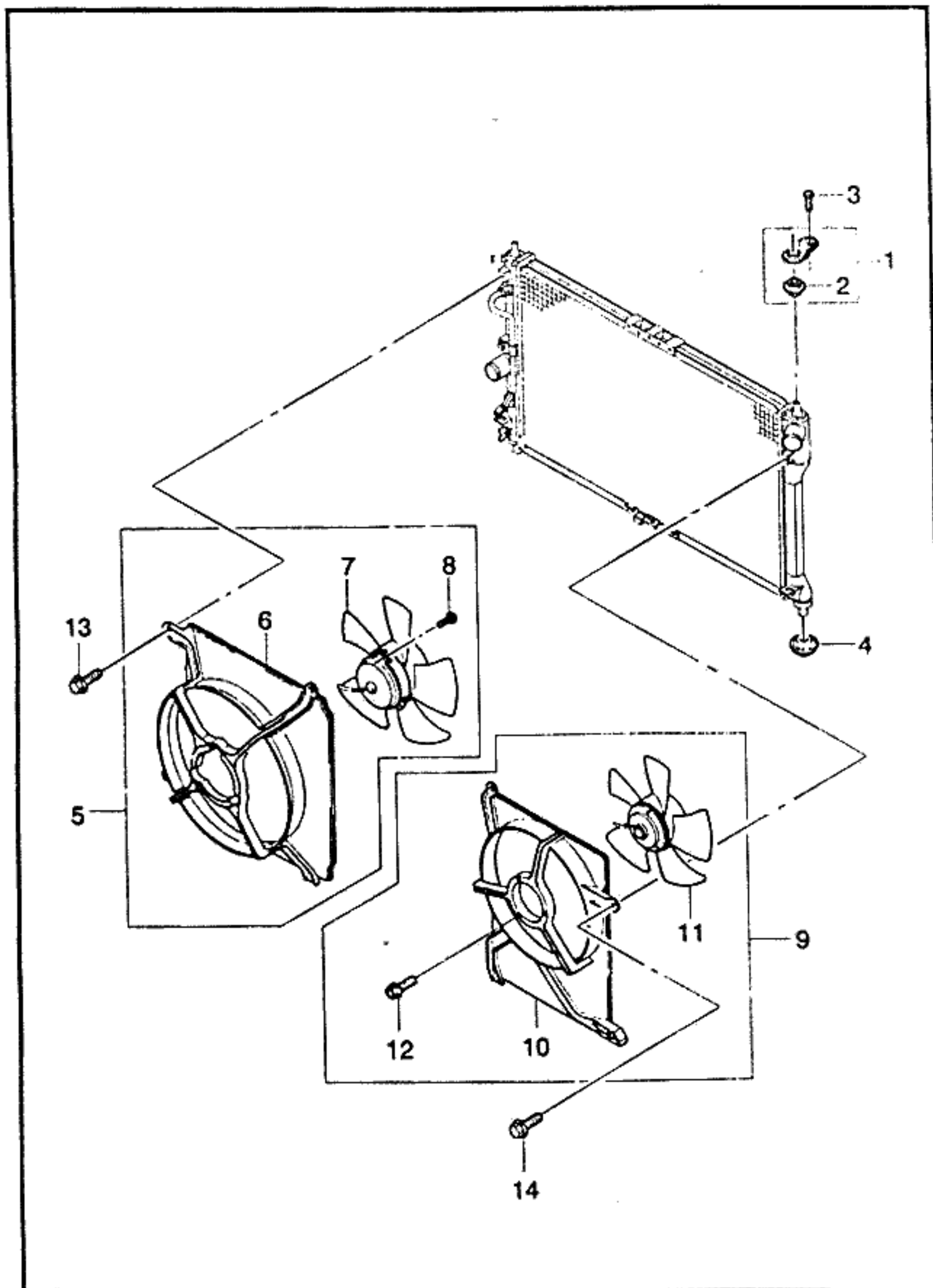


KEY NO.	PART NAME										P / C O D E		
	PART NO	MODEL			OPTION	L / R	Q T Y	EFFECTIVE DATE		REMARKS			
		E T	B O D Y	L E V E L				FROM	TO				
	N / G A	4 N H	3 H	5 H	S S S	S S S							
620834	. M B B B S S S										1	(F)ENVELOPPE (S)CAPARAZON-TANQUE	
[08]	(E)TANK A-OUTLET (D)GEHÄUSE AUSFUHR TANK												
620832	. A B B B O O O										1	(F)ROBINET-VIDANGE (S)GRIFO-DRENAJE	
[11]	(E)COCK -DRAIN (D)ABFLUHHAHN												
620728	. . B B B S S S										2	(F)ENVELOPPE (S)CAPARAZON-TANQUE	
[12]	(E)TANK A-INLET (D)GEHÄUSE EINFUHR TANK												
620827	. . B B B S S S										4	(F)ECROU (S)TUERCA	
[13]	(E)NUT-FAN MOUNTING (D)MUTTER												
620006	. . B B B S S S										3	(F)MONTURE (S)RETNEDOR	
[14]	(E)HOLDER-PIPE OUTLET (D)BEHÄLTER												
620584	. A B B B O O O										1	(F)TUYAU (S)TUBERIA	
[15]	(E)PIPE A-OUTLET (D)ROHR												
620727	. A B B B O O O										1	(F)BOULON (S)PERNO	
[16]	(E)BOLT (D)SCHRAUBE												
620585	. A B B B O O O										1	(F)ECROU (S)TUERCA	
[17]	(E)NUT-OUTLET (D)MUTTER												
620589	. A B B B O O O										2	(F)RONDELLE (S)ARANDELA	
[18]	(E)WASHER (D)DICHTUNGSRING												
620588	. A B B B O O O										2		

ENG(ENGINE)	T/A(TRANSAXLE)	BODY TYPE
Y = 1.5SOHC 6 = 1.6DOHC . = COMMON	M = MANUAL T/A A = AUTOMATIC T/A . = COMMON	4 N = 4 DOOR NOTCHBACK 3 H = 3 DOOR HATCHBACK 5 H = 5 DOOR HATCHBACK

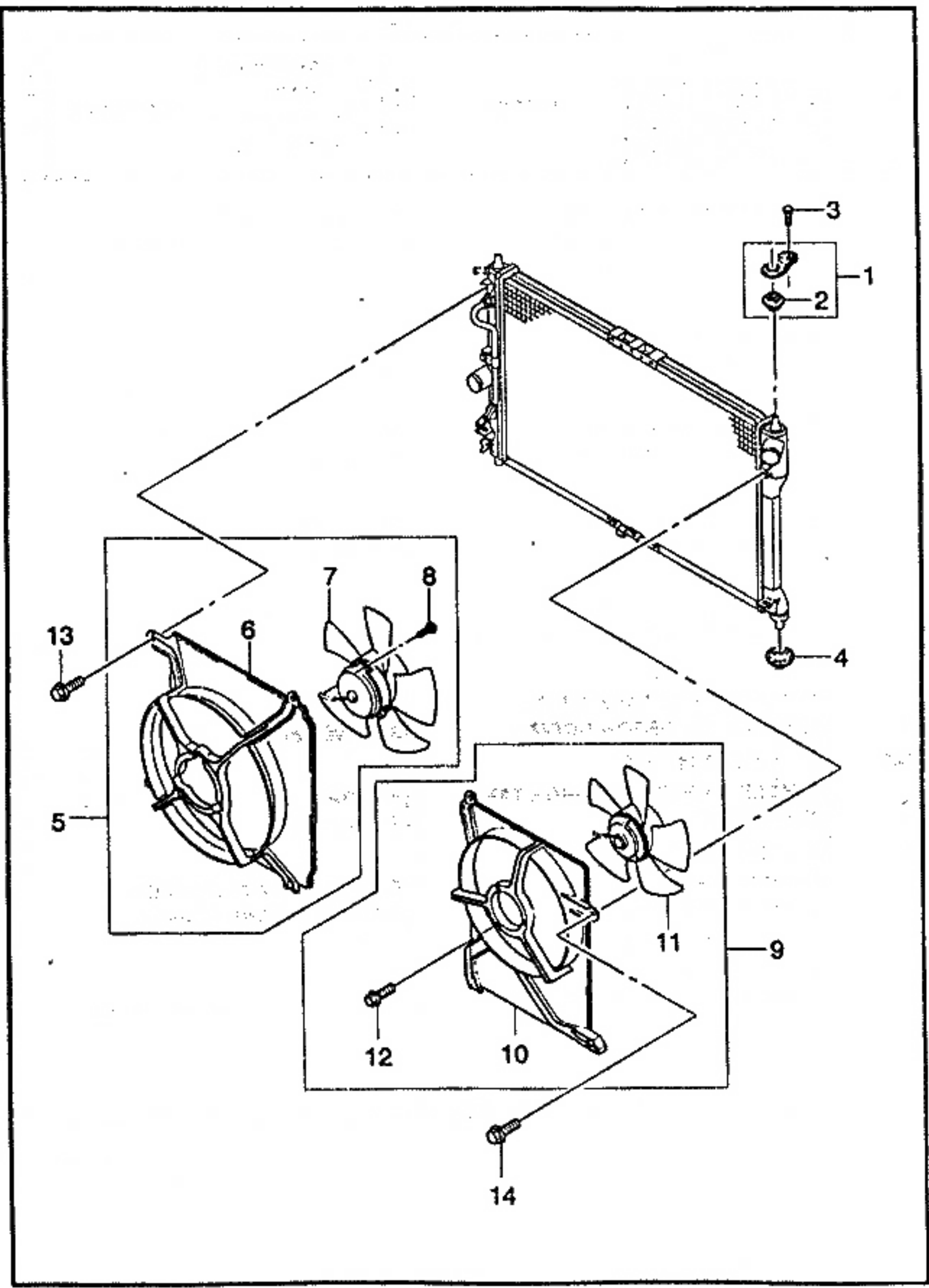


KEY NO.		PART NAME												
I T C	PART NO	MODEL				OPTION	L / R	Q T Y	EFFECTIVE DATE		REMARKS	P / C O D E		
		E	T	BODY					LEVEL	FROM			TO	
		N	G	4	3				5					S
	[19] 620590	(E)WASHER (D)DICHTUNGSRING . A	B	B	B	B	O	O	O				(F)RONDELLE (S)ARANDELA 2	
ENG(ENGINE)		T/A(TRANSAXLE)		BODY TYPE										
Y = 1.5SOHC 6 = 1.6DOHC . = COMMON		M = MANUAL T/A A = AUTOMATIC T/A . = COMMON		4 N = 4 DOOR NOTCHBACK 3 H = 3 DOOR HATCHBACK 5 H = 5 DOOR HATCHBACK										



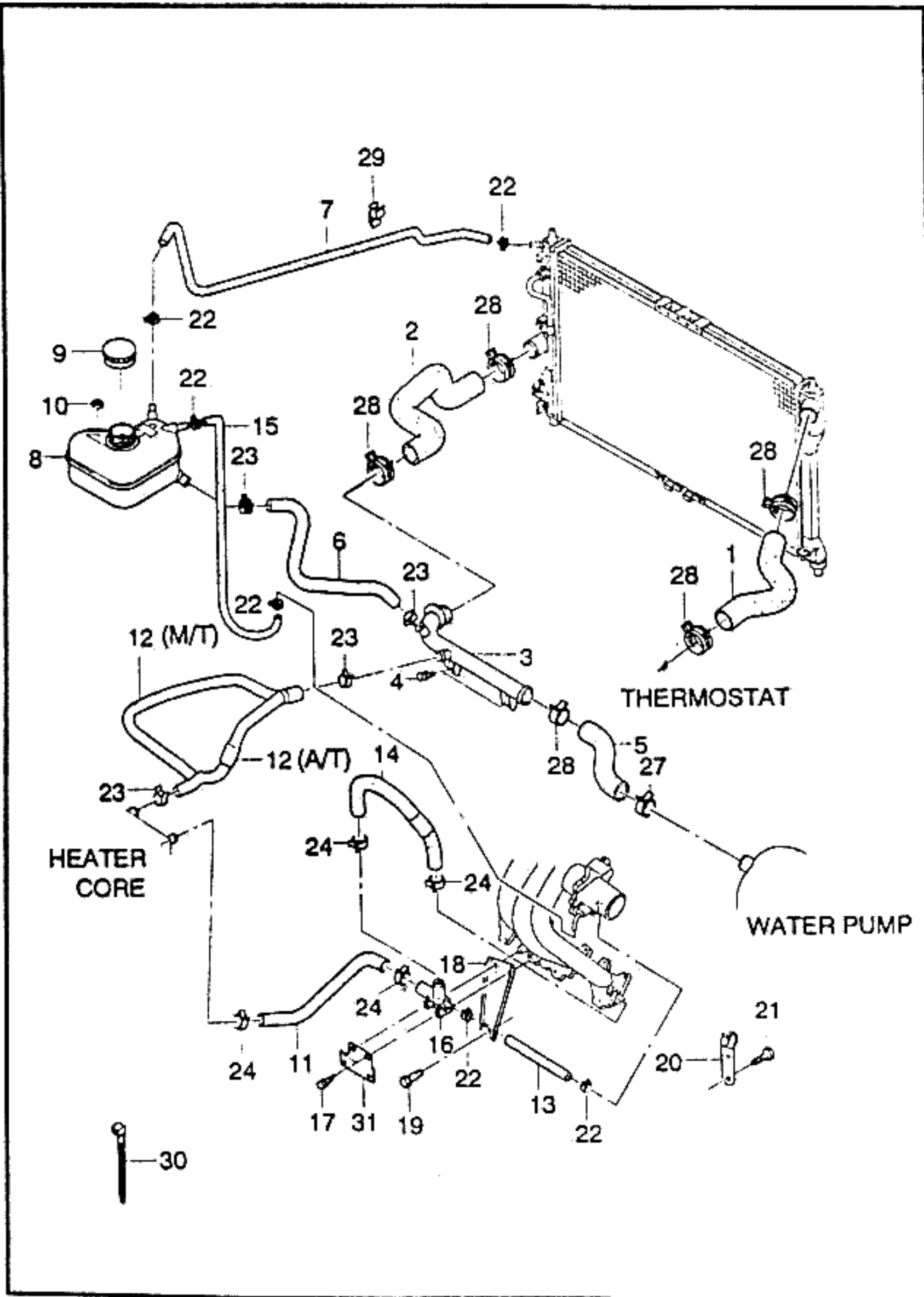
KEY NO.	PART NAME												
	PART NO	MODEL					OPTION	L / Q / R Y	EFFECTIVE DATE		REMARKS	P / I C O D E	
		E	T	BODY					LEVEL	FROM			TO
N	G	4	3	5	S	S	S	S	S				
[01]	96351477	(E)BRACKET A-RADIATOR (D)TRÄGER,KÜHLER									(F)SUPPORT-RADIATEUR (S)SOPORTE-RADIADOR		
		. . . B B B S S S									2		
[02]	96351101	(E)BUMPER-RADIATOR,UPPER (D)STOBSTANGE									(F)PARE-CHOC (S)PARACHOQUES		
		. . . B B B S S S									2		
[03]	02647-06165	(E)BOLT-HEX FLANGE PILOT (D)SCHRAUBE									(F)BOULON (S)PERNO		
		. . . B B B S S S									2		
[04]	96184140	(E)BUMPER-RADIATOR,LOWER (D)STOBSTANGE									(F)PARE-CHOC (S)PARACHOQUES		
		. . . B B B S S S									2		
[05]	96183756	(E)BLOWER A-RADIATOR (D)BLÄSER,KÜHLER									(F)VENTILATEUR-RADIATEUR (S)VENTILADOR-RADIADOR		
		. . . B B B S S S -XHA									1		
	96183756	. . . B B B S S S &C46&XHA									1		
	96352580	. . . B B B O O O &C59/C60&XHA									1		
[06]	EU03050	(E)SHROUD (D)MANTEL,KÜHLER									(F)BOUCLIER-RADIATEUR (S)CUBIERTA-RADIADOR		NOT APPLIED
	EU03005	. . . B B B S S S									1		
[07]	EU50002	(E)BLOWER (D)BLÄSER,KÜHLER									(F)VENTILATEUR-RADIATEUR (S)VENTILADOR-RADIADOR		NOT APPLIED
	EU50001	. . . B B B S S S -XHA									1		
	EU50001	. . . B B B S S S &C46&XHA									1		
	GI50001	. . . B B B O O O &C59/C60&XHA									1		

ENG(ENGINE)	T/A(TRANSAXLE)	BODY TYPE
Y = 1.5SOHC 6 = 1.6DOHC . = COMMON	M = MANUAL T/A A = AUTOMATIC T/A . = COMMON	4 N = 4 DOOR NOTCHBACK 3 H = 3 DOOR HATCHBACK 5 H = 5 DOOR HATCHBACK



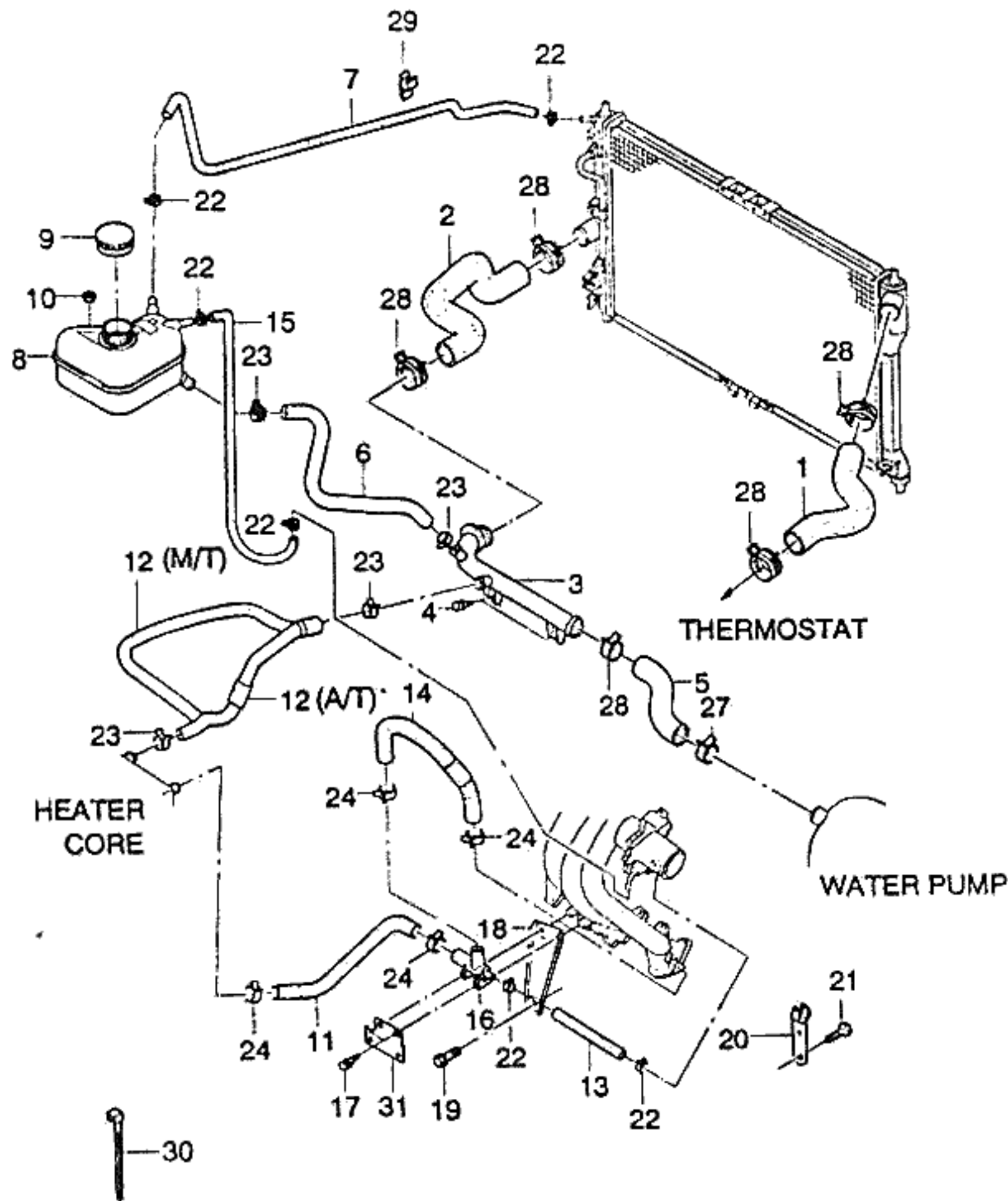
KEY NO.	PART NAME										REMARKS	P / C O D E	
	PART NO	MODEL					OPTION	L / R	Q T Y	EFFECTIVE DATE			
		E T	B O D Y	L E V E L	FROM	TO							
	N / G A	4 N H	3 H	5 H	S S S X								
[08]	(E)SCREW (D)SCHRAUBE								(F)VIS (S)TORNILLO			NOT APPLIED	
EU01036			B	B	B	S	S	S		3			
[09]	(E)BLOWER A-AUXILIARY (D)BLÄSER,ZUSATZ								(F)VENTILATEUR-AUXILIAIRE (S)VENTILADOR-AUXILIAR				
96182264			B	B	B	O	O	O	&C60	1			
[10]	(E)SHROUD (D)MANTEL								(F)BOUCLIER (S)CUBIERTA				
DA03050			B	B	B	O	O	O	&C60	1			
[11]	(E)BLOWER-AUXILIARY (D)BLÄSER,ZUSATZ								(F)VENTILATEUR-AUXILIAIRE (S)VENTILADOR-AUXILIAR				
DA50002			B	B	B	O	O	O	&C60	1			
[12]	(E)BOLT (D)SCHRAUBE								(F)BOULON (S)PERNO				
MC01017			B	B	B	O	O	O	&C60	3			
[13]	(E)BOLT (D)SCHRAUBE								(F)BOULON (S)PERNO				
09116-06025			B	B	B	S	S	S		3			
[14]	(E)BOLT (D)SCHRAUBE								(F)BOULON (S)PERNO				
09116-06025			B	B	B	O	O	O	&C60	3			

ENG(ENGINE)	T/A(TRANSAXLE)	BODY TYPE
Y = 1.5SOHC 6 = 1.6DOHC . = COMMON	M = MANUAL T/A A = AUTOMATIC T/A . = COMMON	4 N = 4 DOOR NOTCHBACK 3 H = 3 DOOR HATCHBACK 5 H = 5 DOOR HATCHBACK



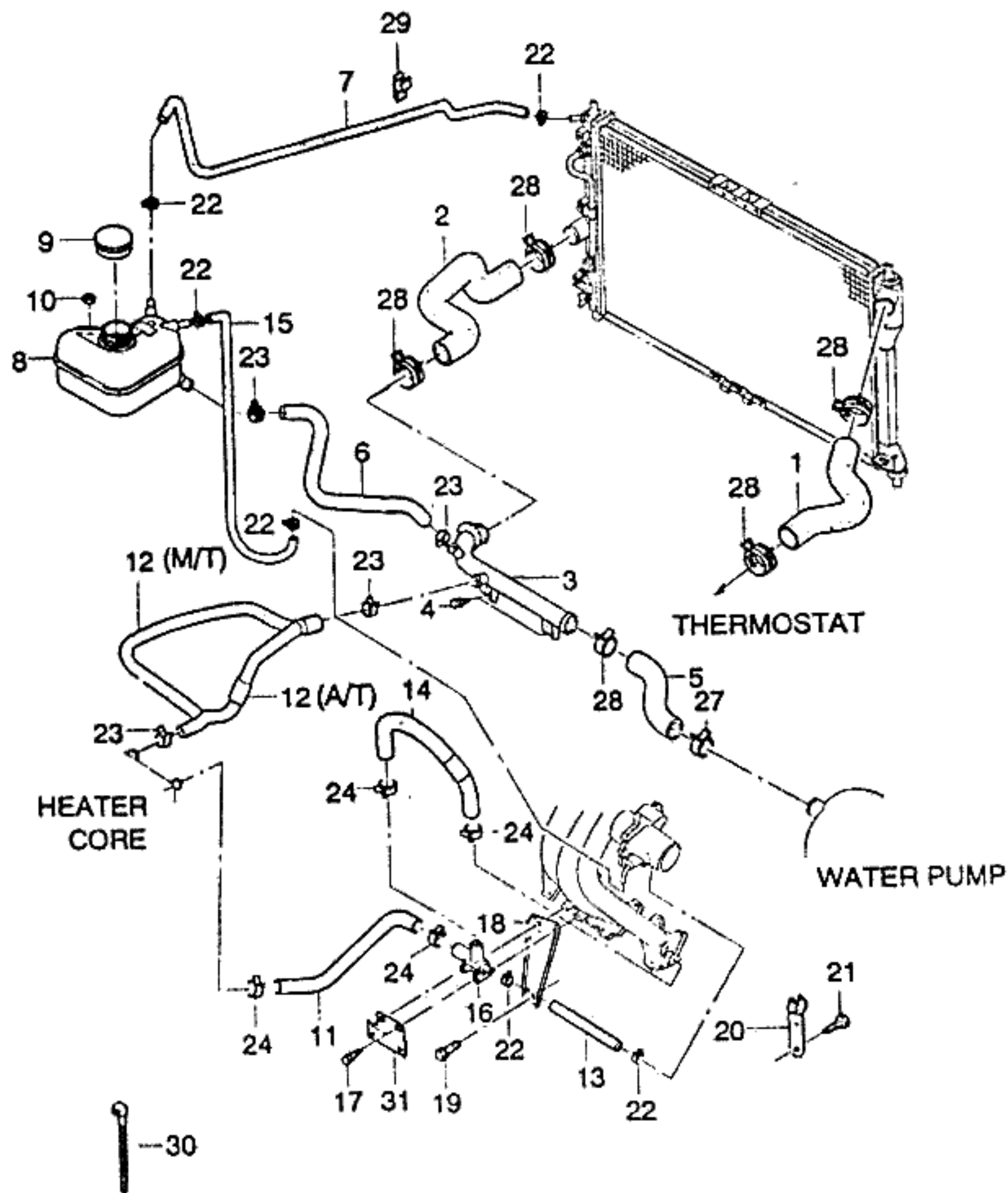
KEY NO.	PART NAME											
	PART NO	MODEL					OPTION	L / Q / R Y	EFFECTIVE DATE		REMARKS	P / C O D E
		E	T	BODY					LEVEL	FROM		
N	G	4	3	5	S	S						
[01]	(E)HOSE-RADIATOR,UPPER (D)SCHLAUCH,BOGEN,OBEN										(F)TUYAU-COUDE,HAUT (S)MANGUERA-CODO,SUPERIOR	
96351259	Y . B B B S S S &C46										1	UC
96182268	Y . B B B O O O &C59/C60										1	UA
[02]	(E)HOSE-RADIATOR,LOWER (D)SCHLAUCH,BOGEN,UNTEN										(F)TUYAU-COUDE,BAS (S)MANGUERA-CODO,INFERIOR	
96350692	Y . B B B S S S										1	
[03]	(E)PIPE-RADIATOR & ENGINE (D)ROHR,KÜHLER&MOTOR										(F)TUYAU-RADIATEUR&MOTEUR (S)TUBERIA-RADIADOR Y MOTOR	
96180035	Y . B B B S S S										1	
[04]	(E)BOLT-HEXAGON (D)SCHRAUBE										(F)BOULON (S)PERNO	
01137-08165	Y . B B B S S S										2	
[05]	(E)HOSE-PIPE & WATER PUMP (D)SCHLAUCH,ROHR&WASSERPUMPE										(F)TUYAU-TUYAU&POMPE A EAU (S)MANGUERA	
96180071	Y . B B B S S S										1	
[06]	(E)HOSE-SURGE TANK & PIPE (D)SCHLAUCH,ÜBERFLUßTANK										(F)TUYAU (S)MANGUERA	
96351748	Y . B B B S S S										1	
[07]	(E)HOSE-RADIATOR & SURGE TANK (D)SCHLAUCH										(F)TUYAU (S)MANGUERA	
96351848	Y . B B B S S S										1	
[08]	(E)TANK-SURGE (D)TANK,ÜBERFLUß										(F)RESERVOIR-TROP-PLEIN (S)TANQUE-SOBRE CARGA	
96182279	Y . B B B S S S										1	
[09]	(E)CAP-SURGE TANK (D)DECKEL,ÜBERFLUßTANK										(F)CHAPEAU (S)TAPA-TANQUE DE ARRANQUE	
96351578	Y . B B B S S S										1	

ENG(ENGINE)	T/A(TRANSAXLE)	BODY TYPE
Y = 1.5SOHC 6 = 1.6DOHC . = COMMON	M = MANUAL T/A A = AUTOMATIC T/A . = COMMON	4 N = 4 DOOR NOTCHBACK 3 H = 3 DOOR HATCHBACK 5 H = 5 DOOR HATCHBACK

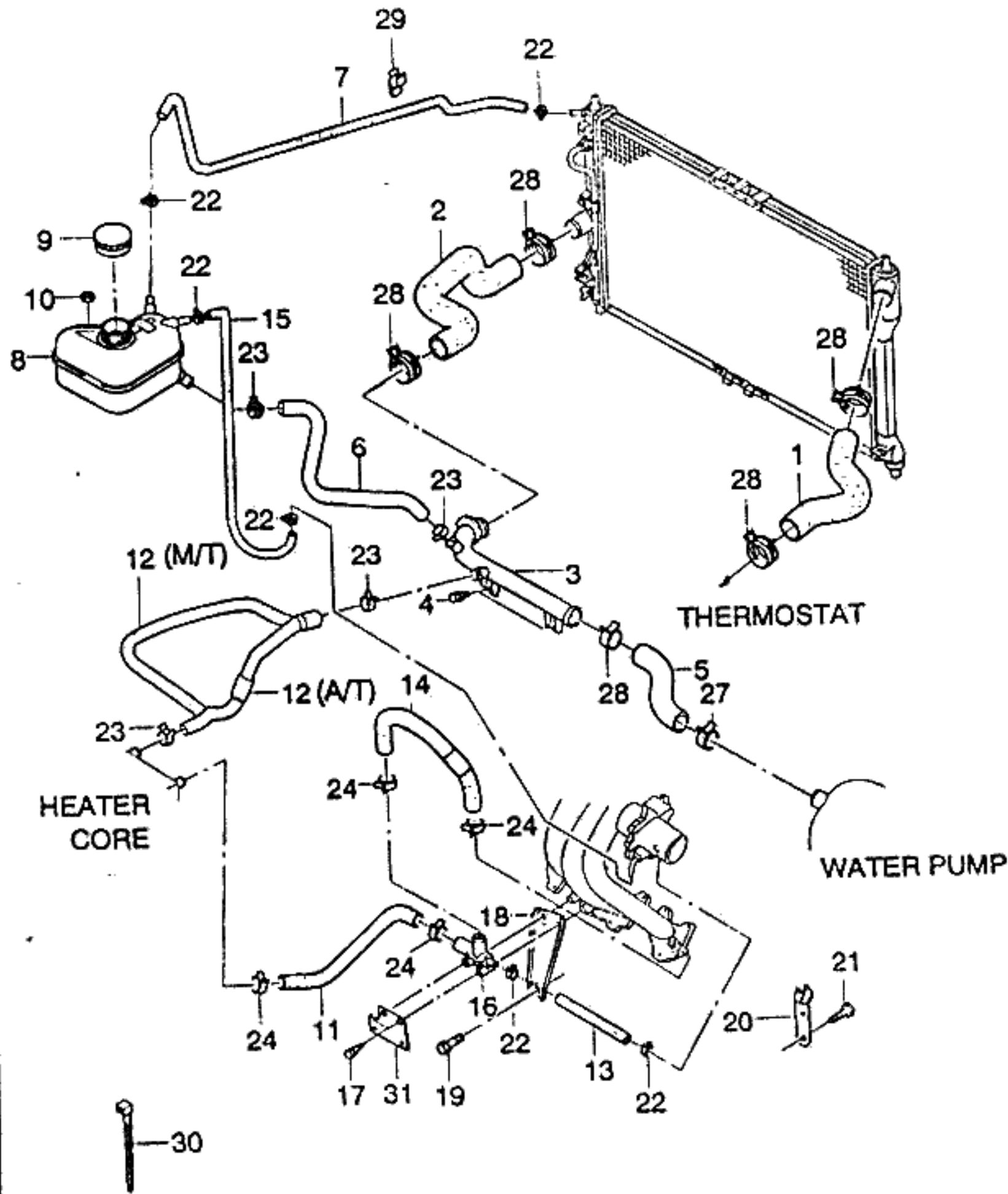


KEY NO.	PART NAME												
	PART NO	MODEL					OPTION	L / R	QTY	EFFECTIVE DATE		REMARKS	P / CODE
		E	T	BODY						LEVEL	FROM		
	N	G	4	3	5	S	S	S					
[10]	(E)NUT (D)MUTTER											(F)ECROU (S)TUERCA	
09159-06011	Y . B B B S S S											2	
[11]	(E)HOSE-HEATER FEEDING (D)SCHLAUCH,HEIZUNG ZUFUHR											(F)TUYAU (S)MANGUERA-CALENTADOR	
96304312	Y . B B B S S S											1	
[12]	(E)HOSE-HEATER RETURN (D)RÜCK-SCHLAUCH,HEIZUNG											(F)TUYAU-RETOUR CHAUFFAGE (S)MANGUERA-CALENTADOR	
96304316	Y M B B B S S S											1	
96304475	Y A B B B O O O											1	
[13]	(E)HOSE-THROTTLE BODY FEED'G (D)SCHLAUCH,DROSSEL KÖRPER											(F)TUYAU (S)MANGUERA	
96351770	Y . B B B S S S											1	
[14]	(E)HOSE-MANIFOLD & DISTRIBUTOR (D)SCHLAUCH											(F)TUYAU (S)MANGUERA	
96351772	Y . B B B S S S											1	
[15]	(E)HOSE-THROTTLE BODY RETURN (D)SCHLAUCH,DROSSEL KÖRPER											(F)TUYAU (S)MANGUERA	
96351822	Y . B B B S S S											1	SH
[16]	(E)DISTRIBUTOR-WATER (D)VERTEILER,WASSER											(F)DISTRIBUTEUR-EAU (S)DISTRIBUIDOR-AGUA	
96143583	Y . B B B S S S											1	
[17]	(E)BOLT-HEXAGON (D)SCHRAUBE											(F)BOULON (S)PERNO	
01510-08503	Y . B B B S S S											2	
[18]	(E)SUPPORT-INTAKE MANIFOLD (D)TRÄGER,SAMMELLEITUNG											(F)SUPPORT (S)SOPORTE	
96143951	Y . B B B S S S											1	

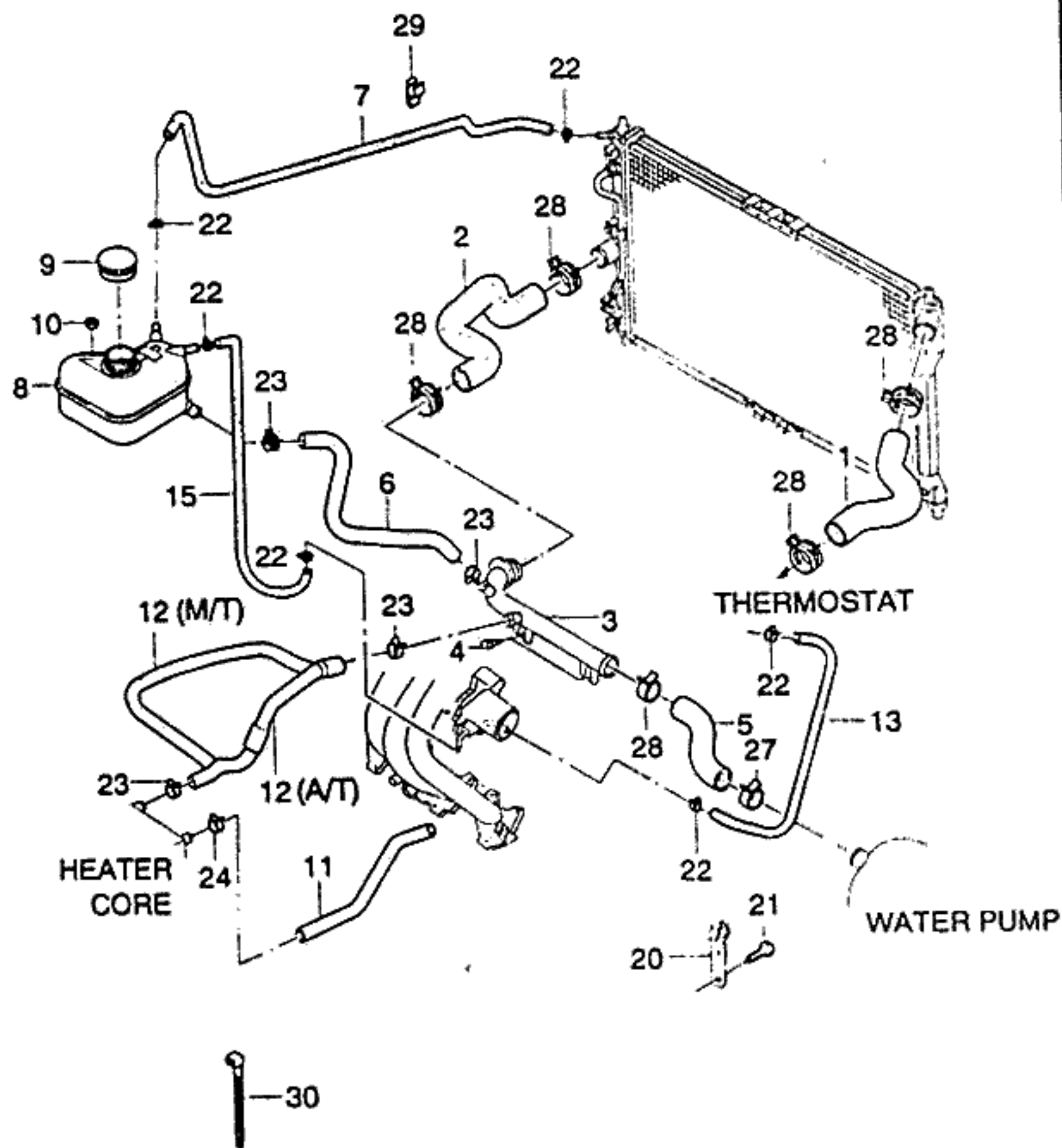
ENG(ENGINE)	T/A(TRANSAXLE)	BODY TYPE
Y = 1.5SOHC 6 = 1.6DOHC . = COMMON	M = MANUAL T/A A = AUTOMATIC T/A . = COMMON	4 N = 4 DOOR NOTCHBACK 3 H = 3 DOOR HATCHBACK 5 H = 5 DOOR HATCHBACK



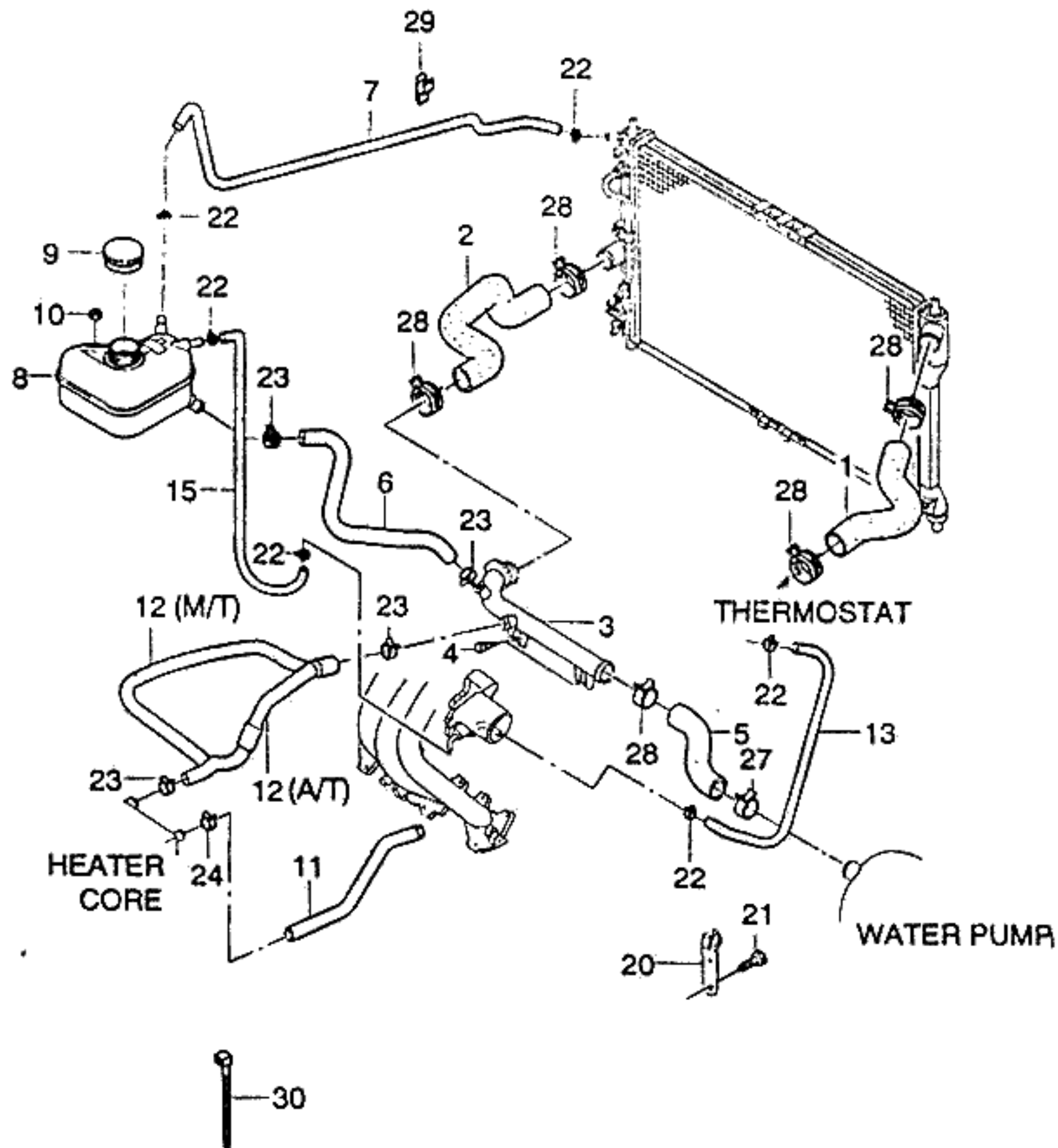
KEY NO.	PART NAME										REMARKS	P / CODE	
	PART NO	MODEL					OPTION	L / R	Q / T Y	EFFECTIVE DATE			
		E N G	T / A	B O D Y	L E V E L	S S S				FROM			TO
[19]	09116-10001	Y	.	B	B	B	S	S	S			(F)BOULON (S)PERNO 1	
[20]	96304320	Y	M	B	B	B	S	S	S			(F)SUPPORT (S)SOPORTE 1	
[21]	09100-10004	Y	M	B	B	B	S	S	S			(F)BOULON (S)PERNO 1	
[22]	09401-15401	Y	.	B	B	B	S	S	S			(F)ATTACHE (S)GRAPA 6	
[23]	09401-22401	Y	.	B	B	B	S	S	S			(F)ATTACHE (S)GRAPA 4	
[24]	09401-23402	Y	.	B	B	B	S	S	S			(F)ATTACHE (S)GRAPA 4	
[27]	09401-35401	Y	.	B	B	B	S	S	S			(F)ATTACHE (S)GRAPA 1	
[28]	09401-38401	Y	.	B	B	B	S	S	S			(F)ATTACHE (S)GRAPA 5	
[29]	09408-00074	Y	.	B	B	B	S	S	S			(F)ATTACHE (S)GRAPA 1	
[30]		Y	.	B	B	B	S	S	S			(F)BRETTELLE-MONTAGE (S)BRIDA-MONTAJE	
		ENG(ENGINE)			T/A(TRANSAXLE)			BODY TYPE					
		Y = 1.5SOHC 6 = 1.6DOHC . = COMMON			M = MANUAL T/A A = AUTOMATIC T/A . = COMMON			4 N = 4 DOOR NOTCHBACK 3 H = 3 DOOR HATCHBACK 5 H = 5 DOOR HATCHBACK					



KEY NO.		PART NAME														
I T C	PART NO	MODEL						OPTION	L / R	Q T Y	EFFECTIVE DATE		REMARKS	P / C O D E		
		E N G	T / A	BODY			LEVEL				FROM	TO				
				4 N	3 H	5 H	S								S	S
	09286974	Y	.	B	B	B	S	S	S			2				
	[31]											(F)SUPPORT (S)SOPORTE				
	96234615	Y	.	B	B	B	S	S	S			1				
ENG(ENGINE)		T/A(TRANSAXLE)				BODY TYPE										
Y = 1.5SOHC 6 = 1.6DOHC . = COMMON		M = MANUAL T/A A = AUTOMATIC T/A . = COMMON				4 N = 4 DOOR NOTCHBACK 3 H = 3 DOOR HATCHBACK 5 H = 5 DOOR HATCHBACK										



KEY NO.	PART NAME										REMARKS	P / C O D E	
	PART NO	MODEL					OPTION	L / R	Q T Y	EFFECTIVE DATE			
		E N G	T / A	B O D Y	L E V E L					FROM			TO
[01]	(E)HOSE-RADIATOR,UPPER (D)SCHLAUCH,BOGEN,OBEN										(F)TUYAU-COUDE,HAUT (S)MANGUERA-CODO,SUPERIOR		
96184393	6 . B B B . . O &C46										1		UD
96182269	6 . B B B . . O &C59/C60										1		UB
[02]	(E)HOSE-RADIATOR,LOWER (D)SCHLAUCH,BOGEN,UNTEN										(F)TUYAU-COUDE,BAS (S)MANGUERA-CODO,INFERIOR		
96350692	6 . B B B . . O										1		
[03]	(E)PIPE-RADIATOR & ENGINE (D)ROHR,KÜHLER&MOTOR										(F)TUYAU-RADIATEUR&MOTEUR (S)TUBERIA-RADIADOR Y MOTOR		
96180035	6 . B B B . . O										1		
[04]	(E)BOLT-HEXAGON (D)SCHRAUBE										(F)BOULON (S)PERNO		
01137-08165	6 . B B B . . O										2		
[05]	(E)HOSE-PIPE & WATER PUMP (D)SCHLAUCH,ROHR&WASSERPUMPE										(F)TUYAU-TUYAU&POMPE A EAU (S)MANGUERA		
96180071	6 . B B B . . O										1		
[06]	(E)HOSE-SURGE TANK & PIPE (D)SCHLAUCH,ÜBERFLUßTANK										(F)TUYAU (S)MANGUERA		
96351748	6 . B B B . . O										1		
[07]	(E)HOSE-RADIATOR & SURGE TANK (D)SCHLAUCH										(F)TUYAU (S)MANGUERA		
96351848	6 . B B B . . O										1		
[08]	(E)TANK-SURGE (D)TANK,ÜBERFLUß										(F)RESERVOIR-TROP-PLEIN (S)TANQUE-SOBRE CARGA		
96182279	6 . B B B . . O										1		
[09]	(E)CAP-SURGE TANK (D)DECKEL,ÜBERFLUßTANK										(F)CHAPEAU (S)TAPA-TANQUE DE ARRANQUE		
96351578	6 . B B B . . O										1		
ENG(ENGINE)		T/A(TRANSAXLE)				BODY TYPE							
Y = 1.5SOHC 6 = 1.6DOHC . = COMMON		M = MANUAL T/A A = AUTOMATIC T/A . = COMMON				4 N = 4 DOOR NOTCHBACK 3 H = 3 DOOR HATCHBACK 5 H = 5 DOOR HATCHBACK							



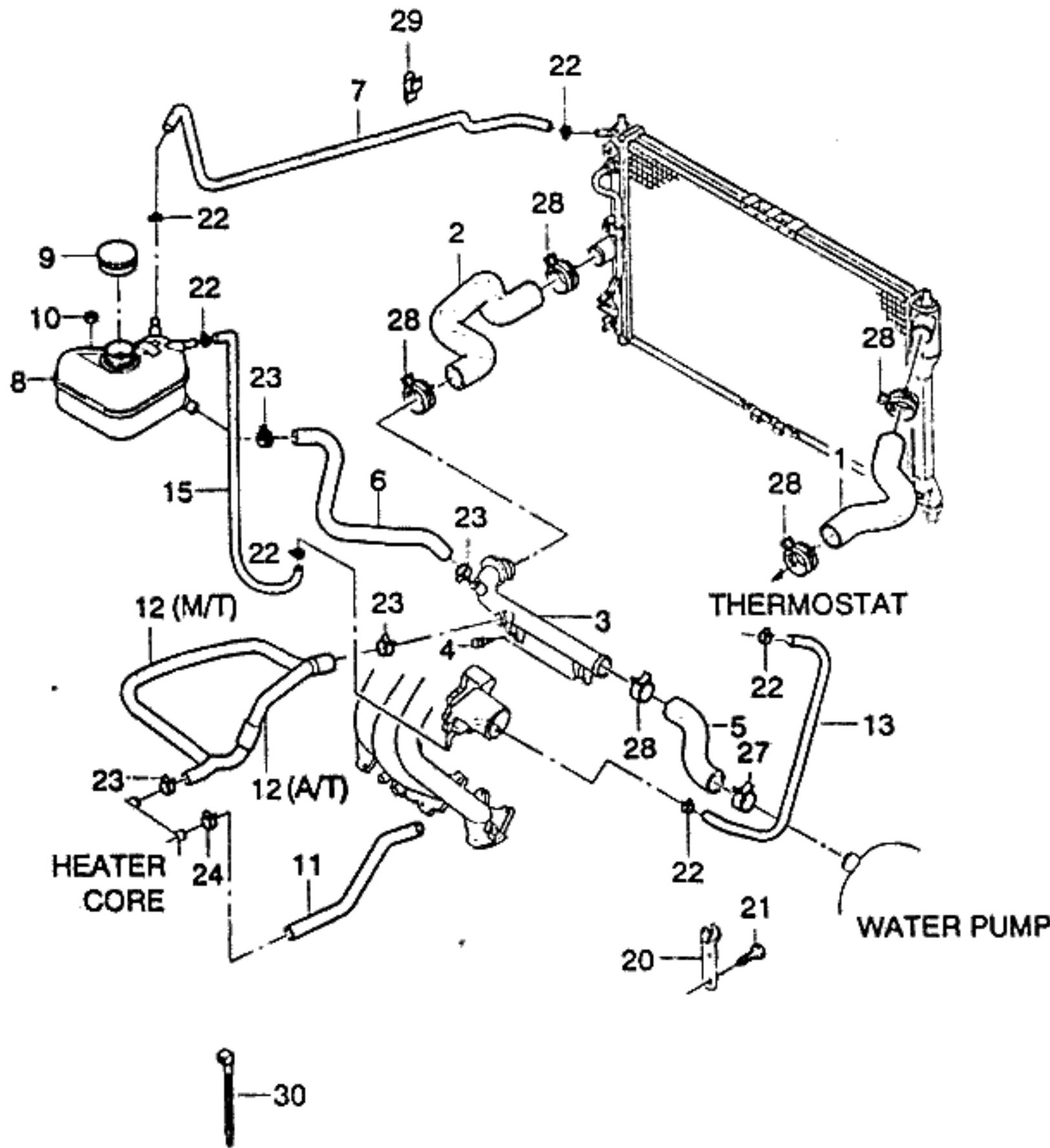
KEY NO.	PART NAME													
	PART NO	MODEL						OPTION	L / R	Q / T Y	EFFECTIVE DATE		REMARKS	P / C O D E
		E	T	BODY			LEVEL				FROM	TO		
	N	G	4	3	5	S	S	S						
[10]	(E)NUT (D)MUTTER											(F)ECROU (S)TUERCA		
09159-06011	6 . B B B . . O											2		
[11]	(E)HOSE-HEATER FEEDING (D)SCHLAUCH,HEIZUNG ZUFUHR											(F)TUYAU (S)MANGUERA-CALENTADOR		
96214619	6 . B B B . . O											1		
[12]	(E)HOSE-HEATER RETURN (D)RÜCK-SCHLAUCH HEIZUNG											(F)TUYAU-RETOUR CHAUFFAGE (S)MANGUERA-CALENTADOR		
96304316	6 M B B B . . O											1		
96304475	6 A B B B . . O											1		
[13]	(E)HOSE-THROTTLE BODY FEED'G (D)SCHLAUCH,DROSSEL KÖRPER											(F)TUYAU (S)MANGUERA		
96184864	6 . B B B . . O											1		
[15]	(E)HOSE-THROTTLE BODY RETURN (D)SCHLAUCH,DROSSEL KÖRPER											(F)TUYAU (S)MANGUERA		
96351823	6 . B B B . . O											1		
[20]	(E)SUPPORT-HEATER HOSE (D)TRÄGER											(F)SUPPORT (S)SOPORTE		
96304320	6 M B B B . . O											1		
[21]	(E)BOLT-HEXAGON (D)SCHRAUBE											(F)BOULON (S)PERNO		
09100-10004	6 M B B B . . O											1		
[22]	(E)CLIP (D)KLEMME											(F)ATTACHE (S)GRAPA		
09401-15401	6 . B B B . . O											6		
[23]	(E)CLIP (D)KLEMME											(F)ATTACHE (S)GRAPA		
09401-22401	6 . B B B . . O											4		

DH

ENG(ENGINE)	T/A(TRANSAXLE)	BODY TYPE
Y = 1.5SOHC 6 = 1.6DOHC . = COMMON	M = MANUAL T/A A = AUTOMATIC T/A . = COMMON	4 N = 4 DOOR NOTCHBACK 3 H = 3 DOOR HATCHBACK 5 H = 5 DOOR HATCHBACK

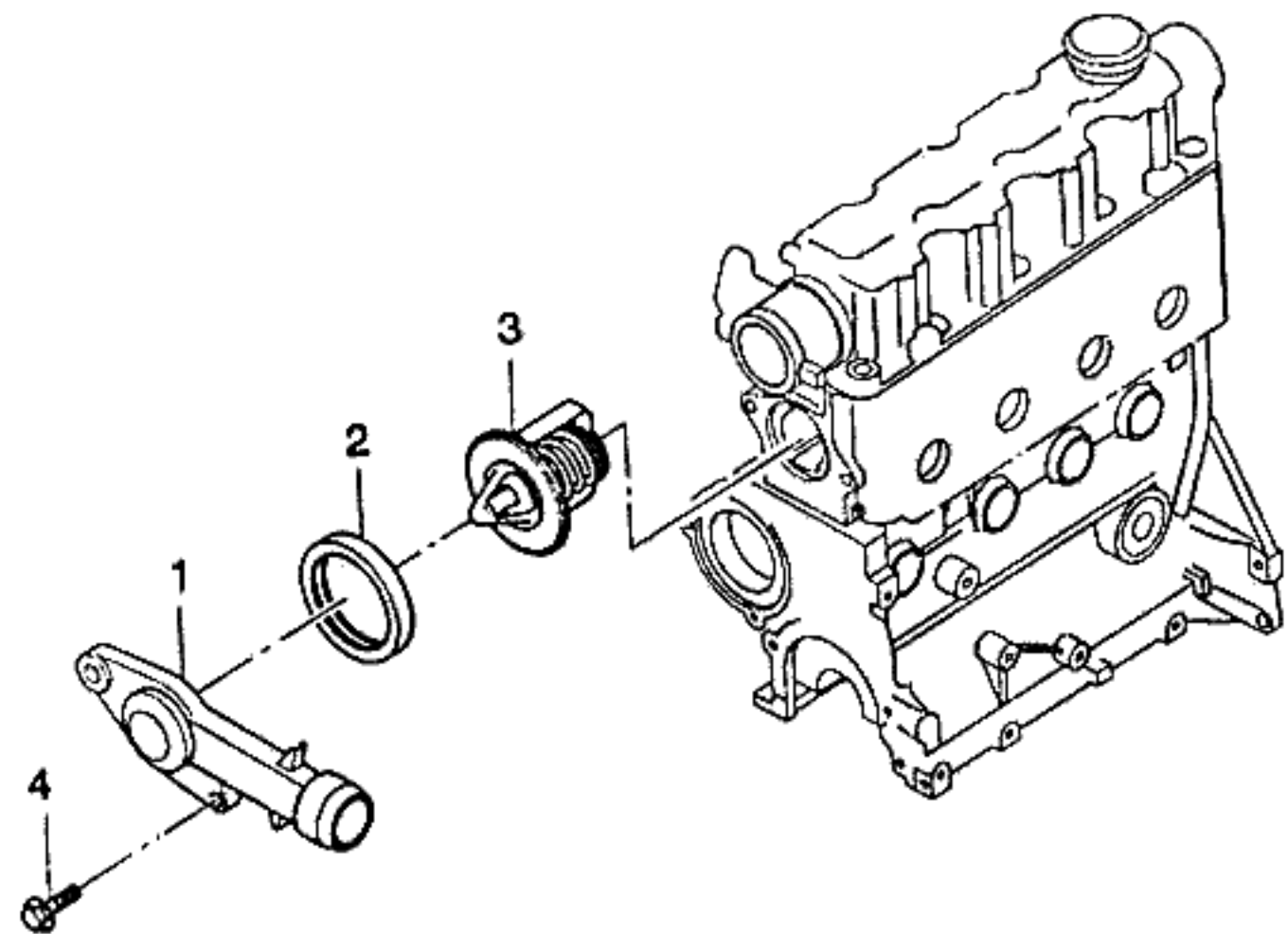
1651 RADIATOR HOSE&PIPE(DOHC)

3M08



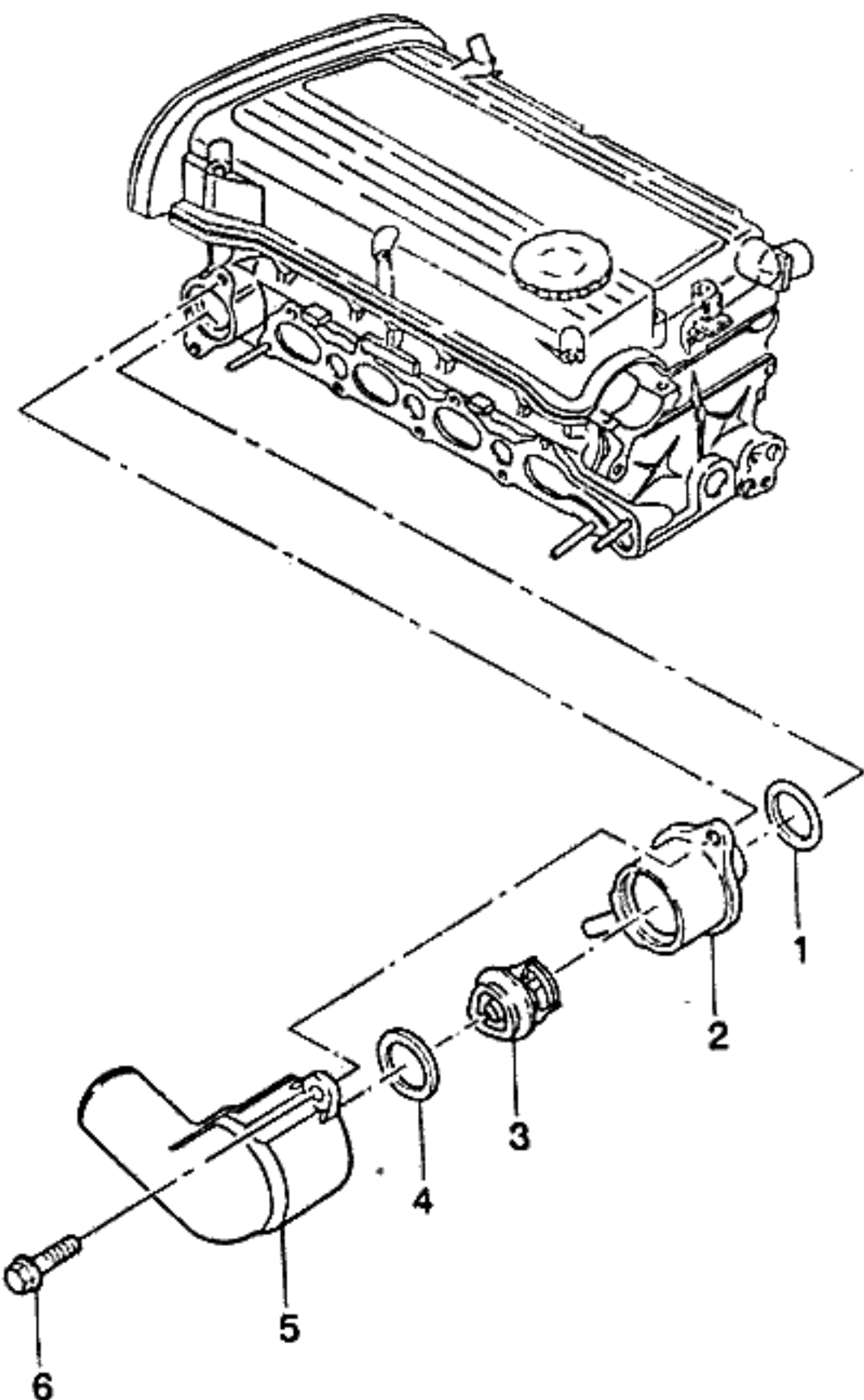
KEY NO.	PART NAME										
	PART NO	MODEL			OPTION	L / R	Q / Y	EFFECTIVE DATE		REMARKS	P / CODE
		E N G	T / A	BODY				LEVEL	FROM		
[24]	(E)CLIP (D)KLEMME								(F)ATTACHE (S)GRAPA		
09401-23402	6 . B B B . . O								2 (F)ATTACHE (S)GRAPA		
[27]	(E)CLIP (D)KLEMME								1 (F)ATTACHE (S)GRAPA		
09401-35401	6 . B B B . . O								5 (F)ATTACHE (S)GRAPA		
[28]	(E)CLIP (D)KLEMME								1 (F)BRETTELLE-MONTAGE (S)BRIDA-MONTAJE		
09401-38401	6 . B B B . . O								1		
[29]	(E)CLIP (D)KLEMME										
09408-00074	6 . B B B . . O										
[30]	(E)STRAP-MOUNTING (D)BAND,MONTAGE										
09286974	6 . B B B . . O										

ENG(ENGINE)	T/A(TRANSAXLE)	BODY TYPE
Y = 1.5SOHC 6 = 1.6DOHC . = COMMON	M = MANUAL T/A A = AUTOMATIC T/A . = COMMON	4 N = 4 DOOR NOTCHBACK 3 H = 3 DOOR HATCHBACK 5 H = 5 DOOR HATCHBACK



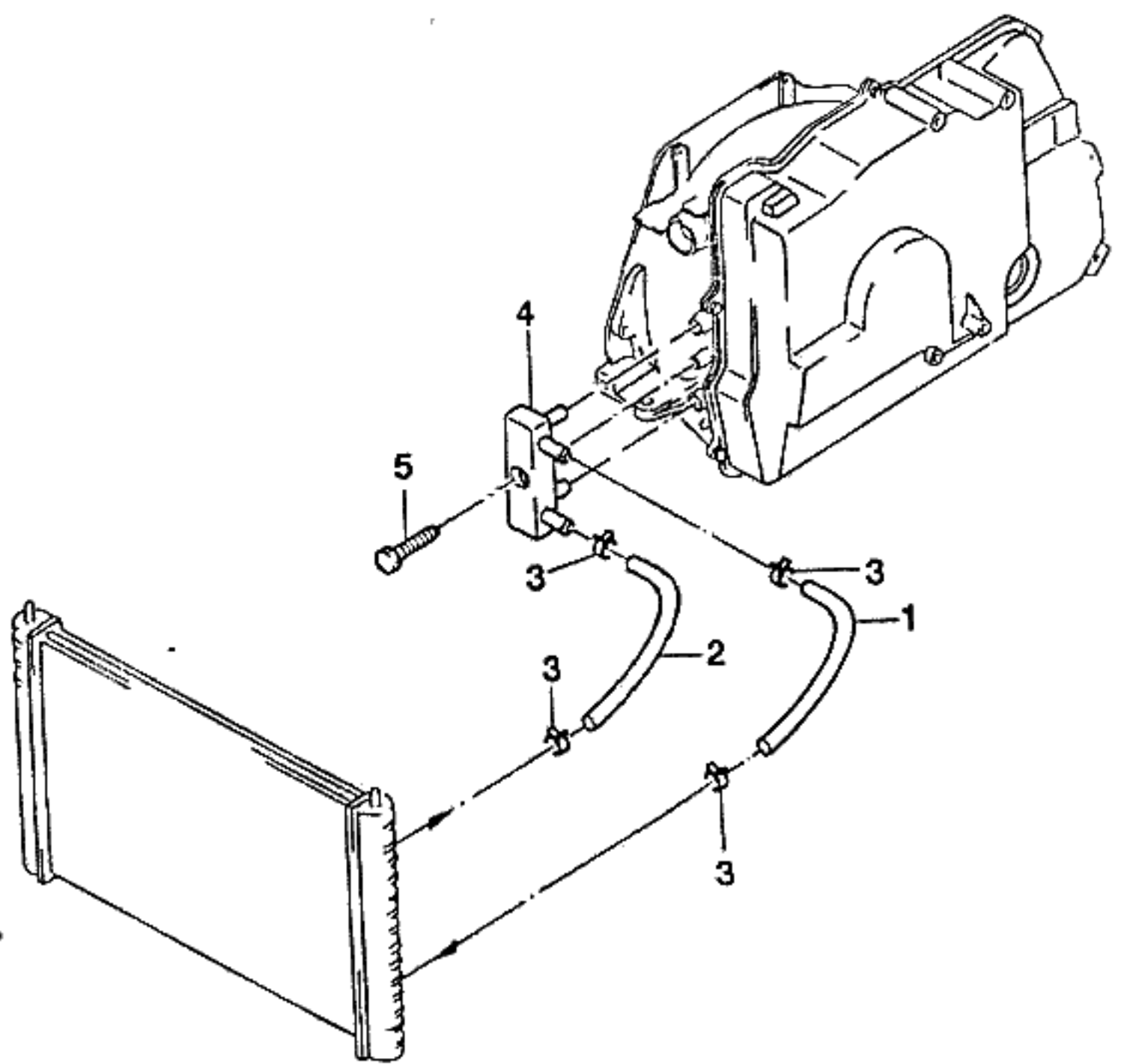
KEY NO.		PART NAME													
I T C	PART NO	MODEL						OPTION	L / R	Q T Y	EFFECTIVE DATE		REMARKS	P / C O D E	
		E	T	BODY			LEVEL				FROM	TO			
		N	/	4	3	5	S								S
	[01] 96180324	(E)HOUSING-THERMOSTAT (D)GEHÄUSE THERMOSTAT	Y	.	B	B	B	S	S	S		(F)LOGEMENT-THERMOSTAT (S)CARCASA-TERMOSTATO	1		
	[02] 90096383	(E)RING-THERMO.HOUSING SEAL (D)RING,DICHTUNG	Y	.	B	B	B	S	S	S		(F)ANNEAU (S)ANILLO-SELLO	1		
	[03] 96143939	(E)THERMOSTAT A (D)THERMOSTAT	Y	.	B	B	B	S	S	S		(F)THERMOSTAT (S)TERMOSTATO	1		
	[04] 09117-08009	(E)BOLT (D)SCHRAUBE	Y	.	B	B	B	S	S	S		(F)BOULON (S)PERNO	2		

ENG(ENGINE)	T/A(TRANSAXLE)	BODY TYPE
Y = 1.5SOHC 6 = 1.6DOHC . = COMMON	M = MANUAL T/A A = AUTOMATIC T/A . = COMMON	4 N = 4 DOOR NOTCHBACK 3 H = 3 DOOR HATCHBACK 5 H = 5 DOOR HATCHBACK

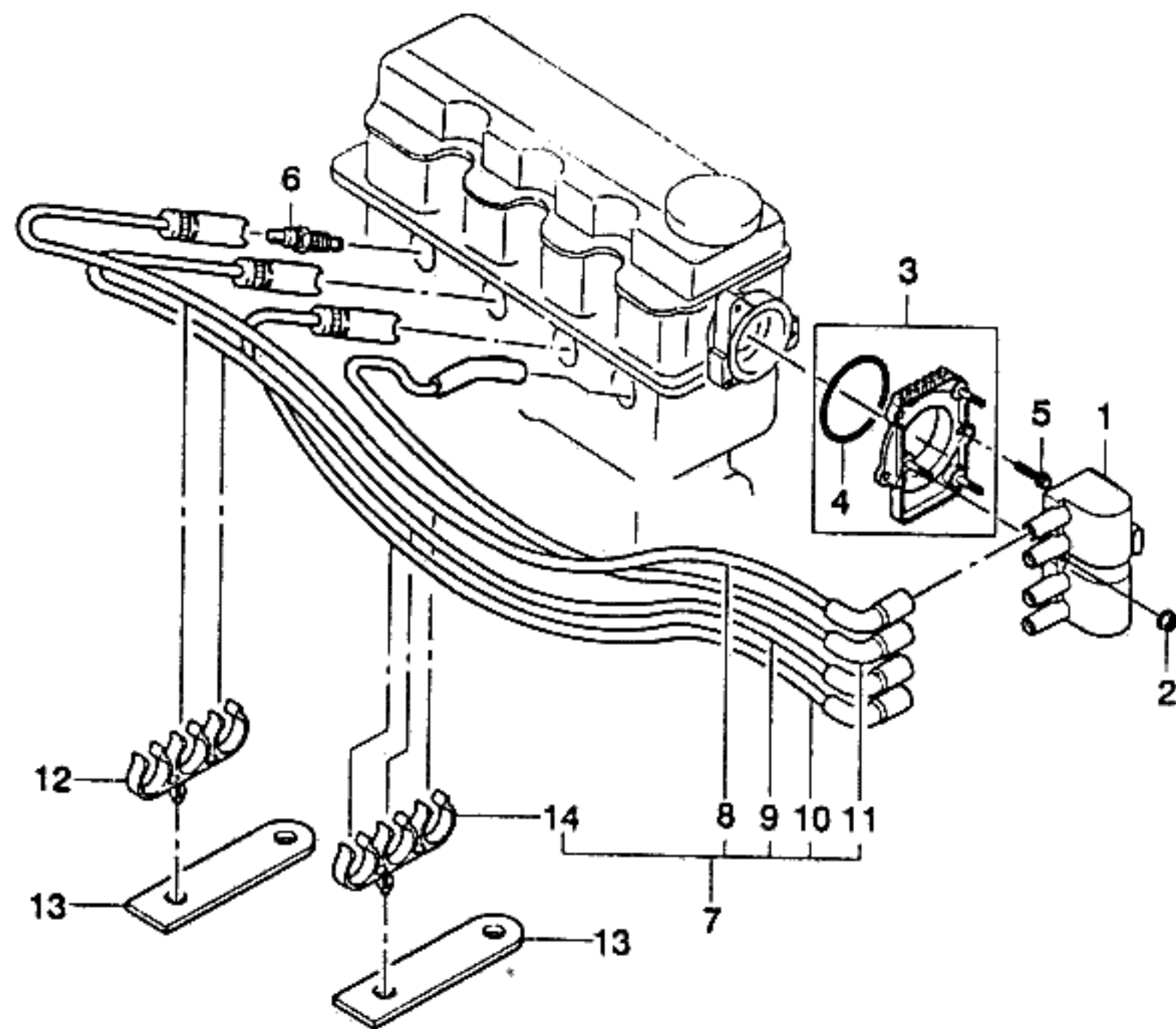


KEY NO.	PART NAME													
	PART NO	MODEL					OPTION	L / R	Q / T Y	EFFECTIVE DATE		REMARKS	P / C O D E	
		E T	BODY			LEVEL				FROM	TO			
N / G	4	3	5	S	S	S								
[01]	(E)RING-THERMO COVER SEAL (D)RING,DICHTUNG										(F)ANNEAU (S)ANILLO-SELLO			
96143112	6 . B B B . . O										1			
[02]	(E)ADAPTER-THERMOSTAT (D)ADAPTER,THERMOSTAT										(F)ADAPTATEUR-THERMOSTAT (S)ADAPTADOR-TERMOSTATO			
96180615	6 . B B B . . O										1			
[03]	(E)THERMOSTAT A (D)THERMOSTAT										(F)THERMOSTAT (S)TERMOSTATO			
96143939	6 . B B B . . O										1			
[04]	(E)RING-THERMO HOUSING SEAL (D)RING,DICHTUNG										(F)ANNEAU (S)ANILLO-SELLO			
90096383	6 . B B B . . O										1			
[05]	(E)COVER-THERMOSTAT (D)DECKEL,THERMOSTAT										(F)COUVERCLE-THERMOSTAT (S)CUBIERTA-TERMOSTATO			
96130992	6 . B B B . . O										1			
[06]	(E)BOLT (D)SCHRAUBE										(F)BOULON (S)PERNO			
09117-08009	6 . B B B . . O										2			

ENG(ENGINE)	T/A(TRANSAXLE)	BODY TYPE
Y = 1.5SOHC 6 = 1.6DOHC . = COMMON	M = MANUAL T/A A = AUTOMATIC T/A . = COMMON	4 N = 4 DOOR NOTCHBACK 3 H = 3 DOOR HATCHBACK 5 H = 5 DOOR HATCHBACK

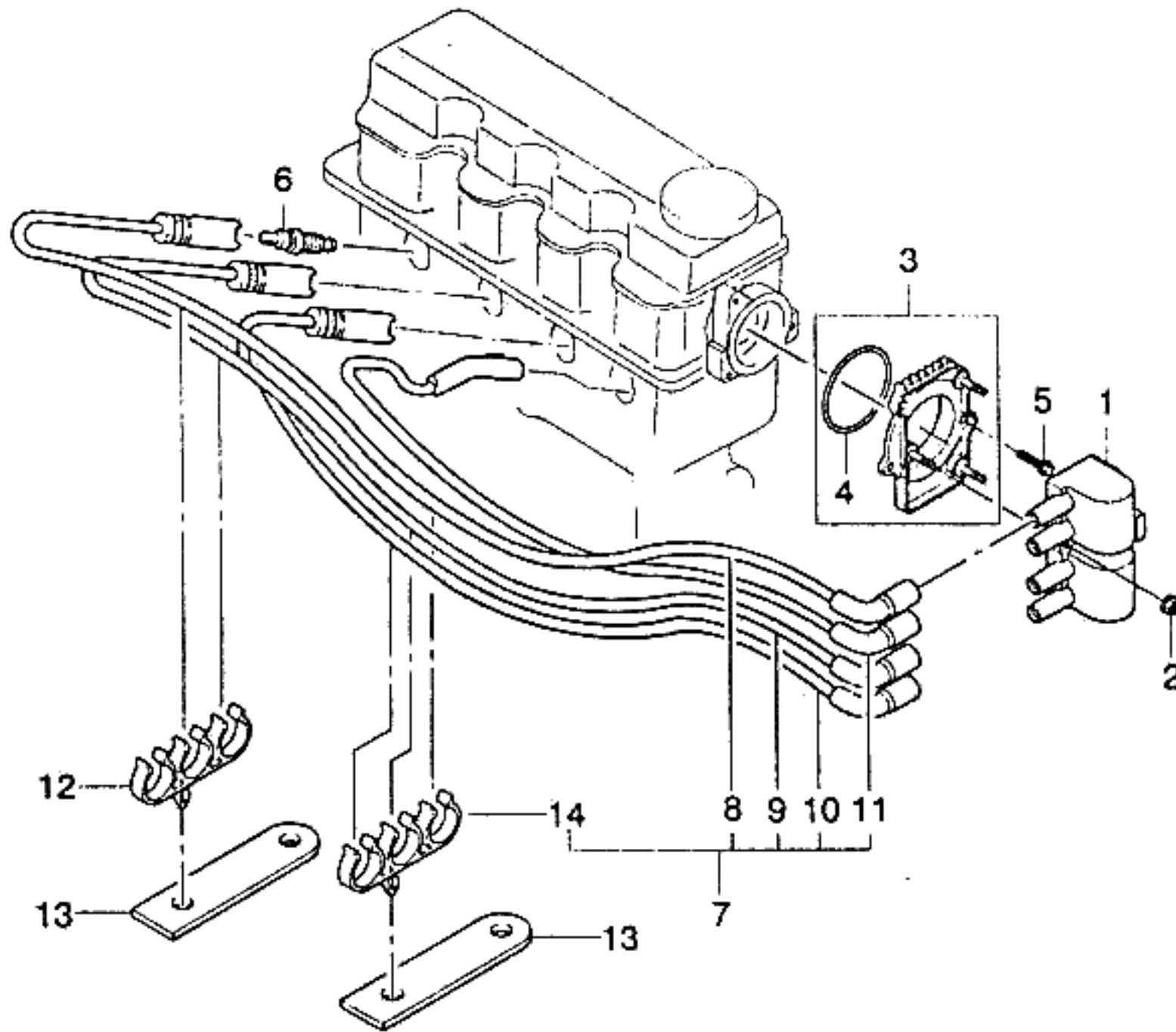


I T C	KEY NO.		PART NAME										P I C O D E	
	PART NO	OPTION	MODEL					L / R	Q T Y	EFFECTIVE DATE		REMARKS		
			E N G	T / A	BODY	LEVEL				FROM	TO			
			4	3	5	S	S	S						
	[01]	(E)HOSE-OIL COOLER,OUTLET (D)SCHLAUCH									(F)TUYAU (S)MANGUERA			
	96246287	. A B B B O O O									1		260mm	
	[02]	(E)HOSE-OIL COOLER,INLET (D)SCHLAUCH									(F)TUYAU (S)MANGUERA			
	96246293	. A B B B O O O									1		200mm	
	[03]	(E)CLAMP (D)KLAMMER									(F)PINCE (S)ABRAZADERA			
	09402-16503												NOT APPLIED	
	09402-16502	. A B B B O O O									4			
	[04]	(E)BLOCK-OIL COOLER,REAR (D)BLOCK									(F)BLOC (S)BLOQUE			
	96245950	. A B B B O O O									1			
	[05]	(E)BOLT-HEXAGON (D)SCHRAUBE									(F)BOULON (S)PERNO			
	01117-06203	. A B B B O O O									1			
ENG(ENGINE)			T/A(TRANSAXLE)				BODY TYPE							
Y = 1.5SOHC 6 = 1.6DOHC . = COMMON			M = MANUAL T/A A = AUTOMATIC T/A . = COMMON				4 N = 4 DOOR NOTCHBACK 3 H = 3 DOOR HATCHBACK 5 H = 5 DOOR HATCHBACK							

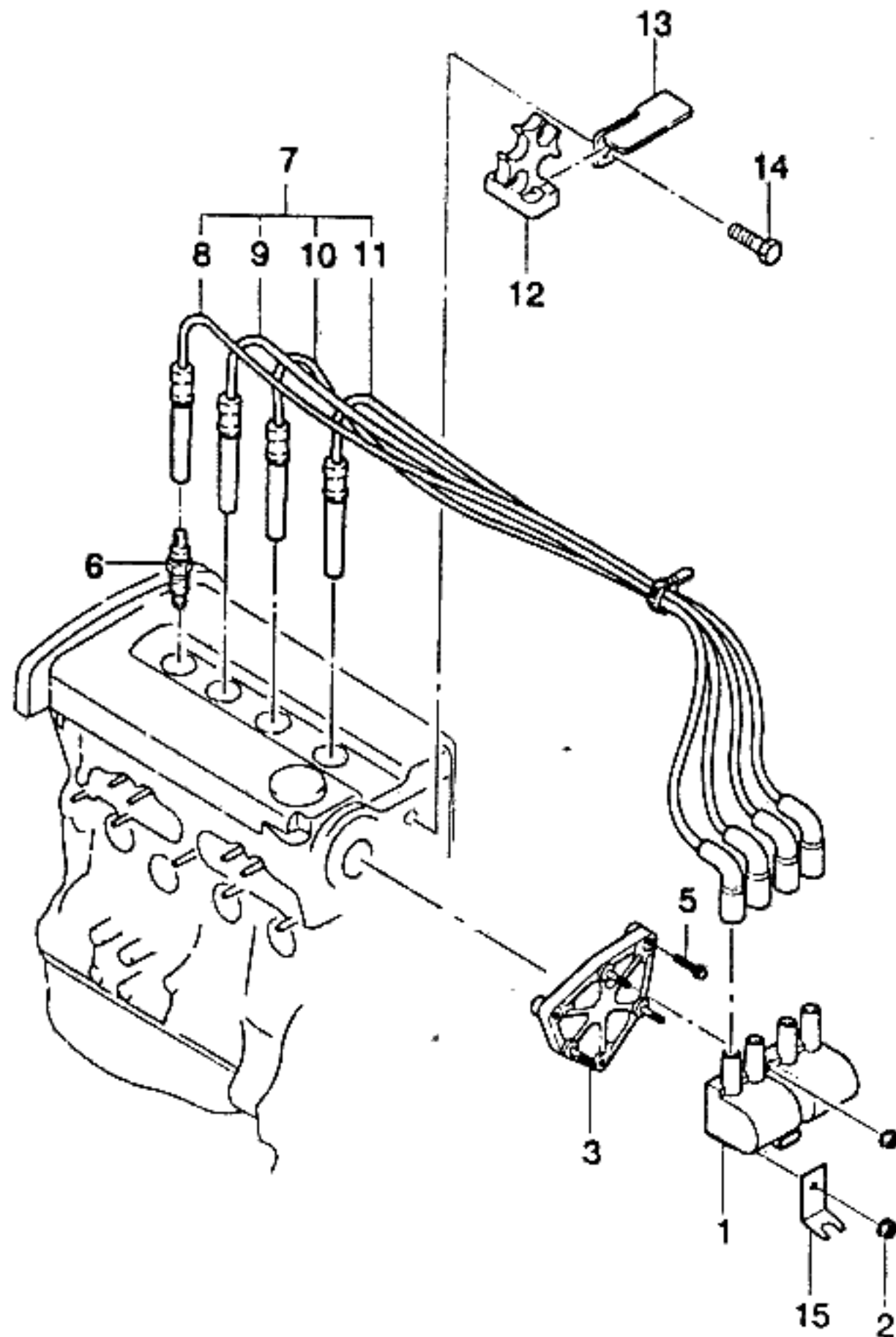


KEY NO.	PART NAME												
	PART NO	MODEL						OPTION	L / Q R / Y	EFFECTIVE DATE		REMARKS	P / C O D E
		E N G	T A	BODY 4 N	LEVEL 3 H	5 H	S S			S S	FROM		
[01]	(E)COIL-DIS (D)WICKLUNG,ZÜNDUNG										(F)BOBINE-ALLUMAGE (S)BOBINA-ARRANQUE		
96350585	Y . B B B S S S										1		
[02]	(E)NUT-HEXAGON FLANGE (D)MUTTER										(F)ECROU (S)TUERCA		
08316-25063	Y . B B B S S S										3		
[03]	(E)BRACKET A-DIS (D)TRÄGER										(F)SUPPORT (S)SOPORTE		
96351644	Y . B B B S S S										1		
[04]	(E)RING (D)O RING										(F)JOINT TORIQUE (S)ANILLO EN O		
96351738	Y . B B B S S S										1		
[05]	(E)BOLT-HEXAGON FLANGE (D)SCHRAUBE										(F)BOULON (S)PERNO		
01517-06203	Y . B B B S S S										3	970804	
O 01517-06163	Y . B B B S S S										3	970804	
[06]	(E)PLUG-SPARK (D)ZÜNDKERZE										(F)BOUGIE (S)TAPON-BUJIA		
96110493	Y . B B B S S S										4		
[07]	(E)CABLE SET- HIGH TENSION (D)VERDRAHTUNG,HOCHSPANNUNG										(F)TROUSSE CABLES (S)JUEGO DE ALAMBRE		
96305387	Y . B B B S S S										1		SW
[08]	(E)CABLE- HIGH TENSION,#1 (D)VERDRAHTUNG										(F)CABLES (S)ALAMBRE		
96233409	Y . B B B S S S										1		NO. 1
[09]	(E)CABLE- HIGH TENSION,#2 (D)VERDRAHTUNG										(F)CABLES (S)ALAMBRE		
96233410	Y . B B B S S S										1		NO. 2

ENG(ENGINE)	T/A(TRANSAXLE)	BODY TYPE
Y = 1.5SOHC 6 = 1.6DOHC . = COMMON	M = MANUAL T/A A = AUTOMATIC T/A . = COMMON	4 N = 4 DOOR NOTCHBACK 3 H = 3 DOOR HATCHBACK 5 H = 5 DOOR HATCHBACK

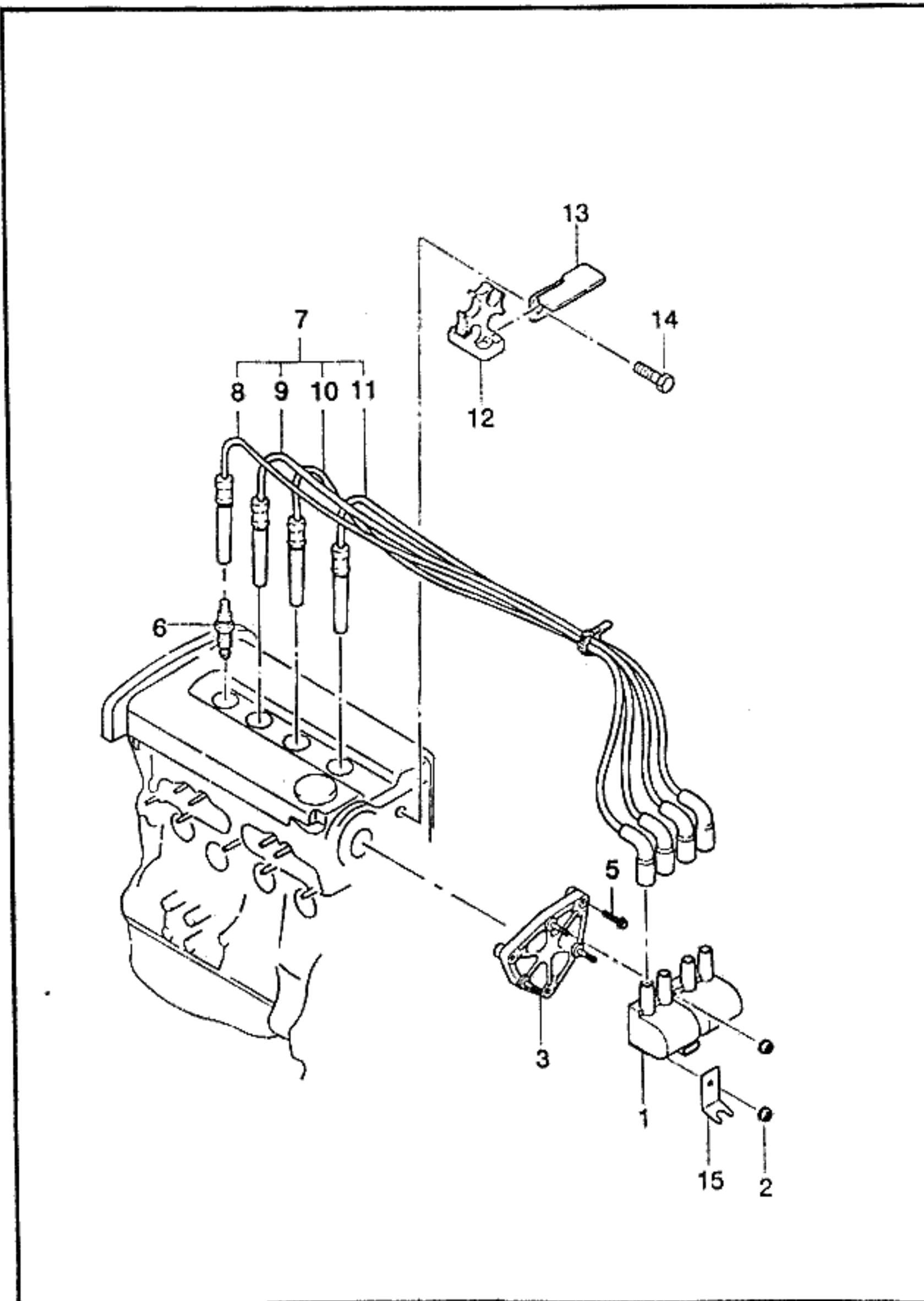


KEY NO.	PART NAME												
	PART NO	MODEL					OPTION	L / R	Q / Y	EFFECTIVE DATE		REMARKS	P / CODE
		E / N / G	T / A	BODY	LEVEL					FROM	TO		
[10] 96233411	(E)CABLE- HIGH TENSION,#3 (D)VERDRAHTUNG Y . B B B S S S	4	3	5	S	S	S					NO. 3	
[11] 96233412	(E)CABLE- HIGH TENSION,#4 (D)VERDRAHTUNG Y . B B B S S S	4	3	5	S	S	S					NO. 4	
[12] 90320345	(E)CLIP-CABLE (D)KLEMME Y . B B B S S S												
[13] 90320342	(E)BRACKET-CABLE (D)TRÄGER Y . B B B S S S												
[14] 09408-00076	(E)CLIP-CABLE (D)KLEMME,ANLASSER-KBEL Y . B B B S S S												
ENG(ENGINE)		T/A(TRANSAXLE)				BODY TYPE							
Y = 1.5SOHC 6 = 1.6DOHC . = COMMON		M = MANUAL T/A A = AUTOMATIC T/A . = COMMON				4 N = 4 DOOR NOTCHBACK 3 H = 3 DOOR HATCHBACK 5 H = 5 DOOR HATCHBACK							



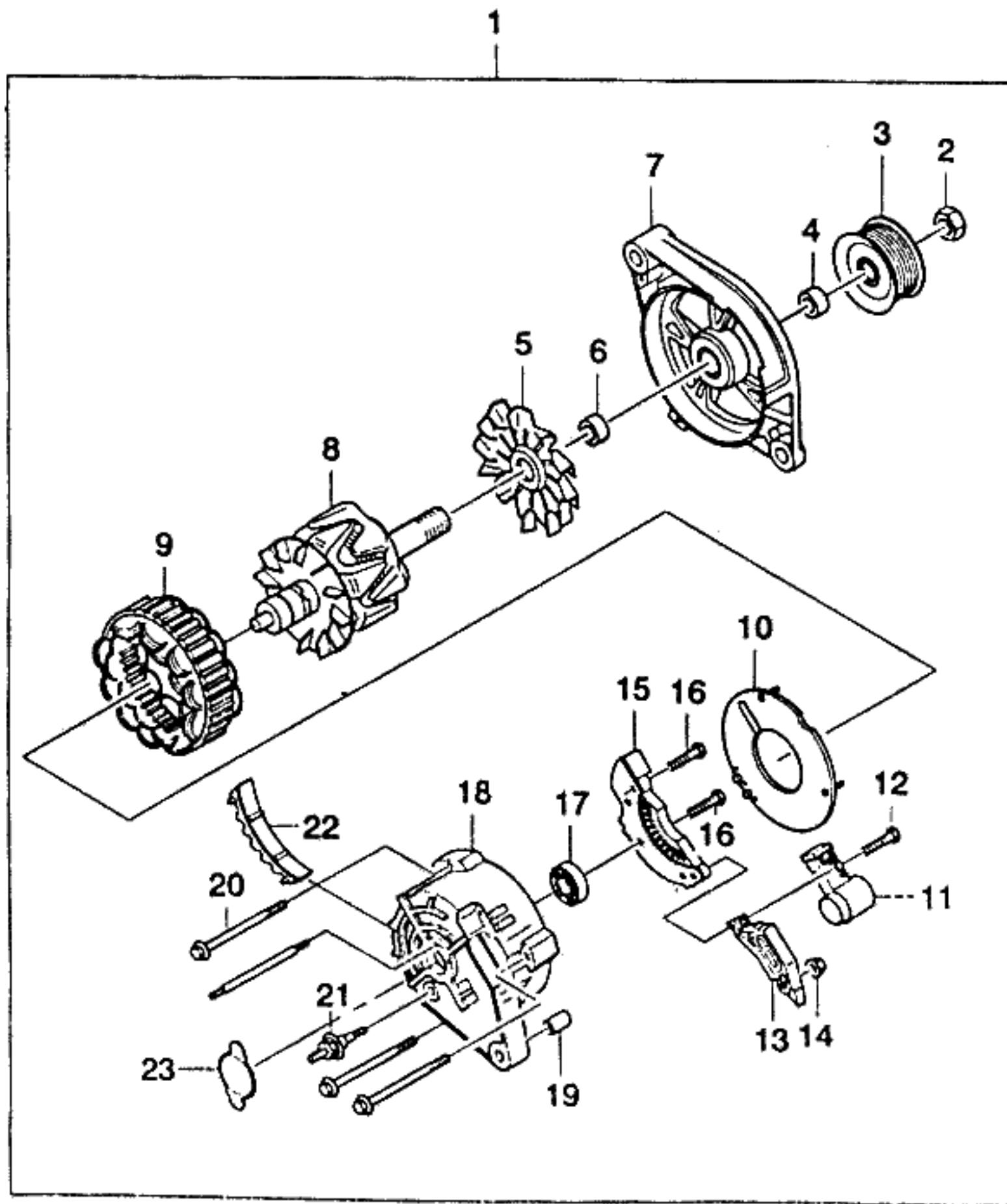
I T C	KEY NO.	PART NAME										P / C O D E		
		PART NO	MODEL					OPTION	L / R	Q T Y	EFFECTIVE DATE		REMARKS	
			E N G	T / A	BODY	LEVEL					FROM			TO
	[01]	(E)COIL-DIS (D)WICKLUNG,ZÜNDUNG							(F)BOBINE-ALLUMAGE (S)BOBINA-ARRANQUE					
	96350585	6 . B B B . . O							1					
	[02]	(E)NUT-HEXAGON FLANGE (D)MUTTER							(F)ECROU (S)TUERCA					
	08316-25063	6 . B B B . . O							3					
	[03]	(E)BRACKET A-DIS (D)TRÄGER							(F)SUPPORT (S)SOPORTE					
	96351676	6 . B B B . . O							1					
	[05]	(E)BOLT-HEXAGON FLANGE (D)SCHRAUBE							(F)BOULON (S)PERNO					
	01517-06303	6 . B B B . . O							3					
	[06]	(E)PLUG-SPARK (D)ZÜNDKERZE							(F)BOUGIE (S)TAPON-BUJIA					
	96130723	6 . B B B . . O							4					
	[07]	(E)CABLE SET- HIGH TENSION (D)VERDRAHTUNG,HOCHSPANNUNG							(F)TROUSSE CABLES (S)JUEGO DE ALAMBRE					
	96211948	6 . B B B . . O							1				DW	
	[08]	(E)CABLE- HIGH TENSION,#1 (D)VERDRAHTUNG							(F)CABLES (S)ALAMBRE					
	96242624	6 . B B B . . O							1			NO. 1		
	[09]	(E)CABLE- HIGH TENSION,#2 (D)VERDRAHTUNG							(F)CABLES (S)ALAMBRE					
	96233414	6 . B B B . . O							1			NO. 2		
	[10]	(E)CABLE- HIGH TENSION,#3 (D)VERDRAHTUNG							(F)CABLES (S)ALAMBRE					
	96233415	6 . B B B . . O							1			NO. 3		
	[11]	(E)CABLE- HIGH TENSION,#4 (D)VERDRAHTUNG							(F)CABLES (S)ALAMBRE					

ENG(ENGINE)	T/A(TRANSAXLE)	BODY TYPE
Y = 1.5SOHC 6 = 1.6DOHC . = COMMON	M = MANUAL T/A A = AUTOMATIC T/A . = COMMON	4 N = 4 DOOR NOTCHBACK 3 H = 3 DOOR HATCHBACK 5 H = 5 DOOR HATCHBACK



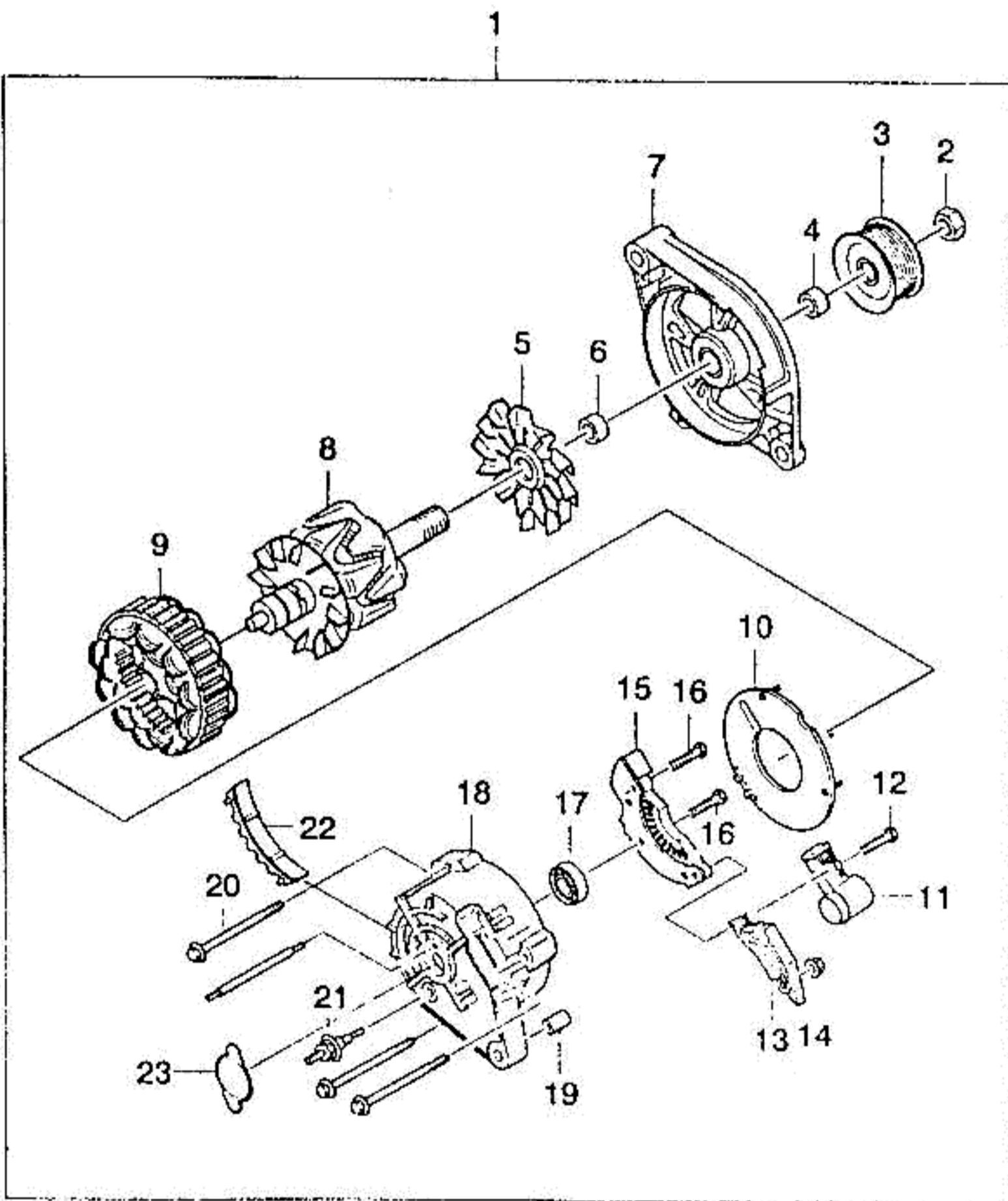
KEY NO.	PART NAME										REMARKS	P / CODE	
	PART NO	MODEL					OPTION	L / R	Q / T Y	EFFECTIVE DATE			
		E N G	T / A	B O D Y	L E V E L	S S S				FROM			TO
96233416 [12]	6	.	B	B	B	.	.	O			1	NO.4	
													(F)ATTACHE (S)GRAPA
12065767 [13]	6	.	B	B	B	.	.	O			1		
													(F)SUPPORT-CABLE (S)SOPORTE-ALAMBRE
96132971 [14]	6	.	B	B	B	.	.	O			1		
													(F)BOULON (S)PERNO
01107-06803 [15]	6	.	B	B	B	.	.	O			1		
													(F)SUPPORT (S)SOPORTE
96239380	6	.	B	B	B	.	.	A	&NN6/NN7		1		

ENG(ENGINE)	T/A(TRANSAXLE)	BODY TYPE
Y = 1.5SOHC 6 = 1.6DOHC . = COMMON	M = MANUAL T/A A = AUTOMATIC T/A . = COMMON	4 N = 4 DOOR NOTCHBACK 3 H = 3 DOOR HATCHBACK 5 H = 5 DOOR HATCHBACK



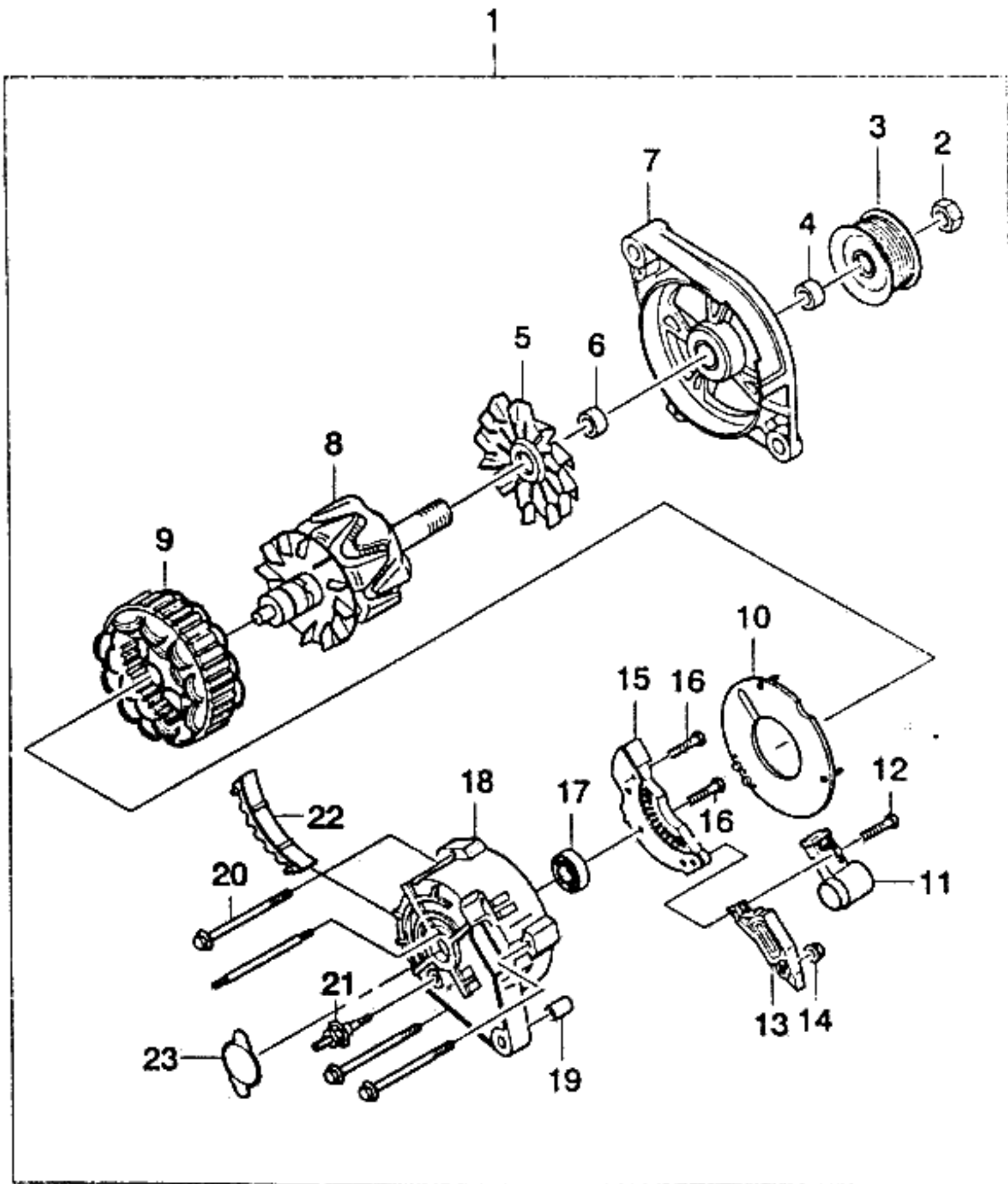
KEY NO.	PART NAME												
	PART NO	MODEL					OPTION	L / R	QTY	EFFECTIVE DATE		REMARKS	P / CODE
		E N / G	T / A	BODY	LEVEL					FROM	TO		
[01]	96303556	(E)ALTERNATOR A (D)WECHSELSTROMGENERATOR	. . .	B B B	S S S	-XHA		1			12V,85A	AW	
[02]	01911324	(E)NUT (D)MUTTER	. . .	B B B	S S S	-XHA		1					
[03]	210811	(E)PULLEY (D)ROLLE	. . .	B B B	S S S	-XHA		1					
[04]	210629	(E)COLLAR (D)KRAGEN(GROß)	. . .	B B B	S S S	-XHA		1					
[05]	210020	(E)FAN (D)BLÄSER	. . .	B B B	S S S	-XHA		1					
[06]	210629	(E)COLLAR (D)KRAGEN(KLEIN)	. . .	B B B	S S S	-XHA		1					
[07]	210667	(E)FRAME&BEARING (D)RAHMEN&LAGER, ANTRIEB ENDE	. . .	B B B	S S S	-XHA		1					
[08]	210933	(E)ROTOR (D)DREHTEIL	. . .	B B B	S S S	-XHA		1					
[09]	210934	(E)STATOR (D)STATOR	. . .	B B B	S S S	-XHA		1					
[10]		(E)BAFFLE (D)DÄMPFER	. . .	B B B	S S S	-XHA		1					

ENG(ENGINE)	T/A(TRANSAXLE)	BODY TYPE
Y = 1.5SOHC 6 = 1.6DOHC . = COMMON	M = MANUAL T/A A = AUTOMATIC T/A . = COMMON	4 N = 4 DOOR NOTCHBACK 3 H = 3 DOOR HATCHBACK 5 H = 5 DOOR HATCHBACK



KEY NO.	PART NAME									
	PART NO	MODEL			OPTION	L / Q / R Y	EFFECTIVE DATE		REMARKS	P / C O D E
		E N G	T / A	BODY			LEVEL	FROM		
210931	. . .	B	B	B	S	S	S	-XHA	1	
[11]	(E)BRUSH SET (D)BÜRSTE								(F)BALAI (S)ESCOBILLA	
210679	. . .	B	B	B	S	S	S	-XHA	1	
[12]	(E)SCREW (D)SCHRAUBE								(F)VIS (S)TORNILLO	
01989650	. . .	B	B	B	S	S	S	-XHA	1	
[13]	(E)REGULATOR (D)REGULATOR								(F)REGULATEUR (S)REGULADOR	
276010	. . .	B	B	B	S	S	S	-XHA	1	
[14]	(E)NUT (D)MUTTER								(F)ECROU (S)TUERCA	
01989649	. . .	B	B	B	S	S	S	-XHA	1	
[15]	(E)RECTIFIER (D)RICHTER								(F)RECTIFICATEUR (S)RECTIFICADOR	
267100	. . .	B	B	B	S	S	S	-XHA	1	970813
0267300	. . .	B	B	B	S	S	S	-XHA	1	970813
[16]	(E)SCREW (D)SCHRAUBE								(F)VIS (S)TORNILLO	
01981681	. . .	B	B	B	S	S	S	-XHA	3	
[17]	(E)BEARING-BALL (D)KUGELLAGER								(F)ROULEMENT-BILLE (S)COJINETE DE BOLAS	
01989646	. . .	B	B	B	S	S	S	-XHA	2	
[18]	(E)FRAME-SLIP RING END (D)RAHMEN,SCHLEIFRAD-ENDE								(F)CADRE (S)ARMADURA	
210930	. . .	B	B	B	S	S	S	-XHA	1	
[19]	(E)BUSHING (D)LAGERFUTTER								(F)MANCHON (S)BUJE DE BOQUILLA	

ENG(ENGINE)	T/A(TRANSAXLE)	BODY TYPE
Y = 1.5SOHC 6 = 1.6DOHC . = COMMON	M = MANUAL T/A A = AUTOMATIC T/A . = COMMON	4 N = 4 DOOR NOTCHBACK 3 H = 3 DOOR HATCHBACK 5 H = 5 DOOR HATCHBACK

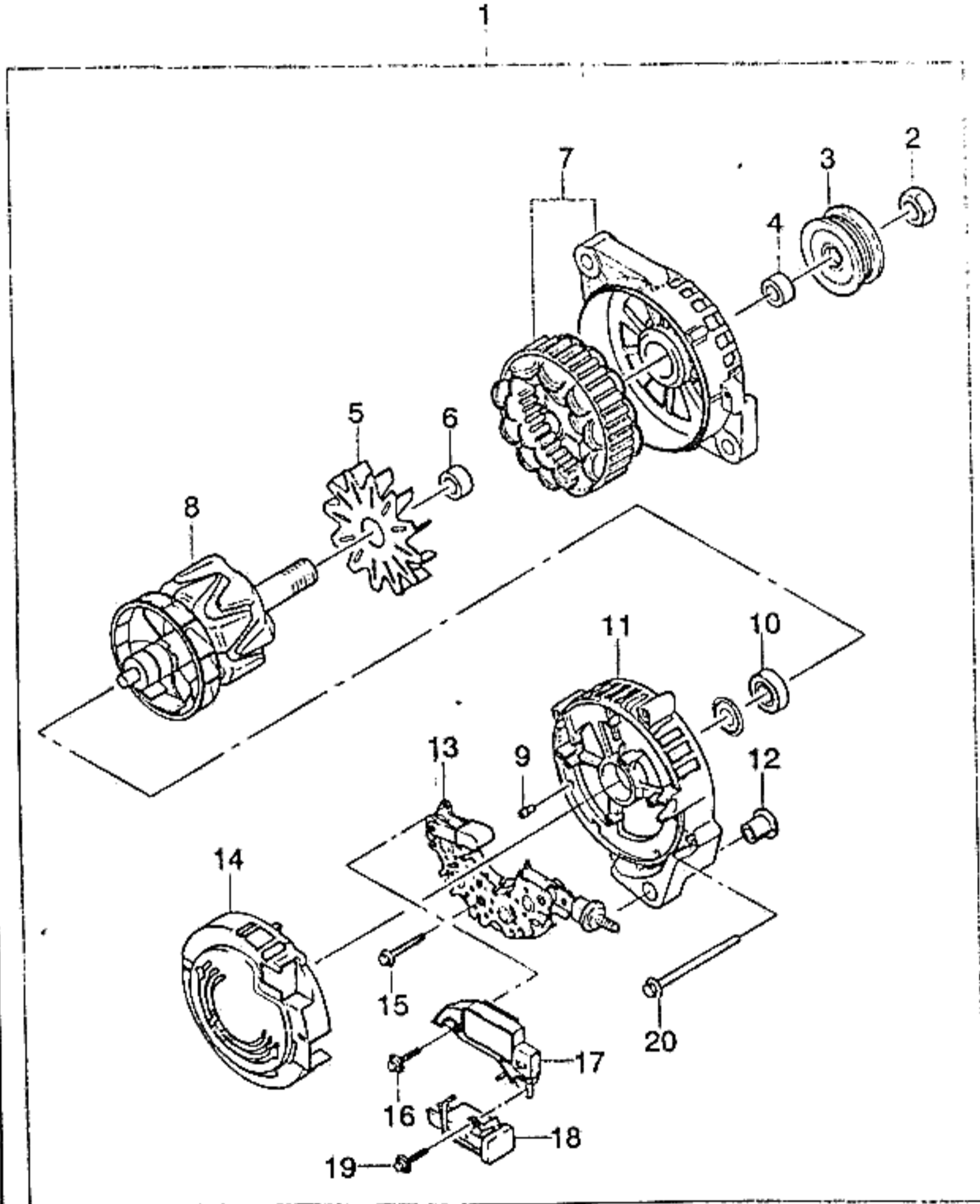


KEY NO.	PART NAME												
	PART NO	MODEL					OPTION	L / R	QTY	EFFECTIVE DATE		REMARKS	P / CODE
		ENG	BODY	LEVEL	FROM	TO							
	N / G	4 3 5	H H S	S S S									
10495216		B B B	S S S	-XHA			1						
[20]		(E)BOLT (D)SCHRAUBE					(F)BOULON (S)PERNO						
10473999		B B B	S S S	-XHA			3						
[21]		(E)STUD (D)STEG					(F)TOURILLON (S)TRAVESAÑO						
211075		B B B	S S S	-XHA			1						
[22]		(E)COVER (D)DECKEL					(F)CARTER (S)CUBIERTA						
210932		B B B	S S S	-XHA			1						
[23]		(E)COVER (D)DECKEL					(F)CARTER (S)CUBIERTA						
10476121		B B B	S S S	-XHA			1						

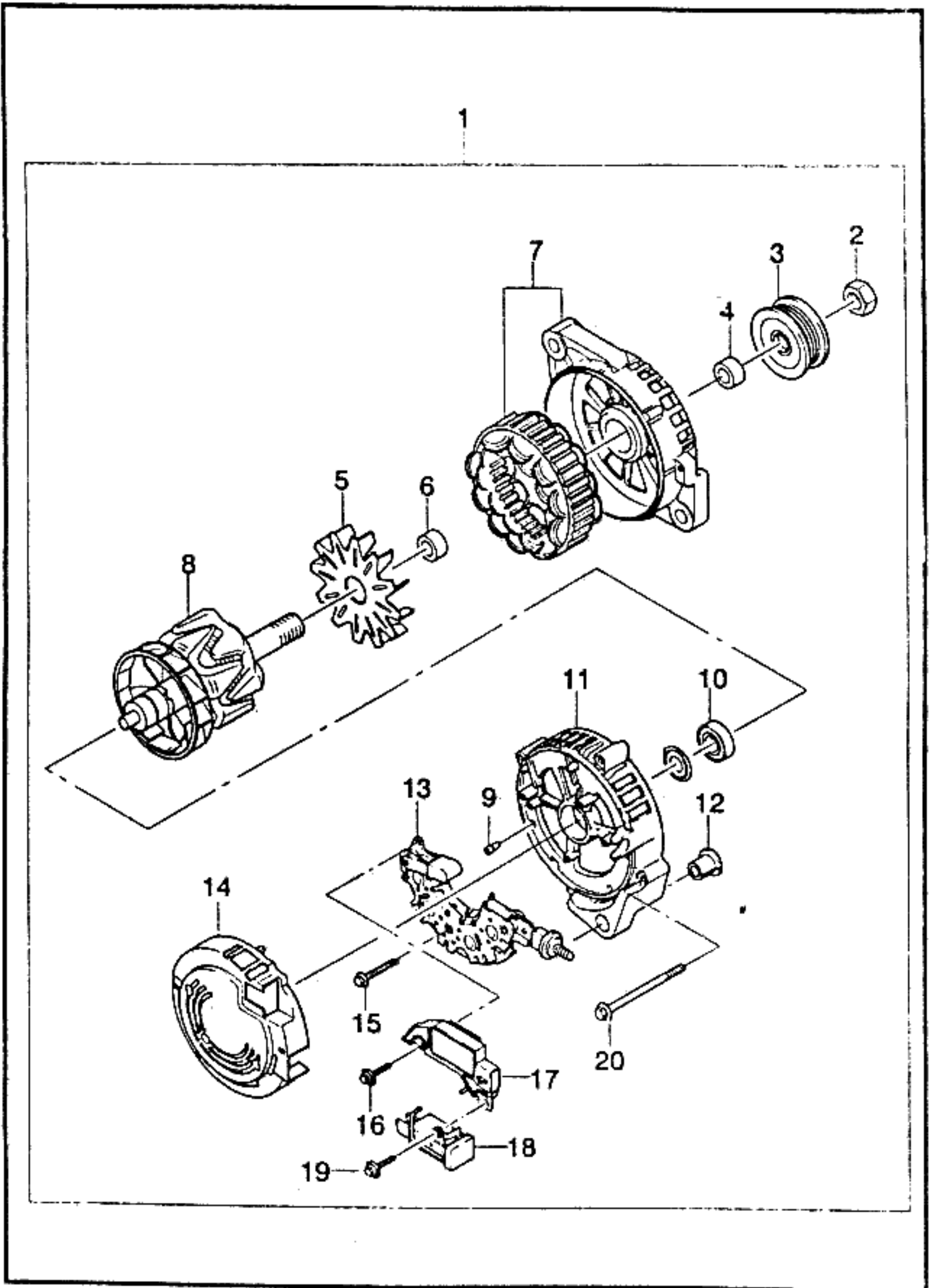
ENG(ENGINE)	T/A(TRANSAXLE)	BODY TYPE
Y = 1.5SOHC 6 = 1.6DOHC . = COMMON	M = MANUAL T/A A = AUTOMATIC T/A . = COMMON	4 N = 4 DOOR NOTCHBACK 3 H = 3 DOOR HATCHBACK 5 H = 5 DOOR HATCHBACK

1741 ALTERNATOR UNIT(12V,95A)

3L09



KEY NO.	PART NAME													
	PART NO	MODEL				OPTION	L / R	Q / T Y	EFFECTIVE DATE		REMARKS	P / C O D E		
		E T	BODY		LEVEL				FROM	TO				
N / G A	4 N	3 H	5 H	S S	S S	E X								
[01] 96239894	(E)ALTERNATOR A (D)WECHSELSTROMGENERATOR	. .	B B B	A A A	&XHA						(F)ALTERNATEUR (S)ALTERNADOR	1	12V,95A	AH
[02] 01911324	(E)NUT (D)MUTTER	. .	B B B	A A A	&XHA						(F)ECROU (S)TUERCA	1		
[03] 211081	(E)PULLEY (D)ROLLE	. .	B B B	A A A	&XHA						(F)POULIE (S)POLEA	1		
[04] 210937	(E)COLLAR (D)KRAGEN(GROß)	. .	B B B	A A A	&XHA						(F)COLLIER (GRAND) (S)CASQUILLO(GRANDE)	1	LARGE	
[05] 211103	(E)FAN (D)BLÄSER	. .	B B B	A A A	&XHA						(F)VENTILATEUR (S)VENTILADOR	1		
[06] 210768	(E)COLLAR (D)KRAGEN(KLEIN)	. .	B B B	A A A	&XHA						(F)COLLIER (PETIT) (S)CASQUILLO(PEQUEÑA)	1	SMALL	
[07] 211147	(E)FRAME&STATOR A (D)RAHMEN & STATOR	. .	B B B	A A A	&XHA						(F)CADRE&STATOR (S)ARMADURA Y ESTATOR	1		
[08] 210755	(E)ROTOR (D)DREHTEIL	. .	B B B	A A A	&XHA						(F)ROTOR (S)ROTOR	1		
[09] 210921	(E)INSULATOR (D)ISOLATOR	. .	B B B	A A A	&XHA						(F)ISOLATEUR (S)AISLADOR	3		
[10]	(E)BEARING-BALL (D)KUGELLAGER	. .	B B B	A A A	&XHA						(F)ROULEMENT-BILIE (S)COJINETE DE BOLAS			
ENG(ENGINE)		T/A(TRANSAXLE)				BODY TYPE								
Y = 1.5SOHC 6 = 1.6DOHC . = COMMON		M = MANUAL T/A A = AUTOMATIC T/A . = COMMON				4 N = 4 DOOR NOTCHBACK 3 H = 3 DOOR HATCHBACK 5 H = 5 DOOR HATCHBACK								

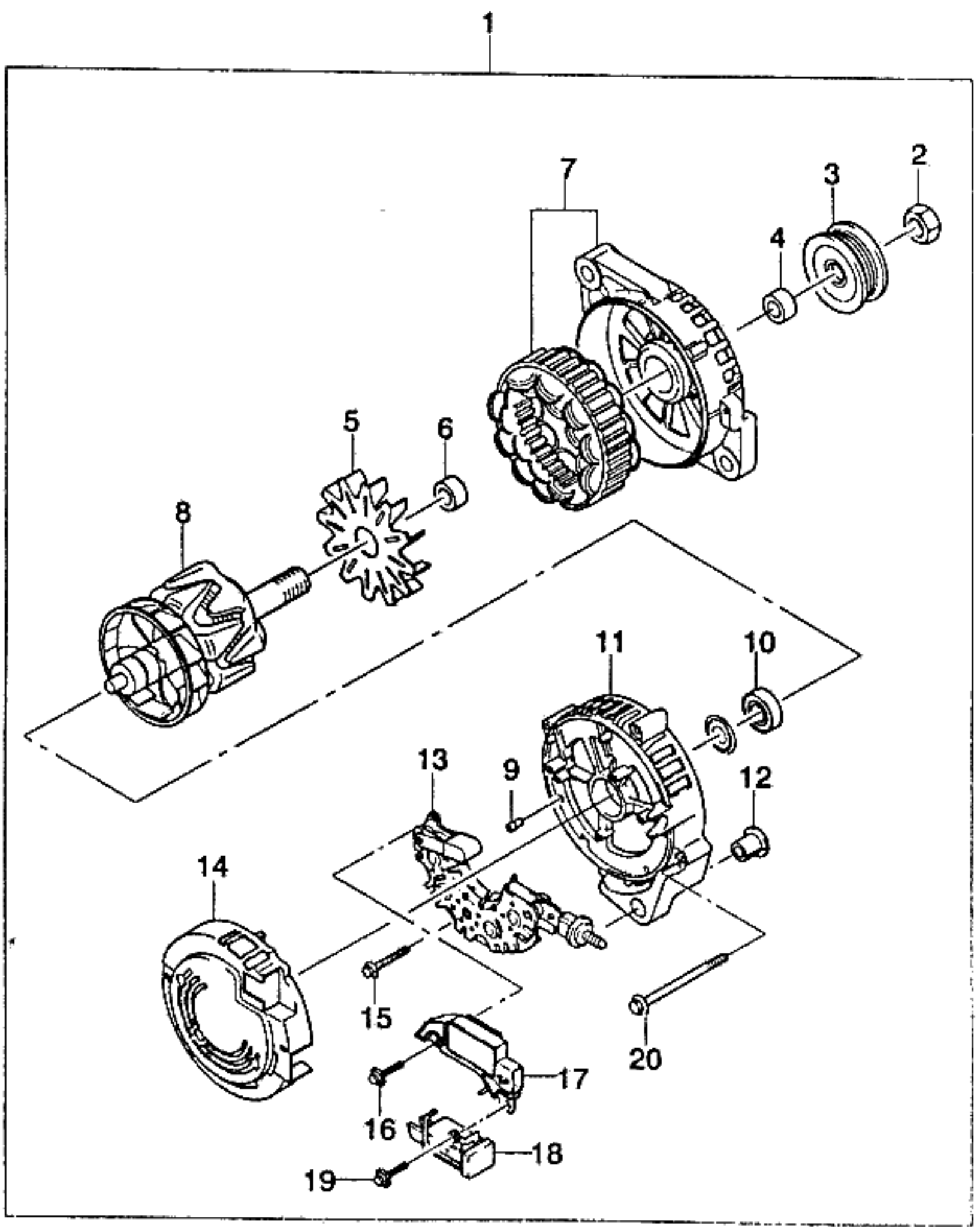


KEY NO.	PART NAME										REMARKS	P / C O D E	
	PART NO	MODEL					OPTION	L / R	Q T Y	EFFECTIVE DATE			
		E T	4	3	5	LEVEL				FROM			TO
210938	B	B	B	A	A	A	&XHA	1				
[11]	(E)FRAME A (D)RAHMEN								(F)CADRE (S)ARMADURA				
211083	B	B	B	A	A	A	&XHA	1				
[12]	(E)BUSHING (D)LAGERFUTTER								(F)MANCHON (S)BUJE DE BOQUILLA				
10495216	B	B	B	A	A	A	&XHA	1				
[13]	(E)RECTIFIER (D)RICHTER								(F)RECTIFICATEUR (S)RECTIFICADOR				
268500	B	B	B	A	A	A	&XHA	1				
[14]	(E)COVER (D)DECKEL								(F)CARTER (S)CUBIERTA				
210990	B	B	B	A	A	A	&XHA	1				
[15]	(E)SCREW (D)SCHRAUBE								(F)VIS (S)TORNILLO				
210788	B	B	B	A	A	A	&XHA	3				
[16]	(E)SCREW (D)SCHRAUBE								(F)VIS (S)TORNILLO				
01989650	B	B	B	A	A	A	&XHA	1				
[17]	(E)REGULATOR (D)REGULATOR								(F)REGULATEUR (S)REGULADOR				
271520	B	B	B	A	A	A	&XHA	1				
[18]	(E)BRUSH A (D)BÜRSTE								(F)BALAI (S)ESCOBILLA				
210748	B	B	B	A	A	A	&XHA	1				
[19]	(E)SCREW (D)SCHRAUBE								(F)VIS (S)TORNILLO				
01989681	B	B	B	A	A	A	&XHA	1				

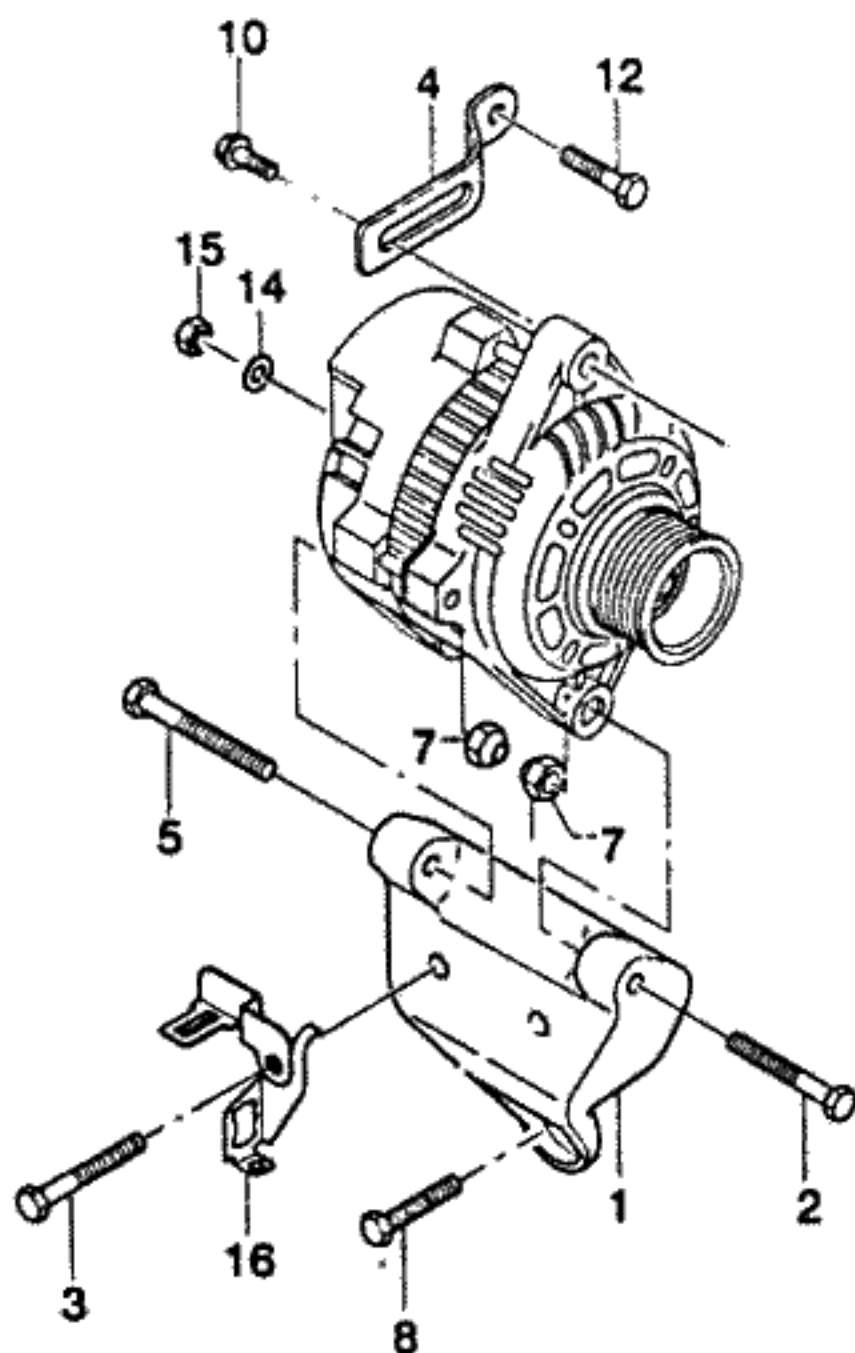
ENG(ENGINE)	T/A(TRANSAXLE)	BODY TYPE
Y = 1.5SOHC 6 = 1.6DOHC . = COMMON	M = MANUAL T/A A = AUTOMATIC T/A . = COMMON	4 N = 4 DOOR NOTCHBACK 3 H = 3 DOOR HATCHBACK 5 H = 5 DOOR HATCHBACK

1741 ALTERNATOR UNIT(12V,95A)

3N09



KEY NO.		PART NAME													
I T C	PART NO	MODEL				OPTION	L / R	Q T Y	EFFECTIVE DATE		REMARKS	P / C O D E			
		E N G	T / A	BODY					S S E X	FROM			TO		
				4 N H	3 H									5 H	
	[20] 10473999	(E)BOLT (D)SCHRAUBE											(F)BOULON (S)PERNO		
		. . .	B	B	B	A	A	A	&XHA				4		
ENG(ENGINE)		T/A(TRANSAXLE)				BODY TYPE									
Y = 1.5SOHC 6 = 1.6DOHC . = COMMON		M = MANUAL T/A A = AUTOMATIC T/A . = COMMON				4 N = 4 DOOR NOTCHBACK 3 H = 3 DOOR HATCHBACK 5 H = 5 DOOR HATCHBACK									

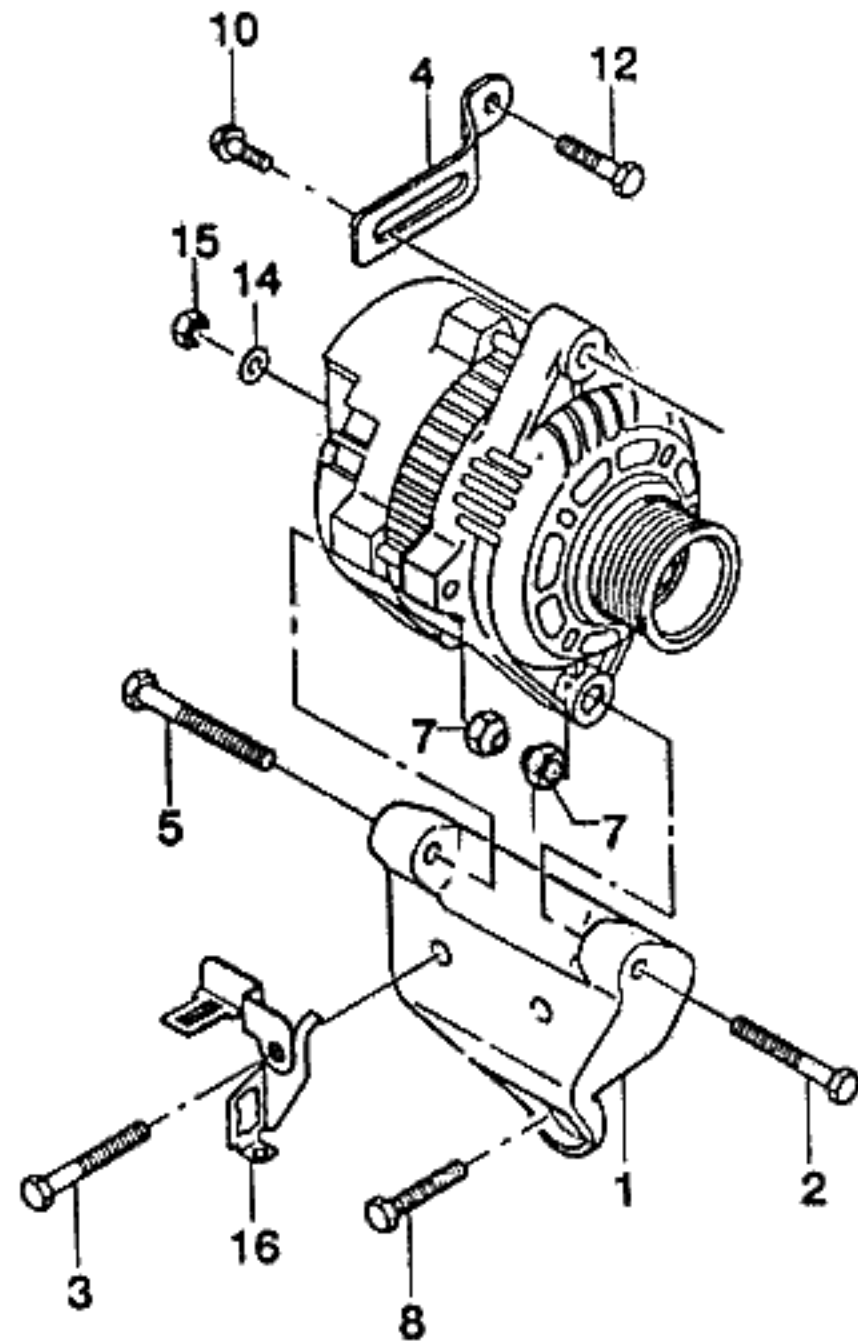


KEY NO.	PART NAME										
	PART NO	MODEL				OPTION	L / Q R / Y	EFFECTIVE DATE		REMARKS	P / C O D E
		E T	BODY	LEVEL				FROM	TO		
[01]	(E)BRACKET-ALTERNATOR (D)TRÄGER										
96184726	Y M B B B S S S						1	970423			
○ 96352550	Y M B B B S S S						1	970423			
96184817	Y A B B B O O O						1	970510			
○ 96352551	Y A B B B O O O						1	970510			
[02]	(E)BOLT-HEXAGON FLANGE (D)SCHRAUBE										
01513-08453	Y . B B B S S S						1				
[03]	(E)BOLT-HEXAGON FLANGE (D)SCHRAUBE										
09103-10041	Y . B B B S S S						2				
[04]	(E)SHACKLE-ALTERNATOR (D)SCHIENE										
96350678	Y . B B B S S S						1	970510			
○ 96352146	Y . B B B S S S						1	970510			
[05]	(E)BOLT-HEXAGON FLANGE (D)SCHRAUBE										
01513-08553	Y . B B B S S S						1				
[07]	(E)NUT-HEXAGON LOCK (D)MUTTER										
08311-38083	Y . B B B S S S						2				
[08]	(E)BOLT-HEXAGON FLANGE (D)SCHRAUBE										
09103-10054	Y M B B B S S S						1				
09103-10042	Y A B B B O O O						1				
[10]	(E)BOLT-HEXAGON FLANGE (D)SCHRAUBE										

ENG(ENGINE)	T/A(TRANSAXLE)	BODY TYPE
Y = 1.5SOHC 6 = 1.6DOHC . = COMMON	M = MANUAL T/A A = AUTOMATIC T/A . = COMMON	4 N = 4 DOOR NOTCHBACK 3 H = 3 DOOR HATCHBACK 5 H = 5 DOOR HATCHBACK

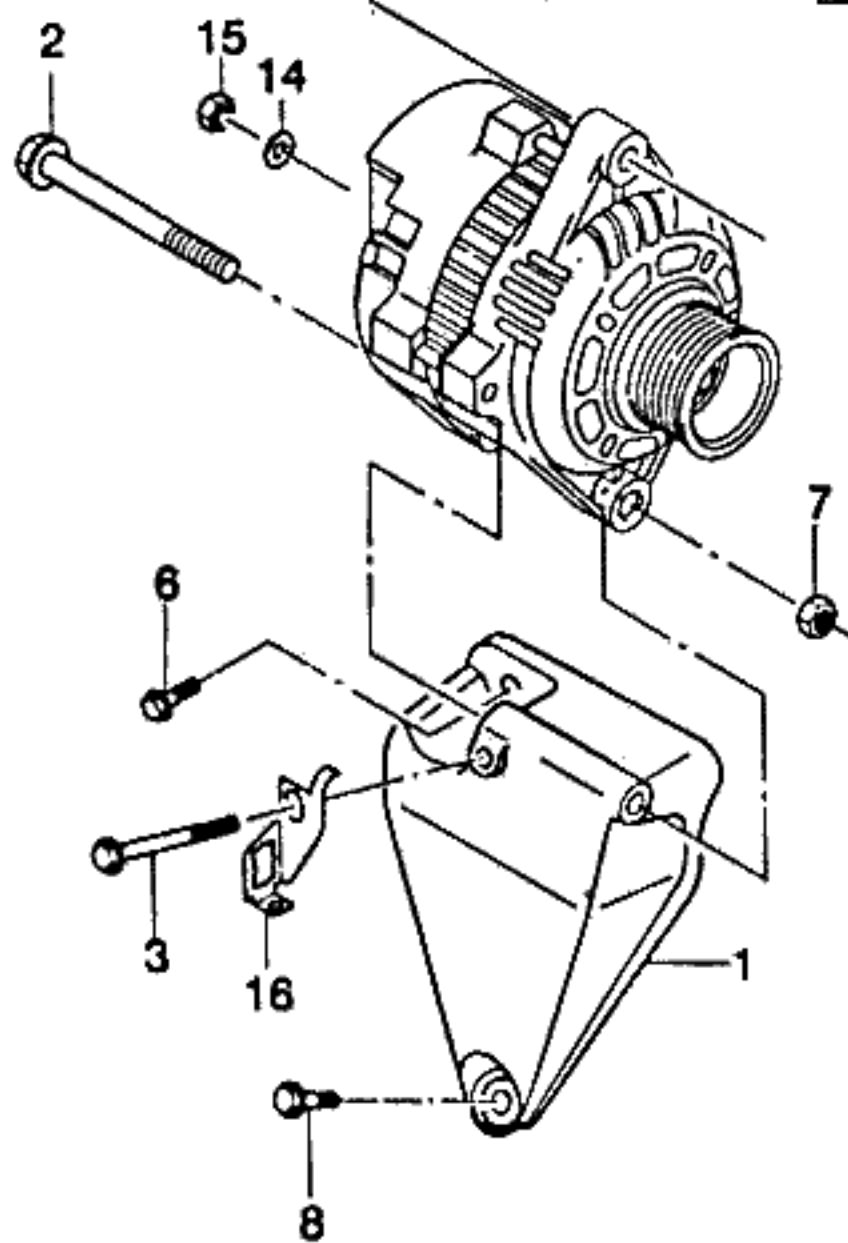
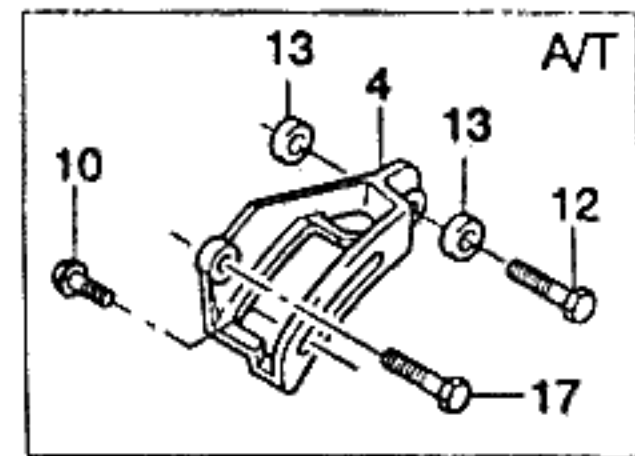
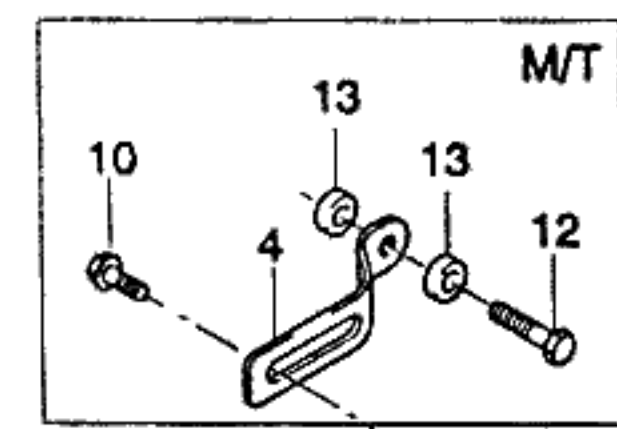
1750 ALTERNATOR MOUNT(SOHC)

3C10



KEY NO.		PART NAME													
I T C	PART NO	MODEL						OPTION	L / R	Q T Y	EFFECTIVE DATE		REMARKS	P / C O D E	
		E N G	T / A	BODY			LEVEL				FROM	TO			
				4 N	3 H	5 H	S S								S S
	01517-08253 [12]	Y	.	B	B	B	S	S	S	S		1	(F)BOULON (S)PERNO		
	09103-08019 [14]	Y	.	B	B	B	S	S	S	S		1	(F)RONDELLE (S)ARANDELA		
	08321-21083 [15]	Y	.	B	B	B	S	S	S	S		1	(F)ECROU (S)TUERCA		
	08310-11083 [16]	Y	.	B	B	B	S	S	S	S		1	(F)SUPPORT (S)SOPORTE		
	96242506	Y	.	B	B	B	S	S	S	S		1			

ENG(ENGINE)	T/A(TRANSAXLE)	BODY TYPE
Y = 1.5SOHC 6 = 1.6DOHC . = COMMON	M = MANUAL T/A A = AUTOMATIC T/A . = COMMON	4 N = 4 DOOR NOTCHBACK 3 H = 3 DOOR HATCHBACK 5 H = 5 DOOR HATCHBACK

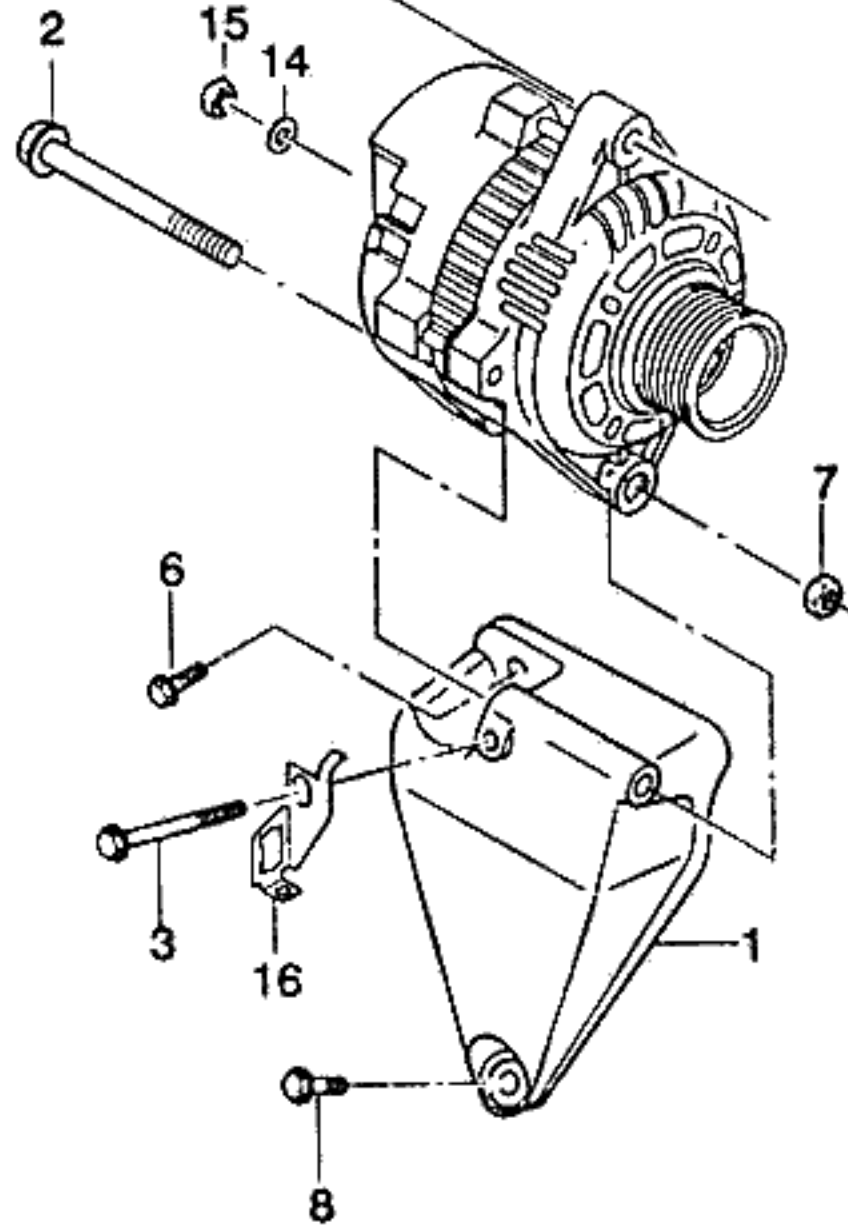
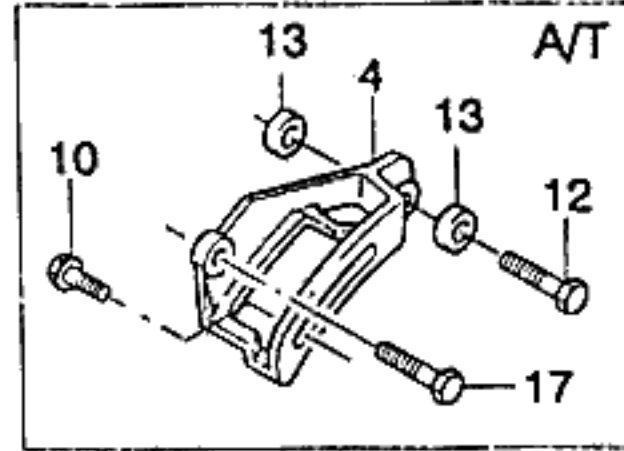
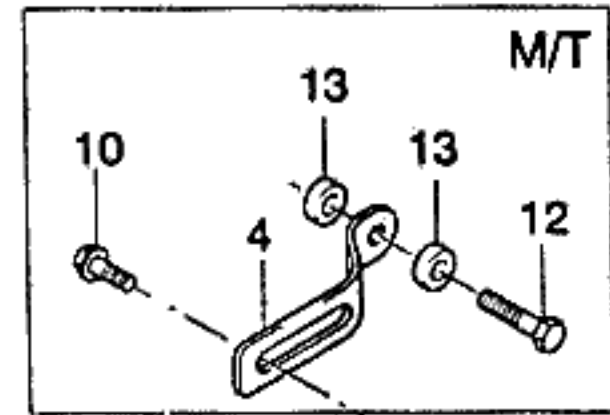


I T C	KEY NO.	PART NAME										P / C O D E		
		PART NO	MODEL					OPTION	L / R	Q T Y	EFFECTIVE DATE		REMARKS	
			E N G	T / A	B O D Y	L E V E L					FROM			TO
	[01]	(E)BRACKET-ALTERNATOR (D)TRÄGER											(F)SUPPORT-ALTERNATEUR (S)SOPORTE-ALTERNADOR	
	96184740	6 M B B B . . O										1	970324	
	O 96352142	6 M B B B . . O										1	970324	
	96184741	6 A B B B . . O										1	970510	
	O 96352143	6 A B B B . . O										1	970510	
	[02]	(E)BOLT-HEXAGON FLANGE (D)SCHRAUBE												(F)BOULON (S)PERNO
	09103-08023	6 . B B B . . O										1		
	[03]	(E)BOLT-HEXAGON FLANGE (D)SCHRAUBE												(F)BOULON (S)PERNO
	09103-10053	6 . B B B . . O										1		
	[04]	(E)SHACKLE-ALTERNATOR (D)SCHIENE												(F)SUPPORT-ALTERNATEUR (S)REFUERZO-ALTERNADOR
	96350018	6 M B B B . . O										1	970509	
	O 96352144	6 M B B B . . O										1	970509	
	96351643	6 A B B B . . O										1		
	[06]	(E)BOLT-HEXAGON FLANGE (D)SCHRAUBE												(F)BOULON (S)PERNO
	09103-10054	6 . B B B . . O										1		
	[07]	(E)NUT-HEXAGON FLANGE (D)MUTTER												(F)ECROU (S)TUERCA
	08311-38083	6 . B B B . . O										1		
	[08]	(E)BOLT-HEXAGON FLANGE (D)SCHRAUBE												(F)BOULON (S)PERNO
	09103-10054	6 M B B B . . O										1		
	09103-10008	6 A B B B . . O										1		

ENG(ENGINE)	T/A(TRANSAXLE)	BODY TYPE
Y = 1.5SOHC 6 = 1.6DOHC . = COMMON	M = MANUAL T/A A = AUTOMATIC T/A . = COMMON	4 N = 4 DOOR NOTCHBACK 3 H = 3 DOOR HATCHBACK 5 H = 5 DOOR HATCHBACK

1751 ALTERNATOR MOUNT(DOHC)

3E10

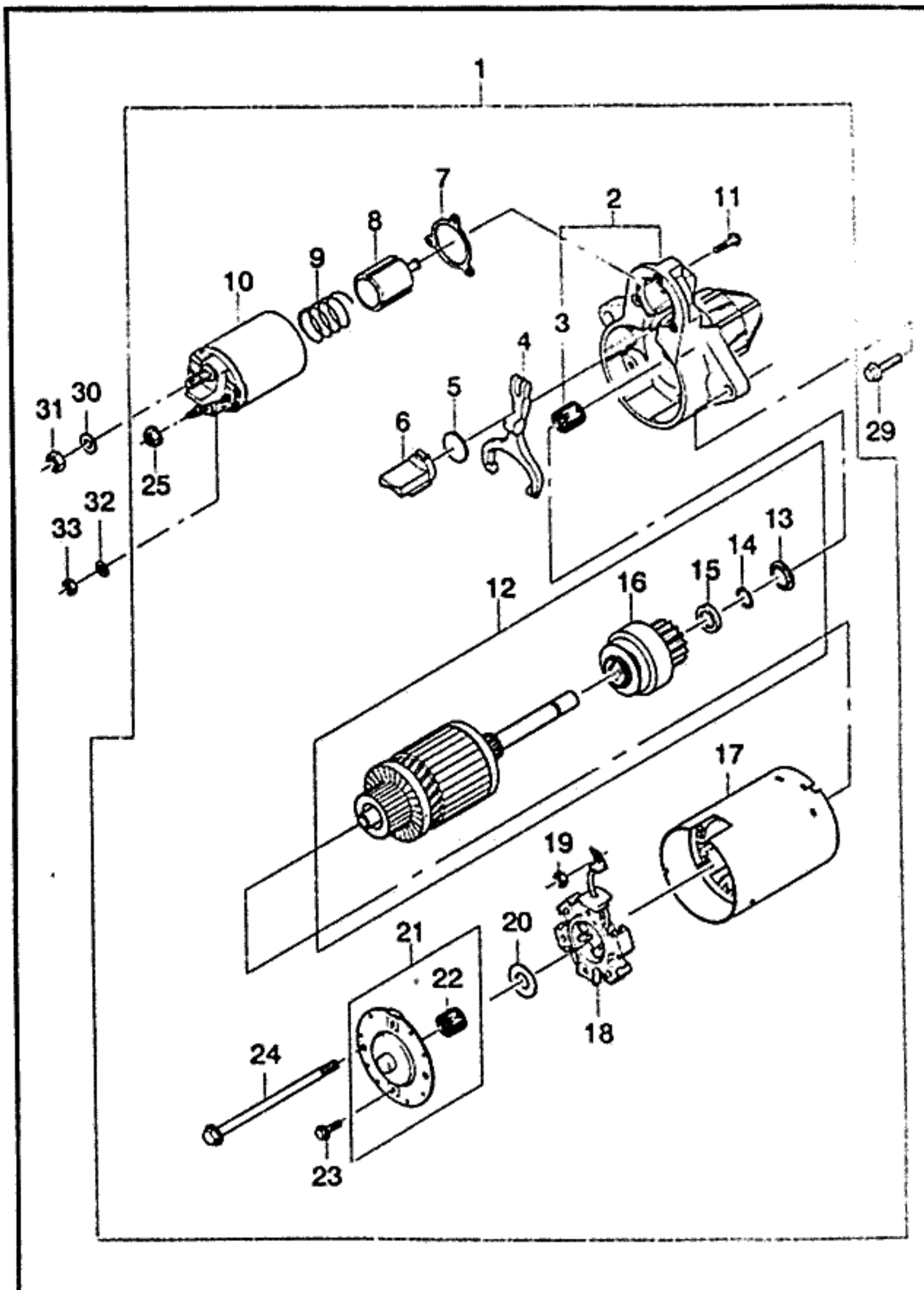


KEY NO.	PART NAME												
	PART NO	MODEL			OPTION	L / R	Q / T Y	EFFECTIVE DATE		REMARKS	P / C O D E		
		E T	BODY	LEVEL				FROM	TO				
	N / G	4 3 5	S S S										
[10]	(E)BOLT-HEXAGON FLANGE (D)SCHRAUBE										(F)BOULON (S)PERNO		
01517-08253	6 . B B B . . O										1		
[12]	(E)BOLT-HEXAGON FLANGE (D)SCHRAUBE										(F)BOULON (S)PERNO		
01517-08353	6 . B B B . . O										1		
[13]	(E)BUSHING (D)LAGERFUTTER										(F)MANCHON (S)BUJE DE BOQUILLA		
90280842	6 . B B B . . O										2		
[14]	(E)WASHER-SPRING (D)DICHTUNGSRING										(F)RONDELLE (S)ARANDELA		
08321-21083	6 . B B B . . O										1		
[15]	(E)NUT-HEXAGON (D)MUTTER										(F)ECROU (S)TUERCA		
08310-11083	6 . B B B . . O										1		
[16]	(E)BRACKET-C.P.S CONNECTOR (D)TRÄGER										(F)SUPPORT (S)SOPORTE		
96242507	6 . B B B . . O										1		
[17]	(E)BOLT-HEXAGON FLANGE (D)SCHRAUBE										(F)BOULON (S)PERNO		
01517-08303	6 A B B B . . O										1		

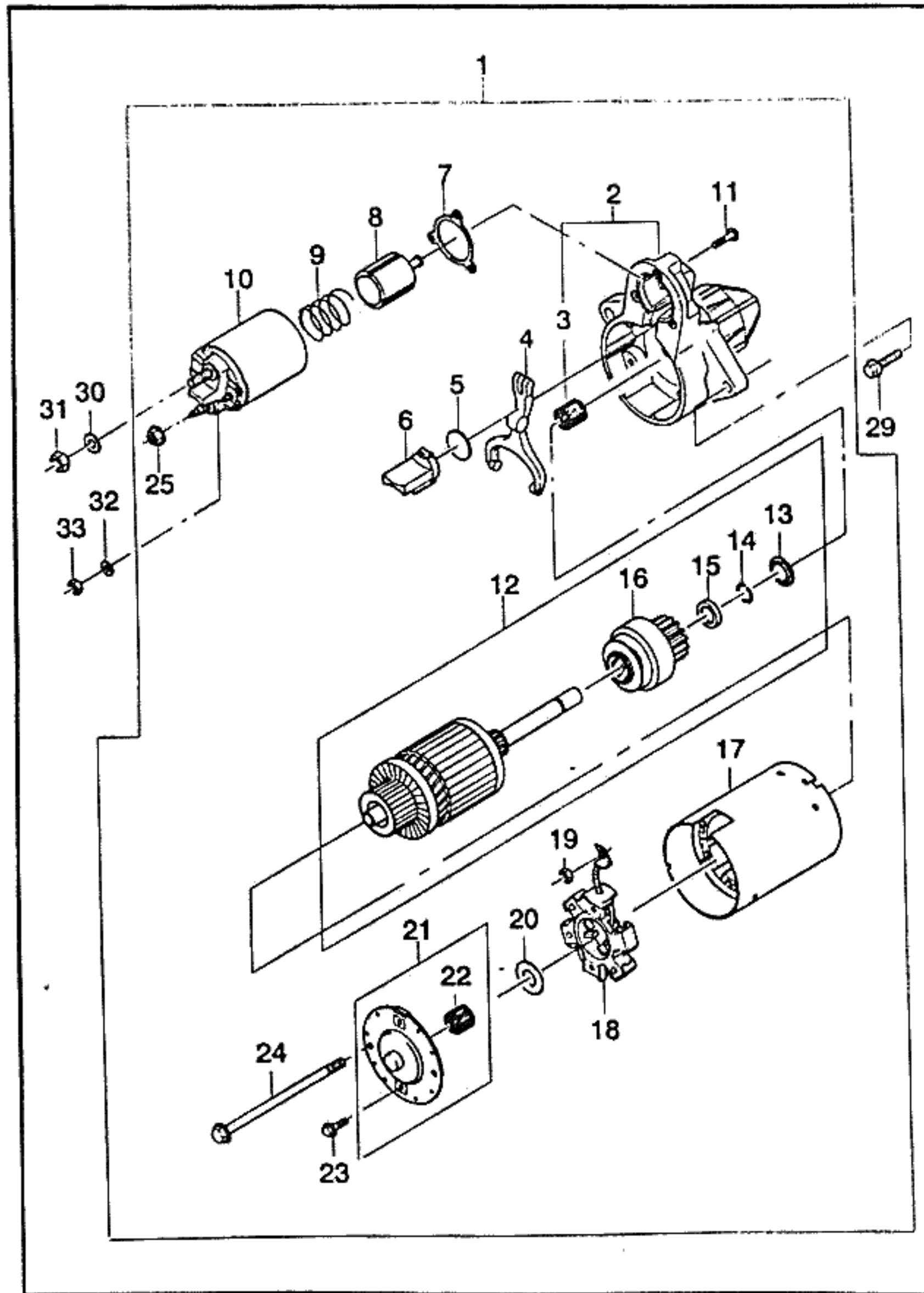
ENG(ENGINE)	T/A(TRANSAXLE)	BODY TYPE
Y = 1.5SOHC 6 = 1.6DOHC . = COMMON	M = MANUAL T/A A = AUTOMATIC T/A . = COMMON	4 N = 4 DOOR NOTCHBACK 3 H = 3 DOOR HATCHBACK 5 H = 5 DOOR HATCHBACK

1760 STARTER(0.8KW)

3F10

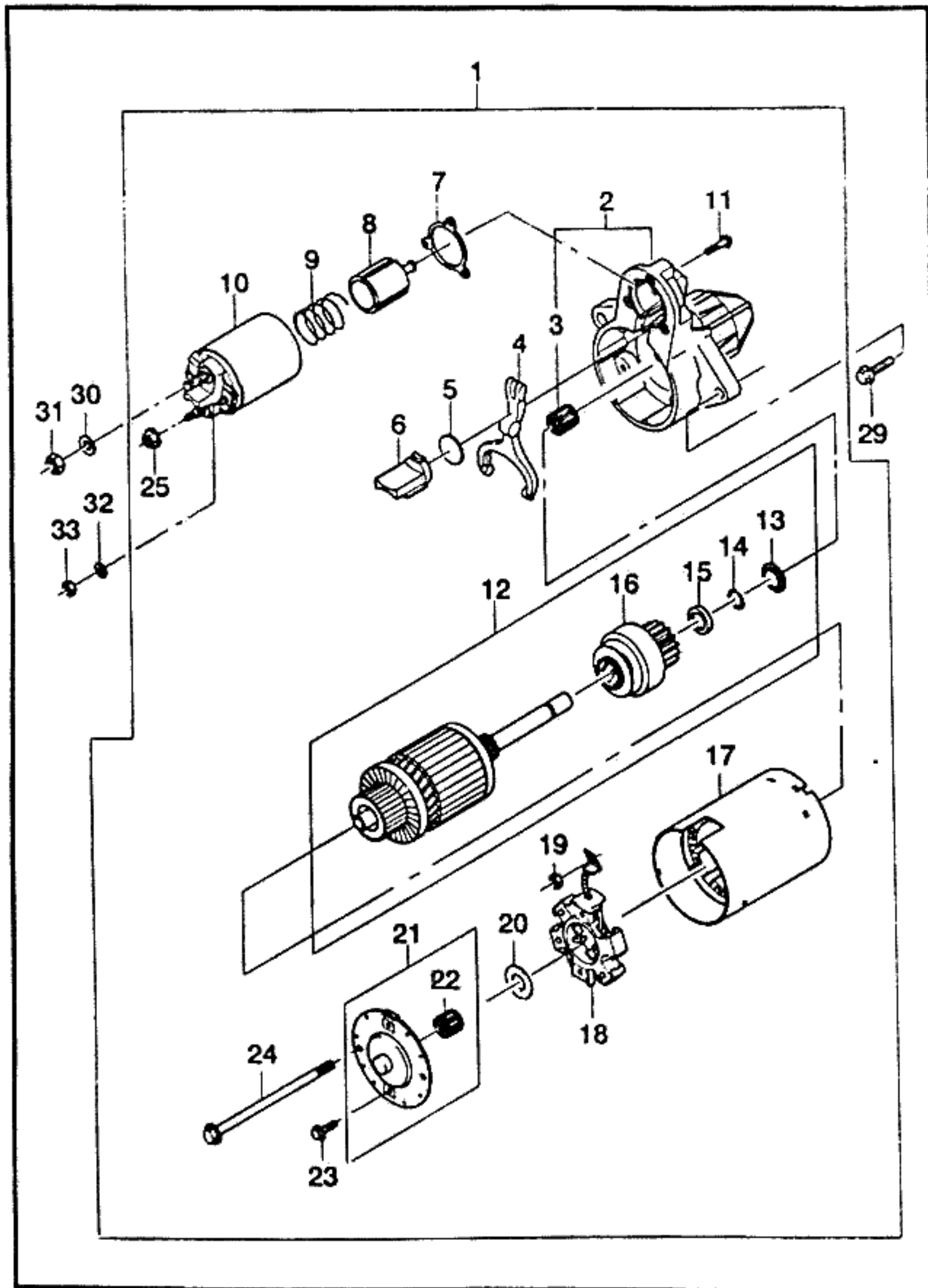


KEY NO.	PART NAME									
	PART NO	MODEL			OPTION	L / R	EFFECTIVE DATE		REMARKS	P / CODE
		E N G	T / A	B O D Y			L E V E L	F R O M		
[01]	(E)STATER A (D)ANLASSER							(F)DEMARREUR (S)ARRANQUE		
96208781	Y M B B B S S S				&NN4/NN6			1	0.8KW	SQ
[02]	(E)HOUSING (D)GEHÄUSE							(F)LOGEMENT (S)CARCASA		
10476114	Y M B B B S S S							1		
[03]	(E)BUSHING (D)LAGERFUTTER							(F)MANCHON (S)BUJE DE BOQUILLA		
110526	Y M B B B S S S							1		
[04]	(E)LEVER (D)HEBEL							(F)LEVIER (S)PALANCA		
10475062	Y M B B B S S S							1		
[05]	(E)PLATE (D)PLATTE							(F)PLAQUE (S)PLACA		
10475061	Y M B B B S S S							1		
[06]	(E)PLUG (D)STÖPSEL							(F)BOUCHON (S)TAPON		
110725	Y M B B B S S S							1		
[07]	(E)GASKET (D)DICHTUNG							(F)JOINT (S)JUNTA		
110645	Y M B B B S S S							1		
[08]	(E)PLUNGER (D)TAUCHER							(F)PISTON PLONGEUR (S)EMBOLO		
110974	Y M B B B S S S							1		
[09]	(E)SPRING (D)FEDERUNG							(F)RESSORT (S)RESORTE		
100976	Y M B B B S S S							1		
[10]	(E)SOLENOID (D)SOLENOID							(F)SOLENOIDE (S)SELENOIDE		
	ENG(ENGINE)	T/A(TRANSAXLE)			BODY TYPE					
	Y = 1.5SOHC 6 = 1.6DOHC . = COMMON	M = MANUAL T/A A = AUTOMATIC T/A . = COMMON			4 N = 4 DOOR NOTCHBACK 3 H = 3 DOOR HATCHBACK 5 H = 5 DOOR HATCHBACK					

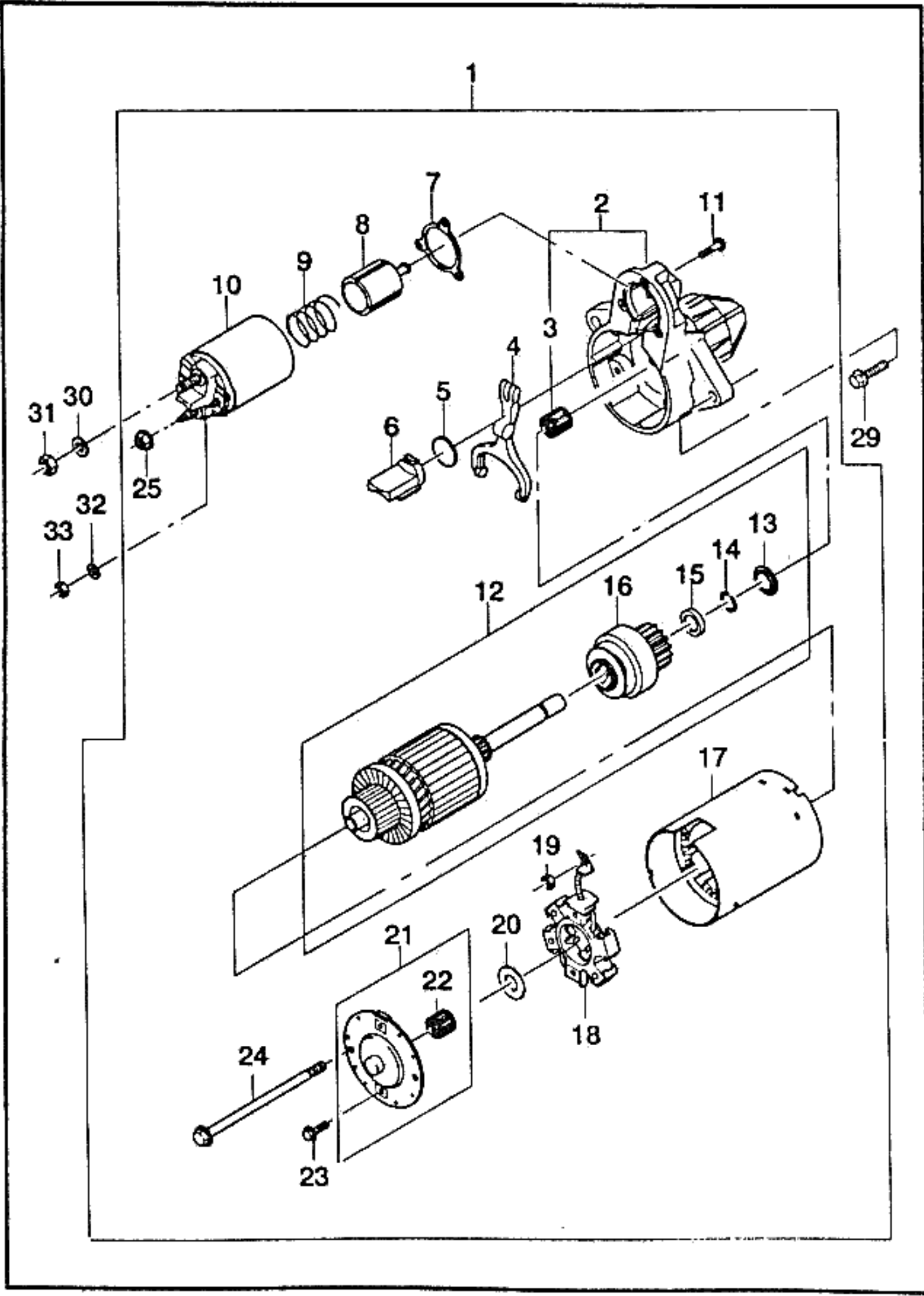


KEY NO.	PART NAME												
	PART NO	MODEL					OPTION	L / R	QTY	EFFECTIVE DATE		REMARKS	P / CODE
		E	T	BODY	LEVEL					FROM	TO		
N	G	4	3	5	S	S	S						
111350	Y M B B B S S S										1	(F)VIS (S)TORNILLO	
[11]	(E)SCREW (D)SCHRAUBE										3	(F)ARMATURE (S)ARMADURA	
10475056	Y M B B B S S S										1	(F)COLLAR (S)CASQUILLO	
[12]	(E)ARMATURE (D)ARMATUR										1	(F)ANNEAU (S)ANILLO	
10475100	Y M B B B S S S										1	(F)RING (D)RING	
[13]	(E)COLLAR (D)KRAGEN										1	(F)PINION STOP (D)RITZEL,STOPP	
10477310	Y M B B B S S S										1	(F)ENTRAINEMENT (S)IMPULSADOR	
[14]	(E)RING (D)RING										1	(F)CADRE-CHAMP (S)ARMADURA-CAMPO	
01927848	Y M B B B S S S										1	(F)HOLDER-BRUSH (D)BEHÄLTER,BÜRSTE	
[15]	(E)PINION STOP (D)RITZEL,STOPP										1	(F)NUT (D)MUTTER	
01927849	Y M B B B S S S										1		
[16]	(E)DRIVE (D)ANTRIEB										1		
10475074	Y M B B B S S S										1		
[17]	(E)FRAME-FIELD (D)RAHMEN,FELD										1		
10475094	Y M B B B S S S										1		
[18]	(E)HOLDER-BRUSH (D)BEHÄLTER,BÜRSTE										1		
10475107	Y M B B B S S S										1		
[19]	(E)NUT (D)MUTTER										1		
110720	Y M B B B S S S										1		

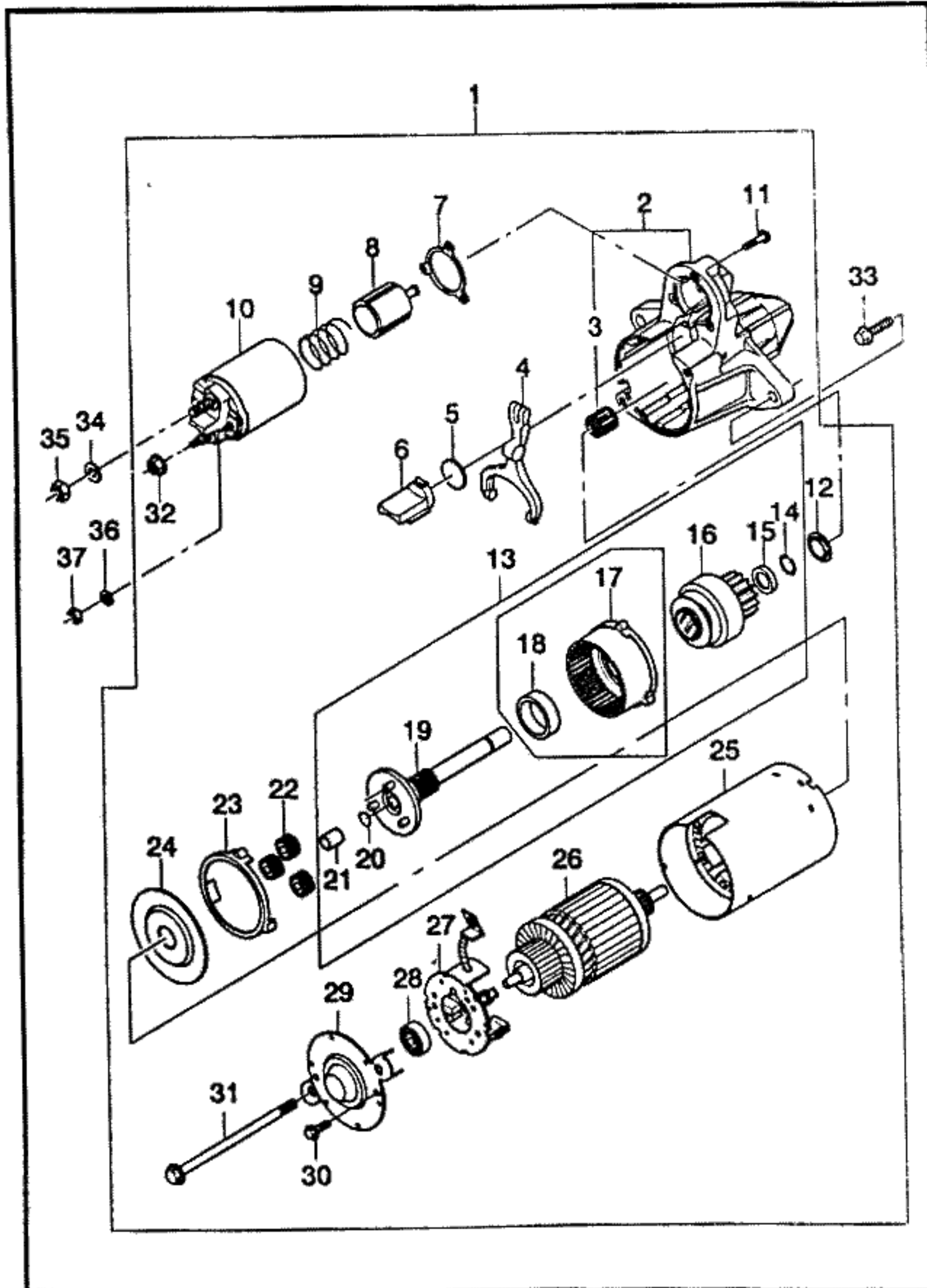
ENG(ENGINE)	T/A(TRANSAXLE)	BODY TYPE
Y = 1.5SOHC 6 = 1.6DOHC . = COMMON	M = MANUAL T/A A = AUTOMATIC T/A . = COMMON	4 N = 4 DOOR NOTCHBACK 3 H = 3 DOOR HATCHBACK 5 H = 5 DOOR HATCHBACK



KEY NO.	PART NAME												
	PART NO	MODEL					OPTION	L / R	Q T Y	EFFECTIVE DATE		REMARKS	P / C O D E
		E N G	T / A	B O D Y	L E V E L	S S S				FROM	TO		
[20]	(E)WASHER (D)DICHTUNGSRING										(F)RONDELLE (S)ARANDELA		
10475058	Y M B B B S S S										1		
[21]	(E)FRAME-COMMUTATOR (D)RAHMEN,KOMMUTATOR ENDE										(F)CADRE (S)ARMADURA		
111361	Y M B B B S S S										1		
[22]	(E)BUSHING (D)LAGERFUTTER										(F)MANCHON (S)BUJE DE BOQUILLA		
110295	Y M B B B S S S										1		
[23]	(E)SCREW (D)SCHRAUBE										(F)VIS (S)TORNILLO		
10497256	Y M B B B S S S										2		
[24]	(E)BOLT (D)SCHRAUBE										(F)BOULON (S)PERNO		
10475057	Y M B B B S S S										2		
[25]	(E)NUT (D)MUTTER										(F)ECROU (S)TUERCA		
110720	Y M B B B S S S										1		
[29]	(E)SCREW (D)SCHRAUBE										(F)VIS (S)TORNILLO		
08956812	Y M B B B S S S										2		M8X1.25X25
[30]	(E)WASHER (D)DICHTUNGSRING										(F)RONDELLE (S)ARANDELA		
08321-21083	Y M B B B S S S										1		
[31]	(E)NUT (D)MUTTER										(F)ECROU (S)TUERCA		
08310-11083	Y M B B B S S S										1		
[32]	(E)WASHER (D)DICHTUNGSRING										(F)RONDELLE (S)ARANDELA		
ENG(ENGINE)		T/A(TRANSAXLE)					BODY TYPE						
Y = 1.5SOHC 6 = 1.6DOHC . = COMMON		M = MANUAL T/A A = AUTOMATIC T/A . = COMMON					4 N = 4 DOOR NOTCHBACK 3 H = 3 DOOR HATCHBACK 5 H = 5 DOOR HATCHBACK						

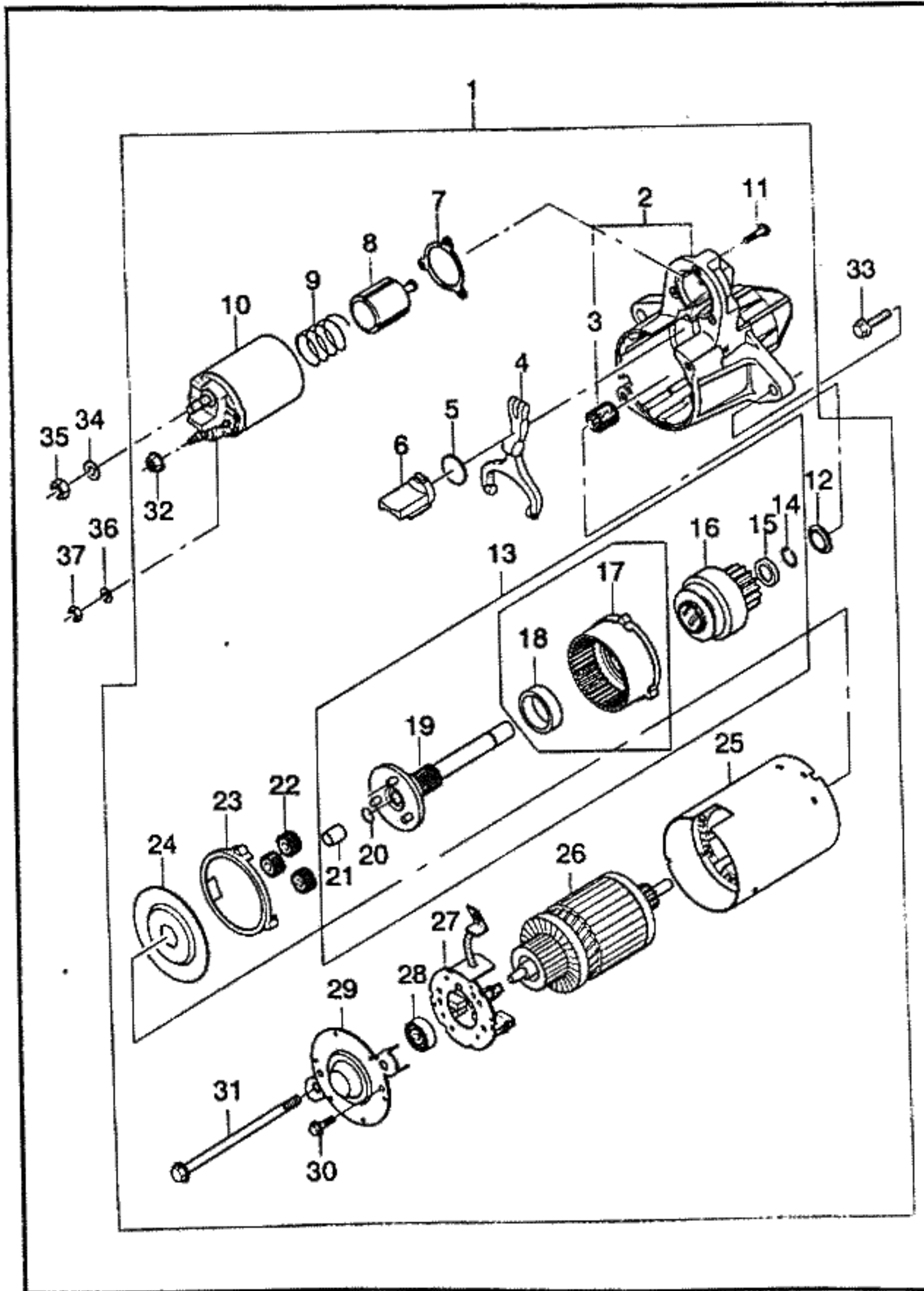


KEY NO.		PART NAME												
I T C	PART NO	MODEL					OPTION	L / R	Q T Y	EFFECTIVE DATE		REMARKS	P / C O D E	
		E N G	T / A	BODY						L E V E L	F R O M			T O
				4 N H	3 H	5 H								
	08321-21063 [33]	Y	M	B	B	B	S	S	S			1 (F)ECROU (S)TUERCA		
	08310-21063	Y	M	B	B	B	S	S	S			1		
ENG(ENGINE)		T/A(TRANSAXLE)					BODY TYPE							
Y = 1.5SOHC 6 = 1.6DOHC . = COMMON		M = MANUAL T/A A = AUTOMATIC T/A . = COMMON					4 N = 4 DOOR NOTCHBACK 3 H = 3 DOOR HATCHBACK 5 H = 5 DOOR HATCHBACK							



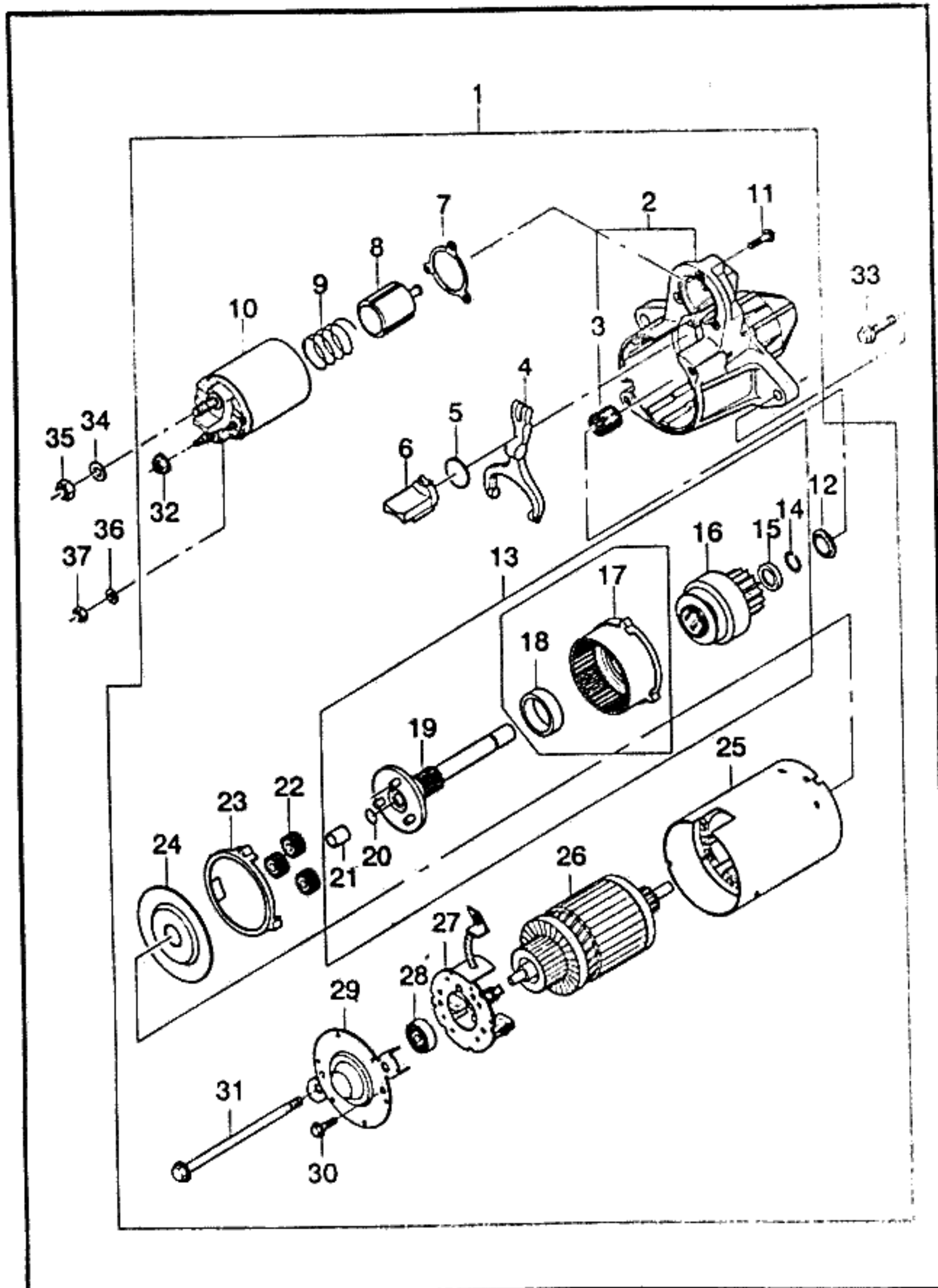
KEY NO.	PART NAME												
	PART NO	MODEL					OPTION	L / R	QTY	EFFECTIVE DATE		REMARKS	P / CODE
		E	T	BODY						LEVEL	FROM		
N	G	4	3	5	S	S	S						
[01]	(E)STATER A (D)ANLASSER										(F)DEMARREUR (S)ARRANQUE		
96208782	Y A B B B O O O							&NN6/NN4			1	1.4KW	SU
96208782	Y . B B B A A A							&NN7/XCA			1	1.4KW	SU
96208782	6 . B B B . . O										1	1.4KW	SU
[02]	(E)HOUSING (D)GEHÄUSE										(F)LOGEMENT (S)CARGASA		
10476430	. . B B B O O O										1		
[03]	(E)BUSHING (D)LAGERFUTTER										(F)MANCHON (S)BUJE DE BOQUILLA		
110526	. . B B B O O O										1		
[04]	(E)LEVER (D)HEBEL										(F)LEVIER (S)PALANCA		
10476003	. . B B B O O O										1		
[05]	(E)PLATE (D)PLATTE										(F)PLAQUE (S)PLACA		
10475061	. . B B B O O O										1		
[06]	(E)PLUG (D)STÖPSEL										(F)BOUCHON (S)TAPON		
10475995	. . B B B O O O										1		
[07]	(E)GASKET (D)DICHTUNG										(F)JOINT (S)JUNTA		
110645	. . B B B O O O										1		
[08]	(E)PLUNGER (D)TAUCHER										(F)PISTON PLONGEUR (S)EMBOLO		
110974	. . B B B O O O										1		
[09]	(E)SPRING (D)FEDERUNG										(F)RESSORT (S)RESORTE		

ENG(ENGINE)	T/A(TRANSAXLE)	BODY TYPE
Y = 1.5SOHC 6 = 1.6DOHC . = COMMON	M = MANUAL T/A A = AUTOMATIC T/A . = COMMON	4 N = 4 DOOR NOTCHBACK 3 H = 3 DOOR HATCHBACK 5 H = 5 DOOR HATCHBACK



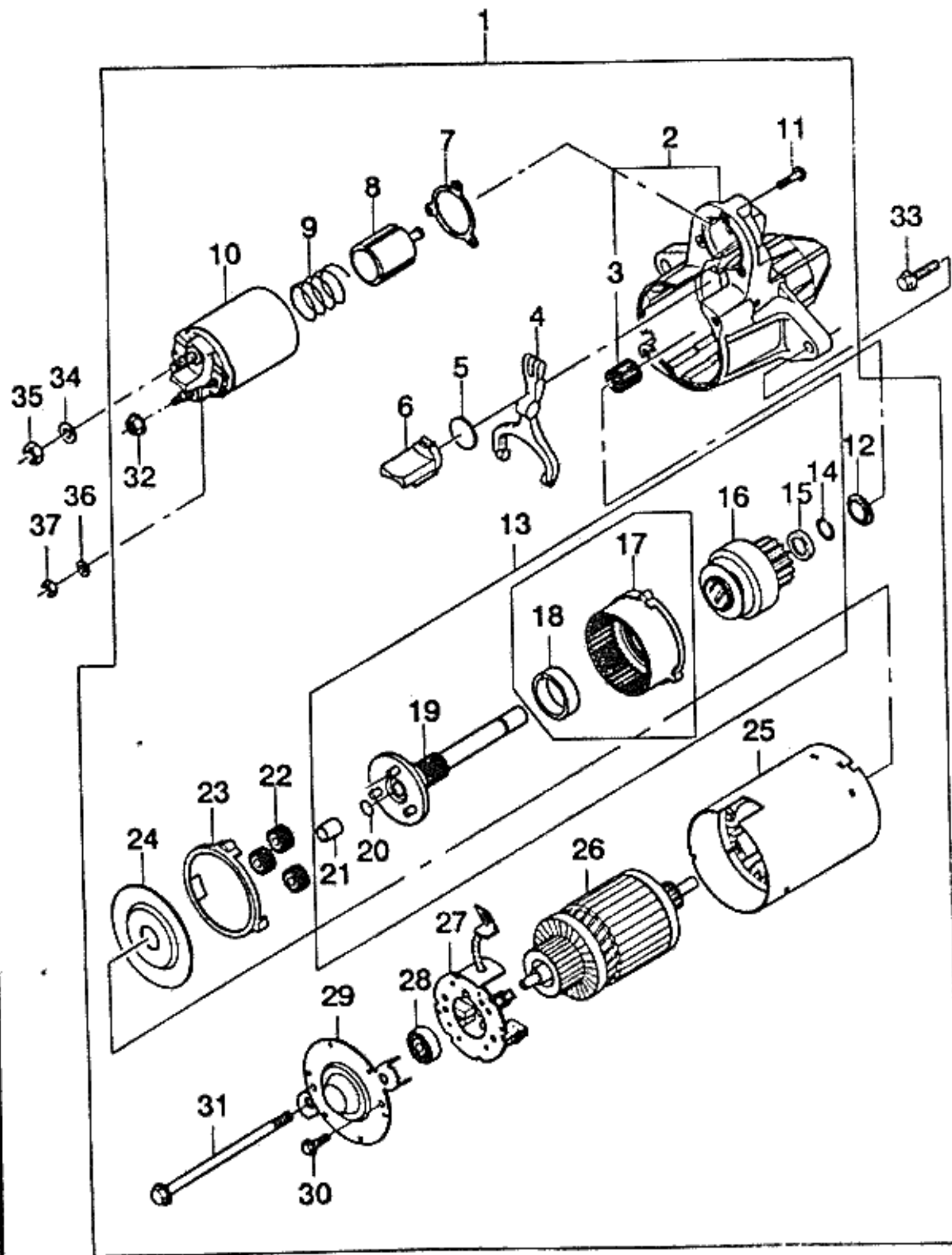
KEY NO.	PART NAME										REMARKS	P / CODE		
	PART NO	MODEL					OPTION	L / R	Q / T Y	EFFECTIVE DATE				
		E N G	T / A	B O D Y	L E V E L					FROM			TO	
110976		.	.	B	B	B	O	O	O	O	1			
[10]		(E)		SOLENOID							(F)	SOLENOIDE		
		(D)		SOLENOID							(S)	SELENOIDE		
110977		.	.	B	B	B	O	O	O	O	1			
[11]		(E)		SCREW							(F)	VIS		
		(D)		SCHRAUBE							(S)	TORNILLO		
10475056		.	.	B	B	B	O	O	O	O	3			
[12]		(E)		COLLAR							(F)	COLLIER		
		(D)		KRAGEN							(S)	CASQUILLO		
10477310		.	.	B	B	B	O	O	O	O	1			
[13]		(E)		DRIVE&SHAFT A							(F)	ENTRAINEMENT&ARBRE		
		(D)		ANTRIEB&SPINDEL							(S)	IMPULSADOR&EJE		
10475969		.	.	B	B	B	O	O	O	O	1			
[14]		(E)		RING							(F)	ANNEAU		
		(D)		RING							(S)	ANILLO		
01927848		.	.	B	B	B	O	O	O	O	1			
[15]		(E)		PINION-STOP							(F)	PIGNON-ARRET		
		(D)		RITZEL,STOPP							(S)	PIÑON-TOPE		
111058		.	.	B	B	B	O	O	O	O	1			
[16]		(E)		DRIVE							(F)	ENTRAINEMENT		
		(D)		ANTRIEB							(S)	IMPULSADOR		
10475974		.	.	B	B	B	O	O	O	O	1			
[17]		(E)		GEAR							(F)	ENGRENAGE		
		(D)		GETRIEBE							(S)	ENGRANAJE		
10475976		.	.	B	B	B	O	O	O	O	1			
[18]		(E)		BUSHING							(F)	MANCHON		
		(D)		LAGERFUTTER							(S)	BUJE DE BOQUILLA		
10475977		.	.	B	B	B	O	O	O	O	1			

ENG(ENGINE)	T/A(TRANSAXLE)	BODY TYPE
Y = 1.5SOHC 6 = 1.6DOHC . = COMMON	M = MANUAL T/A A = AUTOMATIC T/A . = COMMON	4 N = 4 DOOR NOTCHBACK 3 H = 3 DOOR HATCHBACK 5 H = 5 DOOR HATCHBACK



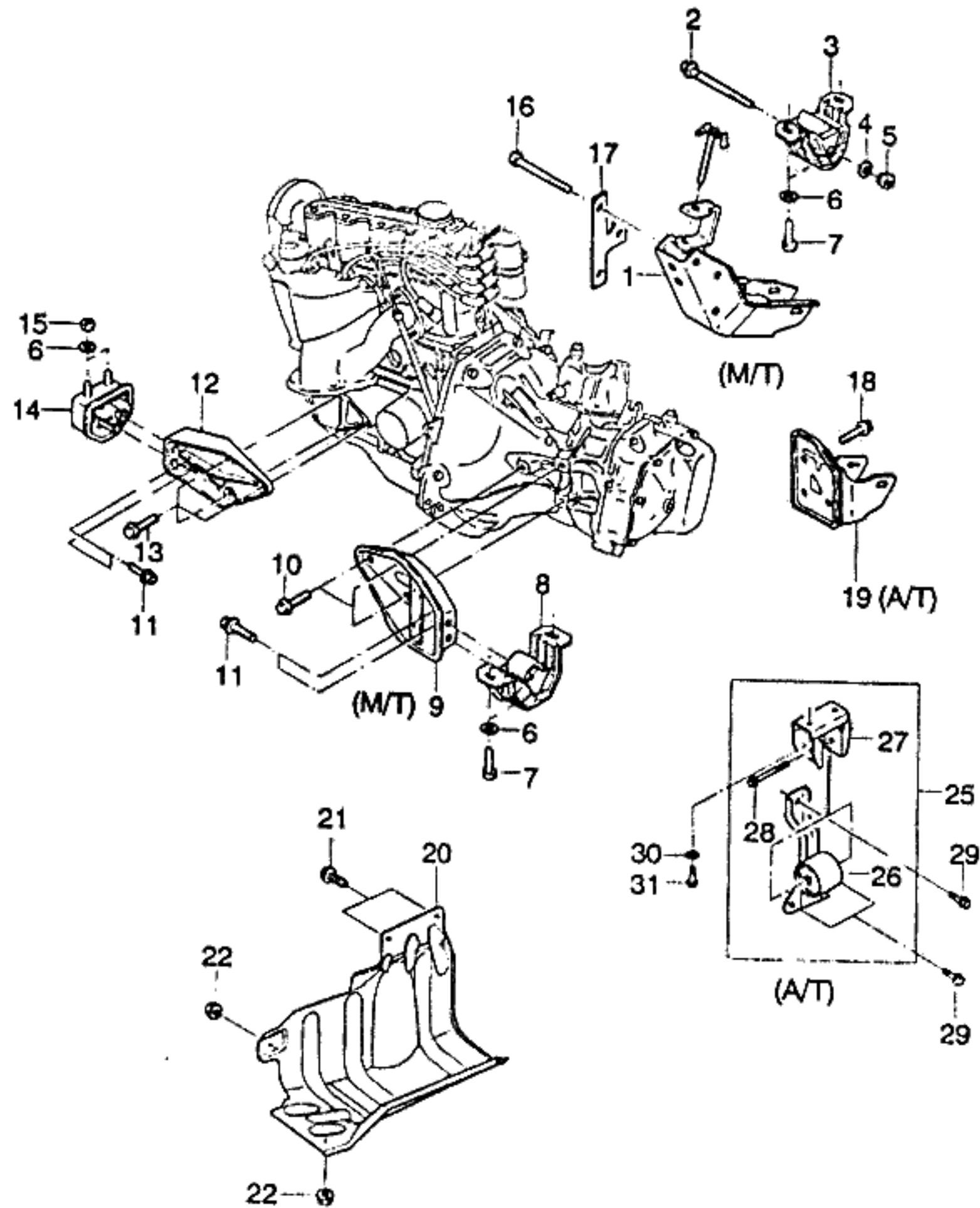
KEY NO.	PART NAME											
	PART NO	MODEL				OPTION	L / R	QTY	EFFECTIVE DATE		REMARKS	P / CODE
		E	T	BODY	LEVEL				FROM	TO		
		N	4	3	5	S	S	S				
		G	A	N	H	H	S	S	S			
[19]	(E)SHAFT (D)SPINDEL										(F)ARBRE (S)EJE	
10475970	. . . B B B O O O										1	
[20]	(E)WASHER (D)DICHTUNGSRING										(F)RONDELLE (S)ARANDELA	
01989917	. . . B B B O O O										1	
[21]	(E)BUSHING (D)LAGERFUTTER										(F)MANCHON (S)BUJE DE BOQUILLA	
10475972	. . . B B B O O O										1	
[22]	(E)GEAR (D)GETRIEBE										(F)ENGRENAGE (S)ENGRANAJE	
10475979	. . . B B B O O O										3	
[23]	(E)CUSHION (D)POLSTER										(F)COUSSIN (S)COJIN	
10476005	. . . B B B O O O										1	
[24]	(E)SHIELD (D)KUGELLAGER										(F)ROULEMENT-BILLE (S)COJINETE DE BOLAS	
10476001	. . . B B B O O O										1	
[25]	(E)FRAME-FIELD (D)RAHMEN,FELD										(F)CADRE-CHAMP (S)ARMADURA-CAMPO	
10476433	. . . B B B O O O										1	
[26]	(E)ARMATURE (D)ARMATUR										(F)ARMATURE (S)ARMADURA	
10475990	. . . B B B O O O										1	
[27]	(E)HOLDER BRUSH (D)BEHÄLTER,BÜRSTE										(F)MONTURE-BALAI (S)RETENEDOR-CEPILLO	
10476006	. . . B B B O O O										1	
[28]	(E)BEARING-BALL (D)KUGELLAGER										(F)ROULEMENT-BILLE (S)COJINETE DE BOLAS	

ENG(ENGINE)	T/A(TRANSAXLE)	BODY TYPE
Y = 1.5SOHC 6 = 1.6DOHC . = COMMON	M = MANUAL T/A A = AUTOMATIC T/A . = COMMON	4 N = 4 DOOR NOTCHBACK 3 H = 3 DOOR HATCHBACK 5 H = 5 DOOR HATCHBACK



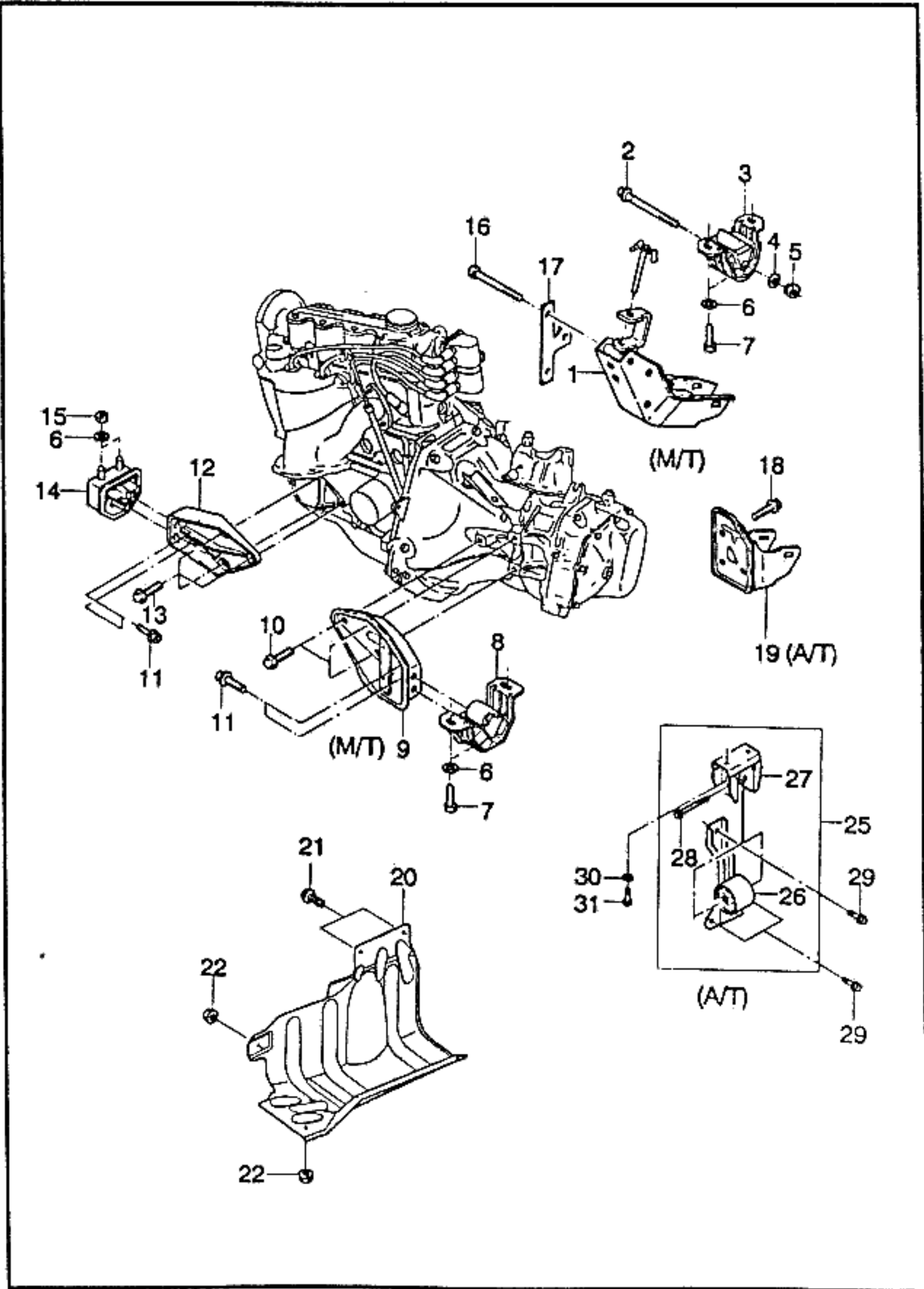
KEY NO.	PART NAME													
	PART NO	MODEL						OPTION	L / R	Q / T Y	EFFECTIVE DATE		REMARKS	P / C O D E
		E T N / G A	4 N	3 H	5 H	S S	S S				FROM	TO		
09440924	[29]	. . .	B	B	B	O	O	O				1	(F)CADRE (S)ARMADURA	
10468555	[30]	. . .	B	B	B	O	O	O				1	(F)VIS (S)TORNILLO	
10497256	[31]	. . .	B	B	B	O	O	O				2	(F)BOULON (S)PERNO	
10476002	[32]	. . .	B	B	B	O	O	O				1	(F)ECROU (S)TUERCA	
110720	[33]	. . .	B	B	B	O	O	O				1	(F)VIS (S)TORNILLO	
08956812	[34]	. . .	B	B	B	O	O	O				2	(F)RONDELLE (S)ARANDELA	M8X1.25X25
08321-21083	[35]	. . .	B	B	B	O	O	O				1	(F)ECROU (S)TUERCA	
08310-11083	[36]	. . .	B	B	B	O	O	O				1	(F)RONDELLE (S)ARANDELA	
08321-21063	[37]	. . .	B	B	B	O	O	O				1	(F)ECROU (S)TUERCA	
08310-21063		. . .	B	B	B	O	O	O				1		

ENG(ENGINE)	T/A(TRANSAXLE)	BODY TYPE
Y = 1.5SOHC 6 = 1.6DOHC . = COMMON	M = MANUAL T/A A = AUTOMATIC T/A . = COMMON	4 N = 4 DOOR NOTCHBACK 3 H = 3 DOOR HATCHBACK 5 H = 5 DOOR HATCHBACK



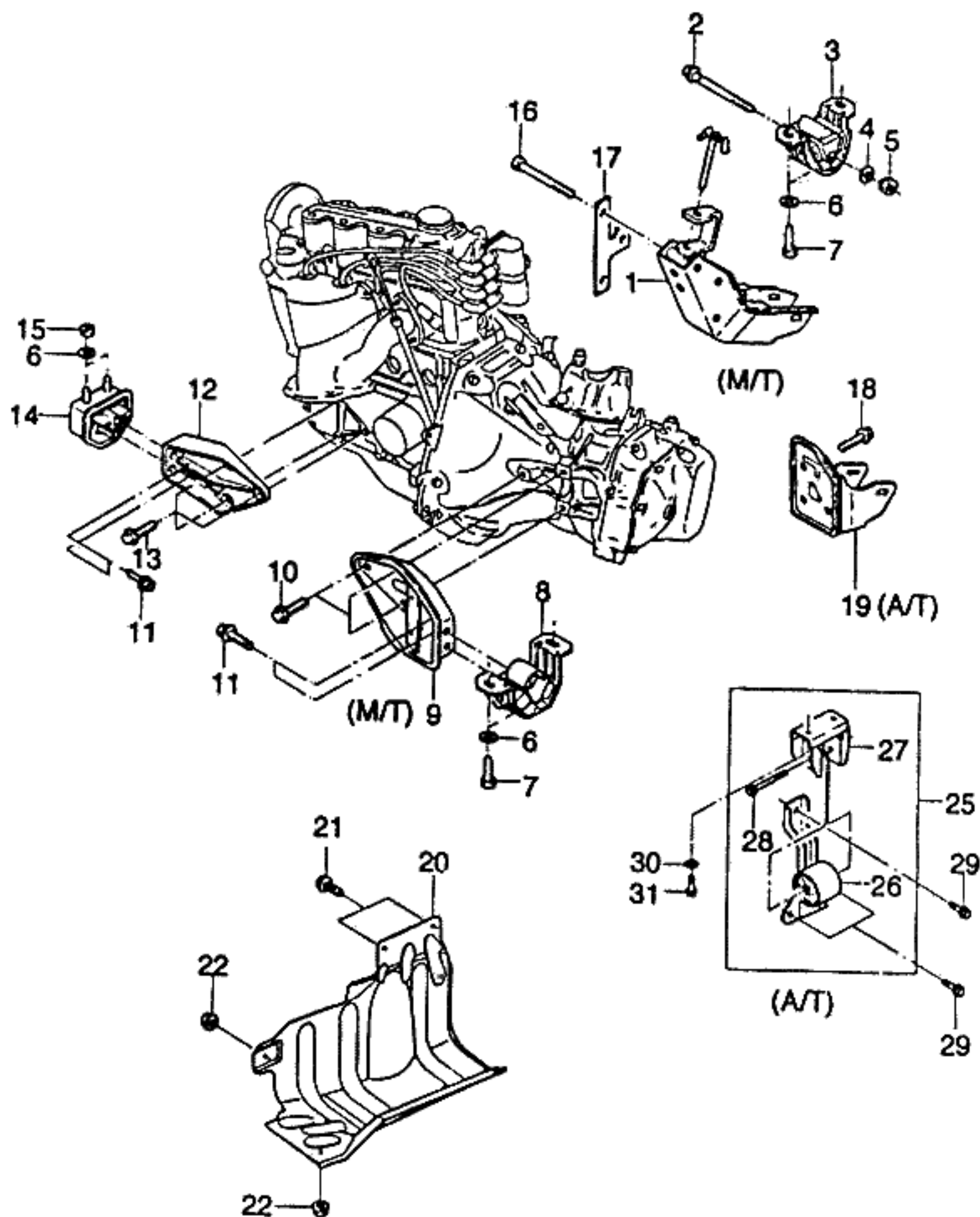
KEY NO.	PART NAME										REMARKS	P / I / C O D E		
	PART NO	MODEL					OPTION	L / R	Q / T Y	EFFECTIVE DATE				
		E N G	T N / G A	B O D Y	L E V E L					FROM			TO	
[01]	96221086	(E)BRACKET A-POWER UNIT MT,RR (D)TRÄGER	. M	B	B	B	S	S	S	S	(F)SUPPORT (S)SOPORTE-MONTAJE	1		MR
[02]	09103-10033	(E)BOLT-HEXAGON FLANGE (D)SCHRAUBE	. .	B	B	B	S	S	S	S	(F)BOULON (S)PERNO	1		
[03]	90372462	(E)BLOCK-PWR UNIT DAMPING,RR (D)BLOCK-DÄMPFUNG	. M	B	B	B	S	S	S	S	(F)BLOC-AMORTISSEUR (S)BLOQUE	1		TE
[04]	96227422	(E)WASHER-PLAIN (D)DICHTUNGSRING	. A	B	B	B	O	O	O	O	(F)RONDELLE (S)ARANDELA	1		XA
[05]	09160-10001	(E)NUT (D)MUTTER	. .	B	B	B	S	S	S	S	(F)ECROU (S)TUERCA	1		
[06]	09159-10004	(E)WASHER-PLAIN (D)DICHTUNGSRING	. .	B	B	B	S	S	S	S	(F)RONDELLE (S)ARANDELA	1		
[07]	09160-10004	(E)BOLT-HEXAGON (D)SCHRAUBE	Y	. B	B	B	S	S	S	S	(F)BOULON (S)PERNO	6		
[08]	09160-10004	(E)BOLT-HEXAGON (D)SCHRAUBE	6	. B	B	B	. .	. O			(F)BOULON (S)PERNO	4		
[09]	09100-10012	(E)BLOCK-PWR UNIT DAMPING,FRT (D)BLOCK-DÄMPFUNG	. .	B	B	B	S	S	S	S	(F)BLOC-AMORTISSEUR (S)BLOQUE	4		
[09]	90250437	(E)BRACKET A-POWER UNIT MT,FRT (D)TRÄGER	. M	B	B	B	S	S	S	S	(F)SUPPORT (S)SOPORTE-MONTAJE	LH 1		

ENG(ENGINE)	T/A(TRANSAXLE)	BODY TYPE
Y = 1.5SOHC 6 = 1.6DOHC . = COMMON	M = MANUAL T/A A = AUTOMATIC T/A . = COMMON	4 N = 4 DOOR NOTCHBACK 3 H = 3 DOOR HATCHBACK 5 H = 5 DOOR HATCHBACK



KEY NO.	PART NAME										P / C O D E		
	PART NO	MODEL			OPTION	L / R	Q T Y	EFFECTIVE DATE		REMARKS			
		E T N / G	B O D Y	L E V E L				FROM	TO				
96181254	. M B B B S S S										LH 1	(F)BOULON (S)PERNO	M5
[10]	(E)BOLT-HEXAGON FLANGE (D)SCHRAUBE												
09103-10032	. M B B B S S S										LH 3	(F)BOULON (S)PERNO	
[11]	(E)BOLT-HEXAGON FLANGE (D)SCHRAUBE												
09103-10009	. . B B B S S S										3	(F)SUPPORT (S)SOPORTE-MONTAJE	
[12]	(E)BRACKET-POWER UNIT MOUNT, (D)TRÄGER												
96078088	. M B B B S S S										RH 1		FC
96181134	. A B B B O O O										RH 1	(F)BOULON (S)PERNO	A4
[13]	(E)BOLT-HEXAGON FLANGE (D)SCHRAUBE												
09103-10011	. . B B B S S S										RH 3	(F)BLOC-AMORTISSEUR (S)BLOQUE	
[14]	(E)BLOCK-PWR UNIT DAMPING,FRT (D)BLOCK-DÄMPFUNG												
90250348	. M B B B S S S										RH 1		
96227425	. A B B B O O O										RH 1	(F)ECROU (S)TUERCA	XB
[15]	(E)NUT (D)MUTTER												
09140-10001	Y . B B B S S S										2		
09159-10006	6 . B B B . . O										2	(F)BOULON (S)PERNO	
[16]	(E)BOLT-HEXAGON (D)SCHRAUBE												
09100-12004	. M B B B S S S										3	(F)PLAQUE-VERROUILLAGE (S)PLACA-CIERRE	
[17]	(E)PLATE-LOCKING (D)PLATTE,VERRIEGELUNG												
96243426	. M B B B S S S										1		

ENG(ENGINE)	T/A(TRANSAXLE)	BODY TYPE
Y = 1.5SOHC 6 = 1.6DOHC . = COMMON	M = MANUAL T/A A = AUTOMATIC T/A . = COMMON	4 N = 4 DOOR NOTCHBACK 3 H = 3 DOOR HATCHBACK 5 H = 5 DOOR HATCHBACK

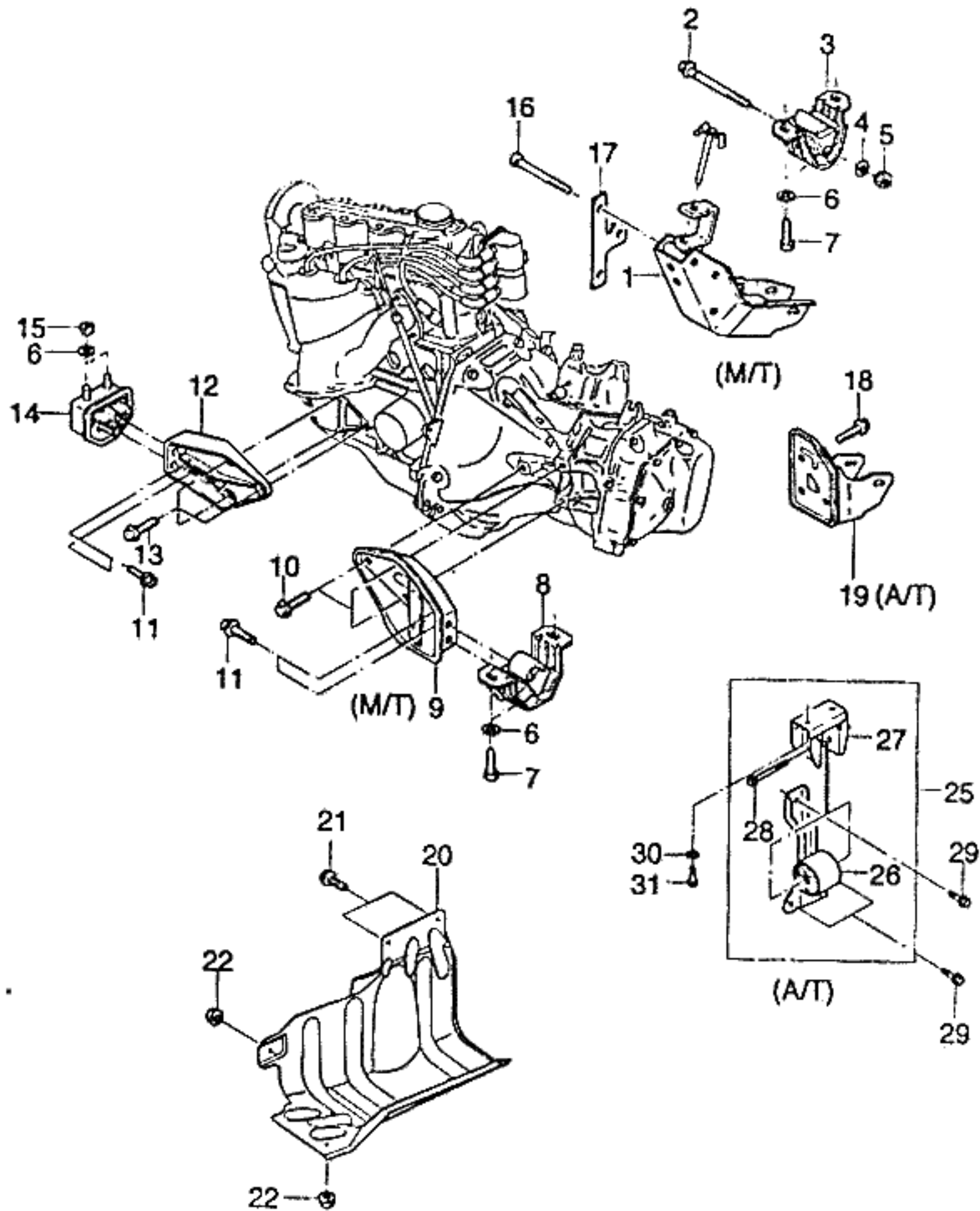


KEY NO.	PART NAME										REMARKS	P / I / C O D E	
	PART NO	MODEL					OPTION	L / R	Q / T Y	EFFECTIVE DATE			
		E T N / G	4 N	3 H	5 H	LEVEL S S S E X				FROM			TO
[18] 09103-10011	(E)BOLT-HEXAGON FLANGE (D)SCHRAUBE . A B B B O O O										(F)BOULON (S)PERNO 3		
[19] 96181137	(E)BRACKET A-POWER UNIT MT,RR (D)TRÄGER . A B B B O O O										(F)SUPPORT (S)SOPORTE-MONTAJE 1	L4	
[20] 96251681	(E)DEFLECTOR-WATER (D)WASSERSCHUTZ-FLÜGEL . . B B B S S S										(F)DEFLECTEUR-EAU (S)DEFLECTOR-AGUA 1		
[21] 09116-06011	(E)BOLT (D)SCHRAUBE . . B B B S S S										(F)BOULON (S)PERNO 2		
[22] 08361-25063	(E)NUT-HEXAGON (D)MUTTER . . B B B S S S										(F)ECROU (S)TUERCA 2		
[25] 96214804	(E)BRACKET A-POWER UNIT MOUNT (D)TRÄGER . A B B B O O O										(F)SUPPORT (S)SOPORTE LH 1	G4	
[26] 96181132	(E)BRACKET-POWER UNIT MT,FRT (D)TRÄGER . A B B B O O O										(F)SUPPORT (S)SOPORTE LH 1		
[27] 96181129	(E)SUPPORT A-POWER UNIT MT,FRT (D)TRÄGER . A B B B O O O										(F)SUPPORT (S)SOPORTE LH 1		
[28] 09103-10034	(E)BOLT-HEXAGON FLANGE (D)SCHRAUBE . A B B B O O O										(F)BOULON (S)PERNO LH 1		
[29]	(E)BOLT-HEXAGON FLANGE (D)SCHRAUBE										(F)BOULON (S)PERNO		

ENG(ENGINE)	T/A(TRANSAXLE)	BODY TYPE
Y = 1.5SOHC 6 = 1.6DOHC . = COMMON	M = MANUAL T/A A = AUTOMATIC T/A . = COMMON	4 N = 4 DOOR NOTCHBACK 3 H = 3 DOOR HATCHBACK 5 H = 5 DOOR HATCHBACK

1910 ENGINE MOUNT

3E11

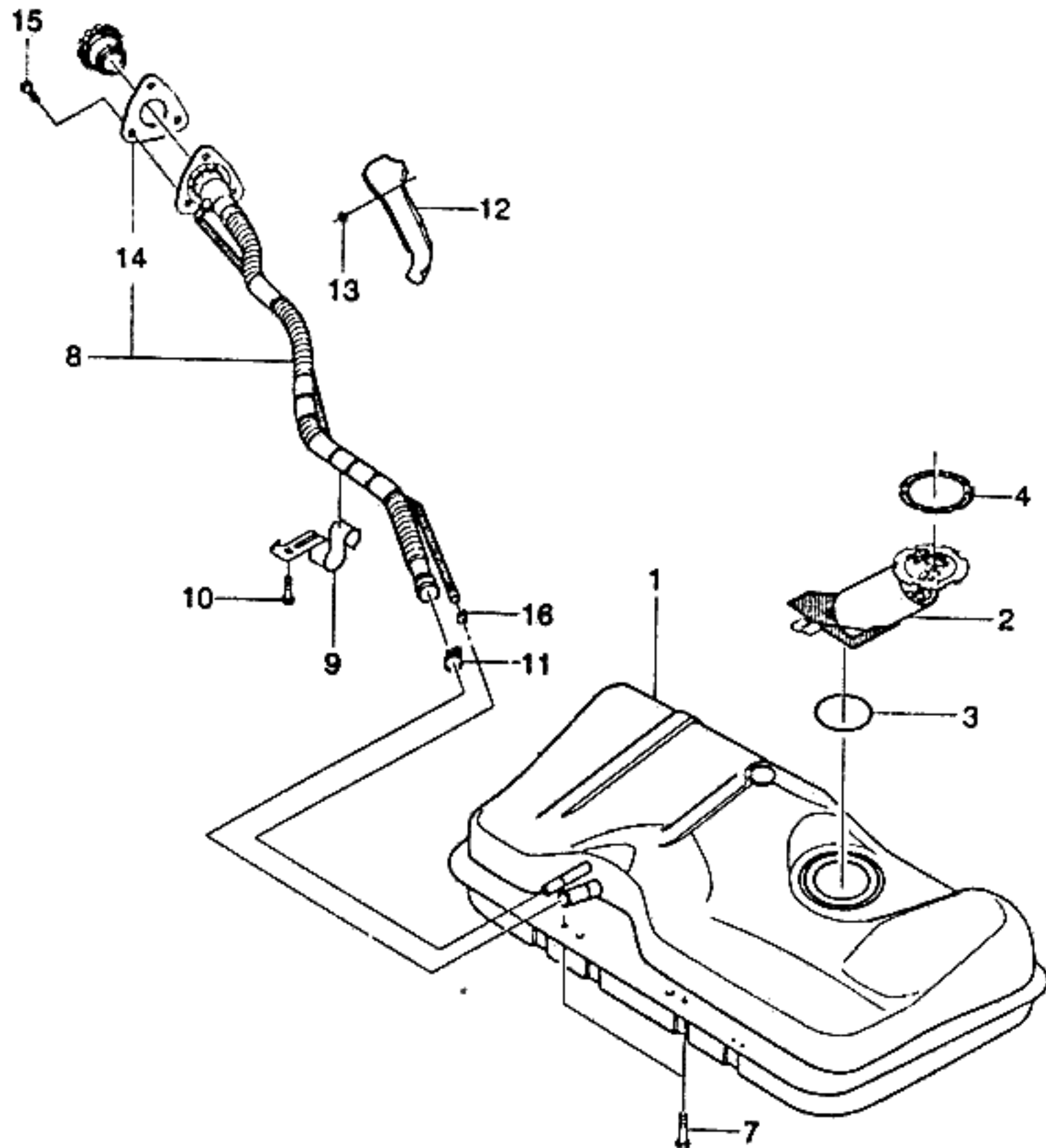


KEY NO.		PART NAME												
I T C	PART NO	MODEL					OPTION	L / R	Q T Y	EFFECTIVE DATE		REMARKS	P / C O D E	
		E	T	BODY						LEVEL	FROM			TO
		N	/	4	3	5				S				
	09103-12018	.	A	B	B	B	O	O	O			LH 3		
	[30]											(F)RONDELLE		
	09160-10004	.	A	B	B	B	O	O	O			LH 2		
	[31]											(F)BOULON		
	09100-10012	.	A	B	B	B	O	O	O			LH 2		
												(S)PERNO		
ENG(ENGINE)		T/A(TRANSAXLE)					BODY TYPE							
Y = 1.5SOHC 6 = 1.6DOHC . = COMMON		M = MANUAL T/A A = AUTOMATIC T/A . = COMMON					4 N = 4 DOOR NOTCHBACK 3 H = 3 DOOR HATCHBACK 5 H = 5 DOOR HATCHBACK							

2

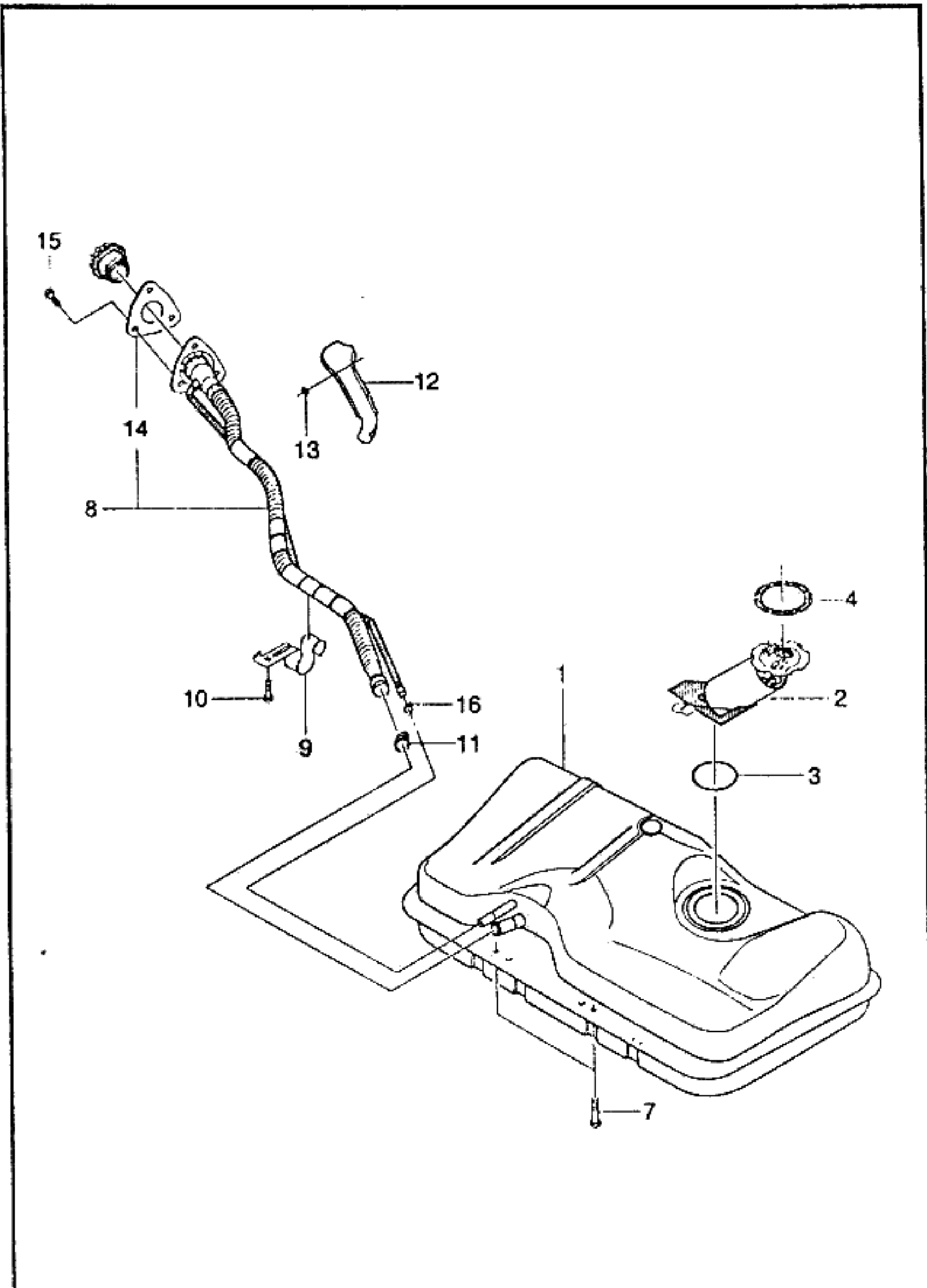
FUEL & ENGINE CONTROL

- 2110 FUEL TANK
- 2120 FUEL LINE
- 2130 CANISTER & FUEL VACUUM
- 2210 FUEL INJECTION(SOHC)
- 2211 FUEL INJECTION(DOHC)
- 2212 FUEL INJECTION(ALCOHOL)
- 2220 ACCELERATOR CONTROL
- 2410 AIR INTAKE SYSTEM
- 2430 INTAKE MANIFOLD(SOHC)
- 2431 INTAKE MANIFOLD(DOHC)
- 2440 EXHAUST MANIFOLD(SOHC)
- 2441 EXHAUST MANIFOLD(DOHC)
- 2450 VACUUM HOSE(SOHC)
- 2451 VACUUM HOSE(DOHC)
- 2460 EXHAUST PIPE LINE
- 2510 EMISSION CONTROL
- 2520 EMISSION MODULE MOUNT



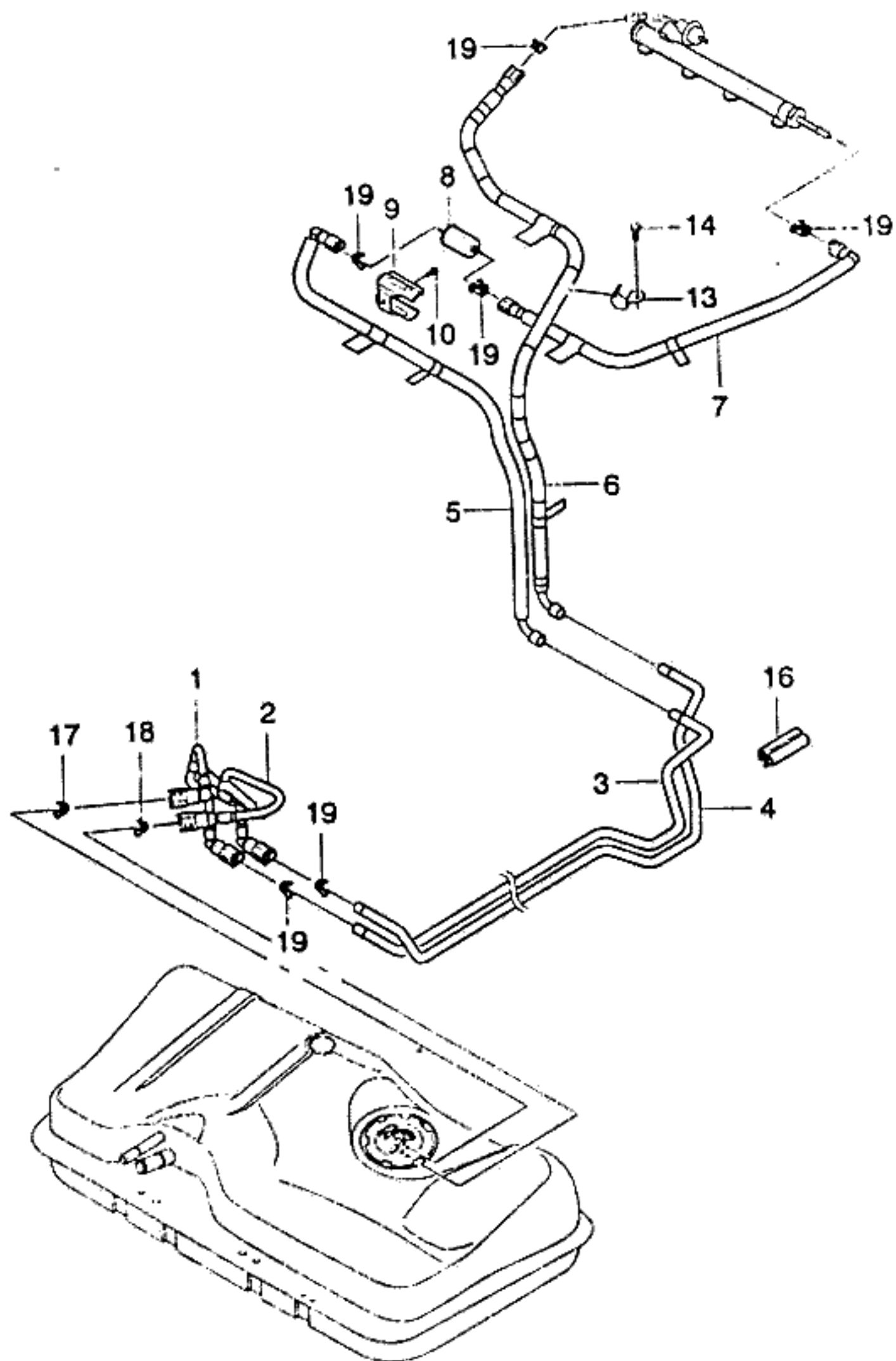
KEY NO.	PART NAME										REMARKS	P / CODE	
	PART NO	MODEL					OPTION	L / R	EFFECTIVE DATE				
		E	T	BODY					LEVEL	FROM			
	N	G	4	3	5	S	S	S					
[01]	(E)TANK A-FUEL (D)TANK,BENZIN									(F)RESERVOIR-CARBURANT (S)TANQUE-COMBUSTIBLE			
S2110003	.	.	B	B	B	S	S	S	-KL9		1		
S2110006	6	.	B	B	B	.	.	A	&KL9		1		
[02]	(E)MODULE A-FUEL PUMP (D)PUMPE,BENZIN									(F)POMPE-CARBURANT (S)BOMBA-COMBUSTIBLE			
96350588	.	.	B	B	B	S	S	S	-KL9		1	TA	
96352018	6	.	B	B	B	.	.	A	&KL9		1	TC	
[03]	(E)ORING-FUEL PUMP (D)O RING									(F)JOINT TORIQUE (S)ANILLO EN O			
96183170	.	.	B	B	B	S	S	S			1		
[04]	(E)RING-FUEL PUMP LOCKING (D)RING,DICHTUNG									(F)ANNEAU-JOINT (S)ANILLO-SELLO			
96183169	.	.	B	B	B	S	S	S			1		
[07]	(E)BOLT-WWASHER (D)SCHRAUBE									(F)BOULON (S)PERNO			
09116-08001	.	.	B	B	B	S	S	S			4		
[08]	(E)TUBE A-FUEL FILLER (D)ROHRLEITUNG,BENZIN TANKEN									(F)TUYAU (S)TUBO-LLENAR COMBUSTIBLE			
96351641	.	.	B	B	B	S	S	S	&NN4		1		
96351342	.	.	B	B	B	A	A	A	&NN6/NN7		1		
[09]	(E)BRACKET-FUEL FILLER (D)TRÄGER									(F)SUPPORT (S)SOPORTE			
96351522	.	.	B	B	B	S	S	S			1		
[10]	(E)BOLT-HEXAGON (D)SCHRAUBE									(F)BOULON (S)PERNO			
01127-08163	.	.	B	B	B	S	S	S			1		

ENG(ENGINE)	T/A(TRANSAXLE)	BODY TYPE
Y = 1.5SOHC 6 = 1.6DOHC . = COMMON	M = MANUAL T/A A = AUTOMATIC T/A . = COMMON	4 N = 4 DOOR NOTCHBACK 3 H = 3 DOOR HATCHBACK 5 H = 5 DOOR HATCHBACK



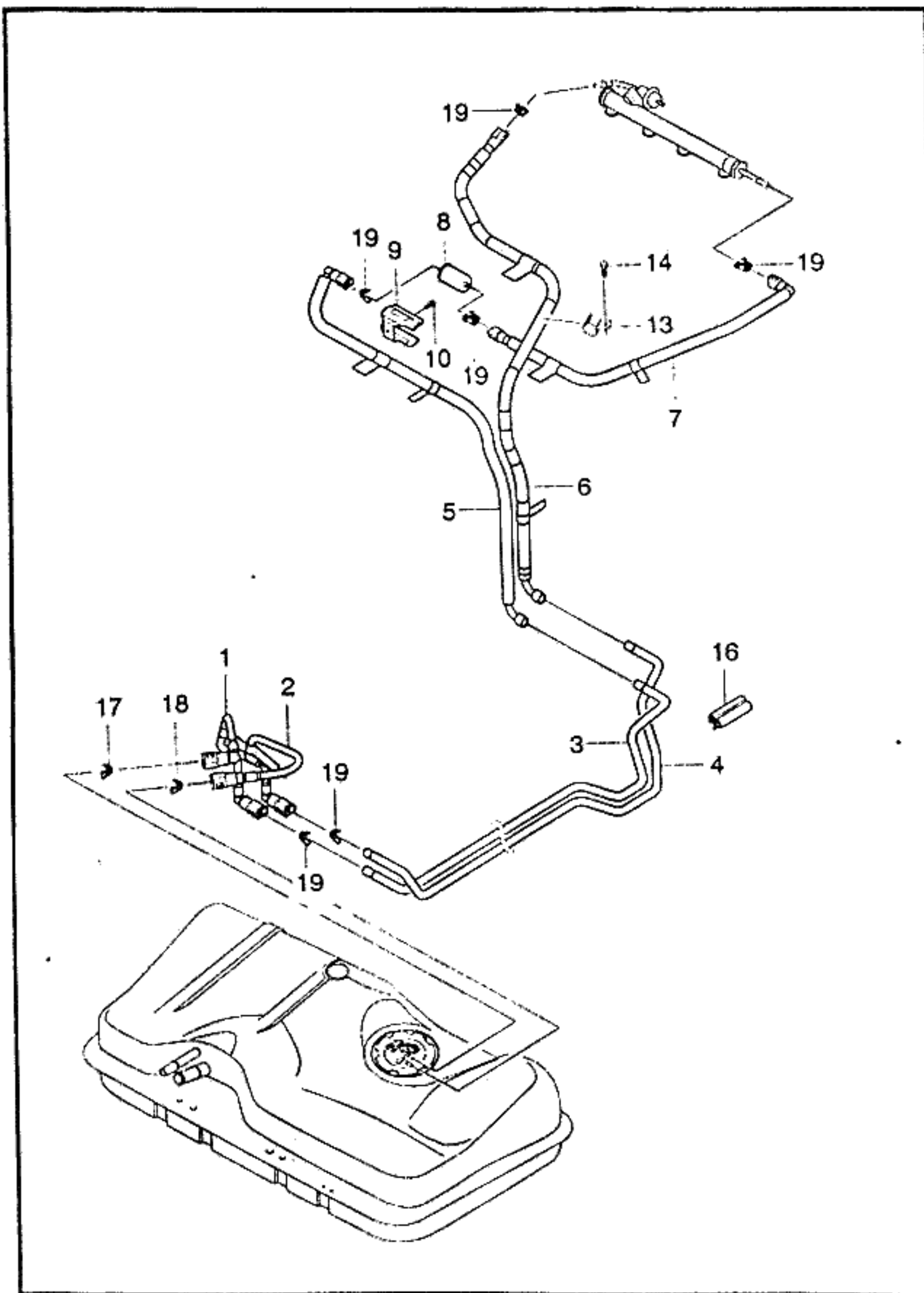
KEY NO.	PART NAME										REMARKS	P / I / C / O / D / E			
	PART NO	MODEL					OPTION	L / R	Q / T / Y	EFFECTIVE DATE					
		E / N / G	T / A	BODY	LEVEL					FROM			TO		
		4	3	5	S	S	S								
[11]	(E)CLAMP-FUEL FILLER (D)KLAMMER														
96313240	. . . B B B S S S														
[12]	(E)SHIELD-FUEL FILLER (D)SCHILD														
96351534	. . . B B B S S S														
[13]	(E)NUT (D)MUTTER														
09159-06003	. . . B B B S S S														
[14]	(E)SEAL-FUEL FILLER TUBE (D)DICHTUNG, BENZIN TANK ROHR														
96184683	. . . B B B S S S														
[15]	(E)SCREW-TAPPING (D)SCHRAUBE														
03152-48192	. . . B B B S S S														
[16]	(E)CLAMP (D)KLAMMER														
09402-25501	. . . B B B S S S														

ENG(ENGINE)	T/A(TRANSAXLE)	BODY TYPE
Y = 1.5SOHC 6 = 1.6DOHC . = COMMON	M = MANUAL T/A A = AUTOMATIC T/A . = COMMON	4 N = 4 DOOR NOTCHBACK 3 H = 3 DOOR HATCHBACK 5 H = 5 DOOR HATCHBACK



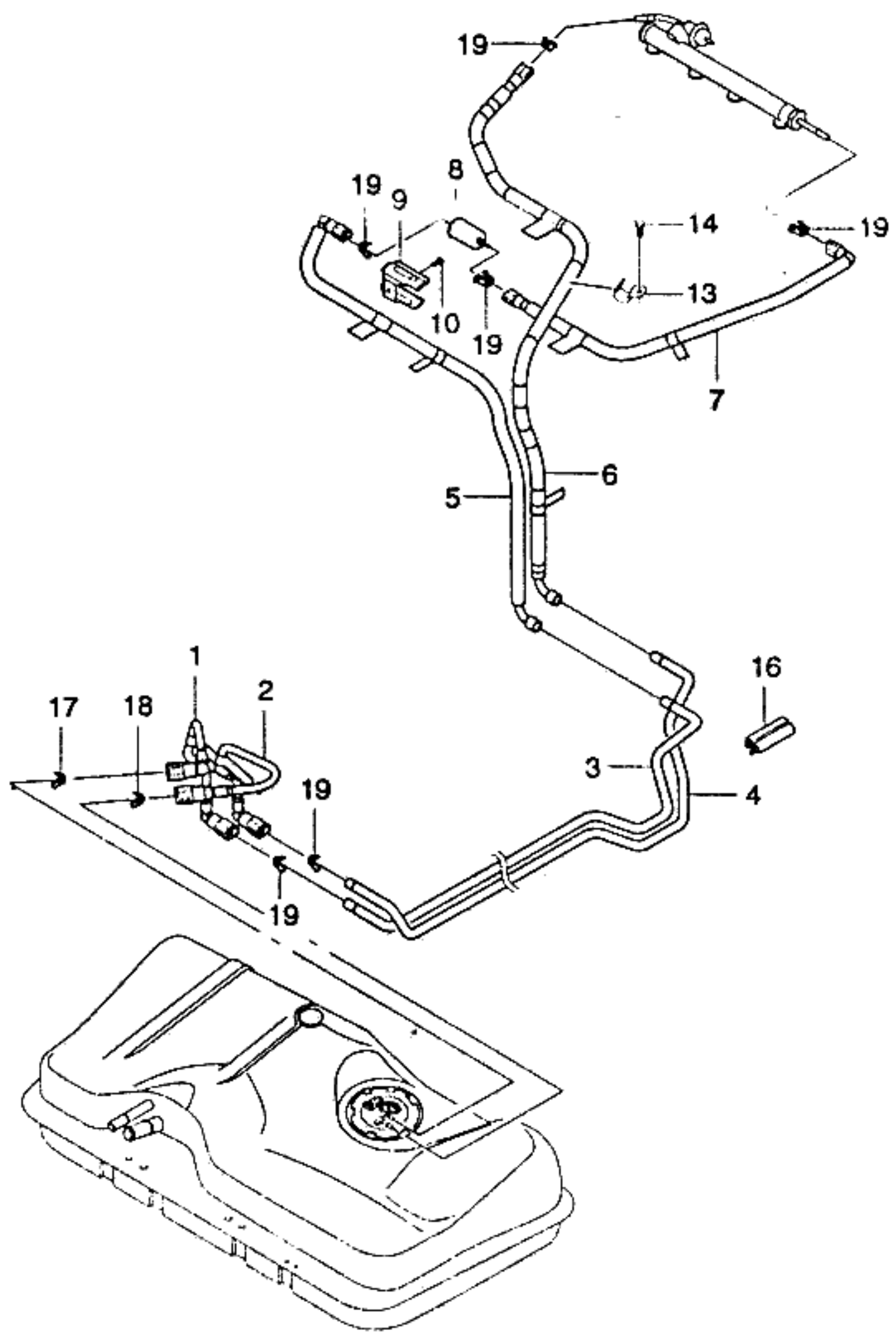
KEY NO.	PART NAME										REMARKS	P / CODE	
	PART NO	MODEL					OPTION	L / R	Q / T	EFFECTIVE DATE			
		E T	BODY			LEVEL				FROM			TO
	N / G	4	3	5	S	S	S						
[01]	(E)TUBE A-FUEL FEEDING,REAR (D)ROHRLEITUNG										(F)TUYAU OU TUBE (S)TUBO	NOT APPLIED	
96352095												INCL. #17,19	
96184396	. . . B B B S S S										1		
[02]	(E)TUBE A-FUEL RETURN,REAR (D)ROHRLEITUNG										(F)TUYAU OU TUBE (S)TUBO	NOT APPLIED	
96352096												INCL. #18,19	
96184397	. . . B B B S S S										1		
[03]	(E)PIPE-FUEL FEEDING,CENTER (D)ROHR										(F)TUYAU (S)TUBERIA		
96250326	. . . B B B S S S -KL9										1		
96352019	6 . . B B B . . A &KL9										1		
[04]	(E)PIPE-FUEL RETURN,CENTER (D)ROHR										(F)TUYAU (S)TUBERIA		
96182304	. . . B B B S S S -KL9										1		
96352020	6 . . B B B . . A &KL9										1		
[05]	(E)TUBE A-FUEL FILTER,REAR (D)ROHRLEITUNG										(F)TUYAU OU TUBE (S)TUBO		
96352099	. . . B B B S S S										1		INCL. #19
[06]	(E)TUBE A-FUEL RETURN,FRONT (D)ROHRLEITUNG										(F)TUYAU OU TUBE (S)TUBO		
96352100	Y . . B B B S S S										1		INCL. #19
96352101	6 . . B B B . . O -KL9										1		INCL. #19
96352022	6 . . B B B . . A &KL9										1		HOSE TYPE
[07]	(E)TUBE A-FUEL FILTER,FRT (D)ROHRLEITUNG										(F)TUYAU OU TUBE (S)TUBO		
96352102	Y . . B B B S S S										1		INCL. #19

ENG(ENGINE)	T/A(TRANSAXLE)	BODY TYPE
Y = 1.5SOHC 6 = 1.6DOHC . = COMMON	M = MANUAL T/A A = AUTOMATIC T/A . = COMMON	4 N = 4 DOOR NOTCHBACK 3 H = 3 DOOR HATCHBACK 5 H = 5 DOOR HATCHBACK

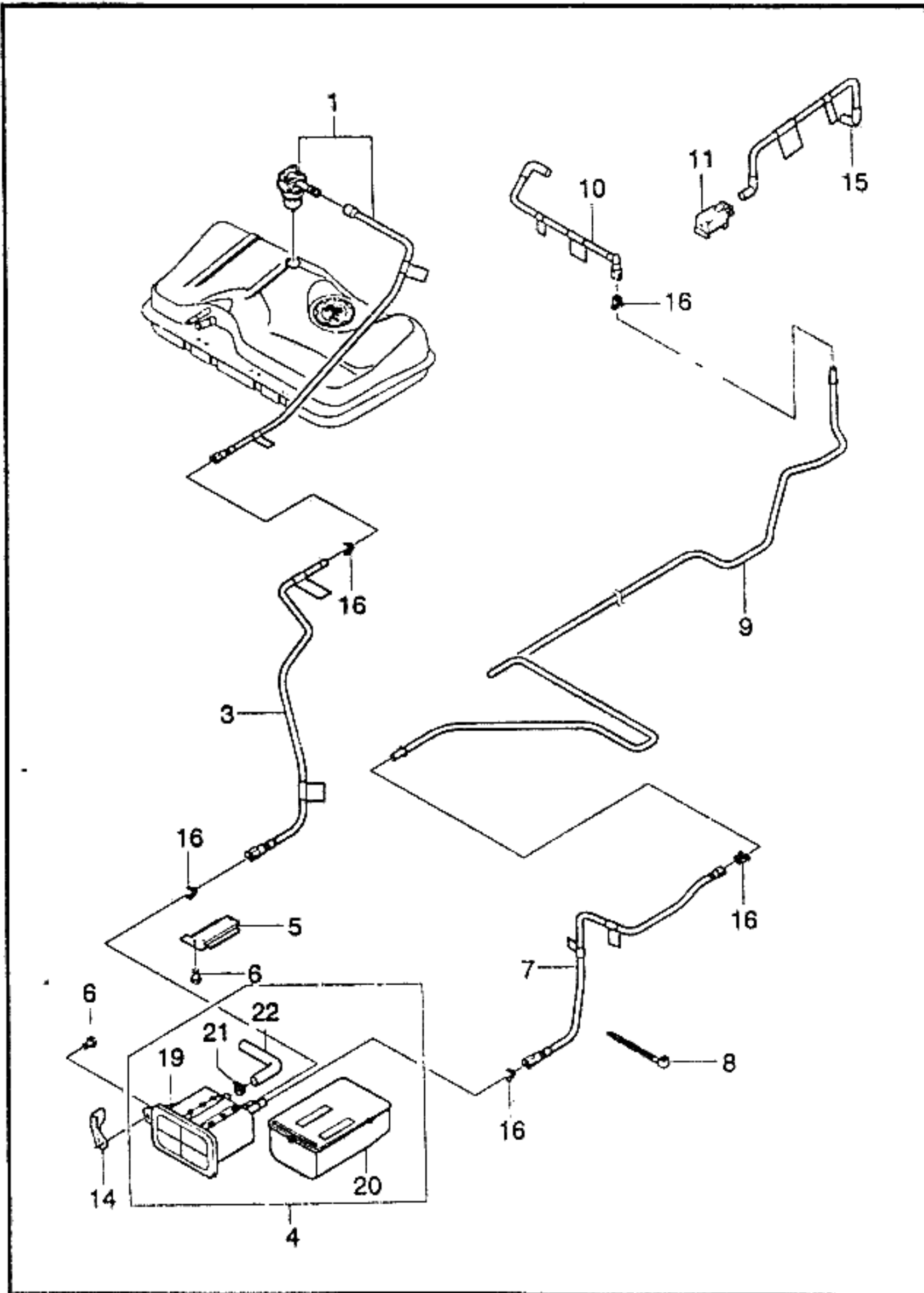


I T C	KEY NO.	PART NAME										REMARKS	P I C O D E			
		PART NO	MODEL					OPTION	L / R	Q T Y	EFFECTIVE DATE					
			E N G	T / A	B O D Y	L E V E L					FROM			TO		
	96350574	6	.	B	B	B	.	.	O			1			INCL. #19	
	[08]														(E)FILTER-FUEL (D)FILTER,BENZIN	
	25121074	.	.	B	B	B	S	S	S			1			(F)FILTRE-CARBURANT (S)FILTRO-COMBUSTIBLE	
	[09]														(E)BRACKET-FUEL FILTER (D)TRÄGER,BENZINFILTER	
	96351817	.	.	B	B	B	S	S	S			1			(F)SUPPORT (S)SOPORTE	
	[10]														(E)BOLT-HEXAGON (D)SCHRAUBE	
	01114-06125	.	.	B	B	B	S	S	S			1			(F)BOULON (S)PERNO	
	[13]														(E)CLIP-FUEL RETURN TUBE (D)KLEMME	
	96352125	Y	.	B	B	B	S	S	S			1			(F)ATTACHE (S)GRAPA	
	[14]														(E)BOLT-HEXAGON (D)SCHRAUBE	
	03151-63163	Y	.	B	B	B	S	S	S			1			(F)BOULON (S)PERNO	
	[16]														(E)COVER A-FLANGE (D)DECKEL	
	96352078	.	.	B	B	B	S	S	S			1			(F)COUVERTURE (S)CUBIERTA	
	[17]														(E)RETAINER (D)HALTER	
	HP-9P-86019	.	.	B	B	B	S	S	S			1			(F)ARRETOIR (S)RETENEDOR	∅ 9.5mm
	[18]														(E)RETAINER (D)HALTER	
	HP-9P-87012	.	.	B	B	B	S	S	S			1			(F)ARRETOIR (S)RETENEDOR	∅ 6.5mm
	[19]														(E)RETAINER (D)HALTER	
	HP-9P-86020	Y	.	B	B	B	S	S	S			6			(F)ARRETOIR (S)RETENEDOR	∅ 8mm

ENG(ENGINE)	T/A(TRANSAXLE)	BODY TYPE
Y = 1.5SOHC 6 = 1.6DOHC . = COMMON	M = MANUAL T/A A = AUTOMATIC T/A . = COMMON	4 N = 4 DOOR NOTCHBACK 3 H = 3 DOOR HATCHBACK 5 H = 5 DOOR HATCHBACK



KEY NO.		PART NAME														
I T C	PART NO	MODEL						OPTION	L / R	Q T Y	EFFECTIVE DATE		REMARKS	P / C O D E		
		E N G	T / A	BODY			LEVEL				FROM	TO				
				4 N H	3 H	5 H	S S								S S	S S
	HP-9P-86020	6	.	B	B	B	.	.	.	O			5		φ 8mm	
ENG(ENGINE)		T/A(TRANSAXLE)				BODY TYPE										
Y = 1.5SOHC 6 = 1.6DOHC . = COMMON		M = MANUAL T/A A = AUTOMATIC T/A . = COMMON				4 N = 4 DOOR NOTCHBACK 3 H = 3 DOOR HATCHBACK 5 H = 5 DOOR HATCHBACK										



KEY NO.	PART NAME										REMARKS	P / CODE	
	PART NO	MODEL					OPTION	L / R	Q / Y	EFFECTIVE DATE			
		E N G	T / A	B O D Y	L E V E L					FROM			TO
		4	3	5	S	S	S						
[01]	(E)TUBE A-FUEL VAPOR ROLLOVER (D)ROHRLEITUNG										(F)TUYAU OU TUBE (S)TUBO		
96182328	. . . B B B S S S										1		
96352264	6 . . B B B . . A &KL9										1		
[03]	(E)TUBE A-CANISTER VAPOR (D)ROHRLEITUNG										(F)TUYAU OU TUBE (S)TUBO		
96184843	. . . B B B A A A &NN4&VB4										1		INCL. #16
96184843	. . . B B B A A A &NN6/NN7										1		INCL. #16
96352265	6 . . B B B . . A &KL9										1		INCL. #16
[04]	(E)CANISTER A (D)KANISTER, BENZIN-DAMPF										(F)BOITE-VAPEURS CARBURANT (S)BOTE-COMBUSTIBLE Y VAPOR		
96351827	. . . B B B A A A &NN4&VB4										1		0.85L
96351827	. . . B B B A A A &NN6/NN7										1		0.85L
96351827	6 . . B B B . . A &KL9										1		0.85L
[05]	(E)BRACKET-CANISTER GUIDE (D)TRÄGER, KANISTER										(F)SUPPORT-BOITE METALLIQUE (S)SOPORTE-BOTE		
96184721	. . . B B B A A A &NN4&VB4										1		
96184721	. . . B B B A A A &NN6/NN7										1		
96184721	6 . . B B B . . A &KL9										1		
[06]	(E)BOLT (D)SCHRAUBE										(F)BOULON (S)PERNO		
09116-06024	. . . B B B A A A &NN4&VB4										3		
09116-06024	. . . B B B A A A &NN6/NN7										3		
09116-06024	6 . . B B B . . A &KL9										3		
[07]	(E)TUBE A-PURGE, REAR (D)ROHRLEITUNG										(F)TUYAU OU TUBE (S)TUBO		
96184842	. . . B B B A A A &NN4&VB4										1		INCL. #16

ENG(ENGINE)

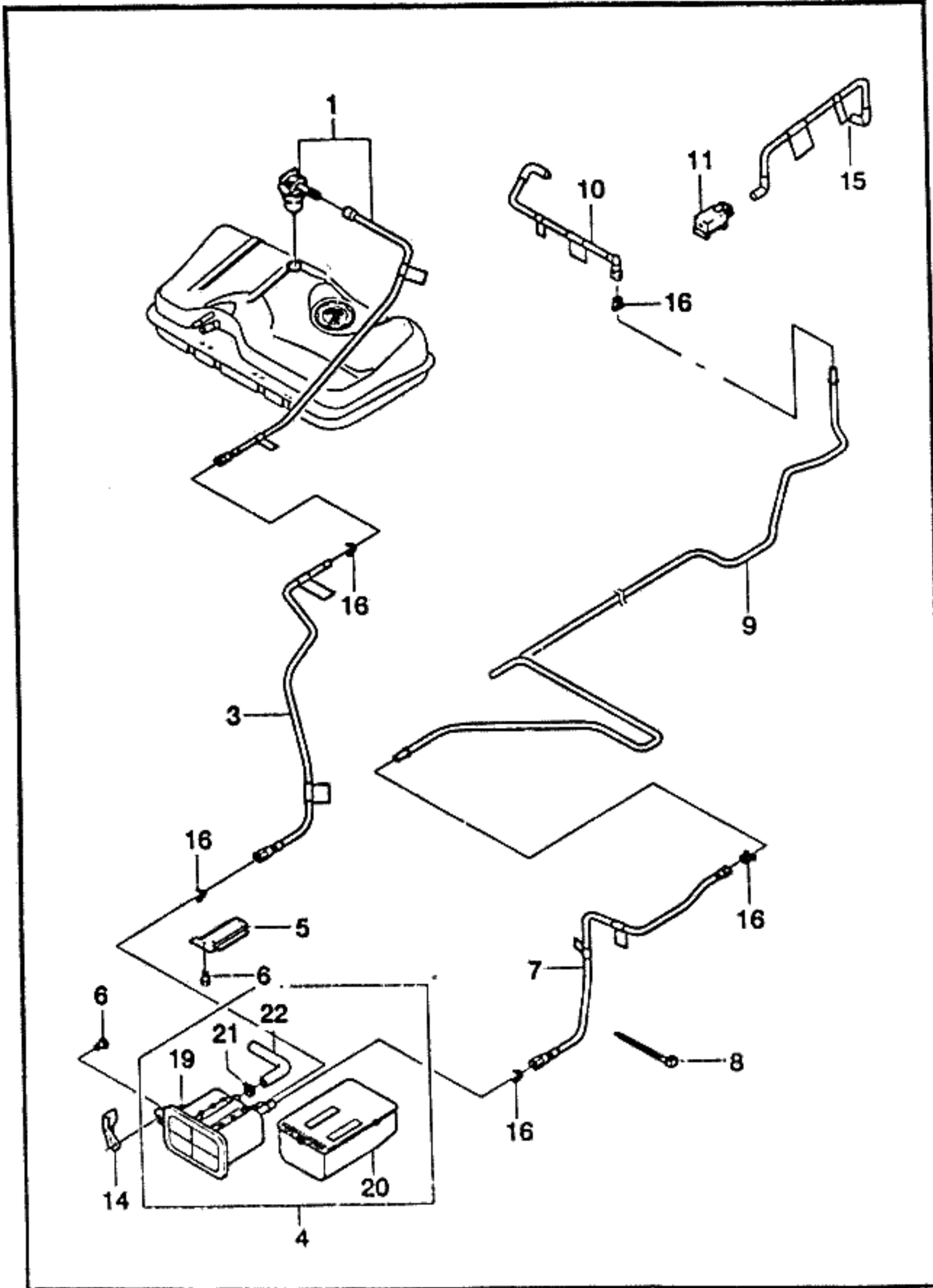
T/A(TRANSAXLE)

BODY TYPE

Y = 1.5SOHC
6 = 1.6DOHC
. = COMMON

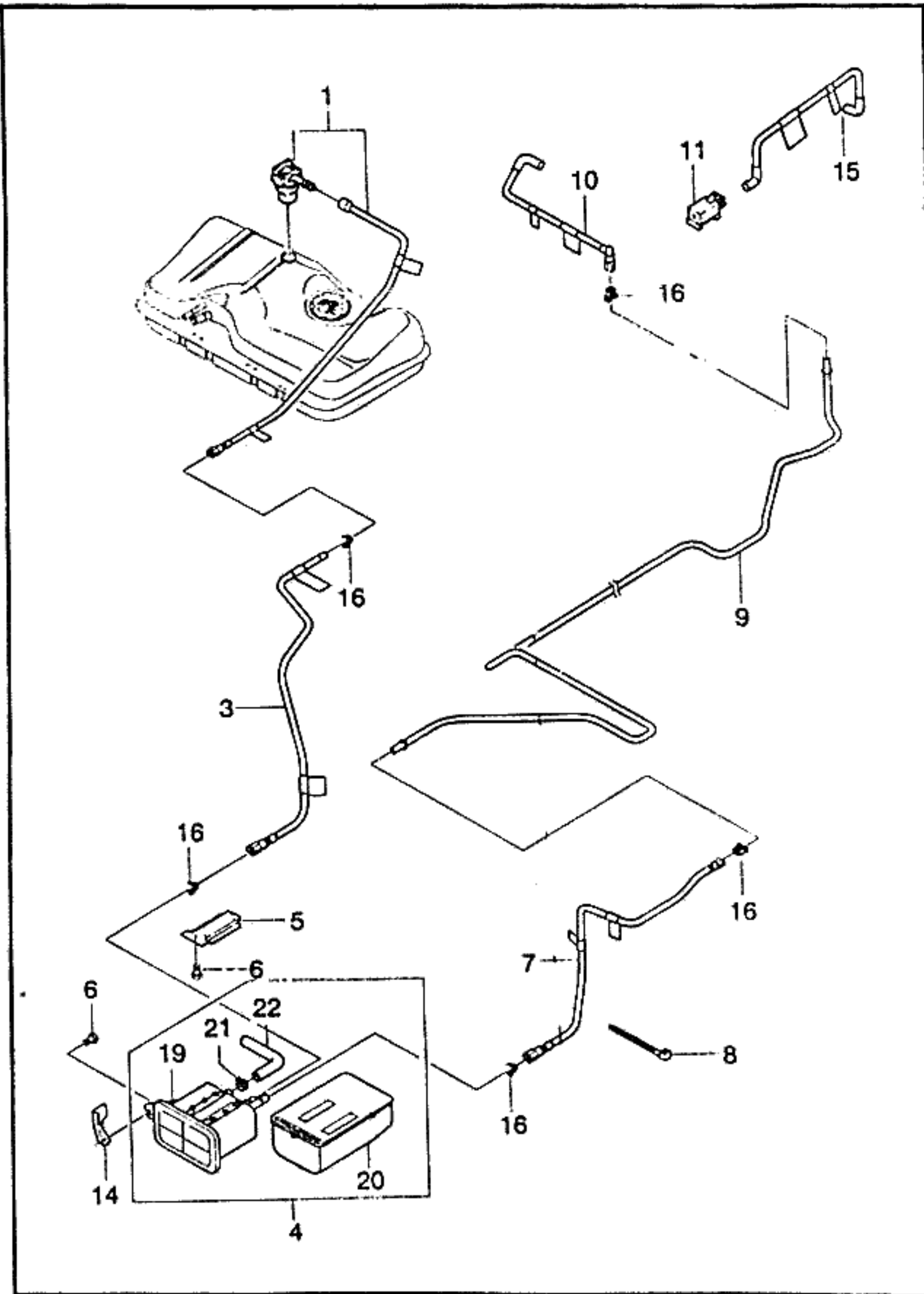
M = MANUAL T/A
A = AUTOMATIC T/A
. = COMMON

4 N = 4 DOOR NOTCHBACK
3 H = 3 DOOR HATCHBACK
5 H = 5 DOOR HATCHBACK



KEY NO.	PART NAME										REMARKS	P / CODE	
	PART NO	MODEL			OPTION	L / R	QTY	EFFECTIVE DATE					
		E	T	BODY				LEVEL	FROM				TO
				4	3	5	S	S	S				
				N	H	H	S	S	S				
				G	A								
96184842		.	.	B	B	B	A	A	A	&NN6/NN7		1	INCL. #16
96184842	6	.	.	B	B	B	.	.	A	&KL9		1	INCL. #16
[08]													(F)PINCE (S)ABRAZADERA
09407-25401		.	.	B	B	B	A	A	A	&NN4&VB4		1	
09407-25401		.	.	B	B	B	A	A	A	&NN6/NN7		1	
09407-25401	6	.	.	B	B	B	.	.	A	&KL9		1	
[09]													(F)TUYAU (S)TUBERIA
96182327		.	.	B	B	B	A	A	A	&NN4&VB4		1	
96182327		.	.	B	B	B	A	A	A	&NN6/NN7		1	
96182327	6	.	.	B	B	B	.	.	A	&KL9		1	
[10]													(F)TUYAU OU TUBE (S)TUBO
96351536	Y	.	.	B	B	B	A	A	A	&NN4&VB4		1	INCL. #16
96351536	Y	.	.	B	B	B	A	A	A	&NN6/NN7		1	INCL. #16
96351537	6	.	.	B	B	B	.	.	A	&NN4&VB4		1	INCL. #16
96351537	6	.	.	B	B	B	.	.	A	&NN6/NN7		1	INCL. #16
96351537	6	.	.	B	B	B	.	.	A	&KL9		1	INCL. #16
[11]													(F)SOUPAPE (S)VALVULA
96311368	Y	.	.	B	B	B	A	A	A	&NN4&VB4		1	
96311368	Y	.	.	B	B	B	A	A	A	&NN6/NN7		1	
1997210	6	.	.	B	B	B	.	.	A	&NN4&VB4		1	
1997210	6	.	.	B	B	B	.	.	A	&NN6/NN7		1	
96311368	6	.	.	B	B	B	.	.	A	&KL9		1	

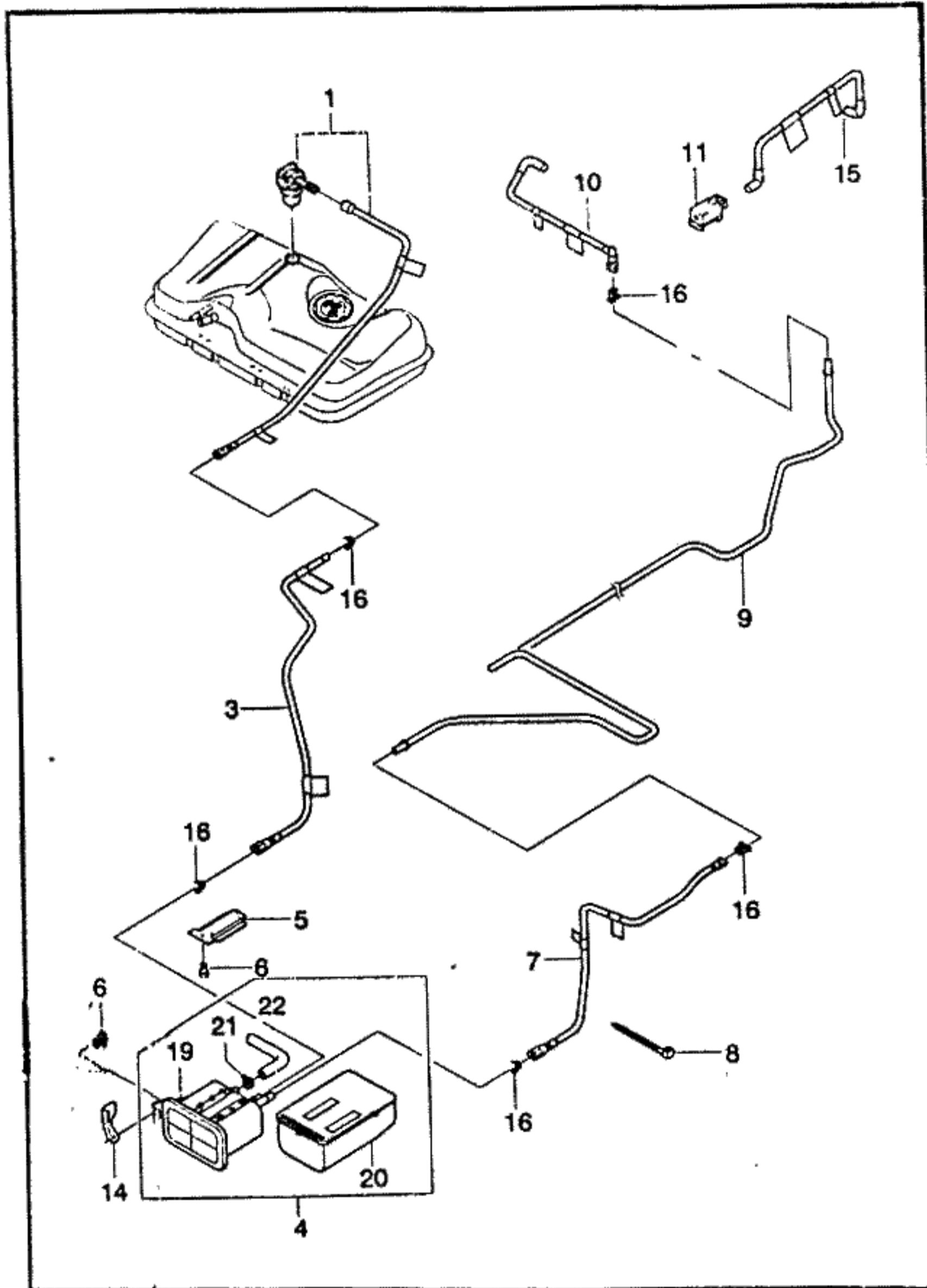
ENG(ENGINE)	T/A(TRANSAXLE)	BODY TYPE
Y = 1.5SOHC 6 = 1.6DOHC . = COMMON	M = MANUAL T/A A = AUTOMATIC T/A . = COMMON	4 N = 4 DOOR NOTCHBACK 3 H = 3 DOOR HATCHBACK 5 H = 5 DOOR HATCHBACK



KEY NO.	PART NAME										
	PART NO	MODEL			OPTION	L / R	Q / T Y	EFFECTIVE DATE		REMARKS	P / CODE
		E N G	T / A	BODY				LEVEL	FROM		
[14]	(E)BRACKET A-CANISTER (D)TRÄGER,KANISTER									(F)SUPPORT-BOITE METALLIQUE (S)SOPORTE-BOTE	
96216728	. . . B B B S S S									1	
[15]	(E)TUBE A-PURGE,ENGINE (D)ROHRLEITUNG									(F)TUYAU OU TUBE (S)TUBO	
96351540	Y . B B B A A A &NN4&VB4									1	
96351540	Y . B B B A A A &NN6/NN7									1	
96351889	6 . B B B . . A &NN4&VB4									1	
96351889	6 . B B B . . A &NN6/NN7									1	
96351889	6 . B B B . . A &KL9									1	
[16]	(E)RETAINER (D)HALTER									(F)ARRETOIR (S)RETENEDOR	
HP-9P-86020	. . . B B B A A A &NN4&VB4									5	φ 8mm
HP-9P-86020	. . . B B B A A A &NN6/NN7									5	φ 8mm
HP-9P-86020	6 . B B B . . A &KL9									5	φ 8mm
[19]	(E)CANISTER (D)KANISTER, BENZIN-DAMPF									(F)BOITE-VAPEURS CARBURANT (S)BOTE-COMBUSTIBLE Y VAPOR	
96181415	. . . B B B A A A &NN4&VB4									1	
96181415	. . . B B B A A A &NN6/NN7									1	
96181415	6 . B B B . . A &KL9									1	
[20]	(E)SHIELD-CANISTER (D)SCHILD									(F)BOUCLIER (S)ESCUDO	
96351820	. . . B B B A A A &NN4&VB4									1	
96351820	. . . B B B A A A &NN6/NN7									1	
96351820	6 . B B B . . A &KL9									1	
[21]	(E)CLIP (D)KLEMME									(F)ATTACHE (S)GRAPA	
ENG(ENGINE)		T/A(TRANSAXLE)			BODY TYPE						
Y = 1.5SOHC 6 = 1.6DOHC . = COMMON		M = MANUAL T/A A = AUTOMATIC T/A . = COMMON			4 N = 4 DOOR NOTCHBACK 3 H = 3 DOOR HATCHBACK 5 H = 5 DOOR HATCHBACK						

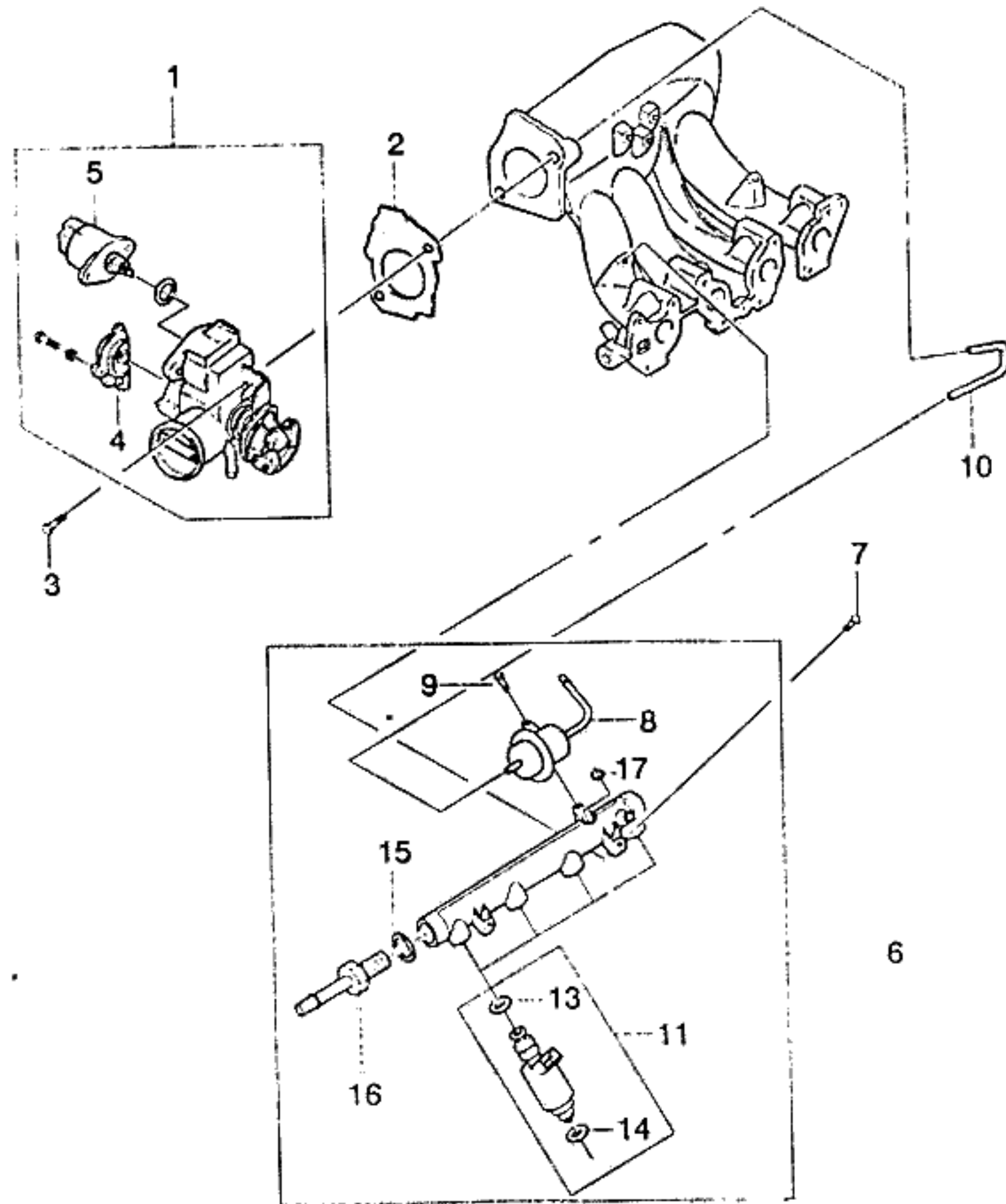
2130 CANISTER&FUEL VACUUM

3K12

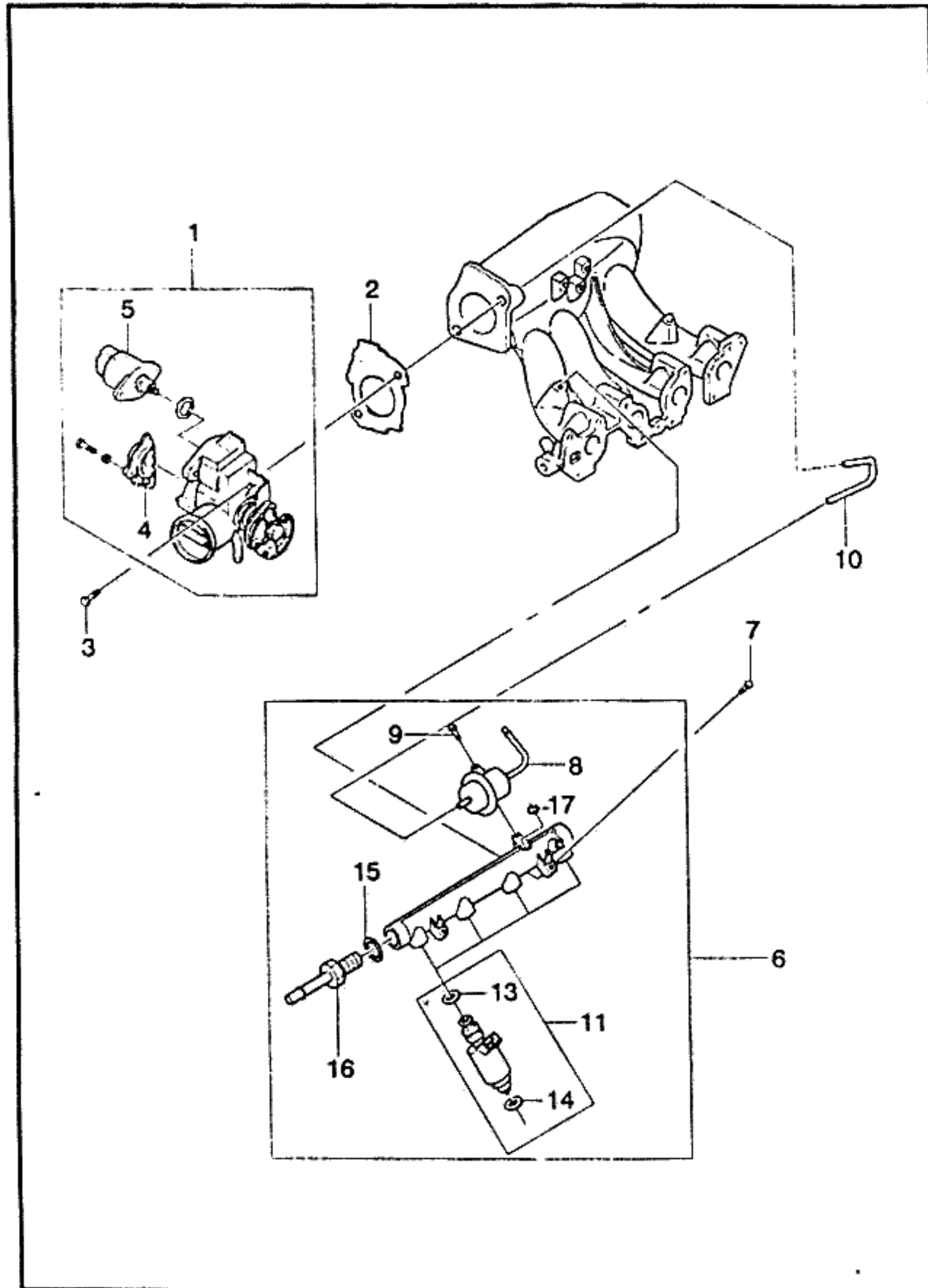


KEY NO.	PART NAME													
	PART NO	E T	MODEL			OPTION	L / R	Q / Y	EFFECTIVE DATE		REMARKS	P / CODE		
			4	3	5				S	S			S	FROM
ENG	N / G	A	N	H	H	S	S	S	X					
	09401-15403	.	.	B	B	B	A	A	A	&NN4&VB4		1		
	09401-15403	.	.	B	B	B	A	A	A	&NN6/NN7		1		
	09401-15403	6	.	B	B	B	.	.	A	&KL9		1		
	[22]									(E)HOSE-AIR VENT,CANISTER (D)SCHLAUCH			(F)TUYAU (S)MANGUERA	
	96351958	.	.	B	B	B	A	A	A	&NN4&VB4		1		
	96351958	.	.	B	B	B	A	A	A	&NN6/NN7		1		
	96351958	6	.	B	B	B	.	.	A	&KL9		1		

ENG(ENGINE)	T/A(TRANSAXLE)	BODY TYPE
Y = 1.5SOHC 6 = 1.6DOHC . = COMMON	M = MANUAL T/A A = AUTOMATIC T/A . = COMMON	4 N = 4 DOOR NOTCHBACK 3 H = 3 DOOR HATCHBACK 5 H = 5 DOOR HATCHBACK

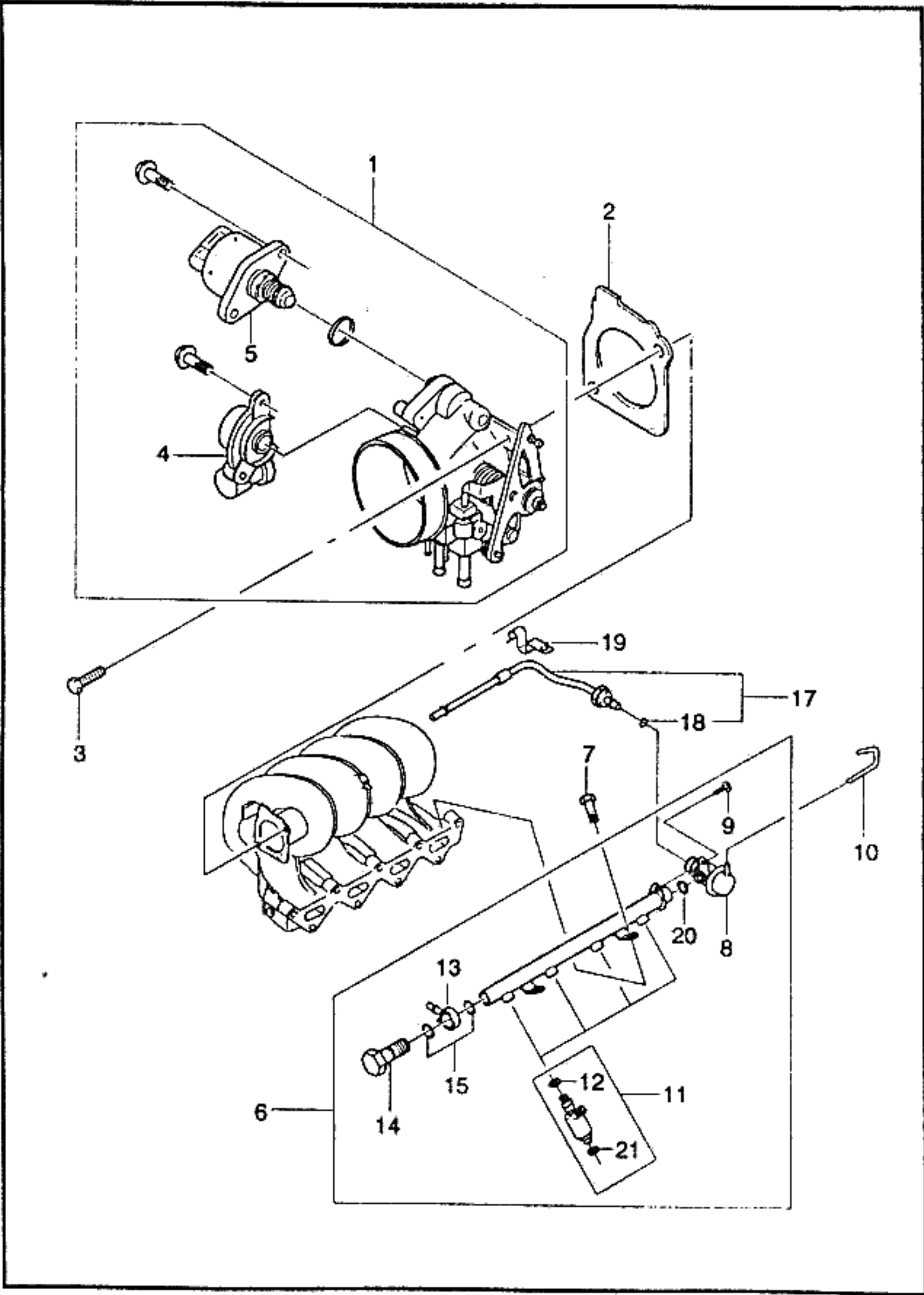


KEY NO.	PART NAME													
	PART NO	MODEL						OPTION	L / R	Q / Y	EFFECTIVE DATE		REMARKS	P / C O D E
		E	T	BODY			LEVEL				FROM	TO		
	N	G	A	4	3	5	S	S	S					
[01]	96184569	(E)BODY A -THROTTLE (D)KAROSSERIE, GASHEBEL	Y	.	B	B	B	S	S	S			(F)CORPS-COMMANDE DES GAZ (S)CARROCERIA-ESTRANGULADOR	
[02]	96352111	(E)GASKET-THROTTLE BODY (D)DICHTUNG, DROSSEL KÖRPER	Y	.	B	B	B	S	S	S			(F)JOINT (S)JUNTA	
[03]	09117-08010	(E)BOLT (D)SCHRAUBE	Y	.	B	B	B	S	S	S			(F)BOULON (S)PERNO	
[04]	17106681	(E)SENSOR A-THROTTLE PSTN (D)SENSOR, DROSSEL STELLUNG	Y	.	B	B	B	S	S	S			(F)DETECTEUR (S)SENSOR	
[05]	17059602	(E)VALVE-IDLING CONTROL (D)VENTIL	Y	.	B	B	B	S	S	S			(F)SOUPAPE (S)VALVULA	
[06]	96184729	(E)RAIL A-FUEL (D)SCHIENE, BENZIN	Y	.	B	B	B	S	S	S			(F)RAIL-CARBURANT (S)RIEL-COMBUSTIBLE	
[07]	01127-08353	(E)BOLT-HEXAGON (D)SCHRAUBE	Y	.	B	B	B	S	S	S			(F)BOULON (S)PERNO	
[08]	96184228	(E)REGULATOR A-FUEL PRESSURE (D)REGULATOR, BENZIN DRUCK	Y	.	B	B	B	S	S	S			(F)REGULATEUR (S)REGULADOR	
[09]	9034906100	(E)SCREW-PAN (D)SCHRAUBE	Y	.	B	B	B	S	S	S			(F)VIS (S)TORNILLO	
[10]		(E)HOSE-VACUUM (D)SCHLAUCH, VAKUUM	Y	.	B	B	B	S	S	S			(F)TUYAU-DEPRESSION (S)MANGUERA-VACIO	
ENG(ENGINE)		T/A(TRANSAXLE)		BODY TYPE										
Y = 1.5SOHC 6 = 1.6DOHC . = COMMON		M = MANUAL T/A A = AUTOMATIC T/A . = COMMON		4 N = 4 DOOR NOTCHBACK 3 H = 3 DOOR HATCHBACK 5 H = 5 DOOR HATCHBACK										



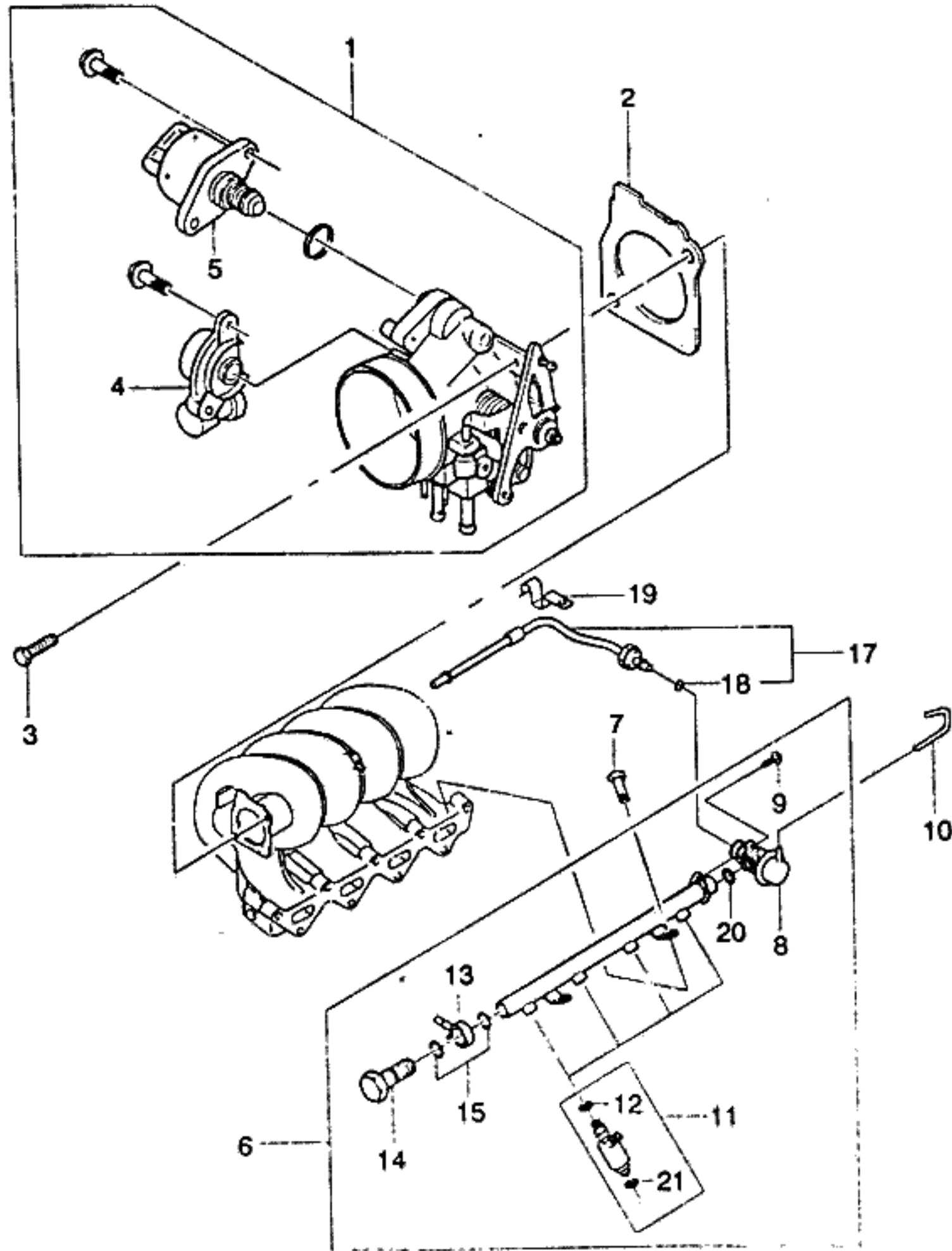
KEY NO.	PART NAME												
	PART NO	MODEL					OPTION	L / R	QTY	EFFECTIVE DATE		REMARKS	P / CODE
		E	T	BODY		LEVEL				FROM	TO		
N / G	A	4	3	5	S	S	S						
96351089	Y . B B B S S S							1		195mm			
[11]	(E)INJECTOR A-FUEL (D)EINSPRITZE,BENZIN										(F)INJECTEUR-CARBURANT (S)INYEctor-COMBUSTIBLE		
25171743	Y . B B B S S S							4					
[13]	(E)RING-INJECTOR,UPPER (D)O RING,EINSPRITZER										(F)JOINT TORIQUE-INJECTEUR (S)ANILLO EN O-INYEctor		
05235032	Y . B B B S S S							4					
[14]	(E)RING-INJECTOR,LOWER (D)O RING,EINSPRITZER										(F)JOINT TORIQUE-INJECTEUR (S)ANILLO EN O-INYEctor		
17108225	Y . B B B S S S							4					
[15]	(E)WASHER-SEAL (D)DICHTUNGSRING										(F)RONDELLE (S)ARANDELA		
96143641	Y . B B B S S S							1					
[16]	(E)CONNECTOR-FUEL RAIL (D)VERBINDUNG										(F)CONNECTEUR (S)CONECTOR		
96184471	Y . B B B S S S							1					
[17]	(E)RING-SEAL (D)RING,DICHTUNG										(F)ANNEAU-JOINT (S)ANILLO-SELLO		
17081434	Y . B B B S S S							1					

ENG(ENGINE)	T/A(TRANSAXLE)	BODY TYPE
Y = 1.5SOHC 6 = 1.6DOHC . = COMMON	M = MANUAL T/A A = AUTOMATIC T/A . = COMMON	4 N = 4 DOOR NOTCHBACK 3 H = 3 DOOR HATCHBACK 5 H = 5 DOOR HATCHBACK

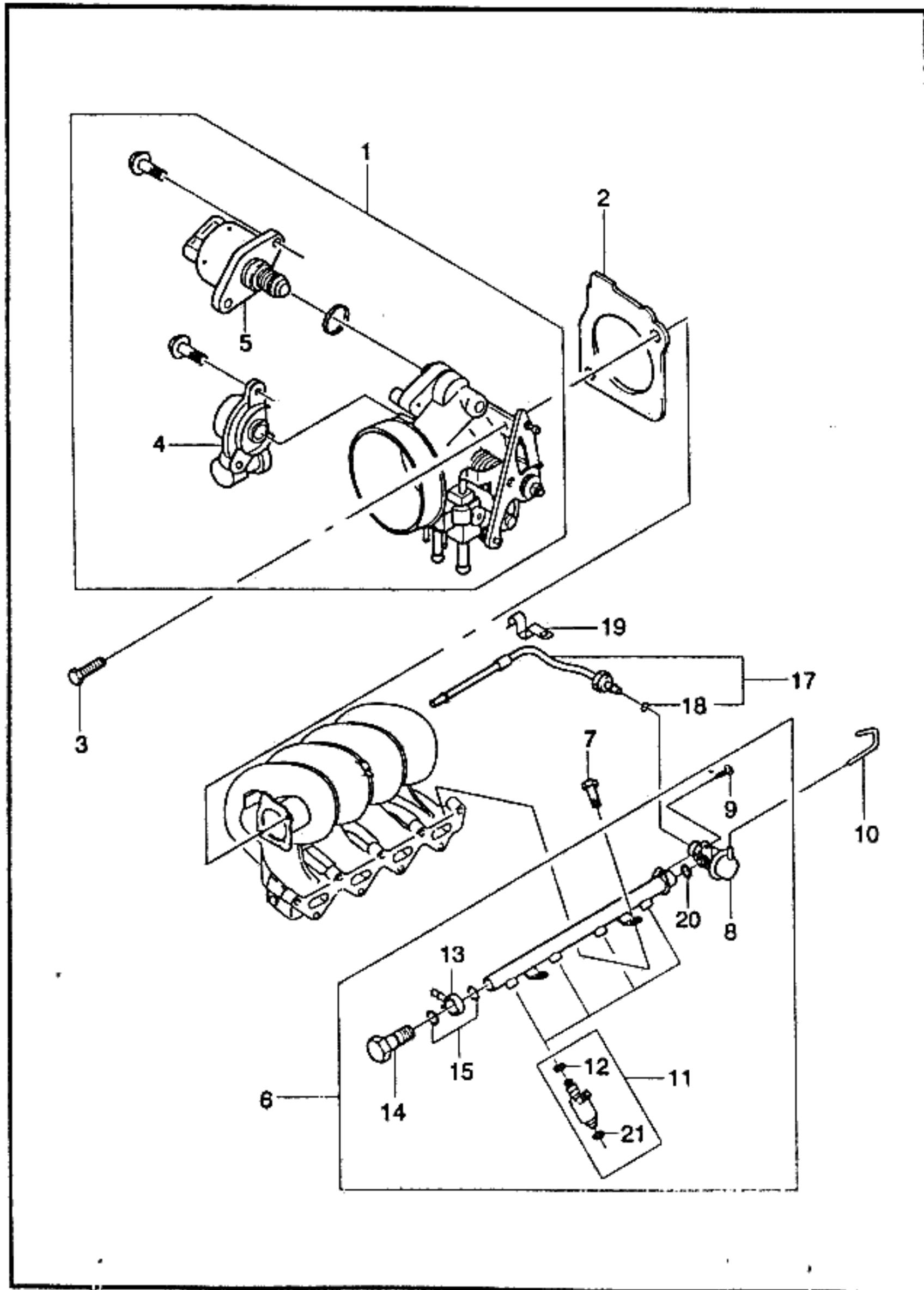


KEY NO.	PART NAME													
	PART NO	MODEL						OPTION	L / Q / R	EFFECTIVE DATE		REMARKS	P / C / O / D / E	
		E	T	BODY			LEVEL			FROM	TO			
N	G	4	3	5	S	S	S							
[01]	96184572	(E)BODY A -THROTTLE (D)KAROSSERIE,GASHEBEL	6	.	B	B	B	.	.	O	(F)CORPS-COMMANDE DES GAZ (S)CARROCERIA-ESTRANGULADOR	1		
[02]	96352111	(E)GASKET-THROTTLE BODY (D)DICHTUNG,DROSSEL KÖRPER	6	.	B	B	B	.	.	O	(F)JOINT (S)JUNTA	1		
[03]	09117-08010	(E)BOLT (D)SCHRAUBE	6	.	B	B	B	.	.	O	(F)BOULON (S)PERNO	2		
[04]	17106681	(E)SENSOR A-THROTTLE PSTN (D)SENSOR,DROSSEL STELLUNG	6	.	B	B	B	.	.	O	(F)DETECTEUR (S)SENSOR	1		
[05]	17059602	(E)VALVE-IDLING CONTROL (D)VENTIL	6	.	B	B	B	.	.	O	(F)SOUPAPE (S)VALVULA	1		
[06]	96183232	(E)RAIL A-FUEL (D)SCHIENE,BENZIN	6	.	B	B	B	.	.	O	(F)RAIL-CARBURANT (S)RIEL-COMBUSTIBLE	1		
[07]	01137-08163	(E)BOLT-HEXAGON (D)SCHRAUBE	6	.	B	B	B	.	.	O	(F)BOULON (S)PERNO	2		
[08]	96184759	(E)REGULATOR A-FUEL PRESSURE (D)REGULATOR,BENZIN DRUCK	6	.	B	B	B	.	.	O	(F)REGULATEUR (S)REGULADOR	1		
[09]	09360-16001	(E)SCREW (D)SCHRAUBE	6	.	B	B	B	.	.	O	(F)VIS (S)TORNILLO	1		
	96143390		6	.	B	B	B	.	.	O		1	NOT APPLIED	

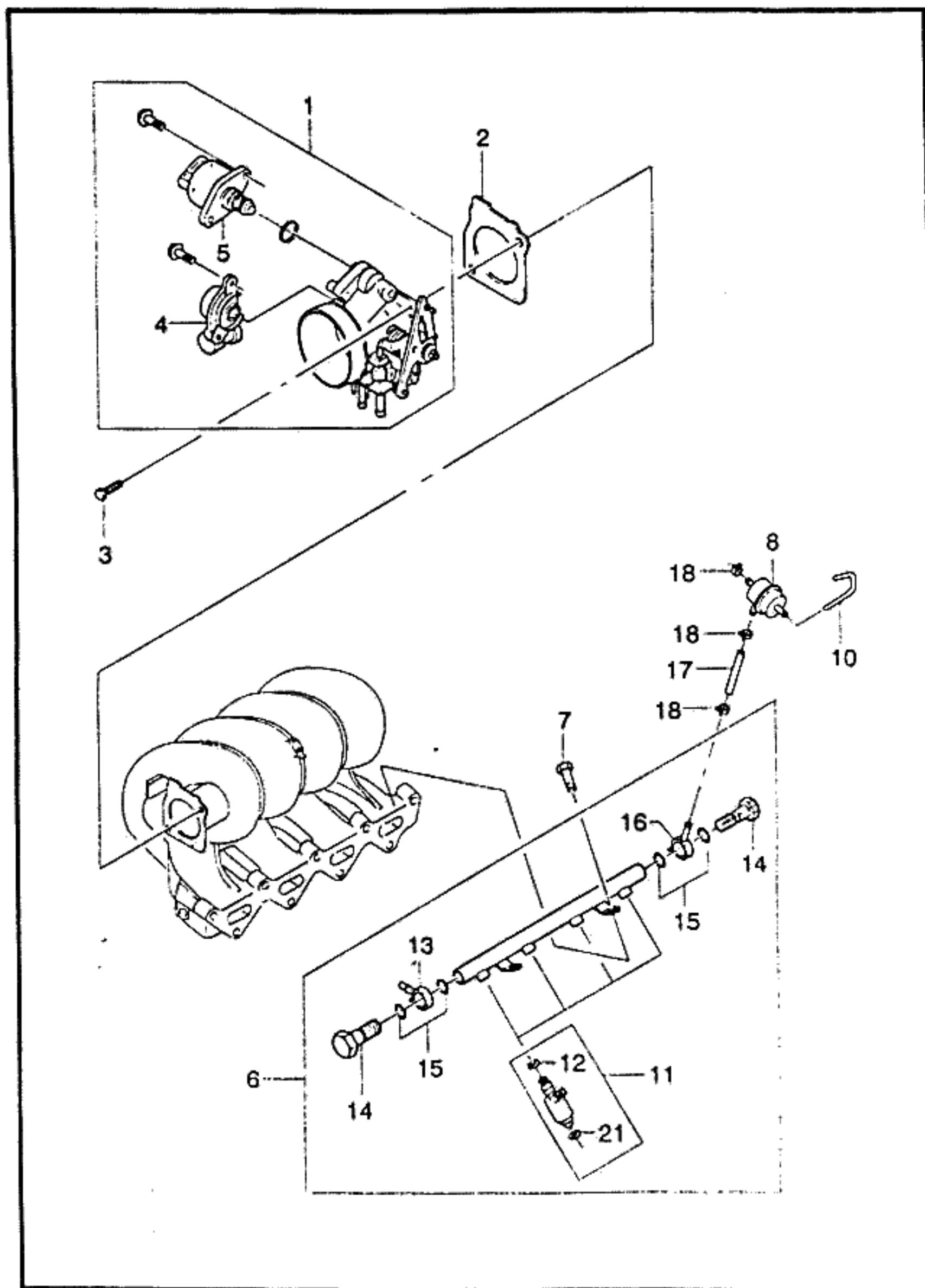
ENG(ENGINE)	T/A(TRANSAXLE)	BODY TYPE
Y = 1.5SOHC 6 = 1.6DOHC . = COMMON	M = MANUAL T/A A = AUTOMATIC T/A . = COMMON	4 N = 4 DOOR NOTCHBACK 3 H = 3 DOOR HATCHBACK 5 H = 5 DOOR HATCHBACK



KEY NO.	PART NAME													
	PART NO	MODEL						OPTION	L / R	Q / T Y	EFFECTIVE DATE		REMARKS	P / C O D E
		E N G	T / A	B O D Y	L E V E L						FROM	TO		
[10]	(E)HOSE-VACUUM (D)SCHLAUCH,VAKUUM													
96351089	6 . B B B . . O										970401	195mm		
Y 96248446	6 . B B B . . O										970401	165mm		
[11]	(E)INJECTOR A-FUEL (D)EINSPRITZE,BENZIN													
25174024	6 . B B B . . O													
[12]	(E)RING-INJECTOR,UPPER (D)O RING,EINSPRITZER													
05235032	6 . B B B . . O													
[13]	(E)CONNECTOR-FUEL RAIL (D)VERBINDUNG													
96183364	6 . B B B . . O													
[14]	(E)BOLT-UNION (D)SCHRAUBE													
09360-16001	6 . B B B . . O													
[15]	(E)GASKET-CONNECTOR (D)DICHTUNG													
96183365	6 . B B B . . O													
[17]	(E)PIPE A-ADAPTOR RETURN (D)ROHR													
96183068	6 . B B B . . O													
[18]	(E)O RING (D)O RING													
96114707	6 . B B B . . O													
[19]	(E)BRACKET-PIPE ADAPTOR RTN (D)TRÄGER													
96183070	6 . B B B . . O													
ENG(ENGINE)		T/A(TRANSAXLE)				BODY TYPE								
Y = 1.5SOHC 6 = 1.6DOHC . = COMMON		M = MANUAL T/A A = AUTOMATIC T/A . = COMMON				4 N = 4 DOOR NOTCHBACK 3 H = 3 DOOR HATCHBACK 5 H = 5 DOOR HATCHBACK								

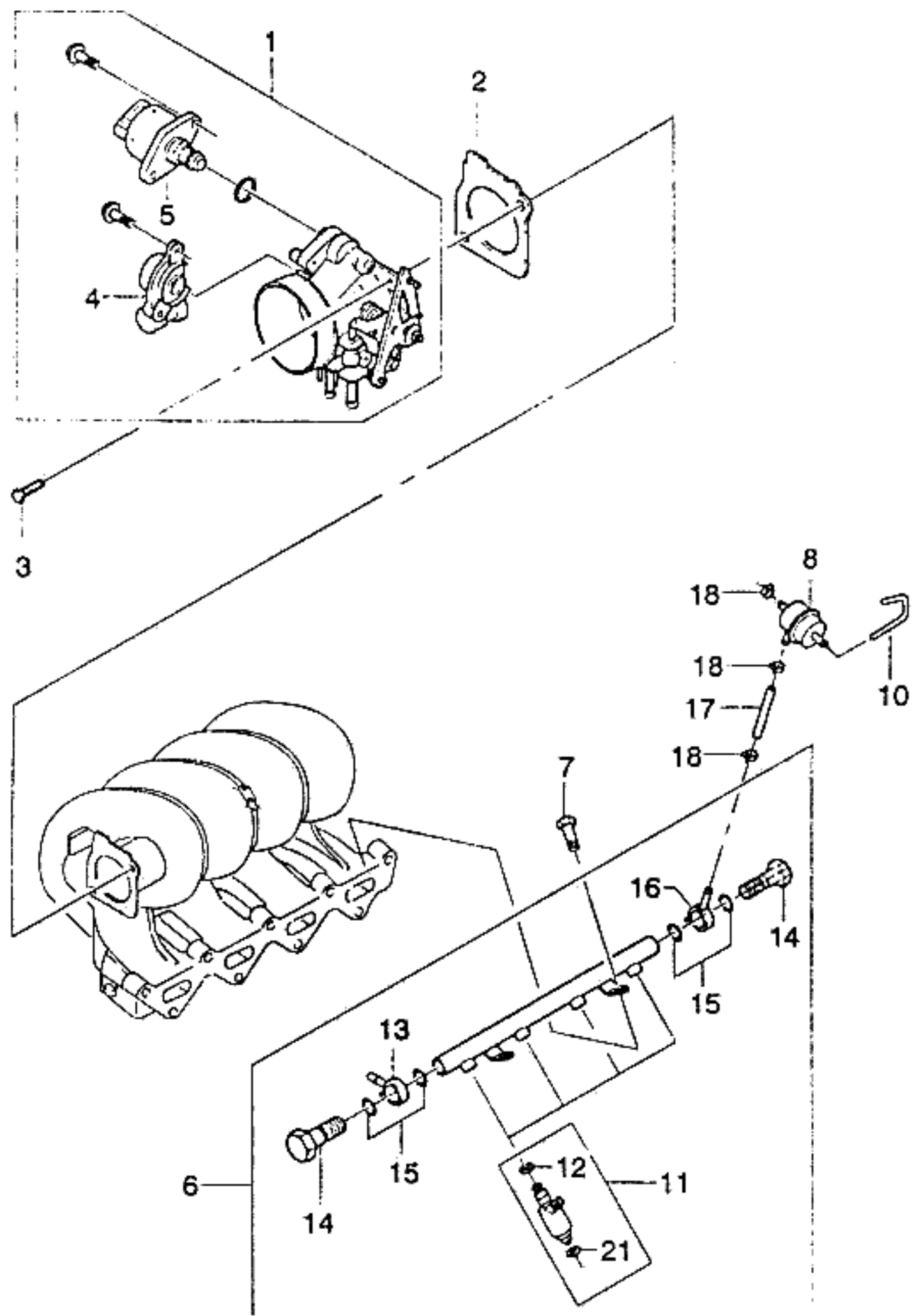


KEY NO.		PART NAME												
I T C	PART NO	MODEL						OPTION	L / R	Q T Y	EFFECTIVE DATE		REMARKS	P / C O D E
		E N G	T / A	BODY			L E V E L				F R O M	T O		
				4 N	3 H	5 H								
	[20] 17081434	(E)RING-SEAL (D)RING,DICHTUNG										(F)ANNEAU-JOINT (S)ANILLO-SELLO 1		
	[21] 17108225	(E)RING-INJECTOR,LOWER (D)O RING,EINSPRITZER										(F)JOINT TORIQUE-INJECTEUR (S)ANILLO EN O-INYECTOR 4		
ENG(ENGINE)		T/A(TRANSAXLE)				BODY TYPE								
Y = 1.5SOHC 6 = 1.6DOHC . = COMMON		M = MANUAL T/A A = AUTOMATIC T/A . = COMMON				4 N = 4 DOOR NOTCHBACK 3 H = 3 DOOR HATCHBACK 5 H = 5 DOOR HATCHBACK								



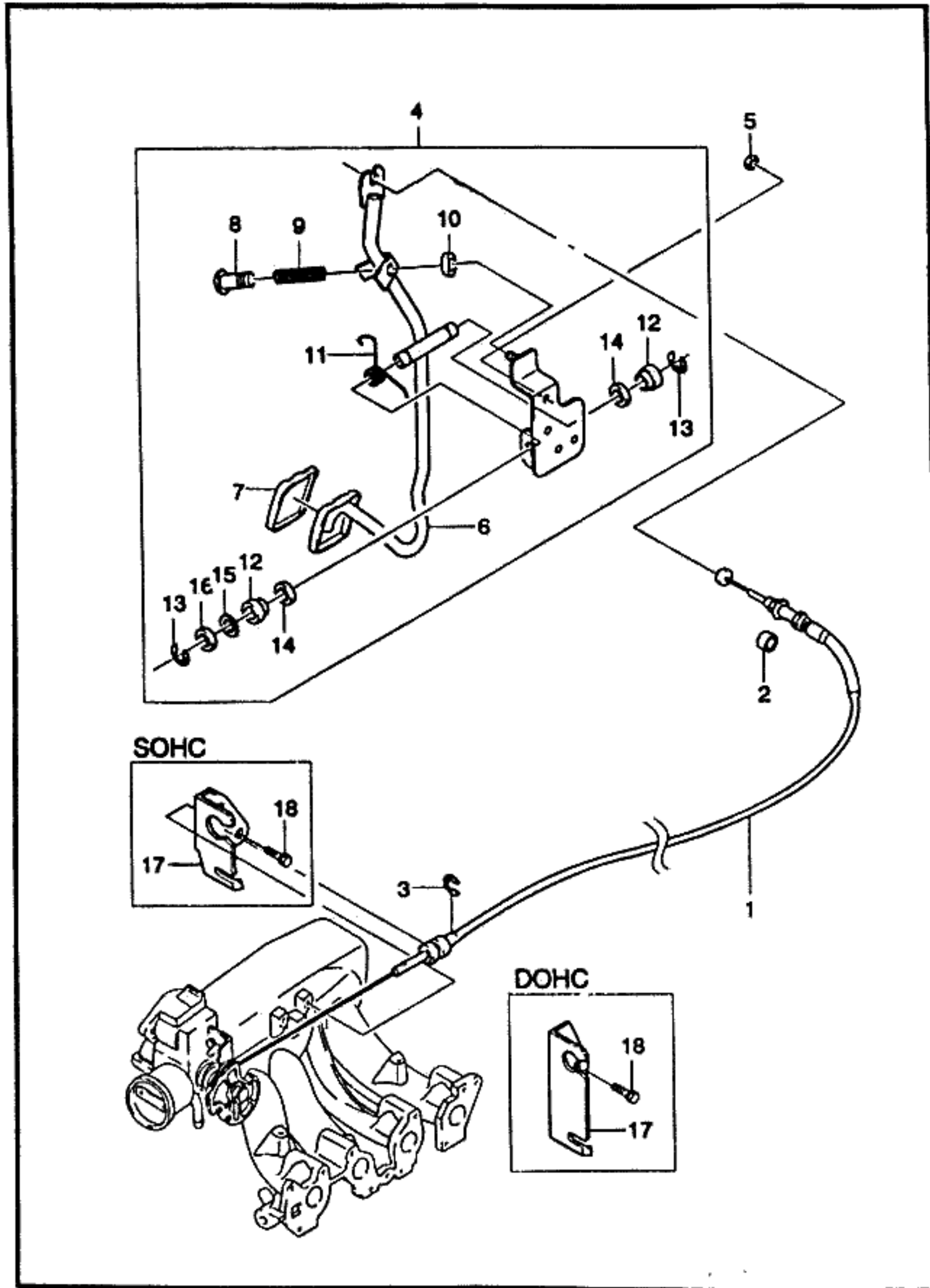
KEY NO.	PART NAME										
	PART NO	MODEL			OPTION	L / R	Q / Y	EFFECTIVE DATE		REMARKS	P / CODE
		E N G	T / A	BODY				LEVEL	FROM		
[01]	(E)BODY A -THROTTLE (D)KAROSSERIE,GASHEBEL								(F)CORPS-COMMANDE DES GAZ (S)CARROCERIA-ESTRANGULADOR		
96184572	6 . B B B . . A &KL9								1		
[02]	(E)GASKET-THROTTLE BODY (D)DICHTUNG,DROSSEL KÖRPER								(F)JOINT (S)JUNTA		
96352111	6 . B B B . . A &KL9								1		
[03]	(E)BOLT (D)SCHRAUBE								(F)BOULON (S)PERNO		
09117-08010	6 . B B B . . A &KL9								2		
[04]	(E)SENSOR A-THROTTLE PSTN (D)SENSOR,DROSSEL STELLUNG								(F)DETECTEUR (S)SENSOR		
17106681	6 . B B B . . A &KL9								1		
[05]	(E)VALVE-IDLING CONTROL (D)VENTIL								(F)SOUPAPE (S)VALVULA		
17059602	6 . B B B . . A &KL9								1		
[06]	(E)RAIL A-FUEL (D)SCHIENE,BENZIN								(F)RAIL-CARBURANT (S)RIEL-COMBUSTIBLE		
96242764	6 . B B B . . A &KL9								1		
[07]	(E)BOLT-HEXAGON (D)SCHRAUBE								(F)BOULON (S)PERNO		
01137-08163	6 . B B B . . A &KL9								2		
[08]	(E)REGULATOR A-FUEL PRESSURE (D)REGULATOR,BENZIN DRUCK								(F)REGULATEUR (S)REGULADOR		
0280150716	6 . B B B . . A &KL9								1		
[10]	(E)HOSE-VACUUM (D)SCHLAUCH,VAKUUM								(F)TUYAU-DEPRESSION (S)MANGUERA-VACIO		
96242772	6 . B B B . . A &KL9								1		
[11]	(E)INJECTOR A-FUEL (D)EINSPRITZE,BENZIN								(F)INJECTEUR-CARBURANT (S)INJECTOR-COMBUSTIBLE		

ENG(ENGINE)	T/A(TRANSAXLE)	BODY TYPE
Y = 1.5SOHC 6 = 1.6DOHC . = COMMON	M = MANUAL T/A A = AUTOMATIC T/A . = COMMON	4 N = 4 DOOR NOTCHBACK 3 H = 3 DOOR HATCHBACK 5 H = 5 DOOR HATCHBACK

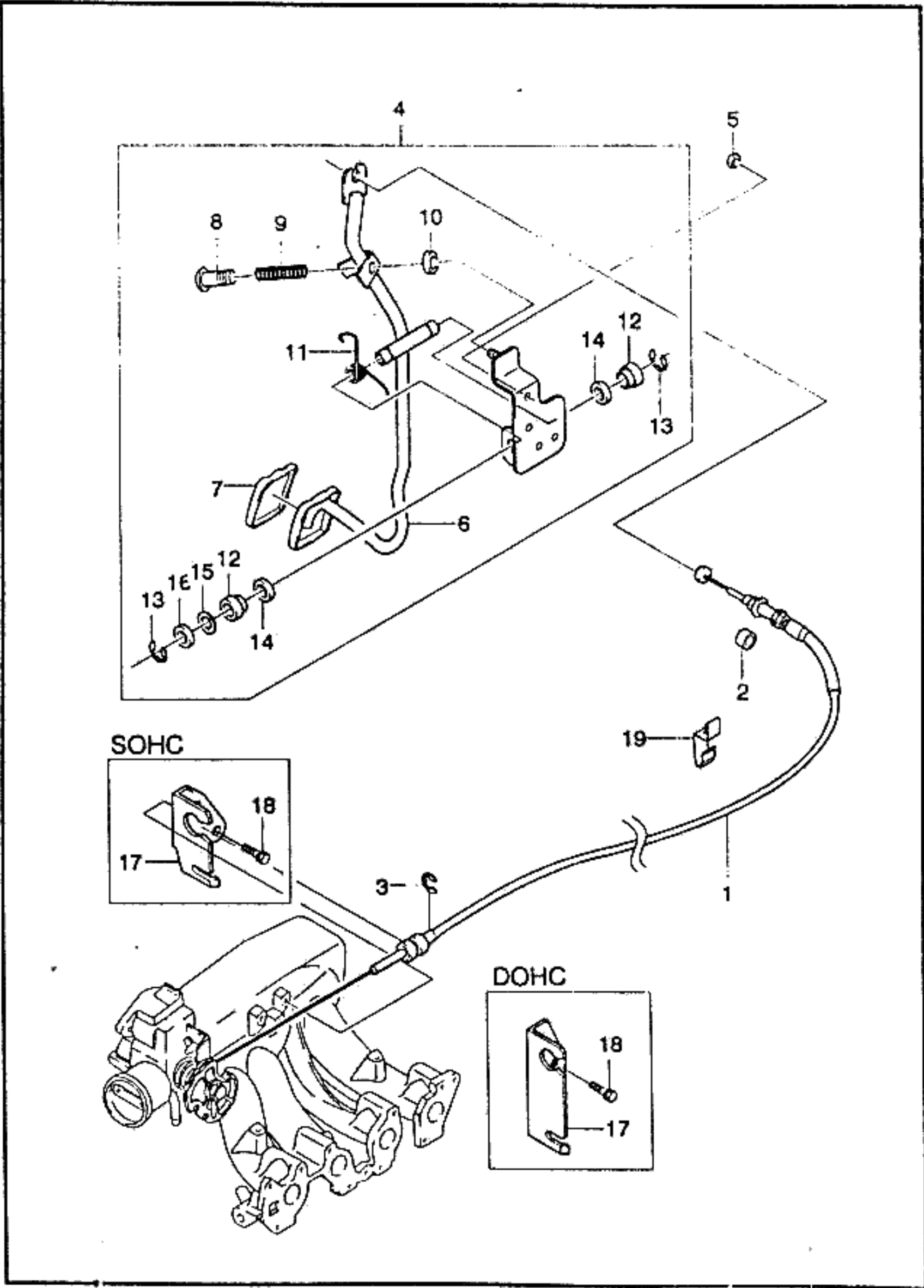


KEY NO.	PART NAME													
	PART NO	MODEL						OPTION	L / R	QTY	EFFECTIVE DATE		REMARKS	P / CODE
		E	T	BODY			LEVEL				FROM	TO		
N	G	4	3	5	S	S	S							
0280150983	6 . B B B . . A &KL9													
[13]	(E)CONNECTOR-FUEL FEEDING (D)VERBINDUNG								4			(F)CONNECTEUR (S)CONECTOR		
96242769	6 . B B B . . A &KL9													
[14]	(E)BOLT-UNION (D)SCHRAUBE								1			(F)BOULON (S)PERNO		
09360-16002	6 . B B B . . A &KL9													
[15]	(E)GASKET-CONNECTOR (D)DICHTUNG								2			(F)JOINT (S)JUNTA		
96183365	6 . B B B . . A &KL9													
[16]	(E)CONNECTOR-FUEL RETURN (D)VERBINDUNG								4			(F)CONNECTEUR (S)CONECTOR		
96242767	6 . B B B . . A &KL9													
[17]	(E)HOSE-FUEL RETURN (D)SCHLAUCH								1			(F)TUYAU (S)MANGUERA		
96242771	6 . B B B . . A &KL9													
[18]	(E)CLAMP (D)KLAMMER								1			(F)PINCE (S)ABRAZADERA		
09402-16503	6 . B B B . . A &KL9													
									3					

ENG(ENGINE)	T/A(TRANSAXLE)	BODY TYPE
Y = 1.5SOHC 6 = 1.6DOHC . = COMMON	M = MANUAL T/A A = AUTOMATIC T/A . = COMMON	4 N = 4 DOOR NOTCHBACK 3 H = 3 DOOR HATCHBACK 5 H = 5 DOOR HATCHBACK

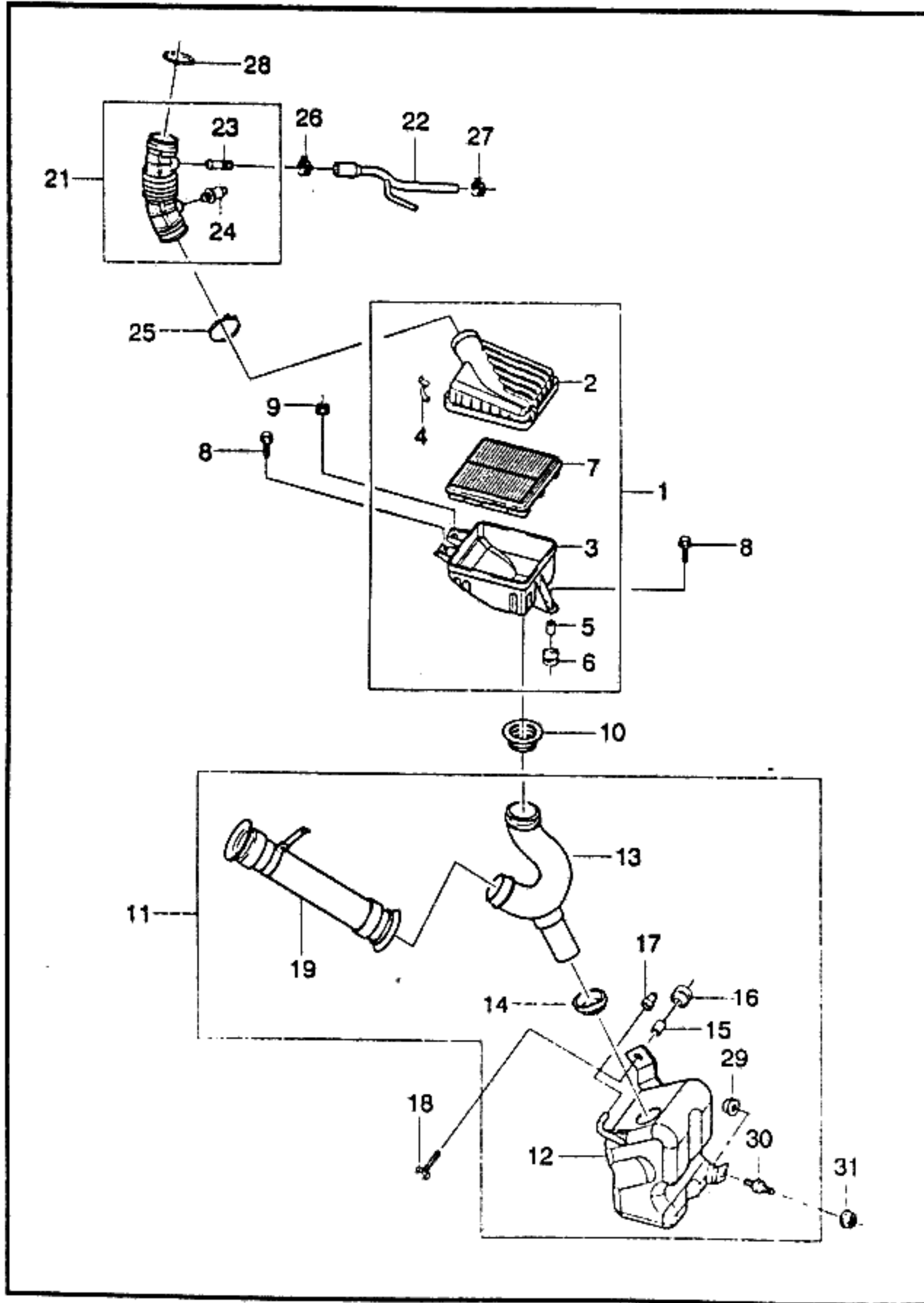


KEY NO.	PART NAME											
	PART NO	MODEL					OPTION	L / Q R / Y	EFFECTIVE DATE		REMARKS	P / C O D E
		E N G	T / A	B O D Y	L E V E L				FROM	TO		
	4 N G	3 H	5 H	S S	S S							
[01]	(E)CABLE A-ACCEL CONT. BOWDEN (D)KABEL,GAS-STEUERUNG	(F)CABLE- ACCELERATEUR (S)CABLE										
96351836	Y . B B B S S S											ML
96182338	6 . B B B . . O											DL
[02]	(E)GROMMET (D)ÖSE	(F)VIROLE (S)AISLANTE										
09308-17002	. . B B B S S S											
[03]	(E)RING-RETAINING E TYPE (D)RING,HALTER	(F)ANNEAU-DE RETENTION (S)ANILLO-RETENEDOR										
08332-21089	. . B B B S S S											
[04]	(E)LEVER A-ACCELERATOR PEDAL (D)HEBEL,GASPEDAL	(F)LEVIER (S)PALANCA										
96182335	. . B B B S S S											AL
[05]	(E)NUT (D)MUTTER	(F)ECROU (S)TUERCA										
09159-08003	. . B B B S S S											
[06]	(E)LEVER-ACCELERATOR PEDAL (D)HEBEL,GASPEDAL	(F)LEVIER (S)PALANCA										
96184217	. . B B B S S S											
[07]	(E)PAD-ACCELERATOR PEDAL (D)UNTERLAGE,GASPEDAL	(F)PATIN (S)COJIN-PEDAL										
96184690	. . B B B S S S											
[08]	(E)SCREW (D)SCHRAUBE	(F)VIS (S)TORNILLO										
02116-06309	. . B B B S S S											
[09]	(E)SPRING (D)FEDERUNG	(F)RESSORT (S)RESORTE										
09440-09003	. . B B B S S S											
ENG(ENGINE)		T/A(TRANSAXLE)		BODY TYPE								
Y = 1.5SOHC 6 = 1.6DOHC . = COMMON		M = MANUAL T/A A = AUTOMATIC T/A . = COMMON		4 N = 4 DOOR NOTCHBACK 3 H = 3 DOOR HATCHBACK 5 H = 5 DOOR HATCHBACK								

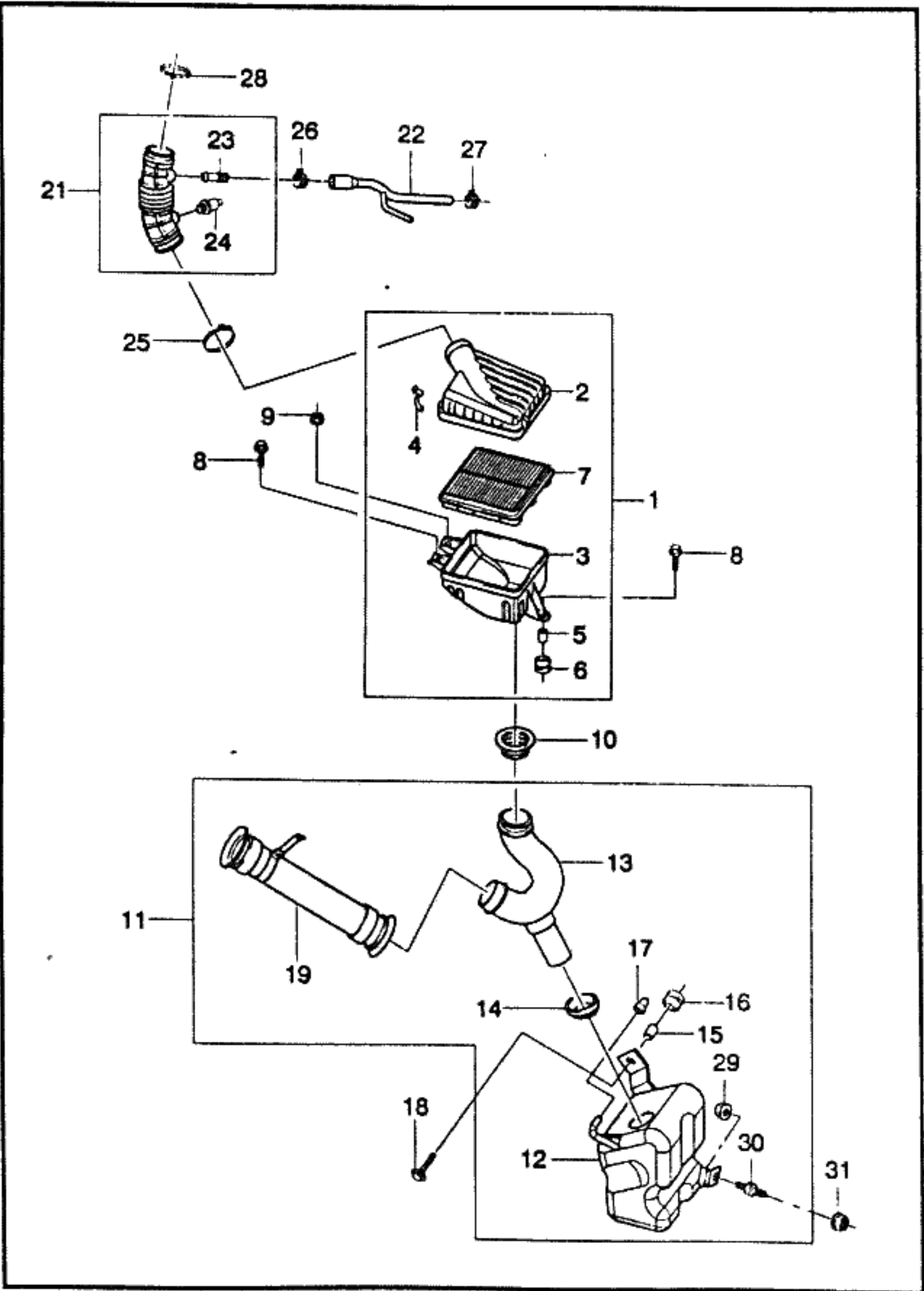


KEY NO.	PART NAME									
	PART NO	MODEL			OPTION	L / Q R / Y	EFFECTIVE DATE		REMARKS	P / C O D E
		E N G	T /	BODY			LEVEL	FROM		
[10]	(E)BUMPER-ADJUSTING SCREW (D)STOBSSCHEIBE								(F)PARE-CHOC-VIS DE REGLAGE (S)PARACHOQUES-TORNILLO	
09292075	. . .	B	B	B	S	S	S	1		
[11]	(E)SPRING-LEG (D)FEDERUNG, BEIN								(F)RESSORT-JAMBE (S)RESORTE-PIERNA	
90183525	. . .	B	B	B	S	S	S	1		
[12]	(E)BUSHING (D)LAGERFUTTER								(F)MANCHON (S)BUJE DE BOQUILLA	
09306-10005	. . .	B	B	B	S	S	S	2		
[13]	(E)RING-RETAINING E TYPE (D)RING, HALTER								(F)ANNEAU-DE RETENTION (S)ANILLO-RETENEDOR	
08332-11089	. . .	B	B	B	S	S	S	2		
[14]	(E)WASHER-PLAIN (D)DICHTUNGSRING								(F)RONDELLE (S)ARANDELA	
09160-18003	. . .	B	B	B	S	S	S	2		
[15]	(E)WASHER-SPRING (D)DICHTUNGSRING								(F)RONDELLE (S)ARANDELA	
09162-10001	. . .	B	B	B	S	S	S	1		
[16]	(E)WASHER-PLAIN (D)DICHTUNGSRING								(F)RONDELLE (S)ARANDELA	
09160-10003	. . .	B	B	B	S	S	S	1		
[17]	(E)BRACKET-ACCEL CONTROL (D)TRÄGER, GASPEDAL								(F)SUPPORT-ACCELERATEUR (S)SOPORTE	
96184602	Y . . .	B	B	B	S	S	S	1		
96351517	6 . . .	B	B	B	.	.	O	1		
[18]	(E)BOLT-HEXAGON (D)SCHRAUBE								(F)BOULON (S)PERNO	
01107-06123	. . .	B	B	B	S	S	S	2		

ENG(ENGINE)	T/A(TRANSAXLE)	BODY TYPE
Y = 1.5SOHC 6 = 1.6DOHC . = COMMON	M = MANUAL T/A A = AUTOMATIC T/A . = COMMON	4 N = 4 DOOR NOTCHBACK 3 H = 3 DOOR HATCHBACK 5 H = 5 DOOR HATCHBACK



KEY NO.	PART NAME											
	PART NO	MODEL					OPTION	L / Q R / Y	EFFECTIVE DATE		REMARKS	P / C O / D E
		E N G	T / A	BODY 4 N	LEVEL 3 H	S S S			FROM	TO		
[01]	96182219	(E)AIR CLEANER A (D)LUFTREINUGUNG								(F)PURIFICATEUR D'AIR (S)FILTRO DEL AIRE		
[02]	96182231	(E)AIR CLEANER-UPPER (D)LUFTREINUGUNG OBER								(F)PURIFICATEUR D'AIR,HAUT (S)FILTRO DEL AIRE SUPERIOR		
[03]	96182232	(E)AIR CLEANER-LOWER (D)LUFTREINUGUNG UNTEN								(F)PURIFICATEUR D'AIR,BAS (S)FILTRO DEL AIRE BAJO		
[04]	96300903	(E)CLIP-AIR CLEANER (D)KLEMME								(F)ATTACHE (S)GRAPA		
[05]	96300905	(E)SPACER-ISOLATOR (D)DISTANZSTÜCK,ISOLATOR								(F)ENTRETOISE-ISOLATEUR (S)ESPACIADOR-AISLADOR		
[06]	96303067	(E)ISOLATOR-AIR CLEANER (D)ISOLATOR,LUFTREINIGUNG								(F)ISOLATEUR-FILTRE A AIR (S)AISLADOR-FILTRO DEL AIRE		
[07]	96182220	(E)ELEMENT A-AIR CLEANER (D)ELEMENT,LUFTREINUGUNG								(F)ELEMENT-FILTRE A AIR (S)ELEMENTO-FILTRO DEL AIRE		
[08]	09116-06014	(E)BOLT (D)SCHRAUBE								(F)BOULON (S)PERNO		
[09]	08361-25063	(E)NUT-HEXAGON (D)MUTTER								(F)ECROU (S)TUERCA		
[10]		(E)TUBE-AIR CLEANER CONNECT (D)ROHRLEITUNG								(F)TUYAU OU TUBE (S)TUBO		
ENG(ENGINE)		T/A(TRANSAXLE)			BODY TYPE							
Y = 1.5SOHC 6 = 1.6DOHC . = COMMON		M = MANUAL T/A A = AUTOMATIC T/A . = COMMON			4 N = 4 DOOR NOTCHBACK 3 H = 3 DOOR HATCHBACK 5 H = 5 DOOR HATCHBACK							

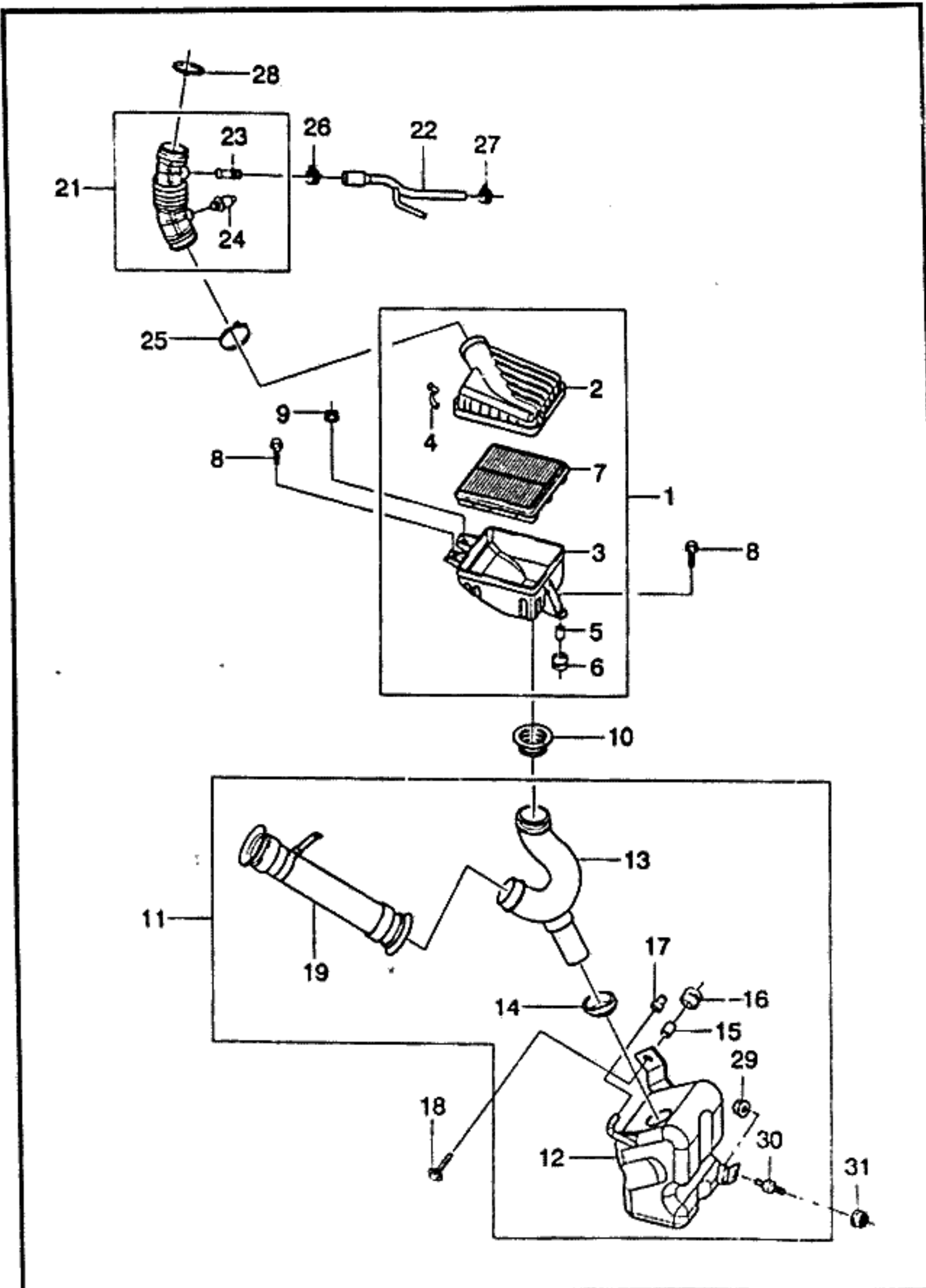


KEY NO.	PART NAME														
	PART NO	MODEL						OPTION	L / R	QTY	EFFECTIVE DATE		REMARKS	P / CODE	
		E	T	BODY			LEVEL				FROM	TO			
N	G	A	4	3	5	H	S	S	S	X					
96182223	[11]			B	B	B	S	S	S	S		1		(F)RESONATEUR (S)RESONADOR	
96352224				B	B	B	S	S	S	S		1	970520		
N 96352243	[12]			B	B	B	S	S	S	S		1	970520		
96352026	[13]			B	B	B	S	S	S	S		1		(F)CONDUIT-ENTREE D'AIR (S)CONDUCTO-ENTRADA DE AIRE	
96182233	[14]			B	B	B	S	S	S	S		1		(F)JOINT D'ETANCHEITE (S)SELLO	
96181265	[15]			B	B	B	S	S	S	S		1		(F)ENTRETOISE-ISOLATEUR (S)ESPACIADOR-AISLADOR	
96300905	[16]			B	B	B	S	S	S	S		1		(F)ISOLATEUR-FILTRE A AIR (S)AISLADOR-FILTRO DEL AIRE	
96300904	[17]			B	B	B	S	S	S	S		1		(F)ISOLATEUR (S)AISLADOR	
96351744	[18]			B	B	B	S	S	S	S		1		(F)BOULON (S)PERNO	
09116-06014	[19]			B	B	B	S	S	S	S		1		(F)TUYAU-ENTREE D'AIR (S)MANGUERA-ENTRADA DE AIRE	

ENG(ENGINE)	T/A(TRANSAXLE)	BODY TYPE
Y = 1.5SOHC 6 = 1.6DOHC = COMMON	M = MANUAL T/A A = AUTOMATIC T/A = COMMON	4 N = 4 DOOR NOTCHBACK 3 H = 3 DOOR HATCHBACK 5 H = 5 DOOR HATCHBACK

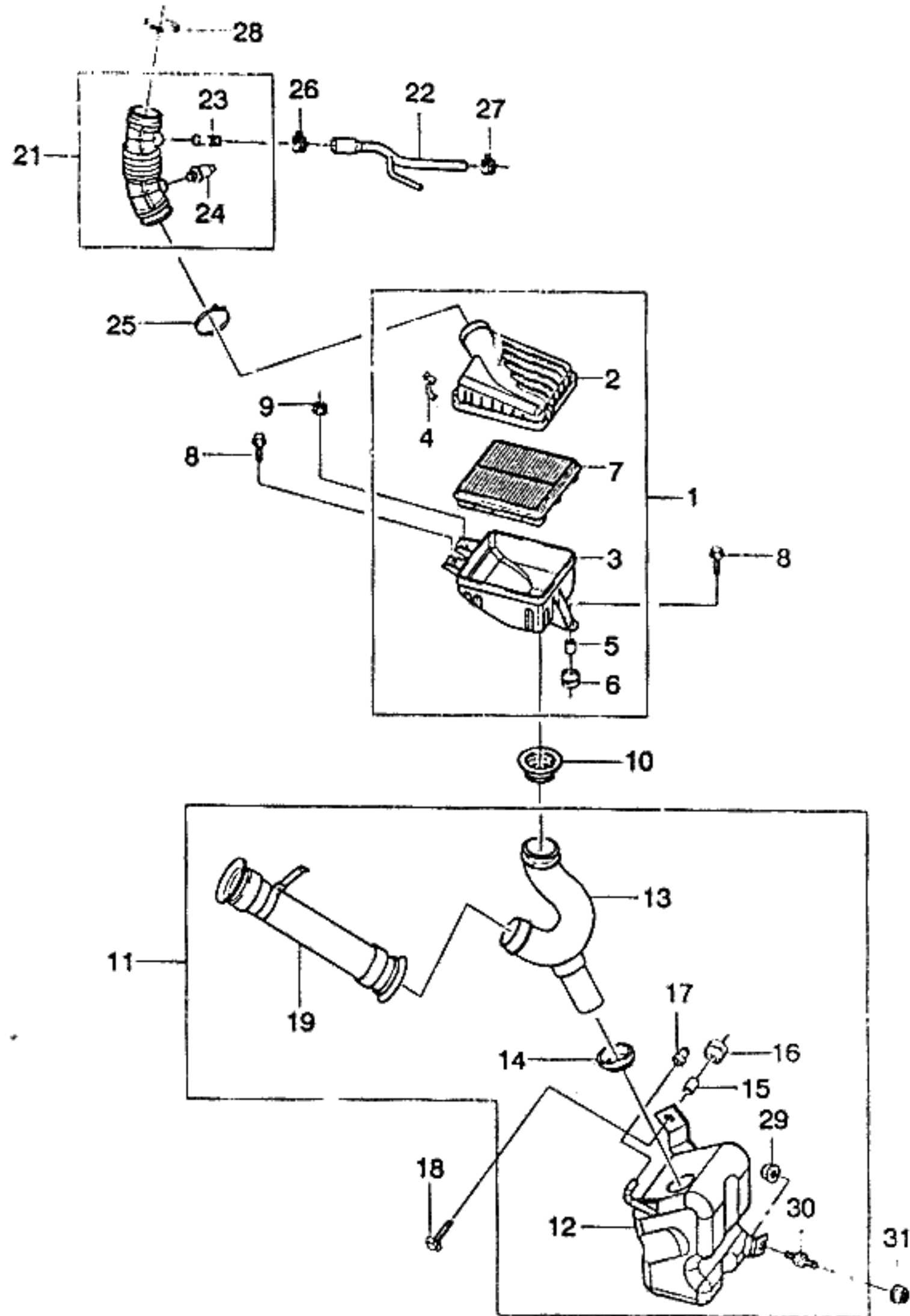
2410 AIR INTAKE SYSTEM

3K13

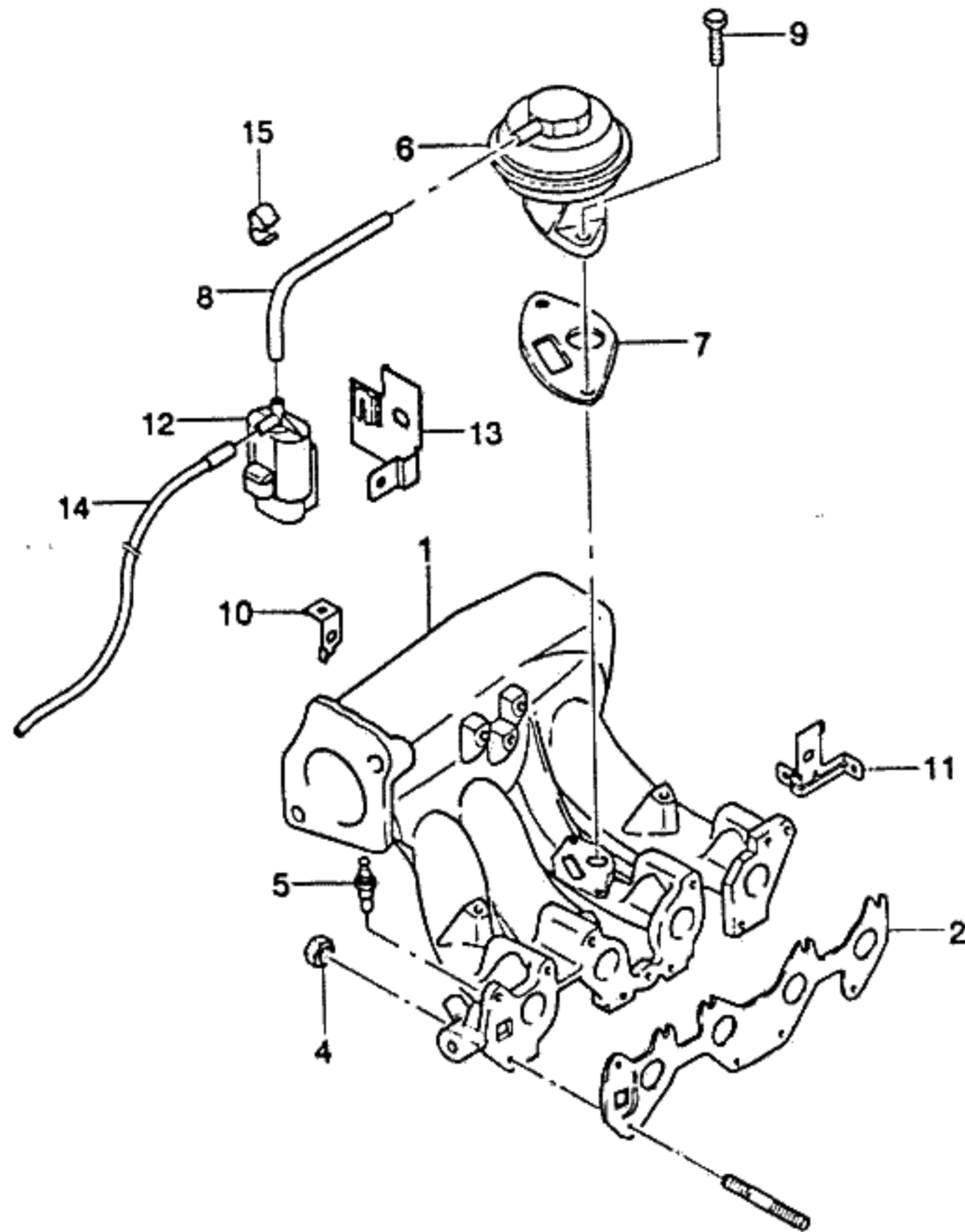


KEY NO.	PART NAME										P / I / C O D E	
	PART NO	MODEL					OPTION	L / Q / R	EFFECTIVE DATE			REMARKS
		E	T	B	B	B			S	S		
96352183	.	.	B	B	B	S	S	S	S	1	970520	
N 96352225	.	.	B	B	B	S	S	S	S	1	970520	
[21]	(E)											(F) TUYAU (S) MANGUERA
96182227	Y	.	B	B	B	S	S	S	S	1		
96182228	6	.	B	B	B	.	.	.	O	1		
[22]	(E)											(F) TUYAU-VENTILATION (S) MANGUERA-VENTILACION
96351640	Y	.	B	B	B	S	S	S	S	1		
96351636	6	.	B	B	B	.	.	.	O	1		
[23]	(E)											(F) CONNECTEUR (S) CONECTOR
96184450	Y	.	B	B	B	S	S	S	S	1		
96351115	6	.	B	B	B	.	.	.	O	1		
[24]	(E)											(F) DETECTEUR-TEMPERATURE (S) SENSOR-TEMPERATURA
96183228	.	.	B	B	B	S	S	S	S	1		
[25]	(E)											(F) PINCE (S) ABRAZADERA
09402-80501	.	.	B	B	B	S	S	S	S	1		
[26]	(E)											(F) ATTACHE (S) GRAPA
09401-20401	Y	.	B	B	B	S	S	S	S	1		
09401-22401	6	.	B	B	B	.	.	.	O	1		
[27]	(E)											(F) ATTACHE (S) GRAPA
09401-27403	Y	.	B	B	B	S	S	S	S	1		

ENG(ENGINE)	T/A(TRANSAXLE)	BODY TYPE
Y = 1.5SOHC 6 = 1.6DOHC . = COMMON	M = MANUAL T/A A = AUTOMATIC T/A . = COMMON	4 N = 4 DOOR NOTCHBACK 3 H = 3 DOOR HATCHBACK 5 H = 5 DOOR HATCHBACK



KEY NO.	PART NAME									
	PART NO	MODEL			OPTION	L / Q R / Y	EFFECTIVE DATE		REMARKS	P / C O D E
		E T N / G A	B O D Y 4 3 5 N H H	L E V E L S S S S E X			FROM	TO		
09401-22401	6 . B B B . . O					1				
[28]	(E)CLAMP (D)KLAMMER									(F)PINCE (S)ABRAZADERA
09412-70501	. . B B B S S S					1				
[29]	(E)NUT (D)MUTTER									(F)ECROU (S)TUERCA
09159-06001	. . B B B S S S					1	970901			
O 09159-06011	. . B B B S S S					1	970901			
[30]	(E)BUMPER (D)STOßSTANGE									(F)PARE-CHOC (S)PARACHOQUES
96144011	. . B B B S S S					1				
[31]	(E)NUT (D)MUTTER									(F)ECROU (S)TUERCA
09159-06001	. . B B B S S S					1	970901			
O 09159-06011	. . B B B S S S					1	970901			
ENG(ENGINE)		T/A(TRANSAXLE)			BODY TYPE					
Y = 1.5SOHC 6 = 1.6DOHC . = COMMON		M = MANUAL T/A A = AUTOMATIC T/A . = COMMON			4 N = 4 DOOR NOTCHBACK 3 H = 3 DOOR HATCHBACK 5 H = 5 DOOR HATCHBACK					

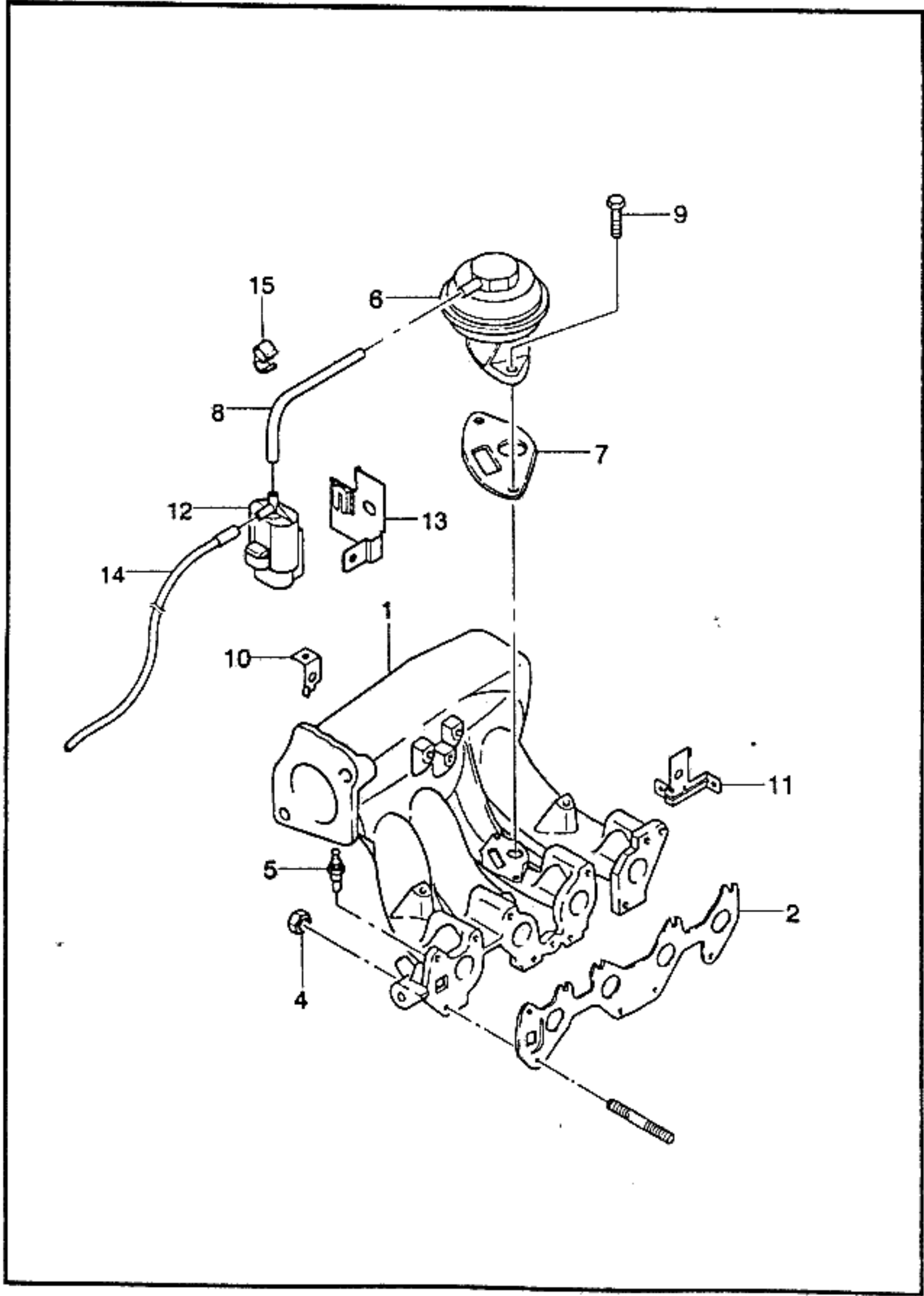


KEY NO.	PART NAME												
	PART NO	MODEL					OPTION	L / R	Q / T Y	EFFECTIVE DATE		REMARKS	P / CODE
		E T	BODY			LEVEL				FROM	TO		
	N / G	4	3	5	S S S								
[01]	(E)MANIFOLD-INTAKE (D)SAMMELLEITUNG,EINLAß	(F)COLLECTEUR-ADMISSION (S)COLECTOR-ENTRADA											
96184771	Y M B B B S S S &NN4/NN6	1											
96182953	Y A B B B O O O &NN4/NN6	1											
96182953	Y . B B B A A A &NN7	1											
[02]	(E)GASKET-INTAKE MANIFOLD (D)DICHTUNG,SAMMELLEITUNG	(F)JOINT (S)JUNTA-COLECTOR DE ENTRADA											
96183118	Y . B B B S S S	1											
[04]	(E)NUT-HEXAGON LOCK (D)MUTTER	(F)ECROU (S)TUERCA											
08311-38083	Y . B B B S S S	9											
[05]	(E)SENSOR A-TEMPERATURE (D)SENSOR,TEMPERATUR	(F)DETECTEUR-TEMPERATURE (S)SENSOR-TEMPERATURA											
96177604	Y . B B B S S S	1											
[06]	(E)VALVE-EGR (D)VENTIL	(F)SOUPAPE (S)VALVULA											
17089050	Y A B B B O O O &NN4/NN6	1											
17089050	Y . B B B A A A &NN7	1											
[07]	(E)GASKET-EGR (D)DICHTUNG	(F)JOINT (S)JUNTA											
96184987	Y A B B B O O O &NN4/NN6	1											
96184987	Y . B B B A A A &NN7	1											
[08]	(E)PIPE A-VACUUM (D)ROHR,VAKUUM	(F)TUYAU-DEPRESSION (S)TUBERIA-VACIO											
96242226	Y A B B B O O O &NN4/NN6	1											
96242228	Y . B B B A A A &NN7	1											
[09]	(E)BOLT-HEXAGON (D)SCHRAUBE	(F)BOULON (S)PERNO											

ENG(ENGINE)	T/A(TRANSAXLE)	BODY TYPE
Y = 1.5SOHC 6 = 1.6DOHC . = COMMON	M = MANUAL T/A A = AUTOMATIC T/A . = COMMON	4 N = 4 DOOR NOTCHBACK 3 H = 3 DOOR HATCHBACK 5 H = 5 DOOR HATCHBACK

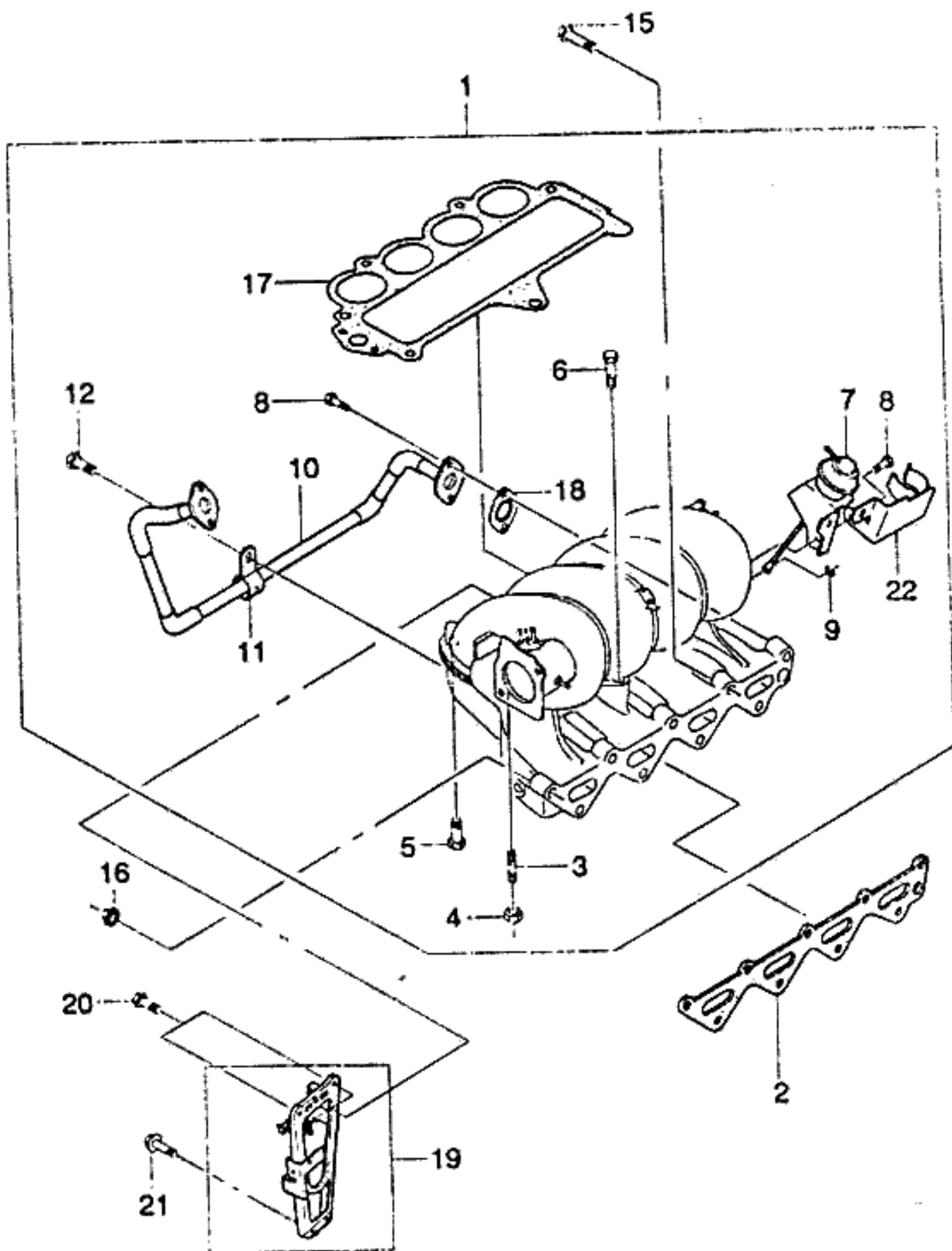
2430 INTAKE MANIFOLD(SOHC)

3N13



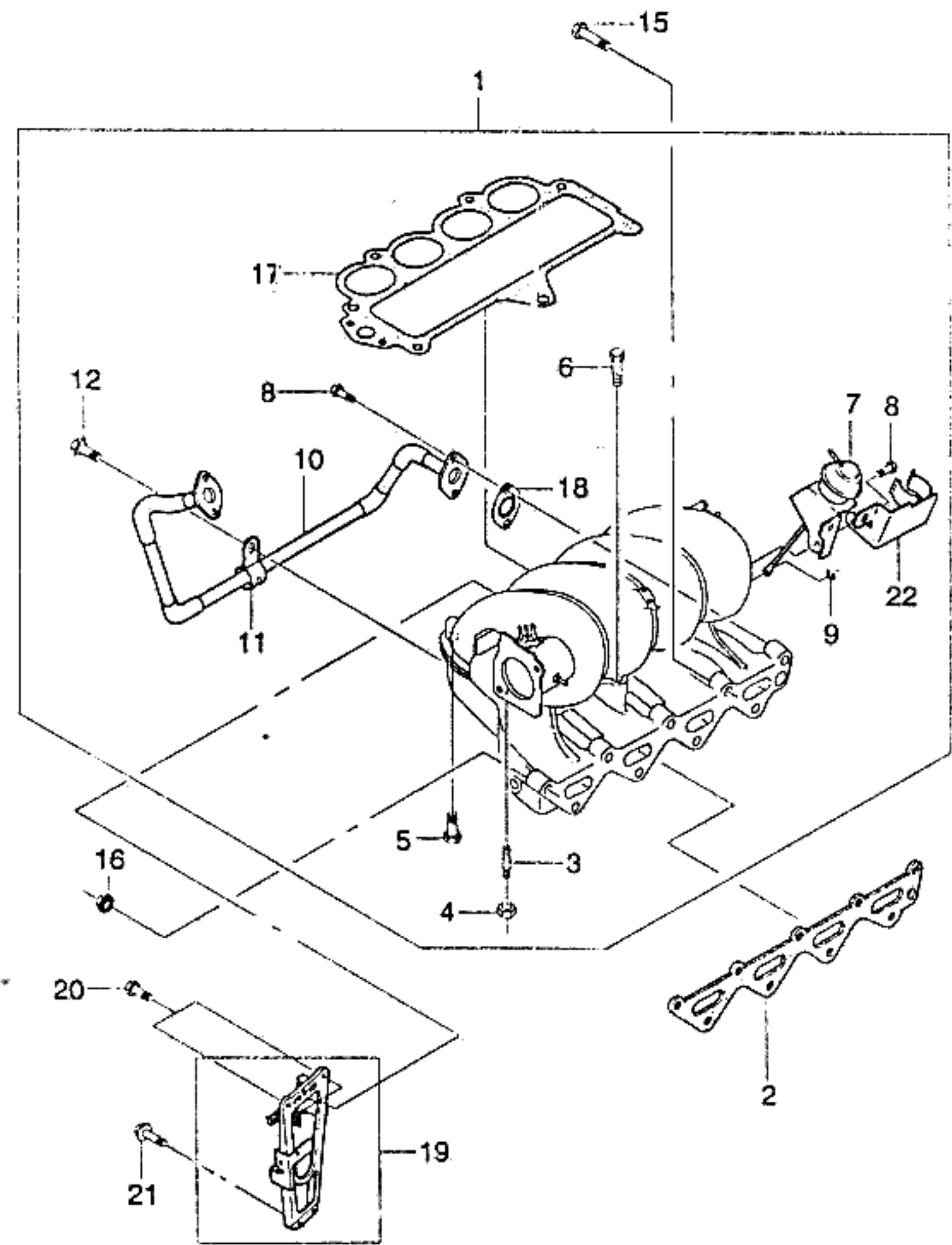
KEY NO.	PART NAME													
	PART NO.	MODEL						OPTION	L / R	QTY	EFFECTIVE DATE		REMARKS	P / CODE
		E	T	BODY			LEVEL				FROM	TO		
N	G	4	3	5	S	S	S							
11048333	Y A B B B O O O	&NN4/NN6								2				
11048333	Y . B B B A A A	&NN7								2				
[10]	(E)BRACKET-ENGINE (D)TRÄGER	CONT.HARNES								(F)SUPPORT (S)SOPORTE				
96234616	Y . B B B S S S									1				
[11]	(E)BRACKET-ENGINE (D)TRÄGER	CONT.HARNES								(F)SUPPORT (S)SOPORTE				
96234617	Y . B B B S S S									1				
[12]	(E)VALVE-SOLENOID (D)VENTIL									(F)SOUPAPE (S)VALVULA				
96350594	Y . B B B A A A	&NN7								1				
[13]	(E)BRACKET-EGR (D)TRÄGER									(F)SUPPORT (S)SOPORTE				
96350602	Y . B B B A A A	&NN7								1				
[14]	(E)PIPE A-VACUUM (D)ROHR, VAKUUM									(F)TUYAU-DEPRESSION (S)TUBERIA-VACIO				
96242229	Y . B B B A A A	&NN7								1				
[15]	(E)CLIP (D)KLEMME									(F)ATTACHE (S)GRAPA				
09408-00030	Y . B B B A A A	&NN7								1				

ENG(ENGINE)	T/A(TRANSAXLE)	BODY TYPE
Y = 1.5SOHC 6 = 1.6DOHC . = COMMON	M = MANUAL T/A A = AUTOMATIC T/A . = COMMON	4 N = 4 DOOR NOTCHBACK 3 H = 3 DOOR HATCHBACK 5 H = 5 DOOR HATCHBACK



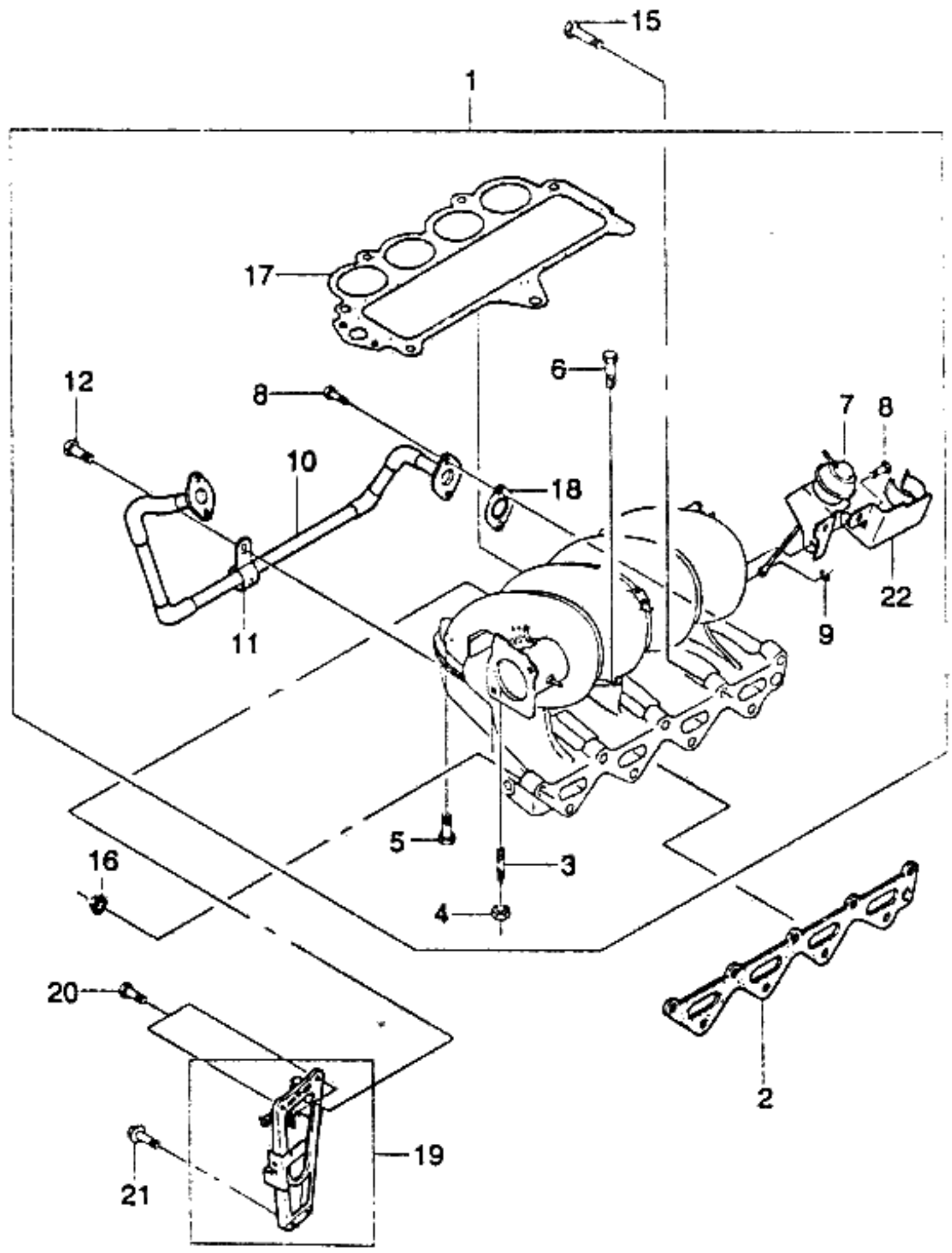
KEY NO.	PART NAME													
	PART NO	MODEL						OPTION	L / R	QTY	EFFECTIVE DATE		REMARKS	P / CODE
		E	T	BODY			LEVEL				FROM	TO		
N / G	A	4	3	5	S	S	S							
[01]	(E)MANIFOLD A-INTAKE,VGIS (D)SAMMELLEITUNG,EINLAß											(F)COLLECTEUR-ADMISSION (S)COLECTOR-ENTRADA		
96182872	6 . B B B . . O &NN4/NN7										1	970522		
96351815	6 M B B B . . A &NN6										1	970522		
96182872	6 A B B B . . A &NN6										1	970522		
96182872	6 . B B B . . O -KL9										1	970522		
96352535	6 . B B B . . A &KL9										1		FOR BRAZIL	
[02]	(E)GASKET-INTAKE MANIFOLD (D)DICHTUNG,SAMMELLEITUNG											(F)JOINT (S)JUNTA-COLECTOR DE ENTRADA		
5094207001	6 . B B B . . O										1			
[03]	(E)BOLT-STUD (D)STIFTSCHRAUBE											(F)BOULON-TETON (S)PERNO-ESPIGA		
01420-08253	6 . B B B . . O										2			
[04]	(E)NUT-HEXAGON (D)MUTTER											(F)ECROU (S)TUERCA		
08310-12083	6 . B B B . . O										2			
[05]	(E)BOLT-HEXAGON (D)SCHRAUBE											(F)BOULON (S)PERNO		
01512-08253	6 . B B B . . O										4			
[06]	(E)BOLT-HEXAGON (D)SCHRAUBE											(F)BOULON (S)PERNO		
01120-08753	6 . B B B . . O										1			
[07]	(E)ACTUATOR A-VGIS (D)BETÄTIGUNG											(F)ACTIONNEUR (S)ACTUADOR		
96184029	6 . B B B . . O										1			
[08]	(E)BOLT-HEXAGON (D)SCHRAUBE											(F)BOULON (S)PERNO		
01110-06163	6 . B B B . . O &NN4/NN7										6	970522		

ENG(ENGINE)	T/A(TRANSAXLE)	BODY TYPE
Y = 1.5SOHC 6 = 1.6DOHC . = COMMON	M = MANUAL T/A A = AUTOMATIC T/A . = COMMON	4 N = 4 DOOR NOTCHBACK 3 H = 3 DOOR HATCHBACK 5 H = 5 DOOR HATCHBACK



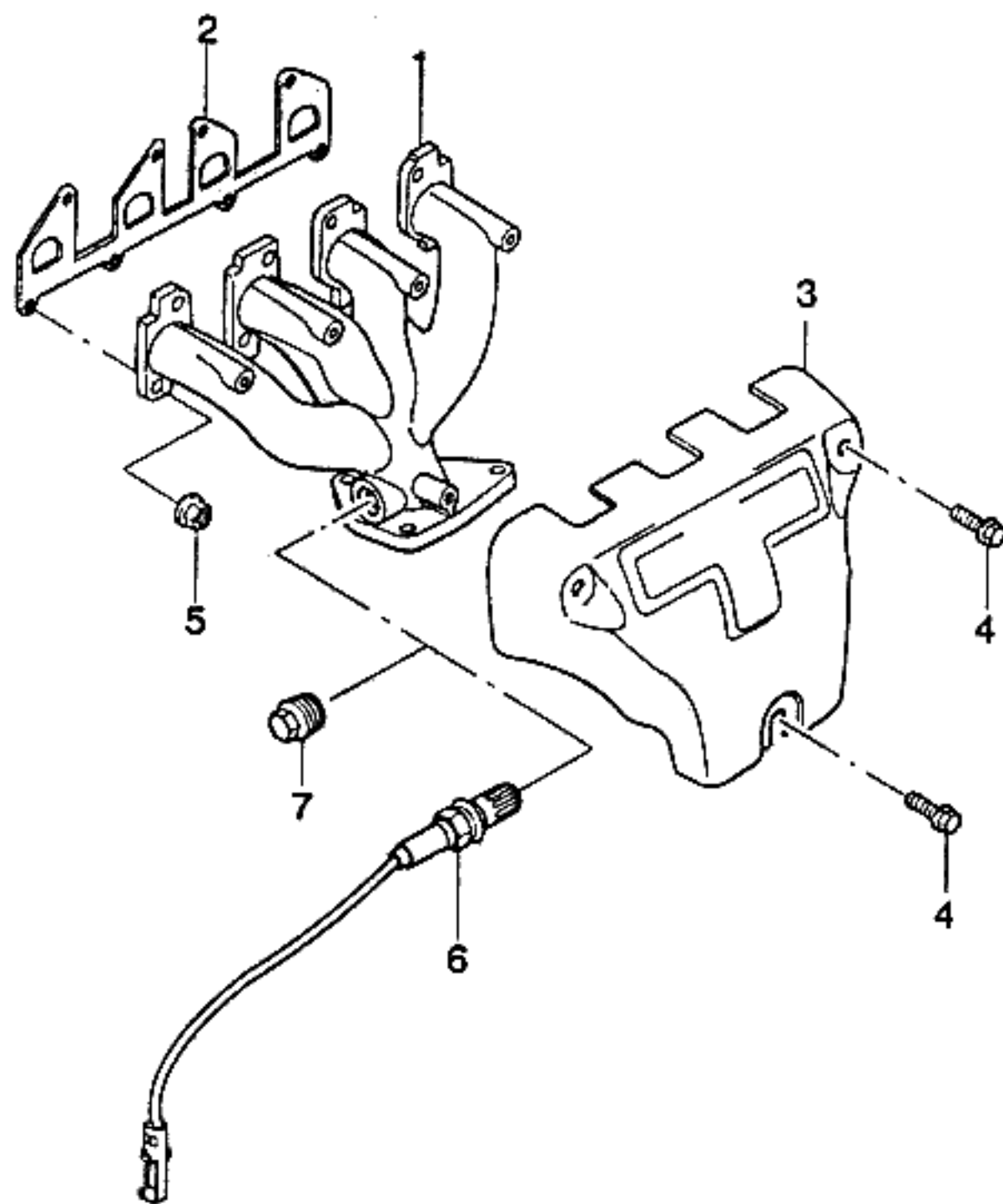
KEY NO.	PART NAME													
	PART NO	MODEL						OPTION	L / R	Q / T Y	EFFECTIVE DATE		REMARKS	P / C O D E
		E T	BODY			LEVEL					FROM	TO		
N / G	4	3	5	S	S	S								
	01110-06163	6	M	B	B	B	.	.	A	&NN6	2	970522		
	01110-06163	6	A	B	B	B	.	.	A	&NN6	6	970522		
	01110-06163	6	.	B	B	B	.	.	O		6	970522		
[09]	(E)RING-RETAINING E TYPE (D)RING,HALTER												(F)ANNEAU-DE RETENTION (S)ANILLO-RETENEDOR	
	08332-11033	6	.	B	B	B	.	.	O		1			
[10]	(E)PIPE-EGR PASSAGE,VGIS (D)ROHR												(F)TUYAU (S)TUBERIA	
	96184030	6	.	B	B	B	.	.	O	&NN4/NN7	1	970522		
	96184030	6	A	B	B	B	.	.	A	&NN6	1	970522		
	96184030	6	.	B	B	B	.	.	O		1	970522		
[11]	(E)BRACKET-EGR,VGIS (D)TRÄGER												(F)SUPPORT (S)SOPORTE	
	96184111	6	.	B	B	B	.	.	O	&NN4/NN7	1	970522		
	96184111	6	A	B	B	B	.	.	A	&NN6	1	970522		
	96184111	6	.	B	B	B	.	.	O		1	970522		
[12]	(E)BOLT-HEXAGON (D)SCHRAUBE												(F)BOULON (S)PERNO	
	01117-06123	6	.	B	B	B	.	.	O	&NN4/NN7	1	970522		
	01117-06123	6	A	B	B	B	.	.	A	&NN6	1	970522		
	01117-06123	6	.	B	B	B	.	.	O		1	970522		
[15]	(E)BOLT-HEXAGON (D)SCHRAUBE												(F)BOULON (S)PERNO	
	01130-08353	6	.	B	B	B	.	.	O		7			
[16]	(E)NUT-HEXAGON LOCK (D)MUTTER												(F)ECROU (S)TUERCA	
	08311-38083	6	.	B	B	B	.	.	O		2			

ENG(ENGINE)	T/A(TRANSAXLE)	BODY TYPE
Y = 1.5SOHC 6 = 1.6DOHC . = COMMON	M = MANUAL T/A A = AUTOMATIC T/A . = COMMON	4 N = 4 DOOR NOTCHBACK 3 H = 3 DOOR HATCHBACK 5 H = 5 DOOR HATCHBACK



KEY NO.	PART NAME												
	PART NO	MODEL					OPTION	L / R	QTY	EFFECTIVE DATE		REMARKS	P / CODE
		E	T	BODY	LEVEL					FROM	TO		
	N / G	4	3	5	S	S							
[17]	(E)GASKET-MANIFOLD,VGIS (D)DICHTUNG								(F)JOINT (S)JUNTA				
96184699	6 . B B B . . O								1				
[18]	(E)GASKET-EGR PIPE,VGIS (D)DICHTUNG								(F)JOINT (S)JUNTA				
96351344	6 . B B B . . O &NN4/NN7								2	970522			
96351344	6 A B B B . . A &NN6								2	970522			
96351344	8 . B B B . . O								2	970522			
[19]	(E)BRACKET-MANIFOLD,VGIS (D)TRÄGER								(F)SUPPORT (S)SOPORTE				
96352246	6 . B B B . . O								1				
[20]	(E)BOLT-HEXAGON (D)SCHRAUBE								(F)BOULON (S)PERNO				
01120-08163	6 . B B B . . O								2				
[21]	(E)BOLT (D)SCHRAUBE								(F)BOULON (S)PERNO				
09116-10001	8 . B B B . . O								2				
[22]	(E)BRACKET-REGULATOR (D)TRÄGER								(F)SUPPORT (S)SOPORTE				
96242770	6 . B B B . . A &KL9								1			FOR BRAZIL	

ENG(ENGINE)	T/A(TRANSAXLE)	BODY TYPE
Y = 1.5SOHC 6 = 1.6DOHC . = COMMON	M = MANUAL T/A A = AUTOMATIC T/A . = COMMON	4 N = 4 DOOR NOTCHBACK 3 H = 3 DOOR HATCHBACK 5 H = 5 DOOR HATCHBACK



KEY NO.	PART NAME														
	PART NO	MODEL						OPTION	L / R	QTY	EFFECTIVE DATE		REMARKS	P / CODE	
		E	T	BODY			LEVEL				FROM	TO			
N	G	A	4	3	5	S	S	S							
[01]	96184642	Y	.	B	B	B	S	S	S			(E)MANIFOLD-EXHAUST (D)SAMMELLEITUNG,ABGAS	(F)COLLECTEUR-ECHAPPEMENT (S)COLECTOR-ESCAPE	1	
[02]	96181207	Y	.	B	B	B	S	S	S			(E)GASKET-EXHAUST MANIFOLD (D)DICHTUNG,SAMMELLEITUNG	(F)JOINT (S)JUNTA-COLECTOR DE ESCAPE	1	
[03]	96182236	Y	.	B	B	B	S	S	S			(E)SHIELD-EXH MANIFOLD HEAT (D)HEIZSCHUTZTEIL	(F)BOUCLIER THERMIQUE (S)ESCUDO REFRACTARIO	1	MS
[04]	01180-08162	Y	.	B	B	B	S	S	S			(E)BOLT-HEXAGON (D)SCHRAUBE	(F)BOULON (S)PERNO	3	
[05]	09159-08012	Y	.	B	B	B	S	S	S			(E)NUT (D)MUTTER	(F)ECROU (S)TUERCA	8	
[06]	25162753	Y	.	B	B	B	A	A	A	&NNG/NN7		(E)SENSOR A-EXHAUST GAS (D)SENSOR,ABGAS BELÜFTUNG	(F)DETECTEUR (S)SENSOR-OXIGENO DEL ESCAPE	1	
[07]	96100183	Y	.	B	B	B	S	S	S	&NN4		(E)BOLT (D)SCHRAUBE	(F)BOULON (S)PERNO	1	971001
	O 09247-18001	Y	.	B	B	B	S	S	S	&NN4				1	971001

ENG(ENGINE)

T/A(TRANSAXLE)

BODY TYPE

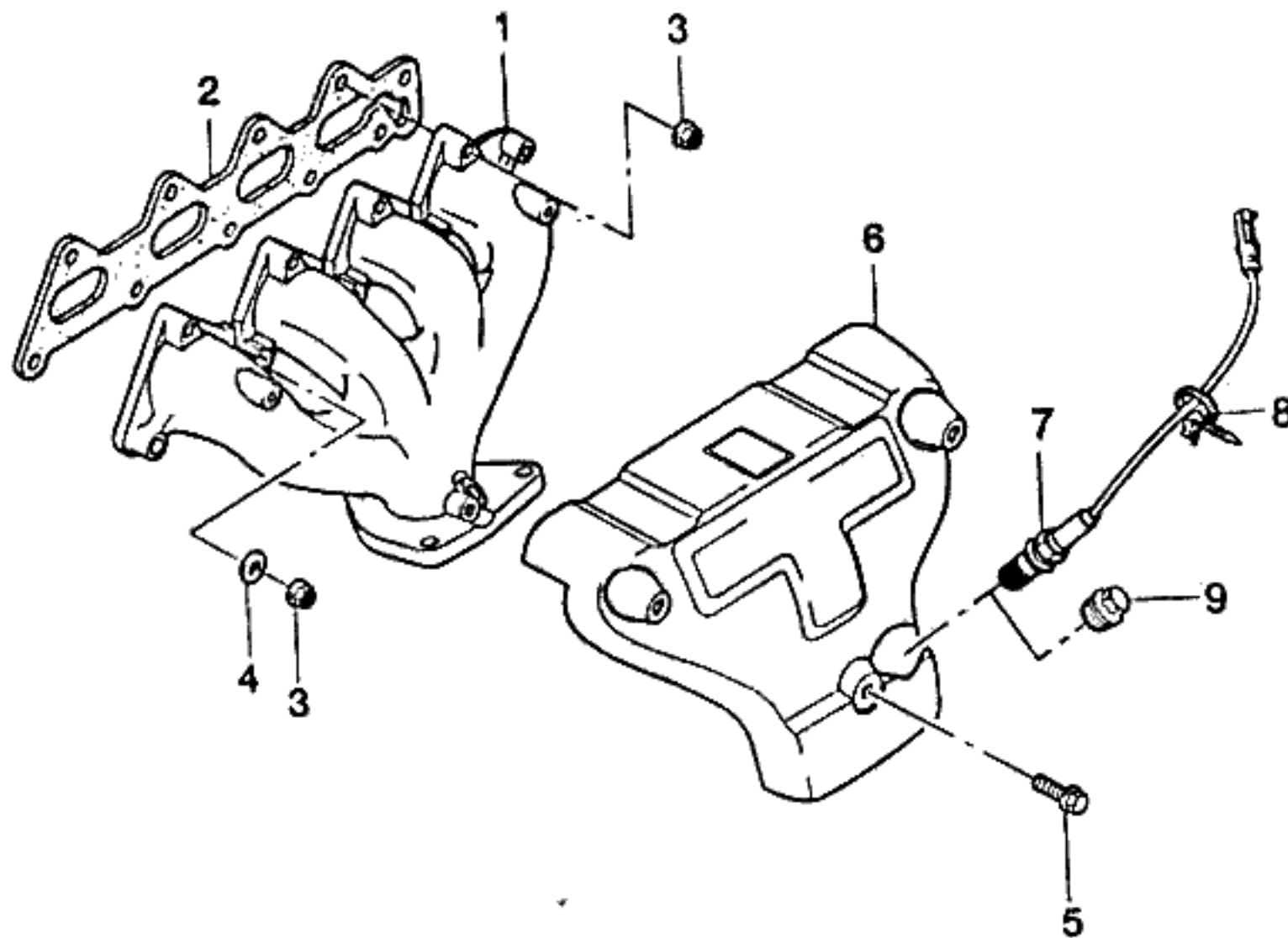
Y = 1.5SOHC
6 = 1.6DOHC
. = COMMON

M = MANUAL T/A
A = AUTOMATIC T/A
. = COMMON

4 N = 4 DOOR NOTCHBACK
3 H = 3 DOOR HATCHBACK
5 H = 5 DOOR HATCHBACK

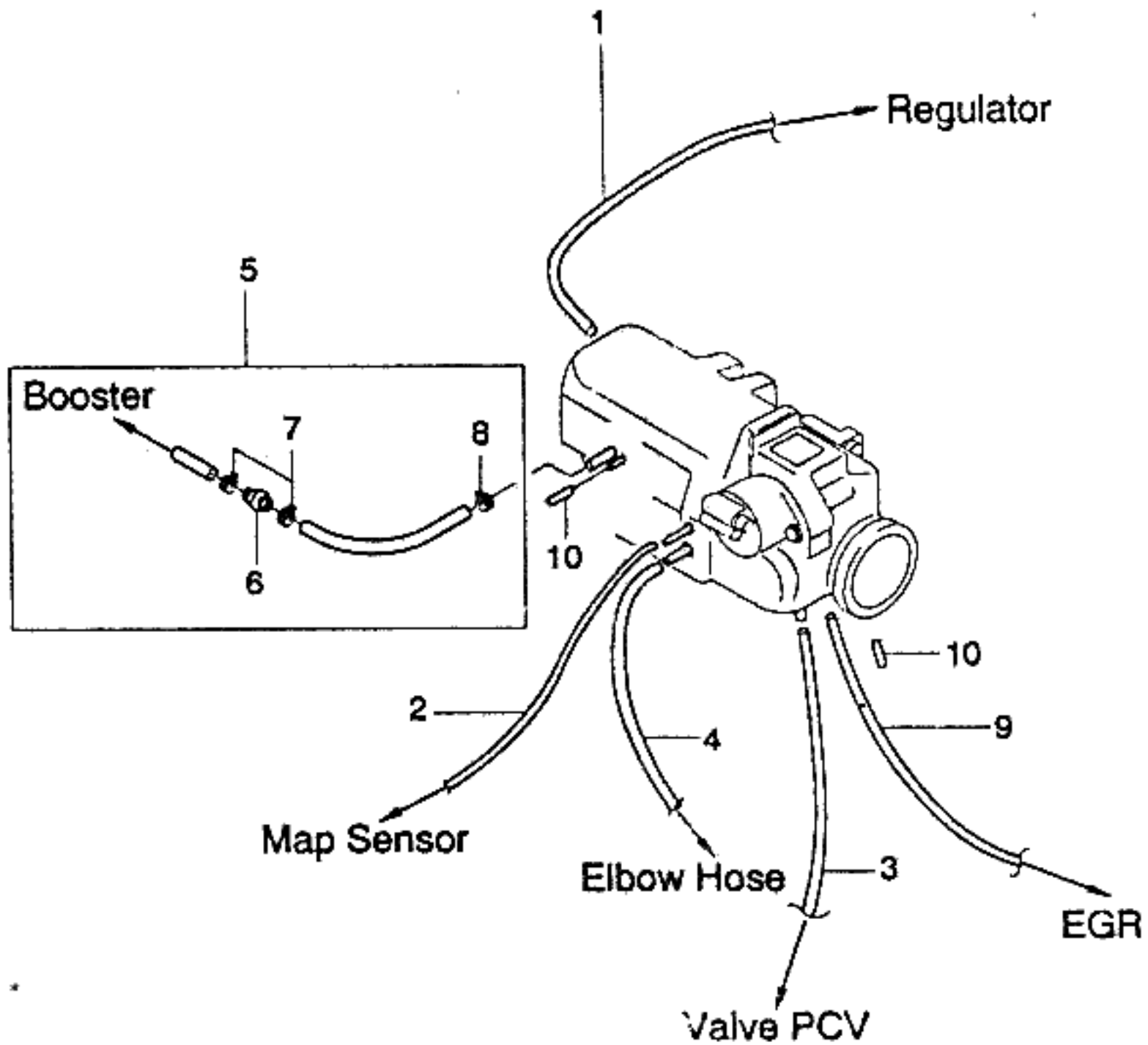
2441 EXHAUST MANIFOLD(DOHC)

3F14



I T C	KEY NO.		PART NAME										P I C O D E
	PART NO	MODEL	OPTION	L I T Y	EFFECTIVE DATE		REMARKS						
					FROM	TO							
	[01]	(E)MANIFOLD-EXHAUST (D)SAMMELLEITUNG,ABGAS					(F)COLLECTEUR-ECHAPPEMENT (S)COLECTOR.ESCAPE						
	96350544	6 . B B B . . O					1						
	[02]	(E)GASKET-EXHAUST MANIFOLD (D)DICHTUNG,SAMMELLEITUNG					(F)JOINT (S)JUNTA-COLECTOR DE ESCAPE						
	509402100	6 . B B B . . O					1	970507					
Y	96350469	6 . B B B . . O					1	970507					
	[03]	(E)NUT (D)MUTTER					(F)ECROU (S)TUERCA						
	09159-08012	6 . B B B . . O					10						
	[04]	(E)WASHER (D)DICHTUNGSRING					(F)FRONDELLE (S)ARANDELA						
	96143555	6 . B B B . . O					3						
	[05]	(E)BOLT-HEXAGON (D)SCHRAUBE					(F)BOULON (S)PERNO						
	01180-08162	6 . B B B . . O					3						
	[06]	(E)SHIELD-EXH MANIFOLD HEAT (D)HEIZSCHÜTZTEIL					(F)BOUCLIER THERMIQUE (S)ESCUDO REFRACTARIO						
	96350821	6 . B B B . . O					1						MD
	[07]	(E)SENSOR A-EXHAUST GAS (D)SENSOR,ABGAS BELÜFTUNG					(F)DETECTEUR (S)SENSOR-OXIGENO DEL ESCAPE						
	25162753	6 . B B B . . A &NN6/NN7					1						
	[08]	(E)CLAMP (D)KLAMMER					(F)PINCE (S)ABRAZADERA						
	09407-16401	6 . B B B . . O					1						
	[09]	(E)BOLT (D)SCHRAUBE					(F)BOULON (S)PERNO						
	96100183	6 . B B B . . O &NN4					1						

ENG(ENGINE)	T/A(TRANSAXLE)	BODY TYPE
Y = 1.5SOHC 6 = 1.6DOHC . = COMMON	M = MANUAL T/A A = AUTOMATIC T/A . = COMMON	4 N = 4 DOOR NOTCHBACK 3 H = 3 DOOR HATCHBACK 5 H = 5 DOOR HATCHBACK

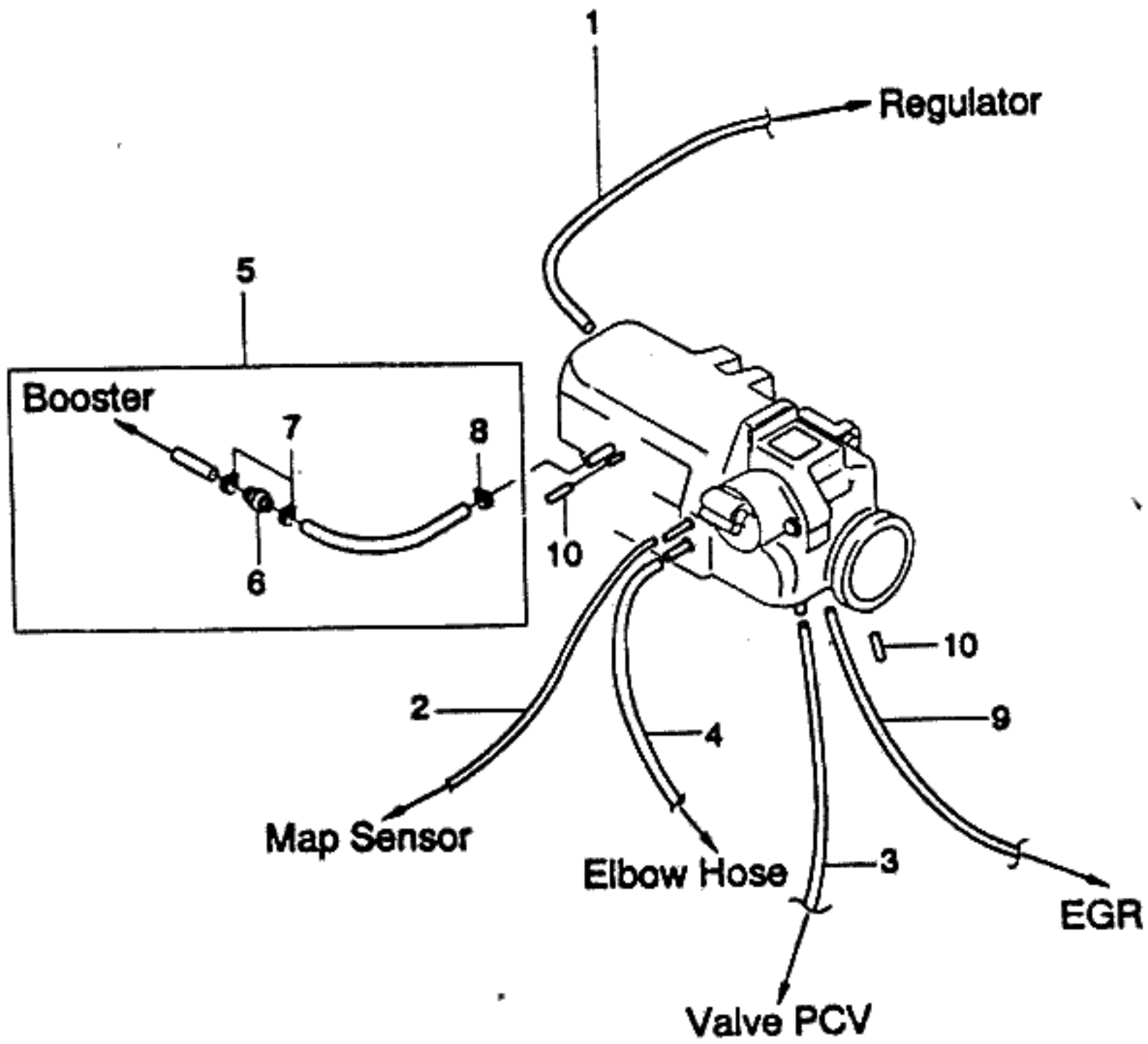


KEY NO.	PART NAME											
	PART NO	MODEL					OPTION	L / Q R / Y	EFFECTIVE DATE		REMARKS	P / I / C O D E
		E N G	T / A	BODY					LEVEL	FROM		
		4 N	3 H	5 H	S	S S S						
[01]	(E)HOSE-VACUUM (D)SCHLAUCH,VAKUUM										(F)TUYAU-DEPRESSION (S)MANGUERA-VACIO	
	REFER GROUP 2210 KEY NO. 10											
[02]	(E)PIPE A-VACUUM (D)ROHR,VAKUUM										(F)TUYAU-DEPRESSION (S)TUBERIA-VACIO	
96239375	Y . B B B S S S										1	
[03]	(E)TUBE A-PURGE,ENGINE (D)ROHRLEITUNG										(F)TUYAU OU TUBE (S)TUBO	
	REFER GROUP 2130 KEY NO. 15											
[04]	(E)HOSE-ENGINE VENTILATION (D)SCHLAUCH,VENTILATOR										(F)TUYAU-VENTILATION (S)MANGUERA-VENTILACION	
	REFER GROUP 2410 KEY NO. 22											
[05]	(E)HOSE-VACUUM (D)SCHLAUCH,VAKUUM										(F)TUYAU-DEPRESSION (S)MANGUERA-VACIO	
96304432	Y . B B B S S S										1	
[06]	(E)VALVE-CHECK (D)VENTIL,PRUF										(F)SOUPAPE-SECURITE (S)VALVULA-PARADA	
90193282	Y . B B B S S S										1	
[07]	(E)CLIP (D)KLEMME										(F)ATTACHE (S)GRAPA	
09401-17402	Y . B B B S S S										2	
[08]	(E)CLIP (D)KLEMME										(F)ATTACHE (S)GRAPA	
09401-15402	Y . B B B S S S										2	
[09]	(E)PIPE A-VACUUM (D)ROHR,VAKUUM										(F)TUYAU-DEPRESSION (S)TUBERIA-VACIO	
	REFER GROUP 2430 KEY NO. 08											
[10]	(E)CAP (D)DECKEL										(F)CHAPEAU (S)TAPA	

ENG(ENGINE)	T/A(TRANSAXLE)	BODY TYPE
Y = 1.5SOHC 6 = 1.6DOHC . = COMMON	M = MANUAL T/A A = AUTOMATIC T/A . = COMMON	4 N = 4 DOOR NOTCHBACK 3 H = 3 DOOR HATCHBACK 5 H = 5 DOOR HATCHBACK

2450 VACUUM HOSE(SOHC)

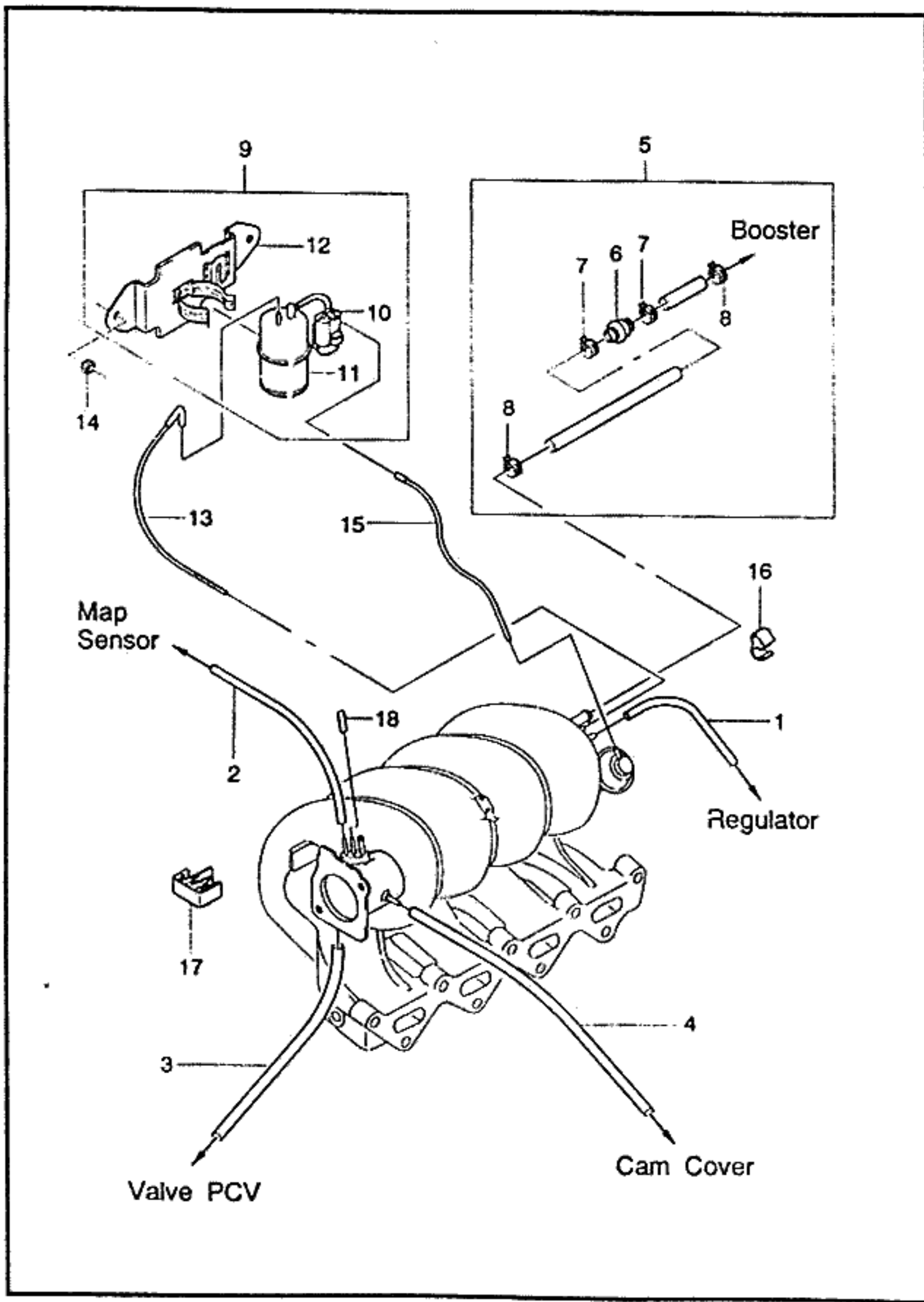
3H14



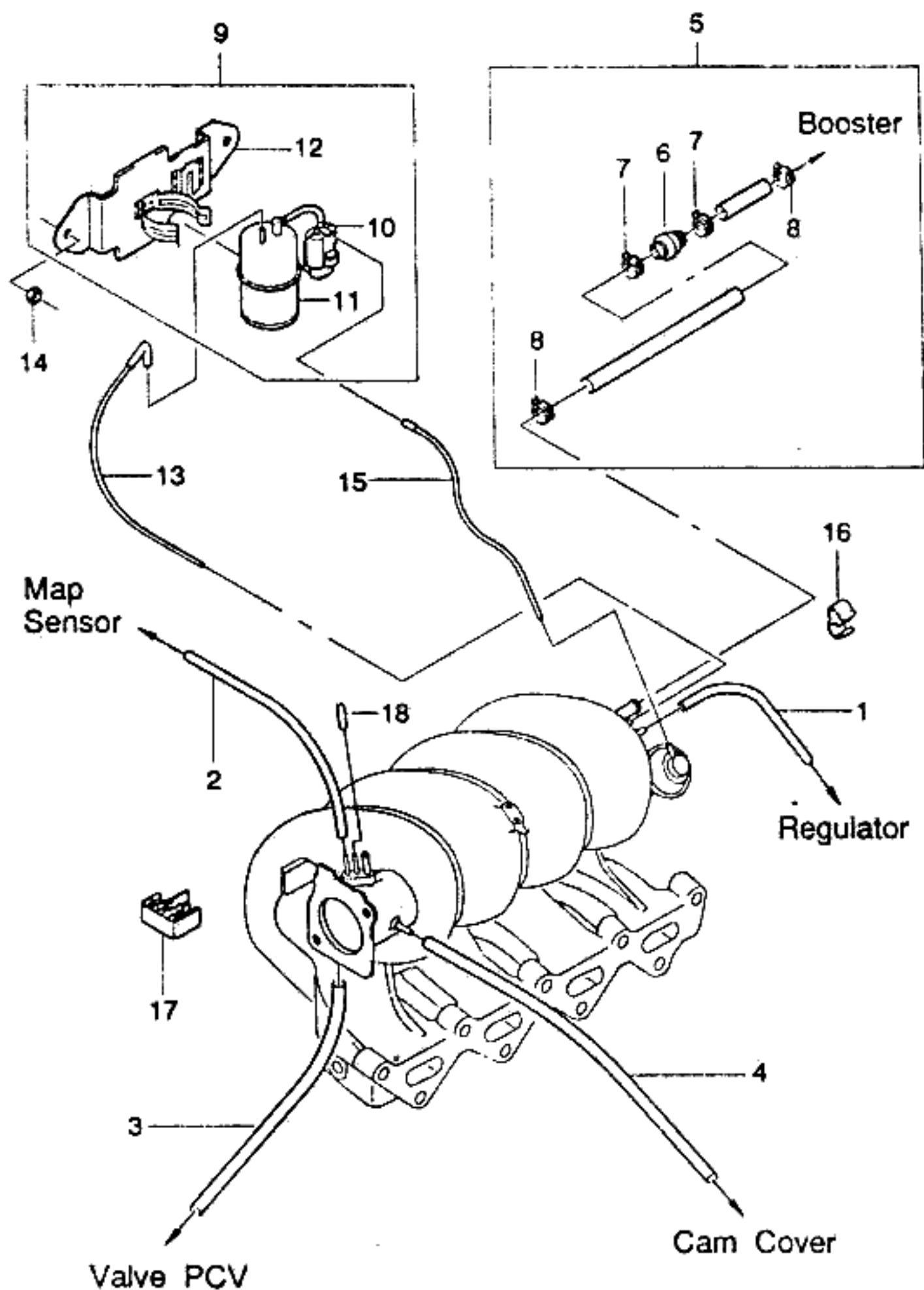
KEY NO.		PART NAME												
I T C	PART NO	MODEL				OPTION	L / R	Q T Y	EFFECTIVE DATE		REMARKS	P / C O D E		
		E N / G A	T /	BODY					LEVEL				FROM	TO
				4 N H	3 H				5 H	S S				
	08981899	Y	.	B	B	B	S	S	S			1		
ENG(ENGINE)				T/A(TRANSAXLE)				BODY TYPE						
Y = 1.5SOHC 6 = 1.6DOHC . = COMMON				M = MANUAL T/A A = AUTOMATIC T/A . = COMMON				4 N = 4 DOOR NOTCHBACK 3 H = 3 DOOR HATCHBACK 5 H = 5 DOOR HATCHBACK						

2451 VACUUM HOSE(DOHC)

3J14

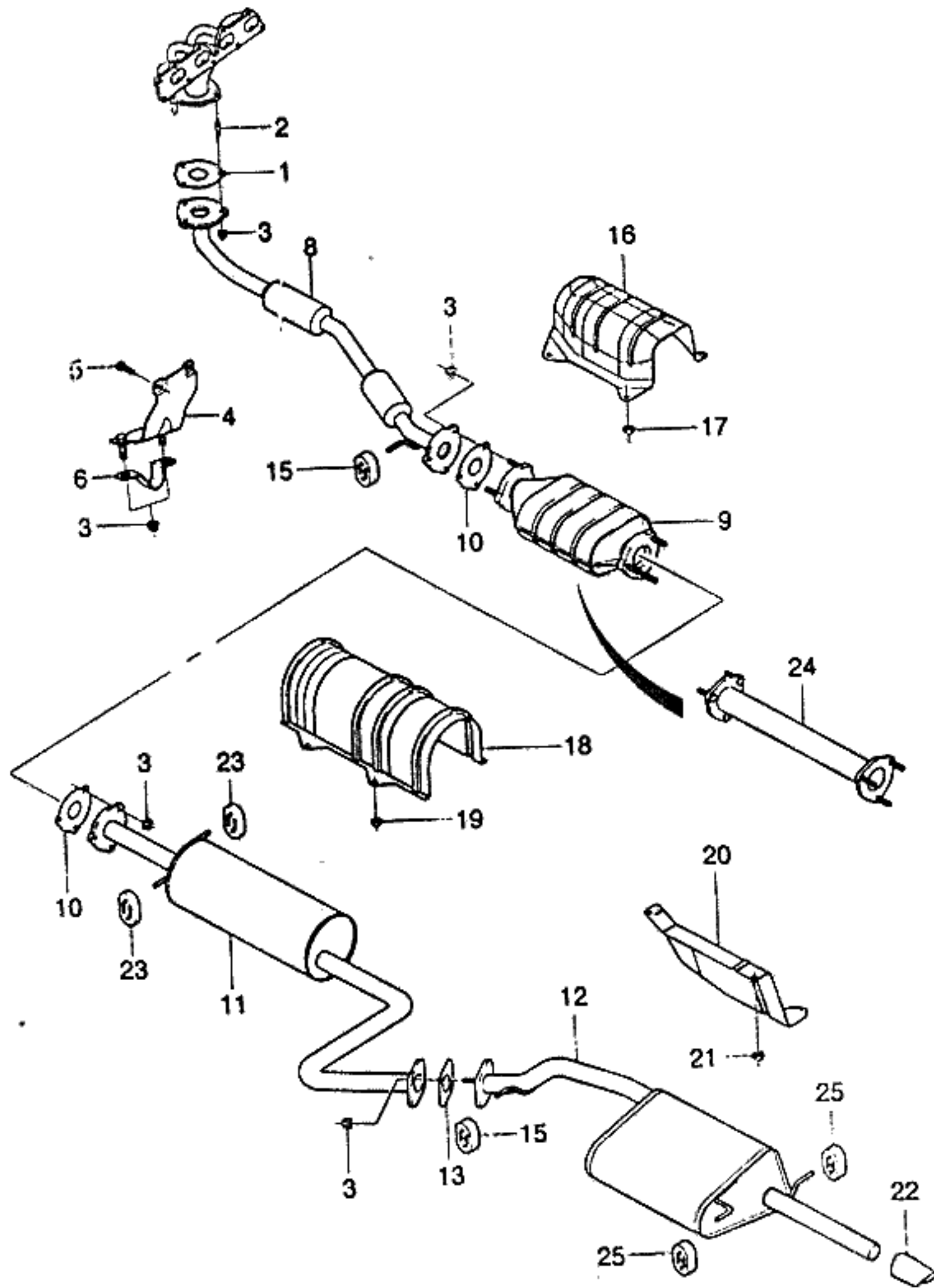


KEY NO.	PART NAME											
	PART NO	MODEL					OPTION	L / Q / R / T / Y	EFFECTIVE DATE		REMARKS	P / CODE
		E	T	BODY					LEVEL	FROM		
N	G	4	3	5	S	S	S					
[01]	(E)HOSE-VACUUM (D)SCHLAUCH,VAKUUM									(F)TUYAU-DEPRESSION (S)MANGUERA-VACIO		
	REFER GROUP 2211 KEY NO. 10											
[02]	(E)PIPE A-VACUUM (D)ROHR,VAKUUM									(F)TUYAU-DEPRESSION (S)TUBERIA-VACIO		
96239374	6 . B B B . . O									1		
[03]	(E)TUBE-PURGE,ENGINE (D)ROHRLEITUNG									(F)TUYAU OU TUBE (S)TUBO		
	REFER GROUP 2130 KEY NO. 15											
[04]	(E)HOSE-INTAKE,BREATHER (D)SCHLAUCH									(F)TUYAU (S)MANGUERA		
96184788	6 . B B B . . O									1		
[05]	(E)HOSE A-VACUUM (D)SCHLAUCH,VAKUUM									(F)TUYAU-DEPRESSION (S)MANGUERA-VACIO		
96306170	6 . B B B . . O									1 971001		
96306170	6 . B B B . . O -KL9									1 971001		
O 96257689	6 . B B B . . O &KL9									1 971001		
[06]	(E)VALVE-CHECK (D)VENTIL,PRÜF									(F)SOUPAPE-SECURITE (S)VALVULA-PARADA		
90193282	6 . B B B . . O									1		
[07]	(E)CLIP (D)KLEMME									(F)ATTACHE (S)GRAPA		
09401-17402	6 . B B B . . O									2		
[08]	(E)CLIP (D)KLEMME									(F)ATTACHE (S)GRAPA		
09401-15402	6 . B B B . . O									2		
[09]	(E)SOLENOID A-VGIS (D)SOLENOID									(F)SOLENOIDE (S)SELENOIDE		
ENG(ENGINE)		T/A(TRANSAXLE)				BODY TYPE						
Y = 1.5SOHC 6 = 1.6DOHC . = COMMON		M = MANUAL T/A A = AUTOMATIC T/A . = COMMON				4 N = 4 DOOR NOTCHBACK 3 H = 3 DOOR HATCHBACK 5 H = 5 DOOR HATCHBACK						



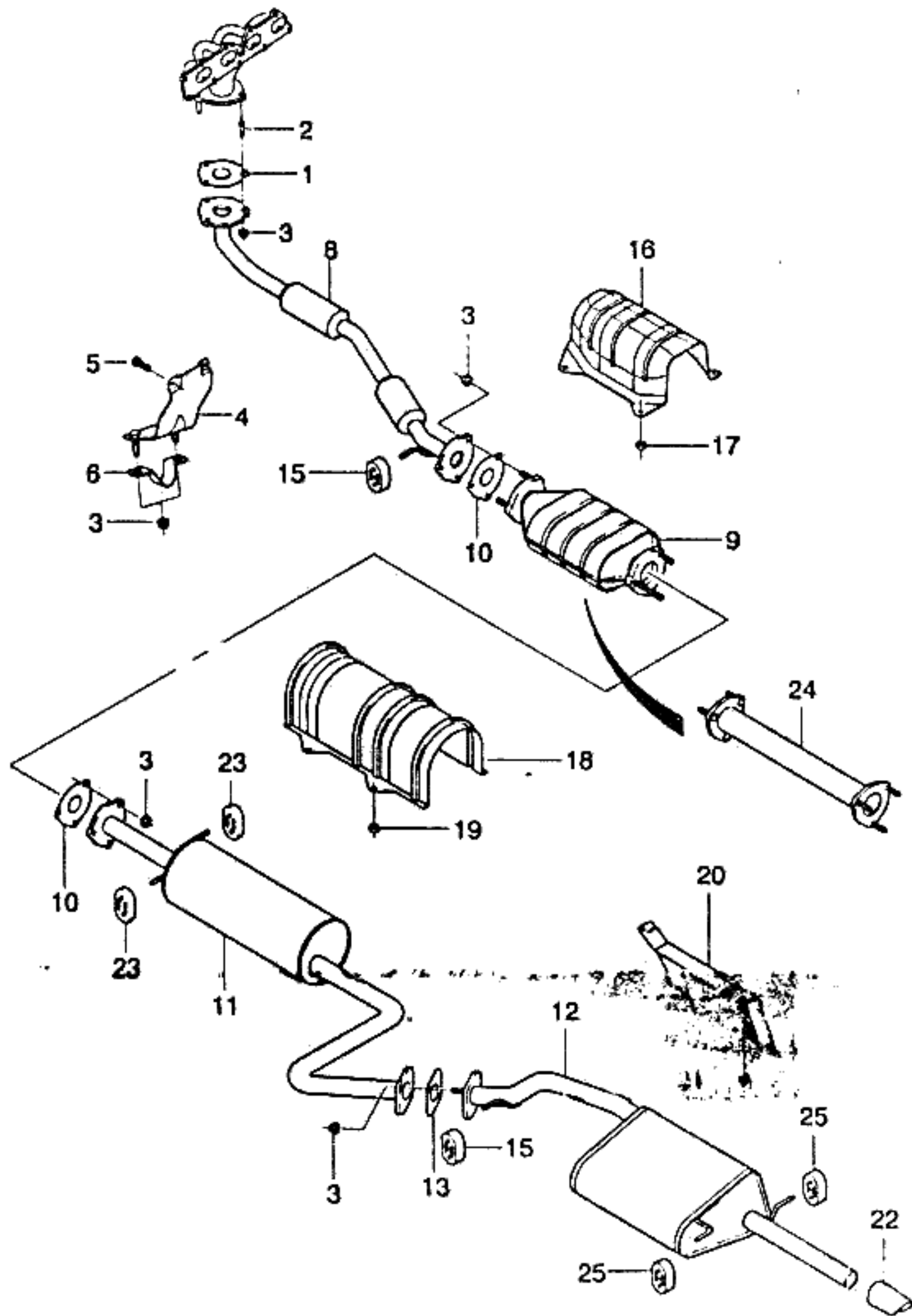
I T C	KEY NO.	PART NAME										P I C O D E		
		PART NO	MODEL			OPTION	L / R	Q T Y	EFFECTIVE DATE		REMARKS			
			E N G	B O D Y	L E V E L				FROM	TO				
	96184584	6	B	B	B	O		1	(F)SOUPAPE (S)VALVULA	
	[10]													
	96350594	6	B	B	B	O		1	(F)RESERVOIR-DEPRESSION (S)TANQUE-VACIO	
	[11]													
	96350595	6	B	B	B	O		1	(F)SUPPORT (S)SOPORTE	
	[12]													
	96350597	6	B	B	B	O		1	(F)TUYAU-DEPRESSION (S)TUBERIA-VACIO	
	[13]													
	96244912	6	B	B	B	O		1	(F)ECROU (S)TUERCA	
	[14]													
	08316-25063	6	B	B	B	O		2	(F)TUYAU-DEPRESSION (S)TUBERIA-VACIO	
	[15]													
	96239379	6	B	B	B	O		1	(F)ATTACHE (S)GRAPA	
	[16]													
	09408-00030	6	B	B	B	O		1	(F)ATTACHE (S)GRAPA	
	[17]													
	09408-00081	6	B	B	B	O		2	(F)CHAPEAU (S)TAPA	
	[18]													
	90190478	6	B	B	B	O		1		

ENG(ENGINE)	T/A(TRANSAXLE)	BODY TYPE
Y = 1.5SOHC 6 = 1.6DOHC . = COMMON	M = MANUAL T/A A = AUTOMATIC T/A . = COMMON	4 N = 4 DOOR NOTCHBACK 3 H = 3 DOOR HATCHBACK 5 H = 5 DOOR HATCHBACK



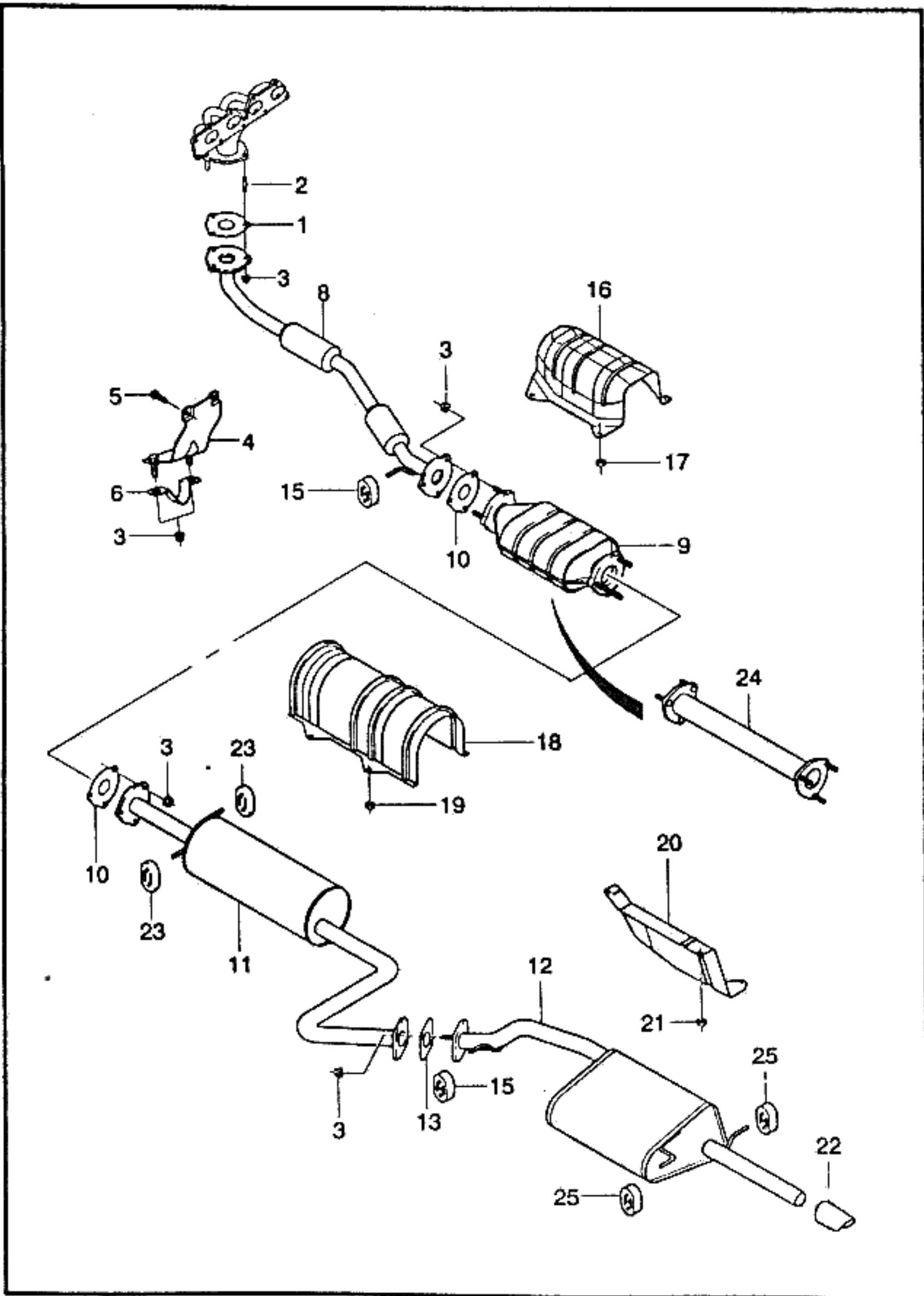
KEY NO.	PART NAME													
	PART NO	MODEL						OPTION	L / R	QTY	EFFECTIVE DATE		REMARKS	P / CODE
		E	T	BODY			LEVEL				FROM	TO		
N	G	4	3	5	S	S	S							
[01]	(E)GASKET-FRT EXHAUST PIPE (D)DICHTUNG											(F)JOINT (S)JUNTA-TUBERIA DE ESCAPE		
96184840	. . . B B B S S S											1		
[02]	(E)BOLT-STUD (D)STIFTSCHRAUBE											(F)BOULON-TETON (S)PERNO-ESPIGA		
09108-10003	. . . B B B S S S											3		
[03]	(E)NUT-HEXAGON LOCK (D)MUTTER											(F)ECROU (S)TUERCA		
08311-38102	. . . B B B S S S											13		
[04]	(E)BRACKET A-UPPER (D)TRÄGER											(F)SUPPORT (S)SOPORTE		
96351913	. . . B B B S S S											1		
[05]	(E)BOLT-HEXAGON FLANGE (D)SCHRAUBE											(F)BOULON (S)PERNO		
09103-10050	. . . B B B S S S											2		
[06]	(E)BRACKET-LOWER (D)TRÄGER											(F)SUPPORT (S)SOPORTE		
96351914	. . . B B B S S S											1		
[08]	(E)PIPE A-EXHAUST,FRONT (D)ROHR											(F)TUYAU (S)TUBERIA		
96182250	Y M B B B S S S											1	TF	
96352186	Y A B B B O O O											1	TE	
96352213	6 M B B B . . O											1	TG	
96352215	6 A B B B . . O											1	TK	
[09]	(E)CONVERTER A-CATALYTIC (D)KATALYSATOR											(F)CONVERTISSEUR-CATALYTIQUE (S)CONVERTIDOR-CATALITICO		
96350081	Y . B B B A A A &NN6											1	KO	
96351364	6 . B B B . . A &NN6											1	KH	

ENG(ENGINE)	T/A(TRANSAXLE)	BODY TYPE
Y = 1.5SOHC 6 = 1.6DOHC . = COMMON	M = MANUAL T/A A = AUTOMATIC T/A . = COMMON	4 N = 4 DOOR NOTCHBACK 3 H = 3 DOOR HATCHBACK 5 H = 5 DOOR HATCHBACK



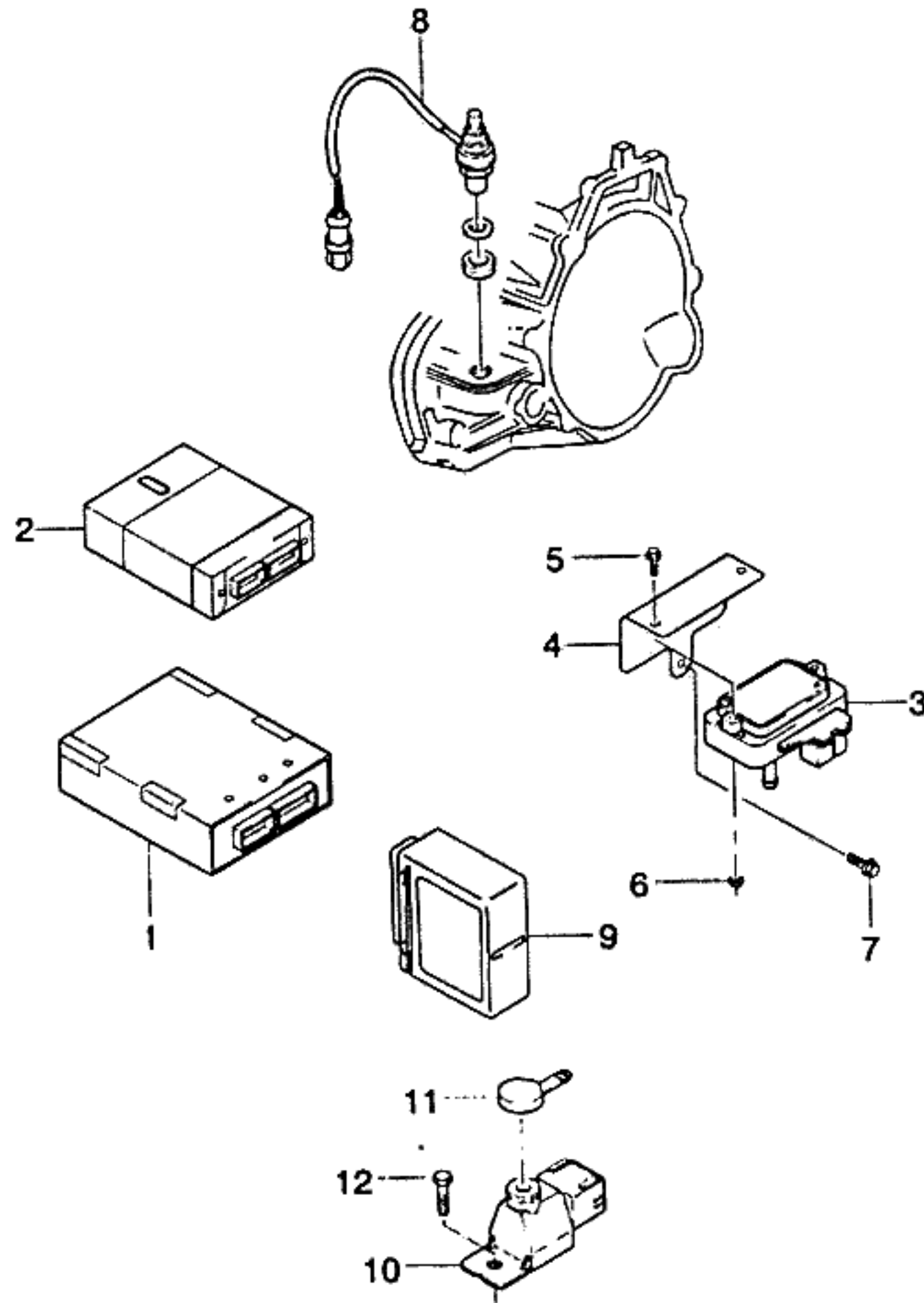
I T C	KEY NO.	PART NAME										L / R	Q T Y	EFFECTIVE DATE		REMARKS	P / C O D E
		PART NO	MODEL			OPTION	FROM	TO	REMARKS	P / C O D E							
			E N G	T / A	BODY						LEVEL						
	96350080	. . .	B	B	B	A	A	A	&NN7				1				EO
	[10]	(E)GASKET-CATALYTIC CONVERTER (D)DICHTUNG												(F)JOINT-CONVERTISSEUR VATAL (S)JUNTA-CONVERTIDOR VATAL			
	96350814	. . .	B	B	B	S	S	S					2				
	[11]	(E)MUFFLER A-EXHAUST,FRONT (D)AUSPUFFTOPF,VORNE												(F)POT D'ECHAPPEMENT (S)SILENCIADOR-ESCAPE-DELAN			
	96350723	. . .	B	B	B	S	S	S					1				TV
	[12]	(E)MUFFLER A-EXHAUST,REAR (D)AUSPUFFTOPF,HINTEN												(F)POT D'ECHAPPEMENT (S)SILENCIADOR-ESCAPE			
	96350734	. . .	B	. . .	S	S	S						1				TX
	96350703	. . .	B	B	S	. S							1				TW
	[13]	(E)GASKET-REAR MUFFLER (D)DICHTUNG												(F)JOINT (S)JUNTA			
	96181581	. . .	B	B	B	S	S	S					1				
	[15]	(E)RUBBER-HANGER (D)GUMMI												(F)CAOUTCHOUC (S)GOMA			
	96351529	. . .	B	B	B	S	S	S					2		NO. 1,3		
	[16]	(E)SHIELD-CATALYTIC CONV.PRO (D)SCHILD,KATALYSATOR												(F)BOUCLIER-PROTECTION (S)ESCUDO-PROTECTOR			
	96184956	. . .	B	B	B	S	S	S					1				GC
	[17]	(E)NUT-LOCK (D)MUTTER												(F)ECROU (S)TUERCA			
	96351831	. . .	B	B	B	S	S	S					4				
	[18]	(E)SHIELD-FRT MUFFLER PROTV. (D)SCHILD,SCHALLDAMPFER												(F)BOUCLIER-PROTECTION (S)ESCUDO-PROTECTOR			
	96184957	. . .	B	B	B	S	S	S					1				GF
	[19]	(E)NUT-LOCK (D)MUTTER												(F)ECROU (S)TUERCA			

ENG(ENGINE)	T/A(TRANSAXLE)	BODY TYPE
Y = 1.5SOHC 6 = 1.6DOHC . = COMMON	M = MANUAL T/A A = AUTOMATIC T/A . = COMMON	4 N = 4 DOOR NOTCHBACK 3 H = 3 DOOR HATCHBACK 5 H = 5 DOOR HATCHBACK



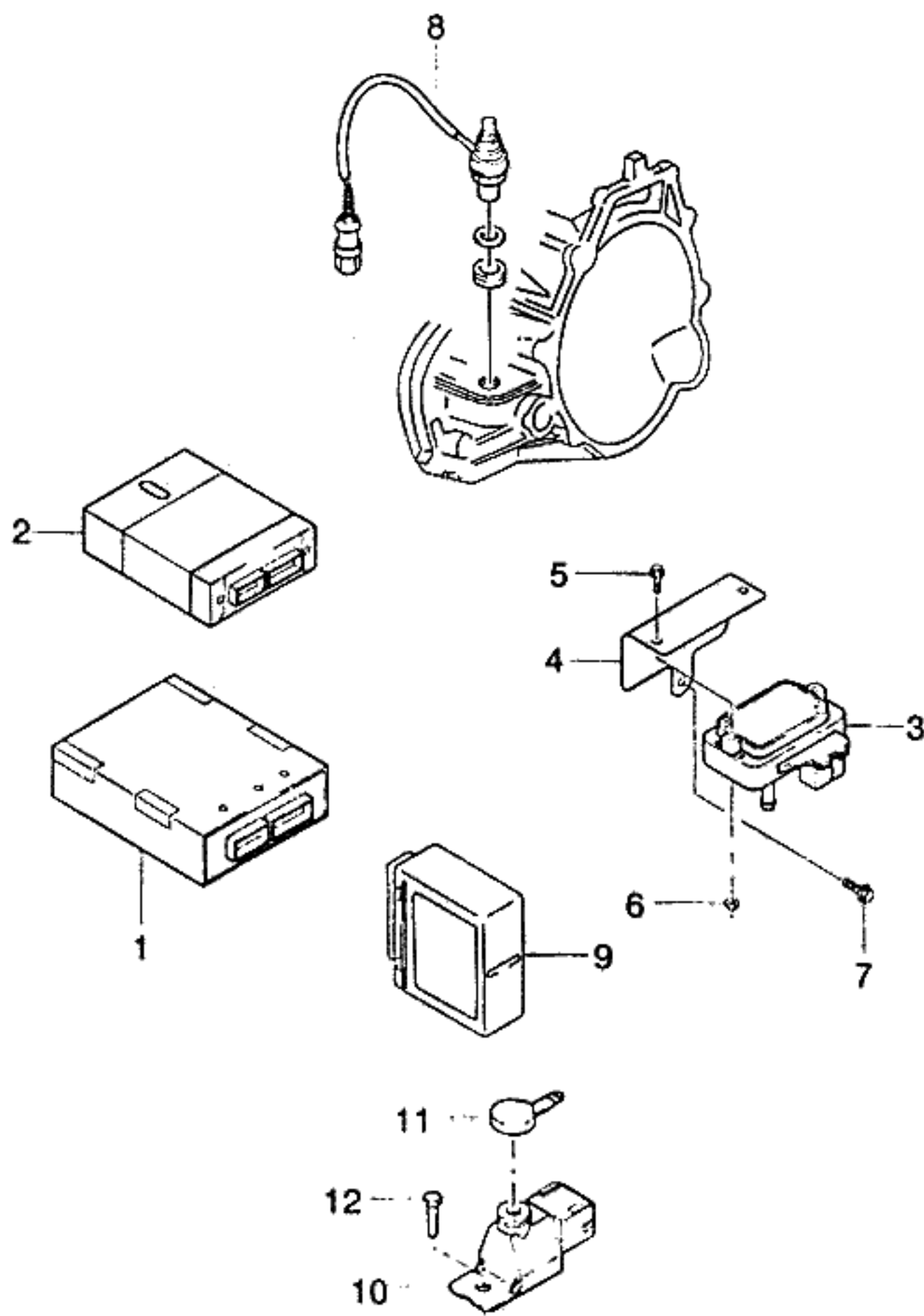
KEY NO.	PART NAME													
	PART NO	MODEL					OPTION	L / R	QTY	EFFECTIVE DATE		REMARKS	P / CODE	
		E	T	BODY	LEVEL					FROM	TO			
96351831		.	.	B	B	B	S	S	S			4	(F)BOUCLIER-PROTECTION (S)ESCUDO-PROTECTOR	
[20]														
96350492		.	.	B	B	B	S	S	S			1	(F)ECROU (S)TUERCA	GR
[21]														
96351831		.	.	B	B	B	S	S	S			4	(F)ANNEAU (S)ANILLO-ADORNO	
[22]														
96180147		.	.	B	B	B	S	S	S			1	(F)CAOUTCHOUC (S)GOMA	
[23]														
96351183		.	.	B	B	B	S	S	S			2	(F)TUYAU (S)TUBERIA	NO. 2
[24]														
96351601		.	.	B	B	B	S	S	S	&NN4		1	(F)CAOUTCHOUC (S)GOMA	
[25]														
96181437		.	.	B	B	B	S	S	S			2		NO. 4,5

ENG(ENGINE)	T/A(TRANSAXLE)	BODY TYPE
Y = 1.5SOHC 6 = 1.6DOHC . = COMMON	M = MANUAL T/A A = AUTOMATIC T/A . = COMMON	4 N = 4 DOOR NOTCHBACK 3 H = 3 DOOR HATCHBACK 5 H = 5 DOOR HATCHBACK



NOTE : @1-GENERAL AREA @2-HIGH ALITUDE AREA
 @3-LOW VOLATILITY AREA @5-COLD AREA
 @4-HOT AREA

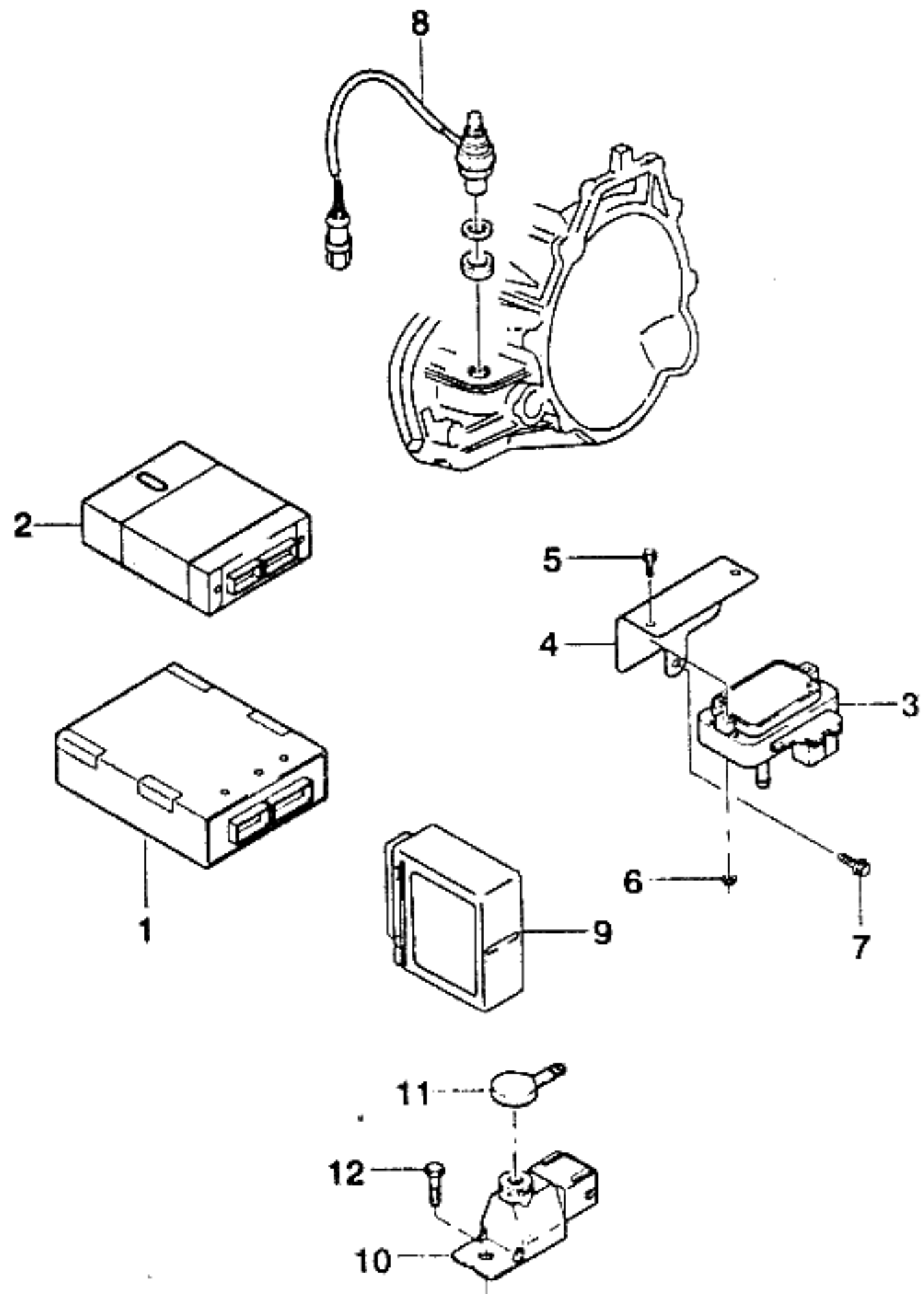
I T C	KEY NO.		PART NAME										L / R	Q T Y	EFFECTIVE DATE		REMARKS	P / C O D E
	PART NO	E T N / G A	MODEL			OPTION	FROM	TO	R E M A R K S	P / C O D E								
			BODY	LEVEL	OPTION													
	[01]		(E)MODULE-ENGINE CONTROL (D)STEUERUNGS-EINHEIT (F)UNITE DE CONTROLE (S)UNIDAD DE CONTROL															
	16245849	Y M	B B B S S S	&NN4-UM1										1		@1	JJ	
	16249619	Y M	B B B A A A	&NN4&UM1										1		@1	JX	
	16240269	Y M	B B B A A A	&NN6-UM1										1		@1	BB	
	16269529	Y M	B B B A A A	&NN6&UM1										1		@1	PP	
	16247139	Y M	B B B A A A	&NN7-UM1										1		@1	GC	
	16247149	Y M	B B B A A A	&NN7&UM1										1		@1	CA	
	16245859	Y A	B B B O O O	&NN4-UM1										1		@1	JL	
	16249639	Y A	B B B A A A	&NN4&UM1										1		@1	JY	
	16240279	Y A	B B B A A A	&NN6-UM1										1		@1	BD	
	16269539	Y A	B B B A A A	&NN6&UM1										1		@1	PV	
	16247159	Y A	B B B A A A	&NN7-UM1										1		@1	GD	
	16247169	Y A	B B B A A A	&NN7&UM1										1		@1	CN	
	16247079	Y M	B B B A A A	&NN4-UM1/VB4										1		@2	KO	
	96257285	Y M	B B B A A A	&NN4&VB4-UM1										1		@2	GA	
	16247089	Y M	B B B A A A	&NN4&UM1										1		@2	KL	
	16245839	Y M	B B B A A A	&NN6-UM1										1		@2	HJ	
	16247099	Y A	B B B A A A	&NN4-UM1/VB4										1		@2	KF	
	96257286	Y A	B B B A A A	&NN4&VB4-UM1										1		@2	GB	
	16247109	Y A	B B B A A A	&NN4&UM1										1		@2	KM	
	16246579	Y A	B B B A A A	&NN6-UM1										1		@2	HN	
	16245869	Y M	B B B A A A	&NN6-UM1										1		@3	HY	
	16245879	Y A	B B B A A A	&NN6-UM1										1		@3	HZ	
ENG(ENGINE)			T/A(TRANSAXLE)				BODY TYPE											
Y = 1.5SOHC 6 = 1.6DOHC . = COMMON			M = MANUAL T/A A = AUTOMATIC T/A . = COMMON				4 N = 4 DOOR NOTCHBACK 3 H = 3 DOOR HATCHBACK 5 H = 5 DOOR HATCHBACK											



NOTE : @1-GENERAL AREA @2-HIGH ALITUDE AREA
 @3-LOW VOLATILITY AREA @5-COLD AREA
 @4-HOT AREA

KEY NO.	PART NAME											
	PART NO	E T N / G A	MODEL			OPTION	L / R	Q T Y	EFFECTIVE DATE		REMARKS	P / C O D E
			4	3	5				S	S		
16247119	Y M	B B B	A A A			&NN4-UM1/VB4		1			@4	KV
96257287	Y M	B B B	A A A			&NN4&VB4-UM1		1			@4	GG
16247179	Y M	B B B	A A A			&NN7-UM1		1			@4	JC
16269499	Y M	B B B	A A A			&NN7&EC2&UM1		1			@4	PW
16247129	Y A	B B B	A A A			&NN4-UM1/VB4		1			@4	KW
96257288	Y A	B B B	A A A			&NN4&VB4-UM1		1			@4	GH
16247199	Y A	B B B	A A A			&NN7-UM1		1			@4	JD
16269509	Y A	B B B	A A A			&NN7&EC2&UM1		1			@4	PX
16247059	Y M	B B B	A A A			&NN4-UM1		1			@5	JZ
16247069	Y A	B B B	A A A			&NN4-UM1		1			@5	KC
16246179	6 M	B B B	.	.	O	&NN4-UM1		1			@1	MV
16249689	6 M	B B B	.	.	A	&NN4&UM1		1			@1	MX
16246159	6 M	B B B	.	.	A	&NN6-UM1		1			@1	GF
16246159	6 M	B B B	.	.	A	&NN7-UM1		1			@1	GF
16246939	6 M	B B B	.	.	A	&NN7&UM1		1			@1	CQ
16246189	6 A	B B B	.	.	O	&NN4-UM1		1			@1	MW
16249699	6 A	B B B	.	.	A	&NN4&UM1		1			@1	MY
16246169	6 A	B B B	.	.	A	&NN6-UM1		1			@1	GJ
16246169	6 A	B B B	.	.	A	&NN7-UM1		1			@1	GJ
16246899	6 A	B B B	.	.	A	&NN7&UM1		1			@1	CS
16249729	6 M	B B B	.	.	A	&NN4-UM1/VB4		1			@2	NH
16269989	6 M	B B B	.	.	A	&NN4VB4-UM1		1			@2	GM
16249749	6 M	B B B	.	.	A	&NN4&UM1		1			@2	NZ
16249649	6 M	B B B	.	.	A	&NN7-UM1		1			@2	KX

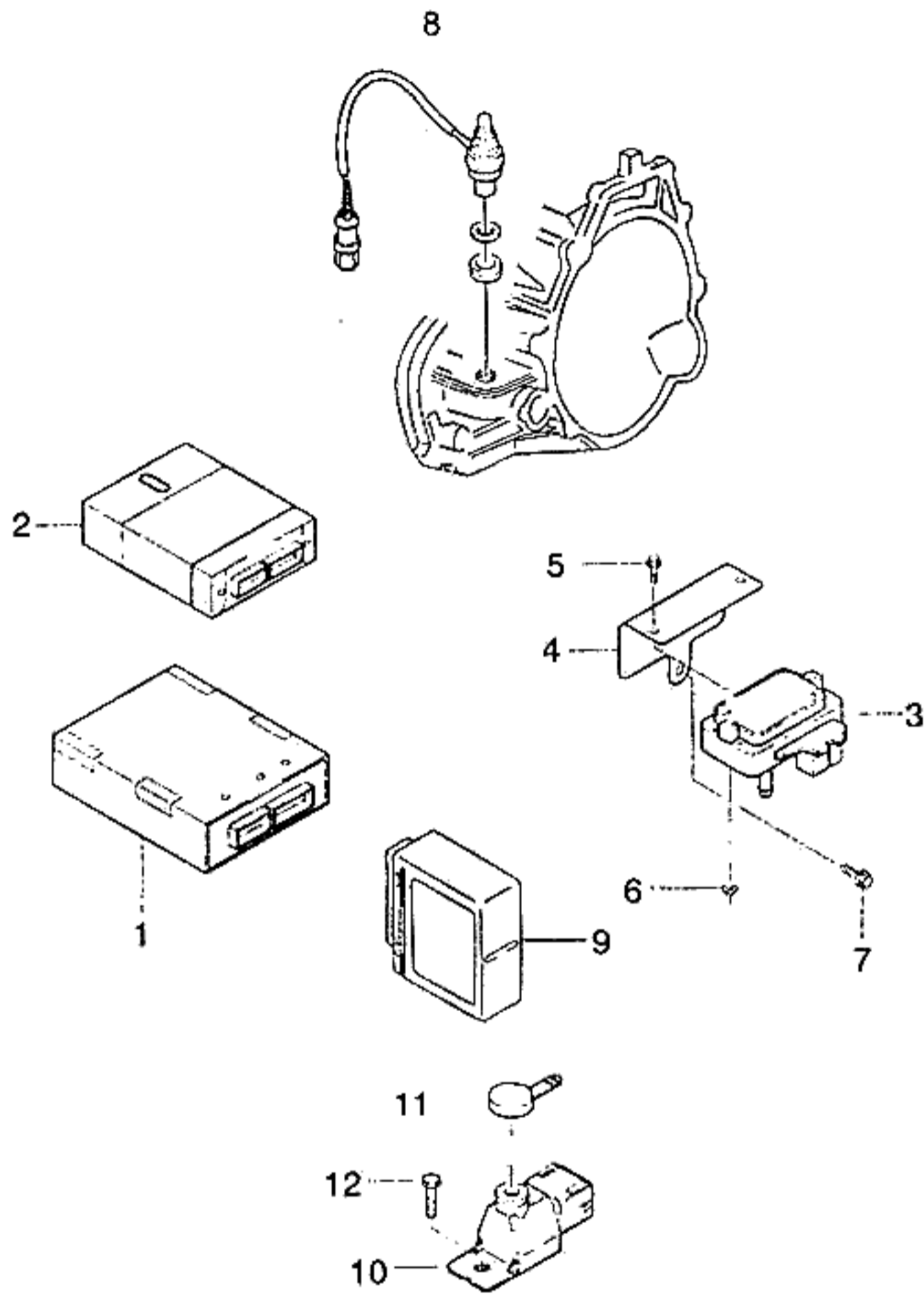
ENG(ENGINE)	T/A(TRANSAXLE)	BODY TYPE
Y = 1.5SOHC 6 = 1.6DOHC . = COMMON	M = MANUAL T/A A = AUTOMATIC T/A . = COMMON	4 N = 4 DOOR NOTCHBACK 3 H = 3 DOOR HATCHBACK 5 H = 5 DOOR HATCHBACK



NOTE : @1-GENERAL AREA @2-HIGH ALITUDE AREA
 @3-LOW VOLATILITY AREA @4-HOT AREA
 @5-COLD AREA

KEY NO.	PART NAME										
	PART NO	MODEL			OPTION	L / R	QTY	EFFECTIVE DATE		REMARKS	P / CODE
		E T	BODY	LEVEL				FROM	TO		
	N / G	4 3 5	H H H	S S S							
	16249739	6 A	B B B	. . A	&NN4-UM1/VB4		1			@2	NN
	16269999	6 A	B B B	. . A	&NN4VB4-UM1		1			@2	GP
	16249759	6 A	B B B	. . A	&NN4&UM1		1			@2	PC
	16249659	6 A	B B B	. . A	&NN7-UM1		1			@2	KY
	16249669	6 M	B B B	. . A	&NN7-UM1		1			@3	KZ
	16249679	6 A	B B B	. . A	&NN7-UM1		1			@3	MM
	16249769	6 M	B B B	. . A	&NN4-UM1/VB4		1			@4	PD
	09350009	6 M	B B B	. . A	&NN4&VB4-UM1		1			@4	GQ
	16269549	6 M	B B B	. . A	&NN4&UM1		1			@4	QA
	16246199	6 M	B B B	. . A	&NN7-UM1		1			@4	MN
	16269599	6 M	B B B	. . A	&NN7&EC2&UM1		1			@4	PY
	16249779	6 A	B B B	. . A	&NN4-UM1/VB4		1			@4	PE
	09350019	6 A	B B B	. . A	&NN4&VB4-UM1		1			@4	GR
	16269559	6 A	B B B	. . A	&NN4&UM1		1			@4	QD
	16246209	6 A	B B B	. . A	&NN7-UM1		1			@4	MR
	16269609	6 A	B B B	. . A	&NN7&EC2&UM1		1			@4	PZ
	16249709	6 M	B B B	. . A	&NN4-UM1		1			@5	MZ
	16249719	6 A	B B B	. . A	&NN4-UM1		1			@5	NF
	16269579	6 M	B B B	. . A	&KL9		1				FOR BRAZIL MS
	16269589	6 A	B B B	. . A	&KL9		1				FOR BRAZIL MT
	[02]				(E)MODULE-TRANSAXLE CONTROL (D)MODUL					(F)MODULE (S)MODULO	
	16245799	Y A	B B B	O O O			1		970714		WK
	O 16265669	Y A	B B B	O O O			1		970714		XY

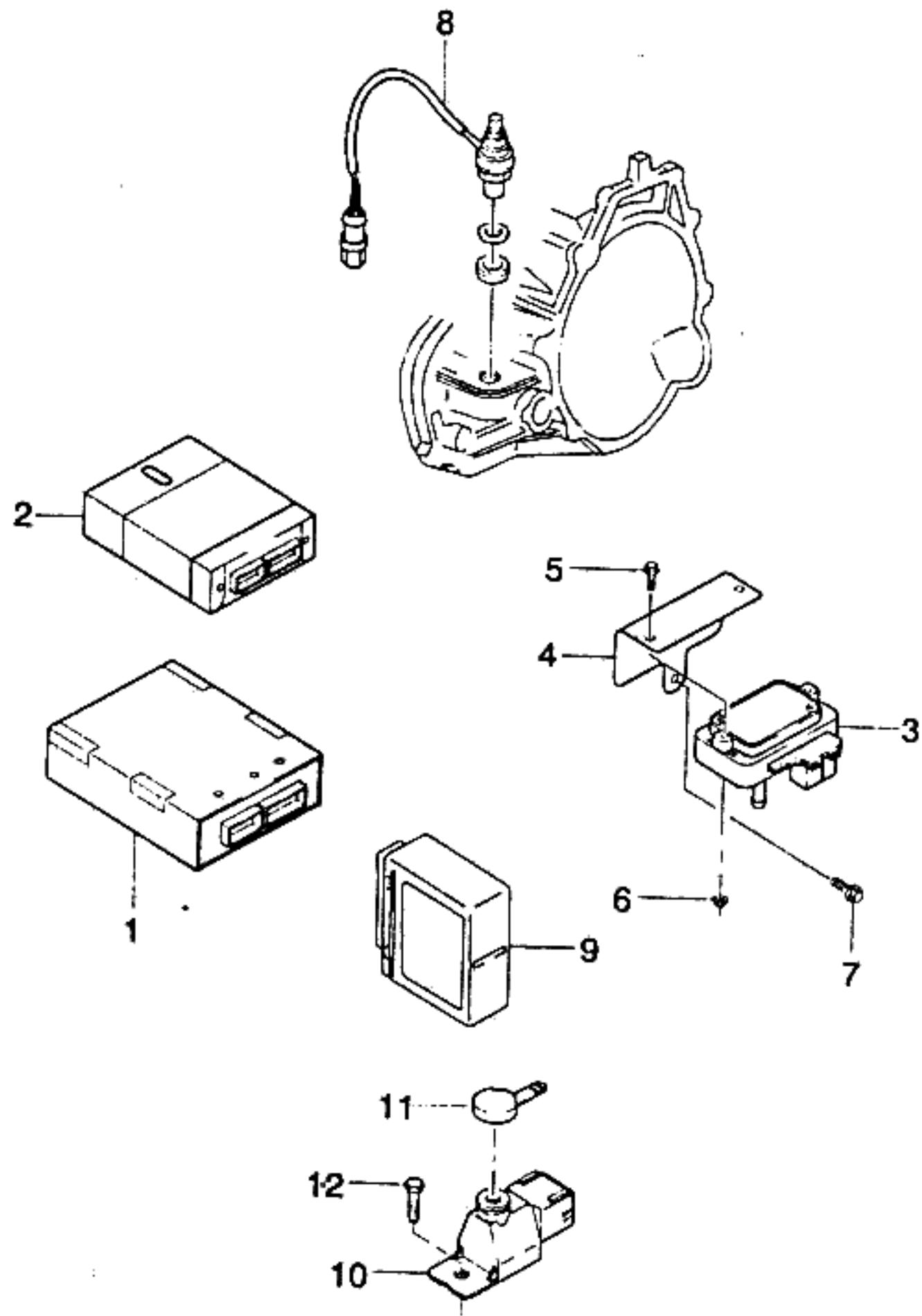
ENG(ENGINE)	T/A(TRANSAXLE)	BODY TYPE
Y = 1.5SOHC 6 = 1.6DOHC . = COMMON	M = MANUAL T/A A = AUTOMATIC T/A . = COMMON	4 N = 4 DOOR NOTCHBACK 3 H = 3 DOOR HATCHBACK 5 H = 5 DOOR HATCHBACK



NOTE : @1-GENERAL AREA @2-HIGH ALITUDE AREA
 @3-LOW VOLATILITY AREA @4-HOT AREA
 @5-COLD AREA

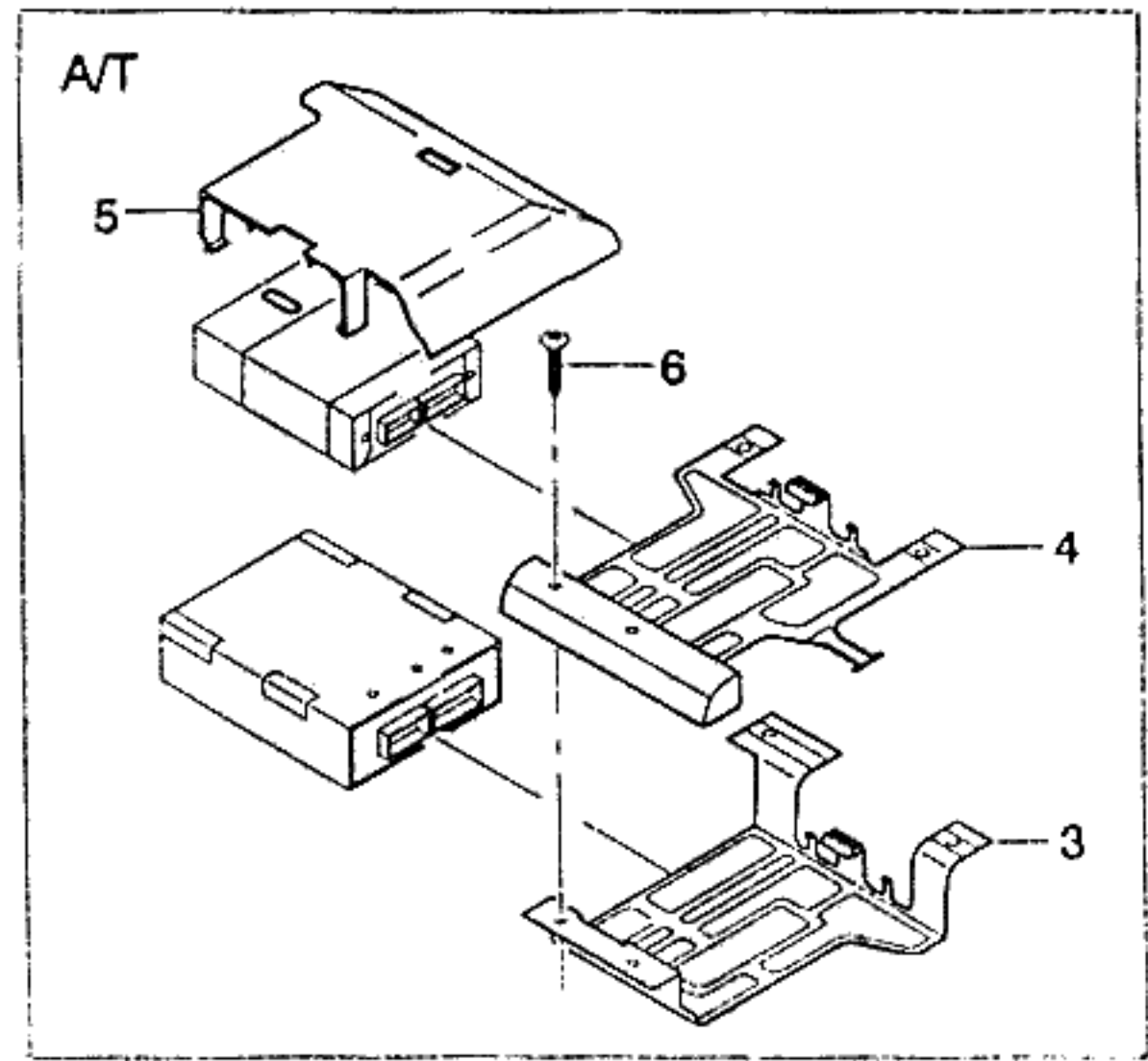
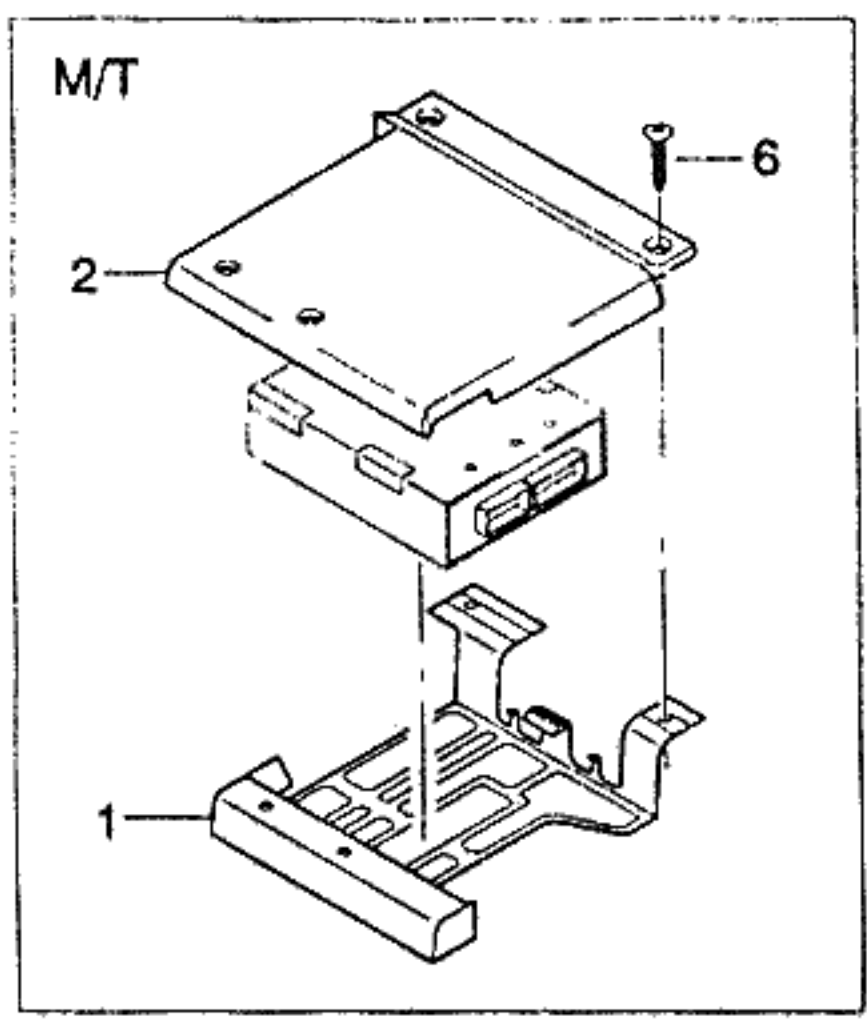
KEY NO.	PART NAME											
	PART NO	MODEL					OPTION	L / R	EFFECTIVE DATE		REMARKS	P / C O D E
		E T	BODY			LEVEL			FROM	TO		
N / G	4	3	5	S	S	S	X					
16245779	6 A B B B . . O	(E)SENSOR A-M.A.P.	(D)SENSOR,VAKUUM							1	(F)DETECTEUR-DEPRESSION (S)SENSOR-VACIO	WM
[13]												
16137039	. . B B B S S S	(E)BRACKET-M.A.P. SENSOR	(D)TRÄGER,VAKUUM							1	(F)SUPPORT-DEPRESSION (S)SOPORTE-VACIO	
[04]												
96351294	. . B B B S S S	(E)BOLT-HEXAGON FLANGE	(D)SCHRAUBE							1	(F)BOULON (S)PERNO	
[05]												
01517-06305	. . B B B S S S	(E)NUT-HEXAGON FLANGE	(D)MUTTER							2	(F)ECROU (S)TUERCA	
[06]												
08316-25065	. . B B B S S S	(E)BOLT-HEXAGON FLANGE	(D)SCHRAUBE							2	(F)BOULON (S)PERNO	
[07]												
01114-06125	. . B B B S S S	(E)SENSOR A-DISTANCE	(D)SENSOR,ENTFERNUNG							1	(F)DETECTEUR-DISTANCE (S)SENSOR-DISTANCIA	
[08]												
96190708	. M B B B S S S	(E)CONTROL UNIT-IMMOBILIZER	(D)STEUERUNGS-EINHEIT							1	(F)UNITE DE CONTROLE (S)UNIDAD DE CONTROL	T6
[09]												
96303500	. . B B B A A A &UM1	(E)POTENTIOMETER-CO	(D)POTENTIOMETER							1	(F)COMPTEUR DE POTENTIAL (S)CONDATOR DE POTENCIAL	
[10]												
90306761	. . B B B S S S &NN4	(E)CAP-ANTI TAMPER	(D)DECKEL							1	(F)CHAPEAU (S)TAPA	
[11]												
90243777	. . B B B S S S &NN4									1		

ENG(ENGINE)	T/A(TRANSAXLE)	BODY TYPE
Y = 1.5SOHC 6 = 1.6DOHC . = COMMON	M = MANUAL T/A A = AUTOMATIC T/A . = COMMON	4 N = 4 DOOR NOTCHBACK 3 H = 3 DOOR HATCHBACK 5 H = 5 DOOR HATCHBACK



NOTE : @1-GENERAL AREA
 @2-HIGH ALITUDE AREA
 @3-LOW VOLATILITY AREA
 @4-HOT AREA
 @5-COLD AREA

KEY NO.		PART NAME												
I T C	PART NO	MODEL						OPTION	L / R	Q T Y	EFFECTIVE DATE		REMARKS	P / C O D E
		E T N /	BODY			LEVEL					FROM	TO		
			G A	4 N	3 H	5 H	S							
	[12] 03152-63163	(E)SCREW-TAPPING (D)SCHRAUBE	B	B	B	S	S	S	&NN4	(F)VIS (S)TORNILLO	1			
ENG(ENGINE)		T/A(TRANSAXLE)				BODY TYPE								
Y = 1.5SOHC 6 = 1.6DOHC . = COMMON		M = MANUAL T/A A = AUTOMATIC T/A . = COMMON				4 N = 4 DOOR NOTCHBACK 3 H = 3 DOOR HATCHBACK 5 H = 5 DOOR HATCHBACK								

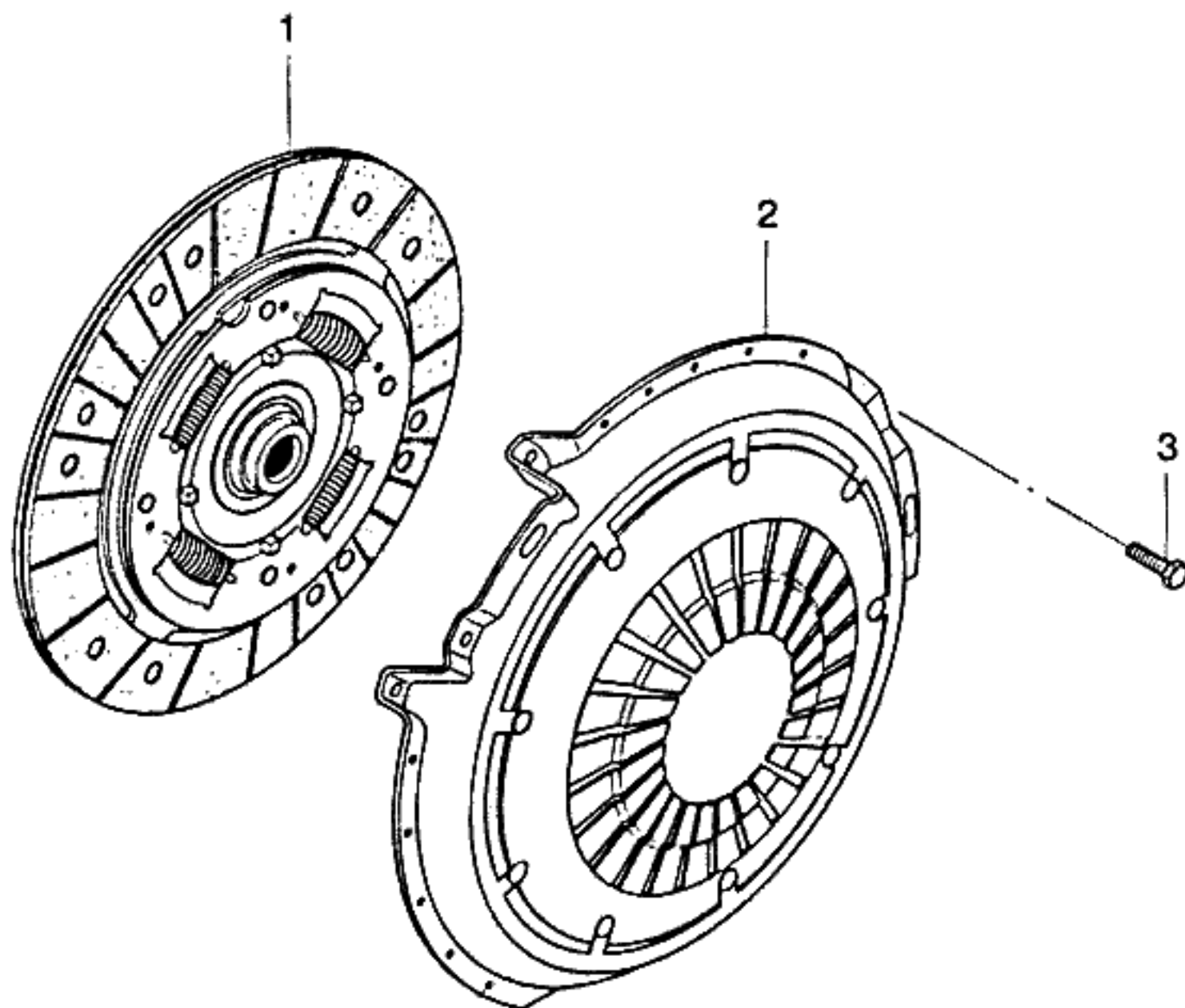


KEY NO.	PART NAME										P / CODE
	PART NO	MODEL			OPTION	L / Q / R	EFFECTIVE DATE		REMARKS		
		E T	BODY	LEVEL			FROM	TO			
		N / 4	3	5	S	S					
		G A	N H	H	S	S					
[01]	96231066	(E)BRACKET-ENG&TM CONT. (D)TRÄGER,STEUERUNGSEINHEIT	. M	B	B	B	S	S	(F)SUPPORT-UNITE DE CONTROLE (S)SOPORTE-UNIDA DE CONTROL	1	BA
[02]	96242607	(E)COVER-ECM&TCM (D)DECKEL	. M	B	B	B	S	S	(F)CARTER (S)CUBIERTA	1	CE
[03]	96232067	(E)BRACKET-ENGINE CONT.MODULE (D)TRÄGER,STEUERUNGSEINHEIT	. A	B	B	B	O	O	(F)SUPPORT-UNITE DE CONTROLE (S)SOPORTE-UNIDA DE CONTROL	1	BB
[04]	96304683	(E)BRACKET-TCM (D)TRÄGER	. A	B	B	B	O	O	(F)SUPPORT (S)SOPORTE	1	BM
[05]	96242608	(E)COVER-TCM (D)DECKEL	. A	B	B	B	O	O	(F)CARTER (S)CUBIERTA	1	CT
[06]	09136-06002	(E)SCREW (D)SCHRAUBE	. .	B	B	B	S	S	(F)VIS (S)TORNILLO	4	

ENG(ENGINE)	T/A(TRANSAXLE)	BODY TYPE
Y = 1.5SOHC 6 = 1.6DOHC . = COMMON	M = MANUAL T/A A = AUTOMATIC T/A . = COMMON	4 N = 4 DOOR NOTCHBACK 3 H = 3 DOOR HATCHBACK 5 H = 5 DOOR HATCHBACK

3**CLUTCH&TRANSAXLE**

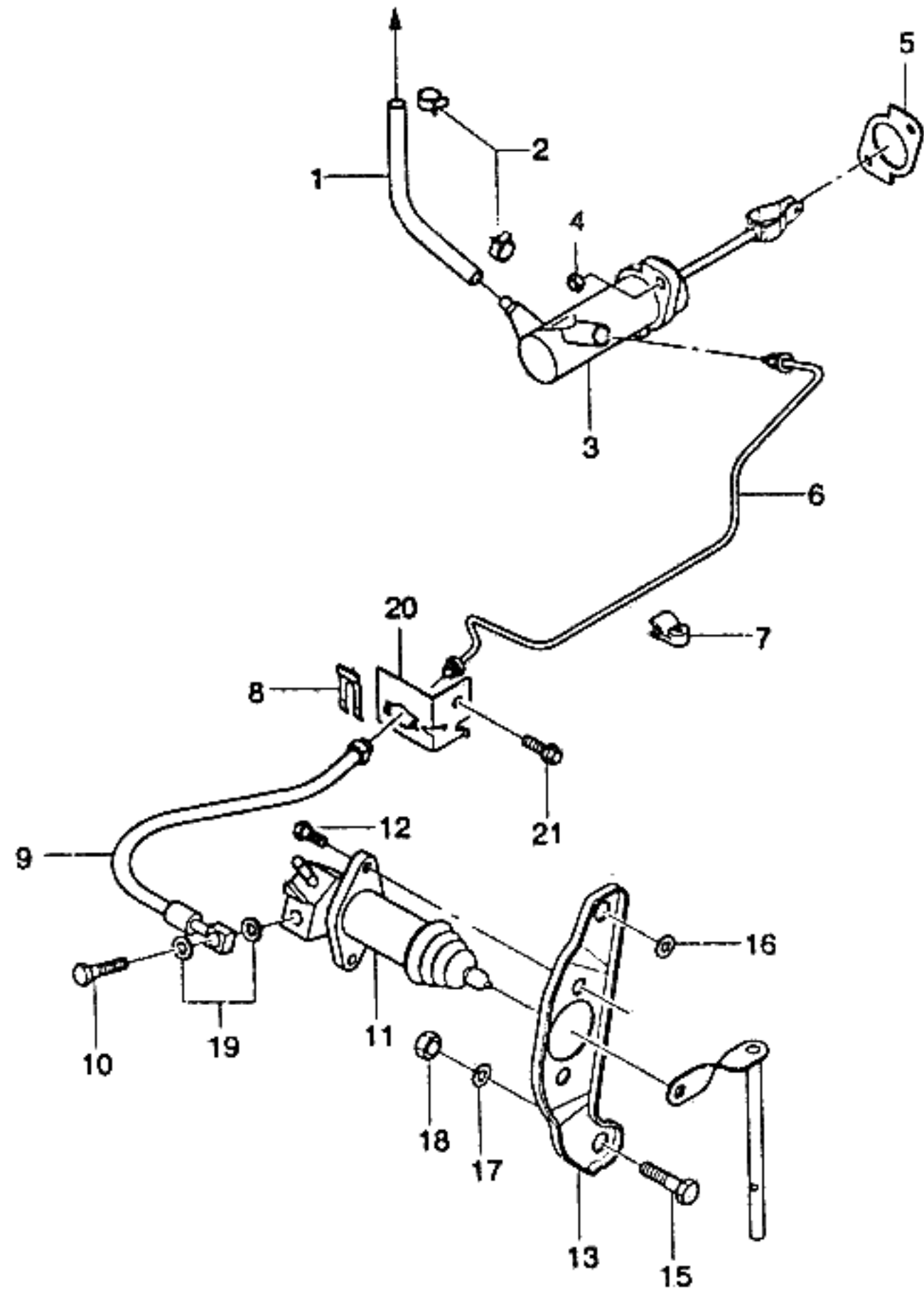
- | | | | |
|------|------------------------------------|------|----------------------------|
| 3110 | CLUTCH COVER&DISK | 3570 | PARK LOCK AND DETENT LEVER |
| 3120 | HYDRAULIC CLUTCH | 3910 | SHIFT CONTROL(M/T) |
| 3130 | CLUTCH PEDAL | 3920 | SHIFT CONTROL(A/T) |
| 3210 | MANUAL TRANSAXLE | | |
| 3220 | TRANSAXLE RELATED PARTS | | |
| 3230 | TRANSAXLE GEAR | | |
| 3240 | REVERSE&COUNTER GEAR | | |
| 3250 | BEARING PLATE | | |
| 3260 | GEAR SHIFT COVER&FORK | | |
| 3270 | DIFFERENTIAL GEAR | | |
| 3510 | AUTOMATIC TRANSAXLE | | |
| 3520 | CASE AND RELATED PARTS | | |
| 3521 | INTERNAL POWER TRAIN PARTS | | |
| 3530 | REVERSE INPUT CLUTCH ASSEMBLY | | |
| 3531 | DIRECT AND COAST CLUTCH ASSEMBLIES | | |
| 3533 | FORWARD CLUTCH ASSEMBLY | | |
| 3535 | FORWARD CLUTCH SUPPORT ASSEMBLY | | |
| 3550 | DRIVEN SPROCKET SUPPORT ASSEMBLY | | |



KEY NO.	PART NAME											
	PART NO	MODEL					OPTION	L / Q R / Y	EFFECTIVE DATE		REMARKS	P / C O D E
		E N G	T /	BODY	LEVEL				FROM	TO		
[01]	(E)DISK-CLUTCH (D)SCHEIBE,KUPPLUNG											
96232994	Y M B B B S S S											F1
96232995	6 M B B B . . O											
[02]	(E)COVER-CLUTCH (D)DECKEL,KUPPLUNG											
96183980	Y M B B B S S S											CL
96184505	6 M B B B . . O										POT	
[03]	(E)BOLT (D)SCHRAUBE											
09100-07001	. M B B B S S S											

ENG(ENGINE)	T/A(TRANSAXLE)	BODY TYPE
Y = 1.5SOHC 6 = 1.6DOHC . = COMMON	M = MANUAL T/A A = AUTOMATIC T/A . = COMMON	4 N = 4 DOOR NOTCHBACK 3 H = 3 DOOR HATCHBACK 5 H = 5 DOOR HATCHBACK

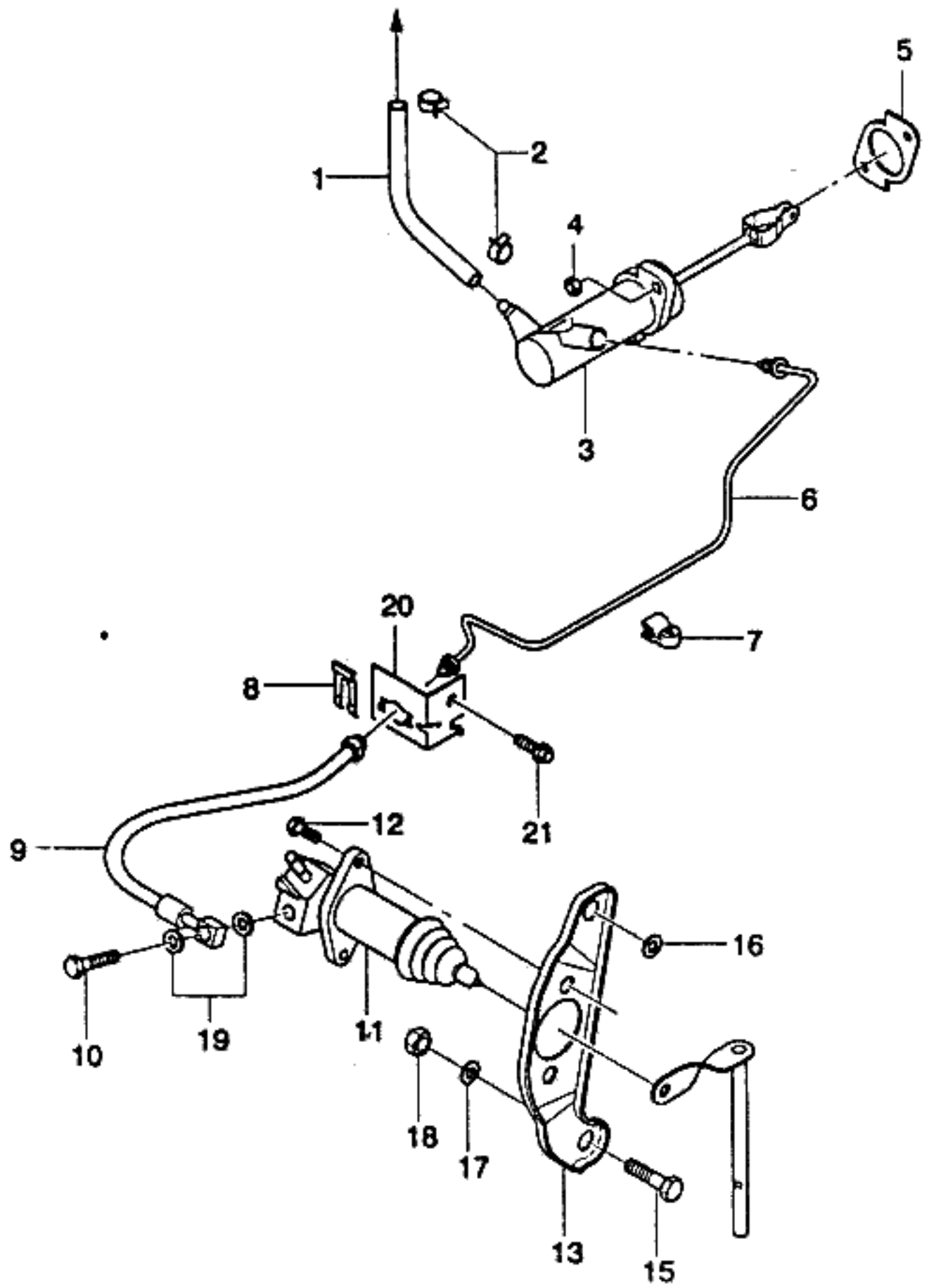
BRAKE RESERVOIR



KEY NO.	PART NAME										REMARKS	P / CODE
	PART NO	MODEL					OPTION	L / Q / R / Y	EFFECTIVE DATE			
		E / N / G	T / A	BODY	LEVEL				FROM	TO		
[01]	(E)HOSE A-RESERVOIR TANK (D)SCHLAUCH, BEHÄLTER						(F)TUYAU-RESERVOIR (S)MANGUERA-RESERVA					
96184064	. M B B B S S S						1				INCL #2	
[02]	(E)CLIP (D)KLEMME						(F)ATTACHE (S)GRAPA					
09401-13401	. M B B B S S S						2					
[03]	(E)CYLINDER A-CLUTCH MASTER (D)ZYLINDER, HAUPT						(F)CYLINDRE-MAITRE (S)CILINDRO-MAESTRO					
96184062	. M B B B S S S						1					
[04]	(E)NUT-HEXAGON LOCK (D)MUTTER						(F)ECROU (S)TUERCA					
08311-18083	. M B B B S S S						2					
[05]	(E)GASKET (D)DICHTUNG						(F)JOINT (S)JUNTA					
96184061	. M B B B S S S						1					
[06]	(E)PIPE A-CLUTCH MASTER CYL (D)ROHR, HYDRAULIK KUPPLUNG						(F)TUYAU (S)TUBERIA					
96233023	. M B B B S S S						1					
[07]	(E)CLIP (D)KLEMME						(F)ATTACHE (S)GRAPA					
96180752	. M B B B S S S						1					
[08]	(E)CLIP (D)KLEMME						(F)ATTACHE (S)GRAPA					
96144733	. M B B B S S S						1					
[09]	(E)HOSE A-HYDRAULIC CLUTCH (D)SCHLAUCH						(F)TUYAU (S)MANGUERA					
96184536	. M B B B S S S						1					
[10]	(E)BOLT-UNION (D)SCHRAUBE						(F)BOULON (S)PERNO					

ENG(ENGINE)	T/A(TRANSAXLE)	BODY TYPE
Y = 1.5SOHC 6 = 1.6DOHC . = COMMON	M = MANUAL T/A A = AUTOMATIC T/A . = COMMON	4 N = 4 DOOR NOTCHBACK 3 H = 3 DOOR HATCHBACK 5 H = 5 DOOR HATCHBACK

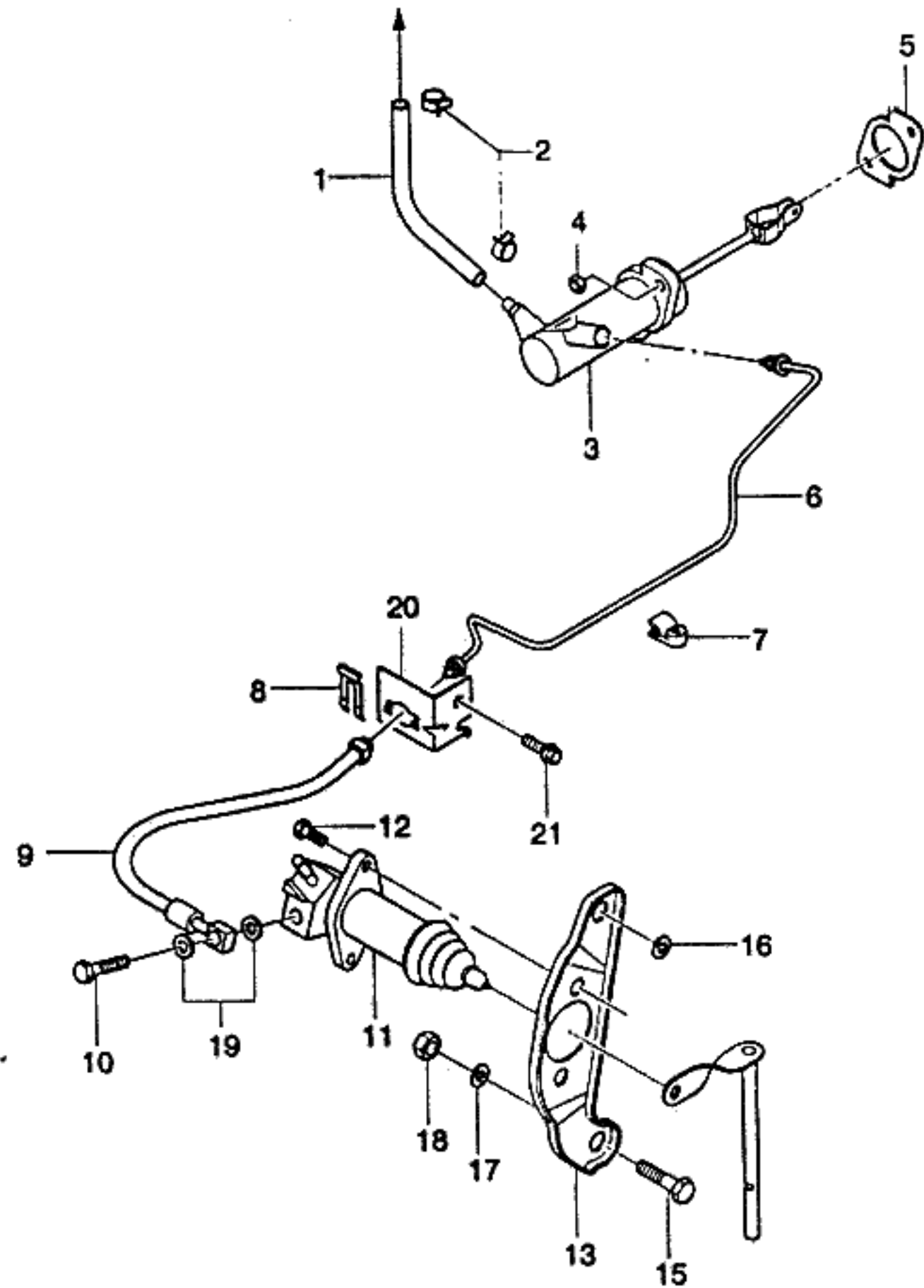
BRAKE RESERVOIR



KEY NO.	PART NAME													
	PART NO	MODEL						OPTION	L / R	Q / Y	EFFECTIVE DATE		REMARKS	P / CODE
		E / N / G	T / A	4 N	3 H	5 H	S / S / S				FROM	TO		
09360-10001	[11]	.	M	B	B	B	S	S	S			1	(F)CYLINDER-RELACHE (D)ZYLINDERLÖSUNG (S)CILINDRO-LIBERAR	
96159109		.	M	B	B	B	S	S	S			1	970701	
Y 9614047	[12]	.	M	B	B	B	S	S	S			1	970701	(F)BOULON (S)PERNO
09106-08001	[13]	.	M	B	B	B	S	S	S			2		(F)SUPPORT (S)SOPORTE
96243477	[15]	.	M	B	B	B	S	S	S			1		(F)BOULON (S)PERNO
09100-12001	[16]	.	M	B	B	B	S	S	S			1		(F)RONDELLE (S)ARANDELA
08321-31123	[17]	.	M	B	B	B	S	S	S			1		(F)RONDELLE (S)ARANDELA
08322-11123	[18]	.	M	B	B	B	S	S	S			1		(F)ECROU (S)TUERCA
08311-18123	[19]	.	M	B	B	B	S	S	S			1		(F)RONDELLE (S)ARANDELA
09160-10002	[20]	.	M	B	B	B	S	S	S			2		(F)PINCE (S)ABRAZADERA

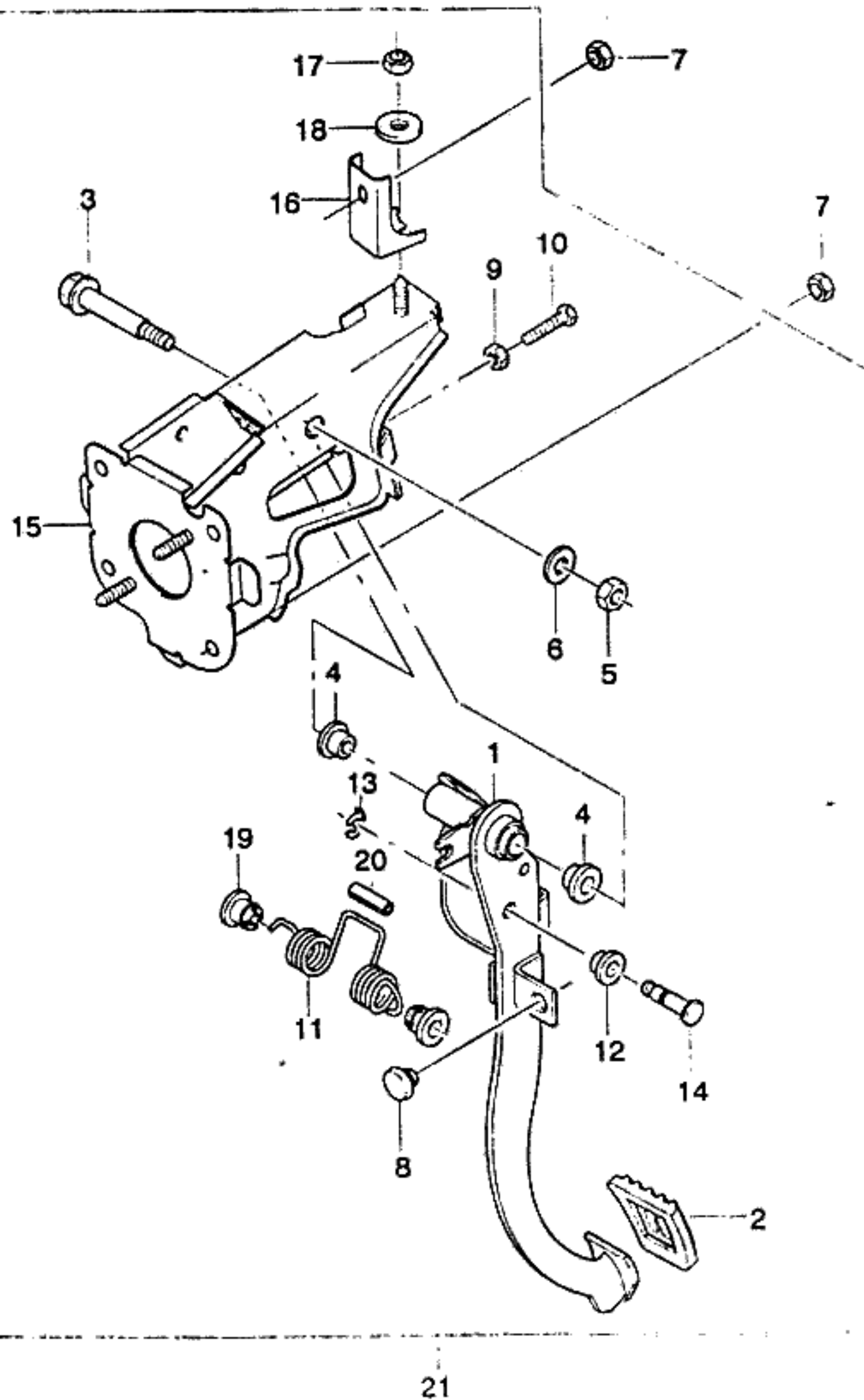
ENG(ENGINE)	T/A(TRANSAXLE)	BODY TYPE
Y = 1.5SOHC 6 = 1.6DOHC . = COMMON	M = MANUAL T/A A = AUTOMATIC T/A . = COMMON	4 N = 4 DOOR NOTCHBACK 3 H = 3 DOOR HATCHBACK 5 H = 5 DOOR HATCHBACK

BRAKE RESERVOIR

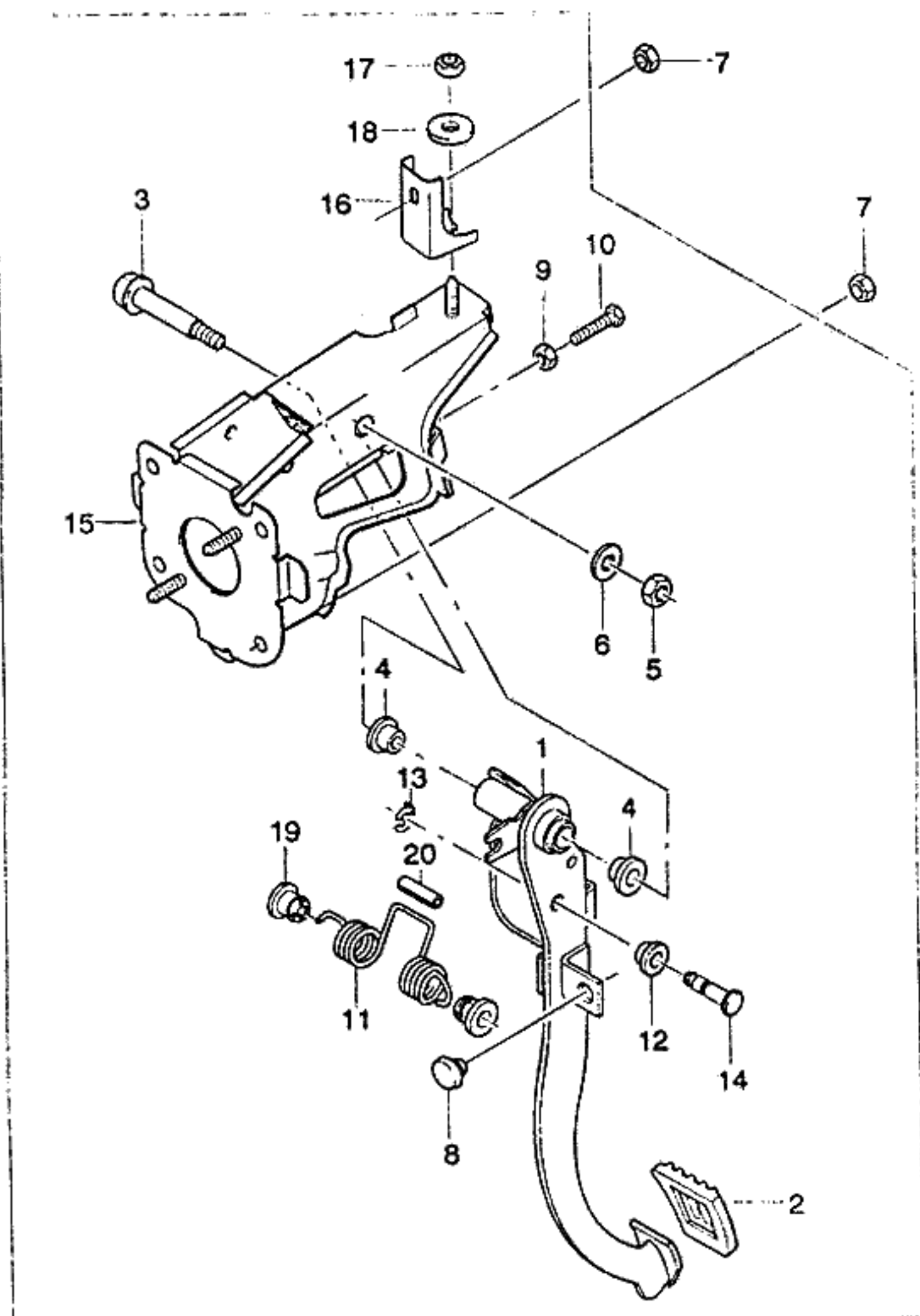


KEY NO.		PART NAME												
I T C	PART NO	MODEL			OPTION	L / R	Q T Y	EFFECTIVE DATE		REMARKS	P / C O D E			
		E	T	BODY				LEVEL	FROM			TO		
		N / G	A	4 N				3 H					5 H	S S
	961845,9 [21] 01514-06123	.	M	B	B	B	S	S	S			1 (F)BOULON (S)PERNO		
		.	M	B	B	B	S	S	S			1		

ENG(ENGINE)	T/A(TRANSAXLE)	BODY TYPE
Y = 1.5SOHC 6 = 1.6DOHC . = COMMON	M = MANUAL T/A A = AUTOMATIC T/A . = COMMON	4 N = 4 DOOR NOTCHBACK 3 H = 3 DOOR HATCHBACK 5 H = 5 DOOR HATCHBACK



KEY NO.	PART NAME										REMARKS	P / C O D E			
	PART NO	MODEL				OPTION	L / R	Q / T Y	EFFECTIVE DATE						
		E N G	T / A	B O D Y	L E V E L				FROM	TO					
[01]	96183919	. M	B	B	B	S	S	S	S			(E)PEDAL A-CLUTCH (D)PEDAL,KUPPLUNG 1	(F)PEDALE-EMBRAYAGE (S)PEDAL-EMBRAGUE 1		
[02]	90105172	. M	B	B	B	S	S	S	S			(E)COVER-PEDAL PLATE (D)UNTERLAGE 1	(F)PATIN (S)COJIN 1		
[03]	96183932	. M	B	B	B	S	S	S	S			(E)SHAFT-CLUTCH PEDAL (D)SPINDEL,PEDAL MONTAGE 1	(F)ARBRE-MONTAGE PEDALE (S)EJE-MONTAJE DE PEDAL 1		
[04]	09306-14001	. M	B	B	B	S	S	S	S			(E)BUSHING (D)LAGERFUTTER 2	(F)MANCHON (S)BUJE-PEDAL DEL EMBRAGUE 2		
[05]	09159-10002	. M	B	B	B	S	S	S	S			(E)NUT (D)MUTTER 1	(F)ECROU (S)TUERCA 1		
[06]	08321-31103	. M	B	B	B	S	S	S	S			(E)WASHER-SPRING (D)DICHTUNGSRING 1	(F)RONDELLE (S)ARANDELA 1		
[07]	09159-08003	. M	B	B	B	S	S	S	S			(E)NUT-HEXAGON LOCK (D)MUTTER 5	(F)ECROU (S)TUERCA 5		
[08]	96157634	. M	B	B	B	S	S	S	S			(E)BUFFER-CLUTCH PEDAL (D)STOSSSCHEIBE 2	(F)TAMPON-PEDALE D'EMBRAYAGE (S)AMORTIGUADOR 2		
[09]	08310-22083	. M	B	B	B	S	S	S	S			(E)NUT-HEXAGON (D)MUTTER 1	(F)ECROU (S)TUERCA 1		
[10]		. M	B	B	B	S	S	S	S			(E)BOLT-HEXAGON (D)SCHRAUBE 1	(F)BOULON (S)PERNO 1		
ENG(ENGINE)		T/A(TRANSAXLE)				BODY TYPE									
Y = 1.5SOHC 6 = 1.6DOHC . = COMMON		M = MANUAL T/A A = AUTOMATIC T/A . = COMMON				4 N = 4 DOOR NOTCHBACK 3 H = 3 DOOR HATCHBACK 5 H = 5 DOOR HATCHBACK									

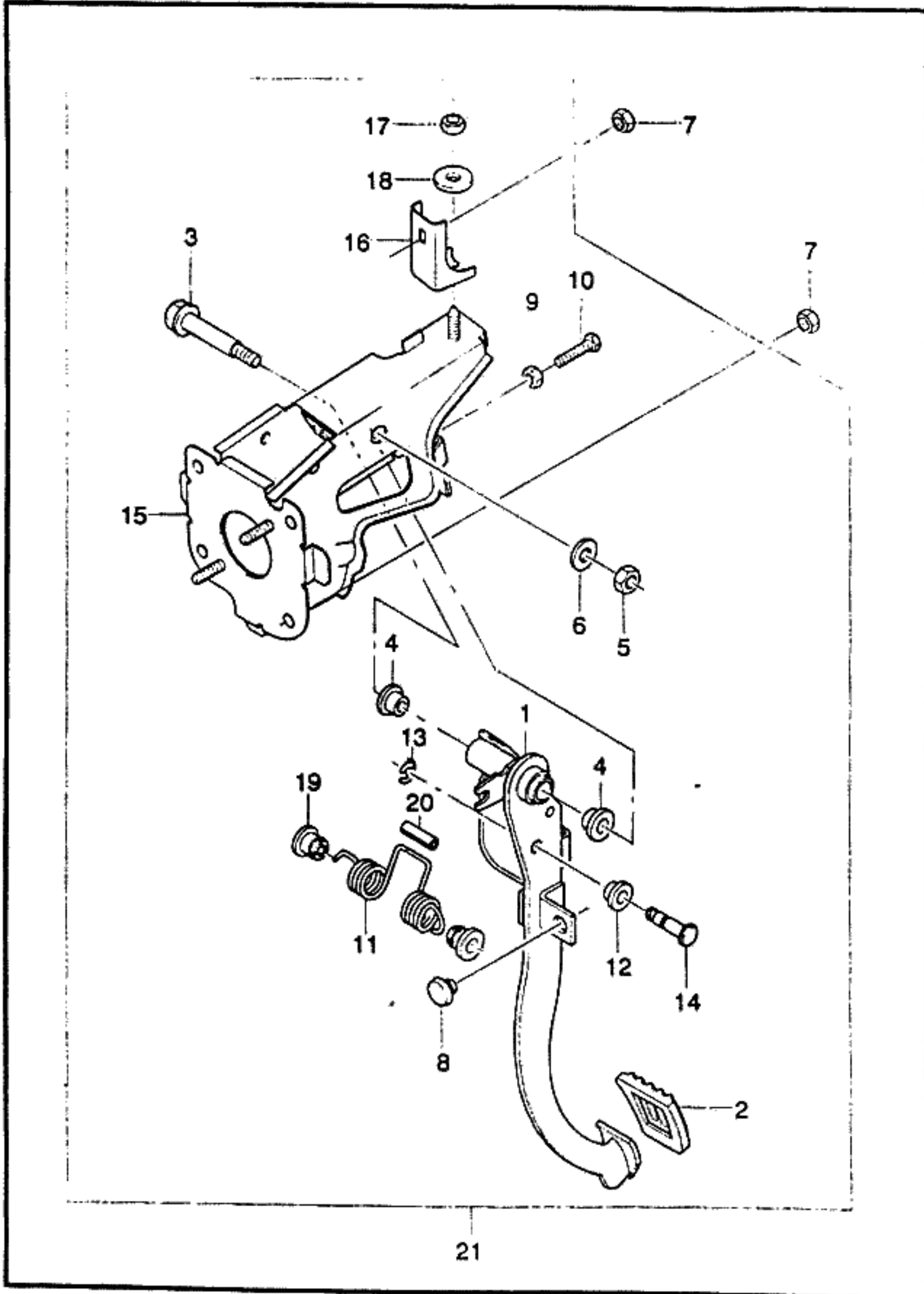


KEY NO.	PART NAME												
	PART NO	MODEL					OPTION	L / Q R / Y	EFFECTIVE DATE		REMARKS	P / C O D E	
		E N G	T / A	BODY	LEVEL				FROM	TO			
		4 N	3 H	5 H	S S	S S							
01107-08303 [11]	(E)SPRING-TURN OVER (D)FEDERUNG,RÜCK	.	M	B	B	B	S	S	S	S	1	(F)RESSORT-RETOUR (S)RESORTE-REGRESO	
96184060 96305924 [12]	(E)BUSHING (D)LAGERFUTTER	.	M	B	B	B	S	S	S	S	1	NOT APPLIED (F)MANCHON (S)BUJE-PEDAL DEL EMBRAGUE	
09306-10003 [13]	(E)RING-RETAINING, E TYPE (D)RING,HALTER	.	M	B	B	B	S	S	S	S	1	(F)ANNEAU-DE RETENTION (S)ANILLO-RETENEDOR	
08332-21089 [14]	(E)PIN (D)STIFT	.	M	B	B	B	S	S	S	S	1	(F)BROCHE (S)PASADOR	
09208-10001 [15]	(E)BRACE A-CLUTCH PEDAL (D)SCHIENE,KUPPLUNGSPEDAL	.	M	B	B	B	S	S	S	S	1	(F)SUPPORT-MONTAGE PEDALE (S)REFUERZO	
96183927 [16]	(E)BRACKET-CLUTCH PEDAL BRACE (D)TRÄGER	.	M	B	B	B	S	S	S	S	1	(F)SUPPORT (S)SOPORTE	
96183935 [17]	(E)NUT-HEXAGON LOCK (D)MUTTER	.	M	B	B	B	S	S	S	S	1	(F)ECROU (S)TUERCA	
08311-18083 [18]	(E)WASHER-PLAIN (D)DICHTUNGSRING	.	M	B	B	B	S	S	S	S	1	(F)RONDELLE (S)ARANDELA	
09160-08004 [19]	(E)BUSHING (D)LAGERFUTTER	.	M	B	B	B	S	S	S	S	1	(F)MANCHON (S)BUJE DE BOQUILLA	

ENG(ENGINE)	T/A(TRANSAXLE)	BODY TYPE
Y = 1.5SOHC 6 = 1.6DOHC . = COMMON	M = MANUAL T/A A = AUTOMATIC T/A . = COMMON	4 N = 4 DOOR NOTCHBACK 3 H = 3 DOOR HATCHBACK 5 H = 5 DOOR HATCHBACK

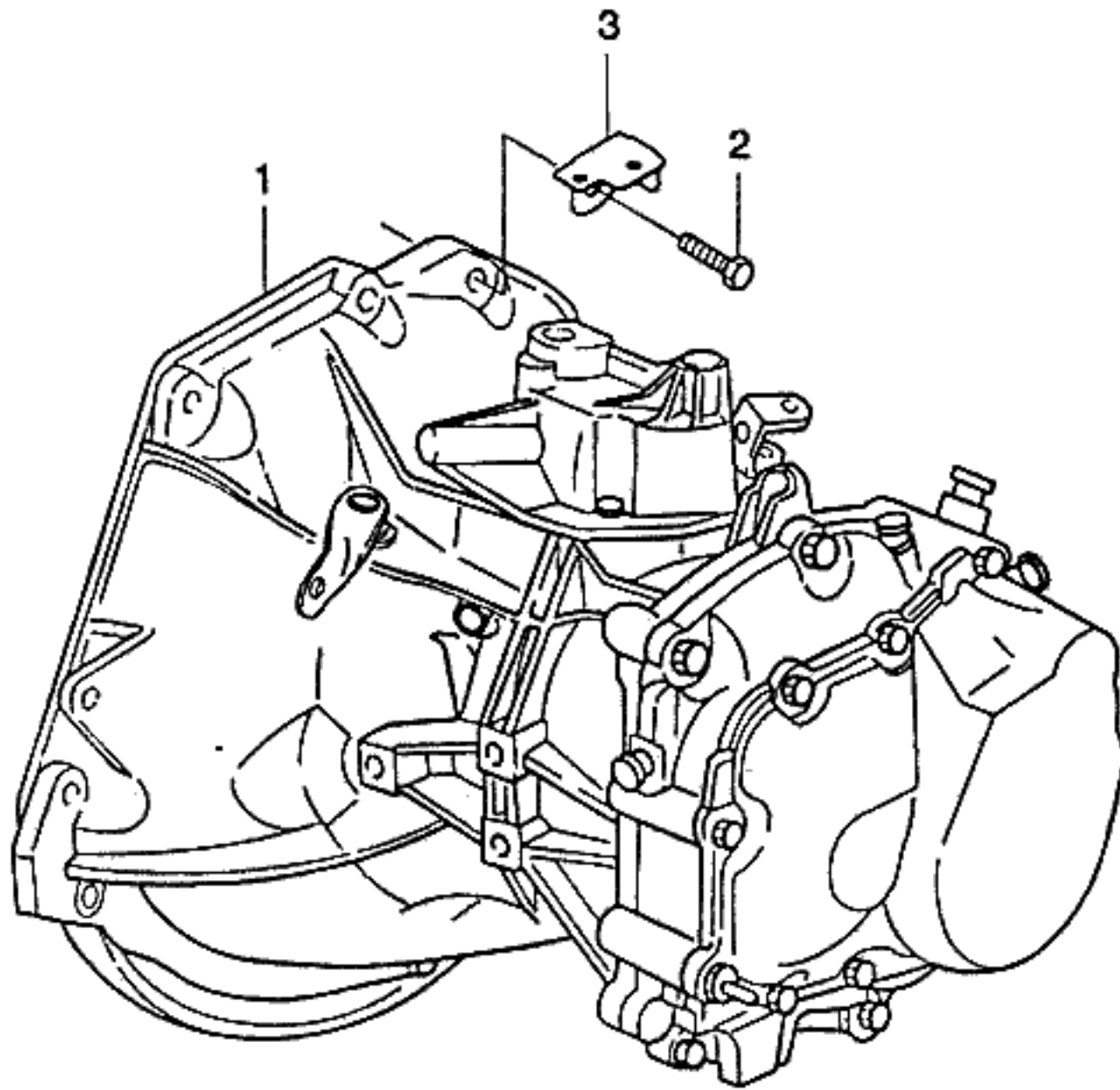
3130 CLUTCH PEDAL

3H16



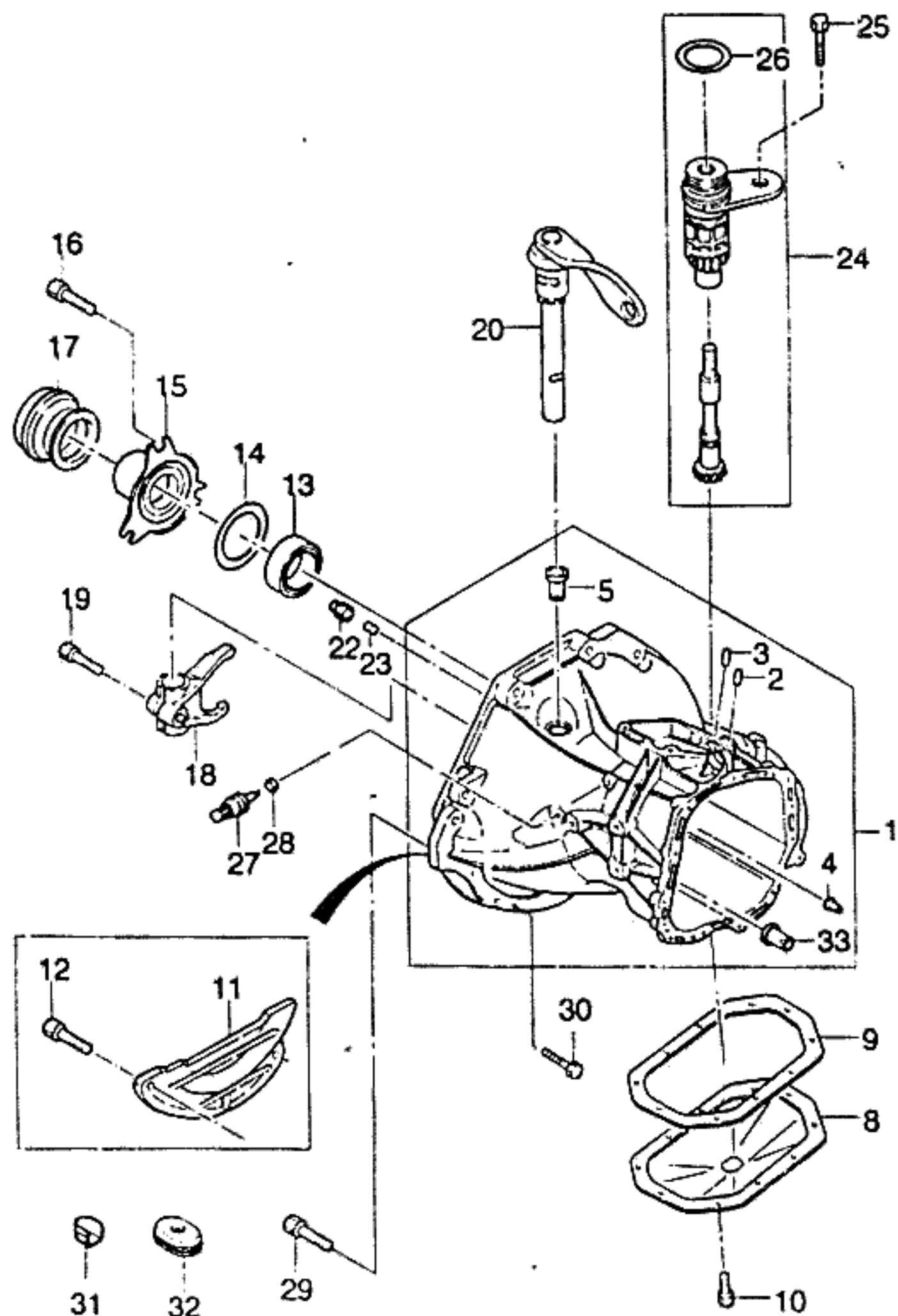
KEY NO.		PART NAME													
I T C	PART NO	MODEL					OPTION	L / R	Q T Y	EFFECTIVE DATE		REMARKS	P / C O D E		
		E	T	BODY						LEVEL				FROM	TO
		N	G	4	3	5				S	S				
	96184537 [20]	.	M	B	B	B	S	S	S	S		2	(F)MANCHON (S)BUJE DE BOQUILLA		
	96184050 [21]	.	M	B	B	B	S	S	S	S		1	(F)UNITE PEDALE-EMBAYAGE (S)PEDAL UNIDAD -EMBRAGUE		
	96184054	.	M	B	B	B	S	S	S	S		1			

ENG(ENGINE)	T/A(TRANSAXLE)	BODY TYPE
Y = 1.5SOHC 6 = 1.6DOHC . = COMMON	M = MANUAL T/A A = AUTOMATIC T/A . = COMMON	4 N = 4 DOOR NOTCHBACK 3 H = 3 DOOR HATCHBACK 5 H = 5 DOOR HATCHBACK

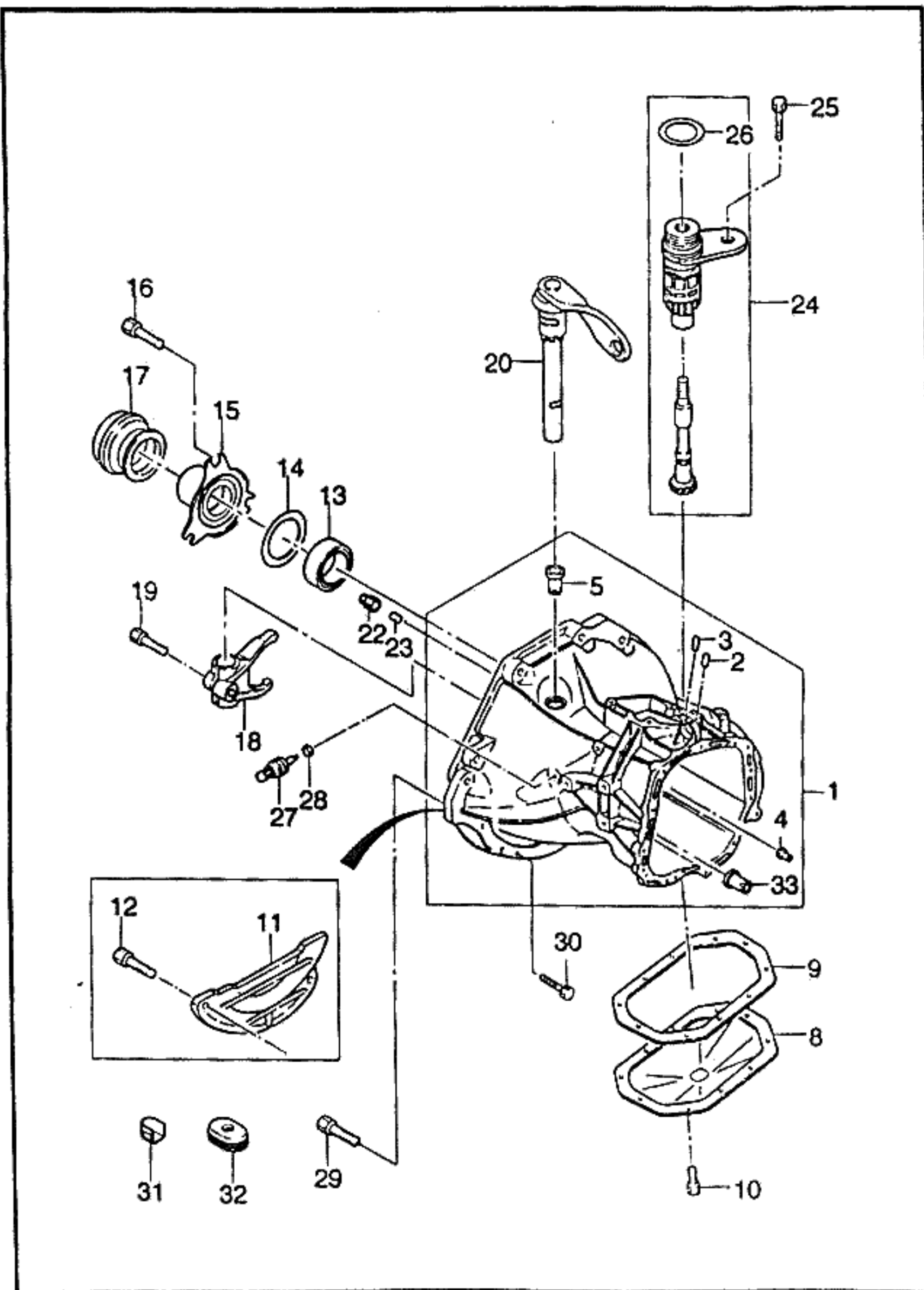


I T C	KEY NO.		PART NAME											
	PART NO	MODEL	OPTION	L / R	Q T Y	EFFECTIVE DATE		REMARKS	P / C O D E					
						FROM	TO							
	[01]	(E)TRANSAXLE A-GEARSHIFT (D)ANTRIEB,GANGSCHALTUNG												
	96243097	Y M B B B S S S	&M85		1			RATIO : 4.176	MA					
	96225023	6 M B B B . . O	&MG4-KL9/EC1		1			RATIO : 3.722	BS					
	96243097	6 M B B B . . A	&M85&KL9/EC1		1				MA					
	[02]	(E)BOLT (D)SCHRAUBE						(F)BOULON (S)PERNO						
	09100-12002	. M B B B S S S			6									
	[03]	(E)BRACKET-ENGINE CONT.HARNES (D)TRÄGER						(F)SUPPORT (S)SOPORTE						
	96234614	. M B B B S S S			1									

ENG(ENGINE)	T/A(TRANSAXLE)	BODY TYPE
Y = 1.5SOHC 6 = 1.6DOHC . = COMMON	M = MANUAL T/A A = AUTOMATIC T/A . = COMMON	4 N = 4 DOOR NOTCHBACK 3 H = 3 DOOR HATCHBACK 5 H = 5 DOOR HATCHBACK

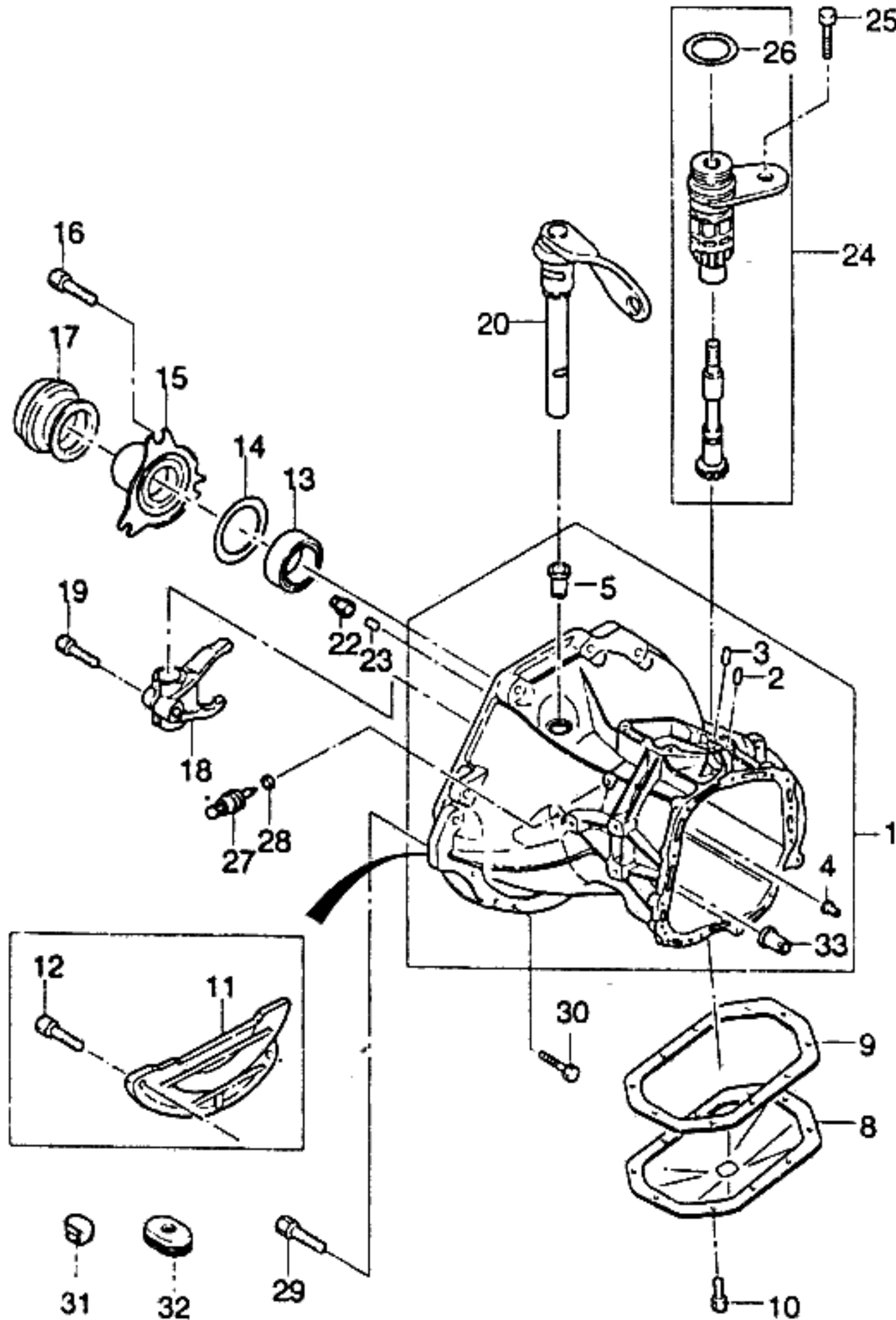


KEY NO.	PART NAME										REMARKS	P / CODE	
	PART NO	MODEL				OPTION	L / R	QTY	EFFECTIVE DATE				
		E T	BODY	LEVEL					FROM	TO			
		N / G	4	3	5	S	S	S					
[01]	(E)CASE A-TRANSAXLE (D)KASTEN,ANTRIEB										(F)CARTER-TRANSMISSION (S)CAJA-EJE TRANSVERSAL		
A96216453	. M B B B S S S										1		
[02]	(E)PIN-DOWEL (D)STIFT,DÜBEL										(F)BROCHE-GOUJON (S)PASADOR-CLAVIJA		
90147339	. M B B B S S S										1		
[03]	(E)PIN-DOWEL (D)STIFT,DÜBEL										(F)BROCHE-GOUJON (S)PASADOR-CLAVIJA		
90065583	. M B B B S S S										2		
[04]	(E)SLEEVE-MAINSHAFT OIL DUCT (D)HÜLSE										(F)CHEMISE (S)MANGA		
90121130	. M B B B S S S										1		
[05]	(E)BUSHING-CLUTCH SHAFT (D)LAGERFUTTER										(F)MANCHON-ARBRE D'EMBRAYAGE (S)BUJE-EJE DEL EMBRAGUE		
90305912	. M B B B S S S										2		
[08]	(E)COVER-DIFFERENTIAL GEAR (D)DECKEL										(F)CARTER (S)CUBIERTA		
90305635	. M B B B S S S										1		
[09]	(E)GASKET-DIFF GEAR COVER (D)DICHTUNG										(F)JOINT (S)JUNTA		
96179241	. M B B B S S S										1		
[10]	(E)BOLT (D)SCHRAUBE										(F)BOULON (S)PERNO		
09103-08028	. M B B B S S S										10		
[11]	(E)COVER-TRANSMISSION CASE (D)DECKEL										(F)CARTER (S)CUBIERTA		
96224697	. M B B B S S S &NN4/NN6										1	970701	
O 96242579	. M B B B S S S &NN4/NN6										1	970701	
												FOR STEEL OIL PAN	
ENG(ENGINE)		T/A(TRANSAXLE)				BODY TYPE							
Y = 1.5SOHC 6 = 1.6DOHC . = COMMON		M = MANUAL T/A A = AUTOMATIC T/A . = COMMON				4 N = 4 DOOR NOTCHBACK 3 H = 3 DOOR HATCHBACK 5 H = 5 DOOR HATCHBACK							



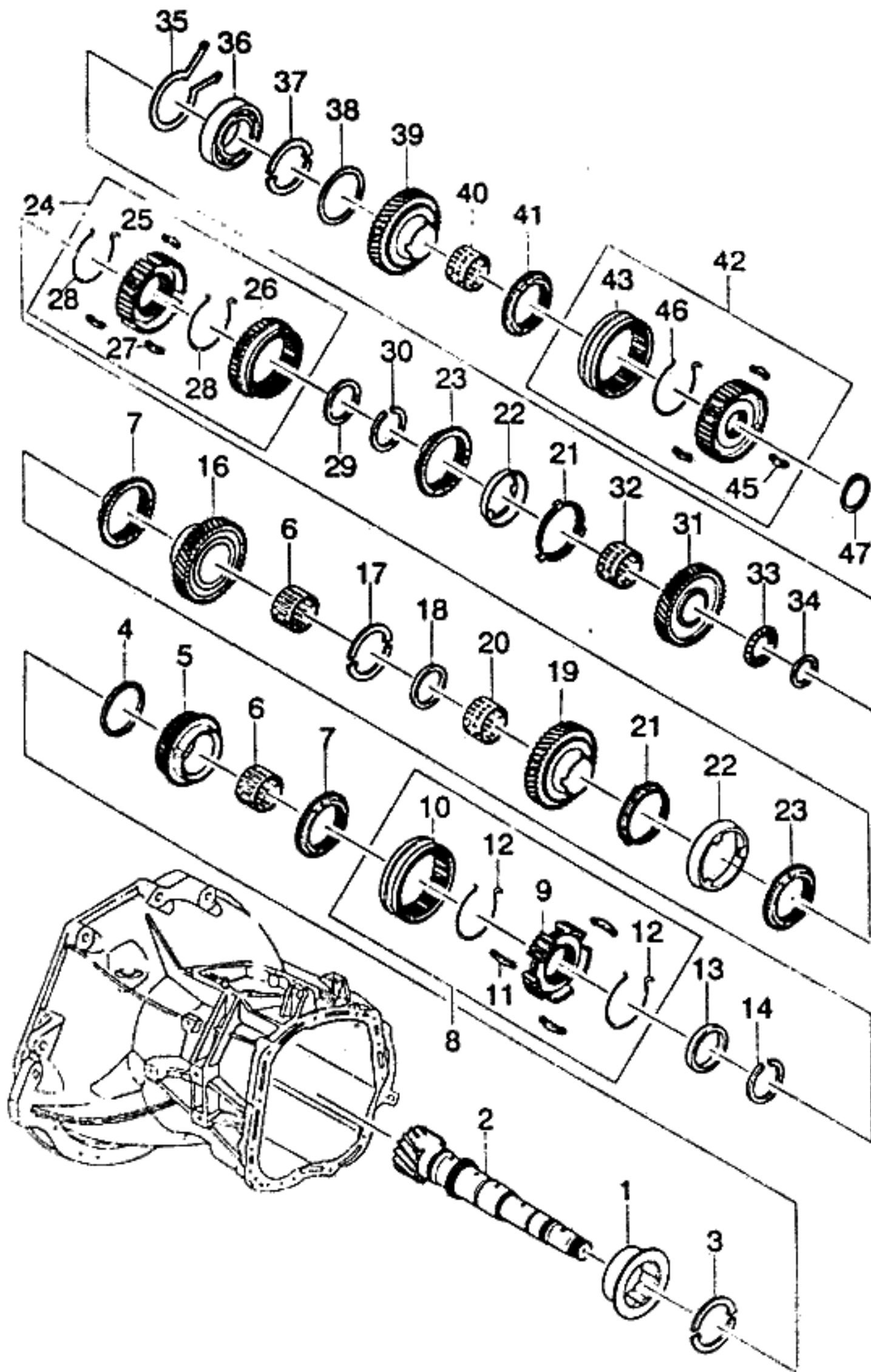
KEY NO.	PART NAME										REMARKS	P / C O D E		
	PART NO	MODEL				OPTION	L / Q / R	EFFECTIVE DATE						
		E N G	T / A	B O D Y	L E V E L			FROM	TO					
[12]	09103-10046	(E)BOLT (D)SCHRAUBE	. M	B	B	B	S	S	S	&NN4/NN6	(F)BOULON (S)PERNO	3	FOR STEEL OIL PAN	
[13]	90182168	(E)RING-SHAFT SEAL (D)RING,STAB DICHTUNG	. M	B	B	B	S	S	S		(F)ANNEAU-JOINT D'ARBRE (S)ANILLO-BROCHE DE EJE	1	23X35X8	
[14]	90112258	(E)ORING (D)O RING	. M	B	B	B	S	S	S		(F)JOINT TORIQUE (S)ANILLO EN O	1	50.5X2.2	
[15]	90112325	(E)GUIDE-THRUST BEARING (D)FÜHRING,STOß LAGER	. M	B	B	B	S	S	S		(F)GUIDE-ROULEMENT DE BUTEE (S)GUIA-COJINETE DE EMPUJE	1		
[16]	09100-06004	(E)BOLT (D)SCHRAUBE	. M	B	B	B	S	S	S		(F)BOULON (S)PERNO	3		
[17]	90251210	(E)BEARING-CLUTCH THRUST (D)KUGELLAGER,KUPPLUNG SCHUB	. M	B	B	B	S	S	S		(F)ROULEMENT (S)COJINETE-EMPUJAR EMBRAGUE	1		
[18]	90372766	(E)FORK-CLUTCH RELEASE (D)GABEL,KUPPLUNG LÖSUNG	. M	B	B	B	S	S	S		(F)FOURCHETTE (S)HORQUILLA-LIBERACION	1		
[19]	09100-08020	(E)BOLT (D)SCHRAUBE	. M	B	B	B	S	S	S		(F)BOULON (S)PERNO	1		
[20]	96144874	(E)LEVER-RELEASE (D)HEBEL,LÖSUNG	. M	B	B	B	S	S	S		(F)LEVIER-RELACHE (S)PALANCA-SOLTAR (LIBERAR)	1		

ENG(ENGINE)	T/A(TRANSAXLE)	BODY TYPE
Y = 1.5SOHC 6 = 1.6DOHC . = COMMON	M = MANUAL T/A A = AUTOMATIC T/A . = COMMON	4 N = 4 DOOR NOTCHBACK 3 H = 3 DOOR HATCHBACK 5 H = 5 DOOR HATCHBACK

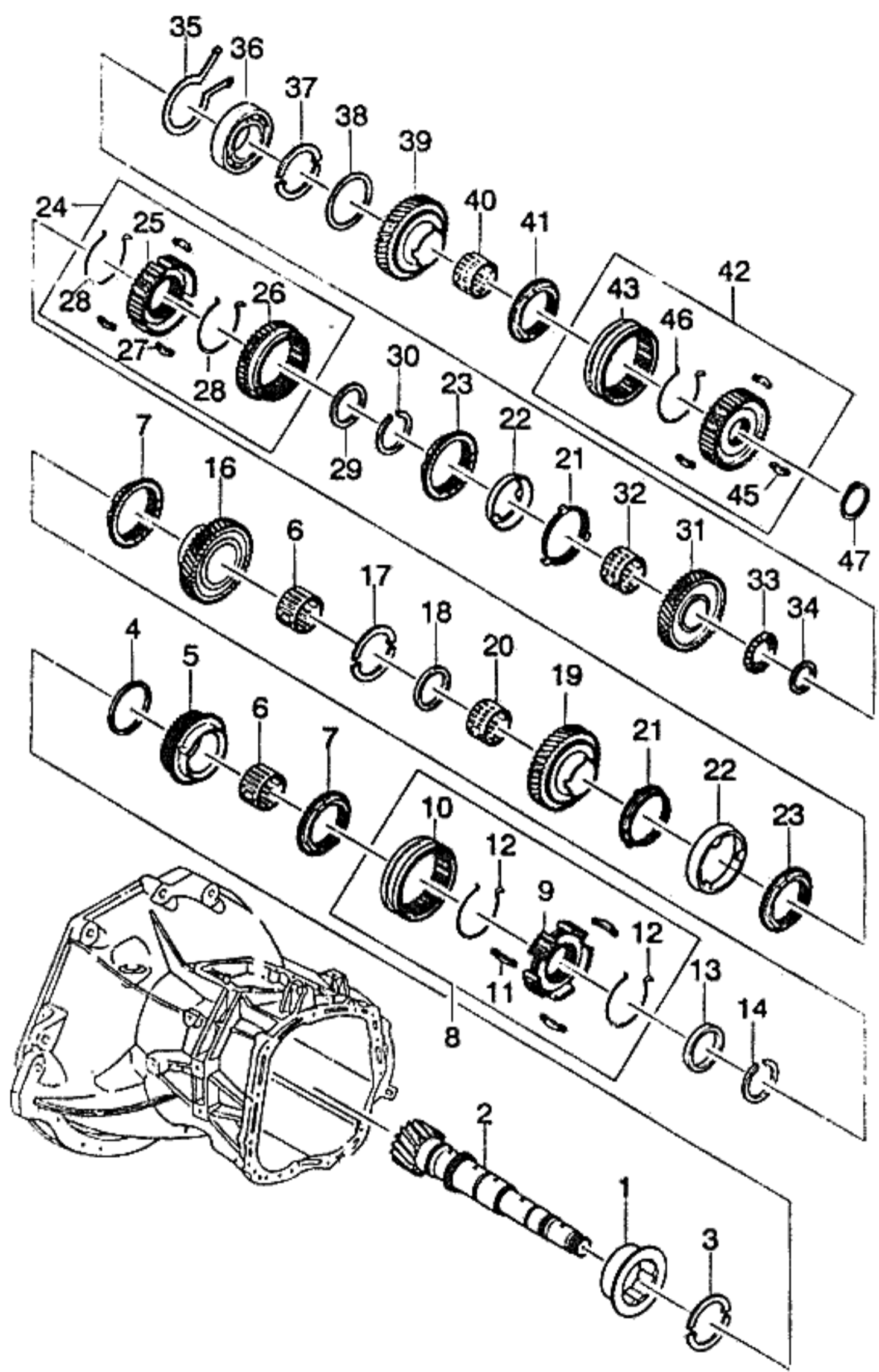


KEY NO.	PART NAME										REMARKS	P / CODE	
	PART NO	MODEL					OPTION	L / R	Q / Y	EFFECTIVE DATE			
		E	T	BODY						LEVEL			FROM
	N / G	A	4	3	5	S	S	S					
[22] 09246-18003	(E)PLUG-SCREW (D)STÖPSEL, SCHRAUBEN										(F)BOUCHON-VIS (S)TAPON-TORNILLO		
[23] 03449250	(E)MAGNET (D)MAGNET										(F)AIMANT (S)IMAN		
[24] 90375764	(E)GEAR A-DRIVEN WORM (D)GETRIEBE										(F)ENGRENAGE (S)ENGRANAJE-SINFIN		
[25] 09100-06003	(E)BOLT (D)SCHRAUBE										(F)BOULON (S)PERNO		
[26] 09280-17001	(E)ORING (D)O RING										(F)JOINT TORIQUE (S)ANILLO EN O		
[27] 96192077	(E)SWITCH A-BACK UP LIGHT (D)SCHALTER, RÜCKGANGS-LAMPE										(F)COMMUTATEUR (S)INTERRUPTOR		
[28] 09160-12003	(E)WASHER-PLAIN (D)DICHTUNGSRING										(F)RONDELLE (S)ARANDELA		
[29] 09103-10009	(E)BOLT (D)SCHRAUBE										(F)BOULON (S)PERNO		
[30] 09103-10032	(E)BOLT (D)SCHRAUBE										(F)BOULON (S)PERNO		
[31]	(E)GROMMET-OIL PAN, BOLT (D)ÖSE										(F)VIROLE (S)AISLANTE		

ENG(ENGINE)	T/A(TRANSAXLE)	BODY TYPE
Y = 1.5SOHC 6 = 1.6DOHC . = COMMON	M = MANUAL T/A A = AUTOMATIC T/A . = COMMON	4 N = 4 DOOR NOTCHBACK 3 H = 3 DOOR HATCHBACK 5 H = 5 DOOR HATCHBACK

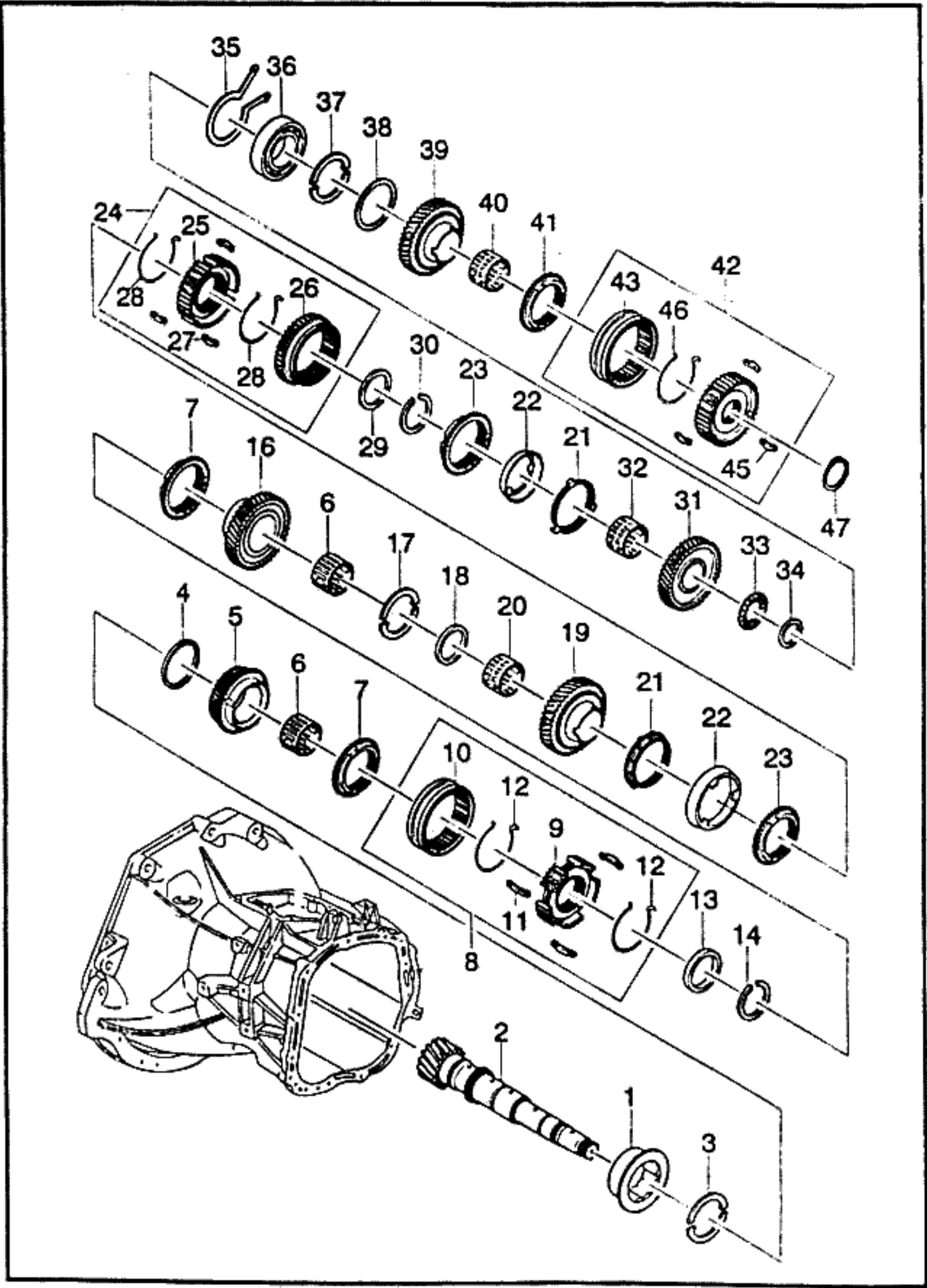


KEY NO.	PART NAME											
	PART NO	MODEL			OPTION	L / R	Q / T Y	EFFECTIVE DATE		REMARKS	P / C O D E	
		E N G	T / A	B O D Y				L E V E L	FROM			TO
[01]	90373802											(E) BEARING-ROLLER (D) ROLLENLAGER (F) ROULEMENT-ROULEAU (S) COJINETE-RUEDECILLA 1 42X72X18
[02]	A96242687	Y	M	B	B	B	S	S	S			(E) SHAFT A-TRANSAXLE MAIN (D) SPINDEL, HAUPT, ANTRIEB (F) ARBRE-PRINCIPAL (S) EJE-PRINCIPAL 1 RATIO : 4.176
	A90373002	6	M	B	B	B	.	.	O	&MG4-KL9/EC1		1 RATIO : 3.722
	A96242687	6	M	B	B	B	.	.	A	&M85&KL9/EC1		1
[03]	90199104											(E) WASHER-MAIN SHAFT THRUST (D) DICHTUNGSRING (F) RONDELLE (S) ARANDELA 2
[04]	90112228											(E) RING-WASHER RETAINING (D) RING, DICHTUNG HALTER (F) ANNEAU (S) ANILLO 1
[05]	A96237744	Y	M	B	B	B	S	S	S	&M85		(F) ENGRENAGE-4EME VITESSE (S) ENGRANAJE-4TA VELOCIDAD 1
	A96180759	6	M	B	B	B	.	.	O	&MG4-KL9/EC1		1
	A96237744	6	M	B	B	B	.	.	A	&M85&KL9/EC1		1
[06]	90147685											(E) CAGE-NEEDLE (D) KAFIG NADEL (F) CAGE-AIGUILLE (S) JAULA-AGUJA 2 38X42X24
[07]	90304685											(E) RING-SYNCHRONIZING (D) RING, SYNCHRONISIERUNGS (F) ANNEAU-SYNCHRONISATION (S) ANILLO-SINCROIZADOR 2
[08]	A90236634											(E) SLEEVE A-SHIFT (D) HULSE, 5. GANG-SCHALTUNG (F) CHEMISE-CHANGEMENT (S) MANGA-CAMBIO 1
ENG(ENGINE)		T/A(TRANSAXLE)				BODY TYPE						
Y = 1.5SOHC 6 = 1.6DOHC . = COMMON		M = MANUAL T/A A = AUTOMATIC T/A . = COMMON				4 N = 4 DOOR NOTCHBACK 3 H = 3 DOOR HATCHBACK 5 H = 5 DOOR HATCHBACK						



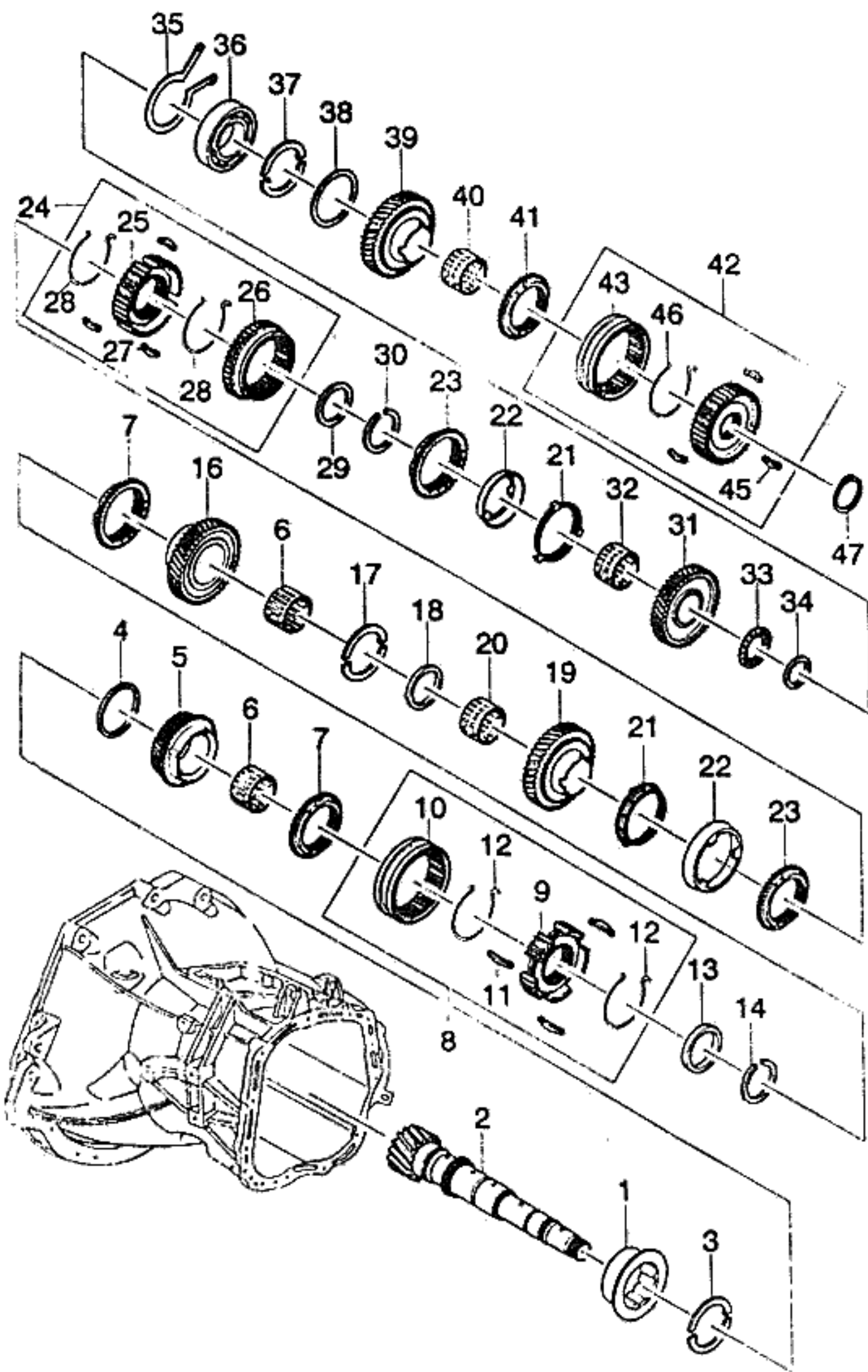
KEY NO.	PART NAME														
	PART NO	MODEL						OPTION	L / R	QTY	EFFECTIVE DATE	REMARKS	P / CODE		
		E	T	BODY			LEVEL							FROM	TO
N	G	4	3	5	S	S	S								
[09]													(E)GEAR-CLUTCH (D)GETRIEBE,KUPPLUNG	(F)ENGRENAGE-EMBAYAGE (S)ENGRANAJE-EMBRAGUE	
N/S(8)													(E)RING-RETAINING (D)RING,HALTER	(F)ANNEAU-DE RETENTION (S)ANILLO-RETENEDOR	
[10]													(E)RING-RETAINING (D)RING,HALTER	(F)ANNEAU-DE RETENTION (S)ANILLO-RETENEDOR	
N/S(8)													(E)KEY-SYNCHRONIZER (D)SCHLÜBEL,SYNCHRONISATOR	(F)CLE-SYNCHRONISATEUR (S)LLAVE-SINCROIZADOR	
[11]													(E)KEY-SYNCHRONIZER (D)SCHLÜBEL,SYNCHRONISATOR	(F)CLE-SYNCHRONISATEUR (S)LLAVE-SINCROIZADOR	
9019973													. M B B B S S S	3	
[12]													(E)SPRING-3&4TH SYNCHRONIZER (D)FEDERUNG,SYNCHRONISATOR	(F)RESSORT (S)RESORTE-SINCROIZADOR 3/4	
90250023													. M B B B S S S	2	
[13]													(E)WASHER-PLAIN (D)DICHTUNGSRING	(F)RONDELLE (S)ARANDELA	
09160-38001													. M B B B S S S	1	
[14]													(E)CIRCLIP (D)RUND-KLEMME	(F)CIRCLIP (S)GRAPA CIRCULAR	
90373021													. M B B B S S S	1	
[16]													(E)GEAR A-3RD SPEED (D)GETRIEBE,3.GANG	(F)ENGRENAGE-3EME VITESSE (S)ENGRANAJE-3RA VELOCIDAD	
A96237742													Y M B B B S S S &M85	1	
A96180757													6 M B B B . . O &MG4-KL9/EC1	1	
A96237742													6 M B B B . . A &M85&KL9/EC1	1	
[17]													(E)WASHER-MAIN SHAFT THRUST (D)DICHTUNGSRING	(F)RONDELLE (S)ARANDELA	
90199644													. M B B B S S S	2	
[18]													(E)RING-WASHER RETAINING (D)RING,DICHTUNG HALTER	(F)ANNEAU (S)ANILLO	

ENG(ENGINE)	T/A(TRANSAXLE)	BODY TYPE
Y = 1.5SOHC 6 = 1.6DOHC . = COMMON	M = MANUAL T/A A = AUTOMATIC T/A . = COMMON	4 N = 4 DOOR NOTCHBACK 3 H = 3 DOOR HATCHBACK 5 H = 5 DOOR HATCHBACK



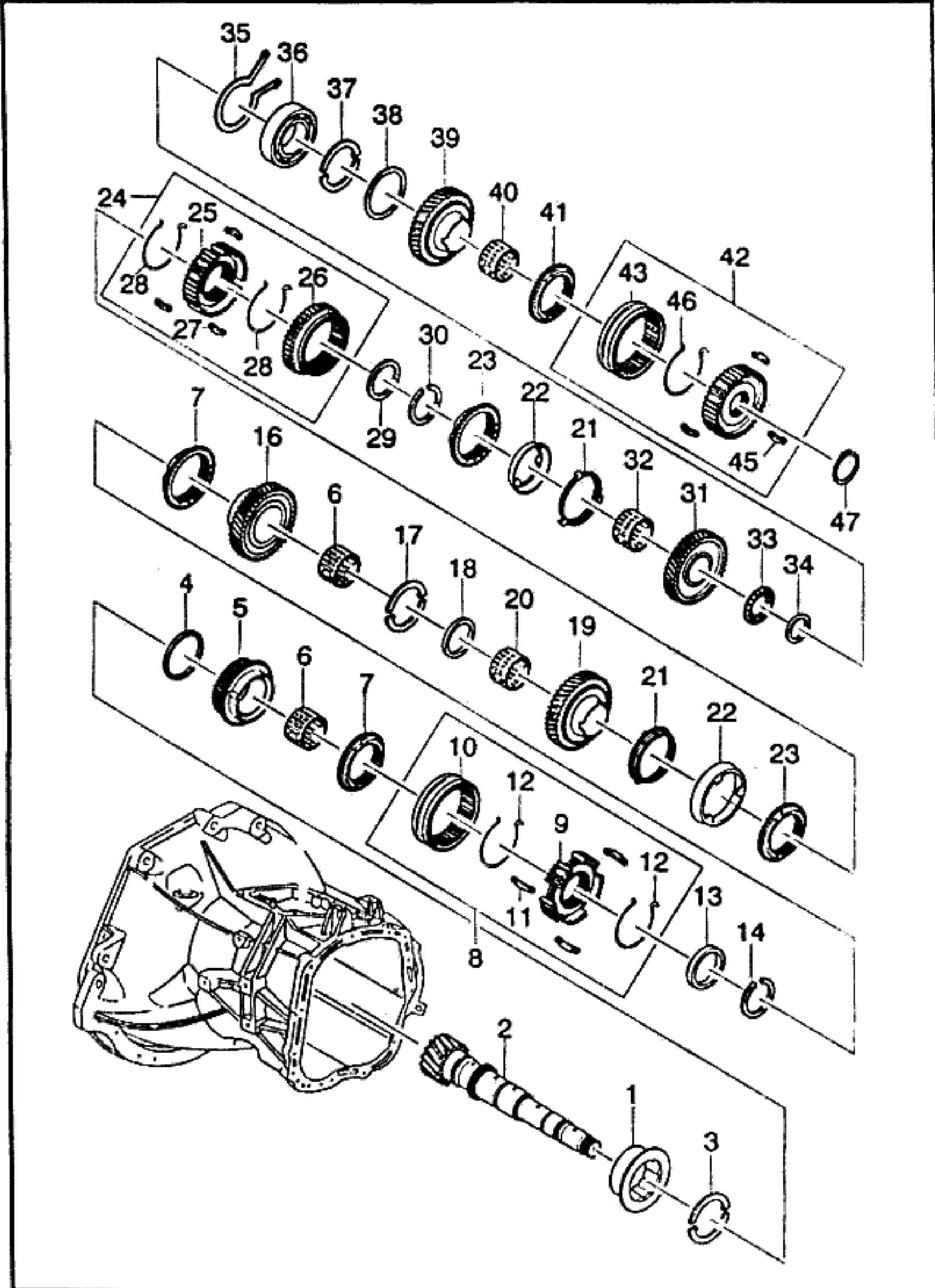
KEY NO.	PART NAME												
	PART NO	MODEL					OPTION	L / R	QTY	EFFECTIVE DATE		REMARKS	P / CODE
		E T N / G	BODY	LEVEL	FROM	TO							
90112228	. M B B B S S S							1					
[19]	(E)GEAR A-2ND SPEED (D)GETRIEBE,2.GANG										(F)ENGRENAGE-2EME VITESSE (S)ENGRANAJE-2DA VELOCIDAD		
A96237740	Y M B B B S S S &M85							1					
A90236632	6 M B B B . . O &MG4-KL9/EC1							1					
A96237740	6 M B B B . . A &M85&KL9/EC1							1					
[20]	(E)CAGE-NEEDLE (D)KÄFIG NADEL										(F)CAGE-AIGUILLE (S)JAULA-AGUJA		
90373750	. M B B B S S S							1				38X42X28	
[21]	(E)RING-INSIDE SYNCHRONIZER (D)RING,3 KEGEL ZWISCHEN										(F)ANNEAU (S)ANILLO-INTERMEDIO		
90305938	. M B B B S S S							2					
[22]	(E)RING-3 CONE INTERMEDIATE (D)RING,3 KEGEL ZWISCHEN										(F)ANNEAU (S)ANILLO-INTERMEDIO		
90250034	. M B B B S S S							2					
[23]	(E)RING-OUTSIDE SYNCHRONIZER (D)RING,SYNCHRONISATOR										(F)ANNEAU (S)ANILLO-SINCROZADOR		
90305939	. M B B B S S S							2					
[24]	(E)GEAR A-SLIDING (D)GETRIEBE										(F)ENGRENAGE-GLISSANT (S)ENGRANAJE-DESLIZADO		
A90236633	. M B B B S S S							1					
[25]	(E)PIECE-GUIDE 1ST&2ND SPEED (D)TEIL,FÜHRUNGS										(F)PIECE-GUIDE (S)PIEZA-GUIA		
N/S(24)													
[26]	(E)GEAR-SLIDING TO REVERSE (D)GLEITGETRIEBE,RÜCKWÄRTS										(F)ENGRENAGE (S)ENGRANAJE		
N/S(24)													

ENG(ENGINE)	T/A(TRANSAXLE)	BODY TYPE
Y = 1.5SOHC 6 = 1.6DOHC . = COMMON	M = MANUAL T/A A = AUTOMATIC T/A . = COMMON	4 N = 4 DOOR NOTCHBACK 3 H = 3 DOOR HATCHBACK 5 H = 5 DOOR HATCHBACK



KEY NO.	PART NAME													
	PART NO	MODEL						OPTION	L / R	Q / Y	EFFECTIVE DATE		REMARKS	P / CODE
		E	T	BODY			LEVEL				FROM	TO		
	N	G	4	3	5	S	S	S						
[27]	(E)KEY-1ST&2ND SYNCHRONIZER (D)SCHLÜBEL, SYNCHRONISATOR											(F)CLE-SYNCHRONISATEUR (S)LLAVE-SINCROIZADOR		
90199019												3		
[28]	(E)SPRING-1ST&2ND SYNCHRON (D)FEDERUNG, SYNCHRONISATOR											(F)RESSORT (S)RESORTE		
90250029												2		
[29]	(E)WASHER-PLAIN (D)DICHTUNGSRING											(F)RONDELLE (S)ARANDELA		
09160-33007												1		
[30]	(E)CIRCLIP (D)RUND-KLEMME											(F)CIRCLIP (S)GRAPA CIRCULAR		
90142582												1		
[31]	(E)GEAR A-1ST SPEED (D)GETRIEBE, 1. GANG											(F)ENGRENAGE-1ERE VITESSE (S)ENGRANAJE-1RA VELOCIDAD		
90334381												1		
[32]	(E)CAGE-NEEDLE (D)KÄFIG NADEL											(F)CAGE-AIGUILLE (S)JAULA-AGUJA		
90373752												1	33X37X26	
[33]	(E)CAGE-NEEDLE (D)KÄFIG NADEL											(F)CAGE-AIGUILLE (S)JAULA-AGUJA		
90373751												1	33X52X2	
[34]	(E)DISK-MAINSHAFT (D)SCHEIBE, HAUPTSTANGE											(F)DISQUE (S)DISCO-EJE PRINCIPAL		
90142561												1		
[35]	(E)RING-RETAINING (D)RING, HALTER											(F)ANNEAU-DE RETENTION (S)ANILLO-RETENEDOR		
90373019												1		
[36]	(E)BEARING-GROOVE BALL (D)KUGELLAGER											(F)ROULEMENT-BILLE A SILLONS (S)COJINETE-BOLA DE RANURA		

ENG(ENGINE)	T/A(TRANSAXLE)	BODY TYPE
Y = 1.5SOHC 6 = 1.6DOHC . = COMMON	M = MANUAL T/A A = AUTOMATIC T/A . = COMMON	4 N = 4 DOOR NOTCHBACK 3 H = 3 DOOR HATCHBACK 5 H = 5 DOOR HATCHBACK

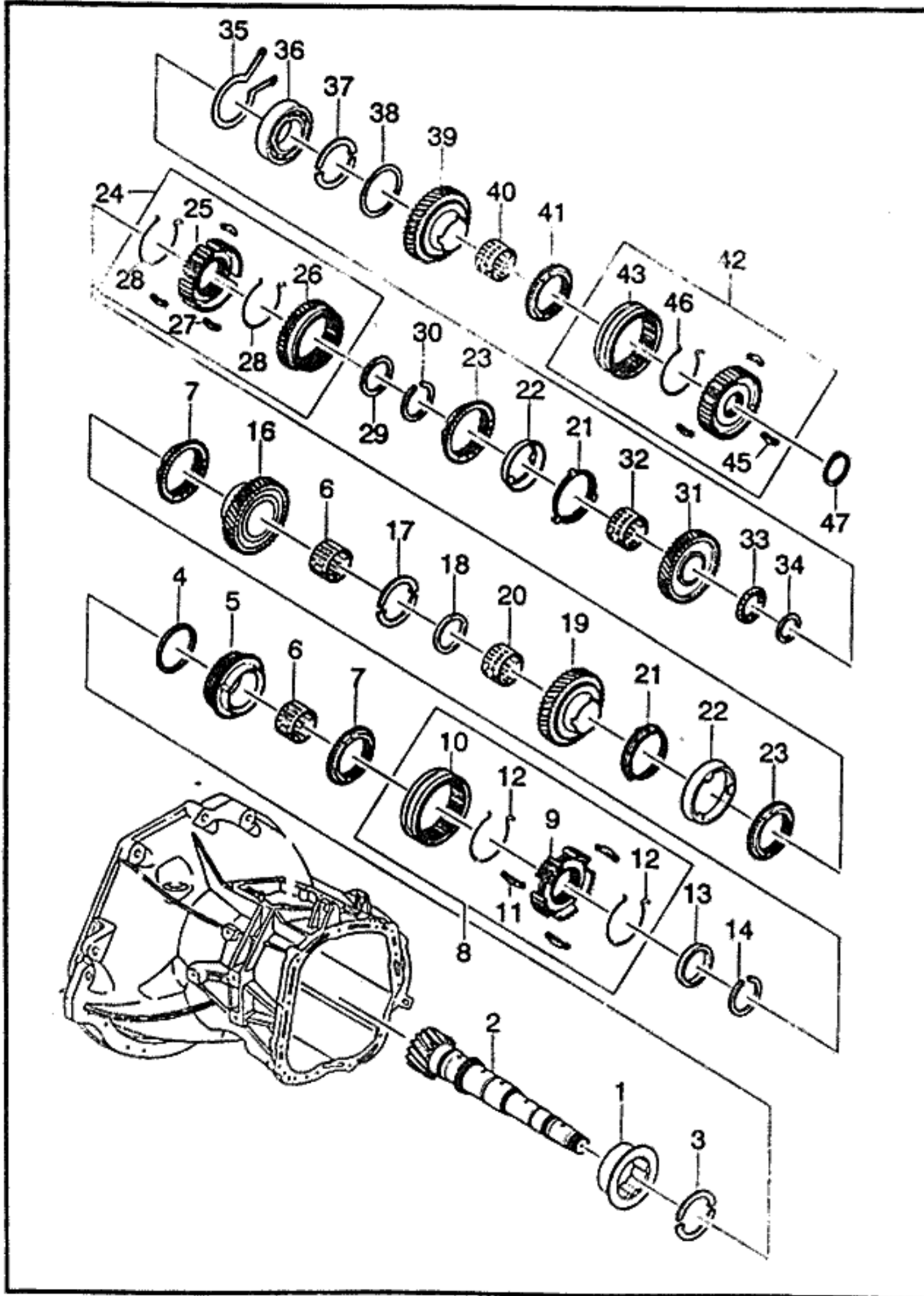


KEY NO.	PART NAME													
	PART NO	MODEL					OPTION	L / R	Q / T Y	EFFECTIVE DATE		REMARKS	P / I / C O D E	
		E N / G A	T N / G A	B O D Y	L E V E L					FROM	TO			
96108006	[37]	.	M	B	B	B	S	S	S	S	1	(F)RONDELLE (S)ARANDELA		
90223614	[38]	.	M	B	B	B	S	S	S	S	2	(F)ANNEAU-DE RETENTION (S)ANILLO-RETENEDOR		
90142139	[39]	.	M	B	B	B	S	S	S	S	1	(F)ENGRENAGE (S)ENGRANAJE-CAJA CAMBIOS		
A96237746		Y	M	B	B	B	S	S	S	S	&M85	1		
90334395		6	M	B	B	B	.	.	.	O	&MG4	1	970303	
Y A90334395		6	M	B	B	B	.	.	.	O	&MG4-KL9/EC1	1	970303	
A96237746	[40]	6	M	B	B	B	.	.	.	A	&M85&KL9/EC1	1	(F)CAGE-AIGUILLE (S)JAULA-AGUJA	
90373748	[41]	.	M	B	B	B	S	S	S	S	1	(F)ANNEAU-SYNCHRONISATION (S)ANILLO-SINCROZADOR		
90304686	[42]	.	M	B	B	B	S	S	S	S	1	(F)CHEMISE (S)MANGA-CAMBIO		
A90142140	[43]	.	M	B	B	B	S	S	S	S	1	(F)CHEMISE (S)MANGA-CAMBIO		
N/S(42)	[45]	(E)KEY-5TH SPD SYNCHRONIZER (D)SCHLÜ BEL, SYNCHRONISATOR	.	M	B	B	B	S	S	S	3	(F)CLE-SYNCHRONISATEUR (S)LLAVE-SINCROZADOR		
90142143		.	M	B	B	B	S	S	S	S	3			

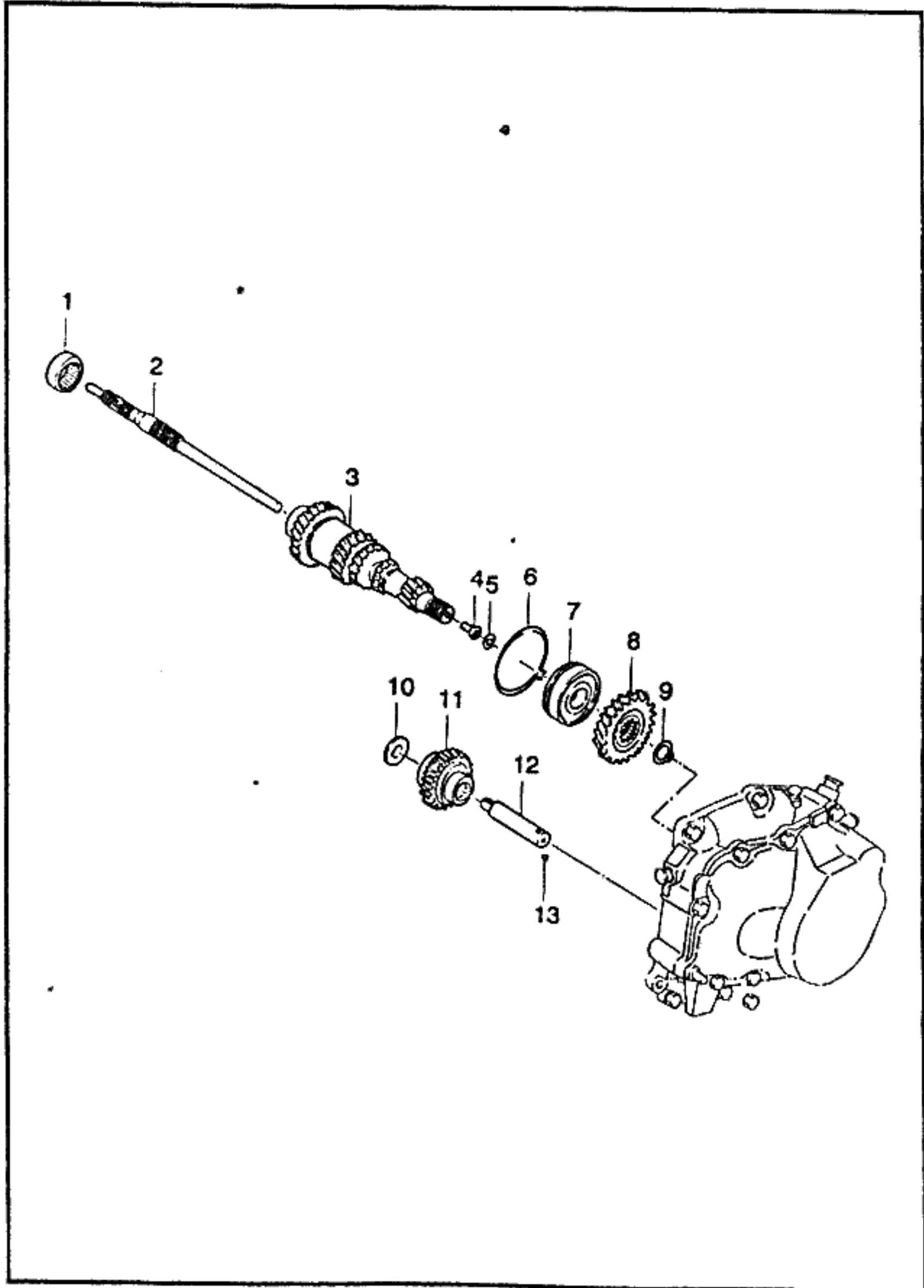
ENG(ENGINE)	T/A(TRANSAXLE)	BODY TYPE
Y = 1.5SOHC 6 = 1.6DOHC . = COMMON	M = MANUAL T/A A = AUTOMATIC T/A . = COMMON	4 N = 4 DOOR NOTCHBACK 3 H = 3 DOOR HATCHBACK 5 H = 5 DOOR HATCHBACK

3230 TRANSAXLE GEAR

4G05

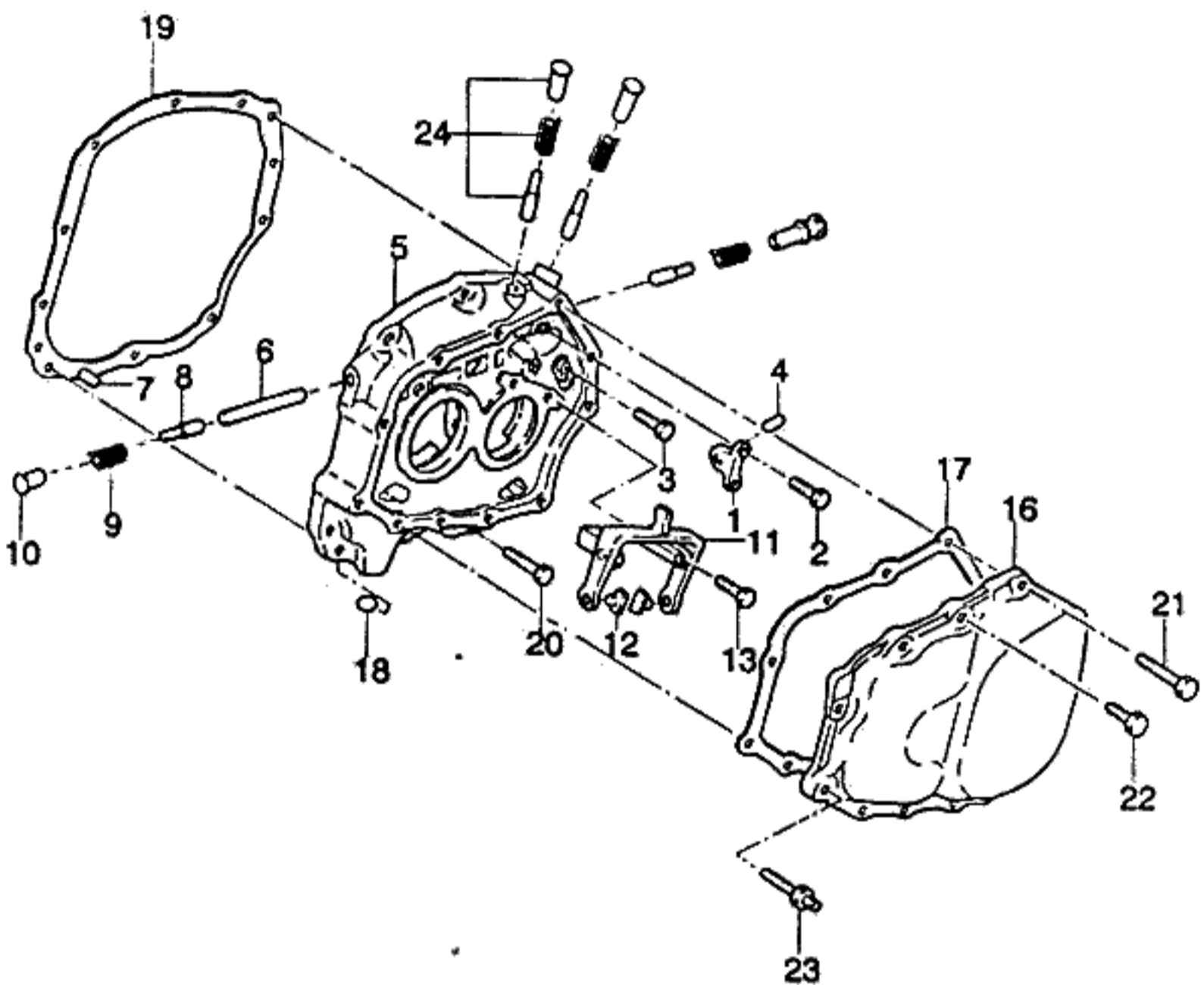


KEY NO.		PART NAME									
I T C	PART NO	MODEL			OPTION	L I R	Q T Y	EFFECTIVE DATE		REMARKS	P I C O D E
		E	T	LEVEL				FROM	TO		
		N G	A	S S							
	[46]	(E)SPRING-5TH SPD SYNCHRONIZ								(F)RESSORT-5EME VIT SYNCHRO	
	90157546	(D)FEDERUNG,5.GANG SYNCHRO								(S)RESORTE	
	[47]	(E)RING-RETAINING								(F)ANNEAU-DE RETENTION	
	90373017	(D)RING,HALTER								(S)ANILLO-RETENEDOR	
		. M B B B S S S								1	
		. M B B B S S S								1	
ENG(ENGINE)		T/A(TRANSAXLE)				BODY TYPE					
Y = 1.5SOHC 6 = 1.6DOHC . = COMMON		M = MANUAL T/A A = AUTOMATIC T/A . = COMMON				4 N = 4 DOOR NOTCHBACK 3 H = 3 DOOR HATCHBACK 5 H = 5 DOOR HATCHBACK					

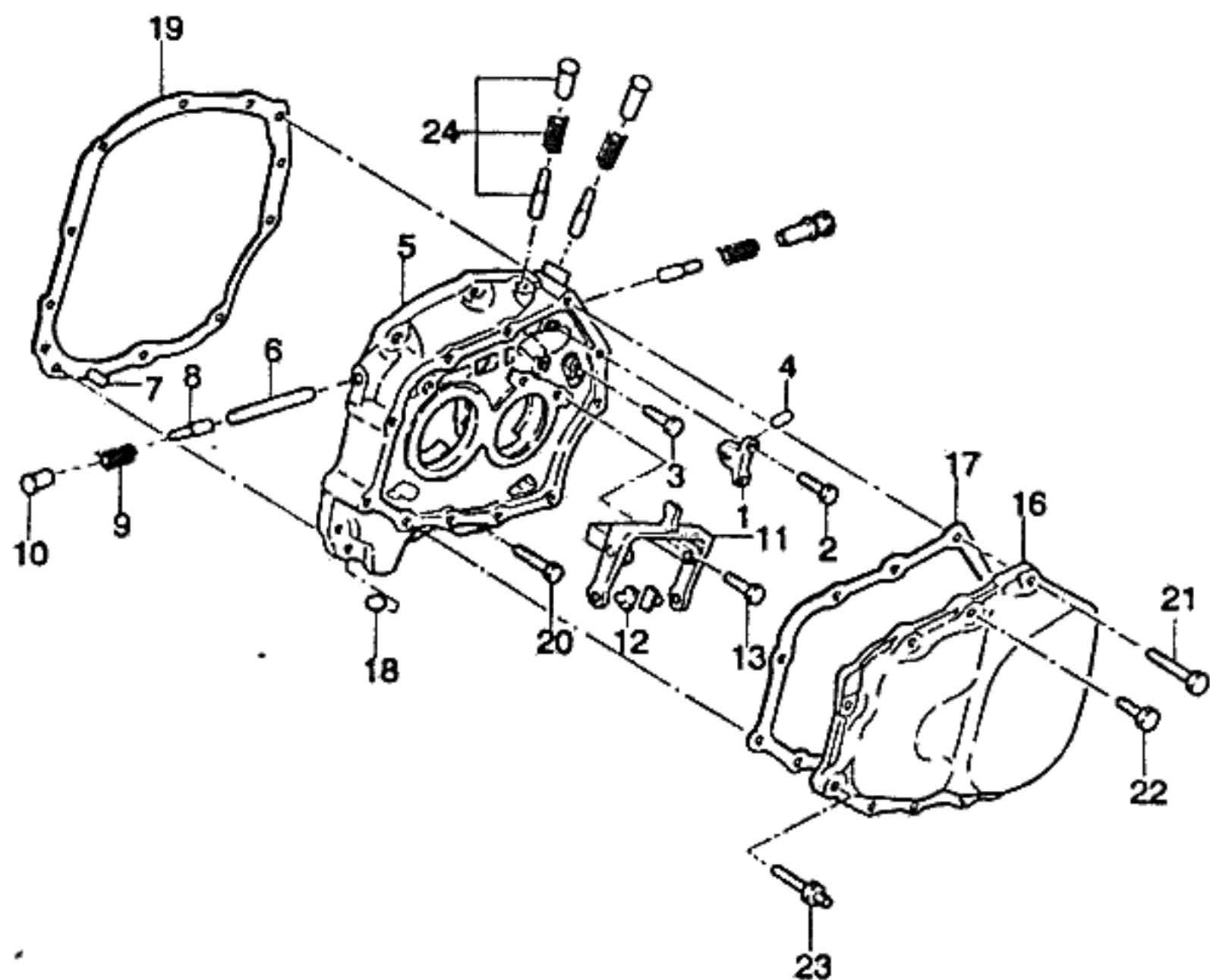


KEY NO.		PART NAME														
I T C	PART NO	MODEL						OPTION	L / R	Q T Y	EFFECTIVE DATE		REMARKS	P / C O D E		
		E N G	T / A	BODY			LEVEL				FROM	TO				
				4 N	3 H	5 H	S								S	S
	[09] 90373018	(E)RING-RETAINING (D)RING,HALTER	.	M	B	B	B	S	S	S	(F)ANNEAU-DE RETENTION (S)ANILLO-RETENEDOR	1				
	[10] 09160-16002	(E)WASHER-PLAIN (D)DICHTUNGSRING	.	M	B	B	B	S	S	S	(F)RONDELLE (S)ARANDELA	1				
	[11] A96161880	(E)GEAR A-REVERSE IDLER (D)GETRIEBE,LEERLAUF	.	M	B	B	B	S	S	S	(F)ENGRENAGE (S)ENGRANAJE-OCIOSO	1				
	[12] 90182850	(E)SHAFT-REVERSE GEAR (D)SPINDEL	.	M	B	B	B	S	S	S	(F)ARBRE (S)EJE	1				
	[13] 06111-05004	(E)BALL (D)KUGEL	.	M	B	B	B	S	S	S	(F)BOULE (S)BOLA	1				

ENG(ENGINE)	T/A(TRANSAXLE)	BODY TYPE
Y = 1.5SOHC 6 = 1.6DOHC . = COMMON	M = MANUAL T/A A = AUTOMATIC T/A . = COMMON	4 N = 4 DOOR NOTCHBACK 3 H = 3 DOOR HATCHBACK 5 H = 5 DOOR HATCHBACK



I T C	KEY NO.		PART NAME										P I C O D E
	PART NO	OPTION	MODEL			L / R	Q T Y	EFFECTIVE DATE		REMARKS			
			E	T	LEVEL			FROM	TO				
	[01]	(E)BRIDGE-STRAIN BOLT (D)BRÜCKEN-SPANNUNGSSCHRAUBE									(F)PONT-BOULON DE TAMIS (S)PUENTE-PERNO DE TENSION		
	90147084	. M B B B S S S									1		
	[02]	(E)BOLT (D)SCHRAUBE									(F)BOULON (S)PERNO		
	09106-06003	. M B B B S S S									2		
	[03]	(E)BOLT (D)SCHRAUBE									(F)BOULON (S)PERNO		
	09106-06004	. M B B B S S S									2		
	[04]	(E)BOLT-GEARSHIFT STRAIN ROD (D)SCHRAUBE									(F)BOULON (S)PERNO		
	90086156	. M B B B S S S									1		
	[05]	(E)PLATE-BEARING (D)PLATTE,LAGER									(F)PLAQUE-ROULEMENT (S)PLACA-COJINETE		
	96180859	. M B B B S S S									1		
	[06]	(E)BOLT-GEARSHIFT STRAIN ROD (D)SCHRAUBE									(F)BOULON (S)PERNO		
	90032052	. M B B B S S S									1		
	[07]	(E)PIN-DOWEL (D)STIFT,DÜBEL									(F)BROCHE-GOUJON (S)PASADOR-CLAVIJA		
	11053109	. M B B B S S S									2		
	[08]	(E)PIN-BLOCKING (D)STIFT,BLOCKIER									(F)BROCHE-DE BLOCAGE (S)PASADOR-BLOQUEADOR		
	90189977	. M B B B S S S									1		
	[09]	(E)SPRING-COMPRESSION (D)FEDERUNG,VERDICHTUNG									(F)RESSORT-COMPRESSION (S)RESORTE-COMPRESION		
	90125326	. M B B B S S S									1		
	[10]	(E)PLUG (D)STÖPSEL									(F)BOUCHON (S)TAPON		
ENG(ENGINE)			T/A(TRANSAXLE)				BODY TYPE						
Y = 1.5SOHC 6 = 1.6DOHC . = COMMON			M = MANUAL T/A A = AUTOMATIC T/A . = COMMON				4 N = 4 DOOR NOTCHBACK 3 H = 3 DOOR HATCHBACK 5 H = 5 DOOR HATCHBACK						

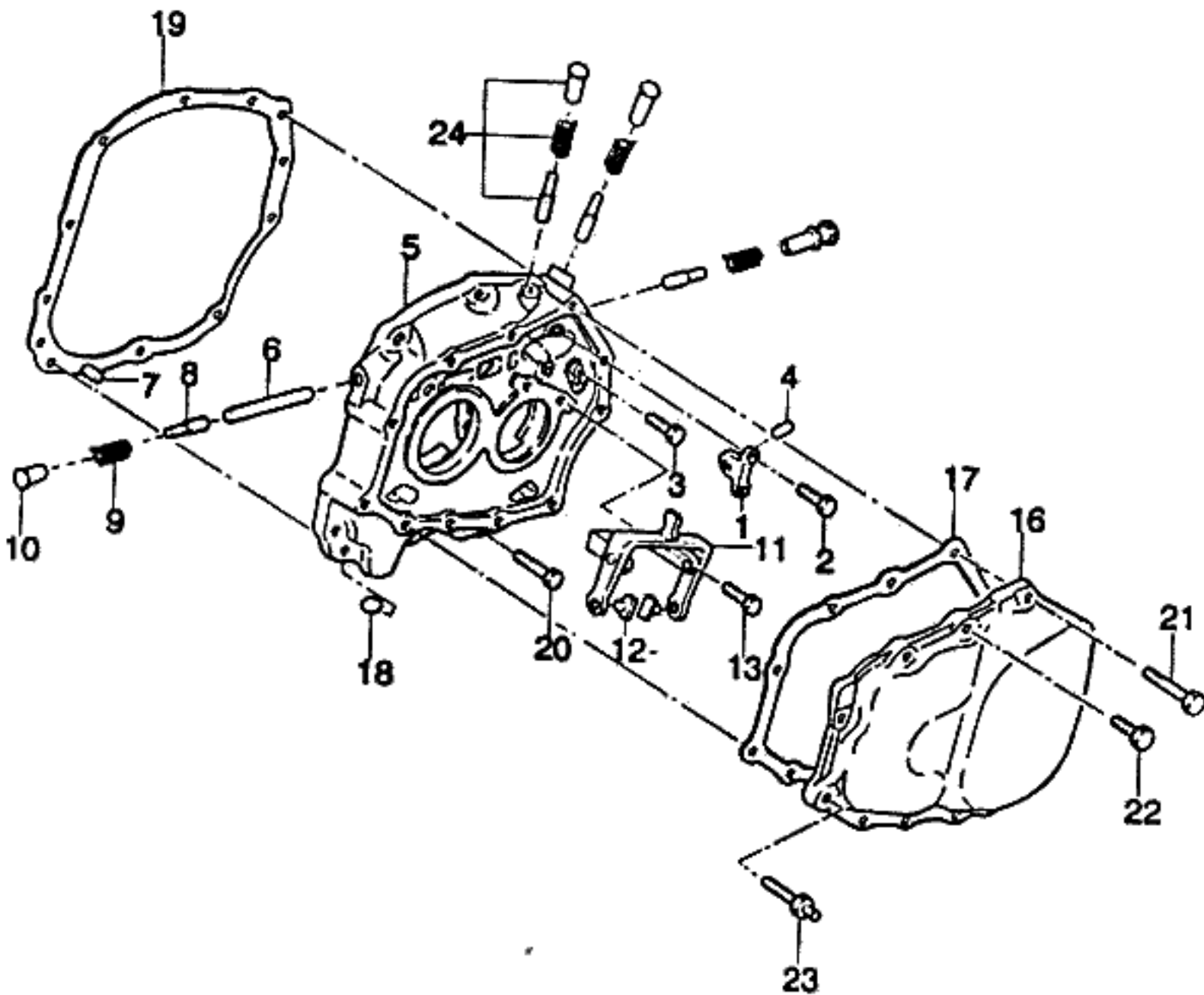


KEY NO.	PART NAME												
	PART NO	MODEL					OPTION	L / R	Q / T Y	EFFECTIVE DATE		REMARKS	P / CODE
		E T	BODY			LEVEL				FROM	TO		
	N / G	4	3	5	S	S							
90092564	[11]	.	M	B	B	B	S	S	S		1	(F)FOURCHETTE (S)HORQUILLA-DESLIZADOR	
90342057	[12]	.	M	B	B	B	S	S	S		1	(F)SABOT-CHANGEMENT (S)ZAPATA-PALANCA DE CAMBIOS	
96305524	[13]	.	M	B	B	B	S	S	S		2	(F)BOULON (S)PERNO	
09106-08004	[16]	.	M	B	B	B	S	S	S		2	(F)CARTER-TRANSMISSION (S)CUBIERTA-EJE TRANSVERSAL	
96175844	[17]	.	M	B	B	B	S	S	S		1	(F)JOINT (S)JUNTA	
96179238	[18]	.	M	B	B	B	S	S	S		1	(F)AIMANT (S)IMAN	
08957605	[19]	.	M	B	B	B	S	S	S		1	(F)JOINT-PLAQUE DE ROULEMENT (S)JUNTA-PLACA DE COJINETE	
96179244	[20]	.	M	B	B	B	S	S	S		1	(F)BOULON (S)PERNO	
09100-08016	[21]	.	M	B	B	B	S	S	S		5	(F)BOULON (S)PERNO	
09100-08018		.	M	B	B	B	S	S	S		5		

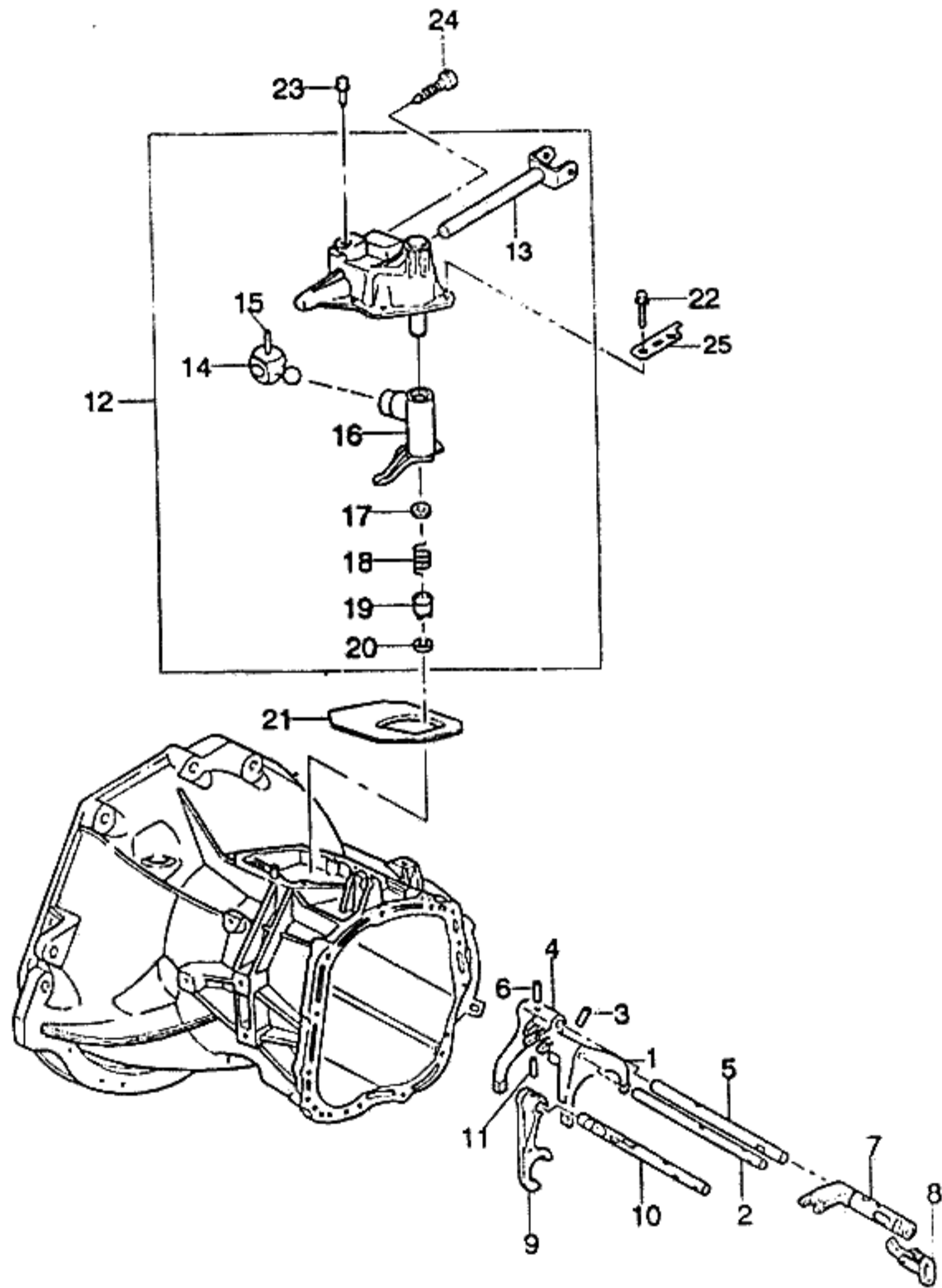
ENG(ENGINE)	T/A(TRANSAXLE)	BODY TYPE
Y = 1.5SOHC G = 1.6DOHC . = COMMON	M = MANUAL T/A A = AUTOMATIC T/A . = COMMON	4 N = 4 DOOR NOTCHBACK 3 H = 3 DOOR HATCHBACK 5 H = 5 DOOR HATCHBACK

3250 BEARING PLATE

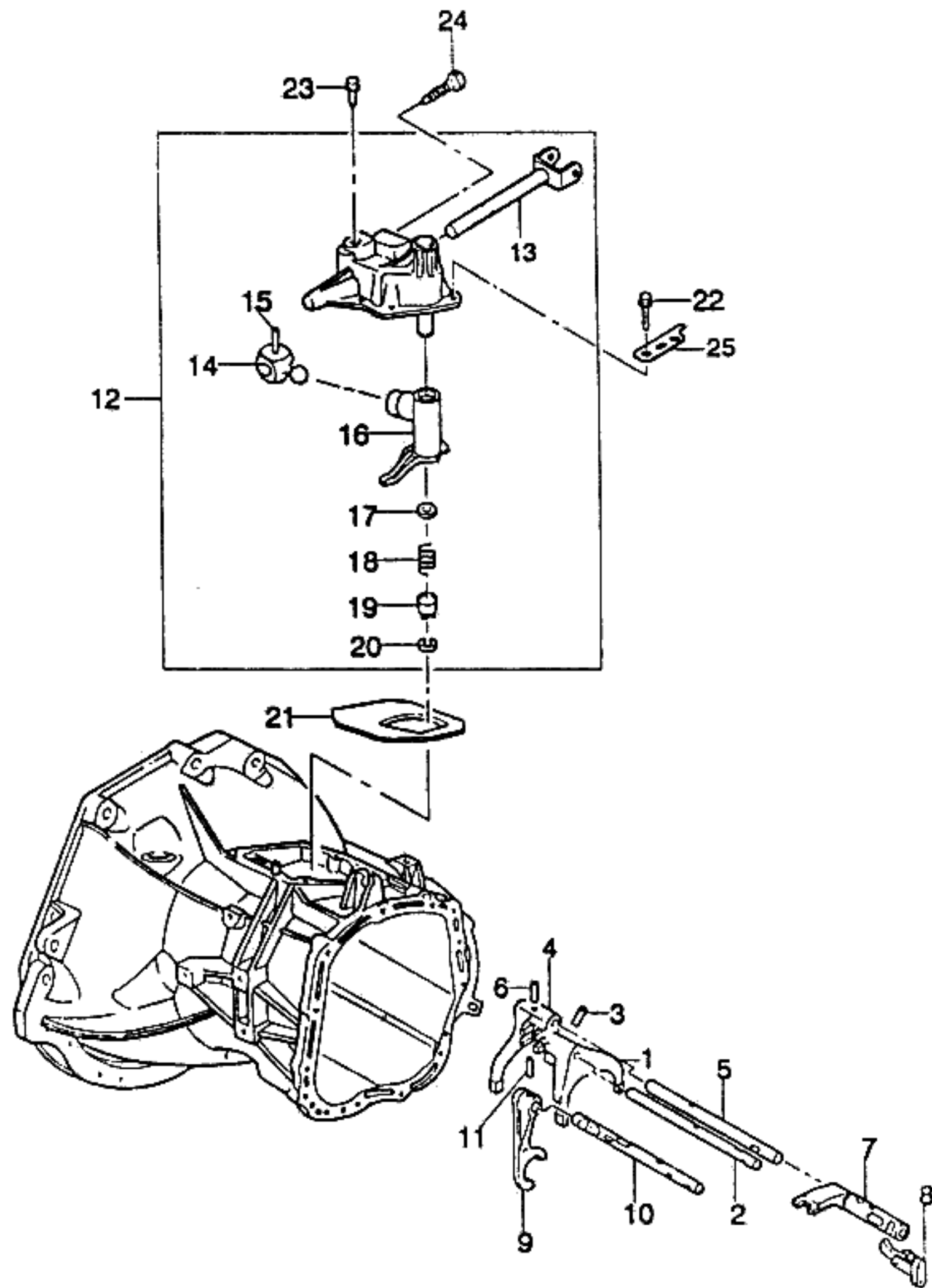
4M05



KEY NO.		PART NAME													
I T C	PART NO	MODEL						OPTION	L / R	Q T Y	EFFECTIVE DATE		REMARKS	P / C O D E	
		E N G	T / A	BODY			LEVEL				FROM	TO			
				4 N	3 H	6 H	S								S
	[22]	(E)BOLT (D)SCHRAUBE										(F)BOULON (S)PERNO			
	09100-07002	.	M	B	B	B	S	S	S	S	S	5			
	[23]	(E)SCREW (D)SCHRAUBE										(F)VIS (S)TORNILLO			
	90168610	.	M	B	B	B	S	S	S	S	S	1			
	[24]	(E)SLEEVE-DETENT (D)HÜLSE,RÜCK-HALTER										(F)CHEMISE-DETENTE (S)MANGA-SEGURO			
	90375062	.	M	B	B	B	S	S	S	S	S	3			
ENG(ENGINE)		T/A(TRANSAXLE)				BODY TYPE									
Y = 1.5SOHC 6 = 1.6DOHC . = COMMON		M = MANUAL T/A A = AUTOMATIC T/A . = COMMON				4 N = 4 DOOR NOTCHBACK 3 H = 3 DOOR HATCHBACK 5 H = 5 DOOR HATCHBACK									



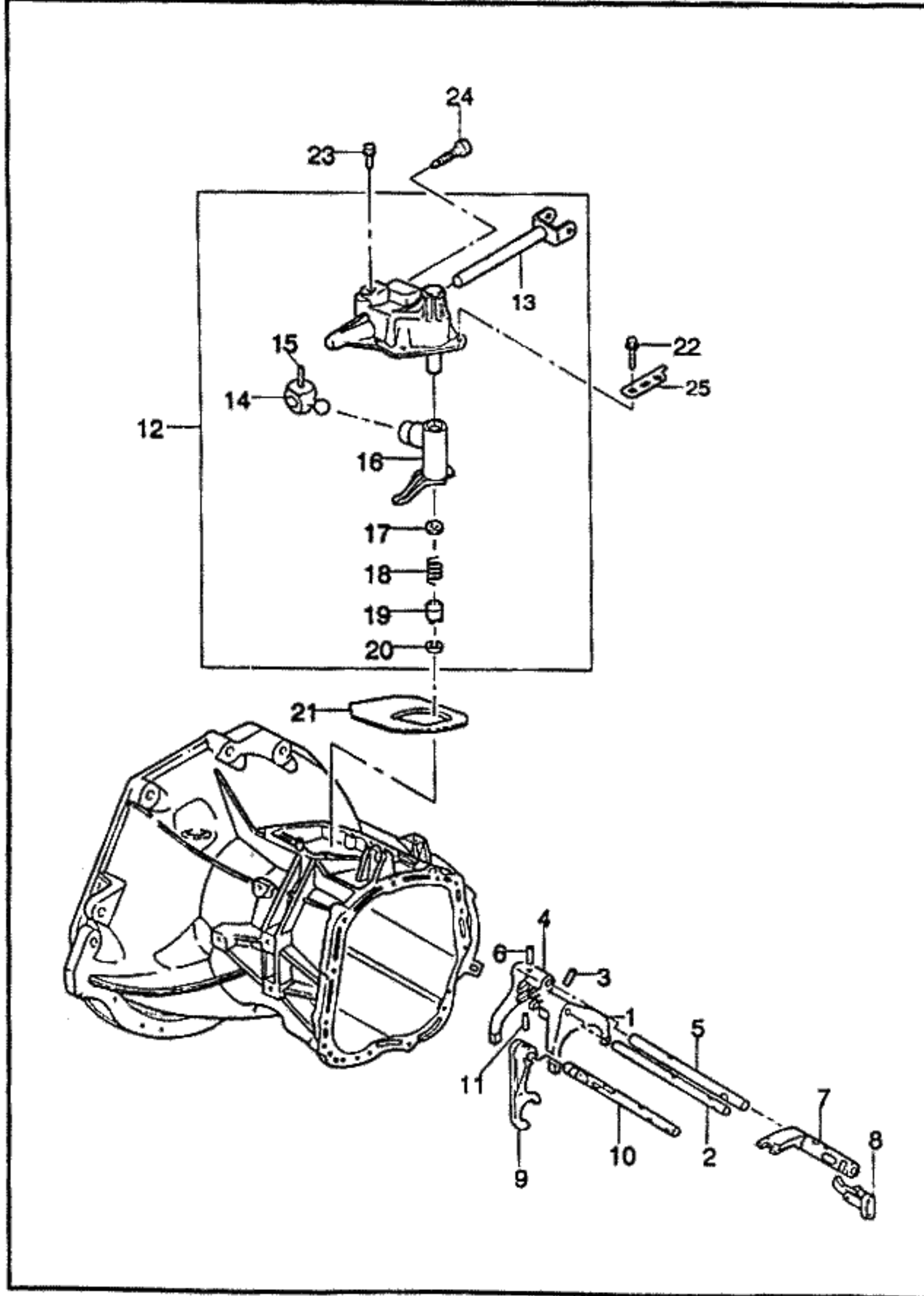
I T C	KEY NO.	PART NAME										P / C O D E	
		PART NO	MODEL					OPTION	L / Q T Y	EFFECTIVE DATE			REMARKS
			E N G	T / B O D Y	4 3 5 N H H	S S S	S S S			FROM	TO		
[01]	90344077	(E)FORK-1ST&2ND GEARSHIFT (D)GABEL,1.&2.GANGSCHALTUNG	.	M	B	B	B	S	S	S	(F)FOURCHETTE (S)HORQUILLA-CAMBIOS	1	
[02]	90375059	(E)ROD-1ST&2ND GEARSHIFT (D)STAB,1.&2.GANGSCHALTUNG	.	M	B	B	B	S	S	S	(F)TRINGLE (S)VARILLA-PALANCA DE CAMBIO	1	
[03]	11054212	(E)PIN-COILED (D)STIFT,GEWICKELT	.	M	B	B	B	S	S	S	(F)BROCHE-BOUDIN (S)PASADOR-ENROSCADO	1	
[04]	90184831	(E)FORK-3RD&4TH GEARSHIFT (D)GABEL,3.&4.GANGSCHALTUNG	.	M	B	B	B	S	S	S	(F)FOURCHETTE (S)HORQUILLA-CAMBIOS	1	
[05]	90375060	(E)ROAD-3RD&4TH GEARSHIFT (D)STRABE,3.&4.GANGSCHALTUNG	.	M	B	B	B	S	S	S	(F)ROUTE (S)VIA-PALANCA DE CAMBIOS	1	
[06]	11054212	(E)PIN-COILED (D)STIFT,GEWICKELT	.	M	B	B	B	S	S	S	(F)BROCHE-BOUDIN (S)PASADOR-ENROSCADO	1	
[07]	90375041	(E)PIECE-5TH SPEED ENGAGING (D)TEIL,BETÄTIGUNGS	.	M	B	B	B	S	S	S	(F)PIECE-ENGAGEMENT (S)PIEZA-ENGRANAR	1	
[08]	90142154	(E)PAWL-GEARSHIFT ROD (D)SPERRHACKEN	.	M	B	B	B	S	S	S	(F)CLIQUET (S)RETEN	1	
[09]	90199518	(E)FORK-GEARSHIFT REVERSE (D)GABEL	.	M	B	B	B	S	S	S	(F)FOURCHETTE-MARCHE ARRIERE (S)HORQUILLA-CAMBIO	1	
[10]		(E)ROD-REVERSE GEARSHIFT (D)STAB	.	M	B	B	B	S	S	S	(F)TRINGLE (S)VARILLA-PALANCA DE CAMBIO	1	
ENG(ENGINE)			T/A(TRANSAXLE)				BODY TYPE						
Y = 1.5SOHC 6 = 1.6DOHC . = COMMON			M = MANUAL T/A A = AUTOMATIC T/A . = COMMON				4 N = 4 DOOR NOTCHBACK 3 H = 3 DOOR HATCHBACK 5 H = 5 DOOR HATCHBACK						



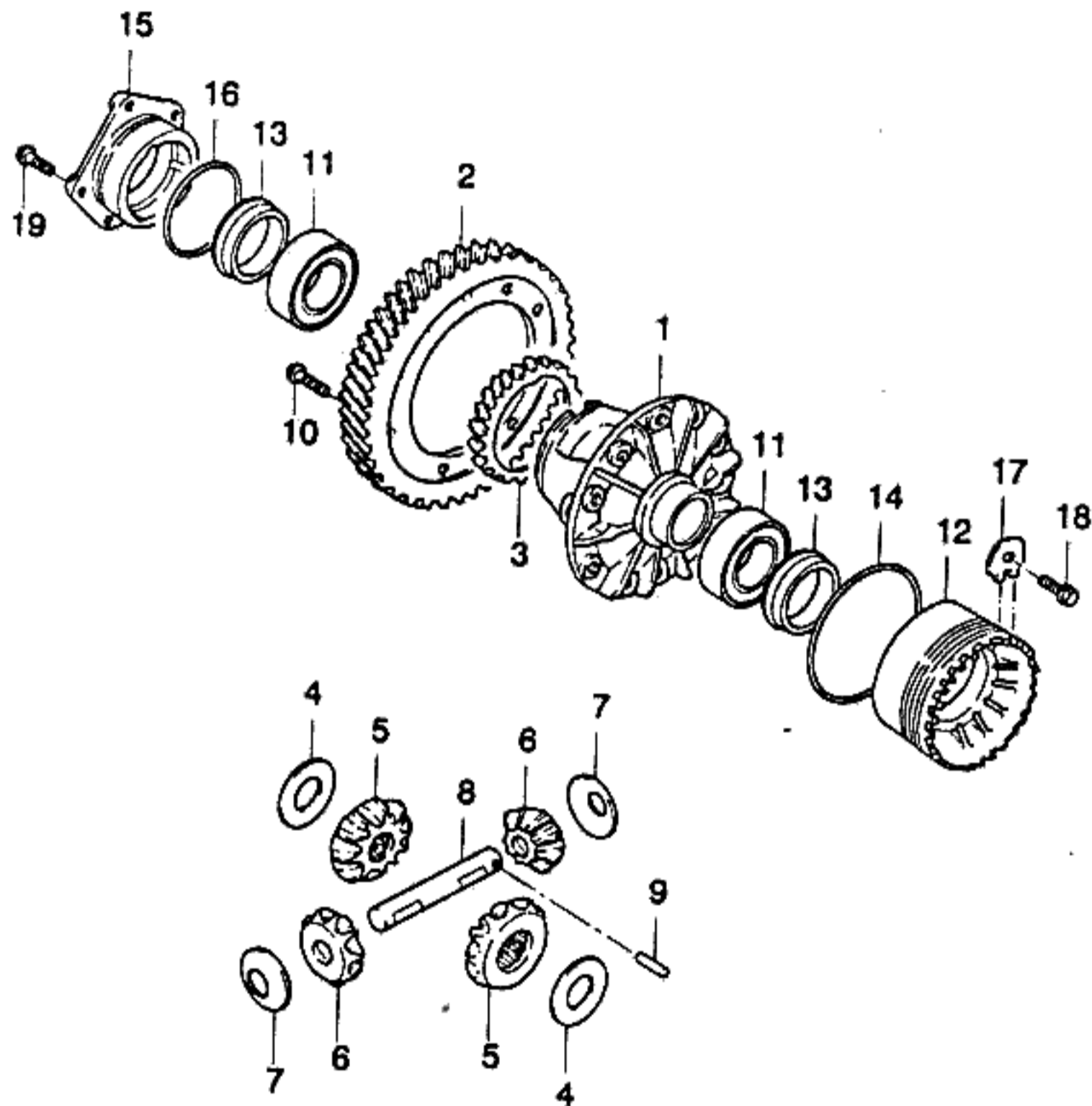
KEY NO.	PART NAME										REMARKS	P / CODE	
	PART NO	MODEL					OPTION	L / R	EFFECTIVE DATE				
		E N G	T / A	BODY	LEVEL				FROM	TO			
90334195	. M B B B S S S										1	(F)BROCHE-BOUDIN (S)PASADOR-ENROSCADO	
[11]	(E)PIN-COILED (D)STIFT,GEWICKELT												
11054212	. M B B B S S S										1	(F)CARTER (S)CUBIERTA	
[12]	(E)COVER A-GEARSHIFT (D)DECKEL,GANGSCHALTUNG												
90374229	. M B B B S S S										1	(F)TRINGLE (S)VARILLA-PALANCA DE CAMBIO	
[13]	(E)ROD A-GEARSHIFT (D)STAB,GANGSCHALTUNG												
90147931	. M B B B S S S										1	(F)DOIGT-CHANGEMENT (S)DEDO-CAMBIOS	
[14]	(E)FINGER-SHIFT (D)FINGER,SCHALTUNG												
90157060	. M B B B S S S										1	(F)BROCHE-BOUDIN (S)PASADOR-ENROSCADO	
[15]	(E)PIN-COILED (D)STIFT,GEWICKELT												
11054212	. M B B B S S S										1	(F)LEVIER (S)PALANCA	
[16]	(E)LEVER-GEARSHIFT INTER (D)HEBEL,GANGSCHALTUNG												
96179218	. M B B B S S S										1	(F)PLAQUE-GARDE (S)PLACA-GUARDIA	
[17]	(E)PLATE-GUARD (D)PLATTE,SCHUTZ												
90142132	. M B B B S S S										1	(F)RESSORT-COMPRESSION (S)RESORTE-COMPRESION	
[18]	(E)SPRING-COMPRESSION (D)FEDERUNG,VERDICTUNG												
90170121	. M B B B S S S										1	(F)MANCHON (S)BUJE	
[19]	(E)BUSHING-GEARSHIFT COVER (D)LAGERFUTTER												
90223591	. M B B B S S S										1		
ENG(ENGINE)		T/A(TRANSAXLE)				BODY TYPE							
Y = 1.5SOHC 6 = 1.6DOHC . = COMMON		M = MANUAL T/A A = AUTOMATIC T/A . = COMMON				4 N = 4 DOOR NOTCHBACK 3 H = 3 DOOR HATCHBACK 5 H = 5 DOOR HATCHBACK							

3260 GEAR SHIFT COVER&FORK

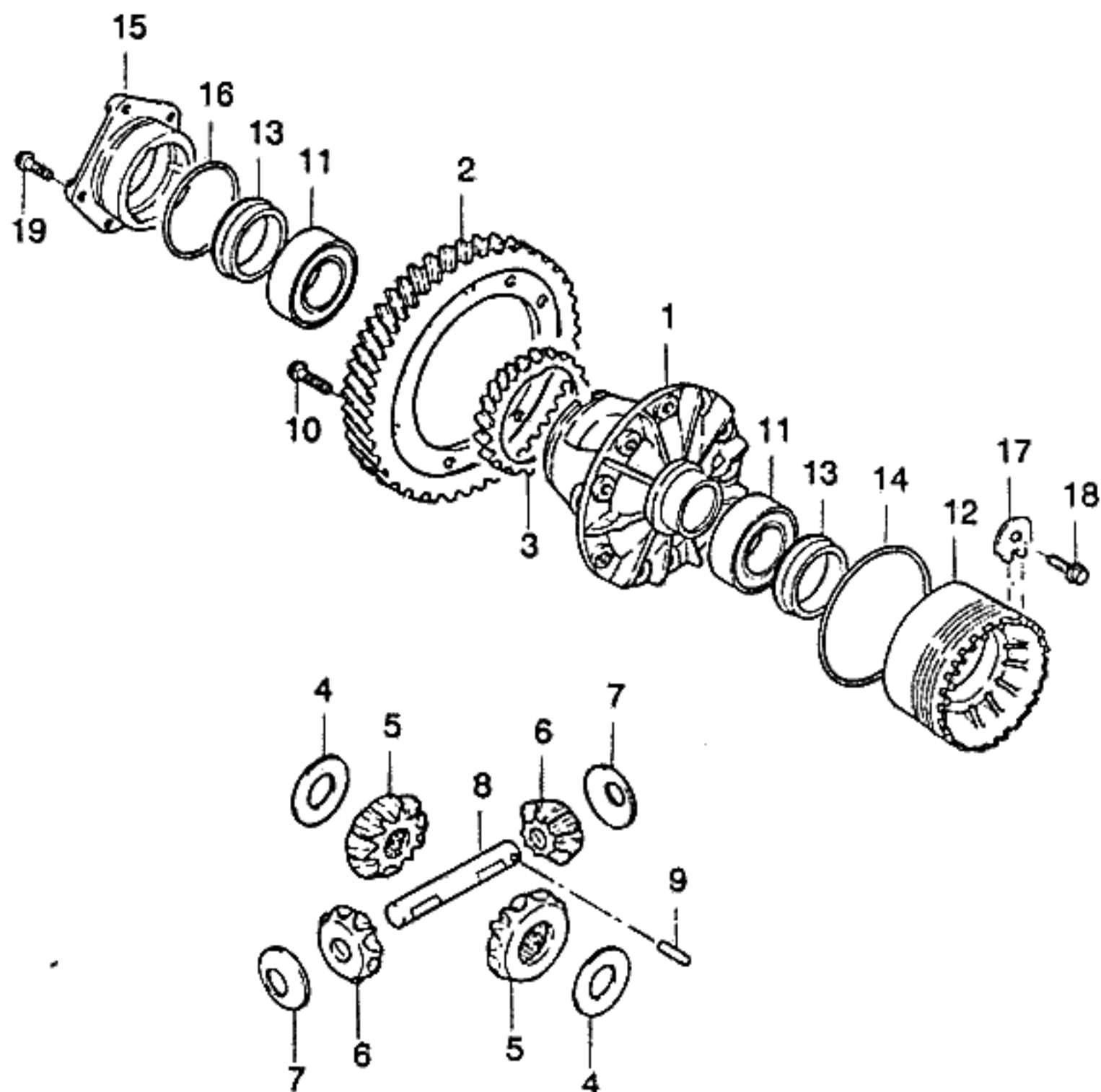
4C06



KEY NO.	PART NAME											
	PART NO	MODEL					OPTION	L / Q R / Y	EFFECTIVE DATE		REMARKS	P / C O D E
		E N G	T / A	BODY 4 N	LEVEL 3 H	5 S			S S	S S		
[20] 90223590	(E)RING-RETAINING (D)RING,HALTER . M B B B S S S						(F)ANNEAU-DE RETENTION (S)ANILLO-RETENEDOR 1					
[21] 96179248	(E)GASKET-GEARSHIFT COVER (D)DICHTUNG . M B B B S S S						(F)JOINT (S)JUNTA 1					
[22] 09100-07003	(E)BOLT (D)SCHRAUBE . M B B B S S S						(F)BOULON (S)PERNO 4					
[23] 90105651	(E)PLUG-GEARSHIFT COVER (D)STÖPSEL . M B B B S S S						(F)BOUCHON (S)TAPON 1					
[24] 90086885	(E)PLUG-OIL FILLER (D)STÖPSEL,ÖL ZUFUHR . M B B B S S S						(F)BOUCHON (S)TAPON-LLENAR ACEITE 1					
[25] 96234618	(E)BRACKET-ENGINE CONT.HARNES (D)TRÄGER . M B B B S S S						(F)SUPPORT (S)SOPORTE 1					
ENG(ENGINE)		T/A(TRANSAXLE)			BODY TYPE							
Y = 1.5SOHC 6 = 1.6DOHC . = COMMON		M = MANUAL T/A A = AUTOMATIC T/A . = COMMON			4 N = 4 DOOR NOTCHBACK 3 H = 3 DOOR HATCHBACK 5 H = 5 DOOR HATCHBACK							

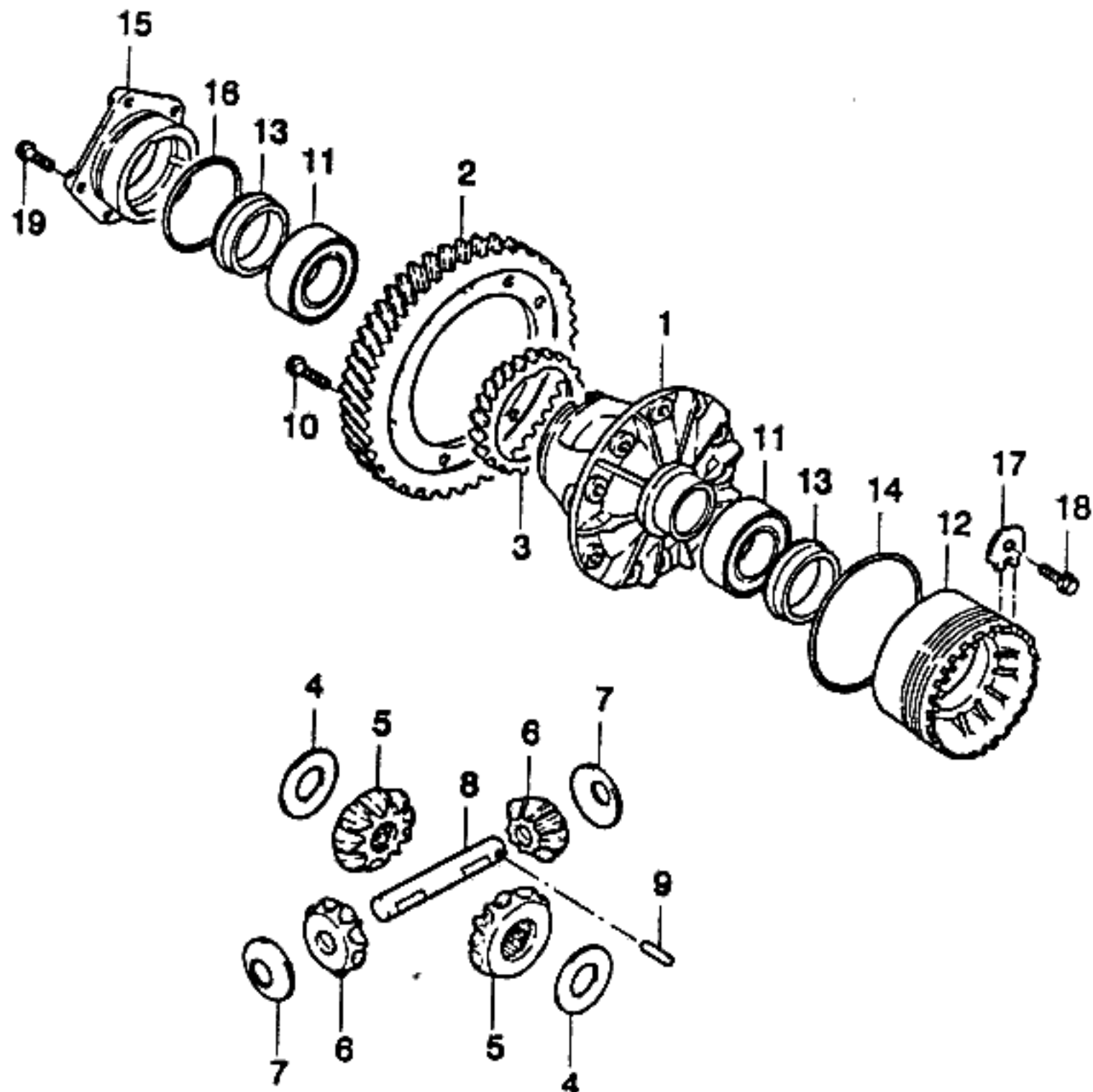


I T C	KEY NO.		PART NAME										P / C O D E
	PART NO	MODEL	OPTION	L / R	Q T Y	EFFECTIVE DATE		REMARKS					
						FROM	TO						
		E N G	T / A	4 N	3 H	5 H	S S	S S					
[01]	90372052	(E)HOUSING-DIFFERENTIAL GEAR (D)GEHÄUSE										(F)LOGEMENT (S)CARCASA	
[02]	96242700	(E)GEAR-HELICAL DIFFERENTIAL (D)AUSGLEICHSGETRIEBE										(F)ENGRENAGE-HELICOIDAL (S)ENGRANAJE	
	90279879	Y M B B B S S S &M85											RATIO : 4.176
	96242700	6 M B B B . . O &MG4-KL9/EC1											RATIO : 3.722
[03]	90125064	(E)GEAR-DRIVEN WORM (D)GETRIEBE										(F)ENGRENAGE (S)ENGRANAJE	
[04]	14040531	(E)WASHER-SIDE GEAR THRUST (D)DICHTUNGSRING										(F)RONDELLE (S)ARANDELA	
[05]	96183738	(E)GEAR-AXLE SHAFT BEVEL (D)GETRIEBE,ABSCHRÄGUNG										(F)ENGRENAGE (S)ENGRANAJE-BISEL	
[06]	96183739	(E)GEAR-BEVEL DIFFERENTIAL (D)GETRIEBE										(F)ENGRENAGE (S)ENGRANAJE	
[07]	00463061	(E)DISK-BEVEL GEAR (D)SCHEIBE,KEGELRADGETRIEBE										(F)DISQUE-ENGRENAGE BISEAUTE (S)DISCO-ENGRANAJE BISEL	
[08]	90372053	(E)SHAFT-DIFFERENTIAL GEAR (D)SPINDEL,AUSGLEICHSGETRIEB										(F)ARBRE (S)EJE-ENGRANAJE DIFERENCIAL	
[09]		(E)PIN-DIFFERENTIAL SPRING (D)STIFT,AUSGLEICHSGETRIEBE										(F)BROCHE (S)PASADOR	
ENG(ENGINE)			T/A(TRANSAXLE)				BODY TYPE						
Y = 1.5SOHC 6 = 1.6DOHC . = COMMON			M = MANUAL T/A A = AUTOMATIC T/A . = COMMON				4 N = 4 DOOR NOTCHBACK 3 H = 3 DOOR HATCHBACK 5 H = 5 DOOR HATCHBACK						

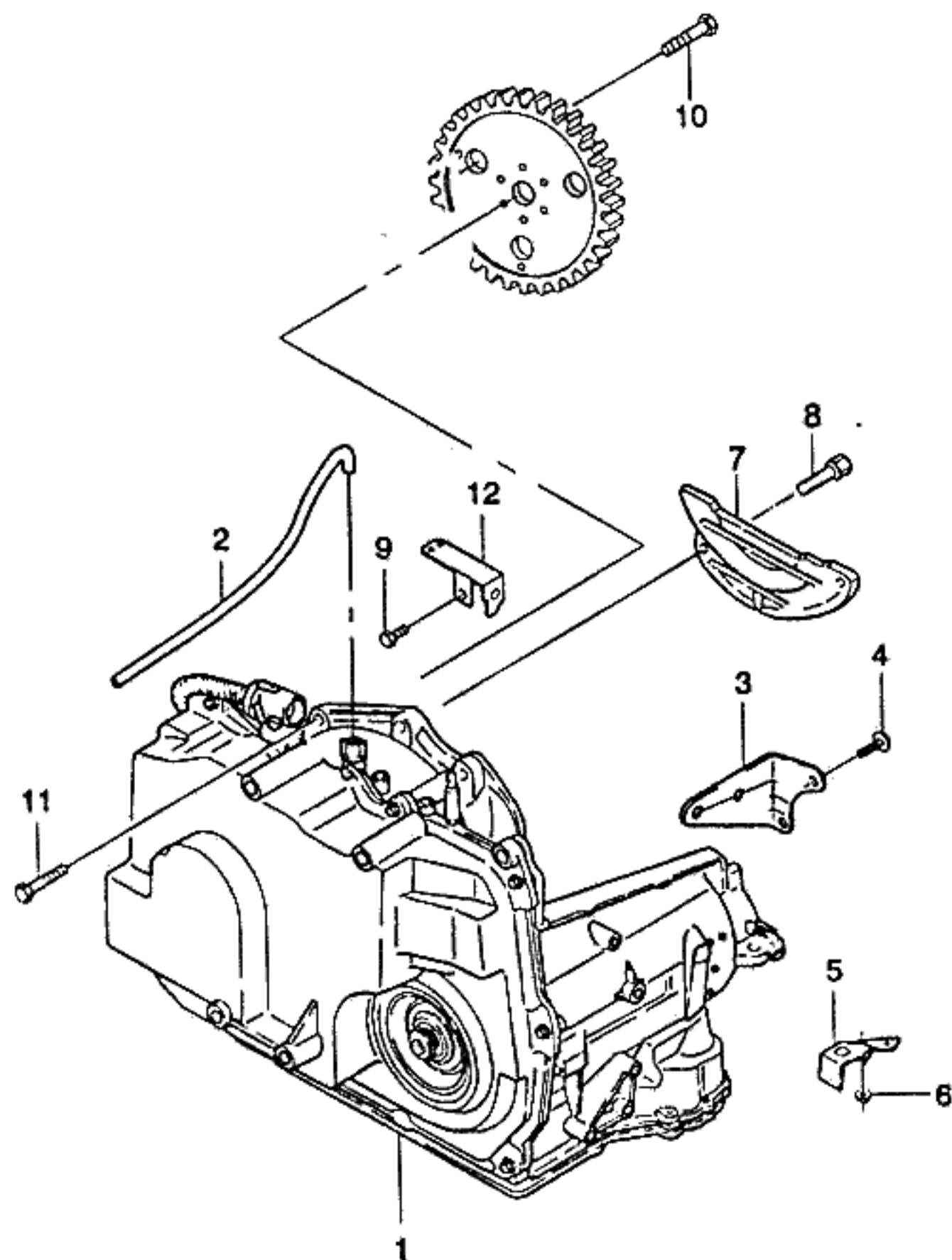


KEY NO.	PART NAME														
	PART NO	E T	MODEL			OPTION	L / R	Q T Y	EFFECTIVE DATE		REMARKS	P / C O D E			
			N / G	4 A	3 N				5 H	S S			S S	FROM	TO
96169094	[10]	.	M	B	B	B	S	S	S	S	1	(E)BOLT (D)SCHRAUBE	(F)BOULON (S)PERNO		
09103-10057	[11]	.	M	B	B	B	S	S	S	S	10	(E)BEARING-TAPERED ROLLER (D)RÖLLENLAGER,ZUGESPITZT	(F)ROULEMENT-ROULEAU FUSELE (S)COJINETE-RODILLO REDUCIDO		
96108125	[12]	.	M	B	B	B	S	S	S	S	2	(E)RING-DIFFERENTIAL BEARING (D)RING,AUSGLEICHS-LAGER	(F)ANNEAU (S)ANILLO		
90121689	[13]	.	M	B	B	B	S	S	S	S	1	(E)RING-SHAFT SEAL (D)RING,STAB DICHTUNG	(F)ANNEAU-JOINT D'ARBRE (S)ANILLO-BROCHE DE EJE		
90182166	[14]	.	M	B	B	B	S	S	S	S	2	(E)O RING-DIFFERENTIAL (D)O RING,AUSGLEICHSGETRIEBE	(F)JOINT TORIQUE (S)ANILLO EN O-DIFERENCIAL		
90111402	[15]	.	M	B	B	B	S	S	S	S	1	(E)FLANGE-DIFF GEAR BEARING (D)FLANSCH	(F)FLASQUE (S)PESTAÑA		
90121695	[16]	.	M	B	B	B	S	S	S	S	1	(E)O RING (D)O RING	(F)JOINT TORIQUE (S)ANILLO EN O		
90129521	[17]	.	M	B	B	B	S	S	S	S	1	(E)PLATE-LOCKING (D)PLATTE,VERRIEGELUNG	(F)PLAQUE-VERROUILLAGE (S)PLACA-CIERRE		
90079853	[18]	.	M	B	B	B	S	S	S	S	1	(E)BOLT (D)SCHRAUBE	(F)BOULON (S)PERNO		
09116-06029		.	M	B	B	B	S	S	S	S	1				

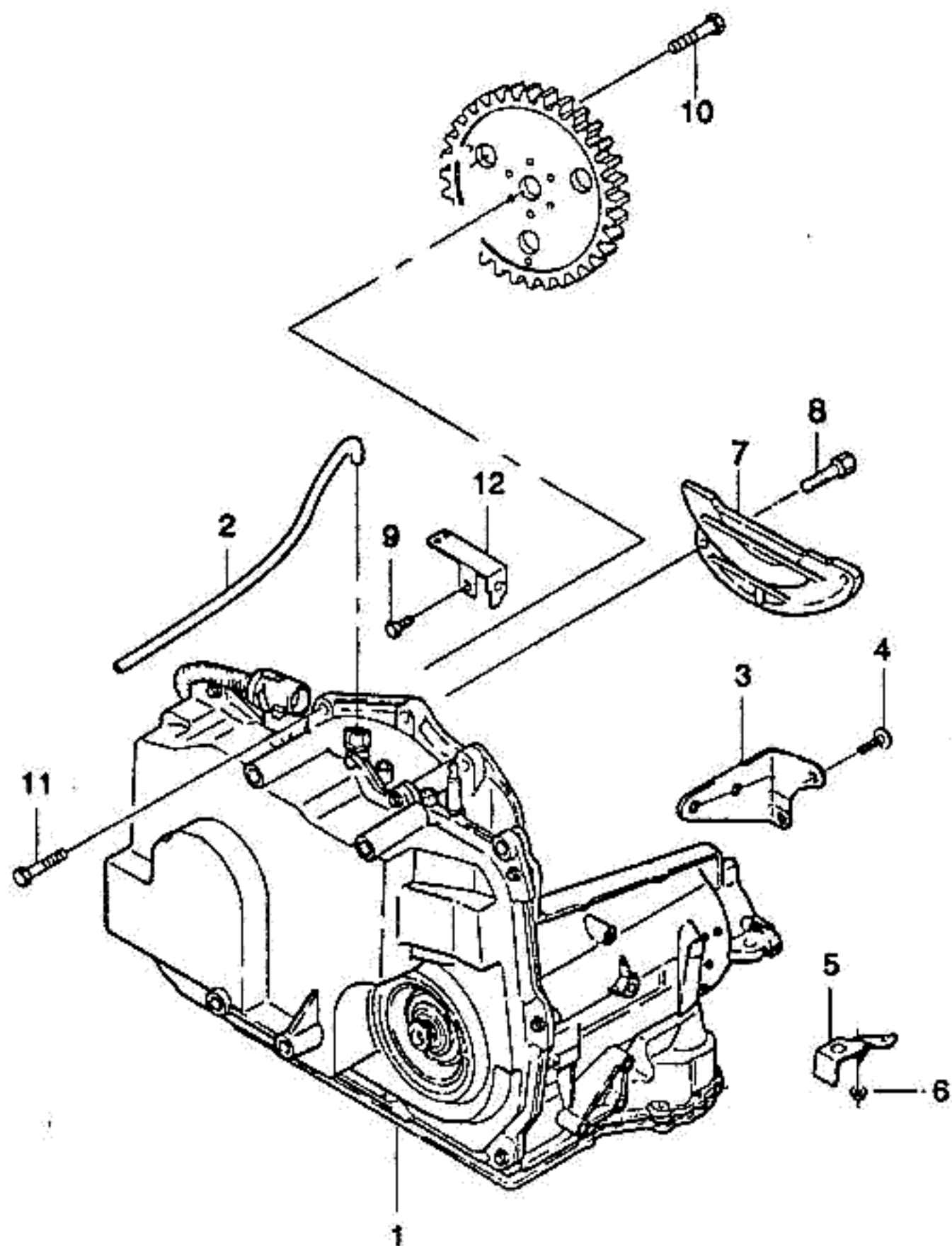
ENG(ENGINE)	T/A(TRANSAXLE)	BODY TYPE
Y = 1.5SOHC 6 = 1.6DOHC . = COMMON	M = MANUAL T/A A = AUTOMATIC T/A . = COMMON	4 N = 4 DOOR NOTCHBACK 3 H = 3 DOOR HATCHBACK 5 H = 5 DOOR HATCHBACK



KEY NO.		PART NAME														
I T C	PART NO	MODEL						OPTION	L / R	Q T Y	EFFECTIVE DATE		REMARKS	P / C O D E		
		E N G	T / A	BODY			LEVEL				FROM	TO				
				4 N	3 H	5 H	S								S	S
	[19] 09103-08026	(E)BOLT (D)SCHRAUBE . M	B	B	B	B	S	S	S	(F)BOULON (S)PERNO 5						
ENG(ENGINE)		T/A(TRANSAXLE)				BODY TYPE										
Y = 1.5SOHC 6 = 1.6DOHC . = COMMON		M = MANUAL T/A A = AUTOMATIC T/A . = COMMON				4 N = 4 DOOR NOTCHBACK 3 H = 3 DOOR HATCHBACK 5 H = 5 DOOR HATCHBACK										

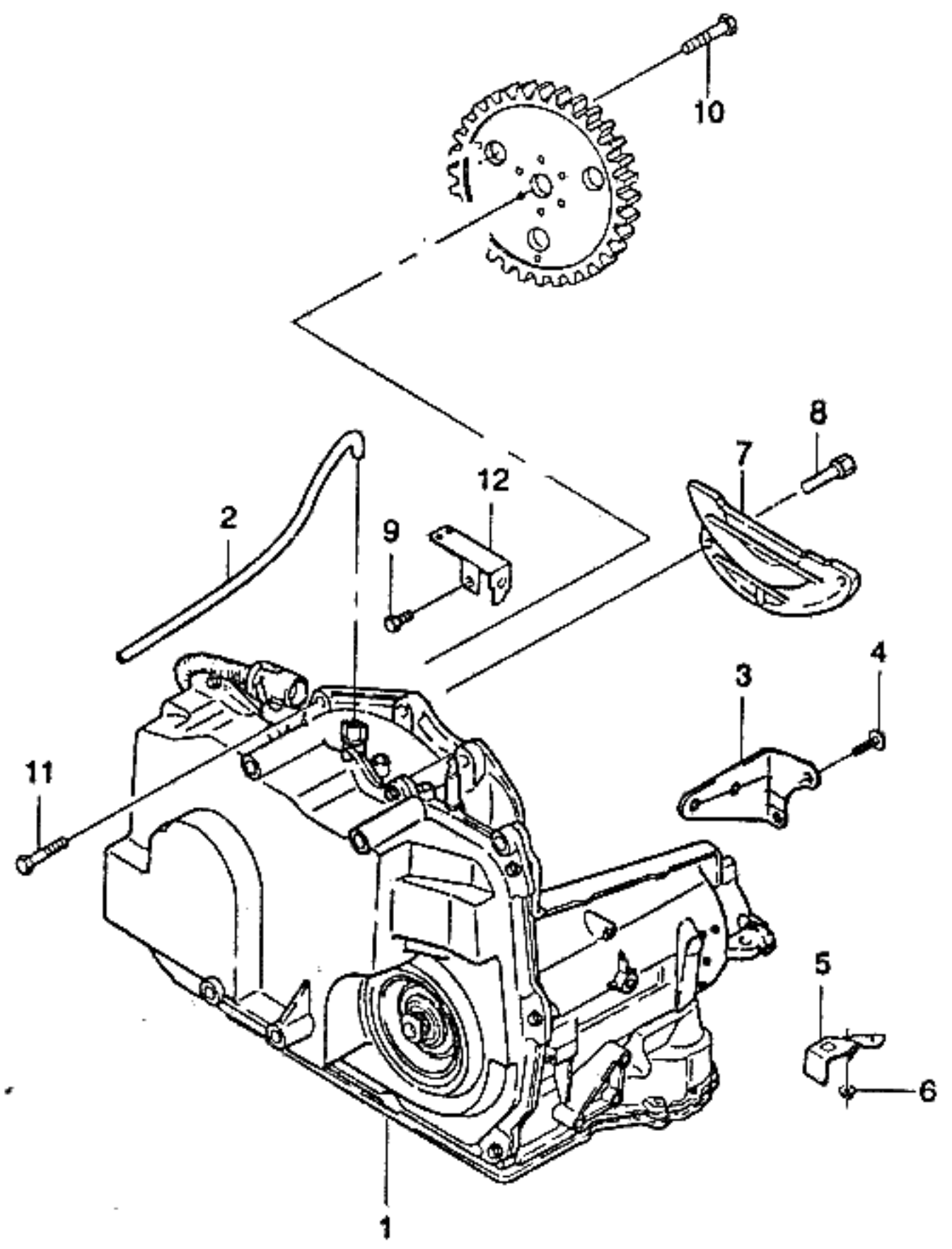


I T C	KEY NO.	PART NAME										P I C O D E
		PART NO	MODEL			OPTION	L / R	Q T Y	EFFECTIVE DATE		REMARKS	
			E N G	T / A	BODY				LEVEL	FROM		
	[01]	(E)TRANSAXLE A-AUTOMATIC (D)ANTRIEB,AUTOMATISCH									(F)TRANSMISSION-AUTOMATIQUE (S)EJE TRANSVERSAL	
	24210487	Y A B B B O O O										7X
	24210488	6 A B B B . . O										7Y
	[02]	(E)HOSE-VENTING (D)SCHLAUCH,BELÜFTUNG									(F)TUYAU-VENTILATION (S)MANGUERA-VENTILACION	
	96183828	. A B B B O O O									900mm	
	[03]	(E)SUPPORT-TRANSMISSION (D)TRÄGER									(F)SUPPORT (S)SOPORTE	
	96179228	. A B B B O O O										
	[04]	(E)BOLT-HEXAGON (D)SCHRAUBE									(F)BOULON (S)PERNO	
	09103-10009	. A B B B O O O										
	[05]	(E)BRACKET-SHIELD (D)TRÄGER									(F)SUPPORT (S)SOPORTE	
	96236245	. A B B B O O O										970901
	[06]	(E)NUT (D)MUTTER									(F)ECROU (S)TUERCA	
	08316-25063	. A B B B O O O										970901
	[07]	(E)COVER-CONVERTER (D)DECKEL									(F)CARTER (S)CUBIERTA	
	96245952	. A B B B O O O										
	[08]	(E)SCREW-TAPPING (D)SCHRAUBE									(F)VIS (S)TORNILLO	
	03252-63168	. A B B B O O O										
	[09]	(E)BOLT-HEXAGON (D)SCHRAUBE									(F)BOULON (S)PERNO	
	09100-12006	. A B B B O O O										
		ENG(ENGINE)	T/A(TRANSAXLE)			BODY TYPE						
		Y = 1.5SOHC 6 = 1.6DOHC . = COMMON	M = MANUAL T/A A = AUTOMATIC T/A . = COMMON			4 N = 4 DOOR NOTCHBACK 3 H = 3 DOOR HATCHBACK 5 H = 5 DOOR HATCHBACK						

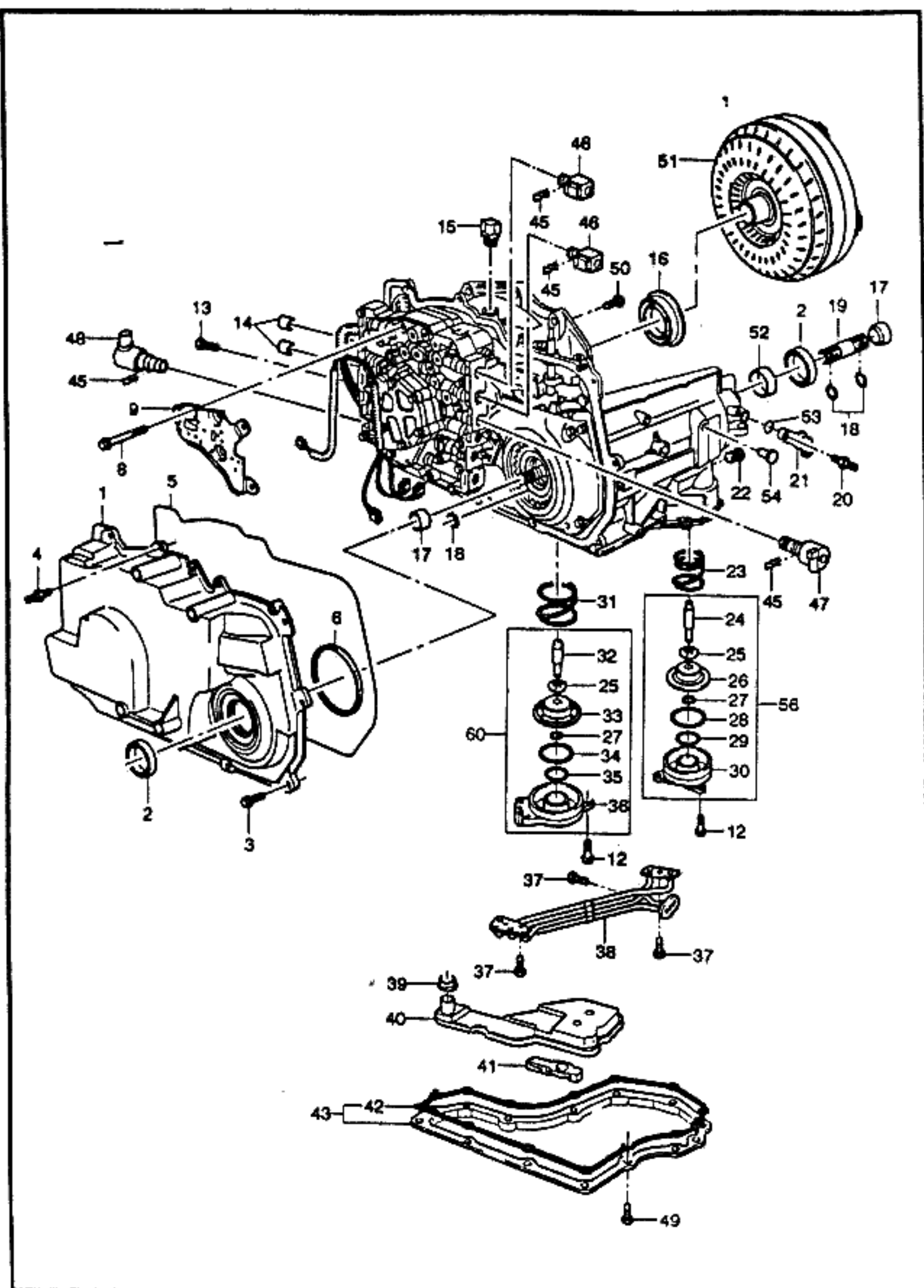


I T C	KEY NO.	PART NAME											P / C O D E									
		PART NO	MODEL						OPTION	L / R	Q T Y	EFFECTIVE DATE		REMARKS								
			E N G	T / A	BODY	LEVEL	FROM	TO														
	[10] 09100-10006	(E)BOLT-HEXAGON (D)SCHRAUBE											(F)BOULON (S)PERNO									
	[11] 09100-12002	(E)BOLT-HEXAGON (D)SCHRAUBE											(F)BOULON (S)PERNO									
	[12] 96234606	(E)BRACKET-ENG CONT HARNESS (D)TRÄGER											(F)SUPPORT (S)SOPORTE									
	[A0] 24209093	(E)OVERHAUL KIT (D)WARTUNG SATZ											(F)TROUSSE DE REPARATIONS (S)JUEGO DE REPARACION									
	[A1] 24210577	(E)GASKET KIT (D)DICHTUNG SATZ											(F)TROUSSE DE JOINT (S)JUEGO DE JUNTA									
		- CONSIST OF -																				
		FIG. NO 3520 #2,5,6,14,16,17,18,28,29,34,35 39,40,42																				
		FIG. NO 3521 #7,12,14,19,22,25,32,33,53																				
		FIG. NO 3530 #2,8,9,14																				
		FIG. NO 3531 #1,5,10,19,23,34,																				
		FIG. NO 3533 #3,10																				
		FIG. NO 3535 #5																				
		FIG. NO 3550 #5,6																				
		FIG. NO 3570 #10,12																				
		- CONSIST OF -																				

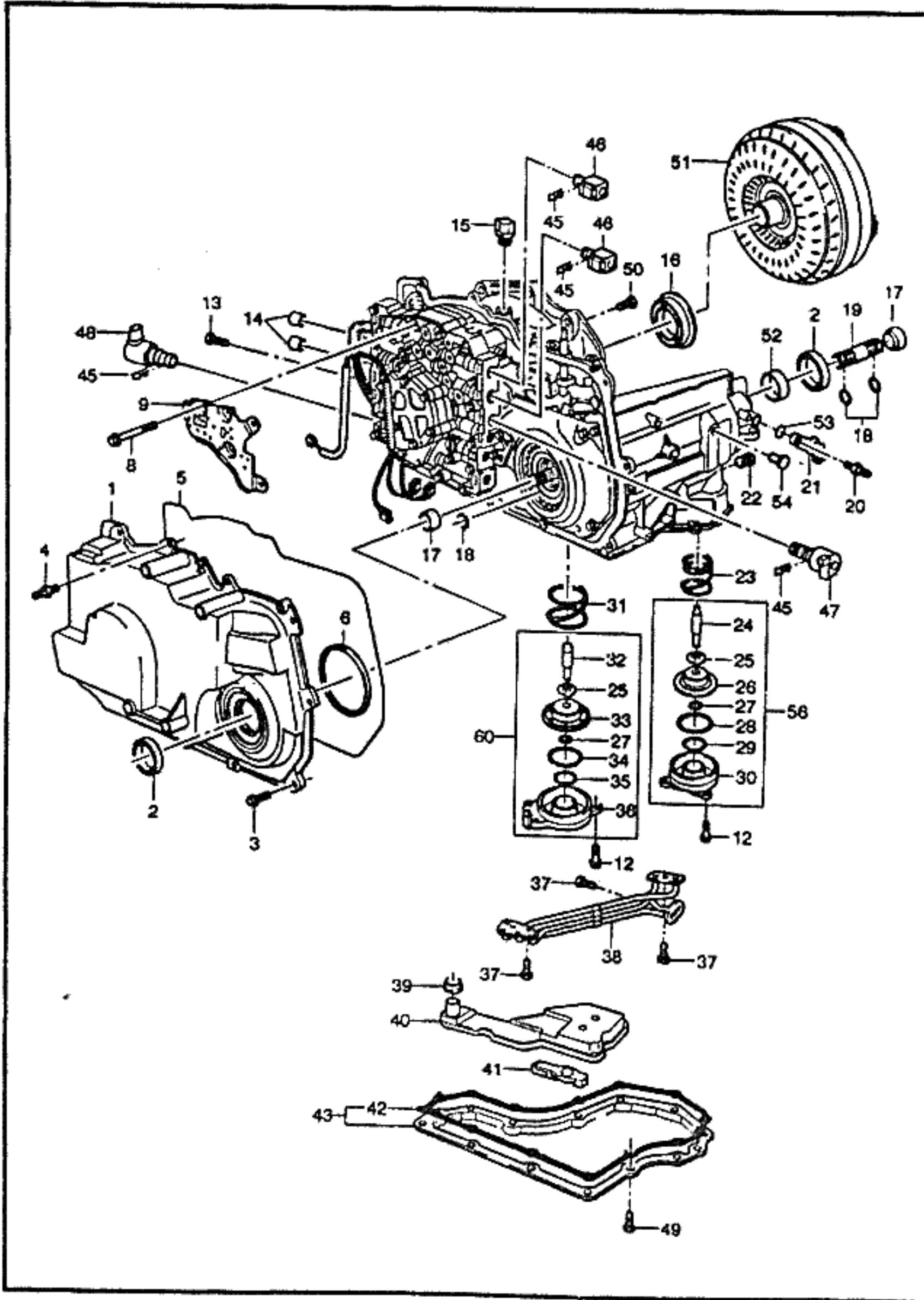
ENG(ENGINE)	T/A(TRANSAXLE)	BODY TYPE
Y = 1.5SOHC 6 = 1.6DOHC = COMMON	M = MANUAL T/A A = AUTOMATIC T/A = COMMON	4 N = 4 DOOR NOTCHBACK 3 H = 3 DOOR HATCHBACK 5 H = 5 DOOR HATCHBACK



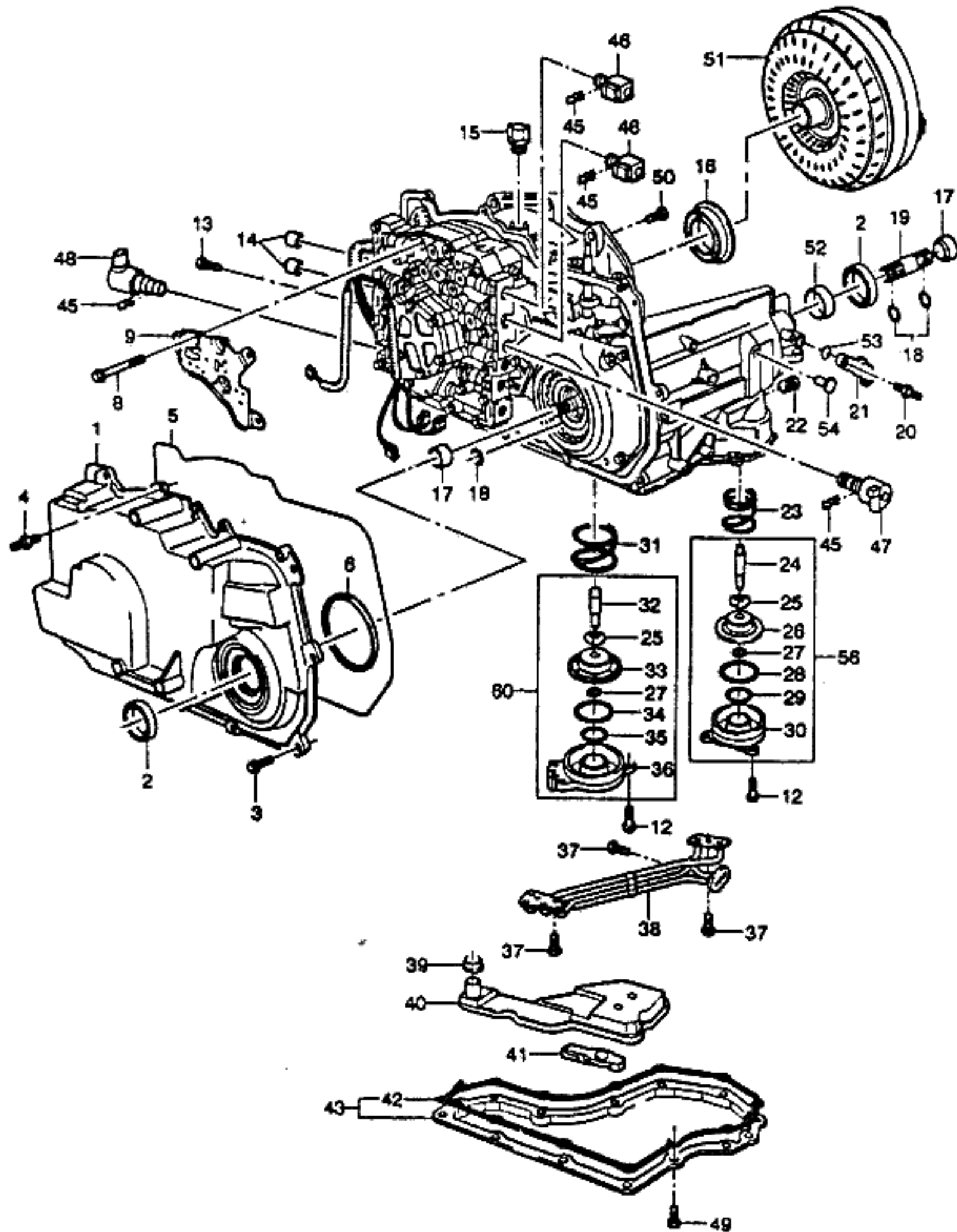
KEY NO.		PART NAME														
I T C	PART NO	MODEL						OPTION	L / R	Q T Y	EFFECTIVE DATE		REMARKS	P / C O D E		
		E N G	T / A	BODY			LEVEL				FROM	TO				
				4 N	3 H	5 H	S								S E	S X
		FIG. NO 3520 #6,14,17,18 FIG. NO 3521 #12,14,19,33 FIG. NO 3570 #10														
ENG(ENGINE)		T/A(TRANSAXLE)				BODY TYPE										
Y = 1.5SOHC 6 = 1.6DOHC . = COMMON		M = MANUAL T/A A = AUTOMATIC T/A . = COMMON				4 N = 4 DOOR NOTCHBACK 3 H = 3 DOOR HATCHBACK 5 H = 5 DOOR HATCHBACK										



KEY NO.	PART NAME												
	PART NO	MODEL						OPTION	L / Q R / Y	EFFECTIVE DATE		REMARKS	P / C O D E
		E N G	T /	BODY 4 N	LEVEL 3 H	5 S	6 S			DATE FROM	DATE TO		
[01]	24209574	(E)COVER-SIDE (D)DECKEL,SEITE	A	B	B	B	O	O	O	(F)CARTER-COTE (S)CUBIERTA-LADO	1	INCL.#2,5,6,41	
[02]	24201936	(E)SEAL-OIL (D)DICHTUNG,ACHSE ÖL	A	B	B	B	O	O	O	(F)JOINT-HUILE DE PONT (S)SELLO-ACEITE DE EJE	1		
[03]	24203912	(E)BOLT-SIDE COVER (D)SCHRAUBE,SEITENDECKEL	A	B	B	B	O	O	O	(F)BOULON-COUVERCLE COTE (S)PERNO-CUBIERTA DE LADO	1	M8X1.25X23mm	
[04]	24208309	(E)STUD-SIDE COVER (D)STEG,SEITEN-DECKEL	A	B	B	B	O	O	O	(F)TOURILLON (S)TRAVESAÑO	1	M8X1.25X20mm	
[05]	24200478	(E)GASKET-SIDE COVER (D)DICHTUNG	A	B	B	B	O	O	O	(F)JOINT-CARTER DE COTE (S)JUNTA-CUBIERTA LATERAL	1		
[06]	08685154	(E)GASKET-SIDE CVR OIL LEVER (D)DICHTUNG	A	B	B	B	O	O	O	(F)JOINT (S)JUNTA	1		
[08]	24200205	(E)BOLT (D)SCHRAUBE	A	B	B	B	O	O	O	(F)BOULON (S)PERNO	12	M6X1.0X86mm	
[09]	24200495	(E)SWITCH-PRESSURE (D)SCHALTER,DRUCK	A	B	B	B	O	O	O	(F)COMMUTATEUR-PRESSION (S)INTERRUPTOR-PRESION	1		
[12]	24200207	(E)BOLT (D)SCHRAUBE	A	B	B	B	O	O	O	(F)BOULON (S)PERNO	2	M6X1.0X24mm	
[13]		(E)PLUG-LINE PRESS (D)STÖPSEL	A	B	B	B	O	O	O	(F)BOUCHON (S)TAPON			
ENG(ENGINE)		T/A(TRANSAXLE)		BODY TYPE									
Y = 1.5SOHC 6 = 1.6DOHC . = COMMON		M = MANUAL T/A A = AUTOMATIC T/A . = COMMON		4 N = 4 DOOR NOTCHBACK 3 H = 3 DOOR HATCHBACK 5 H = 5 DOOR HATCHBACK									

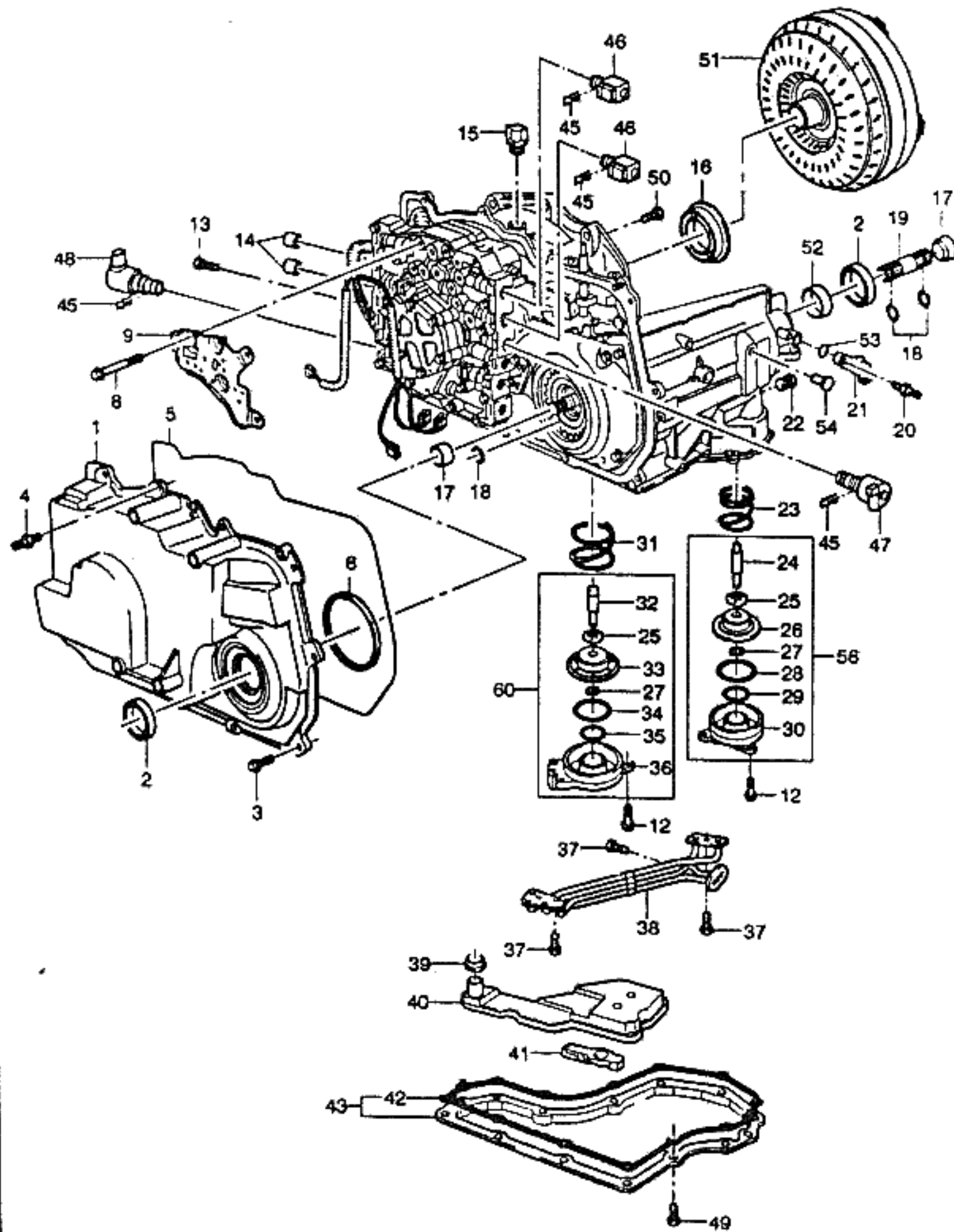


KEY NO.	PART NAME										
	PART NO	MODEL			OPTION	L / R	Q / Y	EFFECTIVE DATE		REMARKS	P / CODE
		E T	BODY	LEVEL				FROM	TO		
	N / G	4 3 5	S S S								
08654382	[14]	.	A B B B O O O								
			(E)SEALS-COOLER LINE (D)DICHTUNG								(F)JOINT (S)SELLO
24200326	[15]	.	A B B B O O O								
			(E)CAP-VENTILATION (D)DECKEL								(F)CHAPEAU (S)TAPA
24200354	[16]	.	A B B B O O O								
			(E)SEAL-TORQUE CONVERTER (D)DICHTUNG								(F)JOINT (S)SELLO
08685515	[17]	.	A B B B O O O								
			(E)SLEEVE-OUTPUT/STUB SHAFT (D)HÜLSE								(F)CHEMISE (S)MANGA
08684482	[18]	.	A B B B O O O								
			(E)RING-OUTPUT/STUB SHAFT (D)RING								(F)ANNEAU (S)ANILLO
07829495	[19]	.	A B B B O O O								
			(E)SHAFT-STUB (D)SPINDEL								(F)ARBRE (S)JEJE
24200734	[20]	.	A B B B O O O								
			(E)STUD-OUTPUT SPD SENSOR (D)STEG								(F)TOURILLON (S)TRAVESAÑO
24200091	[21]	.	A B B B O O O								
			(E)SENSOR-OUTPUT SPEED (D)SENSOR, GESCHWINDIGKEIT								(F)DETECTEUR (S)SENSOR-VELOCIDAD
24207507	[22]	.	A B B B O O O								
			(E)PLUG-LINE PRESS (D)STÖPSEL								(F)BOUCHON (S)TAPON
08654382		.	A B B B O O O								
ENG(ENGINE)		T/A(TRANSAXLE)			BODY TYPE						
Y = 1.5SOHC 6 = 1.6DOHC . = COMMON		M = MANUAL T/A A = AUTOMATIC T/A . = COMMON			4 N = 4 DOOR NOTCHBACK 3 H = 3 DOOR HATCHBACK 5 H = 5 DOOR HATCHBACK						

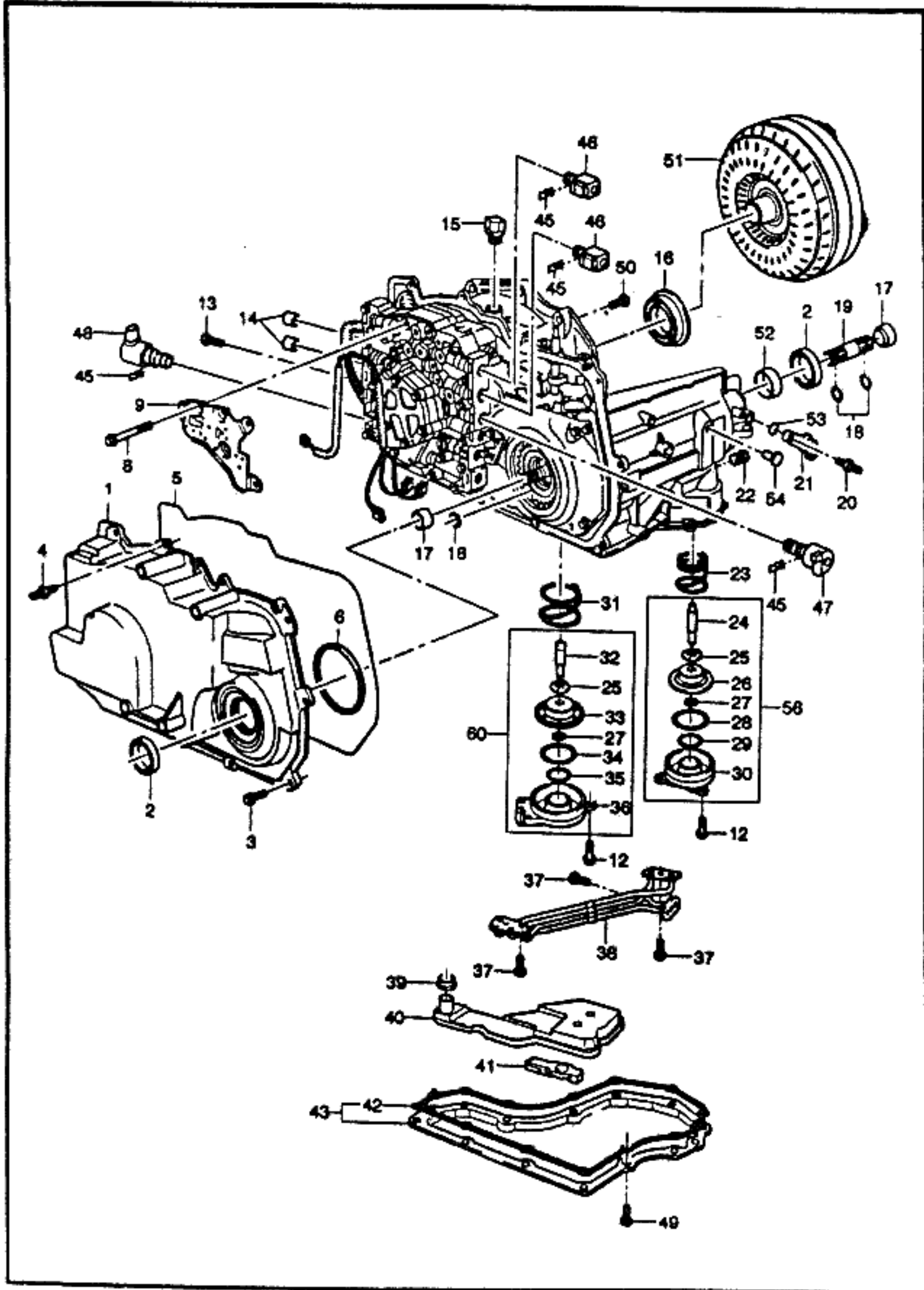


KEY NO.	PART NAME									
	PART NO	MODEL			OPTION	L / Q R / Y	EFFECTIVE DATE		REMARKS	P / C O D E
		E N G	T / A	BODY 4 N 3 H 5 H			LEVEL S S S E X	FROM		
[23] 08684393	(E)SPRING-SERVO RETURN (D)FEDERUNG,SERVO RÜCK . A B B B O O O							(F)RESSORT-SERVO RETOUR (S)RESORTE-RETORNO DE SERVO 1		
[24] 08684395	(E)PIN-SERVO APPLY (D)STIFT,SERVO ANWENDUNG . A B B B O O O							(F)BROCHE-APPLICATION SERVO (S)PASADOR-APPLY SERVO 1		
[25] 24203610	(E)SPRING-SERVO CUSHION (D)FEDERUNG,SERVO POLSTER . A B B B O O O							(F)RESSORT-SERVO COUSSIN (S)RESORTE-COJIN DE SERVO 2		
[26] 24201884	(E)PISTON-SERVO (D)KOLBEN,SERVO . A B B B O O O							(F)PISTON-SERVO (S)PISTON-SERVO 1		
[27] 11505767	(E)RING-SERVO SNAP (D)RING,SERVO DRUCK . A B B B O O O							(F)ANNEAU-SERVO PRESSION (S)ANILLO-BROCHE DE SERVO 2		
[28] 08684674	(E)SEAL-SERVO PISTON (D)DICHTUNG,SERVO KOLBEN . A B B B O O O							(F)JOINT-SERVO PISTON (S)SELLO-PISTON DE SERVO 1		
[29] 08684394	(E)SEAL-SERVO COVER (D)DICHTUNG,SERVO DECKEL . A B B B O O O							(F)JOINT-SERVO COUVERCLE (S)SELLO-CUBIERTA DE SERVO 1		
[30] 24201882	(E)COVER-SERVO(LO/REVERSE) (D)DECKEL . A B B B O O O							(F)COUVERTURE (S)CUBIERTA 1		
[31] 08684350	(E)SPRING-SERVO RETURN (D)FEDERUNG,SERVO RÜCK . A B B B O O O							(F)RESSORT-SERVO RETOUR (S)RESORTE-RETORNO DE SERVO 1		
[32]	(E)PIN-SERVO APPLY (D)STIFT,SERVO ANWENDUNG							(F)BROCHE-APPLICATION SERVO (S)PASADOR-APPLY SERVO		

ENG(ENGINE)	T/A(TRANSAXLE)	BODY TYPE
Y = 1.5SOHC 6 = 1.6DOHC . = COMMON	M = MANUAL T/A A = AUTOMATIC T/A . = COMMON	4 N = 4 DOOR NOTCHBACK 3 H = 3 DOOR HATCHBACK 5 H = 5 DOOR HATCHBACK

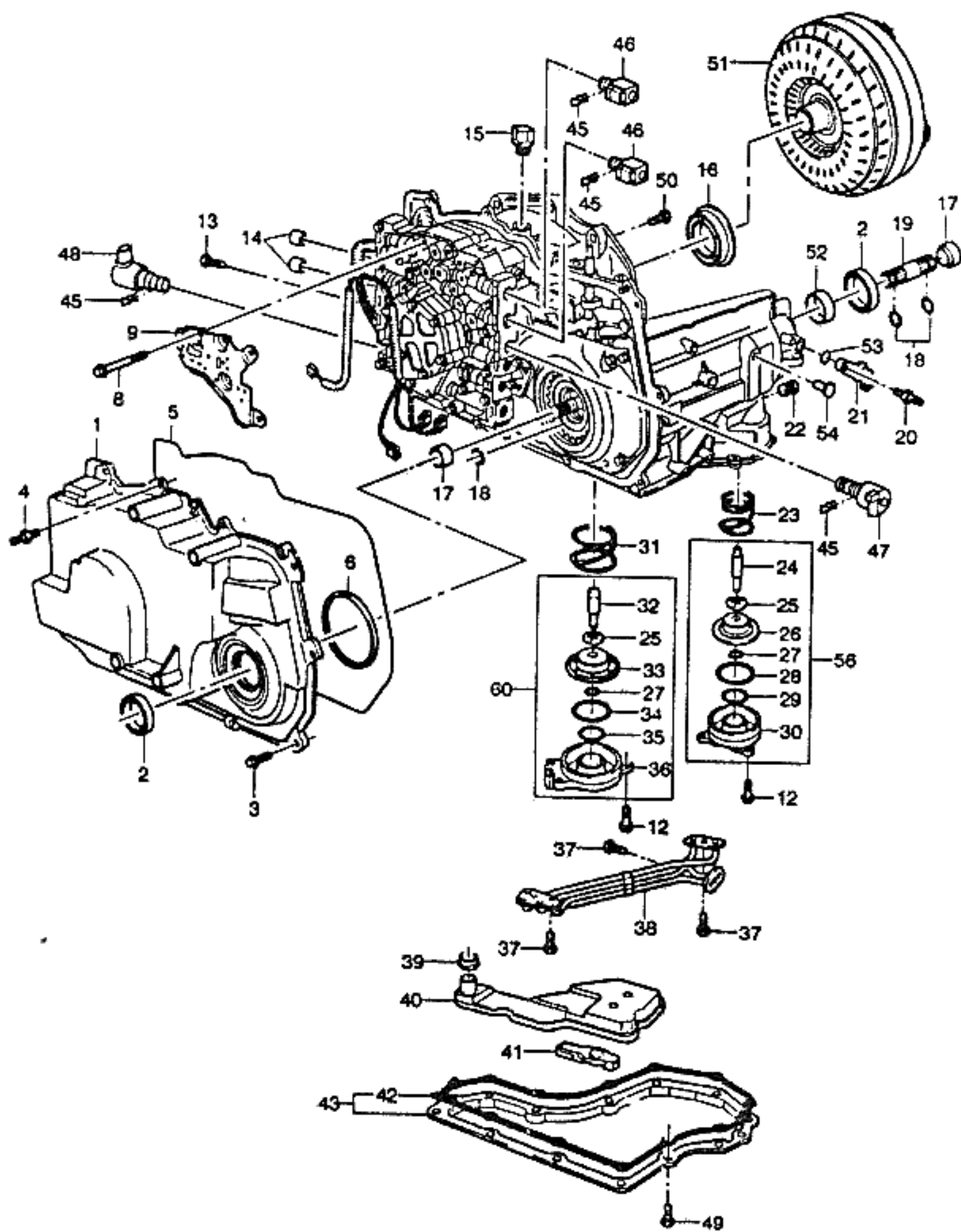


KEY NO.	PART NAME										REMARKS	P / C O D E	
	PART NO	MODEL				OPTION	L / R	Q / Y	EFFECTIVE DATE				
		E	T	BODY	LEVEL				FROM	TO			
		N	4	3	5	S	S	S					
		G	A	N	H	H	S	S					
08684404	. A B B B O O O										1		
[33]	(E)PISTON-SERVO (D)KOLBEN,SERVO										(F)PISTON-SERVO (S)PISTON-SERVO		
N/S(60)	. A B B B O O O										1		
[34]	(E)SEAL-SERVO PISTON (D)DICHTUNG,SERVO KOLBEN										(F)JOINT-SERVO PISTON (S)SELLO-PISTON DE SERVO		
08684673	. A B B B O O O										1		
[35]	(E)SEAL-SERVO COVER (D)DICHTUNG,SERVO DECKEL										(F)JOINT-SERVO COUVERCLE (S)SELLO-CUBIERTA DE SERVO		
08678473	. A B B B O O O										1		
[36]	(E)COVER-SERVO (D)DECKEL,SERVO										(F)CARTER-SERVO (S)CUBIERTA-SERVO		
24201880	. A B B B O O O										1		
[37]	(E)BOLT (D)SCHRAUBE										(F)BOULON (S)PERNO		
24200092	. A B B B O O O										4	M6X1.0X15mm	
[38]	(E)TUBE A-OIL FEED (D)ROHRLEITUNG,ÖL-ZUFUHR										(F)TUYAU-ALIMENTATION HUILE (S)TUBO-ALIMENTACION		
24202349	. A B B B O O O										1		
[39]	(E)SEAL-OIL FILTER (D)DICHTUNG										(F)JOINT (S)SELLO		
08684467	. A B B B O O O										1		
[40]	(E)FILTER A-OIL (D)FILTER										(F)FILTRE (S)FILTRO		
08685185	. A B B B O O O										1		
Y 24203770	. A B B B O O O										1		
[41]	(E)VALVE-FILTER CONTROL (D)VENTIL										(F)SOUPAPE (S)VALVULA		
ENG(ENGINE)		T/A(TRANSAXLE)				BODY TYPE							
Y = 1.5SOHC 6 = 1.6DOHC . = COMMON		M = MANUAL T/A A = AUTOMATIC T/A . = COMMON				4 N = 4 DOOR NOTCHBACK 3 H = 3 DOOR HATCHBACK 5 H = 5 DOOR HATCHBACK							



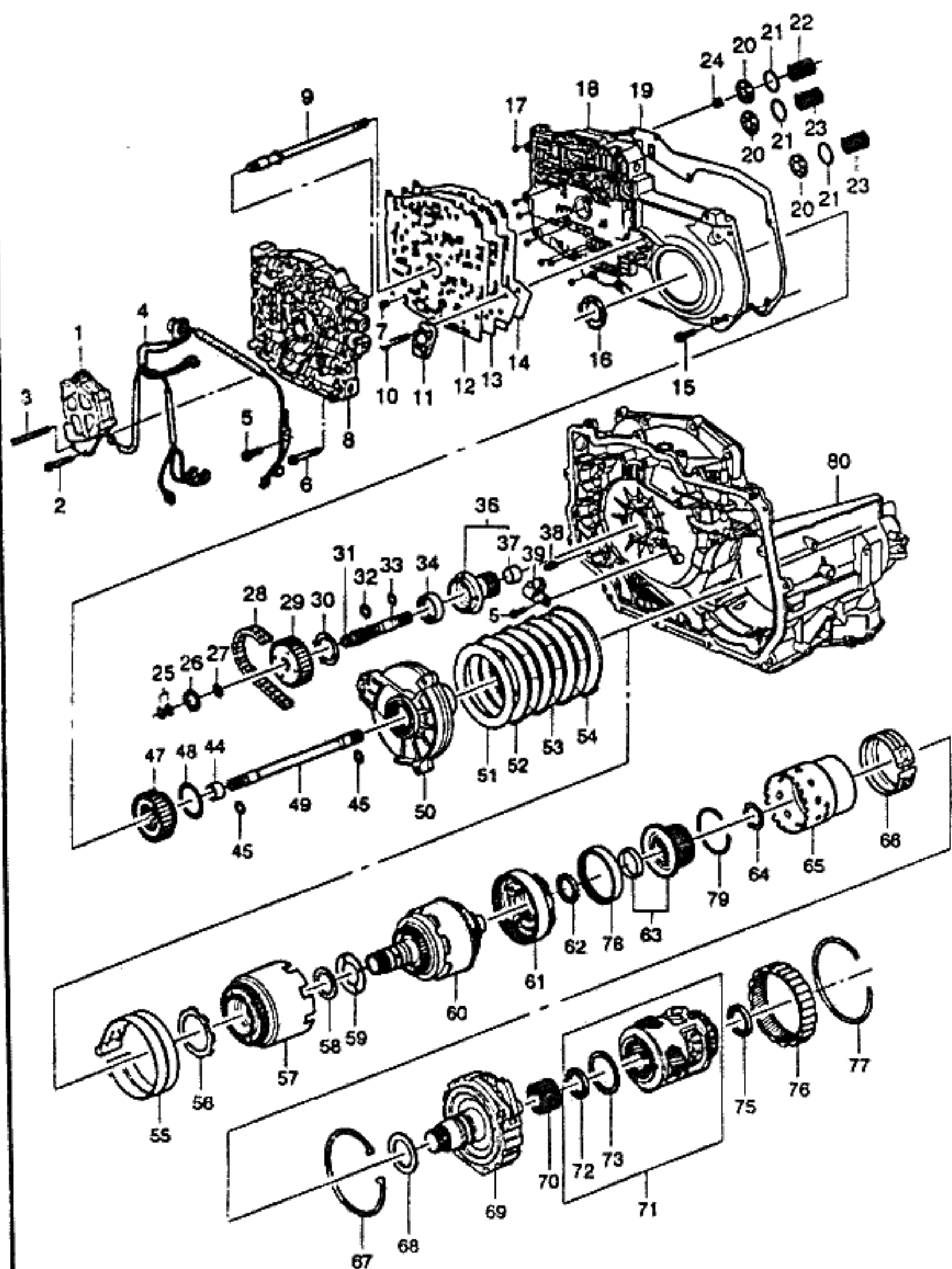
KEY NO.	PART NAME										REMARKS	P / CODE	
	PART NO	MODEL					OPTION	L / R	Q / Y	EFFECTIVE DATE			
		E / N / G	T / A	BODY	LEVEL					FROM			TO
24207185	. A B B B O O O										1	(F)JOINT (S)JUNTA	
[42]	(E)GASKET-BOTTOM OIL PAN (D)DICHTUNG												
24203590	. A B B B O O O										1	(F)CARTER-HUILE (S)RECIPIENTE-ACEITE	
[43]	(E)PAN KIT-OIL (D)PFANNE,OL												
24203769	. A B B B O O O										1	(F)ATTACHE-ARRETOIR (S)GRAPA-RETENEDOR	INCL.#42
[45]	(E)RETAINER (D)KLEMME,HALTERUNG												
08685781	. A B B B O O O										11	(F)SOLENOIDE (S)SELENOIDE	
[46]	(E)SOLENOID-SHIFT(A & B) (D)SOLENOID												
24207236	. A B B B O O O										2	(F)SOLENOIDE (S)SELENOIDE	
[47]	(E)SOLENOID-PRESSURE CONTROL (D)SOLENOID,DRUCK STEUERUNG												
10478117	. A B B B O O O										1	(F)SOLENOIDE (S)SELENOIDE-CONTROL TCC	
[48]	(E)SOLENOID-TCC CONTROL (D)SOLENOID												
24207054	. A B B B O O O										1	(F)BOULON (S)PERNO	
[49]	(E)BOLT (D)SCHRAUBE												
24203911	. A B B B O O O										10	(F)BOULON (S)PERNO	
24210147	. A B B B O O O										2	(F)BOULON (S)PERNO	
[50]	(E)BOLT (D)SCHRAUBE												
08685658	. A B B B O O O										6	(F)CONVERTISSEUR (S)CONVERTIDOR-CATALITICO	M8X1.25X16mm
[51]	(E)CONVERTER-TORQUE (D)KATALYSATOR												

ENG(ENGINE)	T/A(TRANSAXLE)	BODY TYPE
Y = 1.5SOHC 6 = 1.6DOHC . = COMMON	M = MANUAL T/A A = AUTOMATIC T/A . = COMMON	4 N = 4 DOOR NOTCHBACK 3 H = 3 DOOR HATCHBACK 5 H = 5 DOOR HATCHBACK



KEY NO.	PART NAME													
	PART NO	MODEL						OPTION	L / R	QTY	EFFECTIVE DATE		REMARKS	P / CODE
		E	T	BODY			LEVEL				FROM	TO		
N	G	4	3	5	S	S	S							
		A	N	H	H	S	S	S						
24203821		Y	A	B	B	B	O	O		1			NOT APPLIED	
24210147														
24211286		6	A	B	B	B	.	.	O	1				
[52]		(E)	BUSHING-CASE TO FINAL DRV							(F)	MANCHON			
		(D)	LAGERFUTTER							(S)	BUJE			
08631119		.	A	B	B	B	O	O		1				
[53]		(E)	SEAL-OUTPUT SPD SENSOR							(F)	JOINT			
		(D)	DICHTUNG							(S)	SELLO			
10475299		.	A	B	B	B	O	O		1				
[54]		(E)	PIN-BAND ANCHOR,LO/REVERS							(F)	BROCHE			
		(D)	STIFT							(S)	PASADOR			
24202694		.	A	B	B	B	O	O		1				
[56]		(E)	COVER A-REV BAND SERVO							(F)	CARTER			
		(D)	DECKEL							(S)	CUBIERTA			
24203623		.	A	B	B	B	O	O		1				
[60]		(E)	COVER KIT-4TH BAND SERVO							(F)	CARTER-SERVO			
		(D)	DECKEL,SERVO							(S)	CUBIERTA-SERVO			
24203608		.	A	B	B	B	O	O		1				

ENG(ENGINE)	T/A(TRANSAXLE)	BODY TYPE
Y = 1.5SOHC 6 = 1.6DOHC . = COMMON	M = MANUAL T/A A = AUTOMATIC T/A . = COMMON	4 N = 4 DOOR NOTCHBACK 3 H = 3 DOOR HATCHBACK 5 H = 5 DOOR HATCHBACK

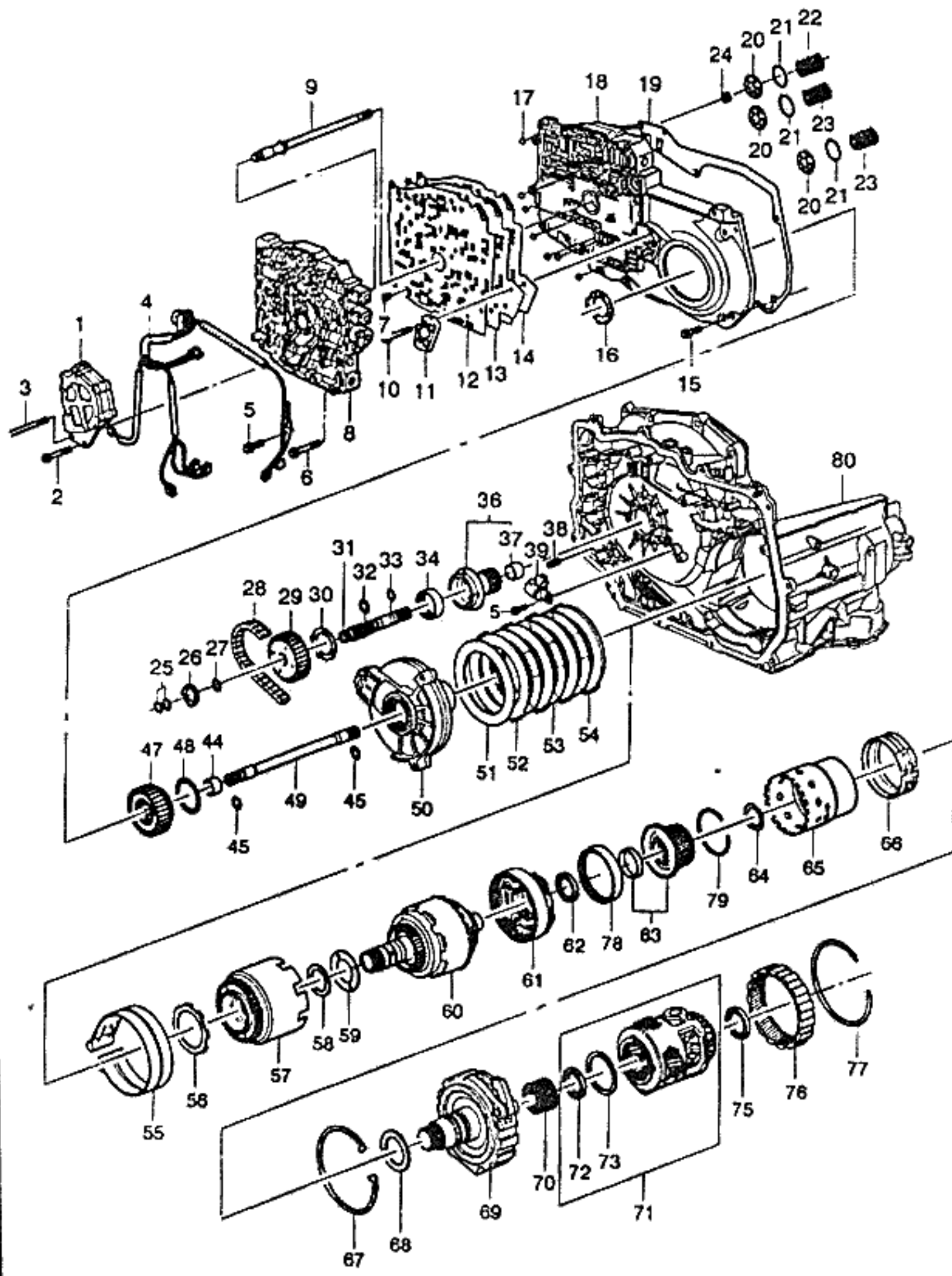


KEY NO.	PART NAME										
	PART NO	MODEL			OPTION	L / R	QTY	EFFECTIVE DATE		REMARKS	P / CODE
		E N G	T / A	LEVEL				FROM	TO		
[01]	(E)PUMP-OIL (D)PUMPE,ÖL										
24208987	. A B B B O O O						(F)POMPE-HUILE (S)BOMBA-ACEITE				
[02]	(E)BOLT (D)SCHRAUBE						(F)BOULON (S)PERNO				
24200209	. A B B B O O O									M8X1.25X58mm	
[03]	(E)BOLT (D)SCHRAUBE						(F)BOULON (S)PERNO				
24200208	. A B B B O O O									M6X1.0X99mm	
[04]	(E)WIRING (D)VERDRAHTUNG						(F)CABLAGE (S)INSTALACION ELECTRICA				
15302843	. A B B B O O O										
[05]	(E)BOLT (D)SCHRAUBE						(F)BOULON (S)PERNO				
24200093	. A B B B O O O									M8X1.0X11mm	
[06]	(E)BOLT (D)SCHRAUBE						(F)BOULON (S)PERNO				
24200206	. A B B B O O O									M6X1.0X47mm	
[07]	(E)FILTER A-OIL (D)FILTER						(F)FILTRE (S)FILTRO				
08683769	. A B B B O O O										
[08]	(E)BODY A-CONTROL VALVE (D)KAROSSERIE						(F)CORPS-SOUPAPE (S)CARROCERIA-VALVULA				
24209128	. A B B B O O O										
[09]	(E)SHAFT-OIL PUMP DRIVE (D)SPINDEL						(F)ARBRE (S)EJE				
08684255	. A B B B O O O										
[10]	(E)BOLT (D)SCHRAUBE						(F)BOULON (S)PERNO				

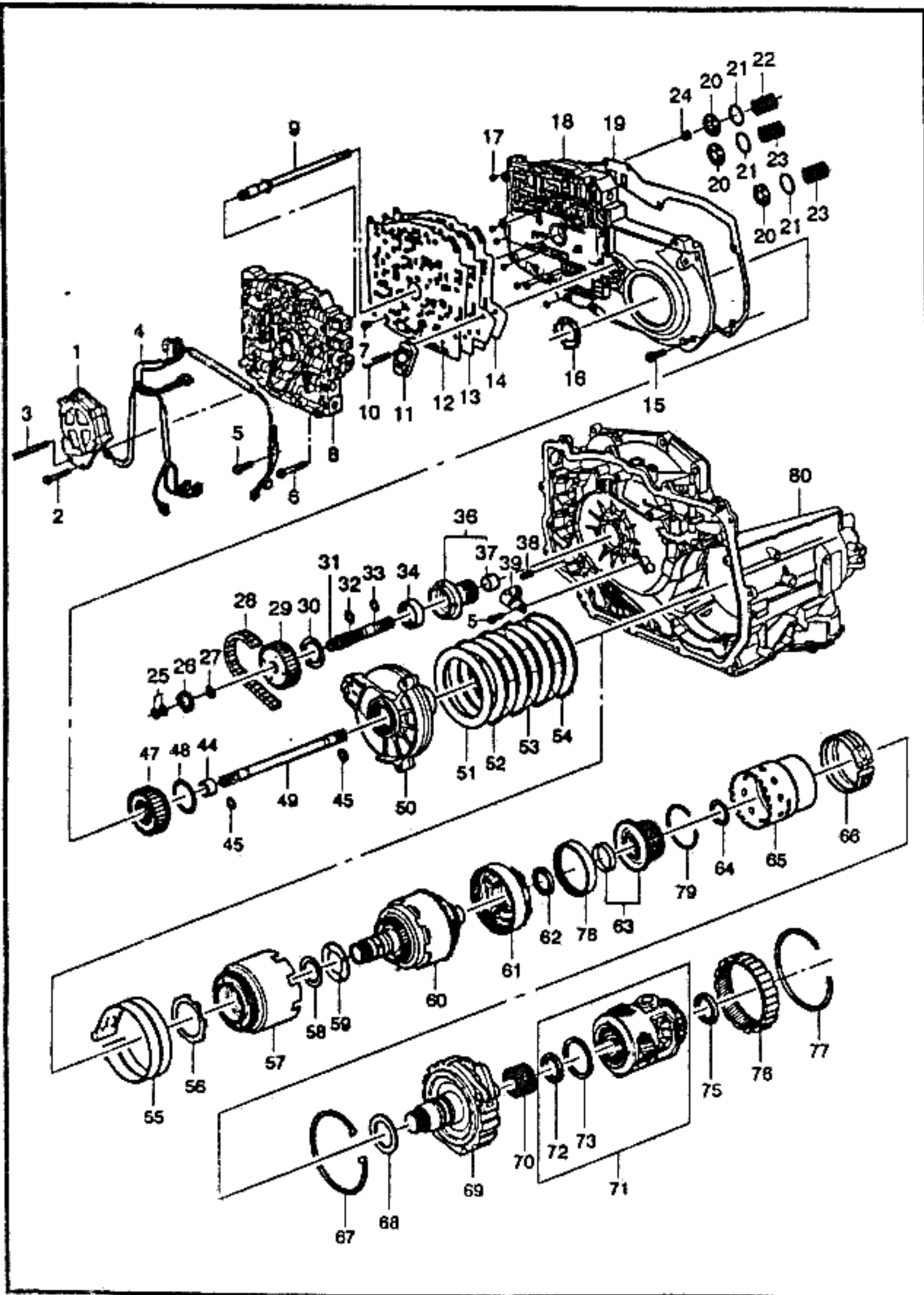
ENG(ENGINE)	T/A(TRANSAXLE)	BODY TYPE
Y = 1.5SOHC 6 = 1.6DOHC . = COMMON	M = MANUAL T/A A = AUTOMATIC T/A . = COMMON	4 N = 4 DOOR NOTCHBACK 3 H = 3 DOOR HATCHBACK 5 H = 5 DOOR HATCHBACK

3521 INTERNAL POWER TRAIN PARTS

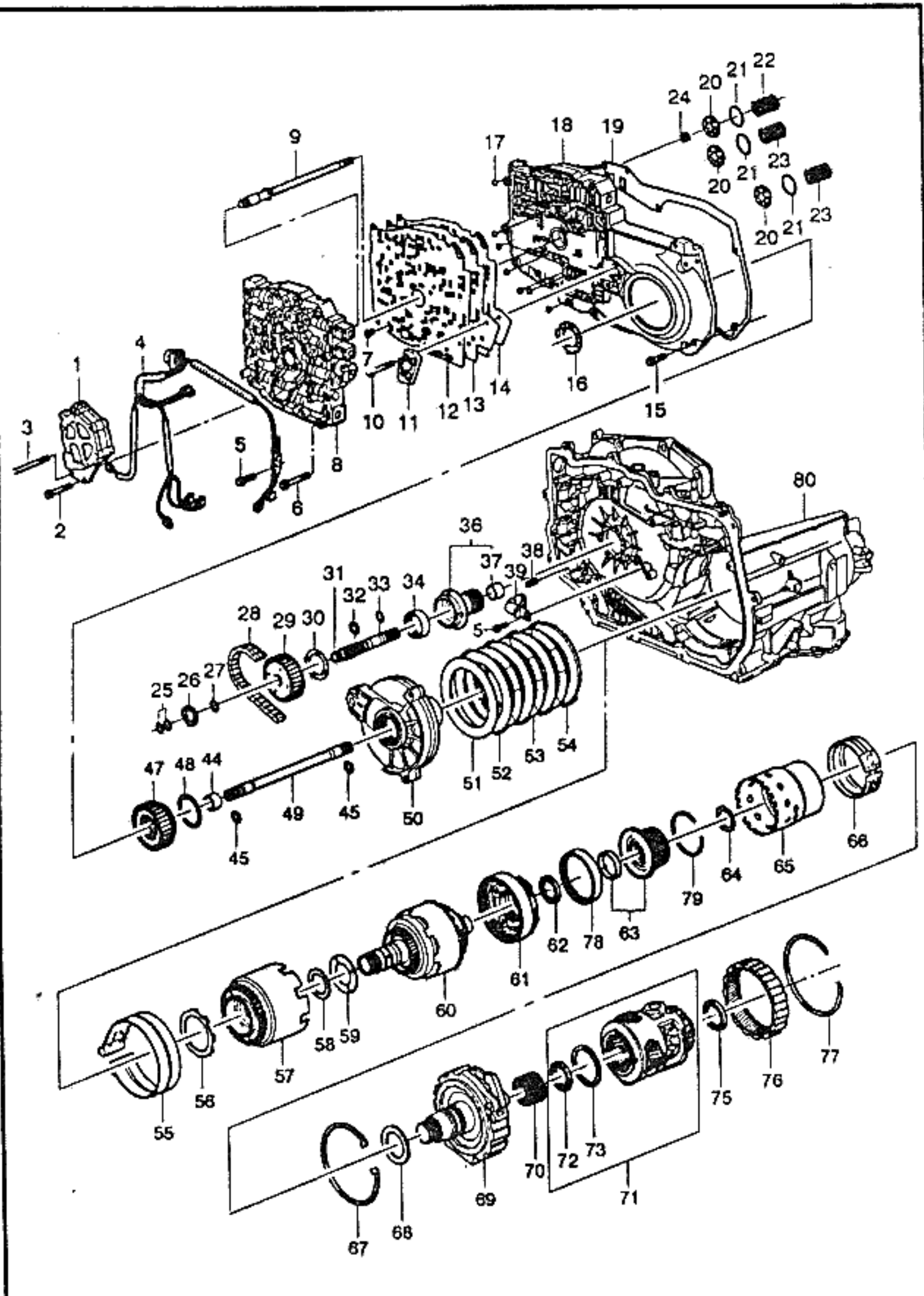
4E07



KEY NO.	PART NAME														
	PART NO	MODEL						OPTION	L / R	Q / T Y	EFFECTIVE DATE		REMARKS	P / I / C O D E	
		E N G	T / A	B O D Y	L E V E L	S S S	S S S				FROM	TO			
24200214	[11]	.	A	B	B	B	O	O	O	O		2		M6X1.0X64mm	
												(F)SUPPORT (S)SOPORTE			
08685213	[12]	.	A	B	B	B	O	O	O	O		1			
												(F)JOINT (S)JUNTA			
24207387	[13]	.	A	B	B	B	O	O	O	O		1			
												(F)PLAQUE (S)PLACA			
24205050	[14]	.	A	B	B	B	O	O	O	O		1			
												(F)JOINT (S)JUNTA			
24207386	[15]	.	A	B	B	B	O	O	O	O		1			
												(F)BOULON (S)PERNO			
24200207	[16]	.	A	B	B	B	O	O	O	O		14		M6X1.0X24mm	
												(F)IRONDELLE (S)ARANDELA			
08684379	[17]	.	A	B	B	B	O	O	O	O		1			
												(F)BOULE (S)BOLA			
00147485	[18]	.	A	B	B	B	O	O	O	O		7			
												(F)PLAQUE (S)PLACA			
24208110	[19]	.	A	B	B	B	O	O	O	O		1			
												(F)JOINT (S)JUNTA			
24201096		.	A	B	B	B	O	O	O	O		1			
ENG(ENGINE)			T/A(TRANSAXLE)				BODY TYPE								
Y = 1.5SOHC 6 = 1.6DOHC . = COMMON			M = MANUAL T/A A = AUTOMATIC T/A . = COMMON				4 N = 4 DOOR NOTCHBACK 3 H = 3 DOOR HATCHBACK 5 H = 5 DOOR HATCHBACK								

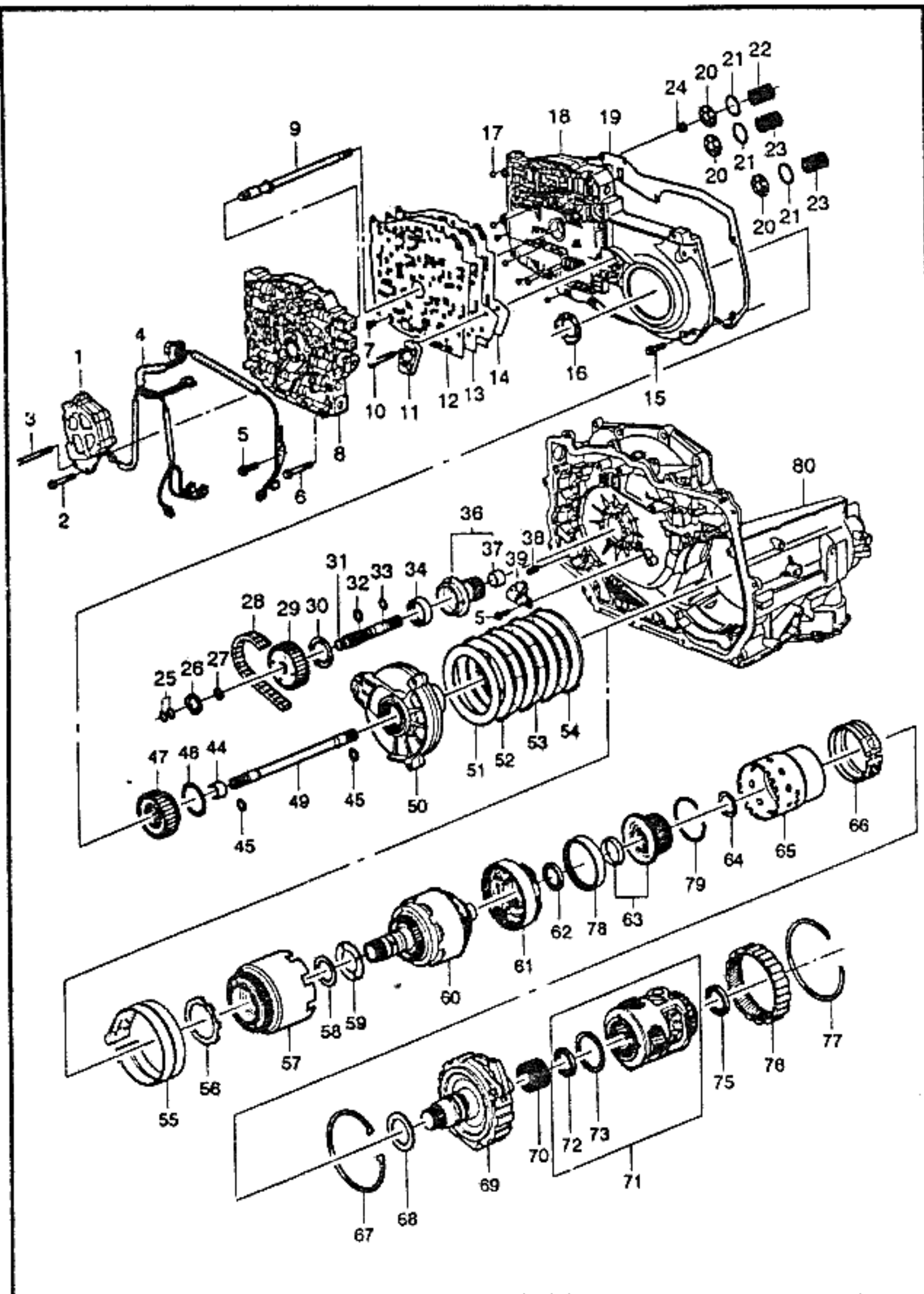


KEY NO.	PART NAME													
	PART NO	MODEL					OPTION	L / R	Q / T Y	EFFECTIVE DATE		REMARKS	P / C O D E	
		E N G	T / A	B O D Y	L E V E L					FROM	TO			
[20]	24210508	(E)PISTON-ACCUMULATOR (D)KOLBEN	.	A	B	B	B	O	O	O	(F)PISTON (S)PISTON	3		
[21]	24206623	(E)SEAL-ACCUM PISTON (D)DICHTUNG	.	A	B	B	B	O	O	O	(F)JOINT (S)SELLO	3		
[22]	08685241	(E)SPRING (D)FEDERUNG	.	A	B	B	B	O	O	O	(F)RESSORT (S)RESORTE	1		
[23]	08685240	(E)SPRING (D)FEDERUNG	.	A	B	B	B	O	O	O	(F)RESSORT (S)RESORTE	2		
[24]	24203557	(E)SEAL (D)DICHTUNG	.	A	B	B	B	O	O	O	(F)JOINT (S)SELLO	2		
[25]	08643068	(E)WASHER-THRUST (D)DICHTUNGSRING	.	A	B	B	B	O	O	O	(F)RONDELLE (S)ARANDELA	1		
[26]	08652868	(E)RING-SNAP (D)RING	.	A	B	B	B	O	O	O	(F)ANNEAU (S)ANILLO	1		
[27]	08631210	(E)LINK A-DRIVE (D)KETTE	.	A	B	B	B	O	O	O	(F)CHAINE (S)CADENA	1		
[28]	24200738	(E)SPROCKET-DRIVE (D)ZAHNKETTENRAD	.	A	B	B	B	O	O	O	(F)ENGRENAGE (S)RUEDA DE ESPIGAS	1		
ENG(ENGINE)		T/A(TRANSAXLE)			BODY TYPE									
Y = 1.5SOHC 6 = 1.6DOHC . = COMMON		M = MANUAL T/A A = AUTOMATIC T/A . = COMMON			4 N = 4 DOOR NOTCHBACK 3 H = 3 DOOR HATCHBACK 5 H = 5 DOOR HATCHBACK									



KEY NO.	PART NAME										REMARKS	P / CODE		
	PART NO	MODEL					OPTION	L / R	Q / T Y	EFFECTIVE DATE				
		E / N / G	T / A	BODY	LEVEL	S S S				FROM			TO	
24204709	. A B B B O O O										1	(F)RONDELLE (S)ARANDELA		
[30]	(E)WASHER-THRUST (D)DICHTUNGSRING													
08652841	. A B B B O O O										1	(F)ARBRE (S)EJE		
[31]	(E)SHAFT-TURBINE (D)SPINDEL													
08652382	. A B B B O O O										1	(F)JOINT (S)SELLO		
[32]	(E)SEAL-TURBINE SHAFT (D)DICHTUNG													
08637170	. A B B B O O O										1	(F)JOINT (S)SELLO		
[33]	(E)SEAL-TURBINE SHAFT (D)DICHTUNG													
08677453	. A B B B O O O										1	(F)ROULEMENT (S)COJINET		
[34]	(E)BEARING (D)KUGELLAGER													
24205179	. A B B B O O O										1	(F)SUPPORT (S)SOPORTE		
[36]	(E)SUPPORT A-DRIVEN SPROCKET (D)TRÄGER													
08685660	. A B B B O O O										1	(F)MANCHON (S)BUJE		
[37]	(E)BUSHING (D)LAGERFUTTER													
08628047	. A B B B O O O										1	(F)BROCHE (S)PASADOR		
[38]	(E)PIN-DOWEL (D)STIFT													
08685132	. A B B B O O O										4	(F)DETECTEUR (S)SENSOR		
[39]	(E)SENSOR-INPUT SPEED (D)SENSOR													
10456545	. A B B B O O O										1			

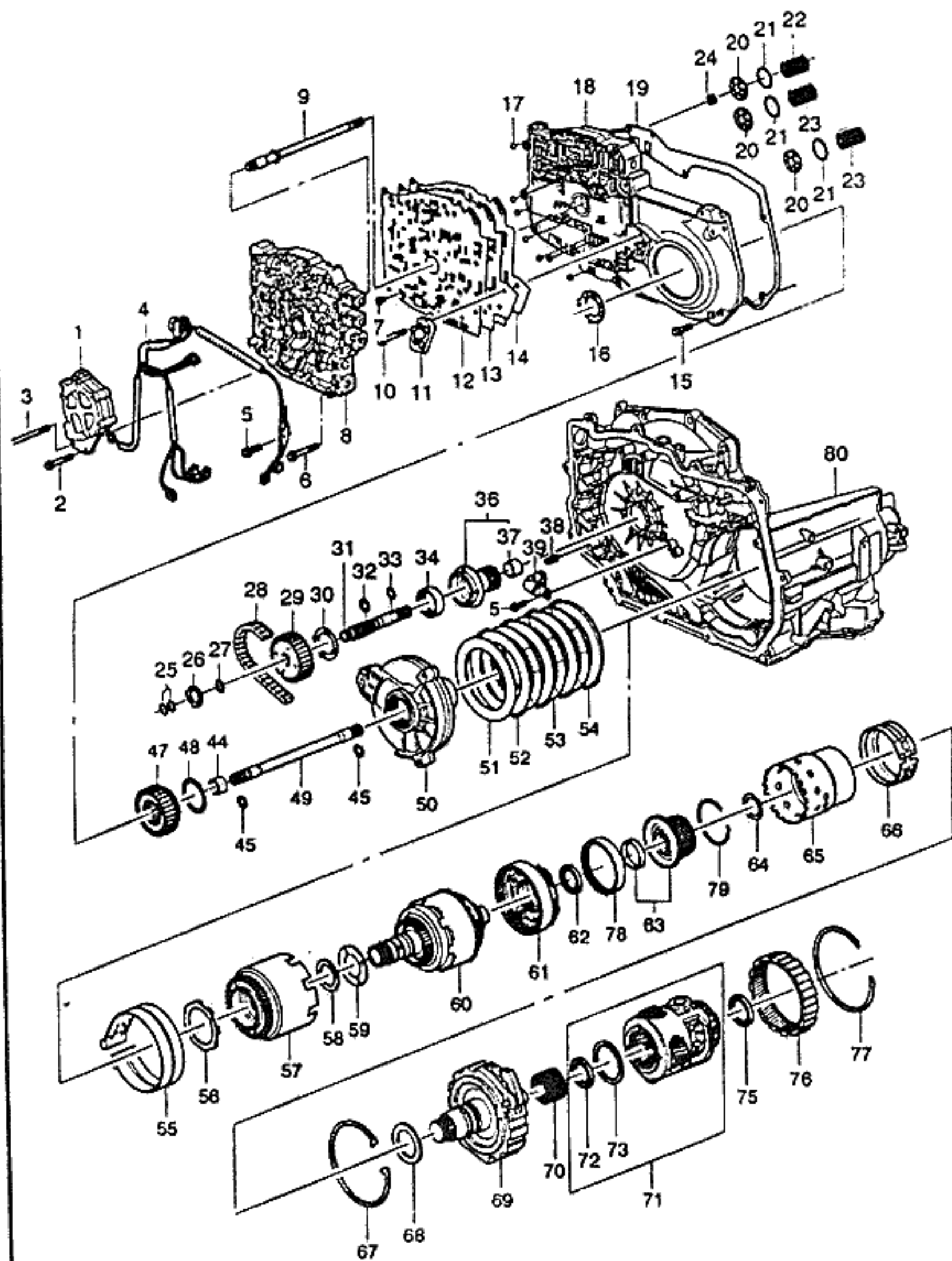
ENG(ENGINE)	T/A(TRANSAXLE)	BODY TYPE
Y = 1.5SOHC 6 = 1.6DOHC . = COMMON	M = MANUAL T/A A = AUTOMATIC T/A . = COMMON	4 N = 4 DOOR NOTCHBACK 3 H = 3 DOOR HATCHBACK 5 H = 5 DOOR HATCHBACK



I T C	KEY NO.	PART NAME							L / R	Q T Y	EFFECTIVE DATE		REMARKS	P / C O D E
	PART NO	MODEL				OPTION	FROM	TO						
		E N G	T / A	BODY 4 N H	LEVEL 3 5 S S									
	[44] 08684482	(E)SLEEVE-OUTPUT/STUB SHAFT (D)HÜLSE . A B B B O O O							(F)CHEMISE (S)MANGA 1					
	[45] 07829495	(E)RING-OUTPUT/STUB SHAFT (D)RING . A B B B O O O							(F)ANNEAU (S)ANILLO 2					
	[47] 24204714	(E)SPROCKET-DRIVEN (D)ZAHNKETTENRAD . A B B B O O O							(F)ENGRENAGE (S)RUEDA DE ESPIGAS 1					
	[48] 08637227	(E)WASHER-THRUST (D)DICHTUNGSRING . A B B B O O O							(F)RONDELLE (S)ARANDELA 1					
	[49] 24200733	(E)SHAFT-OUTPUT (D)SPINDEL . A B B B O O O							(F)ARBRE (S)EJE 1					
	[50]	REFER GROUP #3550												
	[51] 24200298	(E)PLATE-DISC CLUTCH (D)PLATTE,SCHEIBEN-KUPPLUNG . A B B B O O O							(F)PLAQUE-EMBAYAGE A DISQUE (S)PLACA-EMBRAGUE DISCO 1					
	[52] 24200790	(E)PLATE-DISC CLUTCH (D)PLATTE,SCHEIBEN-KUPPLUNG . A B B B O O O							(F)PLAQUE-EMBAYAGE A DISQUE (S)PLACA-EMBRAGUE DISCO 3					
	[53] 08684322	(E)PLATE-DISC CLUTCH (D)PLATTE,SCHEIBEN-KUPPLUNG . A B B B O O O							(F)PLAQUE-EMBAYAGE A DISQUE (S)PLACA-EMBRAGUE DISCO 3					
	[54]	(E)PLATE-DISC CLUTCH (D)PLATTE,SCHEIBEN-KUPPLUNG							(F)PLAQUE-EMBAYAGE A DISQUE (S)PLACA-EMBRAGUE DISCO					
		ENG(ENGINE)	T/A(TRANSAXLE)		BODY TYPE									
		Y = 1.5SOHC 6 = 1.6DOHC . = COMMON	M = MANUAL T/A A = AUTOMATIC T/A . = COMMON		4 N = 4 DOOR NOTCHBACK 3 H = 3 DOOR HATCHBACK 5 H = 5 DOOR HATCHBACK									

3521 INTERNAL POWER TRAIN PARTS

4J07

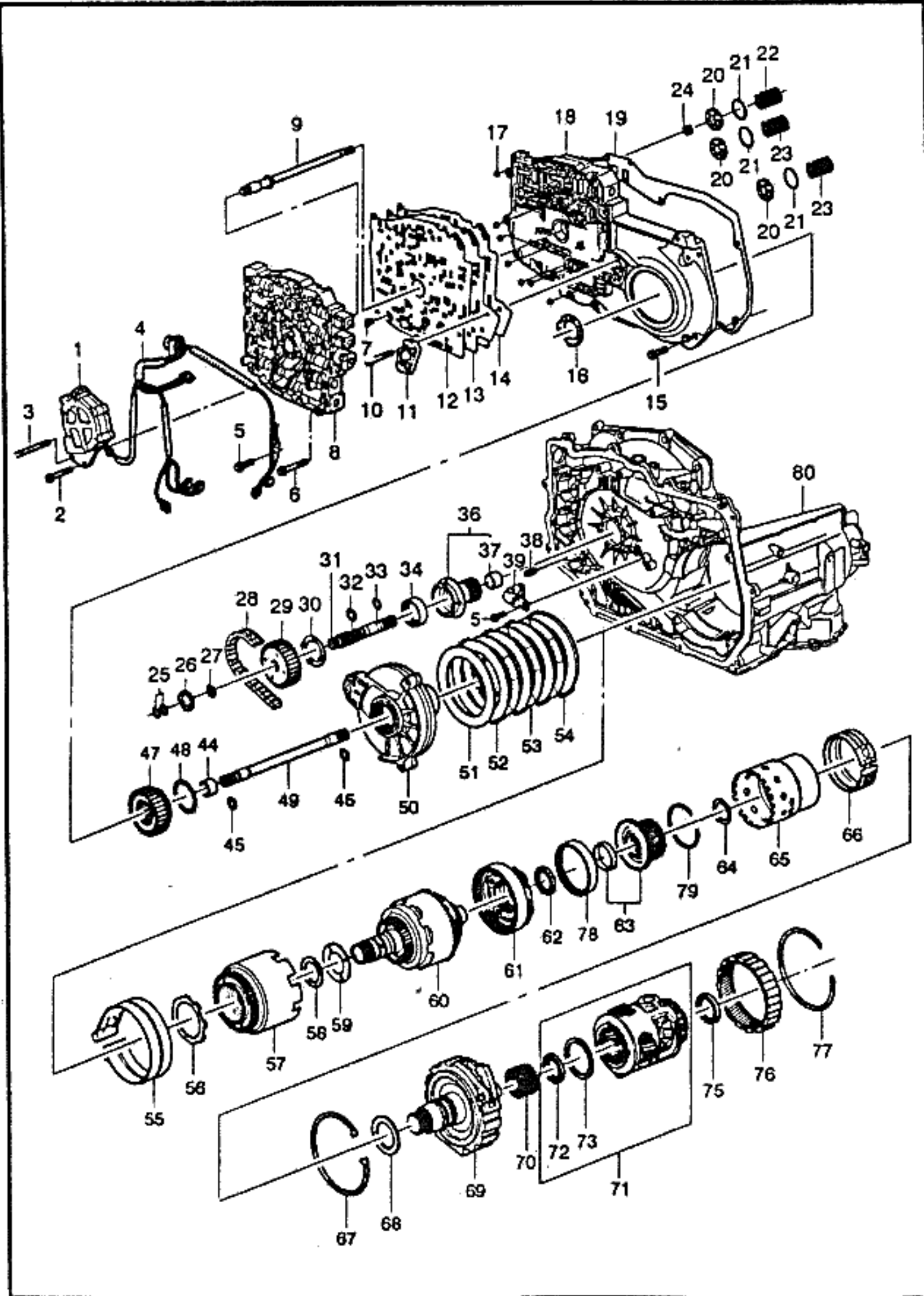


KEY NO.	PART NAME										REMARKS	P / CODE	
	PART NO	MODEL					OPTION	L / R	Q / T Y	EFFECTIVE DATE			
		E T N / G A	B O D Y	L E V E L	F R O M	T O							
08684324 [55]	. A B B B O O O	(E)BAND-INTERMEDIATE/4TH (D)BAND						1	(F)BANDE (S)BRIDA				
08684403 [56]	. A B B B O O O	(E)WASHER-THRUST (D)DICHTUNGSRING						1	(F)RONDELLE (S)ARANDELA				
08684259 [57]	. A B B B O O O							1					
[58]		REFER GROUP #3530 (E)BEARING-THRUST (D)KUGELLAGER							(F)ROULEMENT (S)COJINET				
24200249 [59]	. A B B B O O O	(E)WASHER-THRUST (SELECTIVE) (D)DICHTUNGSRING						1	(F)RONDELLE (S)ARANDELA				
08684469	. A B B B O O O							1		BROWN (SIZE 1.50-1.60)			
08684470	. A B B B O O O							1		GRAY (SIZE 1.79-1.89)			
08684471	. A B B B O O O							1		NATURAL (SIZE 2.09-2.19)			
08684472	. A B B B O O O							1		BLACK (SIZE 2.39-2.49)			
08684473	. A B B B O O O							1		ORANGE (SIZE 2.68-2.78)			
08684474	. A B B B O O O							1		VIOLET			

ENG(ENGINE)	T/A(TRANSAXLE)	BODY TYPE
Y = 1.5SOHC 6 = 1.6DOHC . = COMMON	M = MANUAL T/A A = AUTOMATIC T/A . = COMMON	4 N = 4 DOOR NOTCHBACK 3 H = 3 DOOR HATCHBACK 5 H = 5 DOOR HATCHBACK

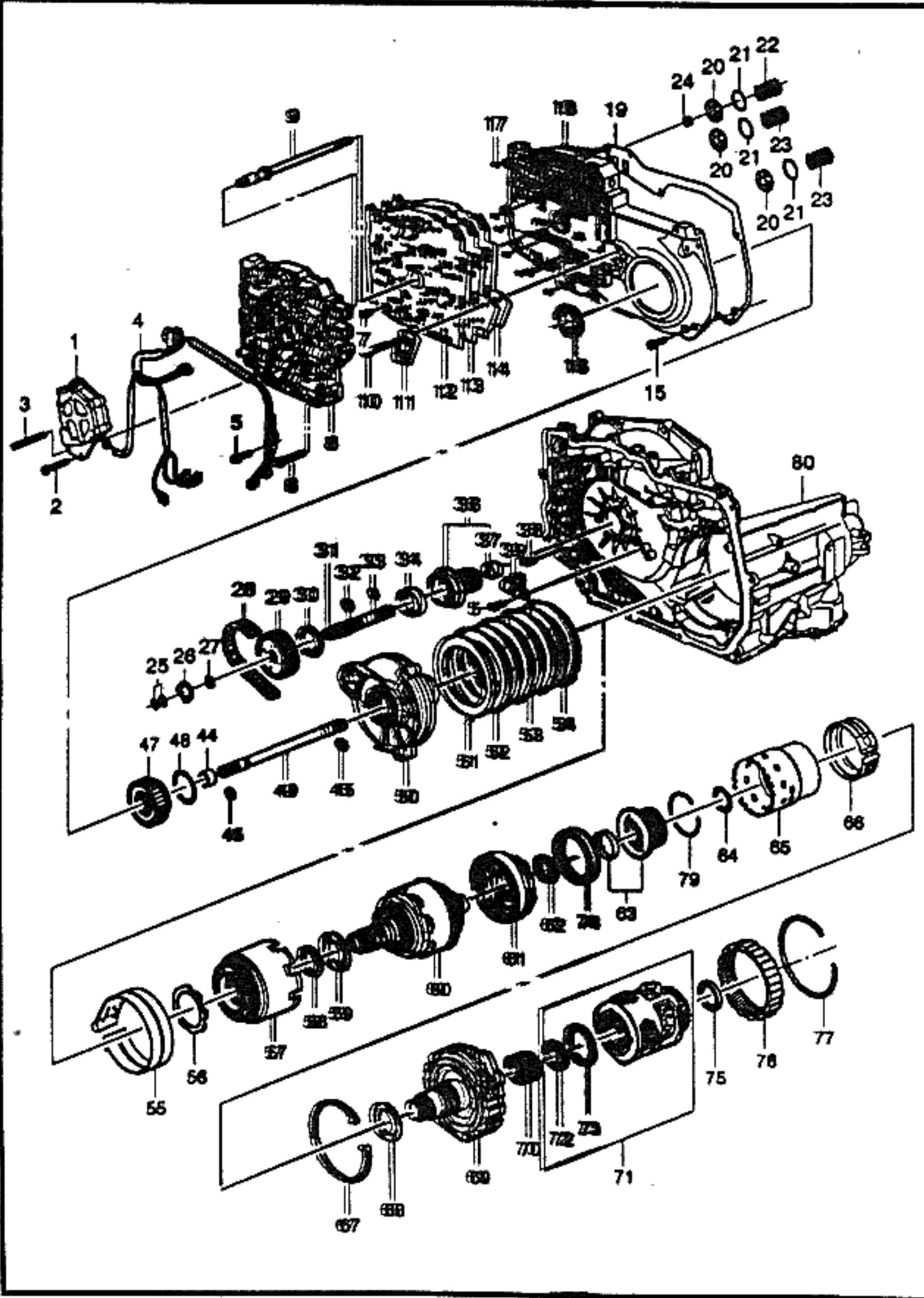
3521 INTERNAL POWER TRAIN PARTS

4K07



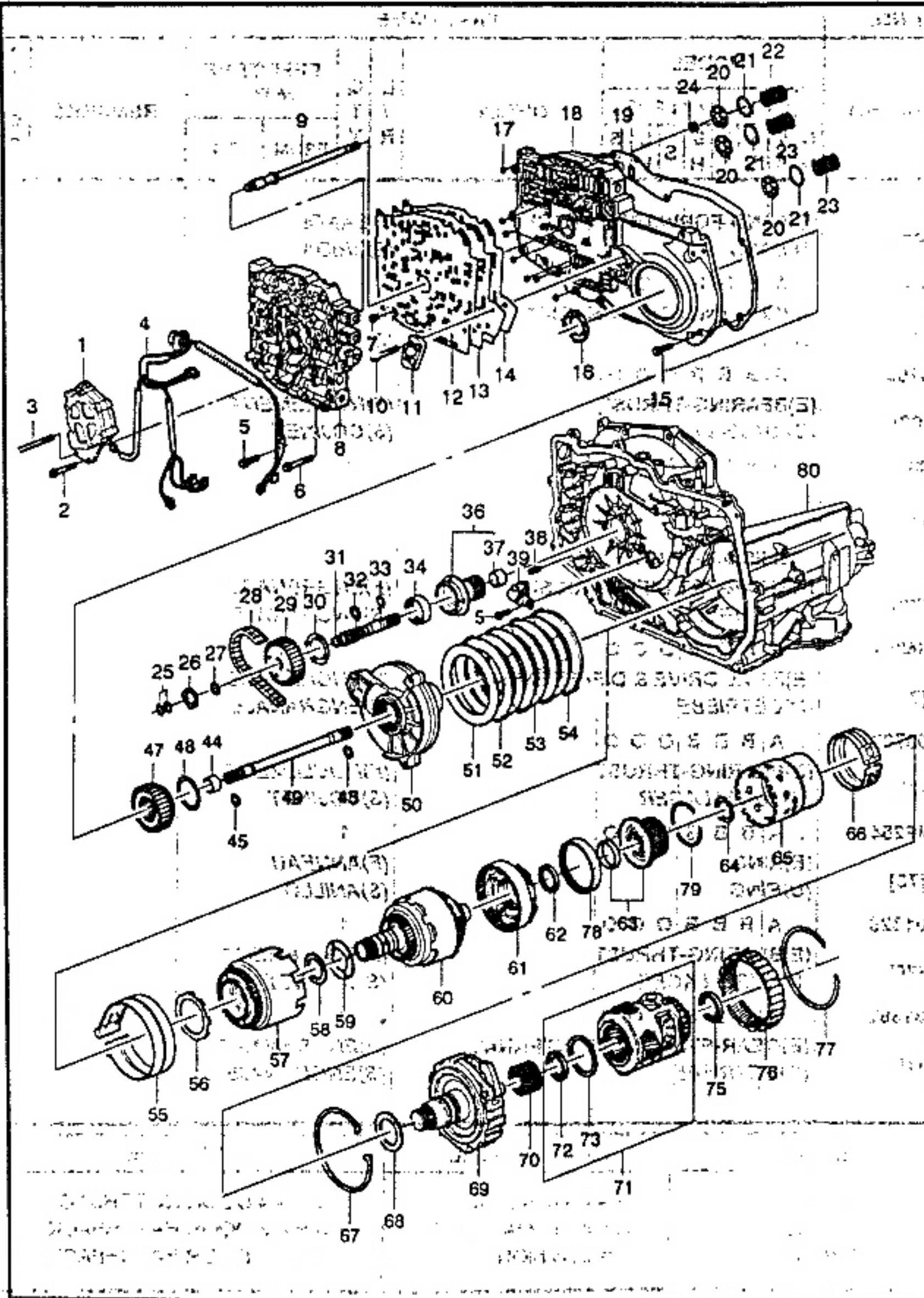
I T C	KEY NO.	PART NAME											REMARKS	P / C O D E				
		PART NO	MODEL					OPTION	L / R	Q T Y	EFFECTIVE DATE							
			E N G	T / A	B O D Y	L E V E L					FROM	TO						
		.	A	B	B	B	O	O	O	O								
	08684475	.	A	B	B	B	O	O	O	O			1				(SIZE2.98-3.08) YELLOW	
		.	A	B	B	B	O	O	O	O							(SIZE2.98-3.08) RED	
	08684476	.	A	B	B	B	O	O	O	O			1				(SIZE3.57-3.67) GREEN	
		.	A	B	B	B	O	O	O	O							(SIZE3.57-3.67) GREEN	
	08684477	.	A	B	B	B	O	O	O	O			1				(SIZE3.87-3.97)	
	[60]	REFER GROUP #3531																
	[61]	(E)CARRIER-INPUT(W/REACTION) (D)GETRIEBE											(F)ENGRENAGE (S)ENGRANAJE					
	24207008	.	A	B	B	B	O	O	O	O			1					
	[62]	(E)BEARING-THRUST (D)KUGELLAGER											(F)ROULEMENT (S)COJINET					
	08644206	.	A	B	B	B	O	O	O	O			1					
	[63]	(E)FLANGE-INPUT CARR (D)FLANSCH											(F)FLASQUE (S)PESTAÑA					
	24202220																	NOT APPLIED
	24202221	.	A	B	B	B	O	O	O	O			1					
	[64]	(E)WASHER-THRUST (D)DICHTUNGSRING											(F)RONDELLE (S)ARANDELA					
	08685039	.	A	B	B	B	O	O	O	O			1					
	[65]	REFER GROUP #3533																

ENG(ENGINE)	T/A(TRANSAXLE)	BODY TYPE
Y = 1.5SOHC 6 = 1.6DOHC . = COMMON	M = MANUAL T/A A = AUTOMATIC T/A . = COMMON	4 N = 4 DOOR NOTCHBACK 3 H = 3 DOOR HATCHBACK 5 H = 5 DOOR HATCHBACK



KEY NO.	PART NAME											
	PART NO	MODEL					OPTION	L / Q / R / Y	EFFECTIVE DATE		REMARKS	P / I / CODE
		E	T	BODY		LEVEL			FROM	TO		
N / G	A	4	3	5	S	S						
[66] 08651614	(E)BAND-FORWARD CLUTCH (D)BAND . A B B B O O O								(F)BANDE (S)BRIDA 1			
[67] 24201607	(E)RING-FWD CLUTCH SUPT (D)RING . A B B B O O O								(F)ANNEAU (S)ANILLO 1			
[68] 24200250	(E)BEARING-THRUST (D)KUGELLAGER . A B B B O O O								(F)ROULEMENT (S)COJINET 1			
[69]	REFER GROUP #3535											
[70] 08684311	(E)GEAR-FRT DIFF CARR SUN (D)GETRIEBE . A B B B O O O								(F)ENGRENAGE (S)ENGRANAJE 1			
[71] 24203709	(E)FINAL DRIVE & DIFFERENTIAL (D)GETRIEBE . A B B B O O O								(F)ENGRENAGE (S)ENGRANAJE 1			
[72] 08646254	(E)BEARING-THRUST (D)KUGELLAGER . A B B B O O O								(F)ROULEMENT (S)COJINET 1			
[73] 11501328	(E)RING (D)RING . A B B B O O O								(F)ANNEAU (S)ANILLO 1			
[75] 08631362	(E)BEARING-THRUST (D)KUGELLAGER . A B B B O O O								(F)ROULEMENT (S)COJINET 1			
[76]	(E)GEAR-FINAL DRIVE INTERNAL (D)GETRIEBE								(F)ENGRENAGE (S)ENGRANAJE			

ENG(ENGINE)	T/A(TRANSAXLE)	BODY TYPE
Y = 1.5SOHC 6 = 1.6DOHC . = COMMON	M = MANUAL T/A A = AUTOMATIC T/A . = COMMON	4 N = 4 DOOR NOTCHBACK 3 H = 3 DOOR HATCHBACK 5 H = 5 DOOR HATCHBACK

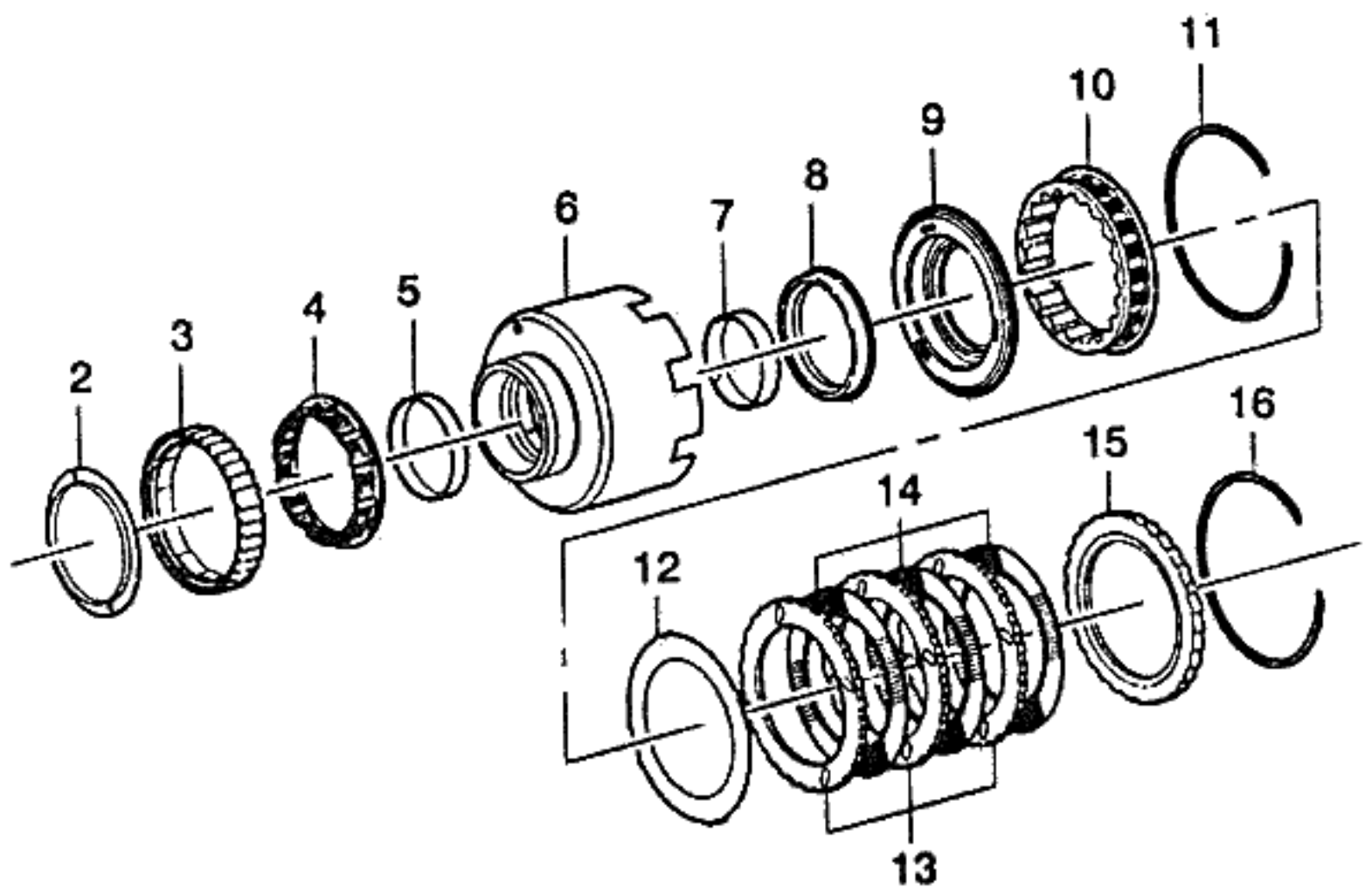


KEY NO.	PART NAME											
	PART NO	MODEL					OPTION	L / Q / R / T / Y	EFFECTIVE DATE		REMARKS	P / I / C / O / D / E
		E	T	BODY	LEVEL				FROM	TO		
24201608	. A B B B O O O	(E)RING-FRETTING										
[77]		(D)RING										
24201612	. A B B B O O O	(E)GEAR-INPUT										
[78]		(D)GETRIEBE										
08684574	. A B B B O O O	(E)RING-INPUT										
[79]		(D)RING										
24203619	. A B B B O O O	(E)CASE-TRANSAXLE										
[80]		(D)KASTEN										
24208101	. A B B B O O O											
0 24210088	. A B B B O O O											

ENG(ENGINE)	T/A(TRANSAXLE)	BODY TYPE
Y = 1.5SOHC 6 = 1.6DOHC = COMMON	M = MANUAL T/A A = AUTOMATIC T/A = COMMON	4 N = 4 DOOR NOTCHBACK 3 H = 3 DOOR HATCHBACK 5 H = 5 DOOR HATCHBACK

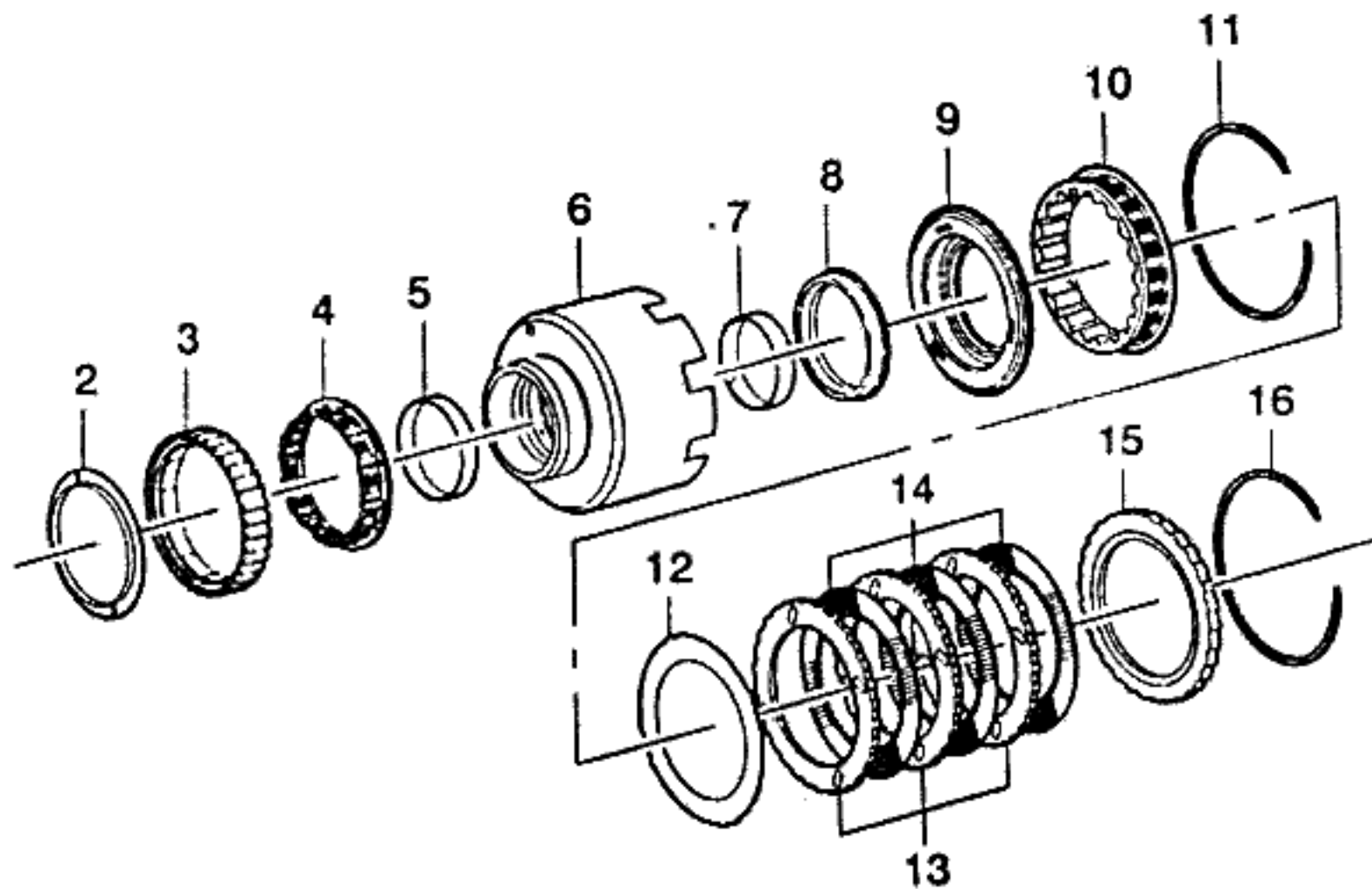
3530 REVERSE INPUT CLUTCH ASSEMBLY

4N07



I T C	KEY NO.		PART NAME										P I C O D E	
	PART NO	E N G	MODEL			OPTION	L / R	Q T Y	EFFECTIVE DATE		REMARKS			
			4 N	3 H	5 H				S S	S S		FROM		TO
[02]	24207224	.	A	B	B	B	O	O	O	O	(E)RETAINER-2ND ROLLER CLUTC (D)KLEMME,HALTERUNG	(F)ATTACHE-ARRETOIR (S)GRAPA-RETENEDOR	1	
[03]	08684671	.	A	B	B	B	O	O	O	O	(E)CAM-2ND ROLLER CLUTCH (D)NOCKE	(F)CAME (S)LEVA	1	
[04]	00930695	.	A	B	B	B	O	O	O	O	(E)CLUTCH-2ND ROLLER (D)KUPPLUNG	(F)EMBAYAGE (S)EMBRAGUE	1	
[05]	08684268	.	A	B	B	B	O	O	O	O	(E)BUSHING-REVERSE CLUTCH (D)LAGERFUTTER	(F)MANCHON (S)BUJE	1	
[06]	24207313	.	A	B	B	B	O	O	O	O	(E)HOUSING-REVERSE CLUTCH (D)GEHÄUSE	(F)LOGEMENT (S)CARCASA	1	NOT APPLIED
[07]	24204545	.	A	B	B	B	O	O	O	O	(E)BUSHING-REVERSE CLUTCH (D)LAGERFUTTER	(F)MANCHON (S)BUJE	1	
[08]	08684269	.	A	B	B	B	O	O	O	O	(E)SEAL (D)DICHTUNG	(F)JOINT (S)SELLO	1	
[09]	24205041	.	A	B	B	B	O	O	O	O	(E)PISTON A-REVERSE CLUTCH (D)KOLBEN	(F)PISTON (S)PISTON	1	
[10]	24205040	.	A	B	B	B	O	O	O	O	(E)SPRING & RETAINER (D)FEDERUNG	(F)RESSORT (S)RESORTE	1	
	24200758	.	A	B	B	B	O	O	O	O			1	

ENG(ENGINE)	T/A(TRANSAXLE)	BODY TYPE
Y = 1.5SOHC 6 = 1.6DOHC . = COMMON	M = MANUAL T/A A = AUTOMATIC T/A . = COMMON	4 N = 4 DOOR NOTCHBACK 3 H = 3 DOOR HATCHBACK 5 H = 5 DOOR HATCHBACK



KEY NO.	PART NAME										REMARKS	P / CODE	
	PART NO	MODEL					OPTION	L / R	QTY	EFFECTIVE DATE			
		E	T	BODY						LEVEL			FROM
N / G	A	4	3	5	H	S	S	S	X				
[11] 08684283	(E)RING-SNAP (D)RING . A B B B O O O										(F)ANNEAU (S)ANILLO 1		
[12] 24200466	(E)PLATE-REVERSE CLUTCH(WAVE) (D)PLATTE,SCHIEBEN-KUPPLUNG . A B B B O O O										(F)PLAQUE-EMBAYAGE A DISQUE (S)PLACA-EMBAYAGE DISCO 1		
[13] 24207081	(E)PLATE-REV.CLUTCH (STEEL) (D)PLATTE,SCHIEBEN-KUPPLUNG . A B B B O O O										(F)PLAQUE-EMBAYAGE A DISQUE (S)PLACA-EMBAYAGE DISCO 3		
[14] 08684266	(E)PLATE-REV.CLUTCH (FIBER) (D)PLATTE,SCHIEBEN-KUPPLUNG . A B B B O O O										(F)PLAQUE-EMBAYAGE A DISQUE (S)PLACA-EMBAYAGE DISCO 3		
[15] 24200950	(E)PLATE-REV.CLUTCH(BACK'G,A) (D)PLATTE,SCHIEBEN-KUPPLUNG . A B B B O O O										(F)PLAQUE-EMBAYAGE A DISQUE (S)PLACA-EMBAYAGE DISCO 1	SELECTIVE	
24200756	. A B B B O O O										1	SELECTIVE	
24200951	. A B B B O O O										1	SELECTIVE	
[16] 24200754	(E)RING-SNAP (D)RING . A B B B O O O										(F)ANNEAU (S)ANILLO 1		

ENG(ENGINE)

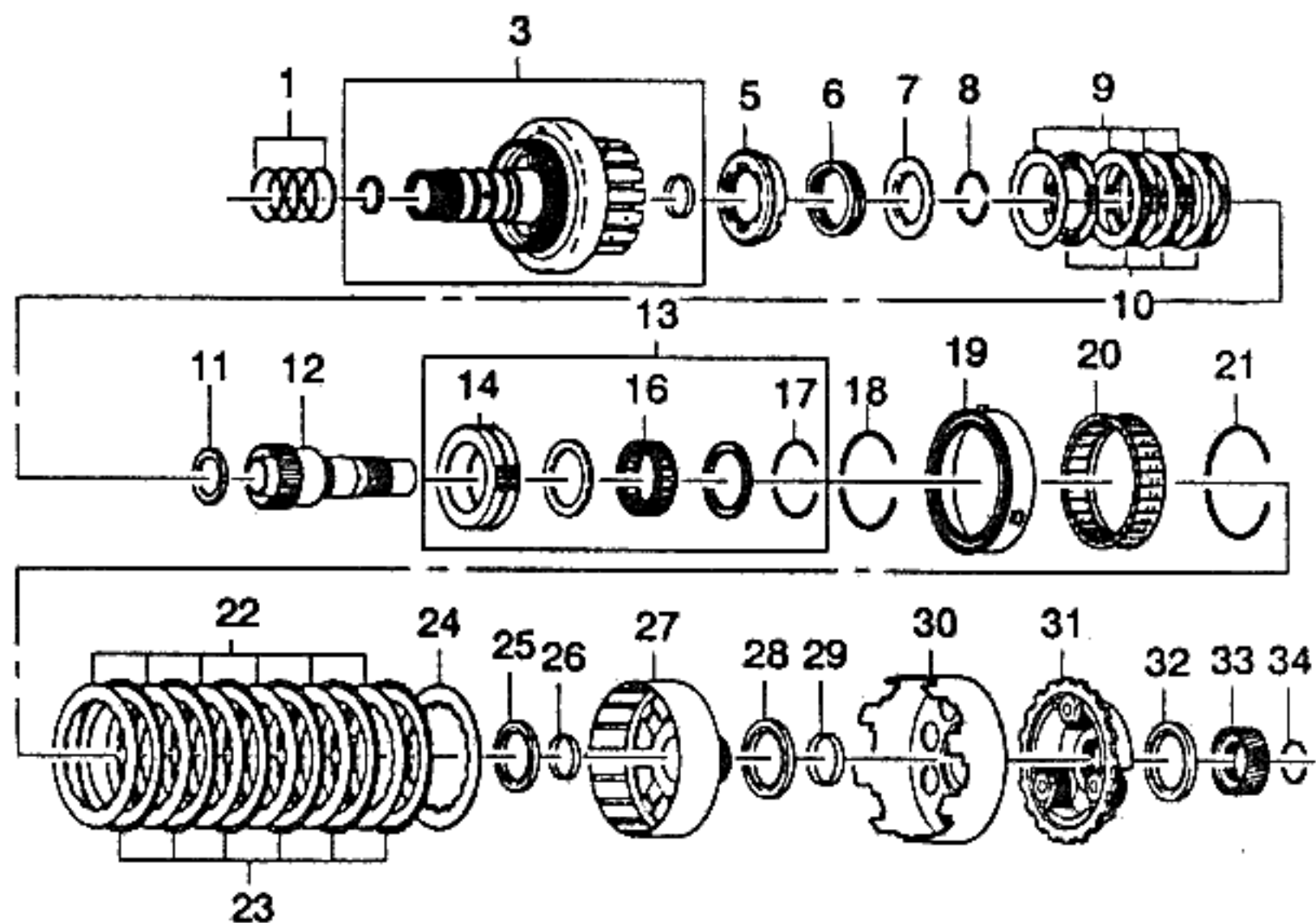
T/A(TRANSAXLE)

BODY TYPE

Y = 1.5SOHC
G = 1.6DOHC
. = COMMON

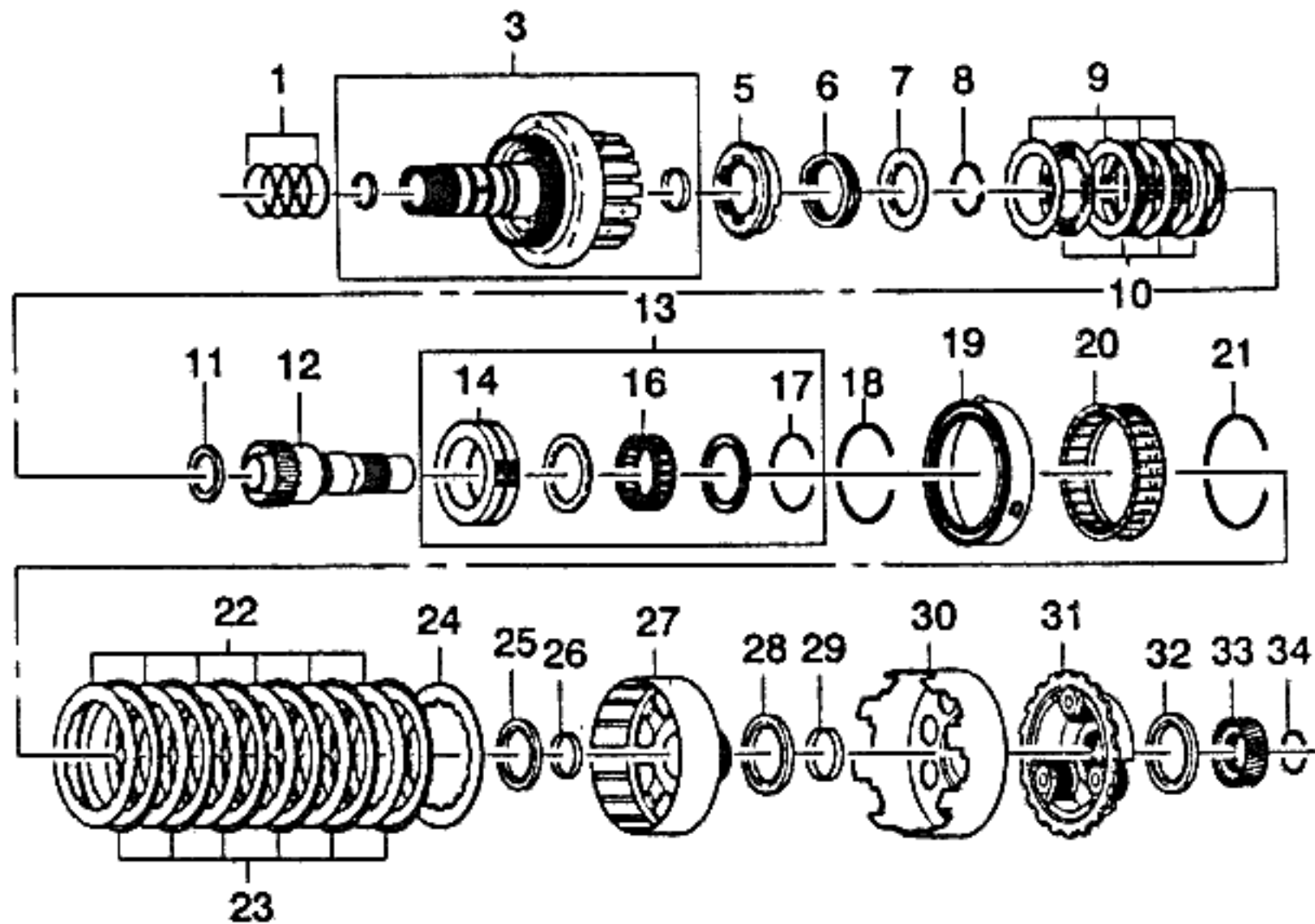
M = MANUAL T/A
A = AUTOMATIC T/A
. = COMMON

4 N = 4 DOOR NOTCHBACK
3 H = 3 DOOR HATCHBACK
5 H = 5 DOOR HATCHBACK



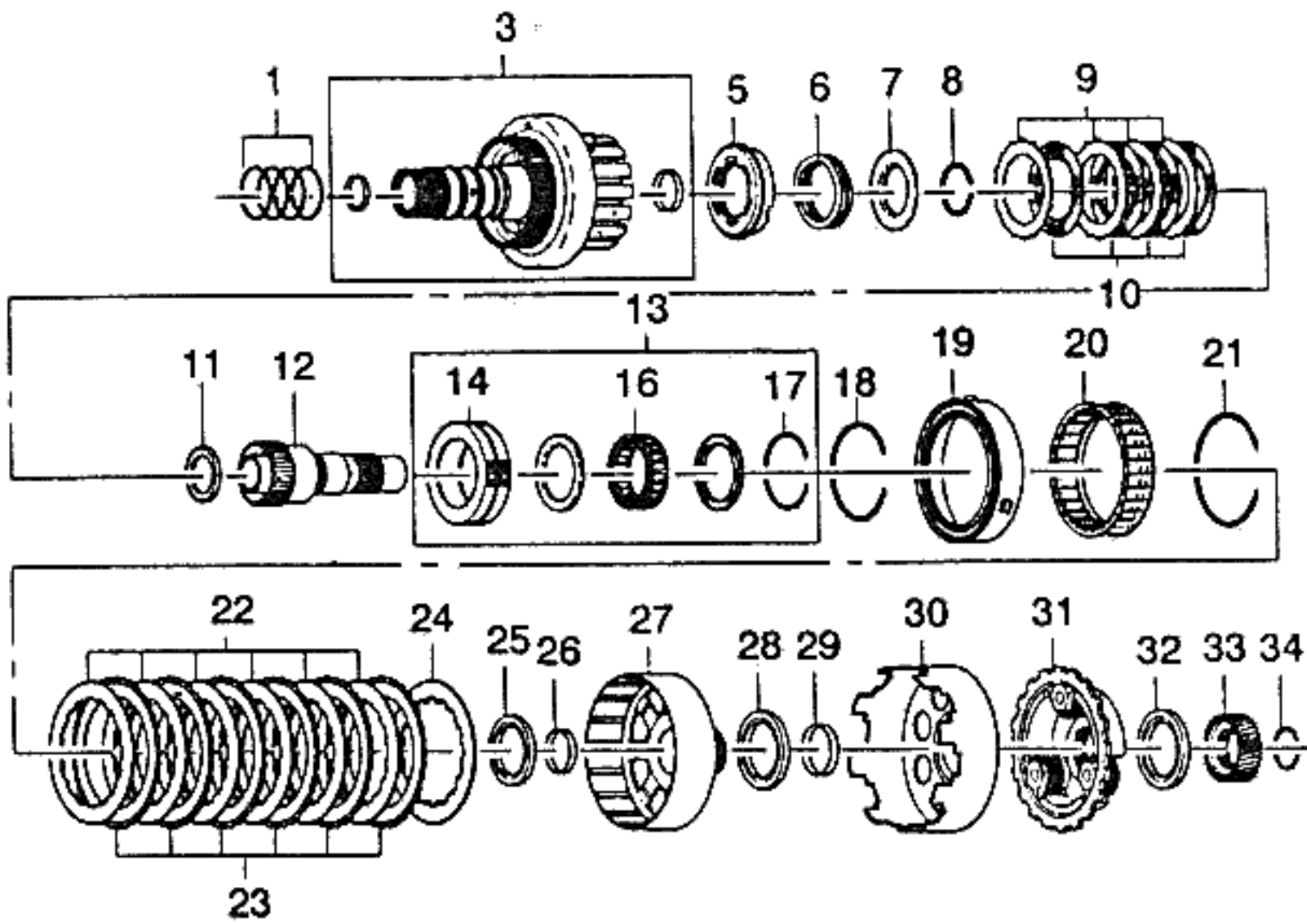
I T C	KEY NO.	PART NAME										P I C O D E		
		PART NO	MODEL					OPTION	L / R	Q T Y	EFFECTIVE DATE		REMARKS	
			E T N / G A	B O D Y	L E V E L	FROM	TO							
	[01]	(E)RING-SEAL (D)RING,DICHTUNG									(F)ANNEAU-JOINT (S)ANILLO-SELLO			
	08684272	. A B B B O O O									4			
	[03]	(E)HOUSING-DIRECT&COAST CLUT (D)GEHÄUSE									(F)LOGEMENT (S)CARCASA			
	24209113	. A B B B O O O									1			
	[05]	(E)PISTON-COAST CLUTCH (D)KOLBEN									(F)PISTON (S)PISTON			
	24205043	. A B B B O O O									1			
	[06]	(E)SPRING (D)FEDERUNG									(F)RESSORT (S)RESORTE			
	24204448	. A B B B O O O									1			
	[07]	(E)RETAINER (D)KLEMME,HALTERUNG									(F)ATTACHE-ARRETOIR (S)GRAPA-RETENEDOR			
	08684277	. A B B B O O O									1			
	[08]	(E)RING-COAST CLUTCH SPRING (D)RING									(F)ANNEAU (S)ANILLO			
	08684278	. A B B B O O O									1			
	[09]	(E)PLATE-COAST CLUTCH (STEEL (D)PLATTE,SCHEIBEN-KUPPLUNG									(F)PLAQUE-EMBRAYAGE A DISQUE (S)PLACA-EMBRAGUE DISCO			
	08685874	. A B B B O O O									4			
	[10]	(E)PLATE-COAST CLUTCH (FIBER (D)PLATTE,SCHEIBEN-KUPPLUNG									(F)PLAQUE-EMBRAYAGE A DISQUE (S)PLACA-EMBRAGUE DISCO			
	08684282	. A B B B O O O									4			
	[11]	(E)BEARING-THRUST (D)KUGELLAGER									(F)ROULEMENT (S)COJINET			
	24200249	. A B B B O O O									1			
	[12]	(E)SHAFT A-INPUT SUN GEAR (D)SPINDEL									(F)ARBRE (S)EJE			

ENG(ENGINE)	T/A(TRANSAXLE)	BODY TYPE
Y = 1.5SOHC 6 = 1.6DOHC . = COMMON	M = MANUAL T/A A = AUTOMATIC T/A . = COMMON	4 N = 4 DOOR NOTCHBACK 3 H = 3 DOOR HATCHBACK 5 H = 5 DOOR HATCHBACK



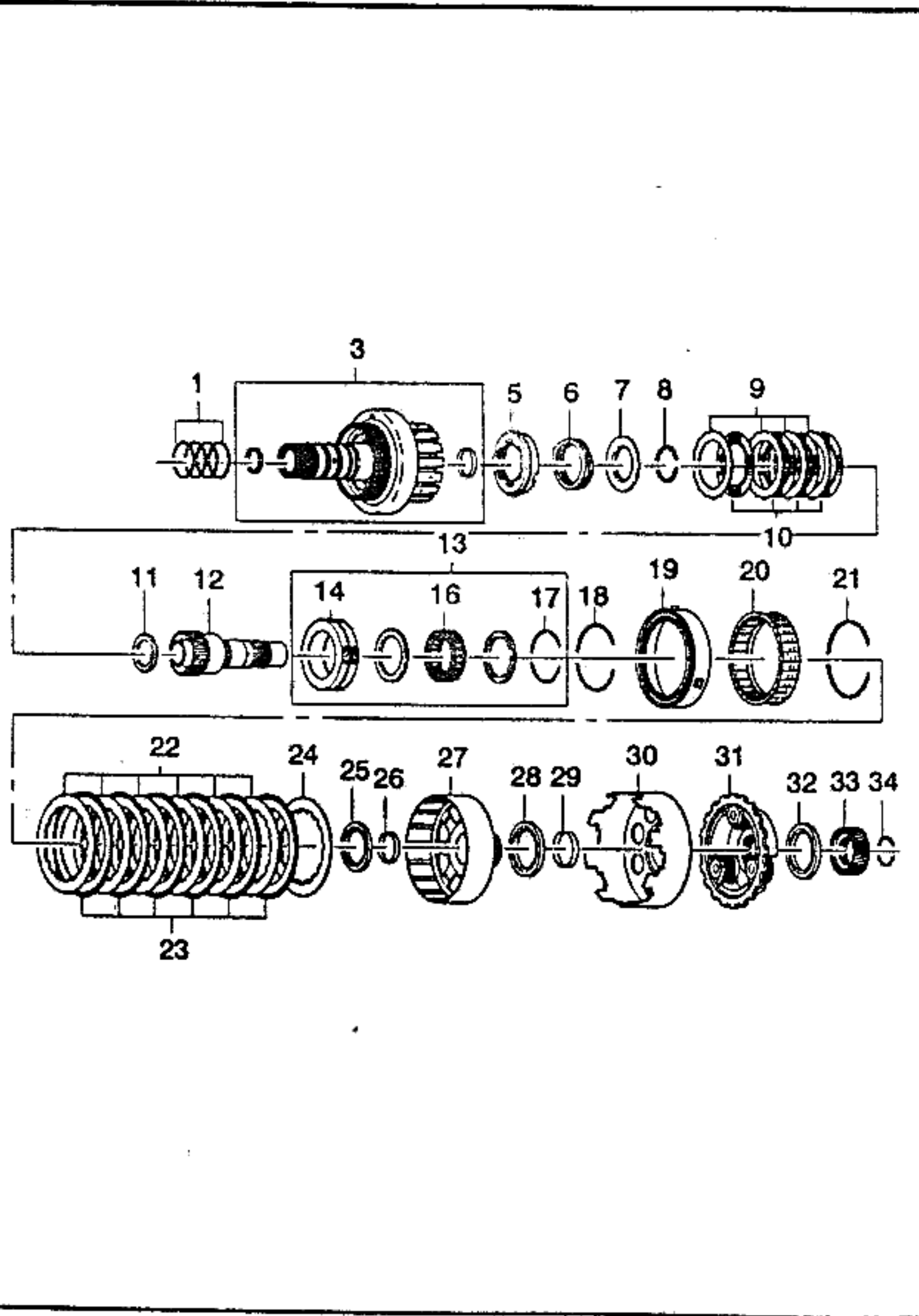
KEY NO.	PART NAME													
	PART NO	MODEL						OPTION	L / R	QTY	EFFECTIVE DATE	REMARKS	P / CODE	
		E	T	BODY			LEVEL							FROM
N	G	4	3	5	S	S	S							
24203613	[13]	.	A	B	B	B	O	O	O		1	(F)RACE A-OTR(INPUT SPRAG) (D)GLEITBAHN	(F)CAGE (S)CARRERA	
24203616	[14]	.	A	B	B	B	O	O	O		1	(E)RACE-OTR(INPUT SPRAG) (D)GLEITBAHN	(F)CAGE (S)CARRERA	
24200497	[16]	.	A	B	B	B	O	O	O		1	(E)SPRAG-INPUT CLUTCH (D)KUPPLUNG,EINWEG	(F)EMBRAYAGE-SENS UNIQUE (S)EMBRAGUE-1 DIRECCION	
24203617	[17]	.	A	B	B	B	O	O	O		1	(E)RING-SNAP (D)RING	(F)ANNEAU (S)ANILLO	
08658889	[18]	.	A	B	B	B	O	O	O		1	(E)RING-SNAP (D)RING	(F)ANNEAU (S)ANILLO	
08685878	[19]	.	A	B	B	B	O	O	O		1	(E)PISTON A-DIRECT CLUTCH (D)KOLBEN	(F)PISTON (S)PISTON	
24205044	[20]	.	A	B	B	B	O	O	O		1	(E)SPRING A-DIRECT CLUTCH (D)FEDERUNG	(F)RESSORT (S)RESORTE	
08684610	[21]	.	A	B	B	B	O	O	O		1	(E)RING-DIRECT CLUTCH SPRING (D)RING	(F)ANNEAU (S)ANILLO	
08684280	[22]	.	A	B	B	B	O	O	O		1	(E)PLATE-DIRECT CLUTCH(STEEL) (D)PLATTE,SCHEIBEN-KUPPLUNG	(F)PLAQUE-EMBRAYAGE A DISQUE (S)PLACA-EMBRAGUE DISCO	
08685879		.	A	B	B	B	O	O	O		8			

ENG(ENGINE)	T/A(TRANSAXLE)	BODY TYPE
Y = 1.5SOHC 6 = 1.6DOHC . = COMMON	M = MANUAL T/A A = AUTOMATIC T/A . = COMMON	4 N = 4 DOOR NOTCHBACK 3 H = 3 DOOR HATCHBACK 5 H = 5 DOOR HATCHBACK



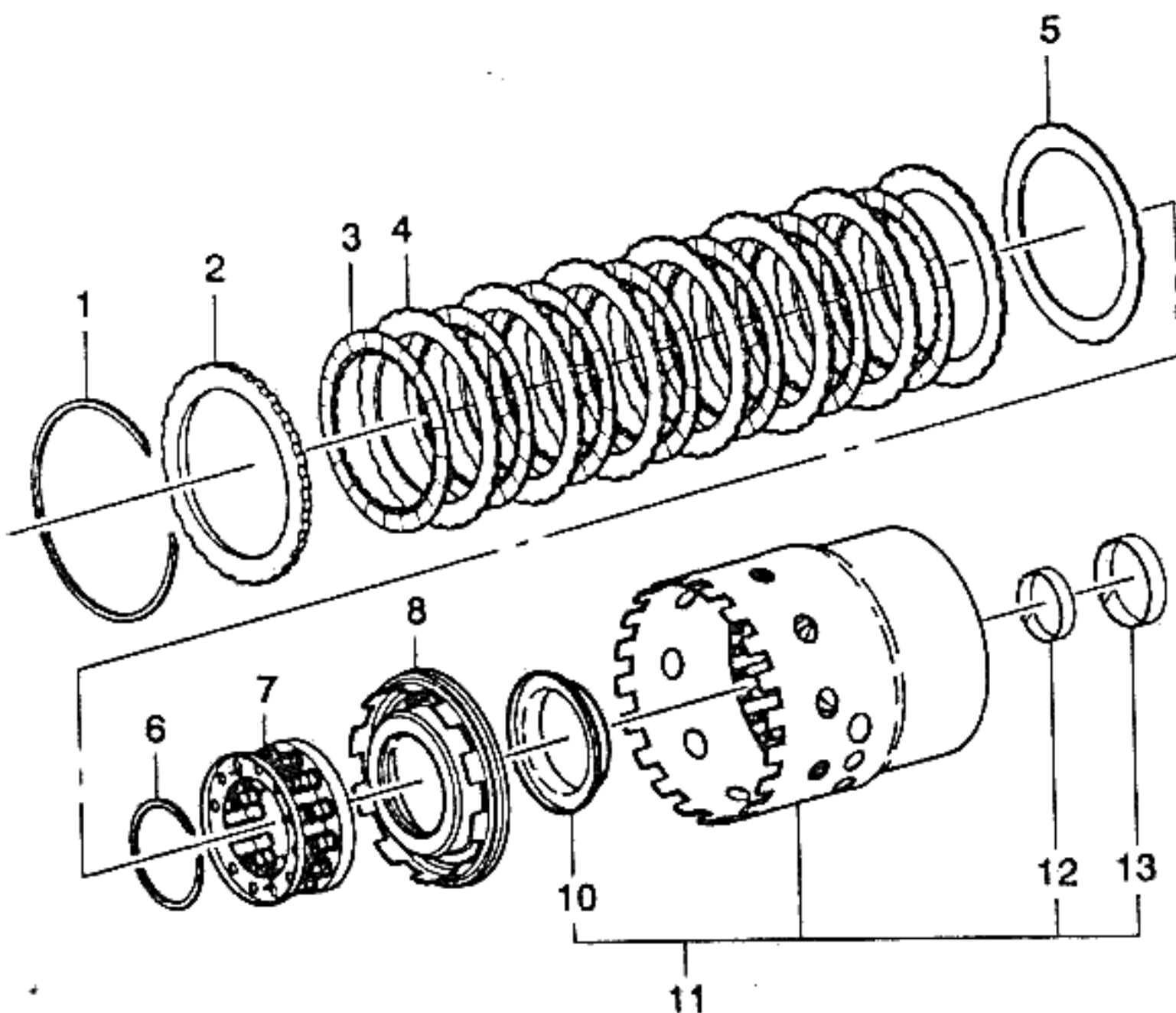
KEY NO.	PART NAME												
	PART NO	MODEL						OPTION	L / Q R T Y	EFFECTIVE DATE		REMARKS	P / C O D E
		E N G	T / A	BODY	LEVEL					FROM	TO		
		4 N	3 H	5 H	S S	S S							
[23] 08684415	(E)PLATE-DIRECT CLUTCH(FIBER (D)PLATTE,SCHEIBEN-KUPPLUNG . A B B B O O O							(F)PLAQUE-EMBRAYAGE A DISQUE (S)PLACA-EMBRAGUE DISCO 4					
[24] 08685875	(E)PLATE-DIRECT CLUTCH(BACK' (D)PLATTE,SCHEIBEN-KUPPLUNG . A B B B O O O							(F)PLAQUE-EMBRAYAGE A DISQUE (S)PLACA-EMBRAGUE DISCO 1					
[25] 24200248	(E)BEARING-THRUST (D)KUGELLAGER . A B B B O O O							(F)ROULEMENT (S)COJINET 1					
[26] 08684589	(E)BUSHING-REACTION CARR.SHF (D)LAGERFUTTER . A B B B O O O							(F)MANCHON (S)BUJE 1					
[27] 24202267	(E)SHELL-REACTION CARR.SHAFT (D)GEHÄUSE . A B B B O O O							(F)ENVELOPPE (S)CAPARAZON 1					
[28] 24200251	(E)BEARING-THRUST (D)KUGELLAGER . A B B B O O O							(F)ROULEMENT (S)COJINET 1					
[29] 08684586	(E)BUSHING-REACTION SUN GEAR (D)LAGERFUTTER . A B B B O O O							(F)MANCHON (S)BUJE 1					
[30] 24202271	(E)SHELL-REACTION SUN GEAR (D)GEHÄUSE . A B B B O O O							(F)ENVELOPPE (S)CAPARAZON 1					
[31] 24208584	(E)CARRIER A-REACTION (D)GETRIEBE . A B B B O O O							(F)ENGRENAGE (S)ENGRANAJE 1					
[32]	(E)BEARING-THRUST (D)KUGELLAGER							(F)ROULEMENT (S)COJINET					

ENG(ENGINE)	T/A(TRANSAXLE)	BODY TYPE
Y = 1.5SOHC 6 = 1.6DOHC . = COMMON	M = MANUAL T/A A = AUTOMATIC T/A . = COMMON	4 N = 4 DOOR NOTCHBACK 3 H = 3 DOOR HATCHBACK 5 H = 5 DOOR HATCHBACK



KEY NO.		PART NAME														
I T C	PART NO	MODEL						OPTION	L / R	Q T Y	EFFECTIVE DATE		REMARKS	P / C O D E		
		E N / G	T A	BODY			LEVEL				FROM	TO				
				4 N	3 H	5 H	S								S E	S X
	24200252	.	A	B	B	B	O	O	O	O		1				
	[33]												(F)ENGRENAGE (S)ENGRANAJE			
	08684581	.	A	B	B	B	O	O	O	O		1				
	[34]												(F)ANNEAU (S)ANILLO			
	08684580	.	A	B	B	B	O	O	O	O		1				

ENG(ENGINE)	T/A(TRANSAXLE)	BODY TYPE
Y = 1.5SOHC 6 = 1.6DOHC . = COMMON	M = MANUAL T/A A = AUTOMATIC T/A . = COMMON	4 N = 4 DOOR NOTCHBACK 3 H = 3 DOOR HATCHBACK 5 H = 5 DOOR HATCHBACK

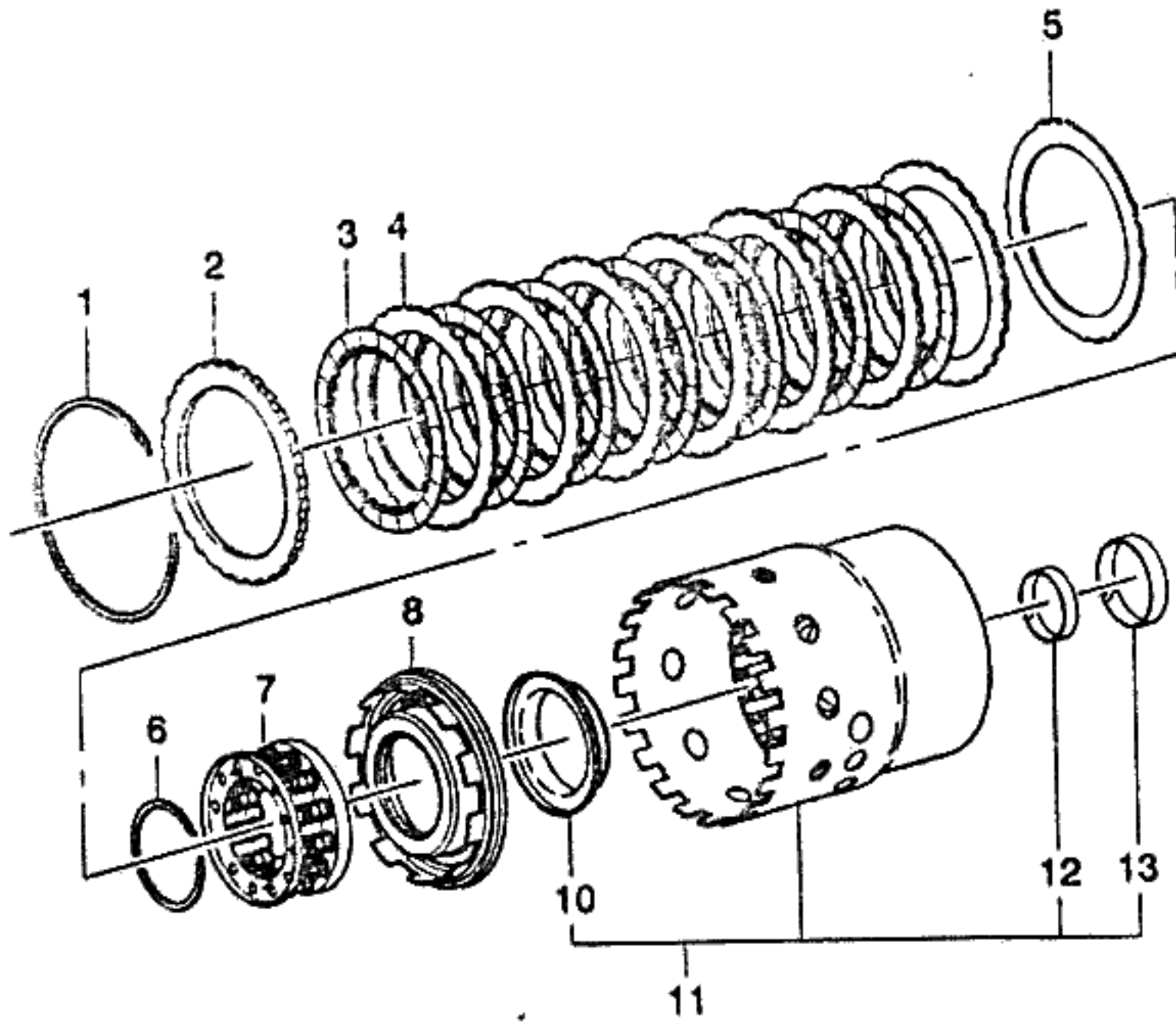


I T C	KEY NO.		PART NAME										P / C O D E
	PART NO	E T N / G	MODEL			OPTION	L / R	Q T Y	EFFECTIVE DATE		REMARKS		
			4 N	3 H	5 H				S S	S S		S S	
	[01]		(E)RING-SNAP (D)RING									(F)ANNEAU (S)ANILLO	
	08684893		. A B B B O O O									1	
	[02]		(E)PLATE-FWD CLUTCH(BACK'G) (D)PLATTE,SCHEIBEN-KUPPLUNG									(F)PLAQUE-EMBRAYAGE A DISQUE (S)PLACA-EMBREGUE DISCO	
	24200595		. A B B B O O O									1	
	[03]		(E)PLATE-FWD CLUTCH(FIBER) (D)PLATTE,SCHEIBEN-KUPPLUNG									(F)PLAQUE-EMBRAYAGE A DISQUE (S)PLACA-EMBREGUE DISCO	
	08684445		. A B B B O O O									7	
	[04]		(E)PLATE-FWD CLUTCH(STEEL) (D)PLATTE,SCHEIBEN-KUPPLUNG									(F)PLAQUE-EMBRAYAGE A DISQUE (S)PLACA-EMBREGUE DISCO	
	08684444		. A B B B O O O									7	
	[05]		(E)PLATE-FWD CLUTCH(WAVED) (D)PLATTE,SCHEIBEN-KUPPLUNG									(F)PLAQUE-EMBRAYAGE A DISQUE (S)PLACA-EMBREGUE DISCO	
	24200467		. A B B B O O O									1	
	[06]		(E)RING-SNAP (D)RING									(F)ANNEAU (S)ANILLO	
	08684443		. A B B B O O O									1	
	[07]		(E)SPRING (D)FEDERUNG									(F)RESSORT (S)RESORTE	
	08684712		. A B B B O O O									1	
Y	24208652		. A B B B O O O									1	
	[08]		(E)PISTON A-FWD CLUTCH (D)KOLBEN									(F)PISTON (S)PISTON	
	24208641		. A B B B O O O									1	
	[10]		(E)SEAL & SLEEVE A (D)DICHTUNG									(F)JOINT (S)SELLO	
	24208642		. A B B B O O O									1	

ENG(ENGINE)	T/A(TRANSAXLE)	BODY TYPE
Y = 1.5SOHC 6 = 1.6DOHC . = COMMON	M = MANUAL T/A A = AUTOMATIC T/A . = COMMON	4 N = 4 DOOR NOTCHBACK 3 H = 3 DOOR HATCHBACK 5 H = 5 DOOR HATCHBACK

3533 FORWARD CLUTCH ASSEMBLY

4H08

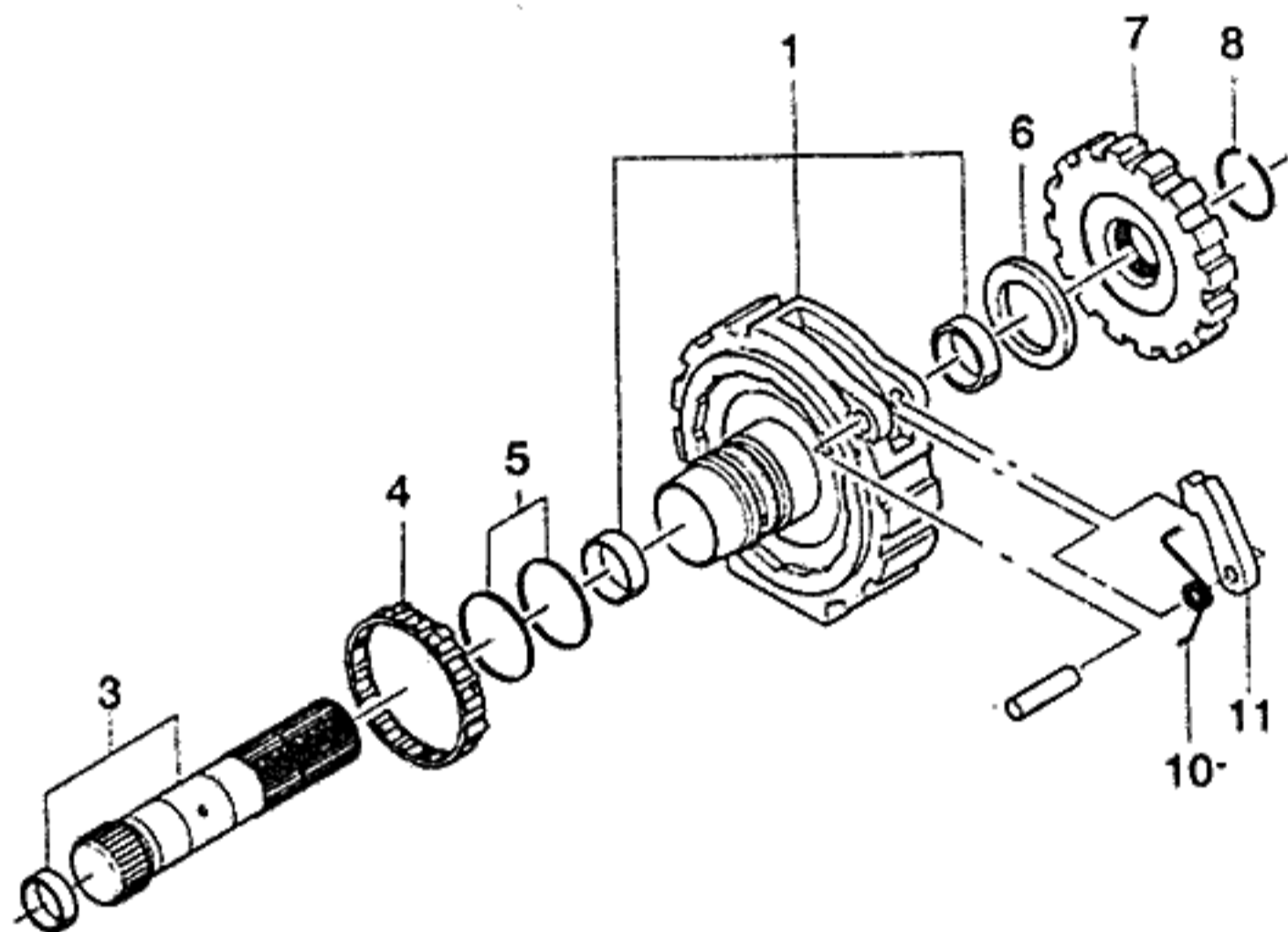


KEY NO.		PART NAME											
I T C	PART NO	MODEL			OPTION	L / R	Q T Y	EFFECTIVE DATE		REMARKS	P I C O D E		
		E	T	BODY				LEVEL	FROM			TO	
		N / G	A	4 N H				3 H	5 H			S S	S S
	[11] 24208640	(E)HOUSING-FWD CLUTCH (D)GEHÄUSE								(F)LOGEMENT (S)CARGASA	1		
	[12] 08684390	(E)BUSHING (D)LAGERFUTTER								(F)MANCHON (S)BUJE	1		
	[13] 08684389	(E)BUSHING (D)LAGERFUTTER								(F)MANCHON (S)BUJE	1		

ENG(ENGINE)	T/A(TRANSAXLE)	BODY TYPE
Y = 1.5SOHC 6 = 1.6DOHC . = COMMON	M = MANUAL T/A A = AUTOMATIC T/A . = COMMON	4 N = 4 DOOR NOTCHBACK 3 H = 3 DOOR HATCHBACK 5 H = 5 DOOR HATCHBACK

3535 FORWARD CLUTCH SUPPORT ASSEMBLY

4J08

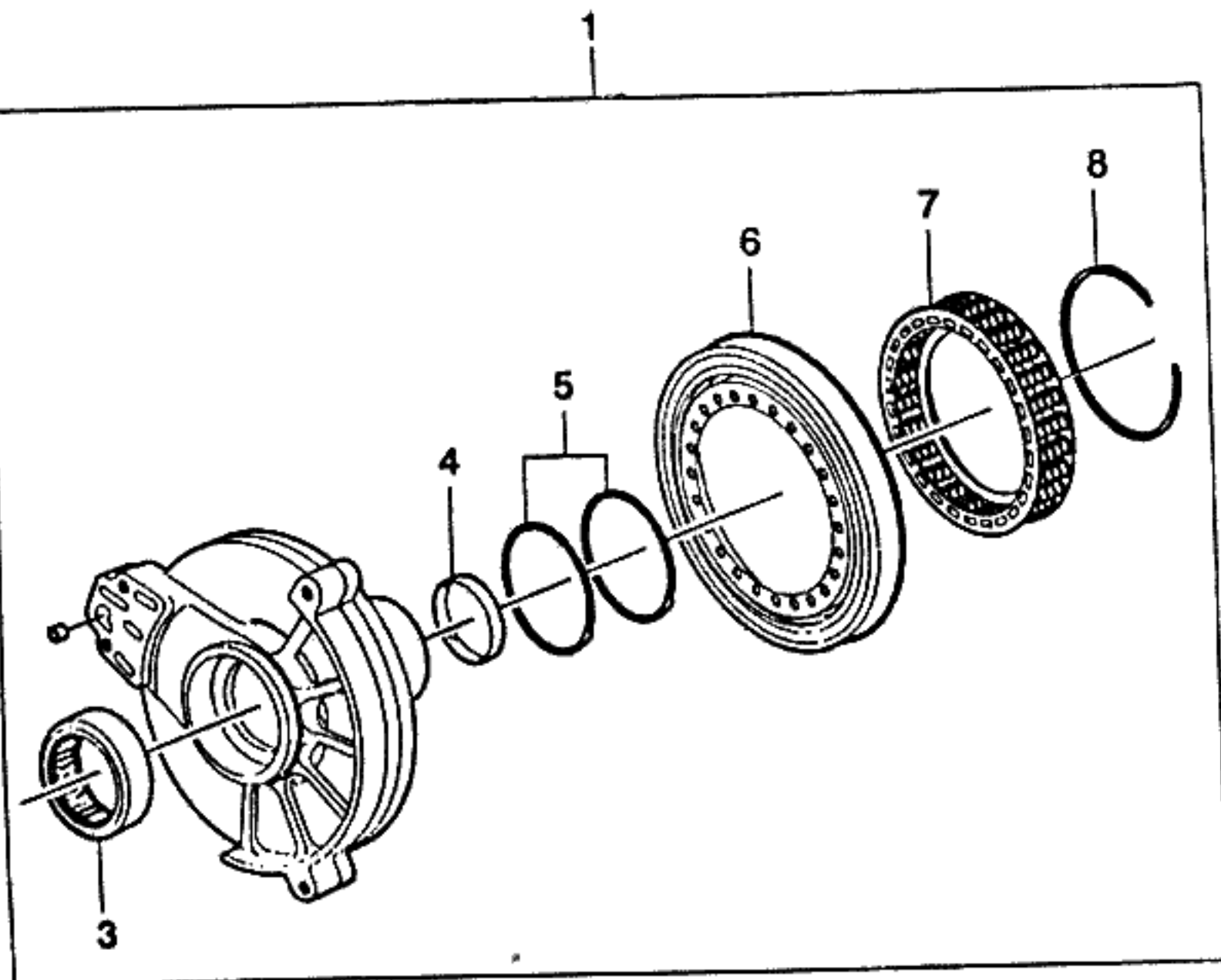


KEY NO.	PART NAME												
	PART NO	MODEL					OPTION	L / R	Q / T Y	EFFECTIVE DATE		REMARKS	P / CODE
		E T	BODY	LEVEL	FROM	TO							
N / G	4 3 5	H H S	S S S	X									
[01] 24204222	(E)SUPPORT A-FORWARD CLUTCH (D)TRÄGER							(F)SUPPORT (S)SOPORTE				NOT APPLIED	
24204810	. A B B B O O O							1					
[03] 24201609	(E)SHAFT-FINAL DRIVE SUN (D)SPINDEL							(F)ARBRE (S)EJE					
24201609	. A B B B O O O							1					
[04] 00930694	(E)ROLLER-FWD CLUTCH (D)ROLLE							(F)ROULEAU (S)RODILLO					
00930694	. A B B B O O O							1					
[05] 24204223	(E)RING-OIL SEAL (D)RING							(F)ANNEAU (S)ANILLO					
24204223	. A B B B O O O							2					
[06] 24200246	(E)BEARING-THRUST (D)KUGELLAGER							(F)ROULEMENT (S)COJINET					
24200246	. A B B B O O O							1					
[07] 24204708	(E)GEAR-PARK LOCK (D)GETRIEBE							(F)ENGRENAGE (S)ENGRANAJE					
24204708	. A B B B O O O							1					
[08] 08684580	(E)RING-SNAP (D)RING							(F)ANNEAU (S)ANILLO					
08684580	. A B B B O O O							1					
[10] 24200129	(E)SPRING-PARK PAWL (D)FEDERUNG							(F)RESSORT (S)RESORTE					
24200129	. A B B B O O O							1					
[11] 24200797	(E)PAWL-PARK (D)SPERRHACKEN							(F)CLIQUET (S)RETEN					
24200797	. A B B B O O O							1					

ENG(ENGINE)	T/A(TRANSAXLE)	BODY TYPE
Y = 1.5SOHC 6 = 1.6DOHC . = COMMON	M = MANUAL T/A A = AUTOMATIC T/A . = COMMON	4 N = 4 DOOR NOTCHBACK 3 H = 3 DOOR HATCHBACK 5 H = 5 DOOR HATCHBACK

3550 DRIVEN SPROCKET SUPPORT ASSEMBLY

4K08

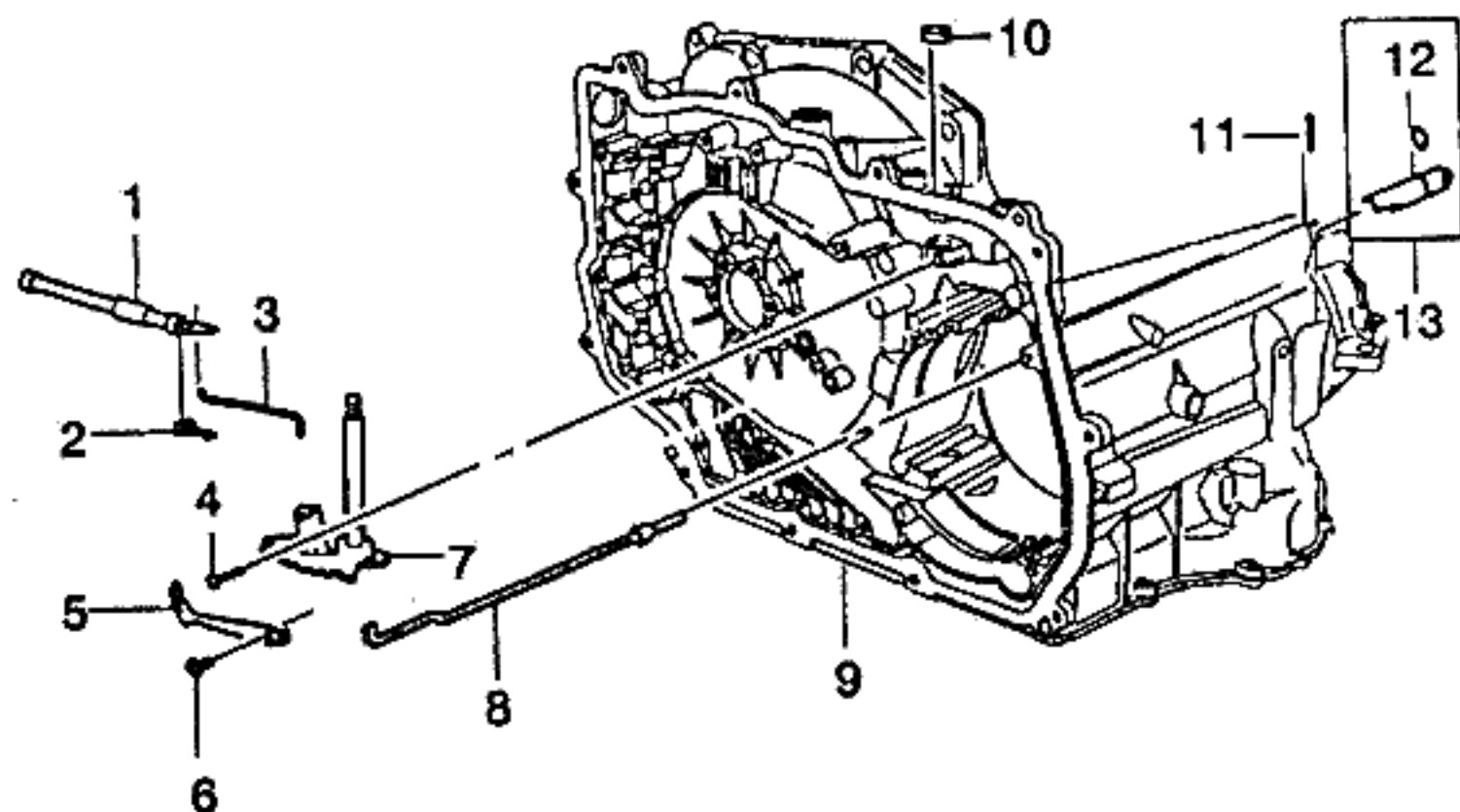


KEY NO.	PART NAME										P / CODE	
	PART NO	MODEL				OPTION	L / R	QTY	EFFECTIVE DATE			REMARKS
		E	T	BODY	LEVEL				FROM	TO		
ITC	N / G	A	4	3	5	S	S	S	S	S	S	
[01] 24207143	(E)SUPPORT A-DRIVEN SPROCKET (D)TRÄGER	. A	B	B	B	O	O	O	O	(F)SUPPORT (S)SOPORTE	1	
[03] 08631190	(E)BEARING-THRUST (D)KUGELLAGER	. A	B	B	B	O	O	O	O	(F)ROULEMENT (S)COJINET	1	
[04] 08684330	(E)BUSHING-DRVN SPROCKET SUP (D)LAGERFUTTER	. A	B	B	B	O	O	O	O	(F)MANCHON (S)BUJE	1	
[05] 24201613	(E)SEAL (D)DICHTUNG	. A	B	B	B	O	O	O	O	(F)JOINT (S)SELLO	2	
[06] 24205042	(E)PISTON-2ND CLUTCH (D)KOLBEN	. A	B	B	B	O	O	O	O	(F)PISTON (S)PISTON	1	
[07] 08684327	(E)SPRING-2ND CLUTCH (D)FEDERUNG	. A	B	B	B	O	O	O	O	(F)RESSORT (S)RESORTE	1	
[08] 08684325	(E)RING-2ND CLUTCH SPRING RE (D)RING	. A	B	B	B	O	O	O	O	(F)ANNEAU (S)ANILLO	1	

ENG(ENGINE)	T/A(TRANSAXLE)	BODY TYPE
Y = 1.5SOHC 6 = 1.6DOHC . = COMMON	M = MANUAL T/A A = AUTOMATIC T/A . = COMMON	4 N = 4 DOOR NOTCHBACK 3 H = 3 DOOR HATCHBACK 5 H = 5 DOOR HATCHBACK

3570 PARK LOCK AND DETENT LEVER

4L08

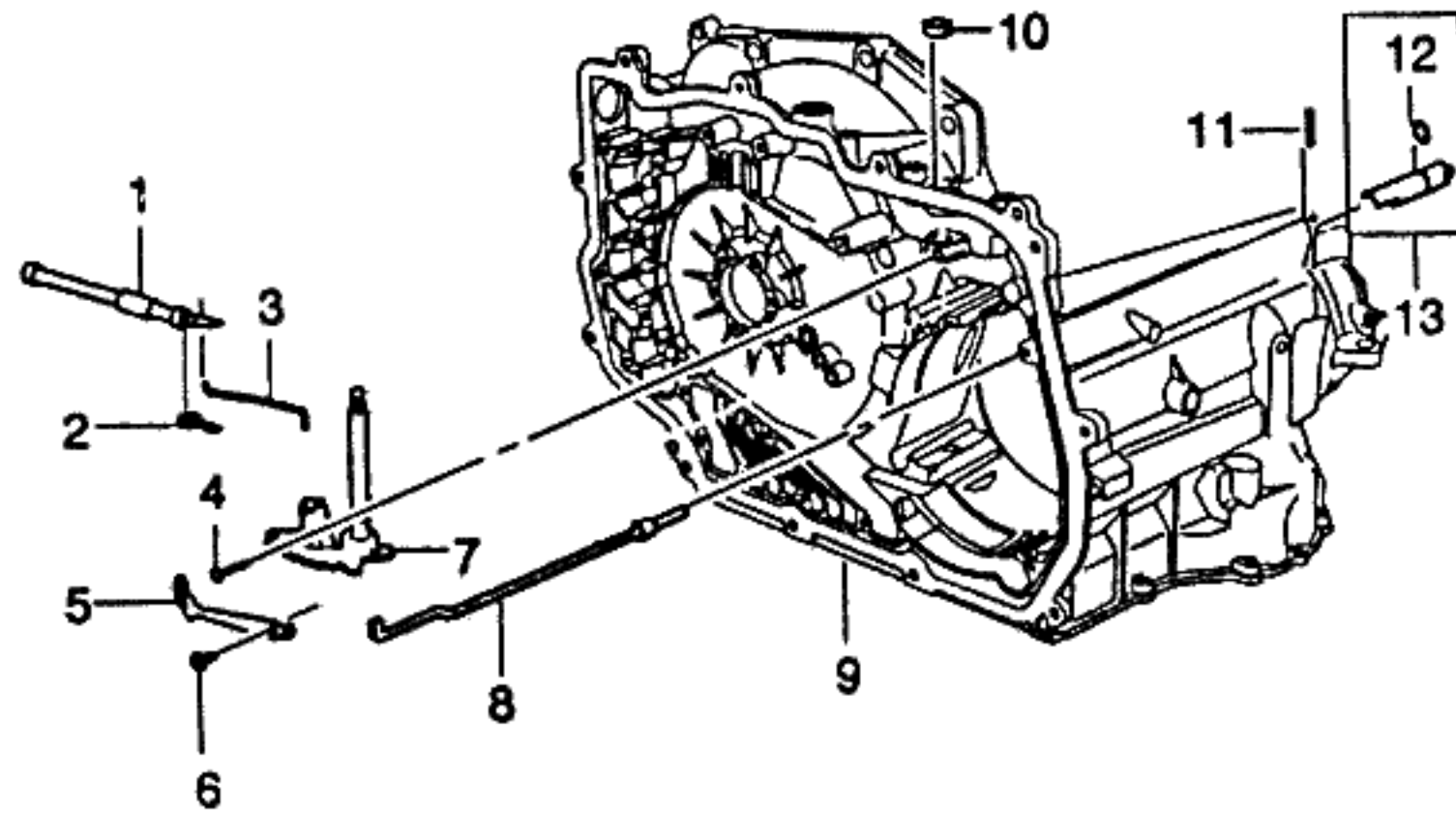


KEY NO.	PART NAME										REMARKS	P / CODE	
	PART NO	MODEL			OPTION	L / Q / R	EFFECTIVE DATE						
		E N G	T / 4	B O D Y			L E V E L	FROM					TO
[01]		(E) VALVE-MAIN									(F) SOUPAPE		
	24201006	(D) VENTIL									(S) VALVULA		
		. A B B B O O O									1		
[02]		(E) RETAINER									(F) ATTACHE-ARRETOIR		
	24207209	(D) KLEMME, HALTERUNG									(S) GRAPA-RETENEDOR		
		. A B B B O O O									1		
[03]		(E) LINK-MANUAL VALVE									(F) ACOUPLMENT		
	08685147	(D) VERBINDUNG									(S) ENLACE		
		. A B B B O O O									1		
[04]		(E) PIN-MANUAL SHAFT									(F) BROCHE		
	08685700	(D) STIFT									(S) PASADOR		
		. A B B B O O O									1		
[05]		(E) DETENT-MANUAL SHAFT									(F) CLIQUET		
	24204221	(D) SPERRHACKEN									(S) RETEN		
		. A B B B O O O									1		
[06]		(E) BOLT									(F) BOULON		
	24200092	(D) SCHRAUBE									(S) PERNO		
		. A B B B O O O									1	M6X1.0X15mm	
[07]		(E) LEVER & SHAFT A									(F) LEVIER		
	24203588	(D) HEBEL									(S) PALANCA		
		. A B B B O O O									1		
[08]		(E) ACTUATOR-PARKING LOCK									(F) ACTIONNEUR		
	24202424	(D) BETÄTIGUNG									(S) ACTUADOR		
		. A B B B O O O									1		
[10]		(E) SEAL-MANUAL SHAFT									(F) JOINT		
	08644709	(D) DICHTUNG									(S) SELLO		
		. A B B B O O O									1		
[11]		(E) PIN-ACTUATOR GUIDE SPRING									(F) BROCHE		
		(D) STIFT									(S) PASADOR		
		. A B B B O O O									1		

ENG (ENGINE)	T/A (TRANSAXLE)	BODY TYPE
Y = 1.5 SOHC 6 = 1.6 DOHC = COMMON	M = MANUAL T/A A = AUTOMATIC T/A = COMMON	4 N = 4 DOOR NOTCHBACK 3 H = 3 DOOR HATCHBACK 5 H = 5 DOOR HATCHBACK

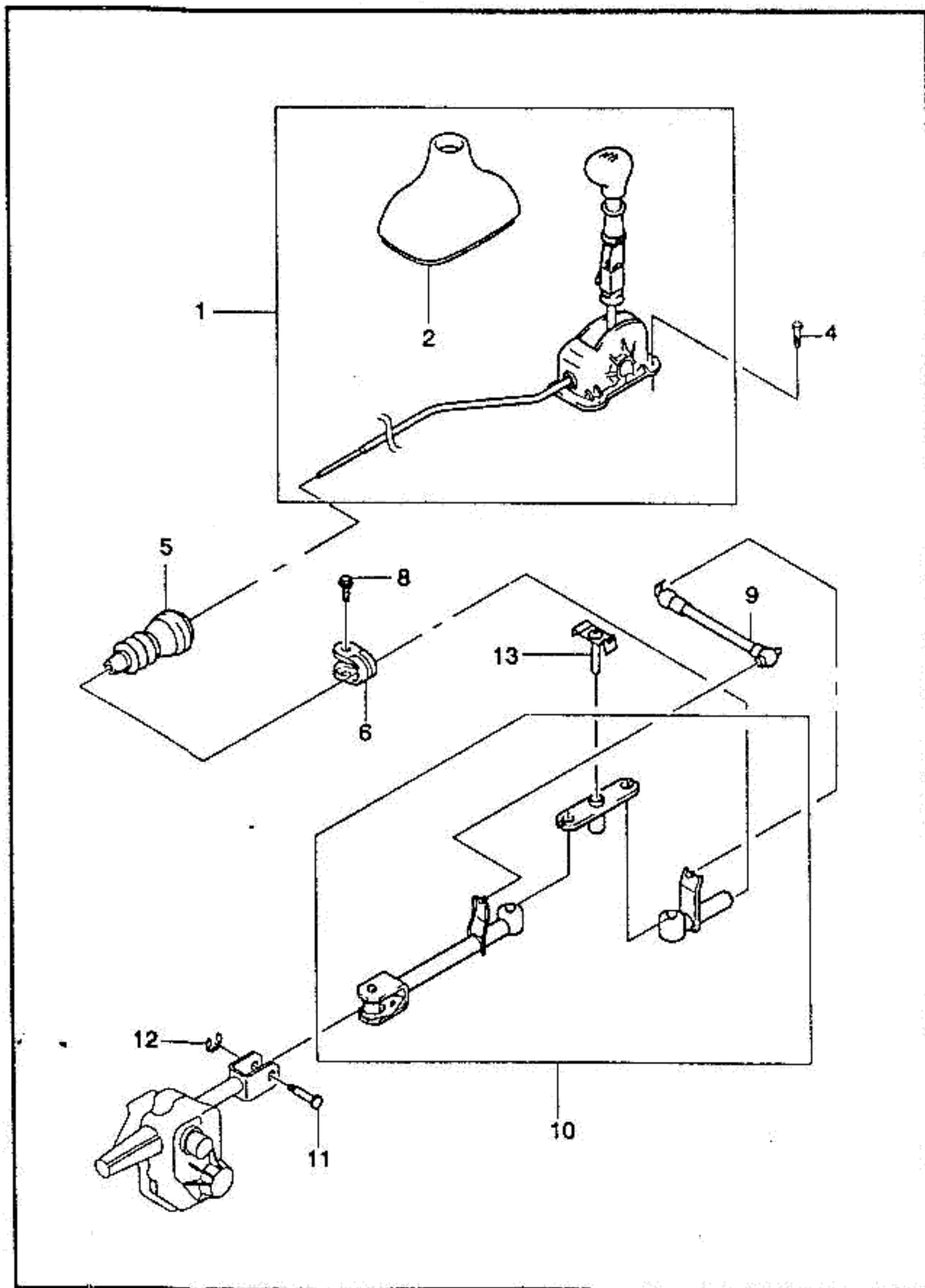
3570 PARK LOCK AND DETENT LEVER

4M08

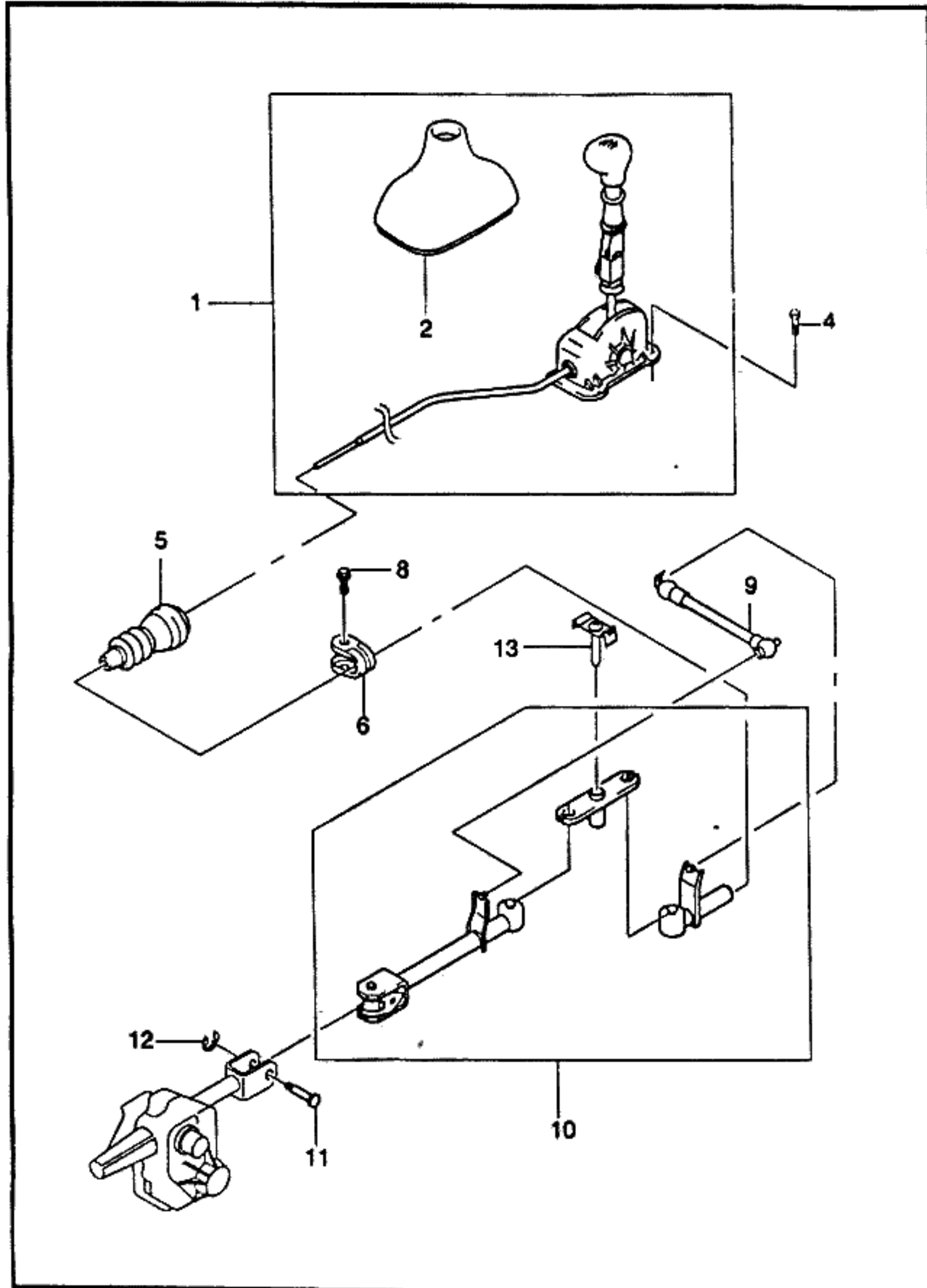


KEY NO.		PART NAME													
I T C	PART NO	MODEL						OPTION	L / R	Q T Y	EFFECTIVE DATE		REMARKS	P / C O D E	
		E N G	T / A	BODY			LEVEL				FROM	TO			
				4 N	3 H	5 H	S								S E
	09427406 [12]	.	A	B	B	B	O	O	O			1	(F)JOINT (S)SELLO		
	08675086 [13]	.	A	B	B	B	O	O	O			1	(F)GUIDE (S)GUIA		
	08675325	.	A	B	B	B	O	O	O			1			

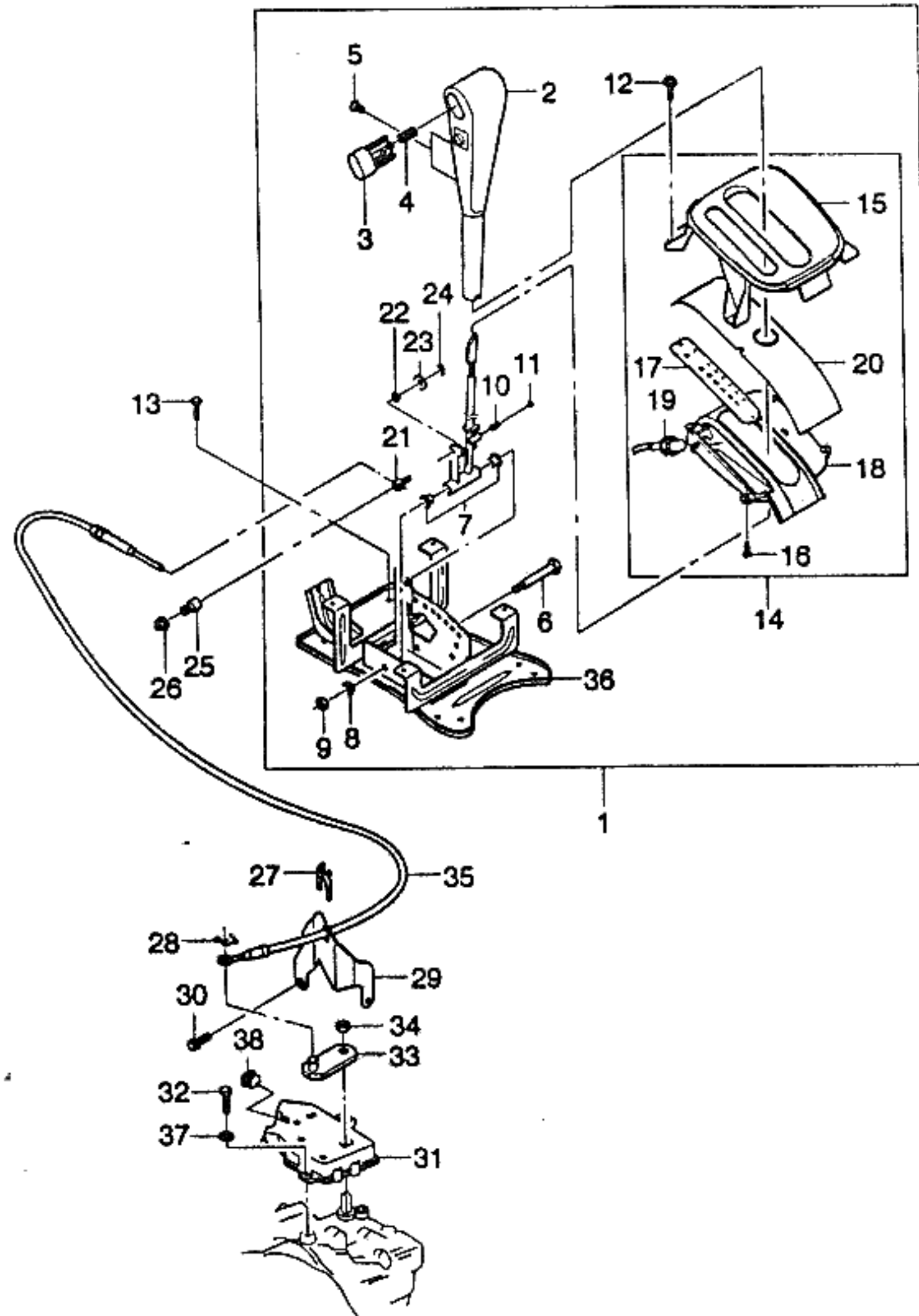
ENG(ENGINE)	T/A(TRANSAXLE)	BODY TYPE
Y = 1.5SOHC 6 = 1.6DOHC . = COMMON	M = MANUAL T/A A = AUTOMATIC T/A . = COMMON	4 N = 4 DOOR NOTCHBACK 3 H = 3 DOOR HATCHBACK 5 H = 5 DOOR HATCHBACK



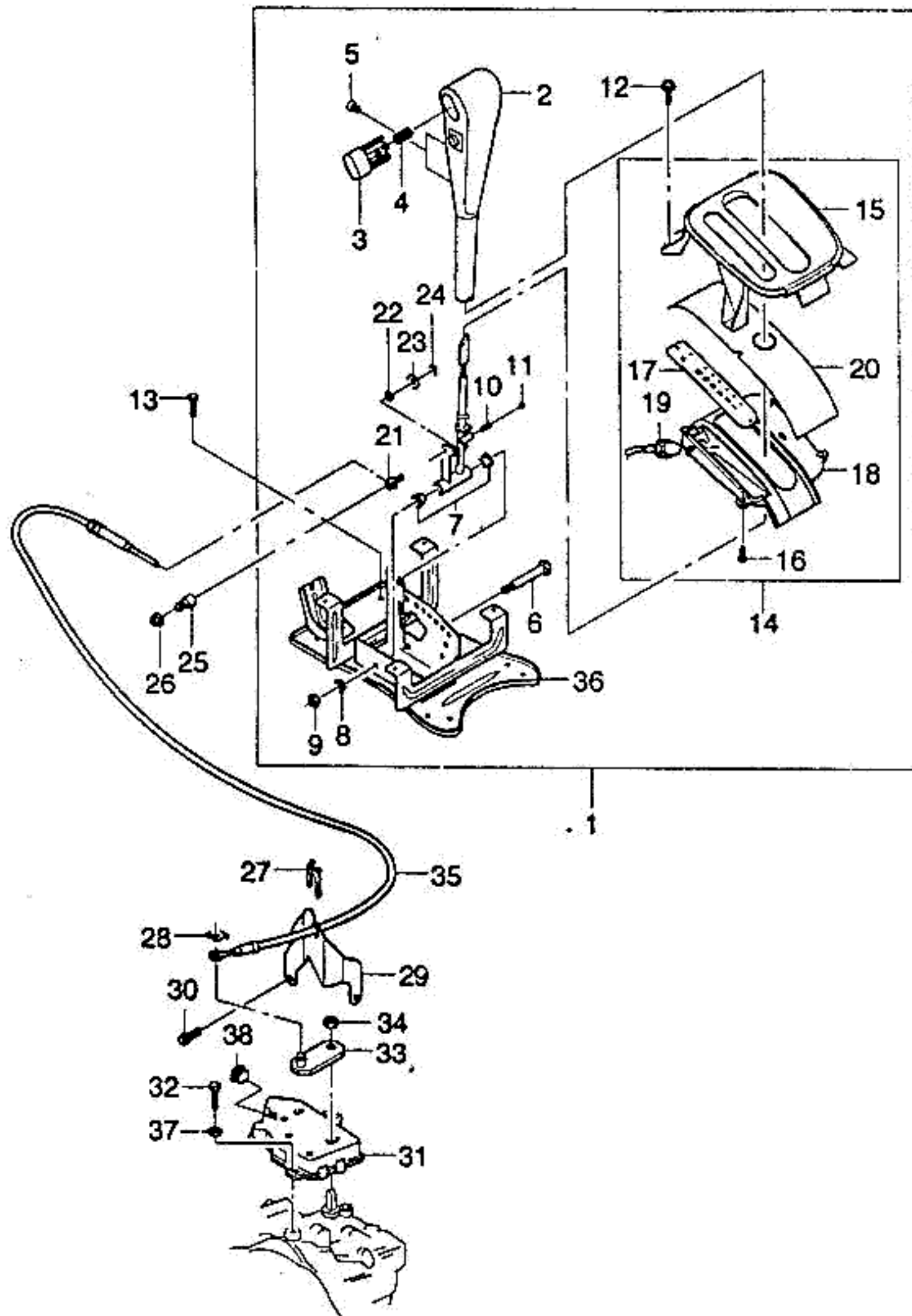
I T C	KEY NO.	PART NAME										P I C O D E		
		PART NO	MODEL					OPTION	L / R	Q T Y	EFFECTIVE DATE		REMARKS	
			E N G	T / A	BODY	LEVEL					FROM			TO
	[01] 96244989	(E)CONTROL A-GEARSHIFT (D)STEUERUNG,GANGSCHALTUNG	.	M	B	B	B	S	S	S	(F)CONTROLE (S)CONTROL-PALANCA DE CAMBIO	1		
	[02] 96303182	(E)BOOT A-CONSOLE (D)KOFFERRAUM,KONSOLE	.	M	B	B	B	S	S	S	(F)GAINE-CONSOLE (S)CAPUCHON-GABINETE	1		
	[04] 09119-06002	(E)BOLT (D)SCHRAUBE	.	M	B	B	B	S	S	S	(F)BOULON (S)PERNO	4		
	[05] 96133781	(E)BELLOWS A-GEARSHIFT TUBE (D)GEBLÄSE	.	M	B	B	B	S	S	S	(F)SOUFFLET-TUBE (S)FUELLE	1		
	[06] 90217840	(E)CLAMP (D)KLAMMER	.	M	B	B	B	S	S	S	(F)PINCE (S)ABRAZADERA	1		
	[08] 09117-08001	(E)BOLT (D)SCHRAUBE	.	M	B	B	B	S	S	S	(F)BOULON (S)PERNO	1		
	[09] 90250156	(E)ROD-GEARSHIFT CONTROL (D)STAB	.	M	B	B	B	S	S	S	(F)TRINGLE (S)VARILLA-PALANCA DE CAMBIO	1		
	[10] 90342949	(E)CONTROL A-GEARSHIFT GUIDE (D)STEUERUNG,GANGSCHALTUNGS	.	M	B	B	B	S	S	S	(F)CONTROLE-GUIDE (S)CONTROL-GUIA	1		
	[11] 09208-08001	(E)PIN (D)STIFT	.	M	B	B	B	S	S	S	(F)BROCHE (S)PASADOR	1		
	[12]	(E)CLIP-RETAINING (D)KLEMME	.	M	B	B	B	S	S	S	(F)ATTACHE (S)GRAPA	1		
ENG(ENGINE)			T/A(TRANSAXLE)			BODY TYPE								
Y = 1.5SOHC 6 = 1.6DOHC . = COMMON			M = MANUAL T/A A = AUTOMATIC T/A . = COMMON			4 N = 4 DOOR NOTCHBACK 3 H = 3 DOOR HATCHBACK 5 H = 5 DOOR HATCHBACK								



KEY NO.		PART NAME														
I T C	PART NO	MODEL						OPTION	L / R	Q T Y	EFFECTIVE DATE		REMARKS	P / C O D E		
		E N G	T / A	BODY			LEVEL				FROM	TO				
				4 N	3 H	5 H	S								S	S
	08335-11069	.	M	B	B	B	S	S	S		1					
	[13]	(E)	BOLT								(F)	BOULON				
	96182212	(D)	SCHRAUBE								(S)	PERNO				
		.	M	B	B	B	S	S	S		1					
ENG(ENGINE)		T/A(TRANSAXLE)				BODY TYPE										
Y = 1.5SOHC 6 = 1.6DOHC . = COMMON		M = MANUAL T/A A = AUTOMATIC T/A . = COMMON				4 N = 4 DOOR NOTCHBACK 3 H = 3 DOOR HATCHBACK 5 H = 5 DOOR HATCHBACK										

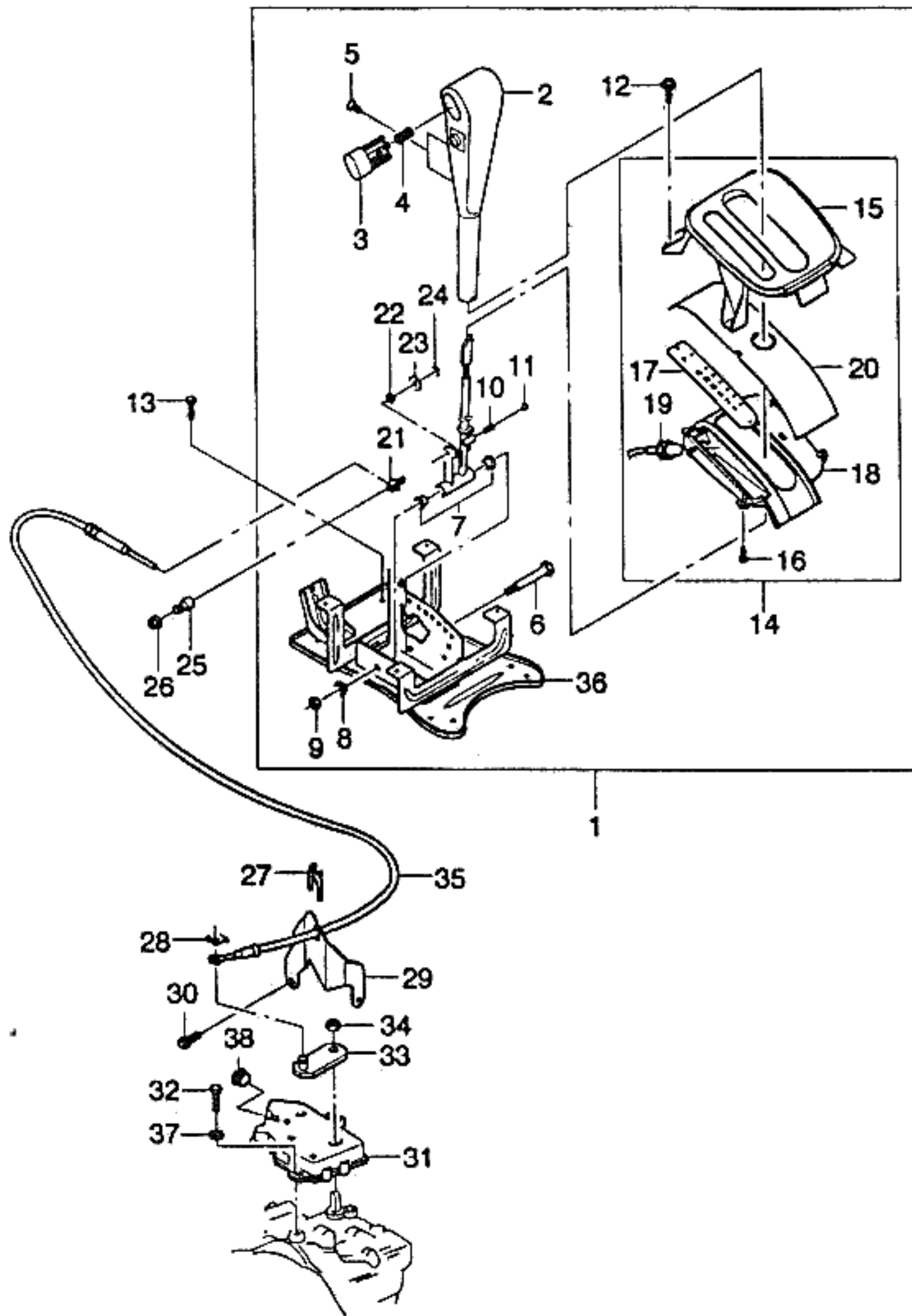


KEY NO.	PART NAME										REMARKS	P / CODE	
	PART NO	MODEL					OPTION	L / R	Q / T Y	EFFECTIVE DATE			
		E N G	T / A	BODY	LEVEL					FROM			TO
		4 N	3 H	5 H	S S S								
[01]	(E)CONTROL A-SELECTOR (D)STEUERUNG,WÄHLER										(F)CONTROLE-SELECTEUR (S)CONTROL-SELECTOR		
96228515	. A B B B O O O										1		
[02]	(E)HANDLE A-SELECTOR CONTROL (D)HENKEL										(F)POIGNEE (S)MANIJA		
96242557	. A B B B O O O										1		
[03]	(E)BUTTON A-SELECTOR CONTROL (D)KNOPF										(F)BOUTON (S)BOTON		
96228514	. A B B B O O O										1		
[04]	(E)SPRING (D)FEDERUNG										(F)RESSORT (S)RESORTE		
09440-12001	. A B B B O O O										1		
[05]	(E)SCREW (D)SCHRAUBE										(F)VIS (S)TORNILLO		
09127-04003	. A B B B O O O										2		
[06]	(E)PIECE (D)TEIL										(F)PIECE (S)PIEZA		
96228503	. A B B B O O O										1		
[07]	(E)BUSHING (D)LAGERFUTTER										(F)MANCHON (S)BUJE DE BOQUILLA		
09306-10004	. A B B B O O O										2		
[08]	(E)WASHER-SPRING (D)DICHTUNGSRING										(F)RONDELLE (S)ARANDELA		
08321-31083	. A B B B O O O										1		
[09]	(E)NUT-HEXAGON (D)MUTTER										(F)ECROU (S)TUERCA		
08310-22083	. A B B B O O O										1		
[10]	(E)SPRING (D)FEDERUNG										(F)RESSORT (S)RESORTE		
ENG(ENGINE)				T/A(TRANSAXLE)				BODY TYPE					
Y = 1.5SOHC 6 = 1.6DOHC . = COMMON				M = MANUAL T/A A = AUTOMATIC T/A . = COMMON				4 N = 4 DOOR NOTCHBACK 3 H = 3 DOOR HATCHBACK 5 H = 5 DOOR HATCHBACK					

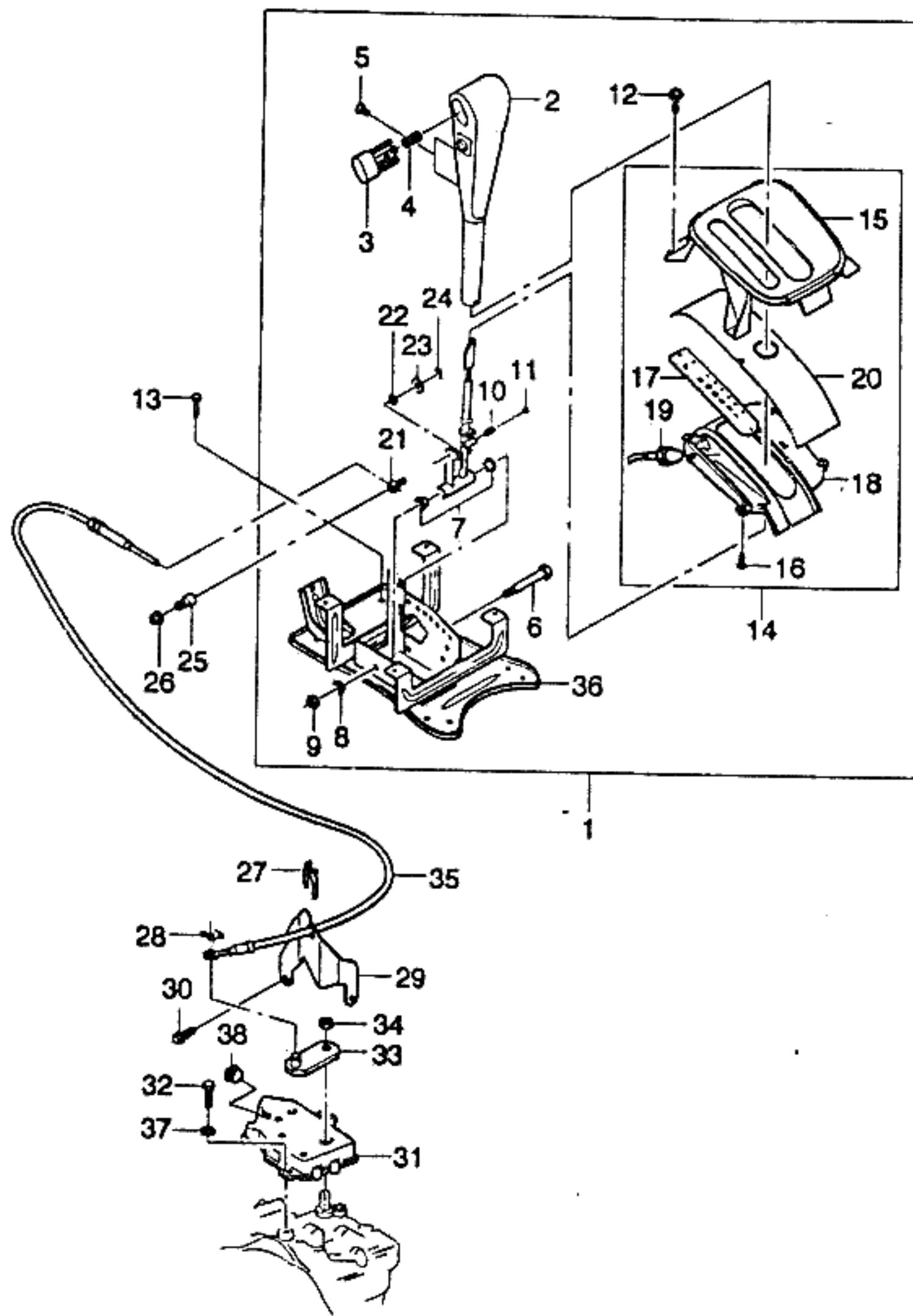


KEY NO.	PART NAME												
	PART NO	MODEL					OPTION	L / R	QTY	EFFECTIVE DATE		REMARKS	P / CODE
		E	T	BODY		LEVEL				FROM	TO		
	N / G	4	3	5	S	S							
09440-07001	. A B B B O O O										1	(F)BOULE (S)BOLA	
[11]	(E)BALL-STEEL (D)KUGEL												
06112-10004	. A B B B O O O										1	(F)VIS (S)TORNILLO	
[12]	(E)SCREW (D)SCHRAUBE												
02114-14108	. A B B B O O O										4	(F)BOULON (S)PERNO	
[13]	(E)BOLT (D)SCHRAUBE												
09119-06002	. A B B B O O O										4	(F)CHAPEAU-CONSOLE,AUTO (S)TAPA-CONSOLA,AUTO	
[14]	(E)CAP A-FRONT CONSOLE (D)DECKEL,KONSOLE,AUTOM.												
96236784	. A B B B O O O										1	(F)CHAPEAU-CONSOLE,AUTO (S)TAPA-CONSOLA,AUTO	
[15]	(E)CAP-CONSOLE,UPPER (D)DECKEL,KONSOLE,AUTOM.												
96236787	. A B B B O O O										1	(F)VIS (S)TORNILLO	
[16]	(E)SCREW-TAPPING (D)SCHRAUBE												
03140-42095	. A B B B O O O										4	(F)BALANCE-CONSOLE (S)ESCALA-CONSOLA	
[17]	(E)SCALE-CONSOLE (D)MAB,KONSOLE												
96218104	. A B B B O O O										1	(F)CHAPEAU-CONSOLE,AUTO (S)TAPA-CONSOLA,AUTO	
[18]	(E)CAP-CONSOLE,LOWER (D)DECKEL,KONSOLE,AUTOM.												
96236790	. A B B B O O O										1	(F)LAMPE-CONSOLE AVANT (S)LAMPARA	
[19]	(E)LAMP A-SCALE CONSOLE AUTO (D)LAMPE,VORDERE KONSOLE												
96169967	. A B B B O O O										1		

ENG(ENGINE)	T/A(TRANSAXLE)	BODY TYPE
Y = 1.5SOHC 6 = 1.6DOHC . = COMMON	M = MANUAL T/A A = AUTOMATIC T/A . = COMMON	4 N = 4 DOOR NOTCHBACK 3 H = 3 DOOR HATCHBACK 5 H = 5 DOOR HATCHBACK

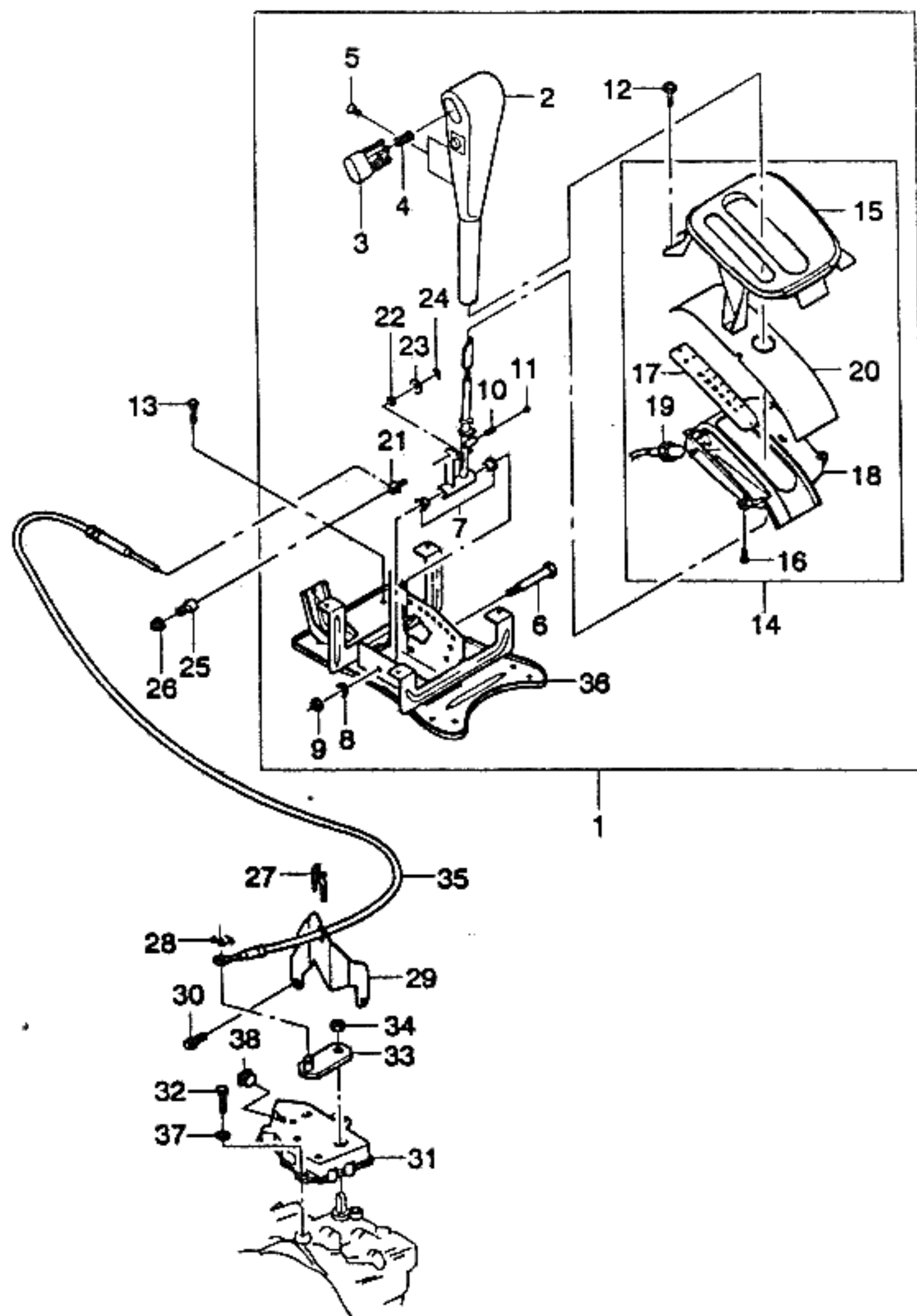


KEY NO.	PART NAME												
	PART NO	MODEL					OPTION	L / R	Q / T Y	EFFECTIVE DATE		REMARKS	P / C O D E
		E T N / G	B O D Y	L E V E L	S S S	S S S				FROM	TO		
[20]	(E)SLIDER-CONSOLE (D)GLEIT,KONSOLE							(F)GLISSIERE-CONSOLE (S)FRENILLO-CONSOLA					
96218105	. A B B B O O O							1					
[21]	(E)PIECE-SELECTOR CONT GUIDE (D)TEIL,FÜHRUNGS							(F)PIECE-GUIDE (S)PIEZA-GUIA					
96155676	. A B B B O O O							1					
[22]	(E)WASHER-CONICAL SPRING (D)DICHTUNGSRING							(F)RONDELLE (S)ARANDELA					
09164-08001	. A B B B O O O							1					
[23]	(E)WASHER-PLAIN (D)DICHTUNGSRING							(F)RONDELLE (S)ARANDELA					
09160-08006	. A B B B O O O							1					
[24]	(E)RING (D)RING							(F)ANNEAU (S)ANILLO					
09383-06002	. A B B B O O O							1					
[25]	(E)PIECE-CLAMPING (D)TEIL							(F)PIECE (S)PIEZA					
90121099	. A B B B O O O							1					
[26]	(E)NUT-HEXAGON FLANGE (D)MUTTER							(F)ECROU (S)TUERCA					
08316-28063	. A B B B O O O							1					
[27]	(E)RING (D)RING							(F)ANNEAU (S)ANILLO					
09383-19005	. A B B B O O O							1					
[28]	(E)RING (D)RING							(F)ANNEAU (S)ANILLO					
09383-06001	. A B B B O O O							1					
[29]	(E)FASTENER-SELECTOR CABLE (D)BEFESTIGUNG,KABEL WAHL							(F)ATTACHE-CABLE SELECT (S)GRAPA					
	ENG(ENGINE)	T/A(TRANSAXLE)					BODY TYPE						
	Y = 1.5SOHC 6 = 1.6DOHC . = COMMON	M = MANUAL T/A A = AUTOMATIC T/A . = COMMON					4 N = 4 DOOR NOTCHBACK 3 H = 3 DOOR HATCHBACK 5 H = 5 DOOR HATCHBACK						



I T C	KEY NO.	PART NAME										REMARKS	P I C O D E			
		PART NO	MODEL					OPTION	L / R	Q T Y	EFFECTIVE DATE					
			E N G	T / A	BODY	LEVEL					FROM			TO		
	96226013	.	A	B	B	B	O	O	O			1				
	[30]	(E)BOLT										(F)BOULON				
		(D)SCHRAUBE										(S)PERNO				
	01130-08203	.	A	B	B	B	O	O	O			1				
	[31]	(E)SWITCH A-NSBU										(F)COMMUNTEUR				
		(D)SCHALTER										(S)INTERRUPTOR-NSBU SELLADO				
	11516166	.	A	B	B	B	O	O	O			1	970602			
Y	12450161	.	A	B	B	B	O	O	O			1	970602			
	[32]	(E)BOLT-HEXAGON										(F)BOULON				
		(D)SCHRAUBE										(S)PERNO				
	01130-08203	.	A	B	B	B	O	O	O			1				
	[33]	(E)LEVER A-TRANSMISSION										(F)LEVIER-TRANSMISSION				
		(D)HEBEL,TRIEBWELLE										(S)PALANCA-TRANSMISION				
	96182099	.	A	B	B	B	O	O	O			1				
	[34]	(E)NUT										(F)ECROU				
		(D)MUTTER										(S)TUERCA				
	09159-10003	.	A	B	B	B	O	O	O			1				
	[35]	(E)CABLE A-SELECTOR CONTROL										(F)CABLE-CONTROLE SELECTEUR				
		(D)KABEL,WÄHLER										(S)CABLE-CONTROL DE SELECTOR				
	96242556	.	A	B	B	B	O	O	O			1				
	[36]	(E)PLATE A-BASE										(F)PLAQUE-BASE				
		(D)PLATTE,BODEN										(S)PLACA-BASE				TG
	96228658	.	A	B	B	B	O	O	O			1				
	[37]	(E)WASHER-PLAIN										(F)RONDELLE				
		(D)DICHTUNGSRING										(S)ARANDELA				
	09160-08004	.	A	B	B	B	O	O	O			1				
	[38]	(E)PLUG-NSBU SWITCH										(F)BOUCHON				
		(D)STÖPSEL										(S)TAPON				

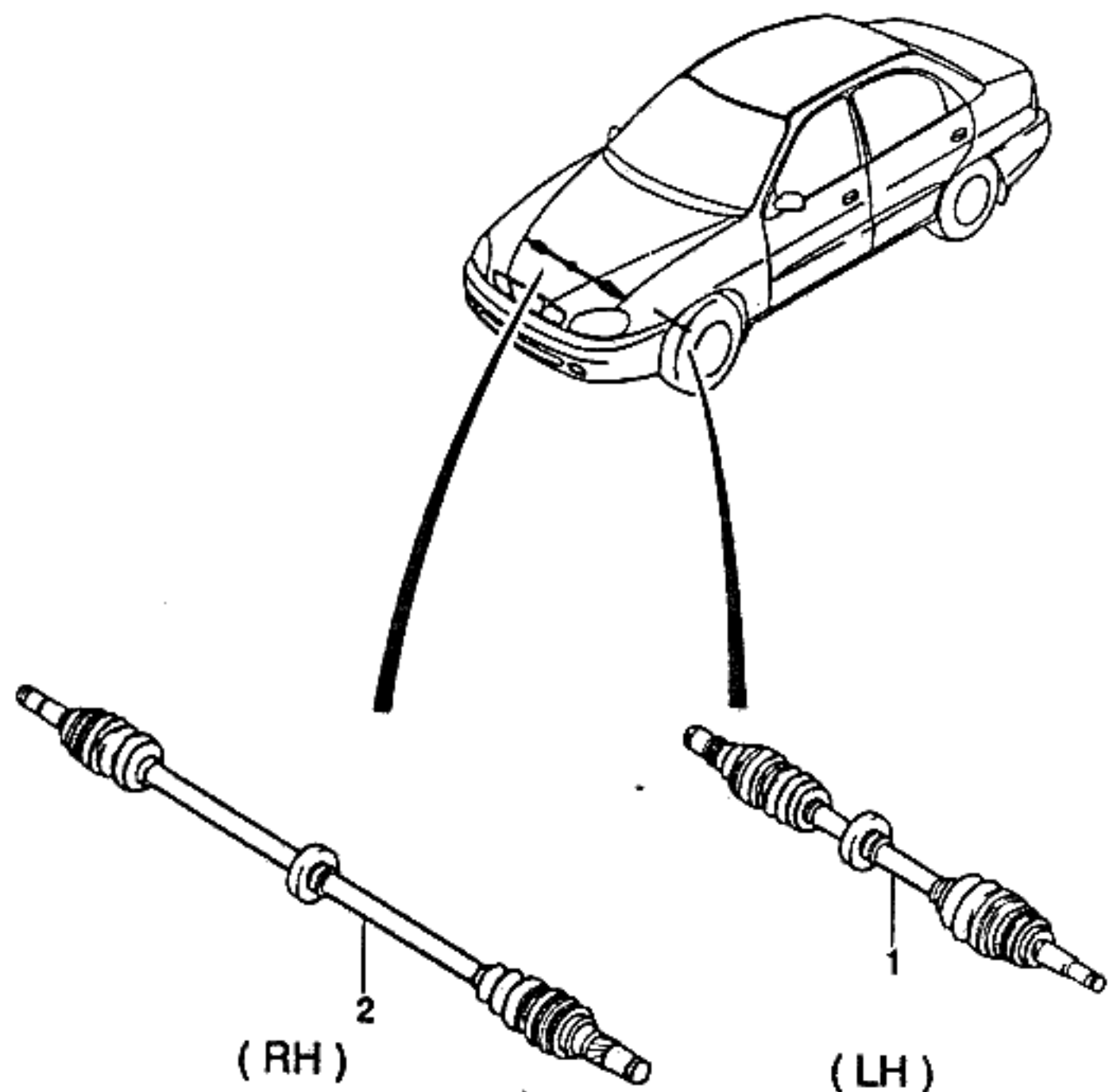
ENG(ENGINE)	T/A(TRANSAXLE)	BODY TYPE
Y = 1.5SOHC 6 = 1.6DOHC . = COMMON	M = MANUAL T/A A = AUTOMATIC T/A . = COMMON	4 N = 4 DOOR NOTCHBACK 3 H = 3 DOOR HATCHBACK 5 H = 5 DOOR HATCHBACK



KEY NO.		PART NAME													
I T C	PART NO	MODEL						OPTION	L / R	Q T Y	EFFECTIVE DATE		REMARKS	P / C O D E	
		E N G	T / A	BODY			LEVEL				FROM	TO			
				4 N	3 H	5 H	S								S
	96245741	.	A	B	B	B	O	O	O			1			
ENG(ENGINE)		T/A(TRANSAXLE)				BODY TYPE									
Y = 1.5SOHC 6 = 1.6DOHC . = COMMON		M = MANUAL T/A A = AUTOMATIC T/A . = COMMON				4 N = 4 DOOR NOTCHBACK 3 H = 3 DOOR HATCHBACK 5 H = 5 DOOR HATCHBACK									

4**CHASSIS**

- | | | | |
|------|-------------------------|------|---------------------------------|
| 4110 | AXLE SHAFT UNIT | 4720 | HYDRAULIC MODULATOR |
| 4120 | AXLE SHAFT PARTS(M/T) | 4810 | STEERING WHEEL |
| 4121 | AXLE SHAFT PARTS(A/T) | 4820 | STEERING COLUMN COVER |
| 4130 | KNUCKLE&HUB | 4830 | NON TILT STEERING COLUMN |
| 4140 | FRONT SHOCK ABSORBER | 4831 | TILTABLE STEERING COLUMN |
| 4150 | CONTROL ARM | 4910 | STEERING GEAR UNIT |
| 4310 | REAR AXLE | 4920 | MANUAL STEERING GEAR PARTS(LHD) |
| 4320 | REAR SHOCK ABSORBER | 4930 | POWER STEERING GEAR PARTS |
| 4510 | FRONT BRAKE | 4940 | TIE ROD |
| 4520 | REAR BRAKE | 4950 | POWER STEERING PIPE LINE |
| 4530 | PARKING BRAKE | | |
| 4610 | MASTER BRAKE UNIT | | |
| 4620 | MASTER CYLINDER&BOOSTER | | |
| 4630 | MASTER BRAKE MOUNT | | |
| 4640 | BRAKE PEDAL(LHD) | | |
| 4650 | BRAKE PIPE(NON ABS) | | |
| 4651 | BRAKE PIPE(ABS) | | |
| 4710 | ANTI LOCK BRAKE SYSTEM | | |

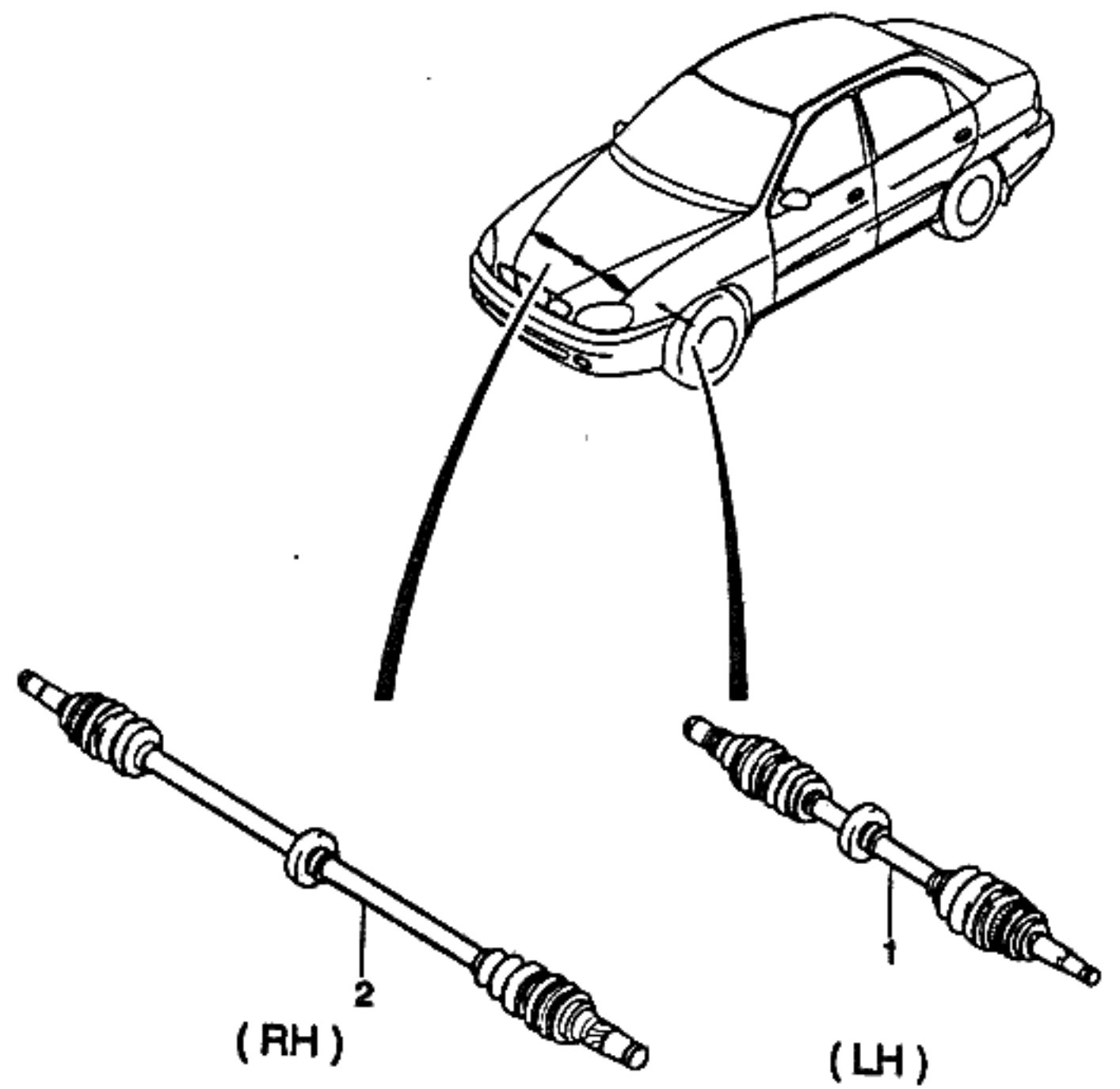


I T C	KEY NO.	PART NAME											P I C O D E		
		PART NO	MODEL						OPTION	L / R	Q T Y	EFFECTIVE DATE		REMARKS	
			E N G	T / A	4 N	3 H	5 H	S S				S S			S S
	[01]	(E)SHAFT A-FRT AXLE (D)SPINDEL,VORDER-ACHSE									(F)ARBRE-PONT AVANT (S)EJE-FRENTE				
	96229091	Y	M	B	B	B	S	S	S	JL9	LH	1	970422	SM	
	Y 96251135	Y	M	B	B	B	S	S	S	JL9	LH	1	970422	BR	
	96183016	Y	M	B	B	B	.	O	O	&JL9	LH	1	970422	UM	
	Y 96251184	Y	M	B	B	B	.	O	O	&JL9	LH	1	970422	AV	
	96238233	Y	A	B	B	B	O	O	O	JL9	LH	1		LC	
	96225969	Y	A	B	B	B	.	O	O	&JL9	LH	1		LQ	
	96229093	6	M	B	B	B	.	.	O	JL9	LH	1	970422	WM	
	Y 96251183	6	M	B	B	B	.	.	O	JL9	LH	1	970422	AU	
	96229095	6	M	B	B	B	.	.	O	&JL9	LH	1	970422	YM	
	Y 96241975	6	M	B	B	B	.	.	O	&JL9	LH	1	970422	GP	
	96238235	6	A	B	B	B	.	.	O	JL9	LH	1		CA	
	96238237	6	A	B	B	B	.	.	O	&JL9	LH	1		CB	
	[02]	(E)SHAFT A-FRT AXLE (D)SPINDEL,VORDER-ACHSE									(F)ARBRE-PONT AVANT (S)EJE-FRENTE				
	96229092	Y	M	B	B	B	S	S	S	JL9	RH	1	970422	TM	
	Y 96251136	Y	M	B	B	B	S	S	S	JL9	RH	1	970422	CR	
	96183017	Y	M	B	B	B	.	O	O	&JL9	RH	1	970422	VM	
	Y 96251185	Y	M	B	B	B	.	O	O	&JL9	RH	1	970422	AW	
	96238234	Y	A	B	B	B	O	O	O	JL9	RH	1		RC	
	96225970	Y	A	B	B	B	.	O	O	&JL9	RH	1		RQ	
	96229094	6	M	B	B	B	.	.	O	JL9	RH	1	970422	XM	
	Y 96241974	6	M	B	B	B	.	.	O	JL9	RH	1	970422	FP	
	96229096	6	M	B	B	B	.	.	O	&JL9	RH	1	970422	ZM	

ENG(ENGINE)	T/A(TRANSAXLE)	BODY TYPE
Y = 1.5SOHC 6 = 1.6DOHC . = COMMON	M = MANUAL T/A A = AUTOMATIC T/A . = COMMON	4 N = 4 DOOR NOTCHBACK 3 H = 3 DOOR HATCHBACK 5 H = 5 DOOR HATCHBACK

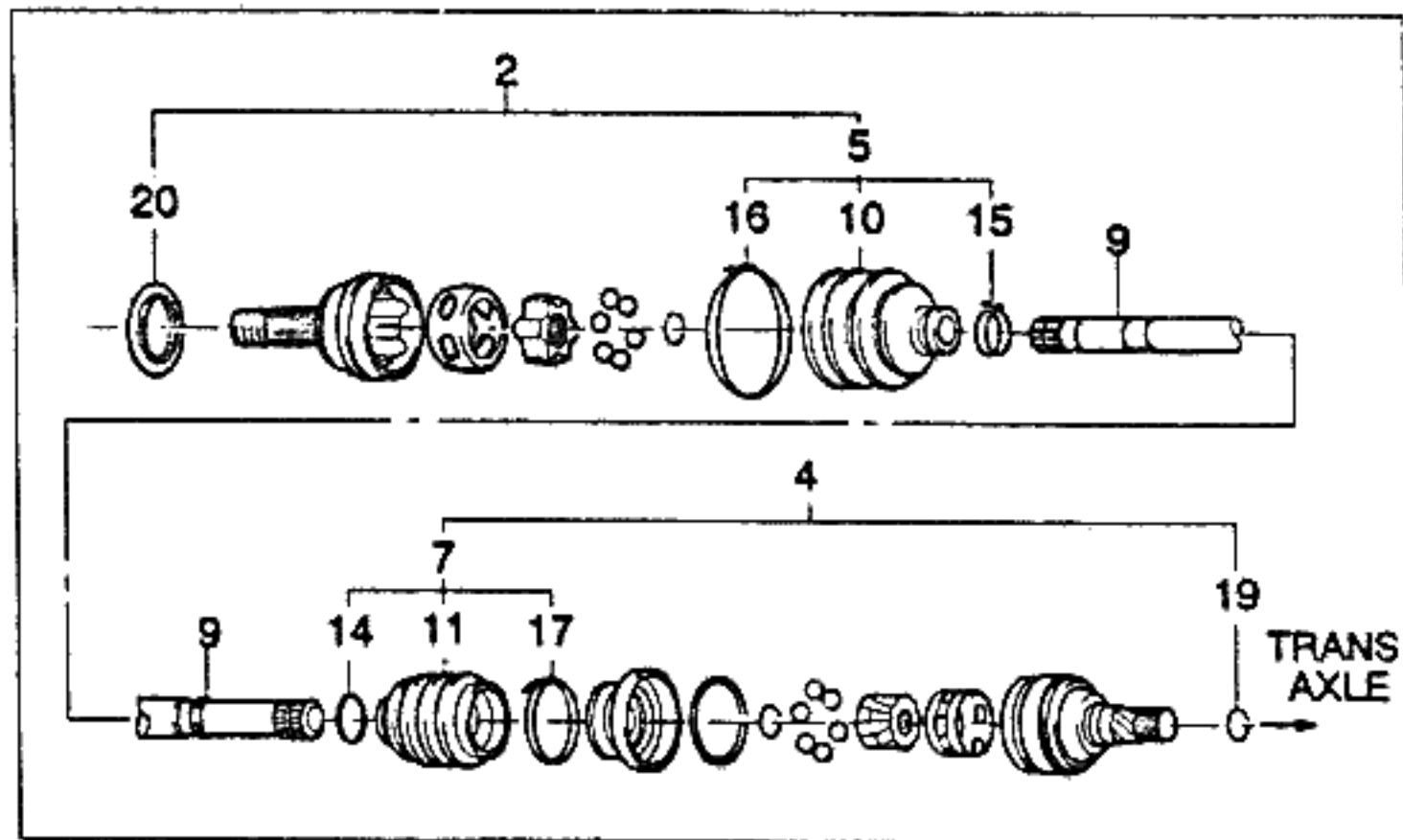
4110 AXLE SHAFT UNIT

4C10

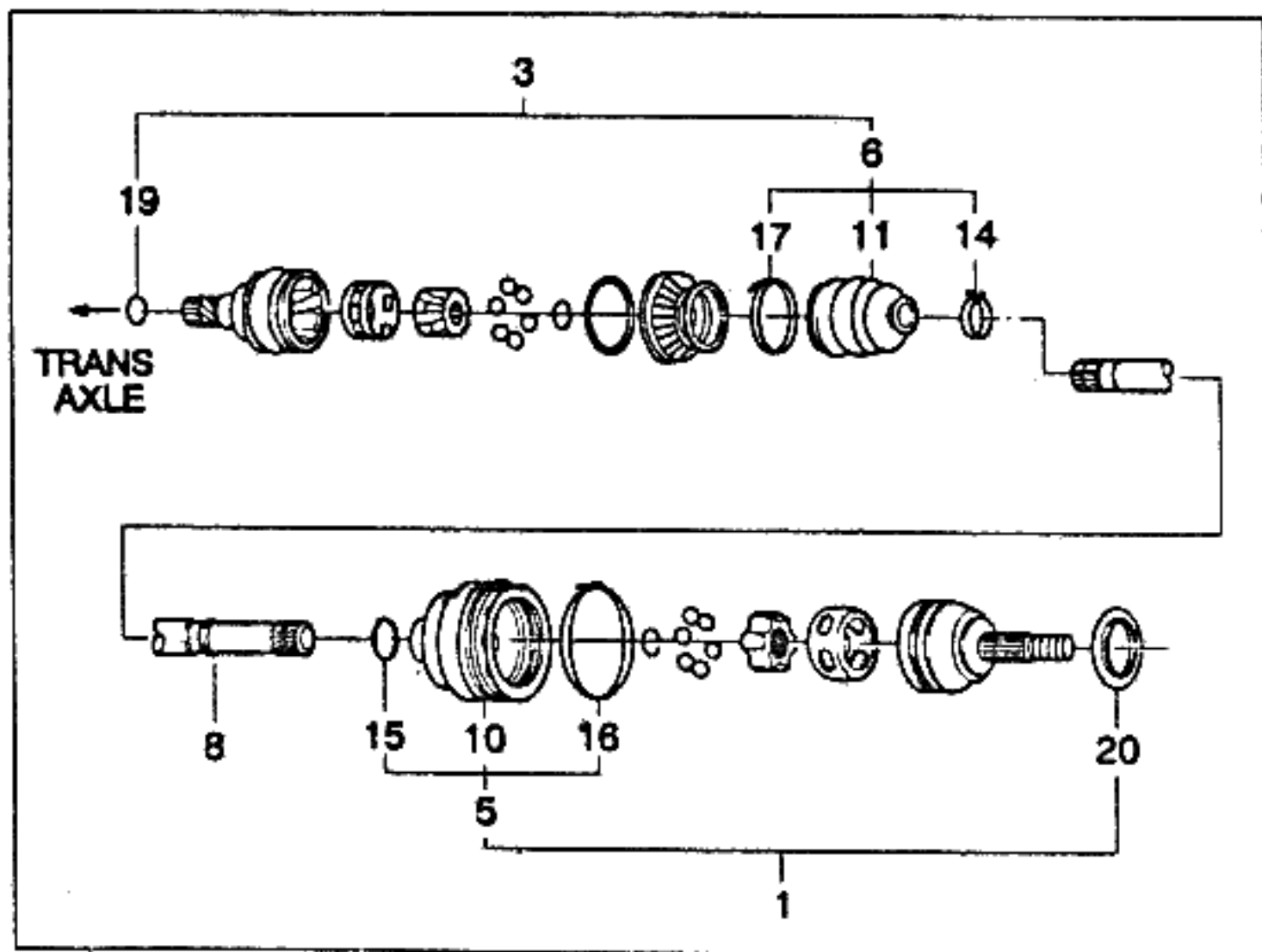


KEY NO.		PART NAME														
I T G	PART NO	MODEL						OPTION	L / R	Q T Y	EFFECTIVE DATE		REMARKS	P / C O D E		
		E N G	T / A	BODY			LEVEL				FROM	TO				
				4 N	3 H	5 H	S								S E	S X
	Y 96241977	6	M	B	B	B	.	.	O	&JL9	RH	1	970422		AQ	
	96238238	6	A	B	B	B	.	.	O	JL9	RH	1			RX	
	96238238	6	A	B	B	B	.	.	O	&JL9	RH	1			RY	

ENG(ENGINE)	T/A(TRANSAXLE)	BODY TYPE
Y = 1.5SOHC 6 = 1.6DOHC . = COMMON	M = MANUAL T/A A = AUTOMATIC T/A . = COMMON	4 N = 4 DOOR NOTCHBACK 3 H = 3 DOOR HATCHBACK 5 H = 5 DOOR HATCHBACK



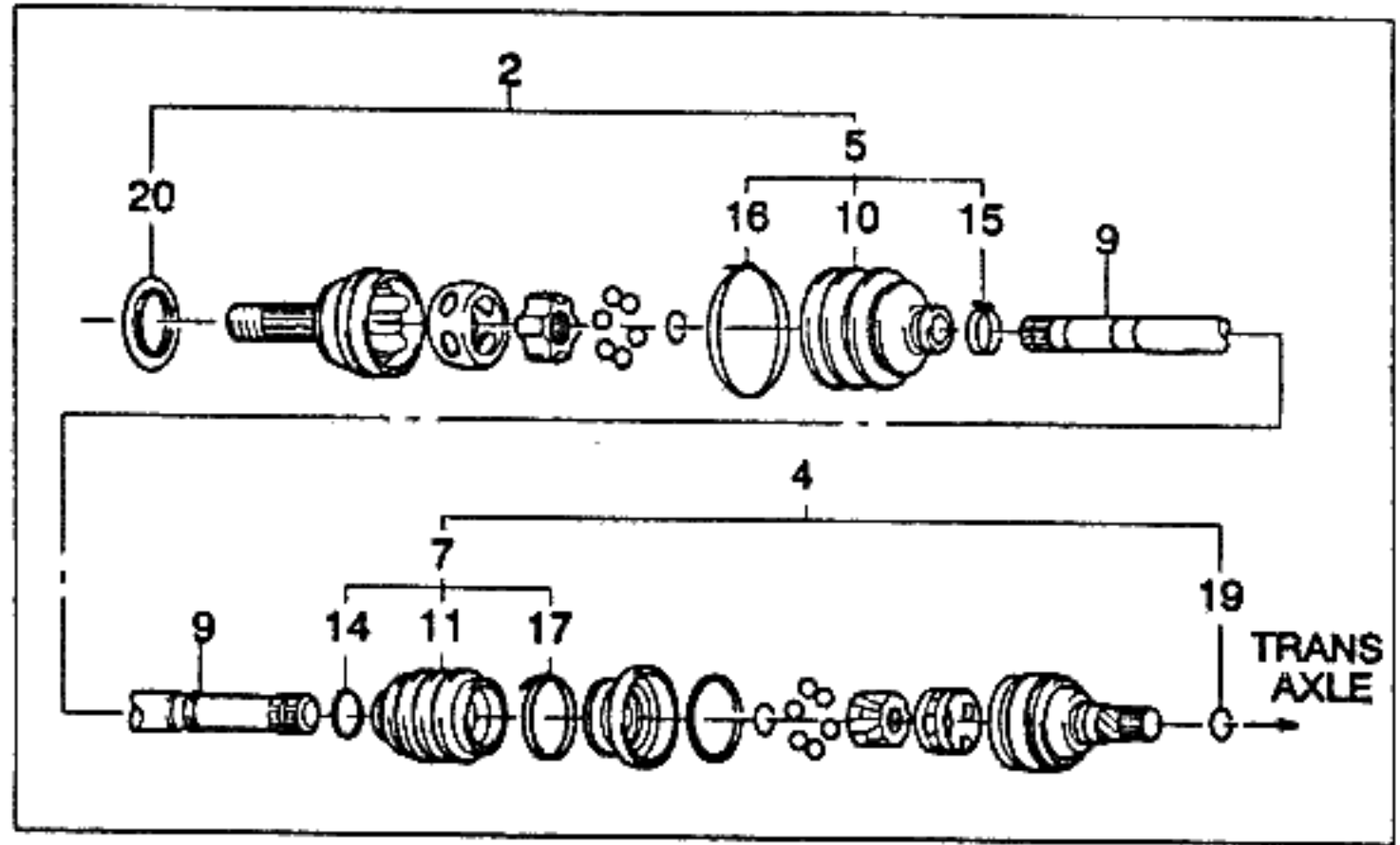
RH



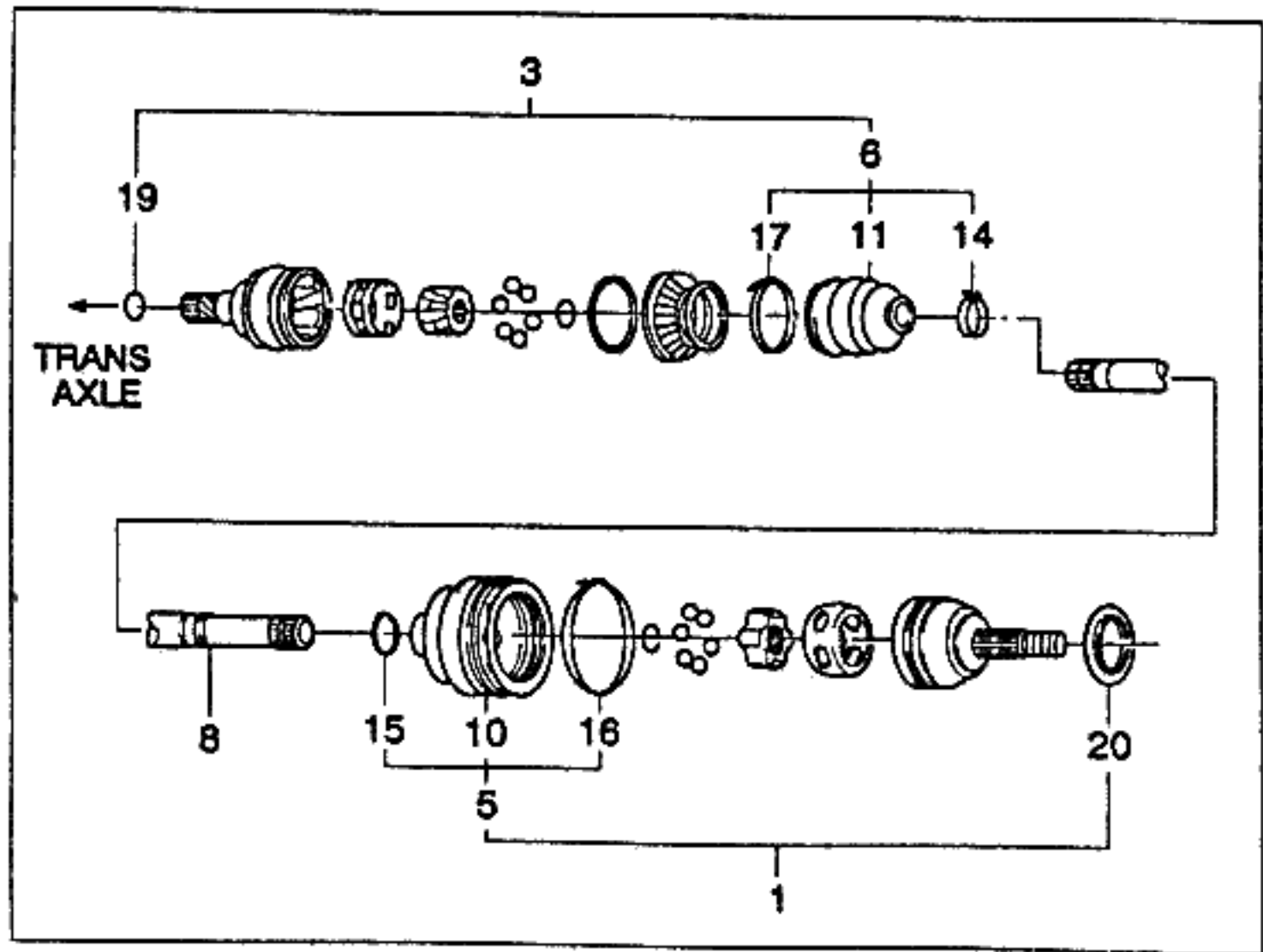
LH

KEY NO.	PART NAME													
	PART NO	MODEL					OPTION	L / R	QTY	EFFECTIVE DATE		REMARKS	P / CODE	
		E T	BODY	LEVEL	FROM	TO								
N / G	4	3	5	S	S	S								
[01]	(E)JOINT A-SEAL&CV (D)GLIED,ABDICHTUNG (F)JOINT-JOINT D'ETANCHEITE (S)UNION-SELLO Y CV													
96243569	Y	M	B	B	B	S	S	S	JL9	LH	1	970422		
Y 96257804	Y	M	B	B	B	S	S	S	JL9	LH	1	970422		
96243571	Y	M	B	B	B	.	O	O	&JL9	LH	1	970422		
Y 96237803	Y	M	B	B	B	.	O	O	&JL9	LH	1	970422		
96243573	6	M	B	B	B	.	.	O	JL9	LH	1	970422		
Y 96257802	6	M	B	B	B	.	.	O	JL9	LH	1	970422		
96243575	6	M	B	B	B	.	.	O	&JL9	LH	1	970422		
Y 96257801	6	M	B	B	B	.	.	O	&JL9	LH	1	970422		
[02]	(E)JOINT A-SEAL&CV (D)GLIED,ABDICHTUNG (F)JOINT-JOINT D'ETANCHEITE (S)UNION-SELLO Y CV													
96243569	Y	M	B	B	B	S	S	S	JL9	RH	1	970422		
Y 96257804	Y	M	B	B	B	S	S	S	JL9	RH	1	970422		
96243571	Y	M	B	B	B	.	O	O	&JL9	RH	1	970422		
Y 96257803	Y	M	B	B	B	.	O	O	&JL9	RH	1	970422		
96243573	6	M	B	B	B	.	.	O	JL9	RH	1	970422		
Y 96257802	6	M	B	B	B	.	.	O	JL9	RH	1	970422		
96243575	6	M	B	B	B	.	.	O	&JL9	RH	1	970422		
Y 96257801	6	M	B	B	B	.	.	O	&JL9	RH	1	970422		
[03]	(E)JOINT A-SEAL&C/G (D)GLIED,ABDICHTUNG (F)JOINT-JOINT D'ETANCHEITE (S)UNION-SELLO Y CV													
96243576	.	M	B	B	B	S	S	S		LH	1			
[04]	(E)JOINT A-SEAL&C/G (D)GLIED,ABDICHTUNG (F)JOINT-JOINT D'ETANCHEITE (S)UNION-SELLO Y CV													
96243576	.	M	B	B	B	S	S	S		RH	1			

ENG(ENGINE)	T/A(TRANSAXLE)	BODY TYPE
Y = 1.5SOHC 6 = 1.6DOHC . = COMMON	M = MANUAL T/A A = AUTOMATIC T/A . = COMMON	4 N = 4 DOOR NOTCHBACK 3 H = 3 DOOR HATCHBACK 5 H = 5 DOOR HATCHBACK

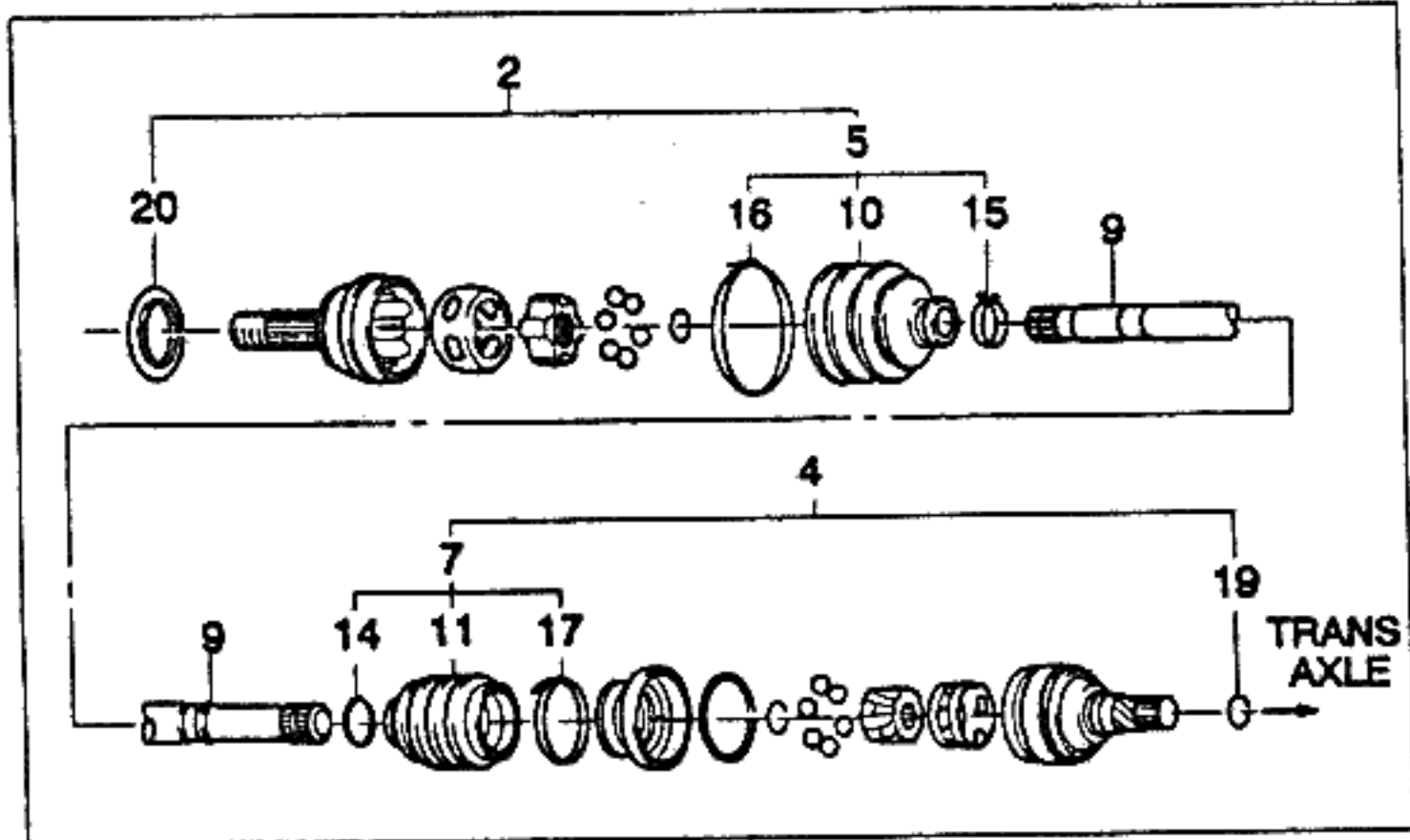


RH

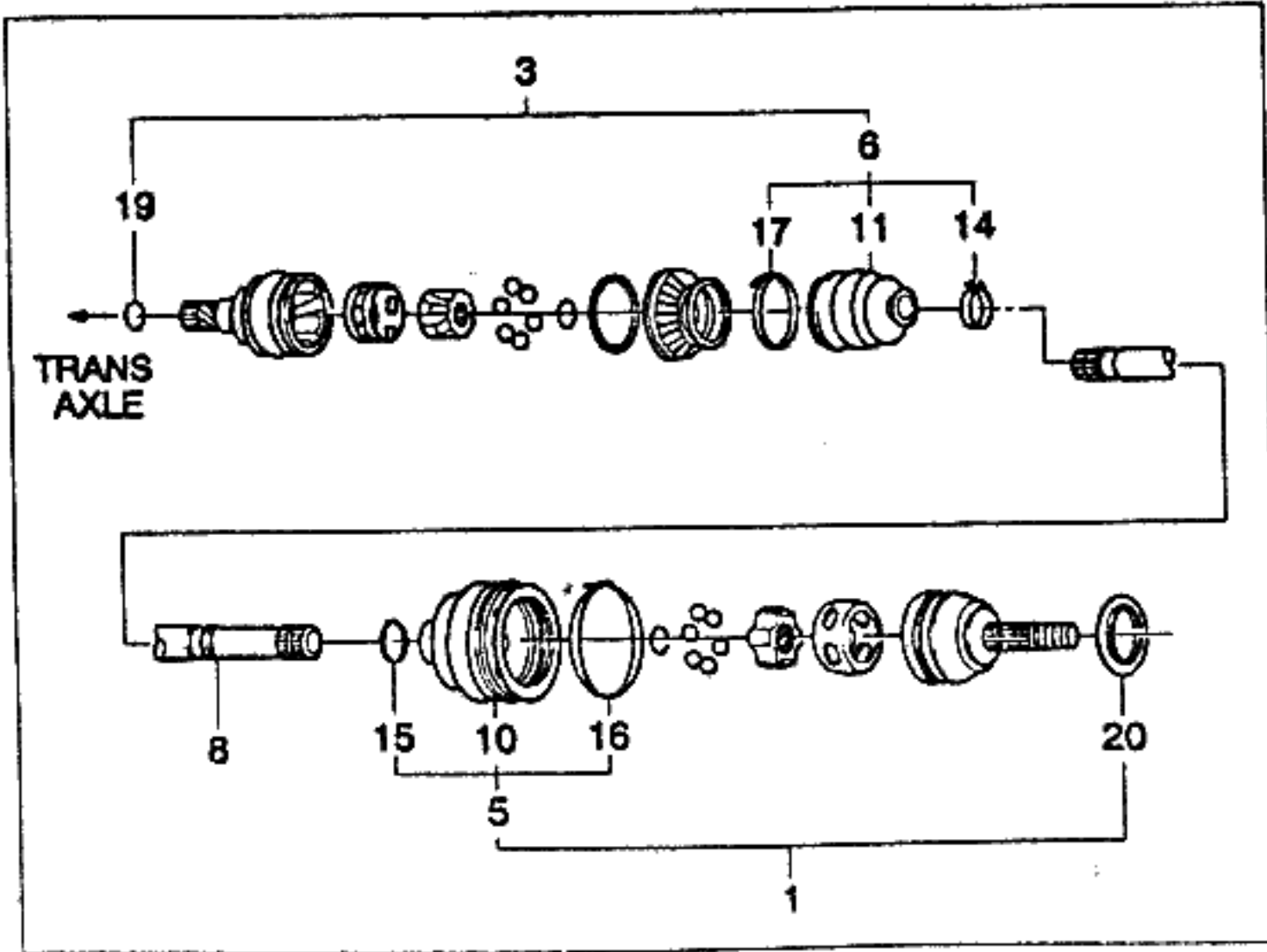


LH

I T C	KEY NO.	PART NAME										P / C O D E			
		PART NO	MODEL					OPTION	L / R	Q T Y	EFFECTIVE DATE		REMARKS		
			E N G	T / A	BODY	LEVEL	S S S				FROM			TO	
	[05]	96243578	.	M	B	B	B	S	S	S	(E)SEAL KIT-CV JOINT (D)DICHTUNGS-SATZ, GLIED	(F)TROUSSE DE JOINTS-JOINT (S)JUGO DE SELLOS-UNION	2		
	[06]	96243579	.	M	B	B	B	S	S	S	(E)SEAL KIT-CIG JOINT (D)DICHTUNGS-SATZ, GLIED	(F)TROUSSE DE JOINTS-JOINT (S)JUGO DE SELLOS-UNION	LH 1		
	[07]	96243579	.	M	B	B	B	S	S	S	(E)SEAL KIT-CIG JOINT (D)DICHTUNGS-SATZ, GLIED	(F)TROUSSE DE JOINTS-JOINT (S)JUGO DE SELLOS-UNION	RH 1		
	[08]	510842	.	M	B	B	B	S	S	S	(E)SHAFT-AXLE (D)SPINDEL,ACHSE	(F)ARBRE-AXE OU PONT (S)EJE-EJE	LH 1		
	[09]	510843	.	M	B	B	B	S	S	S	(E)SHAFT-AXLE (D)SPINDEL,ACHSE	(F)ARBRE-AXE OU PONT (S)EJE-EJE	RH 1		
	[10]	510346	.	M	B	B	B	S	S	S	(E)SEAL-CV JOINT (D)DICHTUNG	(F)JOINT (S)SELLO-UNION CV	2		
	[11]	510469	.	M	B	B	B	S	S	S	(E)SEAL-CIG JOINT (D)DICHTUNG, QUERRILLE GLIED	(F)JOINT (S)SELLO-UNION CIG	2		
	[14]	510429	.	M	B	B	B	S	S	S	(E)CLAMP (D)KLAMMER	(F)PINCE (S)ABRAZADERA	2		CV JOINT
	[15]	510464	.	M	B	B	B	S	S	S	(E)CLAMP (D)KLAMMER	(F)PINCE (S)ABRAZADERA	2		CIG JOINT
	[16]		.	M	B	B	B	S	S	S	(E)CLAMP (D)KLAMMER	(F)PINCE (S)ABRAZADERA	2		
ENG(ENGINE)			T/A(TRANSAXLE)			BODY TYPE									
Y = 1.5SOHC 6 = 1.6DOHC . = COMMON			M = MANUAL T/A A = AUTOMATIC T/A . = COMMON			4 N = 4 DOOR NOTCHBACK 3 H = 3 DOOR HATCHBACK 5 H = 5 DOOR HATCHBACK									

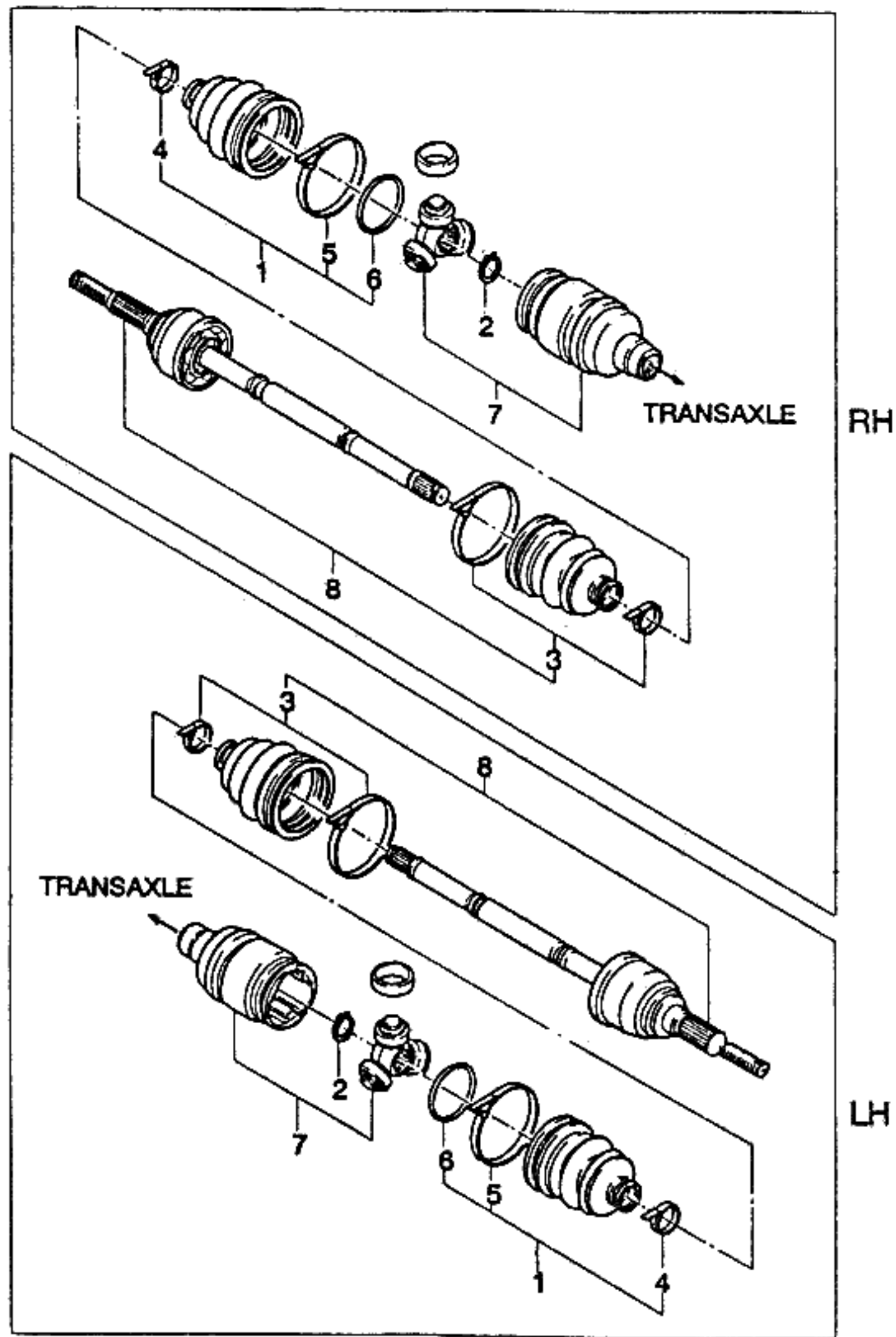


RH



LH

I T C	KEY NO.		PART NAME										P I C O D E	
	PART NO	E T N / G A	MODEL			OPTION	L / R	Q T Y	EFFECTIVE DATE		REMARKS			
			4 N H	3 H	6 H				S S S	FROM		TO		
	510430	.	M	B	B	B	S	S	S	S		2		CV JOINT
	[17]	(E)CLAMP (D)KLAMMER										(F)PINCE (S)ABRAZADERA		
	510466	.	M	B	B	B	S	S	S			2		
	[19]	(E)RING-JOINT RETAINING (D)RING,HALTER										(F)ANNEAU-DE RETENTION (S)ANILLO-RETENEDOR		
	510470	.	M	B	B	B	S	S	S			2		
	[20]	(E)RING-DEFLECTING (D)RING										(F)ANNEAU (S)ANILLO		
	510449	.	M	B	B	B	S	S	S			2		
ENG(ENGINE)			T/A(TRANSAXLE)				BODY TYPE							
Y = 1.5SOHC 6 = 1.6DOHC . = COMMON			M = MANUAL T/A A = AUTOMATIC T/A . = COMMON				4 N = 4 DOOR NOTCHBACK 3 H = 3 DOOR HATCHBACK 5 H = 5 DOOR HATCHBACK							

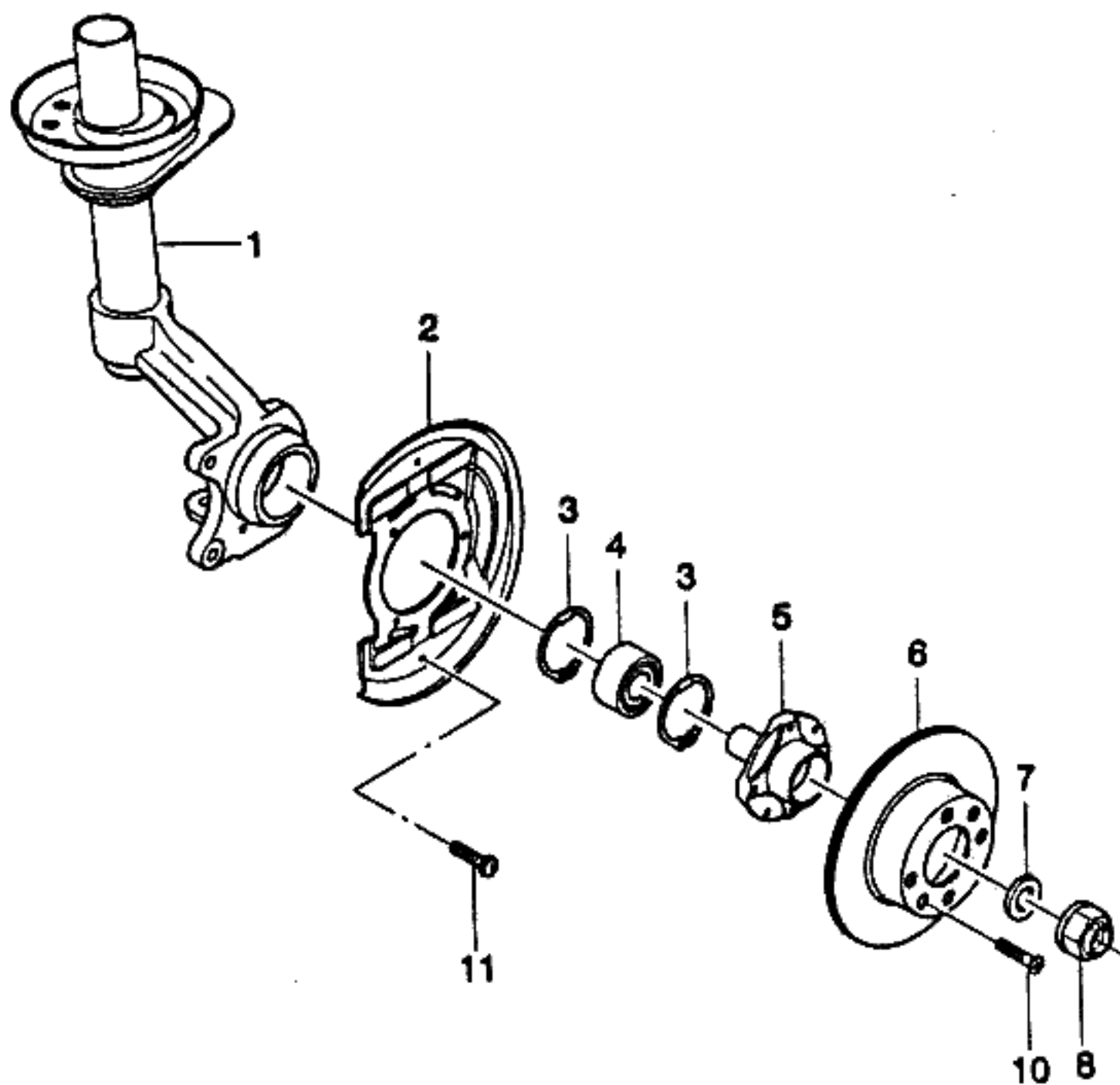


RH

LH

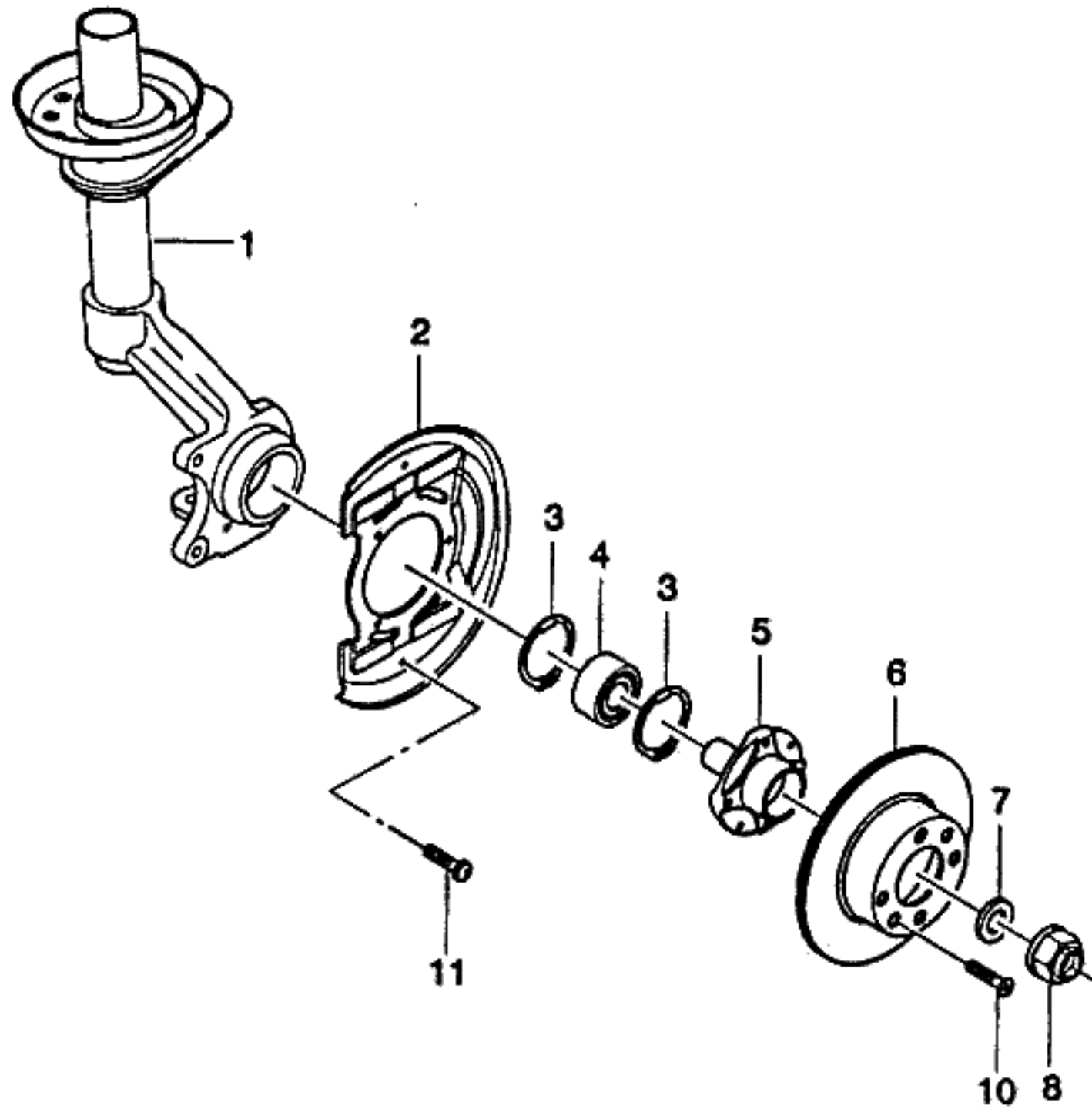
#2,4,5,6, IS SERVICED ONLY SET

KEY NO.	PART NAME														
	PART NO	MODEL						OPTION	L / R	Q / T Y	EFFECTIVE DATE		REMARKS	P / C O D E	
		E N G	T / A	B O D Y	L E V E L	FROM	TO								
		4 N	3 H	5 H	S S	S S									
[01]	96220401	(E)BOOT SET-INNER (D)KOFFERRAUM-SATZ										(F)TROUSSE DE GANE (S)JUEGO DE BOTA	2	INCL. #2	
[03]	96220402	(E)BOOT SET-OUTER (D)KOFFERRAUM-SATZ										(F)TROUSSE DE GANE (S)JUEGO DE BOTA	2	INCL. #2,4,5,6	
[07]	96220403	(E)JOINT SET-INNER (D)GLIED SATZ										(F)JEU DE JOINTS (S)JUEGO DE UNION	2	INCL. #2,4,5	
[08]	96250527	(E)JOINT SET-OUTER (D)GLIED SATZ										(F)JEU DE JOINTS (S)JUEGO DE UNION	2	INCL. #2,4,5	
	96250527	Y A B B B O O O	Y	A	B	B	B	O	O	O	JL9		LH 1	INCL. #2,4,5,6	
	96250528	Y A B B B O O O	Y	A	B	B	B	O	O	O	JL9		RH 1	INCL. #2,4,5,6	
	96250525	Y A B B B . O O	Y	A	B	B	B	.	O	O	&JL9		LH 1	INCL. #2,4,5,6	
	96250526	Y A B B B . O O	Y	A	B	B	B	.	O	O	&JL9		RH 1	INCL. #2,4,5,6	
	96250521	6 A B B B . . O	6	A	B	B	B	.	.	O	JL9		LH 1	INCL. #2,4,5,6	
	96250522	6 A B B B . . O	6	A	B	B	B	.	.	O	JL9		RH 1	INCL. #2,4,5,6	
	96250523	6 A B B B . . O	6	A	B	B	B	.	.	O	&JL9		LH 1	INCL. #2,4,5,6	
	96250524	6 A B B B . . O	6	A	B	B	B	.	.	O	&JL9		RH 1	INCL. #2,4,5,6	
ENG(ENGINE)		T/A(TRANSAXLE)				BODY TYPE									
Y = 1.5SOHC 6 = 1.6DOHC . = COMMON		M = MANUAL T/A A = AUTOMATIC T/A . = COMMON				4 N = 4 DOOR NOTCHBACK 3 H = 3 DOOR HATCHBACK 5 H = 5 DOOR HATCHBACK									



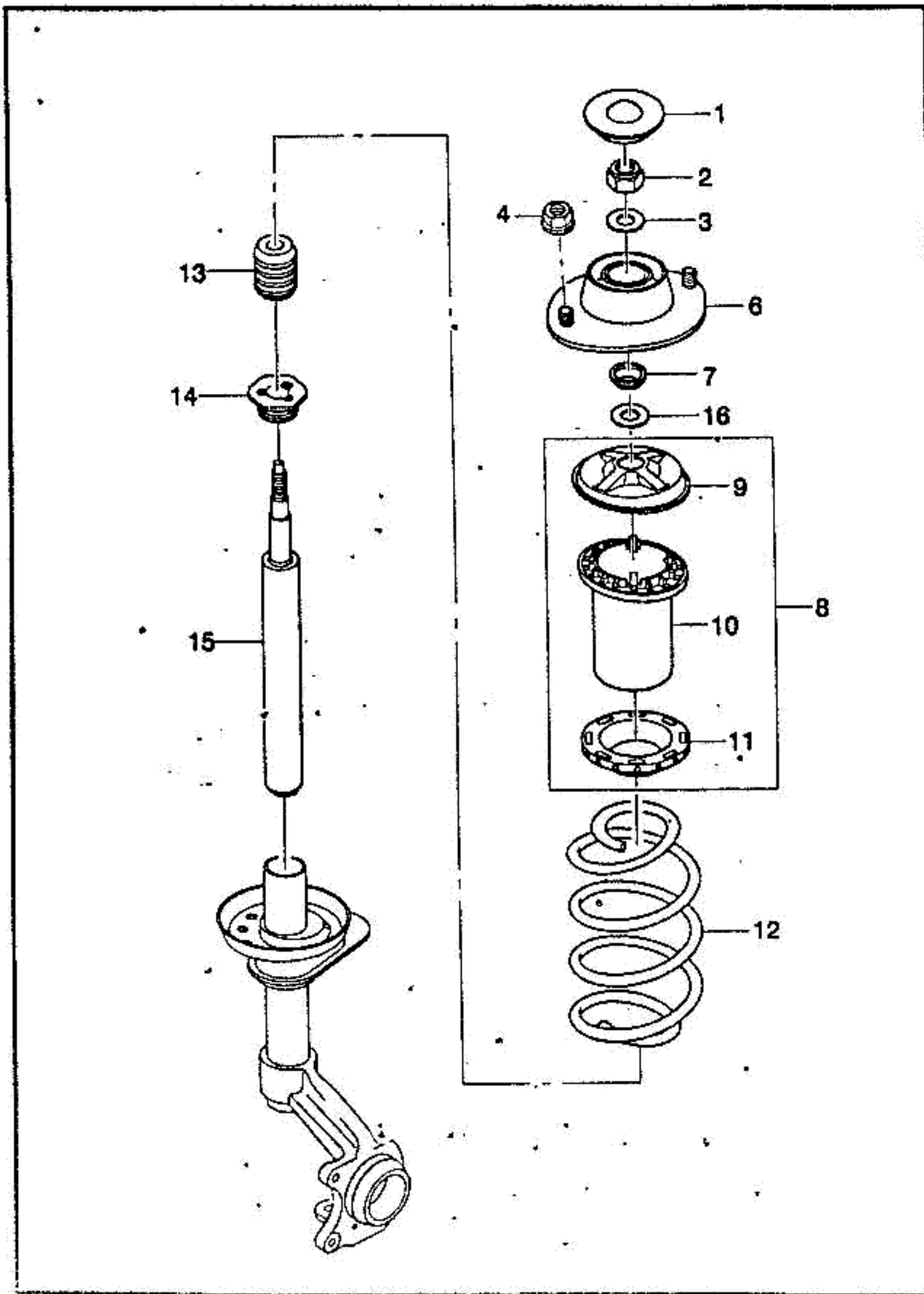
I T C	KEY NO.	PART NAME											P / C O D E		
		PART NO	MODEL						OPTION	L / R	Q T Y	EFFECTIVE DATE		REMARKS	
			E T N / G A	4 N H	3 H	6 H	S S	S S				FROM			TO
	[01]	(E)KNUCKLE A-STEERING (D)KNUCKLE,LENKUNG											(F)ARTICULATION-DIRECTION (S)NUDILLO-VOLANTE		
	96219508	Y . B B B S S S	JL9	LH	1										
	96219509	Y . B B B S S S	JL9	RH	1										
	96219506	Y . B B B . O O	&JL9	LH	1										
	96219507	Y . B B B . O O	&JL9	RH	1										
	96219512	6 . B B B . . O	JL9	LH	1										
	96219513	6 . B B B . . O	JL9	RH	1										
	96219510	6 . B B B . . O	&JL9	LH	1										
	96219511	6 . B B B . . O	&JL9	RH	1										
	[02]	(E)COVER-SHEET (D)DECKEL,LENKUNG NUCKLE											(F)COUVERCLE (S)CUBIERTA-LAMINA		
	96304481	Y . B B B S S S	&JB3		2										
	96176932	6 . B B B . . O	&JB4		2										
	[03]	(E)RING-RETAINING (D)RING,HALTER											(F)ANNEAU-DE RETENTION (S)ANILLO-RETENEDOR		
	09381-67001	Y . B B B S S S	&JB3		4										
	09381-75001	6 . B B B . . O	&JB4		4										
	[04]	(E)BEARING (D)KUGELLAGER											(F)ROULEMENT-BILIE INCLINEE (S)COJINETE-BOLA INCLINADA		
	09267-34001	Y . B B B S S S	&JB3		2						970701				
	Y 09267-34002	Y . B B B S S S	&JB3		2						970701				
	09267-39001	6 . B B B . . O	&JB4		2						970701				
	Y 09267-39005	6 . B B B . . O	&JB4		2						970701				
	[06]	(E)HUB-BRAKE DISK,FRONT (D)NABE,SCHEIBENBREMSE											(F)MOYEU-DISQUE DE FREIN (S)CUBO-FRENO DE DISCOS		

ENG(ENGINE)	T/A(TRANSAXLE)	BODY TYPE
Y = 1.5SOHC 6 = 1.6DOHC . = COMMON	M = MANUAL T/A A = AUTOMATIC T/A . = COMMON	4 N = 4 DOOR NOTCHBACK 3 H = 3 DOOR HATCHBACK 5 H = 5 DOOR HATCHBACK



I T C	KEY NO.	PART NAME										P / C O D E		
		PART NO	E N G	T / A	MODEL			OPTION	L / R	Q T Y	EFFECTIVE DATE		REMARKS	
					4 N	3 H	5 H				S S			S S
	96176252	Y .	B	B	B	S	S	S	&JB3		2			
	96162249	6 .	B	B	B	.	.	O	&JB4		2			
	[06]								(E)DISK-VENTILATED BRAKE (D)SCHEIBENBREMSE			(F)DISQUE-FREIN (S)DISCO-FRENO		
	90121445	Y .	B	B	B	S	S	S	&JB3		2			DV
	96179110	6 .	B	B	B	.	.	O	&JB4		2			DQ
	[07]								(E)WASHER-PLAIN (D)DICHTUNGSRING			(F)RONDELLE (S)ARANDELA		
	09160-20001	.	B	B	B	S	S	S			2			
	[08]								(E)NUT (D)MUTTER			(F)ECROU (S)TUERCA		
	09169-20004	.	B	B	B	S	S	S			2			
	[10]								(E)SCREW (D)SCHRAUBE			(F)VIS (S)TORNILLO		
	02126-06103	.	B	B	B	S	S	S			2	970404		
	Y 02126-06123	.	B	B	B	S	S	S			2	970404		
	[11]								(E)SCREW (D)SCHRAUBE			(F)VIS (S)TORNILLO		
	02116-36103	.	B	B	B	S	S	S			6			

ENG(ENGINE)	T/A(TRANSAXLE)	BODY TYPE
Y = 1.5SOHC 6 = 1.6DOHC . = COMMON	M = MANUAL T/A A = AUTOMATIC T/A . = COMMON	4 N = 4 DOOR NOTCHBACK 3 H = 3 DOOR HATCHBACK 5 H = 5 DOOR HATCHBACK

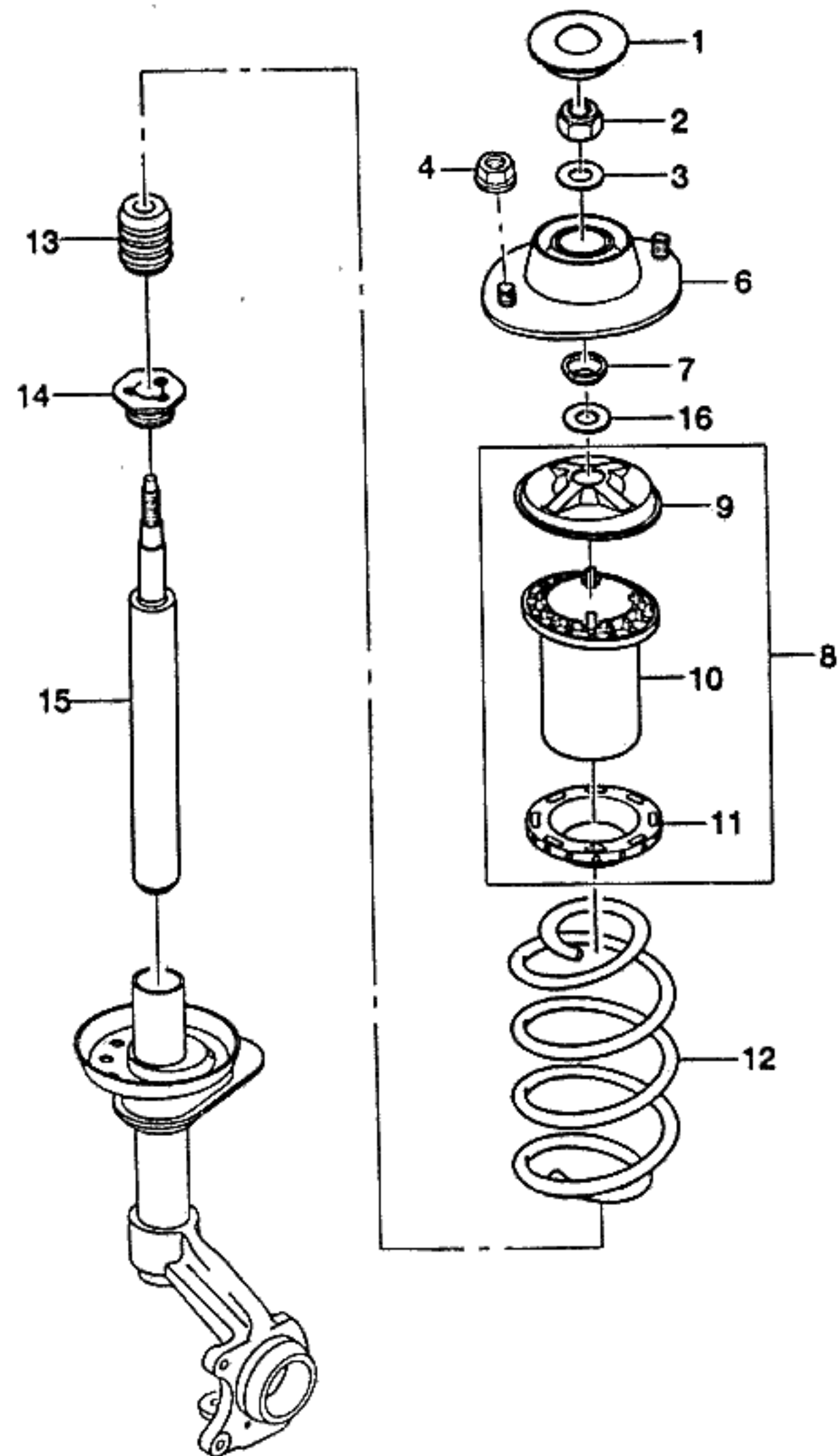


KEY NO.	PART NAME										P / CODE	
	PART NO	MODEL				OPTION	L / R	Q / T Y	EFFECTIVE DATE			REMARKS
		E T	BODY	LEVEL					FROM	TO		
[01]	90079044	(E)CAP-STRUT MOUNT (D)DECKEL,SPREIZE-MONTAGE	B	B	B	S	S	S			(F)CHAPEAU-MONTAGE TENDEUR (S)TAPA-MONTAJE DE PUNTAL 2	
[02]	09159-12003	(E)NUT (D)MUTTER	B	B	B	S	S	S			(F)ECROU (S)TUERGA 2	
[03]	09160-12002	(E)WASHER-PLAIN (D)DICHTUNGSRING	B	B	B	S	S	S			(F)RONDELLE (S)ARANDELA 2	
[04]	08311-38082	(E)NUT-HEXAGON LOCK (D)MUTTER	B	B	B	S	S	S			(F)ECROU (S)TUERGA 2	
[06]	96225638	(E)STRUT-SHOCK ABSOR MOUNT (D)STÖTZE	B	B	B	S	S	S			(F)TENDEUR (S)BRIDA-MONTAJE 2	
[07]	90079042	(E)PLATE-BALL BEARING (D)PLATTE,KUGELLAGER	B	B	B	S	S	S			(F)PLAQUE-ROULEMENT A BILLES (S)PLACA-COJINETE DE BOLA 2	
[08]	96133096	(E)SEAT A-SPRING,UPPER (D)SITZ,FEDERUNG,OBERE	B	B	B	S	S	S			(F)SIEGE-RESSORT,HAUT (S)ASIENTO-RESORTE,SUPERIOR 2	
[09]	96133097	(E)SEAT A-SPRING,UPPER (D)SITZ,FEDERUNG,OBERE	B	B	B	S	S	S			(F)SIEGE-RESSORT,HAUT (S)ASIENTO-RESORTE,SUPERIOR 2	
[10]	90305062	(E)LOCATOR-FRONT SPRING (D)FINDER,VORDERE FEDERUNG	B	B	B	S	S	S			(F)LOCALISATEUR (S)LOCALIZADOR 2	
[11]		(E)RING-FR SPRING INSULATOR (D)RING									(F)ANNEAU (S)ANILLO-AISLADOR	

ENG(ENGINE)	T/A(TRANSAXLE)	BODY TYPE
Y = 1.5SOHC 6 = 1.6DOHC = COMMON	M = MANUAL T/A A = AUTOMATIC T/A = COMMON	4 N = 4 DOOR NOTCHBACK 3 H = 3 DOOR HATCHBACK 5 H = 5 DOOR HATCHBACK

4140 FRONT SHOCK ABSORBER

4L10

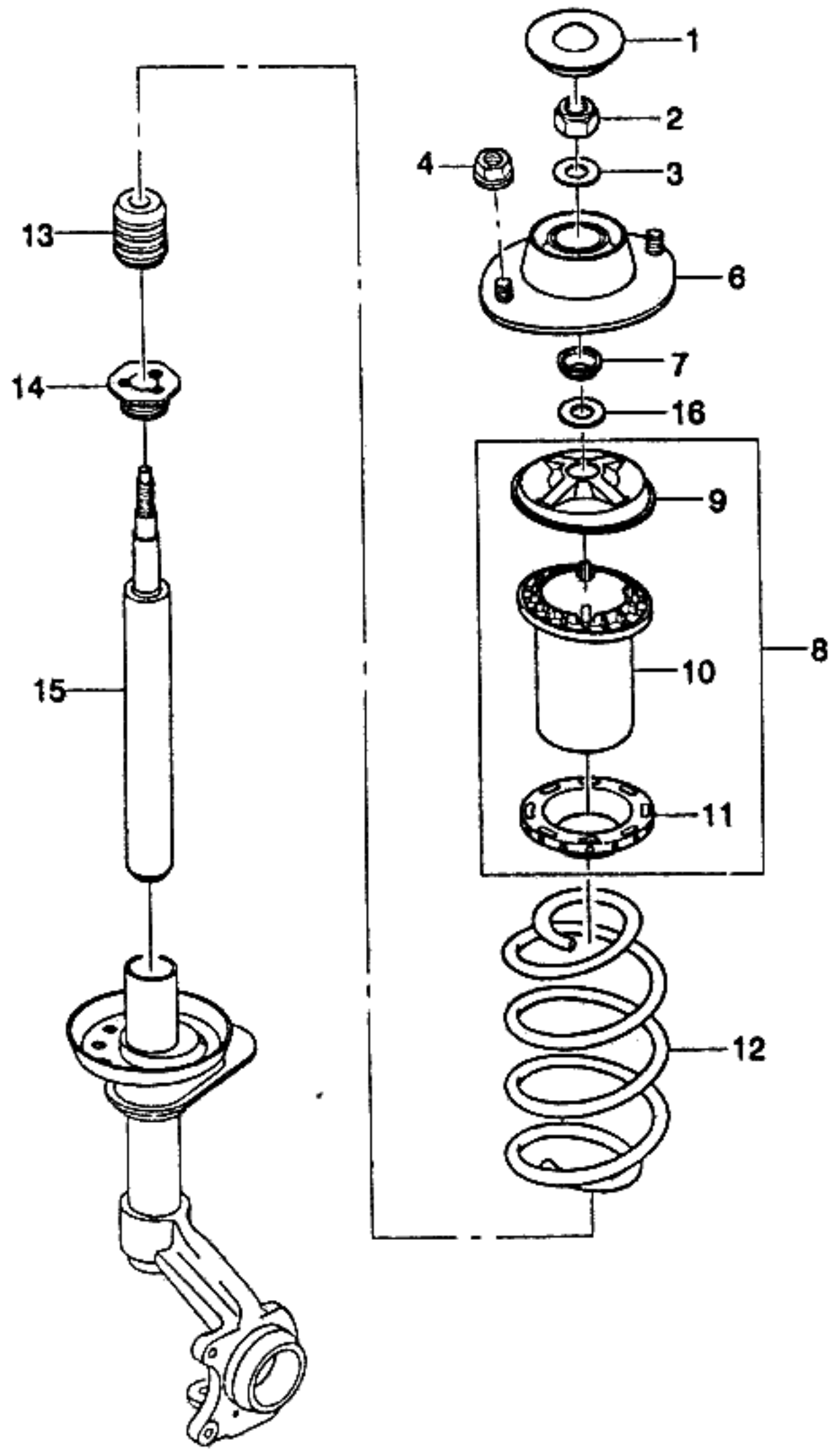


KEY NO.	PART NAME													
	PART NO	MODEL						OPTION	L / R	QTY	EFFECTIVE DATE		REMARKS	P / CODE
		E	T	BODY			LEVEL				FROM	TO		
N / G	A	4	3	5	S	S	S							
90216299	[12]	.	.	B	B	B	S	S	S			2	(E)SPRING-FRONT (D)FEDERUNG,VORDERE (F)RESSORT-AVANT (S)RESORTE-FRENTE	
96223500		Y	M	B	B	B	S	S	S	&C46&F39		2		
96223501		Y	M	B	B	B	A	A	A	&C46&F40		2		
96232695		Y	M	B	B	B	O	O	O	&C59/C60&F39		2		
96223502		Y	M	B	B	B	A	A	A	&C59/C60&F40		2		
96223501		Y	A	B	B	B	O	O	O	&C46&F39		2		
96223508		Y	A	B	B	B	A	A	A	&C46&F40		2		
96223502		Y	A	B	B	B	O	O	O	&C59/C60&F39		2		
96246623		Y	A	B	B	B	A	A	A	&C59/C60&F40		2		
96223501		6	M	B	B	B	.	.	O	&C46&F39		2		
96223508		6	M	B	B	B	.	.	A	&C46&F40		2		
96223502		6	M	B	B	B	.	.	O	&C59/C60&F39		2		
96246623		6	M	B	B	B	.	.	A	&C59/C60&F40		2		
96223502		6	A	B	B	B	.	.	O	&C46&F39		2		
96246623		6	A	B	B	B	.	.	A	&C46&F40		2		
96223508		6	A	B	B	B	.	.	O	&C59/C60&F39		2		
96246624		6	A	B	B	B	.	.	A	&C59/C60&F40		2		
[13]													(E)BUMPER-HOLLOW (D)STOBSTANGE,HOHL (F)PARE-CHOC-EXCAVATION (S)TOPE-HUECO	
90142884		Y	.	B	B	B	S	S	S			2		
90125889		6	.	B	B	B	.	.	O			2		
[14]													(E)RING-THREADED (D)RING,SCHRAUBENGWINDE (F)ANNEAU-FILETE (S)ANILLO-CON ROSCA	

ENG(ENGINE)	T/A(TRANSAXLE)	BODY TYPE
Y = 1.5SOHC 6 = 1.6DOHC . = COMMON	M = MANUAL T/A A = AUTOMATIC T/A . = COMMON	4 N = 4 DOOR NOTCHBACK 3 H = 3 DOOR HATCHBACK 5 H = 5 DOOR HATCHBACK

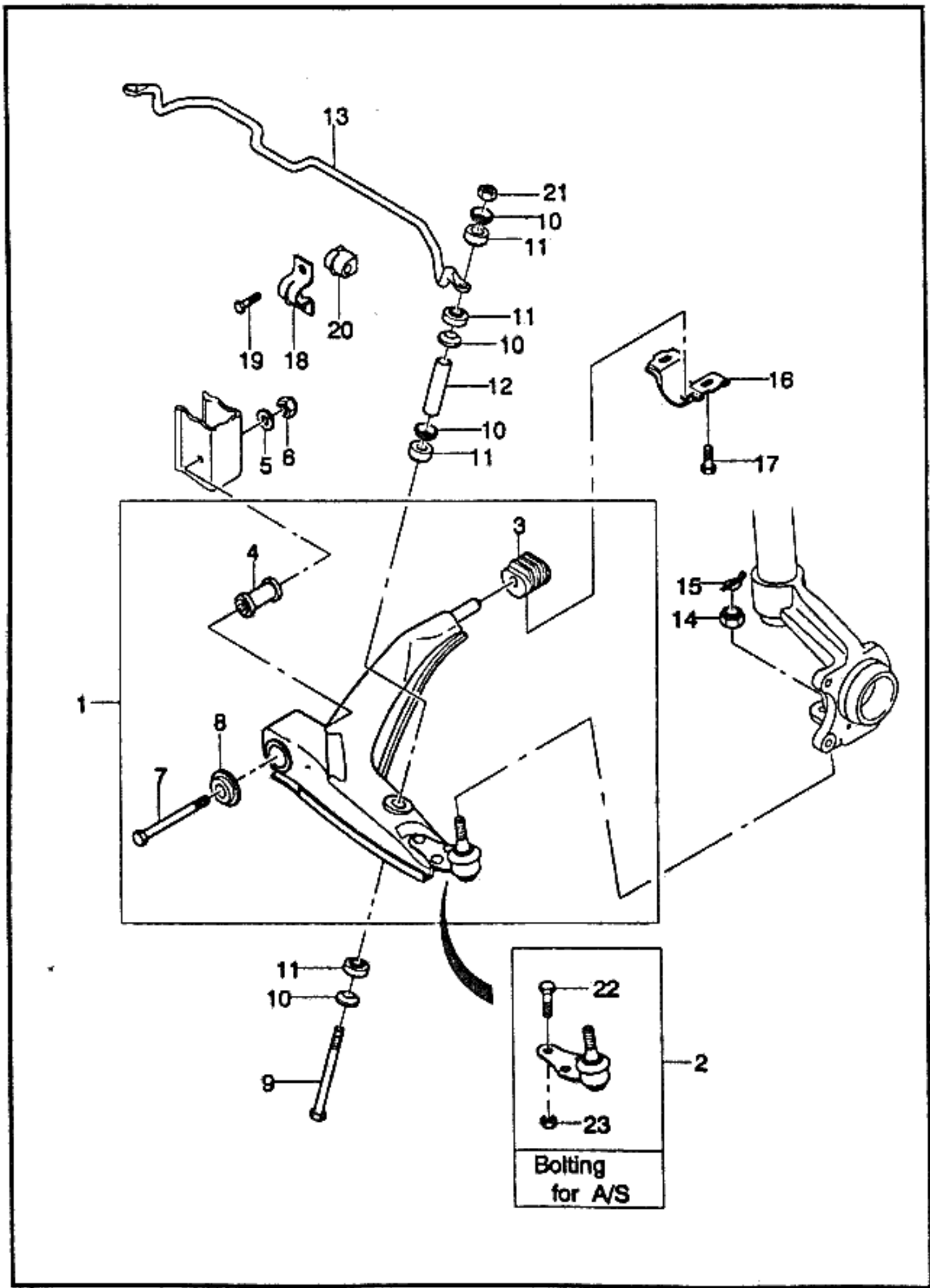
4140 FRONT SHOCK ABSORBER

4M10

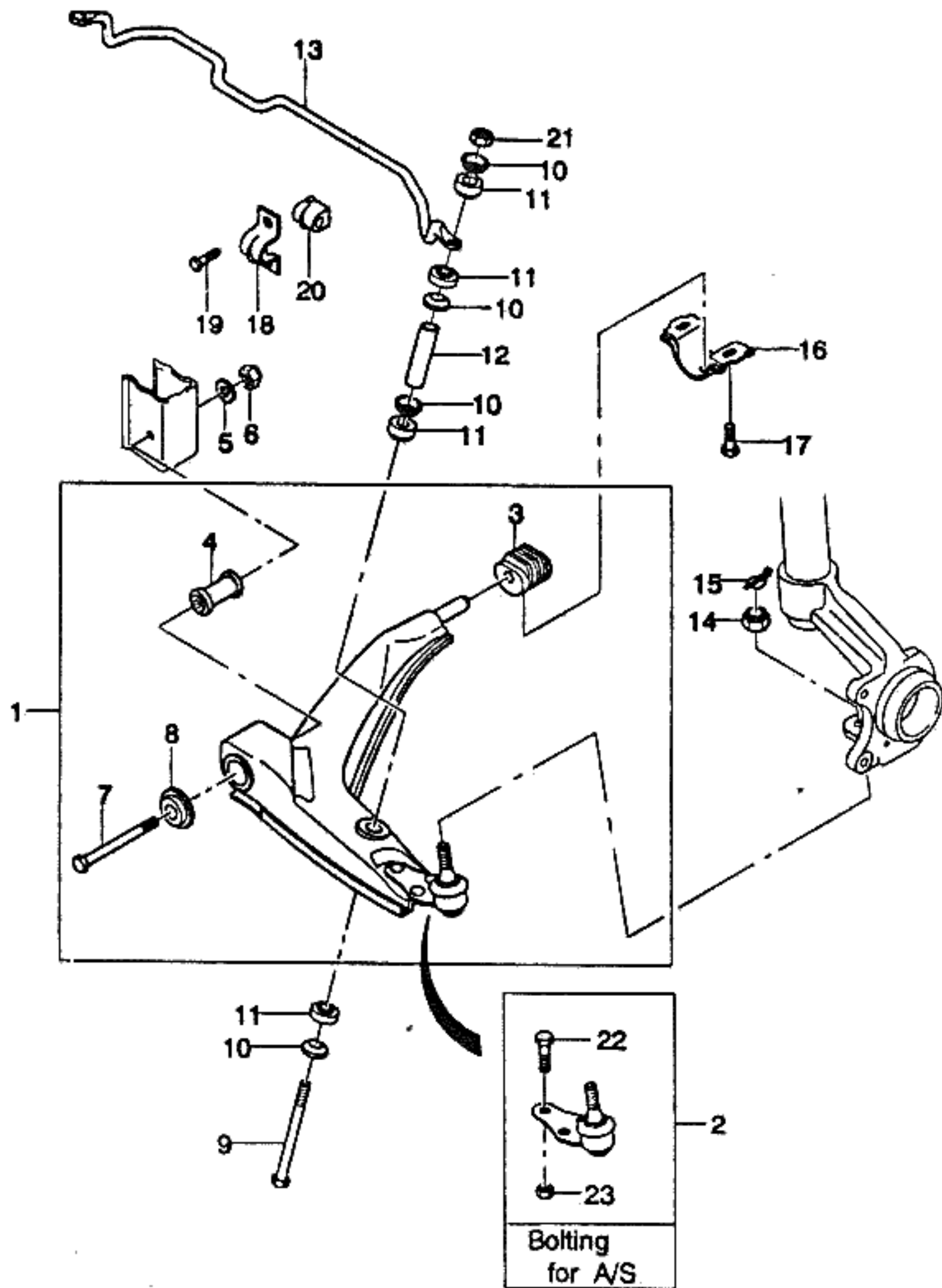


KEY NO.	PART NAME														
	PART NO	MODEL					OPTION	L / R	QTY	EFFECTIVE DATE		REMARKS	P / CODE		
		E N / G	T / A	BODY	LEVEL	LEVEL				FROM	TO				
90063897	[15]	.	.	B	B	B	S	S	S	S			2	(F) CARTOUCHE-AMORTISSEUR (S) CARTUCHO-AMORTIGUADOR	
96226992	[16]	.	.	B	B	B	S	S	S	S			2	(F) RONDELLE (S) ARANDELA	
09160-14005		.	.	B	B	B	S	S	S	S			2		

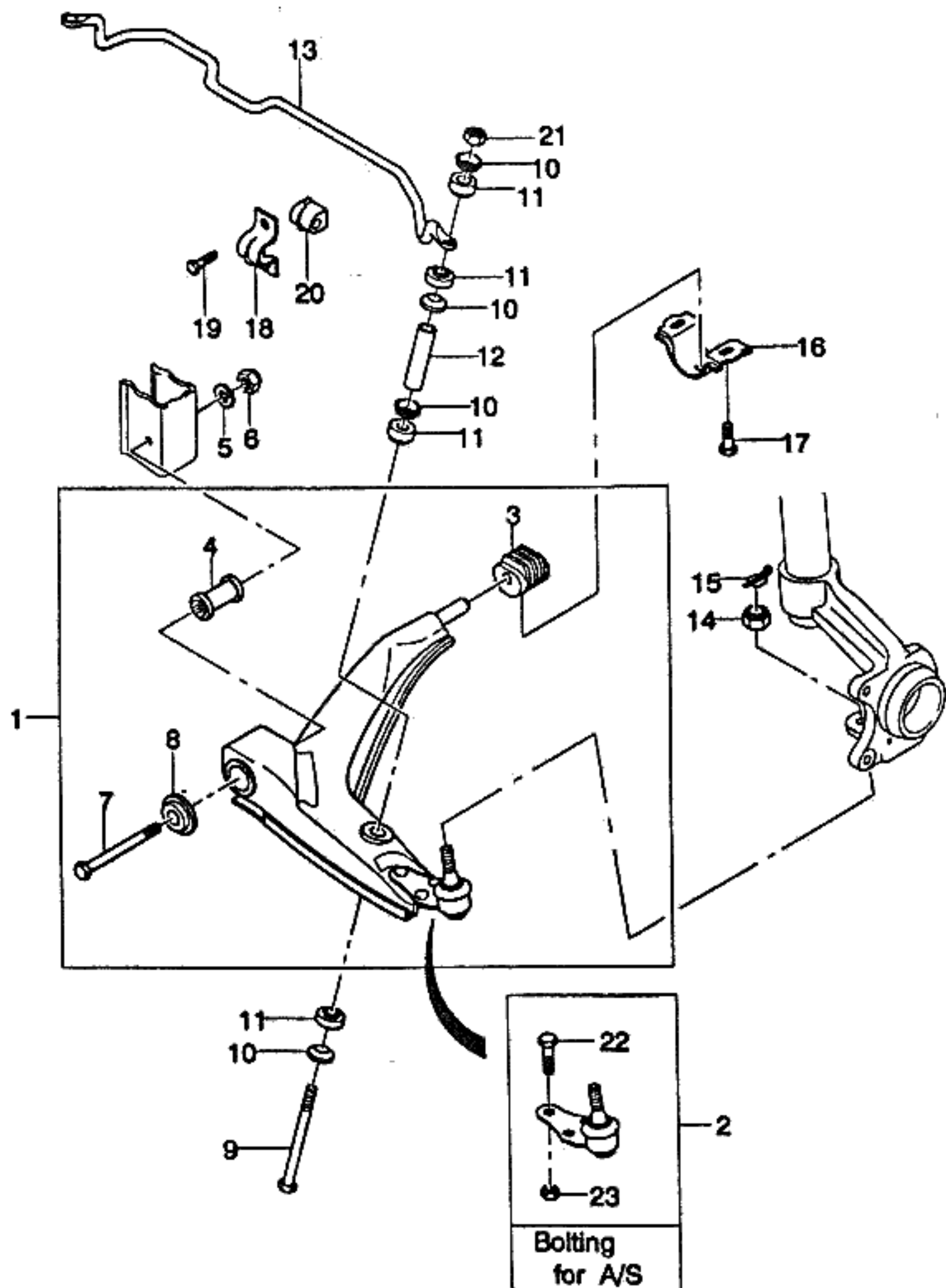
ENG(ENGINE)	T/A(TRANSAXLE)	BODY TYPE
Y = 1.5SOHC 6 = 1.6DOHC . = COMMON	M = MANUAL T/A A = AUTOMATIC T/A . = COMMON	4 N = 4 DOOR NOTCHBACK 3 H = 3 DOOR HATCHBACK 5 H = 5 DOOR HATCHBACK



KEY NO.	PART NAME										REMARKS	P / CODE
	PART NO	MODEL				OPTION	L / R	Q / T Y	EFFECTIVE DATE			
		E N G	T / A	BODY	LEVEL				FROM	TO		
[01]	(E)ARM A-CONTROL (D)ARM,STEUERUNG										(F)BRAS-CONTROLE (S)BRAZO-CONTROL	
96218397	. . . B B B S S S &F39										LH 1	
96218398	. . . B B B S S S &F39										RH 1	
96218399	. . . B B B A A A &F40										LH 1	
96218400	. . . B B B A A A &F40										RH 1	
[02]	(E)JOINT SET-CONTROL ARM BAL (D)GLIED SATZ,KONSTANT ARM										(F)JEU DE JOINTS (S)JUEGO DE UNION	
94788122	. . . B B B S S S										2	
[03]	(E)BUSHING-RR CONT ARM DAMPING (D)LAGERFUTTER										(F)COUSSINET (S)BUJE-AMORTIGUADOR	
90235040	. . . B B B S S S										2	
[04]	(E)BUSHING-FRT CONT ARM DAMPING (D)LAGERFUTTER										(F)MANCHON (S)BUJE-AMORTIGUADOR,FRENTE	
96185973	. . . B B B S S S										2	
[05]	(E)WASHER-PLAIN (D)DICHTUNGSRING										(F)RONDELLE (S)ARANDELA	
09160-14007	. . . B B B S S S										2	
[06]	(E)NUT-HEXAGON LOCK (D)MUTTER										(F)ECROU (S)TUERCA	
08311-28143	. . . B B B S S S										2	
[07]	(E)BOLT-HEXAGON (D)SCHRAUBE										(F)BOULON (S)PERNO	
09100-14004	. . . B B B S S S										2	
[08]	(E)PLATE (D)PLATTE										(F)PLAQUE (S)PLACA	
90105063	. . . B B B S S S										2	
ENG(ENGINE)		T/A(TRANSAXLE)				BODY TYPE						
Y = 1.5SOHC 6 = 1.6DOHC . = COMMON		M = MANUAL T/A A = AUTOMATIC T/A . = COMMON				4 N = 4 DOOR NOTCHBACK 3 H = 3 DOOR HATCHBACK 5 H = 5 DOOR HATCHBACK						

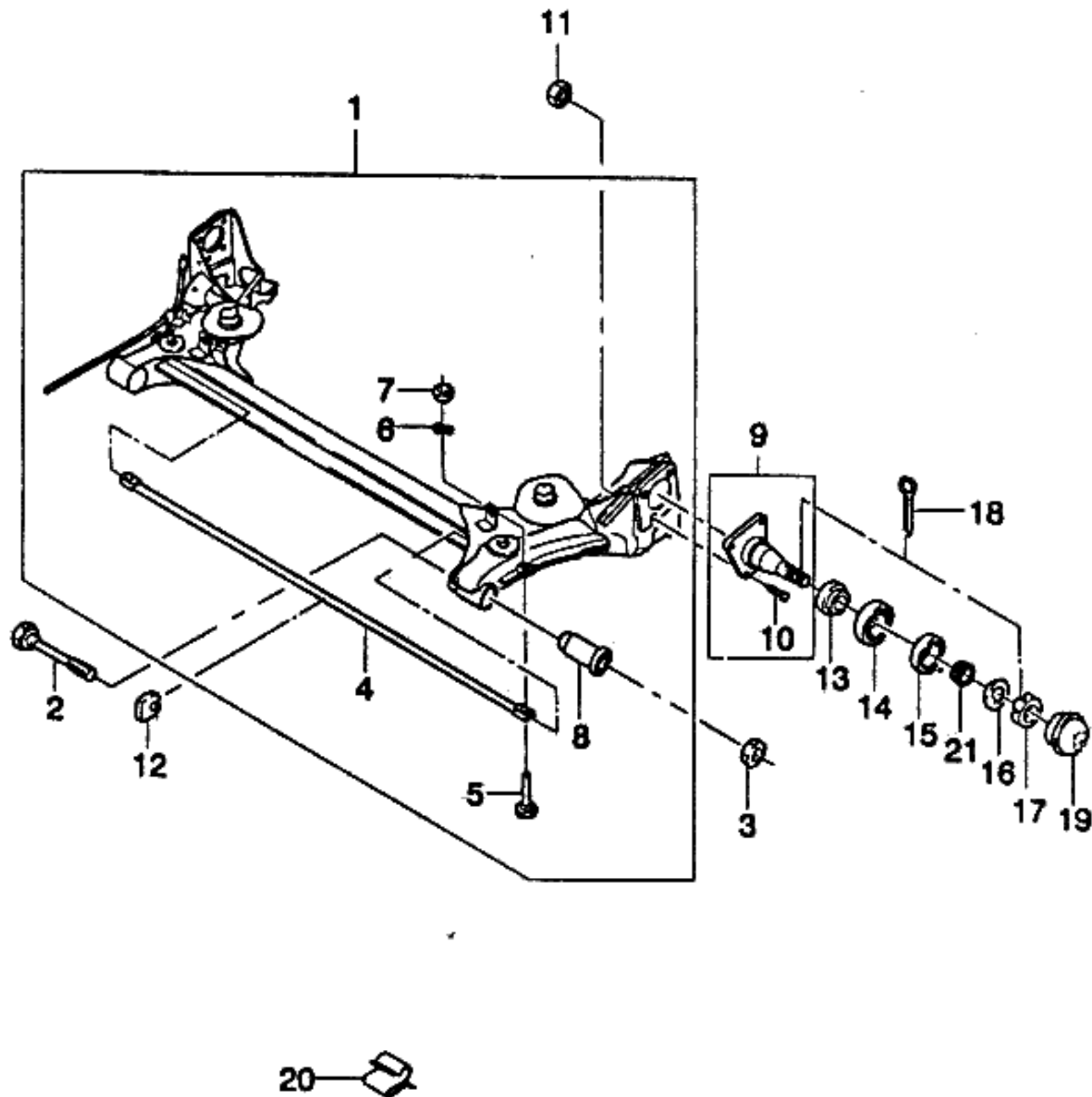


KEY NO.	PART NAME										REMARKS	P / CODE			
	PART NO	MODEL					OPTION	L / R	Q / T Y	EFFECTIVE DATE					
		E T N / G	4	3	5	S S S				FROM			TO		
[09]	(E)BOLT-HEXAGON (D)SCHRAUBE												(F)BOULON (S)PERNO		
09100-08001	. . . B B B S S S												2		
[10]	(E)PLATE-BUMPER (D)PLATTE,STOßSTANGE												(F)PLAQUE-PARE-CHOC (S)PLACA-PARACHOCQUES		
90209277	. . . B B B S S S												8		
[11]	(E)BUMPER-STABILIZER (D)STOßSTANGE,STABILISATOR												(F)PARE-CHOC-STABILISATEUR (S)TOPE-ESTABILIZADOR		
02875013	. . . B B B S S S												8		
[12]	(E)TUBE (D)ROHRLEITUNG												(F)TUYAU OU TUBE (S)TUBO		
11087513	. . . B B B S S S												2		
[13]	(E)STABILIZER-FRONT (D)STABILISATOR,VORNE												(F)STABILISATEUR-AVANT (S)ESTABILIZADOR-FRENTE		
96226986	. . . B B B S S S												1		
[14]	(E)NUT (D)MUTTER												(F)ECROU (S)TUERCA		
09141-12001	. . . B B B S S S												2		
[15]	(E)SPRING-RETAINING (D)FEDERUNG,HALTER												(F)RESSORT-D'ARRET (S)RESORTE-RETENIENDO		
90095298	. . . B B B S S S												2		
[16]	(E)CAP-DAMPING BUSHING (D)DECKEL,DÄMPFUNGS-FUTTER												(F)CHAPEAU (S)TAPA-BUJE DE AMORTIGUADOR		
90344190	. . . B B B S S S												2		
[17]	(E)BOLT-HEXAGON FLANGE (D)SCHRAUBE												(F)BOULON (S)PERNO		
09103-10010	. . . B B B S S S												4		
[18]	(E)CLAMP-STABILIZER BUSHING (D)KLAMMER												(F)PINCE (S)ABRAZADERA-BUJE		
ENG(ENGINE)		T/A(TRANSAXLE)			BODY TYPE										
Y = 1.5SOHC 6 = 1.6DOHC . = COMMON		M = MANUAL T/A A = AUTOMATIC T/A . = COMMON			4 N = 4 DOOR NOTCHBACK 3 H = 3 DOOR HATCHBACK 5 H = 5 DOOR HATCHBACK										



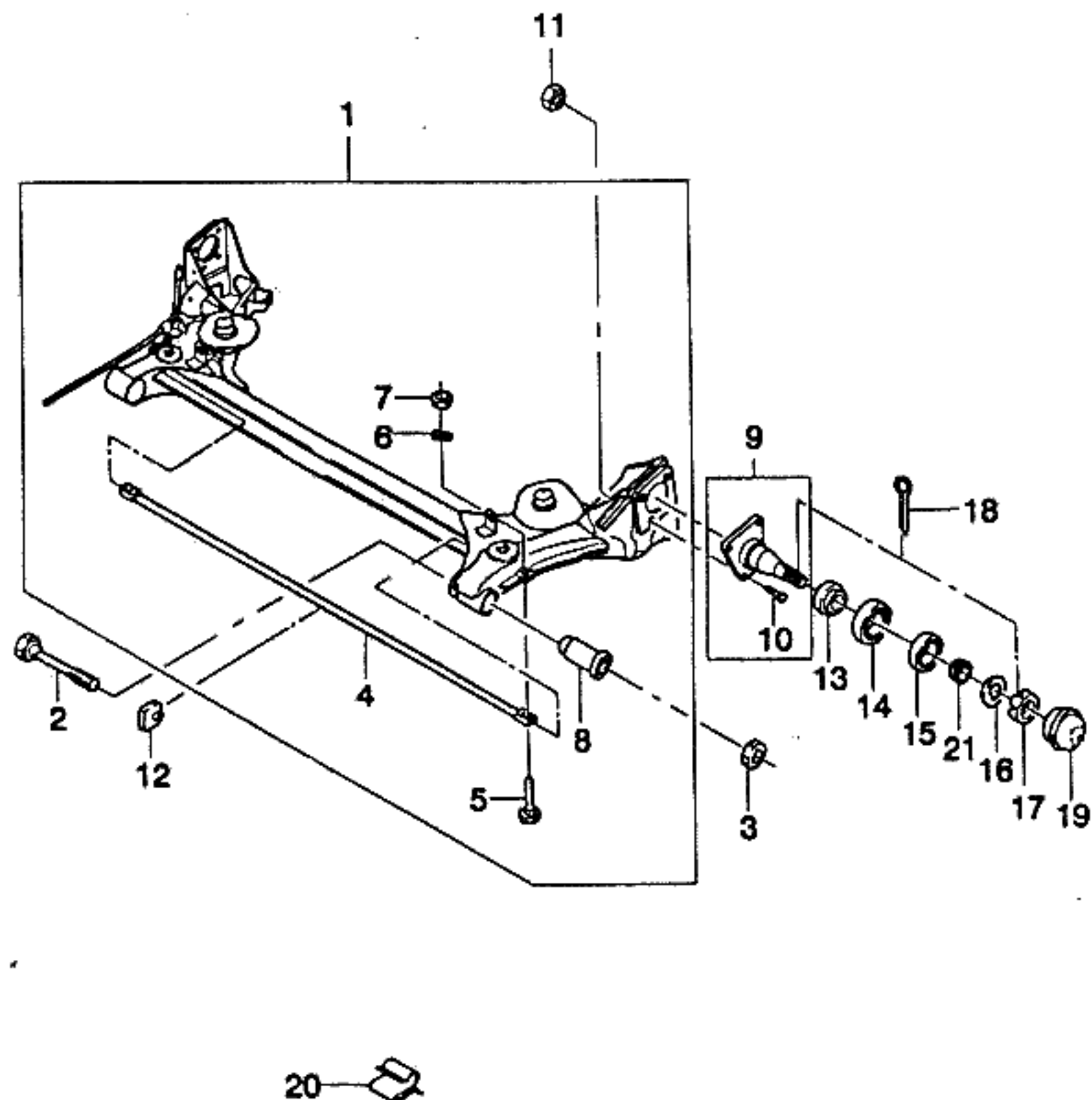
KEY NO.	PART NAME													
	PART NO	MODEL			OPTION	L / R	QTY	EFFECTIVE DATE		REMARKS	P / CODE			
		E	T	BODY				LEVEL	FROM			TO		
	N / G	A	4 N	3 H	5 H	S	S	S						
96230714			B	B	B	S	S	S			2			
[19]			(E)BOLT-HEXAGON								(F)BOULON			
			(D)SCHRAUBE								(S)PERNO			
09100-10003			B	B	B	S	S	S			4			
[20]			(E)BUSHING-STABILIZER BAR								(F)MANCHON-STABILISATEUR			
			(D)LAGERFUTTER,STABILISATOR								(S)BUJE-ESTABILIZADOR			
96227420			B	B	B	S	S	S			2	970701		
96246674			B	B	B	S	S	S			2	970701		
[21]			(E)NUT-HEXAGON LOCK								(F)ECROU			
			(D)MUTTER								(S)TUERCA			
08311-28082			B	B	B	S	S	S			2			
[22]			(E)BOLT-HEXAGON								(F)BOULON			
			(D)SCHRAUBE								(S)PERNO			
09100-10020			B	B	B	S	S	S			3			
[23]			(E)NUT-HEXAGON LOCK								(F)ECROU			
			(D)MUTTER								(S)TUERCA			
09159-10016			B	B	B	S	S	S			3			

ENG(ENGINE)	T/A(TRANSAXLE)	BODY TYPE
Y = 1.5SOHC 6 = 1.6DOHC . = COMMON	M = MANUAL T/A A = AUTOMATIC T/A . = COMMON	4 N = 4 DOOR NOTCHBACK 3 H = 3 DOOR HATCHBACK 5 H = 5 DOOR HATCHBACK



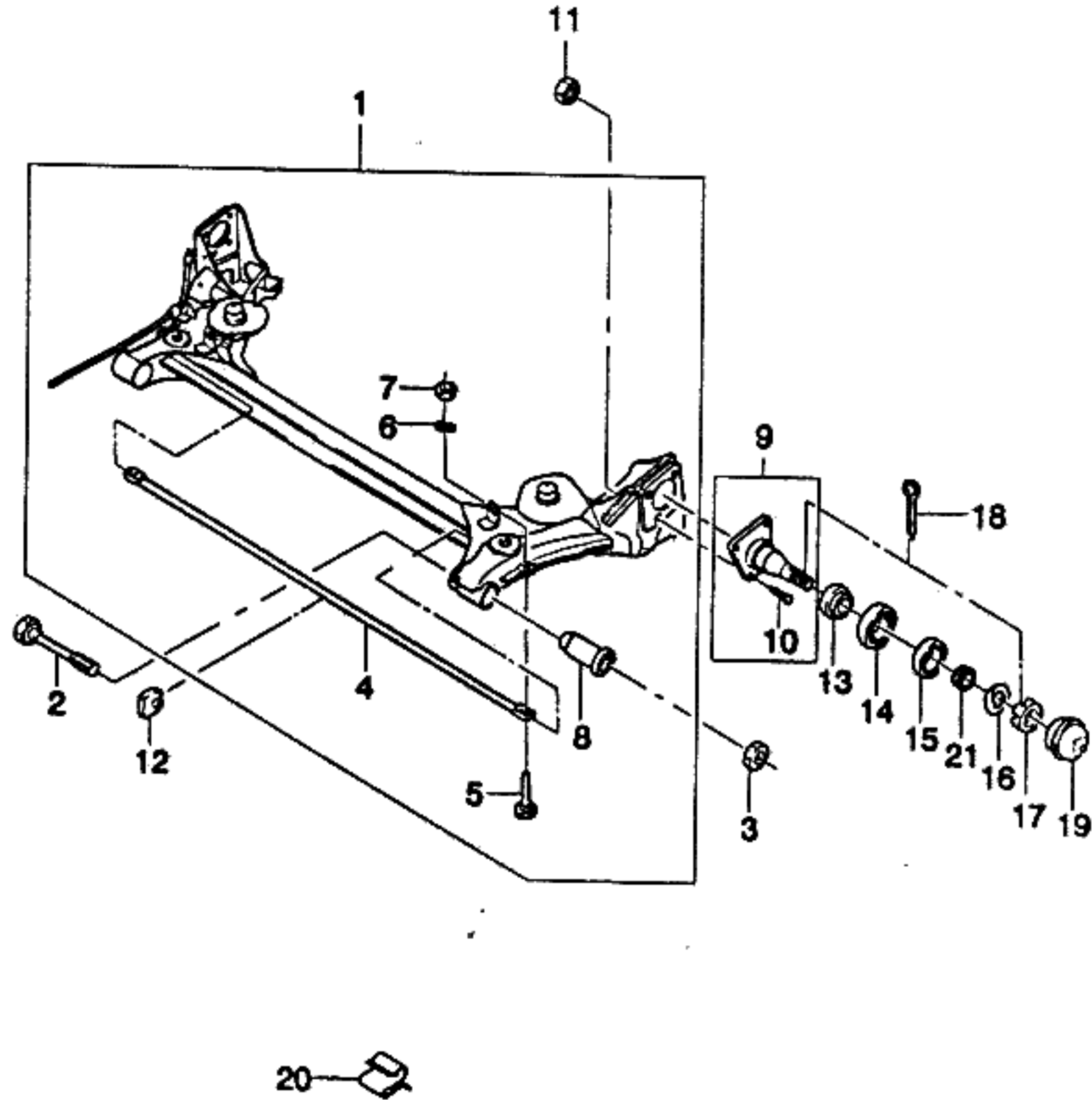
KEY NO.	PART NAME										REMARKS	P / CODE	
	PART NO	MODEL					OPTION	L / R	Q / T Y	EFFECTIVE DATE			
		E N G	T N A	B O D Y	L E V E L					FROM			TO
[01] 96219577	(E)AXLE A-REAR (D)ACHSE,HINTEN	. .	B	B	B	S	S	S		(F)PONT-ARRIERE (S)EJE-TRASERO	1		
[02] 09100-12015	(E)BOLT-HEXAGON (D)SCHRAUBE	. .	B	B	B	S	S	S		(F)BOULON (S)PERNO	2		
[03] 09159-12011	(E)NUT (D)MUTTER	. .	B	B	B	S	S	S		(F)ECROU (S)TUERCA	2		
[04] 96208559	(E)STABILIZER-REAR (D)STABILISATOR,HINTEN	. .	B	B	B	S	S	S		(F)STABILISATEUR-ARRIERE (S)ESTABILIZADOR-TRASERO	1		EE
[05] 09100-10015	(E)BOLT-HEXAGON (D)SCHRAUBE	. .	B	B	B	S	S	S		(F)BOULON (S)PERNO	2		
[06] 09162-10002	(E)WASHER-SPRING (D)DICHTUNGSRING	. .	B	B	B	S	S	S		(F)RONDELLE (S)ARANDELA	2		
[07] 09159-10008	(E)NUT (D)MUTTER	. .	B	B	B	S	S	S		(F)ECROU (S)TUERCA	2		
[08] 90139050	(E)BUSHING-REAR AXLE DAMPING (D)LAGERFUTTER	. .	B	B	B	S	S	S		(F)COUSSINET (S)BUJE-AMORTIGUADOR	2		
[09] 96115666	(E)SPINDLE A-WHEEL BEARING (D)SPINDEL	. .	B	B	B	S	S	S	JL9	(F)ROULEMENT PALIER (S)EJE	2		
[10]	(E)BOLT (D)SCHRAUBE	. .	B	B	B	S	S	S		(F)BOULON (S)PERNO			

ENG(ENGINE)	T/A(TRANSAXLE)	BODY TYPE
Y = 1.5SOHC 6 = 1.6DOHC . = COMMON	M = MANUAL T/A A = AUTOMATIC T/A . = COMMON	4 N = 4 DOOR NOTCHBACK 3 H = 3 DOOR HATCHBACK 5 H = 5 DOOR HATCHBACK

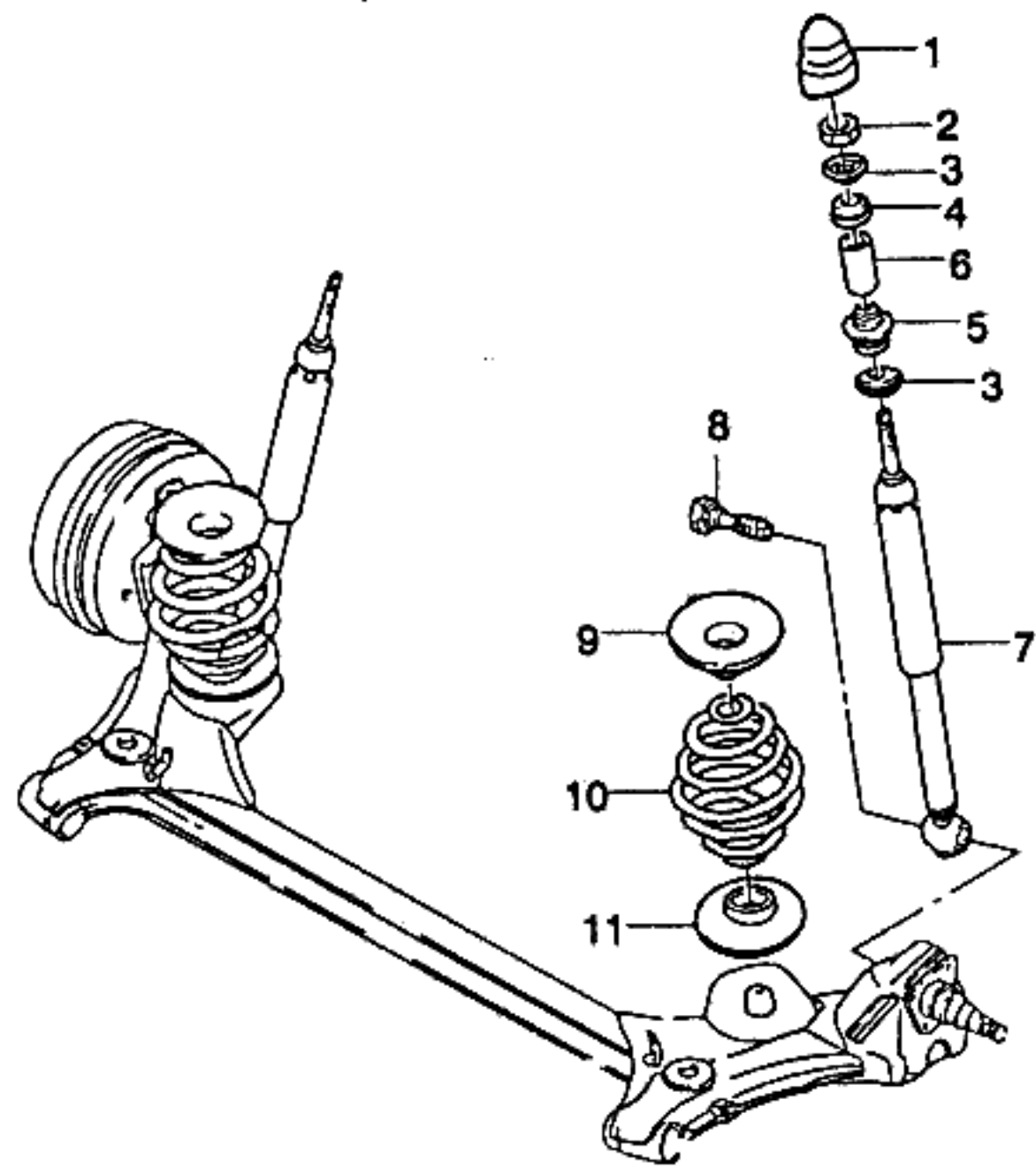


I T C	KEY NO.	PART NAME										L Q T Y	EFFECTIVE DATE	REMARKS	P / C O D E		
		PART NO	E N G	T / A	MODEL			OPTION	R	Y	FROM					TO	
					BODY	LEVEL											
	09119-10007	. . .	B	B	B	S	S	S	JL9				8	(F)ECROU (S)TUERCA			
	[11]	(E)NUT (D)MUTTER															
	09159-10010	. . .	B	B	B	S	S	S	JL9				8	(F)AMORTISSEUR-STABILISATEUR (S)AMORTIGUADOR			
	[12]	(E)DAMPER-STABILIZER (D)DÄMPFER,STABILISATOR															
	96208560	. . .	B	B	B	S	S	S					1	(F)JOINT D'ETANCHEITE (S)SELLO			
	[13]	(E)SEAL (D)DICHTUNG															
	09283-40001	. . .	B	B	B	S	S	S	JL9				2	(F)ROULEMENT (S)COJINETE			
	[14]	(E)BEARING (D)KUGELLAGER															
	09265-29001	. . .	B	B	B	S	S	S	JL9				2	(F)ROULEMENT,EXTERIEUR (S)COJINETE,EXTERIOR			
	[15]	(E)BEARING-OUTER (D)KUGELLAGER,AUßEN															
	09265-17201	. . .	B	B	B	S	S	S	JL9				2	(F)RONDELLE (S)ARANDELA			
	[16]	(E)WASHER (D)DICHTUNGSRING															
	09166-16001	. . .	B	B	B	S	S	S	JL9				2	(F)ECROU (S)TUERCA			
	[17]	(E)NUT (D)MUTTER															
	09141-16001	. . .	B	B	B	S	S	S	JL9				2	(F)BROCHE (S)PASADOR			
	[18]	(E)PIN-COTTER (D)STIFT															
	09204-03001	. . .	B	B	B	S	S	S	JL9				2	(F)CHAPEAU-MOYEU (S)TAPA-CUBO			
	[19]	(E)CAP-HUB (D)DECKEL,HÜLSE															
	06696899	. . .	B	B	B	S	S	S	JL9				2				

ENG(ENGINE)	T/A(TRANSAXLE)	BODY TYPE
Y = 1.5SOHC 6 = 1.6DOHC . = COMMON	M = MANUAL T/A A = AUTOMATIC T/A . = COMMON	4 N = 4 DOOR NOTCHBACK 3 H = 3 DOOR HATCHBACK 5 H = 5 DOOR HATCHBACK



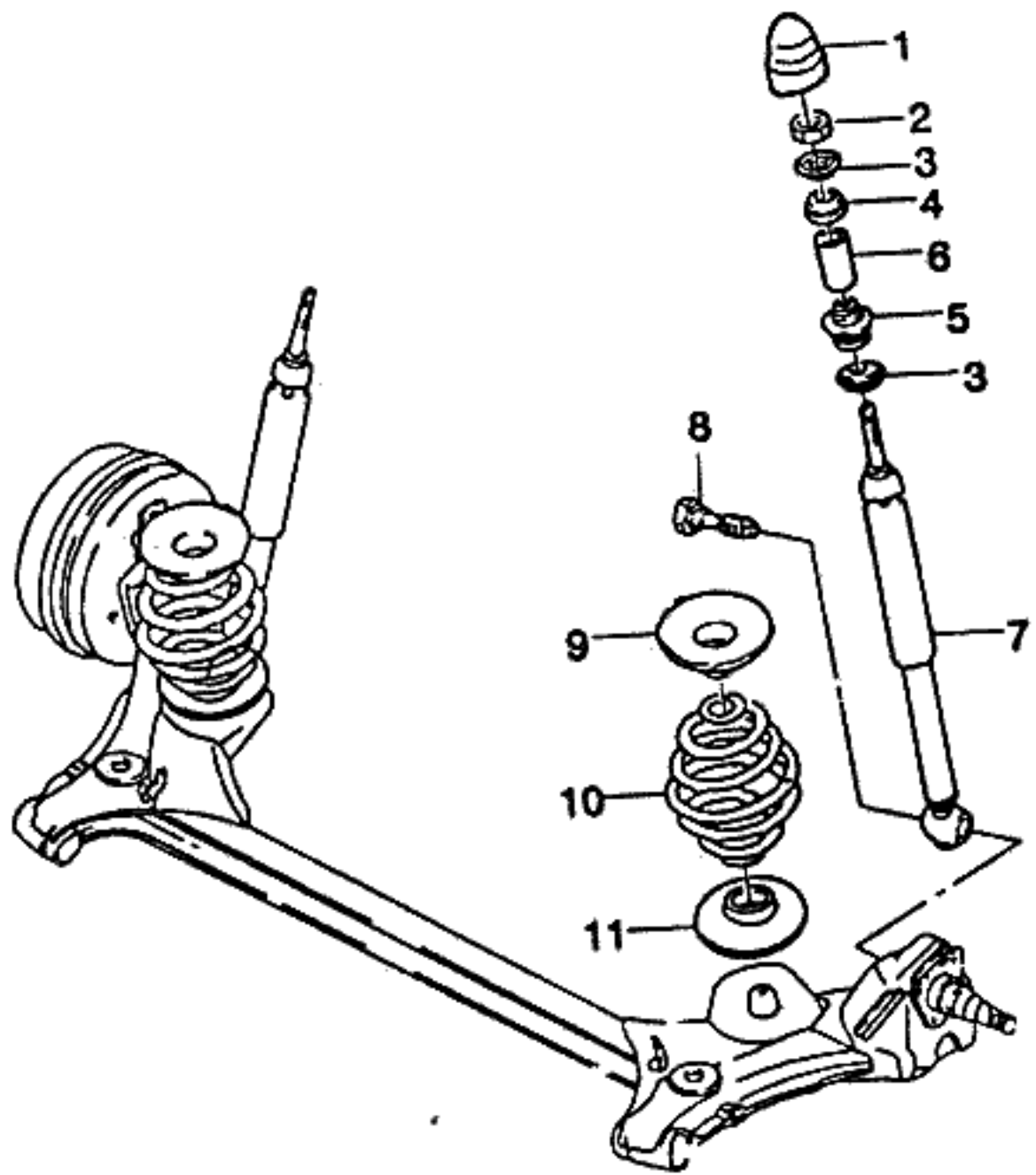
KEY NO.	PART NAME													
	PART NO	MODEL				OPTION	L / R	QTY	EFFECTIVE DATE		REMARKS	P / CODE		
		E N / G	T / A	BODY	LEVEL				FROM	TO				
[20] 09408-00068	(E)CLIP (D)KLEMME	.	.	B	B	B	.	O	O	&JL9	(F)ATTACHE (S)GRAPA	3		
[21] 09265-17101	(E)BEARING-INNER (D)KUGELLAGER,INNEN	.	.	B	B	B	S	S	S	JL9	(F)ROULEMENT,INTERNE (S)COJINETE-INTERNO	2		
ENG(ENGINE)		T/A(TRANSAXLE)				BODY TYPE								
Y = 1.5SOHC 6 = 1.6DOHC . = COMMON		M = MANUAL T/A A = AUTOMATIC T/A . = COMMON				4 N = 4 DOOR NOTCHBACK 3 H = 3 DOOR HATCHBACK 5 H = 5 DOOR HATCHBACK								



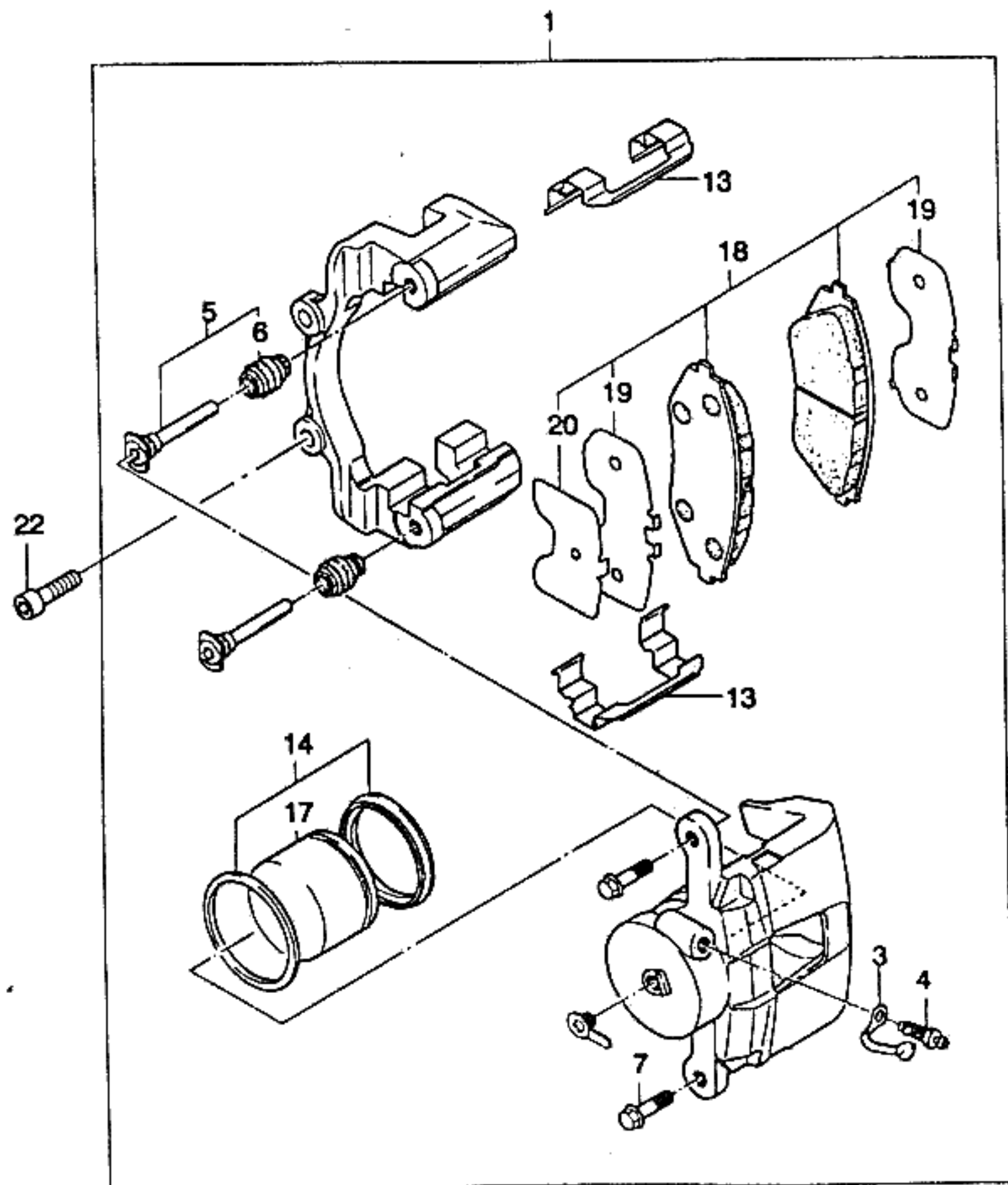
I T C	KEY NO.	PART NAME											P / C O D E		
		PART NO	MODEL						OPTION	L / R	Q T Y	EFFECTIVE DATE		REMARKS	
			E	T	BODY			LEVEL				FROM			TO
N	G	4	3	5	S	S	S								
	[01]	(E)CAP-COVER (D)DECKEL											(F)CHAPEAU (S)TAPA-AMORTIGUADOR		
	96249401	. . . B B S . S											2		
	[02]	(E)NUT (D)MUTTER											(F)ECROU (S)TUERCA		
	09159-10003	. . . B B B S S S											2		
	[03]	(E)PLATE-BUMPER,UPPER&LOWER (D)PLATTE,STOBSTANGE											(F)PLAQUE (S)PLACA-PARACHOQUES		
	90343956	. . . B B B S S S											4		
	[04]	(E)BUMPER-SHOCK ABS,UPPER (D)STOBSCHIEBE											(F)PARE-CHOC (S)TOPE-AMORTIGUADOR,INF		
	96231921	. . . B B B S S S											2		
	[05]	(E)BUMPER-SHOCK ABS,LOWER (D)STOBSCHIEBE											(F)PARE-CHOC-AMORTISSEUR,BAS (S)TOPE-AMORTIGUADOR,SUP		
	96231922	. . . B B B S S S											2	970807	
	O 96246673	. . . B B B S S S											2	970807	
	[06]	(E)SPACER (D)Distanzstück											(F)ENTRETOISE (S)ESPACIADOR		
	96231920	. . . B B B S S S											2		
	[07]	(E)ABSORBER A-SHOCK (D)STOBDÄMPFER											(F)AMORTISSEUR (S)AMORTIGUADOR-CHOQUE		
	96226990	. . . B B B S S S &F39											2		
	96246626	. . . B B B A A A &F40											2		
	[08]	(E)BOLT (D)SCHRAUBE											(F)BOULON (S)PERNO		
	09111-10003	. . . B B B S S S											2		
	[09]	(E)BUMPER-REAR AXLE (D)STOBSTANGE,HINTERE ACHSE											(F)PARE-CHOC-PONT ARRIERE (S)TOPE-EJE TRASERO		
		ENG(ENGINE)	T/A(TRANSAXLE)					BODY TYPE							
		Y = 1.5SOHC 6 = 1.6DOHC . = COMMON	M = MANUAL T/A A = AUTOMATIC T/A . = COMMON					4 N = 4 DOOR NOTCHBACK 3 H = 3 DOOR HATCHBACK 5 H = 5 DOOR HATCHBACK							

4320 REAR SHOCK ABSORBER

4H11

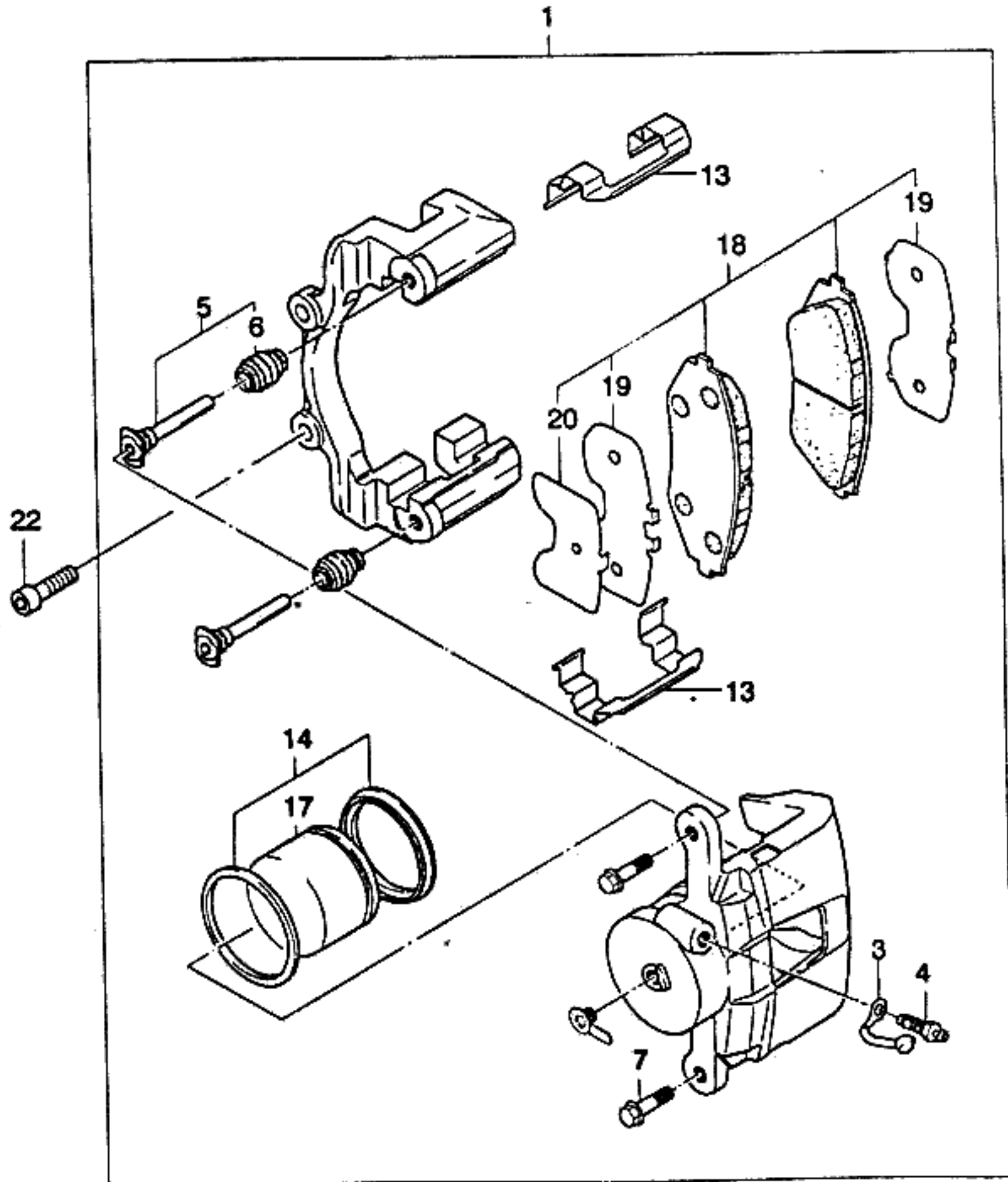


KEY NO.		PART NAME														
I T C	PART NO	MODEL						OPTION	L / R	Q T Y	EFFECTIVE DATE		REMARKS	P / C O D E		
		E N G	T / A	BODY			LEVEL				FROM	TO				
				4 N	3 H	5 H	S								S	S
	96179844	.	.	B	B	B	S	S	S			2				
	[10]															
	96226988	.	.	B	B	B	S	S	S	&F39		2				GG
	96099946	.	.	B	B	B	A	A	A	&F40		2				BO
	[11]															
	90305263	.	.	B	B	B	S	S	S			2				
		ENG(ENGINE)			T/A(TRANSAXLE)			BODY TYPE								
		Y = 1.5SOHC 6 = 1.6DOHC . = COMMON			M = MANUAL T/A A = AUTOMATIC T/A . = COMMON			4 N = 4 DOOR NOTCHBACK 3 H = 3 DOOR HATCHBACK 5 H = 5 DOOR HATCHBACK								



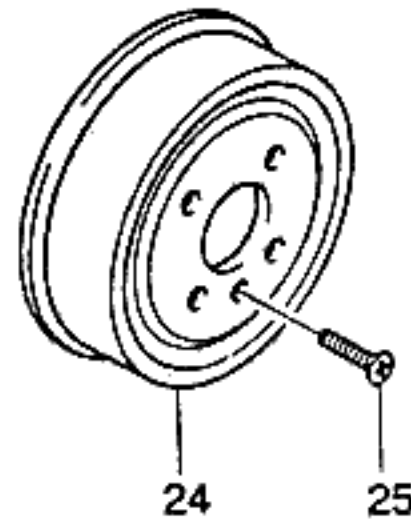
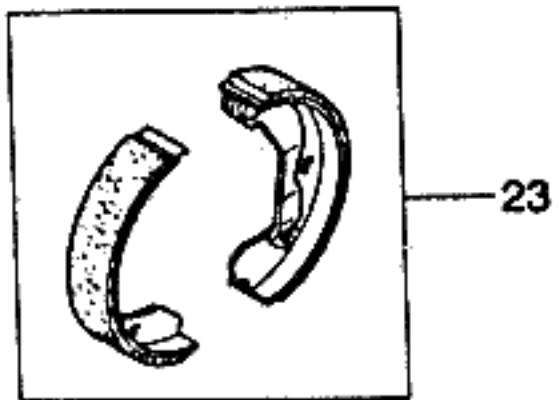
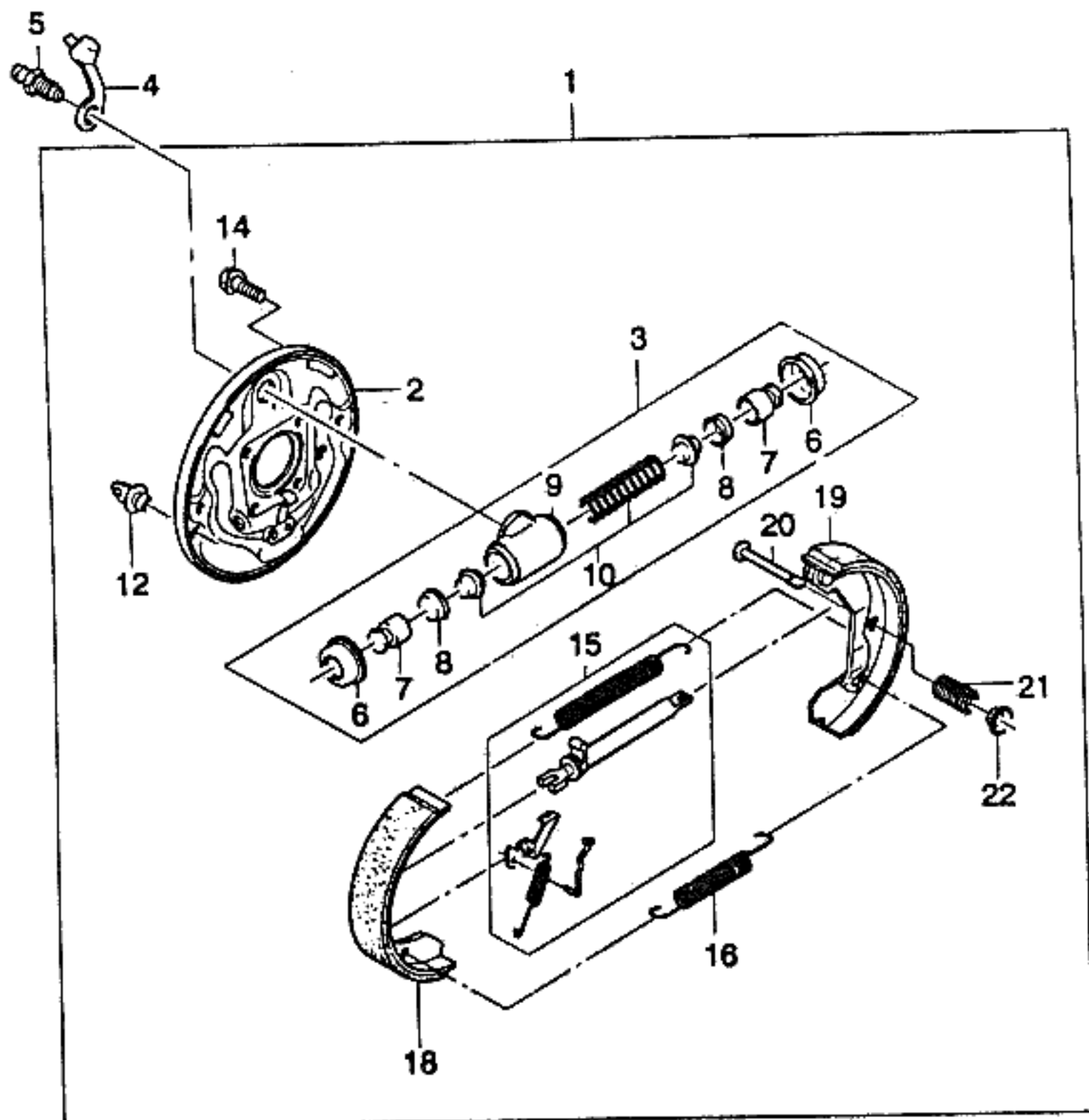
KEY NO.	PART NAME													
	PART NO	MODEL						OPTION	L / R	Q / Y	EFFECTIVE DATE		REMARKS	P / CODE
		E	T	BODY			LEVEL				FROM	TO		
N / G	A	4	3	5	S	S	S							
[01]														
96234339	Y	.	B	B	B	S	S	S	&JB3				13INCH,VENT	VL
96234340	Y	.	B	B	B	S	S	S	&JB3				13INCH,VENT	VR
96304482	6	.	B	B	B	.	.	O	&JB4				14INCH,VENT	LD
96304433	6	.	B	B	B	.	.	O	&JB4				14INCH,VENT	RD
[03]														
410350			B	B	B	S	S	S					2	
[04]														
2007023			B	B	B	S	S	S					2	
[05]														
S4511003			B	B	B	S	S	S					1	
[06]														
410410			B	B	B	S	S	S					4	
[07]														
2006010			B	B	B	S	S	S					4	
[13]														
410515	Y	.	B	B	B	S	S	S	&JB3				4	
410415	6	.	B	B	B	.	.	O	&JB4				4	
[14]														
S4510008	Y	.	B	B	B	S	S	S	&JB3				1	

ENG(ENGINE)	T/A(TRANSAXLE)	BODY TYPE
Y = 1.5SOHC 6 = 1.6DOHC . = COMMON	M = MANUAL T/A A = AUTOMATIC T/A . = COMMON	4 N = 4 DOOR NOTCHBACK 3 H = 3 DOOR HATCHBACK 5 H = 5 DOOR HATCHBACK

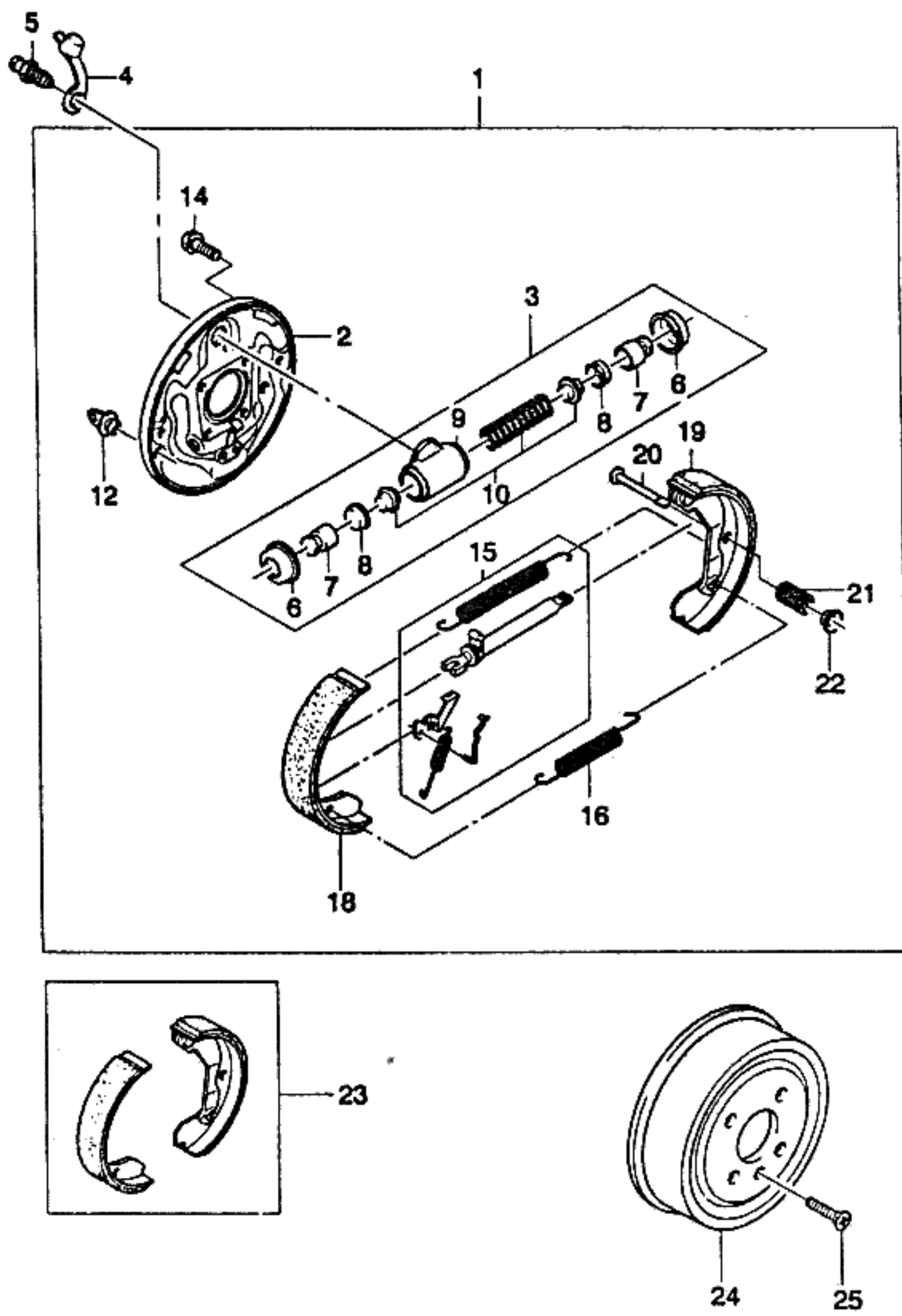


I T C	KEY NO.		PART NAME										P I C O D E
	PART NO	E T N / G A	MODEL			OPTION	L / R	Q T Y	EFFECTIVE DATE		REMARKS		
			4 N H	3 H	5 H				S S S	FROM		TO	
	S4511005	6 .	B	B	B	. . . O	&JB4	1			(F)PISTON (S)PISTON		
	[17]												
	410507	Y .	B	B	B	S S S	&JB3	2					
	410807	6 .	B	B	B	. . . O	&JB4	2			(F)JEU DE PATINS-FREIN AVANT (S)JUEGO DE COJIN-FRENOS		
	[18]												
	S4510004	Y .	B	B	B	S S S	&JB3	1					
	S4510005	6 .	B	B	B	. . . O	&JB4	1			(F)CALE DE SUPPORT (S)CUÑA		
	[19]												
	410513	Y .	B	B	B	S S S	&JB3	4					
	410413	6 .	B	B	B	. . . O	&JB4	4			(F)CARTER (S)CUBIERTA		
	[20]												
	410517	Y .	B	B	B	S S S	&JB3	2					
	410417	6 .	B	B	B	. . . O	&JB4	2			(F)BOULON (S)PERNO		
	[22]												
	09106-12002	. . .	B	B	B	S S S		4					

ENG(ENGINE)	T/A(TRANSAXLE)	BODY TYPE
Y = 1.5SOHC 6 = 1.6DOHC . = COMMON	M = MANUAL T/A A = AUTOMATIC T/A . = COMMON	4 N = 4 DOOR NOTCHBACK 3 H = 3 DOOR HATCHBACK 5 H = 5 DOOR HATCHBACK

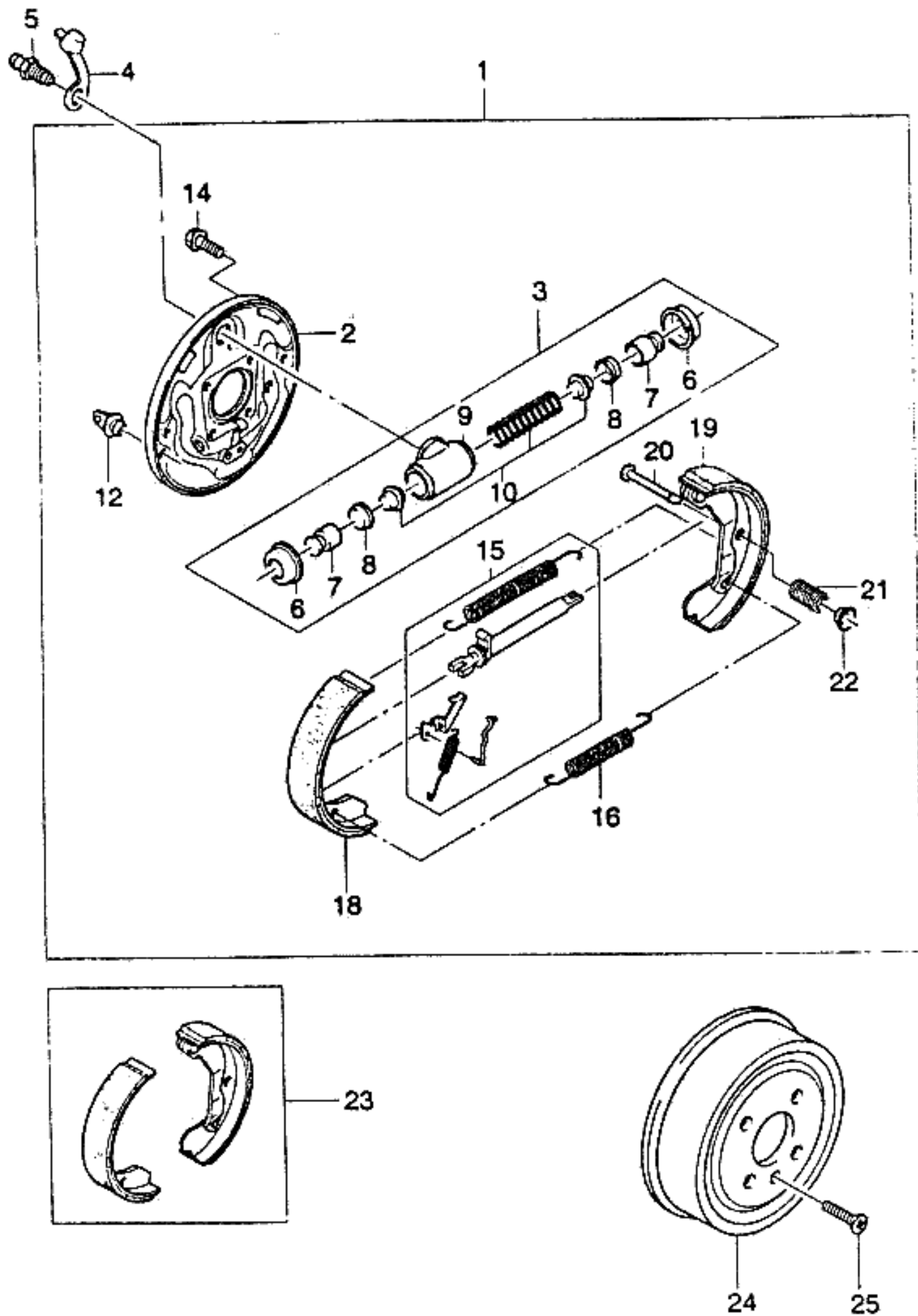


KEY NO.	PART NAME										
	PART NO	MODEL			OPTION	L / R	Q / T Y	EFFECTIVE DATE		REMARKS	P / C O D E
		E N G	T / A	B O D Y				L E V E L	FROM		
				4	3	5	S	S	S		
[01]	(E)BRAKE A-REAR (D)BREMSE,HINTEN (F)FREIN-ARRIERE (S)FRENO-TRASERO										
96304439	Y . B B B S S S									Φ 17.46	ML
96304440	Y . B B B S S S									Φ 17.46	MR
96304443	6 . B B B . . O									Φ 19.05	DL
96304444	6 . B B B . . O									Φ 19.05	DR
[02]	(E)PLATE-BRAKE BACKING (D)PLATTE,BREMS RÜCKEN (F)PLAQUE-FOND DE FREIN (S)PLACA-FRENO DE REVERSA										
96233628	. . B B B S S S										LH 1
96233629	. . B B B S S S										RH 1
[03]	(E)CYLINDER-BRAKE WHEEL (D)ZYLINDER,BREMSRAD (F)CYLINDRE-FREIN ROUE (S)CILINDRO-RUEDA FRENO										
90235420	Y . B B B S S S										2
90235422	6 . B B B . . O										2
[04]	(E)DUST CAP (D)STAUBDECKEL (F)CHAPEAU-POUSSIÈRE (S)TAPA-POLVO										
06620325	. . B B B S S S										2
[05]	(E)JET (D)DUÈSE (F)JET (S)SURTIDOR										
09493-02001	. . B B B S S S										2
[06]	(E)CAP-BRAKE WHEEL CYLINDER (D)DECKEL,BREMS-RAD-ZYLINDER (F)CHAPEAU (S)TAPA-CILINDRO DE RUEDA										
96179002	Y . B B B S S S										4
96179003	6 . B B B . . O										4
[07]	(E)PISTON-WHEEL CYLINDER (D)KOLBEN,RAD ZYLINDER (F)PISTON (S)PISTON-CILINDRO DE FRENO										
90168036	Y . B B B S S S										4
ENG(ENGINE)		T/A(TRANSAXLE)			BODY TYPE						
Y = 1.5SOHC 6 = 1.6DOHC . = COMMON		M = MANUAL T/A A = AUTOMATIC T/A . = COMMON			4 N = 4 DOOR NOTCHBACK 3 H = 3 DOOR HATCHBACK 5 H = 5 DOOR HATCHBACK						



KEY NO.	PART NAME										
	PART NO	MODEL			OPTION	L / R	QTY	EFFECTIVE DATE		REMARKS	P / CODE
		E / N / G	T / A	BODY				LEVEL	FROM		
90168037	6 . B B B . . O					4					
[08]	(E)CUFF-WHEEL CYLINDER (D)HÜLSEN, BREMSTROMMEL					(F)MANCHETTE (S)PUÑO-CILINDRO DE RUEDA					
90168030	Y . B B B S S S					4					
90168031	6 . B B B . . O					4					
[09]	(E)BODY-CYLINDER (D)ZYLINDER, KÖRPER					(F)CYLINDRE-CORPS (S)CILINDRO-CUERPO					
N/S(3)											
[10]	(E)SPRING-COMPRESSION (D)FEDERUNG, VERDICHUNG					(F)RESSORT-COMPRESSION (S)RESORTE-COMPRESION					
90189461	Y . B B B S S S					2					
90189462	6 . B B B . . O					2					
[12]	(E)PLUG (D)STÖPSEL					(F)BOUCHON (S)TAPON					
90063579	. . B B B S S S					4					
[14]	(E)SCREW (D)SCHRAUBE					(F)VIS (S)TORNILLO					
11046532	. . B B B S S S					2					
[15]	(E)READJUSTING UNIT (D)NEU-EINSTELLUNG EINHEIT					(F)UNITE DE REAJUSTEMENT (S)UNIDAD DE REAJUSTE					
90199718	. . B B B S S S					LH 1					
90199719	. . B B B S S S					RH 1					
[16]	(E)SPRING-EXTENSION (D)FEDERUNG, VERLÄNGERUNG					(F)RESSORT-EXTENSION (S)RESORTE-EXTENSION					
96179133	. . B B B S S S					2					
[18]	(E)SHOE A-BRAKE, FRONT (D)SCHUH, BREMS-VORNE					(F)SABOT-FREIN, AVANT (S)ZAPATA-FRENO, DELANTERO					
96241681	Y . B B B S S S					2					

ENG(ENGINE)	T/A(TRANSAXLE)	BODY TYPE
Y = 1.5SOHC 6 = 1.6DOHC . = COMMON	M = MANUAL T/A A = AUTOMATIC T/A . = COMMON	4 N = 4 DOOR NOTCHBACK 3 H = 3 DOOR HATCHBACK 5 H = 5 DOOR HATCHBACK



KEY NO.	PART NAME												
	PART NO	MODEL					OPTION	L / R	QTY	EFFECTIVE DATE		REMARKS	P / CODE
		E	T	BODY						LEVEL	FROM		
N / G	A	4	3	5	S	S	S						
96226105	6 . B B B . . O										2		
[19]	(E)SHOE A-BRAKE, REAR (D)SCHUH, BREMS-HINTEN											(F) SABOT-FREIN, ARRIERE (S) ZAPATA-FRENO, TRASERO	
96241679	Y . B B B S S S										LH 1		
96241680	Y . B B B S S S										RH 1		
96226101	6 . B B B . . O										LH 1		
96226103	6 . B B B . . O										RH 1		
[20]	(E)PIN-RETAINING SPRING (D)STIFT, HALTER-FEDERUNG											(F) BROCHE (S) PASADOR-RESORTE RETENEDOR	
06638956	. . B B B S S S											4	
[21]	(E)SPRING-COMPRESSION (D)FEDERUNG, VERDICHUNG											(F) RESSORT-COMPRESSION (S) RESORTE-COMPRESION	
06681527	. . B B B S S S											4	
[22]	(E)PLATE-SECURING SPRING (D)PLATTE											(F) PLAQUE-RESSORT D'ATTACHE (S) PLACA-RESORTE DE ASEGURAR	
06663706	. . B B B S S S											4	
[23]	(E)SHOE SET-BRAKE REAR (D)SCHUH SATZ, BREMS-HINTEN											(F) JEU DE SABOTS-FREIN (S) JUEGO DE ZAPATO-FRENO	
S4520003	Y . B B B S S S											1	
96226110	6 . B B B . . O											1	
[24]	(E)DRUM-BRAKE (D)BREMSTROMMEL											(F) TAMBOUR-FREIN (S) TAMBOR-TORNILLO	
96193771	. . B B B S S S						JL9					2	WIHUB
96175281	. . B B B . . O						&JL9					2	WOHUB
[25]	(E)SCREW (D)SCHRAUBE												(F) VIS (S) TORNILLO
02126-06123	. . B B B . . O						&JL9					2	

ENG(ENGINE)

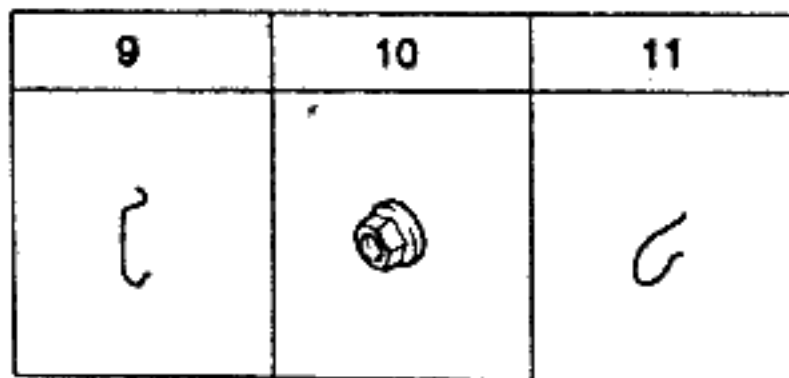
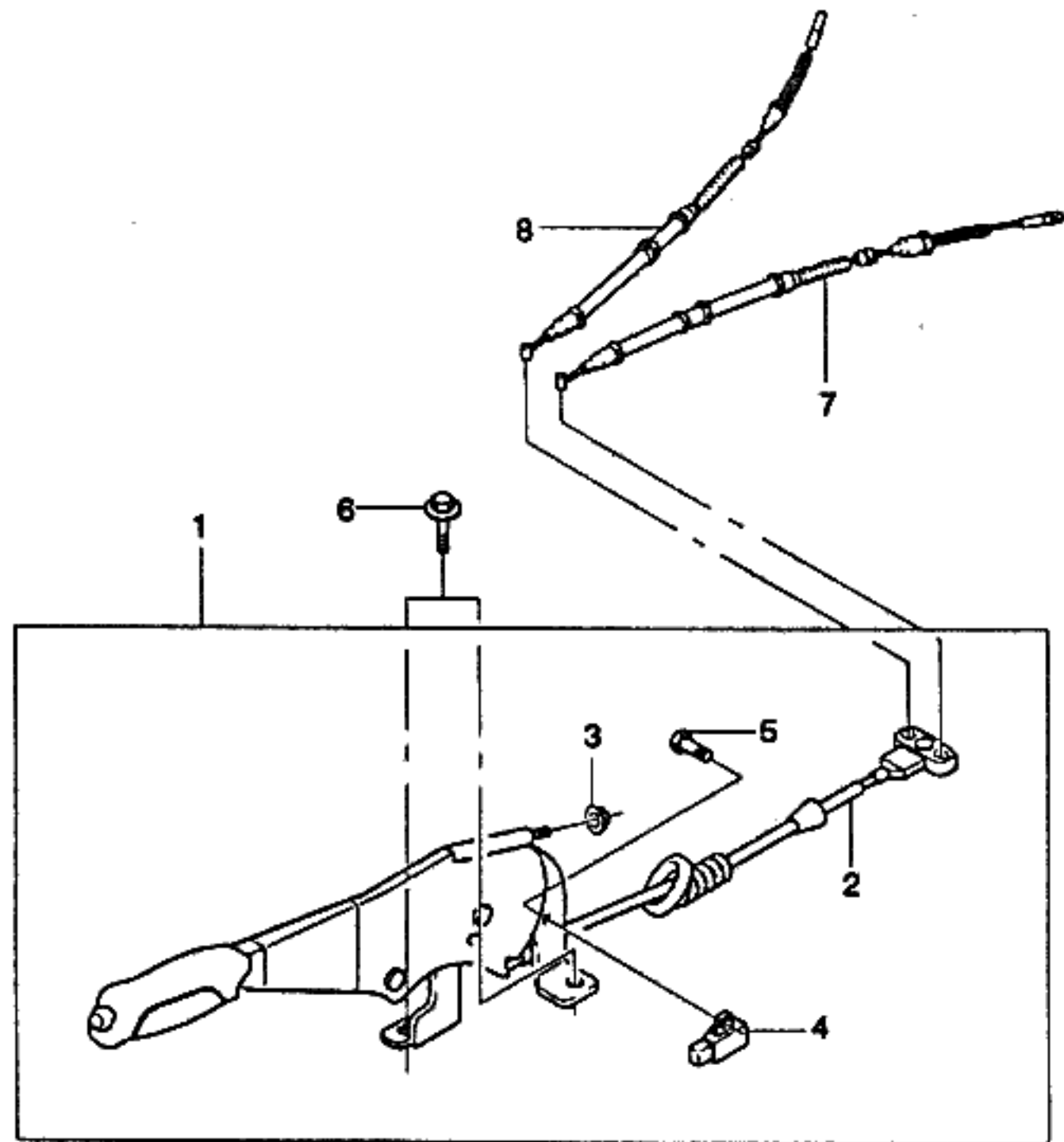
T/A(TRANSAXLE)

BODY TYPE

Y = 1.5SOHC
6 = 1.6DOHC
. = COMMON

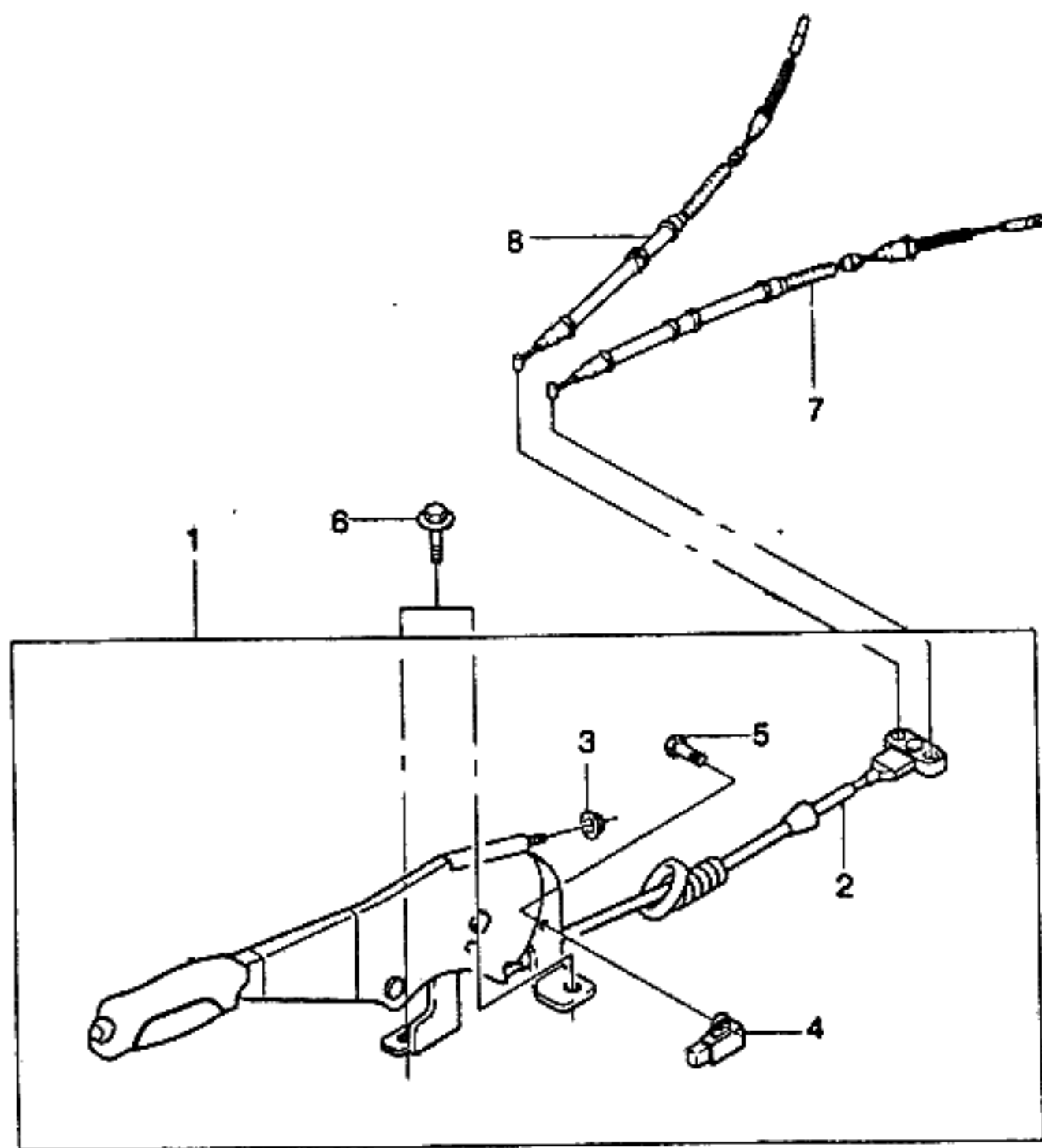
M = MANUAL T/A
A = AUTOMATIC T/A
. = COMMON

4 N = 4 DOOR NOTCHBACK
3 H = 3 DOOR HATCHBACK
5 H = 5 DOOR HATCHBACK



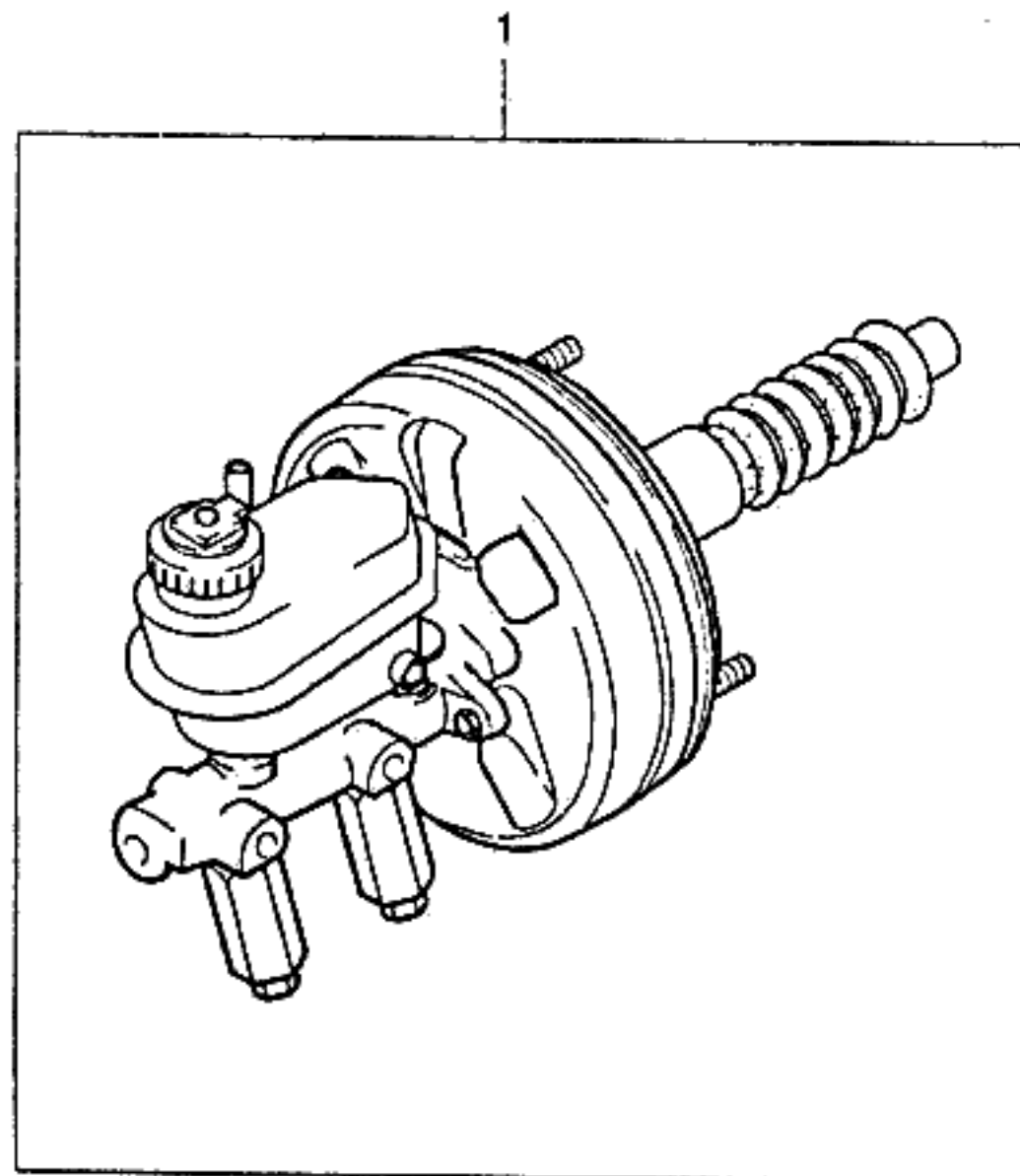
I T C	KEY NO.	PART NAME										P I C O D E		
		PART NO	MODEL					OPTION	L / R	Q T Y	EFFECTIVE DATE		REMARKS	
			E N G	T / A	BODY	LEVEL					FROM			TO
	[01]	(E)LEVER A-PARKING BRAKE (D)HEBEL,HANDBREMSE											(F)LEVIER-FREIN DE SECOURS (S)PALANCA	
	96304484	. . B B B S S S											1	
	[02]	(E)CABLE A-PARKING LEVER (D)KABEL											(F)CABLE (S)CABLE	
	96232674	. . B B B S S S											1	
	[03]	(E)NUT (D)MUTTER											(F)ECROU (S)TUERCA	
	09159-06010	. . B B B S S S											1	
	[04]	(E)SWITCH A-P/BRAKE WARNING (D)SCHALTER											(F)COMMUNTEUR (S)INTERRUPTOR	
	90087504	. . B B B S S S											1	
	[05]	(E)BOLT-HEXAGON (D)SCHRAUBE											(F)BOULON (S)PERNO	
	01137-05102	. . B B B S S S											1	
	[06]	(E)BOLT-HEXAGON FLANGE (D)SCHRAUBE											(F)BOULON (S)PERNO	
	01517-08163	. . B B B S S S											2	
	[07]	(E)CABLE A-PARKING BRAKE (D)KABEL,HANDBREMSE											(F)FREIN DE SECOURS (S)CABLE	
	96230545	. . B B B S S S											LH 1	
	[08]	(E)CABLE A-PARKING BRAKE (D)KABEL,HANDBREMSE											(F)FREIN DE SECOURS (S)CABLE	
	96245829	. . B B B S S S											RH 1	
	[09]	(E)CLAMP-PRESSURE HOSE (D)KLAMMER											(F)PINCE (S)ABRAZADERA	
	90111423	. . B B B S S S											1	
	[10]	(E)NUT-HEXAGON (D)MUTTER											(F)ECROU (S)TUERCA	

ENG(ENGINE)	T/A(TRANSAXLE)	BODY TYPE
Y = 1.5SOHC 6 = 1.6DOHC . = COMMON	M = MANUAL T/A A = AUTOMATIC T/A . = COMMON	4 N = 4 DOOR NOTCHBACK 3 H = 3 DOOR HATCHBACK 5 H = 5 DOOR HATCHBACK



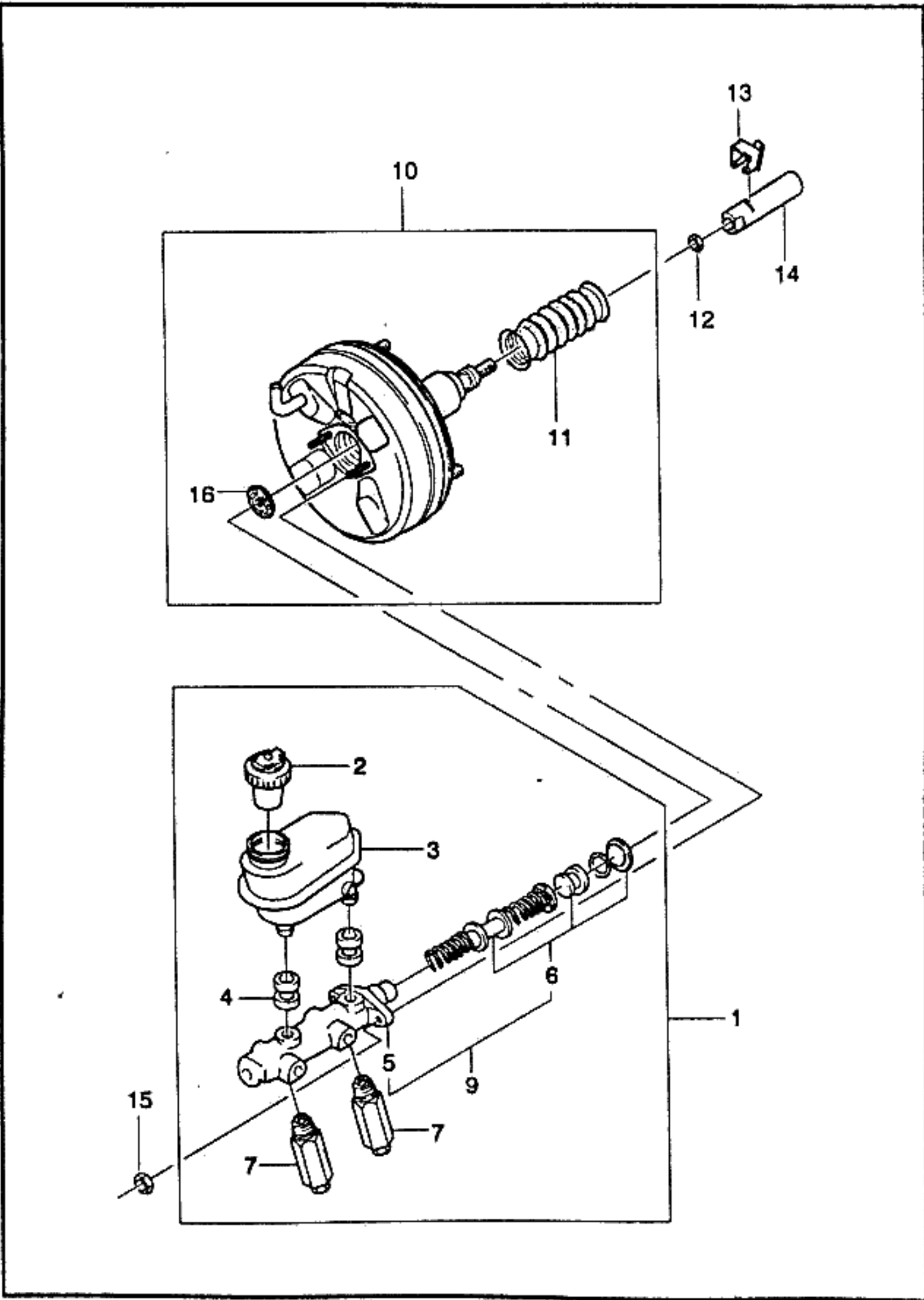
9	10	11

KEY NO.		PART NAME													
I T C	PART NO	MODEL						OPTION	L / R	Q T Y	EFFECTIVE DATE		REMARKS	P / C O D E	
		E N G	T / A	BODY			LEVEL				FROM	TO			
				4 N	3 H	5 H	S								S E
	08361-25063	.	.	B	B	B	S	S	S		7				
	[11]										(F)ATTACHE (S)GRAPA				
	96308272	.	.	B	B	B	S	S	S		2				
ENG(ENGINE)		T/A(TRANSAXLE)				BODY TYPE									
Y = 1.5SOHC 6 = 1.6DOHC . = COMMON		M = MANUAL T/A A = AUTOMATIC T/A . = COMMON				4 N = 4 DOOR NOTCHBACK 3 H = 3 DOOR HATCHBACK 5 H = 5 DOOR HATCHBACK									



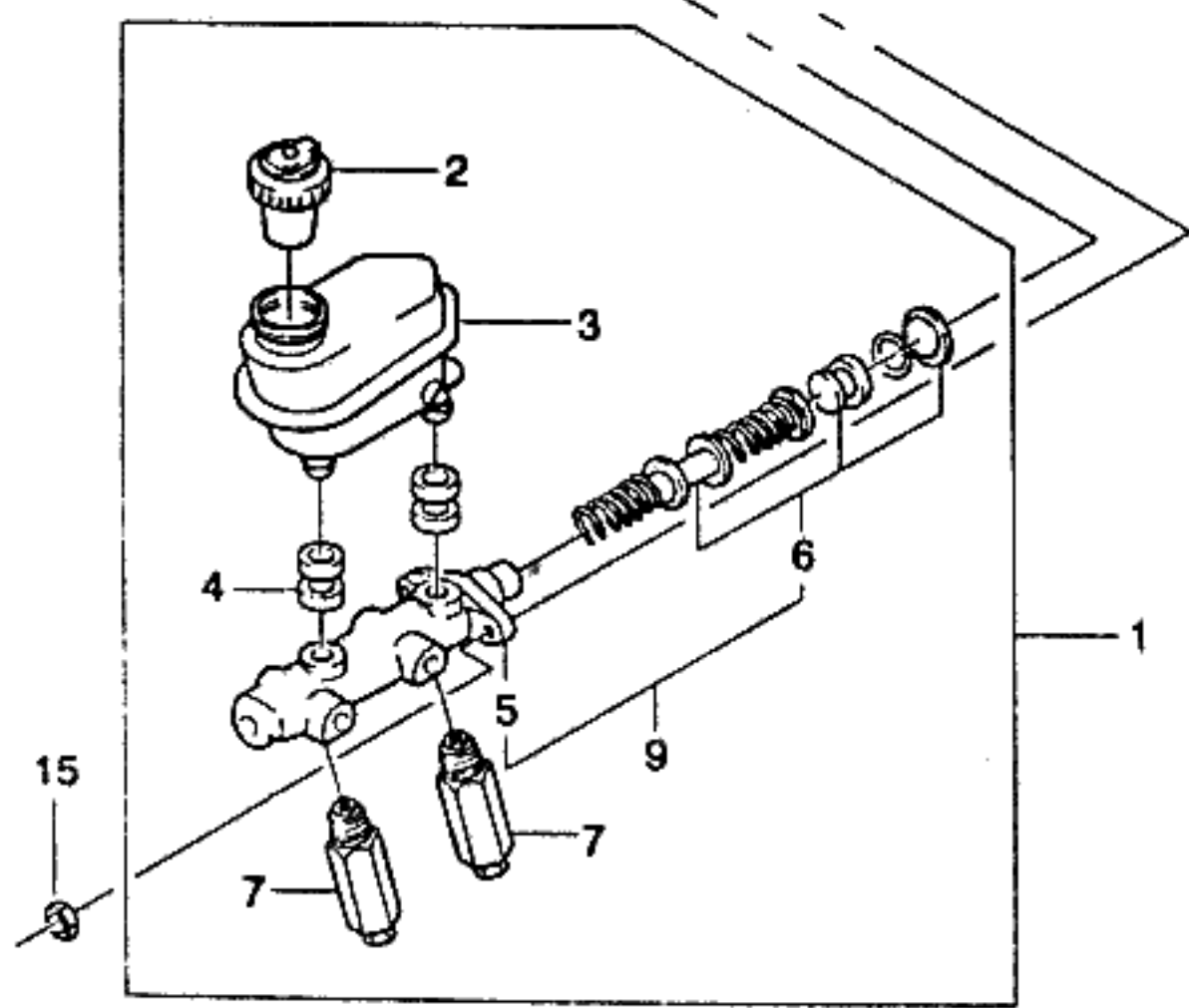
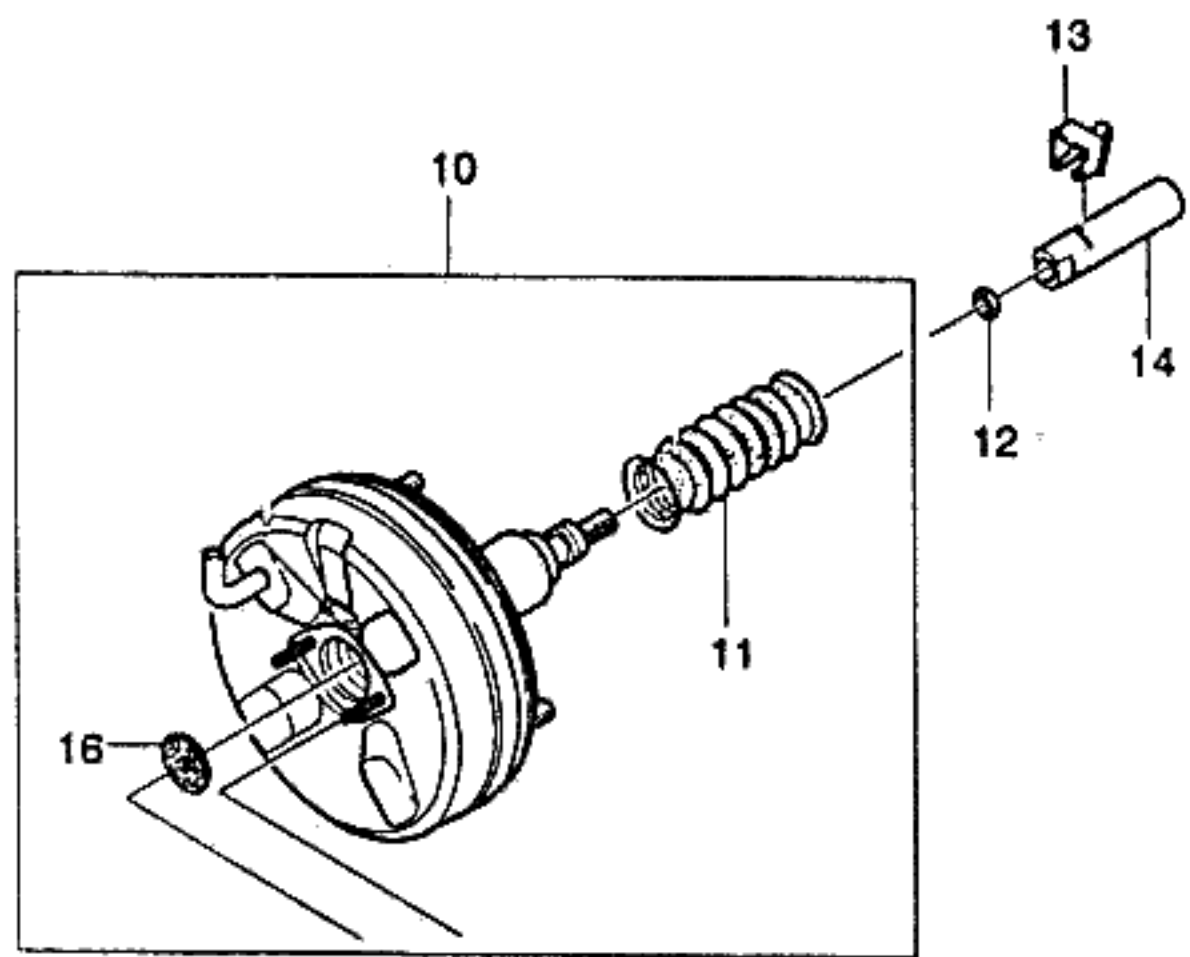
KEY NO.		PART NAME													
I T C	PART NO	MODEL						OPTION	L / R	Q T Y	EFFECTIVE DATE		REMARKS	P / C O D E	
		E N G	T / A	BODY			LEVEL				FROM	TO			
				4 N	3 H	5 H	S S								S S
	[01]	(E)CYLINDER (D)ZYLINDER	A-BRAKE MASTER HAUPT						(F)CYLINDRE-MAITRE (S)CILINDRO-MAESTRO						
	96306181	Y M	B	B	B	S	S	S	JL9		1	φ 20.64	TA		
	96306182	Y M	B	B	B	.	O	O	&JL9		1	φ 20.64	TC		
	96228916	Y A	B	B	B	O	O	O	JL9		1	φ 20.64	TB		
	96228918	Y A	B	B	B	.	O	O	&JL9		1	φ 20.64	TD		
	96306184	6 M	B	B	B	.	.	O	JL9		1	φ 22.22	TE		
	96306183	6 M	B	B	B	.	.	O	&JL9		1	φ 22.22	TG		
	96228924	6 A	B	B	B	.	.	O	JL9		1	φ 22.22	TF		
	96228921	6 A	B	B	B	.	.	O	&JL9		1	φ 22.22	TH		

ENG(ENGINE)	T/A(TRANSAXLE)	BODY TYPE
Y = 1.5SOHC 6 = 1.6DOHC . = COMMON	M = MANUAL T/A A = AUTOMATIC T/A . = COMMON	4 N = 4 DOOR NOTCHBACK 3 H = 3 DOOR HATCHBACK 5 H = 5 DOOR HATCHBACK



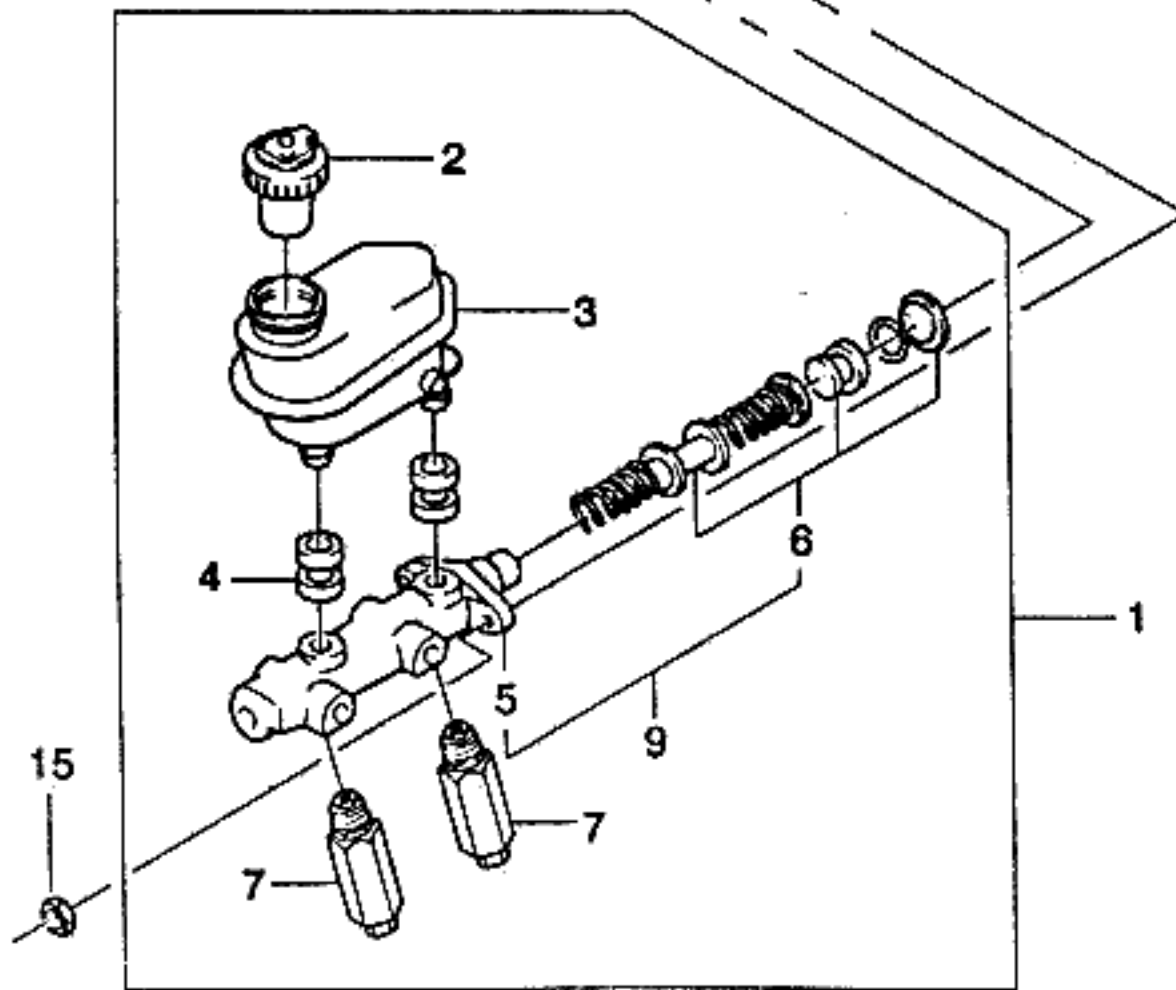
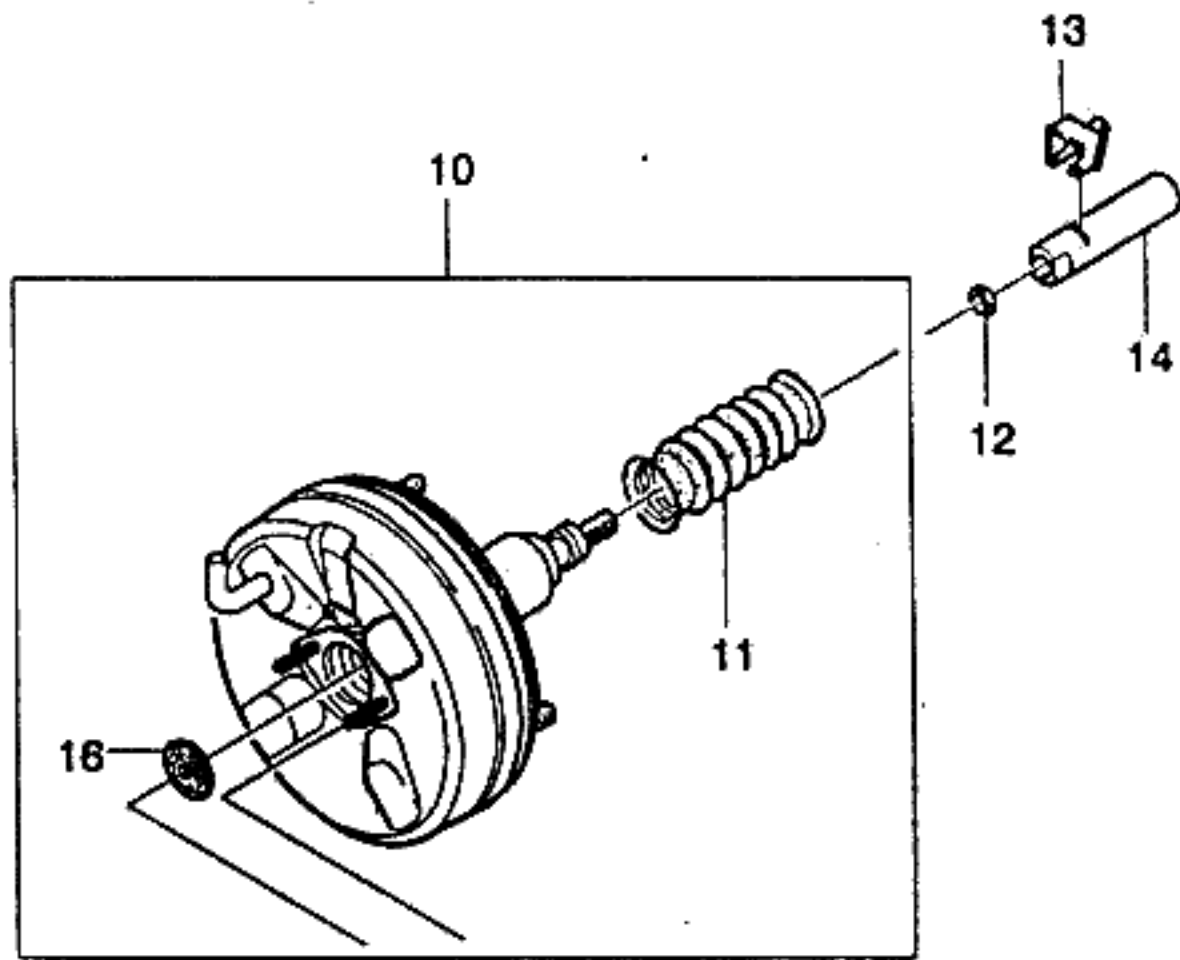
I T C	KEY NO.		PART NAME										
	PART NO	E N G	MODEL			OPTION	L / R	Q T Y	EFFECTIVE DATE		REMARKS	P / C O D E	
			4 N H	3 H	5 H				S S	S S			FROM
	[01]	(E)CYLINDER A - MASTER (D)ZYLINDER,HAUPT										(F)CYLINDRE-MAITRE (S)CILINDRO-MAESTRO	
	426505	Y M B B B S S S				JL9		1					
	426503	Y M B B B . O O				&JL9		1					
	426506	Y A B B B O O O				JL9		1					
	426504	Y A B B B . O O				&JL9		1					
	426570	6 M B B B . . O				JL9		1					
	426507	6 M B B B . . O				&JL9		1					
	426571	6 A B B B . . O				JL9		1					
	426508	6 A B B B . . O				&JL9		1					
	[02]	(E)CAP-RESERVOIR (D)DECKEL,BEHÄLTER									(F)CHAPEAU-RESERVOIR (S)TAPA-RESERVA		
	426495	. . B B B S S S						1					
	[03]	(E)BODY-RESERVOIR (D)KAROSSERIE,BEHÄLTER									(F)CORPS-RESERVOIR (S)CARROCERIA-EMBALSE		
	426475	. M B B B S S S						1					
	426499	. A B B B O O O						1					
	[04]	(E)SEAL-RESERVOIR (D)DICHTUNG,BEHÄLTER									(F)JOINT-RESERVOIR (S)SELLO-RESERVA		
	3492377	. . B B B S S S						2					
	[05]	(E)BODY-MASTER CYLINDER (D)KAROSSERIE,HAUPTZYLINDER									(F)CORPS-CYLINDRE PRINCIPAL (S)CARROCERIA-CILINDRO		
	N/S(9)												
	[06]	(E)PISTON&SEAL KIT (D)KOLBEN&VERDICHTUNGS-SATZ									(F)PISTON&TROUSSE DE JOINT (S)JUEGO DE PISTON Y SELLO		
	3492436	Y . B B B S S S						1					
	3492355	6 . B B B . . O						1					

ENG(ENGINE)	T/A(TRANSAXLE)	BODY TYPE
Y = 1.5SOHC 6 = 1.6DOHC . = COMMON	M = MANUAL T/A A = AUTOMATIC T/A . = COMMON	4 N = 4 DOOR NOTCHBACK 3 H = 3 DOOR HATCHBACK 5 H = 5 DOOR HATCHBACK

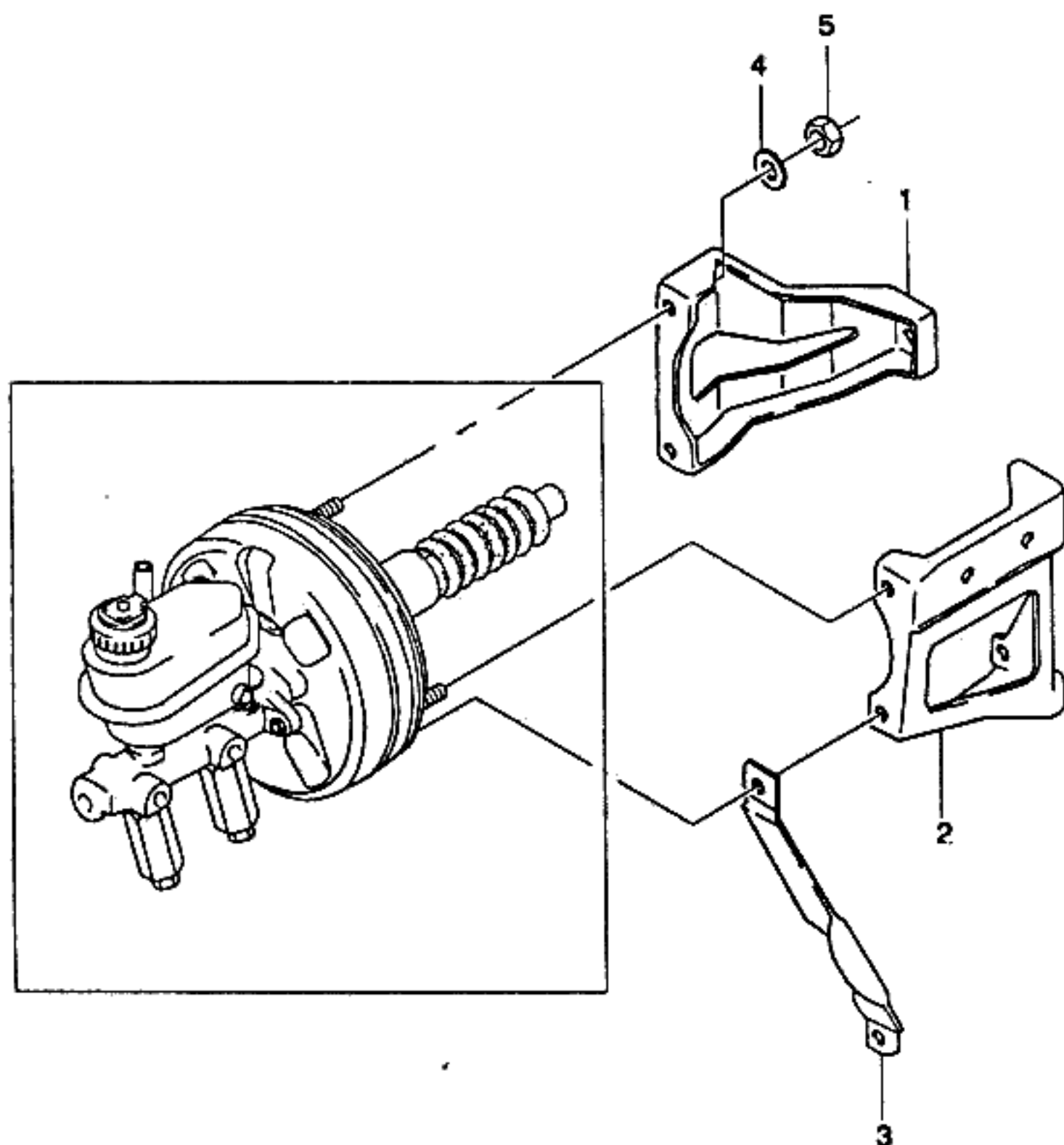


KEY NO.	PART NAME											
	PART NO	MODEL			OPTION	L / R	Q / Y	EFFECTIVE DATE		REMARKS	P / CODE	
		E / N / G	T / A	BODY				LEVEL	FROM			TO
[07]												
3488967	(E)PROPORTIONER-BRAKE (D)PROPORTIONIERUNG,BREMSE	Y	.	B	B	B	S	S	S	JL9	(F)DOSEUR-FREIN (S)PROPORCIONADOR-FRENO	2
426120		6	.	B	B	B	.	.	O	JL9		2
[09]	(E)CYLINDER SUB A-MASTER (D)UNTER-ZYLINDER,HAUPT										(F)CYLINDRE SUB-MAITRE (S)CILINDRO SUB-MAESTRO	
426382		Y	.	B	B	B	S	S	S	JL9		1
426383		Y	.	B	B	B	.	O	O	&JL9		1
426253		6	.	B	B	B	.	.	O	JL9		1
426299		6	.	B	B	B	.	.	O	&JL9		1
[10]	(E)BOOSTER-BRAKE (D)BREMSVERSTÄRKER										(F)SURPRESSEUR-FREIN (S)SERVO-FRENO	
426589		.	.	B	B	B	S	S	S			1
[11]	(E)BOOT-BRAKE BOOSTER (D)KOFFERRAUM										(F)GAINE (S)CAPUCHON-SERVO DE FRENO	
3492912A		.	.	B	B	B	S	S	S			1
[12]	(E)NUT (D)MUTTER										(F)ECROU (S)TUERCA	
09159-10002		.	.	B	B	B	S	S	S			1
[13]	(E)SPRING-RETAINING (D)FEDERUNG,HALTER										(F)RESSORT-D'ARRET (S)RESORTE-RETENIENDO	
90184913		.	.	B	B	B	S	S	S			1
[14]	(E)ADJUSTER (D)EINSTELLVORRICHTUNG										(F)AJUSTEUR (S)AJUSTADOR	
90184914		.	.	B	B	B	S	S	S			1
[15]	(E)NUT (D)MUTTER										(F)ECROU (S)TUERCA	
2909253		.	.	B	B	B	S	S	S			2

ENG(ENGINE)	T/A(TRANSAXLE)	BODY TYPE
Y = 1.5SOHC 6 = 1.6DOHC . = COMMON	M = MANUAL T/A A = AUTOMATIC T/A . = COMMON	4 N = 4 DOOR NOTCHBACK 3 H = 3 DOOR HATCHBACK 5 H = 5 DOOR HATCHBACK

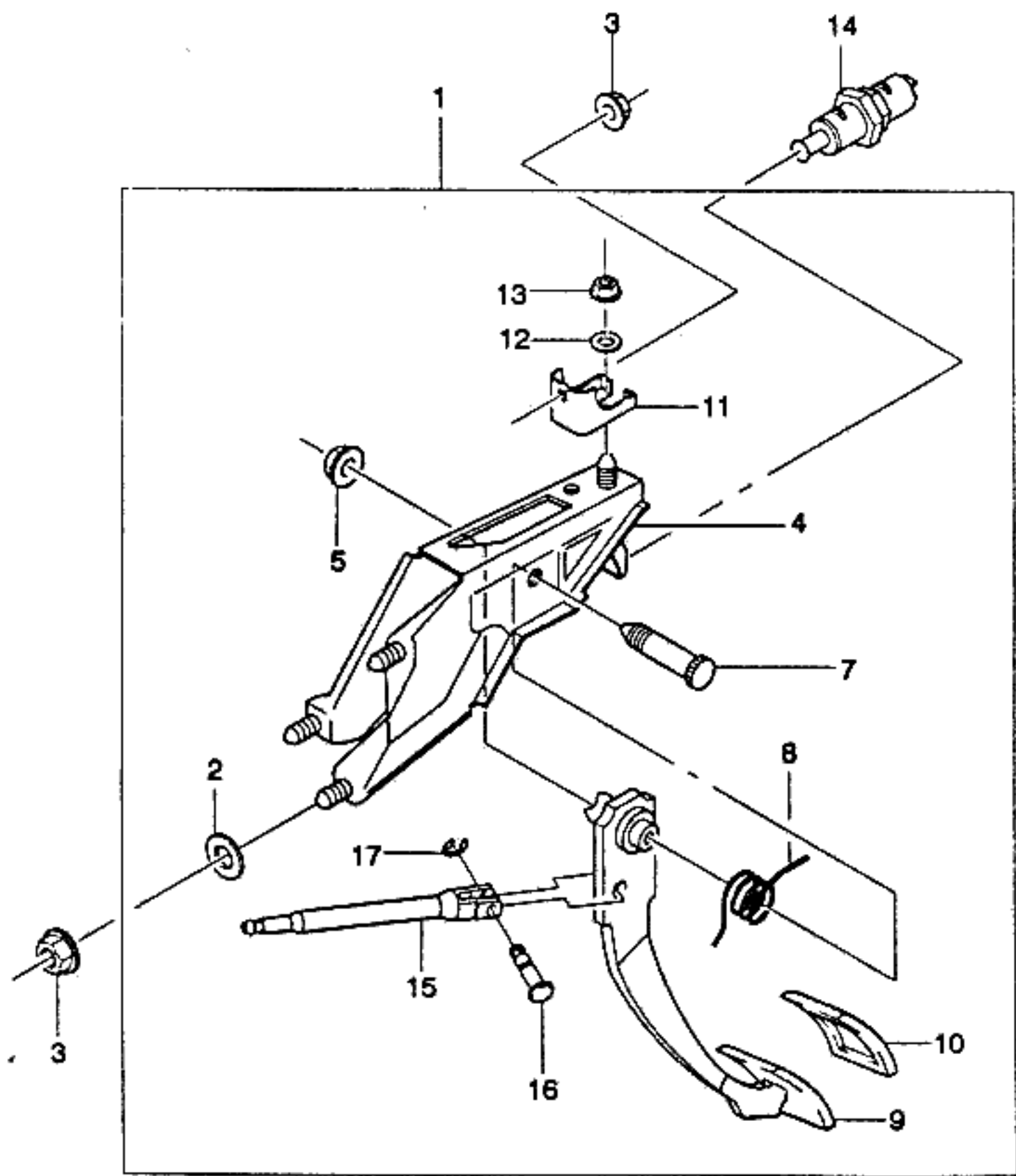


KEY NO.		PART NAME													
I T C	PART NO	MODEL						OPTION	L / R	Q T Y	EFFECTIVE DATE		REMARKS	P / C O D E	
		E N G A	T /	BODY			LEVEL				FROM	TO			
				4 N	3 H	5 H	S								S
	[16] 03488577	(E)SEAL-FRONT HOUSING (D)DICHTUNG,VORDER-GEHÄUSE								(F)JOINT-LOGEMENT AVANT (S)SELLO-CARTER DEL FRENTE					
		. . . B B B S S S								1					
		ENG(ENGINE)			T/A(TRANSAXLE)			BODY TYPE							
		Y = 1.5SOHC 6 = 1.6DOHC . = COMMON			M = MANUAL T/A A = AUTOMATIC T/A . = COMMON			4 N = 4 DOOR NOTCHBACK 3 H = 3 DOOR HATCHBACK 5 H = 5 DOOR HATCHBACK							



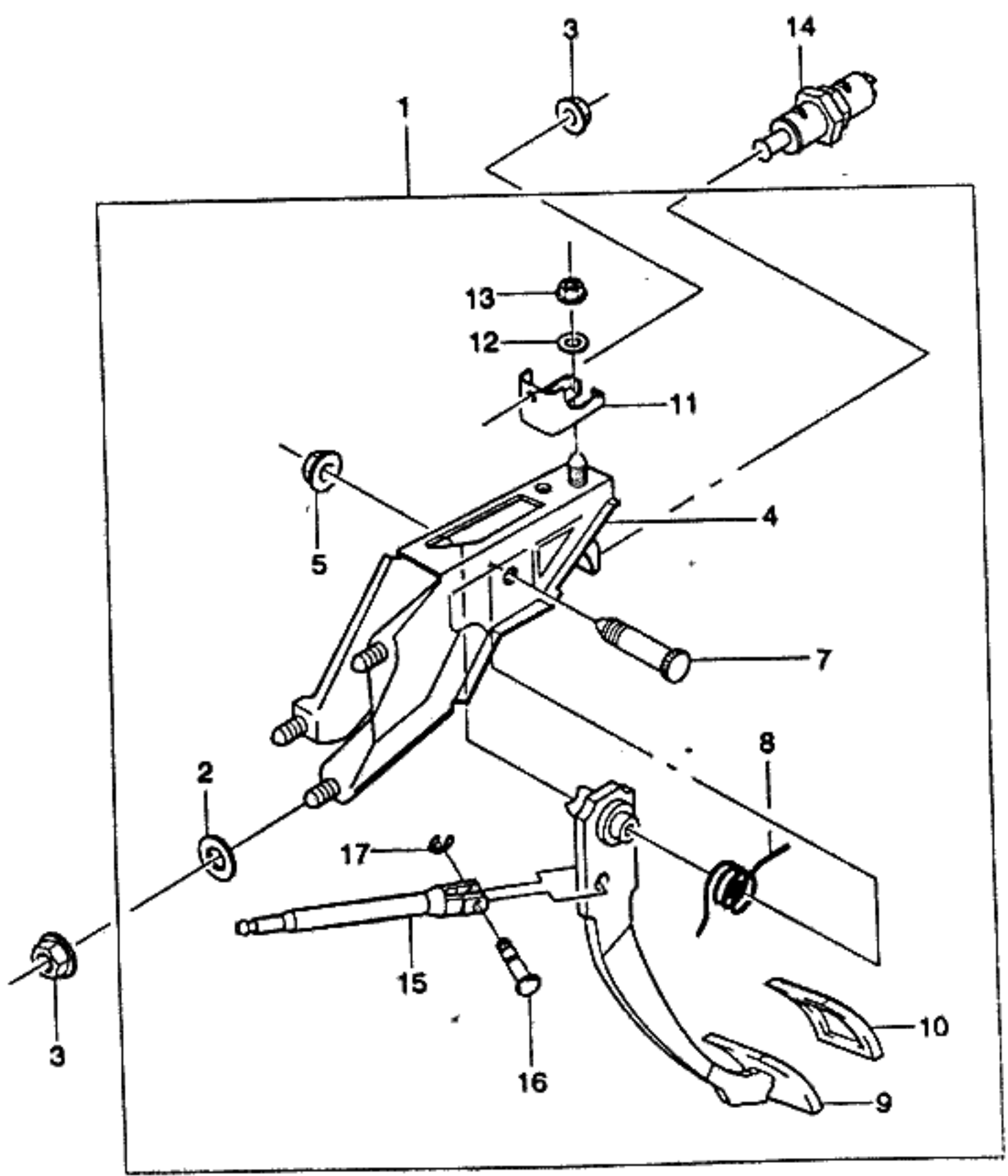
I T C	KEY NO.	PART NAME										P / C O D E
		PART NO	MODEL			OPTION	L / R	Q T Y	EFFECTIVE DATE		REMARKS	
			E N G	T / A	BODY				LEVEL	FROM		
	[01]	(E)BRACE-MASTER BRAKE UNIT (D)SCHIENE,HAUPTBREMSE								(F)SUPPORT (S)REFUERZO		
	90184911	. . B B B S S S								1		
	[02]	(E)BRACE-MASTER BRAKE UNIT (D)SCHIENE,HAUPTBREMSE								(F)SUPPORT (S)REFUERZO		
	90184912	. . B B B S S S								1		
	[03]	(E)STRUT-TENSION (D)STÜTZE,SPANNUNG								(F)TENDEUR-TENSION (S)BRIDA-TENSION		
	96243317	. . B B B S S S								1		
	[04]	(E)WASHER-PLAIN (D)DICHTUNGSRING								(F)RONDELLE (S)ARANDELA		
	08322-11083	. . B B B S S S								3		
	[05]	(E)NUT-HEXAGON (D)MUTTER								(F)ECROU (S)TUERCA		
	08310-11083	. . B B B S S S								4		

ENG(ENGINE)	T/A(TRANSAXLE)	BODY TYPE
Y = 1.5SOHC 6 = 1.6DOHC . = COMMON	M = MANUAL T/A A = AUTOMATIC T/A . = COMMON	4 N = 4 DOOR NOTCHBACK 3 H = 3 DOOR HATCHBACK 5 H = 5 DOOR HATCHBACK



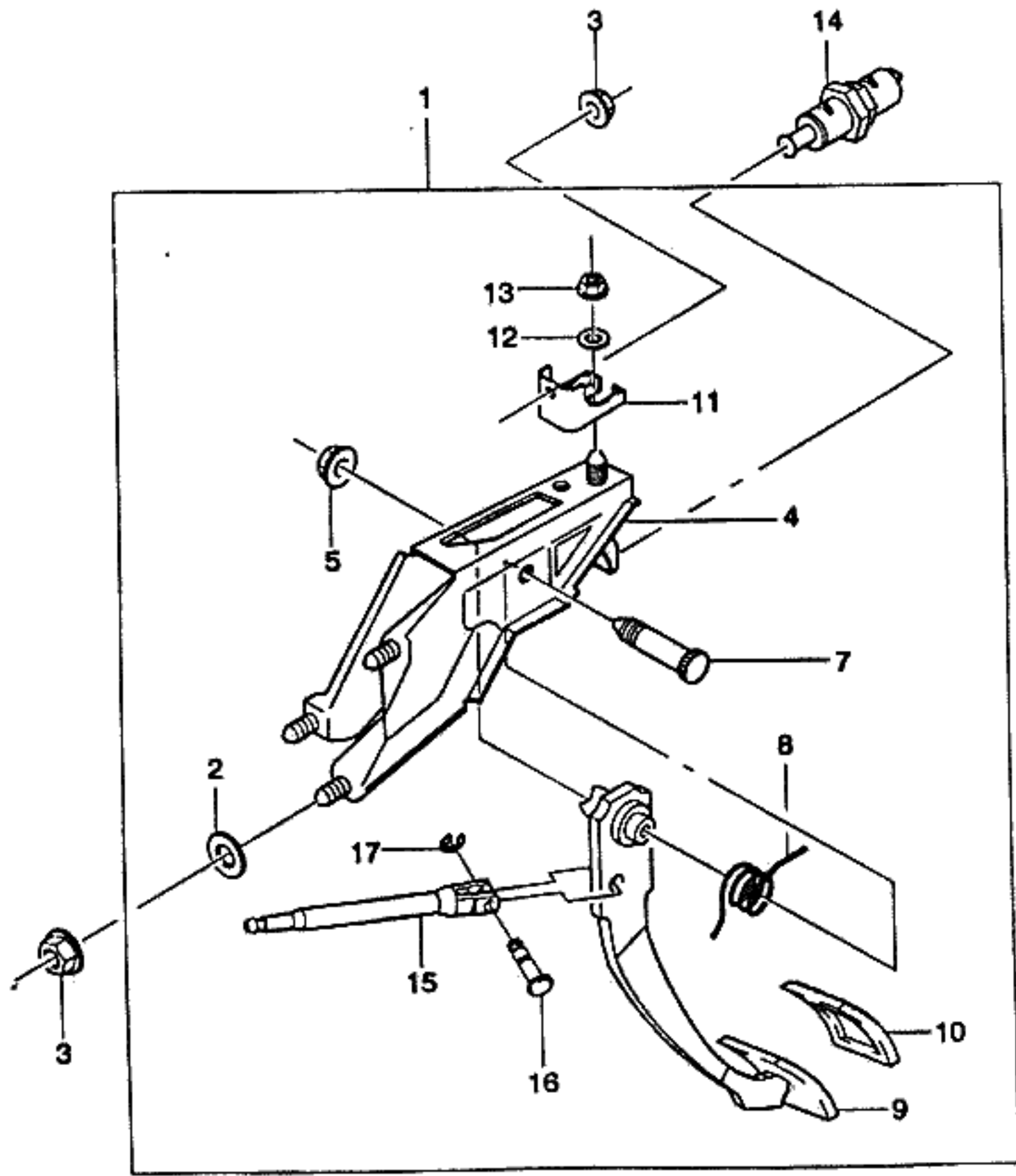
KEY NO.	PART NAME													
	PART NO	MODEL						OPTION	L / R	Q / T Y	EFFECTIVE DATE		REMARKS	P / C O D E
		E T	BODY			LEVEL					FROM	TO		
N / G	4	3	5	S	S	S								
[01]	(E)PEDAL A-BRAKE (D)PEDAL,BREMSE											(F)PEDALE-FREIN (S)PEDAL-FRENO		
96306187	. M B B B S S S -EC1											1		PA
96250892	. M B B B A A A &EC1											1		PE
96306149	. A B B B O O O -EC1											1		PB
96250893	. A B B B A A A &EC1											1		PF
[02]	(E)DISK-INSULATION (D)SCHEIBE,ISOLIERUNG											(F)DISQUE-ISOLATION (S)DISCO-AISLAMIENTO		
96156393	. . B B B S S S											3		
[03]	(E)NUT (D)MUTTER											(F)ECROU (S)TUERCA		
09159-08003	. . B B B S S S											5		
[04]	(E)BRACE A-BRAKE PEDAL (D)SCHIENE,BREMSPEDAL											(F)SUPPORT-MONTAGE PEDALE (S)REFUERZO		
96306185	. . B B B S S S											1		
[05]	(E)NUT (D)MUTTER											(F)ECROU (S)TUERCA		
09159-10007	. . B B B S S S											1		
[07]	(E)SHAFT-PEDAL MOUNTING (D)SPINDEL,PEDAL MONTAGE											(F)ARBRE-MONTAGE PEDALE (S)EJE-MONTAJE DE PEDAL		
96215326	. . B B B S S S											1		
[08]	(E)SPRING (D)FEDERUNG,PEDAL MONTAGE											(F)RESSORT (S)RESORTE		
09448-24001	. . B B B S S S											1		
[09]	(E)PEDAL-BRAKE (D)PEDAL,BREMSE											(F)PEDALE-FREIN (S)PEDAL-FRENO		
96192176														NOT APPLIED
96193094	. M B B B S S S -EC1											1		

ENG(ENGINE)	T/A(TRANSAXLE)	BODY TYPE
Y = 1.5SOHC 6 = 1.6DOHC . = COMMON	M = MANUAL T/A A = AUTOMATIC T/A . = COMMON	4 N = 4 DOOR NOTCHBACK 3 H = 3 DOOR HATCHBACK 5 H = 5 DOOR HATCHBACK



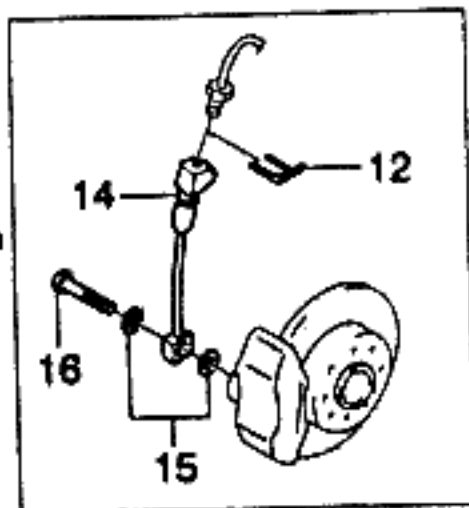
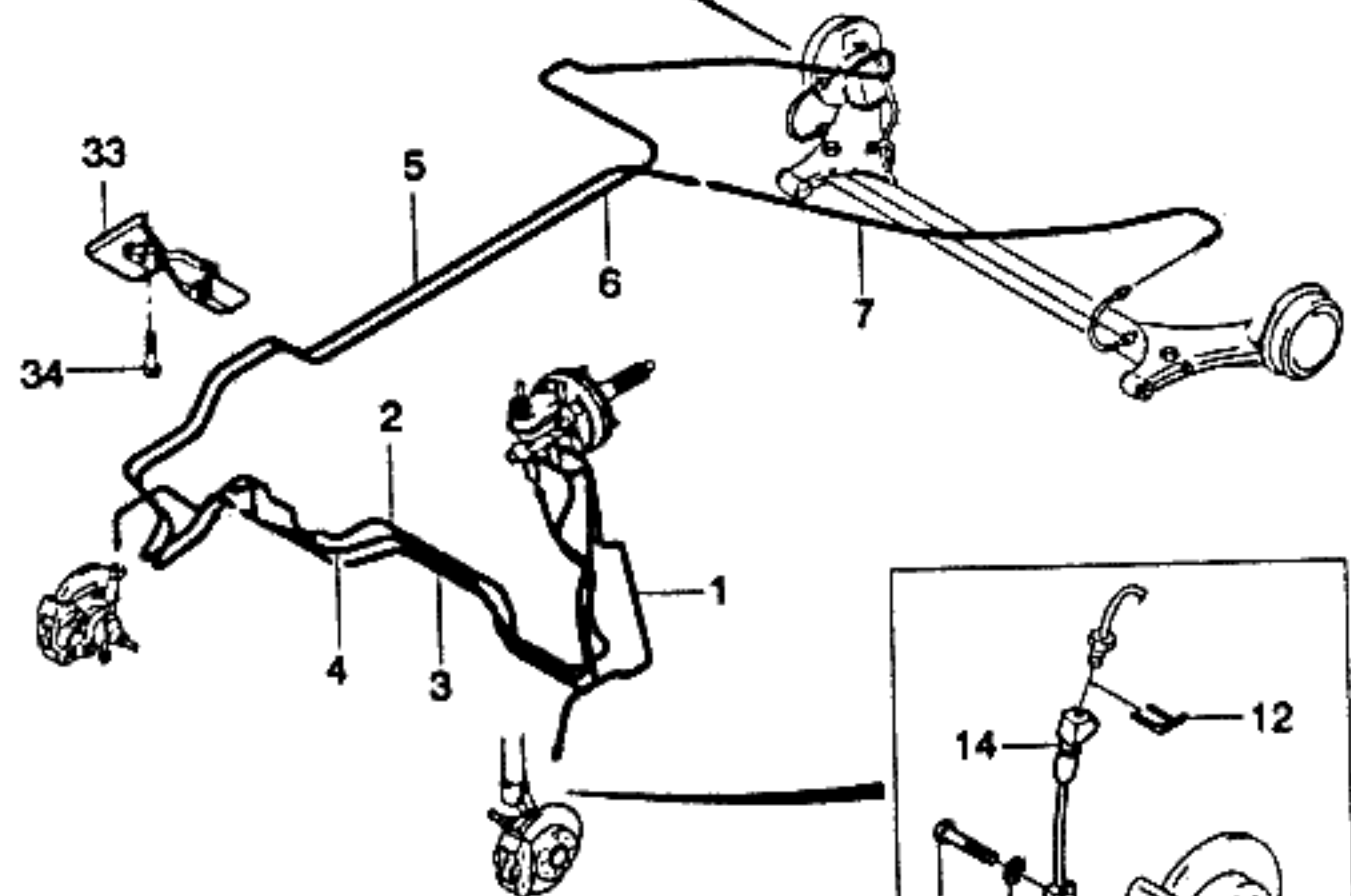
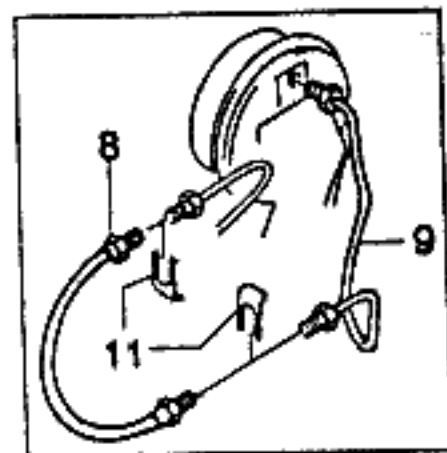
KEY NO.	PART NAME										REMARKS	P / CODE	
	PART NO	MODEL					OPTION	L / R	QTY	EFFECTIVE DATE			
		E	T	BODY		LEVEL				FROM			TO
				4	3	5	A	S	S	S			
		N	/	G	A	N	H	H	S	S	S		
96289190	. M B B B A A A &EC1												
96192177													NOT APPLIED
96193095	. A B B B O O O -EC1												
96289191	. A B B B A A A &EC1												
[10]	(E)COVER-PEDAL PLATE (D)UNTERLAGE,BERMSPEDAL												(F)PATIN-PEDALE DE FREIN (S)COJIN-PEDAL DE FRENO
90105172	. M B B B S S S												
90135701	. A B B B O O O												
[11]	(E)BRACKET-BRAKE PEDAL BRACE (D)TRÄGER												(F)SUPPORT (S)SOPORTE
96306186	. . B B B S S S												
[12]	(E)WASHER-PLAIN (D)DICHTUNGSRING												(F)RONDELLE (S)ARANDELA
09160-08002	. . B B B S S S												
[13]	(E)NUT-HEXAGON LOCK (D)MUTTER												(F)ECROU (S)TUERCA
08311-18083	. . B B B S S S												
[14]	(E)SWITCH A-STOP LAMP (D)SCHALTER,STOP-LAMPE												(F)COMMUTATEUR-LAMPE D'ARRET (S)INTERRUPTOR
96212027	. . B B B S S S												
[15]	(E)ROD A-PISTON (D)KOLBENSTANGE												(F)TRINGLE-PISTON (S)VARILLA-PISTON
90289187	. . B B B S S S												
[16]	(E)PIN (D)STIFT												(F)BROCHE (S)PASADOR
09208-10001	. . B B B S S S												
[17]	(E)RING-RETAINING E TYPE (D)RING,HALTER												(F)ANNEAU-DE RETENTION (S)ANILLO-RETENEDOR

ENG(ENGINE)	T/A(TRANSAXLE)	BODY TYPE
Y = 1.5SOHC 6 = 1.6DOHC . = COMMON	M = MANUAL T/A A = AUTOMATIC T/A . = COMMON	4 N = 4 DOOR NOTCHBACK 3 H = 3 DOOR HATCHBACK 5 H = 5 DOOR HATCHBACK



KEY NO.		PART NAME													
I T C	PART NO	MODEL						OPTION	L / R	Q T Y	EFFECTIVE DATE		REMARKS	P / C O D E	
		E N G	T / A	BODY			LEVEL				FROM	TO			
				4 N	3 H	5 H	S								S
	08332-21089	.	.	B	B	B	S	S	S			1			

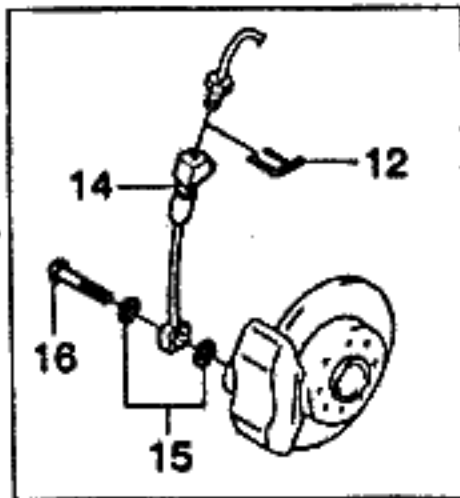
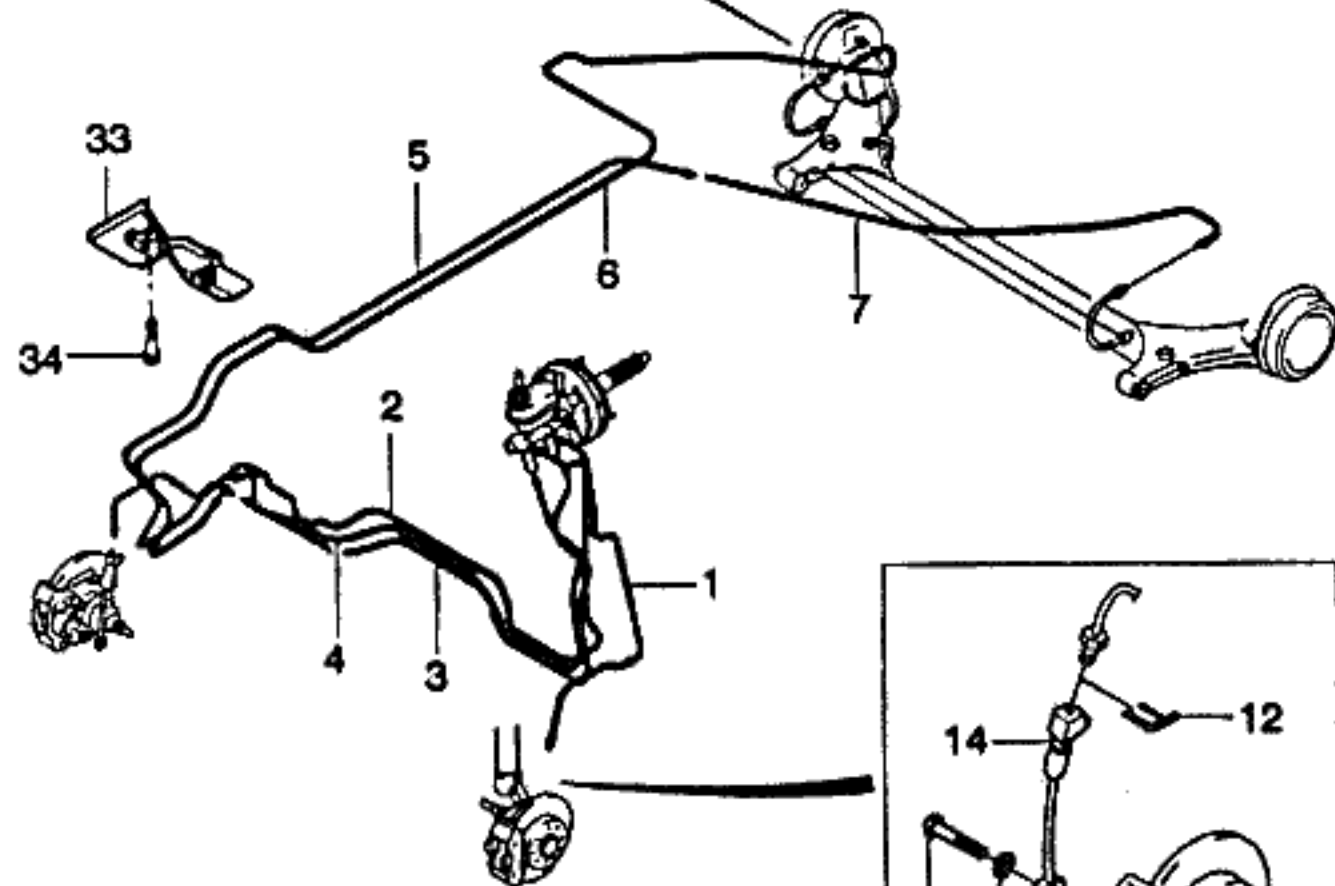
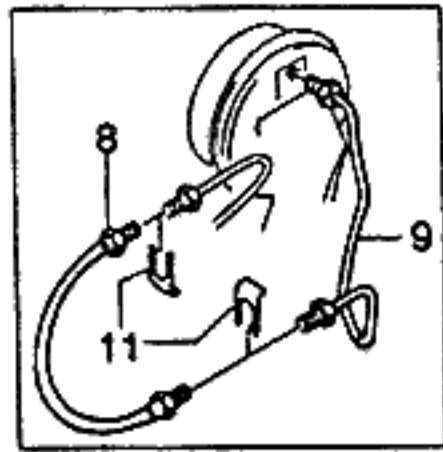
ENG(ENGINE)	T/A(TRANSAXLE)	- BODY TYPE
Y = 1.5SOHC 6 = 1.6DOHC , = COMMON	M = MANUAL T/A A = AUTOMATIC T/A , = COMMON	4 N = 4 DOOR NOTCHBACK 3 H = 3 DOOR HATCHBACK 5 H = 5 DOOR HATCHBACK



20	31	32			
21	22	23	26	27	28

13

KEY NO.	PART NAME										P / I / C / O / D / E	
	PART NO	MODEL				OPTION	L / R	Q / Y	EFFECTIVE DATE			REMARKS
		E / N / G	T / A	BODY	LEVEL				FROM	TO		
[01]	(E)PIPE A-BRAKE,FRONT (D)ROHR,BREMSE,VORDERE											
96306678	. . . B B B S S S -JL9											NF
[02]	(E)PIPE A-BRAKE,FRONT (D)ROHR,BREMSE,VORDERE											
96248672	. . . B B B S S S -JL9											
[03]	(E)PIPE A-BRAKE, REAR,1ST (D)ROHR,BREMSE,HINTERE											
96248673	. . . B B B S S S -JL9											
[04]	(E)PIPE A-BRAKE, REAR,1ST (D)ROHR,BREMSE,HINTERE											
96248674	. . . B B B S S S -JL9								970609			
N 96256672	. . . B B B S S S -JL9								970609			
[05]	(E)PIPE A-BRAKE, REAR,2ND (D)ROHR,BREMSE,HINTERE											
96304479	. . . B B B S S S -JL9											NU
[06]	(E)PIPE A-BRAKE, REAR,2ND (D)ROHR,BREMSE,HINTERE											
96306168	. . . B B B S S S -JL9								970609			NW
N 96256676	. . . B B B S S S -JL9								970609			
[07]	(E)PIPE A-BRAKE,REAR,3RD (D)ROHR,BREMSE,HINTERE											
96237761	. . . B B B S S S -JL9											NV
[08]	(E)HOSE A-BRAKE,REAR (D)SCHLAUCH,BREMSE,HINTEN											
96215570	. . . B B B S S S -JL9								2			
[09]	(E)PIPE A-BRAKE,REAR (D)ROHR,BREMSE,HINTERE											
ENG(ENGINE)		T/A(TRANSAXLE)			BODY TYPE							
Y = 1.5SOHC 6 = 1.6DOHC . = COMMON		M = MANUAL T/A A = AUTOMATIC T/A . = COMMON			4 N = 4 DOOR NOTCHBACK 3 H = 3 DOOR HATCHBACK 5 H = 5 DOOR HATCHBACK							

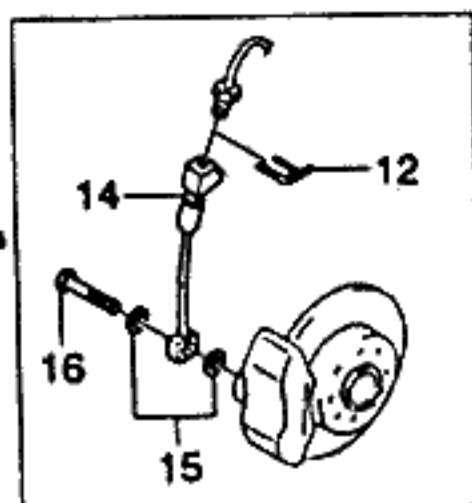
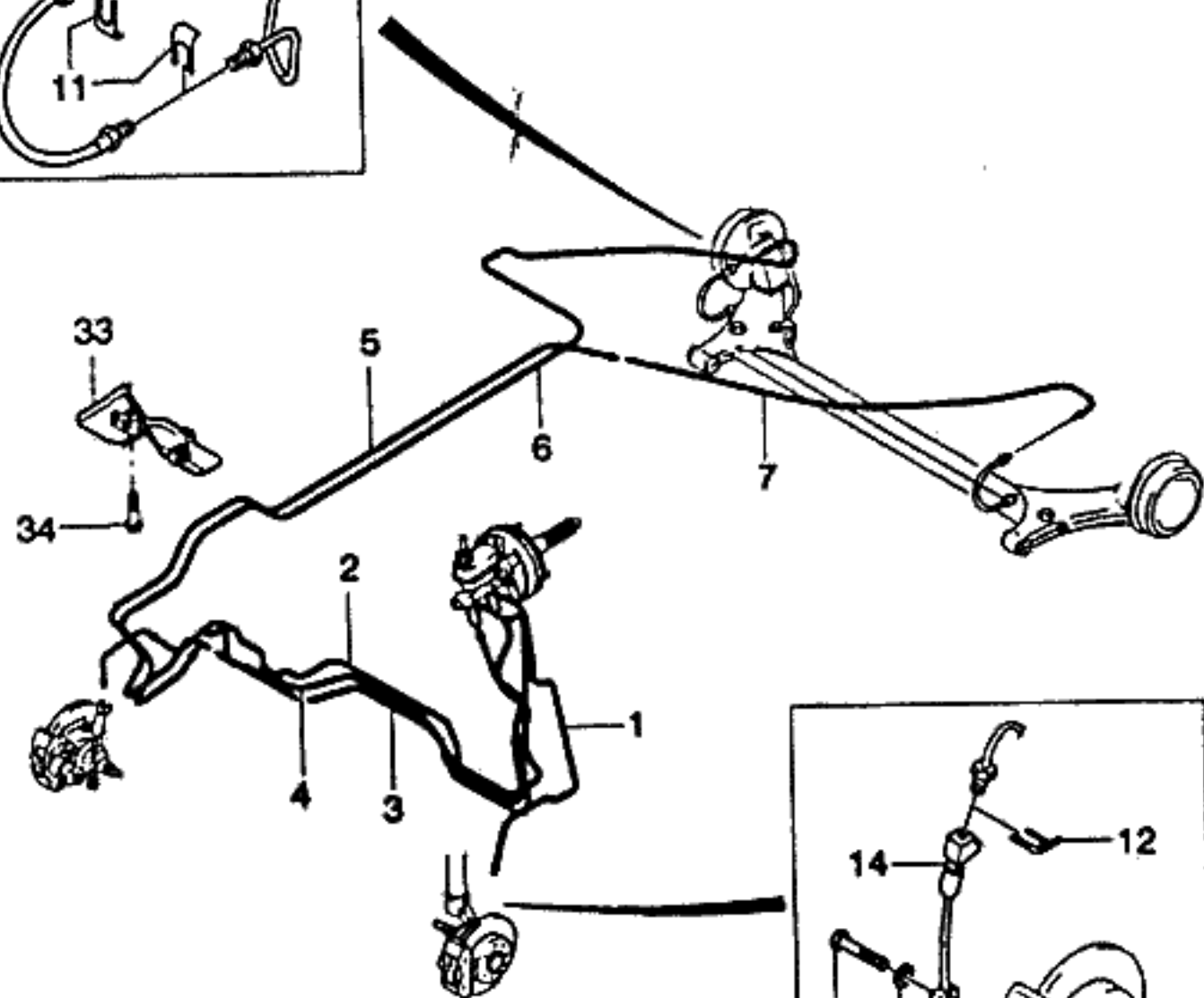
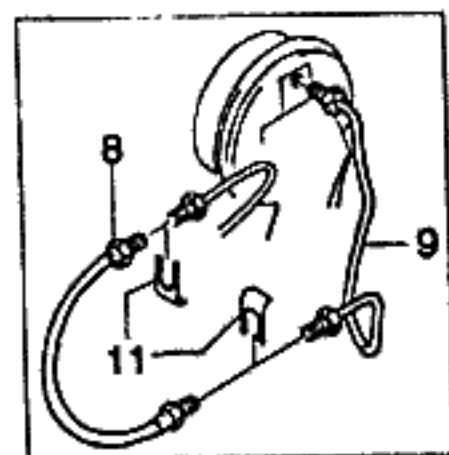


20	31	32			
21	22	23	26	27	28

13

KEY NO.	PART NAME													
	PART NO	MODEL						OPTION	L / R	Q / T Y	EFFECTIVE DATE		REMARKS	P / C O D E
		E T	BODY			LEVEL					FROM	TO		
I T C	N / G A	4 N	3 H	5 H	S	S S	S S							
96306664		. .	B	B	B	S	S	S	JL9		LH	1		
96306666		. .	B	B	B	S	S	S	JL9		RH	1		
[11]	(E)RING (D)RING										(F)ANNEAU (S)ANILLO			
09383-12003		. .	B	B	B	S	S	S	JL9			4		
[12]	(E)RING (D)RING										(F)ANNEAU (S)ANILLO			
09383-12003		. .	B	B	B	S	S	S	JL9			2		
[13]	(E)BOLT-HEXAGON (D)SCHRAUBE										(F)BOULON (S)PERNO			
02714-06163		. .	B	B	B	S	S	S	JL9			3		
[14]	(E)HOSE A-BRAKE,FRONT (D)SCHLAUCH,BREMSE,VORNE										(F)TUYAU-FREIN,AVANT (S)MANGUERA-FRENO,FRENTE			
96212323		. .	B	B	B	S	S	S	JL9			2		
[15]	(E)WASHER-PLAIN (D)DICHTUNGSRING										(F)RONDELLE (S)ARANDELA			
09160-10002		. .	B	B	B	S	S	S	JL9			4		
[16]	(E)BOLT-UNION (D)SCHRAUBE										(F)BOULON (S)PERNO			
09360-10002		. .	B	B	B	S	S	S	JL9			2		
[20]	(E)CLIP (D)KLEMME										(F)ATTACHE (S)GRAPA			
09409-07328		. .	B	B	B	S	S	S	JL9			2		
[21]	(E)CLIP (D)KLEMME										(F)ATTACHE (S)GRAPA			
09408-00082		. .	B	B	B	S	S	S	JL9			5		
[22]	(E)CLIP (D)KLEMME										(F)ATTACHE (S)GRAPA			

ENG(ENGINE)	T/A(TRANSAXLE)	BODY TYPE
Y = 1.5SOHC 6 = 1.6DOHC . = COMMON	M = MANUAL T/A A = AUTOMATIC T/A . = COMMON	4 N = 4 DOOR NOTCHBACK 3 H = 3 DOOR HATCHBACK 5 H = 5 DOOR HATCHBACK



20	31	32			
21	22	23	26	27	28

13

I T C	KEY NO.	PART NAME										REMARKS	P / C O D E
		PART NO	MODEL			OPTION	L / R	Q T Y	EFFECTIVE DATE				
			E N / G	T A	BODY				LEVEL	FROM			
	09408-00006	. . .	B	B	B	S	S	S	JL9		4	(F)ATTACHE (S)GRAPA	
	[23]	(E)CLIP A (D)KLEMME											
	96304429	. . .	B	B	B	S	S	S	JL9		3	(F)ATTACHE (S)GRAPA	
	[26]	(E)CLIP (D)KLEMME											
	09408-00007	. . .	B	B	B	S	S	S	JL9		2	(F)ATTACHE (S)GRAPA	
	[27]	(E)CLIP (D)KLEMME											
	09408-00008	. . .	B	B	B	S	S	S	JL9		1	(F)ATTACHE (S)GRAPA	
	[28]	(E)CLIP (D)KLEMME											
	09408-00009	. . .	B	B	B	S	S	S	JL9		1	(F)ATTACHE (S)GRAPA	
	[31]	(E)CLIP (D)KLEMME											
	09408-00079	. . .	B	B	B	S	S	S	JL9		1	(F)ATTACHE (S)GRAPA	
	[32]	(E)CLIP (D)KLEMME											
	09408-00080	. . .	B	B	B	S	S	S	JL9		1	(F)BOUCLIER (S)ESCUDO	
	[33]	(E)SHIELD A-BRAKE PROTV (D)SCHILD											
	96243676	. . .	B	B	B	S	S	S	JL9		1	(F)BOULON (S)PERNO	
	[34]	(E)BOLT (D)SCHRAUBE											
	09118-06010	. . .	B	B	B	S	S	S	JL9		1	(F)TUYAU-FREIN (S)TUBERIA-FRENO	
	[A0]	(E)PIPE A-BRAKE,FUEL (D)ROHR,BREMSE											
	96256674	. . .	B	B	B	S	S	S	&NN4-VB4/JL9/KL9		1		

ENG(ENGINE)

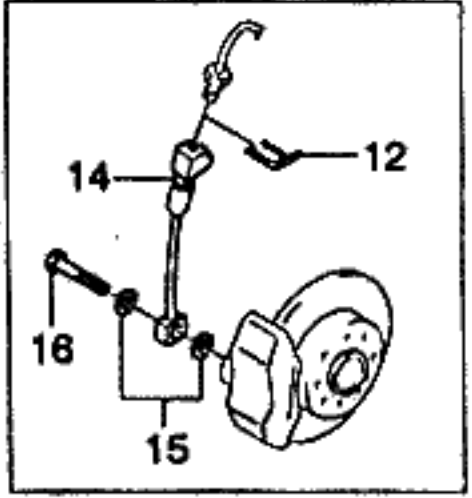
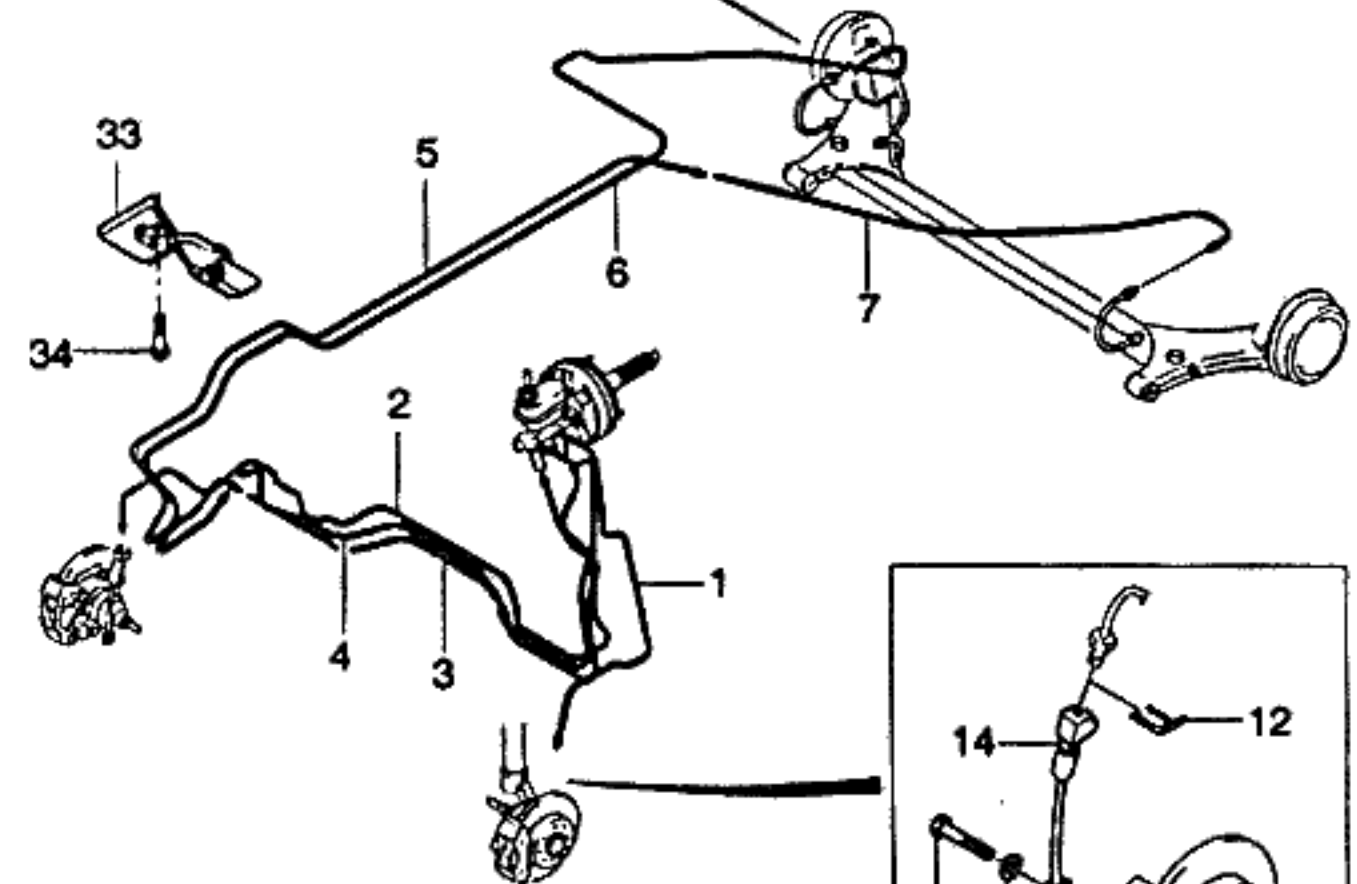
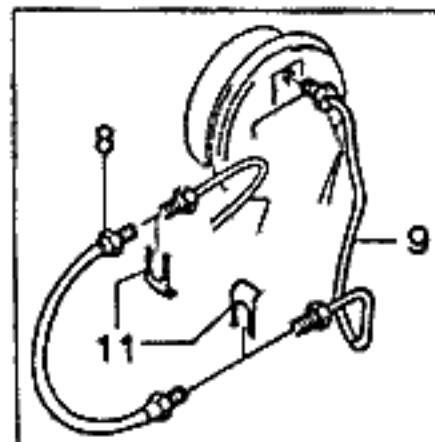
T/A(TRANSAXLE)

BODY TYPE

Y = 1.5SOHC
6 = 1.6DOHC
. = COMMON

M = MANUAL T/A
A = AUTOMATIC T/A
. = COMMON

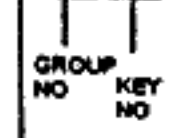
4 N = 4 DOOR NOTCHBACK
3 H = 3 DOOR HATCHBACK
5 H = 5 DOOR HATCHBACK



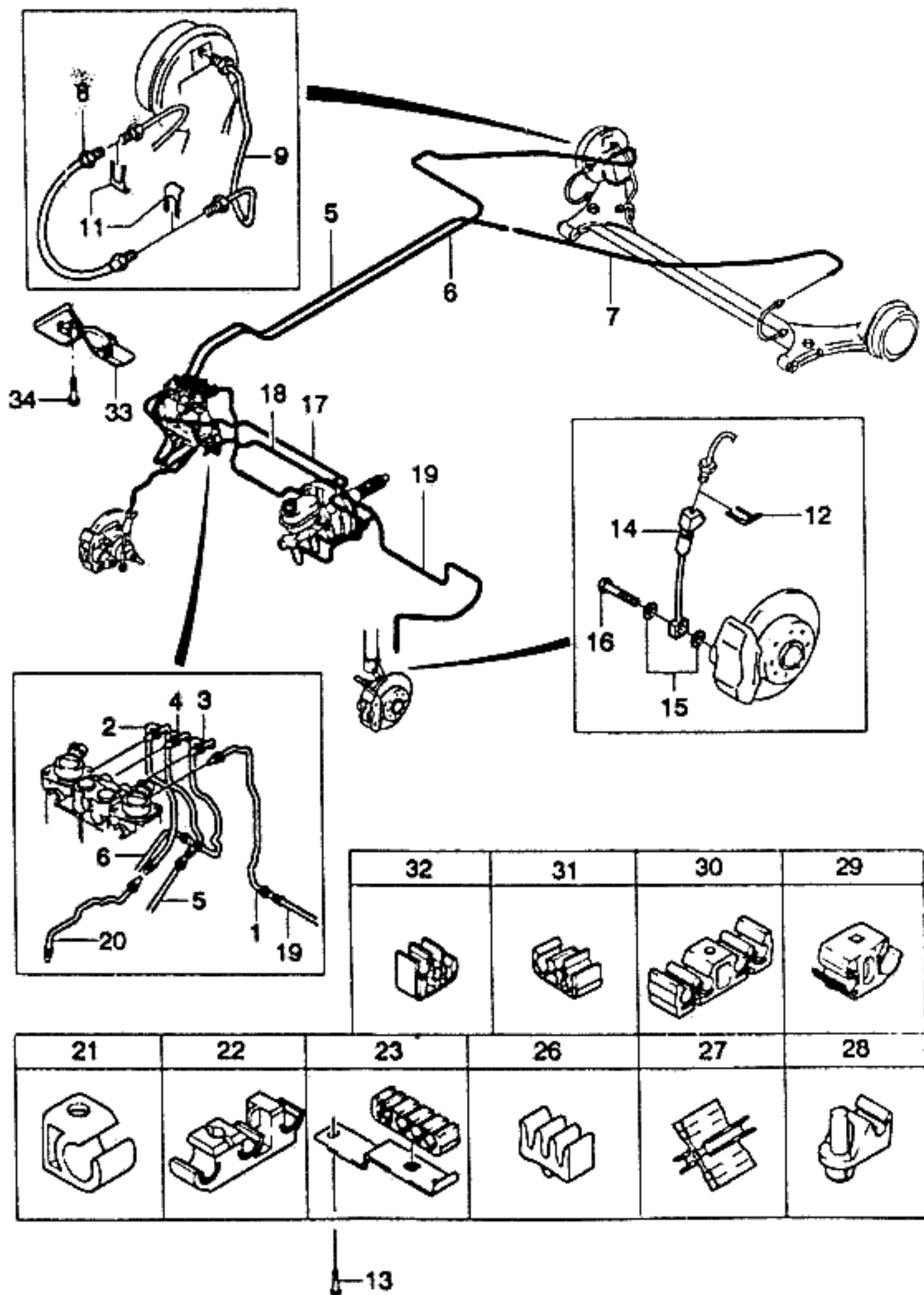
20	31	32			
21	22	23	26	27	28

13

KEY NO.	PART NAME										P / CODE			
	PART NO	MODEL					OPTION	L / R	QTY	EFFECTIVE DATE		REMARKS		
		ENG	T / A	4 N	3 H	5 H				S S			S S	FROM
96218173	.	.	B	B	B	A	A	A	&NN4&VB4-JL9/KL9	1		970609		NT
N 96256673	.	.	B	B	B	A	A	A	&NN4&VB4-JL9/KL9	1		970609		
96218173	.	.	B	B	B	A	A	A	&NN6/NN7-JL9/KL9	1		970609		NT
N 96256673	.	.	B	B	B	A	A	A	&NN6/NN7-JL9/KL9	1		970609		
96252759														NOT APPLIED
96256675	6	.	B	B	B	.	.	A	&KL9-JL9	1				
	- CONSIST OF -													REFER TO BELOW
	PIPE-FUEL FEEDING,CENTER													2120-03
	PIPE-FUEL RETURN,CENTER													2120-04
	PIPE-PURGE,CENTER													2130-09
	PIPE A-BRAKE REAR,2ND(LH)													4650-05
	PIPE A-BRAKE REAR,2ND(RH)													4650-06
	SHIELD A-PROTV,BRAKE,FUEL													4650-33

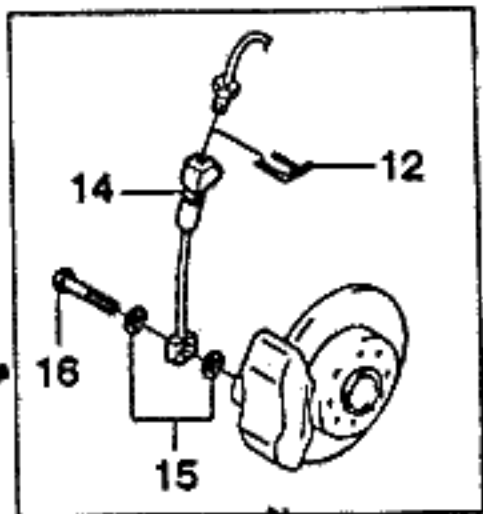
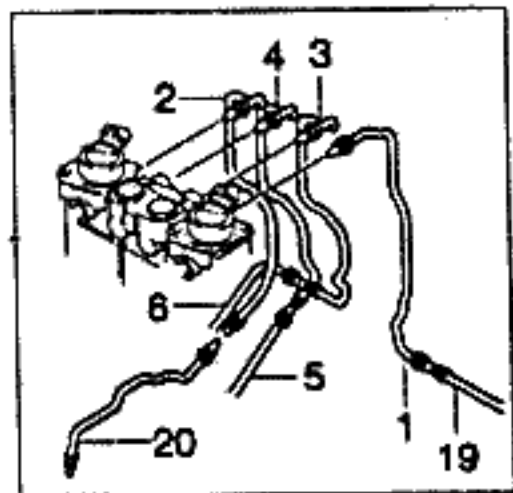
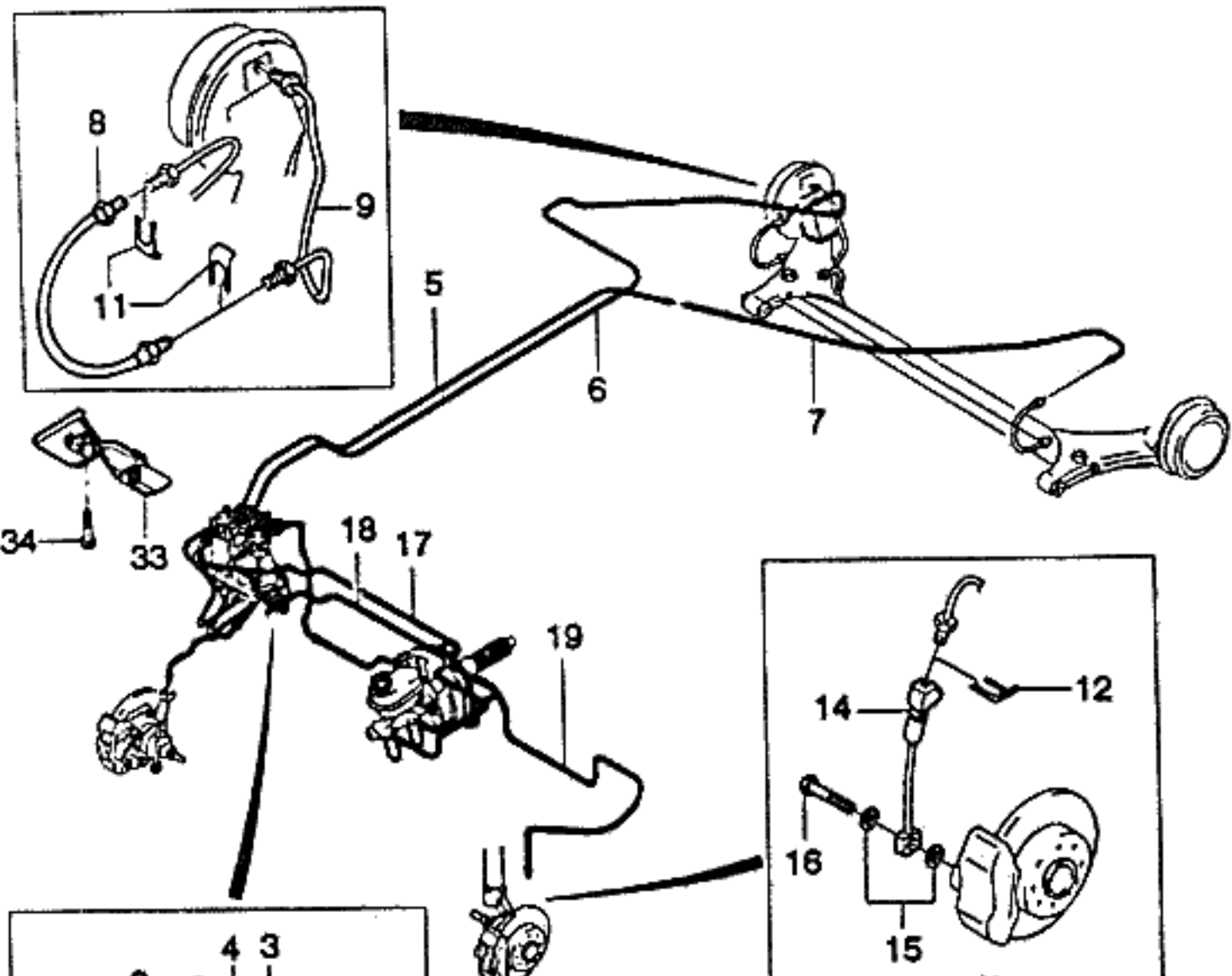


ENG(ENGINE)	T/A(TRANSAXLE)	BODY TYPE
Y = 1.5SOHC 6 = 1.6DOHC . = COMMON	M = MANUAL T/A A = AUTOMATIC T/A . = COMMON	4 N = 4 DOOR NOTCHBACK 3 H = 3 DOOR HATCHBACK 5 H = 5 DOOR HATCHBACK



KEY NO.	PART NAME												
	PART NO	MODEL					OPTION	L / R	Q / T Y	EFFECTIVE DATE		REMARKS	P / I / C O D E
		E T N / G	4 3 6	B O D Y	L E V E L	S S S				FROM	TO		
[01]	96304457	(E)PIPE A-BRAKE,FRONT,1ST (D)ROHR,BREMSE,VORDERE	. . .	B B B	. . .	O O	&JL9	(F)TUYAU-FREIN,AVANT (S)TUBERIA-FRENO,DELANTERO	LH	1			
[02]	96304458	(E)PIPE A-BRAKE,FRONT,1ST (D)ROHR,BREMSE,VORDERE	. . .	B B B	. . .	O O	&JL9	(F)TUYAU-FREIN,AVANT (S)TUBERIA-FRENO,DELANTERO	RH	1			
[03]	96304459	(E)PIPE A-BRAKE, REAR,1ST (D)ROHR,BREMSE,HINTERE	. . .	B B B	. . .	O O	&JL9	(F)TUYAU-FREIN,ARRIERE (S)TUBERIA-FRENO,TRASERO	LH	1			
[04]	96304460	(E)PIPE A-BRAKE, REAR,1ST (D)ROHR,BREMSE,HINTERE	. . .	B B B	. . .	O O	&JL9	(F)TUYAU-FREIN,ARRIERE (S)TUBERIA-FRENO,TRASERO	RH	1	970609		
[05]	N 96256677	(E)PIPE A-BRAKE, REAR,2ND (D)ROHR,BREMSE,HINTERE	. . .	B B B	. . .	O O	&JL9	(F)TUYAU-FREIN,ARRIERE (S)TUBERIA-FRENO,TRASERO	RH	1	970609		
[06]	96304479	(E)PIPE A-BRAKE, REAR,2ND (D)ROHR,BREMSE,HINTERE	. . .	B B B	. . .	O O	&JL9	(F)TUYAU-FREIN,ARRIERE (S)TUBERIA-FRENO,TRASERO	LH	1			NU
[07]	96306168	(E)PIPE A-BRAKE, REAR,3RD (D)ROHR,BREMSE,HINTERE	. . .	B B B	. . .	O O	&JL9	(F)TUYAU-FREIN,ARRIERE (S)TUBERIA-FRENO,TRASERO	RH	1	970609		NW
[08]	N 96256676	(E)HOSE A-BRAKE,REAR (D)SCHLAUCH,BREMSE,HINTEN	. . .	B B B	. . .	O O	&JL9	(F)TUYAU-FREIN,ARRIERE (S)MANGUERA-FRENO,TRASERO	RH	1	970609		
[09]	96237761	(E)PIPE A-BRAKE,REAR (D)ROHR,BREMSE,HINTERE	. . .	B B B	. . .	O O	&JL9	(F)TUYAU-FREIN,ARRIERE (S)TUBERIA-FRENO,TRASERO	LH	1			NV
	96215570	(E)PIPE A-BRAKE,REAR (D)ROHR,BREMSE,HINTERE	. . .	B B B	. . .	O O	&JL9	(F)TUYAU-FREIN,ARRIERE (S)TUBERIA-FRENO,TRASERO		2			

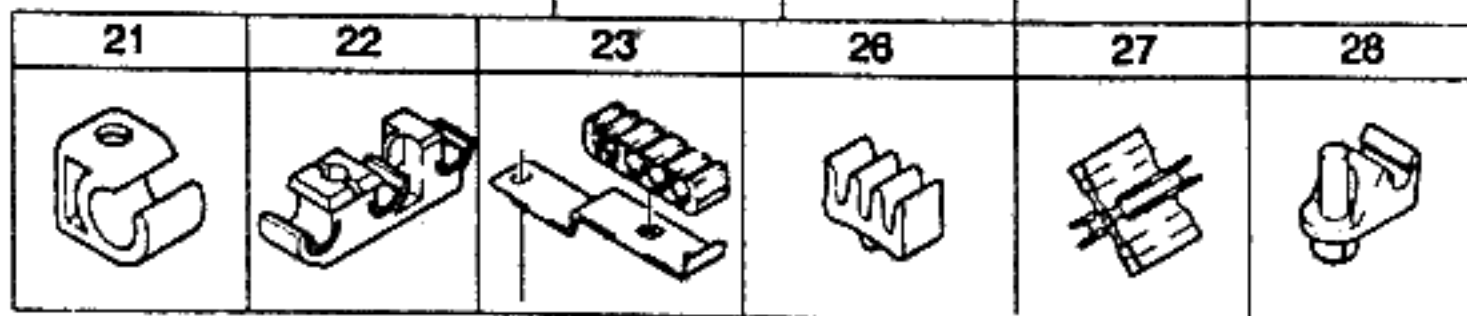
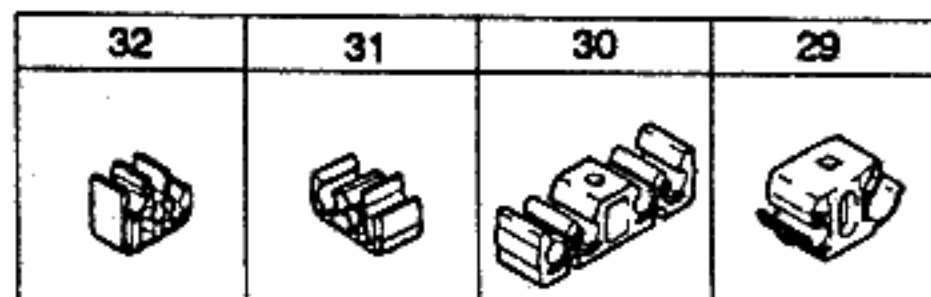
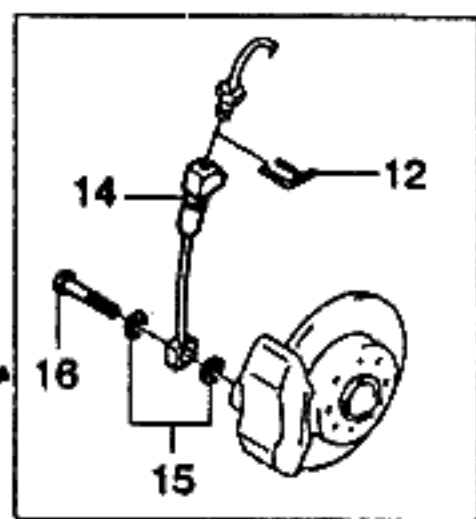
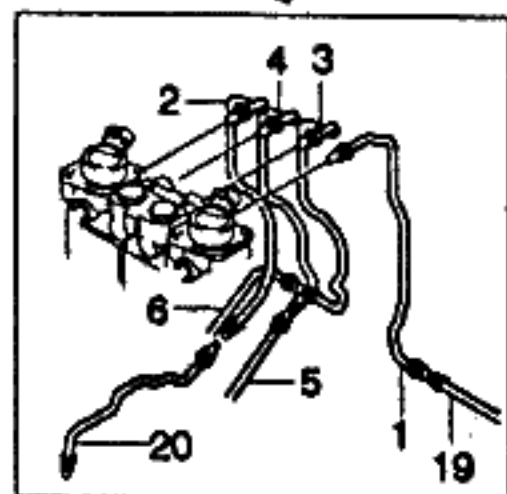
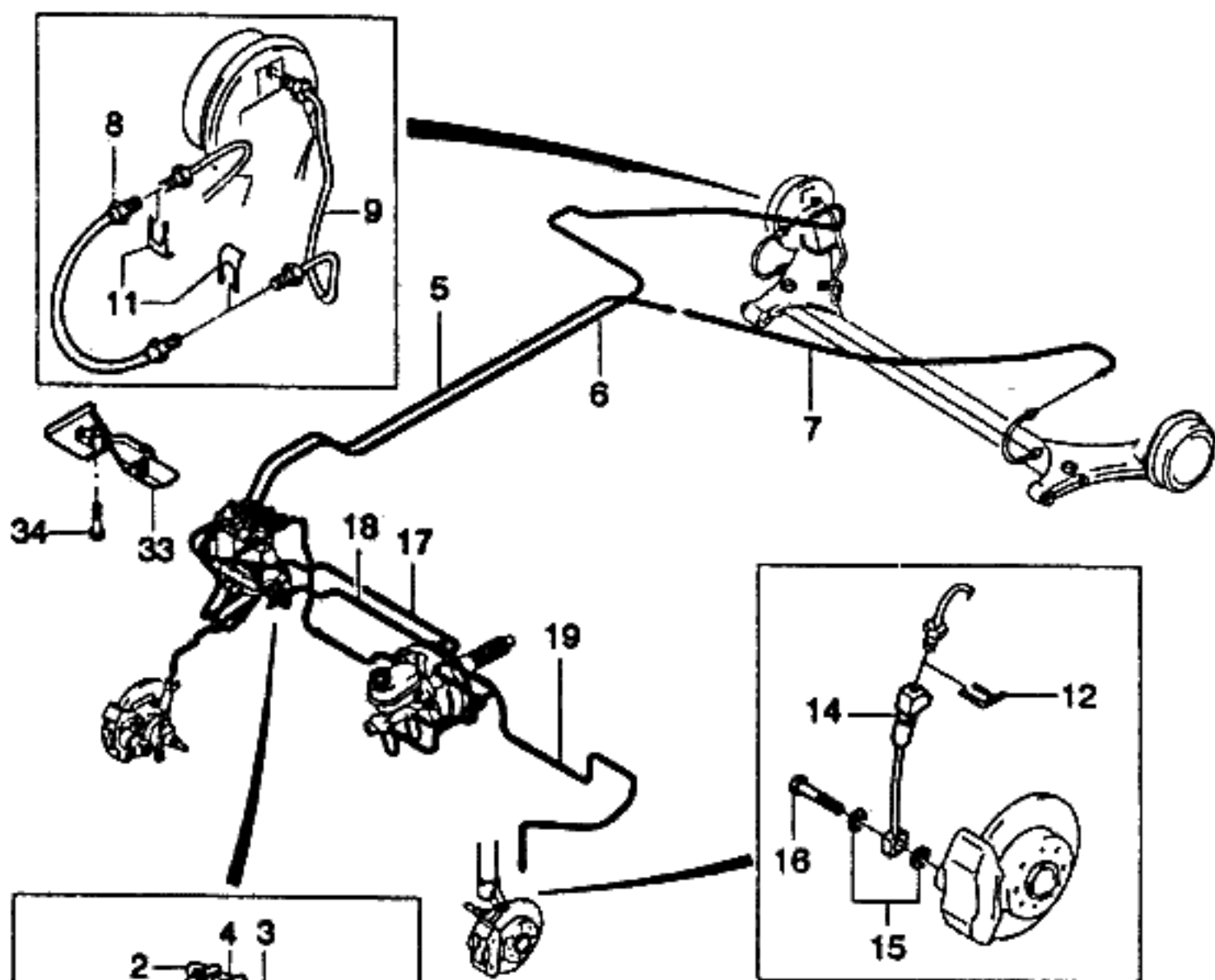
ENG(ENGINE)	T/A(TRANSAXLE)	BODY TYPE
Y = 1.5SOHC 6 = 1.6DOHC . = COMMON	M = MANUAL T/A A = AUTOMATIC T/A . = COMMON	4 N = 4 DOOR NOTCHBACK 3 H = 3 DOOR HATCHBACK 5 H = 5 DOOR HATCHBACK



	32	31	30	29	
21	22	23	26	27	28

13

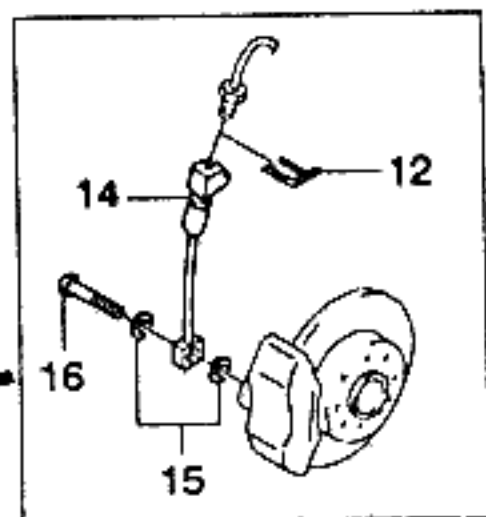
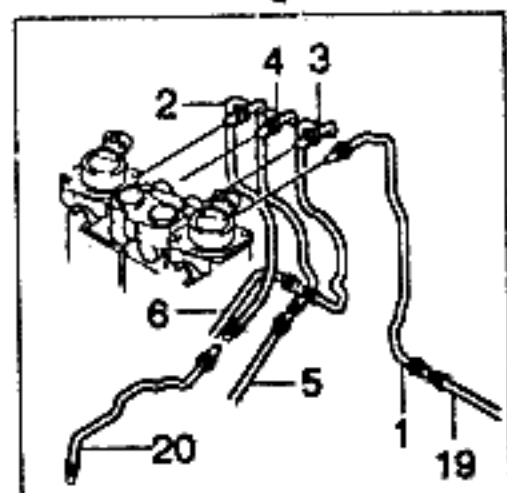
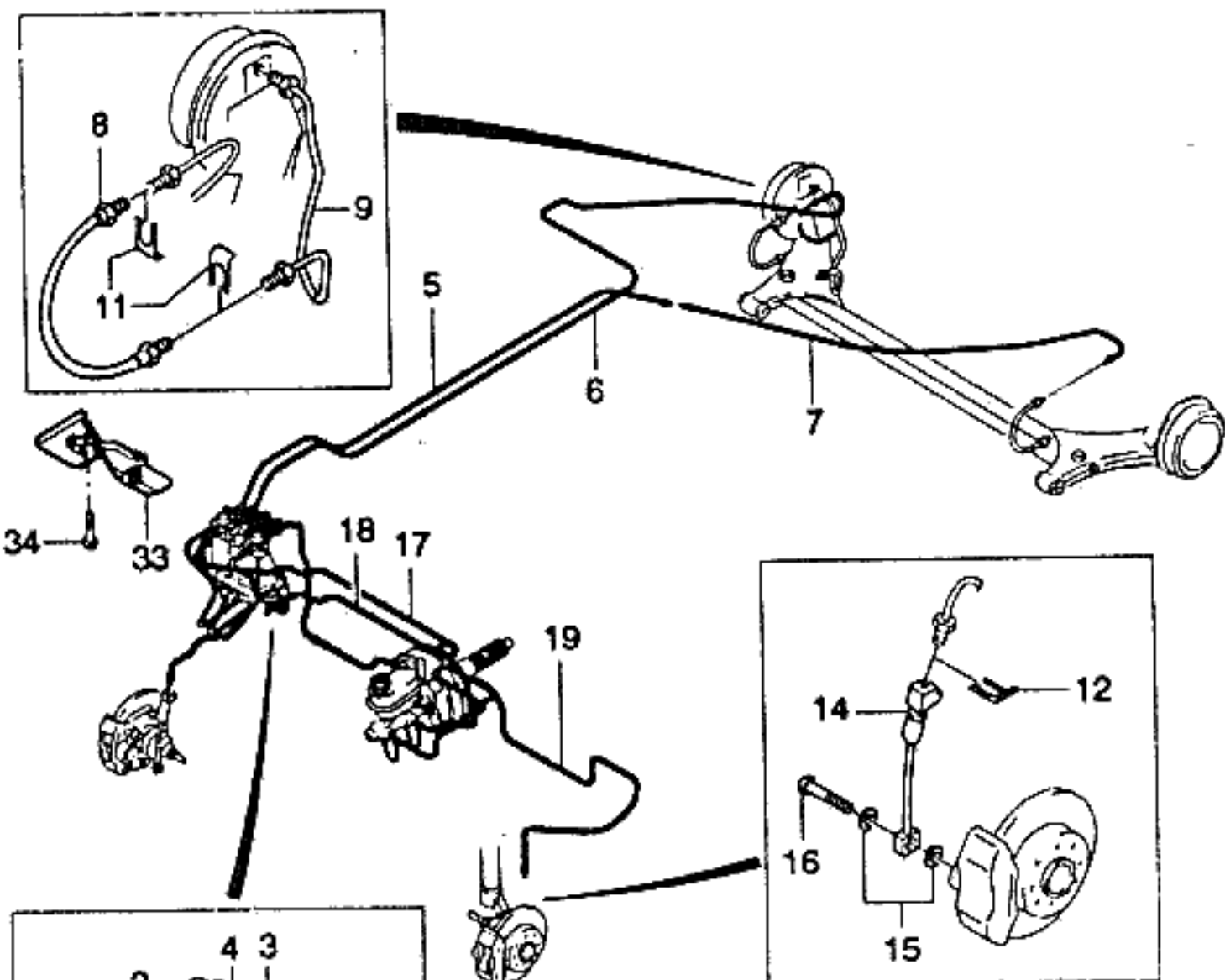
KEY NO.	PART NAME													
	PART NO	MODEL						OPTION	L / R	Q / T	EFFECTIVE DATE		REMARKS	P / CODE
		ENG	4	3	5	LEVEL	S				S	FROM		
96306664		B	B	B	.	O	O	&JL9				LH 1		
96306666		B	B	B	.	O	O	&JL9				RH 1		
[11]	(E)RING (D)RING											(F)ANNEAU (S)ANILLO		
09383-12003		B	B	B	.	O	O	&JL9				4		
[12]	(E)RING (D)RING											(F)ANNEAU (S)ANILLO		
09383-12003		B	B	B	.	O	O	&JL9				2		
[13]	(E)BOLT-HEXAGON (D)SCHRAUBE											(F)BOULON (S)PERNO		
02714-06163		B	B	B	.	O	O	&JL9				3		
[14]	(E)HOSE A-BRAKE,FRONT (D)SCHLAUCH,BREMSE,VORNE											(F)TUYAU-FREIN,AVANT (S)MANGUERA-FRENO,FRENTE		
96212323		B	B	B	.	O	O	&JL9				2		
[15]	(E)WASHER-PLAIN (D)DICHTUNGSRING											(F)RONDELLE (S)ARANDELA		
09160-10002		B	B	B	.	O	O	&JL9				4		
[16]	(E)BOLT-UNION (D)SCHRAUBE											(F)BOULON (S)PERNO		
09360-10002		B	B	B	.	O	O	&JL9				2		
[17]	(E)PIPE A-BRAKE,PRIMARY (D)ROHR-BREMSE,HAUPT											(F)TUYAU-FREIN,PRIMAIRE (S)TUBERIA-FRENO,PRIMARIA		
96304462		B	B	B	.	O	O	&JL9				1		
[18]	(E)PIPE A-BRAKE,SECONDARY (D)ROHR,BREMSE,2.											(F)TUYAU-FREIN,SECONDAIRE (S)TUBERIA-FRENO,SECUNDARIO		
96304461		B	B	B	.	O	O	&JL9				1		
[19]	(E)PIPE A-BRAKE,FRONT,2ND (D)ROHR,BREMSE,VORDERE											(F)TUYAU-FREIN,AVANT (S)TUBERIA-FRENO,DELANTERO		
ENG(ENGINE)		T/A(TRANSAXLE)				BODY TYPE								
Y = 1.5SOHC 6 = 1.6DOHC . = COMMON		M = MANUAL T/A A = AUTOMATIC T/A . = COMMON				4 N = 4 DOOR NOTCHBACK 3 H = 3 DOOR HATCHBACK 5 H = 5 DOOR HATCHBACK								



13

I T C	KEY NO.	PART NAME										REMARKS	P I C O D E	
		PART NO	MODEL			OPTION	L / R	Q T Y	EFFECTIVE DATE					
			E N G	T / A	BODY				LEVEL	FROM				TO
	96248675	. . .	B	B	B	. . .	O	O	&JL9		LH 1			
	[20]	(E)PIPE A-BRAKE,FRONT,2ND									(F) TUYAU-FREIN,AVANT			
		(D)ROHR,BREMSE,VORDERE									(S) TUBERIA-FRENO,DELANTERO			
	96304423	. . .	B	B	B	. . .	O	O	&JL9		RH 1			
	[21]	(E)CLIP									(F)ATTACHE			
		(D)KLEMME									(S)GRAPA			
	09408-00082	. . .	B	B	B	. . .	O	O	&JL9		3			
	[22]	(E)CLIP									(F)ATTACHE			
		(D)KLEMME									(S)GRAPA			
	09408-00006	. . .	B	B	B	. . .	O	O	&JL9		4			
	[23]	(E)CLIP A									(F)ATTACHE			
		(D)KLEMME									(S)GRAPA			
	96304429	. . .	B	B	B	. . .	O	O	&JL9		3			
	[26]	(E)CLIP									(F)ATTACHE			
		(D)KLEMME									(S)GRAPA			
	09408-00007	. . .	B	B	B	. . .	O	O	&JL9		2			
	[27]	(E)CLIP									(F)ATTACHE			
		(D)KLEMME									(S)GRAPA			
	09408-00008	. . .	B	B	B	. . .	O	O	&JL9		1			
	[28]	(E)CLIP									(F)ATTACHE			
		(D)KLEMME									(S)GRAPA			
	09408-00009	. . .	B	B	B	. . .	O	O	&JL9		1			
	[29]	(E)CLIP									(F)ATTACHE			
		(D)KLEMME									(S)GRAPA			
	09408-00004	. . .	B	B	B	. . .	O	O	&JL9		2			
	[30]	(E)CLIP									(F)ATTACHE			
		(D)KLEMME									(S)GRAPA			
	09408-00038	. . .	B	B	B	. . .	O	O	&JL9		1			

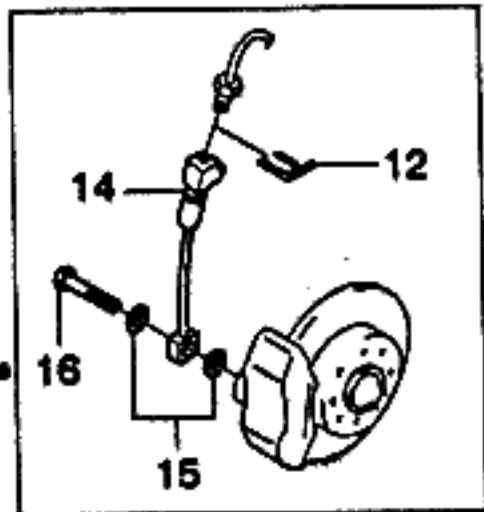
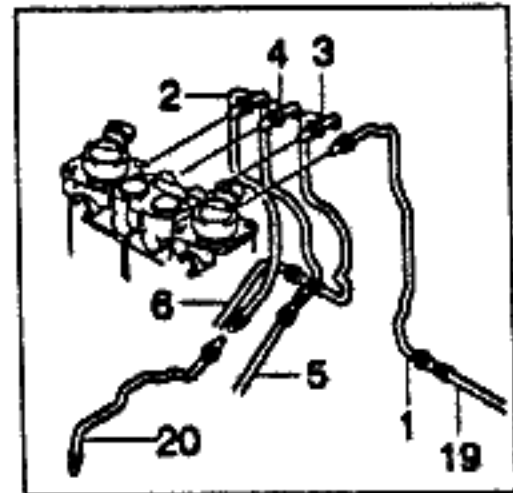
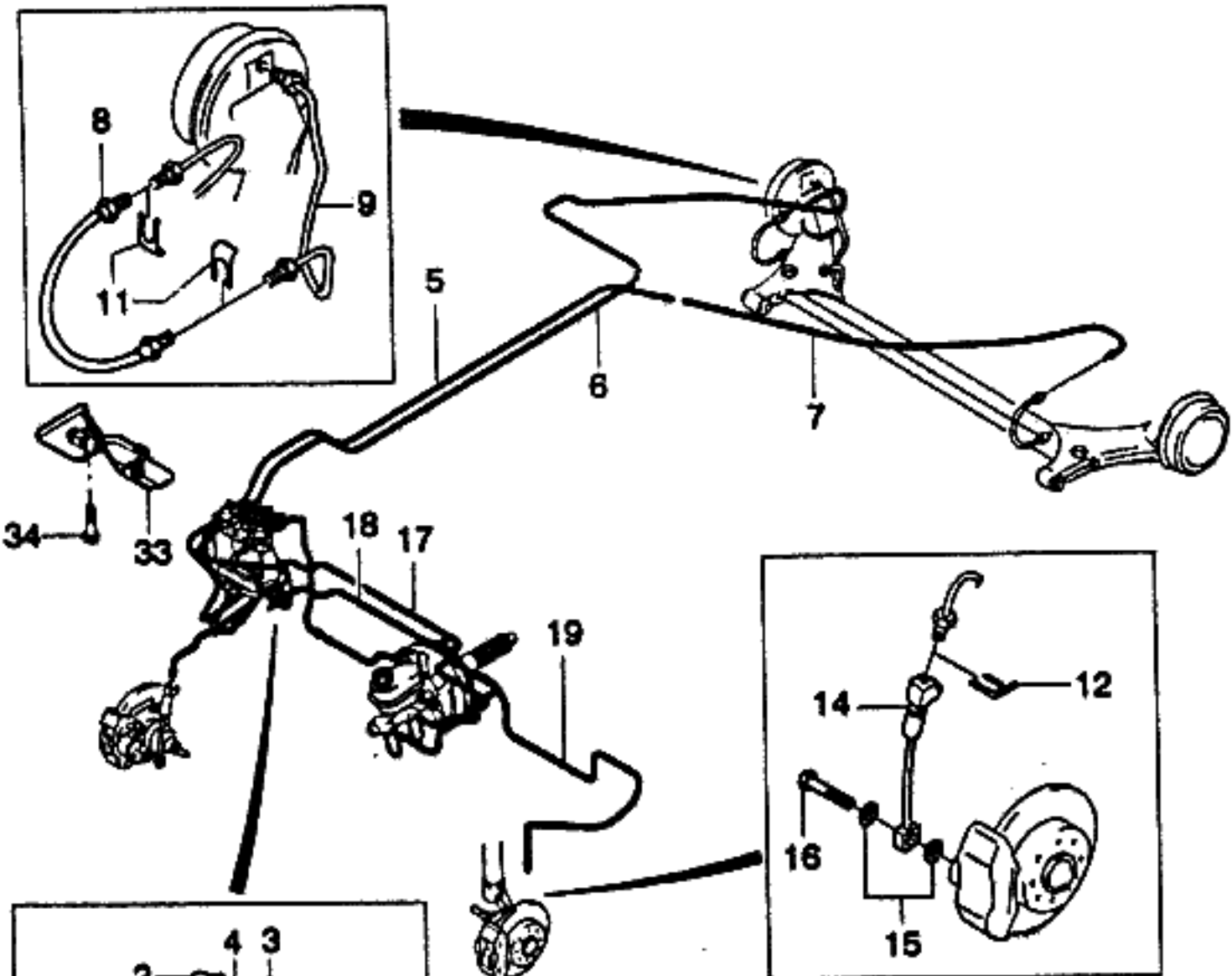
ENG(ENGINE)	T/A(TRANSAXLE)	BODY TYPE
Y = 1.5SOHC 6 = 1.6DOHC . = COMMON	M = MANUAL T/A A = AUTOMATIC T/A . = COMMON	4 N = 4 DOOR NOTCHBACK 3 H = 3 DOOR HATCHBACK 5 H = 5 DOOR HATCHBACK



32	31	30	29		
21	22	23	26	27	28

13

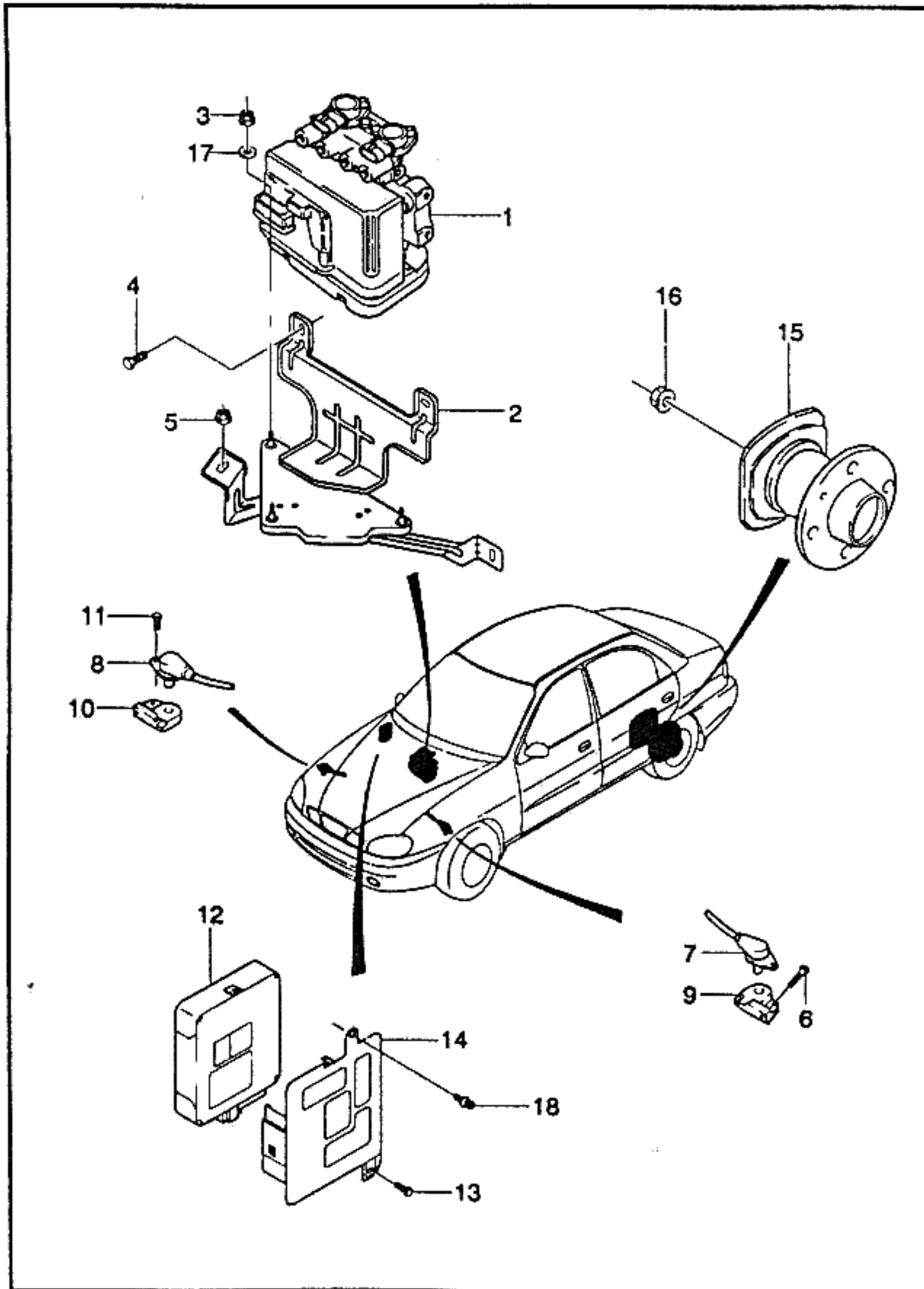
KEY NO.	PART NAME													
	PART NO	MODEL						OPTION	L / R	Q / Y	EFFECTIVE DATE		REMARKS	P / CODE
		E	T	BODY			LEVEL				FROM	TO		
	N	G	A	4	3	5	S	S	S	X				
[31]	(E)CLIP (D)KLEMME												(F)ATTACHE (S)GRAPA	
09408-00079	. . . B B B . . . O O &JL9												1	
[32]	(E)CLIP (D)KLEMME												(F)ATTACHE (S)GRAPA	
09408-00080	. . . B B B . . . O O &JL9												1	
[33]	(E)SHIELD A-BRAKE PROTV (D)SCHILD												(F)BOUCLIER (S)ESCUDO	
96243676	. . . B B B . . . O O &JL9												1	
[34]	(E)BOLT (D)SCHRAUBE												(F)BOULON (S)PERNO	
09118-06010	. . . B B B . . . O O &JL9												1	
[A0]	(E)PIPE A-BRAKE,FUEL (D)ROHR,BREMSE												(F)TUYAU-FREIN (S)TUBERIA-FRENO	
96256674	. . . B B B . . . O O &NN4&JL9-VB4/KL9												1	
96218173	. . . B B B . . . A A &NN4&VB4&JL9-KL9												1	970609
N 96256673	. . . B B B . . . A A &NN4&VB4&JL9-KL9												1	970609
96218173	. . . B B B . . . A A &NN6/NN7&JL9-KL9												1	970609
N 96256673	. . . B B B . . . A A &NN6/NN7&JL9-KL9												1	970609
96252759														NOT APPLIED
96256675	6 . . . B B B . . . A &JL9&KL9												1	
	- CONSIST OF -													REFER TO BELOW
	PIPE-FUEL FEEDING,CENTER													2120-03
	PIPE-FUEL RETURN,CENTER													2120-04
	PIPE-PURGE,CENTER													2130-09
	PIPE A-BRAKE REAR,2ND(LH)													4651-05
ENG(ENGINE)			T/A(TRANSAXLE)				BODY TYPE							
Y = 1.5SOHC 6 = 1.6DOHC . = COMMON			M = MANUAL T/A A = AUTOMATIC T/A . = COMMON				4 N = 4 DOOR NOTCHBACK 3 H = 3 DOOR HATCHBACK 5 H = 5 DOOR HATCHBACK							



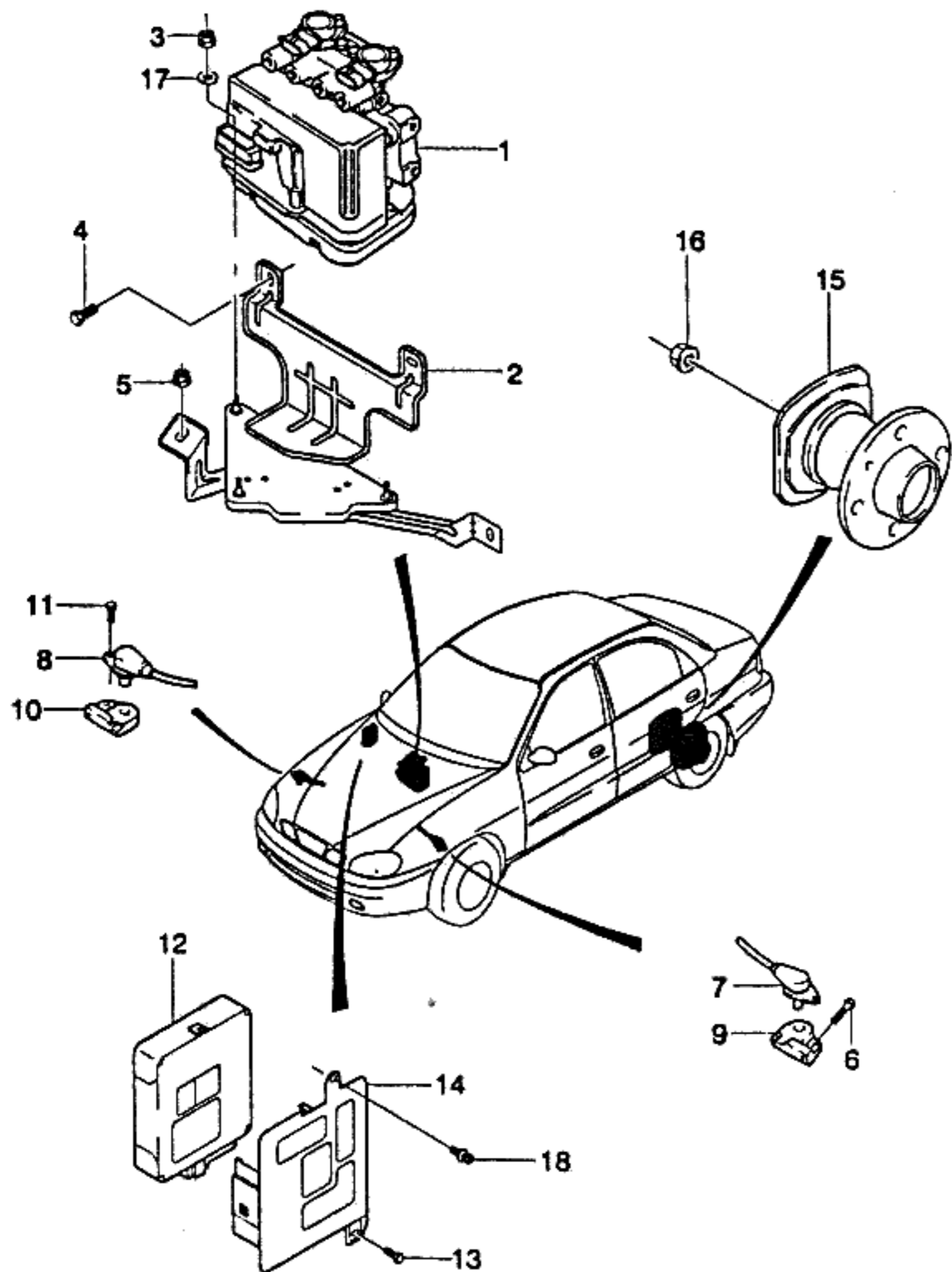
32	31	30	29		
21	22	23	26	27	28

13

KEY NO.		PART NAME										
I T C	PART NO	MODEL			OPTION	L / R	Q T Y	EFFECTIVE DATE		REMARKS	P / C O D E	
		E	T	BODY				LEVEL	FROM			TO
		N G	A	4 N				3 H				
												4651-06 4651-33 GROUP NO KEY NO
												PIPE A-BRAKE REAR,2ND(RH) SHIELD A-PROTV,BRAKE,FUEL
ENG(ENGINE)					T/A(TRANSAXLE)			BODY TYPE				
Y = 1.5SOHC 6 = 1.6DOHC . = COMMON					M = MANUAL T/A A = AUTOMATIC T/A . = COMMON			4 N = 4 DOOR NOTCHBACK 3 H = 3 DOOR HATCHBACK 5 H = 5 DOOR HATCHBACK				

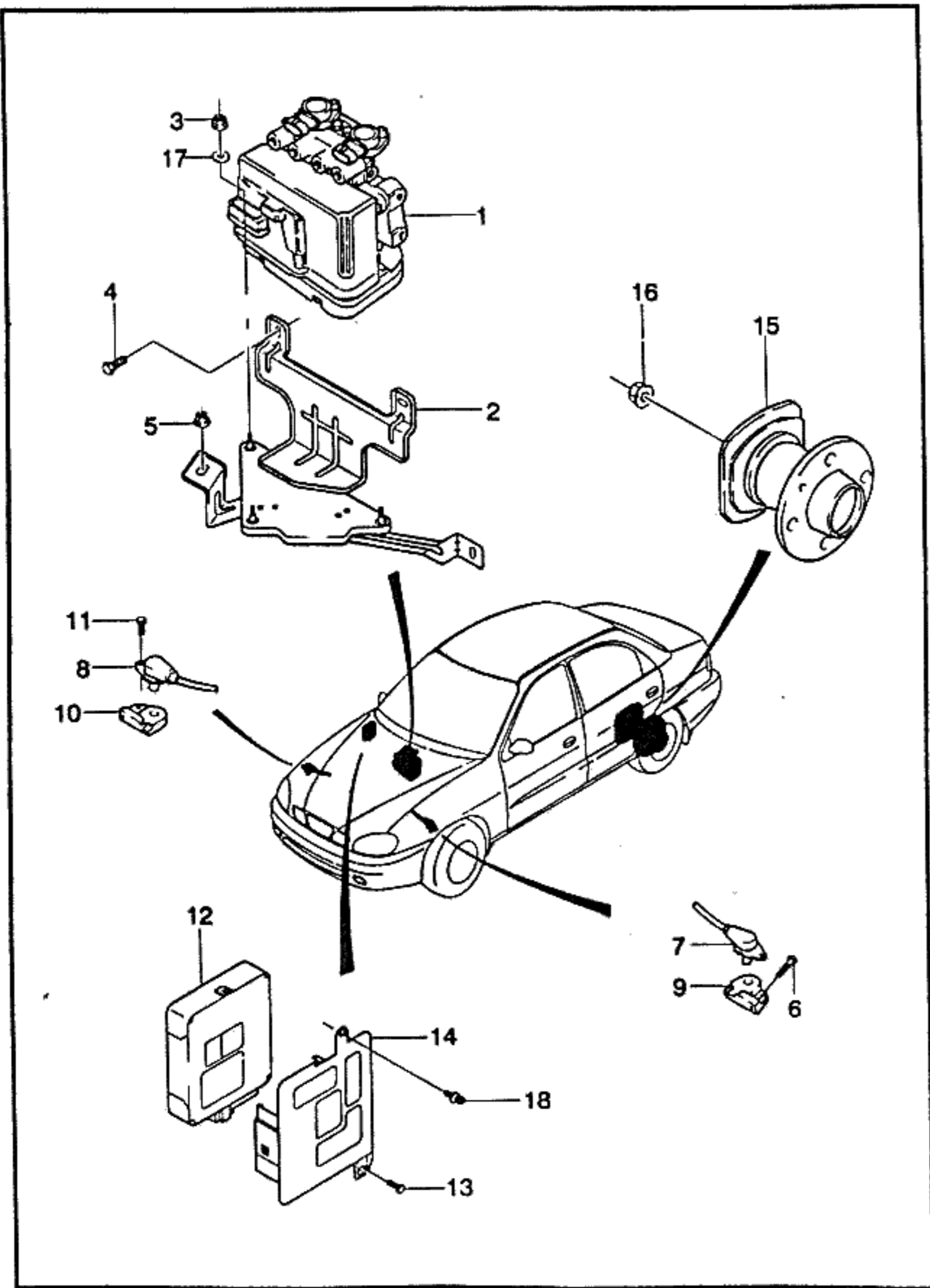


KEY NO.	PART NAME									
	PART NO	MODEL			OPTION	L / Q / R	EFFECTIVE DATE		REMARKS	P / CODE
		E T	BODY	LEVEL			FROM	TO		
		N / G	4 3 5	S S S						
[01]	(E)HYDRAULIC UNIT-BRAKE (D)HYDRAULIK EINHEIT, BREMSE								(F)UNITE HYDRAULIQUE-FREIN (S)UNIDAD HIDRAULICA-FRENO	
96304464	Y . B B B . O O &JL9								1	MA
96306147	6 . B B B . . O &JL9								1	MB
[02]	(E)BRACKET A-HYDRAULIC UNIT (D)TRÄGER, STEUERUNGSEINHEIT								(F)SUPPORT-UNITE DE CONTROLE (S)SOPORTE-UNIDA DE CONTROL	
96304465	. . B B B . O O &JL9								1	
[03]	(E)NUT-HEXAGON FLANGE (D)MUTTER								(F)ECROU (S)TUERCA	
08316-28063	. . B B B . O O &JL9								3	
[04]	(E)BOLT-HEXAGON (D)SCHRAUBE								(F)BOULON (S)PERNO	
01137-08165	. . B B B . O O &JL9								3	
[05]	(E)NUT-HEXAGON FLANGE (D)MUTTER								(F)ECROU (S)TUERCA	
08316-18083	. . B B B . O O &JL9								1	
[06]	(E)BOLT (D)SCHRAUBE								(F)BOULON (S)PERNO	
07130-06165	. . B B B . O O &JL9								2	
[07]	(E)SENSOR-WHEEL SPEED (D)SENSOR, GESCHWINDIGKEIT								(F)DETECTEUR-VITESSE DE ROUE (S)SENSOR-VELOCIDAD DE RUEDA	
10456154	. . B B B . O O &JL9								LH 1 970617	
Y 10456266	. . B B B . O O &JL9								LH 1 970617	
[08]	(E)SENSOR-WHEEL SPEED (D)SENSOR, GESCHWINDIGKEIT								(F)DETECTEUR-VITESSE DE ROUE (S)SENSOR-VELOCIDAD DE RUEDA	
10456155	. . B B B . O O &JL9								RH 1 970617	
Y 10456267	. . B B B . O O &JL9								RH 1 970617	
ENG(ENGINE)		T/A(TRANSAXLE)			BODY TYPE					
Y = 1.5SOHC 6 = 1.6DOHC . = COMMON		M = MANUAL T/A A = AUTOMATIC T/A . = COMMON			4 N = 4 DOOR NOTCHBACK 3 H = 3 DOOR HATCHBACK 5 H = 5 DOOR HATCHBACK					



KEY NO.	PART NAME										REMARKS	P / I / C / O / D / E	
	PART NO	MODEL					OPTION	L / R	Q / T / Y	EFFECTIVE DATE			
		E / N / G	T / A	B / O / D / Y	L / E / V / E / L					FROM			TO
[09]	96146791	(E)BRACKET A-SPEED SENSOR (D)TRÄGER									(F)SUPPORT (S)SOPORTE-SENSOR		
		. . . B B B . . . O O &JL9									LH 1		
[10]	96146792	(E)BRACKET A-SPEED SENSOR (D)TRÄGER									(F)SUPPORT (S)SOPORTE-SENSOR		
		. . . B B B . . . O O &JL9									RH 1		
[11]	09106-06005	(E)BOLT (D)SCHRAUBE									(F)BOULON (S)PERNO		
		. . . B B B . . . O O &JL9									2		
[12]	96306175	(E)CONTROL UNIT-ABS (D)STEUERUNGS-EINHEIT,ABS									(F)UNITE DE CONTROLE ABS (S)UNIDAD DE CONTROL-ABS		
		. . . B B B . . . O O &JL9									1		TB
[13]	03160-48195	(E)SCREW-TAPPING (D)SCHRAUBE									(F)VIS (S)TORNILLO		
		. . . B B B . . . O O &JL9									3		
[14]	96306212	(E)BRACKET CONTROL UNIT (D)TRÄGER,STEUERUNGSEINHEIT									(F)SUPPORT-UNITE DE CONTROLE (S)SOPORTE-UNIDA DE CONTROL		
	N 96250304	. . . B B B . . . O O &JL9									1 970521		
[15]	07466975	(E)BEARING A-WHEEL (D)KUGELLAGER,RAD									(F)ROULEMENT-ROUE (S)COJINETE-RUEDA		
		. . . B B B . . . O O &JL9									2		
[16]	09159-10010	(E)NUT (D)MUTTER									(F)ECROU (S)TUERCA		
		. . . B B B . . . O O &JL9									8		
[17]	09160-06002	(E)WASHER-PLAIN (D)DICHTUNGSRING									(F)RONDELLE (S)ARANDELA		
		. . . B B B . . . O O &JL9									2		

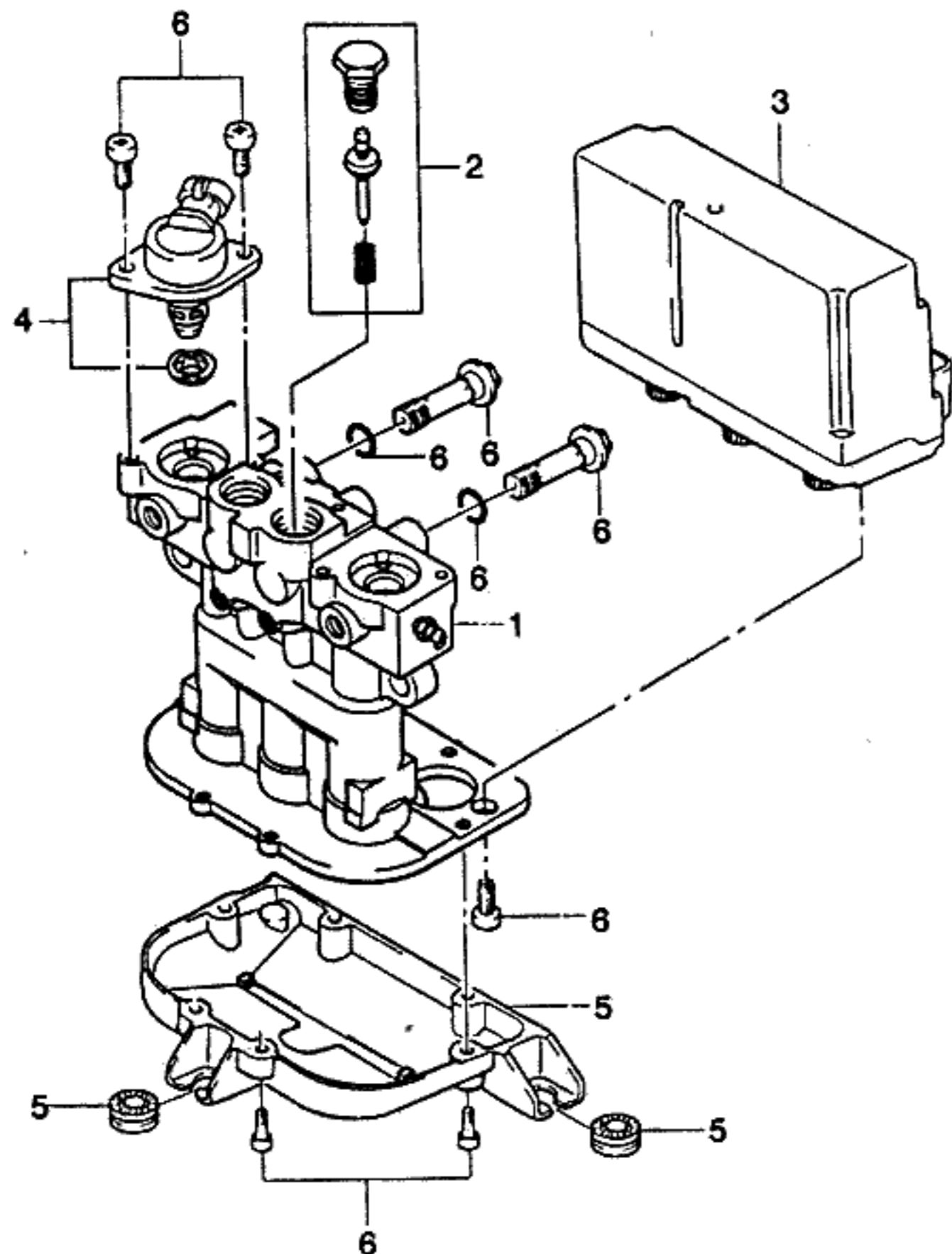
ENG(ENGINE)	T/A(TRANSAXLE)	BODY TYPE
Y = 1.5SOHC 6 = 1.6DOHC . = COMMON	M = MANUAL T/A A = AUTOMATIC T/A . = COMMON	4 N = 4 DOOR NOTCHBACK 3 H = 3 DOOR HATCHBACK 5 H = 5 DOOR HATCHBACK



KEY NO.	PART NAME												
	PART NO	MODEL						OPTION	L / Q / R T / Y	EFFECTIVE DATE		REMARKS	P / C O / D E
		E	T	BODY			LEVEL			FROM	TO		
		N	/	4	3	5	S	S	S				
		G	A	N	H	H	S	S	S				
[18] 09409-06327	(E)CLIP (D)KLEMME			B	B	B	.	O	O	&JL9	(F)ATTACHE (S)GRAPA	1	
ENG(ENGINE)				T/A(TRANSAXLE)				BODY TYPE					
Y = 1.5SOHC 6 = 1.6DOHC . = COMMON				M = MANUAL T/A A = AUTOMATIC T/A . = COMMON				4 N = 4 DOOR NOTCHBACK 3 H = 3 DOOR HATCHBACK 5 H = 5 DOOR HATCHBACK					

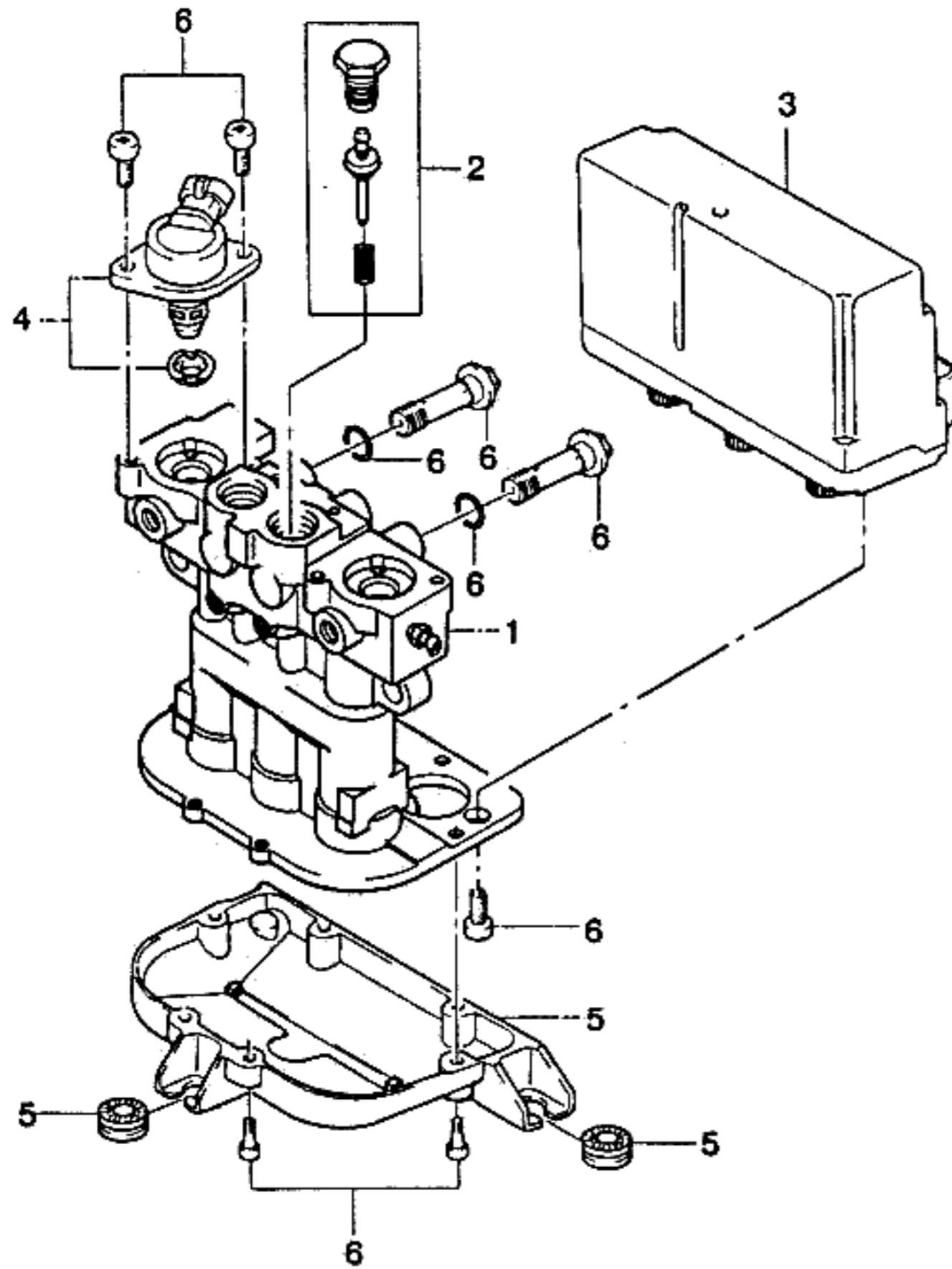
4720 HYDRAULIC MODULATOR

4M13



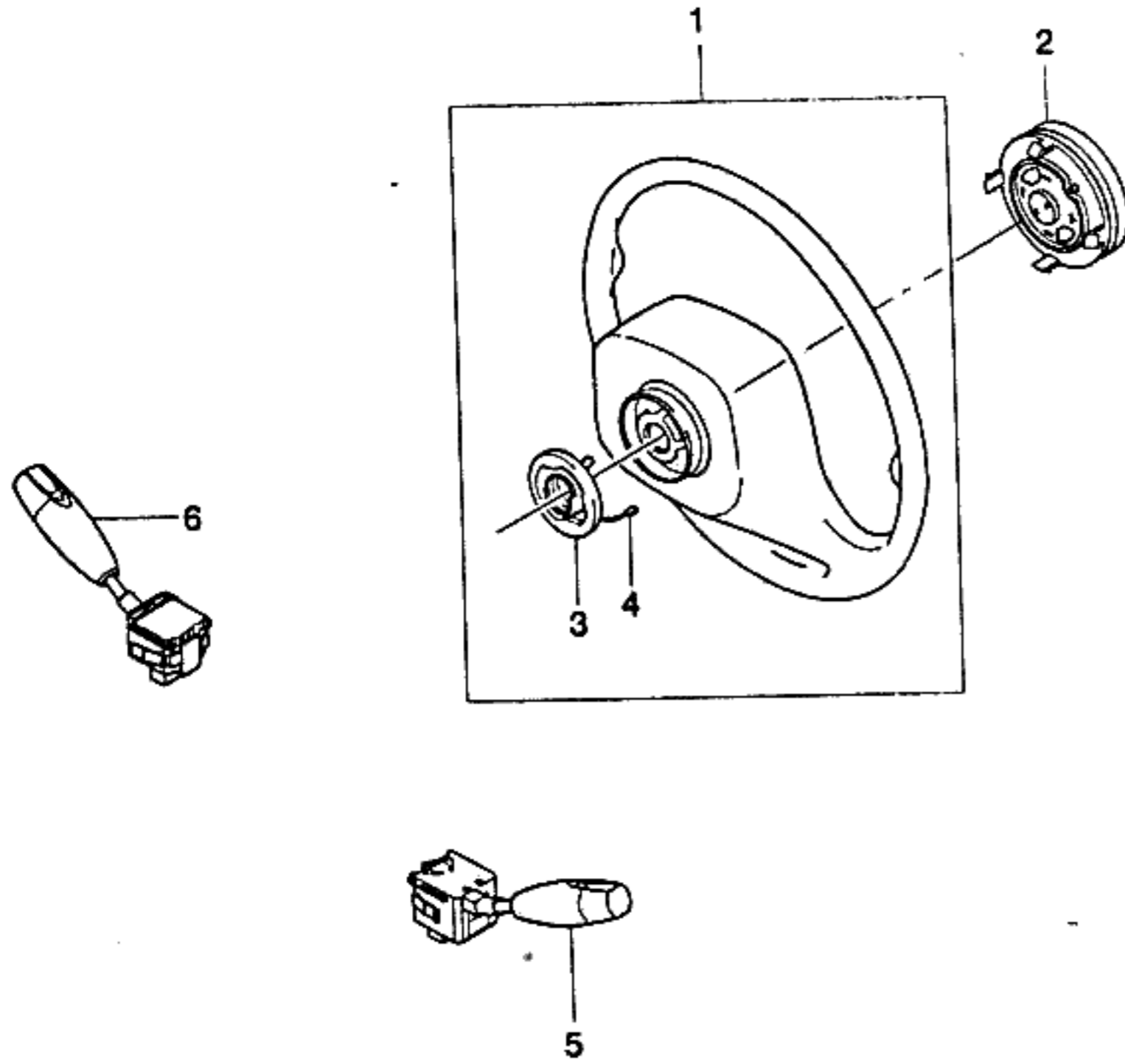
KEY NO.	PART NAME										P / I / C O D E			
	PART NO	MODEL						OPTION	L / R	Q T Y		EFFECTIVE DATE		REMARKS
		E T	4	3	5	S	S					S	FROM	
[01]	(E)MODULATOR A-ABS (D)MODULATOR,ABS												(F)MODULATEUR-ABS (S)MODULADOR-ABS	
18025579	Y . B B B . O O &JL9												1	
18024772	6 . B B B . . O &JL9												1	
[02]	(E)VALVE A-PROPORTIONER (D)VENTIL,PROPORTIONS												(F)SOUPAPE-PROPORTION (S)VALVULA-PROPORCIONAL	
18029786	. . B B B . O O &JL9												1	
	- CONSIST OF -													
	PISTON(1)													
	SEAL(1)													
	CAP A(1)													
[03]	(E)PACK A-MOTOR (D)PACKET,MOTOR												(F)PAQUET-MOTEUR (S)PAQUETE-MOTOR	
18029785	. . B B B . O O &JL9												1	
[04]	(E)SOLENOID (D)SOLENOID												(F)SOLENOIDE (S)SELENOIDE	
18029783	. . B B B . O O &JL9												1	
[05]	(E)COVER-GEAR (D)DECKEL												(F)CARTER (S)CUBIERTA	
18029891	. . B B B . O O &JL9												1	
[06]	(E)HARDWARE KIT (D)METALLWAREN-SATZ												(F)TROUSSE FERRURES (S)JUEGO DE FERRETERIA	
18029784	. . B B B . O O &JL9												1	
	- CONSIST OF -													
	SCREW M6X1 0(3)													
	SCREW M4X0 7(6)													
	SCREW M6X1 0(6)													

ENG(ENGINE)	T/A(TRANSAXLE)	BODY TYPE
Y = 1.5SOHC 6 = 1.6DOHC . = COMMON	M = MANUAL T/A A = AUTOMATIC T/A . = COMMON	4 N = 4 DOOR NOTCHBACK 3 H = 3 DOOR HATCHBACK 5 H = 5 DOOR HATCHBACK



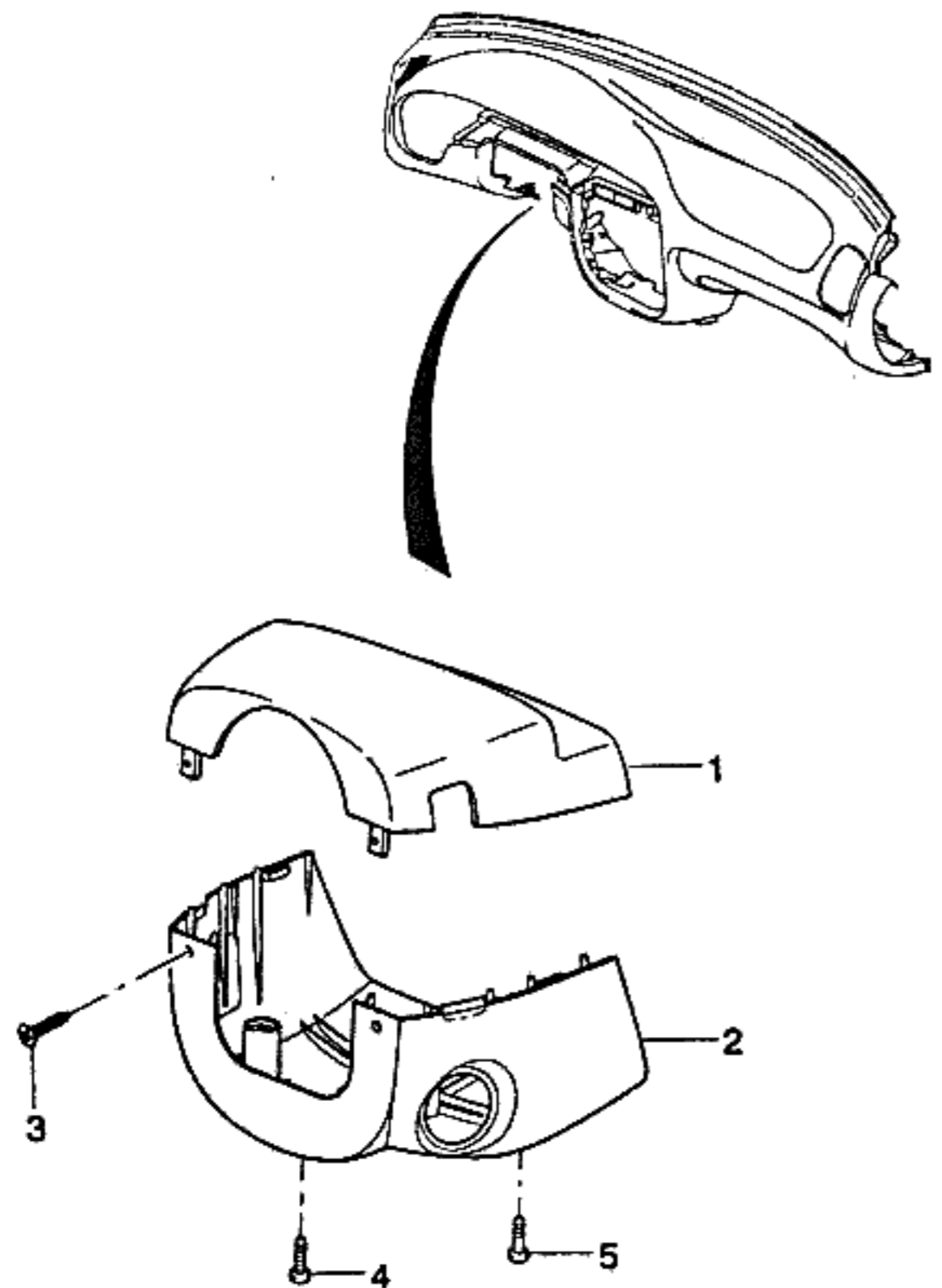
KEY NO.		PART NAME												
I T C	PART NO	MODEL						OPTION	L / R	Q T Y	EFFECTIVE DATE		REMARKS	P / C O D E
		E N / G A	BODY			LEVEL					FROM	TO		
			4 N	3 H	5 H	S	S E							
		SEAL(2)												

ENG(ENGINE)	T/A(TRANSAXLE)	BODY TYPE
Y = 1.5SOHC 6 = 1.6DOHC . = COMMON	M = MANUAL T/A A = AUTOMATIC T/A . = COMMON	4 N = 4 DOOR NOTCHBACK 3 H = 3 DOOR HATCHBACK 5 H = 5 DOOR HATCHBACK

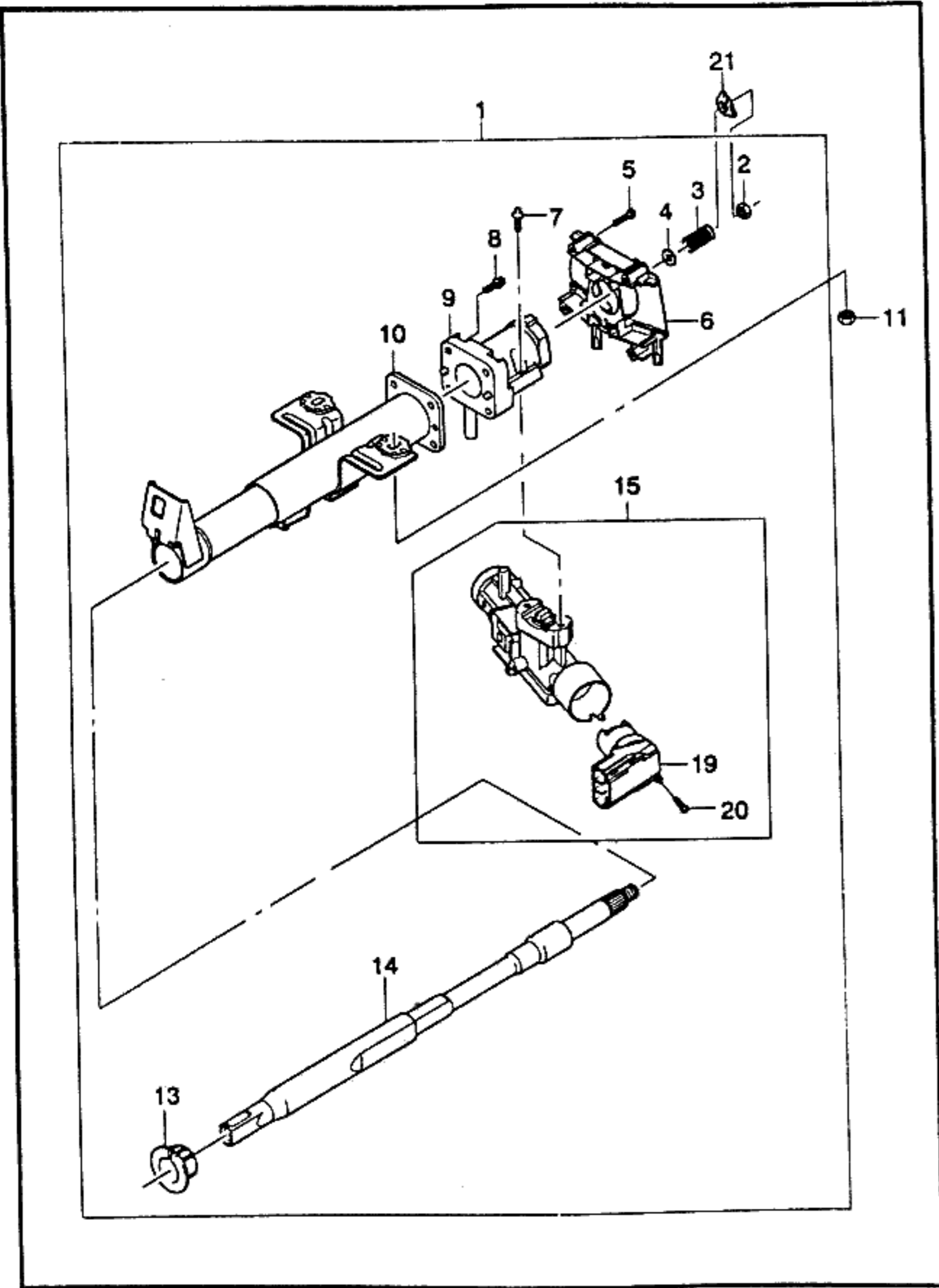


KEY NO.	PART NAME										P / CODE				
	PART NO	MODEL					OPTION	L / R	Q / Y	EFFECTIVE DATE		REMARKS			
		E T	4	3	5	S S				FROM			TO		
	N / G	A	N	H	H	S	S	S	X						
[01]	96239024	(E)WHEEL A-STEERING W/O SIR (D)RAD,LENK										(F)VOLANT DE DIRECTION (S)RUEDA-VOLANTE	1		TW
[02]	96239023	(E)CAP A-HORN (D)DECKEL,HUPE										(F)CHAPEAU-AVERTISSEUR (S)TAPA-BOCINA	1		TH
[03]	96304414	(E)CONTACT A-SLIDING (D)KONTAKT,GLEIT										(F)CONTACT-GLISSANT (S)CONTACTO-DESGLIZANTE	1		
[04]	96304415	(E)CABLE A-GROUND (D)KABEL										(F)CABLE (S)CABLE	1		
[05]	96230794	(E)SWITCH A-SIGNAL (D)SCHALTER,SIGNAL										(F)COMMUTATEUR-SIGNAL (S)INTERRUPTOR-SEÑAL	1		ZA
[06]	96242526	(E)SWITCH A-WIPER (D)SCHALTER,SCHEIBENWISCHER							A	&T98&T97		(F)COMMUTATEUR-ESSUIE-GLACE (S)INTERRUPTOR-LIMPIADOR	1		ZE
	96230798									-C25			1		CA
	96230800									&C25			1		CB

ENG(ENGINE)	T/A(TRANSAXLE)	BODY TYPE
Y = 1.5SOHC 6 = 1.6DOHC . = COMMON	M = MANUAL T/A A = AUTOMATIC T/A . = COMMON	4 N = 4 DOOR NOTCHBACK 3 H = 3 DOOR HATCHBACK 5 H = 5 DOOR HATCHBACK

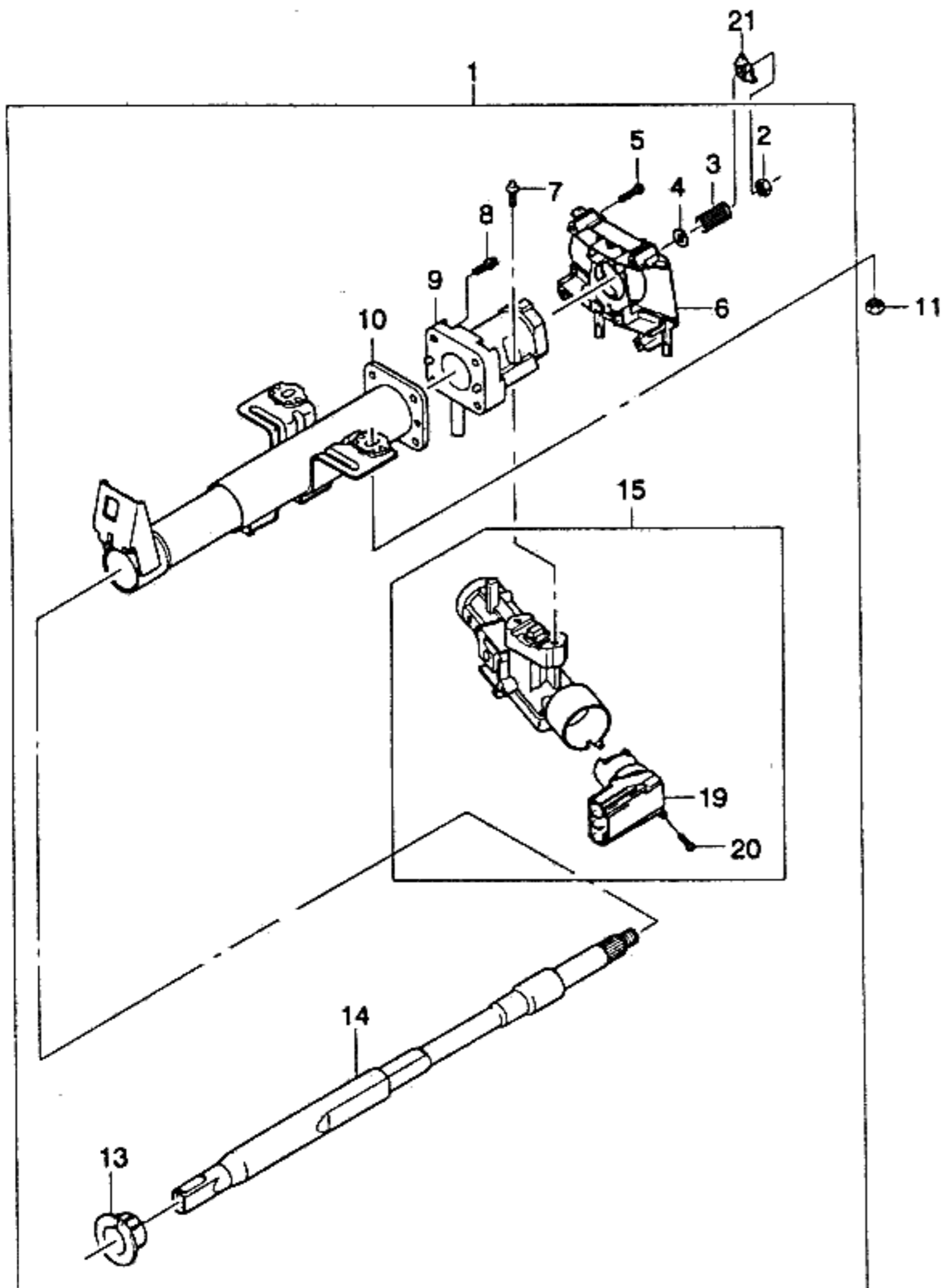


I T C	KEY NO.		PART NAME										P / C O D E		
	PART NO	E T N / G A	MODEL					OPTION	L / R	Q T Y	EFFECTIVE DATE			REMARKS	
			4 N	3 H	5 H	S S	S S				FROM	TO			
	[01]		(E)COVER-STEERING COLUMN,UPR (D)DECKEL,LENKSÄULE,OBERE								(F)COUVERCLE (S)CUBIERTA				
	96242958		.	.	B	B	B	S	S	S			1		T1
	[02]		(E)COVER-STEERING COLUMN,LWR (D)DECKEL,LENKSÄULE,UNTERE								(F)COUVERCLE (S)CUBIERTA				
	96242964		.	.	B	B	B	S	S	S	-N33		1		T6
	96242962		.	.	B	B	B	.	.	O	&N33		1		T4
	[03]		(E)SCREW-TAPPING (D)SCHRAUBE								(F)VIS (S)TORNILLO				
	03220-42095		.	.	B	B	B	S	S	S			2		
	[04]		(E)SCREW-TAPPING (D)SCHRAUBE								(F)VIS (S)TORNILLO				
	03210-48095		.	.	B	B	B	S	S	S			2		
	[05]		(E)SCREW (D)SCHRAUBE								(F)VIS (S)TORNILLO				
	09136-04006		.	.	B	B	B	S	S	S			1		
ENG(ENGINE)			T/A(TRANSAXLE)				BODY TYPE								
Y = 1.5SOHC 6 = 1.6DOHC . = COMMON			M = MANUAL T/A A = AUTOMATIC T/A . = COMMON				4 N = 4 DOOR NOTCHBACK 3 H = 3 DOOR HATCHBACK 5 H = 5 DOOR HATCHBACK								



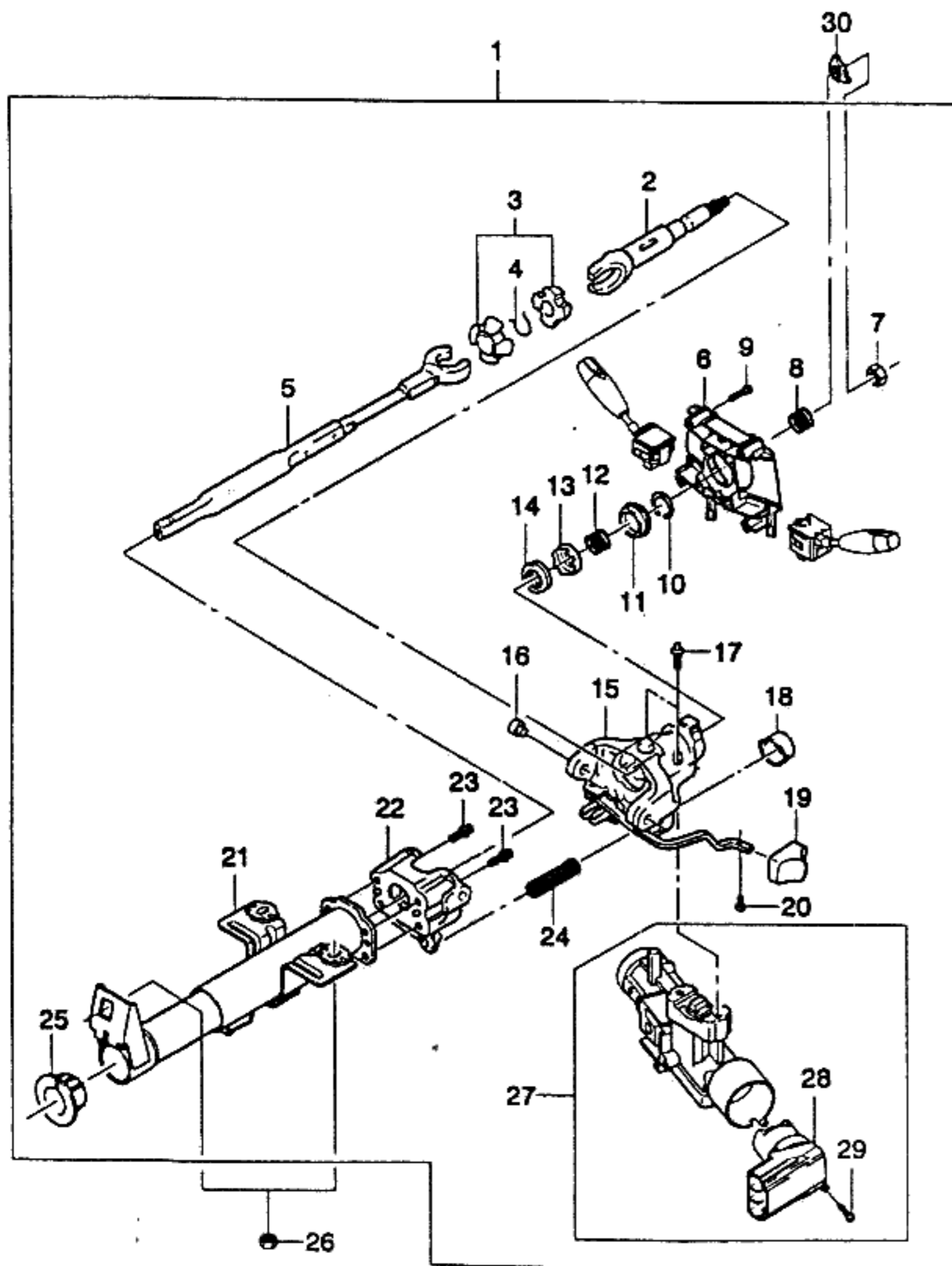
KEY NO.	PART NAME										
	PART NO	MODEL			OPTION	L / R	Q / Y	EFFECTIVE DATE		REMARKS	P / CODE
		E N / G	T / A	BODY				LEVEL	FROM		
[01]	(E)COLUMN A-STEERING (D)SAULE,LENKUNG									(F)COLONNE-DIRECTION (S)COLUMNA-CONDUCIR	
96304406	. . . B B B S S S				&N55-N33					1	SS
96214477	. . . B B B . O O				&N58-N33					1	SF
[02]	(E)NUT (D)MUTTER									(F)ECROU (S)TUERCA	
530952	. . . B B B S S S				-AJ3					1	M14X1.5
530545	. . . B B B . O O				&AJ3					1	M14X1.5
[03]	(E)SPRING (D)FEDERUNG									(F)RESSORT (S)RESORTE	
530803	. . . B B B S S S									1	
[04]	(E)WASHER (D)DICHTUNGSRING									(F)RONDELLE (S)ARANDELA	
530546	. . . B B B S S S									1	
[05]	(E)SCREW (D)SCHRAUBE									(F)VIS (S)TORNILLO	
530590	. . . B B B S S S									2	
[06]	(E)HOUSING A-SIGNAL SWITCH (D)GEHÄUSE SIGNAL SCHALTER									(F)LOGEMENT (S)CARCASA	
530445	. . . B B B S S S				-AJ3					1	
530923	. . . B B B . O O				&AJ3					1	
530723	. . . B B B . O O				&AJ3					1	
[07]	(E)BOLT-SHEAR (D)SCHRAUBE,SCHERE									(F)BOULON-CISAILLE (S)PERNO-CORTAR	
530549	. . . B B B S S S									2	M6X1.0
[08]	(E)BOLT-SUPPORT (D)SCHRAUBE									(F)BOULON (S)PERNO	
530600	. . . B B B S S S									4	M8X1.25

ENG(ENGINE)	T/A(TRANSAXLE)	BODY TYPE
Y = 1.5SOHC 6 = 1.6DOHC . = COMMON	M = MANUAL T/A A = AUTOMATIC T/A . = COMMON	4 N = 4 DOOR NOTCHBACK 3 H = 3 DOOR HATCHBACK 5 H = 5 DOOR HATCHBACK



KEY NO.	PART NAME										REMARKS	P / C O D E	
	PART NO	MODEL					OPTION	L / R	Q / T Y	EFFECTIVE DATE			
		E T	B O D Y	L E V E L	FROM	TO							
[09]	(E)HOUSING A-STEERING COLUMN (D)GEHÄUSE,LENKSÄULE												
530751	. . . B B B S S S												
[10]	(E)JACKET A-STEERING COLUMN (D)MANTEL,LENKSÄULE												
530485	. . . B B B S S S												
[11]	(E)NUT (D)MUTTER												
08361-28083	. . . B B B S S S												
[13]	(E)SPACER (D)Distanzstück												
530995	. . . B B B S S S												
530280	. . . B B B S S S												
[14]	(E)SHAFT A-STEERING COLUMN (D)SPINDEL,LENKSÄULE												
530486	. . . B B B S S S												
[15]	(E)HOUSING A-IGNITION SWITCH (D)GEHÄUSE ZÜNDUNGS-SCHALTER												
530825	. . . B B B S S S												
[19]	(E)SWITCH-IGNITION (D)SCHALTER,ZÜNDUNG												
96238726	. . . B B B S S S												
[20]	(E)BOLT (D)SCHRAUBE												
001711-4016	. . . B B B S S S												
[21]	(E)PLATE-LOCKING (D)PLATTE,VERRIEGELUNG												
03451666	. . . B B B . O O &AJ3												

ENG(ENGINE)	T/A(TRANSAXLE)	BODY TYPE
Y = 1.5SOHC 6 = 1.6DOHC . = COMMON	M = MANUAL T/A A = AUTOMATIC T/A . = COMMON	4 N = 4 DOOR NOTCHBACK 3 H = 3 DOOR HATCHBACK 5 H = 5 DOOR HATCHBACK

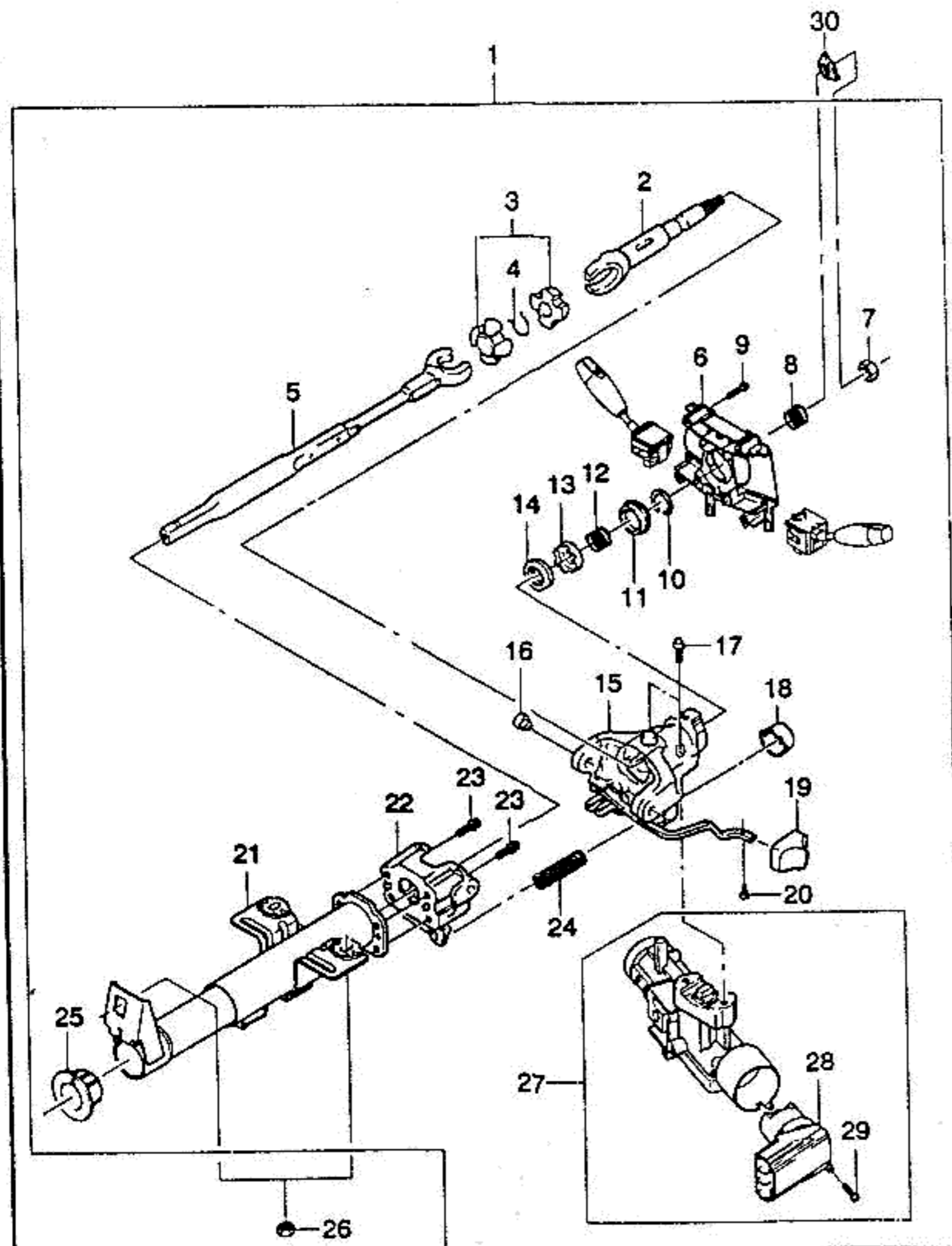


KEY NO.	PART NAME										
	PART NO	MODEL			OPTION	L / R	QTY	EFFECTIVE DATE		REMARKS	P / CODE
		E N G	T / A	BODY				LEVEL	FROM		
[01]	(E) COLUMN A-TILT STEERING (D) SAULE, KIRPLENKUNG								(F) COLONNE-DIRECTION (S) COLUMNA-CONDUCIR		
96230715	. . . B B B . . . O				&N33&N55				1		TS
96230716	. . . B B B . . . O				&N33&N58				1		TF
[02]	(E) SHAFT A-RACER & UPPER (D) SPINDEL								(F) ARBRE (S) JEJE		
530964	. . . B B B . . . O								1		
[03]	(E) SPHERE-CENTERING (D) KUGEL-CENTRE								(F) SPHERE-CENTRE (S) ESFERA		
530625	. . . B B B . . . O								2		
[04]	(E) SPRING (D) FEDERUNG								(F) RESSORT (S) RESORTE		
530626	. . . B B B . . . O								1		
[05]	(E) SHAFT A-LOWER STRG (D) SPINDEL								(F) ARBRE (S) JEJE		
530918	. . . B B B . . . O								1		
[06]	(E) HOUSING A-SIGNAL SWITCH (D) GEHAUSE								(F) LOGEMENT (S) CARCASA		
530446	. . . B B B . . . O				-AJ3				1		
530923	. . . B B B . . . O				&AJ3				1		
530723	. . . B B B . . . O				&AJ3				1		
[07]	(E) NUT (D) MUTTER								(F) ECROU (S) TUERCA		
530952	. . . B B B . . . O				-AJ3				1		M14X1.5
530545	. . . B B B . . . O				&AJ3				1		M14X1.5
[08]	(E) SPRING (D) FEDERUNG								(F) RESSORT (S) RESORTE		
530561	. . . B B B . . . O								1		

ENG (ENGINE)	T/A (TRANSAXLE)	BODY TYPE
Y = 1.5 SOHC 6 = 1.6 DOHC . = COMMON	M = MANUAL T/A A = AUTOMATIC T/A . = COMMON	4 N = 4 DOOR NOTCHBACK 3 H = 3 DOOR HATCHBACK 5 H = 5 DOOR HATCHBACK

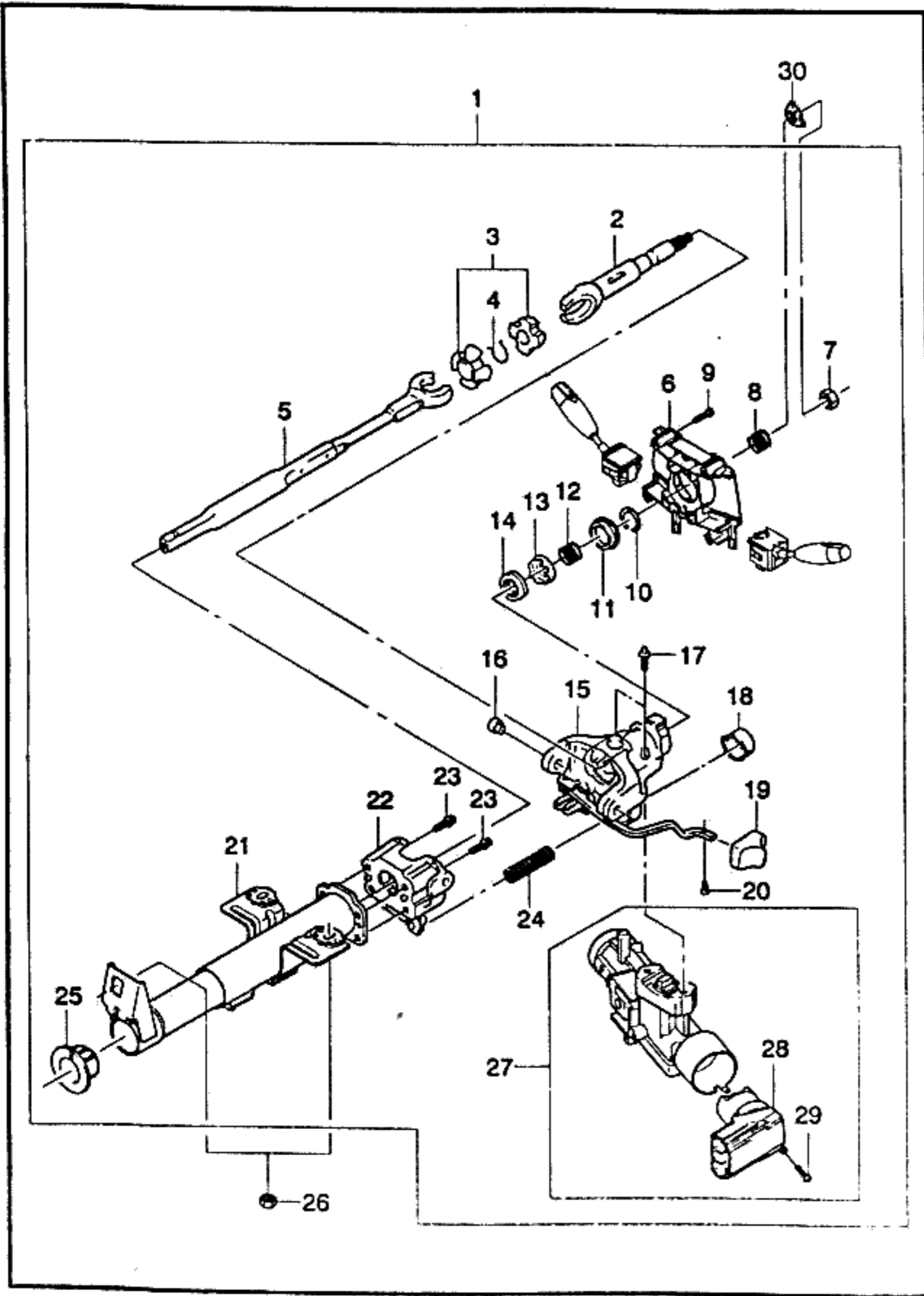
4831 TILTABLE STEERING COLUMN

4G14



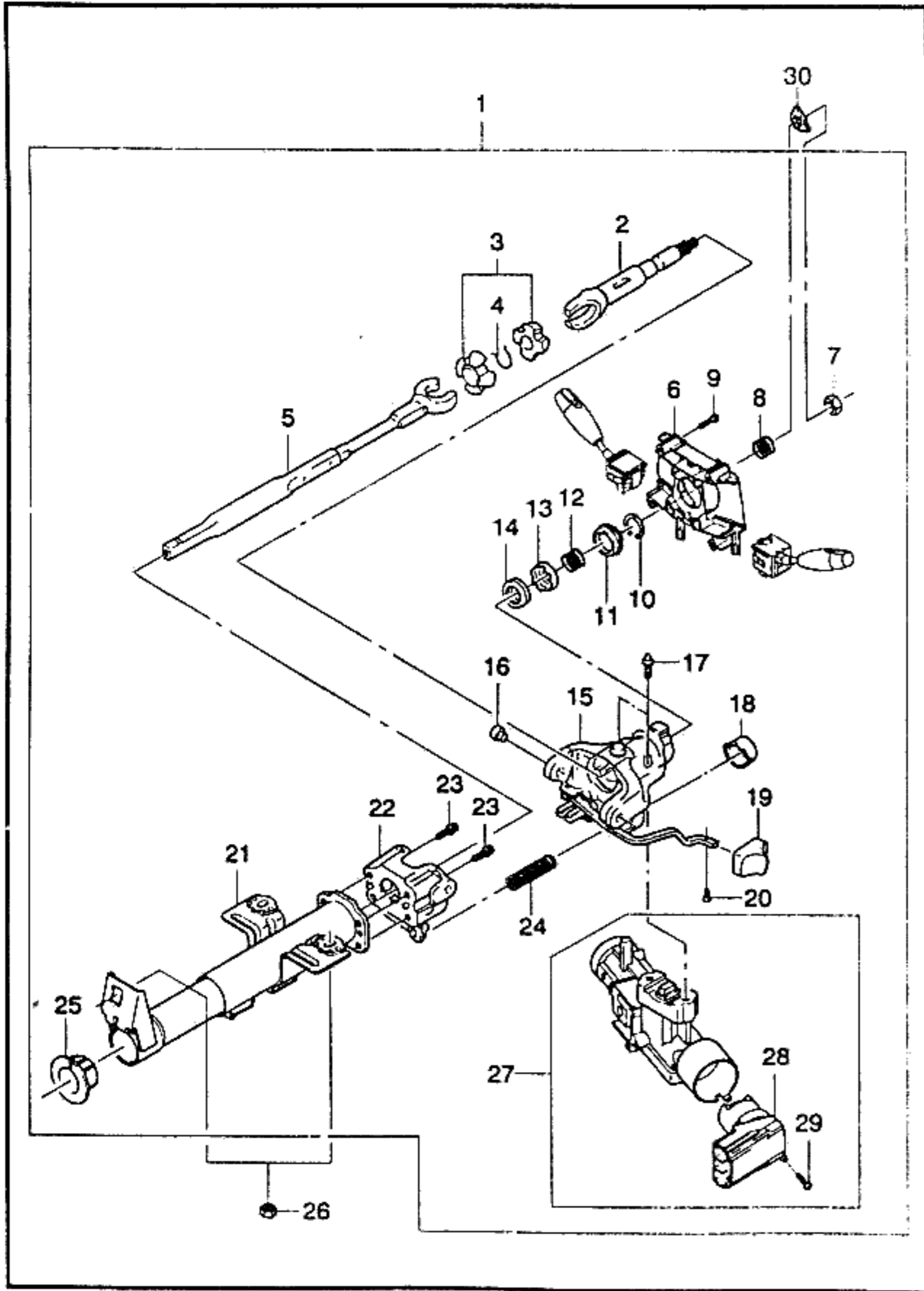
KEY NO.	PART NAME												
	PART NO	MODEL					OPTION	L / R	Q / T Y	EFFECTIVE DATE		REMARKS	P / C O D E
		E N G	T / A	B O D Y	L E V E L					FROM	TO		
[09]	530590	(E)SCREW (D)SCHRAUBE									(F)VIS (S)TORNILLO		
		. . . B B B . . . O									2		
[10]	530503	(E)RING-RETAINING (D)RING,HALTER									(F)ANNEAU-DE RETENTION (S)ANILLO-RETENEDOR		
		. . . B B B . . . O									1		
[11]	530553	(E)RETAINER-SPRING (D)HALTER									(F)ARRETOIR (S)RETENEDOR		
		. . . B B B . . . O									1		
[12]	530552	(E)SPRING (D)FEDERUNG									(F)RESSORT (S)RESORTE		
		. . . B B B . . . O									1		
[13]	530524	(E)SEAT-UPR BEARING INR RACE (D)SITZ, OBERER LAGER									(F)SIEGE (S)ASIENTO		
		. . . B B B . . . O									1		
[14]	530502	(E)RACE-INNER (D)GLEITBAHN, INNEN									(F)CAGE-INTERNE (S)CARRERA-INTERNA		
		. . . B B B . . . O									1		
[15]	530913	(E)HOUSING A-STRG COLUMN (D)GEHÄUSE									(F)LOGEMENT (S)CARCASA		
		. . . B B B . . . O									1		
[16]	530515	(E)PIN-PIVOT (D)STIFT									(F)BROCHE (S)PASADOR		
		. . . B B B . . . O									2		
[17]	530549	(E)BOLT-SHEAR (D)SCHRAUBE, SCHERE									(F)BOULON-CISAILLE (S)PERNO-CORTAR		
		. . . B B B . . . O									2	M6X1.0	
[18]	530549	(E)RETAINER-SPRING (D)HALTER									(F)ARRETOIR (S)RETENEDOR		
		. . . B B B . . . O									2		

ENG(ENGINE)	T/A(TRANSAXLE)	BODY TYPE
Y = 1.5SOHC 6 = 1.6DOHC . = COMMON	M = MANUAL T/A A = AUTOMATIC T/A . = COMMON	4 N = 4 DOOR NOTCHBACK 3 H = 3 DOOR HATCHBACK 5 H = 5 DOOR HATCHBACK



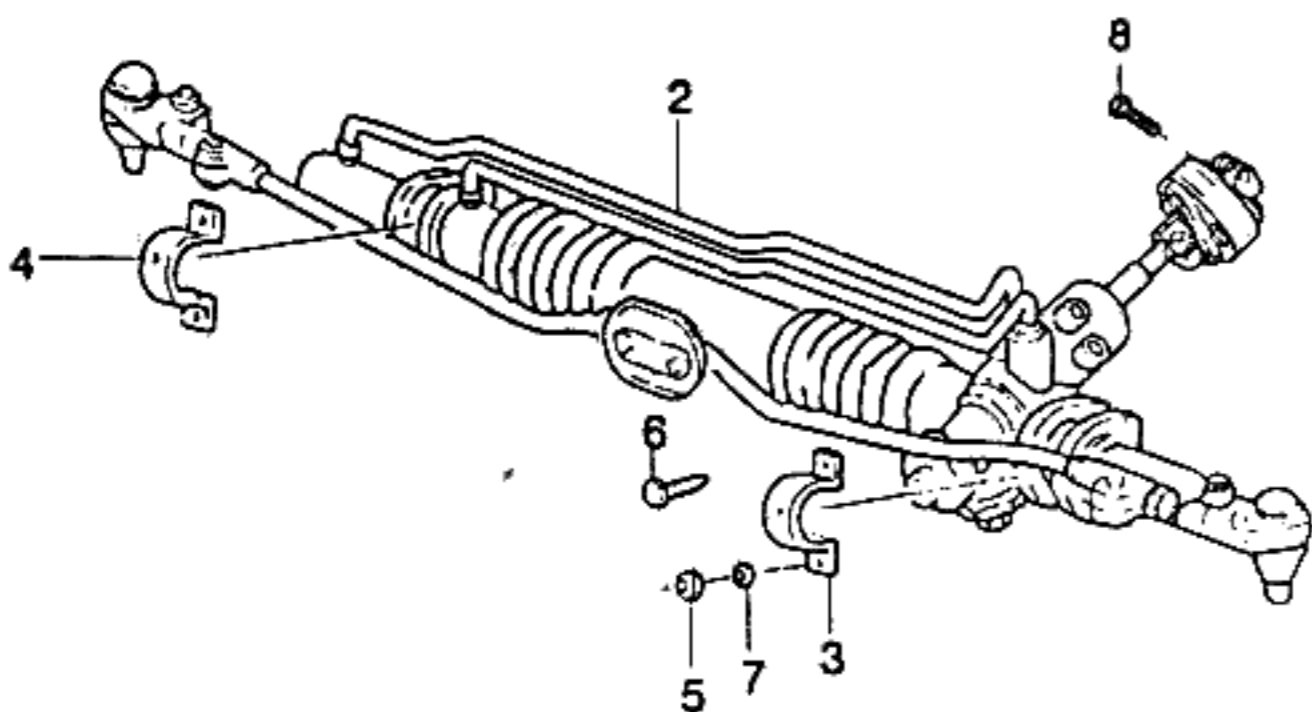
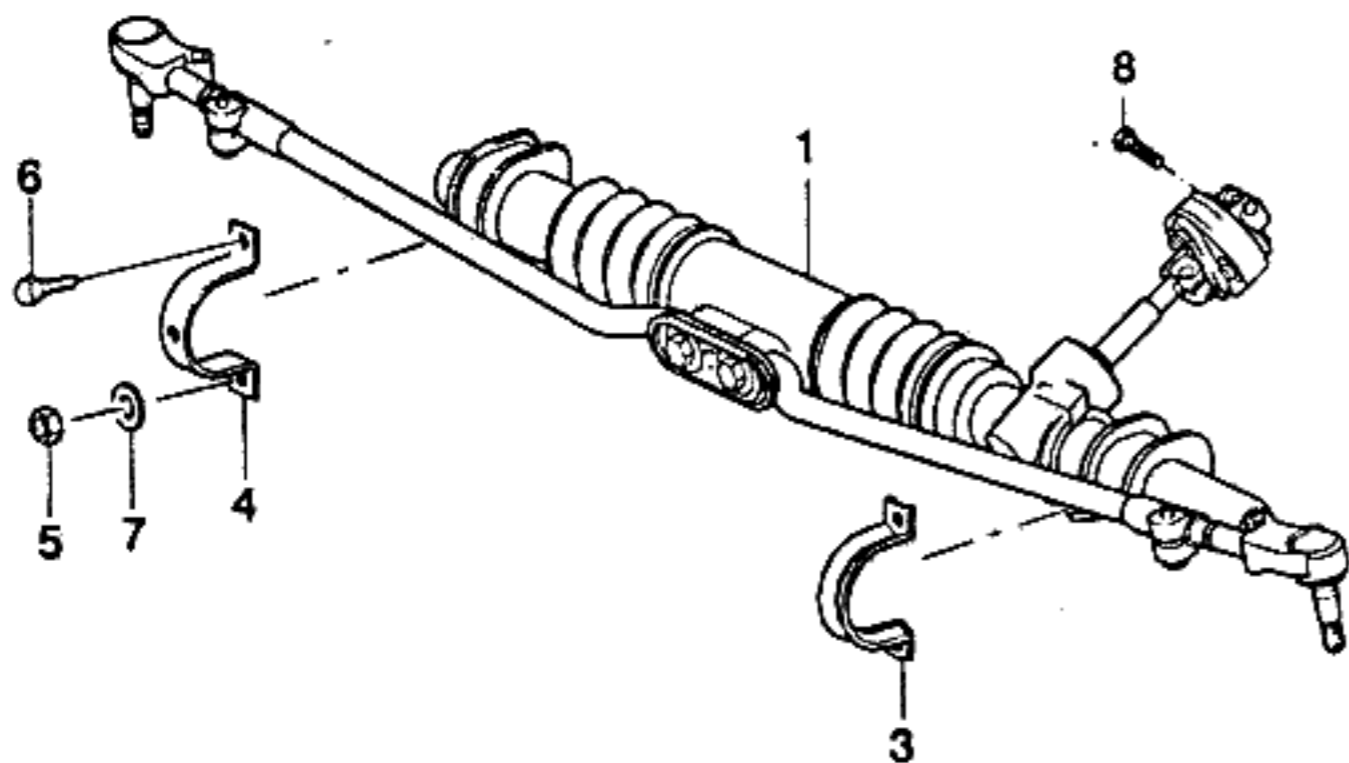
KEY NO.	PART NAME													
	PART NO	MODEL					OPTION	L / R	QTY	EFFECTIVE DATE		REMARKS	P / CODE	
		E	T	BODY						LEVEL	FROM			TO
N / G	A	4	3	5	S	S	S							
530509		.	.	B	B	B	.	.	O		1			
[19]		(E)		HANDLE-TILT							(F)POIGNEE			
		(D)		HENKEL							(S)MANIJA			
530953		.	.	B	B	B	.	.	O		1			
[20]		(E)		SCREW							(F)VIS			
		(D)		SCHRAUBE							(S)TORNILLO			
530848		.	.	B	B	B	.	.	O		1			
[21]		(E)		JACKET A-STEERING COLUMN							(F)JAQUETTE			
		(D)		MANTELL,LENKSÄULE							(S)CUBIERTA			
530914		.	.	B	B	B	.	.	O		1			
[22]		(E)		SUPPORT-STRG COLUMN HSG							(F)SUPPORT			
		(D)		TRÄGER,LENKSÄULE GEHÄUSE							(S)SOPORTE			
530494		.	.	B	B	B	.	.	O		1			
[23]		(E)		SCREW							(F)VIS			
		(D)		SCHRAUBE							(S)TORNILLO			
530600		.	.	B	B	B	.	.	O		4			MBX1.25
[24]		(E)		SPRING							(F)RESSORT			
		(D)		FEDERUNG							(S)RESORTE			
530750		.	.	B	B	B	.	.	O		1			
[25]		(E)		SPACER							(F)ENTRETOISE			
		(D)		DISTANZSTÜCK							(S)ESPACIADOR			
530995		.	.	B	B	B	.	.	O		1			
530280		.	.	B	B	B	.	.	O		1			
[26]		(E)		NUT							(F)ECROU			
		(D)		MUTTER							(S)TUERCA			
08361-28083		.	.	B	B	B	.	.	O		3			
[27]		(E)		HOUSING A-IGNITION SWITCH							(F)LOGEMENT			
		(D)		GEHÄUSE ZÜNDUNGS-SCHALTER							(S)CARCASA			

ENG(ENGINE)	T/A(TRANSAXLE)	BODY TYPE
Y = 1.5SOHC 6 = 1.6DOHC . = COMMON	M = MANUAL T/A A = AUTOMATIC T/A . = COMMON	4 N = 4 DOOR NOTCHBACK 3 H = 3 DOOR HATCHBACK 5 H = 5 DOOR HATCHBACK



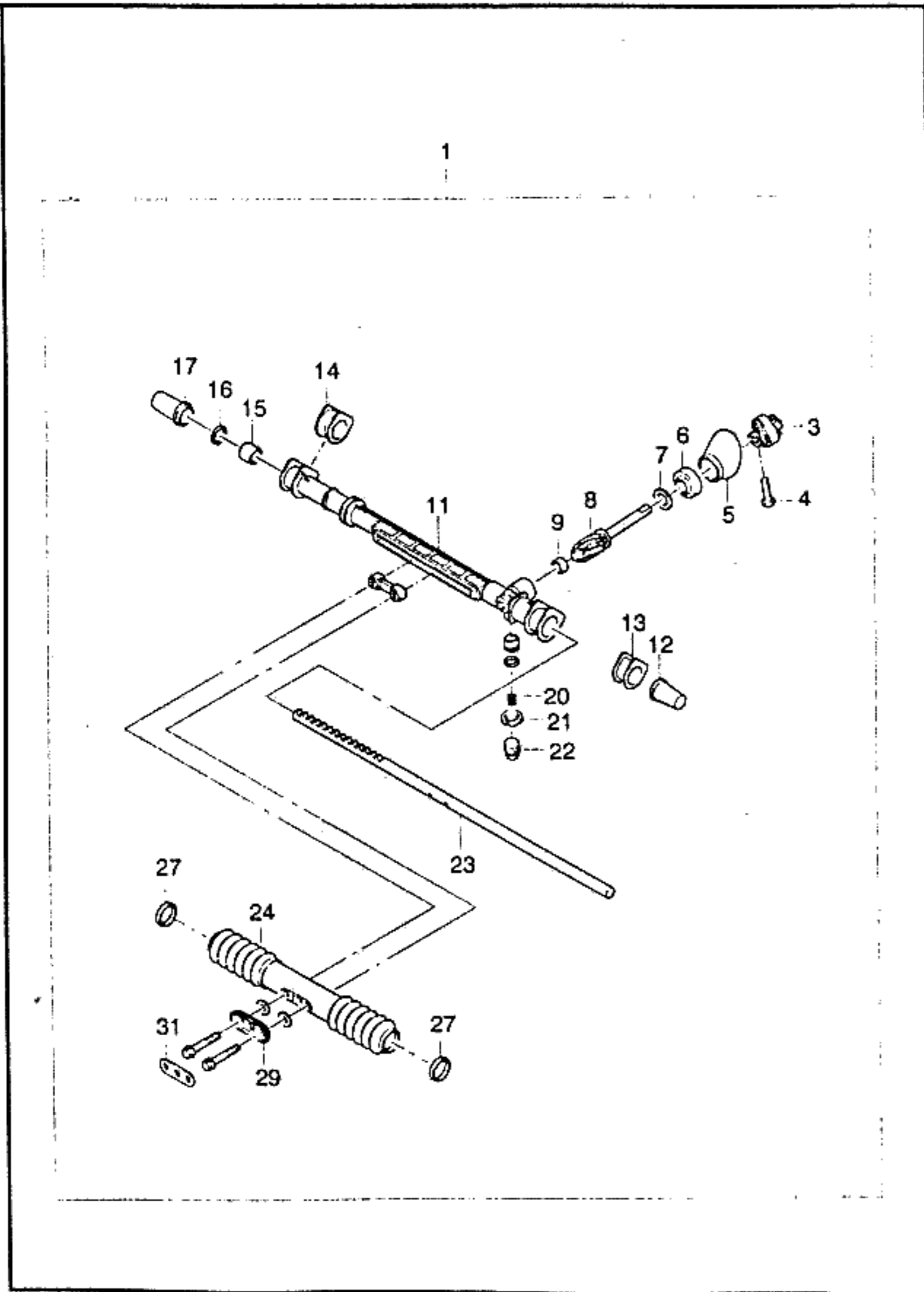
KEY NO.		PART NAME														
I T C	PART NO	MODEL						OPTION	L / R	Q T Y	EFFECTIVE DATE		REMARKS	P / C O D E		
		E N G	T / A	BODY			LEVEL				FROM	TO				
				4 N	3 H	5 H	S								S	S
	530825	.	.	B	B	B	.	.	O		1			(F)COMMUTATEUR-CONTACT (S)INTERRUPTOR-IGNICION		
	[28]															
	96238726	.	.	B	B	B	.	.	O		1			(F)BOULON (S)PERNO		
	[29]															
	001711-4016	.	.	B	B	B	.	.	O		1			(F)PLAQUE-VERROUILLAGE (S)PLACA-CIERRE		
	[30]															
	03451666	.	.	B	B	B	.	.	O	&AJ3	1					

ENG(ENGINE)	T/A(TRANSAXLE)	BODY TYPE
Y = 1.5SOHC 6 = 1.6DOHC . = COMMON	M = MANUAL T/A A = AUTOMATIC T/A . = COMMON	4 N = 4 DOOR NOTCHBACK 3 H = 3 DOOR HATCHBACK 5 H = 5 DOOR HATCHBACK



KEY NO.	PART NAME												
	PART NO	MODEL					OPTION	L / R	Q / Y	EFFECTIVE DATE		REMARKS	P / CODE
		E T	BODY			LEVEL				FROM	TO		
N / G	4	3	6	S	S	S							
[01]	(E)GEAR A-STEERING (D)GETRIEBE,LENKUNG	(F)ENGRENAGE-DIRECTION (S)ENGRANAJE-VOLANTE											
96304378	. . . B B B S S .	&N51							1	970716			AP
96304378	. . . B B B S S .	&N51-F40							1	970716			AP
96255507	. . . B B B A A .	&N51&F40							1	970716			MP
[02]	(E)GEAR A-POWER STEERING (D)GETRIEBE,KRAFTLENKUNG	(F)ENGRENAGE (S)ENGRANAJE-SERVODIRECCION											
96216615	. . . B B B O O S	&N40							1	970716			SU
96216615	. . . B B B O O S	&N40-F40							1	970716			SU
96255506	. . . B B B A A A	&N40&F40							1	970716			PA
[03]	(E)BRACKET STEERING GEAR (D)TRÄGER,LENKGETRIEBE	(F)SUPPORT (S)SOPORTE-ENGRANAJE											
90334562	. . . B B B S S S								LH	1			
[04]	(E)BRACKET STEERING GEAR (D)TRÄGER,LENKUNG GETRIEBE	(F)SUPPORT (S)SOPORTE											
90121248	. . . B B B S S S								RH	1			
[05]	(E)NUT-HEXAGON LOCK (D)MUTTER	(F)ECROU (S)TUERCA											
08311-18083	. . . B B B S S S									2			
[06]	(E)BOLT-HEXAGON (D)SCHRAUBE	(F)BOULON (S)PERNO											
09100-08009	. . . B B B S S S									2			
[07]	(E)WASHER-PLAIN (D)DICHTUNGSRING	(F)RONDELLE (S)ARANDELA											
09160-08005	. . . B B B S S S									2			
[08]	(E)BOLT (D)SCHRAUBE	(F)BOULON (S)PERNO											
09117-08003	. . . B B B S S S									1			

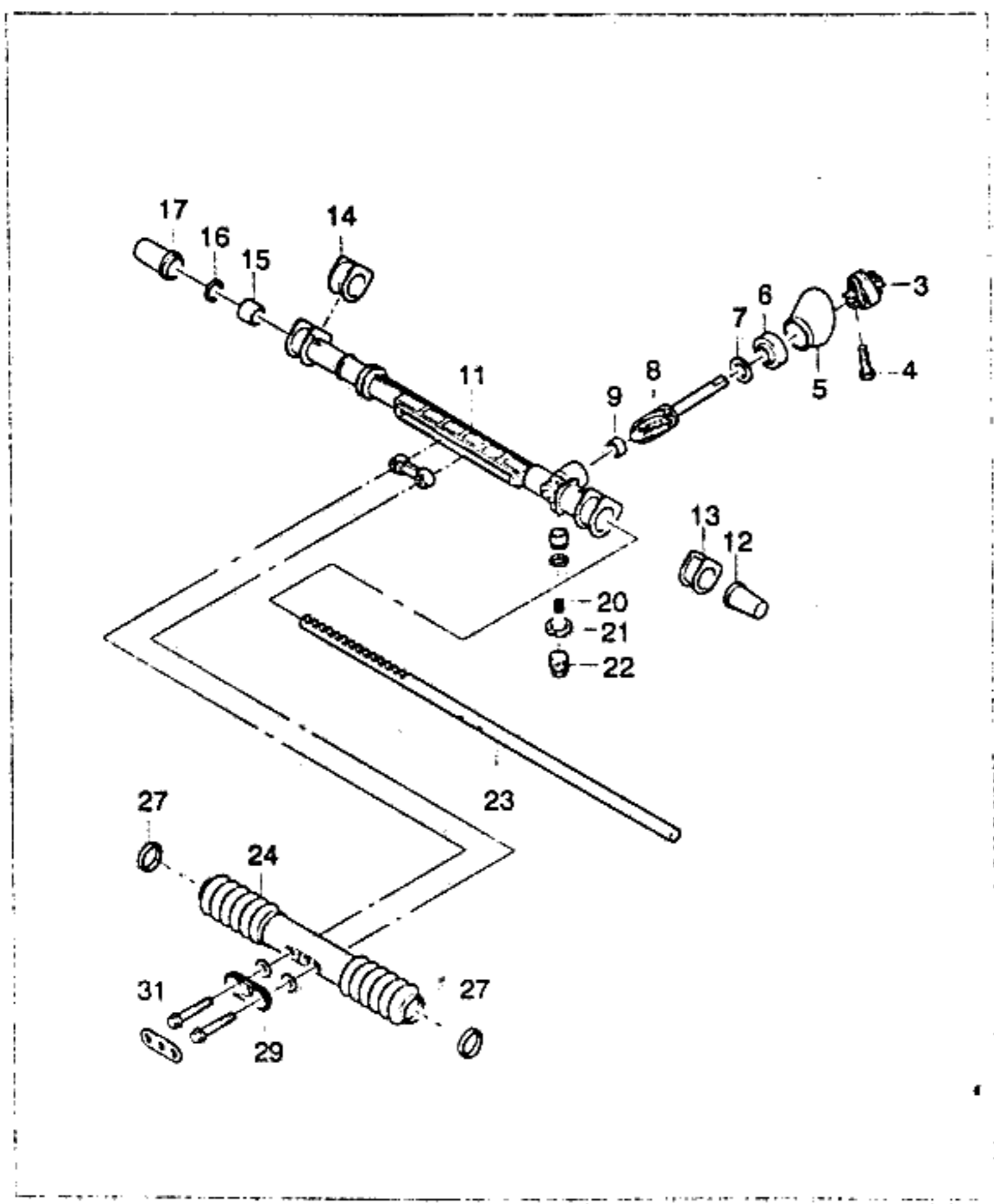
ENG(ENGINE)	T/A(TRANSAXLE)	BODY TYPE
Y = 1.5SOHC 6 = 1.6DOHC . = COMMON	M = MANUAL T/A A = AUTOMATIC T/A . = COMMON	4 N = 4 DOOR NOTCHBACK 3 H = 3 DOOR HATCHBACK 5 H = 5 DOOR HATCHBACK



I T C	KEY NO.	PART NAME										P / C O D E		
		PART NO	MODEL					OPTION	L / R	Q T Y	EFFECTIVE DATE		REMARKS	
			E N G	T / A	B O D Y	L E V E L					FROM			TO
	[01]	(E)SHORT GEAR A (D)KURZ GETRIEBE										(F)ENGRENAGE COURT (S)ENGRANAJE CORTO		
	520558	. . . B B B S S . &N51										1		
	[03]	(E)COUPLING A-FLANGE&STRG (D)KUPPLUNG,FLANSCH&LENKUNG										(F)ACCOUPEMENT (S)ACOPLAMIENTO		
	520689	. . . B B B S S . &N51										1		
	[04]	(E)BOLT (D)SCHRAUBE										(F)BOULON (S)PERNO		
	09117-08003	. . . B B B S S . &N51										1		
	[05]	(E)SEAL-DASH RUBBER (D)DICHTUNG										(F)JOINT (S)SELLO-GOMA SALPICADERO		
	07848183	. . . B B B S S . &N51										1		
	[06]	(E)SEAL-PINION (D)DICHTUNG,RITZEL										(F)JOINT-PIGNON (S)SELLO-PIÑON		
	07819410	. . . B B B S S . &N51										1		
	[07]	(E)RING-RETAINING (D)RING,HALTER										(F)ANNEAU-DE RETENTION (S)ANILLO-RETENEDOR		
	05684948	. . . B B B S S . &N51										1		
	[08]	(E)PINION-BEARING (D)RITZEL,LAGER										(F)PIGNON-ROULEMENT (S)PIÑON-COJINETE		
	520758	. . . B B B S S . &N51										1		
	[09]	(E)BEARING-ROLLER (D)ROLLENLAGER										(F)ROULEMENT-ROULEAU (S)COJINETE-RUEDECILLA		
	07819358	. . . B B B S S . &N51										1		
	[11]	(E)HOUSING-RACK&PINION (D)GEHÄUSE										(F)LOGEMENT (S)CARCASA		
	26026617	. . . B B B S S . &N51										1		
	[12]	(E)COVER-HOUSING END (D)DECKEL,GEHÄUSE-ENDE										(F)COUVERCLE (S)CUBIERTA		

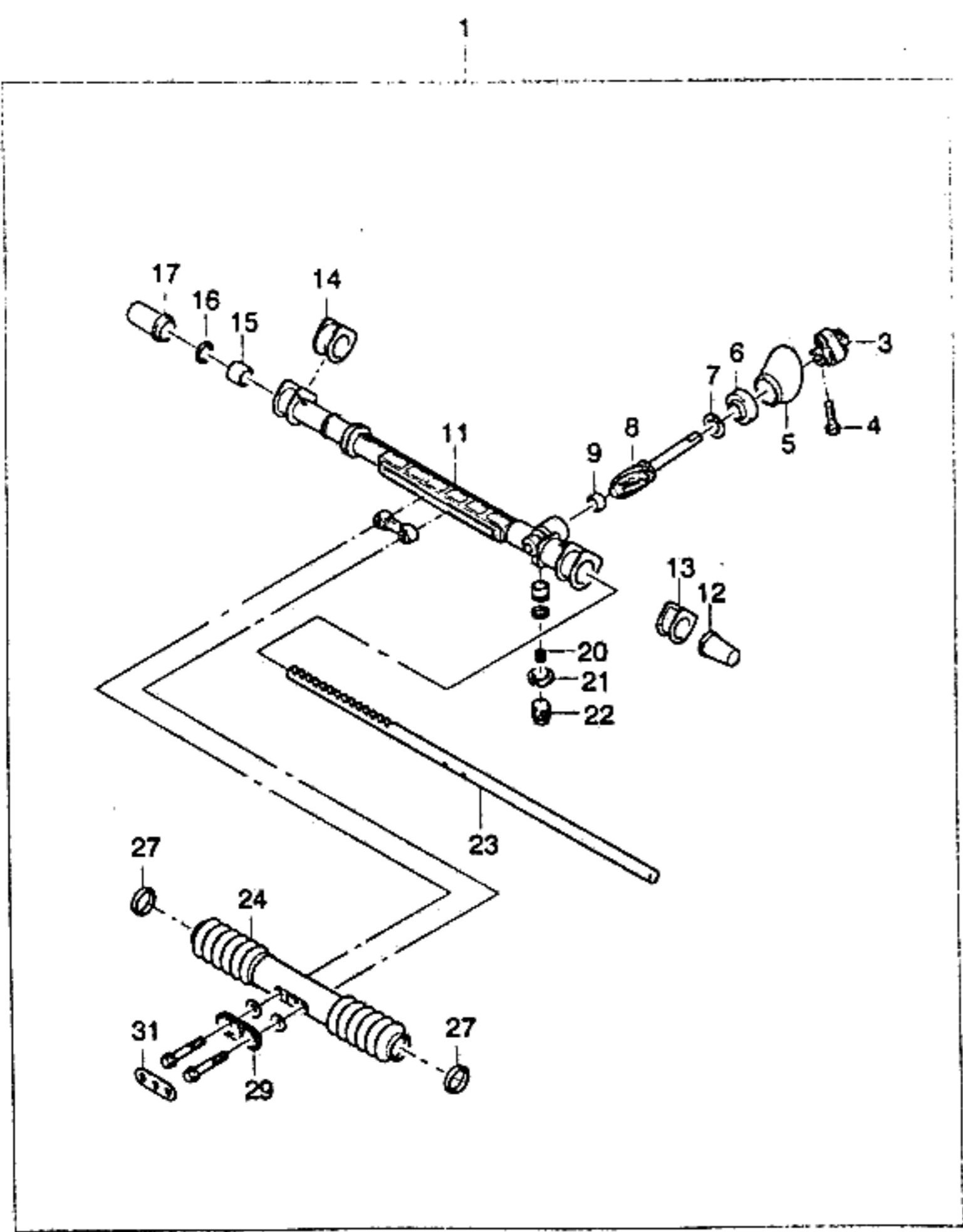
ENG(ENGINE)	T/A(TRANSAXLE)	BODY TYPE
Y = 1.5SOHC 6 = 1.6DOHC . = COMMON	M = MANUAL T/A A = AUTOMATIC T/A . = COMMON	4 N = 4 DOOR NOTCHBACK 3 H = 3 DOOR HATCHBACK 5 H = 5 DOOR HATCHBACK

1



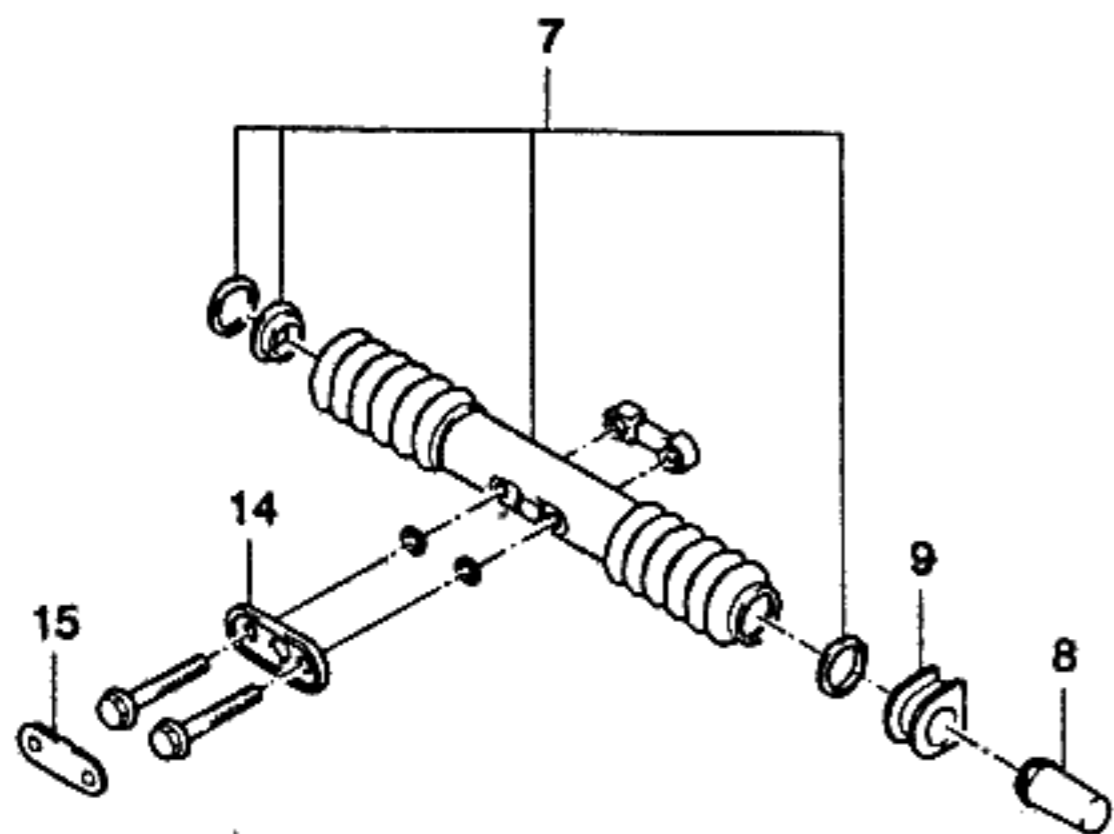
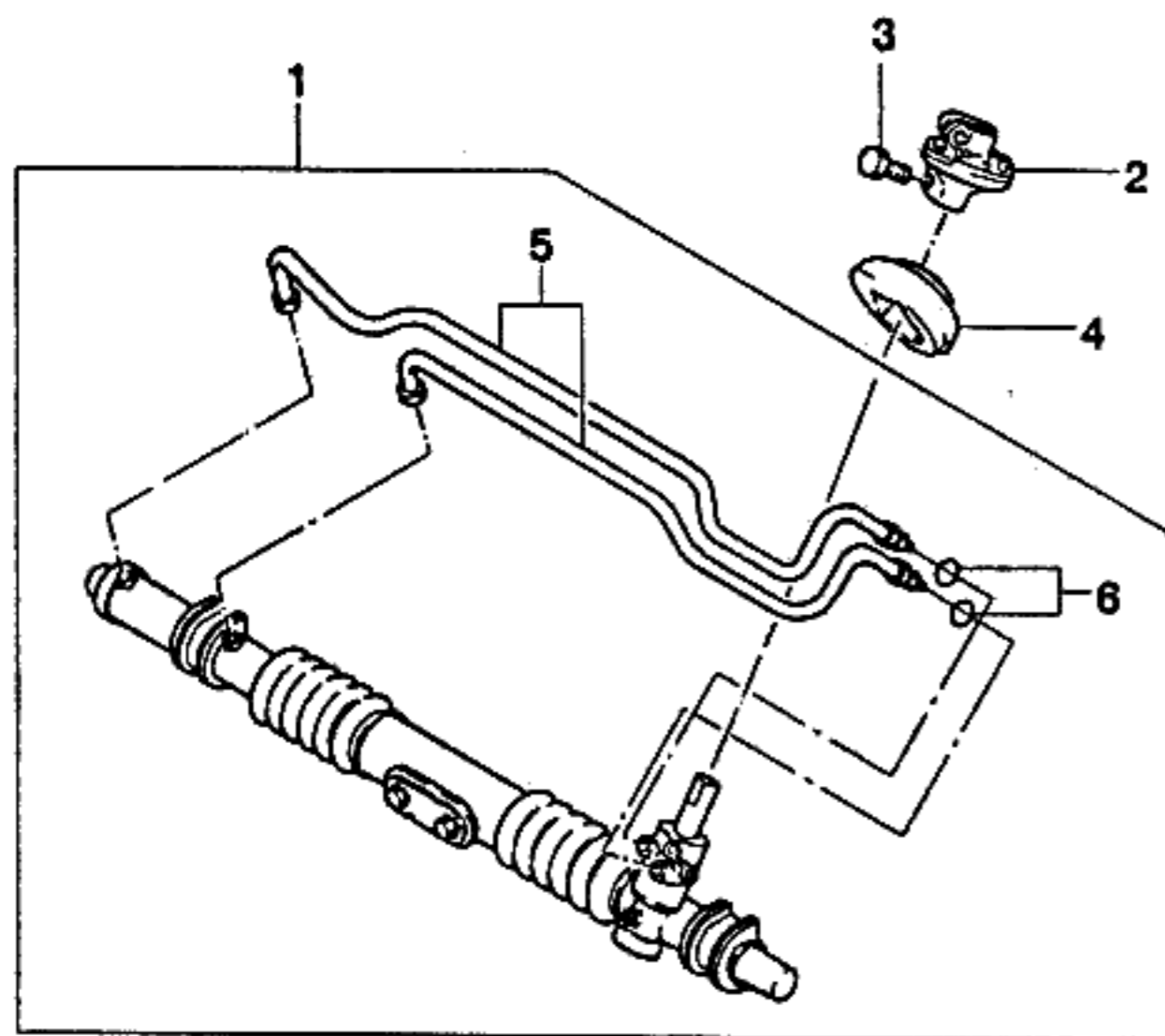
I T C	KEY NO.	PART NAME										P / C O D E		
		PART NO	MODEL					OPTION	L / R	Q T Y	EFFECTIVE DATE		REMARKS	
			E N G	T / A	B O D Y	L E V E L					FROM			TO
	07849949	. . .	B	B	B	S	S	. &N51			1		(E)GROMMET-MOUNTING (D)ÖSE,MONTAGE (F)VIROLE-MONTAGE (S)AISLANTE-MONTAJE	
	[13]													
	26000626	. . .	B	B	B	S	S	. &N51			1		(E)GROMMET-MOUNTING (D)ÖSE,MONTAGE (F)VIROLE-MONTAGE (S)AISLANTE-MONTAJE	
	[14]													
	07848188	. . .	B	B	B	S	S	. &N51			1		(E)BUSHING-RACK (D)LAGERFUTTER,ZAHNSTANGE (F)MANCHON-CREMAILLERE (S)BUJE	
	[15]													
	07834425	. . .	B	B	B	S	S	. &N51			1		(E)RING-RETAINING (D)RING,HALTER (F)ANNEAU-DE RETENTION (S)ANILLO-RETENEDOR	
	[16]													
	07834429	. . .	B	B	B	S	S	. &N51			1		(E)COVER-HOUSING END (D)DECKEL,GEHÄUSE-ENDE (F)COUVERCLE (S)CUBIERTA	
	[17]													
	07849987	. . .	B	B	B	S	S	. &N51			1		(E)SPRING-ADJUSTER (D)FEDERUNG,RICHTER (F)RESSORT-AJUSTEUR (S)RESORTE-AJUSTADOR	
	[20]													
	07819378	. . .	B	B	B	S	S	. &N51			1		(E)NUT-ADJUSTER PLUG LOCK (D)MUTTER (F)ECROU (S)TUERCA	
	[21]													
	07834434	. . .	B	B	B	S	S	. &N51			1		(E)PLUG-ADJUSTER (D)STÖPSEL (F)BOUCHON (S)TAPON	
	[22]													
	07834435	. . .	B	B	B	S	S	. &N51			1		(E)RACK-STEERING (D)GESTELL,LENKUNG (F)CREMAILLERE-DIRECTION (S)ENGRANAJE DE CREMALLERA	
	[23]													
	07849959	. . .	B	B	B	S	S	. &N51			1			

ENG(ENGINE)	T/A(TRANSAXLE)	BODY TYPE
Y = 1.5SOHC 6 = 1.6DOHC . = COMMON	M = MANUAL T/A A = AUTOMATIC T/A . = COMMON	4 N = 4 DOOR NOTCHBACK 3 H = 3 DOOR HATCHBACK 5 H = 5 DOOR HATCHBACK



KEY NO.		PART NAME												
I T C	PART NO	MODEL						OPTION	L / R	Q T Y	EFFECTIVE DATE		REMARKS	P / C O D E
		E T N /	BODY			LEVEL					FROM	TO		
			4 N	3 H	5 H	S S	S S							
	[24] 26021070	(E)BOOT-RACK&PINION (D)KOFFERRAUM							(F)GAINE (S)CAPUCHON					
	[27] 26021589	(E)CLAMP-SEAL RETAINING (D)KLAMMER	B	B	B	S	S	&N51	(F)PINCE (S)ABRAZADERA					
	[29] 26001550	(E)PLATE-DISTANCE (D)PLATTE,ABSTAND	B	B	B	S	S	&N51	(F)PLAQUE-DISTANCE (S)PLACA-DISTANCIA					
	[31] 26001761	(E)PLATE-LOCKING (D)PLATTE,VERRIEGELUNG	B	B	B	S	S	&N51	(F)PLAQUE-VERROUILLAGE (S)PLACA-CIERRE					

ENG(ENGINE)	T/A(TRANSAXLE)	BODY TYPE
Y = 1.5SOHC 6 = 1.6DOHC . = COMMON	M = MANUAL T/A A = AUTOMATIC T/A . = COMMON	4 N = 4 DOOR NOTCHBACK 3 H = 3 DOOR HATCHBACK 5 H = 5 DOOR HATCHBACK

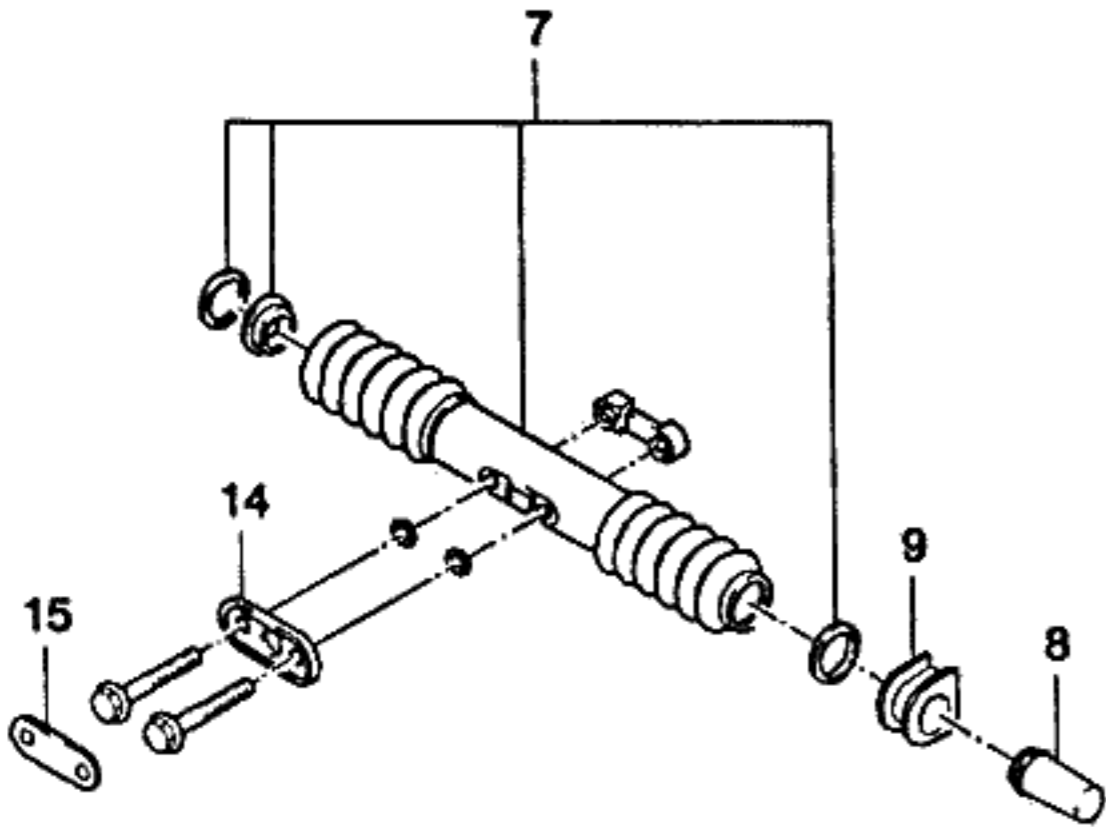
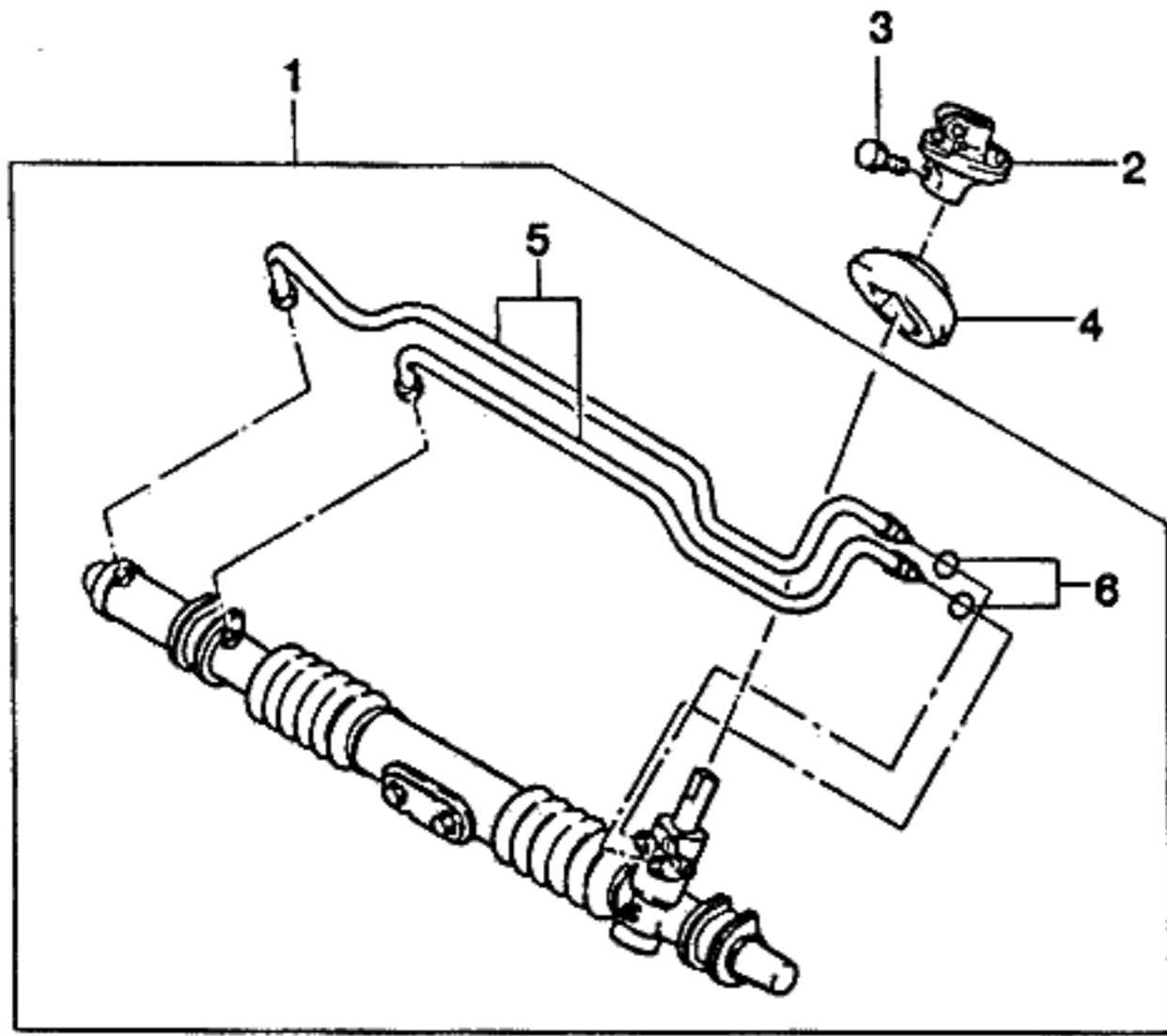


KEY NO.	PART NAME										REMARKS	P / CODE
	PART NO	E T	MODEL			OPTION	L / R	Q / Y	EFFECTIVE DATE			
			4 N	3 H	5 H				S S	S S		
[01]	(E)SHORT GEAR A (D)KURZ GETRIEBE										(F)ENGRENAGE COURT (S)ENGRANAJE CORTO	
520533	. . B B B O O S &N40										1	
[02]	(E)COUPLING-FLANGE&STEERING (D)KUPPLUNG,FLANSCH&LENKUNG										(F)ACCOUPLLEMENT (S)ACOPLAMIENTO	
520689	. . B B B O O S &N40										1	
[03]	(E)BOLT (D)SCHRAUBE										(F)BOULON (S)PERNO	
09117-08003	. . B B B O O S &N40										1	
[04]	(E)SEAL-DASH RUBBER (D)DICHTUNG										(F)JOINT (S)SELLO-GOMA SALPICADERO	
26013593	. . B B B O O S &N40										1	
[05]	(E)LINE KIT-CYLINDER (D)AUSKLEIDUNGS,ZYLINDER										(F)TROUSSE DE LIGNE-CYLINDRE (S)JUEGO DE LINEA-CILINDRO	
26020486	. . B B B O O S &N40										1	
[06]	(E)O RING (D)O RING										(F)JOINT TORIQUE (S)ANILLO EN O	
26005047	. . B B B O O S &N40										2	
[07]	(E)BOOT KIT (D)KOFFERRAUM-SATZ										(F)TROUSSE DE GAINÉ (S)JUEGO DE BOTA	
26024585	. . B B B O O S &N40										1	
[08]	(E)COVER-HOUSING END (D)DECKEL,GEHÄUSE-ENDE										(F)COUVERCLE (S)CUBIERTA	
07849949	. . B B B O O S &N40										1	
[09]	(E)GROMMET-MOUNTING (D)ÖSE,MONTAGE										(F)VIROLE-MONTAGE (S)AISLANTE-MONTAJE	
26000626	. . B B B O O S &N40										LH 1	
07848187	. . B B B O O S &N40										RH 1	

ENG(ENGINE)	T/A(TRANSAXLE)	BODY TYPE
Y = 1.5SOHC 6 = 1.6DOHC . = COMMON	M = MANUAL T/A A = AUTOMATIC T/A . = COMMON	4 N = 4 DOOR NOTCHBACK 3 H = 3 DOOR HATCHBACK 5 H = 5 DOOR HATCHBACK

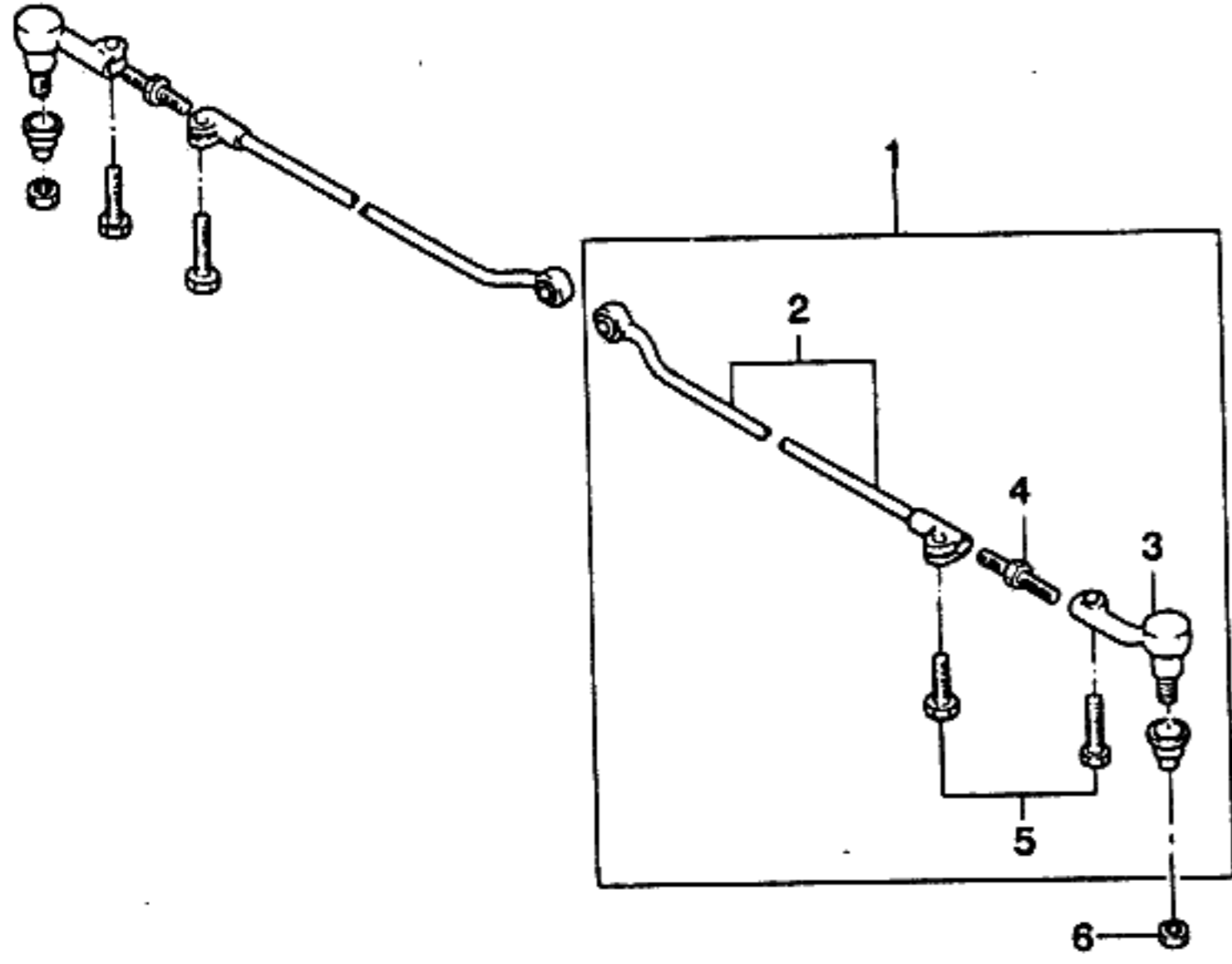
4930 POWER STEERING GEAR PARTS

4C15



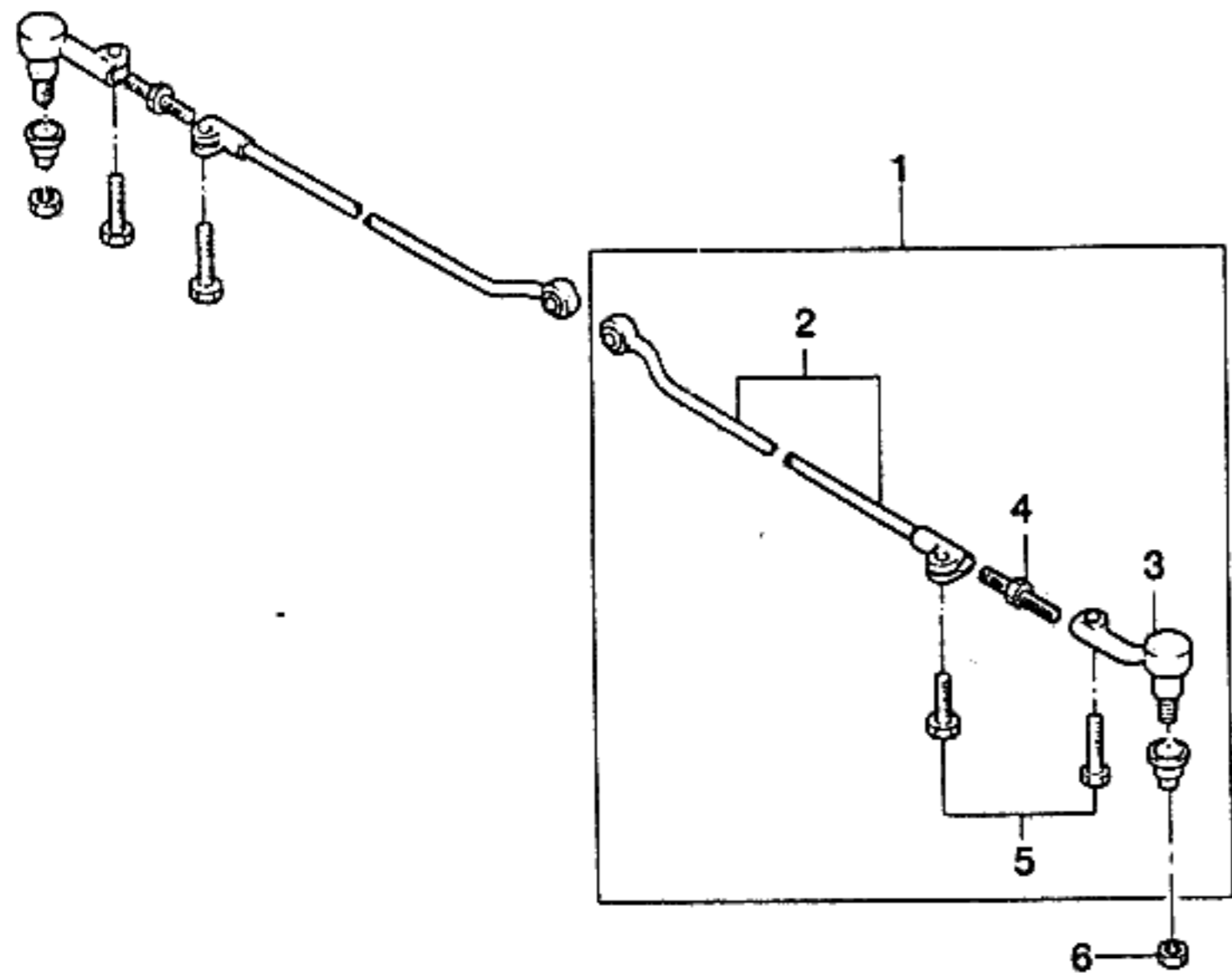
KEY NO.	PART NAME													
	PART NO	MODEL						OPTION	L / R	QTY	EFFECTIVE DATE		REMARKS	P / CODE
		E T	BODY			LEVEL					FROM	TO		
N / G	4	3	5	S	S	S								
[14] 26001550	(E)PLATE-DISTANCE (D)PLATTE,ABSTAND	.	.	B	B	B	O	O	S	&N40	(F)PLAQUE-DISTANCE (S)PLACA-DISTANCIA	1		
[15] 26001761	(E)PLATE-LOCKING (D)PLATTE,VERRIEGELUNG	.	.	B	B	B	O	O	S	&N40	(F)PLAQUE-VERROUILLAGE (S)PLACA-CIERRE	1		

ENG(ENGINE)	T/A(TRANSAXLE)	BODY TYPE
Y = 1.5SOHC 6 = 1.6DOHC . = COMMON	M = MANUAL T/A A = AUTOMATIC T/A . = COMMON	4 N = 4 DOOR NOTCHBACK 3 H = 3 DOOR HATCHBACK 5 H = 5 DOOR HATCHBACK



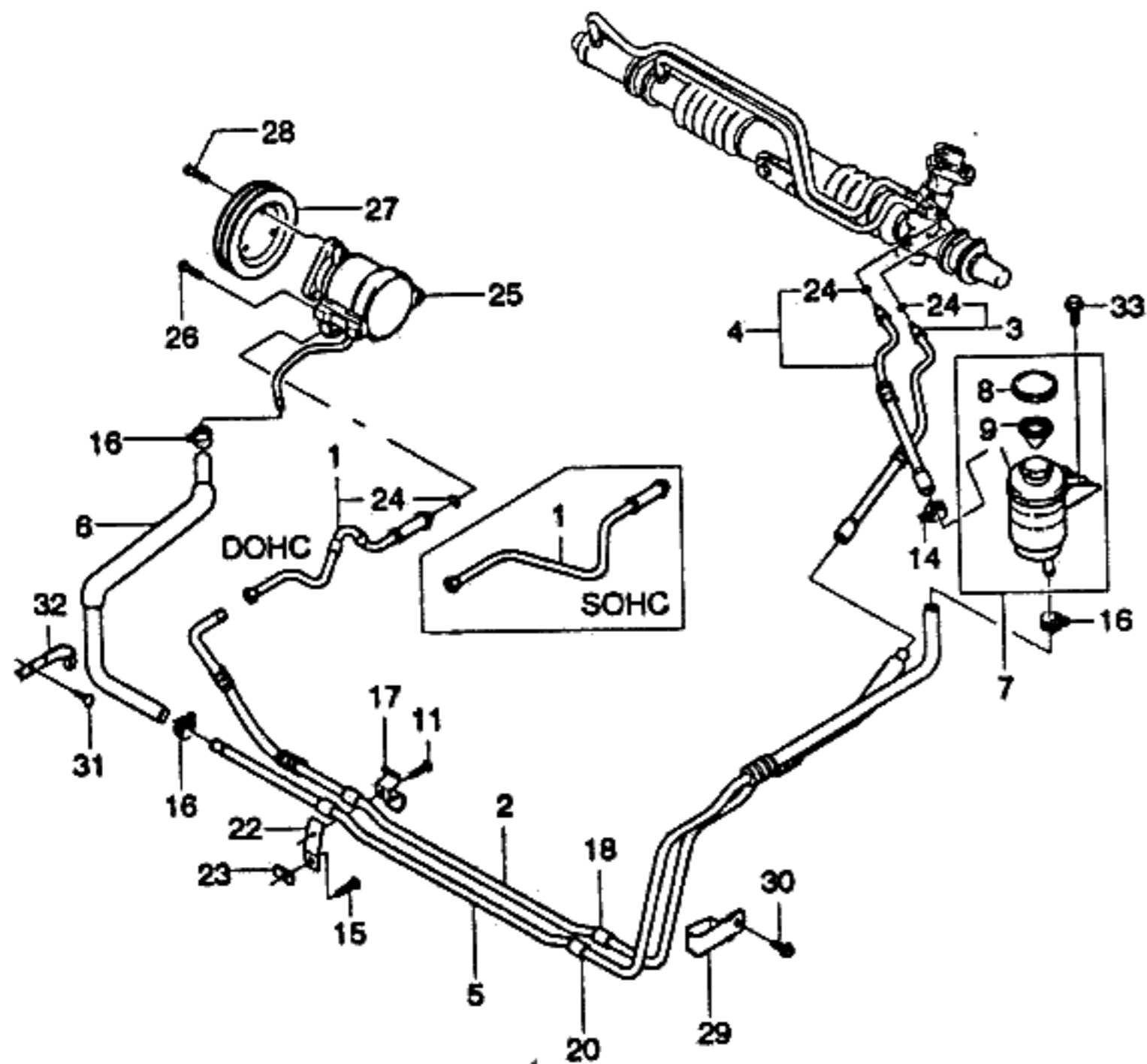
I T C	KEY NO.	PART NAME										P / C O D E	
	PART NO	MODEL					OPTION	L / R	Q T Y	EFFECTIVE DATE			REMARKS
		E T N / G A	4 N	3 H	5 H	S S				S S	FROM		
	[01]	(E)ROD A-TIE (D)VERBINDUNGSSTANGE										(F)TRINGLE-BARRE (S)VARILLA-AMARRE	
	07846481	. . . B B B S S . &N51										LH 1 970716	
	07846481	. . . B B B S S . &N51-F40										LH 1 970716	
	96255510	. . . B B B A A . &N51&F40										LH 1 970716	
	07846480	. . . B B B S S . &N51										RH 1 970716	
	07846480	. . . B B B S S . &N51-F40										RH 1 970716	
	96255511	. . . B B B A A . &N51&F40										RH 1 970716	
	96216616	. . . B B B O O S &N40										LH 1 970716	
	96216616	. . . B B B O O S &N40-F40										LH 1 970716	
	96255508	. . . B B B A A A &N40&F40										LH 1 970716	
	96216620	. . . B B B O O S &N40										RH 1 970716	
	96216620	. . . B B B O O S &N40-F40										RH 1 970716	
	96255509	. . . B B B A A A &N40&F40										RH 1 970716	
	[02]	(E)ROD-TIE (D)VERBINDUNGSSTANGE										(F)TRINGLE-BARRE (S)VARILLA-AMARRE	
	07848281	. . . B B B S S . &N51										LH 1	
	07848282	. . . B B B S S . &N51										RH 1	
	96216618	. . . B B B O O S &N40										LH 1	
	96216622	. . . B B B O O S &N40										RH 1	
	[03]	(E)HEAD END A-TIE ROD (D)SPURSTANGENKOPF										(F)BIELLETTTE DE DIRECTION (S)CABEZA DE RÓTULA	
	07846496	. . . B B B S S S										LH 1 970716	
	07846495	. . . B B B S S S -F40										LH 1 970716	
	96255512	. . . B B B A A A &F40										LH 1 970716	

ENG(ENGINE)	T/A(TRANSAXLE)	BODY TYPE
Y = 1.5SOHC 6 = 1.6DOHC . = COMMON	M = MANUAL T/A A = AUTOMATIC T/A . = COMMON	4 N = 4 DOOR NOTCHBACK 3 H = 3 DOOR HATCHBACK 5 H = 5 DOOR HATCHBACK



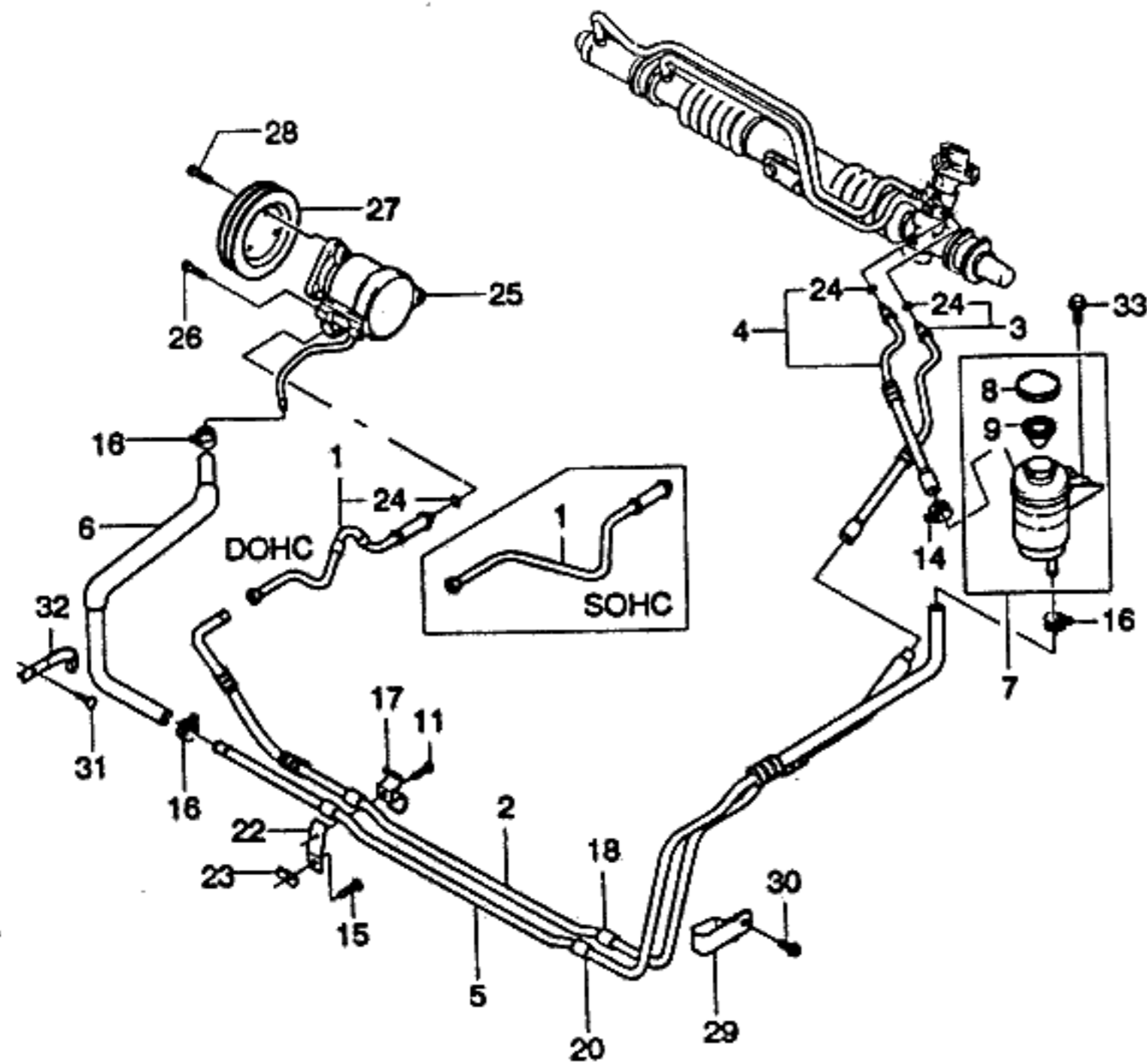
I T C	KEY NO.		PART NAME										P / C O D E		
	PART NO	E N / G A	MODEL			OPTION	L / R	Q T Y	EFFECTIVE DATE		REMARKS				
			4 N	3 H	5 H				S S	S S		S S		FROM	TO
	07846485	.	.	B	B	B	S	S	S			RH	1	970716	
	07846485	.	.	B	B	B	S	S	S	-F40		RH	1	970716	
	96255513	.	.	B	B	B	S	S	S	&F40		RH	1	970716	
	[04]			(E)BOLT-ADJUSTER (D)SCHRAUBE								(F)BOULON (S)PERNO			
	07846696	.	.	B	B	B	S	S	S				1		
	[05]			(E)BOLT-HEXAGON (D)SCHRAUBE								(F)BOULON (S)PERNO			
	09100-08002	.	.	B	B	B	S	S	S				4		
	[06]			(E)NUT (D)MUTTER								(F)ECROU (S)TUERCA			
	09159-12010	.	.	B	B	B	S	S	S				2		

ENG(ENGINE)	T/A(TRANSAXLE)	BODY TYPE
Y = 1.5SOHC 6 = 1.6DOHC . = COMMON	M = MANUAL T/A A = AUTOMATIC T/A . = COMMON	4 N = 4 DOOR NOTCHBACK 3 H = 3 DOOR HATCHBACK 5 H = 5 DOOR HATCHBACK



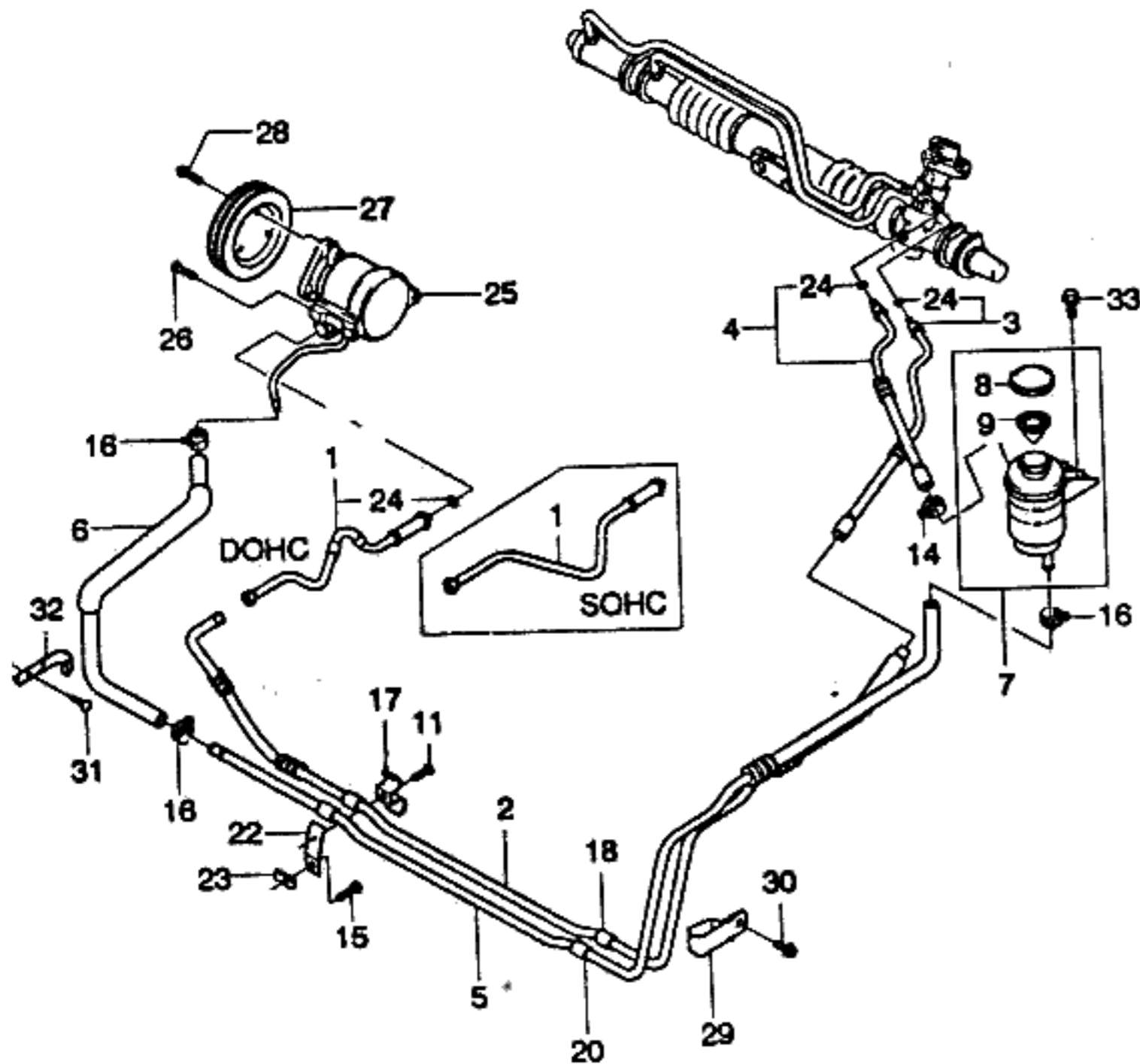
KEY NO.	PART NAME												
	PART NO	MODEL						OPTION	L / Q T Y	EFFECTIVE DATE		REMARKS	P / C O D E
		E	T	BODY			LEVEL			FROM	TO		
	N	G	4	3	5	S	S						
[01]	(E)PIPE A-HIGH PRESSURE,PUMP (D)ROHR										(F)TUYAU (S)TUBERIA		
96304375	Y . B B B O O S &N40										1	970616	
O 96246614	Y . B B B O O S &N40										1	970616	
96228670	6 . B B B . . O &N40										1	970616	
O 96246615	6 . B B B . . O &N40										1	970616	
[02]	(E)HOSE A-ELASTIC,GEAR (D)SCHLAUCH,GUMMI,GETRIEBE										(F)TUYAU-ELASTIQUE,ENGRENAGE (S)MANGUERA-ELASTICA		
96304383	. . B B B O O S &N40										1		
[03]	(E)PIPE A-HIGH PRESSURE,GEAR (D)ROHR										(F)TUYAU (S)TUBERIA		
96304381	. . B B B O O S &N40										1		
[04]	(E)HOSE A-RETURN FLOW (D)SCHLAUCH,RÜCK-FLUß										(F)TUYAU-RETOUR ECOULEMENT (S)MANGUERA-FLUJO DE RETORNO		
96304380	. . B B B O O S &N40										1		
[05]	(E)HOSE A-SUCTION,RESERVOIR (D)SCHLAUCH,ANSAUGUNG										(F)TUYAU-ASPIRATION (S)MANGUERA-SUCCION		
96232170	. . B B B O O S &N40										1	970901	
O 96254886	. . B B B O O S &N40										1	970901	
[06]	(E)HOSE A-SUCTION LINE,PUMP (D)SCHLAUCH,SAUGLEITUNG										(F)TUYAU (S)MANGUERA-LINEA DE SUCCION		
96304372	. . B B B O O S &N40										1		
[07]	(E)RESERVOIR-POWER STRG OIL (D)BEHÄLTER,ÖL										(F)RESERVOIR-HUILE (S)RESERVA-ACEITE		
96304394	. . B B B O O S &N40										1		
[08]	(E)CAP-OIL RESERVOIR (D)DECKEL,ÖL-BEHÄLTER										(F)CHAPEAU-RESERVOIR D'HUILE (S)TAPA-RESERVA DE ACEITE		
96304395	. . B B B O O S &N40										1		

ENG(ENGINE)	T/A(TRANSAXLE)	BODY TYPE
Y = 1.5SOHC 6 = 1.6DOHC . = COMMON	M = MANUAL T/A A = AUTOMATIC T/A . = COMMON	4 N = 4 DOOR NOTCHBACK 3 H = 3 DOOR HATCHBACK 5 H = 5 DOOR HATCHBACK



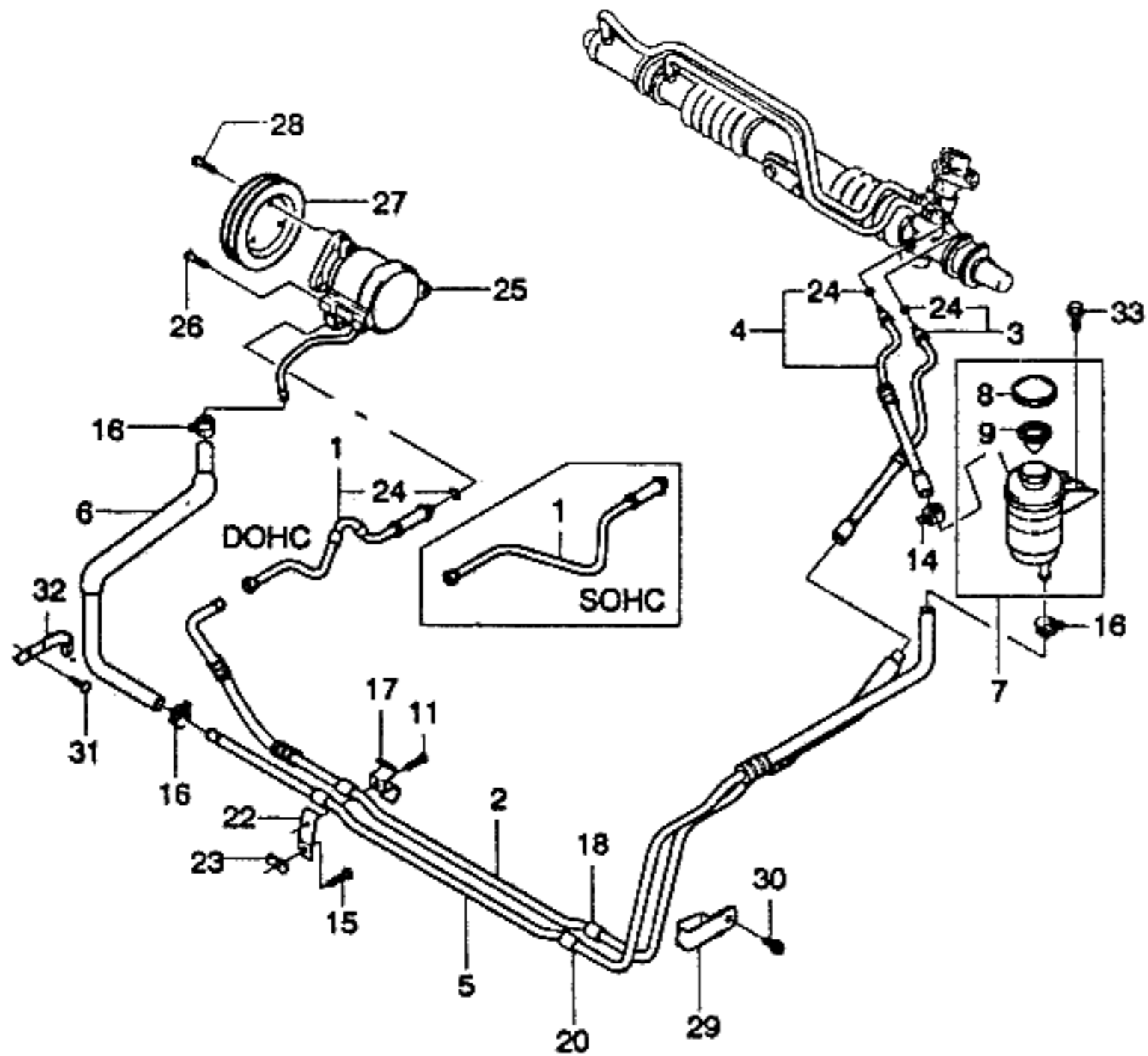
I T C	KEY NO.	PART NAME										P / C O D E	
		PART NO	MODEL					OPTION	L / Q T Y	EFFECTIVE DATE			REMARKS
			E N G	T / A	B O D Y	L E V E L				FROM	TO		
	[09]	(E)SHIELD-OIL RESERVOIR (D)SCHILD							(F)BOUCLIER (S)ESCUDO				
	96226875	. . . B B B O O S &N40							1				
	[11]	(E)SCREW-TAPPING (D)SCHRAUBE							(F)VIS (S)TORNILLO				
	03110-48133	. . . B B B O O S &N40							2				
	[14]	(E)CLIP (D)KLEMME							(F)ATTACHE (S)GRAPA				
	09401-17401	. . . B B B O O S &N40							1				
	[15]	(E)SCREW (D)SCHRAUBE							(F)VIS (S)TORNILLO				
	09139-06005	. . . B B B O O S &N40							2				
	[16]	(E)CLIP (D)KLEMME							(F)ATTACHE (S)GRAPA				
	09401-21401	. . . B B B O O S &N40							3				
	[17]	(E)CLAMP (D)KLAMMER							(F)PINCE (S)ABRAZADERA				
	90217449	. . . B B B O O S &N40							2	970901			
	O 96254889	. . . B B B O O S &N40							2	970901			
	[18]	(E)GROMMET (D)ÖSE							(F)VIROLE (S)AISLANTE				
	09308-10006	. . . B B B O O S &N40							3				
	[20]	(E)GROMMET (D)ÖSE							(F)VIROLE (S)AISLANTE				
	09308-16001	. . . B B B O O S &N40							3				
	[22]	(E)BRACKET (D)TRÄGER							(F)SUPPORT (S)SOPORTE				
	96228671	. . . B B B O O S &N40							2	970901			

ENG(ENGINE)	T/A(TRANSAXLE)	BODY TYPE
Y = 1.5SOHC 6 = 1.6DOHC . = COMMON	M = MANUAL T/A A = AUTOMATIC T/A . = COMMON	4 N = 4 DOOR NOTCHBACK 3 H = 3 DOOR HATCHBACK 5 H = 5 DOOR HATCHBACK



I T C	KEY NO.	PART NAME										L / R	Q T Y	EFFECTIVE DATE		REMARKS	P / C O D E
		PART NO	E T N / G A	MODEL			OPTION	FROM	TO	REMARKS							
				BODY	LEVEL												
	O 96254887	. . .	B	B	B	O	O	S	&N40			2	970901				
	[23]								(E)NUT-SPEED (D)MUTTER					(F)ECROU (S)TUERCA			
	09148-06012	. . .	B	B	B	O	O	S	&N40			2					
	[24]								(E)ORING (D)ORING					(F)JOINT TORIQUE (S)ANILLO EN O			
	09280-07001	. . .	B	B	B	O	O	S	&N40			3					
	[25]								(E)PUMP A-POWER STEERING (D)PUMPE, HYDRAULIK EINHEIT					(F)POMPE-UNITE HYDRAULIQUE (S)BOMBA-UNIDAD HIDRAULICA			
	96230842	. . .	B	B	B	O	O	S	&N40			1					
	[26]								(E)BOLT-HEXAGON (D)SCHRAUBE					(F)BOULON (S)PERNO			
	01103-08703	. . .	B	B	B	O	O	S	&N40			2					
	[27]								(E)PULLEY-HYDRAULIC PUMP (D)ROLLE, HYDRAULIK PUMPE					(F)POULIE-POMPE HYDRAULIQUE (S)POLEA-BOMBA HIDRAULICA			
	90299071	. . .	B	B	B	O	O	S	&N40			1					
	[28]								(E)BOLT-HEXAGON (D)SCHRAUBE					(F)BOULON (S)PERNO			
	09100-08003	. . .	B	B	B	O	O	S	&N40			3					
	[29]								(E)CLAMP (D)KLAMMER					(F)PINCE (S)ABRAZADERA			
	96248572	. . .	B	B	B	O	O	S	&N40			1					
	[30]								(E)BOLT (D)SCHRAUBE					(F)BOULON (S)PERNO			
	09116-08008	. . .	B	B	B	O	O	S	&N40			1					
	[31]								(E)SCREW-TAPPING (D)SCHRAUBE					(F)VIS (S)TORNILLO			
	03110-48133	. . .	B	B	B	O	O	S	&N40			1					

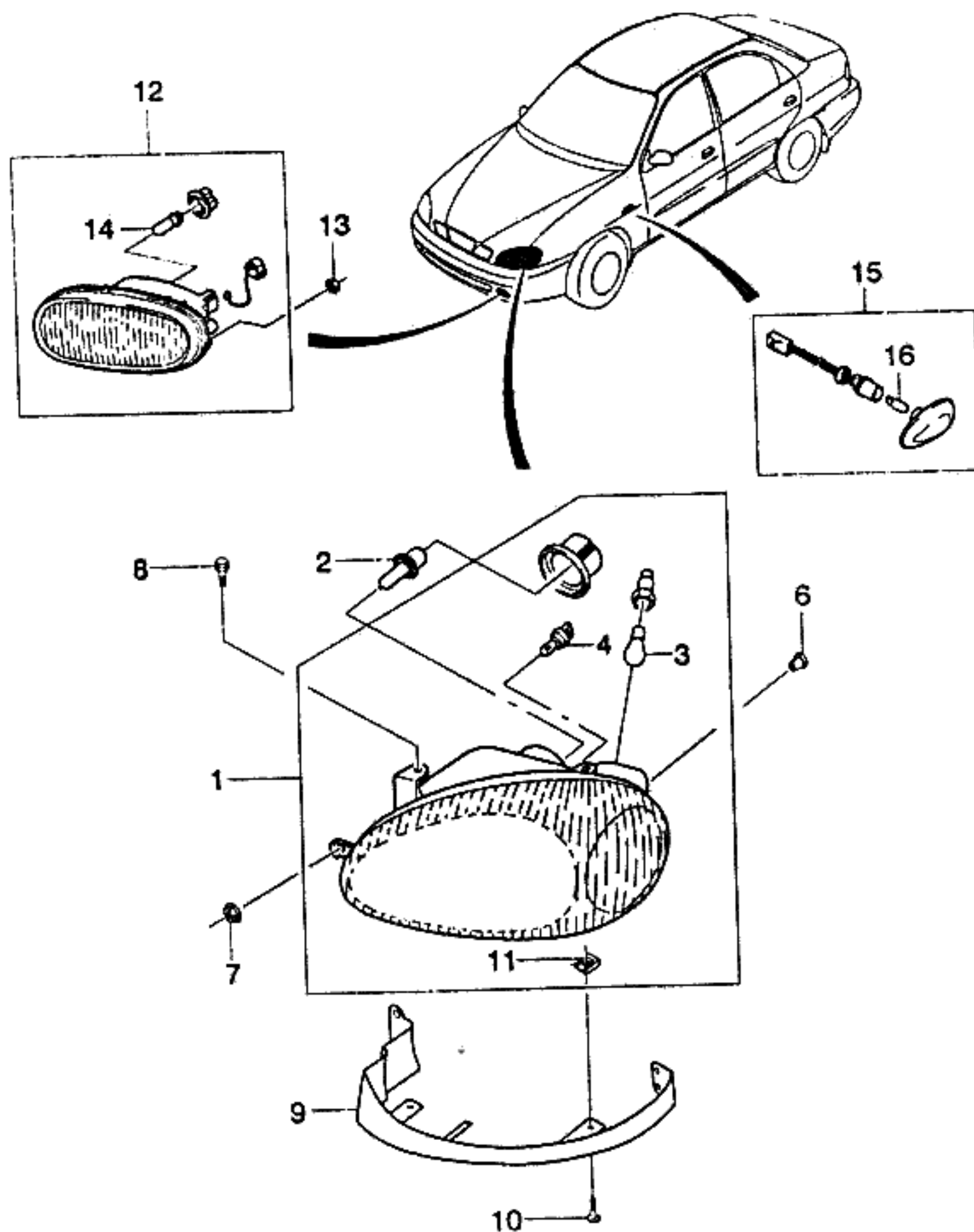
ENG(ENGINE)	T/A(TRANSAXLE)	BODY TYPE
Y = 1.5SOHC 6 = 1.6DOHC . = COMMON	M = MANUAL T/A A = AUTOMATIC T/A . = COMMON	4 N = 4 DOOR NOTCHBACK 3 H = 3 DOOR HATCHBACK 5 H = 5 DOOR HATCHBACK



KEY NO.		PART NAME														
I T C	PART NO	MODEL						OPTION	L I R	Q T Y	EFFECTIVE DATE		REMARKS	P I C O D E		
		E N G	T / A	BODY			LEVEL				FROM	TO				
				4 N	3 H	5 H	S								S	S
	[32] 09403-26301	(E)CLAMP (D)KLAMMER	.	.	B	B	B	O	O	S	&N40	(F)PINCE (S)ABRAZADERA	1			
	[33] 09116-06011	(E)BOLT (D)SCHRAUBE	.	.	B	B	B	O	O	S	&N40	(F)BOULON (S)PERNO	2			
ENG(ENGINE)		T/A(TRANSAXLE)				BODY TYPE										
Y = 1.5SOHC 6 = 1.6DOHC . = COMMON		M = MANUAL T/A A = AUTOMATIC T/A . = COMMON				4 N = 4 DOOR NOTCHBACK 3 H = 3 DOOR HATCHBACK 5 H = 5 DOOR HATCHBACK										

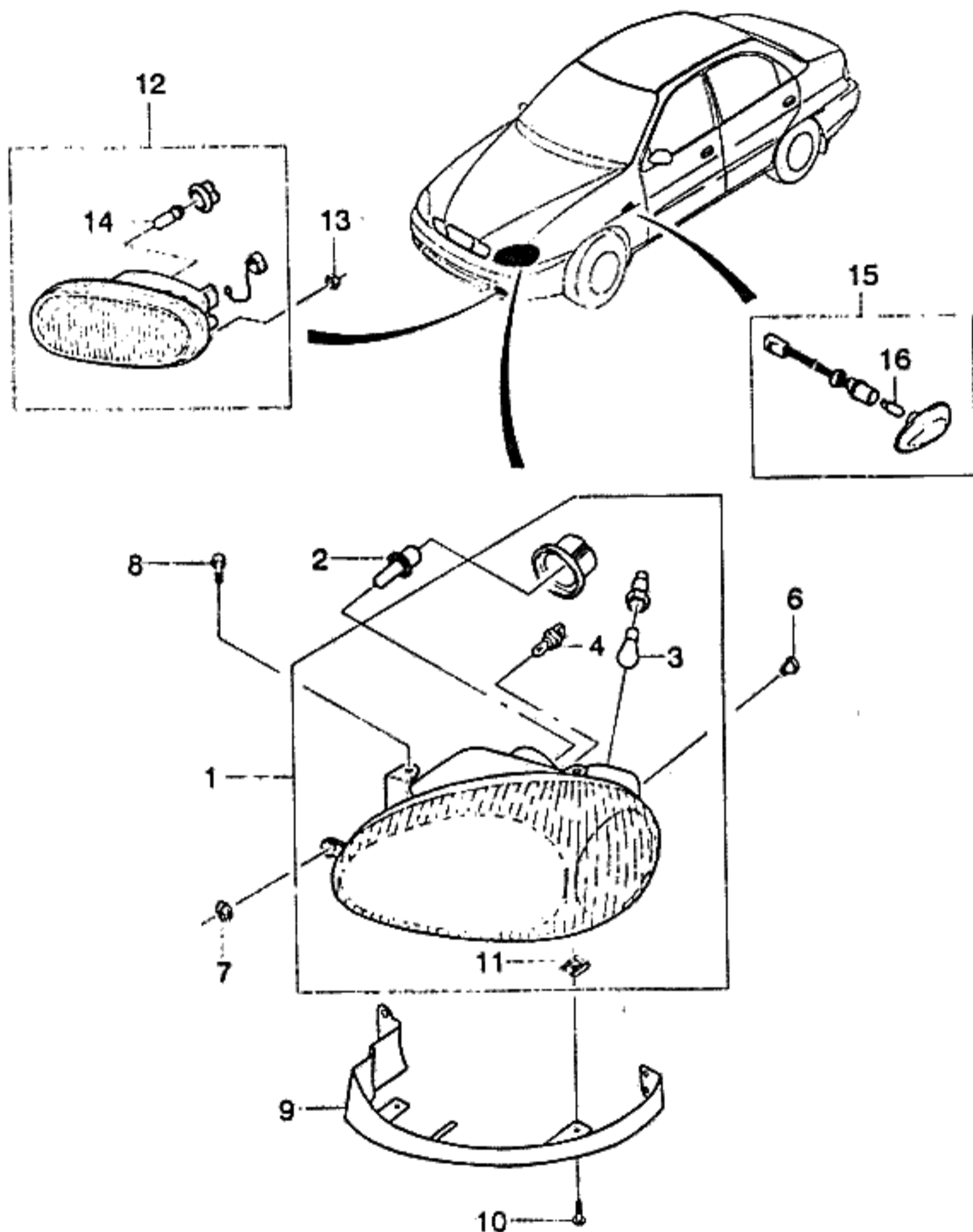
5**ELECTRICAL EQUIPMENTS**

- 5110 FRONT LAMP
- 5140 REAR LAMP(N/B)
- 5141 REAR LAMP(H/B)
- 5220 INSTRUMENT CLUSTER
- 5310 WINDSHIELD WIPER
- 5320 BACK WINDOW WIPER
- 5330 WINDSHIELD WASHER
- 5410 ELECTRICAL PARTS
- 5420 ANTENNA
- 5430 AUDIO SYSTEM
- 5510 AIR BAG SYSTEM
- 5610 BATTERY
- 5620 FUSE & RELAY
- 5710 WIRING HARNESS



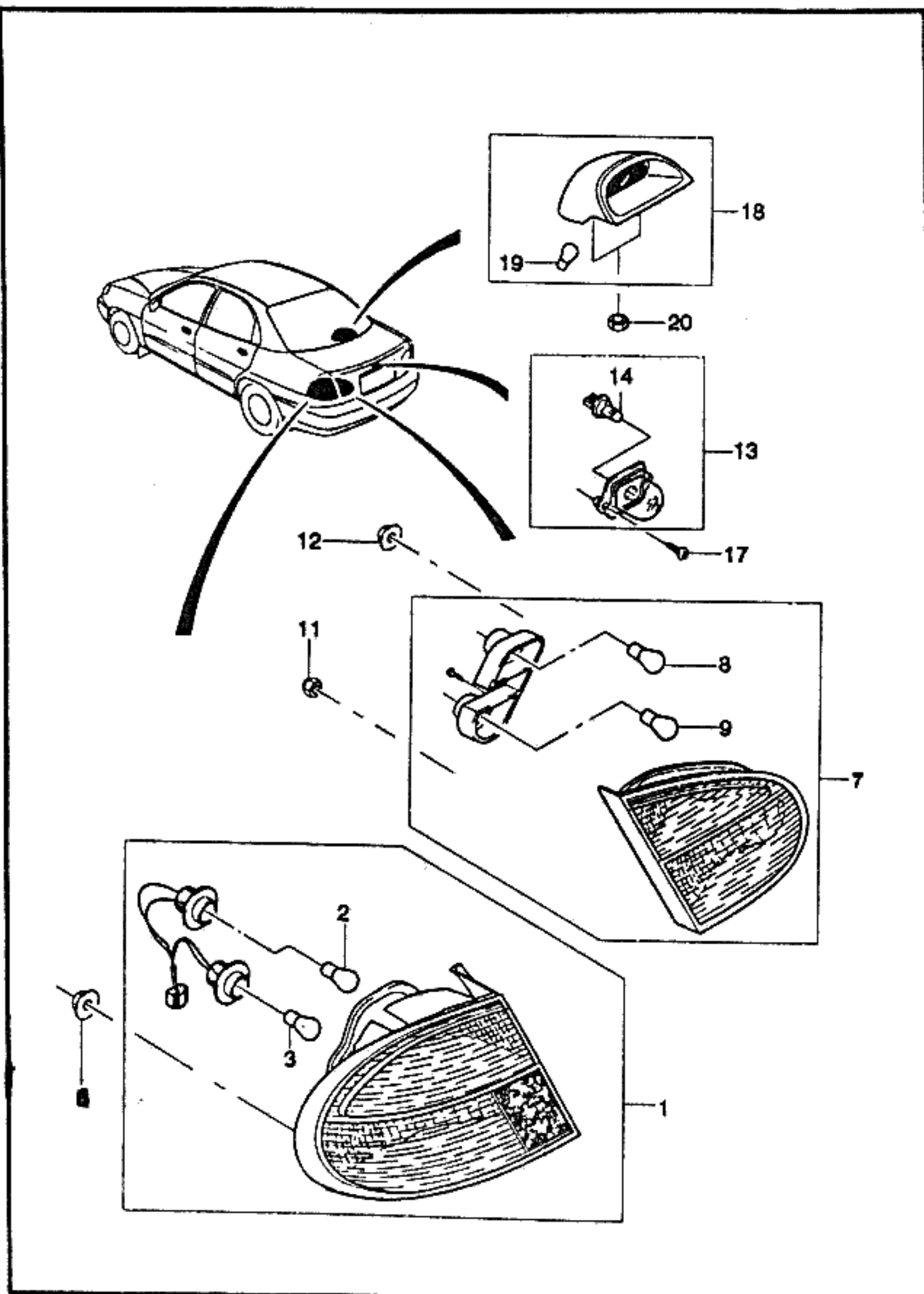
KEY NO.	PART NAME										REMARKS	P / C O D E			
	PART NO	MODEL					OPTION	L / R	Q / T Y	EFFECTIVE DATE					
		E N / G	T A	BODY	LEVEL					FROM			TO		
		4 N	3 H	5 H	S S	S S									
	[01]	(E)LAMP A-HEAD (D)LAMPE, SCHEINWERFER													
	96304606	. . . B B B S S S					-HL4			LH 1					HL
	96304607	. . . B B B S S S					-HL4			RH 1					HM
	96304610	. . . B B B A A A					&HL4			LH 1					HP
	96304611	. . . B B B A A A					&HL4			RH 1					HQ
	[02]	(E)BULB-HEAD LAMP (D)BIRNE								(F)AMPOULE (S)BOMBILLA					
	05104-60553	. . . B B B S S S								2			60/55W		
	[03]	(E)BULB-TURN SIGNAL (D)BIRNE								(F)AMPOULE (S)BOMBILLA					
	05201-21004	. . . B B B S S S								2			21W		
	[04]	(E)BULB-POSITION (D)BIRNE								(F)AMPOULE (S)BOMBILLA					
	05302-05003	. . . B B B S S S								2			5W		
	[06]	(E)CLIP (D)KLEMME								(F)ATTACHE (S)GRAPA					
	09409-10305	. . . B B B S S S								2					
	[07]	(E)NUT (D)MUTTER								(F)ECROU (S)TUERCA					
	09159-06011	. . . B B B S S S								2					
	[08]	(E)BOLT (D)SCHRAUBE								(F)BOULON (S)PERNO					
	09116-06026	. . . B B B S S S								4			WWASHER		
	[09]	(E)SPACER-HEAD LAMP (D)DISTANZSTÜCK								(F)ENTRETOISE (S)ESPACIADOR					
	96304656	. . . B B B S S S								LH 1					
	96304657	. . . B B B S S S								RH 1					
ENG(ENGINE)		T/A(TRANSAXLE)				BODY TYPE									
Y = 1.5SOHC 6 = 1.6DOHC . = COMMON		M = MANUAL T/A A = AUTOMATIC T/A . = COMMON				4 N = 4 DOOR NOTCHBACK 3 H = 3 DOOR HATCHBACK 5 H = 5 DOOR HATCHBACK									

5110 FRONT LAMP

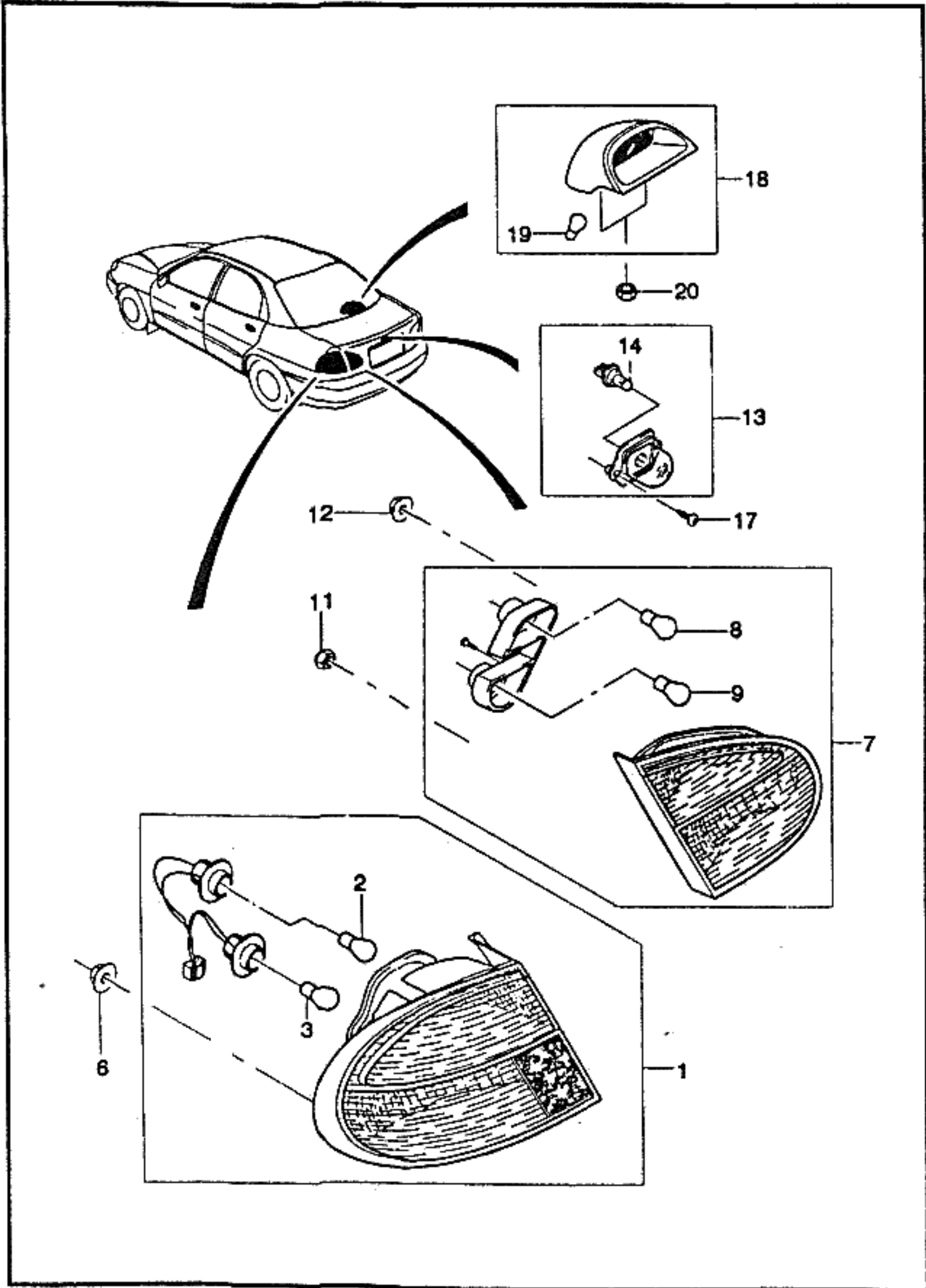


I T C	KEY NO.		PART NAME										P / C O D E	
	PART NO	E T N / G	MODEL			OPTION	L / R	Q T Y	EFFECTIVE DATE		REMARKS			
			4	3	5				S	S		S		FROM
	[10]		(E)SCREW-TAPPING	(D)SCHRAUBE								(F)VIS	(S)TORNILLO	
	03170-42133		. . . B B B S S S									4		
	[11]		(E)NUT-SPEED	(D)MUTTER								(F)ECROU	(S)TUERCA	
	09148-04004		. . . B B B S S S									4		
	[12]		(E)LAMP A-FOG,FRONT	(D)LAMPE,NEBEL								(F)LAMPE	(S)LAMPARA-NEBLINA	
	96303261		. . . B B B . . . O &T97									LH 1		
	96303262		. . . B B B . . . O &T97									RH 1		
	[13]		(E)NUT	(D)MUTTER								(F)ECROU	(S)TUERCA	
	09159-05005		. . . B B B . . . O &T97									4		
	[14]		(E)BULB-FOG LAMP	(D)BIRNE								(F)AMPOULE	(S)BOMBILLA	
	05103-55003		. . . B B B . . . O &T97									2		55W
	[15]		(E)LAMP A-TURN SIGNAL,SIDE	(D)LAMPE								(F)LAMPE	(S)LAMPARA .	
	96303241		. . . B B B A A A &FL6									2		
	[16]		(E)BULB- TURN SIGNAL SIDE	(D)BIRNE								(F)AMPOULE	(S)BOMBILLA	
	05302-05003		. . . B B B A A A &FL6									2		5W

ENG(ENGINE)	T/A(TRANSAXLE)	BODY TYPE
Y = 1.5SOHC 6 = 1.6DOHC . = COMMON	M = MANUAL T/A A = AUTOMATIC T/A . = COMMON	4 N = 4 DOOR NOTCHBACK 3 H = 3 DOOR HATCHBACK 5 H = 5 DOOR HATCHBACK

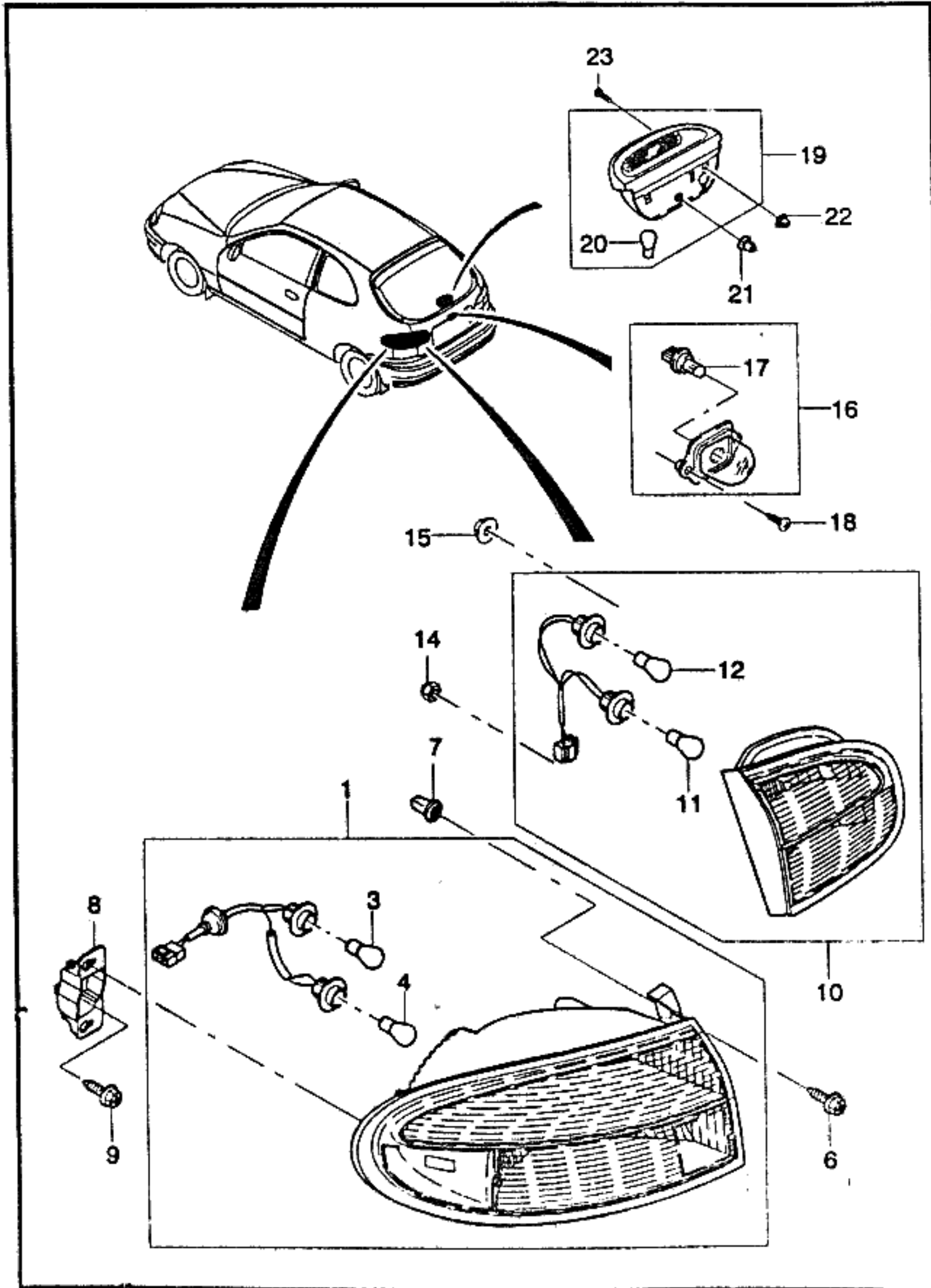


KEY NO.	PART NAME										REMARKS	P / CODE	
	PART NO	MODEL					OPTION	L / R	Q / T Y	EFFECTIVE DATE			
		E N G	T / A	BODY	LEVEL					FROM			TO
[01]	(E)LAMP A-TAIL (D)LAMPE,HINTERTEL												
96304620	. . . B . . . S S S												RJ
96304621	. . . B . . . S S S												RK
[02]	(E)BULB-TURN SIGNAL (D)BIRNE												
05201-21004	. . . B . . . S S S											21W	
[03]	(E)BULB-TAIL STOP (D)BIRNE												
05202-21053	. . . B . . . S S S											21/5W	
[06]	(E)NUT-HEXAGON FLANGE (D)MUTTER												
08316-25053	. . . B . . . S S S												
[07]	(E)LAMP A-EXTENSION TAIL (D)LAMPE,VERLÄNGERUNG												
96248143	. . . B . . . S S S -T98												EL
Y 96239383	. . . B . . . S S S -T98												EQ
96248144	. . . B . . . S S S -T98												EM
Y 96239384	. . . B . . . S S S -T98												ER
96304631	. . . B . . . A A A &T98												EJ
96304632	. . . B . . . A A A &T98												EK
[08]	(E)BULB-BACK UP (D)BIRNE												
05201-21003	. . . B . . . S S S											21W	
[09]	(E)BULB-TAIL STOP (D)BIRNE												
05202-21053	. . . B . . . S S S -T98											21/5W	
ENG(ENGINE)		T/A(TRANSAXLE)			BODY TYPE								
Y = 1.5SOHC 6 = 1.6DOHC . = COMMON		M = MANUAL T/A A = AUTOMATIC T/A . = COMMON			4 N = 4 DOOR NOTCHBACK 3 H = 3 DOOR HATCHBACK 5 H = 5 DOOR HATCHBACK								



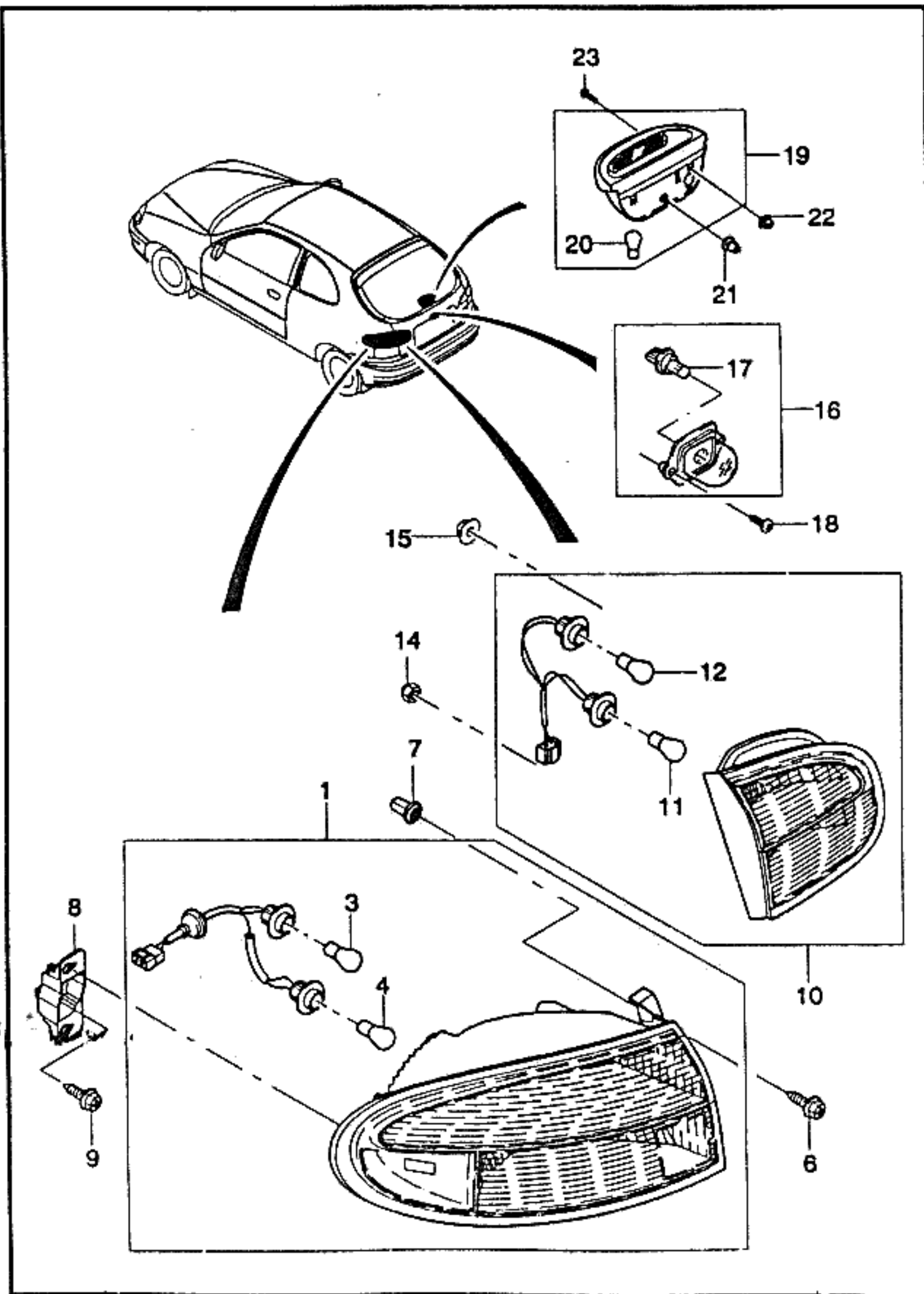
KEY NO.	PART NAME												
	PART NO	MODEL					OPTION	L / R	Q / T Y	EFFECTIVE DATE		REMARKS	P / C O D E
		E N G	T / A	B O D Y	L E V E L					FROM	TO		
		4 N	3 H	5 H	S S S								
Y 05232-27081		B			S S S	-T98		2	971001		27/8W		
05201-21003		B			A A A	&T98		2			21W		
[11]	(E)NUT-CAP (D)MUTTER												
09146-05001		B			S S S			4					
[12]	(E)NUT-HEXAGON FLANGE (D)MUTTER												
08316-25053		B			S S S			2					
[13]	(E)LAMP A-LICENSE (D)LAMPE,NUMMERSCHILD												
96237708		B			S S S			2				LE	
[14]	(E)BULB-LICENSE (D)BIRNE												
05302-05003		B			S S S			2			5W		
[17]	(E)SCREW-TAPPING (D)SCHRAUBE												
03110-42132		B			S S S			4					
[18]	(E)LAMP A-HIGH MOUNTED STOP (D)LAMPE												
96304677		B			A A A	&T93		1				CB	
[19]	(E)BULB-HIGH MOUNTED STOP (D)BIRNE												
05201-21003		B			A A A	&T93		1			21W		
[20]	(E)NUT-HEXAGON (D)MUTTER												
08361-25053		B			A A A	&T93		2			W/WASHER		

ENG(ENGINE)	T/A(TRANSAXLE)	BODY TYPE
Y = 1.5SOHC 6 = 1.6DOHC . = COMMON	M = MANUAL T/A A = AUTOMATIC T/A . = COMMON	4 N = 4 DOOR NOTCHBACK 3 H = 3 DOOR HATCHBACK 5 H = 5 DOOR HATCHBACK



KEY NO.	PART NAME										P / C O D E		
	PART NO	MODEL					OPTION	L / R	Q T Y	EFFECTIVE DATE		REMARKS	
		E T	B O D Y	L E V E L						FROM			TO
		N / G	4	3	5	S S S							
			A	H	H	S E X							
[01]	(E)LAMP A-TAIL (D)LAMPE,HINTERTEIL												
96304618	. . . B B S . S											RH 1	
96304619	. . . B B S . S											RH 1	
[03]	(E)BULB-TURN SIGNAL (D)BIRNE												
05201-21004	. . . B B S . S											2	
[04]	(E)BULB-TAIL STOP (D)BIRNE												
05202-21053	. . . B B S . S											2	
[06]	(E)SCREW-TAPPING (D)SCHRAUBE												
09132-04013	. . . B B S . S												
[07]	(E)NUT-SPEED (D)MUTTER												
09148-03006	. . . B B S . S												
[08]	(E)BRACKET A-REAR COMB LAMP (D)TRÄGER												
96223420	. . . B B S . S											LH 1	
96224456	. . . B B S . S											RH 1	
[09]	(E)SCREW-TAPPING (D)SCHRAUBE												
09132-04013	. . . B B S . S												
[10]	(E)LAMP A-EXTENSION TAIL (D)LAMPE,VERLÄNGERUNG												
96248145	. . . B B S . S -T98											LH 1	
Y 96239381	. . . B B S . S -T98											LH 1	
96248146	. . . B B S . S -T98											RH 1	

ENG(ENGINE)	T/A(TRANSAXLE)	BODY TYPE
Y = 1.5SOHC 6 = 1.6DOHC . = COMMON	M = MANUAL T/A A = AUTOMATIC T/A . = COMMON	4 N = 4 DOOR NOTCHBACK 3 H = 3 DOOR HATCHBACK 5 H = 5 DOOR HATCHBACK

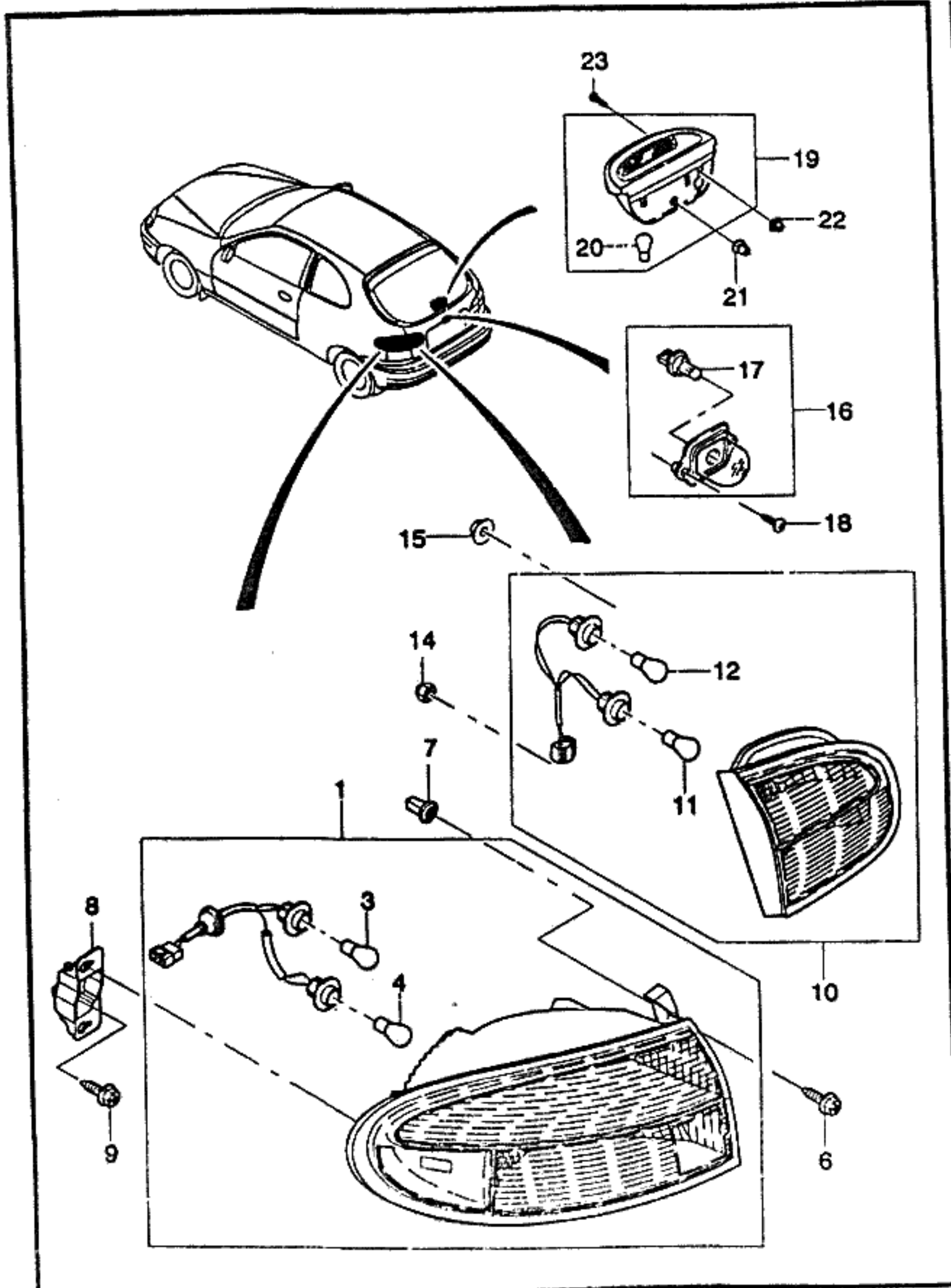


KEY NO.	PART NAME												
	PART NO	MODEL					OPTION	L / R	Q / Y	EFFECTIVE DATE		REMARKS	P / CODE
		E N G	T / A	B O D Y	L E V E L					FROM	TO		
Y 96239382	B	B	S	. S	-T98	RH	1	971001			ET	
96304629	B	B	A	. A	&T98	LH	1				EG	
96304630	B	B	A	. A	&T98	RH	1				EH	
[11]	(E)BULB-TAIL STOP (D)BIRNE											(F)AMPOULE (S)BOMBILLA	
05202-21053	B	B	S	. S	-T98		2	971001	21/5W			
Y 05232-27081	B	B	S	. S	-T98		2	971001	27/8W			
05201-21003	B	B	A	. A	&T98		2		21W			
[12]	(E)BULB-BACK UP (D)BIRNE											(F)AMPOULE (S)BOMBILLA	
05201-21003	B	B	S	. S			2		21W			
[14]	(E)NUT-CAP (D)MUTTER											(F)ECROU (S)TUERCA	
09145-05001	B	B	S	. S			4					
[15]	(E)NUT-HEXAGON FLANGE (D)MUTTER											(F)ECROU (S)TUERCA	
08316-25053	B	B	S	. S			2					
[16]	(E)LAMP A-LICENSE (D)LAMPE,NUMMERSCHILD											(F)LAMPE (S)LAMPARA-PLACA DE LICENCIA	
96237708	B	B	S	. S			2					
[17]	(E)BULB-LICENSE (D)BIRNE											(F)AMPOULE (S)BOMBILLA	
05302-05003	B	B	S	. S			2		5W			
[18]	(E)SCREW-TAPPING (D)SCHRAUBE											(F)VIS (S)TORNILLO	
03110-42132	B	B	S	. S			4					
[19]	(E)LAMP A-HIGH MOUNTED STOP (D)LAMPE											(F)LAMPE (S)LAMPARA	

ENG(ENGINE)	T/A(TRANSAXLE)	BODY TYPE
Y = 1.5SOHC 6 = 1.6DOHC . = COMMON	M = MANUAL T/A A = AUTOMATIC T/A . = COMMON	4 N = 4 DOOR NOTCHBACK 3 H = 3 DOOR HATCHBACK 5 H = 5 DOOR HATCHBACK

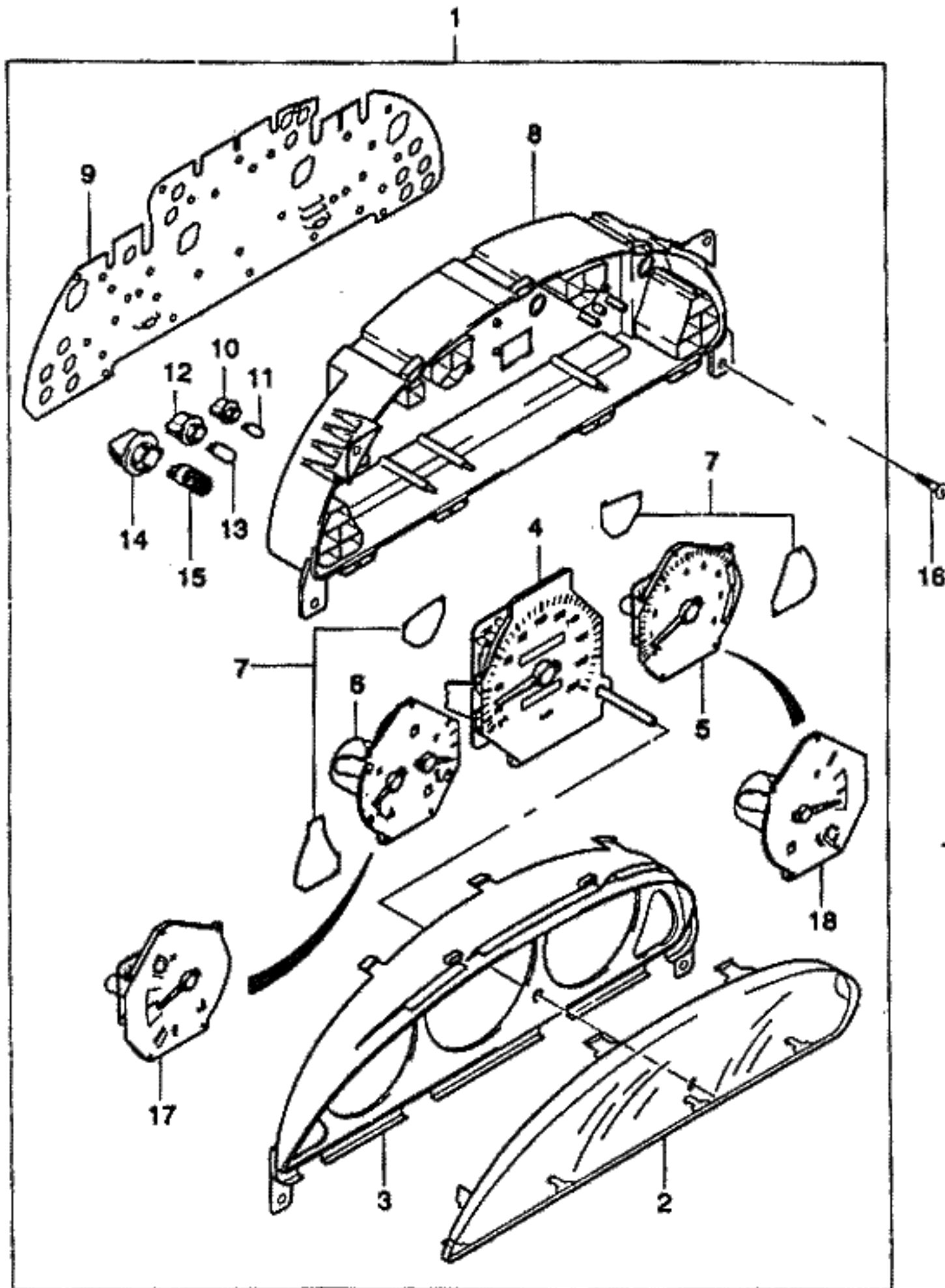
5141 REAR LAMP(H/B)

4H16



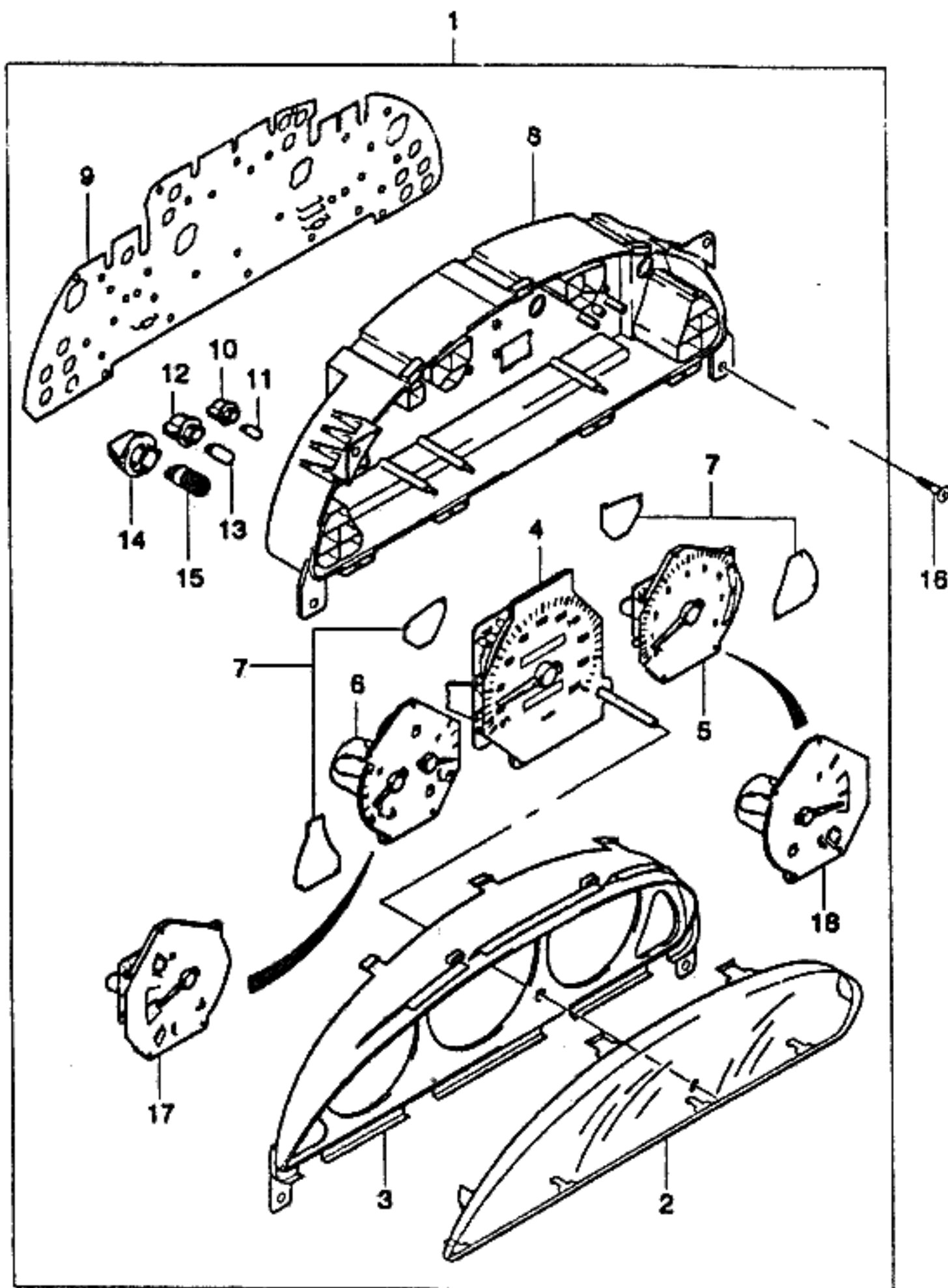
KEY NO.		PART NAME												
I T C	PART NO	MODEL					OPTION	L / R	Q T Y	EFFECTIVE DATE		REMARKS	P / C O D E	
		E N / G	T A	BODY		LEVEL				FROM	TO			
				4 N H	3 H	5 S								5 S
	96303244	.	.	.	B	B	A	.	A	&T93	1			CA
	[20]	(E)BULB-HIGH MOUNTED STOP (D)BIRNE												
	05201-21003	.	.	.	B	B	A	.	A	&T93	1		21W	
	[21]	(E)CLIP (D)KLEMME												
	09409-10305	.	.	.	B	B	A	.	A	&T93	2			
	[22]	(E)NUT-SPEED (D)MUTTER												
	09148-04003	.	.	.	B	B	A	.	A	&T93	2			
	[23]	(E)SCREW-TAPPING (D)SCHRAUBE												
	03160-42165	.	.	.	B	B	A	.	A	&T93	2			

ENG(ENGINE)	T/A(TRANSAXLE)	BODY TYPE
Y = 1.5SOHC 6 = 1.6DOHC . = COMMON	M = MANUAL T/A A = AUTOMATIC T/A . = COMMON	4 N = 4 DOOR NOTCHBACK 3 H = 3 DOOR HATCHBACK 5 H = 5 DOOR HATCHBACK



NOTE : @1 - KILOMETER TYPE,

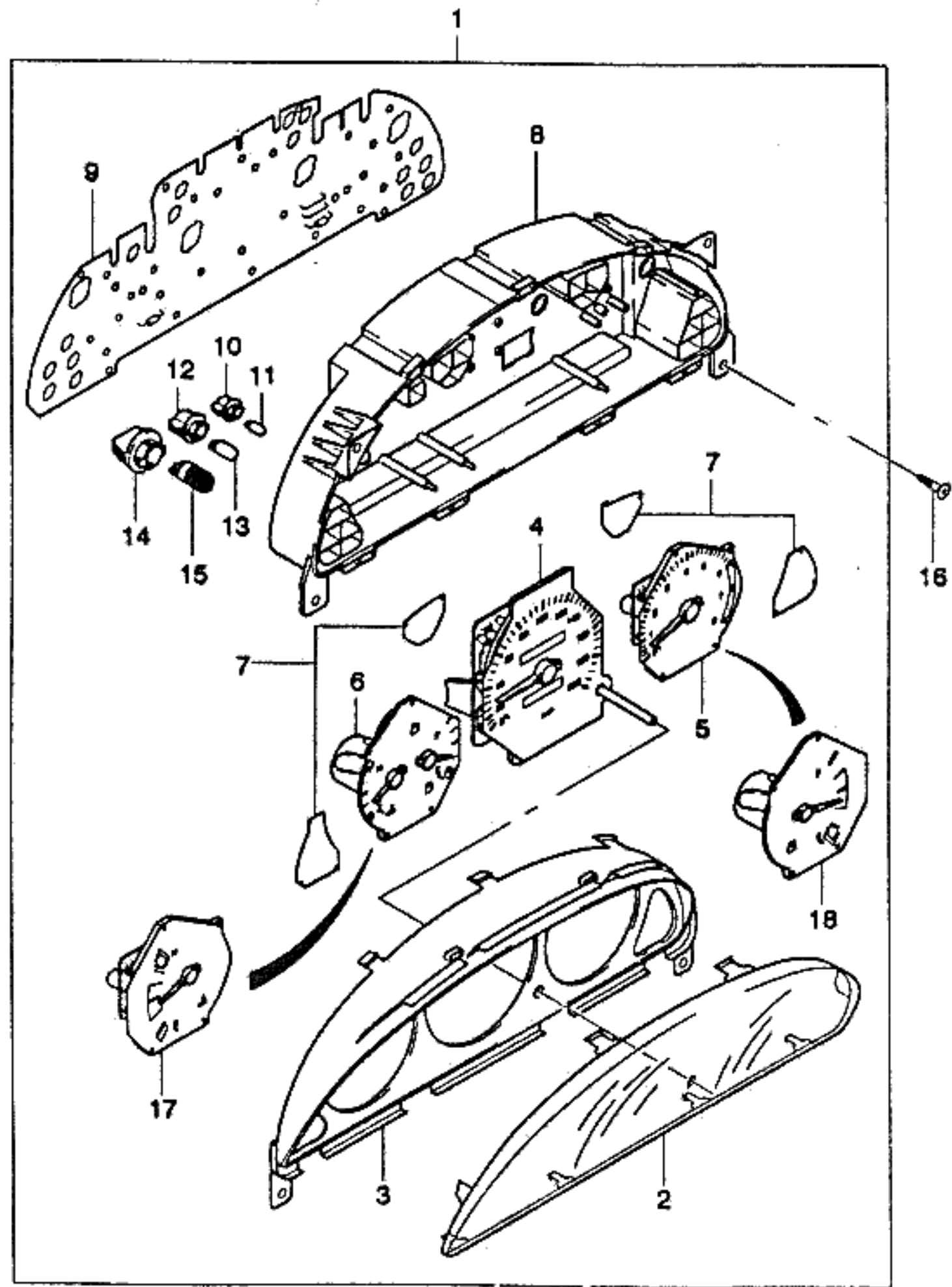
KEY NO.	PART NAME													
	PART NO	MODEL						OPTION	L / R	Q / Y	EFFECTIVE DATE		REMARKS	P / CODE
		E T	BODY			LEVEL					FROM	TO		
N / G	4	3	5	S	S	S								
[01]	(E)CLUSTER-INSTRUMENT (D)INSTRUMENT											(F)TABLEAU DE BORD (S)INSTRUMENTO		
96304893	. M B B B S . . -U44											@1, WO/TACHO	RA	
96304900	. M B B B . S S -ABF/AJ3/U44											@1, W/TACHO	RF	
96304900	. M B B B . S S -JL9/T97/U44											@1, W/TACHO	RF	
96304717	. M B B B . O O &ABF/AJ3-U44									970715		@1, W/TACHO	RG	
96304717	. M B B B . O O &ABF/AJ3/T98-U44									970715		@1, W/TACHO	RG	
96304717	. M B B B . O O &JL9/T97-U44									970715		@1, W/TACHO	RG	
96304717	. M B B B . O O &JL9/T97/T98-U44									970715		@1, W/TACHO	RG	
96304894	. M B B B A . . &U44-ABF/AJ3											@1, WO/TACHO	RB	
96304894	. M B B B A . . &U44-JL9/T97											@1, WO/TACHO	RB	
96304718	. M B B B . A A &U44											@1, W/TACHO	RH	
96304896	. A B B B O . . -U44											@1, WO/TACHO	RD	
96304720	. A B B B . O O -U44											@1, W/TACHO	RK	
96304895	. A B B B A . . &U44											@1, WO/TACHO	RC	
96304719	. A B B B . A A &U44											@1, W/TACHO	RJ	
[02]	(E)LENS-INSTRUMENT (D)OBJEKTIV											(F)LENTILLE (S)LENTE		
96218671	. . B B B S S S											1		
[03]	(E)PLATE-WINDOW (D)PLATTE											(F)PLAQUE (S)PLACA		
96218670	. . B B B S S S											1		
[04]	(E)SPEEDOMETER A (D)GESCHWINDIGKEITSMESSER											(F)COMPTEUR DE VITESSE (S)VELOCIMETRO		
96214624	. . B B B S S S -U44											1	@1	
96218647	. . B B B A A A &U44											1	@1	
ENG(ENGINE)		T/A(TRANSAXLE)				BODY TYPE								
Y = 1.5SOHC 6 = 1.6DOHC . = COMMON		M = MANUAL T/A A = AUTOMATIC T/A . = COMMON				4 N = 4 DOOR NOTCHBACK 3 H = 3 DOOR HATCHBACK 5 H = 5 DOOR HATCHBACK								



NOTE : @1 - KILOMETER TYPE,

KEY NO.	PART NAME										REMARKS	P / CODE	
	PART NO	MODEL					OPTION	L / R	Q / T Y	EFFECTIVE DATE			
		E N G	T / A	B O D Y	L E V E L					FROM			TO
[05]	(E)TACHOMETER A (D)TACHOMETER												
96214665	. M B B B . S S										1		WITACHO
96218649	. A B B B . O O										1		WITACHO
[06]	(E)GAUGE A-FUEL&TEMPERATURE (D)ANZEIGE,BENZIN&TEMPERATUR												
96214629	. . B B B . S S										1		WITACHO
[07]	(E)FILTER A-TELLTALES (D)FILTER												
96236132	. . B B B S S S										1		
[08]	(E)CASE-INSTRUMENT CLUSTER (D)KASTEN,INSTRUMENT												
96214669	. . B B B S . .										1		WOTACHO
96214668	. . B B B . S S										1		WITACHO
[09]	(E)BOARD A-PRINTED CIRCUIT (D)PLATTE,DRUCK KREIS												
96214667	. . B B B S . .										1		WOTACHO
96214668	. . B B B . S S										1		WITACHO
[10]	(E)SOCKET (D)FASSUNG BIRNE												
94797520	. . B B B S S S -ABF/AJ3/JL9/T97										9		SMALL
94797520	. . B B B O O O &ABF/AJ3/JL9/T97										12		SMALL
[11]	(E)BULB-SMALL (D)BIRNE												
09471-12014	. . B B B S S S -ABF/AJ3/JL9/T97										9		SMALL
09471-12014	. . B B B O O O &ABF/AJ3/JL9/T97										12		SMALL
[12]	(E)SOCKET (D)FASSUNG BIRNE												

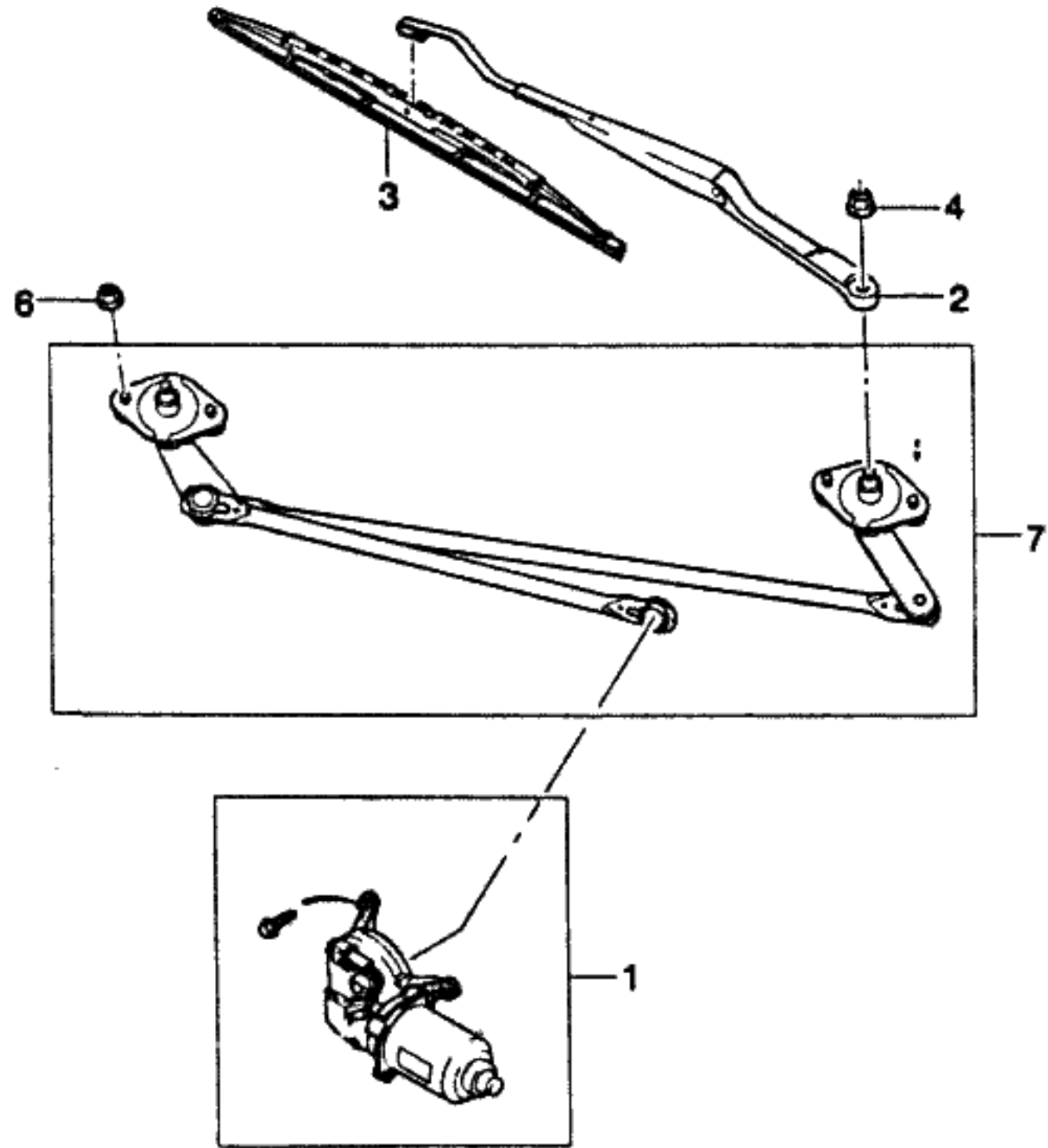
ENG(ENGINE)	T/A(TRANSAXLE)	BODY TYPE
Y = 1.5SOHC 6 = 1.6DOHC . = COMMON	M = MANUAL T/A A = AUTOMATIC T/A . = COMMON	4 N = 4 DOOR NOTCHBACK 3 H = 3 DOOR HATCHBACK 5 H = 5 DOOR HATCHBACK



NOTE : @1 - KILOMETER TYPE.

KEY NO.	PART NAME												
	PART NO	MODEL				OPTION	L / R	QTY	EFFECTIVE DATE		REMARKS	P / CODE	
		E	T	BODY	LEVEL				FROM	TO			
	N / G	A	4 N	3 H	5 H	S	S	S	S				
96077679			B	B	B	S	S	S			1	MEDIUM	
[13]											(F)AMPOULE (S)BOMBILLA		
09471-12015			B	B	B	S	S	S			1	MEDIUM	
[14]											(F)CULOT-AMPOULE (S)ENCHUFE-BOMBILLA		
94797519			B	B	B	S	S	S			4	LARGE	
[15]											(F)AMPOULE (S)BOMBILLA		
05301-03003			B	B	B	S	S	S			4	LARGE	
[16]											(F)VIS (S)TORNILLO		
03160-48165			B	B	B	S	S	S			4		
[17]											(F)JAUGE-TEMPÉRATEURE (S)JUNTA-TEMPERATURA		
96214631			B	B	B	S					1	WOTACHO	
[18]											(F)JAUGE-CARBURANT (S)JUNTA-COMBUSTIBLE		
96214627			B	B	B	S					1	WOTACHO	

ENG(ENGINE)	T/A(TRANSAXLE)	BODY TYPE
Y = 1.5SOHC 6 = 1.6DOHC . = COMMON	M = MANUAL T/A A = AUTOMATIC T/A . = COMMON	4 N = 4 DOOR NOTCHBACK 3 H = 3 DOOR HATCHBACK 5 H = 5 DOOR HATCHBACK

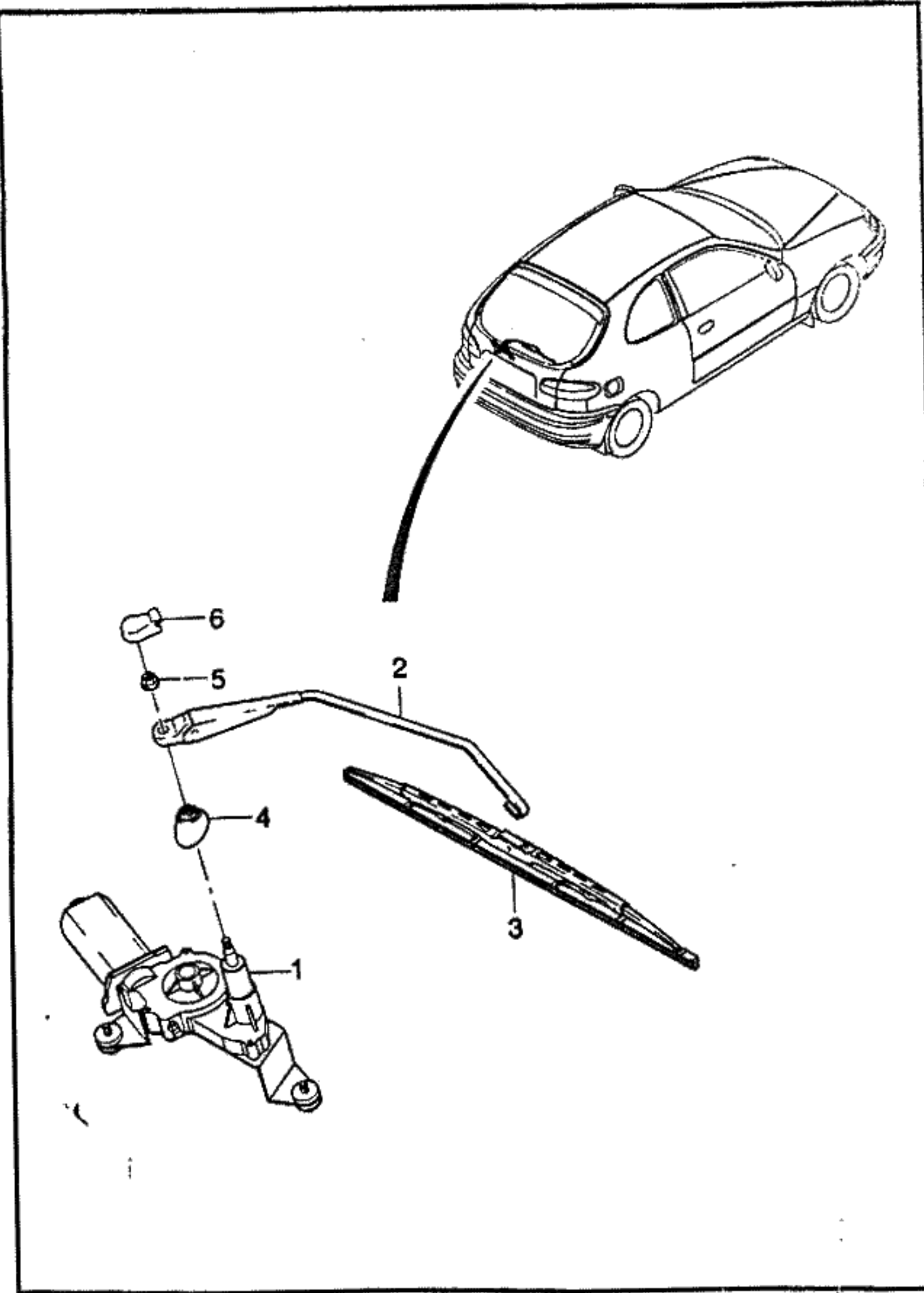


I T C	KEY NO.	PART NAME										P / C O D E	
	PART NO	MODEL					OPTION	L / R	Q / T Y	EFFECTIVE DATE			REMARKS
		E N G	T / A	BODY						LEVEL	FROM		
		4	3	5	S	S							
	[01] 96303118	(E)MOTOR A-WINDSHIELD WIPER (D)MOTOR,SCHEIBENWISCHER									(F)ESSUIE-GLACE (S)MOTOR-LIMPIAPARABRISAS		LM
	[02] 96306672	(E)ARM A-WIPER (D)ARM,SCHEIBENWISCHER									(F)BRAS-ESSUIE-GLACE (S)BRAZO-LIMPIAPARABRISAS		
	[03] 96306103	(E)BLADE A-WIPER (D)SCHEIBENWISCHERGUMMI									(F)BALAI D'ESSUIE-GLACE (S)ESCOBILLA-LIMPIAPARABRISA		
	[04] 96132997	(E)NUT-CAP (D)MUTTER									(F)ECROU (S)TUERCA		
	[06] 09145-08001	(E)NUT-HEXAGON FLANGE (D)MUTTER									(F)ECROU (S)TUERCA		
	[07] 08316-25063	(E)LINKAGE A-WIPER (D)VERBINDUNG									(F)ACOUPLEMENT (S)ENLACE		K5
	96303360												

ENG(ENGINE)	T/A(TRANSAXLE)	BODY TYPE
Y = 1.5SOHC 6 = 1.6DOHC . = COMMON	M = MANUAL T/A A = AUTOMATIC T/A . = COMMON	4 N = 4 DOOR NOTCHBACK 3 H = 3 DOOR HATCHBACK 5 H = 5 DOOR HATCHBACK

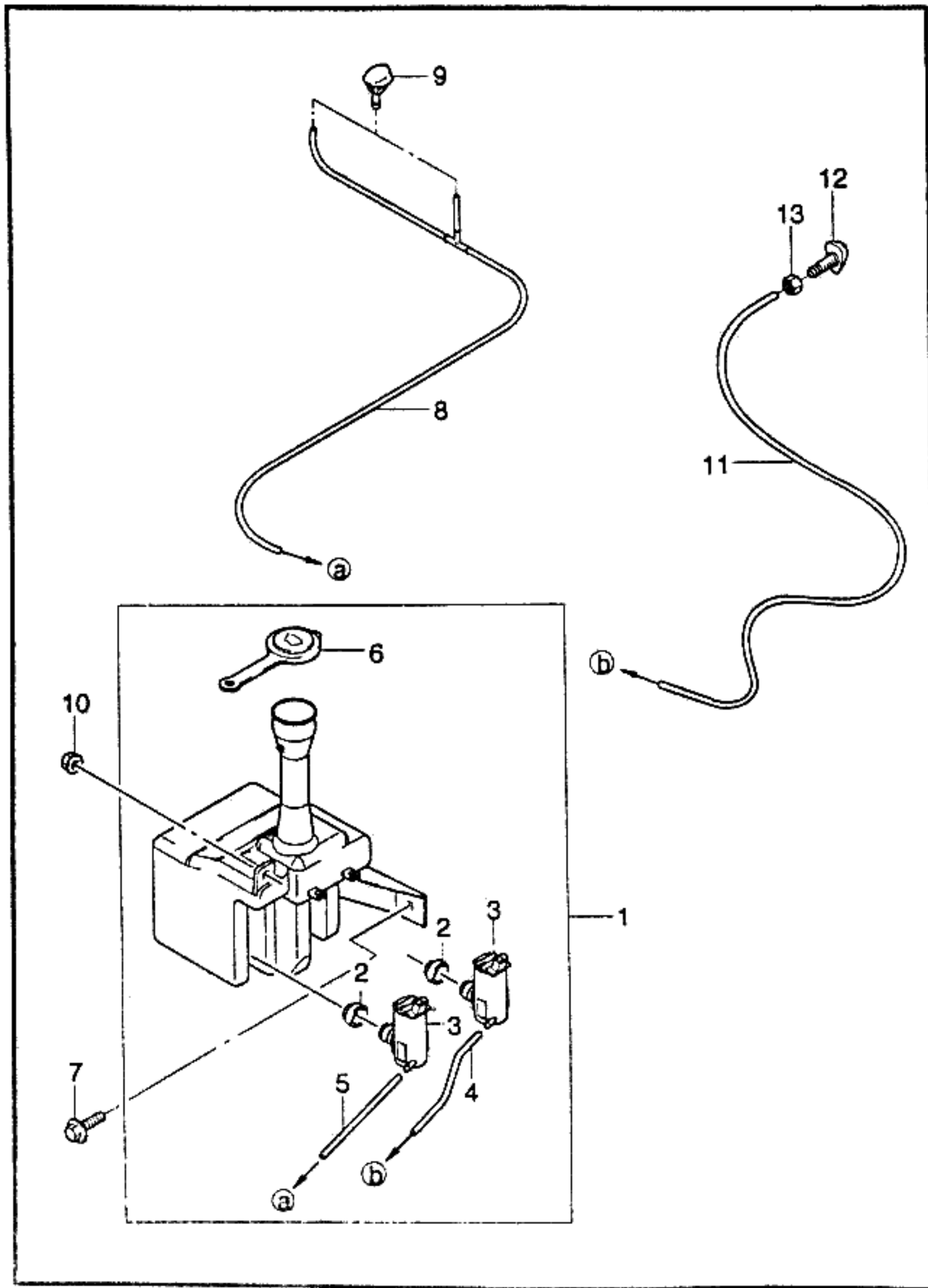
5320 BACK WINDOW WIPER

4N16

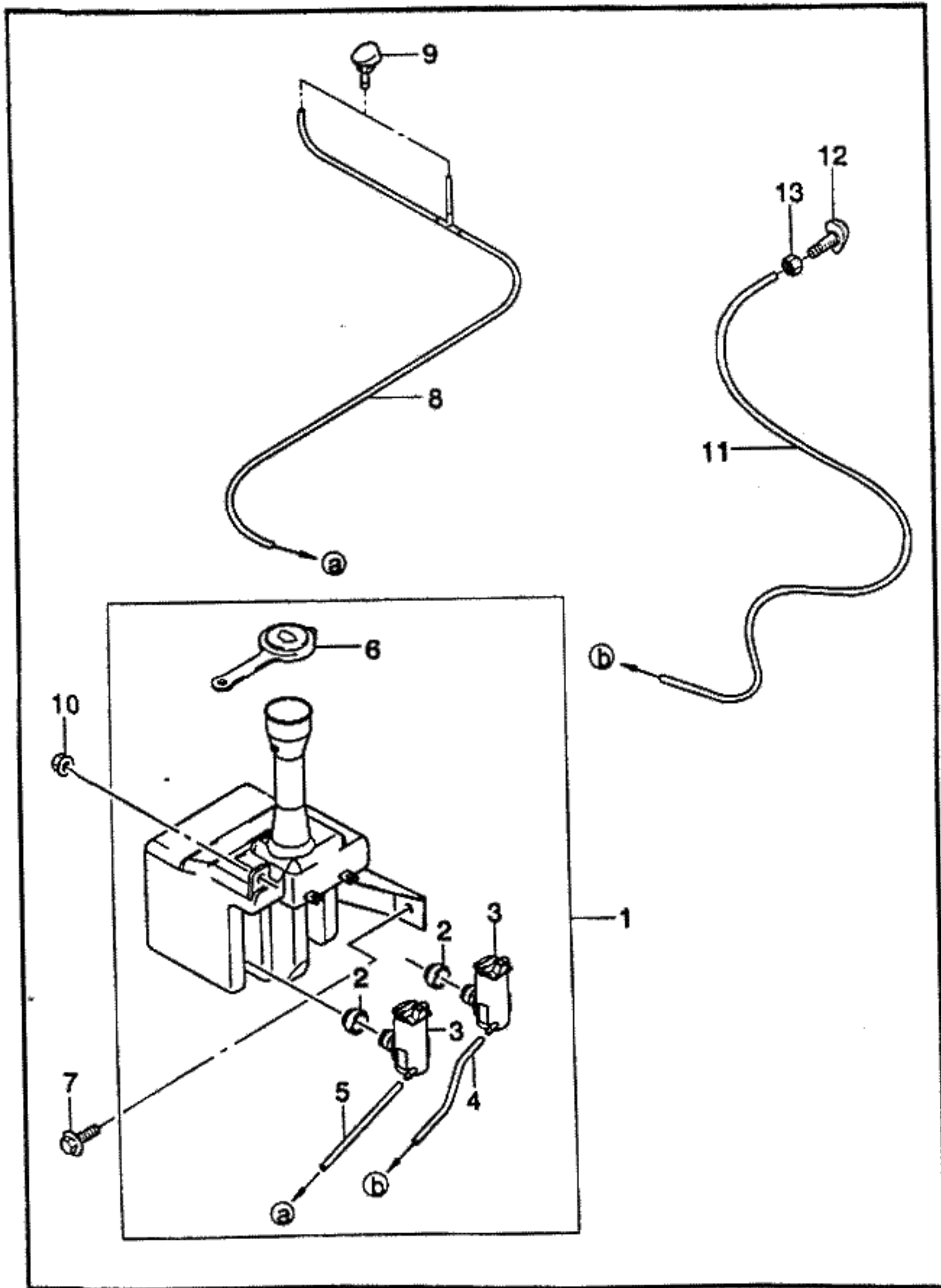


KEY NO.	PART NAME										P / CODE	
	PART NO	MODEL				OPTION	L / Q / R	EFFECTIVE DATE		REMARKS		
		E	T	BODY				LEVEL	FROM			TO
N	G	4	3	5	S	S	S	X				
[01] 96303127	(E)MOTOR A-BACK WINDOW WIPER (D)MOTOR,SCHEIBENWISCHER									(F)MOTEUR-ESSUIE (S)MOTOR-LIMPIAPARABRISAS	1	BM
[02] 96303365	(E)ARM A-WIPER (D)ARM,SCHEIBENWISCHER									(F)BRAS-ESSUIE-GLACE (S)BRAZO-LIMPIAPARABRISAS	1	
[03] 96132997	(E)BLADE A-WIPER (D)SCHEIBENWISCHERGUMMI									(F)BALAI D'ESSUIE-GLACE (S)ESCOBILLA-LIMPIAPARABRISA	1	
[04] 96221124	(E)GROMMET-WIPER MOTOR (D)ÖSE									(F)VIROLE (S)AISLANTE	1	
[05] 08316-25063	(E)NUT-HEXAGON FLANGE (D)MUTTER									(F)ECROU (S)TUERCA	1	
[06] 96303372	(E)CAP-WIPER ARM (D)DECKEL,SCHEIBENWISCHER									(F)CHAPEAU (S)TAPA-LIMPIAPARABRISAS	1	E2

ENG(ENGINE)	T/A(TRANSAXLE)	BODY TYPE
Y = 1.5SOHC 6 = 1.6DOHC . = COMMON	M = MANUAL T/A A = AUTOMATIC T/A . = COMMON	4 N = 4 DOOR NOTCHBACK 3 H = 3 DOOR HATCHBACK 5 H = 5 DOOR HATCHBACK

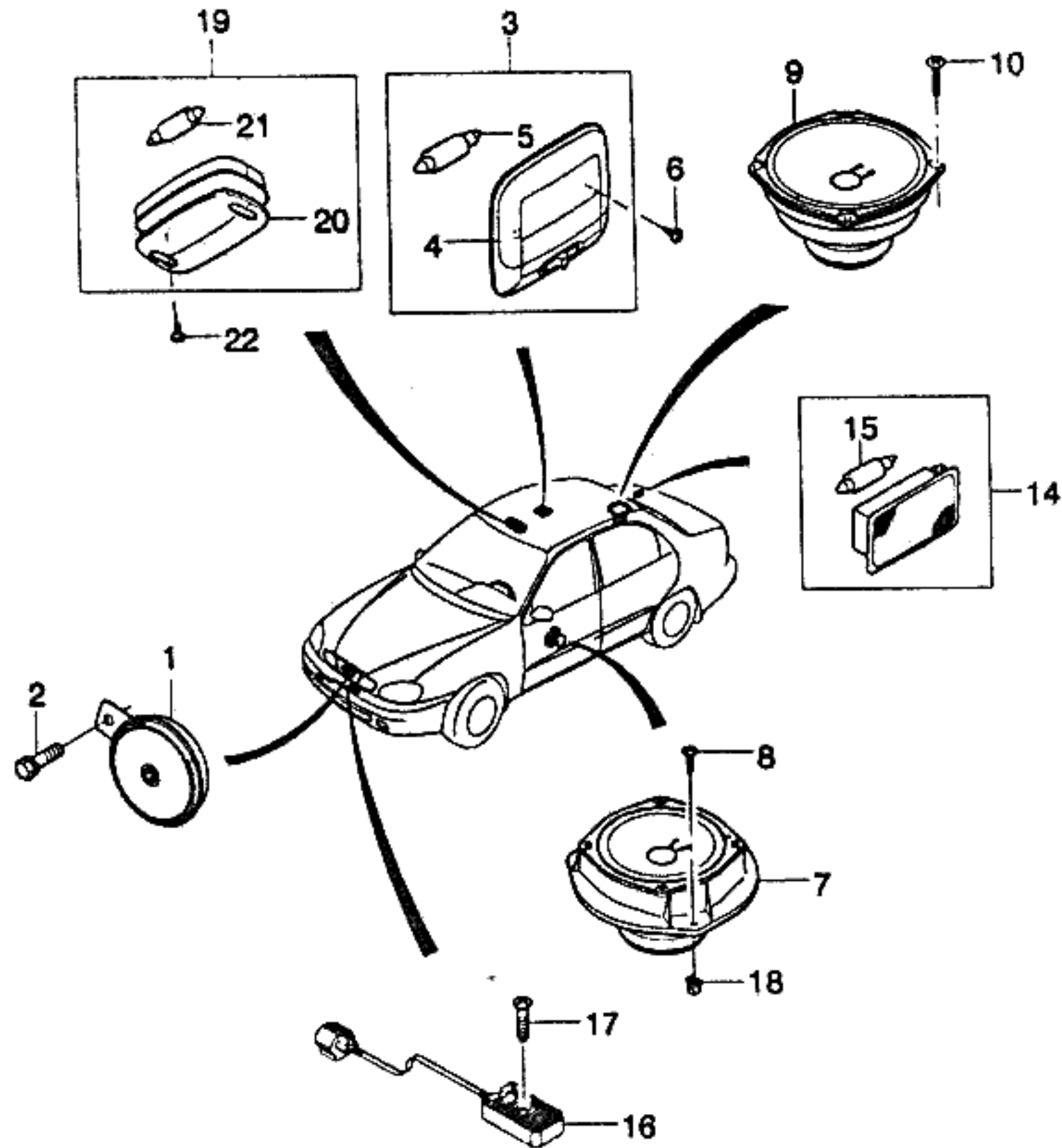


I T C	KEY NO.	PART NAME										REMARKS	P / C O D E		
		PART NO	MODEL					OPTION	L / R	Q T Y	EFFECTIVE DATE				
			E N G	T / A	BODY	LEVEL					FROM			TO	
	[01]	(E)RESERVOIR A-WINDSHIELD (D)BEHÄLTER							(F)RESERVOIR (S)RESERVA						
	96303534	. . . B . . . S S S -C25							1						RN
	96303535	. . . B B S . S &C25							1		970602				RB
	N 96255654	. . . B B S . S &C25							1	970602					
	[02]	(E)GROMMET-PUMP (D)ÖSE							(F)VIROLE (S)AISLANTE						
	96233400	. . . B . . . S S S -C25							1						
	96233400	. . . B B S . S &C25							2						
	[03]	(E)PUMP A (D)PUMPE,ELEKTRISCHE							(F)POMPE-LAVEUR ELECTRIQUE (S)BOMBA -LIMPIADOR						
	96190259	. . . B . . . S S S -C25							1						
	96190259	. . . B B S . S &C25							2						
	[04]	(E)HOSE A-RESERVOIR (D)SCHLAUCH,BEHÄLTER							(F)TUYAU-RESERVOIR (S)MANGUERA-RESERVA						
	96233398	. . . B B S . S &C25							1		970602	980mm			
	N T.B.D	. . . B B S . S &C25							1	970602		280mm			
	[05]	(E)HOSE A-RESERVOIR (D)SCHLAUCH,BEHÄLTER							(F)TUYAU-RESERVOIR (S)MANGUERA-RESERVA						
	96233397	. . . B B B S S S							1						
	[06]	(E)CAP-RESERVOIR (D)DECKEL,BEHÄLTER							(F)CHAPEAU-RESERVOIR (S)TAPA-RESERVA						
	96233396	. . . B B B S S S							1						
	[07]	(E)BOLT (D)SCHRAUBE							(F)BOULON (S)PERNO						
	09116-06024	. . . B B B S S S							1						WWASHER
	[08]	(E)HOSE A-HOOD (D)SCHLAUCH,HAUBE							(F)TUYAU-CAPOT (S)MANGUERA-CAPO						
		ENG(ENGINE)	T/A(TRANSAXLE)					BODY TYPE							
		Y = 1.5SOHC 6 = 1.6DOHC . = COMMON	M = MANUAL T/A A = AUTOMATIC T/A . = COMMON					4 N = 4 DOOR NOTCHBACK 3 H = 3 DOOR HATCHBACK 5 H = 5 DOOR HATCHBACK							



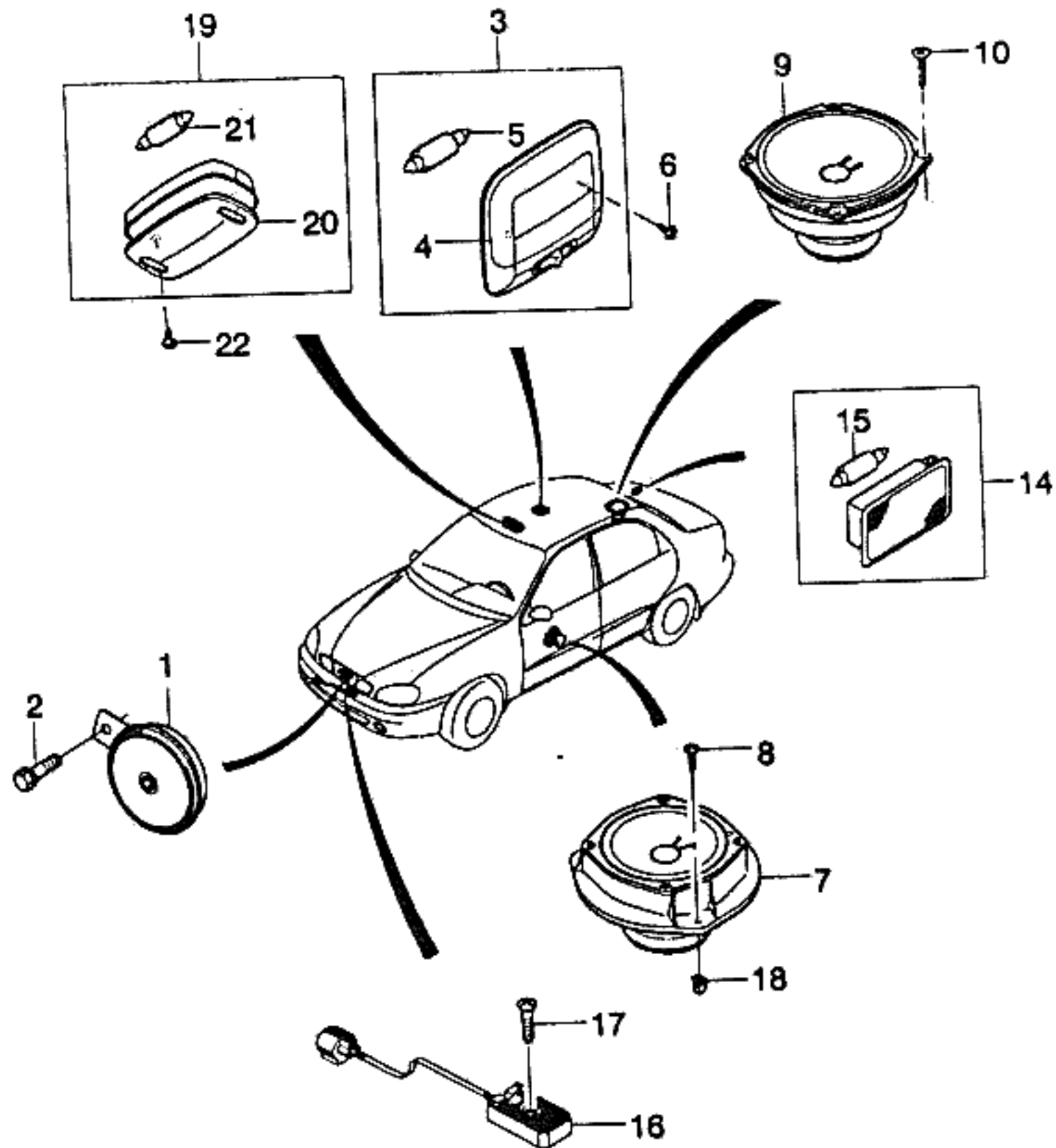
KEY NO.	PART NAME													
	PART NO	MODEL						OPTION	L / R	Q / Y	EFFECTIVE DATE		REMARKS	P / CODE
		E	T	BODY			LEVEL				FROM	TO		
N	G	4	3	5	S	S	S							
96304915		.	.	B	B	B	S	S	S		1	970502		
96252906		.	.	B	B	B	S	S	S		1	970502		
[09]													(E)NOZZLE A-WINDSHIELD WASHE (D)MÜNDUNG,WINDSCHUTZSCHEIBE	(F)BEC-LAVE (S)BOQUILLA-LIMPIAPARABRISAS
96231860		.	.	B	B	B	S	S	S		2			
[10]													(E)NUT-HEXAGON (D)MUTTER	(F)ECROU (S)TUERCA
08361-25063		.	.	B	B	B	S	S	S		2			WWASHER
[11]													(E)HOSE-REAR WASHER (D)SCHLAUCH	(F)TUYAU (S)MANGUERA
96242636		.	.	.	B	.	S	.	S	&C25	1			
96242637		B	S	.	S	&C25	1			
[12]													(E)NOZZLE A-REAR WASHER (D)MÜNDUNG,WASCHANLAGE	(F)BEC-LAVE-GLACE ARRIERE (S)BOQUILLA-LIMPIADOR
96303637		.	.	.	B	B	S	.	S	&C25	1			
[13]													(E)NUT (D)MUTTER	(F)ECROU (S)TUERCA
09159-08011		.	.	.	B	B	S	.	S	&C25	1			

ENG(ENGINE)	T/A(TRANSAXLE)	BODY TYPE
Y = 1.5SOHC 6 = 1.6DOHC . = COMMON	M = MANUAL T/A A = AUTOMATIC T/A . = COMMON	4 N = 4 DOOR NOTCHBACK 3 H = 3 DOOR HATCHBACK 5 H = 5 DOOR HATCHBACK



KEY NO.	PART NAME												
	PART NO	MODEL						OPTION	L / Q / R / Y	EFFECTIVE DATE		REMARKS	P / C / O / D / E
		E / N / G	T / A	BODY	LEVEL	FROM	TO						
[01]	(E)HORN A (D)HUPE							(F)AVERTISSEUR (S)BOCINA					
96242524	. . . B B B S S S						-2G3/U05	1	970609		FL		
96242619	. . . B B B A A A						&2G3-U05	1	970609		EL		
96242524	. . . B B B S S S							1	970609		FL		
96242525	. . . B B B A A A						&U05	1		NOT APPLIED	FH		
[02]	(E)BOLT (D)SCHRAUBE							(F)BOULON (S)PERNO					
09118-08003	. . . B B B S S S						-U05	1		W/WASHER			
09118-08003	. . . B B B A A A						&U05	2		NOT APPLIED			
[03]	(E)LAMP A-ROOM,CENTER (D)LAMPE,RAUM							(F)LAMPE-INTERIEUR (S)LAMPARA-CABINA					
96236130	. . . B B B S S S						-CF6	1					
[04]	(E)LENS-ROOM LAMP (D)OBJEKTIV							(F)LENTILLE (S)LENTE					
96230743	. . . B B B S S S						-CF6	1					
[05]	(E)BULB (D)BIJNE							(F)AMPOULE (S)BOMBILLA					
05404-10001	. . . B B B S S S						-CF8	1		10W(34mm)			
[06]	(E)SCREW-TAPPING (D)SCHRAUBE							(F)VIS (S)TORNILLO					
03170-42138	. . . B B B S S S						-CF8	2					
[07]	(E)SPEAKER A-FRONT (D)LAUTSPRECHER,VORNE							(F)HAUT-PARLEUR-AVANT (S)ALTAVOZ-FRENTE					
96303513	. . . B B B S S S							2					
[08]	(E)SCREW-TAPPING (D)SCHRAUBE							(F)VIS (S)TORNILLO					
03160-48165	. . . B B B S S S							6					

ENG(ENGINE)	T/A(TRANSAXLE)	BODY TYPE
Y = 1.5SOHC 6 = 1.6DOHC . = COMMON	M = MANUAL T/A A = AUTOMATIC T/A . = COMMON	4 N = 4 DOOR NOTCHBACK 3 H = 3 DOOR HATCHBACK 5 H = 5 DOOR HATCHBACK



KEY NO.	PART NAME												
	PART NO	MODEL						OPTION	L / Q R Y	EFFECTIVE DATE		REMARKS	P / C O D E
		E N /	T G	4 N	3 H	5 H	S S			S S	FROM		
[09]	(E)SPEAKER A-REAR (D)LAUTSPRECHER, HINTEN								(F)HAUT-PARLEUR-ARRIERE (S)ALTAVOZ-TRASERO				
96303515	. . . B . . . O O S &US8								2			STANDARD	ST
96303516	. . . B . . . O O &U83								2			DELUXE	DL
96216123 B B O . S &US8								2			STANDARD	HS
96216124 B B . . . O &U83								2			DELUXE	HD
[10]	(E)SCREW-TAPPING (D)SCHRAUBE								(F)VIS (S)TORNILLO				
03110-48095	. . . B B B O O S								8				
[14]	(E)LAMP A-TRUNK (D)LAMPE								(F)LAMPE (S)LAMPARA				
08972943	. . . B B B S S S								1	970602			
Y 96247398	. . . B B B S S S								1	970602			
[15]	(E)BULB (D)BIRNE								(F)AMPOULE (S)BOMBILLA				
05405-10001	. . . B B B S S S								1		10W(40mm)		
[16]	(E)RESISTOR (D)WIDERSTAND								(F)RESISTANCE (S)RESISTOR				
96190362	. . . B B B S S S &C46								1				
[17]	(E)BOLT-HEXAGON FLANGE (D)SCHRAUBE								(F)BOULON (S)PERNO				
01517-06353	. . . B B B S S S &C46								1				
[18]	(E)NUT-SPEED (D)MUTTER								(F)ECROU (S)TUERCA				
09148-04005	. . . B B B S S S								6				
[19]	(E)LAMP A-ROOM, FRONT (D)LAMPE, RAUM, VORNE								(F)LAMPE-INTERIEUR, AVANT (S)LAMPARA-CABINA, DELANTERO				
96238283	. . . B B B O O O &CF6								1				

ENG(ENGINE)

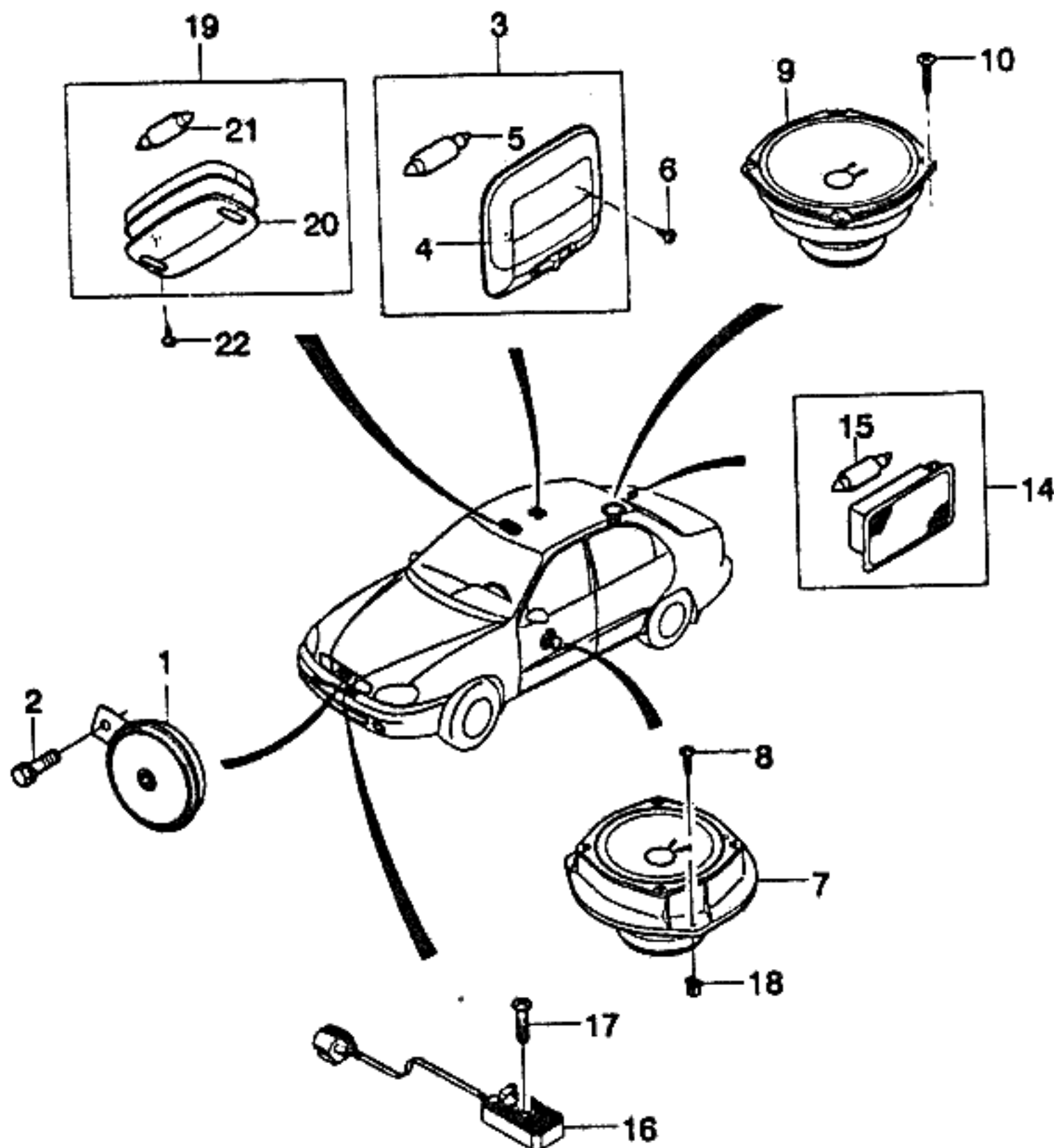
T/A(TRANSAXLE)

BODY TYPE

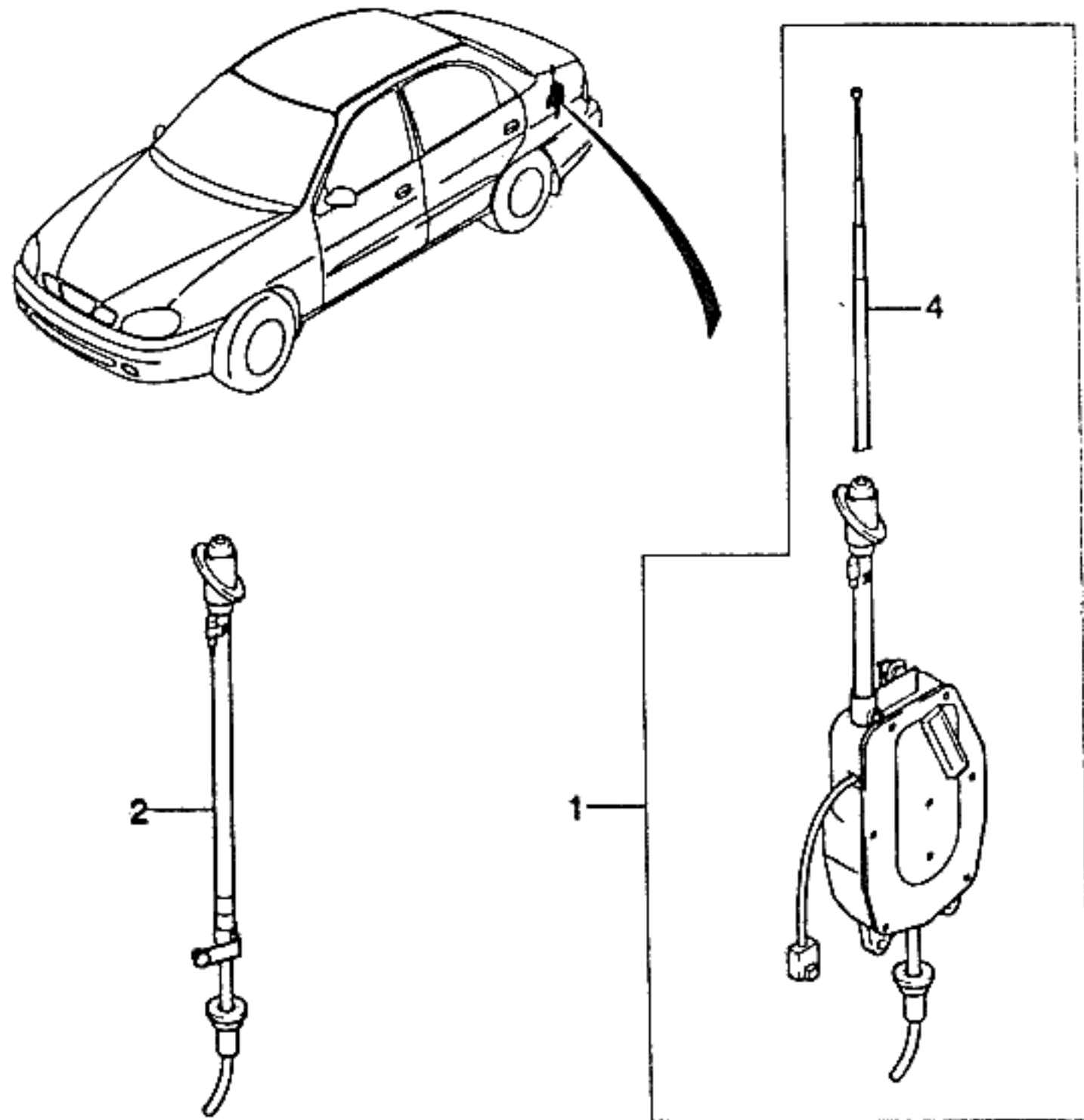
Y = 1.5SOHC
6 = 1.6DOHC
. = COMMON

M = MANUAL T/A
A = AUTOMATIC T/A
. = COMMON

4 N = 4 DOOR NOTCHBACK
3 H = 3 DOOR HATCHBACK
5 H = 5 DOOR HATCHBACK

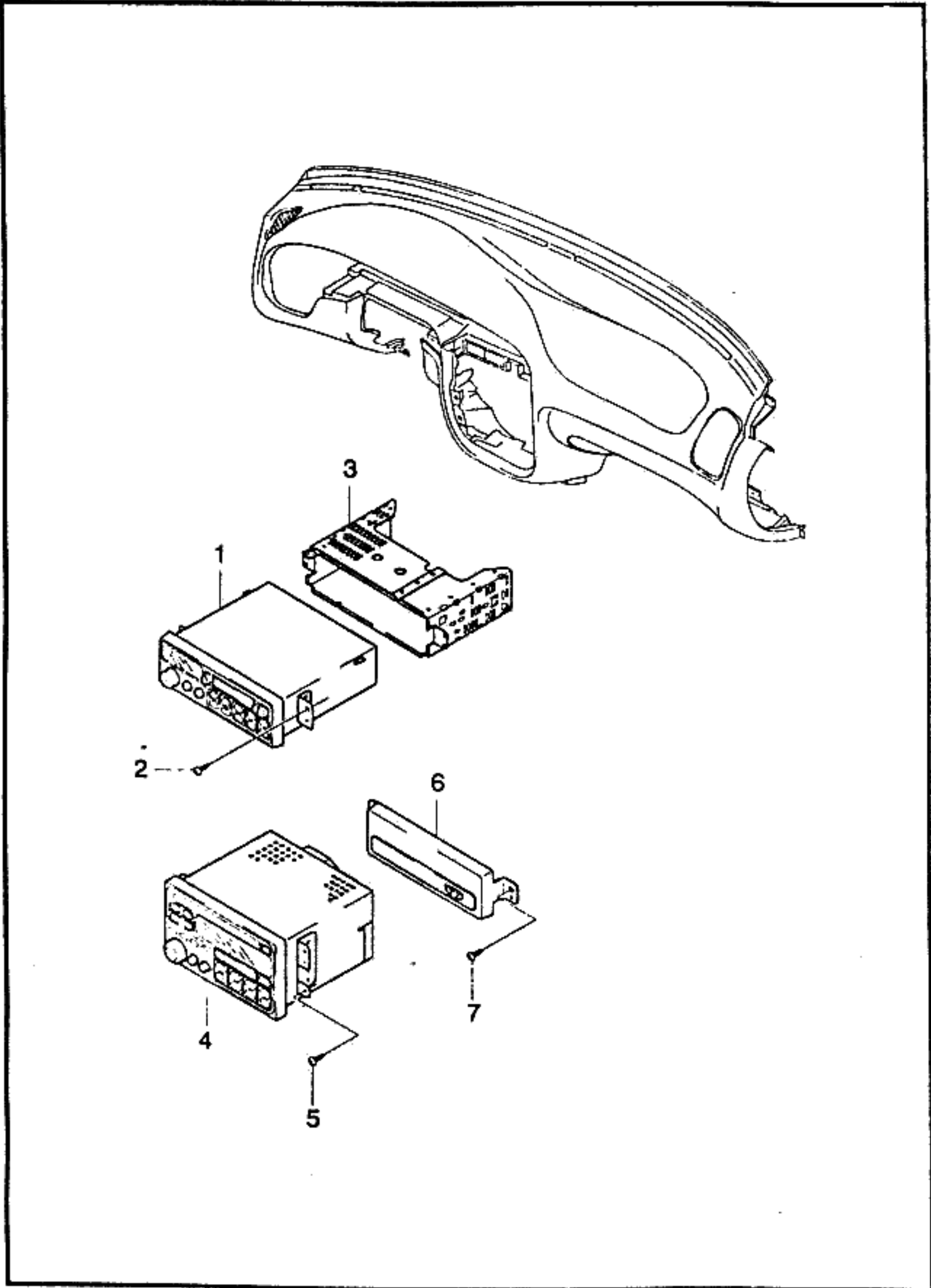


KEY NO.	PART NAME													
	PART NO	MODEL						OPTION	L / R	QTY	EFFECTIVE DATE		REMARKS	P / CODE
		E	T	BODY			LEVEL				FROM	TO		
N / G	A	4	3	5	H	S	S	S						
[20] 96238279	(E)LENS-ROOM LAMP,FRONT (D)OBJEKTIV	.	.	B	B	B	O	O	O	&CF6	(F)LENTILLE (S)LENTE	1		
[21] 05404-10001	(E)BULB (D)BRNE	.	.	B	B	B	O	O	O	&CF6	(F)AMPOULE (S)BOMBILLA	1	10W(34mm)	
[22] 03170-42138	(E)SCREW-TAPPING (D)SCHRAUBE	.	.	B	B	B	O	O	O	&CF6	(F)VIS (S)TORNILLO	2		
ENG(ENGINE)		T/A(TRANSAXLE)				BODY TYPE								
Y = 1.5SOHC 6 = 1.6DOHC . = COMMON		M = MANUAL T/A A = AUTOMATIC T/A . = COMMON				4 N = 4 DOOR NOTCHBACK 3 H = 3 DOOR HATCHBACK 5 H = 5 DOOR HATCHBACK								



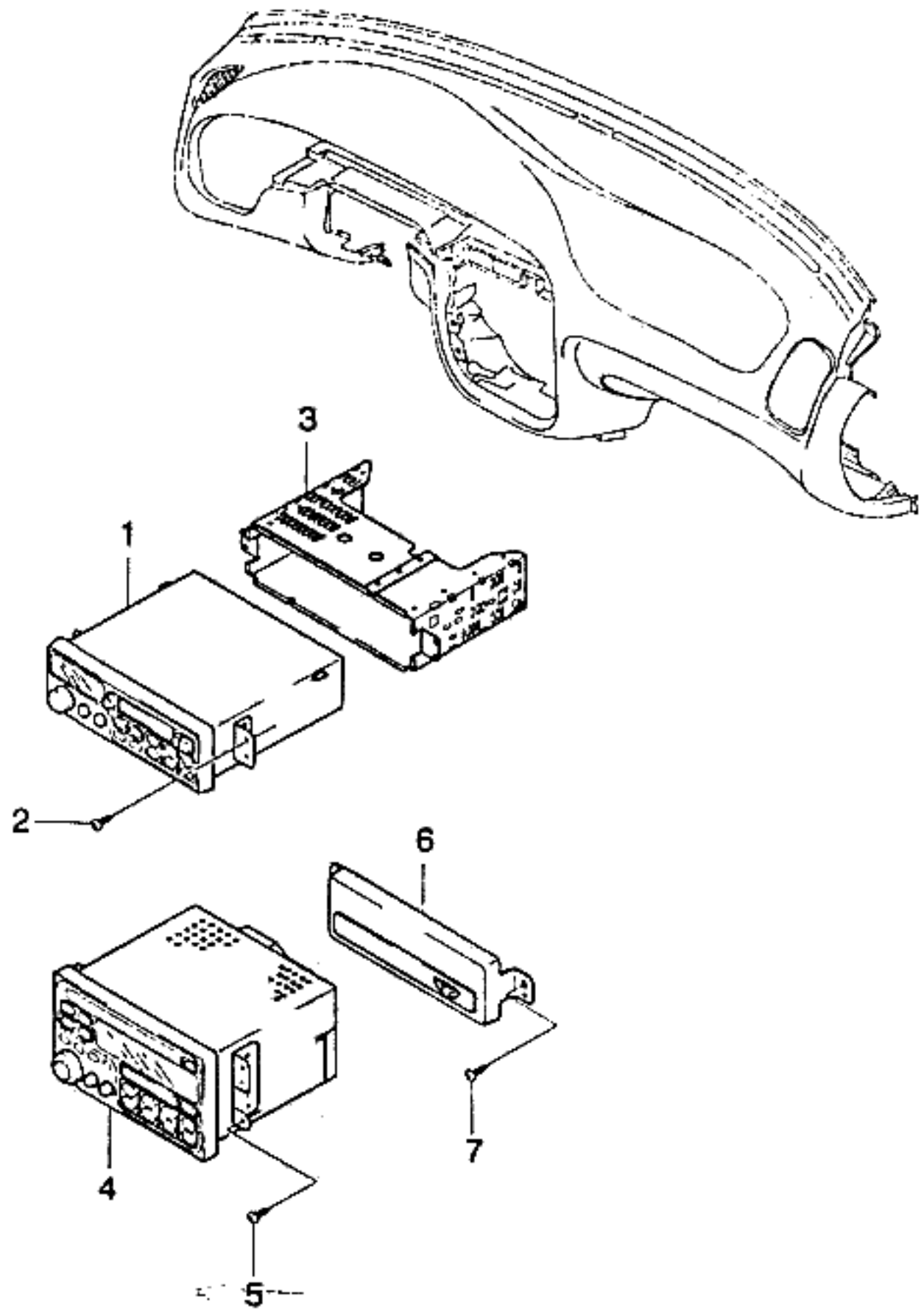
KEY NO.	PART NAME												
	PART NO	MODEL						OPTION	L / Q / R	EFFECTIVE DATE		REMARKS	P / C / O / D / E
		E	T	BODY			LEVEL			FROM	TO		
N	G	4	3	5	S	S	S						
[01]		(E)ANTENNA	A-AUTOMATIC								(F)ANTENNE-AUTOMATIQUE		
	96303522	(D)ANTENNE	AUTOMATISCH								(S)ANTENA-AUTOMATICO		
	96219197			B			S						AN
	96242523			B			S						AH
[02]		(E)ANTENNA	A-MANUAL								(F)ANTENNE-MANUELLE		
	96303521	(D)ANTENNE	MANUELLE								(S)ANTENA-MANUAL		
	96255031			B			S	S					MN
	96219195			B			S						NM
	96255032			B			S						MH
	96242521			B			S						3M
	96255033			B			S						M5
[04]		(E)POLE-ANTENNA									(F)HAMPE-ANTENNE		
	S5420004	(D)STAB,ANTENNE									(S)POSTE-ANTENA		
				B	B	B			S				5M

ENG(ENGINE)	T/A(TRANSAXLE)	BODY TYPE
Y = 1.5SOHC 6 = 1.6DOHC . = COMMON	M = MANUAL T/A A = AUTOMATIC T/A . = COMMON	4 N = 4 DOOR NOTCHBACK 3 H = 3 DOOR HATCHBACK 5 H = 5 DOOR HATCHBACK



KEY NO.	PART NAME													
	PART NO	MODEL						OPTION	L / R	QTY	EFFECTIVE DATE		REMARKS	P / CODE
		E T	BODY			LEVEL					FROM	TO		
N / G	4	3	5	S	S	S								
[01]	(E)CASSETTE (D)KASSETTE								(F)CASSETTE (S)CASETE					
96252563	. . . B B B O O O						&UNA-XLA/2G3		1				BA	
96242627	. . . B B B A A A						&UNA&2G3		1				BE	
96252737	. . . B B B A A A						&UNA&XLA		1				BL	
96248434	. . . B B B O O O						&UN1-XLA/2G3		1				SA	
96222377	. . . B B B A A A						&UN1&2G3		1				SE	
96222379	. . . B B B A A A						&UN1&XLA		1				SL	
96248432	. . . B B B . O O						&UN6-XLA/2G3		1				DD	
96312715	. . . B B B . A A						&UN6&2G3		1				WF	
96312721	. . . B B B . A A						&UN6&XLA		1				WK	
[02]	(E)SCREW (D)SCHRAUBE								(F)VIS (S)TORNILLO					
02116-05165	. . . B B B O O O						&UN1/UN6		2					
[03]	(E)FRAME-CASSETTE (D)RAHMEN-KASSETTE								(F)CADRE-CASSETTE (S)ARMADURA-CASETE					
96254552	. . . B B B S S S								1			A/S ONLY		
[04]	(E)PLAYER-COMPACT DISK (D)SPIELER, CD								(F)MAGNETOPHONE (S)PLACA-CD					
96252564	. . . B B B . O O						-XLA/2G3		1				CA	
96229570	. . . B B B . A A						&2G3		1				CE	
96229572	. . . B B B . A A						&XLA		1				CL	
[05]	(E)SCREW (D)SCHRAUBE								(F)VIS (S)TORNILLO					
02116-05165	. . . B B B . O O								4					
[06]	(E)COVER-BLANK,RADIO (D)DECKEL								(F)COUVERCLE (S)CUBIERTA					

ENG(ENGINE)	T/A(TRANSAXLE)	BODY TYPE
Y = 1.5SOHC 6 = 1.6DOHC . = COMMON	M = MANUAL T/A A = AUTOMATIC T/A . = COMMON	4 N = 4 DOOR NOTCHBACK 3 H = 3 DOOR HATCHBACK 5 H = 5 DOOR HATCHBACK



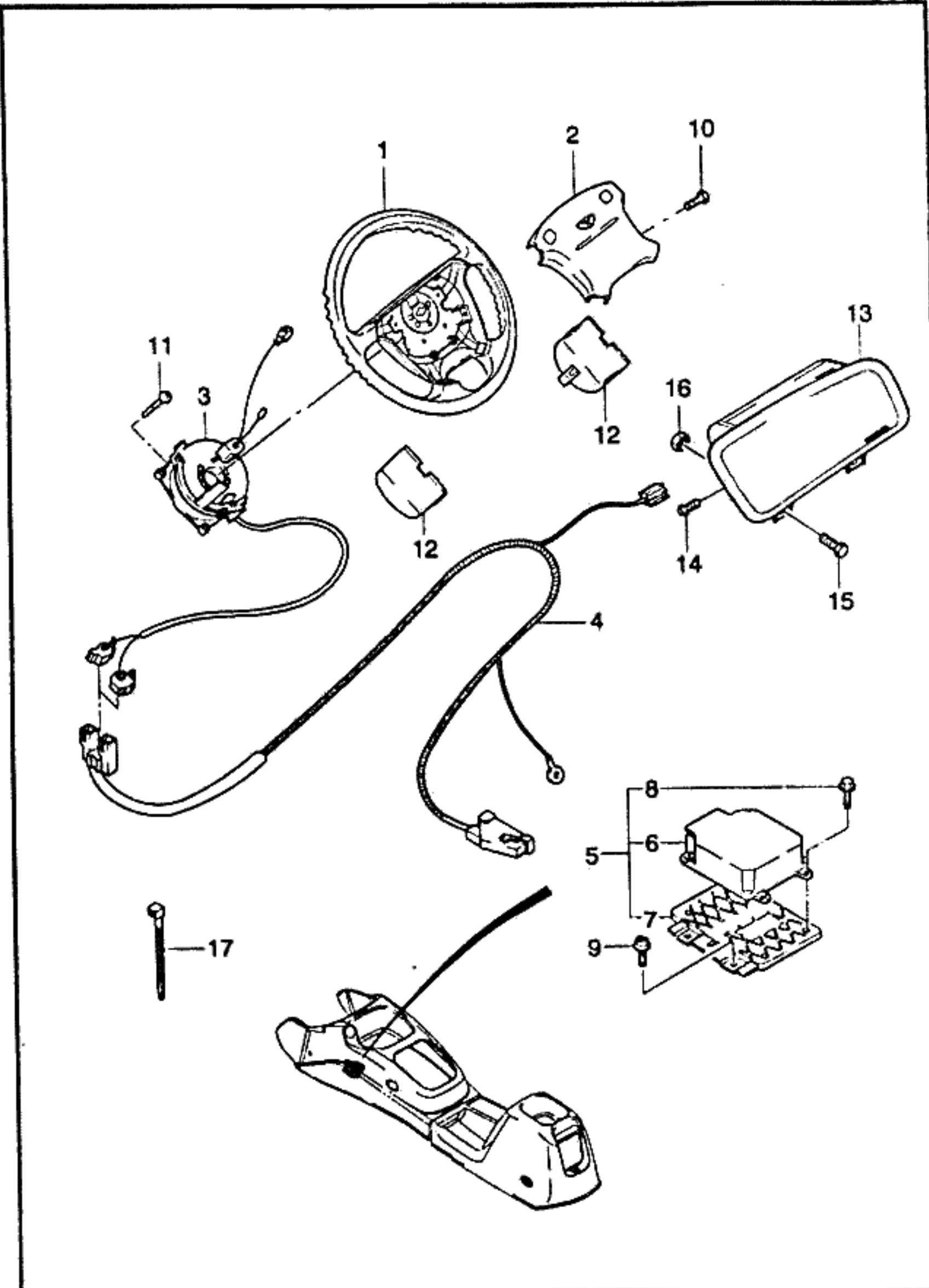
KEY NO.		PART NAME															
I T C	PART NO	MODEL						OPTION	L / R	Q T Y	EFFECTIVE DATE		REMARKS	P / C O D E			
		E N G	T / A	BODY			LEVEL				FROM	TO					
				4 N	3 H	5 H	S S								S S	X	
	96236135	.	.	B	B	B	S	S	S								
	[07]																
	02116-05165	.	.	B	B	B	S	S	S								

1
(F)VIS
(S)TORNILLO

2

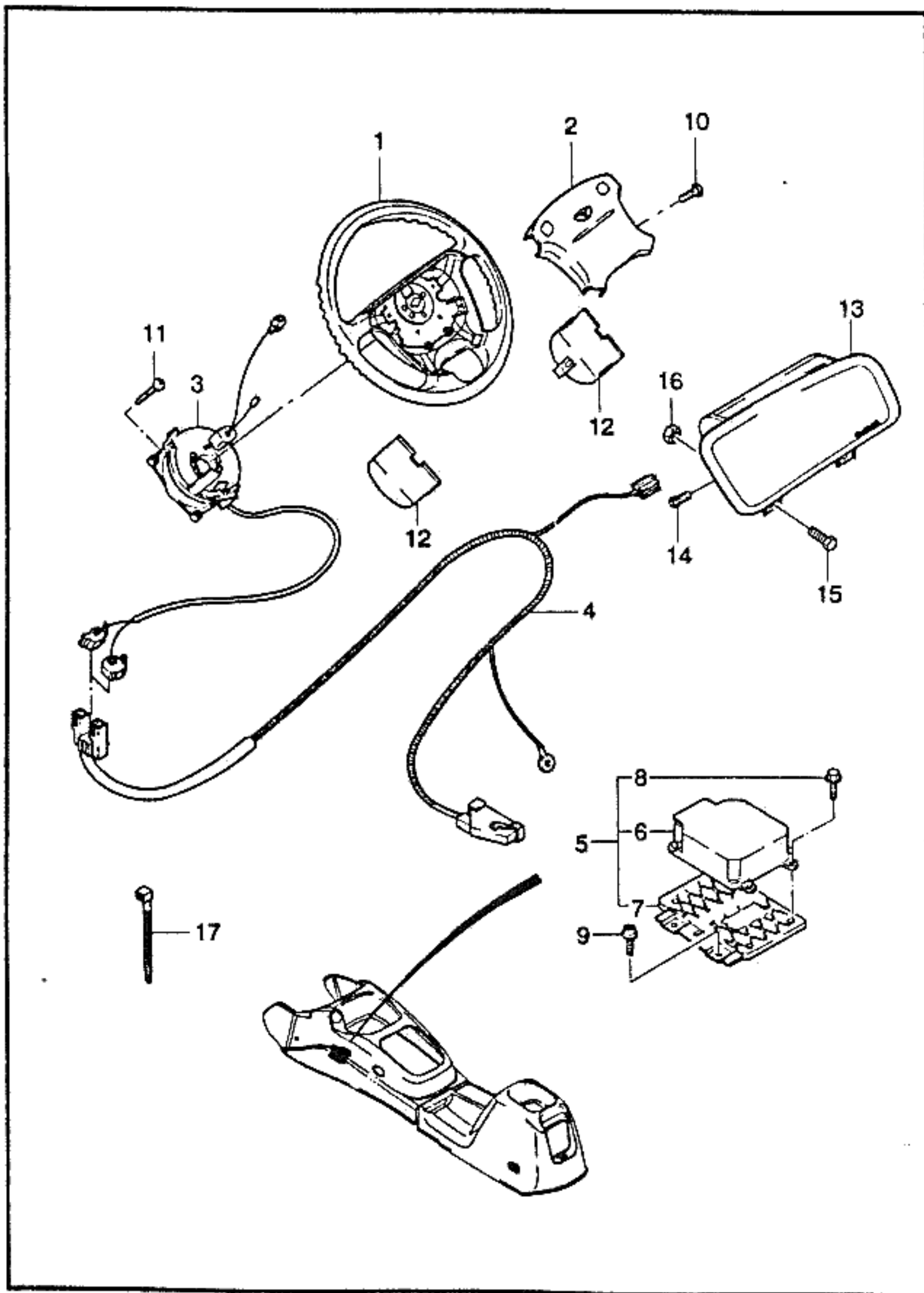
BR

ENG(ENGINE)	T/A(TRANSAXLE)	BODY TYPE
Y = 1.5SOHC 6 = 1.6DOHC . = COMMON	M = MANUAL T/A A = AUTOMATIC T/A . = COMMON	4 N = 4 DOOR NOTCHBACK 3 H = 3 DOOR HATCHBACK 5 H = 5 DOOR HATCHBACK



KEY NO.	PART NAME										REMARKS	P / CODE
	PART NO	MODEL			OPTION	L / R	QTY	EFFECTIVE DATE				
		E N G	B O D Y	L E V E L				FROM	TO			
[01]	(E)WHEEL A-STEERING,W/SIR (D)RAD,LENK										(F)VOLANT DE DIRECTION (S)RUEDA-VOLANTE	
96238765	. . . B B B . . . O O										1	HP
[02]	(E)MODULE-AIR BAG DRIVER (D)MODUL,AIR BAG										(F)MODULE-AIR BAG (S)MODULO-AIR BAG	
96220427	. . . B B B . . . O O										1	
[03]	(E)SPRING A-AIR BAG CLOCK (D)FEDERUNG										(F)RESSORT (S)RESORTE	
96230847	. . . B B B . . . O O										1	
[04]	(E)WIRING-AIR BAG (D)VERDRAHTUNG,AIR BAG										(F)CABLAGE (S)INSTALACION ELECTRICA	
96304225	. . . B B B . . . O O &AJ3										1	WE
96217551	. . . B B B . . . O O &ABF										1	WD
[05]	(E)MODULE-SENSOR&DIAGNOSTIC (D)MODUL,SENSOR&DIAGNOSTIK										(F)MODULE (S)MODULO	
96220438	. . . B B B . . . O O &AJ3										1	
96220425	. . . B B B . . . O O &ABF										1	
[06]	(E)MODULE-SENSOR&DIAGNOSTIC (D)MODUL,SENSOR&DIAGNOSTIK										(F)MODULE (S)MODULO	
96220439	. . . B B B . . . O O &AJ3										1	
96217003	. . . B B B . . . O O &ABF										1	
[07]	(E)BRACKET-AIR BAG MODULE (D)TRÄGER,AIR BAG MODUL										(F)SUPPORT (S)SOPORTE	
96217010	. . . B B B . . . O O										1	
[08]	(E)BOLT (D)SCHRAUBE										(F)BOULON (S)PERNO	
09119-06011	. . . B B B . . . O O										3	

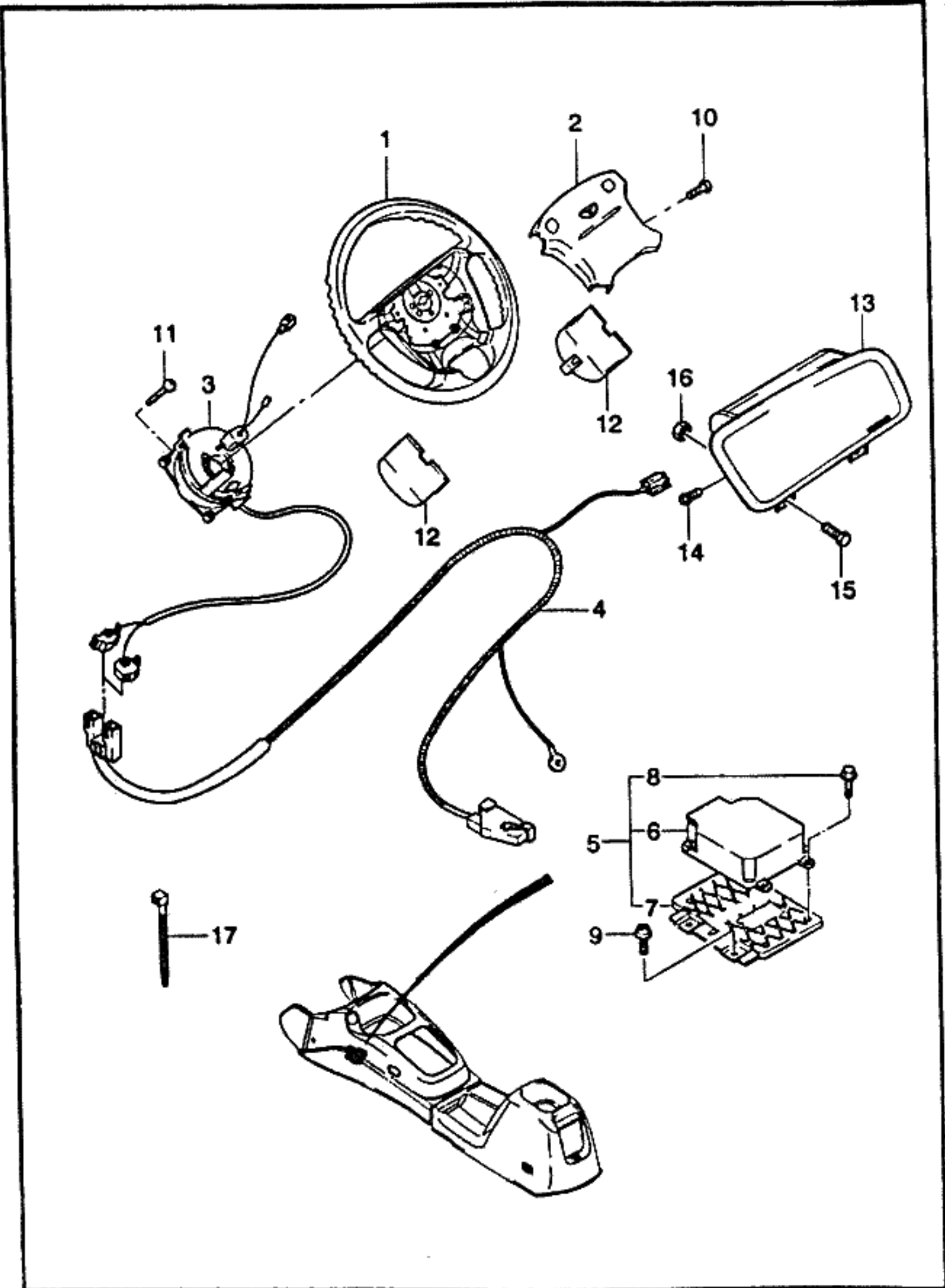
ENG(ENGINE)	T/A(TRANSAXLE)	BODY TYPE
Y = 1.5SOHC 6 = 1.6DOHC . = COMMON	M = MANUAL T/A A = AUTOMATIC T/A . = COMMON	4 N = 4 DOOR NOTCHBACK 3 H = 3 DOOR HATCHBACK 5 H = 5 DOOR HATCHBACK



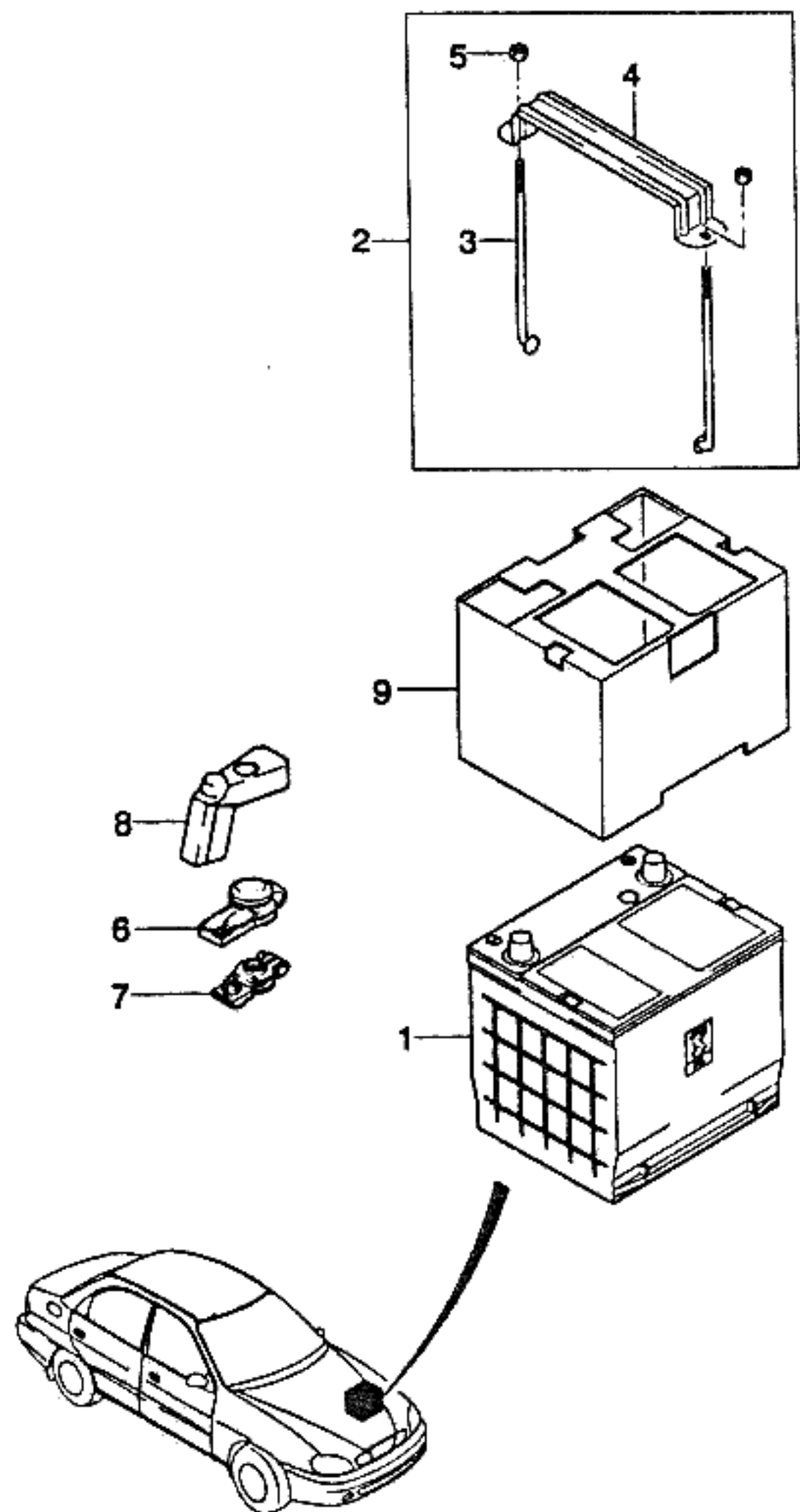
KEY NO.	PART NAME												
	PART NO	MODEL					OPTION	L / R	Q / T Y	EFFECTIVE DATE		REMARKS	P / C O D E
		E T	BODY			LEVEL				FROM	TO		
I T C	N / G A	4	3	5	H	S	S	S	X				
[09]	(E)BOLT (D)SCHRAUBE								(F)BOULON (S)PERNO				
09116-06027	. . B B B . O O								4			W W ASHER	
[10]	(E)BOLT (D)SCHRAUBE								(F)BOULON (S)PERNO				
96179417	. . B B B . O O								2			M B	
[11]	(E)SCREW-TAPPING (D)SCHRAUBE								(F)VIS (S)TORNILLO				
03110-48139	. . B B B . O O								4				
[12]	(E)CAP-STRG WHEEL (D)DECKEL							LWR COVER	(F)CHAPEAU (S)TAPA				
96238766	. . B B B . O O								LH 1				
96238767	. . B B B . O O								RH 1				
[13]	(E)MODULE-AIR BAG (D)MODUL,AIR BAG							PASSENGER	(F)MODULE-AIR BAG (S)MODULO-AIR BAG				
96220430	. . B B B . O O							&ABF-2G3	1				
96245086	. . B B B . A A							&ABF&2G3	1				
[14]	(E)BOLT (D)SCHRAUBE								(F)BOULON (S)PERNO				
09119-06011	. . B B B . O O							&ABF	4				
[15]	(E)BOLT (D)SCHRAUBE								(F)BOULON (S)PERNO				
09119-08013	. . B B B . O O							&ABF	2				
[16]	(E)NUT (D)MUTTER								(F)ECROU (S)TUERCA				
09159-08003	. . B B B . O O							&ABF	2				
[17]	(E)STRAP-MOUNTING (D)BAND,MONTAGE								(F)BRETTELLE-MONTAGE (S)BRIDA-MONTAJE				
	ENG(ENGINE)	T/A(TRANSAXLE)					BODY TYPE						
	Y = 1.5SOHC 6 = 1.6DOHC . = COMMON	M = MANUAL T/A A = AUTOMATIC T/A . = COMMON					4 N = 4 DOOR NOTCHBACK 3 H = 3 DOOR HATCHBACK 5 H = 5 DOOR HATCHBACK						

5510 AIR BAG SYSTEM

5M05

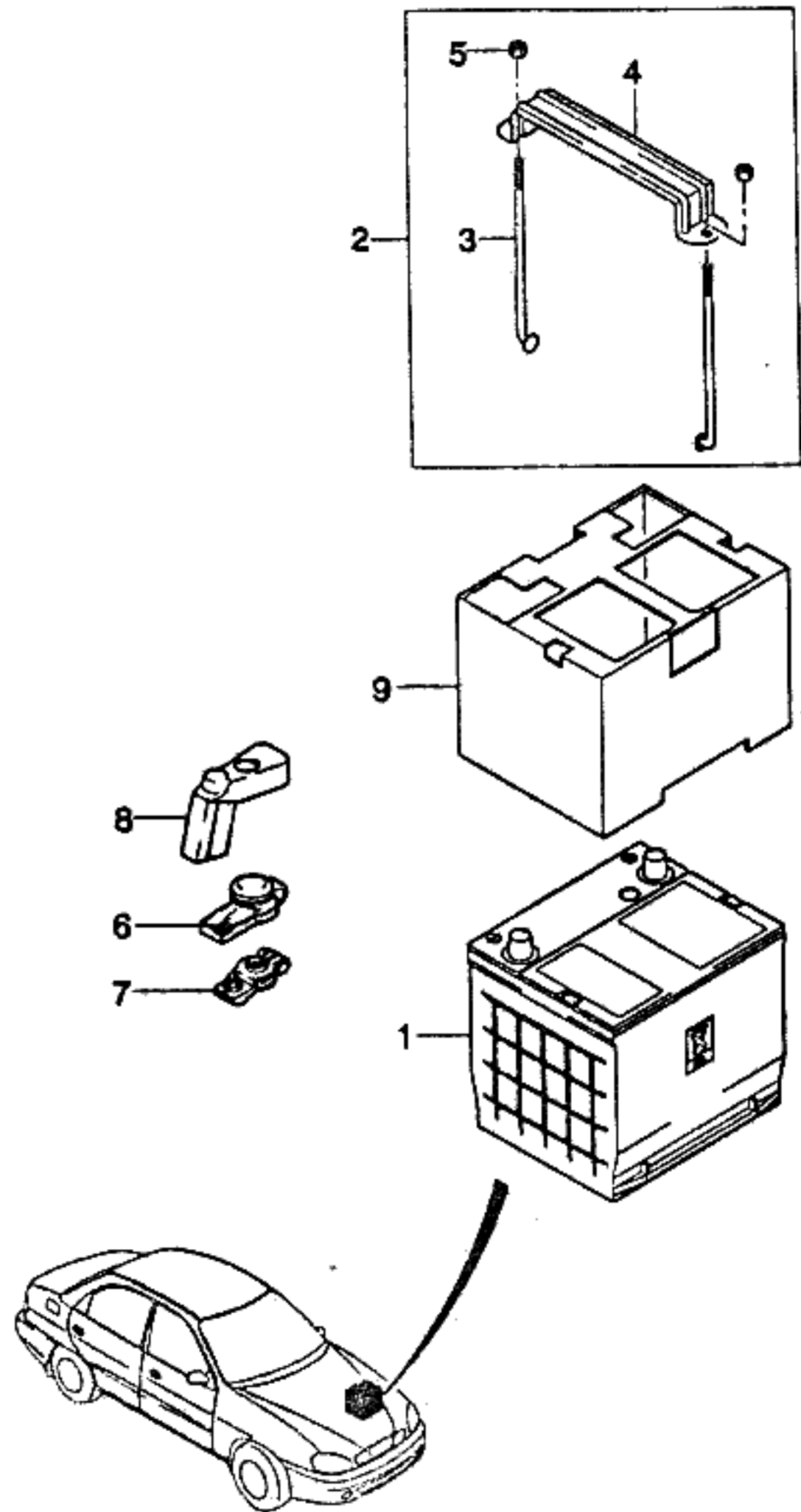


KEY NO.		PART NAME													
I T C	PART NO	MODEL					OPTION	L / R	Q T Y	EFFECTIVE DATE		REMARKS	P / C O D E		
		E N G	T / A	BODY						LEVEL				FROM	TO
				4 N	3 H	5 H				S S	S S				
	96224564	.	.	B	B	B	.	O	O	&ABF		1			
ENG(ENGINE)		T/A(TRANSAXLE)					BODY TYPE								
Y = 1.5SOHC 6 = 1.6DOHC . = COMMON		M = MANUAL T/A A = AUTOMATIC T/A . = COMMON					4 N = 4 DOOR NOTCHBACK 3 H = 3 DOOR HATCHBACK 5 H = 5 DOOR HATCHBACK								

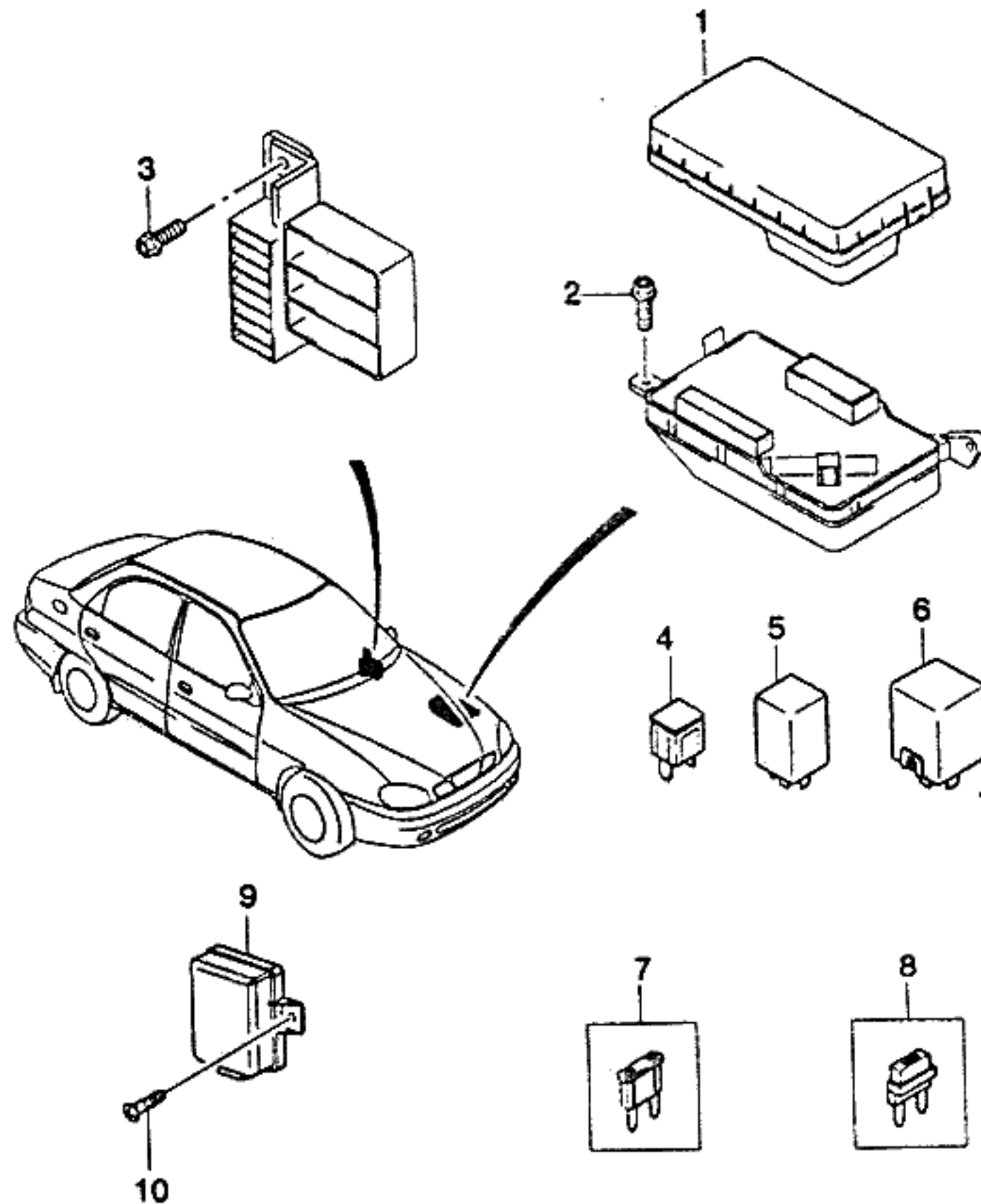


KEY NO.	PART NAME												
	PART NO	MODEL					OPTION	L / R	Q / T Y	EFFECTIVE DATE		REMARKS	P / C O D E
		E N G	T / A	B O D Y	L E V E L					FROM	TO		
[01]	(E)BATTERY A (D)BATTERIE							(F)BATTERIE (S)BATERIA					
96230966	. . . B B B S S S							1			55A		TB
96190267	. . . B B B A A A &XPH							1			45A		TA
[02]	(E)HOLDER A-BATTERY (D)BEHÄLTER							(F)MONTURE (S)RETNEDOR					
96190269	. . . B B B S S S							1					MS
[03]	(E)ROD-HOLDER (D)STAB,BATTERIE							(F)TRINGLE-BATTERIE (S)VARILLA-BATERIA					
96305846	. . . B B B S S S							2					
[04]	(E)BAR-HOLDER (D)STANGE							(F)BARRE (S)BARRA					
96305845	. . . B B B S S S							1					
[05]	(E)NUT-HEXAGON (D)MUTTER							(F)ECROU (S)TUERCA					
08361-25063	. . . B B B S S S							2				WWASHER	
[06]	(E)COVER-BATTERY TERMINAL (D)DECKEL,BATTERIE-PFOSTEN							(F)CHAPEAU-POLE DE BATTERIE (S)CUBIERTA					
96187088	. . . B B B S S S							1				(-) TERMINAL	
96187087	. . . B B B S S S							1				(+) TERMINAL	
[07]	(E)CONNECTOR A-BATTERY (D)VERBINDUNG,BATTERIE							(F)CONNECTEUR-BATTERIE (S)CONECTOR-BATERIA					
96187092	. . . B B B S S S							1				(-) TERMINAL	
96187093	. . . B B B S S S							1				(+) TERMINAL	
[08]	(E)CAP-BATTERY (D)DECKEL,BATTERIE-PFOSTEN							(F)CHAPEAU-POLE DE BATTERIE (S)TAPA					
96239892	. . . B B B S S S							1				(-) TERMINAL	
96239891	. . . B B B S S S							1				(+) TERMINAL	

ENG(ENGINE)	T/A(TRANSAXLE)	BODY TYPE
Y = 1.5SOHC 6 = 1.6DOHC . = COMMON	M = MANUAL T/A A = AUTOMATIC T/A . = COMMON	4 N = 4 DOOR NOTCHBACK 3 H = 3 DOOR HATCHBACK 5 H = 5 DOOR HATCHBACK

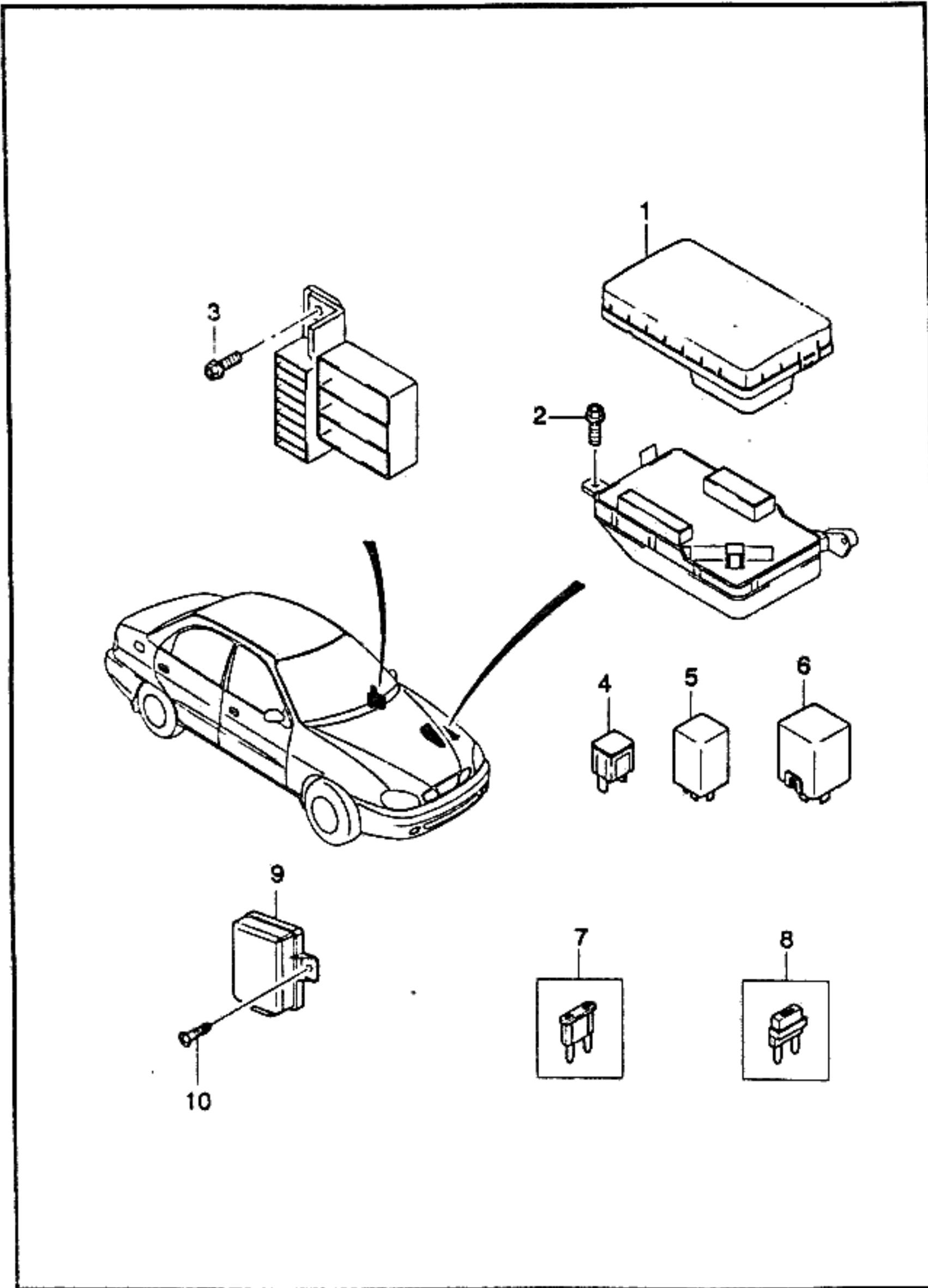


KEY NO.		PART NAME													
I T C	PART NO	MODEL						OPTION	L / R	Q T Y	EFFECTIVE DATE		REMARKS	P / C O D E	
		E N G	T / A	BODY			LEVEL				FROM	TO			
				4 N	3 H	5 H	S								S
	[09] 96303981	(E)SHIELD A-HEAT,BATTERY (D)SCHILD . . .	B	B	B	A	A	A	&XHA	(F)BOUCLIER (S)ESCUDO 1					
		ENG(ENGINE)			T/A(TRANSAXLE)			BODY TYPE							
		Y = 1.5SOHC 6 = 1.6DOHC . = COMMON			M = MANUAL T/A A = AUTOMATIC T/A . = COMMON			4 N = 4 DOOR NOTCHBACK 3 H = 3 DOOR HATCHBACK 5 H = 5 DOOR HATCHBACK							



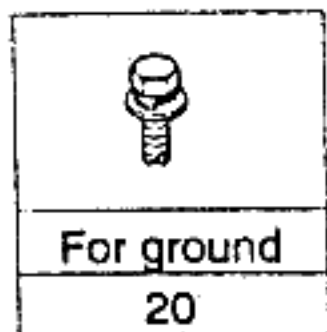
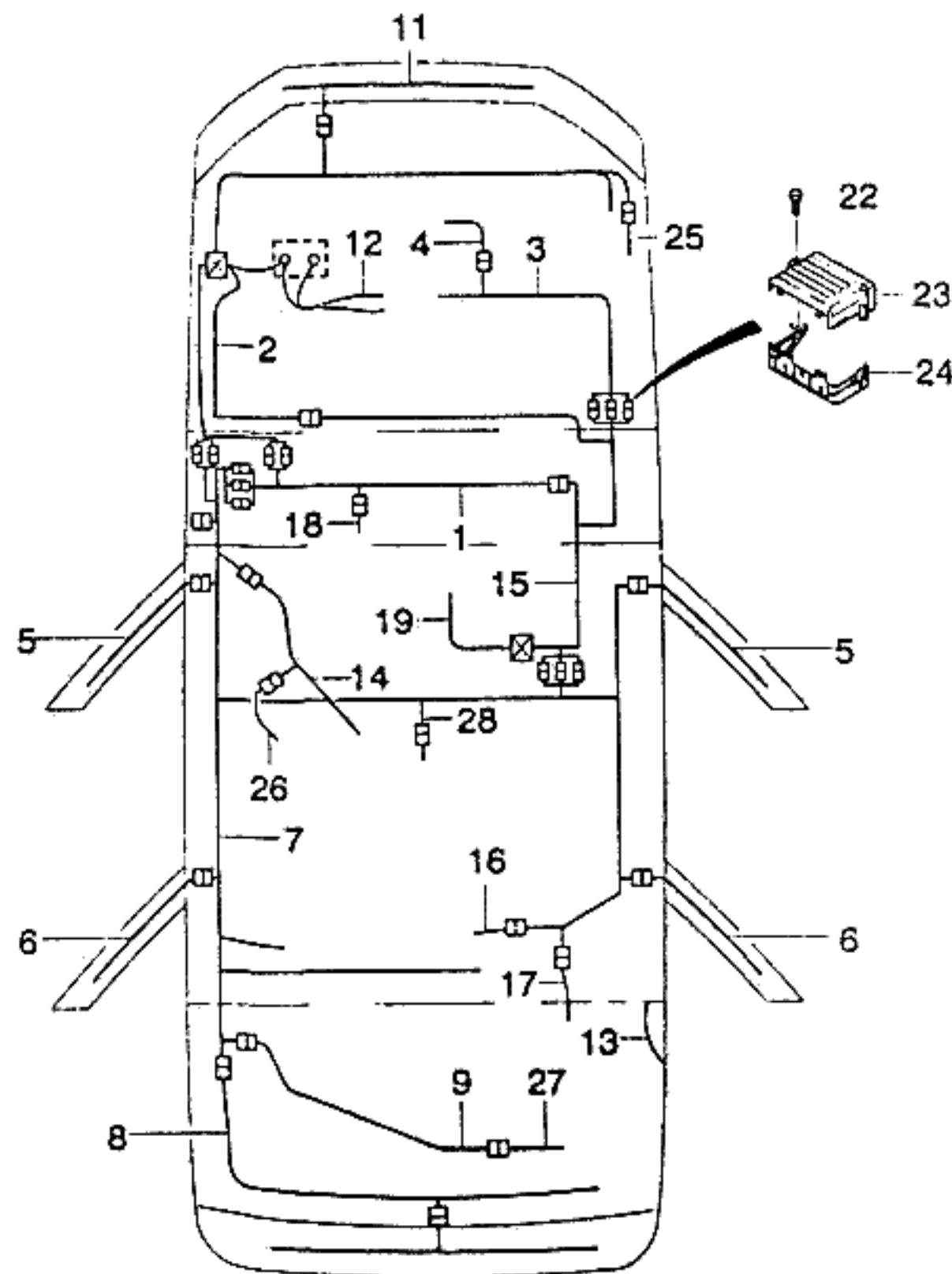
KEY NO.	PART NAME												
	PART NO	MODEL						OPTION	L / Q R / Y	EFFECTIVE DATE		REMARKS	P / C O D E
		E	T	BODY			LEVEL			FROM	TO		
N	G	4	3	5	S	S	S						
[01]	96245532	(E)COVER-FUSE BOX, UPPER (D)DECKEL									(F)CARTER (S)CUBIERTA		
[02]	01514-06165	(E)BOLT-HEXAGON FLANGE (D)SCHRAUBE									(F)BOULON (S)PERNO	1	
[03]	01514-06203	(E)BOLT-HEXAGON FLANGE (D)SCHRAUBE									(F)BOULON (S)PERNO	- 2	
[04]	61009	(E)FUSE-SLOW (D)SICHERUNG									(F)FUSIBLE (S)FUSIBLE	3	
	61010											1	20A
	61011											1	30A
	61001											1	40A
												1	80A
[05]	90229206	(E)RELAY A (D)RELAIS									(F)RELAJ (S)RELEVADOR	1	CLG FAN LOW
	90191753											1	FUEL PUMP
	90244312											1	A/C BLOWER
	96312300											1	INT. WIPER
	90229206											1	HEAD LAMP
	90229206											1	TAIL LAMP
	90244312											1	RR DEFOGGER
	90229206											1	HORN
	90244312											1	PWR WINDOW

ENG(ENGINE)	T/A(TRANSAXLE)	BODY TYPE
Y = 1.5SOHC 6 = 1.6DOHC . = COMMON	M = MANUAL T/A A = AUTOMATIC T/A . = COMMON	4 N = 4 DOOR NOTCHBACK 3 H = 3 DOOR HATCHBACK 5 H = 5 DOOR HATCHBACK



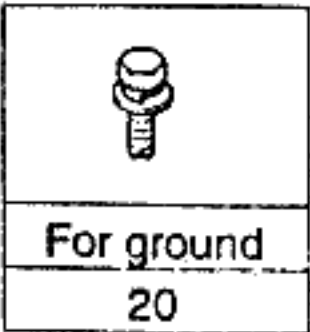
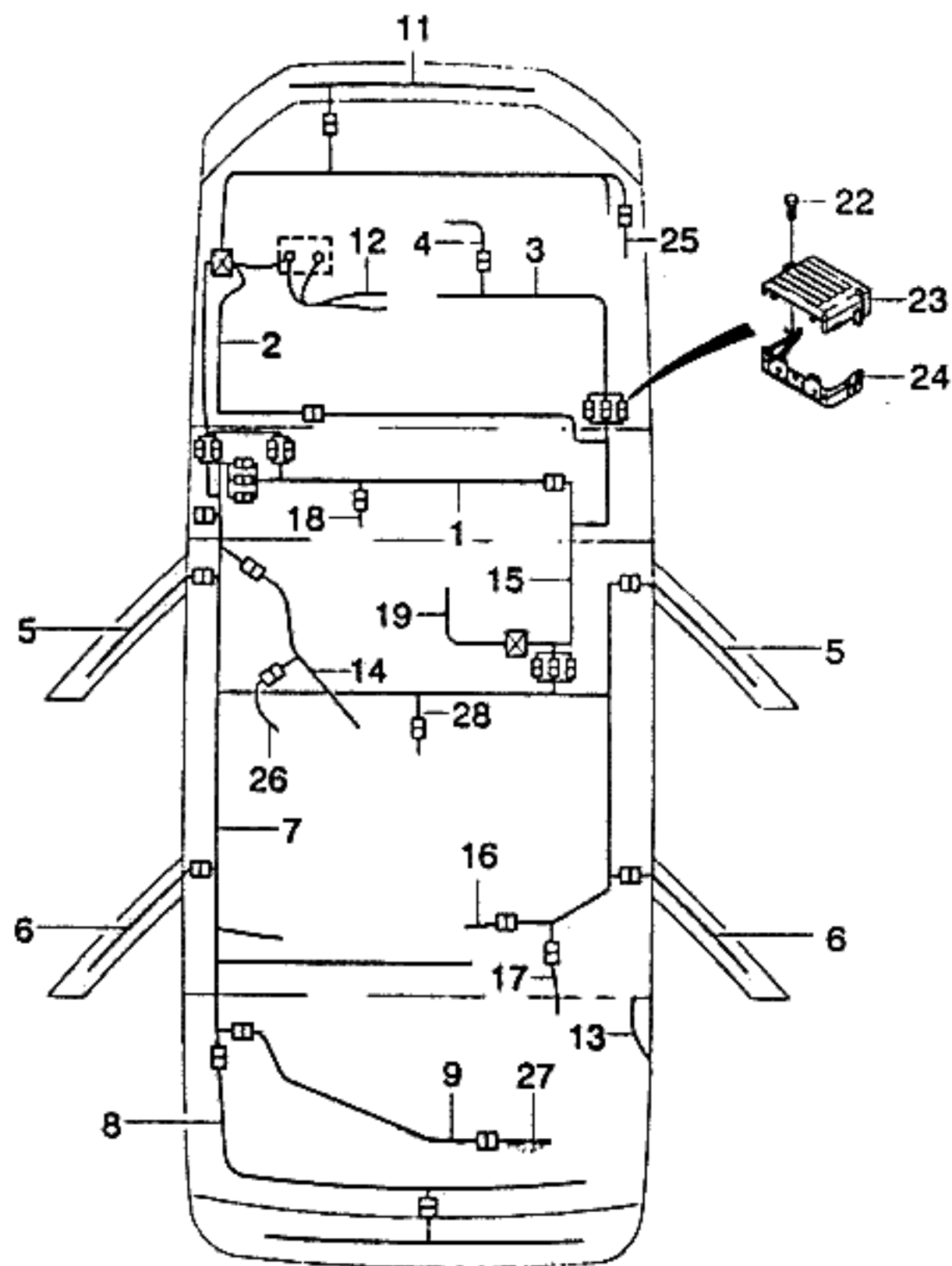
I T C	KEY NO.	PART NAME										REMARKS	P I C O D E	
		PART NO	MODEL					OPTION	L / R	Q T Y	EFFECTIVE DATE			
			E N G	T / A	BODY	LEVEL					FROM			TO
		4 N	3 H	5 H	S S S	S S S								
	90229206	. .	B	B	B	. .	O	&T97			1		FR FOG LAMP	
	90191753	. .	B	B	B	O	O	&C59/C60			1		CLG FAN	
	90244312	. .	B	B	B	O	O	&C59/C60			1		CLG FAN HIGH	
	90229206	. .	B	B	B	O	O	&C59/C60			1		COMPRESSOR	
	12088595	. .	B	B	B	. .	O	&JL9			1		ABS	
	96242630	. .	B	B	B	A	A	&T98			1		RR FOG LAMP	
	[06]							(E)BLINKER UNIT (D)BLINKER					(F)UNITE CLIGNOTANTE (S)UNIDAD INTERMITENTE	
	96312545	. .	B	B	B	S	S	S			1		2/4X21W	
	[07]							(E)FUSE-MINI (D)SICHERUNG					(F)FUSIBLE (S)FUSIBLE	
	96234924	. .	B	B	B	S	S	S			1		10AMP	
	96234923	. .	B	B	B	S	S	S			1		15AMP	
	96234922	. .	B	B	B	S	S	S			1		20AMP	
	96234921	. .	B	B	B	S	S	S			1		25AMP	
	[08]							(E)DIODE (D)DIODE					(F)DIODE (S)DIODE	
	96234932	. .	B	B	B	S	S	S			1			
	[09]							(E)MODULE A-CHIME BELL (D)MODUL.GLOCKE					(F)MODULE-CARILLON (S)MODULO-CAMPANA DE REPIQUE	
	96219056	. .	B	B	B	S	S	S	-U44		1			CN
	96223528	. .	B	B	B	A	A	A	&U44		1			CY
	[10]							(E)SCREW-TAPPING (D)SCHRAUBE					(F)VIS (S)TORNILLO	
	03112-42133	. .	B	B	B	S	S	S			2			

ENG(ENGINE)	T/A(TRANSAXLE)	BODY TYPE
Y = 1.5SOHC 6 = 1.6DOHC . = COMMON	M = MANUAL T/A A = AUTOMATIC T/A . = COMMON	4 N = 4 DOOR NOTCHBACK 3 H = 3 DOOR HATCHBACK 5 H = 5 DOOR HATCHBACK



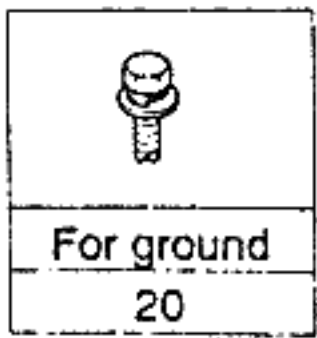
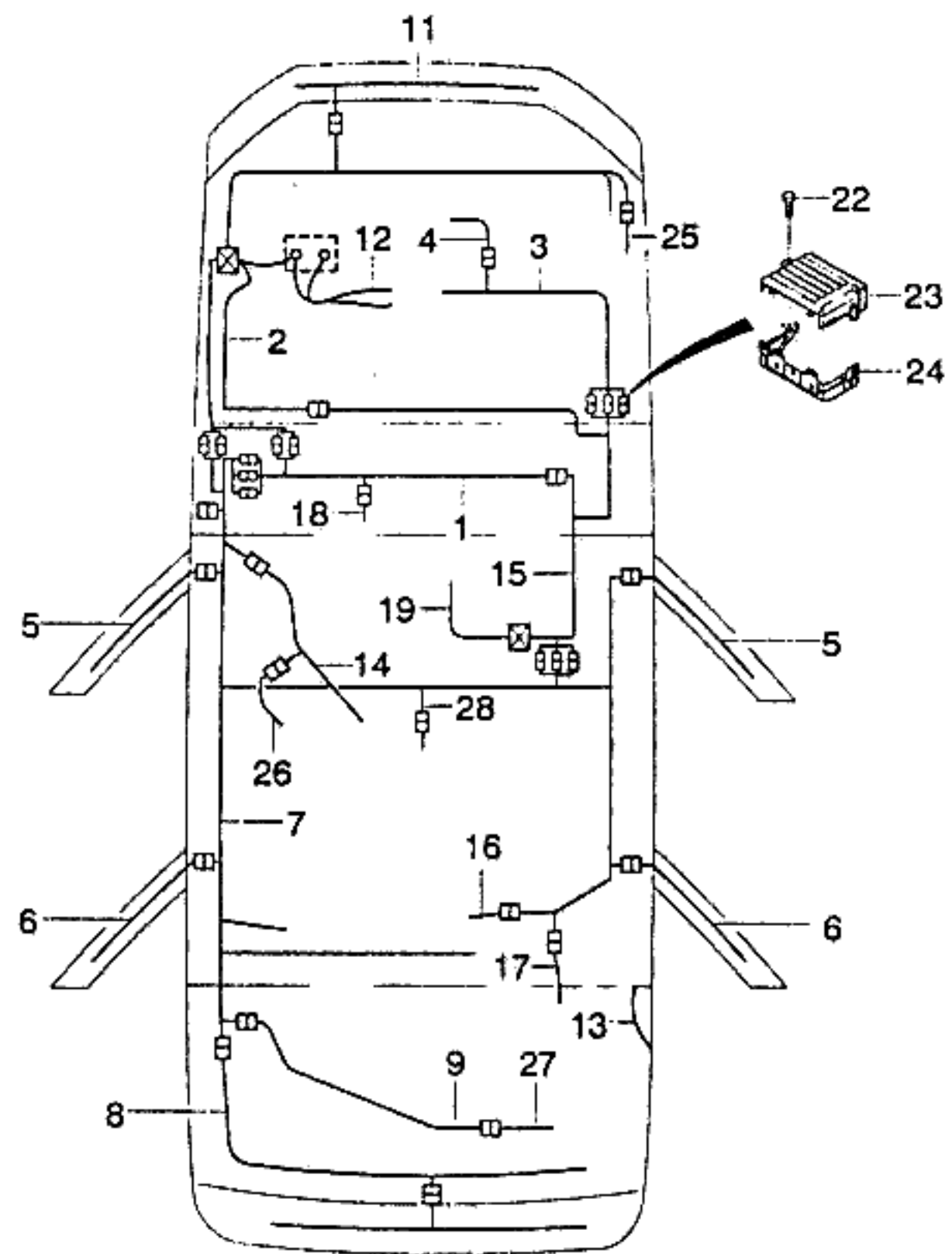
I T C	KEY NO.	PART NAME										L / R	Q T Y	EFFECTIVE DATE		REMARKS	P / C O D E
		PART NO	MODEL					OPTION	FROM	TO							
			E N G	T / A	B O D Y	L E V E L											
4	3	5	S	S	S												
	[01]	(E)WIRING-INSTRUMENT PANEL (D)VERDRAHTUNG, INSTRUMENTENB												(F)CABLAGE-TABLEAU DE BORD (S)INSTALACION ELECTRICA			
	96254088		B	B	B	S	S	S	&D39		1		970907		NM		
N	96258719		B	B	B	S	S	S	&D39		1	970901		FU			
	96254084		B	B	B	A	A	A	&D39&T98-HL4/UM1		1		970901	NH			
N	96258715		B	B	B	A	A	A	&D39&T98-HL4/UM1		1	970901		FQ			
	96254081		B	B	B	A	A	A	&D39		1		970901	FOR LITHUANIA, NE POLAND			
N	96258712		B	B	B	A	A	A	&D39		1	970901		FOR LITHUANIA, FM POLAND			
	96254082		B	B	B	A	A	A	&D39		1		970901	FOR ISRAEL			
N	96258713		B	B	B	A	A	A	&D39		1	970901		FOR ISRAEL			
	96254083		B	B	B	A	A	A	&D39&HL4&T98-UM1		1		970901	NG			
N	96258714		B	B	B	A	A	A	&D39&HL4&T98-UM1		1	970901		FP			
	96254086		B	B	B	A	A	A	&D39&UM1-HL4/T98		1		970901	NK			
N	96258717		B	B	B	A	A	A	&D39&UM1-HL4/T98		1	970901		FS			
	96254078		B	B	B	.	.	A	&DD4&UM1-HL4/T98		1			NB			
	96254080		B	B	B	.	.	O	&DD4		1			ND			
	96252219		B	B	B	.	.	A	&DD4&T98-HL4/UM1		1			JJ			
	96252216		B	B	B	.	.	A	&DD4		1			FOR LITHUANIA, JF POLAND			
	96252217		B	B	B	.	.	A	&DD4		1			FOR ISRAEL			
	96252218		B	B	B	.	.	A	&DD4&HL4&T98-UM1		1			JH			
	96254087		B	B	B	A	A	A	&D39&HL4-UM1/T98		1		970901	NOT APPLIED			
N	96258718		B	B	B	A	A	A	&D39&HL4-UM1/T98		1	970901		NOT APPLIED			

ENG(ENGINE)	T/A(TRANSAXLE)	BODY TYPE
Y = 1.5SOHC 6 = 1.6DOHC . = COMMON	M = MANUAL T/A A = AUTOMATIC T/A . = COMMON	4 N = 4 DOOR NOTCHBACK 3 H = 3 DOOR HATCHBACK 5 H = 5 DOOR HATCHBACK



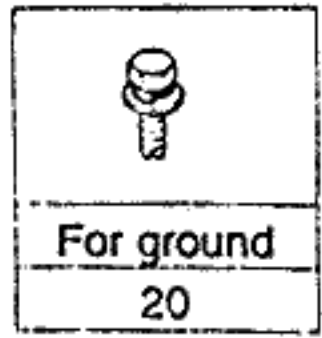
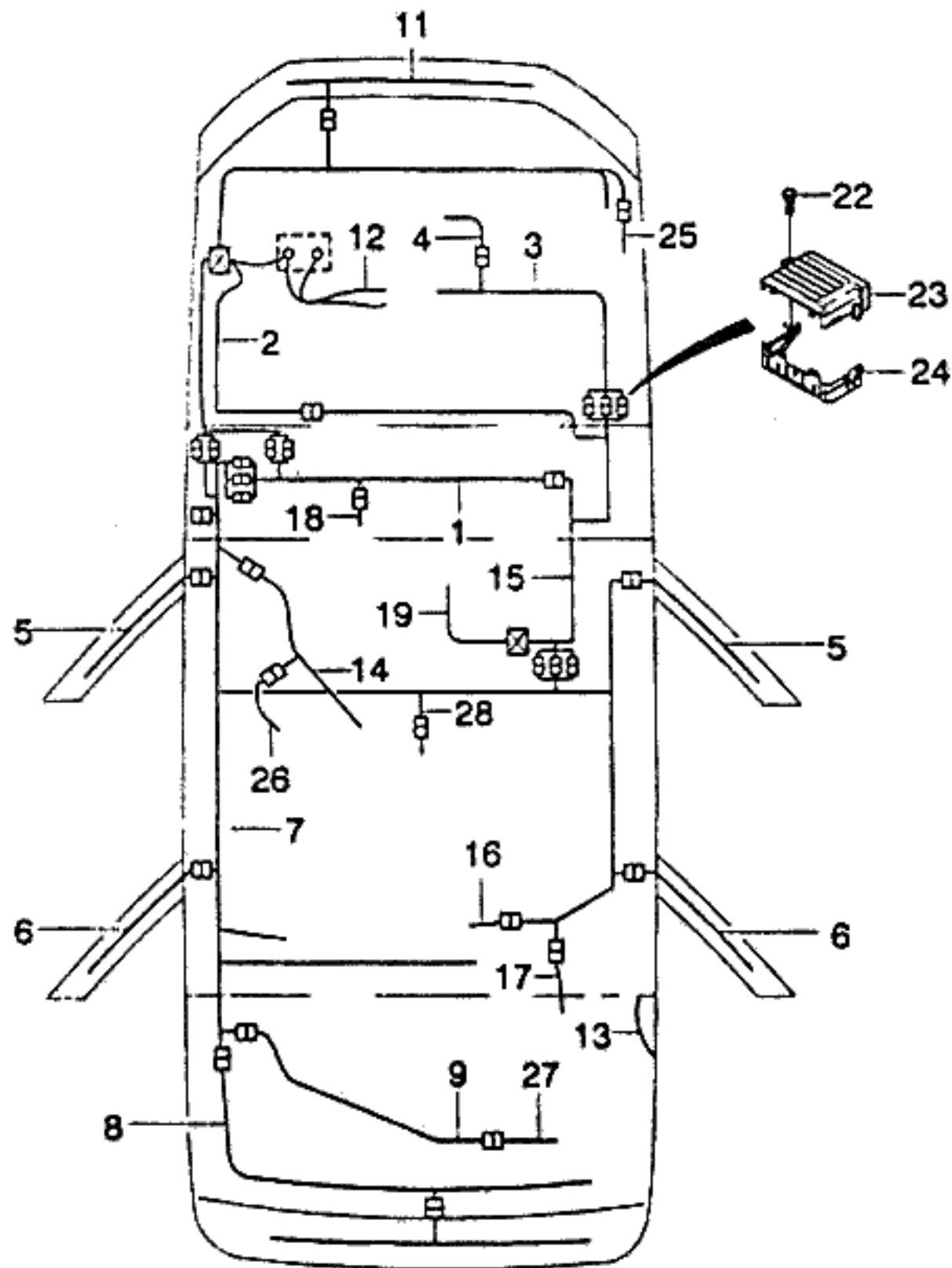
KEY NO.	PART NAME											P / CODE		
	PART NO	MODEL						OPTION	L / R	QTY	EFFECTIVE DATE		REMARKS	
		E N / G	T / A	4 N	3 H	5 H	LEVEL				S S S			S E X
96254077			B	B	B		A	&DD4&HL4&UM1-T98			1		NOT APPLIED	NA
96254079			B	B	B		A	&DD4&HL4-T98/UM1			1		NOT APPLIED	NC
[02]			(E)WIRING-FRONT (D)VERDRAHTUNG,VORNE									(F)CABLAGE-AVANT (S)INSTALACION ELECTRICA		
96252265			B	B	B	S	S S S	&C46-JL9/T97			1		SINGLE HORN	XR
96252257			B	B	B		O O	&C46&JL9-T97			1		SINGLE HORN	XH
96252263			B	B	B		O	&C46&T97-JL9			1		SINGLE HORN	XP
96252255			B	B	B		O	&C46&JL9&T97			1		SINGLE HORN	XF
96252261			B	B	B	O	O O O	&C59/C60-JL9/T97			1		SINGLE HORN	XM
96252253			B	B	B		O O	&C59/C60&JL9-T97			1		SINGLE HORN	XD
96252259			B	B	B		O	&C59/C60&T97-JL9			1		SINGLE HORN	XK
96252251			B	B	B		O	&C59/C60&JL9&T97			1		SINGLE HORN	XB
96255192			B	B	B		A	&C46-JL9/T97			1		FOR BRAZIL	K9
96255187			B	B	B		A	&C46&JL9&T97			1		FOR BRAZIL	J7
96255188			B	B	B		A	&C46&JL9-T97			1		FOR BRAZIL	J9
96255191			B	B	B		A	&C46&T97-JL9			1		FOR BRAZIL	K7
96255190			B	B	B		A	&C59/C60-JL9/T97			1		FOR BRAZIL	K5
96255185			B	B	B		A	&C59/C60&JL9&T97			1		FOR BRAZIL	J3
96255186			B	B	B		A	&C59/C60&JL9-T97			1		FOR BRAZIL	J5
96255189			B	B	B		A	&C59/C60&T97-JL9			1		FOR BRAZIL	K3
96252264			B	B	B	A	A A A	&C46-JL9/T97			1		NOT APPLIED	XQ
96252256			B	B	B		A A	&C46&JL9-T97			1		NOT APPLIED	XG
96252262			B	B	B		A	&C46&T97-JL9			1		NOT APPLIED	XN
96252254			B	B	B		A	&C46&JL9&T97			1		NOT APPLIED	XE

ENG(ENGINE)	T/A(TRANSAXLE)	BODY TYPE
Y = 1.5SOHC 6 = 1.6DOHC . = COMMON	M = MANUAL T/A A = AUTOMATIC T/A . = COMMON	4 N = 4 DOOR NOTCHBACK 3 H = 3 DOOR HATCHBACK 5 H = 5 DOOR HATCHBACK



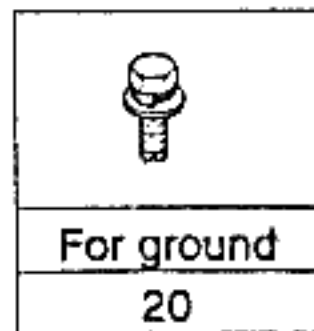
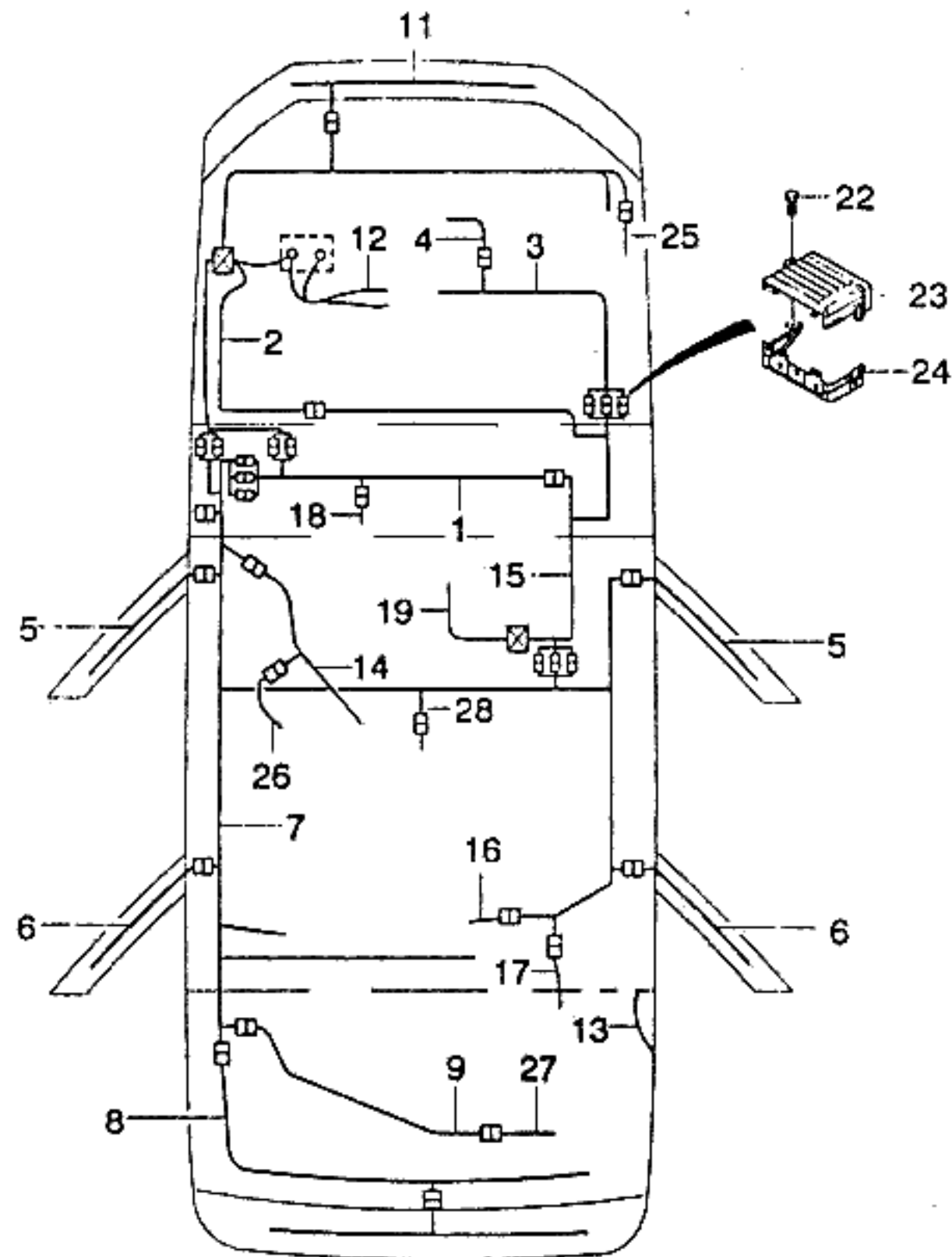
KEY NO.	PART NAME										REMARKS	P / CODE
	PART NO	MODEL			OPTION	L / R	QTY	EFFECTIVE DATE				
		E N / G A	4 3 5 N H H	LEVEL S S S E X				FROM	TO			
96252260		B	B	B	A	A	A	&C59/C60-JL9/T97	1		NOT APPLIED	XL
96252252		B	B	B	.	A	A	&C59/C60&JL9-T97	1		NOT APPLIED	XC
96252258		B	B	B	.	.	A	&C59/C60&T97-JL9	1		NOT APPLIED	XJ
96252250		B	B	B	.	.	A	&C59/C60&JL9&T97	1		NOT APPLIED	XA
[03]	(E)WIRING-ENGINE							(F)CABLAGE-MOTEUR.				
	(D)VERDRAHTUNG,MOTOR							(S)INSTALACION ELECTRICA				
96254117	Y M	B	B	B	S	S	S	&NN4-VB4	1			MG
96235335	Y M	B	B	B	A	A	A	&NN7	1			HN
96243365	Y M	B	B	B	A	A	A	&NN4&VB4	1			9D
96306006	Y M	B	B	B	A	A	A	&NN6	1			HA
96254118	Y A	B	B	B	O	O	O	&NN4-VB4	1			MH
96235336	Y A	B	B	B	A	A	A	&NN7	1			HP
96243366	Y A	B	B	B	A	A	A	&NN4&VB4	1			9E
96306007	Y A	B	B	B	A	A	A	&NN6	1			HB
96254119	6 M	B	B	B	.	.	S		1	970610		MJ
N 96255171	6 M	B	B	B	.	.	S	&NN4-VB4	1	970610		DP
96216498	6 M	B	B	B	.	.	A	&NN7	1			HF
96243367	6 M	B	B	B	.	.	A	&NN4&VB4	1			9F
96306008	6 M	B	B	B	.	.	A	&NN6	1			HC
96254120	6 A	B	B	B	.	.	O		1	970610		MK
N 96255172	6 A	B	B	B	.	.	O	&NN4-VB4	1	970610		DQ
96216499	6 A	B	B	B	.	.	A	&NN7	1			HG
96243368	6 A	B	B	B	.	.	A	&NN4&VB4	1			9G
96306009	6 A	B	B	B	.	.	A	&NN6	1			HD

ENG(ENGINE)	T/A(TRANSAXLE)	BODY TYPE
Y = 1.5SOHC 6 = 1.6DOHC . = COMMON	M = MANUAL T/A A = AUTOMATIC T/A . = COMMON	4 N = 4 DOOR NOTCHBACK 3 H = 3 DOOR HATCHBACK 5 H = 5 DOOR HATCHBACK



KEY NO.	PART NAME										REMARKS	P / CODE			
	PART NO	MODEL						OPTION	L / R	QTY			EFFECTIVE DATE		
		E N / G	T / A	4 N	3 H	5 H	LEVEL						FROM	TO	
[04]	(E)WIRING-FUEL INJECTION (D)VERDRAHTUNG,EINSPRITZ														
96239890	6 . B B B . . O														WE
[05]	(E)WIRING-FRONT DOOR (D)VERDRAHTUNG,VORDERTÜR														
96306030	. . B . B S S . &A30&D39-AU3														TS
96306027	. . B . B O O S &AU3														TN
96306032	. . B . B O O S &AU3&D39														5B
96306029	. . B . B O O . &AU3&A30&D39														TR
96306033	. . B . B O O . &AU3&A30&D39														5C
96306031	. . B . B . . O &AU3&DD4														5A
96227435	. . . B . S . . &A30&D39														5D
96227438	. . . B . O . S &AU3&A32														5E
96227443	. . . B . O . S &AU3&A32&D39														5F
96227445	. . . B . . . O &AU3&A32&DD4														5G
[06]	(E)WIRING-REAR DOOR (D)VERDRAHTUNG,HINTERTÜR														
96304236	B . B O O S &AU3-A31														TC
96250935	B . B . . O &AU3&A31														VR
[07]	(E)WIRING-FLOOR (D)VERDRAHTUNG,BODEN														
96252306	. . B . . S S . &A30-AU3JL9														LS
96252299	. . B . . . O . &AU3&A32&JL9														LK
96252302	. . B . . . O . &A30&JL9-AU3														LN
96252303	. . B . . . O . &AU3&A32-JL9														LP
96258765	. . B . . . O . &AU3&A31&JL9														EB

ENG(ENGINE)	T/A(TRANSAXLE)	BODY TYPE
Y = 1.5SOHC 6 = 1.6DOHC . = COMMON	M = MANUAL T/A A = AUTOMATIC T/A . = COMMON	4 N = 4 DOOR NOTCHBACK 3 H = 3 DOOR HATCHBACK 5 H = 5 DOOR HATCHBACK

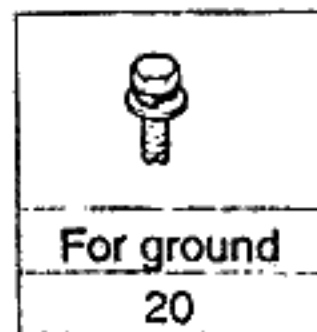
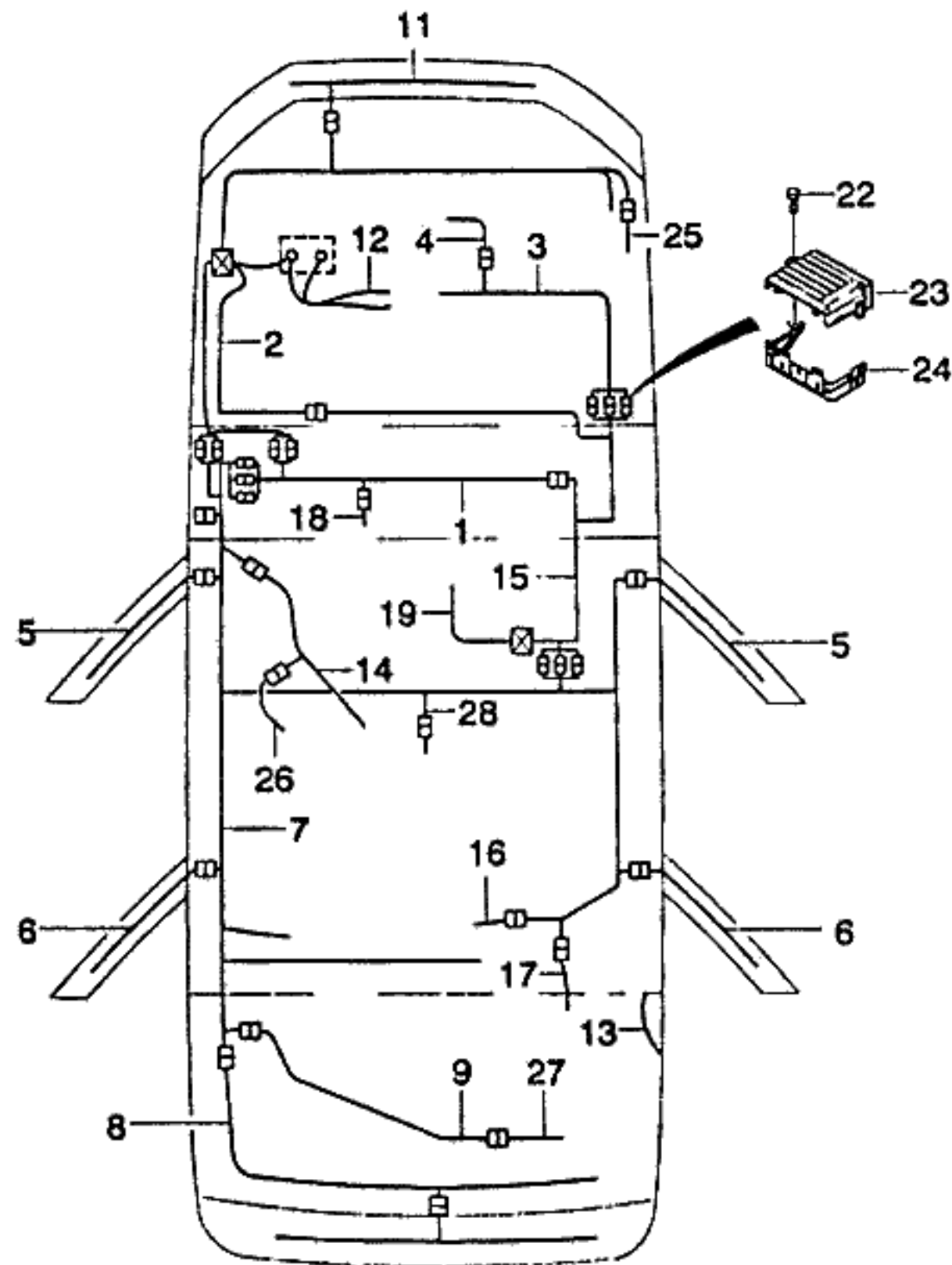


KEY NO.	PART NAME														
	PART NO	MODEL						OPTION	L / R	QTY	EFFECTIVE DATE		REMARKS	P / CODE	
		E N / G	T / A	4 N	3 H	5 H	LEVEL				S S	S S			FROM
	96258766	.	.	B	.	.	O	.	&AU3&A31-JL9		1				EC
	96252310	.	.	B	.	.	.	S	&AU3&A32-JL9		1				LW
	96252307	.	.	B	.	.	.	O	&AU3&A31&JL9		1				LT
	96252308	.	.	B	.	.	.	O	&AU3&A32&JL9		1				LU
	96252309	.	.	B	.	.	.	O	&AU3&A31-JL9		1				LV
	96255126	.	.	B	.	.	.	A	&KL9&A32-JL9		1			FOR BRAZIL	3K
	96255124	.	.	B	.	.	.	A	&KL9&A32&JL9		1			FOR BRAZIL	3H
	96255125	.	.	B	.	.	.	A	&KL9&A31-JL9		1			FOR BRAZIL	3J
	96255123	.	.	B	.	.	.	A	&KL9&A31&JL9		1			FOR BRAZIL	3G
	96252348	.	.	B	.	S	.	.	&A30-AU3JL9		1				4W
	96252350	.	.	B	.	O	.	.	&AU3&A32-JL9		1				4Y
	96252351	.	.	B	.	.	.	S	&AU3&A32-JL9		1				4Z
	96252353	.	.	B	.	.	.	O	&AU3&A32&JL9		1				F2
	96255100	.	.	B	.	.	.	A	&KL9&A32-JL9		1			FOR BRAZIL	FD
	96255102	.	.	B	.	.	.	A	&KL9&A32&JL9		1			FOR BRAZIL	FF
	96252355	.	.	B	.	S	.	.	&A30-AU3JL9		1				F4
	96252354	.	.	B	.	O	.	.	&AU3&A32-JL9		1				F3
	96252357	.	.	B	.	.	.	S	&AU3&A32-JL9		1		970602		F6
N	96255092	.	.	B	.	.	.	S	&AU3&A32-JL9		1		970602		FY
	96252361	.	.	B	.	.	.	O	&AU3&A31&JL9		1		970602		G1
N	96255095	.	.	B	.	.	.	O	&AU3&A31&JL9		1		970602		3B
	96252360	.	.	B	.	.	.	O	&AU3&A31-JL9		1		970602		F9
N	96255094	.	.	B	.	.	.	O	&AU3&A31-JL9		1		970602		3A
	96252359	.	.	B	.	.	.	O	&AU3&A32&JL9		1		970602		F8

ENG(ENGINE)	T/A(TRANSAXLE)	BODY TYPE
Y = 1.5SOHC 6 = 1.6DOHC . = COMMON	M = MANUAL T/A A = AUTOMATIC T/A . = COMMON	4 N = 4 DOOR NOTCHBACK 3 H = 3 DOOR HATCHBACK 5 H = 5 DOOR HATCHBACK

5710 WIRING HARNESS

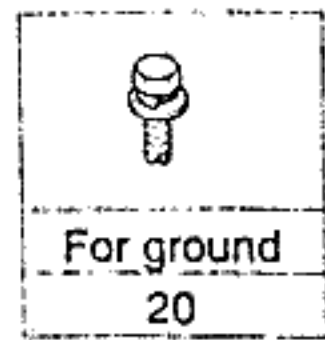
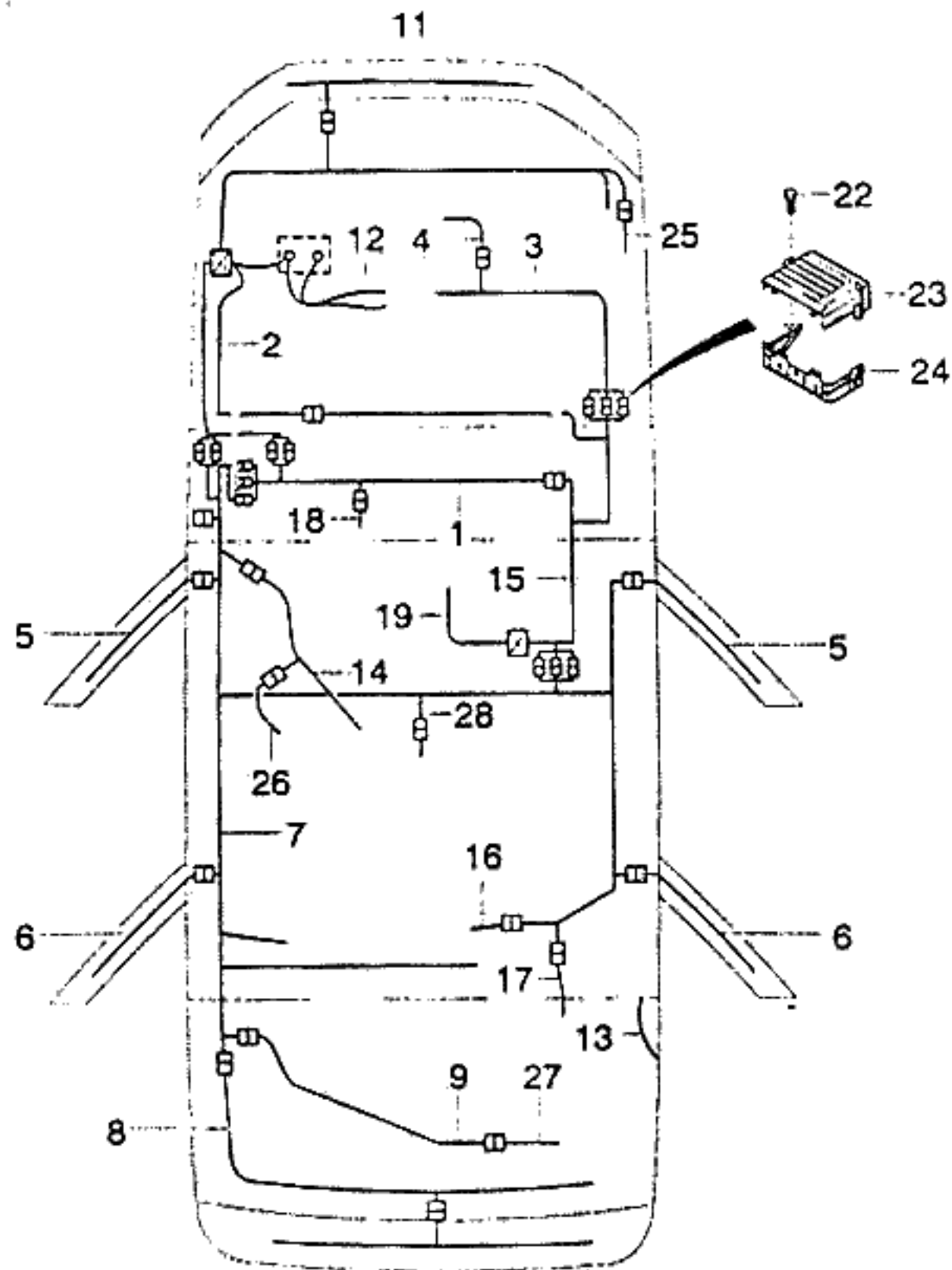
5K06



I T C	KEY NO.	PART NAME										P I C O D E			
		PART NO	MODEL						OPTION	L / R	Q T Y		EFFECTIVE DATE		REMARKS
			E N G	T / A	4 N	3 H	5 H	LEVEL					S	S	
N	96255093	.	.	.	B	.	.	O	&AU3&A32&JL9	1	970602			FZ	
	96255106	.	.	.	B	.	.	A	&KL9&A32-JL9	1			FOR BRAZIL	FK	
	96255108	.	.	.	B	.	.	A	&KL9&A32&JL9	1			FOR BRAZIL	FM	
	96255109	.	.	.	B	.	.	A	&KL9&A31-JL9	1			FOR BRAZIL	FN	
	96255110	.	.	.	B	.	.	A	&KL9&A31&JL9	1			FOR BRAZIL	FP	
	96258767	.	.	B	.	.	.	O	&A31&JL9-AU3	1			NOT APPLIED	ED	
	96258768	.	.	B	.	.	.	O	&A31-AU3JL9	1			NOT APPLIED	EE	
	[08]	(E)WIRING-TRUNK (D)VERDRAHTUNG									(F)CABLAGE-COFFRE (S)INSTALACION ELECTRICA				
	96306014	.	.	B	.	.	S	S	S	1				TD	
	96243390	.	.	B	B	S	.	.	-J58/U83	1				7S	
	96242515	.	.	B	B	O	.	S	&U58/U83	1				7N	
	[09]	(E)WIRING-TRUNK LID&TAILGATE (D)VERDRAHTUNG									(F)CABLAGE (S)INSTALACION ELECTRICA				
	96306016	.	.	B	.	.	S	S	S	-T98	1		FOR TRUNK	TT	
	96217030	.	.	B	.	.	A	A	A	&T98	1		FOR TRUNK	TU	
	96217032	.	.	B	B	S	.	.	-AU3/T93.	1			FOR TAILGATE	7B	
	96217034	.	.	B	B	A	.	.	&T93-AU3.	1			FOR TAILGATE	7D	
	96217035	.	.	B	B	A	.	A	&AU3&T93.	1			FOR TAILGATE	7E	
	96217036	.	.	B	B	O	.	S	&AU3-T93.	1			FOR TAILGATE	7F	
	[11]	(E)WIRING-FRONT BUMPER (D)VERDRAHTUNG									(F)CABLAGE (S)INSTALACION ELECTRICA				
	96236220	.	.	B	B	B	.	.	O	&VT1&T97	1			TK	
	96236223	.	.	B	B	B	.	.	O	&VT2&T97	1			TJ	
	[12]	(E)WIRING-BATTERY CABLE (D)VERDRAHTUNG									(F)CABLAGE (S)INSTALACION ELECTRICA				
		ENG(ENGINE)			T/A(TRANSAXLE)			BODY TYPE							
		Y = 1.5SOHC 6 = 1.6DOHC . = COMMON			M = MANUAL T/A A = AUTOMATIC T/A . = COMMON			4 N = 4 DOOR NOTCHBACK 3 H = 3 DOOR HATCHBACK 5 H = 5 DOOR HATCHBACK							

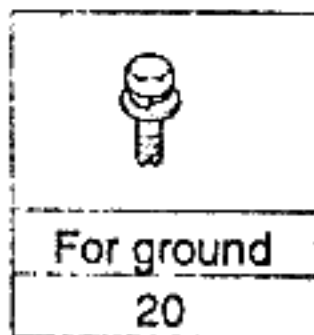
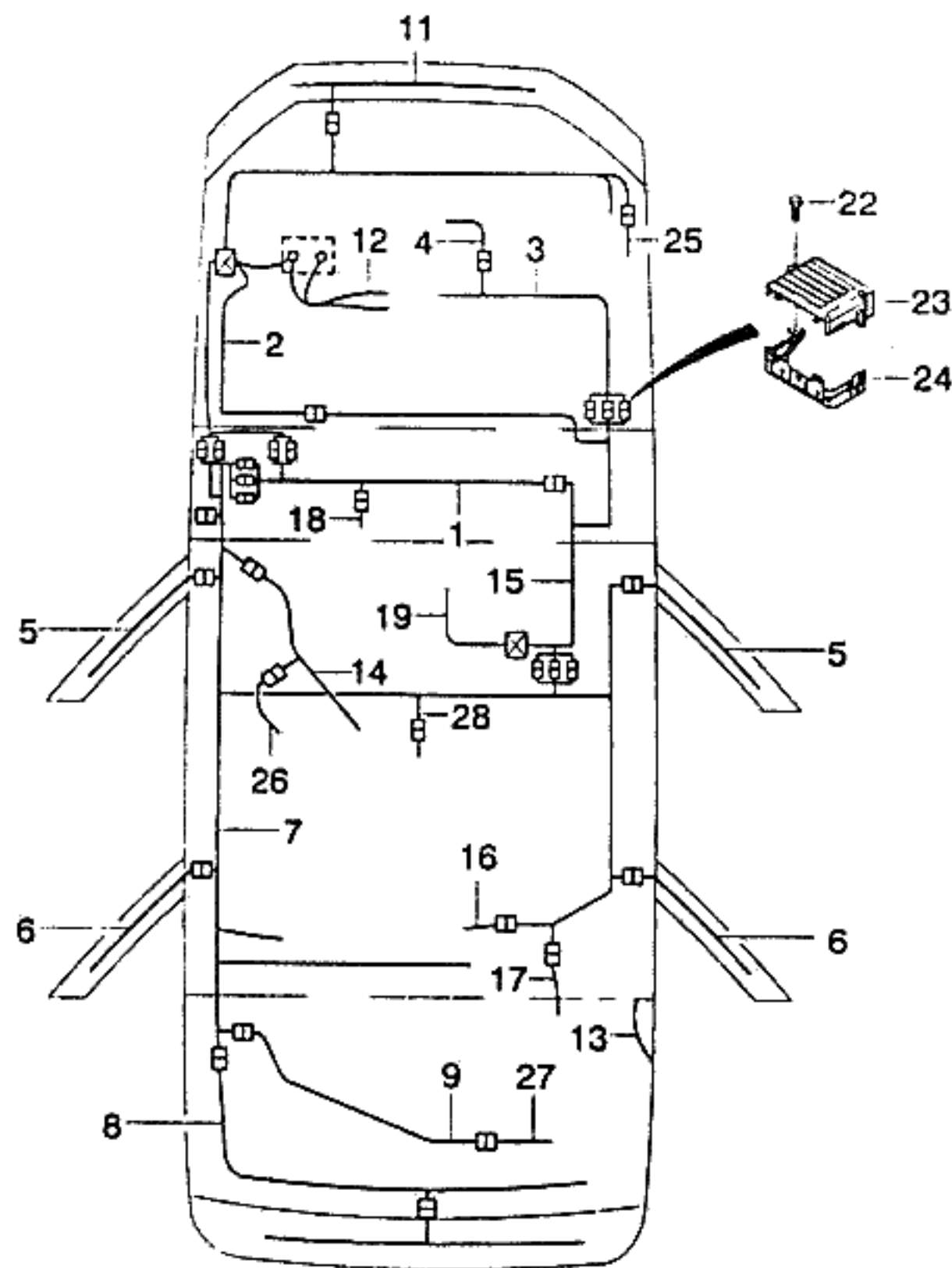
5710 WIRING HARNESS

5L06



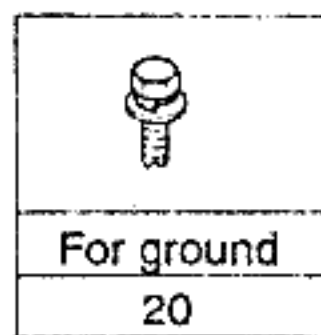
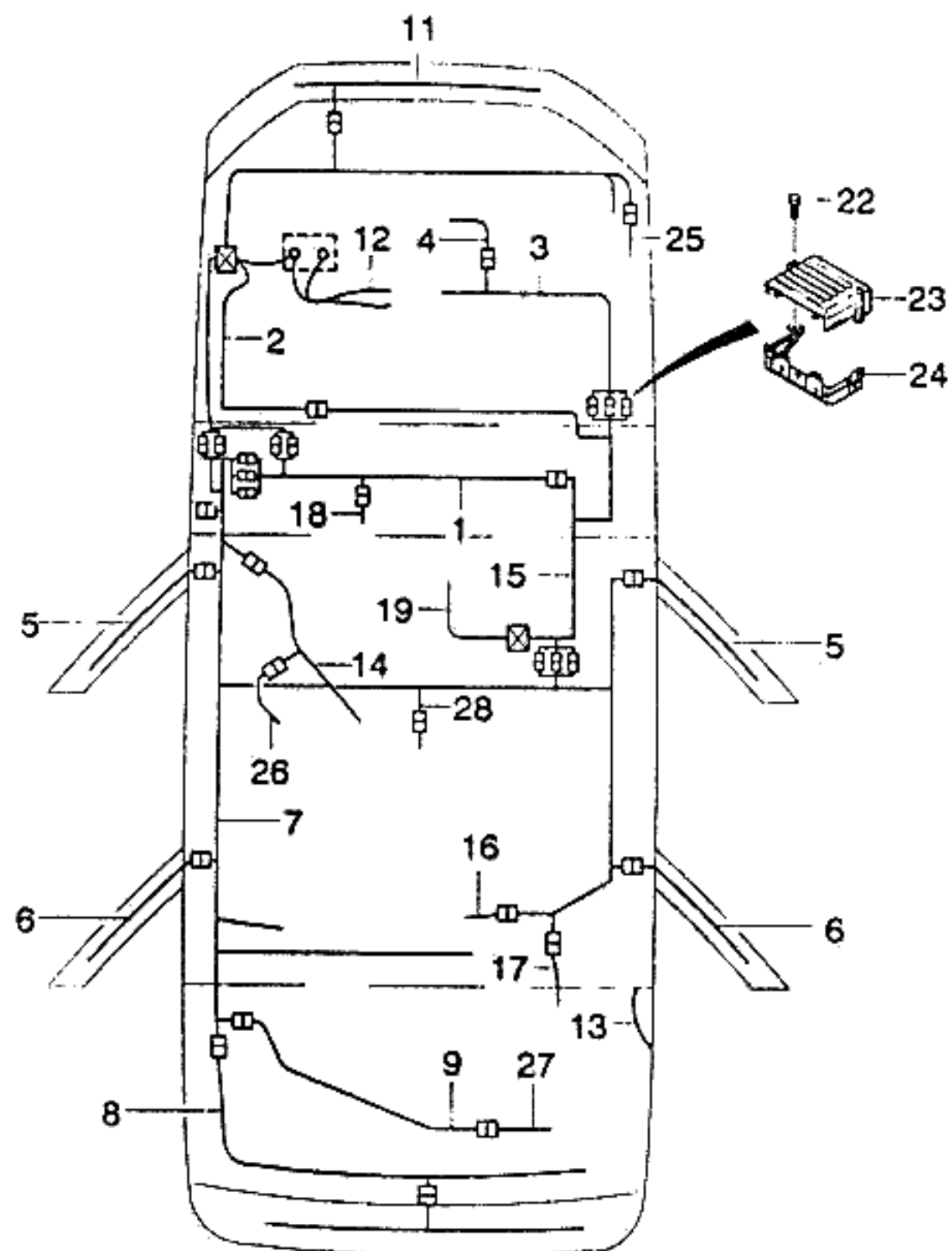
I T C	KEY NO.	PART NAME										REMARKS	P / C O D E			
		PART NO	E T N / G A	MODEL			OPTION	L / R	Q T Y	EFFECTIVE DATE						
				4 N H	3 H	5 H				S S	S S			FROM	TO	
	96304994	[13]	.	.	B	B	B	S	S	S	(E)WIRING-BACK WDO HEATED (D)VERDRAHTUNG,HINTERE FENST	(F)CABLE (S)ALAMBRE	1			3X
	96306001	[14]	.	.	B	B	B	S	S	S	(E)WIRING-ROOF (D)VERDRAHTUNG	(F)CABLAGE (S)INSTALACION ELECTRICA	1			
	96304237		.	.	B	.	.	S	S	S	-C25		1	970602		6H
N	96255145		.	.	B	.	.	S	S	S	-C25		1	970602 971001		2F
N	96258770		.	.	B	B	B	S	S	S			1	971001		5J
	96242513		.	.	B	.	S	.	S	S	&C25		1	970602		7K
N	96255144		.	.	B	.	S	.	S	S	&C25		1	970602 971001		2E
N	96258769		.	.	B	.	S	.	S	S	&C25		1	971001		5H
	96242512		.	.	B	S	.	S	.	S	&C25		1	970602		7F
N	96255146		.	.	B	S	.	S	.	S	&C25		1	970602 971001		2G
N	96258769		.	.	B	S	.	S	.	S	&C25		1	971001		5H
	[15]		(E)WIRING-ECM & ABS (D)VERDRAHTUNG	(F)CABLAGE (S)INSTALACION ELECTRICA												
	96243370		Y M	B	B	B	S	S	S	S	&C46&NN4-JL9		1		9H	
	96243378		Y M	B	B	B	O	O	O	O	&C59/C60&NN4-JL9		1		9S	
	96243371		Y M	B	B	B	.	O	O	O	&C46&JL9&NN4		1		9J	
	96243379		Y M	B	B	B	.	O	O	O	&C59/C60&JL9&NN4		1		9T	
	96243372		Y A	B	B	B	O	O	O	O	&C46&NN4-JL9		1		9K	
	96243380		Y A	B	B	B	O	O	O	O	&C59/C60&NN4-JL9		1		9U	
	96243373		Y A	B	B	B	.	O	O	O	&C46&JL9&NN4		1		9L	
	96243381		Y A	B	B	B	.	O	O	O	&C59/C60&JL9&NN4		1		9V	

ENG(ENGINE)	T/A(TRANSAXLE)	BODY TYPE
Y = 1.5SOHC G = 1.6DOHC . = COMMON	M = MANUAL T/A A = AUTOMATIC T/A . = COMMON	4 N = 4 DOOR NOTCHBACK 3 H = 3 DOOR HATCHBACK 5 H = 5 DOOR HATCHBACK



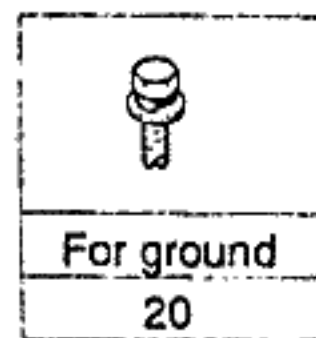
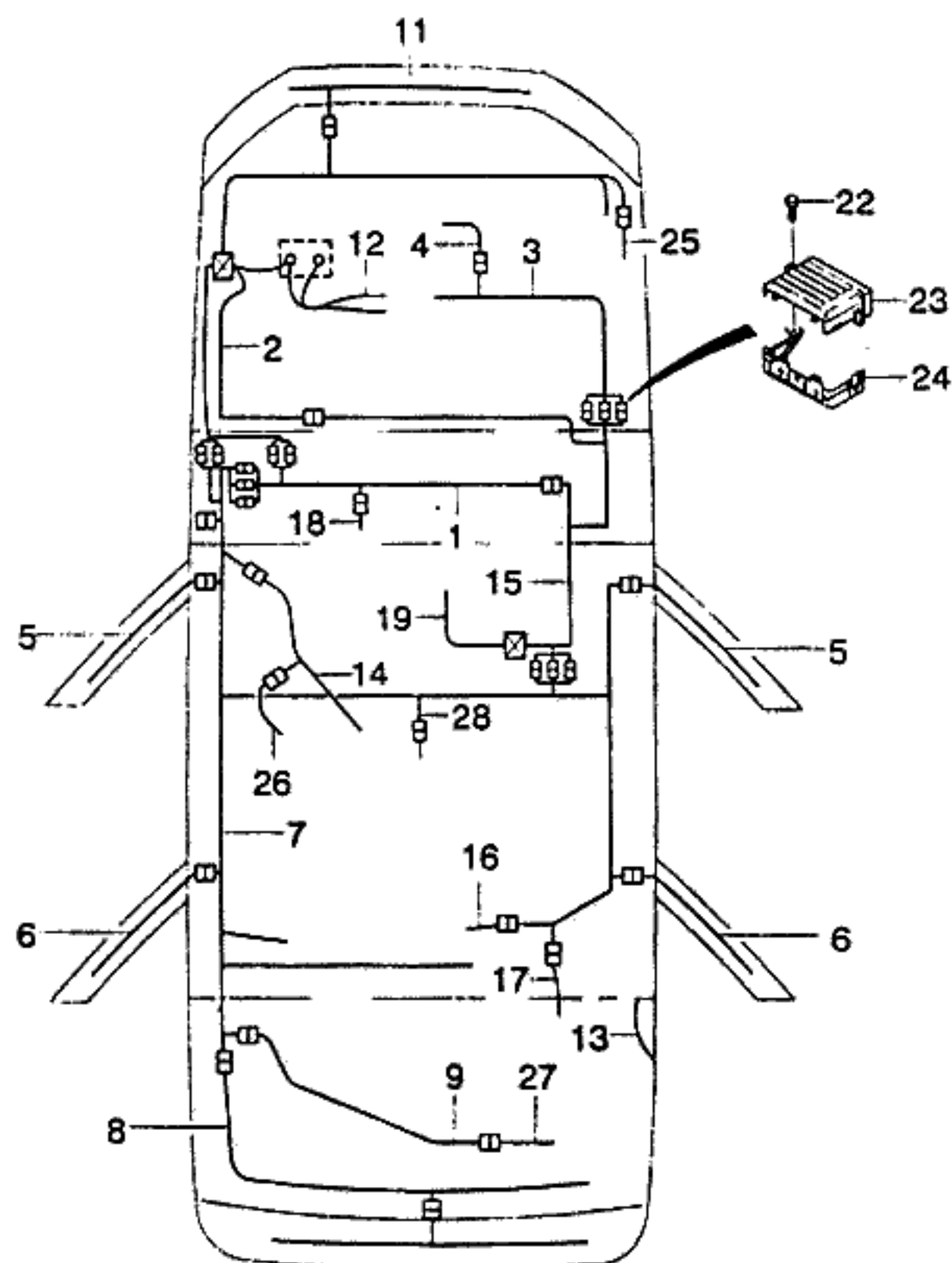
I T C	KEY NO.		PART NAME										P / C O D E		
	PART NO	E N G	MODEL					OPTION	L / R	Q T Y	EFFECTIVE DATE			REMARKS	
			4 N	3 H	5 H	S	S S				S S	FROM			TO
	96217037	Y M	B	B	B	A	A	A	&C46&NN6-JL9		1				KA
	96243343	Y M	B	B	B	A	A	A	&C59/C60&NN6-JL9		1				8E
	96235345	Y M	B	B	B	A	A	A	&C46&NN7-JL9		1				6C
	96243339	Y M	B	B	B	A	A	A	&C59/C60&NN7-JL9		1				8A
	96217038	Y M	B	B	B	.	A	A	&C46&JL9&NN6		1				KB
	96243344	Y M	B	B	B	.	A	A	&C59/C60&JL9&NN6		1				8F
	96235346	Y M	B	B	B	.	A	A	&C46&JL9&NN7		1				6D
	96243340	Y M	B	B	B	.	A	A	&C59/C60&JL9&NN7		1				8B
	96217039	Y A	B	B	B	A	A	A	&C46&NN6-JL9		1				KC
	96243345	Y A	B	B	B	A	A	A	&C59/C60&NN6-JL9		1				8G
	96235347	Y A	B	B	B	A	A	A	&C46&NN7-JL9		1				6E
	96243341	Y A	B	B	B	A	A	A	&C59/C60&NN7-JL9		1				8C
	96243342	Y A	B	B	B	.	A	A	&C59/C60&JL9&NN7		1				8D
	96217040	Y A	B	B	B	.	A	A	&C46&JL9&NN6		1				KD
	96243346	Y A	B	B	B	.	A	A	&C59/C60&JL9&NN6		1				8H
	96235348	Y A	B	B	B	.	A	A	&C46&JL9&NN7		1				6F
	96243374	6 M	B	B	B	.	.	O	&C46&NN4-JL9		1				9M
	96243382	6 M	B	B	B	.	.	O	&C59/C60&NN4-JL9		1				9W
	96243375	6 M	B	B	B	.	.	O	&C46&JL9&NN4		1				9N
	96243383	6 M	B	B	B	.	.	O	&C59/C60&JL9&NN4		1				9X
	96243376	6 A	B	B	B	.	.	O	&C46&NN4-JL9		1				9P
	96243384	6 A	B	B	B	.	.	O	&C59/C60&NN4-JL9		1				9Y
	96243377	6 A	B	B	B	.	.	O	&C46&JL9&NN4		1				9R
	96243385	6 A	B	B	B	.	.	O	&C59/C60&JL9&NN4		1				9Z

ENG(ENGINE)	T/A(TRANSAXLE)	BODY TYPE
Y = 1.5SOHC 6 = 1.6DOHC . = COMMON	M = MANUAL T/A A = AUTOMATIC T/A . = COMMON	4 N = 4 DOOR NOTCHBACK 3 H = 3 DOOR HATCHBACK 5 H = 5 DOOR HATCHBACK



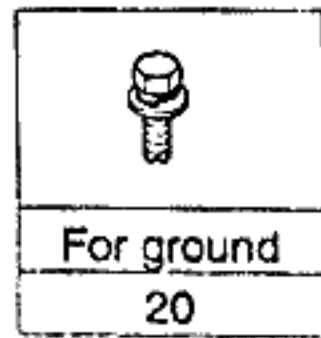
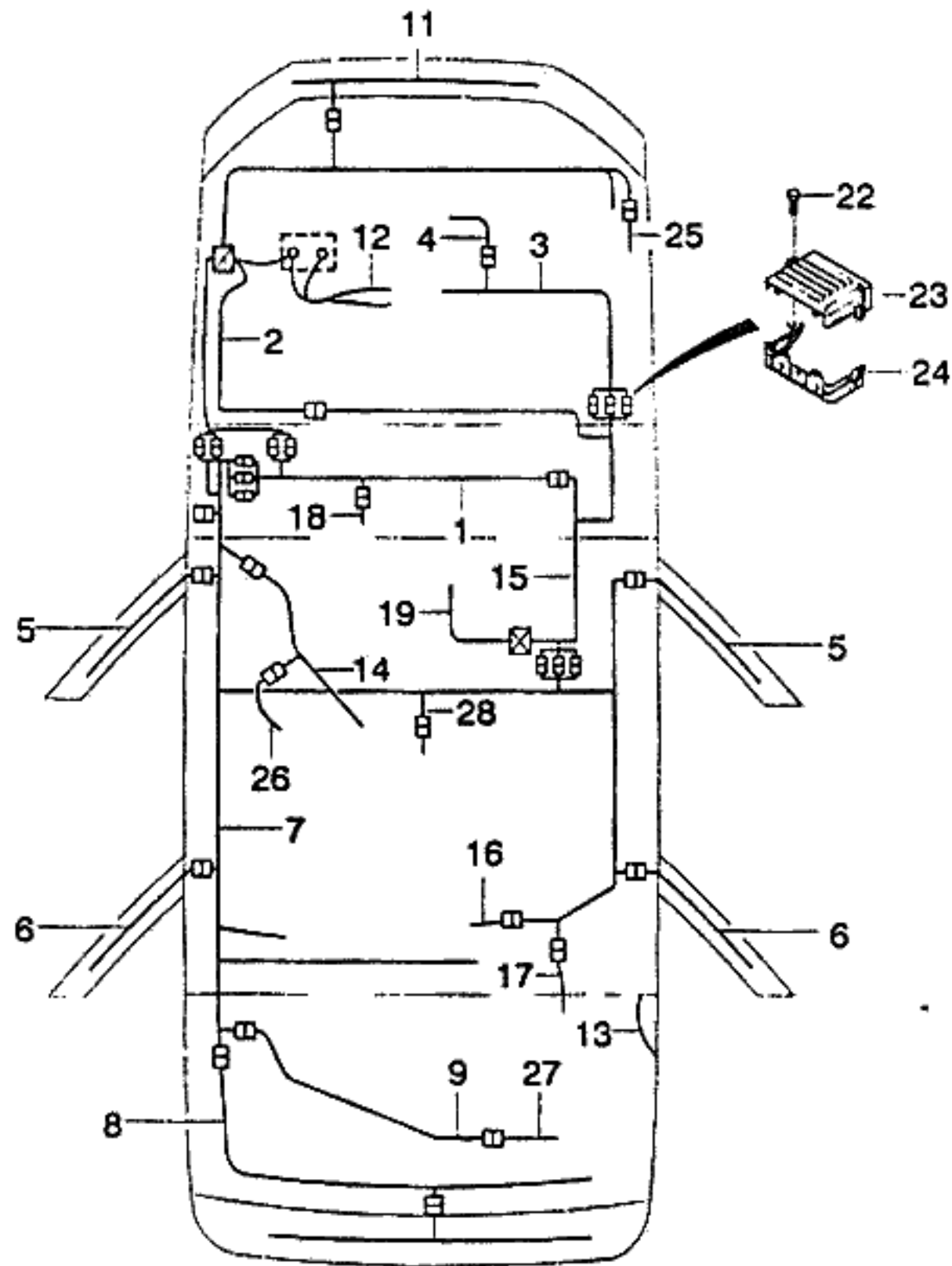
KEY NO.	PART NAME													
	PART NO	MODEL						OPTION	L / R	QTY	EFFECTIVE DATE		REMARKS	P / CODE
		E	T	BODY			LEVEL				FROM	TO		
	N	G	4	3	5	S	S	S						
96217041	6	M	B	B	B	.	.	A	&C46&NN6-JL9		1		KE	
96243347	6	M	B	B	B	.	.	A	&C59/C60&NN6-JL9		1		BJ	
96217049	6	M	B	B	B	.	.	A	&C46&NN7-JL9		1		KM	
96243353	6	M	B	B	B	.	.	A	&C59/C60&NN7-JL9		1		BQ	
96217042	6	M	B	B	B	.	.	A	&C46&JL9&NN6		1		KF	
96243348	6	M	B	B	B	.	.	A	&C59/C60&JL9&NN6		1		8K	
96217050	6	M	B	B	B	.	.	A	&C46&JL9&NN7		1		KN	
96243354	6	M	B	B	B	.	.	A	&C59/C60&JL9&NN7		1		8R	
96217043	6	A	B	B	B	.	.	A	&C46&NN6-JL9		1		KG	
96243349	6	A	B	B	B	.	.	A	&C59/C60&NN6-JL9		1		8L	
96217051	6	A	B	B	B	.	.	A	&C46&NN7-JL9		1		KP	
96243355	6	A	B	B	B	.	.	A	&C59/C60&NN7-JL9		1		BS	
96217044	6	A	B	B	B	.	.	A	&C46&JL9&NN6		1		KH	
96243350	6	A	B	B	B	.	.	A	&C59/C60&JL9&NN6		1		8M	
96217052	6	A	B	B	B	.	.	A	&C46&JL9&NN7		1		KR	
96243356	6	A	B	B	B	.	.	A	&C59/C60&JL9&NN7		1		8T	
[16]	(E)WIRING-ABS REAR SENSOR (D)VERDRAHTUNG									(F)CABLAGE (S)INSTALACION ELECTRICA				
96304995	.	.	B	B	B	.	.	O O	&JL9		1			
[17]	(E)WIRING-FUEL TANK (D)VERDRAHTUNG									(F)CABLAGE (S)INSTALACION ELECTRICA				
96232850	.	.	B	B	B	S	S	S			1	6A		
[18]	(E)WIRE-CIGAR LIGHTER EXTENS (D)VERDRAHTUNG									(F)CABLES (S)ALAMBRE				
96243388	.	.	B	B	B	S	S	S			1			

ENG(ENGINE)	T/A(TRANSAXLE)	BODY TYPE
Y = 1.5SOHC 6 = 1.6DOHC . = COMMON	M = MANUAL T/A A = AUTOMATIC T/A . = COMMON	4 N = 4 DOOR NOTCHBACK 3 H = 3 DOOR HATCHBACK 5 H = 5 DOOR HATCHBACK



KEY NO.	PART NAME										REMARKS	P / CODE
	PART NO	MODEL				OPTION	L / R	QTY	EFFECTIVE DATE			
		E N G	T / A	BODY	LEVEL				FROM	TO		
[19]	(E)WIRING-R.O.N. JUMP (D)VERDRAHTUNG											
96232850	. . . B B B S S S											6A
[20]	(E)BOLT (D)SCHRAUBE											
09115-06001	. . . B B B S S S											
[22]	(E)BOLT-HEXAGON FLANGE (D)SCHRAUBE											
01514-06165	. . . B B B S S S											
[23]	(E)COVER-CONNECTION BRACKET (D)DECKEL											
96234604	. . . B B B S S S											
[24]	(E)BRACKET-ENGINE CONT.HARNE (D)TRÄGER											
96234603	. . . B B B S S S											
[25]	(E)WIRE-EXTN S/TURN SIG LAMP (G)VERDRAHTUNG-VERLÄNGERUN											
96245540	. . . B B B A A A &FL6											
[26]	(E)WIRING-SUNROOF (D)VERDRAHTUNG											
96242510	. . . B . . . O O O											
N 96255147	. . . B . . . O O O											2H
96250676 B . O . O											PC
N 96255149 B . O . O											2K
96250675 B O . O											PB
N 96255148 B O . O											2J
[27]	(E)WIRING-EXTENSION TIGATE (D)VERDRAHTUNG-VERLÄNGERUN											

ENG(ENGINE)	T/A(TRANSAXLE)	BODY TYPE
Y = 1.5SOHC 6 = 1.6DOHC . = COMMON	M = MANUAL T/A A = AUTOMATIC T/A . = COMMON	4 N = 4 DOOR NOTCHBACK 3 H = 3 DOOR HATCHBACK 5 H = 5 DOOR HATCHBACK

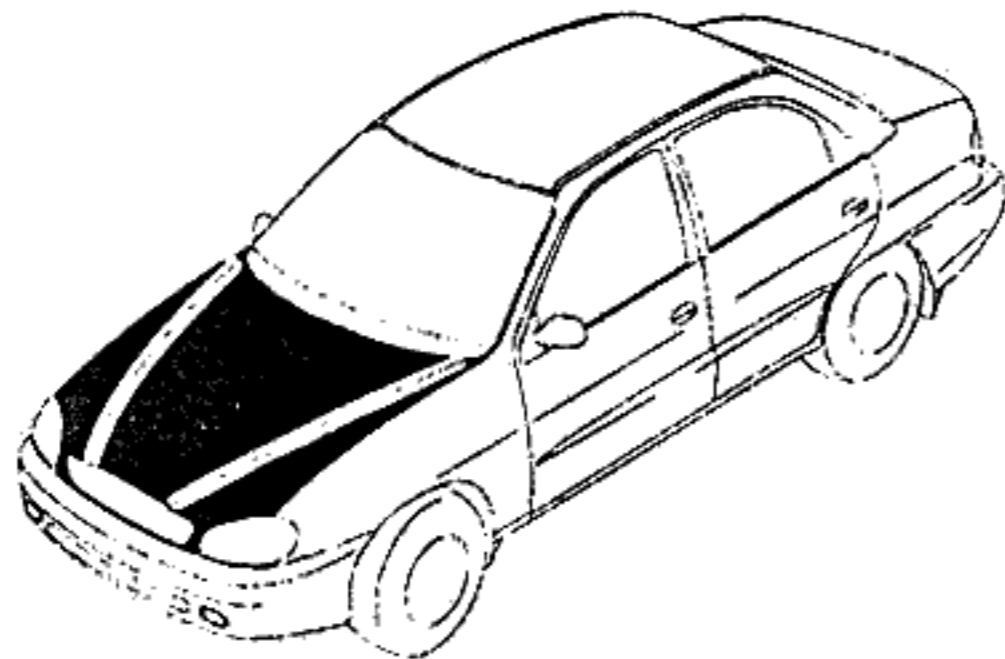
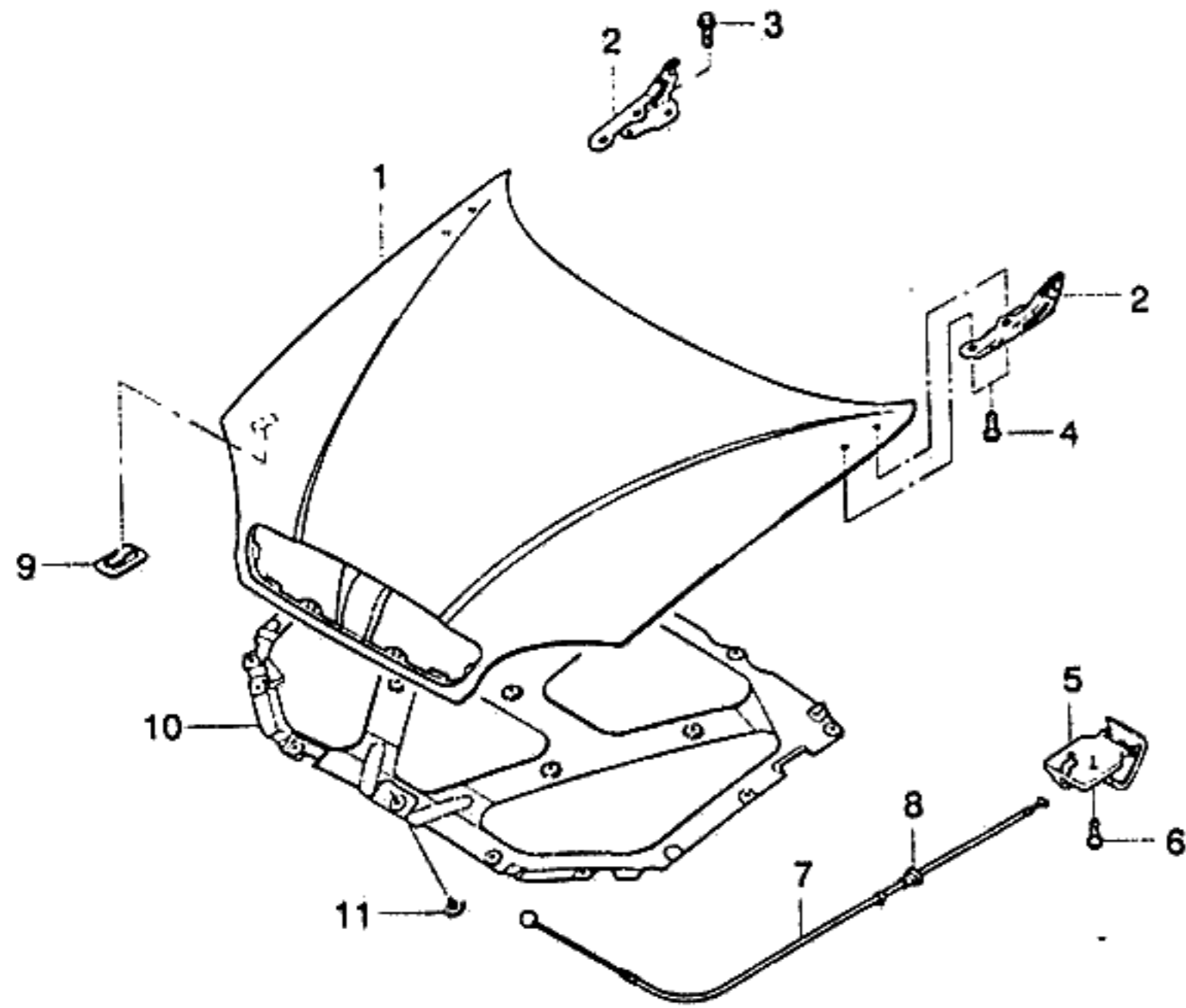


KEY NO.		PART NAME														
I T C	PART NO	MODEL						OPTION	L / R	Q T Y	EFFECTIVE DATE		REMARKS	P / C O D E		
		E N G A	T / N /	BODY			LEVEL				FROM	TO				
				4 N H	3 H	5 H	S S								S S	S S
	96246695	.	.	.	B	B	S	.	S		1			RJ		
	[28]	(E)WIRING-EXTENSION AT (D)VERDRAHTUNG-VERLÄNGERUN										(F)CABLAGE-RALLONGE AT (S)INSTALACION ELECTRICA				
	96250974	.	A	B	B	B	O	O	O		1			PT		
ENG(ENGINE)		T/A(TRANSAXLE)				BODY TYPE										
Y = 1.5SOHC 6 = 1.6DOHC . = COMMON		M = MANUAL T/A A = AUTOMATIC T/A . = COMMON				4 N = 4 DOOR NOTCHBACK 3 H = 3 DOOR HATCHBACK 5 H = 5 DOOR HATCHBACK										

6

BODY & EXTERIOR

6110 HOOD PANEL	6430 ROOF PANEL	6750 MUD GUARD
6130 FRONT PANEL	6440 TRUNK LID PANEL	
6140 FENDER PANEL	6441 TAILGATE PANEL	
6150 DASH PANEL & COWL	6450 TRUNK LID LOCKING	
6210 FRONT DOOR PANEL	6451 TAILGATE LOCKING	
6220 FRONT DOOR LOCKING	6460 CAR LOCKING	
6230 FRONT WINDOW LIFTER	6510 FRONT FLOOR PANEL	
6240 FRONT WEATHERSTRIP	6520 REAR FLOOR PANEL	
6250 ELECTRIC DOOR LOCKING	6530 FRAME	
6310 REAR DOOR PANEL	6630 OUTSIDE MIRROR	
6320 REAR DOOR LOCKING	6640 GLASS I	
6330 REAR WINDOW LIFTER	6641 GLASS II	
6340 REAR WEATHERSTRIP	6650 EMBLEM & LETTERING	
6360 QUATER WINDOW LOCKING	6660 WHEELS & WHEEL COVER	
6410 SIDE BODY PANEL(N/B)	6670 LABEL & STICKER	
6411 SIDE BODY PANEL(5DOOR H/B)	6710 GRILLE	
6412 SIDE BODY PANEL(3DOOR H/B)	6720 FRONT BUMPER	
6420 FUEL FILLER LOCKING	6730 REAR BUMPER	

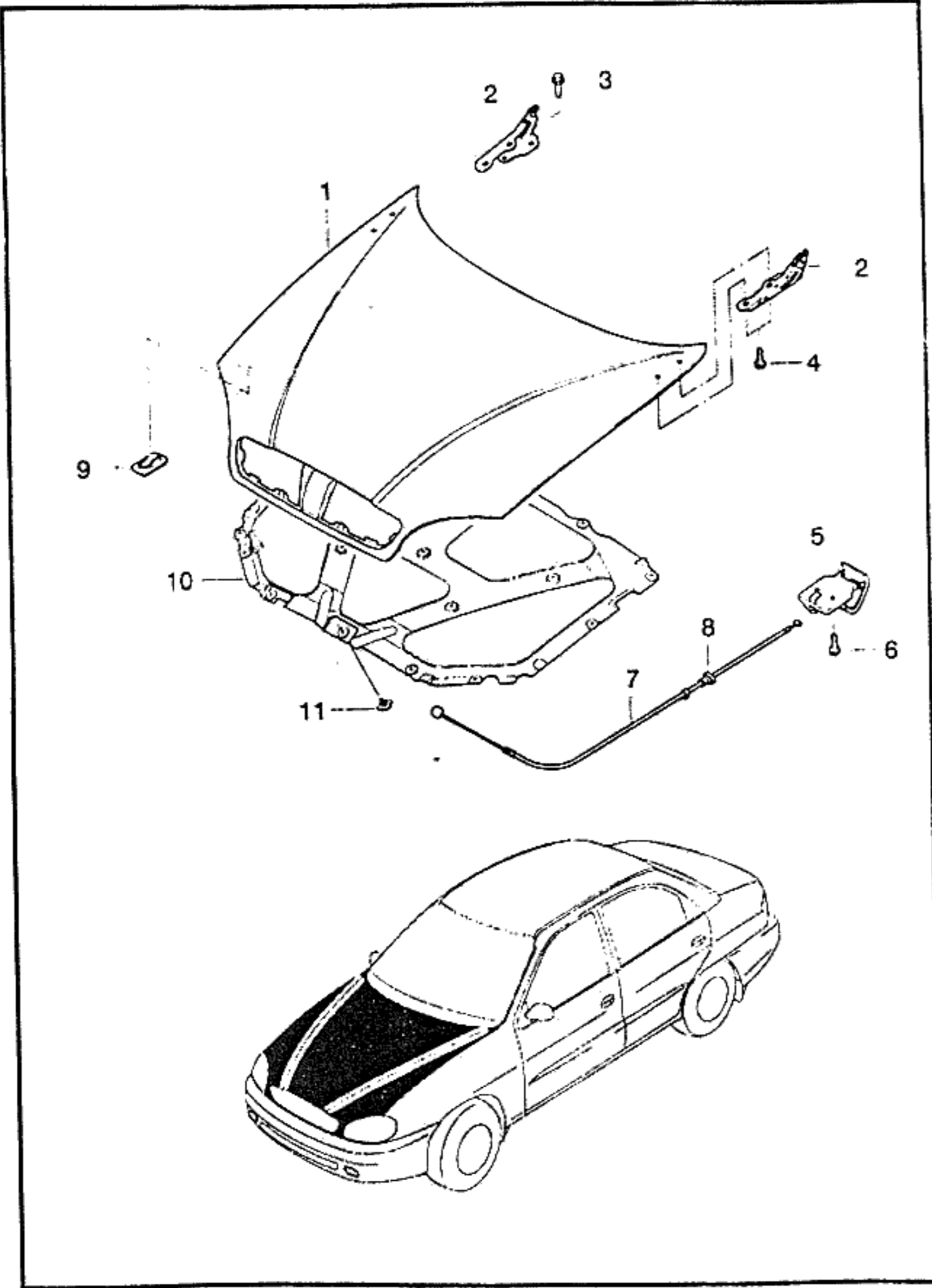


I T C	KEY NO.	PART NAME										P / C O D E			
		PART NO	MODEL					OPTION	L / R	Q T Y	EFFECTIVE DATE		REMARKS		
			E N G	T / A	B O D Y	L E V E L					FROM			TO	
				4	3	5	S	S	S						
	[01]	(E)PANEL A-HOOD (D)HAUBE,BLECH												(F)PANNEAU DE CAPOT (S)PANEL DEL CAPO	
	A96303303	. . . B B B S S S &XCK											1	970502	HA
	O A96255481	. . . B B B S S S &XCK											1	970502	
	A96307013	. . . B B B A A A &XCP											1	970502	HB
	O A96255482	. . . B B B A A A &XCP											1	970502	
	[02]	(E)HINGE A-HOOD (D)BESCHLAG,HAUBE												(F)CHARNIERE-CAPOT (S)BISAGRA	
	96303296	. . . B B B S S S											LH 1	970901	
	96255037	. . . B B B S S S &XCK											LH 1	970901	
	96303296	. . . B B B A A A &XCP											LH 1	970901	
	96304580	. . . B B B S S S											RH 1	970901	
	96255038	. . . B B B S S S &XCK											RH 1	970901	
	96304580	. . . B B B A A A &XCP											RH 1	970901	
	[03]	(E)BOLT-HEXAGON (D)SCHRAUBE												(F)BOULON (S)PERNO	
	01127-08203	. . . B B B S S S											4		
	[04]	(E)BOLT-HEXAGON (D)SCHRAUBE												(F)BOULON (S)PERNO	
	01127-08203	. . . B B B S S S											4		
	[05]	(E)LEVER A-HOOD RELEASE (D)HEBEL												(F)LEVIER (S)PALANCA	
	96236189	. . . B B B S S S											1		INCL #7,8 N5
	[06]	(E)SCREW-TAPPING (D)SCHRAUBE												(F)VIS (S)TORNILLO	
	03151-48165	. . . B B B S S S											2		

ENG(ENGINE)	T/A(TRANSAXLE)	BODY TYPE
Y = 1.5SOHC 6 = 1.6DOHC . = COMMON	M = MANUAL T/A A = AUTOMATIC T/A . = COMMON	4 N = 4 DOOR NOTCHBACK 3 H = 3 DOOR HATCHBACK 5 H = 5 DOOR HATCHBACK

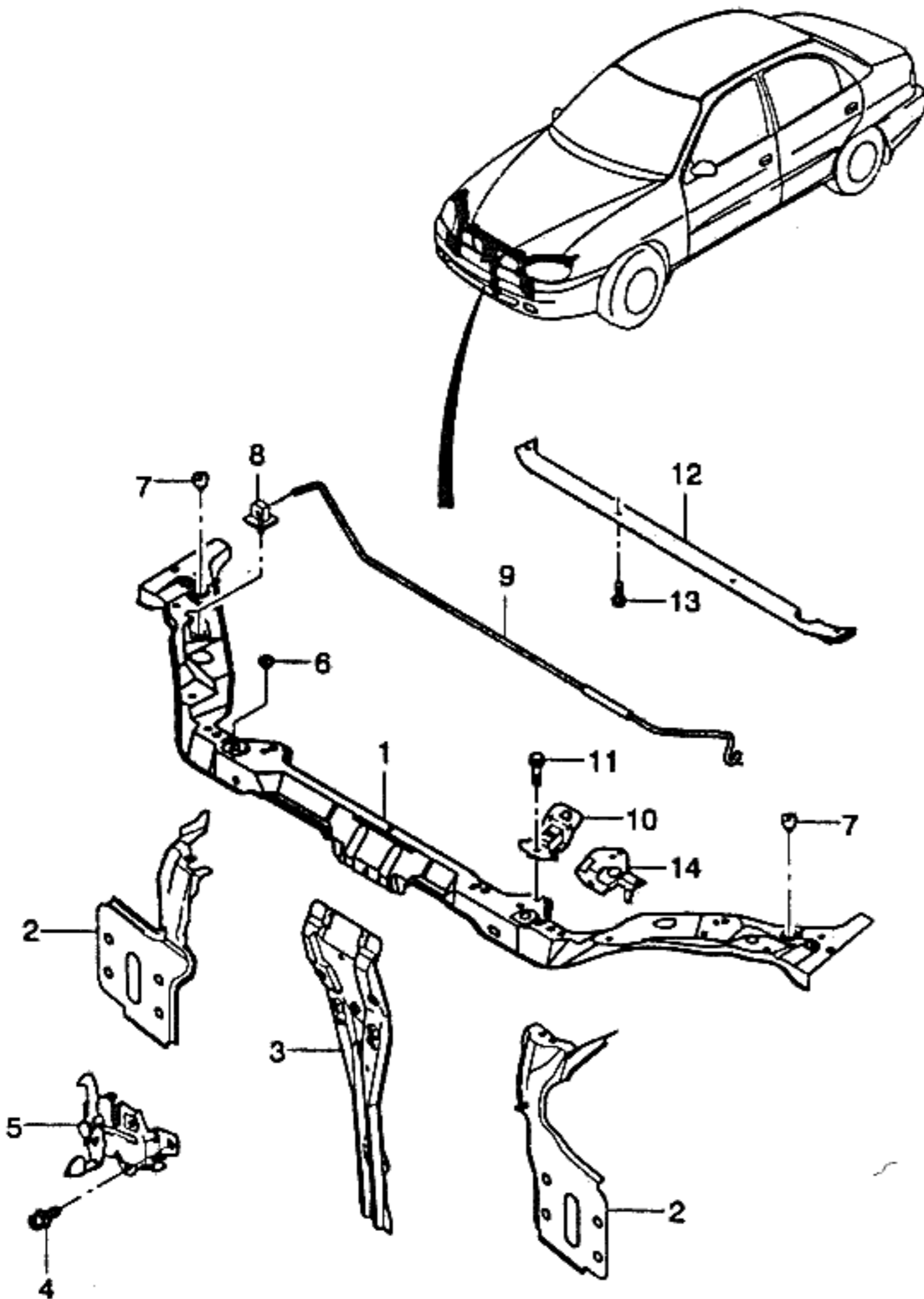
6110 HOOD PANEL

5C08

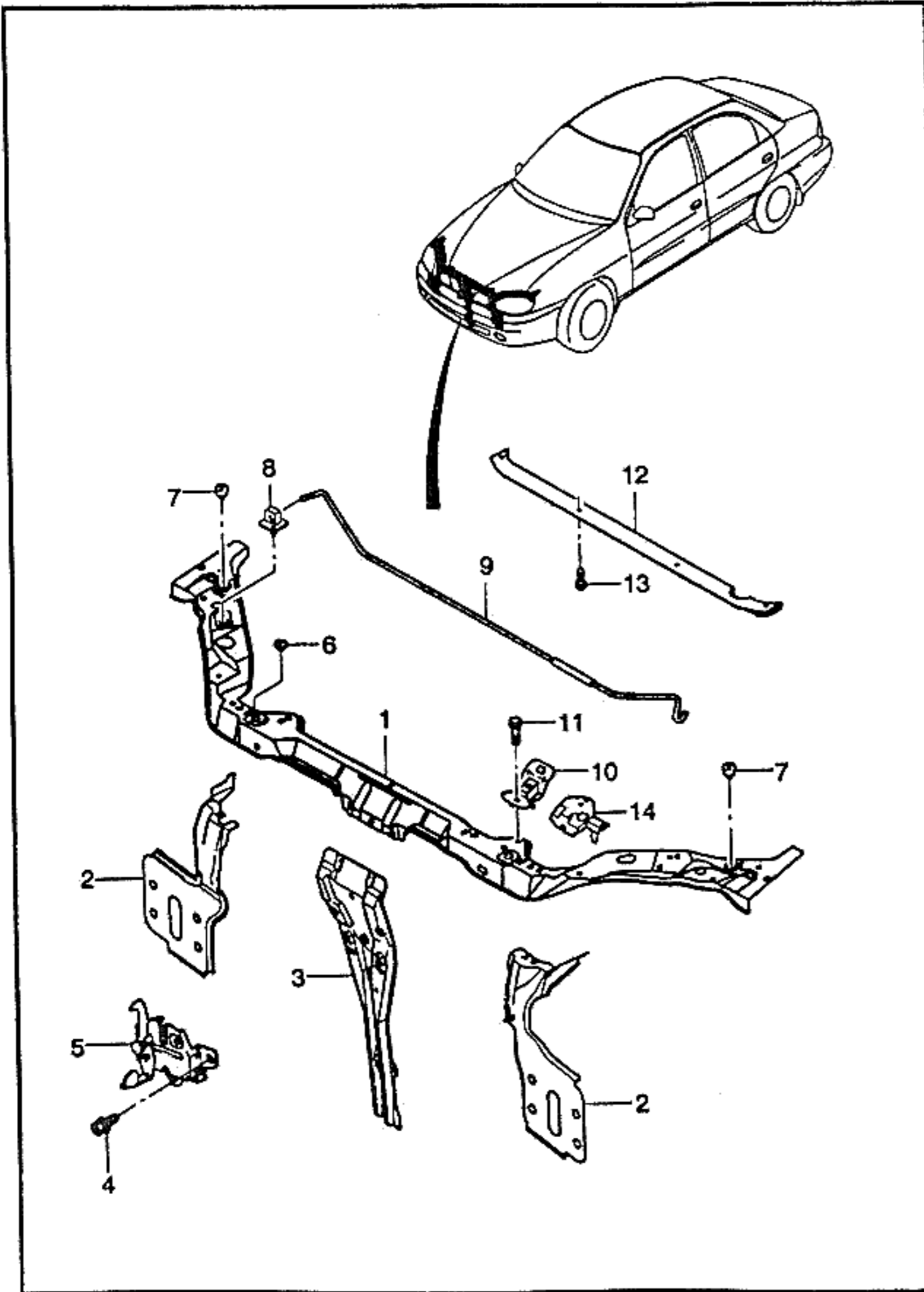


KEY NO.	PART NAME											P / CODE			
	PART NO	MODEL						OPTION	L / R	QTY	EFFECTIVE DATE		REMARKS		
		E	T	BODY			LEVEL				FROM			TO	
N	G	4	3	5	S	S	S								
[07]	96303301	(E)CABLE A-HOOD RELEASE (D)KABEL,HAUBE BOGEN	.	.	B	B	B	S	S	S	(F)CABLE-BOWDEN DE CAPOT (S)CABLE-CAPO BOWDEN	1		INCL #8	
[08]	96222845	(E)GROMMET (D)ÖSE	.	.	B	B	B	S	S	S	(F)VIROLE (S)AISLANTE	1			
[09]	90149859	(E)SEAT-HOOD HOLD OPEN ROD (D)SITZ,ÖFFNUNGS-STANGE	.	.	B	B	B	S	S	S	(F)SIEGE (S)ASIENTO	1			
[10]	96254519	(E)INSULATION-HOOD (D)ISOLIERUNG	6	.	B	B	B	.	.	O	(F)ISOLATION (S)AISLAMIENTO	1			TZ
[11]	96252558	(E)CLIP (D)KLEMME	6	.	B	B	B	.	.	A	(F)ATTACHE (S)GRAPA	1			TV
	09409-06328		6	.	B	B	B	.	.	O		17			

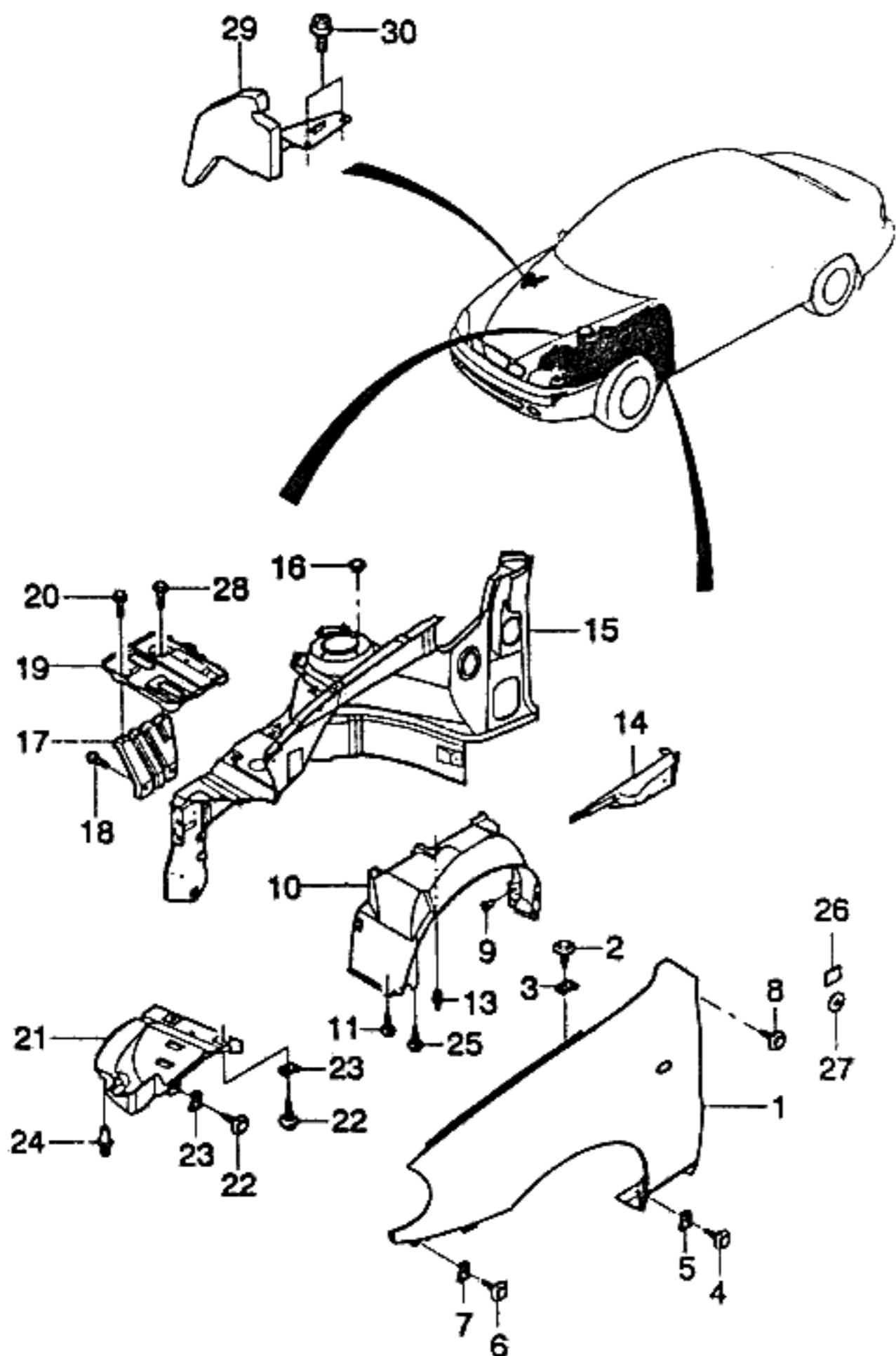
ENG(ENGINE)	T/A(TRANSAXLE)	BODY TYPE
Y = 1.5SOHC 6 = 1.6DOHC . = COMMON	M = MANUAL T/A A = AUTOMATIC T/A . = COMMON	4 N = 4 DOOR NOTCHBACK 3 H = 3 DOOR HATCHBACK 5 H = 5 DOOR HATCHBACK



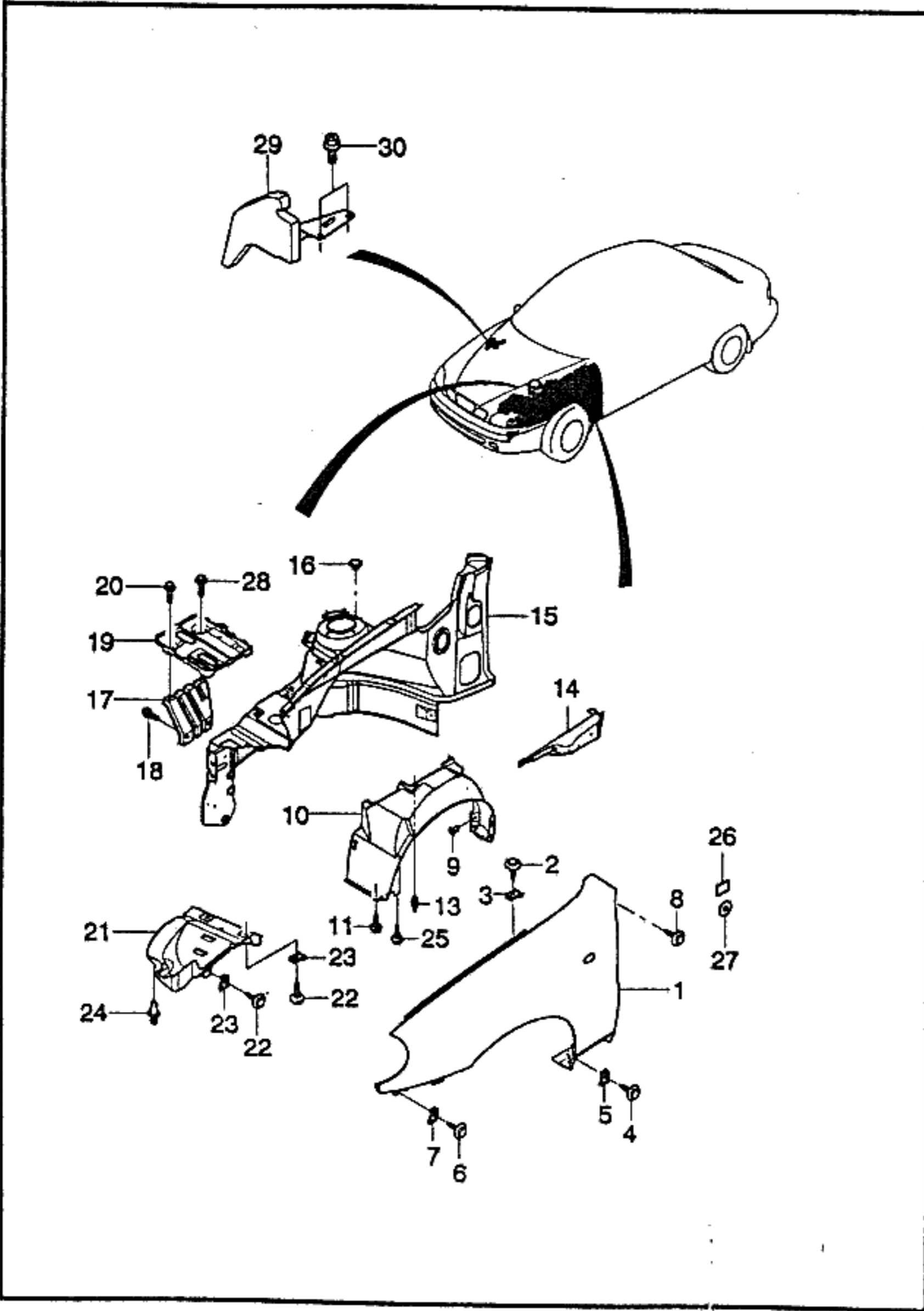
KEY NO.	PART NAME										REMARKS	P / C O D E	
	PART NO	MODEL					OPTION	L / R	Q T Y	EFFECTIVE DATE			
		E	T	BODY	LEVEL					FROM			TO
		N	4	3	5	S	S	S					
		G	A	N	H	H	S	S	S				
[01]	(E)PANEL A-FRONT, UPPER (D)VERKLEIDUNG, VORNE												
96303597	. . . B B B S S S												
[02]	(E)PANEL A-FRONT, SIDE (D)VERKLEIDUNG, VORNE												
96216195	. . . B B B S S S												
96216196	. . . B B B S S S												
[03]	(E)SUPPORT A-FRONT PANEL (D)TRÄGER, VERKLEIDUNGSBLECH												
96303601	. . . B B B S S S												
[04]	(E)BOLT (D)SCHRAUBE												
09118-06001	. . . B B B S S S												
[05]	(E)LATCH A-HOOD (D)VERSCHLUS, HAUBE-VERSCHLU												
96303295	. . . B B B S S S												
[06]	(E)BUMPER-HOOD, FRONT (D)STOBSTANGE, HAUBE, VORNE												
96245706	. . . B B B S S S												
[07]	(E)BUMPER (D)STOBSTANGE												
96169594	. . . B B B S S S												
[08]	(E)PIVOT A-SUPPORT HOOD (D)DREHTREIL, TRÄGERWELLE												
96165268	. . . B B B S S S												
[09]	(E)ROD A-HOOD HOLD OPEN (D)STAB, HAUBE ÖFFNUNGS												
96233432	. . . B B B S S S												
ENG(ENGINE)		T/A(TRANSAXLE)				BODY TYPE							
Y = 1.5SOHC 6 = 1.6DOHC . = COMMON		M = MANUAL T/A A = AUTOMATIC T/A . = COMMON				4 N = 4 DOOR NOTCHBACK 3 H = 3 DOOR HATCHBACK 5 H = 5 DOOR HATCHBACK							



KEY NO.	PART NAME													
	PART NO	MODEL						OPTION	L / R	QTY	EFFECTIVE DATE		REMARKS	P / CODE
		E	T	BODY			LEVEL				FROM	TO		
N	G	4	3	5	S	S	S	S	X					
[10]	(E)BRACKET A-HOOD ROD (D)TRÄGER, ÖFFNUNGSSTANGE											(F)SUPPORT (S)SOPORTE-VARA		
96233191	. . . B B B S S S											1		
[11]	(E)BOLT (D)SCHRAUBE											(F)BOULON (S)PERNO		
09118-06002	. . . B B B S S S											1	WASHER	
[12]	(E)AIR DAM-FRONT (D)LUFTSPERRE, VORNE											(F)BARRAGE AIR-AVANT (S)PRESA DE AIRE-FRENTE		
96216960	. . . B B B S S S											1		
[13]	(E)SCREW-TAPPING (D)SCHRAUBE											(F)VIS (S)TORNILLO		
03152-63162	. . . B B B S S S											4		
[14]	(E)REINF A-HOOD ROD BRACKET (D)VERSTÄRKUNG											(F)REINFORCEMENT (S)REFUERZO		
96235371	. . . B B B S S S											1		
ENG(ENGINE)				T/A(TRANSAXLE)				BODY TYPE						
Y = 1.5SOHC 6 = 1.6DOHC . = COMMON				M = MANUAL T/A A = AUTOMATIC T/A . = COMMON				4 N = 4 DOOR NOTCHBACK 3 H = 3 DOOR HATCHBACK 5 H = 5 DOOR HATCHBACK						

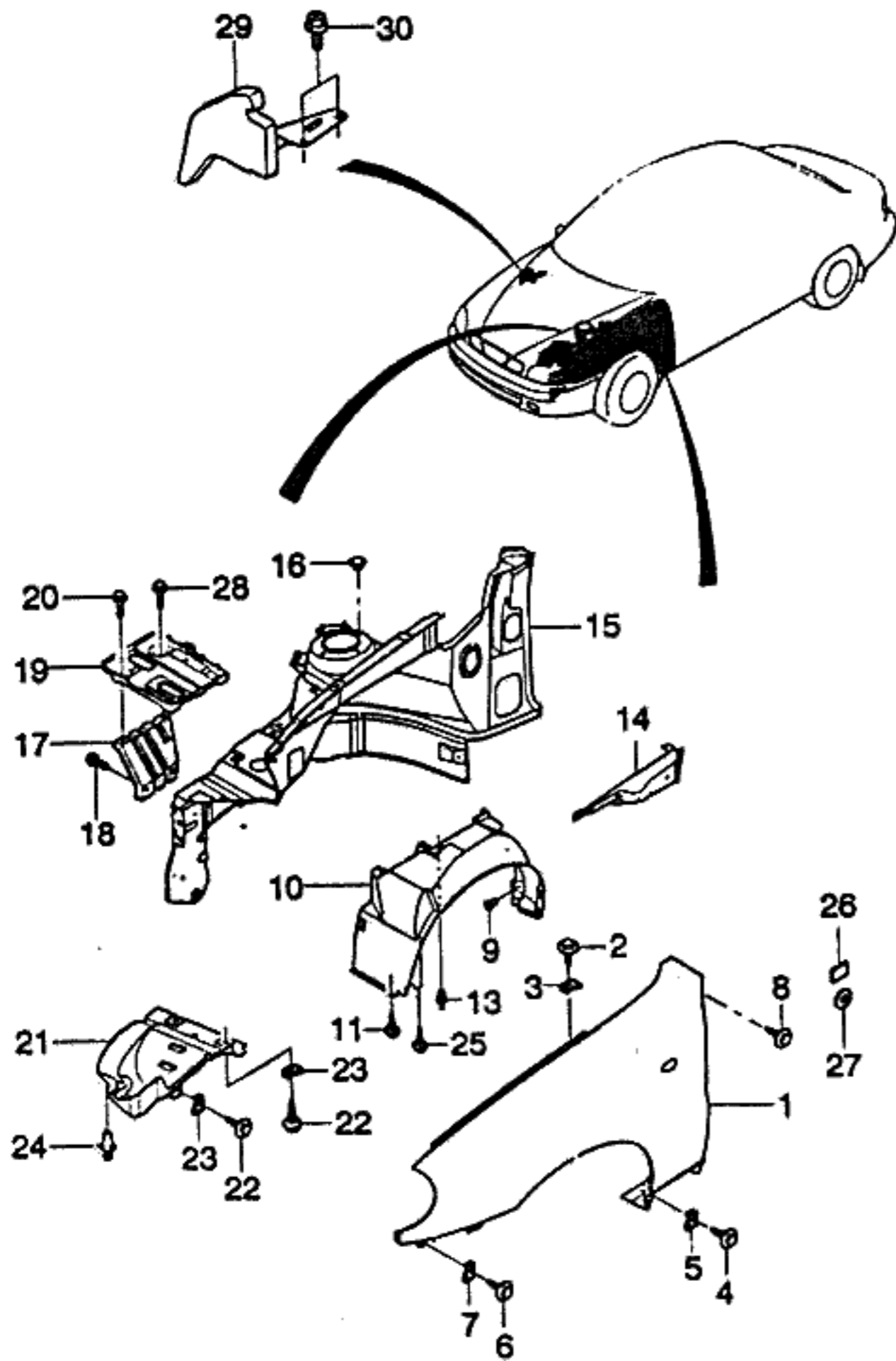


KEY NO.	PART NAME													
	PART NO	MODEL						OPTION	L / R	Q / T Y	EFFECTIVE DATE		REMARKS	P / C O D E
		E T	BODY			LEVEL					FROM	TO		
N / G	4	3	5	S	S	S								
[01]	(E)PANEL A-FENDER (D)VERKLEIDUNG,KOTFLÜGEL											(F)PANNEAU-GARDE-BOUE (S)ALETA DEL.		
A96303294	. . . B B B S S S &XCK-FL6											LH 1	FA	
A96304579	. . . B B B S S S &XCK-FL6											RH 1	FN	
A96220732	. . . B B B A A A &FL6&XCK											LH 1	FC	
A96220733	. . . B B B A A A &FL6&XCK											RH 1	FQ	
A96221072	. . . B B B A A A &FL6&XCP											LH 1	FD	
A96221073	. . . B B B A A A &FL6&XCP											RH 1	FR	
[02]	(E)SCREW (D)SCHRAUBE											(F)VIS (S)TORNILLO		
09139-06006	. . . B B B S S S											8		
[03]	(E)NUT-SPEED (D)MUTTER											(F)ECROU (S)TUERCA		
09148-06019	. . . B B B S S S											8		
[04]	(E)SCREW (D)SCHRAUBE											(F)VIS (S)TORNILLO		
09139-06006	. . . B B B S S S											4		
[05]	(E)NUT-SPEED (D)MUTTER											(F)ECROU (S)TUERCA		
09148-06019	. . . B B B S S S											4		
[06]	(E)SCREW (D)SCHRAUBE											(F)VIS (S)TORNILLO		
09139-06006	. . . B B B S S S											4		
[07]	(E)NUT-SPEED (D)MUTTER											(F)ECROU (S)TUERCA		
09148-06019	. . . B B B S S S											4		
[08]	(E)SCREW (D)SCHRAUBE											(F)VIS (S)TORNILLO		
ENG(ENGINE)		T/A(TRANSAXLE)				BODY TYPE								
Y = 1.5SOHC 6 = 1.6DOHC . = COMMON		M = MANUAL T/A A = AUTOMATIC T/A . = COMMON				4 N = 4 DOOR NOTCHBACK 3 H = 3 DOOR HATCHBACK 5 H = 5 DOOR HATCHBACK								



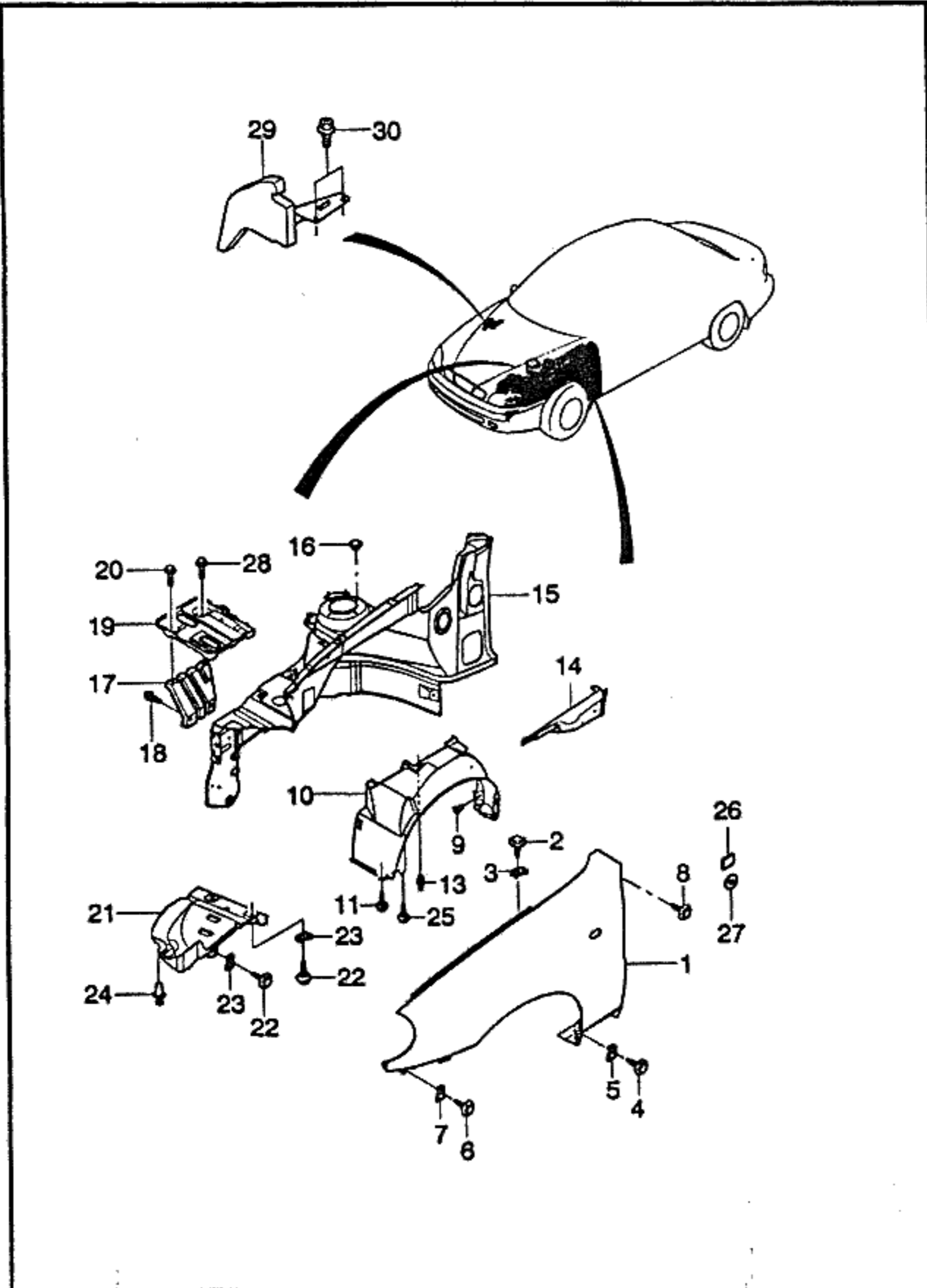
I T C	KEY NO.	PART NAME											P / C O D E			
		PART NO	MODEL					OPTION	L / R	Q T Y	EFFECTIVE DATE			REMARKS		
			E N G	T / A	BODY	LEVEL	S S S				FROM	TO				
		4 N	3 H	5 H	S	S	S									
	09139-06006	. .	B	B	B	S	S	S				2				
	[09]	(E)NUT										(F)ECROU				
		(D)MUTTER										(S)TUERCA				
	09159-06006	. .	B	B	B	S	S	S				2				
	[10]	(E)LINER-FENDER										(F)GARNITURE-GARDE-BOUE				
		(D)AUSKLEIDUNG,KOTFLÜGEL										(S)REVESTIMIENTO-GUARDAFANGO				
	96242551	. .	B	B	B	S	S	S				LH 1				
	96242552	. .	B	B	B	S	S	S				RH 1				
	[11]	(E)SCREW-TAPPING										(F)VIS				
		(D)SCHRAUBE										(S)TORNILLO				
	09136-04005	. .	B	B	B	S	S	S				2				
	[13]	(E)CLIP										(F)ATTACHE				
		(D)KLEMME										(S)GRAPA				
	09409-07303	. .	B	B	B	S	S	S				8				
	[14]	(E)BRACE-WHEELHOUSE										(F)SUPPORT-TIMONERIE				
		(D)SCHIENE,RAD-GEHÄUSE										(S)REFUERZO-TIMONERA				
	96306384	. .	B	B	B	S	S	S				LH 1				HB
	96306385	. .	B	B	B	S	S	S				RH 1				H2
	[15]	(E)WHEELHOUSE A										(F)PANNEAU-TIMONERIE AVANT				
		(D)VERKLEIDUNG,RAD-GEHÄUSE										(S)PANEL-VOLANTE DELANTERO				
	96304491	. .	B	B	B	S	S	S				LH 1				WB
	96250659	. .	B	B	B	S	S	S				RH 1	970604			W2
	Y 96252573	. .	B	B	B	S	S	S				RH 1	970604			W3
	[16]	(E)PLUG										(F)BOUCHON				
		(D)STÖPSEL										(S)TAPON				
	09250-10001	. .	B	B	B	S	S	S				2				
	[17]	(E)SUPPORT A-BATTERY TRAY										(F)SUPPORT				
		(D)TRÄGER										(S)SOPORTE				

ENG(ENGINE)	T/A(TRANSAXLE)	BODY TYPE
Y = 1.5SOHC 6 = 1.6DOHC . = COMMON	M = MANUAL T/A A = AUTOMATIC T/A . = COMMON	4 N = 4 DOOR NOTCHBACK 3 H = 3 DOOR HATCHBACK 5 H = 5 DOOR HATCHBACK



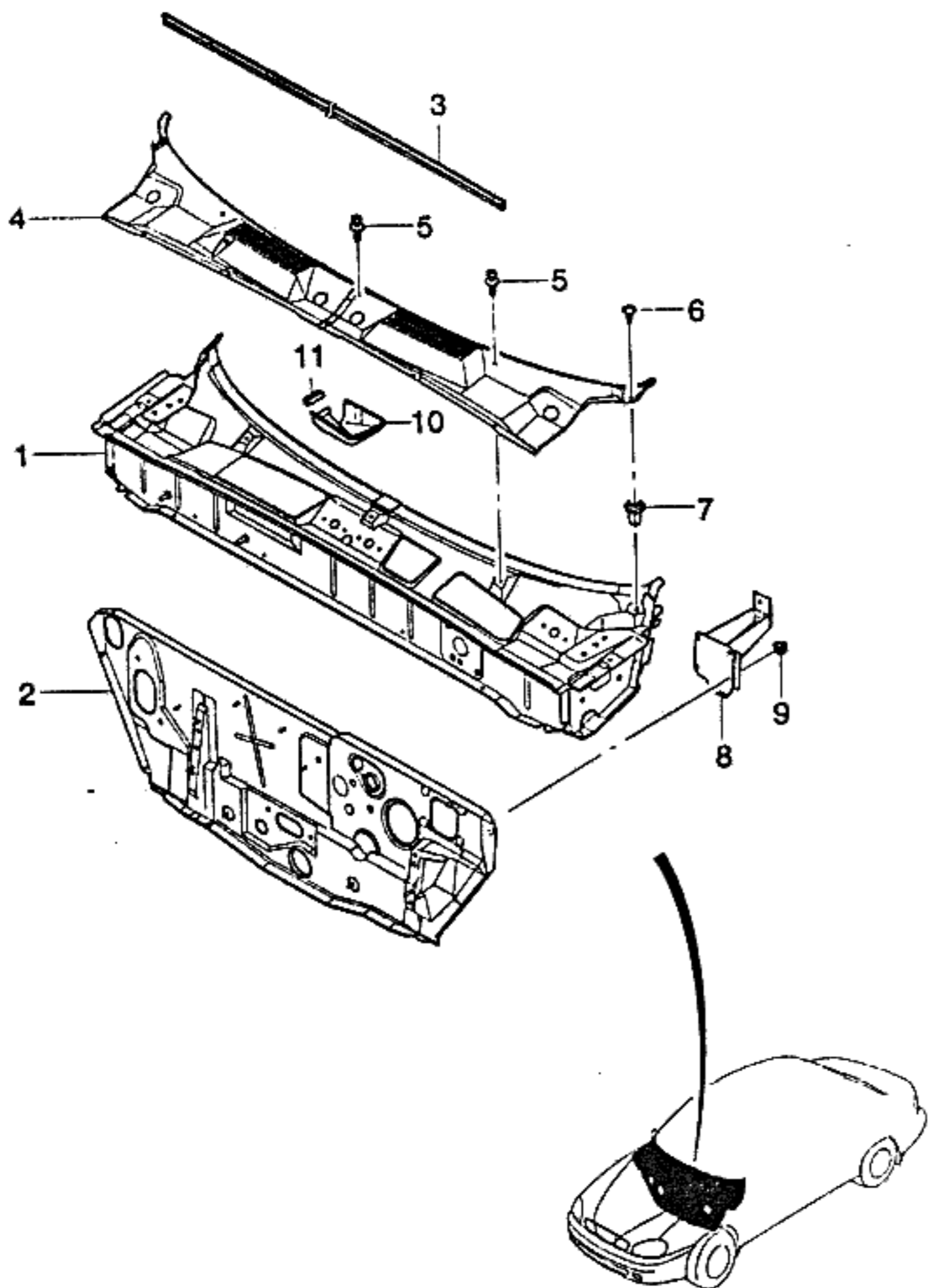
KEY NO.	PART NAME													
	PART NO	MODEL					OPTION	L / R	QTY	EFFECTIVE DATE		REMARKS	P / CODE	
		E	T	BODY		LEVEL				FROM	TO			
N	G	4	3	5	S	S	S							
96226880	[18]	.	.	B	B	B	S	S	S	S	1	(F)BOULON (S)PERNO		
02860-08203		.	.	B	B	B	S	S	S	S	2	970509		
Y 01517-08163	[19]	.	.	B	B	B	S	S	S	S	2	970509	(F)PLATEAU-BATTERIE (S)BANDEJA-BATERIA	
96242192	[20]	.	.	B	B	B	S	S	S	S	1	(F)BOULON (S)PERNO		
02860-08203		.	.	B	B	B	S	S	S	S	1	970509		
Y 01517-08163	[21]	.	.	B	B	B	S	S	S	S	1	970509	(F)GARDE (S)PROTECTOR	
96251301	[22]	.	.	B	B	B	S	S	S	S	1	(F)VIS (S)TORNILLO		
09136-04005		.	.	B	B	B	S	S	S	S	3	970804		
Y 09136-04013	[23]	.	.	B	B	B	S	S	S	S	3	970804	(F)ECROU (S)TUERCA	
09148-04010	[24]	.	.	B	B	B	S	S	S	S	3	(F)CROCHET (S)PERCHA		
09410-00100	[25]	.	.	B	B	B	S	S	S	S	1	(F)VIS (S)TORNILLO		
09136-04005		.	.	B	B	B	S	S	S	S	4	970804		

ENG(ENGINE)	T/A(TRANSAXLE)	BODY TYPE
Y = 1.5SOHC 6 = 1.6DOHC . = COMMON	M = MANUAL T/A A = AUTOMATIC T/A . = COMMON	4 N = 4 DOOR NOTCHBACK 3 H = 3 DOOR HATCHBACK 5 H = 5 DOOR HATCHBACK



I T C	KEY NO.		PART NAME										REMARKS	P / C O D E	
	PART NO	E N G	MODEL			OPTION	L / R	Q T Y	EFFECTIVE DATE						
			T / A	BODY	LEVEL				FROM	TO					
			4	3	5	S	S	S							
	Y 09136-04013		.	.	B	B	B	S	S	S		4	970804		
	[26]				(E)SEALING-BUTYL (D)DICHTUNG									(F)JOINT (S)SELLO	
	96238376		.	.	B	B	B	S	S	S		2			
	[27]				(E)SEALING-BUTYL (D)DICHTUNG									(F)JOINT (S)SELLO	
	96245279		.	.	B	B	B	S	S	S		2			
	[28]				(E)BOLT-HEXAGON FLANGE (D)SCHRAUBE									(F)BOULON (S)PERNO	
	01517-08162		.	.	B	B	B	S	S	S		3			
	[29]				(E)INSULATION A-AIR INTAKE (D)ISOLIERUNG									(F)ISOLATION (S)AISLAMIENTO	
	96247387		.	.	B	B	B	S	S	S		1			
	[30]				(E)BOLT (D)SCHRAUBE									(F)BOULON (S)PERNO	
	09116-06024		.	.	B	B	B	S	S	S		2			WASHER

ENG(ENGINE)	T/A(TRANSAXLE)	BODY TYPE
Y = 1.5SOHC 6 = 1.6DOHC . = COMMON	M = MANUAL T/A A = AUTOMATIC T/A . = COMMON	4 N = 4 DOOR NOTCHBACK 3 H = 3 DOOR HATCHBACK 5 H = 5 DOOR HATCHBACK



KEY NO.	PART NAME														
	PART NO	MODEL						OPTION	L / R	EFFECTIVE DATE		REMARKS	P / CODE		
		E	T	BODY			LEVEL			FROM	TO				
N	G	4	3	5	S	S	S								
		A	N	H	H	S	S	S							
[01]	96218304			B	B	B	S	S	S			(E)PANEL A-DASH,UPPER (D)VERKLEIDUNG,ARMATURENBRET	(F)PANNEAU-TABLEAU DE BORD (S)PANEL-SALPICAR	1	DB
[02]	96246753			B	B	B	S	S	S			(E)PANEL A-DASH,LOWER (D)PLATTE	(F)PLAQUE (S)PLACA-GOLPEADOR	1	D4
[03]	96303226			B	B	B	S	S	S			(E)WEATHERSTRIP-HOOD (D)DICHTUNGSLAISTE	(F)ISOLATION EN BANDELETTE (S)BURLETE	1	
[04]	96304672			B	B	B	S	S	S			(E)COWL (D)HAUBE	(F)CHAPEAU (S)CAPUCHA	LH 1	
[05]	96304673			B	B	B	S	S	S			(E)CLIP (D)KLEMME	(F)ATTACHE (S)GRAPA	RH 1	
[06]	09409-06327			B	B	B	S	S	S			(E)SCREW-TAPPING (D)SCHRAUBE	(F)VIS (S)TORNILLO	5	
[07]	03160-42132			B	B	B	S	S	S			(E)NUT-SPEED (D)MUTTER	(F)ECROU (S)TUERCA	2	970602
[08]	N 09132-05002			B	B	B	S	S	S			(E)SUPPORT A-DASH PANEL (D)TRÄGER	(F)SUPPORT (S)SOPORTE	2	970602
	96233565		A	B	B	B	O	O	O					1	970512
	O 96247422		A	B	B	B	O	O	O					1	970512

ENG(ENGINE)

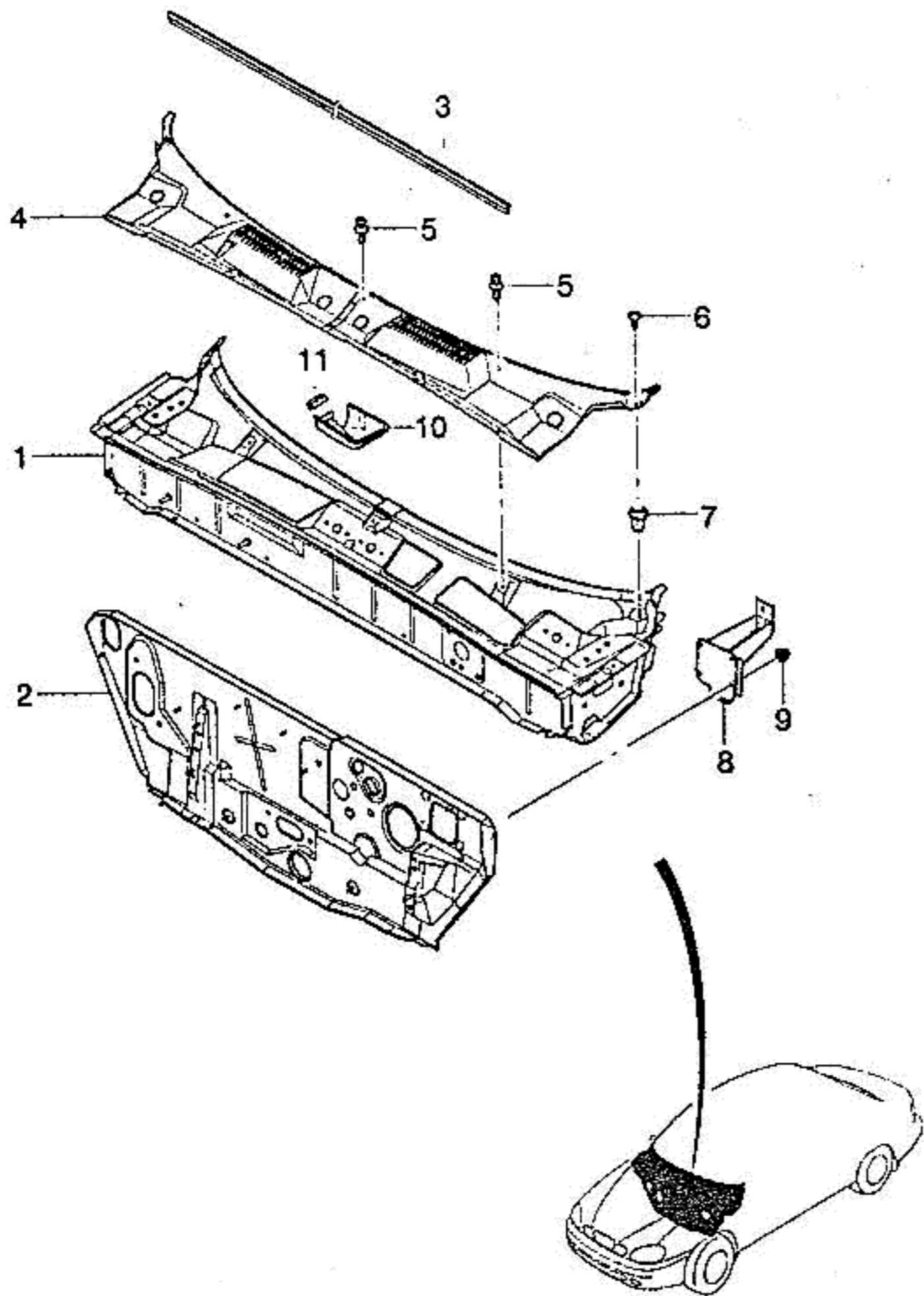
T/A(TRANSAXLE)

BODY TYPE

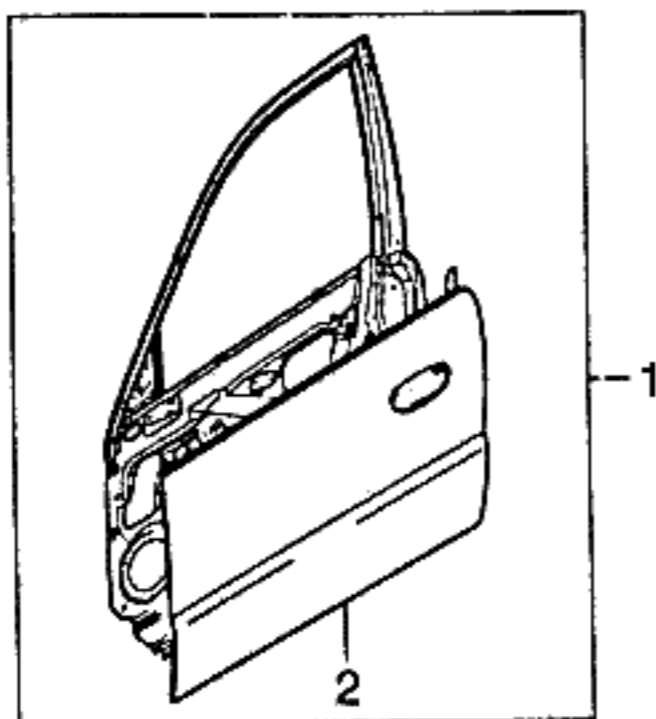
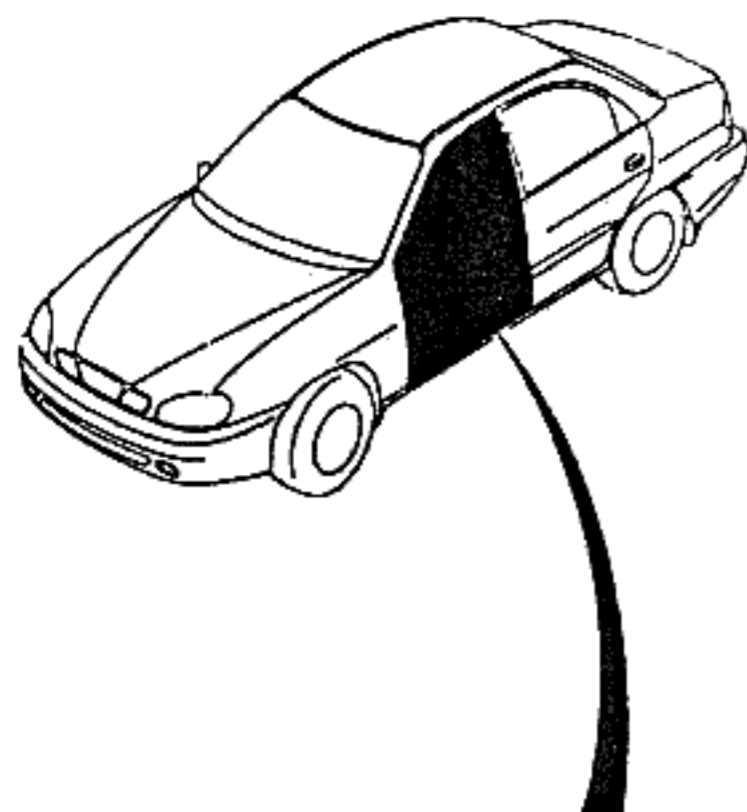
Y = 1.5SOHC
6 = 1.6DOHC
. = COMMON

M = MANUAL T/A
A = AUTOMATIC T/A
. = COMMON

4 N = 4 DOOR NOTCHBACK
3 H = 3 DOOR HATCHBACK
5 H = 5 DOOR HATCHBACK

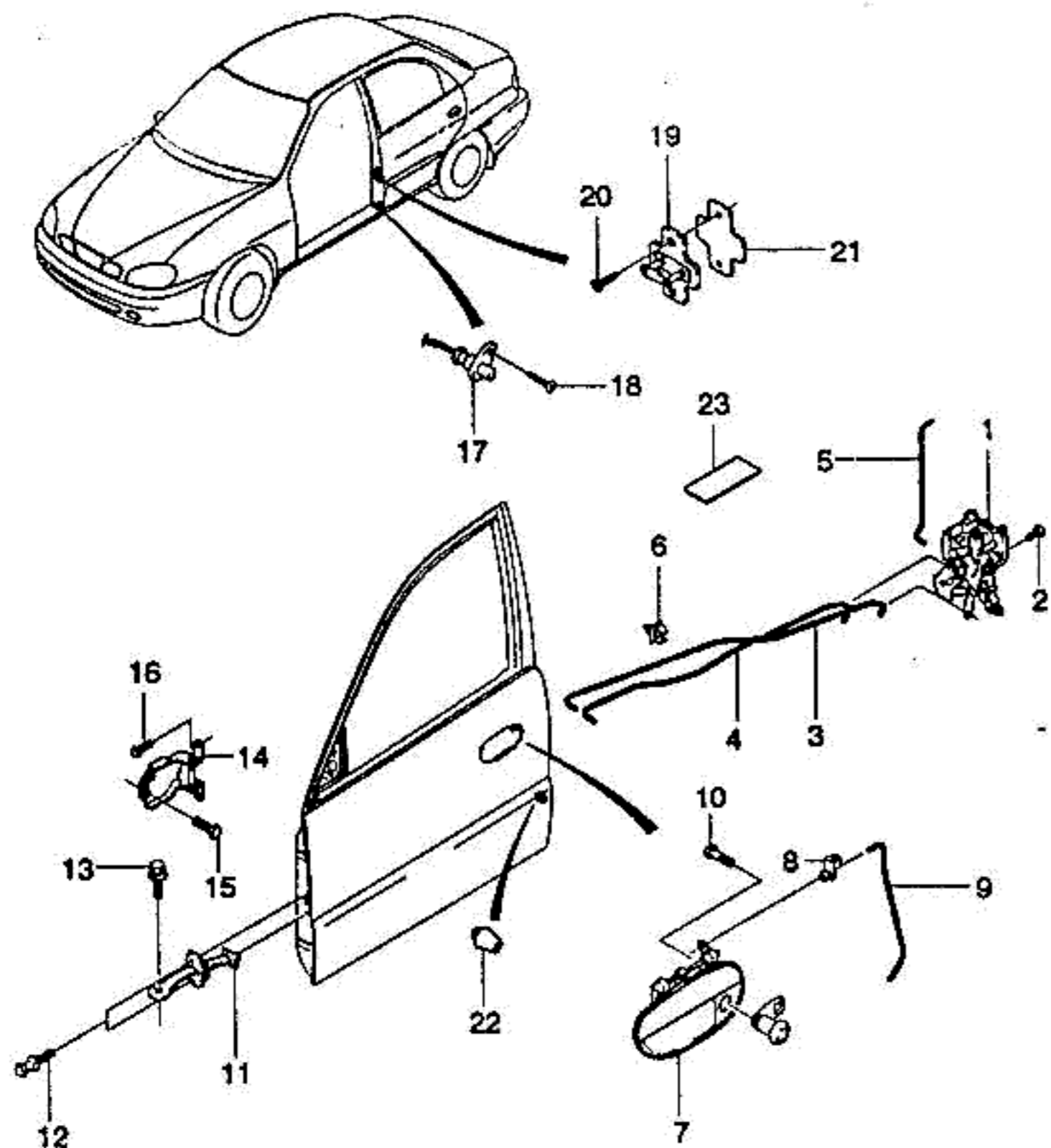


KEY NO.		PART NAME														
I T C	PART NO	MODEL						OPTION	L / R	Q T Y	EFFECTIVE DATE		REMARKS	P / C O D E		
		E N G	T / A	BODY			LEVEL				FROM	TO				
				4 N H	3 H	5 H	S S								S S	S S
	[09] 09159-08003	(E)NUT (D)MUTTER . A B B B O O O							(F)ECROU (S)TUERCA 5							
	[10] 96242195	(E)COVER A-DASH, TOP (D)DECKEL . . B B B S S S							(F)COUVERCLE (S)CUBIERTA 1							
	[11] 96246176	(E)COVER-FLANGE, DASH TOP (D)DECKEL . . B B B S S S							(F)COUVERCLE (S)CUBIERTA 1							
ENG(ENGINE)		T/A(TRANSAXLE)		BODY TYPE												
Y = 1.5SOHC 6 = 1.6DOHC . = COMMON		M = MANUAL T/A A = AUTOMATIC T/A . = COMMON		4 N = 4 DOOR NOTCHBACK 3 H = 3 DOOR HATCHBACK 5 H = 5 DOOR HATCHBACK												



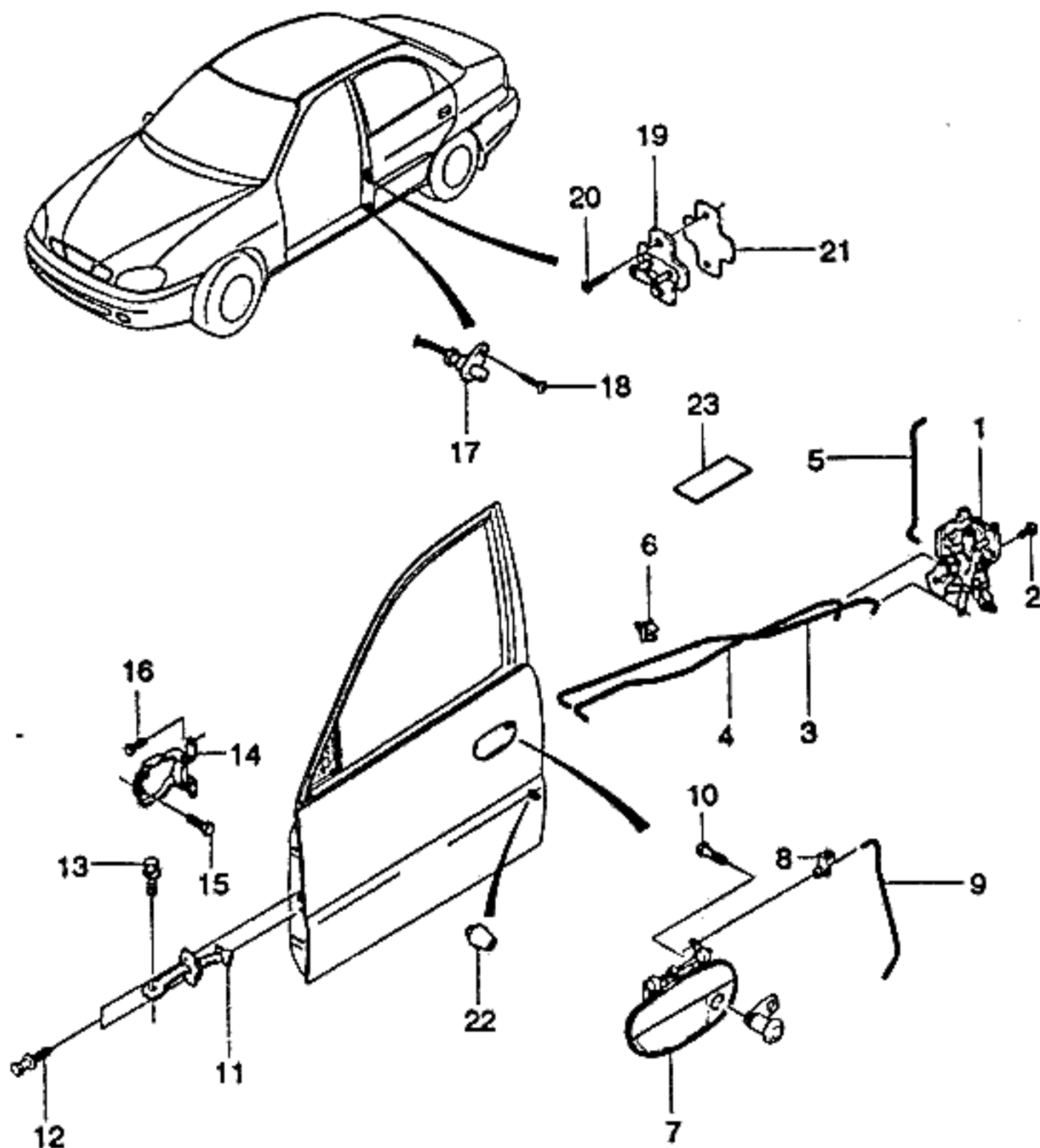
KEY NO.	PART NAME											P / CODE		
	PART NO	MODEL						OPTION	L / R	Q / Y	EFFECTIVE DATE		REMARKS	
		E T	BODY			LEVEL					FROM			TO
N / G	4	3	5	S	S	S								
[01]	(E)PANEL A-FRONT DOOR (D)VERKLEIDUNG,VORDERTÜR						(F)PANNEAU-PORTE AVANT (S)PANEL-PUERTA DEL FRENTE							
A96307283	. .	B	B	S	S	S	&XCK	LH	1			RA		
A96307284	. .	B	B	S	S	S	&XCK	RH	1			R1		
A96303836	. .	B	B	A	A	A	&XCP	LH	1			RB		
A96303837	. .	B	B	A	A	A	&XCP	RH	1			R2		
A96307281	. . .	B	.	S	.	S	&XCK	LH	1			KA		
A96307282	. . .	B	.	S	.	S	&XCK	RH	1			K1		
A96303834	. . .	B	.	A	.	A	&XCP	LH	1			KB		
A96303835	. . .	B	.	A	.	A	&XCP	RH	1			K2		
[02]	(E)PANEL-FRONT DOOR OUTER (D)VERKLEIDUNG						(F)PANNEAU (S)PANEL							
A96310023	. .	B	B	S	S	S	&XCK	LH	1					
A96310024	. .	B	B	S	S	S	&XCK	RH	1					
A96303911	. .	B	B	A	A	A	&XCP	LH	1					
A96303912	. .	B	B	A	A	A	&XCP	RH	1					
A96310021	. . .	B	.	S	.	S	&XCK	LH	1					
A96310022	. . .	B	.	S	.	S	&XCK	RH	1					
A96303909	. . .	B	.	A	.	A	&XCP	LH	1					
A96303910	. . .	B	.	A	.	A	&XCP	RH	1					

ENG(ENGINE)	T/A(TRANSAXLE)	BODY TYPE
Y = 1.5SOHC 6 = 1.6DOHC . = COMMON	M = MANUAL T/A A = AUTOMATIC T/A . = COMMON	4 N = 4 DOOR NOTCHBACK 3 H = 3 DOOR HATCHBACK 5 H = 5 DOOR HATCHBACK



KEY NO.	PART NAME													
	PART NO	MODEL						OPTION	L / R	Q / T Y	EFFECTIVE DATE		REMARKS	P / CODE
		E	T	BODY			LEVEL				FROM	TO		
N	G	4	3	5	S	S	S							
[01]	(E)LATCH A-FRONT DOOR (D)VERSCHLUß,VORDERTÜR (F)LOQUET-PORTE AVANT (S)PESTILLO-PUERTA													
96305416	. . .	B	B	B	S	S	. -AU3		LH	1				
96305418	. . .	B	B	B	S	S	. -AU3		RH	1				
96305409	. . .	B	B	B	O	O	S &AU3		LH	1				
96305412	. . .	B	B	B	O	O	S &AU3		RH	1				
[02]	(E)SCREW (D)SCHRAUBE (F)VIS (S)TORNILLO													
09125-06002	. . .	B	B	B	S	S	S			6				
[03]	(E)ROD-FRONT DOOR LOCKING (D)STAB (F)TRINGLE (S)VARILLA													
96304033	. . .	B	.	B	S	S	S		LH	1				
96304034	. . .	B	.	B	S	S	S		RH	1				
96304756	B	.	S	.	S			LH	1				
96304757	B	.	S	.	S			RH	1				
[04]	(E)ROD-FRT DOOR INSIDE HANDL (D)STAB (F)TRINGLE (S)VARILLA													
96304031	. . .	B	.	B	S	S	S		LH	1				
96304032	. . .	B	.	B	S	S	S		RH	1				
96304754	B	.	S	.	S			LH	1				
96304755	B	.	S	.	S			RH	1				
[05]	(E)ROD-FRT DOOR KEY CYLINDER (D)STAB (F)TRINGLE (S)VARILLA													
96304000	. . .	B	.	B	S	S	S		LH	1				
96304001	. . .	B	.	B	S	S	S		RH	1				
96304752	B	.	S	.	S			LH	1				

ENG(ENGINE)	T/A(TRANSAXLE)	BODY TYPE
Y = 1.5SOHC 6 = 1.6DOHC . = COMMON	M = MANUAL T/A A = AUTOMATIC T/A . = COMMON	4 N = 4 DOOR NOTCHBACK 3 H = 3 DOOR HATCHBACK 5 H = 5 DOOR HATCHBACK



KEY NO.	PART NAME											P / CODE			
	PART NO	MODEL					OPTION	L / R	QTY	EFFECTIVE DATE			REMARKS		
		E	T	BODY	LEVEL					FROM	TO				
	N / G	A	4 N	3 H	5 H	S	S	S	S	S					
96304753				B		S		S					RH 1		
[06]													(F)ATTACHE (S)GRAPA		
09408-00021				B	B	B	S	S	S				2		
[07]													(F)POIGNEE-EXTERIEURE PORTE (S)MANIJA-EXTERNA PUERTA		
96226249				B		B	S	S	S				LH 1		NA
96226250				B		B	S	S	S				RH 1		NB
96226251				B			S		S				LH 1		NC
96226252				B			S		S				RH 1		ND
[08]													(F)PINCE (S)ABRAZADERA		
09403-04301				B	B	B	S	S	S				2		
[09]													(F)TRINGLE (S)VARILLA-MANIJA EXTERNA		
96304016				B		B	S	S	S				2		
96306632				B			S		S				2		
[10]													(F)BOULON (S)PERNO		
01114-06103				B	B	B	S	S	S				4		
[11]													(F)ARRET-PORTE (S)PUERTA DE VERIFICAR		
96303990				B	B	B	S	S	S				LH 1		
96303991				B	B	B	S	S	S				RH 1		
[12]													(F)BOULON (S)PERNO		
01117-06162				B	B	B	S	S	S				4		

ENG(ENGINE)

T/A(TRANSAXLE)

BODY TYPE

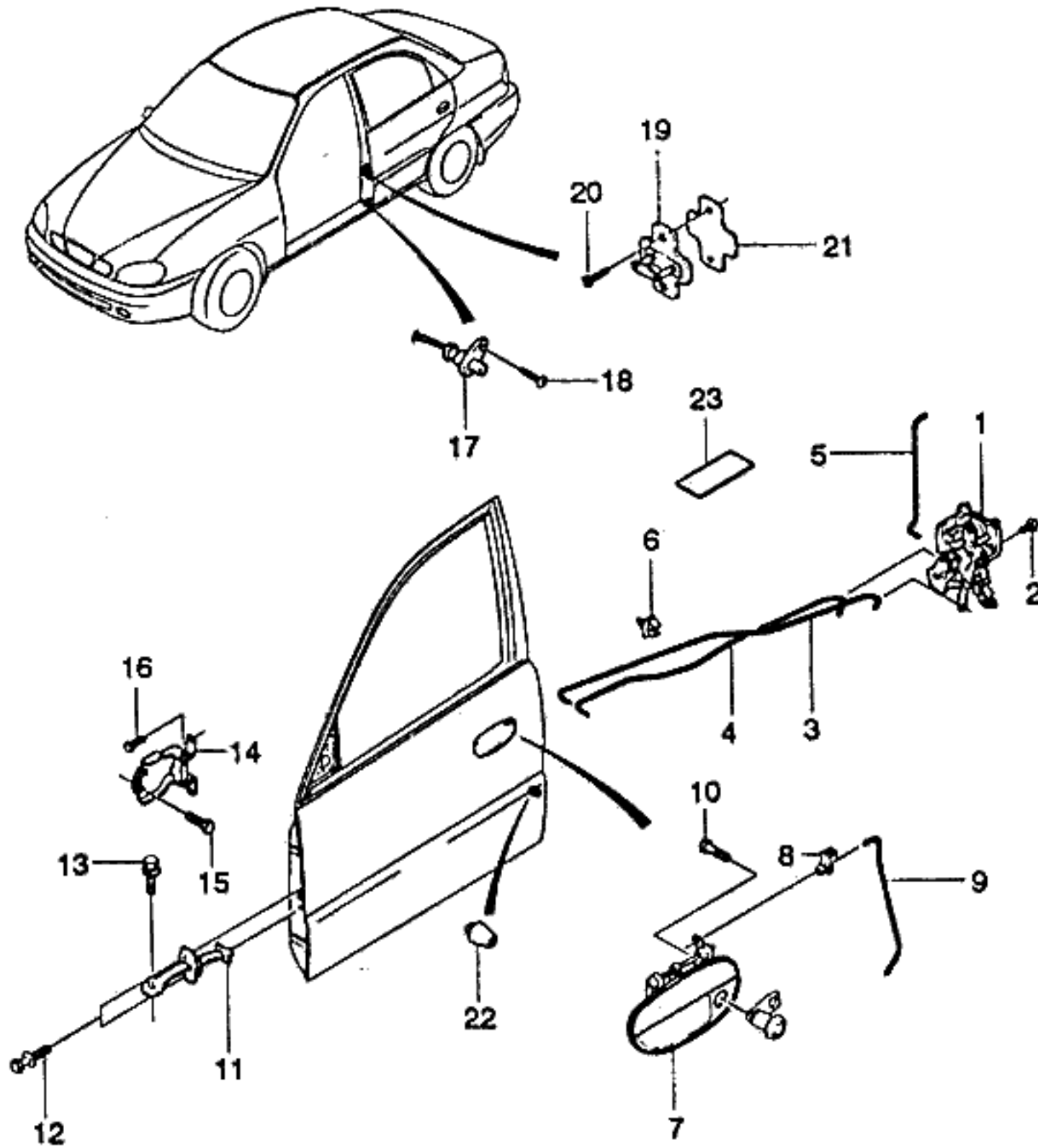
Y = 1.5SOHC
6 = 1.6DOHC
. = COMMON

M = MANUAL T/A
A = AUTOMATIC T/A
. = COMMON

4 N = 4 DOOR NOTCHBACK
3 H = 3 DOOR HATCHBACK
5 H = 5 DOOR HATCHBACK

6220 FRONT DOOR LOCKING

5C09



KEY NO.	PART NAME												
	PART NO	MODEL					OPTION	L / R	Q / T Y	EFFECTIVE DATE		REMARKS	P / C O D E
		E T	B O D Y	L E V E L	FROM	TO							
N / G	4 3 5	S S S											
[13]	(E)BOLT (D)SCHRAUBE								(F)BOULON (S)PERNO				
09118-08003	. . . B B B S S S							2	970512		WWASHER		
Y 09118-08009	. . . B B B S S S							2	970512		WWASHER		
[14]	(E)HINGE A-FRONT DOOR (D)BESCHLAG,VORDERTÜR								(F)CHARNIERE-PORTE AVANT (S)BISAGRA-PUERTA				
96224310	. . . B B B S S S							LH 1			UPPER	EA	
96224311	. . . B B B S S S							LH 1			LOWER	EB	
96224311	. . . B B B S S S							RH 1			UPPER	EB	
96224310	. . . B B B S S S							RH 1			LOWER	EA	
[15]	(E)BOLT (D)SCHRAUBE								(F)BOULON (S)PERNO				
09118-08008	. . . B B B S S S							8			WWASHER		
[16]	(E)BOLT-HEXAGON FLANGE (D)SCHRAUBE								(F)BOULON (S)PERNO				
09103-08018	. . . B B B S S S							8					
[17]	(E)SWITCH A-DOOR CONTACT (D)SCHALTER,TÜR KONTAKT								(F)COMMUNTEUR-CONTACT PORTE (S)INTERRUPTOR				
96235956	. . . B B B S S S							2					
[18]	(E)SCREW-TAPPING (D)SCHRAUBE								(F)VIS (S)TORNILLO				
03170-42095	. . . B B B S S S							2					
[19]	(E)STRIKER A-DOOR (D)SCHLÄGER								(F)MARTEAU (S)HUELGUISTA				
96301668	. . . B B B S S S							2					
[20]	(E)BOLT (D)SCHRAUBE								(F)BOULON (S)PERNO				
09119-08026	. . . B B B S S S							4					

ENG(ENGINE)

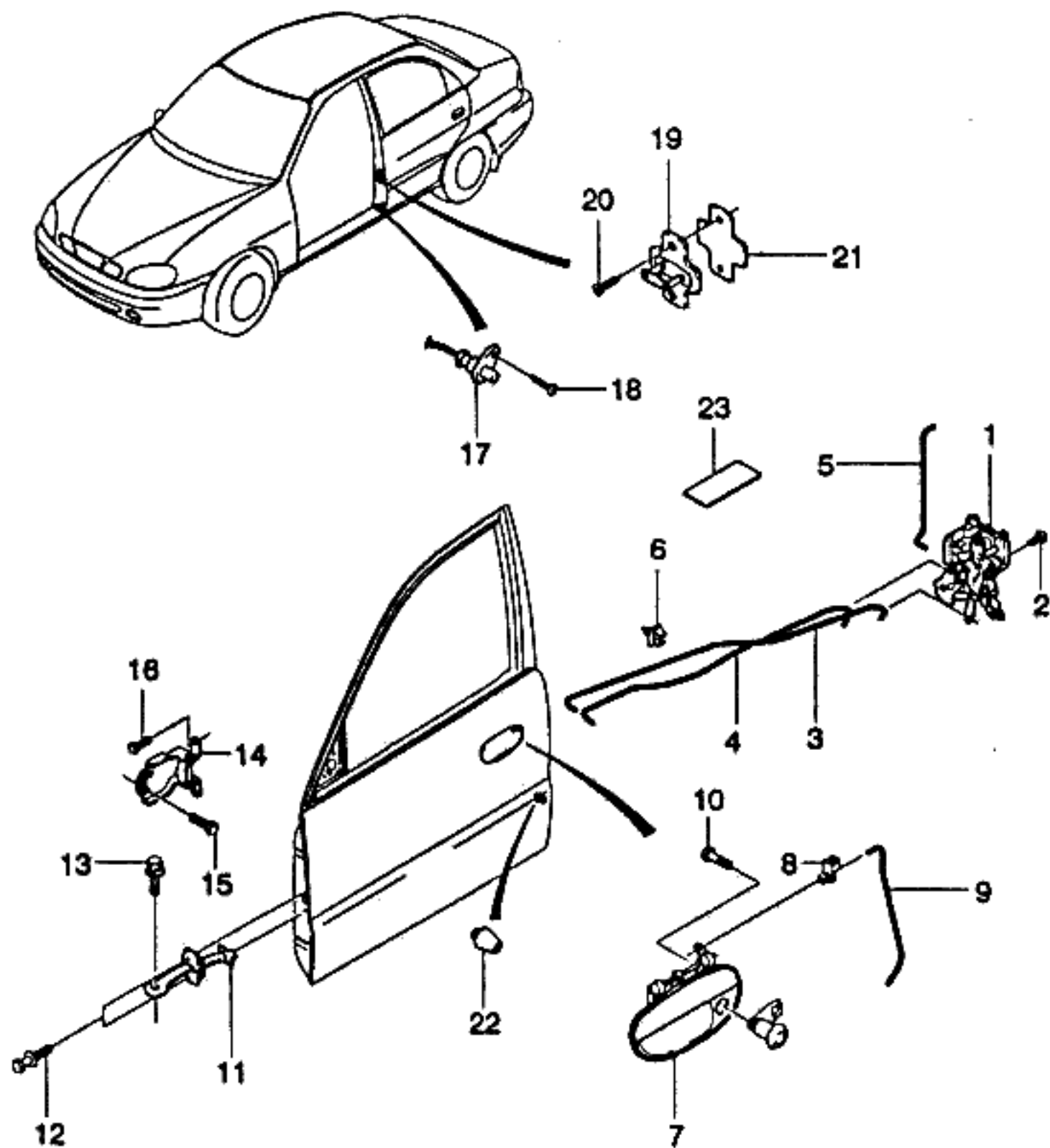
T/A(TRANSAXLE)

BODY TYPE

Y = 1.5SOHC
6 = 1.6DOHC
. = COMMON

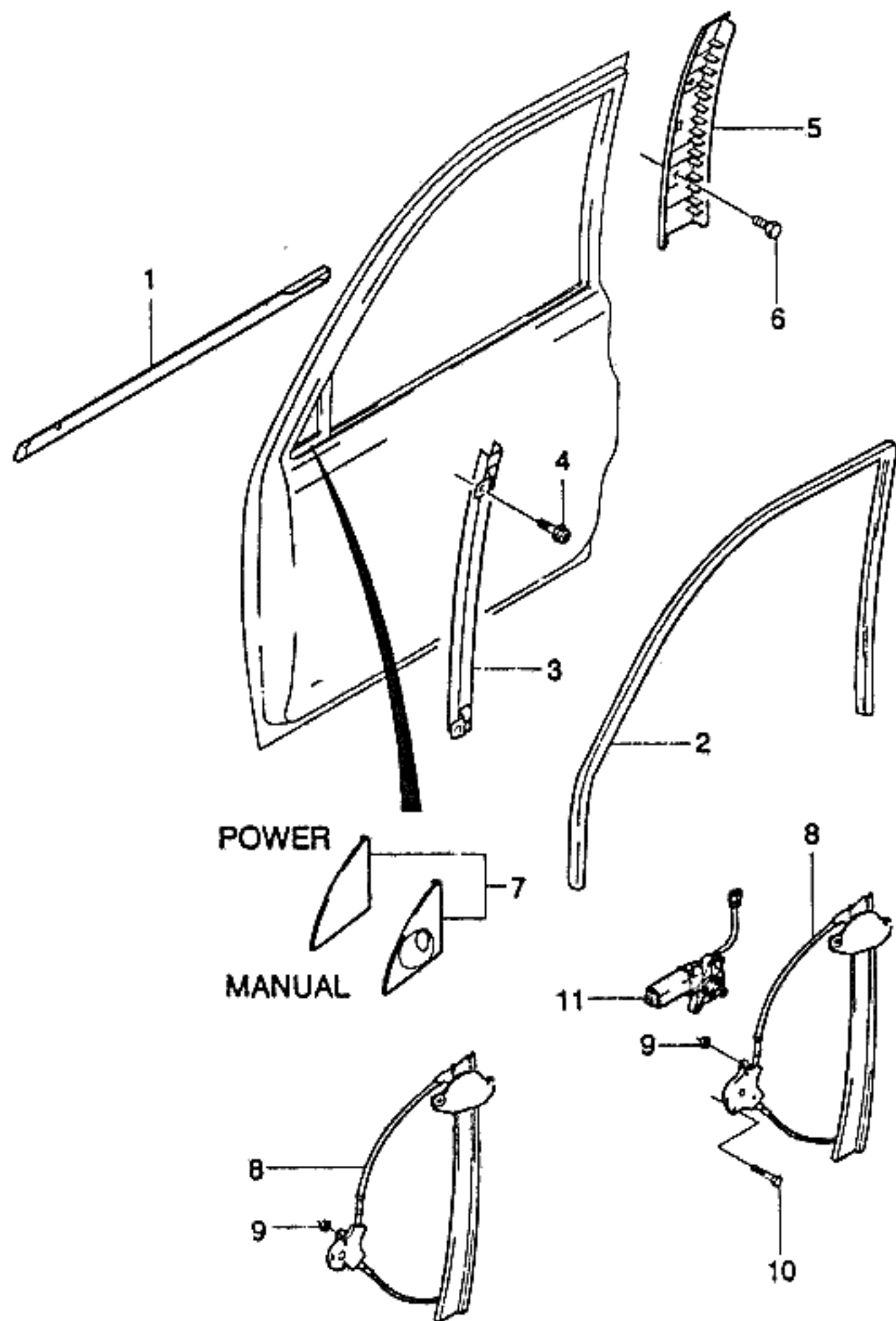
M = MANUAL T/A
A = AUTOMATIC T/A
. = COMMON

4 N = 4 DOOR NOTCHBACK
3 H = 3 DOOR HATCHBACK
5 H = 5 DOOR HATCHBACK



KEY NO.	PART NAME												
	PART NO	MODEL					OPTION	L / R	Q / T / Y	EFFECTIVE DATE		REMARKS	P / C / O / D / E
		E	T	BODY						LEVEL			
N / G	A	4	3	5	S	S	S						
[21] 96216377	(E)WASHER-DISTANCE (D)DICHTUNGSRING,DISTANZ										(F)RONDELLE-DISTANCIA (S)ARANDELA-DISTANCIA		
[22] 96240768	(E)BUMPER-TRUNK LID,LWR (D)STOBSTANGE										(F)PARE-CHOC (S)PARACHOQUES		
[23] 96249231	(E)STRIP-INSULATING (D)AUSZIEHEN										(F)BANDE (S)FLEJE		

ENG(ENGINE)	T/A(TRANSAXLE)	BODY TYPE
Y = 1.5SOHC 6 = 1.6DOHC . = COMMON	M = MANUAL T/A A = AUTOMATIC T/A . = COMMON	4 N = 4 DOOR NOTCHBACK 3 H = 3 DOOR HATCHBACK 5 H = 5 DOOR HATCHBACK

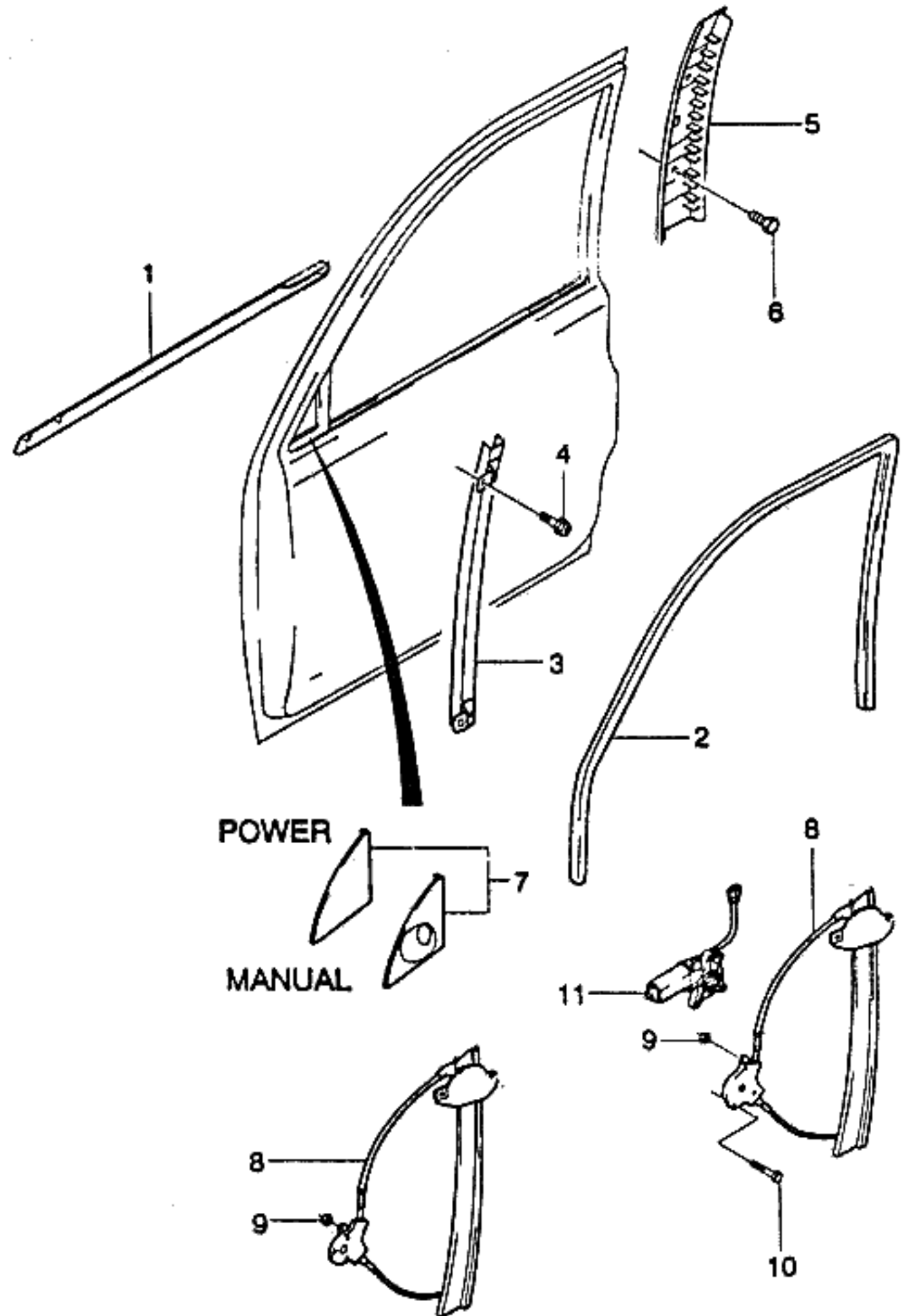


KEY NO.	PART NAME										P / CODE		
	PART NO	MODEL					OPTION	L / R	Q / T Y	EFFECTIVE DATE		REMARKS	
		E	T	BODY						LEVEL			FROM
	N / G	A	4	3	5	S	S	S					
[01]	(E)MOLDING A-FRT DOOR OTR CH (D)MOLDURA-PUERTA DELANTE										(F)MOULURE-PORTE AVANT (S)PREBTEIL,VORDERTÜR		
96304086	.	.	B	.	B	S	S	S			LH 1		
96304087	.	.	B	.	B	S	S	S			RH 1		
96304084	.	.	.	B	.	S	.	S			LH 1		
96304085	.	.	.	B	.	S	.	S			RH 1		
[02]	(E)GLASS RUN-FRONT DOOR (D)RILLE,SCHIEBE,ABLAUF										(F)RAINURE-CHEMIN DE GLACE (S)CANAL-CORRIDA DE VIDRIO		
96304082	.	.	B	.	B	S	S	S			LH 1		
96304083	.	.	B	.	B	S	S	S			RH 1		
96304080	.	.	.	B	.	S	.	S			LH 1		
96304081	.	.	.	B	.	S	.	S			RH 1		
[03]	(E)RAIL A-FRT DOOR GUIDE,RR (D)SCHIENE,FÜHRUNG										(F)RAIL-GUIDE (S)RIEL-GUIA		
96246242	.	.	B	.	B	S	S	S			LH 1 970901		
O 96257724	.	.	B	.	B	S	S	S			LH 1 970901		
96246243	.	.	B	.	B	S	S	S			RH 1 970901		
O 96257725	.	.	B	.	B	S	S	S			RH 1 970901		
96303993	.	.	.	B	.	S	.	S			LH 1 970901		
O 96257722	.	.	.	B	.	S	.	S			LH 1 970901		
96303994	.	.	.	B	.	S	.	S			RH 1 970901		
O 96257723	.	.	.	B	.	S	.	S			RH 1 970901		
[04]	(E)BOLT (D)SCHRAUBE										(F)BOULON (S)PERNO		
09116-06034	.	.	B	B	B	S	S	S			4 WWASHER		

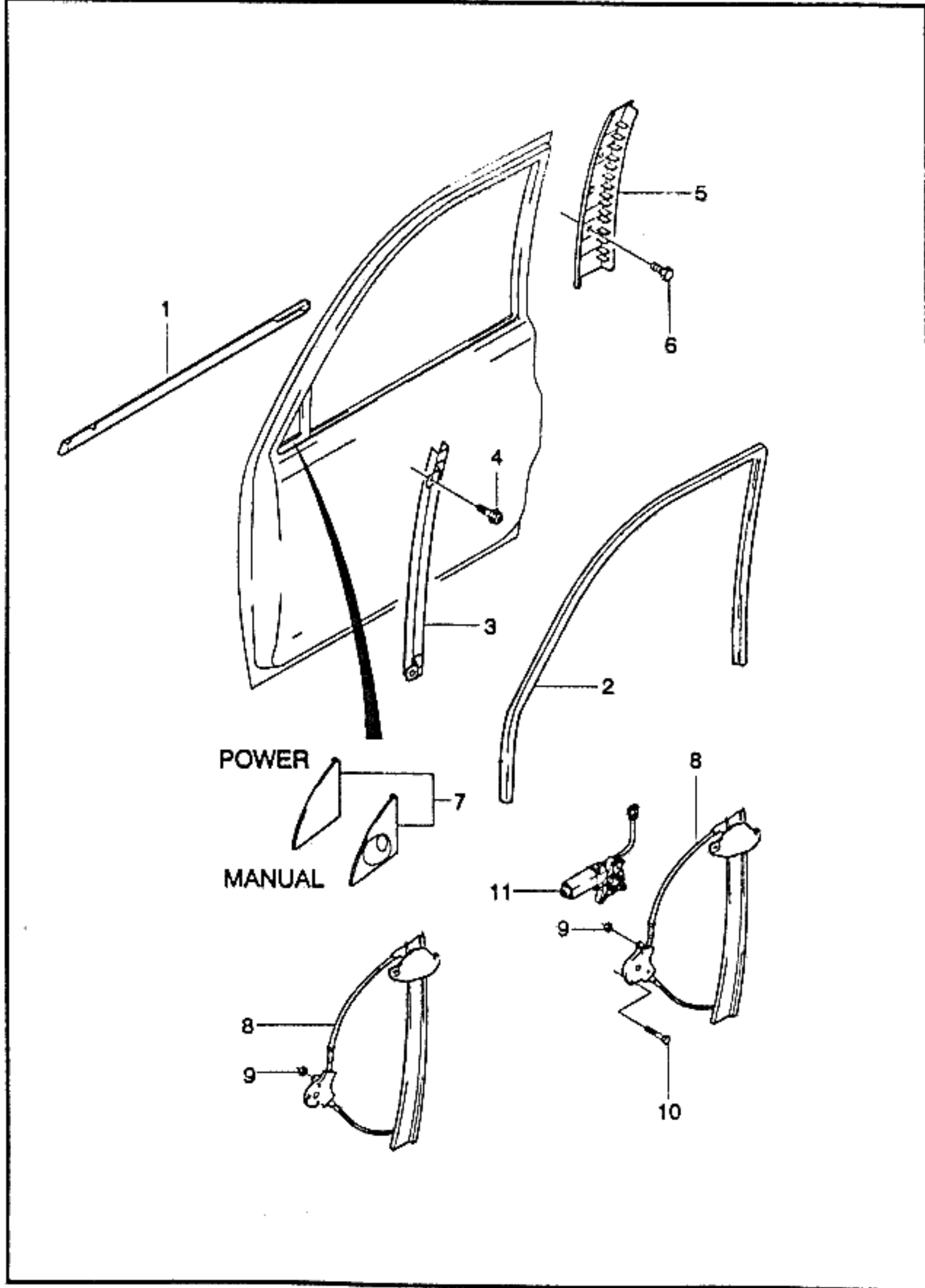
ENG(ENGINE)	T/A(TRANSAXLE)	BODY TYPE
Y = 1.5SOHC 6 = 1.5DOHC . = COMMON	M = MANUAL T/A A = AUTOMATIC T/A . = COMMON	4 N = 4 DOOR NOTCHBACK 3 H = 3 DOOR HATCHBACK 5 H = 5 DOOR HATCHBACK

5230 FRONT WINDOW LIFTER

5F09



I T C	KEY NO.	PART NAME											P / C O D E		
		PART NO	MODEL					OPTION	L / R	Q T Y	EFFECTIVE DATE			REMARKS	
			E N G	T / A	B O D Y	L E V E L					FROM	TO			
		4 N	3 H	5 H	S S	S S									
	[06]	(E)GARNISH-FRONT DOOR CENTER (D)VERZIERUNG											(F)GARNITURE (S)ORNAMENTO		
	96304715	.	.	B	.	B	S	S	S			LH	1		
	96304716	.	.	B	.	B	S	S	S			RH	1		
	96304713	.	.	.	B	.	S	.	S			LH	1		
	96304714	.	.	.	B	.	S	.	S			RH	1		
	[06]	(E)SCREW-TAPPING (D)SCHRAUBE											(F)VIS (S)TORNILLO		
	03111-42132	.	.	B	.	B	S	S	S				6		
	09132-04009	.	.	.	B	.	S	.	S				2	970701	
	N 09136-04011	.	.	.	B	.	S	.	S				2	970701	
	[07]	(E)COVER A-WINDOW FRAME INR (D)DECKEL,FENSTERRAHMEN											(F)COUVERTURE (S)CUBIERTA-MARCO DE VENTANA		
	96304172	.	.	B	B	B	S	S	S	&D33		LH	1		
	96304173	.	.	B	B	B	S	S	S	&D39		RH	1		
	96304175	.	.	B	B	B	.	.	O	&DD4		RH	1		
	[08]	(E)LIFTER-FRT DOOR WINDOW (D)HEBER,FENSTERSCHEIBE											(F)LEVIER-FENETRE,AVANT (S)LEVANTADOR-VENTANA		
	96304038	.	.	B	.	B	S	S	.	&A30		LH	1		W1
	96304040	.	.	B	.	B	S	S	.	&A30		RH	1		W2
	96225383	.	.	B	.	B	O	O	S	&A32/A31		LH	1		
	96225384	.	.	B	.	B	O	O	S	&A32/A31		RH	1		
	96304039	.	.	.	B	.	S	.	.	&A30		LH	1		W3
	96304041	.	.	.	B	.	S	.	.	&A30		RH	1		W4
	96233470	.	.	.	B	.	O	.	S	&A32		LH	1		
	96233471	.	.	.	B	.	O	.	S	&A32		RH	1		
ENG(ENGINE)		T/A(TRANSAXLE)				BODY TYPE									
Y = 1.5SOHC 6 = 1.6DOHC . = COMMON		M = MANUAL T/A A = AUTOMATIC T/A . = COMMON				4 N = 4 DOOR NOTCHBACK 3 H = 3 DOOR HATCHBACK 5 H = 5 DOOR HATCHBACK									

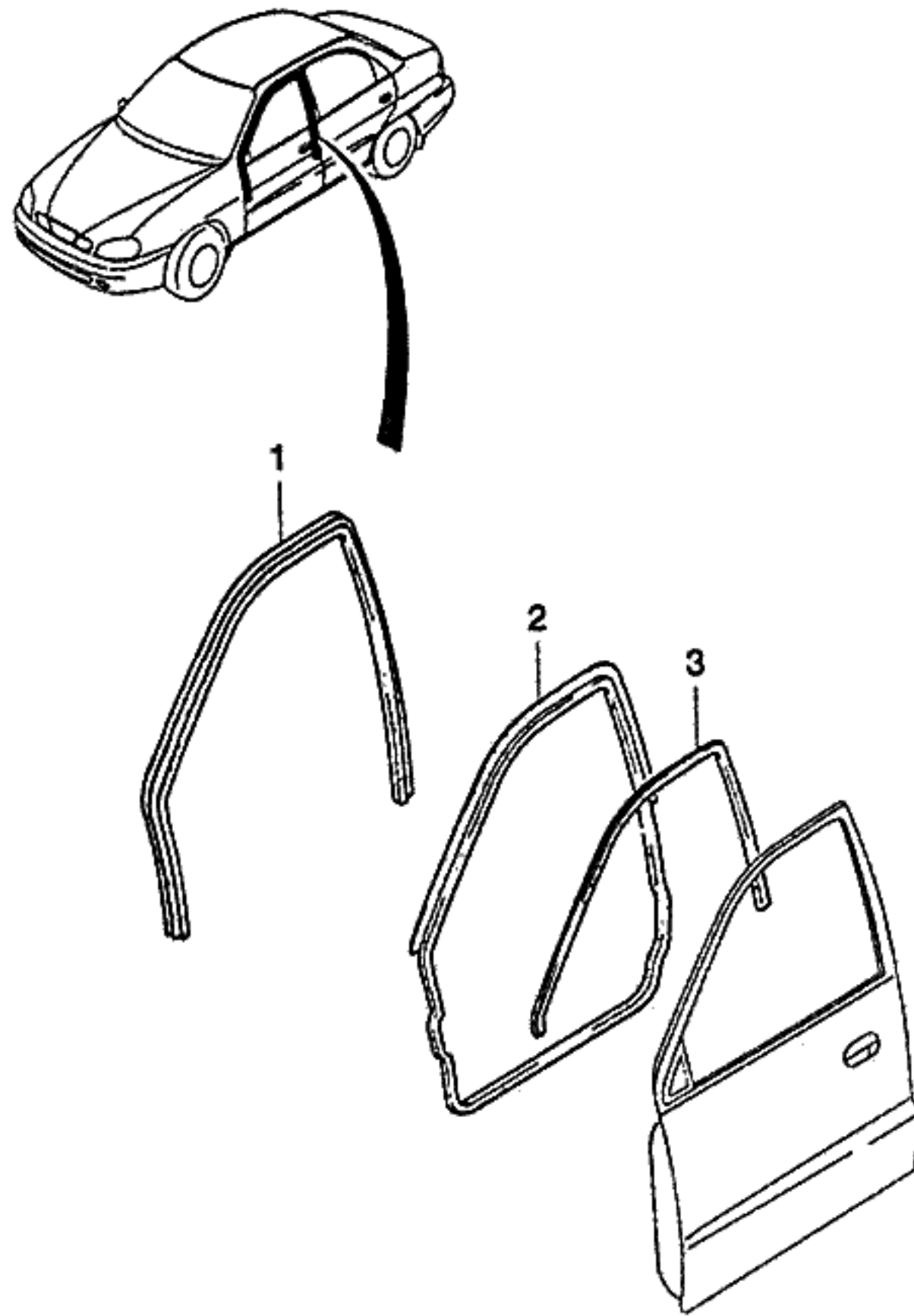


KEY NO.	PART NAME												
	PART NO	MODEL						OPTION	L / Q / R	EFFECTIVE DATE		REMARKS	P / C / O / D / E
		E / N / G	T / A	4 / N	3 / H	5 / H	S / S			S / S	FROM		
[09]	(E)NUT-HEXAGON FLANGE (D)MUTTER								(F)ECROU (S)TUERCA				
08316-25063	. . B B B S S .						&A30		12				
08316-25063	. . B B B O O S						&A32/A31		14				
[10]	(E)SCREW (D)SCHRAUBE								(F)VIS (S)TORNILLO				
96227795	. . B B B O O S						&A32/A31		6				
[11]	(E)MOTOR A-POWER WINDOW (D)MOTOR,FENSTERSCHEIBE								(F)MOTEUR (S)MOTOR-VENTANA ELECTRICA				
96190207	. . B B B O O S						&A32/A31		LH 1				TC
96190208	. . B B B O O S						&A32/A31		RH 1				TD

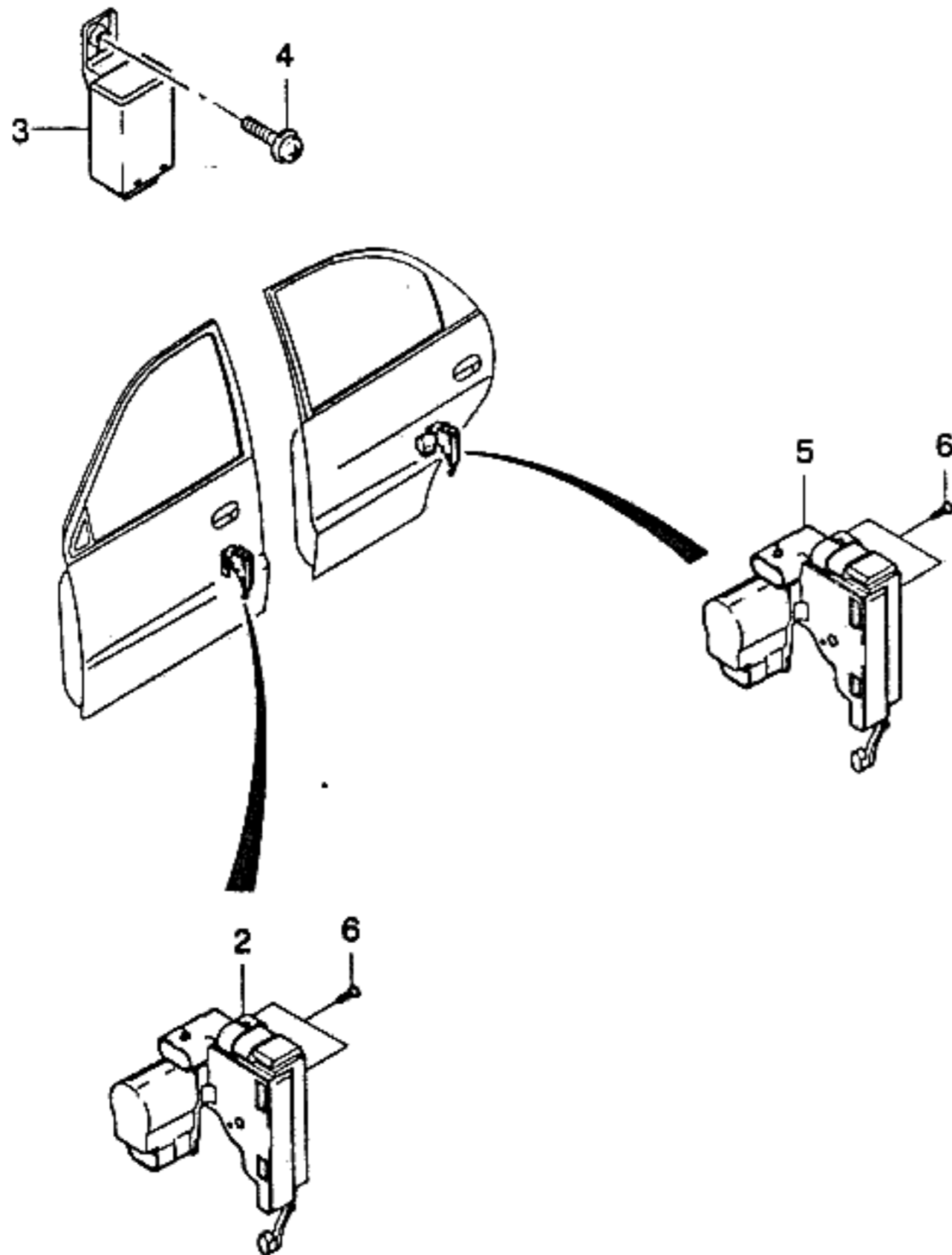
ENG(ENGINE)	T/A(TRANSAXLE)	BODY TYPE
Y = 1.5SOHC 6 = 1.6DOHC . = COMMON	M = MANUAL T/A A = AUTOMATIC T/A . = COMMON	4 N = 4 DOOR NOTCHBACK 3 H = 3 DOOR HATCHBACK 5 H = 5 DOOR HATCHBACK

6240 FRONT WEATHERSTRIP

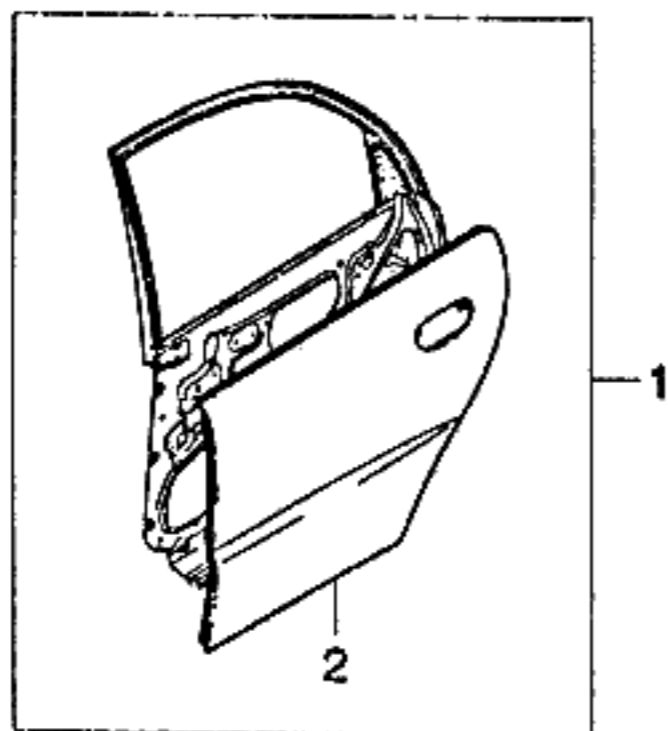
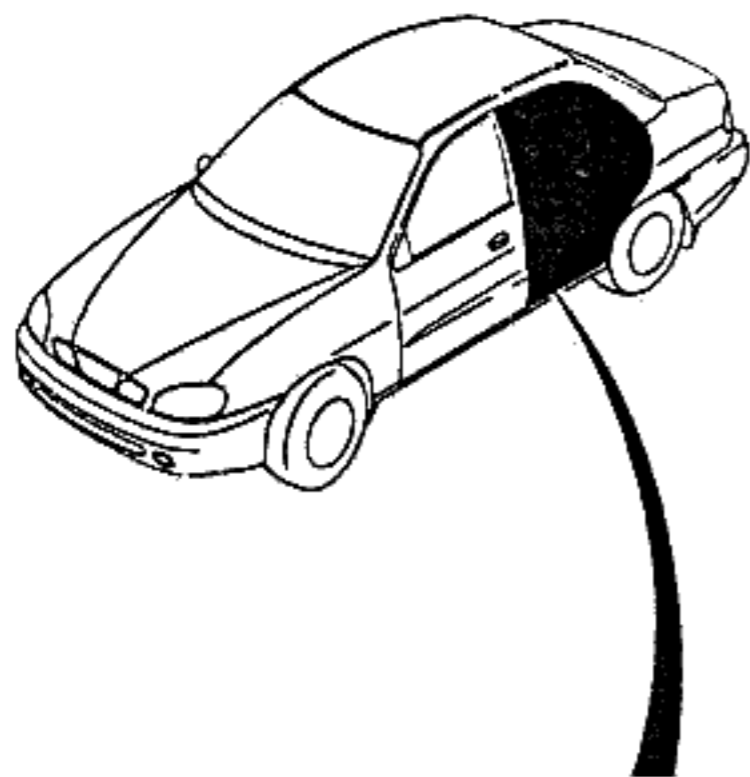
5H09



I T C	KEY NO.		PART NAME										P I C O D E
	PART NO	MODEL					OPTION	L / R	Q T Y	EFFECTIVE DATE		REMARKS	
		E N G	T / A	BODY	LEVEL					FROM	TO		
		N / G	4 A	3 N	5 H	S S	S S						
	[01]	(E)COVER-FRT DOOR OPEN FLANG (D)DECKEL										(F)CARTER (S)CUBIERTA	
	96238367	. . . B . B S S S										2	
	96238366	. . . B . S . S										2	
	[02]	(E)WEATHERSTRIP A FRONT DOOR (D)DICHTUNGSLEISTE										(F)ISOLATION EN BANDELETTE (S)BURLETE	
	96304074	. . . B . B S S S										LH 1	
	96304076	. . . B . B S S S										RH 1	
	96304072	. . . B . S . S										LH 1	
	96304073	. . . B . S . S										RH 1	
	[03]	(E)WEATHERSTRIP-FR DOOR,2ND (D)DICHTUNGSLEISTE										(F)ISOLATION EN BANDELETTE (S)BURLETE	
	96304078	. . . B . B S S S										LH 1	
	96304079	. . . B . B S S S										RH 1	
	96304076	. . . B . S . S										LH 1	
	96304077	. . . B . S . S										RH 1	
ENG(ENGINE)			T/A(TRANSAXLE)				BODY TYPE						
Y = 1.5SOHC 6 = 1.6DOHC . = COMMON			M = MANUAL T/A A = AUTOMATIC T/A . = COMMON				4 N = 4 DOOR NOTCHBACK 3 H = 3 DOOR HATCHBACK 5 H = 5 DOOR HATCHBACK						

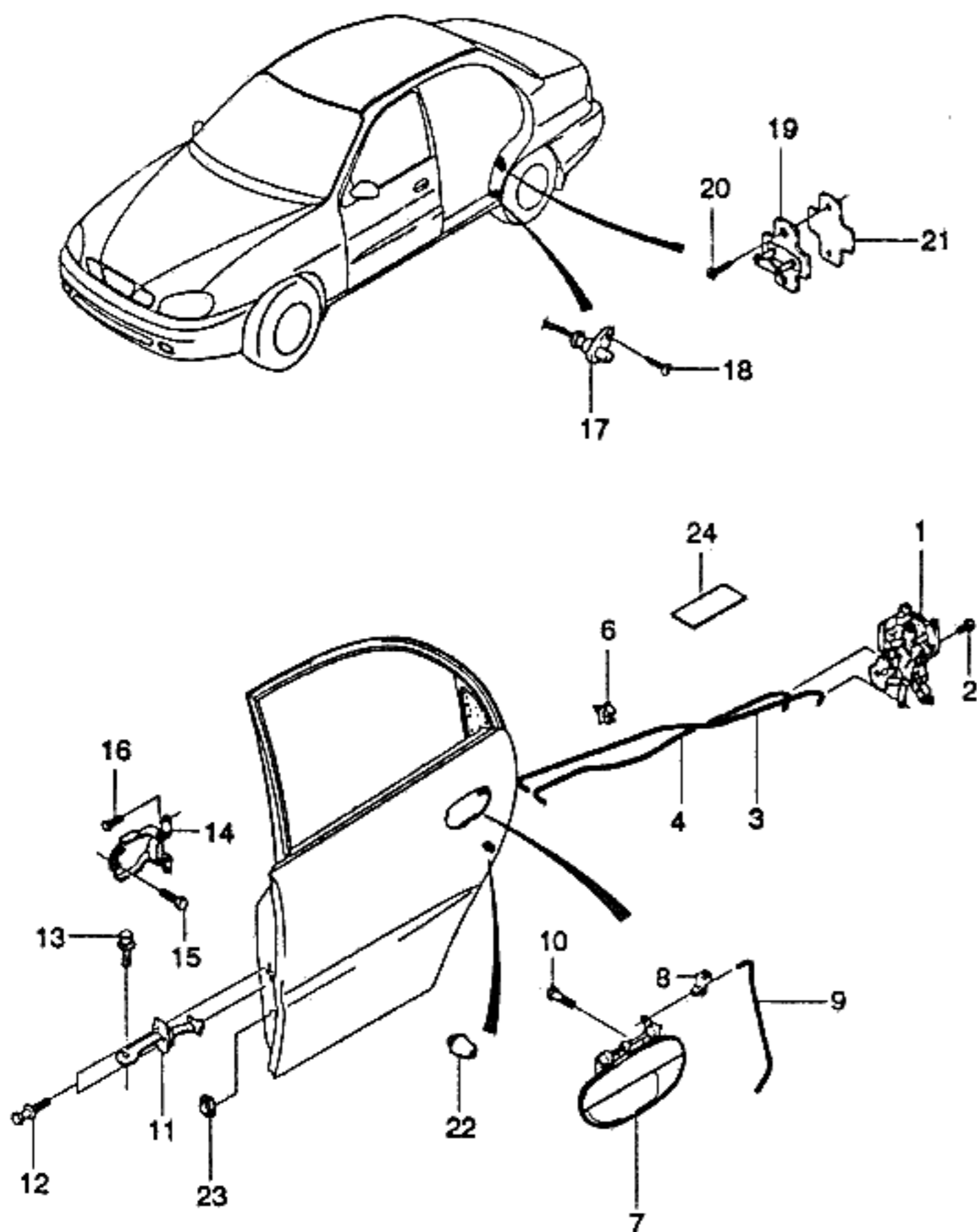


I T C	KEY NO.		PART NAME										P / C O D E		
	PART NO	E N G	MODEL			OPTION	L / R	Q T Y	EFFECTIVE DATE		REMARKS				
			4 N	3 H	5 H				S S	S S		FROM		TO	
	[02]	96229552	.	.	B	B	B	O	O	S	&AU3	(E)ACTUATOR A-DOOR (D)BETÄTIGUNG	(F)ACTIONNEUR (S)ACTUADOR	1	CO DRIVE
	[03]	96216279	.	.	B	B	B	O	O	S	&AU3	(E)RELAY A-CENTRAL DOOR LOCK (D)RELAIS	(F)RELA (S)RELEVADOR	1	
	[04]	01517-06123	.	.	B	B	B	O	O	S	&AU3	(E)BOLT (D)SCHRAUBE	(F)BOULON (S)PERNO	1	
	[05]	96229551	.	.	B	.	B	O	O	S	&AU3	(E)ACTUATOR A-DOOR (D)BETÄTIGUNG	(F)ACTIONNEUR (S)ACTUADOR	LH 1	
		96229552	.	.	B	.	B	O	O	S	&AU3			RH 1	
	[06]	07-2012-0011	.	.	B	B	B	O	O	S	&AU3	(E)SCREW (D)SCHRAUBE	(F)VIS (S)TORNILLO	1	
ENG(ENGINE)			T/A(TRANSAXLE)				BODY TYPE								
Y = 1.5SOHC 6 = 1.6DOHC . = COMMON			M = MANUAL T/A A = AUTOMATIC T/A . = COMMON				4 N = 4 DOOR NOTCHBACK 3 H = 3 DOOR HATCHBACK 5 H = 5 DOOR HATCHBACK								

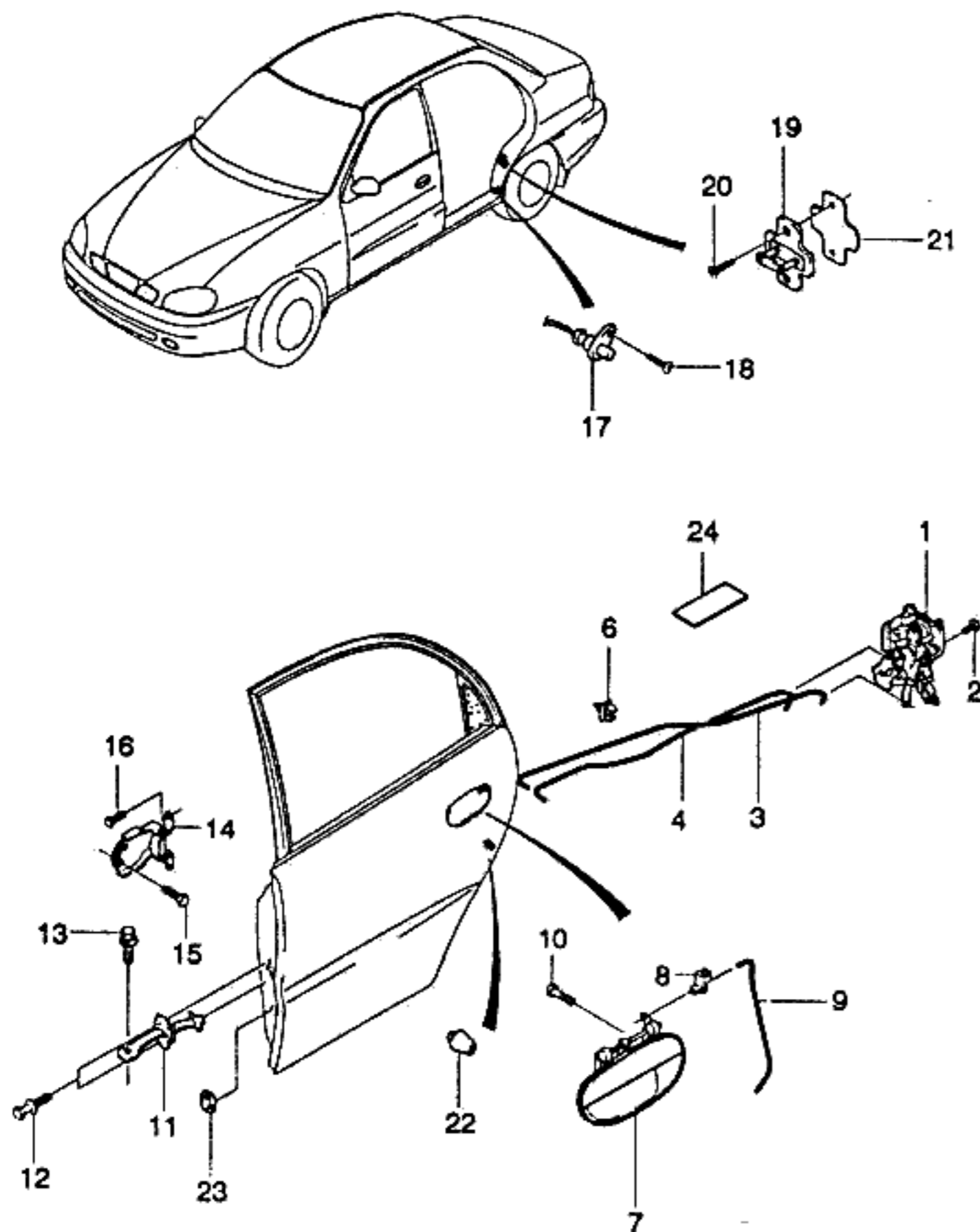


KEY NO.	PART NAME													
	PART NO	MODEL						OPTION	L / R	QTY	EFFECTIVE DATE		REMARKS	P / CODE
		E	T	BODY			LEVEL				FROM	TO		
N / G	A	4	3	5	S	S	S							
[01]	(E)PANEL A-REAR DOOR (D)VERKLEIDUNG,HINTERTÜR (F)PANNEAU-PORTE ARRIERE (S)PANEL-PUERTA TRASERA													
A96310031	.	.	B	.	B	S	S	S	&XCK	LH	1		RA	
A96310032	.	.	B	.	B	S	S	S	&XCK	RH	1		R1	
A96303928	.	.	B	.	B	A	A	A	&XCP	LH	1		RB	
A96303929	.	.	B	.	B	A	A	A	&XCP	RH	1		R2	
[02]	(E)PANEL-REAR DOOR OUTER (D)VERKLEIDUNG (F)PANNEAU (S)PANEL													
A96310058	.	.	B	.	B	S	S	S	&XCK	LH	1			
A96310059	.	.	B	.	B	S	S	S	&XCK	RH	1			
A96303970	.	.	B	.	B	A	A	A	&XCP	LH	1			
A96303971	.	.	B	.	B	A	A	A	&XCP	RH	1			

ENG(ENGINE)	T/A(TRANSAXLE)	BODY TYPE
Y = 1.5SOHC 6 = 1.6DOHC . = COMMON	M = MANUAL T/A A = AUTOMATIC T/A . = COMMON	4 N = 4 DOOR NOTCHBACK 3 H = 3 DOOR HATCHBACK 5 H = 5 DOOR HATCHBACK

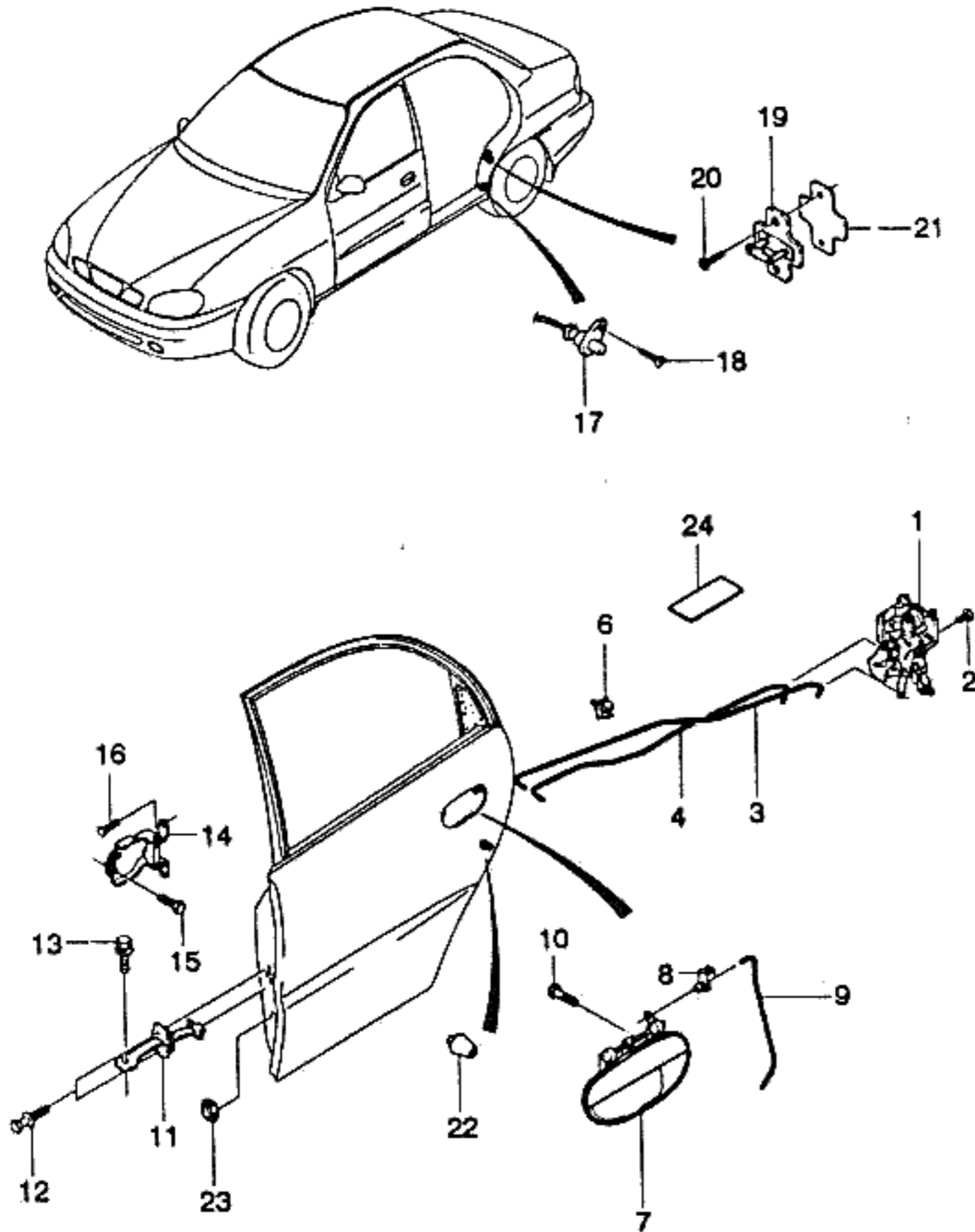


KEY NO.	PART NAME											P / CODE	
	PART NO	MODEL					OPTION	L / R	Q / T Y	EFFECTIVE DATE			REMARKS
		E T	BODY	LEVEL	FROM	TO							
	N / G A	4 3 5	S S S										
[01]	(E)LATCH A-REAR DOOR (D)VERSCHLUS,HINTERTÜR										(F)LOQUET-PORTE ARRIERE (S)PESTILLO-PUERTA TRASERA		
96305419	. . B . B S S . -AU3										LH 1		
96305420	. . B . B S S . -AU3										RH 1		
96305413	. . B . B O O S &AU3										LH 1		
96305414	. . B . B O O S &AU3										RH 1		
[02]	(E)SCREW (D)SCHRAUBE										(F)VIS (S)TORNILLO		
09125-06002	. . B . B S S S										6		
[03]	(E)ROD-REAR DOOR LOCKING (D)STAB										(F)TRINGLE (S)VARILLA-CON CIERRE DE PUE		
96304127	. . B . B S S S										LH 1		
96304128	. . B . B S S S										RH 1		
[04]	(E)ROD-RR DOOR INSIDE HANDLE (D)STAB										(F)TRINGLE (S)VARILLA		
96304125	. . B . B S S S										LH 1		
96304126	. . B . B S S S										RH 1		
[06]	(E)CLIP (D)KLEMME										(F)ATTACHE (S)GRAPA		
09408-00021	. . B . B S S S										2		
[07]	(E)HANDLE A-RR DOOR OUTSIDE (D)HENKEL,TÜR,AUBEN										(F)POIGNEE-EXTERIEURE PORTE (S)MANIJA-EXTERNA PUERTA		
96226329	. . B . B S S S										LH 1	NE	
96226330	. . B . B S S S										RH 1	NF	
[08]	(E)CLAMP (D)KLAMMER										(F)PINCE (S)ABRAZADERA		
09403-04301	. . B . B S S S										2		
ENG(ENGINE)				T/A(TRANSAXLE)				BODY TYPE					
Y = 1.5SOHC 6 = 1.6DOHC . = COMMON				M = MANUAL T/A A = AUTOMATIC T/A . = COMMON				4 N = 4 DOOR NOTCHBACK 3 H = 3 DOOR HATCHBACK 5 H = 5 DOOR HATCHBACK					



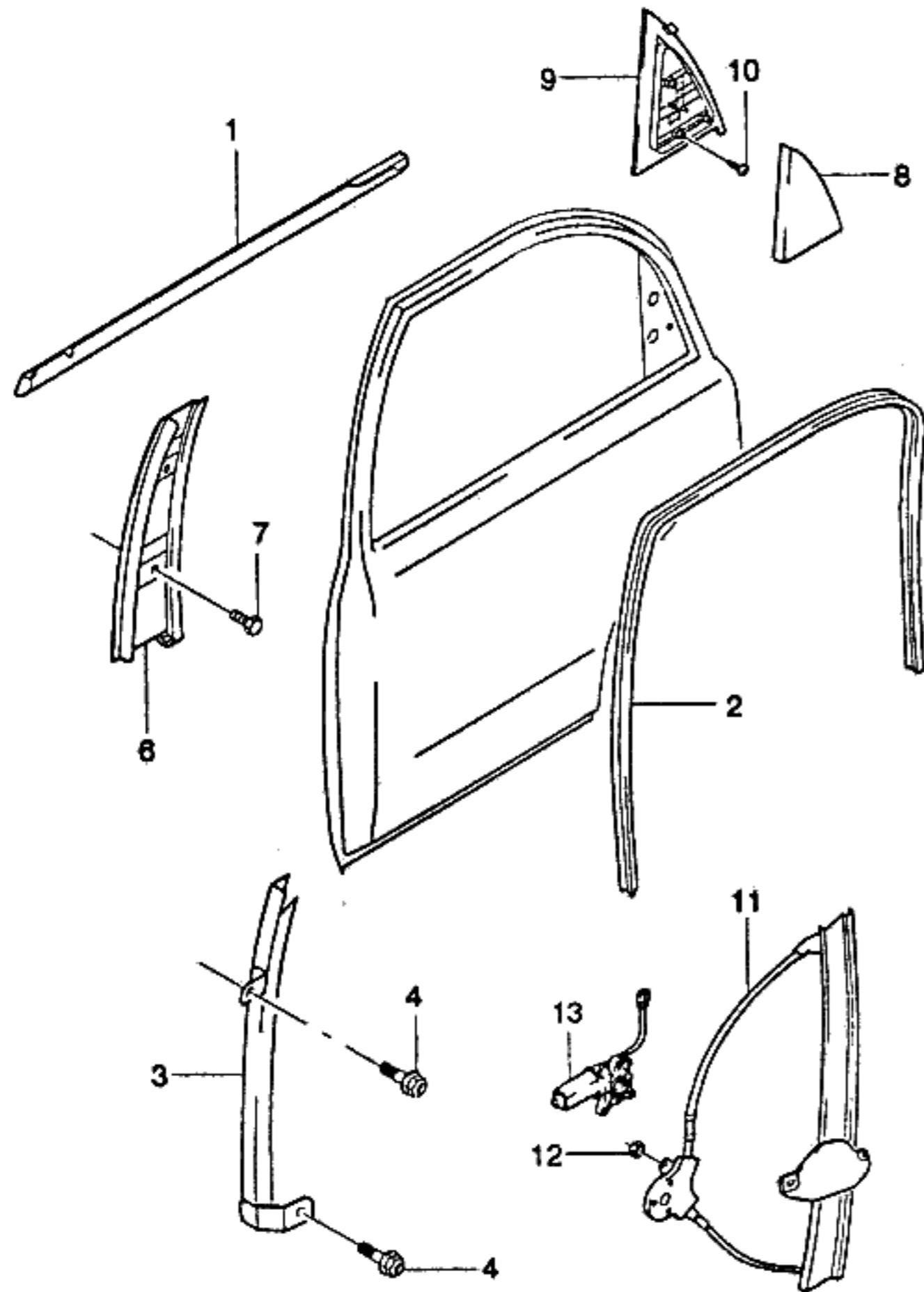
KEY NO.	PART NAME													
	PART NO	MODEL						OPTION	L / R	Q / T Y	EFFECTIVE DATE		REMARKS	P / C O D E
		E	T	BODY			LEVEL				FROM	TO		
N	G	4	3	5	S	S	S							
[09]	(E)ROD-RR DOOR OUTSIDE HANDL (D)STAB,AUßEN-GRIFF											(F)TRINGLE (S)VARILLA-MANIJA EXTERNA		
96304110	. . . B . B S S S											2		
[10]	(E)BOLT-HEXAGON (D)SCHRAUBE											(F)BOULON (S)PERNO		
01114-06103	. . . B . B S S S											4		
[11]	(E)CHECK A-REAR DOOR (D)TÜR-PRÜF											(F)ARRET-PORTE (S)PUERTA DE VERIFICAR		
96304088	. . . B . B S S S											LH 1		
96304089	. . . B . B S S S											RH 1		
[12]	(E)BOLT-HEXAGON (D)SCHRAUBE											(F)BOULON (S)PERNO		
01117-06162	. . . B . B S S S											4		
[13]	(E)BOLT (D)SCHRAUBE											(F)BOULON (S)PERNO		
09118-08003	. . . B . B S S S											2	970512	WWASHER
Y 09118-08009	. . . B . B S S S											2	970512	WWASHER
[14]	(E)HINGE A-REAR DOOR (D)BESCHLAG,HINTERTÜR											(F)CHARNIERE-PORTE ARRIERE (S)BISAGRA-PUERTA		
96224312	. . . B . B S S S											LH 1		UPPER HA
96224313	. . . B . B S S S											LH 1		LOWER HB
96224313	. . . B . B S S S											RH 1		UPPER HB
96224312	. . . B . B S S S											RH 1		LOWER HA
[15]	(E)BOLT (D)SCHRAUBE											(F)BOULON (S)PERNO		
09118-08008	. . . B . B S S S											8		WWASHER
[16]	(E)BOLT-HEXAGON FLANGE (D)SCHRAUBE											(F)BOULON (S)PERNO		

ENG(ENGINE)	T/A(TRANSAXLE)	BODY TYPE
Y = 1.5SOHC 6 = 1.6DOHC . = COMMON	M = MANUAL T/A A = AUTOMATIC T/A . = COMMON	4 N = 4 DOOR NOTCHBACK 3 H = 3 DOOR HATCHBACK 5 H = 5 DOOR HATCHBACK



KEY NO.	PART NAME										REMARKS	P / CODE	
	PART NO	MODEL					OPTION	L / R	Q / Y	EFFECTIVE DATE			
		E / N / G	T / A	4 N	3 H	5 H				S			S
09103-08018	[17]	B	B	S	S	S					8	(F)COMMUTATEUR-CONTACT PORTE (S)INTERRUPTOR	
96235956	[18]	B	B	S	S	S					2	(F)VIS (S)TORNILLO	
03170-42095	[19]	B	B	S	S	S					2	(F)MARTEAU (S)HUELGUISTA	
96301668	[20]	B	B	S	S	S					2	(F)BOULON (S)PERNO	
09119-08026	[21]	B	B	S	S	S					4	(F)RONDELLE-DISTANCE (S)ARANDELA-DISTANCIA	
96216377	[22]	B	B	S	S	S					2	(F)PARE-CHOC (S)PARACHOQUES	
96169620	[23]	B	B	S	S	S					2	(F)BOUCHON (S)TAPON	
96236225	[24]	B	B	S	S	S	-AU3				2	(F)BANDE (S)FLEJE	
96249231		B	B	S	S	S					2		

ENG(ENGINE)	T/A(TRANSAXLE)	BODY TYPE
Y = 1.5SOHC 6 = 1.6DOHC . = COMMON	M = MANUAL T/A A = AUTOMATIC T/A . = COMMON	4 N = 4 DOOR NOTCHBACK 3 H = 3 DOOR HATCHBACK 5 H = 5 DOOR HATCHBACK

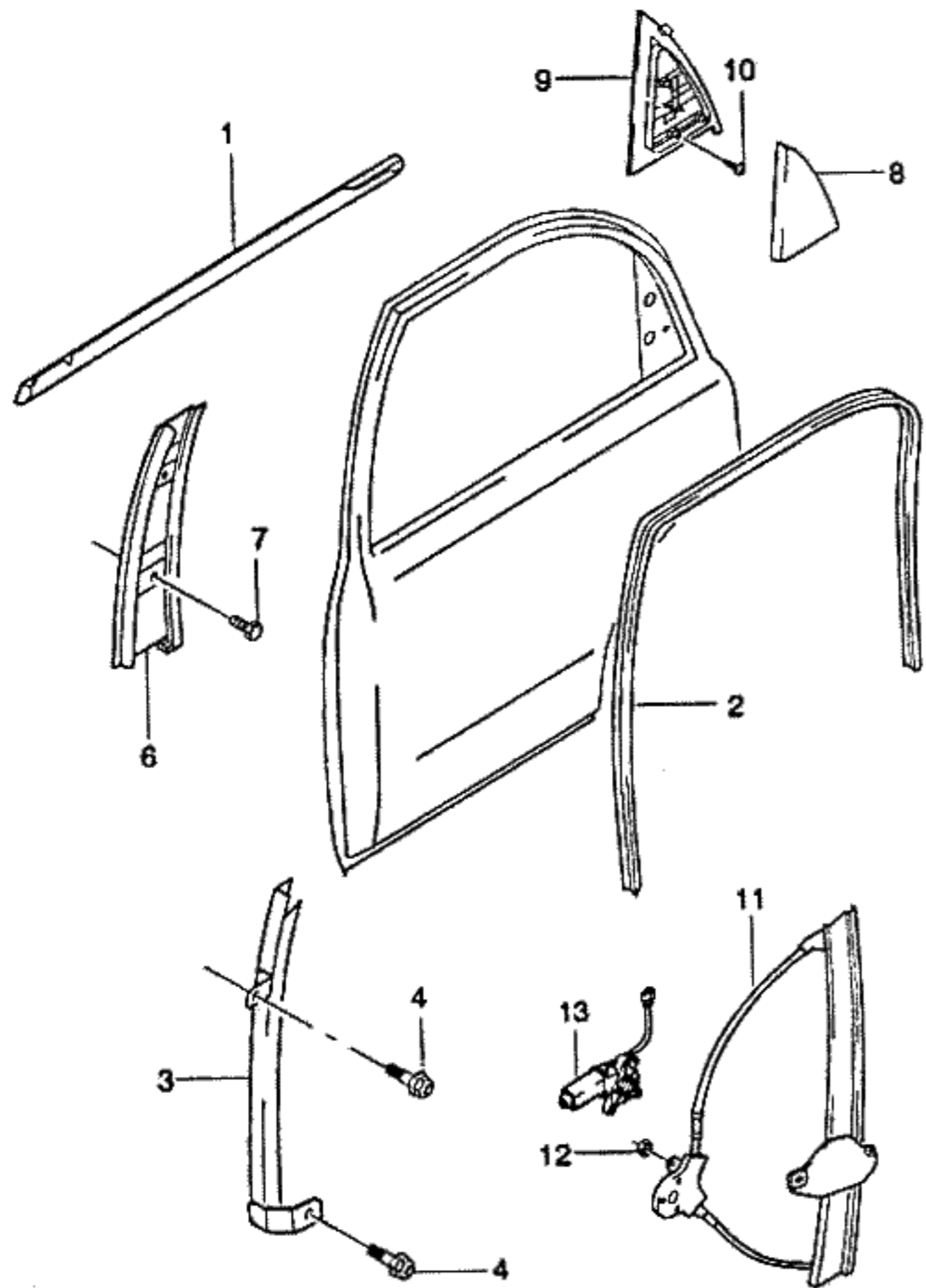


KEY NO.	PART NAME												
	PART NO	MODEL					OPTION	L / R	Q / T Y	EFFECTIVE DATE		REMARKS	P / CODE
		E T	BODY			LEVEL				FROM	TO		
	N / G	4	3	5	S	S	S	S	S	S			
[01]	(E)MOLDING-RR DR OTR CHANNEL (D)MOLDURA-PUERTA TRASERA											(F)MOULURE-PORTE ARRIERE (S)PREBTEIL,HINTERTÜR	
96304162	. . B . B S S S											LH 1	
96304163	. . B . B S S S											RH 1	
[02]	(E)GLASS RUN-REAR DOOR (D)RILLE,SCHEIBE,ABLAUF											(F)RAINURE-CHEMIN DE GLACE (S)CANAL-CORRIDA DE VIDRIO	
96304158	. . B . B S S S											LH 1	
96304159	. . B . B S S S											RH 1	
[03]	(E)RAIL A-REAR DOOR GUIDE,RR (D)SCHIENE,FÜHRUNG											(F)RAIL-GUIDE (S)RIEL-GUIA	
96247142	. . B . B S S S											LH 1	
96247143	. . B . B S S S											RH 1	
[04]	(E)BOLT (D)SCHRAUBE											(F)BOULON (S)PERNO	
09116-06034	. . B . B S S S											4	W/WASHER
[06]	(E)GARNISH A-RR DOOR, CENTER (D)VERZIERUNG											(F)GARNITURE (S)ORNAMENTO	
96304726	. . B . B S S S											LH 1	
96304727	. . B . B S S S											RH 1	
[07]	(E)SCREW-TAPPING (D)SCHRAUBE											(F)VIS (S)TORNILLO	
03111-42132	. . B . B S S S											6	
[08]	(E)COVER-WINDOW FRAME INNER (D)DECKEL,FENSTERRAHMEN											(F)COUVERTURE (S)CUBIERTA-MARCO DE VENTANA	
96238369	. . B . B S S S											LH 1	971001
O 96256348	. . B . B S S S											LH 1	971001
96238370	. . B . B S S S											RH 1	971001

ENG(ENGINE)	T/A(TRANSAXLE)	BODY TYPE
Y = 1.5SOHC 6 = 1.6DOHC . = COMMON	M = MANUAL T/A A = AUTOMATIC T/A . = COMMON	4 N = 4 DOOR NOTCHBACK 3 H = 3 DOOR HATCHBACK 5 H = 5 DOOR HATCHBACK

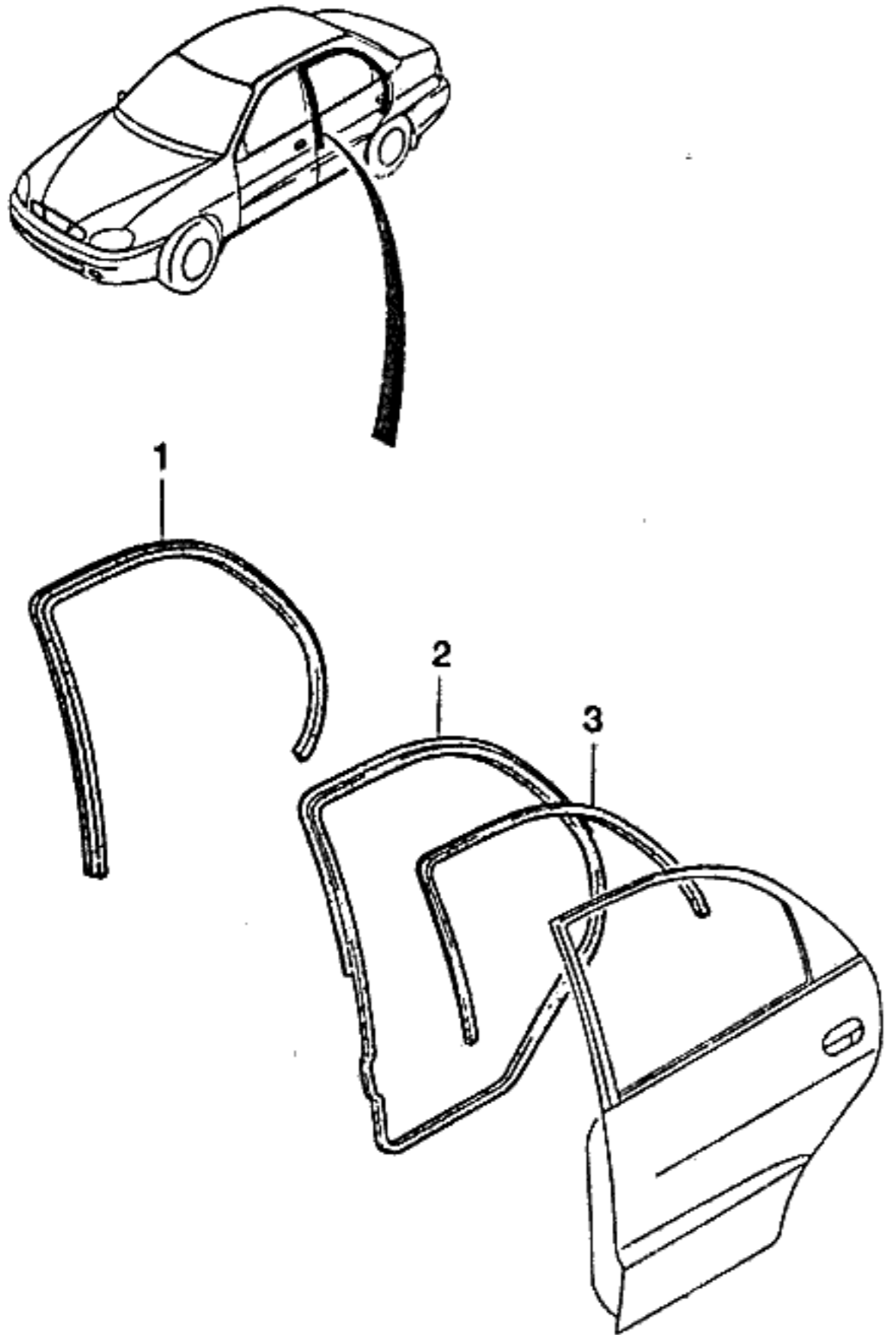
6330 REAR WINDOW LIFTER

5C10

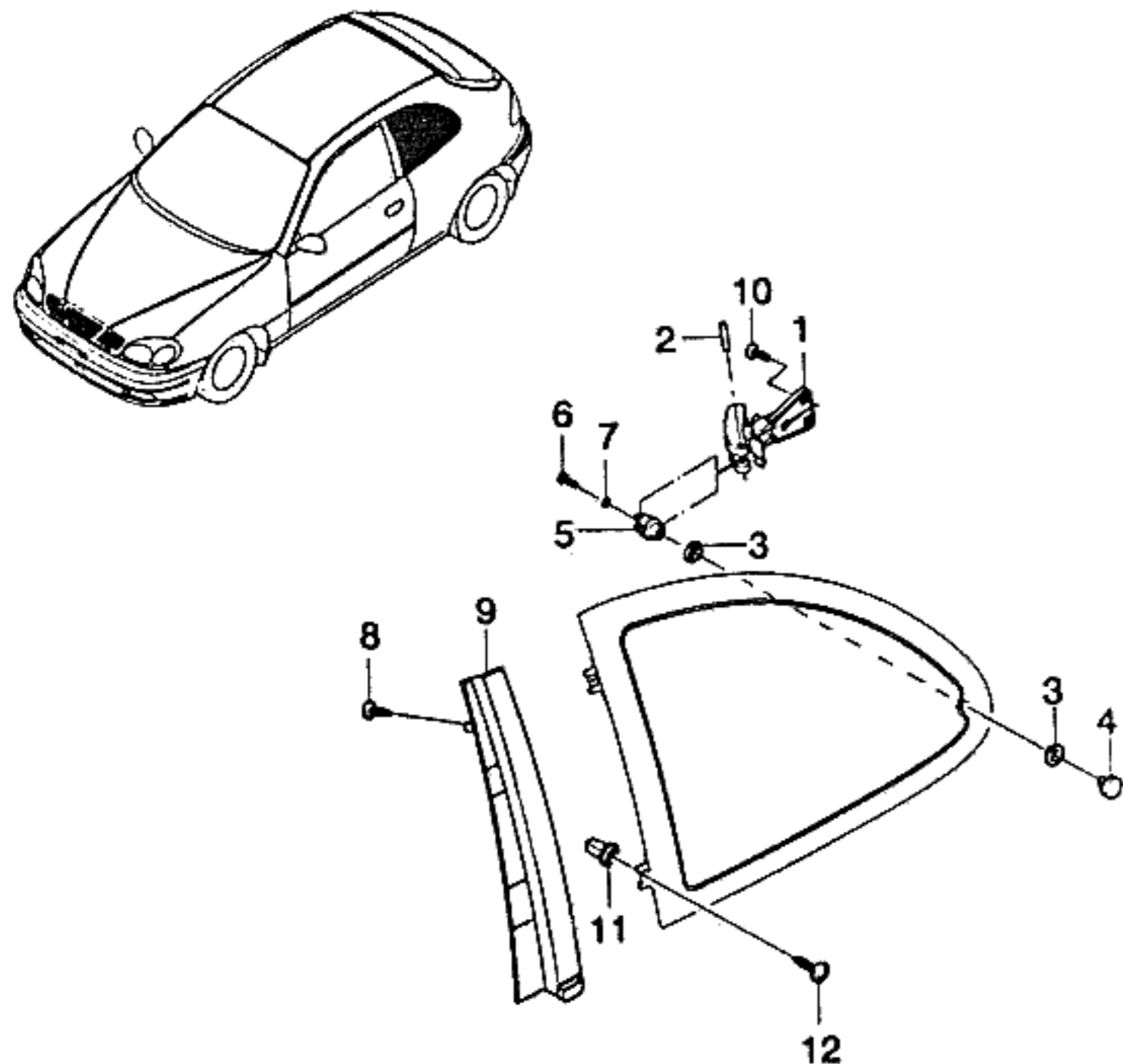


KEY NO.	PART NAME											P / CODE			
	PART NO	MODEL						OPTION	L / R	Q / Y	EFFECTIVE DATE		REMARKS		
		E	T	4	3	5	S				S			S	FROM
N	G	A	N	H	H	S	S	S							
O 96256349	[09]	.	.	B	.	B	S	S	S	S		RH 1	971001	(E)GARNISH A-REAR DOOR, REAR (D)VERZIERUNG (F)GARNITURE (S)ORNAMENTO	
96304733		.	.	B	.	B	S	S	S	S		LH 1			
96304734	[10]	.	.	B	.	B	S	S	S	S		RH 1		(E)SCREW-TAPPING (D)SCHRAUBE (F)VIS (S)TORNILLO	
03140-42135	[11]	.	.	B	.	B	S	S	S	S		6		(E)REGULATOR A-RR DOOR WDO (D)REGULATOR (F)REGULATEUR (S)REGULADOR	
96304132		.	.	B	.	B	S	S	S	S	&A30/A32	LH 1			A1
96304134		.	.	B	.	B	S	S	S	S	&A30/A32	RH 1			A2
96245711		.	.	B	.	B	.	O	O		&A31	LH 1			
96245712	[12]	.	.	B	.	B	.	O	O		&A31	RH 1		(E)NUT-HEXAGON FLANGE (D)MUTTER (F)ECROU (S)TUERCA	
08316-25063		.	.	B	.	B	S	S	S	S	&A30/A32	12			
08316-25063	[13]	.	.	B	.	B	.	O	O		&A31	14		(E)MOTOR A-POWER WINDOW (D)MOTOR,FENSTERSCHEIBE (F)MOTEUR (S)MOTOR-VENTANA ELECTRICA	
96190207		.	.	B	.	B	.	O	O		&A31	LH 1			TC
96190208		.	.	B	.	B	.	O	O		&A31	RH 1			TD

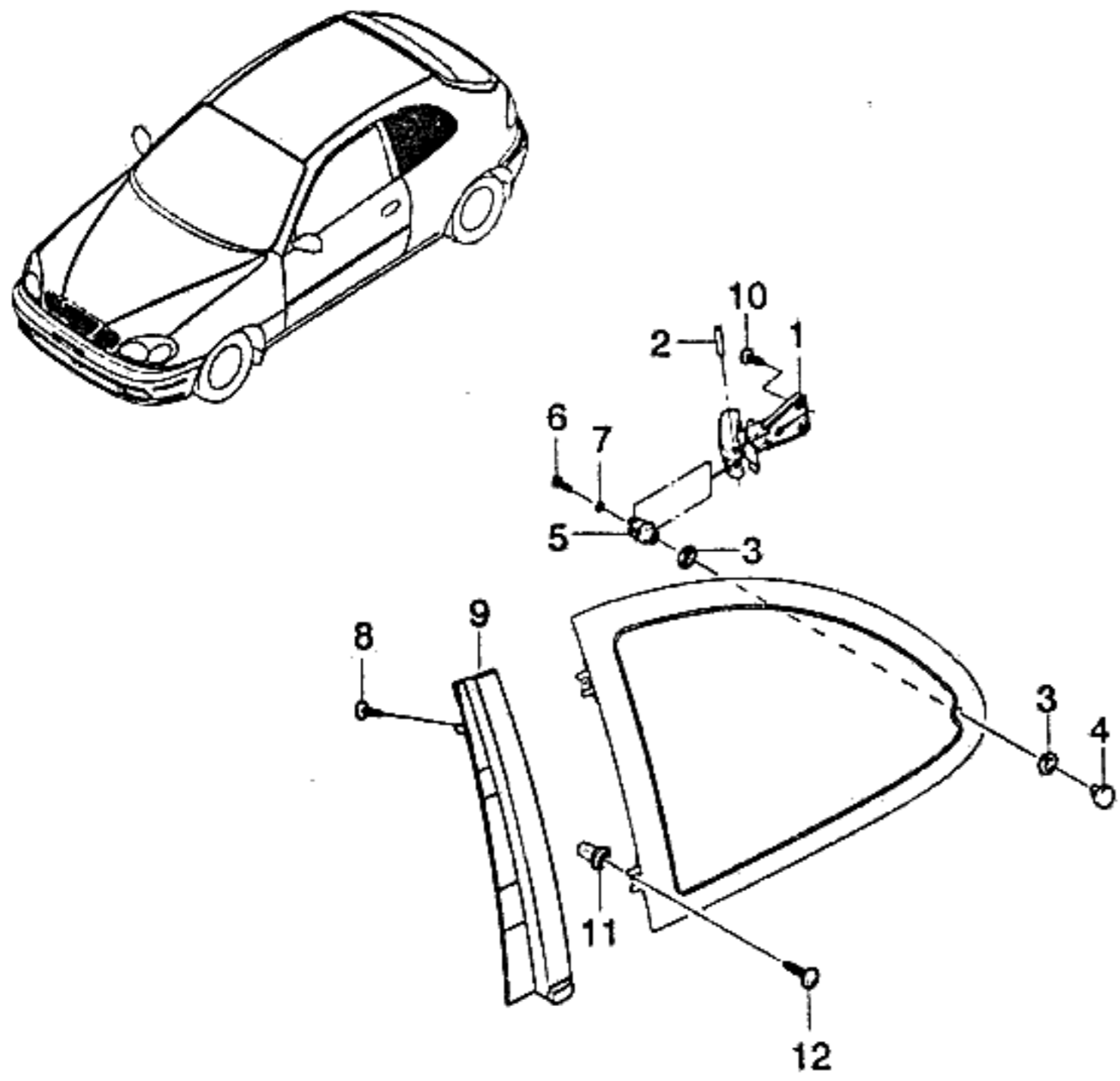
ENG(ENGINE)	T/A(TRANSAXLE)	BODY TYPE
Y = 1.5SOHC 6 = 1.6DOHC . = COMMON	M = MANUAL T/A A = AUTOMATIC T/A . = COMMON	4 N = 4 DOOR NOTCHBACK 3 H = 3 DOOR HATCHBACK 5 H = 5 DOOR HATCHBACK



KEY NO.		PART NAME												
I T C	PART NO	MODEL						OPTION	L / R	Q T Y	EFFECTIVE DATE		REMARKS	P / C O D E
		E	T	BODY			LEVEL				FROM	TO		
		N / G	A	4 N	3 H	5 H	S S S							
	[01]	(E)COVER-RR DOOR OPEN'G FLAN (D)DECKEL									(F)CARTER (S)CUBIERTA			
	96238367	.	.	B	.	.	S	S	.	&AM6			2	
	96238366	.	.	B	S	&AM9			2	
	96238366	.	.	B	.	.	A	A	A	&AMB			2	
	96238366	B	S	.	S	&AMB/AM9			2	
	[02]	(E)WEATHERSTRIP A-REAR DOOR (D)DICHTUNGSLEISTE									(F)ISOLATION EN BANDELETTE (S)BURLETE			
	96304154	.	.	B	.	B	S	S	S				LH 1	
	96304155	.	.	B	.	B	S	S	S				RH 1	
	[03]	(E)WEATHERSTRIP-RR DOOR,2ND (D)DICHTUNGSLEISTE									(F)ISOLATION EN BANDELETTE (S)BURLETE			
	96304156	.	.	B	.	B	S	S	S				LH 1	
	96304157	.	.	B	.	B	S	S	S				RH 1	
ENG(ENGINE)				T/A(TRANSAXLE)				BODY TYPE						
Y = 1.5SOHC 6 = 1.6DOHC . = COMMON				M = MANUAL T/A A = AUTOMATIC T/A . = COMMON				4 N = 4 DOOR NOTCHBACK 3 H = 3 DOOR HATCHBACK 5 H = 5 DOOR HATCHBACK						

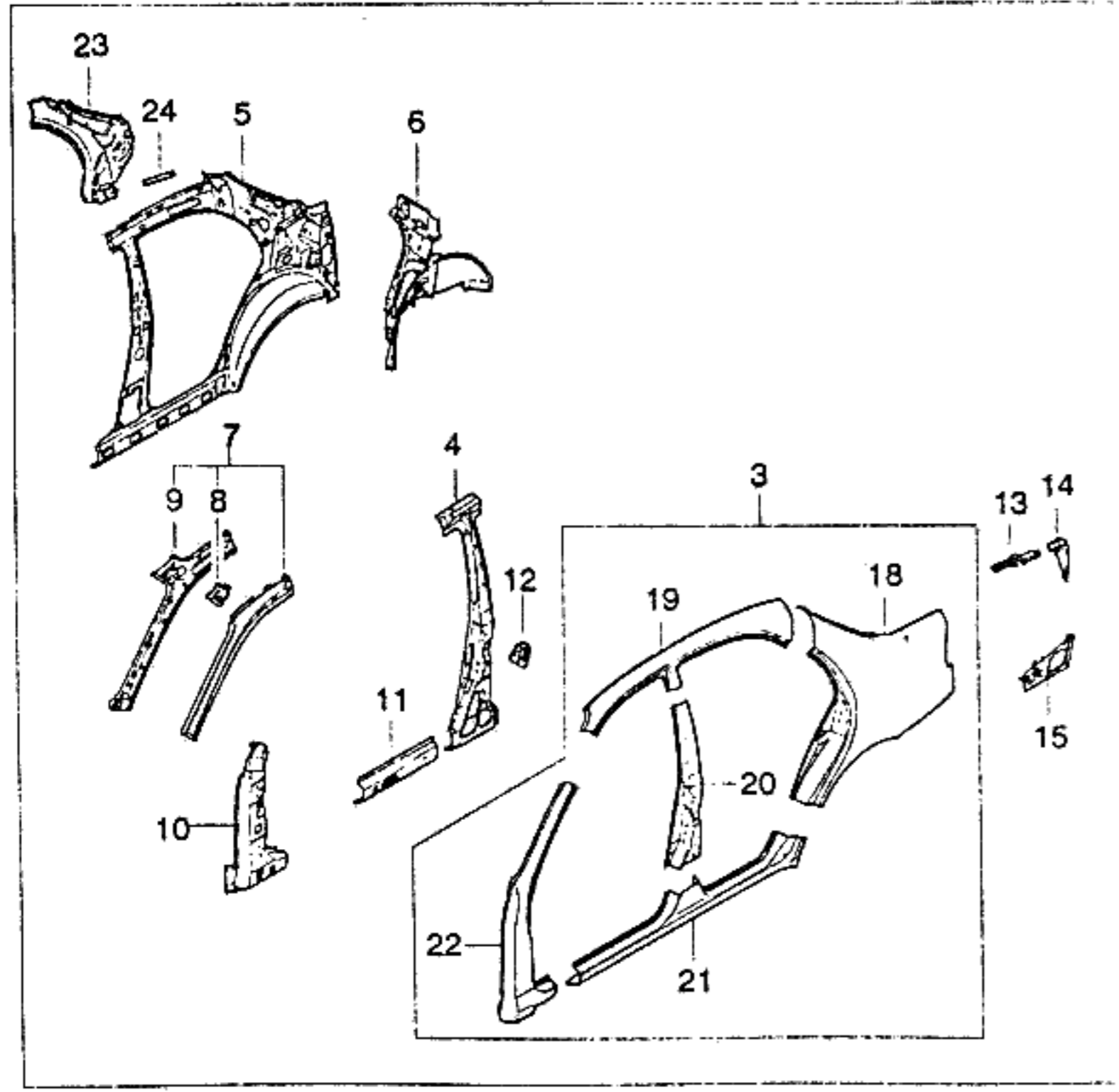
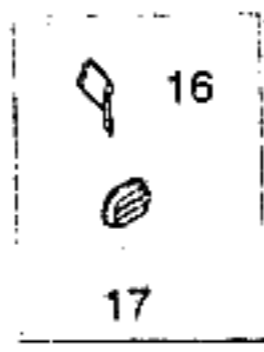
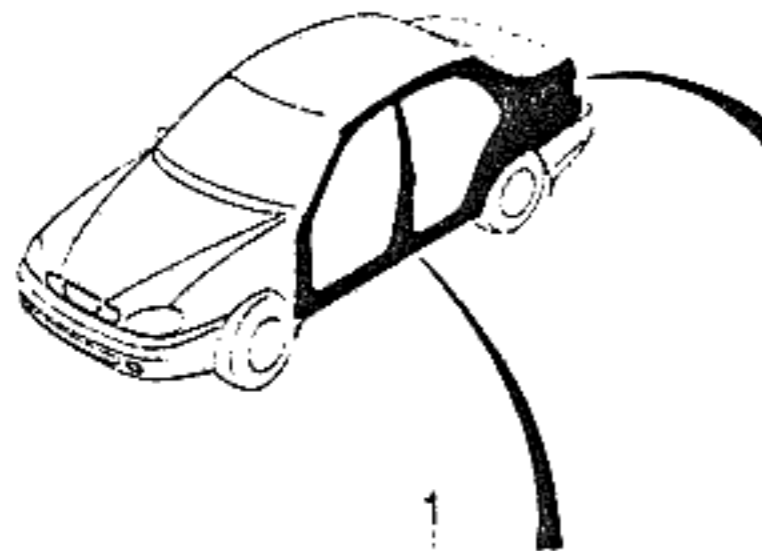


KEY NO.	PART NAME													
	PART NO	MODEL						OPTION	L / R	Q / T Y	EFFECTIVE DATE		REMARKS	P / C O D E
		E T	BODY			LEVEL					FROM	TO		
N / G	4	3	5	S	S	S								
[01] 96307266	(E)LOCK A-HINGED WINDOW (D)SCHLOß B . S . S								(F)VERROU (S)CERRADURA-VENTANABISAGRA 2					
[02] 03437757 O 96251236	(E)PIN-HINGED WINDOW LOCK (D)STIFT,FENSTERVERSCHLUB B . S . S B . S . S								(F)BROCHE (S)PASADOR 2 970325 2 970325					
[03] 96222232	(E)GROMMET (D)ÖSE B . S . S								(F)VIROLE (S)AISLANTE 4					
[04] 90047124	(E)NUT A-HINGED WINDOW (D)MUTTER B . S . S								(F)ECROU (S)TUERCA 2					
[05] 03466314	(E)SUPPORT-HINGED WDO PIVOT (D)TRÄGER B . S . S								(F)SUPPORT (S)SOPORTE 2					
[06] 02116-05083	(E)SCREW-CR MACHINE (D)SCHRAUBE B . S . S								(F)VIS (S)TORNILLO 2					
[07] 09163-05002	(E)WASHER-TOOTHED LOCK (D)DICHTUNGSRING B . S . S								(F)RONDELLE-VERROU DE DENT (S)ARANDELA-CIERRE DE DIENTE 2					
[08] 03140-42135	(E)SCREW-TAPPING (D)SCHRAUBE B . S . S								(F)VIS (S)TORNILLO 6					
[09] 96251191	(E)GARNISH-HINGED WINDOW (D)VERZIERUNG B . S . S								(F)GARNITURE (S)ORNAMENTO LH 1					
ENG(ENGINE)		T/A(TRANSAXLE)				BODY TYPE								
Y = 1.5SOHC 6 = 1.6DOHC . = COMMON		M = MANUAL T/A A = AUTOMATIC T/A . = COMMON				4 N = 4 DOOR NOTCHBACK 3 H = 3 DOOR HATCHBACK 5 H = 5 DOOR HATCHBACK								



I T C	KEY NO.		PART NAME										P I C O D E
	PART NO	OPTION	MODEL			L / R	Q T Y	EFFECTIVE DATE		REMARKS			
			E N G	T / A	BODY			LEVEL	FROM		TO		
			4 N	3 H	5 H	S	S	S	S	S	S		
	96251192		.	.	B	.	S	.	S		RH 1		
	[10]				(E)SCREW-TAPPING				(F)VIS				
					(D)SCHRAUBE				(S)TORNILLO				
	03160-42135		.	.	B	.	S	.	S		6		
	[11]				(E)NUT-SPEED				(F)ECROU				
					(D)MUTTER				(S)TUERCA				
	09148-03001		.	.	B	.	S	.	S		4		
	[12]				(E)SCREW-TAPPING				(F)VIS				
					(D)SCHRAUBE				(S)TORNILLO				
	03160-42132		.	.	B	.	S	.	S		4		

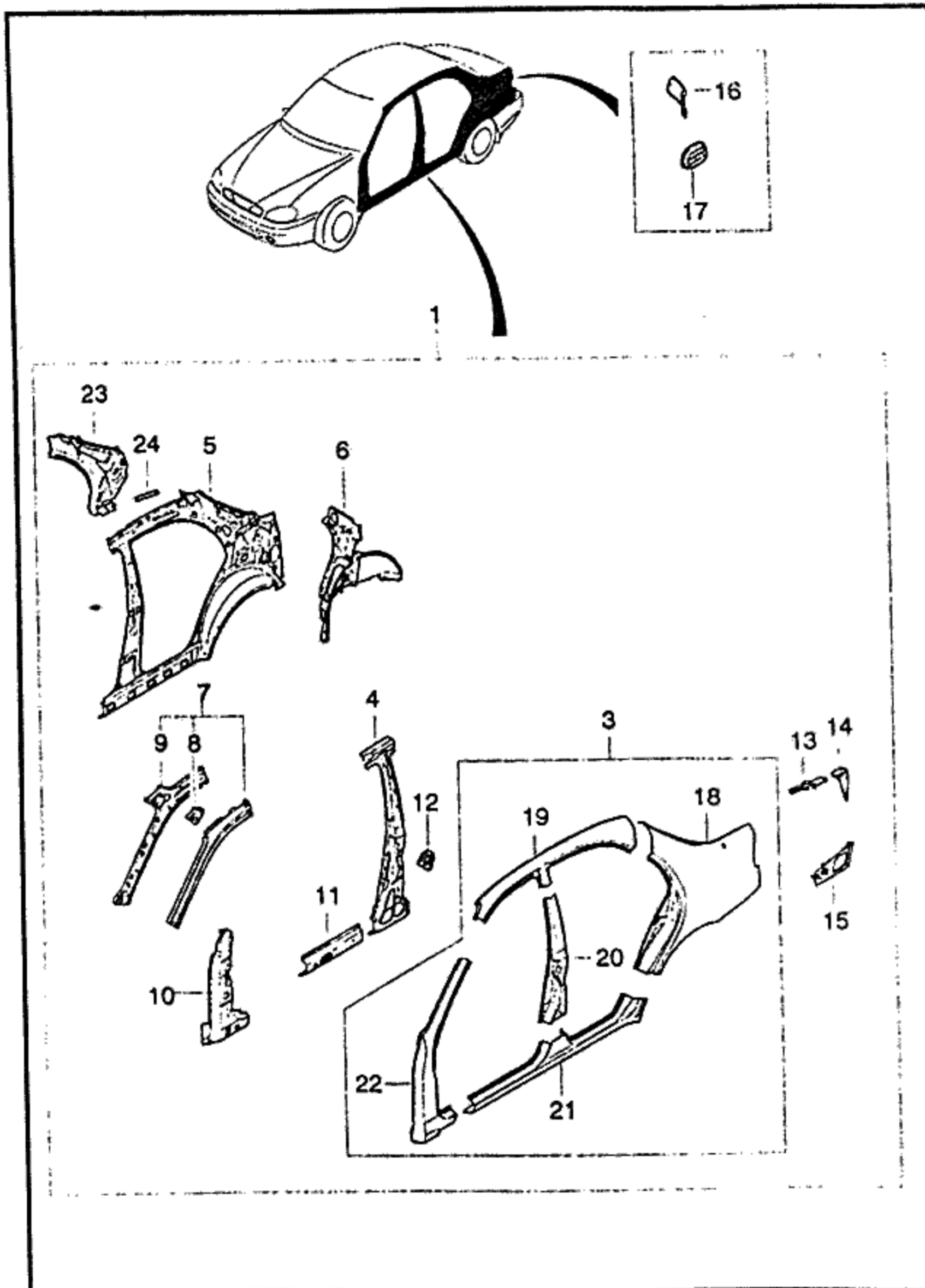
ENG(ENGINE)	T/A(TRANSAXLE)	BODY TYPE
Y = 1.5SOHC 6 = 1.6DOHC . = COMMON	M = MANUAL T/A A = AUTOMATIC T/A . = COMMON	4 N = 4 DOOR NOTCHBACK 3 H = 3 DOOR HATCHBACK 5 H = 5 DOOR HATCHBACK



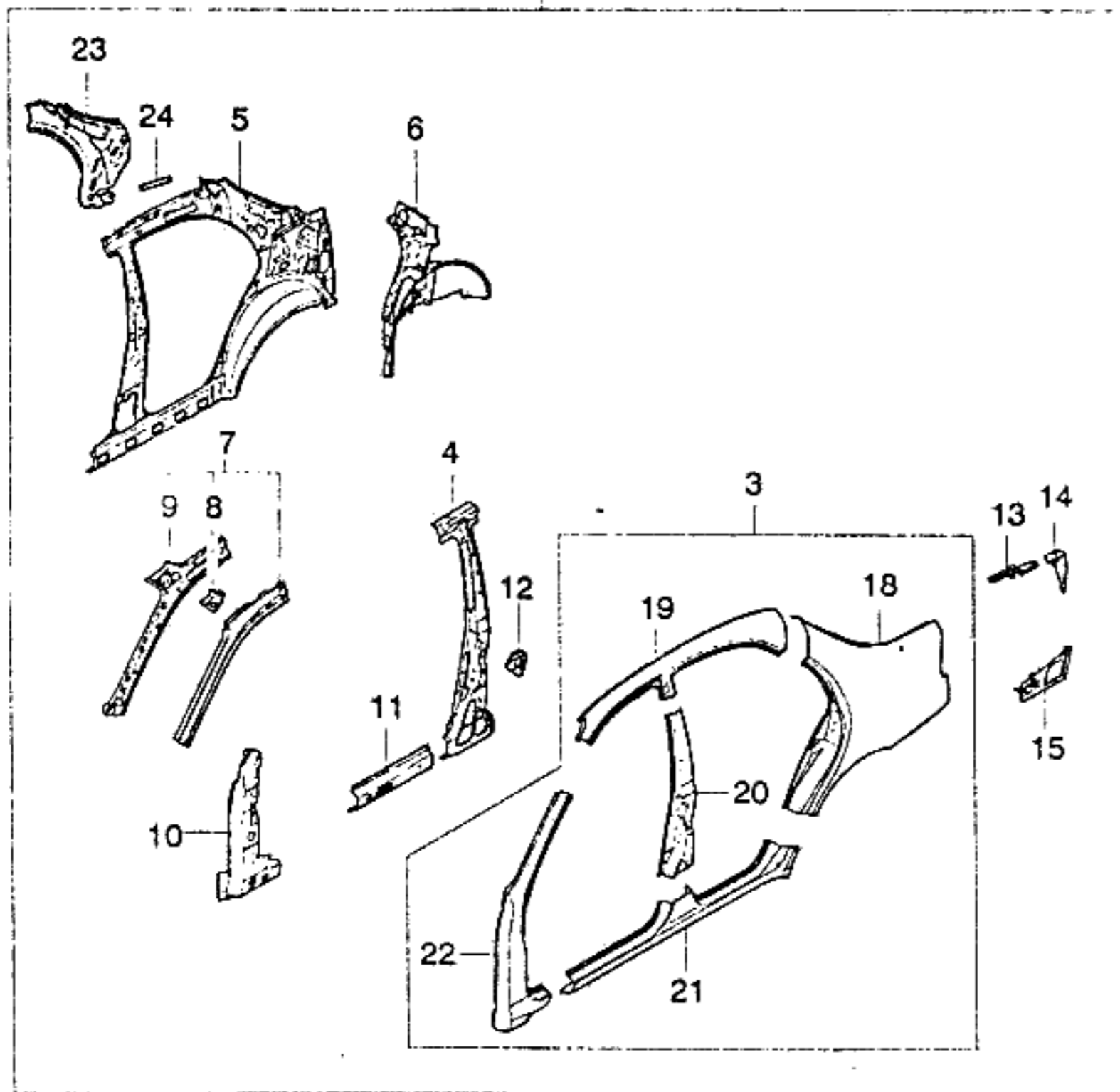
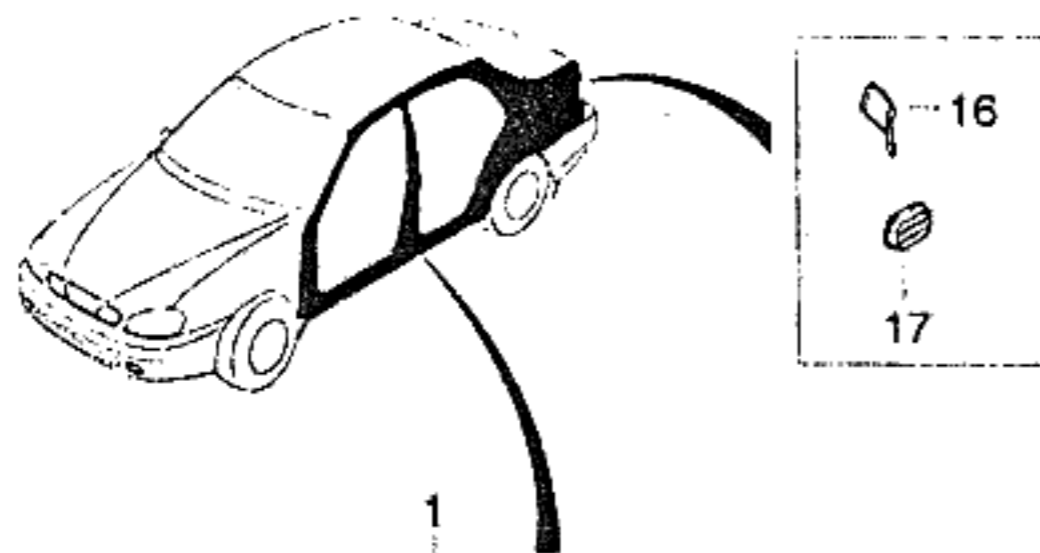
KEY NO.	PART NAME												
	PART NO	MODEL					OPTION	L / R	Q / T Y	EFFECTIVE DATE		REMARKS	P / C O D E
		E T	BODY			LEVEL				FROM	TO		
I T C	N / G A	4	3	5	S S S								
[01]	(E)PANEL A1-SIDE (D)VERKLEIDUNG A1, SEITE, AUßEN						(F)PANNEAU A1-COTE EXTERNE (S)PANEL A1-LADO EXTERNO						
A96226341	. .	B .	S S	. .	&AM6-CF6	LH	1				S6		
A96226342	. .	B .	S S	. .	&AM6-CF6	RH	1				SF		
A96248519	. .	B .	O O	. .	&AM6&CF6	LH	1				G3		
A96248520	. .	B .	O O	. .	&AM6&CF6	RH	1				SM		
A96306503	. .	B .	. .	S	&AM9-CF6	LH	1				S8		
A96306503	. .	B .	A A A		&AMB-CF6	LH	1				S8		
A96306504	. .	B .	. .	S	&AM9-CF6	RH	1				SH		
A96306504	. .	B .	A A A		&AMB-CF6	RH	1				SH		
A96248523	. .	B .	. .	O	&AM9&CF6	LH	1				G5		
A96248524	. .	B .	. .	O	&AM9&CF6	RH	1				SP		
[03]	(E)PANEL-SIDE OUTER (D)VERKLEIDUNG, SEITE, AUßEN						(F)PANNEAU-COTE EXTERNE (S)PANEL-LADO EXTERNO						
A96306511	. .	B . .	S S S			LH	1				S6		
A96306512	. .	B . .	S S S			RH	1		970623		SF		
N A96255371	. .	B . .	S S S			RH	1	970623			D6		
[04]	(E)REINF A-CENTER PILLAR (D)VERSTÄRKUNG, ZENTRAL-SÄULE						(F)RENFORCEMENT (S)REFUERZO-PILAR DEL CENTRO						
96244271	. .	B . .	S S S			LH	1						
96244272	. .	B . .	S S S			RH	1						
[05]	(E)PANEL-SIDE INNER (D)VERKLEIDUNG, SEITE, INNEN						(F)PANNEAU-COTE INTERNE (S)PANEL-LADO INTERNO						
96306560	. .	B . .	S S S			LH	1						
96306561	. .	B . .	S S S			RH	1						
ENG(ENGINE)			T/A(TRANSAXLE)			BODY TYPE							
Y = 1.5SOHC 6 = 1.6DOHC . = COMMON			M = MANUAL T/A A = AUTOMATIC T/A . = COMMON			4 N = 4 DOOR NOTCHBACK 3 H = 3 DOOR HATCHBACK 5 H = 5 DOOR HATCHBACK							

6410 SIDE BODY PANEL(N/B)

5H10

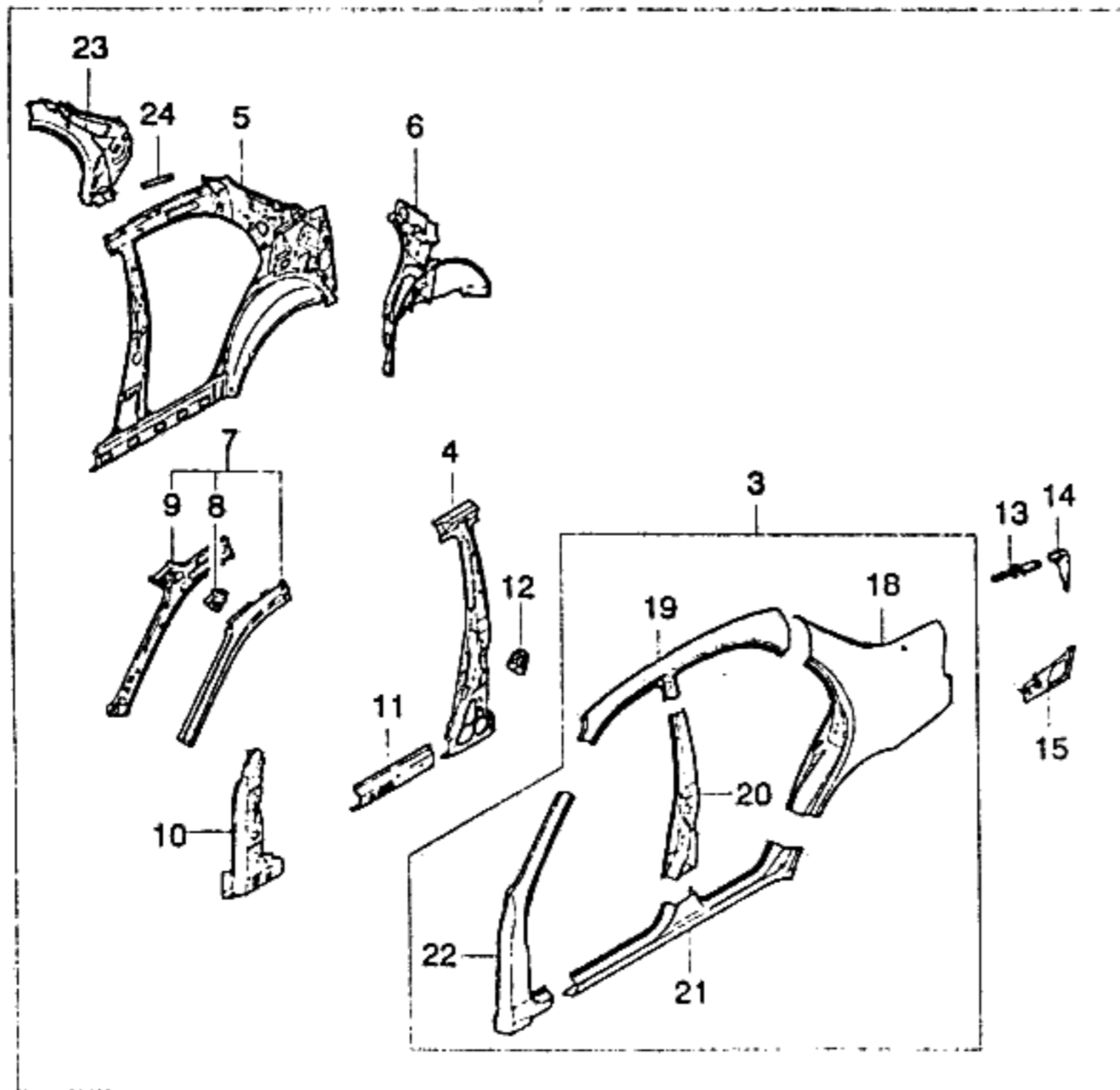
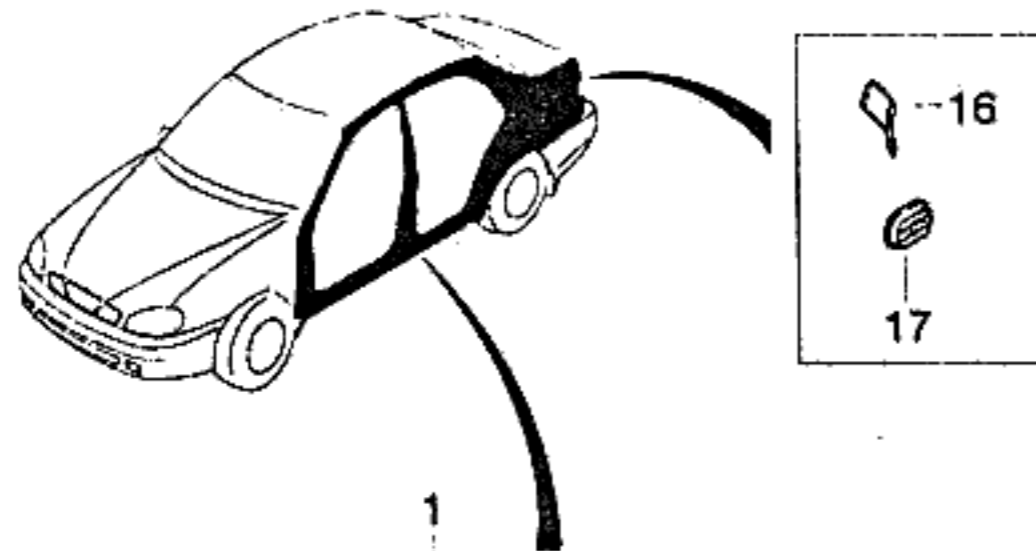


I T C	KEY NO.		PART NAME										P / C O D E
	PART NO	MODEL	OPTION	L / R	Q T Y	EFFECTIVE DATE		REMARKS					
						FROM	TO						
	E N G	T / A	B O D Y	L E V E L									
	4 3 5		N H H	S S S									
[06]	(E)WHEELHOUSE A-INNER (D)VERKLEIDUNG,RAD-GEHÄUSE				(F)PANNEAU-IMONERIE (S)PANEL-VOLANTE INTERNO								
96307026	B	.	S	S	&AM6			LH 1				WB	
96307027	B	.	S	S	&AM6			RH 1				W2	
96226337	B	.	.	.	S &AM9			LH 1				WD	
96226337	B	.	A	A	A &AMB			LH 1				WD	
96226338	B	.	.	.	S &AM9			RH 1				W4	
96226338	B	.	A	A	A &AMB			RH 1				W4	
[07]	(E)PILLAR A-FRONT (D)SÄULE,VORDER-KAROSSERIE				(F)PILIER-CORPS AVANT (S)PILAR-FRENTE DE CUERPO								
96303787	B	.	S	S	S			LH 1				LA	
96303788	B	.	S	S	S			RH 1				L1	
[08]	(E)PATCH-FRONT PILLAR (D)TEIL,VORDER-SÄULE				(F)PIECE-PILIER,AVANT (S)PIEZA-FRENTE DE PILAR								
96233763	B	.	S	S	S			LH 1					
96233764	B	.	S	S	S			RH 1					
[09]	(E)PILLAR A-FRONT,INNER (D)SÄULE,VORDER-KAROSSERIE				(F)PILIER-CORPS AVANT (S)PILAR-FRENTE DE CUERPO								
96307046	B	.	S	S	S			LH 1					
96307047	B	.	S	S	S			RH 1					
[10]	(E)REINF A-FRONT PILLAR,LWR (D)VERSTÄRKUNG				(F)REINFORCEMENT (S)REFUERZO-BISAGRA								
96306612	B	.	S	S	S			LH 1				NA	
96306613	B	.	S	S	S			RH 1				N1	
[11]	(E)REINFORCEMENT-ROCKER (D)VERSTÄRKUNG				(F)REINFORCEMENT (S)REFUERZO								
96242967	B	.	S	S	S			LH 1					
ENG(ENGINE)			T/A(TRANSAXLE)			BODY TYPE							
Y = 1.5SOHC 6 = 1.6DOHC . = COMMON			M = MANUAL T/A A = AUTOMATIC T/A . = COMMON			4 N = 4 DOOR NOTCHBACK 3 H = 3 DOOR HATCHBACK 5 H = 5 DOOR HATCHBACK							

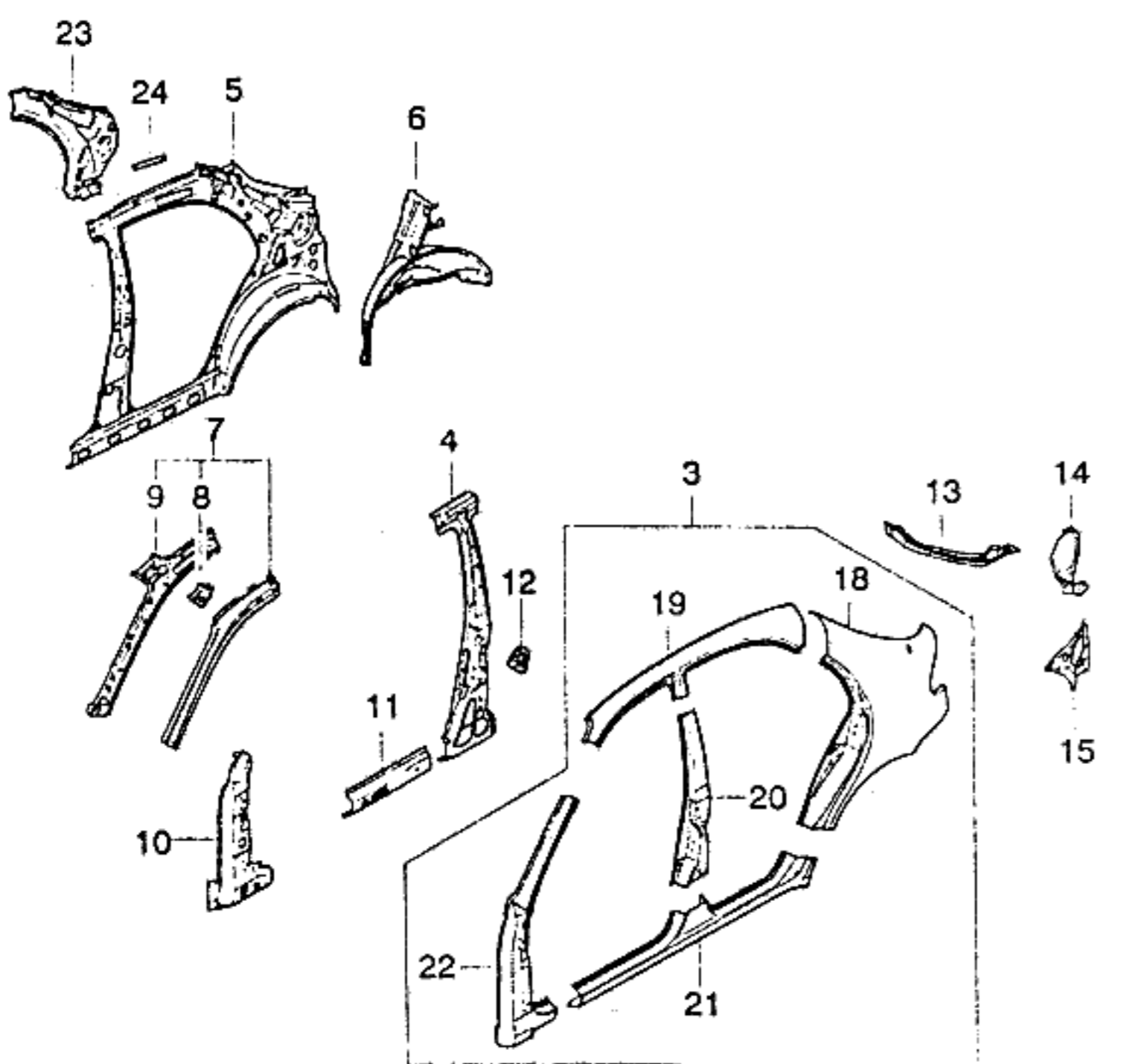
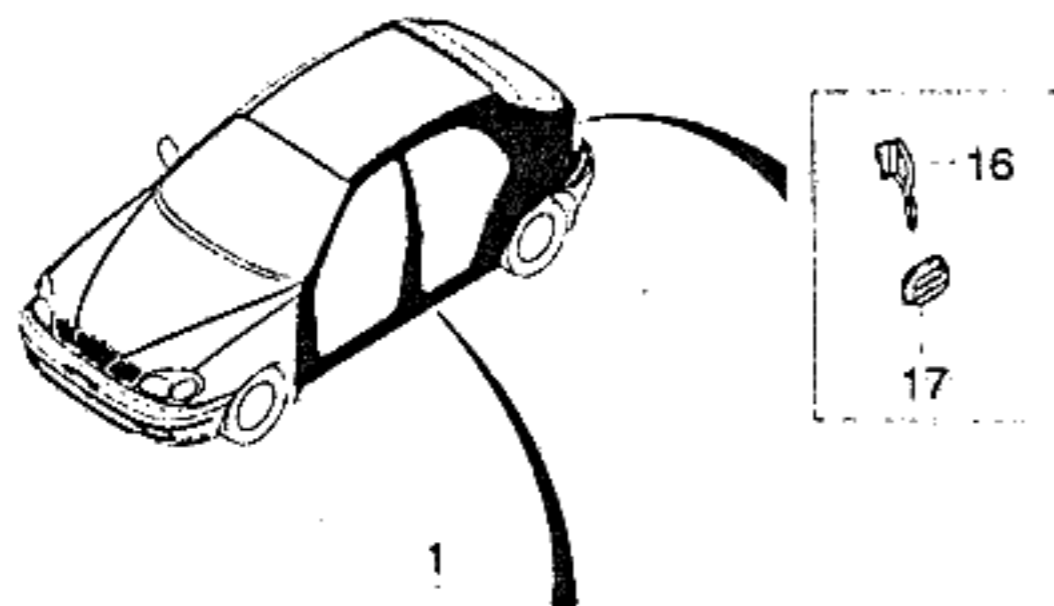


KEY NO.	PART NAME													
	PART NO	MODEL						OPTION	L / R	Q / T / Y	EFFECTIVE DATE		REMARKS	P / C / O / D / E
		E	T	BODY			LEVEL				FROM	TO		
N / G	A	4	3	5	S	S	S							
96242968	[12]	.	.	B	.	.	S	S	S				RH 1 (F)REINFORCEMENT (S)REFUERZO	
96303715		.	.	B	.	.	S	S	S				LH 1	RA
96303716	[13]	.	.	B	.	.	S	S	S				RH 1 (F)GOUSSET-PANNEAU DE COTE (S)ANGULAR-PANEL DEL LADO	R1
96306513		.	.	B	.	.	S	S	S				LH 1	
96306514	[14]	.	.	B	.	.	S	S	S				RH 1 (F)PIECE-LOGEMENT (S)PIEZA-CARCASA	
96306522		.	.	B	.	.	S	S	S				LH 1	
96306523	[15]	.	.	B	.	.	S	S	S				RH 1 (F)EXTENSION-COTE,EXTERIEUR (S)EXTENSION-LADO EXTERIOR	
96306538		.	.	B	.	.	S	S	S				LH 1	ED
96306539	[16]	.	.	B	.	.	S	S	S				RH 1 (F)ENTRETOISE (S)ESPACIADOR	E4
96306484		.	.	B	.	.	S	S	S				LH 1	AD
96306485	[17]	.	.	B	.	.	S	S	S				RH 1 (F)INSERTION-VENTILATION (S)REFUERZO-VENTILACION	A4
96242978	[18]	.	.	B	.	.	S	S	S				2 (F)PANNEAU-QUART (S)PANEL-CUADRANTE	
A96250421		.	.	B	.	.	S	S	S				LH 1	

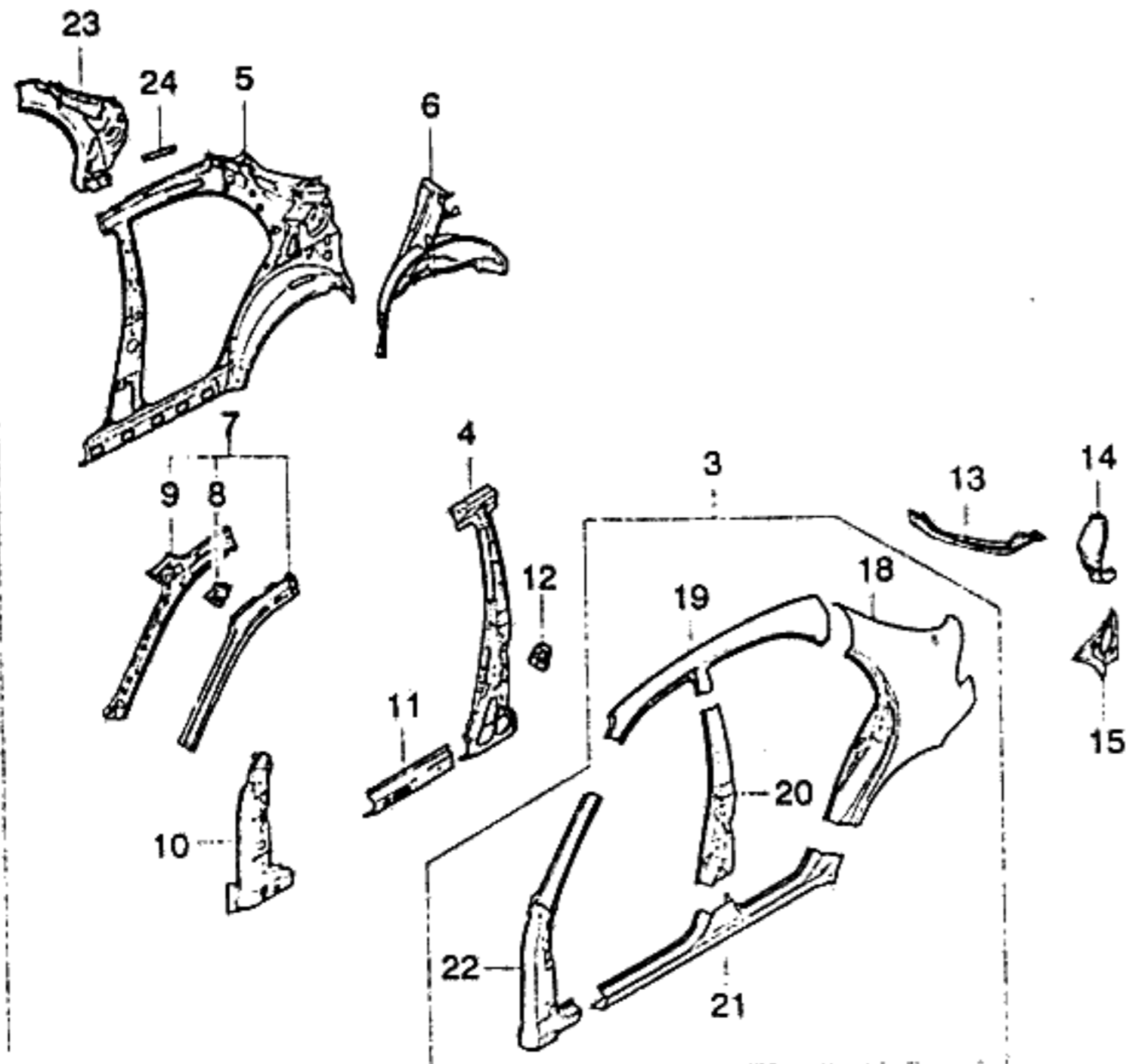
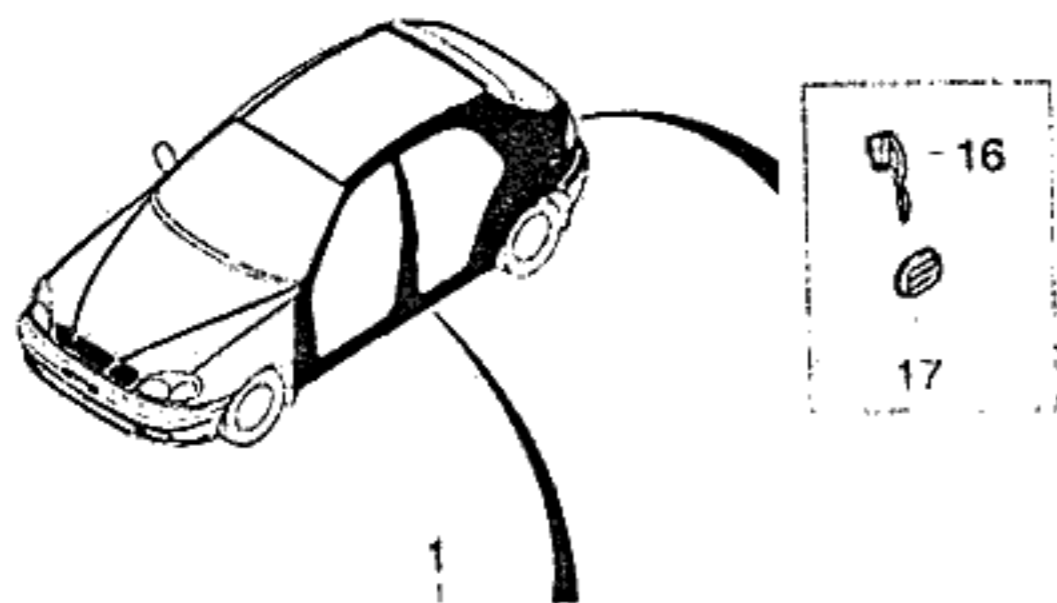
ENG(ENGINE)	T/A(TRANSAXLE)	BODY TYPE
Y = 1.5SOHC 6 = 1.6DOHC . = COMMON	M = MANUAL T/A A = AUTOMATIC T/A . = COMMON	4 N = 4 DOOR NOTCHBACK 3 H = 3 DOOR HATCHBACK 5 H = 5 DOOR HATCHBACK



KEY NO.	PART NAME											P I C O D E	
	PART NO	MODEL					OPTION	L / R	Q T Y	EFFECTIVE DATE			REMARKS
		E N G	T / G	BODY	LEVEL					FROM	TO		
A96250422	. . . B . . .	S S S										RH 1	
[19]	(E)PANEL-ROOF SIDE (D)VERKLEIDUNG,SEITE,AUBEN											(F)PANNEAU-COTE EXTERNE (S)PANEL-LADO EXTERNO,TECHO	
A96248534	. . . B . . .	S S S										LH 1	
A96248535	. . . B . . .	S S S										RH 1	
[20]	(E)PANEL-HINHE PILLAR,CTR (D)VERKLEIDUNG,BESCHLAG,SÄUL											(F)PANNEAU (S)PANEL-PILAR BISAGAR	
A96248536	. . . B . . .	S S S										LH 1	
A96248537	. . . B . . .	S S S										RH 1	
[21]	(E)PANEL-ROCKER (D)VERKLEIDUNG,SCHWENKUNG											(F)PANNEAU-CULBUTEUR (S)PANEL-ARCO EXTERNO	
A96248538	. . . B . . .	S S S										LH 1	
A96248539	. . . B . . .	S S S										RH 1	
[22]	(E)PANEL-HINHE PILLAR,FRONT (D)VERKLEIDUNG,BESCHLAG,SÄUL											(F)PANNEAU (S)PANEL-PILAR BISAGRA	
A96248540	. . . B . . .	S S S										LH 1	
A96248541	. . . B . . .	S S S										RH 1	
[23]	(E)REINF A-LOCK PILLAR (D)VERSTÄRKUNG											(F)RENFORCEMENT (S)REFUERZO	
96303747	. . . B . . .	S S S										LH 1	
96303748	. . . B . . .	S S S										RH 1	
[24]	(E)REINF A-REAR ASSIST GRIP (D)VERSTÄRKUNG											(F)RENFORCEMENT (S)REFUERZO	
96307023	. . . B . . .	S S S	-CF6									2	
96240749	. . . B . . .	O O O	&CF6									LH 1	
96240750	. . . B . . .	O O O	&CF6									RH 1	
ENG(ENGINE)			T/A(TRANSAXLE)				BODY TYPE						
Y = 1.5SOHC 6 = 1.6DOHC . = COMMON			M = MANUAL T/A A = AUTOMATIC T/A . = COMMON				4 N = 4 DOOR NOTCHBACK 3 H = 3 DOOR HATCHBACK 5 H = 5 DOOR HATCHBACK						



I T C	KEY NO.	PART NAME							L / R	Q T Y	EFFECTIVE DATE		REMARKS	P / C O D E
	PART NO	MODEL			OPTION	FROM	TO	REMARKS						
		E N G	T / A	BODY 4 N H							LEVEL 3 H H	S S S		
	[01]	(E)PANEL A1-SIDE (D)VERKLEIDUNG A1,SEITE,AUßEN										(F)PANNEAU A1-COTE EXTERNE (S)PANEL A1-LADO EXTERNO		
	A96233181 B S . S -CF6							LH 1				S4	
	A96233182 B S . S -CF6							RH 1				SD	
	A96250400 B O . O &CF6							LH 1				G7	
	A96250401 B O . O &CF6							RH 1				SR	
	[03]	(E)PANEL-SIDE OUTER (D)VERKLEIDUNG,SEITE,AUßEN										(F)PANNEAU-COTE EXTERNE (S)PANEL-LADO EXTERNO		
	A96307223 B S . S							LH 1				S4	
	A96307224 B S . S							RH 1	970630			SD	
	N A96255367 B S . S							RH 1	970630			D4	
	[04]	(E)REINF A-CENTER PILLAR (D)VERSTÄRKUNG,ZENTRAL-SÄULE										(F)RENFORCEMENT (S)REFUERZO-PILAR DEL CENTRO		
	96244271 B S . S							LH 1					
	96244272 B S . S							RH 1					
	[05]	(E)PANEL-SIDE INNER (D)VERKLEIDUNG,SEITE,INNEN										(F)PANNEAU-COTE INTERNE (S)PANEL-LADO INTERNO		
	96307239 B S . S							LH 1					
	96307240 B S . S							RH 1					
	[06]	(E)WHEELHOUSE A-INNER (D)VERKLEIDUNG,RAD-GEHÄUSE										(F)PANNEAU-IMONERIE (S)PANEL-VOLANTE INTERNO		
	96307032 B S . S							LH 1				WF	
	96307033 B S . S							RH 1				W6	
	[07]	(E)PILLAR A-FRONT (D)SÄULE,VORDER-KAROSSERIE										(F)PILIER-CORPS AVANT (S)PILAR-FRENTE DE CUERPO		
	96303787 B S . S							LH 1				LA	
	96303788 B S . S							RH 1				L1	
ENG(ENGINE)		T/A(TRANSAXLE)			BODY TYPE									
Y = 1.5SOHC 6 = 1.6DOHC = COMMON		M = MANUAL T/A A = AUTOMATIC T/A = COMMON			4 N = 4 DOOR NOTCHBACK 3 H = 3 DOOR HATCHBACK 5 H = 5 DOOR HATCHBACK									

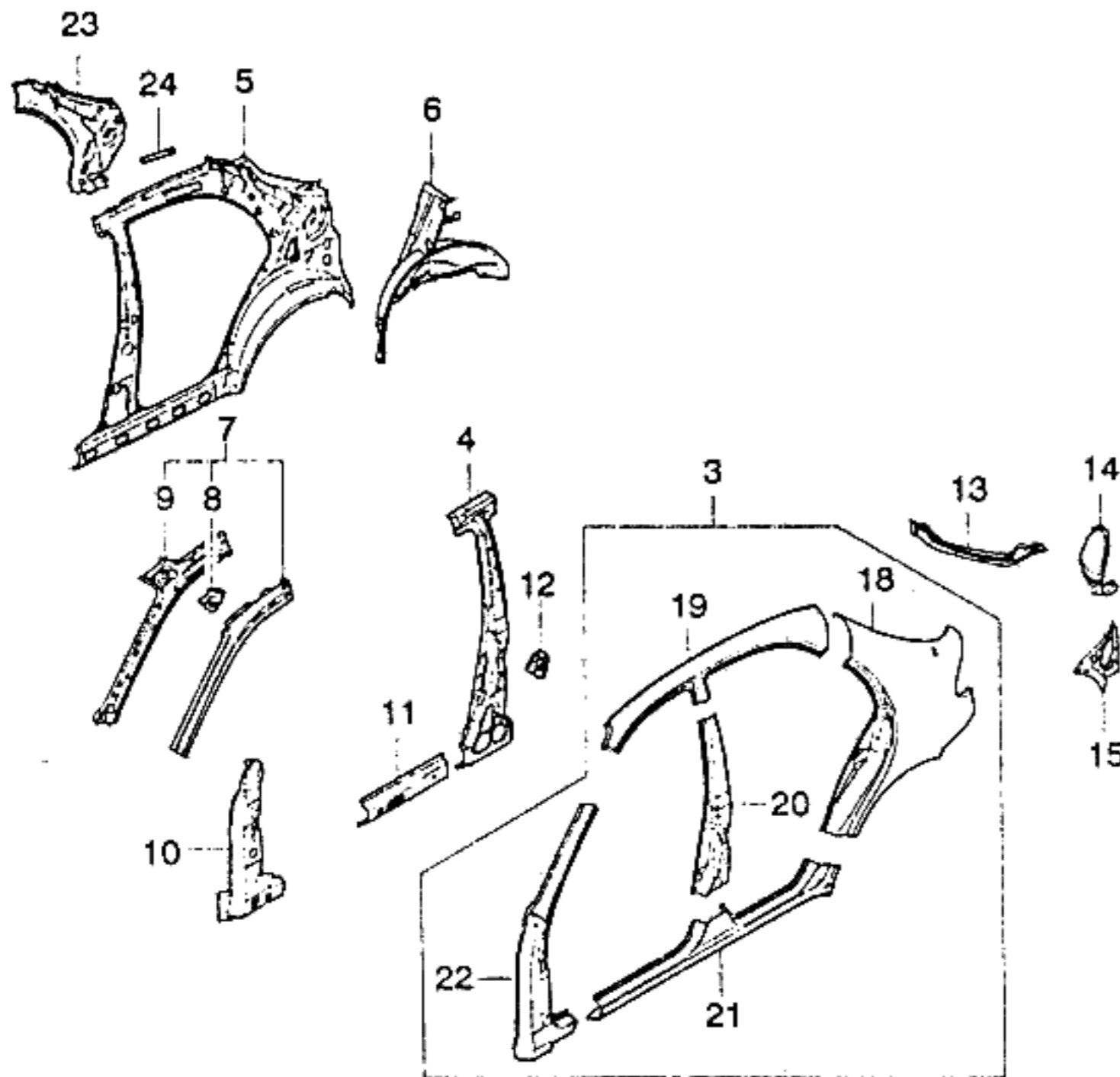
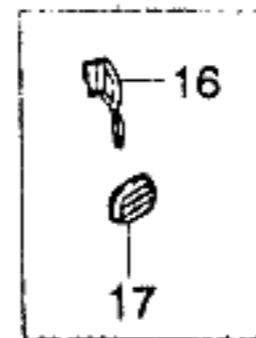
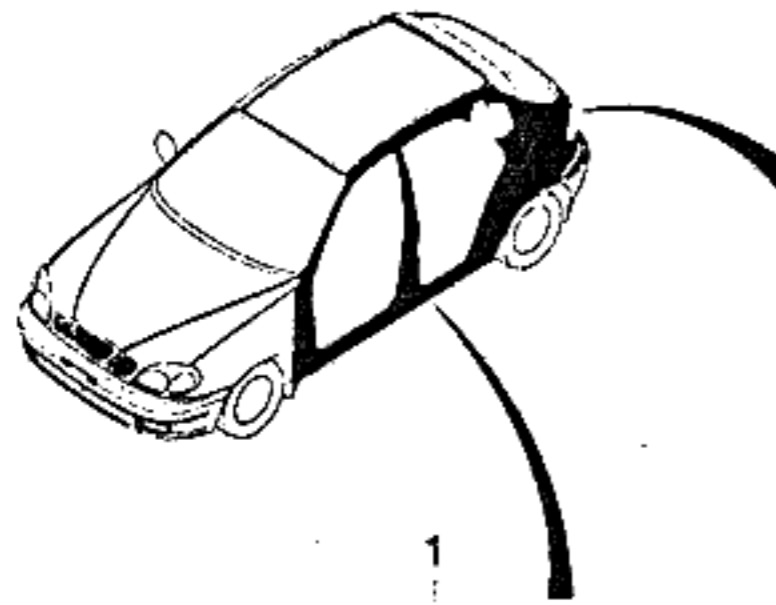


KEY NO.	PART NAME											REMARKS	P / CODE	
	PART NO	MODEL						OPTION	L / R	Q / T Y	EFFECTIVE DATE			
		E N G	T / A	4 N	3 H	5 H	LEVEL				S S			S S
[08]	(E)PATCH-FRONT PILLAR (D)TEIL,VORDER-SÄULE												(F)PIECE-PILIER,AVANT (S)PIEZA-FRENTE DE PILAR	
96233763 B S . S												LH 1	
96233764 B S . S												RH 1	
[09]	(E)PILLAR A-FRONT,INNER (D)SÄULE,VORDER-KAROSSERIE												(F)PILIER-CORPS AVANT (S)PILAR-FRENTE DE CUERPO	
96307046 B S . S												LH 1	
96307047 B S . S												RH 1	
[10]	(E)REINF A-FRONT PILLAR,LWR (D)VERSTÄRKUNG												(F)RENFORCEMENT (S)REFUERZO-BISAGRA	
96306612 B S . S												LH 1	NA
96306613 B S . S												RH 1	N1
[11]	(E)REINFORCEMENT-ROCKER (D)VERSTÄRKUNG												(F)RENFORCEMENT (S)REFUERZO	
96242967 B S . S												LH 1	
96242968 B S . S												RH 1	
[12]	(E)REINF A-STRIKER, REAR DOOR (D)VERSTÄRKUNG												(F)RENFORCEMENT (S)REFUERZO	
96303715 B S . S												LH 1	RA
96303716 B S . S												RH 1	R1
[13]	(E)PIECE-SIDE PANEL OTR CONN (D)TEIL,VERBINDUNGS												(F)PIECE (S)PIEZA	
96306524 B S . S												LH 1	CB
96306525 B S . S												RH 1	C2
[14]	(E)PATCH A-TAIL LAMP HOUSING (D)TEIL-GEHÄUSE												(F)PIECE-LOGEMENT (S)PIEZA-CARCASA	
96310159 B S . S												LH 1	LB

ENG(ENGINE)	T/A(TRANSAXLE)	BODY TYPE
Y = 1.5SOHC 6 = 1.6DOHC . = COMMON	M = MANUAL T/A A = AUTOMATIC T/A . = COMMON	4 N = 4 DOOR NOTCHBACK 3 H = 3 DOOR HATCHBACK 5 H = 5 DOOR HATCHBACK

6411 SIDE BODY PANEL(5DOOR H/B)

5N10



KEY NO.	PART NAME														
	PART NO	MODEL						OPTION	L / R	QTY	EFFECTIVE DATE	REMARKS	P / CODE		
		E N / G	T / A	BODY	LEVEL	S S	S S							FROM	TO
		4 N	3 H	5 H	S	S	S	S							
96310160	[15]	.	.	.	B	S	.	S	.	.	RH	1	(E)EXTENSION-SIDE PANEL,OTR (D)VERLÄNGERUNG,SEITE,AUßEN	(F)EXTENSION-COTE,EXTERIEUR (S)EXTENSION-LADO EXTERIOR	L2
96306534		.	.	.	B	S	.	S	.	.	LH	1			EB
96306535	[16]	.	.	.	B	S	.	S	.	.	RH	1	(E)SPACER A-SIDE BODY,REAR (D)Distanzstück	(F)ENTRETOISE (S)ESPACIADOR	E2
96307247		.	.	.	B	S	.	S	.	.	LH	1			AB
96307248	[17]	.	.	.	B	S	.	S	.	.	RH	1	(E)INSERT A-VENTILATION (D)EINSATZ,VENTILATOR	(F)INSERTION-VENTILATION (S)REFUERZO-VENTILACION	A2
96242978	[18]	.	.	.	B	S	.	S	.	.		2	(E)PANEL-QUATER (D)VERKLEIDUNG,VIETEL	(F)PANNEAU-QUART (S)PANEL-CUADRANTE	
A96248552		.	.	.	B	S	.	S	.	.	LH	1			
A96248553	[19]	.	.	.	B	S	.	S	.	.	RH	1	(E)PANEL-ROOF SIDE (D)VERKLEIDUNG,SEITE,AUßEN	(F)PANNEAU-COTE EXTERNE (S)PANEL-LADO EXTERNO,TECHO	
A96248550		.	.	.	B	S	.	S	.	.	LH	1			
A96248551	[20]	.	.	.	B	S	.	S	.	.	RH	1	(E)PANEL-HINHE PILLAR,CTR (D)VERKLEIDUNG,BESCHLAG,SÄUL	(F)PANNEAU (S)PANEL-PILAR BISAGAR	
A96248554		.	.	.	B	S	.	S	.	.	LH	1			
A96248555	[21]	.	.	.	B	S	.	S	.	.	RH	1	(E)PANEL-ROCKER (D)VERKLEIDUNG,SCHWENKUNG	(F)PANNEAU-CULBUTEUR (S)PANEL-ARCO EXTERNO	
A96248556		.	.	.	B	S	.	S	.	.	LH	1			

ENG(ENGINE)

T/A(TRANSAXLE)

BODY TYPE

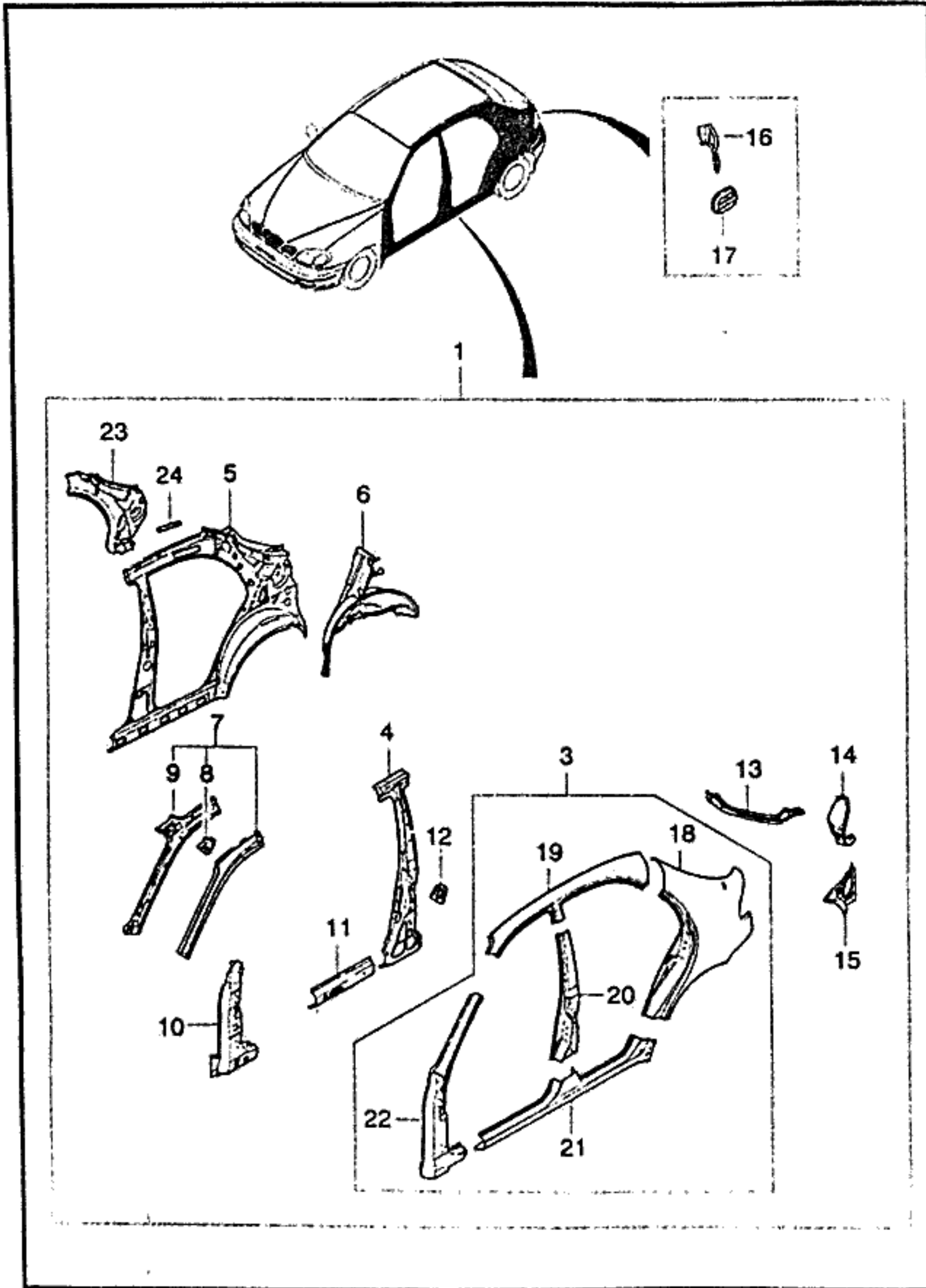
Y = 1.5SOHC
6 = 1.6DOHC
. = COMMON

M = MANUAL T/A
A = AUTOMATIC T/A
. = COMMON

4 N = 4 DOOR NOTCHBACK
3 H = 3 DOOR HATCHBACK
5 H = 5 DOOR HATCHBACK

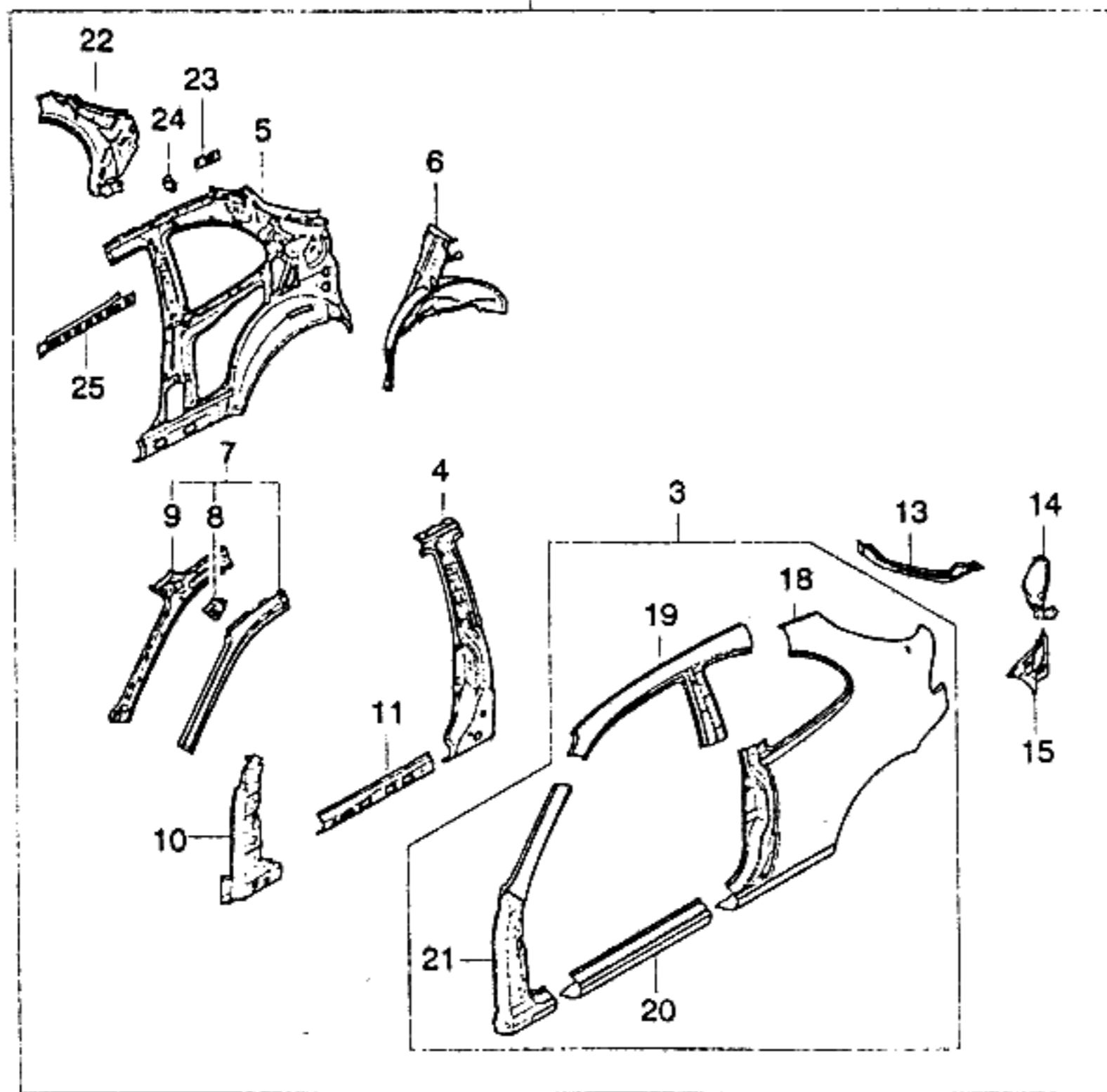
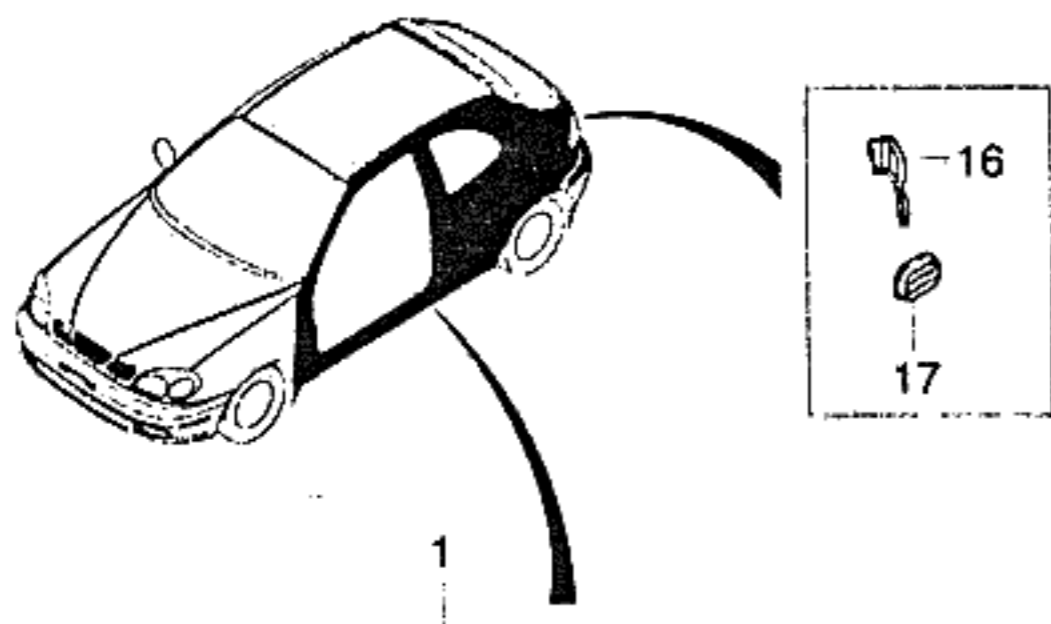
6411 SIDE BODY PANEL(5DOOR H/B)

5B11



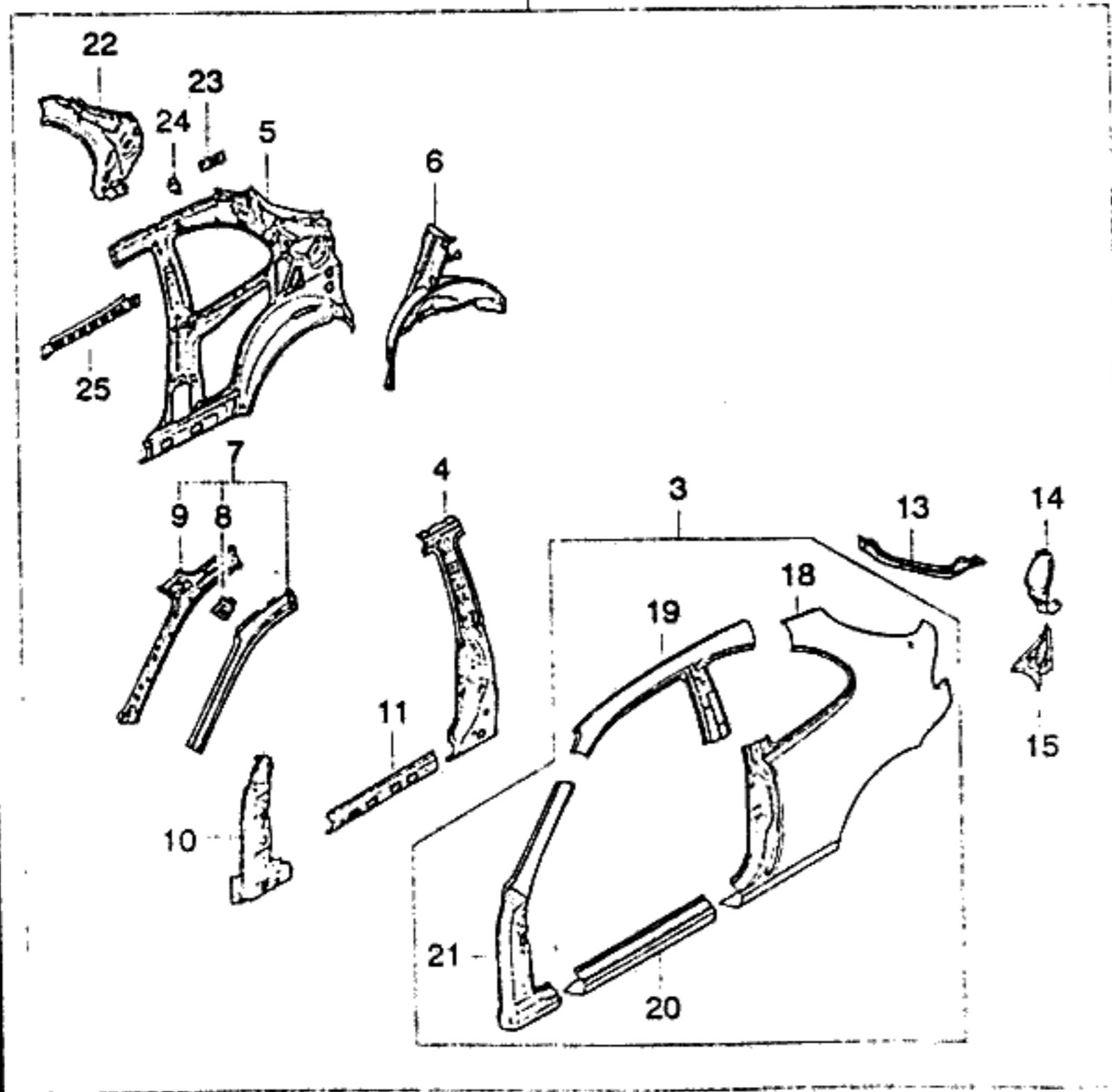
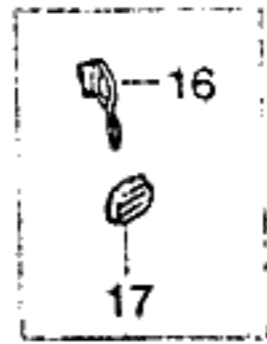
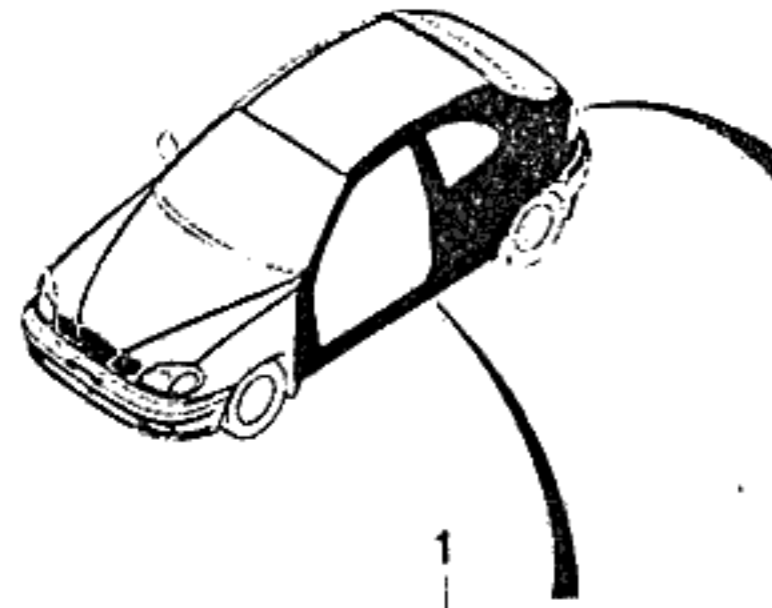
KEY NO.	PART NAME												
	PART NO	MODEL					OPTION	L / R	QTY	EFFECTIVE DATE		REMARKS	P / CODE
		E N / G	T / A	BODY	LEVEL					FROM	TO		
A96248557	[22]	.	.	B	S	.	S	.	.	RH	1	(F)PANNEAU (S)PANEL-PILAR BISAGRA	
A96248558		.	.	B	S	.	S	.	.	LH	1		
A96248559	[23]	.	.	B	S	.	S	.	.	RH	1	(F)REINFORCEMENT (S)REFUERZO	
96307241		.	.	B	S	.	S	.	.	LH	1		
96307242	[24]	.	.	B	S	.	S	.	.	RH	1	(F)REINFORCEMENT (S)REFUERZO	
96307023		.	.	B	S	.	S	-CF6	.		2		
96240749		.	.	B	O	.	O	&CF6	.	LH	1		
96240750		.	.	B	O	.	O	&CF6	.	RH	1		

ENG(ENGINE)	T/A(TRANSAXLE)	BODY TYPE
Y = 1.5SOHC	M = MANUAL T/A	4 N = 4 DOOR NOTCHBACK
6 = 1.6DOHC	A = AUTOMATIC T/A	3 H = 3 DOOR HATCHBACK
. = COMMON	. = COMMON	5 H = 5 DOOR HATCHBACK



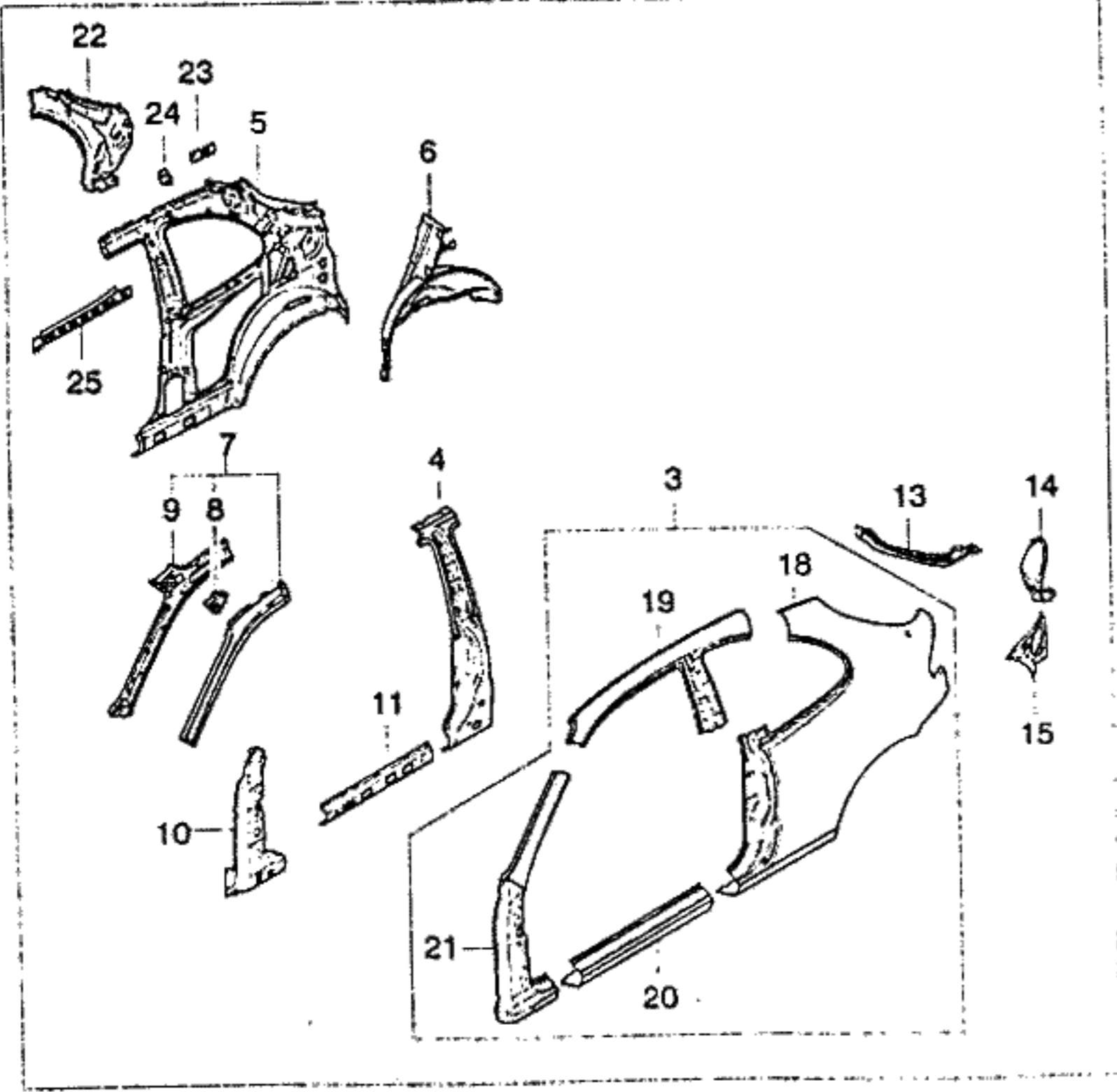
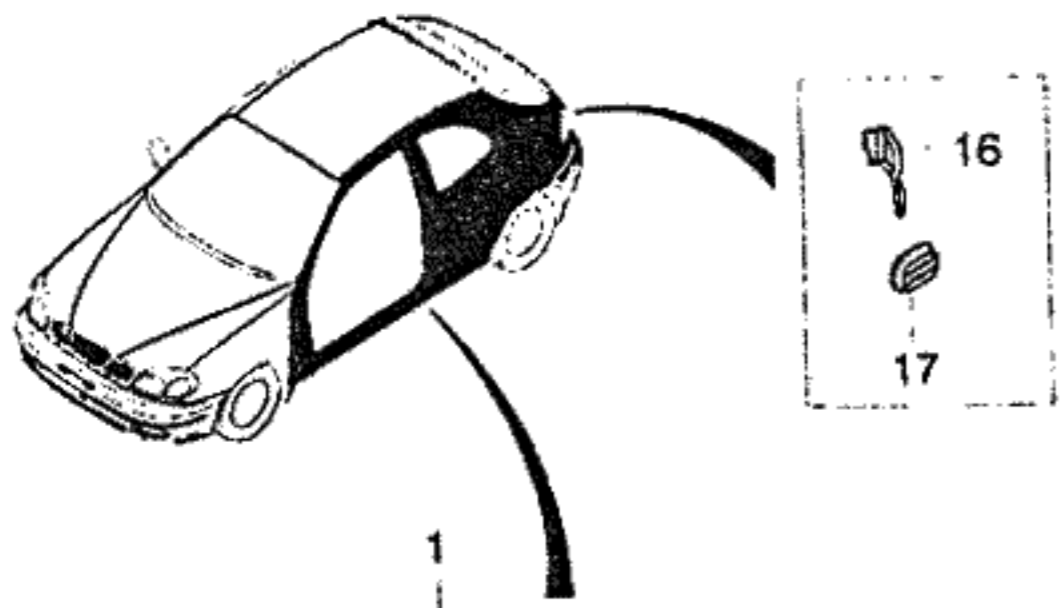
I T C	KEY NO.		PART NAME										P / C O D E
	PART NO	E T N / G	MODEL			OPTION	L / R	Q T Y	EFFECTIVE DATE		REMARKS		
			4 N	3 H	5 H				S S	S S		FROM	
	[01]		(E)PANEL A1-SIDE (D)VERKLEIDUNG A1,SEITE,AUBEN								(F)PANNEAU A1-COTE EXTERNE (S)PANEL A1-LADO EXTERNO		
	A96306501		B	S	S	-CF6					LH 1		
	A96306502		B	S	S	-CF6					RH 1		
	A96251001		B	O	O	&CF6					LH 1		
	A96251002		B	O	O	&CF6					RH 1		
	[03]		(E)PANEL-SIDE, OUTER (D)VERKLEIDUNG, SEITE, AUBEN								(F)PANNEAU-COTE EXTERNE (S)PANEL-LADO EXTERNO		
	A96251006		B	S	S						LH 1		
	A96251007		B	S	S						RH 1	970616	
	N A96255363		B	S	S						RH 1	970616	
	[04]		(E)REINF A-CENTER PILLAR (D)VERSTÄRKUNG, ZENTRAL-SÄULE								(F)RENFORCEMENT (S)REFUERZO-PILAR DEL CENTRO		
	96303686		B	S	S						LH 1	PA	
	96303687		B	S	S						RH 1	P1	
	[05]		(E)PANEL A-SIDE INNER (D)VERKLEIDUNG, SEITE, INNEN								(F)PANNEAU-COTE INTERNE (S)PANEL-LADO INTERNO		
	96306558		B	S	S						LH 1		
	96306559		B	S	S						RH 1		
	[06]		(E)WHEELHOUSE A-INNER (D)VERKLEIDUNG, RAD-GEHÄUSE								(F)PANNEAU-IMONERIE (S)PANEL-VOLANTE INTERNO		
	96307032		B	S	S						LH 1	WF	
	96307033		B	S	S						RH 1	W6	
	[07]		(E)PILLAR A-FRONT (D)SÄULE, VORDER-KAROSSERIE								(F)PILIER-CORPS AVANT (S)PILAR-FRENTE DE CUERPO		
	96303787		B	S	S						LH 1	LA	
	96303788		B	S	S						RH 1	L1	

ENG(ENGINE)	T/A(TRANSAXLE)	BODY TYPE
Y = 1.5SOHC 6 = 1.6DOHC . = COMMON	M = MANUAL T/A A = AUTOMATIC T/A . = COMMON	4 N = 4 DOOR NOTCHBACK 3 H = 3 DOOR HATCHBACK 5 H = 5 DOOR HATCHBACK



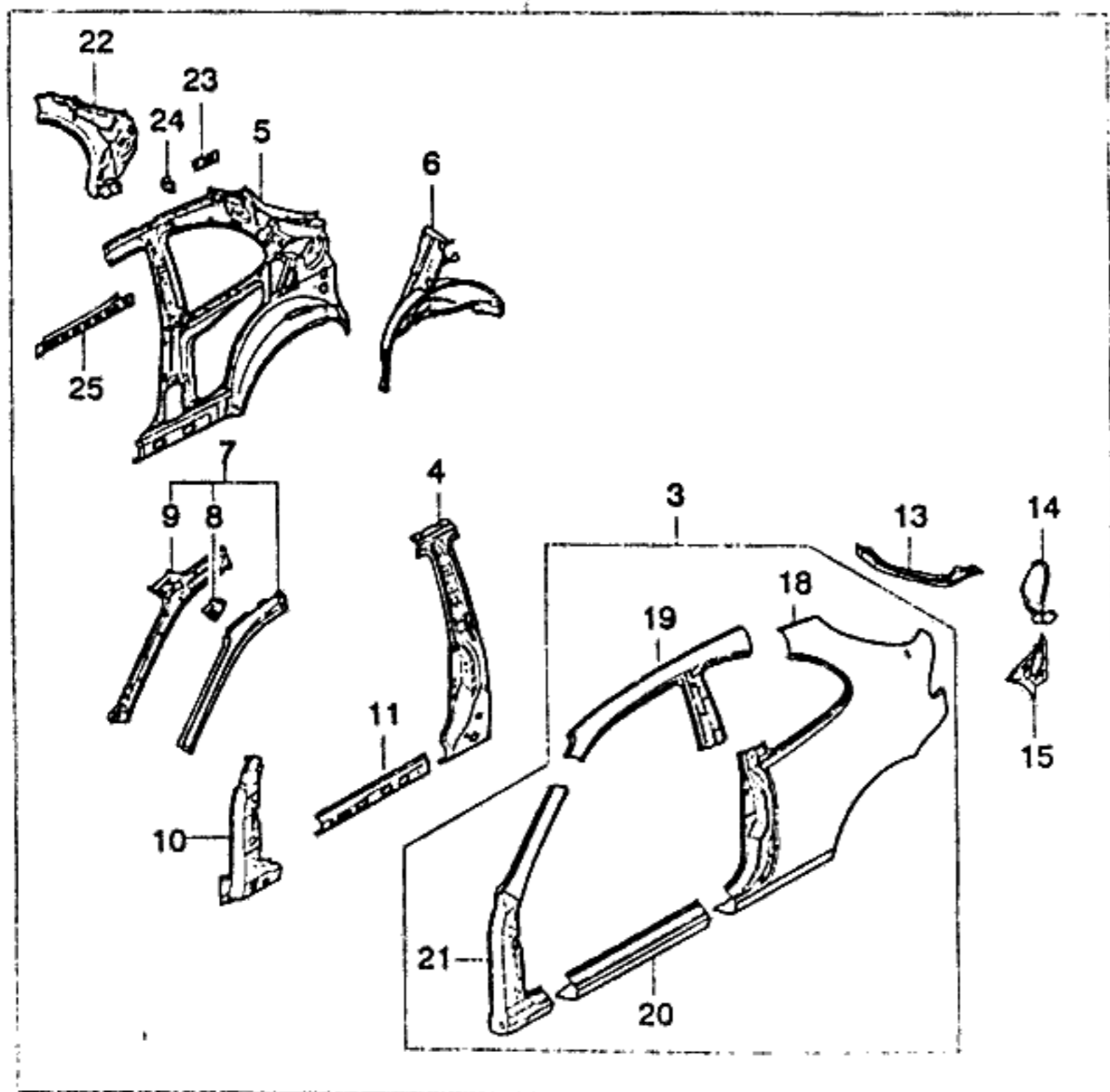
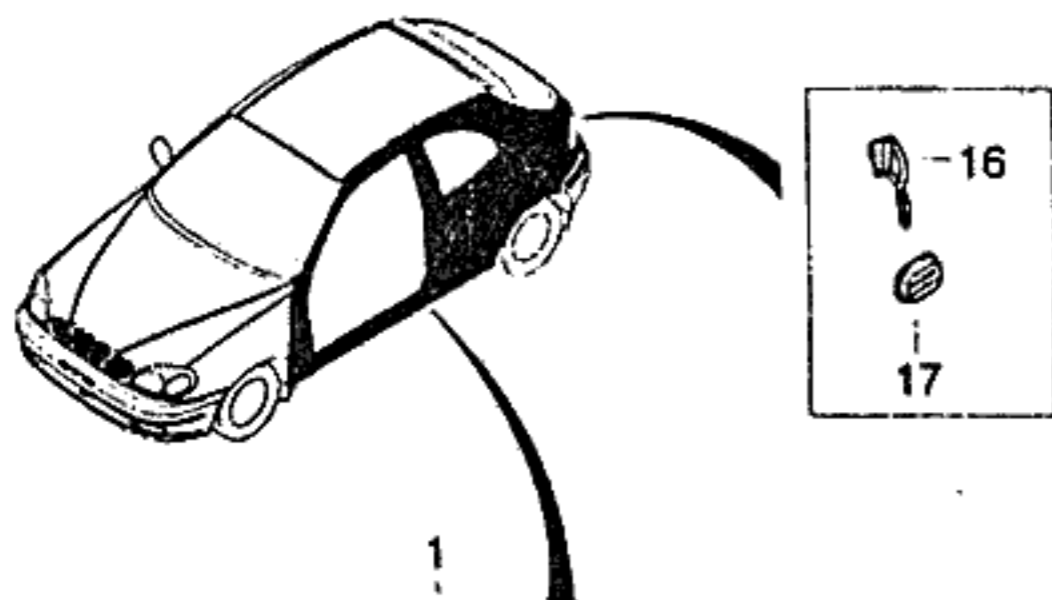
KEY NO.	PART NAME													
	PART NO	MODEL						OPTION	L / R	Q / T Y	EFFECTIVE DATE		REMARKS	P / C O D E
		E T N / G A	4 N	3 H	5 H	S S	S S				FROM	TO		
[08]	(E)PATCH-FRONT PILLAR (D)TEIL,VORDER-SÄULE													
96233763 B . S . S													
96233764 B . S . S													
[09]	(E)PILLAR A-FRONT,INNER (D)SÄULE,VORDER-KAROSSERIE													
96307046 B . S . S													
96307047 B . S . S													
[10]	(E)REINF A-FRONT PILLAR,LWR (D)VERSTÄRKUNG													
96306612 B . S . S												NA	
96306613 B . S . S												N1	
[11]	(E)REINFORCEMENT-ROCKER (D)VERSTÄRKUNG													
96242806 B . S . S													
96242807 B . S . S													
[13]	(E)PIECE-SIDE PANEL OTR CONN (D)TEIL,VERBINDUNGS													
96306524 B . S . S												CB	
96306525 B . S . S												C2	
[14]	(E)PATCH A-TAIL LAMP HOUSING (D)TEIL-GEHÄUSE													
96310159 B . S . S												LB	
96310160 B . S . S												L2	
[15]	(E)EXTENSION-SIDE PANEL,OTR (D)VERLÄNGERUNG,SEITE,AUßEN													
96306534 B . S . S												EB	

ENG(ENGINE)	T/A(TRANSAXLE)	BODY TYPE
Y = 1.5SOHC 6 = 1.6DOHC . = COMMON	M = MANUAL T/A A = AUTOMATIC T/A . = COMMON	4 N = 4 DOOR NOTCHBACK 3 H = 3 DOOR HATCHBACK 5 H = 5 DOOR HATCHBACK



KEY NO.	PART NAME													
	PART NO	MODEL						OPTION	L / R	QTY	EFFECTIVE DATE		REMARKS	P / CODE
		E	T	BODY	LEVEL						FROM	TO		
	N / G	4 N	3 H	5 H	S	S	S							
96306535			B	S	S				RH	1				E2
[16]			(E)SPACER A-SIDE BODY,REAR (D)Distanzstück											
96307247			B	S	S				LH	1				AB
96307248			B	S	S				RH	1				A2
[17]			(E)INSERT A-VENTILATION (D)Einsatz,ventilator											
96242978			B	S	S					2				
[18]			(E)PANEL-QUATER (D)Verkleidung,Viertel											
A96248544			B	S	S				LH	1				
A96248545			B	S	S				RH	1				
[19]			(E)PANEL-ROOF SIDE (D)Verkleidung,Seite,Außen											
A96248542			B	S	S				LH	1				
A96248543			B	S	S				RH	1				
[20]			(E)PANEL-ROCKER (D)Verkleidung,Schwengung											
A96248546			B	S	S				LH	1				
A96248547			B	S	S				RH	1				
[21]			(E)PANEL-HINHE PILLAR,FRONT (D)Verkleidung,Beschlag,Säul											
A96248548			B	S	S				LH	1				
A96248549			B	S	S				RH	1				
[22]			(E)REINF A-LOCK PILLAR (D)Verstärkung											
96303749			B	S	S				LH	1				

ENG(ENGINE)	T/A(TRANSAXLE)	BODY TYPE
Y = 1.5SOHC 6 = 1.6DOHC . = COMMON	M = MANUAL T/A A = AUTOMATIC T/A . = COMMON	4 N = 4 DOOR NOTCHBACK 3 H = 3 DOOR HATCHBACK 5 H = 5 DOOR HATCHBACK

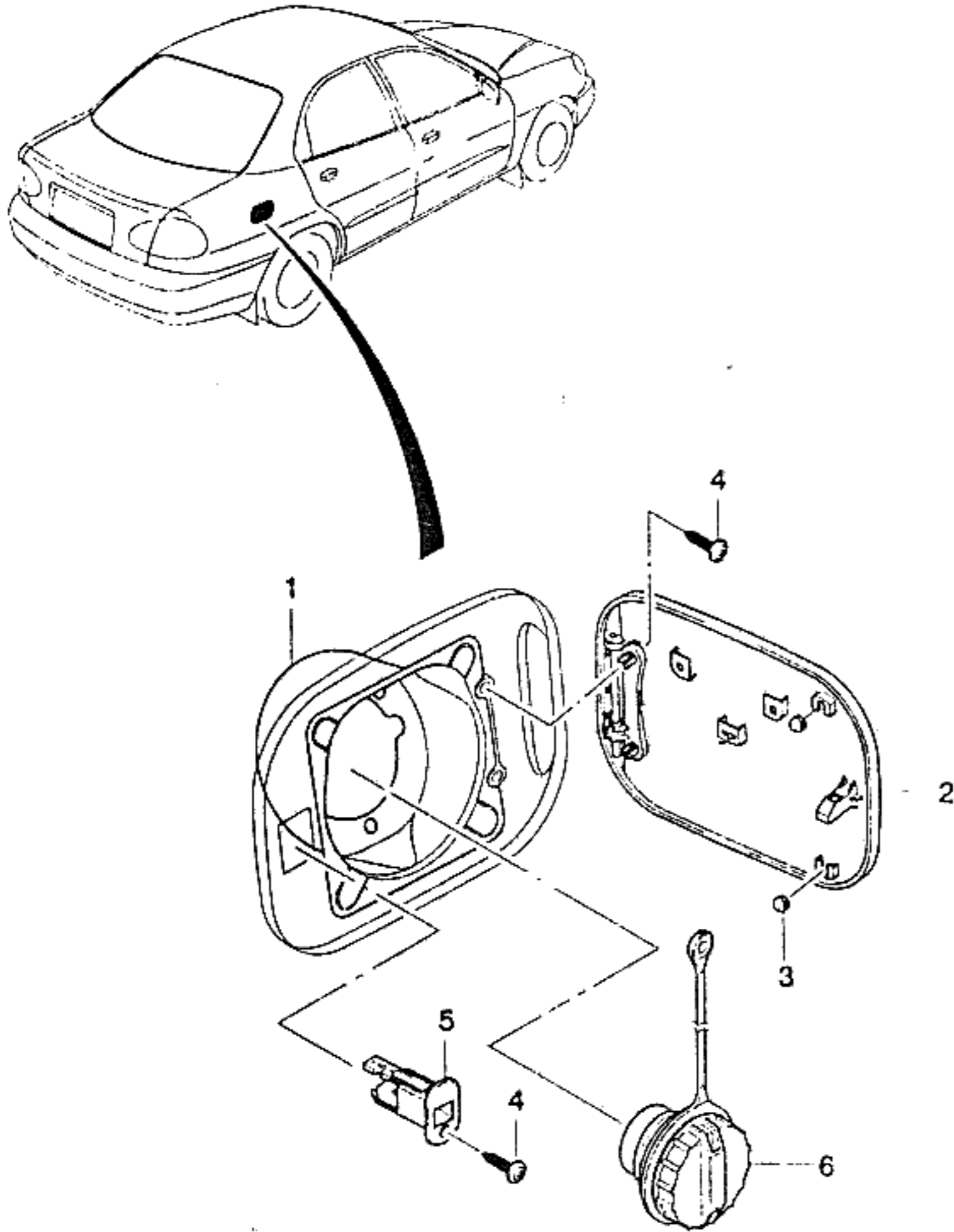


KEY NO.	PART NAME													
	PART NO	MODEL						OPTION	L / R	Q / T Y	EFFECTIVE DATE		REMARKS	P / CODE
		E N G	T / A	B O D Y	L E V E L						FROM	TO		
		4 N	3 H	5 H	S	S	S							
96303750	[23]	.	.	B	.	S	.	S		RH	1		(E)REINF A-SUNROOF BRACKET (D)VERSTÄRKUNG (F)REINFORCEMENT (S)REFUERZO	
96240740		.	.	B	.	O	.	O	&CF6	LH	1			
96240741	[24]	.	.	B	.	O	.	O	&CF6	RH	1		(E)REINFORCEMENT A-COAT HOOK (D)VERSTÄRKUNG (F)REINFORCEMENT (S)REFUERZO	
96307022		.	.	B	.	S	.	S	-CF6	LH	1			
96310175	[25]	.	.	B	.	S	.	S	-CF6	RH	1		(E)RAIL-SIDE PANEL, INNER (D)SCHIENE, SEITE, INNEN (F)RAIL-COTE INTERNE (S)RIEL-LADO INTERNO	
96307123		.	.	B	.	S	.	S		LH	1			
96307124		.	.	B	.	S	.	S		RH	1			

ENG(ENGINE)	T/A(TRANSAXLE)	BODY TYPE
Y = 1.5SOHC G = 1.6DOHC . = COMMON	M = MANUAL T/A A = AUTOMATIC T/A . = COMMON	4 N = 4 DOOR NOTCHBACK 3 H = 3 DOOR HATCHBACK 5 H = 5 DOOR HATCHBACK

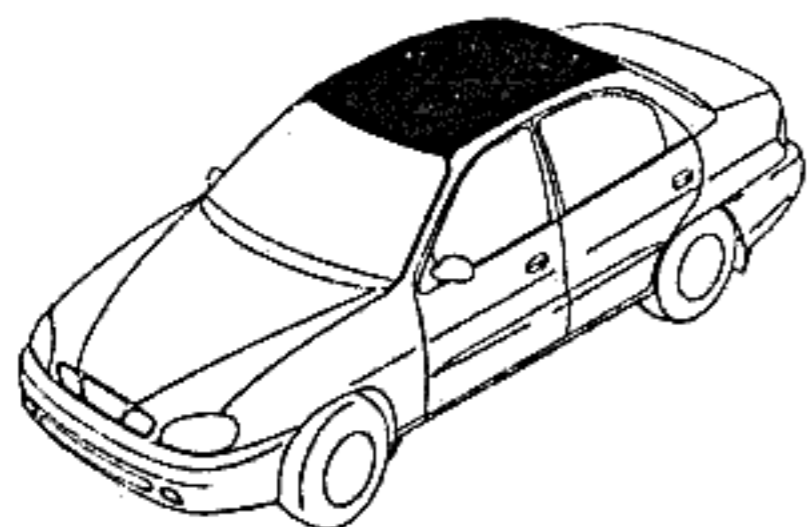
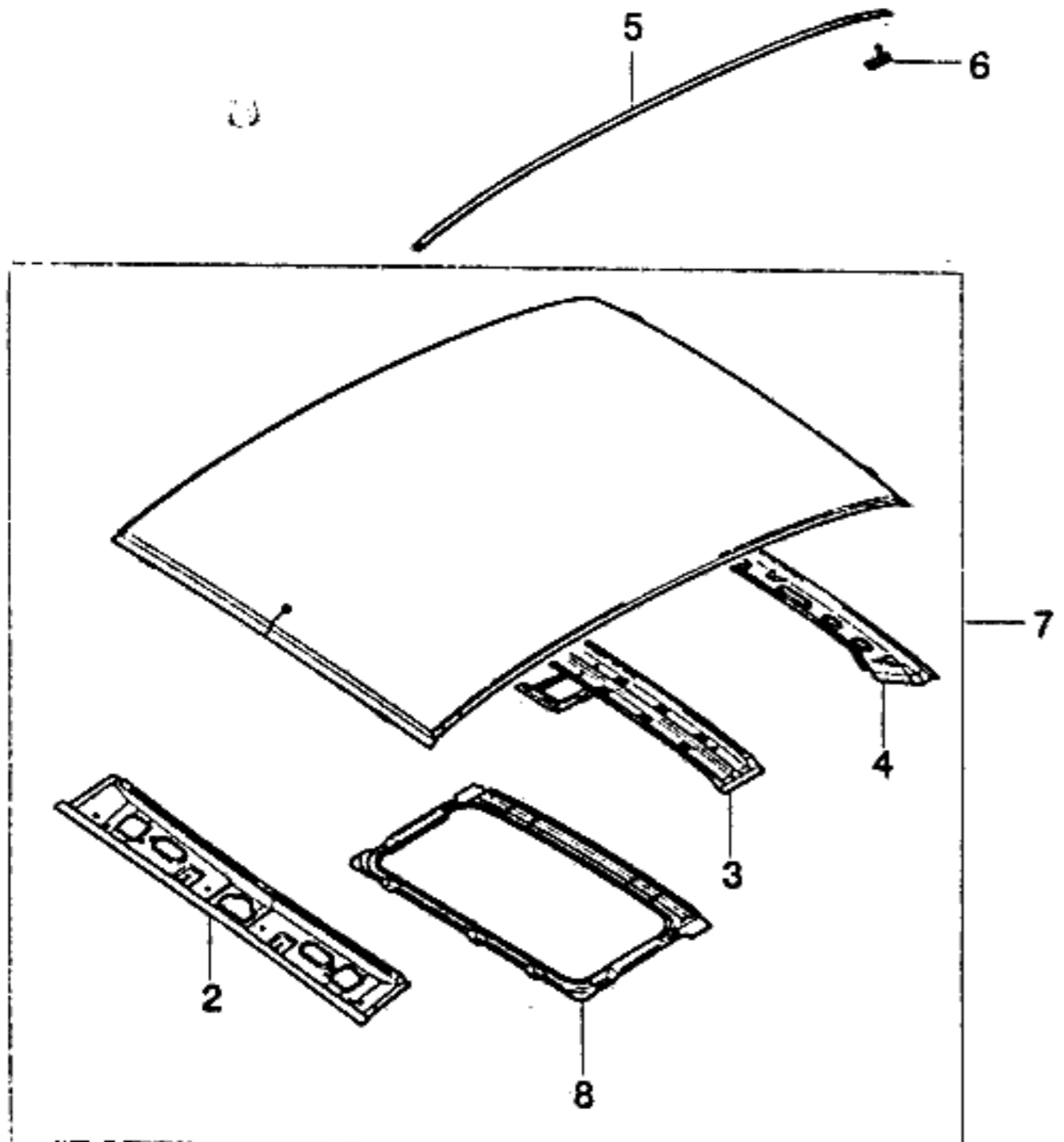
6420 FUEL FILLER LOCKING

5G11



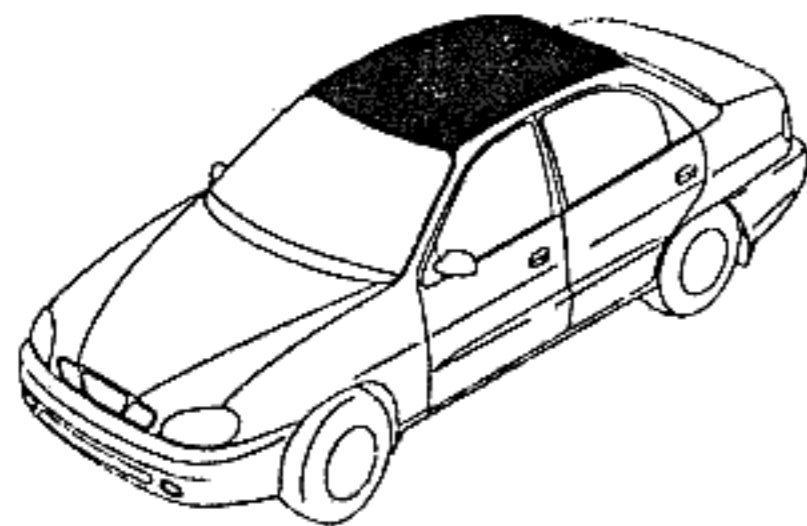
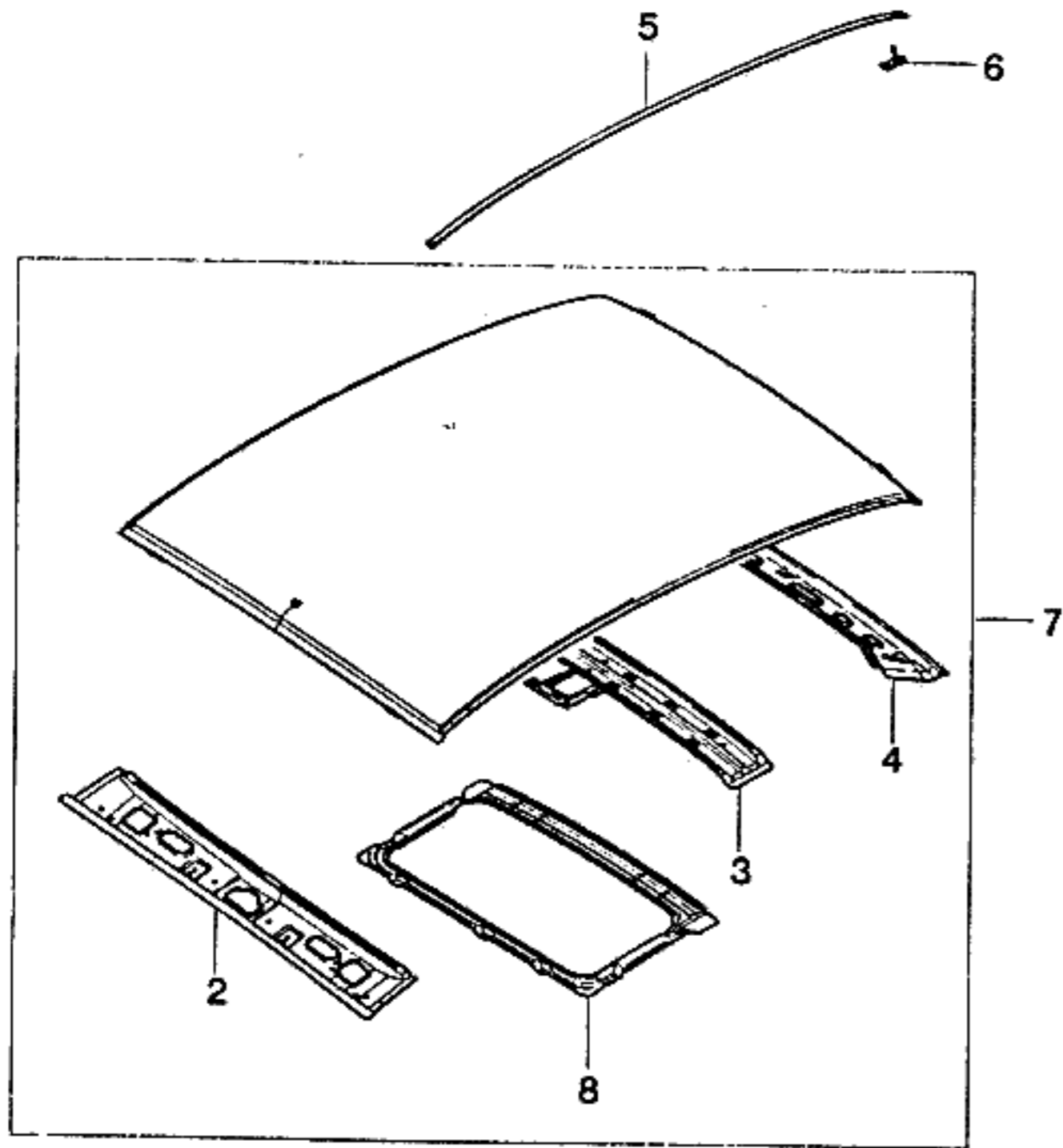
I T C	KEY NO.	PART NAME													
		PART NO	MODEL						OPTION	L / R	Q T Y	EFFECTIVE DATE		REMARKS	P / C O D E
			E N G	T / A	BODY			L E V E L				F R O M	T O		
					4 N	3 H	5 H								
[01]	96306516	(E)CAP-FUEL FILLER (D)DECKEL,BENZINTANK	. .	B	B	B	S	S	S	S	(F)CHAPEAU (S)TAPA-TOMA DE GASOLINA	1		FB	
[02]	96303245	(E)DOOR A-FUEL FILLER (D)TÜR,BENZINTANK	. .	B	. .	S	S	S		(F)PORTE-REPLISSAGE (S)PUERTA-ECHAR COMBUSTIBLE	1		INCL. #3		
	96303238		. . .	B	. .	S	. .	S			1		INCL. #3		
	96307261		B	S	. .	S				1		INCL. #3		
[03]	96246535	(E)BUMPER-FUEL FILLER DOOR (D)STOBSTANGE	. .	B	B	B	S	S	S	(F)PARE-CHOC (S)PARACHOQUES	2				
[04]	03160-42132	(E)SCREW-TAPPING (D)SCHRAUBE	. .	B	B	B	S	S	S	(F)VIS (S)TORNILLO	3				
[05]	96248525	(E)LOCK A-FUEL FILLER DOOR (D)SCHLOß	. .	B	B	B	S	S	S	(F)VERROU (S)CERRADURA	1	970616			
	N 96250424		. .	B	B	B	S	S	S		1	970616			
[06]	22591475	(E)CAP-FUEL SCREW (D)SCHRAUBEDECKEL,BENZINTANK	. .	B	B	B	S	S	S	(F)CHAPEAU (S)TAPA-TORNILLO	1				

ENG(ENGINE)	T/A(TRANSAXLE)	BODY TYPE
Y = 1.5SOHC 6 = 1.6DOHC . = COMMON	M = MANUAL T/A A = AUTOMATIC T/A . = COMMON	4 N = 4 DOOR NOTCHBACK 3 H = 3 DOOR HATCHBACK 5 H = 5 DOOR HATCHBACK

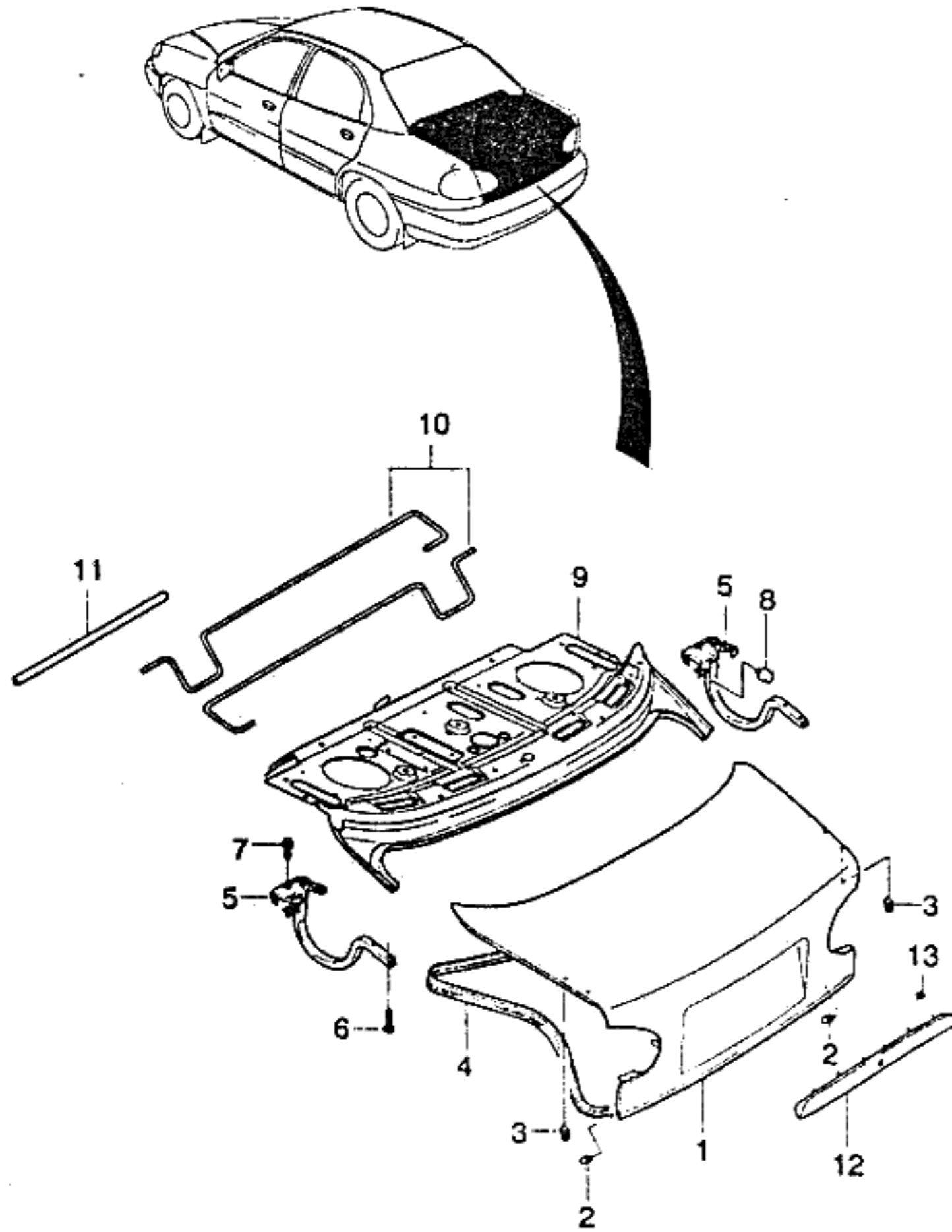


KEY NO.	PART NAME										REMARKS	P / CODE		
	PART NO	MODEL					OPTION	L / R	Q / TY	EFFECTIVE DATE				
		E	T	BODY						LEVEL			FROM	TO
	N / G	4	3	5	S	S	S							
[02]	96303820	(E)RAIL-WINDSHIELD HEADER (D)SCHIENE										(F)RAIL-HAUT DE PARE-BRISE (S)RIEL		
		. . . B B B S S S										1		
[03]	96307051	(E)SUPPORT A-ROOF,CENTER (D)TRÄGER,DACH										(F)SUPPORT-TOIT (S)SOPORTE-TECHO		
		. . . B B B S S S -CF6										1		
[04]	96303823	(E)FRAME-ROOF,REAR (D)RAHMEN,HINTERES DACH										(F)CADRE-TOIT ARRIERE (S)ARMADURA-TECHO TRASERO		
		. . . B . . . S S S										1		
	96303824	(E)MOLDING A-ROOF (D)PREßTEIL,DACH										(F)MOULURE-TOIT (S)MOLOURA-TECHO		
[05]	96303484	. . . B . . . S S S										LH 1		
	96306107	. . . B . . . S S S										RH 1		
	96306233	. . . B B S . S										LH 1		
	96306234	. . . B B S . S										RH 1		
[06]	96233387	(E)CLIP-ROOF MOLDING (D)KLEMME										(F)ATTACHE (S)GRAPA		
		. . . B B B S S S										8		
[07]	A96303816	(E)PANEL A-ROOF (D)VERKLEIDUNG,DACH										(F)PANNEAU-TOIT (S)PANEL-TECHO		
		. . . B . . . S S S -CF6										1		INCL.#2-4
	96232378	. . . B . . . O O O &CF6										1		INCL.#2,4,8
	A96303817	. . . B . S . S -CF6										1		INCL.#2-4
	96232379	. . . B . O . O &CF6										1		INCL.#2,4,8
	A96230852 B S . S -CF6										1		INCL.#2-4
	96232380 B O . O &CF6										1		INCL.#2,4,8

ENG(ENGINE)	T/A(TRANSAXLE)	BODY TYPE
Y = 1.5SOHC 6 = 1.6DOHC . = COMMON	M = MANUAL T/A A = AUTOMATIC T/A . = COMMON	4 N = 4 DOOR NOTCHBACK 3 H = 3 DOOR HATCHBACK 5 H = 5 DOOR HATCHBACK

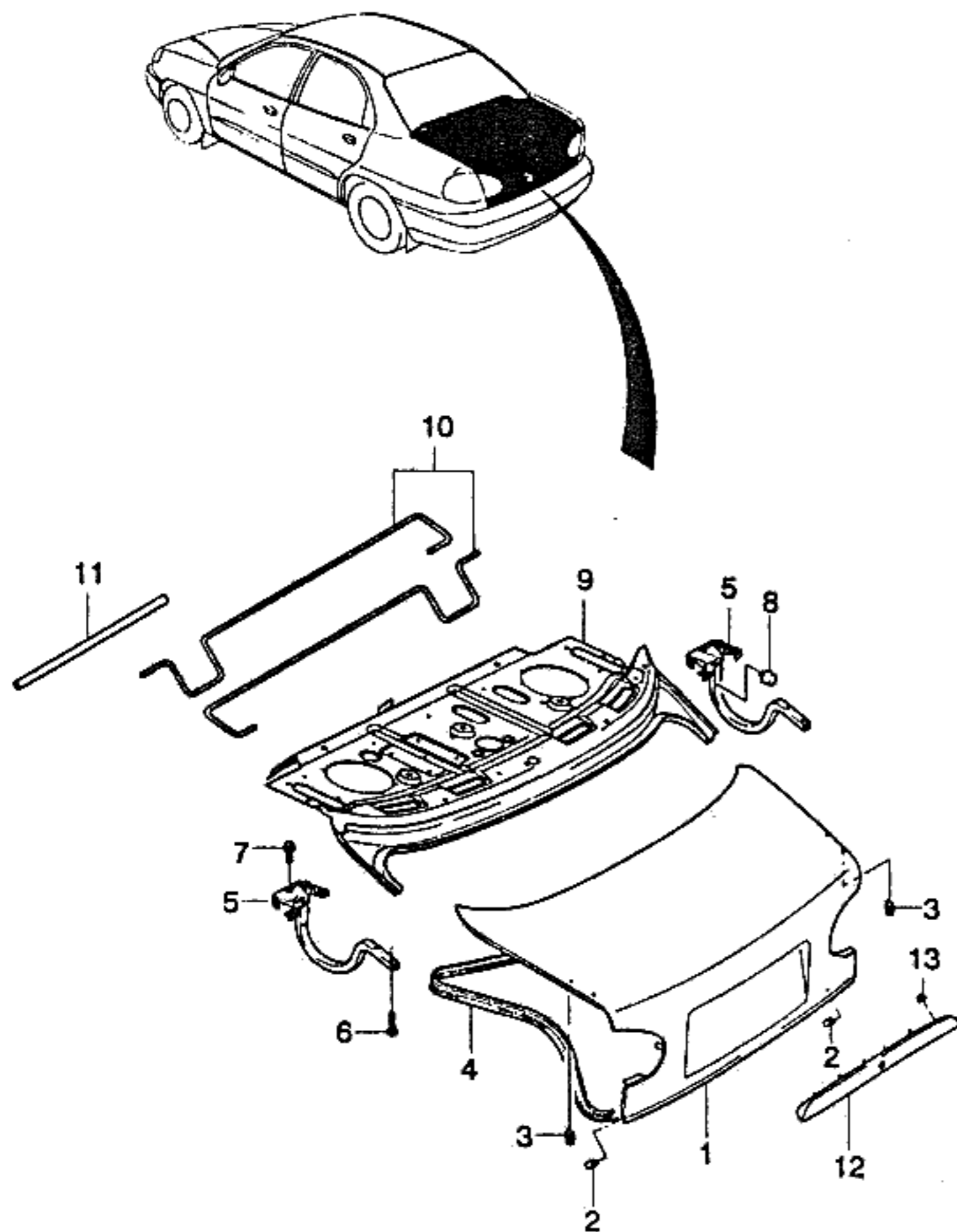


KEY NO.		PART NAME													
I T C	PART NO	MODEL						OPTION	L / R	Q T Y	EFFECTIVE DATE		REMARKS	P / C O D E	
		E N G	T / A	BODY			LEVEL				FROM	TO			
				4 N	3 H	5 H	S								S
	[08]	(E)FRAME A-SUN ROOF (D)RAHMEN									(F)CADRE (S)ARMADURA				
	96240722	.	.	B	.	B	O	O	O	&CF6			1		
	96240723	.	.	.	B	.	O	.	O	&CF6			1		
ENG(ENGINE)		T/A(TRANSAXLE)				BODY TYPE									
Y = 1.5SOHC 6 = 1.6DOHC . = COMMON		M = MANUAL T/A A = AUTOMATIC T/A . = COMMON				4 N = 4 DOOR NOTCHBACK 3 H = 3 DOOR HATCHBACK 5 H = 5 DOOR HATCHBACK									

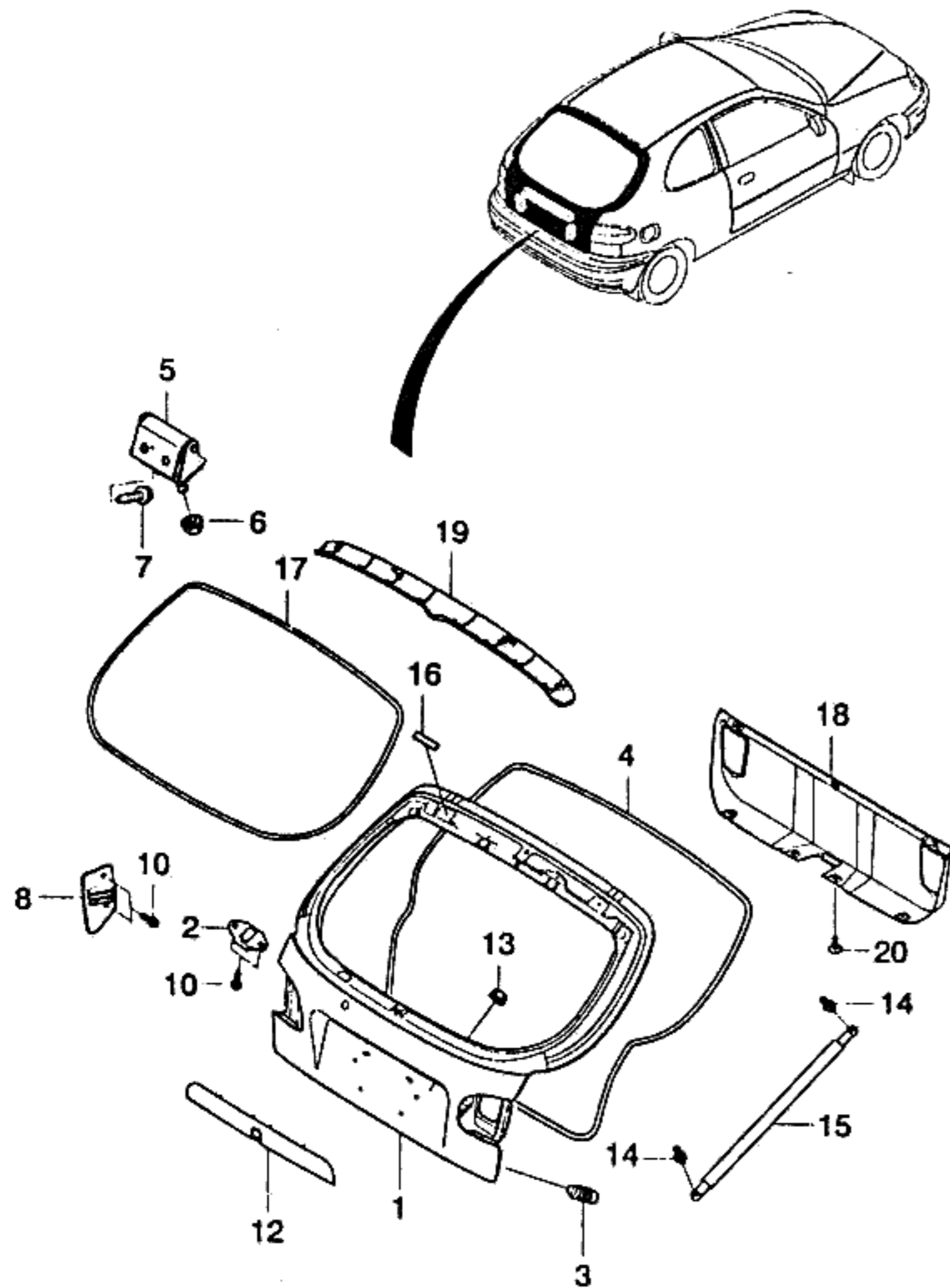


KEY NO.	PART NAME													
	PART NO	MODEL						OPTION	L / R	Q / Y	EFFECTIVE DATE		REMARKS	P / CODE
		E	T	BODY			LEVEL				FROM	TO		
N	G	4	3	5	S	S	S							
[01]	(E)PANEL A-TRUNK LID (D)VERKLEIDUNG,KOFFERRAUM											(F)PANNEAU-CAPOT DE COFFRE (S)TAPA DEL PORTAEQUIPAJE		
A96228756	. . . B . . . S S S &XCK-XBR											1	LB	
A96303333	. . . B A &XCK&XBR											1	LA	
A96228757	. . . B . . . A A A &XCP											1	LD	
[02]	(E)BUMPER-TRUNK LID LOWER (D)STOBSSCHEIBE											(F)PARE-CHOC (S)TOPE-TAPA DE PORTAEQUIPAJE		
96240768	. . . B . . . S S S											2		
[03]	(E)BUMPER (D)STOBSTANGE											(F)PARE-CHOC (S)PARACHOQUES		
96169594	. . . B . . . S S S											2		
[04]	(E)WEATHERSTRIP A-TRUNK LID (D)DICHTUNGSLEISTE											(F)ISOLATION EN BANDELETTE (S)BURLETE		
96303249	. . . B . . . S S S											1 970901		
N 96250354	. . . B . . . S S S											1 970901		
[05]	(E)HINGE A-TRUNK LID (D)BESCHLAG,KOFFERRAUM											(F)CHARNIERE-CAPOT DE COFFRE (S)BISAGRA		
96303325	. . . B . . . S S S											LH 1	GA	
96306119	. . . B . . . S S S											RH 1	GI	
[06]	(E)BOLT (D)SCHRAUBE											(F)BOULON (S)PERNO		
09118-06004	. . . B . . . S S S											4	WWASHER	
[07]	(E)BOLT (D)SCHRAUBE											(F)BOULON (S)PERNO		
09118-06003	. . . B . . . S S S											6	WWASHER	
[08]	(E)BUMPER-TRUNK LID HINGE AR (D)STOBSSCHEIBE											(F)PARE-CHOC-CAPOT DE COFFRE (S)TOPE		
96185310	. . . B . . . S S S											2		

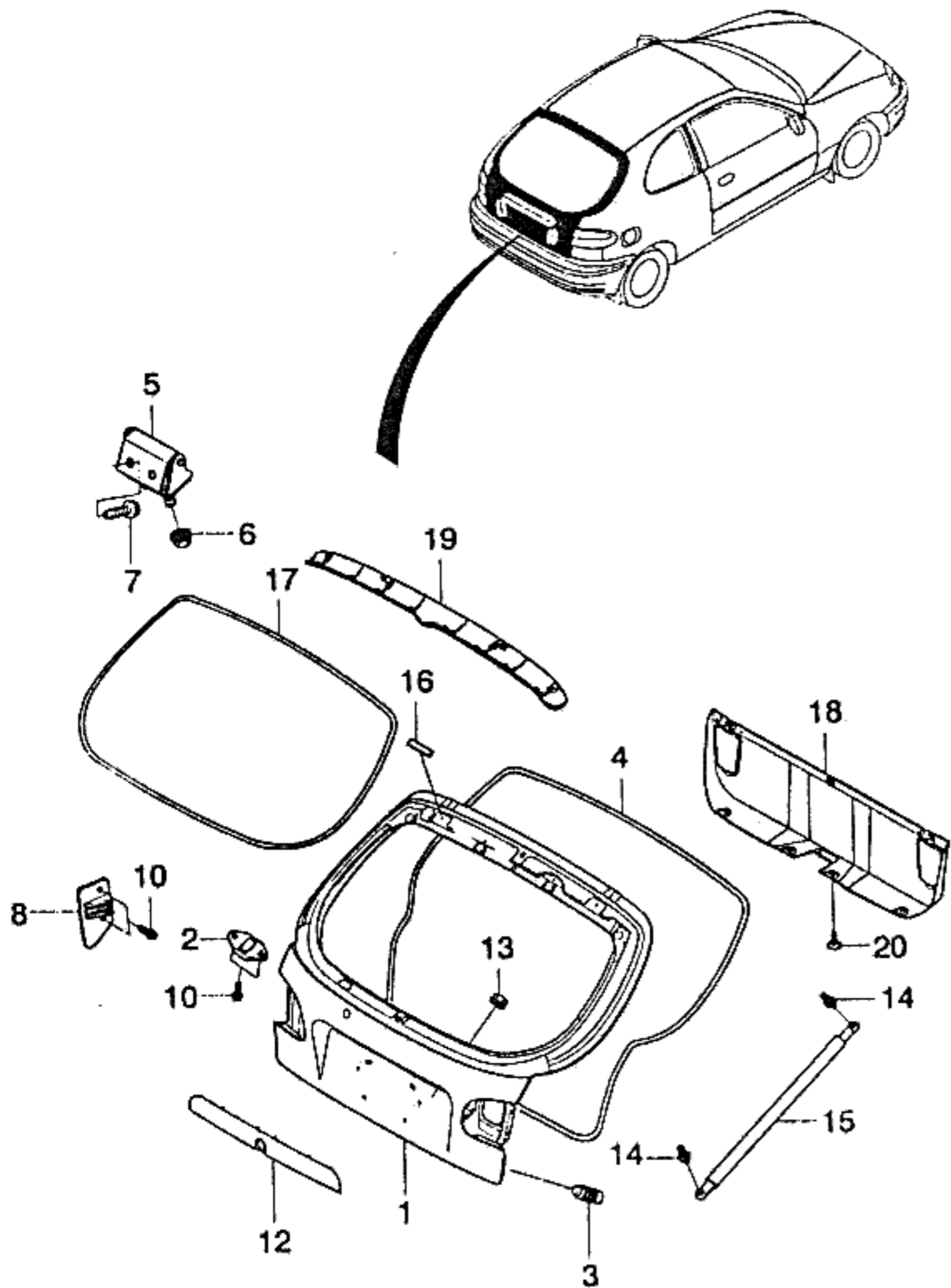
ENG(ENGINE)	T/A(TRANSAXLE)	BODY TYPE
Y = 1.5SOHC 6 = 1.6DOHC . = COMMON	M = MANUAL T/A A = AUTOMATIC T/A . = COMMON	4 N = 4 DOOR NOTCHBACK 3 H = 3 DOOR HATCHBACK 5 H = 5 DOOR HATCHBACK



I T C	KEY NO.		PART NAME										P / C O D E
	PART NO	E T N /	MODEL			OPTION	L /	Q T Y	EFFECTIVE DATE		REMARKS		
			4 N	3 H	5 H				S S	S S		FROM	
	[09]		(E)PANEL A-BACK,UPPER (D)VERKLEIDUNG,HINTEN,OBEN							(F)PANNEAU-ARRIERE HAUT (S)PANEL-RESPALDO SUPERIOR			
	96226339	. . .	B	. . .	S S	. &AM6			1			BB	
	96303806	. . .	B	S &AM9			1			BD	
	96303806	. . .	B	. . .	A A A	&AMB			1			BD	
	[10]		(E)BAR-TRUNK LID TORSION (D)STANGE							(F)BARRE (S)BARRA			
	96304597	. . .	B	. . .	S S S				LH 1				
	96304598	. . .	B	. . .	S S S				RH 1				
	[11]		(E)HOSE-SPRING (D)SCHLAUCH							(F)TUYAU (S)MANGUERA			
	94825352	. . .	B	. . .	S S S				1				
	[12]		(E)HANDLE A-TRUNK LID (D)HENKEL							(F)POIGNEE (S)MANIJA			
	96303267	. . .	B	. . .	S S S				1				
	[13]		(E)NUT-HEXAGON FLANGE (D)MUTTER							(F)ECROU (S)TUERCA			
	08316-25053	. . .	B	. . .	S S S				4				
ENG(ENGINE)			T/A(TRANSAXLE)				BODY TYPE						
Y = 1.5SOHC 6 = 1.6DOHC . = COMMON			M = MANUAL T/A A = AUTOMATIC T/A . = COMMON				4 N = 4 DOOR NOTCHBACK 3 H = 3 DOOR HATCHBACK 5 H = 5 DOOR HATCHBACK						



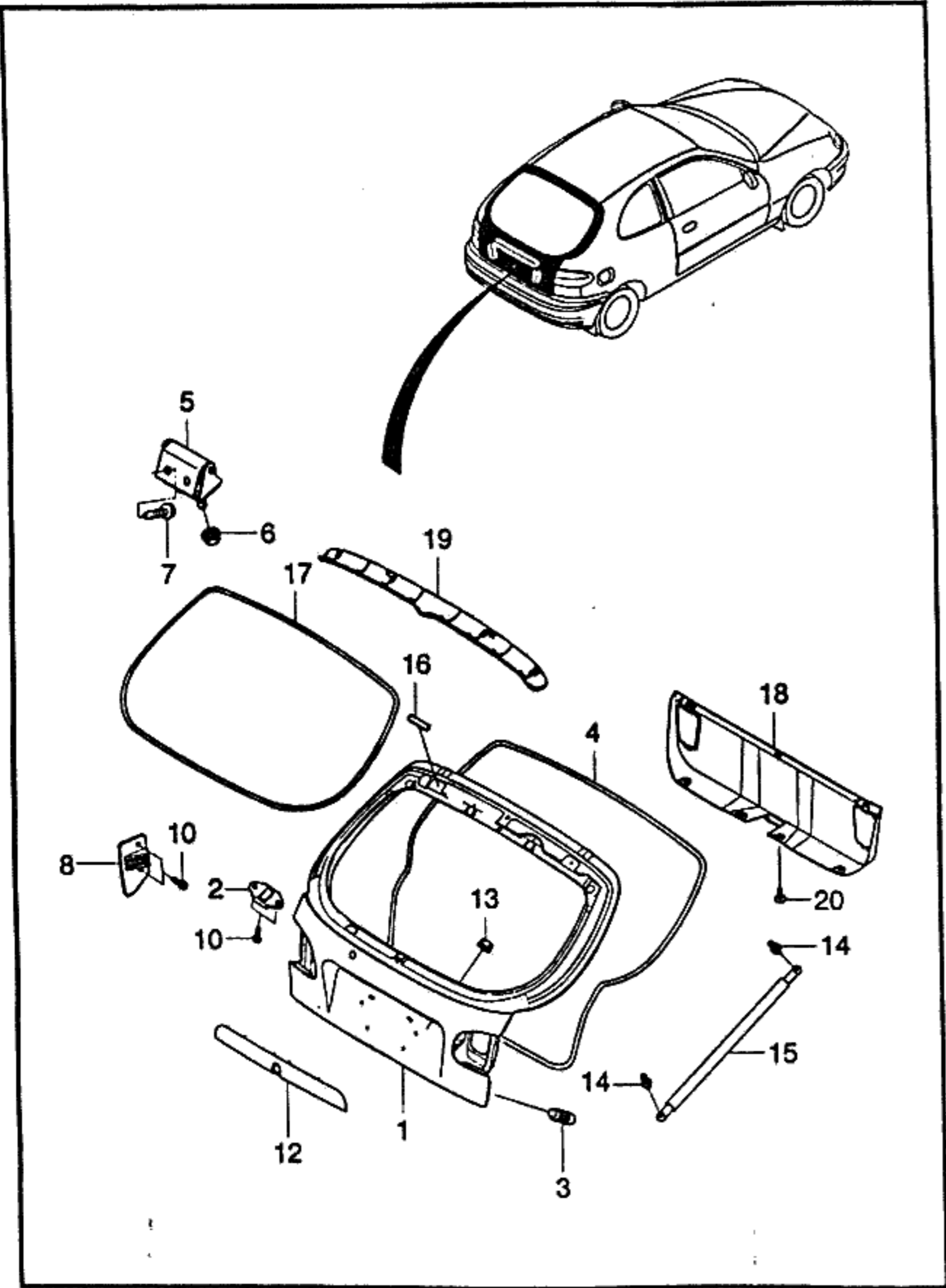
I T C	KEY NO.	PART NAME										P / C O D E		
		PART NO	MODEL					OPTION	L / R	Q T Y	EFFECTIVE DATE		REMARKS	
			E N G	T / A	BODY	LEVEL					FROM			TO
	[01]	(E)PANEL A-TAILGATE (D)VERKLEIDUNG,HINTERTEIL										(F)PANNEAU-HAYON (S)PANEL-COMPUERTA DE COLA		
	A96224442 B B S . S					&XCK-XBR						TB	
	A96303345 B B . . . A					&XCK&XBR						TA	
	A96224443 B B A . . A					&XCP						TD	
	[02]	(E)BUMPER (D)STOBSTANGE										(F)PARE-CHOC (S)PARACHOQUES		
	96307168 B B S . S												
	[03]	(E)BUMPER (D)STOBSTANGE										(F)PARE-CHOC (S)PARACHOQUES		
	96169594 B B S . S												
	[04]	(E)WEATHERSTRIP A-TAIL GATE (D)DICHTUNGSLEISTE										(F)ISOLATION EN BANDELETTE (S)BURLETE		
	96250362 B B S . S												
	[05]	(E)HINGE A-TAILGATE (D)BESCHLAG										(F)CHARNIERE (S)BISAGRA		
	96306236 B B S . S						LH 1					GA	
	96232686 B B S . S						RH 1					G1	
	[06]	(E)NUT-HEXAGON FLANGE (D)MUTTER										(F)ECROU (S)TUERCA		
	08316-28083 B B S . S												
	[07]	(E)BOLT-GP HEXAGON FLANGE (D)SCHRAUBE										(F)BOULON (S)PERNO		
	01800-08163 B B S . S												
	[08]	(E)BUMPER-T/GATE SLIDING,LWR (D)STOBSTANGE										(F)PARE-CHOC (S)PARACHOQUES		
	96307169 B B S . S						LH 1						
	96224445 B B S . S						RH 1						
		ENG(ENGINE)	T/A(TRANSAXLE)				BODY TYPE							
		Y = 1.5SOHC 6 = 1.6DOHC . = COMMON	M = MANUAL T/A A = AUTOMATIC T/A . = COMMON				4 N = 4 DOOR NOTCHBACK 3 H = 3 DOOR HATCHBACK 5 H = 5 DOOR HATCHBACK							



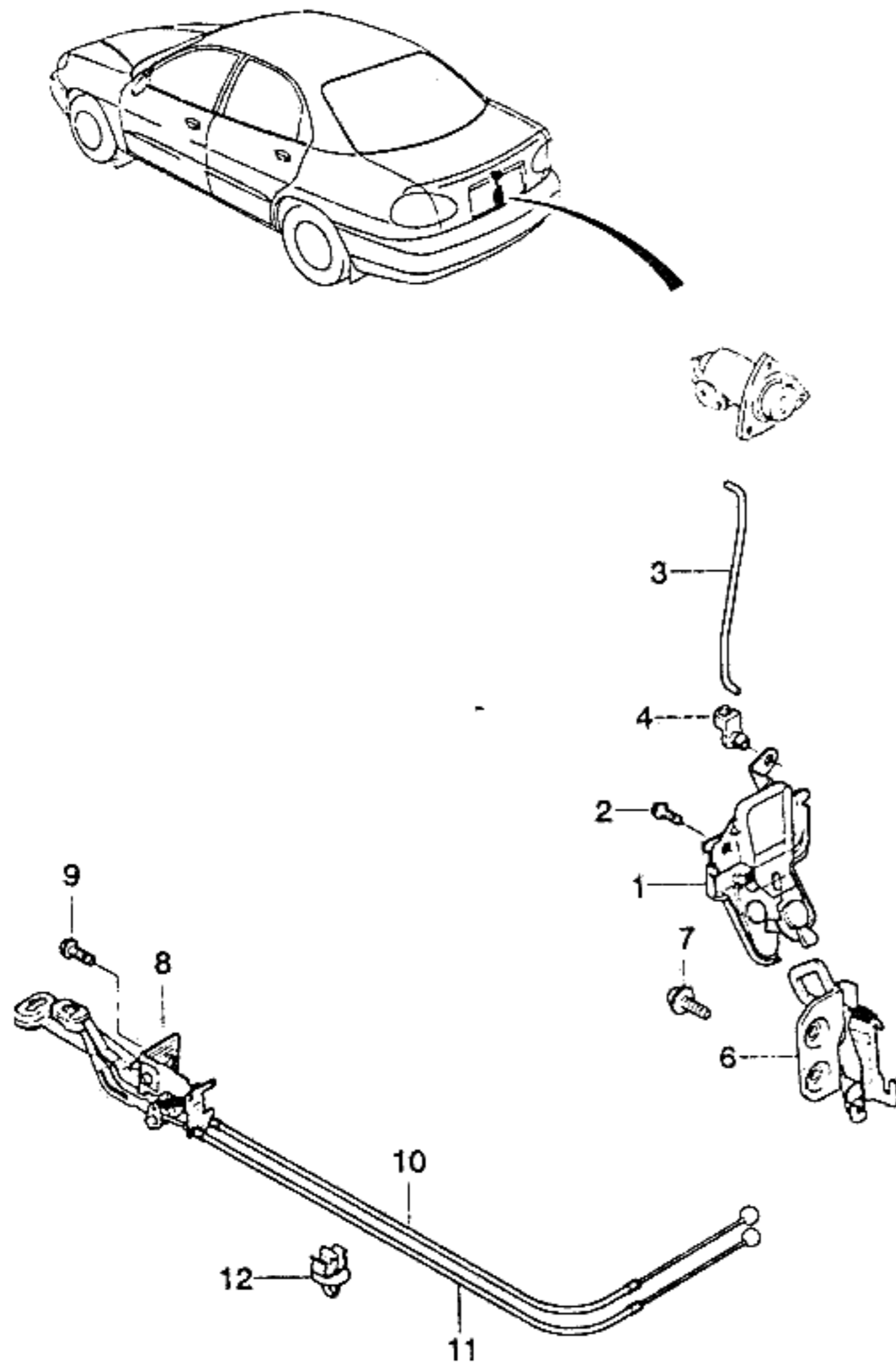
KEY NO.	PART NAME													
	PART NO	MODEL						OPTION	L / R	Q / T Y	EFFECTIVE DATE		REMARKS	P / C O D E
		E	T	BODY			LEVEL				FROM	TO		
	N / G	4	3	5	S	S	S							
[10]	(E)BOLT-HEXAGON FLANGE (D)SCHRAUBE													
01517-06165	. . . B B S . S													
[12]	(E)HANDLE A-TAILGATE (D)HENKEL													
96234770	. . . B B S . S													
[13]	(E)NUT-HEXAGON FLANGE (D)MUTTER													
08316-25053	. . . B B S . S													
[14]	(E)JOINT A-BALL (D)GLIED,KUGEL													
96228420	. . . B B S . S													
[15]	(E)SPRING-TAILGATE GAS (D)FEDERUNG													
96306157	. . . B B S . S													
[16]	(E)FASTENER (D)BEFESTIGUNG													
96303215	. . . B B S . S													
[17]	(E)COVER-TAILGATE GLASS (D)DECKEL													
96237573	. . . B B S . S										970615			H5
[18]	(E)TRIM A-TAILGATE (D)VERKLEIDUNG,HINTERTEIL													
96236114	. . . B B S . S													
[19]	(E)COVER A-TAILGATE,UPR (D)DECKEL													
96236116	. . . B B S . S													
[20]	(E)CLIP (D)KLEMME													
ENG(ENGINE)		T/A(TRANSAXLE)				BODY TYPE								
Y = 1.5SOHC 6 = 1.6DOHC . = COMMON		M = MANUAL T/A A = AUTOMATIC T/A . = COMMON				4 N = 4 DOOR NOTCHBACK 3 H = 3 DOOR HATCHBACK 5 H = 5 DOOR HATCHBACK								

6441 TAILGATE PANEL

5B12



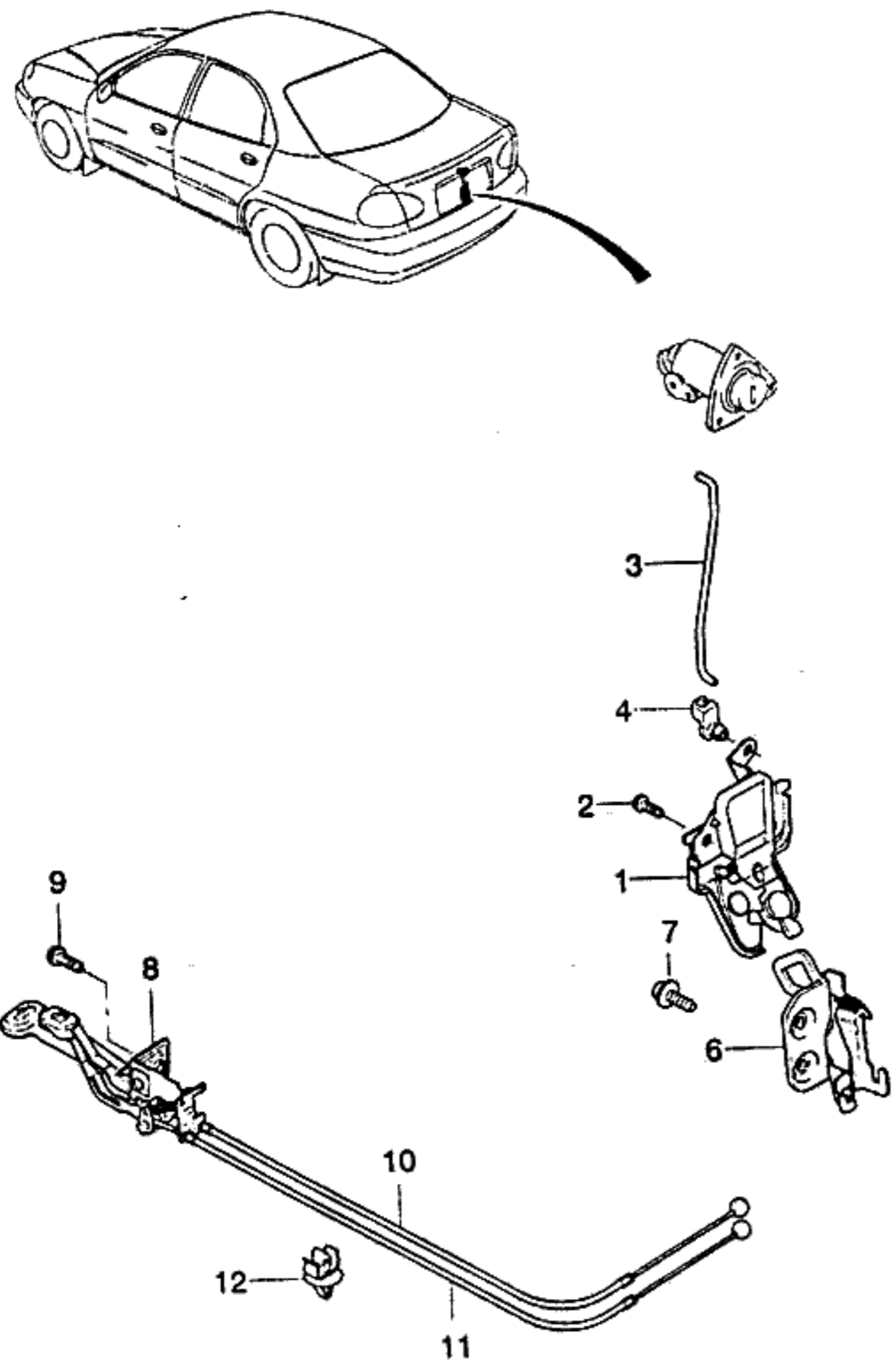
KEY NO.	PART NAME											REMARKS	P / CODE
	PART NO	MODEL				OPTION	L / R	QTY	EFFECTIVE DATE				
		ENG	T / A	BODY	LEVEL				FROM	TO			
09409-07326	.	.	B	B	S	.	S					7	
ENG(ENGINE)		T/A(TRANSAXLE)			BODY TYPE								
Y = 1.5SOHC 6 = 1.6DOHC . = COMMON		M = MANUAL T/A A = AUTOMATIC T/A . = COMMON			4 N = 4 DOOR NOTCHBACK 3 H = 3 DOOR HATCHBACK 5 H = 5 DOOR HATCHBACK								



KEY NO.	PART NAME										
	PART NO	MODEL			OPTION	L / R	Q / Y	EFFECTIVE DATE		REMARKS	P / CODE
		E	T	BODY				LEVEL	FROM		
		N	4	3	5	S	S	S			
		G	A	N	H	H	S	S	S		
[01]	96214300	(E)LATCH A-TRUNK LID (D)VERSCHLÜß,KOFFERRAUM	. . .	B . . .	S S S				(F)LOQUET-CAPOT DE COFFRE (S)PESTILLO	1	
[02]	09119-06023	(E)BOLT (D)SCHRAUBE	. . .	B . . .	S S S				(F)BOULON (S)PERNO	2	
[03]	96304759	(E)ROD-LATCH PULLING (D)STAB,SCHOB-ÖFFNUNG	. . .	B . . .	S S S				(F)TRINGLE-LOQUET (S)VARILLA-PESTILLO DE JALAR	1	
[04]	09403-03302	(E)CLAMP (D)KLAMMER	. . .	B . . .	S S S				(F)PINCE (S)ABRAZADERA	1	
[06]	96303364	(E)STRIKER A-LATCH (D)SCHLÄGER	. . .	B . . .	S S S				(F)MARTEAU (S)HUELGUISTA	1	
[07]	09118-06003	(E)BOLT (D)SCHRAUBE	. . .	B . . .	S S S				(F)BOULON (S)PERNO	2	WWASHER
[08]	96220202	(E)LEVER A-T/LID & F/FILLER (D)HEBEL	. . .	B . . .	S S S				(F)LEVIER (S)PALANCA	1	INCL #10,11
[09]	09118-06003	(E)BOLT (D)SCHRAUBE	. . .	B . . .	S S S				(F)BOULON (S)PERNO	1	WWASHER
[10]	96216134	(E)CABLE A-TRUNK LID (D)KABEL	. . .	B . . .	S S S				(F)CABLE (S)CABLE	1	
[11]		(E)CABLE A-FUEL FILLER DOOR (D)KABEL	. . .	B . . .	S S S				(F)CABLE (S)CABLE	1	
ENG(ENGINE)			T/A(TRANSAXLE)			BODY TYPE					
Y = 1.5SOHC 6 = 1.6DOHC . = COMMON			M = MANUAL T/A A = AUTOMATIC T/A . = COMMON			4 N = 4 DOOR NOTCHBACK 3 H = 3 DOOR HATCHBACK 5 H = 5 DOOR HATCHBACK					

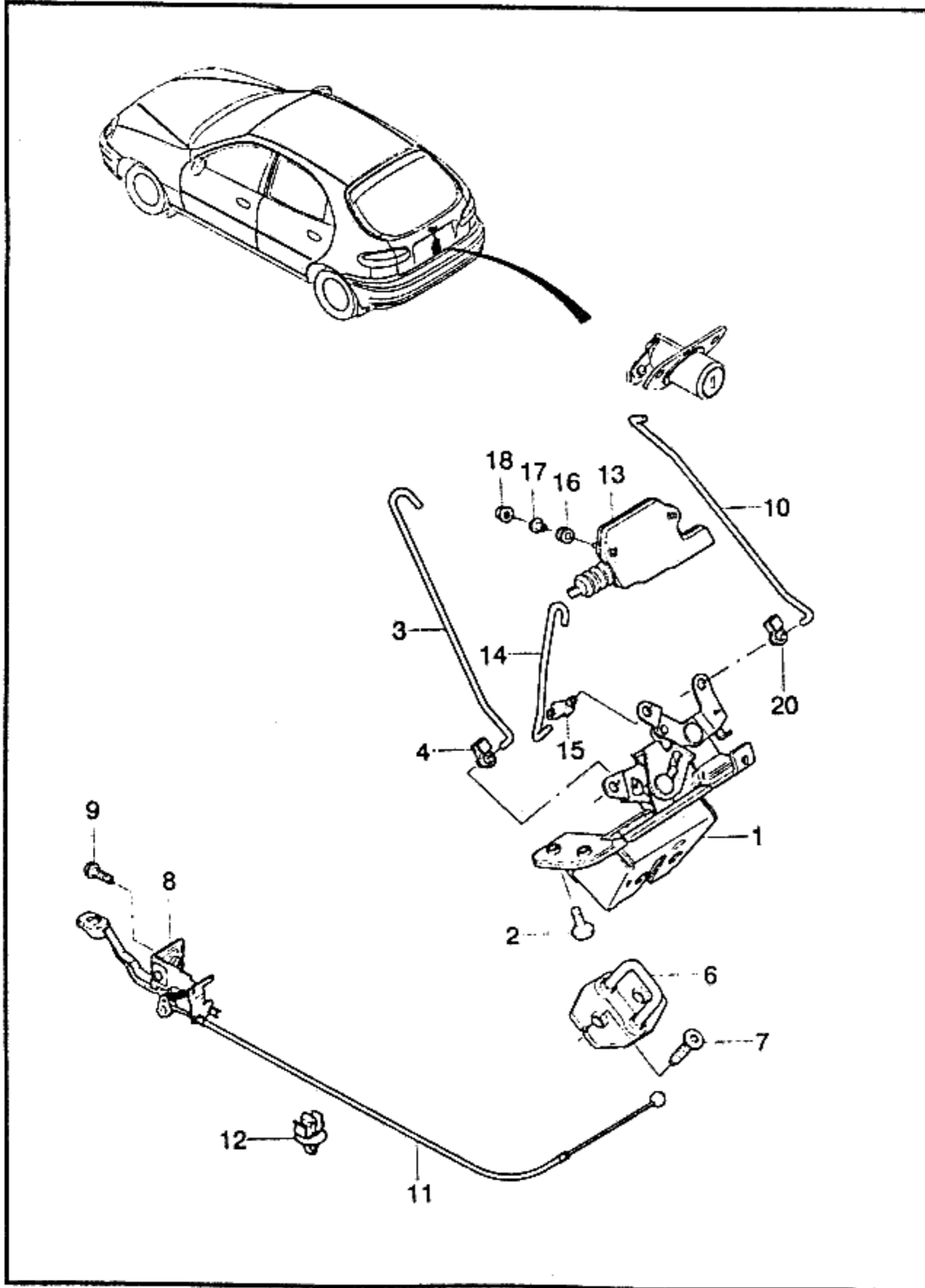
6450 TRUNK LID LOCKING

5D12



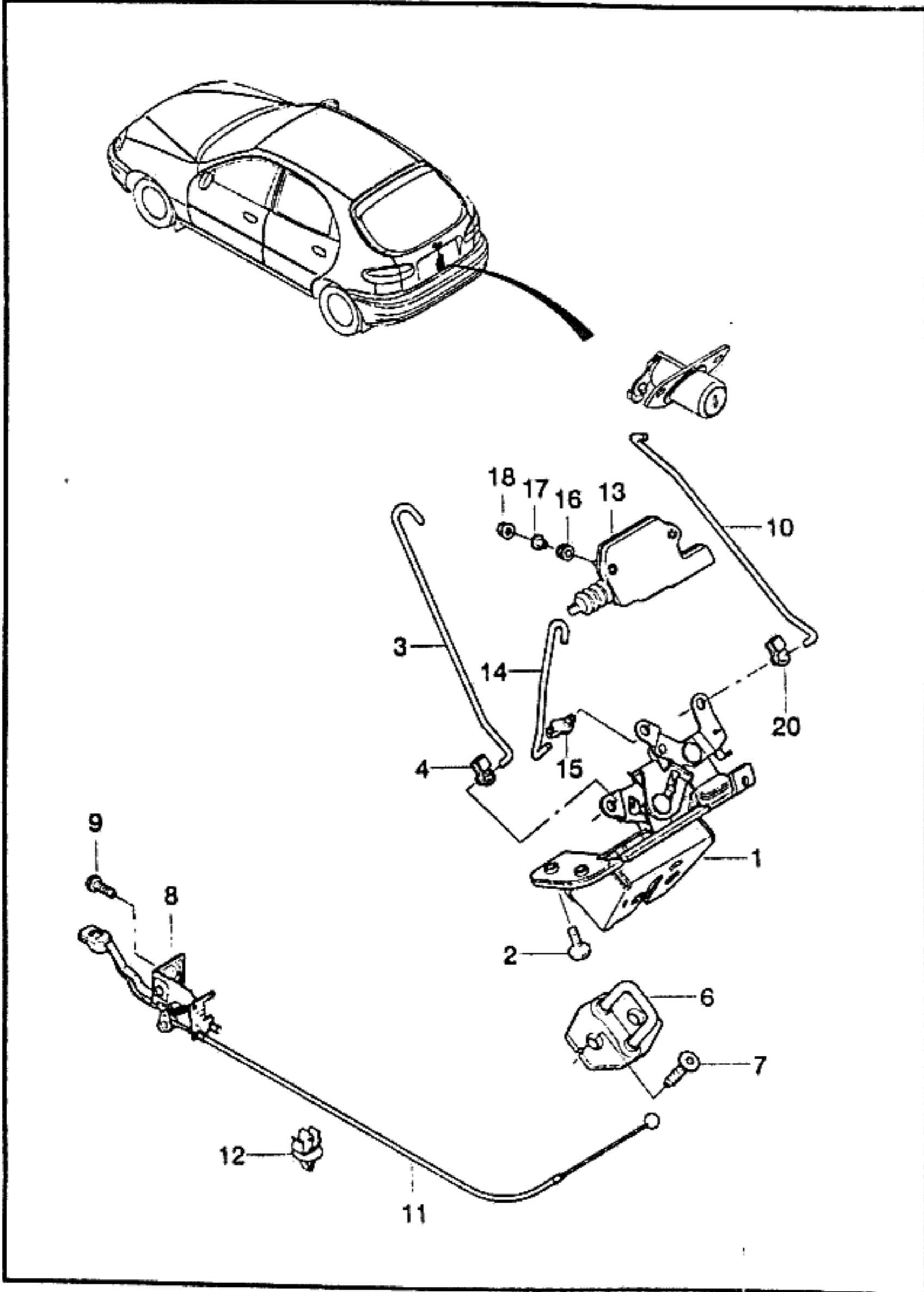
KEY NO.	PART NAME													
	PART NO	MODEL						OPTION	L / R	Q / Y	EFFECTIVE DATE		REMARKS	P / CODE
		E N G	T / A	B O D Y	L E V E L						FROM	TO		
		4 N	3 H	5 H	S	S	S							
96216135		.	B	.	.	S	S	S					1	
[12]			(E)CLIP										(F)ATTACHE	
09408-00018		.	B	.	.	S	S	S					1	

ENG(ENGINE)	T/A(TRANSAXLE)	BODY TYPE
Y = 1.5SOHC 6 = 1.6DOHC . = COMMON	M = MANUAL T/A A = AUTOMATIC T/A . = COMMON	4 N = 4 DOOR NOTCHBACK 3 H = 3 DOOR HATCHBACK 5 H = 5 DOOR HATCHBACK



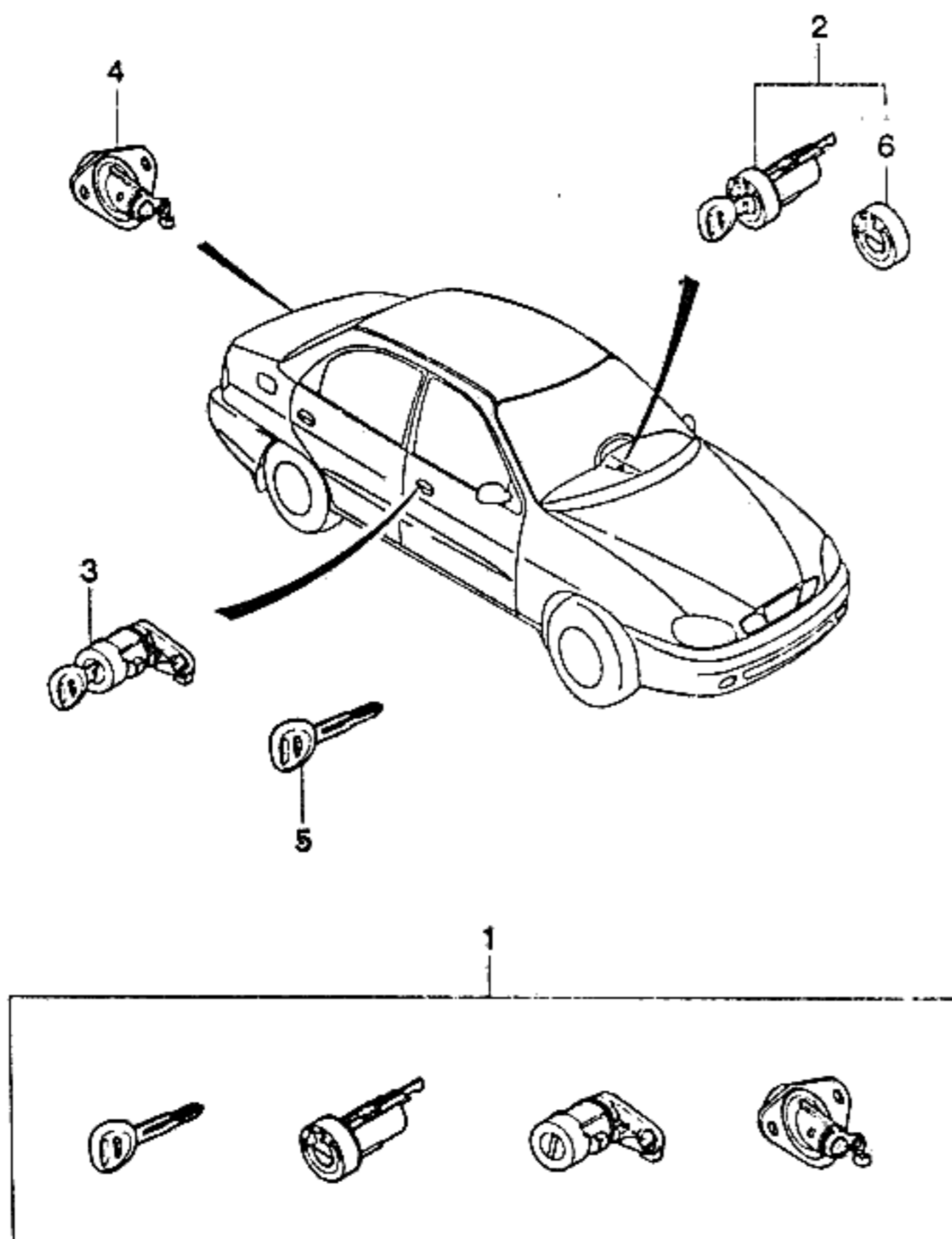
KEY NO.	PART NAME												
	PART NO	MODEL					OPTION	L / R	Q / T Y	EFFECTIVE DATE		REMARKS	P / C O D E
		E N G	T / A	B O D Y	L E V E L					FROM	TO		
[01]	96232493	(E)LATCH A-TAILGATE (D)VERSCHLUB,HINTERTEIL									(F)LOQUET-HAYON (S)PESTILLO		
[02]	09137-06001	(E)SCREW-MACHINE (D)SCHRAUBE									(F)VIS (S)TORNILLO		
[03]	96234313	(E)ROD-LATCH PULLING (D)STAB,SCHOB-ÖFFNUNG									(F)TRINGLE-LOQUET (S)VARILLA-PESTILLO DE JALAR		
[04]	09403-04301	(E)CLAMP (D)KLAMMER									(F)PINCE (S)ABRAZADERA		
[06]	96232494	(E)STRIKER A-TAILGATE (D)SCHLÄGER									(F)MARTEAU (S)HUELGUISTA		
[07]	09119-08026	(E)BOLT (D)SCHRAUBE									(F)BOULON (S)PERNO		
[08]	96310090	(E)LEVER A-FUEL FILLER DOOR (D)HEBEL									(F)LEVIER (S)PALANCA	INCL #11	H3
[09]	09118-06003	(E)BOLT (D)SCHRAUBE									(F)BOULON (S)PERNO	W/WASHER	
[10]	96234309	(E)ROD-KEY CYLINDER (D)STAB									(F)TRINGLE (S)VARILLA		
[11]		(E)CABLE A-FUEL FILLER DOOR (D)KABEL									(F)CABLE (S)CABLE		

ENG(ENGINE)	T/A(TRANSAXLE)	BODY TYPE
Y = 1.5SOHC 6 = 1.6DOHC . = COMMON	M = MANUAL T/A A = AUTOMATIC T/A . = COMMON	4 N = 4 DOOR NOTCHBACK 3 H = 3 DOOR HATCHBACK 5 H = 5 DOOR HATCHBACK



KEY NO.	PART NAME										REMARKS	P / CODE	
	PART NO	MODEL			OPTION	L / R	Q / Y	EFFECTIVE DATE					
		E N G	B O D Y	L E V E L				FROM	TO				
96232709	[12]	.	.	B	B	S	.	S			1	(F)ATTACHE (S)GRAPA	
09408-00018	[13]	.	.	B	B	S	.	S			1	(F)ACTIONNEUR (S)ACTUADOR	
96237555	[14]	.	.	B	B	O	.	S	&AU3		1	(F)TRINGLE (S)VARILLA	KH
96234312	[15]	.	.	B	B	O	.	S	&AU3		1	(F)PINCE (S)ABRAZADERA	
09403-03302	[16]	.	.	B	B	O	.	S	&AU3		1	(F)MANCHON (S)BUJE DE BOQUILLA	
09320-07001	[17]	.	.	B	B	O	.	S	&AU3		2	(F)MANCHON (S)BUJE DE BOQUILLA	
09306-04001	[18]	.	.	B	B	O	.	S	&AU3		2	(F)ECROU (S)TUERCA	
09159-04004	[20]	.	.	B	B	O	.	S	&AU3		2	(F)ATTACHE (S)GRAPA	
09408-00077		.	.	B	B	S	.	S			1		

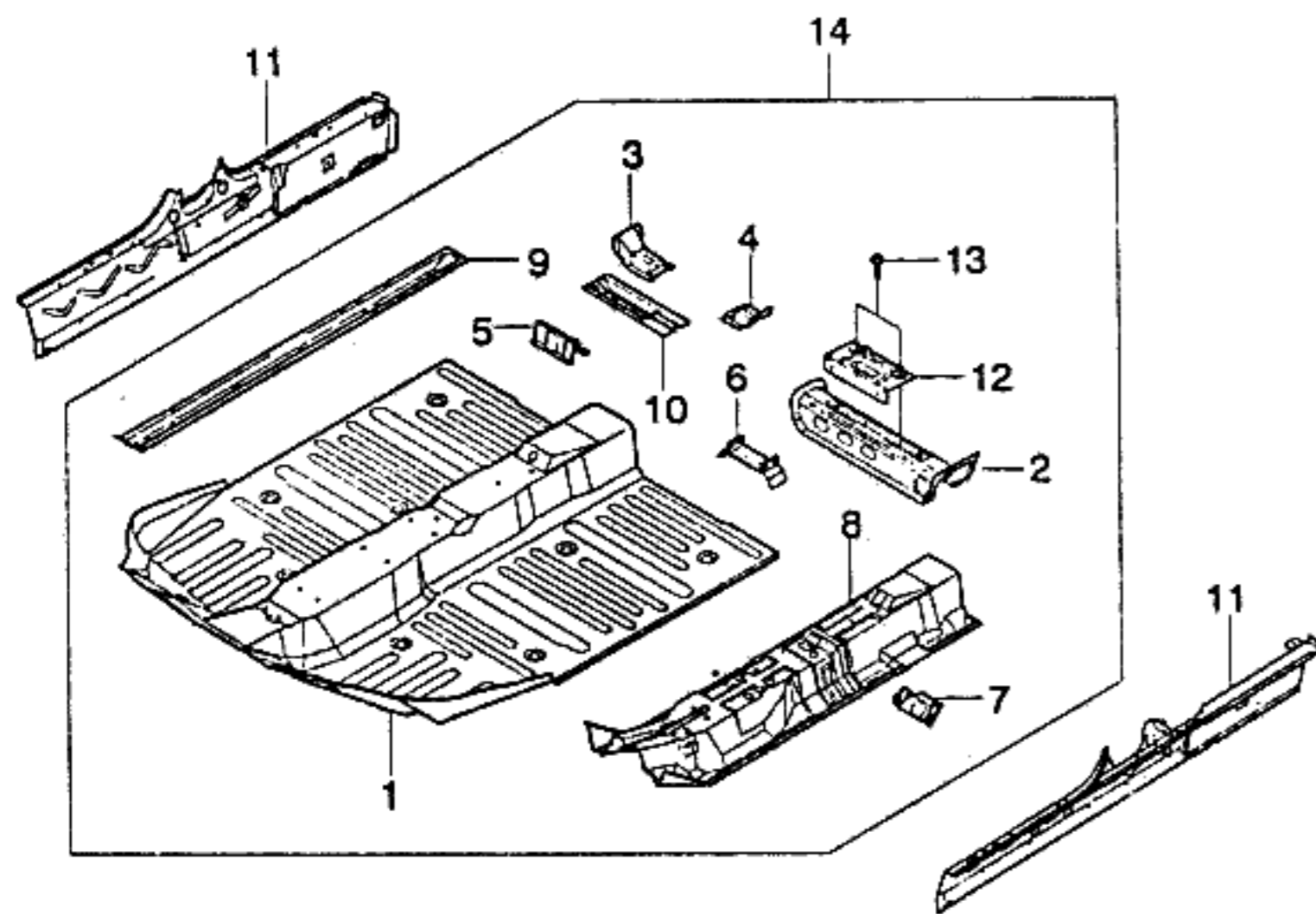
ENG(ENGINE)	T/A(TRANSAXLE)	BODY TYPE
Y = 1.5SOHC 6 = 1.6DOHC . = COMMON	M = MANUAL T/A A = AUTOMATIC T/A . = COMMON	4 N = 4 DOOR NOTCHBACK 3 H = 3 DOOR HATCHBACK 5 H = 5 DOOR HATCHBACK



KEY NO.	PART NAME													
	PART NO	MODEL						OPTION	L / R	Q / Y	EFFECTIVE DATE		REMARKS	P / CODE
		E / N / G	T / A	BODY	LEVEL	FROM	TO							
[01]	(E)LOCK SET-CAR (D)SCHLOB-SATZ,AUTOMOBIL											(F)JEU VERROU-VOITURE (S)JUEGO DE CERRADURA-CABINA		
96213542	. . . B . . . S S S -UM1												T2	
96304764	. . . B . . . A A A &UM1												T1	
96236253 B B S . S -UM1												T3	
96236254 B B A . A &UM1												T4	
[02]	(E)LOCK SET-STEERING (D)SCHLOB-SATZ,LENKUNG											(F)JEU VERROU-DIRECTION (S)JUEGO DE CERRADURA		
S6460020	. . . B B B S S S -UM1													
S6460037	. . . B B B A A A &UM1													
[03]	(E)LOCK SET-DOOR (D)SCHLOB-SATZ,TÜR											(F)JEU VERROU-PORTE (S)JUEGO DE CERRADURA-PUERTA		
S6460021	. . . B B B S S S											LH 1		
S6460022	. . . B B B S S S											RH 1		
[04]	(E)LOCK SET-TRUNK (D)SCHLOB-SATZ,KOFFERRAUM											(F)JEU VERROU-COFFRE (S)JUEGO DE CERRADURA		
S6460023	. . . B . . . S S S												TRUNK LID	
S6460043 B B S . S												TAILGATE	
[05]	(E)KEY-BLANK (D)SCHLÜ BEL,UNBEARBEITET											(F)CLE-BLANC (S)LLAVE-EN BLANCO		
S6460019	. . . B B B S S S -UM1													
S6460042	. . . B B B A A A &UM1													
[06]	(E)CAP (D)DECKEL											(F)CHAPEAU (S)TAPA		
96225803	. . . B B B S S S -UM1													
96303503	. . . B B B A A A &UM1													
ENG(ENGINE)			T/A(TRANSAXLE)				BODY TYPE							
Y = 1.5SOHC 6 = 1.6DOHC . = COMMON			M = MANUAL T/A A = AUTOMATIC T/A . = COMMON				4 N = 4 DOOR NOTCHBACK 3 H = 3 DOOR HATCHBACK 5 H = 5 DOOR HATCHBACK							

6510 FRONT FLOOR PANEL

5H12

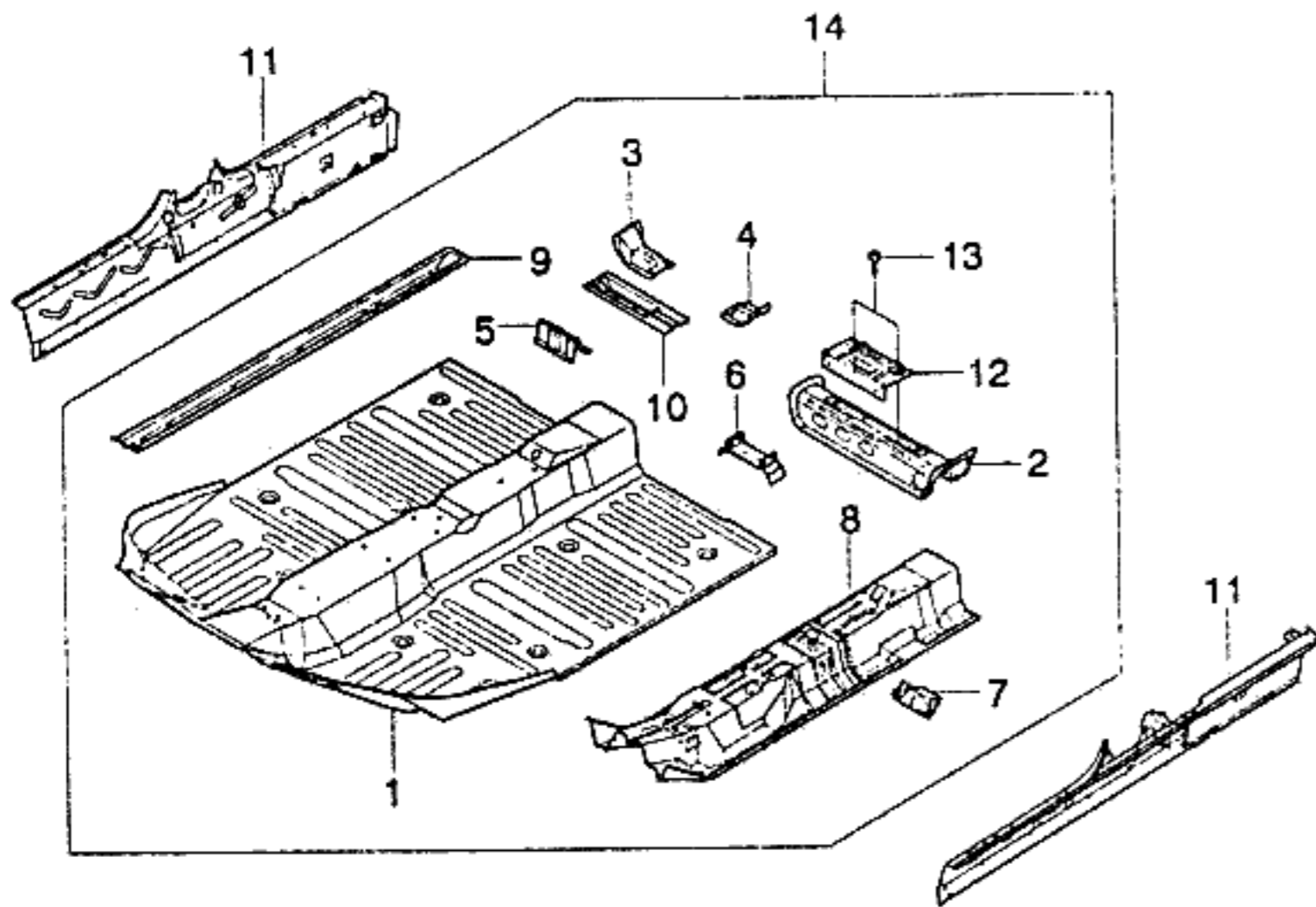


I T C	KEY NO.	PART NAME										P I C O D E				
		PART NO	MODEL						OPTION	L / R	Q T Y		EFFECTIVE DATE		REMARKS	
			E T N /	B O D Y	L E V E L	FROM		TO								
G A	4 N	3 H	5 H	S S	S S	S S										
[01]	A96306304	(E)PANEL A-FLOOR,FRONT (D)VERKLEIDUNG,BODEN,VORNE		B	B	B	S	S	S				(F)PANNEAU-PLANCHER,AVANT (S)PANEL-PISO,FRENTE	1		FD
[02]	96303380 96306121	(E)CROSSMEMBER A-FRONT SEAT (D)QUERTRÄGER,VORDERSITZ		B	B	B	S	S	S				(F)BARRE DE TRAVERSE (S)TRANSVERSAL-ASIENTO	LH 1 RH 1		CA CB
[03]	96303382 O 96251599 96306123 O 96251600	(E)SUPPORT A-FRONT SEAT,OTR (D)TRÄGER		B	B	B	S	S	S				(F)SUPPORT (S)SOPORTE	LH 1 LH 1 RH 1 RH 1	970624 970624 970624 970624	SA SA S1 S1
[04]	96303383 96306124	(E)SUPPORT A-FRONT SEAT,INR (D)TRÄGER		B	B	B	S	S	S				(F)SUPPORT (S)SOPORTE	LH 1 RH 1		NA N1
[05]	96215606	(E)BRACKET A-ECM (D)TRÄGER		B	B	B	S	S	S				(F)SUPPORT (S)SOPORTE	1		
[06]	96303384	(E)BRACKET A-CONNECTING PIEC (D)TRÄGER		B	B	B	S	S	S				(F)SUPPORT (S)SOPORTE	1		
[07]	96215387	(E)BRACKET CONSOLE (D)TRÄGER		B	B	B	S	S	S				(F)SUPPORT (S)SOPORTE	1		
[08]		(E)REINFORCEMENT A-TUNNEL (D)VERSTÄRKUNG											(F)RENFORCEMENT-TUNNEL AVANT (S)REFUERZO-TUNEL DEL FRENTE			

ENG(ENGINE)	T/A(TRANSAXLE)	BODY TYPE
Y = 1.5SOHC 6 = 1.6DOHC . = COMMON	M = MANUAL T/A A = AUTOMATIC T/A . = COMMON	4 N = 4 DOOR NOTCHBACK 3 H = 3 DOOR HATCHBACK 5 H = 5 DOOR HATCHBACK

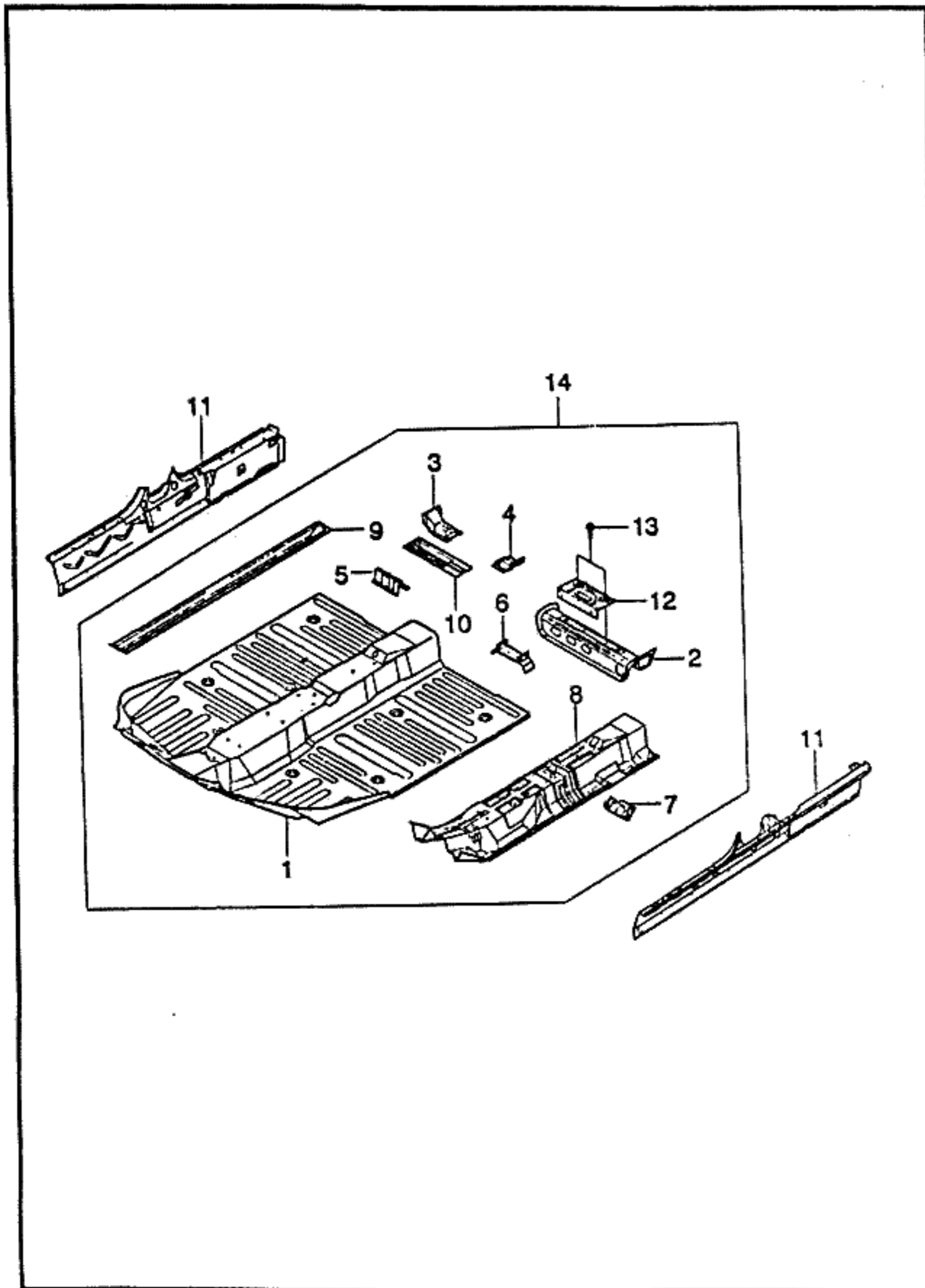
6510 FRONT FLOOR PANEL

5J12



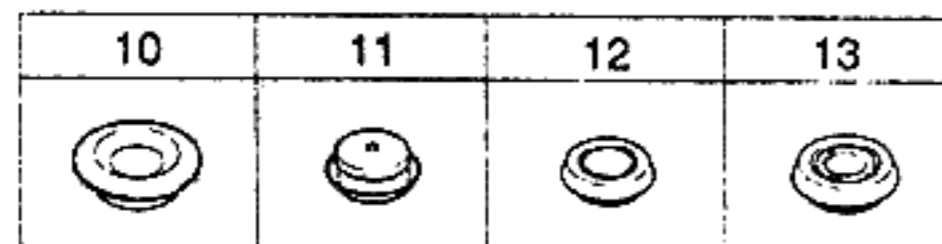
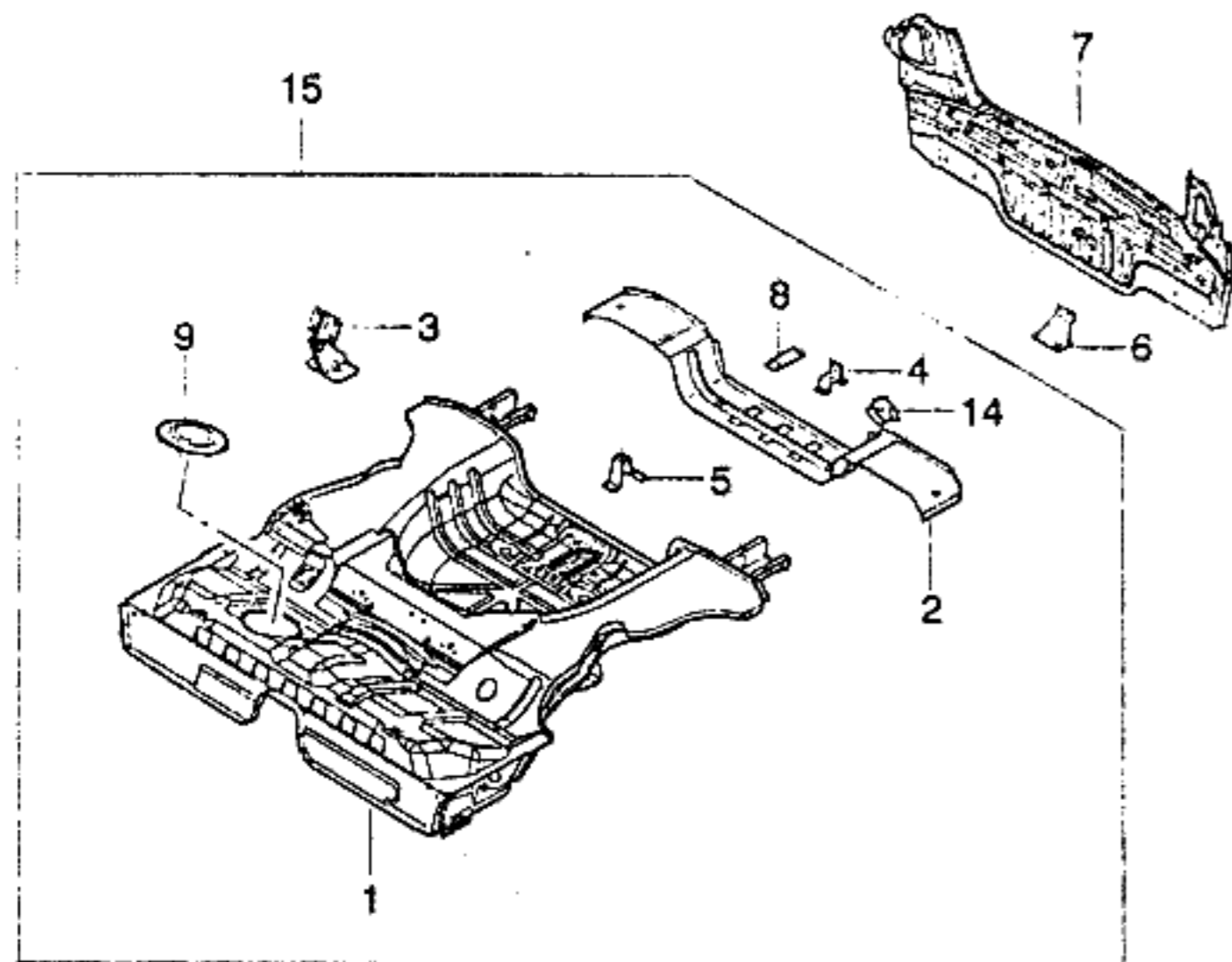
I T C	KEY NO.	PART NAME													
		PART NO	MODEL						OPTION	L / R	Q T Y	EFFECTIVE DATE		REMARKS	P / C O D E
			E	T	BODY			LEVEL				FROM	TO		
N	G	4	3	5	S	S	S								
	96250466	. . .	B	B	B	S	S	S			1				
	[09]	(E)SIDE MEMBER A-FLOOR (D)RAHMEN,SEITE													
	96306348	. . .	B	B	B	S	S	S			LH 1			BB	
	96306314	. . .	B	B	B	S	S	S			RH 1			B2	
	[10]	(E)CROSSMEMBER-FRT FLOOR,LWR (D)QUERTRÄGER													
	96227504	. . .	B	B	B	S	S	S			2			LB	
	[11]	(E)PANEL A-FLOOR SIDE (D)VERKLEIDUNG,BODEN,SEITE													
	96306318	. . .	B	.	B	S	S	S			LH 1			SD	
	96306320	. . .	B	.	B	S	S	S			RH 1			S4	
	96306317	. . .	B	.	S	.	S				LH 1			SB	
	96306319	. . .	B	.	S	.	S				RH 1			S2	
	[12]	(E)BRACKET A-FIRE EXTINGUISHER (D)TRÄGER													
	96248577	. . .	B	B	B	A	A	A			1			FOR LEBANON,LIBYA	
	96248583	. . .	B	B	B	A	A	A			1			FOR BRAZIL,POLAND	
	[13]	(E)SCREW-TAPPING (D)SCHRAUBE													
	09132-04004	. . .	B	B	B	A	A	A			2	971001		FOR LEBANON,LIBYA	
O	09132-04013	. . .	B	B	B	A	A	A			2	971001		FOR LEBANON,LIBYA	
	09132-04004	. . .	B	B	B	A	A	A			2	971001		FOR BRAZIL,POLAND	

ENG(ENGINE)	T/A(TRANSAXLE)	BODY TYPE
Y = 1.5SOHC 6 = 1.6DOHC . = COMMON	M = MANUAL T/A A = AUTOMATIC T/A . = COMMON	4 N = 4 DOOR NOTCHBACK 3 H = 3 DOOR HATCHBACK 5 H = 5 DOOR HATCHBACK

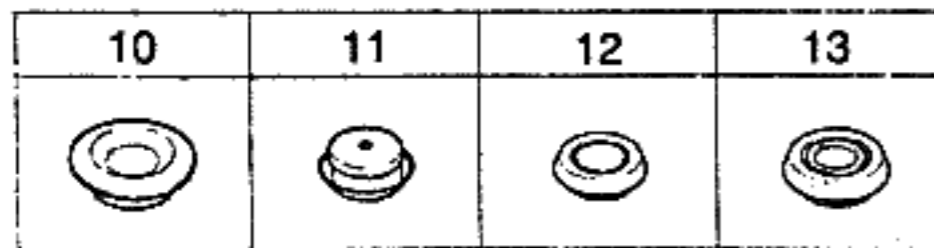
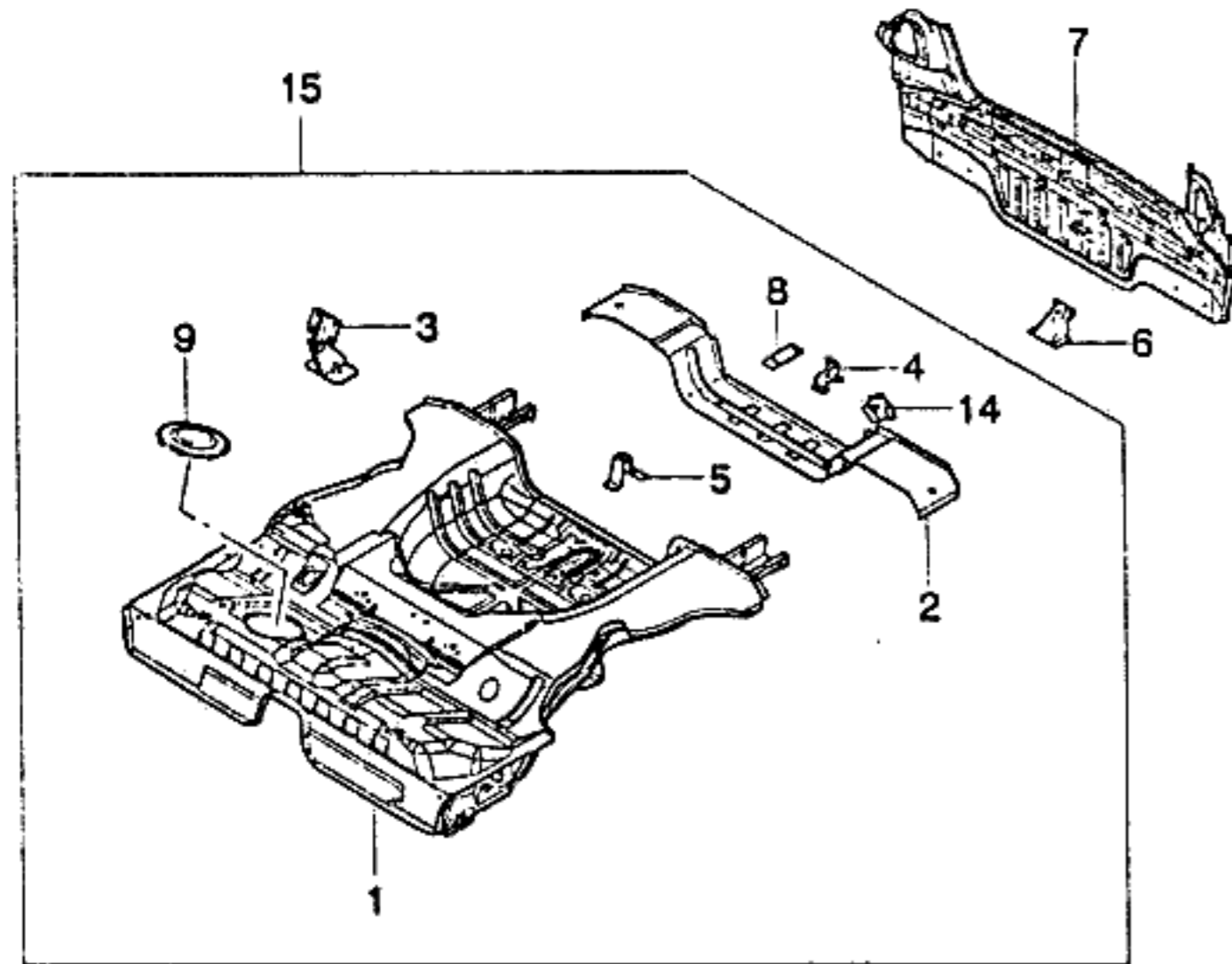


I T C	KEY NO.		PART NAME										P / C O D E	
	PART NO	E N / G A	MODEL			OPTION	L / R	Q T Y	EFFECTIVE DATE		REMARKS			
			4 N H	3 H	5 H				S S	S S		FROM		TO
	O 09132-04013	.	B	B	B	A	A	A			2	971001		FOR BRAZIL,POLAND
	[14]													(E)PANEL A-FLOOR,FRONT (D)VERKLEIDUNG,BODEN,VORNE
	A96306303	.	B	B		S	S	S			1			(F)PANNEAU-PLANCHER,AVANT (S)PANEL-PISO,FRENTE
														FB

ENG(ENGINE)	T/A(TRANSAXLE)	BODY TYPE
Y = 1.5SOHC 6 = 1.6DOHC . = COMMON	M = MANUAL T/A A = AUTOMATIC T/A . = COMMON	4 N = 4 DOOR NOTCHBACK 3 H = 3 DOOR HATCHBACK 5 H = 5 DOOR HATCHBACK

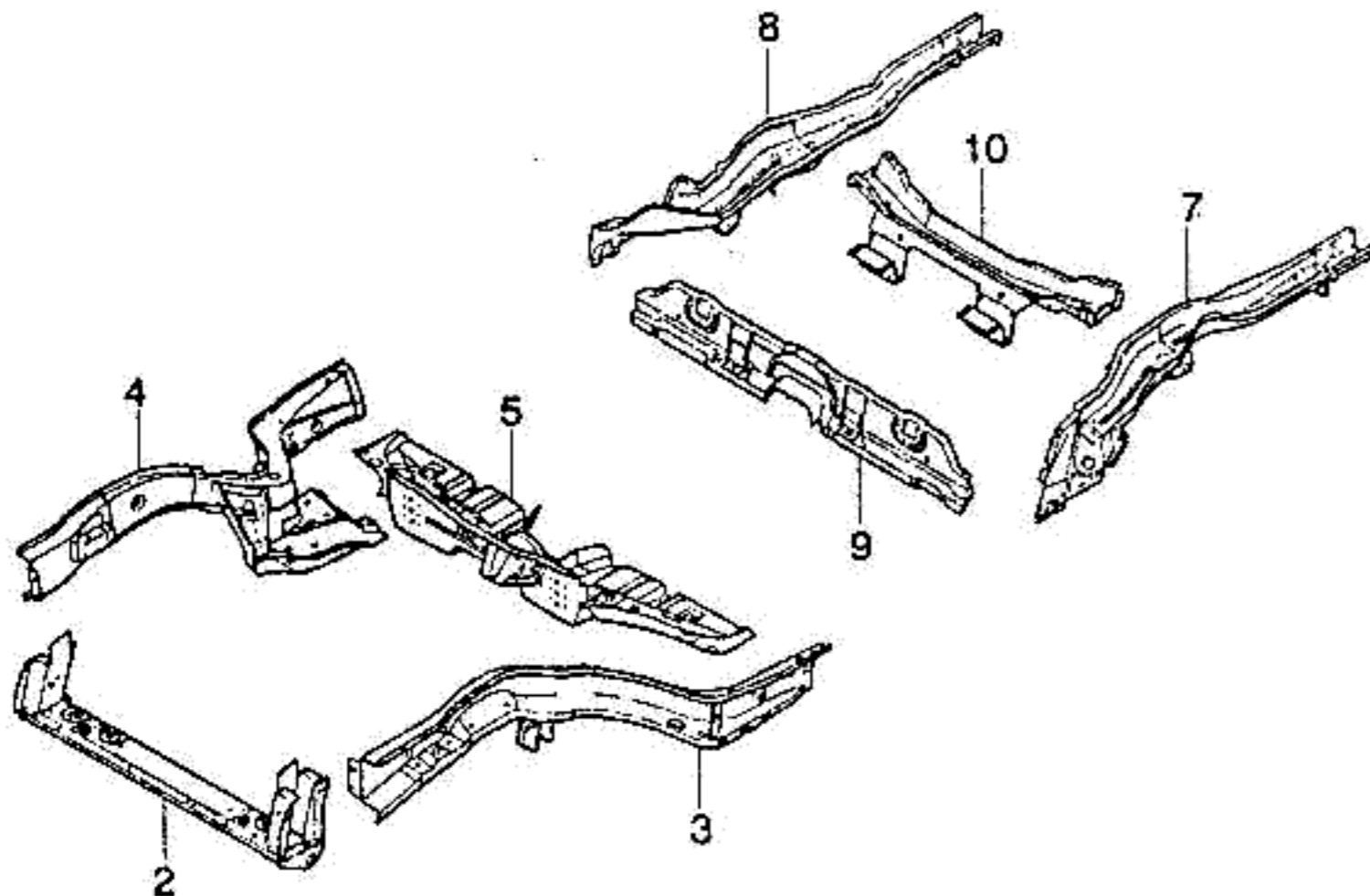
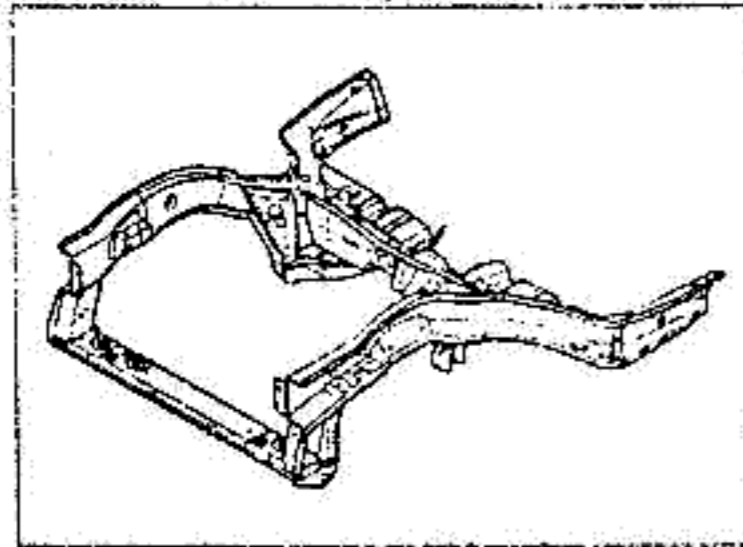


I T C	KEY NO.	PART NAME												P / C O D E		
		PART NO	MODEL						OPTION	L / R	Q T Y	EFFECTIVE DATE			REMARKS	
			E	T	BODY			LEVEL				FROM	TO			
				4	3	5	S	S	S	X						
	[01]	(E)PANEL A-FLOOR,REAR (D)VERKLEIDUNG,BODEN,HINTEN														
	A96306407	. . . B . . S S S											1			
	A96306408 B B S . S											1			
	[02]	(E)EXTENSION-FLOOR PANEL,RR (D)VERLÄNGERUNG														
	A96306409	. . . B . . S S S											1			EB
	[03]	(E)BRACKET A-RR SEAT BACK,CT (D)TRÄGER														
	96250617	. . . B B B S . S &AM9											1			
	96250617	. . . B B B A A A &AMB											1			
	[04]	(E)BRACKET A-JACK,NO.1 (D)TRÄGER														
	96216610	. . . B . . S S S											1			
	[05]	(E)STAND A-SPARE WHEEL (D)STÄNDER,ERSATZRAD														
	96303404	. . . B B B S S S											1			
	[06]	(E)REINFORCEMENT A-RR BUMPER (D)VERSTÄRKUNG														
	96303405	. . . B B B S S S											2			
	[07]	(E)PANEL A-BACK,LOWER (D)VERKLEIDUNG,HINTEN,UNTEN														
	96306372	. . . B . . S S S											1			BD
	96306370 B B S . S											1			BB
	[08]	(E)BRACKET JACK,ND.2 (D)TRÄGER														
	96216613	. . . B . . S S S											1			
		ENG(ENGINE)	T/A(TRANSAXLE)						BODY TYPE							
		Y = 1.5SOHC 6 = 1.6DOHC . = COMMON	M = MANUAL T/A A = AUTOMATIC T/A . = COMMON						4 N = 4 DOOR NOTCHBACK 3 H = 3 DOOR HATCHBACK 5 H = 5 DOOR HATCHBACK							



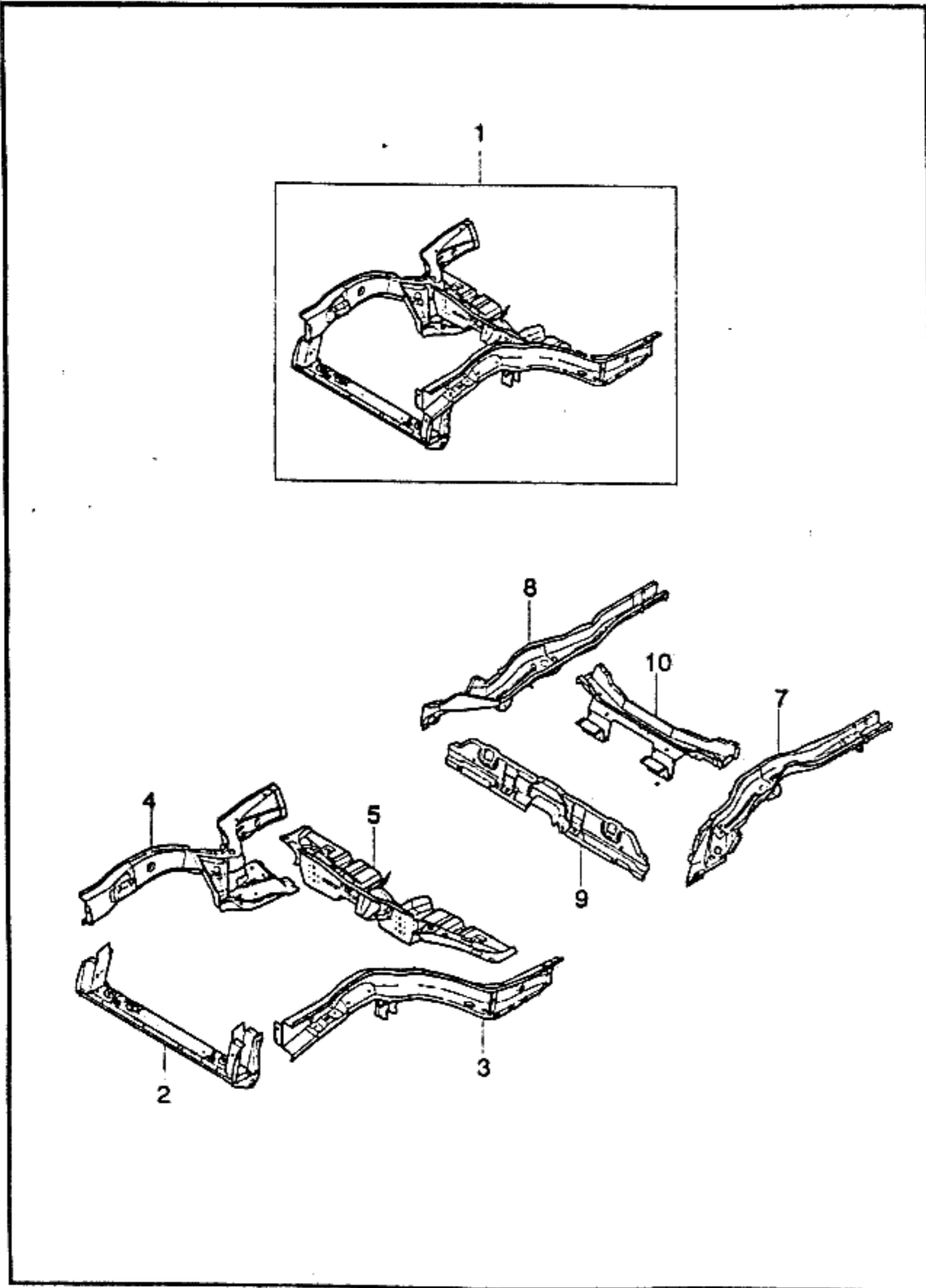
I T C	KEY NO.		PART NAME											P / C O D E
	PART NO	OPTION	MODEL			L / R	Q T Y	EFFECTIVE DATE		REMARKS				
			E N G	T / A	BODY			LEVEL	FROM		TO			
			4 N	3 H	5 H	S	S	S						
	[09]	(E)CAP-FUEL TANK SERVICE (D)DECKEL										(F)CHAPEAU (S)TAPA		
	96221241	. . . B B B S S S										1		
	[10]	(E)PLUG (D)STÖPSEL										(F)BOUCHON (S)TAPON		
	09241-40001	. . . B B B S S S										12		
	[11]	(E)PLUG (D)STÖPSEL										(F)BOUCHON (S)TAPON		
	09241-21001	. . . B B B S S S										9		
	[12]	(E)PLUG (D)STÖPSEL										(F)BOUCHON (S)TAPON		
	09241-30003	. . . B B B S S S										6		
	[13]	(E)PLUG (D)STÖPSEL										(F)BOUCHON (S)TAPON		
	09241-40002	. . . B B B S S S										1		
	[14]	(E)BRACKET JACK, LOWER (D)TRÄGER										(F)SUPPORT (S)SOPORTE		
	96225158 B B S . S										1		
	[15]	(E)PANEL A1-FLOOR, REAR (D)VERKLEIDUNG, BODEN, HINTEN										(F)PANNEAU-PLANCHER (S)PANEL-PISO, ATRAS		
	A96306389	. . . B . S S . &AM6										1		
	A96304541	. . . B . . . S &AM9										1		
	A96304541	. . . B . A A A &AMB										1		
	A96306394 B B S . S										1		

ENG(ENGINE)	T/A(TRANSAXLE)	BODY TYPE
Y = 1.5SOHC 6 = 1.6DOHC . = COMMON	M = MANUAL T/A A = AUTOMATIC T/A . = COMMON	4 N = 4 DOOR NOTCHBACK 3 H = 3 DOOR HATCHBACK 5 H = 5 DOOR HATCHBACK

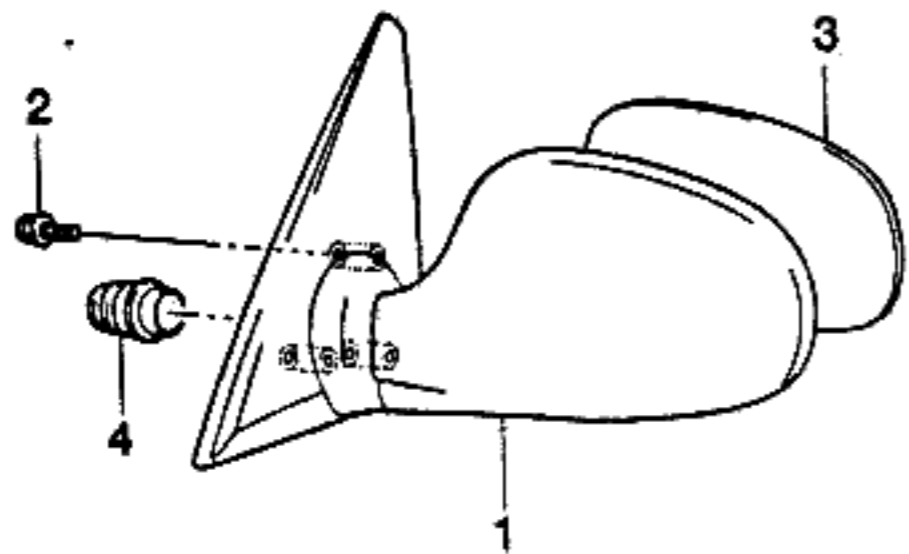
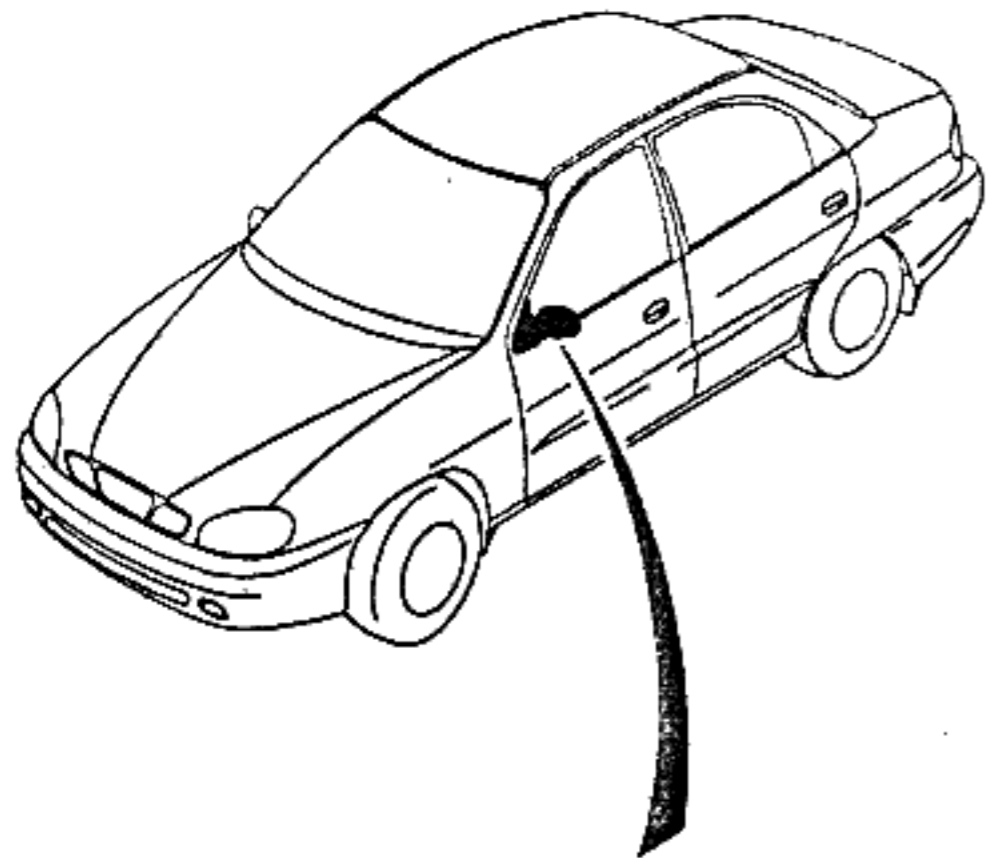


KEY NO.	PART NAME													
	PART NO	MODEL						OPTION	L / R	Q / Y	EFFECTIVE DATE		REMARKS	P / CODE
		E / N / G	T / A	BODY	LEVEL	FROM	TO							
		4	3	5	S	S	S							
		G	A	N	H	H	S	S	S					
[01]	(E)FRAMEWORK A-FRONT (D)AUSSTATTUNG GESTELL													
A96306256	M B B B S S S												MD	
A96306255	A B B B O O O												MB	
[02]	(E)CROSSMEMBER A-RADIATOR (D)QUERTRÄGER, KÜHLER													
96306685	. . B B B S S S										970407		CB	
N 96251570	. . B B B S S S										970407		U2	
[03]	(E)LONGITUDINAL A-FRONT (D)LÄNGENTEIL, VORNE													
96248574	. M B B B S S S												M4	
96248576	. A B B B O O O												M2	
[04]	(E)LONGITUDINAL A-FRONT (D)LÄNGENTEIL, VORNE													
96306280	. . B B B S S S												L2	
[05]	(E)CROSSMEMBER A-FLR PNL, FRT (D)QUERTRÄGER													
96303374	. . B B B S S S												PB	
[07]	(E)LONGITUDINAL A-REAR (D)LÄNGENTEIL, HINTEN													
96250474	. . B . . S S S												H4	
96250476	. . . B B S . S												H2	
[08]	(E)LONGITUDINAL A-REAR (D)LÄNGENTEIL, HINTEN													
96306437	. . B . . S S S												L4	
96306438	. . . B B S . S												L2	
[09]	(E)CMBR A-RR FLOOR, PNL, FRT (D)QUERTRÄGER													

ENG(ENGINE)	T/A(TRANSAXLE)	BODY TYPE
Y = 1.5SOHC 6 = 1.6DOHC . = COMMON	M = MANUAL T/A A = AUTOMATIC T/A . = COMMON	4 N = 4 DOOR NOTCHBACK 3 H = 3 DOOR HATCHBACK 5 H = 5 DOOR HATCHBACK

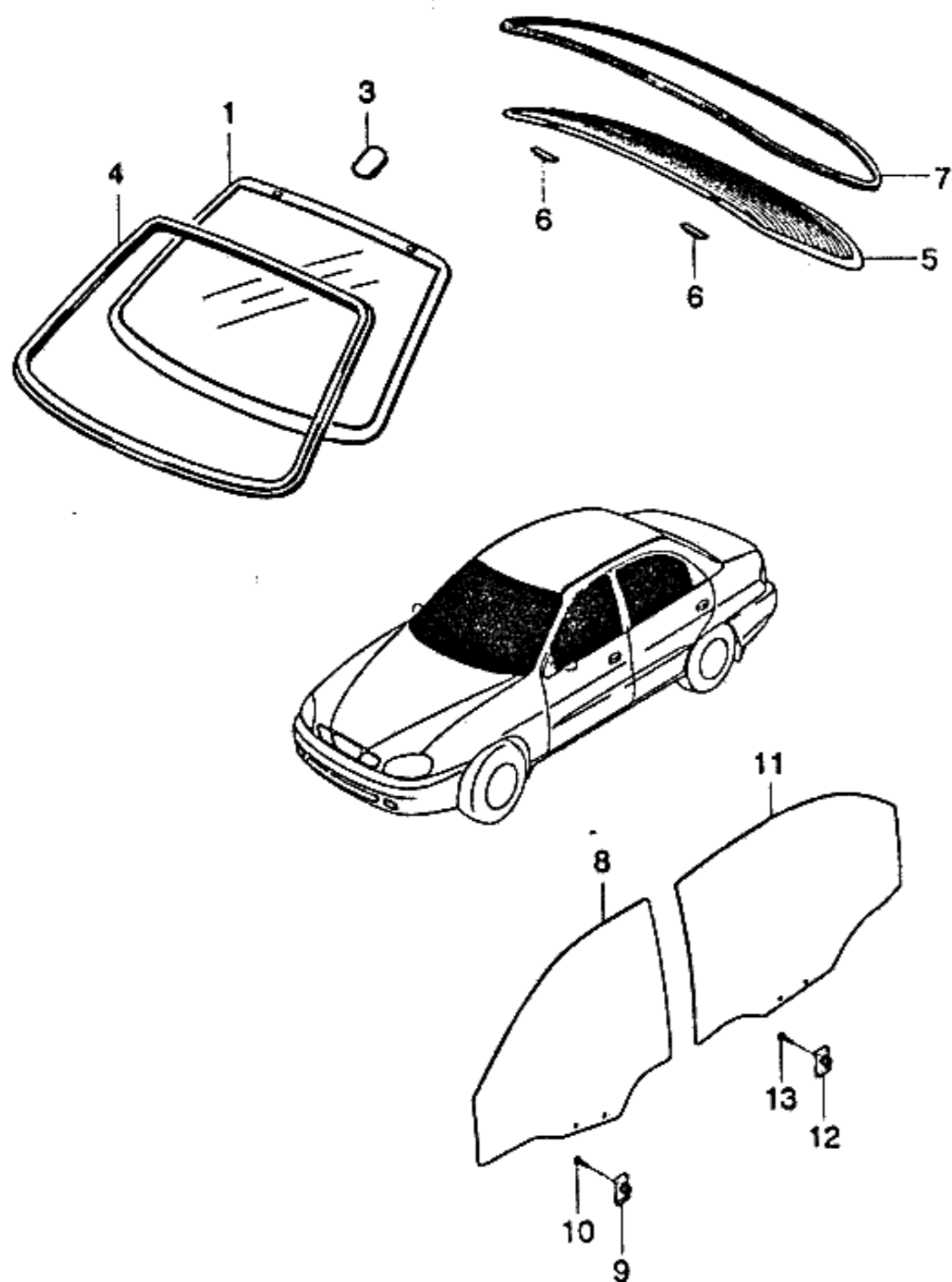


KEY NO.		PART NAME													
I T C.	PART NO	MODEL						OPTION	L / R	Q T Y	EFFECTIVE DATE		REMARKS	P / C O D E	
		E N G	T / A	BODY			LEVEL				FROM	TO			
				4 N	3 H	5 H	S								S
	96306466	.	.	B	B	B	S	S	S			1		RB	
	[10]											(F)BARRE DE TRAVERSE (S)TRANSVERSAL			
	96306472	.	.	B	B	B	S	S	S			1		RB	
ENG(ENGINE)		T/A(TRANSAXLE)				BODY TYPE									
Y = 1.5SOHC 6 = 1.6DOHC . = COMMON		M = MANUAL T/A A = AUTOMATIC T/A . = COMMON				4 N = 4 DOOR NOTCHBACK 3 H = 3 DOOR HATCHBACK 5 H = 5 DOOR HATCHBACK									

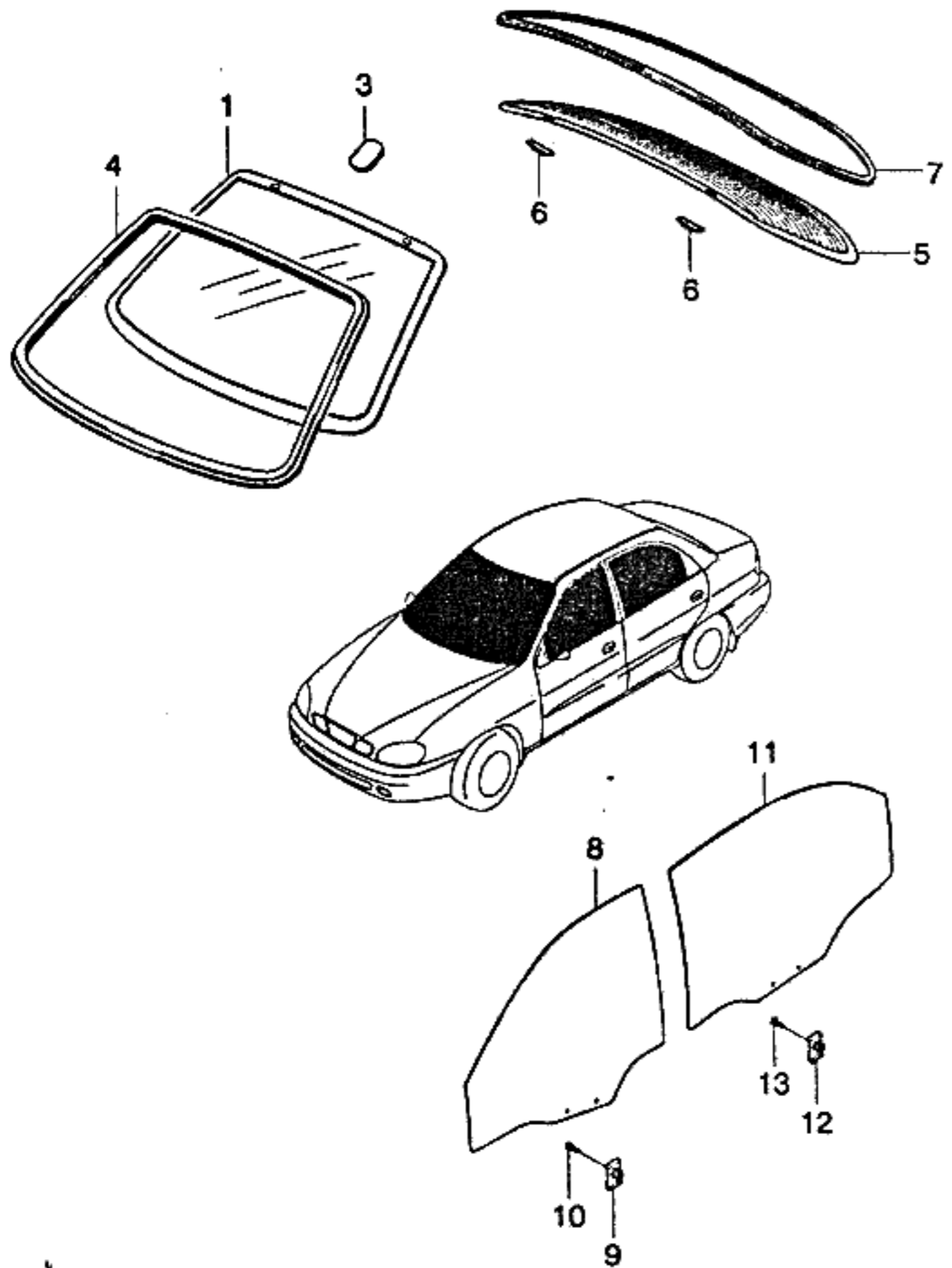


I T C	KEY NO.	PART NAME										P / C O D E		
	PART NO	MODEL						OPTION	L / R	Q T Y	EFFECTIVE DATE		REMARKS	
		E N G	T / A	BODY			LEVEL				FROM			TO
		4	3	5	S	S	S							
	[01]	(E)MIRROR A-OUTSIDE (D)SPIEGEL,AUBEN										(F)RETROVISEUR-EXTERIEUR (S)ESPEJO-EXTERNO		
	96304167	.	.	B	B	B	S	S	S	&D33		LH	1	CA
	96227724	.	.	B	B	B	S	S	S	&D39		RH	1	CE
	96227725	.	.	B	B	B	.	.	O	&DD4		RH	1	EE
	[02]	(E)SCREW (D)SCHRAUBE										(F)VIS (S)TORNILLO		
	09138-06027	.	.	B	B	B	S	S	S				6	
	[03]	(E)GLASS-MIRROR (D)GLAS										(F)GLACE (S)VIDRIO		
	S6630006	.	.	B	B	B	S	S	S			LH	1	
	S6630007	.	.	B	B	B	S	S	S			RH	1	
	[04]	(E)BOOT-KNOB (D)KOFFERRAUM										(F)GAINE (S)CAPUCHON		
	31121708	.	.	B	B	B	S	S	S				2	

ENG(ENGINE)	T/A(TRANSAXLE)	BODY TYPE
Y = 1.5SOHC 6 = 1.6DOHC . = COMMON	M = MANUAL T/A A = AUTOMATIC T/A . = COMMON	4 N = 4 DOOR NOTCHBACK 3 H = 3 DOOR HATCHBACK 5 H = 5 DOOR HATCHBACK

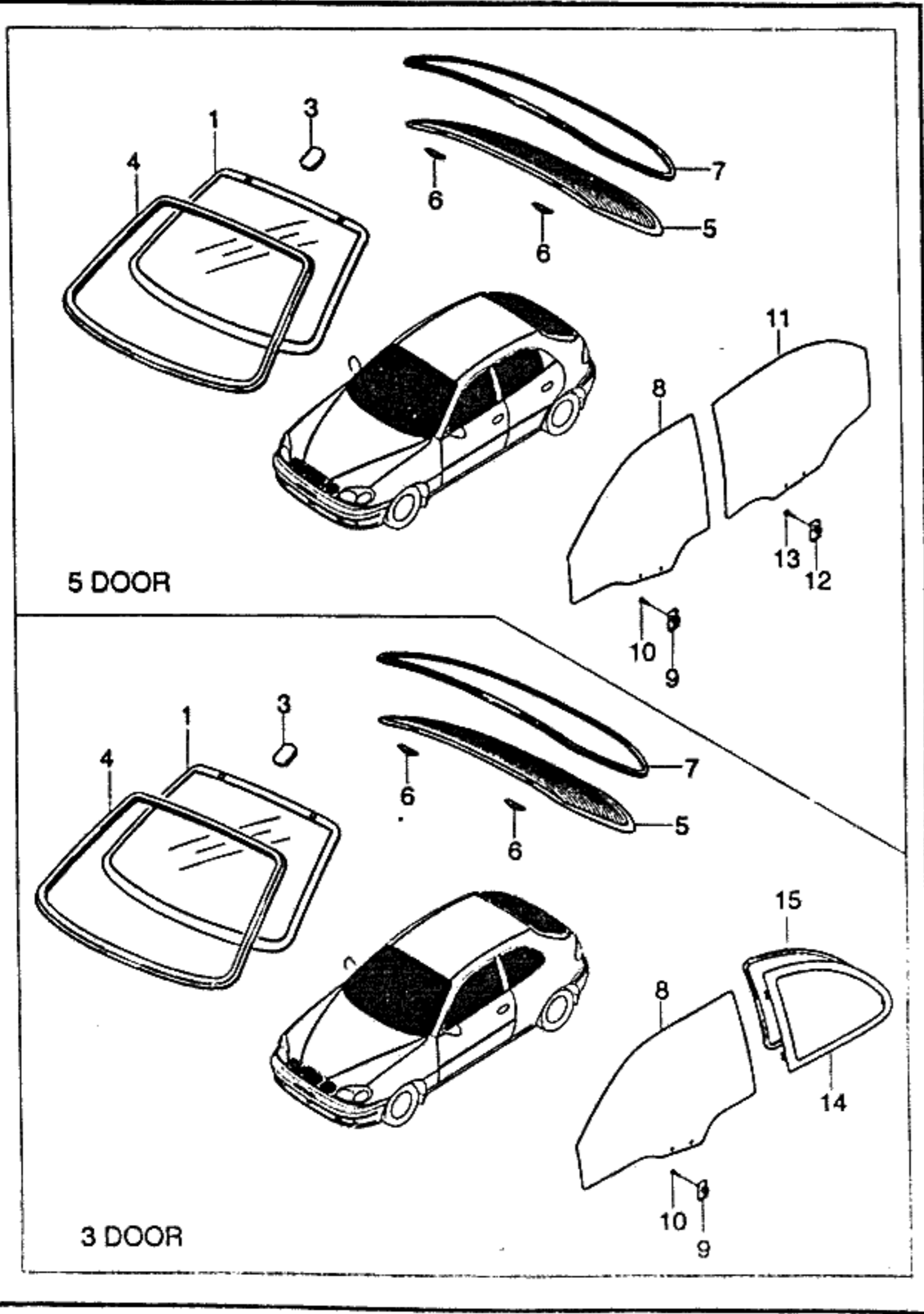


KEY NO.	PART NAME										
	PART NO	MODEL			OPTION	L / R	Q / Y	EFFECTIVE DATE		REMARKS	P / CODE
		E N G	T A	BODY				LEVEL	FROM		
	[01]	(E)GLASS A-WINDSHIELD (D)GLAS,WINDSCHUTZSCHEIBE								(F)GLACE-PARE-BRISE (S)VIDRIO-PARABRISAS	
	96303213	. . . B . . . S . . . &A22							1	970526	
	O 96256902	. . . B . . . S . . . &A22							1	970526	
	96306108	. . . B . . . O S S &A01							1		
	[03]	(E)PLATE-CARRIER (D)PLATTE								(F)PLAQUE (S)PLACA	
	90126071	. . . B . . . S S S							1		
	[04]	(E)MOLDING WINDSHIELD (D)PREBTEIL,WINDSCHUTZSCHEIB								(F)MOULURE-PARE-BRISE (S)MOLOURA-PARABRISAS	
	96240757	. . . B . . . S S S							1		
	[05]	(E)GLASS A-BACK WINDOW (D)GLAS								(F)GLACE-FENETRE ARRIERE (S)VIDRIO-VENTANA TRASERA	
	96306110	. . . B . . . S . . . &A22							1		
	96306112	. . . B . . . O S S &A01							1		
	[06]	(E)STOPPER-GLASS,UPPER (D)STÖPSEL								(F)ARRETOIR OU BOUCHON (S)TAPON	
	96216138	. . . B . . . S S S							2		
	[07]	(E)MOLDING-BACK WINDOW (D)PREBTEIL,FENSTERSCHEIBE								(F)MOULURE-FENETRE ARRIERE (S)MOLOURA-VENTANA TRASERA	
	96240758	. . . B . . . S S S							1		
	[08]	(E)GLASS-FRT DOOR WINDOW (D)GLAS								(F)GLACE-FENETRE AVANT (S)VIDRIO-VENTANA DELANTERA	
	96304048	. . . B . . . S . . . &A22							LH 1		
	96304050	. . . B . . . S . . . &A22							RH 1		
	96304052	. . . B . . . O S S &A01							LH 1		
	96304054	. . . B . . . O S S &A01							RH 1		
ENG(ENGINE)			T/A(TRANSAXLE)			BODY TYPE					
Y = 1.5SOHC 6 = 1.6DOHC . = COMMON			M = MANUAL T/A A = AUTOMATIC T/A . = COMMON			4 N = 4 DOOR NOTCHBACK 3 H = 3 DOOR HATCHBACK 5 H = 5 DOOR HATCHBACK					

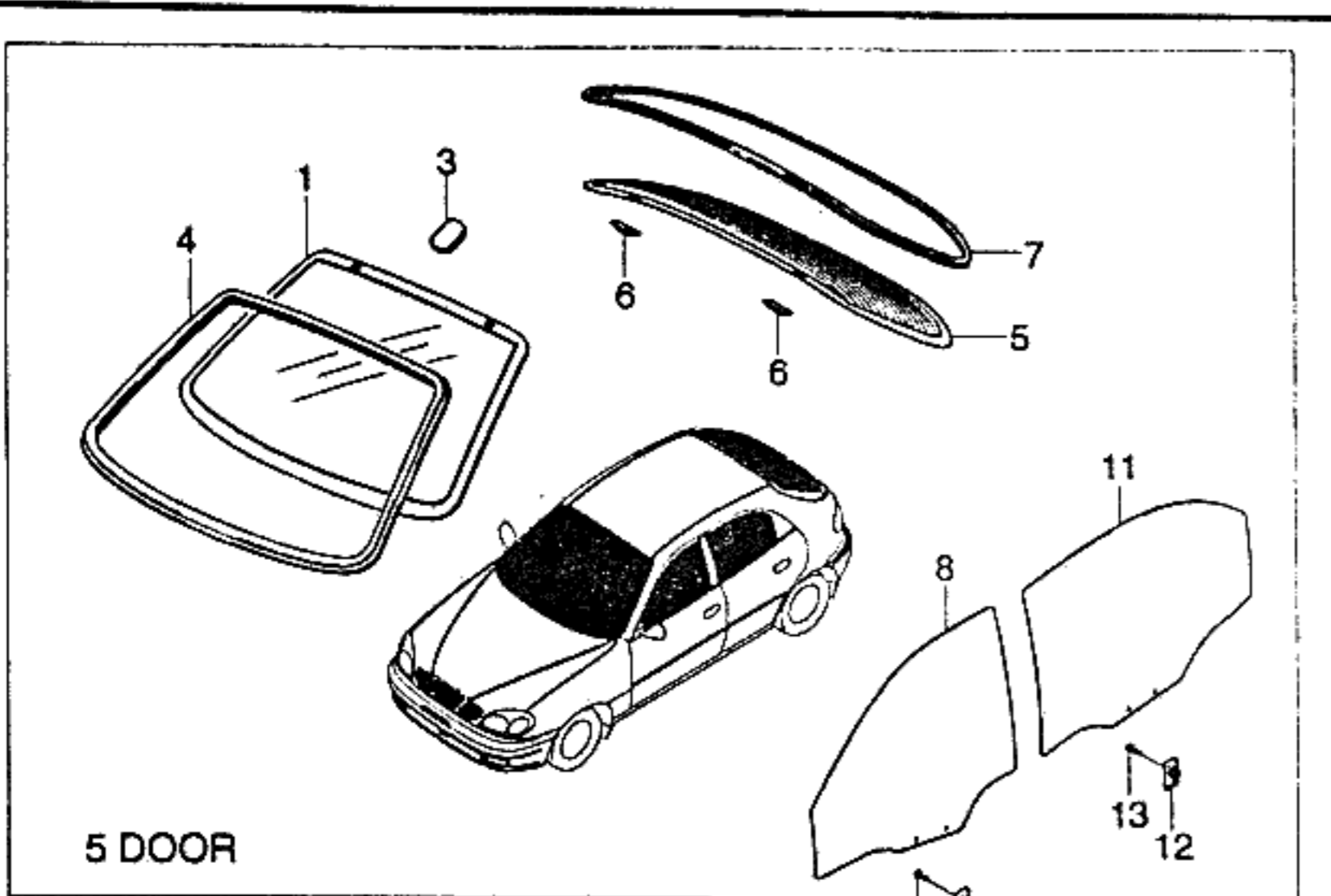


KEY NO.	PART NAME													
	PART NO	MODEL						OPTION	L / R	Q / Y	EFFECTIVE DATE		REMARKS	P / CODE
		E N / G	T / A	4 N	3 H	5 H	S S				S S	FROM		
[09] 09148-06002	(E)NUT-SPEED (D)MUTTER	.	.	B	.	.	S	S	S			(F)ECROU (S)TUERCA	4	
[10] 03140-63163	(E)SCREW-TAPPING (D)SCHRAUBE	.	.	B	.	.	S	S	S			(F)VIS (S)TORNILLO	4	
[11] 96304138 96304140 96304142 96304144	(E)GLASS-RR DOOR WINDOW (D)GLAS	.	.	B	.	.	S	.	.	&A22		(F)GLACE-FENETRE ARRIERE (S)VIDRIO-VENTANA TRASERA	LH 1 RH 1	
[12] 09148-06002	(E)NUT-SPEED (D)MUTTER	.	.	B	.	.	S	S	S			(F)ECROU (S)TUERCA	4	
[13] 03140-63163	(E)SCREW-TAPPING (D)SCHRAUBE	.	.	B	.	.	S	S	S			(F)VIS (S)TORNILLO	4	

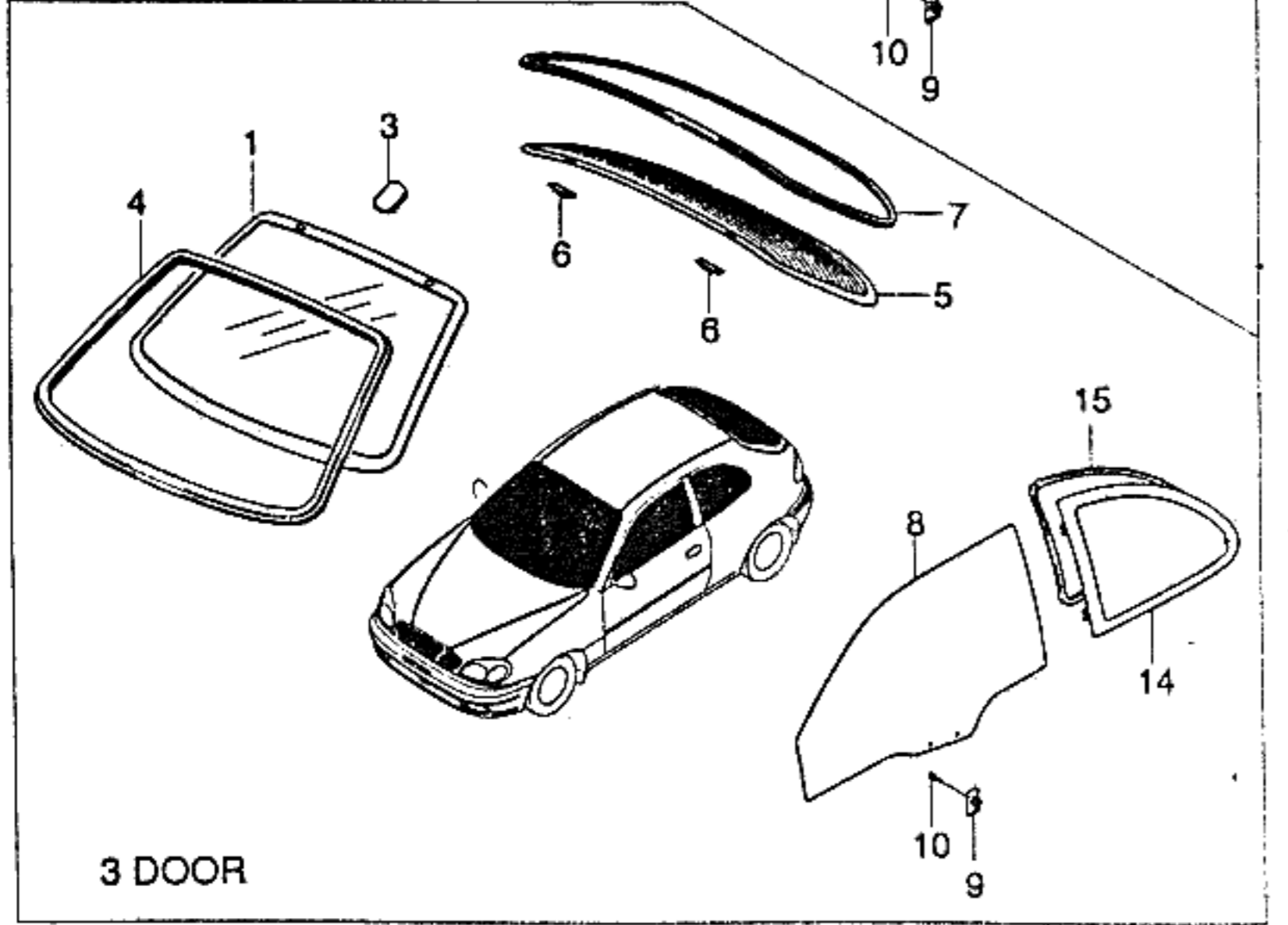
ENG(ENGINE)	T/A(TRANSAXLE)	BODY TYPE
Y = 1.5SOHC 6 = 1.6DOHC . = COMMON	M = MANUAL T/A A = AUTOMATIC T/A . = COMMON	4 N = 4 DOOR NOTCHBACK 3 H = 3 DOOR HATCHBACK 5 H = 5 DOOR HATCHBACK



KEY NO.	PART NAME										
	PART NO	MODEL			OPTION	L / R	Q / T Y	EFFECTIVE DATE		REMARKS	P / CODE
		E N G	B O D Y	L E V E L				FROM	TO		
[01]	(E)GLASS A-WINDSHIELD (D)GLAS,WINDSCHUTZSCHEIBE										
96303213	. . . B B S . . &A22						1	970526			
O 96256902	. . . B B S . . &A22						1	970526			
96306108	. . . B B O . S &A01						1				
[03]	(E)PLATE-CARRIER (D)PLATTE										
90126071	. . . B B S . S						1				
[04]	(E)MOLDING-WINDSHIELD (D)PREBTEIL,WINDSCHUTZSCHEIB										
96240757	. . . B B S . S						1				
[05]	(E)GLASS A-TAILGATE (D)GLAS,HINTERTEIL										
96306141	. . . B B S . . &A22-T45						1				K1
96306144	. . . B B O . S &A01-T45						1				K4
96224320	. . . B B . . O &A01&T45						1				K8
[06]	(E)STOPPER-GLASS,UPPER (D)STÖPSEL										
96216138	. . . B B S . S						2				
[07]	(E)MOLDING-TAILGATE GLASS (D)PREBTEIL,GLAS,HINTERTEIL										
96233056	. . . B B S . S						1				
[08]	(E)GLASS-FRT DOOR WINDOW (D)GLAS										
96304049	. . . B . S . . &A22						LH 1				
96304051	. . . B . S . . &A22						RH 1				
96304053	. . . B . O . S &A01						LH 1				
ENG(ENGINE)		T/A(TRANSAXLE)				BODY TYPE					
Y = 1.5SOHC 6 = 1.6DOHC . = COMMON		M = MANUAL T/A A = AUTOMATIC T/A . = COMMON				4 N = 4 DOOR NOTCHBACK 3 H = 3 DOOR HATCHBACK 5 H = 5 DOOR HATCHBACK					

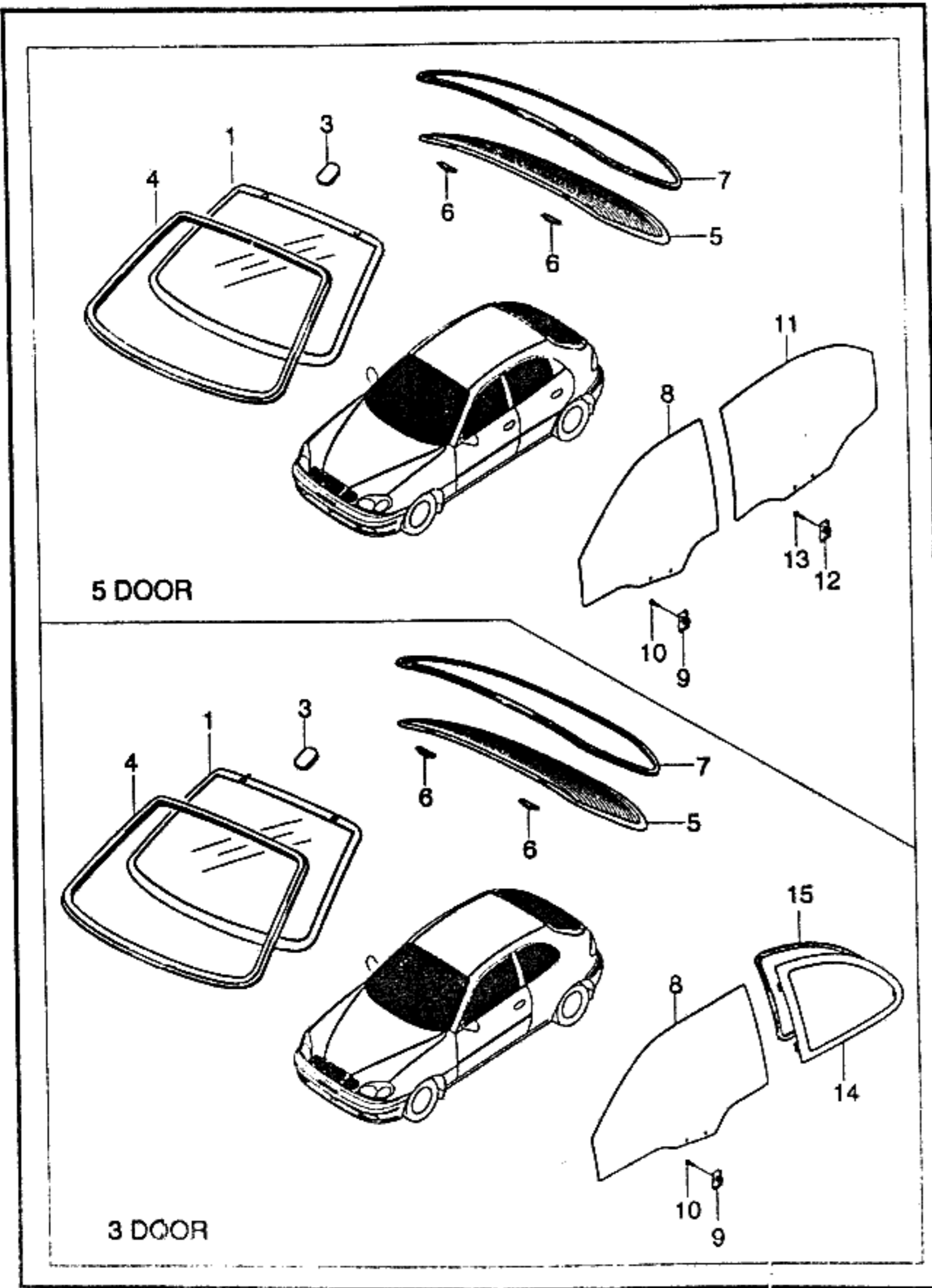


5 DOOR



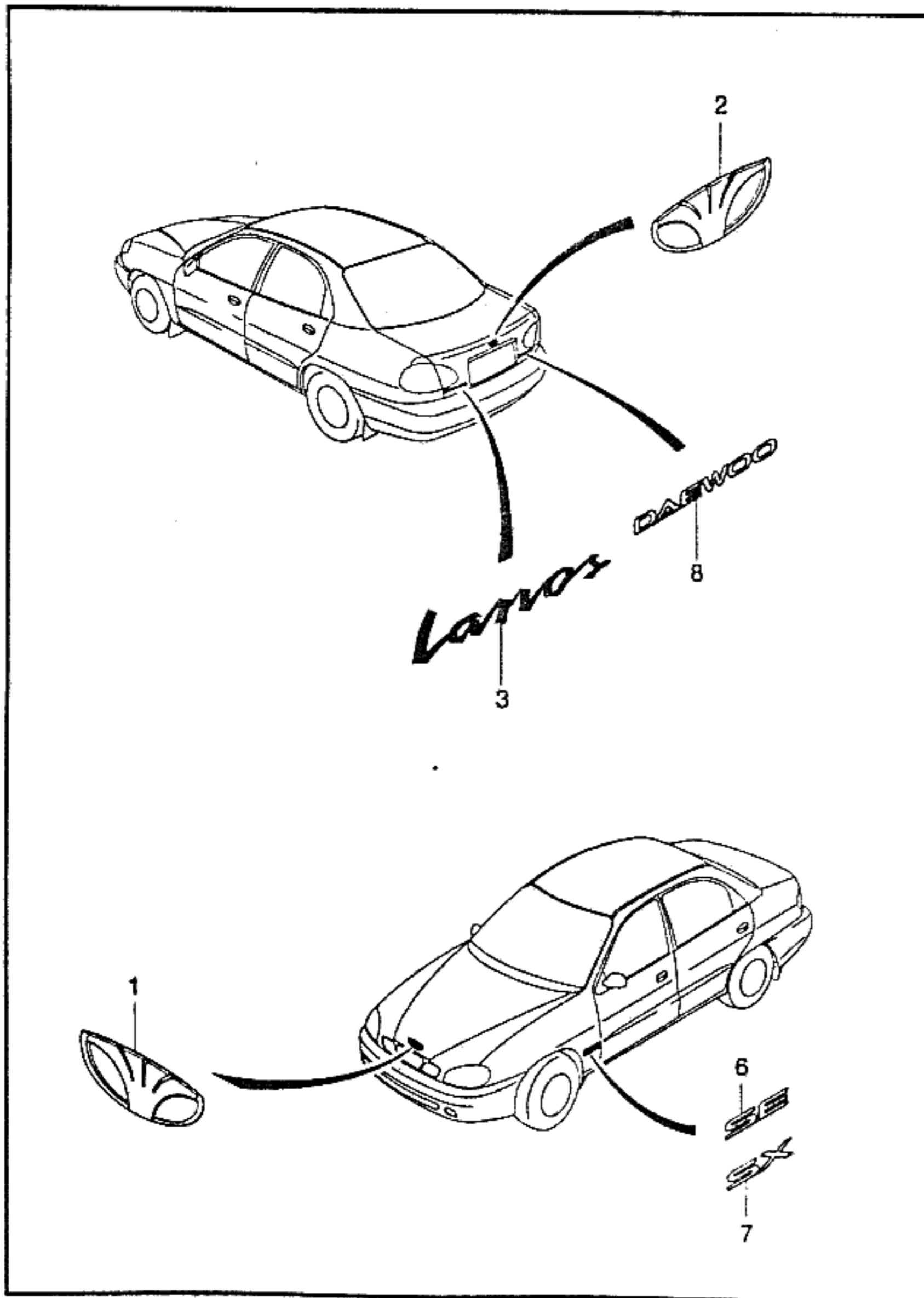
3 DOOR

KEY NO.	PART NAME													
	PART NO	MODEL						OPTION	L / R	QTY	EFFECTIVE DATE		REMARKS	P / CODE
		E	T	BODY			LEVEL				FROM	TO		
N	G	4	3	5	S	S	S							
96304055				B		O	S	&A01		RH	1			
96304048				B	S			&A22		LH	1			
96304050				B	S			&A22		RH	1			
96304052				B	O		S	&A01		LH	1			
96304054				B	O		S	&A01		RH	1			
[09]								(E)NUT-SPEED (D)MUTTER				(F)ECROU (S)TUERCA		
09148-06002				B	B	S	S				4			
[10]								(E)SCREW-TAPPING (D)SCHRAUBE				(F)VIS (S)TORNILLO		
03140-63163				B	B	S	S				4			
[11]								(E)GLASS-RR DOOR WINDOW (D)GLAS				(F)GLACE-FENETRE ARRIERE (S)VIDRIO-VENTANA TRASERA		
96304138				B	S			&A22		LH	1			
96304140				B	S			&A22		RH	1			
96304142				B	O		S	&A01		LH	1			
96304144				B	O		S	&A01		RH	1			
[12]								(E)NUT-SPEED (D)MUTTER				(F)ECROU (S)TUERCA		
09148-06002				B	S		S				4			
[13]								(E)SCREW-TAPPING (D)SCHRAUBE				(F)VIS (S)TORNILLO		
03140-63163				B	S		S				4			
[14]								(E)GLASS A-HINGED WINDOW (D)GLAS,KIPPFENSTER				(F)GLACE-FENETRE (S)VIDRIO-VENTANABISAGRA		
96234660				B		S		&A22		LH	1			
96234661				B		S		&A22		RH	1			
ENG(ENGINE)				T/A(TRANSAXLE)				BODY TYPE						
Y = 1.5SOHC 6 = 1.6DOHC = COMMON				M = MANUAL T/A A = AUTOMATIC T/A = COMMON				4 N = 4 DOOR NOTCHBACK 3 H = 3 DOOR HATCHBACK 5 H = 5 DOOR HATCHBACK						



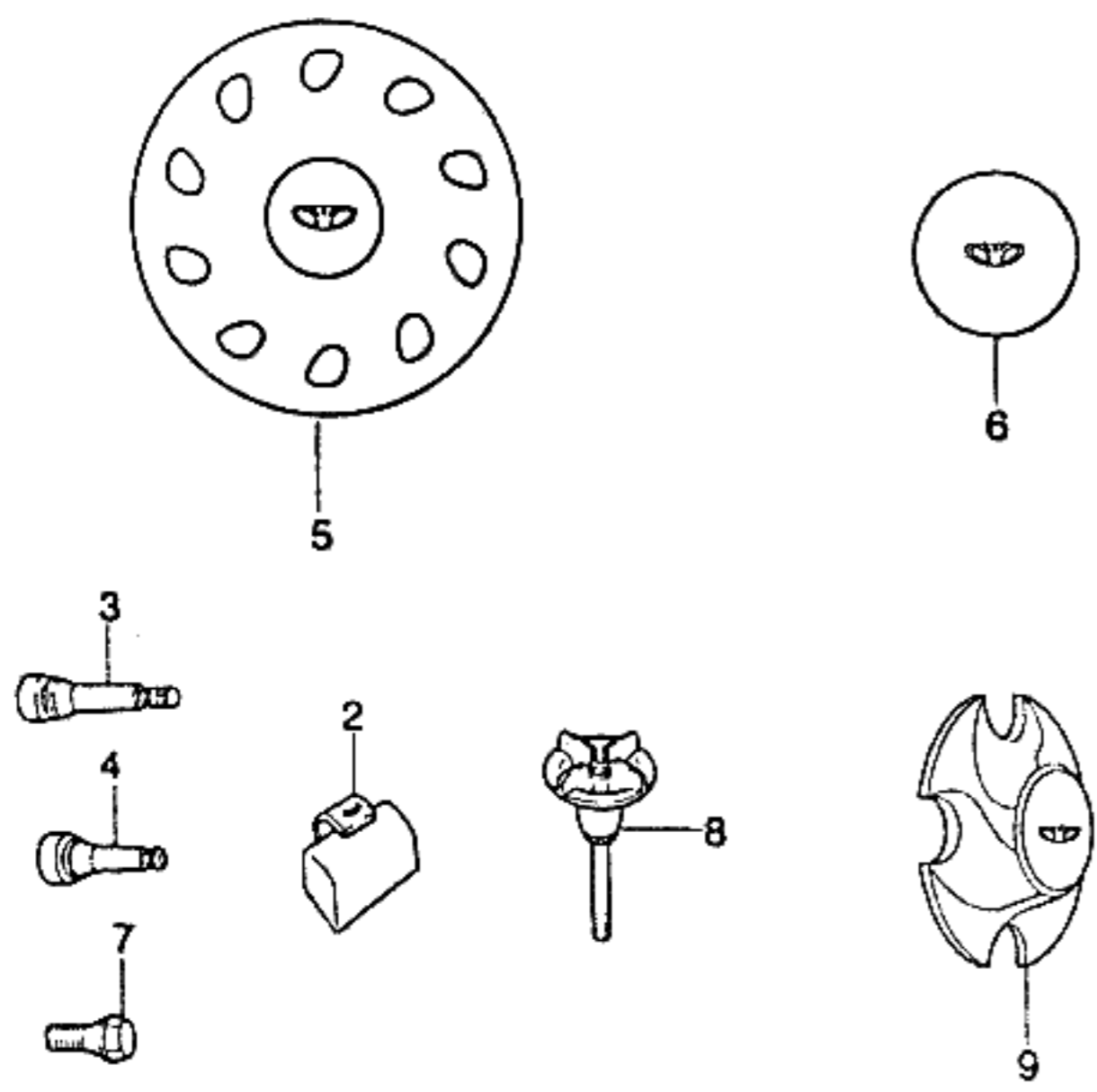
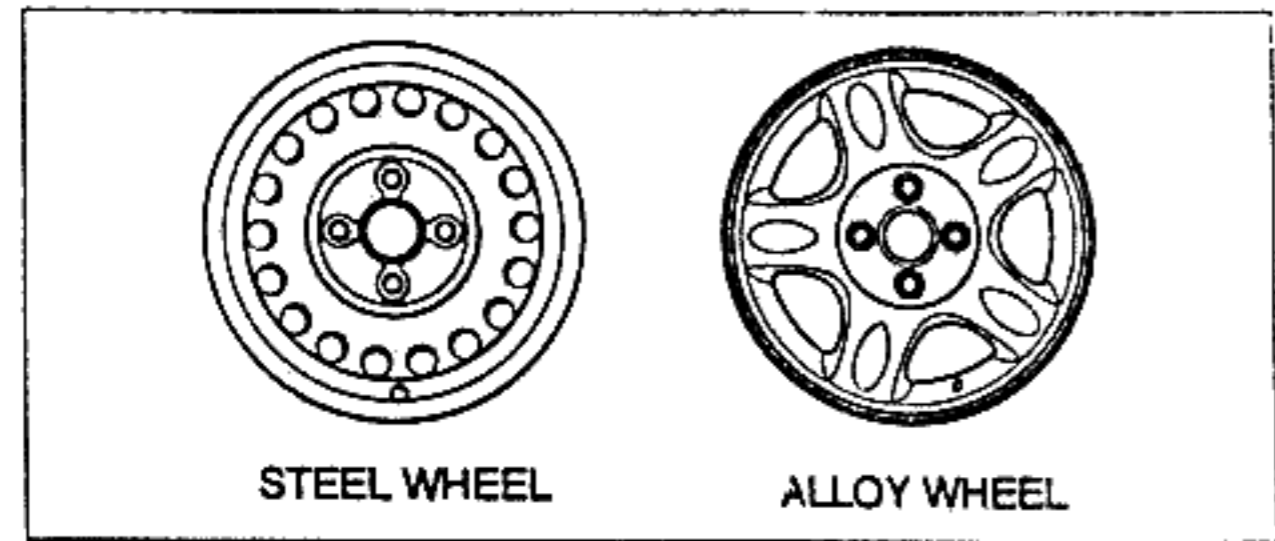
KEY NO.	PART NAME													
	PART NO	MODEL						OPTION	L / R	Q / Y	EFFECTIVE DATE		REMARKS	P / CODE
		E N G	T / A	BODY	LEVEL	FROM	TO							
		4 N	3 H	5 H	S S	S S								
96234662			B	O	S		&A01		LH	1				
96234663			B	O	S		&A01		RH	1				
[15]							(E)WEATHERSTRIP-HINGED WDO (D)DICHTUNGSLEISTE					(F)ISOLATION EN BANDELETTE (S)BURLETE		
96303243			B	S	S					2				

ENG(ENGINE)	T/A(TRANSAXLE)	BODY TYPE
Y = 1.5SOHC 6 = 1.6DOHC . = COMMON	M = MANUAL T/A A = AUTOMATIC T/A . = COMMON	4 N = 4 DOOR NOTCHBACK 3 H = 3 DOOR HATCHBACK 5 H = 5 DOOR HATCHBACK

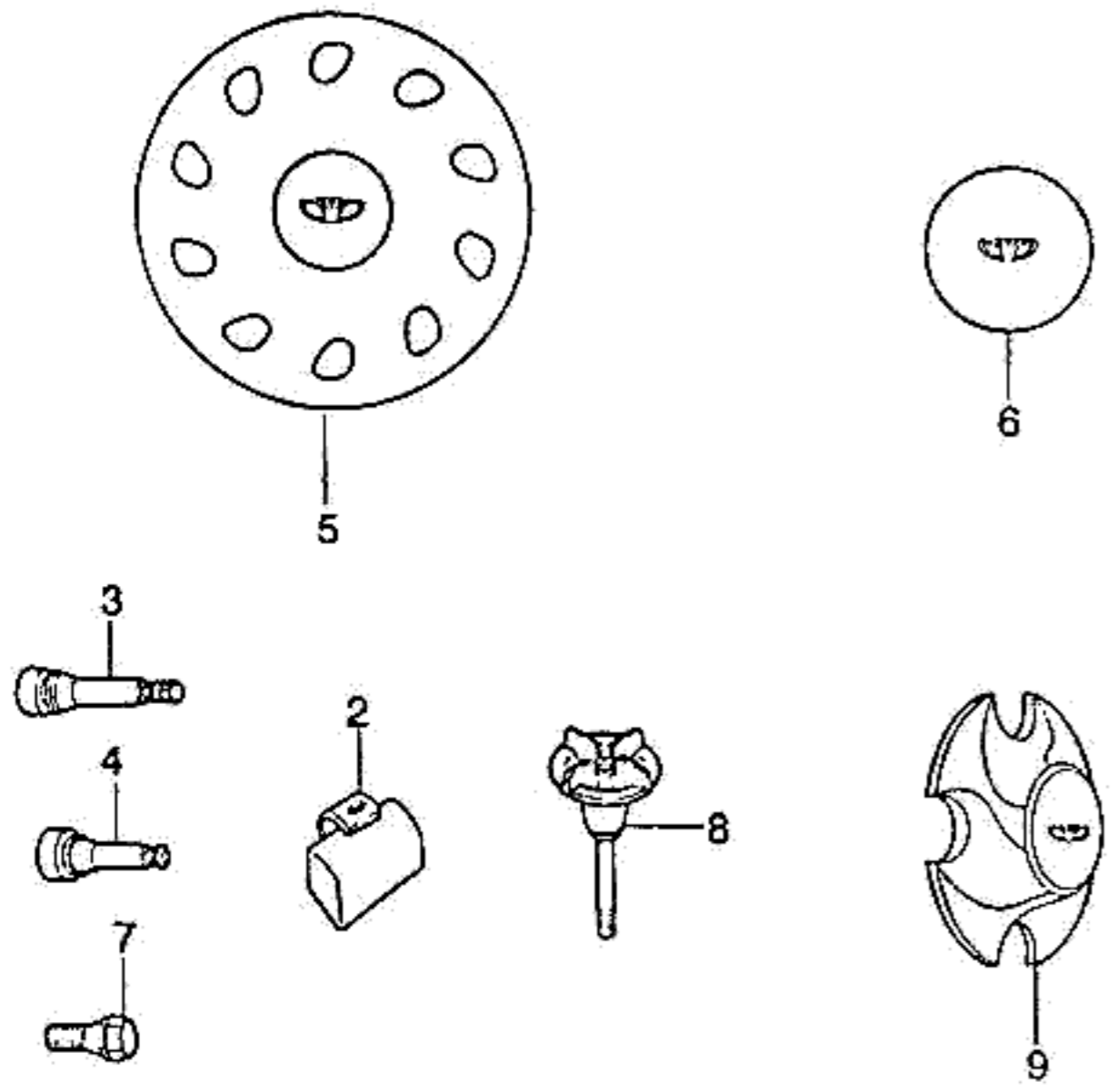
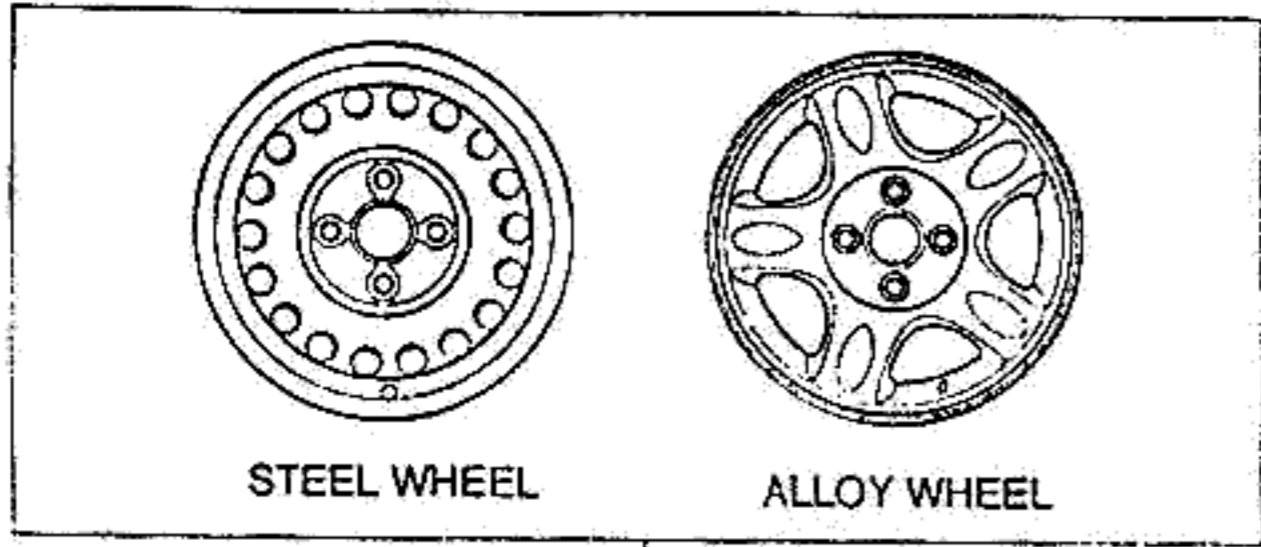


KEY NO.	PART NAME													
	PART NO	MODEL						OPTION	L / R	Q / T / Y	EFFECTIVE DATE		REMARKS	P / C / O / D / E
		E / N / G	T / A	4 / N	3 / H	5 / H	LEVEL / S / E / X				FROM	TO		
[01]	(E) EMBLEM-HOOD (D) ETIKETT								(F) EMBLEME (S) EMBLEMA					
96303492	. . . B B B S S S								1					
[02]	(E) EMBLEM A (D) ETIKETT								(F) EMBLEME (S) EMBLEMA					
96303493	. . . B . . S S S								1			TRUNK LID		
96243520	. . . B B S . S								1			TAILGATE		
[03]	(E) LETTERING A-LANOS (D) BESCHRIFTUNG-'LANOS'								(F) LETTRES-'LANOS' (S) LETRAS-'LANOS'					
96226350	. . . B . . S S S								1			TRUNK LID		
96245521	. . . B B S . S								1			TAILGATE		
[06]	(E) LETTERING A-SE (D) BESCHRIFTUNG-'SE'								(F) LETTRES-'SE' (S) LETRAS-'SE'					
96250233	. . . B . . . S .								2					
[07]	(E) LETTERING A-SX (D) BESCHRIFTUNG-'SX'								(F) LETTRES-'SX' (S) LETRAS-'SX'					
96250234	. . . B B B . . S								2					
[08]	(E) LETTERING A-DAEWOO (D) BESCHRIFTUNG-'DAEWOO'								(F) LETTRES-'DAEWOO' (S) LETRAS-'DAEWOO'					
96303494	. . . B . . S S S								1					
96249417	. . . B B S . S								1					
ENG(ENGINE)		T/A(TRANSAXLE)				BODY TYPE								
Y = 1.5SOHC 6 = 1.6DOHC . = COMMON		M = MANUAL T/A A = AUTOMATIC T/A . = COMMON				4 N = 4 DOOR NOTCHBACK 3 H = 3 DOOR HATCHBACK 5 H = 5 DOOR HATCHBACK								

6660 WHEELS & WHEEL COVER

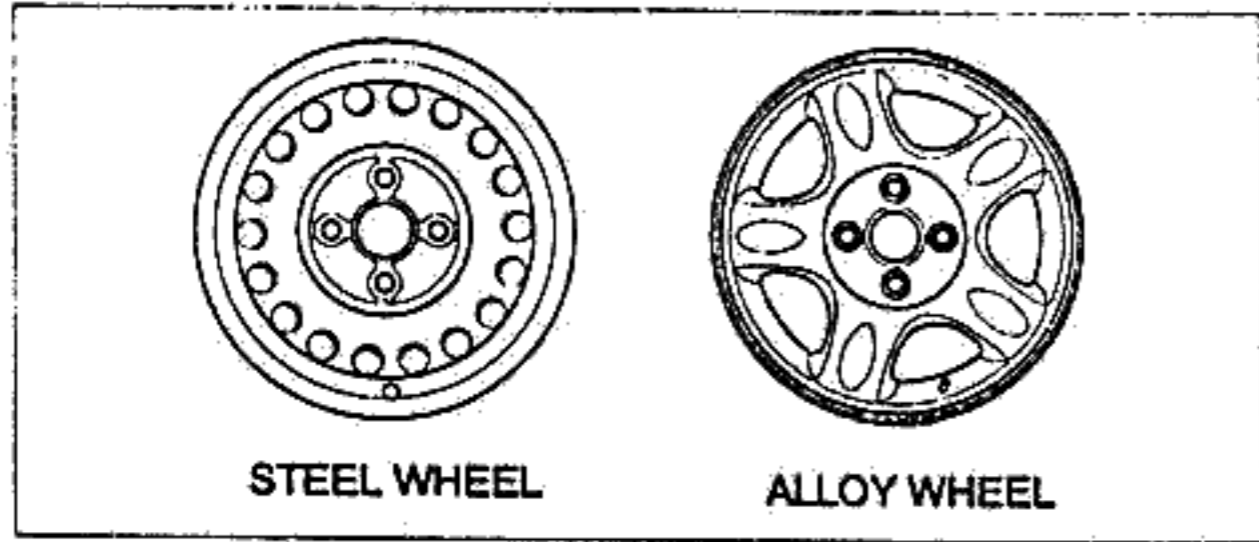


I T C	KEY NO.	PART NAME											REMARKS	P / C O D E			
		PART NO	MODEL						OPTION	L / R	Q T Y	EFFECTIVE DATE					
			E T N / G A	BODY			LEVEL					FROM			TO		
				4 N	3 H	5 H	S S	S S				S S					
[01]	(E)WHEEL A (D)RAD													(F)ROUE (S)RUEDA			
96162637	. . . B B B S . .						&N76&W9U							5	5 JX13	WH	
96162636	. . . B B B O S S						&N76&W9M							5	5 JX13	HF	
90304218	. . . B B B . . . O						&PX8							5	5 1/2JX14	HY	
96303778	. . . B B B . . . O						&PG4							5	5 1/2JX14	AL	
[02]	(E)WEIGHT-BALANCE (D)GEWICHT/AUSGLEICH														(F)POIDS-EQUILIBRAGE (S)PESO-BALANCE		
96209681	. . . B B B S S S						&N76/PX8							1	5G		
96209715	. . . B B B S S S						&N76/PX8							1	10G		
96209716	. . . B B B S S S						&N76/PX8							1	15G		
96209717	. . . B B B S S S						&N76/PX8							1	20G		
96209718	. . . B B B S S S						&N76/PX8							1	25G		
96209719	. . . B B B S S S						&N76/PX8							1	30G		
96209720	. . . B B B S S S						&N76/PX8							1	35G		
96209721	. . . B B B S S S						&N76/PX8							1	40G		
96209722	. . . B B B S S S						&N76/PX8							1	45G		
96209723	. . . B B B S S S						&N76/PX8							1	50G		
96209724	. . . B B B S S S						&N76/PX8							1	55G		
96209725	. . . B B B S S S						&N76/PX8							1	60G		
96209679	. . . B B B . . . O						&PG4							1	5G		
96209680	. . . B B B . . . O						&PG4							1	10G		
96209682	. . . B B B . . . O						&PG4							1	15G		
96209683	. . . B B B . . . O						&PG4							1	20G		
96209684	. . . B B B . . . O						&PG4							1	25G		
ENG(ENGINE)		T/A(TRANSAXLE)			BODY TYPE												
Y = 1.5SOHC 6 = 1.6DOHC . = COMMON		M = MANUAL T/A A = AUTOMATIC T/A . = COMMON			4 N = 4 DOOR NOTCHBACK 3 H = 3 DOOR HATCHBACK 5 H = 5 DOOR HATCHBACK												

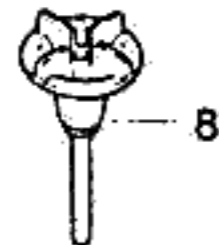
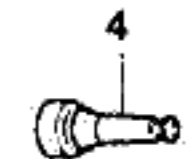
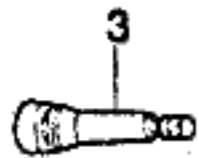
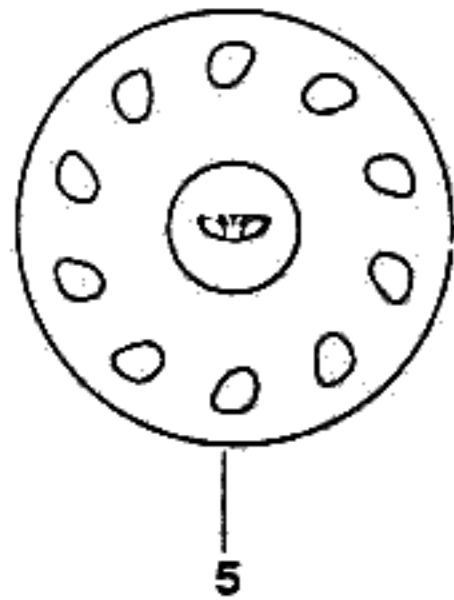


KEY NO.	PART NAME													
	PART NO	MODEL						OPTION	L / R	QTY	EFFECTIVE DATE		REMARKS	P / CODE
		E	T	BODY			LEVEL				FROM	TO		
N	G	A	4	3	5	S	S	S						
96209685			B	B	B			O	&PG4		1		30G	
96209686			B	B	B			O	&PG4		1		35G	
96209687			B	B	B			O	&PG4		1		40G	
96209688			B	B	B			O	&PG4		1		45G	
96209689			B	B	B			O	&PG4		1		50G	
96209690			B	B	B			O	&PG4		1		55G	
96209691			B	B	B			O	&PG4		1		60G	
[03]			(E)VALVE-TIRE (D)VENTIL,REIFEN										(F)SOUPAPE-PNEU (S)VALVULA-LLANTA	
90223915			B	B	B	O	S	S	&W9M		5			
[04]			(E)VALVE-RUBBER (D)VENTIL,GUMMI										(F)SOUPAPE-CAOUTCHOUC (S)VALVULA-LLANTA	
11049239			B	B	B	S		O	&W9UIPG4		5			
[05]			(E)COVER A-WHEEL (D)DECKEL,RAD										(F)CARTER-ROUE (S)CUBIERTA-RUEDA	
96304348			B	B	B	O	S	S	&P13		4		13 Inch	T3
96306210			B	B	B			O	&P11		4		14 Inch	T4
[06]			(E)CAP-WHEEL HUB (D)DECKEL,RADNABE										(F)CHAPEAU-MOYEU DE ROUE (S)TAPA-CUBO DE RUEDA	
96304347			B	B	B			O	&PG4		4			
[07]			(E)BOLT (D)SCHRAUBE										(F)BOULON (S)PERNO	
09119-12001			B	B	B	S	S	S			16			
[08]			(E)BOLT A-SPARE WHEEL WING (D)SCHRAUBE										(F)BOULON (S)PERNO	
96167631			B	B	B	S	S	S	&N76		1			
96167632			B	B	B			O	&PX&PG4		1			

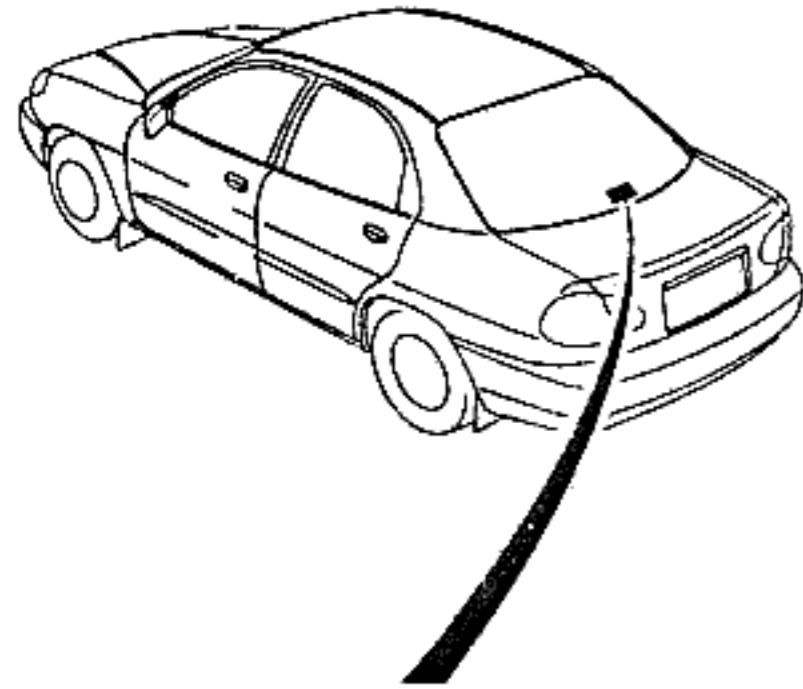
ENG(ENGINE)	T/A(TRANSAXLE)	BODY TYPE
Y = 1.5SOHC 6 = 1.6DOHC . = COMMON	M = MANUAL T/A A = AUTOMATIC T/A . = COMMON	4 N = 4 DOOR NOTCHBACK 3 H = 3 DOOR HATCHBACK 5 H = 5 DOOR HATCHBACK



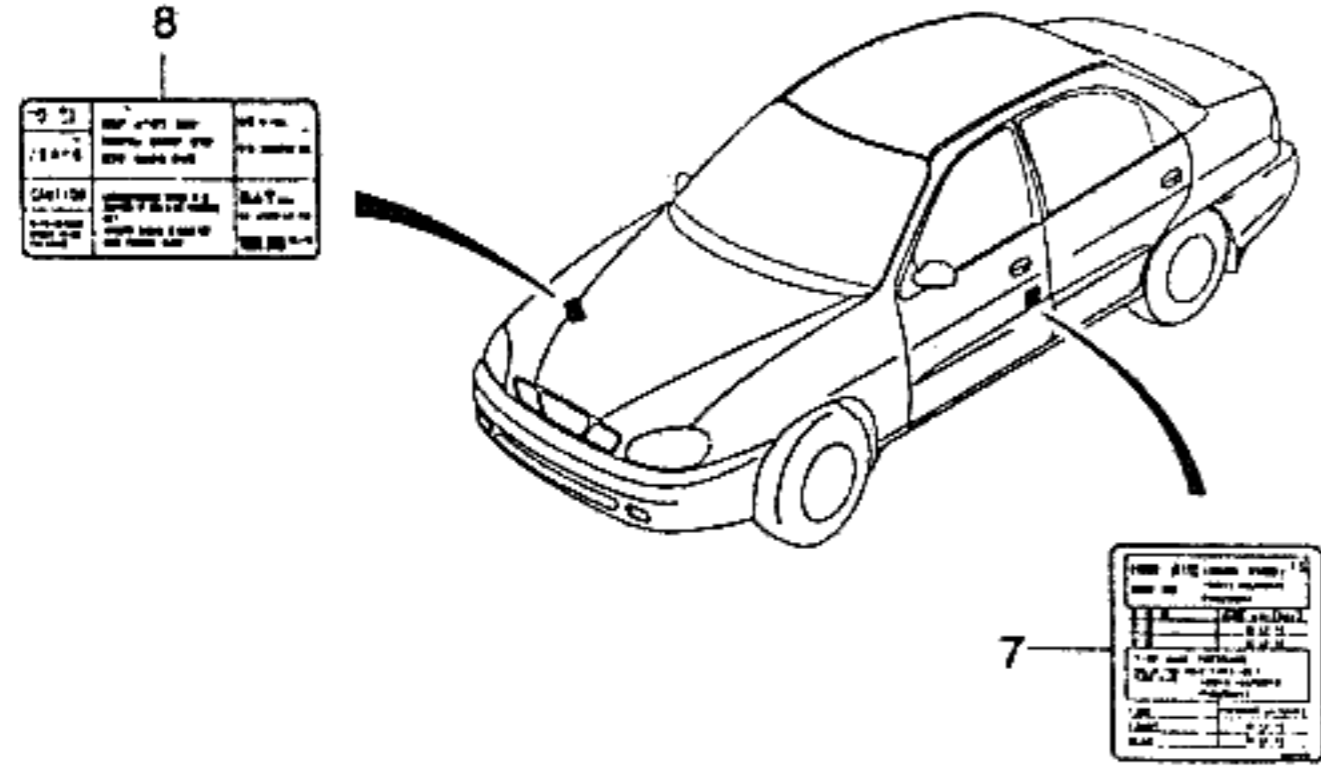
1



KEY NO.		PART NAME														
I T C	PART NO	MODEL						OPTION	L / R	Q T Y	EFFECTIVE DATE		REMARKS	P / C O D E		
		E N G	T / A	BODY			LEVEL				FROM	TO				
				4 N	3 H	5 H	S								S E	S X
	[09] 96304346	(E)CAP-HUB (D)DECKEL										(F)CHAPEAU (S)TAPA 4				
				B	B	B	S					&PA5				
		ENG(ENGINE)			T/A(TRANSAXLE)			BODY TYPE								
		Y = 1.5SOHC 6 = 1.6DOHC . = COMMON			M = MANUAL T/A A = AUTOMATIC T/A . = COMMON			4 N = 4 DOOR NOTCHBACK 3 H = 3 DOOR HATCHBACK 5 H = 5 DOOR HATCHBACK								



- 1- ABS
- 2- AIR BAG
- 3- ABS-AIR BAG
- 4- DUAL AIR BAG
- 5- ABS-DUAL AIR BAG

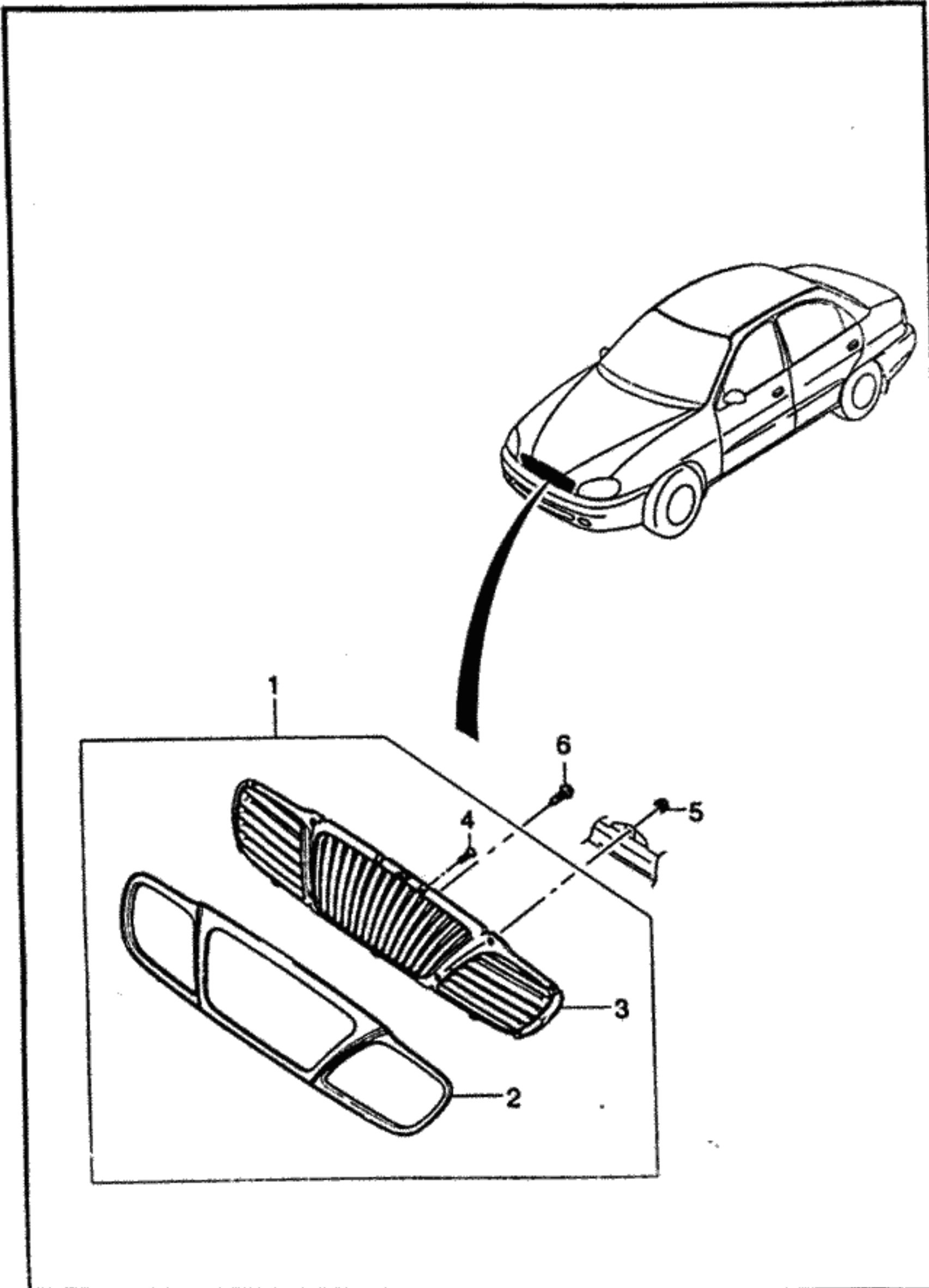


KEY NO.	PART NAME										REMARKS	P / CODE	
	PART NO	MODEL			OPTION	L / R	Q / T / Y	EFFECTIVE DATE					
		E / N / G	T / A	BODY				LEVEL	FROM				TO
[01]	(E)STICKER-ABS (D)ETIKETT-'ABS'												
96245663	. . . B B B . . . O O &JL9												
[02]	(E)STICKER-AIR BAG (D)ETIKETT-'AIR BAG'												
96245664	. . . B B B . . . O O &AJ3												
[03]	(E)STICKER-ABS & AIR BAG (D)ETIKETT-'ABS & AIR BAG'												
96245665	. . . B B B . . . O O &JL9&AJ3												
[04]	(E)STICKER-DUAL AIR BAG (D)ETIKETT-'DUAL AIR BAG'												
96245666	. . . B B B . . . O O &ABF												
[05]	(E)STICKER-ABS&DUAL AIR BAG (D)ETIKETT-'ABS&DUAL AIR BAG'												
96245667	. . . B B B . . . O O &JL9&ABF												
[07]	(E)STICKER-TIRE PRESSURE (D)ETIKETT												
96304349	. . . B B B S S . . . &QTF												
96304466	. . . B B B O O S . . . &QTJ/QUS												
[08]	(E)STICKER-AIR CONDITIONING (D)ETIKETT												
96242973	. . . B B B O O O . . . &C60												

ENG(ENGINE)	T/A(TRANSAXLE)	BODY TYPE
Y = 1.5SOHC 6 = 1.6DOHC . = COMMON	M = MANUAL T/A A = AUTOMATIC T/A . = COMMON	4 N = 4 DOOR NOTCHBACK 3 H = 3 DOOR HATCHBACK 5 H = 5 DOOR HATCHBACK

6710 GRILLE

5B14

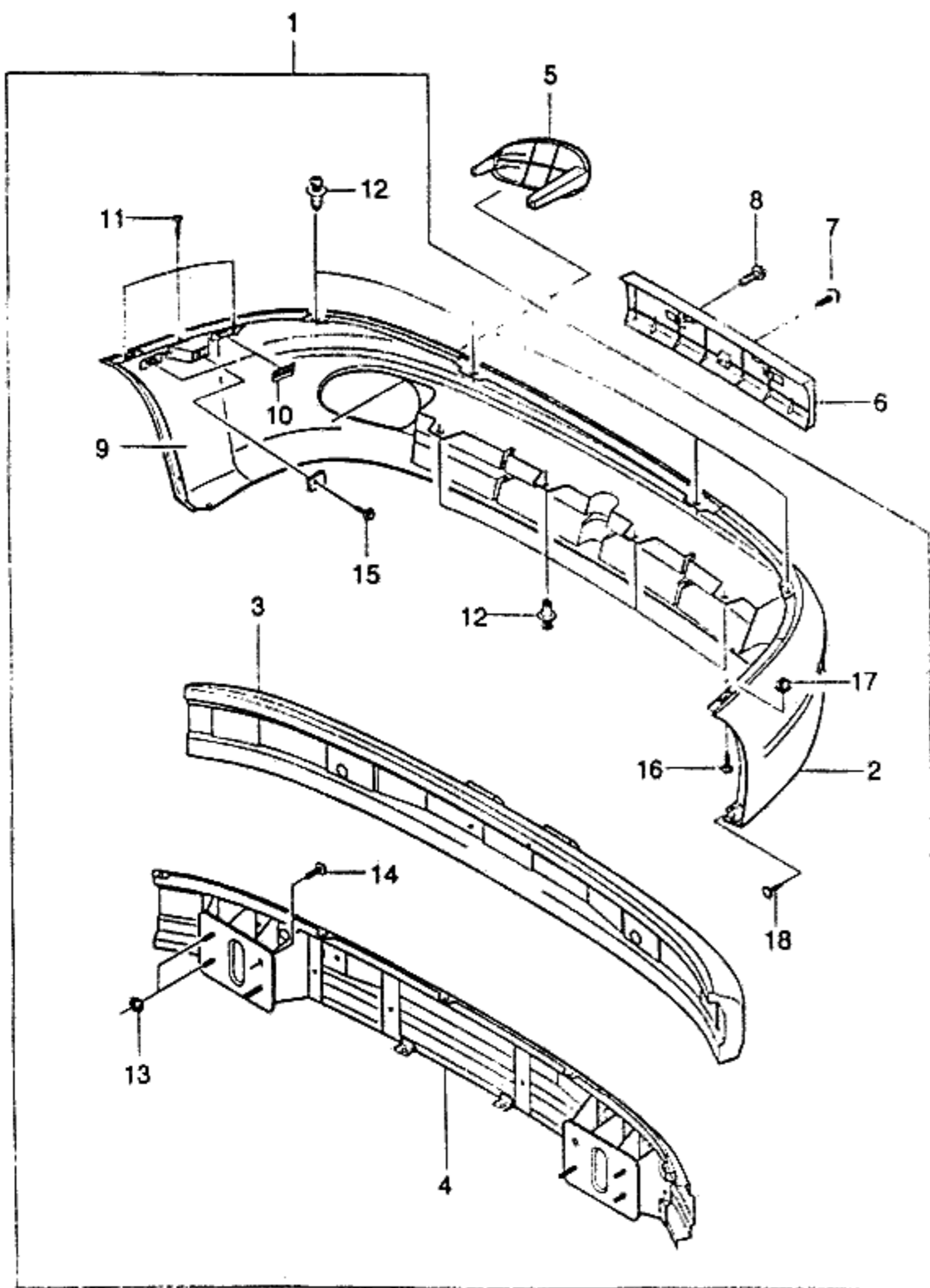


I T C	KEY NO.		PART NAME										P I C O D E
	PART NO	E T N / G A	MODEL			OPTION	L Q / R Y	EFFECTIVE DATE		REMARKS			
			4 N	3 H	5 H			S S	S S		FROM	TO	
	[01]		(E)GRILLE A-RADIATOR (D)GITTER,KÜHLER									(F)GRILLE-RADIATEUR (S)REJA-RADIADOR	
	96303229		. . . B B B S S S									1 (F)CARTER (S)CUBIERTA	
	[02]		(E)COVER-RADIATOR GRILLE (D)DECKEL									1 (F)LOGEMENT (S)CARCASA	
	96215293		. . . B B B S S S									1 (F)VIS (S)TORNILLO	
	[03]		(E)HOUSING A-RADIATOR GRILLE (D)GEHÄUSE									13 (F)ECROU (S)TUERCA	
	96215294		. . . B B B S S S									6 (F)VIS (S)TORNILLO	
	[04]		(E)SCREW-TAPPING (D)SCHRAUBE									2	
	09132-03001		. . . B B B S S S										
	[05]		(E)NUT-HEXAGON FLANGE (D)MUTTER										
	08316-25042		. . . B B B S S S										
	[06]		(E)SCREW-TAPPING (D)SCHRAUBE										
	03151-42132		. . . B B B S S S										

ENG(ENGINE)	T/A(TRANSAXLE)	BODY TYPE
Y = 1.5SOHC 6 = 1.6DOHC . = COMMON	M = MANUAL T/A A = AUTOMATIC T/A . = COMMON	4 N = 4 DOOR NOTCHBACK 3 H = 3 DOOR HATCHBACK 5 H = 5 DOOR HATCHBACK

6720 FRONT BUMPER

5C14

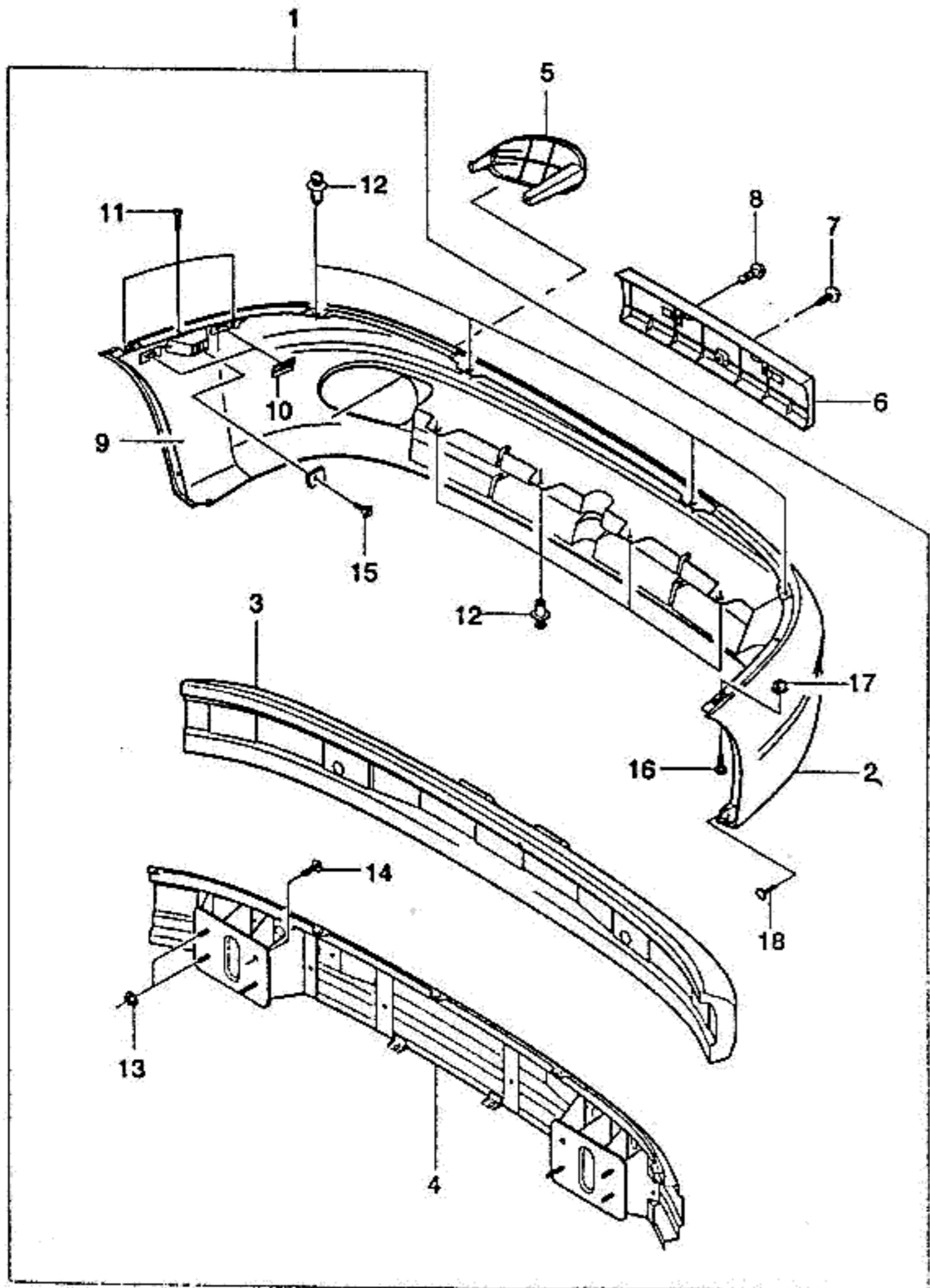


KEY NO.	PART NAME													
	PART NO	MODEL						OPTION	L / R	Q / Y	EFFECTIVE DATE		REMARKS	P / CODE
		E N G	T / A	4 N	3 H	5 H	S S S				S S S	FROM		
[01]	(E)BUMPER A-FRONT (D)STOBSTANGE,VORNE											(F)PARE-CHOC-AVANT (S)PARACHOQUES-FRENTE		
S6720006	. . . B B B S S S &VT2											1		
S6720007	. . . B B B . O O &VT3											1		
[02]	(E)FASCIA A-BUMPER,FRONT (D)SCHILD,VORDERE STOBSTANGE											(F)BANDELETTES (S)PARACHOQUES		
96226164	. . . B B B S S S											1		
[03]	(E)ABSORBER-FRT BUMPER ENERG (D)VORDERE STOBSTANGE											(F)AMORTISSEUR (S)AMORTIGUADOR		
96303216	. . . B B B S S S &VT2											1		
96214018	. . . B B B . O O &VT3											1		
[04]	(E)BEAM A-FRONT BUMPER IMPAC (D)STANGE,VORDERE STOBSTANGE											(F)BARRE (S)BARRA-IMPACTO		
96303218	. . . B B B S S S &VT2											1		
96214019	. . . B B B . O O &VT3											1		
[05]	(E)GRILLE A-FRONT FOG LAMP (D)GITTER,VORDERE NEBELLAMPE											(F)GRILLE (S)REJA-LAMPARA DE NEBLINA		
96303479	. . . B B B S S S -T97											LH 1		
96306248	. . . B B B S S S -T97											RH 1		
[06]	(E)BRACKET A-LICENSE PLATE (D)TRÄGER											(F)SUPPORT (S)SOPORTE		
96215626	. . . B B B A A A &T12											1		
[07]	(E)SCREW-TAPPING (D)SCHRAUBE											(F)VIS (S)TORNILLO		
03112-48222	. . . B B B A A A &T12											1		
[08]	(E)BOLT (D)SCHRAUBE											(F)BOULON (S)PERNO		
09119-06017	. . . B B B A A A &T12											2		

ENG(ENGINE)	T/A(TRANSAXLE)	BODY TYPE
Y = 1.5SOHC 6 = 1.6DOHC . = COMMON	M = MANUAL T/A A = AUTOMATIC T/A . = COMMON	4 N = 4 DOOR NOTCHBACK 3 H = 3 DOOR HATCHBACK 5 H = 5 DOOR HATCHBACK

6720 FRONT BUMPER

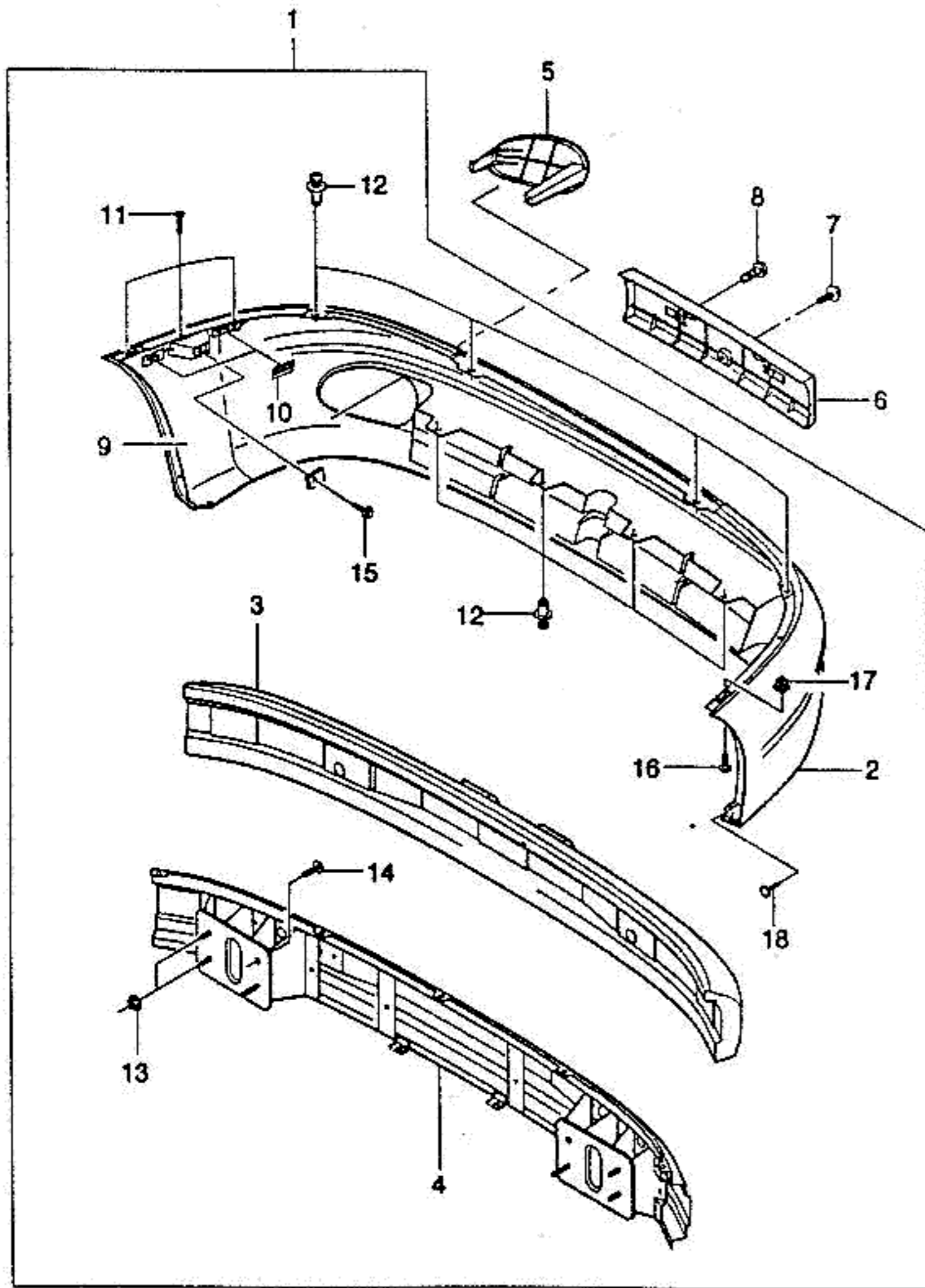
5D14



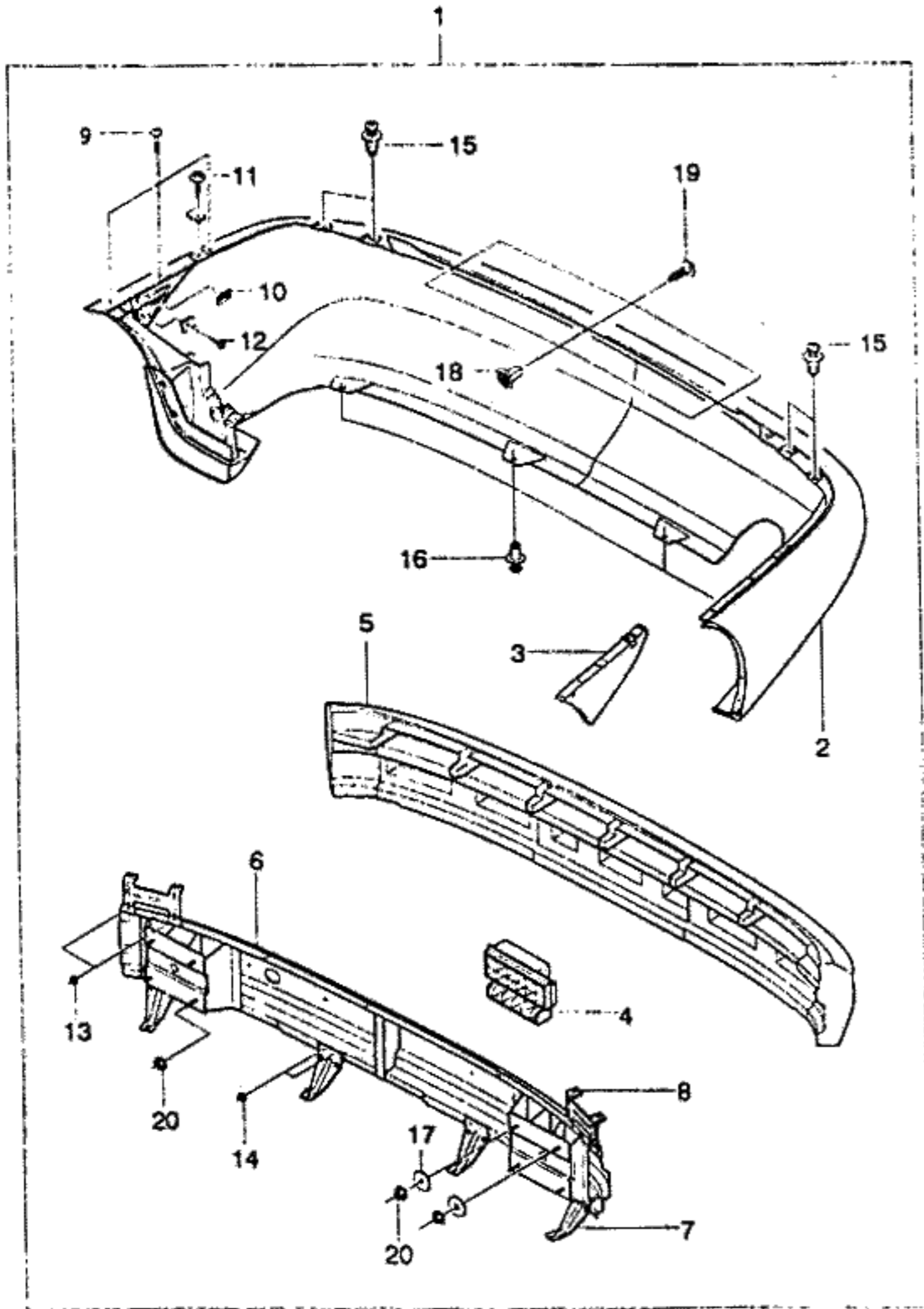
I T C	KEY NO.	PART NAME							L / R	Q T Y	EFFECTIVE DATE		REMARKS	P / C O D E
	PART NO	MODEL			OPTION	FROM	TO	REMARKS						
		E N G	T / A	BODY							LEVEL			
	[09]	(E)BRACKET A-FRT BUMPER SIDE (D)TRÄGER							(F)SUPPORT (S)SOPORTE					
	96303220	.	.	B	B	B	S	S	S	LH	1			
	96303221	.	.	B	B	B	S	S	S	RH	1			
	[10]	(E)NUT-SPEED (D)MUTTER							(F)ECROU (S)TUERCA					
	09148-01001	.	.	B	B	B	S	S	S		4			
	[11]	(E)SCREW-TAPPING (D)SCHRAUBE							(F)VIS (S)TORNILLO					
	03130-42133	.	.	B	B	B	S	S	S		6			
	[12]	(E)CLIP (D)KLEMME							(F)ATTACHE (S)GRAPA					
	09409-09302	.	.	B	B	B	S	S	S		9			
	[13]	(E)NUT (D)MUTTER							(F)ECROU (S)TUERCA					
	09159-08010	.	.	B	B	B	S	S	S		4			
	[14]	(E)BOLT (D)SCHRAUBE							(F)BOULON (S)PERNO					
	09118-08003	.	.	B	B	B	.	O	O	&VT3	2			W/WASHER
	[15]	(E)BOLT (D)SCHRAUBE							(F)BOULON (S)PERNO					
	09119-06017	.	.	B	B	B	S	S	S		2		970804	
	Y 09116-06039	.	.	B	B	B	S	S	S		2		970804	
	[16]	(E)SCREW-TAPPING (D)SCHRAUBE							(F)VIS (S)TORNILLO					
	09136-04005	.	.	B	B	B	S	S	S		4			
	[17]	(E)NUT-SPEED (D)MUTTER							(F)ECROU (S)TUERCA					
ENG(ENGINE)		T/A(TRANSAXLE)			BODY TYPE									
Y = 1.5SOHC 6 = 1.6DOHC . = COMMON		M = MANUAL T/A A = AUTOMATIC T/A . = COMMON			4 N = 4 DOOR NOTCHBACK 3 H = 3 DOOR HATCHBACK 5 H = 5 DOOR HATCHBACK									

6720 FRONT BUMPER

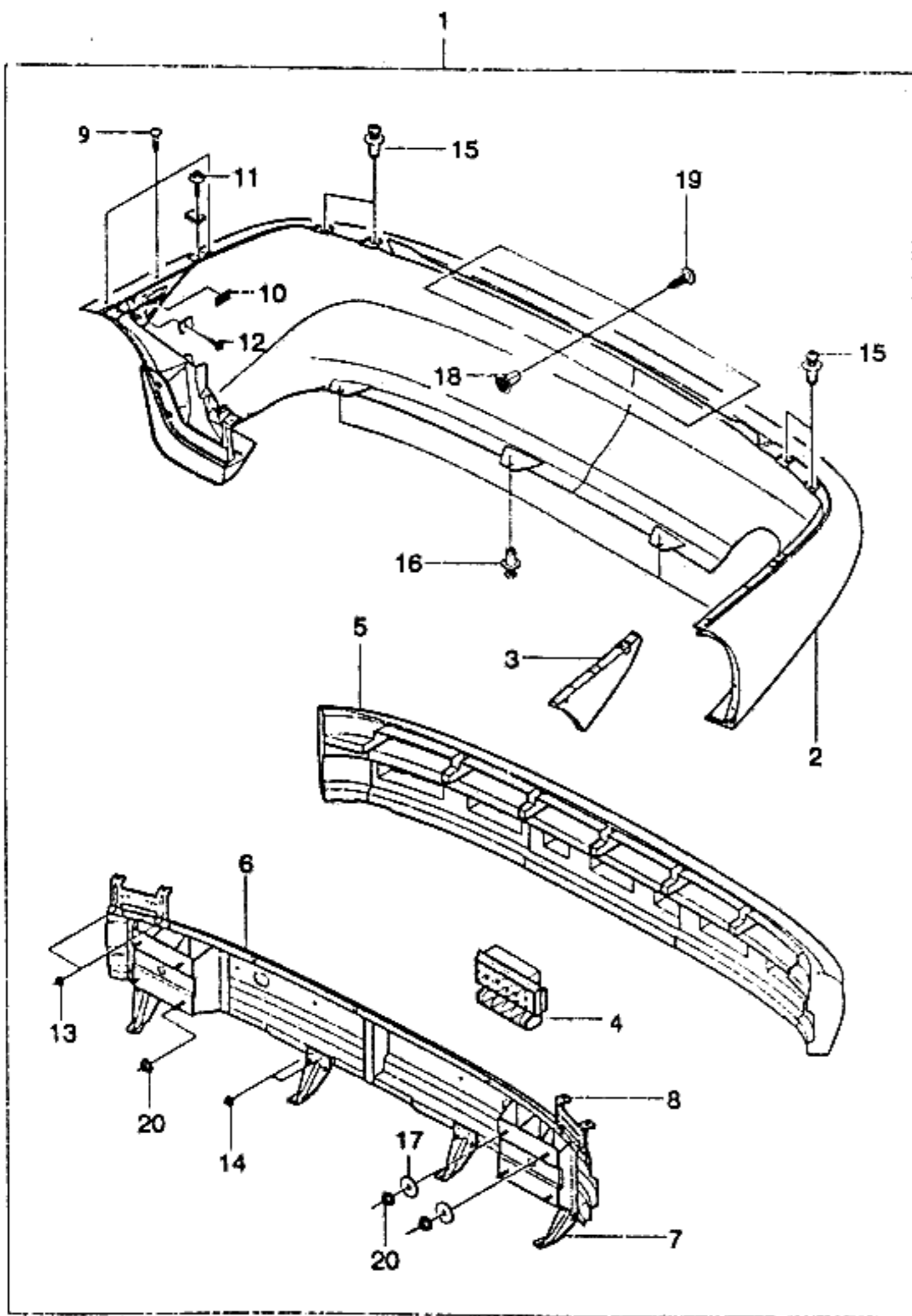
5E14



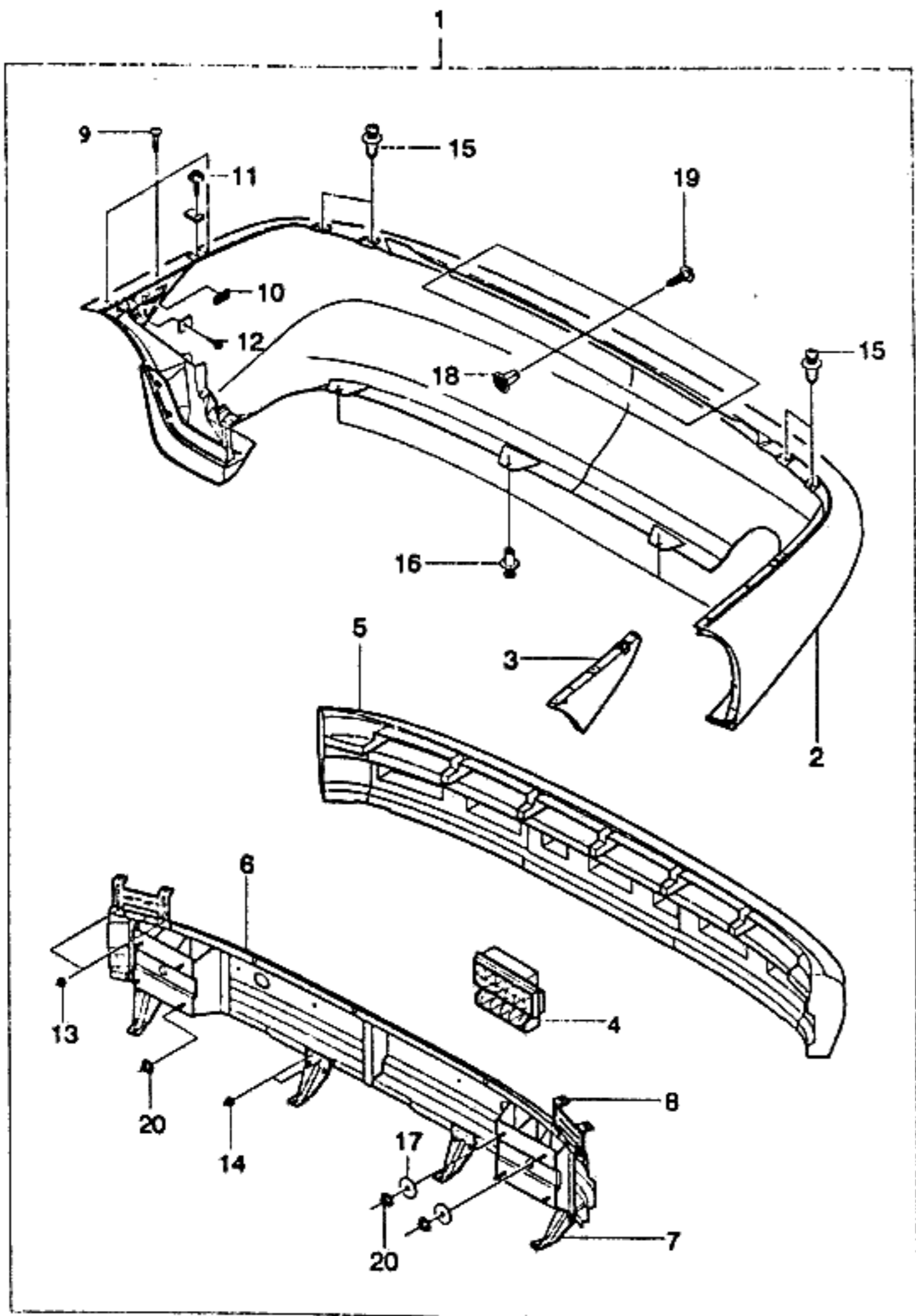
KEY NO.		PART NAME												
I T C	PART NO	MODEL					OPTION	L / R	Q T Y	EFFECTIVE DATE		REMARKS	P / C O D E	
		E	T	BODY		LEVEL				FROM	TO			
		N	/	4	3	5								S
	09148-04003	.	.	B	B	B	S	S	S			2		
	[18]											(F)VIS		
	09136-04005	.	.	B	B	B	S	S	S			2		
												(D)SCHRAUBE		
												(S)TORNILLO		
ENG(ENGINE)						T/A(TRANSAXLE)			BODY TYPE					
Y = 1.5SOHC 6 = 1.6DOHC . = COMMON						M = MANUAL T/A A = AUTOMATIC T/A . = COMMON			4 N = 4 DOOR NOTCHBACK 3 H = 3 DOOR HATCHBACK 5 H = 5 DOOR HATCHBACK					



I T C	KEY NO.		PART NAME										L / R	Q T Y	EFFECTIVE DATE		REMARKS	P / C O D E
	PART NO	E N G	MODEL			OPTION	FROM	TO	REMARKS	P / C O D E								
			T / G	4 N H	3 H						5 H	S S			S S	S S		
	[01]	(E)BUMPER A-REAR (D)STOBSTANGE,HINTEN												(F)PARE-CHOC-ARRIERE (S)PARACHOQUES-TRASERO				
	96303222	. . . B . . . S S S												1				
	96232611 B B S . S												1				
	[02]	(E)FASCIA A-BUMPER,REAR (D)SCHILD,HINTERE STOBSTANGE												(F)BANDELETES (S)PARACHOQUES TRASERO				
	96226178	. . . B . . . S S S												1				
	96226180 B B S . S												1				
	[03]	(E)BRACKET A-RR BUMPER SIDE (D)TRÄGER,HINTERE STOBSTANGE												(F)SUPPORT (S)SOPORTE-LADO				
	96303482	. . . B . . . S S S												LH 1				
	96215644	. . . B . . . S S S												RH 1				
	96215645 B B S . S												LH 1				
	96215646 B B S . S												RH 1				
	[05]	(E)ABSORBER-RR BUMPER ENERGY (D)HINTERE STOBSTANGE												(F)AMORTISSEUR (S)AMORTIGUADOR				
	96303225	. . . B . . . S S S												1				
	96215632 B B S . S												1				
	[06]	(E)BEAM A-REAR BUMPER IMPACT (D)STANGE,HINTERE STOBSTANGE												(F)BARRE (S)BARRA-IMPACTO				
	96303227	. . . B B B S S S												1				
	[07]	(E)SUPPORT-REAR FASCIA,LOWER (D)TRÄGER												(F)SUPPORT (S)SOPORTE				
	96216493	. . . B . . . S S S												4				
	96217114 B B S . S												LH 1				
	96217115 B B S . S												RH 1				
ENG(ENGINE)			T/A(TRANSAXLE)				BODY TYPE											
Y = 1.5SOHC 6 = 1.6DOHC . = COMMON			M = MANUAL T/A A = AUTOMATIC T/A . = COMMON				4 N = 4 DOOR NOTCHBACK 3 H = 3 DOOR HATCHBACK 5 H = 5 DOOR HATCHBACK											

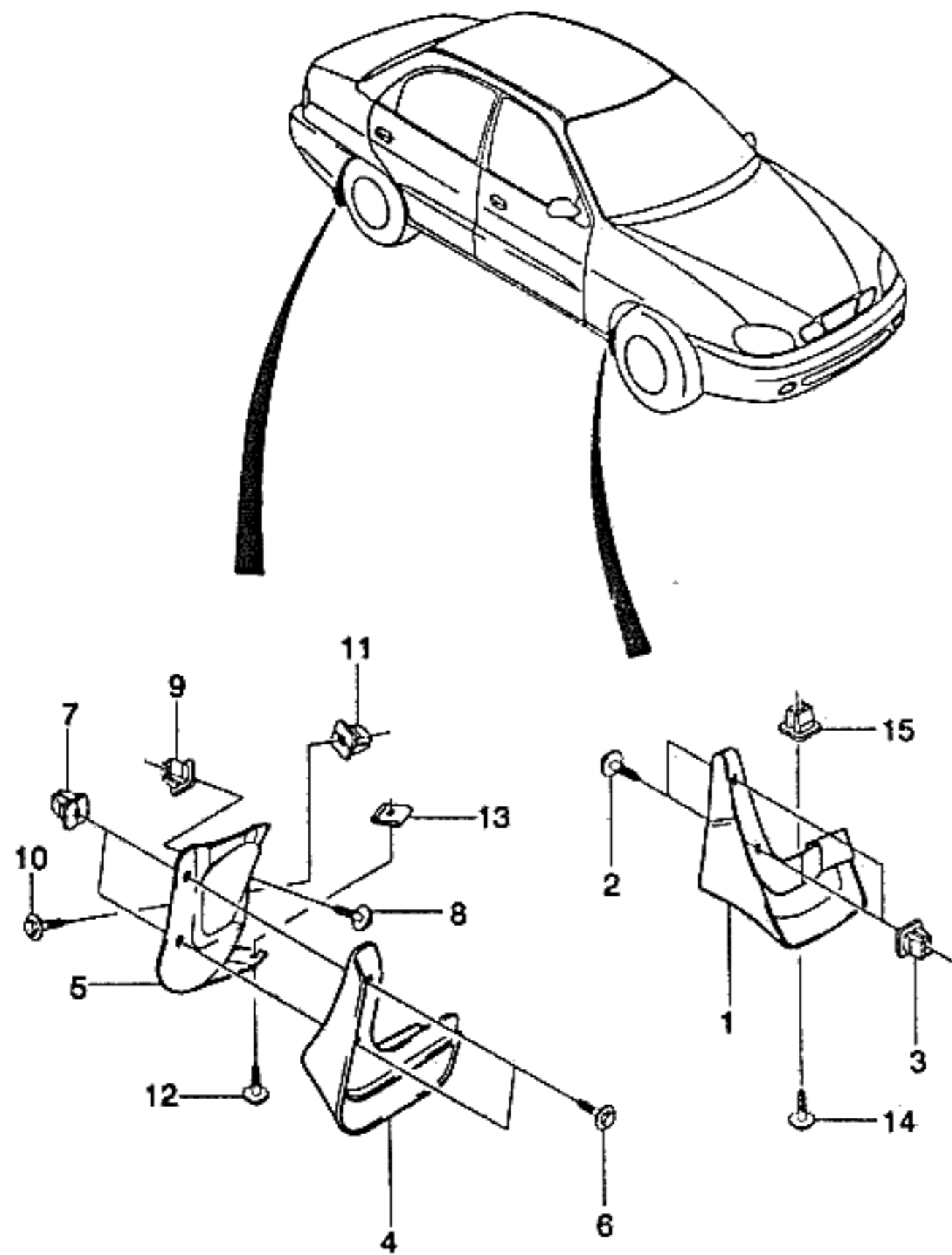


I T C	KEY NO.	PART NAME											REMARKS	P / C O D E
		PART NO	MODEL					OPTION	L / R	Q T Y	EFFECTIVE DATE			
			E N G	T / A	BODY	LEVEL					FROM	TO		
		4	3	5	S	S	S							
	[08]	(E)SUPPORT-REAR FASCIA,UPPER (D)TRÄGER												
	96215642	.	.	.	B	B	S	.	S		(F)SUPPORT (S)SOPORTE			
	96226268	.	.	.	B	B	S	.	S		LH 1 RH 1			
	[10]	(E)NUT-SPEED (D)MUTTER												
	09148-01001	.	.	B	B	B	S	S	S		(F)ECROU (S)TUERCA			
	[11]	(E)BOLT (D)SCHRAUBE												
	09119-06020	.	.	B	B	B	S	S	S		(F)BOULON (S)PERNO			
Y	09119-06039	.	.	B	B	B	S	S	S			2	970908	
	[12]	(E)BOLT (D)SCHRAUBE												
	09119-06017	.	.	B	B	B	S	S	S		(F)BOULON (S)PERNO			
Y	09116-06039	.	.	B	B	B	S	S	S			2	970908	
	[13]	(E)RIVET (D)NETE												
	09229-04002	.	.	B	B	B	S	S	S		(F)RIVET (S)ROBLON (REMACHE)			
	[14]	(E)RIVET (D)NETE												
	09229-04002	.	.	B	B	B	S	S	S		(F)RIVET (S)ROBLON (REMACHE)			
	[15]	(E)CLIP (D)KLEMME												
	09409-09302	.	.	B	B	B	S	S	S		(F)ATTACHE (S)GRAPA			
	[16]	(E)CLIP (D)KLEMME												
	09409-09302	.	.	B	B	B	S	S	S		(F)ATTACHE (S)GRAPA			
ENG(ENGINE)		T/A(TRANSAXLE)				BODY TYPE								
Y = 1.5SOHC 6 = 1.6DOHC . = COMMON		M = MANUAL T/A A = AUTOMATIC T/A . = COMMON				4 N = 4 DOOR NOTCHBACK 3 H = 3 DOOR HATCHBACK 5 H = 5 DOOR HATCHBACK								



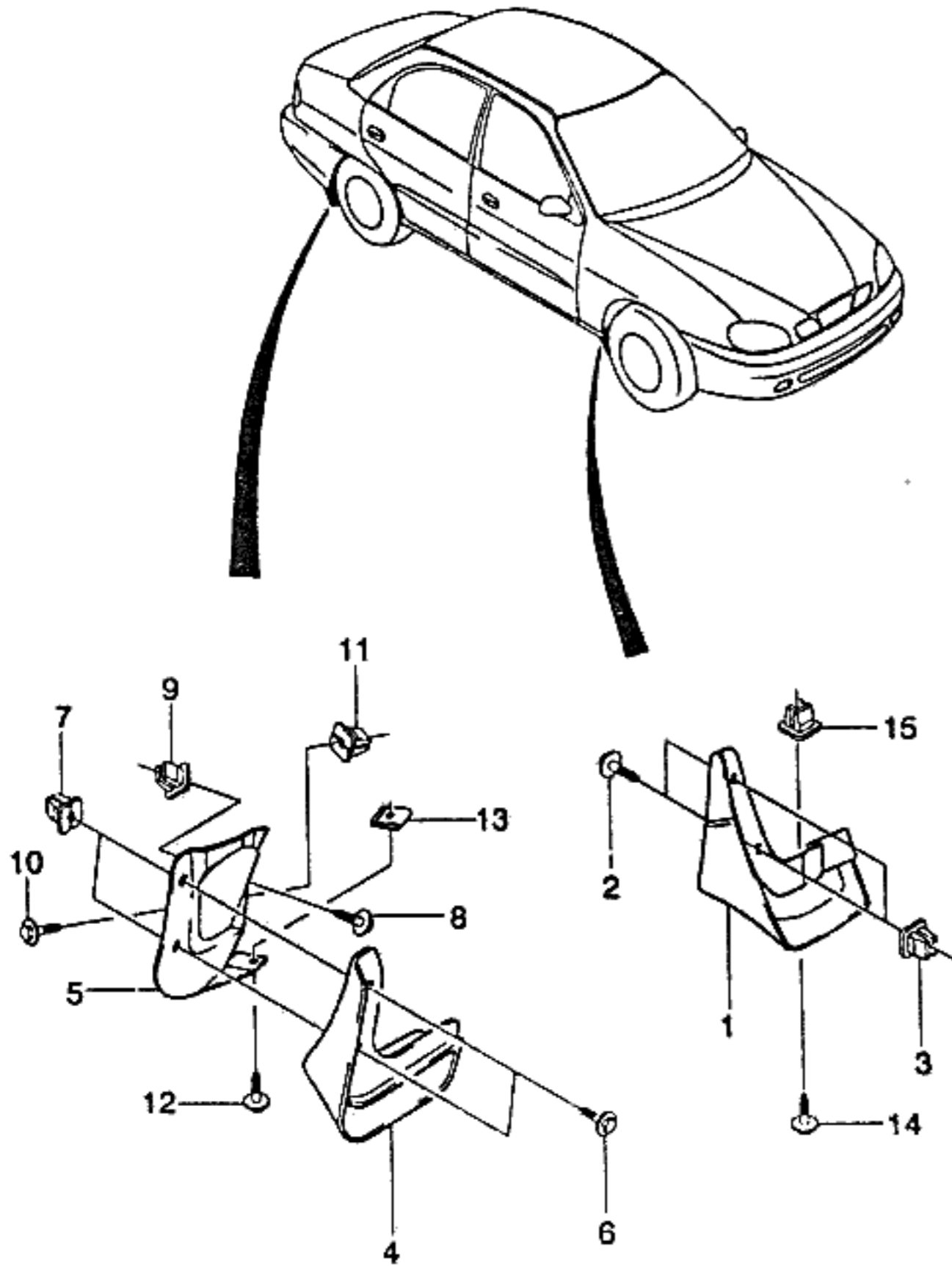
KEY NO.	PART NAME										REMARKS	P / C O D E
	PART NO	MODEL				OPTION	L / R	Q T Y	EFFECTIVE DATE			
		E N G	T / A	B O D Y	L E V E L				FROM	TO		
[17]	(E)WASHER-PLAIN (D)DICHTUNGSRING											
09161-07001	B	B	B	S	S	S	4	970804			
Y 09161-09001	B	B	B	S	S	S	4	970804			
[18]	(E)NUT-SPEED (D)MUTTER											
09148-03006	B	B	B	S	S	S	3				
[19]	(E)SCREW-TAPPING (D)SCHRAUBE											
03160-42132	B	B	B	S	S	S	3				
[20]	(E)NUT (D)MUTTER											
09159-08010	B	B	B	S	S	S	6				

ENG(ENGINE)	T/A(TRANSAXLE)	BODY TYPE
Y = 1.5SOHC 6 = 1.6DOHC . = COMMON	M = MANUAL T/A A = AUTOMATIC T/A . = COMMON	4 N = 4 DOOR NOTCHBACK 3 H = 3 DOOR HATCHBACK 5 H = 5 DOOR HATCHBACK



KEY NO.	PART NAME													
	PART NO	MODEL						OPTION	L / R	Q / T Y	EFFECTIVE DATE		REMARKS	P / I / C / O / D / E
		E / N / G	T / A	BODY	LEVEL						FROM	TO		
[01]	(E)GUARD A-MUD,FRONT (D)KOTFLÜGEL													
96303235	. . . B B B A A A													
96306140	. . . B B B A A A													
[02]	(E)SCREW-TAPPING (D)SCHRAUBE													
09136-04005	. . . B B B A A A									4	970804			
Y 09136-04013	. . . B B B A A A									4	970804			
[03]	(E)NUT-SPEED (D)MUTTER													
09148-04003	. . . B B B A A A													
[04]	(E)GUARD-MUD,REAR (D)KOTFLÜGEL,SCHLAMM													
96303233	. . . B . . A A A													
96306249	. . . B . . A A A													
96303239 B B A . A													
96306250 B B A . A													
[05]	(E)GUARD-WHEEL,REAR (D)KOTFLÜGEL,SCHLAMM													
96306231	. . . B . . S S S													
96306232	. . . B . . S S S													
96304674 B B S . S													
96304675 B B S . S													
[06]	(E)SCREW-TAPPING (D)SCHRAUBE													
09136-04005	. . . B B B A A A													

ENG(ENGINE)	T/A(TRANSAXLE)	BODY TYPE
Y = 1.5SOHC 6 = 1.6DOHC . = COMMON	M = MANUAL T/A A = AUTOMATIC T/A . = COMMON	4 N = 4 DOOR NOTCHBACK 3 H = 3 DOOR HATCHBACK 5 H = 5 DOOR HATCHBACK



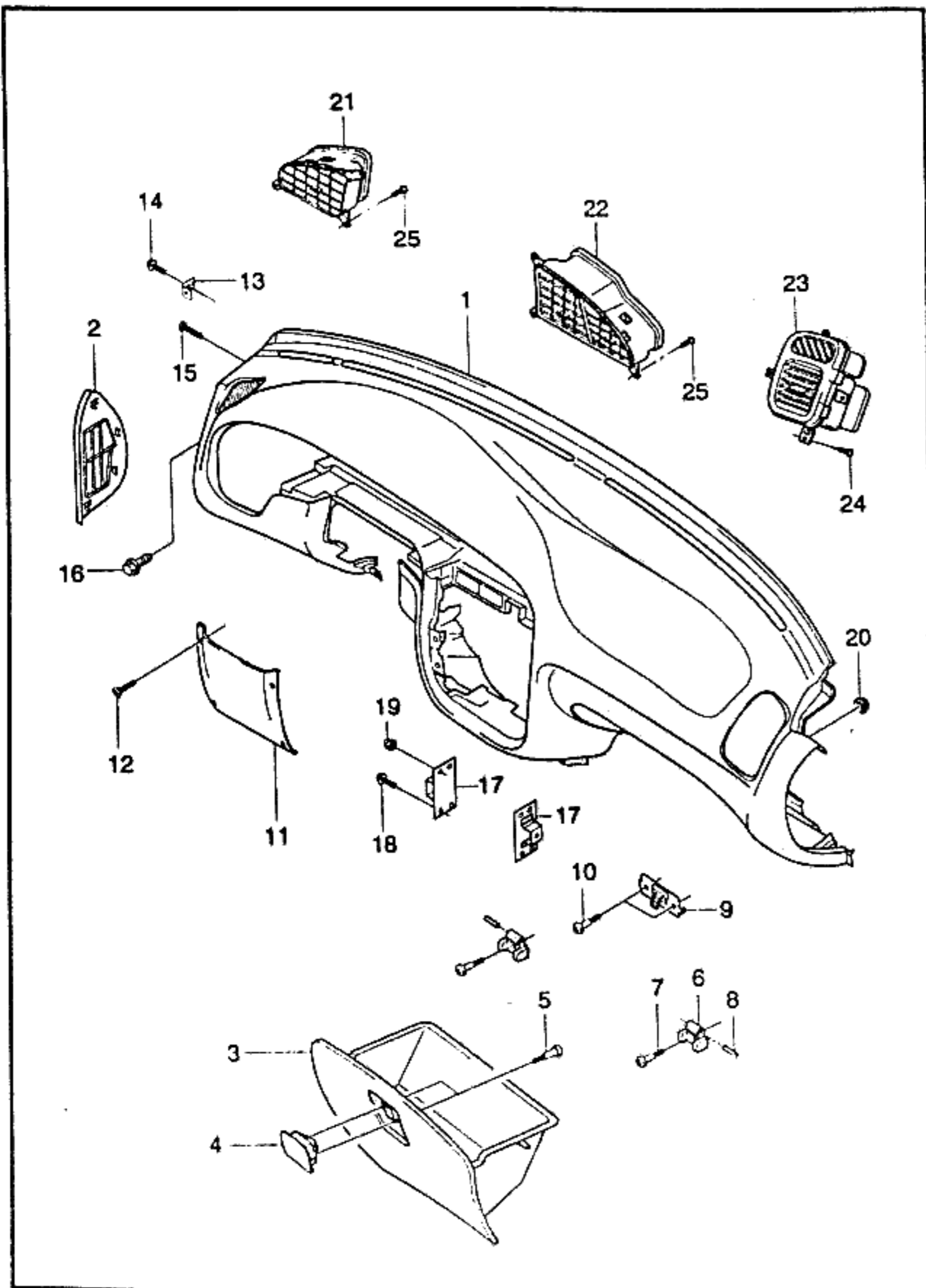
KEY NO.	PART NAME													
	PART NO	MODEL						OPTION	L / R	Q / T Y	EFFECTIVE DATE		REMARKS	P / C O D E
		E	T	BODY			LEVEL				FROM	TO		
N	G	4	3	5	S	S	S							
[07]	(E)NUT-SPEED (D)MUTTER										(F)ECROU (S)TUERCA			
09148-04010	. . . B B B A A A										4			
[08]	(E)SCREW-TAPPING (D)SCHRAUBE										(F)VIS (S)TORNILLO			
09136-04005	. . . B B B A A A										2			
[09]	(E)NUT-SPEED (D)MUTTER										(F)ECROU (S)TUERCA			
09148-04003	. . . B B B A A A										2			
[10]	(E)SCREW-TAPPING (D)SCHRAUBE										(F)VIS (S)TORNILLO			
09136-04005	. . . B B B A A A										2			
[11]	(E)NUT-SPEED (D)MUTTER										(F)ECROU (S)TUERCA			
09148-04003	. . . B B B A A A										2			
[12]	(E)SCREW-TAPPING (D)SCHRAUBE										(F)VIS (S)TORNILLO			
09136-04005	. . . B B B A A A										2			
[13]	(E)NUT-SPEED (D)MUTTER										(F)ECROU (S)TUERCA			
09148-04010	. . . B B B A A A										2			
[14]	(E)SCREW-TAPPING (D)SCHRAUBE										(F)VIS (S)TORNILLO			
09136-04005	. . . B B B A A A										2			
[15]	(E)NUT-SPEED (D)MUTTER										(F)ECROU (S)TUERCA			
09148-04003	. . . B B B A A A										2			

ENG(ENGINE)	T/A(TRANSAXLE)	BODY TYPE
Y = 1.5SOHC 6 = 1.6DOHC . = COMMON	M = MANUAL T/A A = AUTOMATIC T/A . = COMMON	4 N = 4 DOOR NOTCHBACK 3 H = 3 DOOR HATCHBACK 5 H = 5 DOOR HATCHBACK

7

INTERIOR

7110	INSTRUMENT PANEL	7540	REAR SEAT I
7120	MOLDING & SWITCH	7541	REAR SEAT II
7130	INSTRUMENT CENTER PARTS	7550	FRONT SEAT BELT
7140	CONSOLE	7560	REAR SEAT BELT
7210	FRONT DOOR TRIM	7610	FRONT FLOOR CARPET
7220	REAR DOOR TRIM	7620	REAR FLOOR CARPET
7310	HEADLINING	7630	DEADENER
7320	SHELF BACK PANEL		
7321	COVER-CENTER,LOAD COMPT		
7330	FRONT PILLAR TRIM (4DOOR N/B)		
7331	FRONT PILLAR TRIM (5DOOR H/B)		
7332	FRONT PILLAR TRIM (3DOOR H/B)		
7340	REAR PILLAR TRIM (N/B)		
7341	REAR PILLAR TRIM (H/B)		
7350	SUNSHADE & INSIDE MIRROR		
7510	FRONT SEAT		
7520	FRONT SEAT PARTS		
7530	SEAT GUIDE RAIL		

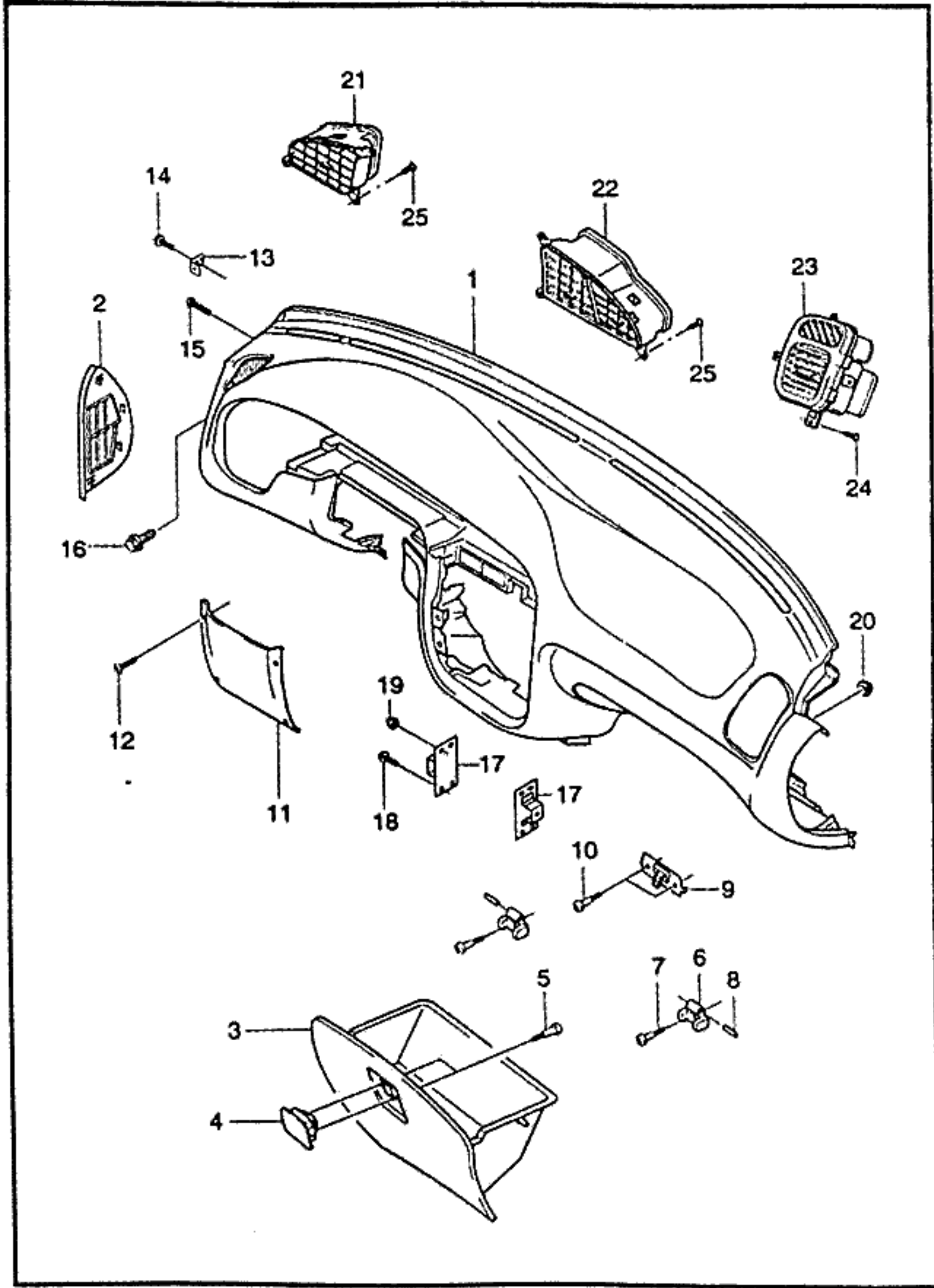


KEY NO.	PART NAME												
	PART NO	MODEL						OPTION	L / Q R / Y	EFFECTIVE DATE		REMARKS	P / C O D E
		E T N G	B O D Y	L E V E L	S S S		FROM			TO			
[01]	(E)PANEL-INSTRUMENT (D)VERKLEIDUNG,INSTRUMENT							(F)PANNEAU-TABLEAU DE BORD (S)PANEL-INSTRUMENTO					
96235802	B	B	B	S	S	S	-ABF	1				
96235804	B	B	B	.	O	O	&ABF	1				
[02]	(E)COVER-INST PANEL,SIDE (D)DECKEL							(F)CARTER (S)CUBIERTA					
96246806	B	B	B	S	S	S		LH 1			R3	
96246808	B	B	B	S	S	S		RH 1			R4	
[03]	(E)BOX A-GLOVE (D)HANDSCHUHFACH							(F)BOITE-GANTS (S)CAJA-GUANTERA					
96235825	B	B	B	S	S	S	-ABF	1		INCL. #4-6,8	R7	
96235823	B	B	B	.	O	O	&ABF	1		INCL. #4-6,8	R5	
[04]	(E)LOCK A-GLOVE BOX (D)SCHLOß,HANDSCHUHFACH							(F)VERROU-BOITE A GANTS (S)CERRADURA					
96235836	B	B	B	S	S	S		1				
[05]	(E)SCREW (D)SCHRAUBE							(F)VIS (S)TORNILLO					
02124-04123	B	B	B	S	S	S		2				
[06]	(E)HINGE-GLOVE BOX (D)BESCHLAG,HANDSCHUHFACH							(F)CHARNIERE-BOITE A GANTS (S)BISAGRA					
96221351	B	B	B	S	S	S		2				
[07]	(E)SCREW (D)SCHRAUBE							(F)VIS (S)TORNILLO					
02146-15205	B	B	B	S	S	S		2				
[08]	(E)PIN-GLOVE BOX (D)STIFT,HANDSCHUHFACH							(F)BROCHE-BOITE A GANTS (S)PASADOR-GUANTERA					
96221307	B	B	B	S	S	S		2				

ENG(ENGINE)	T/A(TRANSAXLE)	BODY TYPE
Y = 1.5SOHC 6 = 1.6DOHC . = COMMON	M = MANUAL T/A A = AUTOMATIC T/A . = COMMON	4 N = 4 DOOR NOTCHBACK 3 H = 3 DOOR HATCHBACK 5 H = 5 DOOR HATCHBACK

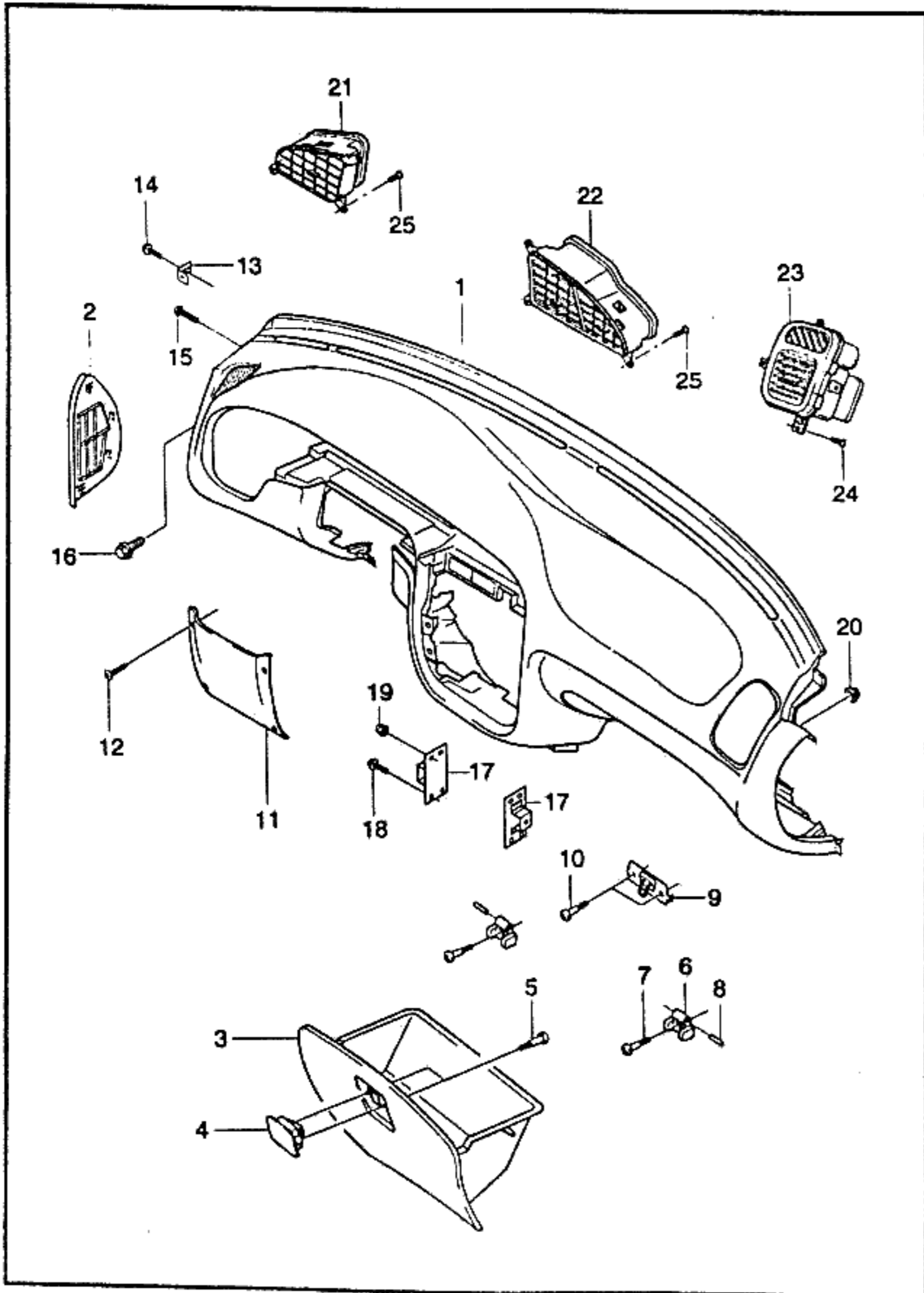
7110 INSTRUMENT PANEL

5C15

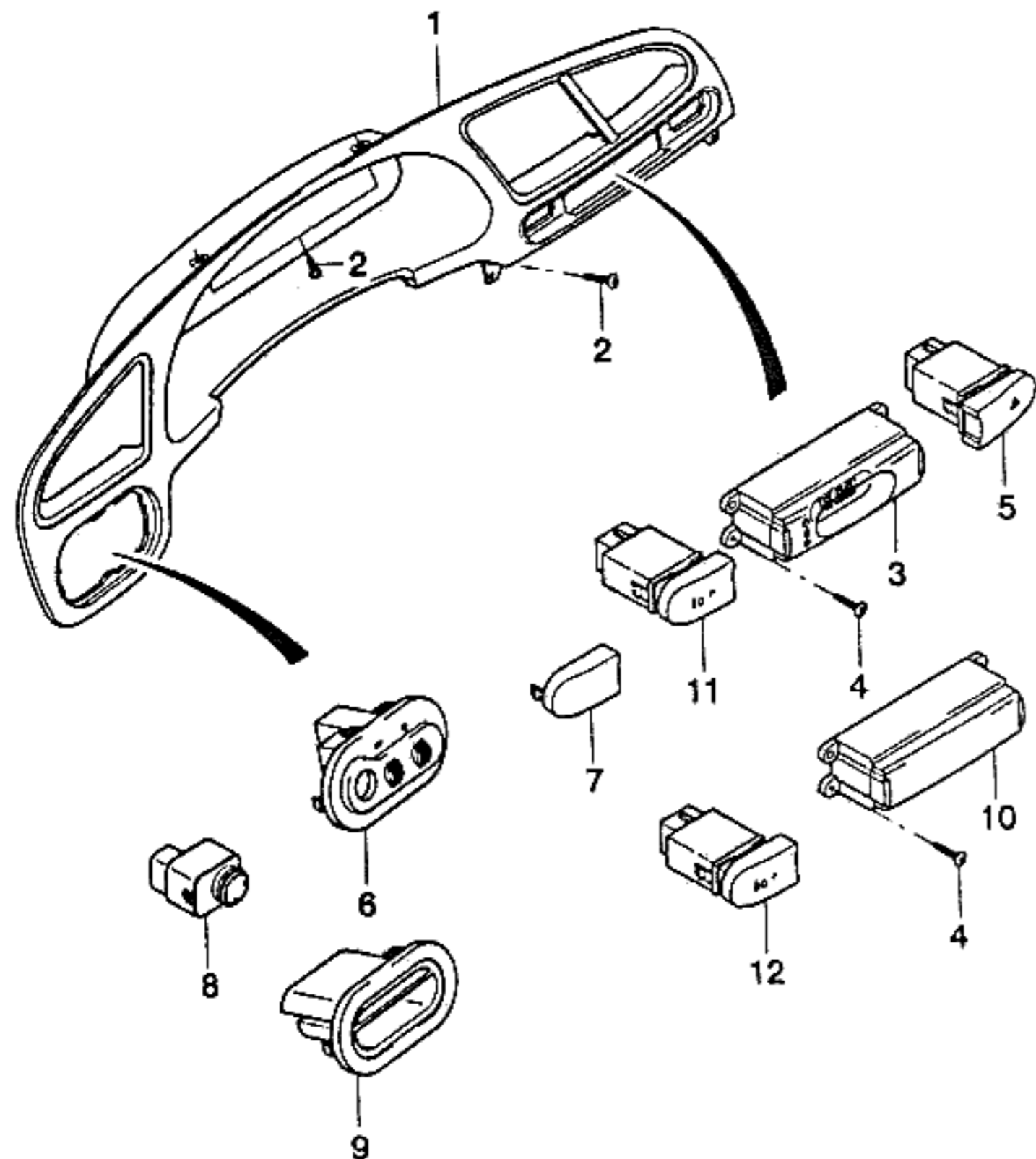


KEY NO.	PART NAME												
	PART NO	MODEL					OPTION	L / R	Q / T Y	EFFECTIVE DATE		REMARKS	P / C O D E
		E T N / G	4 3 5	B O D Y	H H S	L E V E L				S S S	FROM		
[09]	96221301	(E)STRIKER A-GLOVE BOX (D)SCHLÄGER	. . .	B B B	S S S			(F)MARTEAU (S)HUELGUISTA	1				
[10]	02146-15165	(E)SCREW (D)SCHRAUBE	. . .	B B B	S S S			(F)VIS (S)TORNILLO	2				
[11]	96235788	(E)COVER-INST PANEL,LOWER (D)DECKEL	. . .	B B B	S S S			(F)CARTER (S)CUBIERTA	1			R3	
[12]	03160-48165	(E)SCREW-TAPPING (D)SCHRAUBE	. . .	B B B	S S S			(F)VIS (S)TORNILLO	4				
[13]	96307185	(E)BRACKET A-INST PANEL,SIDE (D)TRÄGER	. . .	B B B	S S S			(F)SUPPORT (S)SOPORTE	2				
[14]	01107-06123	(E)BOLT-HEXAGON (D)SCHRAUBE	. . .	B B B	S S S			(F)BOULON (S)PERNO	2				
[15]	02146-15165	(E)SCREW (D)SCHRAUBE	. . .	B B B	S S S			(F)VIS (S)TORNILLO	2				
[16]	09116-08008	(E)BOLT (D)SCHRAUBE	. . .	B B B	S S S			(F)BOULON (S)PERNO	6		W W ASHER		
[17]	96214161	(E)PIECE A-CONNECTING (D)TEIL,VERBINDUNGS	. . .	B B B	S S S			(F)PIECE-DE CONNEXION (S)PIEZA-CONEXION	LH 1				
	96214201		. . .	B B B	S S S				RH 1				

ENG(ENGINE)	T/A(TRANSAXLE)	BODY TYPE
Y = 1.5SOHC 6 = 1.6DOHC . = COMMON	M = MANUAL T/A A = AUTOMATIC T/A . = COMMON	4 N = 4 DOOR NOTCHBACK 3 H = 3 DOOR HATCHBACK 5 H = 5 DOOR HATCHBACK

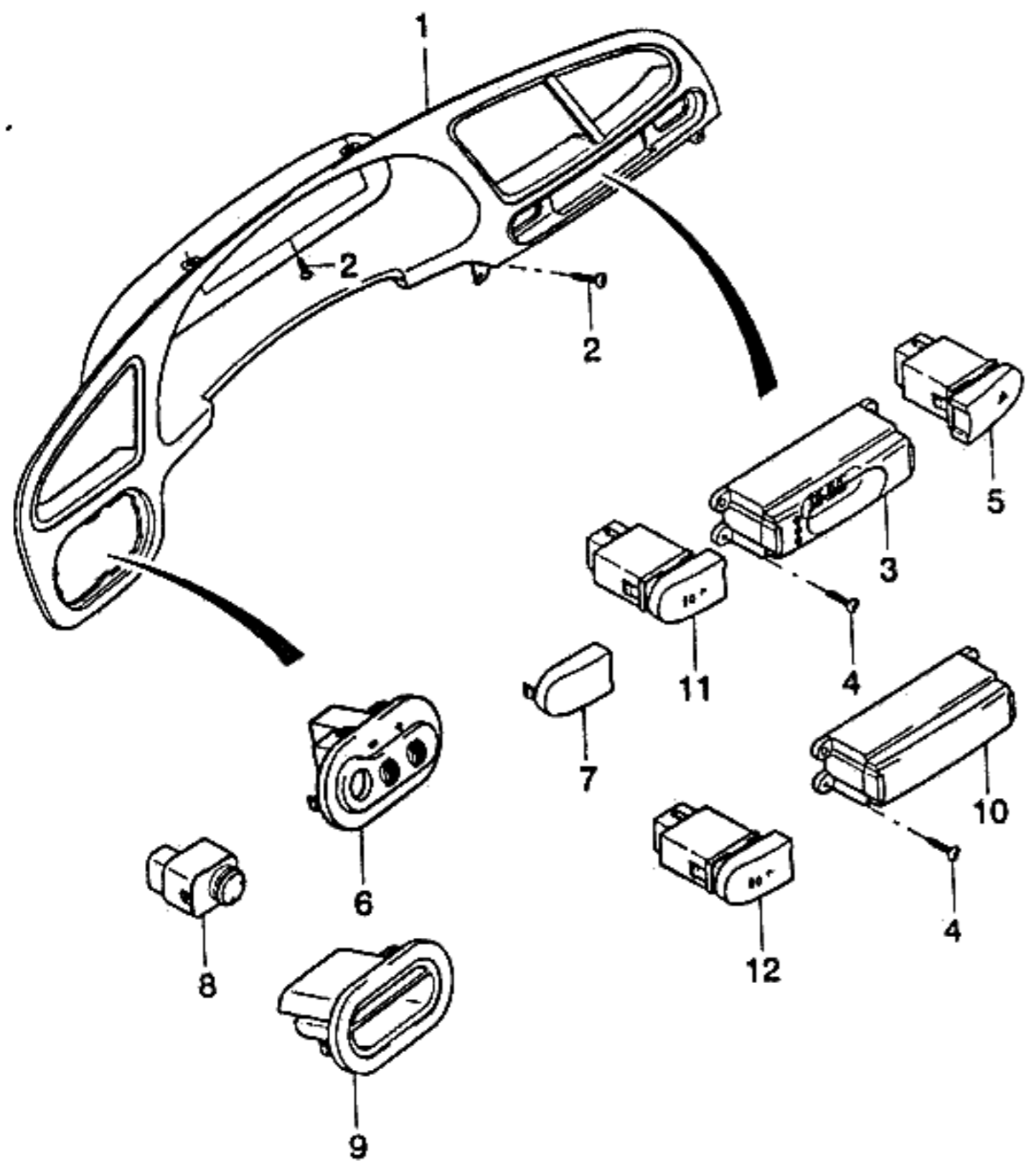


KEY NO.	PART NAME										REMARKS	P / CODE	
	PART NO	MODEL				OPTION	L / R	Q / Y	EFFECTIVE DATE				
		E	T	BODY	LEVEL				FROM	TO			
[18]	(E)BOLT-HEXAGON (D)SCHRAUBE												
01117-06123	. . . B B B S S S												
[19]	(E)NUT-HEXAGON FLANGE (D)MUTTER												
08316-15063	. . . B B B S S S												
[20]	(E)NUT-HEXAGON (D)MUTTER												
08316-28083	. . . B B B S S S												
[21]	(E)NOZZLE A-VENT.,DRIVER (D)ABFLUß,LUFT												
96241655	. . . B B B S S S												
[22]	(E)NOZZLE A-VENT.,CENTER (D)ABFLUß,LUFT												
96241653	. . . B B B S S S												
[23]	(E)NOZZLE A-VENT.,ASSIST. (D)ABFLUß,LUFT												
96235809	. . . B B B S S S												
[24]	(E)SCREW-TAPPING (D)SCHRAUBE												
03140-48165	. . . B B B												
03160-48165	. . . B B B S S S												
[25]	(E)SCREW-TAPPING (D)SCHRAUBE												
03240-42165	. . . B B B S S S												
ENG(ENGINE)		T/A(TRANSAXLE)				BODY TYPE							
Y = 1.5SOHC 6 = 1.6DOHC . = COMMON		M = MANUAL T/A A = AUTOMATIC T/A . = COMMON				4 N = 4 DOOR NOTCHBACK 3 H = 3 DOOR HATCHBACK 5 H = 5 DOOR HATCHBACK							



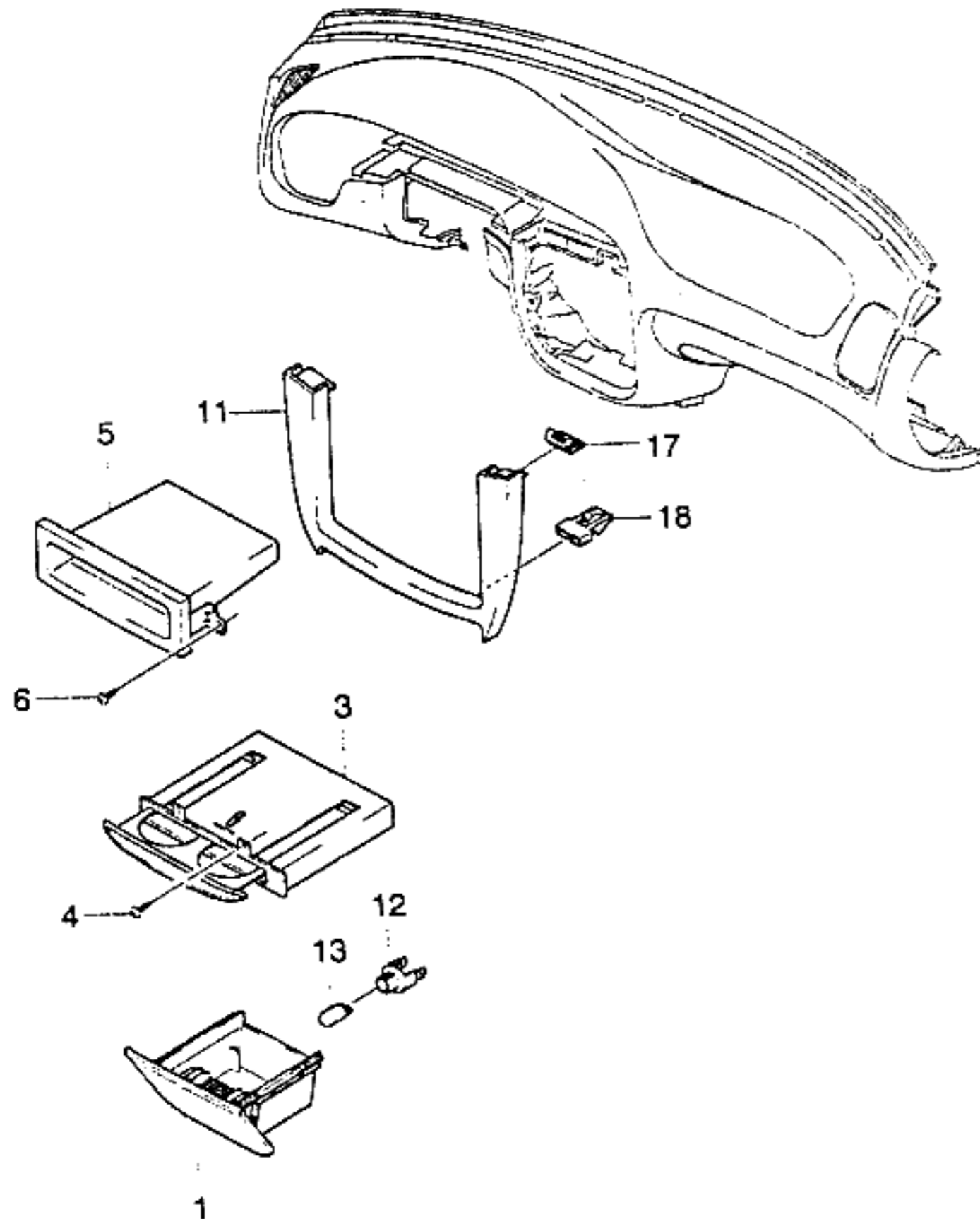
KEY NO.	PART NAME										REMARKS	P / CODE	
	PART NO	MODEL					OPTION	L / R	Q / Y	EFFECTIVE DATE			
		E / N / G	T / A	BODY	LEVEL					FROM			TO
[01]	(E)HOUSING-INSTRUMENT CLUSTE (D)GEHÄUSE ARMATURENBRETT	(F)LOGEMENT-GRAPPE (S)CARCASA-TABLERO DE INSTRU											
96240807	. . . B B B S S S								1	970602			B3
96255623	. . . B B B S S S -N33								1	970602			B5
96240807	. . . B B B . . O &N33								1	970602			B3
96240807	. . . B B B . O O &N33								1			POLAND ONLY	B3
[02]	(E)SCREW-TAPPING (D)SCHRAUBE	(F)VIS (S)TORNILLO											
03160-48165	. . . B B B S S S								6				
[03]	(E)CLOCK A-DIGITAL (D)UHR,DIGITAL	(F)HORLOGE-DIGITALE (S)RELOJ-DIGITAL											
96236122	. . . B B B O S S -UM1								1				CA
96236123	. . . B B B A A A &UM1								1				CB
[04]	(E)SCREW-TAPPING (D)SCHRAUBE	(F)VIS (S)TORNILLO											
03110-42135	. . . B B B S S S								2				
[05]	(E)SWITCH A-HAZARD LIGHT (D)SCHALTER,WARNBLINKER	(F)COMMUTATEUR (S)INTERRUPTOR											
96231858	. . . B B B S S S								1				HY
[06]	(E)SWITCH A-HOUSING (D)SCHALTER	(F)COMMUTATEUR (S)INTERRUPTOR											
96230809	. . . B B B . . O &DD4-HL4								1				ME
96230807	. . . B B B . . A &DD4&HL4								1				MB
96230811	. . . B B B A A A &HL4-DD4								1				MH
[07]	(E)COVER-BLANK, FI LAMP SW (D)DECKEL	(F)COUVERCLE (S)CUBIERTA											
96230804	. . . B B B S S S -T97/T98								1				DC

ENG(ENGINE)	T/A(TRANSAXLE)	BODY TYPE
Y = 1.5SOHC 6 = 1.6DOHC . = COMMON	M = MANUAL T/A A = AUTOMATIC T/A . = COMMON	4 N = 4 DOOR NOTCHBACK 3 H = 3 DOOR HATCHBACK 5 H = 5 DOOR HATCHBACK

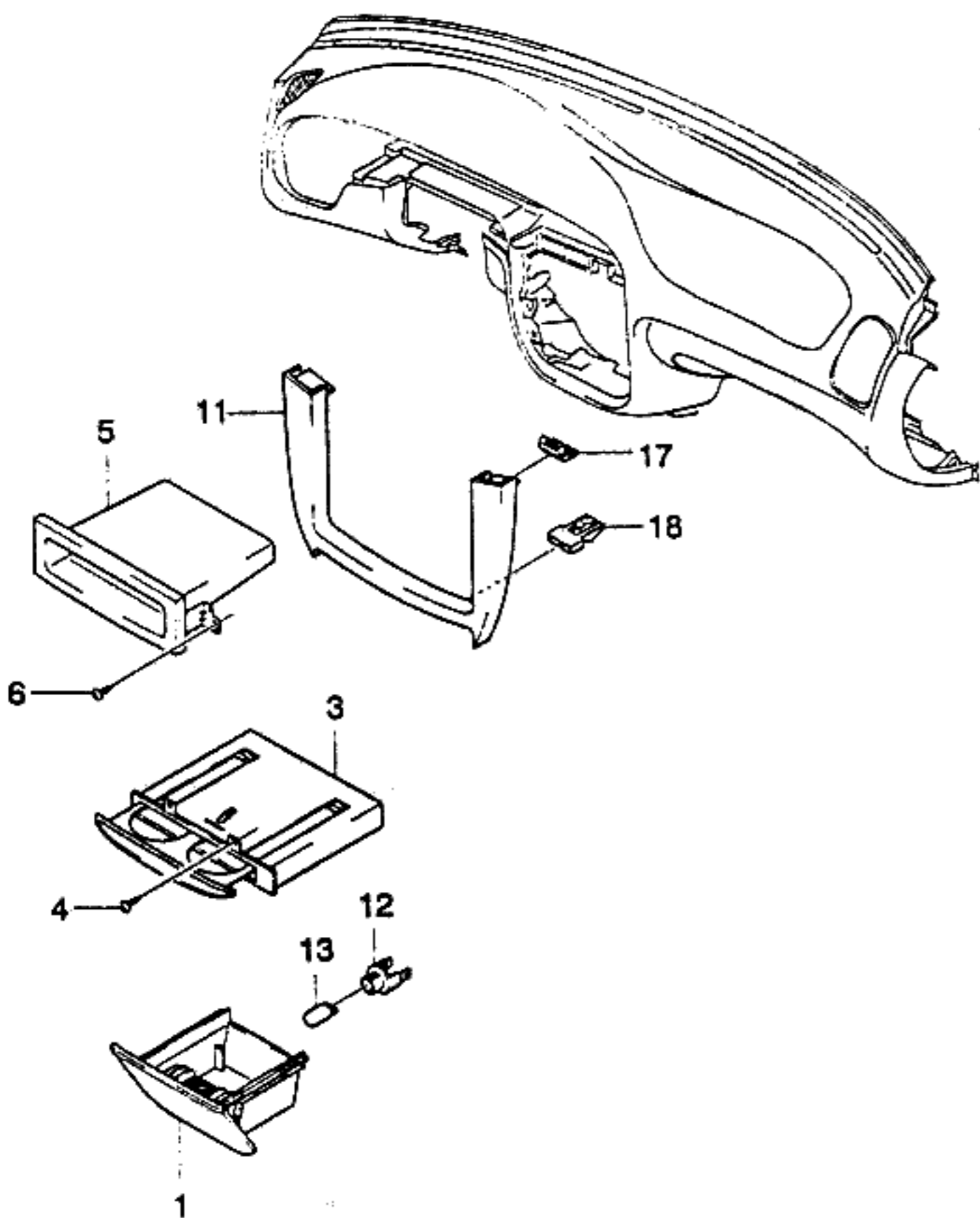


KEY NO.	PART NAME												
	PART NO	MODEL					OPTION	L / R	QTY	EFFECTIVE DATE		REMARKS	P / CODE
		E	T	BODY						LEVEL	FROM		
N / G	A	4	3	5	S	S	S						
[08] 96230818	(E)SWITCH A-MIRROR ADJUST (D)SCHALTER			B	B	B			O	&DD4	(F)COMMUTATEUR (S)INTERRUPTOR	1	KP
[09] 96242595	(E)BOX A-DEPOSIT, CARD (D)KASTEN			B	B	B	S	S	S		(F)BOITE-DEPOT (S)CAJA DE DEPOSITOS	1	
[10] 96236126	(E)COVER-BLANK,CLOCK (D)DECKEL			B	B	B	S			-UM1	(F)COUVERCLE (S)CUBIERTA	1	CC
[11] 96236127	(E)SWITCH A-FOG LAMP (D)SCHALTER			B	B	B	A			&UM1	(F)COMMUTATEUR (S)INTERRUPTOR	1	CD
[12] 96230802	(E)SWITCH A-FOG LAMP (D)SCHALTER			B	B	B			O	O &T97-T98	(F)COMMUTATEUR (S)INTERRUPTOR	1	DA
[12] 96242528	(E)SWITCH A-FOG LAMP,REAR (D)SCHALTER			B	B	B	A	A	A	&T98	(F)COMMUTATEUR (S)INTERRUPTOR	1	DE

ENG(ENGINE)	T/A(TRANSAXLE)	BODY TYPE
Y = 1.5SOHC 6 = 1.6DOHC . = COMMON	M = MANUAL T/A A = AUTOMATIC T/A . = COMMON	4 N = 4 DOOR NOTCHBACK 3 H = 3 DOOR HATCHBACK 5 H = 5 DOOR HATCHBACK

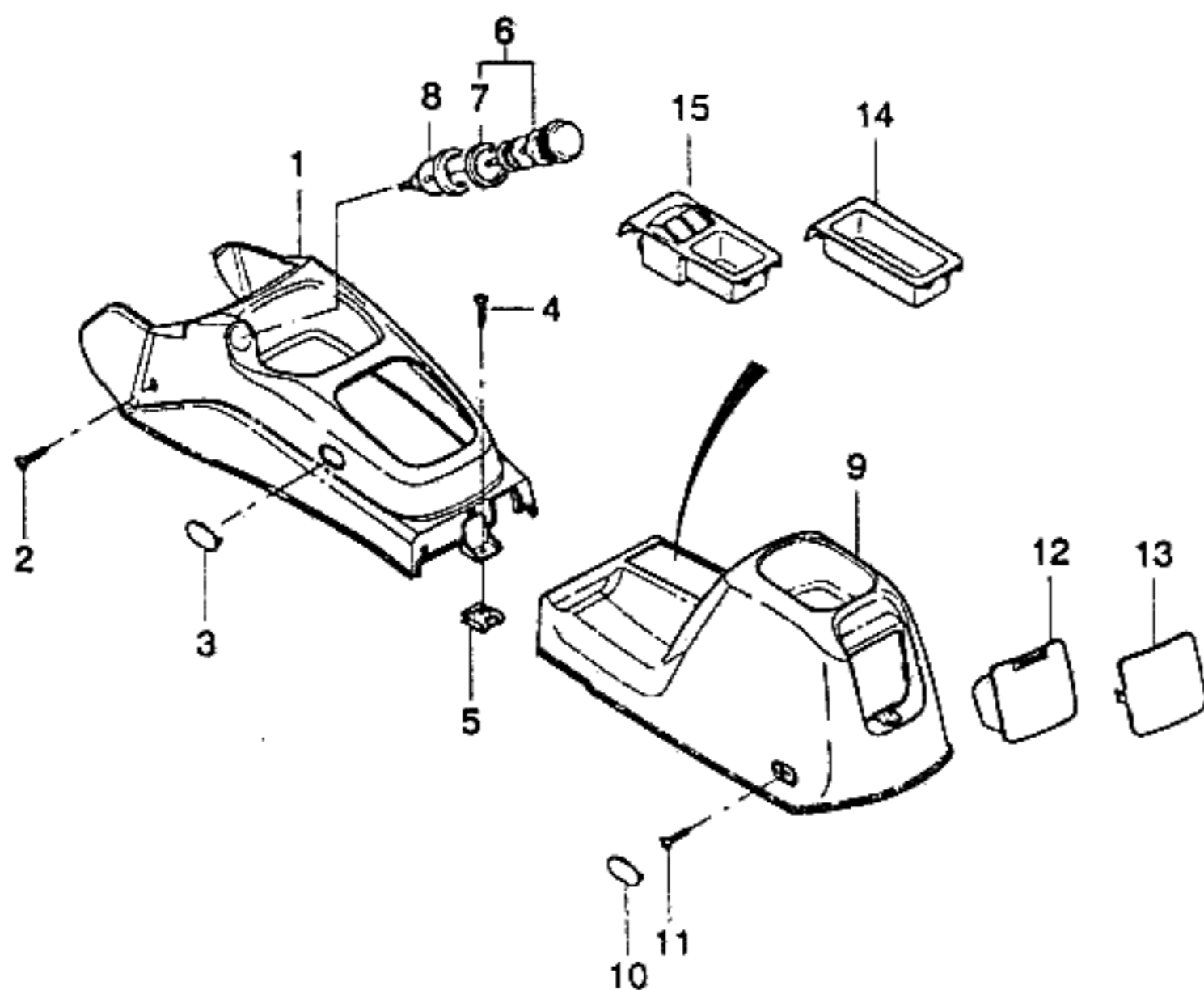


I T C	KEY NO.	PART NAME											P / C O D E	
		PART NO	MODEL						OPTION	L / Q T Y R	EFFECTIVE DATE			REMARKS
			E N G	T / A	BODY	LEVEL	S	S			FROM	TO		
	[01]	(E)ASHTRAY A-INSTRUMENT PNL (D)ASCHENBECHER								(F)CENDRIER-TABLEAU DE BORD (S)CENICERO				
	96235808	. . . B B B S S S								1				
	[03]	(E)HOLDER A-CUP (D)BEHÄLTER								(F)MONTURE (S)RETNEDOR				
	96242957	. . . B B B S S S								1				
	[04]	(E)SCREW-TAPPING (D)SCHRAUBE								(F)VIS (S)TORNILLO				
	03160-42165	. . . B B B S S S								2				
	[05]	(E)BOX-I/P CENTER DEPOSIT (D)ZENTRAL-FACH								(F)BOITE-DEPOT CENTRAL (S)CAJA-DEPOSITO				
	96304289	. . . B B B S S S								1				B1
	[06]	(E)SCREW (D)SCHRAUBE								(F)VIS (S)TORNILLO				
	02116-05165	. . . B B B S S S								2				
	[11]	(E)BEZEL A-AUDIO (D)KASTEN								(F)BISEAU (S)BISEL				
	96303173	. . . B B B S S S								1				B2
	[12]	(E)SOCKET (D)FASSUNG BIRNE								(F)CULOT-AMPOULE (S)ENCHUFE-BOMBILLA				
	11067612	. . . B B B S S S								1				
	[13]	(E)BULB (D)BIRNE								(F)AMPOULE (S)BOMBILLA				
	11062449	. . . B B B S S S								1				
	Y 09471-12012	. . . B B B S S S								1				
	[16]	(E)FRAME-CASSETTE (D)RAHMEN-KASSETTE								(F)CADRE-CASSETTE (S)ARMADURA-CASETE				
	96254552	. . . B B B S S S								1				AS ONLY
ENG(ENGINE)			T/A(TRANSAXLE)			BODY TYPE								
Y = 1.5SOHC 6 = 1.6DOHC . = COMMON			M = MANUAL T/A A = AUTOMATIC T/A . = COMMON			4 N = 4 DOOR NOTCHBACK 3 H = 3 DOOR HATCHBACK 5 H = 5 DOOR HATCHBACK								



KEY NO.	PART NAME										REMARKS	P / CODE	
	PART NO	MODEL				OPTION	L / R	Q / T Y	EFFECTIVE DATE				
		E N G	T / A	B O D Y	L E V E L				FROM	TO			
[17] 96232340	(E)CLIP-SPRING (D)RAHMEN-KASSETTE	.	.	B	B	B	S	S	S	(F)ATTACHE (S)GRAPA	2		
[18] 96221359	(E)CLIP-SPRING (D)RAHMEN-KASSETTE	.	.	B	B	B	S	S	S	(F)ATTACHE (S)GRAPA	2		

ENG(ENGINE)	T/A(TRANSAXLE)	BODY TYPE
Y = 1.5SOHC 6 = 1.6DOHC . = COMMON	M = MANUAL T/A A = AUTOMATIC T/A . = COMMON	4 N = 4 DOOR NOTCHBACK 3 H = 3 DOOR HATCHBACK 5 H = 5 DOOR HATCHBACK

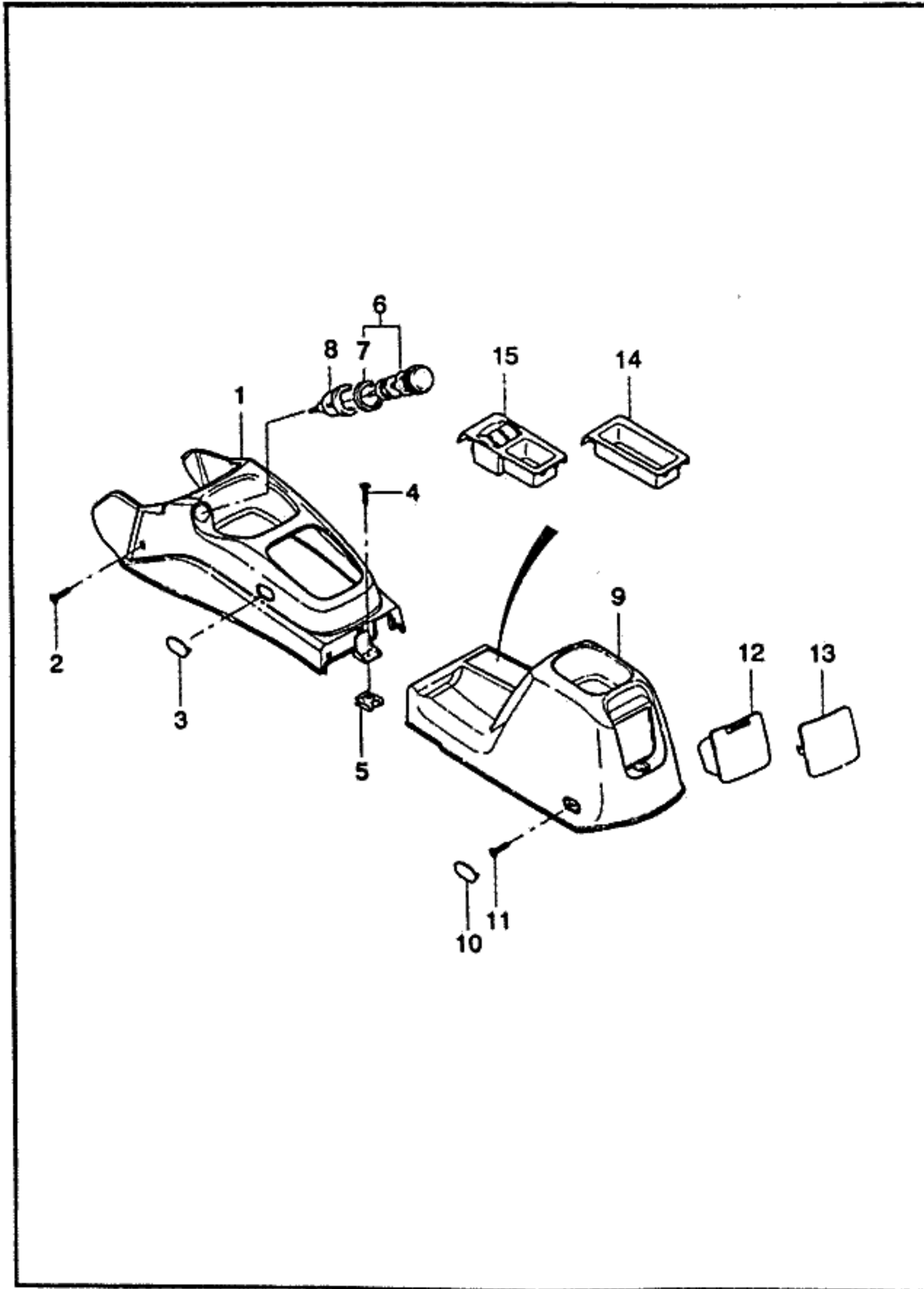


KEY NO.	PART NAME										REMARKS	P / CODE	
	PART NO	MODEL					OPTION	L / Q / R / Y	EFFECTIVE DATE				
		E T	4	3	5	LEVEL			FROM	TO			
[01]	(E)CONSOLE-FRONT (D)KONSOLE VORNE												
96236781	B	B	B	S	S	S			1	970701		LH
N 96252617	B	B	B	S	S	S			1	970701		
[02]	(E)SCREW-TAPPING (D)SCHRAUBE												
03160-48165	B	B	B	S	S	S			2			
[03]	(E)PLUG-CONSOLE (D)STÖPSEL												
96236795	B	B	B	S	S	S			1			
[04]	(E)SCREW-TAPPING (D)SCHRAUBE												
03160-48165	B	B	B	S	S	S			1			
[05]	(E)NUT-SPEED (D)MUTTER												
09148-04013	B	B	B	S	S	S			1			
[06]	(E)LIGHTER A-CIGAR (D)ANZÜNDER, ZIGARETTEN												
96160018	B	B	B	S	S	S			1	970701		
N 96242635	B	B	B	S	S	S			1	970701		
[08]	(E)RING A-LIGHT (D)RING, ZIGARETTEN-ANZÜNDER												
96242616	B	B	B	S	S	S			1	970701		
N 96233408	B	B	B	S	S	S			1	970701		
[09]	(E)CONSOLE A-REAR (D)KONSOLE HINTEN												
96239363	B	B	B	S	S	S			1	970807		
O 96252621	B	B	B	S	S	S			1	970807		

ENG(ENGINE)	T/A(TRANSAXLE)	BODY TYPE
Y = 1.5SOHC 6 = 1.6DOHC . = COMMON	M = MANUAL T/A A = AUTOMATIC T/A . = COMMON	4 N = 4 DOOR NOTCHBACK 3 H = 3 DOOR HATCHBACK 5 H = 5 DOOR HATCHBACK

7140 CONSOLE

5K15

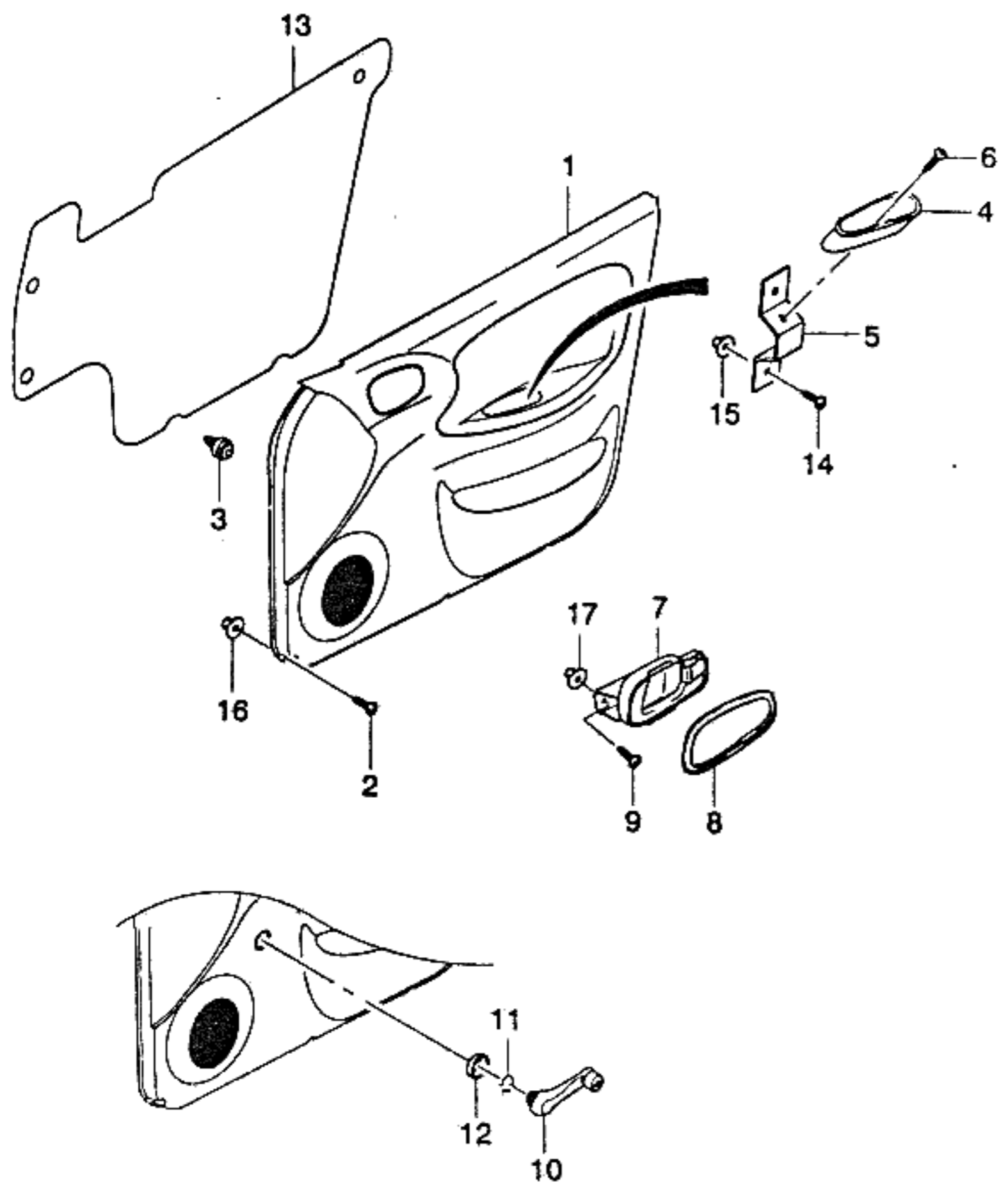


I T C	KEY NO.		PART NAME										P / C O D E
	PART NO	E T N / G A	MODEL			OPTION	L / R	Q T Y	EFFECTIVE DATE		REMARKS		
			4 N	3 H	5 H				S S	S S		FROM	
	[10]		(E)PLUG-CONSOLE (D)STÖPSEL									(F)BOUCHON (S)TAPON	
	96236795		. . B B B S S S									2 970807	
	[11]		(E)SCREW-TAPPING (D)SCHRAUBE									(F)VIS (S)TORNILLO	
	03240-48165		. . B B B S S S									2	
	Y 03160-48165		. . B B B S S S									2	
	[12]		(E)ASHTRAY A-CONSOLE,REAR (D)ASCHENBECHER									(F)CENDRIER (S)CENICERO	
	96236792		. . B B B . . S									1 970901	
	96236792		. . B B B S S S									1 970901	
	[13]		(E)COVER-REAR CONSOLE (D)DECKEL									(F)COUVERCLE (S)CUBIERTA	
	96239325		. . B B B S S .									1 970901	
	[14]		(E)COVER-BLANK, WDO LIFTER SW (D)DECKEL									(F)COUVERCLE (S)CUBIERTA	
	96233407		. . B B B S S . &A30									1	KB
	[15]		(E)SWITCH A WINDOW LIFTER (D)SCHALTER									(F)COMMUTATEUR (S)INTERRUPTOR	
	96233406		. . B B B O O S &A32									1	KA
	96242532		. . B . B . . O &A31									1	KA

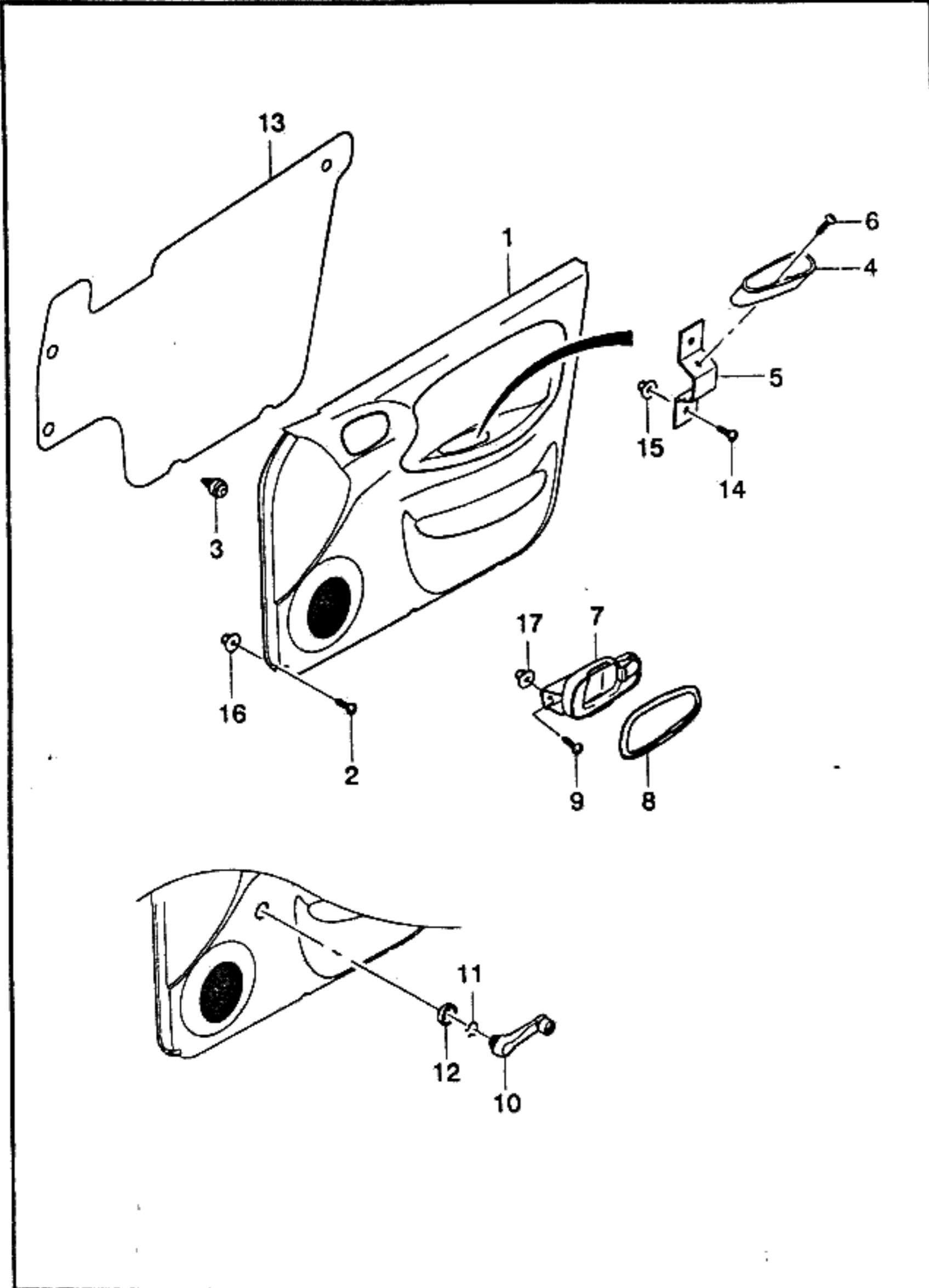
ENG(ENGINE)	T/A(TRANSAXLE)	BODY TYPE
Y = 1.5SOHC 6 = 1.6DOHC . = COMMON	M = MANUAL T/A A = AUTOMATIC T/A . = COMMON	4 N = 4 DOOR NOTCHBACK 3 H = 3 DOOR HATCHBACK 5 H = 5 DOOR HATCHBACK

7210 FRONT DOOR TRIM

5L15



KEY NO.	PART NAME										
	PART NO	MODEL			OPTION	L / R	QTY	EFFECTIVE DATE		REMARKS	P / CODE
		E N G	T / A	BODY				LEVEL	FROM		
[01]	(E)TRIM A-FRONT DOOR (D)VERKLEIDUNG,VORDERTÜR				(F)GARNITURE-PORTE AVANT (S)ADORNO-PUERTA DELANTERA						
96236137	. . .	B . B	S . .	&A30&TD1	LH	1				A1	
96236138	. . .	B . B	S . .	&A30&TD1	RH	1				A2	
96247276	. . .	B . B	O S .	&A30&TD2	LH	1				J5	
96247277	. . .	B . B	O S .	&A30&TD2	RH	1				J6	
96236141	. . .	B . B	O O S	&A31/A32&TD2	LH	1				A5	
96236142	. . .	B . B	O O S	&A31/A32&TD2	RH	1				A6	
96236145	. . .	B . S	. . .	&A30&TD1	LH	1				G1	
96236146	. . .	B . S	. . .	&A30&TD1	RH	1				G2	
96247284	. . .	B . O	. . .	&A30&TD2	LH	1				M3	
96247285	. . .	B . O	. . .	&A30&TD2	RH	1				M4	
96236149	. . .	B . O	. S	&A32&TD2	LH	1				G5	
96236150	. . .	B . O	. S	&A32&TD2	RH	1				G6	
[02]	(E)SCREW-TAPPING (D)SCHRAUBE				(F)VIS (S)TORNILLO						
03160-48165	. . .	B B B	S S S			6					
[03]	(E)CLIP (D)KLEMME				(F)ATTACHE (S)GRAPA						
09409-08301	. . .	B . B	S S S			10					
09409-08301	. . .	B . S	. S			12					
[04]	(E)HANDLE-DOOR POCKET (D)HENKEL				(F)POIGNEE (S)MANIJA						
96236165	. . .	B B B	S . .	&TD1		2					
96236166	. . .	B B B	O S S	&TD2		2					
ENG(ENGINE)		T/A(TRANSAXLE)			BODY TYPE						
Y = 1.5SOHC 6 = 1.6DOHC . = COMMON		M = MANUAL T/A A = AUTOMATIC T/A . = COMMON			4 N = 4 DOOR NOTCHBACK 3 H = 3 DOOR HATCHBACK 5 H = 5 DOOR HATCHBACK						

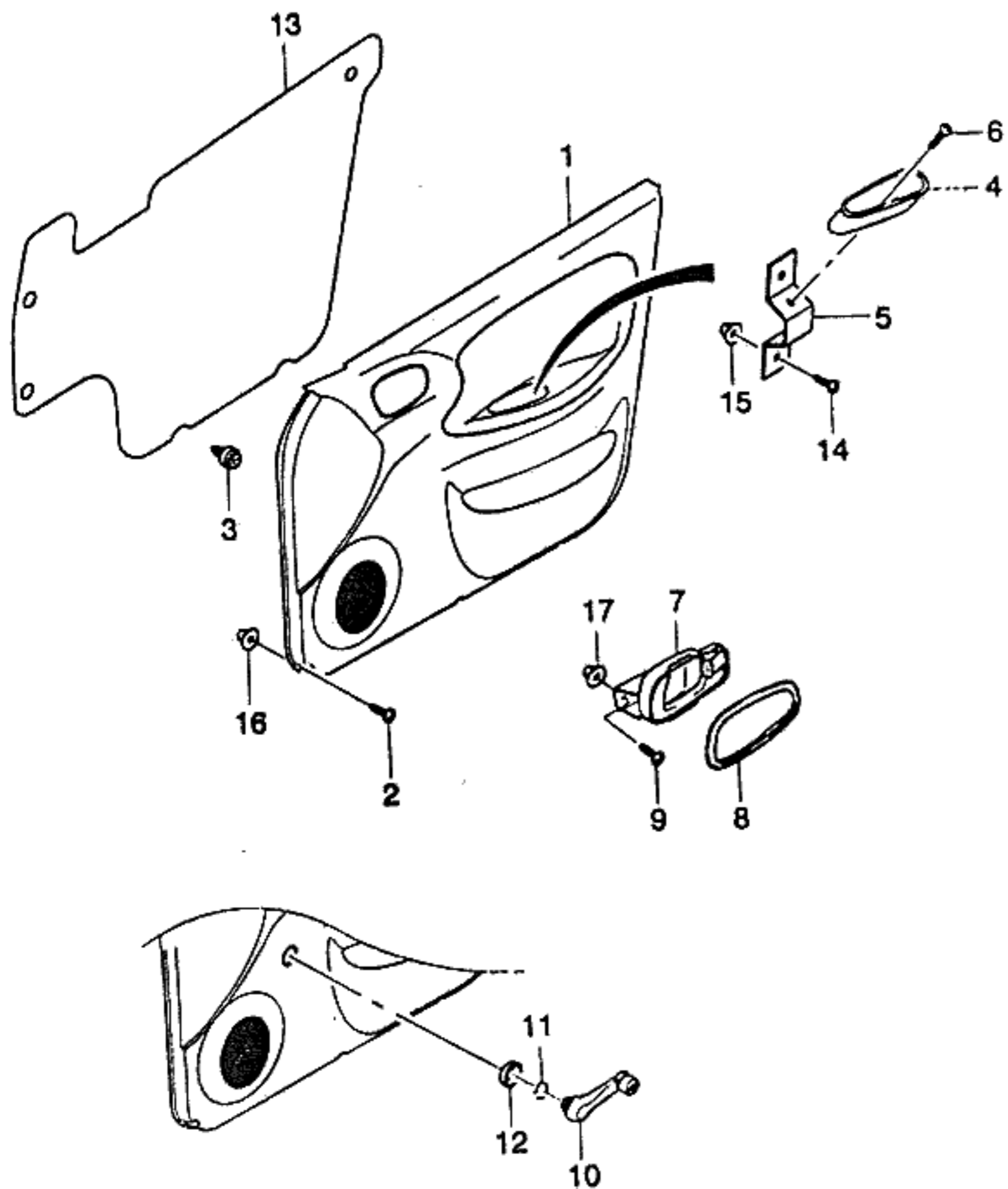


KEY NO.	PART NAME												
	PART NO	MODEL					OPTION	L / R	QTY	EFFECTIVE DATE		REMARKS	P / CODE
		E N G	T / A	4 N	3 H	5 H				S S	S S		
[05]	(E)BRACKET-DOOR POCKET HANDL (D)TRÄGER												
96304828	. . . B B B S S S												
[06]	(E)SCREW-TAPPING (D)SCHRAUBE												
03160-48165	. . . B B B S S S												
[07]	(E)HANDLE A-DOOR INSIDE (D)HENKEL												
96238351	. . . B B B S S S												
96238352	. . . B B B S S S												
[08]	(E)ESCUTCHEON-INSIDE HANDLE (D)ESCHTCHION												
96238359	. . . B B B S S S												
96238360	. . . B B B S S S												
[09]	(E)SCREW-TAPPING (D)SCHRAUBE												
03160-48165	. . . B B B S S S												
[10]	(E)CRANK A-WINDOW LIFTER (D)KURBEL,FENSTER HEBER												
96238361	. . . B B B S S S . &A30												
[11]	(E)RING (D)RING												
09388-00001	. . . B B B S S S . &A30												
[12]	(E)WASHER-WINDOW LIFTER CRAN (D)DICHTUNGSRING												
96238365	. . . B B B S S S . &A30												
[13]	(E)SEAL-FRONT DOOR TRIM (D)DICHTUNG												

ENG(ENGINE)	T/A(TRANSAXLE)	BODY TYPE
Y = 1.5SOHC 6 = 1.6DOHC . = COMMON	M = MANUAL T/A A = AUTOMATIC T/A . = COMMON	4 N = 4 DOOR NOTCHBACK 3 H = 3 DOOR HATCHBACK 5 H = 5 DOOR HATCHBACK

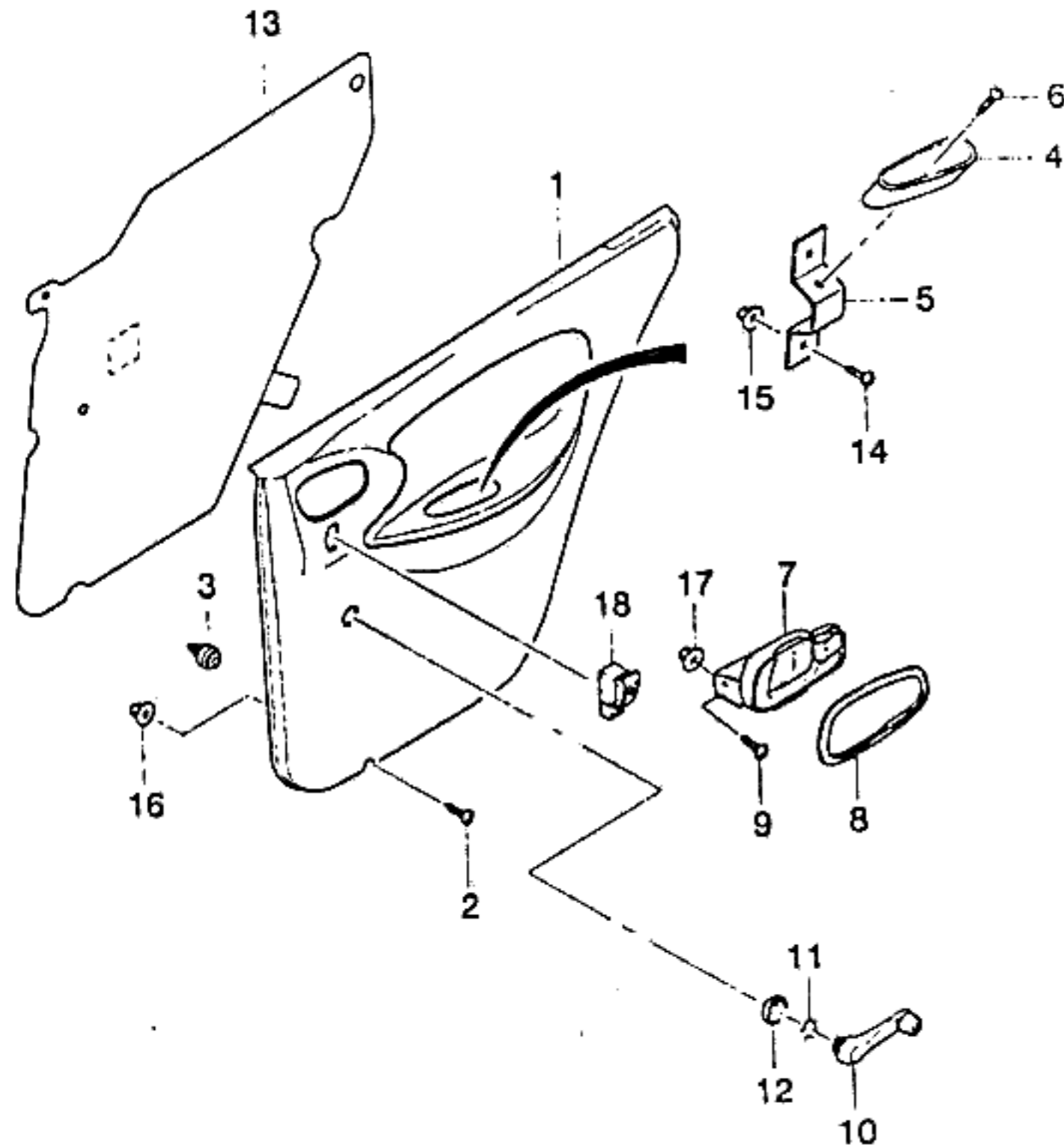
7210 FRONT DOOR TRIM

5N15



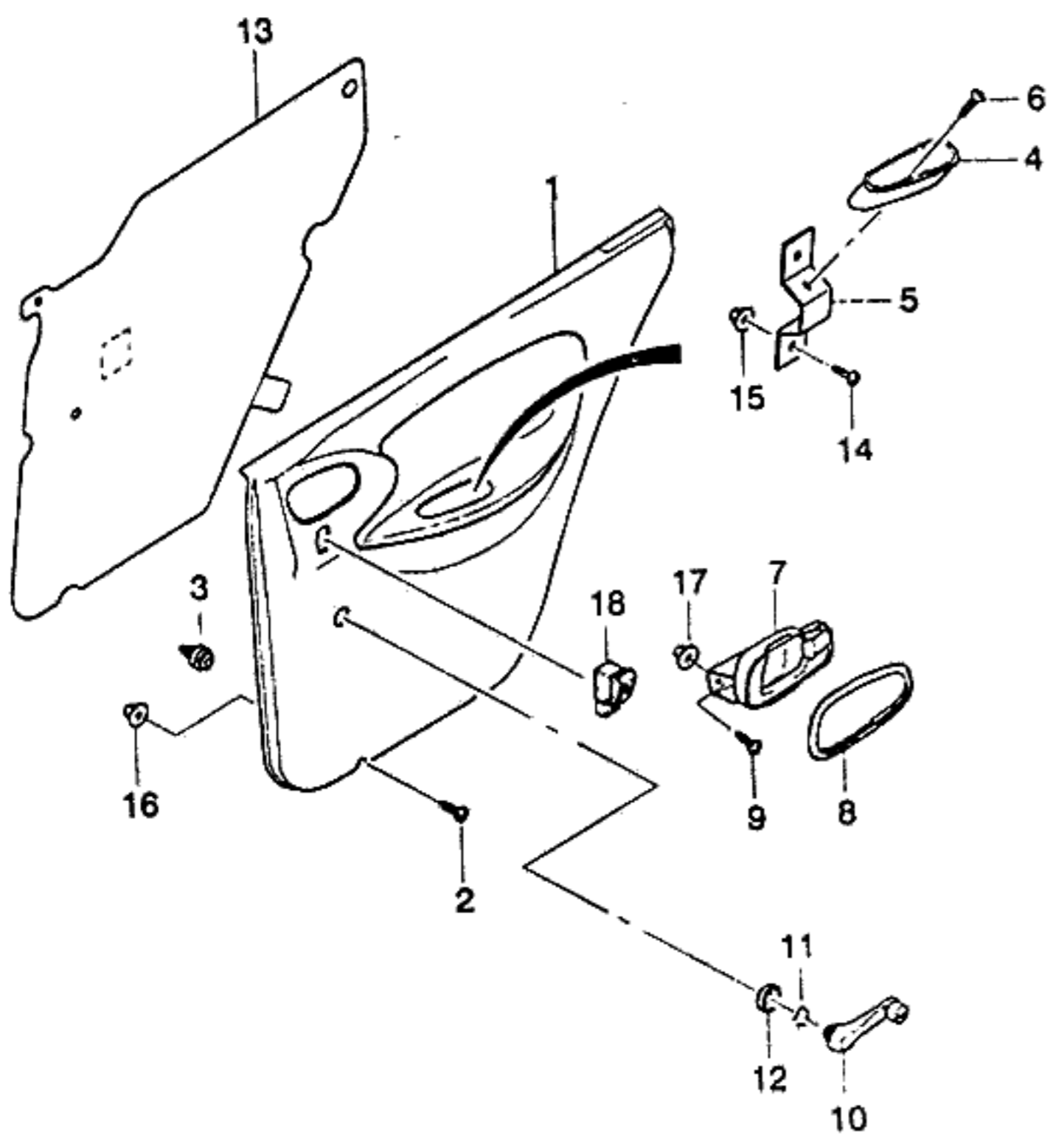
KEY NO.	PART NAME														
	PART NO	MODEL			OPTION	L / R	Q / Y	EFFECTIVE DATE		REMARKS	P / CODE				
		E N G	T / A	BODY				LEVEL	FROM			TO			
			4 N	3 H	5 H	S S	S S								
	96304070	.	.	B	.	B	S	S	S		LH	1			
	96304071	.	.	B	.	B	S	S	S		RH	1			
	96304068	.	.	.	B	.	S	.	S		LH	1			
	96304069	.	.	.	B	.	S	.	S		RH	1			
	[14]												(E)SCREW-TAPPING (D)SCHRAUBE	(F)VIS (S)TORNILLO	
	03160-48165	.	.	B	B	B	S	S	S			4		(F)ECROU (S)TUERCA	
	[15]												(E)NUT-SPEED (D)MUTTER		
	09148-04005	.	.	B	B	B	S	S	S			4		(F)ECROU (S)TUERCA	
	[16]												(E)NUT-SPEED (D)MUTTER		
	09148-04005	.	.	B	B	B	S	S	S			6		(F)ECROU (S)TUERCA	
	[17]												(E)NUT-SPEED (D)MUTTER		
	09148-04005	.	.	B	B	B	S	S	S			2			

ENG(ENGINE)	T/A(TRANSAXLE)	BODY TYPE
Y = 1.5SOHC 6 = 1.6DOHC . = COMMON	M = MANUAL T/A A = AUTOMATIC T/A . = COMMON	4 N = 4 DOOR NOTCHBACK 3 H = 3 DOOR HATCHBACK 5 H = 5 DOOR HATCHBACK



I T C	KEY NO.	PART NAME										P I C O D E		
		PART NO	MODEL					OPTION	L / R	Q T Y	EFFECTIVE DATE		REMARKS	
			E N G	T /	BODY	LEVEL					FROM			TO
	[01]	(E)TRIM A-REAR DOOR (D)VERKLEIDUNG,HINTERTÜR											(F)GARNITURE-PORTE ARRIERE (S)ADORNO-PUERTA TRASERA	
	96236171	. . . B . B S . .					&TD1&A30/A32		LH	1				D1
	96236172	. . . B . B S . .					&TD1&A30/A32		RH	1				D2
	96236175	. . . B . B O S S					&TD2&A30/A32		LH	1				D5
	96236176	. . . B . B O S S					&TD2&A30/A32		RH	1				D6
	96246592	. . . B . B . O O					&TD2&A31		LH	1				Q1
	96246593	. . . B . B . O O					&TD2&A31		RH	1				Q2
	[02]	(E)SCREW-TAPPING (D)SCHRAUBE											(F)VIS (S)TORNILLO	
	03160-48165	. . . B . B S S S											4	
	[03]	(E)CLIP (D)KLEMME											(F)ATTACHE (S)GRAPA	
	09409-08301	. . . B . B S S S											12	
	[04]	(E)HANDLE-DOOR POCKET (D)HENKEL											(F)POIGNEE (S)MANIJA	
	96236165	. . . B . B S . .					&TD1			2				
	96236166	. . . B . B O S S					&TD2			2				
	[05]	(E)BRACKET-DOOR POCKET HANDL (D)TRÄGER											(F)SUPPORT (S)SOPORTE	
	96304828	. . . B . B S S S								2				
	[06]	(E)SCREW-TAPPING (D)SCHRAUBE											(F)VIS (S)TORNILLO	
	03160-48165	. . . B . B S S S								2				
	[07]	(E)HANDLE A-DOOR INSIDE (D)HENKEL											(F)POIGNEE (S)MANIJA	
	96238351	. . . B . B S S S							LH	1				

ENG(ENGINE)	T/A(TRANSAXLE)	BODY TYPE
Y = 1.5SOHC 6 = 1.6DOHC . = COMMON	M = MANUAL T/A A = AUTOMATIC T/A . = COMMON	4 N = 4 DOOR NOTCHBACK 3 H = 3 DOOR HATCHBACK 5 H = 5 DOOR HATCHBACK

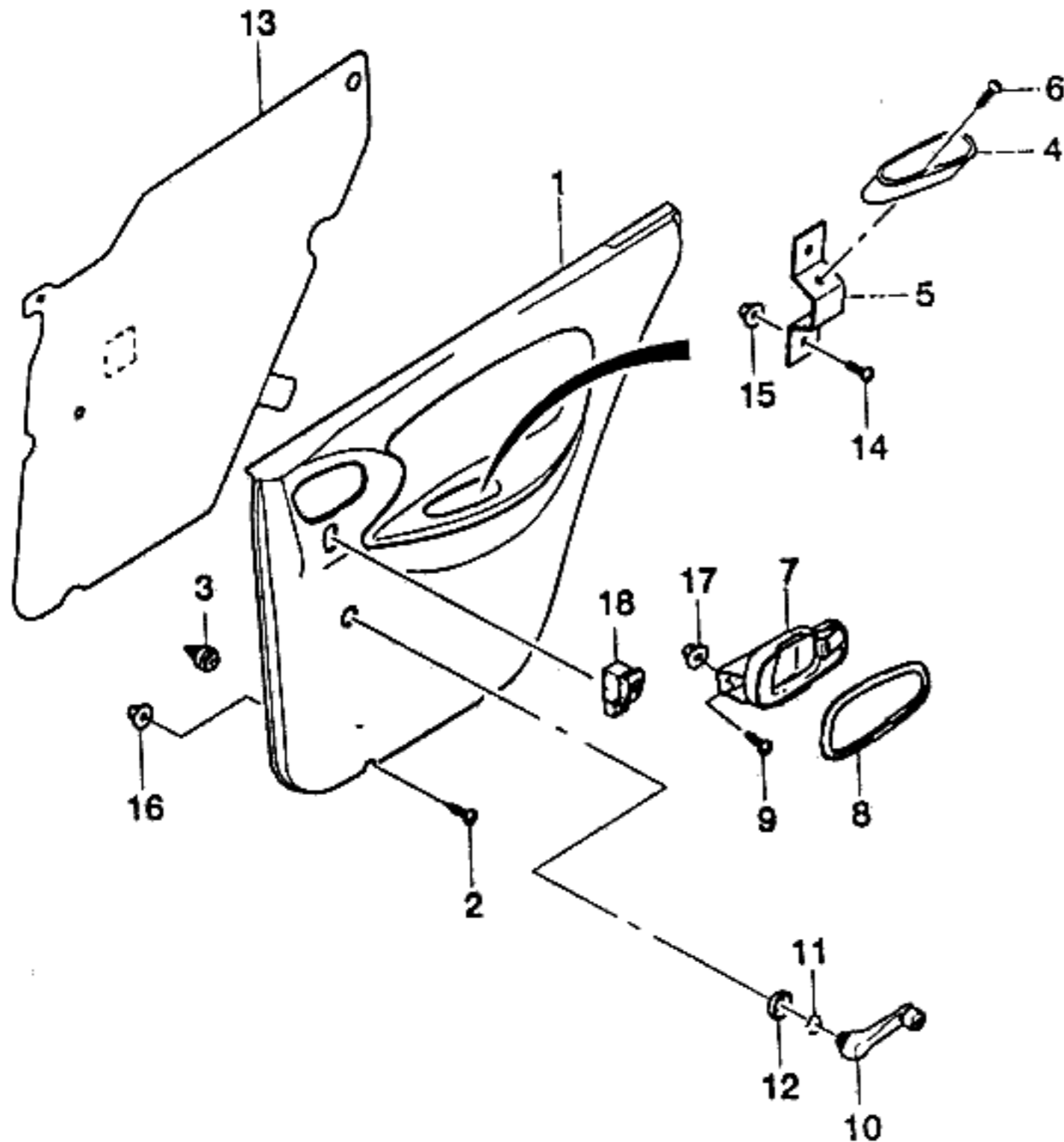


KEY NO.	PART NAME														
	PART NO	MODEL						OPTION	L / R	Q / Y	EFFECTIVE DATE		REMARKS	P / CODE	
		E	T	BODY			LEVEL				FROM	TO			
N	G	4	3	5	S	S	S								
96238352	[08]	.	.	B	.	B	S	S	S	S			RH 1	(F)ESCUSON (S)EMBELLECEDOR	
96238359		.	.	B	.	B	S	S	S	S			LH 1		
96238360	[09]	.	.	B	.	B	S	S	S	S			RH 1	(F)VIS (S)TORNILLO	
03160-48165	[10]	.	.	B	.	B	S	S	S	S			2	(F)MANIVELLE-SOULEVEUR (S)MANIVELA-LEVANTADOR	
96238361	[11]	.	.	B	.	B	S	S	S	S	&A30/A32		2	(F)ANNEAU (S)ANILLO	
09388-00001	[12]	.	.	B	.	B	S	S	S	S	&A30/A32		2	(F)RONDELLE (S)ARANDELA	
96238365	[13]	.	.	B	.	B	S	S	S	S	&A30/A32		2	(F)JOINT (S)SELLO-ADORNO	
96306640		.	.	B	.	B	S	S	S	S			LH 1		
96304151	[14]	.	.	B	.	B	S	S	S	S			RH 1	(F)VIS (S)TORNILLO	
03160-48165	[15]	.	.	B	.	B	S	S	S	S			4	(F)ECROU (S)TUERCA	
09148-04005		.	.	B	.	B	S	S	S	S			4		

ENG(ENGINE)	T/A(TRANSAXLE)	BODY TYPE
Y = 1.5SOHC 6 = 1.6DOHC . = COMMON	M = MANUAL T/A A = AUTOMATIC T/A . = COMMON	4 N = 4 DOOR NOTCHBACK 3 H = 3 DOOR HATCHBACK 5 H = 5 DOOR HATCHBACK

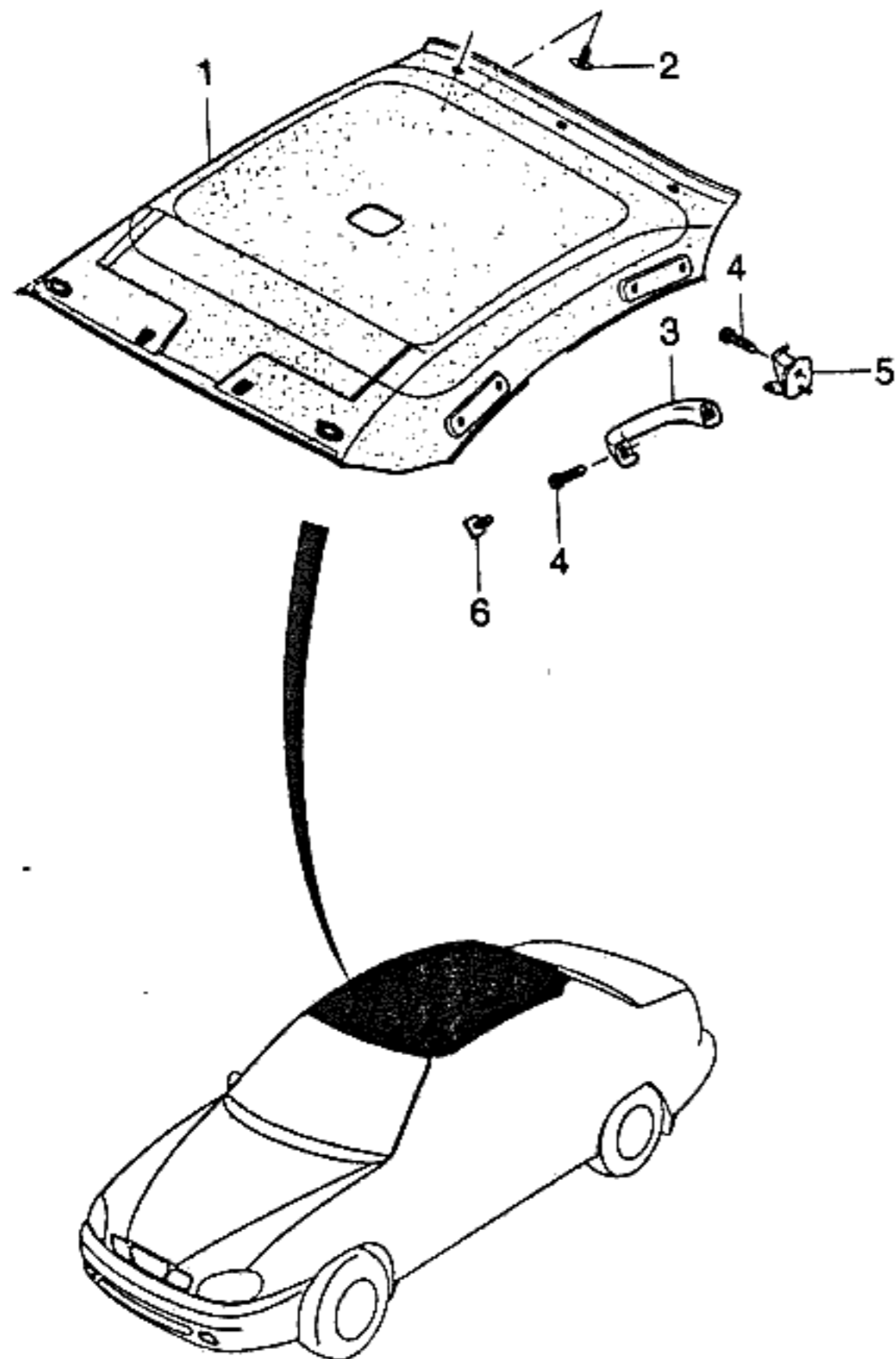
7220 REAR DOOR TRIM

5D16



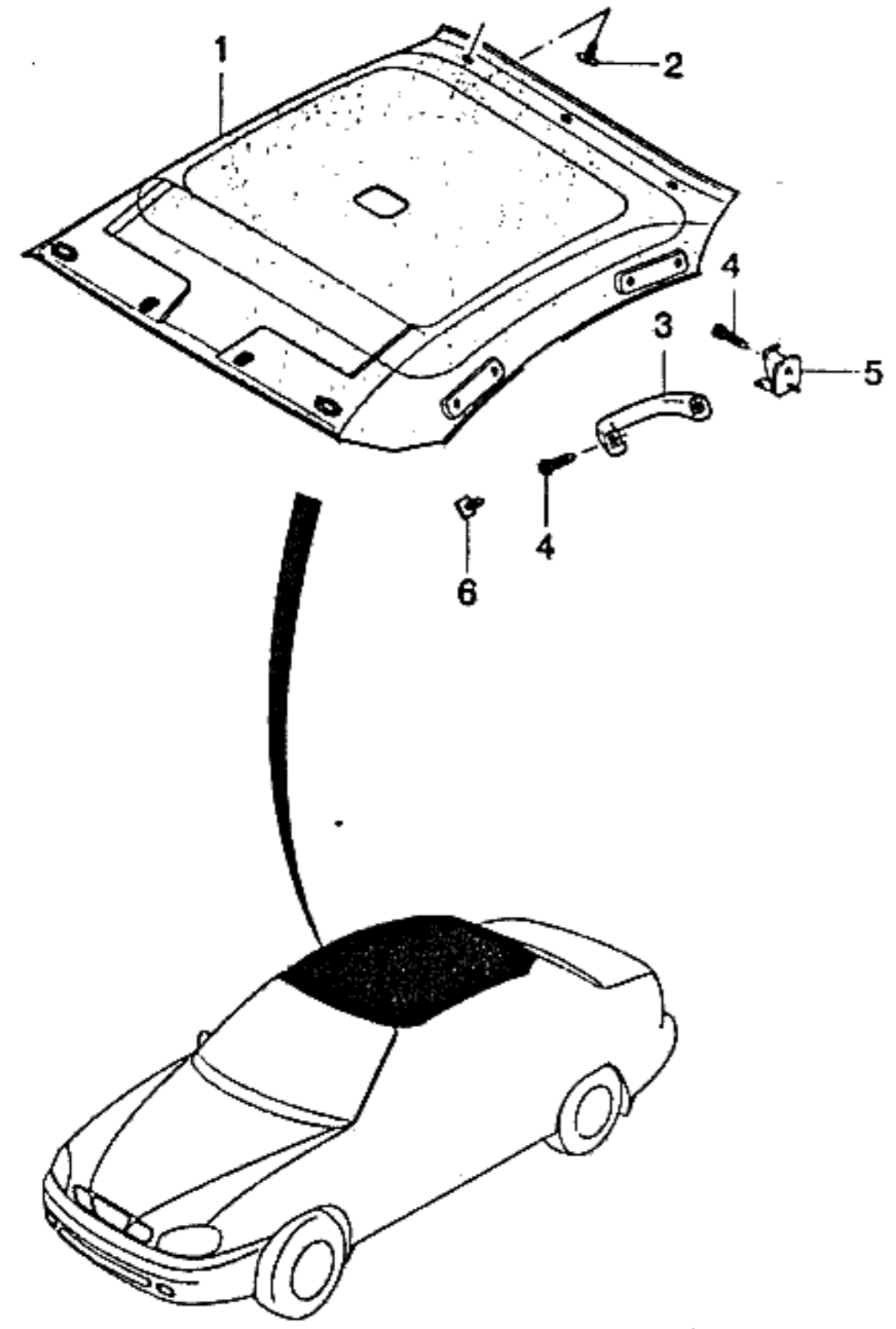
KEY NO.	PART NAME													
	PART NO	MODEL						OPTION	L / R	QTY	EFFECTIVE DATE		REMARKS	P / CODE
		E	T	BODY			LEVEL				FROM	TO		
N / G	A	4	3	5	S	S	S							
[16]	(E)NUT-SPEED (D)MUTTER									(F)ECROU (S)TUERCA				
09148-04005	. . . B . B S S S									4				
[17]	(E)NUT-SPEED (D)MUTTER									(F)ECROU (S)TUERCA				
09148-04005	. . . B . B S S S									2				
[18]	(E)SWITCH A-POWER WDO (D)SCHALTER									(F)COMMUTATEUR (S)INTERRUPTOR				
96242533	. . . B . B . . O									LH 1				
96242534	. . . B . B . . O									RH 1				

ENG(ENGINE)	T/A(TRANSAXLE)	BODY TYPE
Y = 1.5SOHC 6 = 1.6DOHC . = COMMON	M = MANUAL T/A A = AUTOMATIC T/A . = COMMON	4 N = 4 DOOR NOTCHBACK 3 H = 3 DOOR HATCHBACK 5 H = 5 DOOR HATCHBACK



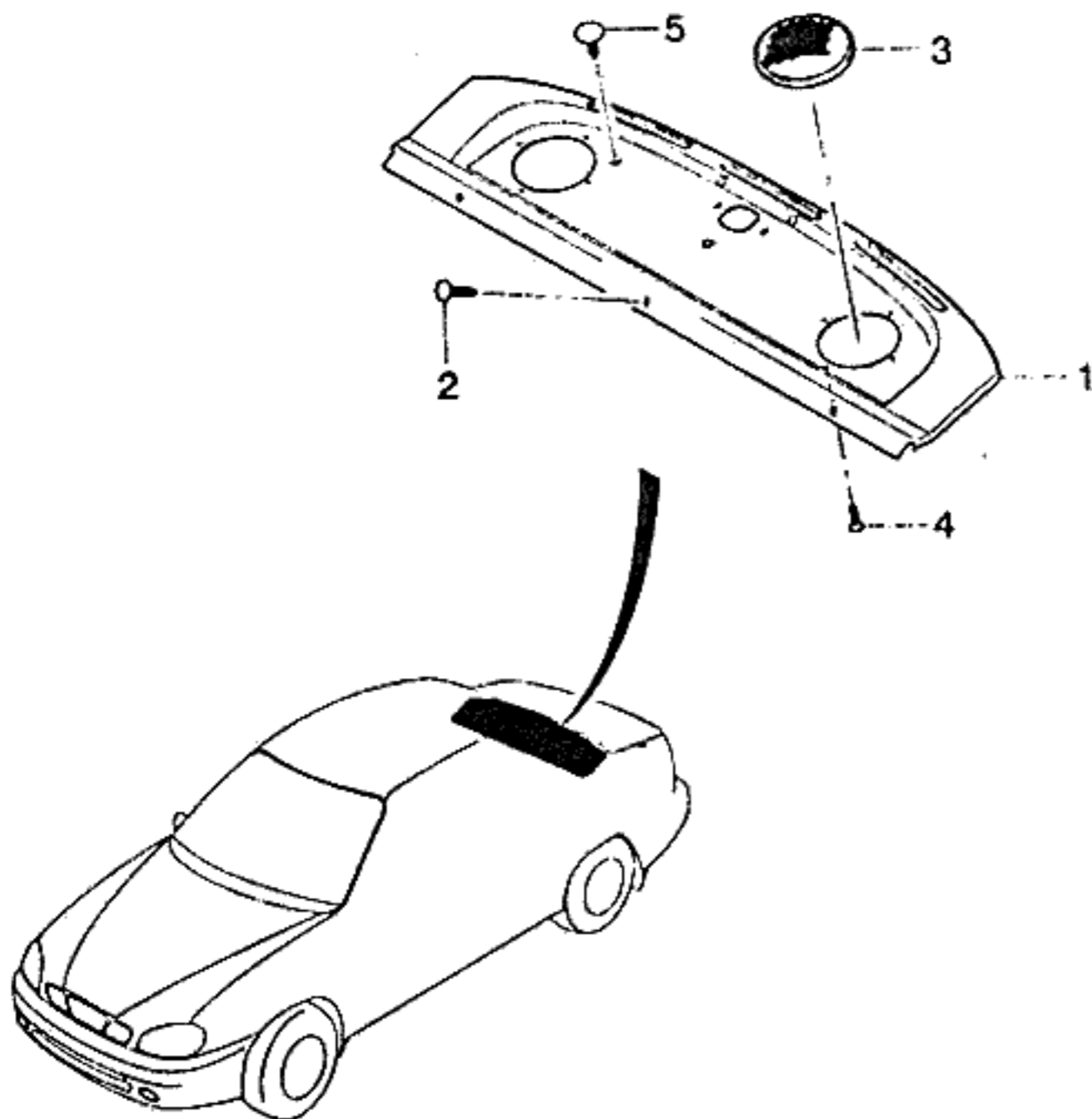
I T C	KEY NO.	PART NAME										P / C O D E		
	PART NO	MODEL						OPTION	L / R	Q T Y	EFFECTIVE DATE		REMARKS	
		E	T	BODY			LEVEL				FROM			TO
N	G	A	4	3	5	S	S	S						
				N	H	H	S	S	S	X				
	[01]	(E)HEADLINING (D)KOPF AUSKLEIDUNG										(F)GARNITURE (S)FORRO DE CABECERA		
	96236011	. . .	B . . .	S . . .	S . . .	S . . .	-CF6		1		970901	D2		
	○ 96257410	. . .	B . . .	S . . .	S . . .	S . . .	-CF6		1	970901		E7		
	96243596	. . .	B . . .	O . . .	O . . .	O . . .	&CF6		1		970901	D5		
	○ 96257412	. . .	B . . .	O . . .	O . . .	O . . .	&CF6		1	970901		F7		
	96236010	. . .	B . . .	S . . .	S . . .	-CF6			1		970901	D1		
	○ 96257406	. . .	B . . .	S . . .	S . . .	-CF6			1	970901		C7		
	96243595	. . .	B . . .	O . . .	O . . .	&CF6			1		970901	D4		
	○ 96257408	. . .	B . . .	O . . .	O . . .	&CF6			1	970901		D7		
	96236012	. . .	B . . .	S . . .	S . . .	-CF6			1		970901	D3		
	○ 96257414	. . .	B . . .	S . . .	S . . .	-CF6			1	970901		H7		
	96243597	. . .	B . . .	O . . .	O . . .	&CF6			1		970901	D6		
	○ 96257416	. . .	B . . .	O . . .	O . . .	&CF6			1	970901		J7		
	[02]	(E)CLIP (D)KLEMME										(F)ATTACHE (S)GRAPA		
	09409-07316	. . .	B . . .	B . . .	B . . .	S . . .	S . . .	S . . .	3					
	[03]	(E)HANDLE A (D)HENKEL										(F)POIGNEE (S)MANIJA		
	96238629	. . .	B . . .	B . . .	S . . .	S . . .	S . . .		2		970901			
	Y 96238629	. . .	B . . .	B . . .	S . . .	S . . .	S . . .		3	970901				
	96238629	. . .	B . . .	S . . .	S . . .				1					
	[04]	(E)SCREW (D)SCHRAUBE										(F)VIS (S)TORNILLO		
	09125-06004	. . .	B . . .	B . . .	S . . .	S . . .	S . . .		5		970901			
	Y 09125-06004	. . .	B . . .	B . . .	S . . .	S . . .	S . . .		6	970901				

ENG(ENGINE)	T/A(TRANSAXLE)	BODY TYPE
Y = 1.5SOHC 6 = 1.6DOHC . = COMMON	M = MANUAL T/A A = AUTOMATIC T/A . = COMMON	4 N = 4 DOOR NOTCHBACK 3 H = 3 DOOR HATCHBACK 5 H = 5 DOOR HATCHBACK



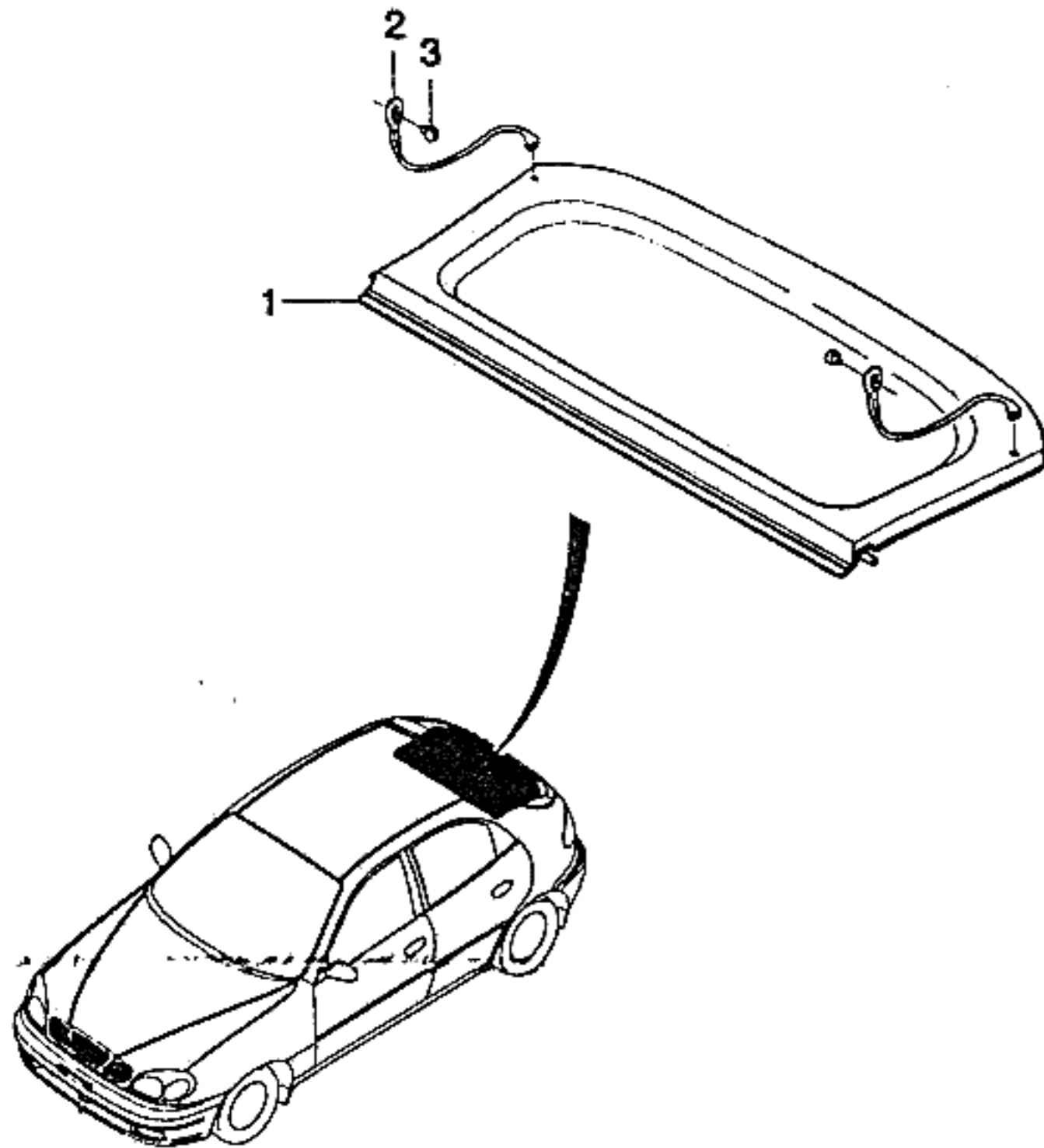
KEY NO.	PART NAME													
	PART NO	MODEL						OPTION	L / R	QTY	EFFECTIVE DATE		REMARKS	P / CODE
		E	T	BODY			LEVEL				FROM	TO		
N / G	A	4	3	5	S	S	S							
09125-06004		.	.	B	.	S	.	S		3				
[05]				(E)HOOK-COAT						(F)CROCHET				
				(D)HAKEN						(S)PERCHA				
96236801		.	.	B	.	B	S	S	S	1				
96236801		.	.	B	.	S	.	S		1				
[06]				(E)COVER-HANDLE						(F)COUVERCLE				
				(D)DECKEL						(S)CUBIERTA				
96240529		.	.	B	B	B	S	S	S	3	970901			
Y 96240529		.	.	B	.	S	.	S		3	970901			
Y 96240529		.	.	B	B	S	S	S		2	970901			

ENG(ENGINE)	T/A(TRANSAXLE)	BODY TYPE
Y = 1.5SOHC 6 = 1.6DOHC . = COMMON	M = MANUAL T/A A = AUTOMATIC T/A . = COMMON	4 N = 4 DOOR NOTCHBACK 3 H = 3 DOOR HATCHBACK 5 H = 5 DOOR HATCHBACK



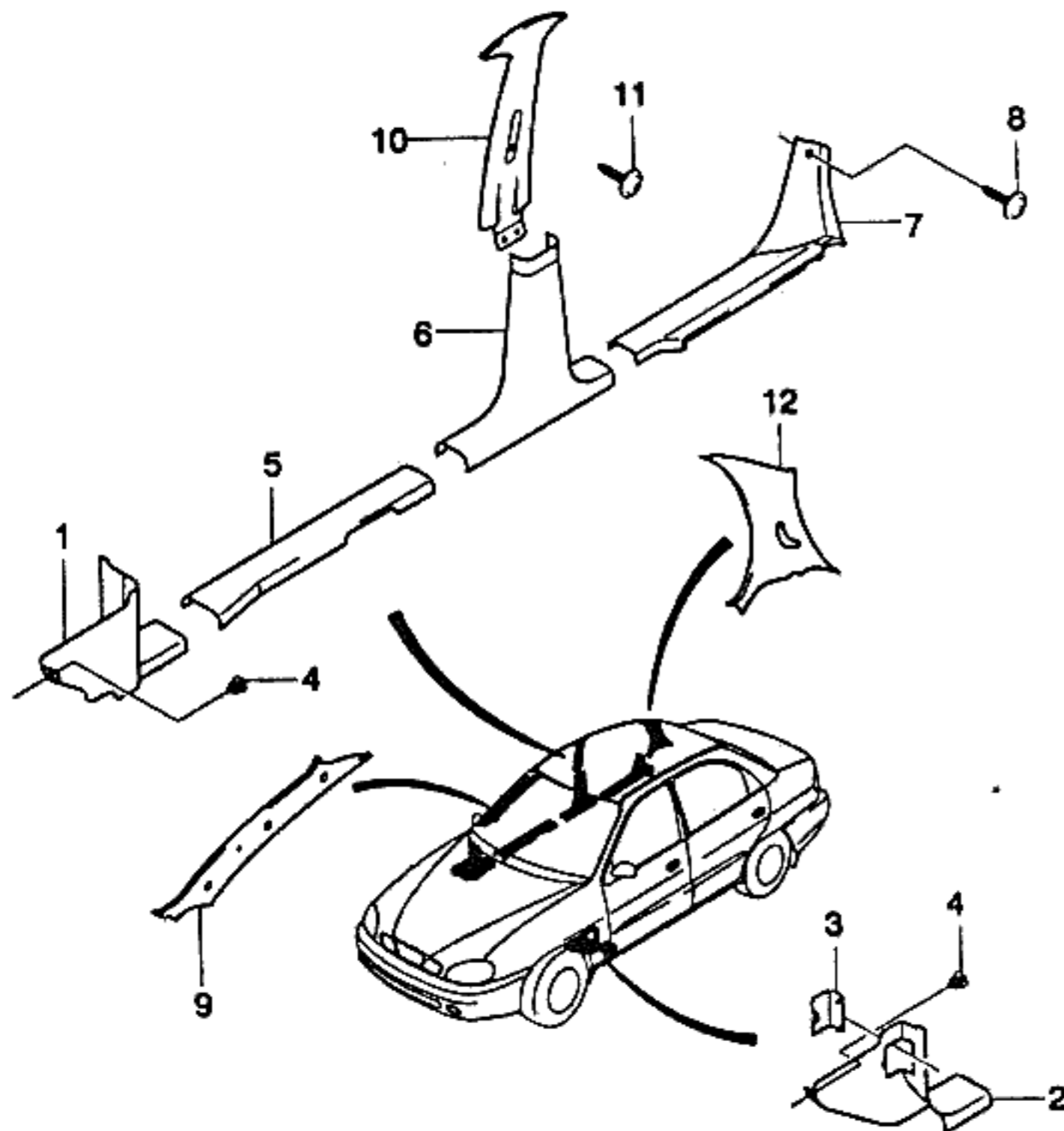
KEY NO.	PART NAME												
	PART NO	MODEL						OPTION	L / R	QTY	EFFECTIVE DATE	REMARKS	P / CODE
		E	T	BODY			LEVEL						
N	G	4	3	5	S	S	S	S	S	S	S	S	
[01]	(E)SHELF A-BACK PANEL,UPPER (D)REGAL,HINTERE VERKLEIDUNG										(F)ETAGERE-PANNEAU ARRIERE (S)ESTANTE-PANEL TRASERO		
96236082	.	.	B	.	.	S	S	.	-T93		1	WOISPEAKER	E1
96236083	.	.	B	.	.	O	O	S	-T93		1	WISPEAKER	E2
96236084	.	.	B	.	.	A	A	.	&T93		1	WOISPEAKER	E3
96236085	.	.	B	.	.	A	A	A	&T93		1	WISPEAKER	E4
[02]	(E)CLIP (D)KLEMME										(F)ATTACHE (S)GRAPA		
09409-08315	.	.	B	.	.	S	S	S			3		
[03]	(E)GRILLE A-SPEAKER,REAR (D)GITTER,LAUTSPRECHER										(F)GRILLE-HAUT-PARLEUR (S)REJA-ALTAVOZ		
96236136	.	.	B	.	.	O	O	S			2		
[04]	(E)SCREW-TAPPING (D)SCHRAUBE										(F)VIS (S)TORNILLO		
03111-29065	.	.	B	.	.	O	O	S			8		
[05]	(E)CLIP (D)KLEMME										(F)ATTACHE (S)GRAPA		
09409-12003	.	.	B	.	.	S	S	S			3		

ENG(ENGINE)	T/A(TRANSAXLE)	BODY TYPE
Y = 1.5SOHC 6 = 1.6DOHC . = COMMON	M = MANUAL T/A A = AUTOMATIC T/A . = COMMON	4 N = 4 DOOR NOTCHBACK 3 H = 3 DOOR HATCHBACK 5 H = 5 DOOR HATCHBACK



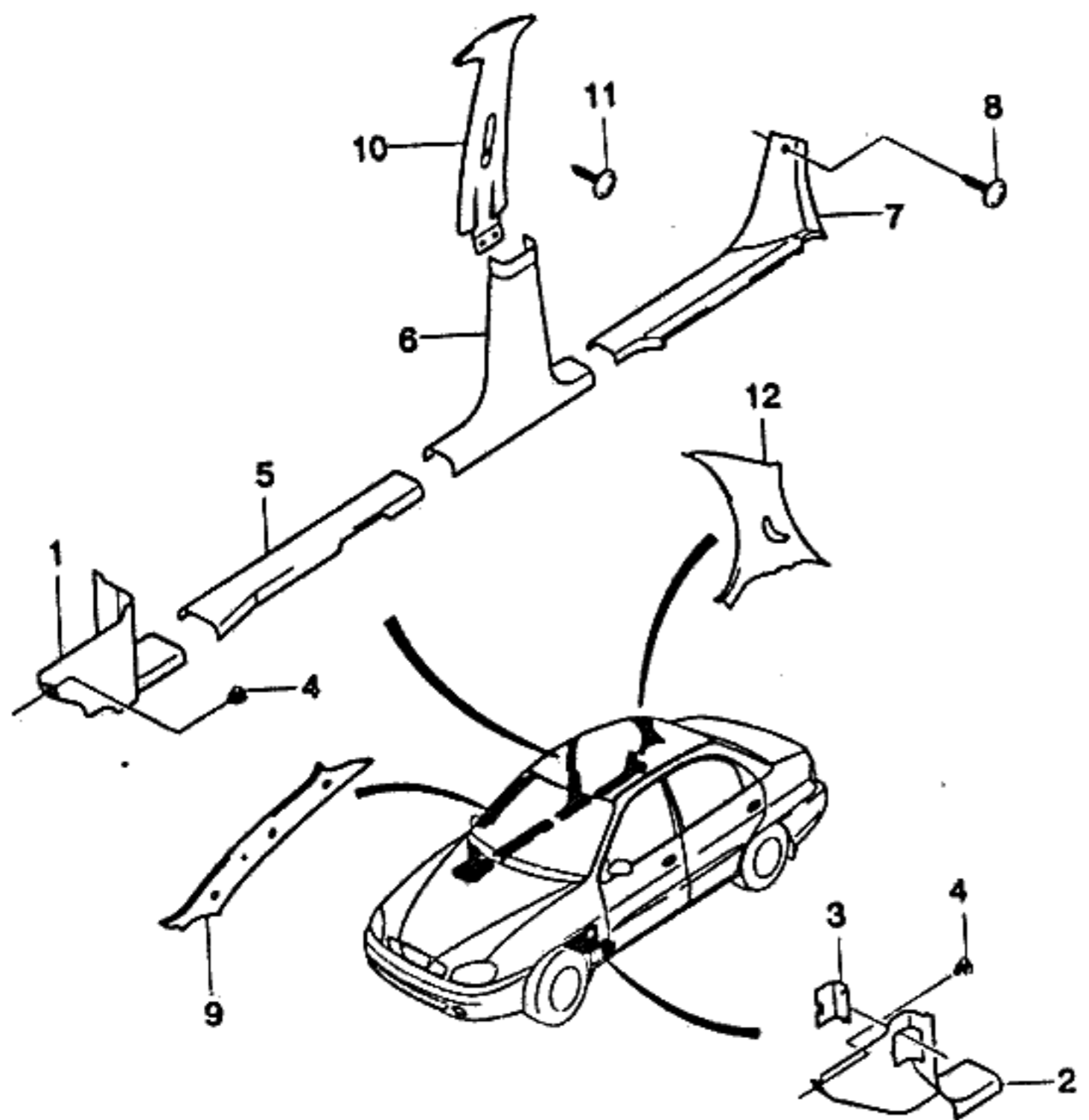
I T C	KEY NO.		PART NAME										P / C O D E			
	PART NO	E N G	MODEL			OPTION	L / R	Q T Y	EFFECTIVE DATE		REMARKS					
			4 N H	3 H	5 H				S S	S S		FROM		TO		
	[01]		(E)COVER A-LOAD COMPT.CENTER (D)DECKEL										(F)COUVERCLE (S)CUBIERTA			
	96236032		.	.	B	B	S	.	S	-T93			1		INCL. #2	F1
	96236033		.	.	B	B	A	.	A	&T93			1		INCL. #2	F2
	[02]		(E)STRAP-LOAD COMPART.COVER (D)BAND										(F)BRETELLE (S)BRIDA			
	90244194		.	.	B	B	S	.	S				2			
	[03]		(E)BUTTON-FIXING (D)KNOPF										(F)BOUTON (S)BOTON			
	90248700		.	.	B	B	S	.	S				2			

ENG(ENGINE)	T/A(TRANSAXLE)	BODY TYPE
Y = 1.5SOHC 6 = 1.6DOHC . = COMMON	M = MANUAL T/A A = AUTOMATIC T/A . = COMMON	4 N = 4 DOOR NOTCHBACK 3 H = 3 DOOR HATCHBACK 5 H = 5 DOOR HATCHBACK



KEY NO.	PART NAME											
	PART NO	MODEL			OPTION	L / R	QTY	EFFECTIVE DATE		REMARKS	P / CODE	
		E	T	BODY				LEVEL	FROM			TO
N	G	4	3	5	S	S	S					
[01]	96235985	(E)TRIM A-SHROUD SIDE (D)VERKLEIDUNG,MANTEL SEITE	B		S	S	S			(F)GARNITURE (S)ADORNO-LADO DE CUBIERTA	RH 1	
[02]	96235983	(E)TRIM A-SHROUD SIDE (D)VERKLEIDUNG,MANTEL SEITE	B		S	S	S			(F)GARNITURE (S)ADORNO-LADO DE CUBIERTA	LH 1	
[03]	96235988	(E)COVER-SHROUD SIDE TRIM (D)DECKEL	B		S	S	S			(F)COUVERCLE (S)CUBIERTA	1	
[04]	09409-05311	(E)CLIP (D)KLEMME	B		S	S	S			(F)ATTACHE (S)GRAPA	2	
[05]	96235963	(E)COVER A-ROCKER PANEL,FRON (D)DECKEL	B		S	S	S			(F)COUVERCLE (S)CUBIERTA	LH 1	
	96235964		B		S	S	S				RH 1	
[06]	96236029	(E)TRIM-B PILLAR,LOWER (D)VERKLEIDUNG,B SAULE,UNTEN	B		S	S	S			(F)GARNITURE-B PILIER,BAS (S)ADORNO-PILAR B,BAJO	LH 1	
	96236030		B		S	S	S				RH 1	
[07]	96235967	(E)COVER A-ROCKER PANEL,REAR (D)DECKEL	B		S	S		&AM6		(F)COUVERCLE (S)CUBIERTA	LH 1	
	96235968		B		S	S		&AM6			RH 1	
	96235969		B					S &AM9			LH 1	
	96235969		B		A			A			LH 1	970709
	96235970		B					S &AM9			RH 1	FOR POLAND

ENG(ENGINE)	T/A(TRANSAXLE)	BODY TYPE
Y = 1.5SOHC 6 = 1.6DOHC . = COMMON	M = MANUAL T/A A = AUTOMATIC T/A . = COMMON	4 N = 4 DOOR NOTCHBACK 3 H = 3 DOOR HATCHBACK 5 H = 5 DOOR HATCHBACK

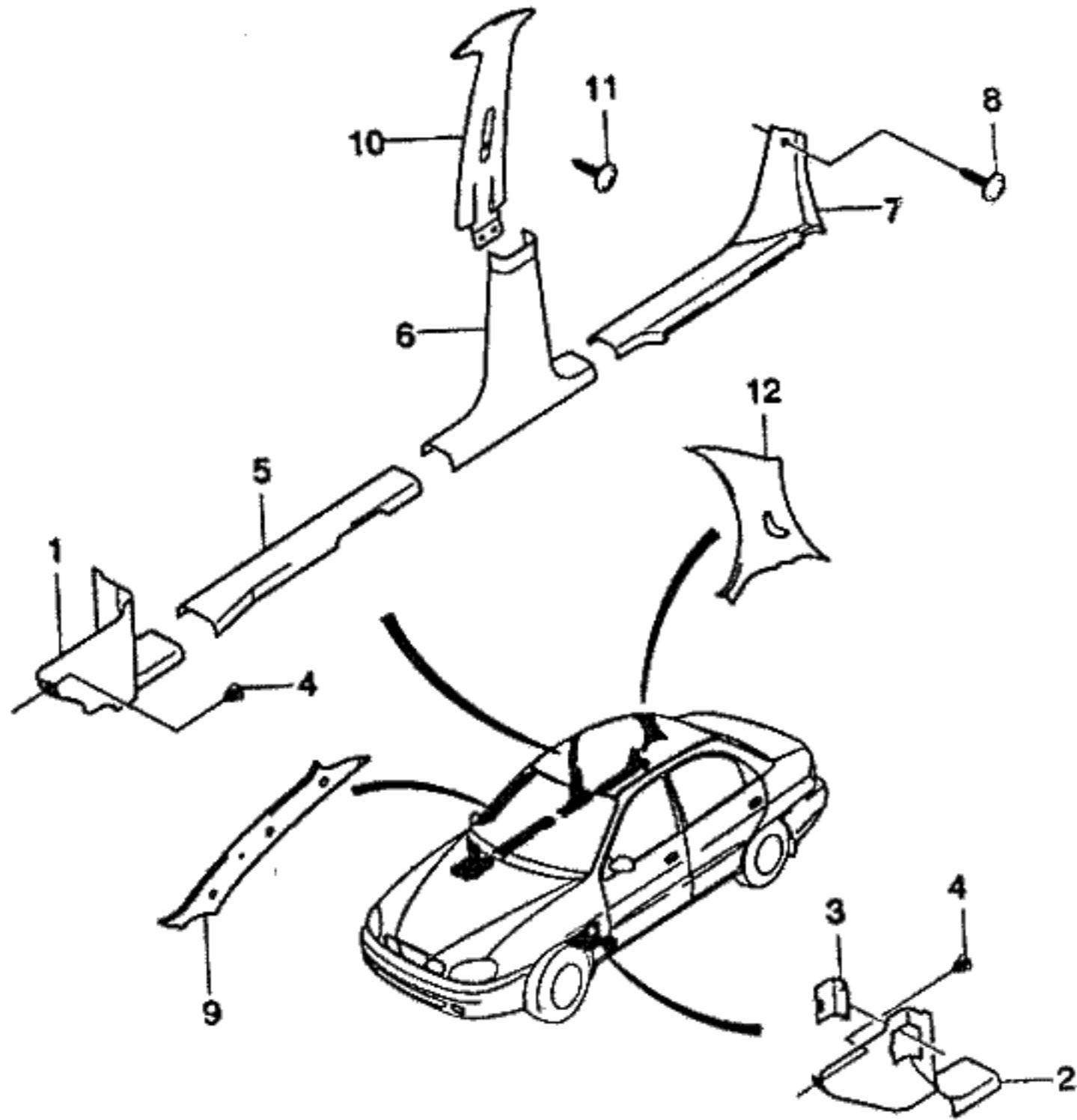


KEY NO.	PART NAME														
	PART NO	MODEL						OPTION	L / R	QTY	EFFECTIVE DATE		REMARKS	P / CODE	
		E N G	T / A	BODY	LEVEL						FROM	TO			
		4	3	5	S	S	S								
96236970		.	.	B	.	.	A	.	A		RH 1	970709		FOR POLAND	
[08]														(E)SCREW-TAPPING (D)SCHRAUBE (F)VIS (S)TORNILLO	
03160-42135		.	.	B	.	.	S	S	.	&AM6				4	
03160-42135		.	.	B	S	&AM9				2	
03160-42135		.	.	B	.	.	A	.	A			2	970709		FOR POLAND
[09]														(E)TRIM A-A PILLAR (D)VERKLEIDUNG,A SAULE (F)GARNITURE-A PILIER (S)ADORNO-PILAR	
96235979		.	.	B	.	.	S	S	S		LH 1				
96235980		.	.	B	.	.	S	S	S		RH 1				
[10]														(E)TRIM A-B PILLAR,UPPER (D)VERKLEIDUNG,B SAULE,OBEN (F)GARNITURE-B PILIER,HAUT (S)ADORNO-PILAR E,ALTO	
96236015		.	.	B	.	.	S	.	.	-AAC	LH 1				B3
96236016		.	.	B	.	.	S	.	.	-AAC	RH 1				B4
96236019		.	.	B	.	.	S	S		&AAC	LH 1				B7
96236020		.	.	B	.	.	S	S		&AAC	RH 1				B8
[11]														(E)SCREW-TAPPING (D)SCHRAUBE (F)VIS (S)TORNILLO	
03160-42163		.	.	B	.	.	S	S	S					4	
[12]														(E)TRIM A-QUARTER WINDOW (D)VERKLEIDUNG (F)GARNITURE (S)ADORNO-VENTANA CUADRANTE	
96236096		.	.	B	.	.	S	S	.	&AM6	LH 1				
96236097		.	.	B	.	.	S	S	.	&AM6	RH 1				
96236098		.	.	B	S	&AM9	LH 1				
96236098		.	.	B	.	.	A	.	A		LH 1	970709			FOR POLAND
96236099		.	.	B	S	&AM9	RH 1				

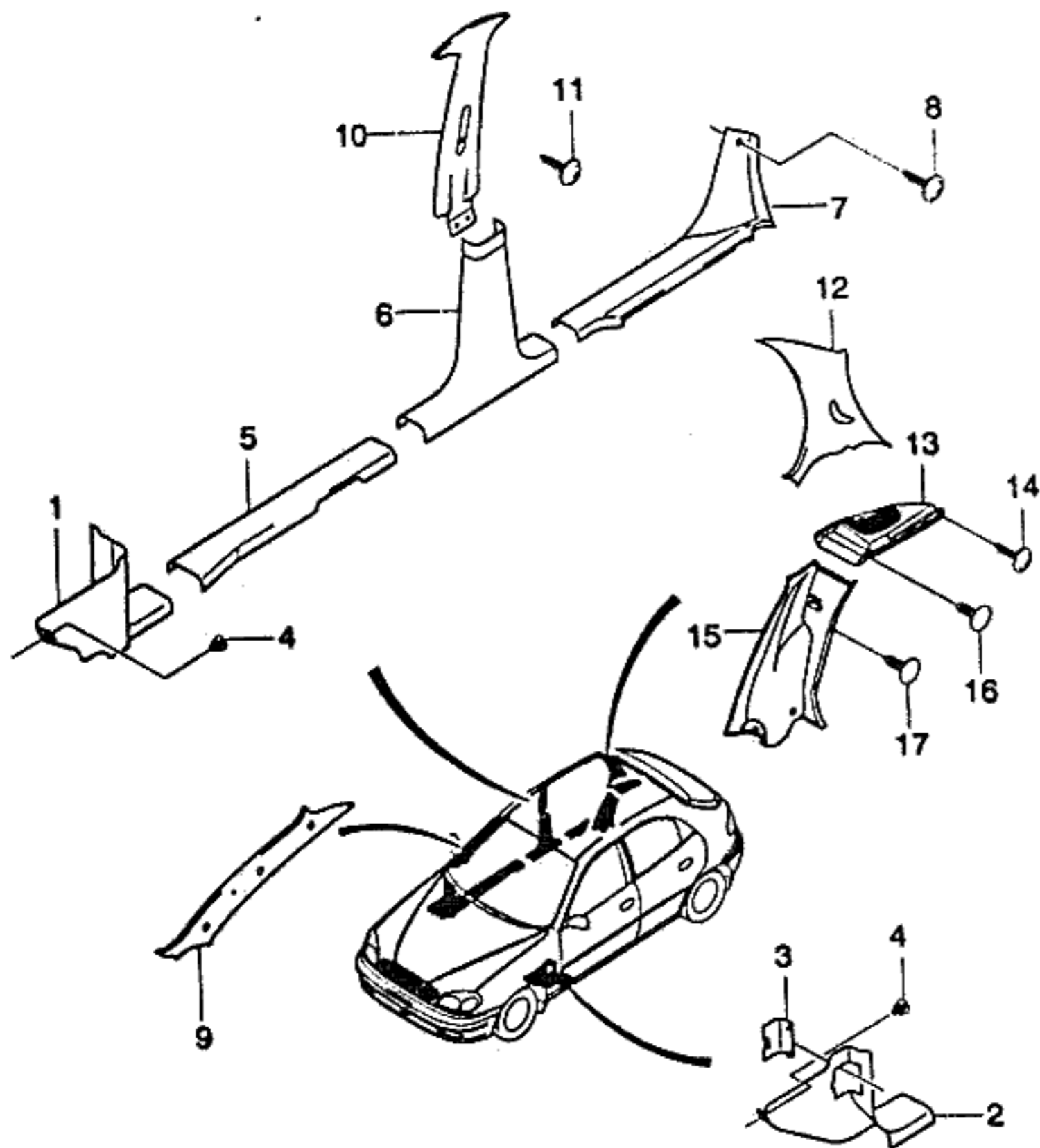
ENG(ENGINE)	T/A(TRANSAXLE)	BODY TYPE
Y = 1.5SOHC 6 = 1.6DOHC . = COMMON	M = MANUAL T/A A = AUTOMATIC T/A . = COMMON	4 N = 4 DOOR NOTCHBACK 3 H = 3 DOOR HATCHBACK 5 H = 5 DOOR HATCHBACK

7330 FRONT PILLAR TRIM (4DOOR N/B)

5L16



KEY NO.		PART NAME														
I T C	PART NO	MODEL						OPTION	L / R	Q T Y	EFFECTIVE DATE		REMARKS	P / C O D E		
		E N G	T / A	BODY			LEVEL				FROM	TO				
				4 N	3 H	5 H	S								S E	S X
	96236099	.	.	B	.	.	A	.	A		RH 1	970709	FOR POLAND			
ENG(ENGINE)		T/A(TRANSAXLE)				BODY TYPE										
Y = 1.5SOHC 6 = 1.6DOHC . = COMMON		M = MANUAL T/A A = AUTOMATIC T/A . = COMMON				4 N = 4 DOOR NOTCHBACK 3 H = 3 DOOR HATCHBACK 5 H = 5 DOOR HATCHBACK										



KEY NO.	PART NAME													
	PART NO	MODEL						OPTION	L / R	Q / T Y	EFFECTIVE DATE		REMARKS	P / CODE
		E	T	BODY			LEVEL				FROM	TO		
N	G	4	3	5	S	S	S							
[01]	96235985	(E)TRIM A-SHROUD SIDE (D)VERKLEIDUNG,MANTEL SEITE				B	S	S		(F)GARNITURE (S)ADORNO-LADO DE CUBIERTA				
[02]	96235983	(E)TRIM A-SHROUD SIDE (D)VERKLEIDUNG,MANTEL SEITE				B	S	S		(F)GARNITURE (S)ADORNO-LADO DE CUBIERTA				
[03]	96235988	(E)COVER-SHROUD SIDE TRIM (D)DECKEL				B	S	S		(F)COUVERCLE (S)CUBIERTA				
[04]	09409-05311	(E)CLIP (D)KLEMME				B	S	S		(F)ATTACHE (S)GRAPA				
[05]	96235963	(E)COVER A-ROCKER PANEL FRON (D)DECKEL				B	S	S		(F)COUVERCLE (S)CUBIERTA				
[06]	96235964	(E)TRIM-B PILLAR,LOWER (D)VERKLEIDUNG,B SAULE,UNTEN				B	S	S		(F)GARNITURE-B PILLER,BAS (S)ADORNO-PILAR B,BAJO				
[07]	96235969	(E)COVER A-ROCKER PANEL REAR (D)DECKEL				B	S	S		(F)COUVERCLE (S)CUBIERTA				
	96235969					B	A	A			970709		FOR POLAND	
	96235970					B	S	S						
	96235970					B	A	A			970709		FOR POLAND	
[08]		(E)SCREW-TAPPING (D)SCHRAUBE								(F)VIS (S)TORNILLO				

ENG(ENGINE)

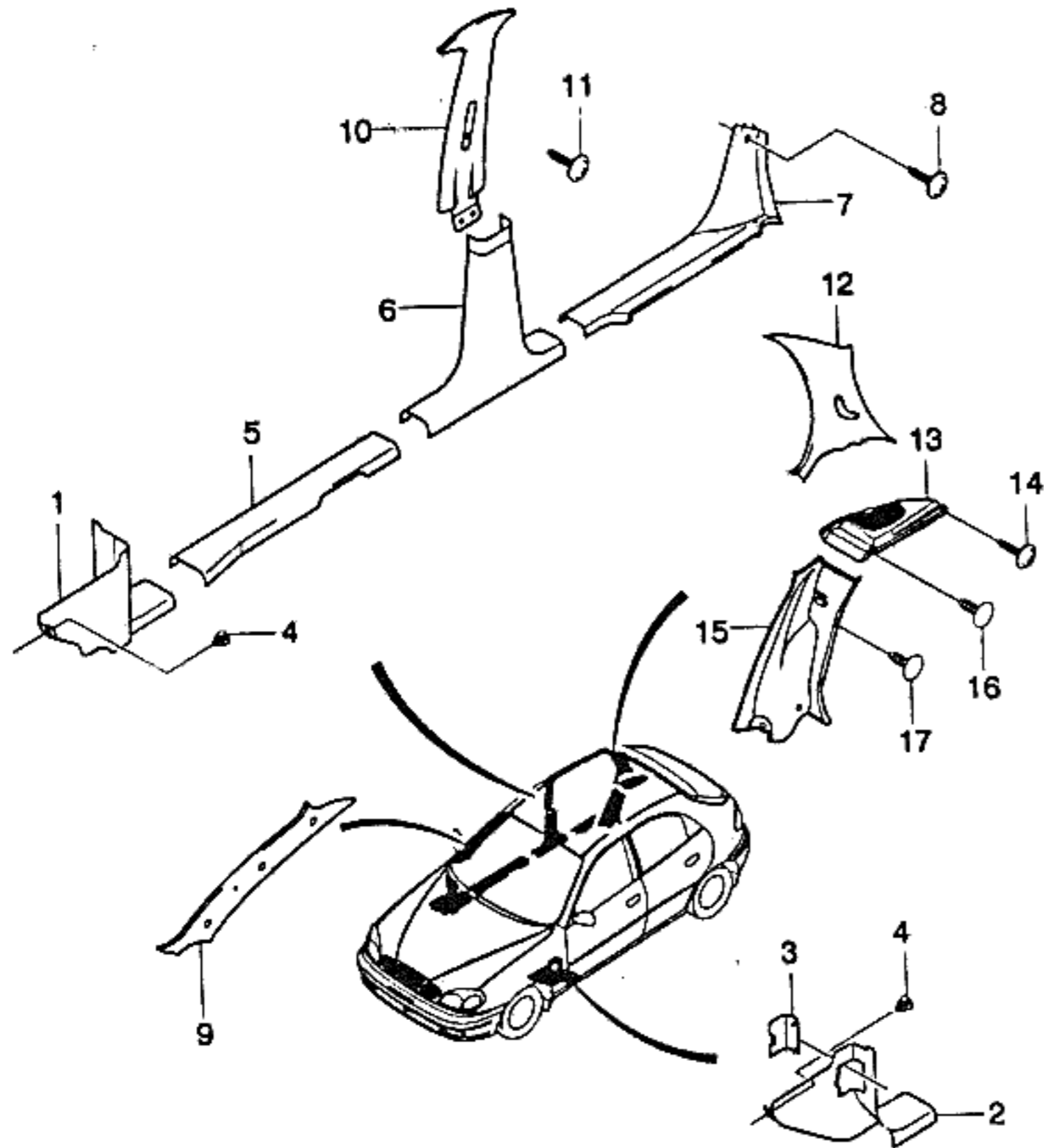
T/A(TRANSAXLE)

BODY TYPE

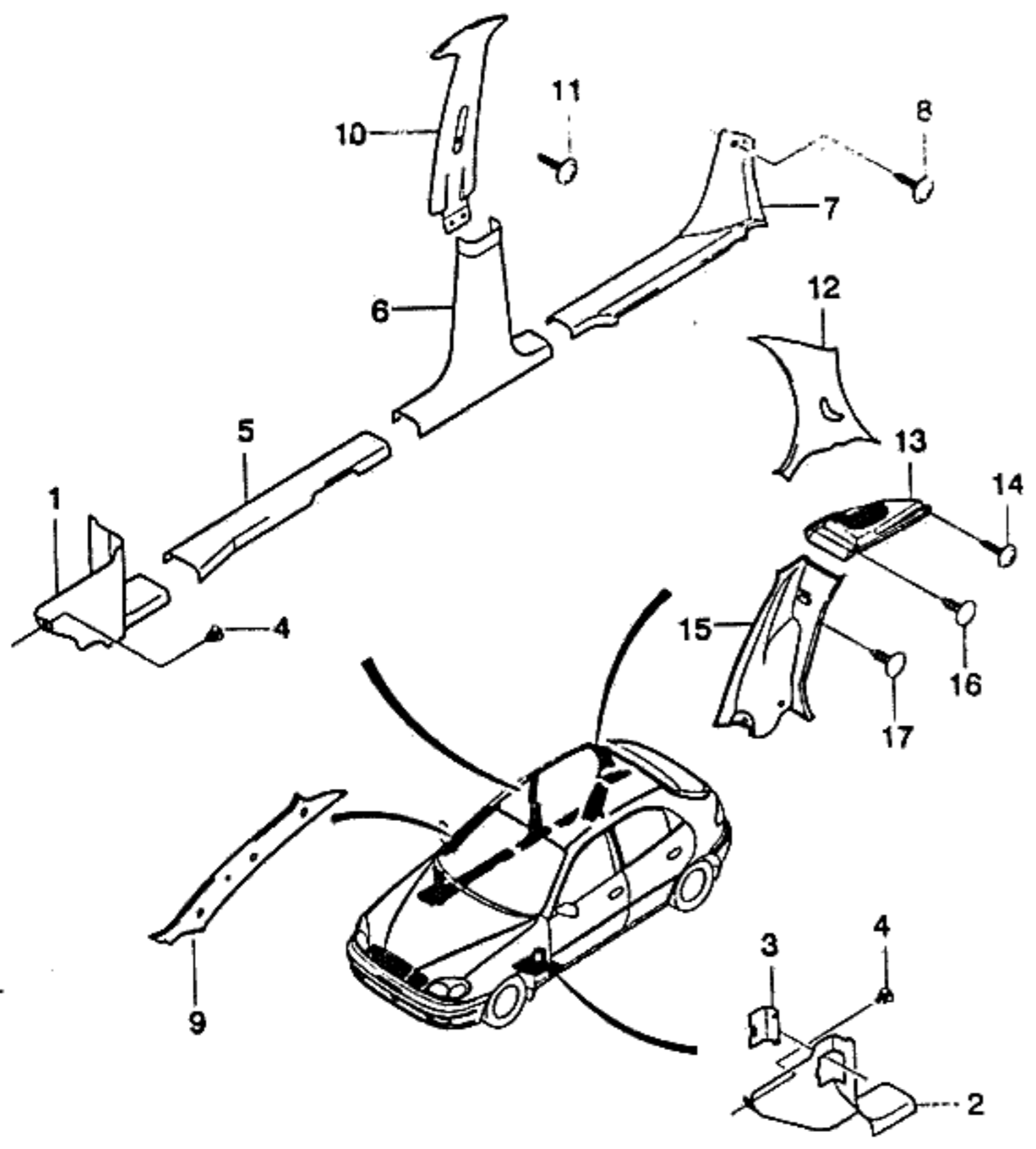
Y = 1.5SOHC
6 = 1.6DOHC
. = COMMON

M = MANUAL T/A
A = AUTOMATIC T/A
. = COMMON

4 N = 4 DOOR NOTCHBACK
3 H = 3 DOOR HATCHBACK
5 H = 5 DOOR HATCHBACK

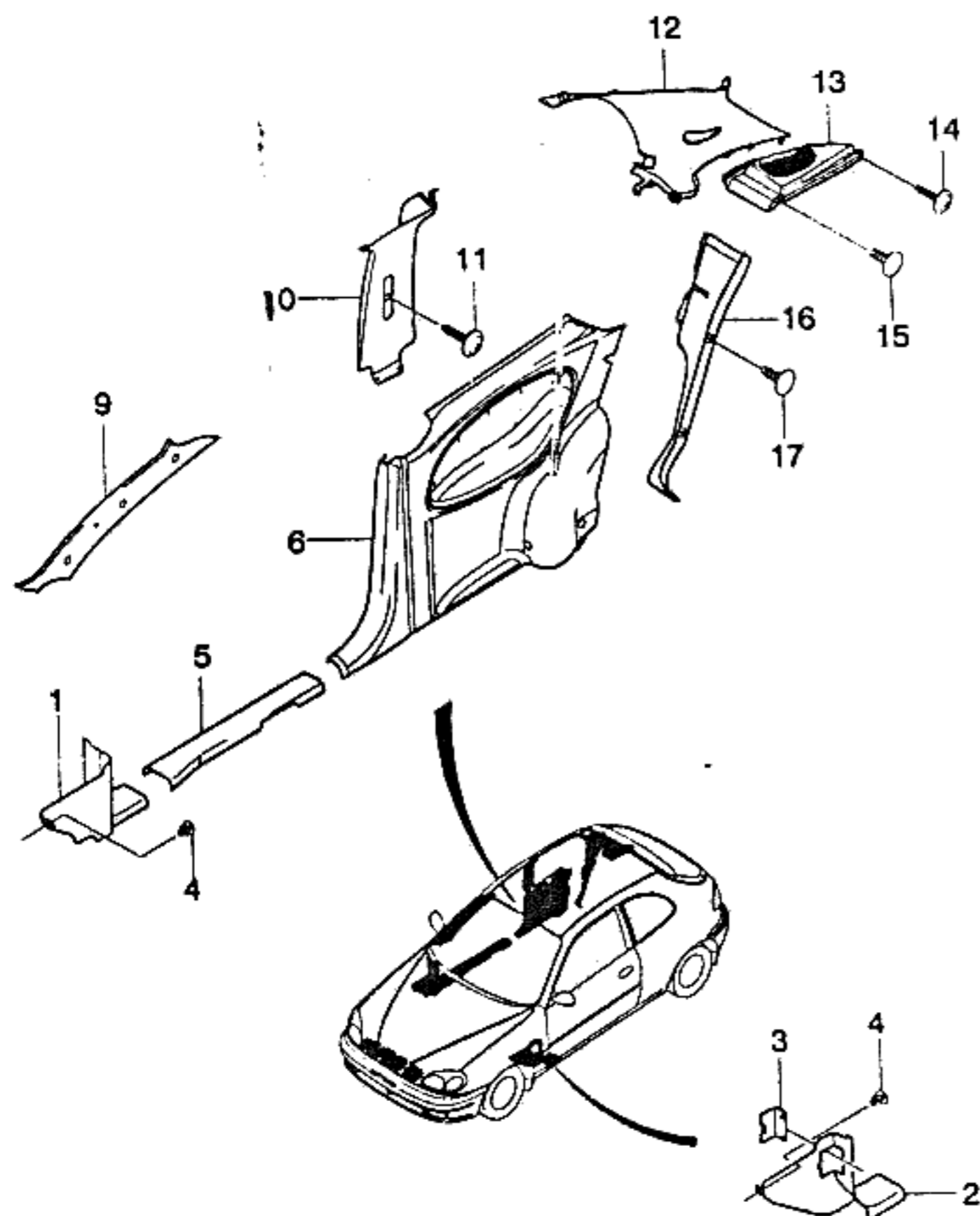


KEY NO.	PART NAME													
	PART NO	MODEL						OPTION	L / R	Q / Y	EFFECTIVE DATE		REMARKS	P / CODE
		E	T	BODY			LEVEL				FROM	TO		
N	G	4	3	5	S	S	S							
03160-42135					B	S	S				2			
[09]					(E)TRIM A-A PILLAR (D)VERKLEIDUNG,A SÄULE							(F)GARNITURE-A PILIER (S)ADORNO-PILAR		
96235979					B	S	S				LH 1			
96235980					B	S	S				RH 1			
[10]					(E)TRIM A-B PILLAR,UPPER (D)VERKLEIDUNG,B SÄULE,OBEN							(F)GARNITURE-B PILIER,HAUT (S)ADORNO-PILAR B,ALTO		
96236015					B	S	S	-AAC			LH 1			B3
96236016					B	S	S	-AAC			RH 1			B4
96236019					B	S	S	&AAC			LH 1			B7
96236020					B	S	S	&AAC			RH 1			B8
[11]					(E)SCREW-TAPPING (D)SCHRAUBE							(F)VIS (S)TORNILLO		
03160-42163					B	S	S				4			
[12]					(E)TRIM A-QUARTER WINDOW (D)VERKLEIDUNG							(F)GARNITURE (S)ADORNO-VENTANA CUADRANTE		
96236108					B	S	S				LH 1			
96236109					B	S	S				RH 1			
[13]					(E)COVER A-LOAD COMPART.SIDE (D)DECKEL,LADEFACH,SEITE							(F)COUVERCLE (S)CUBIERTA		
96236110					B	S	S				LH 1			
96236111					B	S	S				RH 1			
[14]					(E)SCREW-TAPPING (D)SCHRAUBE							(F)VIS (S)TORNILLO		
03160-42135					B									NOT APPLIED
09136-04007					B	S	S				4	970701		
09136-04012					B	S	S				4	970701		
ENG(ENGINE)			T/A(TRANSAXLE)			BODY TYPE								
Y = 1.5SOHC G = 1.6DOHC . = COMMON			M = MANUAL T/A A = AUTOMATIC T/A . = COMMON			4 N = 4 DOOR NOTCHBACK 3 H = 3 DOOR HATCHBACK 5 H = 5 DOOR HATCHBACK								



KEY NO.	PART NAME										P / CODE	
	PART NO	MODEL					OPTION	L / R	EFFECTIVE DATE			REMARKS
		E N G	T / A	BODY	LEVEL				FROM	TO		
		4 N	3 H	5 H	S S	S S						
[15]	(E)TRIM A-FRONT,WHEELHOUSE (D)VERKLEIDUNG,RADGEHÄUSE										(F)GARNITURE-TIMONERIE,AVANT (S)ADORNO-ENGRANAJE,FR	
96236038				B	S	S					LH 1	
96236039				B	S	S					RH 1	
[16]	(E)CLIP (D)KLEMME										(F)ATTACHE (S)GRAPA	
09409-07325				B	S	S					4	NOT APPLIED
[17]	(E)CLIP (D)KLEMME										(F)ATTACHE (S)GRAPA	
09409-07325				B	S	S					4	
09409-07325				B	A	A					4 970709	FOR POLAND

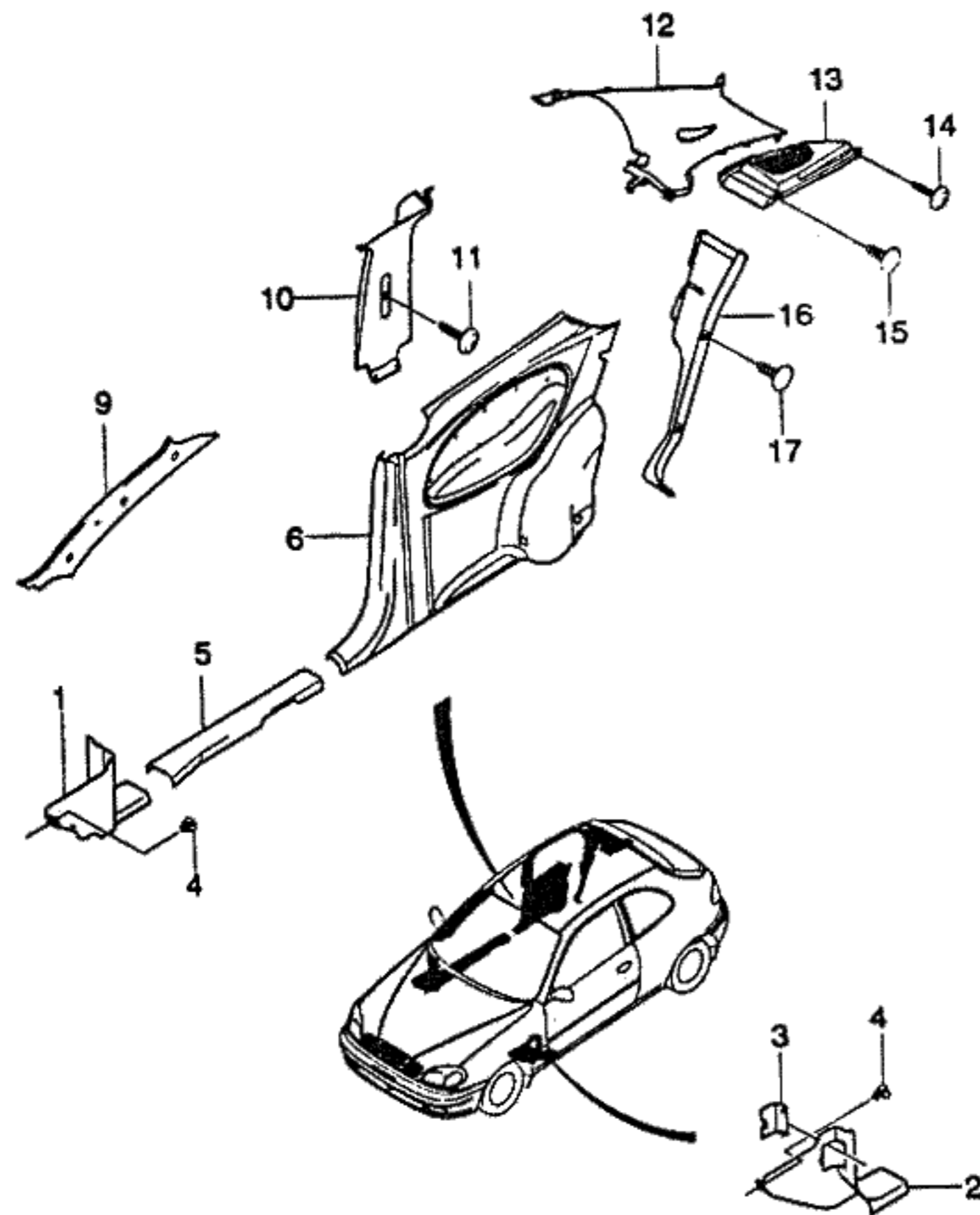
ENG(ENGINE)	T/A(TRANSAXLE)	BODY TYPE
Y = 1.5SOHC 6 = 1.6DOHC . = COMMON	M = MANUAL T/A A = AUTOMATIC T/A . = COMMON	4 N = 4 DOOR NOTCHBACK 3 H = 3 DOOR HATCHBACK 5 H = 5 DOOR HATCHBACK



KEY NO.	PART NAME										REMARKS	P / C O D E		
	PART NO	MODEL						OPTION	L / R	Q / T Y			EFFECTIVE DATE	
		E N G	T / A	B O D Y	L E V E L								FROM	TO
[01]	96235985	(E)TRIM A-SHROUD SIDE (D)VERKLEIDUNG,MANTEL SEITE	B .	S .	S .				(F)GARNITURE (S)ADORNO-LADO DE CUBIERTA				
[02]	96235983	(E)TRIM A-SHROUD SIDE (D)VERKLEIDUNG,MANTEL SEITE	B .	S .	S .				(F)GARNITURE (S)ADORNO-LADO DE CUBIERTA				
[03]	96235988	(E)COVER-SHROUD SIDE TRIM (D)DECKEL	B .	S .	S .				(F)COUVERCLE (S)CUBIERTA				
[04]	09409-05311	(E)CLIP (D)KLEMME	B .	S .	S .				(F)ATTACHE (S)GRAPA				
[05]	96235975	(E)COVER A-ROCKER PANEL (D)DECKEL	B .	S .	S .				(F)COUVERCLE (S)CUBIERTA				
[06]	96236067	(E)TRIM A-FRONT SIDE PANEL (D)VERKLEIDUNG	B .	S .	S .	&TD1			(F)GARNITURE (S)ADORNO				K7
	96236068		B .	S .	S .	&TD1							K8
	96236057		B .	O .	S .	&TD2							K1
	96236058		B .	O .	S .	&TD2							K2
[10]	96236013	(E)TRIM A-B PILLAR,UPPER (D)VERKLEIDUNG,B SAULE,OBEN	B .	S .	S .				(F)GARNITURE-B PILLER,HAUT (S)ADORNO-PILAR B,ALTO				B1
	96236014		B .	S .	S .								B2
[12]		(E)TRIM A-QUARTER WINDOW (D)VERKLEIDUNG								(F)GARNITURE (S)ADORNO-VENTANA CUADRANTE				
ENG(ENGINE)			T/A(TRANSAXLE)				BODY TYPE							
Y = 1.5SOHC 6 = 1.6DOHC . = COMMON			M = MANUAL T/A A = AUTOMATIC T/A . = COMMON				4 N = 4 DOOR NOTCHBACK 3 H = 3 DOOR HATCHBACK 5 H = 5 DOOR HATCHBACK							

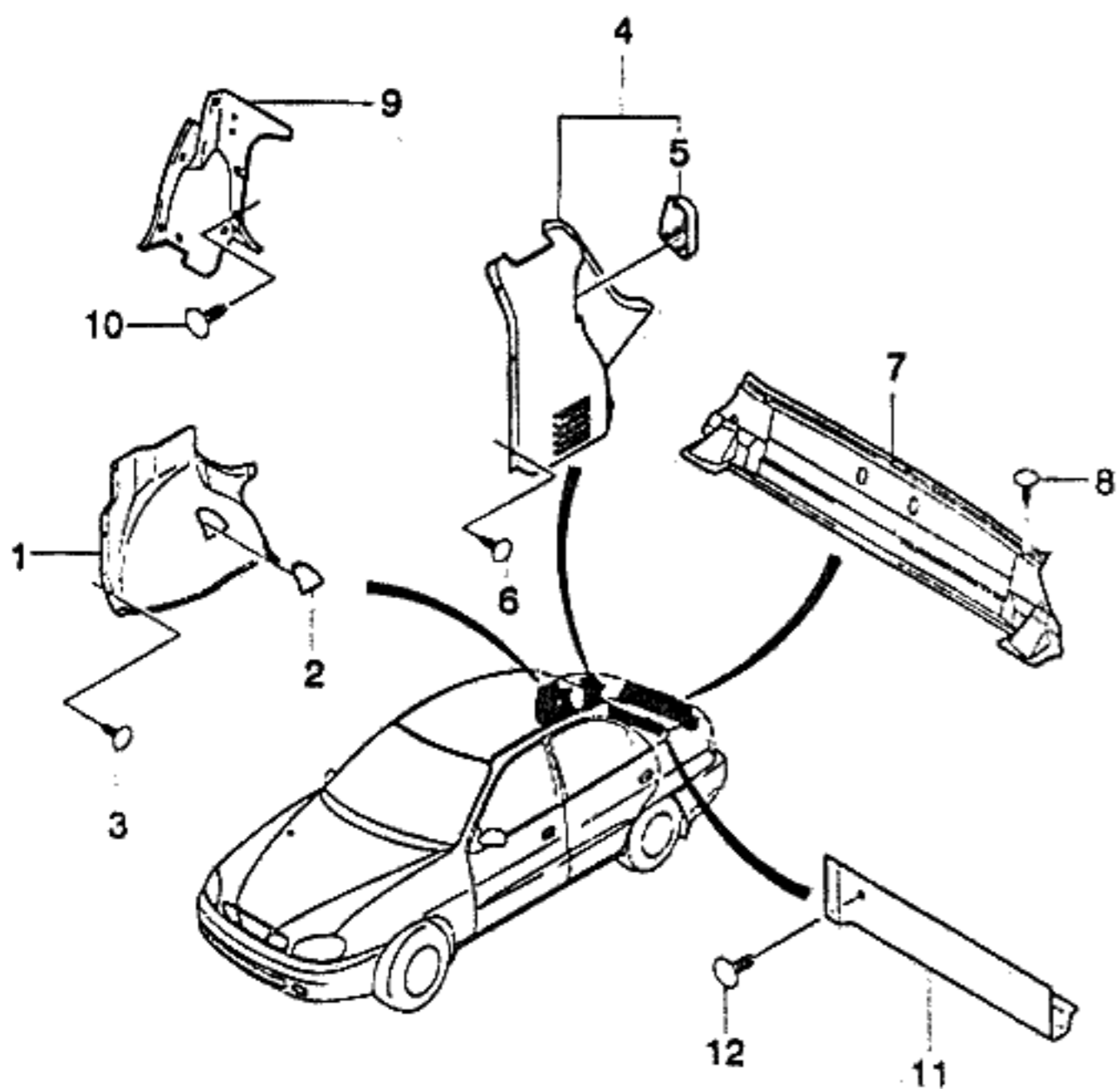
7332 FRONT PILLAR TRIM (3DOOR H/B)

6D05



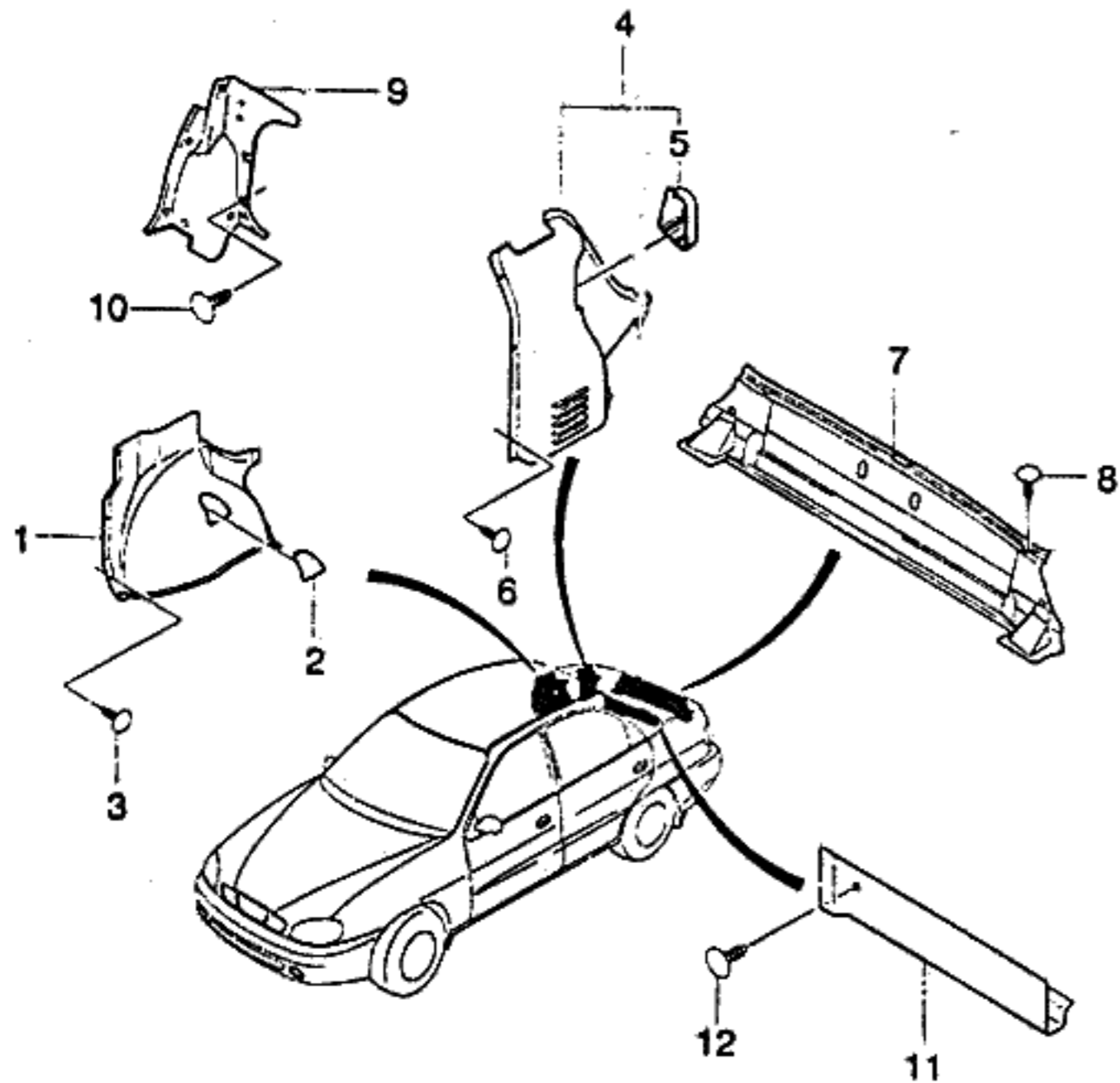
KEY NO.	PART NAME										P / CODE		
	PART NO	MODEL					OPTION	L / R	Q / T Y	EFFECTIVE DATE		REMARKS	
		E N / G	T / A	BODY	LEVEL					FROM			TO
96236094			B	S	S		LH	1					
96236095			B	S	S		RH	1					
[13]			(E)COVER A-LOAD COMPART.SIDE (D)DECKEL,LADEFACH,SEITE									(F)COUVERCLE (S)CUBIERTA	
96236110			B	S	S		LH	1					
96236111			B	S	S		RH	1					
[14]			(E)SCREW-TAPPING (D)SCHRAUBE									(F)VIS (S)TORNILLO	
03160-42135			B									NOT APPLIED	
09136-04007			B	S	S			6		970701			
09136-04012			B	S	S			6		970701			
[15]			(E)CLIP (D)KLEMME									(F)ATTACHE (S)GRAPA	
09409-07325			B									NOT APPLIED	
[16]			(E)TRIM A-FRONT,WHEELHOUSE (D)VERKLEIDUNG,RADGEHÄUSE									(F)GARNITURE-TIMONERIE,AVANT (S)ADORNO-ENGRANAJE,FR	
96236040			B	S	S		LH	1					
96236041			B	S	S		RH	1					
[17]			(E)CLIP (D)KLEMME									(F)ATTACHE (S)GRAPA	
09409-07325			B	S	S			4					

ENG(ENGINE)	T/A(TRANSAXLE)	BODY TYPE
Y = 1.5SOHC 6 = 1.6DOHC . = COMMON	M = MANUAL T/A A = AUTOMATIC T/A . = COMMON	4 N = 4 DOOR NOTCHBACK 3 H = 3 DOOR HATCHBACK 5 H = 5 DOOR HATCHBACK



KEY NO.	PART NAME											P / I / C / O / D / E		
	PART NO	MODEL						OPTION	L / R	Q / T Y	EFFECTIVE DATE		REMARKS	
		E / N / G	T / A	4 N	3 H	5 H	LEVEL				S			S
[01]	(E)TRIM A-WHEELHOUSE REAR (D)VERKLEIDUNG,RADGEHÄUSE												(F)GARNITURE (S)ADORNO-ENGRANAJE,RR	
96236047	. . . B . . . S S S												LH 1	
96238285	. . . B . . . S S S												RH 1	
[02]	(E)COVER-SHOCK ABSORBER,REAR (D)DECKEL												(F)COUVERTURE (S)CUBIERTA	
96237855	. . . B . . . S S S												2	
[03]	(E)CLIP (D)KLEMME												(F)ATTACHE (S)GRAPA	
09409-07326	. . . B . . . S S S												4	
[04]	(E)TRIM A-REAR SIDE PANEL (D)VERKLEIDUNG												(F)GARNITURE (S)ADORNO	
96236073	. . . B . . . S S S												LH 1	
96236074	. . . B . . . S S S												RH 1	
[05]	(E)COVER-TAIL LAMP (D)DECKEL												(F)COUVERTURE (S)CUBIERTA	
96236079	. . . B . . . S S S												LH 1	
96236080	. . . B . . . S S S												RH 1	
[06]	(E)CLIP (D)KLEMME												(F)ATTACHE (S)GRAPA	
09409-07326	. . . B . . . S S S												8	
[07]	(E)COVER-BACK PANEL,LOWER (D)DECKEL												(F)COUVERTURE (S)CUBIERTA	
96236056	. . . B . . . S S S												1	L2
[08]	(E)CLIP (D)KLEMME												(F)ATTACHE (S)GRAPA	
09409-07326	. . . B . . . S S S												6	970509
09409-07326	. . . B . . . S S S												7	970509

ENG(ENGINE)	T/A(TRANSAXLE)	BODY TYPE
Y = 1.5SOHC G = 1.6DOHC = COMMON	M = MANUAL T/A A = AUTOMATIC T/A = COMMON	4 N = 4 DOOR NOTCHBACK 3 H = 3 DOOR HATCHBACK 5 H = 5 DOOR HATCHBACK

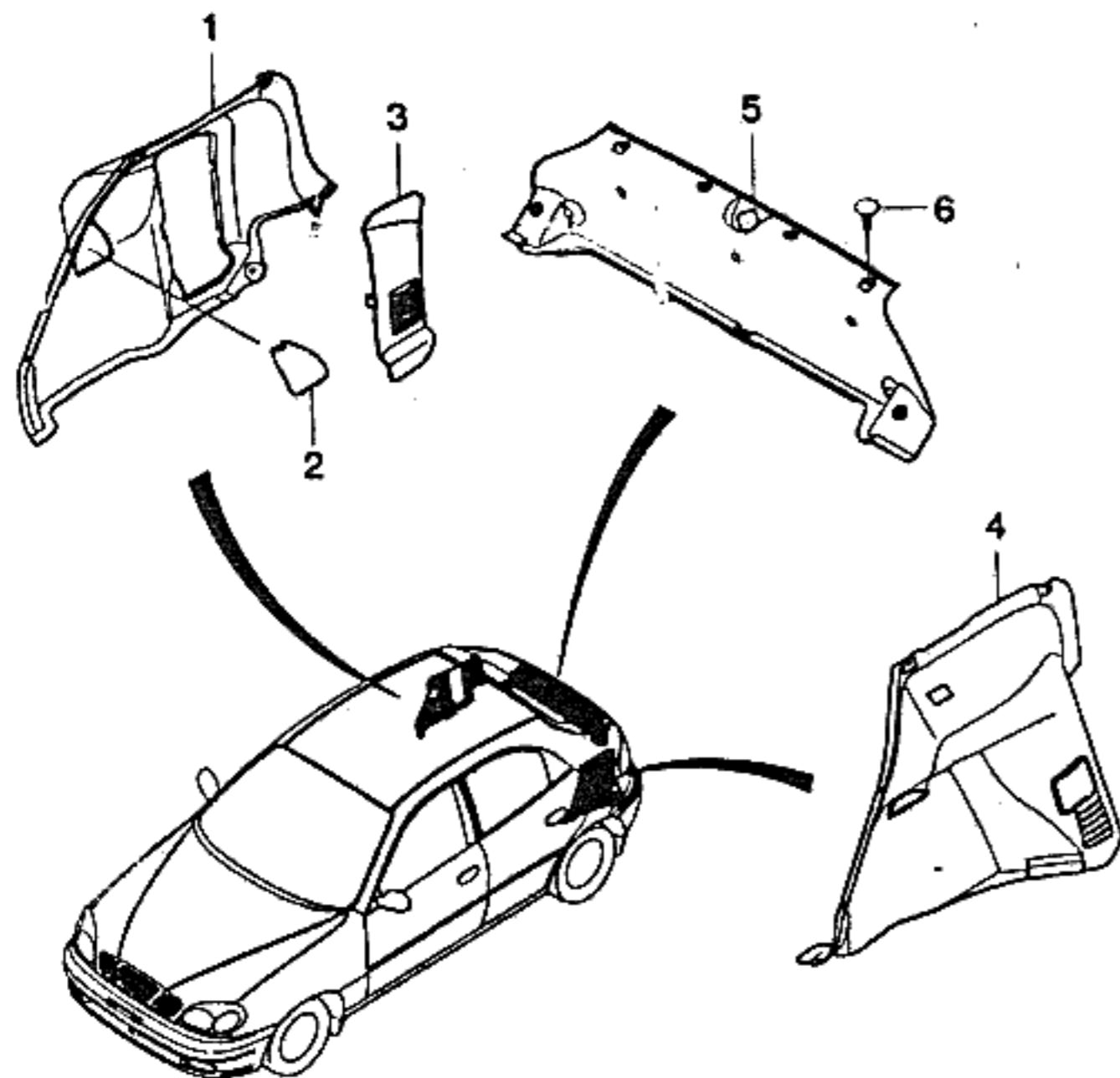


KEY NO.	PART NAME													
	PART NO	MODEL						OPTION	L / R	QTY	EFFECTIVE DATE		REMARKS	P / CODE
		E	T	BODY			LEVEL				FROM	TO		
N / G	A	4	3	3	S	S	S							
[09]	(E)COVER A-BACK PANEL,UPPER (D)DECKEL													
96236053	.	.	B	.	.	.	S							
96236053	.	.	B	.	.	A	A		1	970709		FOR POLAND		
[10]	(E)CLIP (D)KLEMME													
09409-07325	.	.	B	.	.	.	S		2					
09409-07325	.	.	B	.	.	A	A		2	970709		FOR POLAND		
[11]	(E)TRIM A-FRONT,WHEELHOUSE (D)VERKLEIDUNG,RADGEHÄUSE													
96252543	.	.	B	.	.	.	S		LH 1					
96252543	.	.	B	.	.	A	A		LH 1	970709		FOR POLAND		
96252545	.	.	B	.	.	.	S	&AM9	RH 1					
96252545	.	.	B	.	.	A	A		RH 1	970709		FOR POLAND		
[12]	(E)CLIP (D)KLEMME													
09409-07325	.	.	B	.	.	S	S		4					

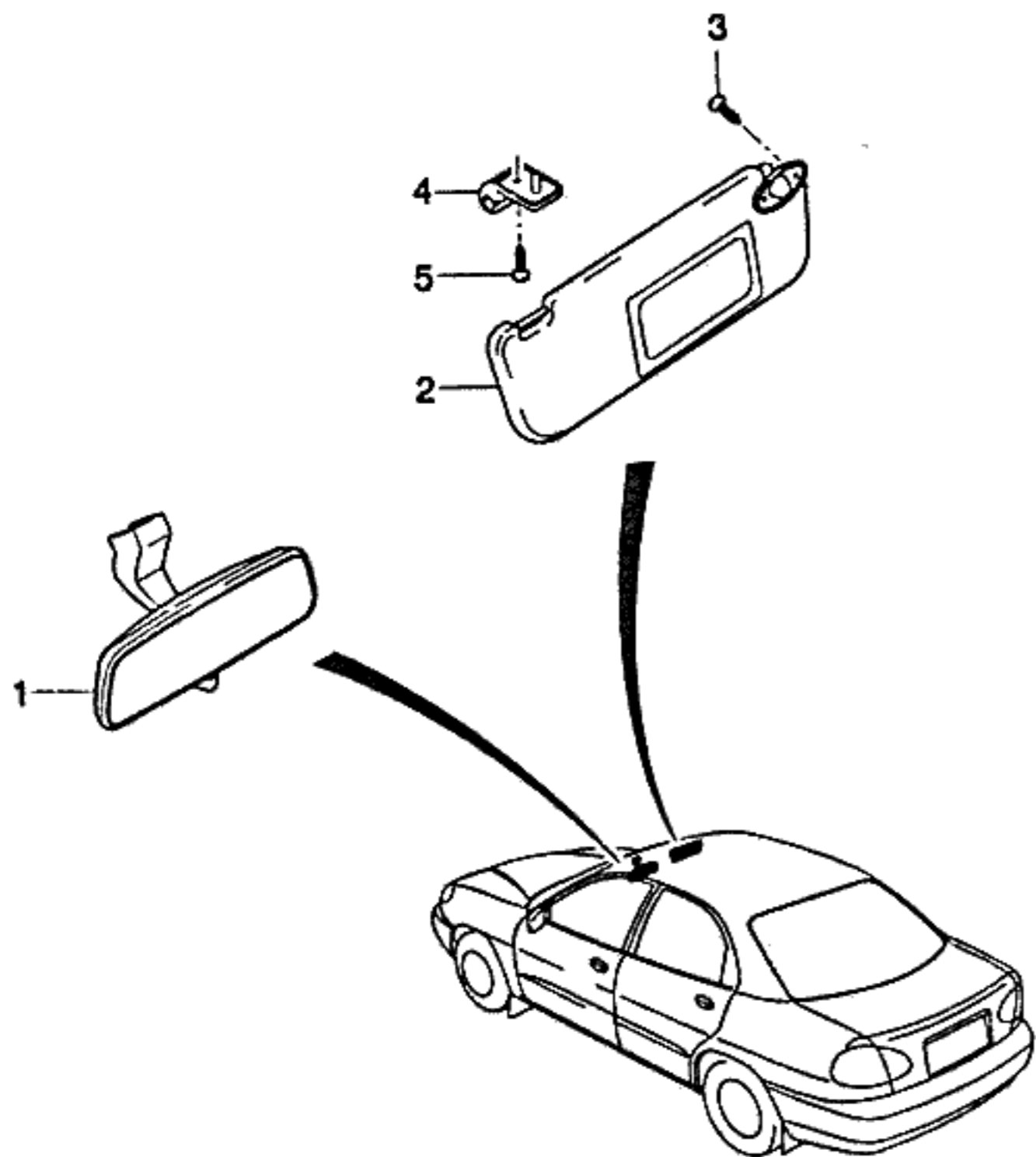
ENG(ENGINE)	T/A(TRANSAXLE)	BODY TYPE
Y = 1.5SOHC 6 = 1.6DOHC . = COMMON	M = MANUAL T/A A = AUTOMATIC T/A . = COMMON	4 N = 4 DOOR NOTCHBACK 3 H = 3 DOOR HATCHBACK 5 H = 5 DOOR HATCHBACK

7341 REAR PILLAR TRIM (H/B)

6G05



KEY NO.	PART NAME													
	PART NO	MODEL						OPTION	L / R	Q / T Y	EFFECTIVE DATE		REMARKS	P / C O D E
		E N G	T / A	BODY			LEVEL				FROM	TO		
		4	3	5	S	S	S							
[01]	96236071	(E)TRIM A-REAR SIDE PANEL (D)VERKLEIDUNG										(F)GARNITURE (S)ADORNO		
		. . . B B S . S										LH 1	INCL #2.3	
[02]	96237855	(E)COVER-SHOCK ABSORBER,REAR (D)DECKEL										(F)COUVERTURE (S)CUBIERTA		
		. . . B B S . S										2		
[03]	96236081	(E)COVER-TRUNK JACK (D)DECKEL										(F)COUVERTURE (S)CUBIERTA		
		. . . B B S . S										1		
[04]	96236072	(E)TRIM A-REAR SIDE PANEL (D)VERKLEIDUNG										(F)GARNITURE (S)ADORNO		
		. . . B B S . S										RH 1		
[05]	96236055	(E)COVER-BACK PANEL,LOWER (D)DECKEL										(F)COUVERTURE (S)CUBIERTA		
		. . . B B S . S										1		L1
[06]	09409-07326	(E)CLIP (D)KLEMME										(F)ATTACHE (S)GRAPA		
	09409-07326	. . . B B S . S										6	970509	
	09409-07326	. . . B B S . S										7	970509	
ENG(ENGINE)		T/A(TRANSAXLE)				BODY TYPE								
Y = 1.5SOHC 6 = 1.6DOHC . = COMMON		M = MANUAL T/A A = AUTOMATIC T/A . = COMMON				4 N = 4 DOOR NOTCHBACK 3 H = 3 DOOR HATCHBACK 5 H = 5 DOOR HATCHBACK								



KEY NO.	PART NAME										
	PART NO	MODEL			OPTION	L / R	QTY	EFFECTIVE DATE		REMARKS	P / CODE
		E T	BODY	LEVEL				FROM	TO		
	N / G	4 3 5	S S S								
[01]	96226345				(E)MIRROR A-INSIDE,TILTABLE (D)SPIEGEL,VERSTELLBAR				(F)RETROVISEUR (S)ESPEJO-INCLINABLE		
[02]	96235989				(E)SUNSHADE A (D)SONNENBLLENDE				(F)PARE-SOLEIL (S)PARASOL		
	96235995				-ABF/AJ3					WO/MIRROR	M1
	96235997				&ABF/AJ3-VB4	LH	1	970508		WO/MIRROR	M3
	96235990				&ABF/AJ3-VB4	LH	1	970508		WO/MIRROR	S2
	96235992				&ABF/AJ3&VB4	LH	1			WO/MIRROR	M4
	96236004				-ABF/AJ3	RH	1			WO/MIRROR	N1
	96236006				-ABF/AJ3	RH	1			WO/MIRROR	N6
	96236006				&ABF-VB4	RH	1	970508		WO/MIRROR	N8
	96236006				&ABF-VB4	RH	1	970508		WO/MIRROR	T2
	96236006				&ABF&VB4	RH	1			WO/MIRROR	N9
[03]	03130-35198				(E)SCREW-TAPPING (D)SCHRAUBE				(F)VIS (S)TORNILLO		
[04]	96236009				(E)BRACKET-SUNSHADE (D)TRÄGER				(F)SUPPORT (S)SOPORTE		
[05]	03130-35198				(E)SCREW-TAPPING (D)SCHRAUBE				(F)VIS (S)TORNILLO		

ENG(ENGINE)

T/A(TRANSAXLE)

BODY TYPE

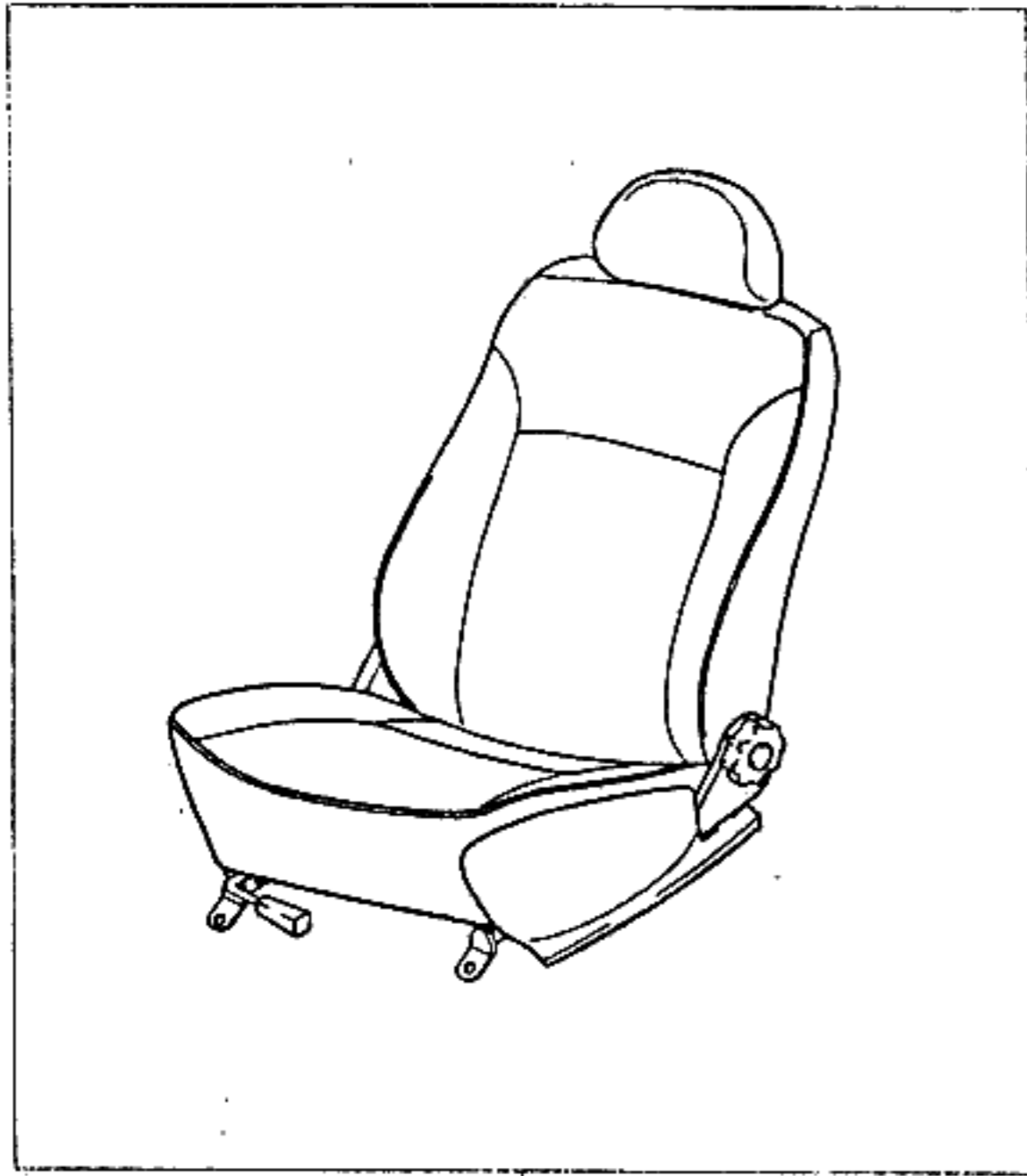
Y = 1.5SOHC
6 = 1.6DOHC
. = COMMON

M = MANUAL T/A
A = AUTOMATIC T/A
. = COMMON

4 N = 4 DOOR NOTCHBACK
3 H = 3 DOOR HATCHBACK
5 H = 5 DOOR HATCHBACK

7510 FRONT SEAT

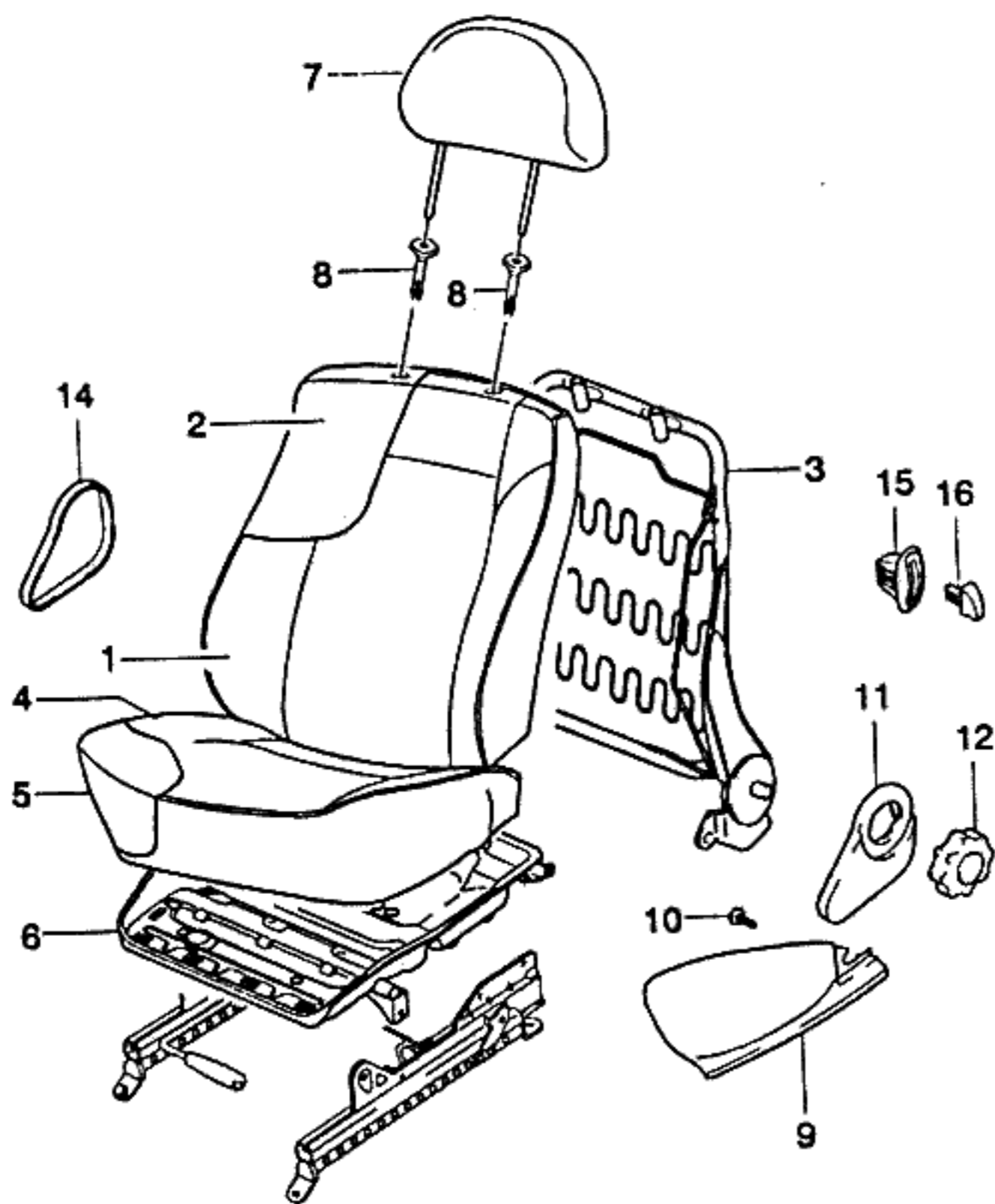
6J05



1

KEY NO.		PART NAME													
I T C	PART NO	MODEL					OPTION	L / R	Q T Y	EFFECTIVE DATE		REMARKS	P / C O D E		
		E N G	T / A	BODY						LEVEL				FRQM	TO
				4 N	3 H	5 H				S	S S				
	[01]	(E)SEAT A-FRONT (D)SITZ,VORDER								(F)SIEGE-AVANT (S)ASIENTO-FRENTE					
	96239283	.	.	B	.	B	S	.	.	LH	1			B6	
	96239284	.	.	B	.	B	S	.	.	RH	1			B7	
	96239281	.	.	B	.	B	O	S	S	LH	1			B4	
	96239282	.	.	B	.	B	O	S	S	RH	1			B5	
	96239279	B	.	S	.	.	LH	1		B2	
	96239280	B	.	S	.	.	RH	1		B3	
	96239277	B	.	O	.	S	LH	1		A9	
	96239278	B	.	O	.	S	RH	1		B1	
	96254867	.	.	B	.	B	A	A	A	LH	1	970709	FOR POLAND		
	96254868	.	.	B	.	B	A	A	A	RH	1	970709	FOR POLAND		

ENG(ENGINE)	T/A(TRANSAXLE)	BODY TYPE
Y = 1.5SOHC 6 = 1.6DOHC . = COMMON	M = MANUAL T/A A = AUTOMATIC T/A . = COMMON	4 N = 4 DOOR NOTCHBACK 3 H = 3 DOOR HATCHBACK 5 H = 5 DOOR HATCHBACK



KEY NO.	PART NAME										REMARKS	P / CODE
	PART NO	MODEL				OPTION	L / R	QTY	EFFECTIVE DATE			
		E	T	BODY	LEVEL				FROM	TO		
[01]	(E)COVERING-FRONT SEAT BACK (D)DECKEL										(F)COUVERTURE (S)CUBIERTA	
96239314	. . . B B B S . . &W6K										2	
96239313	. . . B B B O S S &W6E										2	
[02]	(E)PAD-FRONT SEAT BACK (D)UNTERLAG										(F)PATIN (S)COJIN	
96227651	. . . B B B S S S										2	
[03]	(E)FRAME-FRONT SEAT BACK (D)RAHMEN										(F)CADRE (S)ARMADURA	
96227653	. . . B . B S S S										LH 1	
96227654	. . . B . B S S S										RH 1	
96228641 B . S . S										LH 1	
96228642 B . S . S										RH 1	
[04]	(E)COVERING-FRT SEAT CUSHION (D)DECKEL										(F)COUVERTURE (S)CUBIERTA	
96239316	. . . B B B S . . &W6K										2	
96239315	. . . B B B O S S &W6E										2	
[05]	(E)PAD-FRONT SEAT CUSHION (D)UNTERLAG										(F)PATIN (S)COJIN	
96227652	. . . B B B S S S										2	
[06]	(E)FRAME-FRONT SEAT CUSHION (D)RAHMEN										(F)CADRE (S)ARMADURA	
96234775	. . . B B B S S S										LH 1	
96234776	. . . B B B S S S										RH 1	
[07]	(E)HEADREST A-FRONT SEAT (D)KOPFPOLSTER										(F)APPUI-TETE (S)APOYABRAZOS	
96227633	. . . B B B S . . &W6K										2	

ENG(ENGINE)

T/A(TRANSAXLE)

BODY TYPE

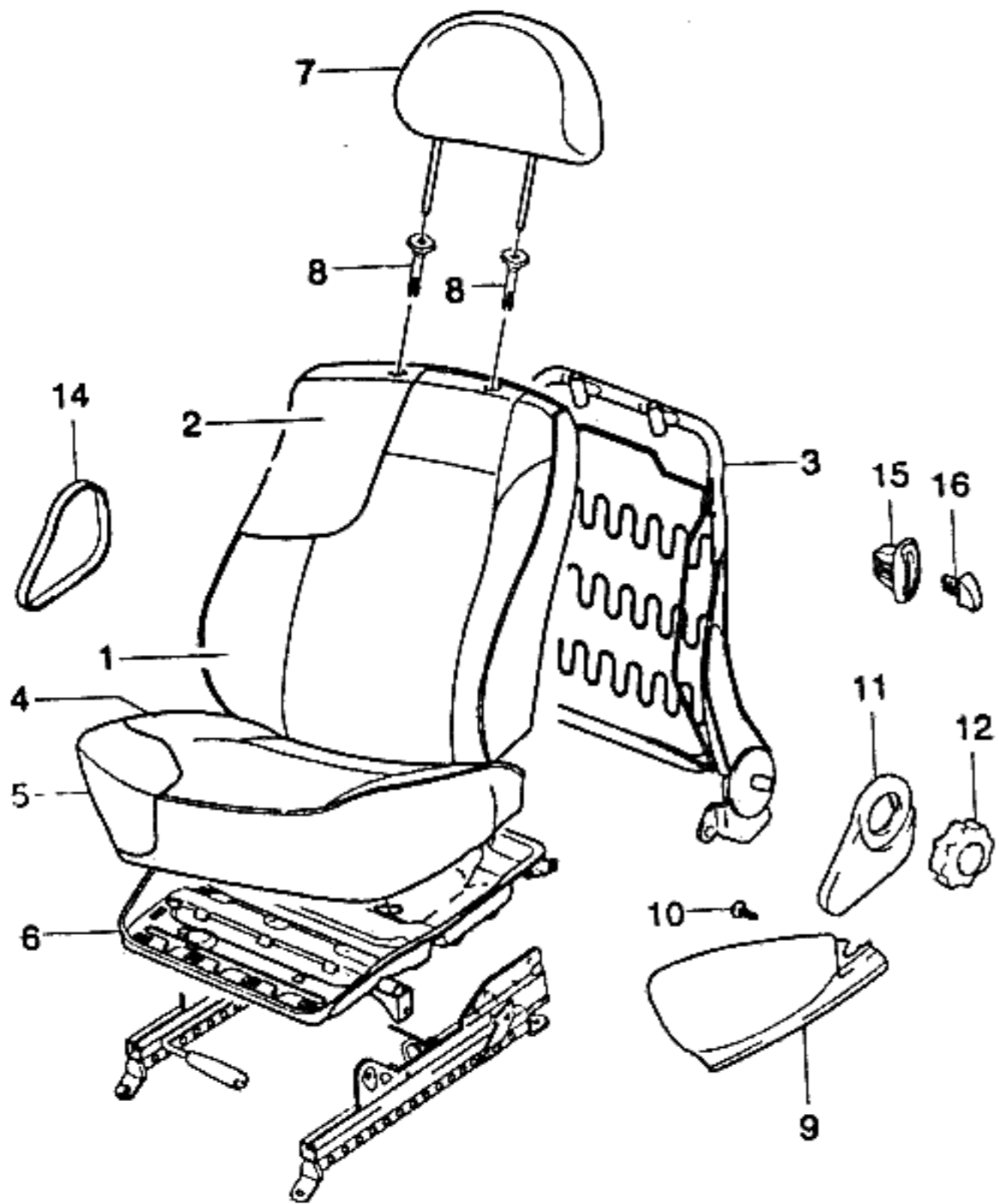
Y = 1.5SOHC
6 = 1.6DOHC
. = COMMON

M = MANUAL T/A
A = AUTOMATIC T/A
. = COMMON

4 N = 4 DOOR NOTCHBACK
3 H = 3 DOOR HATCHBACK
5 H = 5 DOOR HATCHBACK

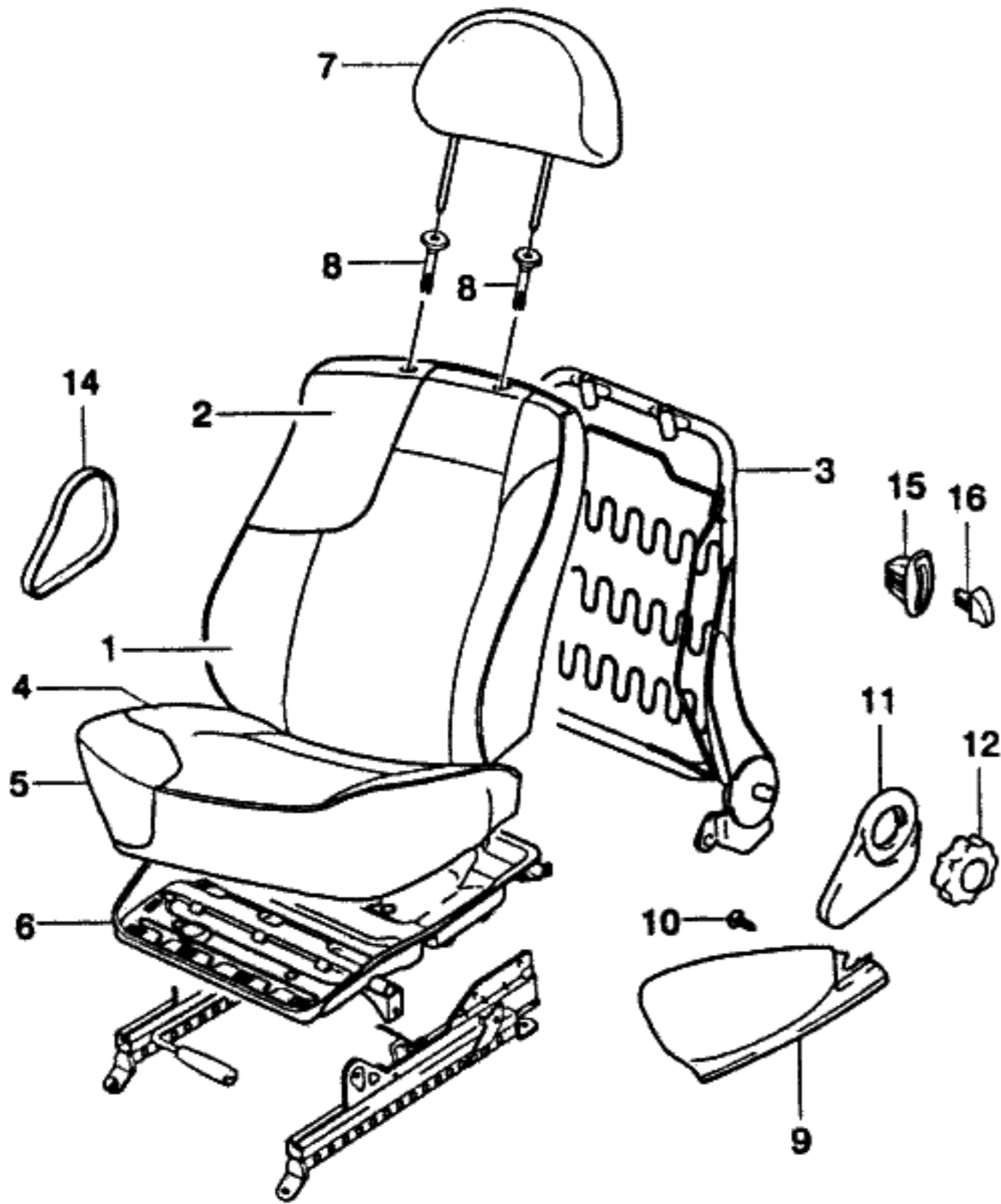
7520 FRONT SEAT PARTS

6L05



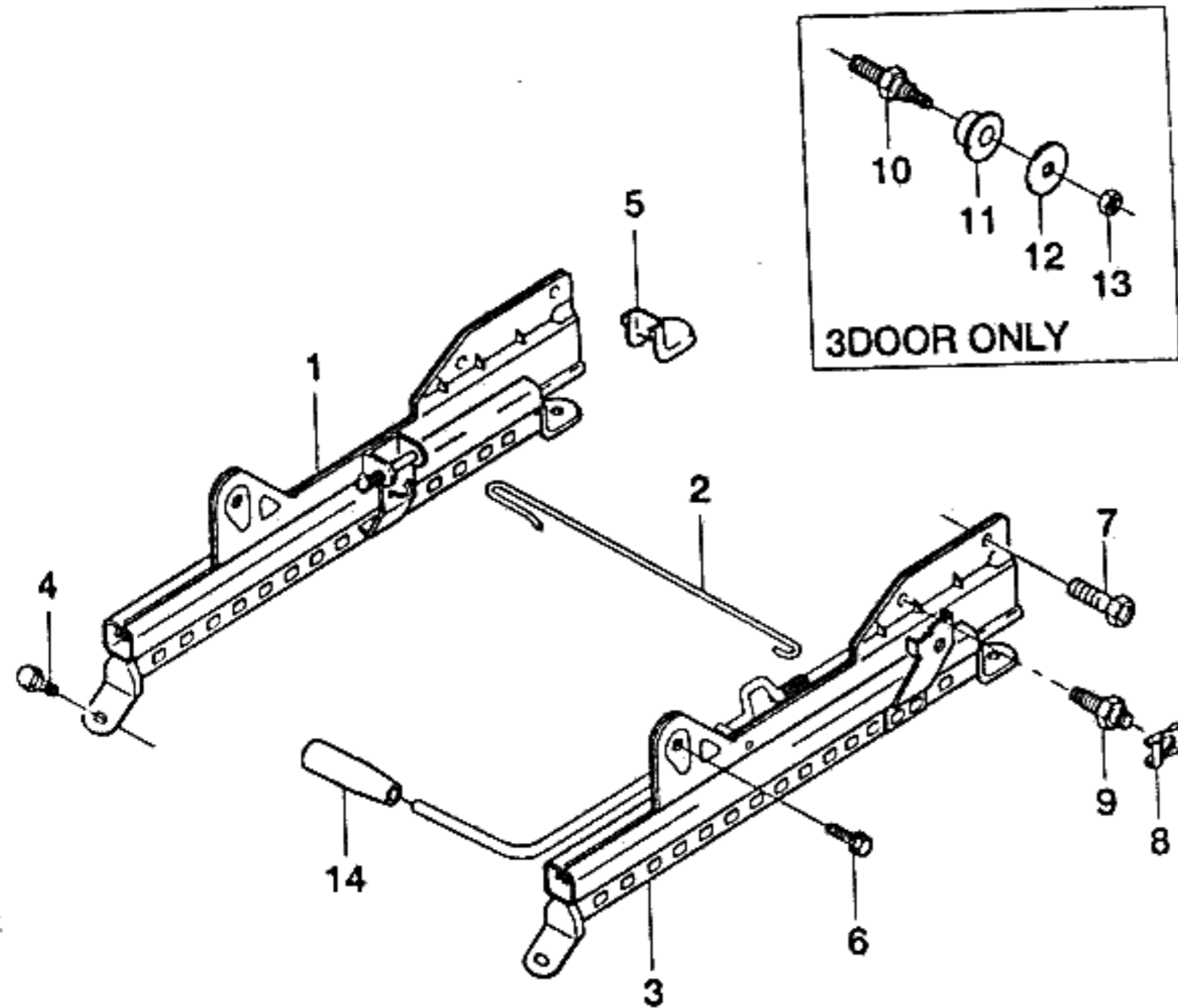
KEY NO.	PART NAME											REMARKS	P / CODE		
	PART NO	MODEL					OPTION	L / R	Q / Y	EFFECTIVE DATE					
		E	T	BODY						LEVEL	FROM			TO	
	N	G	4	3	5	S	S	S							
96227632	. . .	B	B	B	O	S	S	&W6E			2				
[08]	(E)SLEEVE-HEADREST (D)HÜLSE,KOPFPOLSTER											(F)CHEMISE-APPUI-TETE (S)MANGA			
96238404	. . .	B	B	B	S	S	S				2				W/LOCK
96238405	. . .	B	B	B	S	S	S				2				WO/LOCK
[09]	(E)COVER-FRONT SEAT OTR,LWR (D)DECKEL											(F)COUVERTURE (S)CUBIERTA			
96238397	. . .	B	B	B	S	S	S				LH 1				
96238398	. . .	B	B	B	S	S	S				RH 1				
[10]	(E)SCREW-TAPPING (D)SCHRAUBE											(F)VIS (S)TORNILLO			
03140-42229	. . .	B	B	B	S	S	S				4				
[11]	(E)COVER-FRONT SEAT OTR,UPR (D)DECKEL											(F)COUVERTURE (S)CUBIERTA			
96238399	. . .	B	B	B	S	S	S				LH 1				
96238400	. . .	B	B	B	S	S	S				RH 1				
[12]	(E)REGULATOR A-FRONT SEAT (D)REGULATOR											(F)REGULATEUR (S)REGULADOR			
96238401	. . .	B	B	B	S	S	S				2				
[14]	(E)COVER-FRONT SEAT OTR,UPR (D)SCHRAUBE											(F)COUVERTURE (S)TORNILLO			
96238395	. . .	B	B	B	S	S	S				LH 1				
96238396	. . .	B	B	B	S	S	S				RH 1				
[15]	(E)COVER-SEAT BACK STOP (D)DECKEL											(F)CARTER (S)CUBIERTA			
96238403	B	.	.	S	S	S				2				
[16]	(E)KNOB-LEVER,SEAT BACK STOP (D)KNOPF											(F)BOUTON (S)PERILLA			

ENG(ENGINE)	T/A(TRANSAXLE)	BODY TYPE
Y = 1.5SOHC 6 = 1.6DOHC . = COMMON	M = MANUAL T/A A = AUTOMATIC T/A . = COMMON	4 N = 4 DOOR NOTCHBACK 3 H = 3 DOOR HATCHBACK 5 H = 5 DOOR HATCHBACK

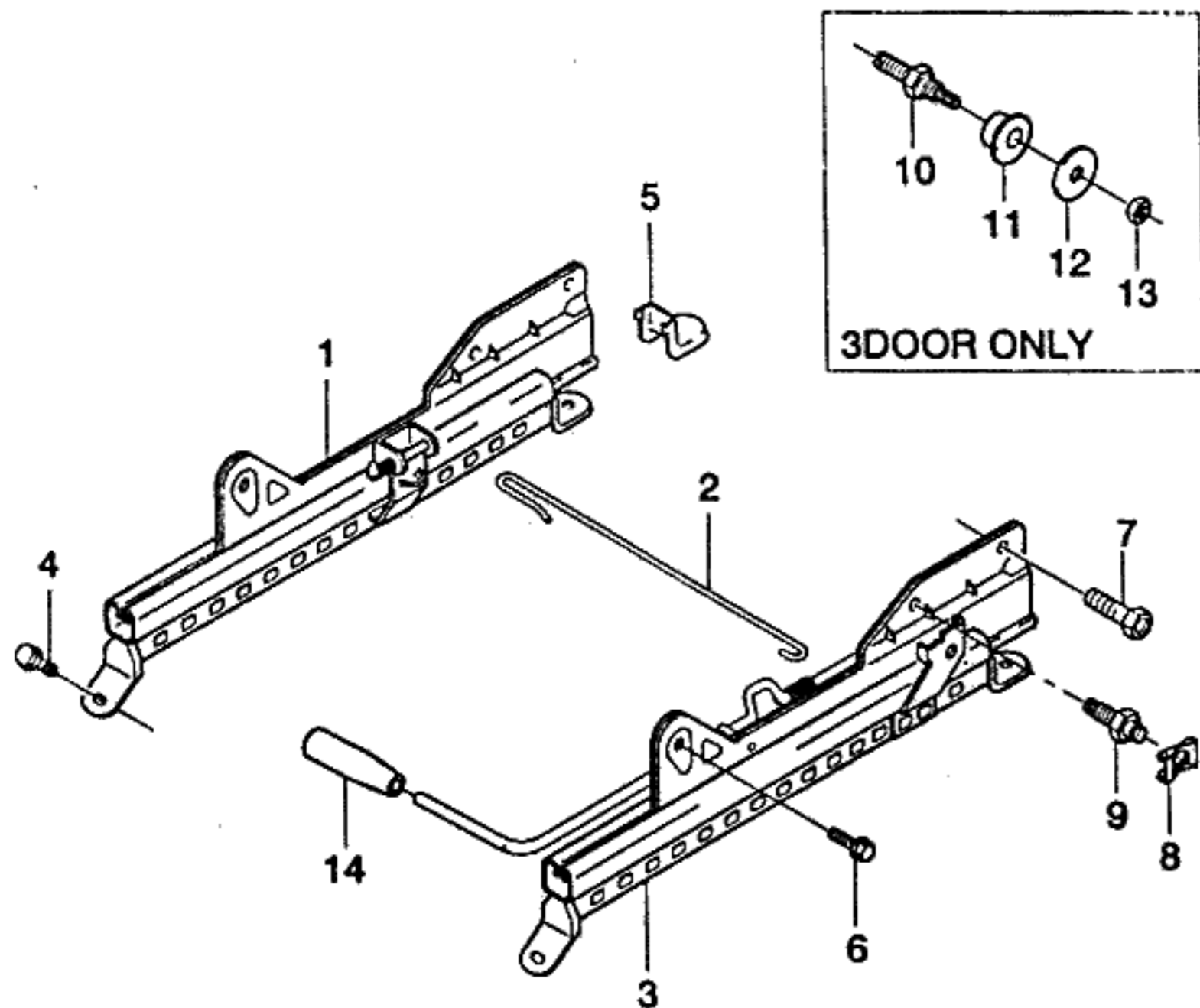


I T C	KEY NO.		PART NAME											P / C O D E
	PART NO	E N G	MODEL			OPTION	L / R	Q T Y	EFFECTIVE DATE		REMARKS			
			T / A	BODY	LEVEL				FROM	TO				
			4 N	3 H	5 H	S S	S S	S S						
	96238402	.	.	.	B	.	S	S	S			2		

ENG(ENGINE)	T/A(TRANSAXLE)	BODY TYPE
Y = 1.5SOHC 6 = 1.6DOHC . = COMMON	M = MANUAL T/A A = AUTOMATIC T/A . = COMMON	4 N = 4 DOOR NOTCHBACK 3 H = 3 DOOR HATCHBACK 5 H = 5 DOOR HATCHBACK

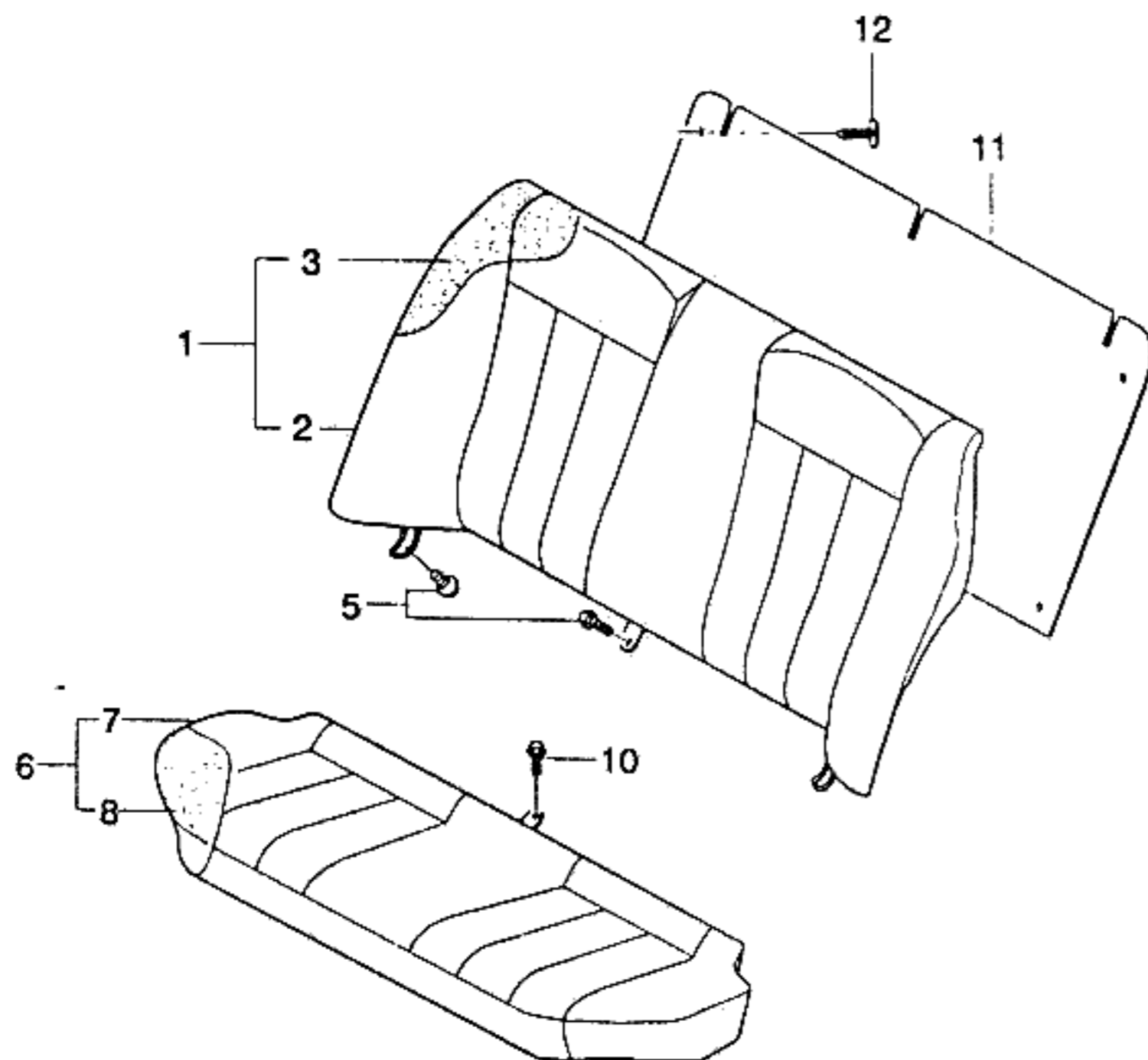


KEY NO.	PART NAME										P / CODE		
	PART NO	MODEL					OPTION	L / R	Q / T Y	EFFECTIVE DATE		REMARKS	
		E	T	BODY	LEVEL					FROM			TO
		N	4	3	5	S	S	S					
		G	A	N	H	H	S	S	E	X			
[01]	(E)RAIL A-GUIDE OUTER (D)SCHIENE, AUßEN FÜHRUNG										(F)RAIL-GUIDE EXTERNE (S)RIEL-GUIA EXTERNA		
96227634	. . . B B B S S S										LH 1		
96227635	. . . B B B S S S										RH 1		
[02]	(E)WIRE-SEAT ADJUSTER (D)VERDRAHTUNG, EINSTELLUNG										(F)CABLE-AJUSTEUR SIEGE (S)ALAMBRE		
96227657	. . . B B B S S S										2		
[03]	(E)RAIL A-GUIDE INNER (D)SCHIENE, INNEN FÜHRUNG										(F)RAIL-GUIDE INTERNE (S)RIEL-GUIA INTERNA		
96227636	. . . B B B S S S										LH 1		
96227637	. . . B B B S S S										RH 1		
[04]	(E)BOLT (D)SCHRAUBE										(F)BOULON (S)PERNO		
09116-08001	. . . B B B S S S										8	W/WASHER	
[05]	(E)END PIECE-FRONT SEAT, REAR (D)TEIL, END										(F)PIECE (S)PIEZA		
96238406	. . . B B B S S S										4		
[06]	(E)BOLT (D)SCHRAUBE										(F)BOULON (S)PERNO		
01127-08259	. . . B B B S S S										4		
[07]	(E)BOLT (D)SCHRAUBE										(F)BOULON (S)PERNO		
01107-10259	. . . B . B S S S										4		
[08]	(E)NUT-SPEED (D)MUTTER										(F)ECROU (S)TUERCA		
09148-10001	. . . B B B S S S										4		
[09]	(E)PIN-LOCKING FRONT SEAT (D)STIFT										(F)BROCHE (S)PASADOR		
ENG(ENGINE)			T/A(TRANSAXLE)				BODY TYPE						
Y = 1.5SOHC 6 = 1.6DOHC . = COMMON			M = MANUAL T/A A = AUTOMATIC T/A . = COMMON				4 N = 4 DOOR NOTCHBACK 3 H = 3 DOOR HATCHBACK 5 H = 5 DOOR HATCHBACK						

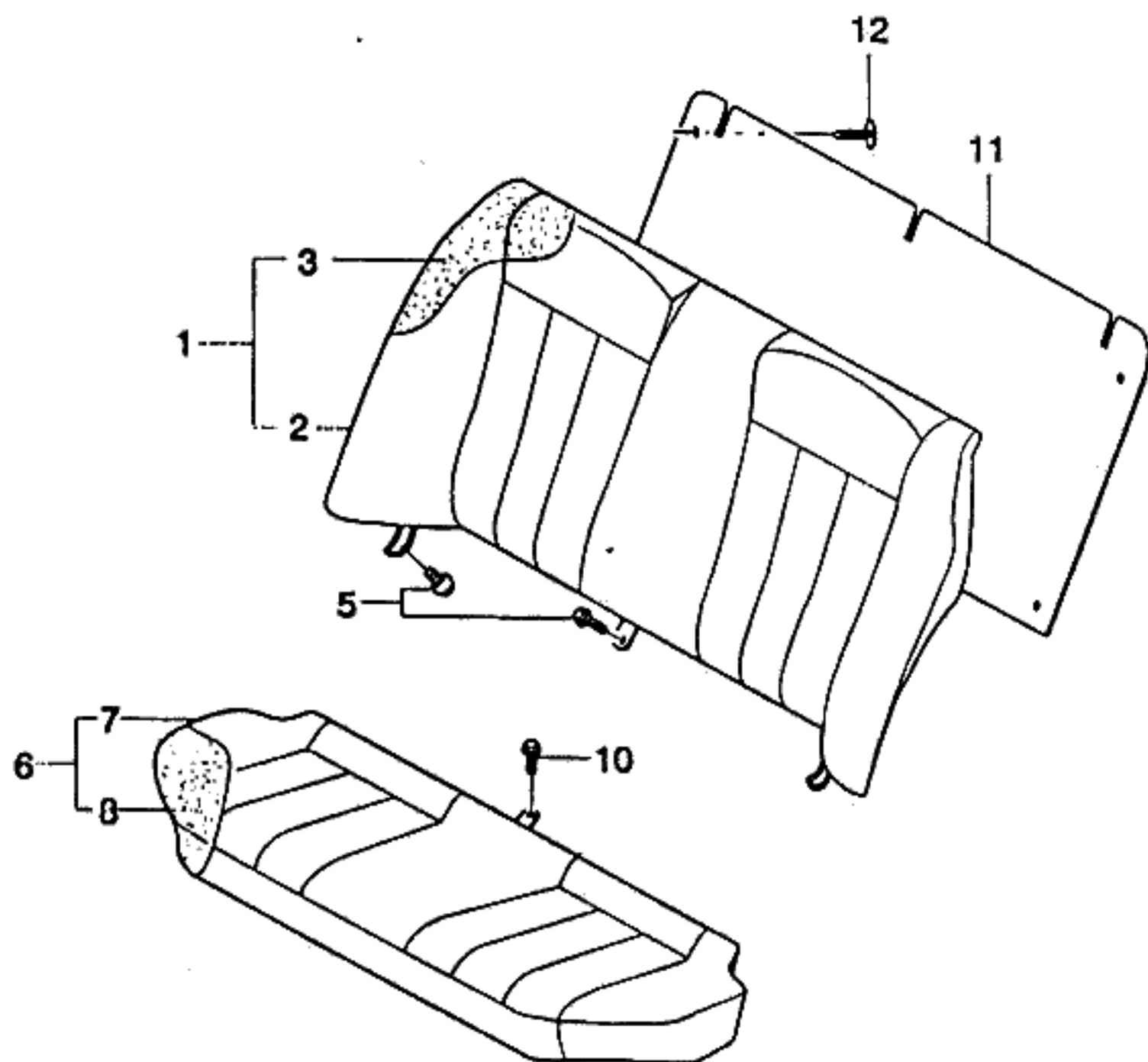


KEY NO.	PART NAME													
	PART NO	MODEL						OPTION	L / R	QTY	EFFECTIVE DATE		REMARKS	P / CODE
		ENG	T/A	BODY			LEVEL				FROM	TO		
		N	4	3	5	S	S	S						
		G	A	N	H	H	S	S	S					
96228645		.	.	B	B	B	S	S	S			4		
[10]		(E)		BOLT-LOCKING FRONT SEAT								(F)BOULON		
		(D)		SCHRAUBE								(S)PERNO		
96228646		.	.	B	.	S	.	S	.			4		
[11]		(E)		ROLLER-FRONT SEAT								(F)ROULEAU		
		(D)		LAUFROLLE								(S)RODILLO		
96228647		.	.	B	.	S	.	S	.			4		
[12]		(E)		WASHER-PLAIN								(F)RONDELLE		
		(D)		DICHTUNGSRING								(S)ARANDELA		
09160-10006		.	.	B	.	S	.	S	.			4		
[13]		(E)		NUT-HEXAGON								(F)ECROU		
		(D)		MUTTER								(S)TUERCA		
08310-21089		.	.	B	.	S	.	S	.			4		
[14]		(E)		KNOB-ADJUSTER								(F)BOUTON		
		(D)		KNOPF								(S)PERILLA		
9401705		.	.	B	B	B	S	S	S			2		

ENG(ENGINE)	T/A(TRANSAXLE)	BODY TYPE
Y = 1.5SOHC 6 = 1.6DOHC . = COMMON	M = MANUAL T/A A = AUTOMATIC T/A . = COMMON	4 N = 4 DOOR NOTCHBACK 3 H = 3 DOOR HATCHBACK 5 H = 5 DOOR HATCHBACK

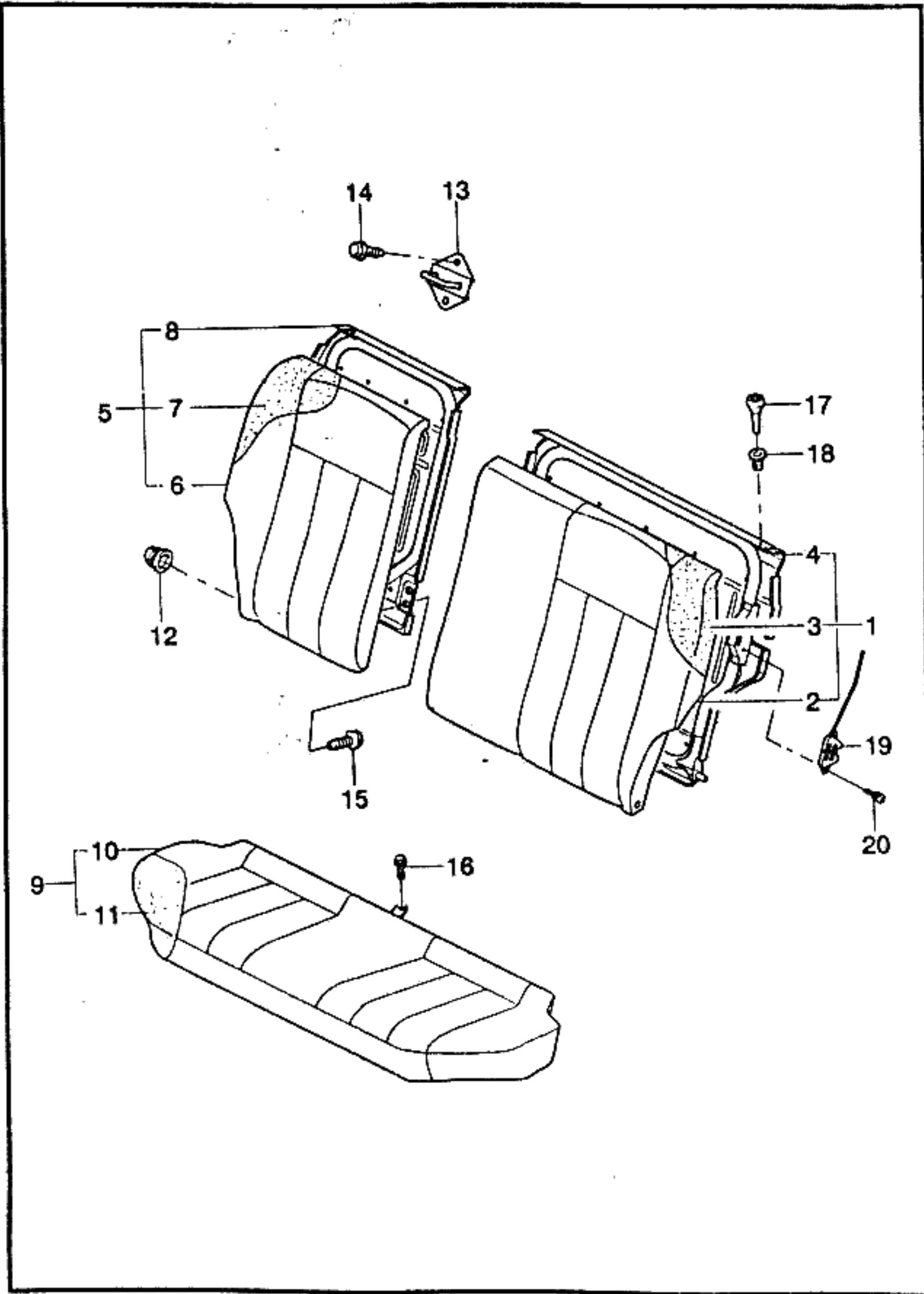


KEY NO.	PART NAME												
	PART NO	MODEL					OPTION	L / R	QTY	EFFECTIVE DATE		REMARKS	P / CODE
		E	T	BODY						LEVEL	FROM		
N / G	A	4	3	5	S	S	S						
[01]	(E)BACK-REAR SEAT (D)SITZ												
96239299	. . B . . S . . &W6K												Q1
96239300	. . B . . O S . . &W6E												Q2
[02]	(E)COVERING A-REAR SEAT BACK (D)DECKEL												
96239307	. . B . . S . . &W6K												
96239308	. . B . . O S . . &W6E												
[03]	(E)PAD A-REAR SEAT BACK (D)UNTERLAG												
96226019	. . B . . S S . .												
[05]	(E)BOLT (D)SCHRAUBE												
09116-08001	. . B . . S S . .											WASHER	
[06]	(E)CUSHION-REAR SEAT (D)POLSTER,SITZ,HINTER												
96239297	. . B . . S . . &W6K												P1
96239298	. . B . . O S . . &W6E												P2
[07]	(E)COVERING A-RR SEAT CUSHIO (D)DECKEL												
96239306	. . B . . S . . &W6K												
96239305	. . B . . O S . . &W6E												
[08]	(E)PAD A-REAR SEAT CUSHION (D)UNTERLAG												
96226016	. . B . . S S . .												
[10]	(E)BOLT (D)SCHRAUBE												
09116-08001	. . B . . S S . .											WASHER	
ENG(ENGINE)				T/A(TRANSAXLE)				BODY TYPE					
Y = 1.5SOHC 6 = 1.6DOHC . = COMMON				M = MANUAL T/A A = AUTOMATIC T/A . = COMMON				4 N = 4 DOOR NOTCHBACK 3 H = 3 DOOR HATCHBACK 5 H = 5 DOOR HATCHBACK					



I T C	KEY NO.		PART NAME													
	PART NO	E N G	MODEL					OPTION	L / R	Q T Y	EFFECTIVE DATE		REMARKS	P / C O D E		
			4	3	5	LEVEL					FROM	TO				
		A	N	H	H	S	S	S								
	[11] 96236052		.	B	.	.	S	S	.				(E)COVER-REAR SEAT BACK (D)DECKEL,SITZRÜCKEN	(F)COUVERTURE (S)CUBIERTA		
	[12] 09409-07330		.	B	.	.	S	S	.				(E)CLIP (D)KLEMME	(F)ATTACHE (S)GRAPA		

ENG(ENGINE)	T/A(TRANSAXLE)	BODY TYPE
Y = 1.5SOHC 6 = 1.6DOHC . = COMMON	M = MANUAL T/A A = AUTOMATIC T/A . = COMMON	4 N = 4 DOOR NOTCHBACK 3 H = 3 DOOR HATCHBACK 5 H = 5 DOOR HATCHBACK

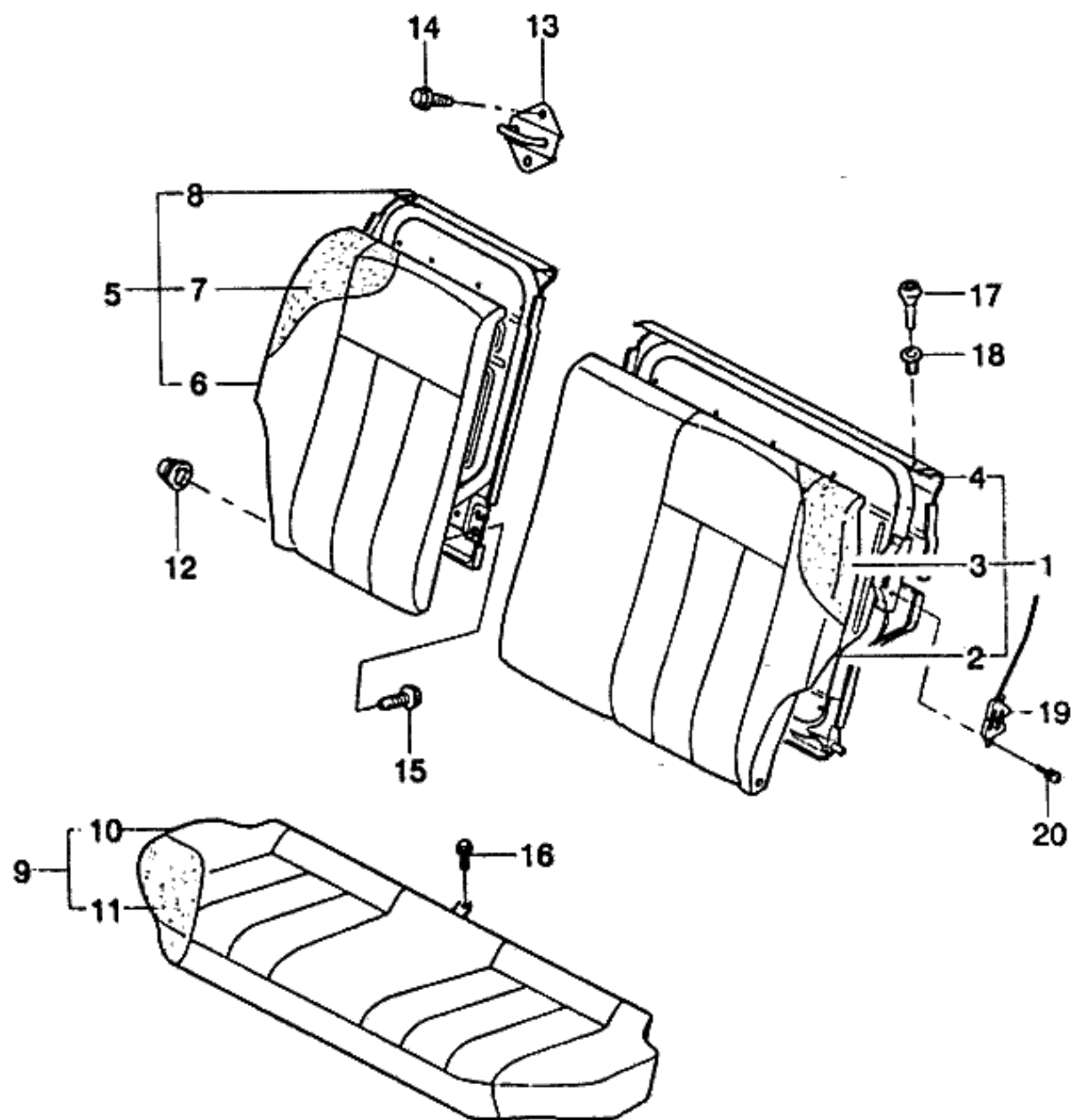


KEY NO.	PART NAME											REMARKS	P / CODE	
	PART NO	MODEL					OPTION	L / R	Q / Y	EFFECTIVE DATE				
		E T N / G	B O D Y	L E V E L	FROM	TO								
[01]	(E)BACK-REAR SEAT (D)SITZ													
96239301	. . . B S &W6E													R1
96239303	. . . B B S . . . &W6K													R3
96239301	. . . B B O . S &W6E													R1
[02]	(E)COVERING A-REAR SEAT BACK (D)DECKEL													
96239311	. . . B . . . O . S &W6E													
96239309	. . . B B S . . . &W6K													
96239311	. . . B B O . S &W6E													
[03]	(E)PAD A-REAR SEAT BACK (D)UNTERLAG													
96226024	. . . B S													
96226024	. . . B B S . S													
[04]	(E)FRAME A-REAR SEAT BACK (D)RAHMEN													
96226030	. . . B S													
96226030	. . . B B S . S													
[05]	(E)BACK-REAR SEAT (D)SITZ													
96239302	. . . B S &W6E													R2
96239304	. . . B B S . . . &W6K													R4
96239302	. . . B B O . S &W6E													R2
[06]	(E)COVERING A-REAR SEAT BACK (D)DECKEL													
96239312	. . . B S &W6E													
96239310	. . . B B S . . . &W6K													

ENG(ENGINE)	T/A(TRANSAXLE)	BODY TYPE
Y = 1.5SOHC 6 = 1.6DOHC . = COMMON	M = MANUAL T/A A = AUTOMATIC T/A . = COMMON	4 N = 4 DOOR NOTCHBACK 3 H = 3 DOOR HATCHBACK 5 H = 5 DOOR HATCHBACK

7541 REAR SEAT II

6F06



KEY NO.	PART NAME											REMARKS	P / CODE		
	PART NO	MODEL			OPTION	L / R	Q / T Y	EFFECTIVE DATE							
		E T	BODY	LEVEL				FROM	TO						
	N / G	4 N	3 H	5 H	S S	S S									
96239312	[07] B B O . S	&W6E												
		(E)PAD A-REAR SEAT BACK													
		(D)UNTERLAG													
96226025		. . . B S													
96226025	[08] B B S . S													
		(E)FRAME A-REAR SEAT BACK													
		(D)RAHMEN													
96226031		. . . B S													
96226031	[09] B B S . S													
		(E)CUSHION-REAR SEAT													
		(D)POLSTER,SITZ,HINTER													
96239298		. . . B S	&W6E												P2
96239297	 B B S . .	&W6K												P1
96239298	 B B O . S	&W6E												P2
96254874	[10] B O . S	&W6E						1 970709				FOR POLAND		P2
		(E)COVERING A-RR SEAT CUSHIO													
		(D)DECKEL													
96239305		. . . B S	&W6E												
96239306	 B B S . .	&W6K												
96239305	[11] B B O . S	&W6E												
		(E)PAD A-REAR SEAT CUSHION													
		(D)UNTERLAG													
96226016		. . . B S													
96226016	[12] B B S . S													
		(E)BUSHING													
		(D)LAGERFUTTER													
96216145		. . . B S													
		(E)BUSHING													
		(D)LAGERFUTTER													

ENG(ENGINE)

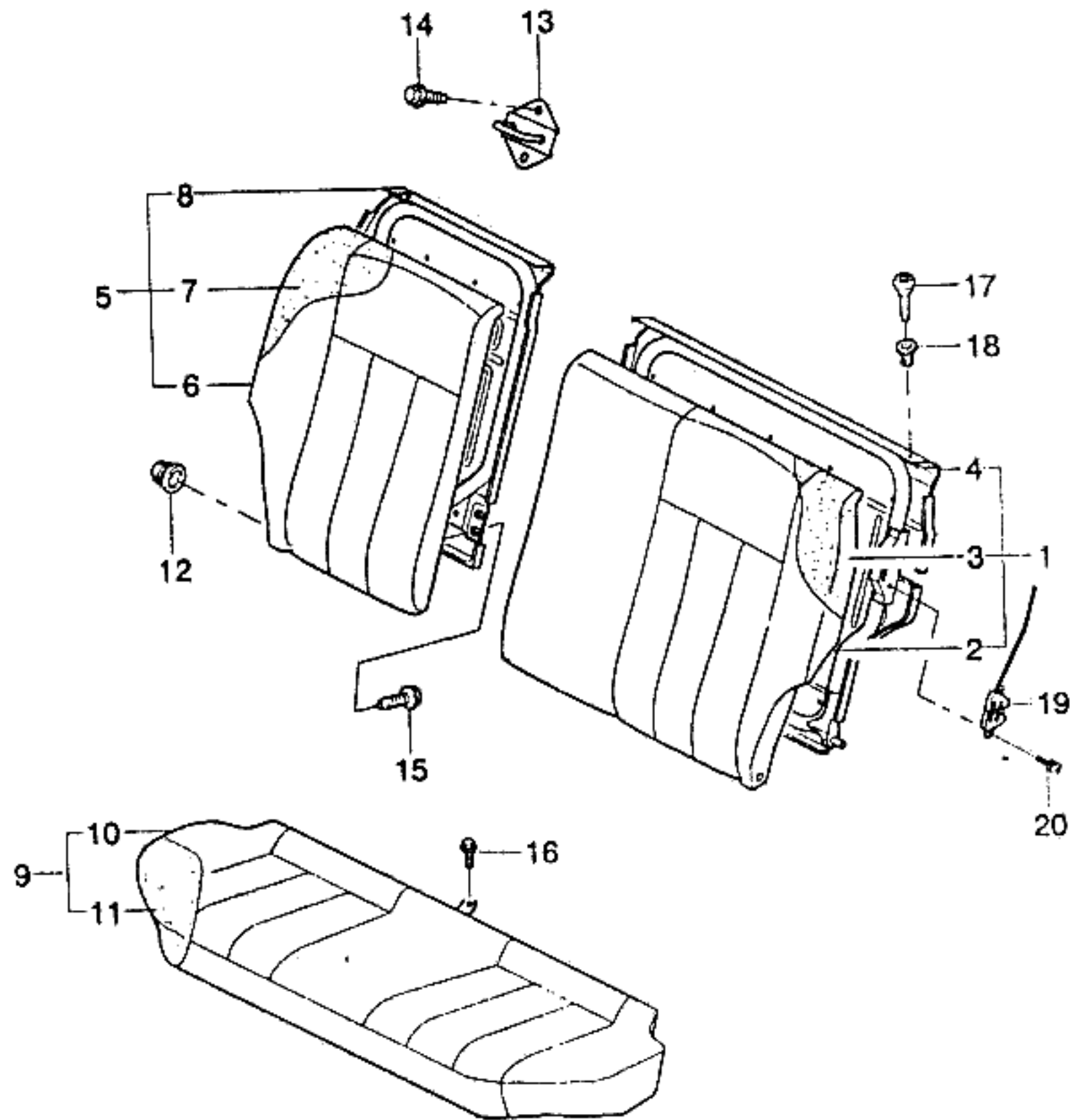
T/A(TRANSAXLE)

BODY TYPE

Y = 1.5SOHC
6 = 1.6DOHC
. = COMMON

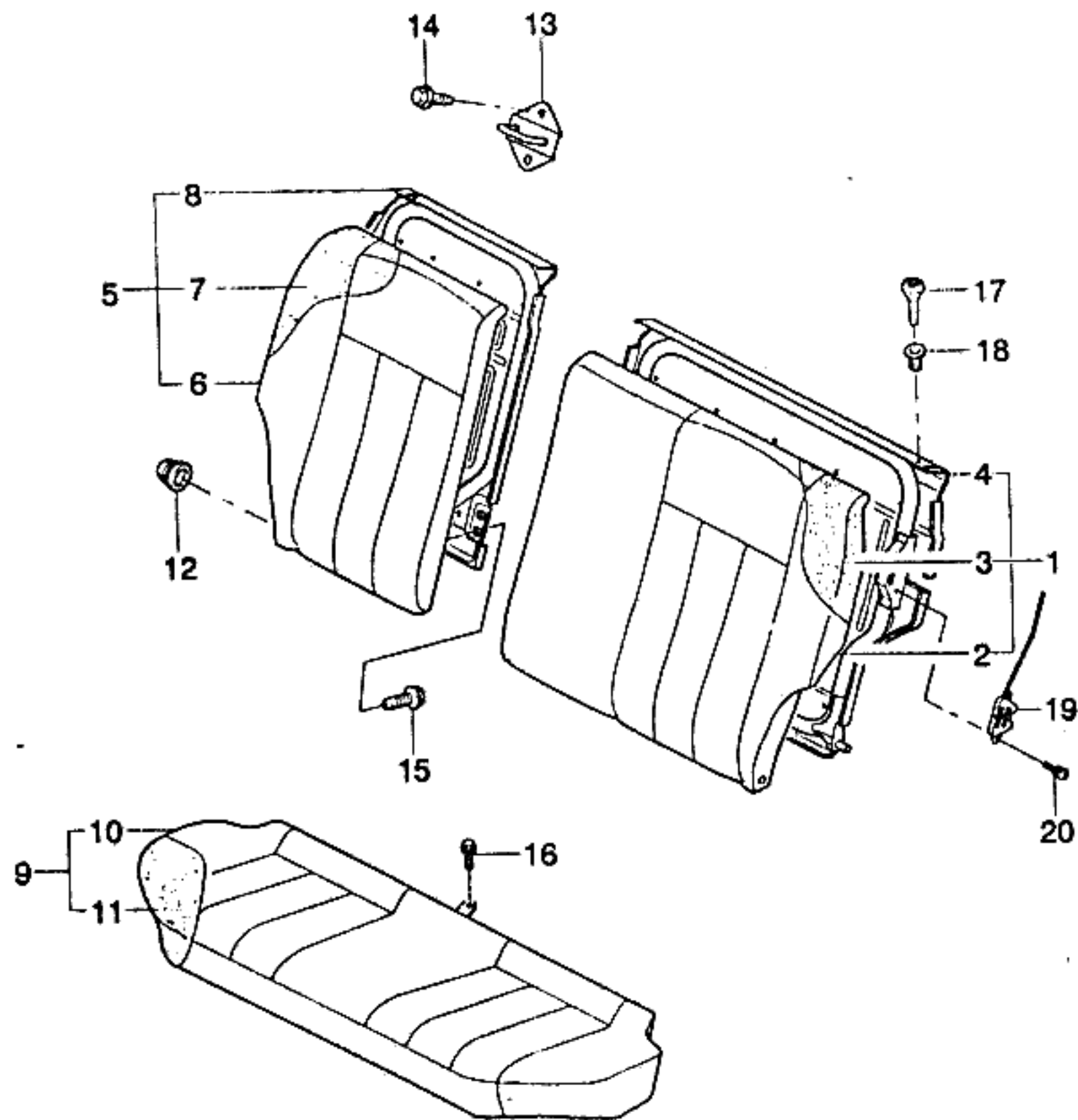
M = MANUAL T/A
A = AUTOMATIC T/A
. = COMMON

4 N = 4 DOOR NOTCHBACK
3 H = 3 DOOR HATCHBACK
5 H = 5 DOOR HATCHBACK



KEY NO.	PART NAME												
	PART NO	MODEL			OPTION	L / R	Q / Y	EFFECTIVE DATE		REMARKS	P / CODE		
		E	T	BODY				LEVEL	FROM			TO	
	N / G	A	4 N	3 H	5 H	S	S	S	X				
96216145			B	.	A	.	A			2	970709	FOR POLAND	
96216145			B	B	S	.	S			2			
[13]			(E)STRIKER A							(F)MARTEAU			
			(D)SCHLÄGER							(S)HUELGUISTA			
96303088			B	.	.	.	S			2			
96303088			B	.	A	.	A			2	970709	FOR POLAND	
96303088			B	A	.	.	A			2	970709	FOR POLAND	
96303088			B	B	S	.	S			2			
[14]			(E)BOLT							(F)BOULON			
			(D)SCHRAUBE							(S)PERNO			
09116-08001			B	.	.	.	S			4		WWASHER	
09116-08001			B	.	A	.	A			4	970709	FOR POLAND	
09116-08001			B	B	S	.	S			4		WWASHER	
[15]			(E)BOLT							(F)BOULON			
			(D)SCHRAUBE							(S)PERNO			
09116-08001			B	.	.	.	S			4		WWASHER	
09116-08001			B	.	A	.	A			4	970709	FOR POLAND	
09116-08001			B	B	S	.	S			4		WWASHER	
[16]			(E)BOLT							(F)BOULON			
			(D)SCHRAUBE							(S)PERNO			
09116-08001			B	.	.	.	S			1		WWASHER	
09116-08001			B	.	A	A	A			1	970709	FOR POLAND	
09116-08001			B	B	S	.	S			1		WWASHER	
[17]			(E)KNOB-REAR,SEAT				BACK			(F)BOUTON			
			(D)KNOPF							(S)PERILLA			
96238407			B	.	.	.	S			2			

ENG(ENGINE)	T/A(TRANSAXLE)	BODY TYPE
Y = 1.5SOHC 6 = 1.6DOHC . = COMMON	M = MANUAL T/A A = AUTOMATIC T/A . = COMMON	4 N = 4 DOOR NOTCHBACK 3 H = 3 DOOR HATCHBACK 5 H = 5 DOOR HATCHBACK

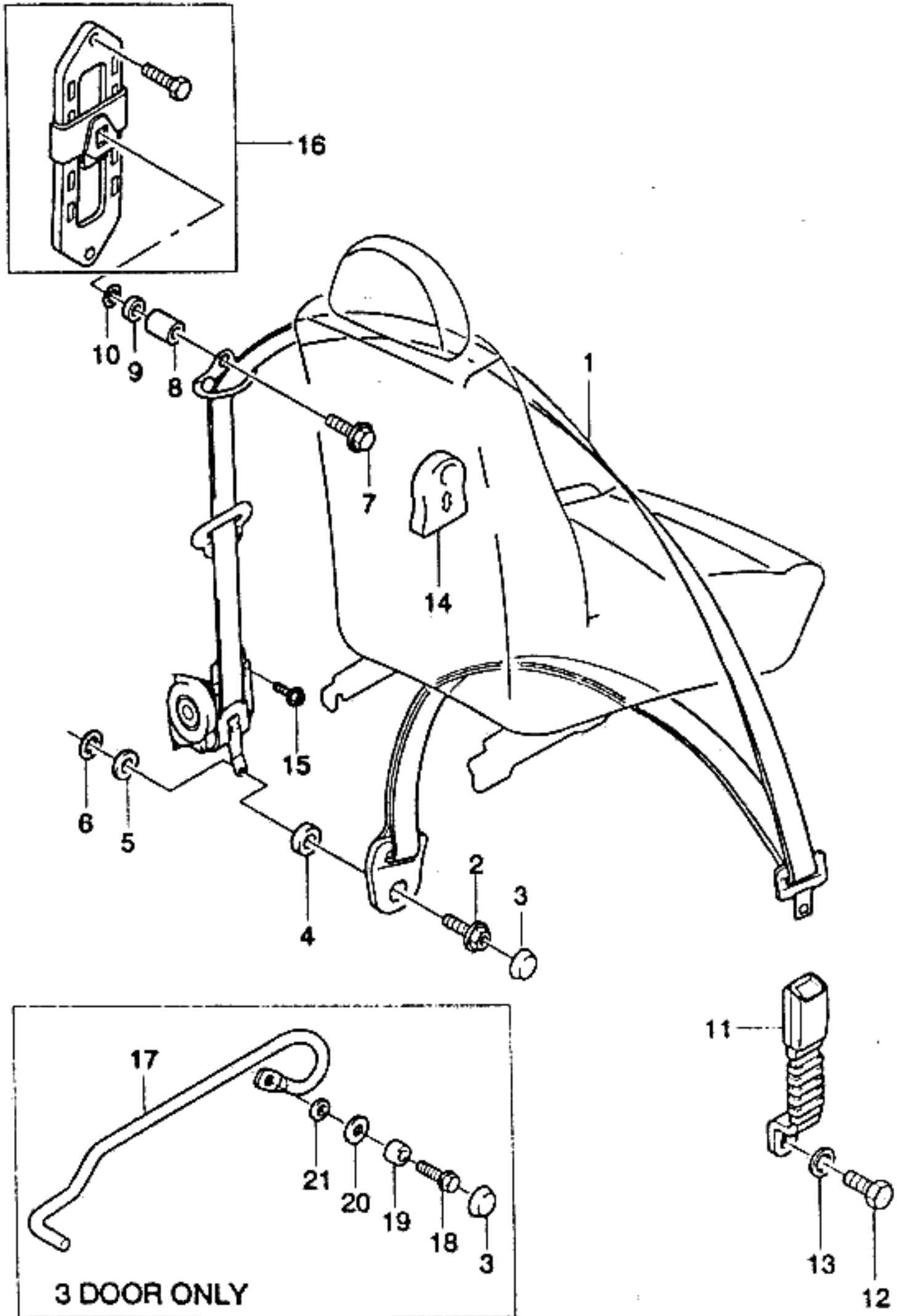


I T C	KEY NO.		PART NAME										P / C O D E
	PART NO	OPTION	MODEL					L / R	Q T Y	EFFECTIVE DATE		REMARKS	
			E N G	T / A	B O D Y	L E V E L				FROM	TO		
			4 N	3 H	5 H	S S	S S	S S					
	96238407		.	.	B	B	S	.	S		2		
	[18]				(E)SLEEVE-REAR,SEAT BACK						(F)CHEMISE		
					(D)HÜLSE						(S)MANGA		
	96238408		.	.	B	.	.	.	S		2		
	96238408		.	.	B	B	S	.	S		2		
	[19]				(E)LATCH A-REAR,SEAT BACK						(F)LOQUET		
					(D)VERSCHLUß						(S)PESTILLO		
	96226034		.	.	B	.	.	.	S		LH 1		
	96226035		.	.	B	B	S	.	S		RH 1		
	96226034		.	.	B	.	.	.	S		LH 1		
	96226035		.	.	B	B	S	.	S		RH 1		
	[20]				(E)SCREW						(F)VIS		
					(D)SCHRAUBE						(S)TORNILLO		
	02116-76165		.	.	B	.	.	.	S		4		
	02116-76165		.	.	B	B	S	.	S		4		

ENG(ENGINE)	T/A(TRANSAXLE)	BODY TYPE
Y = 1.5SOHC 6 = 1.6DOHC . = COMMON	M = MANUAL T/A A = AUTOMATIC T/A . = COMMON	4 N = 4 DOOR NOTCHBACK 3 H = 3 DOOR HATCHBACK 5 H = 5 DOOR HATCHBACK

7550 FRONT SEAT BELT

6J06

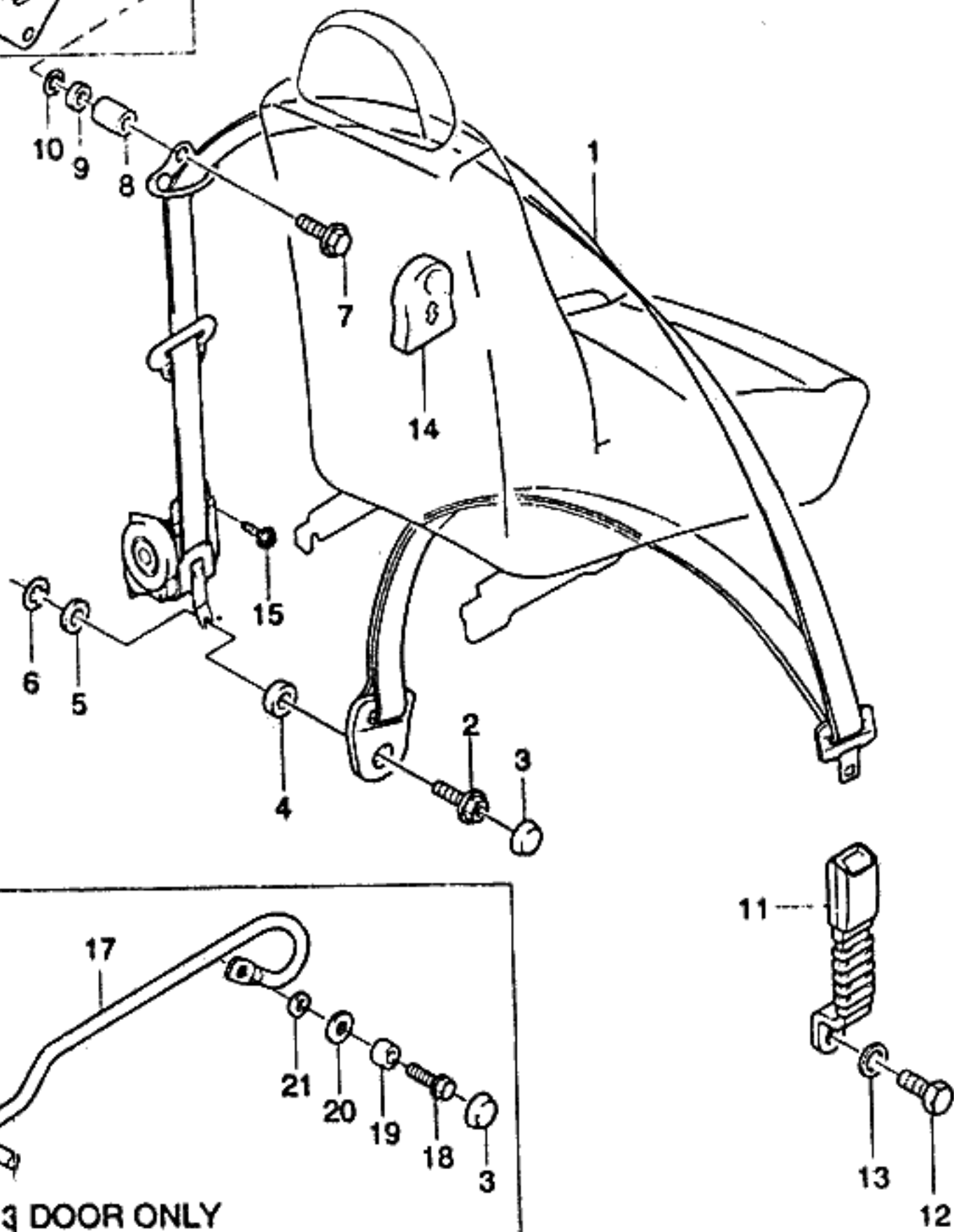
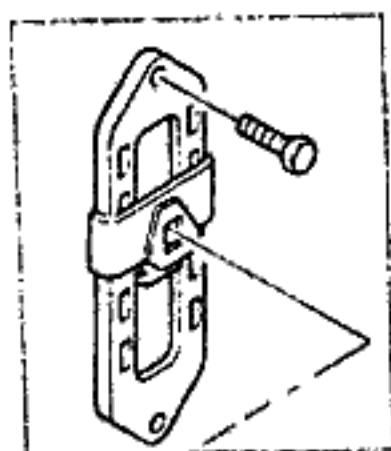


KEY NO.	PART NAME												
	PART NO	MODEL					OPTION	L / R	Q / T Y	EFFECTIVE DATE		REMARKS	P / C O D E
		E T N / G A	B O D Y	L E V E L	FROM	TO							
[01]	(E)BELT A-FRONT SEAT (D)SICHERHEITSGURT										(F)CEINTURE-SIEGE AVANT (S)CINTURON-ASIENTO		
96243252	. . . B . B S . .	-SGS/ABF/AJ3	LH	1								4L	
96244251	. . . B . B S . .	-SGS/ABF	RH	1								4M	
96248299	. . . B . B . S S	-SGS/ABF/AJ3	LH	1								5A	
96248300	. . . B . B . S S	-SGS/AJ3	RH	1								5B	
96243253	. . . B . B . O O	&ABF/AJ3-SGS	LH	1							NOT APPLIED	4N	
96240897	. . . B . B . O O	&ABF/AJ3-SGS	LH	1								2A	
96243254	. . . B . B . O O	&ABF-SGS	RH	1							NOT APPLIED	4O	
96240898	. . . B . B . O O	&ABF-SGS	RH	1								1J	
96240890	. . . B . B A . .	&SGS	LH	1								1A	
96240891	. . . B . B A . .	&SGS	RH	1								1B	
96254475	. . . B . B . A A	&SGS	LH	1								7A	
96254476	. . . B . B . A A	&SGS	RH	1								7B	
96243258 B . S . .	-SGS	LH	1								4T	
96243259 B . S . .	-SGS	RH	1								4U	
96248297 B . . . S	-SGS /ABF/AJ3	LH	1								5C	
96248298 B . . . S	-SGS /ABF	RH	1								5D	
96240878 B . . . O	&ABF/AJ3-SGS	LH	1								1M	
96240879 B . . . O	&ABF-SGS	RH	1								1N	
96240886 B . A . .	&SGS	LH	1								1S	
96240887 B . A . .	&SGS	RH	1								1T	
96254469 B . . . A	&SGS	LH	1								7G	
96254470 B . . . A	&SGS	RH	1								7H	

ENG(ENGINE)	T/A(TRANSAXLE)	BODY TYPE
Y = 1.5SOHC 6 = 1.6DOHC . = COMMON	M = MANUAL T/A A = AUTOMATIC T/A . = COMMON	4 N = 4 DOOR NOTCHBACK 3 H = 3 DOOR HATCHBACK 5 H = 5 DOOR HATCHBACK

7550 FRONT SEAT BELT

6K06

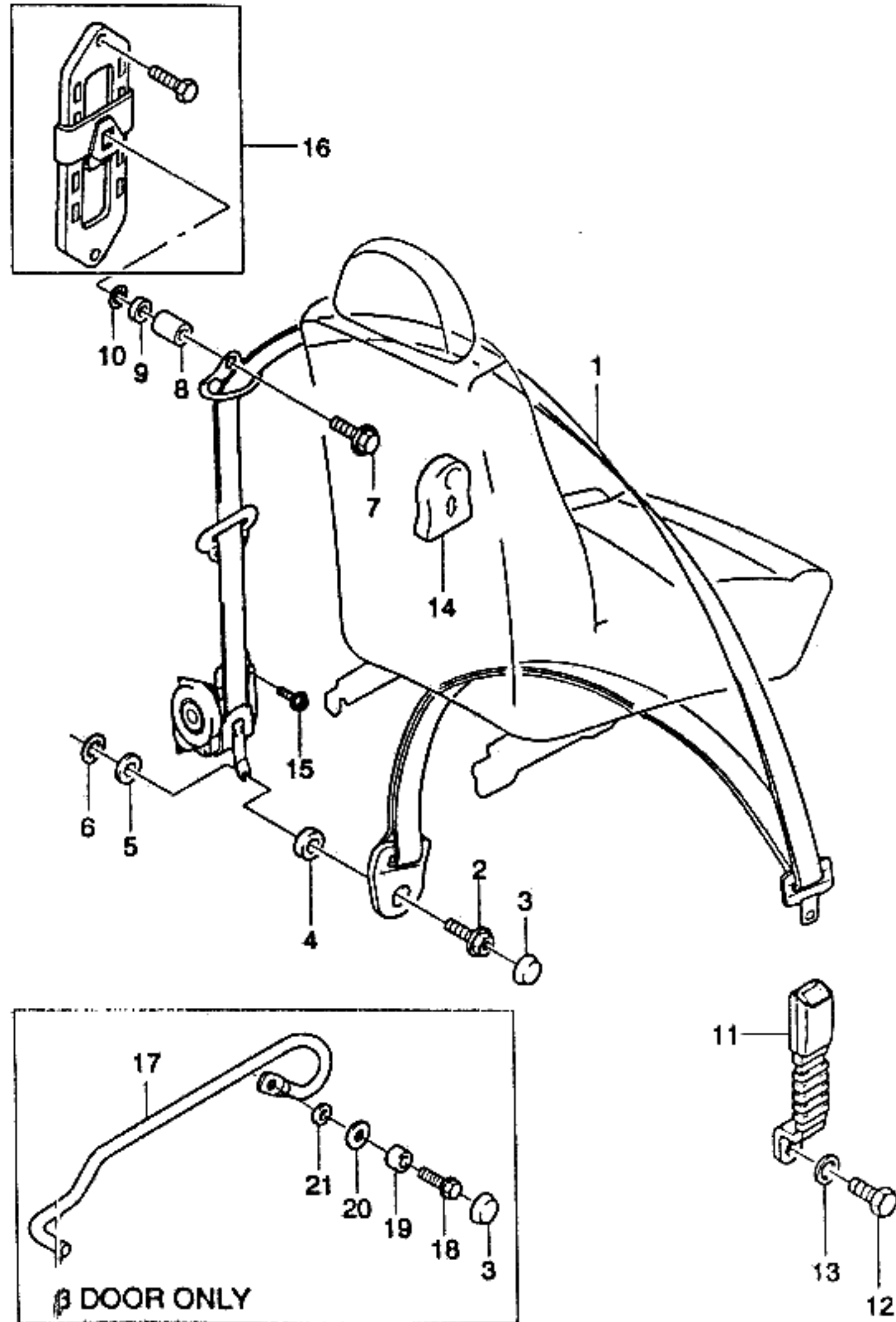


3 DOOR ONLY

KEY NO.	PART NAME											REMARKS	P / CODE	
	PART NO	MODEL					OPTION	L / R	Q / T	EFFECTIVE DATE				REMARKS
		E / N / G	T / A	BODY	LEVEL					FROM	TO			
[02]	(E)BOLT (D)SCHRAUBE											(F)BOULON (S)PERNO		
CPZ01580	. . . B . B S S S											2	L=42	
CPZ03380 B . S . S											2	L=20	
[03]	(E)CAP-FRONT SEAT BELT BOLT (D)DECKEL											(F)CHAPEAU (S)TAPA		
96236550	. . . B B B S S S											2		
[04]	(E)SPACER (D)DISTANZSTÜCK											(F)ENTRETOISE (S)ESPACIADOR		
CPZ46090	. . . B . B S S S											2	φ 20,L=10	
[05]	(E)SPACER (D)DISTANZSTÜCK											(F)ENTRETOISE (S)ESPACIADOR		
CPZ46040	. . . B . B S S S											2	φ 20,L=5	
[06]	(E)WASHER-TOOTH (D)DICHTUNGSRING											(F)RONDELLE-VERROU DE DENT (S)ARANDELA-CIERRE DE DIENTE		
CPZ42010	. . . B B B S S S											2		
[07]	(E)BOLT (D)SCHRAUBE											(F)BOULON (S)PERNO		
CPZ01420	. . . B B B S . . -AAC											2	L=60	
CPZ01470	. . . B B B . S S &AAC											2	L=40	
[08]	(E)SPACER (D)DISTANZSTÜCK											(F)ENTRETOISE (S)ESPACIADOR		
CPZ46020	. . . B B B S . . -AAC											2	φ 20,L=20	
CPZ46030	. . . B B B . S S &AAC											2	φ 20,L=18	
[09]	(E)SPACER (D)DISTANZSTÜCK											(F)ENTRETOISE (S)ESPACIADOR		
CPZ46350	. . . B B B S . . -AAC											2	φ 20,L=13	
ENG(ENGINE)		T/A(TRANSAXLE)				BODY TYPE								
Y = 1.5SOHC 6 = 1.6DOHC . = COMMON		M = MANUAL T/A A = AUTOMATIC T/A . = COMMON				4 N = 4 DOOR NOTCHBACK 3 H = 3 DOOR HATCHBACK 5 H = 5 DOOR HATCHBACK								

7550 FRONT SEAT BELT

6L06

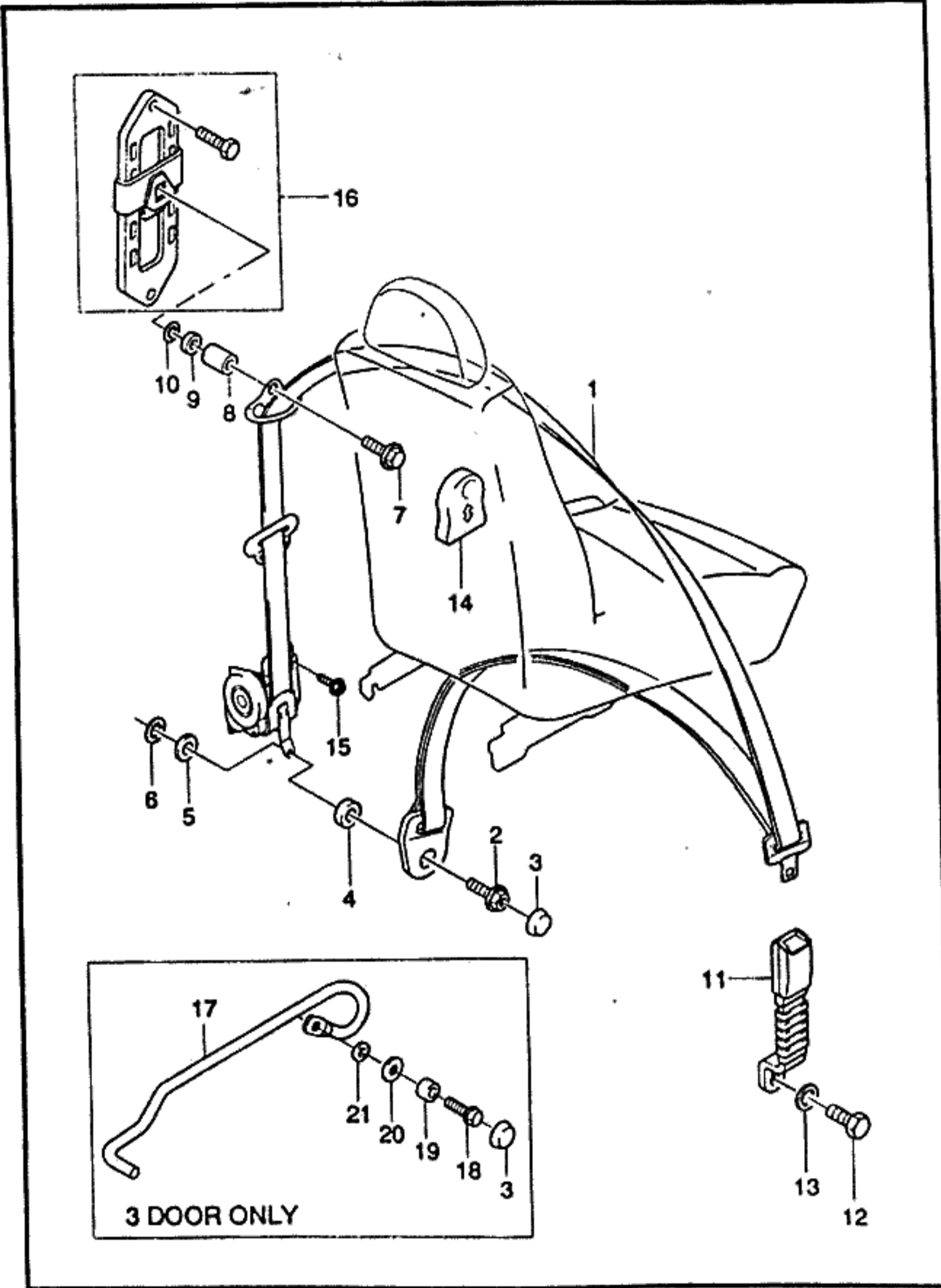


KEY NO.	PART NAME													
	PART NO	MODEL					OPTION	L / R	Q / Y	EFFECTIVE DATE		REMARKS	P / CODE	
		E	T	BODY						LEVEL	FROM			TO
N	G	4	3	5	S	S	S							
[10]	(E)WASHER-TOOTH (D)DICHTUNGSRING													
CPZ42010	. . . B B B S S S													
[11]	(E)BUCKLE A-FRONT SEAT BELT (D)SCHNALLE, SICHERHEITSGURT													
96236531	. . . B B B S S S													
96236532	. . . B B B S S S													
[12]	(E)BOLT (D)SCHRAUBE													
96190876	. . . B B B S S S													
[13]	(E)WASHER-SPRING (D)DICHTUNGSRING													
09162-17001	. . . B B B S S S													
[14]	(E)COVER-PILLAR (D)DECKEL													
CPF12130	. . . B B B S . . -AAC													
CPF12120	. . . B B B . S S &AAC													
[15]	(E)BOLT (D)SCHRAUBE													
09119-06023	. . . B B B S S S													
O 09119-06028	. . . B B B S S S													
[16]	(E)ADJUSTER-SEAT BELT HEIGHT (D)EINSTELLVORRICHTUNG													
96190873	. . . B B B A S S &AAC													
[17]	(E)BAR-FRT SEAT BELT SLIDING (D)STANGE, SICHERHEITSGURT													
96226306	. . . B . S . S													
96226307	. . . B . S . S													

ENG(ENGINE)	T/A(TRANSAXLE)	BODY TYPE
Y = 1.5SOHC 6 = 1.6DOHC . = COMMON	M = MANUAL T/A A = AUTOMATIC T/A . = COMMON	4 N = 4 DOOR NOTCHBACK 3 H = 3 DOOR HATCHBACK 5 H = 5 DOOR HATCHBACK

7550 FRONT SEAT BELT

6M06

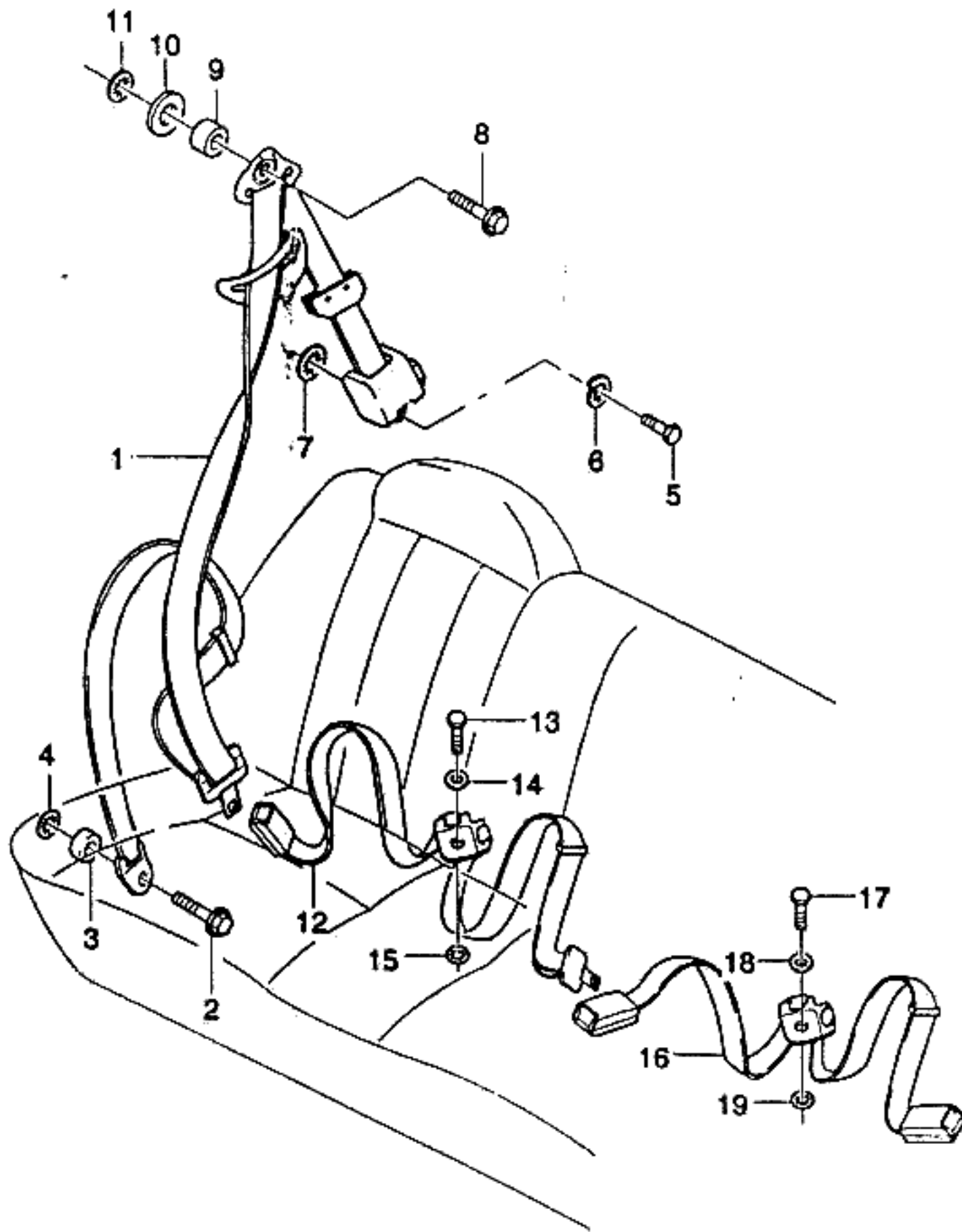


KEY NO.	PART NAME										
	PART NO	MODEL			OPTION	L / R	QTY	EFFECTIVE DATE		REMARKS	P / CODE
		E N G	T / A	BODY				LEVEL	FROM		
		4	3	5	S	S	S				
[18]	(E)BOLT (D)SCHRAUBE										
96238619	. . . B . S . S										
[19]	(E)SPACER (D)Distanzstück										
96238620	. . . B . S . S										
[20]	(E)SPACER (D)Distanzstück										
96238621	. . . B . S . S										
[21]	(E)SPACER (D)Distanzstück										
96238622	. . . B . S . S										

ENG(ENGINE)	T/A(TRANSAXLE)	BODY TYPE
Y = 1.5SOHC 6 = 1.6DOHC . = COMMON	M = MANUAL T/A A = AUTOMATIC T/A . = COMMON	4 N = 4 DOOR NOTCHBACK 3 H = 3 DOOR HATCHBACK 5 H = 5 DOOR HATCHBACK

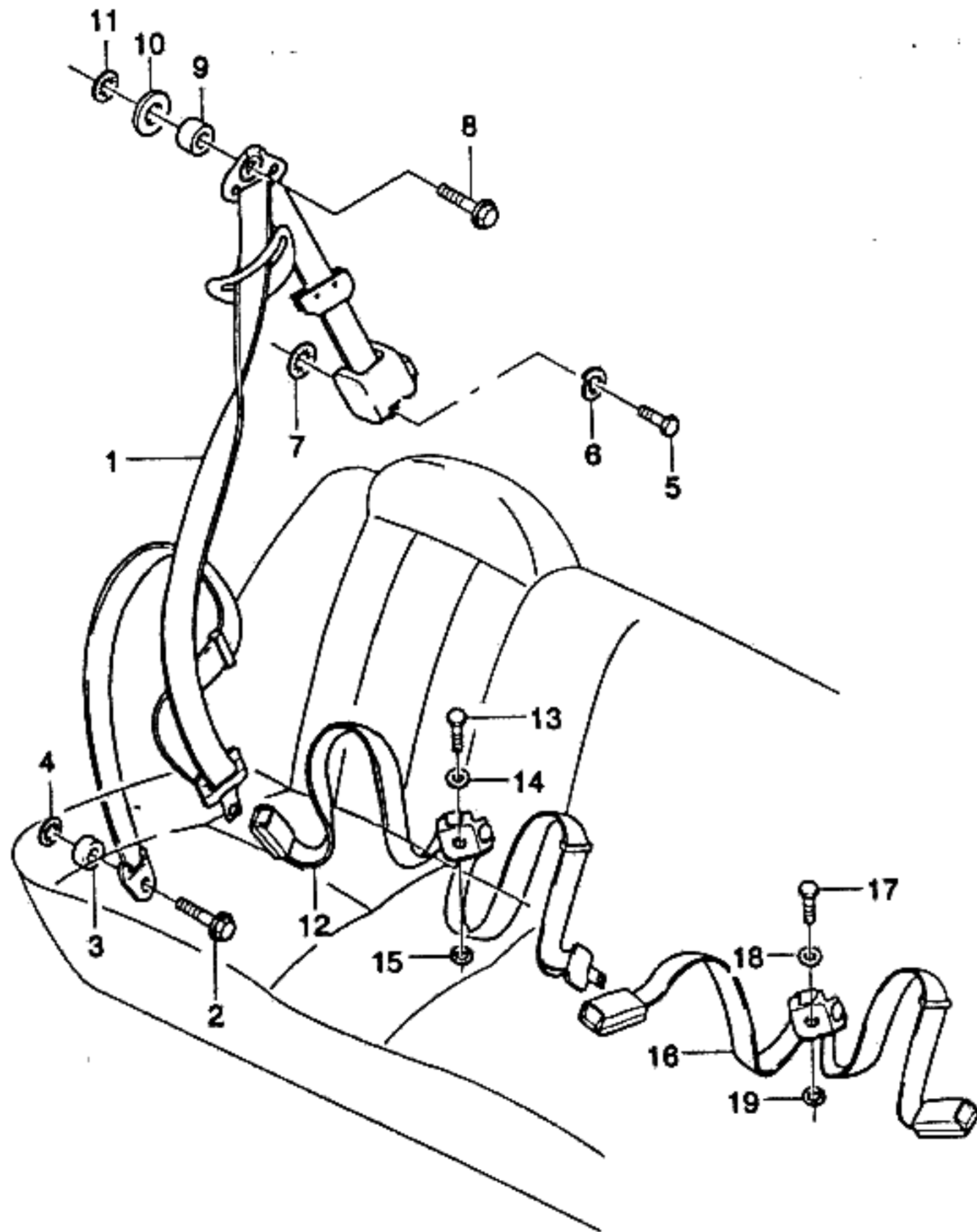
7560 REAR SEAT BELT

6N06



I T C	KEY NO.	PART NAME										P / C O D E		
		PART NO	MODEL					OPTION	L / R	Q T Y	EFFECTIVE DATE		REMARKS	
			E N G	T / A	4 N	3 H	5 H				S S			S S
	[01]	(E)BELT A-REAR SEAT (D)SICHERHEITSGURT											(F)CEINTURE-SIEGE ARRIERE (S)CINTURON-ASIEN TO TRASERO	
	96240913	. . . B . . . S S S -SGS											LH 1	3C
	96240914	. . . B . . . S S S -SGS											RH 1	3D
	96240919	. . . B . . . A A A &SGS											LH 1	3E
	96240920	. . . B . . . A A A &SGS											RH 1	3E
	96240903 B . S . S -SGS											LH 1	3M
	96240904 B . S . S -SGS											RH 1	3N
	96240905 B . A . A &SGS											LH 1	3O
	96240906 B . A . A &SGS											RH 1	3P
	96242346 B S . S -SGS											LH 1	4C
	96242348 B S . S -SGS											RH 1	4D
	96242350 B A . A &SGS											LH 1	4E
	96242352 B A . A &SGS											RH 1	4F
	[02]	(E)BOLT (D)SCHRAUBE											(F)BOULON (S)PERNO	
	CPZ01480	. . . B B B S S S											2	L=30
	[03]	(E)SPACER (D)DISTANZSTÜCK											(F)ENTRETOISE (S)ESPACIADOR	
	CPZ46040	. . . B B B S S S											2	φ 20,L=5
	[04]	(E)WASHER-TOOTH (D)DICHTUNGSRING											(F)RONDELLE-VERROU DE DENT (S)ARANDELA-CIERRE DE DIENTE	
	CPZ42010	. . . B B B S S S											2	
	[05]	(E)BOLT (D)SCHRAUBE											(F)BOULON (S)PERNO	
	CPZ03380	. . . B B B S S S											2	L=20

ENG(ENGINE)	T/A(TRANSAXLE)	BODY TYPE
Y = 1.5SOHC 6 = 1.6DOHC . = COMMON	M = MANUAL T/A A = AUTOMATIC T/A . = COMMON	4 N = 4 DOOR NOTCHBACK 3 H = 3 DOOR HATCHBACK 5 H = 5 DOOR HATCHBACK

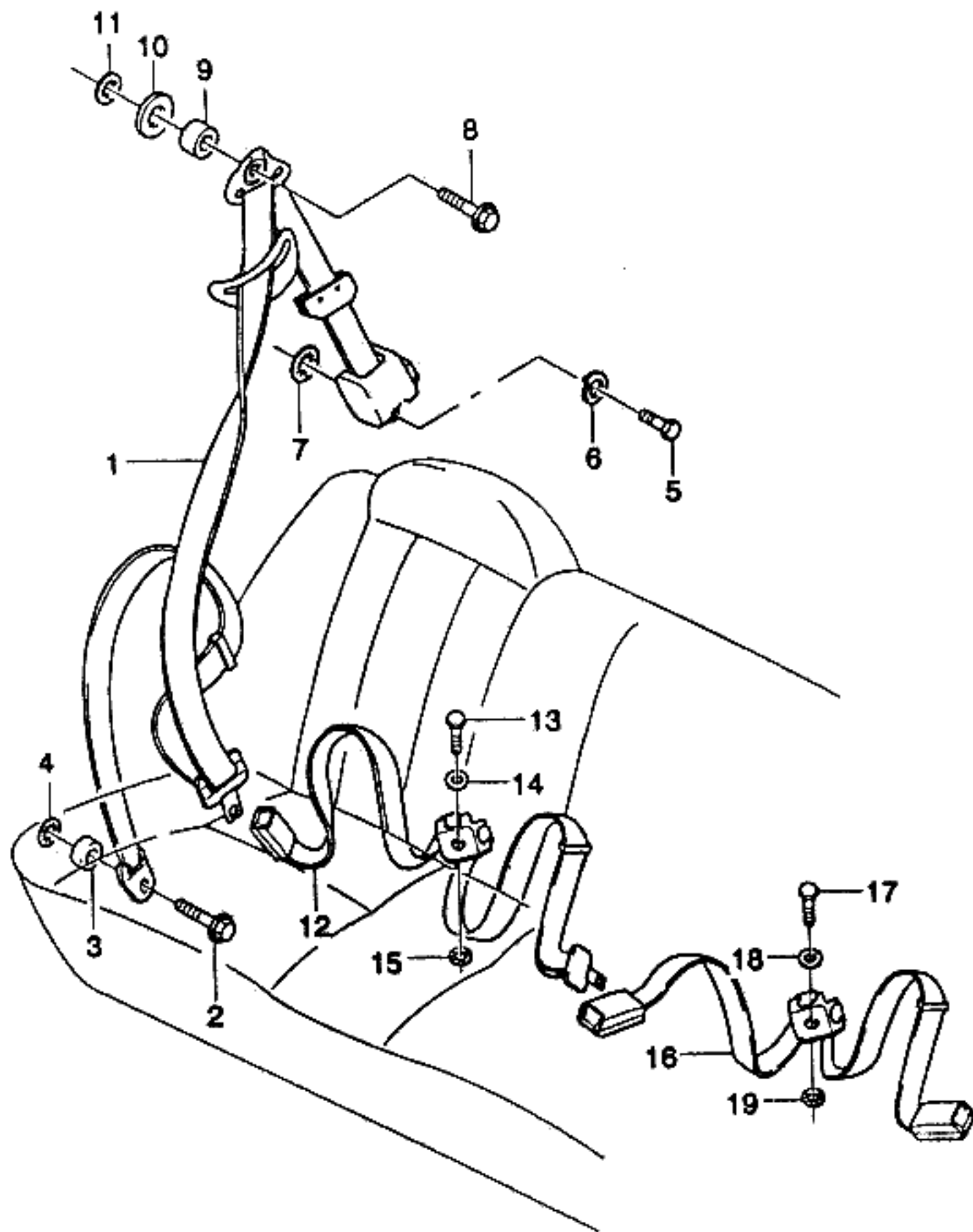


KEY NO.	PART NAME									
	PART NO	MODEL			OPTION	L / Q / R Y	EFFECTIVE DATE		REMARKS	P / C O D E
		E N G	T / A	BODY			LEVEL	FROM		
[06]	CPZ41010	.	.	B B B S S S						
				(E)WASHER-SPRING (D)DICHTUNGSRING				(F)RONDELLE (S)ARANDELA		
[07]	CPZ42010	.	.	B B B S S S						
				(E)WASHER-TOOTH (D)DICHTUNGSRING				(F)RONDELLE-VERROU DE DENT (S)ARANDELA-CIERRE DE DIENTE		
[08]	CPZ01650	.	.	B B B S S S						
				(E)BOLT (D)SCHRAUBE				(F)BOULON (S)PERNO		
[09]	CPZ46040	.	.	B B . S S S						L=32
	CPZ46090 B . S S						φ 20,L=5
				(E)SPACER (D)DISTANZSTÜCK				(F)ENTRETOISE (S)ESPACIADOR		
[10]	CPZ43240	.	.	B . . . S S						φ 20,L=10
	CPZ43220 B S S S						φ 20,L=10
				(E)SPACER (D)DISTANZSTÜCK				(F)ENTRETOISE (S)ESPACIADOR		
[11]	CPZ42010	.	.	B B B S S S						φ 33,L=2
				(E)WASHER-TOOTH (D)DICHTUNGSRING				(F)RONDELLE-VERROU DE DENT (S)ARANDELA-CIERRE DE DIENTE		
[12]	96240916	.	.	B B B S S S -SGS						φ 26,L=3
	96240918	.	.	B B B A A A &SGS						φ 26,L=3
				(E)BELT A-RR SEAT,CTR PELVIS (D)SICHERHEITSGURT,MITTE				(F)CEINTURE-PELVIS CENTRE (S)CINTURON-CENTRO PELVIS		
[13]	CPZ03440	.	.	B B B S S S						L=25
				(E)BOLT (D)SCHRAUBE				(F)BOULON (S)PERNO		

ENG(ENGINE)	T/A(TRANSAXLE)	BODY TYPE
Y = 1.5SOHC 6 = 1.6DOHC . = COMMON	M = MANUAL T/A A = AUTOMATIC T/A . = COMMON	4 N = 4 DOOR NOTCHBACK 3 H = 3 DOOR HATCHBACK 5 H = 5 DOOR HATCHBACK

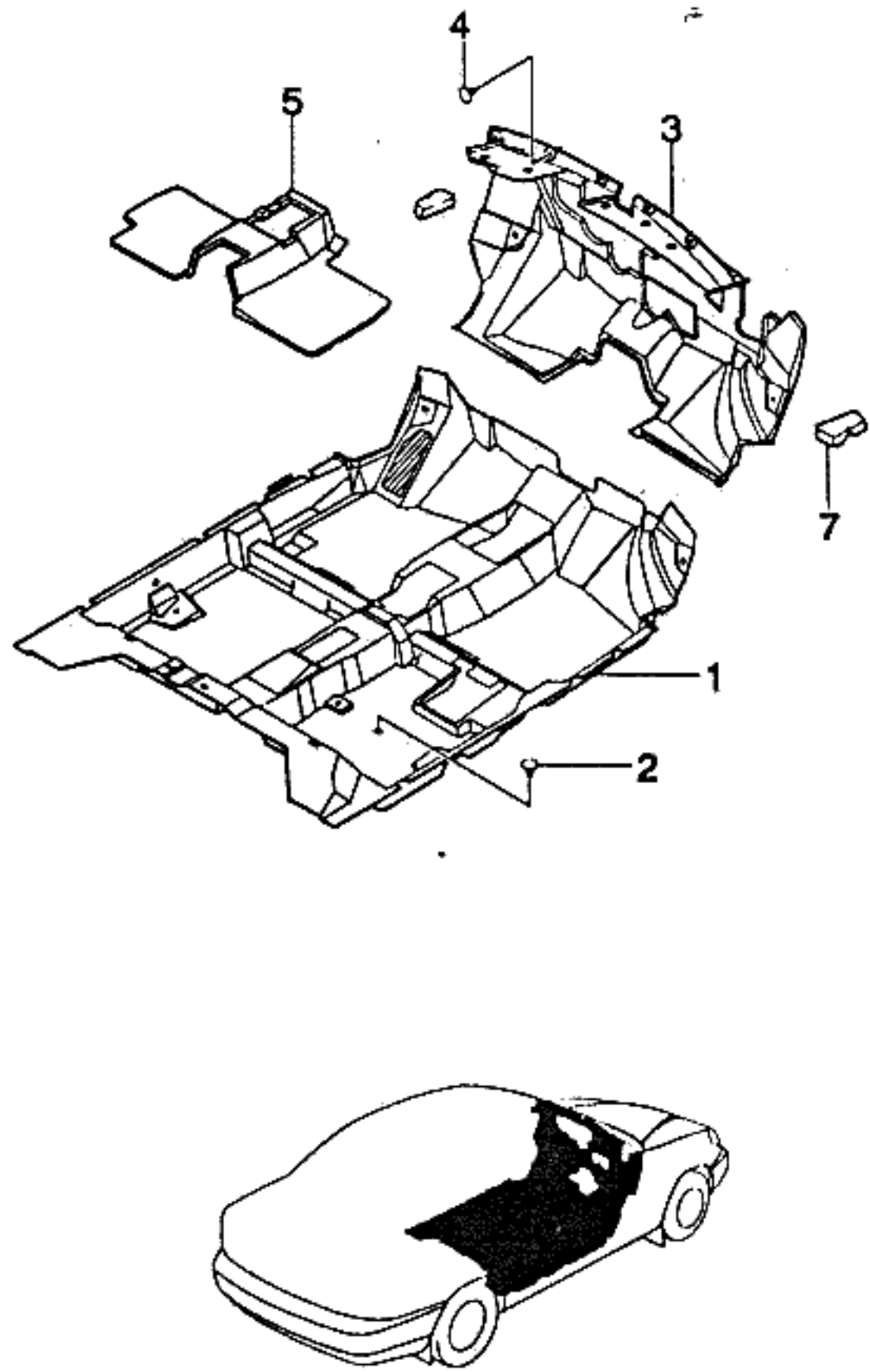
7560 REAR SEAT BELT

6C07



KEY NO.	PART NAME														
	PART NO	MODEL					OPTION	L / R	QTY	EFFECTIVE DATE		REMARKS	P / CODE		
		E N G	T / A	B O D Y	L E V E L					FROM	TO				
		4 N	3 H	5 H	S S	S S									
[14]	(E)SPACER (D)Distanzstück		B	B	B	S	S	S							
CPZ43220									(F)ENTRETOISE (S)ESPACIADOR	1			φ 26,L=3		
[15]	(E)WASHER-TOOTH (D)Dichtungsring		B	B	B	S	S	S							
CPZ42010									(F)RONDELLE-VERROU DE DENT (S)ARANDELA-CIERRE DE DIENTE	1					
[16]	(E)BUCKLE A-REAR SEAT BELT (D)Schnalle,Sicherheitsgurt		B	B	B	S	S	S							
96240908									(F)BOUCLE-CEINTURE SIEGE (S)HEBILLA-CINTURON	1					3T
[17]	(E)BOLT (D)Schraube		B	B	B	S	S	S							
CPZ03440									(F)BOULON (S)PERNO	1			L=25		
[18]	(E)SPACER (D)Distanzstück		B	B	B	S	S	S							
CPZ43220									(F)ENTRETOISE (S)ESPACIADOR	1			φ 26,L=3		
[19]	(E)WASHER-TOOTH (D)Dichtungsring		B	B	B	S	S	S							
CPZ42010									(F)RONDELLE-VERROU DE DENT (S)ARANDELA-CIERRE DE DIENTE	1					

ENG(ENGINE)	T/A(TRANSAXLE)	BODY TYPE
Y = 1.5SOHC 6 = 1.6DOHC . = COMMON	M = MANUAL T/A A = AUTOMATIC T/A . = COMMON	4 N = 4 DOOR NOTCHBACK 3 H = 3 DOOR HATCHBACK 5 H = 5 DOOR HATCHBACK

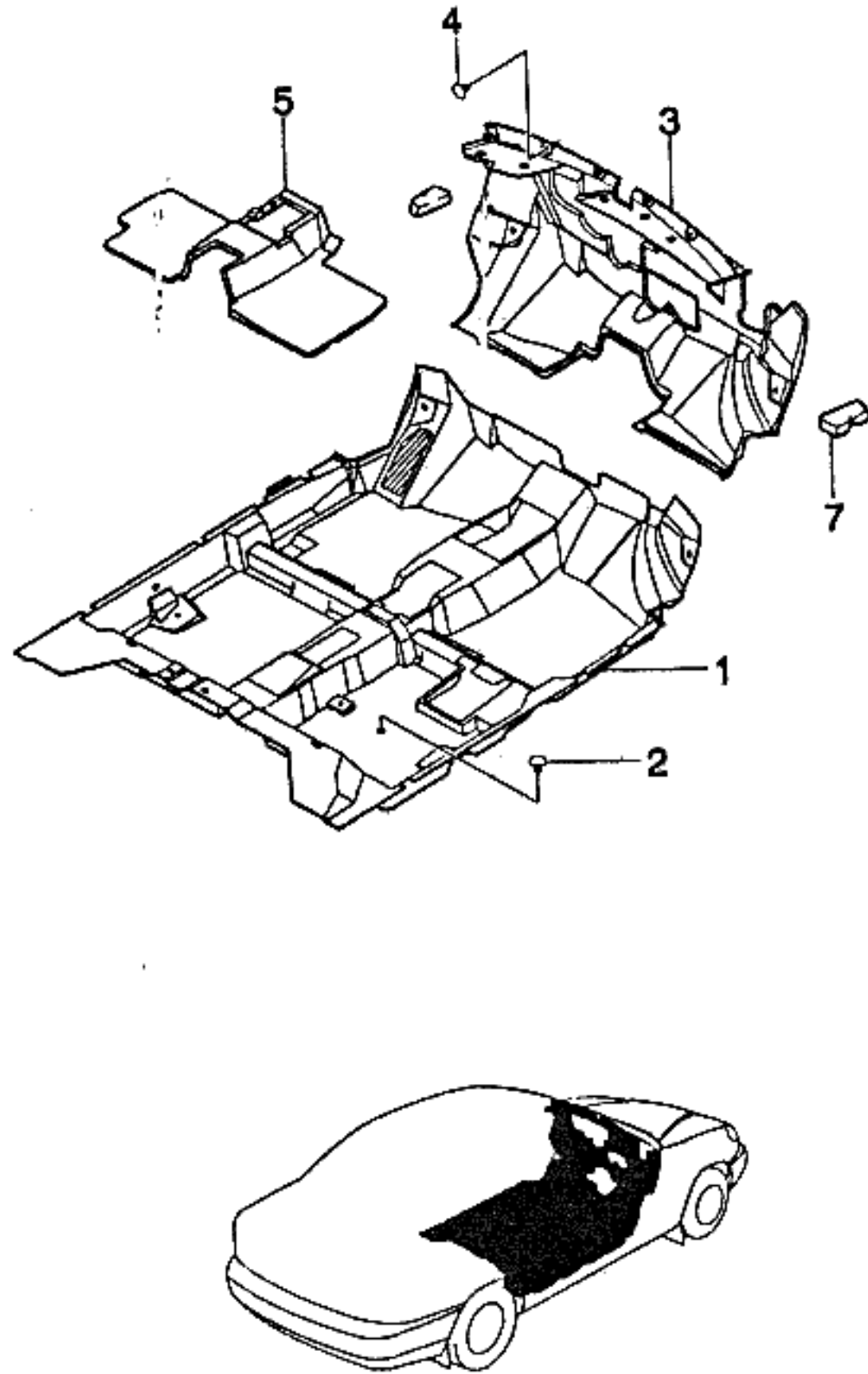


KEY NO.	PART NAME													
	PART NO	MODEL						OPTION	L / R	QTY	EFFECTIVE DATE		REMARKS	P / CODE
		E	T	BODY			LEVEL				FROM	TO		
N	G	4	3	5	S	S	S							
[01]	(E)LINING-FLOOR PANEL (D)AUSKLEIDUNG											(F)GARNITURE (S)FORRO-PANEL DEL PISO		
96243418	.	.	B	.	B	S	S	S	-C35/V88		1			TR
96252208	.	.	B	.	B	A	A	A	&V86-C35		1			TW
96252204	.	.	B	.	B	A	A	A	&C35		1			TX
96258916	.	.	B	.	B	A	A	A			1	970709	FOR POLAND	TQ
96238378	B	.	S	.	S	-C35/V88	1			TM
96252209	B	.	A	.	A	&V86-C35	1			TZ
96252205	B	.	A	.	A	&C35	1			TY
[02]	(E)CLIP (D)KLEMME											(F)ATTACHE (S)GRAPA		
09409-06326	.	.	B	B	B	S	S	S			1			
[03]	(E)INSULATION-DASH PANEL INR (D)ISOLIERUNG											(F)ISOLATION (S)AISLAMIENTO		
96124011	.	.	B	B	B	S	S	S			1	970701		TQ
96124011	Y	.	B	B	B	S	S	.			1	970701 970901		TQ
96252017	B	.	B	B	B	.	.	S			1	970701 970901		TQ
Y 96252017	.	.	B	B	B	S	S	S			1	970901		TQ
[04]	(E)CLIP (D)KLEMME											(F)ATTACHE (S)GRAPA		
09409-05311	.	.	B	B	B	S	S	S			11			
[05]	(E)INSULATION-FLOOR PNL,FRT (D)ISOLIERUNG											(F)ISOLATION (S)AISLAMIENTO		
96124012	.	.	B	B	B	S	S	S	-C35		1			TS
96245052	.	.	B	B	B	A	A	A	&C35		1			TW
[07]	(E)INSULATION-FRT PILLAR,LWR (D)ISOLIERUNG											(F)ISOLATION (S)AISLAMIENTO		

ENG(ENGINE)	T/A(TRANSAXLE)	BODY TYPE
Y = 1.5SOHC 6 = 1.6DOHC . = COMMON	M = MANUAL T/A A = AUTOMATIC T/A . = COMMON	4 N = 4 DOOR NOTCHBACK 3 H = 3 DOOR HATCHBACK 5 H = 5 DOOR HATCHBACK

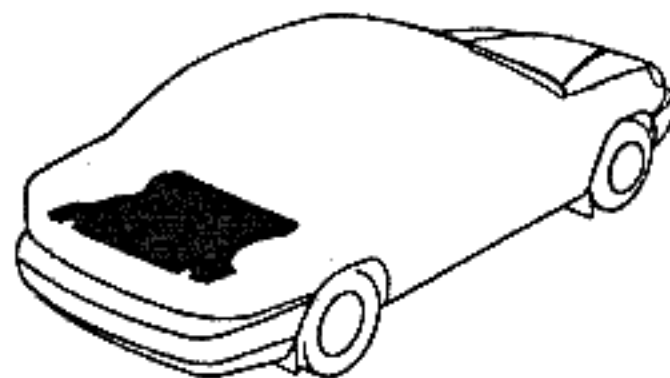
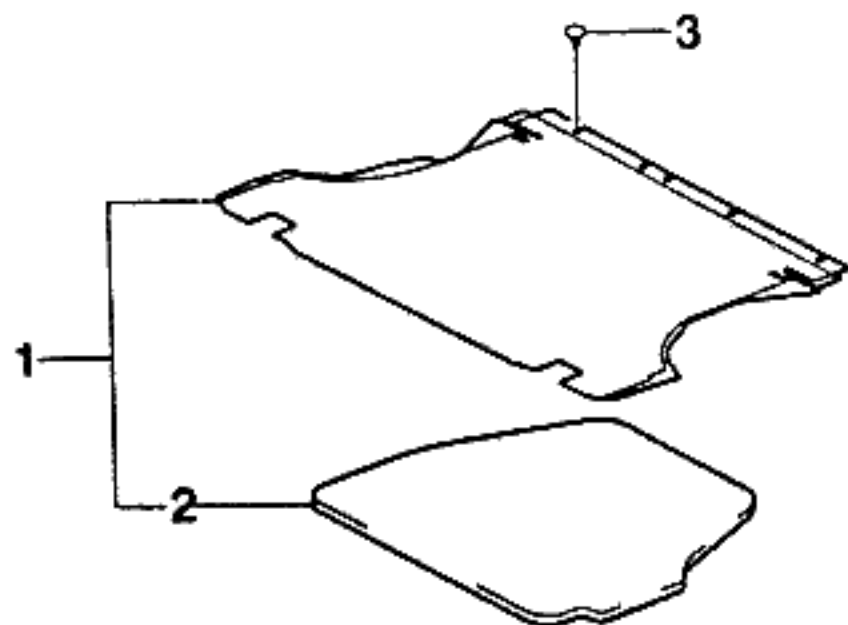
7610 FRONT FLOOR CARPET

6E07



KEY NO.		PART NAME													
I T C	PART NO	MODEL						OPTION	L / R	Q T Y	EFFECTIVE DATE		REMARKS	P / C O D E	
		E N G	T / A	BODY			LEVEL				FROM	TO			
				4 N	3 H	5 H	S								S
	96246330	.	.	B	B	B	S	S	S		LH	1			
	96246331	.	.	B	B	B	S	S	S		RH	1			

ENG(ENGINE)	T/A(TRANSAXLE)	BODY TYPE
Y = 1.5SOHC 6 = 1.6DOHC . = COMMON	M = MANUAL T/A A = AUTOMATIC T/A . = COMMON	4 N = 4 DOOR NOTCHBACK 3 H = 3 DOOR HATCHBACK 5 H = 5 DOOR HATCHBACK

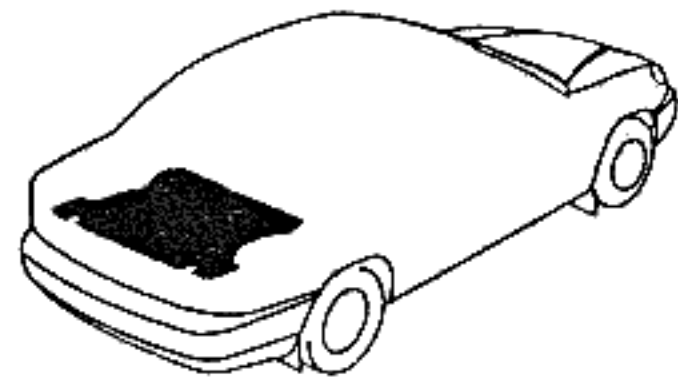
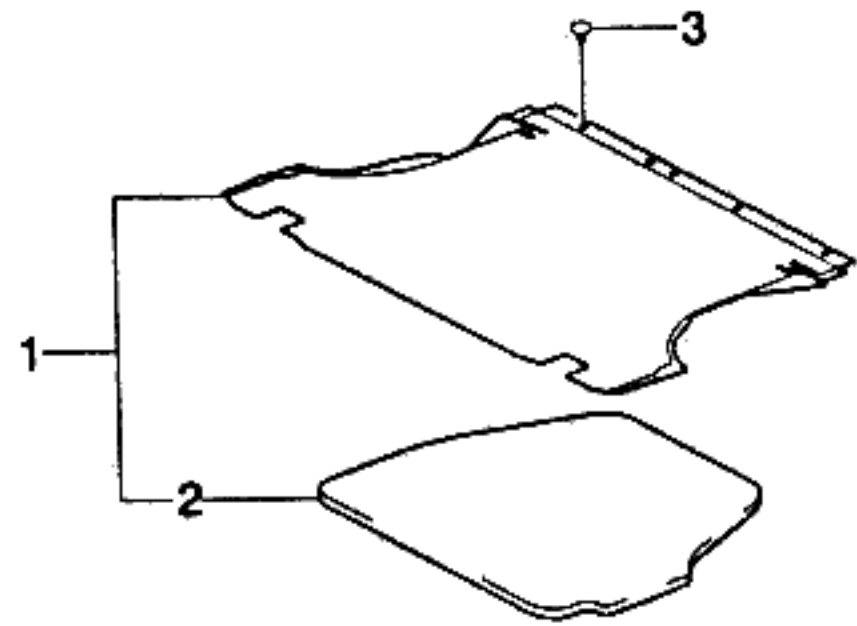


I T C	KEY NO.	PART NAME										P / C O D E		
	PART NO	MODEL						OPTION	L / R	Q T Y	EFFECTIVE DATE		REMARKS	
		E N G	T / A	BODY			LEVEL				FROM			TO
		4 N	3 H	5 H	S	S S	S S							
	[01]	(E)MAT A-FLOOR PANEL,TRUNK (D)AUSKLEIDUNG									(F)GARNITURE (S)FORRO			
	96237863	.	B	.	S	.	.			1	970509	INCL #2	GB	
	○ 96255259	.	B	.	S	.	.			1	970509 970901	INCL #2	R4	
	96237867	.	B	.	O	S	.			1	970509	INCL #2	H5	
	○ 96255265	.	B	.	O	S	.			1	970509 970901	INCL #2	S5	
	96255265	.	B	.	S	S	.			1	970901	INCL #2	S5	
	96237866	.	B	.	.	.	S			1	970509	INCL #2	H4	
	○ 96255263	.	B	.	.	.	S			1	970509	INCL #2	S4	
	96255263	.	B	.	A	A	.			1	970709	FOR POLAND	S4	
	96237862	.	B	B	S	.	.			1	970509	INCL #2	G7	
	○ 96255257	.	B	B	S	.	.			1	970509 970901	INCL #2	R3	
	96237865	.	B	B	O	S	.			1	970509	INCL #2	H3	
	○ 96255262	.	B	B	O	S	.			1	970509 970901	INCL #2	S3	
	96255262	.	B	B	S	S	.			1	970901	INCL #2	S3	
	[02]	(E)BOARD-FLOOR PANEL,TRUNK (D)BODENVERKLEIDUNG									(F)GARNITURE (S)TABLON DE MALETERO			
	96303140	.	B	.	S	S	S			1	970509			
	○ 96255266	.	B	.	S	S	S			1	970509			
	96303005	.	B	B	S	S	.			1	970509			
	96255267	.	B	B	S	S	.			1	970509			
	[03]	(E)PLUG (D)STÖPSEL									(F)BOUCHON (S)TAPON			
	09241-30003	.	B	B	B	.	.					NOT APPLIED		
	09409-07326	.	B	.	.	.	S	&AM9		5				

ENG(ENGINE)	T/A(TRANSAXLE)	BODY TYPE
Y = 1.5SOHC 6 = 1.6DOHC . = COMMON	M = MANUAL T/A A = AUTOMATIC T/A . = COMMON	4 N = 4 DOOR NOTCHBACK 3 H = 3 DOOR HATCHBACK 5 H = 5 DOOR HATCHBACK

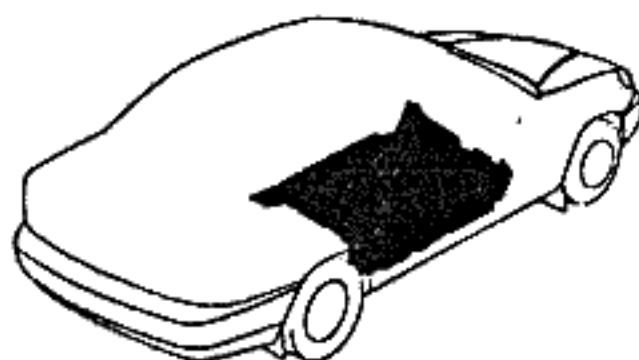
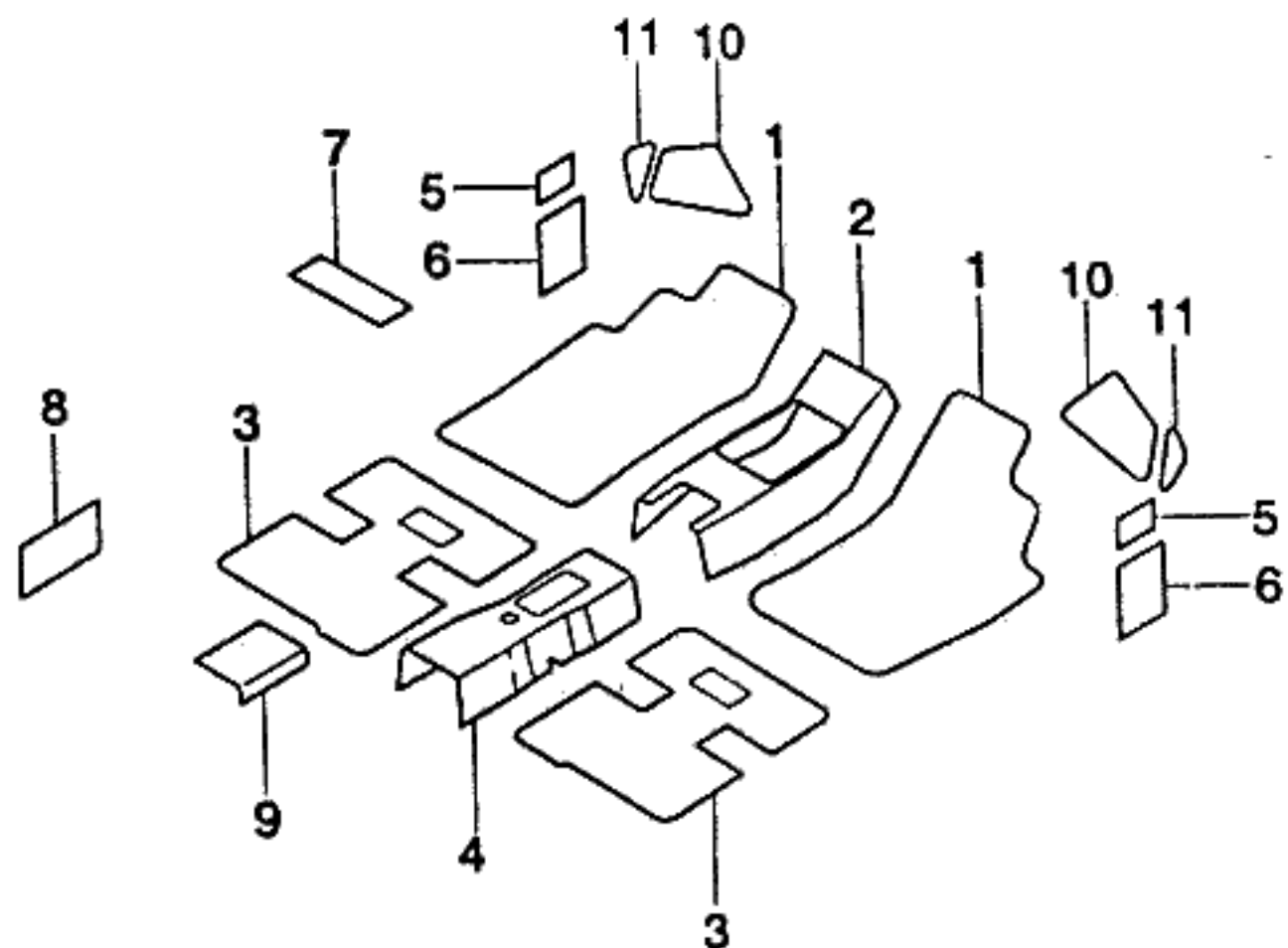
7620 REAR FLOOR CARPET

6G07



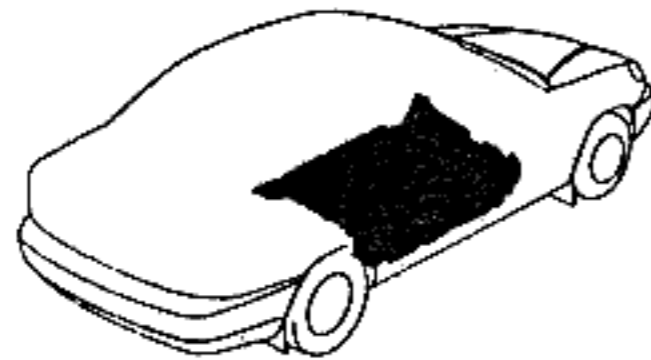
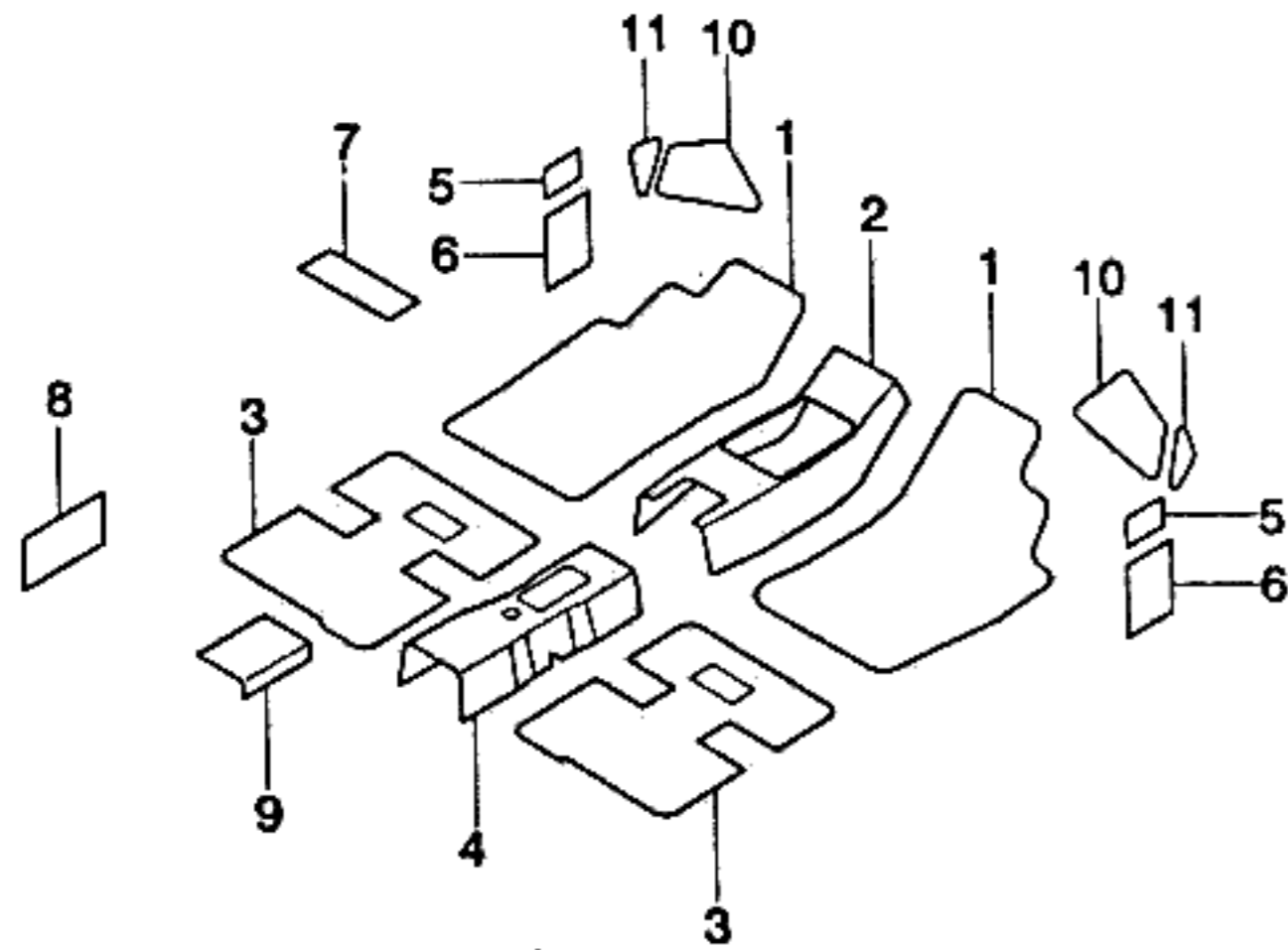
I T C	KEY NO.		PART NAME												
	PART NO	E N G	MODEL			OPTION	L / R	Q T Y	EFFECTIVE DATE		REMARKS	P / C O D E			
			4 N	3 H	5 H				LEVEL	S			S	S	FROM
	09409-07326	.	B	.	A	.	A	5		FOR POLAND	
	09409-07326	.	B	B	S	.	S	AM9	.	.	.	5			
	09409-07326	.	B	A	.	A	5		FOR POLAND	

ENG(ENGINE)	T/A(TRANSAXLE)	BODY TYPE
Y = 1.5SOHC 6 = 1.6DOHC . = COMMON	M = MANUAL T/A A = AUTOMATIC T/A . = COMMON	4 N = 4 DOOR NOTCHBACK 3 H = 3 DOOR HATCHBACK 5 H = 5 DOOR HATCHBACK



KEY NO.	PART NAME										P / CODE		
	PART NO	MODEL					OPTION	L / R	Q / T Y	EFFECTIVE DATE		REMARKS	
		E N G	T / A	B O D Y	L E V E L					FROM			TO
[01]	(E)DEADENER-FLOOR PANEL,FRT (D)ENDSTÜCK											(F)ASSOURDISSEUR (S)AMORTIGUADOR	
96303091	. . . B B B S S S											LH 1	
96303092	. . . B B B S S S											RH 1	
[02]	(E)DEADENER-FLOOR,FRT TUNNEL (D)ENDSTÜCK											(F)ASSOURDISSEUR (S)AMORTIGUADOR	
96303089	. . . B B B S S S											1	
[03]	(E)DEADENER-FLOOR PANEL,REAR (D)ENDSTÜCK											(F)ASSOURDISSEUR (S)AMORTIGUADOR	
96303093	. . . B B B S S S											LH 1	
96303094	. . . B B B S S S											RH 1	
[04]	(E)DEADENER-FLOOR,RR TUNNEL (D)ENDSTÜCK											(F)ASSOURDISSEUR (S)AMORTIGUADOR	
96303090	. . . B B B S S S											1	
[05]	(E)DEADENER-FRT PILLAR UPPER (D)ENDSTÜCK											(F)ASSOURDISSEUR (S)AMORTIGUADOR	
96226902	. . . B B B S S S											2	
[06]	(E)DEADENER-FRT PILLAR,LOWER (D)ENDSTÜCK											(F)ASSOURDISSEUR (S)AMORTIGUADOR	
96226915	. . . B B B S S S											2	
[07]	(E)DEADENER-ROOF PANEL (D)ENDSTÜCK											(F)ASSOURDISSEUR (S)AMORTIGUADOR	
96229803	. . . B B B S S S											1	
[08]	(E)DEADENER-SIDE PANEL,TRUNK (D)ENDSTÜCK											(F)ASSOURDISSEUR (S)AMORTIGUADOR	
96243410	. . . B . . . S S S											1	
[09]	(E)DEADENER-RR FLR TRUNK SID (D)ENDSTÜCK											(F)ASSOURDISSEUR (S)AMORTIGUADOR	

ENG(ENGINE)	T/A(TRANSAXLE)	BODY TYPE
Y = 1.5SOHC 6 = 1.6DOHC . = COMMON	M = MANUAL T/A A = AUTOMATIC T/A . = COMMON	4 N = 4 DOOR NOTCHBACK 3 H = 3 DOOR HATCHBACK 5 H = 5 DOOR HATCHBACK

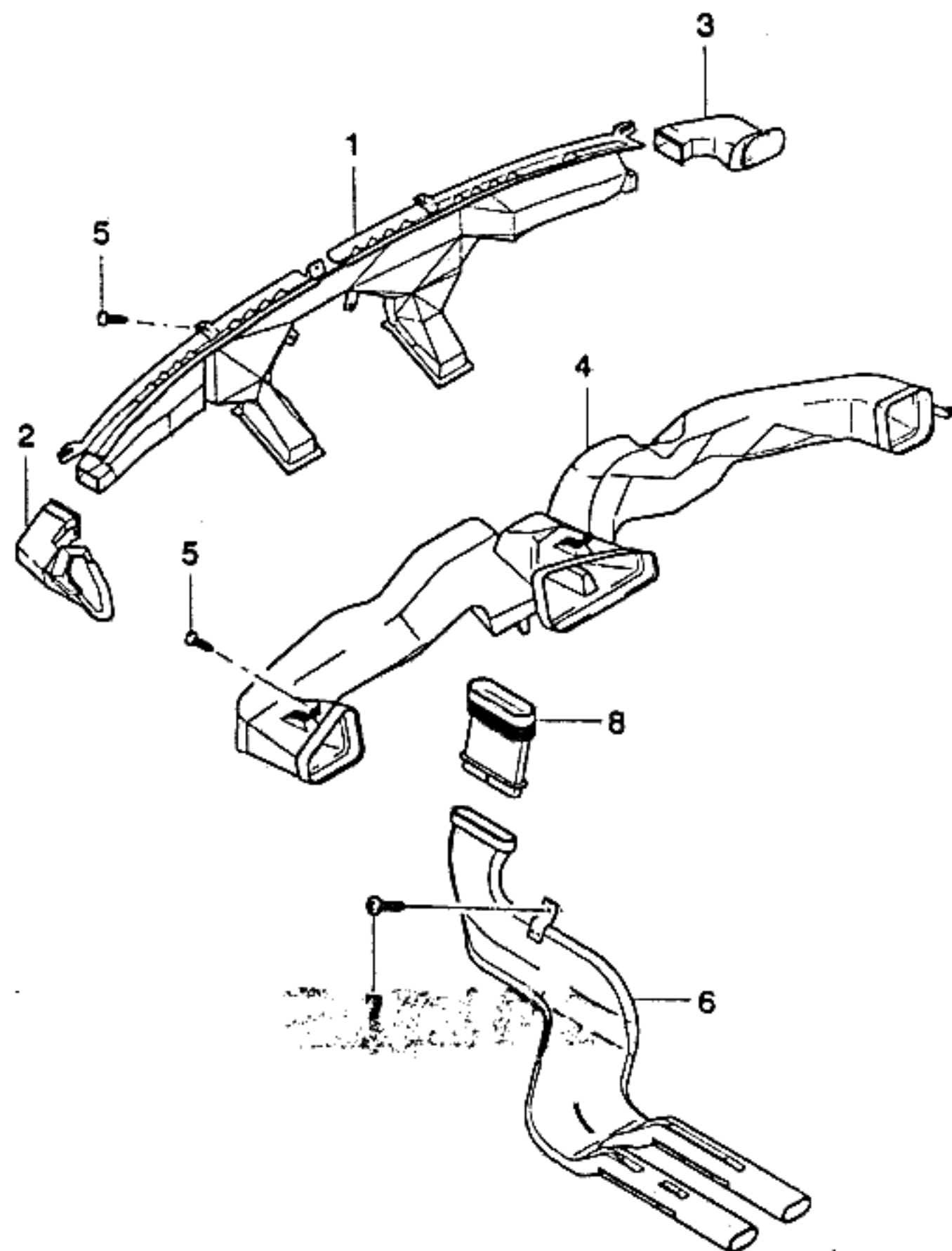


I T C	KEY NO.		PART NAME											P I C O D E	
	PART NO	E N G	MODEL					OPTION	L / R	Q T Y	EFFECTIVE DATE		REMARKS		
			4 N	3 H	5 H	S	S				S	FROM			TO
	96252517		B		S	S	S							1	
	96252749			B	B	S		S						1	
	[10]		(E)DEADENER-FRT WHEEL HOUSIN (D)ENDSTÜCK											(F)ASSOURDISSEUR (S)AMORTIGUADOR	
	96238894		B	B	B	S	S	S						LH 2	
	96238896		B	B	B	S	S	S						RH 2	
	[11]		(E)DEADENER-FRT PILLAR, SIDE (D)ENDSTÜCK											(F)ASSOURDISSEUR (S)AMORTIGUADOR	
	96226915		B	B	B	S	S	S						2	

ENG(ENGINE)	T/A(TRANSAXLE)	BODY TYPE
Y = 1.5SOHC 6 = 1.6DOHC = COMMON	M = MANUAL T/A A = AUTOMATIC T/A = COMMON	4 N = 4 DOOR NOTCHBACK 3 H = 3 DOOR HATCHBACK 5 H = 5 DOOR HATCHBACK

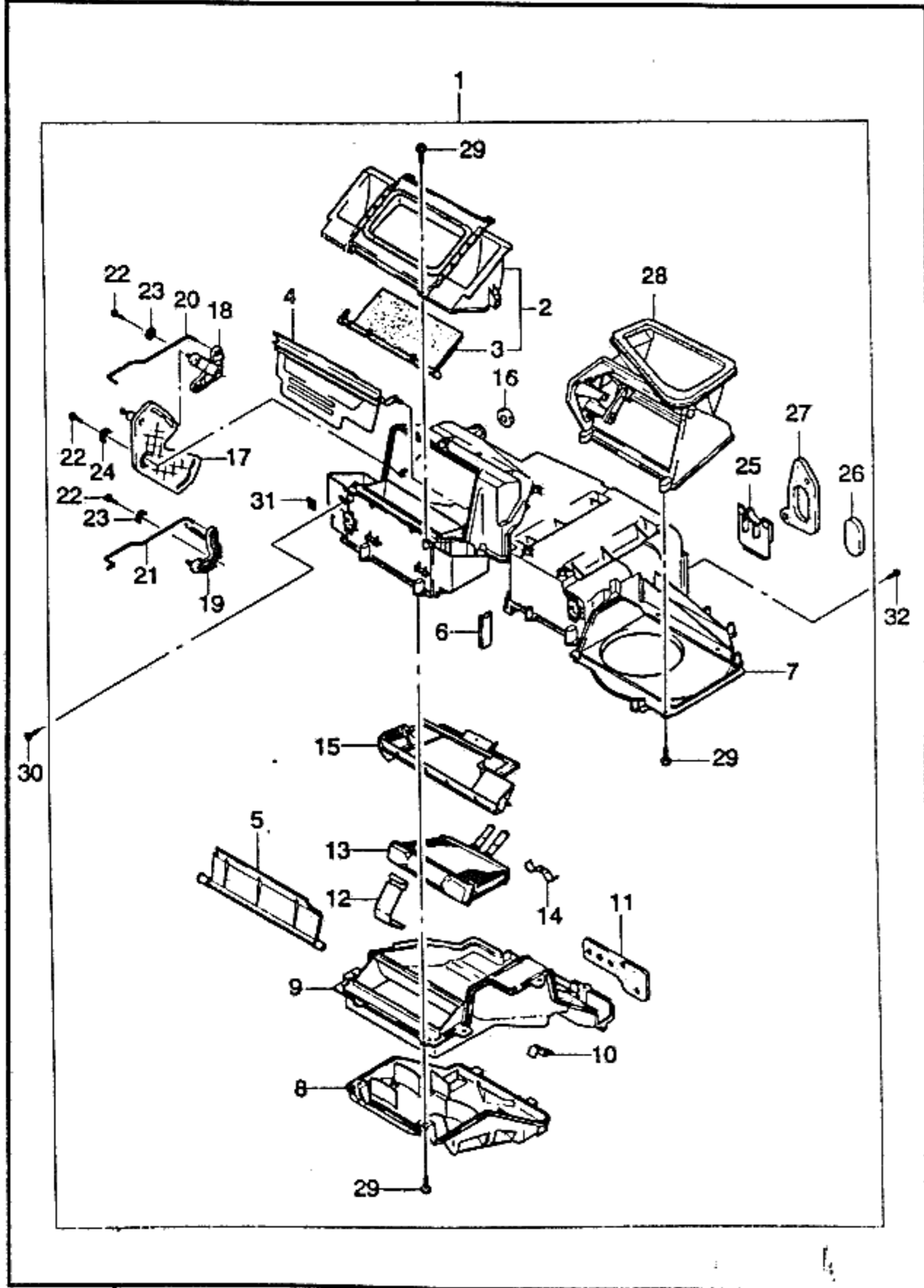
8**HEATER & AIR CONDITIONER**

- 8110 AIR DISTRIBUTION
- 8210 MODULE-AIR CONDITIONER
- 8220 BLOWER
- 8230 EVAPORATOR
- 8310 CONDENSER A
- 8320 COMPRESSOR
- 8330 COMPRESSOR MOUNT
- 8340 AIR CONDITIONER HOSE & PIPE LINE(LHD)
- 8350 AIR CONDITIONER CONTROL SWITCH



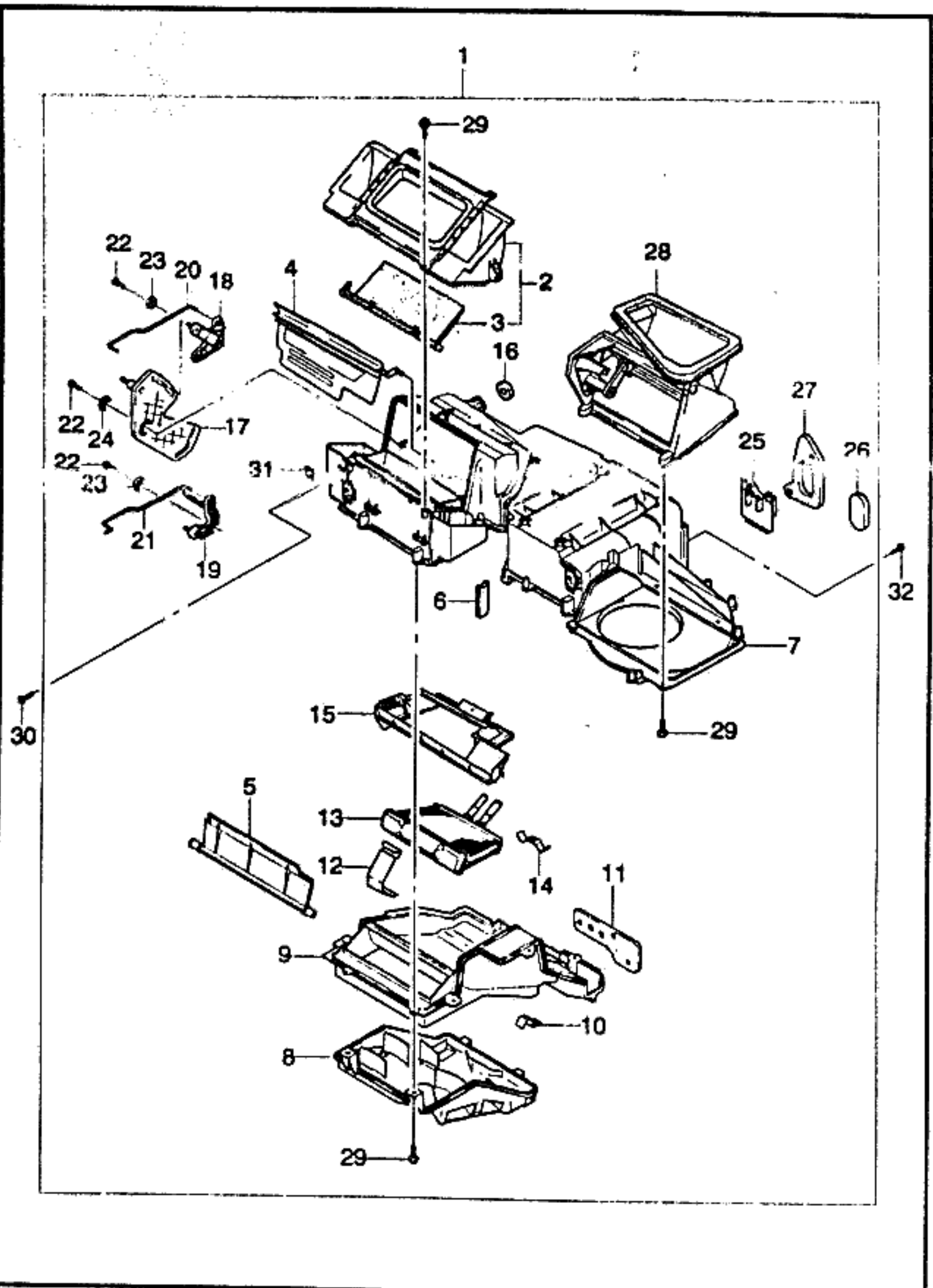
I T C	KEY NO.	PART NAME										L / R	Q T Y	EFFECTIVE DATE		REMARKS	P / C O D E
		PART NO	E N G	T / A	MODEL			OPTION	FROM	TO	REMARKS						
					4 N	3 H	5 H							S S S	S S S		
	[01]	(E) DUCT A-INSTR PANEL UPR AIR (D) SCHACHT LUFTEINLAß												(F) CONDUIT-ENTREE D'AIR (S) CONDUCTO-ENTRADA DE AIRE			
	96252010	. . . B B B S S S												1			
	[02]	(E) HOSE A-SIDE DEFROSTER (D) SCHLAUCH, ENTFROSTER												(F) TUYAU-DEGIVREUR (S) MANGUERA-DESCONGELADOR			
	96217063	. . . B B B S S S												LH 1			
	[03]	(E) HOSE A-SIDE DEFROSTER (D) SCHLAUCH, ENTFROSTER												(F) TUYAU-DEGIVREUR (S) MANGUERA-DESCONGELADOR			
	96217064	. . . B B B S S S												RH 1			
	[04]	(E) HOSE A-VENTILATION (D) SCHLAUCH, VENTILATOR												(F) TUYAU-VENTILATION (S) MANGUERA-VENTILACION			
	96304300	. . . B B B S S S												1			
	[05]	(E) SCREW-TAPPING (D) SCHRAUBE												(F) VIS (S) TORNILLO			
	03240-48165	. . . B B B S S S												9		970401	
	Y 03160-48165	. . . B B B S S S												9		970401	
	[06]	(E) DUCT A-LEG ROOM, REAR (D) SCHACHT												(F) CONDUIT (S) CONDUCTO			
	96235400	. . . B B B A A A &C35												LH 1			
	96235401	. . . B B B A A A &C35												RH 1			
	[07]	(E) SCREW (D) SCHRAUBE												(F) VIS (S) TORNILLO			
	03151-55133	. . . B B B A A A &C35												2			
	[08]	(E) CONNECTOR A-AIR DISRIBUTOR (D) VERBINDUNG												(F) CONNECTEUR (S) CONECTOR			
	96251041	. . . B B B A A A &C35												LH 1			
	96243680	. . . B B B A A A &C35												RH 1			

ENG(ENGINE)	T/A(TRANSAXLE)	BODY TYPE
Y = 1.5SOHC 6 = 1.6DOHC . = COMMON	M = MANUAL T/A A = AUTOMATIC T/A . = COMMON	4 N = 4 DOOR NOTCHBACK 3 H = 3 DOOR HATCHBACK 5 H = 5 DOOR HATCHBACK



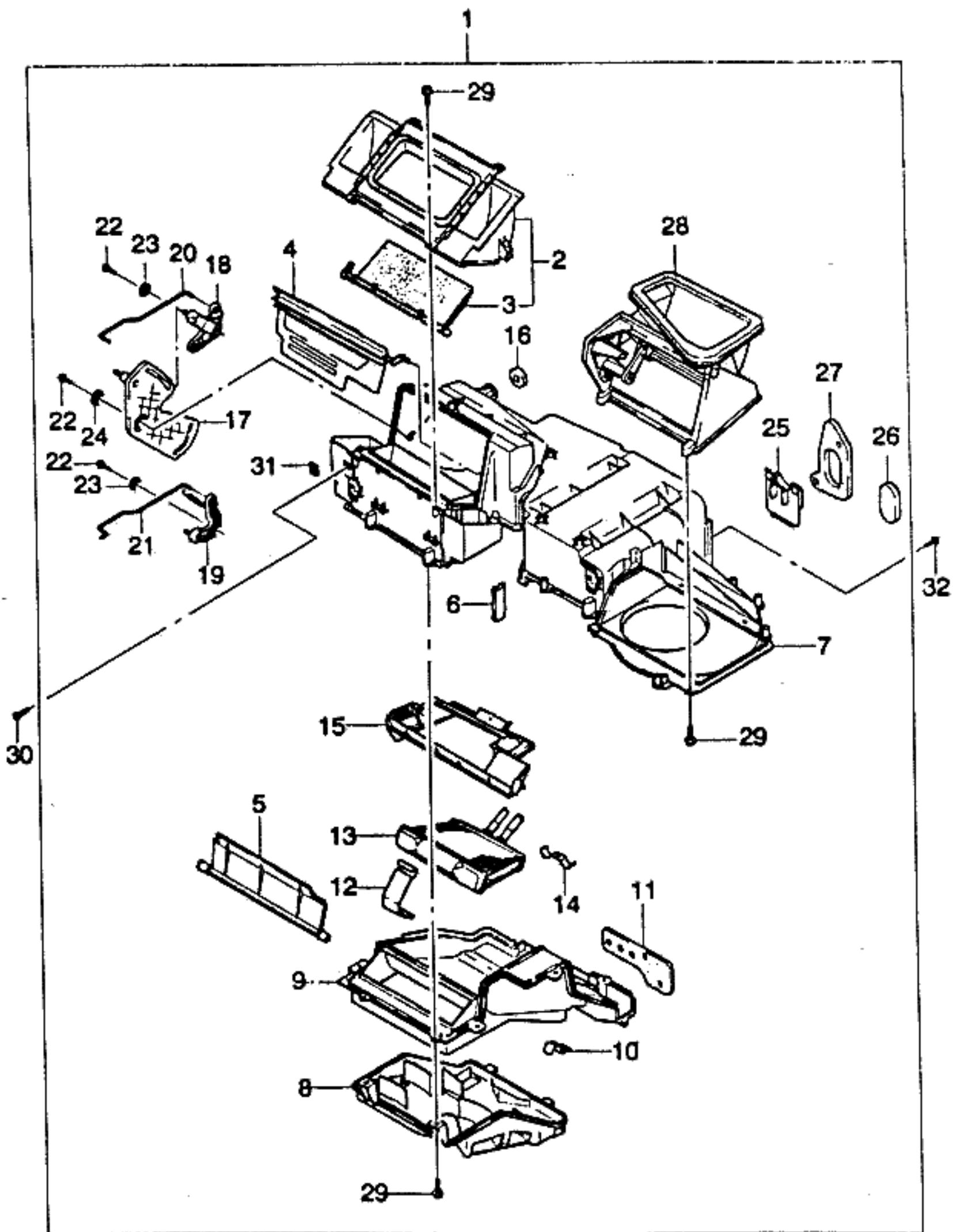
KEY NO.	PART NAME										P / CODE				
	PART NO	MODEL					OPTION	L / R	Q / T Y	EFFECTIVE DATE		REMARKS			
		E	T	BODY						LEVEL			FROM	TO	
N / G	A	4	3	5	S	S	S								
[01]	(E)MODULE-AIR CONDITIONER (D)KLIMAANLAGE														
96251693	. . . B B B S S S &C46-C35											1			NS
96237889	. . . B B B A A A &C46&C35											1			NC
96241129	. . . B B B O O O &C59/C60-C35											1			NE
96241130	. . . B B B A A A &C59/C60&C35											1			NF
[02]	(E)CASE A-DEFROSTER (D)KASTEN														
612418	. . . B B B S S S											1		INCL.#3	
[03]	(E)VALVE A-MODE (D)VENTIL														
611722	. . . B B B S S S											1			
[04]	(E)VALVE A-TEMPERATURE (D)VENTIL,TEMPERATUR														
612022	. . . B B B S S S											1			
[05]	(E)VALVE A-HEATER/DEFROSTER (D)VENTIL														
611723	. . . B B B S S S											1			
[06]	(E)CLIP-TEMP VALVE (D)KLEMME														
611998	. . . B B B S S S											1			
[07]	(E)CASE A-UPPER (D)KASTEN														
612962	. . . B B B S S S &C46											1			
612098	. . . B B B O O O &C59/C60											1			
[08]	(E)CASE-DISTRIBUTOR (D)KASTEN														
612116	. . . B B B S S S -C35											1			

ENG(ENGINE)	T/A(TRANSAXLE)	BODY TYPE
Y = 1.5SOHC 6 = 1.6DOHC . = COMMON	M = MANUAL T/A A = AUTOMATIC T/A . = COMMON	4 N = 4 DOOR NOTCHBACK 3 H = 3 DOOR HATCHBACK 5 H = 5 DOOR HATCHBACK



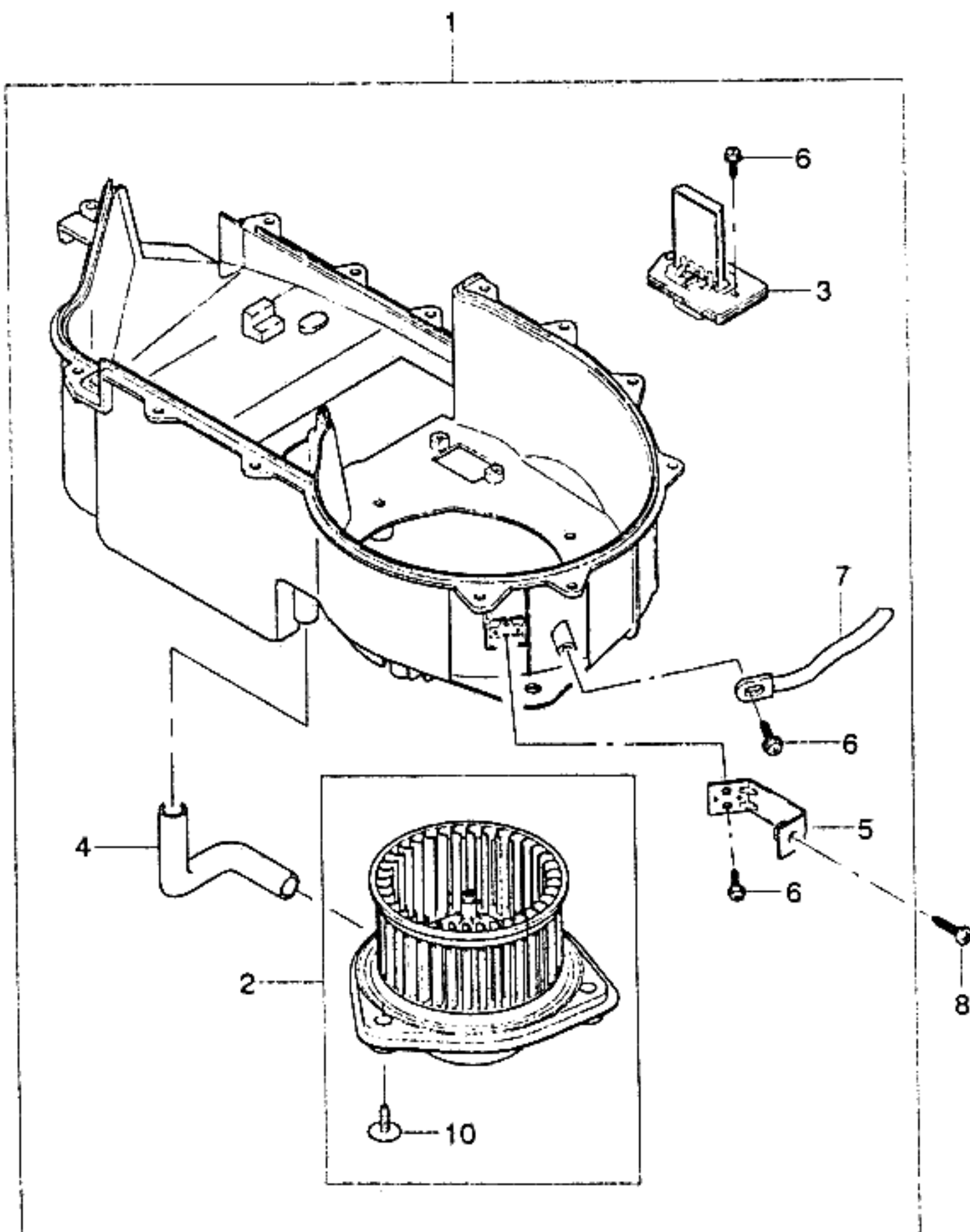
KEY NO.	PART NAME											
	PART NO	MODEL					OPTION	L / Q / R Y	EFFECTIVE DATE		REMARKS	P / C O D E
		E N G	T / A	B O D Y	L E V E L				FROM	TO		
612112	. . . B B B A A A &C35											
[09]	(E)CASE-COVER (D)KASTEN											
612071	. . . B B B S S S											
[10]	(E)CLIP-RETAINING (D)KLEMME											
611984	. . . B B B S S S											
[11]	(E)SEAL-HEATER PIPE (D)DICHTUNG											
612127	. . . B B B S S S											
[12]	(E)CLIP-TANK MOUNTING (D)KLEMME											
611977	. . . B B B S S S											
[13]	(E)CORE-HEATER (D)GEHÄUSE HEIZUNG											
96231949	. . . B B B S S S											
[14]	(E)BRACKET-PIPE MOUNTING (D)TRÄGER											
611980	. . . B B B S S S											
[15]	(E)CASE A-SHROUD (D)KASTEN											
612159	. . . B B B S S S											
[16]	(E)SEAL-DASH MOUNTING RING (D)DICHTUNG											
612961	. . . B B B S S S											
[17]	(E)LEVER-MAIN (D)HEBEL											
612108	. . . B B B S S S											

ENG(ENGINE)	T/A(TRANSAXLE)	BODY TYPE
Y = 1.5SOHC 6 = 1.6DOHC . = COMMON	M = MANUAL T/A A = AUTOMATIC T/A . = COMMON	4 N = 4 DOOR NOTCHBACK 3 H = 3 DOOR HATCHBACK 5 H = 5 DOOR HATCHBACK



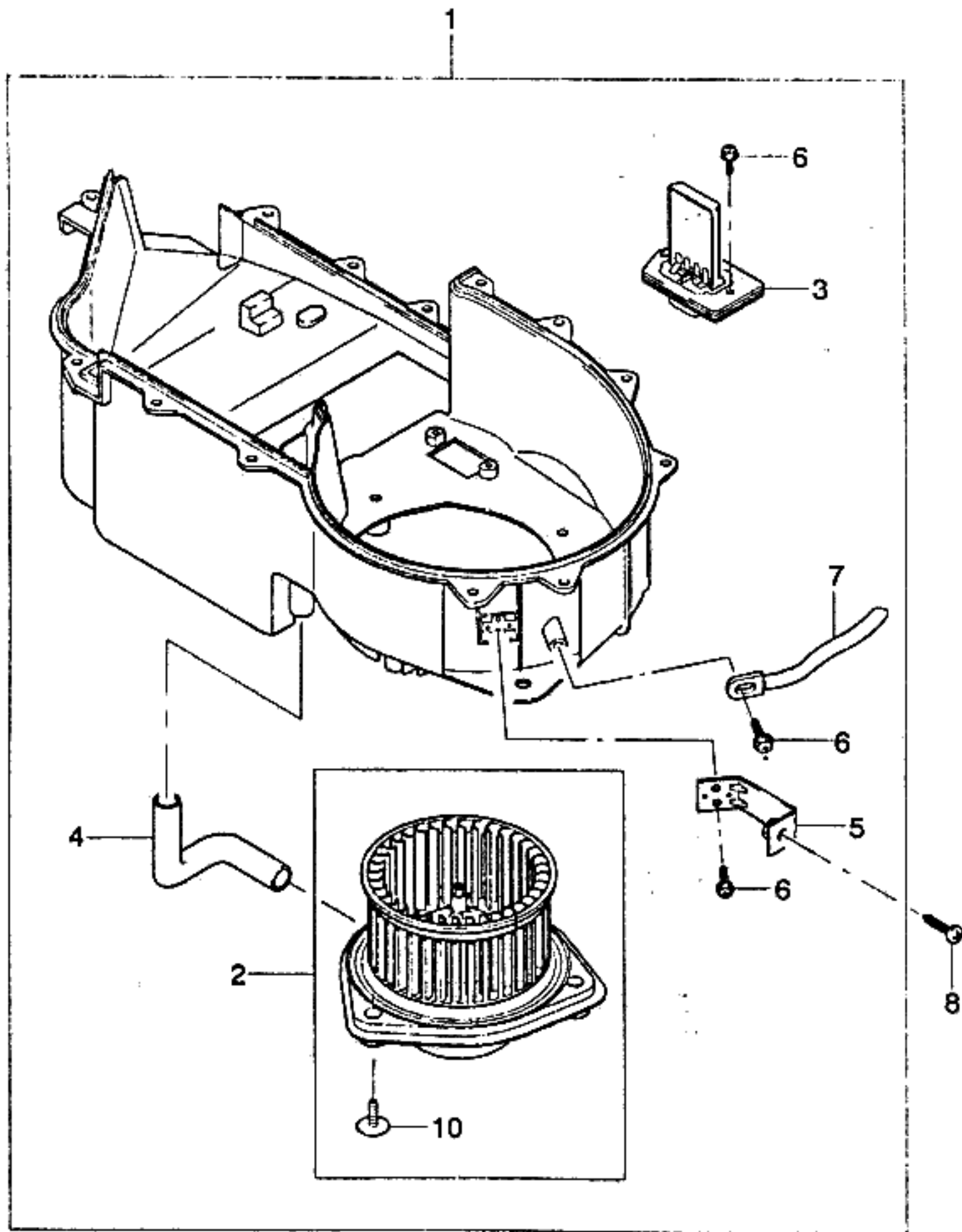
I T C	KEY NO.		PART NAME										L / R	Q T Y	EFFECTIVE DATE		REMARKS	P / C O D E	
	PART NO	MODEL	OPTION	BODY					LEVEL						FROM	TO			
				E N G	T / A	4 N	3 H	5 H	S	S S	S S	S S							S S
	612124	. . . B B B S S S													1		(F)ENTREE D'AIR (S)ENTRADA DE AIRE		
	[28]	(E)INLET-AIR (D)LUFTEINLAß													1				
	612104	. . . B B B O O O													1		(F)VIS (S)TORNILLO		
	[29]	(E)SCREW (D)SCHRAUBE													1				
	611979	. . . B B B S S S													45		(F)VIS (S)TORNILLO		
	[30]	(E)SCREW-TAPPING (D)SCHRAUBE													45				
	03160-48165	. . . B B B S S S													2		(F)ECROU (S)TUERCA		
	[31]	(E)NUT-SPEED (D)MUTTER													2				
	03511-48042	. . . B B B S S S													2		(F)VIS (S)TORNILLO		
	[32]	(E)SCREW (D)SCHRAUBE													2				
	09139-06003	. . . B B B S S S													5				

ENG(ENGINE)	T/A(TRANSAXLE)	BODY TYPE
Y = 1.5SOHC 6 = 1.6DOHC . = COMMON	M = MANUAL T/A A = AUTOMATIC T/A . = COMMON	4 N = 4 DOOR NOTCHBACK 3 H = 3 DOOR HATCHBACK 5 H = 5 DOOR HATCHBACK

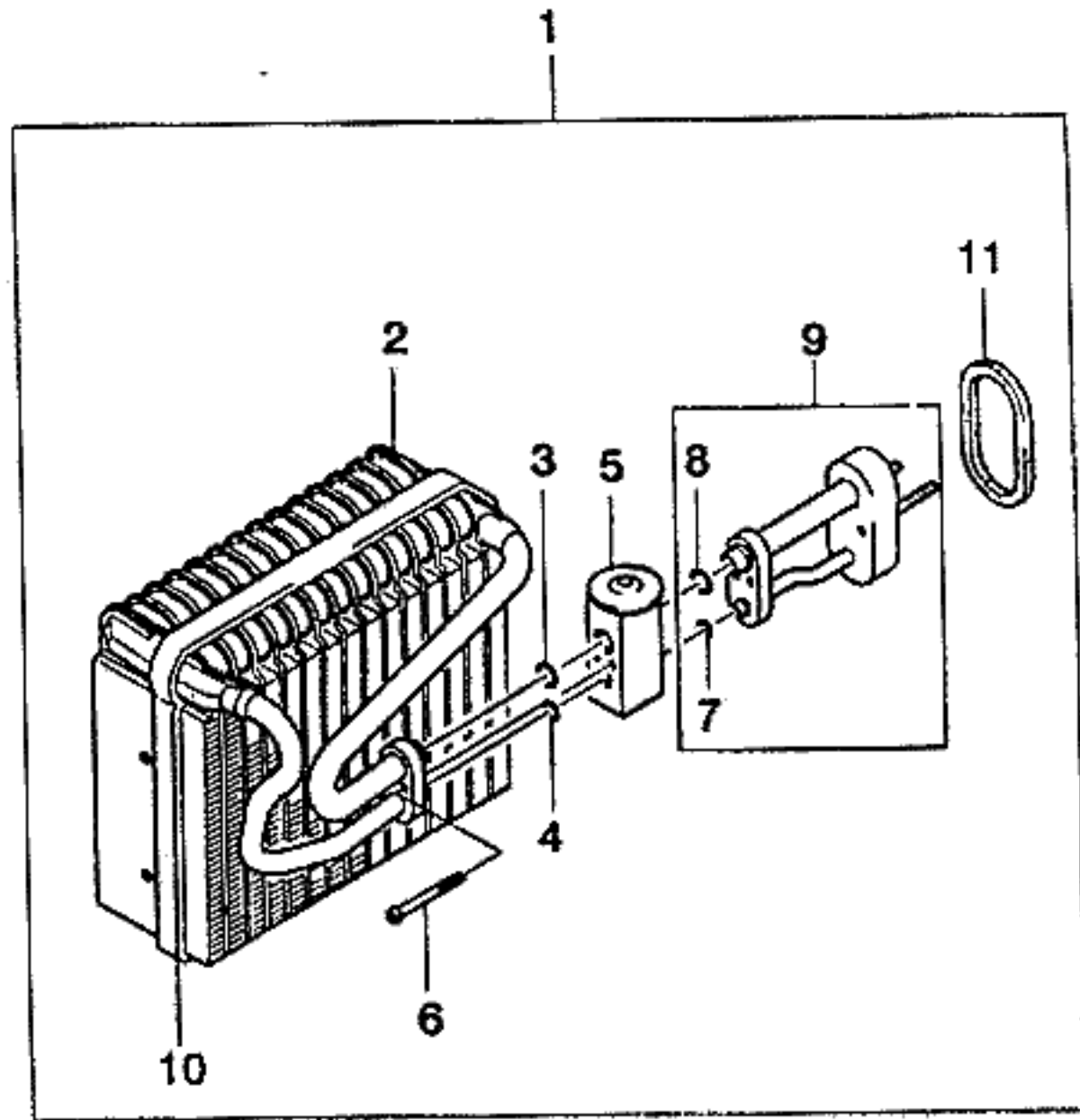


KEY NO.	PART NAME										REMARKS	P / CODE	
	PART NO	MODEL				OPTION	L / R	Q / T Y	EFFECTIVE DATE				
		E T	BODY		LEVEL				FROM	TO			
		N / G	4	3	5	S	S	S					
[01]	(E)CASE A -LOWER (D)KASTEN										(F)CARTER (S)CAJA		
612982	. . . B B B S S S					&C46					1		
612980	. . . B B B O O O					&C59/C60					1		
[02]	(E)MOTOR-BLOWER (D)MOTOR										(F)MOTEUR (S)MOTOR		
96190671	. . . B B B S S S										1		
[03]	(E)RESISTOR (D)WIDERSTAND										(F)RESISTANCE (S)RESISTOR		
96247452	. . . B B B S S S										1		
[04]	(E)TUBE-COOLING (D)ROHRLEITUNG										(F)TUYAU OU TUBE (S)TUBO		
612030	. . . B B B S S S										1		
[05]	(E)BRACKET-LOWER (D)TRÄGER										(F)SUPPORT (S)SOPORTE		
612207	. . . B B B S S S										1		
[06]	(E)SCREW (D)SCHRAUBE										(F)VIS (S)TORNILLO		
611979	. . . B B B S S S										5		
[07]	(E)CLIP-LEAD WIRE (D)KLEMME										(F)ATTACHE (S)GRAPA		
610452	. . . B B B S S S										1		
[08]	(E)SCREW (D)SCHRAUBE										(F)VIS (S)TORNILLO		
02146-06123	. . . B B B S S S										1		
[09]	(E)COVER-MOTOR (D)DECKEL										(F)CARTER (S)CUBIERTA		
612971	. . . B B B S S S										1	NOT APPLIED	

ENG(ENGINE)	T/A(TRANSAXLE)	BODY TYPE
Y = 1.5SOHC 6 = 1.6DOHC . = COMMON	M = MANUAL T/A A = AUTOMATIC T/A . = COMMON	4 N = 4 DOOR NOTCHBACK 3 H = 3 DOOR HATCHBACK 5 H = 5 DOOR HATCHBACK



KEY NO.		PART NAME														
I T C	PART NO	MODEL						OPTION	L / R	Q T Y	EFFECTIVE DATE		REMARKS	P / C O D E		
		E N G	T / A	BODY			LEVEL				FROM	TO				
				4 N	3 H	5 H	S								S	S
	[10] 611983	(E)SCREW (D)SCHRAUBE									(F)VIS (S)TORNILLO					
		. . .	B	B	B	S	S	S			3					
		ENG(ENGINE)			T/A(TRANSAXLE)			BODY TYPE								
		Y = 1.5SOHC 6 = 1.6DOHC . = COMMON			M = MANUAL T/A A = AUTOMATIC T/A . = COMMON			4 N = 4 DOOR NOTCHBACK 3 H = 3 DOOR HATCHBACK 5 H = 5 DOOR HATCHBACK								



KEY NO.		PART NAME												
I T C	PART NO	MODEL						OPTION	L / R	Q T Y	EFFECTIVE DATE		REMARKS	P I C O D E
		E T N /	BODY			LEVEL					FROM	TO		
			G A	4 N	3 H	5 H	S S							
	[01]	(E)EVAPORATER A (D)VERDAMPFER							(F)EVAPORATEUR (S)EVAPORADOR					
	612122	. . . B B B O O O &C59/C60							1					
	[02]	(E)CORE A-EVAPORATOR (D)GEHÄUSE VERDAMPFER							(F)NOYAU-EVAPORATEUR (S)NUCLEO-EVAPORADOR					
	612220	. . . B B B O O O &C59/C60							1					
	[03]	(E)O RING-EVAPORATOR OUTLET (D)O RING							(F)JOINT TORIQUE (S)ANILLO EN O					
	3094215	. . . B B B O O O &C59/C60							1					
	[04]	(E)O RING-EVAPORATOR INLET (D)O RING							(F)JOINT TORIQUE (S)ANILLO EN O					
	3094214	. . . B B B O O O &C59/C60							1					
	[05]	(E)VALVE-THERMOSTATIC EXPANS (D)VENTIL							(F)SOUPAPE (S)VALVULA					
	96190670	. . . B B B O O O &C59/C60							1					
	[06]	(E)BOLT (D)SCHRAUBE							(F)BOULON (S)PERNO					
	600098	. . . B B B O O O &C59/C60							1					
	[07]	(E)O RING-DASH INLET (D)O RING							(F)JOINT TORIQUE (S)ANILLO EN O					
	3093509	. . . B B B O O O &C59/C60							1					
	[08]	(E)O RING-DASH OUTLET (D)O RING							(F)JOINT TORIQUE (S)ANILLO EN O					
	3094215	. . . B B B O O O &C59/C60							1					
	[09]	(E)FITTING&PIPE A-IN/OUT (D)BEFESTIGUNG							(F)MONTAGE (S)TUBERIA ENTRADA-SALIDA					
	612210	. . . B B B O O O &C59/C60							1					
	[10]	(E)SEAL-EVAPORATOR (D)DICHTUNG							(F)JOINT (S)SELLO					

ENG(ENGINE)

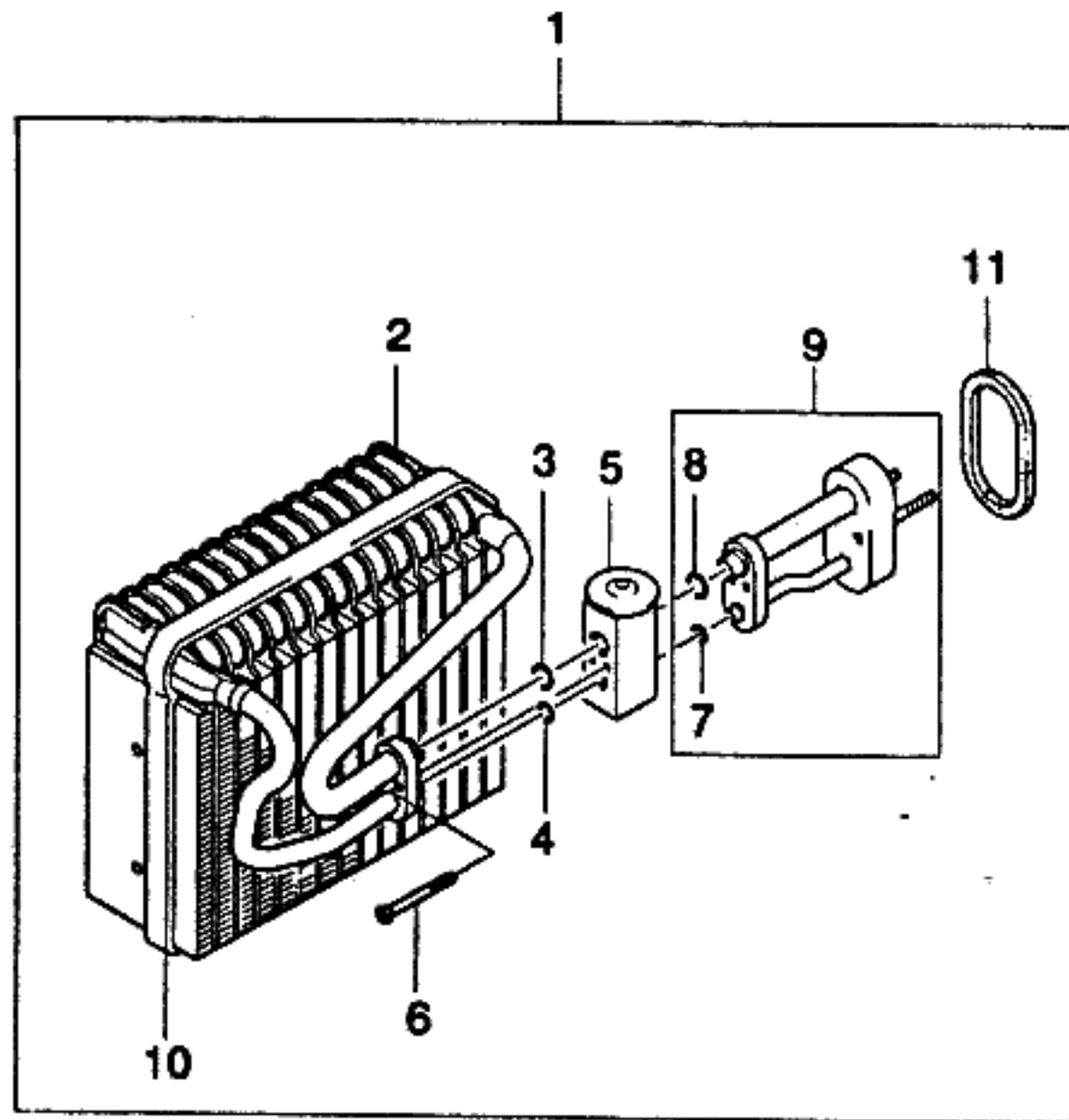
T/A(TRANSAXLE)

BODY TYPE

Y = 1.5SOHC
6 = 1.6DOHC
. = COMMON

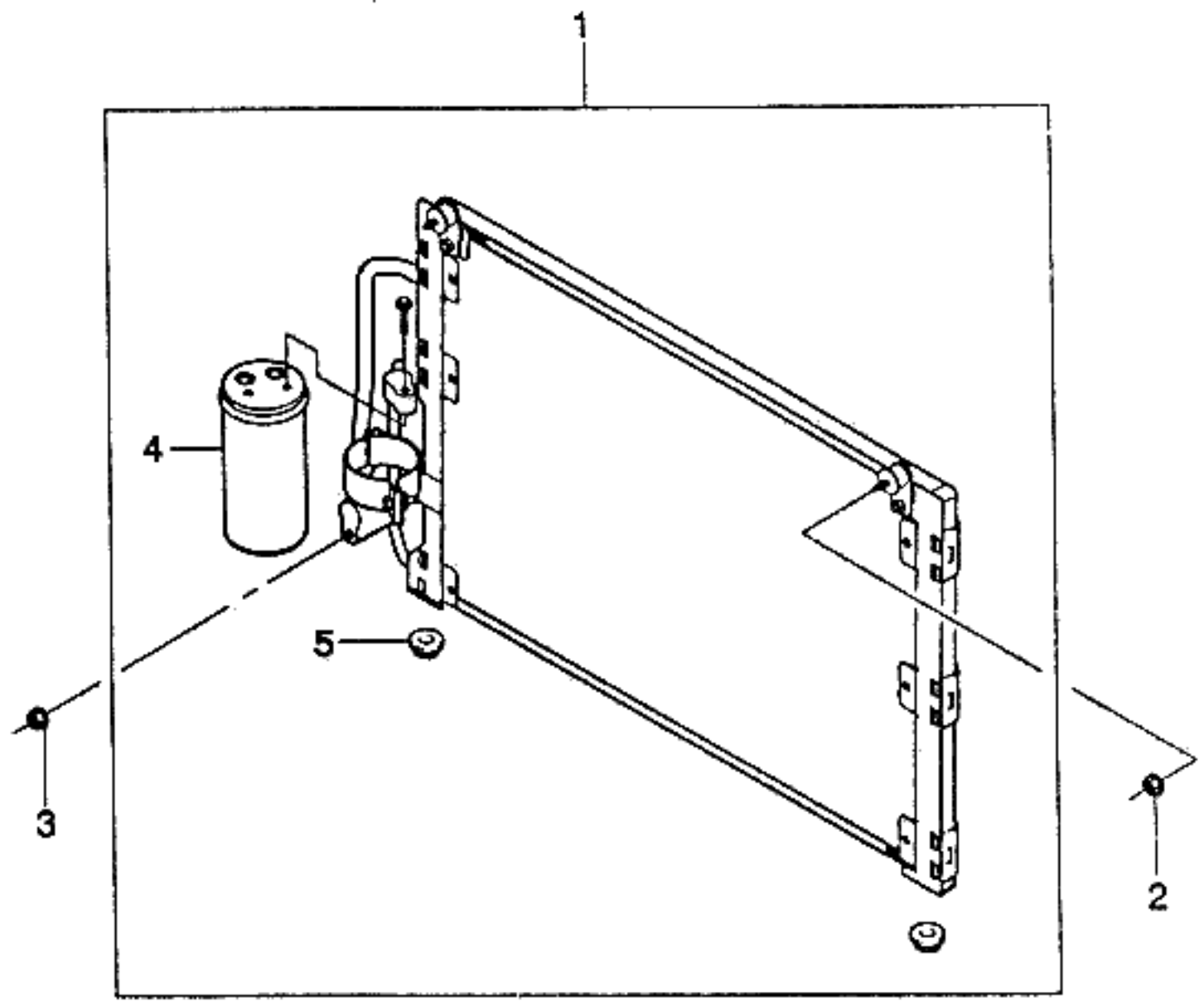
M = MANUAL T/A
A = AUTOMATIC T/A
. = COMMON

4 N = 4 DOOR NOTCHBACK
3 H = 3 DOOR HATCHBACK
5 H = 5 DOOR HATCHBACK



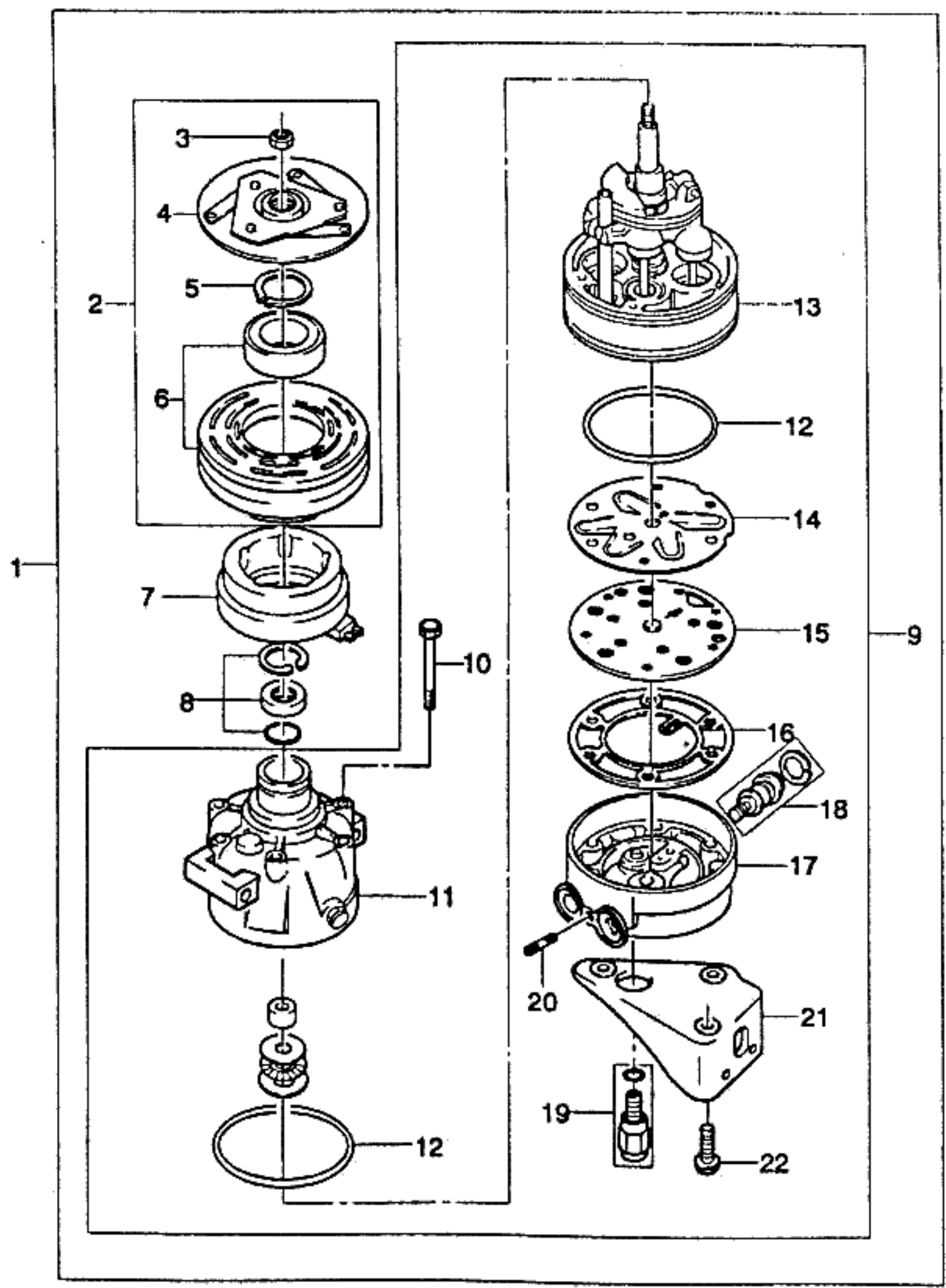
KEY NO.		PART NAME													
I T C	PART NO	MODEL						OPTION	L / R	Q T Y	EFFECTIVE DATE		REMARKS	P / C O D E	
		E N G	T / A	BODY			LEVEL				FROM	TO			
				4 N	3 H	5 H	S								S
	612054	.	.	B	B	B	O	O	O	&C59/C60			1		
	[11]												(F)JOINT (S)SELLO		
	612463	.	.	B	B	B	O	O	O	&C59/C60			1		

ENG(ENGINE)	T/A(TRANSAXLE)	BODY TYPE
Y = 1.5SOHC 6 = 1.6DOHC . = COMMON	M = MANUAL T/A A = AUTOMATIC T/A . = COMMON	4 N = 4 DOOR NOTCHBACK 3 H = 3 DOOR HATCHBACK 5 H = 5 DOOR HATCHBACK



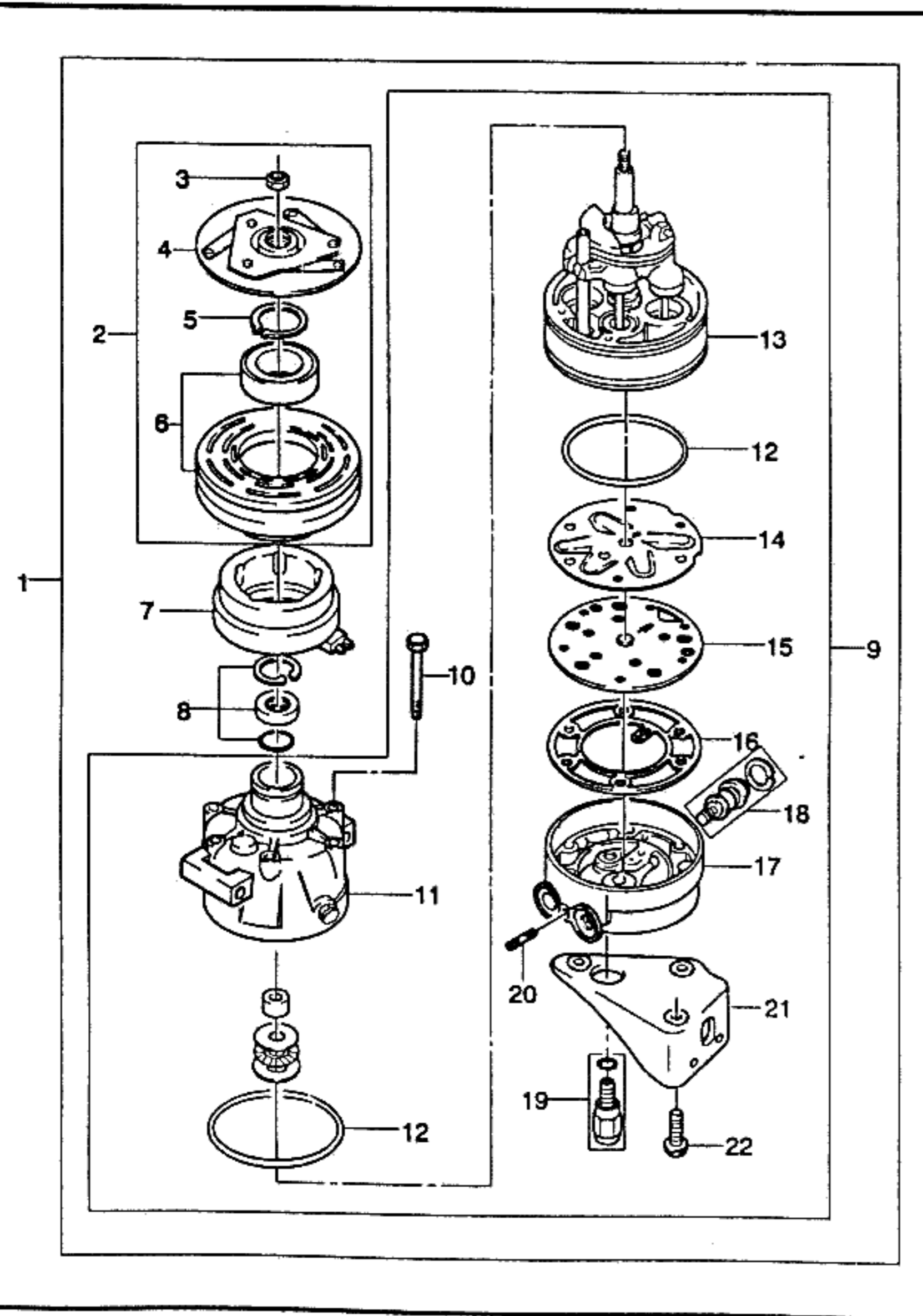
I T C	KEY NO.		PART NAME										P I C O D E
	PART NO	MODEL	OPTION	L / R	Q T Y	EFFECTIVE DATE		REMARKS					
						FROM	TO						
	E N G	T / A	B O D Y	L E V E L									
			4 N H	3 H	5 H	S S	S S	S S	S S	S S	S S		
	{01}		(E)CONDENSER A (D)KONDENSATOR									(F)CONDENSATEUR (S)CONDENSADOR	
	96303204		. . B B B O O O									&C60 1	K1
	{02}		(E)NUT (D)MUTTER									(F)ECROU (S)TUERCA	
	09159-06011		. . B B B O O O									&C60 2	
	{03}		(E)NUT-HEXAGON (D)MUTTER									(F)ECROU (S)TUERCA	
	08310-12083		. . B B B O O O									&C60 1	
	{04}		(E)DRYER-RECEIVER (D)FILTERTROCKNER									(F)RECEVEUR SEC (S)BOTELLA SECADORA	
	96225633		. . B B B O O O									&C60 1	
	{05}		(E)GROMMET (D)ÓSE									(F)VIROLE (S)AISLANTE	
	09308-06006		. . B B B O O O									&C60 2	

ENG(ENGINE)	T/A(TRANSAXLE)	BODY TYPE
Y = 1.5SOHC 6 = 1.6DOHC . = COMMON	M = MANUAL T/A A = AUTOMATIC T/A . = COMMON	4 N = 4 DOOR NOTCHBACK 3 H = 3 DOOR HATCHBACK 5 H = 5 DOOR HATCHBACK



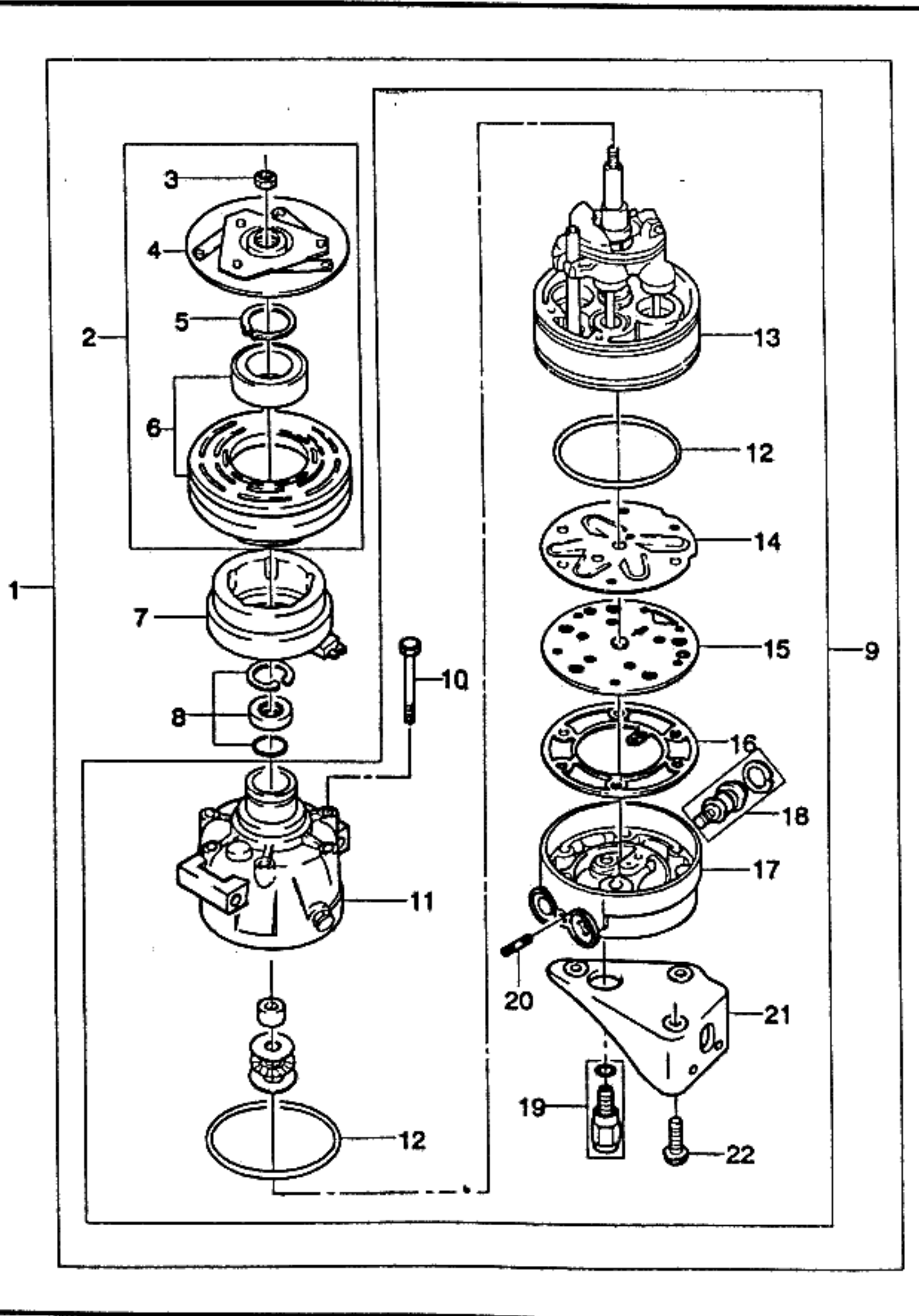
KEY NO.	PART NAME										REMARKS	P / CODE					
	PART NO	MODEL						OPTION	L / R	Q / T Y			EFFECTIVE DATE				
		E N G	T / A	B O D Y	L E V E L	S S S	S S S						FROM	TO			
[01]	96245943	(E)COMPRESSOR A															
	N 96255980	(D)KOMPRESSOR															
		. . . B B B O O O &C60															
[02]	NP1072	(E)CLUTCH&PULLEY KIT															
		(D)KUPPLUNG&ROLLE SATZ															
		. . . B B B O O O &C60															
[03]	6557414	(E)NUT															
		(D)MUTTER															
		. . . B B B O O O &C60															
[04]	713402	(E)DRIVE A-CLUTCH															
		(D)ANTRIEB,KUPPLUNG															
		. . . B B B O O O &C60															
[05]	6557617	(E)RING-RETAINING															
		(D)RING,HALTER															
		. . . B B B O O O &C60															
[06]	713833	(E)PULLEY&BEARING A															
		(D)ROLLE&LAGER															
		. . . B B B O O O &C60															
[07]	714142	(E)COIL&HOUSING A															
		(D)WICKLUNG&LAGER															
		. . . B B B O O O &C60															
[08]	713650	(E)LOCK&SLEEVE KIT															
		(D)SCHLOSS&HÜLSE SATZ															
		. . . B B B O O O &C60															
[09]	714144	(E)COMPRESSOR SUB A															
		(D)KOMPRESSOR UNTER															
		. . . B B B O O O &C60															

ENG(ENGINE)	T/A(TRANSAXLE)	BODY TYPE
Y = 1.5SOHC 6 = 1.6DOHC . = COMMON	M = MANUAL T/A A = AUTOMATIC T/A . = COMMON	4 N = 4 DOOR NOTCHBACK 3 H = 3 DOOR HATCHBACK 5 H = 5 DOOR HATCHBACK

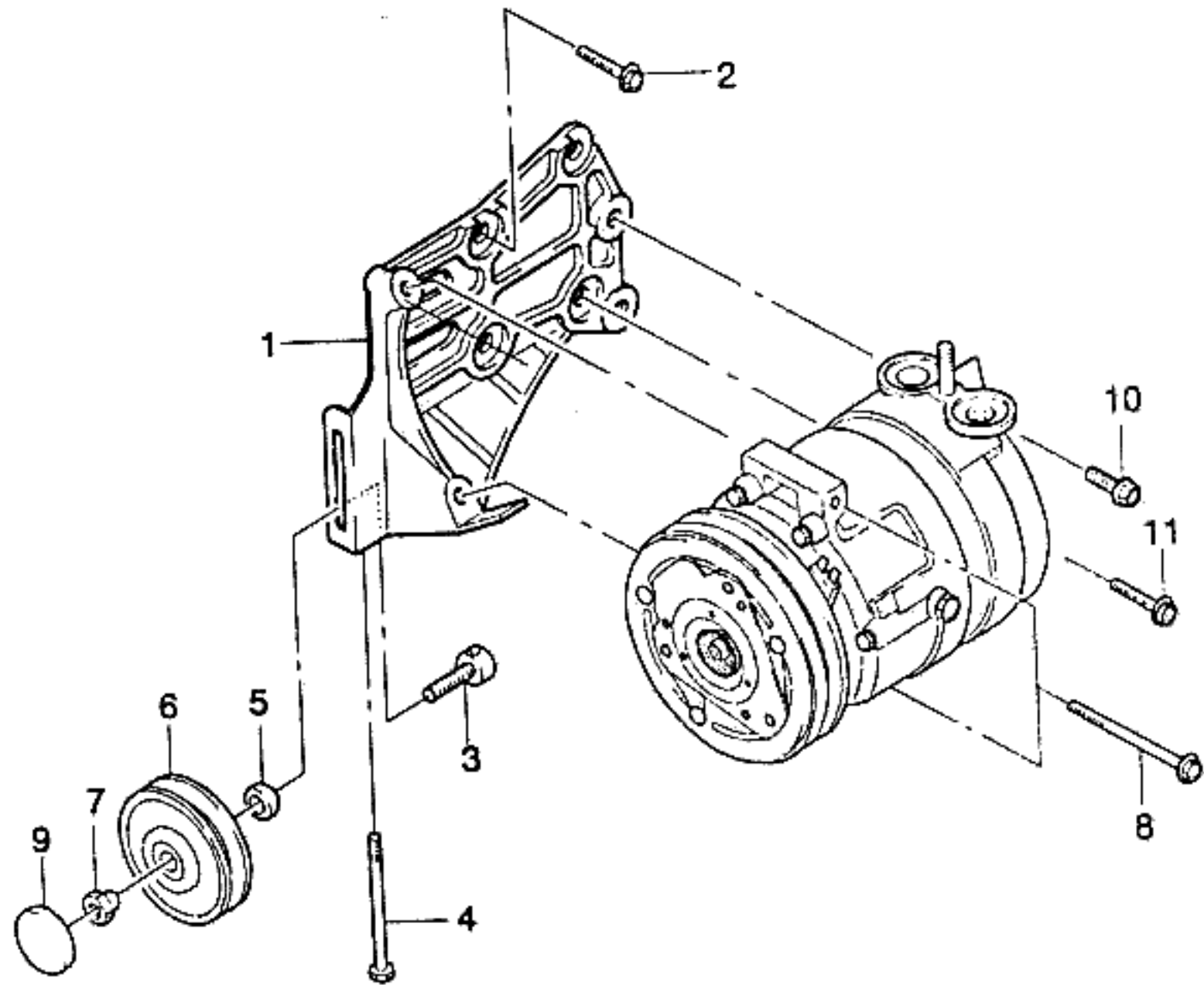


KEY NO.	PART NAME													
	PART NO	MODEL						OPTION	L / Q / R / Y	EFFECTIVE DATE		REMARKS	P / CODE	
		E	T	BODY			LEVEL			FROM	TO			
LTC		N	A	4	3	5	S	S	S					
[10]	(E)BOLT (D)SCHRAUBE											(F)BOULON (S)PERNO		
713247	. . . B B B O O O &C60											6		
[11]	(E)HEAD-FRONT (D)KOPF,VORNE											(F)CULASSE-AVANT (S)CABEZA-FRENTE		
N/S(9)														
[12]	(E)O RING-FRT HEAD CYLINDER (D)O RING,VORDERER KOPF											(F)JOINT TORIQUE (S)ANILLO EN O		
6557662	. . . B B B O O O &C60											2		
[13]	(E)CYLINDER-SHAFT&GUIDE PIN (D)ZYLINDER											(F)CYLINDRE-AXE&BROCHE GUIDE (S)CILINDRO		
N/S(9)														
[14]	(E)REED-SUCTION (D)ROHR ANSAUGUNG											(F)ANCHE D'ASPIRATION (S)CAÑA-SUCCION		
6559801	. . . B B B O O O &C60											1		
[15]	(E)PLATE-VALVE (D)PLATTE,VENTIL											(F)PLAQUE-SOUPAPE (S)PLACA-VALVULA		
6553562	. . . B B B O O O &C60											1		
[16]	(E)GASKET-HEAD (D)DICHTUNG,KOPF											(F)JOINT-CULASSE (S)JUNTA-CABEZA		
6559755	. . . B B B O O O &C60											1		
[17]	(E)HEAD-REAR (D)KOPF,HINTER											(F)CULASSE-ARRIERE (S)CABEZA-TRASERA		
N/S(9)														
[18]	(E)VALVE KIT-CONTROL (D)VENTIL SATZ,STEUERUNG											(F)TROUSSE DE SOUPAPE (S)JUEGO DE VALVULA-CONTROL		
5110156	. . . B B B O O O &C60											1		
[19]	(E)VALVE-HIGH PRESSURE RELIF (D)VENTIL,HOCHDRUCK LÖSUNG											(F)SOUPAPE (S)VALVULA		

ENG(ENGINE)	T/A(TRANSAXLE)	BODY TYPE
Y = 1.5SOHC 6 = 1.6DOHC . = COMMON	M = MANUAL T/A A = AUTOMATIC T/A . = COMMON	4 N = 4 DOOR NOTCHBACK 3 H = 3 DOOR HATCHBACK 5 H = 5 DOOR HATCHBACK

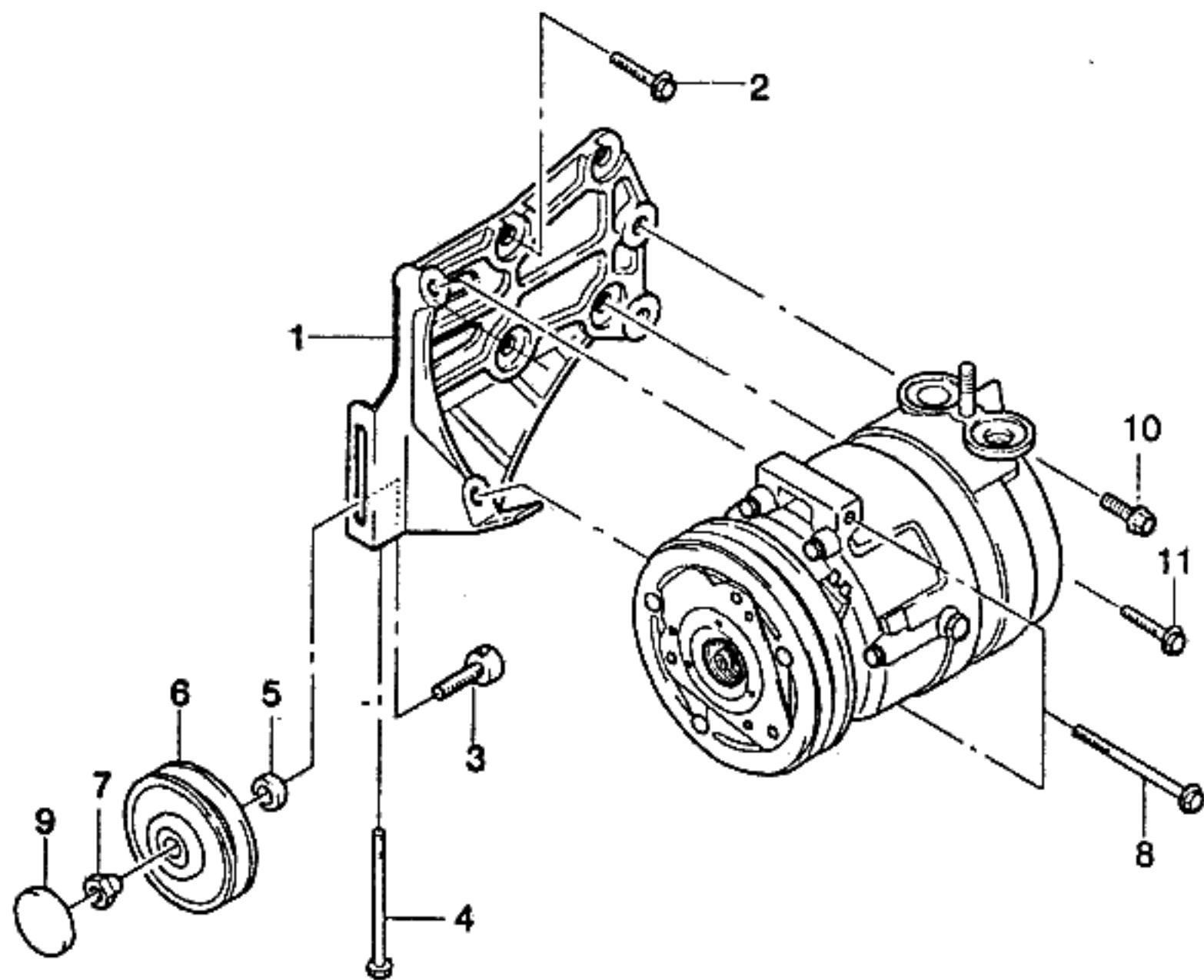


I T C	KEY NO.		PART NAME										P / C O D E		
	PART NO	E N G	MODEL			OPTION	L / R	Q T Y	EFFECTIVE DATE		REMARKS				
			4 N	3 H	5 H				S S	S S		FROM		TO	
	6552743	.	B	B	B	O	O	O	&C60			1			
	[20]													(F)BOULON-TETON (S)PERNO-ESPIGA	
	6558459	.	B	B	B	O	O	O	&C60			1			
	[21]													(F)SUPPORT (S)SOPORTE	
	96241910	.	B	B	B	O	O	O	&C60			1	970715		
	N 96255631	.	B	B	B	O	O	O	&C60			1	970715		
	[22]													(F)BOULON (S)PERNO	
	713847	.	B	B	B	O	O	O	&C60			3			
ENG(ENGINE)			T/A(TRANSAXLE)				BODY TYPE								
Y = 1.5SOHC 6 = 1.6DOHC . = COMMON			M = MANUAL T/A A = AUTOMATIC T/A . = COMMON				4 N = 4 DOOR NOTCHBACK 3 H = 3 DOOR HATCHBACK 5 H = 5 DOOR HATCHBACK								



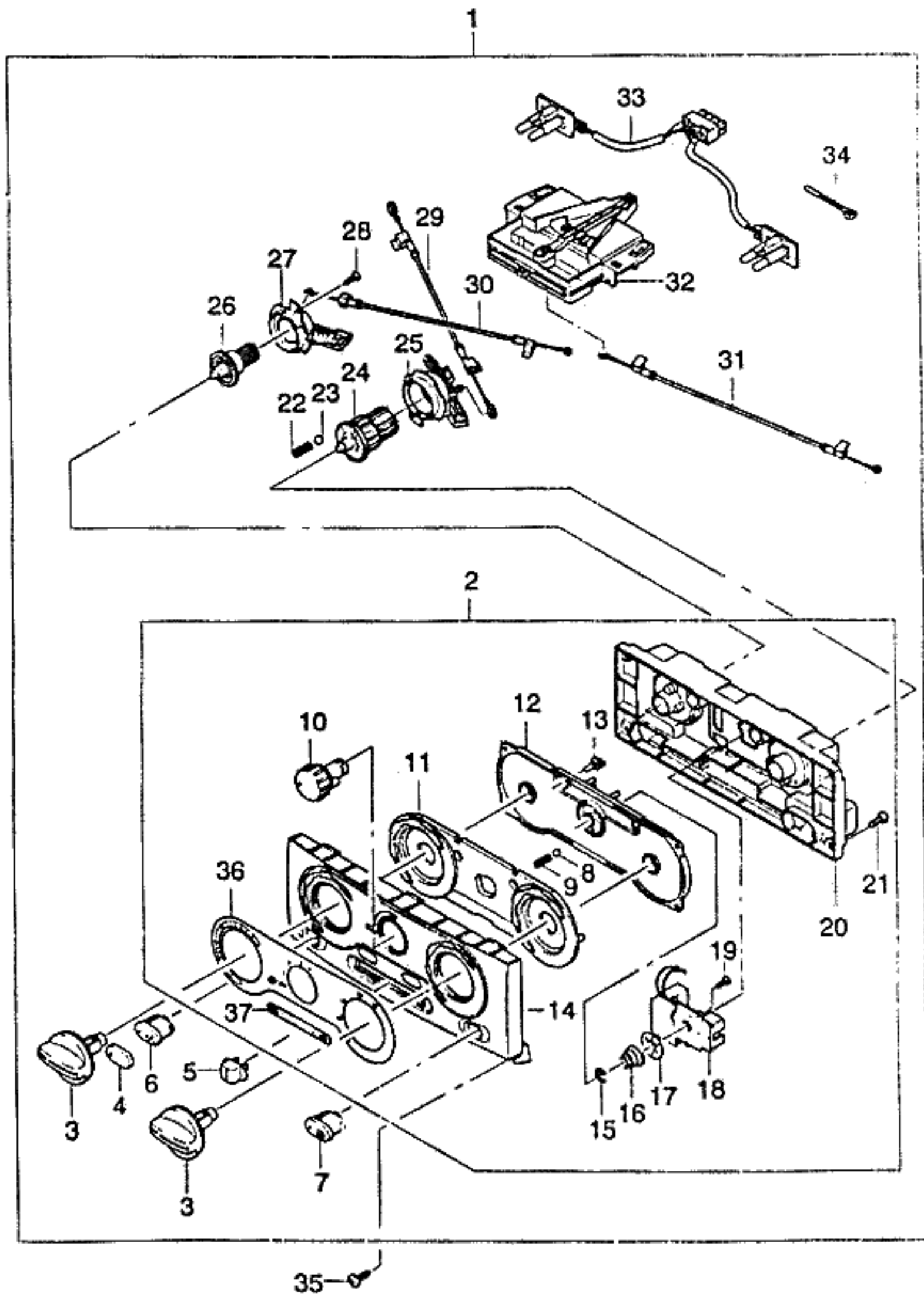
KEY NO.	PART NAME										REMARKS	P / C O D E
	PART NO	MODEL				OPTION	L / R	Q / Y	EFFECTIVE DATE			
		E	T	BODY	LEVEL				FROM	TO		
	N / G	A	4	3	5	S	S	S				
[01]	(E)BRACKET-COMPRESSOR MAIN (D)TRÄGER,KOMPRESSOR										(F)SUPPORT-COMPRESSEUR (S)SOPORTE-COMPRESOR	
96352039	1	.	B	B	B	O	O	O	&C60	1	970715	
N 96352642	1	.	B	B	B	O	O	O	&C60	1	970715	
96352038	6	.	B	B	B	.	.	O	&C60	1	970715	
N 96352641	6	.	B	B	B	.	.	O	&C60	1	970715	
[02]	(E)BOLT-HEXAGON FLANGE (D)SCHRAUBE										(F)BOULON (S)PERNO	
09103-10040	.	.	B	B	B	O	O	O	&C60	4	970715	
09103-10040	.	.	B	B	B	O	O	O	&C60	3	970715	
[03]	(E)PIECE-SLIDING (D)GLEIT-TEIL										(F)PIECE COULISSANTE (S)PIEZA DE DESLICE	
96193361	.	.	B	B	B	O	O	O	&C60	1		
[04]	(E)BOLT-HEXAGON (D)SCHRAUBE										(F)BOULON (S)PERNO	
09117-08013	.	.	B	B	B	O	O	O	&C60	1	970901	
O 09100-08008	.	.	B	B	B	O	O	O	&C60	1	970901	
[05]	(E)SPACER (D)DISTANZSTÜCK										(F)ENTRETOISE (S)ESPACIADOR	
96209433	.	.	B	B	B	O	O	O	&C60	1		
[06]	(E)PULLEY A (D)ROLLE										(F)POULIE (S)POLEA	
96208428	.	.	B	B	B	O	O	O	&C60	1		
[07]	(E)NUT (D)MUTTER										(F)ECROU (S)TUERCA	
09159-10001	.	.	B	B	B	O	O	O	&C60	1		
[08]	(E)BOLT-HEXAGON FLANGE (D)SCHRAUBE										(F)BOULON (S)PERNO	

ENG(ENGINE)	T/A(TRANSAXLE)	BODY TYPE
Y = 1.5SOHC 6 = 1.6DOHC . = COMMON	M = MANUAL T/A A = AUTOMATIC T/A . = COMMON	4 N = 4 DOOR NOTCHBACK 3 H = 3 DOOR HATCHBACK 5 H = 5 DOOR HATCHBACK



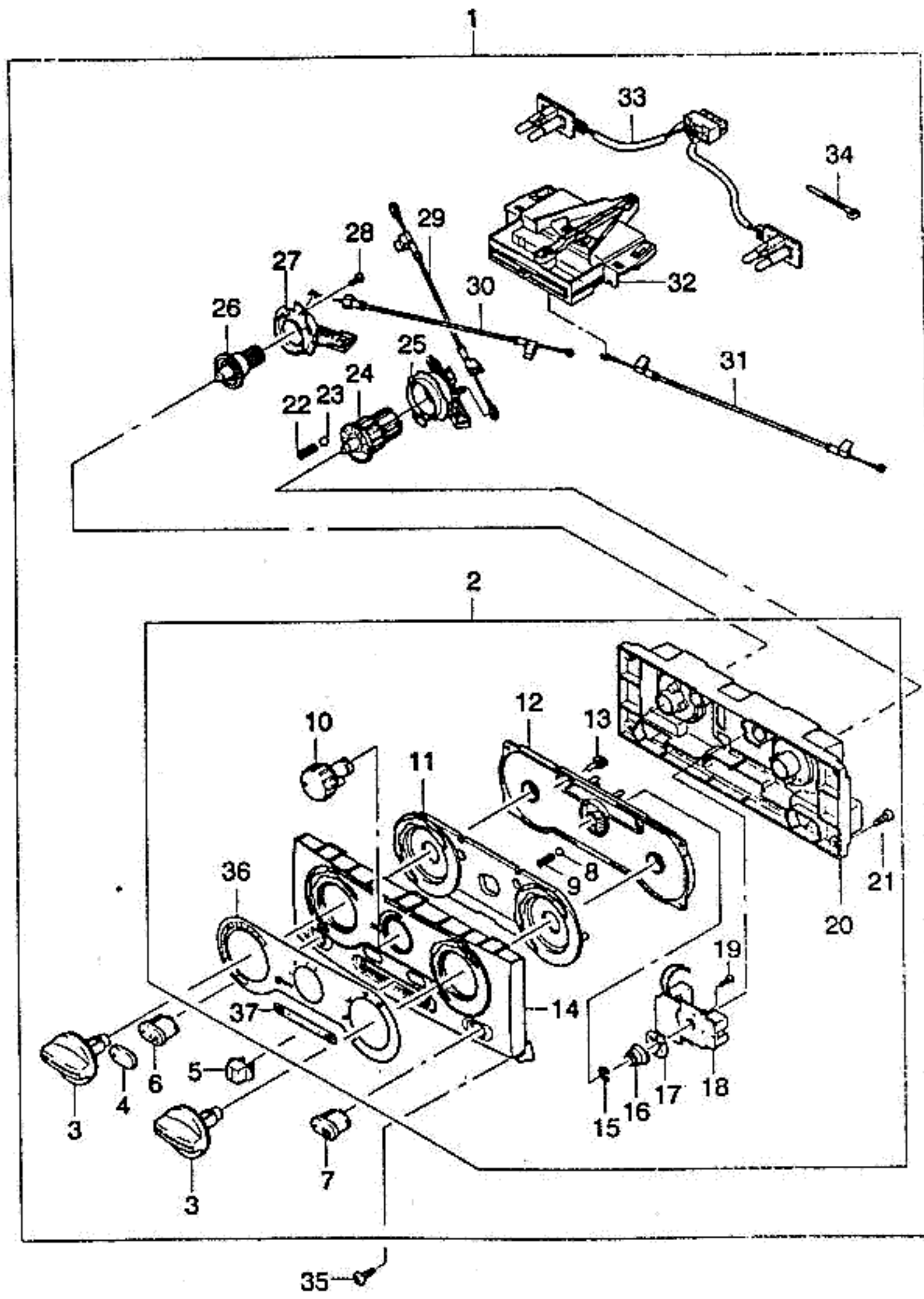
KEY NO.		PART NAME													
I T C	PART NO	MODEL						OPTION	L / R	Q T Y	EFFECTIVE DATE		REMARKS	P / C O D E	
		E N G	T / A	BODY			LEVEL				FROM	TO			
				4 N	3 H	5 H	S S								S S
	01517-08853	.	.	B	B	B	O	O	O	&C60	2				
	[09]													(E)COVER-DUST (D)STAUBDECKEL (S)CUBIERTA-POLVO	
	96187507	.	.	B	B	B	O	O	O	&C60	1				
	[10]													(E)BOLT-HEXAGON FLANGE (D)SCHRAUBE (S)PERNO	
	09103-08032	.	.	B	B	B	O	O	O	&C60	2				
	[11]													(E)BOLT-HEXAGON FLANGE (D)SCHRAUBE (S)PERNO	
	09103-10061	.	.	B	B	B	O	O	O	&C60	1				

ENG(ENGINE)	T/A(TRANSAXLE)	BODY TYPE
Y = 1.5SOHC 6 = 1.6DOHC . = COMMON	M = MANUAL T/A A = AUTOMATIC T/A . = COMMON	4 N = 4 DOOR NOTCHBACK 3 H = 3 DOOR HATCHBACK 5 H = 5 DOOR HATCHBACK



KEY NO.	PART NAME												
	PART NO	MODEL						OPTION	L / Q T Y	EFFECTIVE DATE		REMARKS	P / C O D E
		E N G	T / A	B O D Y	L E V E L					FROM	TO		
		4 N	3 H	5 H	S S	S S							
[01]	(E)SWITCH A-HEATER CONTROL (D)SCHALTER								(F)COMMUTATEUR (S)INTERRUPTOR				
96242969	. . . B B B S S S &C46								1				NJ
96242970	. . . B B B O O O &C59/C60								1				NK
[02]	(E)PANEL A-FRONT (D)VERKLEIDUNG,VORNE								(F)PANNEAU-AVANT (S)PANEL-FRENTE				
759189	. . . B B B S S S								1				
[03]	(E)KNOB-TEMP.CONTROL (D)KNOPF								(F)BOUTON (S)PERILLA				
759237	. . . B B B S S S								2				
[04]	(E)COVER-BLANK (D)DECKEL								(F)COUVERCLE (S)CUBIERTA				
159264	. . . B B B S S S &C46								1				
[05]	(E)KNOB-RECIRCULATION (D)KNOPF								(F)BOUTON (S)PERILLA				
759203	. . . B B B S S S								1				
[06]	(E)BUTTON A (D)KNOPF								(F)BOUTON (S)BOTON				
759198	. . . B B B O O O &C59/C60								1				
[07]	(E)BUTTON-DEFROSTER (D)KNOPF								(F)BOUTON (S)BOTON				
759199	. . . B B B S S S								1				
[08]	(E)BALL-DETENT (D)KUGEL								(F)BOULE (S)BOLA				
159102	. . . B B B S S S								1				
[09]	(E)SPRING-BALL (D)FEDERUNG								(F)RESSORT (S)RESORTE				
159245	. . . B B B S S S								1				

ENG(ENGINE)	T/A(TRANSAXLE)	BODY TYPE
Y = 1.5SOHC 6 = 1.6DOHC . = COMMON	M = MANUAL T/A A = AUTOMATIC T/A . = COMMON	4 N = 4 DOOR NOTCHBACK 3 H = 3 DOOR HATCHBACK 5 H = 5 DOOR HATCHBACK

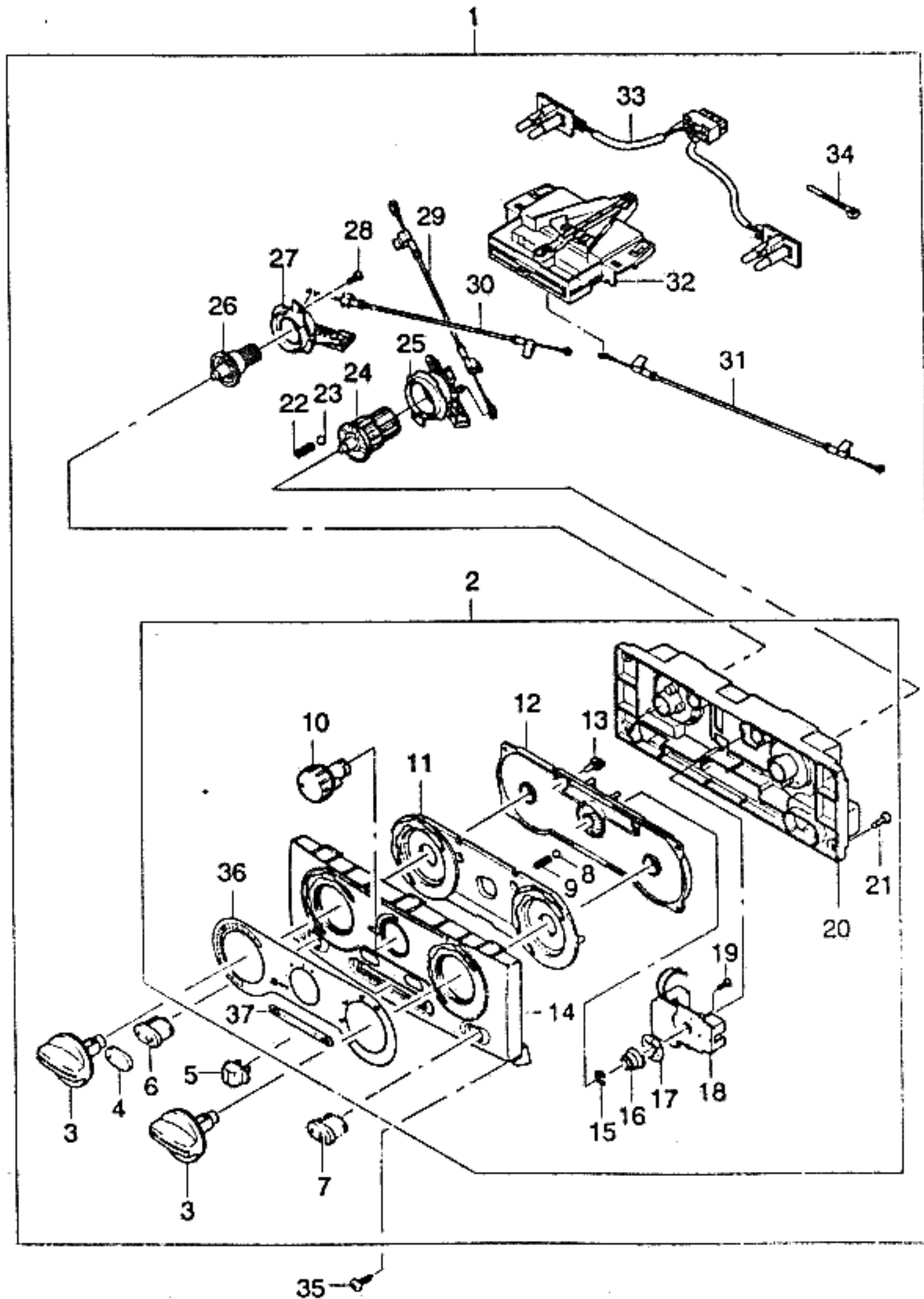


KEY NO.	PART NAME												
	PART NO	MODEL					OPTION	L / R	Q / Y	EFFECTIVE DATE		REMARKS	P / CODE
		E	T	BODY		LEVEL				FROM	TO		
[10]	(E)KNOB-BLOWER CONTROL (D)KNOPF										(F)BOUTON (S)PERILLA		
759192	. . . B B B S S S										1		
[11]	(E)GUIDE-LIGHT (D)FÜHRING										(F)GUIDE (S)GUIA		
159241	. . . B B B S S S										1		
[12]	(E)BODY A-MAIN (D)KAROSSERIE										(F)CORPS (S)GARROCERIA		
759190	. . . B B B S S S										1		
[13]	(E)BULB A (D)BIRNE										(F)AMPOULE (S)BOMBILLA		
759191	. . . B B B S S S										2		
[14]	(E)COVER-FRONT (D)DECKEL										(F)CARTER (S)CUBIERTA		
159239	. . . B B B S S S										1		
[15]	(E)E-WASHER (D)DICHTUNGSRING										(F)RONDELLE (S)ARANDELA		
159114	. . . B B B S S S										1		
[16]	(E)SPRING-CONICAL (D)FEDERUNG										(F)RESSORT (S)RESORTE		
159105	. . . B B B S S S										1		
[17]	(E)CONTACTOR-MOVING (D)KONTAKTSTÜCK										(F)CONTACTEUR (S)CONTACTO		
159106	. . . B B B S S S										1		
[18]	(E)BOARD A-CIRCUIT (D)PALTINE										(F)PLATINE (S)TABLA DE CIRCUITO		
759194	. . . B B B S S S										1		
[19]	(E)SCREW (D)SCHRAUBE										(F)VIS (S)TORNILLO		

ENG(ENGINE)	T/A(TRANSAXLE)	BODY TYPE
Y = 1.5SOHC 6 = 1.6DOHC . = COMMON	M = MANUAL T/A A = AUTOMATIC T/A . = COMMON	4 N = 4 DOOR NOTCHBACK 3 H = 3 DOOR HATCHBACK 5 H = 5 DOOR HATCHBACK

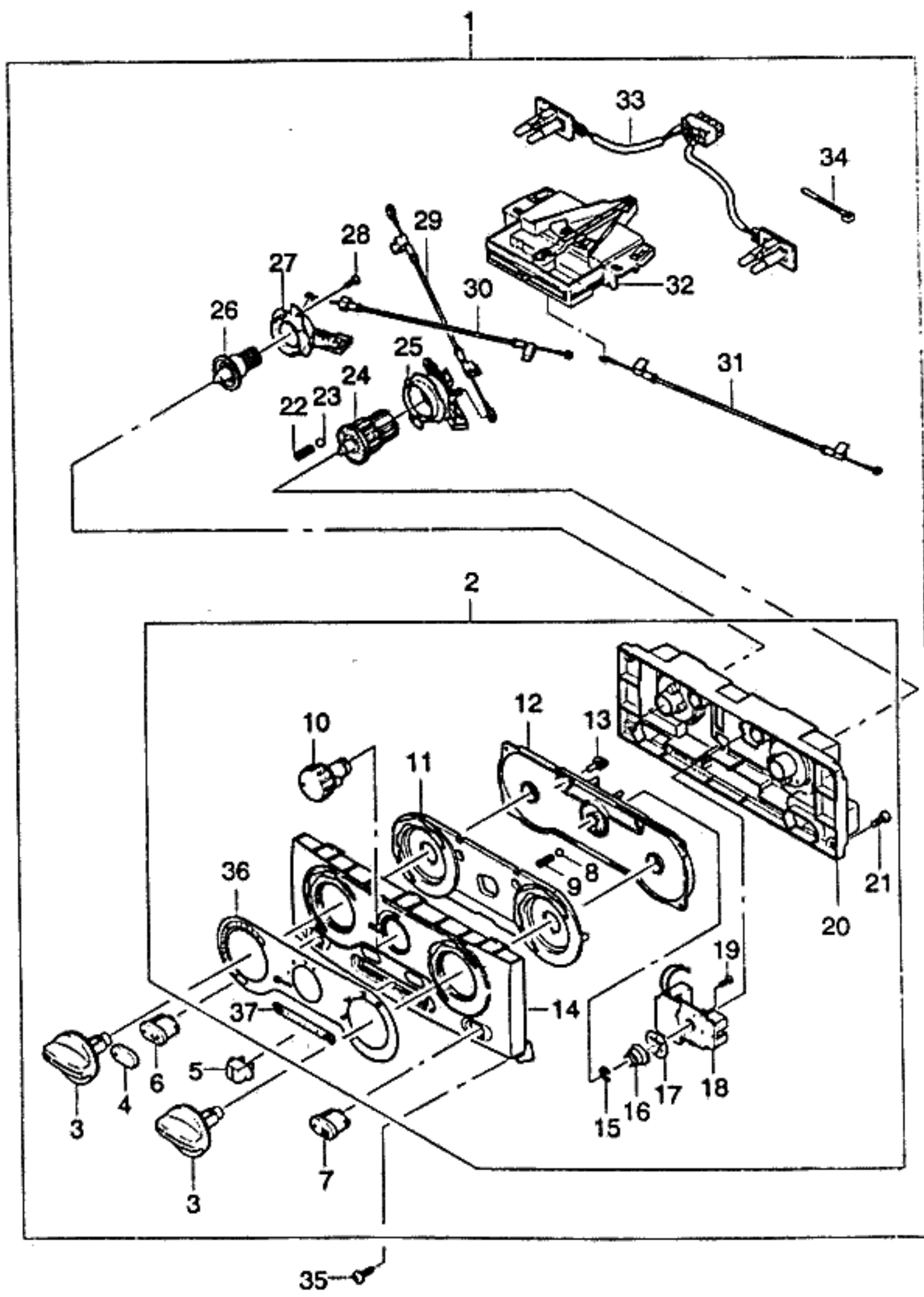
8350 AIR CONDITIONER CONTROL SWITCH

6J09



I T C	KEY NO.	PART NAME										REMARKS	P I C O D E	
		PART NO	MODEL					OPTION	L / R	Q T Y	EFFECTIVE DATE			
			E N G	T / A	BODY	LEVEL	S S S				FROM			TO
		4	3	5	S	S	S							
	155447	. .	B	B	B	S	S	S			1			
	[20]	(E)COVER-REAR (D)DECKEL									(F)CARTER (S)CUBIERTA			
	159233	. .	B	B	B	S	S	S			1			
	[21]	(E)SCREW-MOUNT G (D)SCHRAUBE									(F)VIS (S)TORNILLO			
	159230	. .	B	B	B	S	S	S			4			
	[22]	(E)SPRING-BALL (D)FEDERUNG									(F)RESSORT (S)RESORTE			
	159245	. .	B	B	B	S	S	S			2			
	[23]	(E)BALL-DETENT (D)KUGEL									(F)BOULE (S)BOLA			
	159102	. .	B	B	B	S	S	S			2			
	[24]	(E)MODE-PINON (D)MODE,RITZEL									(F)PIGNON MODE (S)PINON			
	159246	. .	B	B	B	S	S	S			1			
	[25]	(E)RACK A-MODE (D)GESTELL									(F)CONTROLE MODE (S)REJILLA			
	759195	. .	B	B	B	S	S	S			1			
	[26]	(E)PINION-TEMPERATURE (D)RITZEL									(F)PIGNON (S)PIÑON			
	159103	. .	B	B	B	S	S	S			1			
	[27]	(E)RACK A-TEMPERATURE (D)GESTELL									(F)CONTROLE TEMPERATURE (S)REJILLA TEMPERATURA			
	759238	. .	B	B	B	S	S	S			1			
	[28]	(E)SCREW (D)SCHRAUBE									(F)VIS (S)TORNILLO			
	155424	. .	B	B	B	S	S	S			4			

ENG(ENGINE)	T/A(TRANSAXLE)	BODY TYPE
Y = 1.5SOHC 6 = 1.6DOHC . = COMMON	M = MANUAL T/A A = AUTOMATIC T/A . = COMMON	4 N = 4 DOOR NOTCHBACK 3 H = 3 DOOR HATCHBACK 5 H = 5 DOOR HATCHBACK



I T C	KEY NO.	PART NAME										P / C O D E		
		PART NO	MODEL					OPTION	L / R	Q T Y	EFFECTIVE DATE		REMARKS	
			E N G	T / A	BODY	LEVEL					FROM			TO
	[29]	(E)CABLE A-MODE (D)KABEL										(F)CABLE (S)CABLE		
	759205	. . . B B B S S S										1		
	[30]	(E)CABLE A-TEMPERATURE (D)KABEL										(F)CABLE (S)CABLE		
	759204	. . . B B B S S S										1		
	[31]	(E)CABLE A-RECIRCULATION (D)KABEL										(F)CABLE (S)CABLE		
	759206	. . . B B B S S S										1		
	[32]	(E)SWITCH A-RECIRCULATION (D)SCHALTER										(F)COMMUNTEUR (S)INTERRUPTOR		
	759202	. . . B B B S S S										1		
	[33]	(E)SWITCH A-PUSH (D)SCHALTER										(F)COMMUNTEUR (S)INTERRUPTOR		
	759254	. . . B B B S S S						&C46				1		
	759196A	. . . B B B O O O						&C59/C60				1		
	[34]	(E)GRIP-WIRE (D)GRIFF										(F)POIGNEE (S)ASIDERO		
	159261	. . . B B B S S S										1		
	[35]	(E)SCREW-TAPPING (D)SCHRAUBE										(F)VIS (S)TORNILLO		
	03110-48165	. . . B B B S S S										2		
	[36]	(E)PLATE-SYMBOL (D)PLATTE										(F)PLAQUE (S)PLACA		
	159238	. . . B B B S S S										1		
	[37]	(E)PLATE-RECIRCULAT. SYMBOL (D)PLATTE										(F)PLAQUE (S)PLACA		
	159240	. . . B B B S S S										1		

ENG(ENGINE)	T/A(TRANSAXLE)	BODY TYPE
Y = 1.5SOHC 6 = 1.6DOHC . = COMMON	M = MANUAL T/A A = AUTOMATIC T/A . = COMMON	4 N = 4 DOOR NOTCHBACK 3 H = 3 DOOR HATCHBACK 5 H = 5 DOOR HATCHBACK

9**O.V.M & ACCESSORY**

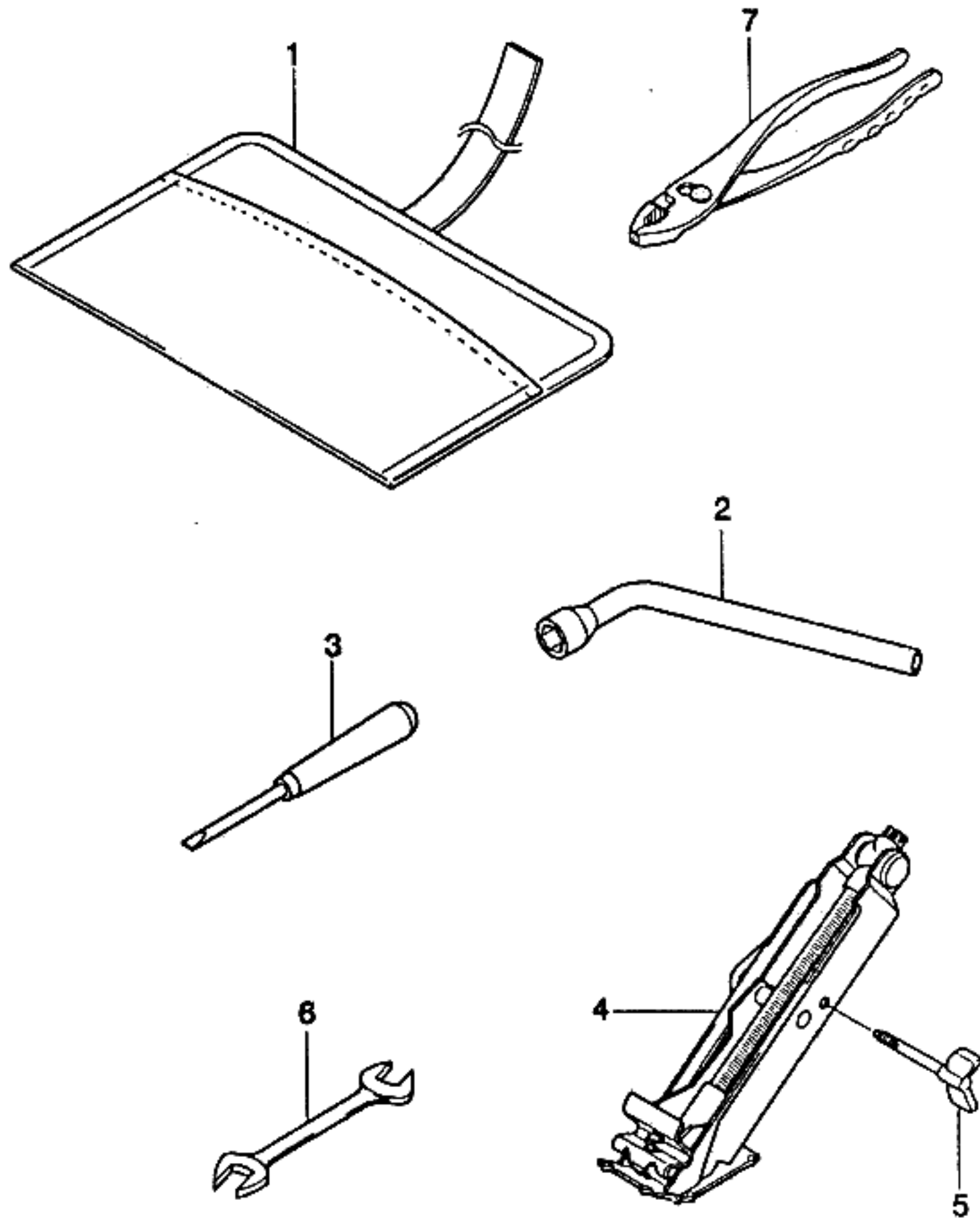
9110 TOOL

9120 OIL & PAINT

9210 REAR SPOILER

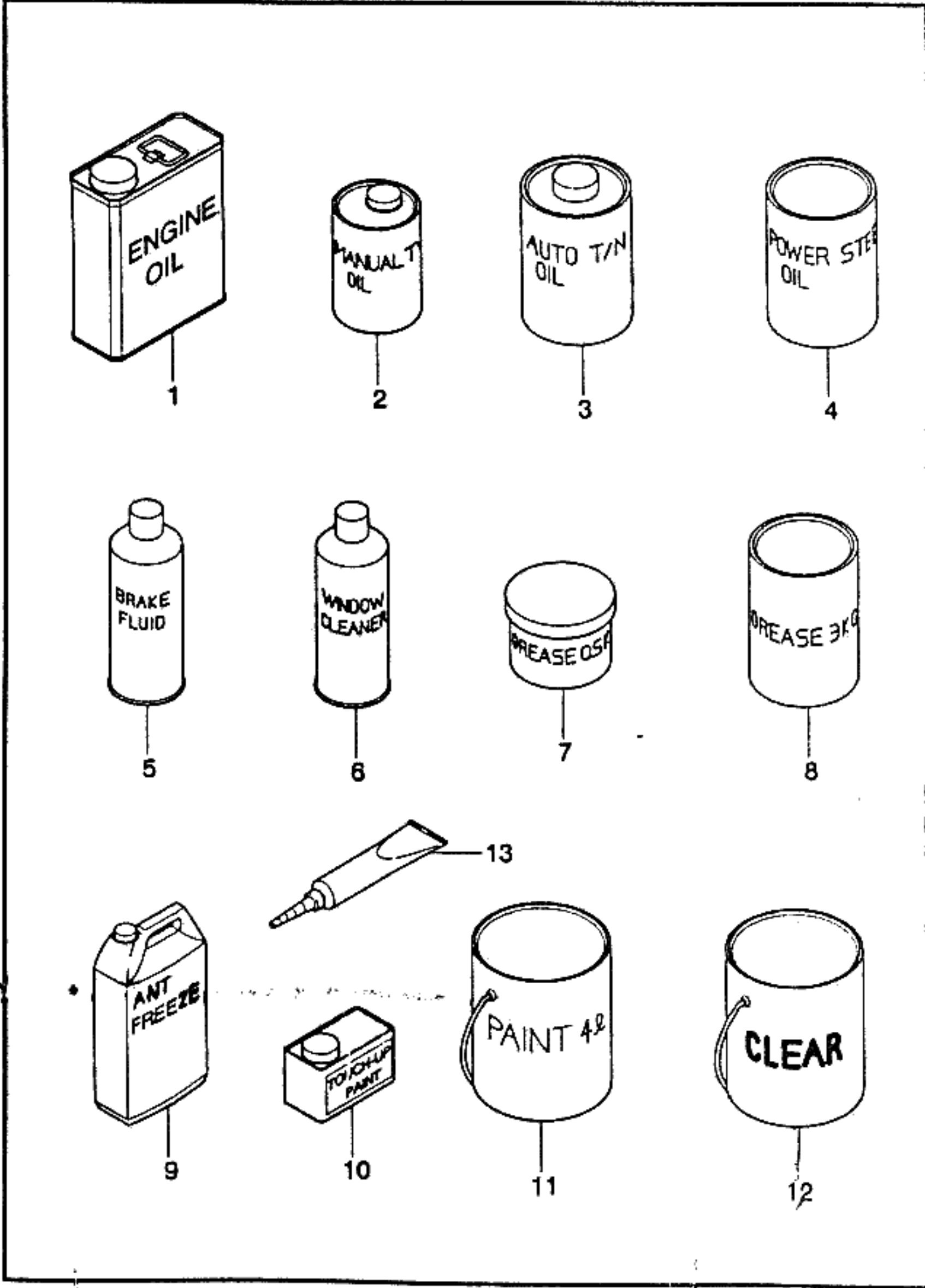
9250 SUN ROOF

9260 SUN ROOF MOUNT

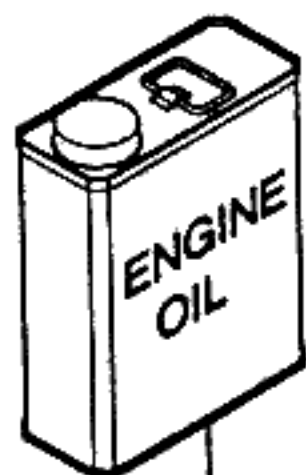


KEY NO.	PART NAME										REMARKS	P / CODE	
	PART NO	MODEL					OPTION	L / R	Q / Y	EFFECTIVE DATE			
		E T	BODY			LEVEL				FROM			TO
	N / G	4 A	3 N	5 H	6 S	S S	S S						
[01] 09811-00001	(E)BAG-TOOL (D)WERKZEUGKASTEN		B	B	B	S	S	S			(F)TROUSSE A OUTILS (S)CAJA-DEPOSITO	1	
[02] 09816-19002	(E)WRENCH-WHEEL NUT (D)SCHRAUBENSCHLÜ BEL,RAD		B	B	B	S	S	S			(F)CLE-ECROU DE ROUE (S)LLAVE-TUERCA DE LLANTA	1	
[03] 09814-12001	(E)DRIVER-SCREW (D)SCHRAUBENZIEHER		B	B	B	S	S	S			(F)CONDUCTEUR (S)IMPULSADOR-TORNILLO	1	
[04] 90278524	(E)JACK A (D)STECKER		B	B	B	S	S	S			(F)CRIC (S)GATO	1	
[05] 96219681	(E)BOLT A-JACK WING (D)SCHRAUBE		B	B	B	S	S	S			(F)BOULON (S)PERNO	1	
[06] 09813-08001	(E)SPANNER (D)SCHRAUBENSCHLÜ BEL		B	B	B	S	S	S			(F)CLEF (S)LLAVE FIJA	1	
[07] 09812-42001	(E)PLIER (D)ZANGE		B	B	B	S	S	S			(F)PINCE (S)ALICATE	1	970328

ENG(ENGINE)	T/A(TRANSAXLE)	BODY TYPE
Y = 1.5SOHC 6 = 1.6DOHC . = COMMON	M = MANUAL T/A A = AUTOMATIC T/A . = COMMON	4 N = 4 DOOR NOTCHBACK 3 H = 3 DOOR HATCHBACK 5 H = 5 DOOR HATCHBACK



KEY NO.	PART NAME											P / C O D E		
	PART NO	MODEL						OPTION	L / R	Q / T Y	EFFECTIVE DATE		REMARKS	
		E N G	T / A	B O D Y	L E V E L						FROM			TO
		4 N	3 H	5 H	S S	S S								
[01]	(E)OIL-ENGINE (D)ÖL,MOTOR											(F)HUILE-MOTEUR (S)ACEITE-MOTOR		
M-8045-1L	Y . B B B S S S	-XCA										1L,10W30,SJ		
M-8045-4L	Y . B B B S S S	-XCA										4L,10W30,SJ		
M-8044-1L	Y . B B B A A A	&XCA										1L,5W30,SJ		
M-8044-4L	Y . B B B A A A	&XCA										4L,5W30,SJ		
M-8044-1L	6 . B B B . . O	-XHA										1L,5W30,SJ		
M-8044-4L	6 . B B B . . O	-XHA										4L,5W30,SJ		
M-8045-1L	6 . B B B . . A	&XHA										1L,10W30,SJ		
M-8045-4L	6 . B B B . . A	&XHA										4L,10W30,SJ		
M-8045-1L	6 . B B B . . A	&KL9										1L,10W30,SJ		
M-8045-4L	6 . B B B . . A	&KL9										4L,10W30,SJ		
[02]	(E)OIL-MANUAL TRANSAXLE (D)ÖL,MANUELLE GANGSCHALTUNG											(F)HUILE-TRANS MANUELLE (S)ACEITE-EJE TRANSVERSAL		
M-8027-1L	. . B B B S S S											1L		
[03]	(E)OIL-AUTOMATIC TRANSAXLE (D)ÖL,GANGSCHALTUNG											(F)HUILE-TRANS AUTOMATIQUE (S)ACEITE-EJE TRANSVERSAL		
M-8039-1L	. . B B B S S S											1L		
M-8039-4L	. . B B B S S S											4L		
[04]	(E)OIL-POWER STEERING (D)ÖL,KRAFTLENKUNG											(F)HUILE-DIRECTION ASSISTEE (S)ACEITE-SERVODIRECCION		
M-8036-1L	. . B B B S S S											1L		
[05]	(E)FLUID-BRAKE (D)FLÜSSIGKEIT,BREMSE											(F)LIQUIDE-FREIN (S)FLUIDO-FRENOS		
05KGM4653M	. . B B B S S S											0.5L		
1KGM4653M	. . B B B S S S											1L		
ENG(ENGINE)		T/A(TRANSAXLE)				BODY TYPE								
Y = 1.5SOHC 6 = 1.6DOHC . = COMMON		M = MANUAL T/A A = AUTOMATIC T/A . = COMMON				4 N = 4 DOOR NOTCHBACK 3 H = 3 DOOR HATCHBACK 5 H = 5 DOOR HATCHBACK								



1



2



3



4



5



6



7



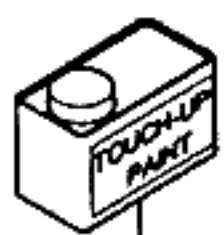
8



9



13



10



11



12

KEY NO.	PART NAME										REMARKS	P / CODE	
	PART NO	MODEL					OPTION	L / Q / R / Y	EFFECTIVE DATE				
		E	T	BODY		LEVEL			FROM	TO			
	N / G	A	4	3	5	S	S	S	X				
[06]	(E)FLUID-WINDOW CLEANER (D)FLÜSSIGKEIT										(F)LIQUIDE-LAVE-GLACE (S)FLUIDO-LIMPIA PARABRISAS		
M-8206-1L	.	.	B	B	B	S	S	S	S	-XCA	1		
M-8209-1L	.	.	B	B	B	A	A	A	A	&XCA	1		
[07]	(E)GREASE (D)SCHMIERMITTEL										(F)GRAISSE (S)GRASA		
B0400625A	.	.	B	B	B	S	S	S	S		1	0.5 KG	
[08]	(E)GREASE (D)SCHMIERMITTEL										(F)GRAISSE (S)GRASA		
B0400625B	.	.	B	B	B	S	S	S	S		1	3 KG	
[09]	(E)ANTIFREEZE (D)GEFRIERSCHUTZMITTEL										(F)ANTIGEL (S)ANTICONGELANTE		
B0400240-4	.	.	B	B	B	S	S	S	S		1	4L	
[10]	(E)PAINT-TOUCH UP (D)LACK,NACHLACKIEREN										(F)PEINTURE-RETOUCHES (S)PINTURA-RETOQUE		
A/L-11U-0.5L	.	.	B	B	B	S	S	S	S		1	0.5L	
A/L-21U-0.5L	.	.	B	B	B	O	O	O	O		1	0.5L	
A/L-27U-0.5L	.	.	B	B	B	O	O	O	O		1	0.5L	
A/L-42U-0.5L	.	.	B	B	B	O	O	O	O		1	0.5L	
A/L-43U-0.5L	.	.	B	B	B	O	O	O	O		1	0.5L	
A/L-73L-0.5L	.	.	B	B	B	O	O	O	O		1	0.5L	
A/L-74U-0.5L	.	.	B	B	B	O	O	O	O		1	0.5L	
A/L-81U-0.6L	.	.	B	B	B	O	O	O	O		1	0.5L	
A/L-83L-0.6L	.	.	B	B	B	O	O	O	O		1	0.5L	
A/L-92U-0.6L	.	.	B	B	B	O	O	O	O		1	0.5L	
[11]	(E)PAINT (D)LACK										(F)PEINTURE (S)PINTURA		

ENG(ENGINE)

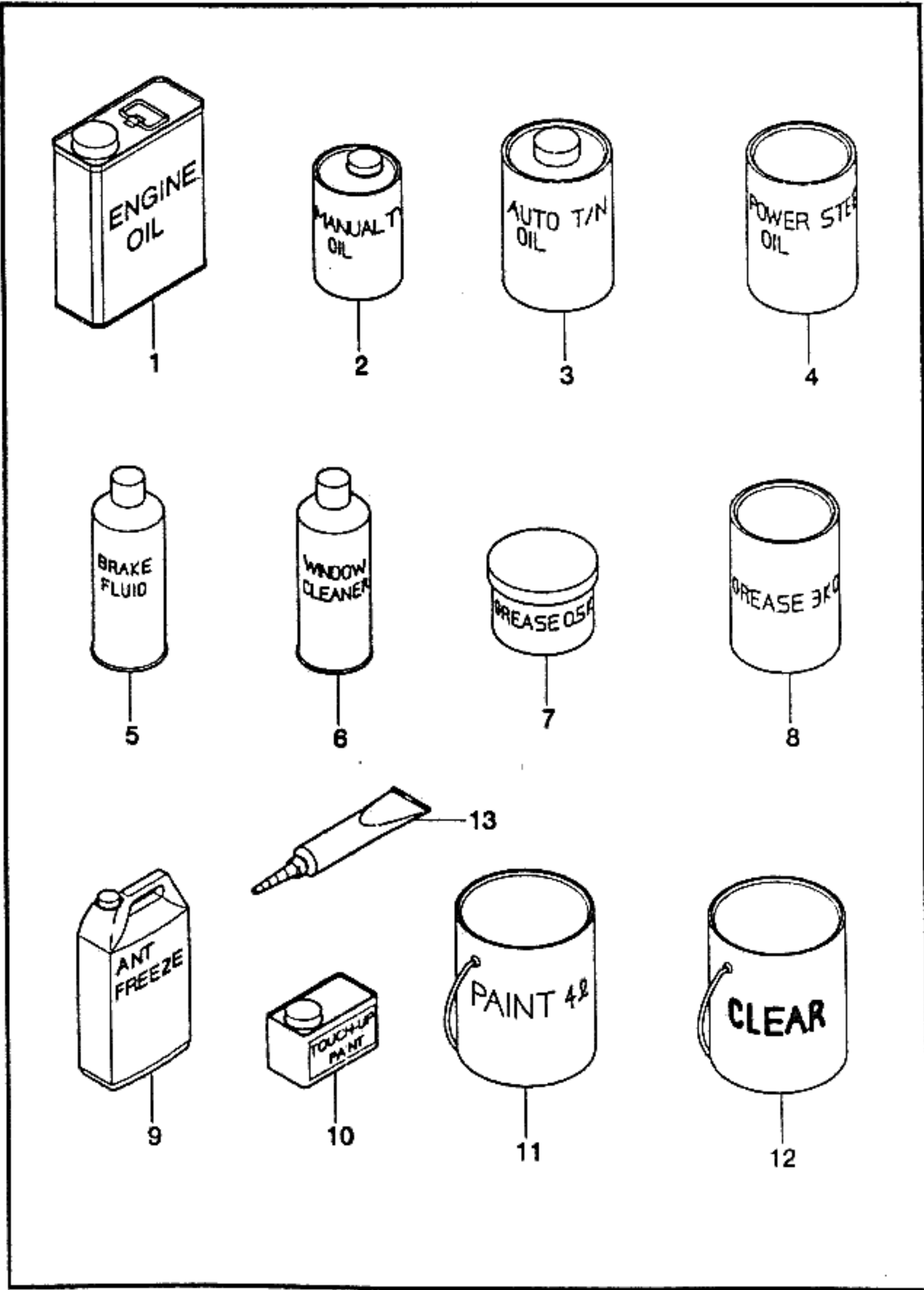
T/A(TRANSAXLE)

BODY TYPE

Y = 1.5SOHC
6 = 1.6DOHC
. = COMMON

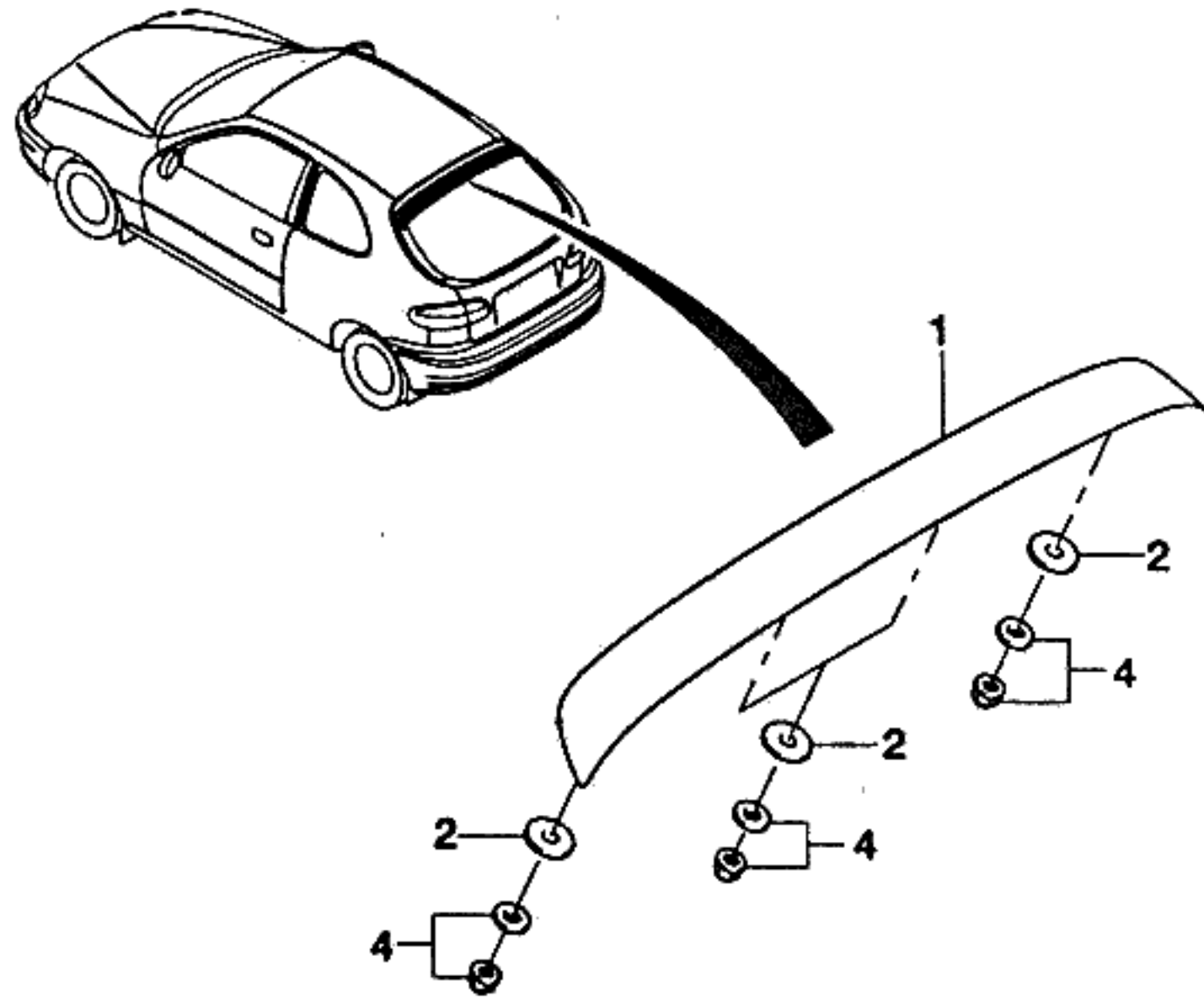
M = MANUAL T/A
A = AUTOMATIC T/A
. = COMMON

4 N = 4 DOOR NOTCHBACK
3 H = 3 DOOR HATCHBACK
5 H = 5 DOOR HATCHBACK



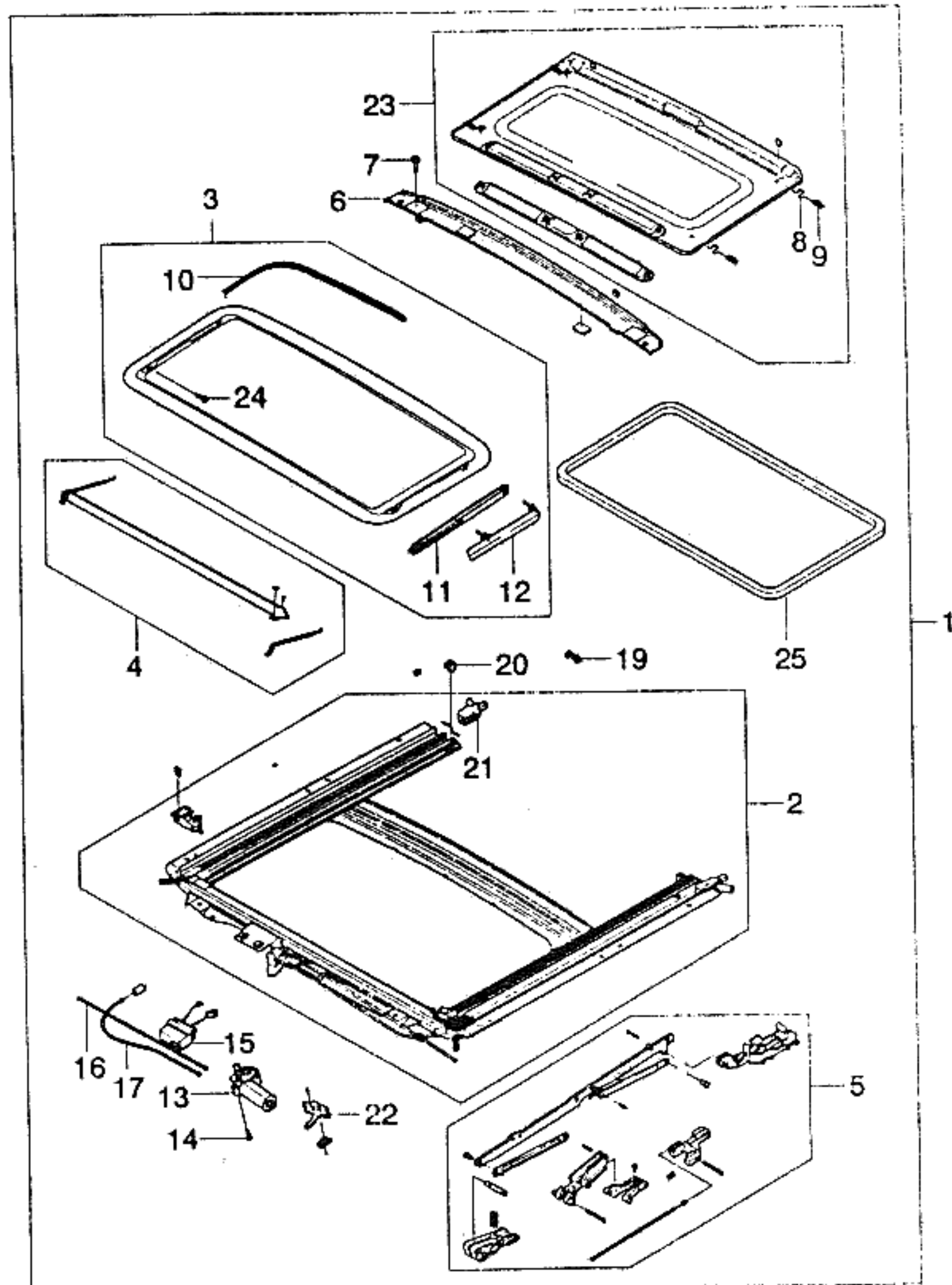
KEY NO.		PART NAME													
I T C	PART NO	MODEL						OPTION	L / R	Q T Y	EFFECTIVE DATE		REMARKS	P / C O D E	
		E N G	T / A	BODY			LEVEL				FROM	TO			
				4 N	3 H	5 H	S S								S S
	U/T-11U-4L	.	.	B	B	B	S	S	S		1			4L	
	B/C-21U-4L	.	.	B	B	B	O	O	O		1			4L	
	B/C-27U-4L	.	.	B	B	B	O	O	O		1			4L	
	B/C-42U-4L	.	.	B	B	B	O	O	O		1			4L	
	B/C-43U-4L	.	.	B	B	B	O	O	O		1			4L	
	U/T-73L-4L	.	.	B	B	B	O	O	O		1			4L	
	B/C-74U-4L	.	.	B	B	B	O	O	O		1			4L	
	B/C-81U-4L	.	.	B	B	B	O	O	O		1			4L	
	B/C-83L-4L	.	.	B	B	B	O	O	O		1			4L	
	B/C-92U-4L	.	.	B	B	B	O	O	O		1			4L	
	[12]						(E)CLEAR -VARNISH						(F)PEINTURE		
							(D)LACK						(S)PINTURA		
	U/T-CLR-4L	.	.	B	B	B	S	S	S		1			4L	
	[13]						(E)GASKET						(F)JOINT		
							(D)DICHTUNG						(S)JUNTA		
	S9120016	.	.	B	B	B	S	S	S		1			50ml	

ENG(ENGINE)	T/A(TRANSAXLE)	BODY TYPE
Y = 1.5SOHC 6 = 1.6DOHC . = COMMON	M = MANUAL T/A A = AUTOMATIC T/A . = COMMON	4 N = 4 DOOR NOTCHBACK 3 H = 3 DOOR HATCHBACK 5 H = 5 DOOR HATCHBACK

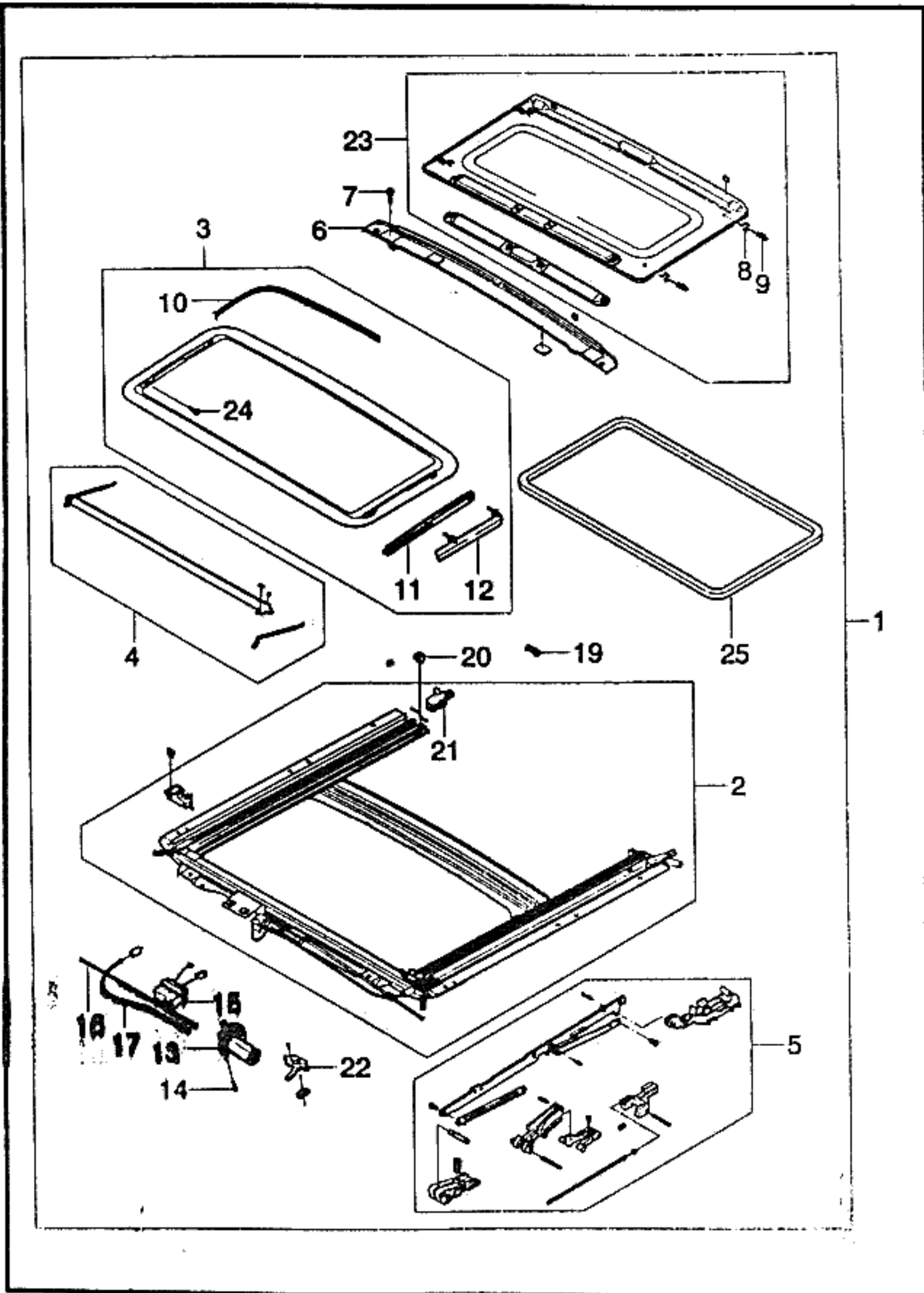


I T C	KEY NO.		PART NAME										P / C O D E
	PART NO	MODEL	OPTION	L / R	Q T Y	EFFECTIVE DATE		REMARKS					
						FROM	TO						
E N G	T / A	BODY 4 N 3 H 5 H	LEVEL S S S E X										
	[01]	(E)SPOILER A-REAR (D)SPOILER											
	96303489	. . . B B O . O								(F)SPOILER (S)SPOILER 1			INCL #2
	[02]	(E)GROMMET (D)ÖSE											
	09308-05001	. . . B B O . O								(F)VIROLE (S)AISLANTE 4			
	[04]	(E)NUT (D)MUTTER											
	09159-06101	. . . B B O . O								(F)ECROU (S)TUERCA 4			

ENG(ENGINE)	T/A(TRANSAXLE)	BODY TYPE
Y = 1.5SOHC 6 = 1.6DOHC . = COMMON	M = MANUAL T/A A = AUTOMATIC T/A . = COMMON	4 N = 4 DOOR NOTCHBACK 3 H = 3 DOOR HATCHBACK 5 H = 5 DOOR HATCHBACK

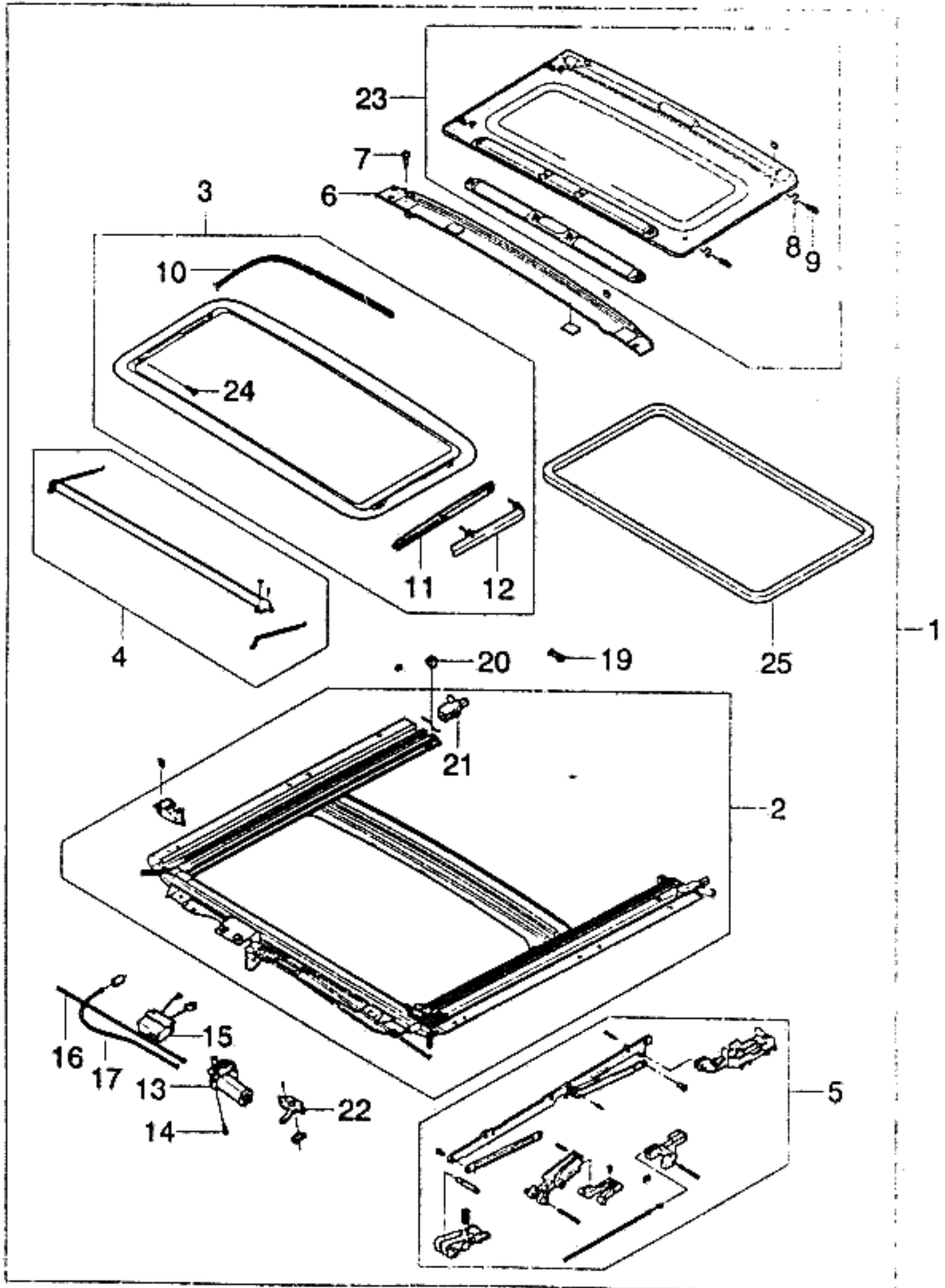


I T C	KEY NO.	PART NAME										P / C O D E	
	PART NO	MODEL					OPTION	L / R	Q T Y	EFFECTIVE DATE			REMARKS
		E N G	T / A	B O D Y	L E V E L					FROM	TO		
	[01]	(E)ROOF A-SUN (D)DACH,Sonnen										(F)TOIT-OUVRANT (S)TECHO-SOLAR	
	96240744	. . . B B B O O O										1	
	[02]	(E)FRAME A (D)RAHMEN										(F)CADRE (S)ARMADURA	
	44044480	. . . B B B O O O										1	
	[03]	(E)PANEL A-GLASS (D)VERKLEIDUNG, GLAS										(F)PANNEAU-GLACE (S)PANEL-VIDRIO	
	44044460	. . . B B B O O O										1	
	[04]	(E)DEFLECTOR-WIND (D)WINDSCHUTZ-FLÜGEL										(F)DEFLECTEUR-VENT (S)DEFLECTOR-VIENTO	
	44044450	. . . B B B O O O										1	
	[05]	(E)MECHANISM (D)MECHANISMUS										(F)MECANISME (S)MECANISMO	
	44044150	. . . B B B O O O										LH 1	
	44044140	. . . B B B O O O										RH 1	
	[06]	(E)CHANNEL-DRAIN (D)RILLE										(F)RAINURE (S)CANAL	
	40109330	. . . B B B O O O										1	
	[07]	(E)SCREW (D)SCHRAUBE										(F)VIS (S)TORNILLO	
	26158906	. . . B B B O O O										2	
	[08]	(E)SPRING-SLIDE BLOCK (D)FEDERUNG										(F)RESSORT (S)RESORTE	
	40329190	. . . B B B O O O										4	
	[09]	(E)BLOCK-SLIDE (D)BLOCK										(F)BLOC (S)BLOQUE	
	42309630	. . . B B B O O O										4	
		ENG(ENGINE)	T/A(TRANSAXLE)			BODY TYPE							
		Y = 1.5SOHC 6 = 1.6DOHC . = COMMON	M = MANUAL T/A A = AUTOMATIC T/A . = COMMON			4 N = 4 DOOR NOTCHBACK 3 H = 3 DOOR HATCHBACK 5 H = 5 DOOR HATCHBACK							



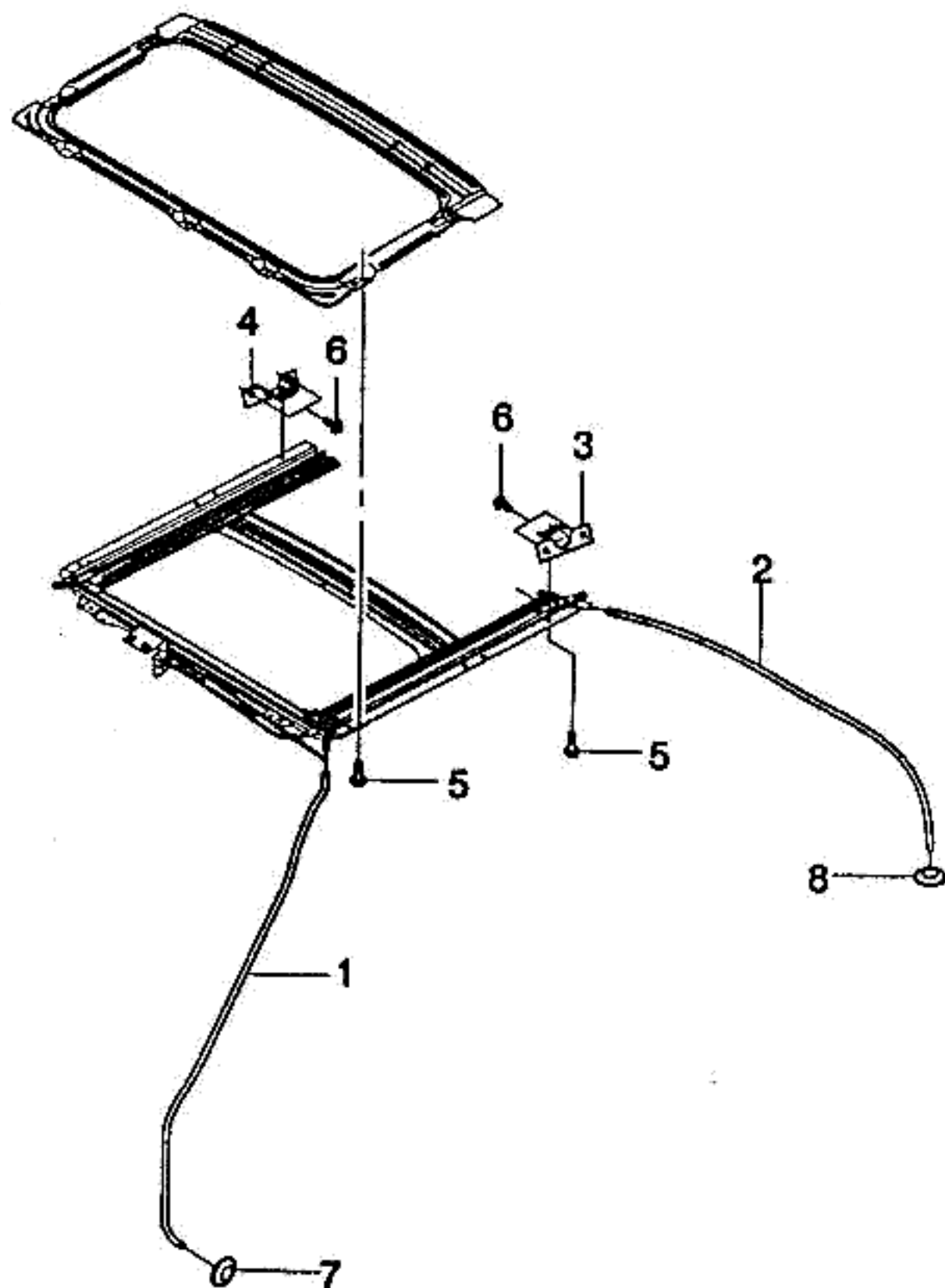
KEY NO.	PART NAME										REMARKS	P / CODE
	PART NO	MODEL				OPTION	L / R	Q / Y	EFFECTIVE DATE			
		E N G	T / A	BODY	LEVEL				FROM	TO		
		4 N	3 H	5 H	S S							
[10]	(E)SEAL-GLASS PANEL (D)DICHTUNG							(F)JOINT (S)SELLO				
42309750 B B B O O O							1				
[11]	(E)COVER-SIDE,INNER (D)DECKEL							(F)CARTER (S)CUBIERTA				
42409250 B B B O O O							LH 1				
42409240 B B B O O O							RH 1				
[12]	(E)COVER-SIDE,OUTER (D)DECKEL							(F)CARTER (S)CUBIERTA				
42409230 B B B O O O							LH 1				
42409220 B B B O O O							RH 1				
[13]	(E)MOTER & DRIVE GEAR A (D)MOTOR-SATZ							(F)ENSEMBLE MOTEUR (S)JUEGO DE MOTOR				
44249122 B B B O O O							1				
[14]	(E)SCREW (D)SCHRAUBE							(F)VIS (S)TORNILLO				
22715316 B B B O O O							3				
[15]	(E)BOX A-RELAY (D)RELAISKASTEN							(F)BOITE-RELAJ (S)CAJA-RELEVADOR				
44249340 B B B O O O							1				
[16]	(E)TUBE-CABLE GUIDE (D)ROHRLEITUNG							(F)TUYAU OU TUBE (S)TUBO				
42009662 B B B O O O							2				
[17]	(E)TUBE-DRIVE (D)ROHRLEITUNG							(F)TUYAU OU TUBE (S)TUBO				
40419390 B B B O O O							LH 1				
40419380 B B B O O O							RH 1				

ENG(ENGINE)	T/A(TRANSAXLE)	BODY TYPE
Y = 1.5SOHC 6 = 1.6DOHC . = COMMON	M = MANUAL T/A A = AUTOMATIC T/A . = COMMON	4 N = 4 DOOR NOTCHBACK 3 H = 3 DOOR HATCHBACK 5 H = 5 DOOR HATCHBACK

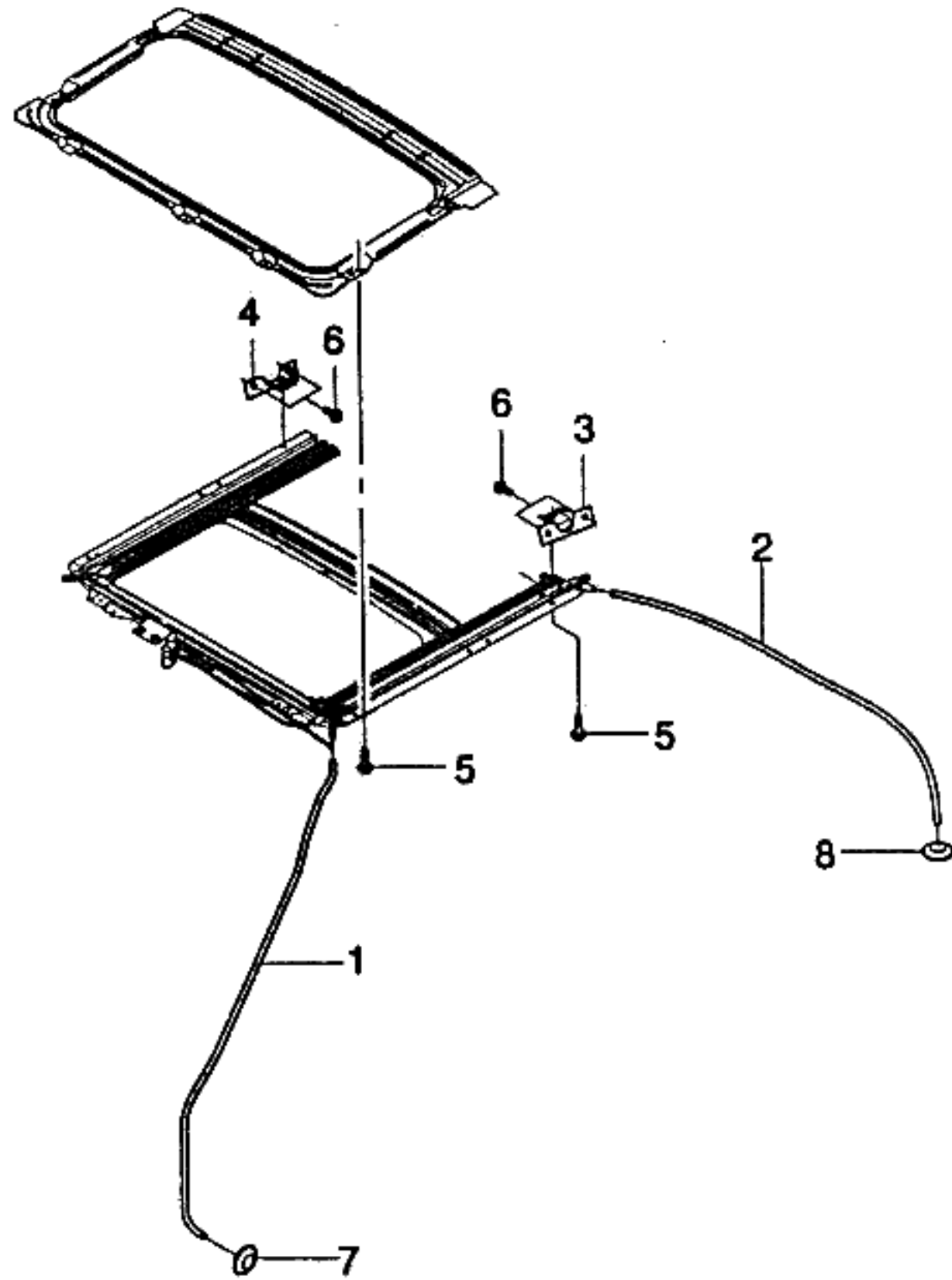


KEY NO.	PART NAME													
	PART NO	MODEL						OPTION	L / R	Q / T Y	EFFECTIVE DATE		REMARKS	P / I / C O D E
		E N G	T / A	B O D Y	L E V E L						FROM	TO		
		4 N	3 H	5 H	S	S S	S S	X						
[19]	(E)PLUG-GUIDE,RR (D)STÖPSEL												(F)BOUCHON (S)TAPON	
42109830	B	B	B	O	O	O	O					LH 1	
42109840	B	B	B	O	O	O	O					RH 1	
[20]	(E)ARRETOIR OU BOUCHON (D)TAPON												(F)STÖPSEL (S)TAPON	
42309710	B	B	B	O	O	O	O					2	
[21]	(E)DRAINAGE PIECE-RR (D)DRANÄGE,HINTERE												(F)DRAINAGE-ARRIERE (S)DRENAJE-TRASERO	
42409670	B	B	B	O	O	O	O					LH 1	
42409680	B	B	B	O	O	O	O					RH 1	
[22]	(E)BRACKET (D)TRÄGER												(F)SUPPORT (S)SOPORTE	
41109880	B	B	B	O	O	O	O					1	
[23]	(E)SUNSHADE A (D)SONNENBLLENDE												(F)PARE-SOLEIL (S)PARASOL	
44044470	B	B	B	O	O	O	O					1	
[24]	(E)BOLT (D)SCHRAUBE												(F)BOULON (S)PERNO	
40429881	B	B	B	O	O	O	O					4	
[25]	(E)FINISHER-HEADLINER (D)FERTIGGESENK												(F)FINITION CARNITURE (S)COBERTOR	
96245679	B	B	B	O	O	O	O					1	

ENG(ENGINE)	T/A(TRANSAXLE)	BODY TYPE
Y = 1.5SOHC 6 = 1.6DOHC . = COMMON	M = MANUAL T/A A = AUTOMATIC T/A . = COMMON	4 N = 4 DOOR NOTCHBACK 3 H = 3 DOOR HATCHBACK 5 H = 5 DOOR HATCHBACK



I T C	KEY NO.	PART NAME										L Q T Y	EFFECTIVE DATE	REMARKS	P I C O D E
	PART NO	MODEL					OPTION	FROM	TO	R	Y				
		E N G	T / A	BODY 4 N 3 H	LEVEL 5 H	S S E									
	[01]	(E)TUBE-DRAIN (D)ROHRLEITUNG										(F)TUYAU OU TUBE (S)TUBO			
	96240751	.	.	B	B	B	O	O	O	O				2	
	[02]	(E)TUBE-DRAIN (D)ROHRLEITUNG										(F)TUYAU OU TUBE (S)TUBO			
	96240752	.	.	B	.	.	O	O	O				2		
	96240753	.	.	.	B	B	O	.	O				LH 1		
	96252576	.	.	.	B	B	O	.	O				RH 1		
	[03]	(E)BRACKET A-SUN ROOF (D)TRÄGER										(F)SUPPORT (S)SOPORTE			
	96240728	.	.	B	.	B	O	O	O				LH 1		
	96240732	.	.	.	B	.	O	.	O				LH 1		
	[04]	(E)BRACKET A-SUN ROOF (D)TRÄGER										(F)SUPPORT (S)SOPORTE			
	96240729	.	.	B	.	B	O	O	O				RH 1		
	96240733	.	.	.	B	.	O	.	O				RH 1		
	[05]	(E)BOLT (D)SCHRAUBE										(F)BOULON (S)PERNO			
	02717-06163	.	.	B	B	B	O	O	O				9	970403	
	Y 09118-06012	.	.	B	B	B	O	O	O				9	970403	
	[06]	(E)BOLT (D)SCHRAUBE										(F)BOULON (S)PERNO			
	02717-06163	.	.	B	B	B	O	O	O				4		
	[07]	(E)GROMMET-DRAIN TUBE,FRONT (D)ÖSE										(F)VIROLE (S)AISLANTE			
	96245671	.	.	B	B	B	O	O	O				2		
	[08]	(E)GROMMET-DRAIN TUBE (D)ÖSE										(F)VIROLE (S)AISLANTE			
ENG(ENGINE)		T/A(TRANSAXLE)				BODY TYPE									
Y = 1.5SOHC 6 = 1.6DOHC . = COMMON		M = MANUAL T/A A = AUTOMATIC T/A . = COMMON				4 N = 4 DOOR NOTCHBACK 3 H = 3 DOOR HATCHBACK 5 H = 5 DOOR HATCHBACK									



KEY NO.		PART NAME													
I T C	PART NO	MODEL						OPTION	L / R	Q T Y	EFFECTIVE DATE		REMARKS	P / C O D E	
		E N G	T / A	BODY			LEVEL				FROM	TO			
				4 N	3 H	5 H	S								S E
	96239613	.	.	B	B	B	O	O	O	O			2		

ENG(ENGINE)	T/A(TRANSAXLE)	BODY TYPE
Y = 1.5SOHC 6 = 1.6DOHC . = COMMON	M = MANUAL T/A A = AUTOMATIC T/A . = COMMON	4 N = 4 DOOR NOTCHBACK 3 H = 3 DOOR HATCHBACK 5 H = 5 DOOR HATCHBACK