



JINAN SHUNHE AUTO PARTS CO.,LTD

PRODUCT CATALOG

HOWO PARTS

2005-2007

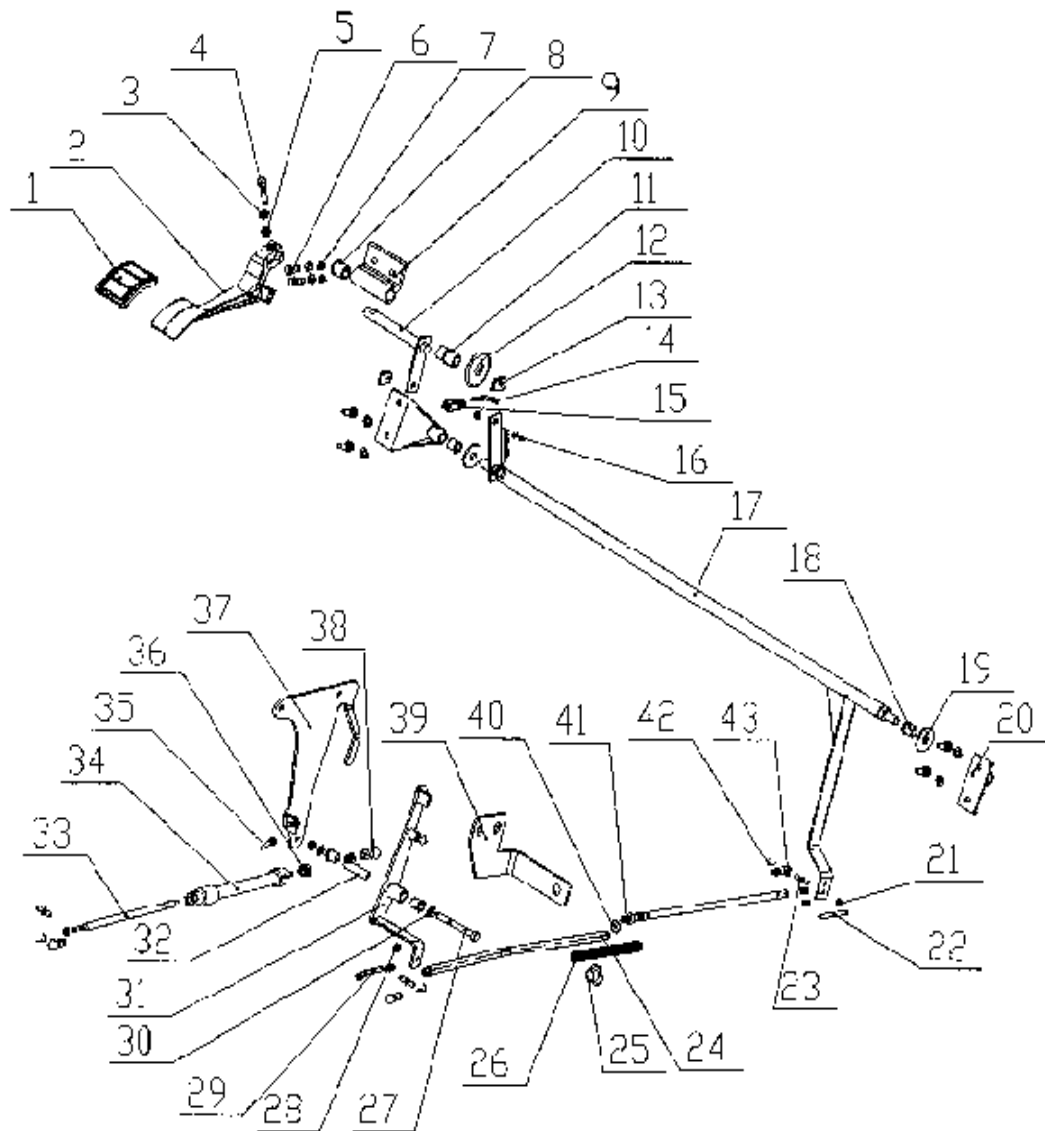
JINAN SHUNHE AUTO PARTS CO.,LTD

WWW.AUTOCOMP.COM.CN

C1-1

OPERATION DEVICE/加速踏板操纵装置

Fig. C1-1



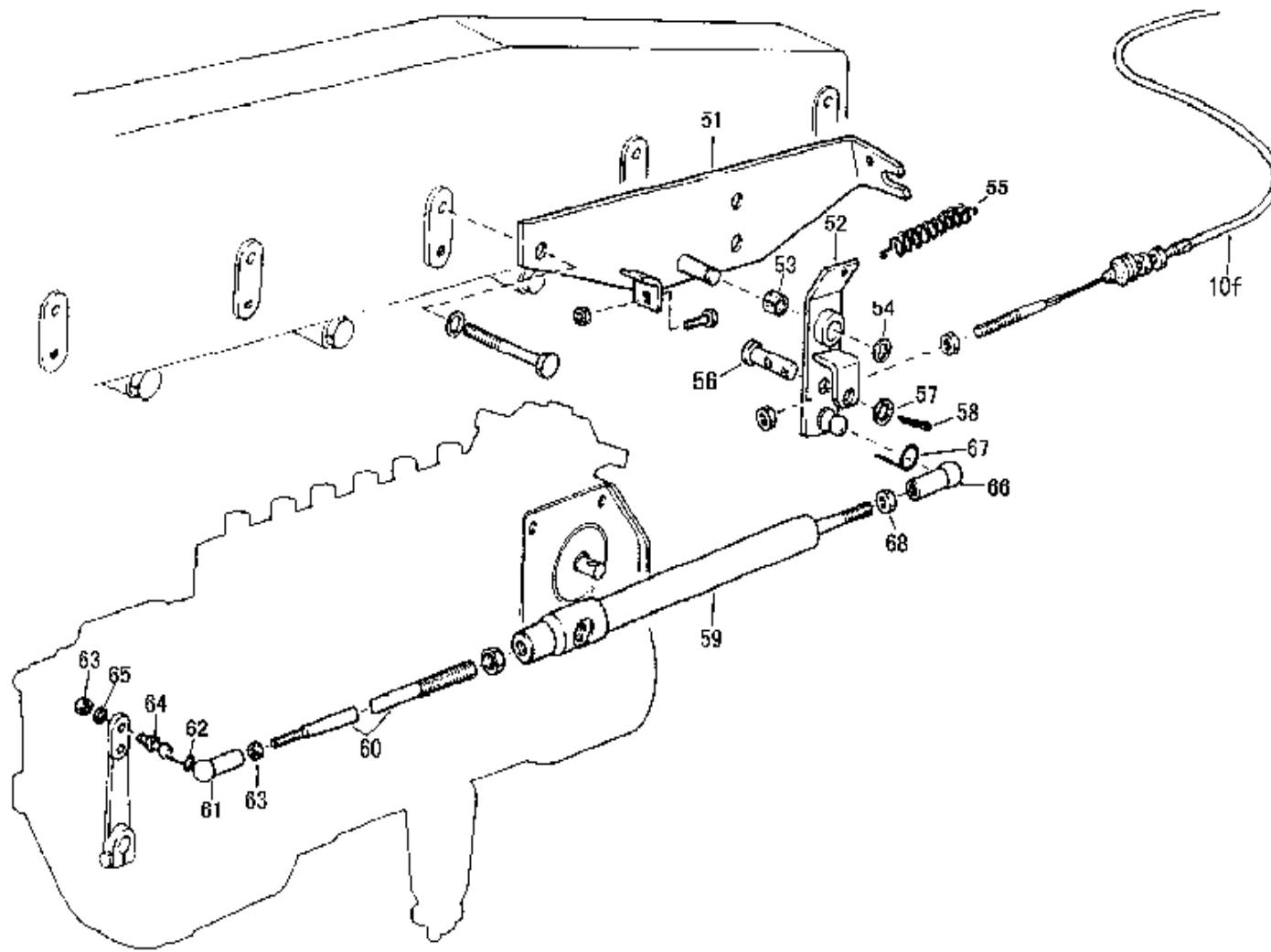
C1-1

OPERATION DEVICE/加速踏板操纵装置

| No | Number of part | Quantity | Description | Applicability | Designation |
|-----|----------------|----------|-------------|---------------|------------------|
| 1 | AZ9719570001 | 1 | | | Rubber footboard |
| 2 | AZ9719470002 | 1 | | | Pedal |
| 3 | Q40108 | 8 | | | Washer |
| 4 | Q150B0835 | 1 | | | Screw |
| 5 | Q340B08 | 3 | | | Nut |
| 6 | Q150B0820 | 6 | | | Screw |
| 7 | Q40308 | 2 | | | Spring washer |
| 8 | AZ9719570006 | 1 | | | Bush |
| 9 | AZ9719570007 | 1 | | | Bracket |
| 10 | WG9719570003 | 1 | | WD615 | Control shaft |
| 10 | WG9719570085 | 1 | | WD618 | Control shaft |
| 10a | AZ9719570085 | 1 | | WD618 | Plate |
| 10b | Q150B0640 | 1 | | WD618 | Screw |
| 10c | Q340B06 | 1 | | WD618 | Nut |
| 10d | AZ9719570073 | 1 | | WD618 | Bracket |
| 10e | 1288 570057 | 1 | | WD618 | Spring |
| 10f | WG972557000 | 1 | | WD618 | Control cable |
| 10g | Q350B06T15 | 2 | | WD618 | Nut |
| 10h | 1680 580023 | 1 | | WD618 | Clip |
| 11 | AZ9719570008 | 1 | | | Bush |
| 12 | AZ9719570009 | 1 | | | Rubber ring |
| 13 | AZ9719570012 | 2 | | WD615 | Plastic clamp |
| 14 | AZ9719570011 | 1 | | WD615 | Adjusting screw |
| 15 | 190003964412 | 1 | | WD615 | Fork head |
| 16 | Q43650 | 2 | | WD615 | Snap ring |
| 17 | WG9719570015 | 1 | | WD615 | Lever |
| 18 | AZ9719570023 | 4 | | WD615 | Bush |
| 19 | Q40212 | 2 | | WD615 | Washer |
| 20 | AZ9719570010 | 2 | | WD615 | Bracket |
| 21 | Q340B06 | 8 | | WD615 | Nut |
| 22 | AZ9719570051 | 1 | | WD615 | Threaded bar |
| 23 | 190003963313 | 3 | | WD615 | Ball pivot |
| 24 | AZ9719570040 | 1 | | WD615 | Brace rod |
| 25 | AZ9719570060 | 1 | | WD615 | Sleeve |
| 26 | AZ9719570061 | 1 | | WD615 | Spring |
| 27 | Q150B0870 | 1 | | WD615 | Screw |
| 28 | Q33206 | 1 | | WD615 | Nut |
| 29 | AZ9719570052 | 1 | | WD615 | Threaded bar |

| | | | | | |
|----|---------------|---|--|-------|--------------------|
| 30 | AZ9719570034 | 1 | | WD615 | Rubber pad |
| 31 | AZ9719570029 | 1 | | WD615 | Lever |
| 32 | AZ9719570033 | 1 | | WD615 | Spacer |
| 33 | 199012570062 | 1 | | WD615 | Threaded rod |
| 34 | WG9100570002 | 1 | | WD615 | Operating cylinder |
| 35 | Q150B0625 | 1 | | WD615 | Screw |
| 36 | Q340B10 | 1 | | WD615 | Nut |
| 37 | AZ9719570026 | 1 | | WD615 | Bracket |
| 38 | 1900003963623 | 1 | | WD615 | Ball cup |
| 39 | AZ9719570062 | 1 | | WD615 | Bracket |
| 40 | Q40206 | 1 | | WD615 | Washer |
| 41 | AZ9719570045 | 1 | | WD615 | Brace rod |

C1-1 OPERATION DEVICE/加速踏板操纵装置 Fig. C1-2



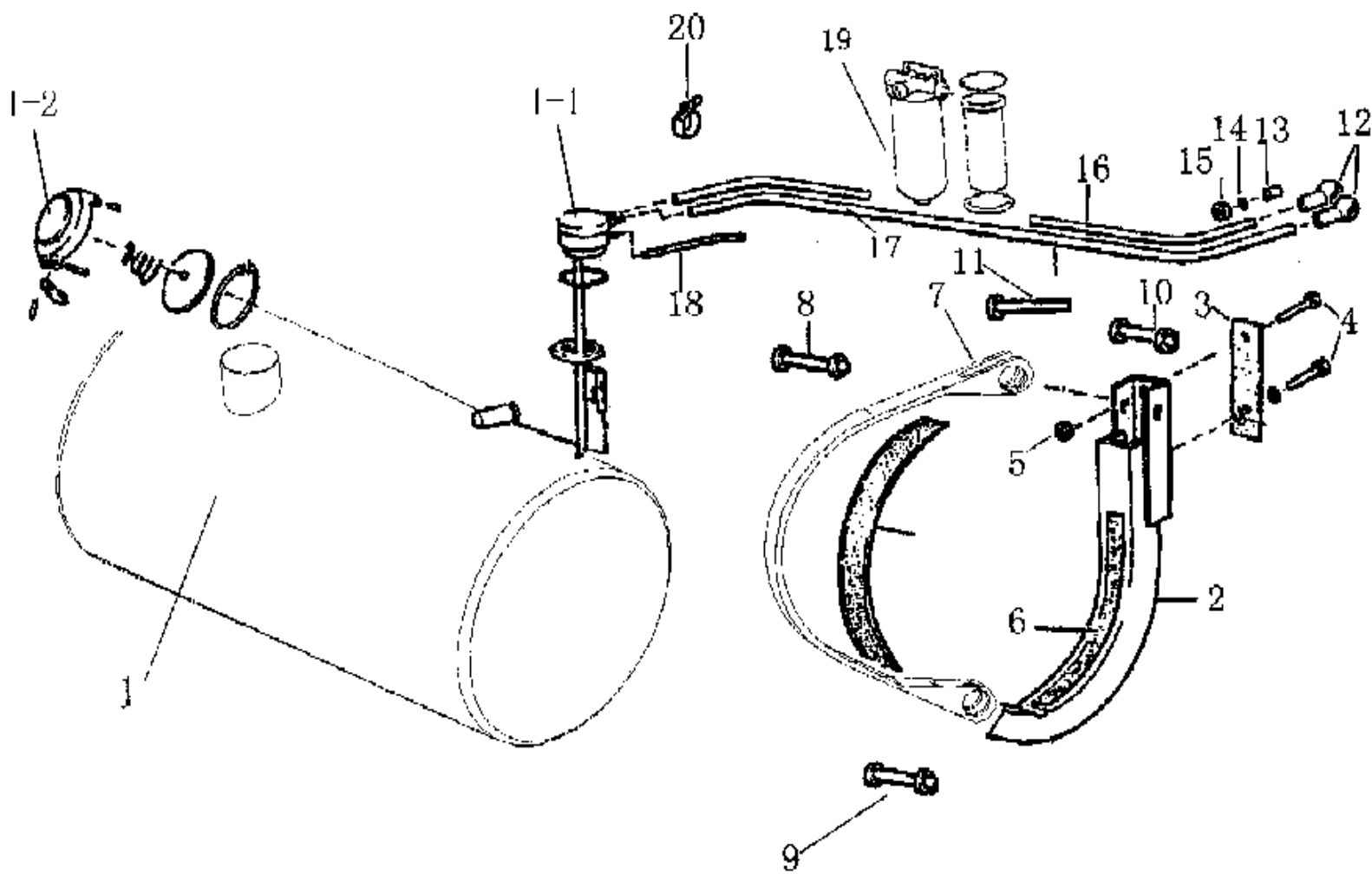
C1-1 OPERATION DEVICE/加速踏板操纵装置

| No | Number of part | Quantity | Description | Applicability | Designation |
|----|----------------|----------|-------------|---------------|--------------------|
| 42 | 190003936513 | 3 | | WD615 | Clip |
| 43 | WG92 570025 | 3 | | WD615 | Ball cup |
| 51 | AZ9118570011 | 1 | | WD618 | Bracket |
| 52 | 199100570018 | 1 | | WD618 | Lever |
| 53 | WG99014180012 | 1 | | WD618 | Bush |
| 54 | Q43680 | 1 | 8 | WD618 | Snap ring |
| 55 | 199100570065 | 1 | | WD618 | Spring |
| 56 | 199012570084 | 1 | | WD618 | Bolt |
| 57 | Q40110 | 1 | 10 | WD618 | Washer |
| 58 | Q5003216 | 1 | 3.2×16 | WD618 | Split pin |
| 59 | WG9100570002 | 1 | | WD618 | Operating cylinder |
| 60 | AZ9118570003 | 1 | | WD618 | Threaded rod |
| 61 | WG92 570025 | 1 | B10 | WD618 | Ball cup |
| 62 | 190003936513 | 1 | S10 | WD618 | Clip |
| 63 | Q340B06 | 2 | M6 | WD618 | Nut |
| 64 | 190003963313 | 1 | A10 | WD618 | Ball pivot |
| 65 | Q40506 | 1 | B6 | WD618 | Spring washer |
| 66 | 190003963623 | 1 | B13 | WD618 | Ball cup |
| 67 | 190003936514 | 1 | S13 | WD618 | Clip |
| 68 | Q340B08 | 1 | M8 | WD618 | Nut |

C1-2

350L, 380L FUEL AL-TANK/350L, 380L铝制燃油箱

Fig. C1-3



C1-2

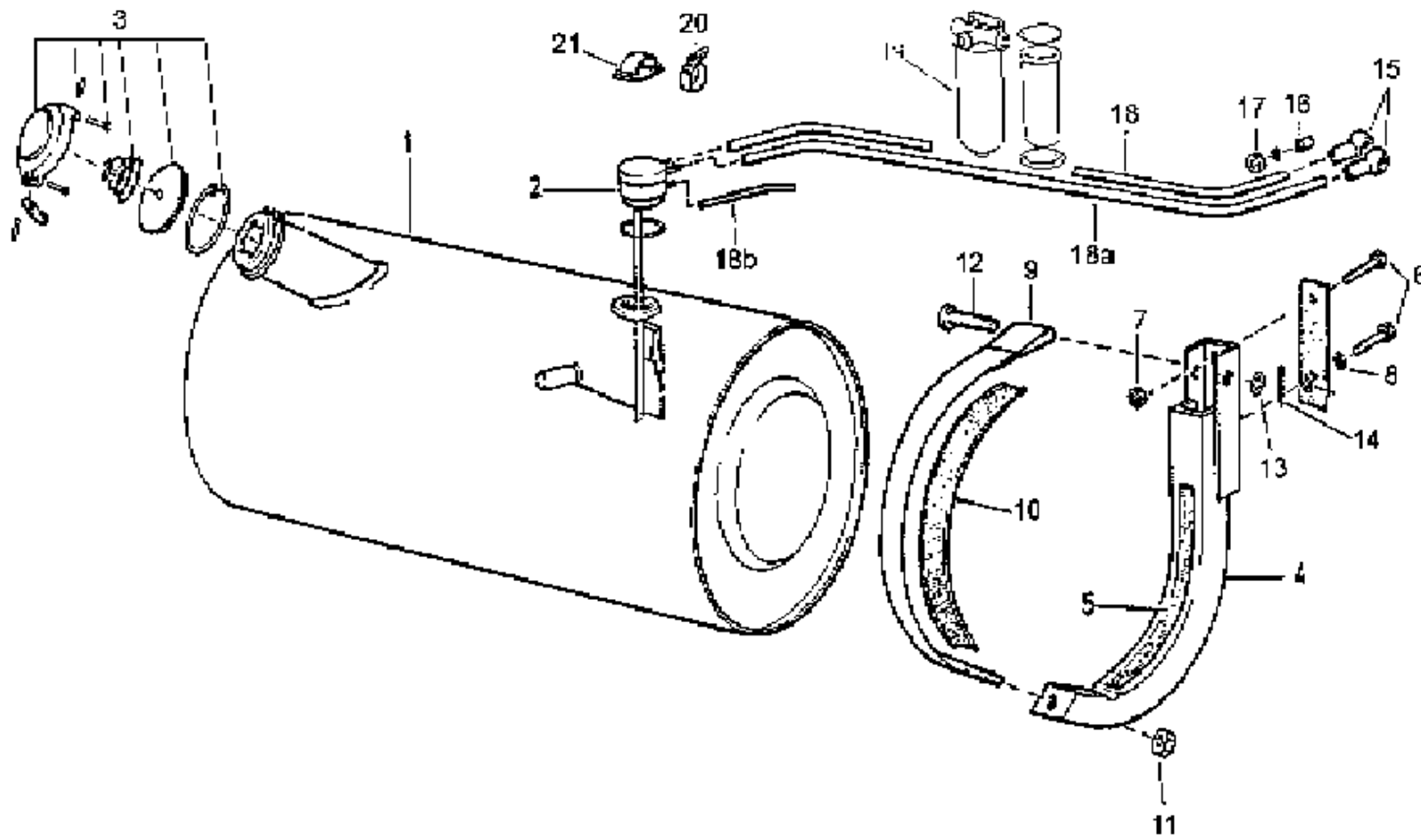
350L, 380L FUEL AL-TANK/350L, 380L铝制燃油箱

| No | Number of part | Quantity | Description | Applicability | Designation |
|------|----------------|----------|-------------|---------------|-------------------|
| 1 | AZ9112550210 | 1 | Φ700×1020 | | 380LFuel tank |
| 1-1 | AZ9112550210-1 | 1 | | | Fuel gauge |
| 1-2 | AZ9112550210-2 | 1 | | | Cover |
| 1 | ZW9725550001 | 1 | | | 350LFuel tank |
| 1-1 | ZW9725550001-1 | 1 | | | Fuel gauge |
| 1-2 | ZW9725550001-1 | 1 | | | Cover |
| 2 | AZ9112550220 | 2 | | | Support |
| 3 | 199112550128 | 2 | | | Plate |
| 4 | Q151B1650TF2 | 4 | | | Screw |
| 5 | 190003888627 | 4 | | | Nut |
| 6 | AZ9112550226 | 2 | | | Base |
| 7 | AZ9112550225 | 2 | | | Strap |
| 8 | AZ9112550227 | 2 | | | Tension bolt |
| 9 | AZ9112550228 | 2 | | | Tension bolt |
| 10 | AZ9112550229 | 2 | | | Tension bolt |
| 11 | AZ9112550230 | 2 | | | Screw |
| 12 | WG9014230017 | 3 | | | Hose connector |
| 13 | 190003962621 | 2 | | | Female screw |
| 14 | Q72314TF | 4 | | | Washer |
| 15 | Q33210 | 2 | | | Nut |
| 16 | AZ9112550120 | 105 | | | Suction line |
| 17 | AZ9112550120 | 110 | | | Return line |
| 18 | AZ9112550121 | 50 | | | Pipe |
| 19 | WG9725550002 | 1 | | | Fuel prefilter C |
| 1-19 | WG9725550002-1 | 1 | | | Prefilter element |
| 20 | 190003171697 | 6 | | | Cable binder |
| 20a | 1397 350169 | 1 | | | Angle |
| 20b | WG9100360134 | 1 | | | Clamp |
| 20c | Q340B06 | 1 | | | Nut |
| 20d | Q40106 | 1 | | | Washer |

C1-3

200L FUEL AL-TANK/200L铝制燃油箱及管路

Fig. C1-4



C1-3

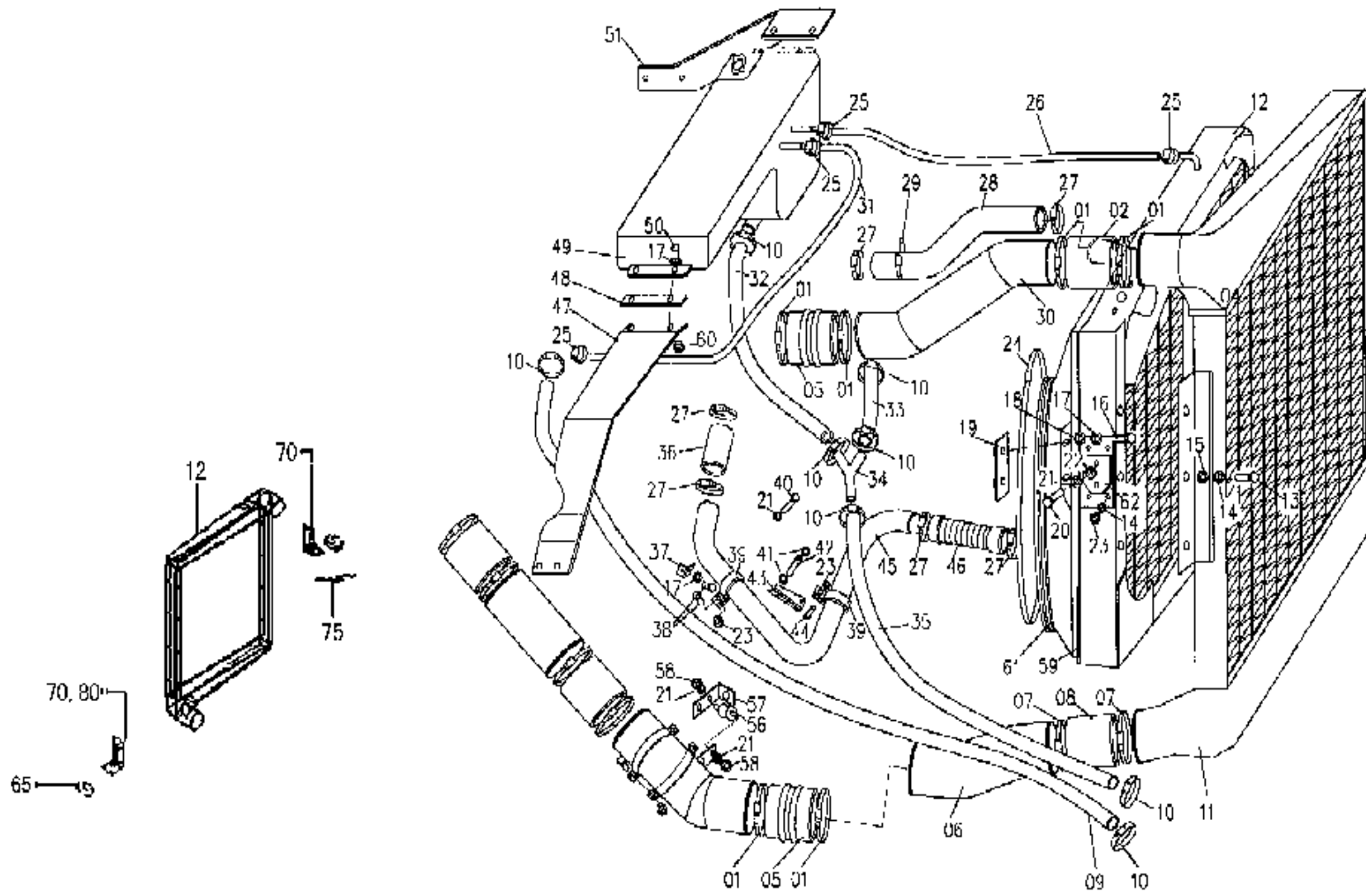
200L FUEL AL-TANK/200L铝制燃油箱及管路

| No | Number of part | Quantity | Description | Applicability | Designation |
|------|----------------|----------|-------------|---------------|-------------------|
| 1 | AZ9718559001 | 1 | | | 200L Fuel AL-tank |
| 2 | AZ9718559001-1 | 1 | | | Fuel gauge |
| 3 | AZ9718559001-2 | 1 | | | Cover |
| 4 | 199100550006 | 2 | | | Support |
| 5 | 199100550009 | 2 | | | Base |
| 6 | Q150B1440 | 4 | | | Screw |
| 7 | 19000388458 | 2 | | | Nut |
| 8 | Q40314 | 2 | | | Spring washer |
| 9 | WG9100550011 | 2 | | | Strap |
| 10 | WG9100550081 | 2 | | | Base |
| 11 | Q33210 | 2 | | | Nut |
| 12 | Q5101075 | 2 | | | Bolt |
| 13 | Q40110 | 2 | | | Washer |
| 14 | Q5003214 | 2 | | | Split pin |
| 15 | WG9014230017 | 2 | | | Hose connector |
| 16 | 190003962621 | 2 | | | Female screw |
| 17 | Q33210 | 2 | | | Nut |
| 17a | Q72314T5F | 4 | | | Gasket |
| 18 | AZ9112550120 | 190 | 10×1 | | Suction line |
| 18a | AZ9112550120 | 195 | 10×1 | | Return line |
| 18c | 199114550021 | 1 | | | Connector |
| 18d | 1397 350169 | 1 | | | Angle |
| 18e | WG9100360134 | 1 | | | Space |
| 18f | Q150B0630 | 1 | | | Screw |
| 18g | Q340B06 | 1 | | | Nut |
| 18h | Q40106 | 1 | | | Washer |
| 19 | WG9725550002 | 1 | | | Fuel prefilter C |
| 19-1 | WG9725550002-1 | 1 | | | Prefilter element |
| 20 | 190003171393 | 2 | A5×180 | | Cable binder |
| 21 | 199000770296 | 1 | | | Clamp |

C1-4

COOLING SYSTEM /冷却系统

Fig. C1-5



C1-4

COOLING SYSTEM /冷却系统

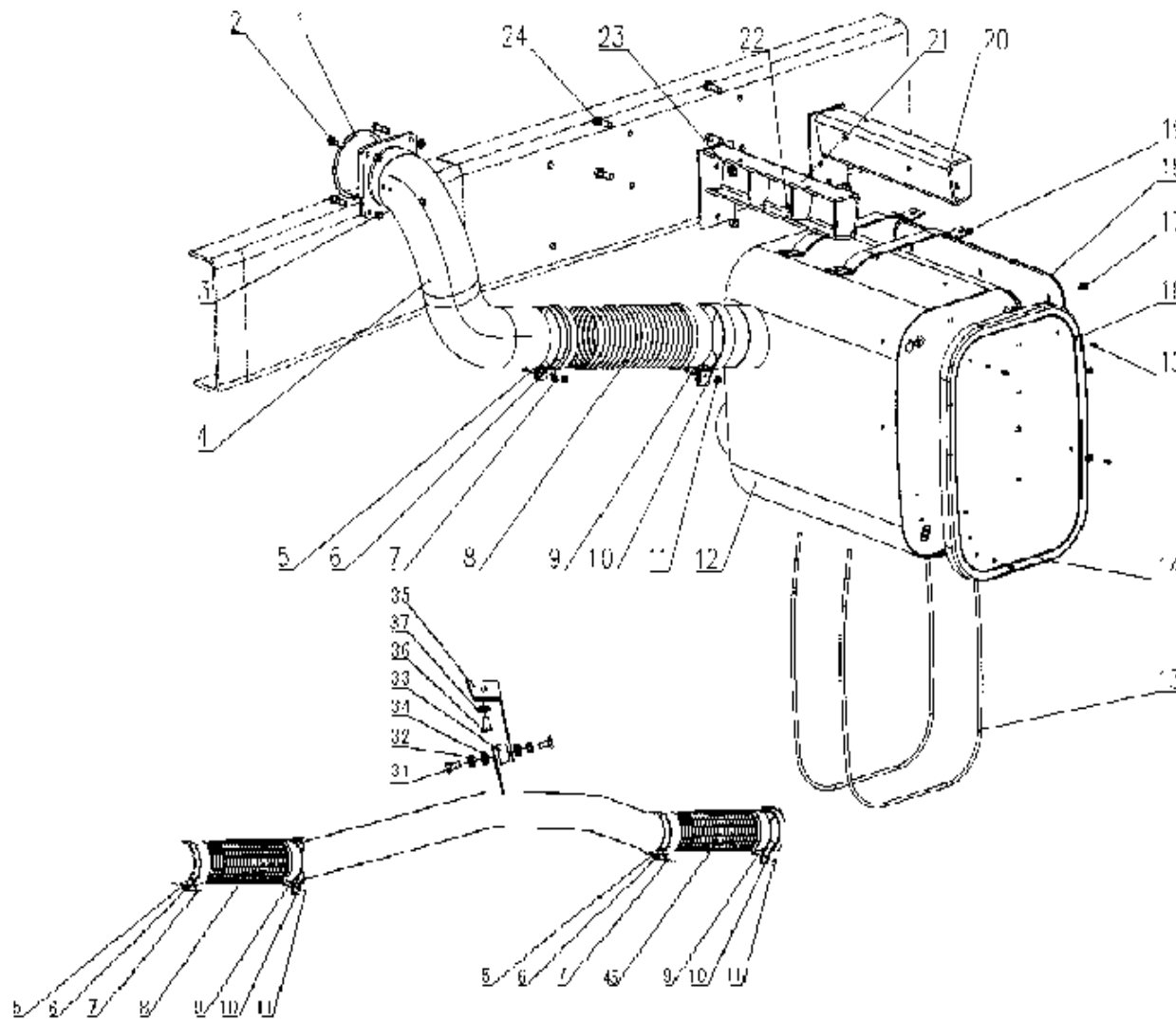
| No | Number of part | Quantity | Description | Applicability | Designation |
|----|----------------|----------|-------------|---------------|-----------------|
| 1 | 190003989315 | 10 | | | Clamp |
| 2 | WG9719530108 | 1 | | | Hose |
| 2 | WG9725538041 | 1 | | HHR | Hose |
| 5 | WG9719530107 | 2 | | | Hose connector |
| 5 | WG9725538043 | 1 | | HHR | Hose |
| 8 | WG9725530070 | 2 | | 62,87 | Hose |
| 8 | WG9719530108 | 1 | | 47,69,82 | Hose |
| 8 | WG9725538042 | 1 | | HHR | Hose |
| 9 | WG1620840060 | 1 | | 47 | Hose |
| 9 | WG1600840029 | 1 | | 62,87,69,HHR | Hose |
| 10 | 1900043989301 | 8 | | | Clamp |
| 11 | WG9719530250 | 1 | | 47 | Aftercooler |
| 11 | WG9725530020 | 1 | | 62,87,69 | Aftercooler |
| 11 | WG9725530090 | 1 | | 82 | Aftercooler |
| 11 | WG9725538060 | 1 | | HHR | Aftercooler |
| 12 | WG9719530230 | 1 | | 47 | Radiator |
| 12 | WG9719530010 | 1 | | 62,87,69 | Radiator |
| 12 | WG9725537070 | 1 | | 82 | Radiator |
| 12 | WG9725538050 | 1 | | HHR | Radiator |
| 13 | Q150B0816 | 6 | | | Screw |
| 14 | Q40008 | 14 | | | Washer |
| 15 | Q41208 | 6 | | | Spring washer |
| 16 | Q150B0820 | 4 | | | Screw |
| 17 | Q40308 | 9 | | | Spring washer |
| 18 | Q40108 | 4 | | | Washer |
| 19 | 1780 530009 | 2 | | | Fastening sheet |
| 20 | Q150B1018 | 4 | | | Screw |
| 21 | Q40310 | 9 | | | Spring washer |
| 22 | Q40110 | 4 | | | Washer |
| 23 | Q33208 | 10 | | | Nut |
| 24 | 190003980204 | 1 | | | Clamp |
| 25 | 190003989300 | 4 | | | Clamp |
| 26 | WG9114530138 | 4 | | | Hose |
| 27 | AZ9003980010 | 6 | | | Clamp |
| 28 | WG9719530111 | 1 | | 62,87,69,47 | Inletwater pipe |
| 28 | WG9725537005 | 1 | | 82 | Inletwater pipe |
| 28 | WG9725538008 | 1 | | HHR | Inletwater pipe |
| 30 | AZ9719530122 | 1 | | 62,87,69,47 | Outlet air pipe |
| 30 | WG9725537004 | 1 | | 82 | Outlet air pipe |
| 30 | WG9725538044 | 1 | | HHR | Outlet air pipe |

| | | | | | |
|---|--------------|---|--|----------|-------------------------------|
| 31 | WG9114530139 | 1 | | | Hose |
| 32 | WG9716530307 | 1 | | | Hose |
| 33 | WG9716530305 | 1 | | | Hose |
| 34 | WG9716530510 | 1 | | | Junction pipe |
| 35 | WG9112530468 | 1 | | | Hose |
| 36 | WG9719530228 | 1 | | | Hose |
| 45 | WG9719530212 | 1 | | 47 | Outlet water pipe |
| 45 | WG9719530003 | 1 | | 62,87,69 | Outlet water pipe |
| 45 | WG9719537007 | | | 82 | Outlet water pipe |
| 45 | WG9725538014 | 1 | | HHR | Outlet water pipe |
| 46 | WG9719530227 | 1 | | | Hose |
| 46 | WG9725537021 | 1 | | 82 | Hose |
| 46 | WG9725538063 | 1 | | HHR | Hose |
| 46a | AZ9716530505 | 1 | | 47,82 | Bracket |
| 46a | AZ9716530521 | 1 | | 62,87,69 | Bracket |
| 49 | WG9719530260 | 1 | | | Expansion tank |
| 49 | AZ9112530333 | 1 | | HHR | Expansion tank |
| 49a | AZ9725538099 | 1 | | HHR | Bracket |
| 49b | AZ9725538125 | 1 | | HHR | Bottom bracket |
| 61 | AZ9725538055 | 1 | | HHR | Shroud |
| 61 | WG9725537001 | 1 | | 82 | Shroud |
| 61 | AZ9719530132 | 1 | | 47 | Shroud |
| 61 | AZ9725530401 | 1 | | 87,62 | Shroud |
| 61 | AZ9725533037 | 1 | | 69 | Shroud |
| 65 | AZ9719530272 | 2 | | | Rubber support |
| 65a | Q40010 | 8 | | | Washer |
| 65b | Q40310 | 8 | | | Spring washer |
| 65c | Q33210 | 8 | | | Nut |
| 70 | AZ9719530201 | 1 | | | Bracket left for radiator |
| 70a | AZ9719530202 | 1 | | | Bracket right for radiator |
| 70b | Q150B01816 | 8 | | | Screw |
| 70c | Q40308 | 8 | | | Spring washer |
| 75 | AZ9719530205 | 1 | | | Supporting plate left |
| 75a | AZ9719530206 | 1 | | | Supporting plate right |
| 75b | Q150B1025 | 2 | | | Screw |
| 75c | Q340B10 | 2 | | | Nut |
| 80 | AZ9725538065 | 1 | | HHR | Top supporter for radiator |
| 80a | AZ9725538066 | 1 | | HHR | Bottom supporter for radiator |
| 81 | AZ9725538073 | 1 | | HHR | Left bracket for radiator |
| 85 | AZ9725538076 | 1 | | HHR | Right bracket for radiator |
| ※ HHR—HOWO with HINO engine,drive right | | | | | |
| 62—WD615.62 87—WD615.87 69—WD615.69 47—WD615.47 | | | | | |
| 82—WD618.82 PIIC—HINO engine PIIC | | | | | |

C1-5

EXHAUST PIPING/排气管及消声器

Fig. C1-6



C1-5

EXHAUST PIPING/排气管及消声器

| No | Number of part | Quantity | Description | Applicability | Designation |
|----|----------------|----------|-------------|------------------------|--------------------------------|
| 1 | AZ9719540019 | 1 | | | Gasket |
| 1 | WG9112540015 | | | 8×4,HHR | Gasket |
| 2 | Q150B1045 | 4 | | | Screw |
| 2 | 181560110187 | 6 | | HHR | Stud |
| 3 | Q33210 | 4 | | HHR | Nut |
| 3 | 190003888470 | 6 | | HHR | Nut |
| 4 | WG9719540009 | 1 | | For standard cab | Exhaust line |
| 4 | WG9719540012 | 1 | | For long,high-roof cab | Exhaust line |
| 4 | WG9731540001 | 1 | | 8×4 | Exhaust line |
| 4 | WG9725540001 | 1 | | HHR | Exhaust line |
| 4a | AZ9725540012 | 1 | | HHR | Heat shield |
| 4b | Q150B0835 | 2 | | HHR | Screw |
| 4c | Q40108 | 2 | | HHR | Washer |
| 4d | Q40308 | 2 | | HHR | Spring washer |
| 5 | Q150B0830 | 2 | | | Screw |
| 6 | WG9719540016 | 1 | | | Clamp |
| 6 | WG9725540009 | 4 | | HHR | Clamp |
| 6a | Q150B0845 | 4 | | HHR | Screw |
| 6b | Q33208 | 4 | | HHR | Nut |
| 7 | Q33208 | 2 | | | Nut |
| 8 | WG9719540021 | 1 | | | Corrugated flexible metal tube |
| 8 | WG9731540002 | 1 | | 8×4 | Corrugated flexible metal tube |
| 8 | WG9725540007 | 1 | | HHR | Corrugated flexible metal tube |
| 9 | Q150B0830 | 1 | | | Screw |
| 10 | AZ9719540018 | 1 | | | Clamp |
| 11 | Q33208 | 1 | | | Nut |
| 12 | WG9725540002 | 1 | | | Muffler |
| 12 | WG9725540010 | 1 | | HHR | Muffler |
| 13 | AZ9719540008 | 2 | | | Strap |
| 14 | WG9719540025 | 1 | | | Garnish plate |
| 15 | Q150B0620 | 4 | | | Screw |
| 16 | Q40306 | 4 | | | Spring washer |
| 17 | Q150B0610 | 9 | | | Screw |
| 18 | WG9719540026 | 1 | | | Heat shield |
| 19 | AZ9719540007 | 2 | | | Stop plate |
| 20 | AZ9719540002 | 1 | | | Rear bracket |
| 21 | AZ9719540003 | 1 | | | Front bracket |
| 22 | Q33208 | 4 | | | Nut |
| 23 | Q33212 | 4 | | | Nut |
| 24 | Q150B1235 | 4 | | | Screw |

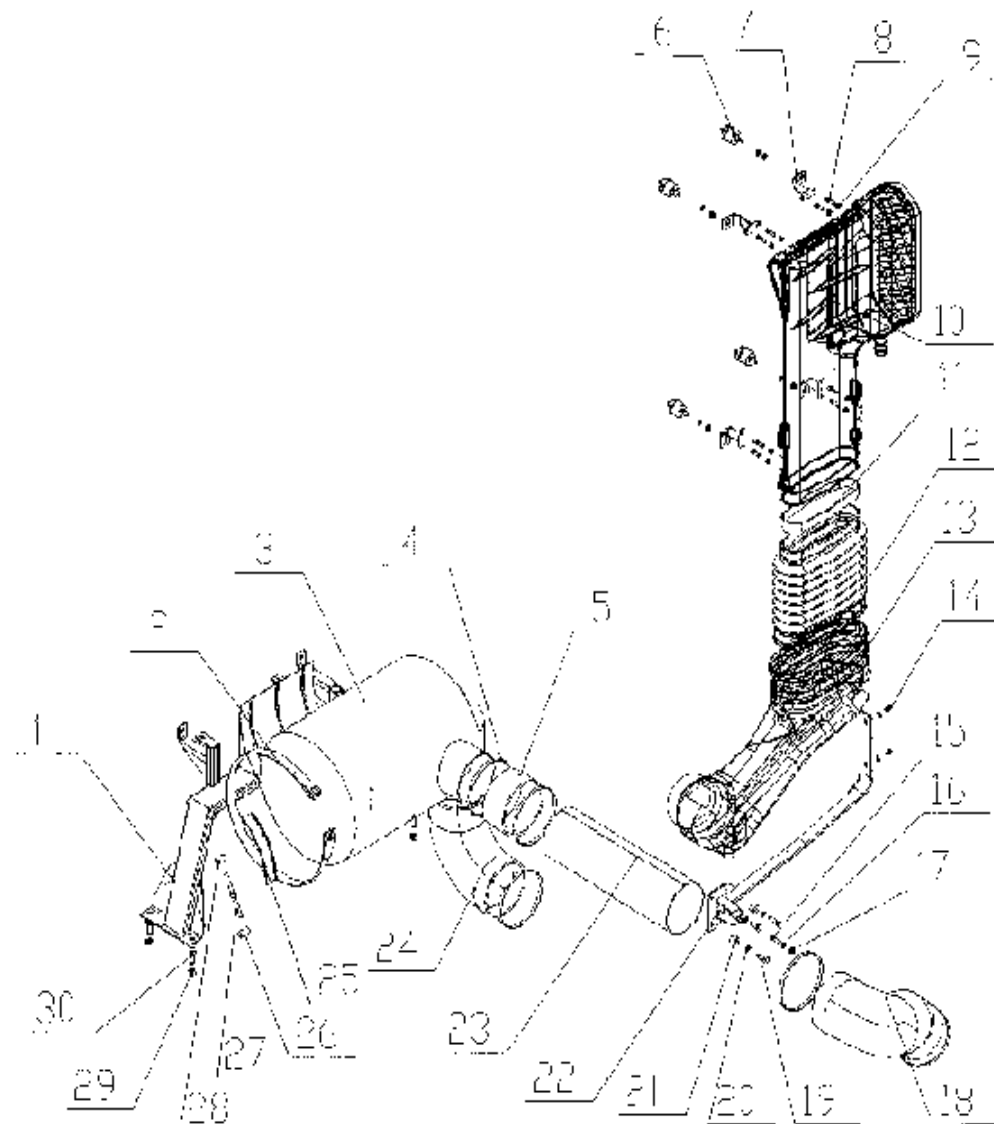
| | | | | | |
|----|--------------|---|--|-----|--------------------------------|
| 30 | WG9731540003 | 1 | | 8×4 | Exhaust line |
| 31 | Q150B1025 | 4 | | 8×4 | Screw |
| 32 | Q40310 | 4 | | 8×4 | Spring washer |
| 33 | WG84D410007 | 4 | | 8×4 | Rubber pad |
| 34 | Q40210 | 4 | | 8×4 | Washer |
| 35 | AZ9731540004 | 2 | | 8×4 | Bracket |
| 36 | Q150B1016 | 4 | | 8×4 | Screw |
| 37 | Q40310 | 4 | | 8×4 | Spring washer |
| 40 | AZ9731540005 | 2 | | 8×4 | Clamp |
| 41 | AZ9731540006 | 2 | | 8×4 | Clamp |
| 42 | Q150B1035 | 4 | | 8×4 | Screw |
| 43 | Q150B1025 | 2 | | 8×4 | Screw |
| 44 | Q33210 | 6 | | 8×4 | Nut |
| 45 | WG9719540021 | 1 | | 8×4 | Corrugated flexible metal tube |

※ HHR—HOWO with HINO engine, long cab and drive right.

C1-6

AIR FILTER/空滤器系统

Fig. C1-7



C1-6

AIR FILTER/空滤器系统

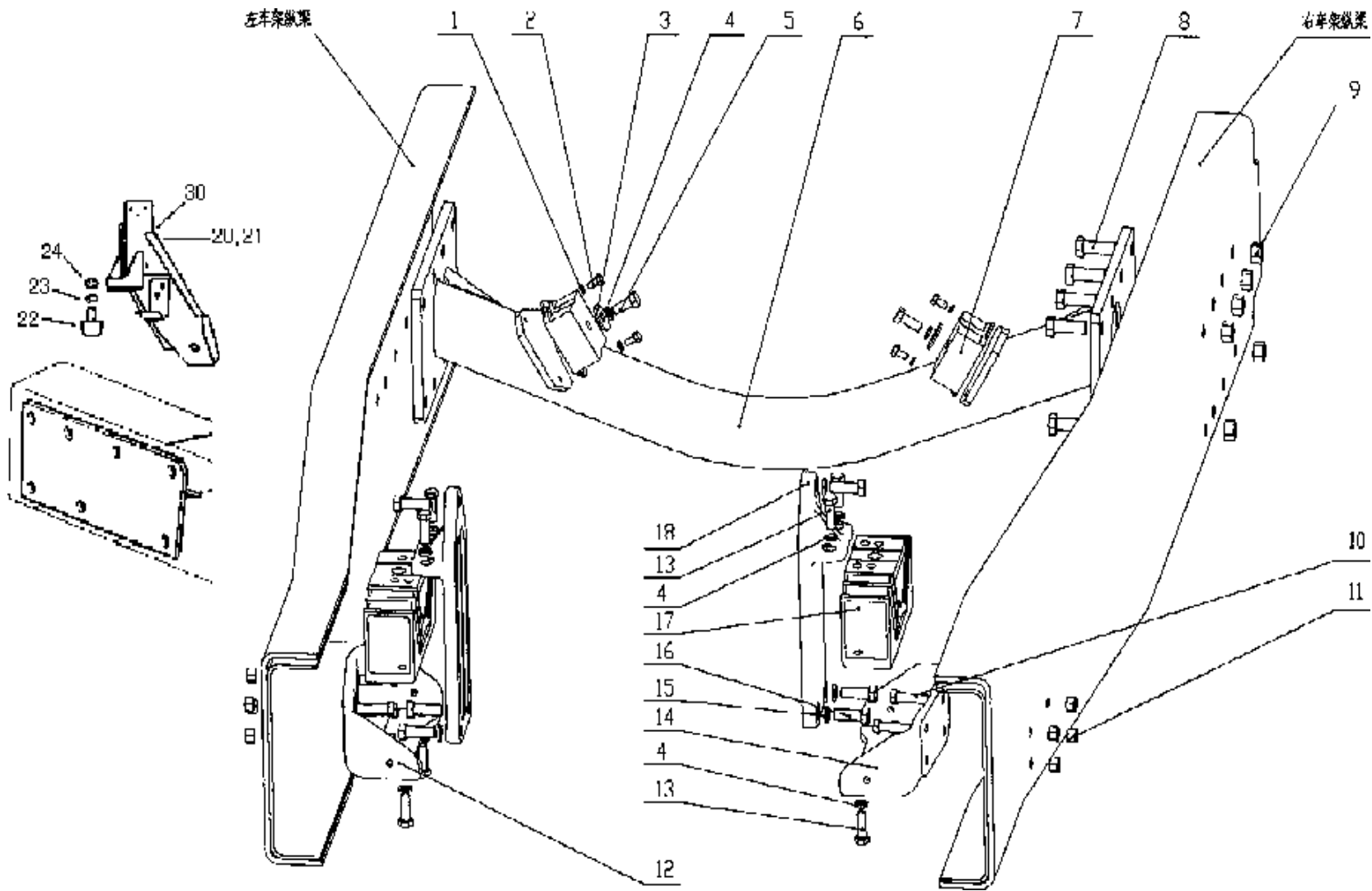
| No | Number of part | Quantity | Description | Applicability | Designation |
|-----|----------------|----------|-------------|----------------------------|--------------------|
| 1 | AZ9725190001 | 1 | | HHR | Supporter |
| 1 | WG9719190002 | 1 | | For WD615 | Supporter |
| 1 | AZ9725190065 | 1 | | For WD618 | Supporter |
| 2 | WG9100190026 | 1 | | | Strap |
| 3 | WG9725190063 | 1 | | For WD618 | Air filter |
| 3 | WG9719190001 | 1 | | | Air filter |
| 3 | WG9725190045 | 1 | | HHR | Air filter |
| 3a | WG1200190040 | 1 | | | Sensor |
| 3-1 | WG9719190001-1 | 1 | | | Filter element |
| 3-1 | WG9725190063-1 | 1 | | WD618 | Filter element |
| 3-1 | WG9725190045-1 | 1 | | HHR | Filter element |
| 4 | AZ9003980025 | 6 | | | Clamp |
| 5 | WG9719190046 | 1 | | | Hose |
| 5 | AZ9725190062 | 1 | | For WD618 | Hose |
| 5 | WG9725190042 | 1 | | HHR | Hose |
| 6 | WG9719190033 | 4 | | | Rubber block |
| 7 | WG9719190030 | 4 | | | Bracket |
| 7 | AZ9719190036 | 4 | | For high roof cab | Bracket |
| 8 | Q1840825 | 8 | | | Screw |
| 9 | Q33208 | 8 | | | Nut |
| 10 | WG9719190013 | 1 | | | Air intake line I |
| 11 | WG9719190016 | 1 | | | Strap |
| 12 | WG9719190015 | 1 | | | Siphon |
| 13 | WG9719190014 | 1 | | | Air intake line II |
| 13 | WG9725190061 | 1 | | For WD618,HHR | Air intake line II |
| 14 | Q150B0810 | 2 | | | Screw |
| 15 | Q150B0825 | 1 | | | Screw |
| 16 | Q40108 | 7 | | | Washer |
| 17 | Q33008 | 5 | | | Nut |
| 18 | WG9719190009 | 1 | | | Hose |
| 19 | Q150B1030 | 3 | | | Screw |
| 20 | Q40610 | 3 | | | Spring washer |
| 21 | 1113 010043 | 3 | | | Spacer |
| 22 | WG9719190040 | 1 | | | Bracket |
| 22 | AZ9725190081 | 1 | | For WD618,HHR | Bracket |
| 22a | AZ9725190079 | 1 | | ForWD618,HHR | Bracket |
| 23 | WG9719190050 | 1 | | For long cab,high roof cab | Pipe |
| 24 | WG9725190041 | 1 | | HHR | Hose |
| 24 | WG9719190008 | 1 | | | Hose |

| | | | | | |
|----|--------------|---|--|--|-------|
| 25 | 199100190065 | 1 | | | Sheet |
| 26 | 1280 550028 | 1 | | | Bolt |
| 27 | 1280 550029 | 1 | | | Screw |
| 28 | 1280 550027 | 1 | | | Bolt |
| 29 | Q33212 | 4 | | | Nut |
| 30 | Q150B1235 | 4 | | | Screw |

C1-7

SUSPENSION FOR ENGINE/发动机悬置

Fig. C1-9



C1-7

SUSPENSION FOR ENGINE/发动机悬置

| No | Number of part | Quantity | Description | Applicability | Designation |
|-----|----------------|----------|-------------|-----------------------|-------------------|
| 1 | Q40308 | 4 | | | Spring washer |
| 2 | Q150B0816 | 4 | | | Screw |
| 3 | 1480A360058 | 2 | | | Washer |
| 4 | Q40312 | 10 | | | Spring washer |
| 5 | 190003802622 | 2 | | | Screw |
| 6 | WG9719590001 | 1 | | WD615 | Crossbar |
| 6 | WG9731590001 | 1 | | 8×4,WD615 | Crossbar |
| 6 | AZ9725590029 | 1 | | WD618 | Crossbar |
| 6 | AZ9725590007 | 1 | | PIIC | Crossbar |
| 7 | WG1680590095 | 2 | | | Rubber support |
| 7 | AZ9725592000 | 2 | | PIIC | Rubber support |
| 8 | Q151B1645 | 6 | | | Screw |
| 9 | 190003888459 | 6 | | | Nut |
| 10 | Q150B1245 | 8 | | | Screw |
| 11 | Q33212 | 8 | | | Nut |
| 12 | AZ9731590015 | 1 | | WD615/618 | Bracket left |
| 12 | AZ9731590017 | 1 | | PIIC | Bracket |
| 13 | Q151C1235 | 8 | | | Screw |
| 14 | AZ9731590016 | 1 | | WD615/618 | Bracket right |
| 14 | AZ9731590017 | 1 | | PIIC | Bracket |
| 15 | Q151B1440 | 6 | | | Screw |
| 16 | Q40314 | 6 | | | Spring washer |
| 17 | AZ9725590031 | 2 | | | Bearing |
| 18 | AZ9731590020 | 2 | | WD615/618 | Support |
| 18 | AZ9725590002 | 1 | | WD615 with P.T.O rear | Bracket left |
| 18a | AZ9725590006 | 1 | | WD615 with P.T.O rear | Bracket right |
| 18 | AZ9725590081 | | | PIIC | Bracket right |
| 18a | AZ9725590082 | | | PIIC | Bracket left |
| 20 | AZ9725590046 | 1 | | WD618 | Support left |
| 20 | AZ9725596020 | 1 | | WD615.47 | Support left |
| 20a | AZ9725590045 | 1 | | WD618 | Aux.support left |
| 21 | AZ9725590047 | 1 | | WD618 | Support right |
| 21 | AZ9725596030 | 1 | | WD615.47 | Support right |
| 21a | AZ9725590048 | 1 | | WD618 | Aux.support right |
| 22 | WG9100590082 | 2 | | WD618,WD615.47 | Stop block |
| 23 | Q40312 | 2 | | WD618 | Washer |
| 24 | Q34012 | 2 | | WD618 | Nut |
| 30 | AZ9725590020 | 2 | | PIIC | Bearing |
| 30a | AZ9725590023 | 2 | | PIIC | Connecting plate |

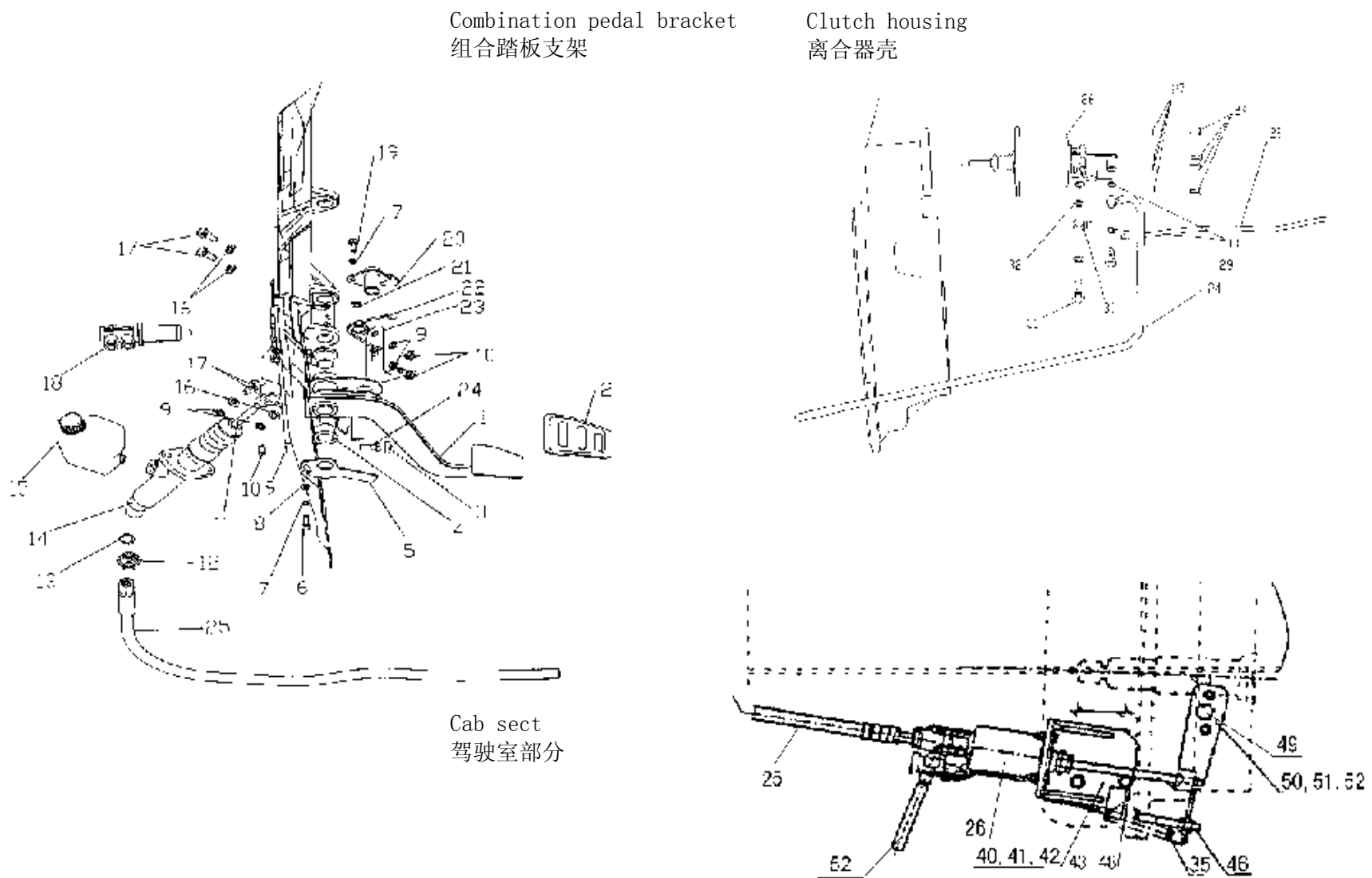
C1-8 SPECIAL PARTS OF WD615 FOR HOWO/HOWO车用WD615发动机专用件

| No | Number of part | Quantity | Description | Applicability | Designation |
|----|----------------|----------|-------------|-----------------------|---------------------------------------|
| 1 | 612600130125 | 1 | | WD615.62,87,69,47 | Air compressor |
| 2 | 612600130127 | 1 | | WD615.62,87,69,47 | Water pipe |
| 3 | AZ9719570027 | 1 | | WD615.62,87,69,47 | Bracket |
| 4 | 612600120103 | 1 | | WD615.47 | Bracket |
| 5 | 612600120122 | 1 | | WD615.69,87,62 | Bracket |
| 6 | 612600120121 | 1 | | WD615.69,87,62 | Air intake manifold |
| 7 | 612600111141 | 1 | | For engine PTO.rear | Connecting pipe |
| 8 | 612600111144 | 1 | | For engine PTO.rear | Air intake manifold |
| 9 | 612600111136 | | | WD615.62,87,69,47 | Exhaust manifold rear |
| 10 | 612600111137 | | | WD615.62,87,69,47 | Exhaust manifold front |
| 11 | 612600111182 | | | For engine PTO.rear | Oil intake pipe |
| 12 | 612600010898 | | | WD615.62,87,69,47 | Oil dipstick |
| 13 | 612600010899 | | | WD615.62,87,69,47 | Jauge |
| 14 | 612600111197 | | | WD615.62,87,69,47 | Screw |
| 15 | 612600010919 | | | WD615.62,87,69,47 | Nozzle |
| 16 | 612600111196 | | | WD615.62,87,69,47 | Air intake pipe |
| 17 | 612600111138 | | | WD615.62,87,69,47 | Heat shield |
| 18 | 612600111139 | | | WD615.62,87,69,47 | Heat shield |
| 19 | 612600111200 | | | WD615.62,87,69,47 | Screw |
| 20 | 612600111051 | | | WD615.62,87,69,47 | Oil pipe |
| 21 | 612600120100 | | | WD615.62,87,69,47 | Air intake manifold of aftercooler |
| 22 | 612600111213 | | | WD615.69,87,62 | Bracket |
| 23 | 612600111078 | | | WD615.62,87,69,47 | Connecting pipe |
| 24 | 612600120101 | | | For WD615.47 | Bottom air intake pipe of aftercooler |
| 27 | 612600830080 | | | WD615.62,87,69,47 | Cover |
| 28 | 612600070155 | | | WD615.62,87,69,47 | Washer |
| 29 | 612600010909 | | | WD615.62,87,69,47 | Washer |
| 30 | AZ9719530035 | | | WD618.82 | Air intake pipe of compressor |
| 31 | 612600111052 | | | WD615.62,87,69,47 | Screw for exhaust manifold |
| 32 | 612600130121 | | | WD615.62,87,69,47 | Rubber hose |
| 33 | 61560116227D | | | For engine P.T.O rear | Turbochager |
| 34 | 61560118227D | | Option | For engine P.T.O rear | Turbochager |
| 35 | 612600111413 | | | WD618.82 | Pipe of aftercooler |
| 36 | 612600111419 | | | WD618.82 | Air intake pipe of aftercooler |
| 37 | 612600111424 | | | WD618.82 | Bracket |
| 38 | 612600111425 | | | WD618.82 | Bracket |
| 39 | 612600060659 | | | WD618.82 | Water intake pipe |
| 40 | 61560118227 | | | WD615.62,87,69 | Turbochager |
| 41 | 61560110227 | | | WD615.47 | Turbochager |
| 42 | 612600081161 | | | WD615.62 | Injection pump |
| 43 | 612600081162 | | | WD615.87 | Injection pump |
| 44 | 612600080446 | | | WD615.87,bosch | Injection pump,Bosch |
| 45 | 612600083151 | | | WD615.69 | Injection pump |
| 46 | 612600082115 | | | WD615.69,bosch | Injection pump,Bosch |
| 47 | 61560080302 | | | WD615.47,bosch | Injection pump,Bosch |
| 48 | 612600060215 | | | WD618.82 | Φ 620 fan |
| 49 | 612600060166 | | | WD615.62 | Φ 750 fan |
| 50 | 612600060445 | | | WD615.87,62 | Φ 590 ring fan |
| 51 | 612600060446 | | | WD615.47,69 | Φ 640 ring fan |
| 52 | 81500060228 | | | WD615.47,69 | V-belt(speed ratio 3.39) |
| 53 | 61500060217 | | | WD615.87,62 | V-belt(speed ratio 3.15) |
| 54 | 612600090065 | | | WD615.62,87,69,47 | V-belt(altemater) |
| 55 | AZ1500098058 | | | WD615.62,87,69,47 | 1kw altemater |
| 56 | 612600098155 | | Option | WD615.62,87,69,47 | 1.5kw altemater |

C2-1

CLUTCH OPERATION SYSTEM/离合器操纵系统

Fig. C2-1



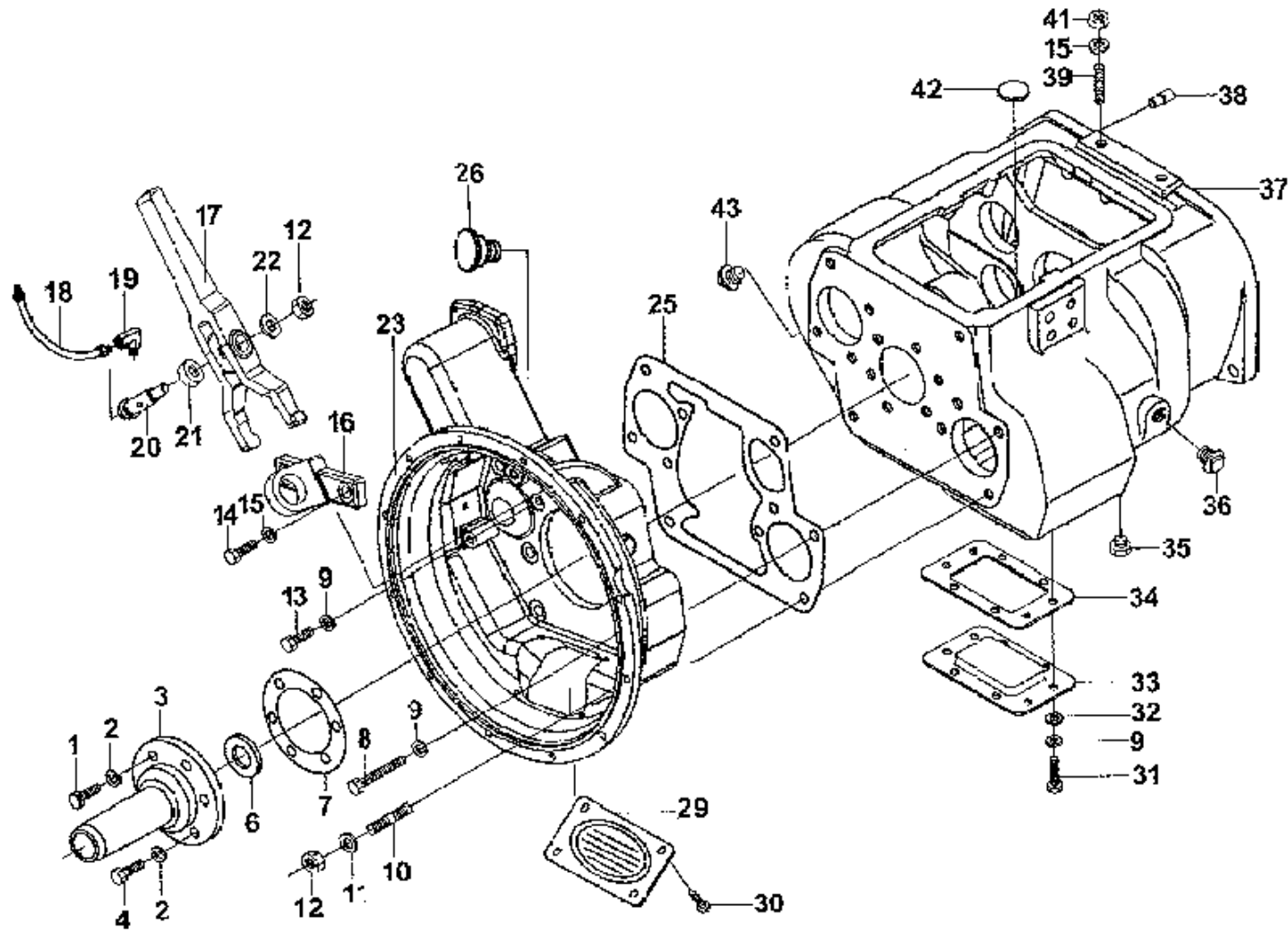
C2-1

CLUTCH OPERATION SYSTEM/离合器操纵系统

| No | Number of part | Quantity | Description | Applicability | Designation |
|----|----------------|----------|-------------|--------------------------------|---------------------|
| 0 | AZ9719360051 | 1 | | | Shaft |
| 0 | AZ9719360050 | 1 | | | Combination bracket |
| 1 | AZ9719230045 | 1 | | | Clutch pedal |
| 1 | AZ9719230070 | 1 | | For drive right | Clutch pedal |
| 2 | AZ9123230226 | 1 | | | Rubber footboard |
| 3 | AZ9123360067 | 1 | | | Plug |
| 4 | AZ9719360060 | 2 | | | Bush |
| 5 | AZ9719230019 | 1 | | | Stop bracket |
| 6 | Q150B0620 | 1 | | | Screw |
| 7 | Q40306 | 1 | | | Spring washer |
| 8 | Q40106 | 1 | | | Washer |
| 9 | Q40308 | 3 | | | Spring washer |
| 10 | Q340B08 | 1 | | | Nut |
| 11 | AZ9719230016 | 1 | | | Push rod |
| 12 | AZ9160230092 | 1 | | | Connector |
| 13 | Q72314T5F | 3 | | | Gasket |
| 14 | WG9719230015 | 1 | | | Driving cylinder |
| 15 | WG9719230014 | 1 | | | Clutch oil tank |
| 16 | Q40108 | 4 | | | Washer |
| 17 | Q150B0820 | 4 | | | Screw |
| 18 | WG9719230011 | 1 | | For FAST gearbox | Clutch brake valve |
| 19 | Q150B0615 | 1 | | | screw |
| 20 | AZ9719230012 | 1 | | | Bracket C. |
| 21 | Q340B06 | 1 | | | Nut |
| 22 | AZ9719230009 | 1 | | | Spring |
| 23 | AZ9719230007 | 1 | | | Spring bracket |
| 24 | Q150B0830 | 5 | | | Screw |
| 25 | WG9719230027 | 1 | | For Φ430 clutch | High pressure hose |
| 25 | WG9632230010 | 1 | | For drive right | High pressure hose |
| 25 | WG9123230026 | 1 | | For Φ420 clutch | High pressure hose |
| 26 | WG9114230018 | 1 | | For Φ430 clutch | Operating cylinder |
| 26 | WG9114230023 | 1 | | For Φ 420 clutch,FAST gear box | Operating cylinder |
| 26 | WG9114230029 | 1 | | For Φ 420 clutch,QJ S6-120 | Operating cylinder |
| 26 | WG9719230030 | 1 | | For Φ 420 clutch,QJ 5S-150GP | Operating cylinder |
| 27 | Q41208 | 4 | | | Washer |
| 28 | 190003179781 | 100cm | | | Plastic pipe |

| | | | | | |
|----|---------------|---|--|--|----------------|
| 29 | 190003962621 | 1 | | | Female screw |
| 30 | WG99100270119 | 1 | | | Hose connector |
| 31 | 190003962627 | 1 | | | Female screw |
| 32 | Q72316T5F | 1 | | | Gasket |
| 40 | AZ9114230016 | 1 | | | Bracket |
| 41 | Q151B1425 | 2 | | | Screw |
| 42 | Q40314 | 2 | | | Spring washer |
| 43 | 12054230100 | 1 | | | Spring |
| 44 | AZ9114230039 | 1 | | | Bracket |
| 45 | Q150B0825 | 4 | | | Screw |
| 46 | Q340B08 | 4 | | | Nut |
| 47 | Q40108 | 4 | | | Washer |
| 48 | Q40308 | 4 | | | Spring washer |
| 49 | 199112230033 | 1 | | | Release shaft |
| 50 | AZ9114230004 | 1 | | | Release lever |
| 51 | Q40310 | 2 | | | Spring washer |
| 52 | Q340B10 | 2 | | | Nut |
| 53 | AZ9160230272 | 1 | | | Screw |
| 54 | Q41810 | 2 | | | Washer |
| 55 | Q340B10 | 2 | | | Nut |

C2-2 Φ430 CLUTCH HOUSING FOR FAST RT-11509C/富勒RT-11509C装用Φ430离合器壳 Fig. C2-2



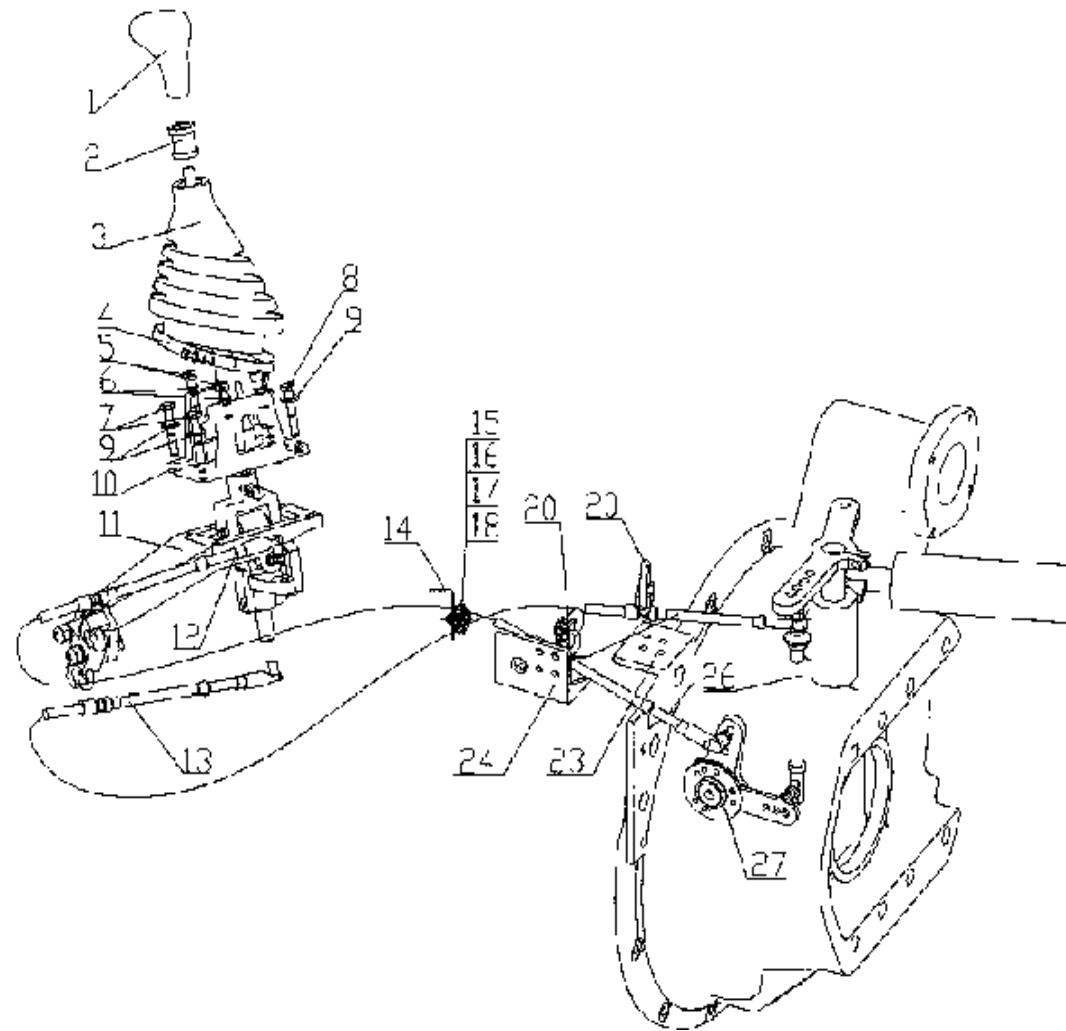
C2-2 Φ430 CLUTCH HOUSING FOR FAST RT-11509C/富勒RT-11509C装用Φ430离合器壳

| No | Number of part | Quantity | Description | Applicability | Designation |
|----|-----------------|----------|-------------|---------------|-----------------------|
| 1 | Q1701032 | 2 | | | Screw |
| 2 | Q40310 | 6 | | | Spring washer |
| 3 | JS180-1701040-1 | 1 | | | Cover |
| 4 | M10×32 | 4 | | | Screw |
| 6 | F500A-1802191 | 1 | | | Oil seal |
| 7 | 14311 | 1 | | | Gasket |
| 8 | M12×90 | 2 | | | Screw |
| 9 | Q40312 | 12 | | | Spring washer |
| 10 | C01056 | 6 | | | Stud |
| 11 | Q40016 | 6 | | | Washer |
| 12 | Q33216 | 7 | | | Nut |
| 13 | Q150B1238 | 2 | | | Screw |
| 14 | Q150B1645 | 2 | | | Screw |
| 15 | Q40316 | 4 | | | Spring washer |
| 16 | JS180-1601024-2 | 1 | | | T Style board |
| 17 | JS180-1601021-2 | 1 | | | Shift fork |
| 18 | 51016 | 1 | | | Oil pipe |
| 19 | 12880 | 1 | | | Connector |
| 20 | JS180-1601023-1 | 1 | | | Shift fork shaft |
| 21 | GB304-64UC25 | 1 | | | Joint bearing |
| 22 | JS180-1601022-1 | 1 | | | Washer |
| 23 | JS180-1601015-5 | 1 | | | Clutch housing |
| 25 | 20822 | 1 | | | Clutch housing gasket |
| 26 | A-6 | 1 | GB1154-79 | | Grease cup |
| 29 | JS180-1701016-3 | 1 | | | Cover |
| 30 | Q150B0812 | 4 | | | Screw |
| 31 | Q150B1225 | 8 | | | Screw |
| 32 | Q40112 | 8 | | | Washer |
| 33 | 16596 | 1 | | | Window cover |
| 34 | 16929 | 1 | | | Gasket |
| 35 | Q614B06 | 1 | | | Plug |
| 36 | Q614B12 | 1 | | | Plug |
| 37 | 18686 | 1 | | | Gearbox housing |
| 38 | 14334 | 2 | | | Stop pin |
| 39 | Q1231630 | 2 | | | Stud |
| 41 | Q33216 | 2 | | | Nut |
| 42 | 14373 | 3 | | | Magnet |
| 43 | Q61304 | 1 | | | Plug |

C3-1

GEARBOX GEAR CHANGE SYSTEM/变速器换档操纵装置

Fig. C3-1



C3-1

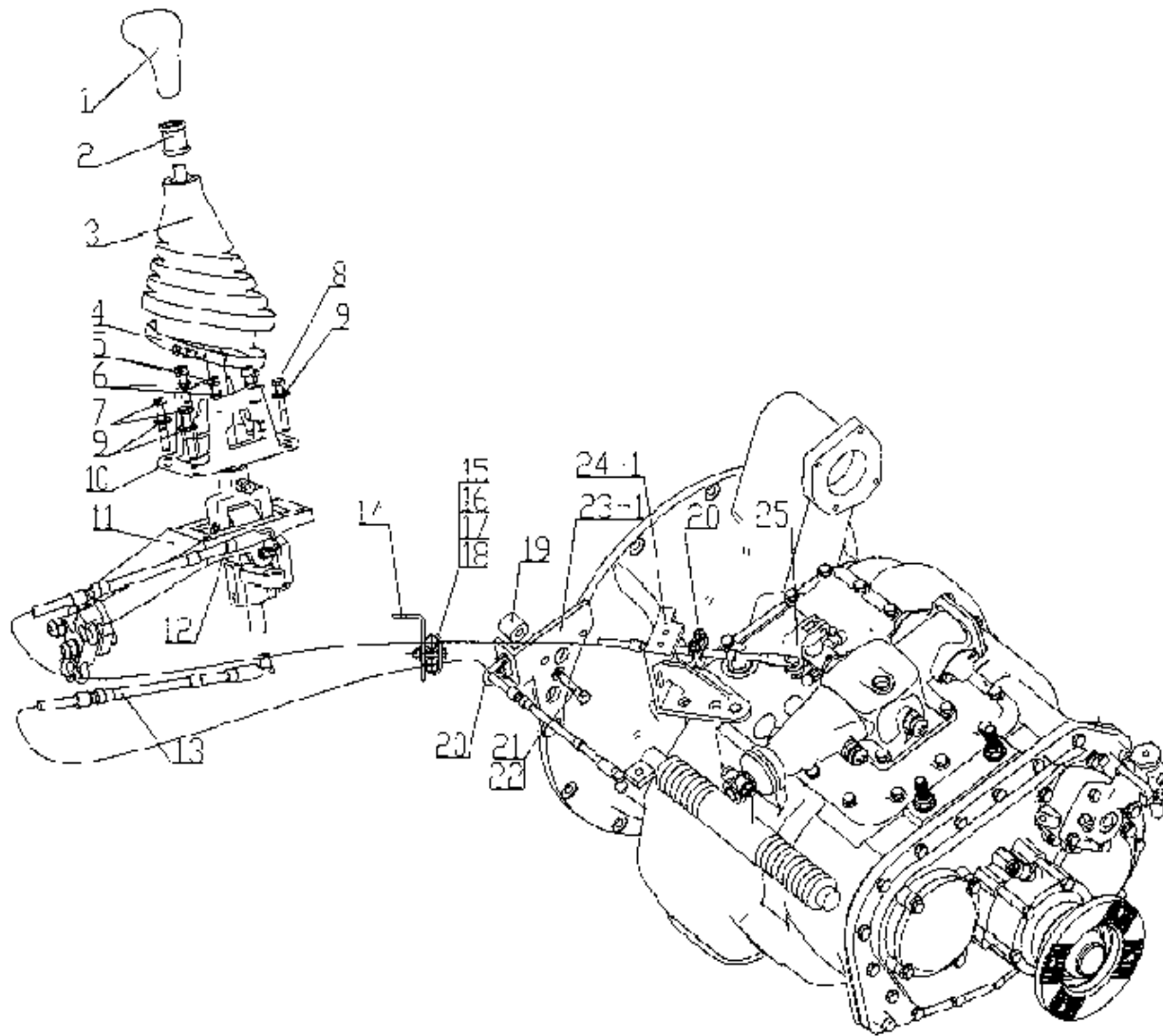
GEARBOX GEAR CHANGE SYSTEM/变速器换档操纵装置

| No | Number of part | Quantity | Description | Applicability | Designation |
|------|----------------|----------|-------------|---------------|-------------------|
| 1 | AZ9100240060 | 1 | | | Gear shift knob |
| 1 | AZ9123240214 | 1 | | | Gear shift knob |
| 1 | AZ9100240061 | 1 | | | Gear shift knob |
| 1 | AZ9716240001 | 1 | | | Gear shift knob |
| 1 | AZ9123240211 | | | | Gear shift knob |
| 2 | 179200240075 | 1 | | | Cable sleeve |
| 3 | AZ9719240002 | 1 | | | Siphon |
| 4 | 190003989318 | 1 | | | Circlip |
| 5 | Q218B0825 | 4 | | | Screw |
| 6 | Q40308 | 4 | | | Spring washer |
| 7 | Q150B0850 | 2 | | | Screw |
| 8 | Q150B0835 | 2 | | | Screw |
| 9 | Q40308 | 4 | | | Spring washer |
| 10 | AZ9719240032 | 1 | | | Connecting block |
| 11 | WG9716240010 | 1 | | | Operator assembly |
| 11-1 | WG9716240008 | 1 | | | Operator |
| 11-2 | WG9725240009 | 1 | | | Gear shift lever |
| 11 | WG9719240031 | 1 | | | Operator assembly |
| 11-1 | WG9719240028 | 1 | | | Operator |
| 11-2 | WG9725240009 | 1 | | | Gear shift lever |
| 12 | WG9719240007 | 1 | | | Positioning cable |
| 12 | WG9719240111 | 1 | | | Positioning cable |
| 12 | WG9716240011 | 1 | | | Positioning cable |
| 13 | WG9725240008 | 1 | | | Gear shift cable |
| 13 | WG9719240112 | 1 | | | Gear shift cable |
| 13 | WG9716240013 | 1 | | | Gear shift cable |

C3-1

GEARBOX GEAR CHANGE SYSTEM/变速器换档操纵装置

Fig. C3-2



C3-1

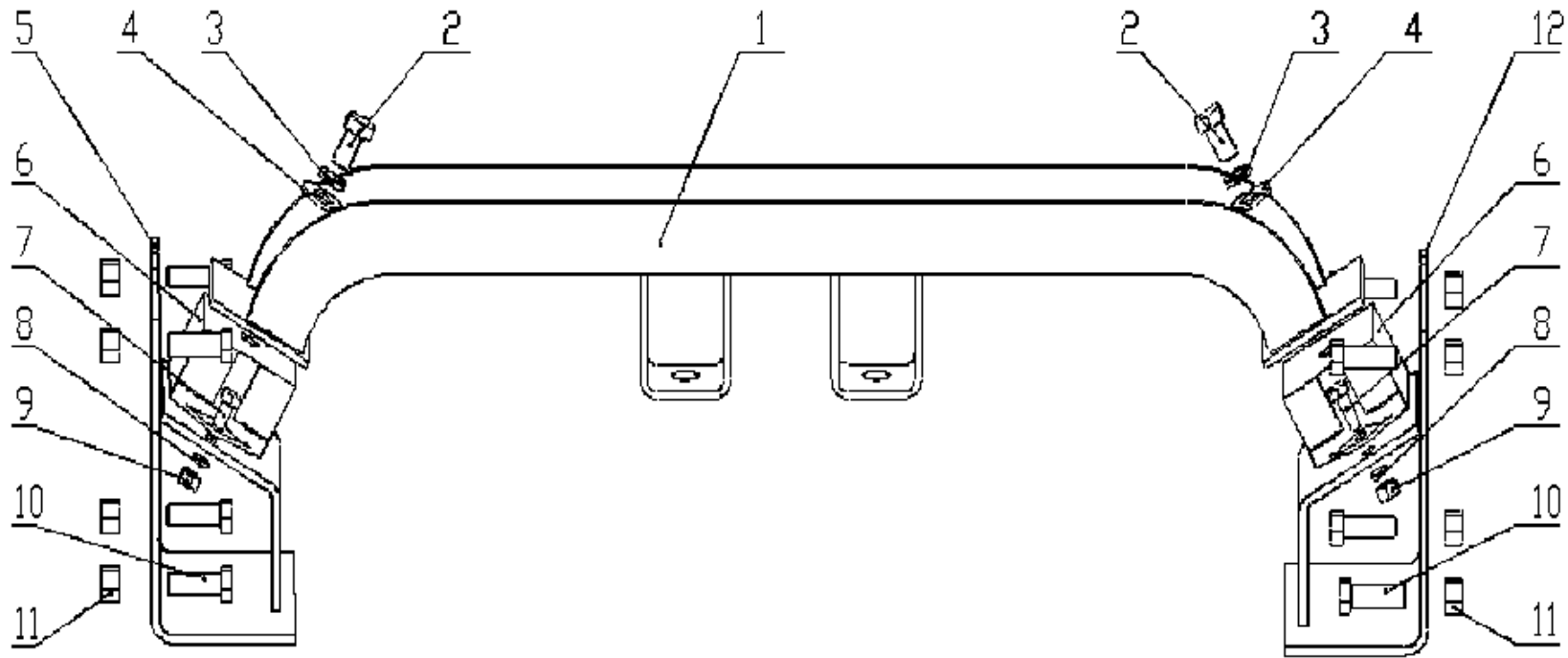
GEARBOX GEAR CHANGE SYSTEM/变速器换档操纵装置

| No | Number of part | Quantity | Description | Applicability | Designation |
|----|----------------|----------|-------------|---------------|-------------------------------|
| 14 | 1397 350169 | 3 | | | Angle |
| 15 | Q150B0840 | 3 | | | Screw |
| 16 | Q40308 | 3 | | | Spring washer |
| 17 | Q340B08 | 3 | | | Nut |
| 18 | 1188 730187 | 3 | | | Clamp |
| 19 | AZ9719240017 | 3 | | | Sleeve |
| 20 | WG9719240008 | 2 | | | Clamp |
| 21 | Q150B0835 | 1 | | | Screw |
| 22 | Q40108 | 1 | | | Washer |
| 23 | AZ9725240024 | 1 | | | Bracket for gear shift cable |
| 23 | AZ9717240027 | 1 | | | Bracket for gear shift cable |
| 23 | AZ9719240026 | 1 | | | Bracket for gear shift cable |
| 24 | AZ9719240025 | 1 | | | Bracket for positioning cable |
| 24 | AZ9719240029 | 1 | | | Bracket for positioning cable |
| 25 | AZ9719240023 | 1 | | | Positioning lever |
| 26 | WG9719240117 | 1 | | | Support bar |
| 27 | WG9719240116 | 1 | | | Positioning bar |
| 28 | WG9719240118 | 1 | | | Gear shift bar |
| 29 | AZ9725240026 | 6 | | | Protect sleeve for cable |

C3-2

GEARBOX SUSPENSION/变速器支承装置

Fig. C3-3



C3-2

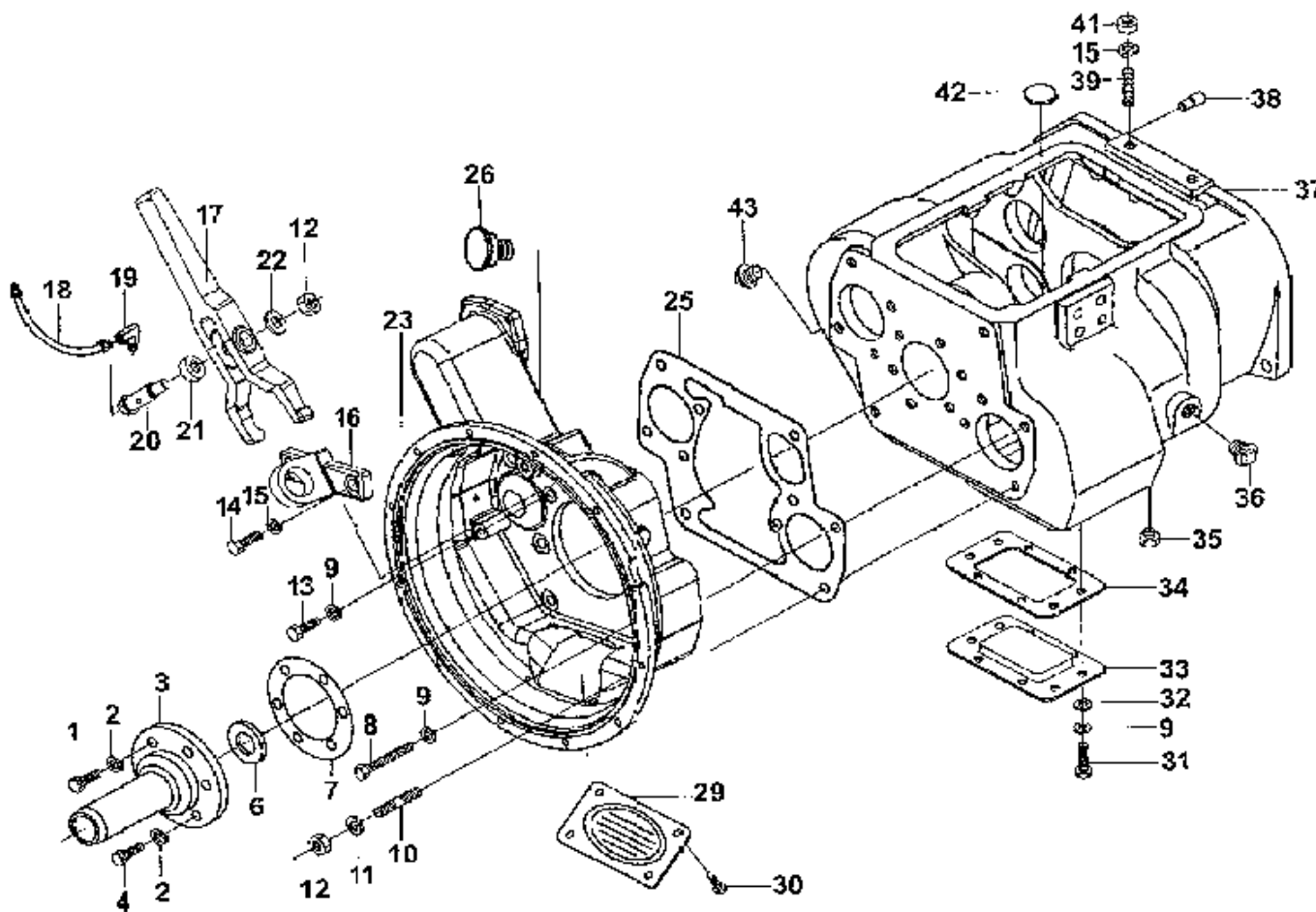
GEARBOX SUSPENSION/变速器支承装置

| No | Number of part | Quantity | Description | Applicability | Designation |
|----|----------------|----------|-------------|--------------------------------------|---------------|
| 1 | AZ9725596010 | 1 | | For FAST | Cross member |
| 1 | AZ9725590008 | 1 | | For 9JS180 | Cross member |
| 1 | AZ9731596160 | 1 | | For 8×4 with FAST | Cross member |
| 1 | AZ9725590090 | 1 | | For QJ5S-111(150)GP | Cross member |
| 2 | Q150B1222 | 2 | | | Screw |
| 3 | Q40312 | 2 | | | Spring washer |
| 4 | 1480A 360058 | 2 | | | Washer |
| 5 | AZ9725590095 | 1 | | For QJ5S-111(150)GP with Φ420 clutch | Left bracket |
| 5 | AZ9725596120 | 1 | | For FAST | Left bracket |
| 5 | AZ9725590063 | 1 | | For 9JS180 | Left bracket |
| 5 | AZ9731596170 | 1 | | For 8×4 with FAST | Left bracket |
| 5 | AZ9725596140 | 1 | | For engine with P.T.O rear | Left bracket |
| 5 | AZ9725590093 | 1 | | For QJ5S-111(150)GP with Φ430 clutch | Left bracket |
| 6 | WG1680590095 | 2 | | | Support front |
| 7 | Q150B0822 | 4 | | | Screw |
| 8 | Q40308 | 4 | | | Spring washer |
| 9 | Q340B08 | 4 | | | Nut |
| 10 | Q150B1235 | 8 | | | Screw |
| 11 | Q33212 | 8 | | | Nut |
| 12 | AZ9725596130 | 1 | | | Right bracket |
| 12 | AZ9725590060 | 1 | | For 9JS180 | Right bracket |
| 12 | AZ9731596180 | 1 | | 8×4 | Right bracket |
| 12 | AZ9725590018 | 2 | | HHR | Bracket |
| 12 | AZ9725596150 | 1 | | For engine with P.T.O rear | Right bracket |
| 12 | AZ9725590096 | 1 | | For QJ5S-111(150)GP with Φ420 clutch | Right bracket |
| 12 | AZ9725590094 | 1 | | For QJ5S-111(150)GP with Φ430 clutch | Right bracket |

C4-1

9JS150T GEARBOX HOUSING/9JS150T变速器壳体

Fig. C4-1



C4-1

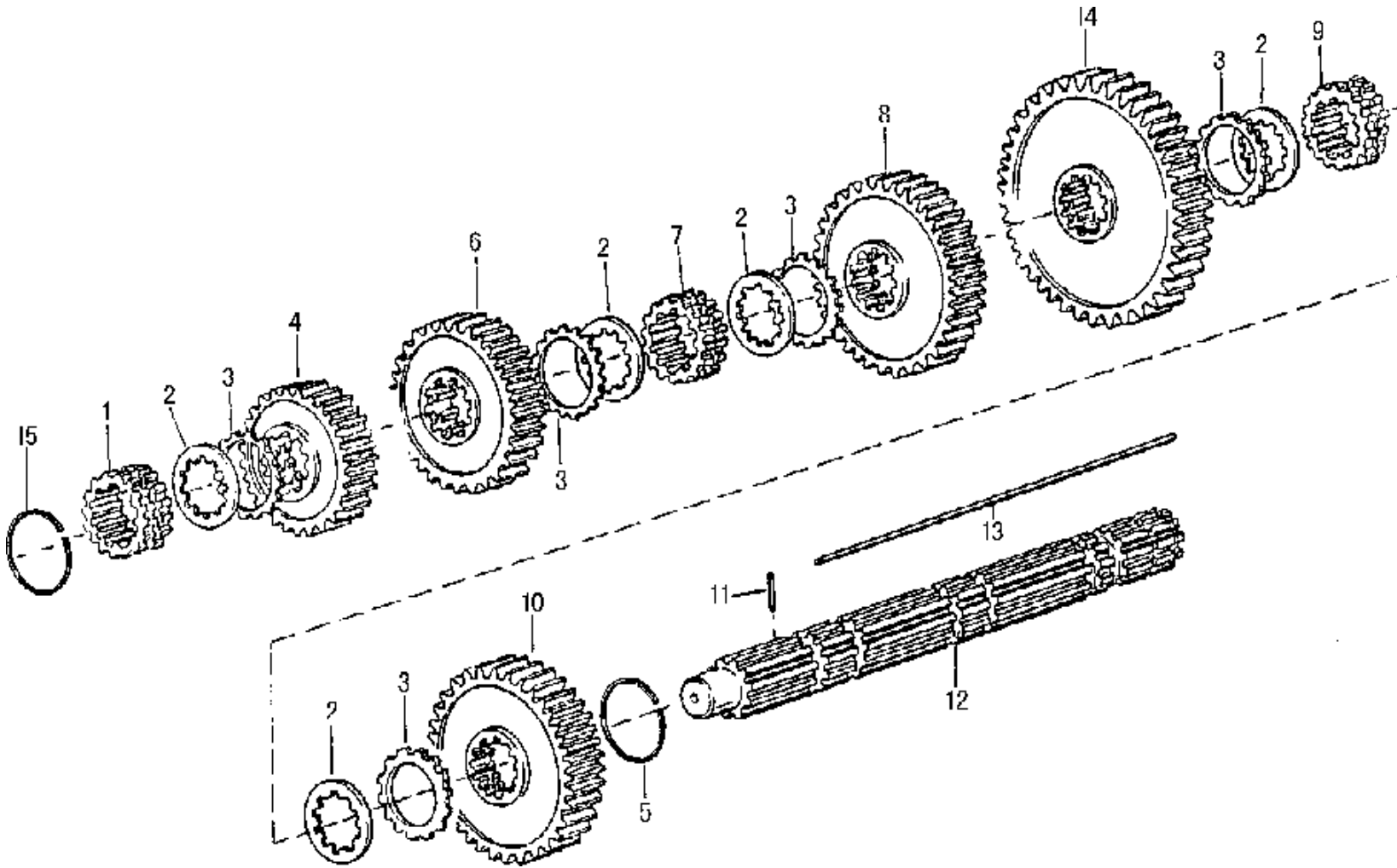
9JS150T GEARBOX HOUSING/9JS150T变速器壳体

| No | Number of part | Quantity | Description | Applicability | Designation |
|----|-----------------|----------|-------------|---------------|-----------------------|
| 1 | Q1701032 | 2 | | | Screw |
| 2 | Q40310 | 6 | | | Spring washer |
| 3 | JS180-1701040-1 | 1 | | | Cover |
| 4 | M10×32 | 4 | | | Screw |
| 6 | F500A-1802191 | 1 | | | Oil seal |
| 7 | 14311 | 1 | | | Gasket |
| 8 | M12×90 | 2 | | | Screw |
| 9 | Q40312 | 12 | | | Spring washer |
| 10 | C01056 | 6 | | | Stud |
| 11 | Q40016 | 6 | | | Washer |
| 12 | M16×1.5 | 7 | | | Nut |
| 13 | M12×38 | 2 | | | Screw |
| 14 | M16×45 | 2 | | | Screw |
| 15 | Q40316 | 4 | | | Spring washer |
| 16 | JS180-1601024-2 | 1 | | | T style board |
| 17 | JS180-1601021-2 | 1 | | | Shifting fork |
| 18 | 51016 | 1 | | | Oil pipe |
| 19 | 12880 | 1 | | | Connector |
| 20 | JS180-1601023-1 | 1 | | | Shifting fork shaft |
| 21 | GB304-64UC25 | 1 | | | Joint bearing |
| 22 | JS180-1601022-1 | 1 | | | Washer |
| 23 | JS180-1601015-5 | 1 | | | Clutch housing |
| 25 | 20822 | 1 | | | Clutch housing gasket |
| 26 | A-6 | 1 | | | Grease cup |
| 29 | JS180-1701016-3 | 1 | | | Clutch cover |
| 30 | Q150B0812 | 4 | | | Screw |
| 31 | Q150B1225 | 8 | | | Screw |
| 32 | Q40112 | 8 | | | Washer |
| 33 | 16596 | 1 | | | Window cover |
| 34 | 16929 | 1 | | | Gasket |
| 35 | Q614B06 | 1 | | | Plug |
| 36 | Q614B12 | 1 | | | Plug |
| 37 | 18686 | 1 | | | Gearbox housing |
| 38 | 14334 | 2 | | | Stop pin |
| 39 | Q1231630 | 2 | | | Stud |
| 41 | M16×1.5 | 2 | | | Nut |
| 42 | 14373 | 3 | | | Magnet |
| 43 | Q61304 | 1 | | | plug |

C4-2

9JS150T MAIN SHAFT/二轴总成

Fig. C4-2



C4-2

9JS150T MAIN SHAFT/二轴总成

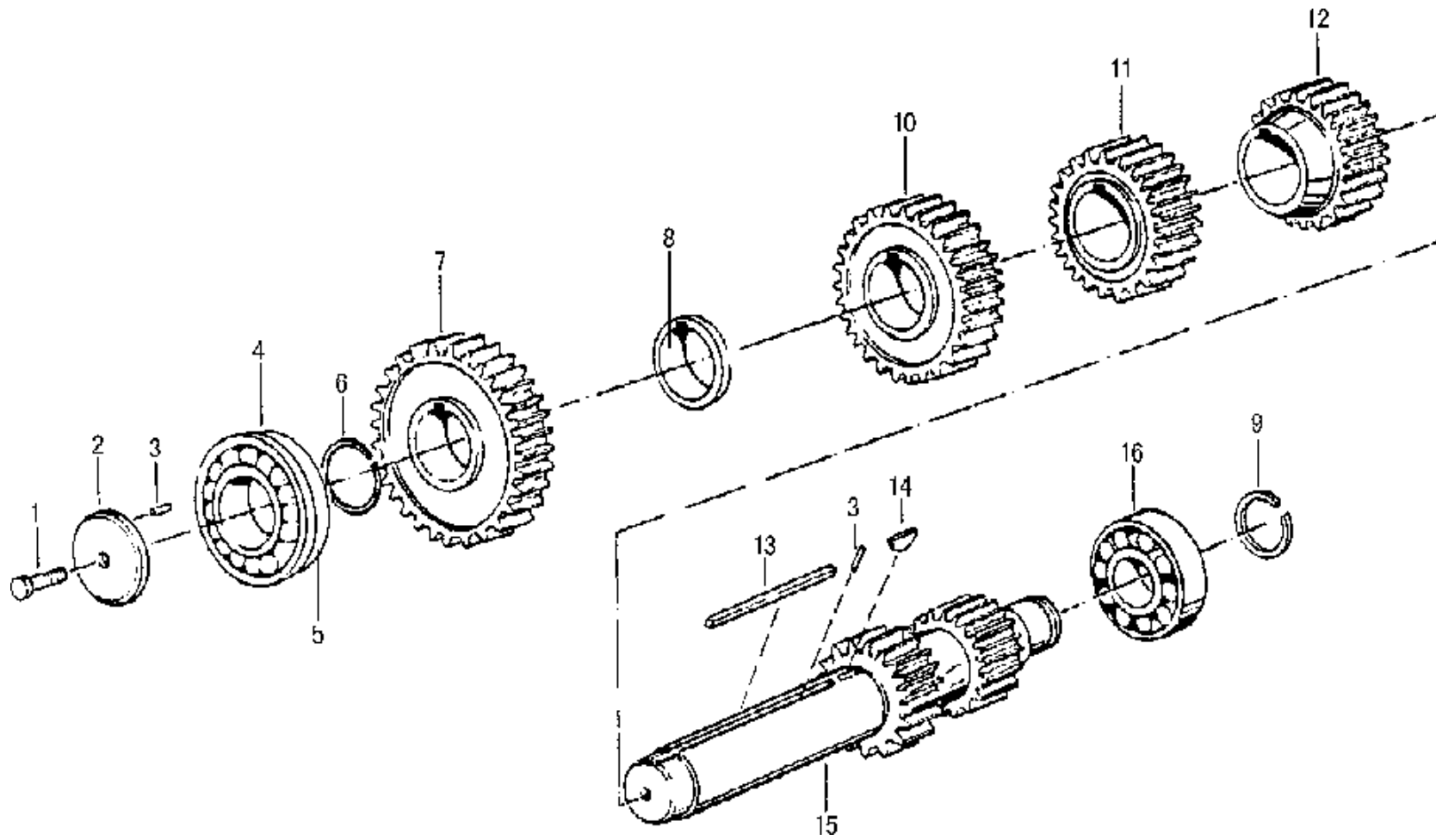
| No | Number of part | Quantity | Description | Applicability | Designation ※ |
|----|----------------|----------|-------------|---------------|--------------------------|
| 1 | JS150T-1701150 | | | | Synchronization 3-4 gear |
| 2 | 18701 | | | | Washer |
| 3 | 14749 | | | | Washer |
| 4 | JS150T-1701113 | | | | Gear M/S 3rd gear |
| 5 | 14750 | | | | Snap ring |
| 6 | JS150T-1701112 | | | | Gear M/S 2nd gear |
| 7 | JS150T-1701140 | | | | Synchronization 1-2 gear |
| 8 | JS150T-1701111 | | | | Gear M/S 1st gear |
| 9 | JS150T-1701108 | | | | Sliding clutch |
| 10 | JS150T-1701109 | | | | Gear M/S reverse gear |
| 11 | 62504 | | | | Flexibility roll pin |
| 12 | JS150T-1701105 | | | | Main shaft |
| 13 | 17109 | | | | Cotter |
| 14 | JS150T-1701110 | | | | Gear M/S Low gear |
| 15 | 16763 | | | | Snap ring |

※ MS—Main shaft

C4-3

9JS150T LAY SHAFT/中间轴总成

Fig. C4-3



C4-3

9JS150T LAY SHAFT/中间轴总成

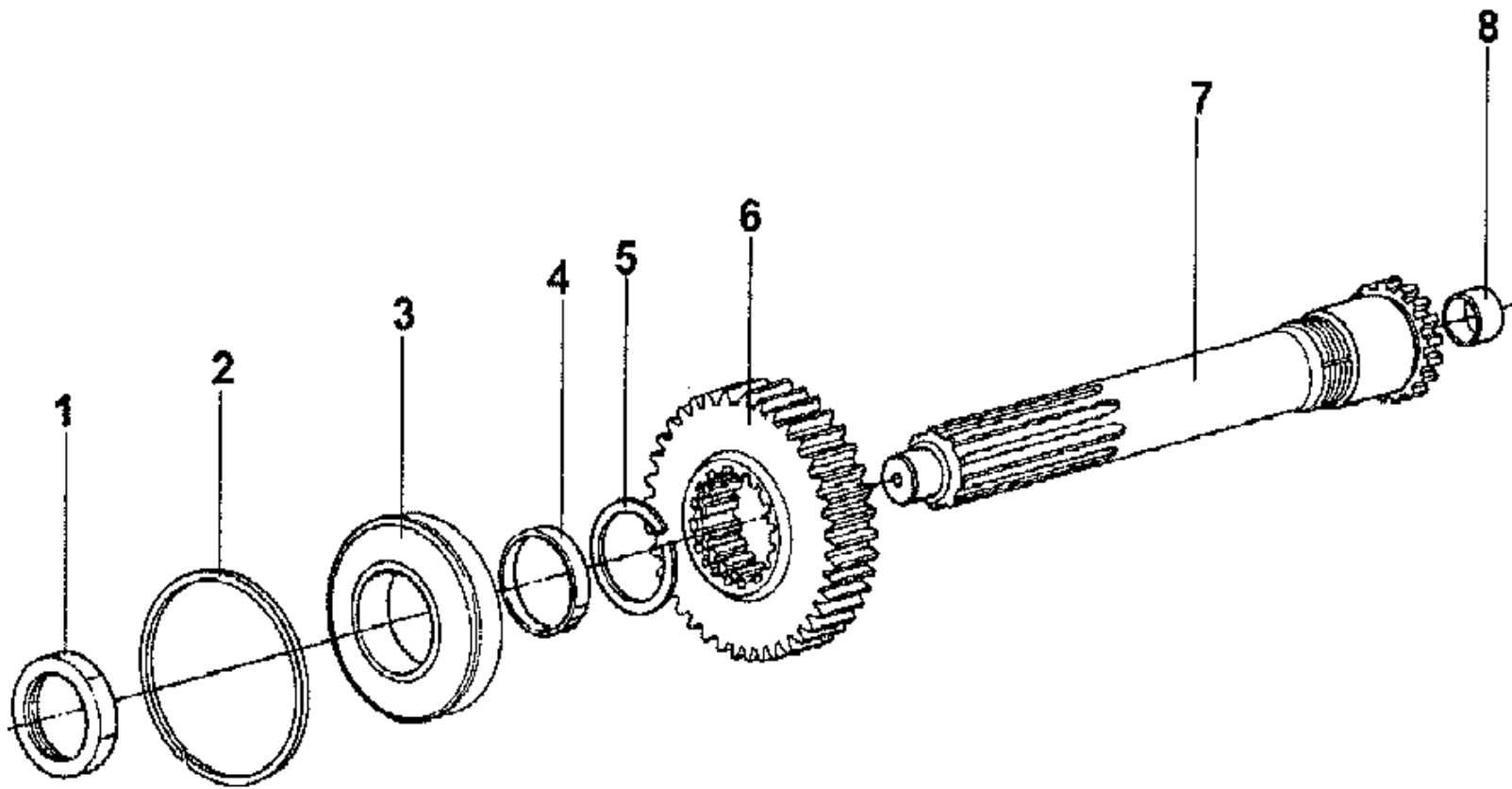
| No | Number of part | Quantity | Description | Applicability | Designation ※ |
|----|----------------|----------|-------------|---------------|----------------------|
| 1 | M16×1.5×45 | | | | Screw |
| 2 | 19668 | | | | Retainer |
| 3 | 62511 | | | | Flexibility roll pin |
| 4 | 370309Y | | | | Ball bearing |
| 5 | C01021 | | | | Snap ring |
| 6 | 19198 | | | | Stop ring |
| 7 | JS180T-1701056 | | | | C/S driven gear |
| 8 | JS150T-1701055 | | | | Spacer |
| 9 | 14317 | | | | Snap ring |
| 10 | JS180T-1701051 | | | | Gear C/S 3rd gear |
| 11 | JS150T-1701050 | | | | Gear C/S 2nd gear |
| 12 | JS150T-1701049 | | | | Gear C/S 1st gear |
| 13 | 19673 | | | | Cotter |
| 14 | X-6-E | | | | Key |
| 15 | JS150T-1701048 | | | | Counter shaft |
| 16 | 102308E | | | | Roller bearing |

※ C/S—Counter shaft

C4-4

9JS150T CLUTCH SHAFT/一轴总成

Fig. C4-4



C4-4

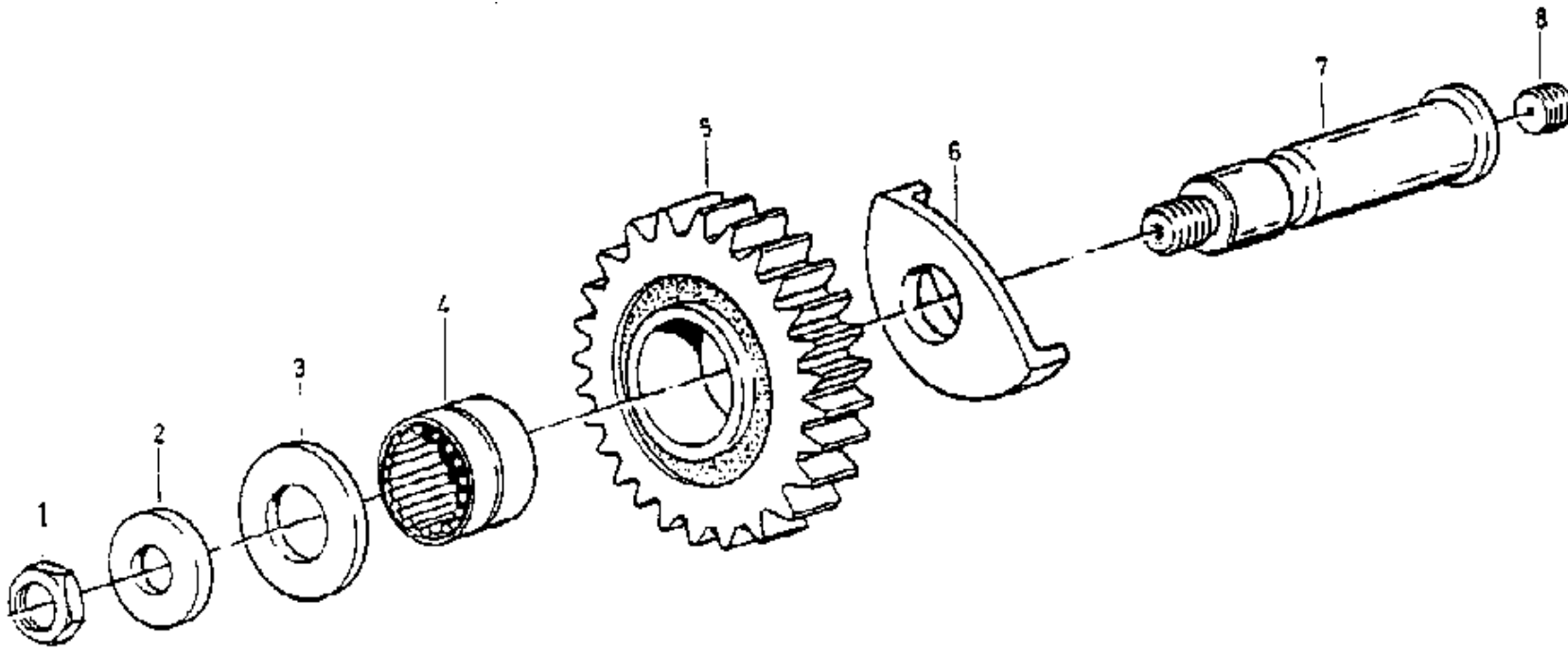
9JS150T CLUTCH SHAFT/一轴总成

| No | Number of part | Quantity | Description | Applicability | Designation |
|----|-----------------|----------|-------------|---------------|------------------|
| 1 | JS180A-1701036 | 1 | | | Nut |
| 2 | C01021 | 1 | | | Stop ring |
| 3 | 150212K | 1 | | | Ball bearig |
| 4 | 16463 | 1 | | | Spacer |
| 5 | 14750 | 1 | | | Stop ring |
| 6 | JS150T-1701031 | 1 | | | Gear input shaft |
| 7 | 19694 | 1 | | | Input shaft |
| 8 | JS180-1701030-1 | 1 | | | Bushing |

C4-5

9JS150T REVERSE SHAFT/倒档轴

Fig. C4-5



C4-5

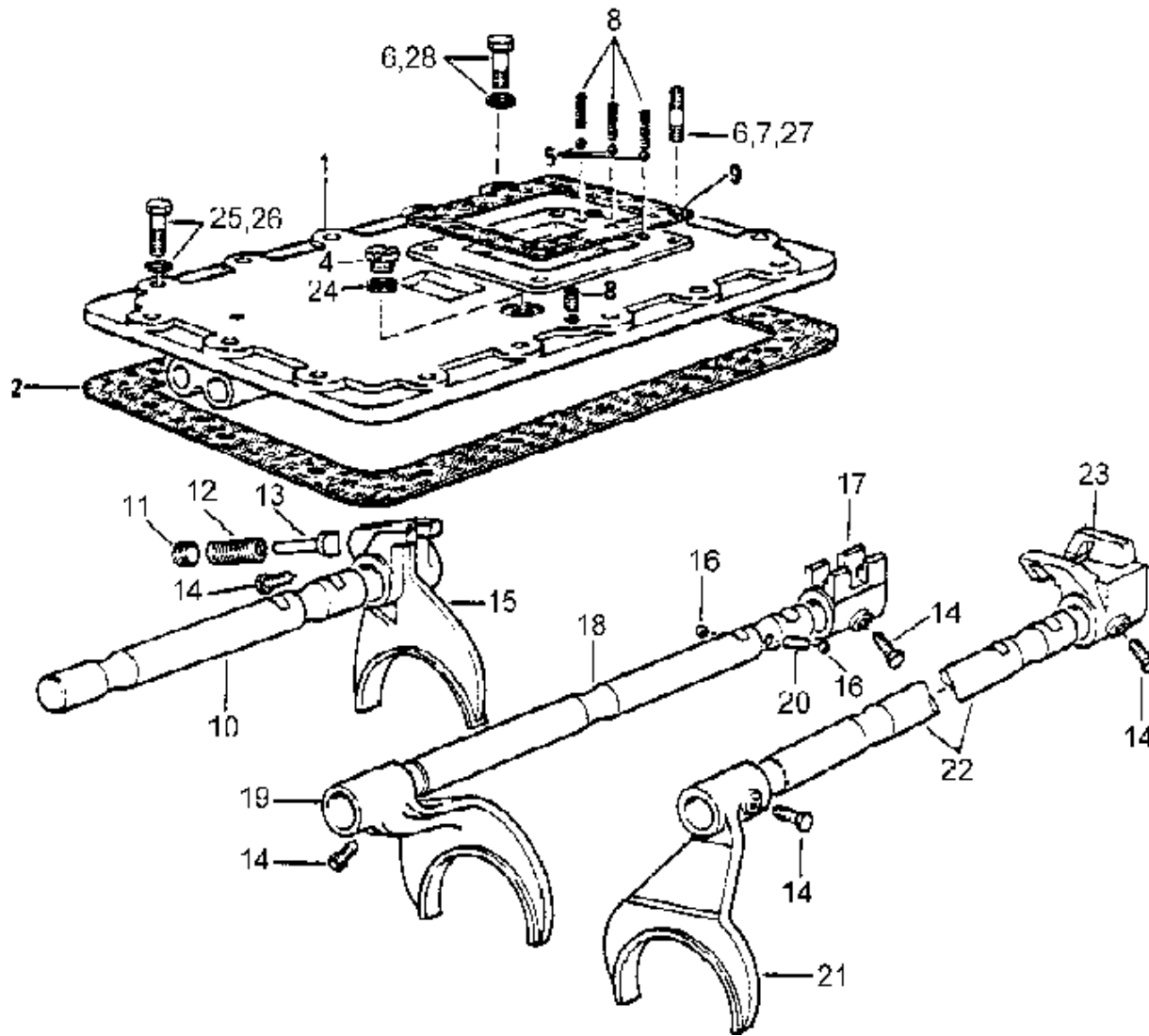
9JS150T REVERSE SHAFT/倒档轴

| No | Number of part | Quantity | Description | Applicability | Designation |
|----|----------------|----------|-------------|---------------|-------------------|
| 1 | M16×1.5 | 2 | | | Nut |
| 2 | 14283 | 2 | | | Washer |
| 3 | 14282 | 2 | | | Washer |
| 4 | 14287 | 2 | | | Roller bearing |
| 5 | 16757 | 2 | | | Reverse gear idle |
| 6 | 16403 | 2 | | | Washer |
| 7 | 16405 | 2 | | | Reverse shaft |
| 8 | M12×12 | 2 | | | Screw |

C4-6

9JS150T SWITCH GEAR/换档机构

Fig. C4-6



C4-6

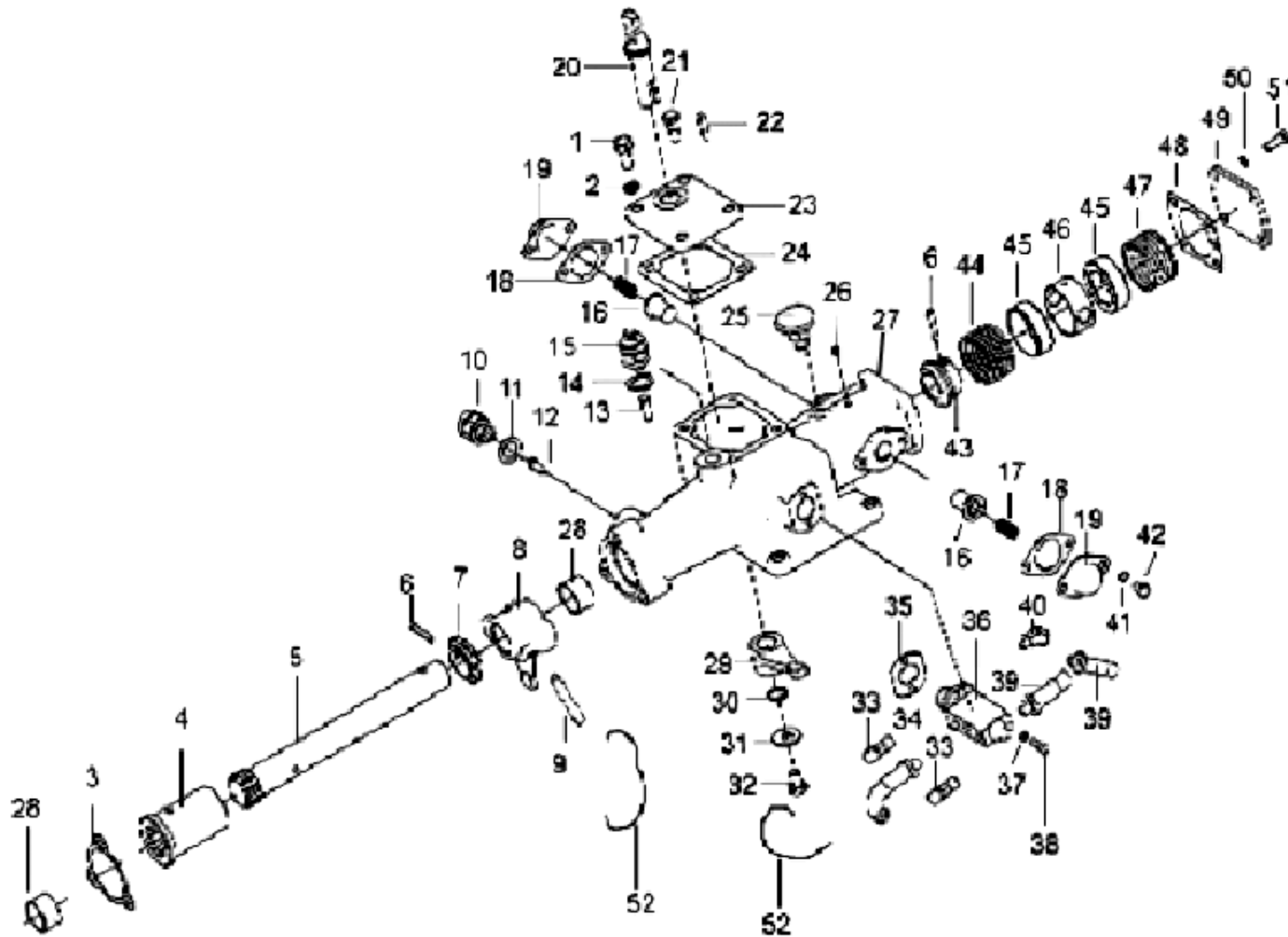
9JS150T SWITCH GEAR/换档机构

| No | Number of part | Quantity | Description | Applicability | Designation |
|----|----------------|----------|-------------|---------------|--------------------------------------|
| 1 | JS130T-1702015 | 1 | | | Cover |
| 2 | 14918 | 1 | | | Gasket |
| 3 | M10×35 | 2 | | | Screw |
| 3 | Q40310 | 2 | | | Spring washer |
| 4 | Q614B10 | 1 | | | Plug |
| 5 | 1/2" | 3 | | | Steel ball |
| 6 | 11066 | 4 | | | Stud |
| 7 | X-1-603 | 2 | | | Nut |
| 7 | Q40310 | 2 | | | Spring washer |
| 8 | F96084 | 3 | | | Spring |
| 9 | 1642 | 1 | | | Gasket |
| 10 | JS150T-1702064 | 1 | | | Yoke shaft low/reverse gear |
| 11 | 8968 | 1 | | | Plug |
| 12 | 2510738 | 1 | | | Spring |
| 13 | F99671 | 1 | | | Plug |
| 14 | 3220 | 5 | | | Screw |
| 15 | JS150T-1702054 | 1 | | | Shifting fork |
| 16 | 3/4" | 2 | | | Steel ball |
| 17 | JS150T-1702052 | 1 | | | Shifting block 1/2 gear and 5/6 gear |
| 18 | JS150T-1702065 | 1 | | | Yoke shaft 1/2 gear |
| 19 | JS150T-1702055 | 1 | | | Shifting fork 1/2 gear |
| 20 | 1634 | 1 | | | Locking pin |
| 21 | JS150T-1702056 | 1 | | | Shifting fork 3/4 gear |
| 22 | JS150T-1702066 | 1 | | | Yoke shaft 3/4 gear |
| 23 | F99589 | 1 | | | Shifting block 1/2 gear and 5/6 gear |
| 24 | 20815 | 2 | | | Lifting eye |
| 25 | M10×32 | 12 | | | Screw |
| 25 | Q40310 | 12 | | | Spring washer |
| 26 | M10×32 | 2 | | | Screw |
| 26 | Q40310 | 2 | | | Spring washer |
| 27 | Q351B10 | 2 | | | Nut |
| 28 | Q361B10 | 2 | | | Nut |

C4-7

9JS150T DOUBLE H OPERATION/双H换挡控制机构

Fig. C4-7



C4-7

9JS150T DOUBLE H OPERATION/双H换挡控制机构

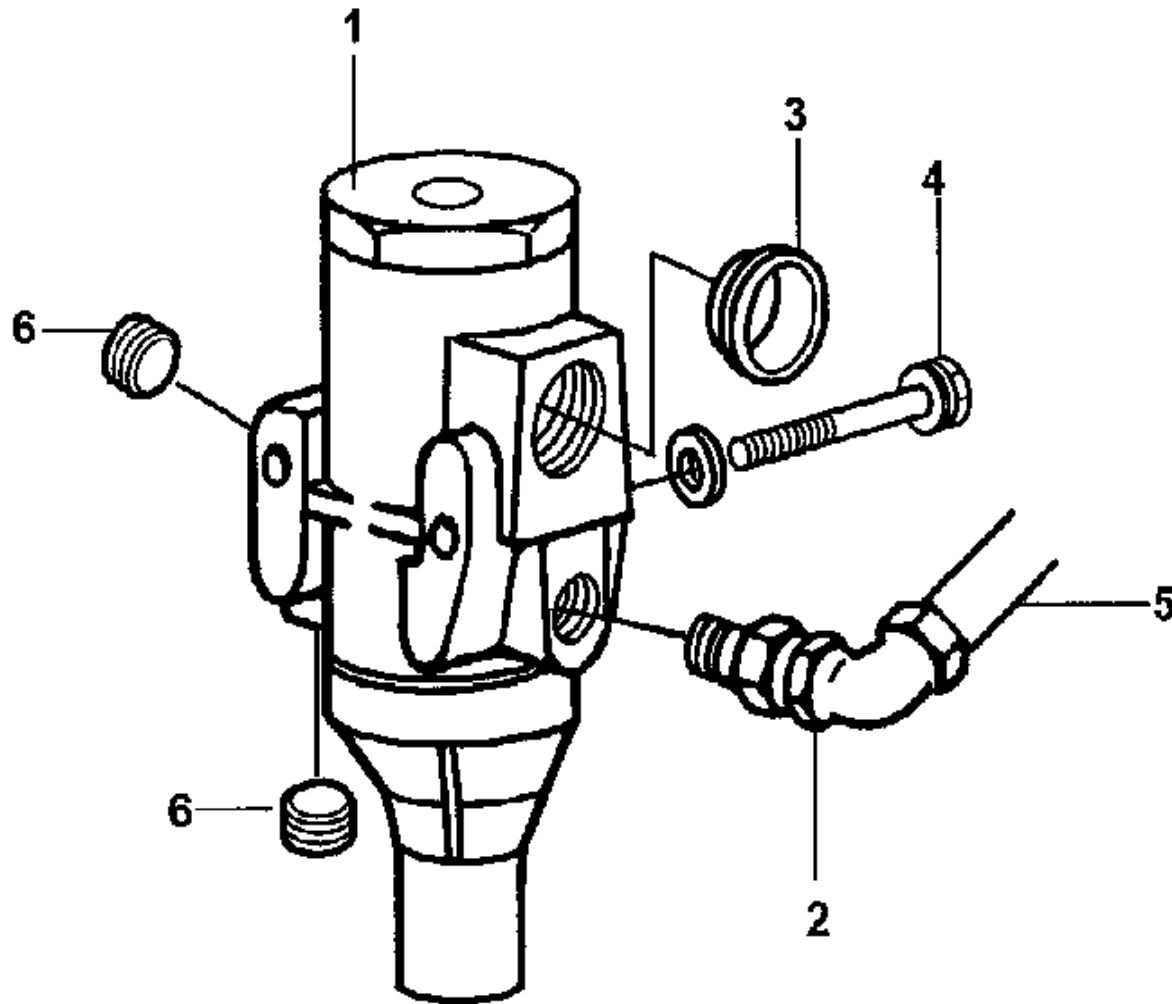
| No | Number of part | Quantity | Description | Applicability | Designation |
|----|----------------|----------|-------------|---------------|-----------------------------------|
| 1 | Q150B1025 | 2 | | | Screw |
| 2 | Q40310 | 2 | | | Spring washer |
| 3 | C03034-1 | 1 | | | Gasket |
| 4 | C03031-1 | 1 | | | Sleeve |
| 5 | F99679-8 | 1 | | | Gearshift shaft |
| 6 | Q5000635 | 2 | | | Flexibility roll pin |
| 7 | F99681 | 1 | | | shift block for reverse switch |
| 8 | F99585-1 | 1 | | | Shift finger |
| 9 | C03030 | 1 | | | Roll pin |
| 10 | 9912710041 | 1 | | | Pressure switch(neutral position) |
| 11 | Q72318T5 | 1 | | | Seal ring |
| 12 | F99702-1 | 1 | | | Pin |
| 13 | 15899 | 1 | | | Pin |
| 14 | C03015 | 1 | | | Seal ring |
| 15 | 79100710068 | 1 | | | Pressure switch(reverse gear) |
| 16 | F99670 | 2 | | | Plug |
| 17 | F96037-2 | 2 | | | Spring |
| 18 | F96140 | 2 | | | Gasket |
| 19 | F96141 | 2 | | | Spring cover |
| 20 | C03038-1 | 1 | | | Shift joint |
| 21 | C03040-1 | 2 | | | Screw |
| 22 | Q5510628 | 1 | | | Key |
| 23 | C03036-1 | 1 | | | Cover |
| 24 | C03037-7 | 1 | | | Gasket |
| 25 | 15276 | 1 | | | Plug |
| 26 | C03004 | 1 | | | Screw |
| 27 | F96194-6 | 1 | | | Housing |
| 28 | F91345 | 2 | | | Bush |
| 29 | C03035-1 | 1 | | | Shift finger |
| 30 | HG4-333-66 | 1 | | | O Ring |
| 31 | C03039-1 | 1 | | | Washer |
| 32 | Q170B1016 | 1 | | | Screw |
| 33 | 7935 | 2 | | | Plug |
| 34 | 55521 | 1 | | | Hose |
| 35 | F91353 | 1 | | | Double H valve gasket |
| 36 | F99660 | 1 | | | Double H valve |
| 37 | Q40306 | 2 | | | Spring washer |
| 38 | M6×18 | 2 | | | Screw |

| | | | | | |
|----|--------|---|--|--|----------------|
| 39 | 55506 | 2 | | | Hose |
| 40 | 12880 | 1 | | | Angle screwing |
| 41 | Q40308 | 4 | | | Spring washer |
| 42 | M8×12 | 4 | | | Screw |
| 43 | F99675 | 1 | | | Snap ring |
| 44 | F99983 | 1 | | | Spring |
| 45 | F99673 | 2 | | | Spring bracket |
| 46 | F99674 | 1 | | | Spring sleeve |
| 47 | F99983 | 1 | | | Spring |
| 48 | F99672 | 1 | | | Gasket |
| 49 | F99666 | 1 | | | Plate |
| 50 | Q40308 | 4 | | | Spring washer |
| 51 | M8×22 | 4 | | | Screw |
| 52 | 1819 | | | | Wire |

C4-8

AIR REGULATOR VALVE/空气滤清调节器

Fig. C4-8



C4-8

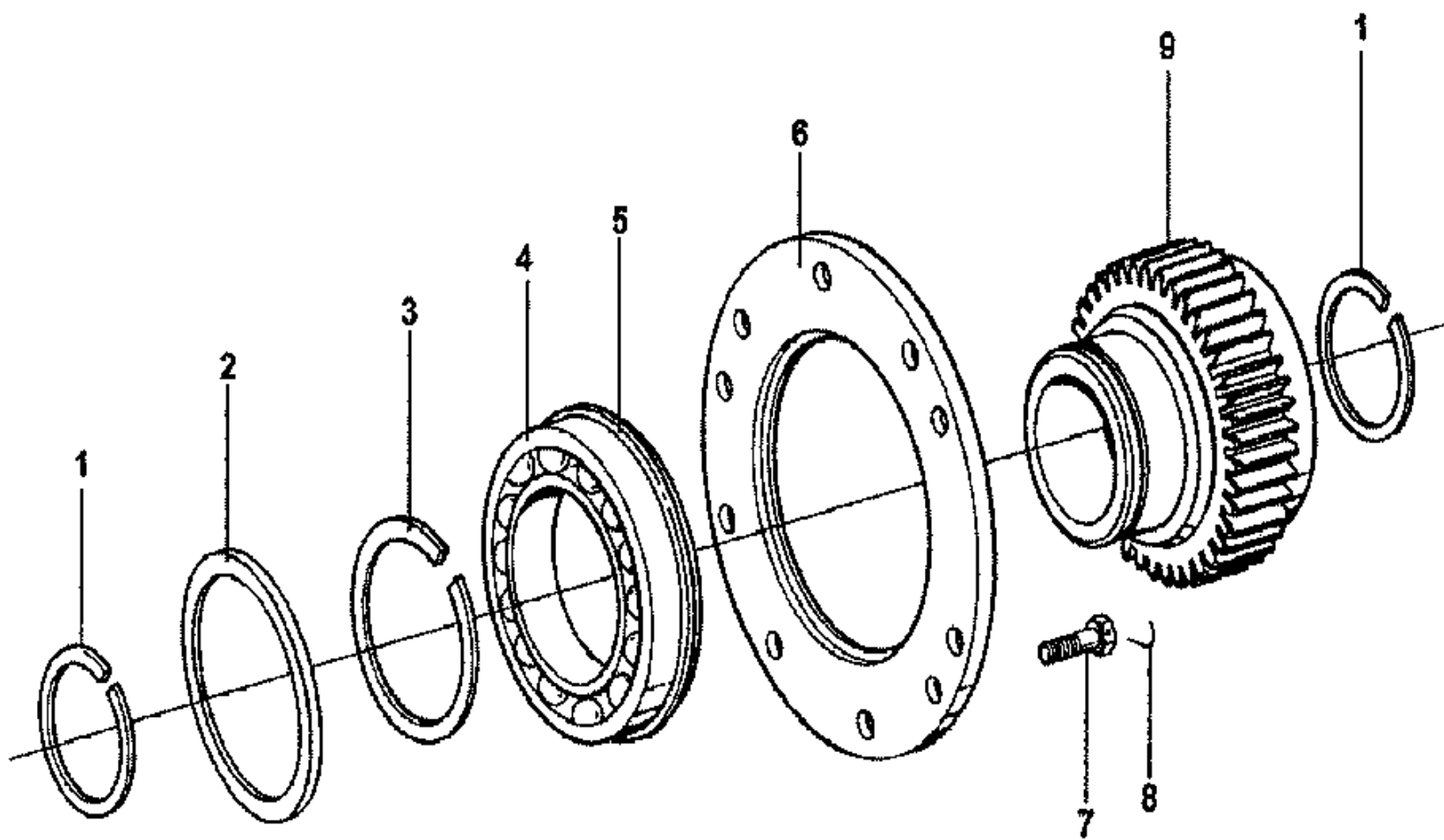
AIR REGULATOR VALVE/空气滤清调节器

| No | Number of part | Quantity | Description | Applicability | Designation |
|----|----------------|----------|-------------|---------------|----------------|
| 1 | A-4740 | 1 | | | Air filter |
| 2 | 12845 | 1 | | | Angle screwing |
| 3 | 54015 | 1 | | | Plug |
| 4 | M6×60 | 2 | | | Screw |
| 4 | GB93-87 | 2 | | | Washer |
| 5 | 55518 | 1 | | | Pipe |
| 6 | Q618B01 | 2 | | | Plug |

C4-9

9JS150T AUX. GEARBOX DRIVE GEAR/副箱驱动齿轮

Fig. C4-9



C4-9

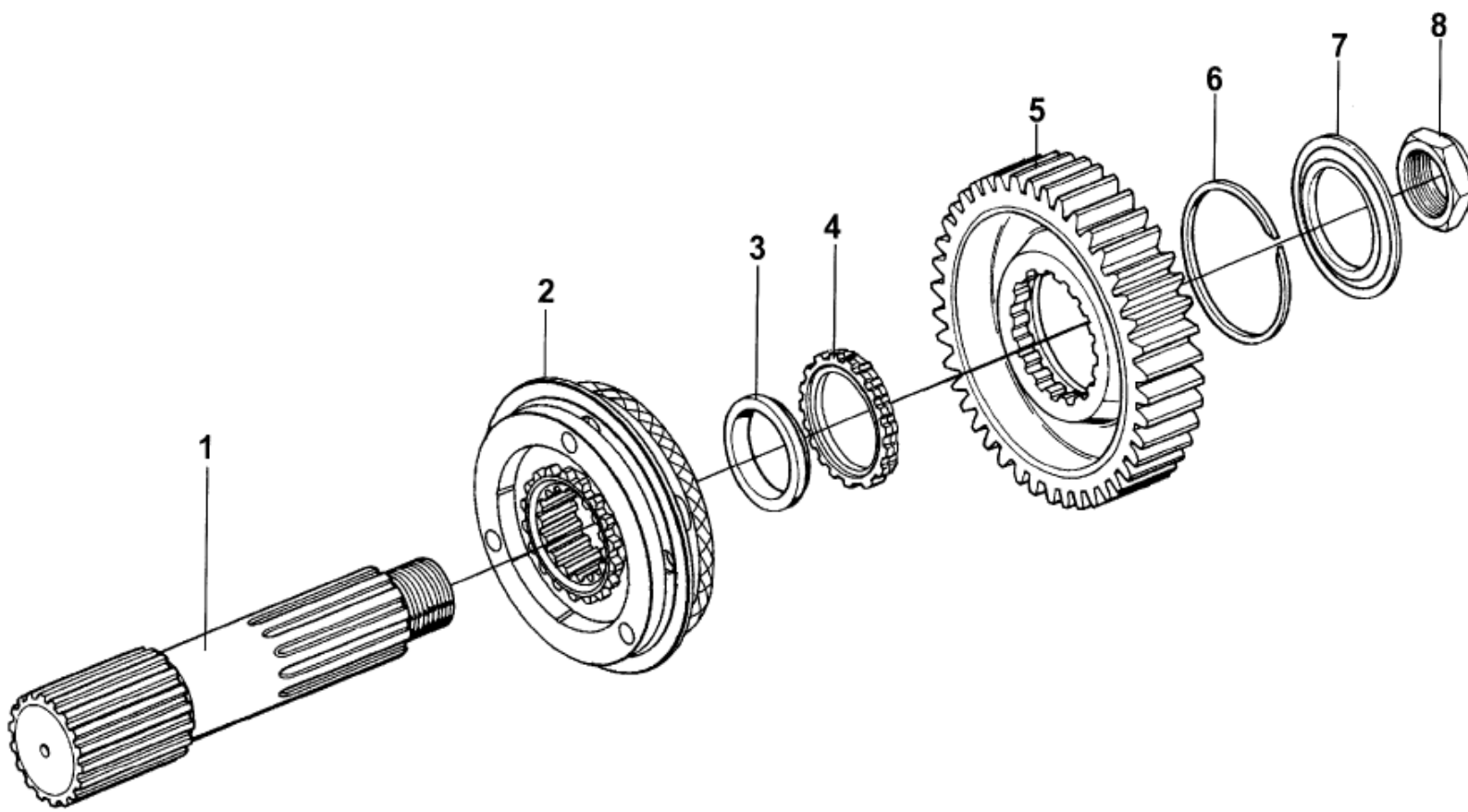
9JS150T AUX. GEARBOX DRIVE GEAR/副箱驱动齿轮

| No | Number of part | Quantity | Description | Applicability | Designation |
|----|----------------|----------|-------------|---------------|--------------|
| 1 | 16763 | 2 | | | Snap ring |
| 2 | C01033 | 1 | | | Locking ring |
| 3 | 16628 | 1 | | | Snap ring |
| 4 | 50118 | 1 | | | Ball bearing |
| 5 | C01019 | 1 | | | Snap ring |
| 6 | 16138 | 1 | | | Retainer |
| 7 | M10×22 | 6 | | | Screw |
| 8 | 1819 | | | | Wire |
| 9 | 18869 | 1 | | | Drive gear |

C4-10

9JS150T AUX. GEARBOX OUTPUTSHAFT/副箱主轴总成

Fig. C4-10



C4-10

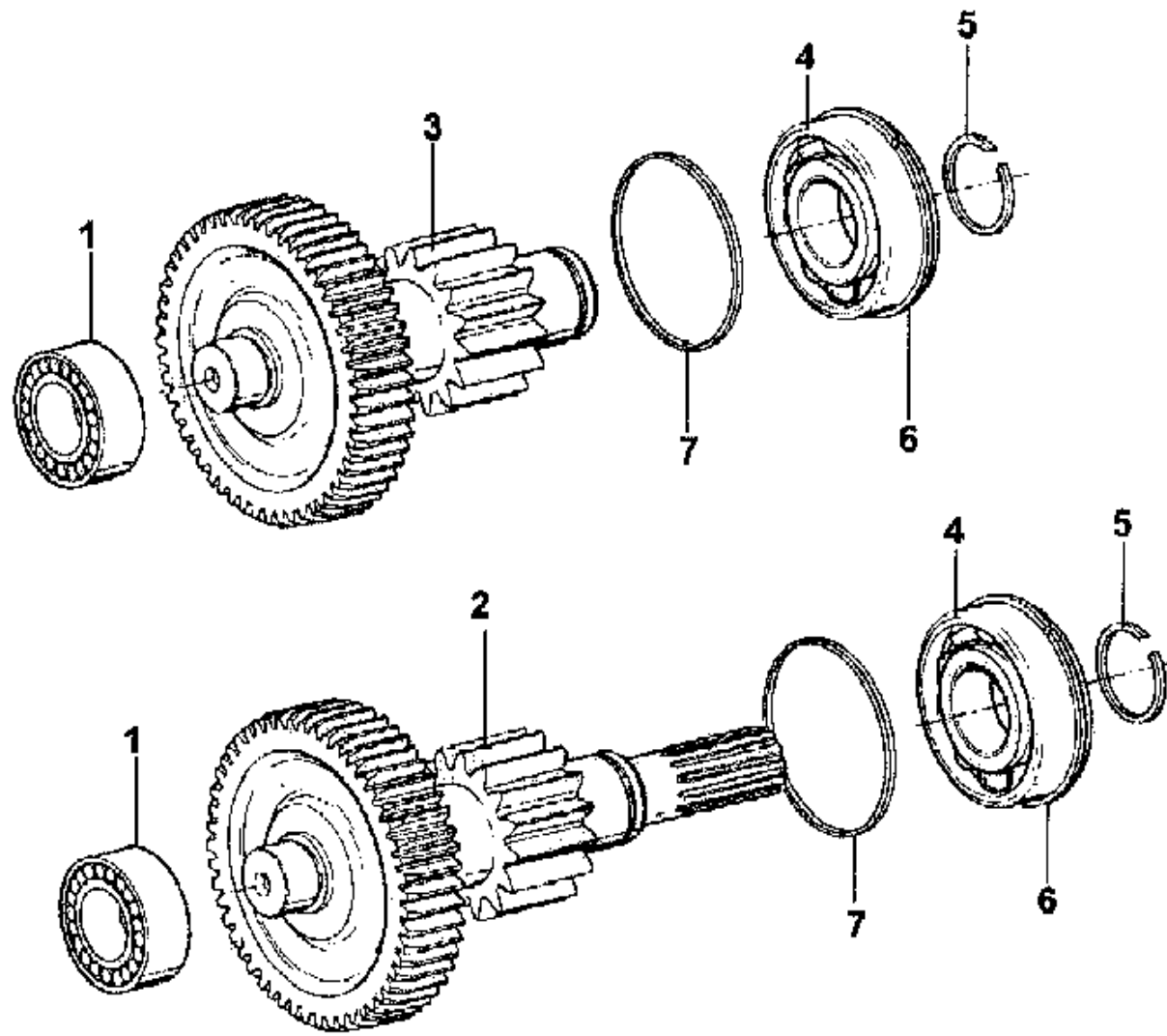
9JS150T AUX. GEARBOX OUTPUTSHAFT/副箱主轴总成

| No | Number of part | Quantity | Description | Applicability | Designation |
|----|----------------|----------|-------------|---------------|-------------------------------|
| 1 | F99882 | 1 | | | Main shaft |
| 2 | A-C09005 | 1 | | | Synchronisation high-Low gear |
| 3 | 14332 | 1 | | | Main shaft washer |
| 4 | 14331 | 1 | | | Main shaft washer |
| 5 | 19726 | 1 | | | Reduction gear |
| 6 | 14327 | 1 | | | Snap ring |
| 7 | 19466 | 1 | | | Washer |
| 8 | F96006 | 1 | | | Nut |

C4-11

9JS150T AUX. GEARBOX LAY SHAFT/副箱中间轴总成

Fig. C4-11



C4-11

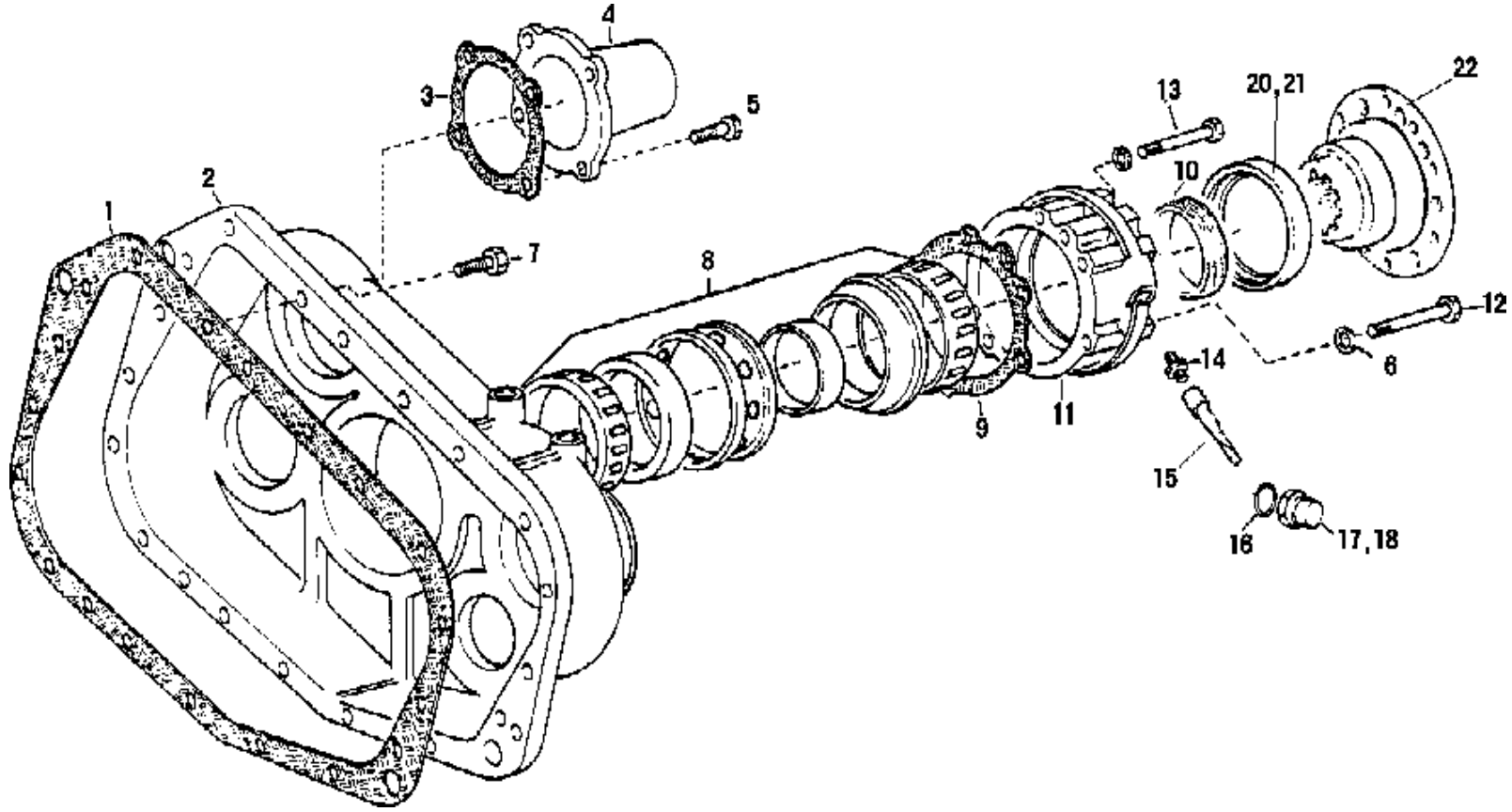
9JS150T AUX. GEARBOX LAY SHAFT/副箱中间轴总成

| No | Number of part | Quantity | Description | Applicability | Designation |
|----|----------------|----------|-------------|---------------|------------------|
| 1 | 42307E | 2 | | | Roller bearing |
| 2 | A-5119 | 1 | | | Long lay shaft C |
| 3 | A-C09019 | 1 | | | Long lay shaft |
| 4 | 192310E | 2 | | | Roller bearing |
| 5 | 16723 | 2 | | | Snap ring |
| 6 | C01020 | 2 | | | Snap ring |
| 7 | 17384 | 2 | | | Washer |

C4-12

9JS150T REAR COVER/后盖总成

Fig. C4-12



C4-12

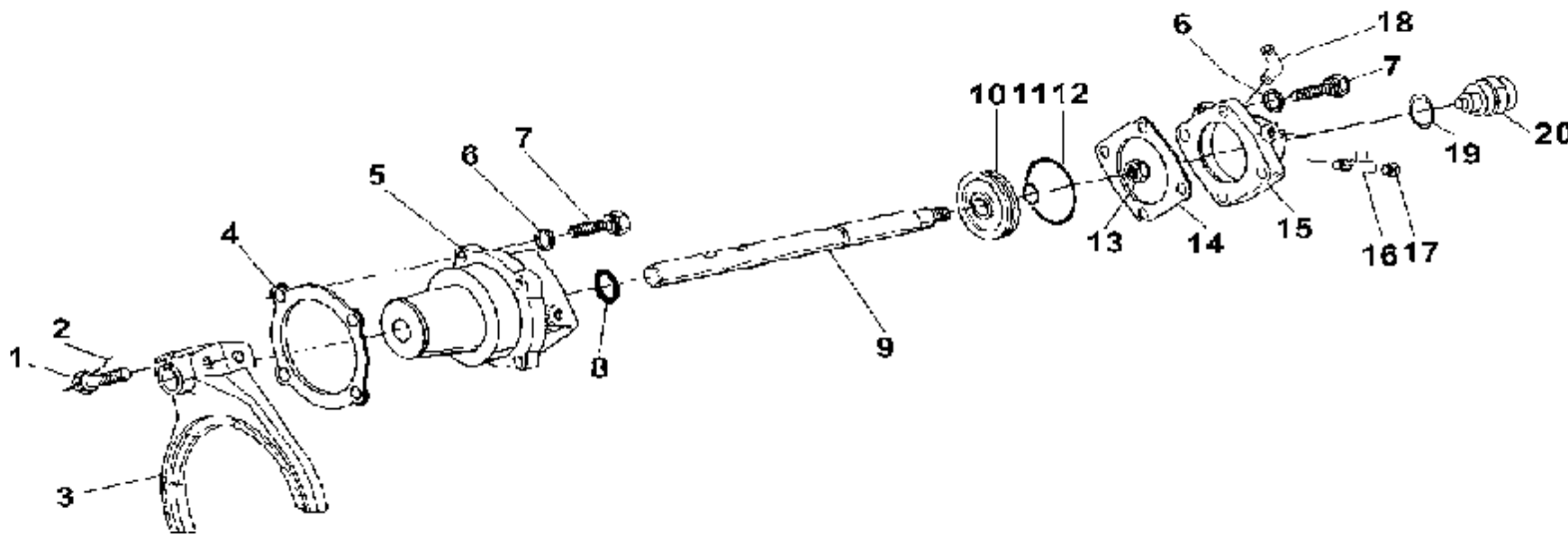
9JS150T REAR COVER/后盖总成

| No | Number of part | Quantity | Description | Applicability | Designation |
|----|----------------|----------|-------------|---------------|-----------------------------|
| 1 | 14335 | 1 | | | Gasket |
| 2 | F99975 | 1 | | | Housing |
| 3 | 17352 | 1 | | | Gasket |
| 4 | 17376 | 2 | | | Bearing cover |
| 5 | A-C09008 | 8 | | | Screw |
| 6 | Q40310 | 22 | | | Washer |
| 7 | M10 | 18 | | | Screw |
| 8 | 717813 | 1 | | | Bearing |
| 9 | 15532 | 1 | | | Gasket |
| 10 | F91054 | 1 | | | Drive gear for speed meter |
| 11 | F99967 | 1 | | | Bearing cover |
| 12 | M10×75 | 5 | | | Screw |
| 13 | A-C09009 | 1 | | | Screw |
| 14 | 7992 | 1 | | | Sleeve of driven gear shaft |
| 15 | F91055 | 1 | | | Driven gear |
| 16 | F96005 | 1 | | | Gasket |
| 17 | F93060 | 1 | | | Joint |
| 18 | X11412 | 1 | | | Cover |
| 19 | 19109 | 1 | | | Oil seal |
| 20 | C01032 | 1 | | | Oil seal |
| 21 | F96119 | 1 | | | Cover |
| 22 | F99900-4 | 1 | | | Φ165 Plane flange |
| 22 | F99900-5 | 1 | | | Φ165 Toothed flange |

C4-13

9JS150T SHIFTING CYLINDER/9JS150T换挡气缸

Fig. C4-13



C4-13

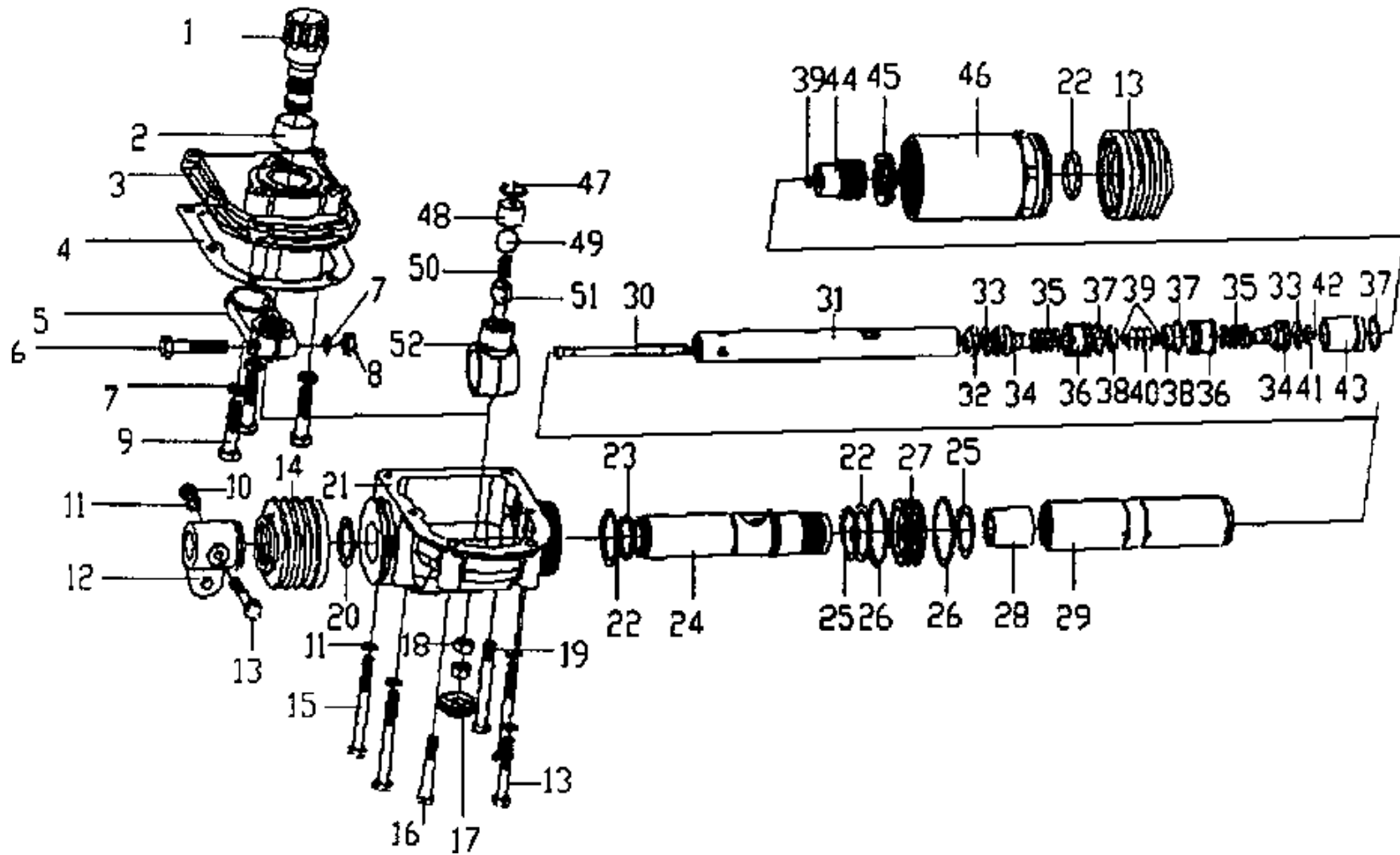
9JS150T SHIFTING CYLINDER/9JS150T换挡气缸

| No | Number of part | Quantity | Description | Applicability | Designation |
|----|----------------|----------|-------------|---------------|---------------------------------|
| 1 | M12×1.25×50 | 2 | | | Screw |
| 2 | 1819 | | | | Wire |
| 3 | 16775 | 1 | | | Shift fork |
| 4 | 14347 | 1 | | | Gasket |
| 5 | 16778 | 1 | | | Range gear cylinder |
| 6 | Q40310 | 8 | | | Spring washer |
| 7 | M10×32 | 8 | | | screw |
| 8 | 14765 | 1 | | | O ring |
| 9 | 16993 | 1 | | | Range gear cylirder shift shaft |
| 10 | 14341 | 1 | | | Piston |
| 11 | 14345 | 1 | | | O ring |
| 12 | 14344 | 1 | | | O ring |
| 13 | M16×1.5 | 1 | | | Nut |
| 14 | 14349 | 1 | | | Gasket |
| 15 | F99857 | 1 | | | Cover |
| 16 | C03052 | 1 | | | Nozzle |
| 17 | Q618B01 | 1 | | | Plug |
| 18 | 12880 | 1 | | | Angle screwing |
| 19 | X11511 | 4 | | | Washer |
| 20 | 79100710069 | 1 | | | Pressure switch |

C4-14

ASSISTOR FOR SHIFTING GEAR/换档助力器

Fig. C4-14



C4-14

ASSISTOR FOR SHIFTING GEAR/换档助力器

| No | Number of part | Quantity | Description | Applicability | Designation |
|----|----------------|----------|-------------|---------------|----------------------------|
| 1 | ZHLQ-1703023-1 | 1 | | | Connector |
| 2 | F91345 | 1 | | | Bush |
| 3 | ZHLQ-1703025-3 | 1 | | | Cover |
| 4 | ZHLQ-1703024 | 1 | | | Gasket |
| 5 | ZHLQ-1703022 | 1 | | | Lever |
| 6 | Q151B1050 | 1 | | | Screw |
| 7 | Q40310 | 4 | | | Spring washer |
| 8 | Q34110 | 1 | | | Nut |
| 9 | Q150B1045 | 3 | | | Screw |
| 10 | Q34008 | 1 | | | Nut |
| 11 | Q40308 | 5 | | | Spring washer |
| 12 | ZHLQ-1703049 | 1 | | | Connector |
| 13 | Q150B0855 | 2 | | | Screw |
| 14 | ZHLQ-1703020 | 2 | | | Cover |
| 15 | Q150B0883 | 3 | | | Screw |
| 16 | ZHLQ-1703013 | 1 | | | Screw |
| 17 | ZHLQ-1703018 | 1 | | | Rubber plug |
| 18 | ZHLQ-1703046 | 2 | | | Nut |
| 19 | ZHLQ-1703026 | 1 | | | Screw |
| 20 | ZHLQ-1703036 | 1 | | | O ring |
| 21 | ZHLQ-1703011-1 | 1 | | | Assistor for shifting gear |
| 22 | ZHLQ-1703034 | 3 | | | O ring |
| 23 | Q43134 | 1 | | | Circlip |
| 24 | ZHLQ-1703014 | 1 | | | Connecting rod |
| 25 | Q43140 | 2 | | | Circlip |
| 26 | ZHLQ-1703047 | 2 | | | O ring |
| 27 | ZHLQ-1703016 | 1 | | | Piston |
| 28 | ZHLQ-1703050 | 1 | | | Bush |
| 29 | ZHLQ-1703017 | 1 | | | Shaft for piston |
| 30 | ZHLQ-1703027 | 1 | | | Air intake line |
| 31 | ZHLQ-1703042 | 1 | | | Lever |
| 32 | ZHLQ-1703043 | 1 | | | Plug |
| 33 | ZHLQ-1703031 | 2 | | | O ring |
| 34 | ZHLQ-1703032 | 2 | | | valve |
| 35 | ZHLQ-1703040 | 2 | | | Spring |
| 36 | ZHLQ-1703037 | 2 | | | Airpipe |
| 37 | ZHLQ-1703035 | 3 | | | O ring |
| 38 | ZHLQ-1703038 | 2 | | | Valve |
| 39 | ZHLQ-1703028 | 3 | | | O ring |
| 40 | ZHLQ-1703039 | 1 | | | Spring |
| 41 | ZHLQ-1703030 | 1 | | | Washer |

| | | | | | |
|----|--------------|---|--|--|--------------|
| 42 | Q43207 | 1 | | | Snap ring |
| 43 | ZHLQ-1703029 | 1 | | | Sleeve |
| 44 | ZHLQ-1703021 | 1 | | | Plug |
| 45 | ZHLQ-1703019 | 1 | | | Nut |
| 46 | ZHLQ-1703015 | 1 | | | Cylinder |
| 47 | Q43022 | 1 | | | Circlip |
| 48 | ZHLQ-1703044 | 1 | | | Spring plug |
| 49 | GB308-89 | 1 | | | Steel ball |
| 50 | ZHLQ-1703045 | 1 | | | Spring |
| 51 | ZHLQ-1703048 | 1 | | | Screw |
| 52 | ZHLQ-1703012 | 1 | | | Shift finger |

C5-1 4×2, 6×2 PROPELLER SHAFTS/4×2, 6×2后桥传动轴

| No | Number of part | Quantity | Description | Applicability | Designation |
|--|----------------|----------|-------------|--------------------|-------------|
| 55 | Q151C1230 | | | | Screw |
| 56 | 190003888457 | | | | Nut |
| 57 | Q151B1440 | | | | Screw |
| 58 | Q40114 | | | | Washer |
| 59 | 190003888458 | | | | Nut |
| 60 | WG9000310049 | | | | Screw |
| 61 | 190003888459 | | | | Nut |
| 62 | Q151C1245 | | | For toothed flange | Screw |
| 63 | 190003888457 | | | For toothed flange | Nut |
| ※ PF165—Plane flange/平面法兰, Φd=Φ 165mm;TF165—Toothed flange/端面齿法兰, Φd=Φ 165mm | | | | | |
| PF180—Plane flange/平面法兰, Φd=Φ 180mm;TF180—Toothed flange/端面齿法兰, Φd=Φ 180mm | | | | | |
| ※※ Example:ZZ1167M4611(W)/L include ZZ1167M4611/L and ZZ1167M4611W/L | | | | | |

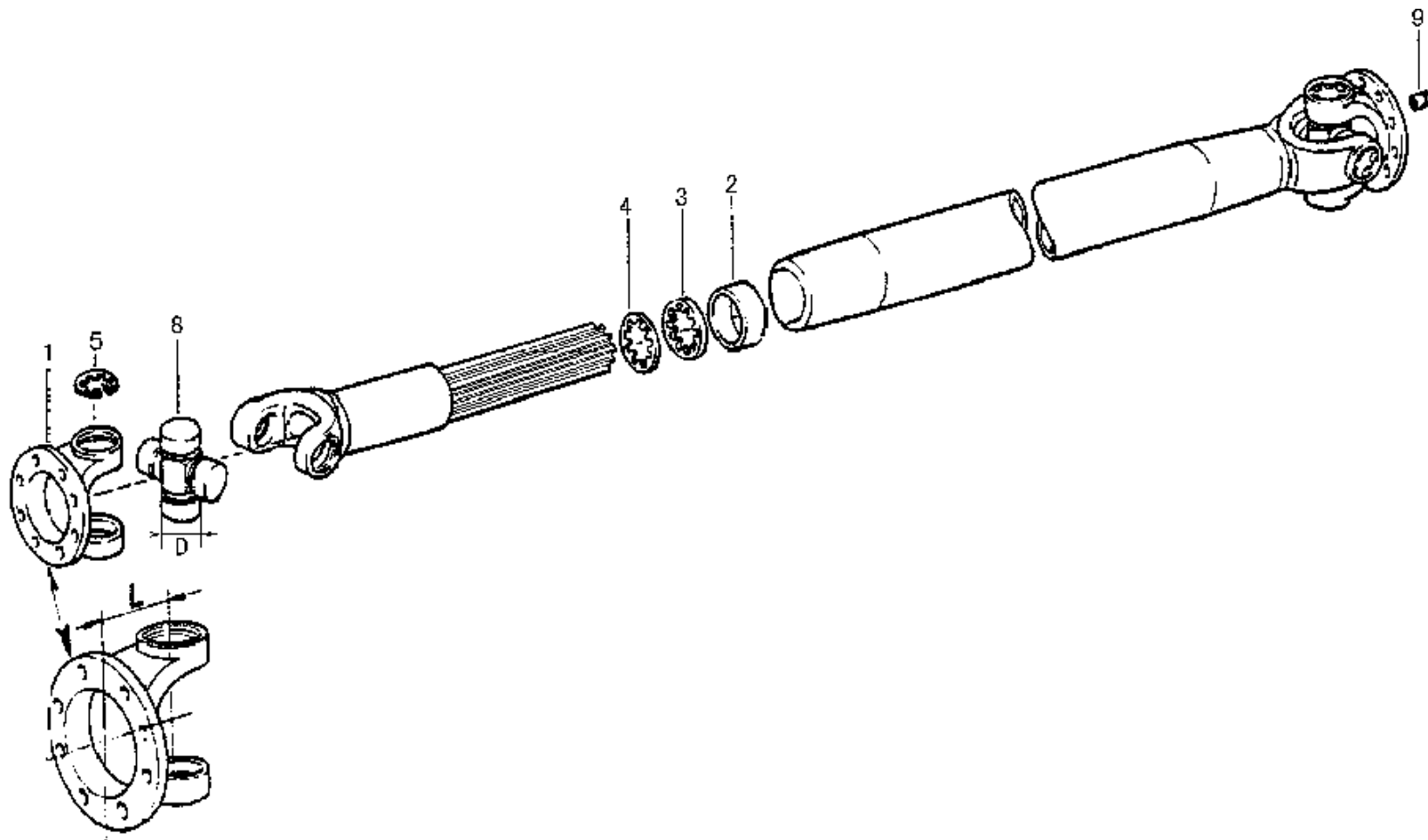
C5-2 6×4, 8×4 PROPELLER SHAFTS/6×4, 8×4传动轴

| No | Number of part | Quantity | Description | Applicability | Designation |
|---|----------------|----------|-------------|--------------------|-------------|
| 55 | WG9000310049 | | | For plane flange | Screw |
| 55 | Q151C1245 | | | For toothed flange | Screw |
| 56 | 190003888457 | | | For toothed flange | Nut |
| 56 | 190003888459 | | | For plane flange | Nut |
| 58 | Q151B1440 | | | | Screw |
| 59 | Q40114 | | | | Washer |
| 60 | 190003888458 | | | | Nut |
| 61 | Q151C1230 | | | | Screw |
| 62 | 190003888457 | | | | Nut |
| Note: ※) Example:ZZ4257S3241W(V) include ZZ4257S3241W and ZZ4257S3241V | | | | | |
| ZZ1167M5611(W)/M include ZZ1167M5611/M and ZZ1167M5611W/M | | | | | |
| ※※) Flange means output flange of gearbox and input flange of the first rear axle.TF165-toothed flange and Φd=Φ 165,PF180-plane flange and Φd=Φ 180 | | | | | |
| ※※※) The flange of WG9014310125 and AZ9716310590 is toothed flange (Φd=Φ 165) | | | | | |

C5-3

PROPELLER SHAFTS/后桥传动轴

Fig. C5-3



C5-3

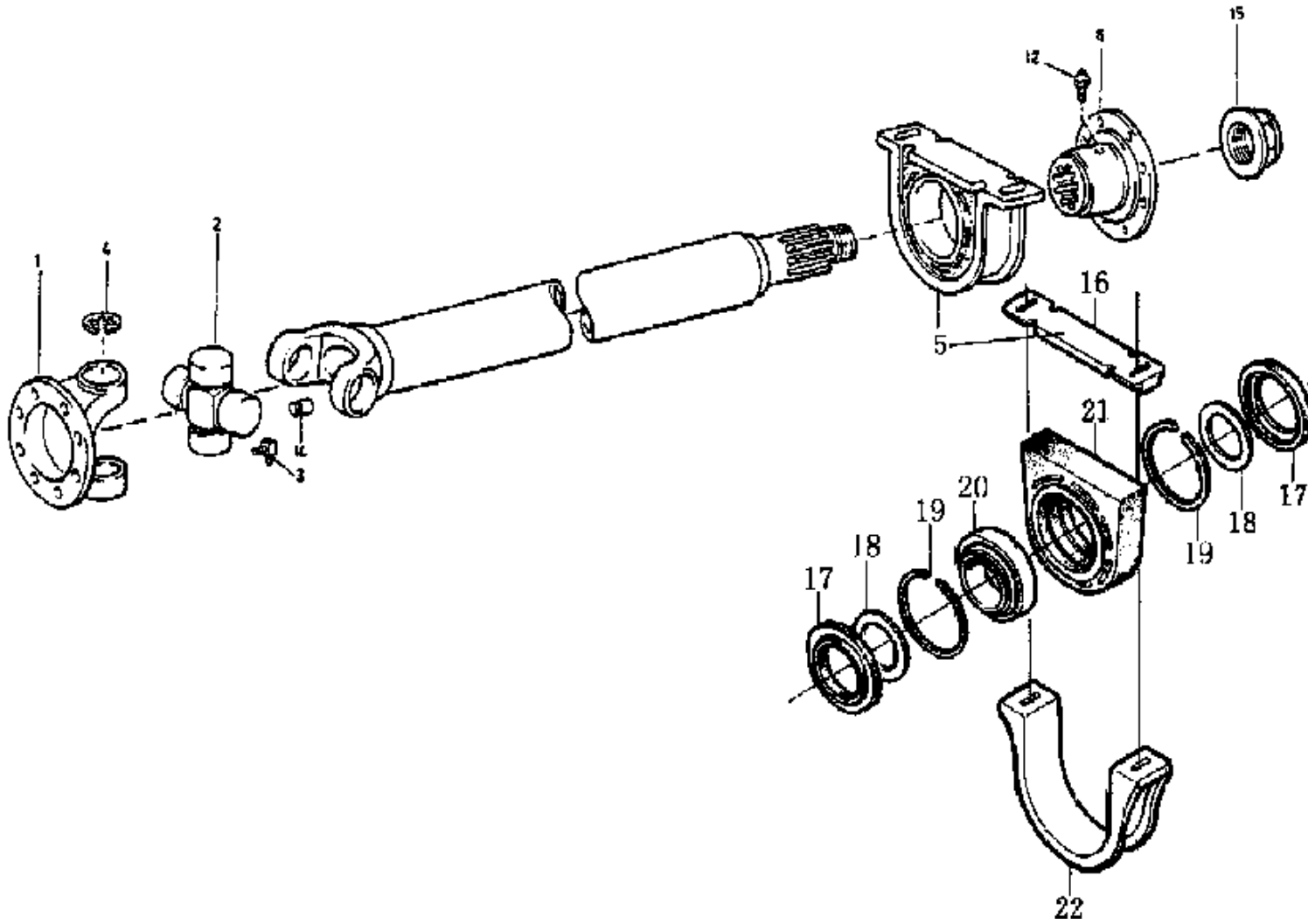
PROPELLER SHAFTS/后桥传动轴

| No | Number of part | Quantity | Description | Applicability | Designation |
|--|----------------|----------|-------------|---------------|----------------------|
| Φ 52 Propeller shaft with spider D. Φ 52 | | | | | |
| 1 | 26013314062 | 2 | | | Φ 165 Plane Flange |
| 1 | AZ9113314062 | 2 | | Option | Φ 165 toothed flange |
| 2 | 26013315024 | 1 | | | Scraper |
| 3 | 26013315023 | 1 | | | Gasket |
| 4 | 26013314022 | 8 | | | Spacer |
| 5 | 26013314063 | 8 | | Option | Circlip |
| 5 | 26013314064 | 8 | | Option | Circlip |
| 5 | 26013314065 | 8 | | Option | Circlip |
| 5 | 26013314066 | 8 | | Option | Circlip |
| 5 | 26013314068 | 8 | | Option | Circlip |
| 8 | 26013314080 | 2 | | | Spider |
| 9 | 26013314098 | 1 | | | Overpressure Valve |
| Φ 57 Propeller shaft with spider D. Φ 57 | | | | | |
| 1 | 19036311062 | 2 | | | Φ 165 Plane Flange |
| 1 | AZ9136311062 | 2 | | Option | Φ 165 toothed flange |
| 1 | AZ9114311062 | 1 | | Option | Φ 180 Plane Flange |
| 2 | 19036311024 | 1 | | | Scraper |
| 3 | 19036311023 | 1 | | | Gasket |
| 4 | 19036311022 | | | | Spacer |
| 5 | 19036311063 | | | Option | Circlip |
| 5 | 19036311064 | | | Option | Circlip |
| 5 | 19036311065 | | | Option | Circlip |
| 5 | 19036311066 | | | Option | Circlip |
| 5 | 19036311067 | | | Option | Circlip |
| 8 | 19036311080 | 2 | | | Spider |
| 9 | 26013311098 | 1 | | | Overpressure Valve |
| Φ 62 Propeller shaft with spider D. Φ 62 | | | | | |
| 1 | AZ9115311010 | 2 | | | Φ 180 toothed Flange |
| 2 | AZ9115311055 | 1 | | | Scraper |
| 3 | AZ9115311053 | 1 | | | Gasket |
| 4 | AZ9115311052 | 1 | | | Spacer |
| 5 | AZ9115311063 | | | Option | Circlip |
| 5 | AZ9115311064 | | | Option | Circlip |
| 5 | AZ9115311065 | | | Option | Circlip |
| 5 | AZ9115311066 | | | Option | Circlip |
| 5 | AZ9115311067 | | | Option | Circlip |
| 8 | AZ9115311060 | 2 | | | Spider |
| 9 | 26013311098 | 1 | | | Overpressure Valve |

C5-4

INTERMEDIATE SHAFTS/中间传动轴

Fig. C5-4



C5-4

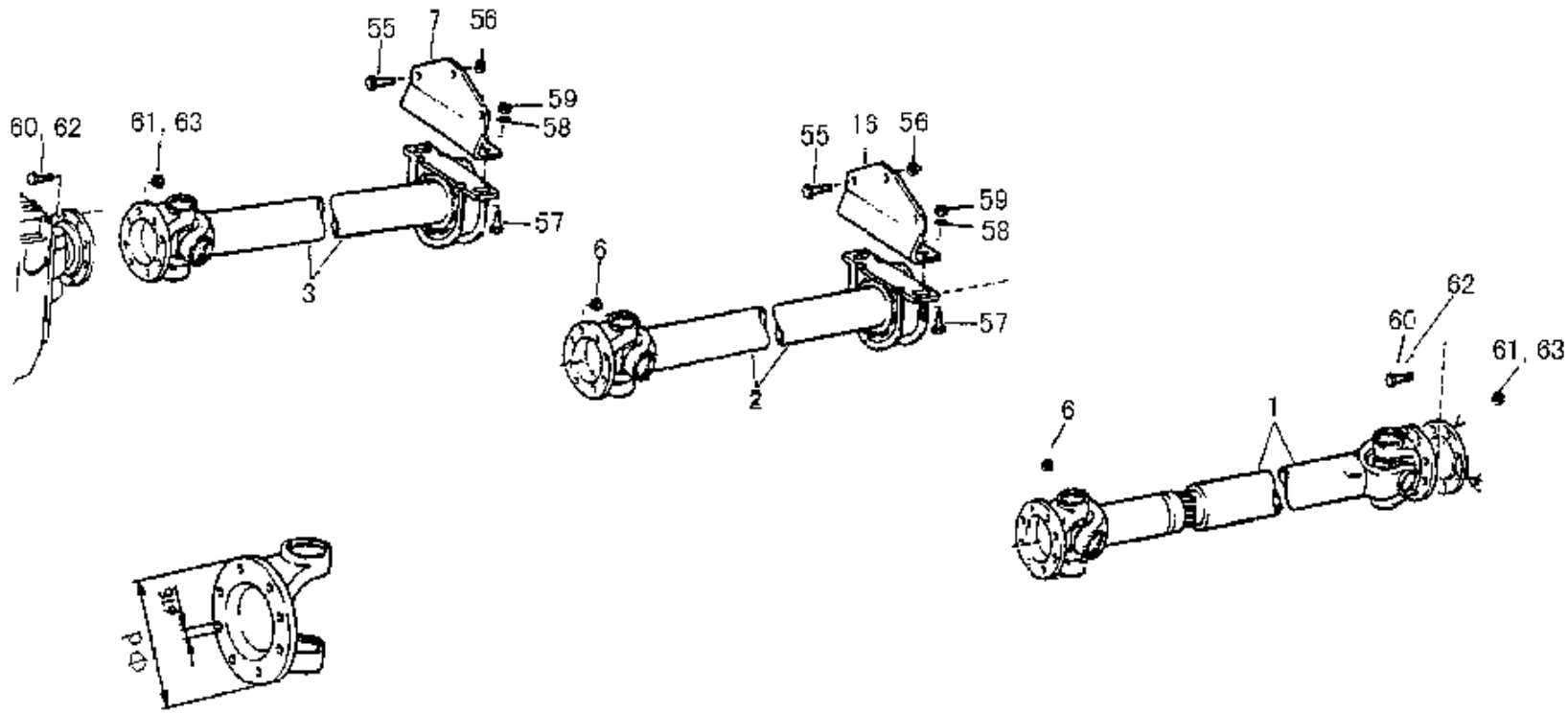
INTERMEDIATE SHAFTS/中间传动轴

| No | Number of part | Quantity | Description | Applicability | Designation |
|--|----------------|----------|-------------|---------------|----------------------|
| Φ 52 Inter mediate shaft wath spider D. Φ 52 | | | | | |
| 1 | 26013314062 | 1 | | | Φ 165 Plane Flange |
| 1 | AZ9113314062 | 1 | | | Φ 165 toothed flange |
| 2 | 26013314080 | 1 | | | Spider |
| 4 | 26013314063 | | | | Circlip |
| 4 | 26013314064 | | | | Circlip |
| 4 | 26013314065 | | | | Circlip |
| 4 | 26013314066 | | | | Circlip |
| 4 | 26013314067 | | | | Circlip |
| 5 | 26013314030 | 1 | | Include 16~22 | Bearing Assembly |
| 6 | 26013314051 | 1 | | | Plane flange Φ 165 |
| 12 | Q700B01 | 1 | | | Grease Nipple |
| 15 | 26013314052 | 1 | | | Nut |
| 16 | 26013314042 | 1 | | | Plate |
| 17 | 26013314032 | 2 | | | Gasket |
| 18 | 26013314033 | 2 | | | Scraper |
| 19 | 26013314037 | 2 | | | Circlip |
| 20 | 26013314045 | 1 | | | Bearing |
| 21 | 26013314035 | 1 | | | Bearing assembly |
| 22 | 26013314020 | 1 | | | Connecting plate |
| Φ 57 Inter mediate shaft wath spider D. Φ 57 | | | | | |
| 1 | 19036311062 | 1 | | | Φ 165 Plane Flange |
| 1 | AZ9114311062 | 1 | Option | | Φ 180 Plane Flange |
| 1 | AZ9136311062 | 1 | Option | | Φ 165 toothed flange |
| 2 | 19036311080 | 1 | | | Spider |
| 4 | 19036311063 | | Option | | Circlip |
| 4 | 19036311064 | | Option | | Circlip |
| 4 | 19036311065 | | Option | | Circlip |
| 4 | 19036311066 | | Option | | Circlip |
| 4 | 19036311067 | | Option | | Circlip |
| 5 | 26013314030 | 1 | | | Bearing Assemble |
| 6 | 26013314051 | 1 | | | Φ 165 plane flange |
| 6 | AZ9114314051 | 1 | | | Φ 180 plane flange |
| 12 | Q700B01 | 1 | | | Grease Nipple |
| 15 | 26013314052 | 1 | | | Nut |
| 16 | 26013314042 | 1 | | | Plate |
| 17 | 26013314032 | 2 | | | Gasket |
| 18 | 26013314033 | 2 | | | Scraper |
| 19 | 26013314037 | 2 | | | Circlip |
| 20 | 26013314045 | 1 | | | Bearing |
| 21 | 26013314035 | 1 | | | Bearing assembly |
| 22 | 26013314020 | 1 | | | Connecting plate |

C5-1

4×2, 6×2 PROPELLER SHAFTS/4×2, 6×2后桥传动轴

Fig. C5-1



C5-1

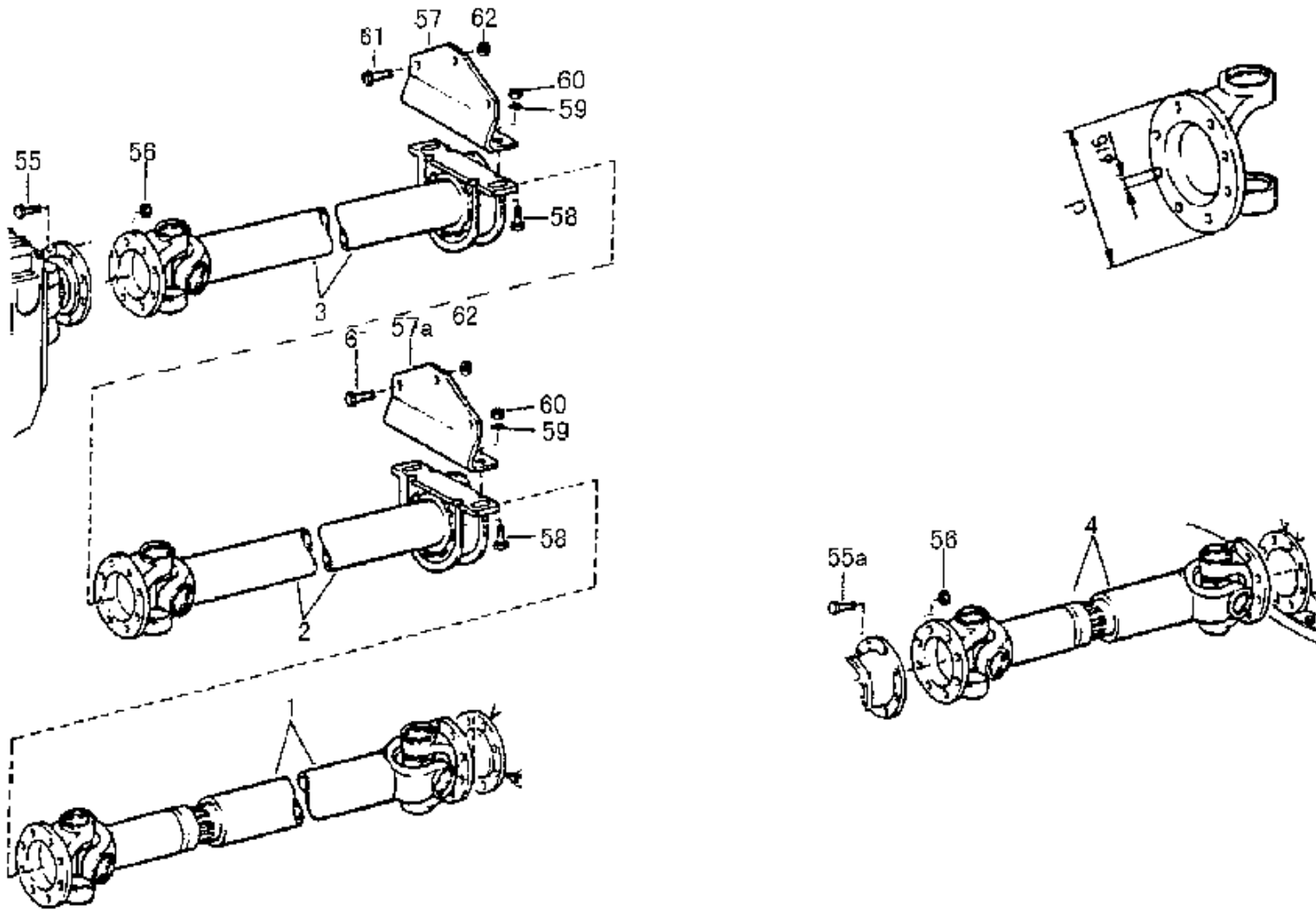
4×2, 6×2 PROPELLER SHAFTS/4×2, 6×2后桥传动轴

| No | ※※ 车型/ vehicle model | 适应范围/Applicability ※ | | | 传动轴1 /Propeller shaft 1 |
|----|--|----------------------|-----------------|-------------|-------------------------|
| | | 变速器 /Gear box | 驱动桥 /Drive axle | 连接法兰/Flange | |
| 1 | ZZ1167M4611(W)/L | RT11509C | HW1667 | PF165 | AZ9638310001 |
| | | 8JS100B | HW1667 | PF165 | AZ9638310001 |
| | | QJS6-120 | HW1667 | PF165 | AZ9638310001 |
| 2 | ZZ1167M4611(W)/M | RT11509C | HW1667 | PF165 | AZ9638310001 |
| | | 9JS119 | HW1667 | PF165 | AZ9638310001 |
| | | QJS-150GP | HW1667 | PF165 | AZ9638310001 |
| | | QJS-111GP | HW1667 | PF165 | AZ9638310001 |
| 3 | ZZ1167M5611(W)/L | RT11509C | HW1667 | PF165 | AZ9238311930 |
| | | 8JS100B | HW1667 | PF165 | AZ9238311930 |
| 4 | ZZ1167M5611(W)/M | RT11509C | HW1667 | PF165 | AZ9238311930 |
| | | 9JS119 | HW1667 | PF165 | AZ9238311930 |
| | | QJS6-120 | HW1667 | PF165 | AZ9238311930 |
| 5 | ZZ3167M4611/M ZZ3167M4611/L | RT11509C | STEYR | PF165 | AZ9114310018 |
| 6 | ZZ4187M3511W(V)/L ZZ4187M3511W(V)/M | RT11509C | HW1667 | PF165 | AZ9219311676 |
| | | 9JS119 | HW1667 | PF165 | AZ9219311676 |
| | | QJS-150GP | HW1667 | PF165 | 199118310036 |
| | | QJS-111GP | HW1667 | PF165 | 199118310036 |
| 7 | ZZ4257M3231W(V)/L | RT11509C | STEYR | PF165 | 199114310093 |
| | | 9JS119 | STEYR | PF165 | 199114310093 |
| | | QJS6-120 | STEYR | PF165 | AZ9115310001 |
| 8 | ZZ4257M3231W(V)/M | RT11509C | STEYR | PF165 | 199114310093 |
| | | 9JS119 | STEYR | PF165 | 199114310093 |
| 8 | ZZ4257M3231W(V)/M | QJS-150GP | STEYR | PF165 | AZ9638310001 |
| | | QJS-111GP | STEYR | PF165 | AZ9638310001 |
| 9 | ZZ4187N3511W(V) | RT11509C | HW1667 | TF165 | AZ9113311676 |
| | | QJS-150GP | HW1667 | TF165 | AZ9113311610 |
| | | RT11509C | STEYR | TF165 | AZ9113310100 |
| 10 | ZZ4257N3231W(V) | RT11509C | STEYR | TF165 | AZ9113310103 |
| | | QJS-150GP | STEYR | TF165 | AZ9113311400 |
| 11 | ZZ4187S3511W(V) | RT11509C | HW1667 | TF180 | AZ9719311690 |
| | | 9JS150T | HW1667 | TF180 | AZ9719311690 |
| | | QJS-150GP | HW1667 | TF180 | AZ9115311580 |
| 12 | ZZ4257S3231W(V) | RT11509C | STEYR | TF180 | AZ9115311110 |
| | | 9JS150T | STEYR | TF180 | AZ9115311110 |
| | | QJS-150GP | STEYR | TF180 | AZ9632311375 |
| 13 | ZZ4187V3511W(V) | 9JS180 | HW1667 | TF180 | AZ9632311645 |
| 14 | ZZ1257M3231/L | RT11509C | STEYR | TF165 | AZ9113311441 |
| | | 8JS100B | STEYR | TF165 | AZ9113311441 |
| | | QJS6-120 | STEYR | TF165 | AZ9113311470 |
| 15 | ZZ1257M3231/M | RT11509C | STEYR | TF165 | AZ9113311441 |
| | | 9JS119 | STEYR | TF165 | AZ9113311441 |
| | | QJS-150GP | STEYR | TF165 | AZ9113311355 |
| | | QJS-111GP | STEYR | TF165 | AZ9113311355 |

C5-2

6×4, 8×4 PROPELLER SHAFTS/6×4, 8×4传动轴

Fig. C5-2



C5-2

6×4, 8×4 PROPELLER SHAFTS/6×4, 8×4传动轴

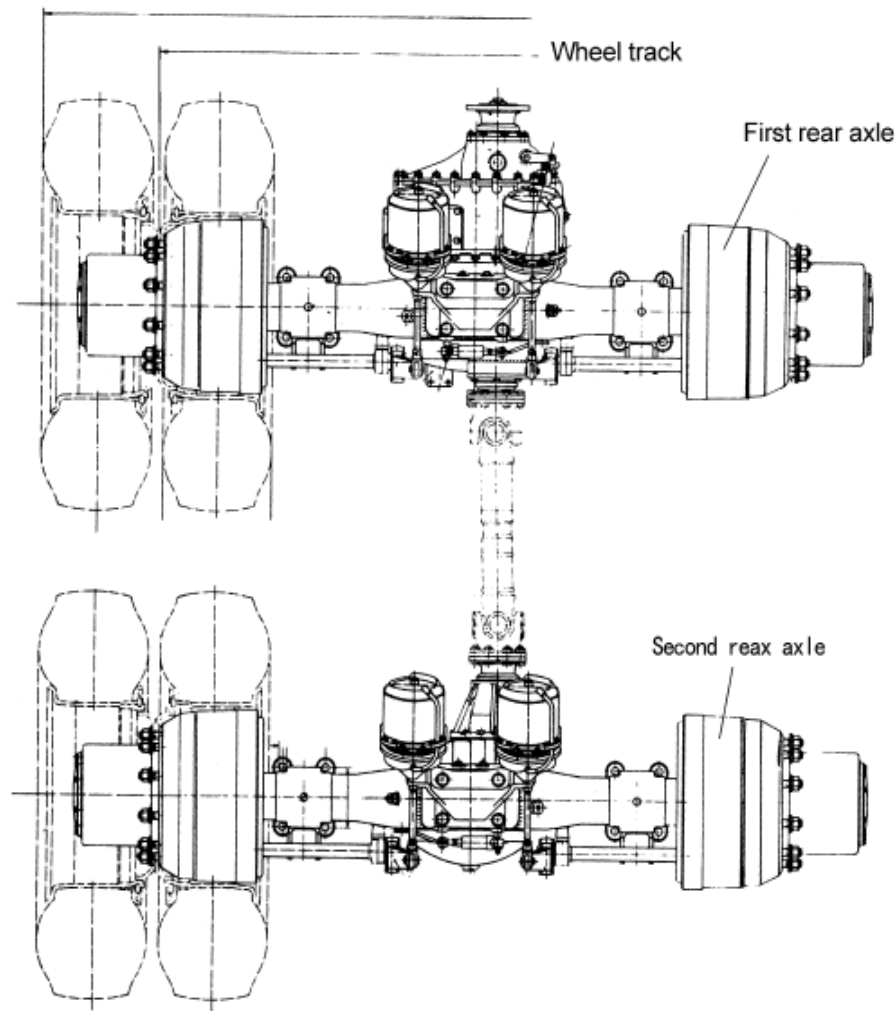
| No | 车型/※vehicle model | 适应范围/Applicability ※※ | | | 传动轴1 /Propeller shaft 1 |
|----|--|-----------------------|----------------|-----------|-------------------------|
| | | 变速器 /Gear box | 驱动桥/Drive axle | 法兰/Flange | |
| 1 | ZZ1257M3241/L | RT11509C | STEYR | PF165 | JS1943110105 |
| | | 8JS100B | STEYR | PF165 | JS1943110105 |
| | | QJS6-120 | STEYR | PF165 | JS1943110106 |
| 2 | ZZ1257M3641(W)/L ZZ3257M3641/L ZZ3257M3641/M | RT11509C | STEYR | PF165 | AZ9219311676 |
| | | 8JS100B | STEYR | PF165 | AZ9219311676 |
| | | QJS6-120 | STEYR | PF165 | AZ9112310090 |
| 3 | ZZ1257M3847W/L | RT11509C | STEYR | PF165 | AZ9114311880 |
| | | 8JS100B | STEYR | PF165 | AZ9114311880 |
| | | QJS6-120 | STEYR | PF165 | 199114310088 |
| 4 | ZZ1257M4341W(V)/L | RT11509C | HW1697 | PF165 | AZ9114310990 |
| | | 8JS100B | HW1697 | PF165 | AZ9114310990 |
| | | QJS6-120 | HW1697 | PF165 | AZ9114310990 |
| | | RT11509C | STEYR | PF165 | AZ9123311101 |
| 5 | ZZ1257M4641W(V)/L | RT11509C | HW1697 | PF165 | 199114310197 |
| | | 8JS100B | HW1697 | PF165 | 199114310197 |
| | | QJS6-120 | HW1697 | PF165 | 199114310197 |
| | | RT11509C | STEYR | PF165 | AZ9114310011 |
| 6 | ZZ1257M5241W(V)/L | RT11509C | HW1697 | PF165 | AZ9114311512 |
| | | 8JS100B | HW1697 | PF165 | AZ9114311512 |
| | | QJS6-120 | HW1697 | PF165 | AZ9114311512 |
| | | RT11509C | STEYR | PF165 | AZ9114311629 |
| 7 | ZZ1257M5841W(V)/L | RT11509C | HW1697 | PF165 | 199114310082 |
| | | 8JS100B | HW1697 | PF165 | 199114310082 |
| 7 | ZZ1257M5841W(V)/L | QJS6-120 | HW1697 | PF165 | 199114310082 |
| | | RT11509C | STEYR | PF165 | AZ9123311101 |
| 8 | ZZ1257M3241/M | RT11509C | STEYR | PF165 | JS1943110105 |
| | | 5S-150GP | STEYR | PF165 | 199114310197 |
| 9 | ZZ1257M3641(W)/M | RT11509C | STEYR | PF165 | AZ9219311676 |
| | | 5S-150GP | STEYR | PF165 | 199118310036 |
| 10 | ZZ1257M3841W/M | RT11509C | STEYR | PF165 | AZ9114311880 |
| | | 5S-150GP | STEYR | PF165 | WG9114310016 |
| 11 | ZZ1257M4341W(V)/M | RT11509C | HW1697 | PF165 | AZ9114310990 |
| | | QJS6-120 | HW1697 | PF165 | AZ9114310990 |
| | | RT11509C | STEYR | PF165 | AZ9123311101 |
| 12 | ZZ1257M4641W(V)/M ZZ1257N4641W(V) | RT11509C | HW1697 | PF165 | 199114310197 |
| | | QJS6-120 | HW1697 | PF165 | 199114310197 |
| | | RT11509C | STEYR | PF165 | AZ9114310011 |

| | | | | | |
|----|---|------------|--------|-------|--------------|
| 13 | ZZ1257M5241W(V)/M | RT11509C | HW1697 | PF165 | AZ9114311512 |
| | | QJ5S-150GP | HW1697 | PF165 | AZ9114311512 |
| | | RT11509C | STEYR | PF165 | AZ9114311629 |
| 14 | ZZ1257M5841M | RT11509C | HW1697 | PF165 | 199114310082 |
| | | QJ5S-150GP | HW1697 | PF165 | 199114310082 |
| | | RT11509C | STEYR | PF165 | AZ9123311101 |
| 15 | ZZ1257N3241 | RT11509C | STEYR | TF165 | AZ9132310071 |
| | | QJ5S-150GP | STEYR | TF165 | AZ9113311200 |
| 16 | ZZ1257N3641 | RT11509C | STEYR | TF165 | AZ9113311676 |
| 16 | ZZ1257N3641 | QJ5S-150GP | STEYR | TF165 | AZ9113311591 |
| 17 | ZZ1257N4341W(V) ZZ3257N4341W | RT11509C | HW1697 | PF165 | AZ9114310990 |
| | | QJ5S-150GP | HW1697 | PF165 | AZ9114310990 |
| | | RT11509C | STEYR | PF165 | AZ9123311101 |
| 18 | ZZ1257N3841W | RT11509C | STEYR | TF165 | AZ9114311880 |
| | | QJ5S-150GP | STEYR | TF165 | AZ9113310100 |
| 19 | ZZ1257S3241 | QJ5S-150GP | STEYR | TF180 | AZ9115311170 |
| | | RT11509C | STEYR | TF180 | AZ9232311285 |
| 20 | ZZ1257S4341W(V) | QJ5S-150GP | HW1697 | PF180 | AZ9114310114 |
| | | RT11509C | HW1697 | PF180 | AZ9114310114 |
| | | QJ5S-150GP | STEYR | PF180 | AZ9114311117 |
| 21 | ZZ1257S4641W(V) | QJ5S-150GP | HW1697 | PF165 | 199114310197 |
| | | RT11509C | HW1697 | PF165 | 199114310197 |
| | | QJ5S-150GP | STEYR | PF165 | AZ9114310011 |
| 22 | ZZ1317M3261W/L | 8JS100B | STEYR | PF165 | AZ9114311441 |
| | | RT11509C | STEYR | PF165 | AZ9114311441 |
| | | S6-120 | STEYR | PF165 | AZ9114311441 |
| 23 | ZZ1317M3861W/L | 8JS100B | HW1697 | PF165 | AZ9114310019 |
| | | RT11509C | HW1697 | PF165 | AZ9114310019 |
| | | S6-120 | HW1697 | PF165 | AZ9114310019 |
| | | FAST | STEYR | PF165 | AZ9114311880 |
| 24 | ZZ1317M4267W(V)/L ZZ1317M4267W(V)/M ZZ1317N4267W(V) | FAST | HW1697 | PF165 | 199114310082 |
| | | FAST | STEYR | PF165 | AZ9123311101 |
| 25 | ZZ1317M4661W(V)/L ZZ1317M4661W(V)/M | FAST | HW1697 | PF165 | AZ9114310990 |
| | | S6-120 | HW1697 | PF165 | AZ9114310990 |
| | | FAST | STEYR | PF165 | AZ9123311101 |
| 26 | ZZ1317M3261W/M | FAST | HW1697 | PF165 | JS1943110106 |
| | | QJ5S-150GP | HW1697 | PF165 | JS1943110106 |
| | | FAST | STEYR | PF165 | AZ9114311441 |
| 27 | ZZ1317M3861W(V)/M | FAST | HW1697 | PF165 | AZ9114310019 |
| | | FAST | STEYR | PF165 | AZ9114311880 |
| 28 | ZZ1317N3261(W) | FAST | STEYR | PF165 | AZ9114311441 |
| | | QJ5S-150GP | STEYR | PF165 | AZ9114311441 |
| 29 | ZZ1317N4661W(V) | FAST | HW1697 | PF165 | AZ9114310990 |
| | | QJ5S-150GP | HW1697 | PF165 | AZ9114310990 |
| | | FAST | STEYR | PF165 | AZ9123311101 |
| 30 | ZZ1317S3261W | QJ5S-150GP | STEYR | PF165 | AZ9114311441 |
| | | FAST | STEYR | PF165 | AZ9114311441 |
| 31 | ZZ1317S4661W(V) | QJ5S-150GP | HW1697 | PF180 | AZ9114310114 |
| | | FAST | HW1697 | PF180 | AZ9114310114 |
| | | QJ5S-150GP | STEYR | PF180 | AZ9114311117 |
| 32 | ZZ1387N30B1W(V) ZZ1387M30B1W(V)/M | FAST | HW1697 | PF165 | AZ9114310990 |
| | | QJ5S-150GP | HW1697 | PF165 | AZ9114310990 |
| | | FAST | STEYR | PF165 | AZ9123311101 |
| 33 | ZZ3257M2941/L ZZ3257M2941/M | FAST | STEYR | PF165 | WG9114310091 |
| | | QJS6-120 | STEYR | PF165 | 199114310092 |
| 34 | ZZ3257M3241/L ZZ3257M3241/M | FAST | STEYR | PF165 | AZ9114310011 |
| | | QJS6-120 | STEYR | PF165 | AZ9114310017 |
| 35 | ZZ3257M3841/L ZZ3257M3841/M | FAST | STEYR | PF165 | AZ9238311930 |
| | | QJS6-120 | STEYR | PF165 | AZ9114311951 |
| 36 | ZZ3257M4641/L ZZ3257M4641/M | FAST | STEYR | PF165 | AZ9114310011 |
| | | | | | |
| 37 | ZZ3317M2861/M ZZ3317M2861/L | QJ5S-111GP | STEYR | PF165 | WG9114310091 |
| | | FAST | STEYR | PF165 | WG9114310091 |
| 38 | ZZ3317M3061/L ZZ3317M3061/M | QJ5S-111GP | STEYR | PF165 | AZ9114310012 |
| | | FAST | STEYR | PF165 | AZ9114310012 |
| 39 | ZZ3317M3261/L ZZ3317M3261/M | FAST | STEYR | PF165 | AZ9114311441 |
| | | QJ5S-111GP | STEYR | PF165 | AZ9114311441 |
| 40 | ZZ4257M3241W(V)/L ZZ4257M3241W(V)/M | QJ5S-150GP | STEYR | PF165 | AZ9114310012 |
| | | FAST | HW1697 | PF165 | 199114310197 |
| | | QJ5S-111GP | HW1697 | PF165 | AZ9123311101 |
| | | FAST | STEYR | PF165 | AZ9114310011 |
| 41 | ZZ4257N3241W(V) | FAST | HW1697 | TF165 | AZ9113311200 |
| | | QJ5S-150GP | HW1697 | TF165 | AZ9113311113 |
| | | FAST | STEYR | TF165 | AZ9113310102 |
| 42 | ZZ4257S3241W(V) | QJ5S-150GP | HW1697 | TF180 | AZ9731311001 |
| | | FAST | HW1697 | TF180 | AZ9115311205 |
| | | QJ5S-150GP | STEYR | TF180 | AZ9115311205 |
| 43 | ZZ4257V3241W(V) | 9JS180 | HW1697 | TF180 | AZ9632311170 |

C6-1

HOWO REAR DRIVE AXLE/后驱动桥总成

Fig. C6-1



C6-1

HOWO REAR DRIVE AXLE/后驱动桥总成

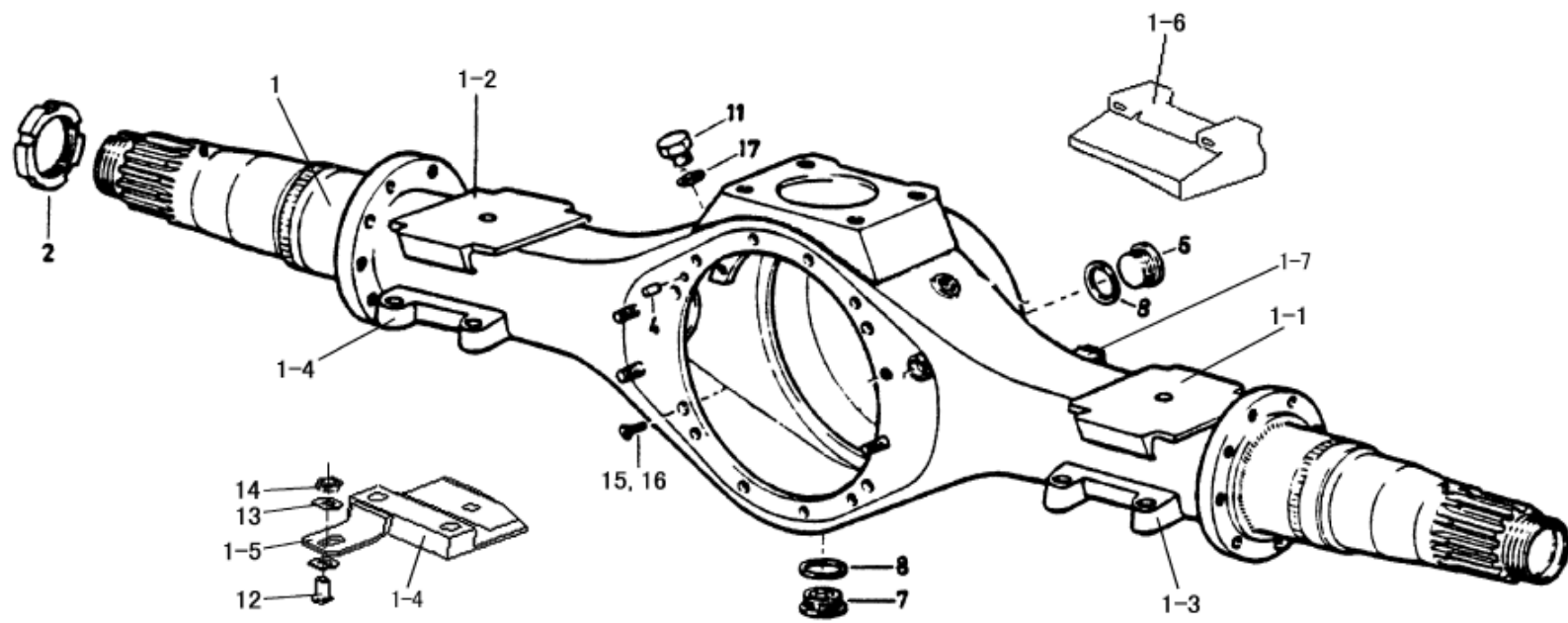
| No | Number of part | Quantity | Description | Applicability | Designation ※ |
|----|----------------|----------|-------------|---------------|--|
| 1 | AH71361500210 | 1 | | | HW1667 single reax axle (i=4.22,TF180) |
| 2 | AH71361500211 | 1 | | | HW1667 single reax axle (i=4.22,TF165) |
| 3 | AH71361500212 | 1 | | | HW1667 single reax axle (i=4.22,PF165) |
| 4 | AH71361500700 | 1 | | | HW1667 single reax axle (i=3.73,PF165) |
| 5 | AH71361501200 | 1 | | | HW1667 single rear axle (I=4.22,TF180,ABS) |
| 6 | AH71361501201 | 1 | | | HW1667 single rear axle (I=4.22,TF165,ABS) |
| 7 | AH71361501202 | 1 | | | HW1667 single rear axle (I=4.22,PF165,ABS) |
| 8 | AH71361500200 | 1 | | | HW1667 single rear axle (I=4.22,TF180,ABS,SRAD) |
| 9 | AH71361500201 | 1 | | | HW1667 single rear axle (I=4.22,TF165,ABS,SRAD) |
| 10 | AH71361500202 | 1 | | | HW1667 single rear axle (I=4.22,PF165,ABS,SRAD) |
| 11 | AH71361401502 | 1 | | | First rear axle of HW1697 double axle (I=4.22,PF165) |
| 12 | AH71361401506 | 1 | | | First rear axle of HW1697 double axle (I=4.22,TF165) |
| 13 | AH71361401510 | 1 | | | First rear axle of HW1697 double axle (I=4.22,TF180) |
| 14 | AH71361400502 | 1 | | | First rear axle of HW1697 double axle (I=4.22,PF165,SRAD) |
| 15 | AH71361400506 | 1 | | | First rear axle of HW1697 double axle (I=4.22,TF165,SRAD) |
| 16 | AH71361400508 | 1 | | | First rear axle of HW1697 double axle (I=4.22,PF180,SRAD) |
| 17 | AH71361400510 | 1 | | | First rear axle of HW1697 double axle (I=4.22,TF180,SRAD) |
| 18 | AH71361400522 | 1 | | | First rear axle of HW1697 double axle (I=4.22,PF165,ABS) |
| 19 | AH71361400526 | 1 | | | First rear axle of HW1697 double axle (I=4.22,TF165,ABS) |
| 20 | AH71361400610 | 1 | | | First rear axle of HW1697 double axle (I=4.22,TF180,ABS) |

| | | | | | |
|---|---------------|---|--|--|--|
| 21 | AH71361400701 | 1 | | | First rear axle of HW1697 double axle (I=3.73,PF165,ABS) |
| 22 | AH71361400512 | 1 | | | First rear axle of HW1697 double axle (I=4.22,PF165,ABS,SRAD) |
| 23 | AH71361400516 | 1 | | | First rear axle of HW1697 double axle (I=4.22,TF165,ABS,SRAD) |
| 24 | AH71361400420 | 1 | | | Second rear axle of HW1697 double axle (I=4.22,TF165,ABS,SRAD,10×4) |
| 25 | AH71361400520 | 1 | | | Second rear axle of HW1697 double axle (I=4.22,TF165,ABS,SRAD) |
| 26 | AH71361401420 | 1 | | | Second rear axle of HW1697 double axle (I=4.22,TF165,ABS, 10×4) |
| 27 | Ah71361401520 | 1 | | | Second rear axle of HW1697 double axle (I=4.22,TF165,ABS,) |
| 28 | AH71361400620 | 1 | | | Second rear axle of HW1697 double axle (I=4.22, Φ 165TF) |
| 29 | AH71361400630 | 1 | | | Second rear axle of HW1697 double axle (I=4.22, TF 165,10×4) |
| 30 | AH71361400702 | 1 | | | Second rear axle of HW1697 double axle (I=3.73, TF 165) |
| ※PF165,PF180 —— Φ 165, Φ 180 Plane input flange | | | | | |
| TF165,TF180 —— Φ 165, Φ 180Toothed input flange | | | | | |
| SRAD—— self rod adjusting device | | | | | |

C6-2

REAR AXLE HOUSING/后桥壳

Fig. C6-2



C6-2

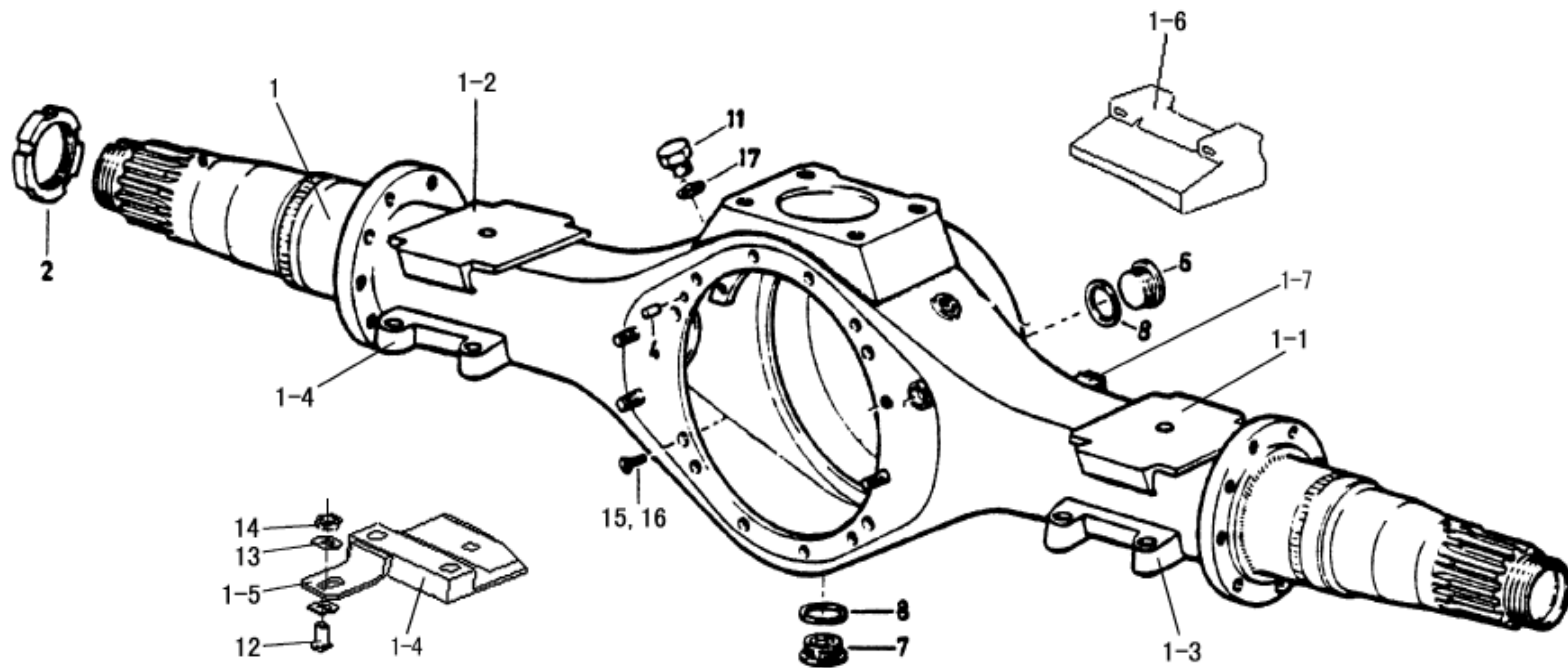
REAR AXLE HOUSING/后桥壳

| No | Number of part | Quantity | Description | Applicability | Designation |
|-----|----------------|----------|-------------|-----------------------------|--|
| 1 | AZ9761330065 | 1 | | | HW1667 single rear axle housing |
| 1 | AZ9761330660 | 1 | | | Second rear axle housing of HW1697 double axle |
| 1-1 | AZ9118330013 | 1 | | | Upper base left |
| 1-2 | AZ9118330019 | 1 | | | Upper base right |
| 1-3 | AZ9118330014 | 1 | | | Bottom base left |
| 1-4 | AZ9118330020 | 1 | | | Bottom base right |
| 1-5 | AZ9761336005 | 2 | | | Support for sensor |
| 1-6 | AZ9761330002 | 1 | | For HW1697 second rear axle | Base for brace rod |
| 1-7 | AZ9118330015 | 1 | | For single rear axle | Bracket for stabilizer |
| 2 | 1227N1184 | 2 | | | Inter adjusting nut |
| 2a | 1227P1186 | 2 | | | Outer adjusting nut |
| 6 | 181500010163 | 1 | | | Screw |
| 7 | 1586 330015 | 1 | | | Magnet plug |
| 8 | Q72336 | 2 | | | Gasket |
| 11 | 199000330006 | 1 | | | Breather |
| 12 | WG41X1090 | 2 | | | Screw |
| 13 | WG1229N1626 | 4 | | | Washer |
| 14 | WG40X1182 | 2 | | | Locking nut |
| 15 | MS216060 | 8 | | | Screw |
| 15a | MS216120 | 6 | | | Screw |
| 16 | MWA516 | 14 | | | Washer |

C6-3

FIRST REAR AXLE HOUSING/中桥壳

Fig. C6-3



C6-3

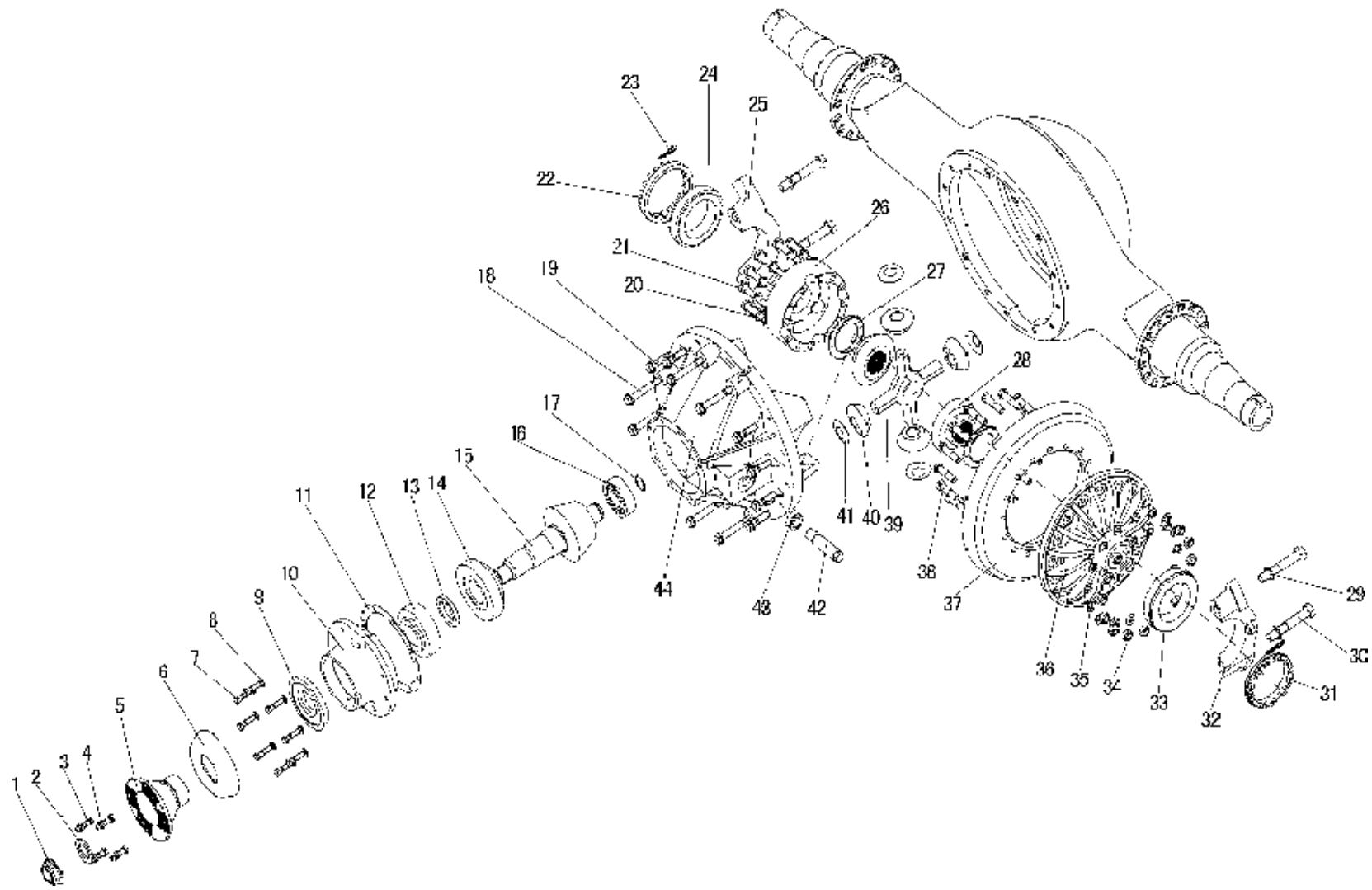
FIRST REAR AXLE HOUSING/中桥壳

| No | Number of part | Quantity | Description | Applicability | Designation |
|-----|----------------|----------|-------------|---------------|--------------------------------|
| 1 | AZ9761330560 | 1 | | 6×4,6×6,8×4 | HW1697 first rear axle housing |
| 1 | AZ9761330662 | 1 | | 10×4 | HW1697 first rear axle housing |
| 1-1 | AZ9118330013 | 1 | | | Upper base left |
| 1-2 | AZ9118330019 | 1 | | | Upper base right |
| 1-3 | AZ9118330014 | 1 | | | Bottom base left |
| 1-4 | AZ9118330020 | 1 | | | Bottom base right |
| 1-5 | AZ9761336005 | 2 | | | Support for sensor |
| 1-6 | AZ9761330001 | 1 | | | Base for brace rod |
| 1-6 | AZ9761330002 | 1 | | For 10×4 | Base for brace rod |
| 2 | 1227N1184 | 2 | | | Inter adjusting nut |
| 2a | 1227P1186 | 2 | | | Outer adjusting nut |
| 6 | 199000330006 | 1 | | | Breather |
| 7 | 190003962021 | 2 | | | Screw |
| 8 | 1586 330015 | 1 | | | Magnet plug |
| 9 | Q72336 | 1 | | | Gasket |
| 12 | WG41X1090 | 2 | | | Screw |
| 13 | WG1229N1626 | 4 | | | Washer |
| 14 | WG40X1182 | 2 | | | Locking nut |
| 15 | MS2160601 | 8 | | | Screw |
| 15a | MS2161201 | 6 | | | Screw |
| 16 | MWA516 | 14 | | | Washer |

C6-4

REAR AXLE DRIVE/后桥驱动装置

Fig.C6-4



C6-4

REAR AXLE DRIVE/后桥驱动装置

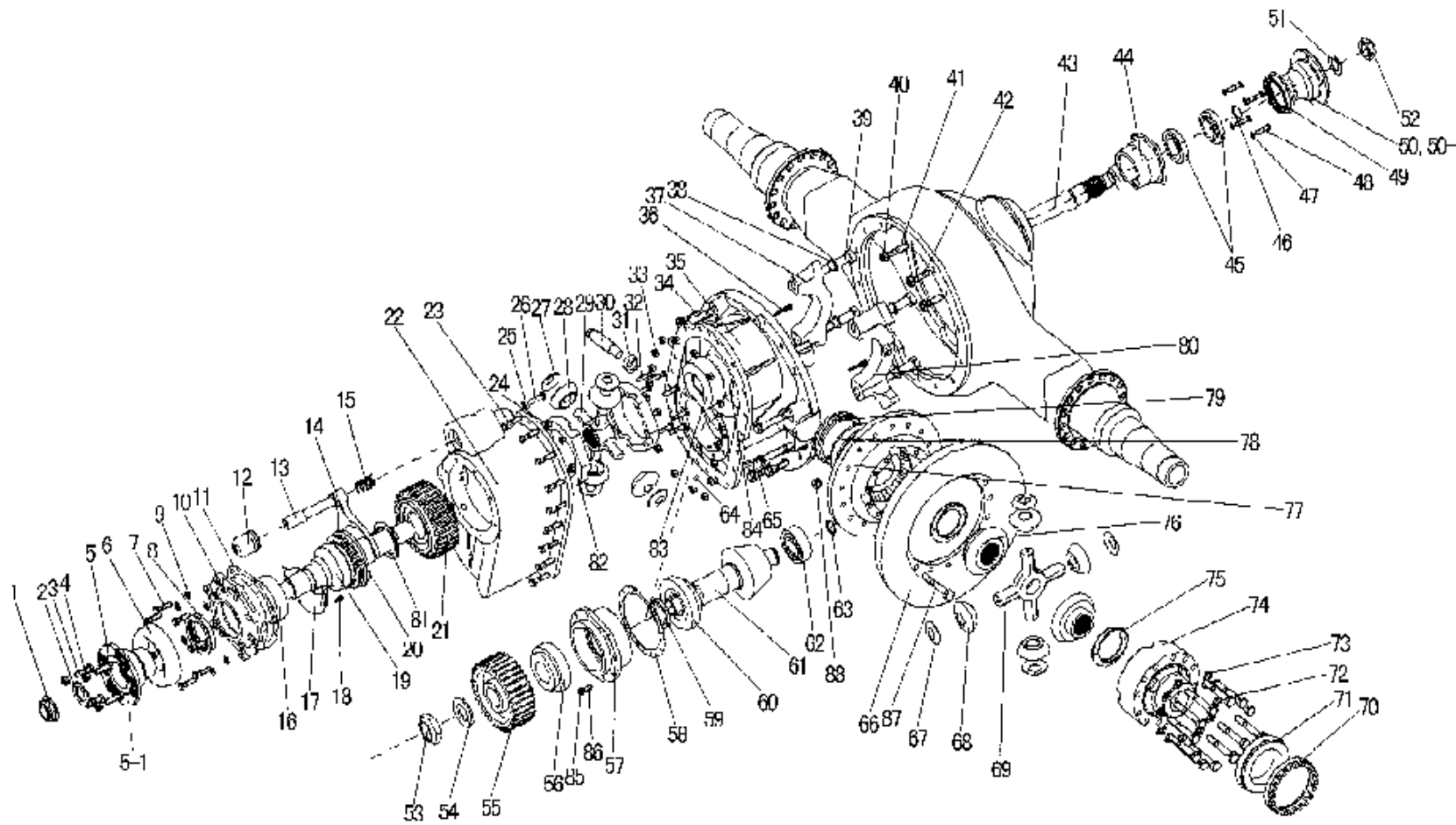
| No | Number of part | Quantity | Description | Applicability | Designation |
|-----|-----------------|----------|-------------|---------------|-----------------------------------|
| 0 | AC71313200660 | 1 | | | Rear axle drive (I=4.22,TF180) |
| 0 | AC71613200130 | 1 | | | Rear axle drive (I=4.22,TF165) |
| 0 | AC71613200662 | 1 | | | Rear axle drive (I=4.22,PF165) |
| 0 | AC71613200663 | 1 | | | Rear axle drive (I=3.73,PF165) |
| 1 | WG40X1233 | 1 | | | Locking nut |
| 2 | 1229N1730 | 1 | | | Washer |
| 3 | Q151C1245 | 4 | | | Screw |
| 4 | 190003888457 | 4 | | | Locking nut |
| 5 | AZ9761320380 | 1 | | | Φ 165 toothed flange C |
| 5-1 | AZ9761320381 | 1 | | | Φ 165 toothed flange body |
| 5 | AZ9118320280 | 1 | | | Φ 180 Toothed flange C |
| 5-1 | AZ9118320281 | 1 | | | Φ 180 Toothed flange body |
| 5 | AZ9761320167 | 1 | | | Φ 165 plane flange C |
| 5-1 | AZ9761320168 | 1 | | | Φ 165 plane flange body |
| 6 | 3264G189 | 1 | | | Cover |
| 7 | 41X1408 | 8 | | | Screw |
| 8 | 1229C1511 | 1 | | | Gasket |
| 9 | A1205Q2591 | 1 | | | Oil sealing |
| 10 | AZ9761320001 | 1 | | | Bearing seat |
| 11 | 2803Y2755 | 4 | | | Shim |
| 11 | 2803Z2756 | 3 | | | Shim |
| 11 | 2803A2757 | 4 | | | Shim |
| 11 | 2803B2758 | 1 | | | Shim |
| 12 | HY15311-H715334 | 1 | | | Bearing |
| 13 | S2203H8536 | 1 | | | Adjusting shim set |
| 14 | 9220-9278 | 1 | | | Bearing |
| 15 | AZ9118321014 | 1 | | | Pinion and crown wheel 38/9 |
| 15 | AZ9761321014 | 1 | | | Pinion and crown wheel 41/11 |
| 16 | WG1228S1267 | 1 | | | Roller bearing |
| 17 | 1229L1624 | 1 | | | Snap ring |
| 18 | MS2161201 | 6 | | | Screw |
| 19 | MS2160601 | 8 | | | Screw |
| 20 | 1229U1503 | 12 | | | Washer |
| 21 | WG41X1275 | 12 | | | Screw |

| | | | | |
|------|-------------------|----|--|----------------------------------|
| 22 | 2214S1137 | 1 | | Adjusting nut |
| 23 | 1199R2176 | 1 | | Split pin |
| 24 | JM822010-JM822049 | 1 | | Bearing |
| 25 | A3212X1194 | 1 | | Cover |
| 26 | 3235F2138 | 1 | | Diff.half housing without flange |
| 27 | 1229L3002 | 2 | | Spacer |
| 28 | 2234Z1066 | 2 | | Bevel pinion |
| 29 | 42X1024 | 4 | | Washer |
| 30 | 41X1018 | 4 | | Screw |
| 31 | 2214G1125 | 1 | | Adjusting nut |
| 32 | A3212Z1196 | 1 | | Cover |
| 33 | NP022042-NP579116 | 1 | | Bearing |
| 34 | WG40X1182 | 16 | | Locking nut |
| 35 | 1229W1557 | 16 | | Washer |
| 36 | AZ9761322143 | 1 | | Diff.half housing with flange |
| 38 | AZ9118321334 | 16 | | Screw |
| 39 | 3278W335 | 1 | | Diff.spider |
| 40 | AZ9118321001 | 1 | | Bevel pinion |
| 41 | 1229K3001 | 4 | | Spacer |
| 42 | AZ9761321167 | 4 | | Screw |
| 43 | 1227D472 | 1 | | Nut |
| 44 | AZ9761321890 | 1 | | Drive housing C. |
| 44—1 | AZ9761321899 | 1 | | Drive housing |
| 45 | A2 3235K2143I | | | DIFF.Assembly |
| 46 | A1 3235K2143I | | | DIFF.Housing C |
| 47 | KIT 2318 | | | DIFF.Parts |

C6-5

FIRST REAR AXLE DRIVE/中桥驱动装置

Fig. C6-5



C6-5

FIRST REAR AXLE DRIVE/中桥驱动装置

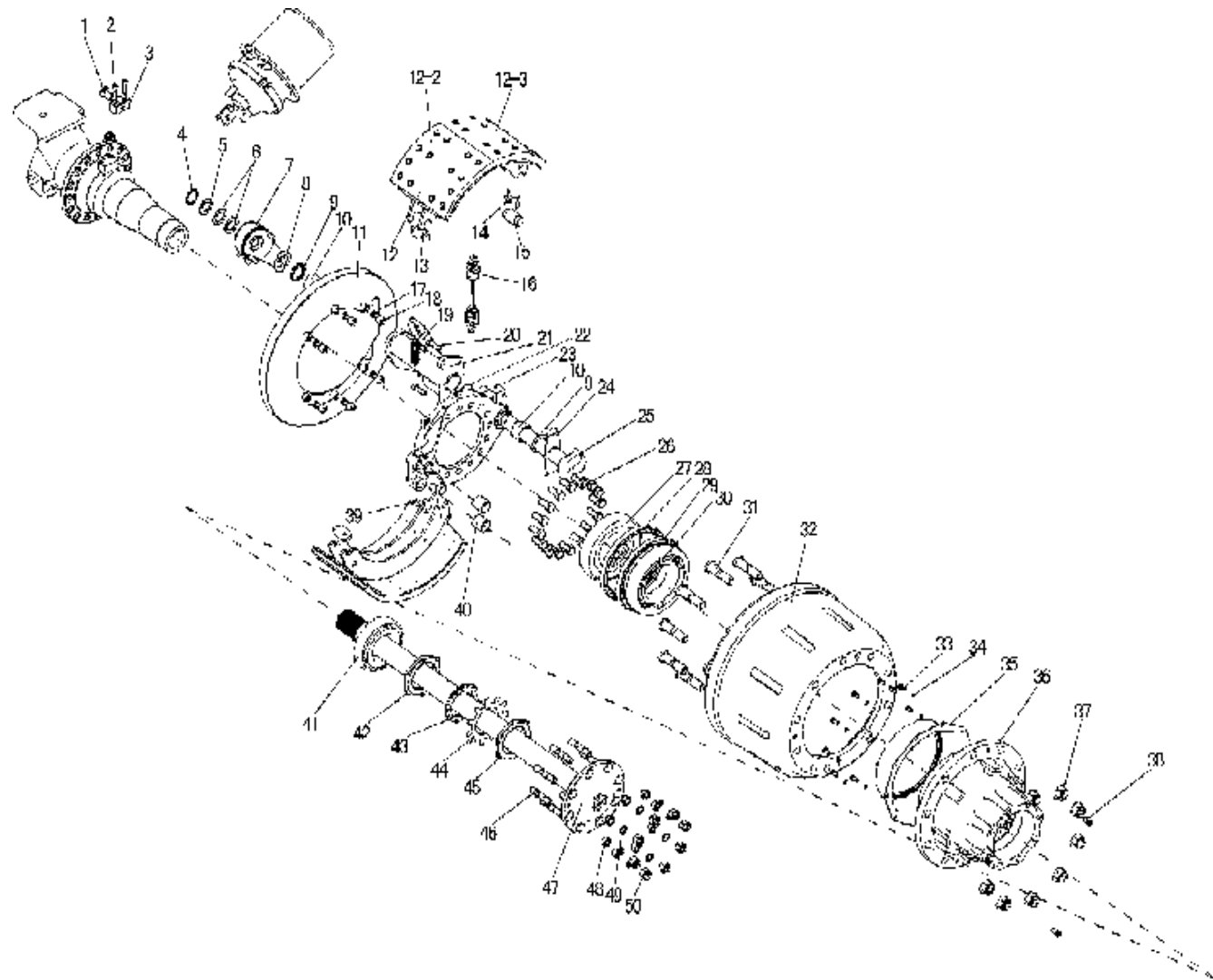
| No | Number of part | Quantity | Description | Applicability | Designation |
|------|----------------|----------|-------------|---------------|--|
| 0 | AC71613200110 | 1 | | | First rear axle drive I=4.22 TF180(input),TF165(output) |
| 0 | AC71613200111 | 1 | | | First rear axle drive I=4.22 PF165(input),TF165(output) |
| 0 | AC71613200112 | 1 | | | First rear axle drive I=4.22 TF165(input),TF165(output) |
| 0 | AC71613200113 | 1 | | | First rear axle drive I=4.22 PF180(input),TF165(output) |
| 0 | AZ9761320422 | | | | First rear axle drive I=4.22 without flange |
| 0 | AZ9761320421 | | | | First rear axle drive I=3.73 without flange |
| 0 | AC71613200114 | | | | First rear axle drive I=3.73 PF165(input),TF165(output) |
| 1 | WG40X1233 | 1 | | | Locking nut |
| 2 | 1229N1730 | 1 | | | Washer |
| 3 | Q150B1445TF2 | 4 | | | Screw |
| 4 | Q33414T13F2 | 4 | | | Locking nut |
| 5 | AZ9761320280 | 1 | | | Φ 180 toothed flange C |
| 5-1 | AZ9761320281 | 1 | | | Φ 180 toothed flange body |
| 5 | AZ9761320166 | | | | Φ 165 Toothed flange C |
| 5-1 | AZ9761320163 | | | | Φ 165 Toothed flange body |
| 5 | AZ9761320182 | | | | Φ 180 Plane flange C |
| 5-1 | AZ9761320183 | | | | Φ 180 Plane flange body |
| 5 | AZ9761320165 | | | | Φ 165 Plane flange C |
| 5-1 | AZ9761320164 | | | | Φ 165 plane flange body |
| 6 | 3264G189 | 1 | | | Cover |
| 7 | MS212045 1 | 7 | | | Screw |
| 8 | A 1205J2428 | 1 | | | Gasket |
| 9 | 1229D4632 | 7 | | | Washer |
| 10 | A 3226H1126 | 1 | | | Bearing seat C |
| 10-1 | 3226H1126 | 1 | | | Bearing seat |
| 10-2 | HM813820 | 1 | | | Outer ring of bearing |
| 11 | 2203K9241 | 3 | | | Shim |
| 11 | 2203L9242 | 2 | | | Shim |
| 11 | 2203M9243 | 1 | | | Shim |
| 12 | A2 3261Q1057 | 1 | | | Cylinder C |
| 12-1 | 2230J1180 | 1 | | | Piston |
| 12-2 | 5X1198 | 1 | | | O-ring |
| 12-3 | 3261Q1057 | 1 | | | Cylinder |
| 13 | 2244K1025 | 1 | | | Push rod |
| 14 | AZ9761321086 | 1 | | | Shifting fork |

| | | | | |
|------|-------------------|----|--|----------------------------------|
| 15 | 2258U411 | 1 | | Spring |
| 16 | HM813810-HM813844 | 1 | | Bearing |
| 17 | AZ9111320020 | 1 | | Cover |
| 18 | Q150B0816 | 3 | | Screw |
| 18a | Q40308 | 3 | | Spring washer |
| 19 | AZ9761321195 | 1 | | Input shaft C |
| 19—1 | AZ9161321196 | 1 | | Input shaft |
| 19—2 | 1228K37 | 1 | | Steel ball |
| 20 | 3107U1061 | 1 | | Shifting dog |
| 21 | AZ9761320085 | 1 | | Drive gear C |
| 21—1 | AZ9761320086 | 1 | | Drive gear |
| 21—2 | WG9761320084 | 1 | | Bush |
| 22 | AZ9761321312 | 1 | | Housing |
| 23 | Q150B1250 | 18 | | Screw |
| 24 | Q340B10 | 8 | | Nut |
| 24a | 1229K1597 | 8 | | Washer |
| 25 | MN312 1 | 1 | | Nut |
| 26 | 41X1208 | 1 | | Screw |
| 27 | 1229Q2929 | 4 | | Spacer |
| 28 | 2233K245 | 4 | | Bevel pinion |
| 29 | 3278N300 | 1 | | Diff.spider |
| 30 | AZ9761321167 | 1 | | Screw |
| 31 | 1227D472 | 1 | | Nut |
| 32 | MS210080A 1 | 8 | | Screw |
| 33 | Q340B12 | 8 | | Nut |
| 33a | Q40312 | 8 | | Spring washer |
| 34 | MS216120 1 | 5 | | Screw |
| 35 | AZ9761320411 | | | Housing C |
| 35—1 | AZ9761321894 | 1 | | Housing |
| 36 | 1199R2176 | 2 | | Split pin |
| 37 | A 3212Z1196 | 1 | | Cover |
| 38 | 42X1024 | 4 | | Washer |
| 39 | 41X1018 | 4 | | Screw |
| 40 | MN 3161 | 3 | | Nut |
| 41 | 4X1746 | 1 | | Stud |
| 42 | 4X1740 | 2 | | Stud |
| 43 | AZ9761321010 | 1 | | Driving shaft |
| 44 | AZ9761321112 | 1 | | Bearing seat |
| 45 | 385A-382A | 2 | | Bearing |
| 46 | AZ9761322590 | 1 | | Circlip set |
| 47 | Q40110 | 4 | | Washer |
| 48 | Q150B1025 | 4 | | Screw |
| 49 | AZ9761322430 | 1 | | Oil sealing |
| 50 | AZ9761320285 | 1 | | Φ 165 toothed flange C |
| 50—1 | AZ9761320282 | 1 | | Φ 165 toothed flange body |
| 50—2 | AZ9761320283 | 1 | | Cover |
| 51 | 1229T1736 | 1 | | Washer |
| 52 | AZ9761321237 | 1 | | Nut |
| 52a | Q5005060 | 1 | | Split pin |
| 53 | WG40X1145 | 1 | | Locking nut |
| 54 | 1229G4063 | 1 | | Washer |
| 55 | AZ9761320016 | 1 | | Driven gear |
| 56 | H715311-H715341 | 1 | | Bearing |
| 57 | AZ9761320017 | 1 | | Bearing seat |
| 58 | AZ9761322785 | 1 | | Shim set |
| 59 | AZ9761320020 | 1 | | Shim set |
| 60 | 9185-9121 | 1 | | Bearing |
| 61 | AZ9761320120 | 1 | | Pinion and crown wheel 38/9 |
| 61—1 | AZ9761320124 | 1 | | Pinion 9 |
| 61—2 | AZ9761320125 | 1 | | Crown wheel 38 |
| 61 | AZ9761320121 | 1 | | Pinion and crown wheel 41/11 |
| 61—1 | AZ9761320224 | 1 | | Pinion 11 |
| 61—2 | AZ9761320225 | 1 | | Crown wheel 41 |
| 62 | WG1228S1267 | 1 | | Roller bearing |
| 63 | 1229L1624 | 1 | | Snap ring |
| 64 | Q5211016 | 2 | | Pin |
| 65 | MS2160601 | 6 | | Screw |
| 67 | 1229K3001 | 4 | | Spacer |
| 68 | AZ118321001 | 4 | | Bevel pinion |
| 69 | 3278W335 | 1 | | Diff.spider |
| 70 | 2214S1137 | 1 | | Adjusting nut |
| 71 | JM822010-JM822049 | 1 | | Bearing |
| 72 | WG41X1275 | 12 | | Screw |
| 73 | 1229U1503 | 12 | | Washer |
| 74 | 3235F2138 | 1 | | Diff.half housing without flange |
| 75 | 1229L3002 | 2 | | Spacer |
| 76 | 2234Z1066 | 2 | | Bevel pinion |
| 77 | AZ9761322143 | 1 | | Diff.half housing with flange |
| 78 | NP011042-NP579116 | 1 | | Bearing |

| | | | | |
|-----|-------------------|----|--|----------------------------|
| 79 | 2214G1125 | 1 | | Adjusting nut |
| 80 | A 3212X1194 | 1 | | Cover |
| 81 | AZ9761324785 | 1 | | Washer |
| 82 | 3235Q1967 | 2 | | Axle diff.housing front |
| 83 | AZ9761321190 | 1 | | Bevel pinion of axle diff. |
| 84 | JM714210-JM714249 | 1 | | Bearing |
| 85 | Q340B12 | 9 | | Nut |
| 85a | Q40312 | 9 | | Spping washer |
| 86 | Q1201232 | 9 | | Stud |
| 87 | AZ9118321334 | 16 | | Screw |
| 88 | WG40X1182 | 16 | | Nut |
| 88a | 1229W1557 | 16 | | Washer |
| 90 | WG9000310049 | 8 | | Screw |
| 91 | 190003888459 | 8 | | Nut |
| 95 | A2 3235K2143I | | | Diff.assembly |
| 96 | A1 3235K2143I | | | Diff.housing C |
| 97 | KIT 2318 | | | Diff.parts |

C6-6

REAR BRAKE/后制动器



C6-6

REAR BRAKE/后制动器

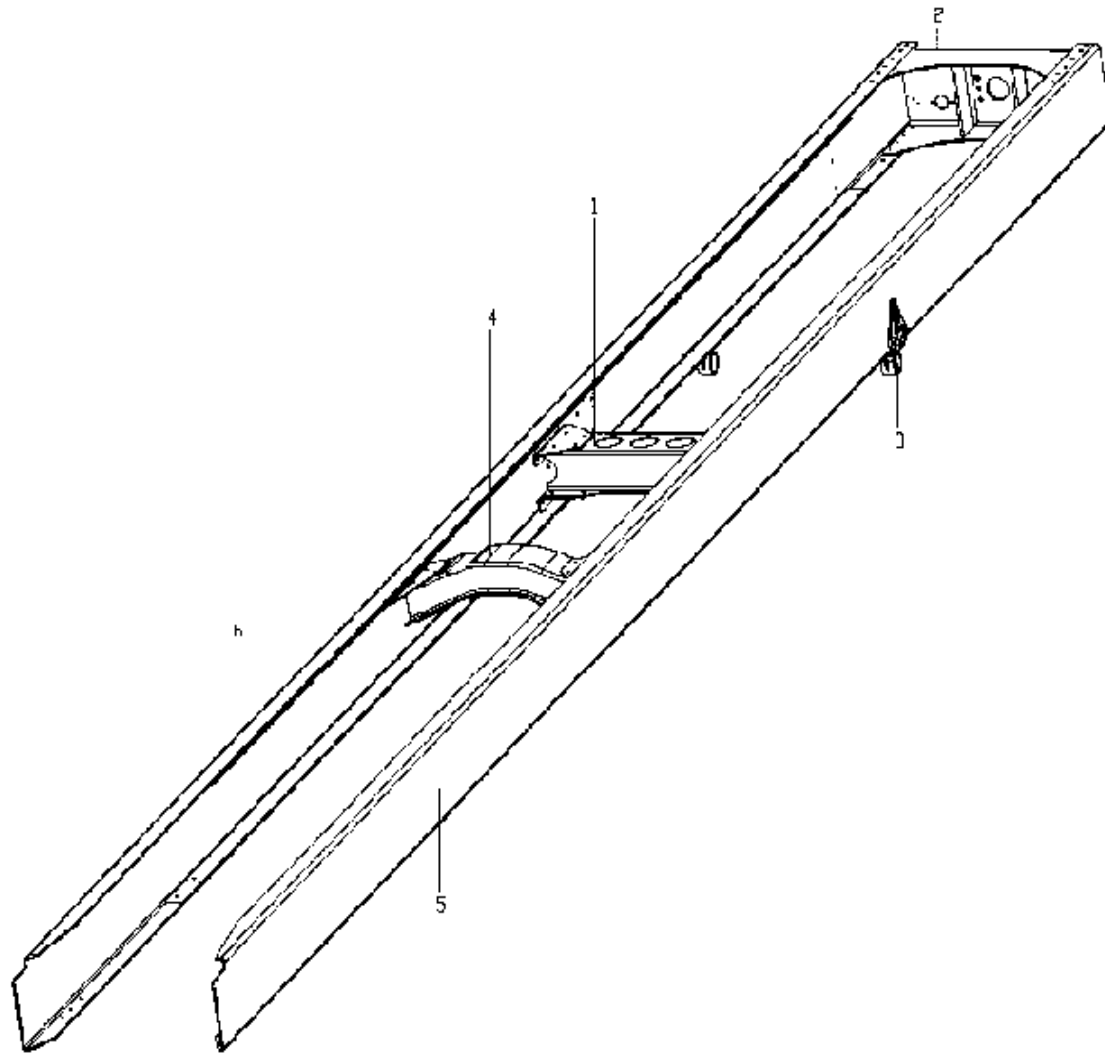
| No | Number of part | Quantity | Description | Applicability | Designation |
|------|----------------|----------|-------------|----------------------|---------------------------|
| 1 | AZ9107346010 | 2 | | | ABS sensor bellows |
| 2 | Q218B0835 | 4 | | | Screw |
| 3 | AZ9107346006 | 2 | | | ABS sensor bracket |
| 4 | 1229D2942 | 2 | | | Circlip |
| 5 | 1229W3117 | 2 | | | Washer |
| 6 | 1229J3130 | 4 | | | Washer |
| 7 | AZ9111340040 | 2 | | | Rod adjusting device |
| 7 | WG9111340045 | 2 | | Option | Self rod adjusting device |
| 7a | AZ9111340025 | 2 | | For WG9111340045 | Support |
| 7b | Q33208 | 2 | | For WG9111340045 | Nut |
| 8 | 1229H4090 | 2 | | | Washer |
| 9 | A 1205V1556 | 4 | | | Oil seal |
| 10 | WG1225L1208 | 4 | | | Bush |
| 11 | A 3236R2124 | 2 | | | Brake cover |
| 11a | A 3236Q2123 | 2 | | | Brake cover |
| 12 | AZ9761340106 | 2 | | | Brake shoe C |
| 12-1 | AZ9761340105 | 2 | | | Shoe |
| 12-2 | AZ9761340103 | 2 | | | Brake lining |
| 12-3 | AZ9761340104 | 2 | | | Brake lining |
| 12-4 | 5-60730 | 2 | | | Brake spacer |
| 12-5 | WG9761340108 | 28 | | | Rivet |
| 13 | 1259N274 | 4 | | | Bolt |
| 14 | 3105B210 | 4 | | | Support |
| 15 | 1779R18 | 4 | | | Roller |
| 16 | 2258W803 | 2 | | | Spring |
| 17 | Q150B1028 | 12 | | | Screw |
| 18 | AZ9118340012 | 12 | | | Spacer |
| 19 | 2258H1230 | 4 | | | Spring |
| 20 | Q150B1235 | 8 | | | Screw |
| 21 | AZ9761345541 | 1 | | For second rear axle | Bracret left |
| 21a | AZ9761345542 | 1 | | For second rear axle | Bracket right |
| 21 | AZ9761345555 | 1 | | For single rear axle | Bracket left |
| 21a | AZ9761345556 | 1 | | For single rear axle | Bracket right |
| 21 | AZ9761345543 | 1 | | For first rear axle | Bracket left |
| 21a | AZ9761345544 | 1 | | For first rear axle | Bracket right |
| 22 | 1205G761 | 2 | | | O-ring |
| 23 | 3211W6003 | 1 | | | Brake anchor left |
| 23a | 3211W6004 | 2 | | | Brake anchor right |

| | | | | |
|-----|--------------|----|---------|----------------------|
| 24 | 1229G4089 | 2 | | Washer |
| 25 | AZ9761348144 | 1 | | Brake camshaft left |
| 25a | AZ9761348143 | 1 | | Brake camshaft right |
| 26 | Q151B1635TF2 | 2 | | Screw |
| 27 | AZ9111340017 | 2 | | Spacer |
| 28 | WG9112340114 | 2 | | Oil seal |
| 29 | WG9112340113 | 2 | | Oil seal |
| 30 | 190003326067 | 2 | | Bevel roller bearing |
| 31 | WG9107340002 | 20 | | Wheel stud |
| 32 | AZ9118340006 | 2 | | Brake drum |
| 33 | Q150B0816 | 20 | | Screw |
| 34 | Q40308 | 20 | | Washer |
| 35 | AZ9761340021 | 2 | | Cover |
| 36 | AZ9761340082 | 2 | | Rear wheel hub |
| 36a | WG9112340008 | 2 | For ABS | Gear ring |
| 37 | WG9003884160 | 20 | | Wheel nut |
| 38 | Q2541025 | 4 | | Screw |
| 39 | 1218G85 | 4 | | Pin |
| 40 | WG1225L1208 | 4 | | Bush |
| 41 | 32217 | 2 | | Bevel roller bearing |
| 42 | 1227N1184 | 2 | | Inter adjusting nut |
| 43 | 1229M3003 | 2 | | Locking sheet |
| 44 | AZ9107334673 | 2 | | Locking sheet |
| 45 | 1227P1186 | 2 | | Outer adjusting nut |
| 46 | WG9107340003 | 16 | | Stud |
| 47 | AZ9761341020 | 1 | | Drive shaft left |
| 47a | AZ9761341010 | 1 | | Drive shaft right |
| 48 | 1246V1166 | 16 | | Bevel sleeve |
| 49 | 1229X518 | 16 | | Locking sheet |
| 50 | 190003888627 | 16 | | Locking nut |

C7-1

CHASSIS FRAME FOR 4×2 TIPPER TRUCK/4×2自卸车车架

Fig. C7-1



C7-1

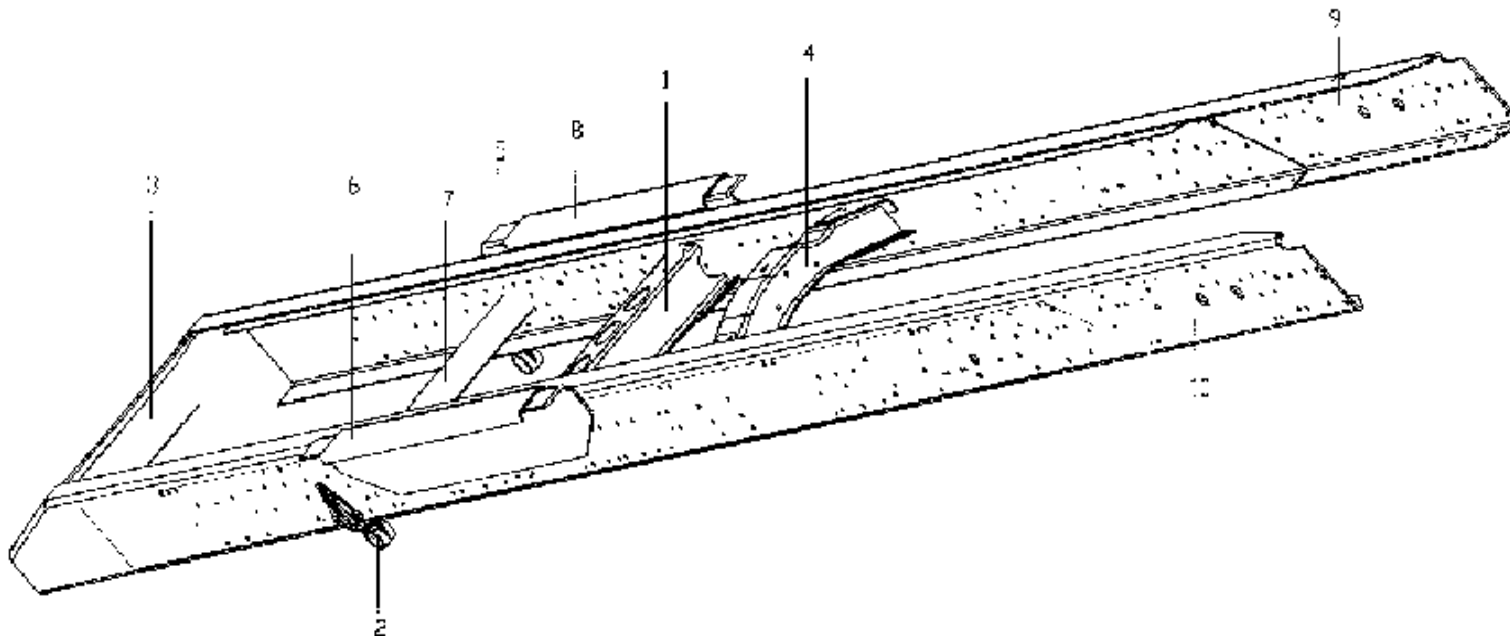
CHASSIS FRAME FOR 4×2 TIPPER TRUCK/4×2自卸车车架

| No | Number of part | Quantity | Description | Applicability ※ | Designation |
|---------------------------|----------------|----------|-------------|-----------------|----------------|
| — | AZ9716513800 | 1 | | K38/4×2 | Chassis frame |
| — | AZ9716514620 | 1 | | K46/4×2 | Chassis frame |
| 1 | AZ9719510020 | 1 | | | Cross member |
| 2 | AZ9632512020 | 1 | | | Cross member |
| 3 | 199100510008 | 2 | | | Bracket |
| 4 | AZ9719510010 | 1 | | K38/4×2 | Cross member |
| 4 | AZ9716510010 | 1 | | K46/4×2 | Cross member |
| 5 | AZ9716513801 | 1 | | K38/4×2 | Left longeron |
| 5 | AZ9716514621 | 1 | | K46/4×2 | Left longeron |
| 6 | AZ9716513802 | 1 | | K38/4×2 | Right longeron |
| 6 | AZ9716514622 | 1 | | K46/4×2 | Right longeron |
| Note: K38/4×2 | | | | | |
| K38— Model,K—Tipper truck | | | | | |
| 4×2—driving type | | | | | |

C7-2

CHASSIS FRAME FOR 4×2 TRACTOR TRUCK/4×2牵引车车架

Fig. C7-2



C7-2

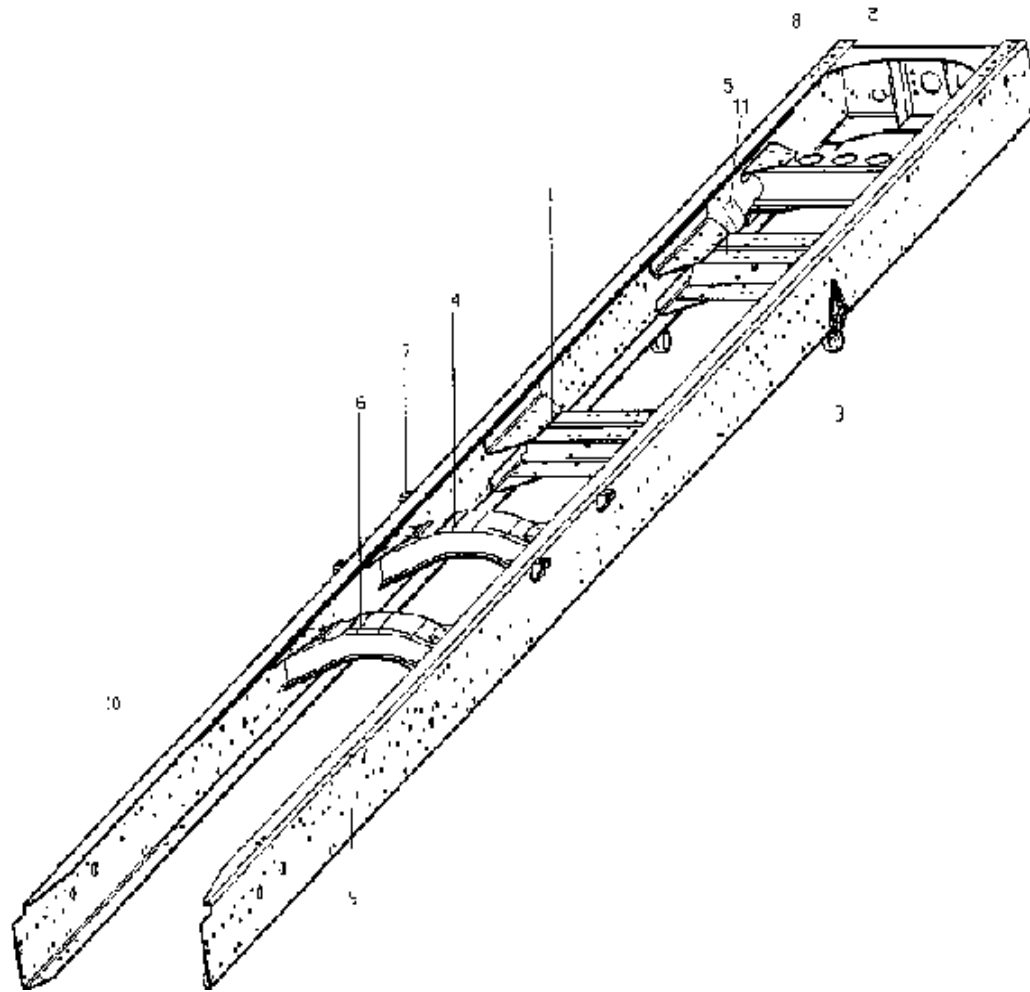
CHASSIS FRAME FOR 4×2 TRACTOR TRUCK/4×2牵引车车架

| No | Number of part | Quantity | Description | Applicability ※ | Designation |
|----|----------------|----------|-------------|-----------------|---------------------------------|
| — | AZ9719510000 | 1 | | S35/4×2 | Chassis frame |
| 1 | AZ9719510020 | 1 | | S35/4×2 | Cross member |
| 2 | 199100510008 | 2 | | S35/4×2 | Bracket |
| 3 | AZ9719510030 | 1 | | S35/4×2 | Cross member |
| 4 | AZ9719510010 | 1 | | S35/4×2 | Cross member |
| 5 | AZ9719510051 | 1 | | S35/4×2 | Angle support |
| 6 | AZ9719510052 | 1 | | S35/4×2 | Angle support |
| 7 | AZ9719510040 | 1 | | S35/4×2 | Cross member for shock absorber |
| 9 | AZ9719510001 | 1 | | S35/4×2 | Left longeron |
| 10 | AZ9719510002 | 1 | | S35/4×2 | Right longeron |
| 11 | 199014510226 | 2 | | S35/4×2 | Bracket |

※ S35—S:tractor truck, 35:wheel base=3500mm

C7-3 CHASSIS FRAME FOR 4×2 CARGO TRUCK/4×2载货车车架

Fig. C7-3



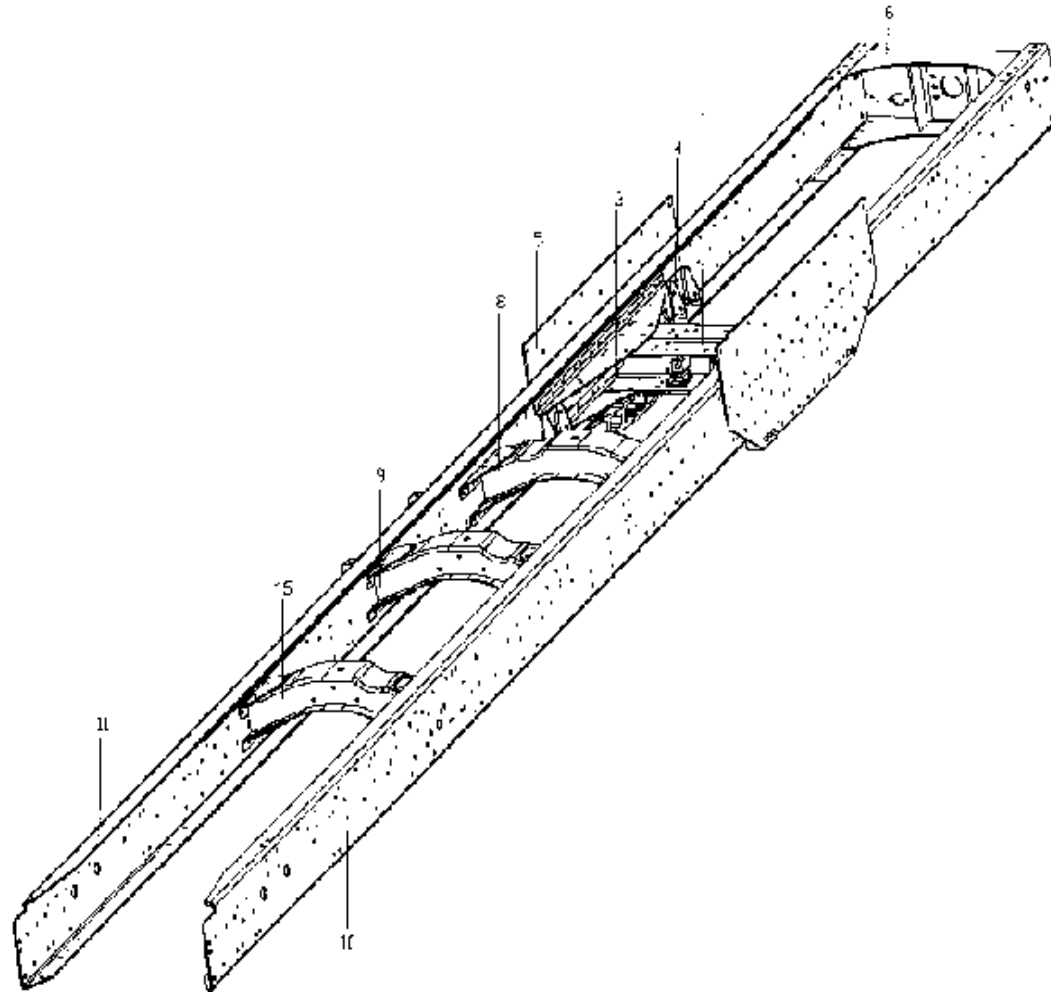
C7-3 CHASSIS FRAME FOR 4×2 CARGO TRUCK/4×2载货车车架

| No | Number of part | Quantity | Description | Applicability ※ | Designation |
|--|----------------|----------|-------------|-----------------|---------------------------------|
| — | AZ9716514630 | 1 | | O46/4×2 | Chassis frame |
| — | AZ9716515600 | 1 | | N56/4×2 | Chassis frame |
| 1 | AZ9719510020 | 1 | | | Cross member |
| 2 | AZ9632512020 | 1 | | | Cross member |
| 3 | 199100510008 | 1 | | | Cross member |
| 4 | AZ9719510010 | 1 | | | Cross member |
| 5 | AZ9719510040 | 1 | | | Cross member for shock absorber |
| 6 | AZ9716510010 | 1 | | | Cross member |
| 7 | 1780 510196 | 2 | | | Bracket |
| 8 | AZ9716510030 | 1 | | | Cross member |
| 9 | AZ9716514631 | 1 | | O46/4×2 | Left longeron |
| 9 | AZ9716515601 | 1 | | N56/4×2 | Left longeron |
| 10 | AZ9716514632 | 1 | | O46/4×2 | Right longeron |
| 10 | AZ9716515602 | 1 | | N56/4×2 | Right longeron |
| 11 | 199014510226 | 2 | | | Bracket |
| ※ O46——O: Cargo truck, 46: wheel base=4600mm | | | | | |
| N56——N: Cargo truck, 56: wheel base=5600mm | | | | | |

C7-4

CHASSIS FRAME FOR 6×4 TIPPER TRUCK/6×4自卸车车架

Fig. C7-4



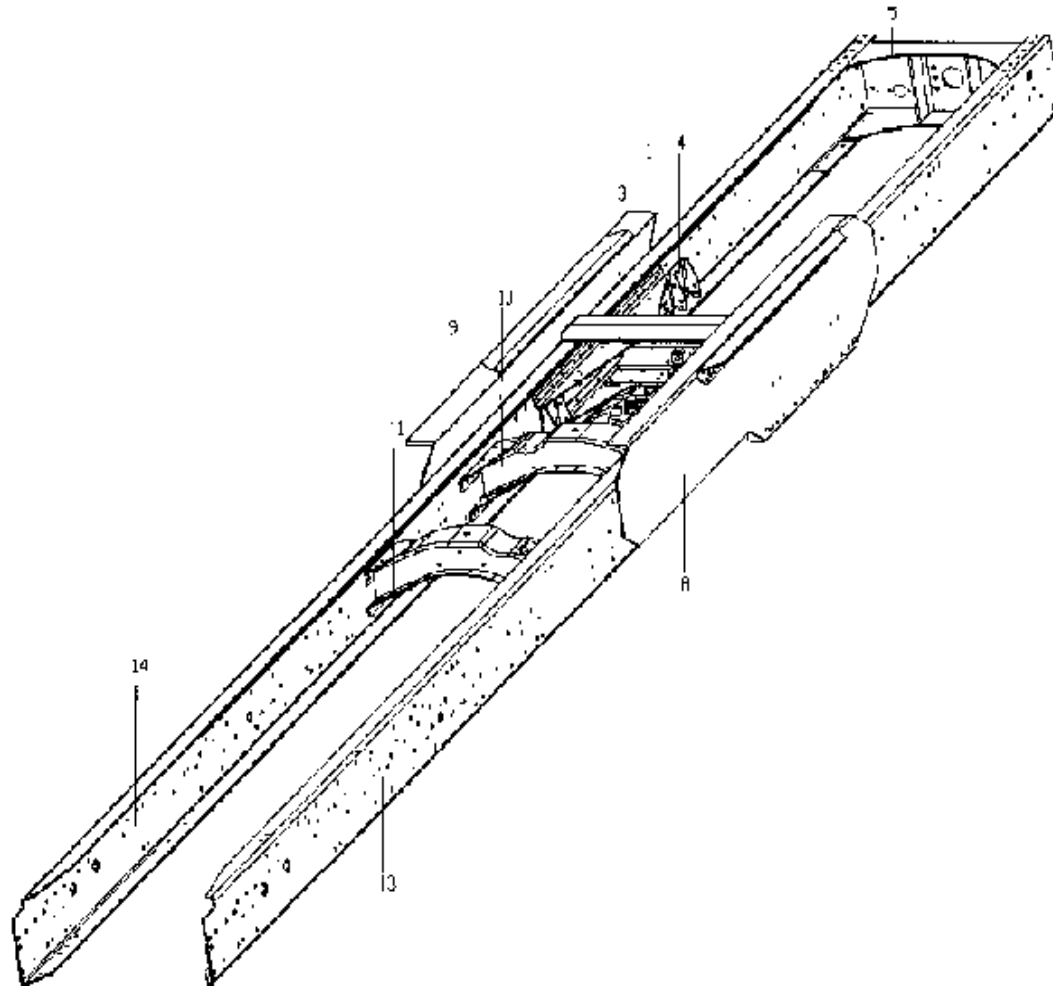
C7-4

CHASSIS FRAME FOR 6×4 TIPPER TRUCK/6×4自卸车车架

| No | Number of part | Quantity | Description | Applicability | Designation |
|----|----------------|----------|-------------|---------------|----------------|
| — | AZ9725513230 | 1 | | K32/6×4 | Chassis frame |
| — | AZ9725512900 | 1 | | K29/6×4 | Chassis frame |
| — | AZ9725513600 | 1 | | K36/6×4 | Chassis frame |
| — | AZ9725513800 | 1 | | K38/6×4 | Chassis frame |
| — | AZ9725511300 | 1 | | K46/6×4 | Chassis frame |
| 1 | AZ9725510040 | 1 | | | Cross member |
| 3 | AZ9725510015 | 2 | | | Bracket |
| 5 | AZ9725510021 | 2 | | | Plate |
| 6 | AZ9632512020 | 1 | | | Cross member |
| 8 | AZ9725510050 | 4 | | | Cross member |
| 9 | AZ9725510070 | 1 | | K29/K32/K36 | Cross member |
| 9 | AZ9719510010 | 1 | | K38/K46 | Cross member |
| 10 | AZ9725512901 | 1 | | K29/6×4 | Left longeron |
| 10 | AZ9725513231 | 1 | | K32/6×4 | Left longeron |
| 10 | AZ9725513601 | 1 | | K36/6×4 | Left longeron |
| 10 | AZ9725513801 | 1 | | K38/6×4 | Left longeron |
| 10 | AZ9725511301 | 1 | | K46/6×4 | Left longeron |
| 11 | AZ9725512902 | 1 | | K29/6×4 | Right longeron |
| 11 | AZ9725513232 | 1 | | K32/6×4 | Right longeron |
| 11 | AZ9725513602 | 1 | | K36/6×4 | Right longeron |
| 11 | AZ9725513802 | 1 | | K38/6×4 | Right longeron |
| 11 | AZ9725511302 | 1 | | K46/6×4 | Right longeron |
| 15 | AZ9725510070 | 1 | | K38 | Cross member |
| 15 | AZ9719510010 | 1 | | K46 | Cross member |

C7-5 CHASSIS FRAME FOR 6×4 TRACTOR TRUCK/6×4牵引车车架

Fig. C7-5

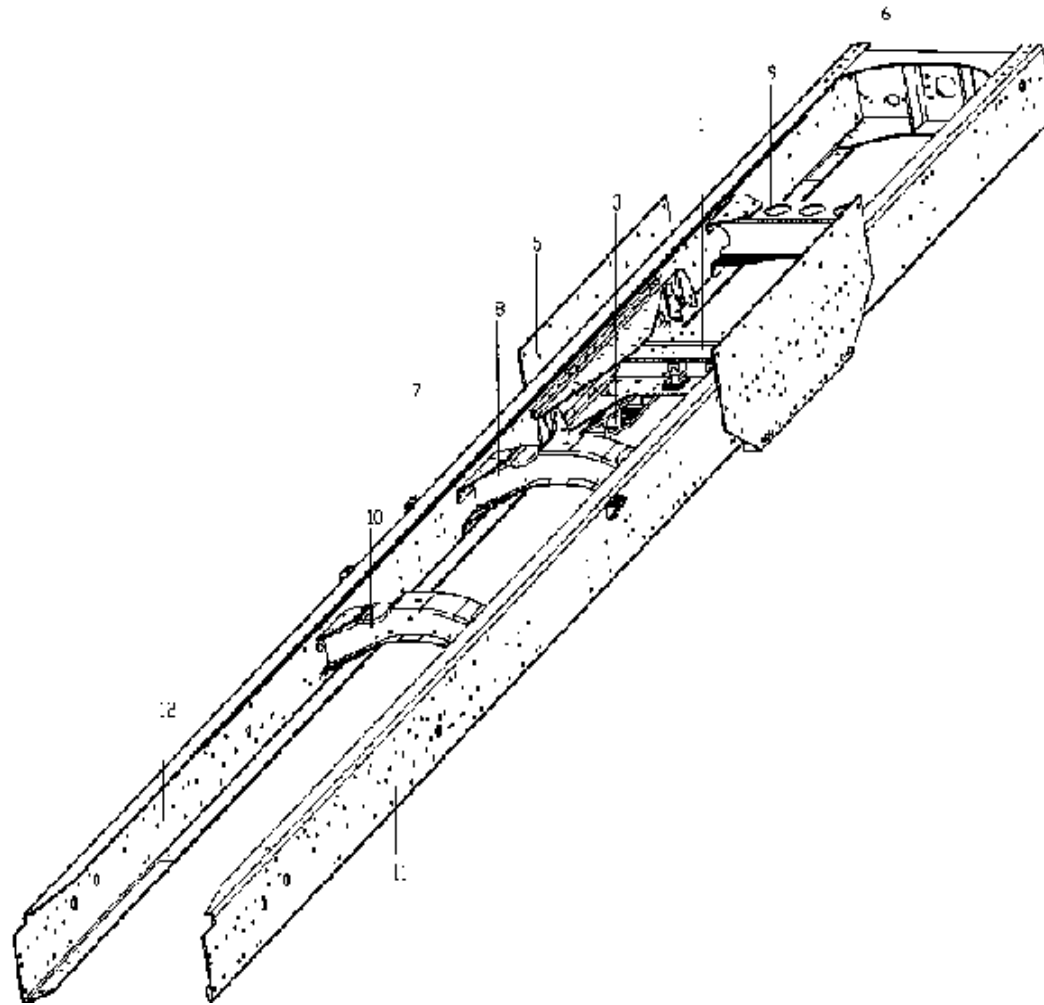


C7-5 CHASSIS FRAME FOR 6×4 TRACTOR TRUCK/6×4牵引车车架

| No | Number of part | Quantity | Description | Applicability | Designation |
|----|----------------|----------|-------------|---------------|----------------|
| — | AZ9725512000 | 1 | | S32/6×4 | Chassis frame |
| — | AZ9725513260 | 1 | | S32/6×4/420ps | Chassis frame |
| — | AZ9725513240 | 1 | | S32/6×2 | Chassis frame |
| 1 | AZ9725510040 | 1 | | | Cross member |
| 3 | AZ9725510015 | 2 | | | Bracket |
| 5 | AZ9632512020 | 1 | | | Cross member |
| 8 | AZ9725512022 | 1 | | | Plate left |
| 9 | AZ9725512021 | 1 | | | Plate right |
| 10 | AZ9725510050 | 1 | | | Cross member |
| 11 | AZ9719510010 | 1 | | | Cross member |
| 13 | AZ9725512001 | 1 | | | Left longeron |
| 13 | AZ9725513261 | 1 | | 420ps | Left longeron |
| 14 | AZ9725512002 | 1 | | | Right longeron |
| 14 | AZ9725513262 | 1 | | 420ps | Right longeron |

C7-6 CHASSIS FRAME FOR 6×4 CARGO TRUCK/6×4载货车车架

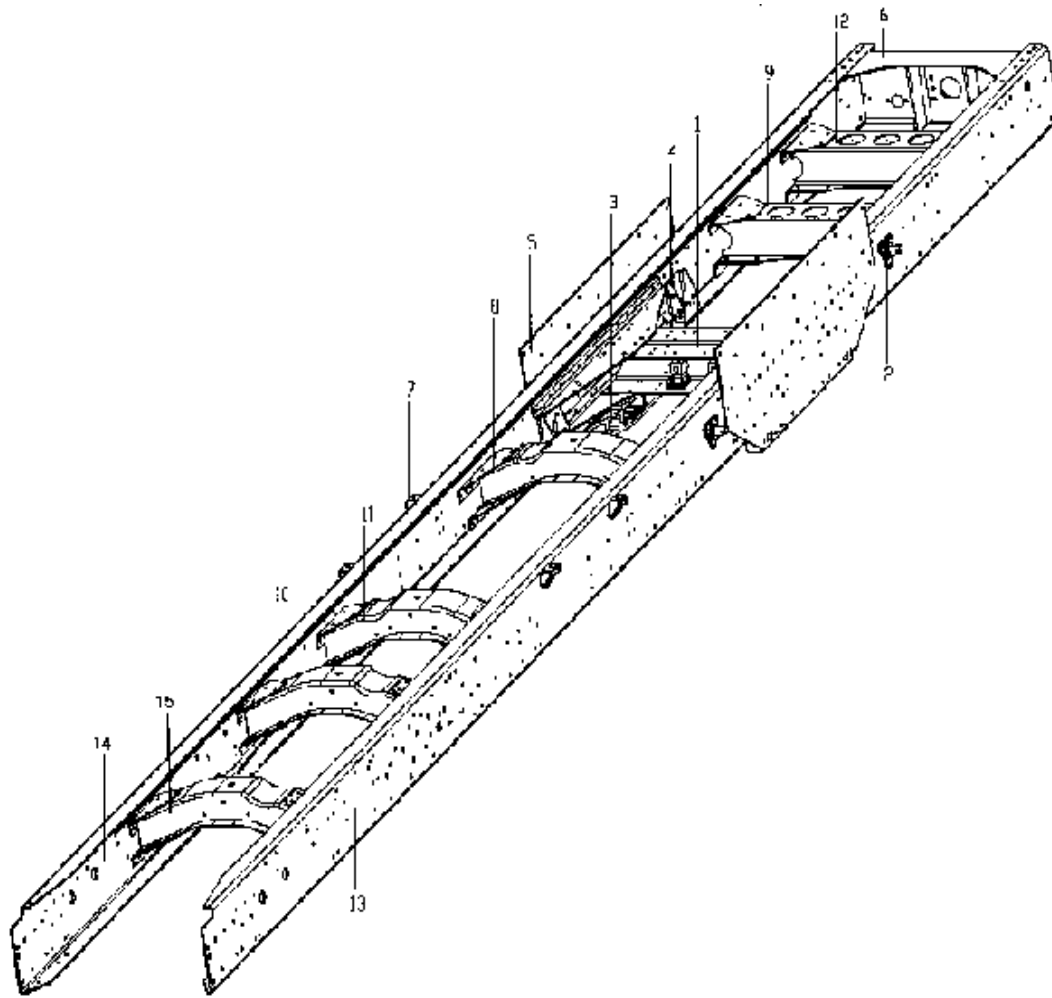
Fig. C7-6



C7-6 CHASSIS FRAME FOR 6×4 CARGO TRUCK/6×4载货车车架

| No | Number of part | Quantity | Description | Applicability | Designation |
|----|----------------|----------|-------------|---------------|----------------|
| — | AZ9725511200 | 1 | | B32/6×4 | Chassis frame |
| — | AZ9725511100 | 1 | | B36/6×4 | Chassis frame |
| — | AZ9725513200 | 1 | | B32/6×2 | Chassis frame |
| 1 | AZ9725510040 | 1 | | | Cross member |
| 3 | AZ9725510015 | 2 | | | Bracket |
| 5 | AZ9725510021 | 2 | | | Plate |
| 6 | AZ9632512020 | 1 | | | Cross member |
| 7 | 1780 510196 | 2 | | | Bracket |
| 8 | AZ9725510050 | 1 | | | Cross member |
| 9 | AZ9719510060 | 1 | | | Cross member |
| 10 | AZ9725510060 | 1 | | | Cross member |
| 11 | AZ9725511101 | 1 | | B36/6×4 | Left longeron |
| 11 | AZ9725511201 | 1 | | B32/6×4 | Left longeron |
| 12 | AZ9725511102 | 1 | | B36/6×4 | Right longeron |
| 12 | AZ9725511202 | 1 | | B32/6×4 | Right longeron |

C7-7 CHASSIS FRAME FOR 6×4 GARGO TRUCK WITH LONG WHEEL BASE/6×4长轴距载货车车架 Fig.C7-7



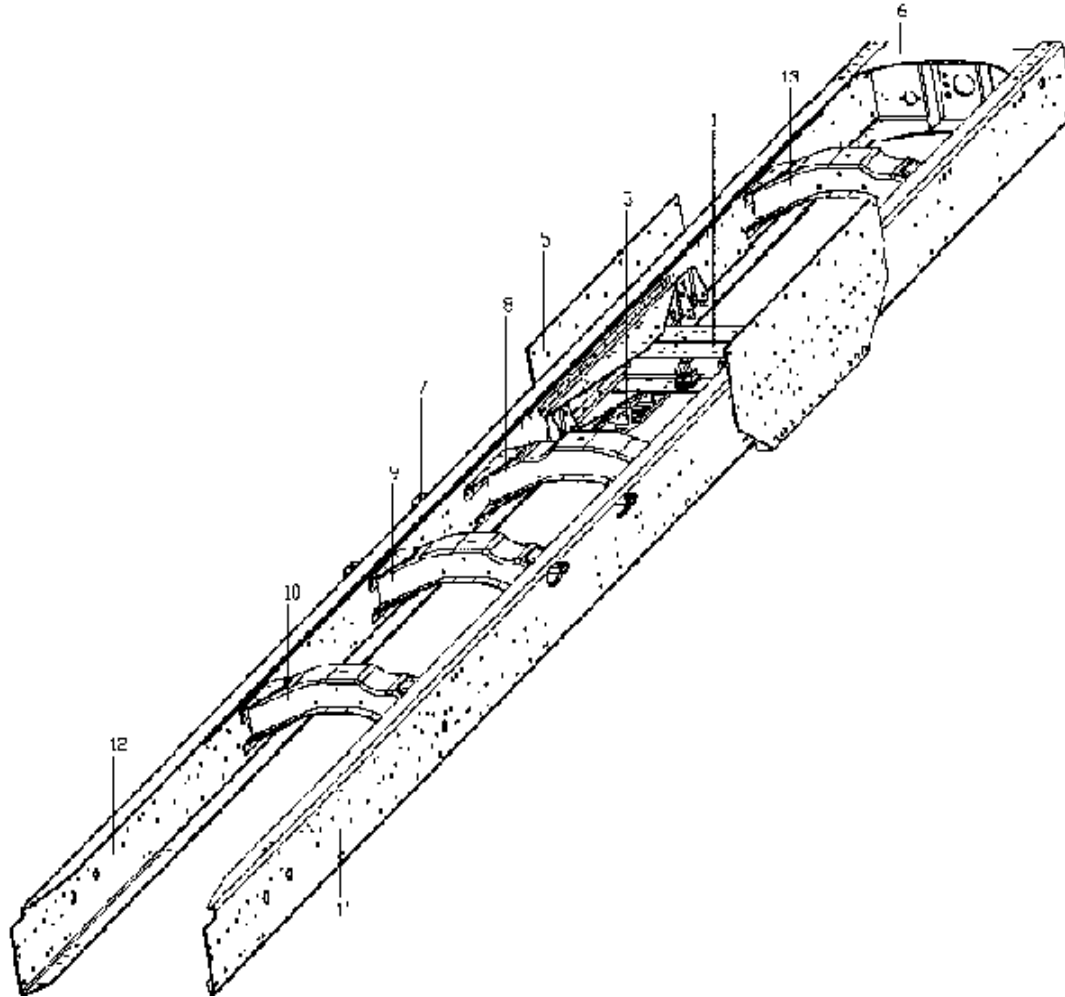
C7-7 CHASSIS FRAME FOR 6×4 GARGO TRUCK WITH LONG WHEEL BASE/6×4长轴距载货车车架

| No | Number of part | Quantity | Description | Applicability | Designation |
|----|----------------|----------|-------------|---------------|----------------|
| — | AZ9725513820 | 1 | | B38/6×4 | Chassis frame |
| — | AZ9725514000 | 1 | | O43/6×4 | Chassis frame |
| — | AZ9725511000 | 1 | | O46/6×4 | Chassis frame |
| — | AZ9725513000 | 1 | | N52/6×4 | Chassis frame |
| — | AZ9725515000 | 1 | | N58/6×4 | Chassis frame |
| 1 | AZ9725510040 | 1 | | | Cross member |
| 3 | AZ9725510015 | 2 | | | Bracket |
| 5 | AZ9725510021 | 2 | | | Plate |
| 6 | AZ9632512020 | 1 | | | Cross member |
| 7 | 1780 510196 | 2 | | | Bracket |
| 8 | AZ9725510050 | 1 | | | Cross member |
| 9 | AZ9716510010 | 1 | | | Cross member |
| 10 | AZ9719510010 | 1 | | | Cross member |
| 11 | AZ9719510010 | 1 | | | Cross member |
| 12 | AZ9716510010 | 1 | | | Cross member |
| 13 | AZ9725513821 | 1 | | B38/6×4 | Left longeron |
| 13 | AZ9725514001 | 1 | | O43/6×4 | Left longeron |
| 13 | AZ9725511001 | 1 | | O46/6×4 | Left longeron |
| 13 | AZ9725513001 | 1 | | N52/6×4 | Left longeron |
| 13 | AZ9725515001 | 1 | | N58/6×4 | Left longeron |
| 14 | AZ9725511002 | 1 | | O46/6×4 | Right longeron |
| 14 | AZ9725513002 | 1 | | N52/6×4 | Right longeron |
| 14 | AZ9725515002 | 1 | | N58/6×4 | Right longeron |
| 14 | AZ9725513822 | 1 | | B38/6×4 | Right longeron |
| 14 | AZ9725514002 | 1 | | O43/6×4 | Right longeron |
| 15 | AZ9719510010 | 1 | | N58/6×4 | Cross member |

C7-8

CHASSIS FRAME FOR 8×4 TIPPER TRUCK/8×4自卸车车架

Fig.C7-8



C7-8

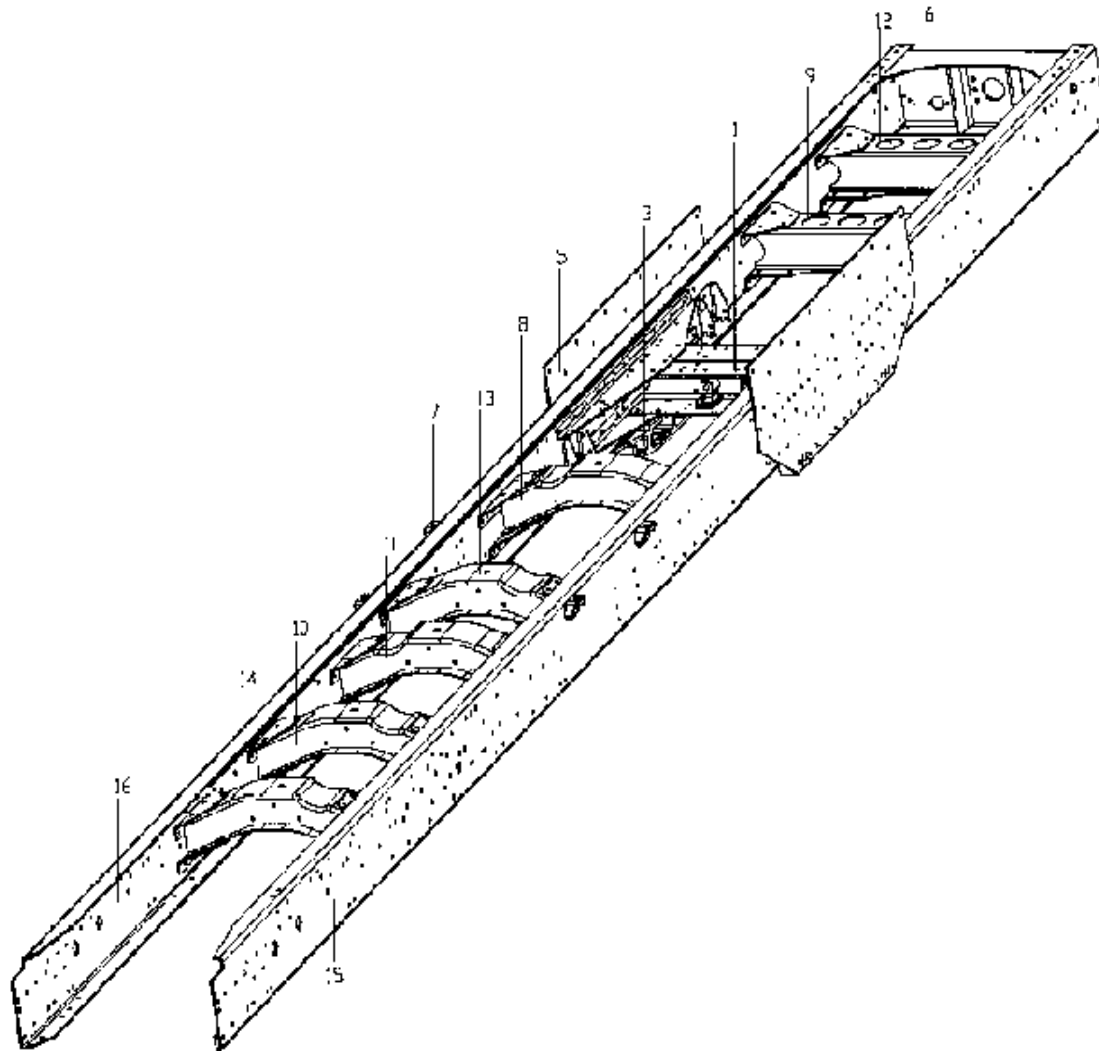
CHASSIS FRAME FOR 8×4 TIPPER TRUCK/8×4自卸车车架

| No | Number of part | Quantity | Description | Applicability | Designation |
|----|----------------|----------|-------------|---------------|----------------|
| — | AZ9731513210 | 1 | | K32/8×4 | Chassis frame |
| — | AZ9731512800 | 1 | | K28/8×4 | Chassis frame |
| — | AZ9731511000 | 1 | | K30/8×4 | Chassis frame |
| 1 | AZ9725510040 | 1 | | | Cross member |
| 3 | AZ9725510015 | 2 | | | Bracket |
| 5 | AZ9725510021 | 2 | | | Plate |
| 6 | AZ9632512020 | 1 | | | Cross member |
| 7 | 1780 510196 | 2 | | K32/8×4 | Bracket |
| 8 | AZ9725510050 | 1 | | | Cross member |
| 9 | AZ9731510010 | 1 | | | Cross member |
| 10 | AZ9719510010 | 1 | | | Cross member |
| 11 | AZ9731513211 | 1 | | K32/8×4 | Left longeron |
| 11 | AZ9731512801 | 1 | | K28/8×4 | Left longeron |
| 11 | AZ9731511001 | 1 | | K30/8×4 | Left longeron |
| 12 | AZ9731513212 | 1 | | K32/8×4 | Right longeron |
| 12 | AZ9731512802 | 1 | | K28/8×4 | Right longeron |
| 12 | AZ9731511002 | 1 | | K30/8×4 | Right longeron |
| 13 | AZ9716510010 | 1 | | K32/8×4 | Cross member |

C7-9

CHASSIS FRAME FOR 8×4 CARGO TRUCK/8×4载货车车架

Fig. C7-9



C7-9

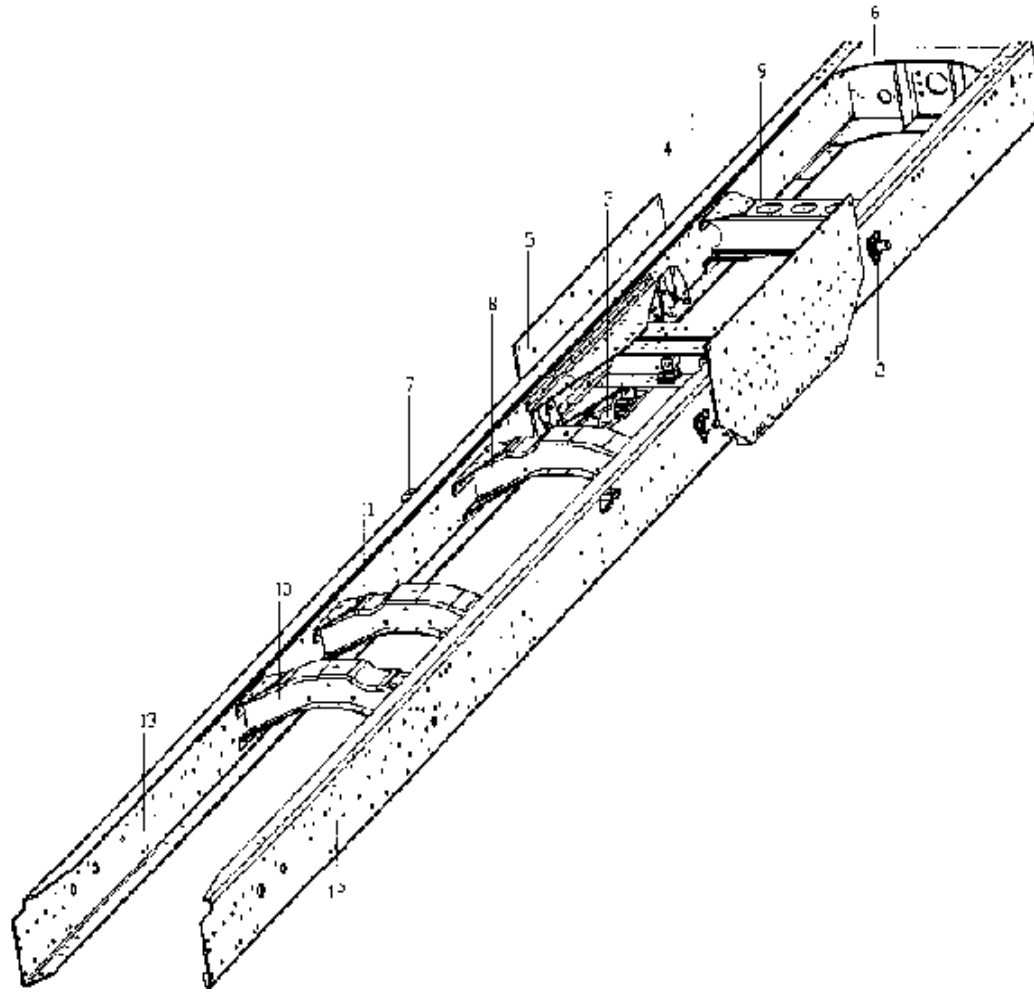
CHASSIS FRAME FOR 8×4 CARGO TRUCK/8×4载货车车架

| No | Number of part | Quantity | Description | Applicability | Designation |
|----|----------------|----------|-------------|---------------|----------------|
| — | AZ9731513800 | 1 | | O38/8×4 | Chassis frame |
| — | AZ9731510000 | 1 | | O46/8×4 | Chassis frame |
| 1 | AZ9725510040 | 1 | | | Cross member |
| 3 | AZ9725510015 | 2 | | | Bracket |
| 5 | AZ9725510021 | 2 | | | Plate |
| 6 | AZ9632512020 | 1 | | | Cross member |
| 7 | 1780 510196 | 4 | | | Bracket |
| 8 | AZ9725510050 | 1 | | | Cross member |
| 9 | AZ9716510010 | 1 | | | Cross member |
| 10 | AZ9719510010 | 1 | | | Cross member |
| 11 | AZ9719510010 | 1 | | | Cross member |
| 12 | AZ9716510010 | 1 | | | Cross member |
| 13 | AZ9719510010 | 1 | | O46/8×4 | Cross member |
| 13 | AZ9731513810 | 1 | | O38/8×4 | Cross member |
| 14 | AZ9719510010 | 1 | | | Cross member |
| 15 | AZ9731510001 | 1 | | O46/8×4 | Left longeron |
| 15 | AZ9731513801 | 1 | | O38/8×4 | Left longeron |
| 16 | AZ9731510002 | 1 | | O46/8×4 | Right longeron |
| 16 | AZ9731513802 | 1 | | O38/8×4 | Right longeron |

C7-10

CHASSIS FRAME FOR B32/8×4/B32/8×4车架

Fig. C7-10

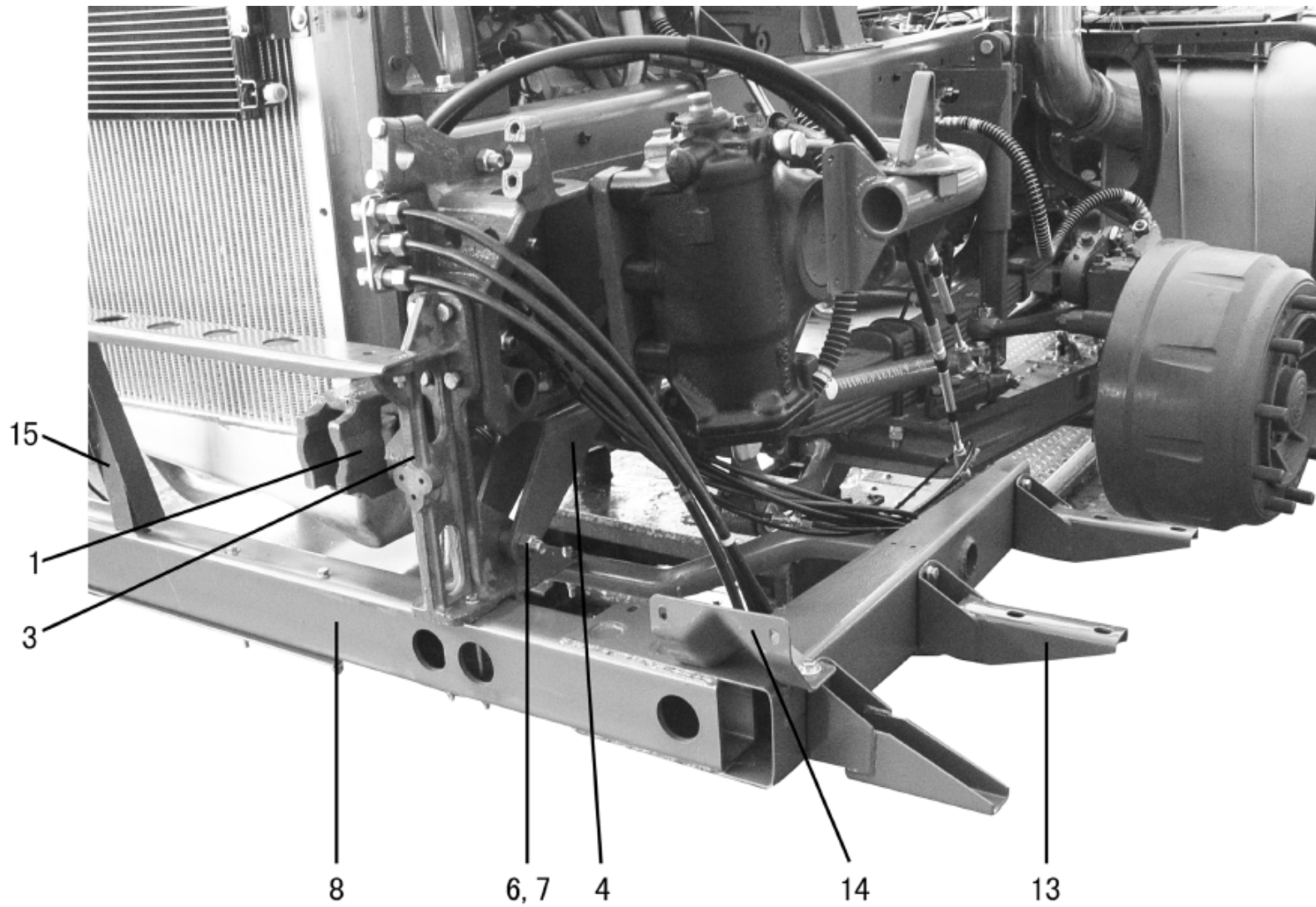


C7-10

CHASSIS FRAME FOR B32/8×4/B32/8×4车架

| No | Number of part | Quantity | Description | Applicability | Designation |
|----|----------------|----------|-------------|---------------|----------------|
| — | AZ9731513210 | 1 | | | Chassis frame |
| 1 | AZ9725510040 | 1 | | | Cross member |
| 3 | AZ9725510015 | 2 | | | Bracket |
| 5 | AZ9725510021 | 2 | | | Plate |
| 6 | AZ9632512020 | 1 | | | Cross member |
| 7 | 1780 510196 | 2 | | | Bracket |
| 8 | AZ9725510050 | 1 | | | Cross member |
| 9 | AZ9716510010 | 1 | | | Cross member |
| 10 | AZ9719510010 | 1 | | | Cross member |
| 11 | AZ9731510010 | 1 | | | Cross member |
| 12 | AZ9731513211 | 1 | | | Left longeron |
| 13 | AZ9731513212 | 1 | | | Right longeron |

C7-11 BRACKET FOR BUMPER, TOWING HOOK FRONT/保险杠支架, 前牵引装置 Fig. C7-11



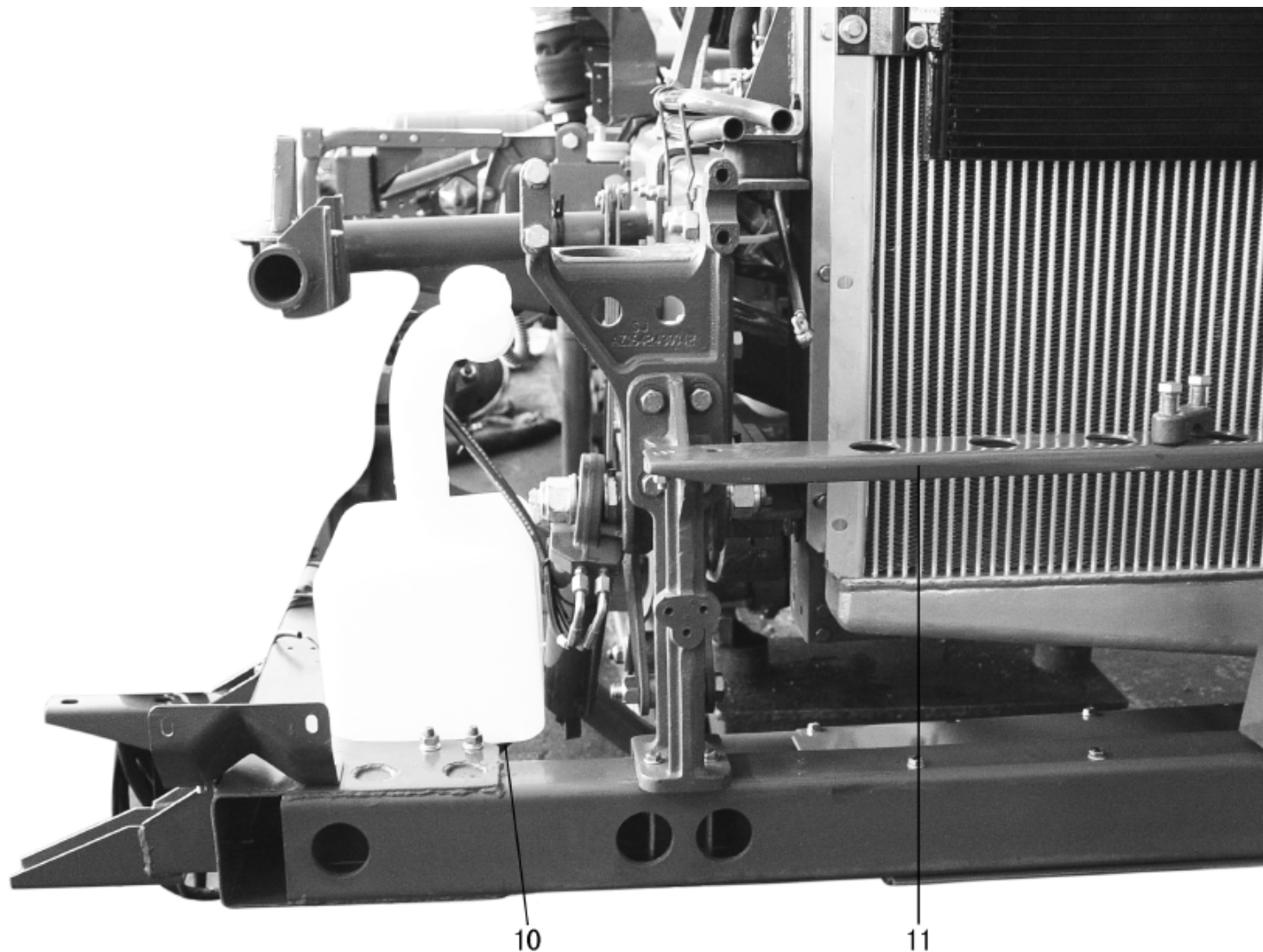
C7-11 BRACKET FOR BUMPER, TOWING HOOK FRONT/保险杠支架, 前牵引装置

| No | Number of part | Quantity | Description | Applicability | Designation |
|----|----------------|----------|-------------|-----------------|--------------------------|
| 1 | AZ9725930028 | 1 | | | Towing seat |
| 1a | Q151B1660 | 2 | | | Screw |
| 1b | 190003888459 | 2 | | | Nut |
| 1c | Q151B1465 | 3 | | | Screw |
| 1d | 190003888458 | 3 | | | Nut |
| 2 | AZ9114930094 | 1 | | | Towing hitch |
| 2a | AZ9114930093 | 1 | | | Towing hook |
| 3 | AZ9725930002 | 2 | | | Bracket for bumper |
| 3 | AZ9725930007 | 2 | | For high bumper | Bracket for bumper |
| 3a | Q151C1230 | 8 | | | Screw |
| 3b | Q40312 | 8 | | | Spring washer |
| 4 | AZ9725930003 | 2 | | | Aux.support |
| 4a | Q151B1445 | 4 | | | Screw |
| 4b | 190003888458 | 4 | | | Nut |
| 6 | AZ9725930004 | 2 | | | Sleeve |
| 7 | AZ9725930005 | 2 | | | Sleeve |
| 7a | Q151B1690 | 2 | | | Screw |
| 7b | 190003888459 | 2 | | | Nut |
| 8 | WG9725930010 | 1 | | | Protector |
| 8 | WG9725930060 | 1 | | For high bumper | Protector |
| 8a | Q150B1025 | 8 | | | Screw |
| 8b | Q33210 | 8 | | | Nut |
| 9 | AZ9725930006 | 2 | | | Front bracket for bumper |
| 9 | AZ9725930008 | | | For high bumper | Front bracket for bumper |
| 9a | Q150B1025 | 4 | | | Screw |
| 9b | Q40210 | 4 | | | Washer |
| 9c | Q33210 | 4 | | | Nut |

C7-11

BRACKET FOR BUMPER, TOWING HOOK FRONT/保险杠支架, 前牵引装置

Fig. C7-12



C7-11

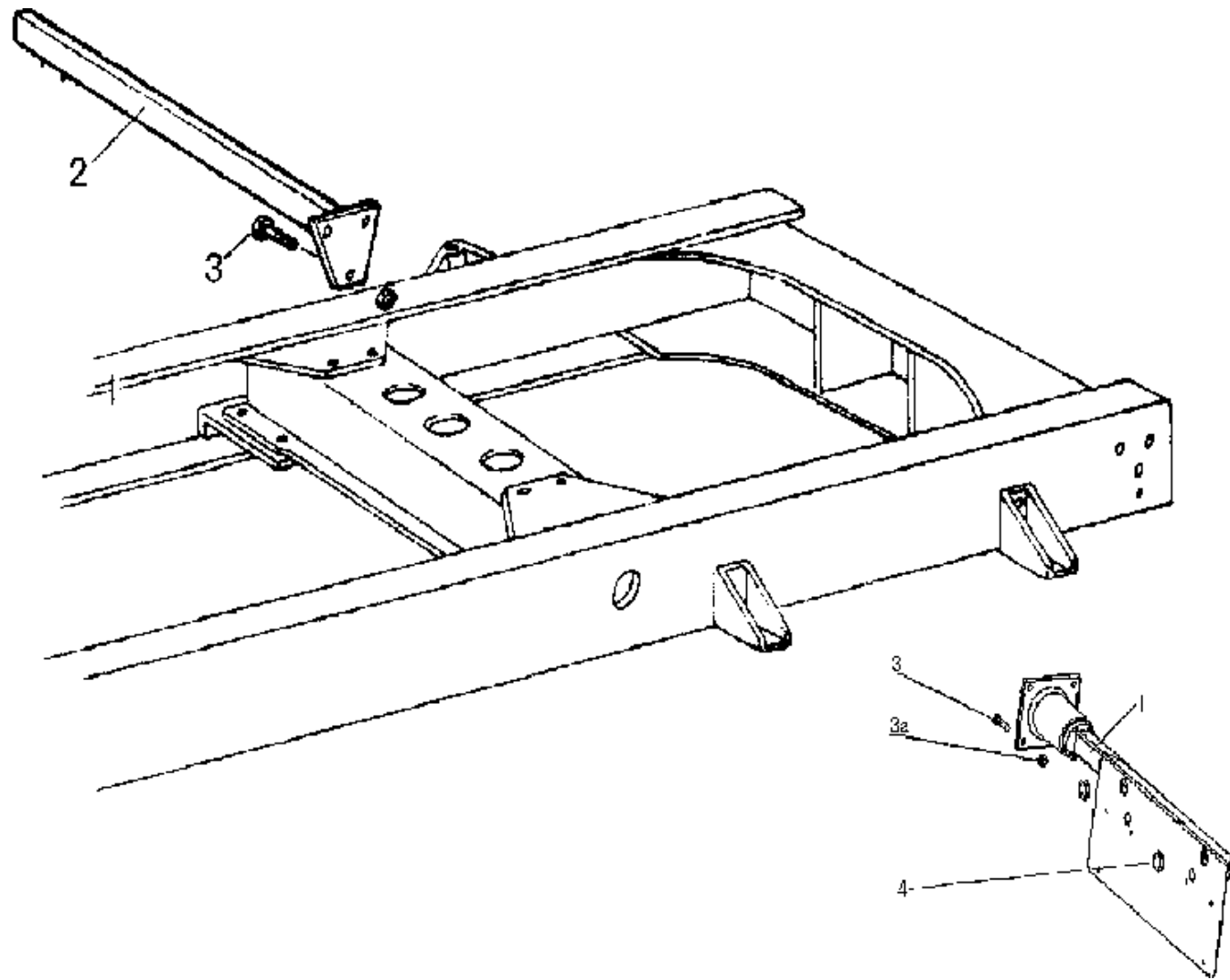
BRACKET FOR BUMPER, TOWING HOOK FRONT/保险杠支架, 前牵引装置

| No | Number of part | Quantity | Description | Applicability | Designation |
|-----|----------------|----------|-------------|-----------------|---|
| 10 | AZ9725930040 | 1 | | | Bracket for windscreen washing water tank |
| 10 | AZ9725930045 | 1 | | For high bumper | Bracket for windscreen washing water tank |
| 10a | Q40210 | 2 | | | Washer |
| 10b | Q33210 | 2 | | | Nut |
| 10c | Q150B0860 | 1 | | | Screw |
| 10d | Q40208 | 2 | | | Washer |
| 10e | Q33208 | 1 | | | Nut |
| 11 | AZ9725930050 | 1 | | | Protector for after cooler |
| 11 | AZ9725930053 | | | For high bumper | Protector for after cooler |
| 11a | Q150B08130 | 5 | | | Screw |
| 11b | Q150B0860 | 5 | | | Screw |
| 11c | Q40208 | 10 | | | Washer |
| 11d | Q33208 | 10 | | | Nut |
| 12 | WG9725930009 | 2 | | | Bottom bracket for bumper |
| 12 | AZ9725930054 | 2 | | For high bumper | Bottom bracket for bumper |
| 12a | Q150B0825 | 4 | | | Screw |
| 12b | Q40208 | 4 | | | Washer |
| 12c | Q40308 | 4 | | | Spring washer |
| 13 | WG9725930017 | 4 | | | Bracket for step |
| 13 | AZ9725930049 | 4 | | For high bumper | Bracket for step |
| 13a | Q150B0825 | 8 | | | Screw |
| 13b | Q40208 | 8 | | | Washer |
| 13c | Q40308 | 8 | | | Spring washer |
| 14 | WG9725930029 | 1 | | | Support for bumper |
| 14a | Q2540825 | 2 | | | Screw |
| 14b | Q33208 | 2 | | | Nut |
| 15 | AZ9725930037 | 1 | | | Middle bracket for bumper |
| 15 | AZ9725930034 | | | For high bumper | Middle bracket for bumper |
| 15a | Q2540820 | 1 | | | Screw |
| 15b | Q33208 | 1 | | | Nut |

C7-12

TAIL LIGHTS AND NUMBER PLATE CARRIER/牌照及尾灯支架

Fig. C7-13



C7-12

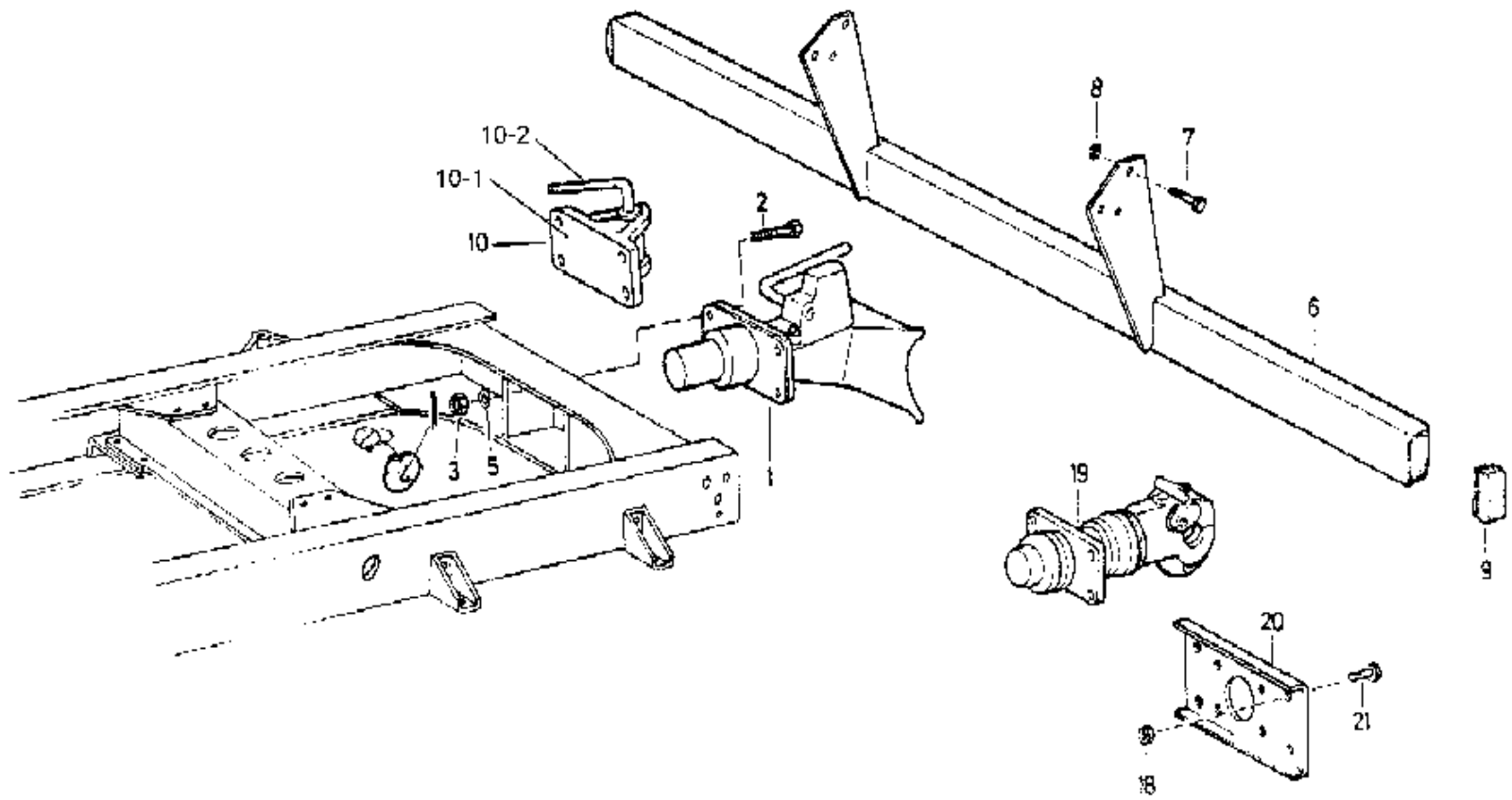
TAIL LIGHTS AND NUMBER PLATE CARRIER/牌照及尾灯支架

| No | Number of part | Quantity | Description | Applicability | Designation |
|----|----------------|----------|-------------|-----------------------|--------------------------|
| 1 | AZ9716940001 | 1 | | No incl.tractor truck | Tail light bracket left |
| 2 | AZ9716940007 | 1 | | No incl.tractor truck | Tail light bracket right |
| 3 | Q150B1030 | 6 | | No incl.tractor truck | Screw |
| 3a | Q33210 | 6 | | No incl.tractor truck | Nut |
| 4 | AZ9716940004 | 1 | | No incl.tractor truck | Rubber plug |

C7-13

BOTTOM PROTECTION, TRAILER COUPLING/后保险杠及牵引装置

Fig. C7-14



C7-13

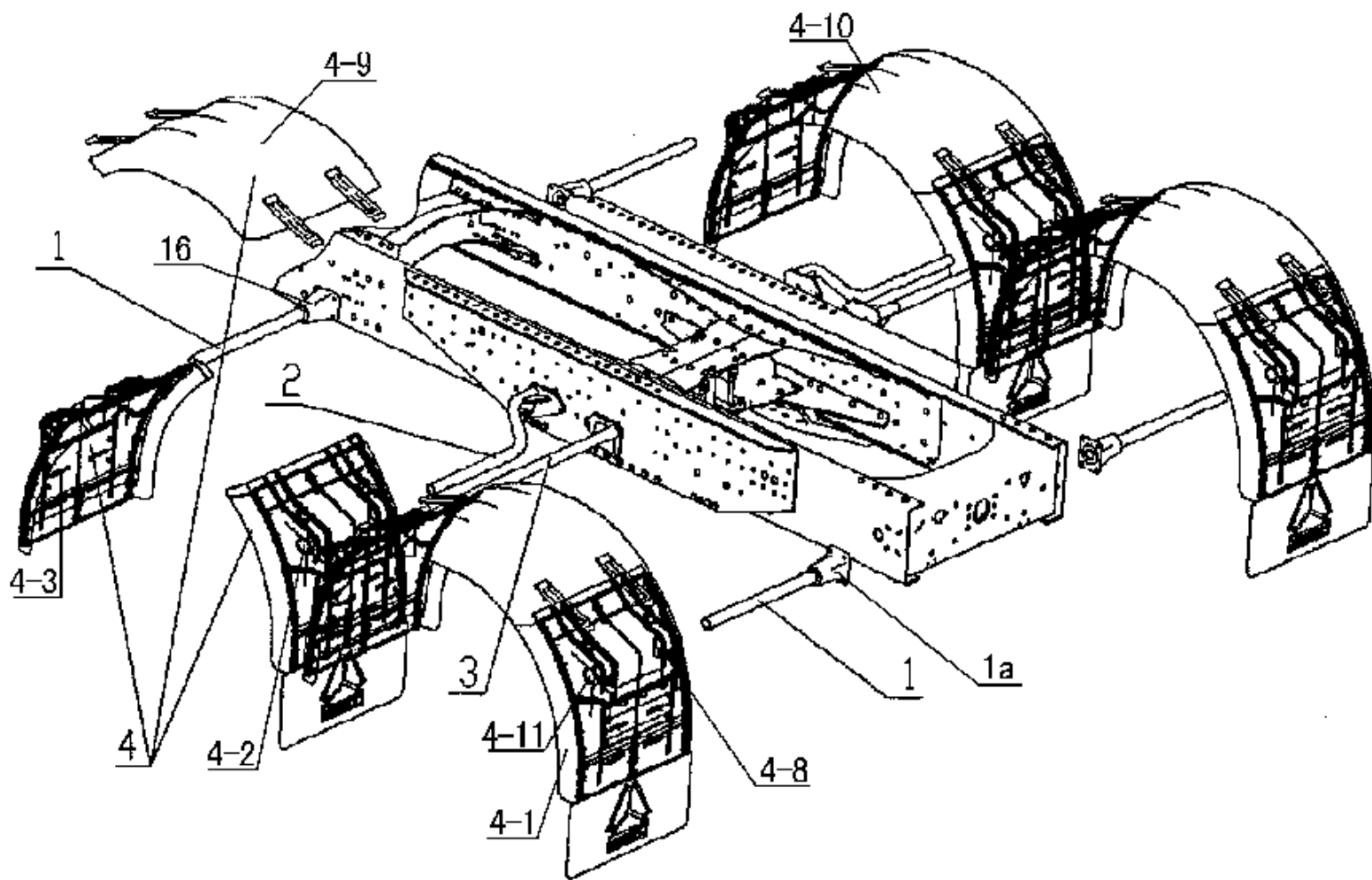
BOTTOM PROTECTION, TRAILER COUPLING/后保险杠及牵引装置

| No | Number of part | Quantity | Description | Applicability | Designation |
|------|----------------|----------|-------------|----------------------|------------------|
| 1 | 199000930113 | 1 | | Optional | Trailer coupling |
| 2 | Q150B1660 | 4 | | | Screw |
| 3 | Q33216 | 4 | | | Nut |
| 6 | AZ9725930104 | 1 | | No inc.tractor truck | Bumper rear |
| 6 | AZ9124930015 | 1 | | No inc.tractor truck | Bumper rear |
| 7 | Q150B1655 | 4 | | No inc.tractor truck | Screw |
| 7a | 190003937830 | 6 | | No inc.tractor truck | Washer |
| 7b | 199400930003 | 2 | | No inc.tractor truck | Sleeve |
| 8 | Q33216 | 4 | | No inc.tractor truck | Nut |
| 9 | WG9100930150 | 2 | | No inc.tractor truck | Cover |
| 9 | AZ9725930103 | 2 | | No inc.tractor truck | Cover |
| 10 | WG9000930047 | | | | Trailer coupling |
| 10-1 | WG9000930047-1 | 1 | | | Towing seat |
| 10-2 | WG9000930047-2 | 1 | | | Towing hitch |
| 19 | 199114930110 | 1 | | Optional | Trailer coupling |

C7-14

REAR MUDGUARD FOR TRACTOR/牵引车后挡泥板

Fig. C7-15



C7-14

REAR MUDGUARD FOR TRACTOR/牵引车后挡泥板

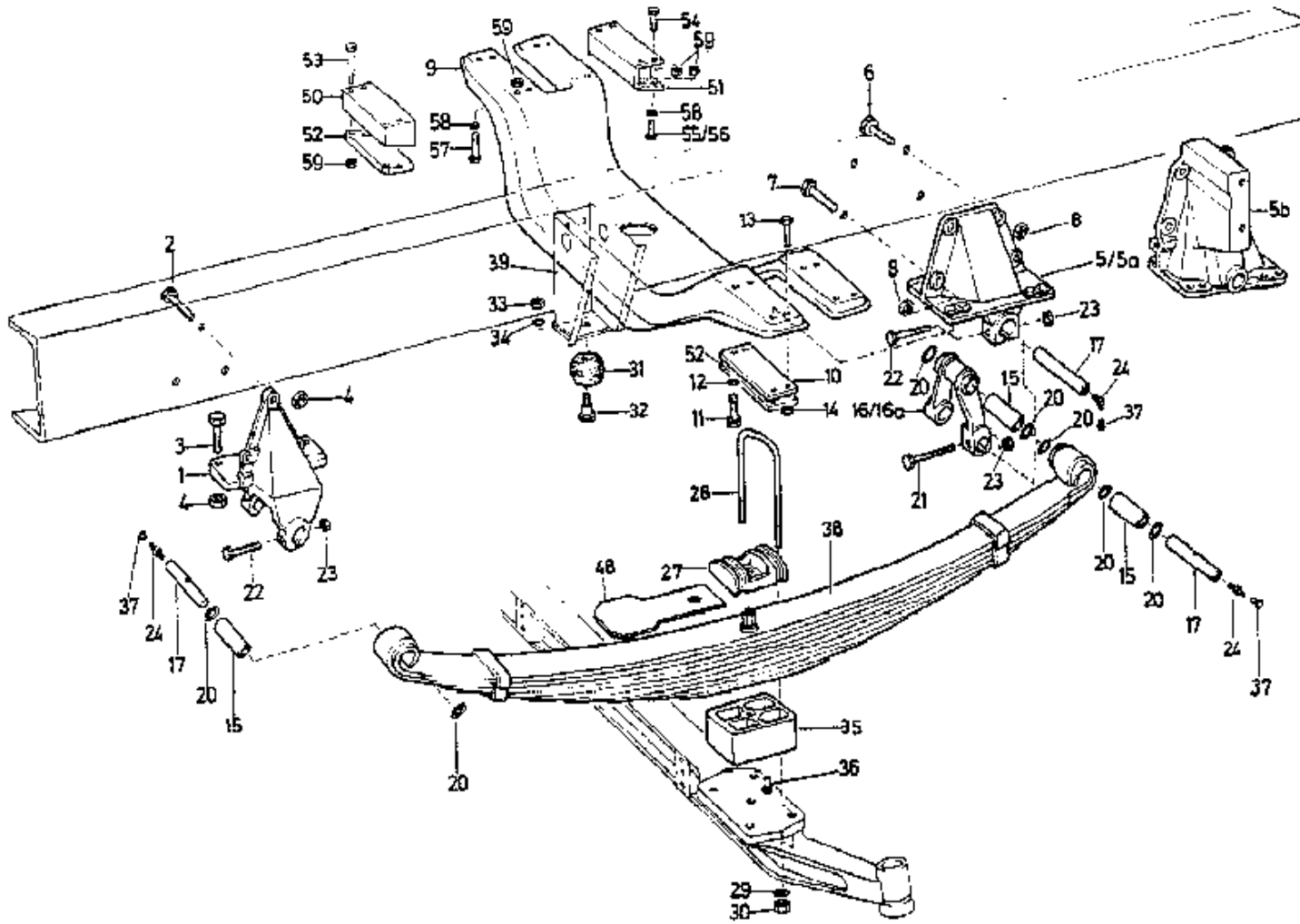
| No | Number of part | Quantity | Description | Applicability | Designation |
|------|----------------|----------|-------------|---------------|------------------------|
| 1 | AZ9725952020 | 4 | | 6×4, 8×4 | Tubular beam |
| 1 | WG9719950026 | 4 | | 4×2 | Tubular beam |
| 1a | AZ9719950028 | 2 | | 4×2 | Rear connecting block |
| 1b | AZ9719950029 | 2 | | 4×2 | Front connecting block |
| 1 | AZ9725950012 | 1 | | 6×2 | Front bracket left |
| 1a | AZ9725950012 | 1 | | 6×2 | Front bracket right |
| 1b | AZ9112951201 | 2 | | 6×2 | Rear bracket |
| 2 | WG9725952010 | 2 | | 6×4, 8×4 | Tubular beam |
| 3 | WG9725952011 | 2 | | 6×4, 8×4 | Tubular beam |
| 4 | WG9725950120 | 1 | | 6×4, 8×4 | Rear mudguard |
| 4 | WG9719950110 | 1 | | 4×2 | Rear mudguard |
| 4 | WG9719950111 | 1 | | 6×2 | Rear mudguard |
| 4-1 | WG9719950130/1 | 8 | | 6×4, 8×4 | Segment mudguard |
| 4-1 | WG9719950130/1 | 4 | | 4×2, 6×2 | Segment mudguard |
| 4-2 | WG9719950135/1 | 4 | | 6×4, 8×4 | Sheet rear |
| 4-2 | WG9719950135/1 | 2 | | 4×2, 6×2 | Sheet rear |
| 4-3 | WG9719950137/1 | 4 | | 6×4, 8×4 | Sheet front |
| 4-3 | WG9719950137/1 | 2 | | 4×2, 6×2 | Sheet front |
| 4-4 | WG9719950141/1 | 24 | | 6×4, 8×4 | Pressure plate I |
| 4-4 | WG9719950141/1 | 12 | | 4×2, 6×2 | Pressure plate I |
| 4-5 | WG9719950142/1 | 8 | | 6×4, 8×4 | Pressure plate II |
| 4-5 | WG9719950142/1 | 4 | | 4×2, 6×2 | Pressure plate II |
| 4-6 | WG9719950143/1 | 4 | | 6×4, 8×4 | Pressure plate III |
| 4-6 | WG9719950143/1 | 2 | | 4×2, 6×2 | Pressure plate III |
| 4-7 | WG9719950144/1 | 12 | | 6×4, 8×4 | Washer |
| 4-7 | WG9719950144/1 | 6 | | 4×2, 6×2 | Washer |
| 4-8 | WG9719950150/1 | 2 | | | Tail light bracket |
| 4-9 | WG9719950155/1 | 4 | | 6×4, 8×4 | Top cover |
| 4-9 | WG9719950155/1 | 2 | | 4×2, 6×2 | Top cover |
| 4-10 | WG9719950156/1 | 16 | | 6×4, 8×4 | Rubber hook |
| 4-10 | WG9719950156/1 | 8 | | 4×2, 6×2 | Rubber hook |
| 4-11 | WG9719950159/1 | 8 | | 6×4, 8×4 | Plug |
| 4-11 | WG9719950159/1 | 4 | | 4×2, 6×2 | Plug |
| 4-12 | WG9719950161/1 | 16 | | 6×4, 8×4 | Inter bracket |
| 4-12 | WG9719950161/1 | 8 | | 4×2, 6×2 | Inter bracket |
| 4-13 | WG9719950162/1 | 16 | | 6×4, 8×4 | Outer bracket |
| 4-13 | WG9719950162/1 | 8 | | 4×2, 6×2 | Outer bracket |
| 4-14 | WG9719950163/1 | 16 | | 6×4, 8×4 | Washer |
| 4-14 | WG9719950163/1 | 8 | | 4×2, 6×2 | Washer |

| | | | | | |
|------|----------|-----|--|----------|-------|
| 4-15 | Q1840860 | 16 | | 6×4, 8×4 | Screw |
| 4-15 | Q1840860 | 8 | | 4×2, 6×2 | Screw |
| 4-16 | Q33008 | 16 | | 6×4, 8×4 | Nut |
| 4-16 | Q33008 | 8 | | 4×2, 6×2 | Nut |
| 4-17 | Q2716319 | 200 | | 6×4, 8×4 | Screw |
| 4-17 | Q2716319 | 100 | | 4×2, 6×2 | Screw |

C8-1

4×2、6×2、6×4 FRONT SPRING/4×2、6×2、6×4前悬架

Fig. C8-1



C8-1

4×2、6×2、6×4 FRONT SPRING/4×2、6×2、6×4前悬架

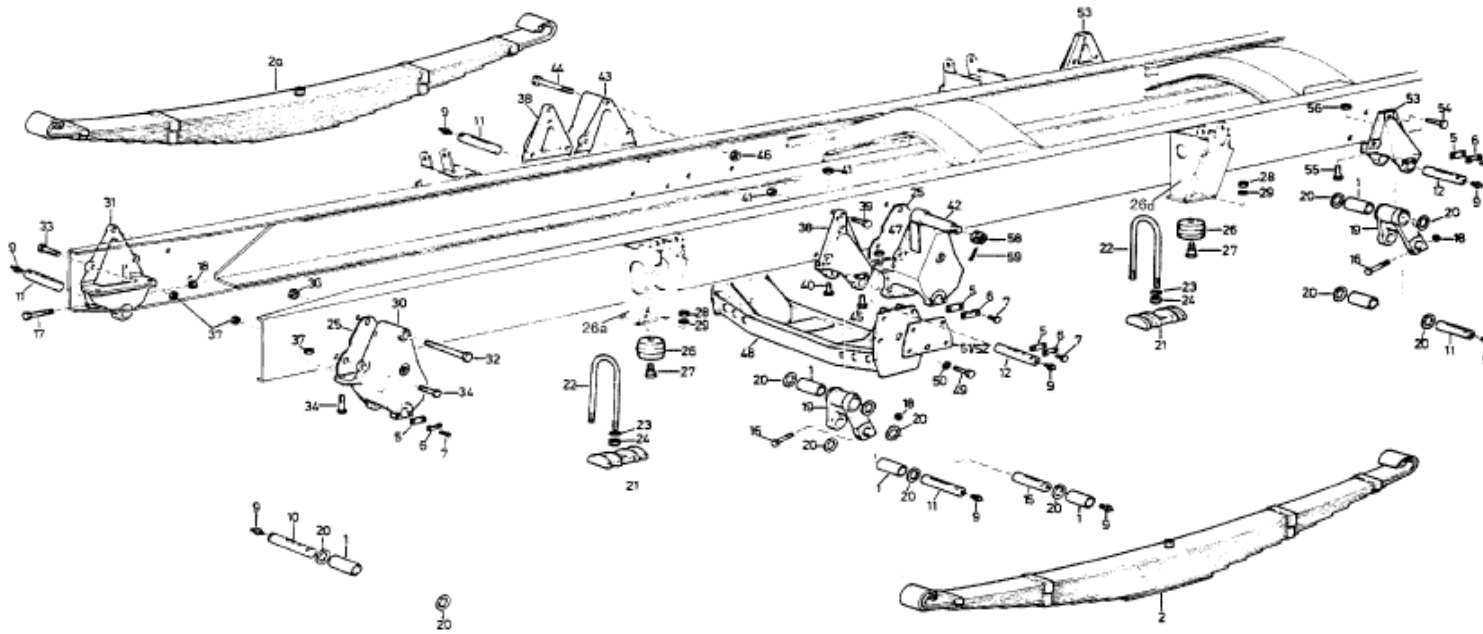
| No | Number of part | Quantity | Description | Applicability ※ | Designation |
|-----|----------------|----------|-------------|-----------------|---------------------------|
| 1 | AZ9719520005 | 2 | | | Spring bracket front |
| 2 | Q151B1665 | 6 | | | Screw |
| 3 | Q151B1650 | 4 | | | Screw |
| 4 | 19003888459 | 10 | | | Nut |
| 5 | AZ9232520010 | 1 | | | Spring bracket rear,left |
| 5a | AZ9232520011 | 1 | | | Spring bracket rear,right |
| 6 | Q151B1650 | 8 | | | Screw |
| 8 | 190003888459 | 8 | | | Lock nut |
| 9 | WG9114510510 | 1 | | | Cross member |
| 10 | 199100520025 | 8 | | | Plate |
| 13 | Q151G1260 | 16 | | | Screw |
| 14 | 190003888457 | 16 | | | Lock nut |
| 15 | WG9000520078 | 4 | | | Bush |
| 16 | WG9100520034 | 2 | | | Spring shackle front C |
| 17 | WG9100520065 | 6 | | | Spring bolt |
| 20 | 1680 520050 | 12 | | | Washer |
| 21 | Q151C1270 | 2 | | | Screw |
| 22 | Q151C1275 | 4 | | | Screw |
| 23 | 190003888457 | 6 | | | Nut |
| 24 | 190003963115 | 2 | | | Grease nipple |
| 26 | 190003963127 | 4 | | | Grease nipple |
| 27 | WG80 52 0002 | 2 | | | Plate |
| 28 | AZ9100520015 | 4 | | K/4×2, 0, S | Spring clip |
| 28 | 199014520259 | 4 | | K/6×4 | Spring clip |
| 29 | 1680 52 0056 | 8 | | | Washer |
| 30 | 190003888626 | 8 | | | Lock nut |
| 31 | WG9323520010 | 2 | | | Spring stop |
| 32 | 1880520019 | 2 | | | Screw |
| 33 | Q340B10 | 2 | | | Nut |
| 34 | Q40310 | 2 | | | Spring washer |
| 38 | WG9100520002 | 1 | | K/4×2, 0, S | Front spring C,left |
| 38 | WG9100520042 | 1 | | K/4×2, 0, S | Front spring C,right |
| 38 | WG9725520072 | 1 | | K/6×4 | Front spring C,left |
| 38 | WG9725520073 | 1 | | K/6×4 | Front spring C,right |
| 39 | AZ9731520034 | 2 | | | Bracket for spring stop |
| 39a | Q150B1240 | 4 | | | Screw |
| 39b | Q150B1230 | 4 | | | Screw |
| 39c | Q33212 | 8 | | | Lock nut |

※ K—Tipper truck O—Cargo truck S—Tractor truck

C8-2

8×4 FRONT SPRING/8×4前悬架

Fig. C8-2



C8-2

8×4 FRONT SPRING/8×4前悬架

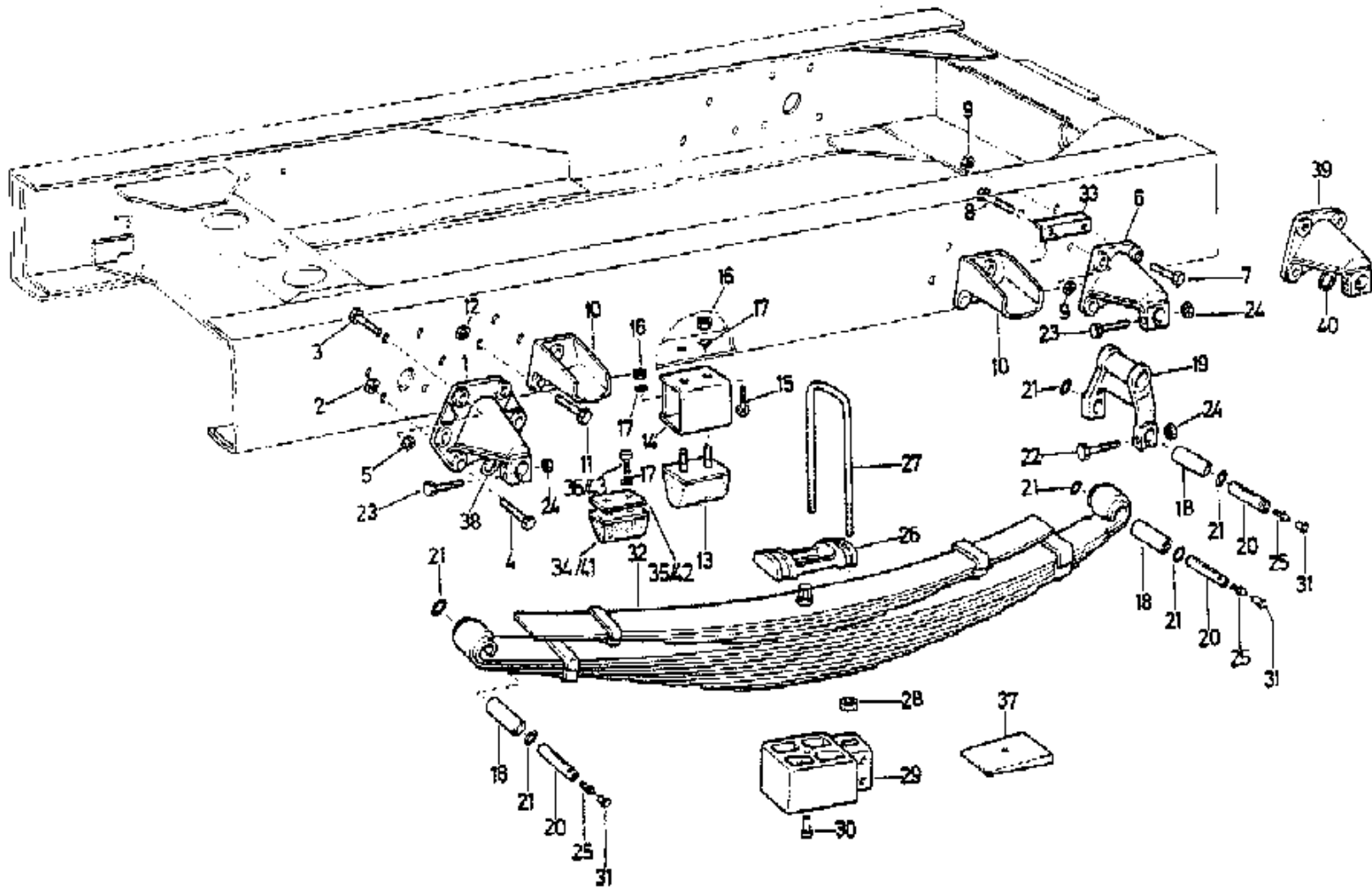
| No | Number of part | Quantity | Description | Applicability | Designation |
|-----|----------------|----------|-------------|---------------|------------------------|
| 1 | WG9000520078 | 12 | | | Bush |
| 2 | WG9731520011 | 2 | | | Front spring C,left |
| 2a | WG9731520012 | 2 | | | Front spring C,right |
| 3 | 199000520006 | 4 | | | Guide bolt |
| 5 | 147000520019 | 7 | | | Latch |
| 6 | 147000520020 | 7 | | | Security sheet |
| 7 | Q150B0820 | 14 | | | Screw |
| 9 | 190003963115 | 7 | | | Grease nipple |
| 9a | 190003963127 | 5 | | | Grease nipple |
| 10 | 189000520015 | 1 | | | Spring bolt |
| 11 | WG9100520065 | 5 | | | Spring bolt |
| 12 | 199100520080 | 4 | | | Spring bolt |
| 15 | 179000520040 | 2 | | | Spring bolt |
| 16 | Q151C1270 | 4 | | | screw |
| 17 | Q151C1275 | 1 | | | Screw |
| 18 | 190003888457 | 5 | | | Lock nut |
| 19 | WG9100520034 | 4 | | | Spring shackle front C |
| 20 | 1680 51 0050 | 24 | | | Washer |
| 21 | WG80 52 0002 | 4 | | | Plate |
| 22 | 199000520086 | 4 | | | Spring clip |
| 22a | 1990 520003 | 4 | | | Spring clip |
| 23 | 1680 52 0043 | 16 | | | Washer |
| 24 | 190003888626 | 16 | | | Lock nut |
| 26 | WG9232520010 | 4 | | | Spring stop |
| 26a | AZ9731520034 | 2 | | | Bracket |
| 26b | Q150B1240 | 4 | | | Screw |
| 26c | Q150B1230 | 4 | | | Screw |
| 26d | AZ9731520007 | 2 | | | Bracket |
| 26e | Q150B12105 | 4 | | | Screw |
| 26f | Q33212 | 12 | | | Nut |
| 30 | AZ9719520005 | 2 | | | Spring bracket front |
| 32 | Q151B1665 | 4 | | | Screw |
| 33 | Q151B1650 | 4 | | | Screw |
| 36 | 190003888459 | 1 | | | Lock nut |
| 38 | 179000520050 | 2 | | | Spring bracket rear |
| 39 | Q151B1460 | 6 | | | Screw |
| 40 | Q151B1455 | 4 | | | Screw |
| 41 | 190003888458 | 10 | | | Lock nut |
| 42 | AZ9731520024 | 1 | | | Spring bracket left |
| 43 | AZ9731520021 | 1 | | | Spring bracket right |
| 43a | AZ9731520005 | 2 | | | Bracket |
| 43b | AZ9731520010 | 2 | | | Washer |
| 44 | Q151B16140 | 2 | | | Screw |
| 44a | Q151B14120 | 4 | | | Screw |

| | | | | | |
|-----|--------------|---|--|--|---------------------|
| 45 | Q151B1650 | 4 | | | Screw |
| 46 | 190003888459 | 2 | | | Lock nut |
| 47 | 190003888458 | 8 | | | Lock nut |
| 48 | AZ9731510020 | 1 | | | Bracket C |
| 49 | Q151B1440 | 8 | | | Screw |
| 50 | Q41214 | 8 | | | Toothed washer |
| 53 | AZ9731520004 | 2 | | | Spring bracket rear |
| 53a | AZ9731520005 | 2 | | | Bracket |
| 53b | AZ9731520010 | 2 | | | Washer |
| 54 | Q151B1460 | 6 | | | Screw |
| 55 | Q151B1455 | 2 | | | Screw |
| 56 | 190003888458 | 8 | | | Lock nut |

C8-3

4×2 REAR SPRING/4×2后悬架

Fig. C8-3



C8-3

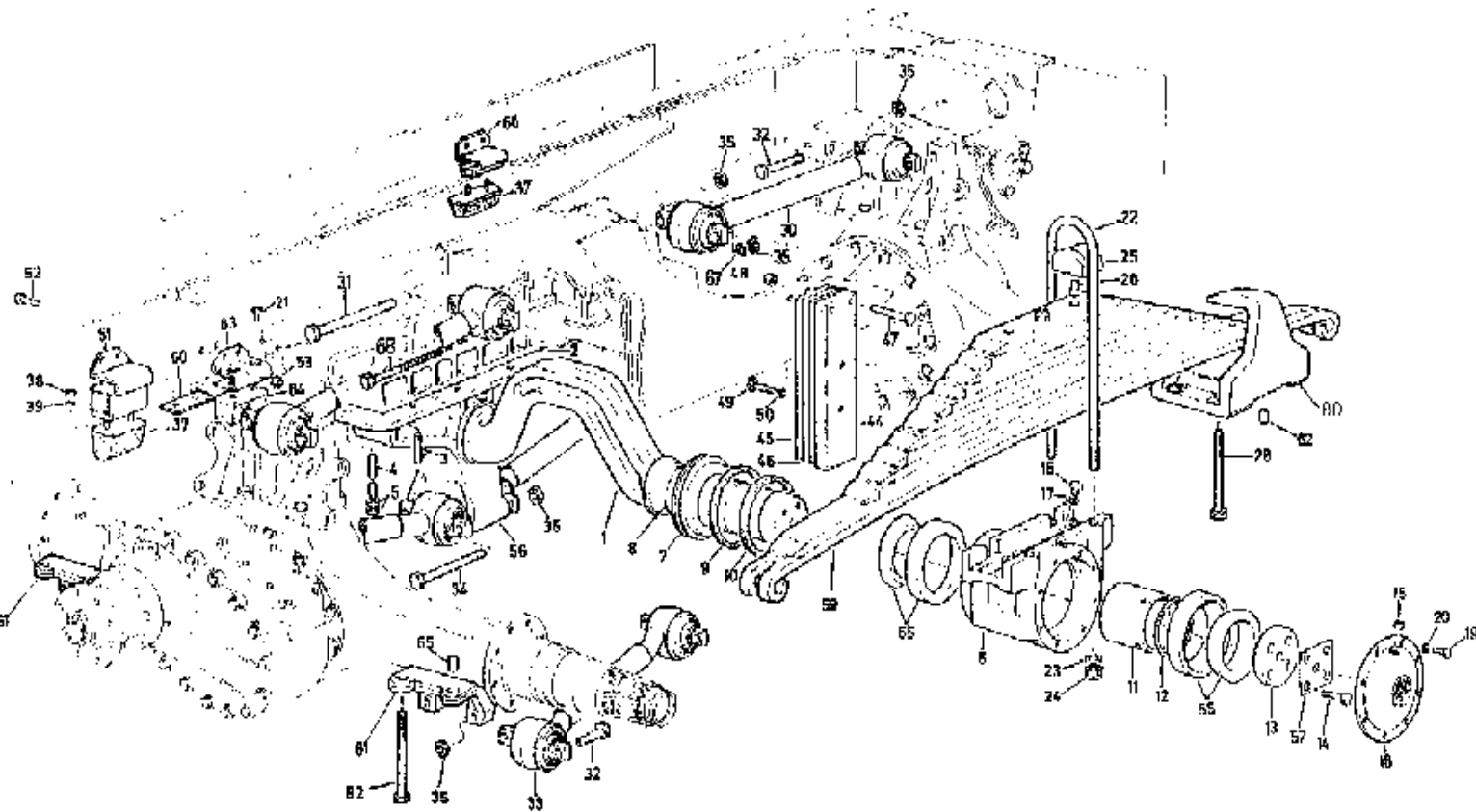
4×2 REAR SPRING/4×2后悬架

| No | Number of part | Quantity | Description | Applicability | Designation |
|-----|----------------|----------|-------------|---------------|--------------------------|
| 1 | AZ9719520007 | 2 | | | Spring bracket rear |
| 1a | AZ9719520018 | 2 | | | Washer |
| 3 | Q151B1655 | 8 | | | Screw |
| 3a | 190003888459 | 8 | | | Lock nut |
| 4 | Q151B1855TF2 | 4 | | | Screw |
| 5 | 190003888626 | 4 | | | Nut |
| 6 | AZ9719520019 | 2 | | S/4×2 | Spring bracket rear |
| 6 | AZ9719520008 | 2 | | O/K/4×2 | Spring bracket rear |
| 6a | AZ9719520018 | 2 | | | Washer |
| 7 | Q151B1650 | 8 | | | Screw |
| 9 | 190003888459 | 8 | | | Lock nut |
| 10 | AZ9719520140 | 4 | | O/K/4×2 | Stop bracket |
| 10 | AZ9719520010 | 1 | | S/4×2 | Stop bracket,left,front |
| 10a | AZ9719520011 | 1 | | S/4×2 | Stop bracket,right,front |
| 10b | AZ9719520012 | 1 | | S/4×2 | Stop bracket,left,rear |
| 10c | AZ9719520013 | 1 | | S/4×2 | Stop bracket,right,rear |
| 10d | AZ9719520016 | 4 | | S/4×2 | Plug |
| 11 | Q151B1445 | 16 | | | Screw |
| 12 | 190003888458 | 14 | | | Nut |
| 14 | 199100520112 | 2 | | | Plate |
| 17 | Q40310 | 4 | | | Spring washer |
| 18 | WG9000520079 | 4 | | | Bush |
| 19 | WG9100520018 | 2 | | | Spring shackle C |
| 20 | 199100520006 | 6 | | | Spring bolt |
| 21 | 1680 52 0050 | 12 | | | Washer |
| 22 | Q151C1270 | 2 | | | Screw |
| 23 | Q151C1275 | 4 | | | Screw |
| 24 | 190003888457 | 6 | | | Lock nut |
| 25 | 190003963124 | 6 | | | Grease nipple |
| 26 | AZ9719520009 | 2 | | S/O/4×2 | Plate |
| 26 | 199014520295 | 2 | | K/4×2 | Plate |
| 27 | AZ9112520312 | 4 | | | Spring clip |
| 27 | 199000520109 | 4 | | K/4×2 | Spring clip |
| 32 | WG9719520020 | 2 | | | Spring rear |
| 34 | AZ9725520048 | 2 | | O/S/4×2 | Stop C for rear axle |
| 34 | AZ9725520047 | 2 | | K/4×2 | Stop C for rear axle |
| 35 | AZ9725520041 | 2 | | K/4×2 | Plate |
| 36 | Q151B1260 | 4 | | | Screw |
| 36a | Q33212 | 4 | | | Nut |
| 38 | WG9000520089 | 2 | | | Washer |

C8-4

6×4, 8×4 SWIVEL SPRING AND SUSPENSION/6×4, 8×4平衡悬架

Fig. C8-4



C8-4

6×4, 8×4 SWIVEL SPRING AND SUSPENSION/6×4, 8×4平衡悬架

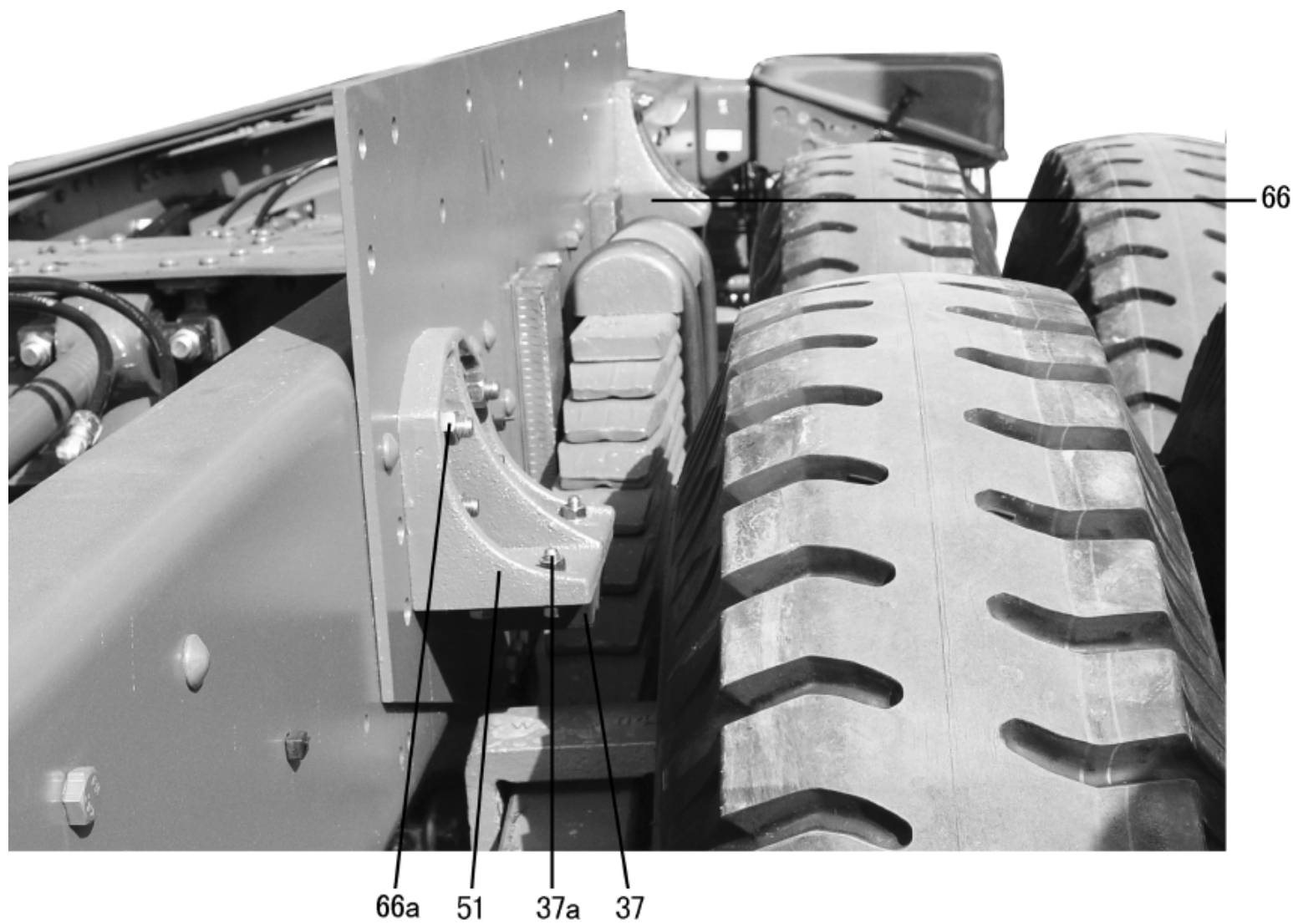
| No | Number of part | Quantity | Description | Applicability | Designation |
|-----|----------------|----------|-------------|------------------|---|
| 0 | AZ9725520110 | 1 | | | Balance shaft C with housing(inc.1~20,55) |
| 0 | AZ9725520100 | 1 | | S/6×4/8×4 | Balance shaft C with housing(inc.1~20,55) |
| 0 | AZ9725520022 | 1 | | 0, K/6×4/8×4 | Balance shaft C with housing(inc.1~20,55) |
| 1 | AZ9232520004 | 1 | | | Balance shaft |
| 3 | Q5211645 | 2 | | | Pin |
| 4 | WG9014520227 | 28 | | | Stud |
| 5 | 190003871353 | 28 | | | Nut |
| 6 | 199114520035 | 2 | | | Balance shaft housing |
| 6 | 199114520233 | 2 | | | Balance shaft housing |
| 7 | 199114520136 | 2 | | | Bearing sealing cover |
| 8 | 1614 130062 | 2 | | | Sealing ring |
| 9 | AZ9114520223 | 2 | | | Sealing ring |
| 10 | AZ9114520222 | 2 | | | Ring |
| 11 | 199014520191 | 2 | | | Bush |
| 12 | 199014520192 | 2 | | | Space washer |
| 12a | 199014520193 | 2 | | | Space washer |
| 12b | 199014520194 | 2 | | | Space washer |
| 12c | 199014520303 | 2 | | | Space washer |
| 12d | 199014520306 | 2 | | | Space washer |
| 12e | 99114520059 | 2 | | | Space washer |
| 12f | AZ9100520008 | 2 | | | Space washer |
| 13 | 199014520265 | 2 | | | Stop washer |
| 14 | Q171B1655TF2 | 8 | | | Screw |
| 14a | WG9114520041 | 2 | | | Screw |
| 15 | 190003962021 | 2 | | | Screw |
| 15 | 190003962021 | 2 | | | Screw |
| 16 | Q150B0810 | 2 | | | Screw |
| 17 | Q72308T5F | 2 | | | Grasket |
| 18 | 199014520311 | 2 | | | Cover |
| 19 | Q150B0820 | 16 | | | Screw |
| 20 | Q40308 | 16 | | | Spring washer |
| 22 | AZ9725520037 | 4 | | For WG9232520008 | Spring clip |
| 22 | AZ9725520053 | 4 | | For WG9638520008 | Spring clip |
| 22 | AZ9725520055 | 4 | | For WG9731520013 | Spring clip |
| 22 | 199114520234 | 4 | | For WG9232520232 | Spring clip |
| 23 | 1880340022 | 8 | | | Washer |
| 24 | 190003888749 | 8 | | | Lock nut |
| 25 | AZ9638520005 | 2 | | | Spring clip plate |
| 26 | 199000520006 | 4 | | | Guide bolt |
| 27 | AZ9725520001 | 1 | | | Bracket left,front |
| 27a | AZ9725520002 | 1 | | | Bracket right,front |
| 27b | AZ9725520003 | 1 | | | Bracket left,rear |
| 27c | AZ9725520004 | 1 | | | Bracket right,rear |
| 27 | AZ9725520011 | 1 | | | Bracket left,front |

| | | | | | |
|-----|--------------|----|--|------------------|---------------------|
| 27a | AZ9725520012 | 1 | | | Bracket right,front |
| 27b | AZ9725520058 | 1 | | | Bracket left,rear |
| 27c | AZ9725520059 | 1 | | | Bracket right,rear |
| 27 | AZ9638520001 | 1 | | For WG9638520008 | Bracket left,frowt |
| 27a | AZ9638520002 | 1 | | For WG9638520008 | Bracket right,frowt |
| 27b | AZ9638520003 | 1 | | For WG9638520008 | Bracket left,rear |
| 27c | AZ9638520004 | 1 | | For WG9638520008 | Bracket right,rear |
| 28 | Q151B22230 | 16 | | | Screw |
| 30 | WG9114521174 | 4 | | | Bottom brace rod C |
| 30 | 199114520038 | 4 | | | Bottom brace rod C |
| 30 | DZ9114520175 | 4 | | | Bottom brace rod C |
| 30 | DZ9114520175 | 4 | | | Bottom brace rod C |
| 31 | Q151B2090 | 2 | | | Screw |
| 32 | 190003803974 | 12 | | | Screw |
| 33 | WG9114521175 | 2 | | | Top brace rod C |
| 33 | 199114520169 | 2 | | For 12.00R24 | Top brace rod C |
| 33 | DZ9114520174 | 2 | | | Top brace rod C |
| 34 | Q151B20200 | 4 | | | Screw |
| 35 | 190003888467 | 18 | | | Lock nut |

C8-4

6×4, 8×4 SWIVEL SPRING AND SUSPENSION/6×4, 8×4平衡悬架

Fig. C8-5

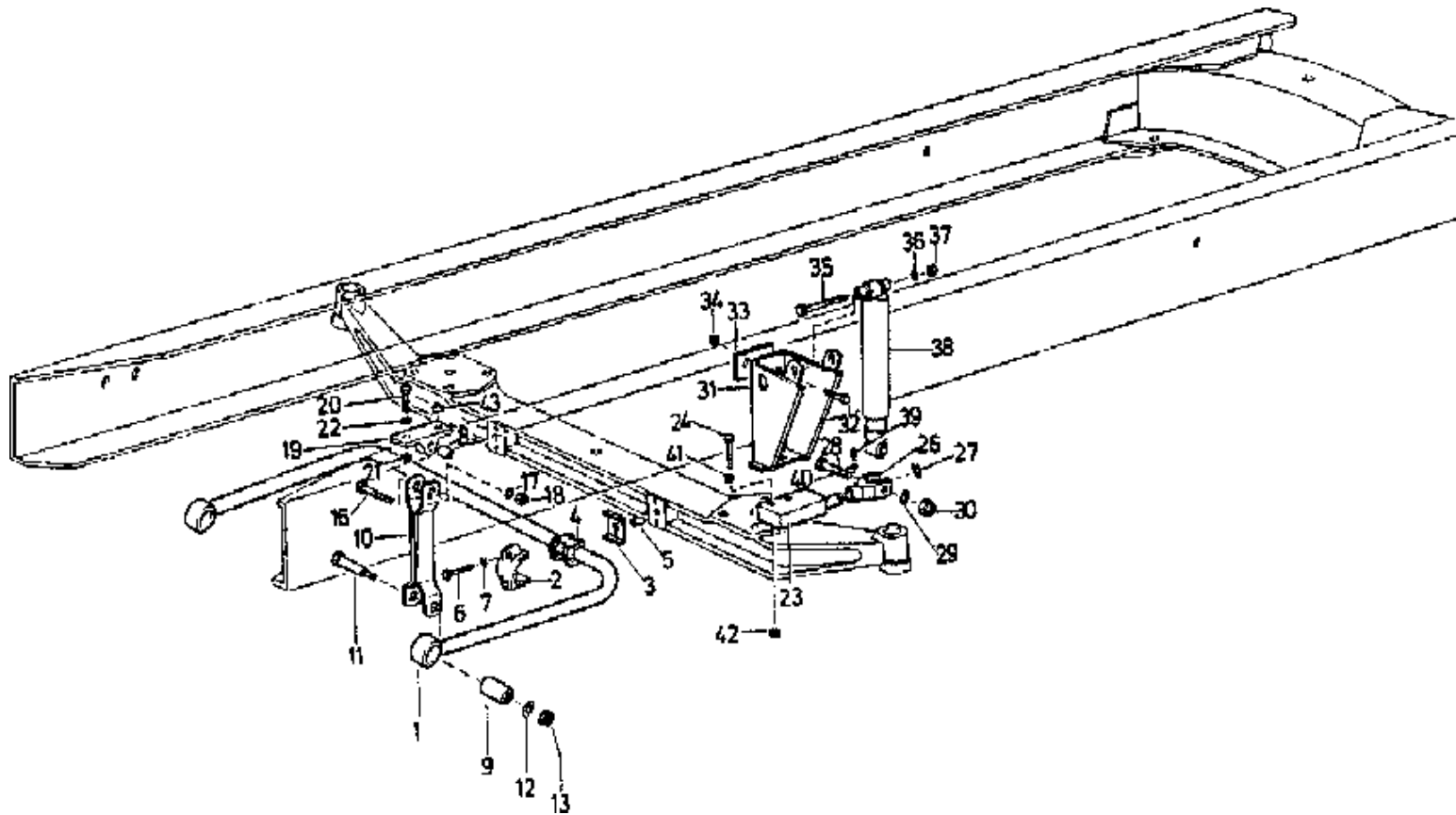


C8-4

6×4, 8×4 SWIVEL SPRING AND SUSPENSION/6×4, 8×4平衡悬架

| No | Number of part | Quantity | Description | Applicability | Designation |
|-----|----------------|----------|----------------|------------------|----------------------------|
| 37 | AZ9114520091 | 4 | | | Stop C |
| 37a | Q150B1035 | 16 | | | Screw |
| 38 | Q340B10 | 16 | | | Nut |
| 39 | Q40310 | 16 | | | Spring washer |
| 45 | WG9232520005 | 4 | | | Diff.sheet |
| 45 | 199014520224 | 4 | | | Diff.sheet |
| 46 | 199014520224 | 4 | | | Diff.sheet |
| 46a | 199014520204 | 4 | | | Diff.sheet |
| 47 | Q151C1260 | 12 | | | Screw |
| 48 | 190003888457 | 16 | | | Lock nut |
| 49 | Q151C1255 | 4 | | | Screw |
| 50 | Q40312 | 16 | | | Spring washer |
| 51 | AZ9232520003 | 2 | | | Stop bracket |
| 51 | AZ9114520098 | 4 | | For WG9638520008 | Stop bracket |
| 54 | 199014520019 | 4 | | | Bolt |
| 55 | WG9114520042 | 4 | | | Ball bearing |
| 55a | 199014520188 | 2 | | | Retaining plate of bearing |
| 56 | 199014520217 | 2 | | | Bracket |
| 57 | 199014520265 | 2 | | | Lock washer |
| 59 | WG9232520008 | 2 | | S/O/6×4 | Self-stop rear spring C |
| 59 | WG9725520010 | 2 | | O/S/6×4 | Self-stop rear spring C |
| 59 | WG9232520028 | 2 | | K/6×4, 8×4 | Self-stop rear spring C |
| 59 | WG9731520013 | 2 | | K/6×4, 8×4 | Self-stop rear spring C |
| 59 | WG9638520008 | 2 | Four main-leaf | K/6×4, 8×4 | Self-stop rear spring C |
| 59 | WG9232520232 | 2 | | For 12.00R24 | Self-stop rear spring C |
| 60 | 199100520112 | 4 | | | Plate |
| 61 | 199014520292 | 2 | | | Bracket left |
| 61a | 199014520293 | 2 | | | Bracket right |
| 61 | AZ9725520016 | 1 | | | Bracket left,front |
| 61a | AZ9725520017 | 1 | | | Bracket right,front |
| 61b | AZ9725520018 | 1 | | | Bracket left,rear |
| 61c | AZ9725520019 | 1 | | | Bracket right,rear |
| 62 | 199014520256 | 4 | | | Pin |
| 65 | 1990003901905 | 4 | | | Pin |
| 66 | AZ9232520002 | 4 | | | Stop bracket |
| 66 | AZ9114520098 | 4 | | | Stop bracket |
| 66a | Q150B1460 | 16 | | | Screw |
| 66b | Q340B14 | 16 | | | Nut |
| 66c | Q40314 | 16 | | | Spring washer |
| 67 | Q40020 | 1 | | | Washer |
| 69 | Q40312 | 8 | | | Spring washer |

C8-5 4×2, 6×4 STABILIZER, SHOCK ABSORBER FRONT/4×2, 6×4前稳定杆与减振器 Fig. C8-6



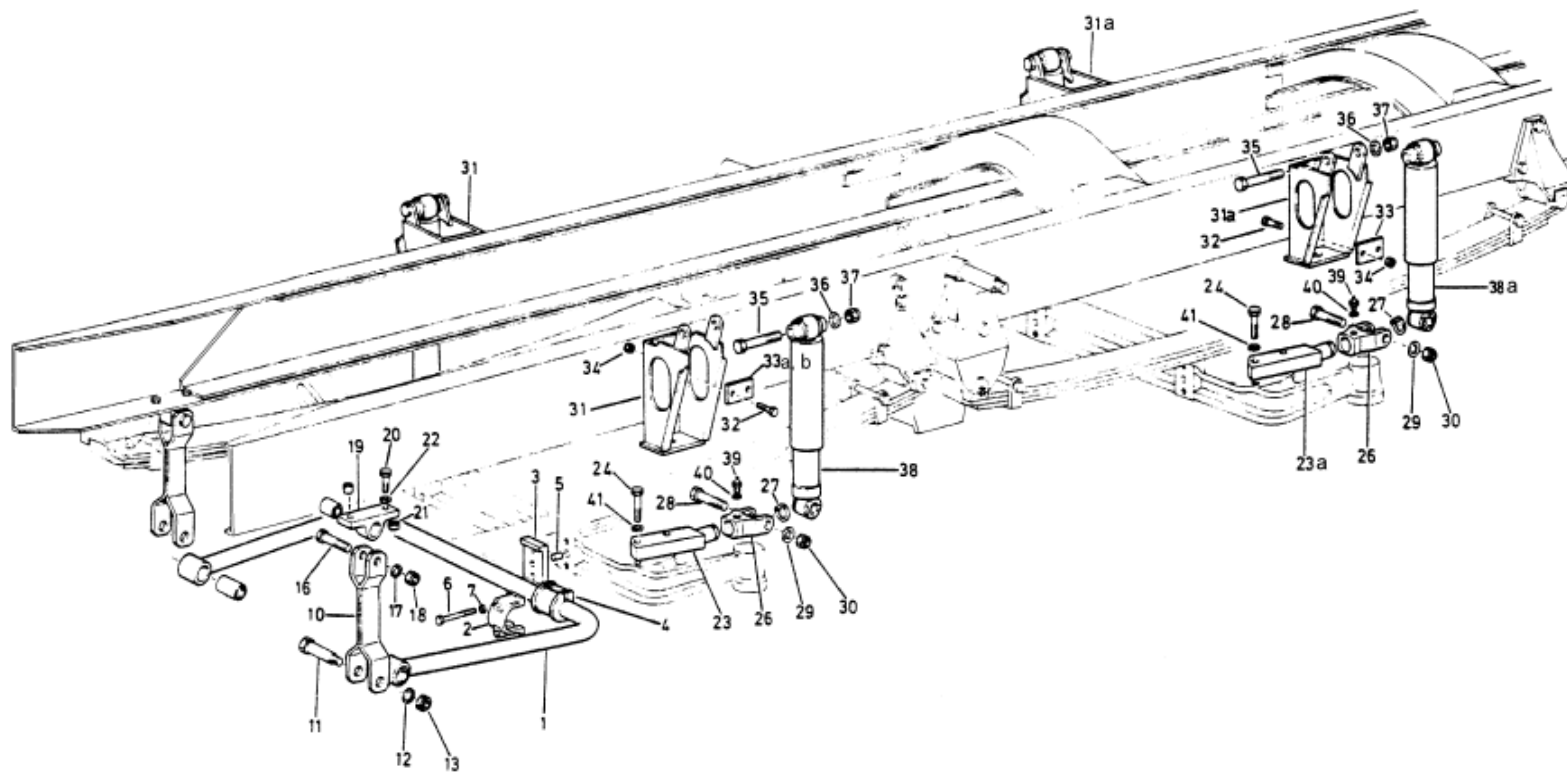
C8-5 4×2, 6×4 STABILIZER, SHOCK ABSORBER FRONT/4×2, 6×4前稳定杆与减振器

| No | Number of part | Quantity | Description | Applicability | Designation |
|----|----------------|----------|-------------|------------------------|--------------------------|
| 1 | AZ9719680003 | 1 | | | Stabilizer C |
| 2 | 1880 680024 | 2 | | | Connect plate |
| 3 | WG880 680027 | 2 | | | Plate |
| 4 | 199100680068 | 2 | | | Rubber bearing |
| 5 | Q5211424 | 2 | | | Bolt |
| 6 | Q150B1095TF2Q | 4 | | | Screw |
| 7 | Q40310 | 4 | | | Spring washer |
| 10 | WG9100680055 | 2 | | | Plate |
| 11 | 199100680069 | 2 | | | Screw |
| 12 | Q40214 | 2 | | | Washer |
| 13 | 190003888458 | 2 | | | Lock nut |
| 16 | 199100680057 | 2 | | | Screw |
| 17 | Q40016 | 2 | | | Washer |
| 18 | 190003888459 | 2 | | | Lock nut |
| 19 | AZ9719680013 | 2 | | | Bracket C |
| 20 | Q151C1240 | 4 | | | Screw |
| 21 | 190003888457 | 4 | | | Lock nut |
| 22 | 190003936012 | 2 | | | Washer |
| 23 | 199100680065 | 2 | | | Bracket |
| 24 | Q151B1660 | 4 | | | Screw |
| 26 | 199012680025 | 2 | | | Fork |
| 27 | 190003933242 | 2 | | | Snap ring |
| 28 | 199012680009 | 2 | | | Screw |
| 29 | Q40116 | 2 | | | Washer |
| 30 | 90003888459 | 2 | | | Nut |
| 31 | WG9719680008 | 1 | | For long,high-roof cab | Shock absorber bracket C |
| 32 | Q151C1240 | 8 | | | Screw |
| 33 | 199100680021 | 4 | | | Plate |
| 34 | 190003888457 | 8 | | | Lock nut |
| 35 | 199100680036 | 2 | | | Screw |
| 36 | Q40016 | 2 | | | Washer |
| 37 | 190003888459 | 2 | | | Lock nut |
| 38 | WG9100680001 | 2 | | | Shock absorber |
| 39 | 190003963112 | 2 | | | Grease nipple |
| 41 | Q40316 | 2 | | | Washer |

C8-6

8×4 STABLIZER, SHOCK ABSORBER FRONT/8×4前稳定杆与减振器

Fig. C8-7



C8-6

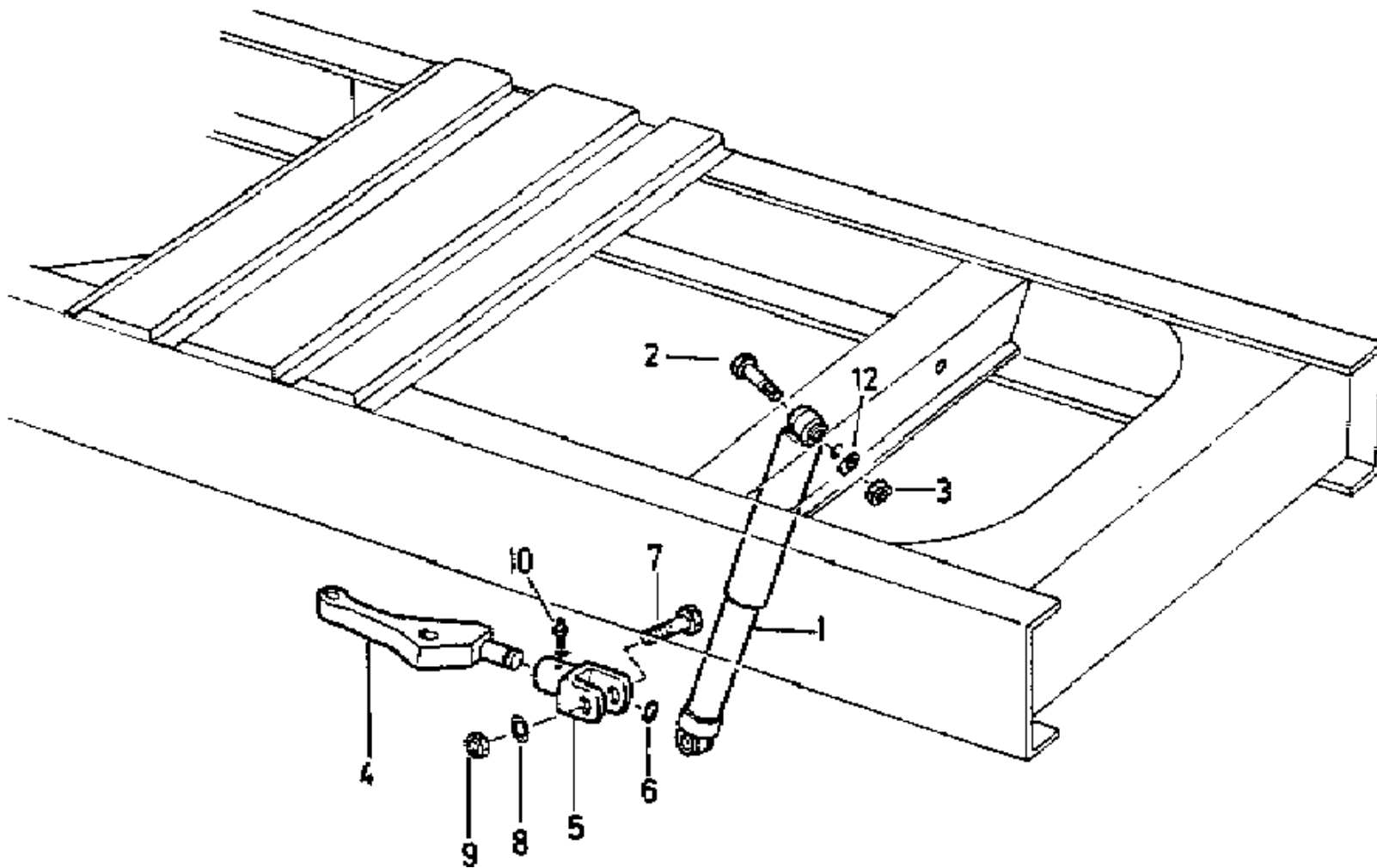
8×4 STABLIZER, SHOCK ABSORBER FRONT/8×4前稳定杆与减振器

| No | Number of part | Quantity | Description | Applicability | Designation |
|-----|----------------|----------|-------------|---------------|--------------------------|
| 1 | AZ9719680003 | 1 | | | Stabilizer |
| 2 | 1880 680024 | 2 | | | Connect plate |
| 3 | WG880 680027 | 2 | | | Plate |
| 4 | 199100680068 | 2 | | | Rubber bearing |
| 5 | Q5211424 | 2 | | | Pin |
| 6 | Q150B1095TF2Q | 4 | | | Screw |
| 7 | Q40310 | 42 | | | Spring washer |
| 10 | WG9100680055 | 2 | | | Plate |
| 11 | 199100680069 | 2 | | | Screw |
| 12 | Q40214 | 2 | | | Washer |
| 13 | 190003888458 | 2 | | | Lock nut |
| 16 | 199100680057 | 2 | | | Screw |
| 17 | Q40016 | 2 | | | Washer |
| 18 | 190003888459 | 2 | | | Lock nut |
| 19 | AZ9719680013 | 2 | | | Bracket C |
| 20 | Q151C1250 | 4 | | | Screw |
| 21 | 190003888457 | 4 | | | Lock nut |
| 23 | AZ9731680001 | 2 | | | Bracket |
| 23a | 199100680065 | 2 | | | Bracket |
| 24 | Q151B1660 | 8 | | | Screw |
| 26 | 199012680025 | 4 | | | Joint fork |
| 27 | 190003933242 | 4 | | | Circlip |
| 28 | 199012680009 | 4 | | | Screw |
| 30 | 190003888459 | 4 | | | Lock nut |
| 31 | WG9731680005 | 2 | | | Shock absorber bracket C |
| 31a | WG9731680006 | 2 | | | Shock absorber bracket C |
| 32 | Q151C1240 | 16 | | | Screw |
| 33 | 199100680021 | 4 | | | Connect sheet |
| 33a | AZ9731680007 | 2 | | | Connect sheet |
| 33b | AZ9731680008 | 2 | | | Connect sheet |
| 34 | 190003888457 | 16 | | | Lock nut |
| 35 | 199100680036 | 4 | | | Screw |
| 37 | 190003888459 | 4 | | | Lock nut |
| 38 | WG9114680004 | 2 | | | Shock absorber |
| 38a | WG9100680001 | 2 | | | Shock absorber |
| 39 | 190003963112 | 2 | | | Grease nipple |
| 41 | Q40316 | 8 | | | Spring washer |

C8-7

4×2 SHOCK ABSORBER/4×2后减振器

Fig. C8-8



C8-7

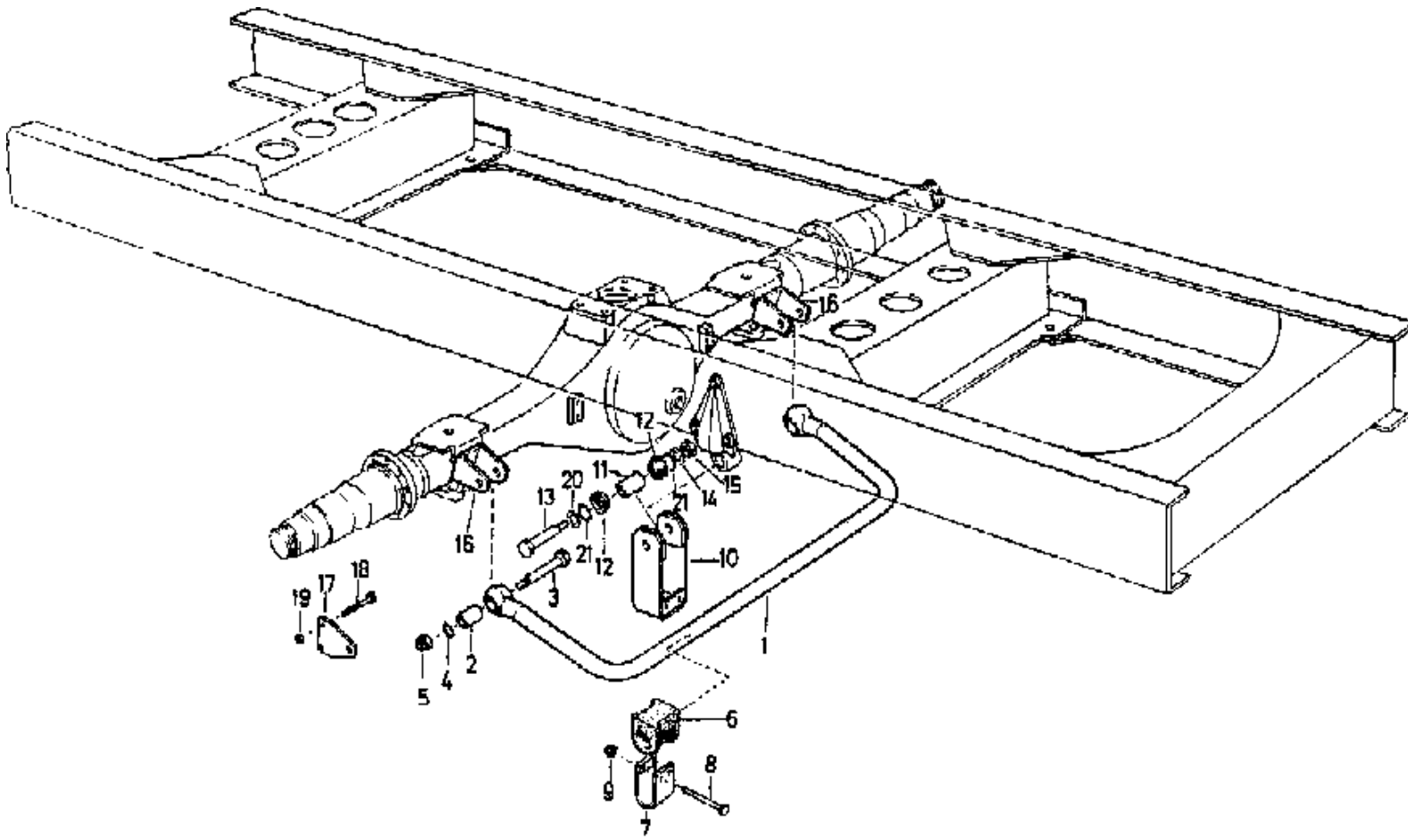
4×2 SHOCK ABSORBER/4×2后减振器

| No | Number of part | Quantity | Description | Applicability | Designation |
|----|----------------|----------|-------------|---------------|----------------|
| 1 | WG9100680046 | 2 | | S/O/4×2 | Shock absorber |
| 2 | 199100680036 | 2 | | | Screw |
| 3 | 190003888459 | 2 | | | Lock nut |
| 4 | AZ9719680010 | 2 | | | Bracket |
| 5 | 199012680025 | 2 | | | Joint fork |
| 6 | 190003933242 | 2 | | | Snap ring |
| 7 | 199012680009 | 2 | | | Screw |
| 8 | Q40116 | 2 | | | Lock nut |
| 9 | 190003888459 | 2 | | | Grease nipple |
| 10 | 190003953112 | 2 | | | Washer |
| 12 | 190003932965 | 2 | | | Washer |

C8-8

4×2 STABILIZER REAR/4×2后稳定器

Fig. C8-9



C8-8

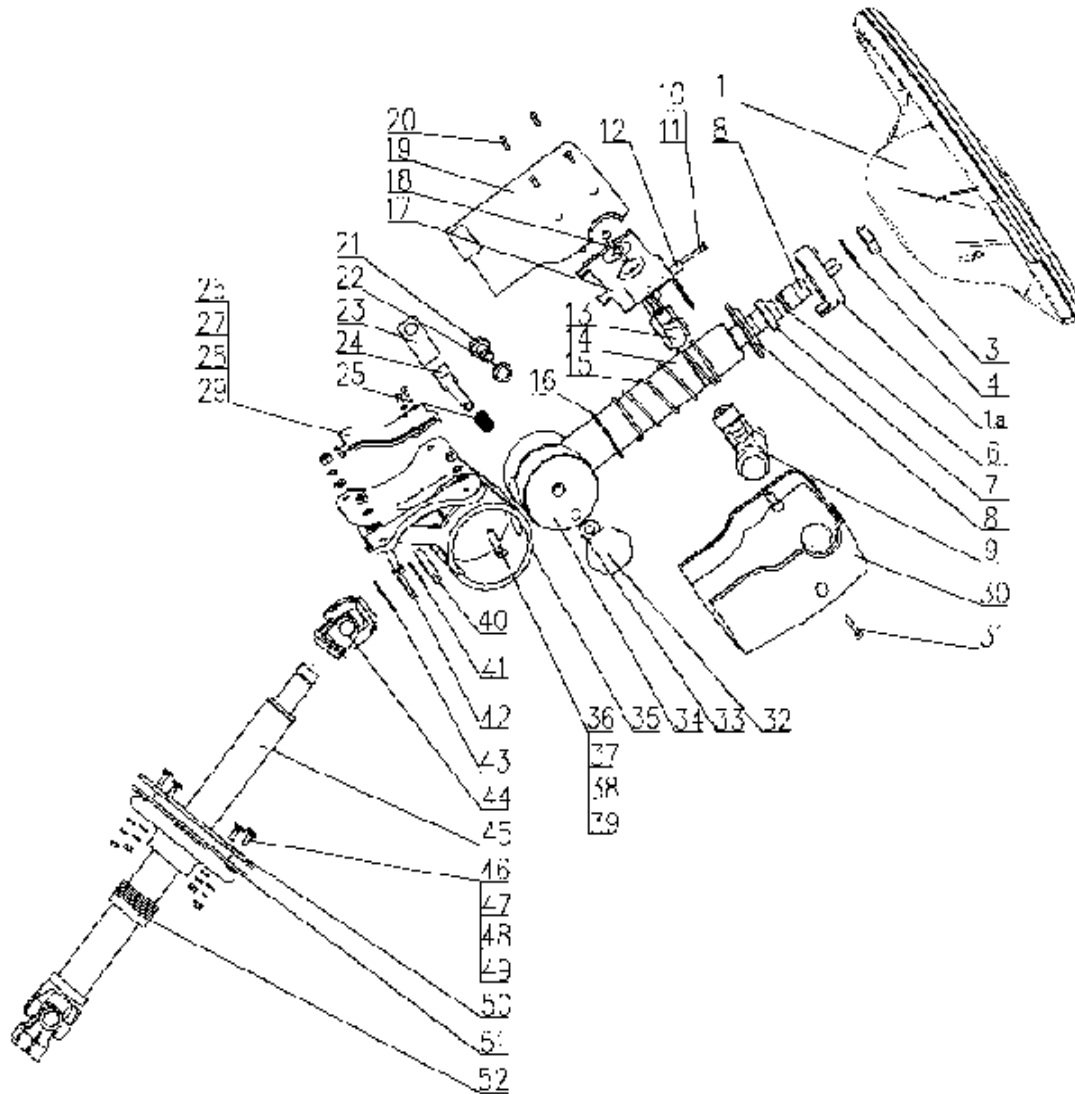
4×2 STABILIZER REAR/4×2后稳定器

| No | Number of part | Quantity | Description | Applicability | Designation |
|----|----------------|----------|-------------|---------------|-----------------|
| 1 | AZ9719680006 | 1 | | | Stabilizer C |
| 2 | 1780680035 | 2 | | | Bush |
| 3 | WG80 680029 | 2 | | | Screw |
| 4 | 1780 680030 | 2 | | | Washer |
| 5 | 190003888459 | 2 | | | Lock nut |
| 6 | 199100680067 | 2 | | | Rubber bearing |
| 7 | WG780 680032 | 2 | | | Bearing clip |
| 8 | Q151C12100 | 4 | | | Screw |
| 9 | 190003888457 | 4 | | | Lock nut |
| 10 | WG9719680011 | 2 | | | Connecting clip |
| 11 | 199100680037 | 2 | | | Bush |
| 12 | 199100680066 | 4 | | | Bearing |
| 13 | WG80 680029 | 2 | | | Screw |
| 14 | 1780 680030 | 2 | | | Washer |
| 15 | 190003888459 | 2 | | | Lock nut |
| 20 | 199100680071 | 2 | | | Washer |
| 21 | 190003930010 | 2 | | | Washer |

C9-1

STEERING DEVICE/转向操纵装置

Fig. C9-1



C9-1

STEERING DEVICE/转向操纵装置

| No | Number of part | Quantity | Description | Applicability | Designation |
|----|----------------|----------|-------------|-------------------------|------------------------------------|
| 1 | AZ9719470100 | 1 | | | Steering wheel |
| 2 | AZ9130583024 | 1 | | | Touch ring |
| | AZ9719470050 | 1 | | No incl.1,2,19,30,46~52 | Steering tube assembly |
| 3 | Q351B22T15 | 1 | | | Nut |
| 4 | Q41822 | 1 | | | Spring washer |
| 6 | Q43125 | 1 | | | Snap ring |
| 7 | AZ9003320012 | 1 | | | Ball bearing |
| 8 | AZ9719470053 | 1 | | | Steering shaft |
| 9 | WG9130583019 | 1 | | | Start switch |
| 10 | Q150B0530 | 1 | | | Screw |
| 11 | Q340B05 | 1 | | | Nut |
| 12 | 81.95801.0071 | 1 | | | Roller |
| 13 | 81.46433.0005 | 1 | | | Clip |
| 14 | AZ9719470051 | 1 | | | Sleeve |
| 15 | AZ9123470129 | 1 | | | Spring |
| 16 | AZ9123470130 | 1 | | | Washer |
| 17 | AZ9100470424 | 1 | | | Support |
| 18 | Q150B0865 | 2 | | | Screw |
| 19 | AZ9719470041 | 1 | | | Cover of the steering column rear |
| 20 | Q2720412 | 4 | | | Screw |
| 21 | AZ9719470057 | 1 | | | Screw |
| | Q40316 | 1 | | | Screw |
| 22 | Q40316 | 1 | | | Spring washer |
| 23 | AZ9719470058 | 1 | | | Plate |
| 24 | AZ9719470055 | 1 | | | Adjusting screw |
| 25 | AZ9123470153 | 1 | | | Spring |
| 26 | AZ9719470052 | 1 | | | Bracket for electrical line |
| 27 | Q150B0408 | 2 | | | Screw |
| 28 | Q40304 | 2 | | | Spring washer |
| 29 | Q40104 | 2 | | | Washer |
| 30 | AZ9719470042 | 1 | | | Cover of the steering column front |
| 31 | Q2714250 | 2 | | | Screw |
| 32 | AZ9123470150 | 1 | | | Hand wheel |
| 33 | AZ9123470155 | 1 | | | Washer |
| 34 | AZ9719470054 | 1 | | | Sleeve |
| 35 | AZ9719470056 | 1 | | | Support |
| 36 | Q150B0830 | 4 | | | Screw |
| 37 | Q340B08 | 4 | | | Nut |

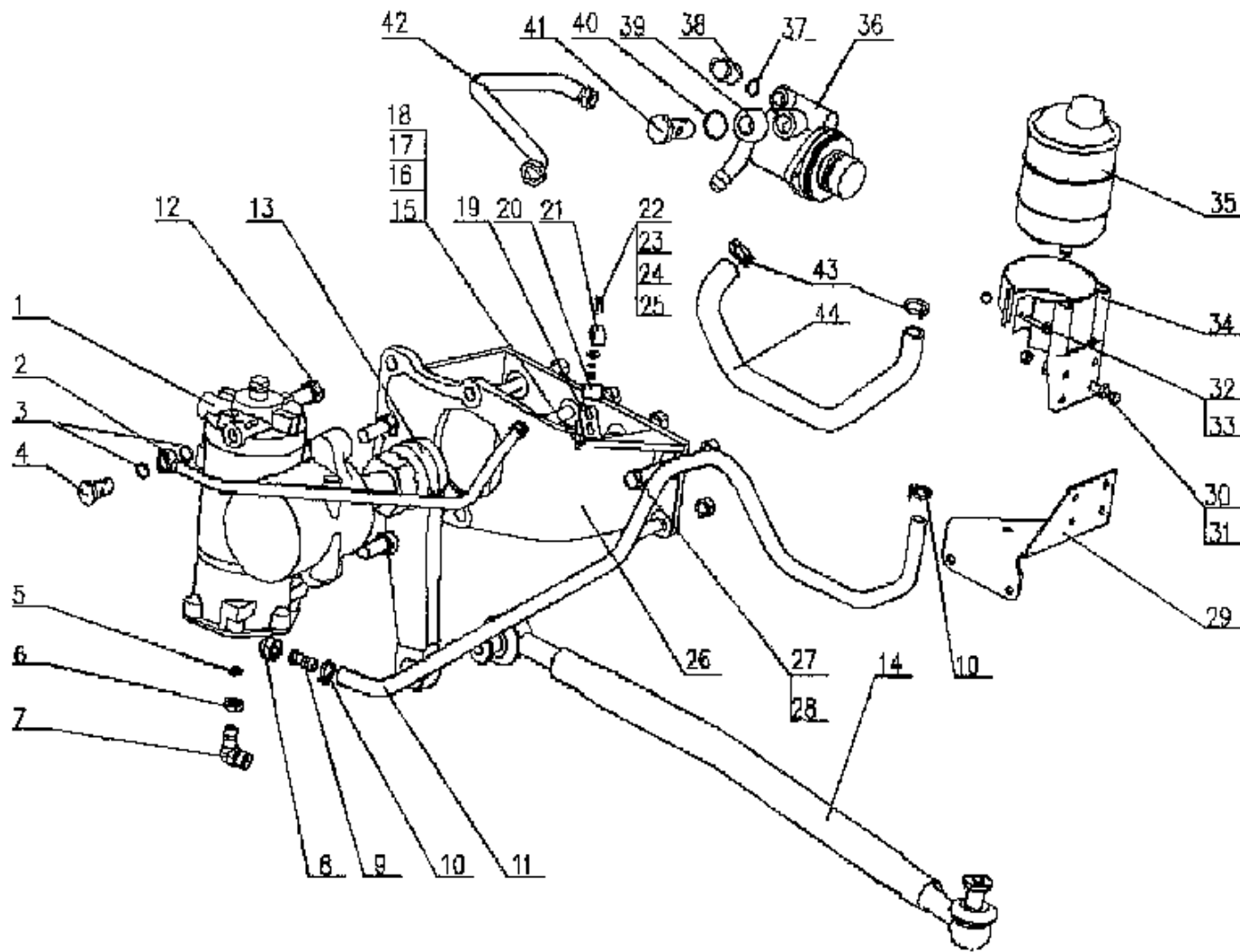
| | | | | | |
|----|---------------|---|--|--|------------------|
| 38 | Q40308 | 4 | | | Spring washer |
| 39 | Q40108 | 4 | | | Washer |
| 40 | AZ9003320013 | 1 | | | Ball bearing |
| 41 | Q43130 | 1 | | | Snap ring |
| 42 | 81.91710.0459 | 1 | | | Ring |
| 43 | Q43042 | 1 | | | Snap ring |
| 44 | AZ9719470043 | 1 | | | Gimbal -assembly |
| 45 | AZ9719470044 | 1 | | | Telescopic shaft |
| 46 | Q199B0616 | 4 | | | Screw |
| 47 | Q340B06 | 4 | | | Nut |
| 48 | Q40306 | 4 | | | Spring washer |
| 49 | Q40106 | 4 | | | Washer |
| 50 | AZ9719470045 | 1 | | | Bellow |
| 51 | AZ9719470046 | 2 | | | Plate |
| 52 | AZ9100470410 | 1 | | | Bush |

C9-2

4×2, 6×4HYDRAULIC STEERING SYSTEM

4×2, 6×4液压力转向系统

Fig. C9-2



C9-2

4×2, 6×4HYDRAULIC STEERING SYSTEM

4×2, 6×4液压力转向系统

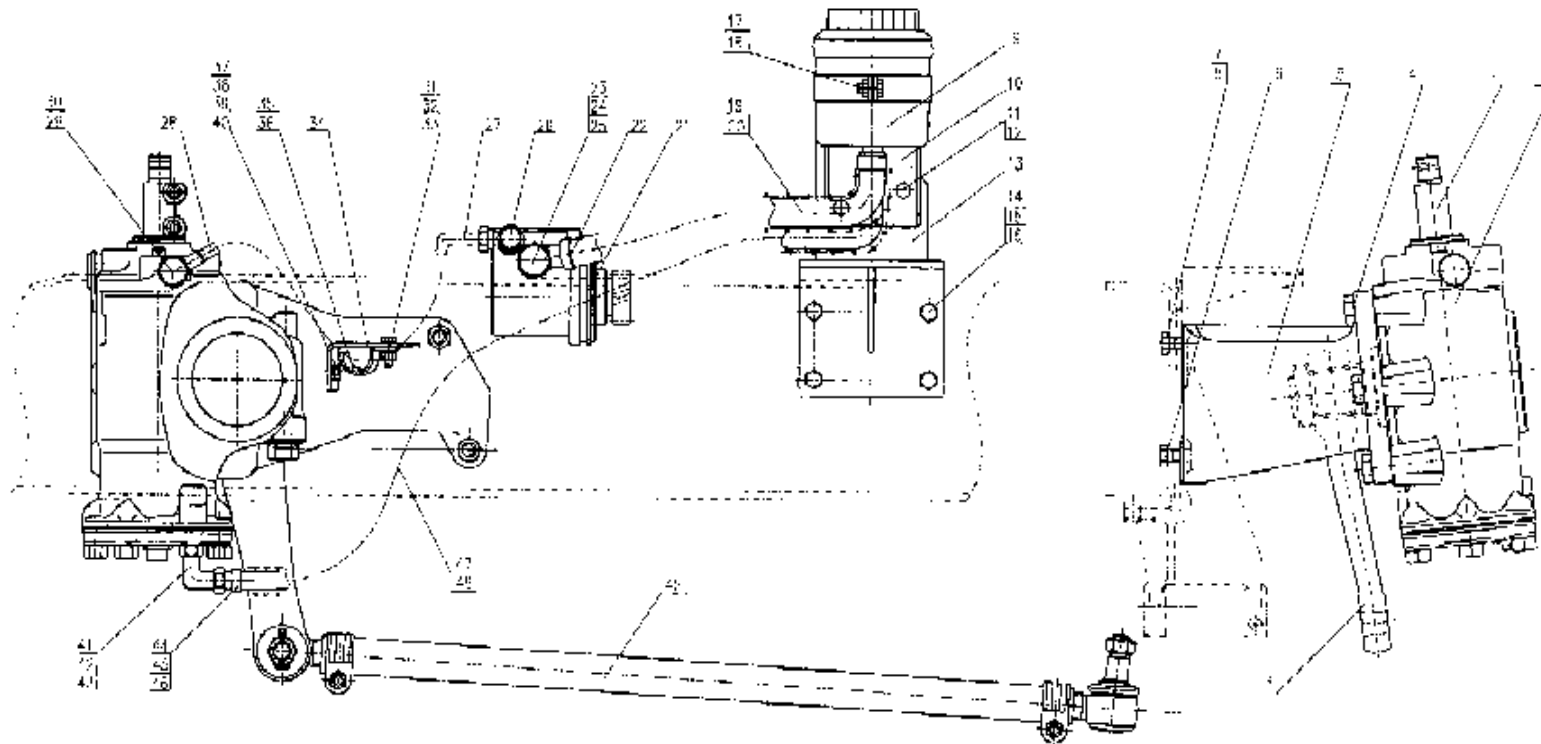
| No | Number of part | Quantity | Description | Applicability | Designation |
|-----|----------------|----------|-------------|---------------|-----------------------|
| 1 | AZ9719470228 | 1 | | | Steering gear(ZF8098) |
| 1 | AZ9100470225 | 1 | | | Steering gear(ZF8095) |
| 1 | WG9716470150 | 1 | | | Steering gear(ZF8098) |
| 2 | AZ9719470029 | 1 | | | Delivery line |
| 2 | AZ9725470229 | 1 | | | Delivery line |
| 2 | AZ9716470050 | 1 | | | Delivery line |
| 3 | T071800 | 2 | | | Gasket |
| 4 | 190003962632 | 1 | | | Female screw |
| 5 | 252-3407054 | 1 | | | Gasket |
| 6 | 252-3407055 | 1 | | | Nut |
| 7 | 252-3407056 | 1 | | | Nozzle |
| 8 | 190003883242 | 1 | | | Nut |
| 9 | WG9100470078 | 1 | | | Nozzle |
| 10 | 190003989336 | 2 | | | Hose clamp |
| 11 | WG9725470050 | 1 | | | Rubber hose |
| 11 | AZ9716470060 | 1 | | | Rubber hose |
| 11a | 17017470015 | 1 | | | Spring protect ring |
| 12 | Q151B2045TF2 | 5 | | | Screw |
| 13 | WG9719470020 | 1 | | | Drop arm |
| 13 | WG9725470298 | 1 | | | Drop arm |
| 13 | WG9716470020 | 1 | | | Drop arm |
| 15 | Q150B0630 | 2 | | | Screw |
| 16 | Q340B06 | 2 | | | Nut |
| 17 | Q40206 | 2 | | | Washer |
| 18 | Q40306 | 2 | | | Spring washer |
| 19 | 1397 350169 | 1 | | | Angle |
| 20 | 190003489292 | 1 | | | Sleeve |
| 21 | Q68225 | 1 | | | clamp |
| 22 | Q150B0620 | 4 | | | Screw |
| 23 | Q340B06 | 5 | | | Nut |
| 24 | Q40306 | 5 | | | Spring washer |
| 26 | AZ9731470020 | 1 | | | Steering bracket |
| 26 | AZ9725470295 | | | | Steering bracket |
| 26 | AZ9725470238 | 1 | | For ZF 8098 | Steering bracket |
| 27 | Q151B1660TF2 | 6 | | | Screw |
| 28 | 190003888627 | 5 | | | Nut |
| 29 | AZ9725470020 | 1 | | | Bracket assembly |

| | | | | | |
|-----|--------------|-----|--|--|---------------------|
| 29 | AZ9725470025 | 1 | | | Bracket assembly |
| 30 | Q151B1020 | 2 | | | Screw |
| 31 | Q33210 | 2 | | | Nut |
| 32 | Q150B0835 | 1 | | | Serew |
| 33 | Q33208 | 1 | | | Nut |
| 34 | AZ9100470040 | 1 | | | Bracket |
| 34 | AZ9100470049 | 1 | | | Support |
| 35 | WG9719470033 | 1 | | | Oil tank |
| 36 | WG9719470037 | 1 | | | Hydraulic pump |
| 36 | WG9619470080 | 1 | | | Hydraulic pump |
| 36 | WG9631470060 | 1 | | | Hydraulic pump |
| 36a | 161800130047 | 1 | | | Gasket |
| 36b | Q218B1025 | 1 | | | Screw |
| 36c | Q218B1035 | | | | Screw |
| 37 | T071800 | 1 | | | Gasket |
| 38 | WG9100470110 | 1 | | | Screwing |
| 39 | WG9100470076 | 1 | | | Joint |
| 40 | 190003098031 | 2 | | | Gasket |
| 41 | 190003962651 | 1 | | | Female screw |
| 42 | WG9100470107 | 1 | | | High pressure hose |
| 42 | WG2032470140 | 1 | | | High pressure hose |
| 42 | AZ9716470070 | 1 | | | High pressure hose |
| 43 | 190003989301 | 2 | | | Hose clamp |
| 44 | WG9725470120 | 1 | | | Hose |
| 44 | AZ9725470175 | 1 | | | Hose |
| 44a | AZ9725470084 | 1 | | | Spring protect ring |
| 44b | AZ9123360300 | 120 | | | Protect sleeve |

C9-3

6×2HYDRAULIC STEERING SYSTEM/6×2液压转向系统

Fig. C9-3



C9-3

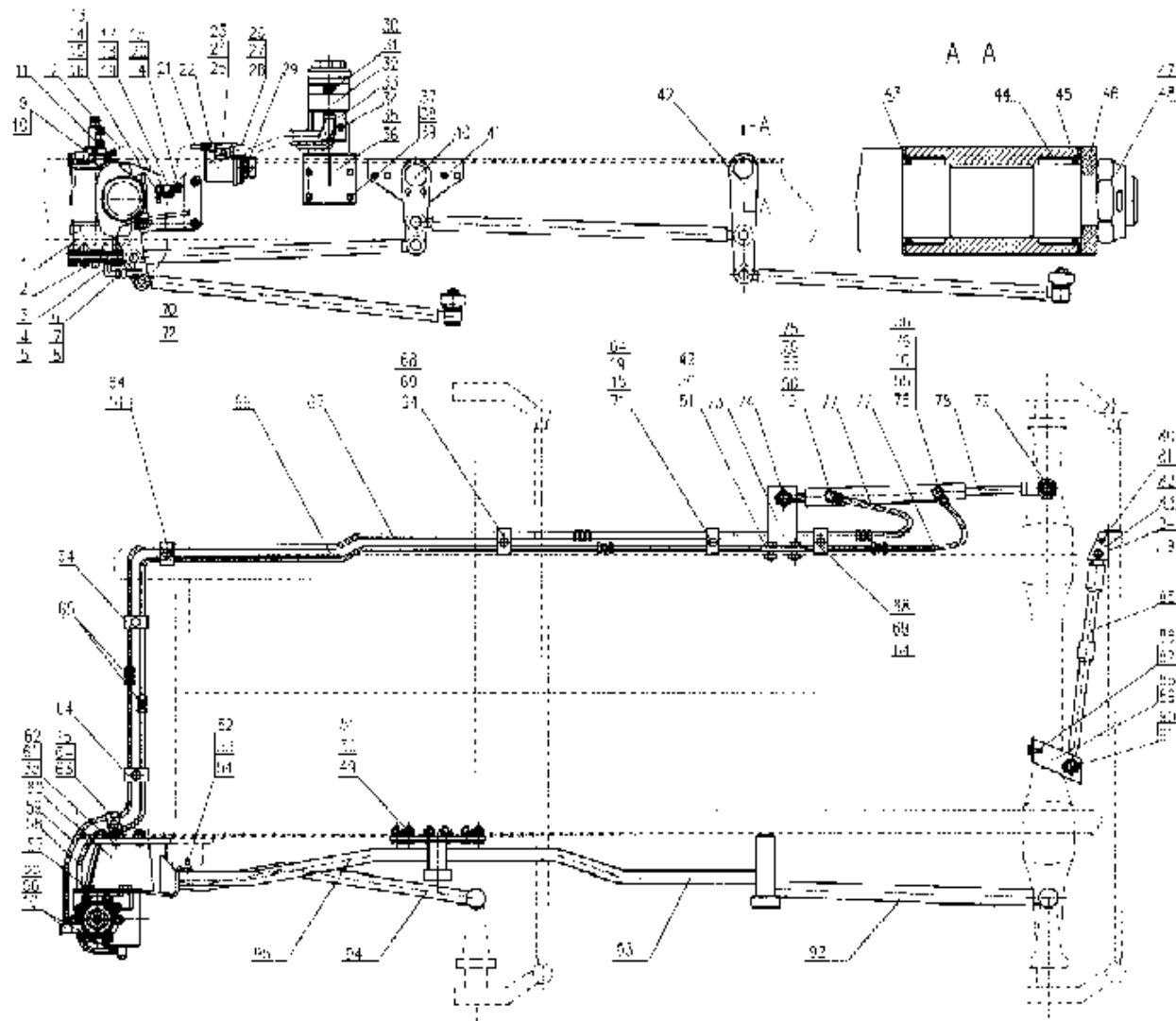
6×2HYDRAULIC STEERING SYSTEM/6×2液压转向系统

| No | Number of part | Quantity | Description | Applicability | Designation |
|-----|----------------|----------|-------------|---------------|-----------------------|
| 1 | AZ9719470228 | 1 | | | Steering gear(ZF8098) |
| 3 | WG9719470020 | 1 | | | Drop arm |
| 4 | Q151B2045TF2 | 5 | | | Screw |
| 5 | AZ9731470020 | 1 | | | Steering bracket |
| 6 | Q151B1660TF2 | 5 | | | Screw |
| 8 | 190003888627 | 5 | | | Nut |
| 9 | Q81714 | 3 | | | Tie-in |
| 10 | Q81818 | 3 | | | Screw |
| 11 | T071800 | 6 | | | Gasket |
| 12 | Q80014 | 6 | | | Ring |
| 13 | Q80114 | 6 | | | Nut |
| 14 | Q80414 | 6 | | | Tie-in |
| 15 | AZ9725470091 | 1 | | | Steel tube |
| 15a | AZ9725470092 | 1 | | | Steel tube |
| 16 | AZ9725470093 | 1 | | | Steel tube |
| 16a | AZ9725470094 | 1 | | | Steel tube |
| 17 | Q80314 | 2 | | | Tie-in |
| 18 | WG9725470060 | 1 | | | Oil tank C |
| 19 | AZ9725470040 | 1 | | | Bracket assembly |
| 20 | Q150B1020 | 4 | | | Screw |
| 21 | Q33210 | 4 | | | Nut |
| 26 | Q150B0835 | 1 | | | Screw |
| 27 | Q33208 | 1 | | | Nut |
| 28 | 190003989301 | 2 | | | Hose clamp |
| 29 | WG9725470120 | 1 | | | Hose |
| 30 | AZ9725470084 | 1 | | | Spring protect ring |
| 31 | WG9719470037 | 1 | | | Hydraulic pump |
| 31 | WG9631470060 | 1 | | | Hydraulic pump |
| 32 | AZ9725470090 | 1 | | | Hight pressure hose |
| 32a | AZ9725470097 | 1 | | | Hight pressure hose |
| 33 | AZ9160470090 | 1 | | | Tie-in |
| 34 | 190003098031 | 2 | | | Gasket |
| 35 | WG9719470029 | 1 | | | Steel tube |
| 36 | Q150B0620 | 4 | | | Screw |
| 37 | Q40306 | 5 | | | Spring washer |
| 38 | Q340B06 | 5 | | | Nut |
| 39 | 1397350169 | 1 | | | Angle |
| 40 | 138091360181 | 1 | | | Clamp |
| 41 | 161000060211 | 1 | | | Rubber hose |
| 42 | Q150B0630 | 4 | | | Screw |
| 43 | Q340B06 | 5 | | | Nut |
| 44 | Q40206 | 4 | | | Washer |
| 45 | 252-3407056 | 1 | | | Nozzle |
| 46 | 252-3407054 | 1 | | | Gasket |
| 47 | 252-3407055 | 1 | | | Nut |
| 48 | WG9100470078 | 1 | | | Tie-in |
| 49 | 190003989336 | | | | Hose clamp |
| 50 | 190003883242 | | | | Nut |
| 51 | WG9725470050 | | | | Rubber hose |
| 52 | 17017470015 | | | | Spring protect ring |

C9-4

8×4 HYDRAULIC STEERING SYSTEM/8×4液压力转向系统

Fig. C9-4



C9-4

8×4 HYDRAULIC STEERING SYSTEM/8×4液压力转向系统

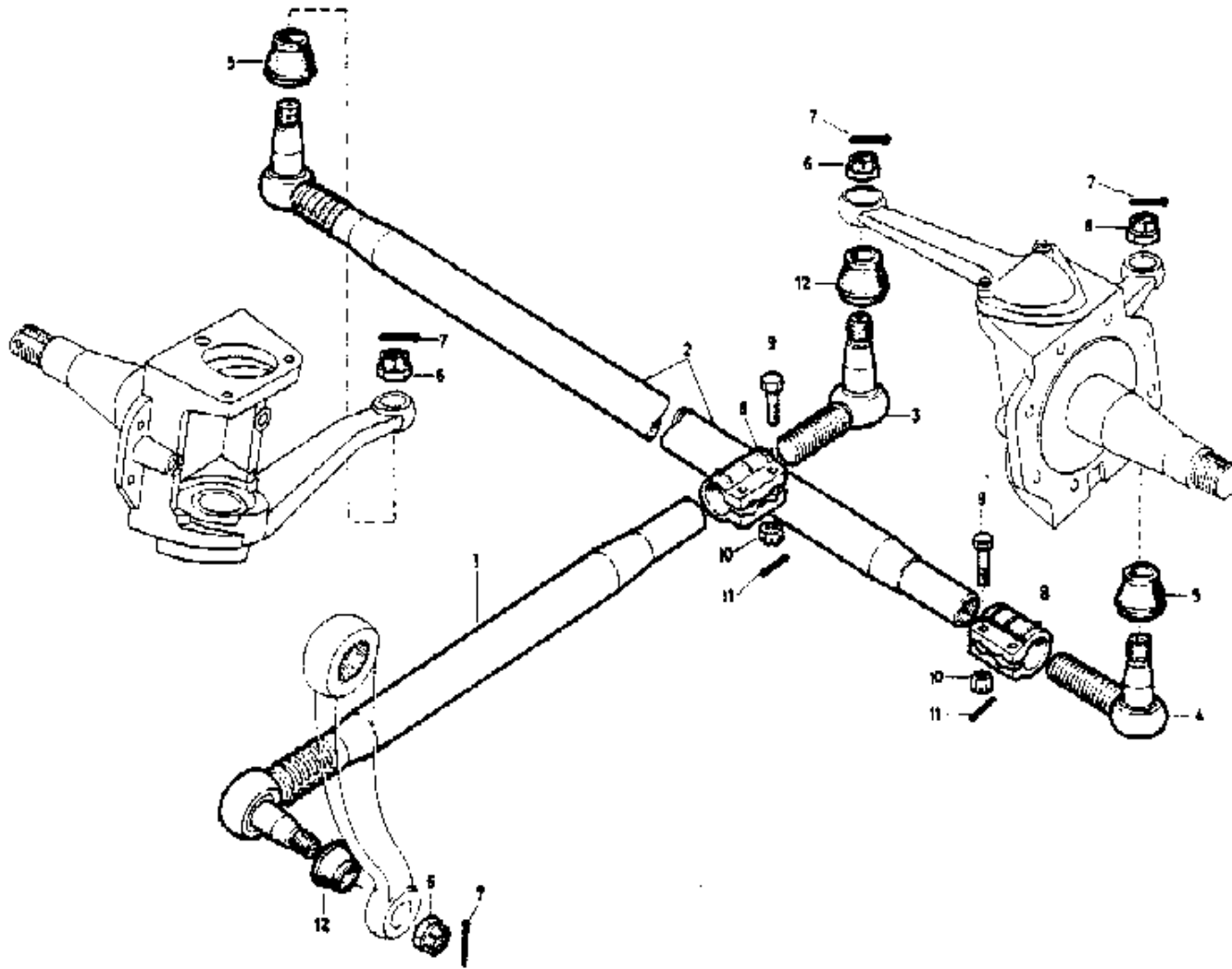
| No | Number of part | Quantity | Description | Applicability | Designation |
|----|----------------|----------|-------------|---------------|---------------------|
| 27 | AZ9100470084 | 1 | | | Spring protect ring |
| 28 | 190003989301 | 2 | | | Hose clamp |
| 29 | WG9719470037 | 1 | | | Hydr.pump |
| 30 | Q150B0835 | 1 | | | Screw |
| 31 | Q33208 | 1 | | | Nut |
| 32 | WG9719470033 | 1 | | | Oil tank C |
| 33 | AZ9100470040 | 1 | | | Support |
| 34 | Q150B1020Q | 2 | | | Screw |
| 35 | Q40310 | 2 | | | Spring washer |
| 36 | AZ9725470020 | 1 | | | Bracket |
| 37 | Q150B1230 | 6 | | | Screw |
| 38 | Q340B12 | 6 | | | Nut |
| 39 | Q40312 | 6 | | | Spring washer |
| 40 | AZ9731470030 | 1 | | | Lever |
| 41 | AZ9731470035 | 1 | | | Bracket |
| 42 | WG9018470016 | 1 | | | Lever |
| 43 | 199018470014 | 4 | | | Washer |
| 44 | WG90 410228 | 4 | | | Needle bearing |
| 45 | 1880 340023 | 4 | | | "O"ring |
| 46 | 199018470015 | 2 | | | Washer |
| 47 | 190003872383 | 2 | | | Nut |
| 48 | Q5006350 | 2 | | | Split pin |
| 49 | 190003888458 | 2 | | | Locknut |
| 50 | Q151B1445 | 2 | | | Screw |
| 51 | Q40020 | 2 | | | washer |
| 54 | 190003888459 | 1 | | | Locknut |
| 55 | Q81714 | 3 | | | Tie-in |
| 56 | Q81818 | 3 | | | Screw |
| 57 | Q151B2035TF2 | 5 | | | Screw |
| 58 | AZ9731470050 | 1 | | | Pressure oil pipe |
| 59 | AZ9731470051 | 1 | | | Pressure oil pipe |
| 60 | AZ9731470020 | 1 | | | Steering bracket |
| 61 | Q151B1660TF2 | 6 | | | Screw |
| 62 | 190003888627 | 6 | | | Nut |
| 63 | 199100820050 | 2 | | | Lashing |
| 64 | 1188 730187 | 6 | | | Clamp |
| 65 | Q80314 | 4 | | | Nozzle |
| 66 | AZ9731470052 | 1 | | | Pressure oil pipe |
| 67 | AZ9731470053 | 1 | | | Pressure oil pipe |

| | | | | | |
|----|--------------|----|--|--|---------------------|
| 70 | WG9725470050 | 1 | | | Return hose |
| 71 | Q40506 | 5 | | | Spring washer |
| 72 | 17017470015 | 1 | | | Spring protect ring |
| 73 | 199018510018 | 1 | | | Bracket assembly |
| 74 | AZ9118470024 | 1 | | | Ball joint C |
| 75 | Q80114 | 12 | | | Nut |
| 76 | Q80014 | 12 | | | Ring |
| 77 | WG2032470140 | 2 | | | High pressure hose |
| 78 | WG9014470008 | 1 | | | Operating cylinder |
| 79 | AZ9118470025 | 1 | | | Ball joint C |
| 80 | Q151C1270 | 2 | | | Screw |
| 81 | 190003888457 | 2 | | | Locknut |
| 82 | 199118470035 | 1 | | | Bracket |
| 83 | 199118470036 | 1 | | | Bracket |
| 84 | Q151B1480 | 1 | | | Screw |
| 85 | 19003888458 | 1 | | | Locknut |
| 86 | WG9114470106 | 1 | | | Absorber |
| 87 | Q150B1025 | 2 | | | Screw |
| 88 | Q5211424 | 1 | | | Column pin |
| 89 | 199118470033 | 1 | | | Angle |
| 90 | Q271B14 | 1 | | | Nut |
| 91 | Q5003225 | 1 | | | Split pin |

C9-5

4×2, 6×2, 6×4 STEERING LINKAGE/4×2, 6×2, 6×4转向拉杆

Fig. C9-5



C9-5

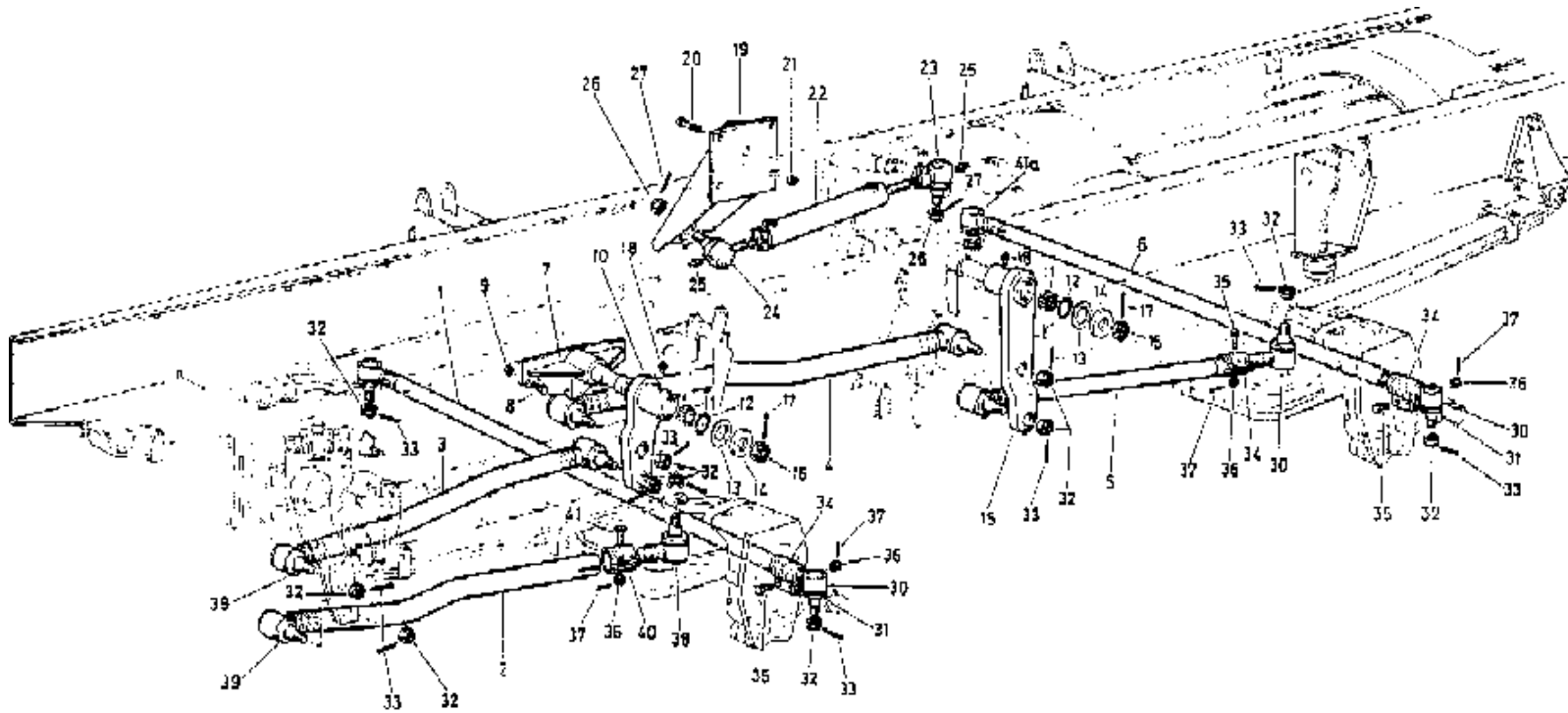
4×2, 6×2, 6×4 STEERING LINKAGE/4×2, 6×2, 6×4转向拉杆

| No | Number of part | Quantity | Description | Applicability | Designation |
|----|----------------|----------|-------------|---------------|-------------|
| 1 | AZ9719430010 | 1 | | | Drag link |
| 2 | AZ9112430003 | 1 | | | Tie rod |
| 6 | Q387B20T15 | 1 | | | Nut |
| 7 | Q5004036 | 4 | | | Split pin |

C9-6

8×4 STEERING LINKAGE/8×4转向拉杆

Fig. C9-6



C9-6

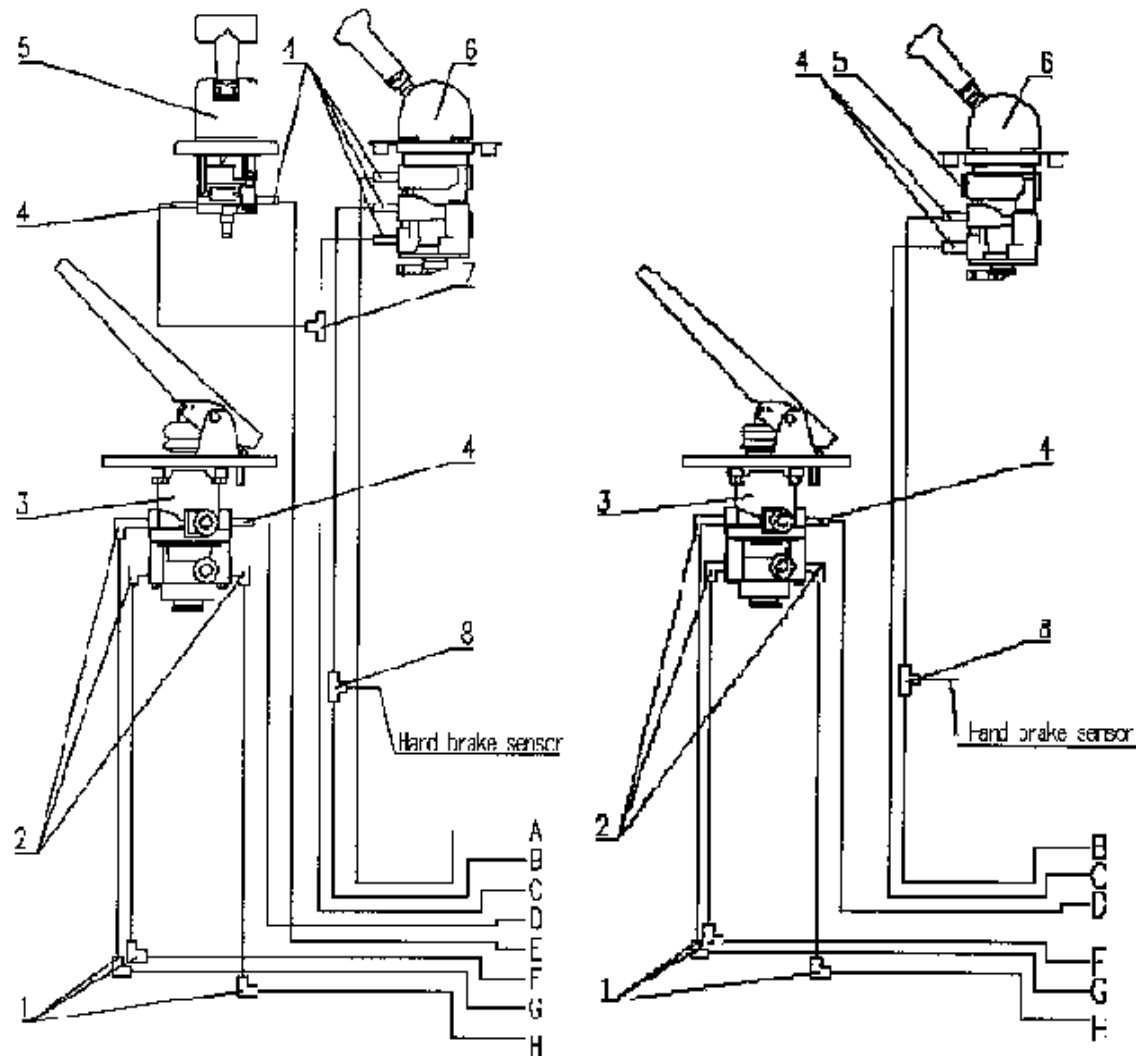
8×4 STEERING LINKAGE/8×4转向拉杆

| No | Number of part | Quantity | Description | Applicability | Designation |
|----|----------------|----------|-------------|---------------|--------------------|
| 1 | 11031430066 | 1 | | | Tie rod |
| 2 | AZ9731430010 | 1 | | | Drag link |
| 3 | AZ9731430020 | 1 | | | Drag link |
| 4 | AZ9731430030 | 1 | | | Drag link |
| 5 | AZ9731430040 | 1 | | | Drag link |
| 6 | AZ9731430002 | 1 | | | Tie rod |
| 7 | AZ9731470035 | 1 | | | Support plate |
| 8 | Q151B1445 | 6 | | | Screw |
| 9 | Q33014 | 6 | | | Lock nut |
| 10 | AZ9731470030 | 1 | | | Lever |
| 11 | WG90 410228 | 4 | | | Needle bearing |
| 12 | 1880 340023 | 4 | | | O-ring |
| 13 | 199018470014 | 4 | | | Washer |
| 14 | 199018470015 | 2 | | | Washer |
| 15 | WG018470016 | 1 | | | Lever |
| 16 | 190003872383 | 2 | | | Castle nut |
| 17 | Q5006350 | 2 | | | Split pin |
| 18 | 19000396612 | 2 | | | Grease nipple |
| 19 | 199018510018 | 1 | | | Blacket |
| 20 | Q151B1445 | 4 | | | Screw |
| 21 | Q33014 | 2 | | | Lock nut |
| 22 | WG9014470008 | 1 | | | Operating cylinder |
| 23 | AZ9118470025 | 1 | | | Ball joint C |
| 24 | AZ9115470024 | 1 | | | Ball joint C |
| 25 | 190003963112 | 1 | | | Grease nipple |
| 26 | Q387B20T15 | 1 | | | Castle nut |
| 27 | Q5004036 | 1 | | | Split pin |
| 32 | Q387B20T15 | 2 | | | Castle nut |
| 33 | Q5004036 | 2 | | | Split pin |
| 34 | 199118470037 | 1 | | | Clamp |
| 35 | Q151C1255 | 1 | | | Screw |
| 36 | Q341C12 | 1 | | | Lock nut |

C10-1

BRAKE MECHANISM IN CAB/驾驶室制动操纵机构

Fig. C10-1



C10-1

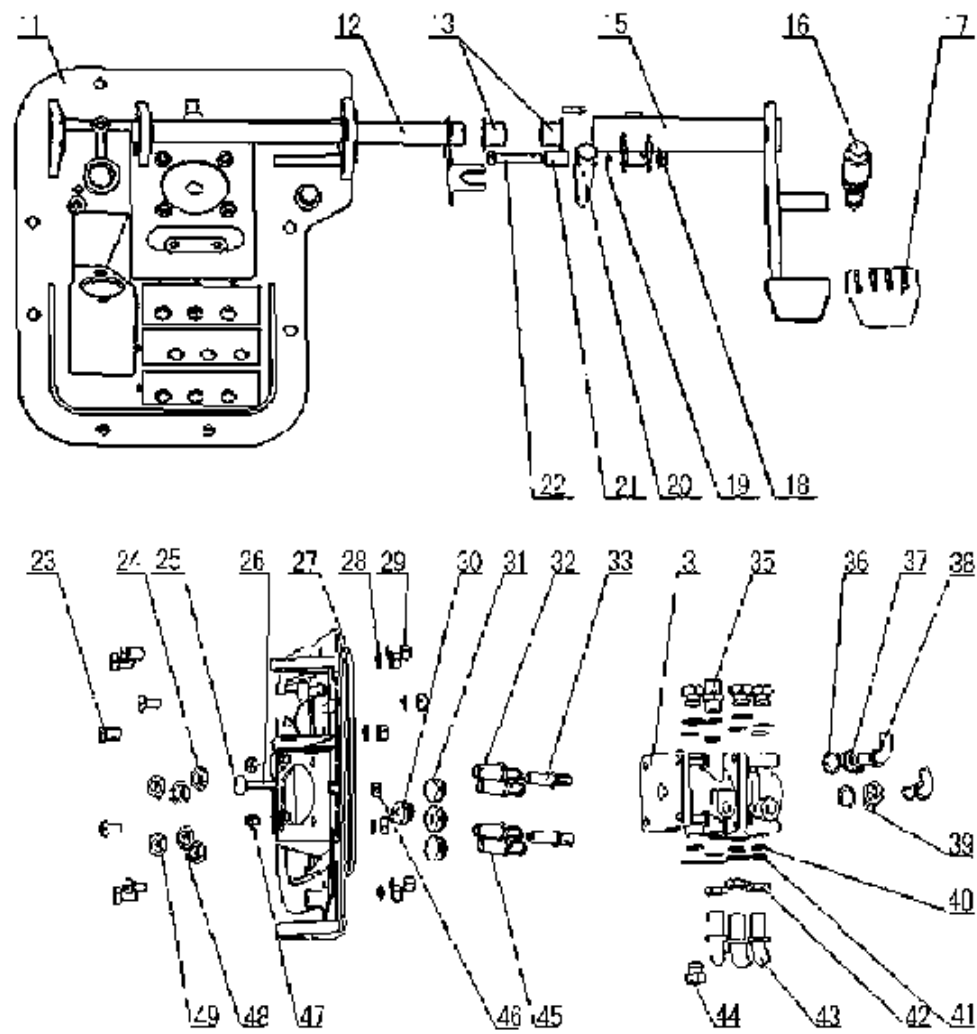
BRAKE MECHANISM IN CAB/驾驶室制动操纵机构

| No | Number of part | Quantity | Description | Applicability | Designation |
|----|----------------|----------|-------------|---------------|------------------------------|
| 1 | 190003559479 | 3 | Φ 12 | | Nozzle |
| 2 | 190003559946 | 3 | Φ 12 | | Angle nozzle |
| 3 | WG9719360005 | 1 | | | Service brake valve |
| 4 | 190003559945 | 6 | Φ 8 | | Nozzle |
| 5 | WG9719360030 | 1 | | | Hand brake valve for trailer |
| 5a | Q617B16 | 1 | | | Screw |
| 6 | WG9000360165 | 1 | | | Hand brake valve |
| 7 | 190003559483 | 1 | Φ 8 | | Nozzle |
| 8 | WG99100360111 | 1 | Φ 8/Φ 6 | | Nozzle |
| 11 | AZ9719360050 | 1 | | | Combination bracket |
| 12 | AZ9719360051 | 1 | | | Shaft |
| 13 | AZ9719360060 | 2 | | | Bush |
| 14 | Q1840616 | 1 | | | Screw |
| 15 | AZ9719360055 | 1 | | | Brake foot pedal |
| 15 | AZ9719364055 | 1 | | | Brake foot pedal |
| 16 | WG9100710006 | 1 | | | Brake lamp switch |
| 17 | AZ9123230226 | 1 | | | Rubber cover |
| 18 | Q341B08 | 1 | | | Nut |
| 19 | Q5002016 | 1 | | | Split pin |
| 20 | AZ9719360063 | 1 | | | Push rod |
| 21 | AZ9719360062 | 1 | | | Bolt |
| 22 | Q173B0845 | 1 | | | Screw |
| 23 | Q150B1016 | 7 | | | Screw |
| 24 | Q351B14T15 | 2 | | | Nut |
| 25 | AZ9123360067 | 1 | | | Plug |

C10-1

BRAKE MECHANISM IN CAB/驾驶室制动操纵机构

Fig. C10-2

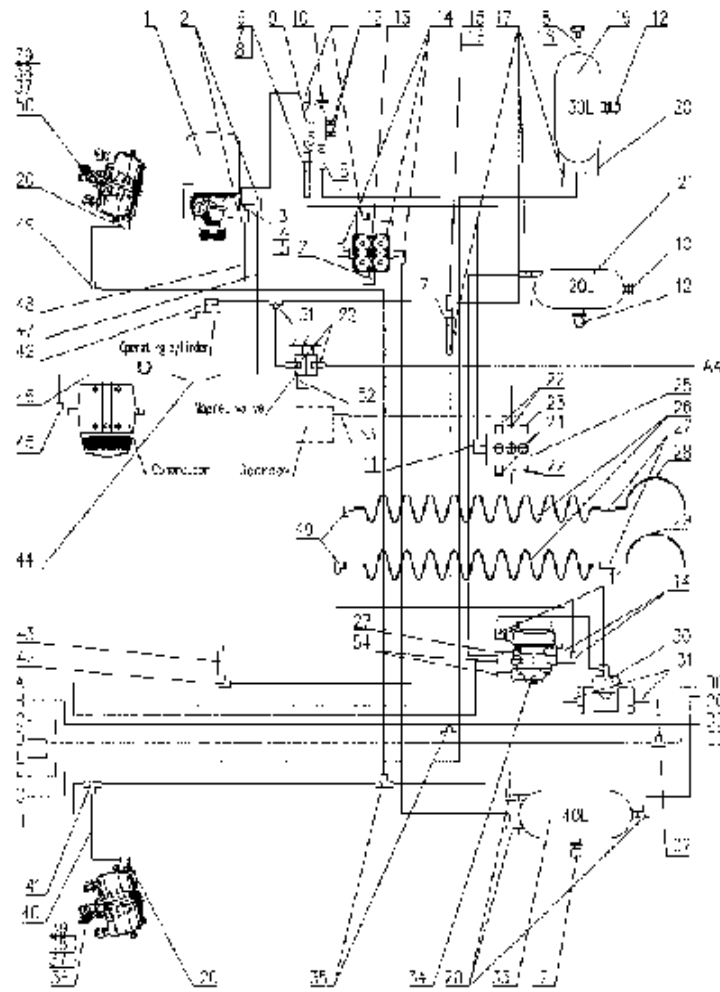


C10-1

BRAKE MECHANISM IN CAB/驾驶室制动操纵机构

| No | Number of part | Quantity | Description | Applicability | Designation |
|----|----------------|----------|-------------|---------------|----------------|
| 26 | Q150B0845 | 1 | | | Screw |
| 27 | AZ9719360099 | 1 | | | Seal profile |
| 28 | Q40310 | 7 | | | Spring washer |
| 29 | Q340B10 | 7 | | | Nut |
| 30 | AZ9719360018 | 2 | | | Rubber sleeve |
| 31 | AZ9719360019 | 2 | | | Plug |
| 32 | AZ9719360010 | 2 | | | Joint |
| 33 | AZ9719360009 | 2 | | | Angle screwing |
| 35 | 190003559945 | 1 | | | Screwing |
| 36 | 1288 730061 | 2 | | | Gasket |
| 37 | Q351C12T15 | 2 | | | Nut |
| 38 | WG9100361003 | 2 | | | Angle screwing |
| 39 | 199000360477 | 2 | | | Gasket |
| 40 | 1406 070015 | 8 | | | Gasket |
| 41 | WG9000360292 | 8 | | | Gasket |
| 42 | Q351B16T15 | 3 | | | Nut |
| 43 | 190003559946 | 3 | | | Angle screwing |
| 44 | Q617B16 | 4 | | | Screw |
| 45 | AZ9719360010 | 2 | | | Angle nozzle |
| 46 | Q150B0830 | 4 | | | Screw |
| 47 | Q340B08 | 1 | | | Nut |
| 48 | Q33208 | 4 | | | Nut |
| 49 | Q351C12T15 | 2 | | | Nut |
| 49 | Q351B15T15 | 2 | | | Nut |

C10-2 BRAKE PARTS IN FRONT SECT OF CHASSIS/底盘前部制动部件 Fig.C10-3



A~H line connected with A~H line in cab.
AA~EE line connected with AA~EE in rear sect of chassis.

C10-2 BRAKE PARTS IN FRONT SECT OF CHASSIS/底盘前部制动部件

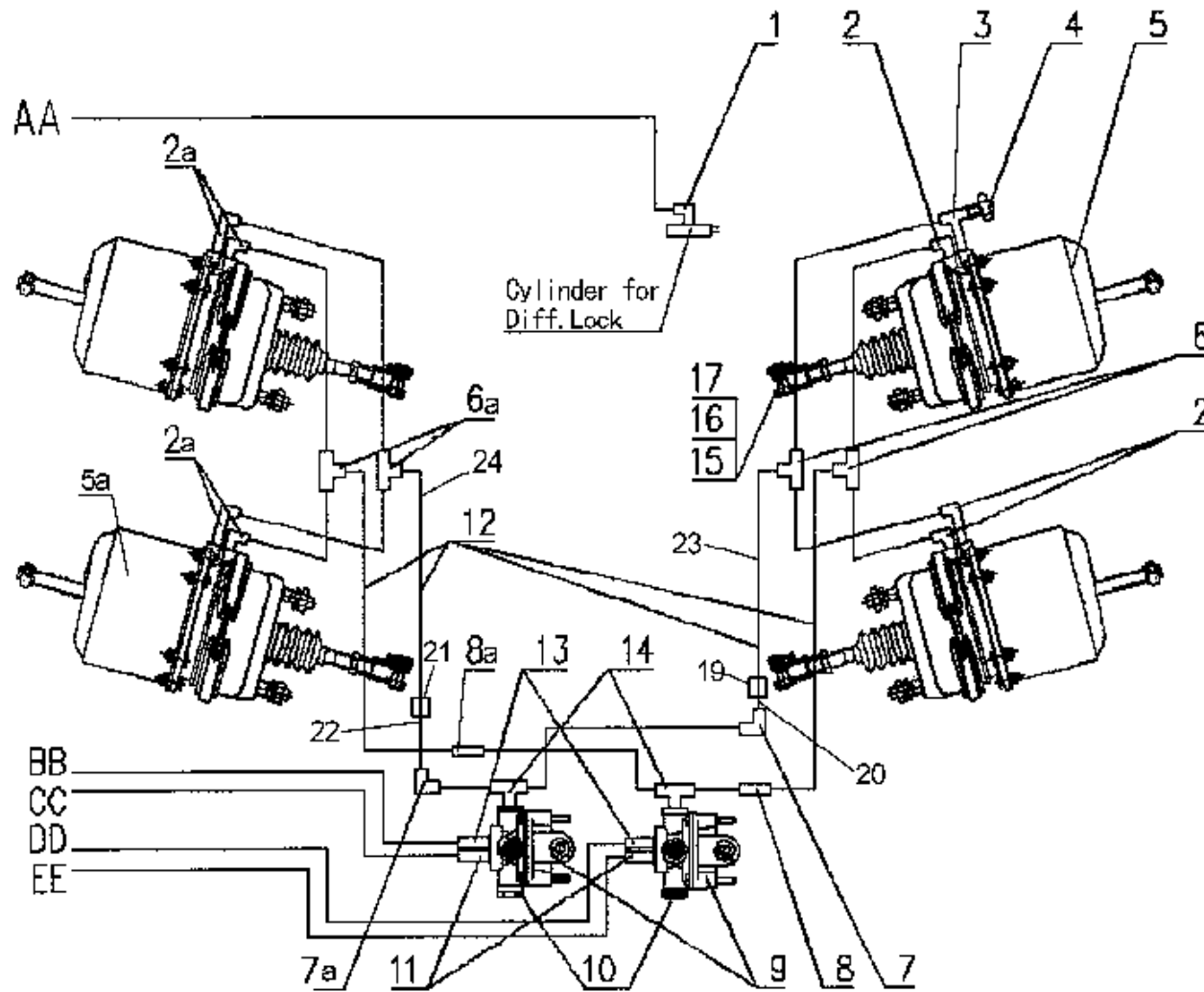
| No | Number of part | Quantity | Description | Applicability | Designation |
|----|----------------|----------|-------------|---------------------|----------------------------|
| 1 | WG9100368471 | 1 | | | Air dryer |
| 2 | 190003559653 | 3 | | | Angle nozzle |
| 3 | 190003962612 | 1 | | | Female screw |
| 4 | WG99100270117 | 1 | | | Connector |
| 5 | Q72312T5F | 2 | | | Gasket |
| 6 | 190003559385 | 1 | | | Nozzle |
| 7 | WG9000360112 | 2 | | | Check valve |
| 8 | 190003559963 | 3 | | | Nozzle |
| 9 | WG9719360001 | 1 | | | Air reservoir(5L+5L) |
| 9 | WG9100360044 | | | For tractor | Air reservoir(5L) |
| 10 | 190003962038 | 2 | | | Screw |
| 11 | WG9114360010 | 5 | | | nozzle |
| 12 | WG9000360115 | 5 | | | Drain valve |
| 13 | WG9000360366 | 1 | | | 4-circuit protecting valve |
| 14 | 190003559946 | 3 | | | Angle nozzle |
| 15 | WG99100360115 | 1 | | | Distributor |
| 16 | WG99100360161 | 1 | | | Nozzle |
| 17 | 190003559948 | 4 | | | Nozzle |
| 18 | WG9000360314 | 1 | | | Test connector |
| 19 | WG9014362117 | 1 | | S/6×4,S/4×2,K/4×2 | Air reservoir(Φ275/30L) |
| 19 | WG9003550098 | 1 | | S/6×2 | Air reservoir(40L) |
| 19 | WG9003550098 | 2 | | O/6×2 | Air reservoir(40L) |
| 19 | WG9003550094 | 2 | | O/4×2/6×4,K/6×4 | Air reservoir(30L) |
| 19 | WG9014362009 | 2 | | O/8×4,K/8×4 | Air reservoir(35L) |
| 20 | 190003559955 | 6 | | | Angle nozzle |
| 21 | WG9003550087 | 1 | | S/6×4,S/4×2,O/6×2 | Air reservoir(20L) |
| 21 | WG9003550087 | 2 | | O/4×2/6×4/8×4,K/6×4 | Air reservoir(20L) |
| 21 | WG9003550087 | 3 | | K/4×2 | Air reservoir(20L) |
| 22 | 190003559766 | 4 | | | Nozzle |
| 23 | Q80408 | 2 | | | Nozzle |
| 24 | 190003962019 | 4 | | | Screw |
| 25 | AZ9100366156 | 1 | | | Nozzle |
| 26 | WG9000360140 | 2 | | For Tractor | Screwy line |
| 27 | 190003559490 | 3 | | | Nozzle |
| 28 | WG9000360170 | 1 | | Tractor | Coupling |
| 29 | WG9000360171 | 1 | | Tractor | Coupling |
| 30 | WG9000360188 | 1 | | Tractor | Two way valve |

| | | | | | |
|-----|---------------|-----|--|-------------|--|
| 31 | 190003559947 | 2 | | | Nozzle |
| 32 | 190003559483 | 1 | | | Distributor |
| 33 | WG9003550098 | 1 | | S/6×4,S/6×2 | Air reservoir(40L) |
| 33 | WG9014362009 | 1 | | S/4×2 | Air reservoir(35L) |
| 34 | WG9000360180 | 1 | | Tractor | Trailer control valve |
| 35 | WG17017360203 | 2 | | | Dis tributor |
| 36 | WG9000360100 | 1 | | | Diaphragm cylinder left |
| 37 | 190003903661 | 2 | | | Bolt |
| 38 | Q40114 | 2 | | | Washer |
| 39 | Q5004022 | 2 | | | Split pin |
| 40 | WG17017360450 | 2 | | | Brake hose |
| 40a | WG17017361000 | 2 | | | Screwy protecting sleeve |
| 40b | WG9123360300 | 900 | | | Protection sleeve(Φ30) |
| 40c | WG9123360200 | 900 | | | Protection sleeve(Φ20) |
| 41 | WG9100360112 | 1 | | | Screwing |
| 42 | 190003559496 | 2 | | | Screwing |
| 43 | WG9719180010 | 1 | | | Exhaust brake |
| 44 | WG99100360184 | 1 | | | Hose |
| 45 | WG99000360410 | 1 | | | Screwing |
| 46 | AZ9719360101 | 1 | | | Pipe(Air com pressor--hose) |
| 47 | AZ9719360103 | 1 | | | Pipe(Hose—Air dryer) |
| 48 | AZ9719360102 | 1 | | | Pipe(dryer—4-cir.protection valve) |
| 49 | 190003559479 | 3 | | | Nozzle |
| 50 | WG9000360101 | 1 | | | Diaphragm cylinder right |
| 51 | 190003559482 | 1 | | | Nozzle |
| 52 | WG9100361003 | 2 | | | Screwing |
| 53 | WG99112280010 | 1 | | | Screwing |
| 54 | 190003559945 | 2 | | | Screwing |
| 55 | AZ9725360101 | 1 | | | Pipe(22 Hole of 4-cir.protection valve-reservior for rear axle) |
| 56 | AZ9725360103 | 1 | | | Pipe(21 Hole of 4-cir.protection valve-reservior for front axle) |
| 57 | AZ9725360106 | 1 | | | Pipe(24 Hole of 4-cir.protection valve-reservior for hand brake) |
| 60 | WG9718360002 | 2 | | Option | WABCO/ABS magnetic valve |
| 60 | WG9718360001 | 2 | | Option | KNORR/ABS magnetic valve |
| 60a | AZ9725360108 | 1 | | For ABS | Pipe |
| 60b | AZ9725360109 | 1 | | For ABS | Pipe |

C10-3

BRAKE PARTS IN REAR SECT OF CHASSIS/底盘后部制动部件

Fig. C10-5



C10-3

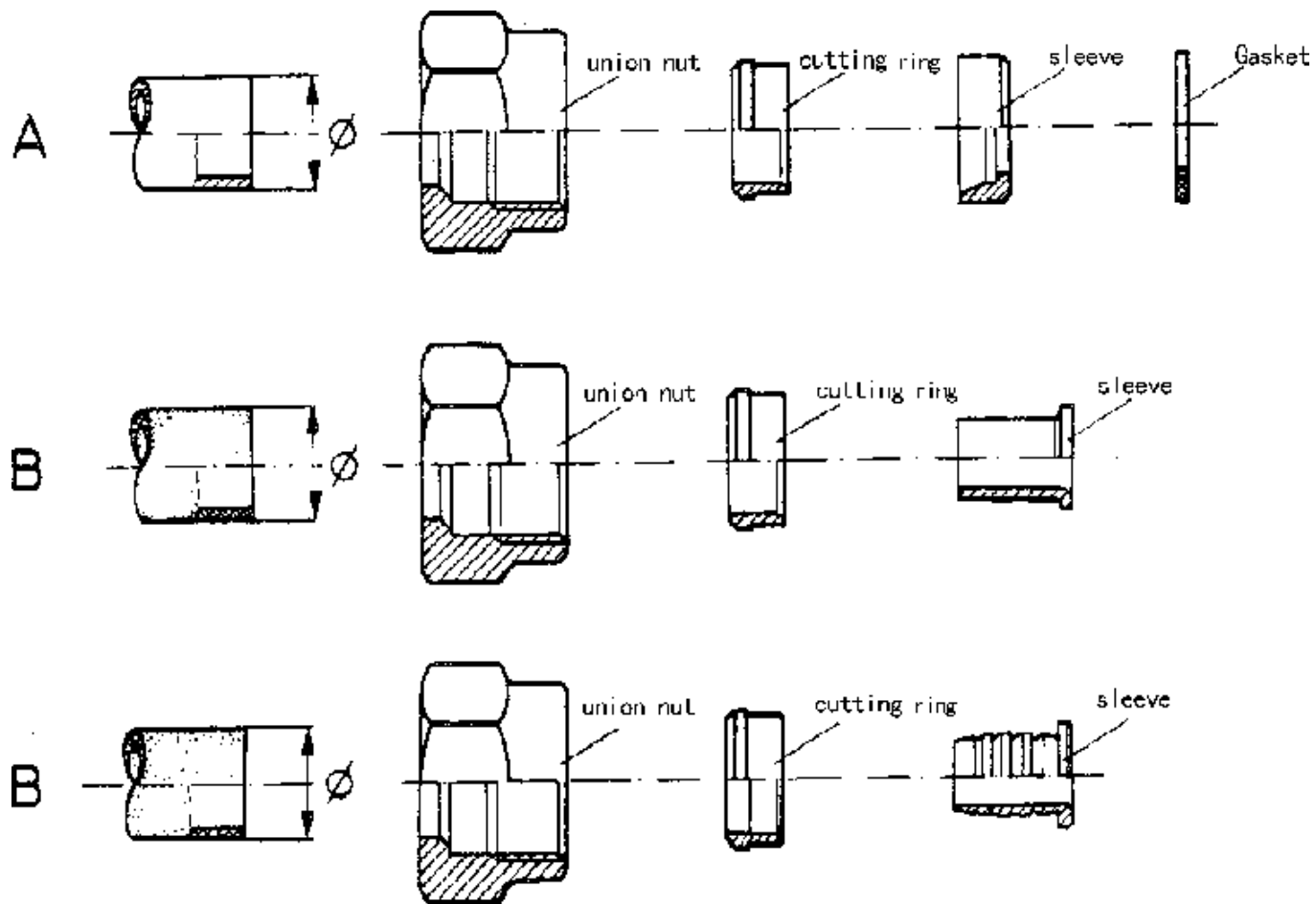
BRAKE PARTS IN REAR SECT OF CHASSIS/底盘后部制动部件

| No | Number of part | Quantity | Description | Applicability | Designation |
|-----|----------------|----------|-------------|------------------------|--------------------------|
| 1 | 190003559496 | 1 | Φ6 | | Angle nozzle |
| 2 | 190003559946 | 7 | Φ12 | | Angle nozzle |
| 3 | WG99100360114 | 1 | Φ12 | | T-nozzle |
| 4 | WG9000360314 | 1 | | | Test connector |
| 5 | WG9000360108 | 2 | | 4×2,6×4,8×4,6×2 | Spring brake actuator |
| 5a | WG9000360108 | 2 | | 6×4,8×4,6×2 | Spring brake actuator |
| 5 | WG9100360303 | 2 | | STEYR Axle | Spring brake actuator |
| 5a | WG9100360303 | 2 | | 6×2,6×4,8×4 STEYR Axle | Spring brake actuator |
| 5 | WG9100360011 | 2 | | 6×2 STEYR Axle | Spring brake actuator |
| 6 | WG9003550006 | 2 | | 4×2,6×4,8×4,6×2 | T-nozzle |
| 6a | WG9003550006 | 2 | | 6×4,8×4,6×2 | T-nozzle |
| 7 | 190003559479 | 1 | | 4×2,6×4,8×4,6×2 | Nozzle |
| 7a | 190003559479 | 1 | | 6×4,8×4,6×2 | Nozzle |
| 8 | 190003559474 | 1 | | 4×2,6×4,8×4,6×2 | Nozzle |
| 8a | 190003559474 | 1 | | 6×4,8×4,6×2 | Nozzle |
| 9 | WG9000360134 | 2 | | | Relay valve |
| 10 | 190003962038 | 2 | | | Screw |
| 11 | 190003559948 | 2 | Φ12 | | Nozzle |
| 12 | WG17017360470 | 4 | Φ12 | 6×4,8×4 | Brake Hose |
| 12 | WG17017360470 | 2 | Φ12 | 4×2 | Brake Hose |
| 12 | WG17017360470 | 1 | Φ12 | 6×2 | Brake Hose |
| 12a | WG17017360460 | 3 | Φ12 | 6×2 | Brake Hose |
| 13 | 190003559947 | 2 | Φ8 | | Nozzle |
| 14 | WG99100360112 | 2 | Φ12 | | T-nozzle |
| 14 | 190003559946 | 2 | Φ12 | 4×2 | Angle nozzle |
| 15 | 190003903661 | 4 | | | Bolt |
| 16 | Q40114 | 4 | | | Washer |
| 19 | WG9718360002 | 1 | | | ABS Magnetic valve/WABCO |
| 19 | WG9718360001 | 1 | | | ABS Magnetic valve/KNORR |
| 20 | WG17017360480 | 1 | | 4×2/ABS | Brake hose |
| 21 | WG17017360480 | 1 | | 6×4,8×4,6×2/ABS | Brake hose |
| 22 | WG9718360002 | 1 | | 6×4,8×4,6×2/ABS | ABS Magnetic valve/WABCO |
| 22 | WG9718360001 | 1 | | 6×4,8×4,6×2/ABS | ABS Magnetic valve/KNORR |
| 23 | WG17017360460 | 2 | | | Brake hose |
| 23 | WG17017360470 | 2 | | 4×2/ABS/KNORR | Brake hose |
| 24 | WG17017360460 | 2 | | 6×4,8×4,6×2/ABS | Brake hose |

C10-4

CONNECTOR FOR LINE/管路连接件

Fig. C10-6



C10-4

CONNECTOR FOR LINE/管路连接件

| No | Number of part | Quantity | Description | Applicability | Designation |
|----|----------------|----------|-------------|---------------|--------------------------|
| A | | | | | Connector for steel pipe |
| 1 | 190003559516 | | Φ6 | | Union nut |
| 2 | 190003559508 | | Φ6 | | Union nut |
| 3 | 190003559561 | | Φ6 | | Cutting ring |
| 4 | 190003559509 | | Φ8 | | Union nut |
| 5 | 190003559558 | | Φ8 | | Cutting ring |
| 6 | 190003559518 | | Φ10 | | Union nut |
| 7 | 190003559564 | | Φ10 | | Cutting ring |
| 8 | 190003559514 | | Φ12 | | Union nut |
| 9 | 190003559563 | | Φ12 | | Cutting ring |
| 10 | 190003559520 | | Φ15 | | Union nut |
| 11 | 190003559562 | | Φ15 | | Cutting ring |
| 12 | 190003559538 | | Φ15 | | Pressure ring |
| 13 | 190003559539 | | Φ15 | | Gasket |
| B | | | | | Connector for hose |
| 1 | 190003559507 | | Φ4 | | Union nut |
| 2 | 190003559556 | | Φ4 | | Cutting ring |
| 3 | 199014280040 | | Φ4 | | Sleeve |
| 4 | 190003559516 | | Φ6 | | Union nut |
| 5 | 190003559561 | | Φ6 | | Cutting ring |
| 6 | 199014280016 | | Φ6 | | Sleeve |
| 7 | 190003559509 | | Φ8 | | Union nut |
| 8 | 190003559558 | | Φ8 | | Cutting ring |
| 9 | 199014280041 | | Φ8 | | Sleeve |
| 10 | 190003559518 | | Φ10 | | Union nut |
| 11 | 190003559564 | | Φ10 | | Cutting ring |
| 12 | 199014280042 | | Φ10 | | Sleeve |
| 13 | 190003559514 | | Φ12 | | Union nut |
| 14 | WG99100360253 | | Φ12 | | Ring |
| 15 | WG99100360252 | | Φ12 | | Sleeve |
| 16 | 190003179778 | | Φ4×1 | | Plastic pipe |
| 17 | 190003179782 | | Φ6×1 | | Plastic pipe |
| 18 | 190003179781 | | Φ8×1 | | Plastic pipe |
| 19 | 190003179784 | | Φ10×1 | | Plastic pipe |
| 20 | 190003179785 | | Φ12×1.5 | | Plastic pipe |

C10-5

BRACKET FOR BRAKE/制动用支架

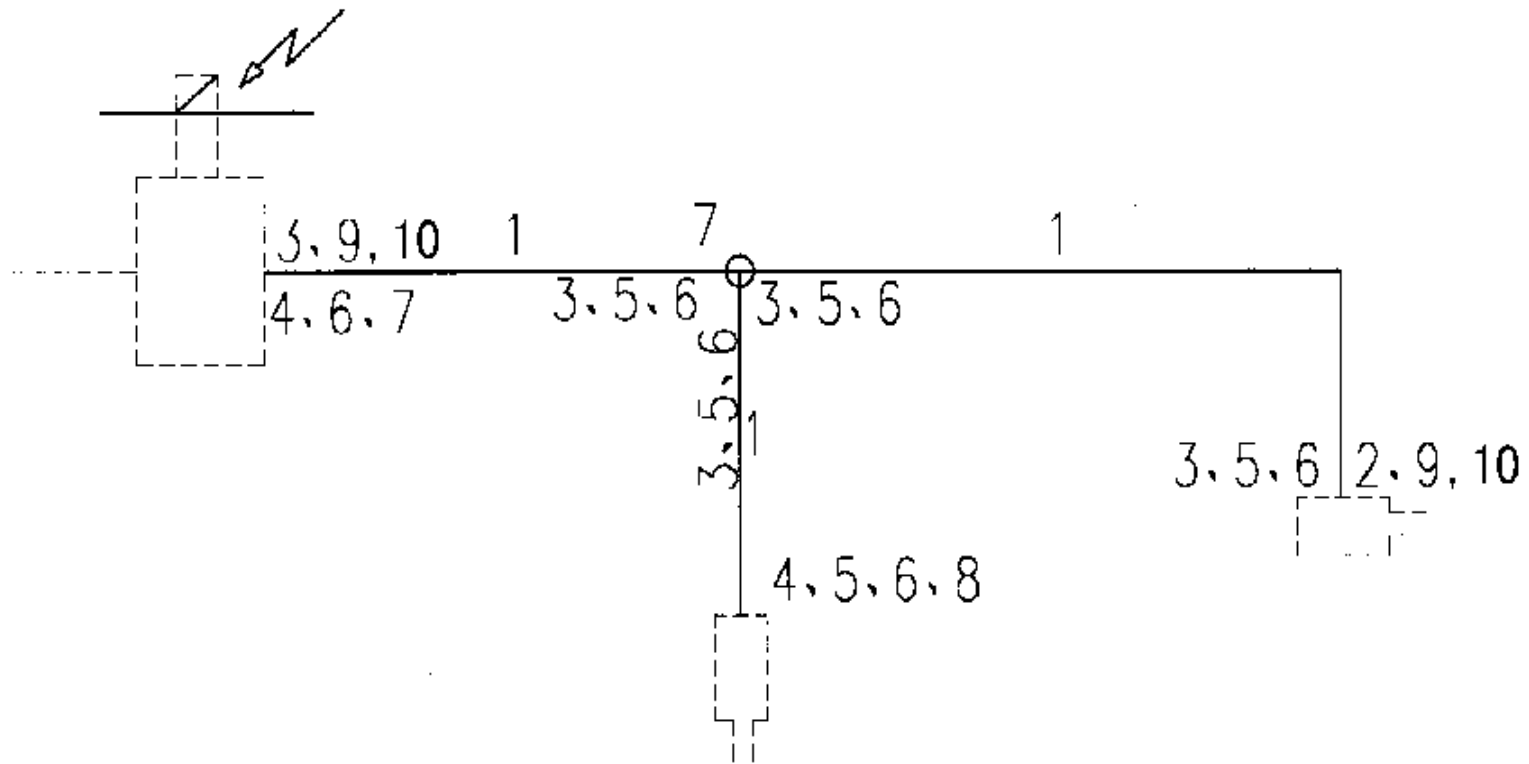
| No | Number of part | Quantity | Description | Applicability | Designation |
|----|----------------|----------|-------------|---------------|------------------------------------|
| 1 | AZ9719360013 | | | | Bracket for 4-cir.protection valve |
| 2 | 199014360140 | | | | Angle for relay valve |
| 3 | AZ961836001 | | | | Angle for relay valve |
| 6 | AZ9130360003 | | | | Angle for trailer control valve |
| 7 | AZ9719360014 | | | | Bracket for air dryer |
| 8 | 1880 360083 | | | | Carrier |
| 9 | 199000360315 | | | | Carrier |
| 10 | 199012360441 | | | | Angle |
| 11 | 199000362186 | | | | Angle |
| 12 | 199100360165 | | | | Angle |
| 13 | 1397 350169 | | | | Angle |
| 14 | 199100360168 | | | | Angle |
| 15 | 199100360241 | | | | Angle |
| 16 | 199100360207 | | | | Support |
| 17 | 199100360228 | | | | Lashing |
| 18 | 199100360229 | | | | Angle |
| 19 | 199114360101 | | | | Angle |
| 20 | AZ9718360007 | | | | Connecting plate |
| 21 | AZ9100360120 | | | | Angle |
| 22 | 26600360022 | | | | Angle |
| 23 | 199100360166 | | | | Angle |
| 24 | AZ9719360031 | | | | Combination bracket |
| 25 | AZ9719360028 | | | | U-Bracket |
| 26 | AZ9719360029 | | | | Bracket for coupling |

C10-6

PARTS FOR BRAKE/制动零部件

| No | Number of part | Quantity | Description | Applicability | Designation |
|----|----------------|----------|-------------|---------------|-------------------|
| 1 | Q72312T5F | | | | Gasket |
| 2 | 190003098031 | | | | Gasket |
| 3 | 190003098015 | | | | Gasket |
| 4 | WG9000360292 | | | | Gasket |
| 5 | 1406 070015 | | | | Gasket |
| 6 | WG9100360319 | | | | Gasket |
| 7 | 1680 250092 | | | | Gasket |
| 8 | 138091360181 | | | | Clamp |
| 9 | 1188 730187 | | | | Clamp |
| 10 | 199000360408 | | | | Clamp |
| 11 | 1 93 760081 | | | | Angle |
| 12 | 199100360174 | | | | Clamp |
| 13 | 1280 770028 | | | | Clamp |
| 14 | 199100360234 | | | | Clamp |
| 15 | 199100360134 | | | | Distance sleeve |
| 16 | 199100360135 | | | | Distance sleeve |
| 17 | 190003171390 | | | | Wire fastener |
| 18 | 190003171392 | | | | Wire fastener |
| 19 | 190003171393 | | | | Wire fastener |
| 20 | 190003559539 | | | | Gasket |
| 21 | 19900360477 | | | | Gasket |
| 22 | 1288730061 | | | | O-ring |
| 23 | 190003179045 | | | | Protection sleeve |
| 24 | 1381F140090 | | | | Protection sleeve |

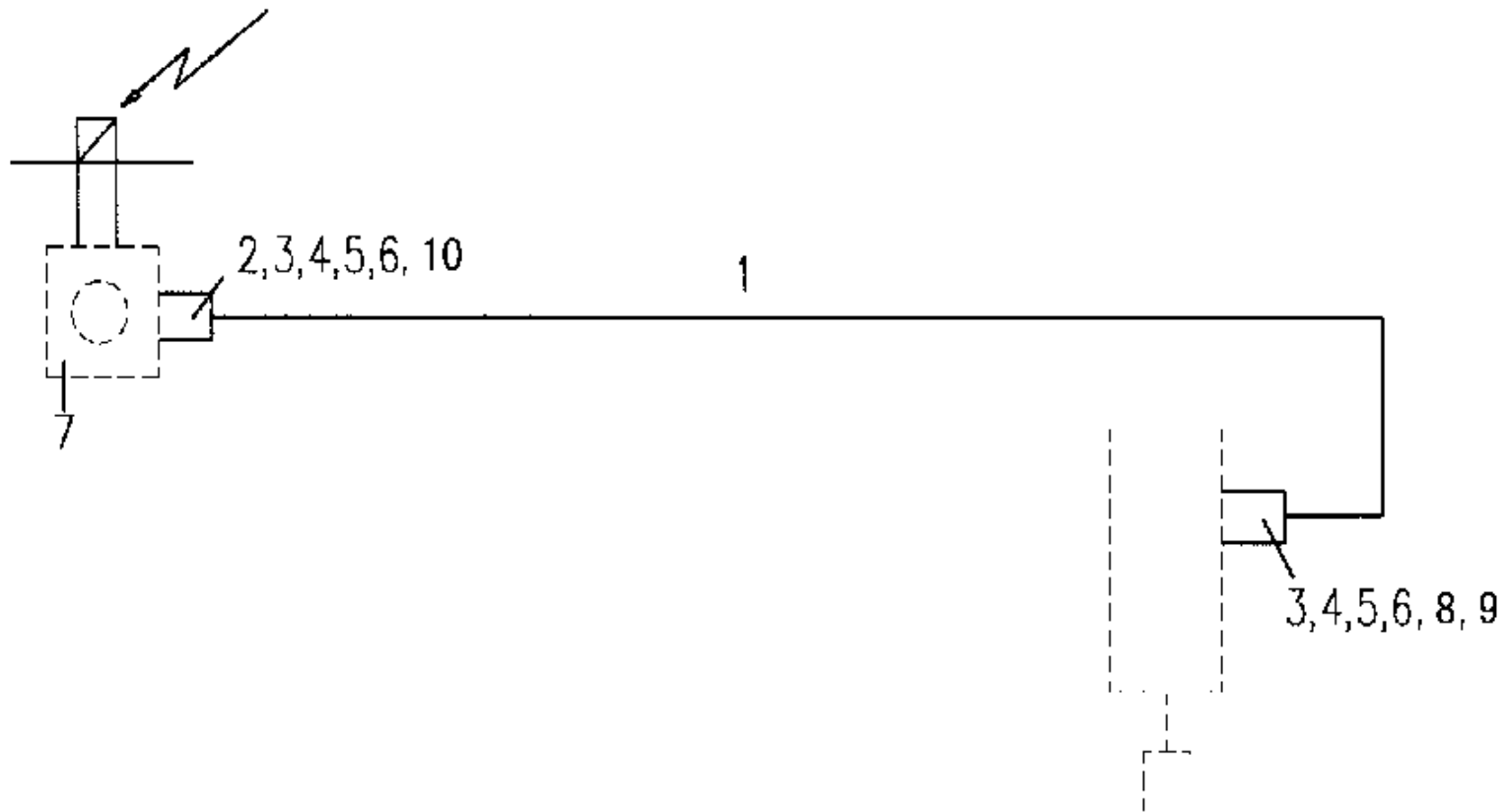
C10-8 6×4, 8×4WHEEL PNEU. DIFF. LOCK FOR STEYR AXLE/STEYR双桥轮间差速锁操纵管路 Fig. C10-8



C10-8 6×4, 8×4WHEEL PNEU. DIFF. LOCK FOR STEYR AXLE/STEYR双桥轮间差速锁操纵管路

| No | Number of part | Quantity | Description | Applicability | Designation |
|----|----------------|----------|-------------|---------------|--------------|
| 1 | 190003179782 | 7 | Φ6×1 | | Plastic pipe |
| 2 | 190003559766 | 2 | | | Nozzle |
| 3 | 190003559516 | 5 | | | Union nut |
| 4 | 190003559508 | 1 | | | Union nut |
| 5 | 190003559561 | 6 | | | Cutting ring |
| 6 | 199014280016 | 6 | | | Sleeve |
| 7 | 190003559482 | 1 | | | Nozzle |
| 8 | 190003559497 | 1 | | | Nozzle |
| 9 | 199000360477 | 2 | | | Gasket |
| 10 | 1288 730061 | 2 | | | O-ring |

C10-9 4×2 PNEUMATIC DIFFERENTIAL LOCK FOR STEYR AXLE/单桥轮间差速锁操纵管路 Fig.C10-9



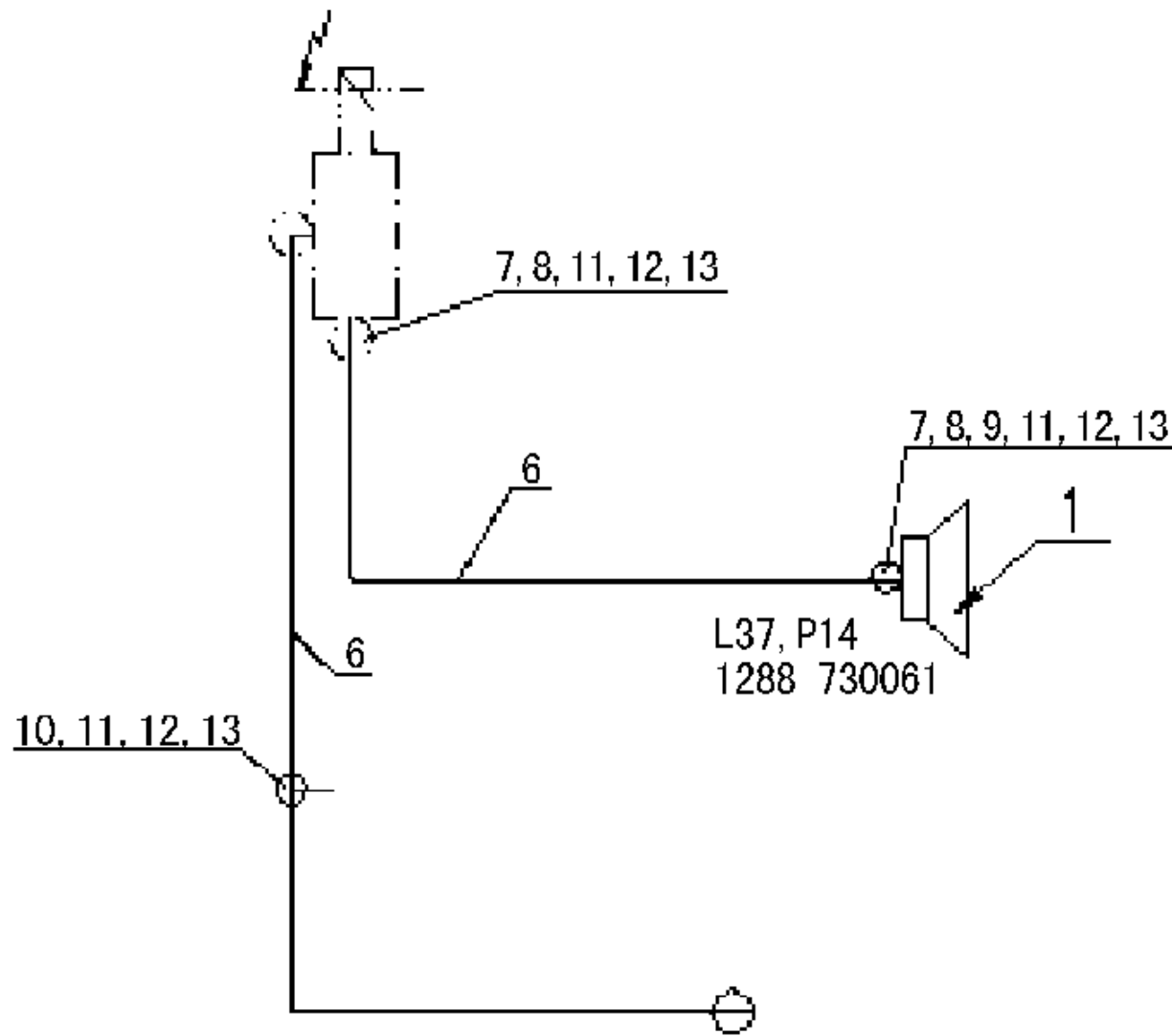
C10-9 4×2 PNEUMATIC DIFFERENTIAL LOCK FOR STEYR AXLE/单桥轮间差速锁操纵管路

| No | Number of part | Quantity | Description | Applicability | Designation |
|----|----------------|----------|-------------|---------------|----------------|
| 1 | 190003179782 | 5 | Φ6×1 | | Plastic tube |
| 2 | 190003559766 | 1 | | | Nozzle |
| 3 | 190003559516 | 1 | | | Union nut |
| 4 | 190003559561 | 2 | | | Cutting ring |
| 5 | 199014280016 | 2 | | | Sleeve |
| 6 | 199000360477 | 1 | | | Gasket |
| 7 | WG9100710008 | 1 | | | Magnetic valve |
| 8 | 190003559497 | 1 | | | Nozzle |
| 9 | 190003559508 | 1 | | | Union nut |
| 10 | 1288730061 | 1 | | | O-ring |

C10-10

DOUBLE VOICE PENUMATIC HORN/双音气喇叭操纵管路

Fig. C10-10



C10-10

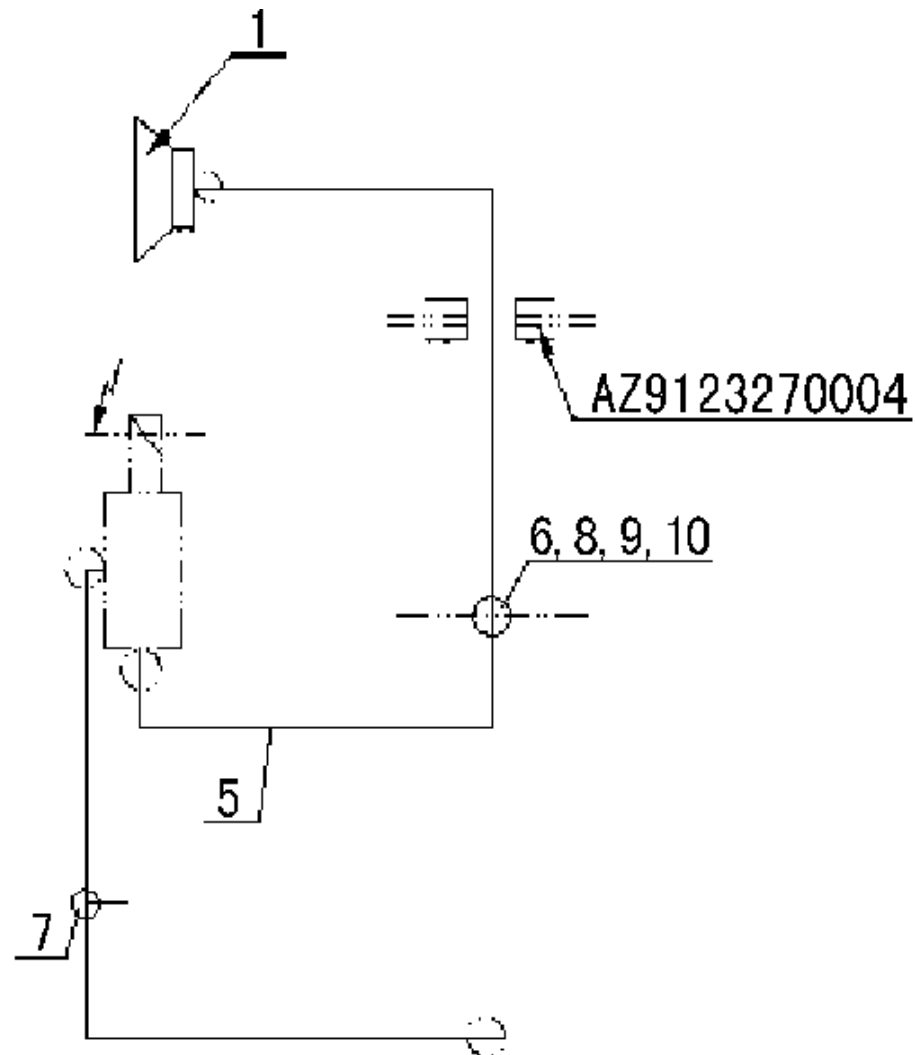
DOUBLE VOICE PENUMATIC HORN/双音气喇叭操纵管路

| No | Number of part | Quantity | Description | Applicability | Designation |
|----|----------------|----------|-------------|---------------|-------------------|
| 1 | WG9716270003 | 1 | | | Double-voice horn |
| 2 | AZ9716270005 | 1 | | | Bracket for horn |
| 3 | Q150B0620 | 4 | | | Screw |
| 4 | Q40306 | 4 | | | Washer |
| 5 | Q340B06 | 4 | | | Nut |
| 6 | 190003179782 | 5 | Φ6 | | Plastic pipe |
| 7 | 190003559766 | 1 | Φ6 | | Nozzle |
| 8 | 199000360477 | 1 | | | Gasket |
| 9 | 1288 730061 | 1 | | | O-ring |
| 10 | 190003559482 | 1 | Φ6 | | T-nozzle |
| 11 | 199014280016 | 6 | | | Union nut |
| 12 | 190003559561 | 6 | | | Cutting ring |
| 13 | 190003559516 | 6 | | | sleeve |

C10-11

LOW VOICE PENUMATIC HORN ON ROOF/顶置低音喇叭操纵管路

Fig. C10-11



C10-11

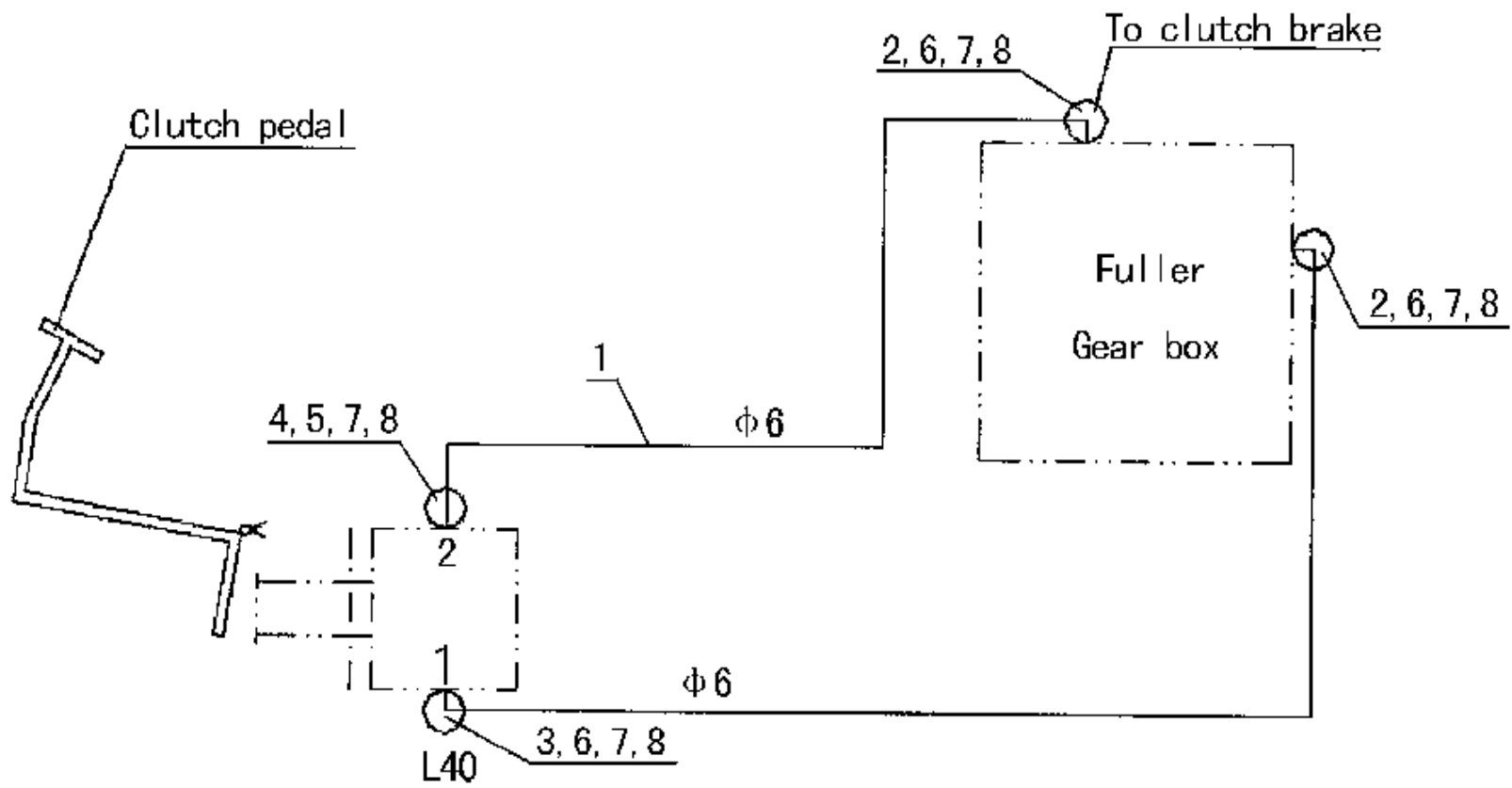
LOW VOICE PENUMATIC HORN ON ROOF/顶置低音喇叭操纵管路

| No | Number of part | Quantity | Description | Applicability | Designation |
|----|----------------|----------|-------------|---------------|--------------------------|
| 1 | WG9716270004 | 1 | | | Low voice penumatic horn |
| 2 | Q150B0625 | 3 | | | Screw |
| 3 | Q40106 | 3 | | | Washer |
| 4 | Q40306 | 3 | | | Spring washer |
| 5 | 190003179782 | 10 | Φ6 | | Plastic pipe |
| 6 | AZ9718360009 | 1 | | | Rubber sleeve |
| 7 | 190003559482 | 1 | Φ6 | | Nozzle |
| 8 | WG9719360009 | 1 | Φ6 | | Nozzle |
| 9 | Q351C12T15 | 1 | | | Nut |
| 10 | Q41212 | 1 | | | Toothed washer |
| 11 | 199014280016 | 8 | | | Union nut |
| 12 | 190003559561 | 8 | | | Cutting ring |
| 13 | 190003559516 | 8 | | | Sleeve |

C10-12

AIR LINE FOR CLUTCH BRAKE/离合器制动器气操纵管路

Fig. C10-12

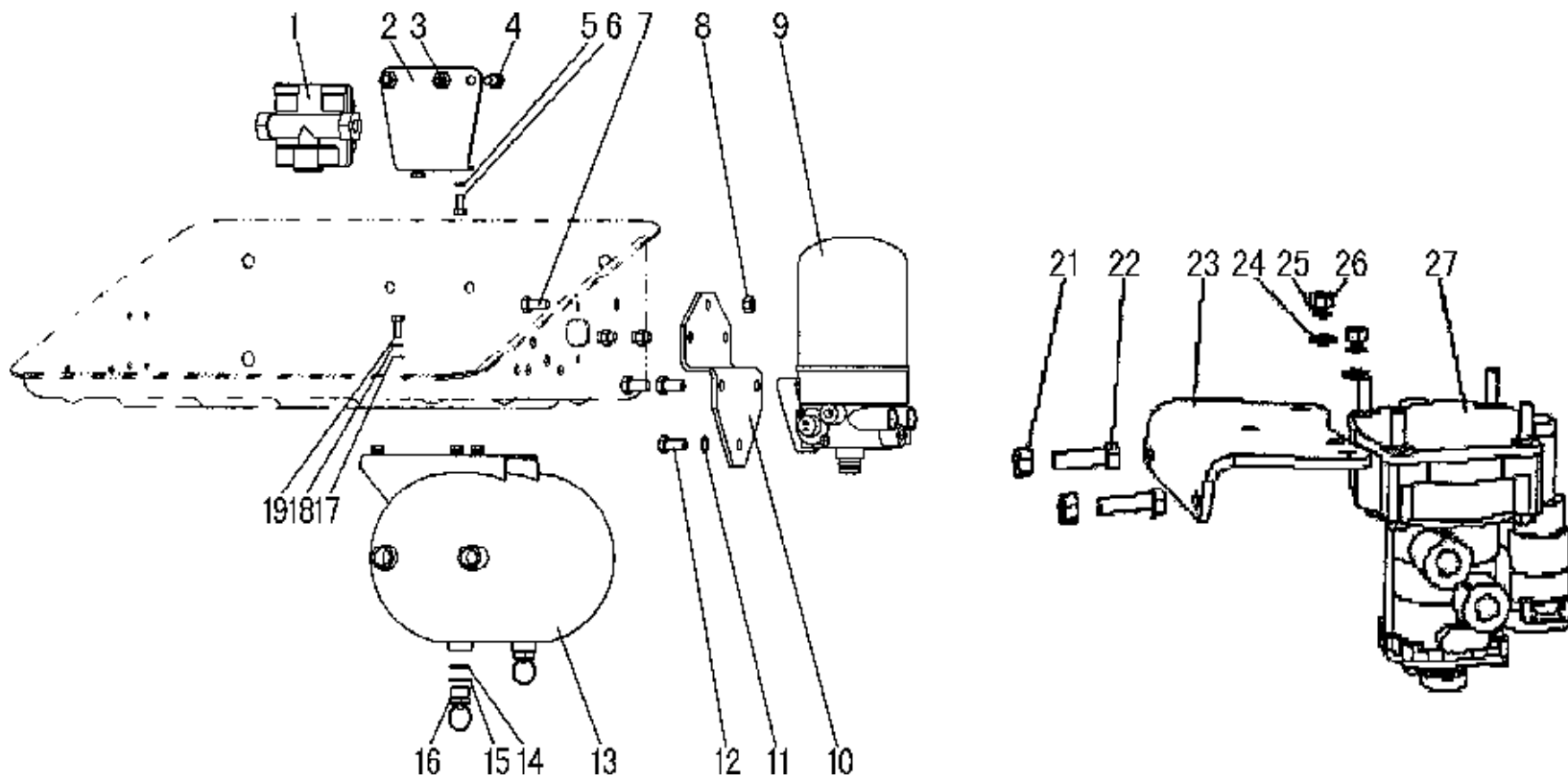


C10-12

AIR LINE FOR CLUTCH BRAKE/离合器制动器气操纵管路

| No | Number of part | Quantity | Description | Applicability | Designation |
|----|----------------|----------|-------------|---------------|--------------|
| 1 | 190003179782 | 8 | Φ6 | | Plastic pipe |
| 2 | WG99112280014 | 2 | Φ6 | | Nozzle |
| 3 | 190003559496 | 1 | Φ6 | | Nozzle |
| 4 | Q80406 | 1 | Φ6 | | Nozzle |
| 5 | Q80106 | 1 | | | Union nut |
| 6 | 190003559516 | 3 | | | Union nut |
| 7 | 190003559561 | 4 | | | Cutting ring |
| 8 | 199014280016 | 4 | | | Sleeve |

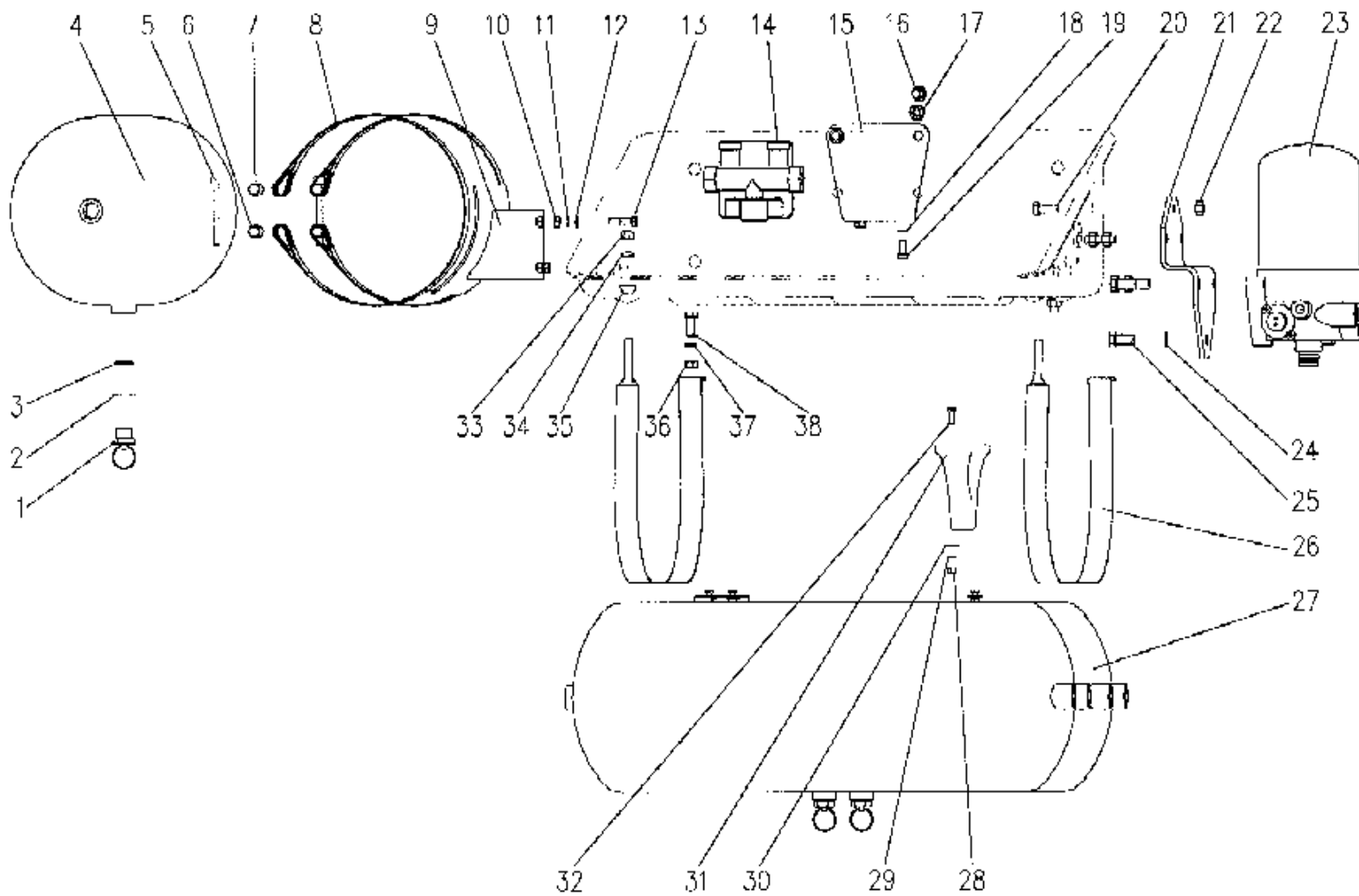
C10-13 AIR RESERVOIR FIXATION FOR TRACTOR TRUCK I/牵引车贮气筒固定 I Fig. C10-13



C10-13 AIR RESERVOIR FIXATION FOR TRACTOR TRUCK I/牵引车贮气筒固定 I

| No | Number of part | Quantity | Description | Applicability | Designation |
|----|----------------|----------|-------------|---------------|-----------------------------------|
| 1 | WG9000360366 | 1 | | | 4-Cir.protection valve |
| 2 | AZ9719360013 | 2 | | | Bracket for protection valve |
| 3 | Q33212 | 2 | | | Nut |
| 4 | Q150B1220 | 2 | | | Screw |
| 5 | Q40308 | 2 | | | Spring washer |
| 6 | Q150B0818 | 2 | | | Screw |
| 7 | Q150B1030 | 3 | | | Screw |
| 8 | Q33210 | 3 | | | Nut |
| 9 | WG9100368471 | 1 | | | Air dryer |
| 10 | AZ9719360014 | 1 | | | Bracket for air dryer |
| 11 | Q41212 | 3 | | | Toothed washer |
| 12 | Q151C1225 | 3 | | | Screw |
| 13 | WG9719360001 | 1 | | | Air reservoir |
| 14 | WG9100360319 | 2 | | | Gasket |
| 15 | 1680 250092 | 2 | | | Gasket |
| 16 | WG9000360115 | | | | Drain valve |
| 17 | Q40108 | 4 | | | Washer |
| 18 | Q40308 | 4 | | | Spring washer |
| 19 | Q150B0820 | 4 | | | Screw |
| 21 | Q33210 | 2 | | | Nut |
| 22 | Q150B1035 | 2 | | | Screw |
| 23 | AZ9130360003 | 1 | | | Bracket for trailer control valve |
| 24 | Q40108 | 2 | | | Washer |
| 25 | Q40308 | 2 | | | Spring washer |
| 26 | Q340B08 | 2 | | | Nut |
| 27 | WG9000360180 | 1 | | | Trailer control valve |

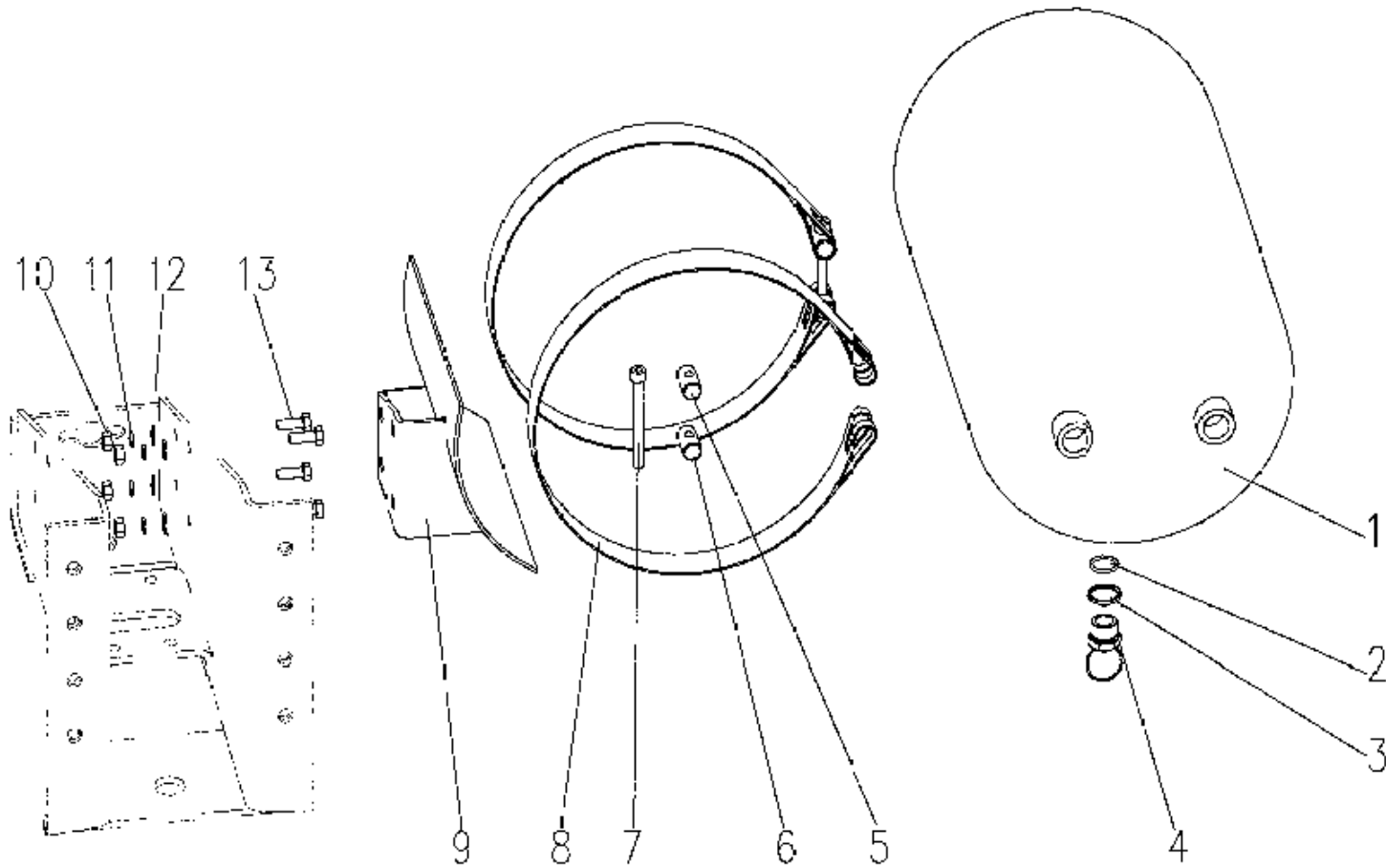
C10-14 AIR RESERVOIR FIXATION FOR CARGO TRUCK I /载货车储气筒固定 I Fig. C10-14



C10-14 AIR RESERVOIR FIXATION FOR CARGO TRUCK I /载货车储气筒固定 I

| No | Number of part | Quantity | Description | Applicability | Designation |
|----|----------------|----------|-------------|---------------|------------------------------|
| 1 | WG9000360115 | 3 | | | Drain valve |
| 2 | 1680 250092 | 3 | | | Gasket |
| 3 | WG9100360319 | 3 | | | Gasket |
| 4 | WG9003550087 | 1 | | | Air reser voir 20L |
| 5 | Q218B0880 | 2 | | | Screw |
| 6 | WG09 190017 | 2 | | | Tension bolt |
| 7 | WG700550013 | 2 | | | Tension bolt |
| 8 | WG99112270012 | 2 | | | Tension strap |
| 9 | 17017360105 | 1 | | | Bracket |
| 10 | Q340B08 | 4 | | | Nut |
| 11 | Q40308 | 4 | | | Spring washer |
| 12 | Q40108 | 4 | | | Washer |
| 13 | Q150B0830 | 4 | | | Screw |
| 14 | WG9000360366 | 1 | | | 4-Cir.protection valve |
| 15 | AZ9719360013 | 1 | | | Bracket for protection valve |
| 16 | Q150B1220 | 2 | | | Screw |
| 17 | Q33212 | 2 | | | Nut |
| 18 | Q40308 | 2 | | | Spring washer |
| 19 | Q150B0818 | 2 | | | Screw |
| 20 | Q150B1030 | 3 | | | Screw |
| 21 | AZ9719360014 | 1 | | | Bracket for air dryer |
| 22 | Q33210 | 3 | | | Nut |
| 23 | WG9100368471 | 1 | | | Air dryer |
| 24 | Q41212 | 3 | | | Toothed washer |
| 25 | Q151C1225 | 3 | | | Screw |
| 26 | WG99100360173 | 2 | | | Tension strap |
| 27 | WG9003550094 | 2 | | | 30L air reservoir |
| 28 | Q340B06 | 4 | | | Nut |
| 29 | Q40506 | 4 | | | Spring washer |
| 30 | Q40206 | 4 | | | Washer |
| 31 | 199100360101 | 2 | | | Distance piece |
| 32 | Q150B0616 | 4 | | | Screw |
| 33 | Q340B10 | 2 | | | Nut |
| 34 | Q40310 | 2 | | | Spring washer |
| 35 | 190003961510 | 2 | | | Washer |
| 36 | Q340B10 | 2 | | | Nut |
| 37 | Q40310 | 2 | | | Spring washer |
| 38 | Q150B1025 | 2 | | | Screw |

C10-15 AIR RESERVOIR FIXATION FOR TRACTOR TRUCK II / 牵引车储气筒固定 II Fig. C10-15



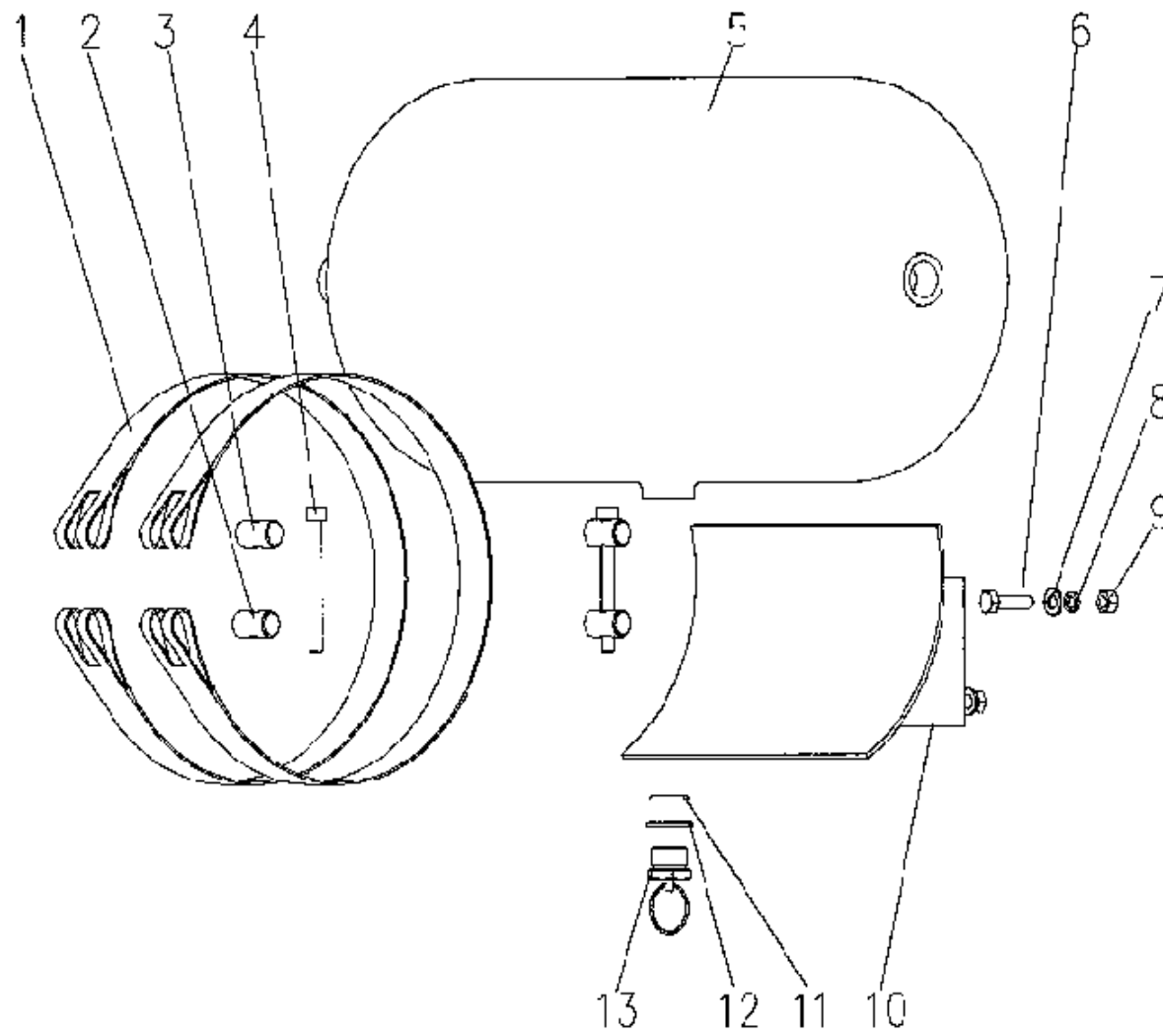
C10-15 AIR RESERVOIR FIXATION FOR TRACTOR TRUCK II / 牵引车储气筒固定 II

| No | Number of part | Quantity | Description | Applicability | Designation |
|----|----------------|----------|-------------|---------------|---------------|
| 1 | WG9014362117 | 1 | | | 30L reservoir |
| 2 | 1680 250092 | 1 | | | Gasket |
| 3 | WG9100360319 | 1 | | | Gasket |
| 4 | WG9000360115 | 1 | | | Drain valve |
| 5 | WG700550013 | 2 | | | Tension bolt |
| 6 | WG09 190017 | 2 | | | Tension bolt |
| 7 | Q218B0880 | 2 | | | Screw |
| 8 | WG9719360024 | 2 | | | Tension strap |
| 9 | AZ9718360005 | 1 | | | Support |
| 10 | Q340B08 | 4 | | | Nut |
| 11 | Q40308 | 4 | | | Spring washer |
| 12 | Q40108 | 4 | | | Washer |
| 13 | Q150B0822 | 4 | | | Screw |

C10-16

20L AIR RESERVOIR FIXATION/20L储气筒的固定

Fig. C10-16

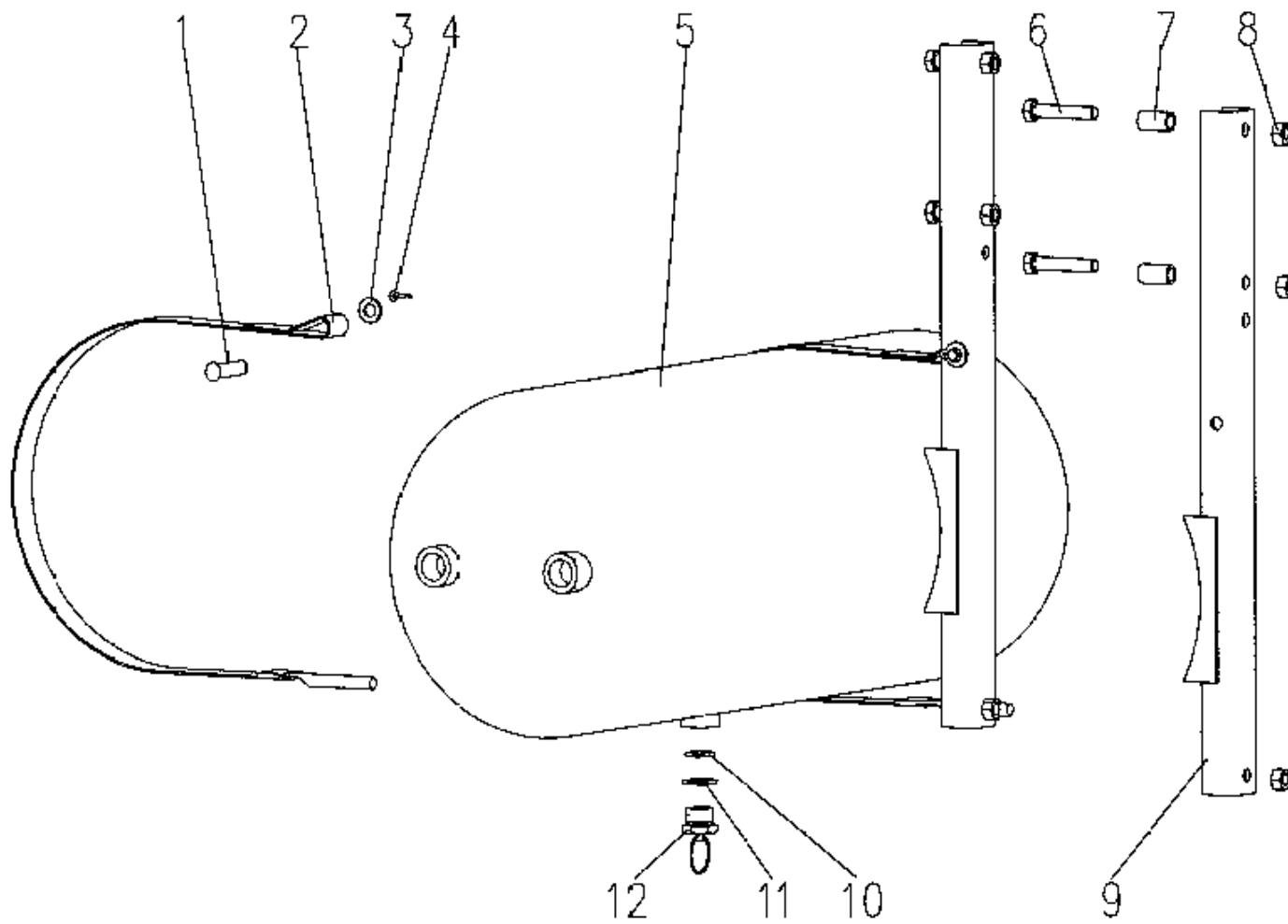


C10-16

20L AIR RESERVOIR FIXATION/20L储气筒的固定

| No | Number of part | Quantity | Description | Applicability | Designation |
|----|----------------|----------|-------------|---------------|---------------|
| 1 | WG99112270012 | 2 | | | Tension strap |
| 2 | WG09 190017 | 2 | | | Tension bolt |
| 3 | WG700550013 | 2 | | | Tension bolt |
| 4 | Q218B0880 | 2 | | | Screw |
| 5 | WG9003550087 | 2 | | | Air reservoir |
| 6 | Q150B0830 | 4 | | | Screw |
| 7 | Q40108 | 4 | | | Washer |
| 8 | Q40308 | 4 | | | Spring washer |
| 9 | Q340B08 | 4 | | | Nut |
| 10 | 199100360105 | 1 | | | Bracket |
| 11 | WG9100360319 | 1 | | | Gasket |
| 12 | 1680 250092 | 1 | | | Gasket |
| 13 | WG9000360115 | 1 | | | Drain valve |

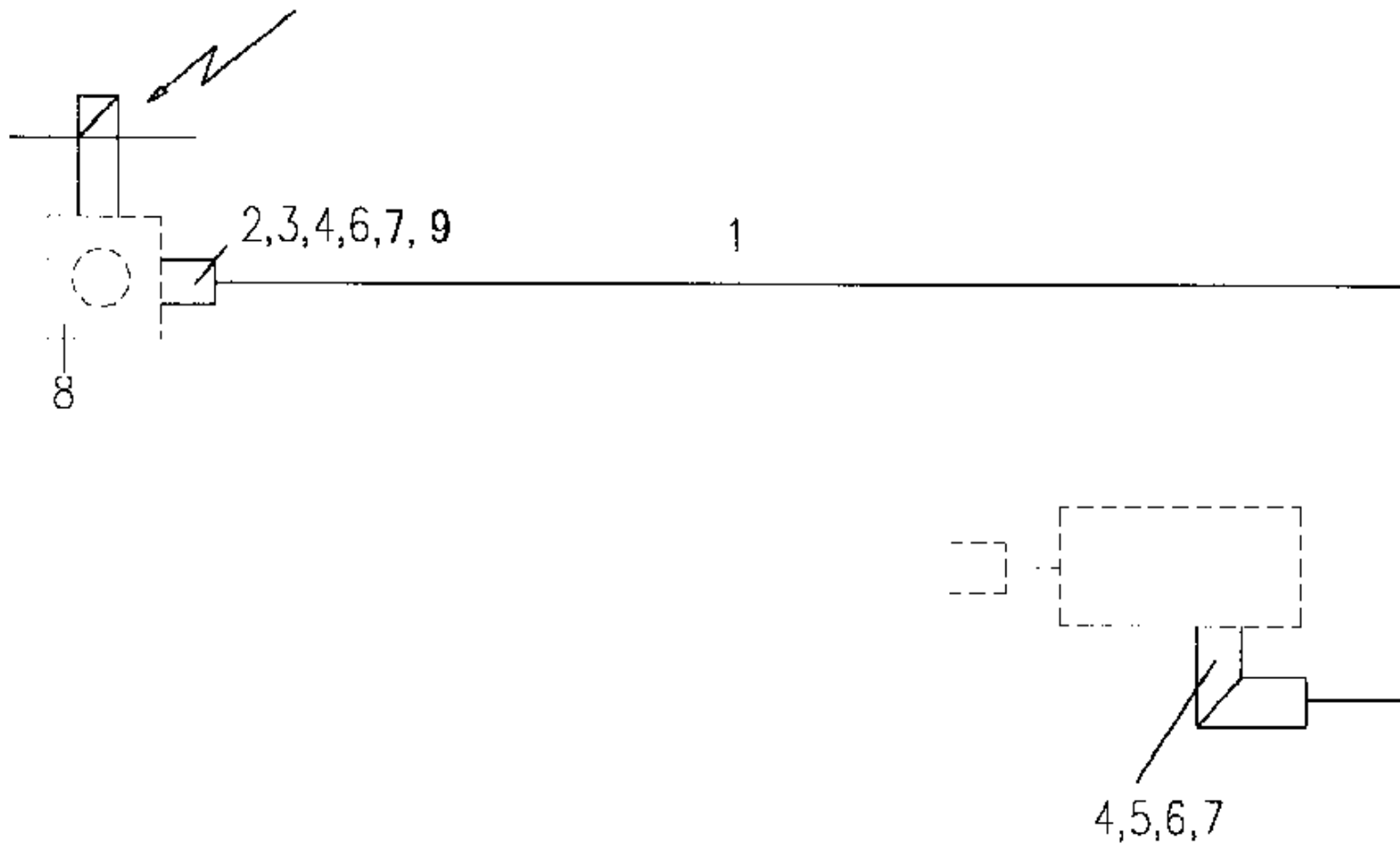
C10-17 AIR RESERVOIR FIXATION FOR TRACTOR TRUCK III/牵引车储气筒固定III Fig.C10-17



C10-17 AIR RESERVOIR FIXATION FOR TRACTOR TRUCK III/牵引车储气筒固定III

| No | Number of part | Quantity | Description | Applicability | Designation |
|----|----------------|----------|-------------|---------------|------------------|
| 1 | Q5101048 | 2 | | | Bolt |
| 2 | WG99118360019 | 2 | | | Tension strap |
| 3 | Q40110 | 2 | | | Washer |
| 4 | Q5003214 | 2 | | | Split pin |
| 5 | WG9003550098 | 1 | Φ6×4 | | 40Lair reservoir |
| 5 | WG9014362117 | 1 | 4×2 | | 30Lair reservoir |
| 6 | Q150B1055 | 4 | | | Screw |
| 7 | 1293 250096 | 4 | | | Distance sleeve |
| 8 | Q33210 | 6 | | | Nut |
| 9 | AZ9118360004 | 2 | | | Bracket |
| 10 | WG9100360319 | 1 | | | Gasket |
| 11 | 1680 250092 | 1 | | | Gasket |
| 12 | WG9000360115 | 1 | | | Drain valve |

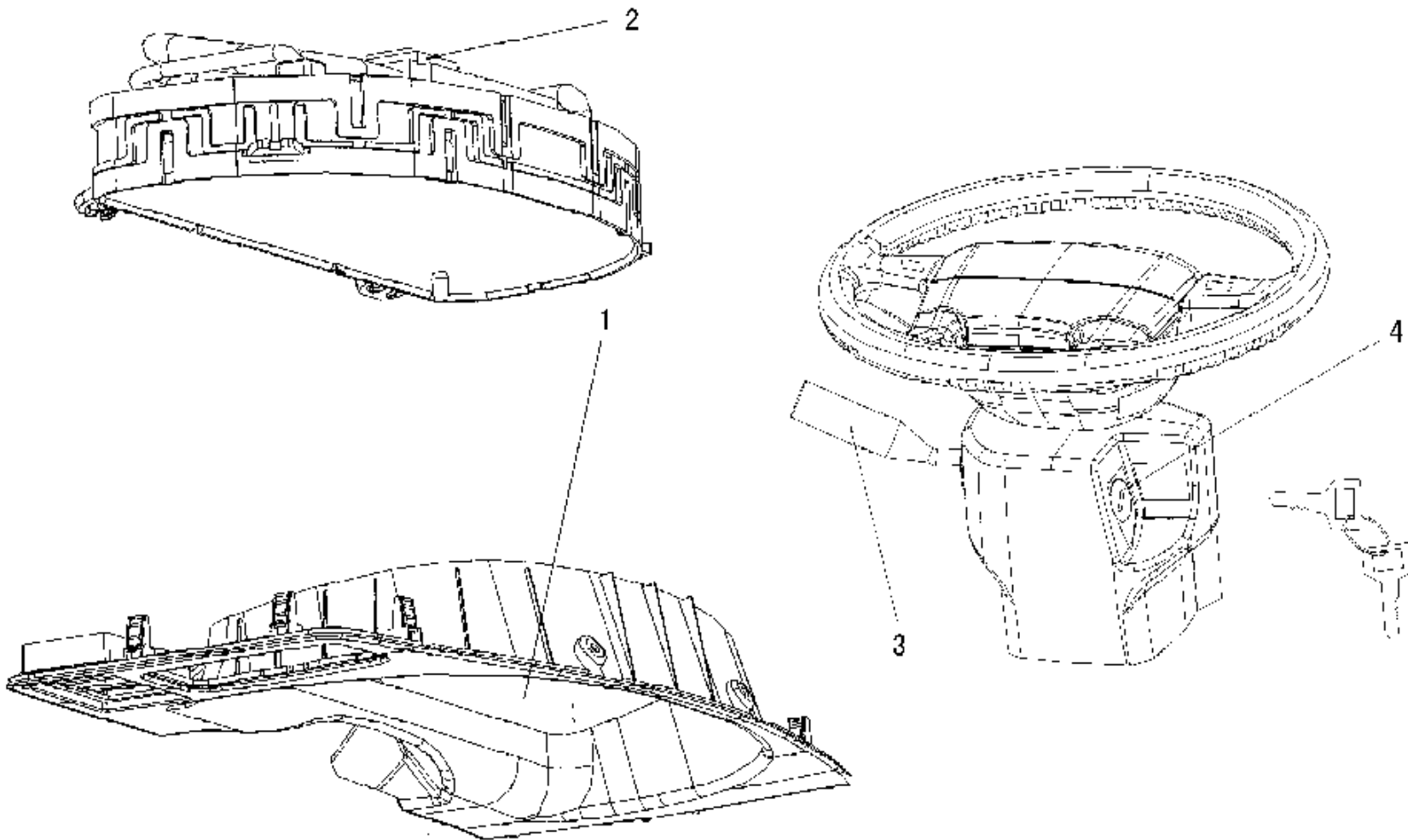
C10-7 AIR LINE FOR AXLE PNEU. DIFF. LOCK/轴间差速锁操纵管路 Fig. C10-7



C10-7 AIR LINE FOR AXLE PNEU. DIFF. LOCK/轴间差速锁操纵管路

| No | Number of part | Quantity | Description | Applicability | |
|----|----------------|----------|-------------|---------------|-----|
| | | | | 4×2 | 6×4 |
| 1 | 190003179782 | 200 | Φ6×1 | | √ |
| 2 | 190003559766 | 1 | | | √ |
| 3 | 199000360477 | 1 | | | √ |
| 4 | 199014280016 | 2 | | | √ |
| 5 | 190003559497 | 1 | | | √ |
| 6 | 190003559561 | 2 | | | √ |
| 7 | 190003559516 | 2 | | | √ |
| 8 | WG9100710008 | 1 | | | √ |
| 9 | 1288 730061 | 1 | | | √ |

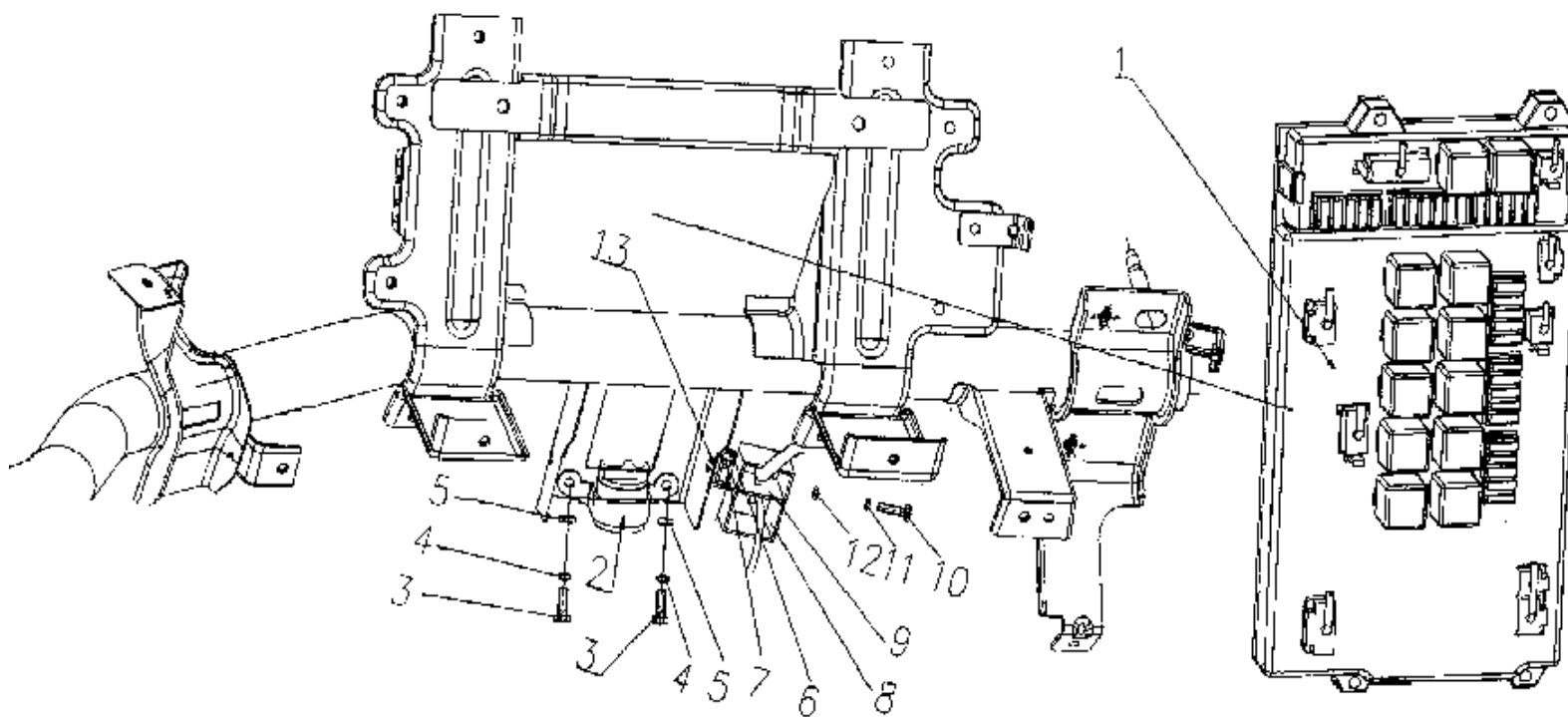
C11-1 CAN MAIN CIRCUIT ELECTRICAL DASHBOARD/CAN总线控制电气系统组合仪表盘 Fig. C11-1



C11-1 CAN MAIN CIRCUIT ELECTRICAL DASHBOARD/CAN总线控制电气系统组合仪表盘

| No | Number of part | Quantity | Description | Applicability | Designation |
|----|----------------|----------|-------------|---------------|------------------------------|
| 1 | AZ9719580005 | 1 | | | Combination instrument panel |
| 2 | AZ9719580001 | 1 | | | Center control block left |
| 3 | WG9130583017 | 1 | | | Combination switch |
| 4 | AZ9130583019 | 1 | | | Start switch by key |
| 10 | WG9100583056 | 1 | | | Sensor for speedmeter |

C11-2 CONTROL BLOCK RIGHT, RELAY, FUSE/右控制模块, 继电器, 保险丝 Fig. C11-2



C11-2 CONTROL BLOCK RIGHT, RELAY, FUSE/右控制模块, 继电器, 保险丝

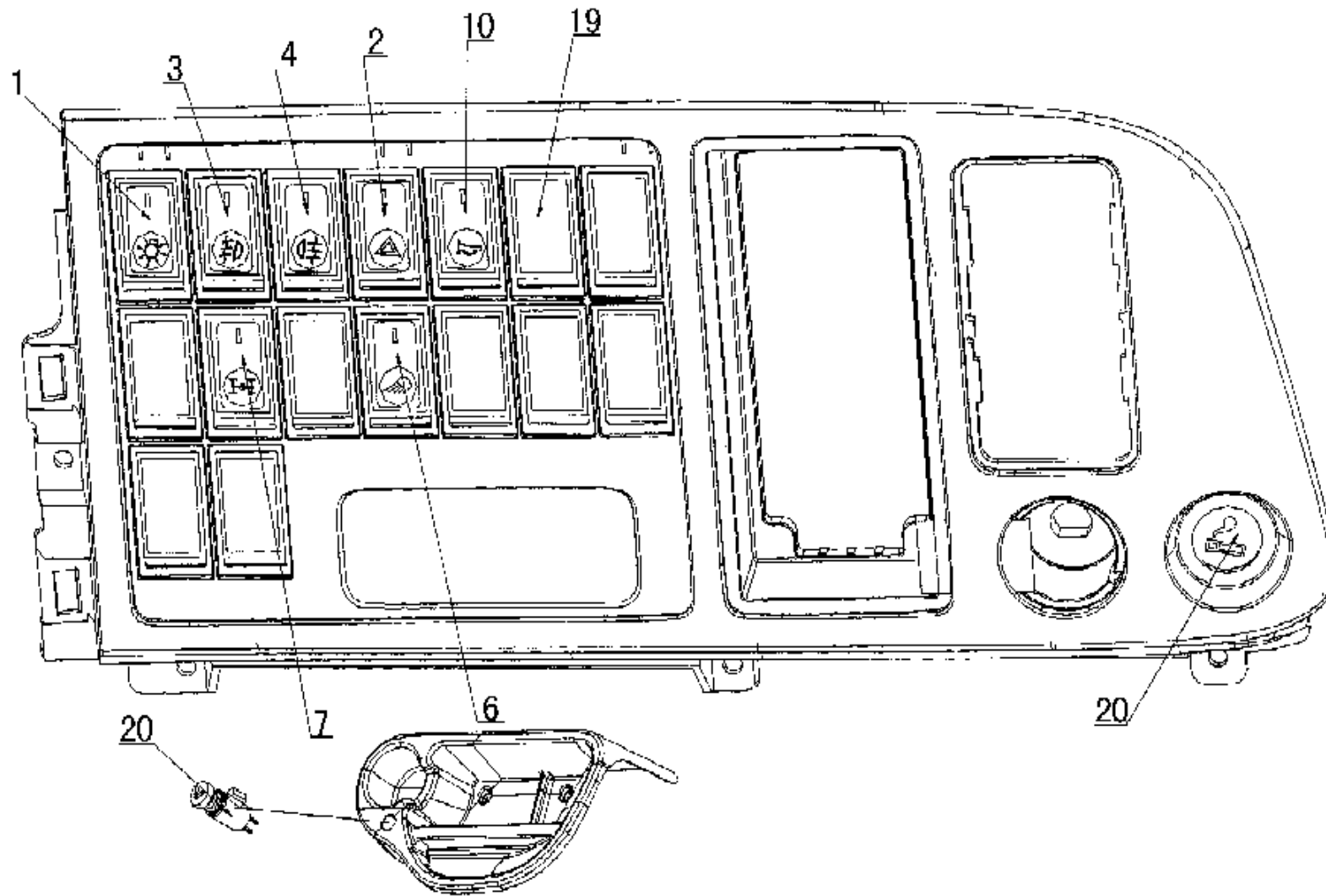
| No | Number of part | Quantity | Description | Applicability | Designation |
|------|----------------|----------|-------------|---------------|--|
| 1 | AZ9719580002 | 1 | | | Control block right |
| 1-1 | AZ9719580002-1 | 1 | | | Control block right without relay |
| 1-2 | F1-1 | 1 | 15A | | Fuse for seat adjusting |
| 1-3 | F1-2 | 1 | 15A | | Fuse for start switch |
| 1-4 | F1-3 | 1 | 25A | | Fuse for ABS of trailer |
| 1-5 | F1-4 | 1 | 15A | | Fuse for cigar lighter left |
| 1-6 | F1-5 | 1 | 15A | | Fuse for radio and cigar lighter right |
| 1-7 | F2-1 | 1 | 15A | | Fuse for ECAS |
| 1-8 | F2-2 | 1 | 25A | | Fuse for ABS(30#) |
| 1-9 | F2-3 | 1 | 15A | | Fuse for ABS(30#) |
| 1-10 | F2-4 | 1 | 15A | | Fuse for electrodynamic window left |
| 1-11 | F2-5 | 1 | 15A | | Fuse for electrodynamic window right |
| 1-12 | F3-1 | 1 | 15A | | Fuse for spare relay |
| 1-13 | F3-2 | 1 | 15A | | Fuse for spare relay |
| 1-14 | F3-3 | 1 | 10A | | Fuse for ABS(15#) |
| 1-15 | F3-4 | 1 | 15A | | Fuse for ECAS(15#) |
| 1-16 | F3-5 | 1 | 15A | | Fuse for 15# electroline |
| 1-17 | F4-1 | 1 | 15A | | Fuse for steering lights |
| 1-18 | F4-2 | 1 | 25A | | Fuse for 30#electroline |
| 1-19 | F4-3 | 1 | 10A | | Fuse for electrothermal seat |
| 1-20 | F4-4 | 1 | 10A | | Fuse for 15# electroline |
| 1-21 | F4-5 | 1 | 10A | | Fuse for air dryer |
| 1-22 | F5-1 | 1 | 10A | | Fuse for combination instrument and control block left |
| 1-23 | F5-2 | 1 | 10A | | Fuse for wiper |
| 1-24 | F5-3 | 1 | 25A | | Fuse for electroline of air conditioner |
| 1-25 | F5-4 | 1 | 10A | | Fuse for low beam |
| 1-26 | F5-5 | 1 | 25A | | Fuse for high beam |
| 1-27 | F6-1 | 1 | 25A | | Fuse for position light |
| 1-28 | F6-2 | 1 | 15 A | | Fuse for electroline D ⁺ |
| 1-29 | F6-3 | 1 | 10:00 AM | | Fuse for front fog lamp |
| 1-30 | F6-4 | 1 | 15 A | | Spare fuse |
| 1-31 | F6-5 | 1 | 10:00 AM | | Spare fuse |
| 1-32 | J1 | 1 | | | Relay for steering lamp right |
| 1-33 | J2 | 1 | | | Relay for air dryer and electrothermal seat |
| 1-34 | J3 | 1 | | | Relay for air conditioner |
| 1-35 | J4 | 1 | | | Relay for high beam |
| 1-36 | J5 | 1 | | | Relay for fog lamp front |
| 1-37 | J6 | 1 | | | Relay for steering lamp left |
| 1-38 | J7 | 1 | | | Relay for wiper intermission control |
| 1-39 | J8 | 1 | | | Relay for low beam |
| 1-40 | J9 | 1 | | | Relay for position light |
| 1-41 | J10 | 1 | | | Spare relay |
| 1-42 | J11 | 1 | | | Spare relay |
| 2 | WG9100583049 | 1 | | | Start relay (80A) |
| 3 | Q150B0516 | 2 | | | Screw |
| 4 | Q40305 | 2 | | | Spring washer |
| 5 | Q340B05 | 2 | | | Nut |
| 6 | Q340B05 | 2 | | | Nut |

| | | | | | |
|-----|--------------|---|--|--------|--|
| 7 | Q40405 | 2 | | | Spring washer |
| 8 | 189100770103 | 1 | | | Line connector(I) |
| 9 | 189100770104 | 2 | | | Line connector(II) |
| 10 | Q150B0518 | 1 | | | Screw |
| 11 | Q41205 | 1 | | | Toothed washer |
| 12 | Q340B05 | 1 | | | Nut |
| 13 | AZ9719770040 | 1 | | | Bracket |
| 14 | WG9160580501 | 1 | | Option | ABS(4S/4M)electrical control unit(WABCO) |
| 14a | AZ9718580002 | 1 | | Option | ECU bracket(WABCO) |
| 15 | WG9718580001 | 1 | | Option | ABS(4S/4M)electrical control unit(KNORR) |
| 15a | AZ9718580003 | 1 | | Option | ECU bracket(KNORR) |

C11-3

SWITCHS, CIGAR LIGHTER/翘板开关, 点烟器

Fig. C11-3



C11-3

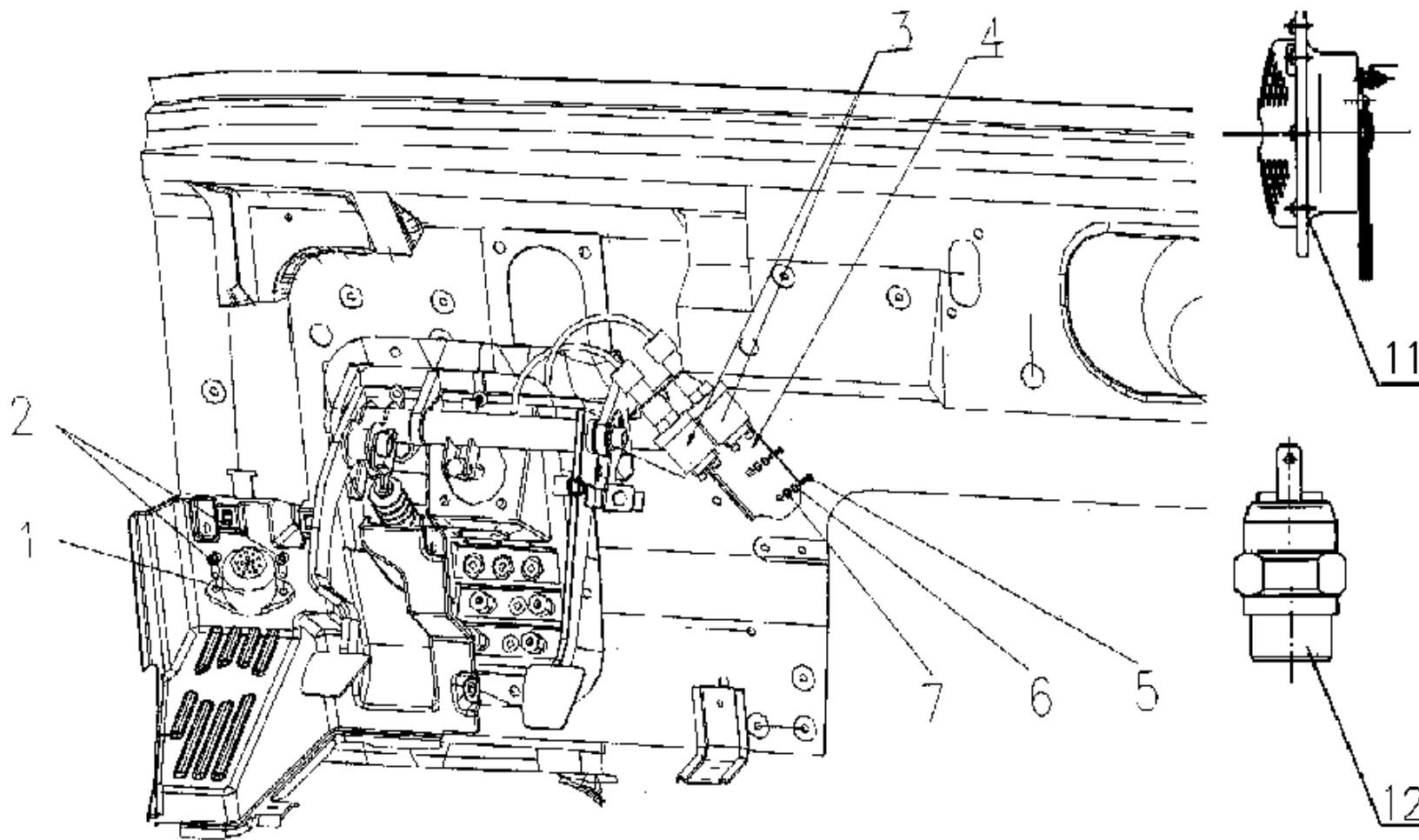
SWITCHS, CIGAR LIGHTER/翘板开关, 点烟器

| No | Number of part | Quantity | Description | Applicability | Designation |
|----|----------------|----------|-------------|---------------|-------------------------------------|
| 1 | WG9719582001 | 1 | | | Light switch |
| 2 | WG9719582004 | 1 | | | Emer.blinker system switch |
| 3 | WG9719582002 | 1 | | | Front fog lamp switch |
| 4 | WG9719582004 | 1 | | | Rear fog lamp switch |
| 5 | WG9719582007 | 1 | | | Working lamp switch |
| 6 | WG9719582011 | 1 | | | Wheel diff.lock switch |
| 7 | WG9719582012 | 1 | | | Axle diff.lock switch |
| 8 | WG9719582013 | 1 | | | All-wheel-drive switch |
| 9 | WG9719582010 | 1 | | | Power take off switch |
| 10 | WG9719582005 | 1 | | | Horn switch |
| 11 | WG9719582018 | 1 | | | Transfer case high/low speed switch |
| 12 | WG9719582017 | 1 | | | Transfer case neutral switch |
| 13 | WG9719582009 | 1 | | | PTO neutral switch |
| 14 | WG9719582008 | 1 | | | Cool start switch |
| 15 | WG9719582014 | 1 | | | ABS check switch |
| 16 | WG9719582019 | 1 | | | Lifting switch for trailing axle |
| 17 | WG9719582020 | 1 | | | ECU check switch |
| 18 | WG9719582030 | 1 | | | Switch for ECU check lamp |
| 19 | WG9900580021 | 1 | | | Cover |
| 20 | WG9100580141 | 2 | | | Cigar lighter |
| 21 | WG9725580001 | | | | Outer cover for check connector |

C11-4

ELECTRICAL EQUIPMENT ON THE CHASSIS/底盘电器

Fig. C11-4



C11-4

ELECTRICAL EQUIPMENT ON THE CHASSIS/底盘电器

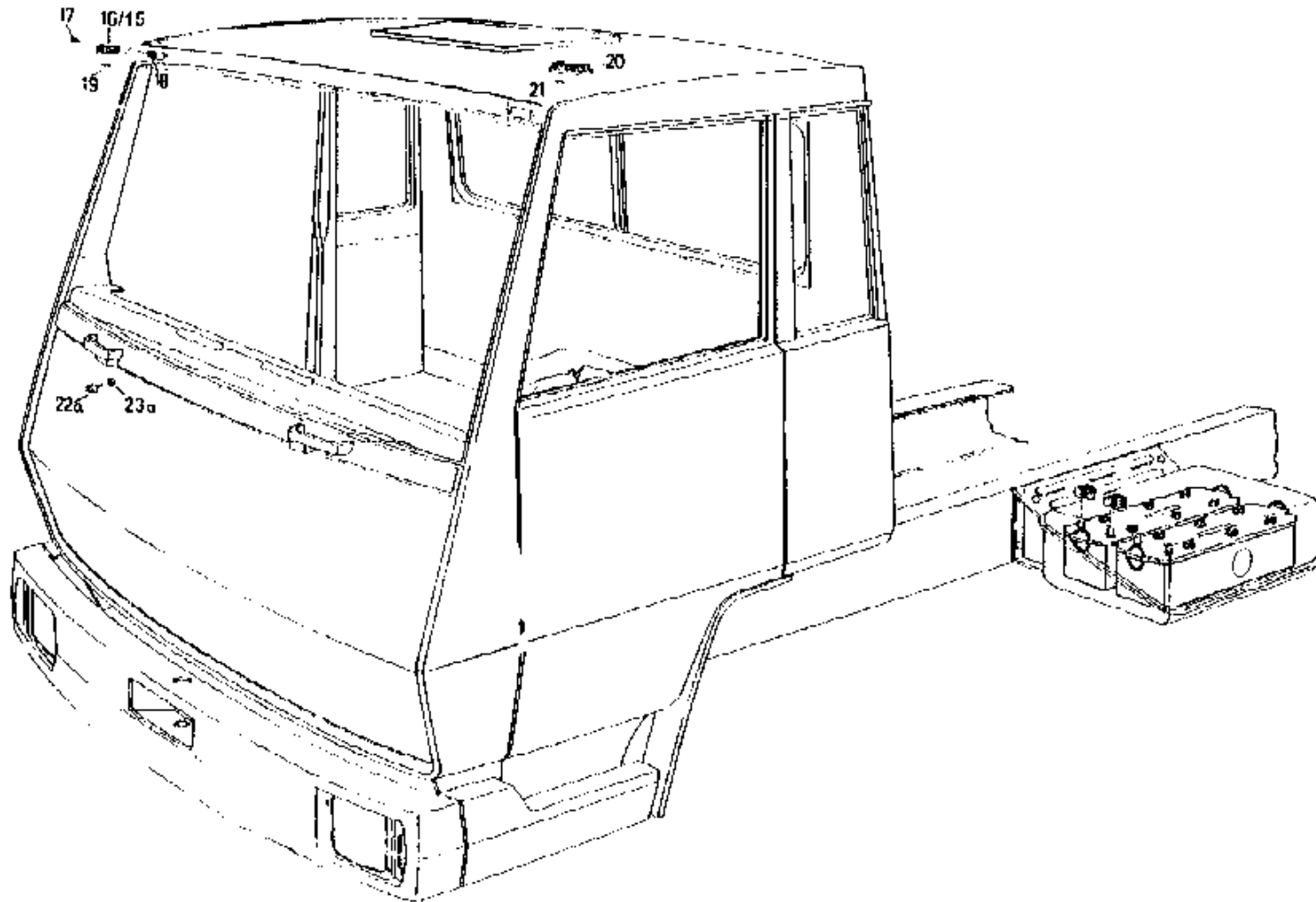
| No | Number of part | Quantity | Description | Applicability※ | Designation |
|-----|----------------|----------|-------------|-----------------|--|
| 1 | WG9719710001 | 1 | | | Exhaust brake switch |
| 1 | WG9719710002 | 1 | | For drive right | Exhaust brake switch |
| 2 | Q2714216 | 2 | | | Screw |
| 3 | WG9130713001 | 2 | | | Air pressure sensor |
| 4 | AZ9725710001 | 1 | | | Bracket |
| 5 | Q150B0616 | 2 | | | Screw |
| 6 | Q40306 | 2 | | | Spring washer |
| 7 | Q41206 | 2 | | | Washer |
| 8 | WG9100580141 | 1 | | | Cigar lighter |
| 9 | WG9718710001 | 1 | | | Electromagnetic valve for pneumatic horn |
| 9a | Q150B0816 | 3 | | | Screw |
| 9b | Q40308 | 3 | | | Spring washer |
| 10 | WG9100710008 | 5 | | | Electromagnetic valve |
| 10a | Q150B08110 | 2 | | | Screw |
| 10b | 190003800497 | 2 | | | Screw |
| 10c | 190003962019 | 4 | | | Screw |
| 10d | Q72312T5F | 3 | | | Gasket |
| 10e | Q33208 | 4 | | | Nut |
| 11 | WG9718710002 | 1 | | | Electro horn |
| 11a | Q1460825 | 1 | | | Combination screw |
| 11b | Q33208 | 1 | | | Nut |
| 12 | WG9100710004 | 2 | | | Air pressure signal lamp switch |
| 13 | WG9725580028 | 1 | | For HHR | Water temeroture sensor |
| 14 | WG9725580029 | 1 | | For HHR | Oil pressure sensor |
| 15 | WG9725580006 | 1 | | For HHR | 100Aprotector |
| 16 | WG9725580009 | 1 | | For HHR | 5A protector |
| 17 | AZ9725580015 | 1 | | For HHR | Relay for battery |
| 18 | AZ9725580011 | 1 | | For HHR | Cutout relay |
| 19 | 190003499855 | 1 | | For tractor | Seven hole socket |
| 20 | WG9160710522 | 4 | | | ABS sensor(WABCO) |
| 21 | WG9160710523 | 4 | | | Sleeve for ABS sensor(WABCO) |
| 22 | WG9718580005 | 4 | | | ABS sensor(KNORR) |
| 23 | WG9718580006 | 4 | | | Sleeve for ABS sensor(KNORR) |

※ HHR—HOWO with HINO engine

C11-5

ELECTRICAL EQUIPMENT IN DRIVER CAB/驾驶室电器

Fig. C11-5



C11-5

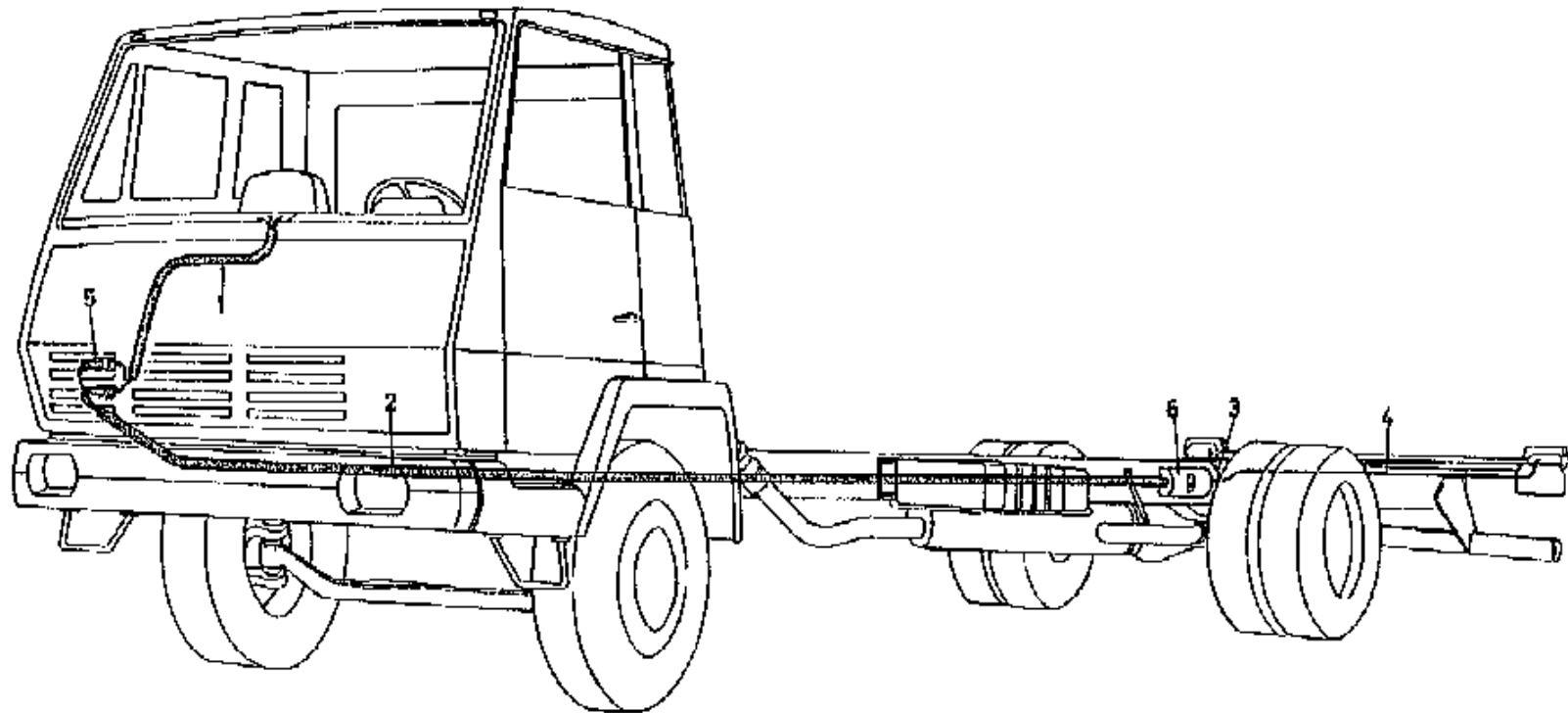
ELECTRICAL EQUIPMENT IN DRIVER CAB/驾驶室电器

| No | Number of part | Quantity | Description | Applicability | Designation |
|-----|----------------|----------|-------------|------------------------|----------------------------|
| 15 | WG9719790007 | 2 | | For standard, long cab | Side lamp |
| 15 | WG9719790005 | 1 | | High-roof cab | Left, front side lamp |
| 16 | WG9719790008 | 1 | | High-roof cab | Right, front side lamp |
| 16a | WG9719790006 | 2 | | High-roof cab | Rear side lamp |
| 17 | Q2764825 | 8 | | | Screw |
| 18 | Q39748202 | 4 | | | Spring nut |
| 19 | 169200720016 | 4 | 24V 5W | | Bulb |
| 20 | WG9719790002 | 4 | | | Internal light |
| 20a | WG9719790003 | 4 | 24V 5W | Standard, long cab | Internal light |
| 20b | WG9719790004 | 2 | | High-roof cab | Reading lamp |
| 21 | 179100810051 | 4 | | | Bulb |
| 22 | WG9719790001 | 2 | | | Door contact |
| 23 | Q2764216 | 2 | | | Screw |
| 25 | AZ9719770006 | 1 | | Standard, long cab | Roof line of cab |
| 25 | AZ9719770015 | 1 | | High-roof cab | Roof line of cab |
| 26 | AZ9719770005 | 1 | | Standard cab | Line for driver's cab |
| 26 | AZ9719770009 | 1 | | Long, high-roof cab | Line for driver's cab |
| 27 | AZ9719770007 | 1 | | | Reading lamp line |
| 55 | WG1642440052 | 1 | | | Lock signal switch for cab |

C11-6

ELECTRICAL LINES/电线线束

Fig. C11-6



C11-6

ELECTRICAL LINES/电线线束

| No | Number of part | Quantity | Description | Applicability※ | Designation |
|----|----------------|----------|-------------|---------------------------------|---|
| 1 | AZ9719770001 | 1 | | | Driver's cab-line |
| 1 | AZ9716770001 | 1 | | For drive right | Driver's cab-line |
| 1 | AZ9130775038 | 1 | | | Driver's cab-line ABS(Wabco) |
| 1 | AZ9718770061 | 1 | | S35/4×2 | Gearbox-connector negative line(240) |
| 1 | AZ9718770062 | 1 | | K29/6×4 | Gearbox-connector negative line(300) |
| 1 | AZ9718770063 | 1 | | K46/4×2,K32,S32/6×4 | Gearbox-connector negative line(350) |
| 1 | AZ9718770064 | 1 | | B32,K36,K38/6×4 | Gearbox-connector negative line(410) |
| 1 | AZ9718770065 | 1 | | O46/4×2,B36/6×4 | Gearbox-connector negative line(470) |
| 1 | AZ9718770066 | 1 | | O50/4×2,K28,K30,K38/6×4 | Gearbox-connector negative line(540) |
| 1 | AZ9718770067 | 1 | | O43,O46/6×4,B32/8×4 | Gearbox-connector negative line(610) |
| 1 | AZ9718770068 | 1 | | N56/4×2,K32/8×4 | Gearbox-connector negative line(690) |
| 1 | AZ9718770069 | 1 | | O52/6×4,O38/8×4 | Gearbox-connector negative line(760) |
| 1 | AZ9718770070 | 1 | | N58/6×4,O46/8×4 | Gearbox-connector negative line(830) |
| 1 | AZ9719770002 | 1 | | | Switch-line |
| 1 | AZ9719770041 | 1 | | | Electro-line for ABS(Wabco) |
| 1 | AZ9718770020 | 1 | | | Electro-line for ABS(Knorr) |
| 1 | AZ9719770010 | 1 | | | Chassis-line for air conditioner |
| 1 | AZ9718770085 | 1 | | | Speedmeter cable (470) |
| 2 | AZ9731770012 | 1 | | K(B)28,32,30/8×4 | Starter-line |
| 2 | AZ9731770013 | 1 | | B30,O46/8×4 | Starter-line |
| 2 | AZ9719770013 | 1 | | | Starter-line |
| 2 | WG9130773086 | 1 | | | Speedometer-line |
| 2 | AZ9719770051 | 1 | | | Electro-line for ABS on trailer |
| 2 | AZ9718770051 | 1 | | | Electro-line for ABS on trailer |
| 2 | WG9100773029 | 1 | | 8×4 | Air dryer-line |
| 2 | AZ9719770028 | 1 | | O46/4×2,s、k32/6×4 | Chassis frame-line |
| 2 | AZ9719770026 | 1 | | S35/4×2 | Chassis frame-line |
| 2 | AZ9719770027 | 1 | | K29/6×4 | Chassis frame-line |
| 2 | AZ9719770029 | 1 | | B32,K36,K38/6×4 | Chassis frame-line |
| 2 | AZ9719770030 | 1 | | O46/4×2,B36/6×4 | Chassis frame-line |
| 2 | AZ9719770031 | 1 | | O50/4×2,O38/6×4, K28,K30/8×4 | Chassis frame-line |
| 2 | AZ9719770035 | 1 | | O40,O46/8×4,K58/6×4 | Chassis frame-line |
| 2 | AZ9719770032 | 1 | | S,B32/8×4,O43,O46/6×4 | Chassis frame-line |
| 2 | AZ9130775051 | 1 | | S32/6×4 | ABS(4S/4M)chassis line |
| 2 | AZ9719770033 | 1 | | N56/4×2,K32/8×4 | Chassis frame-line |
| 2 | AZ9719770034 | 1 | | N52/6×4,O38/8×4 | Chassis frame-line |
| 2 | AZ9719770014 | 1 | | FAST gearbox | Transmission and air filter-line |
| 2 | AZ9718770014 | 1 | | QJ gearbox | Transmission-line |
| 2 | AZ9731770024 | 1 | | O46/8×4 | Fuel tank,solenoid valve and air dryer-line |
| 2 | AZ9731770027 | 1 | | K,B32-40/8×4 | Fuel tank,solenoid valve and air dryer-line |
| 2 | AZ9719770023 | 1 | | O46,N58/6×4,S32/6×4 | Fuel tank,solenoid valve and air dryer-line |
| 2 | AZ9731770026 | 1 | | O46/8×4 | Fuel tank,solenoid valve and air dryer-line |
| 2 | AZ9731770025 | 1 | | K,B28,32,38/8×4 | Fuel tank,solenoid valve and air dryer-line |
| 2 | AZ9719770021 | 1 | | O,S/4×2 | Fuel tank,solenoid valve and air dryer-line |
| 2 | AZ9719770022 | 1 | | S32/6×4 | Fuel tank,solenoid valve and air dryer-line |
| 2 | AZ9719770024 | 1 | | O,K/32-38/6×4 | Fuel tank,solenoid valve and air dryer-line |

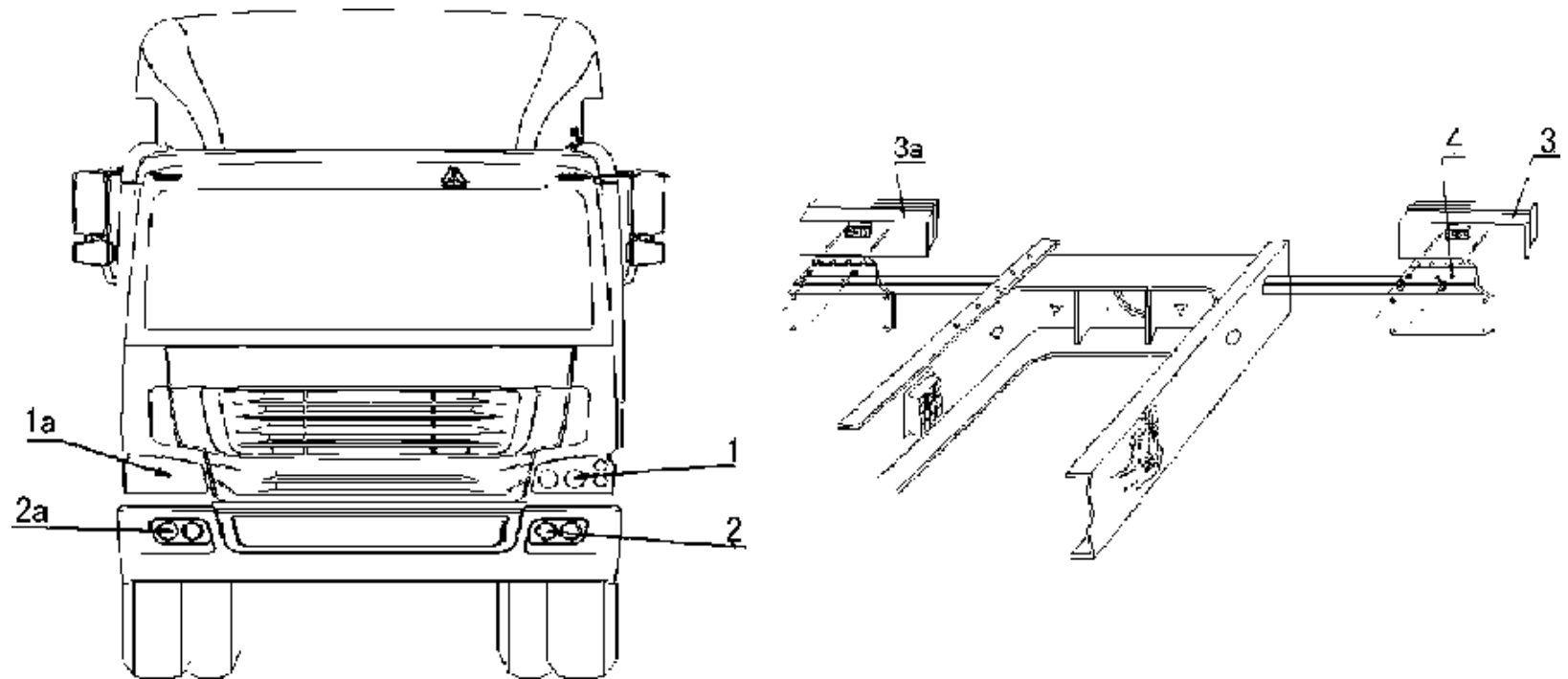
| | | | | | |
|----|--------------|---|--|-------------|---|
| 2 | AZ9719770012 | 1 | | | Engine-line |
| 2 | AZ9716770020 | 1 | | | Power take off-line |
| 2 | WG9130775007 | 1 | | | Work lamp chassis-line |
| 2 | 189100770068 | 1 | | | Seven hole socket-line |
| 2 | AZ9719770054 | 1 | | | ABS socket-line |
| 2 | AZ9718770054 | 1 | | | ABS socket-line |
| 2 | WG9100770255 | 1 | | For Tractor | Flexible spirality cable-line |
| 2 | AZ9719770052 | 1 | | For Tractor | Flexible spirality cable-line for ABS |
| 2 | AZ9725770001 | 1 | | For tractor | Side lamp-line |
| 2 | AZ9731770020 | 1 | | | Lifting magnetic valve-line |
| 2 | AZ9718770052 | 1 | | | Flexible spirality cable-line for ABS |
| 2 | AZ9731770042 | 1 | | O46/8×4 | ABS chassis-line(6S/6M) |
| 2 | AZ9731770043 | | | O38/8×4 | ABS chassis-line(6S/6M) |
| 2 | AZ9731770044 | | | O46/8×4 | ABS chassis-line(6S/6M) |
| 2 | AZ9731770045 | | | K28/8×4 | ABS chassis-line(6S/6M) |
| 2 | AZ9719770053 | 1 | | | ABS socket |
| 2 | AZ9718770026 | 1 | | 3800/4×2 | ABS chassis frame line(Knorr) |
| 2 | AZ9718770024 | 1 | | 4600/4×2 | ABS chassis frame line(Knorr) |
| 2 | AZ9718770026 | 1 | | 5600/4×2 | ABS chassis frame line(Knorr) |
| 2 | AZ9718770031 | 1 | | 2900/6×4 | ABS chassis frame line(Knorr) |
| 2 | AZ9718770032 | 1 | | 3400/6×4 | ABS chassis frame line(Knorr) |
| 2 | AZ9718770033 | 1 | | 3800/6×4 | ABS chassis frame line(Knorr) |
| 2 | AZ9718770035 | 1 | | 4600/6×4 | ABS chassis frame line(Knorr) |
| 2 | AZ9718770037 | | | 5800/6×4 | ABS chassis frame line(Knorr) |
| 3 | 189100770082 | 1 | | | Axle diff.lock and wheel diff.lock-line |
| 4 | AZ9719770019 | 1 | | K46/4×2 | Right,rear combination lamp-line |
| 4 | AZ9719770017 | 1 | | B,K,O,S | Right,rear combination lamp-line |
| 4 | AZ9719770016 | 1 | | B,K,O,S | Left,rear combination lamp-line |
| 4 | AZ9719770018 | 1 | | K46/4×2 | Left,rear combination lamp-line |
| 4 | AZ9718770060 | 1 | | | Connector negative-line |
| 4 | AZ9716770016 | | | O | Left rear combination lamp-line |
| 4 | AZ9716770017 | | | O | Right rear combination lamp-line |
| 5 | 189100770103 | | | | Connecting box I |
| 5a | 189100770104 | | | | Connecting box I |
| 6 | WG9100770392 | 1 | | | Line connector body |
| 6a | 179100770391 | 1 | | | Line connector |
| 6b | WG9100770394 | 1 | | | Line connector cover |

※O—Cargo truck K—Tipper truck S—Tractor truck B—Concrete mixer

C11-7

LIGHTS/灯具

Fig. C11-7



C11-7

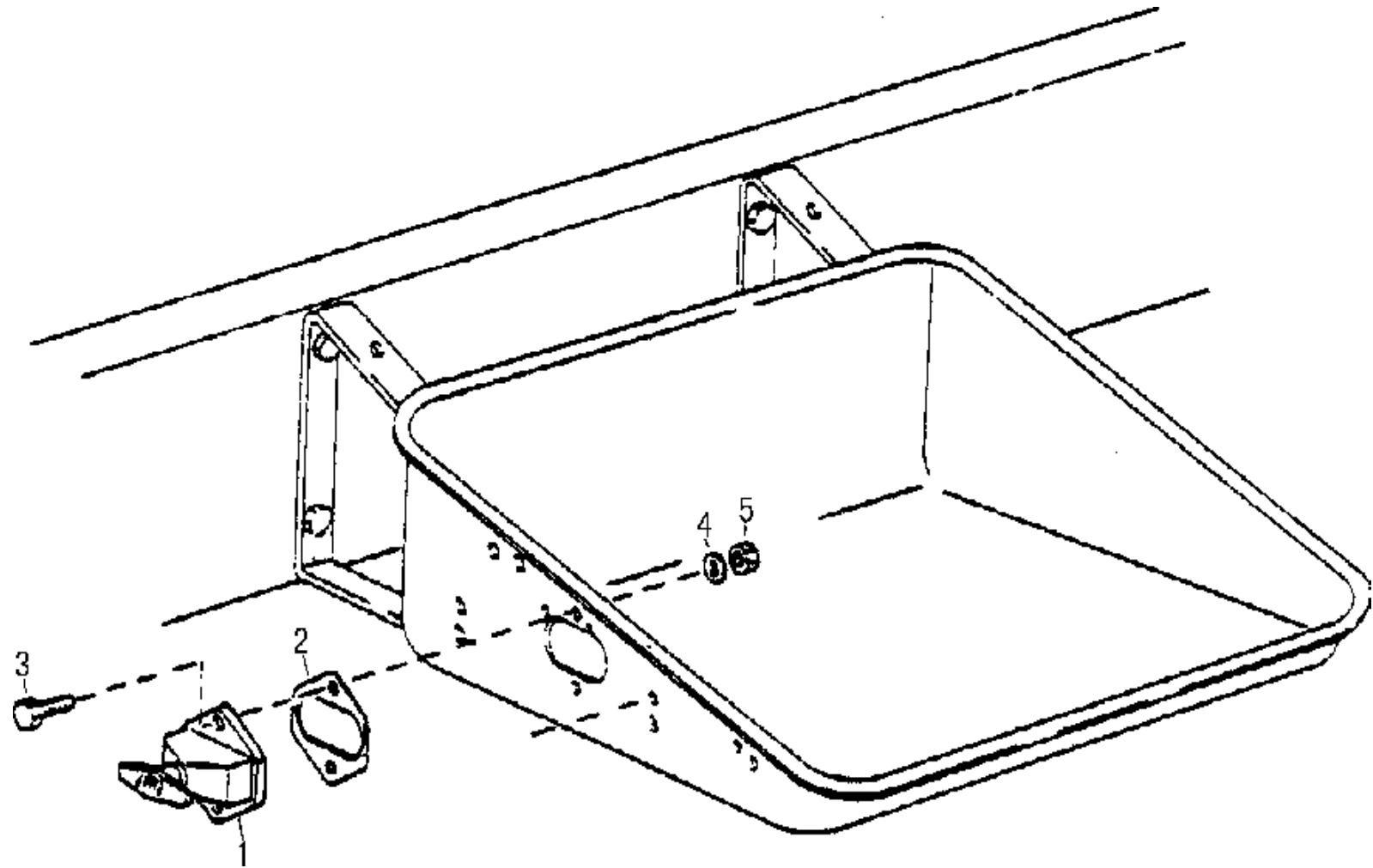
LIGHTS/灯具

| No | Number of part | Quantity | Description | Applicability | Designation |
|----|----------------|----------|-------------|-----------------|------------------------------|
| 1 | WG9719720001 | 1 | | | Left head lamp |
| 1a | WG9719720002 | 1 | | | Right head lamp |
| 1 | WG9716720001 | 1 | | For drive right | Left head lamp |
| 1a | WG9716720002 | 1 | | For drive right | Right head lamp |
| 2 | WG9719720005 | 1 | | | Front left combinatory lamp |
| 2a | WG9719720006 | 1 | | | Front right combinatory lamp |
| 3 | WG9719810001 | 1 | | | Rear left combinatory lamp |
| 3a | WG9719810002 | 1 | | | Rear right combinatory lamp |
| 4 | AZ9725810001 | 1 | | | Spacing plate for tail light |
| 5 | 1-34-172-010 | 1 | | For tractor | Working lamp |
| 6 | WG9100720012 | 2 | | For tractor | Side lamp |

C11-8

BATTERY, MAIN SWITCH/蓄电池, 电源总开关

Fig. C11-8



C11-8

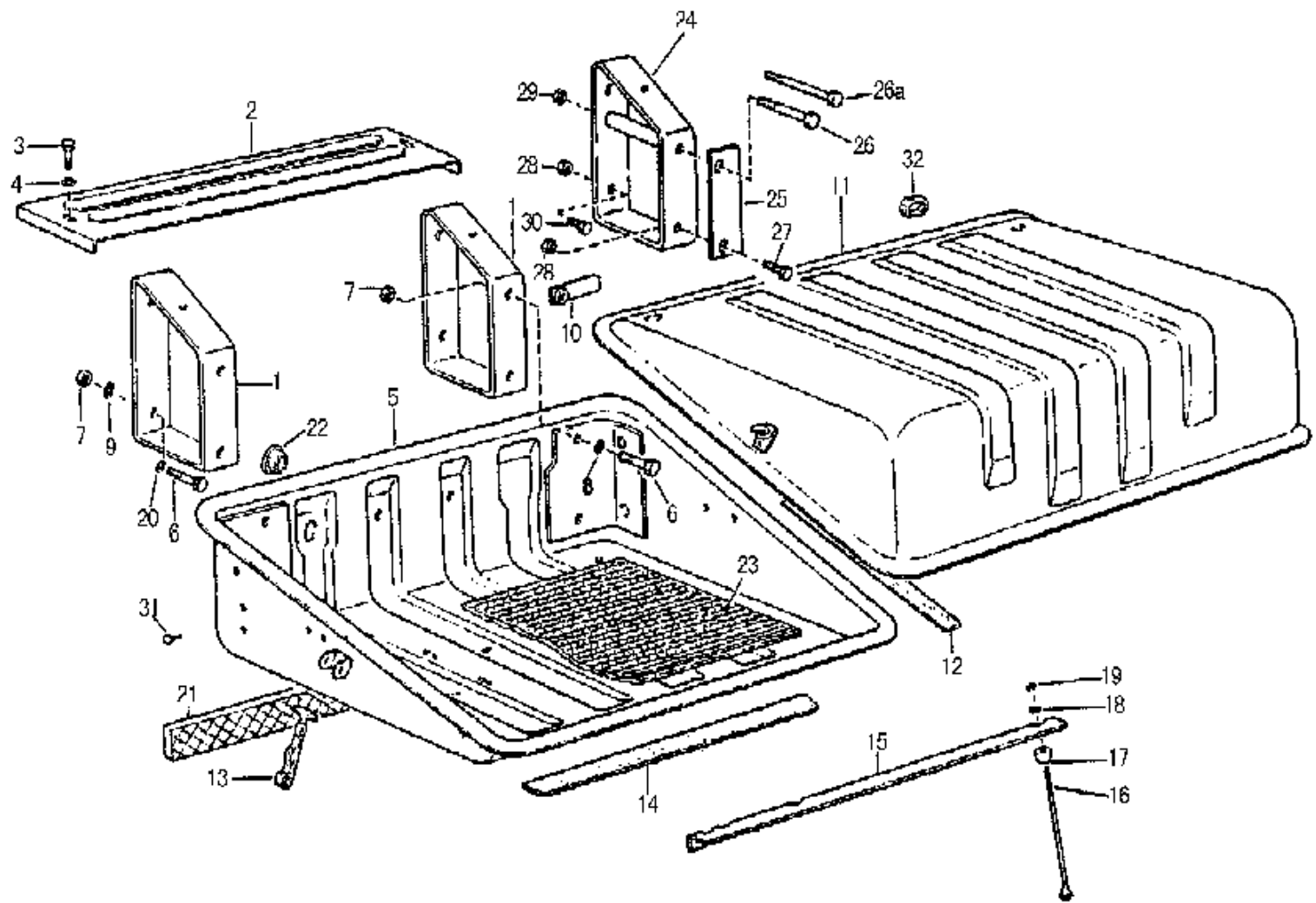
BATTERY, MAIN SWITCH/蓄电池, 电源总开关

| No | Number of part | Quantity | Description | Applicability | Designation |
|----|----------------|----------|-------------|---------------|---------------------|
| 1 | WG9100760100 | 1 | | | Battery main switch |
| 2 | 199100760099 | 1 | | | Gasket |
| 3 | Q150B0835 | 2 | | | Screw |
| 4 | Q40308 | 2 | | | Spring washer |
| 5 | Q340B08 | 2 | | | Nut |
| 6 | WG9100760064 | 2 | 135Ah | | Battery |
| 6 | WG9100760065 | 2 | 165Ah | | Battery |
| 6 | WG9100760001 | 2 | 180Ah | | Battery |

C11-9

BATTERY BOX/蓄电池箱

Fig. C11-9



C11-9

BATTERY BOX/蓄电池箱

| No | Number of part | Quantity | Description | Applicability | Designation |
|-----|----------------|----------|-------------|---------------|---------------------|
| 2 | 199100760011 | 1 | | | Cover |
| 3 | 190003846410 | 2 | | | Screw |
| 4 | Q40008 | 2 | | | Washer |
| 5 | WG9719760004 | 1 | | | Battery case bottom |
| 6 | Q151B16200 | 4 | | | Screw |
| 7 | Q33216 | 4 | | | Nut |
| 8 | Q40016 | 4 | | | Washer |
| 11 | WG9100760002 | 1 | | | Battery case top |
| 13 | WG9100760021 | 2 | | | Hood carrier |
| 14 | 190003179044 | 4 | | | Edge protection |
| 15 | 179200760024 | 4 | | | Angle |
| 16 | AZ9100760143 | 4 | | | Screwy rod |
| 17 | 1682 110021 | 4 | | | Rubber buffer |
| 18 | Q40008 | 4 | | | Washer |
| 19 | Q33408 | 4 | | | Nut |
| 21 | WG9100760066 | 1 | | | Spacing plate |
| 22 | 190003179425 | 8 | | | Plug |
| 23 | WG9100760084 | 1 | | | Rubber base |
| 24 | 199114760004 | 2 | | | Bracket |
| 25 | AZ9100760001 | 1 | | | Plate |
| 26a | Q150B16200 | 2 | | | Screw |
| 27 | Q151B1645 | 4 | | | Screw |
| 28 | 190003888459 | 6 | | | Nut |
| 31 | 1293 13 0067 | 4 | | | Rubber buffer |

C12-1

DRIVER' S CAB/驾驶室

Fig.C12-1



HW79高顶型
HW79/79R
High-roof driver' s cab

HW70标准型
HW70/70R
Standard driver' s cab

C12-1

DRIVER' S CAB/驾驶室

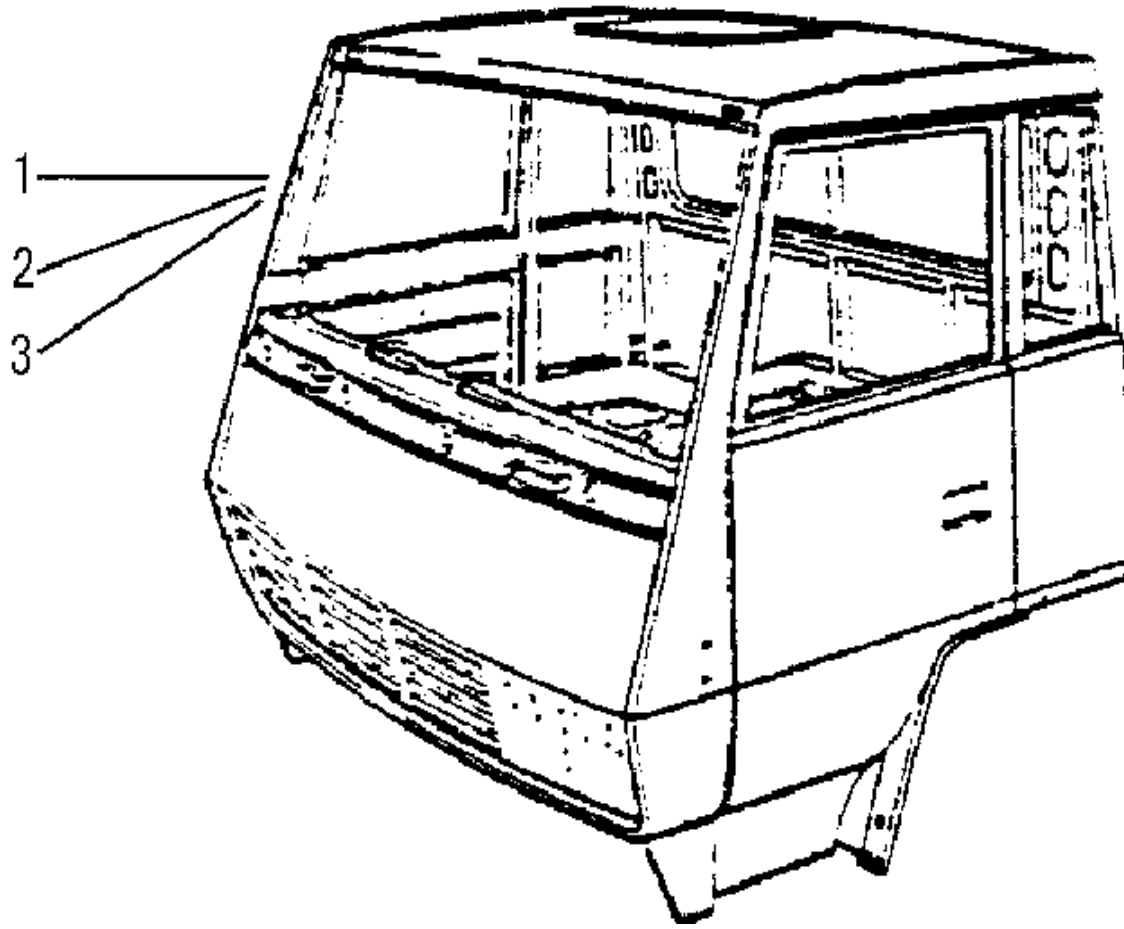
| No | TYPE | Mark | Description | Applicability | Designation ※ |
|----|-------|------|-------------|---------------|---------------------------------|
| 1 | HW70 | A | | | HW 70 Standard driver's Cab |
| 2 | HW70R | AR | | | HW 70 Standard driver's Cab r. |
| 3 | HW76 | B | | | HW 76 Long driver's Cab |
| 4 | HW76R | BR | | | HW 76 Long driver's Cab r. |
| 5 | HW79 | C | | | HW 79 high-roof driver's Cab |
| 6 | HW79R | CR | | | HW 79 high-roof driver's Cab r. |

※ r.—— Drive right

C12-2

CAB BODY SHELL/驾驶室本体

Fig. C12-2



C12-2

CAB BODY SHELL/驾驶室本体

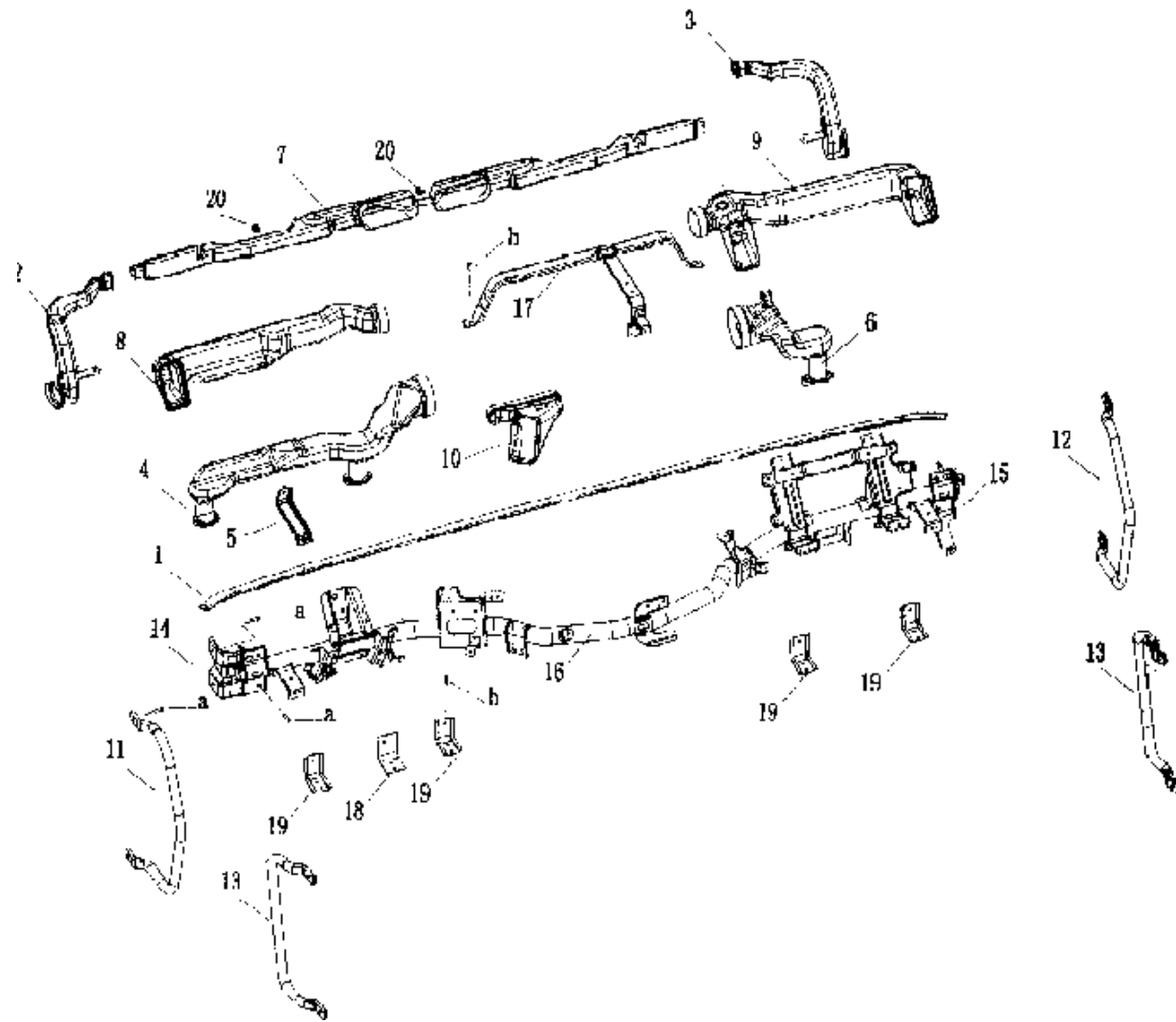
| No | Number of part | Quantity | Description | Applicability | Designation ※ |
|-----|----------------|----------|-------------|---------------|------------------------------------|
| 1 | AZ1641100001 | 1 | | | HW70 standard body shell C |
| 1 | AZ1646100001 | 1 | | | HW70 standard body shell C r. |
| 1—1 | AZ1642180029 | 1 | | | HW70 standard body shell |
| 1—1 | AZ1646186001 | 1 | | | HW70 standard body shell r. |
| 2 | AZ1642100001 | 1 | | | HW76 long body shell C |
| 2—1 | AZ1642180001 | 1 | | | HW76 long body shell |
| 2 | AZ1646100002 | 1 | | | HW76 long body shell C r. |
| 2—1 | AZ1646180001 | 1 | | | HW76 long body shell r. |
| 3 | AC16410.00401 | 1 | | | HW79 high-roof cab body C |
| 3—1 | AZ1644100001 | 1 | | | HW79 high-roof cab body shell C |
| 3—1 | AZ1644181001 | 1 | | | HW79 high-roof cab body shell |
| 3—2 | WG1644170001 | 1 | | | High roof |
| 3—3 | WG1644170005 | 1 | | | Front right bracket for high roof |
| 3—4 | WG1644170006 | 1 | | | Front left bracket for high roof |
| 3—5 | WG1644170007 | 1 | | | Middle bracket for high roof |
| 3—6 | WG1644170008 | 1 | | | Rear bracket for high roof |
| 3 | AC16410.00402 | 1 | | | HW79 high-roof cab body r. |
| 3—1 | AZ1646100004 | 1 | | | HW79 high-roof cab body shell C r. |
| 3—1 | AZ1646180004 | 1 | | | HW79 high-roof cab body shell r. |
| 3—2 | WG1644171001 | 1 | | | High roof r. |

※ r.—drive right

C12-3

DASHBOARD/驾驶室仪表台

Fig. C12-3



C12-3

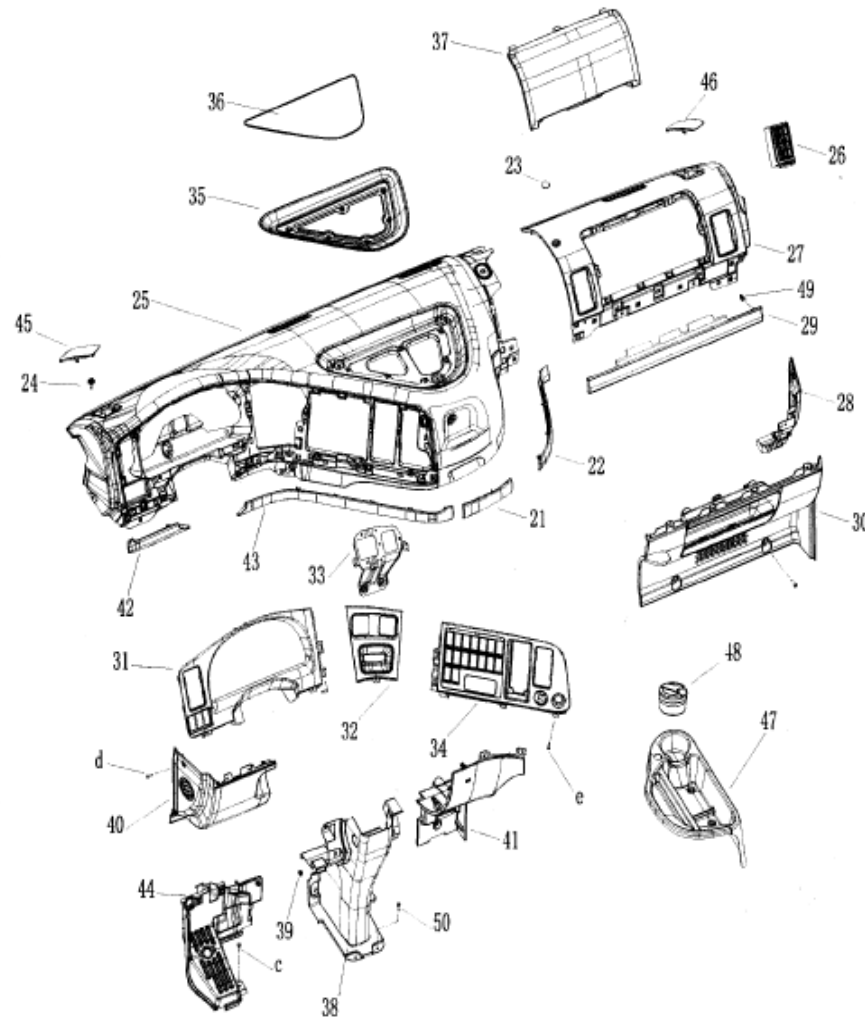
DASHBOARD/驾驶室仪表台

| No | Number of part | Quantity | Description | Applicability | Designation |
|-----|----------------|----------|-------------|---------------|-----------------------|
| 1 | AZ1642160010 | 1 | | | Front seal profile |
| 2 | AZ1642160011 | 1 | | | Left air pipe |
| 3 | AZ1642160014 | 1 | | | Right air pipe |
| 4 | AZ1642160017 | 1 | | | Bottom left air pipe |
| 5 | AZ1642160021 | 1 | | | Bracket |
| 6 | AZ1642160023 | 1 | | | Bottom right air pipe |
| 7 | AZ1642160025 | 1 | | | Air pipe front |
| 8 | AZ1642160031 | 1 | | | Air pipe left |
| 9 | AZ1642160037 | 1 | | | Air pipe right |
| 10 | AZ1642160042 | 1 | | | Middle rear air pipe |
| 11 | WG1642160047 | 1 | | | Front grip left |
| 12 | WG1642160050 | 1 | | | Front grip right |
| 13 | WG1642160052 | 2 | | | Rear grip |
| 14 | AZ1642160060 | 1 | | | Support left |
| 15 | AZ1642160062 | 1 | | | Support right |
| 16 | AZ1642160064 | 1 | | | Crossbar |
| 17 | AZ1642160109 | 1 | | | Bracket |
| 18 | AZ1642160251 | 1 | | | Bracket |
| 19 | AZ1642160181 | 4 | | | Bracket |
| 20 | AZ1642160146 | 2 | | | Bearing |
| 20a | Q1460825 | 22 | | | Combination screw |
| 20b | Q1460620 | 28 | | | Combination screw |
| 21 | AZ1642160124 | 1 | | | Cover |
| 22 | AZ1642160138 | 1 | | | Garnish profile |
| 23 | AZ1642930010 | 7 | | | Cover |

C12-3

DASHBOARD/驾驶室仪表台

Fig. C12-4



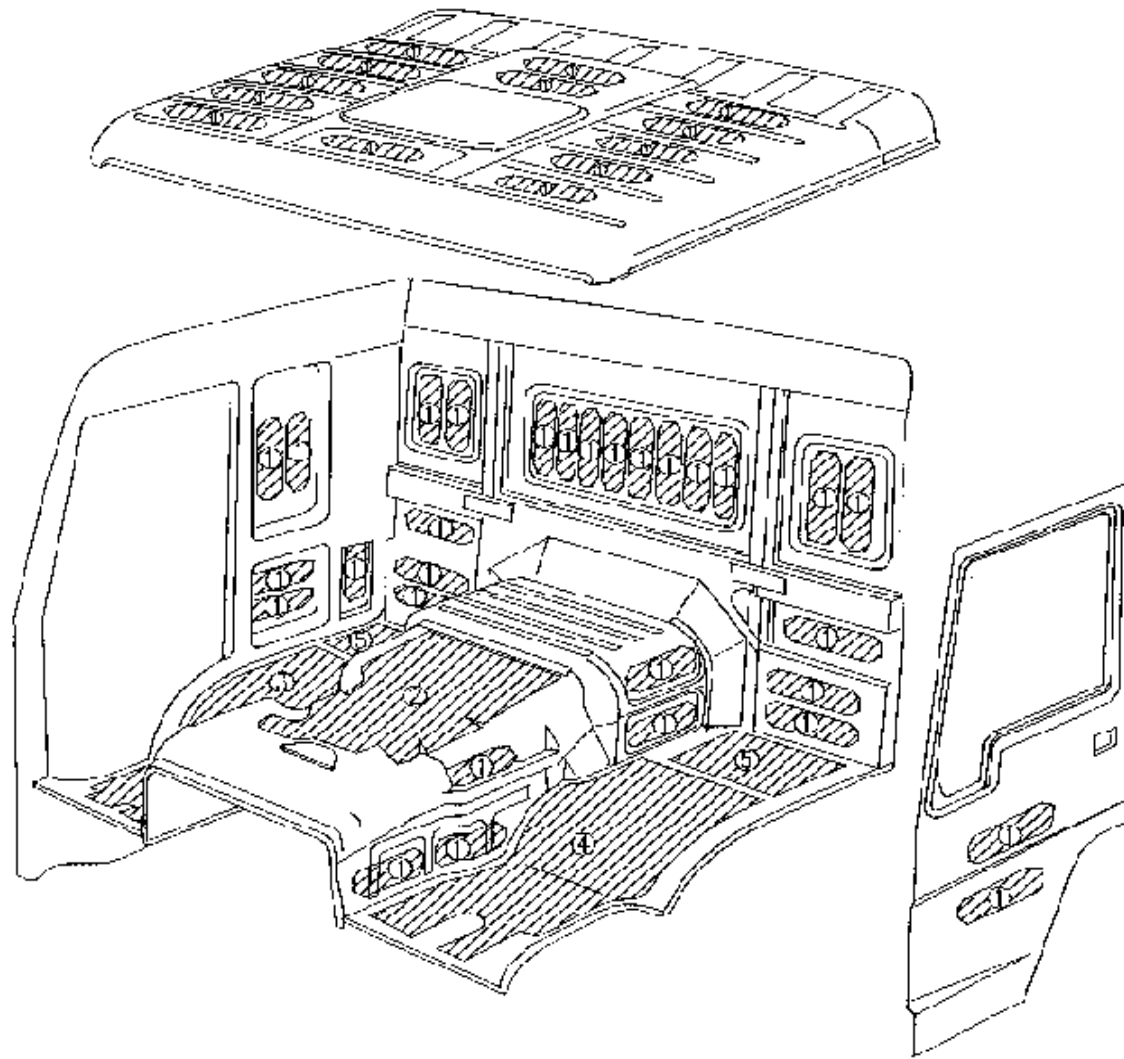
C12-3

DASHBOARD/驾驶室仪表台

| No | Number of part | Quantity | Description | Applicability | Designation |
|----|----------------|----------|-------------|---------------|------------------------|
| 24 | AZ1642930011 | 2 | | | Combination screw |
| 25 | WG1642160120 | 1 | | | Switch panel left |
| 26 | AZ1642160150 | 4 | | | Air nozzle |
| 27 | WG1642160170 | 1 | | | Switch panel right |
| 28 | WG1642160172 | 1 | | | Side cover |
| 29 | AZ1642160175 | 1 | | | Profile |
| 30 | WG1642160177 | 1 | | | Protection plate |
| 31 | WG1642160183 | 1 | | | Cover |
| 32 | WG1642160186 | 1 | | | Cover |
| 33 | AZ1642160188 | 1 | | | Bracket |
| 34 | WG1642160190 | 1 | | | Switch panel |
| 35 | WG1642160213 | 1 | | | Cover |
| 36 | AZ1642160214 | 1 | | | Facing |
| 37 | WG1642160215 | 1 | | | Cover |
| 38 | AZ1642160217 | 1 | | | Protection cover |
| 39 | WG1642930009 | 2 | | | Nut |
| 40 | WG1642160218 | 1 | | | Protection cover left |
| 41 | WG1642160230 | 1 | | | Protection cover right |
| 42 | AZ1642160232 | 1 | | | Garnish profile left |
| 43 | AZ1642160234 | 1 | | | Garnish profile right |
| 44 | WG1642160236 | 1 | | | Step |
| 45 | WG1642160238 | 1 | | | Cover left |
| 46 | WG1642160239 | 1 | | | Cover right |
| 47 | WG1642160242 | 1 | | | Box |
| 48 | AZ1642160243 | 1 | | | Ashtray |
| 49 | AZ1642160137 | 1 | | | Latch |
| 50 | AZ1642930620 | 22 | | | Combination screw |
| 51 | Q2140820 | 1 | | | Screw |
| 52 | Q2140516 | 2 | | | Screw |
| 53 | Q2714816 | 35 | | | Screw |

C12-4 SOUND PROOF FOR LONG, HIGH-ROOF CAB/中长, 高顶驾驶室隔音材料

Fig. C12-5



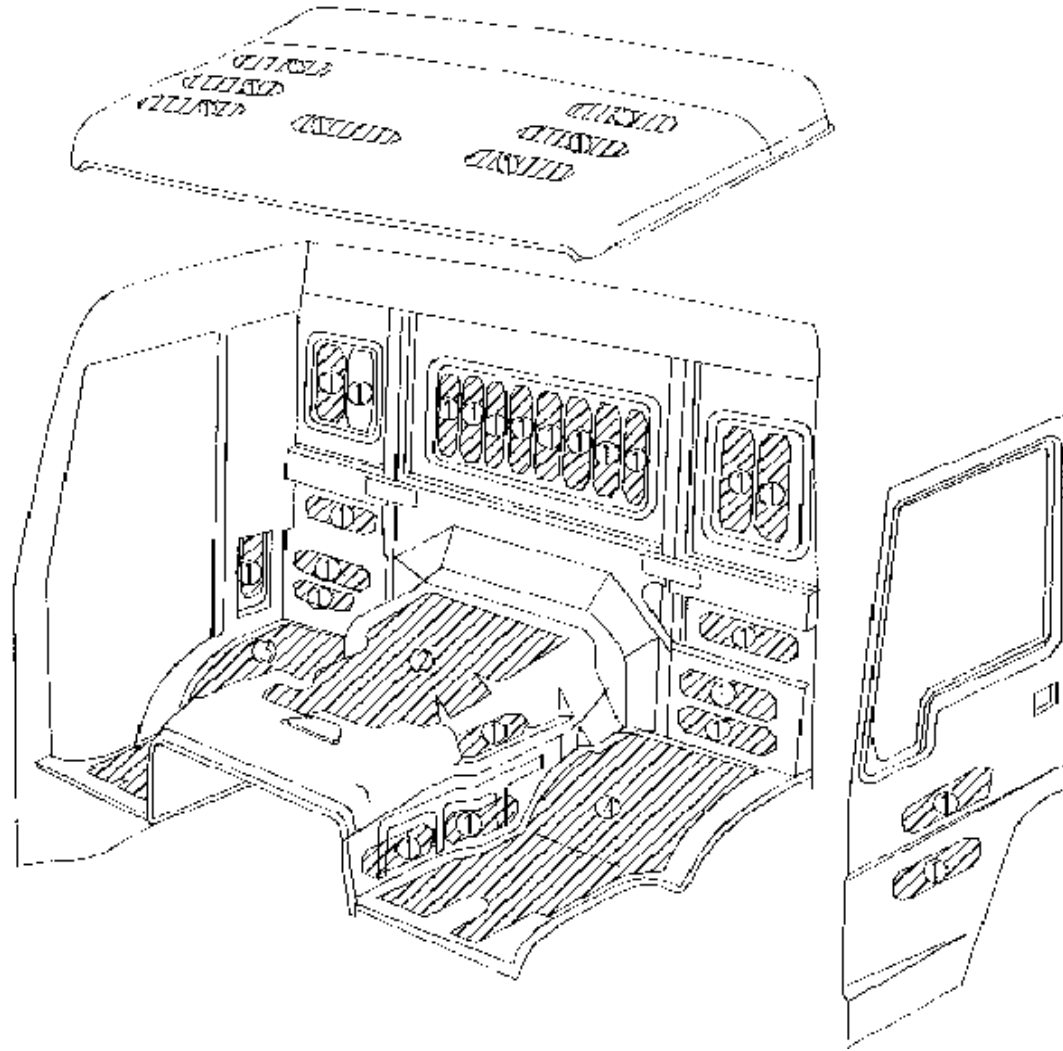
C12-4 SOUND PROOF FOR LONG, HIGH-ROOF CAB/中长, 高顶驾驶室隔音材料

| No | Number of part | Quantity | Description | Applicability | Designation |
|----|----------------|----------|-------------|-----------------|-----------------|
| 1 | WG1642910006 | | | | Insulating slab |
| 2 | WG1642910001 | 1 | | | Insulating slab |
| 3 | WG1642910002 | 1 | | | Insulating slab |
| 3 | WG1646910001 | 1 | | For drive right | Insulating slab |
| 4 | WG1642910007 | 1 | | | Insulating slab |
| 4 | WG1646910002 | 1 | | For drive right | Insulating slab |
| 5 | WG1642910003 | 2 | | | Insulating slab |

C12-5

SOUNDPROOF FOR STANDARD CAB/标准驾驶室隔音材料

Fig.C12-6

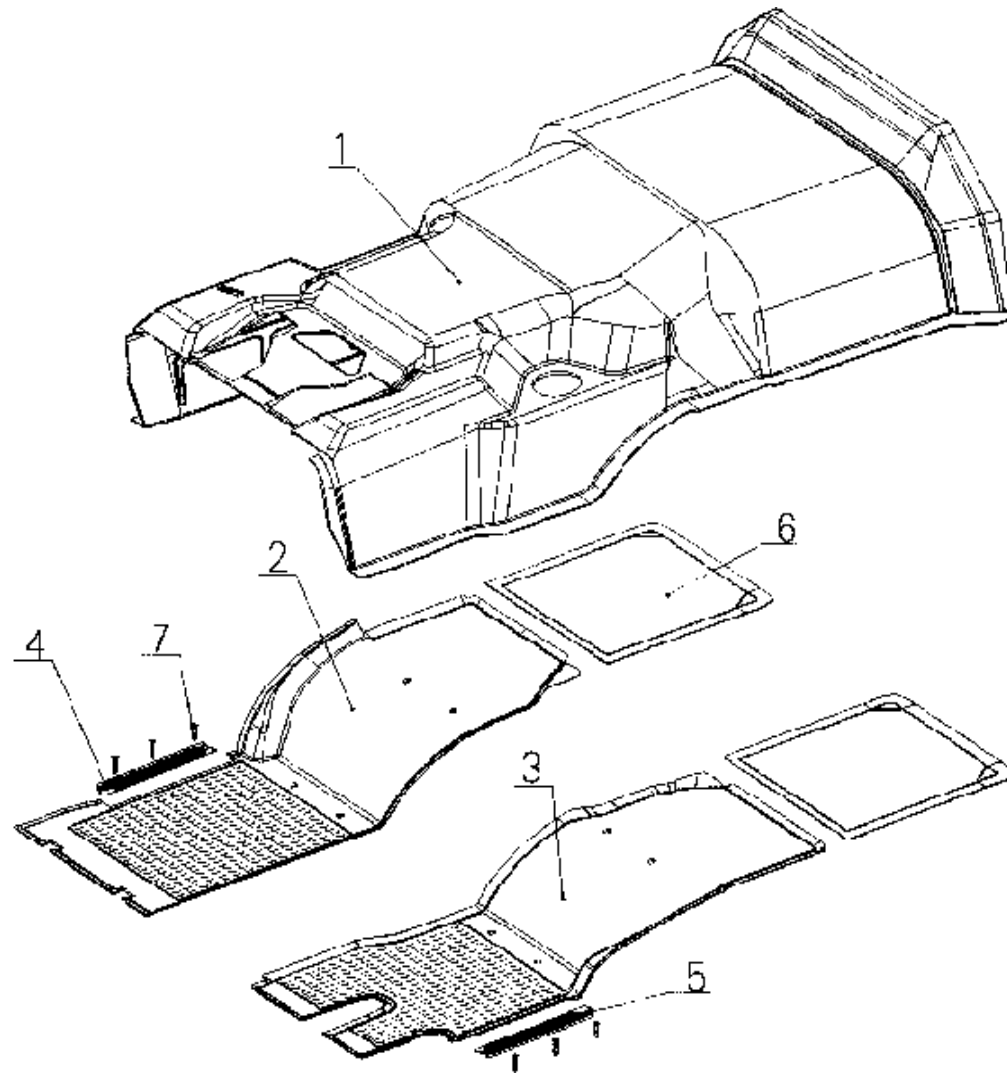


C12-5

SOUNDPROOF FOR STANDARD CAB/标准驾驶室隔音材料

| No | Number of part | Quantity | Description | Applicability | Designation |
|----|----------------|----------|-------------|-----------------|-----------------|
| 1 | WG1642910006 | | | | Insulating slab |
| 2 | WG1642910001 | 1 | | | Insulating slab |
| 3 | WG1642910002 | 1 | | | Insulating slab |
| 3 | WG1646910001 | 1 | | For drive right | Insulating slab |
| 4 | WG1642910007 | 1 | | | Insulating slab |
| 4 | WG1646910002 | 1 | | For drive right | Insulating slab |

C12-6 ENGINE HOOD, FLOOR LINING FOR LONG, HIGH-ROOF CAB/中长, 高顶驾驶室发动机罩、地板 Fig.C12-7

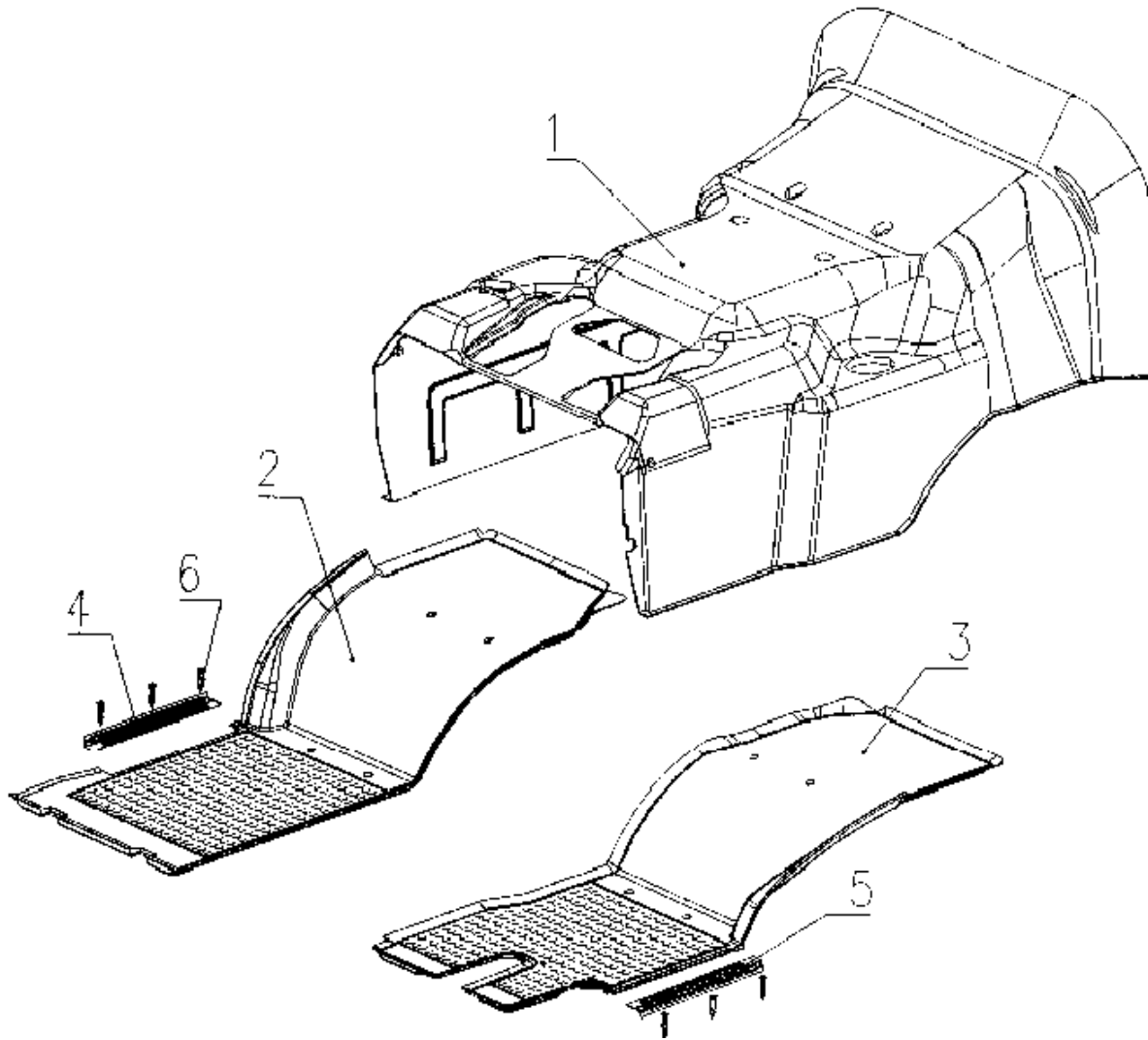


C12-6 ENGINE HOOD, FLOOR LINING FOR LONG, HIGH-ROOF CAB/中长, 高顶驾驶室发动机罩、地板

| No | Number of part | Quantity | Description | Applicability | Designation ※ |
|----|----------------|----------|-------------|-----------------|-----------------------------|
| 1 | AZ1642620005 | 1 | | | Carpet to engine hood |
| 2 | AZ1642620002 | 1 | | | Front lining r. |
| 2a | WG1642620010 | | | | Thermal insulation plate r. |
| 2 | WG1646620002 | 1 | | For drive right | Front lining r. |
| 2a | WG1646620004 | 1 | | For drive right | Thermal insulation plate r. |
| 3 | AZ1642620001 | 1 | | | Front lining l. |
| 3a | WG1642620008 | | | | Thermal insulation plate l. |
| 3 | WG1646620001 | 1 | | For drive right | Front lining l. |
| 3a | WG1646620003 | 1 | | For drive right | Thermal insulation plate l. |
| 4 | WG1642620007 | 1 | | | Step plate r. |
| 5 | WG1642620006 | 1 | | | Step plate l. |
| 6 | AZ1642620003 | 2 | | | Rear lining |
| 7 | Q2714219 | 6 | | | Screw |

※ r.—right l.—left

C12-7 ENGINE HOOD, FLOOR LINING FOR STANDARD CAB/标准驾驶室发动机罩、地板 Fig.C12-8



C12-7 ENGINE HOOD, FLOOR LINING FOR STANDARD CAB/标准驾驶室发动机罩、地板

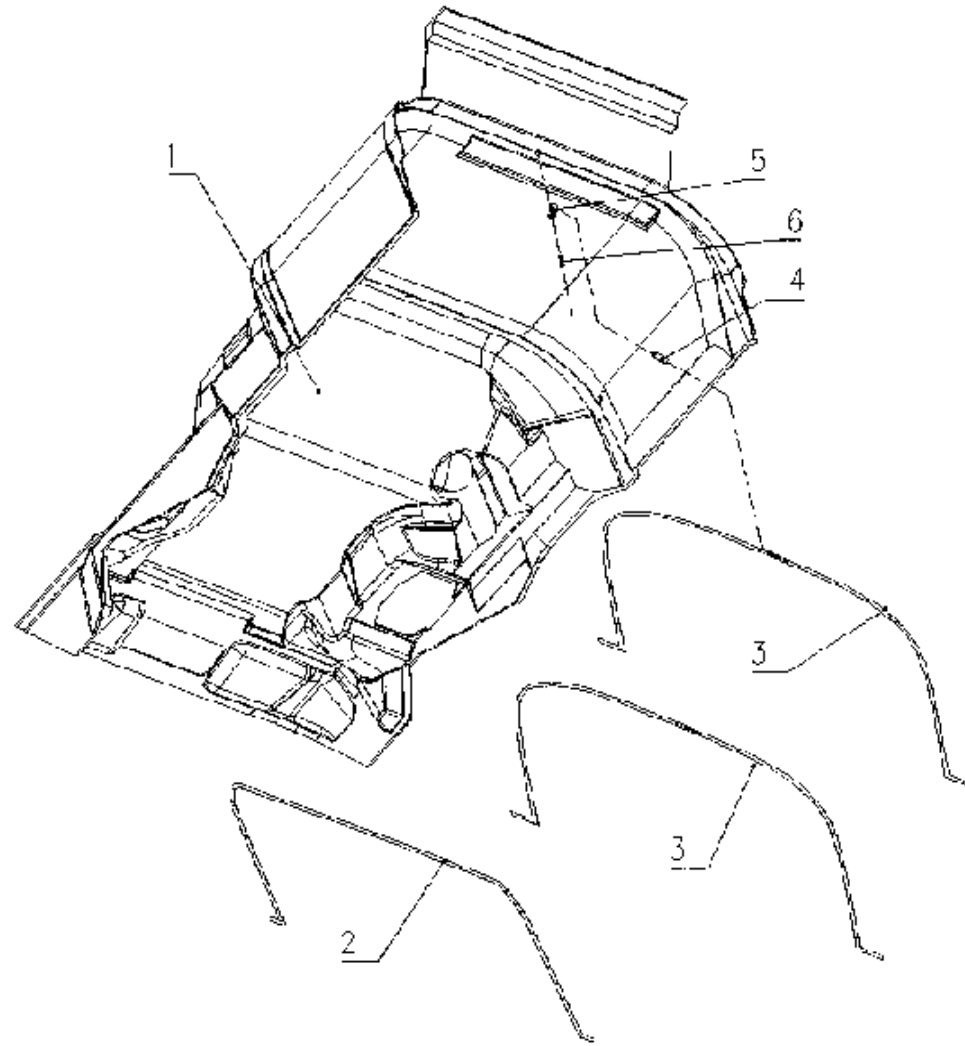
| No | Number of part | Quantity | Description | Applicability | Designation ※ |
|----|----------------|----------|-------------|-----------------|-----------------------------|
| 1 | AZ1642620005 | 1 | | | Carpet to engine hood |
| 1 | ZW1641626003 | 1 | | For drive right | Carpet to engine hood |
| 2 | AZ1642620002 | 1 | | | Lining r. |
| 2a | WG1642670010 | 1 | | | Thermal insulation plate r. |
| 2 | ZW1641626002 | 1 | | For drive right | Lining r. |
| 2a | WG1646620004 | 1 | | For drive right | Thermal insulation plate r. |
| 3 | AZ1642620001 | 1 | | | Lining l. |
| 3a | WG1642620008 | 1 | | | Thermal insulation plate l. |
| 3 | ZW1641626001 | 1 | | For drive right | Lining l. |
| 3a | WG1646620003 | 1 | | For drive right | Thermal insulation plate l. |
| 4 | WG1642620007 | 1 | | | Setp plate r. |
| 5 | WG1642620006 | 1 | | | Setp plate l. |
| 6 | Q2714219 | 6 | | | Screw |

※ r.—right l.—left

C12-8

SOUNDPROOF ON BOTTOM OF CAB/驾驶室底部隔音材料

Fig.C12-9



C12-8

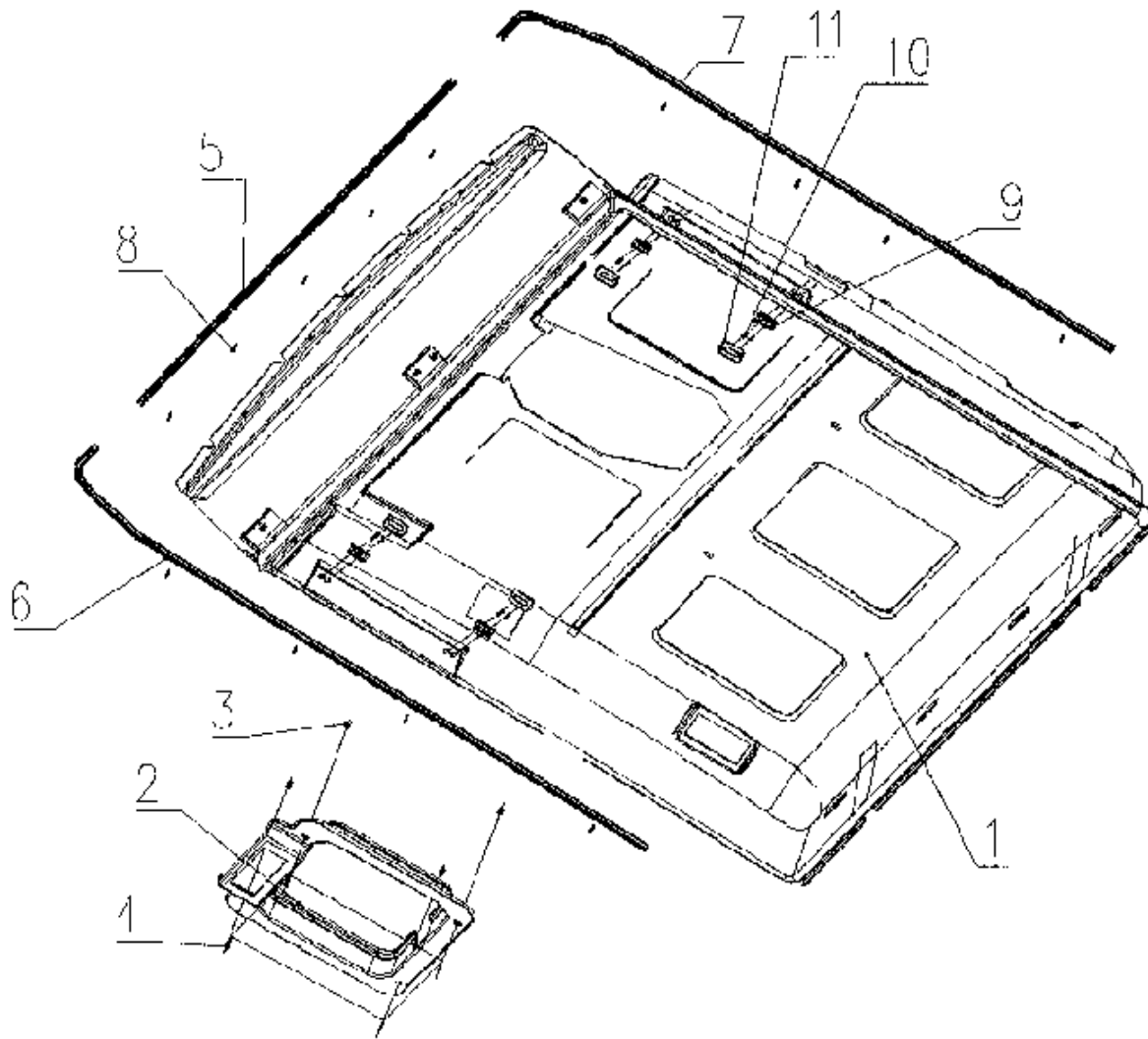
SOUNDPROOF ON BOTTOM OF CAB/驾驶室底部隔音材料

| No | Number of part | Quantity | Description | Applicability | Designation |
|----|----------------|----------|-------------|------------------------|-----------------|
| 1 | WG1642690001 | 1 | | For long,high-roof cab | Insulating slab |
| 1 | WG1642690002 | 1 | | For standard cab | Insulating slab |
| 2 | WG1642690003 | 1 | | | Front support |
| 3 | WG1642610005 | 2 | | | Rear support |
| 4 | WG1642690006 | 1 | | | Rubber block |
| 5 | Q68610 | 1 | | | Clamp |
| 6 | Q2714819 | 1 | | | Screw |

C12-9

INTERNAL LINING ON ROOF/顶盖内饰件

Fig. C12-10



C12-9

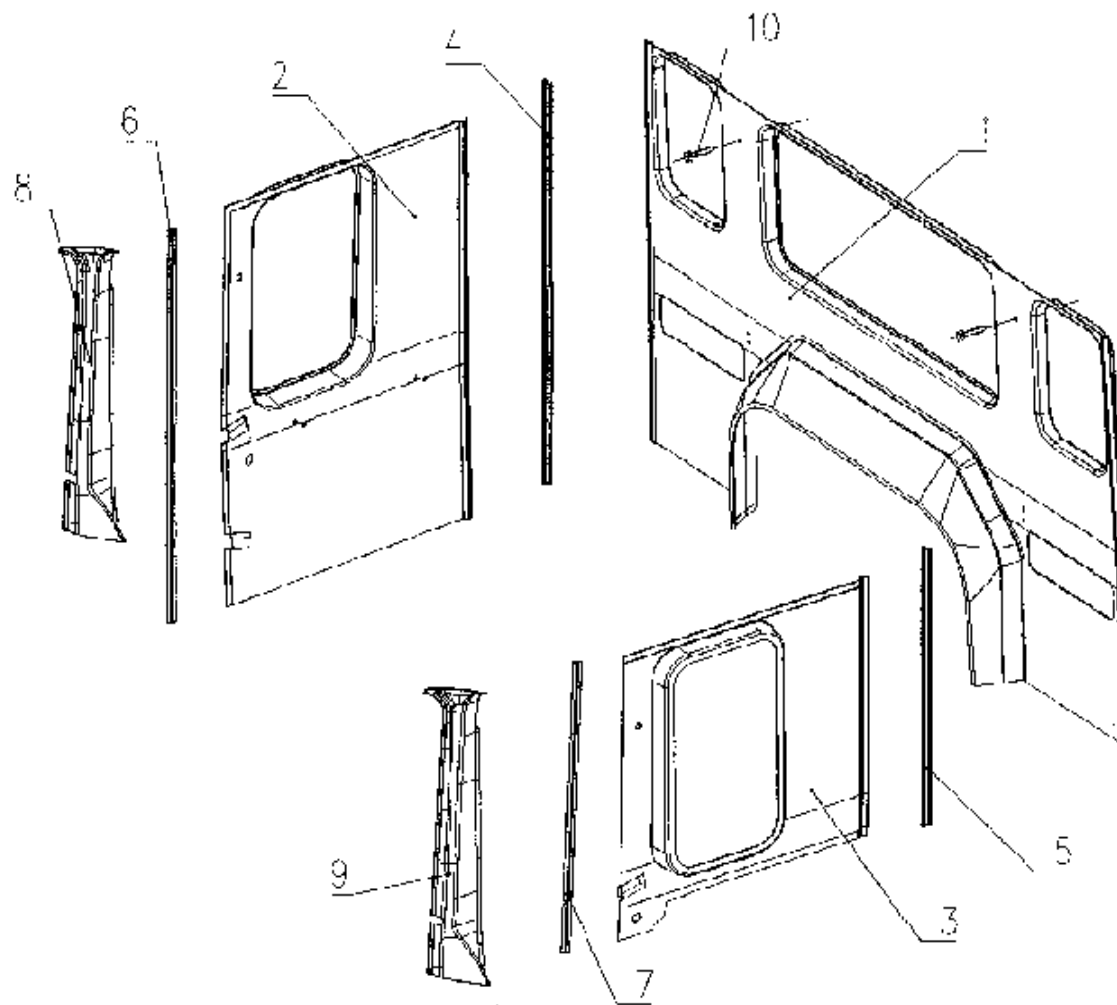
INTERNAL LINING ON ROOF/顶盖内饰件

| No | Number of part | Quantity | Description | Applicability | Designation |
|----|----------------|----------|-------------|-------------------------|-------------------------------------|
| 1 | WG1642610001 | 1 | | For long cab | Roof plate |
| 1 | WG1641610001 | | | For standard cab | Roof plate |
| 1 | WG1644610005 | | | For high-roof cab | Roof plate |
| 2 | WG1642610018 | 1 | | For long,standard cab | Protecting frame |
| 3 | AZ1642610014 | 4 | | For long,standard cab | Nut-plate |
| 4 | Q2713519 | 4 | | For long,standard cab | Screw |
| 5 | WG1642610032 | 1 | | | Front guide for window cloth |
| 6 | WG1642610003 | 1 | | For long,hight-roof cab | Right guide for window cloth |
| 6 | WG1641610003 | 1 | | For standard cab | Right guide for window cloth |
| 7 | WG1642610004 | 1 | | For long,hight-roof cab | Left guide for window cloth |
| 7 | WG1641610004 | 1 | | For standard cab | Left guide for window cloth |
| 8 | Q2713519 | 13 | | | Screw |
| 9 | WG1642610016 | 4 | | For long,standard cab | Bearing |
| 10 | Q2714219 | 8 | | For long,standard cab | Screw |
| 11 | WG1642610017 | 4 | | For long,standard cab | Cover |
| 12 | AZ1642610015 | 2 | | | Window cloth |
| 13 | AZ1644610008 | 1 | | For high-roof cab | Guide |
| 14 | WG1642610034 | 1 | | For high-roof cab | Stop block for guide |
| 15 | AZ1644610009 | 1 | | For high-roof cab | Window cloth |
| 16 | WG1644610007 | 2 | | For high-roof cab | Bearing for read-lamp |
| 17 | WG1644610002 | 1 | | For high-roof cab | Front internal lining for high-roof |
| 18 | WG1644610003 | 1 | | For high-roof cab | Left internal lining for high-roof |
| 19 | WG1644610001 | 1 | | For high-roof cab | Right internal lining for high-roof |
| 20 | WG1644610006 | 1 | | For high-roof cab | Rear internal lining for high-roof |
| 21 | WG1642610021 | 1 | | For high-roof cab | Air nozzle |
| 22 | 116000770023 | 2 | | | Hook for clothing |

C12-10

INTERNAL LINING ON WALL/周围内饰件

Fig. C12-11



C12-10

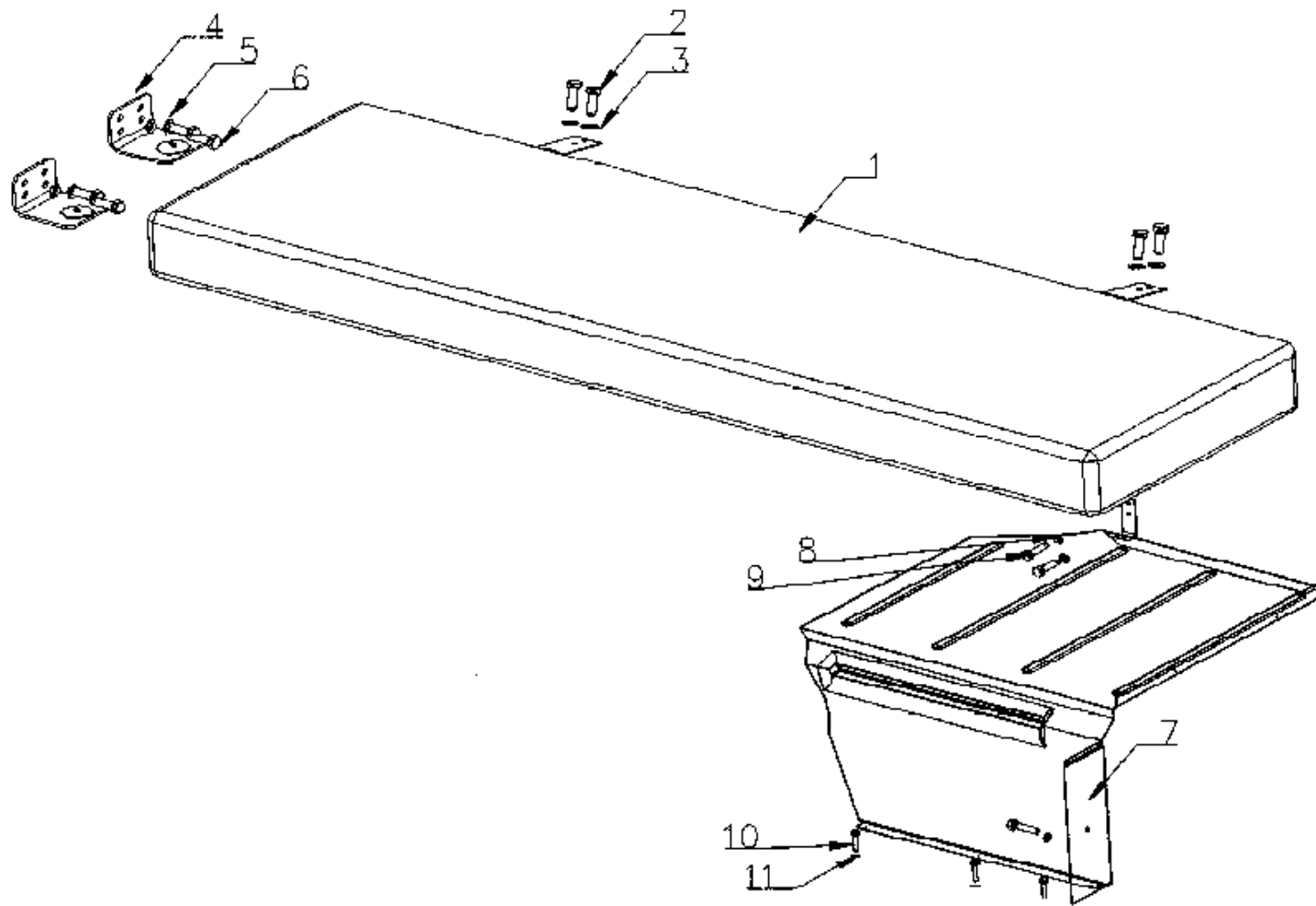
INTERNAL LINING ON WALL/周围内饰件

| No | Number of part | Quantity | Description | Applicability | Designation |
|----|----------------|----------|-------------|------------------------|----------------------------|
| 1 | WG1642610006 | 1 | | For long,standard cab | Rear panelling |
| 1 | WG1644610011 | 1 | | For high-roof cab | Rear panelling |
| 2 | WG1642610009 | 1 | | For long,high-roof cab | Right panelling |
| 2 | WG1641610005 | 1 | | For standard cab | Right panelling |
| 3 | WG1642610007 | 1 | | For long,high-roof cab | Left panelling |
| 3 | WG1641610006 | 1 | | For standard cab | Left panelling |
| 4 | WG1642610010 | 1 | | For long,high-roof cab | Strip right |
| 4 | WG1642610010 | 2 | | For standard cab | Strip right |
| 5 | WG1642610008 | 1 | | For long,high-roof cab | Strip left |
| 6 | WG1642610029 | 1 | | For long,high-roof cab | Door strip right |
| 6 | WG1642610029 | 2 | | For standard cab | Door strip right |
| 7 | WG1642610028 | 1 | | | Door strip left |
| 8 | WG1642610012 | 1 | | | Panelling for A pole right |
| 9 | WG1642610011 | 1 | | | Panelling for A pole left |
| 10 | 190003172951 | 2 | | | Plastic rivet |
| 11 | WG1642610019 | 1 | | | Strap |
| 12 | WG1642610013 | 2 | | | Seal strip for door |

C12-11

SLEEPER FOR LONG CAB/中长驾驶室卧铺

Fig. C12-12



C12-11

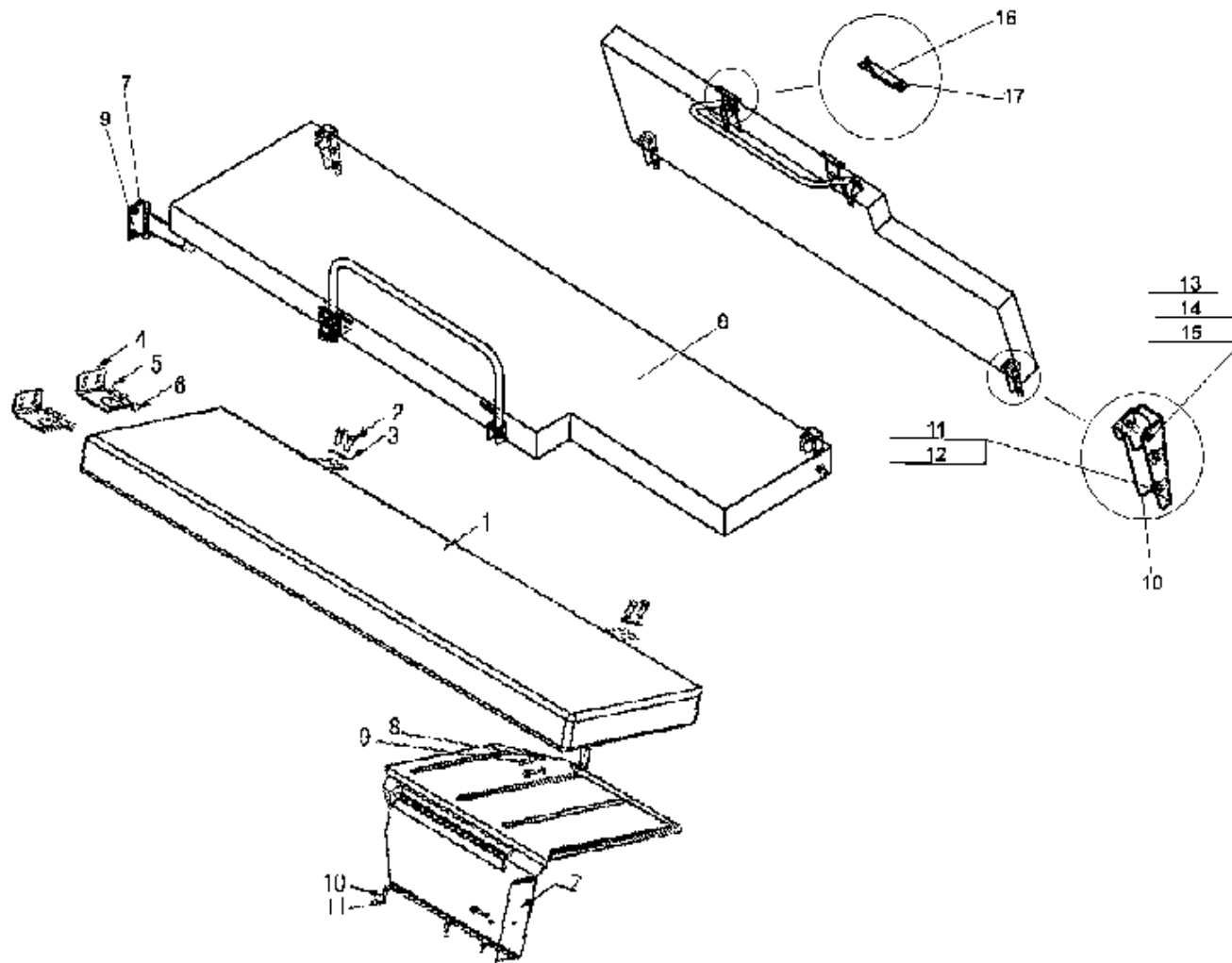
SLEEPER FOR LONG CAB/中长驾驶室卧铺

| No | Number of part | Quantity | Description | Applicability | Designation |
|----|----------------|----------|-------------|---------------|---------------|
| 1 | AZ1643570001 | 1 | | | Sleeper |
| 2 | Q150B0825 | 4 | | | Screw |
| 3 | Q40008 | 4 | | | Washer |
| 4 | WG1643570008 | 2 | | | Support right |
| 5 | Q150B0825 | 4 | | | Screw |
| 6 | Q40008 | 4 | | | Washer |
| 7 | WG1643570010 | 1 | | | Support |
| 8 | Q150B0625 | 3 | | | Screw |
| 9 | Q40006 | 3 | | | Washer |
| 10 | Q150B0420 | 3 | | | Screw |
| 11 | Q40004 | 3 | | | Washer |

C12-12

SLEEPER FOR HIGH-ROOF CAB/高顶驾驶室卧铺

Fig. C12-13



C12-12

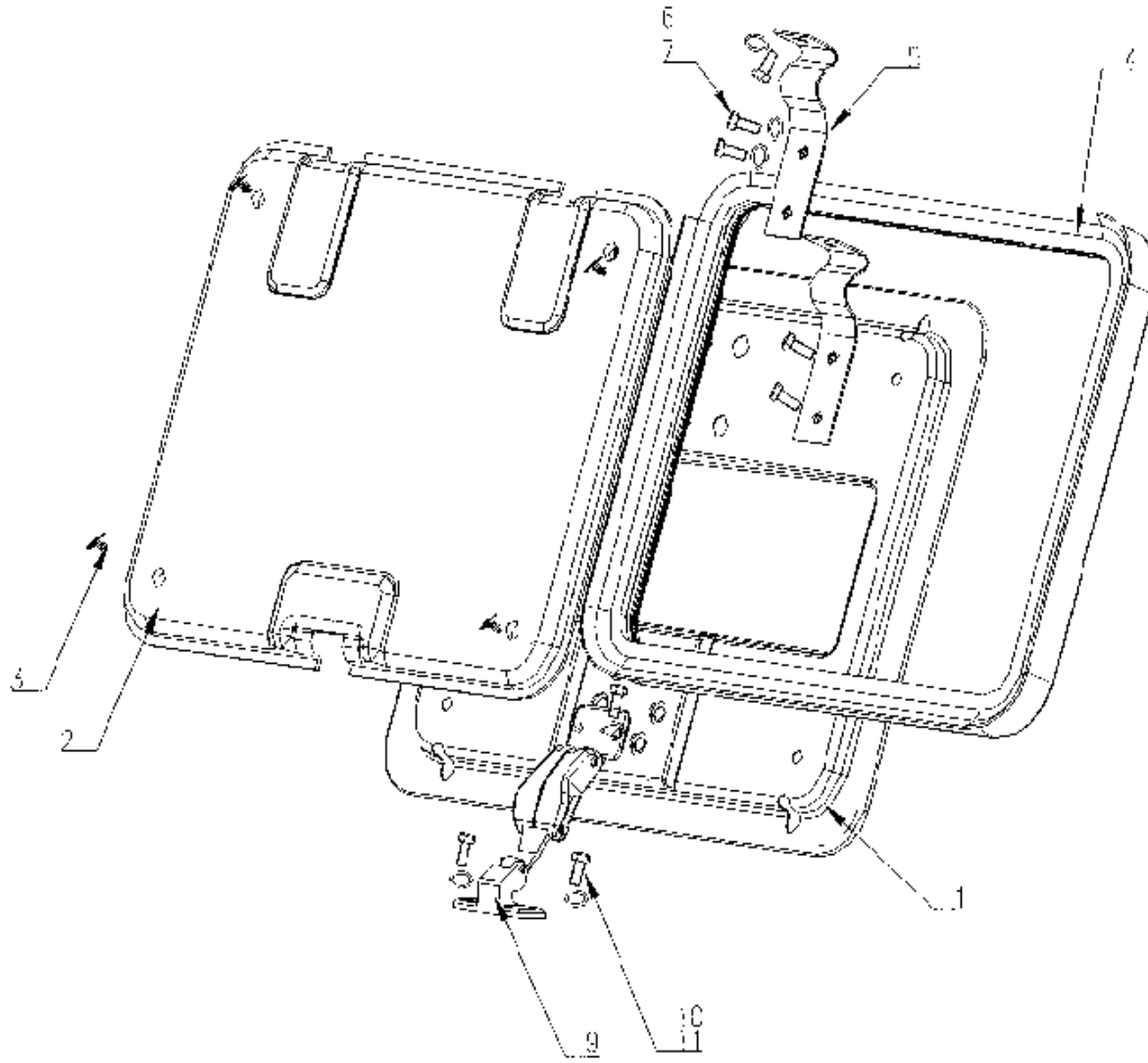
SLEEPER FOR HIGH-ROOF CAB/高顶驾驶室卧铺

| No | Number of part | Quantity | Description | Applicability | Designation |
|-----|----------------|----------|-------------|---------------|---------------|
| 1 | AZ1643570001 | 1 | | | Sleeper |
| 2 | Q150B0825 | 4 | | | Screw |
| 3 | Q40008 | 4 | | | Washer |
| 4 | WG1643570008 | 2 | | | Support right |
| 5 | Q150B0825 | 4 | | | Screw |
| 6 | Q40008 | 4 | | | Washer |
| 7 | WG1643570010 | 1 | | | Support |
| 8 | Q150B0625 | 3 | | | Screw |
| 9 | Q40006 | 3 | | | Washer |
| 10 | Q150B0420 | 3 | | | Screw |
| 11 | Q40004 | 3 | | | Washer |
| 12 | AZ1644570001 | 1 | | | Upper sleeper |
| 13 | AZ1644570192 | 2 | | | Fixed plate |
| 13a | Q150B0820 | 8 | | | Screw |
| 13b | Q40108 | 8 | | | Washer |
| 13c | Q40308 | 8 | | | Spring washer |
| 14 | AZ1672570020 | 2 | | | Rear hinge |
| 15 | Q150B0825 | 4 | | | Screw |
| 16 | Q40008 | 4 | | | Washer |
| 17 | Q5100850 | 2 | | | Bolt |
| 18 | Q5003220 | 2 | | | Split pin |

C12-13

ROOF FLAP/车顶窗

Fig. C12-14



C12-13

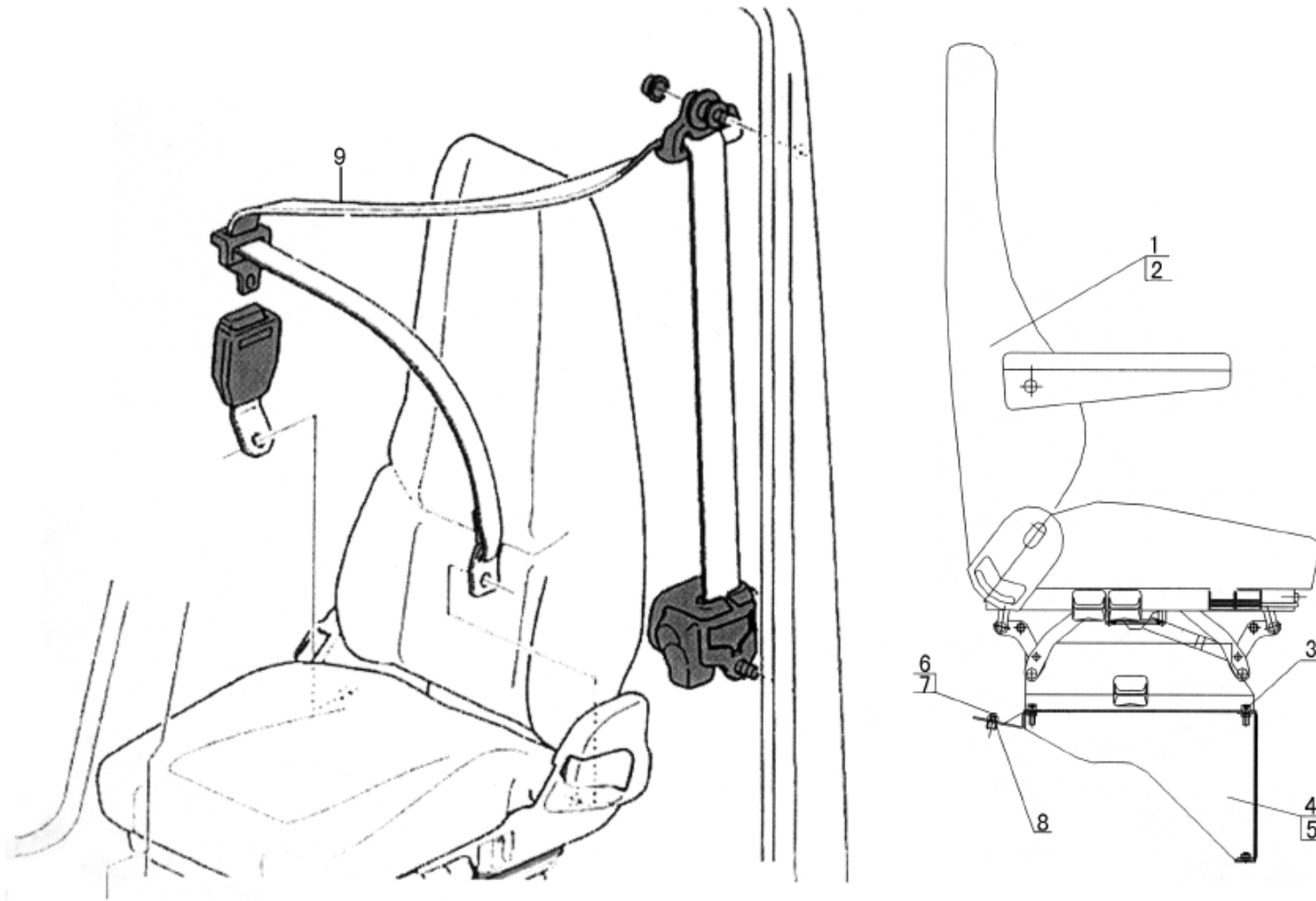
ROOF FLAP/车顶窗

| No | Number of part | Quantity | Description | Applicability | Designation |
|----|----------------|----------|-------------|---------------|-----------------|
| 1 | WG1642770006 | 1 | | | Roof flap |
| 2 | WG1642770008 | 1 | | | Internal lining |
| 3 | WG1642770005 | 4 | | | Rivet |
| 4 | WG1642770009 | 1 | | | Seal profile |
| 5 | WG1642770011 | 2 | | | Hinge |
| 6 | Q2140620 | 6 | | | Scrow |
| 7 | Q40206 | 6 | | | Washer |
| 8 | WG1642930021 | 2 | | | Washer |
| 9 | WG1642770007 | 1 | | | Switch |
| 10 | Q2140620 | 4 | | | Screw |
| 11 | Q40206 | 4 | | | Washer |

C12-14

SEATS, SAFETY BELT/座椅, 安全带

Fig. C12-15

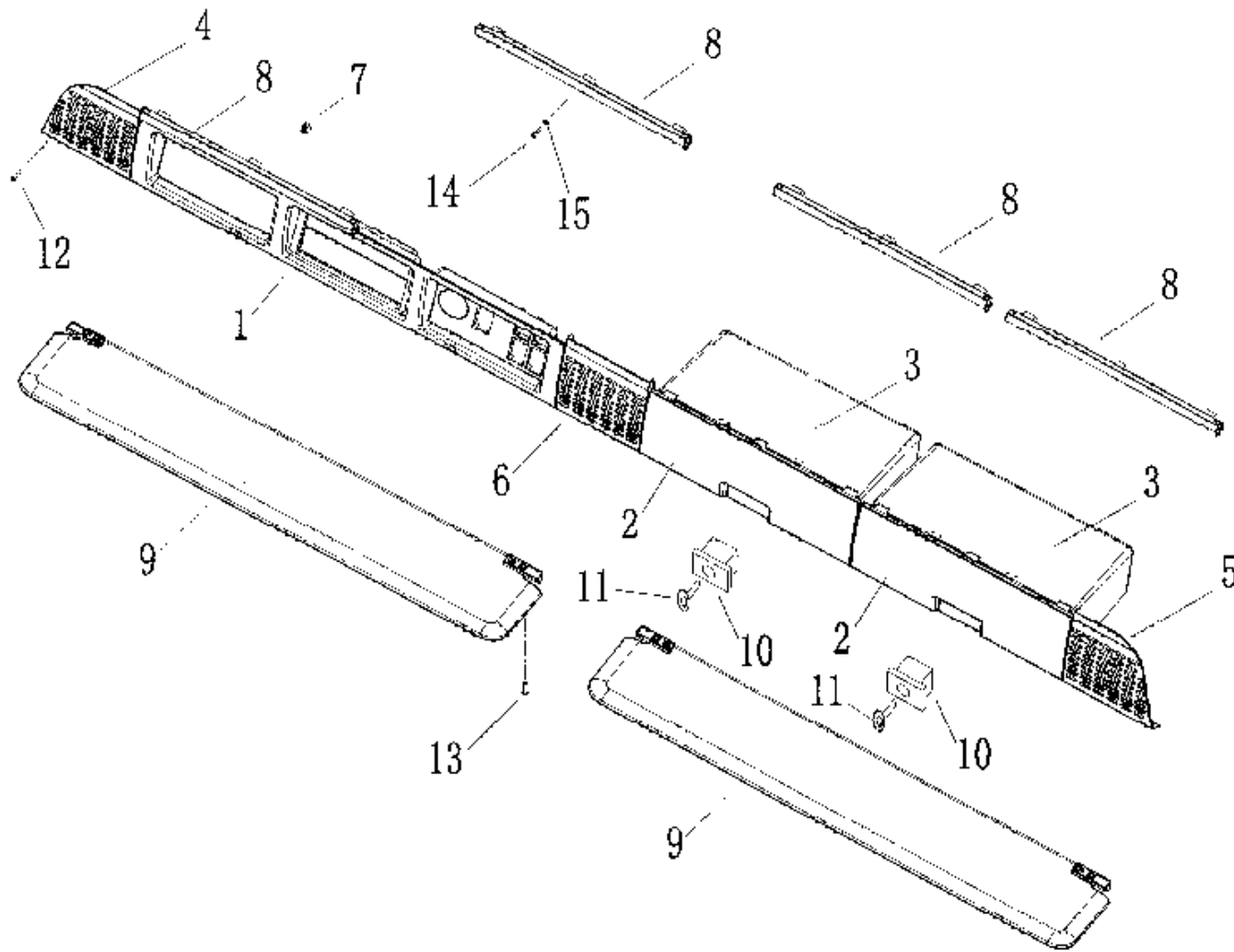


C12-14

SEATS, SAFETY BELT/座椅, 安全带

| No | Number of part | Quantity | Description | Applicability | Designation |
|----|----------------|----------|-------------|------------------------|---------------|
| 1 | AZ1642510001 | 1 | | | Right seat |
| 1 | AZ1646510021 | | | For drive right | Right seat |
| 2 | AZ1642510002 | 1 | | | Left seat |
| 2 | AZ1646510022 | | | For drive right | Left seat |
| 3 | 190003862130 | 8 | | | Screw |
| 4 | AZ1642510005 | 1 | | | Support right |
| 5 | AZ1642510003 | 1 | | | Support left |
| 6 | Q341B10 | 8 | | | Nut |
| 7 | Q40010 | 8 | | | Washer |
| 8 | AZ1642930020 | 8 | | | Washer |
| 9 | WG1641560010 | 2 | | For standard cab | Safety belt |
| 9 | WG1642560010 | 2 | | For long,high-roof cab | Safety belt |

C12-15 SUN VISOR, SHELF FOR STANDARD、LONG CAB/标准、加长驾驶室遮阳板，上杂品箱 Fig.C12-16



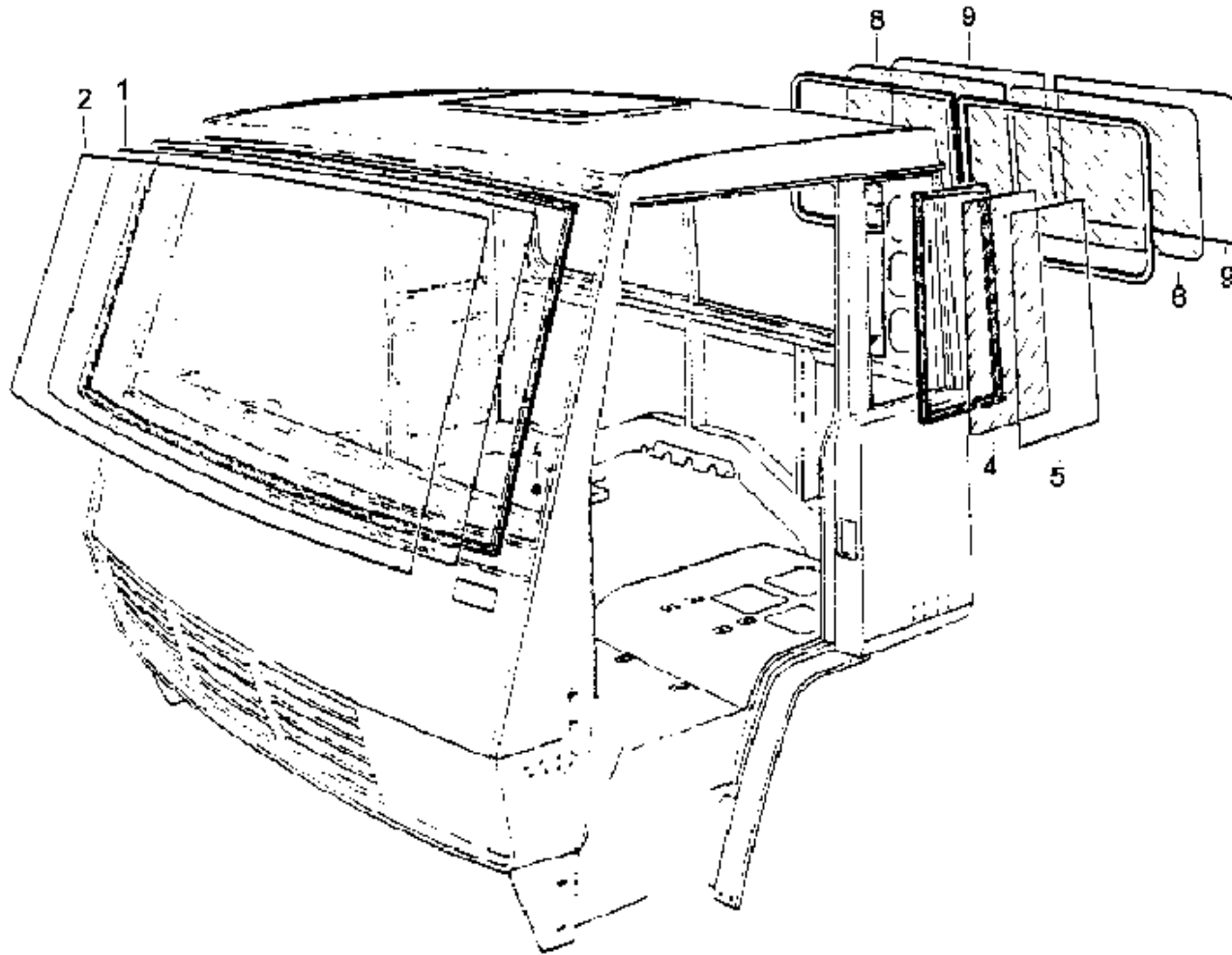
C12-15 SUN VISOR, SHELF FOR STANDARD、LONG CAB/标准、加长驾驶室遮阳板，上杂品箱

| No | Number of part | Quantity | Description | Applicability | Designation |
|----|----------------|----------|-------------|-----------------------|-----------------------|
| 1 | WG1642770012 | 1 | | | Protection lining |
| 2 | WG1642770013 | 2 | | | Cover |
| 3 | WG1642770014 | 2 | | | Housing |
| 4 | WG1642770015 | 1 | | | Cover for horn left |
| 5 | WG1642770016 | 1 | | | Cover for horn right |
| 6 | WG1642770017 | 1 | | | Cover for horn middle |
| 7 | AZ1642770017 | 14 | | | Sleeve |
| 8 | WG1642770018 | 4 | | | Hinge |
| 9 | WG1642770010 | 2 | | For standard,long cab | Sun visor |
| 10 | I15200160094 | 2 | | | Lock |
| 11 | I15200160098 | 2 | | | Key |
| 12 | Q2713516 | 14 | | | Screw |
| 13 | Q2140520 | 8 | | | Screw |
| 14 | Q2714216 | 12 | | | Screw |
| 15 | Q40004 | 12 | | | Washer |
| 16 | WG1644770146 | 2 | | For high-roof cab | Sun visor |

C12-16

WINDOW GLASS/车窗玻璃

Fig. C12-17



C12-16

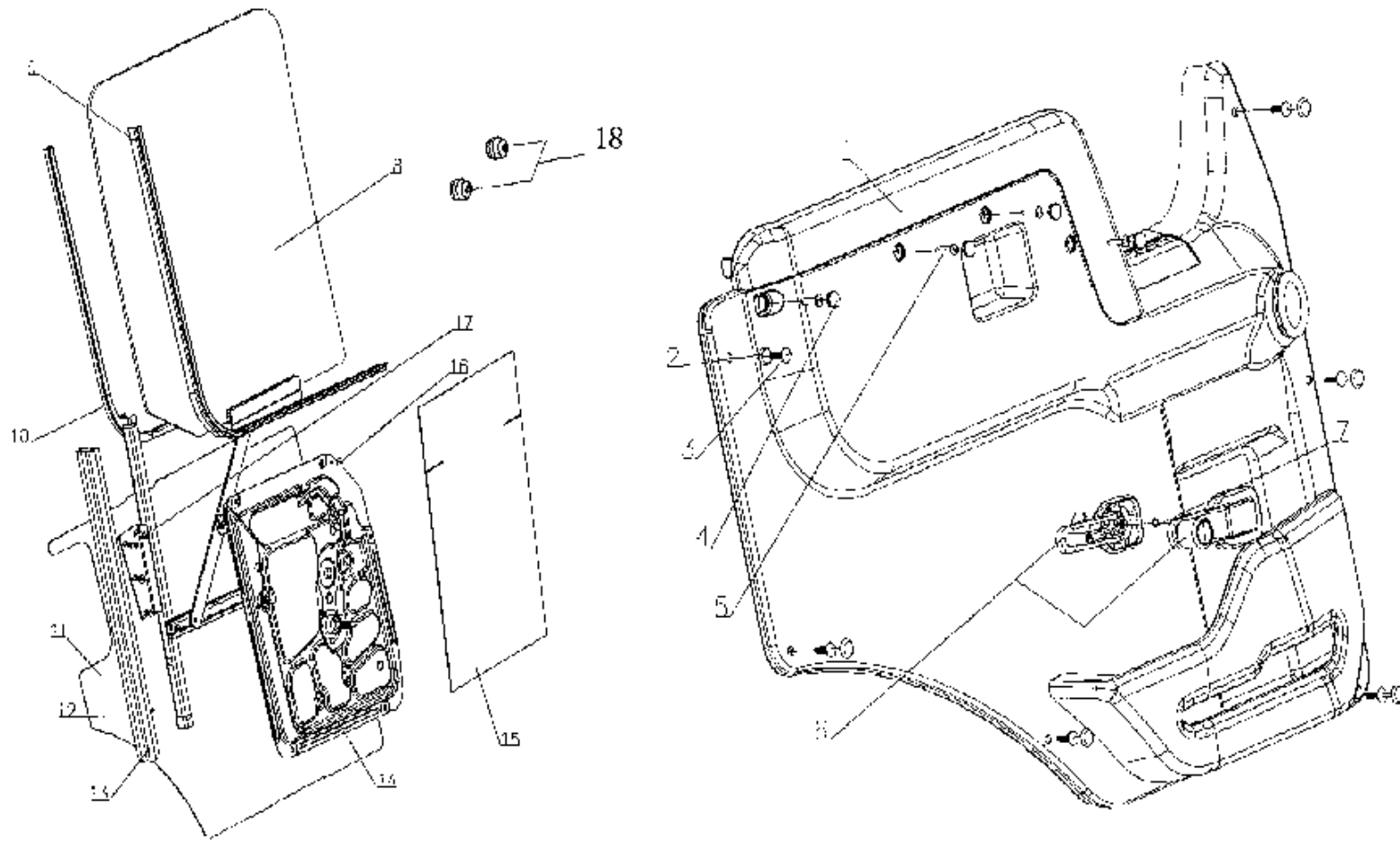
WINDOW GLASS/车窗玻璃

| No | Number of part | Quantity | Description | Applicability | Designation |
|----|----------------|----------|-------------|------------------------|-------------------------------------|
| 1 | WG1642710001 | 1 | | | HOWO windshield |
| 2 | WG1642710002 | 1 | | | Sealing frame for windshield |
| 4 | WG1642710003 | 2 | | For long,high-roof cab | Side window glass |
| 5 | WG1642710004 | 2 | | For long,high-roof cab | Sealing frame for side window glass |
| 8 | WG1642710005 | 2 | | | Rear window glass |
| 9 | WG1642710006 | 2 | | | Sealing frame for rear window glass |

C12-17

DOOR, GLASS AND FITTINGS/车门, 玻璃及附件

Fig. C12-18



C12-17

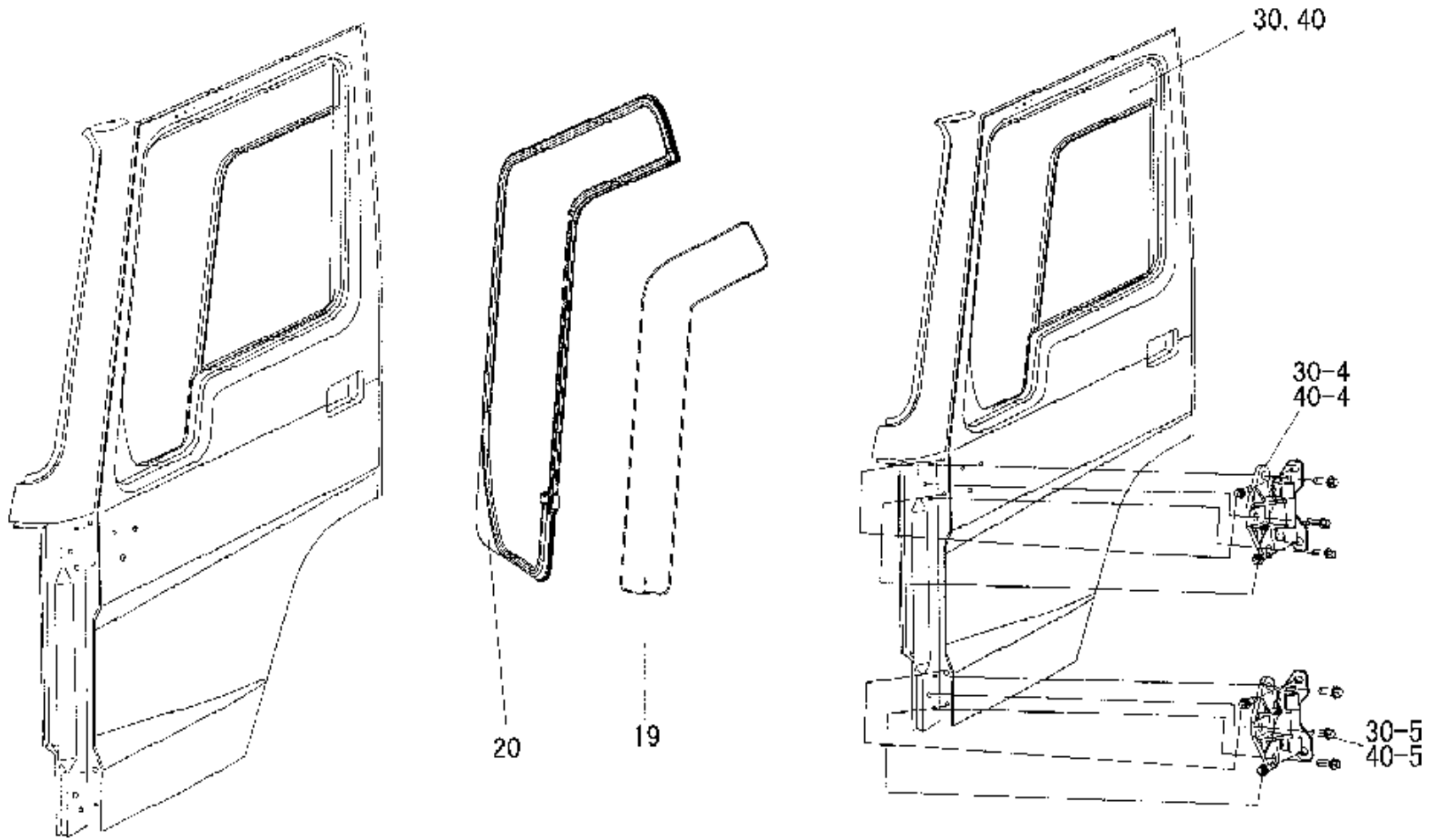
DOOR, GLASS AND FITTINGS/车门, 玻璃及附件

| No | Number of part | Quantity | Description | Applicability | Designation |
|-----|----------------|----------|-------------|---------------|--------------------------------|
| 1 | WG1642330020 | 1 | | | Internal lining for left door |
| 1a | WG1642330040 | 1 | | | Internal lining for right door |
| 2 | AZ1642930005 | 14 | | | Plastic rivet |
| 3 | AZ1642930006 | 14 | | | Plastic rivet |
| 4 | AZ1642930007 | 8 | | | Cover |
| 5 | Q2140620 | 8 | | | Screw |
| 6 | WG1642330001 | 2 | | | Grip |
| 7 | Q43107 | 2 | | | Snap ring |
| 8 | AZ1642330060 | 1 | | | Door glass left |
| 8a | AZ1642330061 | 1 | | | Door glass right |
| 9 | WG1642330011 | 2 | | | Inter sealing profile |
| 10 | WG1642330013 | 2 | | | Outer sealing profile |
| 11 | AZ1642330019 | 2 | | | Protection of door |
| 12 | WG1642330009 | 1 | | | Glass guide left |
| 12a | WG1642330010 | 1 | | | Glass guide right |
| 13 | WG1642330015 | 2 | | | Sealing profile |
| 14 | WG1642330003 | 1 | | | Window lifter left |
| 14a | WG1642330004 | 1 | | | Window lifter right |
| 15 | AZ1642330051 | 2 | | | Plasticon |
| 16 | Q2140612 | 10 | | | Screw |
| 17 | Q2140610 | 6 | | | Screw |
| 18 | AZ1642930030 | 2 | | | Rubber plug |
| 19 | WG1642350003 | 1 | | | Ventilation glass left |
| 19a | WG1642350004 | 1 | | | Ventilation glass right |
| 20 | WG1642350001 | 1 | | | Sealing profile left |

C12-17

DOOR, GLASS AND FITTINGS/车门, 玻璃及附件

Fig. C12-19



C12-17

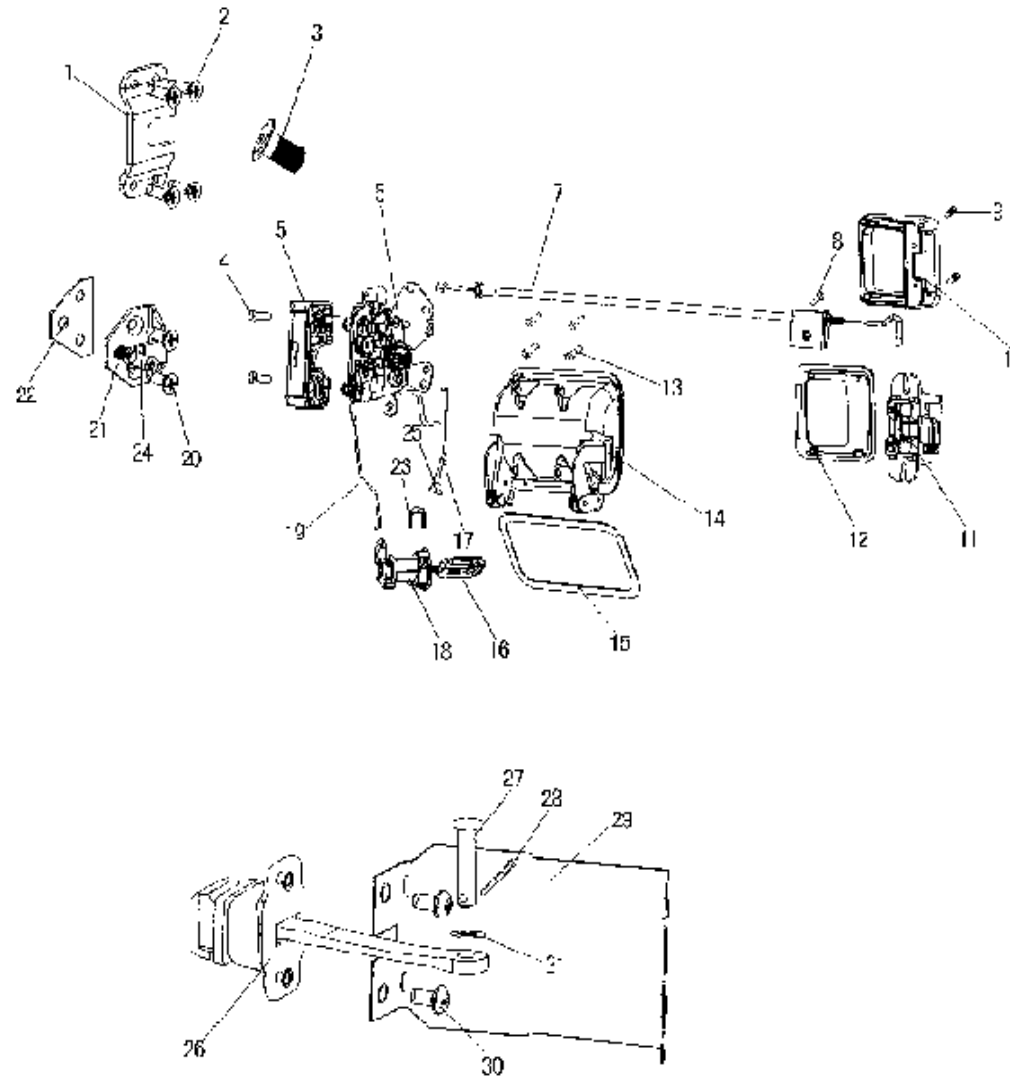
DOOR, GLASS AND FITTINGS/车门, 玻璃及附件

| No | Number of part | Quantity | Description | Applicability | Designation |
|------|----------------|----------|-------------|---------------|--|
| 20 | WG1642350002 | 1 | | | Sealing profile right |
| 30 | AZ1642210001A | 1 | | | Left door assembly with glass,lock,and fittings |
| 30 | AZ1642210001 | 1 | | | Left door assembly |
| 30-1 | AZ1642210003 | 1 | | | Outer piece |
| 30-2 | AZ1642210005 | 1 | | | Inter piece |
| 30-3 | WG1642210007 | 1 | | | Left door glass guide |
| 30-4 | AZ1642210009 | 2 | | | Door hinge |
| 30-5 | Q1840825 | 6 | | | Screw |
| 40 | AZ1642210002 | 1 | | | Right door assembly |
| 40-1 | AZ1642210004 | 1 | | | Outer piece |
| 40-2 | AZ1642210006 | 1 | | | Inter piece |
| 40-3 | WG1642210008 | 1 | | | Right door glass guide |
| 40-4 | AZ1642210009 | 2 | | | Door hinge |
| 40-5 | Q1840825 | 6 | | | Screw |
| 40 | AZ1642210002A | 1 | | | Right door assembly with glass,lock and fittings |

C12-18

DOOR LOCK/门锁

Fig. C12-20



C12-18

DOOR LOCK/门锁

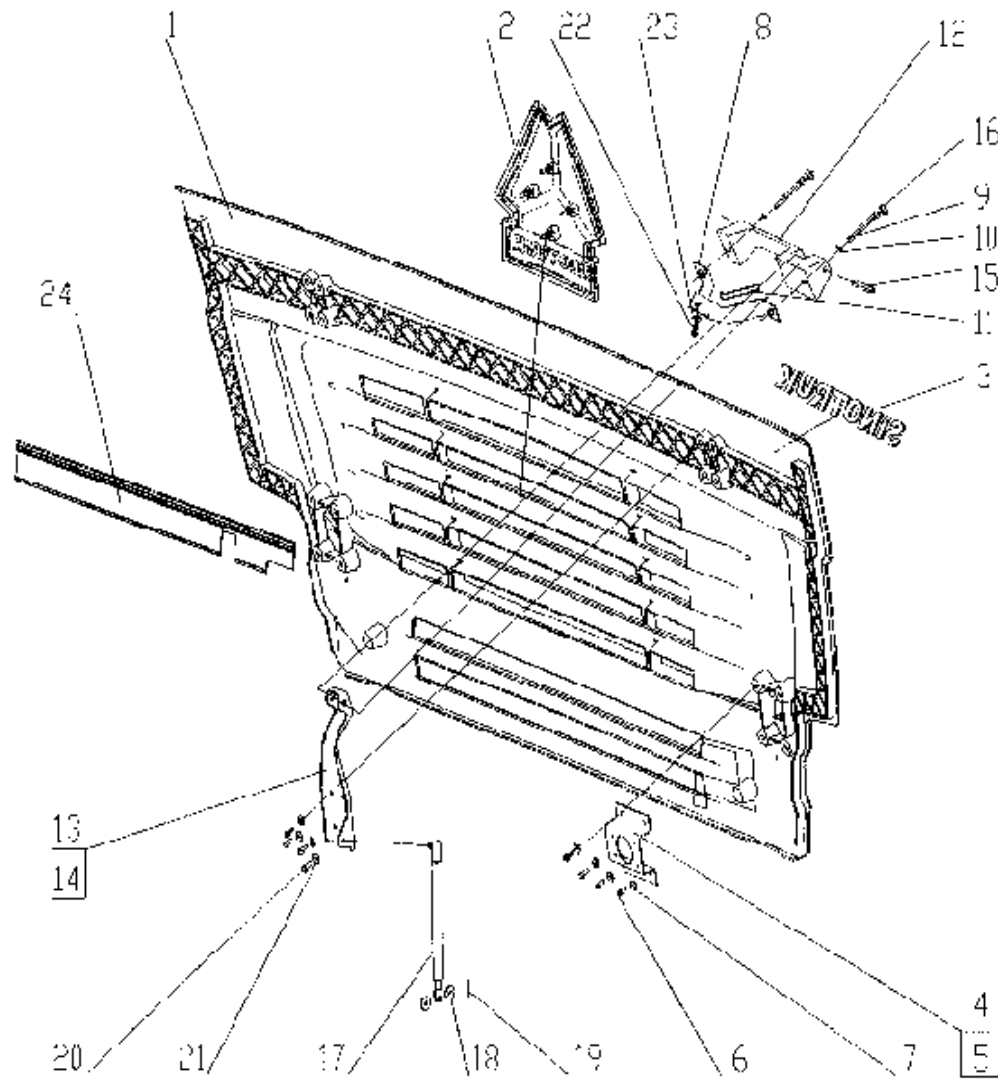
| No | Number of part | Quantity | Description | Applicability | Designation |
|-----|----------------|----------|-------------|----------------|-------------------------|
| 1 | WG1642340020/1 | 2 | | | Bearing for aux.support |
| 1 | WG1642340020/2 | 2 | | | Bearing for aux.support |
| 2 | Q2540820 | 8 | | | Screw |
| 3 | WG1642340021/1 | 2 | | | Pin |
| 3 | WG1642340021/2 | 2 | | | Pin |
| 4 | Q2540830 | 4 | | | Screw |
| 5 | WG1642340012/1 | 1 | | | Latch left |
| 5 | WG1642340012/2 | 1 | | | Latch left |
| 5a | WG1642340013/1 | 1 | | | Latch right |
| 5a | WG1642340013/2 | 1 | | | Latch right |
| 6 | WG1642340014/1 | 1 | | | Lock left |
| 6 | WG1642340014/2 | 1 | | | Lock left |
| 6a | WG1642340015/1 | 1 | | | Lock right |
| 6a | WG1642340015/2 | 1 | | | Lock right |
| 7 | WG1642340028/1 | 2 | | | Cable |
| 7 | WG1642340028/2 | 2 | | | Cable |
| 8 | Q150B0612 | 2 | | | Screw |
| 9 | Q2300612 | 4 | | | Comb.screw |
| 10 | WG1642340033/1 | 2 | | | Inter handle |
| 10 | WG1642340033/2 | 2 | | | Inter handle |
| 11 | WG1642340031/1 | 2 | | | Aux.lock |
| 11 | WG1642340031/2 | 2 | | | Aux.lock |
| 12 | WG1642340032/1 | 2 | | | Cover |
| 12 | WG1642340032/2 | 2 | | | Cover |
| 13 | Q150B0616 | 8 | | | Screw |
| 14 | WG1642340001/1 | 2 | | | Outer handle |
| 14 | WG1642340001/2 | 2 | | | Outer handle |
| 15 | WG1642340002/1 | 2 | | | Washer |
| 15 | WG1642340002/2 | 2 | | | Washer |
| 16 | WG1642340011/1 | 2 | | | Key |
| 16 | WG1642340011/2 | 2 | | | Key |
| 17 | WG1642340018/1 | 1 | | For left door | Control rod |
| 17 | WG1642340018/2 | 1 | | For left door | Control rod |
| 17a | WG1642340029/1 | 1 | | For right door | Control rod |
| 17a | WG1642340029/2 | 1 | | For right door | Control rod |
| 18 | WG1642340008/1 | 1 | | For left door | Lock element |
| 18 | WG1642340008/2 | 1 | | For left door | Lock element |
| 18a | WG1642340009/1 | 1 | | For right door | Lock element |
| 18a | WG1642340009/2 | 1 | | For right door | Lock element |

| | | | | | |
|----|----------------|---|--|--|---------------|
| 19 | WG1642340016/1 | 2 | | | Control rod I |
| 19 | WG1642340016/2 | 2 | | | Control rod I |
| 20 | Q2540820 | 4 | | | Screw |
| 21 | WG1642340022/1 | 2 | | | Bracket |
| 21 | WG1642340022/2 | 2 | | | Bracket |
| 22 | WG1642340023/1 | 2 | | | Plate |
| 22 | WG1642340023/2 | 2 | | | Plate |
| 23 | WG1642340010/1 | 2 | | | Lock piece |
| 23 | WG1642340010/2 | 2 | | | Lock piece |
| 24 | WG1642340024/1 | 2 | | | Pin |
| 24 | WG1642340024/2 | 2 | | | Pin |
| 25 | WG1642340030/1 | 2 | | | Rubber sleeve |
| 25 | WG1642340030/2 | 2 | | | Rubber sleeve |
| 26 | WG1642340026/1 | 2 | | | Strap |
| 26 | WG1642340026/2 | 2 | | | Strap |
| 27 | Q5100835 | 2 | | | Bolt |
| 28 | Q5002526 | 2 | | | Split pin |
| 29 | WG1642340027/1 | 2 | | | Fixing plate |
| 29 | WG1642340027/2 | 2 | | | Fixing plate |
| 30 | Q2140612 | 4 | | | Screw |
| 31 | Q41806 | 4 | | | Washer |

C12-19

FRONT COVER/面罩

Fig. C12-21



C12-19

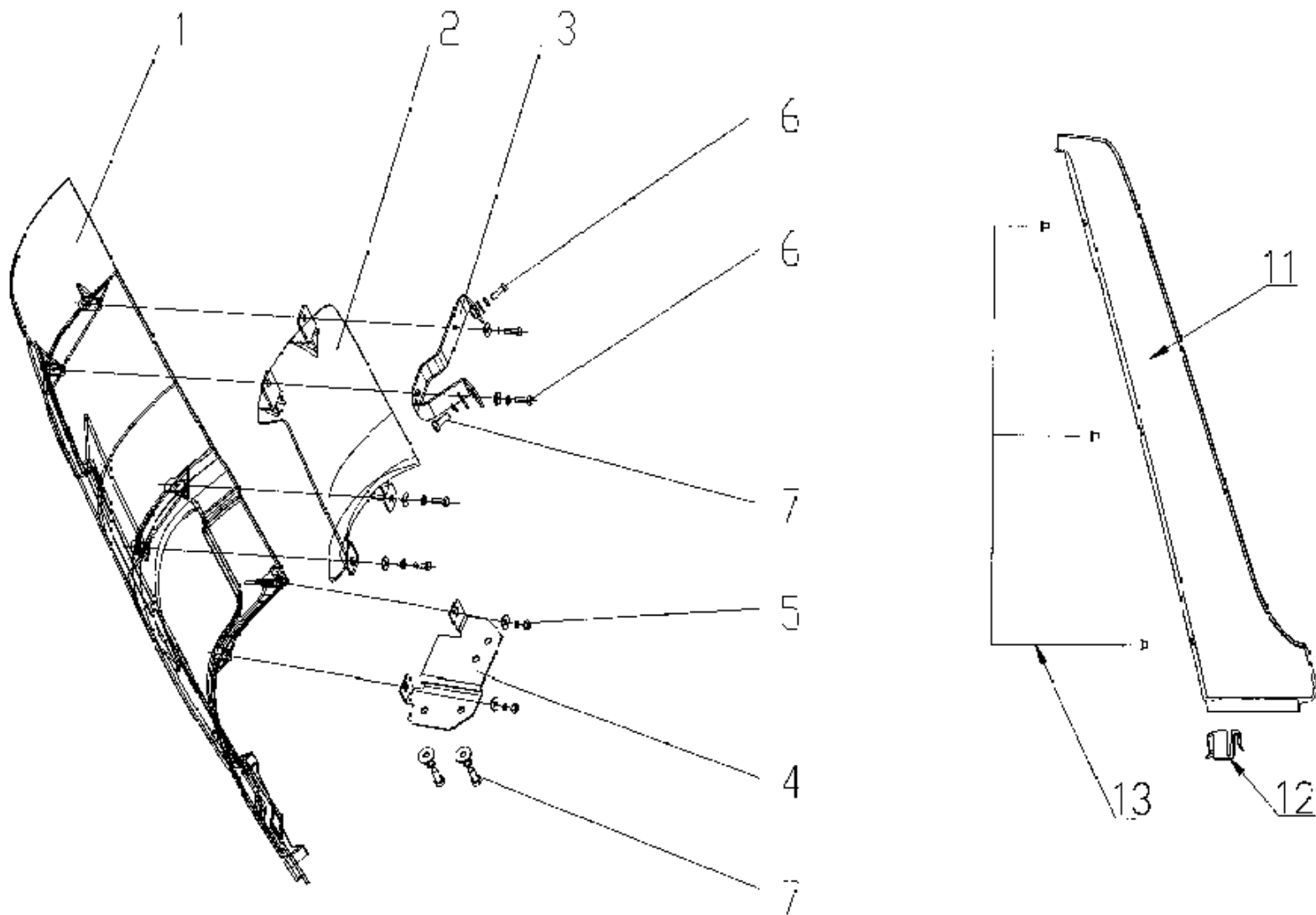
FRONT COVER/面罩

| No | Number of part | Quantity | Description | Applicability | Designation |
|----|----------------|----------|-------------|---------------|-------------------|
| 1 | WG1642110013 | 1 | | | Front cover |
| 2 | AZ1646950001 | 1 | | | Logo shield |
| 3 | AZ1646950002 | 1 | | | Shield 'sinotruk' |
| 4 | WG1642110027 | 1 | | | Right lock C |
| 5 | WG1642110028 | 1 | | | Left lock C |
| 6 | Q150B0616 | 10 | | | Screw |
| 7 | Q40206 | 10 | | | Washer |
| 8 | AZ1642110014 | 2 | | | Bracket |
| 9 | Q218B0870 | 4 | | | Screw |
| 10 | Q40008 | 4 | | | Washer |
| 11 | WG1642110018 | 2 | | | Protecting strip |
| 12 | WG1642110016 | 2 | | | Base for hinge |
| 13 | AZ1642110032 | 1 | | | Left hinge |
| 14 | AZ1642110033 | 1 | | | Right hinge |
| 15 | AZ1642110017 | 2 | | | Hinge pin |
| 16 | WG1642930003 | 4 | | | Plug |
| 17 | WG1642110024 | 2 | | | Spring |
| 18 | WG9100360134 | 4 | | | Spacer |
| 19 | Q5002014 | 2 | | | Split pin |
| 20 | Q150B0616 | 8 | | | Screw |
| 21 | Q40206 | 8 | | | Washer |
| 22 | Q150B0816 | 2 | | | Screw |
| 23 | Q40208 | 2 | | | Washer |
| 24 | WG1642110034 | 1 | | | Plate |

C12-20

SIDE COVER, 'A' POLE GARNISH/侧导风罩, A立柱装饰

Fig. C12-22



C12-20

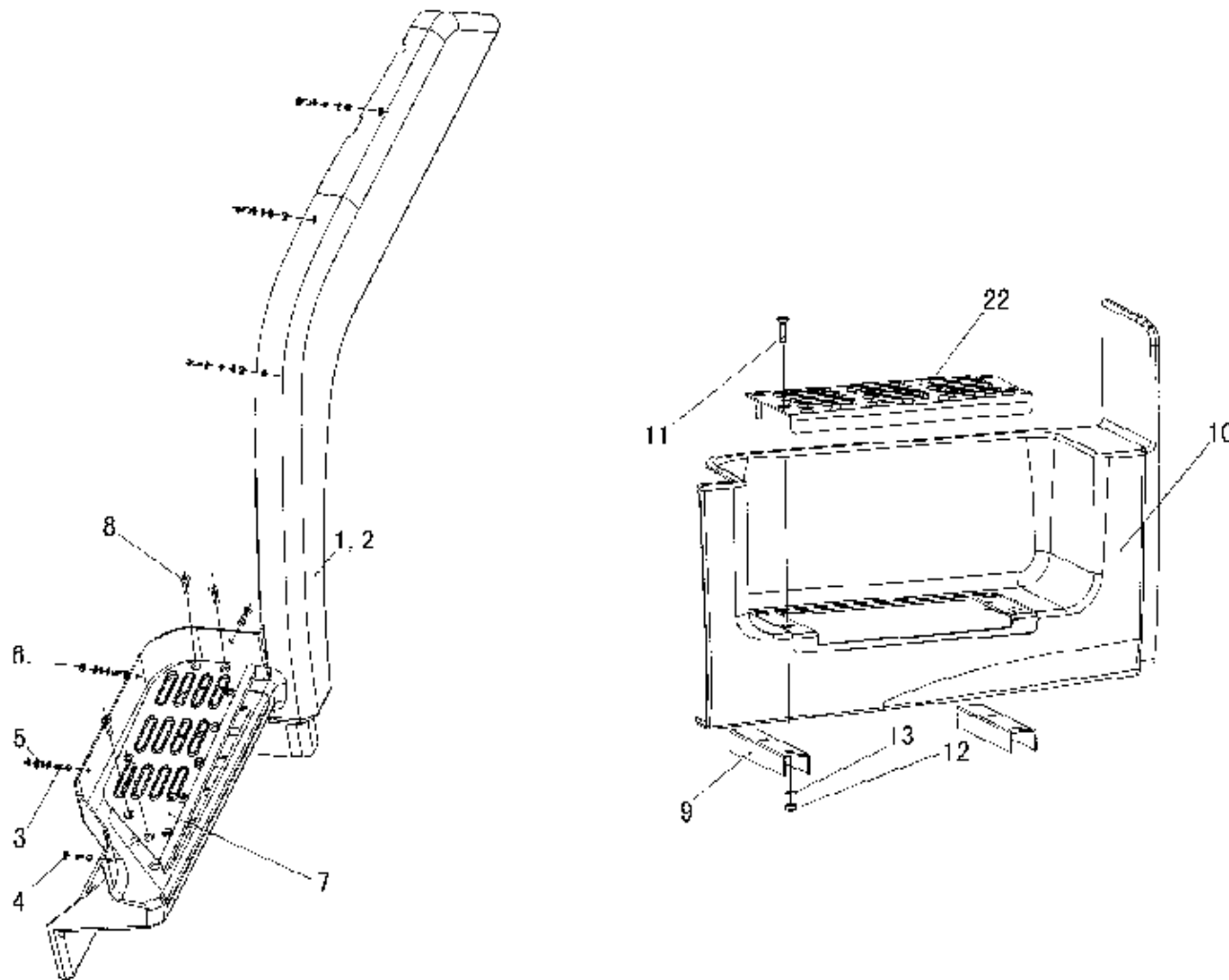
SIDE COVER, 'A' POLE GARNISH/侧导风罩, A立柱装饰

| No | Number of part | Quantity | Description | Applicability | Designation |
|-----|----------------|----------|-------------|---------------|------------------------|
| 1 | WG1642110001 | 1 | | | Outer side cover right |
| 1a | WG1642110002 | 1 | | | Outer side cover left |
| 2 | WG1642110003 | 1 | | | Inter plate right |
| 2a | WG1642110004 | 1 | | | Inter plate left |
| 3 | AZ1642110006 | 2 | | | Bracket |
| 4 | AZ1642110007 | 1 | | | Bracket right |
| 4a | AZ1642110008 | 1 | | | Bracket left |
| 5 | Q350B06 | 4 | | | Nut |
| 5a | Q40206 | 4 | | | Washer |
| 5b | Q40306 | 4 | | | Spring washer |
| 6 | Q150B0620 | 10 | | | Screw |
| 6a | Q40206 | 10 | | | Washer |
| 6b | Q40306 | 10 | | | Spring washer |
| 7 | Q150B0820 | 6 | | | Screw |
| 7a | Q40208 | 6 | | | Washer |
| 7b | Q40308 | 6 | | | Spring washer |
| 10 | WG1642110019 | 1 | | | 'A'pole garnish left |
| 10a | WG1642110020 | 1 | | | 'A'pole garnish right |
| 12 | WG1642110021 | 2 | | | Clip |
| 13 | WG1642110022 | 6 | | | Rivet |

C12-21

MUDGUARD/翼子板

Fig. C12-23



C12-21

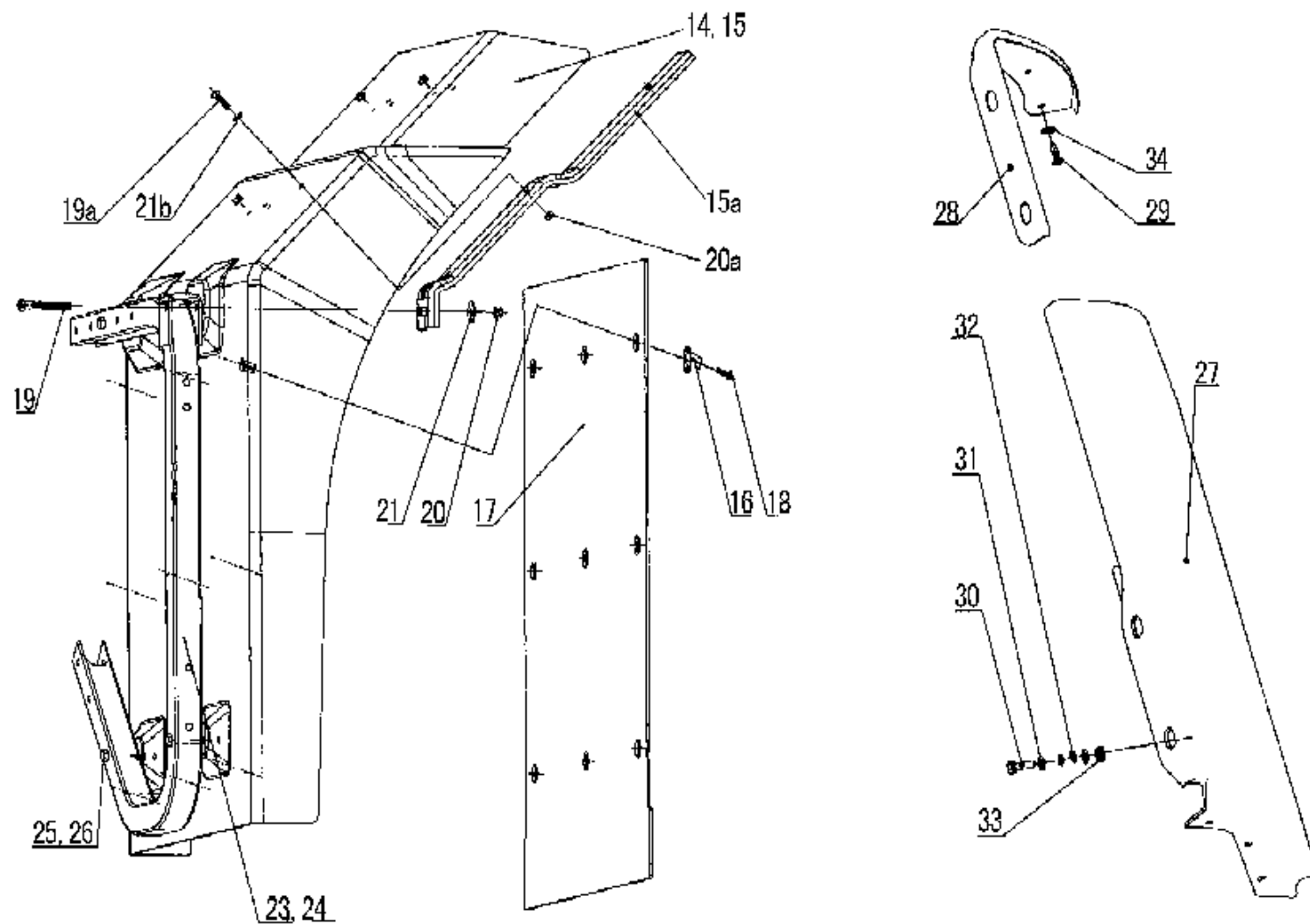
MUDGUARD/翼子板

| No | Number of part | Quantity | Description | Applicability ※ | Designation |
|-----|----------------|----------|-------------|-----------------|----------------------------|
| 1 | WG1642230012 | 1 | | B, BR, C, CR | Left wheel fender |
| 1 | WG1641230020 | 1 | | A, AR | Left wheel fender |
| 2 | WG1642230013 | 1 | | B, C, BR, CR | Right wheel fender |
| 2 | WG1641230021 | 1 | | A, AR | Right wheel fender |
| 3 | Q150B0620 | 14 | | | Screw |
| 4 | Q40106 | 14 | | | Washer |
| 5 | Q40306 | 14 | | | Spring washer |
| 6 | Q340B06 | 14 | | | Nut |
| 7 | WG1642230018 | 1 | | | Step left |
| 7a | WG1642230019 | 1 | | | Step right |
| 8 | Q2540830 | 8 | | | Screw |
| 9 | AZ9725930049 | 4 | | | Bracket for step bow |
| 9 | WG9725930017 | 4 | | B, BR, C, CR | Bracket for step bow |
| 10 | WG1641240011 | 1 | | | Right step bow |
| 10a | WG1641240012 | 1 | | | Left step bow |
| 10 | WG1642240030 | | | | Left step bow bottom |
| 10a | WG1642240031 | | | | Right step bow bottom |
| 11 | Q150B0825 | 8 | | | Screw |
| 12 | Q340B08 | 8 | | | Nut |
| 13 | Q40308 | 8 | | | Spring washer |
| 14 | WG1642230003 | 1 | | | Left rear wheel fender |
| 15 | WG1642230004 | 1 | | | Right rear wheel fender |
| 15a | WG1642230005 | 4 | | | Aux.plate for wheel fender |
| 16 | AZ1642230008 | 18 | | | Washer |
| 17 | AZ1642230007 | 2 | | | Pad for rear wheel fender |

C12-21

MUDGUARD/翼子板

Fig. C12-24



C12-21

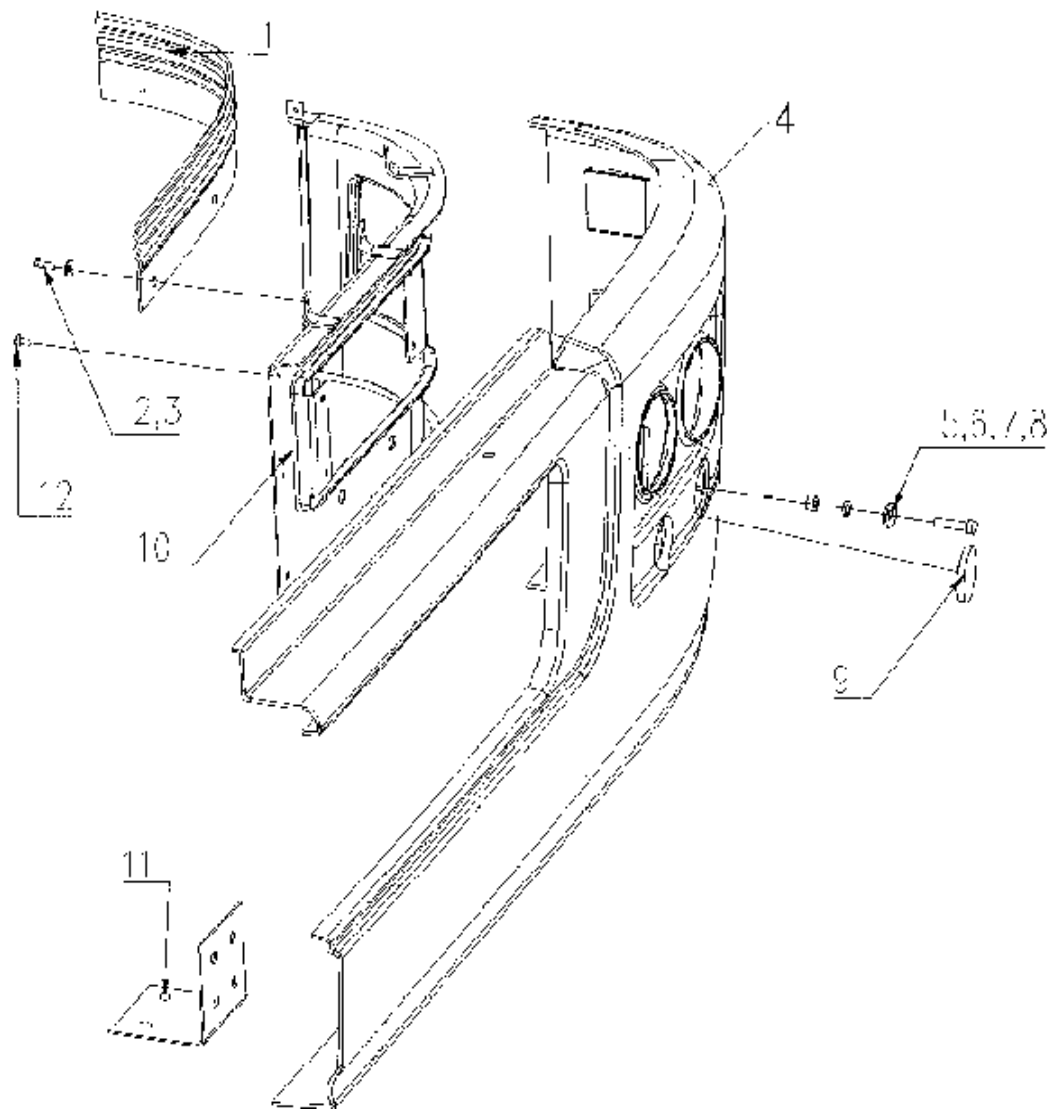
MUDGUARD/翼子板

| No | Number of part | Quantity | Description | Applicability | Designation |
|-----|----------------|----------|-------------|---------------|---------------------------------|
| 18 | Q2713516 | 18 | | | Screw |
| 19 | Q150B0860 | 8 | | | Screw |
| 19a | Q150B0620 | 8 | | | Screw |
| 20 | Q340B08 | 8 | | | Nut |
| 20a | Q340B06 | 8 | | | Nut |
| 21 | Q40308 | 8 | | | Spring washer |
| 21a | Q40306 | 8 | | | Spring washer |
| 21b | Q40106 | 8 | | | Washer |
| 22 | WG1642240032 | 1 | | | Bottom step left |
| 22a | WG1642240033 | 1 | | | Bottom step right |
| 22b | Q2540830 | 8 | | | Screw |
| 22c | Q40308 | 8 | | | Spring washer |
| 22d | Q340B08 | 8 | | | Nut |
| 23 | WG9719930315 | 1 | | | Bracket for left rear mudguard |
| 23 | WG9731930010 | 1 | | 8×4 | Bracket for left rear mudguard |
| 24 | WG9731930015 | 1 | | 8×4 | Bracket for right rear mudguard |
| 24 | WG9719930313 | 1 | | | Bracket for right rear mudguard |
| 24a | WG9719930321 | 2 | | | Plate |
| 24a | WG9731930014 | 2 | | 8×4 | Plate |
| 25 | Q151B1445 | 2 | | | Screw |
| 26 | 190003888468 | 2 | | | Nut |
| 27 | WG1641230028 | 1 | | A, AR | Rear cover |
| 28 | WG1641230030 | 1 | | A, AR | Bracket for rear cover |
| 29 | Q2714816 | 3 | | A, AR | Screw |
| 30 | Q150B0620 | 3 | | A, AR | Screw |
| 31 | Q40206 | 8 | | A, AR | Washer |
| 32 | Q40306 | 8 | | A, AR | Spring washer |
| 33 | Q340B06 | 4 | | A, AR | Nut |
| 34 | Q40204 | 3 | | A, AR | Washer |
| 41 | WG1641230025 | 1 | | | Left mudguard |
| 42 | WG1641230026 | 1 | | | Right mudguard |
| 43 | AZ1641230027 | 2 | | | Strip for mudguard |

C12-22

BUMPER/保险杠

Fig. C12-25



C12-22

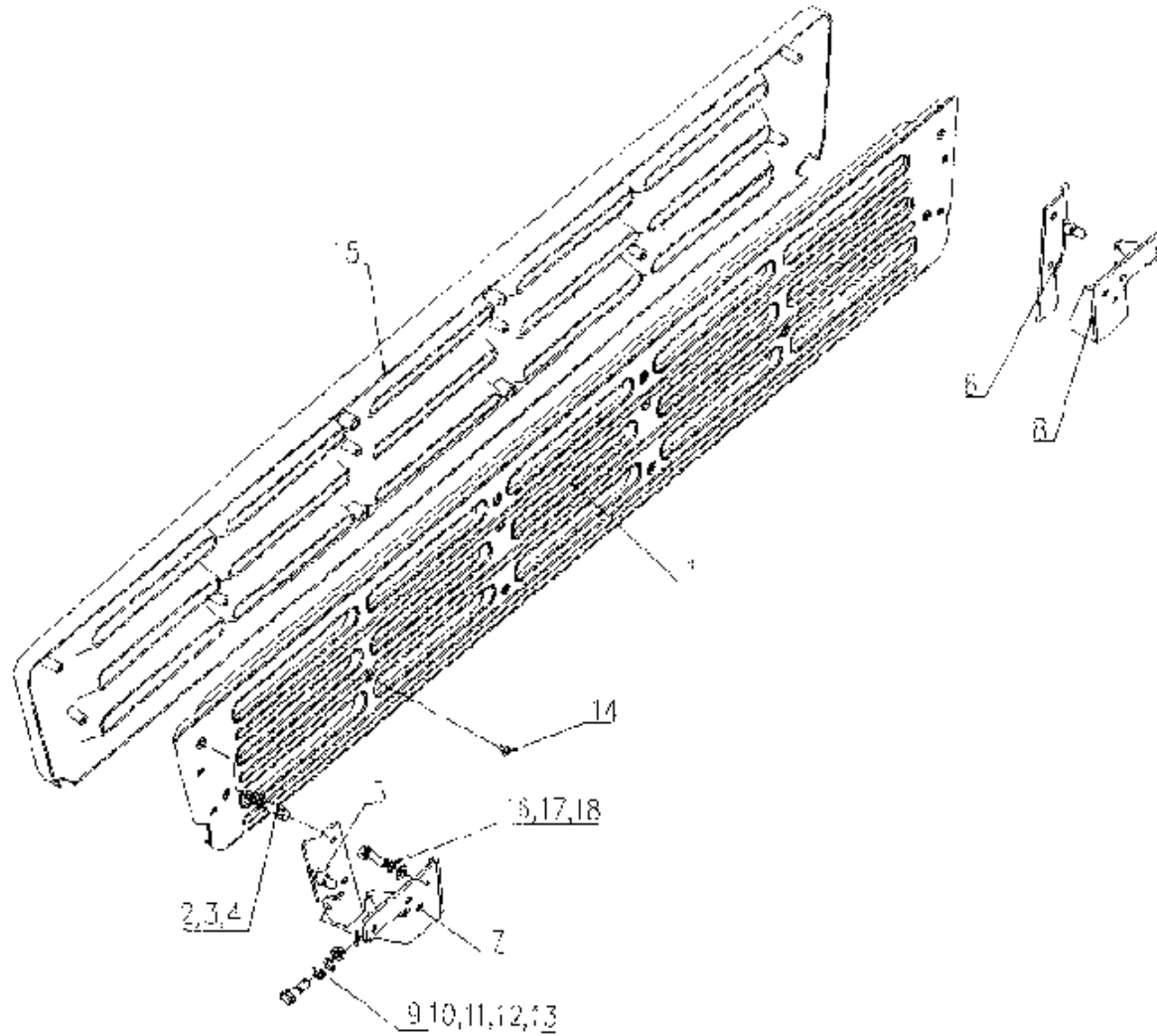
BUMPER/保险杠

| No | Number of part | Quantity | Description | Applicability | Designation |
|----|----------------|----------|-------------|---------------|---------------------|
| 1 | AZ1642240050 | 1 | | | Garnish plate left |
| 1a | AZ1642240051 | 1 | | | Garnish plate right |
| 1b | WG1642930009 | 4 | | | Nut |
| 1c | AZ1608240074 | 4 | | | Rubber pad |
| 2 | Q2714819 | 4 | | | Screw |
| 3 | Q40206 | 4 | | | Washer |
| 4 | WG1642240002 | 1 | | | Bumper |
| 4 | WG1641240001 | 1 | | | High bumper |
| 5 | Q150B0835 | 8 | | | Screw |
| 6 | Q340B08 | 8 | | | Nut |
| 7 | Q40208 | 8 | | | Washer |
| 8 | Q40508 | 8 | | | Spring washer |
| 9 | WG1642240050 | 1 | | | Inter plug right |
| 9 | WG1642240052 | 1 | | | Outer plug right |
| 9 | WG1642240051 | 1 | | | Inter plug left |
| 9 | WG1642240053 | 1 | | | Outer plug left |
| 10 | WG1642240040 | 1 | | | Bracket left |
| 10 | WG1642240041 | 1 | | | Bracket right |
| 11 | WG1642240042 | 2 | | | Middle bracket |
| 12 | Q2764816 | 20 | | | Screw |

C12-23

GRILLE OF BUMPER/保险杠格栅

Fig. C12-26



C12-23

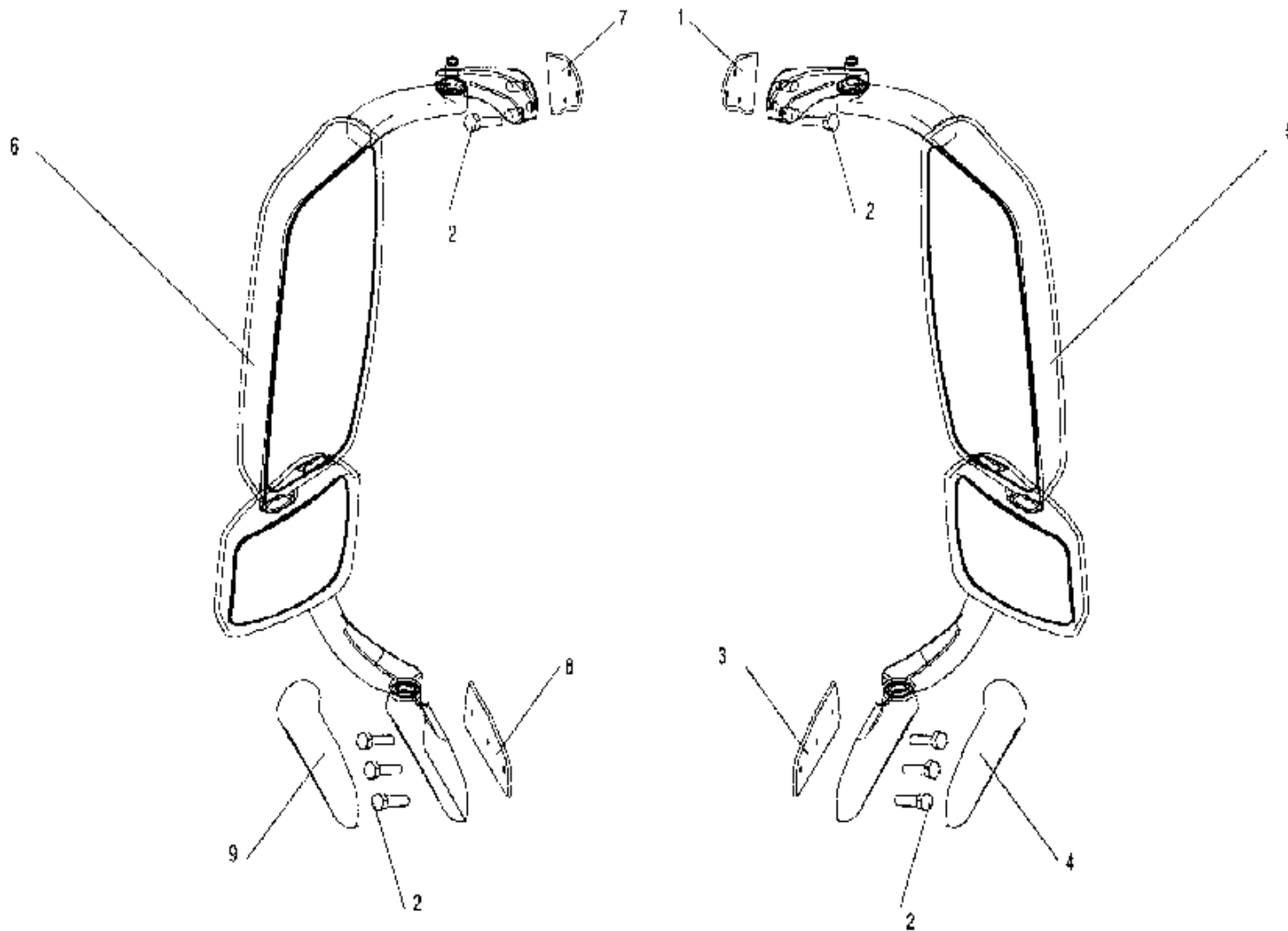
GRILLE OF BUMPER/保险杠格栅

| No | Number of part | Quantity | Description | Applicability | Designation |
|----|----------------|----------|-------------|---------------|------------------------|
| 0 | AZ1642240011 | 1 | | | Grille assembly |
| 1 | AZ1642240012 | 1 | | | Grille body |
| 2 | Q1840816 | 4 | | | Screw |
| 3 | Q340B08 | 4 | | | Nut |
| 4 | Q40408 | 4 | | | Spring washer |
| 5 | AZ1642240005 | 1 | | | Connecting plate left |
| 6 | AZ1642240006 | 1 | | | Connecting plate right |
| 7 | AZ1642240019 | 1 | | | Bracket left |
| 8 | AZ1642240020 | 1 | | | Bracket right |
| 9 | WG1642240080 | 2 | | | Bolt |
| 10 | Q40508 | 4 | | | Spring washer |
| 11 | Q340B08 | 2 | | | Nut |
| 12 | Q40008 | 2 | | | Washer |
| 13 | Q5000214 | 2 | | | Split pin |
| 14 | Q2764813 | 8 | | | Screw |
| 15 | WG1642240018 | 1 | | | Grille |
| 16 | Q150B0825 | 4 | | | Screw |
| 17 | Q40008 | 4 | | | Washer |
| 18 | Q40408 | 4 | | | Spring washer |

C12-24

REAR VIEW MIRROR/后视镜

Fig. C12-27



C12-24

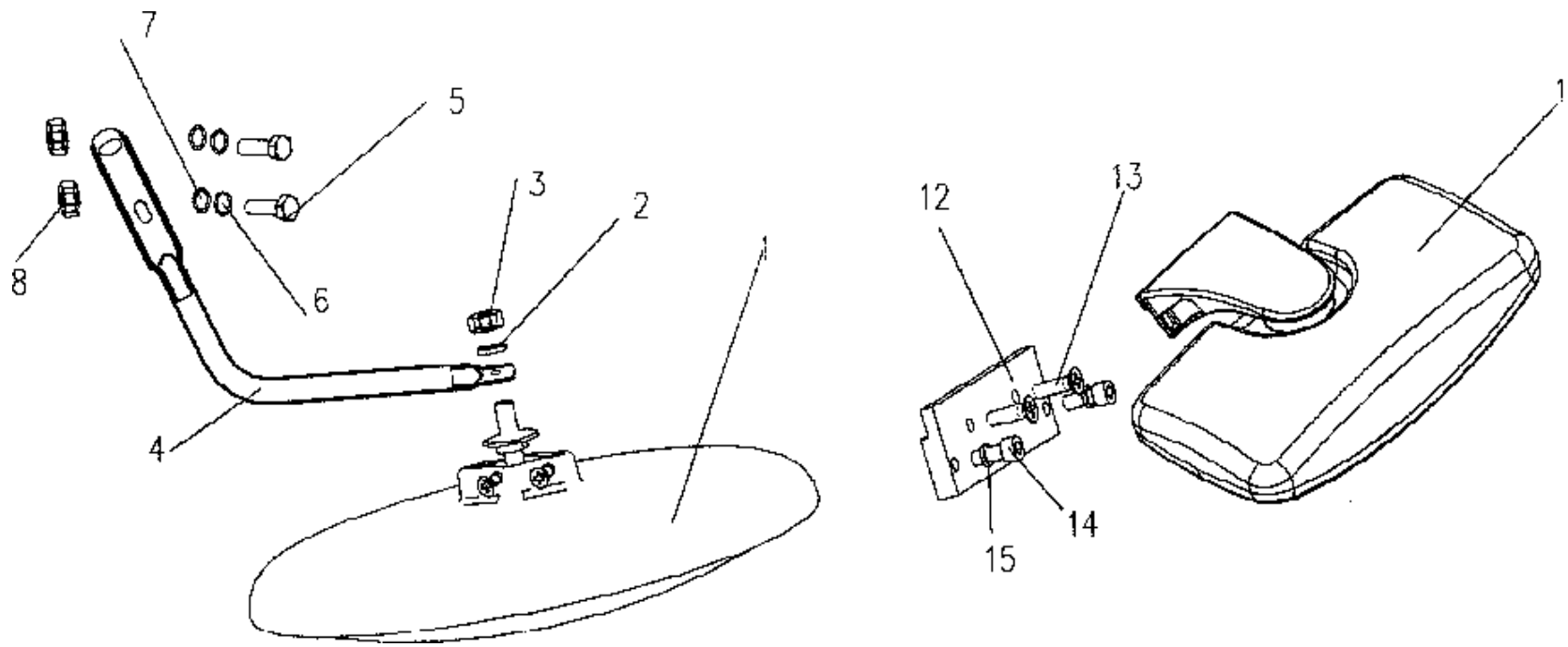
REAR VIEW MIRROR/后视镜

| No | Number of part | Quantity | Description | Applicability | Designation |
|----|----------------|----------|-------------|-----------------|-------------------------------|
| 1 | WG1642770001-1 | 1 | | | Rubber block |
| 2 | Q218B0635 | 12 | | | Screw |
| 3 | WG1642770001-2 | 1 | | | Rubber block |
| 4 | WG1642770001-3 | 1 | | | Cover garnish |
| 5 | WG1642770001 | 1 | | | Rear view mirror left |
| 5 | WG1646770001 | 1 | | For drive right | Rear view mirror left |
| 6 | WG1642770003 | 1 | | | Rear view block right |
| 6 | WG1646770002 | 1 | | For drive right | Rear view mirror right |
| 7 | WG1642770003-1 | 1 | | | Rubber block |
| 8 | WG1642770003-2 | 1 | | | Rubber block |
| 9 | WG1642770003-3 | 1 | | | Cover garnish |
| 10 | WG1642770001-4 | 1 | | | Bottom rear view mirror left |
| 10 | WG1642770003-4 | 1 | | | Bottom rear view mirror right |
| 10 | WG1646770001-4 | 1 | | For drive right | Bottom rear view mirror left |
| 10 | WG1646770002-4 | 1 | | For drive right | Bottom rear view mirror right |
| 11 | WG1642770001-5 | 1 | | | Above rear view mirror left |
| 11 | WG1642770003-6 | 1 | | | Above rear view mirror right |
| 11 | WG1646770001-5 | 1 | | For drive right | Above rear view mirror left |
| 11 | WG1646770002-6 | 1 | | For drive right | Above rear view mirror right |

C12-25

DOWN VIEW MIRROR, SIDE MIRROR/下视镜, 路面镜

Fig. C12-28



C12-25

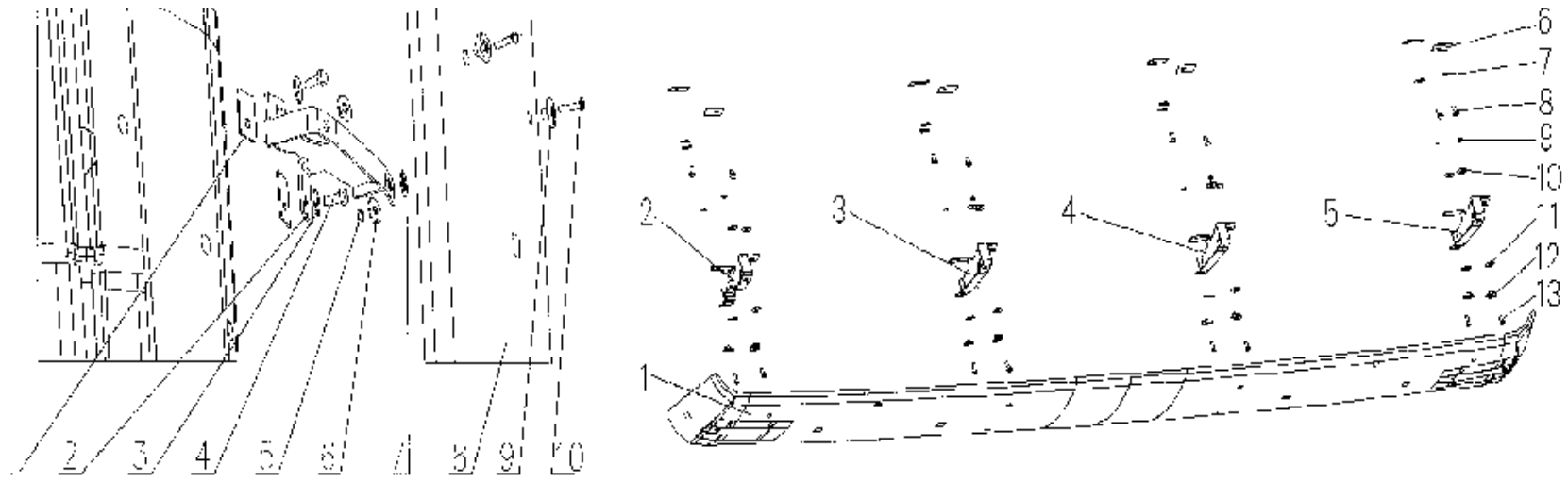
DOWN VIEW MIRROR, SIDE MIRROR/下视镜, 路面镜

| No | Number of part | Quantity | Description | Applicability | Designation |
|----|----------------|----------|-------------|-----------------------------------|------------------|
| 1 | WG1642770004 | 1 | | | Down view mirror |
| 2 | WG1642770004-1 | 1 | | | Nut |
| 3 | WG1642770004-2 | 1 | | | Washer |
| 4 | AZ1642770054 | 1 | | For standard,long cab | Bracket |
| 4 | AZ1644771000 | 1 | | For high-roof cab | Bracket |
| 4 | AZ1646771000 | 1 | | For high-roof and drive right | Bracket |
| 4 | AZ1646770054 | 1 | | For drive right,standard,long cab | Bracket |
| 5 | Q150B0825 | 2 | | | Screw |
| 6 | Q40308 | 2 | | | Spring washer |
| 7 | Q40208 | 4 | | | Washer |
| 8 | Q340B08 | 2 | | | Nut |
| 11 | WG1600770007 | 1 | | | Side mirror |
| 12 | AZ1642770098 | 1 | | | Base |
| 13 | Q2540620 | 2 | | | Screw |
| 14 | Q218B0616 | 2 | | | Screw |
| 15 | Q40306 | 2 | | | Spring washer |

C12-26

SUN VISOR/遮阳罩

Fig. C12-29



C12-26

SUN VISOR/遮阳罩

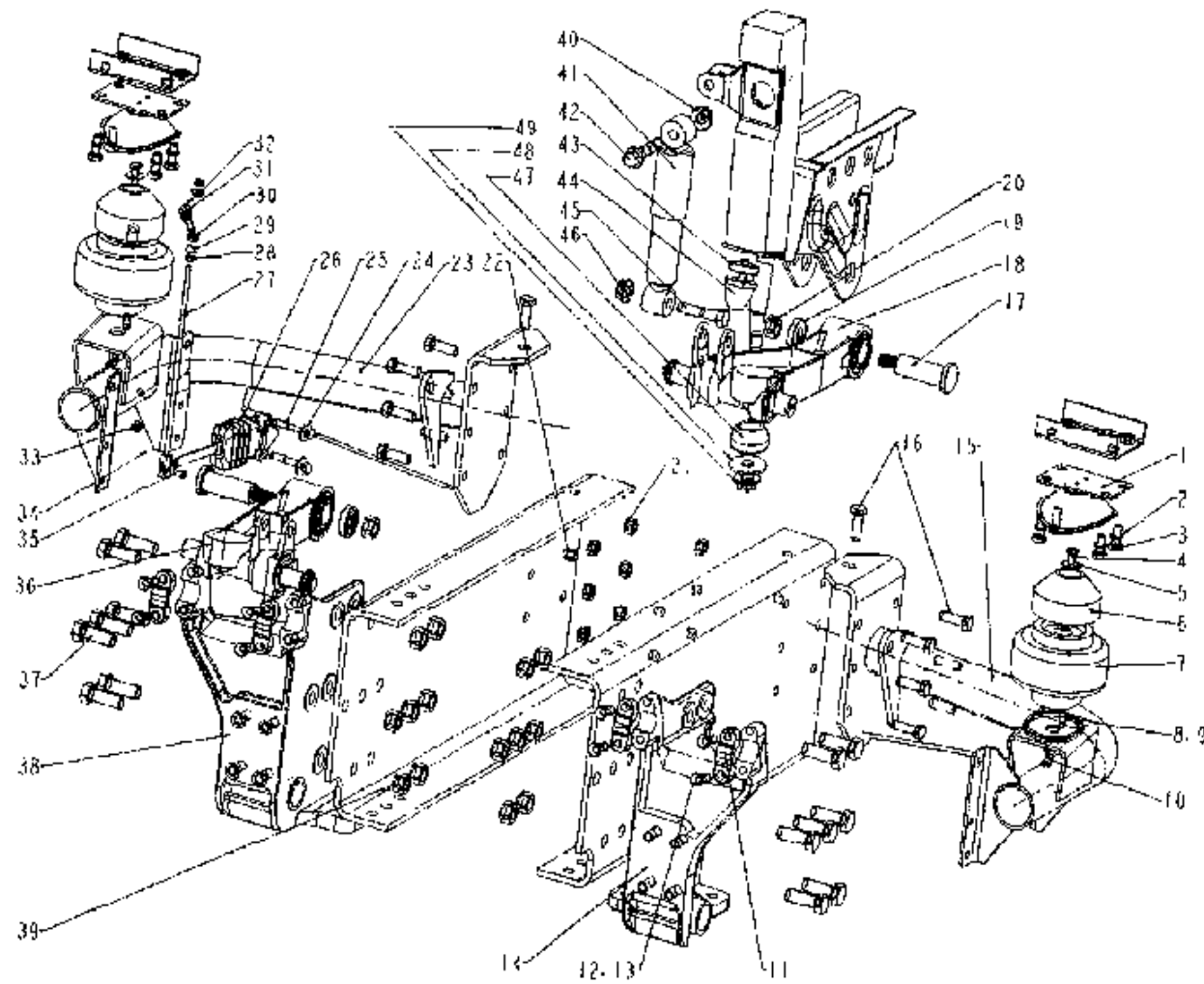
| No | Number of part | Quantity | Description | Applicability ※ | Designation |
|----|----------------|----------|-------------|-----------------|----------------------|
| 1 | WG1642870231 | 1 | | A, AR, B, BR | Sun visor |
| 1 | WG1644870002 | 1 | | C, CR | Sun visor |
| 2 | WG1642870232 | 1 | | A, AR, B, BR | Side bracket right |
| 2 | AZ1644870003 | 1 | | C, CR | Bracket |
| 3 | WG1642870234 | 1 | | A, AR, B, BR | Middle bracket right |
| 4 | WG1642870235 | 1 | | A, AR, B, BR | Middle bracket left |
| 5 | WG1642870233 | 1 | | A, AR, B, BR | Side bracket left |
| 5 | AZ1644870003 | 1 | | C, CR | Bracket |
| 6 | AZ1672870121 | 8 | | A, AR, B, BR | Rubber pad |
| 6 | AZ1672870121 | 6 | | C, CR | Rubber pad |
| 7 | Q40208 | 8 | | | Washer |
| 8 | Q150B0820 | 8 | | | Screw |
| 9 | Q340B06 | 8 | | | Nut |
| 10 | Q40206 | 8 | | | Washer |
| 11 | AZ1642870043 | 8 | | A, AR, B, BR | Rubber pad |
| 11 | AZ1642870043 | 4 | | C, CR | Rubber pad |
| 11 | AZ1644870004 | 2 | | C, CR | Bracket |
| 12 | AZ1608870008 | 8 | | A, AR, B, BR | Washer |
| 12 | AZ1608870008 | 6 | | C, CR | Washer |
| 13 | Q2140625 | 8 | | | Screw |
| 14 | WG1642870236 | 2 | | A, AR, B, BR | Side bracket |
| 15 | Q150B0820 | 2 | | A, AR, B, BR | Screw |
| 16 | Q40208 | 2 | | A, AR, B, BR | Washer |
| 17 | AZ1672870121 | 2 | | A, AR, B, BR | Rubber pad |
| 18 | Q150B0825 | 2 | | A, AR, B, BR | Screw |
| 19 | Q40208 | 4 | | A, AR, B, BR | Washer |
| 20 | Q340B08 | 2 | | A, AR, B, BR | Nut |

※ A~CR——Mark of cab

C12-27

FRONT SUSPENSION OF DRIVER 轿 CAB/驾驶室前悬置

Fig. C12-30



C12-27

FRONT SUSPENSION OF DRIVER 轿 CAB/驾驶室前悬置

| No | Number of part | Quantity | Description | Applicability ※ | Designation |
|----|----------------|----------|-------------|-----------------|------------------------------|
| 1 | AZ1642430030 | 2 | | | Above base for air spring |
| 1 | AZ1642430125 | 2 | | SS | Above base for screwy spring |
| 2 | Q40310 | 8 | | | Spring washer |
| 3 | Q150B1025 | 8 | | | Screw |
| 4 | Q150B0820 | 2 | | AS | Screw |
| 5 | Q41208 | 2 | | AS | Washer |
| 6 | WG1642430033 | 2 | | AS | Guide |
| 6 | AZ1642430116 | 2 | | SS | Washer |
| 7 | AZ1642430085 | 2 | | AS | Air spring |
| 7 | WG1642430118 | 2 | | SS | Screwy spring |
| 7 | WG1642430117 | 2 | | SSH | Screwy spring |
| 8 | Q40308 | 2 | | | Spring washer |
| 9 | Q150B0820 | 2 | | | Screw |
| 10 | WG1642430086 | 2 | | AS | Nozzle |
| 11 | AZ1642430043 | 4 | | | Cover |
| 12 | Q40312 | 8 | | | Spring washer |
| 13 | Q150B1235 | 8 | | | Screw |
| 14 | AZ1642430041 | 1 | | | Front support left |
| 15 | WG1642430010 | 1 | | AS | Bottom spring bracket left |
| 15 | AZ1642430110 | 1 | | SS | Bottom spring bracket left |
| 15 | AZ1642430126 | 1 | | AS,drive right | Bottom spring bracket left |
| 16 | Q151C1235 | 14 | | | Screw |
| 17 | AZ1642430071 | 2 | | | Screw |
| 18 | AZ1642430051 | 1 | | | Left swing arm |
| 19 | AZ1642430072 | 2 | | | Washer |
| 20 | 190003888459 | 2 | | | Nut |
| 21 | 190003888457 | 2 | | | Nut |
| 22 | 190003888457 | 2 | | | Nut |
| 23 | WG1642430020 | 1 | | AS | Bottom spring bracket right |
| 23 | WG1642430120 | 1 | | SS | Bottom spring bracket right |
| 23 | AZ1642430127 | 1 | | AS,drive right | Bottom spring bracket right |
| 24 | Q40208 | 2 | | | Washer |
| 25 | Q150B0855 | 2 | | AS | Screw |
| 26 | WG1642440051 | 1 | | AS | Height control valve |
| 27 | WG1642430035 | 1 | | AS | Brace rad I |
| 28 | Q340B09 | 4 | | AS | Nut |
| 29 | AZ1642430036 | 2 | | AS | Ball washer |
| 30 | AZ1642430034 | 1 | | AS | Connecting rod |
| 31 | Q340B08 | 1 | | AS | Nut |

| | | | | | |
|----|--------------|----|--|----|---------------------|
| 32 | Q41208 | 1 | | AS | Toothed washer |
| 33 | Q340B08 | 2 | | AS | Nut |
| 34 | Q5002012 | 1 | | AS | Split pin |
| 35 | Q5100614 | 1 | | AS | Bolt |
| 36 | AZ1642430052 | 1 | | | Right swing arm |
| 37 | Q151B1645 | 14 | | | Screw |
| 38 | AZ1642430042 | 1 | | | Front support right |
| 39 | 190003888459 | 14 | | | Nut |
| 40 | Q33014 | 2 | | | Nut |
| 41 | AZ1642430091 | 2 | | | Shock absorber |
| 42 | Q1841470 | 2 | | | Nut |
| 43 | AZ1642430082 | 2 | | | Washer |
| 44 | WG1642430081 | 2 | | | Spring stop |
| 45 | Q150B1460 | 2 | | | Screw |
| 46 | Q33014 | 2 | | | Nut |
| 47 | AZ1642430097 | 2 | | | Rubber stop |
| 48 | Q40216 | 2 | | | Washer |
| 49 | Q33016 | 2 | | | Nut |

※ AS— Air suspension of cab, 驾驶室空气悬挂

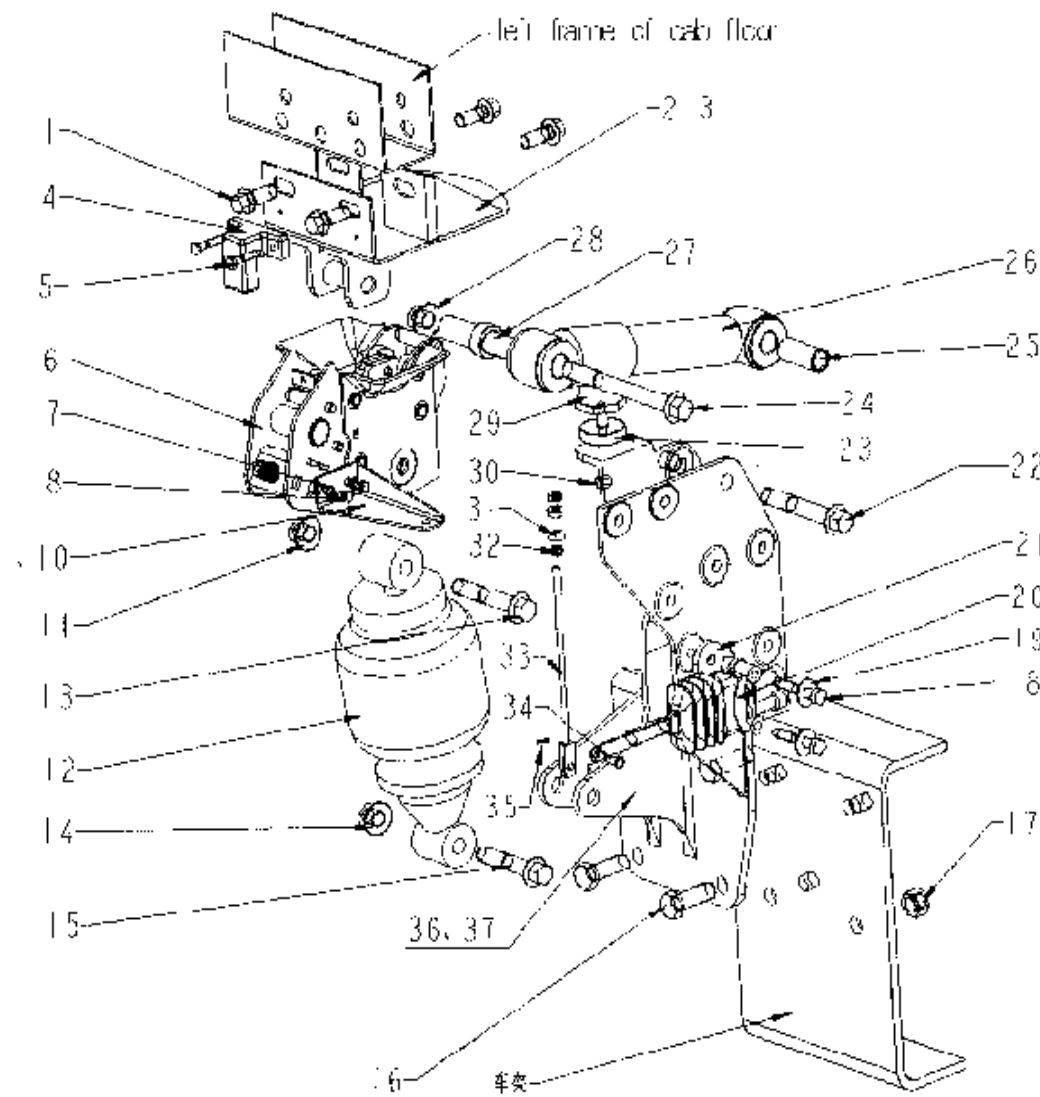
※ SS— Screwy spring suspension of cab, 驾驶室螺旋弹簧悬挂

※ SSH— Screwy spring suspension of Long cab and high-roof cab, 中长, 高项驾驶室螺旋弹簧悬挂

C12-28

REAR SUSPENSION OF DRIVER' S CAB/驾驶室后悬置

Fig.C12-31



C12-28

REAR SUSPENSION OF DRIVER' S CAB/驾驶室后悬置

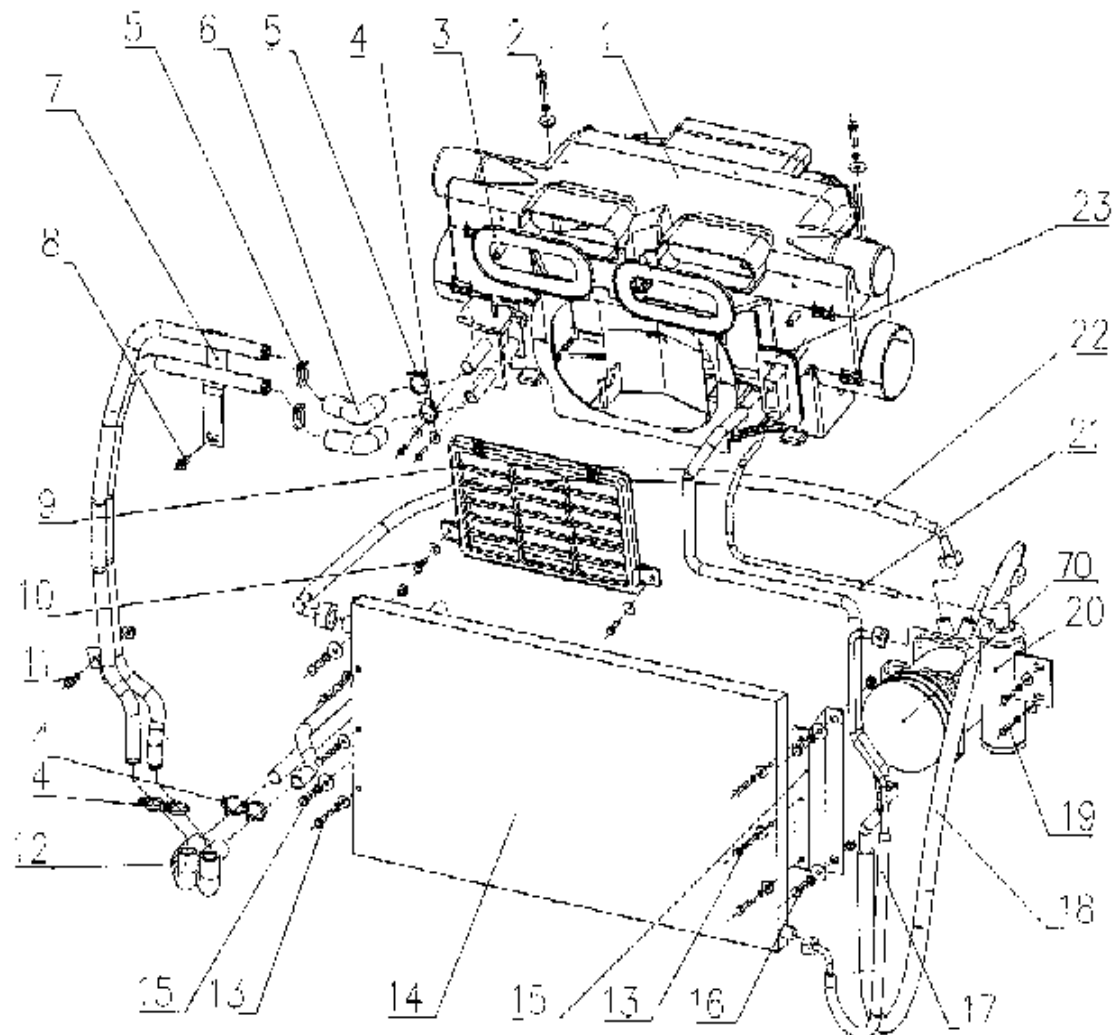
| No | Number of part | Quantity | Description | Applicability ※ | Designation |
|----|----------------|----------|-------------|-----------------|-------------------------------|
| 1 | Q1841230 | 8 | | | Screw |
| 2 | WG1642440040 | 1 | | | Above bracket left |
| 3 | WG1642440041 | 1 | | | Above bracket right |
| 4 | WG1642440052 | 2 | | | Sensor for cab lock |
| 5 | Q150B0630 | 4 | | | Screw |
| 6 | WG1642440101 | 2 | | | Hyd.lock |
| 7 | Q40306 | 4 | | | Spring washer |
| 8 | Q150B0610 | 4 | | | Screw |
| 9 | WG1642440055 | 1 | | AS | Left bracket |
| 10 | WG1642440056 | 1 | | AS | Right bracket |
| 11 | Q33014 | 2 | | | Nut |
| 12 | AZ1642440025 | 2 | | AS | Shock absorber |
| 12 | AZ1642440027 | 2 | | SSH | Shock absorber(screwy spring) |
| 12 | WG1642440028 | 2 | | SSS | Shock absorber(screwy spring) |
| 13 | Q1841480 | 2 | | | Screw |
| 14 | Q33014 | 2 | | | Nut |
| 15 | Q1841470 | 2 | | | Screw |
| 16 | Q151B1445 | 8 | | | Screw |
| 17 | 190003888458 | 8 | | | Nut |
| 18 | Q150B0850 | 4 | | | Screw |
| 19 | Q40208 | 4 | | | Washer |
| 20 | WG1642440051 | 2 | | AS | Height control valve |
| 21 | AZ1642440035 | 2 | | AS | Plate |
| 22 | Q1841490 | 2 | | | Screw |
| 23 | AZ1642430082 | 2 | | | Washer |
| 24 | Q18414140 | 2 | | | Screw |
| 25 | AZ1642440032 | 2 | | | Bush II |
| 26 | AZ1642440021 | 2 | | | Stabilizer |
| 27 | AZ1642440031 | 2 | | | Bush I |
| 28 | Q33014 | 2 | | | Nut |
| 29 | WG1642430081 | 2 | | | Stop |
| 30 | Q340B10 | 2 | | | Nut |
| 31 | AZ1642430036 | 4 | | AS | Ball washer |
| 32 | Q340B06 | 8 | | AS | Nut |
| 33 | WG1642440060 | 2 | | AS | Brace rod |
| 34 | Q5100614 | 2 | | AS | Bolt |
| 35 | Q5002012 | 2 | | AS | Split pin |
| 36 | AZ1642440011 | 1 | | B, BR, C, CR | Bottom bracket left |

| | | | | | |
|--|--------------|---|--|----------------|----------------------|
| 36 | AZ1642440013 | 1 | | A, AR | Bottom bracket left |
| 36 | AZ1642440015 | | | 8×4and ASS,SSS | Bottom bracket left |
| 37 | AZ1642440012 | 1 | | B, BR, C, CR | Bottom bracket right |
| 37 | AZ1642440014 | 1 | | A, AR | Bottom bracket right |
| 37 | AZ1642440016 | | | 8×4and ASS,SSS | Bottom bracket right |
| 38 | WG1642440070 | 1 | | | T-nozzle |
| 39 | WG1642440072 | 1 | | | Hose |
| ※ SSS—Spring suspension of standard cab, 标准驾驶室螺旋弹簧悬挂 | | | | | |
| ※ ASS—Air suspension of standard cab, 标准驾驶室空气弹簧悬挂 | | | | | |

C12-30

AIR CONDITIONER/空调装置

Fig. C12-33



C12-30

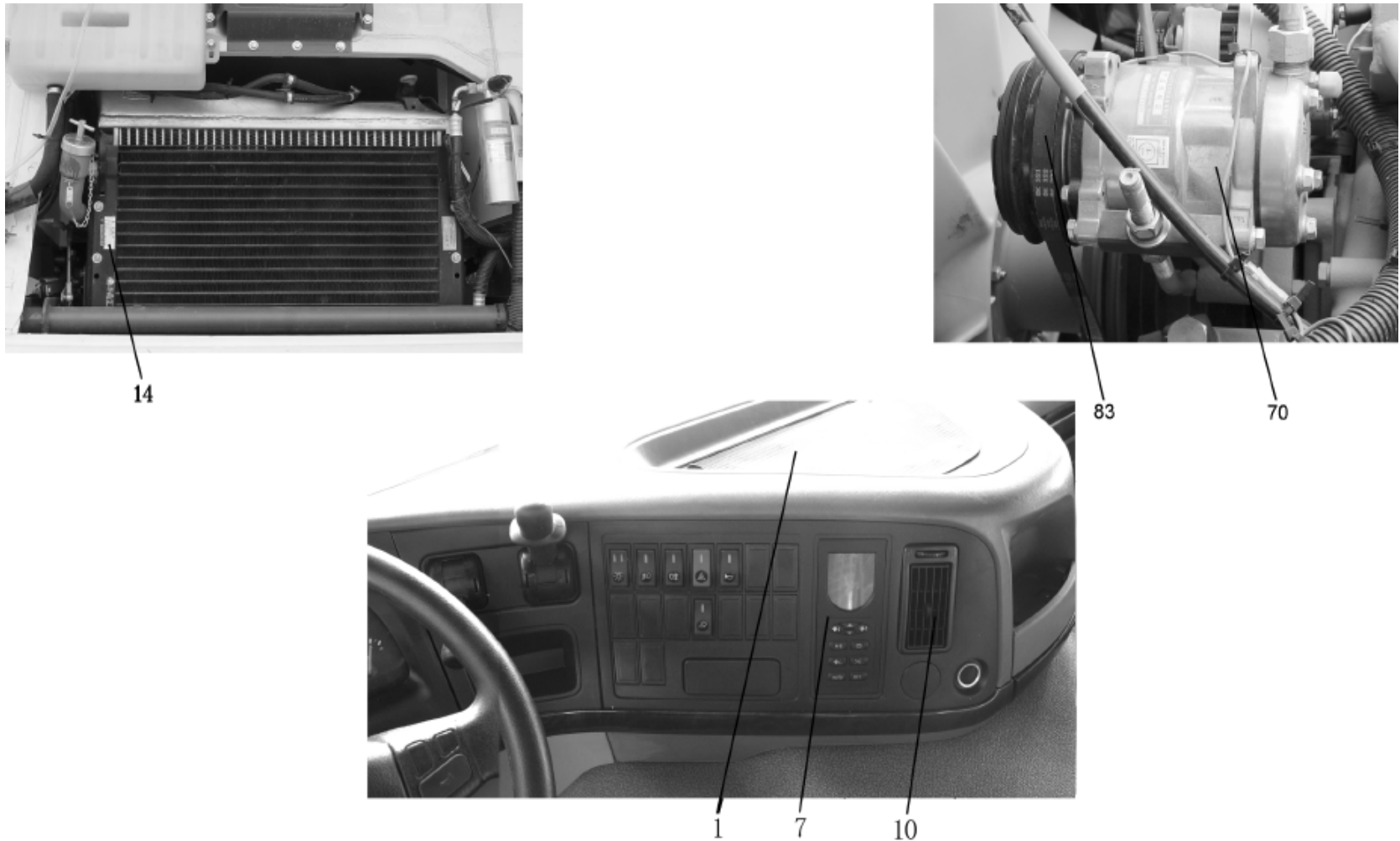
AIR CONDITIONER/空调装置

| No | Number of part | Quantity | Description | Applicability | Designation |
|-------|----------------|----------|-------------|---------------|---|
| 1 | WG1642820002 | 1 | | | Air conditioner with electro air intake |
| 1-1 | AZ1630840013 | 1 | | | Bottom housing |
| 1-2 | AZ1630840091 | 2 | | | Water pipe |
| 1-3 | AZ1630840319 | 1 | | | Water tank with electro valve |
| 1-3-1 | AZ1630840074 | 1 | | | Water tank |
| 1-3-2 | AZ1630840073 | 1 | | | Water inlet pipe assembly |
| 1-3-3 | AZ1630840066 | 3 | | | O-ring |
| 1-3-4 | AZ1630840072 | 1 | | | Water outlet pipe assembly |
| 1-3-5 | AZ1630840320 | 1 | | | Water valve with electro switch |
| 1-4 | AZ1630840326 | 1 | | | 3#water changer |
| 1-5 | Q2723525 | 2 | | | Screw |
| 1-6 | AZ1642820010 | 1 | | | Evaporator assembly |
| 1-6-1 | AZ1642820010-1 | 1 | | | Expansion valve |
| 1-6-2 | AZ1642820010-2 | 1 | | | Temprature sensor |
| 1-7 | AZ1630840015 | 2 | | | Air intake assembly |
| 1-8 | AZ1630840312 | 1 | | | Middle housing |
| 1-9 | AZ1630840092 | 1 | | | Seal strip |
| 1-10 | AZ1630840063 | 9 | | | Clip |
| 1-11 | AZ1642820010 | 1 | | | Fan |
| 1-12 | AZ1630840323 | 1 | | | Electrical line for fan |
| 1-13 | Q2714216 | 3 | | | Screw |
| 1-14 | AZ1630840321 | 1 | | | Fan speed changer |
| 1-15 | AZ1630840049 | 1 | | | Rotary plate |
| 1-16 | AZ1630840050 | 1 | | | Rotary arm |
| 1-17 | AZ1630840051 | 2 | | | Torsion spring |

C12-30

AIR CONDITIONER/空调装置

Fig. C12-34



C12-30

AIR CONDITIONER/空调装置

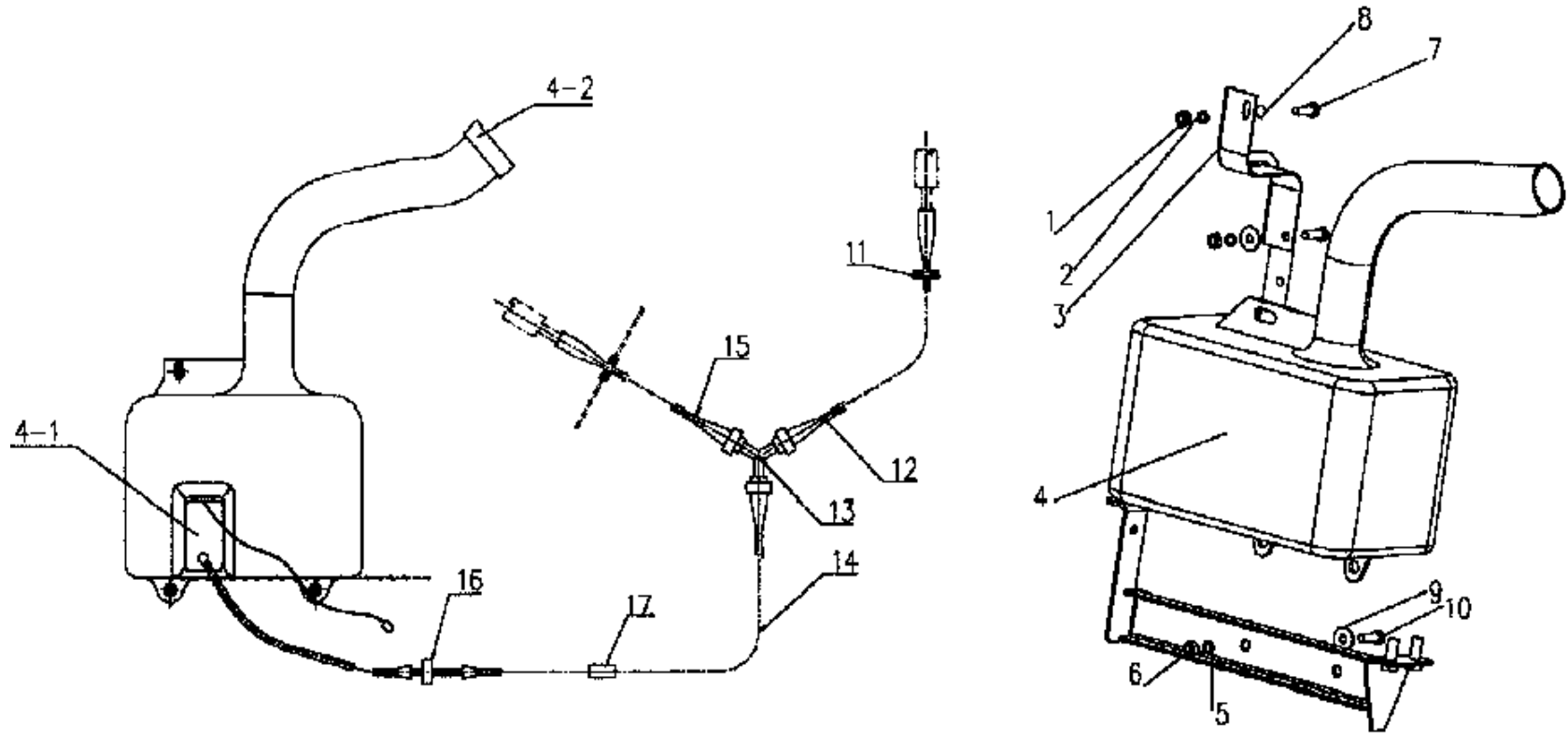
| No | Number of part | Quantity | Description | Applicability | Designation |
|------|----------------|----------|-------------|---------------|----------------------|
| 1-18 | AZ1630840052 | 1 | | | Washer |
| 1-19 | AZ1630840065 | 1 | | | Snap ring |
| 1-20 | AZ1630840045 | 2 | | | Rod II |
| 1-21 | AZ1630840046 | 1 | | | Rod III |
| 1-22 | AZ1630840047 | 1 | | | Rod IV |
| 1-23 | AZ1630840047 | 1 | | | 2# water changer |
| 1-24 | Q2723525 | 2 | | | Screw |
| 1-25 | AZ1630840313 | 1 | | | Lever |
| 1-26 | AZ1630840314 | 1 | | | Rod |
| 1-27 | AZ1630840053 | 2 | | | Base |
| 1-28 | AZ1630840311 | 1 | | | Above housing |
| 1-29 | AZ1630840401 | 1 | | | Gasket |
| 1-30 | AZ1630840093 | 1 | | | Seal strip II |
| 1-31 | AZ1630840063 | 8 | | | Clip |
| 1-32 | AZ1630840037 | 1 | | | Air intake left |
| 1-33 | AZ1630840038 | 1 | | | Air intake right |
| 1-34 | AZ1630840040 | 1 | | | Air intake front |
| 1-35 | AZ1630840041 | 2 | | | Rod |
| 1-36 | AZ1630840035 | 1 | | | Shaft |
| 1-37 | AZ1630840036 | 1 | | | Air intake rear |
| 1-38 | AZ1630840039 | 1 | | | Rod I |
| 1-39 | AZ1630840053 | 1 | | | Base |
| 1-40 | AZ1630840034 | 2 | | | Bevel gear |
| 1-41 | AZ1630840315 | 1 | | | Shaft for bevel gear |
| 1-42 | Q43660 | 1 | | | Snap ring |
| 1-43 | AZ1630840324 | 1 | | | 1# waler changer |
| 1-44 | Q2723525 | 2 | | | Screw |
| 1-45 | AZ1630840016 | 1 | | | Seal ring |
| 1-46 | AZ1630840021 | 1 | | | Plate |
| 1a | Q150B0830 | 2 | | | Screw |
| 1b | Q40308 | 2 | | | Spring washer |
| 1c | Q40208 | 2 | | | Washer |
| 3 | AZ1630840062 | 2 | | | Rubber sleeve |
| 4 | Q2714825 | 2 | | | Screw |

| | | | | | |
|------|----------------|---|--|-----------------|-------------------------------------|
| 4a | Q40206 | 2 | | | Washer |
| 5 | 190003989340 | 6 | | | Circlip |
| 6 | WG1642840091 | 2 | | | Hose I |
| 7 | AZ1642840013 | 1 | | | Steel pipe |
| 8 | Q1840816 | 1 | | | Screw |
| 9 | AZ1642840084 | 1 | | | Protect net |
| 10 | Q150B0620 | 2 | | | Screw |
| 10a | Q40206 | 2 | | | Washer |
| 11 | Q1840825 | 1 | | | Screw |
| 11a | Q33008 | 1 | | | Nut |
| 12 | WG1642840092 | 2 | | | Hose II |
| 13 | Q150B0640 | 6 | | | Screw |
| 13a | Q40306 | 6 | | | Spring washer |
| 13b | Q40206 | 6 | | | Washer |
| 14 | WG1630820073 | 1 | | | Condenser assembly |
| 15 | WG1642820011 | 1 | | | Bracket left for condenser |
| 15a | WG1642828011 | 1 | | For drive right | Bracket left for condenser |
| 15 | WG1642820012 | 1 | | | Bracket right for condenser |
| 15a | WG1642828012 | | | For drive right | Bracket right for condenser |
| 16 | Q150B0825 | 4 | | | Screw |
| 16a | Q40308 | 8 | | | Spring washer |
| 16b | Q40208 | 4 | | | Washer |
| 16c | Q340B08 | 4 | | | Nut |
| 17 | WG1642820017 | 1 | | | Condenser-receiver connect tube |
| 18 | WG1642820019 | 1 | | | Evaporator-compressor connect tube |
| 18 | WG1642828019 | 1 | | For drive right | Evaporator-compressor connect tube |
| 19 | Q150B0625 | 2 | | | screw |
| 19 | Q40306 | 2 | | | Spring washer |
| 19 | Q40206 | 2 | | | Washer |
| 20 | WG1642820015 | 1 | | | Receiver tank |
| 21 | WG1642820018/1 | 1 | | | Receiver-evaporator connect tube |
| 22 | WG1642820016 | 1 | | | Compressor-condenser connect tube |
| 22 | WG1642828016 | 1 | | For drive right | Compressor-condenser connect tube |
| 23 | WG1630820019 | 1 | | | Rubber sleeve |
| 24 | WG1630840032 | 1 | | | Control panel |
| 25 | WG1630820313 | 1 | | | Temperature sensor |
| 26 | AZ1630820312 | 1 | | | Electrical line for air conditioner |
| 70 | WG1500139000 | 1 | | | Compressor |
| 70—1 | WG1500139000/3 | 1 | | | Compressor |
| 71 | 1581C160018 | 2 | | | Sleeve |
| 72 | AZ1500130018 | 1 | | | Bracket |
| 72 | AZ1500130107 | 1 | | HINO engine | Bracket |
| 73 | Q150B10130 | 2 | | | Screw |
| 74 | 161500130027 | 1 | | | Spacing plate |
| 76 | Q150B0825 | 2 | | | Screw |
| 77 | Q40008 | 2 | | | Washer |
| 78 | Q41808 | 2 | | | Spring washer |
| 79 | AZ1500090026 | 1 | | | Collar bolt |
| 79 | AZ1500130105 | 1 | | HINO engine | Collar bolt |
| 80 | Q40110 | 3 | | | Washer |
| 81 | Q340B10 | 2 | | | Flat nut |
| 82 | Q33208 | 1 | | | Lock nut |
| 83 | WG1500130110 | 1 | | HINO engine | V-belt |
| 83 | WG1500130016 | 1 | | WD615 | V-belt |
| 83—1 | WG1500130016/3 | 1 | | WD615 | V-belt |

C12-31

WINDSCREEN WASHING EQUIPMENT/风窗洗涤装置

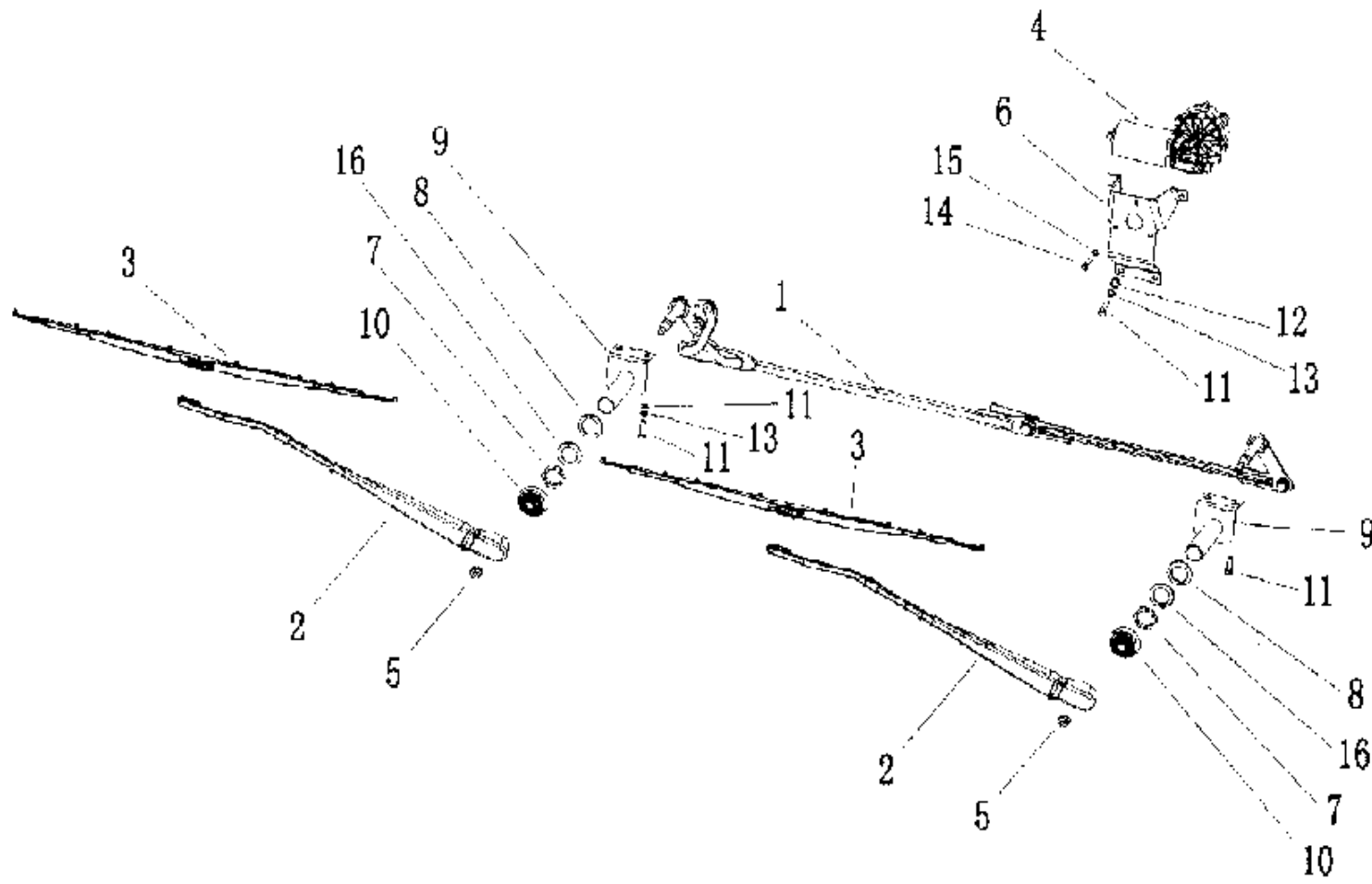
Fig. C12-35



C12-31

WINDSCREEN WASHING EQUIPMENT/风窗洗涤装置

| No | Number of part | Quantity | Description | Applicability | Designation |
|-----|----------------|----------|-------------|-----------------|-------------------|
| 1 | Q340B06 | 2 | | | Nut |
| 2 | Q40306 | 2 | | | Spring washer |
| 3 | AZ1642860009 | 1 | | | Bracket |
| 3 | AZ1646860005 | 1 | | For drive right | Bracket |
| 4 | WG1642860001/1 | 1 | | | Washing equipment |
| 4 | WG1646860001 | 1 | | For drive right | Reservoir/pump |
| 4-1 | WG1642860001-1 | 1 | | | Pump |
| 4-2 | WG1642860001-2 | 1 | | | Cover |
| 5 | Q40308 | 2 | | | Spring washer |
| 6 | 340B08 | 2 | | | Nut |
| 7 | Q150B0625 | 2 | | | Screw |
| 8 | Q40206 | 2 | | | Washer |
| 9 | Q40208 | 2 | | | Washer |
| 10 | Q150B0830 | 2 | | | Screw |
| 11 | AZ1642860007 | 2 | | | Protect ring |
| 12 | AZ1642860003 | 2 | | | Hose I |
| 13 | 116100770121 | 1 | | | V nozzle |
| 14 | AZ1642860005 | 1 | | | Hose III |
| 15 | AZ1642860004 | 1 | | | Hose II |
| 16 | AZ1600860121 | 1 | | | Nozzle |
| 17 | WG1600860008 | 3 | | | Clip |
| 18 | AZ1646860004 | 1 | | For drive right | Bracket |

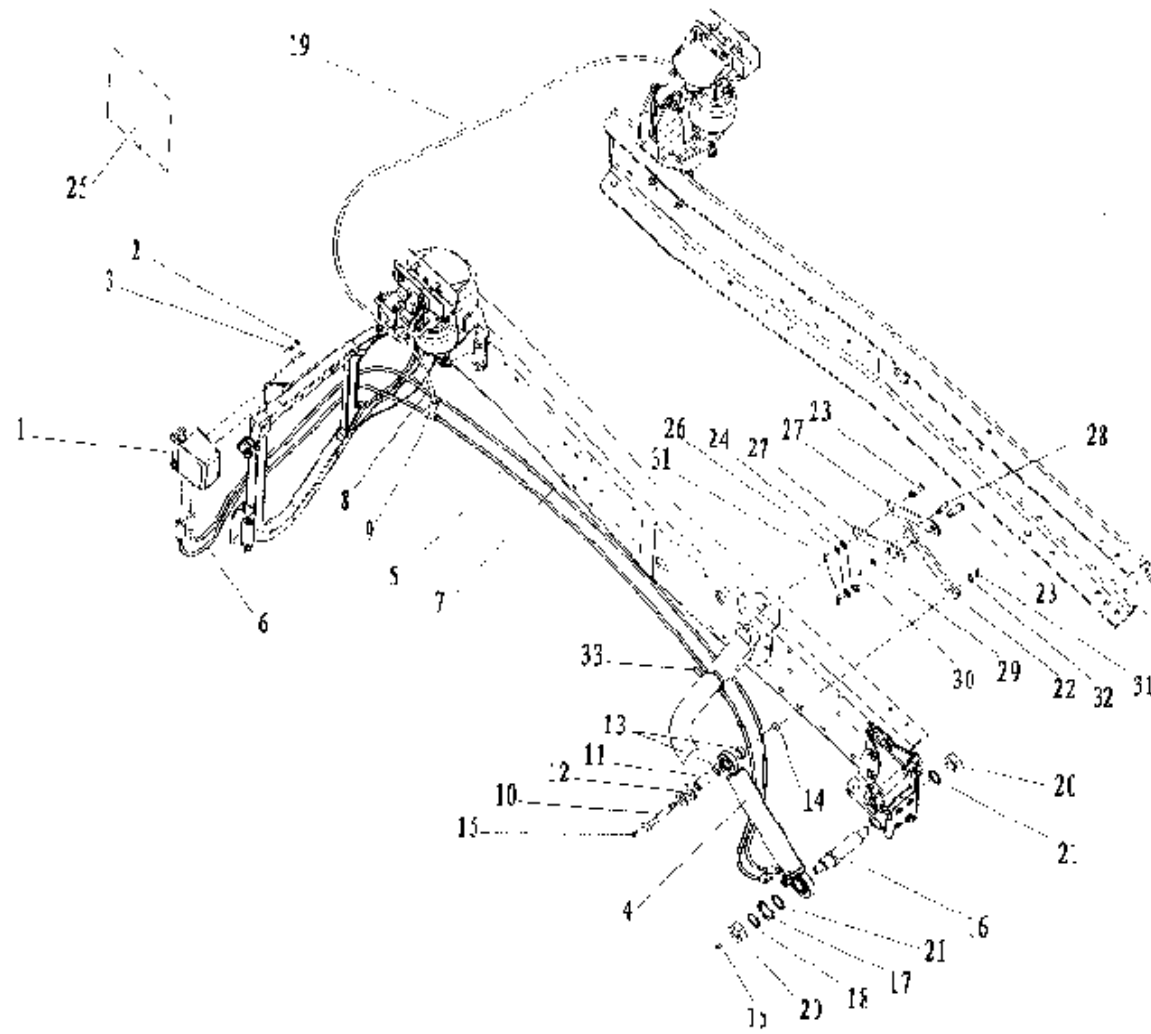


| No | Number of part | Quantity | Description | Applicability | Designation |
|----|----------------|----------|-------------|-----------------|--------------------|
| 0 | WG1642740002 | | | | Wiper (incl.1~5) |
| 0 | WG1646740002 | | | | Wiper (incl.1~5) |
| 1 | WG1642740009/1 | 1 | | | Rod |
| 1 | WG1642740009/2 | 1 | | Option | Rod |
| 1 | WG1646740009 | 1 | | For drive right | Rod |
| 2 | WG1642740010/1 | 2 | | | Wiper arm |
| 2 | WG1642740010/2 | 2 | | Option | Wiper arm |
| 2 | WG1646740001 | 1 | | For drive right | Wiper arm |
| 3 | WG1642740011/1 | 2 | | | Wiper rubber |
| 3 | WG1642740011/2 | 2 | | Option | Wiper rubber |
| 4 | WG1642740008/1 | 1 | | | Wiper anchor |
| 4 | WG1642740008/2 | 1 | | Option | Wiper anchor |
| 5 | Q33010 | 2 | | | Lock nut |
| 6 | WG1642740003/1 | 1 | | | Bracket for anchor |
| 6 | WG1642740003/2 | 1 | | Option | Bracket for anchor |
| 7 | AZ1642740004 | 2 | | | Nut |
| 8 | AZ1642740005 | 2 | | | Washer |
| 9 | AZ1642740006 | 2 | | | Base |
| 10 | AZ1642740007 | 2 | | | Protect cover |
| 11 | Q150B0812 | 8 | | | Screw |
| 12 | Q40108 | 8 | | | Washer |
| 13 | Q40308 | 8 | | | Spring washer |
| 14 | Q150B0616 | 3 | | | Screw |
| 15 | Q40306 | 3 | | | Spring washer |
| 16 | Q40126 | 2 | | | Washer |

C12-33

TILTING EQUIPMENT/翻转装置

Fig. C12-37



C12-33

TILTING EQUIPMENT/翻转装置

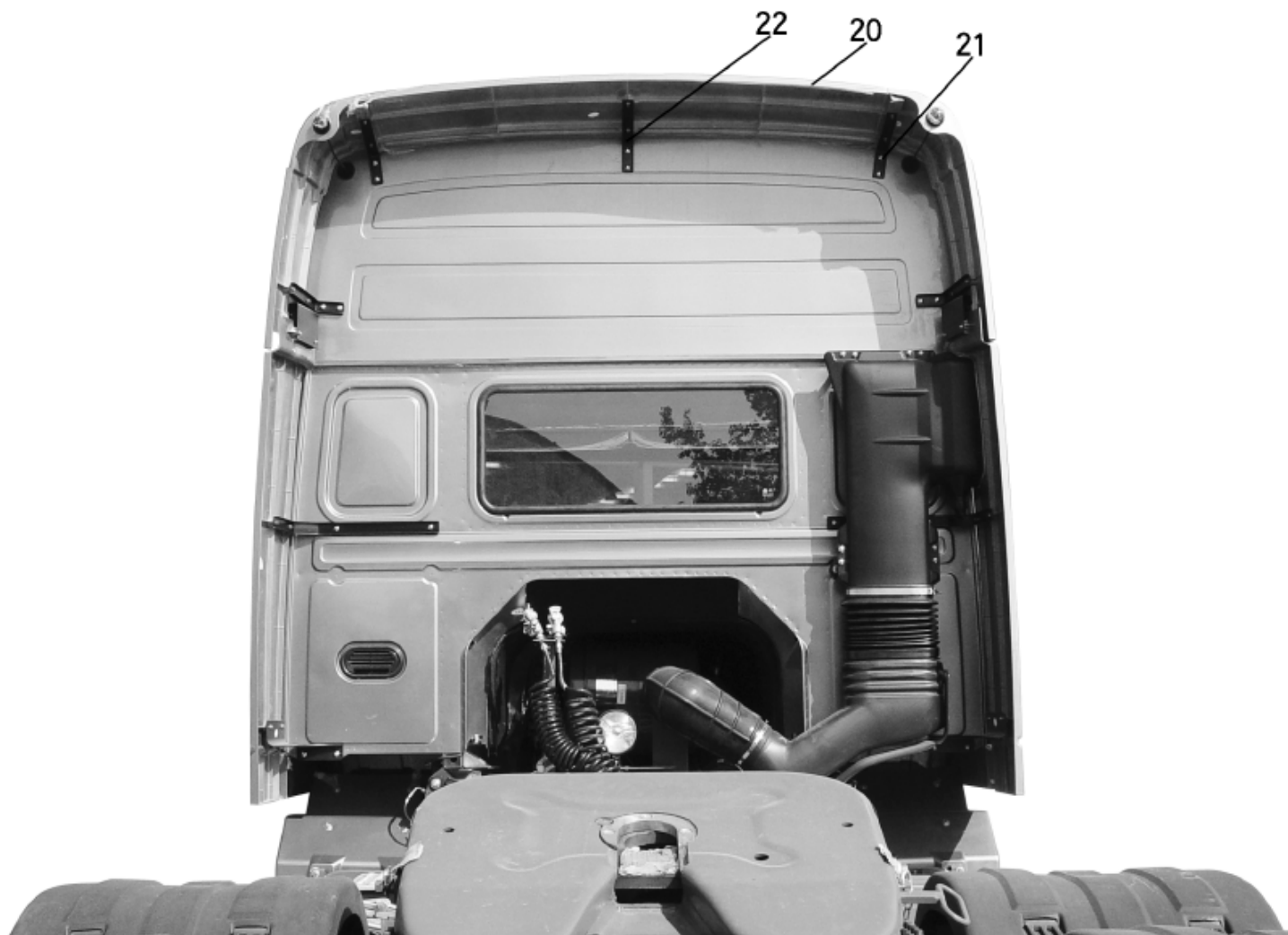
| No | Number of part | Quantity | Description | Applicability | Designation |
|----|----------------|----------|-------------|-----------------|--------------------|
| 1 | WG9719820001 | 1 | | | Hydr.hand pump |
| 1 | WG9719826001 | 1 | | For drive right | Hydr.hand pump |
| 2 | Q150B1020 | 2 | | | Screw |
| 3 | Q40310 | 2 | | | Spring washer |
| 4 | WG9719820002 | 1 | | | Hydr.cylinder |
| 5 | WG9719821005 | 1 | | B,BR,C,CR | High pressure hose |
| 5 | WG9719820005 | 1 | | A,AR | High pressure hose |
| 6 | WG9719821006 | 1 | | B,BR,C,CR | High pressure hose |
| 6 | WG9719820006 | 1 | | A,AR | High pressure hose |
| 7 | WG9719820007 | 1 | | | High pressure hose |
| 8 | WG1642440075 | 1 | | | High pressure hose |
| 9 | 190003559482 | 1 | | | T-nozzle |
| 10 | AZ9719820008 | 1 | | | Support shaft I |
| 11 | AZ9719820009 | 1 | | | Bush |
| 12 | Q40216 | 1 | | | Washer |
| 13 | AZ9719820012 | 2 | | | Bush |
| 14 | 190003888459 | 1 | | | Lock nut |
| 15 | Q700B06 | 2 | | | Grease nipple |
| 16 | AZ9719820010 | 1 | | | Support shaft II |
| 17 | WG9719820011 | 1 | | | Washer |
| 18 | Q40124 | 1 | | | Washer |
| 19 | WG1642440072 | 1 | | | Hose |
| 20 | Q33424 | 2 | | | Lock nut |
| 21 | WG9719820013 | 2 | | | Washer |
| 22 | AZ9719820021 | 1 | | | Above brace |
| 23 | Q5101428 | 2 | | | Bolt |
| 24 | Q40114 | 2 | | | Washer |
| 26 | Q41814 | 2 | | | Washer |
| 27 | AZ9719820022 | 2 | | | Bottom brace |
| 28 | 190003903452 | 1 | | | Bolt |
| 29 | Q41710 | 1 | | | Washer |
| 30 | Q5003216 | 1 | | | Split pin |
| 31 | Q5004028 | 2 | | | Split pin |
| 32 | Q40112 | 1 | | | Washer |
| 33 | 190003171356 | 15 | | | Plastic circlip |

| | | | | | |
|-----|--------------|----|--|-------------------|----------------------|
| 9a | Q150B0820 | 8 | | | Screw |
| 9b | Q40208 | 8 | | | Washer |
| 9c | Q40308 | 8 | | | Spring washer |
| 10 | AZ1644870015 | 1 | | | Bottom bracket right |
| 10a | AZ1644870018 | 1 | | | Bottom bracket left |
| 10b | Q150B0820 | 8 | | | Screw |
| 10c | Q40208 | 8 | | | Washer |
| 10d | Q40308 | 8 | | | Spring washer |
| 11 | AZ1630230125 | 4 | | | Rubber pad |
| 12 | AZ1672870121 | 12 | | | Rubber pad |
| 13 | AZ1642930061 | 2 | | | Plate with nut |
| 20 | WG1644870016 | 1 | | For high-roof cab | Top wind sheet |

C12-34

WING, WIND SHEET/导流罩, 导风板

Fig. C12-38



C12-34

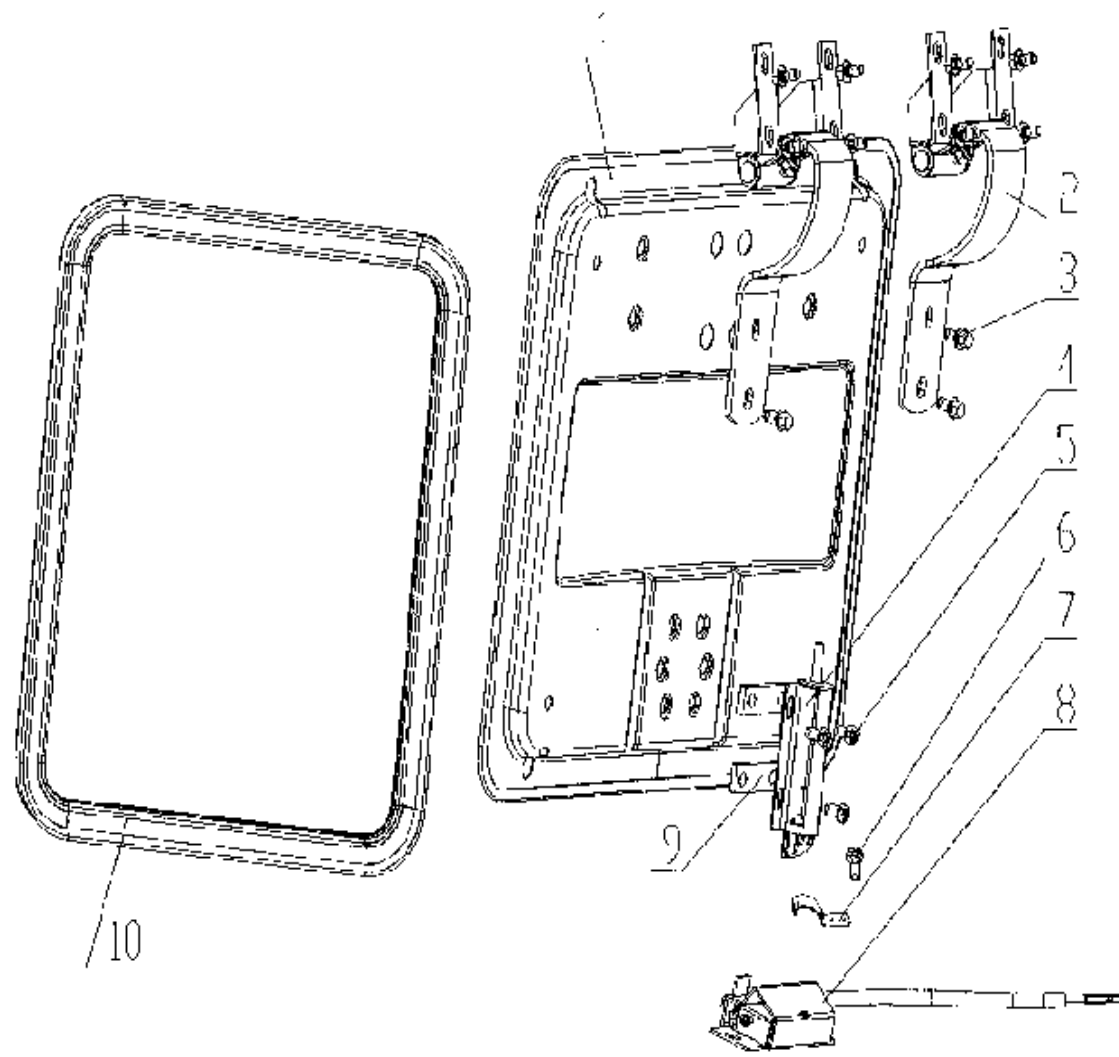
WING, WIND SHEET/导流罩, 导风板

| No | Number of part | Quantity | Description | Applicability | Designation |
|----|----------------|----------|-------------|-------------------|-----------------------------------|
| 21 | WG1644870017 | 4 | | For high-roof cab | Side bracket for top wind sheet |
| 22 | WG1644870020 | 1 | | For high-roof cab | Middle bracket for top wind sheet |

C12-36

TOOL BOX FOR LONG AND HIGH-ROOF CAB/中长, 高顶驾驶室工具箱

Fig.C12-40



C12-36

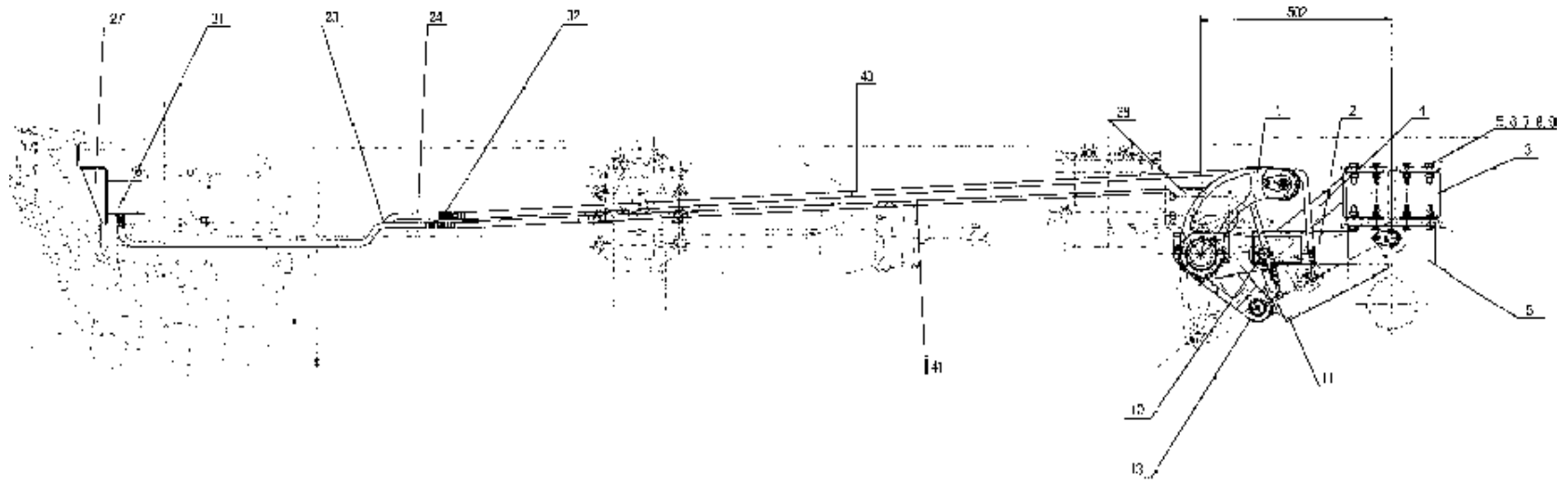
TOOL BOX FOR LONG AND HIGH-ROOF CAB/中长, 高顶驾驶室工具箱

| No | Number of part | Quantity | Description | Applicability | Designation |
|----|----------------|----------|-------------|---------------|----------------------|
| 1 | WG1642270006 | 1 | | | Cover for top window |
| 2 | WG1642290002 | 2 | | | Hinge |
| 3 | Q1840612 | 12 | | | Screw |
| 4 | WG1642290005 | 1 | | | Locking pin |
| 5 | Q2100612 | 4 | | | Screw |
| 6 | Q218B0616 | 2 | | | Screw |
| 7 | Q68108 | 1 | | | Clamp |
| 8 | WG1642290003 | 1 | | | Lock of tool box |
| 9 | WG1642290004 | 2 | | | Pad |
| 10 | WG1642290006 | 1 | | | Sealing strip |

C13-1

HYDRAULIC DEVICE FOR 6×2 TRAILING AXLE/后支承桥液压提升装置

Fig. C13-1



C13-1

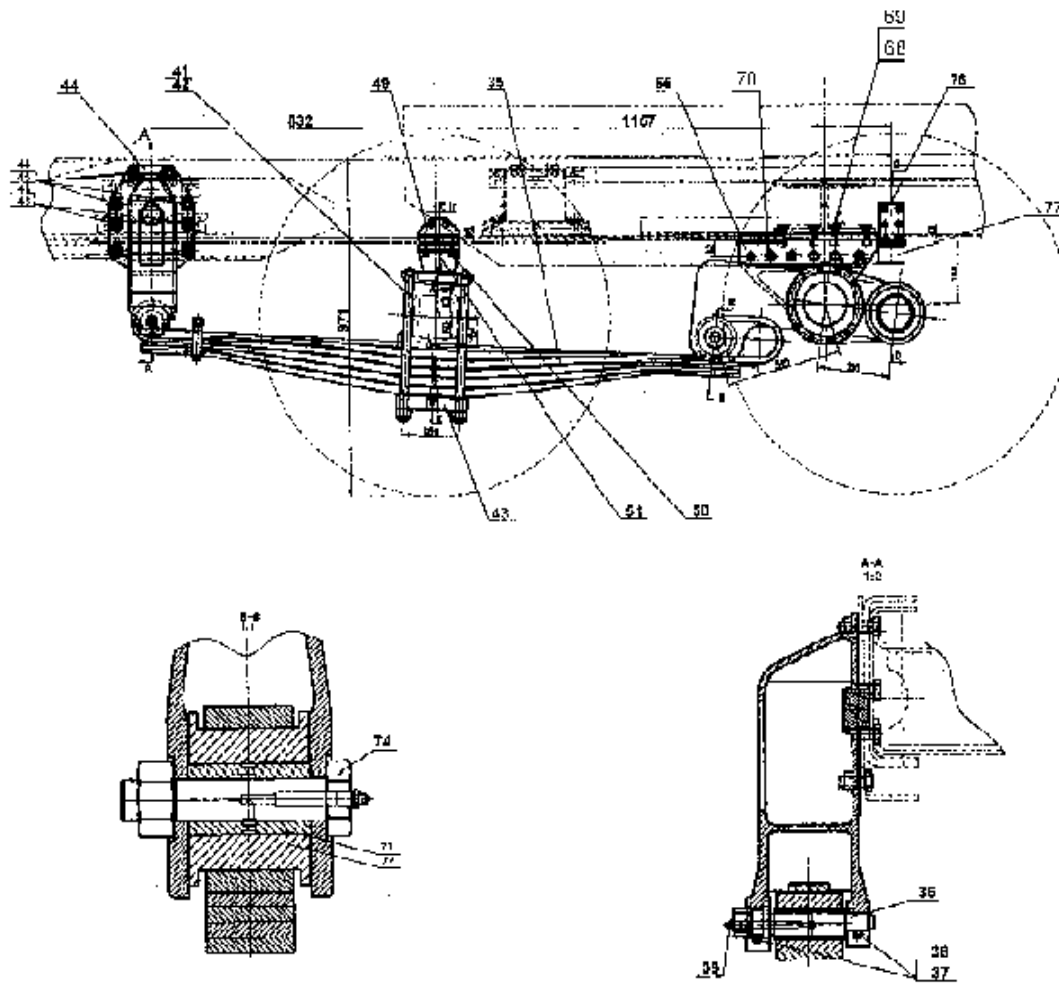
HYDRAULIC DEVICE FOR 6×2 TRAILING AXLE/后支承桥液压提升装置

| No | Number of part | Quantity | Description | Applicability | Designation |
|-----|----------------|----------|-------------|---------------|--------------------|
| 1 | AZ9725730010 | 1 | | | Rotor |
| 2 | AZ9114730130 | 1 | | | Bracket |
| 3 | AZ9725730005 | 1 | | | Girder |
| 4 | AZ9725730004 | 1 | | | Bracket |
| 5 | Q150B1240 | 10 | | | Screw |
| 6 | Q150B1250 | 8 | | | Screw |
| 7 | Q40112 | 18 | | | Washer |
| 8 | Q40312 | 18 | | | Spring washer |
| 9 | Q340B12 | 18 | | | Nut |
| 10 | AZ9114730021 | 1 | | | Pin |
| 10a | Q40130 | 1 | | | Washer |
| 10b | Q5008050 | 1 | | | Pin |
| 11 | WG9114730161 | 1 | | | Hydraulic cylinder |
| 12 | Q43130 | 2 | | | Circlip |
| 13 | AZ9114730022 | 1 | | | Pin |
| 13a | AZ9114730115 | 1 | | | Washer |
| 13b | Q5008060 | 2 | | | Pin |
| 15 | AZ9114730023 | 1 | | | Bolt |
| 16 | Q150B0816 | 1 | | | Nut |
| 17 | Q40308 | 1 | | | Spring washer |
| 18 | Q700B01 | 7 | | | Grease nipple |
| 19 | Q80410 | 2 | | | Nozzle |
| 20 | Q80414 | 2 | | | Nozzle |
| 21 | Q72318T3 | 2 | | | Gasket |
| 22 | Q72314 | 2 | | | Gasket |
| 23 | AZ9725730025 | 1 | | | Vitta(I) |
| 24 | AZ9725730026 | 1 | | | Vitta(II) |
| 25 | Q80114 | 8 | | | Nut |
| 26 | Q80014 | 8 | | | Cutting ring |
| 27 | AZ9114730140 | 1 | | | Bracket |
| 28 | Q340B08 | 4 | | | Nut |
| 29 | Q40308 | 4 | | | Spring washer |
| 30 | Q218B0870 | 4 | | | Screw |
| 31 | WG9114730001 | 1 | | | Hydraulic valve |
| 32 | AZ9114730145 | 2 | | | Nozzle |
| 33 | Q150B0630 | 6 | | | Screw |
| 34 | Q340B06 | 6 | | | Nut |
| 35 | Q40206 | 6 | | | Washer |
| 36 | Q40306 | 6 | | | Spring washer |
| 37 | 1397 350169 | 2 | | | Angle |
| 38 | WG9114730002 | 2 | | | Hose |
| 39 | 1188 730187 | 6 | | | Clamp |
| 40 | 199100820050 | 1 | | | Lashing |
| 41 | AZ9725730027 | 1 | | | Pipe(III) |
| 42 | Q80314 | 2 | | | Nozzle |
| 43 | AZ9725730028 | 1 | | | Pipe(IV) |

C13-2

6×2 REAR SPRING/6×2后悬挂

Fig. C13-2



C13-2

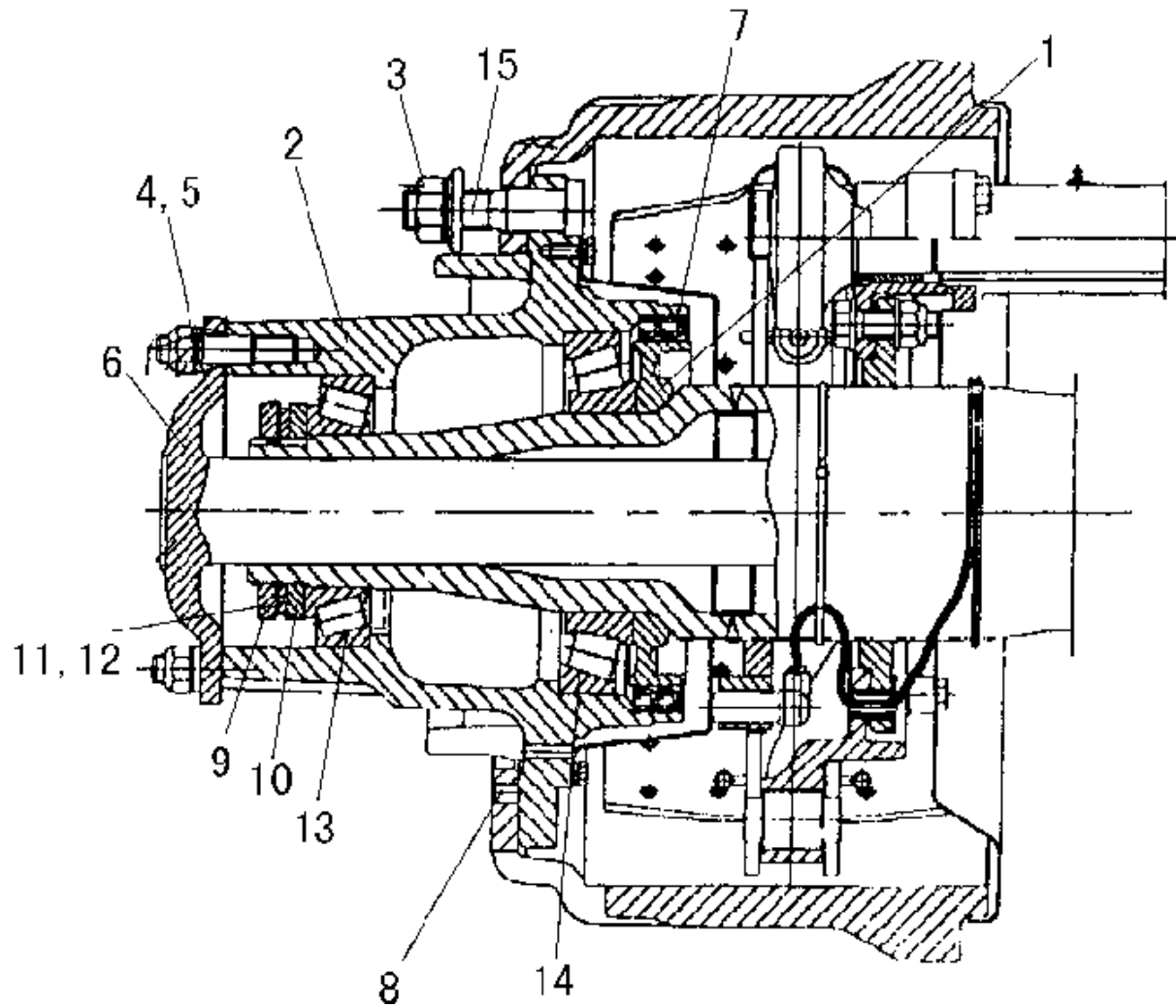
6×2 REAR SPRING/6×2后悬挂

| No | Number of part | Quantity | Description | Applicability | Designation |
|-----|----------------|----------|-------------|---------------|--------------------------|
| 35 | WG9725520030 | 1 | | | 6×2 rear spring left |
| 35a | WG9725520031 | 1 | | | 6×2 rear spring right |
| 36 | AZ9114520075 | 2 | | | Bolt |
| 37 | Q151C1290 | 4 | | | Screw |
| 38 | 190003888457 | 4 | | | Nut |
| 39 | 190003963124 | 4 | | | Grease nipple |
| 40 | AZ9114520408 | 2 | | | Plate |
| 41 | AZ9114520052 | 4 | | | Spring clip |
| 42 | 190003888630 | 8 | | | Nut |
| 43 | AZ9114520376 | 2 | | | Plate |
| 44 | AZ9725520028 | 2 | | | Rear spring front hanger |
| 45 | Q151B1650 | 8 | | | Screw |
| 46 | Q151B1655 | 4 | | | Screw |
| 47 | Q151B1640 | 4 | | | Screw |
| 48 | 190003888459 | 16 | | | Nut |
| 49 | 199114520028 | 2 | | | Bracket |
| 50 | 199012520012 | 2 | | | Plate |
| 51 | WG9012520011 | 2 | | | Stop |
| 52 | Q33210 | 4 | | | Nut |
| 53 | Q151B1035 | 4 | | | Screw |
| 54 | Q2581035 | 4 | | | Screw |
| 55 | AZ9725520032 | 1 | | | Trailing axle C |
| 68 | Q151B1460 | 8 | | | Screw |
| 69 | Q341B14T13F2 | 8 | | | Nut |
| 70 | Q151B1655 | 12 | | | Screw |
| 71 | 190003888459 | 12 | | | Nut |
| 72 | AZ9114520386 | 2 | | | Rotate wheel |
| 73 | AZ9114520387 | 2 | | | Bush |
| 74 | AZ9114520328 | 2 | | | Pin |
| 75 | Q341B30 | 2 | | | Nut |
| 76 | AZ9114520379 | 2 | | | Stop bracket |
| 77 | 12054520640 | 2 | | | Stop |
| 78 | Q150B1250 | 4 | | | Screw |
| 79 | Q150B1255 | 4 | | | Screw |
| 80 | Q340B12 | 12 | | | Nut |
| 81 | Q40312 | 12 | | | Spring washer |
| 82 | AZ9624520380 | 2 | | | Protect cover for stop |

C13-4

WHEEL HUB OF TRAILING AXLE/支承轴轮毂

Fig.C13-4



C13-4

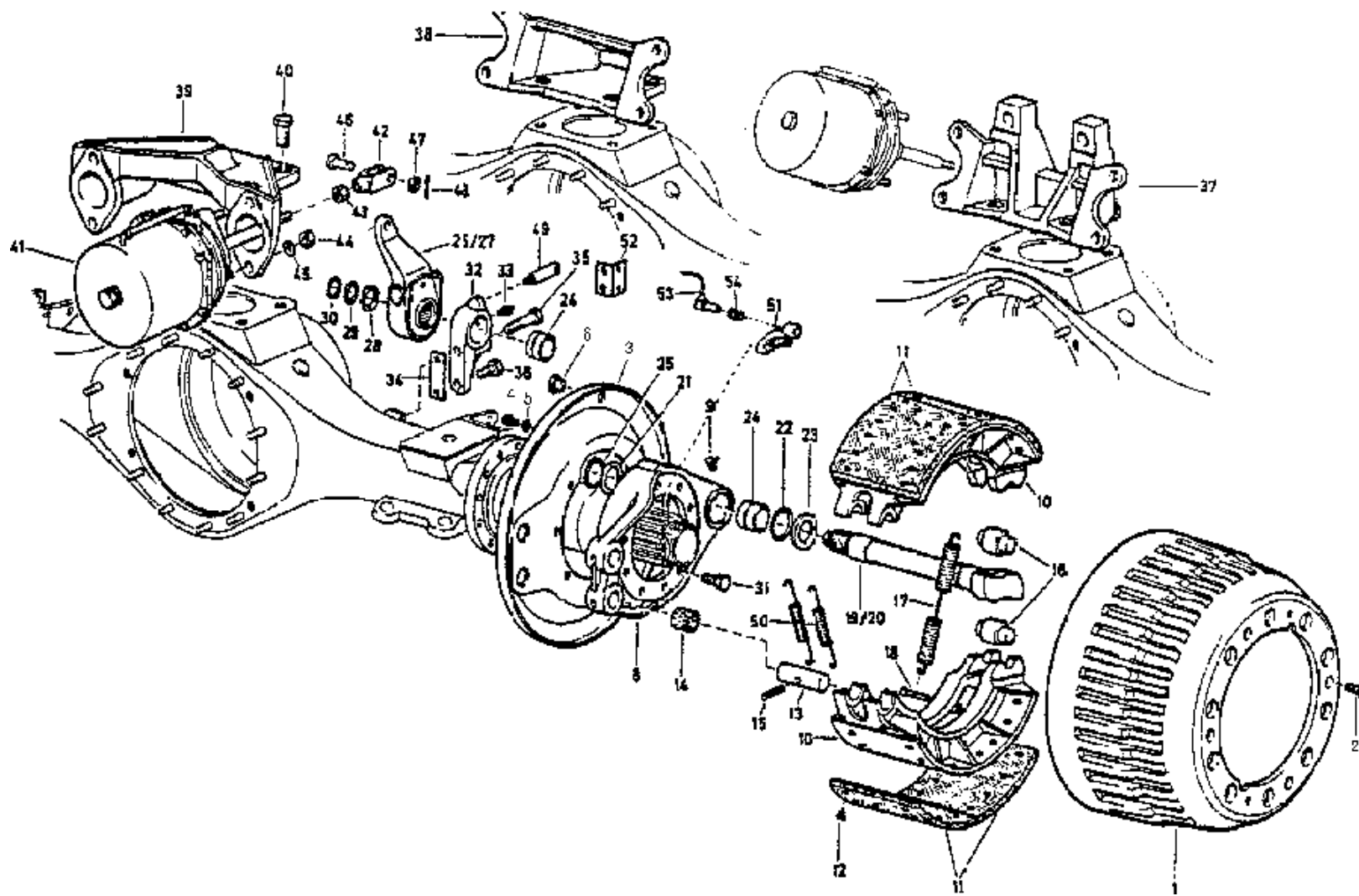
WHEEL HUB OF TRAILING AXLE/支承轴轮毂

| No | Number of part | Quantity | Description | Applicability | Designation |
|----|----------------|----------|-------------|---------------|----------------------|
| 1 | AZ9111340017 | 2 | | | Spacer |
| 2 | AZ9111340082 | 2 | | | Rear wheel hub |
| 3 | WG9003884160 | 20 | | | Wheel nut |
| 4 | Q150B0816 | 16 | | | Screw |
| 5 | Q40308 | 16 | | | Spring washer |
| 6 | AZ9114340043 | 2 | | | Cover |
| 7 | 190003078956 | 2 | | | Gasket |
| 8 | Q2541025 | 4 | | | Screw |
| 9 | 1227P1186 | 2 | | | Outer adjusting nut |
| 10 | 1227N1184 | 2 | | | Inter adjusting nut |
| 11 | 1229M3003 | 2 | | | Locking sheet |
| 12 | AZ9017334673 | 2 | | | Locking sheet |
| 13 | 32217 | 2 | | | Bevel roller bearing |
| 14 | 190003326067 | 2 | | | Bevel roller bearing |
| 15 | WG9107340002 | 20 | | | Wheel stud |

C13-5

BRAKE OF TRAILING AXLE/支承轴制动器

Fig. C13-5



C13-5

BRAKE OF TRAILING AXLE/支承轴制动器

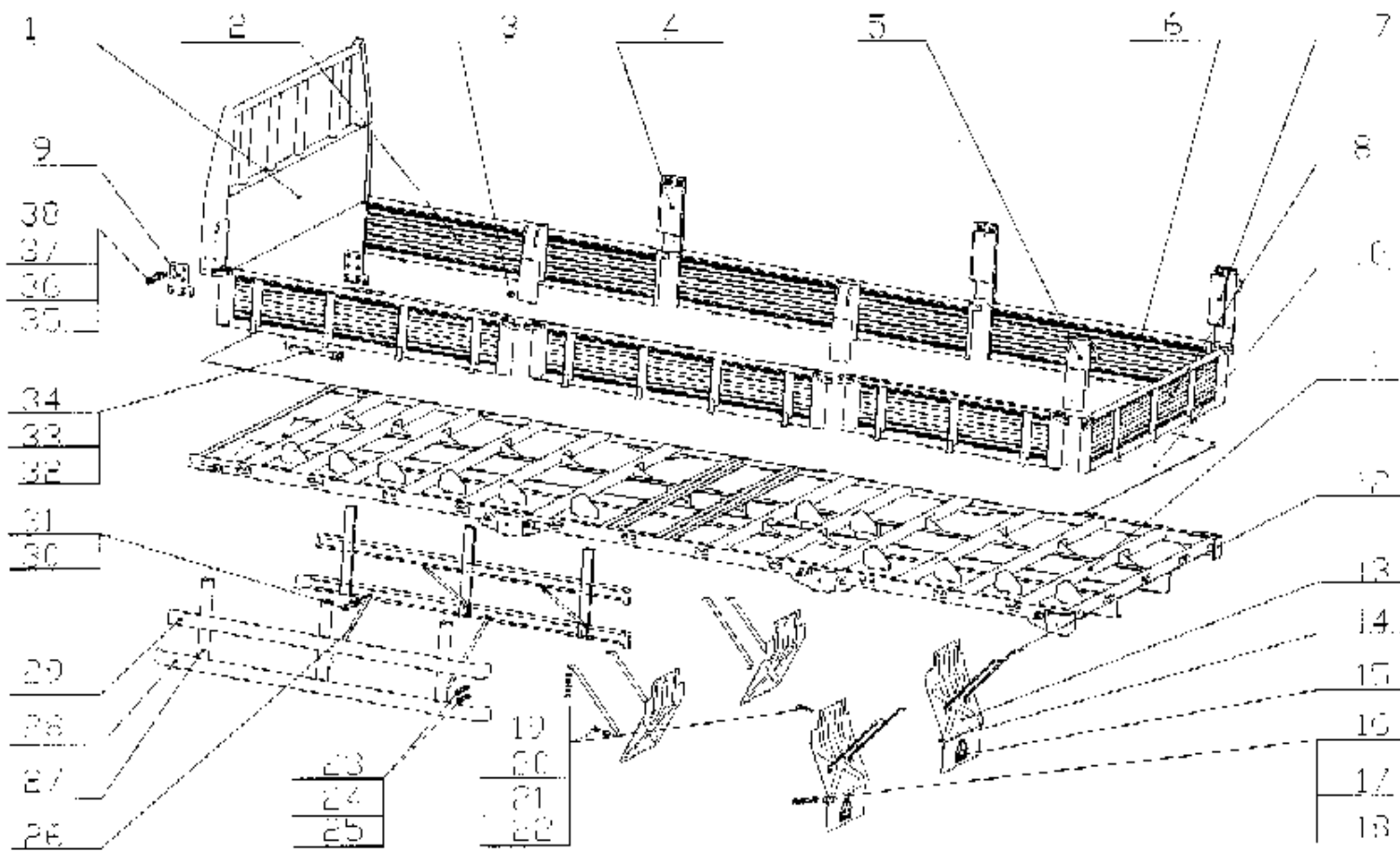
| No | Number of part | Quantity | Description | Applicability | Designation |
|------|----------------|----------|-------------|---------------|----------------------------|
| 1 | AZ9112340006 | 2 | | | Brake drum |
| 2 | 190003825513 | 4 | | | Screw |
| 3 | 1880 34 0018 | 2 | | | Brake cover |
| 4 | 150B0816 | 12 | | | Screw |
| 5 | Q40308 | 12 | | | Spring washer |
| 6 | 1880 340037 | 2 | | | Seal-ring |
| 8 | AZ9107340062 | 2 | | | Brake anchor |
| 9 | 190003963114 | 4 | | | Grease nipple |
| 10 | 199000340070 | 4 | | | Brake shoe C |
| 10-1 | 199000340061 | 4 | | | Brake shoe |
| 11 | WG9200340068 | 8 | | | Brake Lining |
| 12 | 189000340068 | 64 | | | Rivet |
| 13 | 199000340064 | 4 | | | Bolt |
| 14 | 18880 34 0016 | 4 | | | Bush |
| 16 | 199000340027 | 4 | | | Pressure roller |
| 17 | AZ9100340012 | 2 | | | Spring |
| 18 | 1880 44 0032 | 4 | | | Bolt |
| 19 | 199112340026 | 1 | | | Brake camshaft left |
| 20 | 199112340027 | 1 | | | Brake camshaft right |
| 21 | 1880440010 | 2 | | | Washer |
| 22 | 1880340023 | 2 | | | Gasket |
| 23 | 1880440010 | 2 | | | Washer |
| 24 | WG9100340017 | 4 | | | Bush |
| 25 | 190003933300 | 2 | | | Snap ring |
| 26 | 199100340003 | 1 | | | Rod adjusting device left |
| 27 | 199100340004 | 1 | | | Rod adjusting device right |
| 28 | 1880340022 | 2 | | | Washer |
| 29 | 1880320028 | nB | | | Shim |
| 29 | 1880320029 | nB | | | Shim |
| 29 | 1880320030 | nB | | | Shim |
| 29 | 1880320046 | nB | | | Shim |
| 30 | 190003933116 | 2 | | | Circlip |
| 31 | Q151B1635TF2 | 20 | | | Screw |
| 32 | 199014340041 | 2 | | | Bracket |
| 33 | 190003963112 | 2 | | | Grease nipple |
| 34 | 1880340031 | nB | | | Shim |
| 34 | 1880340032 | nB | | | Shim |
| 34 | 1880340033 | nB | | | Shim |
| 34 | 1880340034 | nB | | | Shim |
| 34 | 13809470031 | nB | | | Shim |

| | | | | | |
|-----|--------------|----|--|--|--------------------|
| 34 | 13809470032 | nB | | | Shim |
| 34 | 13809470033 | nb | | | Shim |
| 37 | AZ9114340061 | 1 | | | Bracket left |
| 37a | AZ9114340062 | 1 | | | Bracket right |
| 40 | Q151B2040TF2 | 4 | | | Screw |
| 41 | WG9100360011 | 2 | | | Diaphragm cylinder |
| 46 | 190003903661 | 2 | | | Bolt |
| 47 | Q40114 | 2 | | | Washer |
| 48 | Q5004022 | 2 | | | Split pin |

C14-1

CARGO BODY/车厢

Fig. C14-1



C14-1

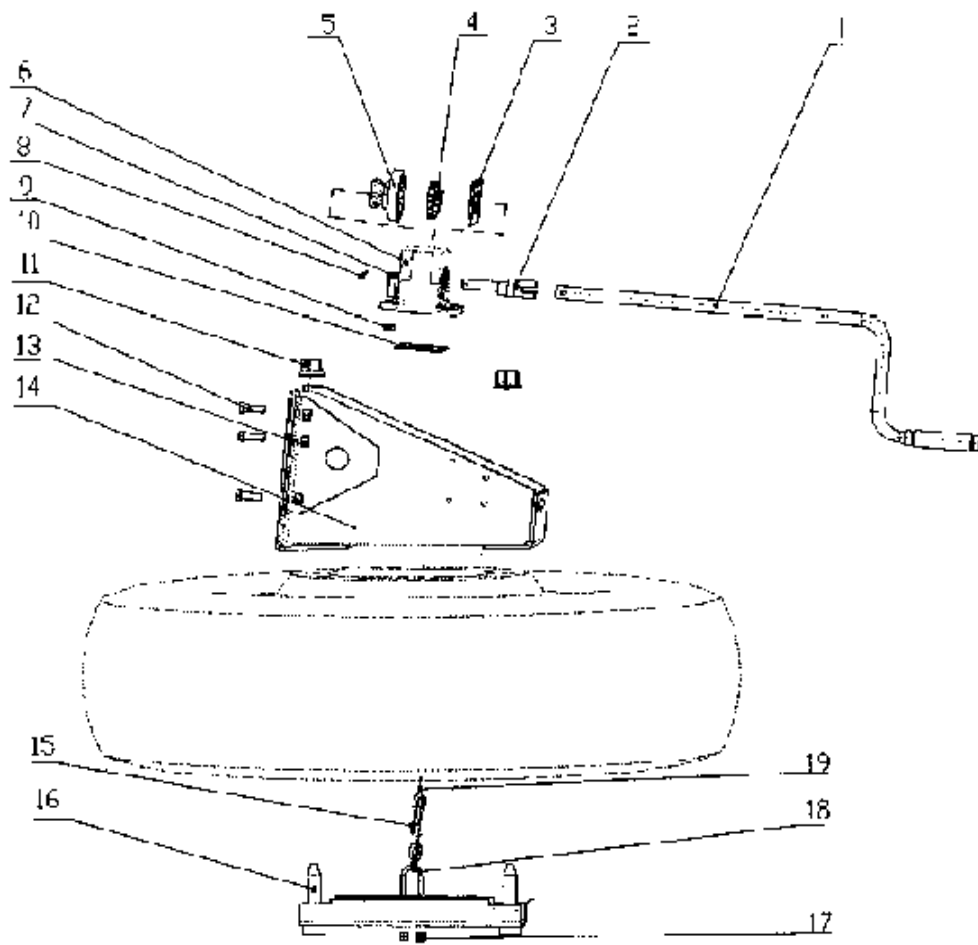
CARGO BODY/车厢

| No | Number of part | Quantity | Description | Applicability | Designation |
|----|----------------|----------|-------------|---------------|------------------|
| 1 | CZ9114505220 | 1 | | | Front board |
| 2 | DZ9725500115 | 4 | | ZZ1257S4341W | Side board |
| 3 | Q2140612 | 6 | | | Screw |
| 4 | CZ9114505230 | 4 | | | Middle strut |
| 5 | CZ9114505233 | 1 | | | Rear strut left |
| 6 | CZ9725500117 | 2 | | | Side board |
| 7 | CZ9114505234 | 1 | | | Rear strut right |
| 8 | DZ9725500119 | 1 | | | Rear board |
| 9 | 17017500021 | 2 | | | Connecting plate |
| 10 | AZ9725500202 | 1 | | ZZ1257S4341W | Bottom board |
| 11 | DZ9725500101 | 1 | | ZZ1257S4341W | Frame |
| 12 | 17017950004 | 8 | | | Support |
| 13 | 11600950004 | 4 | | | Rear mudguard |
| 14 | 17017950006 | 4 | | | Strap |
| 15 | 11600950003 | 2 | | | Rubber madguard |
| 16 | Q150B0620 | 8 | | | Screw |
| 17 | Q340B06 | 8 | | | Nut |
| 18 | Q40306 | 8 | | | Spring washer |
| 19 | Q150B0822 | 22 | | | Screw |
| 20 | Q340B08 | 22 | | | Nut |
| 21 | Q40108 | 22 | | | Washer |
| 22 | Q40308 | 22 | | | Spring washer |
| 23 | Q340B08 | 24 | | | Nut |
| 24 | Q40108 | 24 | | | Washer |
| 25 | Q40308 | 24 | | | Spring washer |
| 26 | AZ9725990201 | 4 | | | Support |
| 27 | AZ9114992007 | 6 | | | Bar |
| 28 | AZ9114992005 | 2 | | ZZ1257S4341W | Side protector |
| 29 | AZ9114992003 | 2 | | ZZ1257S4341W | Side protector |
| 30 | Q150B1230 | 4 | | ZZ1257S4341W | Screw |
| 31 | Q33212 | 4 | | ZZ1257S4341W | Nut |
| 32 | Q51016115 | 25 | | ZZ1257S4341W | Bolt |
| 33 | Q40116 | 25 | | ZZ1257S4341W | Washer |
| 34 | Q5004020 | 25 | | ZZ1257S4341W | Split pin |
| 35 | Q150B1435 | 18 | | ZZ1257S4341W | Screw |
| 36 | Q340B14 | 18 | | ZZ1257S4341W | Nut |
| 37 | Q40114 | 18 | | ZZ1257S4341W | Washer |
| 38 | Q40314 | 18S | | ZZ1257S4341W | Spring washer |

C15-1

SPARE WHEEL CARRIER/备轮架

Fig. C15-1



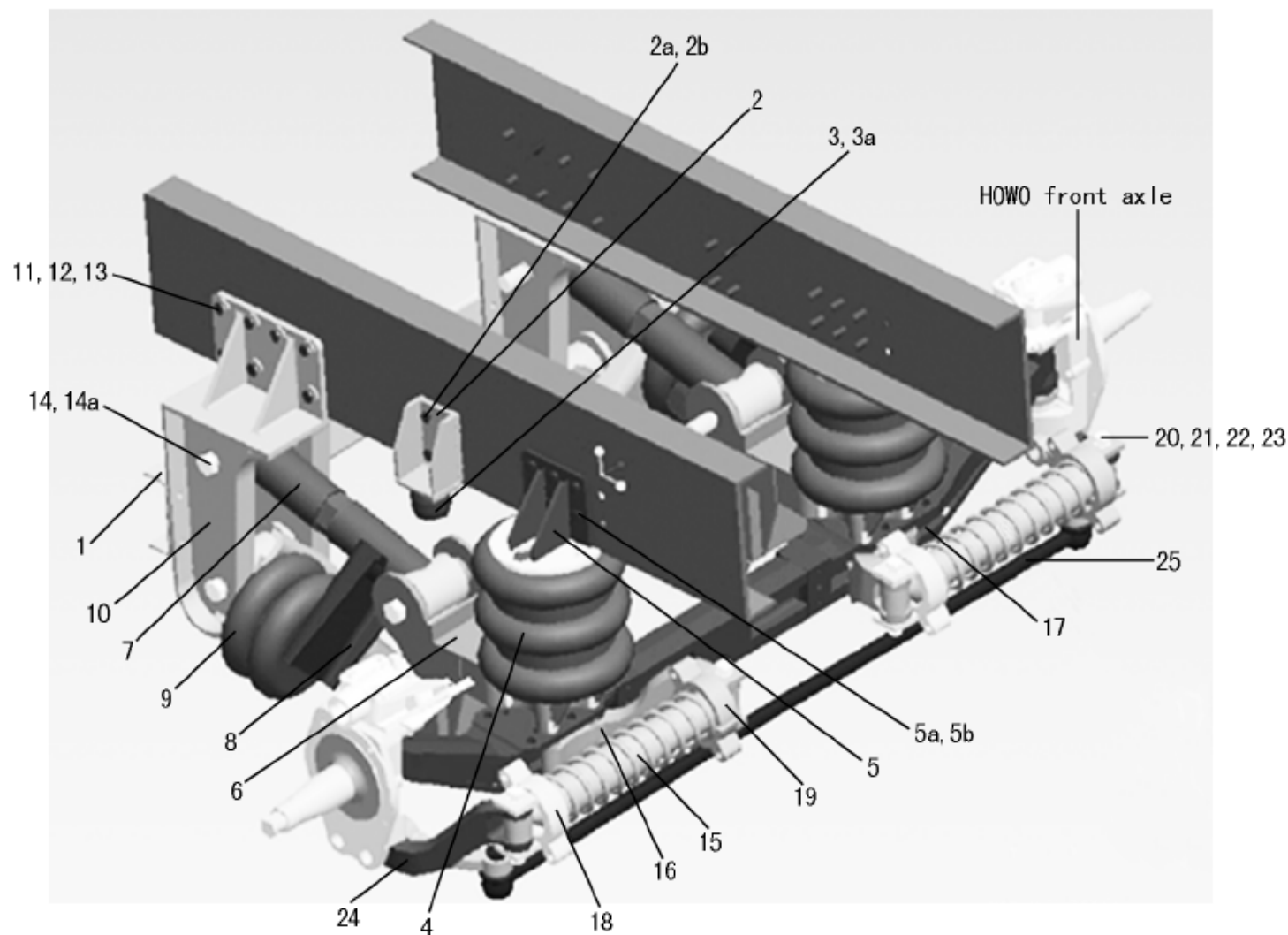
C15-1

SPARE WHEEL CARRIER/备轮架

| No | Number of part | Quantity | Description | Applicability | Designation |
|----|----------------|----------|-------------|-----------------|---------------|
| 0 | AZ9719860018 | 1 | | Incl.2~10,15~19 | Drive device |
| 1 | AZ9719860014 | 1 | | | Cranker |
| 2 | AZ9719860012 | 1 | | | Shaft |
| 3 | 17017860022 | 1 | | | Locking sheet |
| 4 | 17017860023 | 1 | | | Drive wheel |
| 5 | 17017860024 | 1 | | | Driven wheel |
| 6 | AZ9719860007 | 1 | | | Housing |
| 7 | Q150B1035 | 4 | | | Screw |
| 8 | Q5004030 | 1 | | | Split pin |
| 9 | Q33210 | 4 | | | Nut |
| 10 | 17017860027 | 1 | | | Coveer |
| 11 | WG9003884160 | 2 | | | Wheel nut |
| 12 | Q150B1235 | 6 | | | Screw |
| 13 | Q33212 | 6 | | | Nut |
| 14 | AZ9719860021 | 1 | | | Bracket |
| 15 | 17017860031 | 1 | | | Cable |
| 16 | AZ9112860046 | 2 | | | Screw |
| 17 | Q340B08 | 4 | | | Nut |
| 18 | AZ9112860097 | 1 | | | Hook |
| 19 | Q5004030 | 1 | | | Split pin |

C16-1 TRAILING AXLE WITH AIR SUSPENSION, SELF STEERING, PNEUMATIC LIFTING DEVICE
可提升自转向空气悬挂支承桥

Fig. C16-1



C16-1 TRAILING AXLE WITH AIR SUSPENSION, SELF STEERING, PNEUMATIC LIFTING DEVICE
可提升自转向空气悬挂支承桥

| No | Number of part | Quantity | Description | Applicability | Designation |
|-----|----------------|----------|-------------|---------------|------------------------------|
| 0 | AZ9738520000 | 1 | | | HOWO air suspension assembly |
| 1 | AZ9738520011 | 1 | | | Cross member |
| 1a | Q151B1460 | 8 | | | Screw |
| 1b | 190003888458 | 8 | | | Nut |
| 2 | AZ9738520001 | 2 | | | Stop bracket |
| 2a | Q151B1245 | 6 | | | Screw |
| 2b | 190003888457 | 6 | | | Nut |
| 3 | WG9012520011 | 2 | | | Sotp |
| 3a | Q2541020 | 4 | | | Screw |
| 4 | AZ9636520009 | 2 | | | Siphon C |
| 4a | Q151B0825 | 4 | | | Screw |
| 4b | Q40108 | 4 | | | Washer |
| 5 | AZ9738520006 | 2 | | | Top cover |
| 5a | Q151B1460 | 12 | | | Screw |
| 5b | 190003888458 | 12 | | | Nut |
| 6 | AZ9738520010 | 1 | | | Support left |
| 6a | AZ9738520013 | 1 | | | Support right |
| 6b | WG9636520048 | 4 | | | Washer |
| 6c | Q151B20120TF2 | 4 | | | Screw |
| 6d | 190003888467 | 4 | | | Nut |
| 6e | AZ9636520024 | 2 | | | Positioning pin |
| 7 | AZ9636520024 | 1 | | | Top brace rod left |
| 7a | AZ9636520033 | 1 | | | Top brace rod right |
| 8 | AZ9636520027 | 1 | | | Bottom brace rod left |
| 8a | AZ9636520034 | 1 | | | Bottom brace rod right |
| 9 | AZ9636520007 | 2 | | | Lifting siphon |
| 9a | Q151B0825 | 4 | | | Screw |
| 9b | Q40108 | 4 | | | Washer |
| 10 | AZ9738520008 | 1 | | | Bracket left |
| 10a | AZ9738520009 | 1 | | | Bracket right |
| 11 | AZ9636520021 | 16 | | | Plastic washer |
| 12 | Q151B1660 | 16 | | | Screw |
| 13 | 190003888459 | 16 | | | Nut |
| 14 | AZ9636520028 | 8 | | | Bolt |
| 14a | 190003888749 | 8 | | | Nut |
| 15 | AZ9738520014 | 2 | | | Shock absorber |

| | | | | | |
|------|----------------|---|--|--------------------|------------------------------|
| 15—1 | AZ9738520014-1 | 2 | | | Spring |
| 16 | AZ9636520035 | 1 | | For shock absorber | Bracket right |
| 17 | AZ9636520036 | 1 | | For shock absorber | Bracket left |
| 17a | Q151B20200TF2 | 4 | | | Screw |
| 17b | 190003888467 | 4 | | | Nut |
| 17c | WG9636520029 | 4 | | | Washer |
| 18 | AZ9636520019 | 2 | | | Spring seat left |
| 19 | AZ9636520045 | 2 | | | Spring seat right |
| 20 | AZ9636520046 | 8 | | | Bush |
| 21 | AZ9636520022 | 4 | | | Bolt |
| 22 | Q381B18 | 4 | | | Nut |
| 23 | Q5000445 | 4 | | | Split pin |
| 24 | AZ9636410061 | 1 | | | Bracket left |
| 24a | AZ9636410060 | 1 | | | Bracket right |
| 25 | AZ9100430218 | 1 | | | Tie rod |
| 26 | AZ9128710002 | 1 | | | Pneutronic valve |
| 27 | AZ9632710001 | | | | Bracket for pneutronic valve |