

Accent



Каталог подготовлен компанией GARANT Co. Ltd. (Южная Корея).

При использовании материала ссылка обязательна.

Copyright (c) www.garant-trading.com

Pub. No. GEN2500102

« JUL. '99. - »

INTRODUCTION

This parts catalog contains service parts information for the "HYUNDAI ACCENT".

To make effective use of this catalog, please read and become thoroughly acquainted with "the General Information".

Only 'HMC' brand genuine parts can be fitted to the Hyundai vehicle with confidence because of their proven reliability.

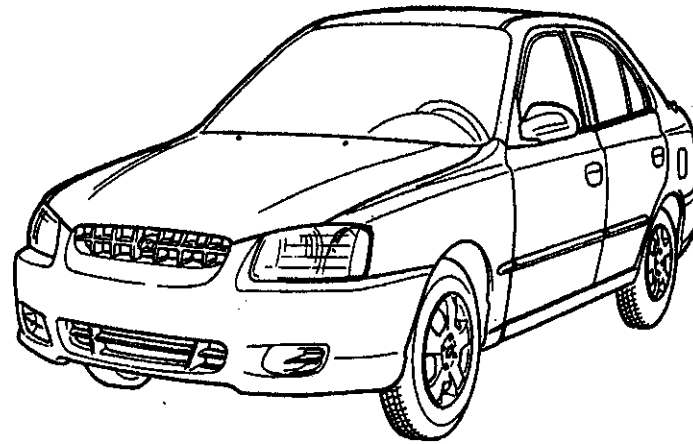
"HYUNDAI GENUINE PARTS" are superior and reliable because they have been produced under very strict quality-control system, and met the standard through exact inspection.

Whenever you need service parts, your Hyundai dealer will always provide a complete range of genuine parts to give you prompt service.

NOTE : All data and specifications contained in this catalog are based on the latest product information available at the time of issue and they can be changed without a prior notice.

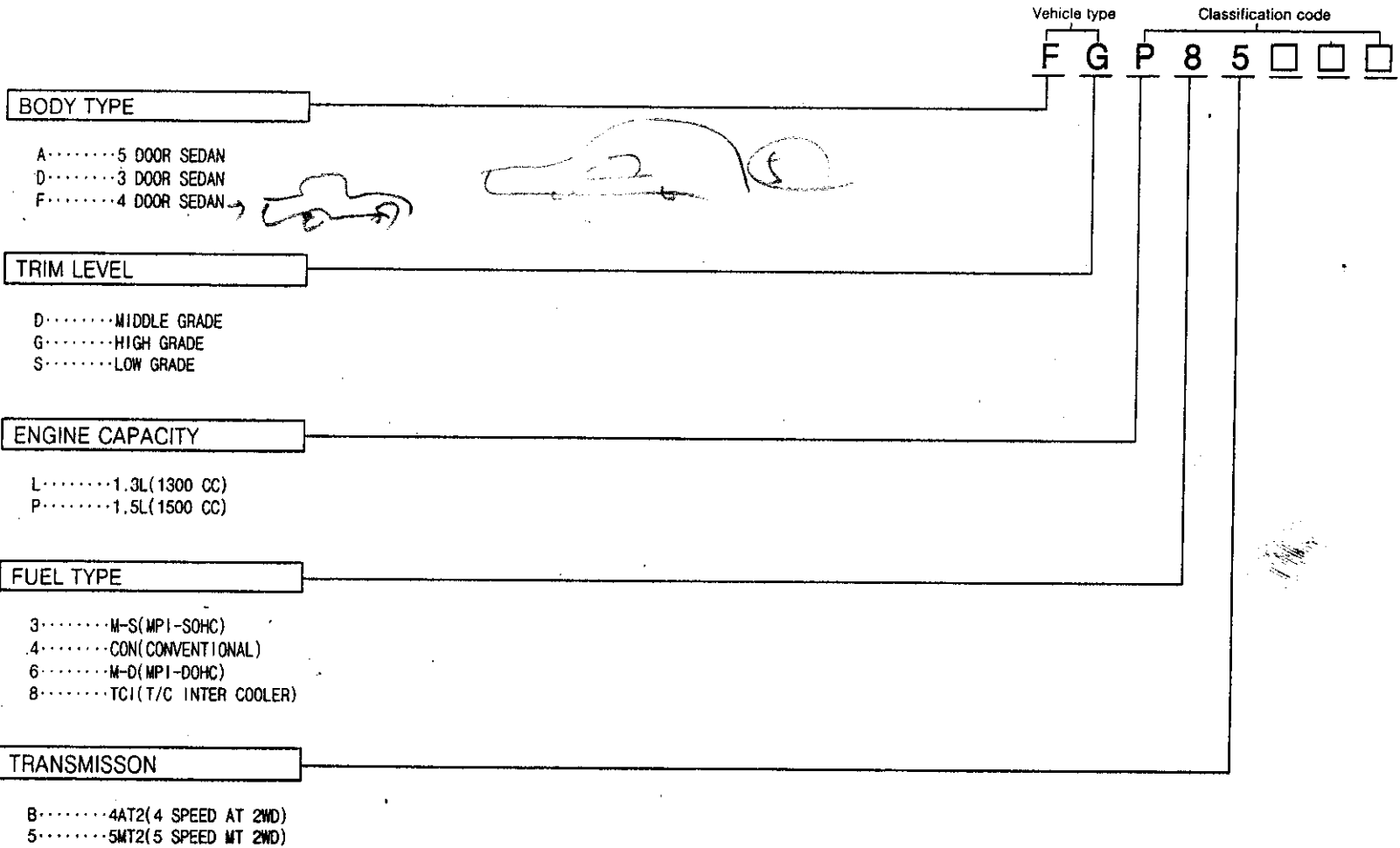
GENERAL INFORMATION		
LABEL	LABEL	05
OVM TOOL	OVM TOOL	09
ENGINE	ENGINE	20
	COOLING	25
	INTAKE & EXHAUST	28
	FUEL	31
	ENGINE ELECTRICAL	39
TRANSAXLE	CLUTCH	41
	T/A & DRIVE SHAFT	43
CHASSIS	AXLE & WHEEL	50
	SUSPENSION	54
	STEERING	56
	BRAKE	58
BODY	BODY	60
TRIM	DOOR	81
	INTERIOR	84
	EXTERIOR	86
	SEAT	88
ELECTRICAL	CHASSIS ELECTRICAL	91
	HEATER & A/C	97
INDEX	GROUP NO. INDEX	G
	PART NO. INDEX	P
	PART NAME INDEX	P

GENERAL VIEW



C 5

VEHICLE IDENTIFICATION CODE CHART



CONTENTS

GENERAL INFORMATION

I. EXPLANATION OF ILLUSTRATION & TEXT (PART LIST)	E 5
II. VEHICLE IDENTIFICATION NUMBER & ENGINE MODEL CODE	H 5
III. ABBREVIATIONS & SYMBOLS	I 5
IV. DESCRIPTION OF STANDARD PARTS	L 5
V. COLOR CODE INSTRUCTION	A 6

INDEX

ILLUSTRATION INDEX	A16
GROUP NO. INDEX	A15
PART NO. INDEX	A12
PART NAME INDEX	A 8

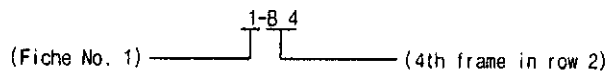
ILLUSTRATION & TEXT

05 LABEL	1-A 1	54 SUSPENSION	2-I 8
09 OVM TOOL	1-D 1	56 STEERING	2-G 9
20 ENGINE	1-F 1	58 BRAKE	2-H11
25 COOLING	1-J 6	60 BODY	2-L12
28 INTAKE & EXHAUST	1-M 7	81 DOOR	3-C 1
31 FUEL	1-K10	84 INTERIOR	3-A 5
39 ENGINE ELECTRICAL	1-E13	86 EXTERIOR	3-A 8
41 CLUTCH	2-F 1	88 SEAT	3-F10
43 T/A & DRIVE SHAFT	2-F 2	91 CHASSIS ELECTRICAL	3-D12
50 AXLE & WHEEL	2-D 8	97 HEATER & A/C	4-F 4

I. EXPLANATION OF ILLUSTRATIONS & TEXT (PART LIST)

P N C	MODEL APPLICABLE		R E P	PART NO. (REPL. PING.)	Q T Y	REMARKS
	FROM-UP-TO	TYPE				
CONTINUED						
23040A				RING SET-PISTON (S)JUEGOANILLO		
000601-	AG	S68;0910		23040-23922	C	T=0.50 OS
000601-	AG	1.8L;0910		23040-23903	C	T=0.75 OS
000601-	AG	S68;0910		23040-23923	C	T=0.75 OS
000601-	AG	1.8L;0910		23040-23904	C	T=1.00 OS
000601-	AG	S68;0910		23040-23924	C	T=1.00 OS
000601-	AG	1.8L;0920		23040-23050	I	STD
000601-	AG	1.8L;0920		23040-23951	C	T=0.25 OS
000601-	AG	1.8L;0920		23040-23952	C	T=0.50 OS
000601-	AG	1.8L;0920		23040-23953	C	T=0.75 OS
000601-	AG	1.8L;0920		23040-23954	C	T=1.00 OS
000601-	FD	S68;0910		23040-23200	I	STD
000601-	FD	S68;0910		23040-23921	C	T=0.25 OS
000601-	FD	S68;0910		23040-23922	C	T=0.50 OS
000601-	FD	S68;0910		23040-23923	C	T=0.75 OS
000601-	FD	S68;0910		23040-23924	C	T=1.00 OS

① MICROFICHE NUMBER



② GROUP NO. & NAME



The 1st two digits indicate "MAIN GROUP NO." and the 2nd five digits "SUB GROUP NO."

Sub-group normally consists of 3 digits and also may consist of 4 or 5 digits when it is divided into several minor sub-group. Refer to the Group No. Index.

③ PNC (Part Name Code) & EFFECTIVE DATE

The PNC (Part Name Code) indicated for each part in the illustration is identical to the one in the parts list.

Effective date of every part is shown by giving the year, month and day.

④ MODEL

A. MODEL DESCRIPTION

To simplify the expression of applicable model, indications are given in vehicle model abbreviations or symbols. Refer to VEHICLE IDENTIFICATION CODE CHART (M/F No. C 5).

B. OPTION CODE

Option code is shown on the bottom of each page.

⑤ PART NAME

The designation of each part is shown in this column.
 Indication (S) shown on below English name means Spanish language.
 The designation can be expressed by using Abbreviations & Symbols.
 Refer to III. Abbreviations & Symbols.

⑥ ITC (means interchangeability code)

A) When the engineering change occurs in a part, the interchangeability between new and old one is indicated by the following codes.

- Y : New and old parts are interchangeable
- A : New part is usable on old car, old not on new car

B) Also, the replacement parts to improve the parts availability are expressed by the following symbols.

- () : Unit substitution
- = () : Main part number of set substitution
- + () : Part number to be attached to main part of set

Unit substitution
 Example)

P N C		MODEL APPLICABLE		R E F	PART NO. (REPL P/NO.)	Q T Y	REMARKS
FROM-UP-TO	TYPE	DESCRIPTION					
52910A		WHEEL ASSY-STEEL (S)CONJ. LLANTA ACERO			52910-29300 (52910-23220)	5	5.5JX14

Set substitution
 Example)

P N C		MODEL APPLICABLE		R E F	PART NO. (REPL P/NO.)	Q T Y	REMARKS
FROM-UP-TO	TYPE	DESCRIPTION					
71120		PANEL ASSY-PILLAR OTR RH (S)CONJ. PANEL DELANT			71104-27A10 =(71104-27A11) +(91821-27001)	1	

The parts numbers with symbols "=" and "+" are the substitution for the original parts as a set.

⑦ PART NUMBER

All Hyundai genuine parts are classified into two groups, GENERAL PARTS (MAIN PARTS) and STANDARD PARTS.

Refer to the part numbering system in next paragraph.

The part marked with an asterisk(*) in part no. column is not serviced. To obtain such a part, order the assembly, kit or set which includes it.

In case of a modified part, the new part number is identified as "To" column of EFFECTIVE DATE has blank.

Part numbering system

General parts (main parts)

Example)

COVER-FR SEAT BACK
 88370-22110D MFN
 1)2)3) 4) 5)6)7) 8)

- 1) Main group (function) no.
- 2) Sub group no.
- 3) Basic detail no.
- 4) Model no.
- 5) Design serial no.
- 6) Design revision code no.
- 7) Temporary no.
- 8) Color code

NOTE : Design serial no. is normally indicated by numeric and also may be indicated by alphabetic letter and numeric (A0-Y9).

Standard parts

Example)

BOLT
 11200-05101

The 1st digit of standard parts consists of numeric "1".
 Refer to the DESCRIPTION OF STANDARD PARTS for the interpretation of detail parts.

⑧ QTY

This column indicates the quantity required per sub-group but not per vehicle. The quantity are normally shown by numeric or also by using the following symbols.

Symbol	Description
NUMERIC	Quantity
AR	AS REQUIRED : The part with 'AR' mark indicates the quantity required may vary or is to be determined by the USER.
A	ALTERNATIVE PARTS : The part with 'A' mark has the same function as another part which has the same PART NAME, EFFECTIVE DATE, and MODEL in that PNC. But they are made by different manufacturers and installed in a vehicle alternatively. Accordingly, for after service, any part number of them is available.
C	SELECTIVE PARTS : The part with 'C' mark is circumstantially selected and installed in suitable size. Selective parts are not exactly interchangeable but installed in the same position.

⑨ REMARKS

Supplementary or reference information is given in this column. Refer to the abbreviations & symbols paragraph for the interpretation of remarks column.

- Service mode

- AM : Available directly from local manufacturer
- SIA : Service in assy
- SIK : Service in kit
- SIS : Service in set
- SIR : Service in roll
- SIAR : Service in area

- Shape

- Color

- Spec

- Material

- Size

- Manufacturer

- ETC

II. VEHICLE IDENTIFICATION NUMBER & ENGINE MODEL CODE

Vehicle identification number

K	M	H	C	G	4	1	G	P	Y	U	0	0	0	0	0	1
1)	2)	3)	4)	5)	6)	7)	8)	9)	10)							

1) W.I.C (world manufacturer's identifier code)

K M H : Hyundai passenger car

2) Vehicle line

C : ACCENT

3) Trim level

F : Low grade

G : Middle grade

H : High grade

4) Body type

3 : 3 door

4 : 4 door

5 : 5 door

5) Restraint system

1 : Active system-3 point type

6) Engine type

F : 1300cc Gasoline (SOHC)

G : 1500cc Gasoline (SOHC)

B : 1500cc Gasoline (DOHC)

V : 1500cc Diesel (TCI)

7) Check digit

P : L.H.D

R : R.H.D

8) Model year

Y : 2000

1 : 2001

2 : 2002

9) Plant code

U : ULSAN

10) Vehicle production sequence number

000001-999999

Engine model code

Model				Serial no.			
□	□	□	□	□	□	□	□
1)	2)	3)	4)	5)	6)		

1) Engine fuel

D : Diesel

G : Gasoline

2) Engine range

3 : In line 4 cycle 3 cylinder

4 : In line 4 cycle 4 cylinder

3) Engine development order

A-Z : Developing sequence number under the same condition.

4) Engine capacity

A : 1341cc (SOHC)

A : 1493cc (TCI)

B : 1495cc (SOHC)

C : 1495cc (DOHC)

5) Production year

X : 1999

Y : 2000

1 : 2001

2 : 2002

6) Engine production sequence number

000001-999999

III. ABBREVIATIONS & SYMBOLS

ABS	: ANTI-SKID BRAKE SYSTEM	CLU	: CLUTCH	D/SHF	: DRIVE SHAFT
ACCEL	: ACCELERATOR	COL	: COLUMN	ECM	: ENGINE CONTROL MODULE
ACCU	: ACCUMULATOR	COMB	: COMBINATION	ECS	: ELECTRONIC CONTROL SUSPENSION
ACV	: AIR CUT VALVE	COMPL	: COMPLETE	EGR	: EXHAUST GAS RECIRCULATION
ADJ	: ADJUST, -ING	COMPT	: COMPARTMENT	ELCT	: ELECTRONIC CONTROL TRANSAXLE
AL	: ALUMINUM	CONN	: CONNECTOR, -ING	ELEC	: ELECTRONIC
ALR	: AUTOMATIC LOCKING RETRACTOR	CONT	: CONTROL	ELR	: EMERGENCY LOCKING RETRACTOR
AMP	: AMPLIFIER	CONV	: CONVENTIONAL CARBURETOR	ENG	: ENGINE
ANT	: ANTENNA	CTR	: CENTER	EQLZR	: EQUALIZER
AR	: AS REQUIRED	CTRL	: CENTRAL	EQMNT	: EQUIPMENT
ASSY	: ASSEMBLY	CUSH	: CUSHION	ESV	: ENRICHMENT SOLENOID VALVE
ATA	: AUTOMATIC TRANSAXLE	CV	: CONSTANT VELOCITY	ETR	: ELECTRONIC TUNER
AUTO	: AUTOMATIC	CVR	: COVER, -ING	EVAP	: EVAPORATION, -OR
A/C	: AIR CONDITIONING	CYL	: CYLINDER	EXC	: EXCEPT
A/EXTRA	: AIR EXTRACTOR	C/LTR	: CIGARETTE LIGHTER	EXH	: EXHAUST
A/REST	: ARMREST	C/MBR	: CROSSMEMBER	EXTN	: EXTENSION
A/VENT	: AIR VENTILATOR	C/PAD	: CRASH PAD	E/CAR	: EDITION CAR
ANTI/VIB	: ANTI-VIBRATION	C/PLR	: CENTER PILLAR		
&	: AND	C/ROD	: CONNECTING ROD		
		CRK/SHT	: CRANKSHAFT		
BAL	: BALANCE			FAHR	: FAHRENHEIT
BJ	: BIRFIELD UNIVERSAL JOINT	DECAL	: DECALCOMANIA	FBC	: FEED BACK CARBURETOR
BPR	: BUMPER	DECO	: DECORATION	FBM	: FEED BACK MIXTURE
BRG	: BEARING	DEFR	: DEFROSTER	FBV	: FEED BACK SOLENOID VALVE
BRK	: BRAKE	DIA	: DIAMETER	FIC	: FAST IDLE CONTROL
BRKT	: BRACKET	DIFF	: DIFFERENTIAL	FLR	: FLOOR
BRZ	: BRONZE	DIST	: DISTRIBUTOR	FNDR	: FENDER
		DIV	: DIVIDER	FR	: FRONT
CANI	: CANISTER	DLX	: DELUXE	FRM	: FRAME
CARB	: CARBURETOR	DOHC	: DOUBLE OVERHEAD CAMSHAFT	FWD	: FORWARD
CELO	: COLD ENGINE LOCK OUT	DOJ	: DOUBLE OFFSET JOINT	F/	: FUEL
CELS	: CELSIUS	DR	: DOOR	F/STNR	: FUEL STRAINER
CHK	: CHECK	DRL	: DAYTIME RUNNING LIGHT	F/TMP	: FULL TEMPERED
CHNL	: CHANNEL	DRV	: DRIVER		
CLR	: CLEAR	DSV	: DECELERATION SOLENOID VALVE	G/BOX	: GLOVE BOX
				GLA	: GLASS

HAC	: HIGH ALTITUDE COMPENSATER	LHD	: LEFT HAND DRIVE	OTR	: OUTER
HAS	: HIGH ALTITUDE SOLENOID	LNKG	: LINKAGE	OVN	: OWNERS VEHICLE MAINTENANCE
HDL	: HANDLE	LOCKG	: LOCKING	O/S	: OUTSIDE
HMDL	: HIGH MOUNTED DUMMY LAMP	LPG	: LIQUEFIED PETROLEUM GAS	O/T	: OVERTOP
HMSL	: HIGH MOUNTED STOP LAMP	LUV	: LOUVER	PASS	: PASSENGER
HMS	: HIGH MOUNTED STOP	LVLG	: LEVELING	PCV	: POSITIVE CRANKCASE VENTILATION(ENGINE)
HORIZ	: HORIZONTAL	LVR	: LEVER		PURGE CONTROL VALVE(ENGINE)
HSG	: HOUSE, -ING	LWR	: LOWER		PRESSURE CONTROL VALVE(TRANSAXLE)
HTD	: HEATED	L/COMPT	: LUGGAGE COMPARTMENT		PROPORTIONING CONTROL VALVE(CHASSIS)
HTR	: HEATER	L/G	: LIGHT GREEN	PED	: PEDAL
H/LAMP	: HEADLAMP	L/LEVER	: LESS LEVER	PK	: PARKING
H/LING	: HEADLINING	L/PLATE	: LICENSE PLATE	PKG	: PACKAGE
H/MODULE	: HYDRAULIC MODULE	MAB	: MAIN AIR BLEED	PLR	: PILLAR
H/REST	: HEADREST	MBR	: MEMBER	PNL	: PANEL
H/T	: HIGH TENSION	MED	: MEDIUM	POSN	: POSITION
IDENT	: IDENTIFICATION	MF1	: MULTIPOINT FUEL INJECTION	PREM	: PREMIUM
IGN	: IGNITION	MIR	: MIRROR	PRESS	: PRESSURE
ILLUM	: ILLUMINATION	MLDG	: MOULDING	PT	: POINT
INR	: INNER	MNL	: MANUAL	PVC	: POLYVINYL CHLORIDE
INSTL	: INSTALLER, -ATION	MPH	: MILE PER HOUR	PWR	: POWER
INTER	: INTERMEDIATED	MPI	: MULTI POINT INJECTION	P/S	: POWER STEERING
INTMT	: INTERMITTENT	MTA	: MANUAL TRANSAXLE	P/SHF	: PIVOT SHAFT
ISC	: IDLE SPEED CONTROL	MTG	: MOUNTING	P/WDO	: POWER WINDOW
ISO	: ISOLATION	MTR	: MOTOR	QDRT	: QUADRANT
I/S	: INSIDE	MUFF	: MUFFLER	QTR	: QUARTER
JSV	: JET MIXTURE SOLENOID VALVE	MY	: MODEL YEAR	RAD	: RADIATOR
KDC	: KOREA DIESEL KIKI	M/CYL	: MASTER CYLINDER	RECIRC	: RECIRCULATION
KPH	: KILOMETER PER HOUR	NA	: NATURAL ASPIRATION	REG	: REGULATOR
L	: LENGTH	NLR	: NON LOCKING RETRACTOR	REINF	: REINFORCEMENT
LAMI	: LAMINATED	NO.	: NUMBER	REL	: RELEASE
LCD	: LIQUID CRYSTAL DISPLAY	NOZ	: NOZZLE	REM	: REMOTE
LH	: LEFT HAND	OPNG	: OPENING	RET	: RETAINER, -ING
		OS	: OVER SIZE	RETR	: RETRACTOR

REV	: REVERSE	SWIVELG	: SWIVELLING	WDO	: WINDOW
RH	: RIGHT HAND	SYNC	: SYNCHRONIZER	WHL	: WHEEL
RHD	: RIGHT HAND DRIVE	S/BACK	: SEAT BACK	WIRG	: WIRING
RHEO	: RHEOSTAT	S/BELT	: SEAT BELT	WLR	: WEBBING CLAMP LOCKING RETRACTOR
RPTR	: REPEATER	S/CATCH	: SAFETY CATCH	WPR	: WIPER
RR	: REAR	S/MKR	: SIDE MARKER	W/	: WITH
RSVR	: RESERVOIR	S/RPTR	: SIDE REPEATER	W/LINE	: WAISTLINE
RTN	: RETURN			W/O	: WITHOUT
R/REFL	: REFLEX REFLECTOR			W/S	: WINDSHIELD
		T	: THICKNESS	W/SHLD	: WINDSHIELD
SB	: SHADE BAND	TAC	: TIME & ALARM CONTROL	W/STRIP	: WEATHERSTRIP
SCV	: SLOW CUT SOLENOID VALVE	TC	: TURBOCHARGER	W/WPR	: WINDSHIELD WIPER
SDA	: SOUND DIMENSIONAL ARRAY	TEMP	: TEMPERATURE		
SDLX	: SUPER DELUXE	THERM	: THERMOSTAT	Z/TEMP	: ZONE TEMPERED
SECDY	: SECONDARY	TNL	: TUNNEL		
SEP	: SEPARATE, -OR	TNTD	: TINTED		
SFI	: SINGLEPOINT FUEL INJECTION	TPS	: THROTTLE POSITION SENSOR		
SHF	: SHAFT	TR	: TRANSISTOR		
SHLF	: SHELF	T/A	: TRANSAXLE		
SIA	: SERVICE IN ASSY	T/C	: TRANSAXLE CONTROL		
SIAR	: SERVICE IN AREA	T/F	: TRANSFER		
SIK	: SERVICE IN KIT	T/GATE	: TAIL GATE		
SIR	: SERVICE IN ROLL	T/LID	: TRUNK LID		
SIS	: SERVICE IN SET	T/M	: TRANSMISSION		
SOHC	: SINGLE OVERHEAD CAMSHAFT	T/ROOM	: TRUNK ROOM		
SOL	: SOLENOID	T/SIG	: TURN SIGNAL		
SPEEDO	: SPEEDOMETER	TQ/CONV	: TORQUE CONVERTER		
SPKR	: SPEAKER				
SPRG	: SPRING	UPR	: UPPER		
SRVC	: SERVICE	US	: UNDER SIZE		
STD	: STANDARD				
STNR	: STRAINER	VENT	: VENTILATOR		
STRG	: STEERING	VERT	: VERTICAL		
SUPT	: SUPPORT	VLV	: VALVE		
SUSP	: SUSPENSION	V/B	: VALVE BODY		
SW	: SWITCH	V/TUBE	: VAPOR TUBE		

IV. DESCRIPTION OF STANDARD PARTS

BOLT

10118-00000
d l



10119-00000
d l



11200-00000 11201-00000
11203-00000 11204-00000
d l d l



11220-00000 11221-00000
d l d l



11222-00000 11224-00000
d l d l



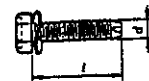
11226-00000 11227-00000
d l d l



11230-00000 11233-00000
11234-00000 11236-00000
d l d l



11240-00000 11241-00000
d l d l



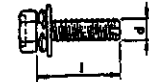
11244-00000 11245-00000
d l d l



11248-00000 11249-00000
d l d l



11250-00000 11251-00000
d l d l



11253-00000 11254-00000
d l d l



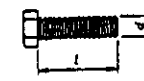
11290-00000 11291-00000
11293-00000 11294-00000
d l d l



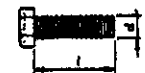
11300-00000 11301-00000
11302-00000 11303-00000
d l d l



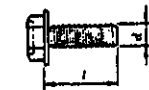
11313-00000 11315-00000
d l d l



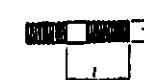
11390-00000 11393-00000
d l d l



11400-00000 11401-00000
11403-00000 11404-00000
d l d l



11510-00000 11513-00000
11514-00000
d l d l

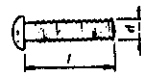


SCREW

10178-00000
d l



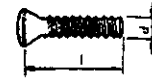
12201-00000
d l



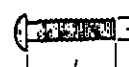
12203-00000
d l



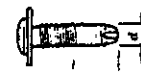
12204-00000
d l



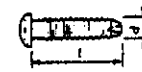
12206-00000
d l



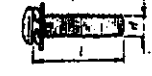
12210-00000
d l



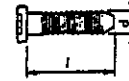
12213-00000
d l



12291-00000
d l



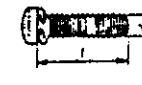
12236-00000
d l



12301-00000
d l



12310-00000
d l



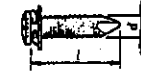
12325-00000
d l



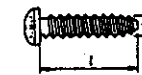
12341-00000
d l



12342-00000
d l



12411-00000
d l



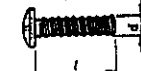
12413-00000
d l



12414-00000
d l



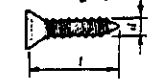
12418-00000
d l



12431-00000
d l



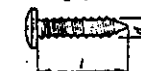
12433-00000
d l



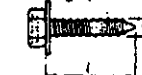
12434-00000
d l



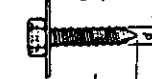
12438-00000
d l



12441-00000
d l



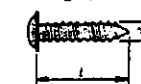
12442-00000
d l



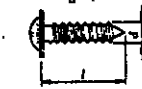
12460-00000
d l



12492-00000
d l



12493-00000
d l



M 5

NUT

13100-00000 13101-00000
 13103-00000 13104-00000
 13110-00000 13111-00000
 13114-00000 13115-00000



13130-00000 13131-00000
 13134-00000 13136-00000
 13141-00000 13144-00000



13176-00000
 $\frac{d}{d}$



13251-00000 13254-00000



13260-00000
 $\frac{d}{d}$



13270-00000
 13271-00000
 $\frac{d}{d}$



13355-00000
 $\frac{d}{d}$



13356-00000
 $\frac{d}{d}$



13357-00000
 $\frac{d}{d}$



13385-00000
 $\frac{d}{d}$



13386-00000
 $\frac{d}{d}$



13420-00000 13421-00000
 $\frac{d}{d}$ $\frac{d}{d}$



WASHER

10251-00000 13504-00000
 10256-00000 13610-00000
 13502-00000
 $\frac{d}{d}$ $\frac{d}{d}$



13602-00000
 $\frac{d}{d}$



13621-00000
 13622-00000
 $\frac{d}{d}$



13650-00000
 $\frac{d}{d}$



13660-00000
 $\frac{d}{d}$

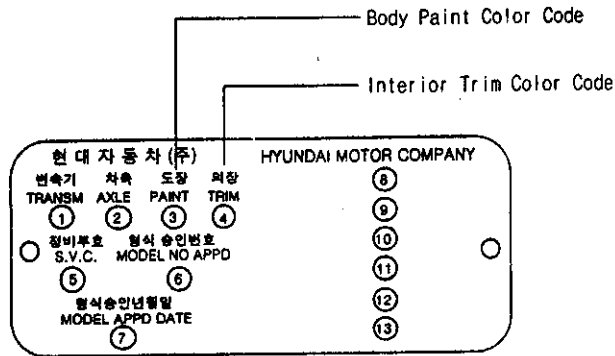


13670-00000
 $\frac{d}{d}$



V. COLOR CODE INSTRUCTION

1. Make sure that the BODY PAINT and INTERIOR TRIM COLOR CODE shown on the vehicle identification plate.



2. COLOR CODE DESCRIPTION

CLASSIFICATION	CODE	DESCRIPTION	REMARK
BODY PAINT COLOR	CS	CLEAN SILVER	
	EB	EBONY BLACK	
	GG	GREEN GRASS	
	HL	HIPHOP RED	
	IA	VIVIDE YELLOW	
	MN	MID GRAY	
	NW	NOBLE WHITE	
	SB	SKY BLUE	
	VO	VERMILION	
	YA	POTOMAC BLUE	
YS	YELLOW SUGAR		
INTERIOR TRIM COLOR	LT	GOTHIC GRAY	
EXTERIOR	AP	SILVER	EB GG HL MN SB VO YA
	CA	BLACK	
	DT	GRAY	CS IA NW YS

INTRODUCCION

Este Catalogo de Repuestos contiene informacion sobre partes de servicio para el "HYUNDAI ACCENT".

Para la utilizacion efectiva de este catalogo, sirvase leerlo y familiarizarse en forma minuciosa con el parrafo "Informacion General". Los repuestos legitimos de la marca "HMC" son los unicos que pueden usarse con seguridad en el vehiculo Hyundai debido a su comprobada confiabilidad.

Los "REPUESTOS LEGITIMOS HYUNDAI" son superiores y confiables, pues su fabricacion se hace bajo muy estrictos sistemas de control de calidad, para que cumplan con todas las normas standard. Esto ultimo se verifica a traves de rigurosas inspecciones.

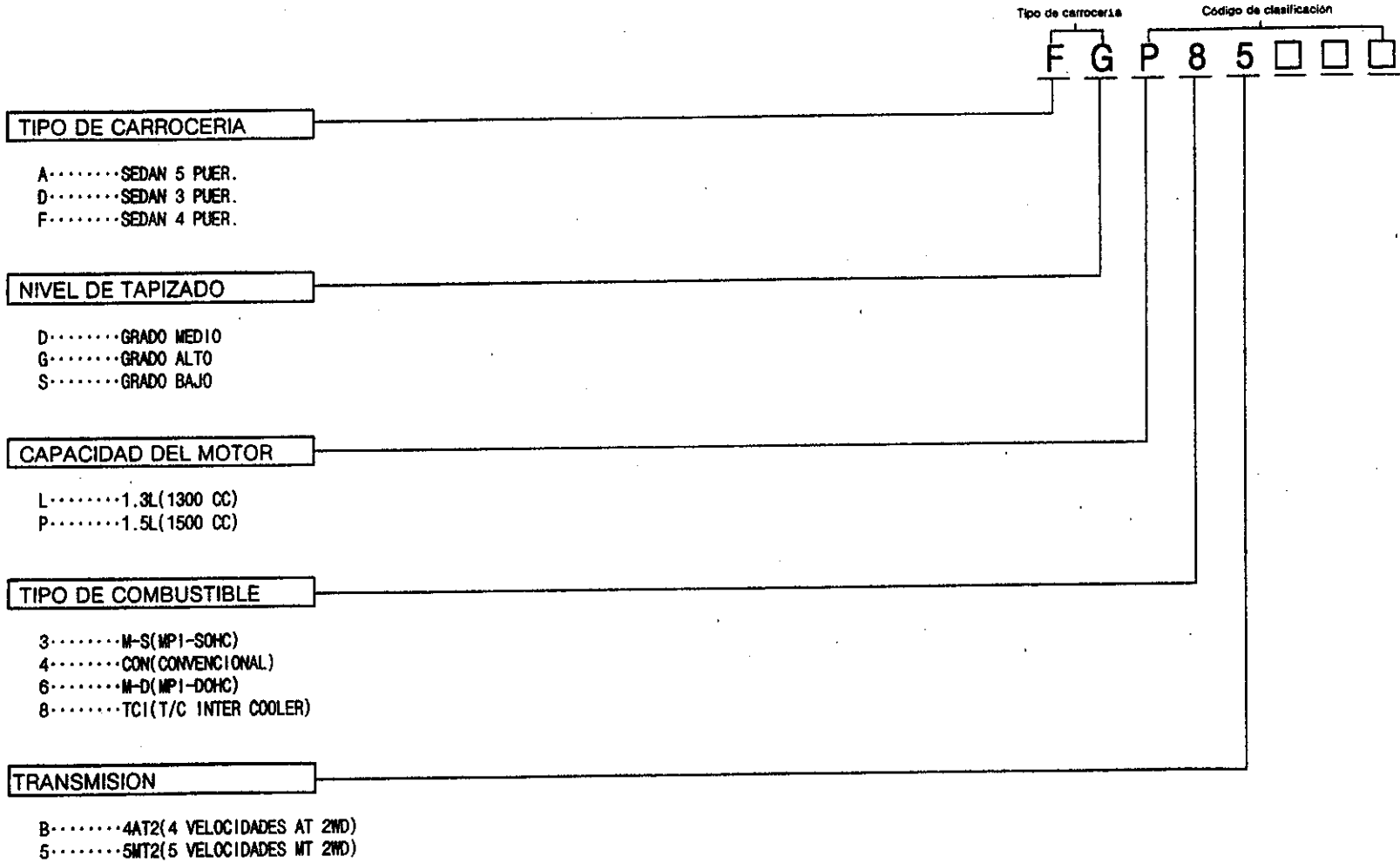
Cuando Ud. necesite partes de servicio, su distribuidor Hyundai siempre le proporcionara a una linea completa de repuestos legitimos para asegurarle una rapida atencion.

Las herramientas especiales no aparecen detalladas en este Catalogo de Repuestos. Para informacion sobre herramientas especiales le rogamos consultar el Manual de Taller o el Manual de Herramientas Especiales de Servicio.

NOTA : Todos los datos y especificaciones contenidos en este catalogo se basan en las ultimas informaciones sobre el producto disponibles a la fecha de su edicion.

INFORMACION GENERAL		
LABEL	ROTULOS	05
OVM TOOL	HERRAMIENTA OVM	09
ENGINE	MOTOR	20
	ENFRIAMIENTO	25
	ADMISION Y ESCAPE	28
	COMBUSTIBLE	31
	ELECTRICOS MOTOR	39
TRANSAXLE	EMBRAGUE	41
	EJES TRASM. Y MANDO	43
CHASSIS	EJE FINAL Y RUEDA	50
	SUSPENSION	54
	DIRECCION	56
	FRENO	58
BODY	CARROCERIA	60
TRIM	PUERTA	81
	INTERIOR	84
	EXTERIOR	86
	ASIENTO	88
ELECTRICAL	ELECTRICOS CHASSIS	91
	CALEF. Y ACOND	97
INDEX	INDICE POR NUMERO DE GRUPO	G
	INDICE POR NUMERO DE REPUESTO	P
	INDICE POR NOMBRE DE REPUESTO	P

CUADRO DE CODIGOS DE IDENTIFICACION DE VEHICULOS



INDICE DE MATERIAS

INFORMACION GENERAL

I. EXPLICACION DE FIGURAS Y TEXTO (LISTA REPUESTOS) E 6
II. NUMERO DE IDENTIFICACION DEL VEHICULO Y DE NORMA CODIGO DE MODELO DEL MOTOR H 6
III. ABREVIACIONES Y SIMBOLOS I 6
IV. DESCRIPCION DE PARTES STANDARD L 6
V. INSTRUCCION DEL CODIGO DE COLORES A 7

INDICES

INDICE DE ILUSTRACIONES A16
INDICE POR NUMERO DE GRUPO A15
INDICE POR NUMERO DE REPUESTO A12
INDICE POR NOMBRE DE REPUESTO J 9

ILUSTRACIONES Y TEXTO

05 ROTULOS.....	1-A 1	54 SUSPENSION.....	2-I 8
09 HERRAMIENTA OVM.....	1-D 1	56 DIRECCION.....	2-G 9
20 MOTOR.....	1-F 1	58 FRENO.....	2-H11
25 ENFRIAMIENTO.....	1-J 6	60 CARROCERIA.....	2-L12
28 ADMISION Y ESCAPE.....	1-M 7	81 PUERTA.....	3-C 1
31 COMBUSTIBLE.....	1-K10	84 INTERIOR.....	3-A 5
39 ELECTRICOS MOTOR.....	1-E13	86 EXTERIOR.....	3-A 8
41 EMBRAGUE.....	2-F 1	88 ASIENTO.....	3-F10
43 EJES TRASM. Y MANDO.....	2-F 2	91 ELECTRICOS CHASSIS.....	3-D12
50 EJE FINAL Y RUEDA.....	2-D 8	97 CALEF. Y ACOND.....	4-F 4

I. EXPLICACION DE FIGURAS Y TEXTO (LISTA REPUESTOS)

P N C	MODEL APPLICABLE		PART NO. (REPL PART)	Q T Y	REMARKS
	FROM-UP-TO	TYPE			
CONTINUED					
23040A			RING SET-PISTON (S)JUEGOANILLO		
000801-	AG	588;0910	23040-23922	C	T=0.50 OS
000801-	AG	1.8L;0910	23040-23903	C	T=0.75 OS
000801-	AG	588;0910	23040-23923	C	T=0.75 OS
000801-	AG	1.8L;0910	23040-23904	C	T=1.00 OS
000801-	AG	588;0910	23040-23924	C	T=1.00 OS
000801-	AG	1.8L;0920	23040-23900	1	STD
000801-	AG	1.8L;0920	23040-23951	C	T=0.25 OS
000801-	AG	1.8L;0920	23040-23952	C	T=0.50 OS
000801-	AG	1.8L;0920	23040-23953	C	T=0.75 OS
000801-	AG	1.8L;0920	23040-23954	C	T=1.00 OS
000801-	FD	588;0910	23040-23200	1	STD
000801-	FD	588;0910	23040-23821	C	T=0.25 OS
000801-	FD	588;0910	23040-23922	C	T=0.50 OS
000801-	FD	588;0910	23040-23923	C	T=0.75 OS
000801-	FD	588;0910	23040-23924	C	T=1.00 OS

① NUMERO DE MICROFICHA

(Ficha No. 1) 1-B 4 (Cuadro 4 en fila 2)

② NUMERO Y NOMBRE DE GRUPO

20-231 CRANKSHAFT & PISTON
 Nombre de sub grupo
 Numero de sub grupo
 Numero de grupo principal

Los primeros dos digitos indican "Numero de Grupo Principal" y los cinco digitos siguientes "Numero de Sub Grupo".
 Refierase al indice por Numeros de Grupos.

③ PNC (codigo por nombre de repuesto) & FECHA EFECTIVA

El numero de PNC indicado para cada parte en la ilustracion es identico al que aparece en la Lista de Repuestos.
 La fecha efectiva de cada repuesto se muestra indicando ano, mes y dia.

④ MODELO

A. DESCRIPCION DE MODELO DE RECAMBIO

Para simplificar la descripcion del modelo involucrado se utilizan abreviaturas y simbolos del modelo.

Refierase a CUADRO DE CODIGOS DE IDENTIFICACION DE VEHICULOS (M/F No. C 6).

B. CODIGO DE OPCIONES

El código de opción se halla al pie de cada página.

⑤ NOMBRE DE LA PIEZA

Esta columna muestra la denominación de cada parte.
El nombre puede expresarse por medio de abreviaciones y símbolos.
Refierase a III. "Abreviaciones y Símbolos".

⑥ ITC (significa código de intercambiabilidad)

A) Cuando ocurren cambios de ingeniería en una parte, la intercambiabilidad entre repuestos nuevos y antiguos se indica con los códigos de más abajo.

- Y : Partes nueva y antigua son intercambiables
- A : Parte nueva se usa en coche antiguo; la parte antigua no se usa en el coche nuevo

B) Asimismo, los repuestos para mejorar la disponibilidad de partes se expresan por lo siguientes símbolos:

- () : Sustitución de unidad
- = () : Número de la parte principal en sustitución de un conjunto
- + () : Número de parte para agregarse a la parte principal de sustitución de conjunto

Sustitución de unidad
Ejemplo)

P N C	MODEL APPLICABLE		R E F	PART NO. (REPL P/NO.)	Q T Y	REMARKS
	FROM-UP-TO	TYPE DESCRIPTION				
52910A		WHEEL ASSY-STEEL (S)CONJ. LLANTA ACERO		52910-29300 (52910-29220)	5	S.S.JX14

Sustitución de conjunto
Ejemplo)

P N C	MODEL APPLICABLE		R E F	PART NO. (REPL P/NO.)	Q T Y	REMARKS
	FROM-UP-TO	TYPE DESCRIPTION				
71120		PANEL ASSY-PILLAR OTR RH (S)CONJ. PANEL DELANT		71104-27A10 = (71104-27A11) + (91821-27001)	1	

Los números de partes con símbolos "=" y "+" representan la sustitución de la pieza original como un conjunto.

⑦ NUMERO DE PARTE

Todas las partes legítimas Hyundai esta clasificadas en dos grupos, PARTES GENERALES (PARTES PRINCIPALES) y PARTES STANDARD.
Refierase al sistema de numeración de partes descrito en el párrafo siguiente.

En la columna "No. de Parte", el repuesto marcado con asterisco (*) no se suministra suelto. Para obtener dicho repuesto debe ordenarse el conjunto, juego o grupo que lo incluye.

En el caso de partes modificadas, el nuevo número de parte se reconoce porque la porción "Hasta" de la columna FECHA EFECTIVA esta en blanco.

Sistema de Numeración de Partes

Partes Generales (Partes Especiales)
Ejemplo)

COVER-FR SEAT BACK
88370-22110D MFN
1)2)3) 4) 5)6)7) 8)

- 1) Número de grupo principal (Función)
- 2) Número de sub-grupo
- 3) Número de detalle básico
- 4) Número de modelo
- 5) Número de serie de diseño
- 6) Número de código de revisión de diseño
- 7) Número provisorio
- 8) Código de color

NOTA : El número de serie del diseño se indica normalmente con un carácter numérico, pero también puede indicarse con una combinación alfa-numérica (A0-Y9)

Partes Standard
Ejemplo)

BOLT
11200-05101

El primer dígito en partes standard consiste en el carácter numérico "1". Para la interpretación detallada de estas partes, refierase al párrafo DESCRIPCIÓN DE PARTES STANDARD.

⑧ QTY (CTD)

Esta columna indica la cantidad (quantity) requerida por sub-grupo, pero no por vehículo. La cantidad normalmente se muestra con caracteres numericos, como tambien por medio de los simbolos que se insertan a continuacion.

Simbolo	Descripcion
Numerican	Cantidad
AR	COMO SE REQUIERA : El repuesto marcado 'AR' indica que la cantidad requerida podria variar o bien seria determinada por el USUARIO.
A	PARTES ALTERNATIVAS : El repuesto marcado 'A' cumple la misma funcion que cualquier otro repuesto que exhiba los mismos NOMBRE DE PARTE, FECHA EFECTIVA y MODELO en ese NUMERO DE CLAVE, aun cuando provenga de diferentes fabricantes y se instale en un vehiculo como alternativa. Consecuentemente, cualquiera de estas partes con numeros iguales es utilizable.
C	PARTES SELECTIVAS : El repuesto marcado 'C' es de seleccion circunstancial y se instala si sus dimensiones son aceptables. Las partes selectivas no son exactamente intercambiables pero pueden instalarse en la misma posicion.

⑨ OBSERVACIONES

En esta columna se proporciona informacion suplementaria o de referencia. Para interpretar la columna de observaciones consulte el parrafo "Abreviaturas y Simbolos".

- Modalidades de Suministro

- AM : Suministro directo de fabricante local
- SIA : Suministro en conjuntos
- SIK : Suministro en juegos
- SIS : Suministro en grupos
- SiR : Suministro en roillos
- SIAR : Suministro en zonas

- Forma
- Color
- Especial
- Material
- Tamano
- Fabricante
- ETC

II. NUMERO DE IDENTIFICACION DEL VEHICULO Y CODIGO DE MODELO DEL MOTOR

Numero de Identificacion del Vehiculo :

K M H C G 4 1 G P Y U 0 0 0 0 0 1
 1) 2) 3) 4) 5) 6) 7) 8) 9) 10)

- 1) W.I.C (codigo identificacion mundial del fabricante)
 K M H : Automovil Hyundai de Pasajeros
- 2) Vehiculo line
 C : ACCENT
- 3) Nivel de Guarniciones
 F : Grado bajo
 G : Grado medio
 H : Grado alto
- 4) Tipo de carroceria
 3 : 3 puertas
 4 : 4 puertas
 5 : 5 puertas
- 5) Sistema de Fijacion (Asiento delantero)
 1 : Sistema activo-Tipe de 3 puntos
- 6) Tipo de Motor
 F : 1300cc Gasolina (SOHC)
 G : 1500cc Gasolina (SOHC)
 B : 1500cc Gasolina (DOHC)
 V : 1500cc Diesel (TCI)
- 7) Dígito de Comprobacion
 P : Direccion a la Izquierda (LHD)
 R : Direccion a la Derecha (RHD)
- 8) Año de Produccion
 Y : 2000
 1 : 2001
 2 : 2002

- 9) Codigo de Planta
 U : ULSAN en Corea

- 10) Numero Secuencia de Produccion del Vehiculos
 000001-999999

Codigo de Modelo del Motor

Modelo	No. de Serie
<u> </u> <u> </u> <u> </u> <u> </u>	<u> </u> <u> </u> <u> </u> <u> </u> <u> </u> <u> </u> <u> </u> <u> </u>
1)2)3)4)	5) 6)

- 1) Combustible del Motor
 D : Diesel
 G : Gasolina
- 2) Configuracion del Motor
 3 : En linea 4 Tiempos, 3 Cilindros
 4 : En linea 4 Tiempos, 4 Cilindros
- 3) Orden de Produccion del Motor
 A-Z : Numero de secuencia se desarrolla las mismas condiciones.
- 4) Capacidad del Motor
 A : 1341cc (SOHC)
 A : 1493cc (TCI)
 B : 1495cc (SOHC)
 C : 1495cc (DOHC)
- 5) Año de Produccion
 X : 1999
 Y : 2000
 1 : 2001
 2 : 2002
- 6) Numero de Secuencia de Produccion del Motor
 000001-999999

IV. ABBREVIATIONS & SYMBOLES

ABS	: SYSTEME D'ANTI-DERAPAGE FREINAGE	CLU	: EMBRAYAGE	D/SHF	: ARBRE COMMANDE/ENTRAINE
ACCEL	: ACCELERATEUR	COL	: COLONNE	ECM	: UNITE A COMMANDE ELECTRIQUE
ACCUM	: ACCUMULATEUR	COMB	: COMBINAISON	ECS	: ELECTRONIC CONTROL SUSPENSION
ACV	: AIR CUT VALVE	COMPL	: COMPLET	EGR	: RECIRCULATION DES GAZ D'ECHAPPEMENT
ADJ	: REGLER, REGLABLE	COMPT	: COMPARTIMENT	ELCT	: TRANSMISSION A COMMANDE ELECTRIQUE
AL	: ALUMINIUM	CONN	: CONNECTEUR/RACCORD RACCORDEMENT	ELEC	: ELECTRIQUE
ALR	: RETRACTEUR AUTO-BLOQUANT	CONT	: REGLAGE:COMMANDE	ELR	: ENROULEUR A VERROUILLAGE D'URGENCE
AMPR	: AMPLIFIER	CONV	: CARBURATEUR CONVENTIONNEL	ENG	: MOTEUR
ANT	: ANTENNE	CTR	: CENTRE	EQLZR	: EGALISATEUR
AR	: SUIVANT LES BESOINS	CTRL	: CENTRAL	EQMNT	: EQUIPMENT
ASSY	: ORGANE ASSEMBLE	CUSH	: COUSSIN	ESV	: ELECTROVALVE D'ENRICHISSEMENT
ATA	: TRANSAXLE AUTOMATIQUE	CV	: VITESSE CONSTANTE	ETR	: ELECTRONIC TUNER
AUTO	: AUTOMATIQUE	CVR	: CAPOT/COUVERCLE RECOUVREMENT/REVETEMENT	EVAP	: EVAPORATION: EVAPORATEUR
A/C	: CLIMATISATION	CYL	: CYLINDRE	EXC	: SAUF
A/EXTRA	: VENTILATEUR D'EVACUATION D'AIR	C/LTR	: ALLUME-CIGARETTES	EXH	: ECHAPPEMENT
A/REST	: ACCOUDOIR	C/MBR	: BARRE TRANSVERSALE DE CHASSIS	EXTN	: EXTENSION/ALLONGEMENT
A/VENT	: AERATEUR	C/PAD	: TOLE SUR LE TABLEAU DE BORD	E/CAR	: EDITION CAR
ANTI/VIB	: ANTIVIBRATOIRE	C/PLR	: MONTANT CENTRAL		
&	: ET	C/ROD	: BIELLE/TIGE DE RACCORDEMENT		
		CRK/SHT	: VILEBREQUIN		
BAL	: EQUILIBRAGE			FAHR	: FAHRENHEIT
BJ	: JOINT UNIVERSEL BIRFIELD	DECAL	: DECALCOMANIE	FBC	: CARBURATEUR A RETROACTION/REINJECTION
BPR	: PARE-CHOCS	DECO	: ENJOLIVEMENT/ORNAMENTATION	FBM	: MELANGE DE REINJECTION
BRG	: ROULEMENT	DEFR	: DEGIVREUR	FBV	: ELECTROVALVE DE RETROACTION
BRK	: FREIN	DIA	: DIAMETRE	FIC	: REGLAGE RALENTI ACCELERE
BRKT	: SUPPORT/GOUSSET	DIFF	: DIFFERENTIEL	FLR	: PLANCHER
BRZ	: BRONZE	DIST	: DISTRIBUTEUR	FNDR	: AILE
		DIV	: DIVISEUR	FR	: AVANT
CANI	: BIDON/NOURRICE	DLX	: DELUXE	FRM	: CHASSIS
CARB	: CARBURATEUR	DOHC	: DOUBLE ARBRE A CONES EN TETE	FWD	: MARCHE AVANT
CELO	: COLD ENGINE LOCK OUT	DOJ	: DOUBLE OFFSET JOINT	F/	: CARBURANT/ESSENCE
CELS	: CELSIUS	DR	: PORTE	F/STNR	: FILTRE A CARBURANT
CHK	: VERIFICATION/CONTROLE	DRL	: DAYTIME RUNNING LIGHT	F/TMP	: FULL TEMPERED
CHNL	: CONDUIT/CANALISATION	DRV	: CONDUCTEUR		
CLR	: CLAIR	DSV	: ELECTROVALVE A DECELERATION	G/BOX	: BOITE A GANTS
				GLA	: VERRE/GLACE

HAC	: HIGH ALTITUDE COMPENSATER	LHD	: CONDUITE A GAUCHE	OTR	: EXERIEUR
HAS	: ELECTROVALVE A HAUTE ALTITUDE	LNKG	: LIASON	OVM	: ENTRETIEN DU VEHICULE(PAR PROPRIETAIRE)
HDL	: POIGNEE/MANETTE	LOCKG	: BLOCAGE/VERROUILLAGE	O/S	: EXTERIEUR
HMDL	: HIGH MOUNTED DUMMY LAMP	LPG	: GAZ COMBUSTIBLE LIQUEFIE	O/T	: OVERTOP
HMSL	: HIGH MOUNTED STOP LAMP	LUV	: AUVENT/GRILLE		
HMS	: HIGH MOUNTED STOP	LVLG	: LEVELING	PASS	: PASSAGER
HORIZ	: HORIZONTALE	LVR	: LEVIER	PCV	: VALVE DU SYSTEME D'ASPIRATION
HSG	: CARTER/BOITIER	LWR	: INFERIEUR		DES GAZ DU CARTER(MOTEUR)
HTD	: CHAUFFE	L/COMPT	: COFFRE A BAGAGES		SOUPAPE DE COMMANDE DE PURGE(MOTEUR)
HTR	: CHAUFFAGE	L/G	: VERT CLAIR		SOUPAPE DE REGLAGE DE PRESSION(TRANSMISSION)
H/LAMP	: PHARE	L/LEVER	: LESS LEVER	PED	: PEDALE
H/LING	: REVETEMENT DE TOIT/HABILLAGE DU PLAFOND	L/PLATE	: LICENSE PLATE	PK	: PARKING
H/MODULE	: HYDRAULIC MODULE			PKG	: ENSEMBLE, BLOC LOGIQUE
H/REST	: APPUI-TETE	MAB	: TUYAU D'EVACUATION D'AIR PRINCIPAL	PLR	: MONTANT
H/T	: HAUTE TENSION	MBR	: COMPOSANT, ELEMENT, MEMBRURE	PNL	: PANNEAU, PLAQUE
		MED	: MOYEN	POSN	: EMPLACEMENT
IDENT	: IDENTIFICATION	MFI	: MULTIPLES POINTS D'INJECTION	PREM	: PREMIUM/SUPER
IGN	: ALLUMAGE	MIR	: MIROIR	PRESS	: PRESSION
ILLUM	: ECLAIRAGE	MLDG	: ENJOLIVEUR, MOULURE	PT	: POINT
INR	: INTERIEUR	MNL	: MANUEL, A COMMANDE MANUELLE	PVC	: CHLORURE DE POLYVINYLE
INSTL	: INSTALLATION	MPH	: MILLES PAR HEURE	PWR	: PUISSANCE
INTER	: INTERMEDIAIRE	MPI	: MULTI POINT INJECTION	P/S	: DIRECTION ASSISTEE
INTWT	: INTERMITTENCE	MTA	: MANUAL TRANSAXLE	P/SHF	: PIVOT SHAFT
ISC	: IDLE SPEED CONTROL	MTG	: MONTAGE, INSTALLATION	P/WDO	: LEVE-VITRE AUTOMATIQUE
ISO	: ISOLATION	MTR	: MOTEUR		
I/S	: INTERIEUR	MUFF	: AMORTISSEUR DE BRUIT/SILENCIEUX	QDRT	: QURDRANT
		MY	: ANNEE DE MODELE	QTR	: QUART
JSV	: ELECTROVALVE DE MELANGE A GICLEUR	M/CYL	: MAITRE-CYLINDRE		
				RAD	: RADIATEUR
KDC	: POMPE INJECTION KIKI GASOIL COREENE	NA	: NATURAL ASPIRATION	RECIRC	: RECIRCULATION
KPH	: KILOMETER PER HOUR	NLR	: ENROULEUR SANS VERROUILLAGE	REG	: REGULATEUR
		NO.	: NUMERO	REINF	: RENFORCEMENT
L	: LONGUEUR	NOZ	: GICLEUR/ALESAGE	REL	: DECLENCHEMENT
LAMI	: FEUILLETE			REM	: A DISTANCE
LCD	: LIQUID CRYSTAL DISPLAY	OPNG	: OUVERTURE	RET	: BUTTE ARRETOIR
LH	: COTE GAUCHE	OS	: SURDIMENSIONNE	RETR	: ENROULEUR

REV : MARCHÉ ARRIERE/RECU
 RH : COTE DROIT
 RHD : CONDUITE A DROITE
 RHEO : RHEOSTAT
 RPTR : REPETITEUR
 RR : ARRIERE
 RSVR : RESERVOIR
 RTN : RETOUR/RAPPEL
 R/REFL : CATADIOPTRE

 SB : PARE-SOLEIL
 SCV : ELECTROVALVE
 SDA : SOUND DIMENSIONAL ARRAY
 SDLX : SUPER LUXE
 SECDY : SECONDAIRE
 SEP : SEPARÉ, SEPARATEUR
 SFI : POINT D'INJECTION SIMPLE
 SHF : ARBRE, AXE
 SHLF : CUVETTE, BAC
 SIA : FOURNI EN ENSEMBLE
 SIAR : FOURNI LOCALEMENT
 SIK : FOURNI EN KIT
 SIR : FOURNI EN ROULEAU
 SIS : FOURNI EN JEU
 SOHC : SIMPLE ARBRE A CAMES EN TETE
 SOL : SOLENOIDE
 SPEEDO : COMPTEUR DE VITESSE
 SPKR : HAUT-PARLEUR
 SPRG : RESSORT
 SRVC : SERVICE/REVISION
 STD : STANDARD
 STNR : CREPINE
 STRG : DIRECTION
 SUPT : SUPPORT/CONSOLE
 SUSP : SUSPENSION
 SW : INTERRUPTEUR

SWIVELG : PIVOTANT/TOURNANT
 SYNC : SYNCHRONISATEUR
 S/BACK : DOSSIER
 S/BELT : CEINTURE DE SECURITE
 S/CATCH : VERROU DE SECURITE
 S/MKR : FEU D'ENCOMBREMENT/FEU LATERAL
 S/RPTR : SIDE REPEATER.

 T : EPAISSEUR
 TAC : SYSTEME DE COMMANDE D'ALARME PROGRAMME
 TC : TURBOCHARGER
 TEMP : TEMPERATURE
 THERM : THERMOSTAT
 TNL : TUNNEL
 TNTD : TEINTE
 TPS : SONDE DE POSITION DU PAILLON
 TR : TRANSISTOR
 T/A : TRANSAXLE
 T/C : COMMANDE DE LA BOITE DE VITESSES
 T/F : TRANSFER
 T/GATE : HAYON ARRIERE
 T/LID : COUVERCLE DE COFFRE
 T/M : TRANSMISSION
 T/ROOM : VOLUME DE COFFRE
 T/SIG : CLIGNOTANT
 TQ/CONV : CONVERTISSEUR DE COUPLE

UPR : SUPERIEUR
 US : DIMENSION INFÉRIEURE

VENT : VENTILATEUR
 VERT : VERTICAL
 VLV : VALVE, VANNE, CLAPET, SOUPEPE
 V/B : CORPS/BOITIER DE VALVE/CLAPET
 V/TUBE : TUYAU/CONDUIT DE VAPEUR

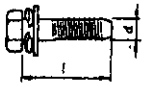
WDO : VITRE, FENETRE, GLACE
 WHL : ROUE
 WIRG : CABLAGE
 WLR : CEINTURE DE SECURITE ENROULEUR
 WPR : ESSUIE-GLACE/ESSUIE-VITRE
 W/ : AVEC
 W/LINE : WAISTLINE
 W/O : SANS
 W/S : PARE-BRISE
 W/SHLD : PARE-BRISE
 W/STRIP : BOURRELET D'ETENCHEITE
 W/WPR : ESSUIE-GLACE

 Z/TEMP : ZONE TEMPERED

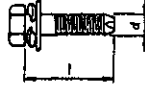
V. DESCRIPTION DES PIECES STANDARD

BOULON

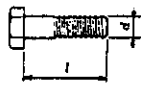
10116-00000
d l



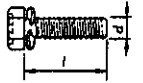
10119-00000
d l



11200-00000 11201-00000
11203-00000 11204-00000
d l d l



11220-00000 11221-00000
d l d l



11223-00000 11224-00000
d l d l



11226-00000 11227-00000
d l d l



11230-00000 11233-00000
11234-00000 11236-00000
d l d l



11240-00000 11241-00000
d l d l



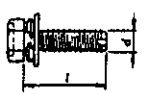
11244-00000 11245-00000
d l d l



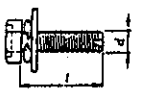
11248-00000 11249-00000
d l d l



11250-00000 11251-00000
d l d l



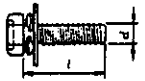
11253-00000 11254-00000
d l d l



11290-00000 11291-00000
11293-00000 11294-00000
d l d l



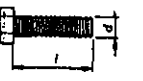
11300-00000 11301-00000
11302-00000 11303-00000
d l d l



11313-00000 11315-00000
d l d l



11390-00000 11393-00000
d l d l



11400-00000 11401-00000
11403-00000 11404-00000
d l d l



11510-00000 11513-00000
11514-00000
d l

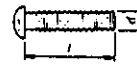


VIS

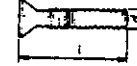
10178-00000
d l



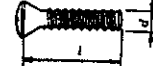
12201-00000
d l



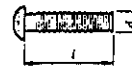
12203-00000
d l



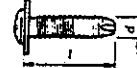
12204-00000
d l



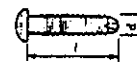
12208-00000
d l



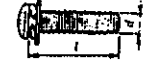
12210-00000
d l



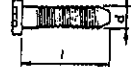
12213-00000
d l



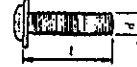
12291-00000
d l



12296-00000
d l



12301-00000
d l



12310-00000
d l



12325-00000
d l



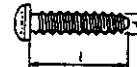
12341-00000
d l



12342-00000
d l



12411-00000
d l



12413-00000
d l



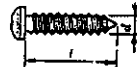
12414-00000
d l



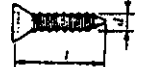
12418-00000
d l



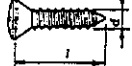
12431-00000
d l



12433-00000
d l



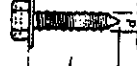
12434-00000
d l



12438-00000
d l



12441-00000
d l



12442-00000
d l



12450-00000
d l



12492-00000
d l



12493-00000
d l



M 6

ECROU

13100-00000 13191-00000
 13103-00000 13104-00000
 13110-00000 13111-00000
 13114-00000 13115-00000



13120-00000 13131-00000
 13134-00000 13136-00000
 13141-00000 13144-00000



13178-00000



13251-00000 13254-00000



13280-00000



13270-00000
 13271-00000



13365-00000



13386-00000



13387-00000



13388-00000



13386-00000



13420-00000 13421-00000



RONDELLE

10251-00000 13504-00000
 10256-00000 13510-00000
 13502-00000



13602-00000



13621-00000
 13622-00000



13660-00000



13660-00000

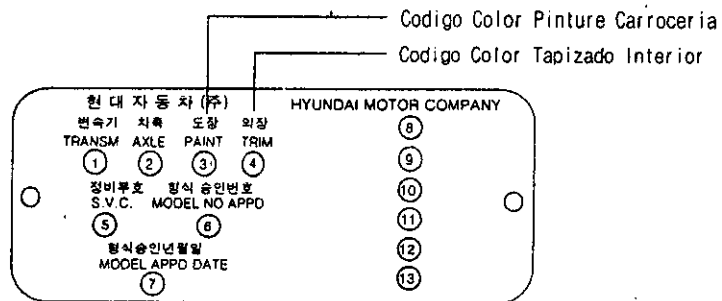


13670-00000










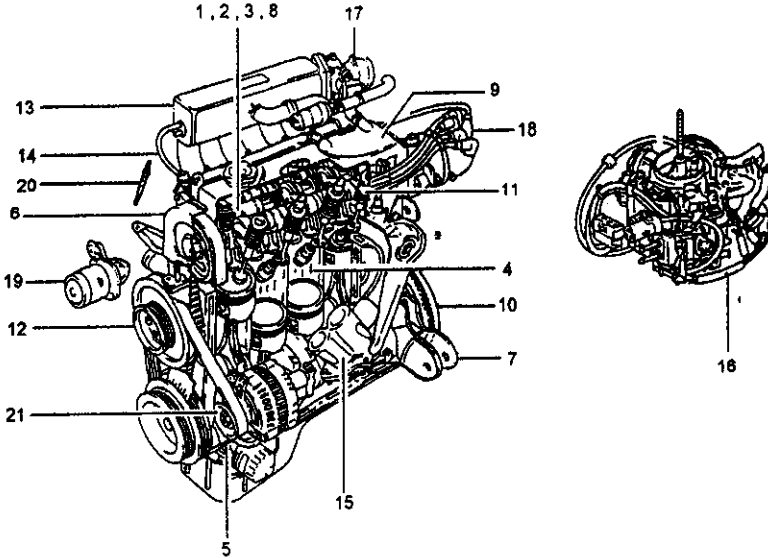



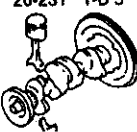




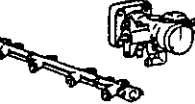





V. INSTRUCCIONES DEL CODIGO DE COLORES


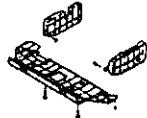




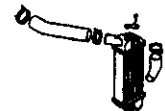
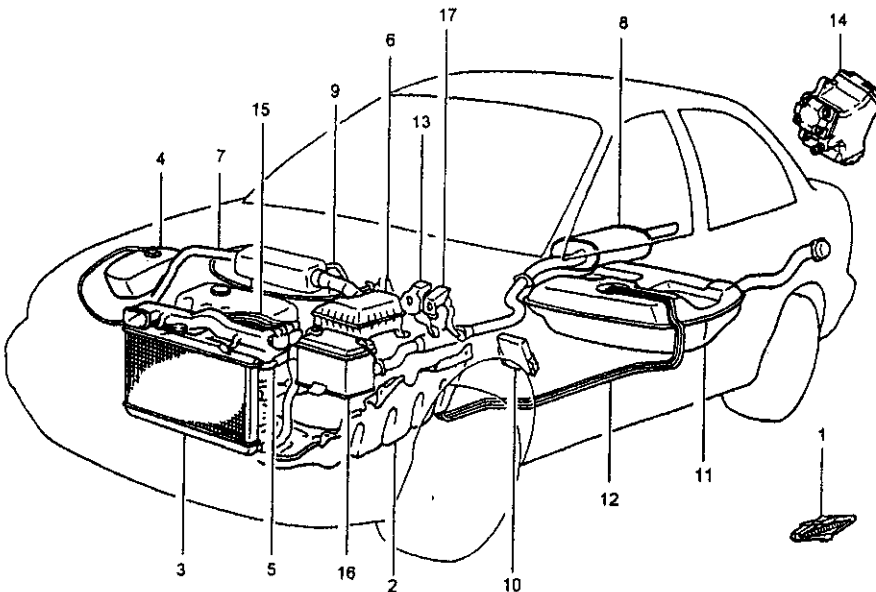
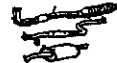









1. Anote cuidadosamente los Codigos de COLOR DE PINTURA DE CARROCERIA y COLOR DE TAPICERIA INTERIOR que aparecen en la placa de identificacion del vehiculo.








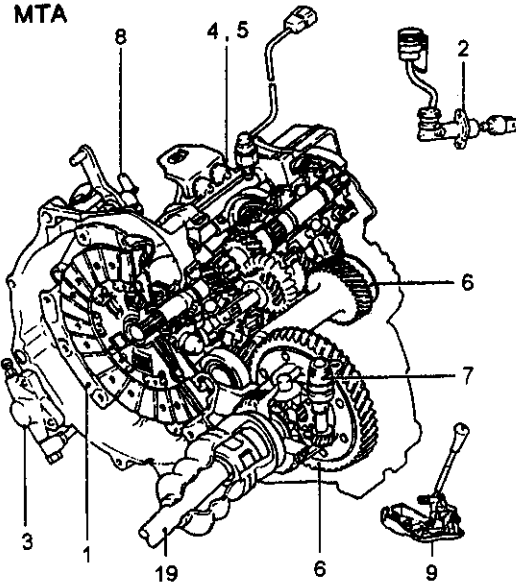
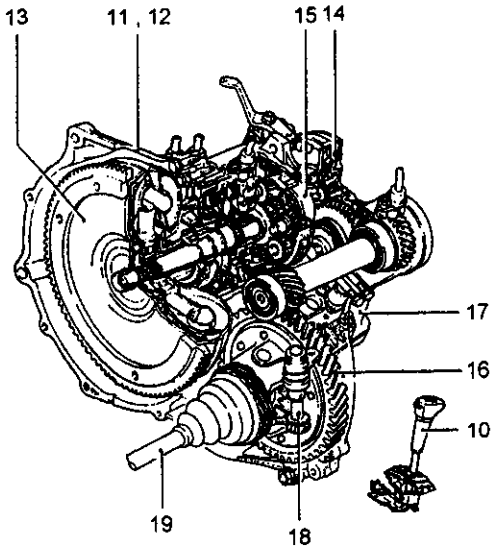








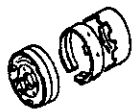





2. DESCRIPCION DEL CODIGO DE COLORES


CLASSIFICATION	CODE	DESCRIPTION	REMARK
BODY PAINT COLOR	CS	CLEAN SILVER	
	EB	EBONY BLACK	
	GG	GREEN GRASS	
	HL	HIPHOP RED	
	IA	VIVIDE YELLOW	
	MN	MID GRAY	
	NW	NOBLE WHITE	
	SB	SKY BLUE	
	VO	VERMILION	
	YA	POTOMAC BLUE	
YS	YELLOW SUGAR		
INTERIOR TRIM COLOR	LT	GOTHIC GRAY	
EXTERIOR	AP	SILVER	EB GG HL MN SB VO YA
	CA	BLACK	
	DT	GRAY	CS IA NW YS

<p>1 20-201 1-G 1</p>  <p>SUB ENGINE ASSY</p>	<p>2 20-202 1-I 1</p>  <p>ENGINE GASKET KIT</p>	<p>3 20-203 1-K 1</p>  <p>ENGINE GASKET KIT</p>	<p>4 20-211 1-M 1</p>  <p>CYLINDER BLOCK</p>	<p>5 20-213 1-G 2</p>  <p>FRONT CASE</p>	<p>6 20-215 1-M 2</p>  <p>BELT COVER & OIL PAN</p>	<p>7 20-216 1-I 3</p>  <p>ENGINE & T/A MOUNTING</p>
<p>ENGINE GROUP (1 OF 2)</p>  <p>NOTE: This illustration is common to all vehicle models and may contain some parts which are not applicable to the particular model.</p>						
<p>21 39-373 1-K14</p>  <p>GENERATOR</p>	<p>8 20-221 1-B 4</p>  <p>CYLINDER HEAD</p>	<p>9 20-224 1-J 4</p>  <p>ROCKER COVER</p>	<p>10 20-231 1-B 5</p>  <p>CRANKSHAFT & PISTON</p>	<p>11 20-240 1-M 5</p>  <p>CAMSHAFT & VALVE</p>	<p>12 25-251 1-K 6</p>  <p>COOLANT PUMP</p>	<p>13 28-283 1-J 8</p>  <p>INTAKE MANIFOLD</p>
<p>18 39-271 1-F13</p>  <p>DISTRIBUTOR</p>	<p>17 31-351 1-M12</p>  <p>THROTTLE BODY & INJECTOR</p>	<p>15 28-285 1-G 9</p>  <p>EXHAUST MANIFOLD</p>	<p>14 28-284 1-E 9</p>  <p>VACUUM HOSE</p>	<p>12 25-251 1-K 6</p>  <p>COOLANT PUMP</p>	<p>19 39-361 1-A14</p>  <p>STARTER MOTOR</p>	<p>20 39-367 1-H14</p>  <p>GLOW PLUG(DIESEL)</p>

<p>1 09-091 1-E 1</p>  <p>OVM TOOL</p>	<p>2 20-291 1-H 6</p>  <p>MUD GUARD</p>	<p>3 25-253 1-B 7</p>  <p>RADIATOR</p>	<p>4 25-253A 1-F 7</p>  <p>RAD HOSE & RESERVOIR</p>	<p>5 25-255 1-I 7</p>  <p>COOLANT HOSE & PIPE</p>	<p>6 28-281 1-A 8</p>  <p>AIR CLEANER</p>	<p>7 28-282 1-H 8</p>  <p>TURBOCHARGER</p>
<p style="text-align: center;">ENGINE GROUP (2 OF 2)</p>  <p style="text-align: center;">NOTE: This illustration is common to all vehicle models and may contain some parts which are not applicable to the particular model.</p>						<p>8 28-288 1-M 9</p>  <p>EXHAUST PIPE</p>
						<p>9 28-289 1-D10</p>  <p>VAPOR CONTROL SYSTEM</p>
						<p>10 28-390 1-F10</p>  <p>ELECTRONIC CONTROL</p>
						<p>11 31-311 1-L10</p>  <p>FUEL TANK</p>
<p>17 41-328 2-G 1</p>  <p>CLUTCH & BRAKE PEDAL</p>	<p>16 39-371 1-I14</p>  <p>BATTERY</p>	<p>15 39-273 1-H13</p>  <p>SPARK PLUG & CABLE</p>	<p>14 31-331 1-L12</p>  <p>FUEL INJECTION PUMP</p>	<p>13 31-327 1-H12</p>  <p>ACCELERATOR LINKAGE</p>	<p>12 31-313 1-J11</p>  <p>FUEL LINES</p>	


<p>1 41-410 2-K 1</p>  <p>CLUTCH & RELEASE FORK(MTA)</p>	<p>2 41-416 2-M 1</p>  <p>CLUTCH & MASTER CYLINDER(MTA)</p>	<p>3 41-417 2-B 2</p>  <p>CLUTCH RELEASE CYLINDER(MTA)</p>	<p>4 43-430 2-G 2</p>  <p>TRANSAXLE(MTA)</p>	<p>5 43-431 2-J 2</p>  <p>TRANSAXLE CASE(MTA)</p>	<p>6 43-432 2-A 3</p>  <p>TRANSAXLE GEAR(MTA)</p>	<p>7 43-436 2-K 4</p>  <p>SPEEDOMETER DRIVEN GEAR(MTA)</p>	
<h3>TRANSAXLE GROUP</h3> <div style="display: flex; justify-content: space-around;"> <div style="text-align: center;"> <p>MTA</p>  </div> <div style="text-align: center;"> <p>ATA</p>  </div> </div> <p style="text-align: center;">NOTE: This illustration is common to all vehicle models and may contain some parts which are not applicable to the particular model.</p>							<p>8 43-437 2-L 4</p>  <p>GEAR SHIFT CONTROL(MTA)</p>
							<p>9 43-438 2-C 5</p>  <p>SHIFT LEVER CONTROL(MTA)</p>
							<p>10 43-439 2-E 5</p>  <p>SHIFT LEVER CONTROL(ATA)</p>
<p>19 43-495 2-M 7</p>  <p>DRIVE SHAFT</p>						<p>11 43-450 2-I 5</p>  <p>TRANSAXLE(ATA)</p>	
<p>18 43-465 2-L 7</p>  <p>SPEEDOMETER DRIVEN GEAR(ATA)</p>	<p>17 43-462 2-L 6</p>  <p>TRANSAXLE VALVE BODY(ATA)</p>	<p>16 43-457 2-I 6</p>  <p>TRANSAXLE GEAR(ATA)</p>	<p>15 43-455 2-G 6</p>  <p>TRANSAXLE BRAKE(ATA)</p>	<p>14 43-454 2-C 6</p>  <p>TRANSAXLE CLUTCH(ATA)</p>	<p>13 43-453 2-B 6</p>  <p>OIL PUMP & TQ/CONV(ATA)</p>	<p>12 43-452 2-K 5</p>  <p>TRANSAXLE CASE(ATA)</p>	

1 50-517 2-E 8



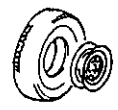
FRONT AXLE HUB

2 50-527 2-F 8




REAR WHEEL HUB

3 50-529 2-G 8




WHEEL & CAP

4 54-545 2-J 8




FRONT SUSPENSION LOWER ARM

5 54-546 2-L 8



FRONT SPRING & STRUT

6 54-548 2-A 9



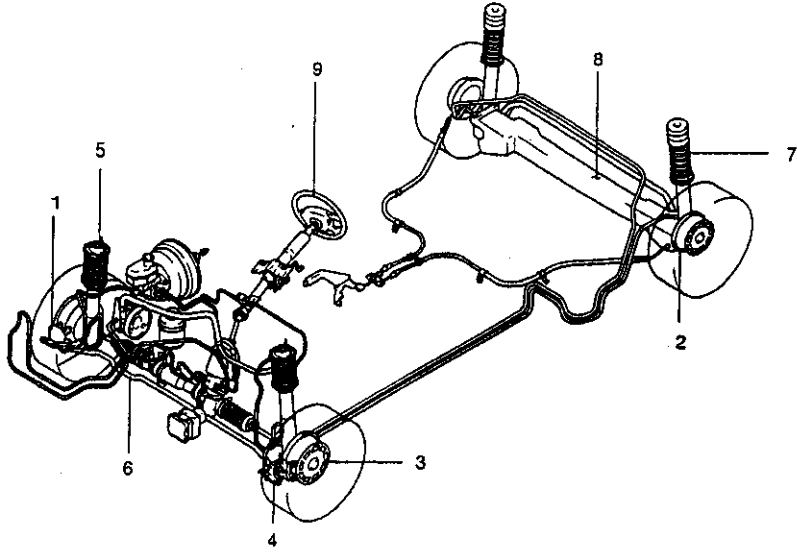
FRONT STABILIZER BAR

7 54-553 2-C 9




REAR SHOCK ABSORBER & SPRING

CHASSIS GROUP (1 OF 2)


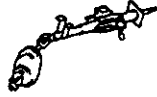

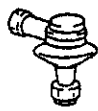
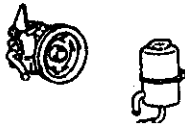


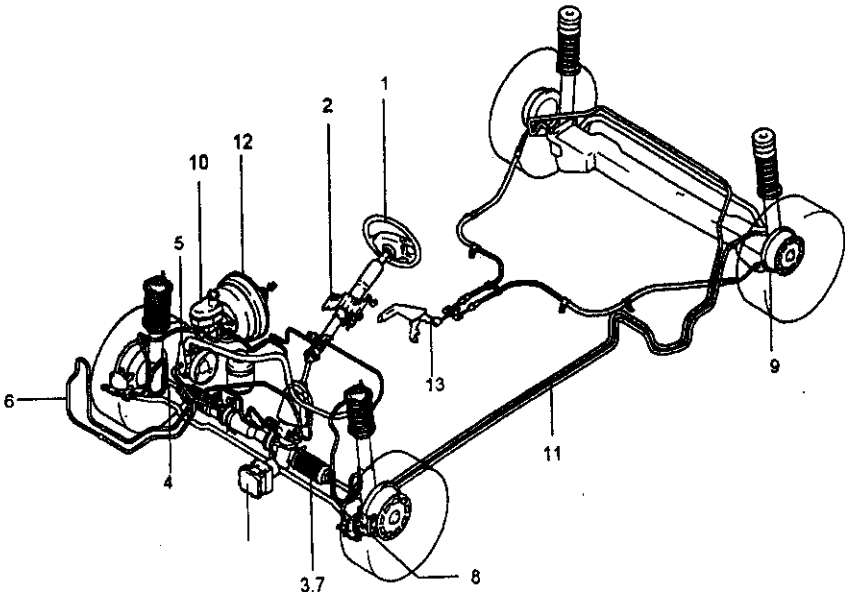





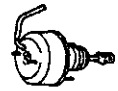





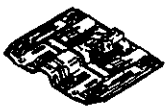



8 54-555 2-E 9



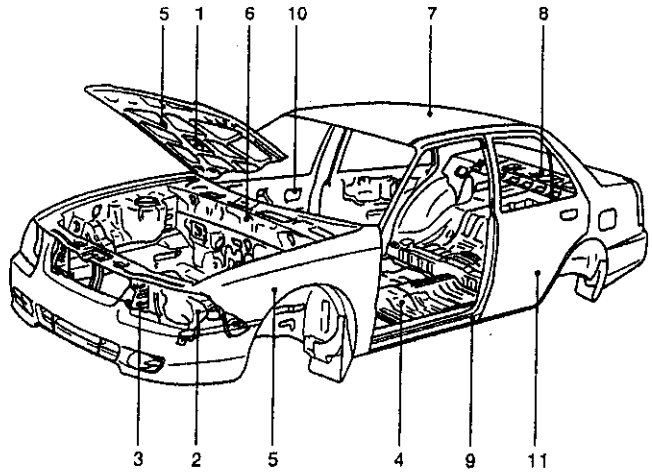
REAR SUSPENSION CONTROL ARM


NOTE: This illustration is common to all vehicle models and may contain some parts which are not applicable to the particular model.


<p>1 56-561 2-H 9</p>  <p>STEERING WHEEL</p>	<p>2 56-563 2-L 9</p>  <p>STEERING COLUMN & SHAFT</p>	<p>3 56-565 2-M 9</p>  <p>MANUAL STEERING GEAR BOX</p>	<p>4 56-568 2-D10</p>  <p>STEERING LINKAGE</p>	<p>5 56-571 2-E10</p>  <p>POWER STEERING OIL PUMP</p>	<p>6 56-575 2-J10</p>  <p>POWER STEERING HOSE & BRACKET</p>	<p>7 58-577 2-D11</p>  <p>POWER STEERING GEAR BOX</p>
<p>CHASSIS GROUP (2 OF 2)</p>  <p>NOTE: This illustration is common to all vehicle models and may contain some parts which are not applicable to the particular model.</p>						
<p>8 58-581 2-I11</p>  <p>FRONT WHEEL BRAKE</p> <p>9 58-583 2-K11</p>  <p>REAR WHEEL BRAKE</p> <p>10 58-585 2-A12</p>  <p>BRAKE MASTER CYLINDER</p> <p>11 58-587 2-C12</p>  <p>BRAKE FLUID LINES</p> <p>13 58-597 2-K12</p>  <p>PARKING BRAKE</p> <p>12 58-591 2-I12</p>  <p>POWER BRAKE BOOSTER</p>						


<p>1 05-052 1-B 1</p>  <p>LABEL</p>	<p>2 60-624 2-M12</p>  <p>FRONT SUSPENSION CROSSMEMBER</p>	<p>3 60-640 2-C13</p>  <p>FENDER APRON & RAD SUPT RHL</p>	<p>4 60-651 2-E13</p>  <p>FLOOR PANEL</p>	<p>5 60-660 2-I13</p>  <p>FENDER & HOOD PANEL</p>	<p>6 60-667 2-K13</p>  <p>COWL PANEL</p>	<p>7 60-671 2-M13</p>  <p>ROOF PANEL</p>
---	--	---	--	---	--	--


BODY GROUP



<p>8 60-690 2-B14</p>  <p>TAIL GATE & BACK PANEL</p>
--








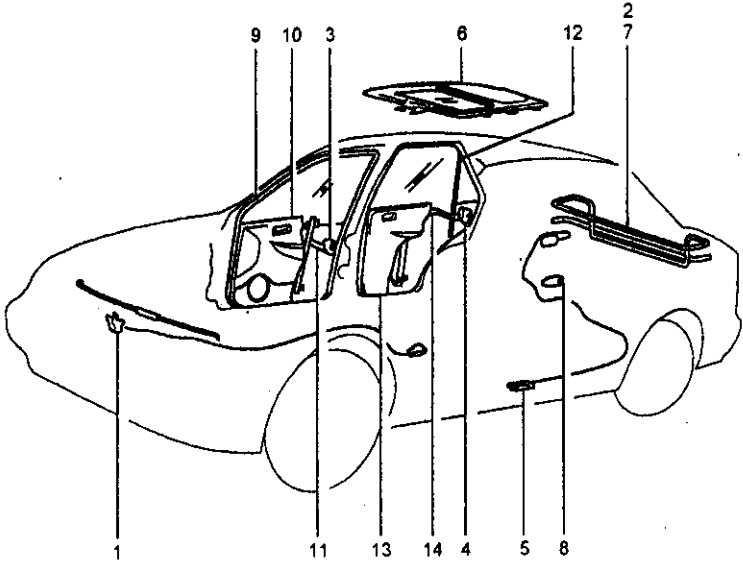







<p>9 60-710 2-D14</p>  <p>SIDE BODY PANEL</p>








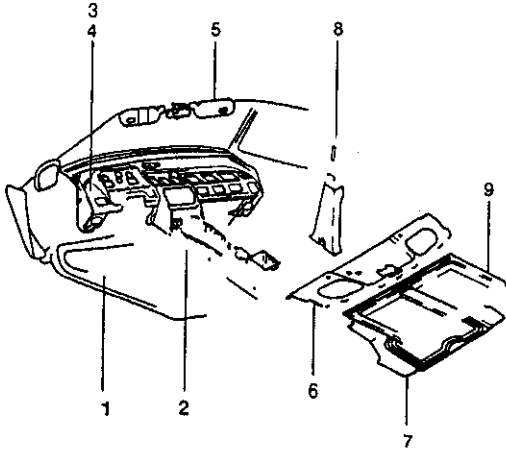


<p>10 60-760 2-L14</p>  <p>FRONT DOOR PANEL</p>








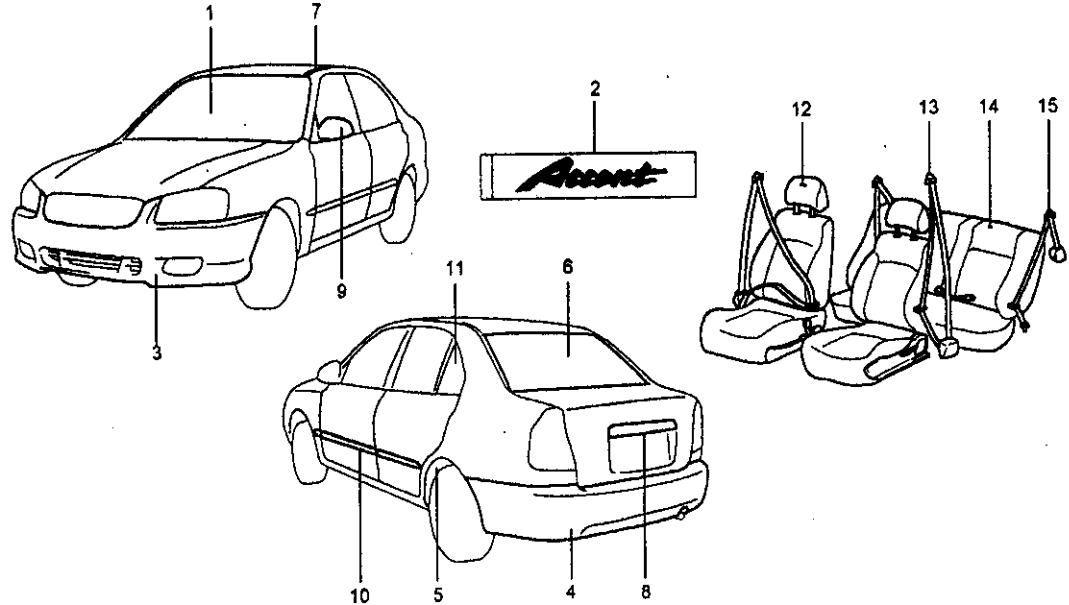








<p>11 60-770 3-A 1</p>  <p>REAR DOOR PANEL</p>



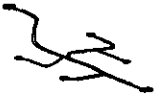




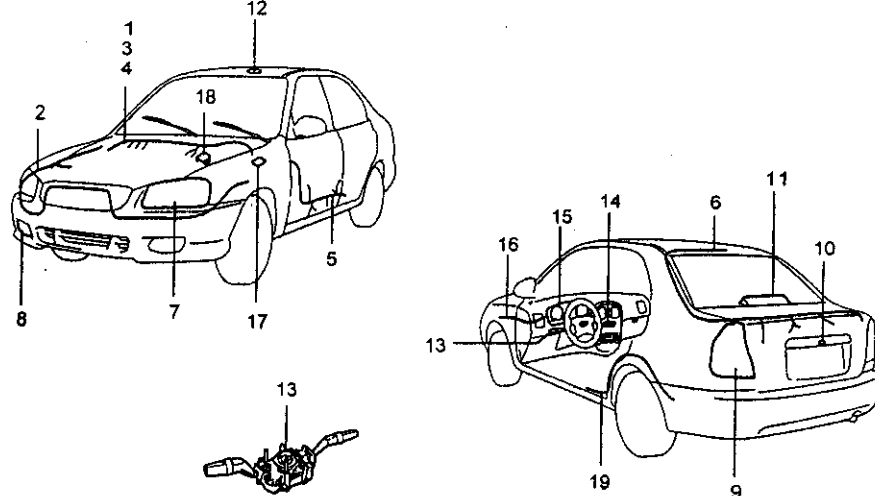



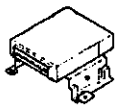

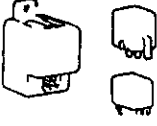
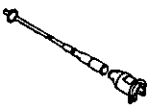
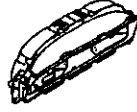
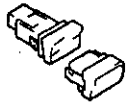
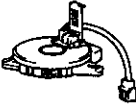


NOTE: This illustration is common to all vehicle models and may contain some parts which are not applicable to the particular model.








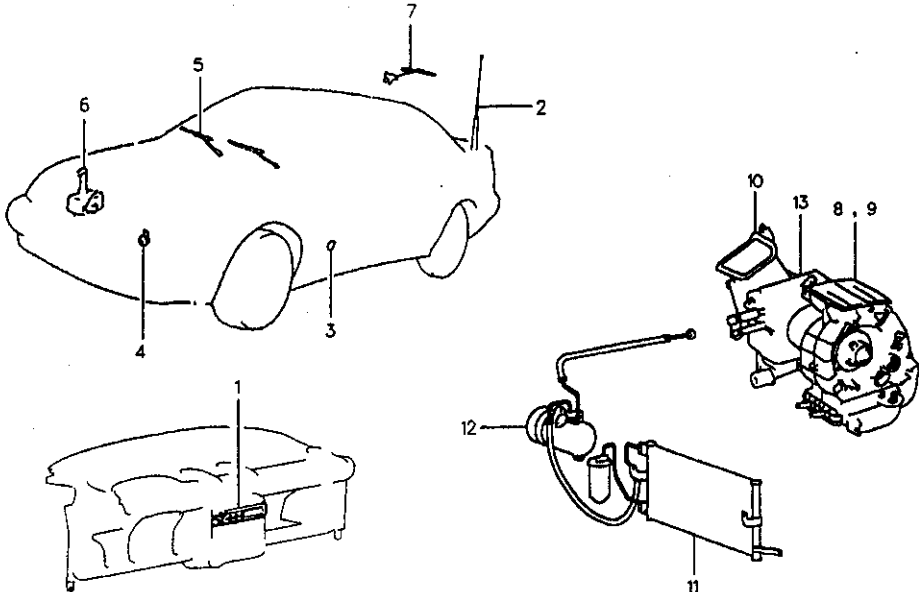
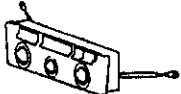


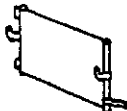


--	--	--	--	--	--	--

<p>1 81-810 3-D 1</p>  <p>HOOD TRIM</p>	<p>2 81-811 3-F 1</p>  <p>TRUNK LID TRIM</p>	<p>3 81-813 3-H 1</p>  <p>FRONT DOOR LOCKING</p>	<p>4 81-814 3-B 2</p>  <p>REAR DOOR LOCKING</p>	<p>5 81-815 3-H 2</p>  <p>FUEL FILLER DOOR</p>	<p>6 81-816 3-J 2</p>  <p>SUNROOF</p>	<p>7 81-817 3-L 2</p>  <p>TAIL GATE TRIM</p>
<p style="text-align: center;">TRIM GROUP (1 OF 3)</p>  <p style="text-align: center;">NOTE: This illustration is common to all vehicle models and may contain some parts which are not applicable to the particular model.</p>						<p>8 81-819 3-E 3</p>  <p>KEY & CYLINDER SET</p>
						<p>9 81-821 3-H 3</p>  <p>FRONT DOOR MOULDING</p>
						<p>10 81-823 3-K 3</p>  <p>FRONT DOOR TRIM</p>
						<p>11 81-824 3-B 4</p>  <p>FRONT DOOR WINDOW REG & GLASS</p>
				<p>14 81-834 3-J 4</p>  <p>REAR DOOR WINDOW REG & GLASS</p>	<p>13 81-833 3-G 4</p>  <p>REAR DOOR TRIM</p>	<p>12 81-831 3-E 4</p>  <p>REAR DOOR MOULDING</p>

<p>1 84-841 3-B 5</p>  <p>ISOLATION PAD & FLOOR COVERING</p>	<p>2 84-846 3-G 5</p>  <p>FLOOR CONSOLE</p>	<p>3 84-847A 3-I 5</p>  <p>CRASH PAD UPPER</p>	<p>4 84-847B 3-A 6</p>  <p>CRASH PAD LOWER</p>	<p>5 84-853 3-I 6</p>  <p>SUNVISOR & HEADLINING</p>	<p>6 84-856 3-A 7</p>  <p>REAR PACKAGE TRAY</p>	<p>7 84-857 3-B 7</p>  <p>LUGGAGE COMPARTMENT</p>
<p style="text-align: center;">TRIM GROUP (2 OF 3)</p>  <p style="text-align: center;">NOTE: This illustration is common to all vehicle models and may contain some parts which are not applicable to the particular model.</p>						<p>8 84-858 3-G 7</p>  <p>INTERIOR SIDE TRIM</p>
						<p>9 84-859 3-L 7</p>  <p>COVERING SHELF</p>

<p>1 86-861 3-B 8</p>  <p>WINDSHIELD GLASS</p>	<p>2 86-863 3-C 8</p>  <p>EMBLEM</p>	<p>3 86-865 3-F 8</p>  <p>FRONT BUMPER</p>	<p>4 86-866 3-L 8</p>  <p>REAR BUMPER</p>	<p>5 86-868 3-B 9</p>  <p>WHEEL GUARD</p>	<p>6 86-871 3-D 9</p>  <p>REAR WINDOW GLASS & MOULDING</p>	<p>7 86-872 3-F 9</p>  <p>REAR SPOILER & ROOF GARNISH</p>
<p>TRIM GROUP (3 OF 3)</p>  <p>NOTE: This illustration is common to all vehicle models and may contain some parts which are not applicable to the particular model.</p>						<p>8 86-873 3-H 9</p>  <p>BACK PANEL MOULDING</p>
						<p>9 86-876 3-J 9</p>  <p>OUTSIDE REAR VIEW MIRROR</p>
						<p>10 86-877 3-C10</p>  <p>BODY SIDE MOULDING</p>
						<p>11 86-878 3-E10</p>  <p>QUARTER FIXED GLASS</p>
			<p>15 88-898 3-A12</p>  <p>REAR SEAT BELT</p>	<p>14 88-890 3-J11</p>  <p>REAR SEAT</p>	<p>13 88-888 3-D11</p>  <p>FRONT SEAT BELT</p>	<p>12 88-881 3-G10</p>  <p>FRONT SEAT</p>

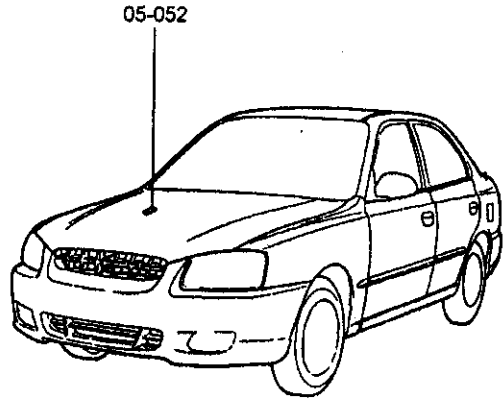
<p>1 91-911 3-E12</p>  <p>MAIN WIRING</p>	<p>2 91-912 3-E13</p>  <p>ENGINE WIRING</p>	<p>3 91-913 3-H13</p>  <p>INSTRUMENT WIRING</p>	<p>4 91-914 3-J13</p>  <p>CONTROL WIRING</p>	<p>5 91-916 3-M13</p>  <p>MISCELLANEOUS WIRING</p>	<p>6 91-919 3-E14</p>  <p>TAIL GATE WIRING</p>	<p>7 91-921 3-G14</p>  <p>HEADLAMP</p>	
<p style="text-align: center;">ELECTRICAL GROUP (1 OF 2)</p>  <p style="text-align: center;">NOTE: This illustration is common to all vehicle models and may contain some parts which are not applicable to the particular model.</p>						<p>8 91-923 3-I14</p>  <p>BODY SIDE LAMP</p>	
						<p>9 91-924 3-K14</p>  <p>REAR COMBINATION LAMP</p>	
<p>19 91-956 4-B 3</p>  <p>ANTI-SKID BRAKE SENSOR</p>	<p>18 91-954 4-M 2</p>  <p>AUTO TRANSAXLE CONTROL</p>						<p>10 91-925 4-A 1</p>  <p>LICENSE PLATE & INTERIOR LAMP</p>
<p>17 91-952 4-I 2</p>  <p>RELAY</p>	<p>16 91-942 4-H 2</p>  <p>SPEEDOMETER CABLE</p>	<p>15 91-940 4-B 2</p>  <p>INSTRUMENT CLUSTER</p>	<p>14 91-935 4-H 1</p>  <p>SWITCH</p>	<p>13 91-934 4-F 1</p>  <p>MULTIFUNCTION SWITCH</p>	<p>12 91-928 4-D 1</p>  <p>ROOM LAMP</p>	<p>11 91-927 4-B 1</p>  <p>HIGH MOUNTED STOP LAMP</p>	

<p>1 91-961 4-D 3</p>  <p>CAR RADIO</p>	<p>2 91-962 4-G 3</p>  <p>ANTENNA</p>	<p>3 91-963 4-I 3</p>  <p>SPEAKER</p>	<p>4 91-966 4-K 3</p>  <p>HORN</p>	<p>5 91-981 4-L 3</p>  <p>WINDSHIELD WIPER</p>	<p>6 91-986 4-M 3</p>  <p>WINDSHIELD WASHER</p>	<p>7 91-988 4-B 4</p>  <p>REAR WIPER & WASHER</p>
<p>ELECTRICAL GROUP (2 OF 2)</p>  <p>NOTE: This illustration is common to all vehicle models and may contain some parts which are not applicable to the particular model.</p>						<p>8 97-971A 4-G 4</p>  <p>HEATER SYSTEM-CONTROL & DUCT</p>
						<p>9 97-971B 4-M 4</p>  <p>HEATER SYSTEM-HEATER UNIT</p>
						<p>10 97-971C 4-C 5</p>  <p>HEATER SYSTEM-BLOWER UNIT</p>
						<p>11 97-976A 4-E 5</p>  <p>A/C SYSTEM-COOLER LINE</p>
						<p>13 97-976C 4-E 6</p>  <p>A/C SYSTEM-EVAPORATOR</p>
						<p>12 97-978B 4-C 6</p>  <p>A/C SYSTEM-COMPRESSOR</p>

05

LABEL

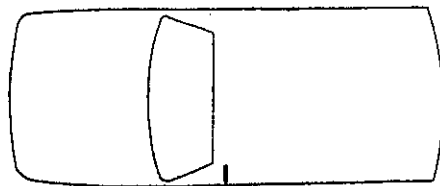
05-052 LABEL..... 1-B 1



05-052 LABEL

BA,00112- 2

1-B 1



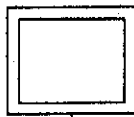
05203



05203



32450



32401

P N C	MODEL APPLICABLE		PART NO. (REPL PNO)	Q T Y	REMARKS
	FROM-UP-TO	TYPE DESCRIPTION			
05203		LABEL-TIRE PRESSURE (S)ETIQUETA			
990601 - 000417		ALL	05203-28000	1	
009417 - 010319		ALL	05203-25001	1	
010319 - 011109		ALL P3B,P35	05203-25002	1	
011109 -		ALL	05203-25903	1	
010319 - 011109		AD L35,L45,P6B	05203-28002	1	
010319 - 011109		AG P6B,P65	05203-25002	1	
010319 - 011109		DG P65	05203-25002	1	
010319 - 011109		DS L35,L45	05203-25002	1	
010319 - 011109		FD L35,L45	05203-25002	1	
010319 - 011109		FG P6B,P65	05203-25002	1	
32401		LABEL-ABSORPTION (S)ETIQUETA			
020101 -		ALL TCI	32401-27500	1	
32450		LABEL-EMISSION CONTROL (S)ETIQUETA			
990601 -		AD P3B,P35;+A08	32450-22670	1	
990601 -		AD M-D;+A08	32450-26620	1	
990601 -		AD L35;+B07	32450-22620	1	
990601 -		AD P3B,P35;+B07	32450-22630	1	
990601 -		AD M-D;+B07	32450-26720	1	
990601 -		AG M-S;+A08	32450-22670	1	
990601 -		AG M-D;+A08	32450-26620	1	
990601 -		AG M-S;+B07	32450-22630	1	
990601 -		AG M-D;+B07	32450-26720	1	
990601 -		DG M-S;+A08	32450-22670	1	
990601 -		DG M-D;+A08	32450-26620	1	
990601 -		DG M-S;+B07	32450-22630	1	
990601 -		DG M-D;+B07	32450-26720	1	
990601 -		DS P3B,P35;+A08	32450-22670	1	
990601 -		DS L35;+B07	32450-22620	1	
990601 -		DS P3B,P35;+B07	32450-22630	1	
990601 -		FD P3B,P35;+A08	32450-22670	1	
990601 -		FD L35;+B07	32450-22620	1	
990601 -		FD P3B,P35;+B07	32450-22630	1	
990601 -		FG M-S;+A08	32450-22670	1	
990601 -		FG M-D;+A08	32450-26620	1	
990601 -		FG M-S;+B07	32450-22630	1	

CONTINUED

1-C1

05-052 LABEL

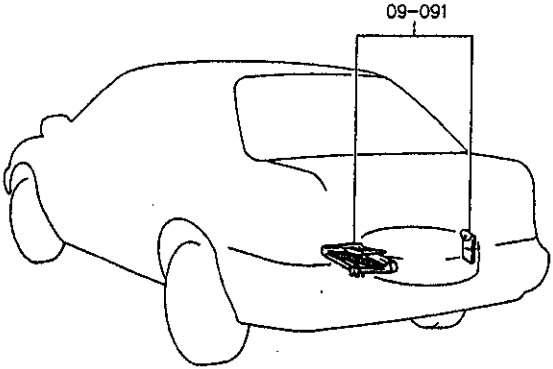
BA,G0112- 3

P N C		MODEL APPLICABLE		R E P	PART NO. (REPL P/NO)	Q T Y	REMARKS	P N C		MODEL APPLICABLE		R E P	PART NO. (REPL P/NO)	Q T Y	REMARKS	
FROM-UP-TO	TYPE	DESCRIPTION						FROM-UP-TO	TYPE	DESCRIPTION						
CONTINUED																
32450		LABEL-EMISSION CONTROL (S)ETIQUETA			32450-26720	1										
990601 -		FG M-D;+B07														

M/E/M/O

<h1>09</h1>	<h1>OVM TOOL</h1>
-------------	-------------------

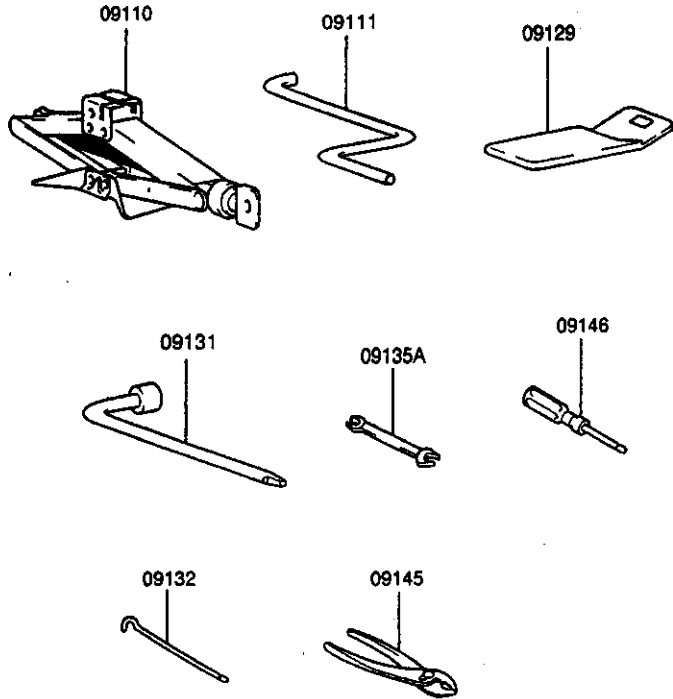
09-091 OVM TOOL1-E 1



1-E 1

09-091 OVM TOOL

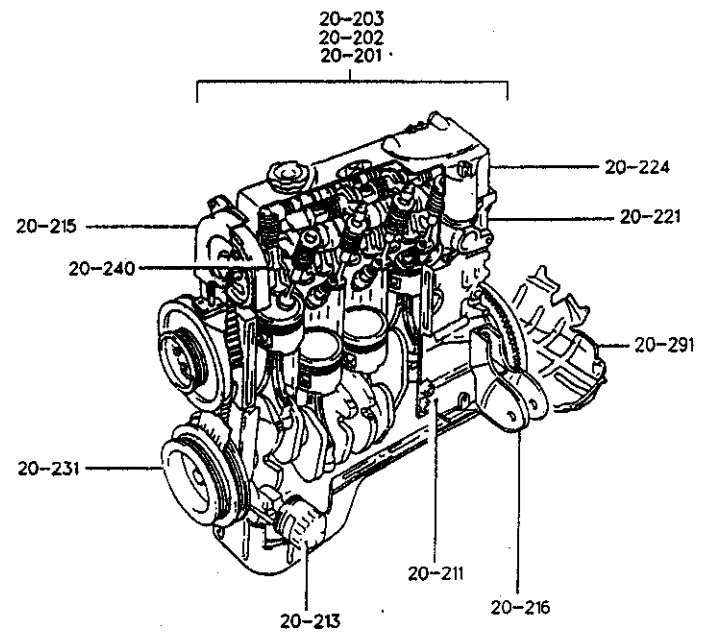
BA.00112- 5



P N C	MODEL APPLICABLE		P A R T	PART NO. (REPL PNO)	Q T Y	REMARKS
	FROM-UP-TO	TYPE				
09110						
990601 -				09110-29500	1	
09111						
990601 - 010917				09111-02000	1	
09129						
990601 -				09149-34000	1	
09131						
990601 -				09131-29000 (09131-34000)	1	
990601 -				09131-3B000	1	
09132						
010807 -				09132-3B000	1	
09135A						
990601 -				09135-11210	1	10*12
010807 -				09135-11210	A	10*12
09145						
010807 -				09145-11200	1	150
09146						
990601 -				09146-11110	1	

20

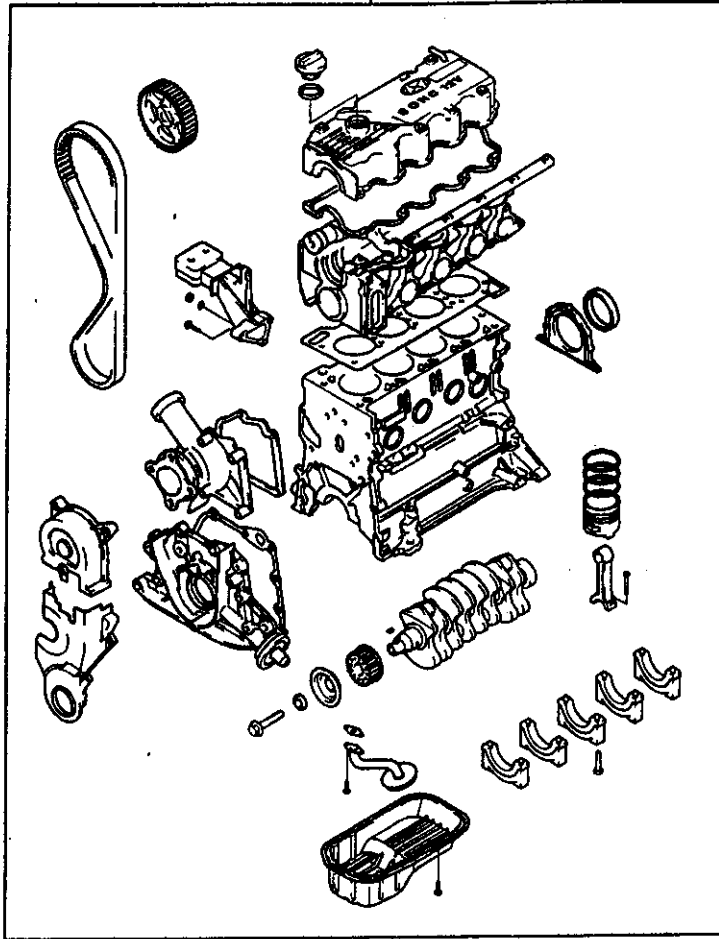
ENGINE



20-201	SUB ENGINE ASSY.....	1-G 1
20-202	ENGINE GASKET KIT	1-I 1
20-203	ENGINE GASKET KIT	1-K 1
20-211	CYLINDER BLOCK.....	1-M 1
20-213	FRONT CASE.....	1-G 2
20-215	BELT COVER & OIL PAN.....	1-M 2
20-216	ENGINE & T/A MOUNTING	1-I 3
20-221	CYLINDER HEAD	1-B 4
20-224	ROCKER COVER.....	1-J 4
20-231	CRANKSHAFT & PISTON	1-B 5
20-240	CAMSHAFT & VALVE	1-M 5
20-291	MUD GUARD.....	1-H 6

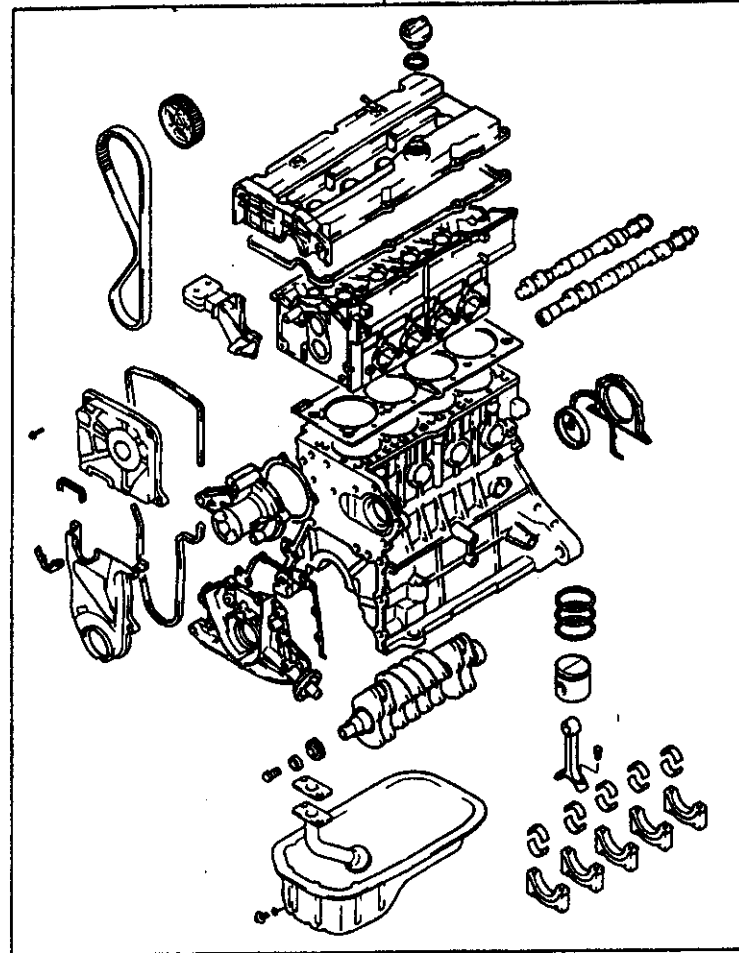
(SOHC)

21101



(DOHC)

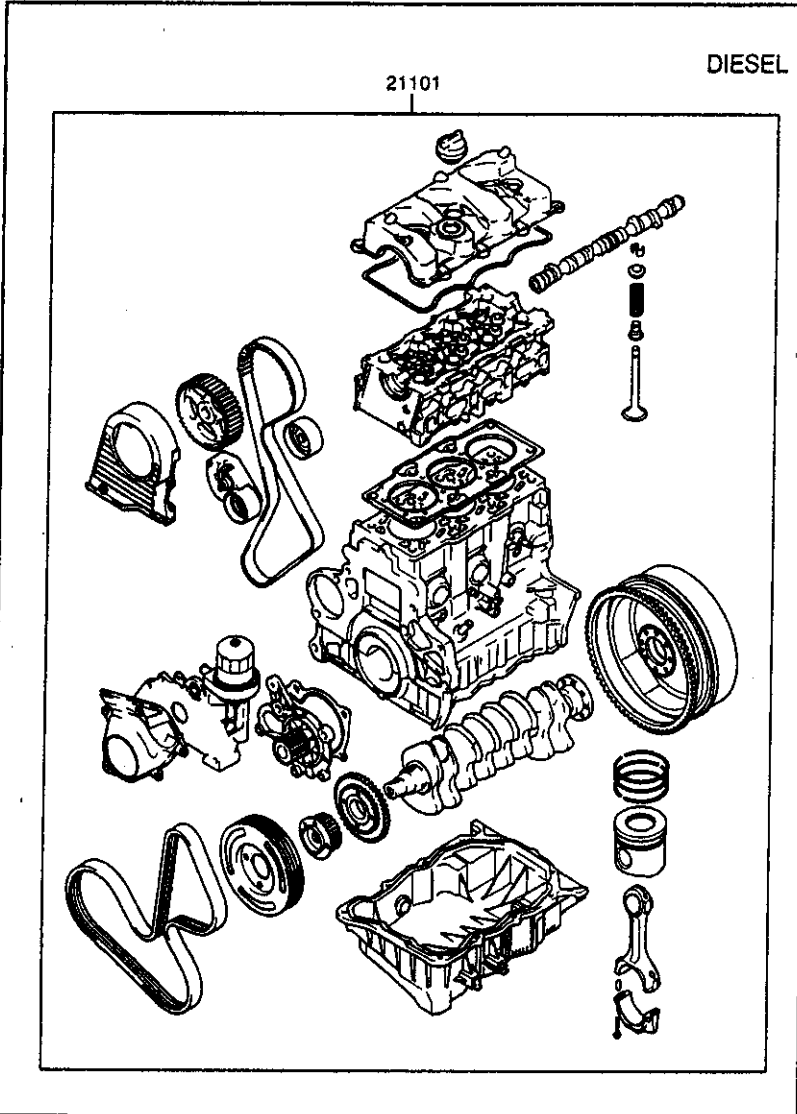
21101



1-H1

20-201 SUB ENGINE ASSY

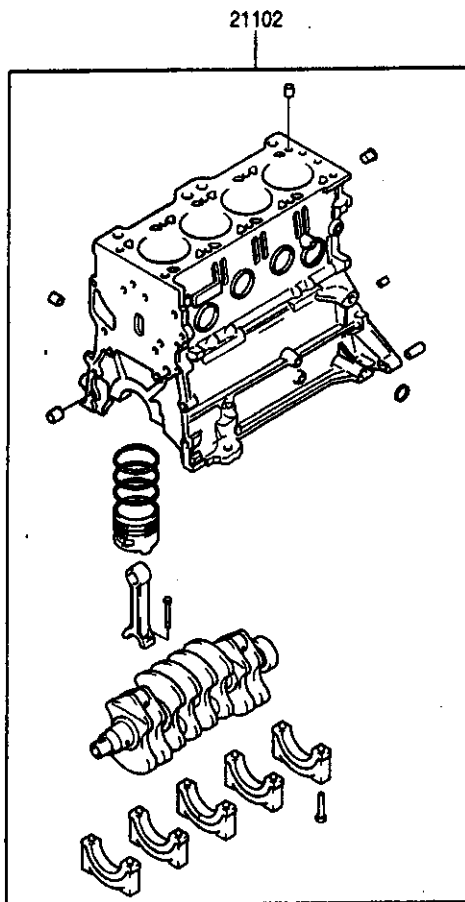
BA,60112-8



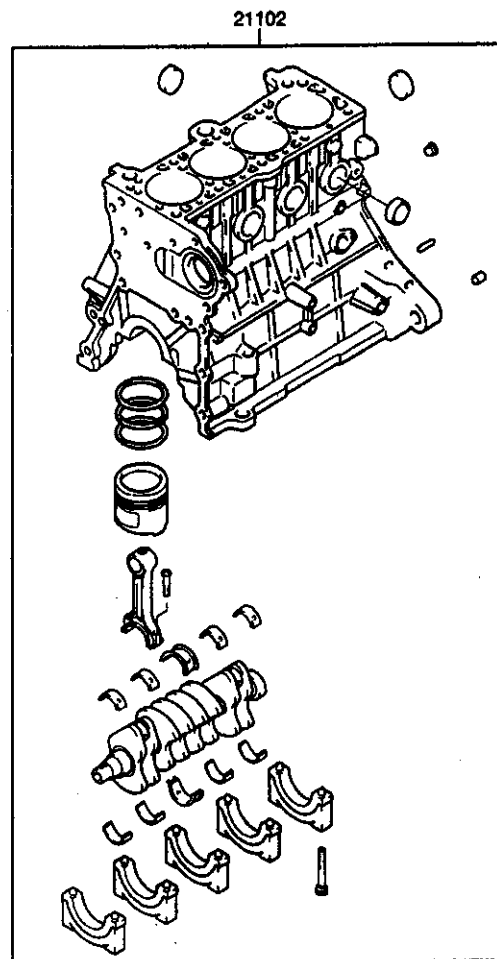
P N C	MODEL APPLICABLE		R E P	PART NO. (REPL PNO)	Q T Y	REMARKS
	FROM-UP-TO	TYPE				
21101				ENGINE ASSY-SUB (S)CONJUNTO MOTOR		
990601 -				ALL 1.5L;0910	1	21101-22X00
990601 -				ALL 1.5L;0920	1	21101-22X10
020101 -				ALL P85;0950	1	21101-27C00
990601 -				AD P6B	1	21101-26B00
990601 -				AD 1.3L;0910	1	21101-22Y00
990601 -				AD 1.3L;0920	1	21101-22Y10
990601 -				AD L45;3210	1	21101-22Z00
990601 -				AG 1.5L	1	21101-26B00
990601 -				DG P65	1	21101-26B00
990601 -				DS 1.3L;0910	1	21101-22Y00
990601 -				DS 1.3L;0920	1	21101-22Y10
990601 -				DS L45;3210	1	21101-22Z00
990601 -				FD 1.3L;0910	1	21101-22Y00
990601 -				FD 1.3L;0920	1	21101-22Y10
990601 -				FD L45;3210	1	21101-22Z00
990601 -				FG 1.5L	1	21101-26B00

AD:5DR,QL AG:5DR,QLS DG:3DR,QLS DS:3DR,L FD:4DR,QL FG:4DR,QLS 0910:UNLEADED PACKAGE 0920:LEADED PACKAGE 0950:DSL PACKAGE 3210:

(SOHC)



(DOHC)



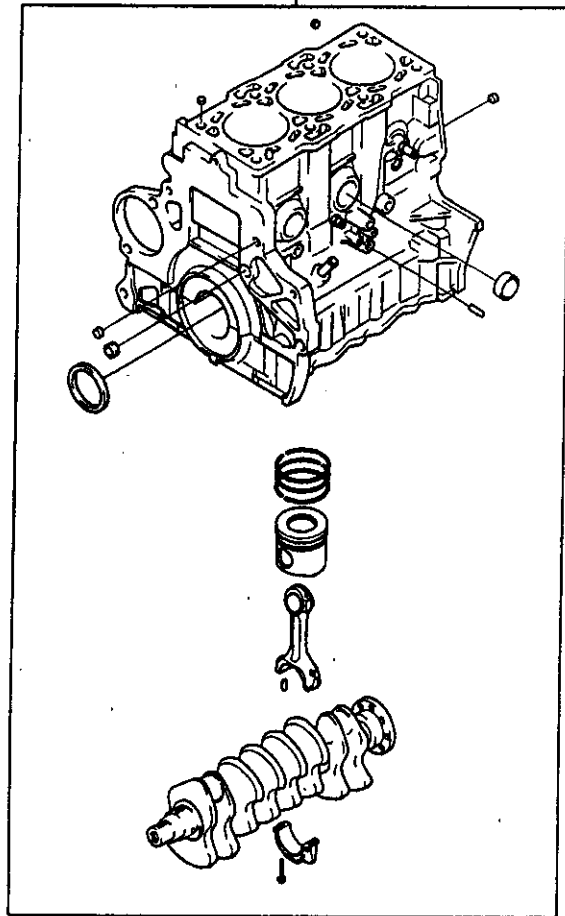
1-1

20-202 ENGINE GASKET KIT

BA,G0112- 10

DIESEL

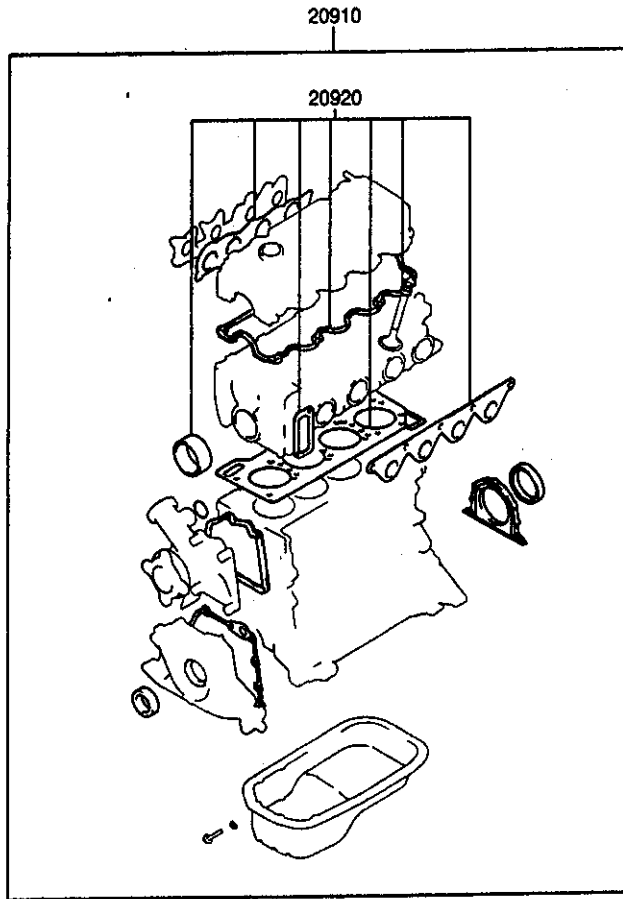
21102



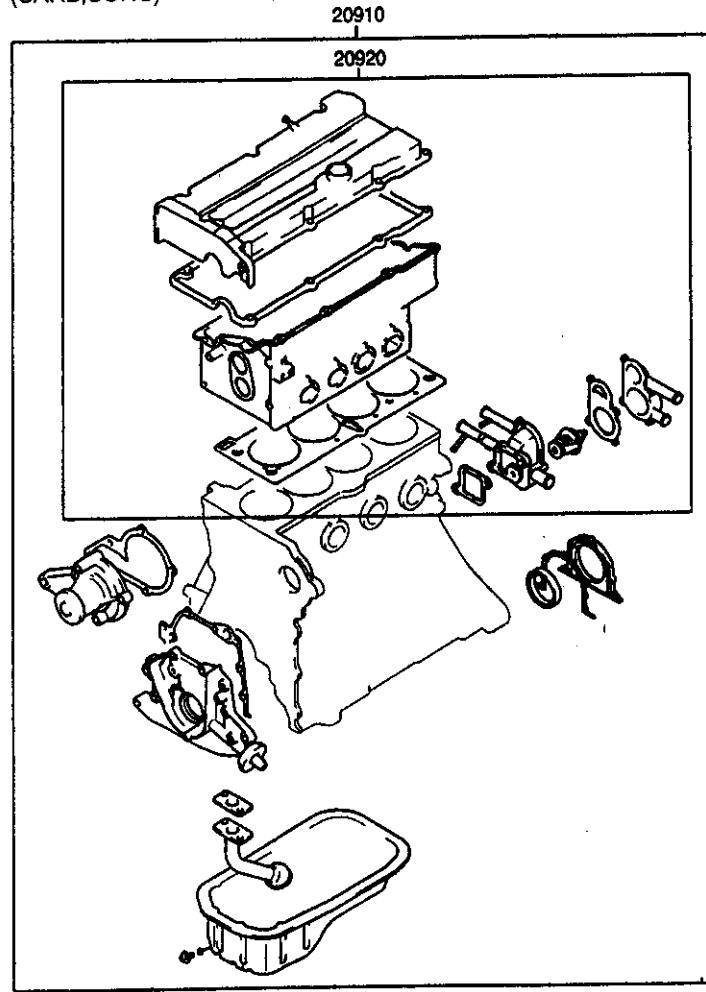
P N C	MODEL APPLICABLE		R E P	PART NO. (REPL P/NO)	Q T Y	REMARKS
	FROM-UP-TO	TYPE				
21102				ENGINE ASSY-SHORT (S)CONJUNTO MOTOR		
990601 -				ALL 1.5L	1	21102-22V00
020101 -				ALL P85;0950	1	21102-27C00
990601 -				AD L35	1	21102-22T00
980601 -				AD P6B	1	21102-26B00
990601 -				AD L45;3210	1	21102-22U00
990601 -				AG 1.5L	1	21102-26B00
990601 -				DG P65	1	21102-26B00
990601 -				DS L35	1	21102-22T00
990601 -				DS L45;3210	1	21102-22U00
990601 -				FD L35	1	21102-22T00
990601 -				FD L45;3210	1	21102-22U00
990601 -				FG 1.5L	1	21102-26B00

AD:3DR,QL AG:3DR,QLS DG:3DR,QLS DS:3DR,L FD:4DR,QL FG:4DR,QLS 0850.DSL PACKAGE 3210:

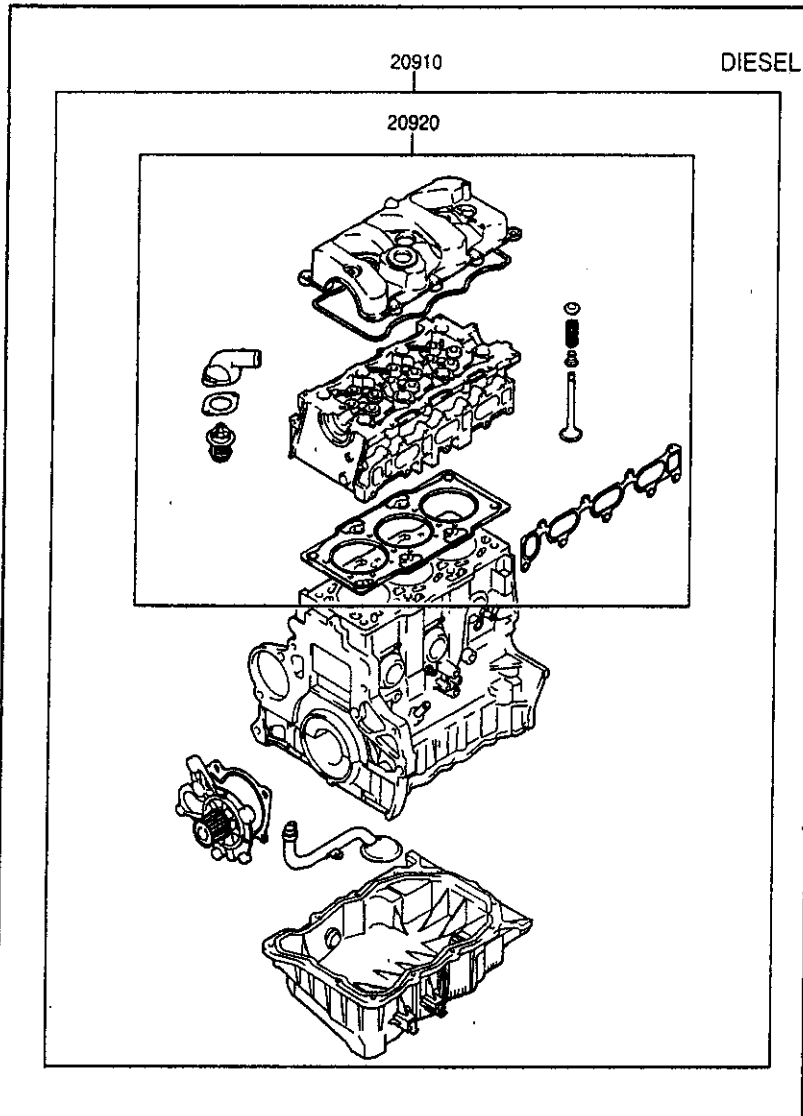
(MFI,SOHC)



(CARB,SOHC)

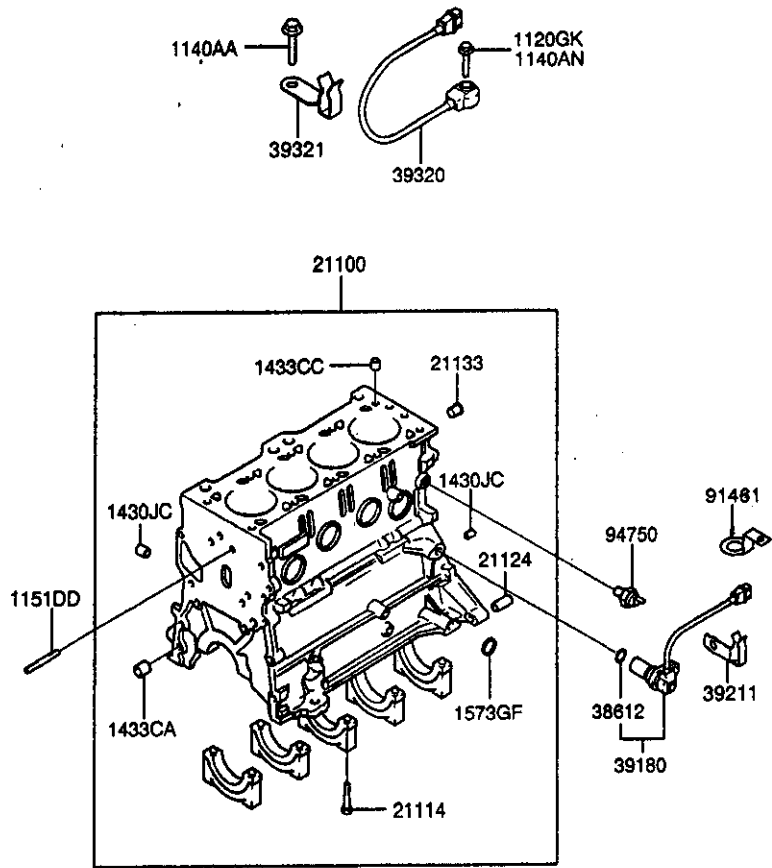


20-203 ENGINE GASKET KIT

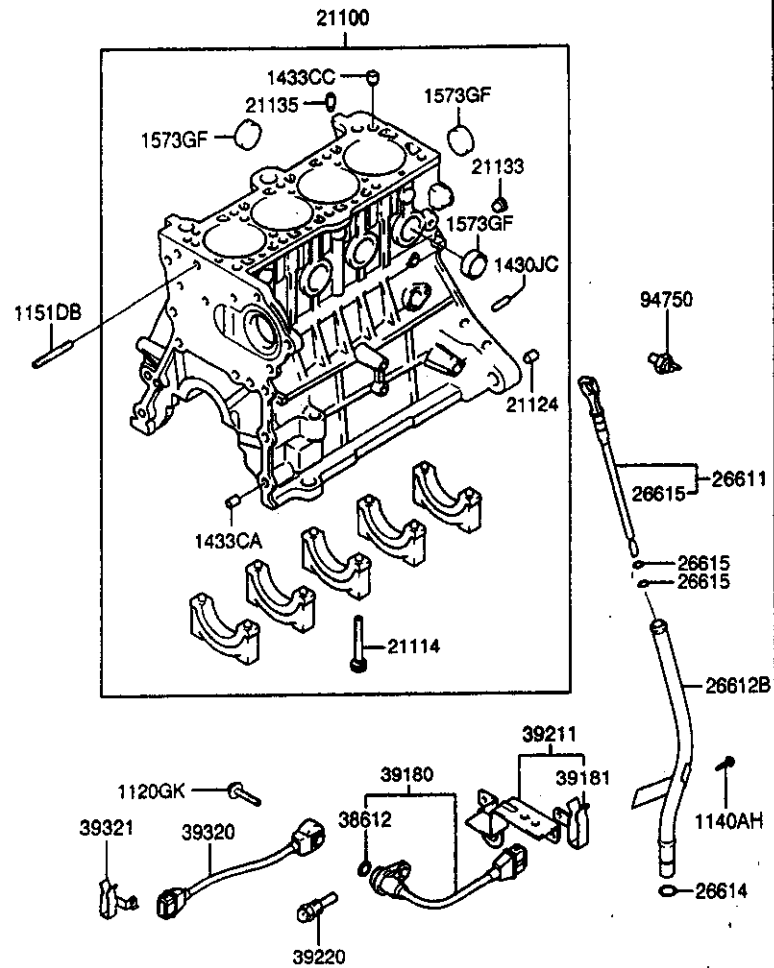


P N C	MODEL APPLICABLE		R E P	PART NO. (REPL P/NO)	Q T Y	REMARKS
	FROM-UP-TO	TYPE				
20910				GASKET KIT-ENGINE OVERHAUL (S)JUEGO JUNTA		
020101 -				ALL P85;0950	1	20910-27C00
990601 -				AD P35	1	20910-22AC0
990601 -				AD L35	1	20910-22AD0
990601 -				AD P6B	1	20910-26C01
990601 -				AD L45;3210	1	20910-22AE0
990601 -				AG 1.5L	1	20910-22AC0
990601 -				AG 1.5L	1	20910-26C01
990601 -				DG 1.5L	1	20910-22AC0
990601 -				DG 1.5L	1	20910-26C01
990601 -				DS 1.5L	1	20910-22AC0
990601 -				DS L35	1	20910-22AD0
990601 -				DS L45;3210	1	20910-22AE0
990601 -				FD 1.5L	1	20910-22AC0
990601 -				FD L35.....	1	20910-22AD0
990601 -				FD L45;3210	1	20910-22AE0
990601 -				FG 1.5L	1	20910-22AC0
990601 -				FG 1.5L	1	20910-26C01
20920				GASKET KIT-ENGINE OVERHAUL UPR (S)JUEGO JUNTA		
990601 -				ALL 1.5L	1	20920-22AC0
990601 -				AD L35	1	20920-22AD0
990601 -				AD P6B	1	20920-26C00
990601 -				AD L45;3210	1	20920-22AE0
020101 -				AD P85;0950	1	20920-27C00
990601 -				AG 1.5L	1	20920-26C00
020101 -				AG P85;0950	1	20920-27C00
990601 -				DG P65	1	20920-26C00
020101 -				DG P85;0950	1	20920-27C00
990601 -				DS L35	1	20920-22AD0
990601 -				DS L45	1	20920-22AE0
990601 -				DS P85;0950	1	20920-27C00
990601 -				FD L35	1	20920-22AD0
990601 -				FD L45	1	20920-22AE0
020101 -				FD P85;0950	1	20920-27C00
990601 -				FG 1.5L	1	20920-26C00
020101 -				FG P85;0950	1	20920-27C00

SOHC



DOHC



20-211 CYLINDER BLOCK

BA,00112- 15

1-B 2

P N C	MODEL APPLICABLE		PART NO. (REPL P/NO)	Q T Y	REMARKS
	FROM-UP-TO	DESCRIPTION			
CONTINUED					
1140AH	BOLT				
	(S)PERNO (PESTANA)				
990601 -	DG M-D		11400-08123	1	
990601 -	FG M-D		11400-08123	1	
1140AN	BOLT				
	(S)PERNO (PESTANA)				
990601 -	AD P3B,P35		11400-08253	1	
990601 -	AD P3B,P35;+A10		11400-08253	1	
990601 -	AG M-S		11400-08253	1	
990601 -	AG M-S;+A10		11400-08253	1	
990601 -	DG M-S		11400-08253	1	
990601 -	DG M-S;+A10		11400-08253	1	
990601 -	DS P3B,P35		11400-08253	1	
990601 -	DS P3B,P35;+A10		11400-08253	1	
990601 -	FD P3B,P35		11400-08253	1	
990601 -	FD P3B,P35;+A10		11400-08253	1	
990601 -	FG M-S		11400-08253	1	
990601 -	FG M-S;+A10		11400-08253	1	
1151DB	STUD				
	(S)HUSILLO				
990601 -	AD M-D		11514-10251	1	
990601 -	AG M-D		11514-10251	1	
990601 -	DG M-D		11514-10251	1	
990601 -	FG M-D		11514-10251	1	
1151DD	STUD				
	(S)HUSILLO				
990601 -	AD L35,L45,P3B,P35		11514-10555	1	
990601 -	AD L35,L45,P3B,P35;-A10		11514-10555	1	
990601 -	AG M-S		11514-10555	1	
990601 -	AG M-S;-A10		11514-10555	1	
990601 -	DG M-S		11514-10555	1	
990601 -	DG M-S;-A10		11514-10555	1	
990601 -	DS L35,L45,P3B,P35		11514-10555	1	
990601 -	DS L35,L45,P3B,P35;-A10		11514-10555	1	
990601 -	FD L35,L45,P3B,P35		11514-10555	1	
990601 -	FD L35,L45,P3B,P35;-A10		11514-10555	1	
990601 -	FG M-S		11514-10555	1	
990601 -	FG M-S;-A10		11514-10555	1	

P N C	MODEL APPLICABLE		PART NO. (REPL P/NO)	Q T Y	REMARKS
	FROM-UP-TO	DESCRIPTION			
1170AA	BOLT				
	(S)PERNO				
020101 -	ALL TCI		11703-06121	3	
1430JC	PIN-DOWEL				
	(S)PASADOR				
990601 -	ALL		14303-06140	2	
990601 -	AD L35,L45,P3B,P35;-A10		14303-06140	2	
990601 -	AG M-S;-A10		14303-06140	2	
990601 -	DG M-S;-A10		14303-06140	2	
990601 -	DS L35,L45,P3B,P35;-A10		14303-06140	2	
990601 -	FD L35,L45,P3B,P35;-A10		14303-06140	2	
990601 -	FG M-S;-A10		14303-06140	2	
1433CA	BUSH				
	(S)CASQUILLO				
020101 -	ALL TCI		14331-08090	3	
990601 -	AD M-D		14331-08090	4	
990601 -	AD L35,L45,P3B,P35		14331-08090	2	
990601 -	AD L35,L45,P3B,P35;-A10		14331-08090	2	
990601 -	AG M-D		14331-08090	4	
990601 -	AG M-S		14331-08090	2	
990601 -	AG M-S;-A10		14331-08090	2	
990601 -	DG M-D		14331-08090	4	
990601 -	DG M-S		14331-08090	2	
990601 -	DG M-S;-A10		14331-08090	2	
990601 -	DS L35,L45,P3B,P35		14331-08090	2	
990601 -	DS L35,L45,P3B,P35;-A10		14331-08090	2	
990601 -	FD L35,L45,P3B,P35		14331-08090	2	
990601 -	FD L35,L45,P3B,P35;-A10		14331-08090	2	
990601 -	FG M-D		14331-08090	4	
990601 -	FG M-S		14331-08090	2	
990601 -	FG M-S;-A10		14331-08090	2	
1433CC	BUSH				
	(S)CASQUILLO				
990601 -	ALL P3B,P35		14331-10160	2	
990601 -	AD L35,L45,P6B		14331-10160	2	
990601 -	AD L35,L45,P3B,P35;-A10		14331-10160	2	
990601 -	AG P6B,P65		14331-10160	2	
990601 -	AG M-S;-A10		14331-10160	2	
990601 -	DG P65		14331-10160	2	
CONTINUED					

1-C 2

20-211 CYLINDER BLOCK

BA,G0112- 16

P N C		MODEL APPLICABLE		R E P	PART NO. (REPL P/NO)	Q T Y	REMARKS
FROM-UP-TO	TYPE	DESCRIPTION					
CONTINUED							
		1433CC	BUSH				
			(S)CASQUILLO				
990601 -			DG M-S;-A10		14331-10160	2	
990601 -			DS L35,L45		14331-10160	2	
990601 -			DS L35,L45,P3B,P35;-A10		14331-10160	2	
990601 -			FD L35,L45		14331-10160	2	
990601 -			FD L35,L45,P3B,P35;-A10		14331-10160	2	
990601 -			FG P6B,P65		14331-10160	2	
990601 -			FG M-S;-A10		14331-10160	2	
		1433CD	BUSH				
			(S)CASQUILLO				
020101 -			ALL TCI		14331-12131	1	
		1433CE	BUSH				
			(S)CASQUILLO				
020101 -			ALL TCI		14331-12160	2	
		1433CF	BUSH				
			(S)CASQUILLO				
020101 -			ALL TCI		14331-06090	2	
		1433CG	BUSH				
			(S)CASQUILLO				
020101 -			ALL TCI		14331-10090	2	
		1573GF	CAP-SEALING				
			(S)TAPA				
990601 -			ALL P3B,P35		15732-35003	8	
990601 -			AD M-D	Y	15732-35001	8	
					(15732-35003)	8	
990601 -			AD L35,L45,P6B		15732-35003	8	
990601 -			AD L35,L45,P3B,P35;-A10		15732-35003	8	
990601 -			AG M-D	Y	15732-35001	8	
					(15732-35003)	8	
990601 -			AG P6B,P65		15732-35003	8	
990601 -			AG M-S;-A10		15732-35003	8	
990601 -			DG M-D	Y	15732-35001	8	
					(15732-35003)	8	
990601 -			DG P65		15732-35003	8	
990601 -			DG M-S;-A10		15732-35003	8	
990601 -			DS L35,L45		15732-35003	8	
990601 -			DS L35,L45,P3B,P35;-A10		15732-35003	8	
CONTINUED							

P N C		MODEL APPLICABLE		R E P	PART NO. (REPL P/NO)	Q T Y	REMARKS
FROM-UP-TO	TYPE	DESCRIPTION					
CONTINUED							
		1573GF	CAP-SEALING				
			(S)TAPA				
990601 -			FD L35,L45		15732-35003	8	
990601 -			FD L35,L45,P3B,P35;-A10		15732-35003	8	
990601 -			FG M-D	Y	15732-35001	8	
					(15732-35003)	8	
990601 -			FG P6B,P65		15732-35003	8	
990601 -			FG M-S;-A10		15732-35003	8	
		1799JC	STRAP				
			(S)CORREA				
020101 -			ALL TCI		17993-13000	1	
		21100	BLOCK ASSY-CYLINDER				
			(S)COJUNTO BLOQUE				
020101 -			ALL TCI		21100-27500	1	
990601 -			AD P3B,P35		21100-22S00	1	
990601 -			AD L35		21100-22T00	1	
990601 -			AD CON		21100-22U00	1	
990601 -			AD M-D		21100-26602	1	
990601 -			AD P3B,P35;-A10		21100-22S00	1	
990601 -			AD L35;-A10		21100-22T00	1	
990601 -			AD CON;-A10		21100-22U00	1	
990601 -			AG M-S		21100-22S00	1	
990601 -			AG M-D		21100-26602	1	
990601 -			AG M-S;-A10		21100-22S00	1	
990601 -			DG M-S		21100-22S00	1	
990601 -			DG M-D		21100-26602	1	
990601 -			DG M-S;-A10		21100-22S00	1	
990601 -			DS P3B,P35		21100-22S00	1	
990601 -			DS L35		21100-22T00	1	
990601 -			DS CON		21100-22U00	1	
990601 -			DS P3B,P35;-A10		21100-22S00	1	
990601 -			DS L35;-A10		21100-22T00	1	
990601 -			DS CON;-A10		21100-22U00	1	
990601 -			FD P3B,P35		21100-22S00	1	
990601 -			FD L35		21100-22T00	1	
990601 -			FD CON		21100-22U00	1	
990601 -			FD P3B,P35;-A10		21100-22S00	1	
990601 -			FD L35;-A10		21100-22T00	1	
CONTINUED							

AD:SDR,GL AG:SDR,GLS DG:3DR,GLS DS:3DR,L FD:4DR,GL FG:4DR,GLS A10:INDIA

20-211 CYLINDER BLOCK

BA,00112- 17

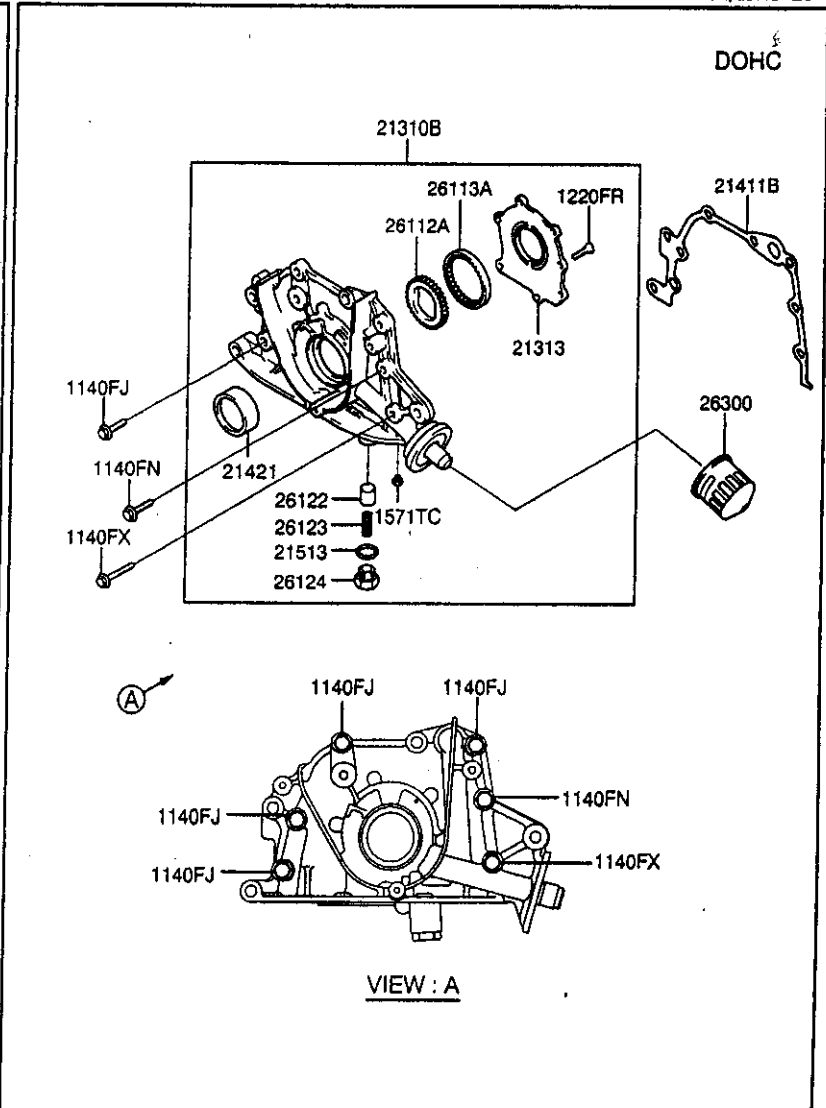
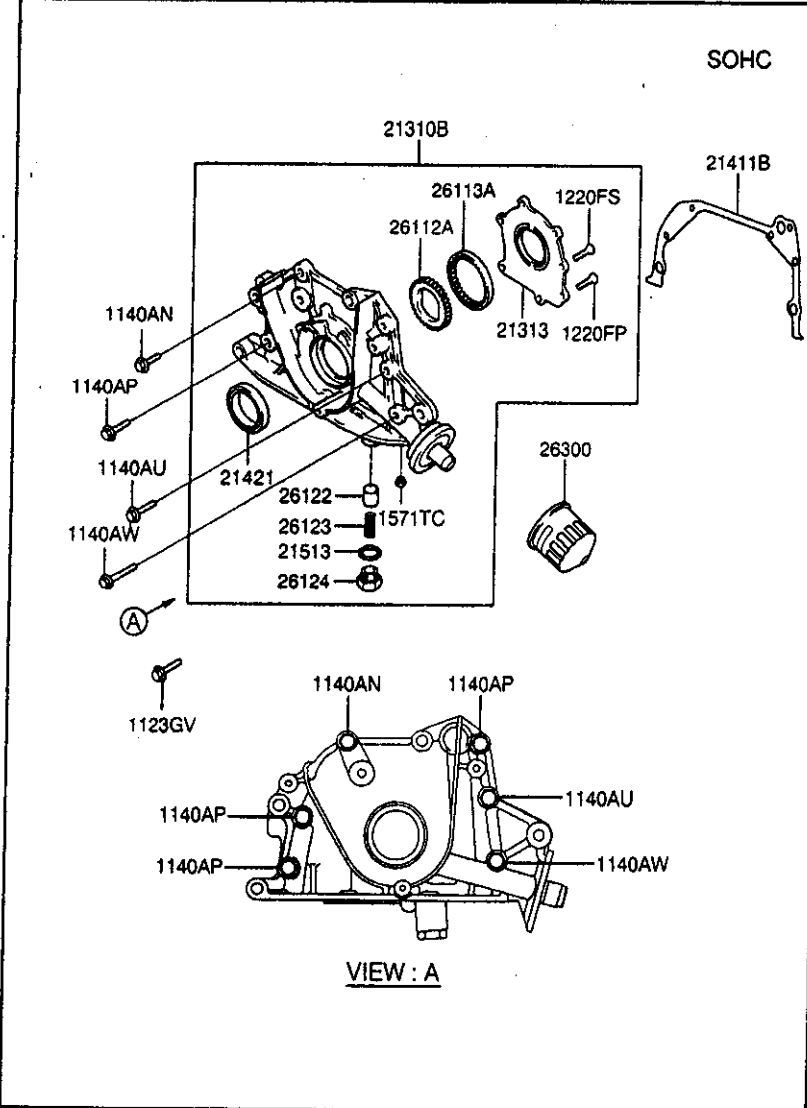
1-D2

P N C		MODEL APPLICABLE	R E P	PART NO. (REPL P/NO)	Q T Y	REMARKS	P N C		MODEL APPLICABLE	R E P	PART NO. (REPL P/NO)	Q T Y	REMARKS
FROM-UP-TO	TYPE	DESCRIPTION					FROM-UP-TO	TYPE	DESCRIPTION				
CONTINUED													
21100		BLOCK ASSY-CYLINDER					21133		PLUG-TAPER				
		(S)CONJUNTO BLOQUE							(S)TAPON				
990601 -		FD CON;-A10		21100-22U00	1		990601 -		ALL		21133-32000	1	
990601 -		FG M-S		21100-22S00	1		990601 -		AD L35,L45,P3B,P35;-A10		21133-32000	1	
990601 -		FG M-D		21100-26602	1		990601 -		AG M-S;-A10		21133-32000	1	
990601 -		FG M-S;-A10		21100-22S00	1		990601 -		DG M-S;-A10		21133-32000	1	
21114		BOLT-BEARING CAP					990601 -		DS L35,L45,P3B,P35;-A10		21133-32000	1	
		(S)PERNO					990601 -		FD L35,L45,P3B,P35;-A10		21133-32000	1	
990601 -		ALL P3B,P35		21114-22020	10		990601 -		FG M-S;-A10		21133-32000	1	
020101 -		ALL TCI		21114-27000	1		21135		VALVE-NON RETURN				
990601 -		AD L35,L45,P6B		21114-22020	10				(S)VALVULA				
990601 -		AD L35,L45,P3B,P35;-A10		21114-22020	10		990601 -		AD M-D		21135-23010	1	
990601 -		AG P6B,P65		21114-22020	10		990601 -		AG M-D		21135-23010	1	
990601 -		AG M-S;-A10		21114-22020	10		990601 -		DG M-D		21135-23010	1	
990601 -		DG P65		21114-22020	10		990601 -		FG M-D		21135-23010	1	
990601 -		DG M-S;-A10		21114-22020	10		21151		JET-OIL				
990601 -		DS L35,L45		21114-22020	10				(S)SURTIDOR				
990601 -		DS L35,L45,P3B,P35;-A10		21114-22020	10		020101 -		ALL TCI		21151-27100	3	
990601 -		FD L35,L45		21114-22020	10		21186B		BOLT				
990601 -		FD L35,L45,P3B,P35;-A10		21114-22020	10				(S)PERNO (PESTANA)				
990601 -		FG P6B,P65		21114-22020	10		020101 -		ALL TCI		21115-27000	8	
990601 -		FG M-S;-A10		21114-22020	10		21443		SEAL-OIL RR				
21124		BUSH-KNOCK							(S)RETN		21443-35510	1	
		(S)CASQUILLO					020101 -		ALL TCI				
990601 -		ALL P3B,P35		21124-21000	2		26611		ROD ASSY-OIL LEVEL GAUGE				
020101 -		ALL TCI		21124-21000	1				(S)CONJUNTO VARILLA				
990601 -		AD L35,L45,P6B		21124-21000	2		990601 -		AD M-D		26611-26000	1	
990601 -		AD L35,L45,P3B,P35;-A10		21124-21000	2		990601 -		AG M-D		26611-26000	1	
990601 -		AG P6B,P65		21124-21000	2		990601 -		DG M-D		26611-26000	1	
990601 -		AG M-S;-A10		21124-21000	2		990601 -		FG M-D		26611-26000	1	
990601 -		DG P65		21124-21000	2		26612B		GUIDE-OIL LEVEL GAUGE				
990601 -		DG M-S;-A10		21124-21000	2				(S)GUIA				
990601 -		DS L35,L45		21124-21000	2		990601 -		AD M-D		26612-26010	1	
990601 -		DS L35,L45,P3B,P35;-A10		21124-21000	2		990601 -		AG M-D		26612-26010	1	
990601 -		FD L35,L45		21124-21000	2		990601 -		DG M-D		26612-26010	1	
990601 -		FD L35,L45,P3B,P35;-A10		21124-21000	2		990601 -		FG M-D		26612-26010	1	
990601 -		FG P6B,P65		21124-21000	2		26614		RING"O"				
990601 -		FG M-S;-A10		21124-21000	2				(S)JUNTAS TORICAS				
							990601 -		AD M-D		26614-23500	1	
CONTINUED													

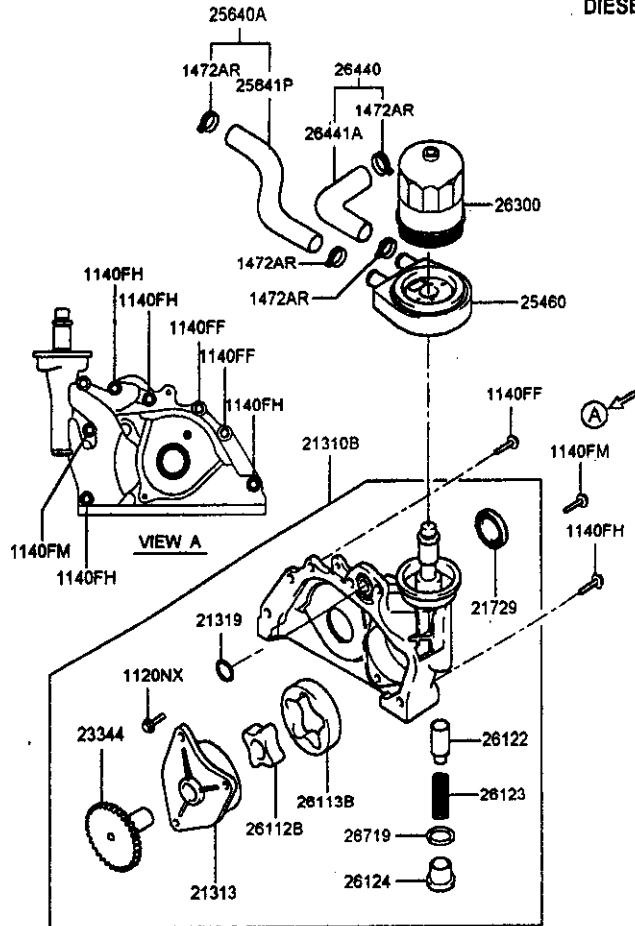
P N C	MODEL APPLICABLE		P A R T N O. (REPL P/NO)	Q T Y	REMARKS
	FROM-UP-TO	DESCRIPTION			
CONTINUED					
26614		RING "O"			
		(S)JUNTAS TORICAS			
990601 -		AG M-D	26614-23500	1	
990601 -		DG M-D	26614-23500	1	
990601 -		FG M-D	26614-23500	1	
26615		RING "O"			
		(S)JUNTAS TORICAS			
990601 -		AD M-D	26615-33000	2	
990601 -		AG M-D	26615-33000	2	
990601 -		DG M-D	26615-33000	2	
990601 -		FG M-D	26615-33000	2	
31381B		BRACKET-W/S MTG			
		(S)SOPORTE			
020101 -		ALL TCI	39221-27501	1	
38612		RING "O"			
		(S)JUNTAS TORICAS			
991231 -		ALL M-S;+A10	39188-22000	1	
990601 -		AD L35,P3B,P35,P6B	39188-22000	1	
990601 -		AG P3B,P35,P6B,P65	39188-22000	1	
990601 -		DG P3B,P35,P65	39188-22000	1	
990601 -		DS M-S	39188-22000	1	
990601 -		FD M-S	39188-22000	1	
990601 -		FG P3B,P35,P6B,P65	39188-22000	1	
39180		SENSOR-CRANKSHAFT POSITION			
		(S)SENSOR			
991231 -		ALL M-S;+A10	39180-22600	1	
990601 -		AD L35,P3B,P35,P6B	39180-22600	1	
990601 -		AG P3B,P35,P6B,P65	39180-22600	1	
990601 -		DG P3B,P35,P65	39180-22600	1	
990601 -		DS M-S	39180-22600	1	
990601 -		FD M-S	39180-22600	1	
990601 -		FG P3B,P35,P6B,P65	39180-22600	1	
39181		CLIP-CONNECTOR			
		(S)SUJETADOR			
010122 -		AD M-D	39181-26650	1	
010122 -		AG M-D	39181-26650	1	
010122 -		DG M-D	39181-26650	1	
010122 -		FG M-D	39181-26650	1	

P N C	MODEL APPLICABLE		P A R T N O. (REPL P/NO)	Q T Y	REMARKS
	FROM-UP-TO	DESCRIPTION			
39211		BRACKET-CONNECTOR MTG			
		(S)SOPORTE			
990601 -		ALL M-S;0920	39182-22600	1	
990601 - 010122		AD M-D	39182-26600	1	
010122 -		AD M-D	39182-26601	1	
990601 - 010122		AG M-D	39182-26600	1	
010122 -		AG M-D	39182-26601	1	
990601 - 010122		DG M-D	39182-26600	1	
010122 -		DG M-D	39182-26601	1	
990601 - 010122		FG M-D	39182-26600	1	
010122 -		FG M-D	39182-26601	1	
39220		SENSOR ASSY-COOLANT TEMPERATURE			
		(S)CONJ. SENSOR			
020101 -		ALL TCI	39220-27500	1	
991006 -		AD M-D	39230-26600	1	
991006 -		AG M-D	39230-26600	1	
991006 -		DG M-D	39230-26600	1	
991006 -		FG M-D	39230-26600	1	
39320		SENSOR-KNOCK			
		(S)SENSOR			
990601 -		AD P3B,P35	39250-22600	1	
990601 -		AD P3B,P35;+A10	39250-22800	1	
000328 -		AD M-D	39250-26600	1	
990601 -		AG M-S	39250-22600	1	
990601 -		AG M-S;+A10	39250-22600	1	
000328 -		AG M-D	39250-26600	1	
990601 -		DG M-S	39250-22600	1	
990601 -		DG M-S;+A10	39250-22600	1	
000328 -		DG M-D	39250-26600	1	
990601 -		DS P3B,P35	39250-22600	1	
990601 -		DS P3B,P35;+A10	39250-22600	1	
990601 -		FD P3B,P35	39250-22600	1	
990601 -		FD P3B,P35;+A10	39250-22600	1	
990601 -		FG M-S	39250-22600	1	
990601 -		FG M-S;+A10	39250-22600	1	
000328 -		FG M-D	39250-26600	1	
39321		BRACKET-KNOCK SENSOR			
		(S)SOPORTE			
990601 -		ALL M-S	39251-22601	1	

CONTINUED



DIESEL



P N C	MODEL APPLICABLE		R E P	PART NO. (REPL P/NO)	Q T Y	REMARKS
	FROM-UP-TO	TYPE				
1120NX						
020101 -				11703-06183	3	
1123GV						
990601 -				11233-08201 (11233-08203)	2	W/WASHER
990601 -				11233-08201 (11233-06203)	2	W/WASHER
990601 -				11233-08201 (11233-08203)	2	W/WASHER
990601 -				11233-08201 (11233-08203)	2	W/WASHER
990601 -				11233-08201 (11233-08203)	2	W/WASHER
990601 -				11233-08201 (11233-08203)	2	W/WASHER
990601 -				11233-08201 (11233-08203)	2	W/WASHER
1140AN						
990601 -				11400-08253	1	
990601 -				11400-08253	1	
990601 -				11400-08253	1	
990601 -				11400-08253	1	
990601 -				11400-08253	1	
990601 -				11400-08253	1	
1140AP						
990601 -				11400-08283	3	
990601 -				11400-08283	3	
990601 -				11400-08283	3	
990601 -				11400-08283	3	
990601 -				11400-08283	3	
990601 -				11400-08283	3	
1140AU						
990601 -				11400-08453	1	
990601 -				11400-08453	1	
990601 -				11400-08453	1	
990601 -				11400-08453	1	

CONTINUED

1-12

20-213 FRONT CASE

BA,G0112- 22

P N C		MODEL APPLICABLE		R E P	PART NO. (REPL P/NO)	Q T Y	REMARKS	P N C		MODEL APPLICABLE		R E P	PART NO. (REPL P/NO)	Q T Y	REMARKS
FROM-UP-TO	TYPE	DESCRIPTION						FROM-UP-TO	TYPE	DESCRIPTION					
CONTINUED								CONTINUED							
	1140AU		BOLT (S)PERNO (PESTANA)						1140FX		BOLT (S)PERNO (PESTANA)				
	990601 -	FD	L35,L45,P3B,P35		11400-08453	1			990601 -	FG	M-D		11403-08603	1	
	990601 -	FG	M-S		11400-08453	1			1220FP		SCREW-MACHINE (S)TORNILLO				
	1140AW		BOLT (S)PERNO (PESTANA)						990601 -	AD	L35,L45,P3B,P35		12203-06121	1	
	990601 -	AD	L35,L45,P3B,P35		11400-08603	1			990601 -	AG	M-S		12203-06121	1	
	990601 -	AG	M-S		11400-08603	1			990601 -	DG	M-S		12203-06121	1	
	990601 -	DG	M-S		11400-08603	1			990601 -	DS	L35,L45,P3B,P35		12203-06121	1	
	990601 -	DS	L35,L45,P3B,P35		11400-08603	1			990601 -	FD	L35,L45,P3B,P35		12203-06121	1	
	990601 -	FD	L35,L45,P3B,P35		11400-08603	1			990601 -	FG	M-S		12203-06121	1	
	990601 -	FG	M-S		11400-08603	1			1220FR		SCREW-MACHINE (S)TORNILLO				
	1140FF		BOLT (S)PERNO (PESTANA)						990601 -	AD	M-D		12203-06141	7	
	020101 -	ALL	TCI		11403-08203	2			990601 -	AG	M-D		12203-06141	7	
	1140FH		BOLT (S)PERNO (PESTANA)						990601 -	DG	M-D		12203-06141	7	
	020101 -	ALL	TCI		11403-08353	4			990601 -	FG	M-D		12203-06141	7	
	1140FJ		BOLT (S)PERNO (PESTANA)						1220FS		SCREW-MACHINE (S)TORNILLO				
	990601 -	AD	M-D		11403-08303	3			990601 -	AD	L35,L45,P3B,P35		12203-06161	6	
	990601 -	AG	M-D		11403-08303	3			990601 -	AG	M-S		12203-06161	6	
	990601 -	DG	M-D		11403-08303	3			990601 -	DG	M-S		12203-06161	6	
	990601 -	FG	M-D		11403-08303	3			990601 -	DS	L35,L45,P3B,P35		12203-06161	6	
	1140FM		BOLT (S)PERNO (PESTANA)						990601 -	FD	L35,L45,P3B,P35		12203-06161	6	
	020101 -	ALL	TCI		11403-08403	1			990601 -	FG	M-S		12203-06161	6	
	1140FN		BOLT (S)PERNO (PESTANA)						1472AR		CLAMP-HOSE (S)ABRAZADERA				
	990601 -	AD	M-D		11403-18453	1			020101 -	ALL	LHD>TCI		14720-23003	1	
	990601 -	AG	M-D		11403-18453	1			1571TC		PLUG-TAPER (S)TAPON				
	990601 -	DG	M-D		11403-18453	1			990601 -	AD	L35,L45,P3B,P35		15717-17121	1	
	990601 -	FG	M-D		11403-18453	1			990601 -	AG	M-S		15717-17121	1	
	1140FX		BOLT (S)PERNO (PESTANA)						990601 -	DG	M-S		15717-17121	1	
	990601 -	AD	M-D		11403-08603	1			990601 -	DS	L35,L45,P3B,P35		15717-17121	1	
	990601 -	AG	M-D		11403-08603	1			990601 -	FD	L35,L45,P3B,P35		15717-17121	1	
	990601 -	DG	M-D		11403-08603	1			990601 -	FG	M-S		15717-17121	1	

AD:5DR,6L AG:5DR,6LS DG:3DR,6LS DS:3DR,1L FD:4DR,6L FG:4DR,6LS

1-2

20-213 FRONT CASE

BA,00112- 23

P N C	MODEL APPLICABLE		R E P	PART NO. (REPL. P/NO)	Q T Y	REMARKS	P N C	MODEL APPLICABLE		R E P	PART NO. (REPL. P/NO)	Q T Y	REMARKS
	FROM-UP-TO	TYPE						DESCRIPTION	FROM-UP-TO				
21310B		CASE ASSY-FR (S)CONJ. CARCASA					21319		RING "O" (S)JUNTAS TORICAS				
020101 -		ALL TCI		21310-27500	1		020101 -		ALL TCI		21330-27001	1	
990601 - 990604		AD M-D		21310-26020	1		21411B		GASKET-FR CASE (S)JUNTA				
990601 - 990618		AD L35,L45,P3B,P35	Y	21310-22011 (21310-22650)	1		990601 -		AD L35,L45,P3B,P35		21411-22010	1	
990604 -		AD M-D		21310-26650	1		990601 -		AD M-D		21411-26010	1	
990618 -		AD L35,L45,P3B,P35		21310-22650	1		990601 -		AG M-S		21411-22010	1	
990601 - 990604		AG M-D		21310-26020	1		990601 -		AG M-D		21411-26010	1	
990601 - 990618		AG M-S	Y	21310-22011 (21310-22650)	1		990601 -		DG M-S		21411-22010	1	
990604 -		AG M-D		21310-26650	1		990601 -		DG M-D		21411-26010	1	
990618 -		AG M-S		21310-22650	1		990601 -		DS L35,L45,P3B,P35		21411-22010	1	
990601 - 990604		DG M-D		21310-26020	1		990601 -		FD L35,L45,P3B,P35		21411-22010	1	
990601 - 990618		DG M-S	Y	21310-22011 (21310-22650)	1		990601 -		FG M-S		21411-22010	1	
990604 -		DG M-D		21310-26650	1		990601 -		FG M-D		21411-26010	1	
990618 -		DG M-S		21310-22650	1		21421		SEAL-OIL (S)RETN				
990601 - 990618		DS L35,L45,P3B,P35	Y	21310-22011 (21310-22650)	1		990601 -		AD M-D		21421-22001	1	
990618 -		DS L35,L45,P3B,P35		21310-22650	1		990601 -		AG M-D		21421-22001	1	
990601 - 990618		FD L35,L45,P3B,P35	Y	21310-22011 (21310-22650)	1		990601 -		DG M-D		21421-22001	1	
990618 -		FD L35,L45,P3B,P35		21310-22650	1		990601 -		FG M-D		21421-22001	1	
990601 - 990604		FG M-D		21310-26020	1		21513		GASKET-OIL PLUG (S)JUNTA				
990601 - 990618		FG M-S	Y	21310-22011 (21310-22650)	1		990601 -		ALL P3B,P35		21513-11000	1	
990604 -		FG M-D		21310-26650	1		990601 -		AD L35,L45,P6B		21513-11000	1	
990618 -		FG M-S		21310-22650	1		990601 -		AG P6B,P65		21513-11000	1	
21313		COVER-OIL PUMP (S)CUBIERTA					990601 -		DG P65		21513-11000	1	
990601 -		ALL P3B,P35		21313-22000	1		990601 -		DS L35,L45		21513-11000	1	
020101 -		ALL TCI		21313-27500	1		990601 -		FD L35,L45		21513-11000	1	
990601 -		AD L35,L45,P6B		21313-22000	1		990601 -		FG P6B,P65		21513-11000	1	
990601 -		AG P6B,P65		21313-22000	1		21729		SEAL-OIL FR (S)RETN				
990601 -		DG P65		21313-22000	1		020101 -		ALL TCI		21335-27000	1	
990601 -		DS L35,L45		21313-22000	1		23344		GEAR-BALANCER SHAFT DRIVE (S)ENGRANAJE				
990601 -		FD L35,L45		21313-22000	1		020101 -		ALL TCI		21331-27500	1	
990601 -		FG P6B,P65		21313-22000	1		25460		COOLER ASSY-OIL (S)CONJ. REFRIGERADOR				
							020101 -		ALL LHD>TCI		26410-27000	1	

1-K 2

20-213 FRONT CASE

BA,G0112- 24

P N C		MODEL APPLICABLE		R E P	PART NO. (REPL P/NO)	Q T Y	REMARKS	P N C		MODEL APPLICABLE		R E P	PART NO. (REPL P/NO)	Q T Y	REMARKS
FROM-UP-TO	TYPE	DESCRIPTION						FROM-UP-TO	TYPE	DESCRIPTION					
25640A		HOSE ASSY-OIL COOLER (S)MANGUERA						CONTINUED							
020101 -		ALL LHD>TCI			25640-27500	1		26122		PLUNGER-RELIEF (S)EMBOLO					
25641P		HOSE-OIL COOLER COON (S)MANGUERA						020101 -		ALL TCI		26122-27000	1		
020101 -		ALL LHD>TCI			25641-27500	1		990601 -		AD L35,L45,P6B		26122-35000	1		
26112A		GEAR-OIL PUMP INR (S)ENGRANAJE						990601 -		AG P6B,P65		26122-35000	1		
990601 -		AD L35,L45,P3B,P35			26112-22050	1		990601 -		DG P65		26122-35000	1		
990601 -		AD M-D			26112-26020	1		990601 -		DS L35,L45		26122-35000	1		
990601 -		AG M-S			26112-22050	1		990601 -		FD L35,L45		26122-35000	1		
990601 -		AG M-D			26112-26020	1		990601 -		FG P6B,P65		26122-35000	1		
990601 -		DG M-S			26112-22050	1		26123		SPRING-RELIEF (S)MUELLE					
990601 -		DG M-D			26112-26020	1		990601 -		ALL P3B,P35		26123-21000	1		
990601 -		DS L35,L45,P3B,P35			26112-22050	1		020101 -		ALL TCI		26123-27000	1		
990601 -		FD L35,L45,P3B,P35			26112-22050	1		990601 -		AD L35,L45,P6B		26123-21000	1		
990601 -		FG M-S			26112-22050	1		990601 -		AG P6B,P65		26123-21000	1		
990601 -		FG M-D			26112-26020	1		990601 -		DG P65		26123-21000	1		
26112B		GEAR-OIL PUMP DRIVE (S)ENGRANAJE						990601 -		DS L35,L45		26123-21000	1		
020101 -		ALL TCI			26112-27500	1		990601 -		FD L35,L45		26123-21000	1		
26113A		GEAR-OIL PUMP OTR (S)ENGRANAJE						990601 -		FG P6B,P65		26123-21000	1		
990601 -		AD L35,L45,P3B,P35			26113-22050	1		26124		PLUG (S)TAPON					
990601 -		AD M-D			26113-26020	1		990601 -		ALL P3B,P35		26124-35000	1		
990601 -		AG M-S			26113-22050	1		020101 -		ALL TCI		26124-27000	1		
990601 -		AG M-D			26113-26020	1		990601 -		AD L35,L45,P6B		26124-35000	1		
990601 -		DG M-S			26113-22050	1		990601 -		AG P6B,P65		26124-35000	1		
990601 -		DG M-D			26113-26020	1		990601 -		DG P65		26124-35000	1		
990601 -		DS L35,L45,P3B,P35			26113-22050	1		990601 -		DS L35,L45		26124-35000	1		
990601 -		FD L35,L45,P3B,P35			26113-26020	1		990601 -		FD L35,L45		26124-35000	1		
990601 -		FG M-S			26113-22050	1		990601 -		FG P6B,P65		26124-35000	1		
990601 -		FG M-D			26113-26020	1		26300		FILTER ASSY-ENGINE OIL (S)CONJUNTO FILTRO					
26113B		GEAR-OIL PUMP DRIVEN (S)ENGRANAJE						990601 -		ALL P3B,P35		26300-35500	1		
020101 -		ALL TCI			26113-27500	1		020101 -		ALL LHD>TCI		26310-27200	1		
26122		PLUNGER-RELIEF (S)EMBOLO						990601 -		AD L35,L45,P6B		26300-35500	1		
990601 -		ALL P3B,P35			26122-35000	1		990601 -		AG P6B,P65		26300-35500	1		
CONTINUED								990601 -		DG P65		26300-35500	1		
								990601 -		DS L35,L45		26300-35500	1		
								990601 -		FD L35,L45		26300-35500	1		
								CONTINUED							

AD:5DR,6L AG:5DR,6LS DG:3DR,6LS DS:3DR,1L FD:4DR,6L FG:4DR,6LS

1-L 2

20-213 FRONT CASE

BA, G0112- 25

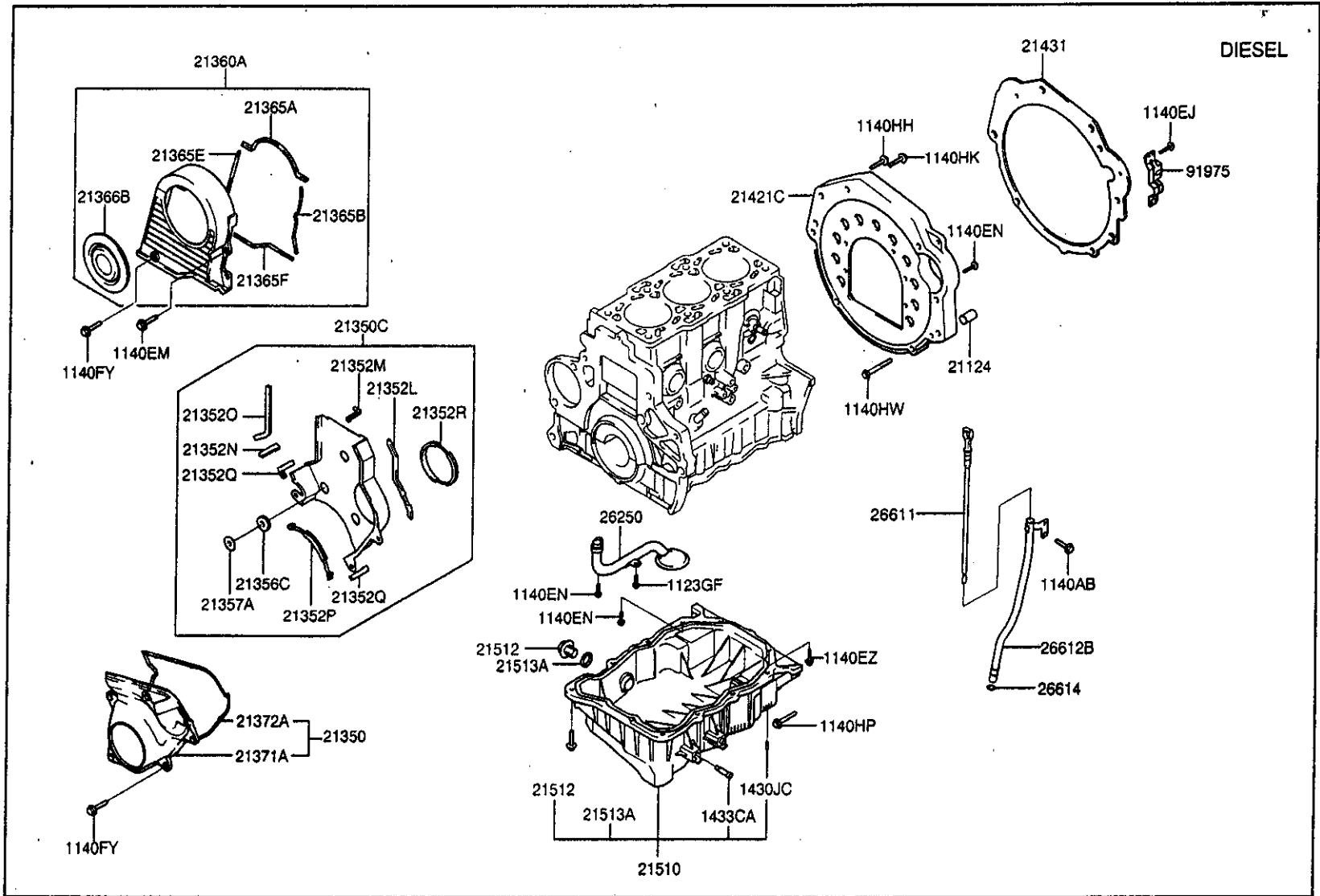
R N C	MODEL APPLICABLE		R E P	PART NO. (REPL P/NO)	Q T Y	REMARKS	P N C	MODEL APPLICABLE		R E P	PART NO. (REPL P/NO)	Q T Y	REMARKS
	FROM-UP-TO	TYPE						DESCRIPTION	FROM-UP-TO				
CONTINUED													
26300													
990601 -													
26440													
020101 -													
26441A													
020101 -													
26719													
020101 -													

1-M 2

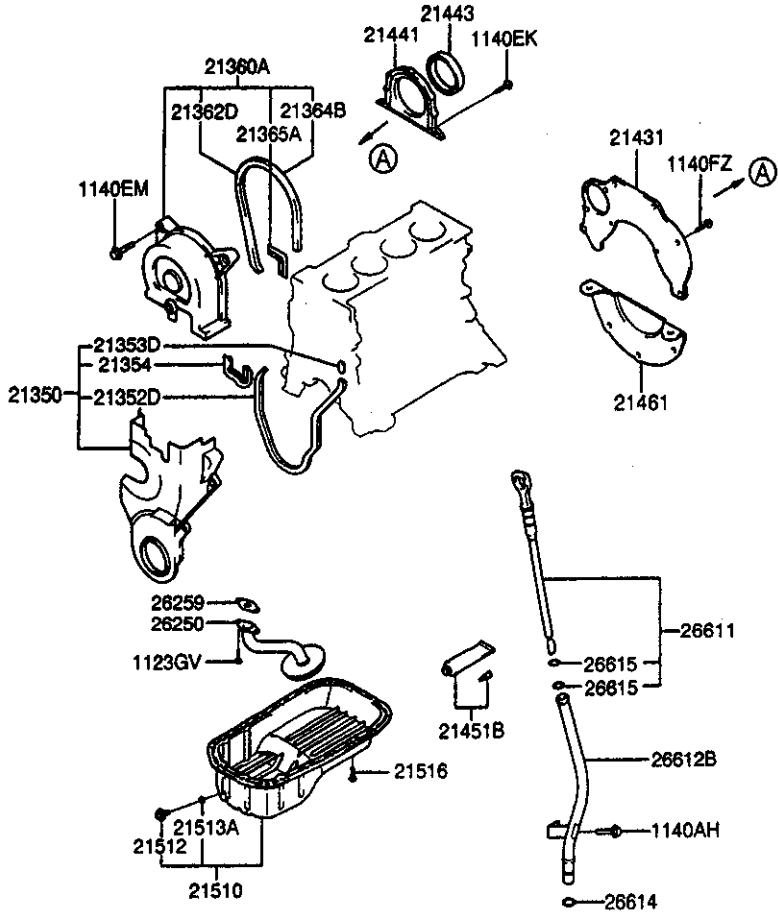
20-215 BELT COVER & OIL PAN

BA,G0112- 26

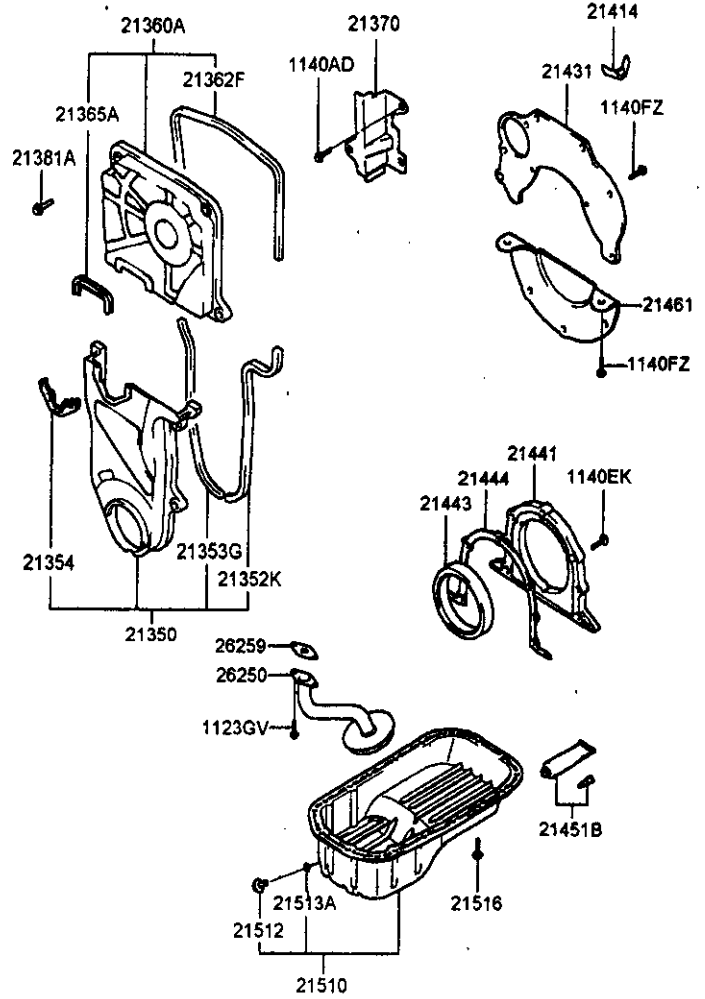
DIESEL



SOHC



DOHC



1-B 3

20-215 BELT COVER & OIL PAN

BA,G0112- 28

P N C		MODEL APPLICABLE		R E P	PART NO. (REPL P/NO)	Q T Y	REMARKS	P N C		MODEL APPLICABLE		R E P	PART NO. (REPL P/NO)	Q T Y	REMARKS
FROM-UP-TO	TYPE	DESCRIPTION	FROM-UP-TO					TYPE	DESCRIPTION						
1123GF		BOLT-WASHER ASSY (S)CONJ.ARADELA						CONTINUED							
990601 - 990621		ALL P3B,P35			11233-06126	18		1140AH		BOLT (S)PERNO (PESTANA)					
990601 - 990621		AD L35,L45,P6B			11233-06126	18		990601 -		DG M-S		11400-08123	1		
990601 - 990621		AG P6B,P65			11233-06126	18		990601 -		DS L35,L45,P3B,P35		11400-08123	1		
990601 - 990621		DG P65			11233-06126	18		990601 -		FD L35,L45,P3B,P35		11400-08123	1		
990601 - 990621		DS L35,L45			11233-06126	18		990601 -		FG M-S		11400-08123	1		
990601 - 990621		FD L35,L45			11233-06126	18		1140EJ		BOLT (S)PERNO (PESTANA)					
990601 - 990621		FG P6B,P65			11233-06126	18		020101 -		ALL TCI		11403-06123	2		
1123GV		BOLT (S)PERNO (CON ARADELA)						1140EK		BOLT (S)PERNO (PESTANA)					
990601 -		AD M-D	Y		11233-08201 (11233-08203)	2	WWASHER	990601 -		ALL P3B,P35	Y	11403-06161 (11403-06163)	5	FLANGE	
990601 -		AG M-D	Y		11233-08201 (11233-08203)	2	WWASHER	990601 -		AD L35,L45,P6B	Y	11403-06161 (11403-06163)	5	FLANGE	
990601 -		DG M-D	Y		11233-08201 (11233-08203)	2	WWASHER	990601 -		AG P6B,P65	Y	11403-06161 (11403-06163)	5	FLANGE	
990601 -		FG M-D	Y		11233-08201 (11233-08203)	2	WWASHER	990601 -		DG P65	Y	11403-06161 (11403-06163)	5	FLANGE	
1140AB		BOLT (S)PERNO (PESTANA)						990601 -		DS L35,L45	Y	11403-06161 (11403-06163)	5	FLANGE	
010420 -		ALL P3B,P35			11400-06123	2	FLANGE	990601 -		FD L35,L45	Y	11403-06161 (11403-06163)	5	FLANGE	
020101 -		ALL TCI			11400-06123	1	FLANGE	990601 -		FG P6B,P65	Y	11403-06161 (11403-06163)	5	FLANGE	
010420 -		AD L35,L45,P6B			11400-06123	2	FLANGE	1140EM		BOLT (S)PERNO (PESTANA)					
010420 -		AG P6B,P65			11400-06123	2	FLANGE	020101 -		ALL TCI		11403-06183	8		
010420 -		DG P65			11400-06123	2	FLANGE	990601 - 010927		AD L35,L45,P3B,P35		11403-06183	6		
010420 -		DS L35,L45			11400-06123	2	FLANGE	990601 - 010927		AG M-S		11403-06183	6		
010420 -		FD L35,L45			11400-06123	2	FLANGE	990601 - 010927		DG M-S		11403-06183	6		
010420 -		FG P6B,P65			11400-06123	2	FLANGE	990601 - 010927		DS L35,L45,P3B,P35		11403-06183	6		
1140AD		BOLT (S)PERNO (PESTANA)						990601 - 010927		FD L35,L45,P3B,P35		11403-06183	6		
990601 - 010420		AD M-D			11400-06163	2		990601 - 010927		FG M-S		11403-06183	6		
990601 - 010420		AG M-D			11400-06163	2		1140EN		BOLT (S)PERNO (PESTANA)					
010411 - 010420		DG M-D			11400-06163	2		020101 -		ALL TCI	Y	11403-06203 (11403-06223)	6		
990601 - 010420		FG M-D			11400-06163	2									
1140AH		BOLT (S)PERNO (PESTANA)													
990601 -		AD L35,L45,P3B,P35			11400-08123	1									
990601 -		AG M-S			11400-08123	1									

AD:DR,AG, AG:DR,AGL6 DG:DR,AGL6 DS:DR,L FD:DR,GL FG:DR,GL6

1-C3

20-215 BELT COVER & OIL PAN

BA,00112- 29

P N C		MODEL APPLICABLE		R E P	PART NO. (REPL PNO)	Q T Y	REMARKS
FROM-UP-TO	TYPE	DESCRIPTION					
CONTINUED							
1140EN		BOLT (S)PERNO (PESTANA)					
020101 -		ALL TCI		Y	11403-06203 (11403-06223)	5	
020101 -		ALL TCI		Y	11403-06203 (11403-06223)	2	
990601 - 990627		AD	L35,L45,P3B,P35	Y	11403-06201 (11403-06203)	5	FLANGE
990601 - 990627		AG	M-S	Y	11403-06201 (11403-06203)	6	FLANGE
990601 - 990627		DG	M-S	Y	11403-06201 (11403-06203)	5	FLANGE
990601 - 990627		DS	L35,L45,P3B,P35	Y	11403-06201 (11403-06203)	5	FLANGE
990601 - 990627		FD	L35,L45,P3B,P35	Y	11403-06201 (11403-06203)	6	FLANGE
990601 - 990627		FG	M-S	Y	11403-06201 (11403-06203)	5	FLANGE
1140EZ		BOLT (S)PERNO (PESTANA)					
020101 -		ALL TCI			11403-06863	4	
1140FY		BOLT (S)PERNO (PESTANA)					
020101 -		ALL TCI		Y	11403-06141 (11403-06143)	3	
020101 -		ALL TCI			11403-06143	1	
1140FZ		BOLT (S)PERNO (PESTANA)					
990601 -		AD	M-D	Y	11403-06103 (13395-06001)	6	FLANGE
990601 -		AD	L35,L45,P3B,P35,P6B	Y	11403-06103 (13395-06001)	2	FLANGE
990601 - 010420		AD	L35,L45,P3B,P35	Y	11403-06103 (13395-06001)	4	FLANGE
990601 - 990401		AD	L35,L45,P3B,P35	Y	11403-06101 (11403-06103)	4	FLANGE
990601 -		AG	M-D	Y	11403-06103 (13395-06001)	6	FLANGE

P N C		MODEL APPLICABLE		R E P	PART NO. (REPL PNO)	Q T Y	REMARKS
FROM-UP-TO	TYPE	DESCRIPTION					
CONTINUED							
1140FZ		BOLT (S)PERNO (PESTANA)					
990601 -		AG	P3B,P35,P6B,P65	Y	11403-06103 (13395-06001)	2	FLANGE
990601 - 010420		AG	M-S	Y	11403-06103 (13395-06001)	4	FLANGE
990601 - 990401		AG	M-S	Y	11403-06101 (11403-06103)	4	FLANGE
990601 -		DG	M-D	Y	11403-06103 (13395-06001)	6	FLANGE
990601 -		DG	P3B,P35,P65	Y	11403-06103 (13395-06001)	2	FLANGE
990601 - 010420		DG	M-S	Y	11403-06103 (13395-06001)	4	FLANGE
990601 - 990401		DG	M-S	Y	11403-06101 (11403-06103)	4	FLANGE
990601 - 010420		DS	L35,L45,P3B,P35	Y	11403-06103 (13395-06001)	4	FLANGE
990601 - 990401		DS	L35,L45,P3B,P35	Y	11403-06101 (11403-06103)	4	FLANGE
010503 -		DS	L35,L45,P3B,P35	Y	11403-06103 (13395-06001)	2	FLANGE
990601 - 010420		FD	L35,L45,P3B,P35	Y	11403-06103 (13395-06001)	4	FLANGE
990601 - 990401		FD	L35,L45,P3B,P35	Y	11403-06101 (11403-06103)	4	FLANGE
010503 -		FD	L35,L45,P3B,P35	Y	11403-06103 (13395-06001)	2	FLANGE
990601 -		FG	M-D	Y	11403-06103 (13395-06001)	6	FLANGE
990601 -		FG	P3B,P35,P6B,P65	Y	11403-06103 (13395-06001)	2	FLANGE
990601 - 010420		FG	M-S	Y	11403-06103 (13395-06001)	4	FLANGE
990601 - 990401		FG	M-S	Y	11403-06101 (11403-06103)	4	FLANGE

AD:5DR,GL AG:5DR,GLS DG:3DR,GLS DS:3DR,L FD:4DR,GL FG:4DR,GLS

1-D3

20-215 BELT COVER & OIL PAN

BA.G0112- 30

P N C		MODEL APPLICABLE		R E P	PART NO. (REPL P/NO)	Q T Y	REMARKS	P N C		MODEL APPLICABLE		R E P	PART NO. (REPL P/NO)	Q T Y	REMARKS	
FROM-UP-TO	TYPE	DESCRIPTION						FROM-UP-TO	TYPE	DESCRIPTION						
1140HH		BOLT (S)PERNO (PESTANA)						CONTINUED								
020101 -		ALL TCI			11404-10453	1		21352D		GASKET-TIMING BELT CVR (S)JUNTA						
1140HK		BOLT (S)PERNO (PESTANA)						990601 -		FD L35,L45,P3B,P35			21352-22000	1		
020101 -		ALL TCI			11404-10553	1		990601 -		FG M-S			21352-22000	1		
1140HP		BOLT (S)PERNO (PESTANA)						21352K		GASKET-TIMING BELT CVR (S)JUNTA						
020101 -		ALL TCI			11404-10753	2		990601 -		AD M-D			21352-26000	1		
1140HW		BOLT (S)PERNO (PESTANA)						990601 -		AG M-D			21352-26000	1		
020101 -		ALL TCI			11404-12553	2		990601 -		DG M-D			21352-26000	1		
1430JC		PIN-DOWEL (S)PASADOR						990601 -		FG M-D			21352-26000	1		
020101 -		ALL TCI			14303-06140	2		21352L		GASKET1A-T/BELT COVETR,RR (S)JUNTA						
1433CA		BUSH (S)CASQUILLO						020101 -		ALL TCI			21352-27001	1		
020101 -		ALL TCI			14331-08090	1		21352M		GASKET1B-T/BELT COVETR,RR (S)JUNTA						
21124		BUSH-KNOCK (S)CASQUILLO						020101 -		ALL TCI			21352-27010	1		
020101 -		ALL TCI			21124-21000	2		21352N		GASKET2A-T/BELT COVETR,RR (S)JUNTA						
21350		COVER ASSY-TIMING BELT LWR (S)CONJUNTO CUBIERTA						020101 -		ALL TCI			21353-27001	1		
020101 -		ALL TCI			21370-27000	1		21352O		GASKET2B-T/BELT COVETR,RR (S)JUNTA						
990601 -		AD L35,L45,P3B,P35			21350-22001	1		020101 -		ALL TCI			21353-27010	1		
990601 -		AG M-S			21350-22001	1		21352P		GASKET3A-T/BELT COVETR,RR (S)JUNTA						
990601 -		DG M-S			21350-22001	1		020101 -		ALL TCI			21354-27001	1		
990601 -		DS L35,L45,P3B,P35			21350-22001	1		21352Q		GASKET3B-T/BELT COVETR,RR (S)JUNTA						
990601 -		FD L35,L45,P3B,P35			21350-22001	1		020101 -		ALL TCI			21354-27010	2		
990601 -		FG M-S			21350-22001	1		21352R		GASKET 4-T/BELT COVETR,RR (S)JUNTA						
21350C		COVER ASSY-TIMING BELT RR (S)CONJUNTO CUBIERTA						020101 -		ALL TCI			21355-27000	1		
020101 -		ALL TCI			21350-27000	1		21353D		GASKET-TIMING BELT CVR (S)JUNTA						
21352D		GASKET-TIMING BELT CVR (S)JUNTA						990601 -		AD L35,L45,P3B,P35			21353-22000	1		
990601 -		AD L35,L45,P3B,P35			21352-22000	1		990601 -		AG M-S			21353-22000	1		
990601 -		AG M-S			21352-22000	1		990601 -		DG M-S			21353-22000	1		
990601 -		DG M-S			21352-22000	1		990601 -		DS L35,L45,P3B,P35			21353-22000	1		
990601 -		DS L35,L45,P3B,P35			21352-22000	1		990601 -		FD L35,L45,P3B,P35			21353-22000	1		

AD:5DR,GL AQ:5DR,GLS DG:3DR,GLS DS:3DR,L FD:4DR,GL FG:4DR,GLS

1-E 3

20-215 BELT COVER & OIL PAN

BA,00112- 31

P N C		MODEL APPLICABLE		R E P	PART NO. (REPL P/NO)	Q T Y	REMARKS	P N C		MODEL APPLICABLE		R E P	PART NO. (REPL P/NO)	Q T Y	REMARKS
FROM-UP-TO	TYPE	DESCRIPTION						FROM-UP-TO	TYPE	DESCRIPTION					
CONTINUED								CONTINUED							
21353D		GASKET-TIMING BELT CVR (S)JUNTA						21360A		COVER ASSY-TIMING BELT UPR (S)CONJUNTO CUBIERTA					
990601 -		FG M-S			21353-22000	1		990601 -		FG M-S			21360-22000	1	
21353G		GASKET-TIMING BELT CVR (S)JUNTA						990601 -		FG M-D			21360-26002	1	
990601 -		AD M-D			21353-26000	1		21362D		GASKET-TIMING BELT CVR (S)JUNTA					
990601 -		AG M-D			21353-26000	1		990601 -		AD L35,L45,P3B,P35			21362-22000	1	
990601 -		DG M-D			21353-26000	1		990601 -		AG M-S			21362-22000	1	
990601 -		FG M-D			21353-26000	1		990601 -		DG M-S			21362-22000	1	
21354		GASKET-TIMING BELT COVER LWR (S)JUNTA						990601 -		DS L35,L45,P3B,P35			21362-22000	1	
990601 -		AD L35,L45,P3B,P35			21354-22001	1		990601 -		FD L35,L45,P3B,P35			21362-22000	1	
990601 -		AD M-D			21354-26001	1		990601 -		FG M-S			21362-22000	1	
990601 -		AG M-S			21354-22001	1		21362F		GASKET-TIMING BELT CVR (S)JUNTA					
990601 -		AG M-D			21354-26001	1		990601 -		AD M-D			21362-26000	1	
990601 -		DG M-S			21354-22001	1		990601 -		AG M-D			21362-26000	1	
990601 -		DG M-D			21354-26001	1		990601 -		DG M-D			21362-26000	1	
990601 -		DS L35,L45,P3B,P35			21354-22001	1		990601 -		FG M-D			21362-26000	1	
990601 -		FD L35,L45,P3B,P35			21354-22001	1		21364B		GASKET-TIMING BELT CVR (S)JUNTA					
990601 -		FG M-S			21354-22001	1		990601 -		AD L35,L45,P3B,P35			21361-21A10	1	
990601 -		FG M-D			21354-26001	1		990601 -		AG M-S			21361-21A10	1	
21356C		RUBBER-FLOATING (S)GOMA						990601 -		DG M-S			21361-21A10	1	
020101 -		ALL TCI			21356-27000	3		990601 -		DS L35,L45,P3B,P35			21361-21A10	1	
21357A		SPACER (S)ESPACIADOR						990601 -		FD L35,L45,P3B,P35			21361-21A10	1	
020101 -		ALL TCI			21357-27000	3		990601 -		FG M-S			21361-21A10	1	
21360A		COVER ASSY-TIMING BELT UPR (S)CONJUNTO CUBIERTA						21365A		GASKET-TIMING BELT COVER UPR (S)JUNTA					
020101 -		ALL TCI			21360-27000	1		020101 -		ALL TCI			21362-27001	1	
990601 -		AD L35,L45,P3B,P35			21360-22000	1		990601 -		AD L35,L45,P3B,P35			21365-22000	1	
990601 -		AD M-D			21360-26002	1		990601 -		AD M-D			21365-26000	1	
990601 -		AG M-S			21360-22000	1		990601 -		AG M-S			21365-22000	1	
990601 -		AG M-D			21360-26002	1		990601 -		AG M-D			21365-26000	1	
990601 -		DG M-S			21360-22000	1		990601 -		DG M-S			21365-22000	1	
990601 -		DG M-D			21360-26002	1		990601 -		DG M-D			21365-26000	1	
990601 -		DS L35,L45,P3B,P35			21360-22000	1		990601 -		DS L35,L45,P3B,P35			21365-22000	1	
990601 -		FD L35,L45,P3B,P35			21360-22000	1		990601 -		FD L35,L45,P3B,P35			21365-22000	1	
								990601 -		FG M-S			21365-22000	1	
CONTINUED								CONTINUED							

1-F3

20-215 BELT COVER & OIL PAN

BA.G0112- 32

P N C		MODEL APPLICABLE		R E P	PART NO. (REPL P/NO)	Q T Y	REMARKS	P N C		MODEL APPLICABLE		R E P	PART NO. (REPL P/NO)	Q T Y	REMARKS
FROM-UP-TO	TYPE	DESCRIPTION						FROM-UP-TO	TYPE	DESCRIPTION					
CONTINUED								CONTINUED							
		21365A	GASKET-TIMING BELT COVER UPR					21414	COVER						
			(S)JUNTA						(S)CUBIERTA						
		990601 -	FG M-D		21365-26000	1			990601 -	FG M-D		21414-23502	1		
		21365B	GASKET 2-TIMING BELT COVER UPR					21421C	HOUSING-FLYWHEEL						
			(S)JUNTA						(S)ALOJAMIENTO						
		020101 -	ALL TCI		21363-27001	1			020101 -	ALL TCI		21421-27500	1		
		21365E	GASKET 3-TIMING BELT COVER UPR					21431	PLATE-CYLINDER BLOCK RR						
			(S)JUNTA						(S)PLACA						
		020101 -	ALL TCI		21364-27001	1			990601 -	ALL P3B,P35		21431-22030	1		
		21365F	GASKET 4-TIMING BELT COVER UPR						020101 -	ALL TCI		21431-27500	1		
			(S)JUNTA						990601 -	AD L35,L45,P6B		21431-22030	1		
		020101 -	ALL TCI		21365-27001	1			990601 -	AG P6B,P65		21431-22030	1		
		21366B	PLUG-RUBBER						990601 -	DG P65		21431-22030	1		
			(S)TAPON						990601 -	DS L35,L45		21431-22030	1		
		020101 -	ALL TCI		21366-27000	1			990601 -	FD L35,L45		21431-22030	1		
		21370	COVER-TIMING BELT RR LH						990601 -	FG P6B,P65		21431-22030	1		
			(S)CUBIERTA						21441	CASE-OIL SEAL RR					
		990601 -	AD M-D		21372-26001	1				(S)CARCASA					
		990601 -	AG M-D		21372-26001	1			990601 -	AD L35,L45,P3B,P35,P6B		21441-22610	1		
		990601 -	DG M-D		21372-26001	1			990601 -	AG P3B,P35,P6B,P65		21441-22610	1		
		990601 -	FG M-D		21372-26001	1			990601 -	DG P3B,P35,P65		21441-22610	1		
		21371A	GASKET-TIMING BELT CVR						990827 -	DS L35,L45,P3B,P35		21441-22610	1		
			(S)JUNTA						990827 -	FD L35,L45,P3B,P35		21441-22610	1		
		020101 -	ALL TCI		21371-27000	1			990601 -	FG P3B,P35,P6B,P65		21441-22610	1		
		21372A	GASKET-TIMING BELT COVER LWR						21443	SEAL-OIL RR					
			(S)JUNTA							(S)RETEN					
		020101 -	ALL TCI		21372-27000	1			990601 -	ALL P3B,P35		21443-22000	1		
		21381A	BOLT						990601 -	AD L35,L45,P6B		21443-22000	1		
			(S)PERNO (CON ARANDELA)						990601 -	AG P6B,P65		21443-22000	1		
		990601 -	AD M-D		21381-23002	9			990601 -	DG P65		21443-22000	1		
		990601 -	AG M-D		21381-23002	9			990601 -	DS L35,L45		21443-22000	1		
		990601 -	DG M-D		21381-23002	9			990601 -	FD L35,L45		21443-22000	1		
		990601 -	FG M-D		21381-23002	9			990601 -	FG P6B,P65		21443-22000	1		
		21414	COVER						21444	GASKET-OIL SEAL CASE					
			(S)CUBIERTA							(S)JUNTA					
		990601 -	AD M-D		21414-23502	1			990601 - 990827	AD L35,L45,P3B,P35		21444-21110	1		
		990601 -	AG M-D		21414-23502	1			990801 - 990827	AG M-S		21444-21110	1		
		990601 -	DG M-D		21414-23502	1			990601 - 990827	DG M-S		21444-21110	1		
CONTINUED								CONTINUED							

AD:3DR,GL AG:3DR,GLS DG:3DR,GLS DS:3DR,L FD:4DR,GL FG:4DR,GLS

1-G3

20-215 BELT COVER & OIL PAN

BA.G0112- 33

P N C	MODEL APPLICABLE		R E P	PART NO. (REPL P/NO)	Q T Y	REMARKS	P N C	MODEL APPLICABLE		R E P	PART NO. (REPL P/NO)	Q T Y	REMARKS
	FROM-UP-TO	TYPE						DESCRIPTION	FROM-UP-TO				
CONTINUED							CONTINUED						
21444							21512						
990601 - 990827				21444-21110	1		990601 -				21512-21010	1	
990601 - 990827				21444-21110	1		990601 - 990727				21512-21010	1	
990601 - 990827				21444-21110	1		990601 - 990727				21512-21010	1	
21451B							21513A						
990601 -				21451-33A01	1		990601 -				21513-21000	1	
990601 -				21451-33A01	1		21516						
990601 -				21451-33A01	1								
990601 -				21451-33A01	1		990601 -				21516-35000	18	
990601 -				21451-33A01	1		990601 -				21516-35000	18	
990601 -				21451-33A01	1		990601 -				21516-35000	18	
990601 -				21451-33A01	1		990601 -				21516-35000	18	
21461							990601 -				21516-35000	18	
							26250						
990601 -				21461-22030	1		020101 -				26250-27500	1	
990601 - 010411				21461-22031	1		990601 -				26250-22011	1	
990601 -				21461-22030	1		990601 -				26250-26010	1	
990601 - 010411				21461-22031	1		990601 -				26250-22011	1	
990601 - 010411				21461-22031	1		990601 -				26250-26010	1	
010411 -				21461-22030	1		990601 -				26250-22011	1	
990601 -				21461-22030	1		990601 -				26250-22011	1	
990601 - 010411				21461-22031	1		990601 -				26250-22011	1	
21510							26259						
990601 -				21510-26010	1		990601 -				26259-22010	1	
020101 -				21510-27501	1		990601 -				26259-22010	1	
990601 -				21510-26010	1		990601 -				26259-22010	1	
990601 -				21510-26010	1		990601 -				26259-22010	1	
990601 -				21510-26010	1		990601 -				26259-22010	1	
990601 -				21510-26010	1		990601 -				26259-22010	1	
990601 -				21510-26010	1		990601 -				26259-22010	1	
990601 -				21510-26010	1		990601 -				26259-22010	1	
21512							CONTINUED						
020101 -				21512-27000	1								
990601 -				21512-21010	1								
990601 -				21512-21010	1								

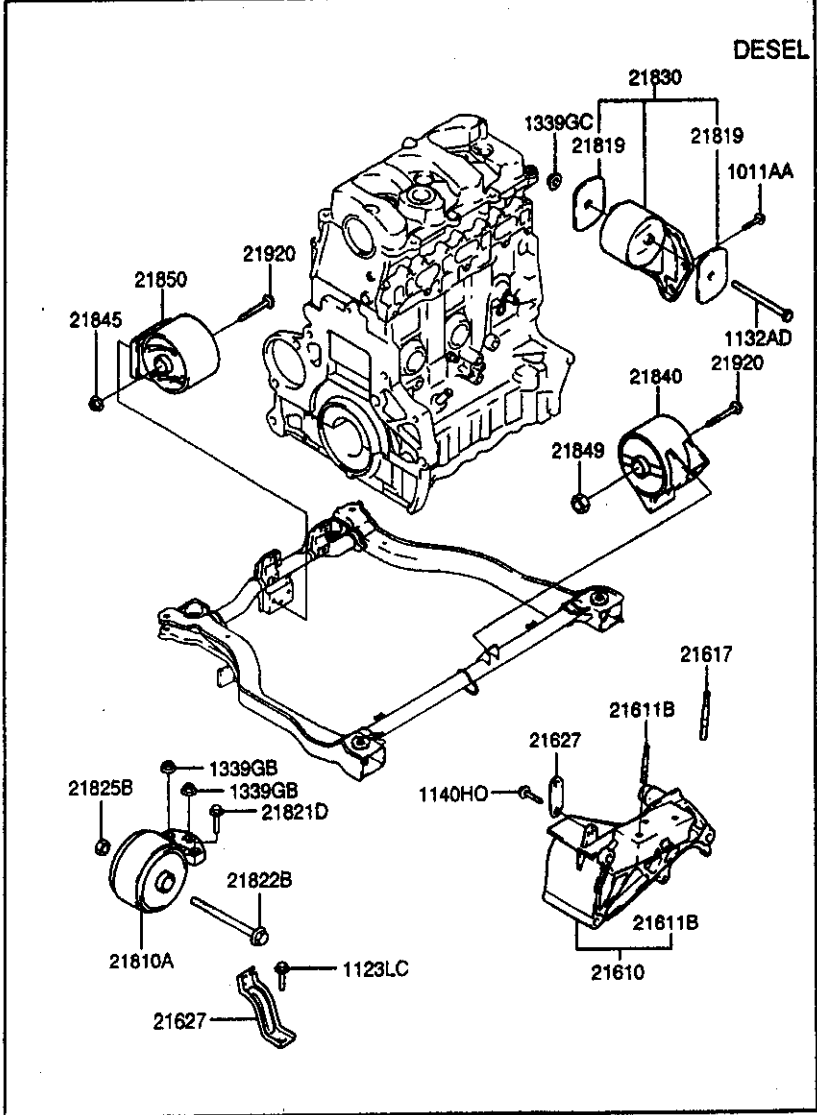
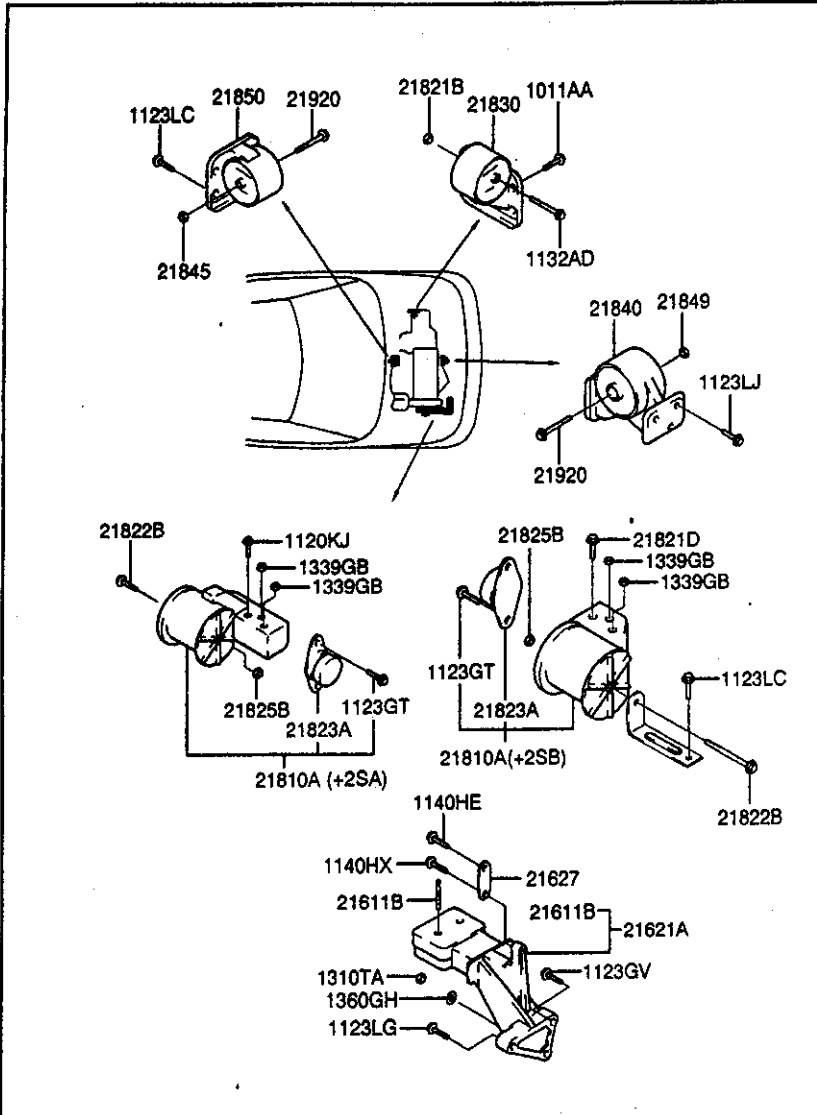
AD:5DR,OL AG:5DR,GLS DG:3DR,GLS DS:3DR,L FD:4DR,OL FG:4DR,GLS

1-H3

20-215 BELT COVER & OIL PAN

8A,G0112- 34

P N C		MODEL APPLICABLE		R E P	PART NO. (REPL P/NO)	Q T Y	REMARKS	P N C		MODEL APPLICABLE		R E P	PART NO. (REPL P/NO)	Q T Y	REMARKS
FROM-UP-TO	TYPE	DESCRIPTION						FROM-UP-TO	TYPE	DESCRIPTION					
CONTINUED								CONTINUED							
		26259	GASKET-OIL SCREEN (S)JUNTA						26615	RING"O" (S)JUNTAS TORICAS					
990601 -		FD	L35,L45		26259-22010	1		990601 -		FG	P3B,P35,P85		26615-33000	2	
990601 -		FG	P6B,P65		26259-22010	1		91975	BRACKET-WIRING MTG (S)SOPORTE						
		26611	ROD ASSY-OIL LEVEL GAUGE (S)CONJUNTO VARILLA					020101 -		ALL TCI			91971-17831	1	
020101 -			ALL TCI		26611-27500	1									
990601 -		AD	L35,L45,P3B,P35		26611-22012	1									
990601 -		AG	M-S		26611-22012	1									
990601 -		DG	M-S		26611-22012	1									
990601 -		DS	L35,L45,P3B,P35		26611-22012	1									
990601 -		FD	L35,L45,P3B,P35		26611-22012	1									
990601 -		FG	M-S		26611-22012	1									
		26612B	GUIDE-OIL LEVEL GAUGE (S)GUIA												
020101 -			ALL TCI		26612-27500	1									
990601 -		AD	L35,L45,P3B,P35		26612-22600	1									
990601 -		AG	M-S		26612-22600	1									
990601 -		DG	M-S		26612-22600	1									
990601 -		DS	L35,L45,P3B,P35		26612-22600	1									
990601 -		FD	L35,L45,P3B,P35		26612-22600	1									
990601 -		FG	M-S		26612-22600	1									
		26614	RING"O" (S)JUNTAS TORICAS												
020101 -			ALL TCI		26614-35010	1									
990601 -		AD	L35,L45,P3B,P35		26614-23500	1									
990601 -		AG	M-S		26614-23500	1									
990601 -		DG	M-S		26614-23500	1									
990601 -		DS	L35,L45,P3B,P35		26614-23500	1									
990601 -		FD	L35,L45,P3B,P35		26614-23500	1									
990601 -		FG	M-S		26614-23500	1									
		26615	RING"O" (S)JUNTAS TORICAS												
990601 -		AD	L35,L45,P3B,P35,P85		26615-33000	2									
990601 -		AG	P3B,P35,P85		26615-33000	2									
990601 -		DG	P3B,P35,P85		26615-33000	2									
990601 -		DS			26615-33000	2									
990601 -		FD			26615-33000	2									
CONTINUED															



1-J3

20-216 ENGINE & T/A MOUNTING

BA,60112-36

P N C	MODEL APPLICABLE		P A R T N O. (REPL P/MO)	Q T Y	REMARKS
	FROM-UP-TO	DESCRIPTION			
1011AA		BOLT			
990601 -		(S)PERNO (CON ARANDELA)			
		ALL	10116-10281	4	
1120KJ		BOLT			
		(S)PERNO			
020101 -		ALL TCI	21836-17100	1	
1123GT		BOLT			
		(S)PERNO (CON ARANDELA)			
020101 -		ALL TCI	11233-08163	2	
			(11233-08166B)		
990601 -		AD M-D	11233-08163	3	
			(11233-08166B)		
990601 -		AD L35,L45,P3B,P35	21815-22000	1	
990601 -		AG M-D	11233-08163	3	
			(11233-08166B)		
990601 -		AG M-S	21815-22000	1	
990601 -		DG M-D	11233-08163	3	
			(11233-08166B)		
990601 -		DG M-S	21815-22000	1	
990601 -		DS L35,L45,P3B,P35	21815-22000	1	
990601 -		FD L35,L45,P3B,P35	21815-22000	1	
990601 -		FG M-D	11233-08163	3	
			(11233-08166B)		
990601 -		FG M-S	21815-22000	1	
1123GV		BOLT			
		(S)PERNO (CON ARANDELA)			
990601 -		AD L35,L45,P3B,P35	11233-08203	2	
990601 -		AG M-S	11233-08203	2	
990601 -		DG M-S	11233-08203	2	
990601 -		DS L35,L45,P3B,P35	11233-08203	2	
990601 -		FD L35,L45,P3B,P35	11233-08203	2	
990601 -		FG M-S	11233-08203	2	
1123LC		BOLT			
		(S)PERNO (CON ARANDELA)			
990601 -		ALL 5613	11234-10201	2	
			(11234-10203)		
990601 -		ALL P3B,P35;5618	11234-10201	2	
			(11234-10203)		
020101 -		ALL TCI	11234-10203	1	

CONTINUED

P N C	MODEL APPLICABLE		P A R T N O. (REPL P/MO)	Q T Y	REMARKS
	FROM-UP-TO	DESCRIPTION			
CONTINUED					
1123LC		BOLT			
		(S)PERNO (CON ARANDELA)			
990601 -		AD L35,L45;5618	11234-10201	2	
			(11234-10203)		
990601 -		AG P65;5618	11234-10201	2	
			(11234-10203)		
990601 -		DG P65;5618	11234-10201	2	
			(11234-10203)		
990601 -		DS L35,L45;5618	11234-10201	2	
			(11234-10203)		
990601 -		FD L35,L45;5618	11234-10201	2	
			(11234-10203)		
990601 -		FG P65;5618	11234-10201	2	
			(11234-10203)		
1123LG		BOLT			
		(S)PERNO (CON ARANDELA)			
990601 -		ALL P3B,P35	11234-10301	2	
			(11234-10303)		
990601 -		AD L35,L45,P6B	11234-10301	2	
			(11234-10303)		
990601 -		AG P6B,P65	11234-10301	2	
			(11234-10303)		
990601 -		DG P65	11234-10301	2	
			(11234-10303)		
990601 -		DS L35,L45	11234-10301	2	
			(11234-10303)		
990601 -		FD L35,L45	11234-10301	2	
			(11234-10303)		
990601 -		FG P6B,P65	11234-10301	2	
			(11234-10303)		
1123LJ		BOLT			
		(S)PERNO (CON ARANDELA)			
990601 -		ALL 5613	11234-10351	3	
			(11234-10353)		
990601 -		ALL P3B,P35;5618	11234-10351	3	
			(11234-10353)		
990601 -		AD L35,L45;5618	11234-10351	3	
			(11234-10353)		

CONTINUED

1-K3

20-216 ENGINE & T/A MOUNTING

BA,G0112- 37

P N C		MODEL APPLICABLE		R E P	PART NO. (REPL P/NO)	Q T Y	REMARKS	P N C		MODEL APPLICABLE		R E P	PART NO. (REPL P/NO)	Q T Y	REMARKS
FROM-UP-TO	TYPE	DESCRIPTION						FROM-UP-TO	TYPE	DESCRIPTION					
CONTINUED								CONTINUED							
1123LJ		BOLT (S)PERNO (CON ARANDELA)						1310TA		NUT (S)TUERCA					
990601 -	AG	P65;5618	Y	11234-10351 (11234-10353)	3			990601 -	AG	M-S	Y	13104-10001 (13104-10003)	1		
990601 -	DG	P65;5618	Y	11234-10351 (11234-10353)	3			990601 -	DG	M-S	Y	13104-10001 (13104-10003)	1		
990601 -	DS	L35,L45;5618	Y	11234-10351 (11234-10353)	3			990601 -	DS	L35,L45,P3B,P35	Y	13104-10001 (13104-10003)	1		
990601 -	FD	L35,L45;5618	Y	11234-10351 (11234-10353)	3			990601 -	FD	L35,L45,P3B,P35	Y	13104-10001 (13104-10003)	1		
990601 -	FG	P65;5618	Y	11234-10351 (11234-10353)	3			990601 -	FG	M-S	Y	13104-10001 (13104-10003)	1		
1132AD		BOLT (S)PERNO						1339GB		NUT (S)TUERCA(BRIDA)					
990601 -	ALL			11321-12101A	1			990601 -	ALL			13396-10003	2		
1140HE		BOLT (S)PERNO (PESTANA)						990601 -	AD	M-D		13396-10001	1		
990601 -	AD	M-D	Y	11404-10301 (11404-10303)	1			990601 -	AG	M-D		13396-10001	1		
990601 -	AG	M-D	Y	11404-10301 (11404-10303)	1			990601 -	DG	M-D		13396-10001	1		
990601 -	DG	M-D	Y	11404-10301 (11404-10303)	1			990601 -	FG	M-D		13396-10001	1		
990601 -	FG	M-D	Y	11404-10301 (11404-10303)	1			1339GC		NUT (S)TUERCA(BRIDA)					
1140HO		BOLT (S)PERNO (PESTANA)						990601 -	ALL			13396-12003	1		
020101 -	ALL	TCI		11404-10903	4			1360GH		WASHER-SPRING (S)ARANDELA					
1140HX		BOLT (S)PERNO (PESTANA)						990601 -	AD	L35,L45,P3B,P35	Y	13602-10001 (13602-10003)	1		
990601 -	AD	M-D		11404-10181	1			990601 -	AG	M-S	Y	13602-10001 (13602-10003)	1		
990601 -	AG	M-D		11404-10181	1			990601 -	DG	M-S	Y	13602-10001 (13602-10003)	1		
990601 -	DG	M-D		11404-10181	1			990601 -	DS	L35,L45,P3B,P35	Y	13602-10001 (13602-10003)	1		
990601 -	FG	M-D		11404-10181	1			990601 -	FD	L35,L45,P3B,P35	Y	13602-10001 (13602-10003)	1		
1310TA		NUT (S)TUERCA						990601 -	FG	M-S	Y	13602-10001 (13602-10003)	1		
990601 -	AD	L35,L45,P3B,P35	Y	13104-10001 (13104-10003)	1			CONTINUED							

1-L 3

20-216 ENGINE & T/A MOUNTING

BA,G0112- 38

P N C		MODEL APPLICABLE		R E P	PART NO. (REPL P/NO)	Q T Y	REMARKS	P N C		MODEL APPLICABLE		R E P	PART NO. (REPL P/NO)	Q T Y	REMARKS
FROM-UP-TO	TYPE	DESCRIPTION						FROM-UP-TO	TYPE	DESCRIPTION					
21610		BRACKET-ENGINE SUPPORT FR						21821B		NUT ASSY					
		(S)SOPORTE								(S)CONJUNTO TUERCA					
020101 -		ALL TCI			21670-27500	1		990601 - 000313		ALL P3B,P35			21821-22000	1	
21611B		STUD						990601 - 000313		AD L35,L45,P6B			21821-22000	1	
		(S)HUSILLO						990601 - 000313		AG P6B,P65			21821-22000	1	
020101 -		ALL TCI			21671-27500	2		990601 - 000313		DG P65			21821-22000	1	
21617		STUD						990601 - 000313		DS L35,L45			21821-22000	1	
		(S)HUSILLO						990601 - 000313		FD L35,L45			21821-22000	1	
020101 -		ALL TCI			21672-27000	2		990601 - 000313		FG P6B,P65			21821-22000	1	
21621A		BRACKET-ENGINE SUPPORT						21821D		BOLT ASSY-ENGINE MTG					
		(S)SOPORTE								(S)CONJUNTO PERNO					
990601 -		AD L35,L45,P3B,P35			21680-22011	1		000801 -		AD P6B,P85			21821-25000	1	
990601 -		AG M-S			21680-22011	1		000801 -		AG P6B,P65,P85			21821-25000	1	
990601 -		DG M-S			21680-22011	1		000801 -		DG P65,P85			21821-25000	1	
990601 -		DS L35,L45,P3B,P35			21680-22011	1		020101 -		DS TCI			21821-25000	1	
990601 -		FD L35,L45,P3B,P35			21680-22011	1		020101 -		FD TCI			21821-25000	1	
990601 -		FG M-S			21680-22011	1		000801 -		FG P6B,P65,P85			21821-25000	1	
21627		STAY-ENGINE						21822B		BOLT					
		(S)CIMIEN TO								(S)PERNO (CON ARANDELA,10X73)					
990601 -		AD M-D			21673-26000	1		990601 -		ALL			21822-29000	1	
990601 -		AG M-D			21673-26000	1		21823A		DAMPER					
990601 -		DG M-D			21673-26000	1				(S)AMORTIGUADOR					
990601 -		FG M-D			21673-26000	1		990601 -		AD L35,L45,P3B,P35			21813-22100	1	
21810A		BRACKET ASSY-ENGINE MTG						990601 -		AD M-D			21813-22520	1	
		(S)CONJUNTO SOPORTE						990601 -		AG M-S			21813-22100	1	
020101 -		ALL TCI			21810-25700	1		990601 -		AG M-D			21813-22520	1	
990601 -		AD L35,L45,P3B,P35			21810-25010	1		990601 -		DG M-S			21813-22100	1	
990601 -		AD M-D			21810-25110	1		990601 -		DG M-D			21813-22520	1	
990601 -		AG M-S			21810-25010	1		990601 -		DS L35,L45,P3B,P35			21813-22100	1	
990601 -		AG M-D			21810-25110	1		990601 -		FD L35,L45,P3B,P35			21813-22100	1	
990601 -		DG M-S			21810-25010	1		990601 -		FG M-S			21813-22100	1	
990601 -		DG M-D			21810-25110	1		990601 -		FG M-D			21813-22520	1	
990601 -		DS L35,L45,P3B,P35			21810-25010	1		21825B		NUT					
990601 -		FD L35,L45,P3B,P35			21810-25010	1				(S)TUERCA					
990601 -		FG M-S			21810-25010	1		990601 -		ALL			21825-25000	1	
990601 -		FG M-D			21810-25110	1		21830		BRACKET ASSY-TRANSAXLE MTG					
		STOPPER								(S)CONJUNTO SOPORTE					
		(S)OBTURADOR						990601 - 010402		ALL P35		Y	21830-25000	1	
020101 -		ALL TCI			21814-25700	2							(21830-25010)		

CONTINUED

1-M3

20-216 ENGINE & T/A MOUNTING

SA.G0112-39

P N C		MODEL APPLICABLE		R E P	PART NO. (REPL P/NO)	Q T Y	REMARKS	P N C		MODEL APPLICABLE		R E P	PART NO. (REPL P/NO)	Q T Y	REMARKS
FROM-UP-TO	TYPE	DESCRIPTION						FROM-UP-TO	TYPE	DESCRIPTION					
CONTINUED								CONTINUED							
21830		BRACKET ASSY-TRANSAXLE MTG (S)CONJUNTO SOPORTE						21830		BRACKET ASSY-TRANSAXLE MTG (S)CONJUNTO SOPORTE					
010402 -		ALL P35			21830-25010	1		990601 - 010402	FG	P65		Y	21830-25000	1	
020101 -		ALL TCI			21830-25700	1		990601 - 010402	FG	P3B		Y	21830-25100	1	
990601 - 010402		AD L35,L45		Y	21830-25000 (21830-25010)	1		990601 - 010402	FG	P6B			21830-25300	1	
990601 - 010402		AD P3B		Y	21830-25100 (21830-25110)	1		010402 -	FG	P65			21830-25010	1	
990601 - 010402		AD M-D			21830-25300	1		010402 -	FG	P3B			21830-25110	1	
010402 -		AD L35,L45			21830-25010	1		010402 -	FG	P6B			21830-25310	1	
010402 -		AD P3B			21830-25110	1		21840 BRACKET ASSY-ROLL STOPPER FR (S)CONJUNTO SOPORTE							
010402 -		AD M-D			21830-25310	1		990601 -	ALL P35;5613			21910-25010	1		
990601 - 010402		AG P65		Y	21830-25000 (21830-25010)	1		990601 -	ALL 4AT;5613			21910-25110	1		
990601 - 010402		AG P3B		Y	21830-25100 (21830-25110)	1		990601 -	ALL P35;5618			21910-25010	1		
990601 - 010402		AG P6B			21830-25300	1		990601 - 010402	ALL RHD>P35;5613			21910-25000	1		
010402 -		AG P65			21830-25010	1		010402 -	ALL RHD>P35;5613			21910-25010	1		
010402 -		AG P3B			21830-25110	1		020101 -	ALL LHD>TCI;5613			21910-25700	1		
010402 -		AG P6B			21830-25310	1		990601 -	AD L35,L45;5613			21910-25010	1		
990601 - 010402		DG P65		Y	21830-25000 (21830-25010)	1		990601 -	AD L35,L45;5618			21910-25010	1		
990601 - 010402		DG 4AT2		Y	21830-25100 (21830-25110)	1		990601 -	AD P3B;5618			21910-25110	1		
010402 -		DG P65			21830-25010	1		990601 - 010402	AD RHD>L35,L45;5613			21910-25000	1		
010402 -		DG 4AT2			21830-25110	1		010402 -	AD RHD>L35,L45;5613			21910-25010	1		
990601 - 010402		DS L35,L45		Y	21830-25000 (21830-25010)	1		990601 -	AG P65;5613			21910-25010	1		
990601 - 010402		DS 4AT2		Y	21830-25100 (21830-25110)	1		990601 -	AG P65;5618			21910-25010	1		
010402 -		DS L35,L45			21830-25010	1		990601 -	AG P3B;5618			21910-25110	1		
010402 -		DS 4AT2			21830-25110	1		990601 -	DG P65;5613			21910-25010	1		
990601 - 010402		FD L35,L45		Y	21830-25000 (21830-25010)	1		990601 -	DG P65;5618			21910-25010	1		
990601 - 010402		FD 4AT2		Y	21830-25100 (21830-25110)	1		990601 -	DG 4AT2;5618			21910-25110	1		
010402 -		FD L35,L45			21830-25010	1		990601 -	DS L35,L45;5613			21910-25010	1		
010402 -		FD 4AT2			21830-25110	1		990601 -	DS L35,L45;5618			21910-25010	1		
					21830-25000 (21830-25010)	1		990601 -	DS 4AT2;5618			21910-25110	1		
					21830-25100 (21830-25110)	1		990601 - 010402	DS RHD>L35,L45;5613			21910-25000	1		
					21830-25010	1		010402 -	DS RHD>L35,L45;5613			21910-25010	1		
					21830-25110	1		990601 -	FD L35,L45;5613			21910-25010	1		
					21830-25000 (21830-25010)	1		990601 -	FD L35,L45;5618			21910-25010	1		
					21830-25100 (21830-25110)	1		990601 -	FD 4AT2;5618			21910-25110	1		
					21830-25010	1		990601 - 010402	FD RHD>L35,L45;5613			21910-25000	1		
CONTINUED								CONTINUED							

1-A 4

20-216 ENGINE & T/A MOUNTING

BA.G0112- 40

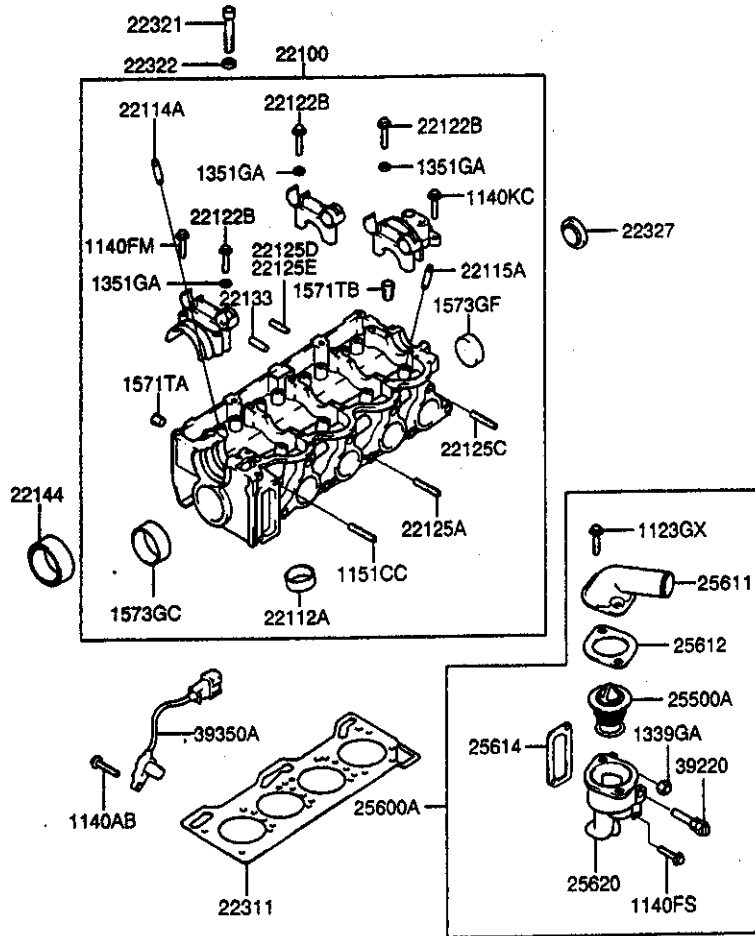
P N C	MODEL APPLICABLE		R E P	PART NO. (REPL P/NO)	Q T Y	REMARKS	P N C	MODEL APPLICABLE		R E P	PART NO. (REPL P/NO)	Q T Y	REMARKS
	FROM-UP-TO	TYPE						DESCRIPTION	FROM-UP-TO				
CONTINUED							CONTINUED						
21840							21850						
010402 -							990601 - 010402						
990601 -							990601 - 010402						
990601 -							010402 -						
990601 -							010402 -						
21845							21920						
990601 -							990601 -						
21849							020101 -						
990601 -													
21850													
990601 - 010402													
010402 -													
010402 -													
020101 -													
990601 - 010402													
990601 - 010402													
010402 -													
010402 -													
990601 - 010402													
990601 - 010402													
010402 -													
010402 -													
990601 - 010402													
010402 -													
010402 -													
990601 - 010402													
990601 - 010402													
010402 -													
010402 -													
990601 - 010402													
990601 - 010402													
010402 -													
010402 -													
990601 - 010402													
990601 - 010402													
010402 -													
010402 -													
CONTINUED													

AD:SDR, GL AG:SDR, GLS DG:3DR, GLS DS:3DR, L FD:4DR, GL FG:4DR, GLS

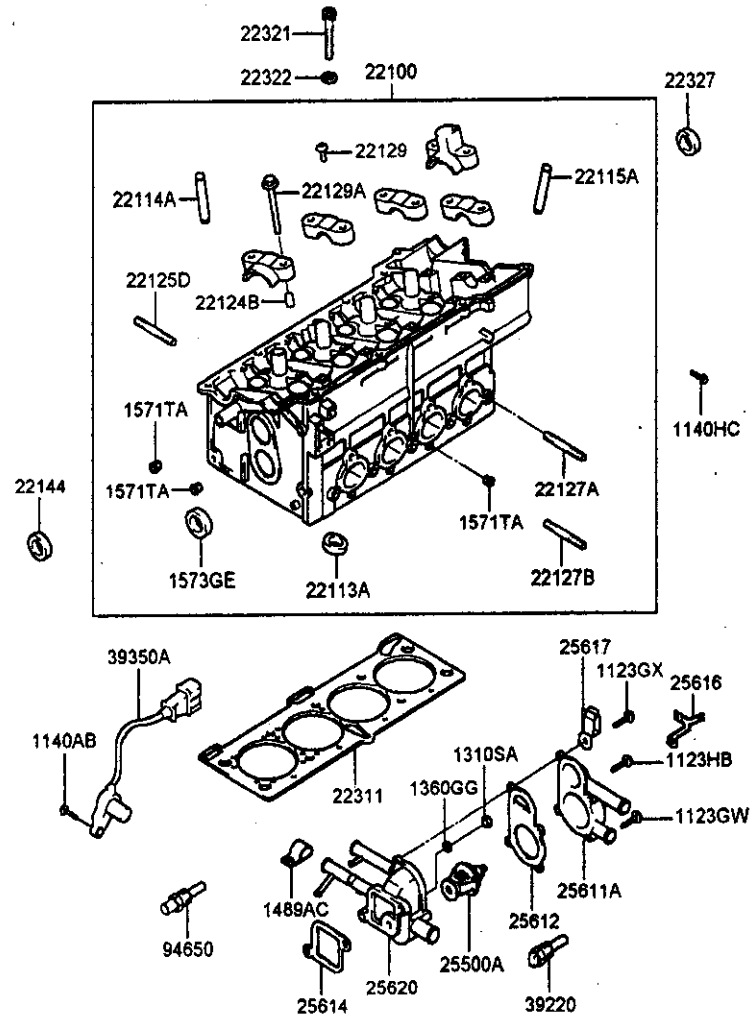
5613:STRG-POWER(N,PS) 5618:STRG-MANUAL

20-221 CYLINDER HEAD

SOHC



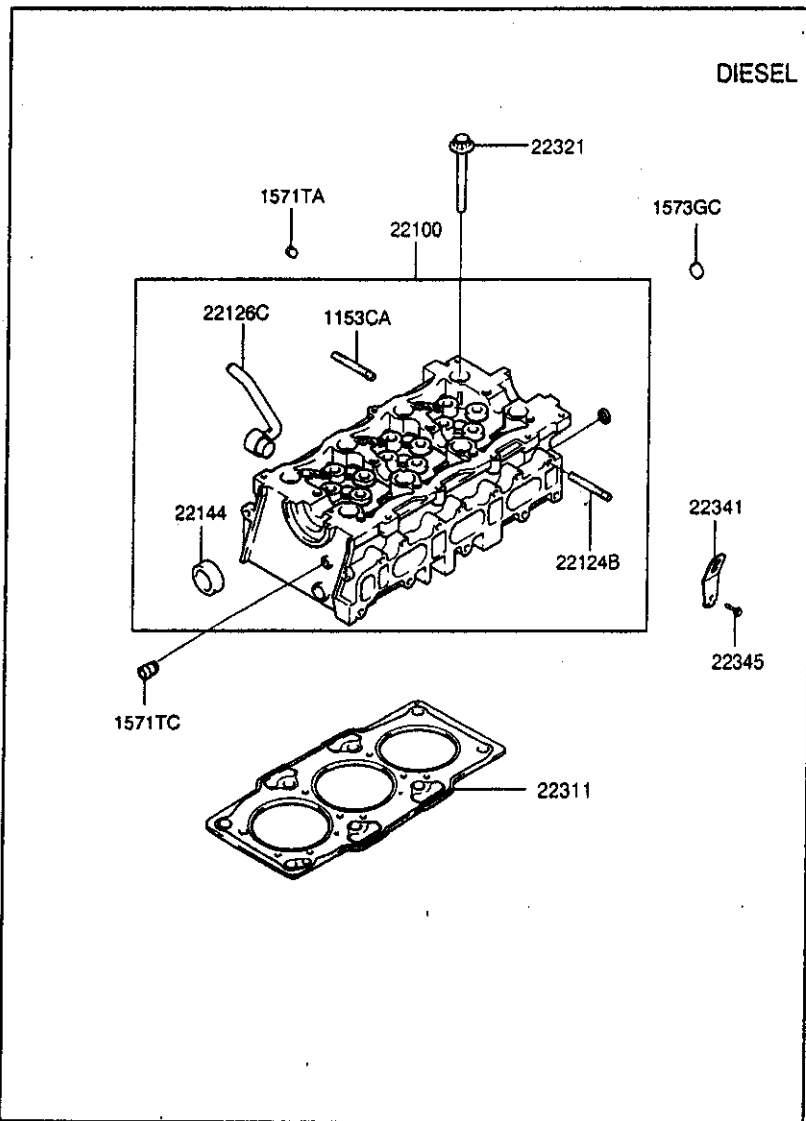
DOHC



1-C4

20-221 CYLINDER HEAD

BA,G0112- 42



P N C	MODEL APPLICABLE		R E P	PART NO. (REPL P/NO)	Q T Y	REMARKS
	FROM-UP-TO	TYPE				
1123GW						
990601 -	AD	L35,L45,P3B,P35		11233-08223	2	
990601 -	AG	M-S		11233-08223	2	
990601 -	DG	M-S		11233-08223	2	
990601 -	DS	L35,L45,P3B,P35		11233-08223	2	
990601 -	FD	L35,L45,P3B,P35		11233-08223	2	
990601 -	FG	M-S		11233-08223	2	
1123GX						
990601 -	AD	M-D		11233-08253	3	
990601 -	AG	M-D		11233-08253	3	
990601 -	DG	M-D		11233-08253	3	
990601 -	FG	M-D		11233-08253	3	
1123HB						
990601 -	AD	M-D		11233-08353	1	
990601 -	AG	M-D		11233-08353	1	
990601 -	DG	M-D		11233-08353	1	
990601 -	FG	M-D		11233-08353	1	
1140AB						
990601 -	AD	L35,P3B,P35,P6B		11400-06123	1	FLANGE
990601 -	AG	P3B,P35,P6B,P65		11400-06123	1	FLANGE
990601 -	DG	P3B,P35,P65		11400-06123	1	FLANGE
990601 -	DS	M-S		11400-06123	1	FLANGE
990601 -	FD	M-S		11400-06123	1	FLANGE
990601 -	FG	P3B,P35,P6B,P65		11400-06123	1	FLANGE
1140FM						
010131 -		ALL M-S;+A10	Y	11403-08401 (11403-08403)	2	
1140FS						
990601 -	AD	L35,L45,P3B,P35		11403-08653	1	
990601 -	AG	M-S		11403-08653	1	
990601 -	DG	M-S		11403-08653	1	
990601 -	DS	L35,L45,P3B,P35		11403-08653	1	
990601 -	FD	L35,L45,P3B,P35		11403-08653	1	

CONTINUED

1-D 4

20-221 CYLINDER HEAD

BA,00112- 43

P N C		MODEL APPLICABLE		R E P	PART NO. (REPL P/NO)	Q T Y	REMARKS	P N C		MODEL APPLICABLE		R E P	PART NO. (REPL P/NO)	Q T Y	REMARKS
FROM-UP-TO	TYPE	DESCRIPTION	FROM-UP-TO					TYPE	DESCRIPTION						
CONTINUED															
1140FS		BOLT						1360GG		WASHER-SPRING					
990601 -		(S)PERNO (PESTANA)						990601 - 010726		(S)ARANDELA			13602-08003	2	
990601 -		FG M-S	11403-08653			1		990601 - 010726		AD M-D			13602-08003	2	
1140HC		BOLT						990601 - 010726		AG M-D			13602-08003	2	
020101 -		(S)PERNO (PESTANA)						990601 - 010726		DG M-D			13602-08003	2	
020101 -		ALL TCI	11404-10223			1		990601 - 010726		FG M-D			13602-08003	2	
1140KC		BOLT						1489AC		CLIP					
010131 -		(S)PERNO (PESTANA)						990601 -		(S)SUJETADOR			14890-00809	1	
010131 -		ALL M-S;+A10	11405-06303			2		990601 -		AD M-D			14890-00809	1	
1151CC		STUD						990601 -		AG M-D			14890-00809	1	
990601 -		(S)HUSILLO						990601 -		DG M-D			14890-00809	1	
990601 -		ALL M-S;+A10	11513-08253			1		990601 -		FG M-D			14890-00809	1	
1153CA		STUD						1571TA		PLUG-TAPER					
020101 -		(S)FRAGMENTO						990601 -		(S)TAPON			15717-10081	1	
020101 -		ALL TCI	11533-08205			2		020101 -		ALL M-S;+A10	Y		(15717-10083)	1	
1310SA		NUT						020101 -		ALL TCI	Y		15717-10081	1	
990601 - 010726		(S)TUERCA						990601 -		AD M-D	Y		15717-10081	7	
990601 - 010726		AD M-D	13103-08003			2		990601 -		AG M-D	Y		(15717-10083)	7	
990601 - 010726		AG M-D	13103-08003			2		990601 -		AG M-D	Y		15717-10081	7	
990601 - 010726		DG M-D	13103-08003			2		990601 -		DG M-D	Y		(15717-10083)	7	
990601 - 010726		FG M-D	13103-08003			2		990601 -		FG M-D	Y		15717-10081	7	
1339GA		NUT						990601 -		ALL M-S;+A10	Y		(15717-10083)	7	
990601 -		(S)TUERCA(BRIDA)						990601 -		FG M-D	Y		15717-10081	7	
990601 -		AD L35,L45,P3B,P35	13396-08003			1		1571TB		PLUG-TAPER					
010726 -		AD M-D	13396-08003			2		990601 -		(S)TAPON					
990601 -		AG M-S	13396-08003			1		020101 -		ALL M-S;+A10			15717-13111	1	
010726 -		AG M-D	13396-08003			2		1571TC		PLUG-TAPER					
990601 -		DG M-S	13396-08003			1		020101 -		(S)TAPON					
010726 -		DG M-D	13396-08003			2		020101 -		ALL TCI			15717-17121	3	
990601 -		DS L35,L45,P3B,P35	13396-08003			1		1573GC		CAP-SEALING					
990601 -		FD L35,L45,P3B,P35	13396-08003			1		990601 -		(S)TAPA					
990601 -		FG M-S	13396-08003			1		020101 -		ALL M-S;+A10	Y		15732-25001	1	
010726 -		FG M-D	13396-08003			2		020101 -		ALL TCI	Y		(15732-25003)	1	
1351GA		WASHER-PLAIN											15732-25001	1	
990601 -		(S)ARANDELA											(15732-25003)	1	
990601 -		ALL M-S;+A10	13510-08001 (13510-08003)	Y		10							15732-25001	1	

1-E 4

20-221 CYLINDER HEAD

BA,G0112- 44

P N C		MODEL APPLICABLE		R E P	PART NO. (REPL P/NO)	Q T Y	REMARKS	P N C		MODEL APPLICABLE		R E P	PART NO. (REPL P/NO)	Q T Y	REMARKS
FROM-UP-TO	TYPE	DESCRIPTION	DESCRIPTION					FROM-UP-TO	TYPE	DESCRIPTION					
1573GE		CAP-SEALING						22112A		SEAT-INTAKE VALVE(0.30)					
		(S)TAPA									(S)CONJ.ASIENTO				
990601 -		AD M-D	Y	15732-30001	3			990601 -			ALL M-S;+A10	22112-22800	8	0.30 OS	
				(15732-30003)				990601 -			ALL M-S;+A10	22112-22801	C	0.60 OS	
990601 -		AG M-D	Y	15732-30001	3			990601 -			AD M-D	22112-26901	8	0.30 OS	
				(15732-30003)				990601 -			AD M-D	22112-26902	C	0.60 OS	
990601 -		DG M-D	Y	15732-30001	3			990601 -			AG M-D	22112-26901	8	0.30 OS	
				(15732-30003)				990601 -			AG M-D	22112-26902	C	0.60 OS	
990601 -		FG M-D	Y	15732-30001	3			990601 -			DG M-D	22112-26901	8	0.30 OS	
				(15732-30003)				990601 -			DG M-D	22112-26902	C	0.60 OS	
								990601 -			FG M-D	22112-26901	8	0.30 OS	
								990601 -			FG M-D	22112-26902	C	0.60 OS	
1573GF		CAP-SEALING						22113A		SEAT-EXHAUST VALVE					
		(S)TAPA									(S)CONJ.ASIENTO				
990601 -		ALL M-S;+A10		15732-35003	1			990601 -			AD M-D	22113-26901	8	0.30 OS	
22100		HEAD ASSY-CYLINDER						990601 -			AD M-D	22113-26902	C	0.60 OS	
		(S)CONJUNTO CULATA						990601 -			AG M-D	22113-26901	8	0.30 OS	
020101 -		ALL TCI		22100-27500	1			990601 -			AG M-D	22113-26902	C	0.60 OS	
990601 -		AD M-D		22100-26100	1			990601 -			AG M-D	22113-26901	8	0.30 OS	
990601 - 010131		AD P3B,P35;+A10		22100-22600	1			990601 -			AG M-D	22113-26902	C	0.60 OS	
990601 - 010131		AD L35;+A10		22100-22620	1			990601 -			DG M-D	22113-26901	8	0.30 OS	
010131 -		AD P3B,P35;+A10		22100-22601	1			990601 -			DG M-D	22113-26902	C	0.60 OS	
010131 -		AD L35;+A10		22100-22621	1			990601 -			FG M-D	22113-26901	8	0.30 OS	
990601 -		AG M-D		22100-26100	1			990601 -			FG M-D	22113-26902	C	0.60 OS	
990601 - 010131		AG M-S;+A10		22100-22600	1			22114A		GUIDE-INTAKE VALVE(0.05)					
010131 -		AG M-S;+A10		22100-22601	1						(S)CUVA DE TUBO				
990601 -		DG M-D		22100-26100	1			990601 - 010131			ALL M-S;+A10	22114-22905	8	0.05 OS	
990601 - 010131		DG M-S;+A10		22100-22600	1			990601 - 010131			ALL M-S;+A10	22114-22925	C	0.25 OS	
010131 -		DG M-S;+A10		22100-22601	1			990601 - 010131			ALL M-S;+A10	22114-22950	C	0.60 OS	
990601 - 010131		DS P3B,P35;+A10		22100-22600	1			990601 -			AD M-D	22114-26901	8	0.05 OS	
990601 - 010131		DS L35;+A10		22100-22620	1			990601 -			AD M-D	22114-26902	C	0.25 OS	
010131 -		DS P3B,P35;+A10		22100-22601	1			990601 -			AD M-D	22114-26903	C	0.60 OS	
010131 -		DS L35;+A10		22100-22621	1			990601 -			AG M-D	22114-26901	8	0.05 OS	
990601 - 010131		FD P3B,P35;+A10		22100-22600	1			990601 -			AG M-D	22114-26902	C	0.25 OS	
990601 - 010131		FD L35;+A10		22100-22620	1			990601 -			AG M-D	22114-26903	C	0.50 OS	
010131 -		FD P3B,P35;+A10		22100-22601	1			990601 -			DG M-D	22114-26901	8	0.05 OS	
010131 -		FD L35;+A10		22100-22621	1			990601 -			DG M-D	22114-26902	C	0.25 OS	
990601 -		FG M-D		22100-26100	1			990601 -			DG M-D	22114-26903	C	0.50 OS	
990601 - 010131		FG M-S;+A10		22100-22600	1			990601 -			FG M-D	22114-26901	8	0.05 OS	
010131 -		FG M-S;+A10		22100-22601	1			990601 -			FG M-D	22114-26902	C	0.25 OS	
								990601 -			FG M-D	22114-26903	C	0.50 OS	

AD:5DR,GL AG:5DR,GLS DG:3DR,GLS DS:3DR,L FD:4DR,GL FG:4DR,GLS

A10:INDIA

1-F4

20-221 CYLINDER HEAD

BA,00112- 45

P N C		MODEL APPLICABLE		R E P	PART NO. (REPL P/NO)	Q T Y	REMARKS	P N C		MODEL APPLICABLE		R E P	PART NO. (REPL P/NO)	Q T Y	REMARKS
FROM-UP-TO	TYPE	DESCRIPTION						FROM-UP-TO	TYPE	DESCRIPTION					
22115A		GUIDE-EXHAUST VALVE (S)CUA DE TUBO						22125D		STUD (S)HUSILLO					
990601 - 010131	ALL	M-S	+A10		22115-22905	4	0.05 OS	990601 -		ALL	M-S	+A10		22125-22020	3
990601 - 010131	ALL	M-S	+A10		22115-22950	C		990601 -		AD	M-D			22125-22020	6
990601 - 010131	ALL	M-S	+A10		22115-22925	C	0.25 OS	990601 -		AG	M-D			22125-22020	6
990601 -	AD	M-D			22115-26901	8	0.05 OS	990601 -		DG	M-D			22125-22020	6
990601 -	AD	M-D			22115-26902	C	0.25 OS	990601 -		FG	M-D			22125-22020	6
990601 -	AD	M-D			22115-26903	C	0.50 OS	22125E		STUD (S)HUSILLO					
990601 -	AG	M-D			22115-28901	8	0.05 OS	990601 - 991029		ALL	M-S	+A10		22125-22600	3
990601 -	AG	M-D			22115-26902	C	0.25 OS	22126C		NIPPLE-HEATER (S)NIPPLE					
990601 -	AG	M-D			22115-28903	C	0.50 OS	020101 -		ALL TCI			22126-27500	1	
990601 -	DG	M-D			22115-28901	8	0.05 OS	22127A		STUD (S)HUSILLO(BX25)					
990601 -	DG	M-D			22115-26902	C	0.25 OS	990601 -		AD	M-D			22127-26000	9
990601 -	DG	M-D			22115-26903	C	0.50 OS	990601 -		AG	M-D			22127-26000	9
990601 -	FG	M-D			22115-26901	8	0.05 OS	990601 -		DG	M-D			22127-26000	9
990601 -	FG	M-D			22115-26902	C	0.25 OS	990601 -		FG	M-D			22127-26000	9
990601 -	FG	M-D			22115-26903	C	0.50 OS	22127B		STUD (S)HUSILLO(BX16)					
22122B		BOLT (S)PERNO (PESTANA)						990601 -		AD	M-D			22127-23000	3
990601 -	ALL	M-S	+A10		22122-22001	10		990601 -		AG	M-D			22127-23000	3
22124B		BUSH-KNOCK (S)CASQUILLO						990601 -		DG	M-D			22127-23000	3
020101 -	ALL	TCI			22124-27000	3		990601 -		FG	M-D			22127-23000	3
020101 -	ALL	TCI			22124-32000	2		22129		PLUG (S)TAPON					
990601 -	AD	M-D			22124-26000	2		990601 -		AD	M-D			22129-33000	3
990601 -	AG	M-D			22124-26000	2		990601 -		AG	M-D			22129-33000	3
990601 -	DG	M-D			22124-26000	2		990601 -		DG	M-D			22129-33000	3
990601 -	FG	M-D			22124-26000	2		990601 -		FG	M-D			22129-33000	3
22125A		STUD (S)HUSILLO						22129A		BOLT (S)PERNO (CON ARANDELA)					
990601 -	ALL	M-S	+A10		22125-21000	5		990601 -		AD	M-D			22129-26000	24
990601 -	ALL	M-S	+A10		22125-22001	4		990601 -		AG	M-D			22129-26000	24
22125C		STUD (S)HUSILLO						990601 -		DG	M-D			22129-26000	24
990601 -	AD	M-D			11510-08283	2		990601 -		FG	M-D			22129-26000	24
990601 -	AG	M-D			11510-08283	2									
990601 -	DG	M-D			11510-08283	2									
990601 -	FG	M-D			11510-08283	2									

1-G 4

20-221 CYLINDER HEAD

BA,00112- 46

P N C		MODEL APPLICABLE		R E P	PART NO. (REPL P/NO)	Q T Y	REMARKS
FROM-UP-TO	TYPE	DESCRIPTION					
22133		NIPPLE					
		(S)BOQUILLA					
990601 -		ALL M-S;+A10			22133-22002	1	
22144		SEAL-OIL					
		(S)RETEN					
990601 - 000421		ALL M-S;+A10		Y	22144-35000 (22144-3B000)	1	
000421 -		ALL M-S;+A10			22144-3B000	1	
020101 -		ALL TCI			22144-27000	1	
990601 - 000427		AD L35,P3B,P35,P6B		Y	22144-35000 (22144-3B000)	1	
000421 -		AD L35,P3B,P35,P6B			22144-3B000	1	
990601 - 000427		AG P3B,P35,P6B,P65		Y	22144-35000 (22144-3B000)	1	
000421 -		AG P3B,P35,P6B,P65			22144-3B000	1	
990601 - 000427		DG P3B,P35,P65		Y	22144-35000 (22144-3B000)	1	
000421 -		DG P3B,P35,P65			22144-3B000	1	
990601 - 000421		DS M-S		Y	22144-35000 (22144-3B000)	1	
000421 -		DS M-S			22144-3B000	1	
990601 - 000421		FD M-S		Y	22144-35000 (22144-3B000)	1	
000421 -		FD M-S			22144-3B000	1	
990601 - 000427		FG P3B,P35,P6B,P65		Y	22144-35000 (22144-3B000)	1	
000421 -		FG P3B,P35,P6B,P65			22144-3B000	1	
22311		GASKET-CYLINDER HEAD					
		(S)JUNTA					
020101 -		ALL TCI			22311-27500	1	
020101 -		ALL TCI			22311-27510	1	
020101 -		ALL TCI			22311-27520	1	
990601 -		AD P3B,P35			22311-22601	1	
990601 -		AD L35			22311-22620	1	
990601 -		AD M-D			22311-26602	1	
990601 -		AD P3B,P35;+A10			22311-22601	1	
990601 -		AD L35;+A10			22311-22620	1	
990601 -		AG M-S			22311-22601	1	
990601 -		AG M-D			22311-26602	1	

CONTINUED

P N C		MODEL APPLICABLE		R E P	PART NO. (REPL P/NO)	Q T Y	REMARKS
FROM-UP-TO	TYPE	DESCRIPTION					
CONTINUED							
22311		GASKET-CYLINDER HEAD					
		(S)JUNTA					
990601 -		AG M-S;+A10			22311-22601	1	
990601 -		DG M-S			22311-22601	1	
990601 -		DG M-D			22311-26602	1	
990601 -		DG M-S;+A10			22311-22601	1	
990601 -		DS P3B,P35			22311-22601	1	
990601 -		DS L35			22311-22620	1	
990601 -		DS P3B,P35;+A10			22311-22601	1	
990601 -		DS L35;+A10			22311-22620	1	
990601 -		FD P3B,P35			22311-22601	1	
990601 -		FD L35			22311-22620	1	
990601 -		FD P3B,P35;+A10			22311-22601	1	
990601 -		FD L35;+A10			22311-22620	1	
990601 -		FG M-S			22311-22601	1	
990601 -		FG M-D			22311-26602	1	
990601 -		FG M-S;+A10			22311-22601	1	
22321		BOLT-CYLINDER HEAD					
		(S)PERNO					
990601 -		ALL M-S			22321-22000	10	
990601 -		ALL M-S;+A10			22321-22000	10	
020101 -		ALL TCI			22321-27000	8	
990601 -		AD M-D			22321-26000	10	
990601 -		AG M-D			22321-26000	10	
990601 -		DG M-D			22321-26000	10	
990601 -		FG M-D			22321-26000	10	
22322		WASHER-CYLINDER HEAD BOLT					
		(S)ARANDELA					
990601 -		ALL M-S			22322-22600	10	
990601 -		ALL M-S;+A10			22322-22600	10	
990601 -		AD M-D			22322-26001	10	
990601 -		AG M-D			22322-26001	10	
990601 -		DG M-D			22322-26001	10	
990601 -		FG M-D			22322-26001	10	
22327		PACKING-CIRCULAR					
		(S)EMPAQUE					
990601 -		ALL M-S;+A10			22327-35504	1	
990601 -		AD L35,P3B,P35,P6B			22327-35504	1	

CONTINUED

1-H 4

20-221 CYLINDER HEAD

BA,G0112- 47

P N C		MODEL APPLICABLE		PART NO. (REPL. P/NO)	Q T Y	REMARKS	P N C		MODEL APPLICABLE		PART NO. (REPL. P/NO)	Q T Y	REMARKS
FROM-UP-TO	TYPE	DESCRIPTION					FROM-UP-TO	TYPE	DESCRIPTION				
CONTINUED							CONTINUED						
22327		PACKING-CIRCULAR (S)EMPAQUE					22327		FITTING-COOLANT OUTLET (S)AJUSTE				
990601 -		AG	P3B,P35,P6B,P65	22327-35504	1		990601 -		FD	L35,L45,P3B,P35	25611-22011	1	
990601 -		DG	P3B,P35,P65	22327-35504	1		990601 -		FG	M-S	25611-22011	1	
990601 -		DS	M-S	22327-35504	1		25611A		FITTING-COOLANT INLET & OUTLET (S)AJUSTE				
990601 -		FD	M-S	22327-35504	1		990601 -		AD	M-D	25611-26100	1	
990601 -		FG	P3B,P35,P6B,P65	22327-35504	1		990601 -		AG	M-D	25611-26100	1	
22341		HANGER-ENGINE (S)COLGADOR					990601 -		DG	M-D	25611-26100	1	
020101 -		ALL TCI		22341-27500	2		990601 -		FG	M-D	25611-26100	1	
22345		BOLT-ENGINE HANGER (S)CONJARANDELA					25612		GASKET (S)JUNTA				
020101 -		ALL TCI		22345-27001	2		990601 -		AD	L35,L45,P3B,P35	25612-22002	1	
25500A		THERMOSTAT ASSY (S)CONJ. TERMOSTATO					990601 -		AD	M-D	25612-26001	1	
990601 -		AD	L35,L45,P3B,P35	25500-22600	1		990601 -		AG	M-S	25612-22002	1	
990601 -		AD	M-D	25500-23001	1		990601 -		AG	M-D	25612-26001	1	
990601 -		AD	M-D	25500-23010	1	A	990601 -		DG	M-S	25612-22002	1	
990601 -		AG	M-S	25500-22800	1		990601 -		DG	M-D	25612-26001	1	
990601 -		AG	M-D	25500-23001	1		990601 -		DS	L35,L45,P3B,P35	25612-22002	1	
990601 -		AG	M-D	25500-23010	1	A	990601 -		FD	L35,L45,P3B,P35	25612-22002	1	
990601 -		DG	M-S	25500-22600	1		990601 -		FG	M-S	25612-22002	1	
990601 -		DG	M-D	25500-23001	1		990601 -		FG	M-D	25612-26001	1	
990601 -		DG	M-D	25500-23010	1	A	25614		GASKET-THERMOSTAT CASE (S)JUNTA				
990601 -		DS	L35,L45,P3B,P35	25500-22600	1		990601 -		AD	L35,L45,P3B,P35	25614-22002	1	
990601 -		FD	L35,L45,P3B,P35	25500-22600	1		990601 -		AD	M-D	25614-26002	1	
990601 -		FG	M-S	25500-22600	1		990601 -		AG	M-S	25614-22002	1	
990601 -		FG	M-D	25500-23001	1		990601 -		AG	M-D	25614-26002	1	
990601 -		FG	M-D	25500-23010	1	A	990601 -		DG	M-S	25614-22002	1	
25600A		CONTROL ASSY-COOLANT TEMPERATURE (S)CONJUNTO CONTROL					990601 -		DG	M-D	25614-26002	1	
010913 -		ALL M-S		25600-22760	1		990601 -		DS	L35,L45,P3B,P35	25614-22002	1	
25611		FITTING-COOLANT OUTLET (S)AJUSTE					990601 -		FD	L35,L45,P3B,P35	25614-22002	1	
990601 -		AD	L35,L45,P3B,P35	25611-22011	1		990601 -		FG	M-S	25614-22002	1	
990601 -		AG	M-S	25611-22011	1		990601 -		FG	M-D	25614-26002	1	
990601 -		DG	M-S	25611-22011	1		25616		CLIP-CONNECTOR (S)SUJETADOR				
990601 -		DS	L35,L45,P3B,P35	25611-22011	1		990601 -		AD	M-D	25616-26601	1	
CONTINUED							CONTINUED						

1-4

20-221 CYLINDER HEAD

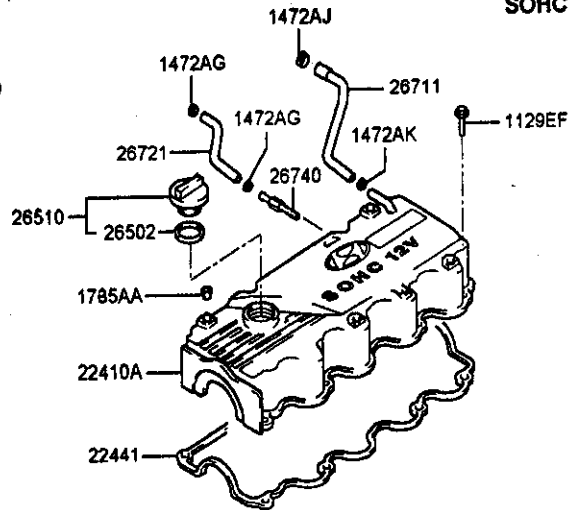
BA,G0112- 48

P N C		MODEL APPLICABLE		R E P	PART NO. (REPL P/NO)	Q T Y	REMARKS	P N C		MODEL APPLICABLE		R E P	PART NO. (REPL P/NO)	Q T Y	REMARKS
FROM-UP-TO	TYPE	DESCRIPTION						FROM-UP-TO	TYPE	DESCRIPTION					
CONTINUED								94650							
25616		CLIP-CONNECTOR						GAUGE MODULE-COOLANT TEMPERATURE							
		(S)SUJETADOR						(S)MODULO MEDIDOR							
990601 -		DG M-D			25616-26601	1		010913 -		AD CON;-A10			94650-32520	1	
990601 -		FG M-D			25616-26601	1		010913 -		DS CON;-A10			94650-32520	1	
25617		BRACKET-CONDENSER						010913 -		FD CON;-A10			94650-32520	1	
		(S)SOPORTE													
990601 -		AD M-D			25617-26000	1									
990601 -		AG M-D			25617-26000	1									
990601 -		DG M-D			25617-26000	1									
990601 -		FG M-D			25617-26000	1									
25620		CASE-THERMOSTAT													
		(S)CARCASA													
990601 -		ALL M-S			25613-22600	1									
990601 - 000629		AD M-D			25620-26110	1	LINBURN								
000929 -		AD M-D			25620-26100	1									
010913 -		AD CON;-A10			25613-22680	1									
990601 - 000629		AG M-D			25620-26110	1	LINBURN								
000929 -		AG M-D			25620-26100	1									
990601 - 000629		DG M-D			25620-26110	1	LINBURN								
000929 -		DG M-D			25620-26100	1									
010913 -		DS CON;-A10			25613-22680	1									
010913 -		FD CON;-A10			25613-22680	1									
990601 - 000629		FG M-D			25620-26110	1	LINBURN								
000929 -		FG M-D			25620-26100	1									
39220		SENSOR ASSY-COOLANT TEMPERATURE													
		(S)CONJ. SENSOR													
990601 -		ALL M-S			39220-38020	1									
990601 -		ALL M-S			39220-38030	1	A								
39350A		SENSOR-T.D.C													
		(S)SENSOR													
990601 -		AD L35,P3B,P35,P6B			39350-22600	1									
990601 -		AG P3B,P35,P6B,P65			39350-22600	1									
990601 -		DG P3B,P35,P65			39350-22600	1									
990601 -		DS M-S			39350-22600	1									
990601 -		FD M-S			39350-22600	1									
990601 -		FG P3B,P35,P6B,P65			39350-22600	1									

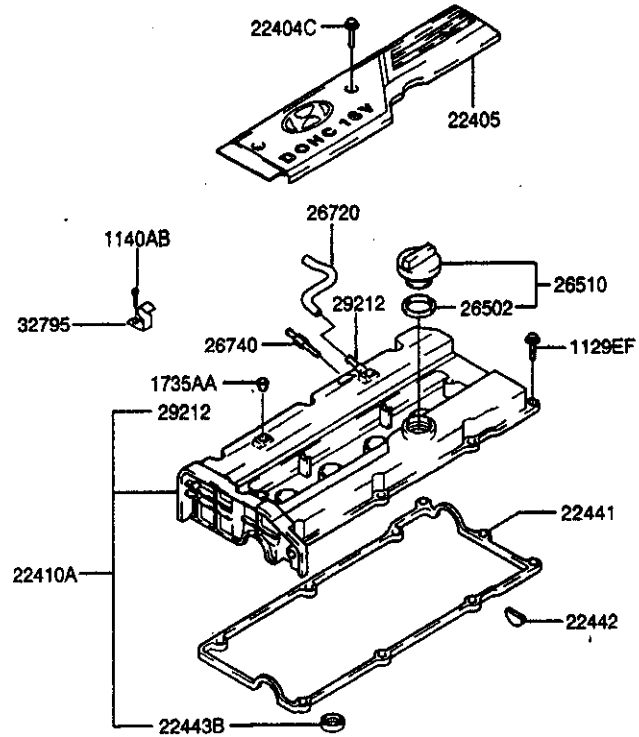
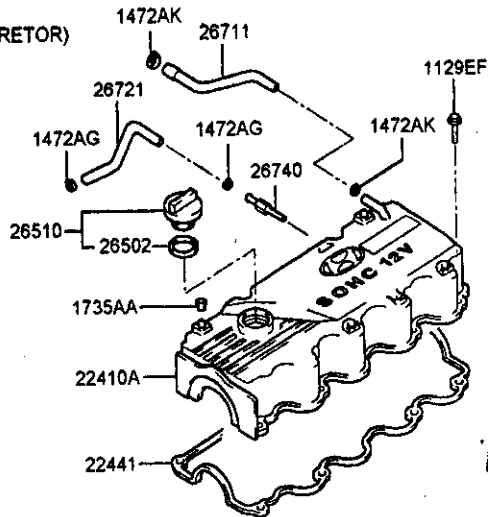
SOHC

DOHC

(MFI)



(CARBURETOR)



20-224 ROCKER COVER

BA,G0112- 51

1-L 4

P N C		MODEL APPLICABLE		R E P	PART NO. (REPL PNO)	Q T Y	REMARKS	P N C		MODEL APPLICABLE		R E P	PART NO. (REPL PNO)	Q T Y	REMARKS
FROM-UP-TO	TYPE	DESCRIPTION						FROM-UP-TO	TYPE	DESCRIPTION					
CONTINUED								CONTINUED							
1472AG		CLAMP-HOSE		Y	14720-13003 (14720-13008)	1		22405		COVER-ROCKER CTR					
990601 -		(S)ABRAZADERA						(S)CUBIERTA							
990601 -		FG P3B,P35,P6B,P65						990601 -	DG M-D		22405-26016	1			
990601 -								990601 -	DG M-D		22405-26610	1			
990601 -								990601 - 000601	DG M-D		22405-26620	1			
990601 -								990601 -	FG M-D		22405-26016	1			
990601 -								990601 -	FG M-D		22405-26610	1			
990601 -								990601 - 000601	FG M-D		22405-26620	1			
990601 -								22410A		COVER ASSY-ROCKER					
990601 -								(S)CONJUNTO CUBIERTA							
990601 -								020101 -	ALL TCI		22410-27500	1			
990601 -								020101 -	ALL TCI		22410-27502	1			
990601 -								990601 -	AD L35,L45,P3B,P35		22410-22610	1			
990601 -								990601 -	AD M-D		22410-26610	1			
990601 -								990601 -	AG M-S		22410-22610	1			
990601 -								990601 -	AG M-D		22410-26610	1			
990601 -								990601 -	DG M-S		22410-22610	1			
990601 -								990601 -	DG M-D		22410-26610	1			
990601 -								990601 -	DS L35,L45,P3B,P35		22410-22610	1			
990601 -								990601 -	FD L35,L45,P3B,P35		22410-22610	1			
990601 -								990601 -	FG M-S		22410-22610	1			
990601 -								990601 -	FG M-D		22410-26610	1			
990601 -								22411P		COVER					
990601 -								(S)CUBIERTA							
990601 -								020101 -	ALL TCI		22411-27502	1			
990601 -								22441		GASKET-ROCKER COVER					
990601 -								(S)JUNTA							
990601 -								020101 -	ALL TCI		22441-27502	1			
990601 -								990601 -	AD L35,L45,P3B,P35		22441-22013	1			
990601 -								990601 -	AD M-D		22441-26001	1			
990601 -								990601 -	AG M-S		22441-22013	1			
990601 -								990601 -	AG M-D		22441-26001	1			
990601 -								990601 -	DG M-S		22441-22013	1			
990601 -								990601 -	DG M-D		22441-28001	1			
990601 -								990601 -	DS L35,L45,P3B,P35		22441-22013	1			
990601 -								990601 -	FD L35,L45,P3B,P35		22441-22013	1			
990601 -								990601 -	FG M-S		22441-22013	1			
990601 -								990601 -	FG M-D		22441-26001	1			
CONTINUED															

1-M 4

20-224 ROCKER COVER

BA,G0112- 52

P N C		MODEL APPLICABLE		R E P	PART NO. (REPL P/NO)	Q T Y	REMARKS	P N C		MODEL APPLICABLE		R E P	PART NO. (REPL P/NO)	Q T Y	REMARKS
FROM-UP-TO	TYPE	DESCRIPTION						FROM-UP-TO	TYPE	DESCRIPTION					
22442		PACKING-SEMI CIRCULAR (S)EMPAQUE						CONTINUED							
990601 - 000401		AD	M-D	Y	22442-42001 (22442-23500)	2		26711		HOSE-BREATHER (S)MANGUERA					
000401 -		AD	M-D		22442-23500	2		990601 -		AG	M-D		26710-26611	1	
990601 - 000401		AG	M-D	Y	22442-42001 (22442-23500)	2		990601 -		DG	M-D		26710-26611	1	
000401 -		AG	M-D		22442-23500	2		990601 -		DS	CON		26711-22651	1	
990601 - 000401		DG	M-D	Y	22442-42001 (22442-23500)	2		010924 -		DS	CON;-A10		26711-22651	1	
000401 -		DG	M-D		22442-23500	2		990601 -		FD	CON		26711-22651	1	
990601 - 000401		FG	M-D	Y	22442-42001 (22442-23500)	2		010924 -		FD	CON;-A10		26711-22651	1	
000401 -		FG	M-D		22442-23500	2		990601 -		FG	M-D		26710-26611	1	
990601 - 000401		FG	M-D	Y	22442-42001 (22442-23500)	2		26720		HOSE ASSY-PCV (S)CONJ. MANGUERA					
000401 -		FG	M-D		22442-23500	2		010330 -		ALL	M-S		26720-22620	1	
990601 - 000401		FG	M-D	Y	22442-23500	2		26721		HOSE-PCV (S)MANGUERA					
000401 -		FG	M-D		22442-23500	2		020101 -		ALL	TCI		26720-27500	1	
990601 - 000401		FG	M-D	Y	22442-23500	2		020101 -		ALL	TCI		26721-27500	1	
000401 -		FG	M-D		22442-23500	2		990601 -		AD	CON		26721-22320	1	
990601 - 000401		FG	M-D	Y	22442-23500	2		990601 - 990824		AD	M-D		26721-26600	1	
000401 -		FG	M-D		22442-23500	2		010924 -		AD	CON;-A10		26721-22320	1	
990601 - 000401		FG	M-D	Y	22442-23500	2		990601 - 990824		AG	M-D		26721-26600	1	
000401 -		FG	M-D		22442-23500	2		990601 - 990824		DG	M-D		26721-26600	1	
990601 - 000401		FG	M-D	Y	22442-23500	2		990601 -		DS	CON		26721-22320	1	
000401 -		FG	M-D		22442-23500	2		010924 -		DS	CON;-A10		26721-22320	1	
990601 - 000401		FG	M-D	Y	22442-23500	2		990601 -		FD	CON		26721-22320	1	
000401 -		FG	M-D		22442-23500	2		010924 -		FD	CON;-A10		26721-22320	1	
990601 - 000401		FG	M-D	Y	22442-23500	2		990601 - 990824		FG	M-D		26721-26600	1	
000401 -		FG	M-D		22442-23500	2		26740		VALVE-PCV (S)VALVULA					
990601 - 000401		FG	M-D	Y	22442-23500	2		990601 -		AD	M-D		26740-21314	1	
000401 -		FG	M-D		22442-23500	2		990601 -		AD	L35,L45,P3B,P35		26740-32804	1	
990601 - 000401		FG	M-D	Y	22442-23500	2		010611 -		AD	M-D		26740-26700	1	
000401 -		FG	M-D		22442-23500	2		990601 -		AG	M-D		26740-21314	1	
990601 - 000401		FG	M-D	Y	22442-23500	2		990601 -		AG	M-S		26740-32804	1	
000401 -		FG	M-D		22442-23500	2		010611 -		AG	M-D		26740-26700	1	
990601 - 000401		FG	M-D	Y	22442-23500	2		990601 -		DG	M-D		26740-21314	1	
000401 -		FG	M-D		22442-23500	2		990601 -		DG	M-S		26740-32804	1	
990601 - 000401		FG	M-D	Y	22442-23500	2		010611 -		DG	M-D		26740-26700	1	
000401 -		FG	M-D		22442-23500	2		990601 -		DS	L35,L45,P3B,P35		26740-32804	1	
990601 - 000401		FG	M-D	Y	22442-23500	2		CONTINUED							

AD:SDR,QL AG:SDR,QLS DG:SDR,QLS DS:SDR,QL FD:ADR,QL FG:ADR,QLS

A10:INDIA

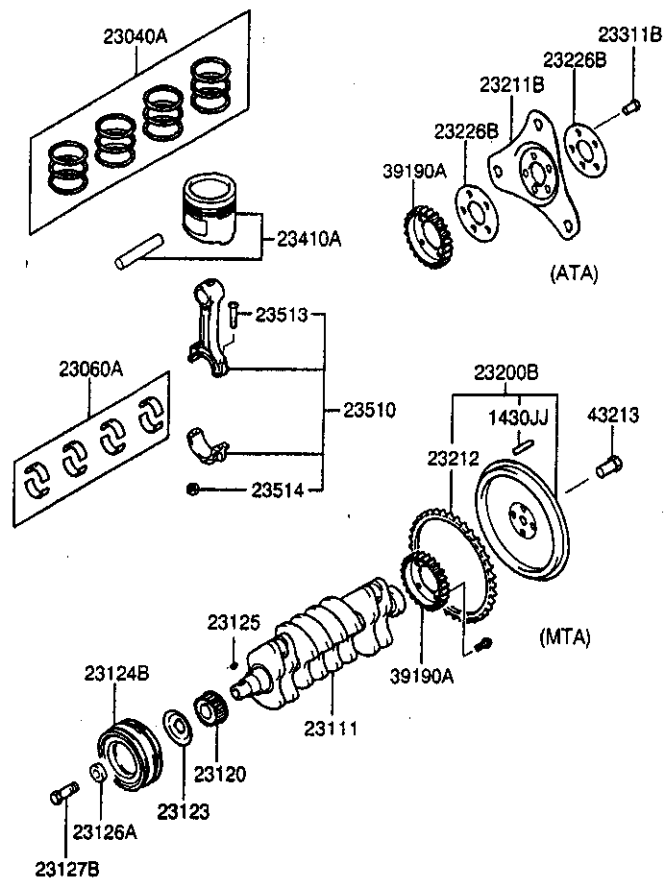
1-A 5

20-224 ROCKER COVER

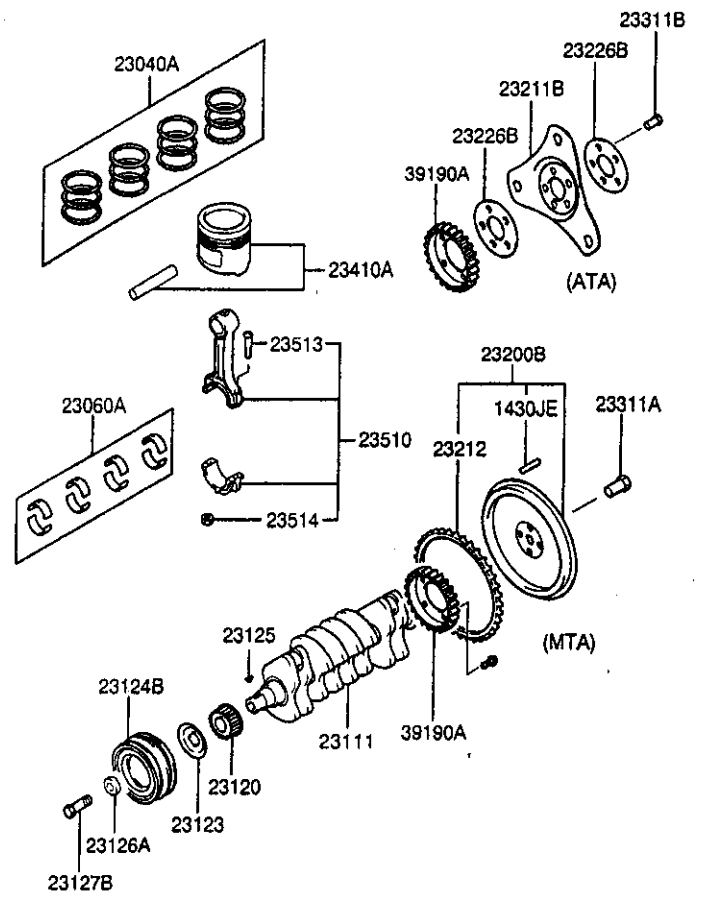
BA,00112- 53

P N C		MODEL APPLICABLE		R E P	PART NO. (REPL P/NO)	Q T Y	REMARKS	P N C		MODEL APPLICABLE		R E P	PART NO. (REPL P/NO)	Q T Y	REMARKS
FROM-UP-TO	TYPE	DESCRIPTION						FROM-UP-TO	TYPE	DESCRIPTION					
CONTINUED															
		26740			VALVE-PCV (S)VALVULA										
		990601 -			FD L35,L45,P3B,P35	26740-32804	1								
		990601 -			FG M-D	26740-21314	1								
		990601 -			FG M-S	26740-32804	1								
		010611 -			FG M-D	26740-26700	1								
		26740A			ASSY-OIL SEPARATOR (S)CONJ, SEPARATOR										
		020101 -			ALL TCI	26740-27500	1								
		29212			NIPPLE (S)BOQUILLA										
		000228 -			AD M-D	Y 29212-32500 (29212-32501)	1								
		000228 -			AG M-D	Y 29212-32500 (29212-32501)	1								
		000228 -			DG M-D	Y 29212-32500 (29212-32501)	1								
		000228 -			FG M-D	Y 29212-32500 (29212-32501)	1								
		32795			CLAMP-ACCELERATOR CABLE (S)ABRAZADERA										
		990601 -			AD M-D	32795-29005	2								
		990601 -			AG M-D	32795-29005	2								
		990601 -			DG M-D	32795-29005	2								
		990601 -			FG M-D	32795-29005	2								

SOHC



DOHC

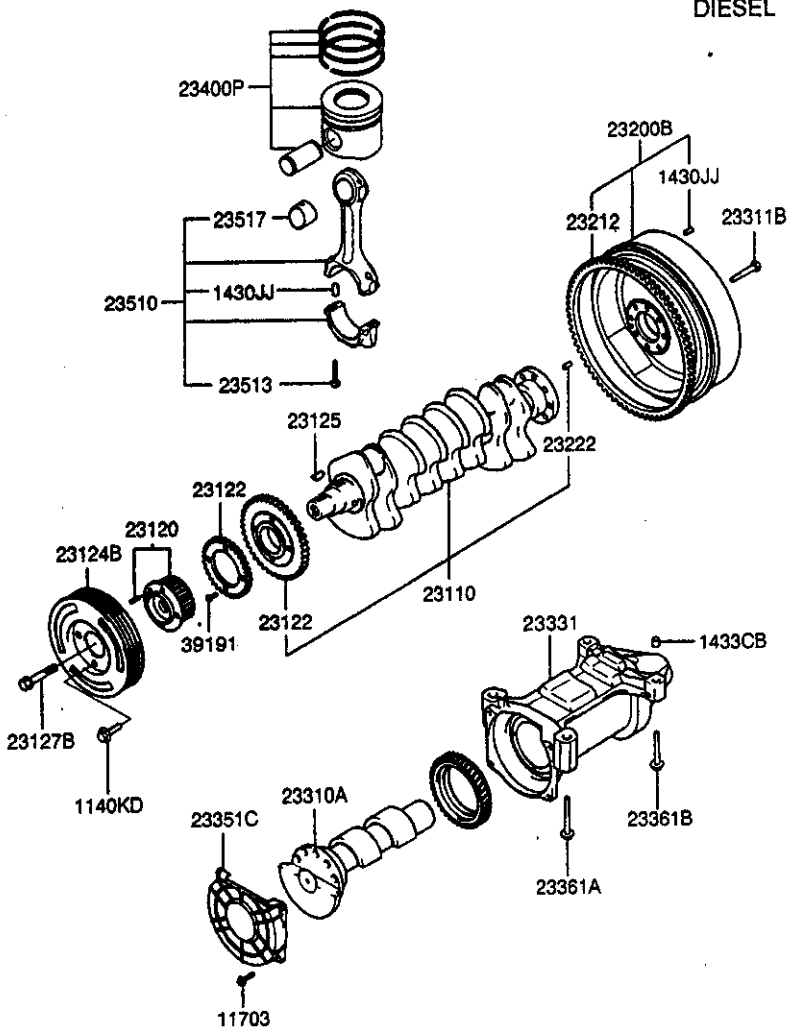


20-231 CRANKSHAFT & PISTON

BA.G0112-55

1-C5

DIESEL



P N C	MODEL APPLICABLE		R E P	PART NO. (REPL PNO)	Q T Y	REMARKS
	FROM-UP-TO	TYPE				
1140KD						
020101 -				11405-08163	4	
11703						
020101 -				11703-06183	4	
1430JE						
990601 -				14303-08180	3	
990601 -				14303-08180	3	
990601 -				14303-08180	3	
990601 -				14303-08180	3	
990601 -				14303-08180	3	
990601 -				14303-08180	3	
990601 -				14303-08180	3	
990601 -				14303-08180	3	
990601 -				14303-08180	3	
990601 -				14303-08180	3	
990601 -				14303-08180	3	
1430JJ						
020101 -				14303-08240	3	
1433CB						
020101 -				14331-10130	2	
23040A						
990601 -				23040-22601	4	STD
990601 -				23040-22901	4	0.25 OS
990601 -				23040-22902	4	0.50 OS
990601 -				23040-22903	4	0.75 OS
990601 -				23040-22904	4	1.00 OS
990601 -				23040-22300	1	STD
990601 -				23040-26001	1	STD
990601 -				23040-22931	C	0.25 OS
990601 -				23040-22939	C	0.25 OS
990601 -				23040-26902	C	0.25 OS
990601 -				23040-22932	C	0.50 OS
990601 -				23040-22940	C	0.50 OS

CONTINUED

AD:3DR, GL AG:5DR, GLS DG:3DR, GLS DS:3DR, L FD:4DR, GL FG:4DR, GLS 0910:UNLEADED PACKAGE A10:INDIA

1-D 5

20-231 CRANKSHAFT & PISTON

BA,00112- 56

P N C	MODEL APPLICABLE		R E P	PART NO. (REPL P/NO)	Q T Y	REMARKS
	FROM-UP-TO	DESCRIPTION				
CONTINUED						
23040A	RING SET-PISTON (S)JUEGO ANILLO					
990601 -	AD	M-D;0910		23040-26903	C	0.50 OS
990601 -	AD	1.3L;0910		23040-22933	C	0.75 OS
990601 -	AD	M-D;0910		23040-26904	C	0.75 OS
990601 -	AD	1.3L;0910		23040-22934	C	1.00 OS
990601 -	AD	M-D;0910		23040-26905	C	1.00 OS
990601 -	AD	P3B,P35;0910,+A10		23040-22601	4	STD
990601 -	AD	P3B,P35;0910,+A10		23040-22901	4	0.25 OS
990601 -	AD	P3B,P35;0910,+A10		23040-22902	4	0.50 OS
990601 -	AD	P3B,P35;0910,+A10		23040-22903	4	0.75 OS
990601 -	AD	P3B,P35;0910,+A10		23040-22904	4	1.00 OS
990601 -	AD	1.3L;0910,+A10		23040-22300	1	STD
990601 -	AD	1.3L;0910,+A10		23040-22931	C	0.25 OS
990601 -	AD	1.3L;0910,+A10		23040-22939	C	0.25 OS
990601 -	AD	1.3L;0910,+A10		23040-22932	C	0.50 OS
990601 -	AD	1.3L;0910,+A10		23040-22940	C	0.50 OS
990601 -	AD	1.3L;0910,+A10		23040-22933	C	0.75 OS
990601 -	AD	1.3L;0910,+A10		23040-22934	C	1.00 OS
990601 -	AD	P3B,P35;0920		23040-22052	4	STD
990601 -	AD	P3B,P35;0920		23040-22905	4	0.25 OS
990601 -	AD	P3B,P35;0920		23040-22906	4	0.50 OS
990601 -	AD	P3B,P35;0920		23040-22907	4	0.75 OS
990601 -	AD	P3B,P35;0920		23040-22908	4	1.00 OS
990601 -	AD	1.3L;0920		23040-22351	1	STD
990601 -	AD	1.3L;0920		23040-22941	C	0.75 OS
990601 -	AD	1.3L;0920		23040-22942	C	1.00 OS
990601 -	AG	M-S;0910		23040-22601	4	STD
990601 -	AG	M-S;0910		23040-22901	4	0.25 OS
990601 -	AG	M-S;0910		23040-22902	4	0.50 OS
990601 -	AG	M-S;0910		23040-22903	4	0.75 OS
990601 -	AG	M-S;0910		23040-22904	4	1.00 OS
990601 -	AG	M-D;0910		23040-26001	1	STD
990601 -	AG	M-D;0910		23040-26902	C	0.25 OS
990601 -	AG	M-D;0910		23040-26903	C	0.50 OS
990601 -	AG	M-D;0910		23040-26904	C	0.75 OS
990601 -	AG	M-D;0910		23040-26905	C	1.00 OS
990601 -	AG	M-S;0910,+A10		23040-22601	4	STD

CONTINUED

P N C	MODEL APPLICABLE		R E P	PART NO. (REPL P/NO)	Q T Y	REMARKS
	FROM-UP-TO	DESCRIPTION				
CONTINUED						
23040A	RING SET-PISTON (S)JUEGO ANILLO					
990601 -	AG	M-S;0910,+A10		23040-22901	4	0.25 OS
990601 -	AG	M-S;0910,+A10		23040-22902	4	0.50 OS
990601 -	AG	M-S;0910,+A10		23040-22903	4	0.75 OS
990601 -	AG	M-S;0910,+A10		23040-22904	4	1.00 OS
990601 -	AG	M-S;0920		23040-22052	4	STD
990601 -	AG	M-S;0920		23040-22905	4	0.25 OS
990601 -	AG	M-S;0920		23040-22906	4	0.50 OS
990601 -	AG	M-S;0920		23040-22907	4	0.75 OS
990601 -	AG	M-S;0920		23040-22908	4	1.00 OS
990601 -	DG	M-S;0910		23040-22601	4	STD
990601 -	DG	M-S;0910		23040-22901	4	0.25 OS
990601 -	DG	M-S;0910		23040-22902	4	0.50 OS
990601 -	DG	M-S;0910		23040-22903	4	0.75 OS
990601 -	DG	M-S;0910		23040-22904	4	1.00 OS
990601 -	DG	M-D;0910		23040-26001	1	STD
990601 -	DG	M-D;0910		23040-26902	C	0.25 OS
990601 -	DG	M-D;0910		23040-26903	C	0.50 OS
990601 -	DG	M-D;0910		23040-26904	C	0.75 OS
990601 -	DG	M-D;0910		23040-26905	C	1.00 OS
990601 -	DG	M-S;0910,+A10		23040-22601	4	STD
990601 -	DG	M-S;0910,+A10		23040-22901	4	0.25 OS
990601 -	DG	M-S;0910,+A10		23040-22902	4	0.50 OS
990601 -	DG	M-S;0910,+A10		23040-22903	4	0.75 OS
990601 -	DG	M-S;0910,+A10		23040-22904	4	1.00 OS
990601 -	DG	M-S;0920		23040-22052	4	STD
990601 -	DG	M-S;0920		23040-22905	4	0.25 OS
990601 -	DG	M-S;0920		23040-22906	4	0.50 OS
990601 -	DG	M-S;0920		23040-22907	4	0.75 OS
990601 -	DG	M-S;0920		23040-22908	4	1.00 OS
990601 -	DS	P3B,P35;0910		23040-22601	4	STD
990601 -	DS	P3B,P35;0910		23040-22901	4	0.25 OS
990601 -	DS	P3B,P35;0910		23040-22902	4	0.50 OS
990601 -	DS	P3B,P35;0910		23040-22903	4	0.75 OS
990601 -	DS	P3B,P35;0910		23040-22904	4	1.00 OS
990601 -	DS	1.3L;0910		23040-22300	1	STD
990601 -	DS	1.3L;0910		23040-22931	C	0.25 OS

CONTINUED

AD:SDR,GL AG:SDR,GLS DG:SDR,GLS DS:SDRL 0910:UNLEADED PACKAGE 0920:LEADED PACKAGE A10:INDIA

20-231 CRANKSHAFT & PISTON

BA,00112- 57

1-E 5

P N C		MODEL APPLICABLE		R E P	PART NO. (REPL P/NO)	Q T Y	REMARKS	P N C		MODEL APPLICABLE		R E P	PART NO. (REPL P/NO)	Q T Y	REMARKS
FROM-UP-TO	TYPE	DESCRIPTION						FROM-UP-TO	TYPE	DESCRIPTION					
CONTINUED								CONTINUED							
23040A		RING SET-PISTON (S)JUEGO ANILLO						23040A		RING SET-PISTON (S)JUEGO ANILLO					
990601 -	DS	1.3L;0910			23040-22939	C	0.25 OS	990601 -	FD	1.3L;0910			23040-22934	C	1.00 OS
990601 -	DS	1.3L;0910			23040-22932	C	0.50 OS	990601 -	FD	P3B,P35;0910,+A10			23040-22601	4	STD
990601 -	DS	1.3L;0910			23040-22940	C	0.50 OS	990601 -	FD	P3B,P35;0910,+A10			23040-22901	4	0.25 OS
990601 -	DS	1.3L;0910			23040-22933	C	0.75 OS	990601 -	FD	P3B,P35;0910,+A10			23040-22902	4	0.50 OS
990601 -	DS	1.3L;0910			23040-22934	C	1.00 OS	990601 -	FD	P3B,P35;0910,+A10			23040-22903	4	0.75 OS
990601 -	DS	P3B,P35;0910,+A10			23040-22601	4	STD	990601 -	FD	P3B,P35;0910,+A10			23040-22904	4	1.00 OS
990601 -	DS	P3B,P35;0910,+A10			23040-22901	4	0.25 OS	990601 -	FD	1.3L;0910,+A10			23040-22300	1	STD
990601 -	DS	P3B,P35;0910,+A10			23040-22902	4	0.50 OS	990601 -	FD	1.3L;0910,+A10			23040-22931	C	0.25 OS
990601 -	DS	P3B,P35;0910,+A10			23040-22903	4	0.75 OS	990601 -	FD	1.3L;0910,+A10			23040-22932	C	0.25 OS
990601 -	DS	P3B,P35;0910,+A10			23040-22904	4	1.00 OS	990601 -	FD	1.3L;0910,+A10			23040-22933	C	0.50 OS
990601 -	DS	1.3L;0910,+A10			23040-22300	1	STD	990601 -	FD	1.3L;0910,+A10			23040-22940	C	0.50 OS
990601 -	DS	1.3L;0910,+A10			23040-22931	C	0.25 OS	990601 -	FD	1.3L;0910,+A10			23040-22933	C	0.75 OS
990601 -	DS	1.3L;0910,+A10			23040-22939	C	0.25 OS	990601 -	FD	1.3L;0910,+A10			23040-22934	C	1.00 OS
990601 -	DS	1.3L;0910,+A10			23040-22932	C	0.50 OS	990601 -	FD	P3B,P35;0920			23040-22052	4	STD
990601 -	DS	1.3L;0910,+A10			23040-22940	C	0.50 OS	990601 -	FD	P3B,P35;0920			23040-22905	4	0.25 OS
990601 -	DS	1.3L;0910,+A10			23040-22933	C	0.75 OS	990601 -	FD	P3B,P35;0920			23040-22906	4	0.50 OS
990601 -	DS	1.3L;0910,+A10			23040-22934	C	1.00 OS	990601 -	FD	P3B,P35;0920			23040-22907	4	0.75 OS
990601 -	DS	P3B,P35;0920			23040-22052	4	STD	990601 -	FD	P3B,P35;0920			23040-22908	4	1.00 OS
990601 -	DS	P3B,P35;0920			23040-22905	4	0.25 OS	990601 -	FD	1.3L;0920			23040-22351	1	STD
990601 -	DS	P3B,P35;0920			23040-22906	4	0.50 OS	990601 -	FD	1.3L;0920			23040-22941	C	0.75 OS
990601 -	DS	P3B,P35;0920			23040-22907	4	0.75 OS	990601 -	FD	1.3L;0920			23040-22942	C	1.00 OS
990601 -	DS	P3B,P35;0920			23040-22908	4	1.00 OS	990601 -	FG	M-S;0910			23040-22601	4	STD
990601 -	DS	1.3L;0920			23040-22351	1	STD	990601 -	FG	M-S;0910			23040-22901	4	0.25 OS
990601 -	DS	1.3L;0920			23040-22941	C	0.75 OS	990601 -	FG	M-S;0910			23040-22902	4	0.50 OS
990601 -	DS	1.3L;0920			23040-22942	C	1.00 OS	990601 -	FG	M-S;0910			23040-22903	4	0.75 OS
990601 -	FD	P3B,P35;0910			23040-22601	4	STD	990601 -	FG	M-S;0910			23040-22904	4	1.00 OS
990601 -	FD	P3B,P35;0910			23040-22901	4	0.25 OS	990601 -	FG	M-D;0910			23040-26001	1	STD
990601 -	FD	P3B,P35;0910			23040-22902	4	0.50 OS	990601 -	FG	M-D;0910			23040-26902	C	0.25 OS
990601 -	FD	P3B,P35;0910			23040-22903	4	0.75 OS	990601 -	FG	M-D;0910			23040-26903	C	0.50 OS
990601 -	FD	P3B,P35;0910			23040-22904	4	1.00 OS	990601 -	FG	M-D;0910			23040-26904	C	0.75 OS
990601 -	FD	1.3L;0910			23040-22300	1	STD	990601 -	FG	M-D;0910			23040-26905	C	1.00 OS
990601 -	FD	1.3L;0910			23040-22931	C	0.25 OS	990601 -	FG	M-S;0910,+A10			23040-22601	4	STD
990601 -	FD	1.3L;0910			23040-22939	C	0.25 OS	990601 -	FG	M-S;0910,+A10			23040-22901	4	0.25 OS
990601 -	FD	1.3L;0910			23040-22932	C	0.50 OS	990601 -	FG	M-S;0910,+A10			23040-22902	4	0.50 OS
990601 -	FD	1.3L;0910			23040-22940	C	0.50 OS	990601 -	FG	M-S;0910,+A10			23040-22903	4	0.75 OS
990601 -	FD	1.3L;0910			23040-22933	C	0.75 OS	990601 -	FG	M-S;0910,+A10			23040-22904	4	1.00 OS
CONTINUED								CONTINUED							

1-F 5

20-231 CRANKSHAFT & PISTON

BA,G0112- 58

P N C		MODEL APPLICABLE		R E P	PART NO. (REPL P/NO)	Q T Y	REMARKS	P N C		MODEL APPLICABLE		R E P	PART NO. (REPL P/NO)	Q T Y	REMARKS
FROM-UP-TO	TYPE	DESCRIPTION						FROM-UP-TO	TYPE	DESCRIPTION					
CONTINUED								CONTINUED							
23040A		RING SET-PISTON (S)JUEGO ANILLO						23060A		BEARING SET-C/ROD (S)JUEGO COJINETE					
990601 -	FG	M-S:0920			23040-22052	4	STD	990601 -	DG	M-D			23060-26962	C	0.50 US
990601 -	FG	M-S:0920			23040-22905	4	0.25 OS	990601 -	DG	M-S			23060-22953	C	0.75 US
990601 -	FG	M-S:0920			23040-22906	4	0.50 OS	990601 -	DG	M-D			23060-26963	C	0.75 US
990601 -	FG	M-S:0920			23040-22907	4	0.75 OS	990601 -	DG	M-S			23060-26040	A	STD
990601 -	FG	M-S:0920			23040-22908	4	1.00 OS	990601 -	DG	M-S			23060-26901	A	0.25 US
23060A		BEARING SET-C/ROD (S)JUEGO COJINETE						990601 -	DG	M-S			23060-26902	A	0.50 US
990601 -	AD	L35,L45,P3B,P35			23060-22540	1	STD	990601 -	DG	M-S			23060-26903	A	0.75 US
990601 -	AD	L35,L45,P3B,P35			23060-26040	1	STD	990601 -	DS	L35,L45,P3B,P35			23060-22540	1	STD
990601 -	AD	M-D			23060-26640	1	STD	990601 -	DS	L35,L45,P3B,P35			23060-26040	1	STD
990601 -	AD	L35,L45,P3B,P35			23060-22951	1	0.25 US	990601 -	DS	L35,L45,P3B,P35			23060-22951	1	0.25 US
990601 -	AD	L35,L45,P3B,P35			23060-26901	1	0.25 US	990601 -	DS	L35,L45,P3B,P35			23060-26901	1	0.25 US
990601 -	AD	L35,L45,P3B,P35			23060-22952	1	0.50 US	990601 -	DS	L35,L45,P3B,P35			23060-22952	1	0.50 US
990601 -	AD	L35,L45,P3B,P35			23060-26902	1	0.50 US	990601 -	DS	L35,L45,P3B,P35			23060-26902	1	0.50 US
990601 -	AD	L35,L45,P3B,P35			23060-22953	1	0.75 US	990601 -	DS	L35,L45,P3B,P35			23060-22953	1	0.75 US
990601 -	AD	L35,L45,P3B,P35			23060-26903	1	0.75 US	990601 -	DS	L35,L45,P3B,P35			23060-26903	1	0.75 US
990601 -	AD	M-D			23060-26961	C	0.25 US	990601 -	FD	L35,L45,P3B,P35			23060-22540	1	STD
990601 -	AD	M-D			23060-26962	C	0.50 US	990601 -	FD	L35,L45,P3B,P35			23060-26040	1	STD
990601 -	AD	M-D			23060-26963	C	0.75 US	990601 -	FD	L35,L45,P3B,P35			23060-22951	1	0.25 US
990601 -	AG	M-S			23060-22540	1	STD	990601 -	FD	L35,L45,P3B,P35			23060-26901	1	0.25 US
990601 -	AG	M-D			23060-26640	1	STD	990601 -	FD	L35,L45,P3B,P35			23060-22952	1	0.50 US
990601 -	AG	M-S			23060-22951	C	0.25 US	990601 -	FD	L35,L45,P3B,P35			23060-26902	1	0.50 US
990601 -	AG	M-D			23060-26961	C	0.25 US	990601 -	FD	L35,L45,P3B,P35			23060-26903	1	0.75 US
990601 -	AG	M-S			23060-22952	C	0.50 US	990601 -	FD	L35,L45,P3B,P35			23060-22540	1	STD
990601 -	AG	M-D			23060-26962	C	0.50 US	990601 -	FG	M-S			23060-26040	1	STD
990601 -	AG	M-S			23060-22953	C	0.75 US	990601 -	FG	M-D			23060-26640	1	STD
990601 -	AG	M-D			23060-26963	C	0.75 US	990601 -	FG	M-S			23060-22951	1	0.25 US
990601 -	AG	M-S			23060-26040	A	STD	990601 -	FG	M-S			23060-26901	1	0.25 US
990601 -	AG	M-S			23060-26901	A	0.25 US	990601 -	FG	M-S			23060-22952	1	0.50 US
990601 -	AG	M-S			23060-26902	A	0.50 US	990601 -	FG	M-S			23060-26902	1	0.50 US
990601 -	AG	M-S			23060-26903	A	0.75 US	990601 -	FG	M-S			23060-26903	1	0.75 US
990601 -	DG	M-S			23060-22540	1	STD	990601 -	FG	M-S			23060-22953	1	0.75 US
990601 -	DG	M-D			23060-26640	1	STD	990601 -	FG	M-S			23060-26903	1	0.75 US
990601 -	DG	M-S			23060-22951	C	0.25 US	990601 -	FG	M-D			23060-26961	C	0.25 US
990601 -	DG	M-D			23060-26961	C	0.25 US	990601 -	FG	M-D			23060-26962	C	0.50 US
990601 -	DG	M-S			23060-22952	C	0.50 US	990601 -	FG	M-D			23060-26963	C	0.75 US

AD:3DR,GL AG:5DR,GLS DG:3DR,GLS DS:3DR,L FD:4DR,GL FG:4DR,GLS 0920:LEADED PACKAGE

1-G 5

20-231 CRANKSHAFT & PISTON

BA,Q0112- 59

P N C	MODEL APPLICABLE		R E P	PART NO. (REPL P/NO)	Q T Y	REMARKS	P N C	MODEL APPLICABLE		R E P	PART NO. (REPL P/NO)	Q T Y	REMARKS
	FROM-UP-TO	TYPE						DESCRIPTION	FROM-UP-TO				
23110		CRANKSHAFT ASSY					23122		GEAR-CRANKSHAFT				
		(S)CRANKSHAFT							(S)ENGRANAJE				
020101 -		ALL TCI		23110-27500	1		020101 -		ALL TCI		23131-27500	1	
23111		CRANKSHAFT					23123		FLANGE-CRANKSHAFT				
		(S)CIGUENAL							(S)BRIDA				
990601 - 010901		ALL P3B,P35	Y	23111-22602 (23111-26100)	1		990601 -		ALL P3B,P35		23123-22020	1	
010901 -		ALL P3B,P35		23111-26100	1		990601 -		AD L35,L45,P6B		23123-22020	1	
990601 - 010901		AD L35,L45,P6B	Y	23111-22602 (23111-26100)	1		990601 -		AG P6B,P65		23123-22020	1	
010901 -		AD L35,L45,P6B		23111-26100	1		990601 -		DG P65		23123-22020	1	
990601 - 010901		AG P6B,P65	Y	23111-22602 (23111-26100)	1		990601 -		DS L35,L45		23123-22020	1	
010901 -		AG P6B,P65		23111-26100	1		990601 -		FD L35,L45		23123-22020	1	
990601 - 010901		DG P65	Y	23111-22602 (23111-26100)	1		990601 -		FG P6B,P65		23123-22020	1	
010901 -		DG P65		23111-26100	1		23124B		PULLEY-DAMPER				
990601 - 010901		DS L35,L45	Y	23111-22602 (23111-26100)	1				(S)POLEA				
010901 -		DS L35,L45		23111-26100	1		020101 -		ALL TCI		23124-27500	1	
990601 - 010901		FD L35,L45	Y	23111-22602 (23111-26100)	1		990601 -		AD M-D		23124-26011	1	
010901 -		FD L35,L45		23111-26100	1		990601 - 000404		AD L35,L45,P3B,P35		23124-22600	1	
990601 - 010901		FG P6B,P65	Y	23111-22602 (23111-26100)	1		000404 -		AD L35,L45,P3B,P35		23124-22601	1	
010901 -		FG P6B,P65		23111-26100	1		990601 -		AG M-D		23124-26011	1	
23120		SPROCKET-CRANKSHAFT					990601 - 000404		AG M-S		23124-22600	1	
		(S)DIENTE DE ENGRANAJE					000404 -		AG M-S		23124-22601	1	
020101 -		ALL TCI		23120-27000	1		990601 -		DG M-D		23124-26011	1	
990601 -		AD L35,L45,P3B,P35		23121-22600	1		990601 - 000404		DG M-S		23124-22600	1	
990601 -		AD M-D		23121-26000	1		000404 -		DG M-S		23124-22601	1	
990601 -		AG M-S		23121-22600	1		990601 - 000404		DS L35,L45,P3B,P35		23124-22600	1	
990601 -		AG M-D		23121-26000	1		000404 -		DS L35,L45,P3B,P35		23124-22601	1	
990601 -		DG M-S		23121-22600	1		990601 - 000404		FD L35,L45,P3B,P35		23124-22600	1	
990601 -		DG M-D		23121-26000	1		000404 -		FD L35,L45,P3B,P35		23124-22601	1	
990601 -		DS L35,L45,P3B,P35		23121-22600	1		990601 -		FG M-D		23124-26011	1	
990601 -		FD L35,L45,P3B,P35		23121-22600	1		990601 - 000404		FG M-S		23124-22600	1	
990601 -		FG M-S		23121-22600	1		000404 -		FG M-S		23124-22601	1	
990601 -		FG M-D		23121-26000	1		23125		KEY-CRANKSHAFT				
									(S)LLAVE				
							990601 -		ALL		23125-22020	1	
							23126A		WASHER				
									(S)ARANDELA				
							990601 -		ALL P3B,P35		23126-22000	1	
							990601 -		AD L35,L45,P6B		23126-22000	1	
							990601 -		AG P6B,P65		23126-22000	1	

CONTINUED

1-H5

20-231 CRANKSHAFT & PISTON

BA,G0112- 60

P N C	MODEL APPLICABLE		R E P	PART NO. (REPL P/NO)	Q T Y	REMARKS	P N C	MODEL APPLICABLE		R E P	PART NO. (REPL P/NO)	Q T Y	REMARKS
	FROM-UP-TO	TYPE						DESCRIPTION	FROM-UP-TO				
CONTINUED							CONTINUED						
23126A		WASHER					23200B		FLYWHEEL ASSY				
		(S)ARANDELA							(S)CONJUNTO VOLANTE				
990601 -		DG P65		23126-22000	1		990601 -	DS 1.3L;+A10			23200-22202	1	
990601 -		DS L35,L45		23126-22000	1		990601 -	FD 1.3L			23200-22202	1	
990601 -		FD L35,L45		23126-22000	1		990601 -	FD 1.3L;+A10			23200-22202	1	
990601 -		FG P6B,P65		23126-22000	1		990601 -	FG P65			23200-26001	1	
23127B		BOLT-CRANKSHAFT					23211B	PLATE-DRIVE					
		(S)PERNO						(S)PLACA					
990601 -		ALL P3B,P35		23127-22600	1		990601 -	AD P3B			23211-21054	1	
020101 -		ALL TCI		23127-27000	1		990601 -	AD P3B;+A10			23211-21054	1	
990601 -		AD L35,L45,P3B,P35,P6B	Y	23127-22001	1		990601 -	AG P3B			23211-21054	1	
				(23127-22600)			990601 -	AG P3B;+A10			23211-21054	1	
990601 -		AD L35,L45,P6B		23127-22600	1		990601 -	DG 4AT2			23211-21054	1	
990601 -		AG P3B,P35,P6B,P65	Y	23127-22001	1		990601 -	DG 4AT2;+A10			23211-21054	1	
				(23127-22600)			990601 -	DS 4AT2			23211-21054	1	
990601 -		AG P6B,P65		23127-22600	1		990601 -	DS 4AT2;+A10			23211-21054	1	
990601 -		DG P3B,P35,P65	Y	23127-22001	1		990601 -	FD 4AT2			23211-21054	1	
				(23127-22600)			990601 -	FD 4AT2;+A10			23211-21054	1	
990601 -		DG P65		23127-22600	1		990601 -	FG P3B			23211-21054	1	
990601 -		DS L35,L45		23127-22600	1		990601 -	FG P3B;+A10			23211-21054	1	
990601 - 010227		DS L35,L45,P3B,P35	Y	23127-22001	1		23212	GEAR-RING					
				(23127-22600)				(S)ENGRANAJE					
990601 -		FD L35,L45		23127-22600	1		990601 -	ALL P35			23212-21000	1	
990601 - 010227		FD L35,L45,P3B,P35	Y	23127-22001	1		990601 -	ALL P35;+A10			23212-21000	1	
				(23127-22600)			020101 -	ALL TCI			23212-32000	1	
990601 -		FG P3B,P35,P6B,P65	Y	23127-22001	1		990601 -	AD L35,L45			23212-21000	1	
				(23127-22600)			990601 -	AD L35,L45;+A10			23212-21000	1	
990601 -		FG P6B,P65		23127-22600	1		990601 -	AG P65			23212-21000	1	
23200B		FLYWHEEL ASSY					990601 -	DG P65			23212-21000	1	
		(S)CONJUNTO VOLANTE					990601 -	DS L35,L45			23212-21000	1	
990601 -		ALL P35		23200-26001	1		990601 -	DS L35,L45;+A10			23212-21000	1	
990601 -		ALL P35;+A10		23200-26001	1		990601 -	FD L35,L45			23212-21000	1	
020101 -		ALL TCI		23200-27510	1		990601 -	FD L35,L45;+A10			23212-21000	1	
990601 -		AD 1.3L		23200-22202	1		990601 -	FG P65			23212-21000	1	
990601 -		AD 1.3L;+A10		23200-22202	1		23222	PIN-DOWEL					
990601 -		AG P65		23200-26001	1			(S)PASADOR					
990601 -		DG P65		23200-26001	1		020101 -	ALL TCI			23121-47280	1	
990601 -		DS 1.3L		23200-22202	1								
CONTINUED													

20-231 CRANKSHAFT & PISTON

BA.00112- 61

1-15

P N C	MODEL APPLICABLE		R E P	PART NO. (REPL P/NO)	Q T Y	REMARKS
	FROM-UP-TO	DESCRIPTION				
23226B		PLATE-ADAPTER (S)PLACA				
990601 -		ALL 4AT2		23226-21054	2	
23310A		SHAFT SUB ASSY-BALANCE (S)SUBCONJUNTO EJE				
020101 -		ALL TCI		23310-27500	1	
23311A		BOLT-FLYWHEEL (S)PERNO				
990601 -		ALL P35	Y	23311-11100 (43213-21000)	5	
990601 -		ALL P35;+A10	Y	23311-11100 (43213-21000)	5	
990601 -		AD L35,L45	Y	23311-11100 (43213-21000)	5	
990601 -		AD L35,L45;+A10	Y	23311-11100 (43213-21000)	5	
990601 -		AG P65		23311-23000	5	
990601 -		AG P65	Y	23311-26000 (23311-23000)	5	
990601 -		DG M-D		23311-23000	5	
990601 -		DG M-D	Y	23311-26000 (23311-23000)	5	
990601 -		DS L35,L45	Y	23311-11100 (43213-21000)	5	
990601 -		DS L35,L45;+A10	Y	23311-11100 (43213-21000)	5	
990601 -		FD L35,L45	Y	23311-11100 (43213-21000)	5	
990601 -		FD L35,L45;+A10	Y	23311-11100 (43213-21000)	5	
990601 -		FG P65		23311-23000	5	
990601 -		FG P65	Y	23311-26000 (23311-23000)	5	
23311B		BOLT-DRIVE PLATE (S)PERNO				
020101 -		ALL TCI		23231-27510	8	
990601 -		AD P3B		23311-21054	5	
990601 -		AD M-D		23311-26050	5	
990601 -		AD P3B;+A10		23311-21054	5	

P N C	MODEL APPLICABLE		R E P	PART NO. (REPL P/NO)	Q T Y	REMARKS
	FROM-UP-TO	DESCRIPTION				
CONTINUED						
23311B		BOLT-DRIVE PLATE (S)PERNO				
990601 -		AG P3B		23311-21054	5	
990601 -		AG P6B		23311-26050	5	
990601 -		AG P3B;+A10		23311-21054	5	
990601 -		DG 4AT2		23311-21054	5	
990601 -		DG 4AT2;+A10		23311-21054	5	
990601 -		DS 4AT2		23311-21054	5	
990601 -		DS 4AT2;+A10		23311-21054	5	
990601 -		FD 4AT2		23311-21054	5	
990601 -		FD 4AT2;+A10		23311-21054	5	
990601 -		FG P3B		23311-21054	5	
990601 -		FG P6B		23311-26050	5	
990601 -		FG P3B;+A10		23311-21054	5	
23331		CARRIER-BALANCE SHAFT (S)PORTADOR				
020101 -		ALL TCI		23331-27500	1	
23351C		COVER-BALANCE SHAFT CARRIER FR (S)CUBIERTA				
020101 -		ALL TCI		23351-27500	1	
23361A		BOLT-BALANCE SHAFT CARRIER (S)PERNO				
020101 -		ALL TCI		23361-27000	2	
23361B		BOLT-BALANCE SHAFT CARRIER (S)PERNO				
020101 -		ALL TCI		23362-27000	2	
23400P		PISTON ASSY (S)CONJ. PISTON				
020101 -		ALL TCI		23400-27000	3	
020101 -		ALL TCI		23400-27010	C	
020101 -		ALL TCI		23400-27020	C	
23410A		PISTON & PIN ASSY (S)CONJ.PASADOR				
990601 -		AD P3B,P35		23410-22612	4	STD
990601 -		AD 1.3L		23410-22712	4	STD
990601 -		AD P3B,P35		23410-22961	4	0.25 OS
990601 -		AD P3B,P35		23410-22962	4	0.50 OS
990601 -		AD P3B,P35		23410-22694	C	

1-15

20-231 CRANKSHAFT & PISTON

BA,G0112- 62

P N C	MODEL APPLICABLE		R E P	PART NO. (REPL P/NO)	Q T Y	REMARKS
	FROM-UP-TO	DESCRIPTION				
CONTINUED						
23410A		PISTON & PIN ASSY				
		(S)CONJ.PASADOR				
990601 -	AD 1.3L		23410-22971	C	0.25 OS	
990601 -	AD 1.3L		23410-22972	C	0.50 OS	
990601 -	AD P3B,P35		23410-22963	C	0.75 OS	
990601 -	AD 1.3L		23410-22973	C	0.75 OS	
990601 -	AD 1.3L		23410-22974	C	1.00 OS	
990601 -	AD P3B,P35;+A10		23410-22612	4	STD	
990601 -	AD 1.3L;+A10		23410-22712	4	STD	
990601 -	AD P3B,P35;+A10		23410-22961	4	0.25 OS	
990601 -	AD P3B,P35;+A10		23410-22962	4	0.50 OS	
990601 -	AD P3B,P35;+A10		23410-22694	C	0.25 OS	
990601 -	AD 1.3L;+A10		23410-22971	C	0.25 OS	
990601 -	AD 1.3L;+A10		23410-22972	C	0.50 OS	
990601 -	AD P3B,P35;+A10		23410-22963	C	0.75 OS	
990601 -	AD 1.3L;+A10		23410-22973	C	0.75 OS	
990601 -	AD 1.3L;+A10		23410-22974	C	1.00 OS	
990601 -	AD M-D;0910		23410-26611	4	STD	
990601 -	AD M-D;0910		23410-26913	C	0.25 OS	
990601 -	AD M-D;0910		23410-26961	C	0.25 OS	
990601 -	AD M-D;0910		23410-26962	C	0.50 OS	
990601 -	AD M-D;0910		23410-26963	C	0.75 OS	
990601 -	AD M-D;0910		23410-26964	C	1.00 OS	
990601 -	AG M-S		23410-22612	4	STD	
990601 -	AG M-S		23410-22961	4	0.25 OS	
990601 -	AG M-S		23410-22962	4	0.50 OS	
990601 -	AG M-S		23410-22694	C		
990601 -	AG M-S		23410-22963	C	0.75 OS	
990601 -	AG M-S;+A10		23410-22612	4	STD	
990601 -	AG M-S;+A10		23410-22961	4	0.25 OS	
990601 -	AG M-S;+A10		23410-22962	4	0.50 OS	
990601 -	AG M-S;+A10		23410-22694	C		
990601 -	AG M-D;0910		23410-26611	4	STD	
990601 -	AG M-D;0910		23410-26913	C	0.25 OS	
990601 -	AG M-D;0910		23410-26961	C	0.25 OS	
990601 -	AG M-D;0910		23410-26962	C	0.50 OS	
990601 -	AG M-D;0910		23410-26963	C	0.75 OS	

CONTINUED

P N C	MODEL APPLICABLE		R E P	PART NO. (REPL P/NO)	Q T Y	REMARKS
	FROM-UP-TO	DESCRIPTION				
CONTINUED						
23410A		PISTON & PIN ASSY				
		(S)CONJ.PASADOR				
990601 -	AG M-D;0910		23410-26964	C	1.00 OS	
990601 -	DG M-S		23410-22612	4	STD	
990601 -	DG M-S		23410-22961	4	0.25 OS	
990601 -	DG M-S		23410-22962	4	0.50 OS	
990601 -	DG M-S		23410-22694	C		
990601 -	DG M-S		23410-22963	C	0.75 OS	
990601 -	DG M-S;+A10		23410-22612	4	STD	
990601 -	DG M-S;+A10		23410-22961	4	0.25 OS	
990601 -	DG M-S;+A10		23410-22962	4	0.50 OS	
990601 -	DG M-S;+A10		23410-22694	C		
990601 -	DG M-S;+A10		23410-22963	C	0.75 OS	
990601 -	DG M-D;0910		23410-26611	4	STD	
990601 -	DG M-D;0910		23410-26913	C	0.25 OS	
990601 -	DG M-D;0910		23410-26961	C	0.25 OS	
990601 -	DG M-D;0910		23410-26962	C	0.50 OS	
990601 -	DG M-D;0910		23410-26963	C	0.75 OS	
990601 -	DG M-D;0910		23410-26964	C	1.00 OS	
990601 -	DS P3B,P35		23410-22612	4	STD	
990601 -	DS 1.3L		23410-22712	4	STD	
990601 -	DS P3B,P35		23410-22961	4	0.25 OS	
990601 -	DS P3B,P35		23410-22962	4	0.50 OS	
990601 -	DS P3B,P35		23410-22694	C		
990601 -	DS 1.3L		23410-22971	C	0.25 OS	
990601 -	DS 1.3L		23410-22972	C	0.50 OS	
990601 -	DS P3B,P35		23410-22963	C	0.75 OS	
990601 -	DS 1.3L		23410-22973	C	0.75 OS	
990601 -	DS 1.3L		23410-22974	C	1.00 OS	
990601 -	DS P3B,P35;+A10		23410-22612	4	STD	
990601 -	DS 1.3L;+A10		23410-22712	4	STD	
990601 -	DS P3B,P35;+A10		23410-22961	4	0.25 OS	
990601 -	DS P3B,P35;+A10		23410-22962	4	0.50 OS	
990601 -	DS P3B,P35;+A10		23410-22694	C		
990601 -	DS 1.3L;+A10		23410-22971	C	0.25 OS	
990601 -	DS 1.3L;+A10		23410-22972	C	0.50 OS	
990601 -	DS P3B,P35;+A10		23410-22963	C	0.75 OS	
990601 -	DS 1.3L;+A10		23410-22973	C	0.75 OS	

CONTINUED

AD:SDR,GL AG:SDR,GLS DG:SDR,GLS DS:SDR,L 0910:UNLEADED PACKAGE A10:HNDA

20-231 CRANKSHAFT & PISTON

BA,00112- 63

1-K 5

P N C	MODEL APPLICABLE		R E P	PART NO. (REPL P/NO)	Q T Y	REMARKS
	FROM-UP-TO	DESCRIPTION				
CONTINUED						
23410A		PISTON & PIN ASSY (S)CONJ.PASADOR				
990601 -	DS	1.3L;+A10		23410-22974	C	1.00 OS
990601 -	FD	P3B,P35		23410-22612	4	STD
990601 -	FD	1.3L		23410-22712	4	STD
990601 -	FD	P3B,P35		23410-22961	4	0.25 OS
990601 -	FD	P3B,P35		23410-22962	4	0.50 OS
990601 -	FD	P3B,P35		23410-22694	C	
990601 -	FD	1.3L		23410-22971	C	0.25 OS
990601 -	FD	1.3L		23410-22972	C	0.50 OS
990601 -	FD	P3B,P35		23410-22963	C	0.75 OS
990601 -	FD	1.3L		23410-22973	C	0.75 OS
990601 -	FD	1.3L		23410-22974	C	1.00 OS
990601 -	FD	P3B,P35;+A10		23410-22612	4	STD
990601 -	FD	1.3L;+A10		23410-22712	4	STD
990601 -	FD	P3B,P35;+A10		23410-22961	4	0.25 OS
990601 -	FD	P3B,P35;+A10		23410-22962	4	0.50 OS
990601 -	FD	P3B,P35;+A10		23410-22694	C	
990601 -	FD	1.3L;+A10		23410-22971	C	0.25 OS
990601 -	FD	1.3L;+A10		23410-22972	C	0.50 OS
990601 -	FD	P3B,P35;+A10		23410-22963	C	0.75 OS
990601 -	FD	1.3L;+A10		23410-22973	C	0.75 OS
990601 -	FD	1.3L;+A10		23410-22974	C	1.00 OS
990601 -	FG	M-S		23410-22612	4	STD
990601 -	FG	M-S		23410-22961	4	0.25 OS
990601 -	FG	M-S		23410-22962	4	0.50 OS
990601 -	FG	M-S		23410-22694	C	
990601 -	FG	M-S		23410-22963	C	0.75 OS
990601 -	FG	M-S;+A10		23410-22612	4	STD
990601 -	FG	M-S;+A10		23410-22961	4	0.25 OS
990601 -	FG	M-S;+A10		23410-22962	4	0.50 OS
990601 -	FG	M-S;+A10		23410-22694	C	
990601 -	FG	M-S;+A10		23410-22963	C	0.75 OS
990601 -	FG	M-D;0910		23410-26611	4	STD
990601 -	FG	M-D;0910		23410-26913	C	0.25 OS
990601 -	FG	M-D;0910		23410-26961	C	0.25 OS
990601 -	FG	M-D;0910		23410-26962	C	0.50 OS
990601 -	FG	M-D;0910		23410-26963	C	0.75 OS
CONTINUED						

P N C	MODEL APPLICABLE		R E P	PART NO. (REPL P/NO)	Q T Y	REMARKS
	FROM-UP-TO	DESCRIPTION				
CONTINUED						
23410A		PISTON & PIN ASSY (S)CONJ.PASADOR				
990601 -	FG	M-D;0910		23410-26964	C	1.00 OS
23510		ROD ASSY-CONNECTING (S)W/NJ.VARILLA				
990601 -	ALL	P3B,P35		23510-26001	4	
020101 -	ALL	TCI		23510-27000	3	
990601 -	AD	P6B		23510-26001	4	
990601 -	AD	1.3L		23510-26010	4	
990601 -	AG	P6B,P65		23510-26001	4	
990601 -	DG	P65		23510-26001	4	
990601 -	DS	1.3L		23510-26010	4	
990601 -	FD	1.3L		23510-26010	4	
990601 -	FG	P6B,P65		23510-26001	4	
23513		BOLT-CONNECTING ROD (S)PERNO				
990601 -	ALL	P3B,P35		23513-11104	8	
020101 -	ALL	TCI		23513-27000	6	
990601 -	AD	L35,L45,P6B		23513-11104	8	
990601 -	AG	P6B,P65		23513-11104	8	
990601 -	DG	P65		23513-11104	8	
990601 -	DS	L35,L45		23513-11104	8	
990601 -	FD	L35,L45		23513-11104	8	
990601 -	FG	P6B,P65		23513-11104	8	
23514		NUT-CONNECTING ROD (S)TUERCA				
990601 -	ALL	P3B,P35		23514-22020	8	
990601 -	AD	L35,L45,P6B		23514-22020	8	
990601 -	AG	P6B,P65		23514-22020	8	
990601 -	DG	P65		23514-22020	8	
990601 -	DS	L35,L45		23514-22020	8	
990601 -	FD	L35,L45		23514-22020	8	
990601 -	FG	P6B,P65		23514-22020	8	
23517		BUSHING-CON ROD (S)CASQUILLO				
020101 -	ALL	TCI		23517-27000	3	

1-L 5

20-231 CRANKSHAFT & PISTON

BA,G0112- 64

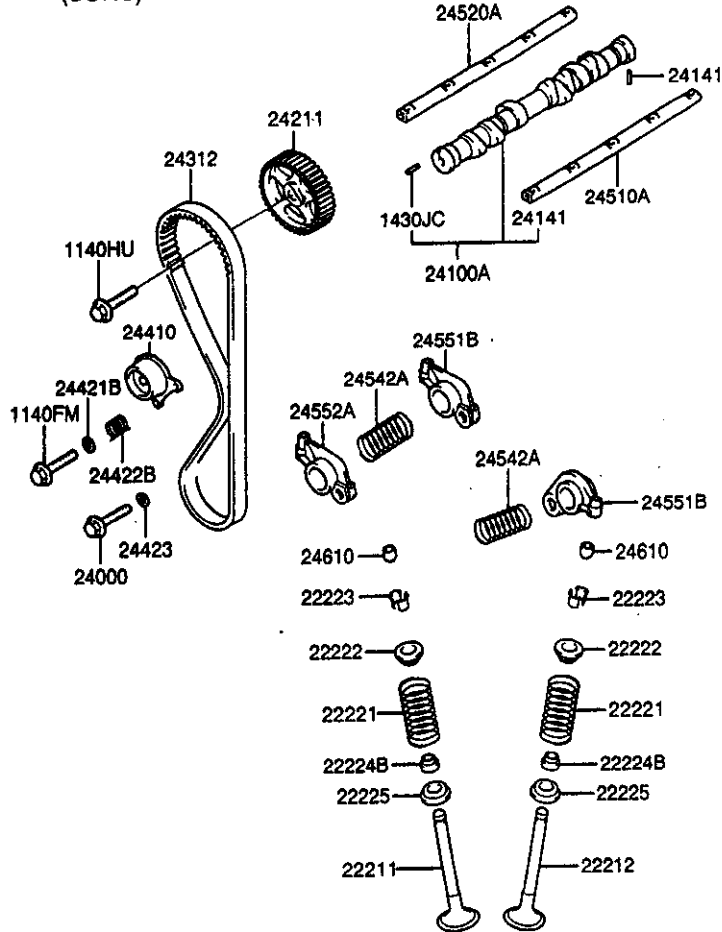
P N C		MODEL APPLICABLE		R E P	PART NO. (REPL P/NO)	Q T Y	REMARKS	P N C		MODEL APPLICABLE		R E P	PART NO. (REPL P/NO)	Q T Y	REMARKS	
FROM-UP-TO	TYPE	DESCRIPTION						FROM-UP-TO	TYPE	DESCRIPTION						
39190A		WHEEL-CRK/SHF POSITION SENSOR														
		(S)RUEDA														
991231 -		ALL M-S;+A10			39190-22600	1										
990601 -		AD L35,P3B,P35,P6B			39190-22600	1										
990601 -		AG P3B,P35,P6B,P65			39190-22600	1										
990601 -		DG P3B,P35,P65			39190-22600	1										
990601 -		DS M-S			39190-22600	1										
990601 -		FD M-S			39190-22600	1										
990601 -		FG P3B,P35,P6B,P65			39190-22600	1										
39191		SCREW-CPS WHEEL														
		(S)TORNILLO														
020101 -		ALL TCI			39191-37100	4										
43213		BOLT-SPECIAL														
		(S)PERNO														
990601 -		AD L35,L45,P35			43213-21000	5										
990601 -		AD L35,L45,P35;+A10			43213-21000	5										
990601 -		DS L35,L45,P35			43213-21000	5										
990601 -		DS L35,L45,P35;+A10			43213-21000	5										
990601 -		FD L35,L45,P35			43213-21000	5										
990601 -		FD L35,L45,P35;+A10			43213-21000	5										

20-240 CAMSHAFT & VALVE

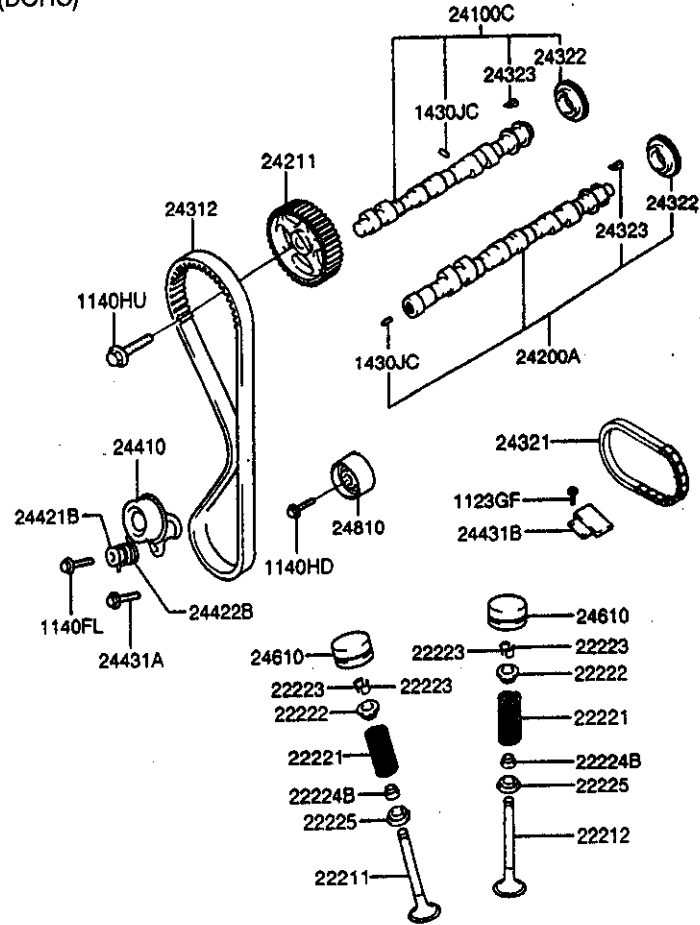
BA.G0112- 65

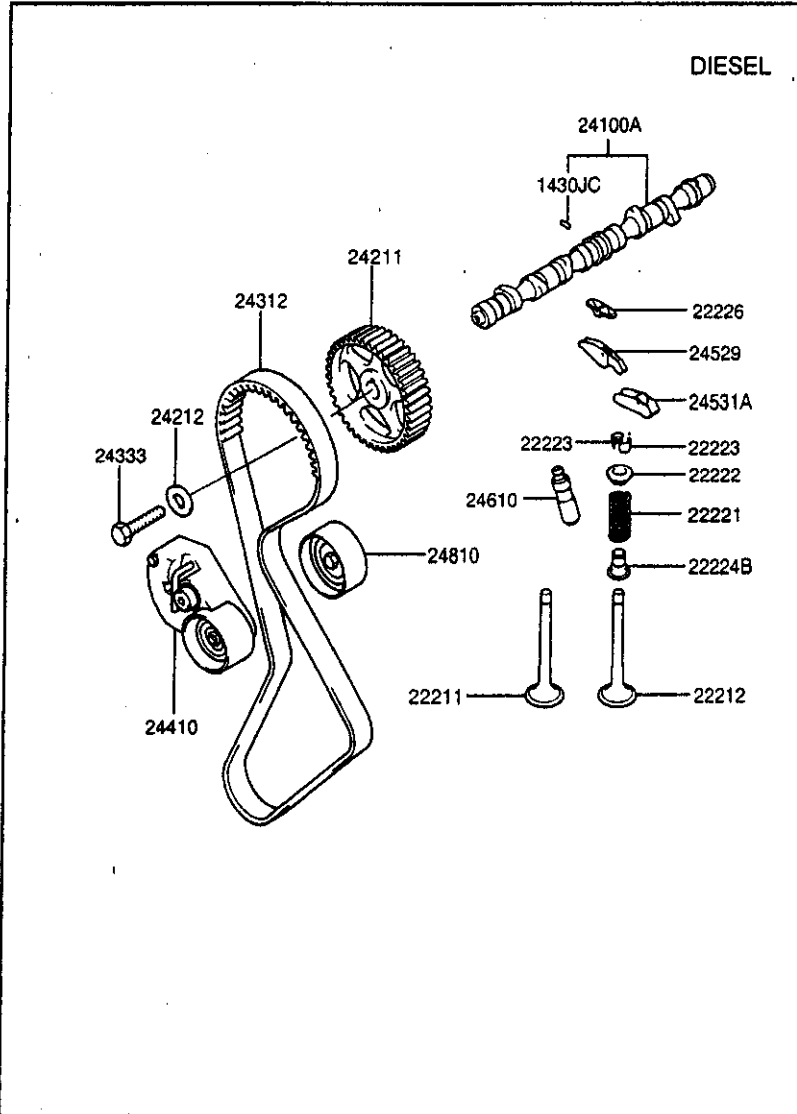
1-M 5

(SOHC)



(DOHC)





P N C	MODEL APPLICABLE		R E P	PART NO. (REPL P/NO)	Q T Y	REMARKS
	FROM-UP-TO	TYPE				
1123GF				BOLT-WASHER ASSY (S)CONJ.ARANDELA		
990601 - 991101	AD	M-D	Y	11233-06121 (11233-06123)	2	
991101 - 990601	AD	M-D		11233-06123	2	
990601 - 991101	AG	M-D	Y	11233-06121 (11233-06123)	2	
991101 - 990601	AG	M-D		11233-06123	2	
990601 - 991101	DG	M-D	Y	11233-06121 (11233-06123)	2	
991101 - 990601	DG	M-D		11233-06123	2	
990601 - 991101	FG	M-D	Y	11233-06121 (11233-06123)	2	
991101 - 990601	FG	M-D		11233-06123	2	
1140FL				BOLT (S)PERNO (PESTANA)		
990801 - 990601	AD	M-D	Y	11403-08381 (11403-08383)	1	
990601 - 990601	AG	M-D	Y	11403-08381 (11403-08383)	1	
990601 - 990601	DG	M-D	Y	11403-08381 (11403-08383)	1	
990601 - 990601	FG	M-D	Y	11403-08381 (11403-08383)	1	
1140FM				BOLT (S)PERNO (PESTANA)		
990601 - 990601	AD	L35,L45,P3B,P35	Y	11403-08401 (11403-08403)	1	
990601 - 990601	DS	L35,L45,P3B,P35	Y	11403-08401 (11403-08403)	1	
990601 - 990601	FD	L35,L45,P3B,P35	Y	11403-08401 (11403-08403)	1	
1140HD				BOLT (S)PERNO (PESTANA)		
990601 - 990601	AD	M-D	Y	11404-10251 (11404-10253)	1	
990601 - 990601	AG	M-D	Y	11404-10251 (11404-10253)	1	

CONTINUED

1-B 6

20-240 CAMSHAFT & VALVE

BA,00112- 67

P N C	MODEL APPLICABLE		R E P	PART NO. (REPL P/NO)	Q T Y	REMARKS	P N C	MODEL APPLICABLE		R E P	PART NO. (REPL P/NO)	Q T Y	REMARKS
	FROM-UP-TO	TYPE						DESCRIPTION	FROM-UP-TO				
CONTINUED							CONTINUED						
1140HD		BOLT (S)PERNO (PESTANA)					22211		VALVE-INTAKE (S)VALVULA				
990601 -		DG M-D	Y	11404-10251 (11404-10253)	1		990601 -		FD L35,L45,P3B,P35		22211-22003	8	
990601 -		FG M-D	Y	11404-10251 (11404-10253)	1		990601 -		FG M-S		22211-22003	8	
							990601 - 990827		FG M-D		22211-26600	8	NON LEANBURN
							990827 -		FG M-D;0910		22211-26600	8	NON LEANBURN
1140HU		BOLT (S)PERNO (PESTANA)					22212		VALVE-EXHAUST (S)VALVULA				
990601 -		ALL P3B,P35	Y	11404-12301 (11404-12303)	1		020101 -		ALL TCI		22212-27000	6	
990601 -		AD L35,L45,P6B	Y	11404-12301 (11404-12303)	1		990601 -		AD L35,L45,P3B,P35;0910		22212-22011	4	
990601 -		AG P6B,P65	Y	11404-12301 (11404-12303)	1		990601 -		AD L35,L45,P3B,P35;0920		22212-22051	4	
990601 -		DG P65	Y	11404-12301 (11404-12303)	1		990601 - 990827		AD M-D		22212-26000	8	NON LEANBURN
990601 -		DS L35,L45	Y	11404-12301 (11404-12303)	1		990827 -		AD M-D;0910		22212-26000	8	NON LEANBURN
990601 -		FD L35,L45	Y	11404-12301 (11404-12303)	1		990801 -		AG M-S;0910		22212-22011	4	
990601 -		FG P6B,P65	Y	11404-12301 (11404-12303)	1		990601 -		AG M-S;0920		22212-22051	4	
							990601 - 990827		AG M-D		22212-26000	8	NON LEANBURN
							990827 -		AG M-D;0910		22212-26000	8	NON LEANBURN
							990601 -		DG M-S;0910		22212-22011	4	
							990601 -		DG M-S;0920		22212-22051	4	
							990601 - 990827		DG M-D		22212-26000	8	NON LEANBURN
							990827 -		DG M-D;0910		22212-26000	8	NON LEANBURN
							990801 -		DS L35,L45,P3B,P35;0910		22212-22011	4	
							990801 -		DS L35,L45,P3B,P35;0920		22212-22051	4	
							990601 -		FD L35,L45,P3B,P35;0910		22212-22011	4	
							990601 -		FD L35,L45,P3B,P35;0920		22212-22051	4	
							990601 -		FG M-S;0910		22212-22011	4	
							990601 -		FG M-S;0920		22212-22051	4	
							990601 - 990827		FG M-D		22212-26000	8	NON LEANBURN
							990827 -		FG M-D;0910		22212-26000	8	NON LEANBURN
							22221		SPRING-VALVE (S)MUELLE				
							020101 -		ALL TCI		22221-27000	12	
							990601 -		AD L35,L45,P3B,P35		22221-22600	12	
							990601 - 990827		AD M-D		22221-26000	16	
							990827 -		AD M-D;0910		22221-26000	16	
							990601 -		AG M-S		22221-22600	12	
							990601 - 990827		AG M-D		22221-26000	16	
							990827 -		AG M-D;0910		22221-26000	16	
CONTINUED							CONTINUED						

AD:5DR,GL AG:5DR,GLS DG:3DR,GLS DS:3DR,L FD:4DR,GL FG:4DR,GLS

0910:UNLEADED PACKAGE 0920:LEADED PACKAGE

P N C		MODEL APPLICABLE	R E P	PART NO. (REPL P/NO)	Q T Y	REMARKS
FROM-UP-TO	TYPE	DESCRIPTION				
CONTINUED						
22221		SPRING-VALVE (S)MUELLE				
990601 -		DG M-S		22221-22600	12	
990601 - 990827		DG M-D		22221-26000	16	
990827 -		DG M-D;0910		22221-26000	16	
990601 -		DS L35,L45,P3B,P35		22221-22600	12	
990601 -		FD L35,L45,P3B,P35		22221-22600	12	
990601 -		FG M-S		22221-22600	12	
990601 - 990827		FG M-D		22221-26000	16	
990827 -		FG M-D;0910		22221-26000	16	
22222		RETAINER-VALVE SPRING (S)RETENEDOR				
020101 -		ALL TCI		22222-27000	12	
990601 -		AD L35,L45,P3B,P35		22222-22600	12	
990601 - 990827		AD M-D		22222-26000	16	
990827 -		AD M-D;0910		22222-26000	16	
990601 -		AG M-S		22222-22600	12	
990601 - 990827		AG M-D		22222-26000	16	
990827 -		AG M-D;0910		22222-26000	16	
990601 -		DG M-S		22222-22600	12	
990601 - 990827		DG M-D		22222-26000	16	
990827 -		DG M-D;0910		22222-26000	16	
990601 -		DS L35,L45,P3B,P35		22222-22600	12	
990601 -		FD L35,L45,P3B,P35		22222-22600	12	
990601 -		FG M-S		22222-22600	12	
990601 - 990827		FG M-D		22222-26000	16	
990827 -		FG M-D;0910		22222-26000	16	
22223		LOCK-VALVE SPRING RETAINER (S)CIERRE				
020101 -		ALL TCI		22223-27000	24	
990601 -		AD L35,L45,P3B,P35		22223-22001	24	
990601 - 990827		AD M-D		22223-22001	32	
990827 -		AD M-D;0910		22223-22001	32	
990601 -		AG M-S		22223-22001	24	
990601 - 990827		AG M-D		22223-22001	32	
990827 -		AG M-D;0910		22223-22001	32	
990601 -		DG M-S		22223-22001	24	
990601 - 990827		DG M-D		22223-22001	32	
CONTINUED						

P N C		MODEL APPLICABLE	R E P	PART NO. (REPL P/NO)	Q T Y	REMARKS
FROM-UP-TO	TYPE	DESCRIPTION				
CONTINUED						
22223		LOCK-VALVE SPRING RETAINER (S)CIERRE				
990827 -		DG M-D;0910		22223-22001	32	
990601 -		DS L35,L45,P3B,P35		22223-22001	24	
990601 -		FD L35,L45,P3B,P35		22223-22001	24	
990601 -		FG M-S		22223-22001	24	
990601 - 990827		FG M-D		22223-22001	32	
990827 -		FG M-D;0910		22223-22001	32	
22224B		SEAL-VALVE STEM (S)RETEN				
020101 -		ALL TCI		22224-27000	12	
990601 -		AD L35,L45,P3B,P35		22224-22000	12	
990601 - 990827		AD M-D		22224-22000	16	
990827 -		AD M-D;0910		22224-22000	16	
990601 -		AG M-S		22224-22000	12	
990601 - 990827		AG M-D		22224-22000	16	
990827 -		AG M-D;0910		22224-22000	16	
990601 -		DG M-S		22224-22000	12	
990601 - 990827		DG M-D		22224-22000	16	
990827 -		DG M-D;0910		22224-22000	16	
990601 -		DS L35,L45,P3B,P35		22224-22000	12	
990601 -		FD L35,L45,P3B,P35		22224-22000	12	
990601 -		FG M-S		22224-22000	12	
990601 - 990827		FG M-D		22224-22000	16	
990827 -		FG M-D;0910		22224-22000	16	
22225		SEAT-VALVE SPRING (S)ASIENTO				
990601 -		AD L35,L45,P3B,P35		22225-22020	12	
990601 - 990827		AD M-D		22225-26000	16	
990827 -		AD M-D;0910		22225-26000	16	
990601 -		AG M-S		22225-22020	12	
990601 - 990827		AG M-D		22225-26000	16	
990827 -		AG M-D;0910		22225-26000	16	
990601 -		DG M-S		22225-22020	12	
990601 - 990827		DG M-D		22225-26000	16	
990827 -		DG M-D;0910		22225-26000	16	
990601 -		DS L35,L45,P3B,P35		22225-22020	12	
990601 -		FD L35,L45,P3B,P35		22225-22020	12	
CONTINUED						

20-240 CAMSHAFT & VALVE

BA,G0112- 69

1-D 6

P N C		MODEL APPLICABLE		R E P	PART NO. (REPL P/NO)	Q T Y	REMARKS	P N C		MODEL APPLICABLE		R E P	PART NO. (REPL P/NO)	Q T Y	REMARKS
FROM-UP-TO	TYPE	DESCRIPTION						FROM-UP-TO	TYPE	DESCRIPTION					
CONTINUED								24211	SPROCKET-CAMSHAFT (S)DIENTE DE ENGRANAJE						
22225		SEAT-VALVE SPRING (S)ASIENTO						020101 -	ALL TCI				24211-27000	1	
990601 -		FG M-S			22225-22020	12		990601 -	AD M-D				24211-22021	1	
990601 - 990627		FG M-D			22225-26000	16		990601 -	AD L35,L45,P3B,P35				24211-22611	1	
990627 -		FG M-D;0910			22225-26000	16		990601 -	AG M-D				24211-22021	1	
22226		CAP-VALVE (S)TAPA						990601 -	AG M-S				24211-22611	1	
020101 -		ALL TCI			22226-27000	6		990601 -	DG M-D				24211-22021	1	
24000		BOLT (S)PERNO (PESTANA)						990601 -	DG M-S				24211-22611	1	
990601 -		AD L35,L45,P3B,P35			24000-22000	2		990601 -	DS L35,L45,P3B,P35				24211-22611	1	
990601 -		AG M-S			24000-22000	2		990601 -	FD L35,L45,P3B,P35				24211-22611	1	
990601 -		DG M-S			24000-22000	2		990601 -	FG M-D				24211-22021	1	
990601 -		DS L35,L45,P3B,P35			24000-22000	2		990601 -	FG M-S				24211-22611	1	
990601 -		FD L35,L45,P3B,P35			24000-22000	2									
990601 -		FG M-S			24000-22000	2		24212	WASHER-CAMSHAFT SPROCKET (S)ARANDELA						
24100A		CAMSHAFT ASSY (S)CONJUNTO ARBOL DE LEVAS						020101 -	ALL TCI				24213-27000	1	
990601 -		ALL M-S			24100-22012	1		24312	BELT-VALVE TIMING (S)CORREA						
020101 -		ALL TCI			24100-27500	1		020101 -	ALL TCI				24312-27000	1	
990601 -		AD CON			24100-22311	1		990601 -	AD L35,L45,P3B,P35	Y			24312-22611	1	
990601 -		DS CON			24100-22311	1							(24312-22612)	1	
990601 -		FD CON			24100-22311	1		990601 -	AD L35,L45,P3B,P35				24312-22612	1	
					24100-22311	1		990601 - 010219	AD M-D	Y			24312-26000	1	
24100C		CAMSHAFT ASSY-INTAKE (S)CONJUNTO ARBOL DE LEVAS											(24312-26001)	1	
990601 -		AD M-D			24100-26600	1	NON LEANBURN	010219 -	AD M-D				24312-26001	1	
990601 -		AG M-D			24100-26600	1	NON LEANBURN	990601 -	AG M-S	Y			24312-22611	1	
990601 -		DG M-D			24100-26600	1	NON LEANBURN	990601 - 010219	AG M-D	Y			(24312-22612)	1	
990601 -		FG M-D			24100-26600	1	NON LEANBURN						24312-26001	1	
24141		PIN-DOWEL (S)PASADOR						010219 -	AG M-D				24312-26001	1	
990601 -		ALL M-S			24121-22011	1		990601 -	DG M-S	Y			24312-22611	1	
24200A		CAMSHAFT ASSY-EXHAUST (S)CONJUNTO ARBOL DE LEVAS											(24312-22612)	1	
990601 -		AD M-D			24200-26003	1		990601 -	DG M-S				24312-22612	1	
990601 -		AG M-D			24200-26003	1		990601 - 010219	DG M-D	Y			24312-26000	1	
990601 -		DG M-D			24200-26003	1							(24312-26001)	1	
990601 -		FG M-D			24200-26003	1		010219 -	DG M-D				24312-26001	1	
					24200-26003	1		990601 -	DS L35,L45,P3B,P35	Y			24312-22611	1	
					24200-26003	1							(24312-22612)	1	
								CONTINUED							

1-E 6

20-240 CAMSHAFT & VALVE

8A.G0112- 70

P N C		MODEL APPLICABLE		R E P	PART NO. (REPL PNO)	Q T Y	REMARKS	P N C		MODEL APPLICABLE		R E P	PART NO. (REPL PNO)	Q T Y	REMARKS
FROM-UP-TO	TYPE	DESCRIPTION						FROM-UP-TO	TYPE	DESCRIPTION					
CONTINUED															
24312		BELT-VALVE TIMING						24323		KEY-CHAIN SPROCKET					
		(S)CORREA								(S)LLAVE					
990601 -		DS L35,L45,P3B,P35			24312-22612	1		990601 -		AD M-D		24323-26600	1		
990601 -		FD L35,L45,P3B,P35		Y	24312-22611	1		990601 -		AG M-D		24323-26600	1		
					(24312-22612)			990601 -		DG M-D		24323-26600	1		
990601 -		FD L35,L45,P3B,P35			24312-22612	1		990601 -		FG M-D		24323-26600	1		
990601 -		FG M-S		Y	24312-22611	1		24333		BOLT-CAMSHAFT					
					(24312-22612)					(S)PERNO					
990601 -		FG M-S			24312-22612	1		020101 -		ALL TCI		24212-27001	1		
990601 - 010219		FG M-D		Y	24312-26000	1		24410		TENSIONER ASSY-VLV TIMING BELT					
					(24312-26001)					(S)CONJ. TENSOR					
010219 -		FG M-D			24312-26001	1		990601 -		ALL P3B,P35		24410-26000	A		
24321		CHAIN-TIMING						020101 -		ALL TCI		24410-27000	1		
		(S)CADENA						990601 -		AD M-D		24410-22020	1		
990601 -		AD M-D			24321-26002	1		990601 -		AD L35,L45,P6B		24410-26000	A		
990601 -		AG M-D			24321-26002	1		990601 -		AG M-D		24410-22020	1		
990601 -		DG M-D			24321-26002	1		990601 -		AG P6B,P65		24410-26000	A		
990601 -		FG M-D			24321-26002	1		990601 -		DG M-D		24410-22020	1		
24322		SPROCKET-TIMING CHAIN						990601 -		DG P65		24410-26000	A		
		(S)DIENTE DE ENGRANAJE						990601 -		DS L35,L45		24410-26000	A		
990601 -		AD M-D			24322-26001	A		990601 -		FD L35,L45		24410-26000	A		
990601 - 000329		AD M-D		A	24322-26600	1		990601 -		FG M-D		24410-22020	1		
					(24322-26601)			990601 -		FG P6B,P65		24410-26000	A		
000329 -		AD M-D			24322-26601	1		24421B		SPACER-TENSIONER					
990601 -		AG M-D			24322-26001	A				(S)ESPACIADOR					
990601 - 000329		AG M-D		A	24322-26600	1		990601 -		ALL P3B,P35		24421-24000	1		
					(24322-26601)			990601 -		AD L35,L45,P6B		24421-24000	1		
000329 -		AG M-D			24322-26601	1		990601 -		AG P6B,P65		24421-24000	1		
990601 -		DG M-D			24322-26001	A		990601 -		DG P65		24421-24000	1		
990601 - 000329		DG M-D		A	24322-26600	1		990601 -		DS L35,L45		24421-24000	1		
					(24322-26601)			990601 -		FD L35,L45		24421-24000	1		
000329 -		DG M-D			24322-26601	1		990601 -		FG P6B,P65		24421-24000	1		
990601 -		FG M-D			24322-26001	A		24422B		SPRING-TENSIONER					
990601 - 000329		FG M-D		A	24322-26600	1				(S)MUELLE					
					(24322-26601)			990601 -		AD L35,L45,P3B,P35		24422-22000	1		
000329 -		FG M-D			24322-26601	1		990601 -		AD M-D		24422-24000	1		
					(24322-26601)			990601 -		AG M-S		24422-22000	1		
					24322-26600	1		990601 -		AG M-D		24422-24000	1		
					(24322-26601)			990601 -		DG M-S		24422-22000	1		
					24322-26601	1		CONTINUED							

AD:3DR,GL AG:3DR,GLS DG:3DR,GLS DS:3DR,L FD:4DR,GL FG:4DR,GLS

20-240 CAMSHAFT & VALVE

BA,00112- 71

1-F 6

P N C		MODEL APPLICABLE		R E P	PART NO. (REPL P/N)	Q T Y	REMARKS	P N C		MODEL APPLICABLE		R E P	PART NO. (REPL P/N)	Q T Y	REMARKS
FROM-UP-TO	TYPE	DESCRIPTION						FROM-UP-TO	TYPE	DESCRIPTION					
CONTINUED								CONTINUED							
24422B		SPRING-TENSIONER						24520A		SHAFT-EXHAUST VLV ROCKER ARM					
		(S)MUELLE								(S)EJE					
990601 -		DG	M-D		24422-24000	1		990601 -		AG	M-S		24511-22010	1	
990601 -		DS	L35,L45,P3B,P35		24422-22000	1		990601 -		DG	M-S		24511-22010	1	
990601 -		FD	L35,L45,P3B,P35		24422-22000	1		990601 -		DS	L35,L45,P3B,P35		24511-22010	1	
990601 -		FG	M-S		24422-22000	1		990601 -		FD	L35,L45,P3B,P35		24511-22010	1	
990601 -		FG	M-D		24422-24000	1		990601 -		FG	M-S		24511-22010	1	
24423		WASHER-PLAIN						24529		ROCKER ARM-EXHAUST					
		(S)ARANDELA								(S)BALANCIN					
990601 -		AD	L35,L45,P3B,P35		24423-21000	1		020101 -		ALL	TCI		24180-27000	3	
990601 -		AG	M-S		24423-21000	1		24531A		ROCKER ARM-INTAKE					
990601 -		DG	M-S		24423-21000	1				(S)BALANCIN					
990601 -		DS	L35,L45,P3B,P35		24423-21000	1		020101 -		ALL	TCI		24170-27001	3	
990601 -		FD	L35,L45,P3B,P35		24423-21000	1		24542A		SPRING-ROCKER SHAFT					
990601 -		FG	M-S		24423-21000	1				(S)MUELLE					
24431A		BOLT						990601 -		AD	L35,L45,P3B,P35		24541-22010	8	
		(S)PERNO (CON ARANDELA)						990601 -		AG	M-S		24541-22010	8	
990601 -		AD	M-D		24433-26001	1		990601 -		DG	M-S		24541-22010	8	
990601 -		AG	M-D		24433-26001	1		990601 -		DS	L35,L45,P3B,P35		24541-22010	8	
990601 -		DG	M-D		24433-26001	1		990601 -		FD	L35,L45,P3B,P35		24541-22010	8	
990601 -		FG	M-D		24433-26001	1		990601 -		FG	M-S		24541-22010	8	
24431B		GUIDE-CHAIN LWR						24551B		ROCKER ARM(A)					
		(S)GUIA								(S)BALANCIN(A)					
990601 -		AD	M-D		24431-26000	1		990601 -		AD	L35,L45,P3B,P35		24551-22020	8	
990601 -		AG	M-D		24431-26000	1		990601 -		AG	M-S		24551-22020	8	
990601 -		DG	M-D		24431-26000	1		990601 -		DG	M-S		24551-22020	8	
990601 -		FG	M-D		24431-26000	1		990601 -		DS	L35,L45,P3B,P35		24551-22020	8	
24510A		SHAFT-INTAKE VLV ROCKER ARM						990601 -		FD	L35,L45,P3B,P35		24551-22020	8	
		(S)EJE						990601 -		FG	M-S		24551-22020	8	
990601 -		AD	L35,L45,P3B,P35		24521-22010	1		24552A		ROCKER ARM(B)					
990601 -		AG	M-S		24521-22010	1				(S)BALANCIN(B)					
990601 -		DG	M-S		24521-22010	1		990601 -		AD	L35,L45,P3B,P35		24552-22020	4	
990601 -		DS	L35,L45,P3B,P35		24521-22010	1		990601 -		AG	M-S		24552-22020	4	
990601 -		FD	L35,L45,P3B,P35		24521-22010	1		990601 -		DG	M-S		24552-22020	4	
990601 -		FG	M-S		24521-22010	1		990601 -		DS	L35,L45,P3B,P35		24552-22020	4	
24520A		SHAFT-EXHAUST VLV ROCKER ARM						990601 -		FD	L35,L45,P3B,P35		24552-22020	4	
		(S)EJE						990601 -		FG	M-S		24552-22020	4	
990601 -		AD	L35,L45,P3B,P35		24511-22010	1									

1-G 6

20-240 CAMSHAFT & VALVE

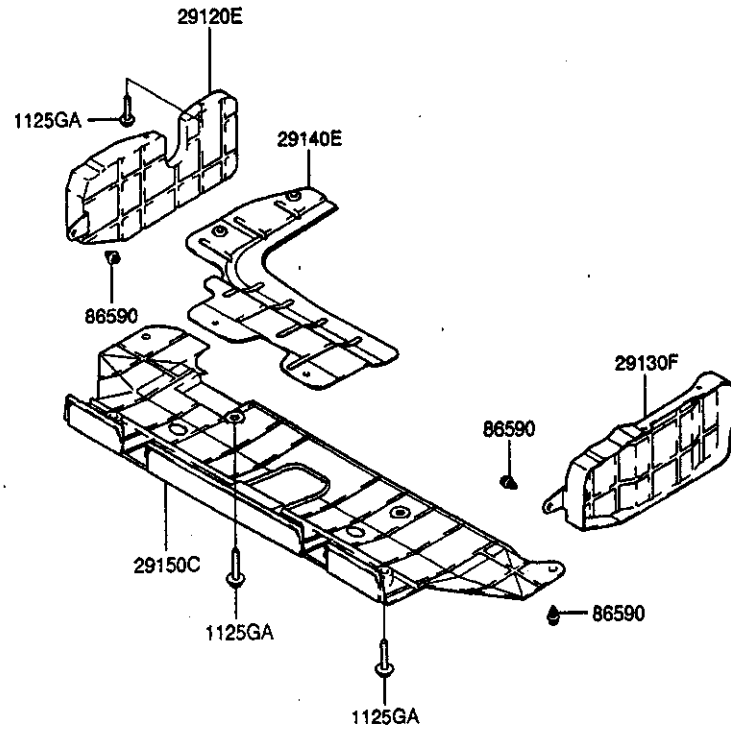
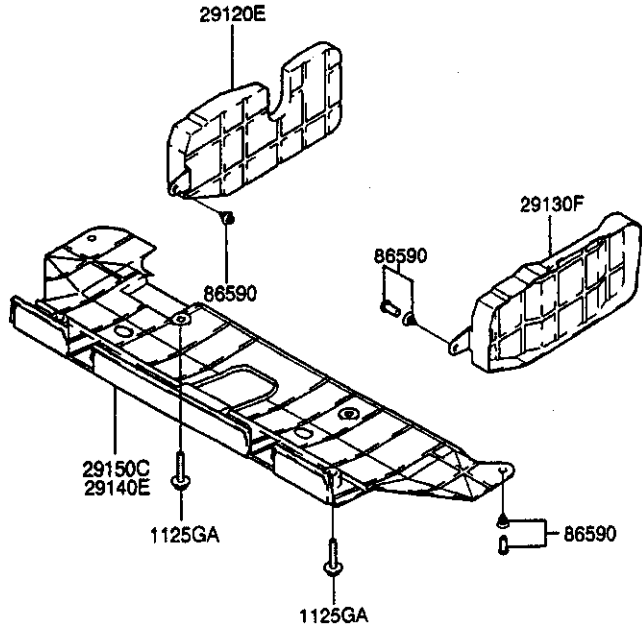
BA.G0112- 72

P N C		MODEL APPLICABLE		R E P	PART NO. (REPL P/NO)	Q T Y	REMARKS	P N C		MODEL APPLICABLE		R E P	PART NO. (REPL P/NO)	Q T Y	REMARKS
FROM-UP-TO	TYPE	DESCRIPTION	FROM-UP-TO					TYPE	DESCRIPTION						
24610		ADJUSTER ASSY-ROCKER ARM LASH													
		(S)CONJ. AJUSTADOR													
020101 -		ALL TCI			22231-27000	6									
990601 -		AD L35,L45,P3B,P35			24610-22600	4									
990601 - 990827		AD M-D			22231-37110	16									
990827 -		AD M-D;0910			22231-37110	16									
990601 -		AG M-S			24610-22600	4									
990601 - 990827		AG M-D			22231-37110	16									
990827 -		AG M-D;0910			22231-37110	16									
990601 -		DG M-S			24610-22600	4									
990601 - 990827		DG M-D			22231-37110	16									
990827 -		DG M-D;0910			22231-37110	16									
990601 -		DS L35,L45,P3B,P35			24610-22600	4									
990601 -		FD L35,L45,P3B,P35			24610-22600	4									
990601 -		FG M-S			24610-22600	4									
990601 - 990827		FG M-D			22231-37110	16									
990827 -		FG M-D;0910			22231-37110	16									
24810		PULLEY-IDLER													
		(S)POLEA													
020101 -		ALL TCI			24810-27000	1									
990601 -		AD M-D			24810-26010	1									
990601 -		AD M-D			24810-26020	A									
990601 -		AG M-D			24810-26010	1									
990601 -		AG M-D			24810-26020	A									
990601 -		DG M-D			24810-26010	1									
990601 -		DG M-D			24810-26020	A									
990601 -		FG M-D			24810-26010	1									
990601 -		FG M-D			24810-26020	A									

20-291 MUD GUARD

1-H 6

BA,00112- 73

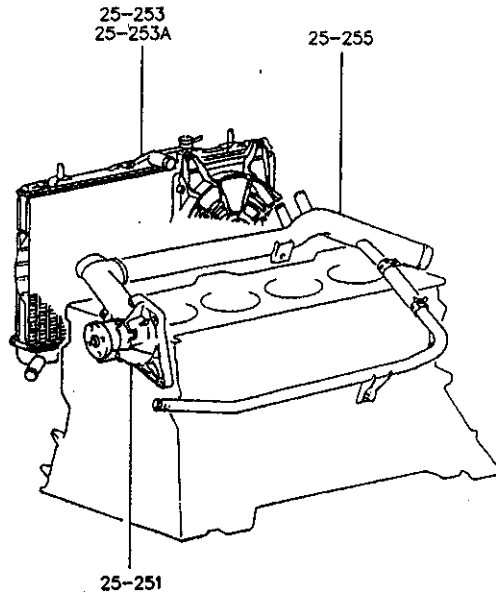


M/E/M/O

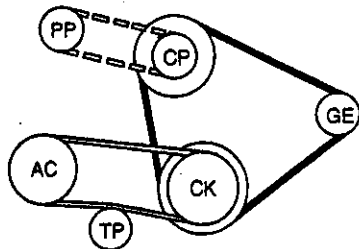
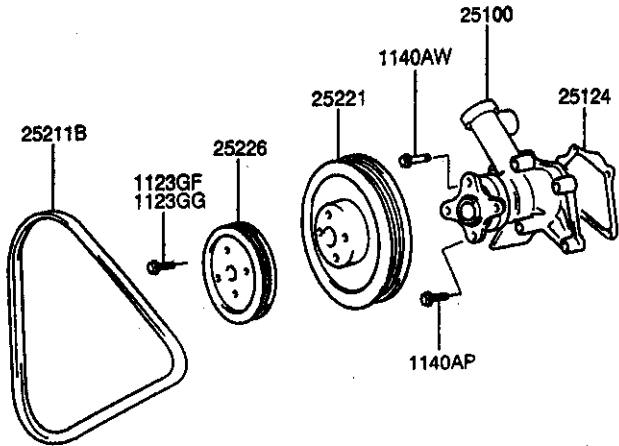
25

COOLING

25-251	COOLANT PUMP	1-K 6
25-253	RADIATOR	1-B 7
25-253A	RAD HOSE & RESERVOIR.....	1-F 7
25-255	COOLANT HOSE & PIPE	1-I 7



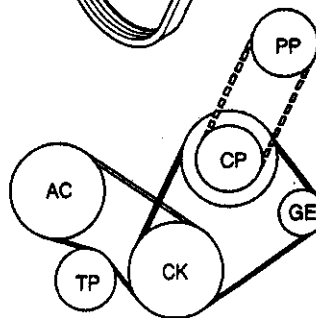
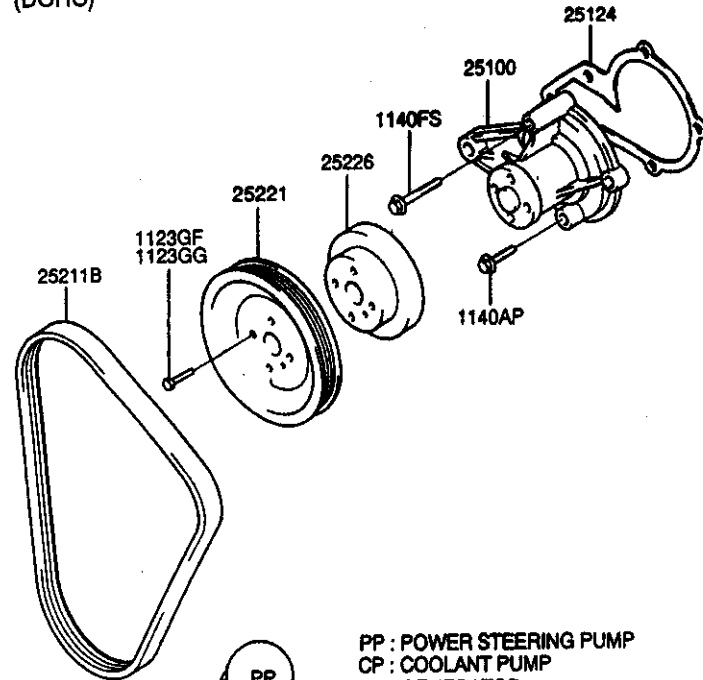
(SOHC)



PP : POWER STEERING PUMP
 CP : COOLANT PUMP
 GE : GENERATOR
 CK : CRANKSHAFT
 TP : TENSION PULLEY
 AC : AIR-CON COMPRESSOR

	GROUP NO	PNC
	25-251	25211B
	56-571	57231
	97-976A	97713A

(DOHC)



PP : POWER STEERING PUMP
 CP : COOLANT PUMP
 GE : GENERATOR
 CK : CRANKSHAFT
 TP : TENSION PULLEY
 AC : AIR-CON COMPRESSOR

	GROUP NO	PNC
	25-251	25211B
	56-571	57231
	97-976A	97713A

1-M6

25-251 COOLANT PUMP

BA,00112-78

P N C		MODEL APPLICABLE		R E P	PART NO. (REPL P/NO)	Q T Y	REMARKS	P N C		MODEL APPLICABLE		R E P	PART NO. (REPL P/NO)	Q T Y	REMARKS
FROM-UP-TO	TYPE	DESCRIPTION						FROM-UP-TO	TYPE	DESCRIPTION					
CONTINUED															
1140AW								25124							
		BOLT						GASKET-WATER PUMP							
		(S)PERNO (PESTANA)						(S)JUNTA							
990601 -		FD L35,L45,P3B,P35			11400-08603	1		020101 -		ALL TCI			25124-27000	1	
990601 -		FG M-S			11400-08603	1		990601 -		AD L35,L45,P3B,P35			25124-22000	1	
1140EN								25211B							
		BOLT						BELT"V"-C/PUMP & GENERATOR							
		(S)PERNO (PESTANA)						(S)CORREA TRAPEZOIDAL							
020101 -		ALL TCI		Y	11403-06203 (11403-06223)	3		020101 -		ALL TCI			25212-27551	1	
1140FP								25221							
		BOLT						PULLEY-COOLANT PUMP							
		(S)PERNO (PESTANA)						(S)POLEA							
020101 -		ALL TCI			11403-08503	1		990601 -		AD L35,L45,P3B,P35			25221-22600	1	
1140FS								25100							
		BOLT						020101 -		ALL TCI			25100-27000	1	
		(S)PERNO (PESTANA)						990601 -		AD L35,L45,P3B,P35			25100-22650	1	
020101 -		ALL TCI			11403-08653	2		990601 - 990824		AD M-D			25100-26016	1	
990601 -		AD M-D			11403-08653	1		990824 -		AD M-D			25100-26900	1	
990601 -		AG M-D			11403-08653	1		990601 -		AG M-S			25100-22650	1	
990601 -		DG M-D			11403-08653	1		990601 - 990824		AG M-D			25100-26016	1	
990601 -		FG M-D			11403-08653	1		990624 -		AG M-D			25100-26900	1	
1140HD								25221							
		BOLT						990601 -		AG M-S			25100-22650	1	
		(S)PERNO (PESTANA)						990601 -		AG M-D			25100-26016	1	
020101 -		ALL TCI			11404-10253	1		990601 -		DG M-S			25100-26016	1	
25100								25221							
		PUMP ASSY-COOLENT						990601 -		DG M-D			25100-26900	1	
		(S)CONJUNTO BOMBA						990601 -		DS L35,L45,P3B,P35			25100-22650	1	
020101 -		ALL TCI			25100-27000	1		990601 -		FD L35,L45,P3B,P35			25100-22650	1	
990601 -		AD L35,L45,P3B,P35			25100-22650	1		990601 -		FG M-S			25100-22650	1	
990601 - 990824		AD M-D			25100-26016	1		990601 - 990824		FG M-D			25100-28016	1	
990824 -		AD M-D			25100-26900	1		990824 -		FG M-D			25100-26900	1	
990601 -		AG M-S			25100-22650	1									
990601 - 990824		AG M-D			25100-26016	1									
990624 -		AG M-D			25100-26900	1									
990601 -		DG M-S			25100-22650	1									
990601 - 990824		DG M-D			25100-26016	1									
990824 -		DG M-D			25100-26900	1									
990601 -		DS L35,L45,P3B,P35			25100-22650	1									
990601 -		FD L35,L45,P3B,P35			25100-22650	1									
990601 -		FG M-S			25100-22650	1									
990601 - 990824		FG M-D			25100-28016	1									
990824 -		FG M-D			25100-26900	1									
CONTINUED															

AD:3DR,QL AG:5DR,QLS DG:3DR,QLS DS:3DR,L FD:4DR,GL FG:4DR,QLS

5613:STR0-POWER(N,P,S)

1-A7

25-251 COOLANT PUMP

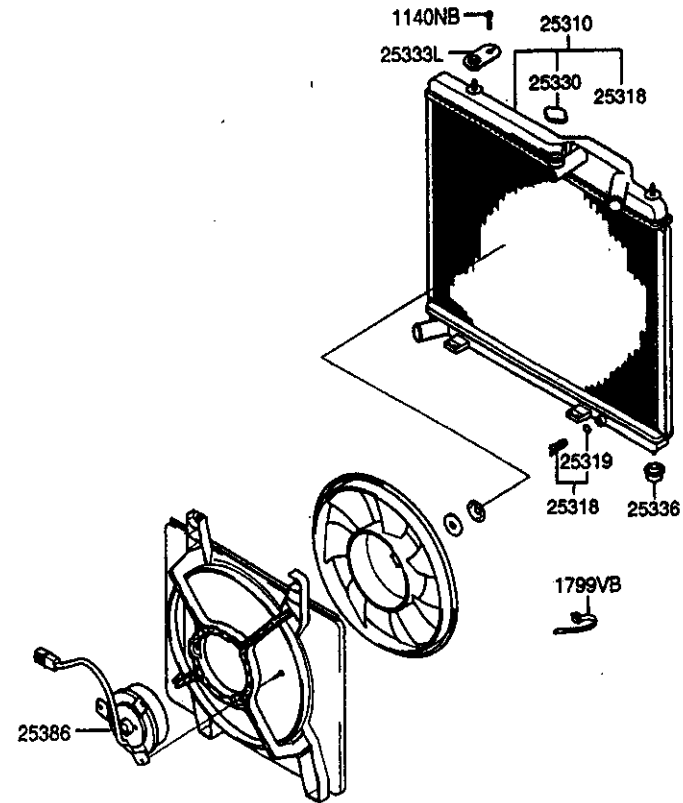
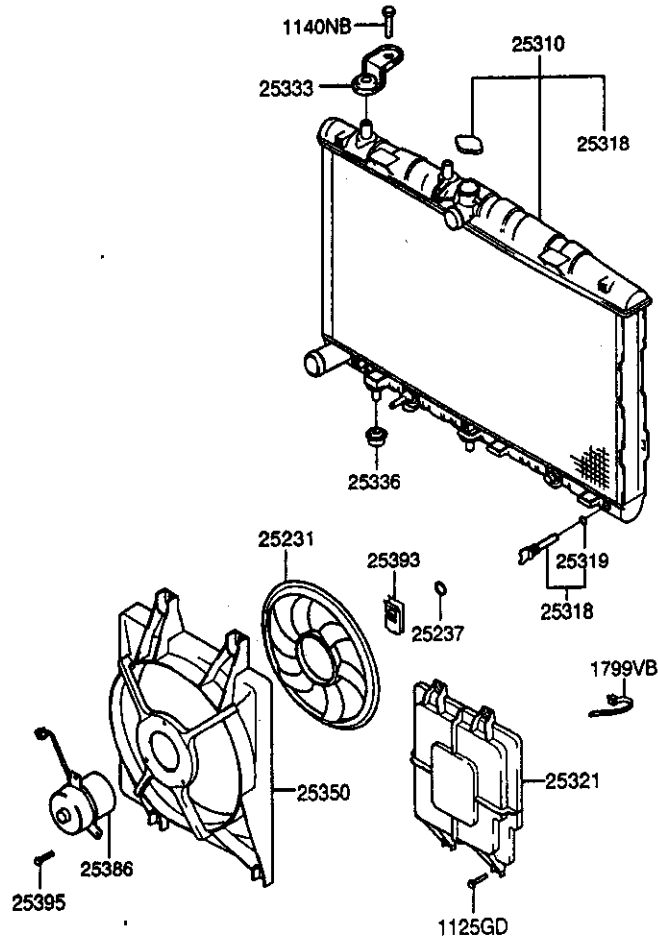
BA,00112-79

P N C		MODEL APPLICABLE		R E P	PART NO. (REPL P/NO)	Q T Y	REMARKS	P N C		MODEL APPLICABLE		R E P	PART NO. (REPL P/NO)	Q T Y	REMARKS
FROM-UP-TO	TYPE	DESCRIPTION						FROM-UP-TO	TYPE	DESCRIPTION					
CONTINUED															
25221		PULLEY-COOLANT PUMP (S)POLEA													
990601 -		FD	L35,L45,P3B,P35		25221-22600	1									
990601 -		FG	M-S		25221-22600	1									
990601 -		FG	M-D		25221-26021	1									
990601 -		FG	M-D;5613		25221-26001	1									
25226		PULLEY-POWER STEERING (S)POLEA													
990601 -		AD	L35,L45,P3B,P35;5613		25226-22610	1									
990601 -		AD	M-D;5613		25226-26001	1									
990601 -		AG	M-S;5613		25226-22610	1									
990601 -		AG	M-D;5613		25226-26001	1									
990601 -		DG	M-S;5613		25226-22610	1									
990601 -		DG	M-D;5613		25226-26001	1									
990601 -		DS	L35,L45,P3B,P35;5613		25226-22610	1									
990601 -		FD	L35,L45,P3B,P35;5613		25226-22610	1									
990601 -		FG	M-S;5613		25226-22610	1									
990601 -		FG	M-D;5613		25226-26001	1									
25281		TENSIONER ASSY (S)CONJ. TENSOR													
020101 -		ALL	TCI		25281-27000	1									
25286		PULLEY-IDLER (S)POLEA													
020101 -		ALL	TCI		25287-27000	1									
25287		PULLEY-DRIVE BELT (S)POLEA													
020101 -		ALL	TCI		25288-27000	1									
25438		BRACKET (S)SOPORTE													
020101 -		ALL	TCI		25285-27500	1									

AD:3DR,GL AG:3DR,GLS DG:3DR,GLS DS:3DR,LL FD:4DR,GL FG:4DR,GLS

5613:STRG-POWER(N,PS)

DIESEL



1-C7

25-253 RADIATOR

BA,G0112- 81

P N C		MODEL APPLICABLE		R E P	PART NO. (REPL P/NO)	Q T Y	REMARKS	P N C		MODEL APPLICABLE		R E P	PART NO. (REPL P/NO)	Q T Y	REMARKS
FROM-UP-TO	TYPE	DESCRIPTION						FROM-UP-TO	TYPE	DESCRIPTION					
1125GD		BOLT (S)PERNO (CON ARANDELA)						25237		WASHER (S)ARANDELA					
000417 -		ALL P35		A	11253-06253 (11407-06141)	4		990601 -		ALL P3B,P35			25237-34000	1	
000417 -		AD L35,L45		A	11253-06253 (11407-06141)	4		990601 -		AD L35,L45,P6B			25237-34000	1	
000417 -		AG P65		A	11253-06253 (11407-06141)	4		990601 -		AG P6B,P65			25237-34000	1	
000417 -		DG P65		A	11253-06253 (11407-06141)	4		990601 -		DG P65			25237-34000	1	
000417 -		DS L35,L45		A	11253-06253 (11407-06141)	4		990601 -		DS L35,L45			25237-34000	1	
000417 -		FD L35,L45		A	11253-06253 (11407-06141)	4		990601 -		FD L35,L45			25237-34000	1	
000417 -		FG P65		A	11253-06253 (11407-06141)	4		990601 -		FG P6B,P65			25237-34000	1	
1140NB		BOLT (S)PERNO (PESTANA)						25310		RADIATOR ASSY (S)CONJUNTO RADIADOR					
990601 - 010816		ALL P3B,P35			11407-06143	7		990601 -		ALL P35			25310-25050	1	
020101 -		ALL TCI			11407-06143	5		020101 -		ALL TCI;9760			25310-25810	1	
990601 - 010816		AD L35,L45,P6B			11407-06143	7		990601 -		AD L35			25310-25050	1	
990601 - 010816		AG P6B,P65			11407-06143	7		990601 -		AD P3B			25310-25100	1	
990601 - 010816		DG P65			11407-06143	7		990601 -		AD M-D			25310-25150	1	
990601 - 010816		DS L35,L45			11407-06143	7		990601 -		AD CON			25310-25250	1	
990601 - 010816		FD L35,L45			11407-06143	7		990601 -		AG P65			25310-25050	1	
990601 - 010816		FG P6B,P65			11407-06143	7		990601 -		AG P3B			25310-25100	1	
1799VB		BAND-CABLE (S)BANDA						990601 -		AG P6B			25310-25150	1	
990601 -		ALL			17998-15207	1		990601 -		DG P65			25310-25050	1	
25231		FAN-COOLING (S)VENTILADOR						990601 -		DG 4AT2			25310-25100	1	
990601 -		ALL P3B,P35			25231-25000	1		990601 -		DS L35			25310-25050	1	
990601 -		AD L35,L45,P6B			25231-25000	1		990601 -		DS 4AT2			25310-25100	1	
990601 -		AG P6B,P65			25231-25000	1		990601 -		DS CON			25310-25250	1	
990601 -		DG P65			25231-25000	1		990601 -		FD L35			25310-25050	1	
990601 -		DS L35,L45			25231-25000	1		990601 -		FD 4AT2			25310-25100	1	
990601 -		FD L35,L45			25231-25000	1		990601 -		FD CON			25310-25250	1	
990601 -		FG P6B,P65			25231-25000	1		990601 -		FG P65			25310-25050	1	
990601 -					25231-25000	1		990601 -		FG P3B			25310-25100	1	
					25231-25000	1		990601 -		FG P6B			25310-25150	1	
								25318		PLUG-RADIATOR DRAIN (S)TAPON					
								990601 -		ALL			25318-24100	1	
								25319		RING "O" (S)JUNTAS TORICAS					
								990601 -		ALL			25319-24100	1	

25-253 RADIATOR

BA,00112- 82

1-D7

P N C	MODEL APPLICABLE		PART NO. (REPL PNO)	Q T Y	REMARKS
	FROM-UP-TO	DESCRIPTION			
25321	COVER				
		(S)CUBIERTA			
000417 -	ALL	P35	25321-25000	1	
000417 -	AD	L35,L45	25321-25000	1	
000417 -	AG	P65	25321-25000	1	
000417 -	DG	P65	25321-25000	1	
000417 -	DS	L35,L45	25321-25000	1	
000417 -	FD	L35,L45	25321-25000	1	
000417 -	FG	P65	25321-25000	1	
25330	CAP ASSY-RADIATOR				
		(S)CONJUNTO TAPA			
020101 -	ALL	TCI;9760	25330-2D090	1	
25333	BRACKET ASSY-RADIATOR MTG UPR				
		(S)CONJUNTO SOPORTE			
990601 -	ALL	P35	25333-25000	2	
990601 -	ALL	4AT2	25333-25100	2	
020101 -	ALL	TCI	25333-25100	1	
990601 -	AD	L35,L45	25333-25000	2	
990601 -	AG	P65	25333-25000	2	
990601 -	DG	P65	25333-25000	2	
990601 -	DS	L35,L45	25333-25000	2	
990601 -	FD	L35,L45	25333-25000	2	
990601 -	FG	P65	25333-25000	2	
25333L	BRACKET ASSY-RADIATOR MTG UPR LH				
		(S)CONJUNTO SOPORTE			
020101 -	ALL	TCI;9760	25333-25800	2	
25336	INSULATOR-RADIATOR MTG LWR				
		(S)AISLADOR			
990601 -	ALL	P3B,P65	25336-22000	2	
990601 -	ALL	P35	25336-25000	2	
020101 -	ALL	TCI	25336-22000	1	
990601 -	AD	P6B	25336-22000	2	
990601 -	AD	L35,L45	25336-25000	2	
990601 -	AG	P6B	25336-22000	2	
990601 -	AG	P65	25336-25000	2	
990601 -	DG	P65	25336-25000	2	
990601 -	DS	L35,L45	25336-25000	2	
990601 -	FD	L35,L45	25336-25000	2	
990601 -	FG	P6B	25336-22000	2	

P N C	MODEL APPLICABLE		PART NO. (REPL PNO)	Q T Y	REMARKS
	FROM-UP-TO	DESCRIPTION			
CONTINUED					
25336	INSULATOR-RADIATOR MTG LWR				
		(S)AISLADOR			
990601 -	FG	P65	25336-25000	2	
25350	SHROUD-RADIATOR				
		(S)RECUBRIMIENTO			
990601 -	ALL	P3B,P35	25350-25000	1	
990601 -	AD	L35,L45,P6B	25350-25000	1	
990601 -	AG	P6B,P65	25350-25000	1	
990601 -	DG	P65	25350-25000	1	
990601 -	DS	L35,L45	25350-25000	1	
990601 -	FD	L35,L45	25350-25000	1	
990601 -	FG	P6B,P65	25350-25000	1	
25386	MOTOR-RADIATOR COOLING FAN				
		(S)MOTOR			
020101 -	ALL	TCI;9760	25386-17800	1	
990601 -	AD	L35,P3B,P35,P6B	25386-25001	1	
990601 -	AD	CON	25386-25201	1	
990601 -	AG	P3B,P35,P6B,P65	25386-25001	1	
990601 -	DG	P3B,P35,P65	25386-25001	1	
990601 -	DS	M-S	25386-25001	1	
990601 -	DS	CON	25386-25201	1	
990601 -	FD	M-S	25386-25001	1	
990601 -	FD	CON	25386-25201	1	
990601 -	FG	P3B,P35,P6B,P65	25386-25001	1	
25393	RETAINER				
		(S)RETENEDOR			
990601 -	ALL	P3B,P35	25393-33050	1	
990601 -	AD	L35,L45,P6B	25393-33050	1	
990601 -	AG	P6B,P65	25393-33050	1	
990601 -	DG	P65	25393-33050	1	
990601 -	DS	L35,L45	25393-33050	1	
990601 -	FD	L35,L45	25393-33050	1	
990601 -	FG	P6B,P65	25393-33050	1	
25395	BOLT				
		(S)PERNO			
990601 -	ALL	P3B,P35	25395-02000	3	
990601 -	AD	L35,L45,P6B	25395-02000	3	
990601 -	AG	P6B,P65	25395-02000	3	

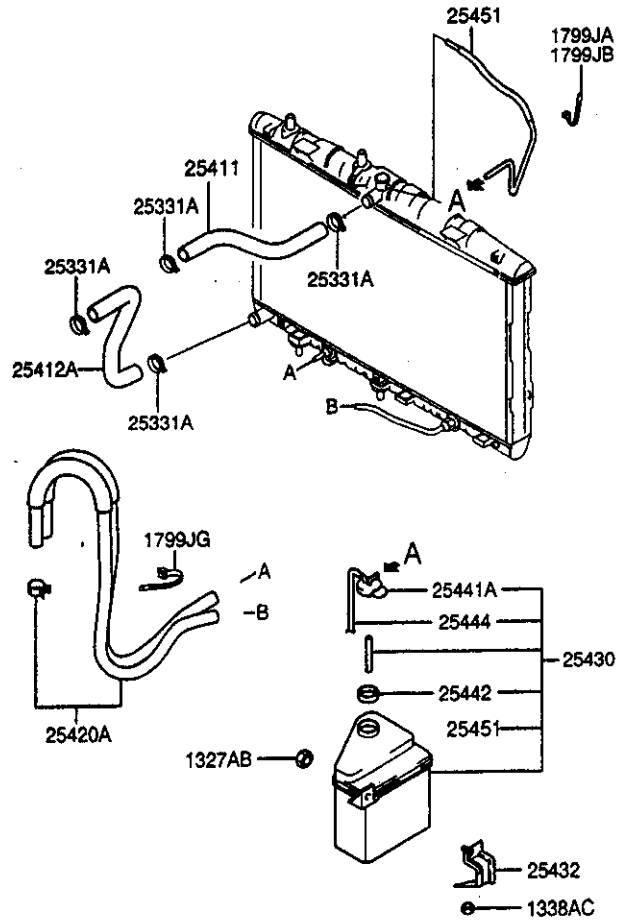
CONTINUED

1-E7

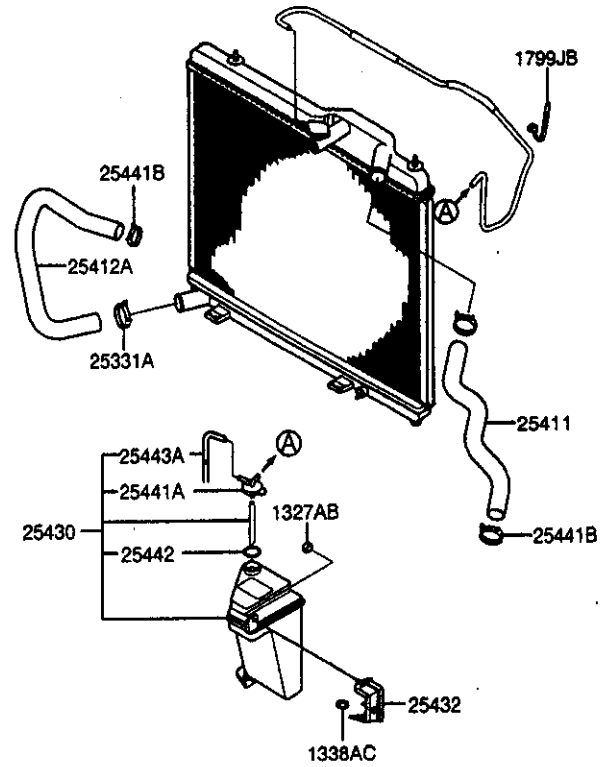
25-253 RADIATOR

BA,00112- 83

P N C		MODEL APPLICABLE		R E P	PART NO. (REPL P/NO)	Q T Y	REMARKS	P N C		MODEL APPLICABLE		R E P	PART NO. (REPL P/NO)	Q T Y	REMARKS
FROM-UP-TO	TYPE	DESCRIPTION						FROM-UP-TO	TYPE	DESCRIPTION					
CONTINUED															
25395		BOLT													
990601 -		DG P65			25395-02000	3									
990601 -		DS L35,L45			25395-02000	3									
990601 -		FD L35,L45			25395-02000	3									
990601 -		FG P6B,P65			25395-02000	3									



DIESEL



1-G7

25-253A RAD HOSE & RESERVOIR

BA,G0112- 85

P N C		MODEL APPLICABLE		R E P	PART NO. (REPL P/NO)	Q T Y	REMARKS	P N C		MODEL APPLICABLE		R E P	PART NO. (REPL P/NO)	Q T Y	REMARKS	
FROM-UP-TO	TYPE	DESCRIPTION						FROM-UP-TO	TYPE	DESCRIPTION						
1327AB		NUT(W/WASHER)														
990601 -		(S)TUERCA														
		ALL			13270-06003	1										
1338AC		NUT-FLANGE														
990601 -		(S)TUERCA TAPA														
		ALL			13385-06003	1										
1799JA		STRAP														
990601 -		(S)CORREA														
		AD	L35,L45,P3B,P35	Y	17993-08000	1										
			(17993-10000)													
990601 -		AG	M-S	Y	17993-08000	1										
			(17993-10000)													
990601 -		DG	M-S	Y	17993-08000	1										
			(17993-10000)													
990601 -		DS	L35,L45,P3B,P35	Y	17993-08000	1										
			(17993-10000)													
990601 -		FD	L35,L45,P3B,P35	Y	17993-08000	1										
			(17993-10000)													
990601 -		FG	M-S	Y	17993-08000	1										
			(17993-10000)													
1799JB		STRAP														
990601 -		(S)CORREA														
		ALL			17993-10000	1										
1799JG		STRAP														
990601 -		(S)CORREA														
		ALL 4AT2			17993-25000	1										
25331A		CLAMP-HOSE														
990601 -		(S)ABRAZADERA														
		ALL	P3B,P35		25331-24241	4										
020101 -		ALL TCI			25331-24241	2										
990601 -		AD	L35,L45,P6B		25331-24241	4										
990601 -		AG	P6B,P65		25331-24241	4										
990601 -		DG	P65		25331-24241	4										
990601 -		DS	L35,L45		25331-24241	4										
990601 -		FD	L35,L45		25331-24241	4										
990601 -		FG	P6B,P65		25331-24241	4										
25411		HOSE-RADIATOR UPR														
020101 -		(S)MANGUERA														
		ALL TCI;9760			25411-25810	1										
CONTINUED																
25411		HOSE-RADIATOR UPR														
990601 -		(S)MANGUERA														
		AD	L35,L45,P3B,P35		25411-25000	1										
990601 -		AD	M-D		25411-25100	1										
990601 -		AG	M-S		25411-25000	1										
990601 -		AG	M-D		25411-25100	1										
990601 -		DG	M-S		25411-25000	1										
990601 -		DG	M-D		25411-25100	1										
990601 -		DS	L35,L45,P3B,P35		25411-25000	1										
990601 -		FD	L35,L45,P3B,P35		25411-25000	1										
990601 -		FG	M-S		25411-25000	1										
990601 -		FG	M-D		25411-25100	1										
25412A		HOSE-RADIATOR LWR														
020101 -		(S)MANGUERA														
		ALL TCI;9760			25412-25810	1										
990601 -		AD	L35,L45,P3B,P35		25412-25000	1										
990601 -		AD	M-D		25412-25100	1										
990601 -		AG	M-S		25412-25000	1										
990601 -		AG	M-D		25412-25100	1										
990601 -		DG	M-S		25412-25000	1										
990601 -		DG	M-D		25412-25100	1										
990601 -		DS	L35,L45,P3B,P35		25412-25000	1										
990601 -		FD	L35,L45,P3B,P35		25412-25000	1										
990601 -		FG	M-S		25412-25000	1										
990601 -		FG	M-D		25412-25100	1										
25420A		HOSE ASSY-ATA OIL COOLING(FEED)														
990601 -		(S)CONJ. MANGUERA														
		AD	P3B		25418-25001	1										
990601 -		AD	M-D		25418-25101	1										
990601 -		AG	P3B		25418-25001	1										
990601 -		AG	P6B		25418-25101	1										
990601 -		DG	4AT2		25418-25001	1										
990601 -		DS	4AT2		25418-25001	1										
990601 -		FD	4AT2		25418-25001	1										
990601 -		FG	P3B		25418-25001	1										
990601 -		FG	P6B		25418-25101	1										

AD:5DR,6L AG:5DR,6LS DG:3DR,6LS DS:3DR,L FD:4DR,6L FG:4DR,6LS

9760:AIR CON

1-H7

25-253A RAD HOSE & RESERVOIR

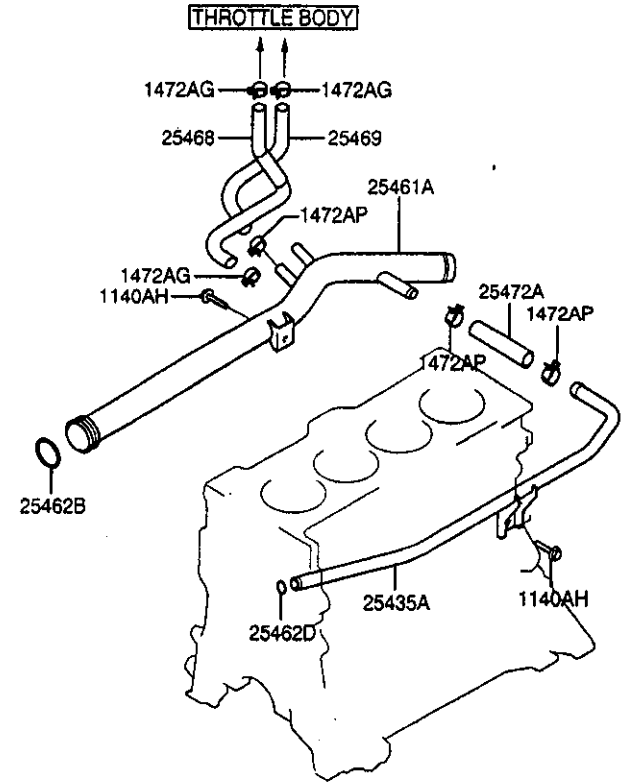
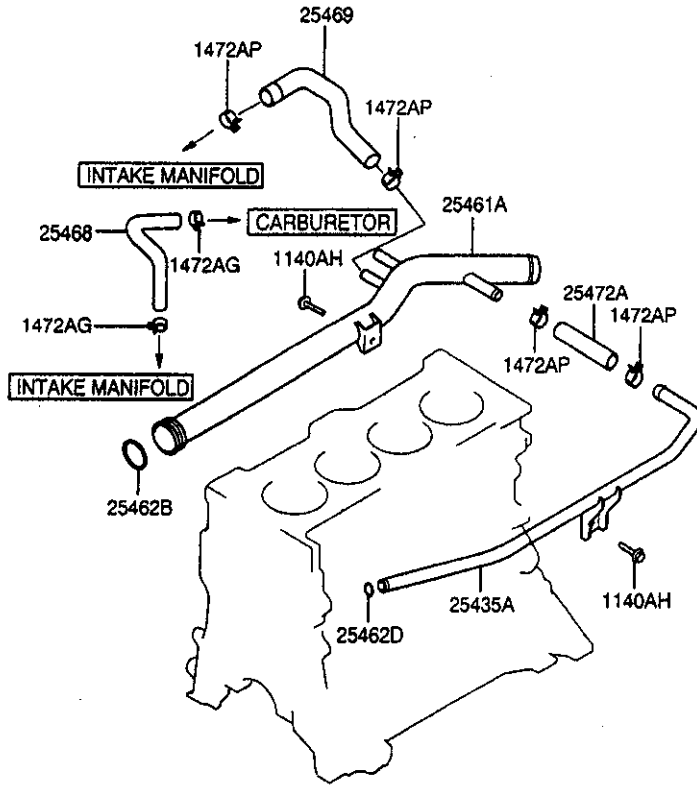
SA.G0112- 86

P N C	MODEL APPLICABLE		R E P	PART NO. (REPL P/NO)	Q T Y	REMARKS	P N C	MODEL APPLICABLE		R E P	PART NO. (REPL P/NO)	Q T Y	REMARKS
	FROM-UP-TO	TYPE						DESCRIPTION	FROM-UP-TO				
25430							CONTINUED						
							25451						
990601 -				25430-25100	1								
990601 -				25430-25200	1		990601 -	AD	L35,L45,P6B		25443-25310	1	
020101 -				25430-25820	1		990601 -	AG	P6B,P65		25443-25310	1	
990601 -				25430-25100	1		990601 -	DG	P65		25443-25310	1	
990601 -				25430-25100	1		990601 -	DS	L35,L45		25443-25310	1	
990601 -				25430-25100	1		990601 -	FD	L35,L45		25443-25310	1	
990601 -				25430-25100	1		990601 -	FG	P6B,P65		25443-25310	1	
990601 -				25430-25100	1								
990601 -				25430-25100	1								
25432													
990601 -				25432-25000	1								
020101 -				25432-25100	1								
25441A													
990601 -				25441-02000	1								
25441B													
020101 -				25331-25044	2								
25442													
990601 -				25442-22000	1								
25443A													
020101 -				25443-25820	1								
25444													
990601 -				25443-25300	1								
990601 -				25443-25300	1								
990601 -				25443-25300	1								
990601 -				25443-25300	1								
990601 -				25443-25300	1								
990601 -				25443-25300	1								
990601 -				25443-25300	1								
990601 -				25443-25300	1								
25451													
990601 -				25443-25310	1								

CONTINUED

AD:3DR,QL AQ:3DR,QLS DG:3DR,QLS DS:3DR,L FD:4DR,QL FG:4DR,QLS

9760-AIR CON

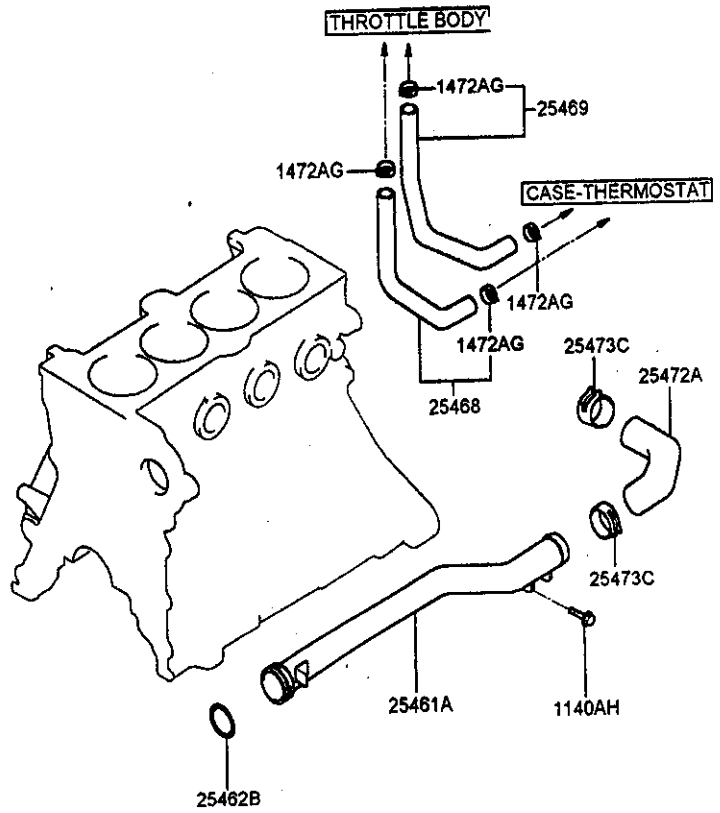


25-255 COOLANT HOSE & PIPE

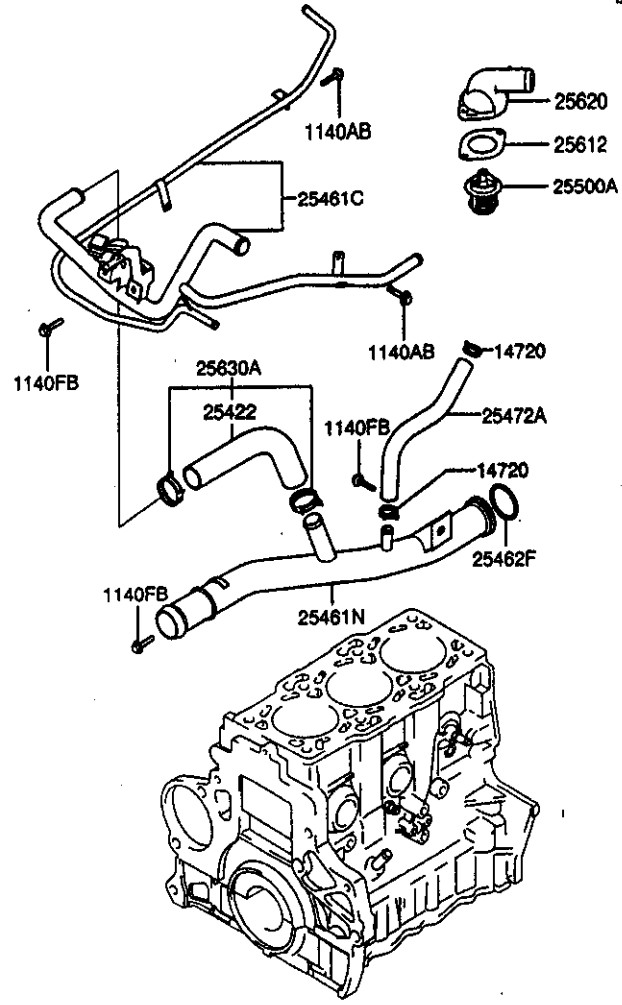
BA,00112- 88

1-17

DOHC



DIESEL



1-K7

25-255 COOLANT HOSE & PIPE

BA,G0112- 89

P N C		MODEL APPLICABLE		R E P	PART NO. (REPL P/NO)	Q T Y	REMARKS	P N C		MODEL APPLICABLE		R E P	PART NO. (REPL P/NO)	Q T Y	REMARKS
FROM-UP-TO	TYPE	DESCRIPTION						FROM-UP-TO	TYPE	DESCRIPTION					
1140AB		BOLT (S)PERNO (PESTANA)						CONTINUED							
020101 -		ALL TCI			11400-06123	1	FLANGE	1472AP	CLAMP-HOSE (S)ABRAZADERA						
1140AH		BOLT (S)PERNO (PESTANA)						990601 - 010409	DG M-S			14720-22006	2		
010409 -		ALL M-S;+A10		Y	11400-08121 (11400-08123)	2	FLANGE	990601 - 010409	DS L35,L45,P3B,P35			14720-22006	2		
990601 -		AD M-D			11400-08123	1		990601 - 010409	FD L35,L45,P3B,P35			14720-22006	2		
990601 - 010409		AD L35,L45,P3B,P35		Y	11400-08121 (11400-08123)	2	FLANGE	990601 - 010409	FG M-S			14720-22006	2		
990601 -		AG M-D			11400-08123	1		25422	HOSE-OIL COOLING RETURN (S)MANGUERA						
990601 - 010409		AG M-S		Y	11400-08121 (11400-08123)	2	FLANGE	020101 -	ALL TCI			25631-27500	1		
990601 -		DG M-D			11400-08123	1		25435A	PIPE ASSY-COOLANT BYPASS (S)CONJUNTO TUBO						
990601 - 010409		DG M-S		Y	11400-08121 (11400-08123)	2	FLANGE	010409 -	ALL M-S;+A10			25435-22050	1		
990601 -		DS L35,L45,P3B,P35		Y	11400-08121 (11400-08123)	2	FLANGE	990601 - 010409	AD L35,L45,P3B,P35			25435-22050	1		
990601 - 010409		FD L35,L45,P3B,P35		Y	11400-08121 (11400-08123)	2	FLANGE	990601 - 010409	AG M-S			25435-22050	1		
990601 -		FG M-D			11400-08123	1		990601 - 010409	DG M-S			25435-22050	1		
990601 - 010409		FG M-S		Y	11400-08121 (11400-08123)	2	FLANGE	990601 - 010409	DS L35,L45,P3B,P35			25435-22050	1		
1140FB		BOLT (S)PERNO (PESTANA)						990601 - 010409	FD L35,L45,P3B,P35			25435-22050	1		
020101 -		ALL TCI			11403-06123	2		25461A	PIPE ASSY-COOLANT (S)CONJUNTO TUBO						
14720		CLIP-HOSE (S)GRAPA						990601 - 010409	ALL M-S			25461-22601	1		
020101 -		ALL TCI			14720-20003	2		010409 -	ALL M-S;+A10			25461-22601	1		
1472AG		CLAMP-HOSE (S)ABRAZADERA						990601 -	AD M-D			25461-26000	1		
990601 - 010409		AD CON			14720-13006	2		990601 - 010409	AD CON			25461-22640	1		
990601 - 010409		DS CON			14720-13006	2		990601 -	AG M-D			25461-26000	1		
990601 - 010409		FD CON			14720-13006	2		990601 - 010409	DG M-D			25461-26000	1		
1472AP		CLAMP-HOSE (S)ABRAZADERA						990601 - 010409	DS CON			25461-22640	1		
010409 -		ALL M-S;+A10			14720-22006	2		990601 - 010409	FD CON			25461-22640	1		
990601 - 010409		AD L35,L45,P3B,P35			14720-22006	2		990601 -	FG M-D			25461-26000	1		
990601 - 010409		AG M-S			14720-22006	2		25461C	PIPE ASSY-HEATER (S)CONJUNTO TUBO						
CONTINUED								020101 -	ALL TCI			25620-27500	1		
								25461N	PIPE-WATER INLET (S)PIPE						
								020101 -	ALL TCI			25431-27500	1		
								25462B	RING"O" (S)JUNTAS TORICAS						
								010409 -	ALL M-S;+A10			25462-21010	1		
CONTINUED															

25-255 COOLANT HOSE & PIPE

BA,00112- 90

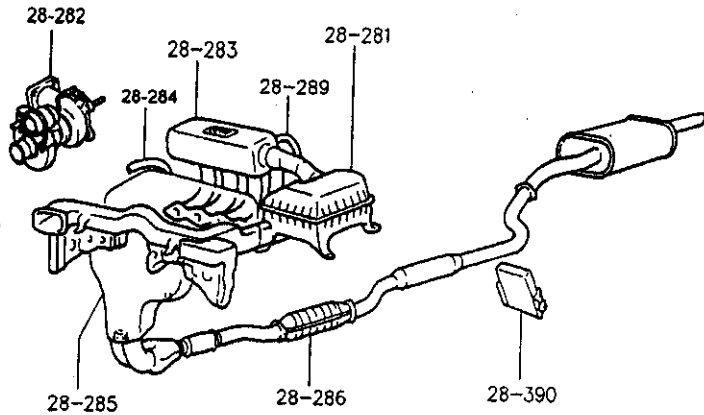
1-17

P N C		MODEL APPLICABLE	P A R T N O. (REPL PNO)	Q T Y	REMARKS	P N C		MODEL APPLICABLE	P A R T N O. (REPL PNO)	Q T Y	REMARKS
FROM-UP-TO	TYPE	DESCRIPTION				FROM-UP-TO	TYPE	DESCRIPTION			
CONTINUED						CONTINUED					
		25462B									
		RING"O" (S)JUNTAS TORICAS				25469		HOSE "B" ASSY-WATER (S)MANGUERA			
990601 -		AD M-D	25462-23000	1		000910 -		DG M-D	25469-26102	1	
990601 - 010409		AD L35,L45,P3B,P35	25462-21010	1		990601 - 010409		DS CON	25469-22640	1	
990601 -		AG M-D	25462-23000	1		990601 - 010409		FD CON	25469-22640	1	
990601 - 010409		AG M-S	25462-21010	1		000910 -		FG M-D	25469-26102	1	
990601 -		DG M-D	25462-23000	1		25472A		HOSE-COOLANT BYPASS (S)MANGUERA			
990601 - 010409		DG M-S	25462-21010	1		010409 -		ALL M-S;+A10	25472-22600	1	
990601 - 010409		DS L35,L45,P3B,P35	25462-21010	1		020101 -		ALL TCI	25472-27500	1	
990601 - 010409		FD L35,L45,P3B,P35	25462-21010	1		990601 -		AD M-D	25472-26001	1	
990601 -		FG M-D	25462-23000	1		990601 - 010409		AD L35,L45,P3B,P35	25472-22600	1	
990601 - 010409		FG M-S	25462-21010	1		990601 -		AG M-D	25472-26001	1	
		25462D				990601 - 010409		AG M-S	25472-22600	1	
		RING"O" (S)JUNTAS TORICAS				990601 -		DG M-D	25472-26001	1	
010409 -		ALL M-S;+A10	25462-32010	1		990601 - 010409		DG M-S	25472-22600	1	
990601 - 010409		AD L35,L45,P3B,P35	25462-32010	1		990601 - 010409		DS L35,L45,P3B,P35	25472-22600	1	
990601 - 010409		AG M-S	25462-32010	1		990601 - 010409		FD L35,L45,P3B,P35	25472-22600	1	
990601 - 010409		DG M-S	25462-32010	1		990601 -		FG M-D	25472-26001	1	
990601 - 010409		DS L35,L45,P3B,P35	25462-32010	1		990601 - 010409		FG M-S	25472-22600	1	
990601 - 010409		FD L35,L45,P3B,P35	25462-32010	1		25473C		CLAMP-HOSE (S)ABRAZADERA			
990601 - 010409		FG M-S	25462-32010	1		990601 -		AD M-D	25473-23030	2	
		25462F				990601 -		AG M-D	25473-23030	2	
		RING"O" (S)JUNTAS TORICAS				990601 -		DG M-D	25473-23030	2	
020101 -		ALL TCI	25432-27000	1		990601 -		FG M-D	25473-23030	2	
		25468				25500A		THERMOSTAT ASSY (S)CONJ. TERMOSTATO			
		HOSE "A" ASSY-WATER (S)MANGUERA				020101 -		ALL TCI	25500-27000	1	
990601 - 010409		AD CON	25468-22640	1		25612		GASKET (S)JUNTA			
000910 -		AD M-D	25468-26101	1		020101 -		ALL TCI	25633-23000	1	
000910 -		AG M-D	25468-26101	1		25620		CASE-THERMOSTAT (S)CARCASA			
000910 -		DG M-D	25468-26101	1		020101 -		ALL TCI	25613-27500	1	
990601 - 010409		DS CON	25468-22640	1		25630A		HOSE ASSY-HTR & OIL COOLER (S)MANGUERA			
990601 - 010409		FD CON	25468-22640	1		020101 -		ALL TCI	25630-27500	1	
000910 -		FG M-D	25468-26101	1							
		25469									
		HOSE "B" ASSY-WATER (S)MANGUERA									
990601 - 010409		AD CON	25469-22640	1							
000910 -		AD M-D	25469-26102	1							
000910 -		AG M-D	25469-26102	1							
CONTINUED						CONTINUED					

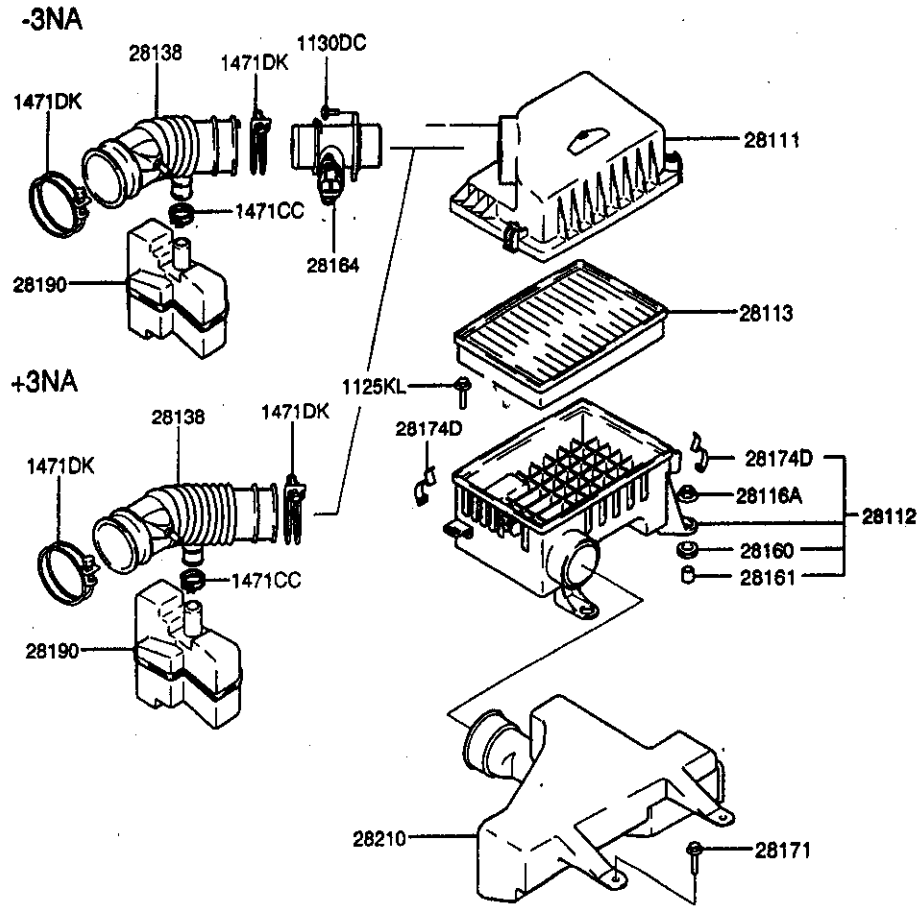
28

INTAKE & EXHAUST

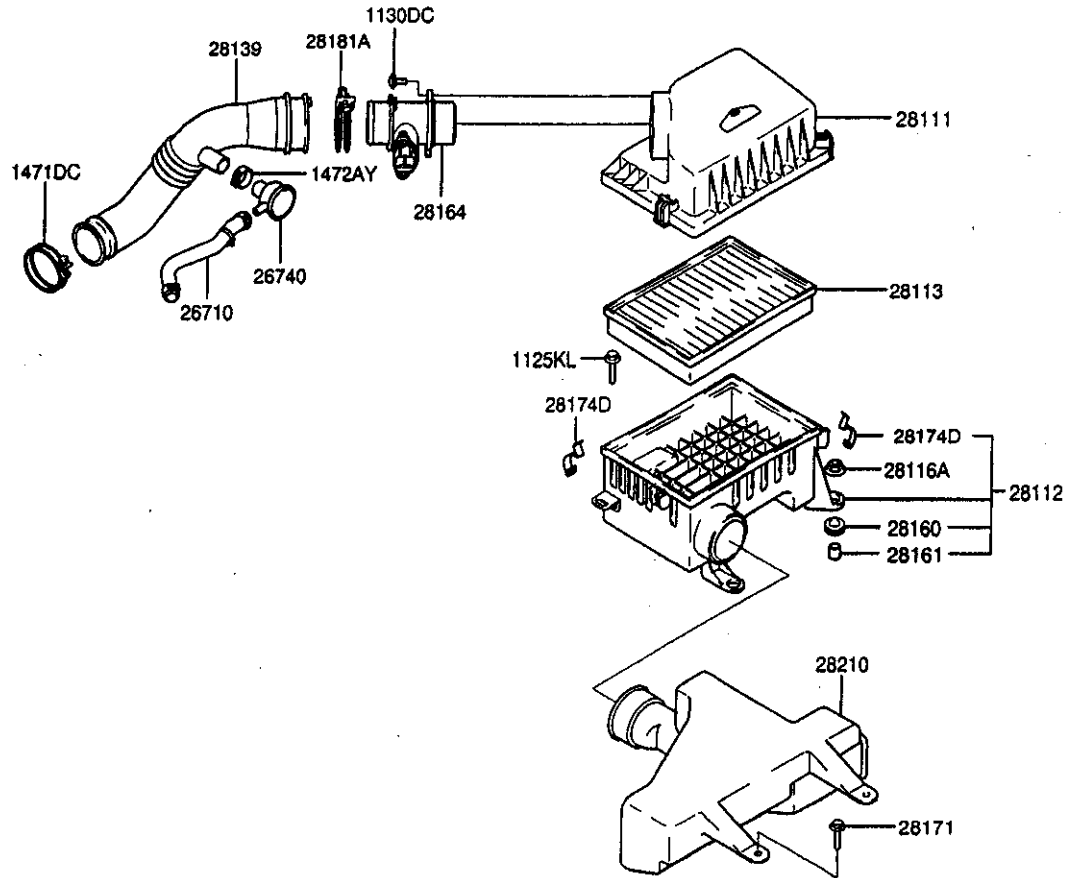
28-281	AIR CLEANER	1-A 8
28-282	TURBOCHARGER	1-H 8
28-283	INTAKE MANIFOLD	1-J 8
28-284	VACUUM HOSE	1-E 9
28-285	EXHAUST MANIFOLD	1-G 9
28-286	EXHAUST PIPE	1-M 9
28-289	VAPOR CONTROL SYSTEM	1-D10
28-390	ELECTRONIC CONTROL	1-F10



(MFI, SOHC)

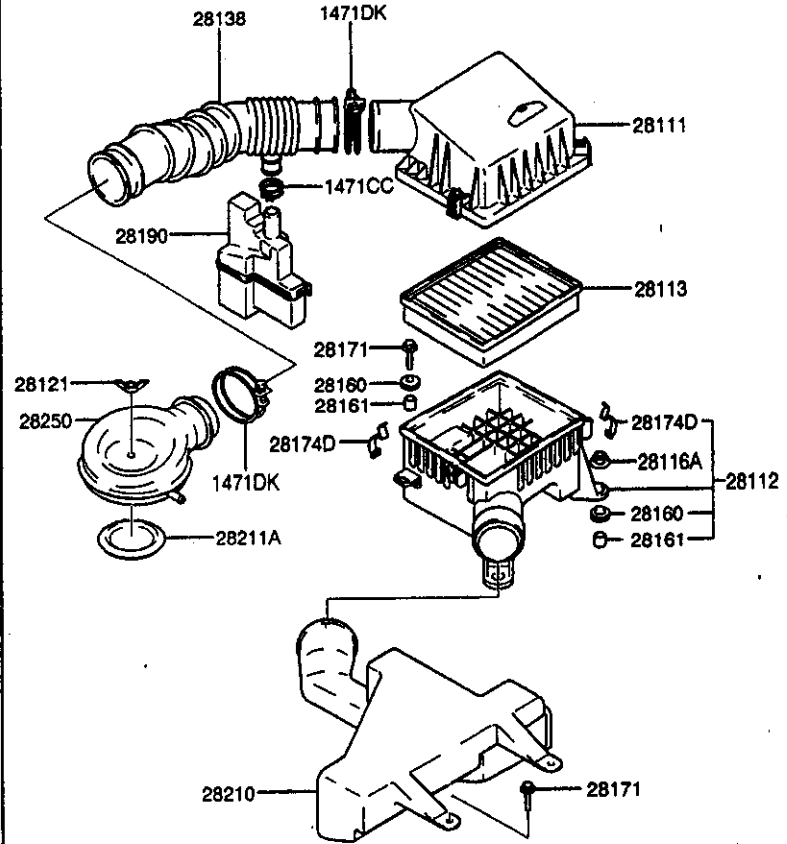
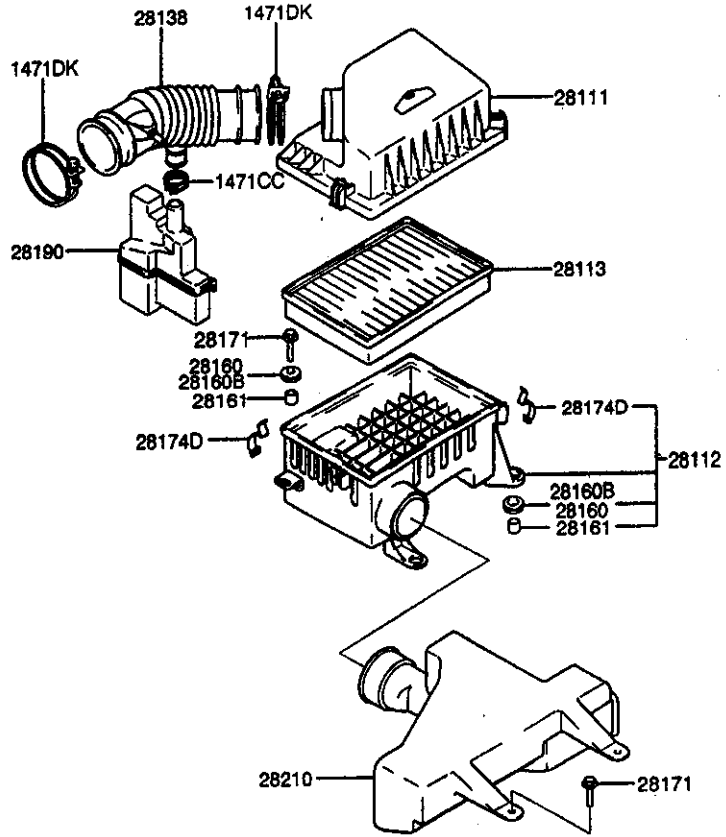


DIESEL



(MFI,DOHC)

(CARB)



1-D 8

28-281 AIR CLEANER

BA,G0112- 95

P N C		MODEL APPLICABLE	P A R T N O. (REPL P/NO)	Q T Y	REMARKS	P N C		MODEL APPLICABLE	P A R T N O. (REPL P/NO)	Q T Y	REMARKS
FROM-UP-TO	TYPE	DESCRIPTION				FROM-UP-TO	TYPE	DESCRIPTION			
		1125KL									
		BOLT									
		(S)PERNO (CON ARANDELA)									
990601 -		ALL	11254-06353	2							
		1130DC									
		BOLT									
		(S)PERNO (CON ARANDELA)									
990601 -		ALL P3B,P35,P65	11302-06163	2							
990601 -		AD L35	11302-06163	2							
990601 -		DS L35	11302-06163	2							
990601 -		FD L35	11302-06163	2							
		1471CC									
		CLAMP-HOSE									
		(S)ABRAZADERA									
990601 -		AD L35,L45,P3B,P35,P6B	14711-35003	1							
990601 -		AG M-S;3931	14711-35003	1							
990601 -		AG P3B,P35,P6B,P65;3933	14711-35003	1							
990601 -		DG M-S;3931	14711-35003	1							
990601 -		DG P3B,P35,P65;3933	14711-35003	1							
990601 -		DS L35,L45,P3B,P35	14711-35003	1							
990601 -		FD L35,L45,P3B,P35	14711-35003	1							
990601 -		FG M-S;3931	14711-35003	1							
990601 -		FG P3B,P35,P6B,P65;3933	14711-35003	1							
		1471DC									
		CLAMP-HOSE									
		(S)ABRAZADERA									
020101 -		ALL TCI	14711-52003	1							
		1471DK									
		CLAMP-HOSE									
		(S)ABRAZADERA									
990601 -		AD L35,L45,P3B,P35,P6B	14711-70003	1							
990601 -		AG M-S;3931	14711-70003	1							
990601 -		AG P3B,P35,P6B,P65;3933	14711-70003	1							
990601 -		DG M-S;3931	14711-70003	1							
990601 -		DG P3B,P35,P65;3933	14711-70003	1							
990601 -		DS L35,L45,P3B,P35	14711-70003	1							
990601 -		FD L35,L45,P3B,P35	14711-70003	1							
990601 -		FG M-S;3931	14711-70003	1							
990601 -		FG P3B,P35,P6B,P65;3933	14711-70003	1							
		1472AY									
		CLAMP-HOSE									
		(S)CONJ.ABRAZADERA									
020101 -		ALL TCI	14720-26006	1							
		26710									
		HOSE ASSY-BRETHET									
		(S)CONJ. MANGUERA									
020101 -		ALL TCI	26710-27502	1							
		26740									
		VALVE-PCV									
		(S)VALVULA									
020101 -		ALL TCI	26722-27000	1							
		28111									
		COVER-AIR CLEANER									
		(S)CUBIERTA									
990601 -		ALL P3B,P35,P65	28111-22601	1							
990601 -		AD CON	28111-22380	1							
990601 -		AD L35	28111-22601	1							
990601 -		AD L35,P3B,P35,P6B;3933	28111-22651	1							
990601 -		AG P3B,P35,P6B,P65;3933	28111-22651	1							
990601 -		DG P3B,P35,P65;3933	28111-22651	1							
990601 -		DS CON	28111-22380	1							
990601 -		DS L35	28111-22601	1							
990601 -		DS M-S;3933	28111-22651	1							
990601 -		FD CON	28111-22380	1							
990601 -		FD L35	28111-22601	1							
990601 -		FD M-S;3933	28111-22651	1							
990601 -		FG P3B,P35,P6B,P65;3933	28111-22651	1							
		28112									
		BODY-AIR CLEANER									
		(S)CARROCERIA									
990601 -		ALL M-S;3931	28112-22602	1							
990601 - 000314		ALL M-S;3931	28112-22601	1							
020101 -		ALL TCI	28112-25001	1							
990601 -		AD CON	28112-22381	1							
990601 -		AD L35,P3B,P35,P6B;3933	28112-22602	1							
990601 - 000314		AD CON	28112-22380	1							
990601 - 000314		AD L35,P3B,P35,P6B;3933	28112-22601	1							
990601 -		AG P3B,P35,P6B,P65;3933	28112-22602	1							
990601 - 000314		AG P3B,P35,P6B,P65;3933	28112-22601	1							
990601 -		DG P3B,P35,P65;3933	28112-22602	1							
990601 - 000314		DG P3B,P35,P65;3933	28112-22601	1							
990601 -		DS CON	28112-22381	1							
990601 -		DS M-S;3933	28112-22602	1							
990601 - 000314		DS CON	28112-22380	1							
990601 - 000314		DS M-S;3933	28112-22601	1							
990601 -		FD CON	28112-22381	1							

CONTINUED

28-281 AIR CLEANER

BA,60112- 96

1-E 8

P N C		MODEL APPLICABLE		R E P	PART NO. (REPL P/NO)	Q T Y	REMARKS	P N C		MODEL APPLICABLE		R E P	PART NO. (REPL P/NO)	Q T Y	REMARKS
FROM-UP-TO	TYPE	DESCRIPTION						FROM-UP-TO	TYPE	DESCRIPTION					
CONTINUED								CONTINUED							
28112		BODY-AIR CLEANER						28138		HOSE-AIR INTAKE					
		(S)CARROCERIA								(S)MANGUERA					
990601 -		FD	M-S;3933		28112-22602	1		000314 -		DG	M-D;3933		28138-26652	1	
990601 - 000314		FD	CON		28112-22380	1		990601 -		DS	CON		28138-22381	1	
990601 - 000314		FD	M-S;3933		28112-22601	1		990601 -		FD	CON		28138-22381	1	
990601 -		FG	P3B,P35,P6B,P65;3933		28112-22602	1		990601 - 000314		FG	M-D;3933		28138-26651	1	
990601 - 000314		FG	P3B,P35,P6B,P65;3933		28112-22601	1		000314 -		FG	M-D;3933		28138-26652	1	
28113		FILTER-AIR CLEANER						28139		HOSE-AIR INTAKE					
		(S)FILTRO								(S)MANGUERA					
990601 -		ALL	M-S;3931		28113-22600	1		020101 -		ALL	TCI		28139-25050	1	
020101 -		ALL	TCI		28113-25500	1		28160		INSULATOR					
990601 -		AD	CON		28113-22380	1				(S)AISLADOR					
990601 -		AD	L35,P3B,P35,P6B;3933		28113-22600	1		020101 -		ALL	TCI		28177-22001	2	
990601 -		AG	P3B,P35,P6B,P65;3933		28113-22600	1		990601 - 000314		AD	L35,L45,P3B,P35		28177-22600	3	
990601 -		DG	P3B,P35,P65;3933		28113-22600	1		990601 - 000314		AD	M-D		28177-22600	1	
990601 -		DS	CON		28113-22380	1		990601 - 000314		AG	M-S;3931		28177-22600	3	
990601 -		DS	M-S;3933		28113-22600	1		990601 - 000314		AG	M-S;3933		28177-22600	3	
990601 -		FD	CON		28113-22380	1		990601 - 000314		AG	M-D;3933		28177-22600	1	
990601 -		FD	M-S;3933		28113-22600	1		990601 - 000314		DG	M-S;3931		28177-22600	3	
990601 -		FG	P3B,P35,P6B,P65;3933		28113-22600	1		990601 - 000314		DG	M-S;3933		28177-22600	3	
28116A		NUT						990601 - 000314		DG	M-D;3933		28177-22600	1	
		(S)TUERCA(CON ARANDELA)						990601 - 000314		DS	L35,L45,P3B,P35		28177-22600	3	
990601 -		ALL			28116-22000	1		990601 - 000314		FD	L35,L45,P3B,P35		28177-22600	3	
28121		NUT-WING						990601 - 000314		FG	M-S;3931		28177-22600	3	
		(S)TUERCA						990601 - 000314		FG	M-S;3933		28177-22600	3	
990601 -		AD	CON		28121-11020	1		990601 - 000314		FG	M-D;3933		28177-22600	1	
990601 -		DS	CON		28121-11020	1		28160B		INSULATOR					
990601 -		FD	CON		28121-11020	1				(S)AISLADOR					
28138		HOSE-AIR INTAKE						990601 -		AD	CON		28160-3B000	3	
		(S)MANGUERA						990601 -		AD			28160-3B000	1	
990601 -		ALL	M-S;3931		28138-22602	1		000314 -		AG			28160-3B000	1	
990601 -		ALL	M-S;3933		28138-22652	1		000314 -		DG			28160-3B000	1	
990601 -		AD	CON		28138-22381	1		990601 -		DS	CON		28160-3B000	3	
990601 - 000314		AD	M-D;3933		28138-26651	1		990601 -		DS			28160-3B000	1	
000314 -		AD	M-D;3933		28138-26652	1		990601 -		FD	CON		28160-3B000	3	
990601 - 000314		AG	M-D;3933		28138-26651	1		990601 -		FD			28160-3B000	1	
000314 -		AG	M-D;3933		28138-26652	1		000314 -		FG			28160-3B000	1	
990601 - 000314		DG	M-D;3933		28138-26651	1									
CONTINUED															

AD:3DR,GL AG:5DR,GLS DG:3DR,GLS DS:3DR,L FD:4DR,GL FG:4DR,GLS

3931:NON SPEED DENSITY TYPE 3933:SPEED DENSITY TYPE

1-F 8

28-281 AIR CLEANER

BA,00112- 97

P N C		MODEL APPLICABLE		R E P	PART NO. (REPL P/NO)	Q T Y	REMARKS	P N C		MODEL APPLICABLE		R E P	PART NO. (REPL P/NO)	Q T Y	REMARKS	
FROM-UP-TO	TYPE	DESCRIPTION						FROM-UP-TO	TYPE	DESCRIPTION						
28161		COLLAR-INSULATOR						CONTINUED								
		(S)COLLAR						28164	SENSOR ASSY-AIR FLOW							
020101 -		ALL TCI		Y	28178-22000	2		020101 -	(S)CONJ. SENSOR			28164-27500	1			
990601 -	AD	L45,P85			(28178-37110)	3		28171	BOLT							
990601 - 000314	AD	CON		Y	28161-3B000	3			(S)PERNO (CON ARANDELA)							
					28178-22000			000201 -	ALL			28171-23000	2			
					(28178-37110)	1		990601 - 000201	AD L35,L45,P3B,P35,P6B			88010-36000	2			
990601 - 000314	AD	L35,P3B,P35,P6B		Y	28178-22000			990601 - 000201	AG M-S;3931			88010-36000	2			
					(28178-37110)	1		990601 - 000201	AG P3B,P35,P6B,P65;3933			88010-36000	2			
000314 -	AD	L35,P3B,P35,P6B			28161-3B000	1		990601 - 000201	DG M-S;3931			88010-36000	2			
990601 - 000314	AG	P3B,P35,P6B,P65		Y	28178-22000	1		990601 - 000201	DG P3B,P35,P65;3933			88010-36000	2			
					(28178-37110)	1		990601 - 000201	DS L35,L45,P3B,P35			88010-36000	2			
000314 -	AG	P3B,P35,P6B,P65			28161-3B000	1		990601 - 000201	FD L35,L45,P3B,P35			88010-36000	2			
020101 -	AG	TCI			28161-3B000	3		990601 - 000201	FG M-S;3931			88010-36000	2			
990601 - 000314	DG	P3B,P35,P65		Y	28178-22000	1		990601 - 000201	FG P3B,P35,P6B,P65;3933			88010-36000	2			
					(28178-37110)	1		28174D	CLAMP							
000314 -	DG	P3B,P35,P65			28161-3B000	1			(S)ABRAZADERA							
020101 -	DG	TCI			28161-3B000	3		990601 -	ALL			28174-37100	4			
990601 -	DS	L45,P85			28161-3B000	3		28181A	CLAMP-HOSE							
990601 - 000314	DS	CON		Y	28178-22000	3			(S)ABRAZADERA							
					(28178-37110)	1		020101 -	ALL TCI			28135-25500	1			
990601 - 000314	DS	M-S		Y	28178-22000	1		28190	RESONATOR ASSY							
					(28178-37110)	1			(S)CONJ. RESONADOR							
000314 -	DS	M-S			28161-3B000	1		990601 -	ALL M-S;3931			28190-22611	1			
990601 -	FD	L45,P85			28161-3B000	3		990601 -	ALL M-S;3933			28190-22611	1			
990601 - 000314	FD	CON		Y	28178-22000	3		990601 -	AD CON			28190-26510	1			
					(28178-37110)	1		990601 -	AD M-D;3933			28190-26610	1			
990601 - 000314	FD	M-S		Y	28178-22000	1		990601 -	AG M-D;3933			28190-26610	1			
					(28178-37110)	1		990601 -	DG M-D;3933			28190-26610	1			
000314 -	FD	M-S			28161-3B000	1		990601 -	DS CON			28190-26510	1			
990601 - 000314	FG	P3B,P35,P6B,P65		Y	28178-22000	1		990601 -	FD CON			28190-26510	1			
					(28178-37110)	1		990601 -	FG M-D;3933			28190-26610	1			
000314 -	FG	P3B,P35,P6B,P65			28161-3B000	1		28210	DUCT-AIR							
020101 -	FG	TCI			28161-3B000	3			(S)CONDUCTO							
28164	SENSOR ASSY-AIR FLOW							990601 -	ALL M-S;3931			28210-22601	1			
		(S)CONJ. SENSOR						020101 -	ALL TCI			28210-25500	1			
990601 -	ALL	M-S;3931		Y	28164-22601	1		990601 -	AD CON			28210-22380	1			
					(28164-22610)	A		990601 -	AD L35,P3B,P35,P6B;3933			28210-22601	1			
990601 -	ALL	M-S;3931			28164-22610			CONTINUED								

AD:5DR,GL AG:5DR,GLS DG:5DR,GLS DS:3DR, FD:4DR,GL FG:4DR,GLS 3931:NON SPEED DENSITY TYPE 3933:SPEED DENSITY TYPE

28-281 AIR CLEANER

BA,00112-98

1-G 8

P N C		MODEL APPLICABLE		R E P	PART NO. (REPL P/NO)	Q T Y	REMARKS	P N C		MODEL APPLICABLE		R E P	PART NO. (REPL P/NO)	Q T Y	REMARKS
FROM-UP-TO	TYPE	DESCRIPTION						FROM-UP-TO	TYPE	DESCRIPTION					
CONTINUED															
28210															
DUCT-AIR															
(S)CONDUCTO															
990601 -		AG	P3B,P35,P6B,P65;3933		28210-22601	1									
990601 -		DG	P3B,P35,P65;3933		28210-22601	1									
990601 -		DS	CON		28210-22380	1									
990601 -		DS	M-S;3933		28210-22601	1									
990601 -		FD	CON		28210-22380	1									
990601 -		FD	M-S;3933		28210-22601	1									
990601 -		FG	P3B,P35,P6B,P65;3933		28210-22601	1									
28211A															
GASKET-AIR CLEANER TO CARB															
(S)JUNTA															
990601 -		AD	CON		28211-21330	1									
990601 -		DS	CON		28211-21330	1									
990601 -		FD	CON		28211-21330	1									
28250															
CAP-CARBURETOR															
(S)TAPA															
990601 -		AD	CON		28250-22301	1									
990601 -		DS	CON		28250-22301	1									
990601 -		FD	CON		28250-22301	1									

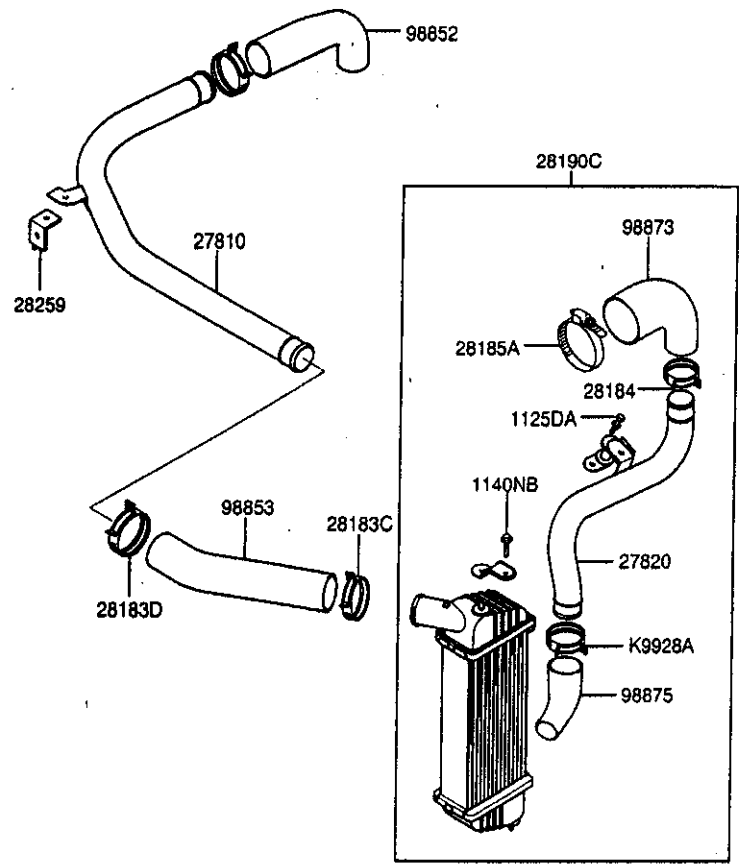
AD:3DR,GL AG:3DR,GLS DG:3DR,GLS DS:3DR,L FD:4DR,GL FG:4DR,GLS 3933:SPEED DENSITY TYPE

1-H 8

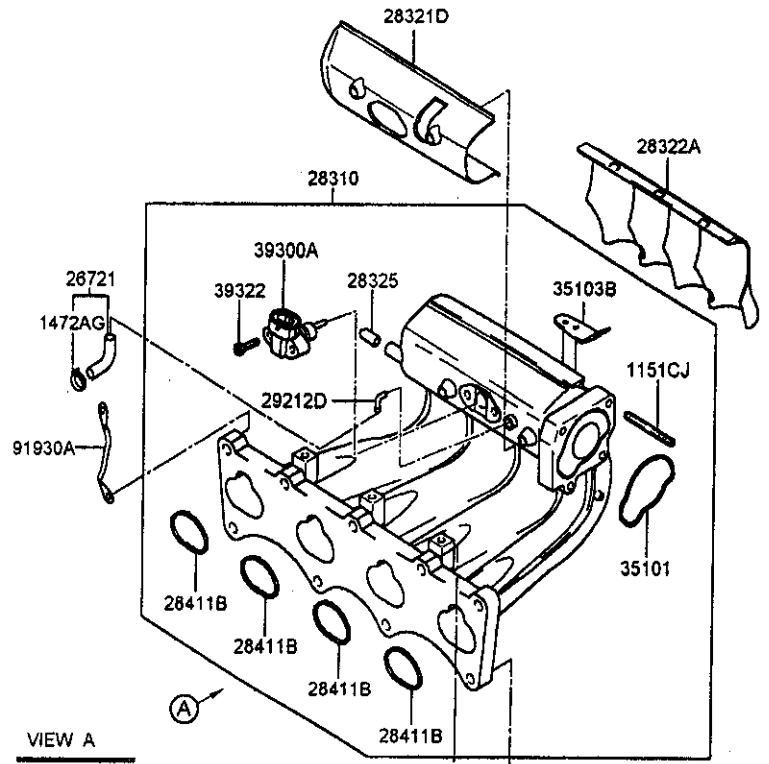
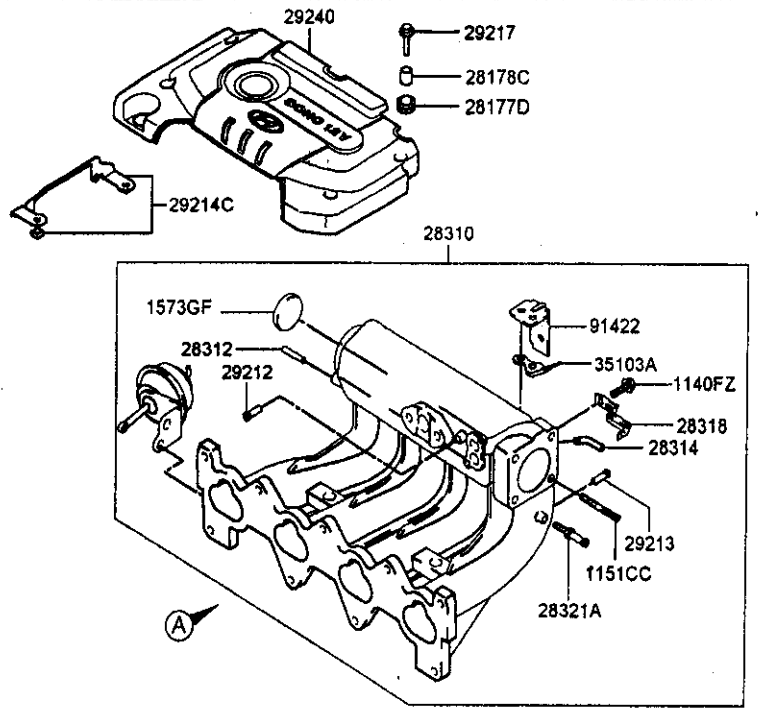
28-282 TURBOCHAGER

BA.G0112- 99

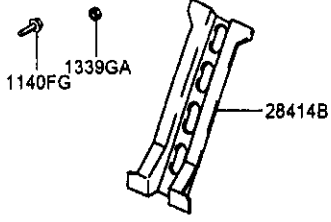
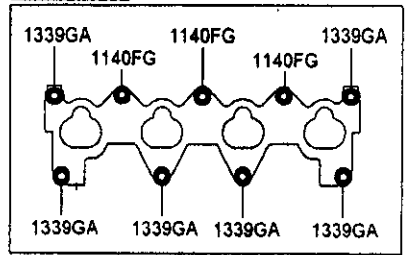
DIESEL



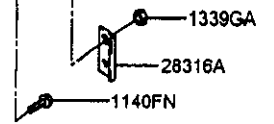
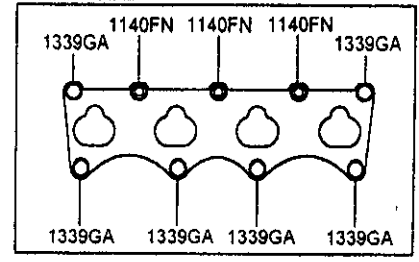
P N C	MODEL APPLICABLE		PART NO. (REPL PNO)	QTY	REMARKS
	FROM-UP-TO	TYPE DESCRIPTION			
1125DA		BOLT			
		(S)PERNO (CON ARANDELA)			
020101 -		ALL TCI	Y 11251-06163 (11251-06166B)	3	
1140NB		BOLT			
		(S)PERNO (PESTANA)			
020101 -		ALL TCI	11407-06143	1	
27810		PIPE-VCOOLER INLET			
		(S)TUBO			
020101 -		ALL TCI	28251-27500	1	
27820		PIPE-VCOOLER OUTLET			
		(S)TUBO			
020101 -		ALL TCI	28256-27501	1	
28183C		CLAMP-HOSE			
		(S)ABRAZADERA			
020101 -		ALL TCI	28183-22010	4	
28183D		CLAMP-HOSE			
		(S)ABRAZADERA			
020101 -		ALL TCI	28183-22020	A	
28184		CLAMP-HOSE			
		(S)ABRAZADERA			
020101 -		ALL TCI	28184-22010	2	
28185A		CLAMP-HOSE			
		(S)ABRAZADERA			
020101 -		ALL TCI	28185-22010	1	
28190C		COOLER ASSY-INTER			
		(S)CONJ. REFRIGERADOR			
020101 -		ALL TCI	28270-27500	1	
28259		BRACKET			
		(S)SOPORTE			
020101 -		ALL TCI	28259-27500	1	
98852		HOSE "A"			
		(S)MANGUERA "A"			
020101 -		ALL TCI	28261-27500	1	
98853		HOSE "B"			
		(S)MANGUERA "B"			
020101 -		ALL TCI	28262-27500	1	



VIEW A



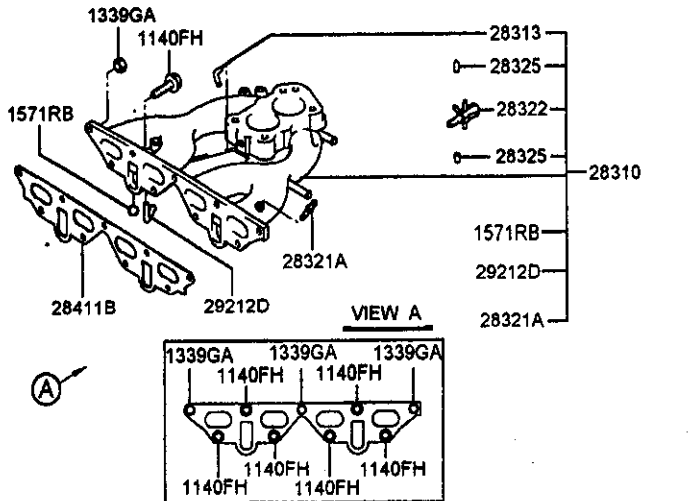
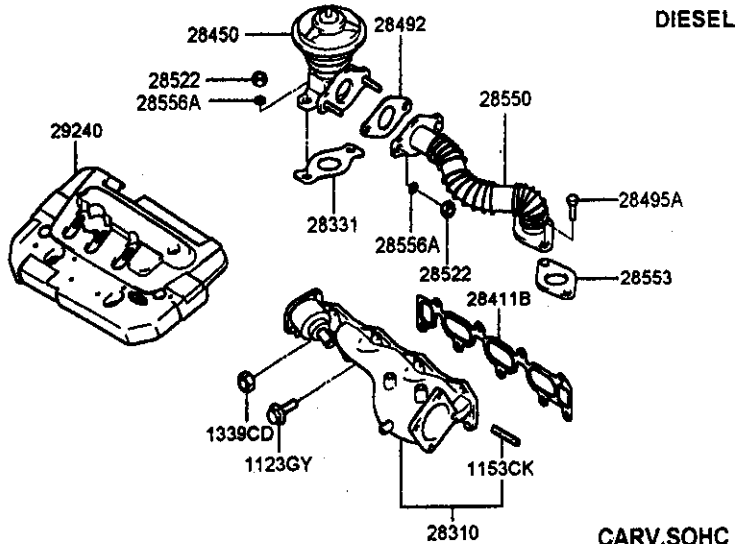
VIEW A



28-283 INTAKE MANIFOLD

BA,00112- 102

1-K 8



P N C	MODEL APPLICABLE		R E P	PART NO. (REPL PNO)	Q T Y	REMARKS
	FROM-UP-TO	TYPE				
1123GY						
020101 -				11233-08283	5	
1129GB						
010918 -				11294-10203	4	
010918 -				11294-10203	4	
010918 -				11294-10203	4	
010918 -				11294-10203	4	
1140FG						
010918 -				11403-08221 (11403-08223)	3	Y
010918 -				11403-08221 (11403-08223)	3	Y
010918 -				11403-08221 (11403-08223)	3	Y
010918 -				11403-08221 (11403-08223)	3	Y
1140FH						
990625 - 010918				11403-08253	6	
991101 -				11403-08353	2	
991101 -				11403-08353	2	
991101 -				11403-08353	2	
000403 -				11403-08353	2	
010918 -				11403-08253	6	
991101 -				11403-08353	2	
991101 -				11403-08353	2	
990625 - 010918				11403-08253	6	
991101 -				11403-08353	2	
991101 -				11403-08353	2	
991101 -				11403-08353	2	
000403 -				11403-08353	2	
010918 -				11403-08253	6	
990625 - 010918				11403-08253	6	
991101 -				11403-08353	2	
991101 -				11403-08353	2	
991101 -				11403-08353	2	
991101 -				11403-08353	2	
991101 -				11403-08353	2	

CONTINUED

1-L 8

28-283 INTAKE MANIFOLD

BA,G0112- 103

P N C		MODEL APPLICABLE		R E P	PART NO. (REPL P/NO)	Q T Y	REMARKS	P N C		MODEL APPLICABLE		R E P	PART NO. (REPL P/NO)	Q T Y	REMARKS
FROM-UP-TO	TYPE	DESCRIPTION						FROM-UP-TO	TYPE	DESCRIPTION					
CONTINUED															
1140FH															
BOLT															
(S)PERNO (PESTANA)															
000403 -		FD M-S;3931			11403-08353	2		010918 -		AD M-D;2831			11513-08253	2	
010918 -		FD CON;-A10			11403-08253	6		010918 -		AG M-D;2831			11513-08253	2	
991101 -		FG M-S			11403-08353	2		010918 -		DG M-D;2831			11513-08253	2	
1140FN															
BOLT															
(S)PERNO (PESTANA)															
990601 -		AD M-D			11403-08453	3		010918 -		FG M-D;2831			11513-08253	2	
990601 -		AD M-S;2831,3931			11403-08453	4		1151CJ							
990601 -		AD M-S;2831,3933			11403-08453	4		STUD							
990601 -		AD M-S;3933			11403-08453	4		(S)FRAGMENTO							
000403 -		AD M-S;3931			11403-08453	4		990601 -		AD M-D			11513-08403	2	
990601 -		AG M-S			11403-08453	4		990601 -		AD M-S;2831,3933			11513-08403	2	
990601 -		AG M-D			11403-08453	3		990601 -		AD M-S;3933			11513-08403	2	
990601 -		DG M-S			11403-08453	4		010330 -		AD M-S;2831,3931			11513-08403	2	
990601 -		DG M-D			11403-08453	3		010330 -		AD M-S;3931			11513-08403	2	
990601 -		DS M-S;2831,3931			11403-08453	4		990601 -		AG P3B,P35,P6B,P65			11513-08403	2	
990601 -		DS M-S;2831,3933			11403-08453	4		990601 -		DG P3B,P35,P65			11513-08403	2	
990601 -		DS M-S;3933			11403-08453	4		990601 -		DS M-S;2831,3933			11513-08403	2	
000403 -		DS M-S;3931			11403-08453	4		990601 -		DS M-S;3933			11513-08403	2	
990601 -		FD M-S;2831,3931			11403-08453	4		010330 -		DS M-S;2831,3931			11513-08403	2	
990601 -		FD M-S;2831,3933			11403-08453	4		010330 -		DS M-S;3931			11513-08403	2	
990601 -		FD M-S;3933			11403-08453	4		990601 -		FD M-S;2831,3933			11513-08403	2	
000403 -		FD M-S;3931			11403-08453	4		990601 -		FD M-S;3933			11513-08403	2	
990601 -		FG M-S			11403-08453	4		010330 -		FD M-S;2831,3931			11513-08403	2	
990601 -		FG M-D			11403-08453	3		010330 -		FD M-S;3931			11513-08403	2	
1140FZ															
BOLT															
(S)PERNO (PESTANA)															
010918 -		AD M-D;2831	Y		11403-06103 (13395-06001)	3	FLANGE	990601 -		FG P3B,P35,P6B,P65			11513-08403	2	
010918 -		AG M-D;2831	Y		11403-06103 (13395-06001)	3	FLANGE	1153CK							
010918 -		DG M-D;2831	Y		11403-06103 (13395-06001)	3	FLANGE	(S)FRAGMENTO							
010918 -		FG M-D;2831	Y		11403-06103 (13395-06001)	3	FLANGE	ALL TCI							
								11533-06185							
								2							
								1339CD							
								NUT-FLANGE							
								(S)TUERCA TAPA							
								ALL TCI							
								Y 13395-08003 (13396-08003)							
								2							
								1339GA							
								NUT							
								(S)TUERCA(BRIDA)							
990601 -		AD M-D						990601 -		AD M-D			13396-08003	6	
990621 -		AD L35,L45,P3B,P35						990621 -		AD L35,L45,P3B,P35			13396-08003	3	
990601 -		AG M-D						990601 -		AG M-D			13396-08003	6	
990621 -		AG M-S						990621 -		AG M-S			13396-08003	3	
990601 -		DG M-D						990601 -		DG M-D			13396-08003	6	
990621 -		DG M-S						990621 -		DG M-S			13396-08003	3	
								CONTINUED							

28-283 INTAKE MANIFOLD

BA,00113-.104

1-M 8

P N C		MODEL APPLICABLE		R E P	PART NO. (REPL P/NO)	Q T Y	REMARKS	P N C		MODEL APPLICABLE		R E P	PART NO. (REPL P/NO)	Q T Y	REMARKS
FROM-UP-TO	TYPE	DESCRIPTION						FROM-UP-TO	TYPE	DESCRIPTION					
CONTINUED								CONTINUED							
1339GA		NUT (S)TUERCA(BRIDA)						26721		HOSE-PCV (S)MANGUERA					
990621 -		DS L35,L45,P3B,P35			13396-08003	3		990601 - 010613		FG M-D			26721-26600	1	
990621 -		FD L35,L45,P3B,P35			13396-08003	3		010613 -		FG M-D			26721-26611	1	
990601 -		FG M-D			13396-08003	6		28177D		INSULATOR (S)AISLADOR CUERPO					
990621 -		FG M-S			13396-08003	3		990601 - 020101		AD L35,L45,P3B,P35			28177-23600	4	
1472AG		CLAMP-HOSE (S)ABRAZADERA						990601 - 020101		AG M-S			28177-23600	4	
990601 - 010613		AD M-D		Y	14720-13003 (14720-13008)	1		990601 - 020101		DG M-S			28177-23600	4	
990601 - 010613		AG M-D		Y	14720-13003 (14720-13008)	1		990601 - 020101		DS L35,L45,P3B,P35			28177-23600	4	
990601 - 010613		DG M-D		Y	14720-13003 (14720-13008)	1		990601 - 020101		FD L35,L45,P3B,P35			28177-23600	4	
990601 - 010613		FG M-D		Y	14720-13003 (14720-13008)	1		990601 - 020101		FG M-S			28177-23600	4	
1571RB		PLUG-TAPER (S)TAPON						28178C		COLLAR (S)COLLAR					
990625 - 010918		AD CON			15716-13111	1		990601 - 020101		AD L35,L45,P3B,P35			28178-23600	4	
010918 -		AD CON;-A10			15716-13111	1		990601 - 020101		AG M-S			28178-23600	4	
990625 - 010918		DS CON			15716-13111	1		990601 - 020101		DG M-S			28178-23600	4	
010918 -		DS CON;-A10			15716-13111	1		990601 - 020101		DS L35,L45,P3B,P35			28178-23600	4	
990625 - 010918		FD CON			15716-13111	1		990601 - 020101		FD L35,L45,P3B,P35			28178-23600	4	
010918 -		FD CON;-A10			15716-13111	1		28310		MANIFOLD ASSY-INTAKE (S)CONJ. COLECTOR					
1573GF		CAP-SEALING (S)TAPA						990601 - 000403		ALL M-S;3931			28310-22601	1	
010918 -		AD M-D;2831			15732-35003	1		990601 - 010330		ALL M-S;3933			28310-22651	1	
010918 -		AG M-D;2831			15732-35003	1		000403 - 010330		ALL M-S;3931,-A10			28310-22601	1	
010918 -		DG M-D;2831			15732-35003	1		000403 - 010330		ALL LHD>M-S;3931			28310-22601	1	
010918 -		FG M-D;2831			15732-35003	1		010330 -		ALL M-S;3931			28310-22602	1	
26721		HOSE-PCV (S)MANGUERA						010330 -		ALL M-S;3931,-A10			28310-22602	1	
990601 - 010613		AD M-D			26721-26600	1		020101 -		ALL TCI			28310-27500	1	
010613 -		AD M-D			26721-26611	1		990601 - 010613		AD M-D			28310-26652	1	
990601 - 010613		AG M-D			26721-26600	1		990625 - 010918		AD CON			28310-22390	1	
010613 -		AG M-D			26721-26611	1		010613 -		AD M-D			28310-26653	1	
990601 - 010613		DG M-D			26721-26600	1		010918 -		AD CON;-A10			28310-22390	1	
010613 -		DG M-D			26721-26611	1		010918 -		AD M-D;2831			28310-26300	1	
CONTINUED								990601 - 010613		AG M-D			28310-26652	1	
								010613 -		AG M-D			28310-26653	1	
								010918 -		AG M-D;2831			28310-26300	1	
								990601 - 010613		DG M-D			28310-26652	1	

AD:3DR,QL AG:3DR,QLS DG:3DR,QLS DS:3DR,L FD:4DR,QL FG:4DR,QLS

2831:EVAP. GAS CONTROL 3931:NON SPEED DENSITY TYPE 3933:SPEED DENSITY TYPE A10:INDIA

P N C		MODEL APPLICABLE		R E P	PART NO. (REPL P/NO)	Q T Y	REMARKS	P N C		MODEL APPLICABLE		R E P	PART NO. (REPL P/NO)	Q T Y	REMARKS
FROM-UP-TO	TYPE	DESCRIPTION						FROM-UP-TO	TYPE	DESCRIPTION					
CONTINUED								CONTINUED							
28310		MANIFOLD ASSY-INTAKE (S)CONJ. COLECTOR						28321A		NIPPLE (S)BOQUILLA					
010613 -		DG M-D			28310-26653	1		010918 -		AD CON;-A10			28321-11002	1	
010918 -		DG M-D;2831			28310-26300	1		010918 -		AD M-D;2831			28321-11002	1	
990625 - 010918		DS CON			28310-22390	1		010918 -		AG M-D;2831			28321-11002	1	
010918 -		DS CON;-A10			28310-22390	1		010918 -		DG M-D;2831			28321-11002	1	
990625 - 010918		FD CON			28310-22390	1		990625 - 010918		DS CON			28321-11002	1	
010918 -		FD CON;-A10			28310-22390	1		010918 -		DS CON;-A10			28321-11002	1	
990601 - 010613		FG M-D			28310-26652	1		990625 - 010918		FD CON			28321-11002	1	
010613 -		FG M-D			28310-26653	1		010918 -		FD CON;-A10			28321-11002	1	
010918 -		FG M-D;2831			28310-26300	1		010918 -		FG M-D;2831			28321-11002	1	
28312		NIPPLE (S)BOQUILLA						28321D		COVER-INLET MANIFOLD,FR (S)CUBIERTA					
010613 -		AD M-D			28312-26351	1		990601 -		AD M-D			28321-26600	1	
010613 -		AG M-D			28312-26351	1		990601 -		AG M-D			28321-26600	1	
010613 -		DG M-D			28312-26351	1		990601 -		DG M-D			28321-26600	1	
010613 -		FG M-D			28312-26351	1		990601 -		FG M-D			28321-26600	1	
28314		NIPPLE (S)BOQUILLA						28322		JOINT (S)JUNTA					
010918 -		AD M-D;2831			28314-26000	1		990625 - 010918		AD CON			28322-22300	1	
010918 -		AG M-D;2831			28314-26000	1		010918 -		AD CON;-A10			28322-22300	1	
010918 -		DG M-D;2831			28314-26000	1		990625 - 010918		DS CON			28322-22300	1	
010918 -		FG M-D;2831			28314-26000	1		010918 -		DS CON;-A10			28322-22300	1	
28316A		BRACKET-WIRING (S)SOPORTE						990625 - 010918		FD CON			28322-22300	1	
990601 -		AD M-D			28316-26600	1		010918 -		FD CON;-A10			28322-22300	1	
990601 -		AG M-D			28316-26600	1		28322A		COVER-INLET MANIFOLD,RR (S)CUBIERTA					
990601 -		DG M-D			28316-26600	1		990601 -		AD M-D			28322-26600	1	
990601 -		FG M-D			28316-26600	1		990601 -		AG M-D			28322-26600	1	
28318		BRACKET-CONTROL WIRING MTG (S)SOPORTE						990601 -		DG M-D			28322-26600	1	
010918 -		AD M-D;2831			28371-26001	1		990601 -		FG M-D			28322-26600	1	
010918 -		AG M-D;2831			28371-26001	1		28325		CAP-RUBBER (S)TAPA					
010918 -		DG M-D;2831			28371-26001	1		990601 -		AD M-D			28325-22030	2	
010918 -		FG M-D;2831			28371-26001	1		990625 - 010918		AD CON			28325-21000	2	
28321A		NIPPLE (S)BOQUILLA						990628 -		AD M-D;9701,9726			28325-22030	1	
990625 - 010918		AD CON			28321-11002	1		010918 -		AD CON;-A10			28325-21000	2	
CONTINUED								CONTINUED							

AD:3DR,GL AG:3DR,GLS DG:3DR,GLS DS:3DR,LL FG:4DR,GL 2831:EVAP. GAS CONTROL 9701:HEATER-MANUAL(HCC) 9726:HEATER CONTROL(ROTARY TYPE) A10:INDIA

1-B 9

28-283 INTAKE MANIFOLD

BA, G0112-106

P N C		MODEL APPLICABLE		R E P	PART NO. (REPL P/NO)	Q T Y	REMARKS	P N C		MODEL APPLICABLE		R E P	PART NO. (REPL P/NO)	Q T Y	REMARKS
FROM-UP-TO	TYPE	DESCRIPTION						FROM-UP-TO	TYPE	DESCRIPTION					
CONTINUED								CONTINUED							
28325		CAP-RUBBER (S)TAPA						28411B		GASKET-INTAKE MANIFOLD (S)JUNTA					
990628 -		AG M-D;9701,9726			28325-22030	1		990601 -		FD M-S;2831,3933			28411-22601	4	
990601 -		DG M-D			28325-22030	2		990601 -		FD M-S;3933			28411-22601	4	
990628 -		DG M-D;9701,9726			28325-22030	1		990625 - 010918		FD CON			28411-22310	1	
990625 - 010918		DS CON			28325-21000	2		000403 -		FD M-S;3931			28411-22601	4	
010918 -		DS CON;-A10			28325-21000	2		010918 -		FD CON;-A10			28411-22310	1	
990625 - 010918		FD CON			28325-21000	2		990601 -		FG M-S			28411-22601	4	
010918 -		FD CON;-A10			28325-21000	2		990601 -		FG M-D			28411-26600	4	
990601 -		FG M-D			28325-22030	2		010918 -		FG M-D;2831			28411-26011	1	
990628 -		FG M-D;9701,9726			28325-22030	1		28414B		STAY-INTAKE MANIFOLD (S)CIMENTO					
28331		GASKET-EGR VALVE (S)JUNTA						010918 -		AD M-D;2831			28421-26012	1	
020101 -		ALL TCI			28493-27000	1		010918 -		AG M-D;2831			28421-26012	1	
28411B		GASKET-INTAKE MANIFOLD (S)JUNTA						010918 -		DG M-D;2831			28421-26012	1	
020101 -		ALL TCI			28411-27500	1		010918 -		FG M-D;2831			28421-26012	1	
990601 -		AD M-D			28411-26600	4		28450		VALVE ASSY-EGR (S)CONJUNTO VALVULA					
990601 -		AD M-S;2831,3931			28411-22601	4		020101 -		ALL TCI			28410-27000	1	
990601 -		AD M-S;2831,3933			28411-22601	4		28492		GASKET-EGR PIPE (S)JUNTA					
990601 -		AD M-S;3933			28411-22601	4		020101 -		ALL TCI			28492-27000	1	
990625 - 010918		AD CON			28411-22310	1		28495A		BOLT (S)PERNO (PESTANA)					
000403 -		AD M-S;3931			28411-22601	4		020101 -		ALL TCI			28495-27001	2	
010918 -		AD CON;-A10			28411-22310	1		28522		NUT (S)TUERCA					
010918 -		AD M-D;2831			28411-26011	1		020101 -		ALL TCI			28522-33001	2	
990601 -		AG M-S			28411-22601	4		28550		PIPE ASSY-EGR (S)CONJUNTO TUBO					
990601 -		AG M-D			28411-26600	4		020101 -		ALL TCI			28491-27501	1	
010918 -		AG M-D;2831			28411-26011	1		28553		GASKET-EGR PIPE (S)JUNTA					
990601 -		DG M-S			28411-22601	4		020101 -		ALL TCI			28494-27000	1	
990601 -		DG M-D			28411-26600	4		28556A		WASHER-PLAIN (S)ARANDELA					
010918 -		DG M-D;2831			28411-26011	1		020101 -		ALL TCI			28556-35000	2	
990601 -		DS M-S;2831,3931			28411-22601	4									
990601 -		DS M-S;2831,3933			28411-22601	4									
990601 -		DS M-S;3933			28411-22601	4									
990625 - 010918		DS CON			28411-22310	1									
000403 -		DS M-S;3931			28411-22601	4									
010918 -		DS CON;-A10			28411-22310	1									
990601 -		FD M-S;2831,3931			28411-22601	4									

1-C9

28-283 INTAKE MANIFOLD

BA.G0112- 107

P N C		MODEL APPLICABLE		R E P	PART NO. (REPL P/NO)	Q T Y	REMARKS	P N C		MODEL APPLICABLE		R E P	PART NO. (REPL P/NO)	Q T Y	REMARKS
FROM-UP-TO	TYPE	DESCRIPTION						FROM-UP-TO	TYPE	DESCRIPTION					
29212		NIPPLE						29240		COVER ASSY-ENGINE					
		(S)BOQUILLA								(S)CONJUNTO CUBIERTA					
010918 -		AD	M-D;2831		29212-32501	1		020101 -		ALL TCI			29240-27500	1	
010918 -		AG	M-D;2831		29212-32501	1		990601 - 020101	AD	L35,L45,P3B,P35		29240-22600	1		
010918 -		DG	M-D;2831		29212-32501	1		990601 - 020101	AG	M-S		29240-22600	1		
010918 -		FG	M-D;2831		29212-32501	1		990601 - 020101	DG	M-S		29240-22600	1		
29212D		NIPPLE						990601 - 020101	DS	L35,L45,P3B,P35		29240-22600	1		
		(S)BOQUILLA						990601 - 020101	FD	L35,L45,P3B,P35		29240-22600	1		
990601 - 010918		AD	L45,P6B		29212-23000	1		990601 - 020101	FG	M-S		29240-22600	1		
010918 -		AD	CON;-A10		29212-23000	1		35101		GASKET-THROTTLE BODY					
990601 - 010613		AG	M-D		29212-23000	1				(S)JUNTA					
990601 - 010613		DG	M-D		29212-23000	1		990601 -	AD	M-D		28312-22600	1		
990625 - 010918		DS	CON		29212-23000	1		990601 -	AD	M-S;2831,3931		28312-22600	1		
010918 -		DS	CON;-A10		29212-23000	1		990601 -	AD	M-S;2831,3933		28312-22600	1		
990625 - 010918		FD	CON		29212-23000	1		990601 -	AD	M-S;3933		28312-22600	1		
010918 -		FD	CON;-A10		29212-23000	1		000403 -	AD	M-S;3931		28312-22600	1		
990601 - 010613		FG	M-D		29212-23000	1		990601 -	AG	P3B,P35,P6B,P65		28312-22600	1		
29213		NIPPLE						990601 -	DG	P3B,P35,P65		28312-22600	1		
		(S)BOQUILLA						990601 -	DS	M-S;2831,3931		28312-22600	1		
010918 -		AD	M-D;2831		29213-32800	2		990601 -	DS	M-S;2831,3933		28312-22600	1		
010918 -		AG	M-D;2831		29213-32800	2		990601 -	DS	M-S;3933		28312-22600	1		
010918 -		DG	M-D;2831		29213-32800	2		000403 -	DS	M-S;3931		28312-22600	1		
010918 -		FG	M-D;2831		29213-32800	2		990601 -	FD	M-S;2831,3931		28312-22600	1		
29214C		BRACKET-ENGINE COVER						990601 -	FD	M-S;2831,3933		28312-22600	1		
		(S)SOPORTE						990601 -	FD	M-S;3933		28312-22600	1		
990601 - 020101		AD	L35,L45,P3B,P35		29214-22601	1		000403 -	FD	M-S;3931		28312-22600	1		
990601 - 020101		AG	M-S		29214-22601	1		990601 -	FG	P3B,P35,P6B,P65		28312-22600	1		
990601 - 020101		DG	M-S		29214-22601	1		35103A		BRACKET KIT-ACC CABLE					
990601 - 020101		DS	L35,L45,P3B,P35		29214-22601	1				(S)JUEGO SOPORTE					
990601 - 020101		FD	L35,L45,P3B,P35		29214-22601	1		990601 -	AD	M-S;2831,3933		35103-22600	1		
990601 - 020101		FG	M-S		29214-22601	1		990601 -	AD	M-S;3933		35103-22600	1		
29217		BOLT						010330 -	AD	M-S;2831,3931		35103-22600	1		
		(S)PERNO						010330 -	AD	M-S;3931		35103-22600	1		
990601 -		AD	L35,L45,P3B,P35,P85		29217-23600	4		990601 -	AG	M-S		35103-22600	1		
990601 -		AG	P3B,P35,P85		29217-23600	4		990601 -	DG	M-S		35103-22600	1		
990601 -		DG	P3B,P35,P85		29217-23600	4		990601 -	DS	M-S;2831,3933		35103-22600	1		
990601 -		DS			29217-23600	4		990601 -	DS	M-S;3933		35103-22600	1		
990601 -		FD			29217-23600	4		010330 -	DS	M-S;2831,3931		35103-22600	1		
990601 -		FG	P3B,P35,P85		29217-23600	4		010330 -	DS	M-S;3931		35103-22600	1		

CONTINUED

AD:5DR,GL AG:5DR,GLS DG:3DR,GLS DS:3DR,L FD:4DR,GL FG:4DR,GLS

2831:EVAP. GAS CONTROL 3931:NON SPEED DENSITY TYPE 3933:SPEED DENSITY TYPE A10:INDIA

28-283 INTAKE MANIFOLD

BA.00112- 108

1-D 9

P N C		MODEL APPLICABLE		R E P	PART NO. (REPL P/NO)	Q T Y	REMARKS	P N C		MODEL APPLICABLE		R E P	PART NO. (REPL P/NO)	Q T Y	REMARKS
FROM-UP-TO	TYPE	DESCRIPTION						FROM-UP-TO	TYPE	DESCRIPTION					
CONTINUED															
35103A								91422							
BRACKET KIT-ACC CABLE (S)JUEGO SOPORTE								BRACKET-WIRING (S)SOPORTE							
990601 -	FD	M-S;2831,3933			35103-22600	1		010918 -	AD	M-D;2831			91423-22000	1	
990601 -	FD	M-S;3933			35103-22600	1		010918 -	AG	M-D;2831			91423-22000	1	
010330 -	FD	M-S;2831,3931			35103-22600	1		010918 -	DG	M-D;2831			91423-22000	1	
010330 -	FD	M-S;3931			35103-22600	1		010918 -	FG	M-D;2831			91423-22000	1	
990601 -	FG	M-S			35103-22600	1		91930A							
35103B								WIRING ASSY-EARTH EXT (S)CONJ. CABLEADO							
990601 -	AD	M-D			35103-26601	1		990601 -	AD	M-D			91930-25010	1	
010918 -	AD	M-D;2831			35103-26000	1		990601 -	AG	M-D			91930-25010	1	
990601 -	AG	M-D			35103-26601	1		990601 -	DG	M-D			91930-25010	1	
010918 -	AG	M-D;2831			35103-26000	1		990601 -	FG	M-D			91930-25010	1	
990601 -	DG	M-D			35103-26601	1									
010918 -	DG	M-D;2831			35103-26000	1									
990601 -	FG	M-D			35103-26601	1									
010918 -	FG	M-D;2831			35103-26000	1									
39300A															
SENSOR ASSY-MAP (S)CONJ. SENSOR															
990601 -	ALL	M-S;3933			39300-38110	1									
990601 -	ALL	M-S;3933			39300-22600	A									
990601 -	AD	M-D			39300-38110	1									
990601 -	AD	M-D			39300-22600	A									
990601 -	AG	M-D			39300-38110	1									
990601 -	AG	M-D			39300-22600	A									
990601 -	DG	M-D			39300-38110	1									
990601 -	DG	M-D			39300-22600	A									
990601 -	FG	M-D			39300-38110	1									
990601 -	FG	M-D			39300-22600	A									
39322															
BOLT-MAP SENSOR MTG (S)PERNO															
990601 -	ALL	M-S;3933			39322-26300	2									
990601 -	AD	L35,P3B,P35,P6B			39322-26300	2									
990601 -	AG	P3B,P35,P6B,P65			39322-26300	2									
990601 -	DG	P3B,P35,P65			39322-26300	2									
990601 -	DS	M-S			39322-26300	2									
990601 -	FD	M-S			39322-26300	2									
990601 -	FG	P3B,P35,P6B,P65			39322-26300	2									

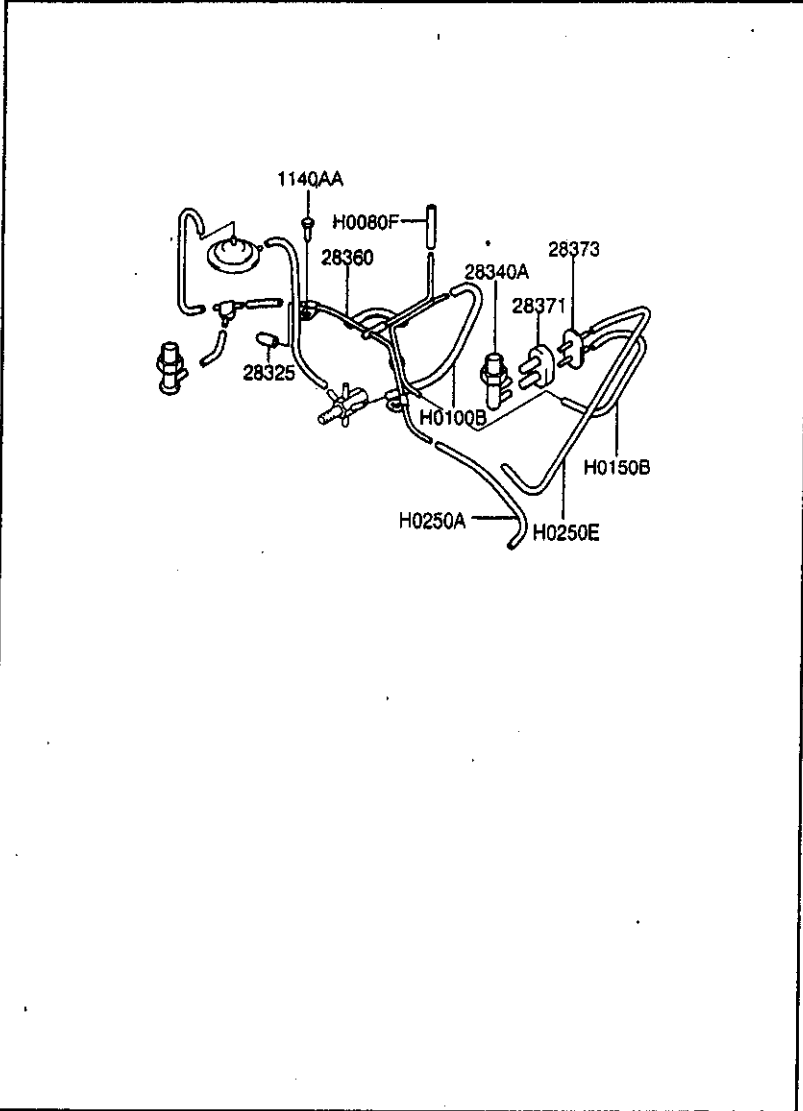
AD:3DR,QL AG:5DR,QLS DG:3DR,QLS DS:3DR,L FD:4DR,QL FG:4DR,QLS

2831:EVAP. GAS CONTROL 3931:NON SPEED DENSITY TYPE 3933:SPEED DENSITY TYPE

1-E 9

28-284 VACUUM HOSE

BA,G0112- 109



P N C	MODEL APPLICABLE		R E P	PART NO. (REPL P/MO)	Q T Y	REMARKS
	FROM-UP-TO	TYPE				
114QAA						
990601 -				11400-06103	2	FLANGE
990601 -				11400-06103	2	FLANGE
990601 -				11400-06103	2	FLANGE
28325						
990601 -				28325-21000	1	
990601 -				28325-21000	1	
990601 -				28325-21000	1	
28340A						
990601 -				28340-24000	1	
990601 -				28340-24000	1	
990601 -				28340-24000	1	
28360						
990601 -				28360-22300	1	
990601 -				28360-22300	1	
990601 -				28360-22300	1	
28371						
990601 -				28371-32500	1	
990601 -				28371-32500	1	
990601 -				28371-32500	1	
28373						
990601 -				28373-32500	1	
990601 -				28373-32500	1	
990601 -				28373-32500	1	
H0080F						
990601 -				17905-39999KA	1	SIR
990601 -				17905-39999KA	1	SIR
990601 -				17905-39999KA	1	SIR
H0100B						
990601 -				17905-39999DF	1	SIR
990601 -				17905-39999DF	1	SIR

CONTINUED

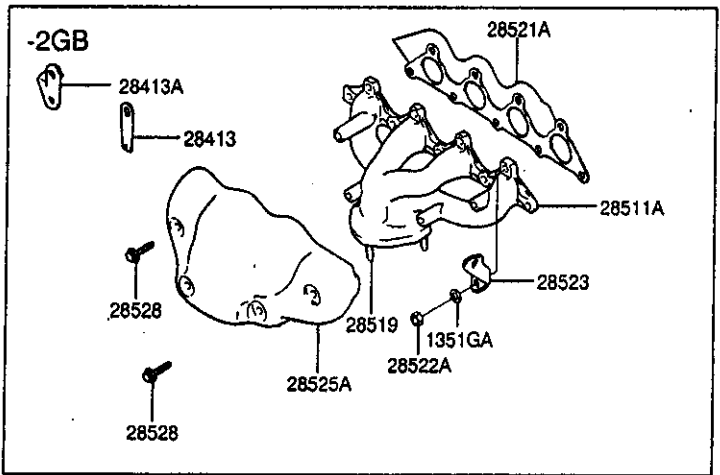
28-284 VACUUM HOSE

BA,00112- 110

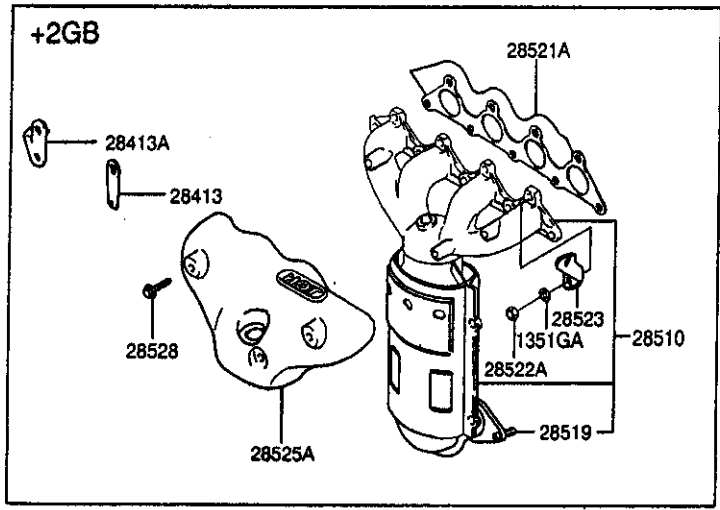
1-F 9

P N C		MODEL APPLICABLE		R E P	PART NO. (REPL P/NO)	Q T Y	REMARKS	P N C		MODEL APPLICABLE		R E P	PART NO. (REPL P/NO)	Q T Y	REMARKS
FROM-UP-TO	TYPE	DESCRIPTION						FROM-UP-TO	TYPE	DESCRIPTION					
CONTINUED															
		H0100B													
990601 -					17905-39999DF	1	SIR								
		H0150B													
990601 -					17905-39999DF	1	SIR								
990601 -					17905-39999DF	1	SIR								
990601 -					17905-39999DF	1	SIR								
		H0250A													
000201 -					17905-39999	1	SIR								
000201 -					17905-39999	1	SIR								
000201 -					17905-39999	1	SIR								
		H0250E													
990601 -					17905-39999JA	1	SIR								
990601 -					17905-39999JA	1	SIR								
990601 -					17905-39999JA	1	SIR								

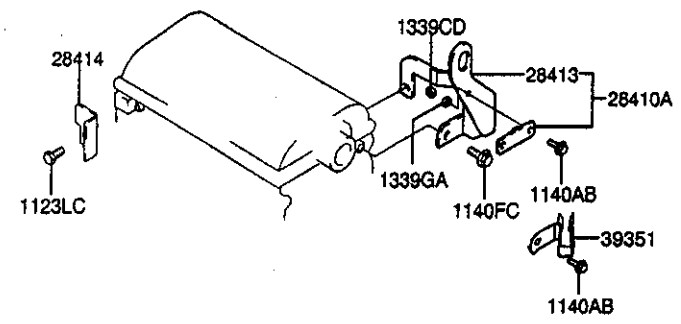
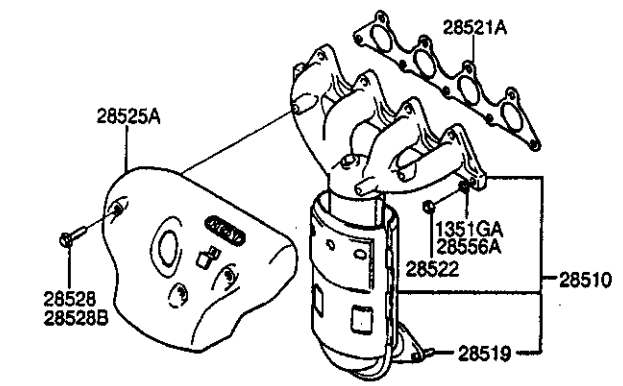
(SOHC)



+2GB



DOHC

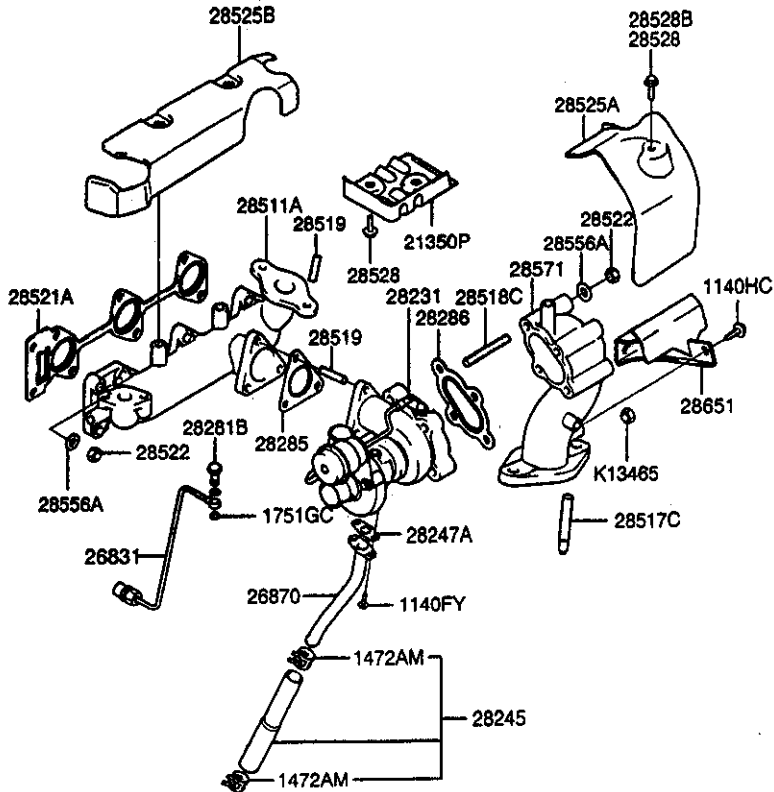


28-285 EXHAUST MANIFOLD

8A,00112-112

1-H 9

DIESEL



P N C	MODEL APPLICABLE		R E P	PART NO. (REPL P/NO)	Q T Y	REMARKS
	FROM-UP-TO	TYPE				
1123LC						
990601 -				11234-10203	1	
990601 -				11234-10203	1	
990601 -				11234-10203	1	
990601 -				11234-10203	1	
1140AB						
990601 -			Y	11400-06121 (11400-06123)	1	FLANGE
990601 -			Y	11400-06121 (11400-06123)	1	FLANGE
990601 -			Y	11400-06121 (11400-06123)	1	FLANGE
990601 -			Y	11400-06121 (11400-06123)	1	FLANGE
1140FC						
990601 -				11403-08143	1	FLANGE
990601 -				11403-08143	1	FLANGE
990601 -				11403-08143	1	FLANGE
990601 -				11403-08143	1	FLANGE
1140FY						
020101 -				11403-06143	2	
1140HC						
020101 -				11404-10223	2	
1339CD						
990601 - 010724			Y	13395-08003 (13396-08003)	1	
990601 - 010724			Y	13395-08003 (13396-08003)	1	
990601 - 010724			Y	13395-08003 (13396-08003)	1	
990601 - 010724			Y	13395-08003 (13396-08003)	1	

1-19

28-285 EXHAUST MANIFOLD

BA.G0112- 113

P N C		MODEL APPLICABLE		R E P	PART NO. (REPL P/NO)	Q T Y	REMARKS	P N C		MODEL APPLICABLE		R E P	PART NO. (REPL P/NO)	Q T Y	REMARKS	
FROM-UP-TO	TYPE	DESCRIPTION						FROM-UP-TO	TYPE	DESCRIPTION						
1339GA		NUT						28281B		BOLT						
		(S)TUERCA(BRIDA)								(S)BOLT						
010724 -		AD M-D			13396-08003	1		020101 -		ALL TCI			28281-27001	1		
010724 -		AG M-D			13396-08003	1		28285		GASKET-TURBOCHARGER INLET						
010724 -		DG M-D			13396-08003	1				(S)JUNTA						
010724 -		FG M-D			13396-08003	1		020101 -		ALL TCI			28285-27500	1		
1351GA		WASHER-PLAIN						28286		GASKET-TURBOCHARGER OUTLET						
		(S)ARANDELA								(S)JUNTA						
990601 -		AD L35,L45,P3B,P35			13510-08003	8		020101 -		ALL TCI			28286-27500	1		
990601 -		AG M-S			13510-08003	8		28410A		HANGER ASSY-ENGINE						
990601 -		DG M-S			13510-08003	8				(S)HANGER						
990601 -		DS L35,L45,P3B,P35			13510-08003	8		000419 -		AD M-D			28410-26054	1		
990601 -		FD L35,L45,P3B,P35			13510-08003	8		000419 -		AG M-D			28410-26054	1		
990601 -		FG M-S			13510-08003	8		000419 -		DG M-D			28410-26054	1		
1472AM		CLAMP-HOSE						000419 -		FG M-D			28410-26054	1		
		(S)ABRAZADERA						28413		HANGER-ENGINE						
020101 -		ALL TCI			14720-18006	2				(S)COLGADOR						
1751GC		GASKET(10)						010516 -		ALL M-S			28413-22020	1		
		(S)JUNTA						990601 - 000419		AD M-D			28413-26023	1		
020101 -		ALL TCI			17512-10000	2		990714 -		AD CON			28413-22000	1		
21350P		PROTECTOR-LWR						990601 - 000419		AG M-D			28413-26023	1		
		(S)PROTECTOR						990601 - 000419		DG M-D			28413-26023	1		
020101 -		ALL TCI			28527-27500	1		990714 -		DS CON			28413-22000	1		
26831		PIPE ASSY-OIL FEED						990714 -		FD CON			28413-22000	1		
		(S)CONJUNTO TUBO						990601 - 000419		FG M-D			28413-26023	1		
020101 -		ALL TCI			28240-27500	1		28413A		HANGER-ENGINE						
26870		PIPE-OIL T/C								(S)COLGADOR						
		(S)TUBO						990601 -		AD L35,L45,P3B,P35			28413-22010	1		
020101 -		ALL TCI			28246-27500	1		990601 - 000706		AG M-S			28413-22010	1		
28231		TURBOCHARGER						990601 - 000706		DG M-S			28413-22010	1		
		(S)TURBOCARGADOR						990601 -		DS L35,L45,P3B,P35			28413-22010	1		
020101 -		ALL TCI			28231-27500	1		990601 -		FD L35,L45,P3B,P35			28413-22010	1		
28245		HOSE-OIL						990601 - 000706		FG M-S			28413-22010	1		
		(S)MANGUERA						28414		HANGER-ENGINE						
020101 -		ALL TCI			28245-27000	1				(S)COLGADOR						
28247A		GASKET-T/C OIL DRAIN						990601 -		AD M-D			28413-26011	1		
		(S)GASKET						990601 -		AG M-D			28413-26011	1		
020101 -		ALL TCI			28247-27000	1		990601 -		DG M-D			28413-26011	1		
								990601 -		FG M-D			28413-26011	1		

AD:5DR,DL AG:5DR,DLB DG:3DR,DLB DS:3DR,L FD:4DR,DL FG:4DR,DLB

28-285 EXHAUST MANIFOLD

P N C		MODEL APPLICABLE		R E P	PART NO. (REPL P/NO)	Q T Y	REMARKS	P N C		MODEL APPLICABLE		R E P	PART NO. (REPL P/NO)	Q T Y	REMARKS	
FROM-UP-TO	TYPE	DESCRIPTION						FROM-UP-TO	TYPE	DESCRIPTION						
28510		MANIFOLD ASSY-EXHAUST						CONTINUED	28511A	MANIFOLD-EXHAUST						
		(S)CONJ. COLECTOR								(S)COLECTOR						
990601 -	AD	L35,L45,P3B,P35;0910			28510-22690	1		990601 -	AG	M-S;0920			28511-22300	1		
990601 -	AD	M-D;0910			28510-26690	1		010312 -	AG	M-S;0920,-A10			28511-22300	1		
990601 -	AD	M-D;0910			28510-26570	A		990601 -	DG	M-S;0920			28511-22300	1		
990601 -	AD	L35,L45,P3B,P35;2838,0910			28510-22670	1		010312 -	DG	M-S;0920,-A10			28511-22300	1		
990601 -	AD	M-D;2838,0910			28510-26560	1		990601 -	DS	L35,L45,P3B,P35;0920			28511-22300	1		
990601 -	AD	M-D;2838,0910			28510-26670	A		010312 -	DS	L35,L45,P3B,P35;0920,-A10			28511-22300	1		
990601 -	AG	M-S;0910			28510-22690	1		990601 -	FD	L35,L45,P3B,P35;0920			28511-22300	1		
990601 -	AG	M-D;0910			28510-26690	1		010312 -	FD	L35,L45,P3B,P35;0920,-A10			28511-22300	1		
990601 -	AG	M-D;0910			28510-26570	A		990601 -	FG	M-S;0920			28511-22300	1		
990601 -	AG	M-S;2838,0910			28510-22670	1		010312 -	FG	M-S;0920,-A10			28511-22300	1		
990601 -	AG	M-D;2838,0910			28510-26560	1		28517C	STUD							
990601 -	AG	M-D;2838,0910			28510-26670	A			(S)HUSILLO							
990601 -	DG	M-S;0910			28510-22690	1		020101 -	ALL TCI				28517-27500	2		
990601 -	DG	M-D;0910			28510-26690	1		28518C	STUD							
990601 -	DG	M-D;0910			28510-26570	A			(S)HUSILLO							
990601 -	DG	M-S;2838,0910			28510-22670	1		020101 -	ALL TCI				28518-22100	4		
990601 -	DG	M-D;2838,0910			28510-26560	1		28519	STUD							
990601 -	DG	M-D;2838,0910			28510-26670	A			(S)HUSILLO(12X45)							
990601 -	DS	L35,L45,P3B,P35;0910			28510-22690	1		020101 -	ALL TCI				28515-22100	5		
990601 -	DS	L35,L45,P3B,P35;2838,0910			28510-22670	1		990601 -	AD	L35,L45,P3B,P35			28532-22030	3		
990601 -	FD	L35,L45,P3B,P35;0910			28510-22690	1		990601 -	AD	L35,L45,P3B,P35			28532-22030	2		
990601 -	FD	L35,L45,P3B,P35;2838,0910			28510-22670	1		990601 -	AD	M-D;0910			28532-22030	2		
990601 -	FG	M-S;0910			28510-22690	1		990601 -	AG	M-S			28532-22030	3		
990601 -	FG	M-D;0910			28510-26690	1		990601 -	AG	M-S			28532-22030	2		
990601 -	FG	M-D;0910			28510-26570	A		990601 -	AG	M-D;0910			28532-22030	2		
990601 -	FG	M-S;2838,0910			28510-22670	1		990601 -	DG	M-S			28532-22030	3		
990601 -	FG	M-D;2838,0910			28510-26560	1		990601 -	DG	M-S			28532-22030	2		
990601 -	FG	M-D;2838,0910			28510-26670	A		990601 -	DG	M-D;0910			28532-22030	2		
28511A		MANIFOLD-EXHAUST						990601 -	DS	L35,L45,P3B,P35			28532-22030	3		
		(S)COLECTOR						990601 -	DS	L35,L45,P3B,P35			28532-22030	2		
020101 -		ALL TCI			28511-27500	1		990601 -	FD	L35,L45,P3B,P35			28532-22030	3		
990601 -	AD	L35,L45,P3B,P35;0920			28511-22300	1		990601 -	FD	L35,L45,P3B,P35			28532-22030	2		
010312 -	AD	L35,L45,P3B,P35;0920,-A10			28511-22300	1		990601 -	FG	M-S			28532-22030	3		
CONTINUED								990601 -	FG	M-S			28532-22030	2		

1-K9

28-285 EXHAUST MANIFOLD

BA,G0112- 115

P N C	MODEL APPLICABLE		PART NO. (REPL P/NO)	Q T Y	REMARKS
	FROM-UP-TO	TYPE DESCRIPTION			
CONTINUED					
28519		STUD (S)HUSILLO(12X45)			
990601 -		FG M-D;0910	28532-22030	2	
28521A		GASKET-EXHAUST MANIFOLD (S)JUNTA			
020101 -		ALL TCI	28521-27500	1	
990601 -		AD L35,L45,P3B,P35	28521-22020	1	
990714 -		AD M-D;0910	28521-26600	1	
990601 -		AG M-S	28521-22020	1	
990714 -		AG M-D;0910	28521-26600	1	
990601 -		DG M-S	28521-22020	1	
990714 -		DG M-D;0910	28521-26600	1	
990601 -		DS L35,L45,P3B,P35	28521-22020	1	
990601 -		FD L35,L45,P3B,P35	28521-22020	1	
990601 -		FG M-S	28521-22020	1	
990714 -		FG M-D;0910	28521-26600	1	
28522		NUT (S)TUERCA			
020101 -		ALL TCI	28522-33001	4	
990601 -		AD M-D;0910	28522-33001	9	
990601 -		AG M-D;0910	28522-33001	9	
990601 -		DG M-D;0910	28522-33001	9	
990601 -		FG M-D;0910	28522-33001	9	
28522A		NUT (S)TUERCA			
990601 -		AD L35,L45,P3B,P35	28522-11000	9	
990601 -		AG M-S	28522-11000	9	
990601 -		DG M-S	28522-11000	9	
990601 -		DS L35,L45,P3B,P35	28522-11000	9	
990601 -		FD L35,L45,P3B,P35	28522-11000	9	
990601 -		FG M-S	28522-11000	9	
28523		HANGER-ENGINE (S)COLGADOR			
990601 -		AD L35,L45,P3B,P35	28523-22010	1	
990601 -		AG M-S	28523-22010	1	
990601 -		DG M-S	28523-22010	1	
990601 -		DS L35,L45,P3B,P35	28523-22010	1	
990601 -		FD L35,L45,P3B,P35	28523-22010	1	
CONTINUED					

P N C	MODEL APPLICABLE		PART NO. (REPL P/NO)	Q T Y	REMARKS
	FROM-UP-TO	TYPE DESCRIPTION			
CONTINUED					
28523		HANGER-ENGINE (S)COLGADOR			
990601 -		FG M-S	28523-22010	1	
28525A		PROTECTOR-HEAT (S)PROTECTOR			
020101 -		ALL TCI	28525-27501	1	
990601 -		AD L35,L45,P3B,P35;0910	28525-22601	1	
990601 -		AD L35,L45,P3B,P35;0920	28525-22300	1	
990601 - 001001		AD M-D;0910	28525-26600 (28525-26601)	1	Y
001001 -		AD M-D;0910	28525-26601	1	
010312 -		AD L35,L45,P3B,P35;0920, -A10	28525-22300	1	
990601 -		AG M-S;0910	28525-22801	1	
990601 -		AG M-S;0920	28525-22300	1	
990601 - 001001		AG M-D;0910	28525-26600 (28525-26601)	1	Y
001001 -		AG M-D;0910	28525-26601	1	
010312 -		AG M-S;0920,-A10	28525-22300	1	
990601 -		DG M-S;0910	28525-22801	1	
990601 -		DG M-S;0920	28525-22300	1	
990601 - 001001		DG M-D;0910	28525-26600 (28525-26601)	1	Y
001001 -		DG M-D;0910	28525-26601	1	
010312 -		DG M-S;0920,-A10	28525-22300	1	
990601 -		DS L35,L45,P3B,P35;0910	28525-22601	1	
990601 -		DS L35,L45,P3B,P35;0920	28525-22300	1	
010312 -		DS L35,L45,P3B,P35;0920, -A10	28525-22300	1	
990601 -		FD L35,L45,P3B,P35;0910	28525-22601	1	
990601 -		FD L35,L45,P3B,P35;0920	28525-22300	1	
010312 -		FD L35,L45,P3B,P35;0920, -A10	28525-22300	1	
990601 -		FG M-S;0910	28525-22601	1	
990601 -		FG M-S;0920	28525-22300	1	
990601 - 001001		FG M-D;0910	28525-26600 (28525-26601)	1	Y
001001 -		FG M-D;0910	28525-26601	1	
CONTINUED					

AD:SDR,GL AG:SDR,GLS DG:SDR,GLS DS:SDR,L FD:DR,GL FG:DR,GLS 0910:UNLEADED PACKAGE 0920:LEADED PACKAGE A10:INDIA

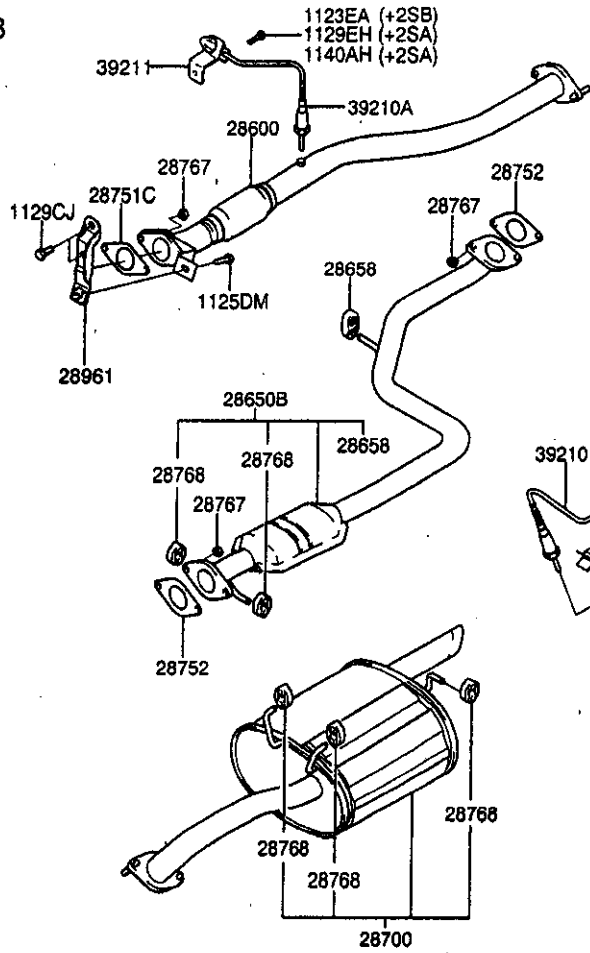
1-L 9

28-285 EXHAUST MANIFOLD

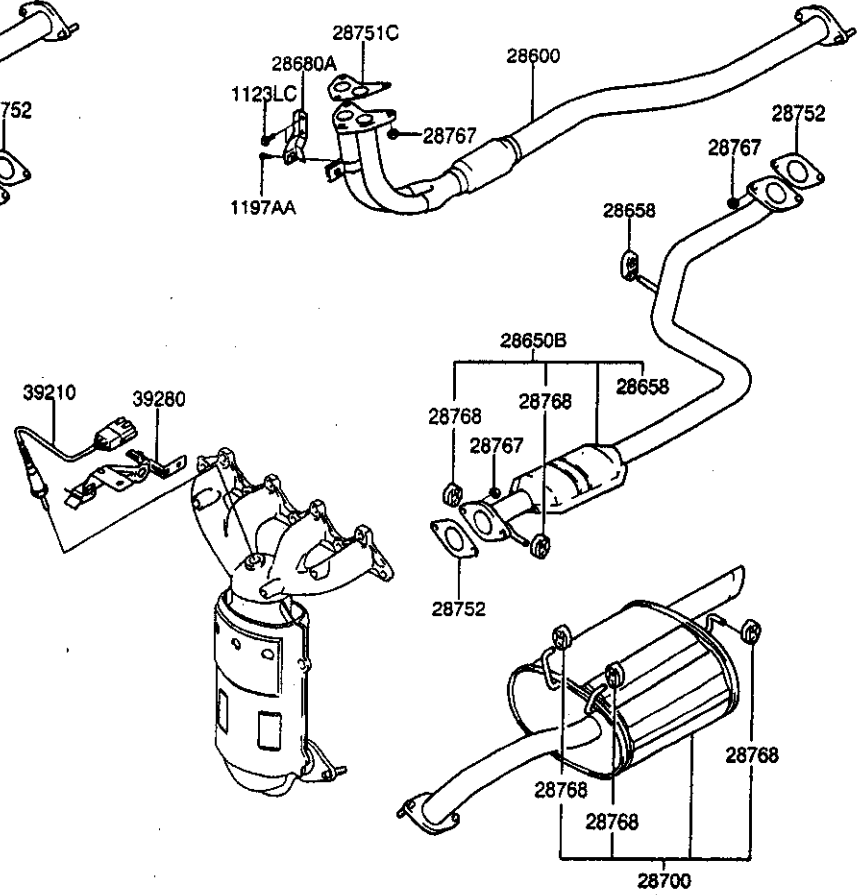
BA,00112-116

P N C		MODEL APPLICABLE		R E P	PART NO. (REPL P/NO)	Q T Y	REMARKS	P N C		MODEL APPLICABLE		R E P	PART NO. (REPL P/NO)	Q T Y	REMARKS
FROM-UP-TO	TYPE	DESCRIPTION						FROM-UP-TO	TYPE	DESCRIPTION					
CONTINUED															
28525A		PROTECTOR-HEAT (S)PROTECTOR						28556A	WASHER-PLAIN (S)ARANDELA						
010312 -		FG M-S;0920,-A10			28525-22300	1		020101 -		ALL TCI			28556-35000	4	
28525B		PROTECTOR-HEAT (S)PROTECTOR						990601 -		AD M-D;0910			28556-35000	9	
020101 -		ALL TCI			28526-27500	1		990601 -		AG M-D;0910			28556-35000	9	
28528		BOLT (S)PERNO (PESTANA)						990601 -		DG M-D;0910			28556-35000	9	
020101 -		ALL TCI		Y	28528-32200 (28528-22000)	2		28571	PIPE-TURBOCHARGER DISCHARGE (S)TUBO						
990601 -		AD L35,L45,P3B,P35			28528-22000	4		020101 -		ALL TCI			28571-27500	1	
990601 -		AD L35,L45,P3B,P35			28528-22000	3		28593	BRACKET (S)SOPORTE						
990601 -		AD M-D;0910		Y	28528-32200 (28528-22000)	3		020101 -		ALL TCI			28593-27500	1	
990601 -		AG M-S			28528-22000	4		39351	CLIP-CONNECTOR (S)SUJETADOR						
990601 -		AG M-S			28528-22000	3		990601 - 990721		AD M-D			39351-26050	1	
990601 -		AG M-D;0910		Y	28528-32200 (28528-22000)	3		990601 - 990721		AG M-D			39351-26050	1	
990601 -		DG M-S			28528-22000	4		990601 - 990721		DG M-D			39351-26050	1	
990601 -		DG M-S			28528-22000	3		K13465	NUT (S)TUERCA						
990601 -		DG M-D;0910		Y	28528-32200 (28528-22000)	3		020101 -		ALL TCI			0JF03-13465	3	
990601 -		DS L35,L45,P3B,P35			28528-22000	4									
990601 -		DS L35,L45,P3B,P35			28528-22000	3									
990601 -		FD L35,L45,P3B,P35			28528-22000	4									
990601 -		FD L35,L45,P3B,P35			28528-22000	3									
990601 -		FG M-S			28528-22000	4									
990601 -		FG M-S			28528-22000	3									
990601 -		FG M-D;0910		Y	28528-32200 (28528-22000)	3									
28528B		BOLT (S)BOLT													
990601 -		AD M-D;0910			28528-26500	4									
990601 -		AG M-D;0910			28528-26500	4									
990601 -		DG M-D;0910			28528-26500	4									
990601 -		FG M-D;0910			28528-26500	4									

+2GB



-2GB



1-B10

28-286 EXHAUST PIPE

BA,G0112- 119

P N C		MODEL APPLICABLE		R E P	PART NO. (REPL P/NO)	Q T Y	REMARKS	P N C		MODEL APPLICABLE		R E P	PART NO. (REPL P/NO)	Q T Y	REMARKS
FROM-UP-TO	TYPE	DESCRIPTION						FROM-UP-TO	TYPE	DESCRIPTION					
1197AA		BOLT						CONTINUED							
990601 -		(S)PERNO (CON ARANDELA)						28700		PIPE-TAIL W/MUFFLER					
		ALL 0920			11974-10301	1				(S)TUBO					
28519		STUD						990601 - 000201	FD			28700-25030	1		
		(S)HUSILLO(12X45)						000201 -	FD	P3B,P35;+B07		28700-25040	1		
020101 -		ALL TCI			28532-22030	2		000201 -	FD	L35,L45,P3B,P35;-B07		28700-25030	1		
28600		PIPE-EXHAUST FR						990601 - 000201	FG			28700-25030	1		
		(S)TUBO						000201 -	FG	P3B,P35,P6B,P65;+B07		28700-25040	1		
990601 -		ALL 0910			28610-25100	1		000201 -	FG	P3B,P35,P6B,P65;-B07		28700-25030	1		
990601 -		ALL 0920			28610-25200	1		28751C		GASKET-EXHAUST PIPE					
990601 -		ALL 2838,0910			28610-25000	1				(S)JUNTA					
020101 -		ALL TCI;0950			28610-25400	1		990601 -	ALL	0910		28751-25000	1		
28650B		PIPE-EXHAUST CTR						990601 -	ALL	0920		28751-22000	1		
		(S)TUBO						28752		GASKET-EXHAUST PIPE					
990601 -		ALL			28650-25100	1				(S)JUNTA					
28658		HANGER-EXHAUST PIPE						990601 -	ALL			28752-25000	2		
		(S)COLGADOR						28764		GASKET-EXHAUST PIPE					
990601 -		ALL			28658-22000	1				(S)JUNTA					
28679		NUT						020101 -	ALL	TCI;0950		28764-37020	1		
		(S)TUERCA						28767		NUT					
020101 -		ALL TCI;0950			28679-21000	2				(S)TUERCA					
28680A		BRACKET-EXHAUST PIPE SUPPORT						990601 -	ALL			28767-36000	4		
		(S)SOPORTE						990601 -	ALL			28767-36000	3		
990601 -		ALL 0920			28680-22000	1		990601 -	ALL			28767-36000	2		
28700		PIPE-TAIL W/MUFFLER						28768		HANGER-EXHAUST PIPE					
		(S)TUBO								(S)COLGADOR					
990601 - 000201		AD			28700-25130	1		990601 -	AD			28768-22000	3		
000201 -		AD P3B,P35,P6B;+B07			28700-25140	1		000201 -	AD	P3B,P35		28768-22000	2		
000201 -		AD L35,L45,P3B,P35,P6B			28700-25130	1		990601 -	AG			28768-22000	2		
		-B07						990601 -	DG			28768-22000	2		
990601 - 000201		AG			28700-25130	1		990601 -	DS			28768-22000	3		
000201 -		AG P3B,P35,P6B,P65;+B07			28700-25140	1		000201 -	DS	M-S		28768-22000	2		
000201 -		AG P3B,P35,P6B,P65;-B07			28700-25130	1		990601 -	FD			28768-22000	2		
990601 - 000201		DG			28700-25130	1		000201 -	FD	P3B,P35		28768-22000	3		
000201 -		DG P3B,P35,P65;+B07			28700-25140	1		990601 -	FG			28768-22000	3		
000201 -		DG P3B,P35,P65;-B07			28700-25130	1		000201 -	FG	P3B,P35,P6B,P65		28768-22000	2		
990601 - 000201		DS			28700-25130	1		28781		GASKET-EXHAUST PIPE					
000201 -		DS P3B,P35;+B07			28700-25140	1				(S)JUNTA					
000201 -		DS L35,L45,P3B,P35;-B07			28700-25130	1		020101 -	ALL	TCI;0950		28781-37010	A		
CONTINUED															

AD:3DR,QL AG:3DR,QLS DG:3DR,QLS DS:3DR,QL FD:4DR,QL FG:4DR,QLS

0910:UNLEADED PACKAGE 0920:LEADED PACKAGE 0960:DSL PACKAGE 2838:EMISSION(EC 2000) B07:CHLE

28-286 EXHAUST PIPE

BA,G0112- 120

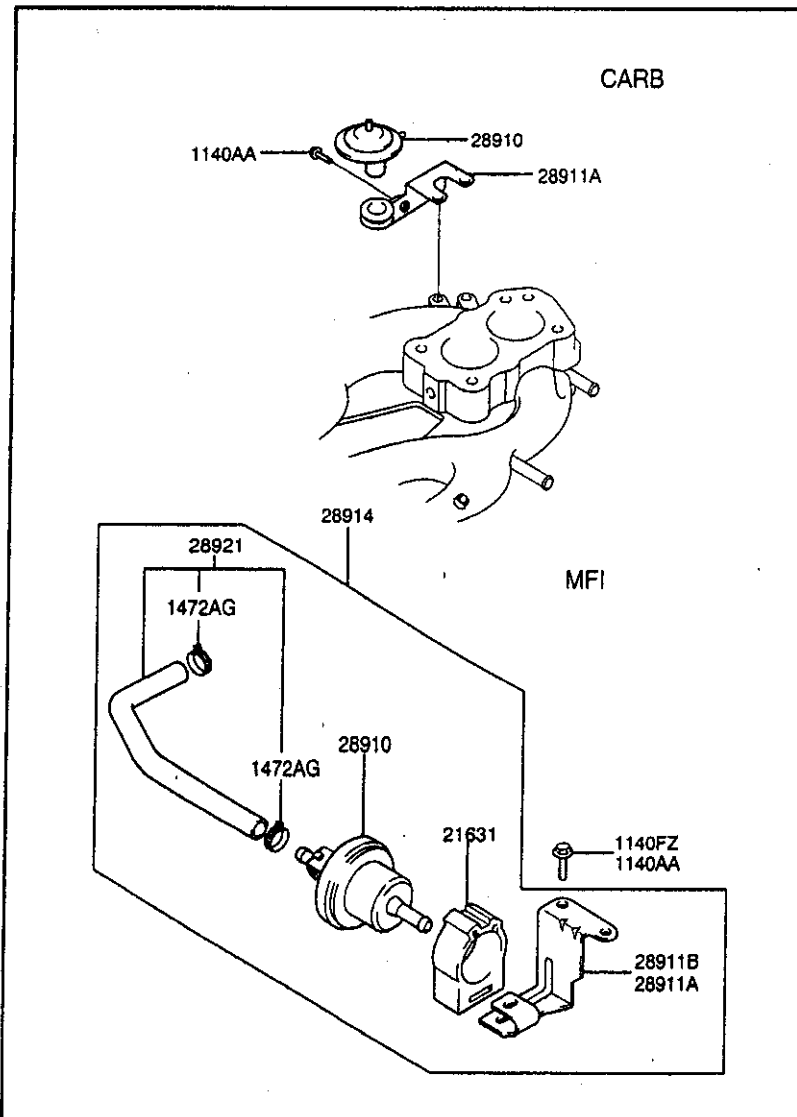
1-C10

P N C		MODEL APPLICABLE		R E P	PART NO. (REPL P/NO)	Q T Y	REMARKS	P N C		MODEL APPLICABLE		R E P	PART NO. (REPL P/NO)	Q T Y	REMARKS	
FROM-UP-TO	TYPE	DESCRIPTION	FROM-UP-TO					TYPE	DESCRIPTION							
28961		STAY-C.C.C (S)CHMIENTO						CONTINUED								
990601 -		ALL P3B,P35;0910			28961-22560	1		39210		SENSOR ASSY-OXYGEN (S)CONJ. SENSOR						
990601 -		AD L35,L45,P6B;0910			28961-22560	1		990601 -	Y	FG P3B,P35,P6B,P65;0910		39210-22600	A			
990601 -		AG P6B,P65;0910			28961-22560	1						(39210-22610)				
990601 -		DG P65;0910			28961-22560	1		990601 - 990920		FG M-D		39210-22610	1			
990601 -		DS L35,L45;0910			28961-22560	1		990601 - 990920	Y	FG M-D		39210-22600	A			
990601 -		FD L35,L45;0910			28961-22560	1						(39210-22610)				
990601 -		FG P6B,P65;0910			28961-22560	1		39210A		SENSOR ASSY-OXYGEN (S)CONJ. SENSOR						
39210		SENSOR ASSY-OXYGEN (S)CONJ. SENSOR						990601 -		AD L35,P3B,P35,P6B;2838, 0910		39210-22620	1			
011017 -		ALL M-S;0910,+A10			39210-22610	1		990601 - 990908		AD M-D;2838		39210-22620	1			
011017 -		ALL M-S;0910,+A10	Y		39210-22600 (39210-22610)	A		990601 -		AG P3B,P35,P6B,P65;2838, 0910		39210-22620	1			
990601 -		AD L35,P3B,P35,P6B;0910			39210-22610	1		990601 - 990908		AG M-D;2838		39210-22620	1			
990601 -		AD L35,P3B,P35,P6B;0910	Y		39210-22600 (39210-22610)	A		990601 -		DG P3B,P35,P65;2838,0910		39210-22620	1			
990601 - 990920		AD M-D			39210-22610	1		990601 - 990908		DG M-D;2838		39210-22620	1			
990601 - 990920		AD M-D	Y		39210-22600 (39210-22610)	A		990601 -		DS M-S;2838,0910		39210-22620	1			
990601 -		AG P3B,P35,P6B,P65;0910			39210-22610	1		990601 -		FD M-S;2838,0910		39210-22620	1			
990601 -		AG P3B,P35,P6B,P65;0910	Y		39210-22600 (39210-22610)	A		990601 -		FG P3B,P35,P6B,P65;2838, 0910		39210-22620	1			
990601 - 990920		AG M-D			39210-22610	1		990601 - 990908		FG M-D;2838		39210-22620	1			
990601 - 990920		AG M-D	Y		39210-22600 (39210-22610)	A		39211		BRACKET-CONNECTOR MTG (S)SOPORTE						
990601 -		DG P3B,P35,P65;0910			39210-22610	1		990601 -		ALL M-S;2838,0910		39211-26103	1			
990601 -		DG P3B,P35,P65;0910	Y		39210-22600 (39210-22610)	A		000701 - 010108		AD M-D;2838,3933,0910		39211-26103	1			
990601 - 990920		DG M-D			39210-22610	1		010108 -		AD M-D;2838,0910		39211-26104	1			
990601 - 990920		DG M-D	Y		39210-22600 (39210-22610)	A		000701 - 010108		AG M-D;2838,3933,0910		39211-26103	1			
990601 -		DS M-S;0910			39210-22610	1		010108 -		AG M-D;2838,0910		39211-26104	1			
990601 -		DS M-S;0910	Y		39210-22600 (39210-22610)	A		000701 - 010108		DG M-D;2838,3933,0910		39211-26103	1			
990601 -		FD M-S;0910			39210-22610	1		010108 -		DG M-D;2838,0910		39211-26104	1			
990601 -		FD M-S;0910	Y		39210-22600 (39210-22610)	A		000701 - 010108		FG M-D;2838,3933,0910		39211-26103	1			
990601 -		FG P3B,P35,P6B,P65;0910			39210-22610	1		010108 -		FG M-D;2838,0910		39211-26104	1			
CONTINUED								39280		BRACKET-OXYGEN SENSOR CONN (S)SOPORTE						
								990601 -		ALL M-S;0910		39211-22600	1			
								011017 -		ALL M-S;0910,+A10		39211-22600	1			

1-D10

28-289 VAPOR CONTROL SYSTEM

BA.G0112- 121



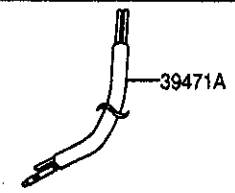
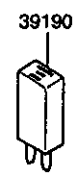
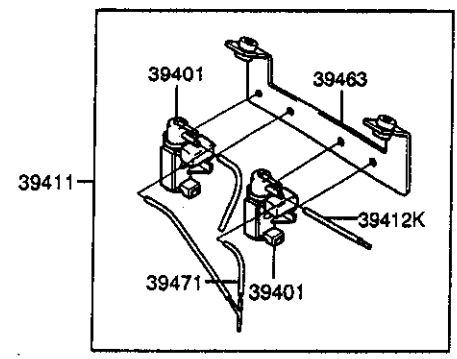
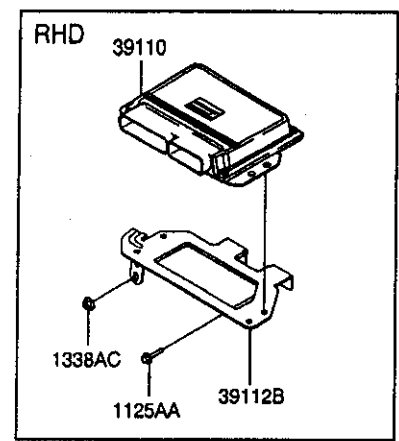
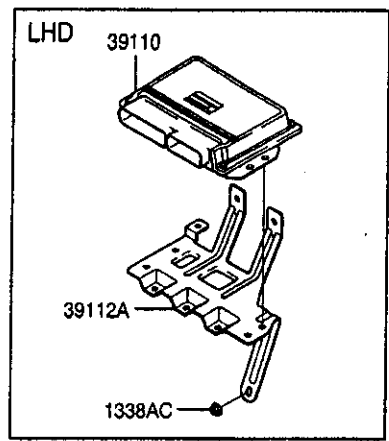
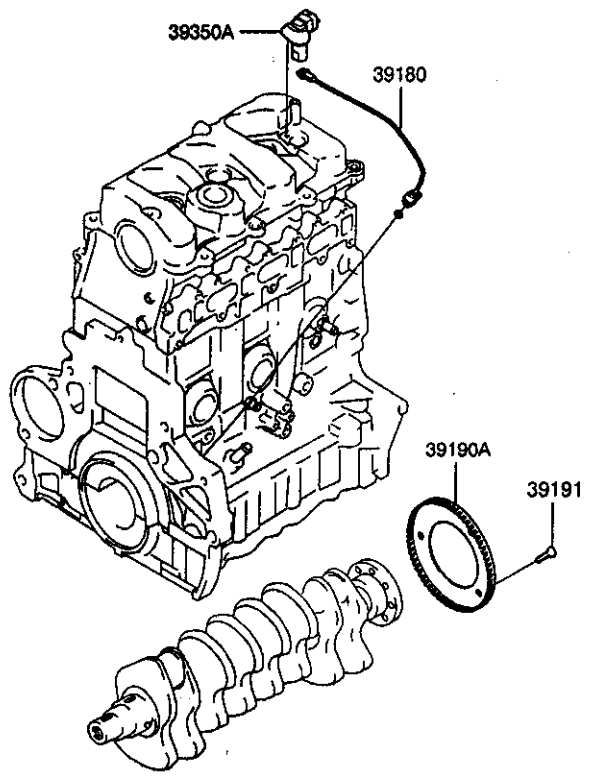
P N C	MODEL APPLICABLE		R E P	PART NO. (REPL P/NO)	Q T Y	REMARKS
	FROM-UP-TO	TYPE				
1140AA						
000309 -				11400-06103	2	FLANGE
1140FZ						
000627 -			Y	11403-06103 (13395-06001)	2	FLANGE
000627 -			Y	11403-06103 (13395-06001)	2	FLANGE
000627 -			Y	11403-06103 (13395-06001)	2	FLANGE
000627 -			Y	11403-06103 (13395-06001)	2	FLANGE
1472AG						
990601 -				14720-13008	2	
990601 -				14720-13008	2	
990601 -				14720-13008	2	
990601 -				14720-13008	2	
990601 -				14720-13008	2	
990601 -				14720-13008	2	
21631						
990601 -				28913-26500	1	
990601 -				28913-26500	1	
990601 -				28913-26500	1	
990601 -				28913-26500	1	
990601 -				28913-26500	1	
990601 -				28913-26500	1	
28910						
990601 -				28910-22040	1	
990601 -				28910-22040	1	
990601 -				28910-22040	1	
990601 -				28910-22040	1	
990601 -				28910-22040	1	
990601 -				28910-22040	1	

28-289 VAPOR CONTROL SYSTEM

BA,00112- 122

1-E10

P N C		MODEL APPLICABLE		R E P	PART NO. (REPL P/NO)	Q T Y	REMARKS	P N C		MODEL APPLICABLE		R E P	PART NO. (REPL P/NO)	Q T Y	REMARKS	
FROM-UP-TO	TYPE	DESCRIPTION						FROM-UP-TO	TYPE	DESCRIPTION						
28911A		BRACKET-CANISTER PURGE VALVE														
		(S)SOPORTE														
010106 -		AD	M-D		28911-26630	1										
010106 -		AG	M-D		28911-26630	1										
010106 -		DG	M-D		28911-26630	1										
010106 -		FG	M-D		28911-26630	1										
28911B		BRACKET-PCV														
		(S)SOPORTE														
990601 -		ALL	M-S;2831		28911-22601	1										
990601 -		AD	M-D		28911-26601	1										
990601 -		AG	M-D		28911-26601	1										
990601 -		DG	M-D		28911-26601	1										
990601 -		FG	M-D		28911-26601	1										
28914		HOSE ASSY-PCV														
		(S)														
990601 -		ALL	M-S;2831		28914-22601	1										
28921		HOSE-VAPOR														
		(S)MANGUERA														
990601 -		ALL	M-S;2831		28920-22601	1										
990601 -		AD	M-D;2831		28920-26601	1										
990601 -		AG	M-D;2831		28920-26601	1										
990601 -		DG	M-D;2831		28920-26601	1										
990601 -		FG	M-D;2831		28920-26601	1										



1-H10

28-390 ELECTRONIC CONTROL

BA.G0112-125

P N C		MODEL APPLICABLE		R E P	PART NO. (REPL P/NO)	Q T Y	REMARKS	P N C		MODEL APPLICABLE		R E P	PART NO. (REPL P/NO)	Q T Y	REMARKS
FROM-UP-TO	TYPE	DESCRIPTION						FROM-UP-TO	TYPE	DESCRIPTION					
CONTINUED								1220FR							
1129AE		BOLT(W/WASHER) (S)CONJ.ARADELA						SCREW-MACHINE (S)TORNILLO							
990601 -	DG	LHD>M-D;3933		Y	11290-06161 (11290-06163)	4		991231 -	ALL M-S;+A10			Y	12203-06141	5	
990601 -	DS	M-S		Y	11290-06161 (11290-06163)	3		990601 -	AD L35,P3B,P35,P6B			Y	12203-06141	5	
990601 -	FD	M-S		Y	11290-06161 (11290-06163)	3		990601 -	AG P3B,P35,P6B,P65			Y	12203-06141	5	
990601 -	FG	LHD>M-D;3933		Y	11290-06161 (11290-06163)	4		990601 -	DG P3B,P35,P65			Y	12203-06141	5	
1129EX		BOLT (S)PERNO (CON ARADELA)						1338AC		NUT-FLANGE (S)TUERCA TAPA					
990601 -	ALL	P3B,P35;2838			11293-06253	2		990601 -	ALL M-S	Y		Y	13385-06001 (13385-06003)	1	
990601 -	AD	L35,L45,P6B;2838			11293-06253	2		020101 -	ALL LHD>TCI	Y		Y	13385-06001 (13385-06003)	1	
990601 -	AG	P6B,P65;2838			11293-06253	2		990601 -	AD M-D;3933	Y		Y	13385-06001 (13385-06003)	1	
990601 -	DG	P65;2838			11293-06253	2		990601 -	AG M-D;3933	Y		Y	13385-06001 (13385-06003)	1	
990601 -	DS	L35,L45;2838			11293-06253	2		990601 -	DG LHD>M-D;3933	Y		Y	13385-06001 (13385-06003)	1	
990601 -	FD	L35,L45;2838			11293-06253	2		990601 -	FG M-D;3933	Y		Y	13385-06001 (13385-06003)	1	
990601 -	FG	P6B,P65;2838			11293-06253	2		39110							
1140AB		BOLT (S)PERNO (PESTANA)						ELECTRONIC CONTROL UNIT (S)UNIDAO CONTROL							
991231 -	ALL	M-S;+A10			11400-06123	1	FLANGE	020101 -	ALL LHD>TCI				39101-27500	1	
990601 -	AD	L35,P3B,P35,P6B,P65			11400-06123	1	FLANGE	990601 -	AD L35;0910				39110-22900	1	
990601 -	AG				11400-06123	1	FLANGE	990601 -	AD P3B,P35;0910				39110-22920	1	
990601 -	DG				11400-06123	1	FLANGE	990601 -	AD P3B,P35;0920				39110-22940	1	
990601 -	DS	L35,P3B,P35,P65			11400-06123	1	FLANGE	990601 -	AD L35;2838,0910				39110-22520	1	
990601 -	FD	L35,P3B,P35,P65			11400-06123	1	FLANGE	990601 -	AD P3B,P35;2838,0910				39110-22540	1	
990601 -	FG				11400-06123	1	FLANGE	990601 -	AD M-D;2838,3933				39110-26630	1	
1140AN		BOLT (S)PERNO (PESTANA)						990601 -	AD M-D;3933				39110-26620	1	
000726 -	AD	M-D			11400-08253	1		990601 -	AD LHD>M-D;3933,9542				39110-26690	1	
000726 -	AG	M-D			11400-08253	1		010402 -	AD LHD>P3B,P35;9542,0920				39110-22945	1	
000726 -	DG	M-D			11400-08253	1		990601 -	AG M-S;0910				39110-22920	1	
000726 -	FG	M-D			11400-08253	1		990601 -	AG M-S;0920				39110-22940	1	
1140ET		BOLT (S)PERNO (PESTANA)						990601 -	AG M-S;2838,0910				39110-22540	1	
020101 -	ALL	LHD>TCI		Y	11403-06303 (21516-38000)	2		990601 -	AG M-D;2838,3933				39110-26630	1	

AD:3DR,GL AG:3DR,GLS DG:3DR,GLS DS:3DR,LD FD:4DR,GL FG:4DR,GLS 0910:UNLEADED PACKAGE 0920:LEADED PACKAGE 2838:EMISION(EC 2000) 3933:SPEED DENSITY TYPE 9542:IMMOBILIZER SYSTEM A10:INDIA

28-390 ELECTRONIC CONTROL

BA,00112- 126

1-110

P N C	MODEL APPLICABLE		PART NO. (REPL PNO)	QTY	REMARKS
	FROM-UP-TO	DESCRIPTION			
CONTINUED					
39110	ELECTRONIC CONTROL UNIT				
	(S)UNIDAO CONTROL				
990601 -	AG	M-D;3933	39110-26620	1	
990601 -	AG	LHD>M-D;3933,9542	39110-26690	1	
010402 -	AG	LHD>M-S;9542,0920	39110-22945	1	
990601 -	DG	M-S;0910	39110-22920	1	
990601 -	DG	M-S;0920	39110-22940	1	
990601 -	DG	M-S;2838,0910	39110-22540	1	
990601 -	DG	LHD>M-D;2838,3933	39110-26630	1	
990601 -	DG	LHD>M-D;3933,9542	39110-26690	1	
991129 -	DG	LHD>M-D;3933	39110-26620	1	
010402 -	DG	LHD>M-S;9542,0920	39110-22945	1	
990601 -	DS	L35;0910	39110-22900	1	
990601 -	DS	P3B,P35;0910	39110-22920	1	
990601 -	DS	P3B,P35;0920	39110-22940	1	
990601 -	DS	L35;2838,0910	39110-22520	1	
990601 -	DS	P3B,P35;2838,0910	39110-22540	1	
990601 -	DS	LHD>L35;9542,0910	39110-22905	1	
010402 -	DS	LHD>P3B,P35;9542,0920	39110-22945	1	
990601 -	FD	L35;0910	39110-22900	1	
990601 -	FD	P3B,P35;0910	39110-22920	1	
990601 -	FD	P3B,P35;0920	39110-22940	1	
990601 -	FD	L35;2838,0910	39110-22520	1	
990601 -	FD	P3B,P35;2838,0910	39110-22540	1	
010402 -	FD	LHD>P3B,P35;9542,0920	39110-22945	1	
990601 -	FG	M-S;0910	39110-22920	1	
990601 -	FG	M-S;0920	39110-22940	1	
990601 -	FG	M-S;2838,0910	39110-22540	1	
990601 -	FG	M-D;2838,3933	39110-26630	1	
990601 -	FG	M-D;3933	39110-26620	1	
990601 -	FG	LHD>M-D;3933,9542	39110-26690	1	
010402 -	FG	LHD>M-S;9542,0920	39110-22945	1	
39112A	BRACKET-ECU(LHD)				
	(S)CONJ.SOPORTE				
990601 -	ALL	LHD>M-S	39112-22600	1	
020101 -	ALL	LHD>TCI	36865-27500	1	
990601 -	AD	LHD>M-D;3933	39112-22600	1	
990601 -	AG	LHD>M-D;3933	39112-22600	1	

CONTINUED
AD:3DR,QL AG:5DR,QLS DG:3DR,QLS DS:3DR,QL FD:4DR,QL FG:4DR,QLS

P N C	MODEL APPLICABLE		PART NO. (REPL PNO)	QTY	REMARKS
	FROM-UP-TO	DESCRIPTION			
CONTINUED					
39112A	BRACKET-ECU(LHD)				
	(S)CONJ.SOPORTE				
990601 -	DG	LHD>M-D;3933	39112-22600	1	
990601 -	FG	LHD>M-D;3933	39112-22600	1	
39112B	BRACKET-ECU				
	(S)CONJ.SOPORTE				
990601 -	ALL	RHD>M-S	39112-22605	1	
990601 -	AD	RHD>M-D;3933	39112-22605	1	
990601 -	AG	RHD>P6B;3933	39112-22605	1	
990601 -	FG	RHD>P6B;3933	39112-22605	1	
39160	RELAY ASSY-CONTROL				
	(S)CONJ. RELE				
990601 - 000701	AD	L35,P3B,P35,P6B	39160-22030	1	Y
			(39160-22040)		
000701 -	AD	L35,P3B,P35,P6B,P85	39160-22040	1	
990601 - 000701	AG	P3B,P35,P6B,P65	39160-22030	1	Y
			(39160-22040)		
000701 -	AG		39160-22040	1	
990601 - 000701	DG	P3B,P35,P65	39160-22030	1	Y
			(39160-22040)		
000701 -	DG		39160-22040	1	
990601 - 000701	DS	M-S	39160-22030	1	Y
			(39160-22040)		
000701 -	DS	L35,P3B,P35,P85	39160-22040	1	
990601 - 000701	FD	M-S	39160-22030	1	Y
			(39160-22040)		
000701 -	FD	L35,P3B,P35,P85	39160-22040	1	
990601 - 000701	FG	P3B,P35,P6B,P65	39160-22030	1	Y
			(39160-22040)		
000701 -	FG		39160-22040	1	
39160	SENSOR-CRANKSHAFT POSITION				
	(S)SENSOR				
020101 -	ALL	TCI	39180-27000	1	
39190	RESISTOR-W/DIODE				
	(S)RESISTENCIA				
990601 -	ALL		39190-23000	1	

0910:UNLEADED PACKAGE 0920:LEADED PACKAGE 2838:EMISSION(EC 2000) 3933:SPEED DENSITY TYPE 9542:IMMOBILIZER SYSTEM

1-110

28-390 ELECTRONIC CONTROL

BA,G0112- 127

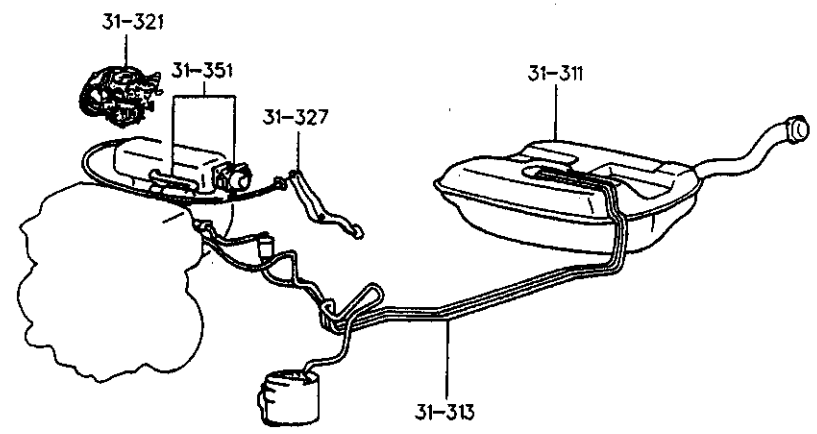
P N C	MODEL APPLICABLE		PART NO. (REPL P/NO)	Q T Y	REMARKS
	FROM-UP-TO	DESCRIPTION			
39190A		WHEEL-CRK/SHF POSITION SENSOR			
		(S)RUEDA			
020101 -		ALL TCI	39190-27500	1	
39191		SCREW-CPS WHEEL			
		(S)TORNILLO			
020101 -		ALL TCI	39191-37100	3	
39350A		SENSOR-T.D.C			
		(S)SENSOR			
020101 -		ALL TCI	39300-27000	1	
39360		SENSOR-ACCELERATION			
		(S)SENSOR			
990601 -		ALL P3B,P35;2838	39360-22030	1	
990601 -		ALL P3B,P35;2838	39360-22040	A	
990601 -		AD L35,L45,P6B;2838	39360-22030	1	
990601 -		AD L35,L45,P6B;2838	39360-22040	A	
990601 -		AG P6B,P65;2838	39360-22030	1	
990601 -		AG P6B,P65;2838	39360-22040	A	
990601 -		DG P65;2838	39360-22030	1	
990601 -		DG P65;2838	39360-22040	A	
990601 -		DS L35,L45;2838	39360-22030	1	
990601 -		DS L35,L45;2838	39360-22040	A	
990601 -		FD L35,L45;2838	39360-22030	1	
990601 -		FD L35,L45;2838	39360-22040	A	
990601 -		FG P6B,P65;2838	39360-22030	1	
990601 -		FG P6B,P65;2838	39360-22040	A	
39365		BRACKET-ACCEL SENSOR			
		(S)SOPORTE			
990601 -		ALL P3B,P35;2838	39365-22600	1	
990601 -		AD L35,L45,P6B;2838	39365-22600	1	
990601 -		AD M-D;2838	39365-26001	1	
990601 -		AG P6B,P65;2838	39365-22600	1	
990601 -		AG M-D;2838	39365-26001	1	
990601 -		DG P65;2838	39365-22600	1	
990601 -		DG M-D;2838	39365-26001	1	
990601 -		DS L35,L45;2838	39365-22600	1	
990601 -		FD L35,L45;2838	39365-22600	1	
990601 -		FG P6B,P65;2838	39365-22600	1	
990601 -		FG M-D;2838	39365-26001	1	

P N C	MODEL APPLICABLE		PART NO. (REPL P/NO)	Q T Y	REMARKS
	FROM-UP-TO	DESCRIPTION			
39401		VALVE ASSY-SOLENOID			
		(S)CONJUNTO VALVULA			
020101 -		ALL LHD>TCI	35120-27000	2	
39411		VALVE & BRACKET-SOLENOID			
		(S)CONJUNTO VALVULA & SOPORTE			
020101 -		ALL LHD>TCI	39411-27501	1	
39412K		TERMINAL-VACUUM			
		(S)TERMINAL			
020101 -		ALL LHD>TCI	39412-27000	1	
39463		BRACKET-SOLENOID VALVE			
		(S)SOPORTE			
020101 -		ALL LHD>TCI	39410-27501	1	
39471		HOSE ASSY-VACUUM			
		(S)CONJ. MANGUERA			
020101 -		ALL LHD>TCI	39471-27501	1	
39471A		HOSE ASSY-VACUUM			
		(S)			
020101 -		ALL LHD>TCI	39471-27510	1	
91791A		BOLT-GROUND			
		(S)PERNO			
990601 -		AD L35,P3B,P35,P6B	Y 91791-29000	1	
			(91791-33000)		
990601 -		AG P3B,P35,P6B,P65	Y 91791-29000	1	
			(91791-33000)		
990601 -		DG P3B,P35,P65	Y 91791-29000	1	
			(91791-33000)		
990601 -		DS M-S	Y 91791-29000	1	
			(91791-33000)		
990601 -		FD M-S	Y 91791-29000	1	
			(91791-33000)		
990601 -		FG P3B,P35,P6B,P65	Y 91791-29000	1	
			(91791-33000)		

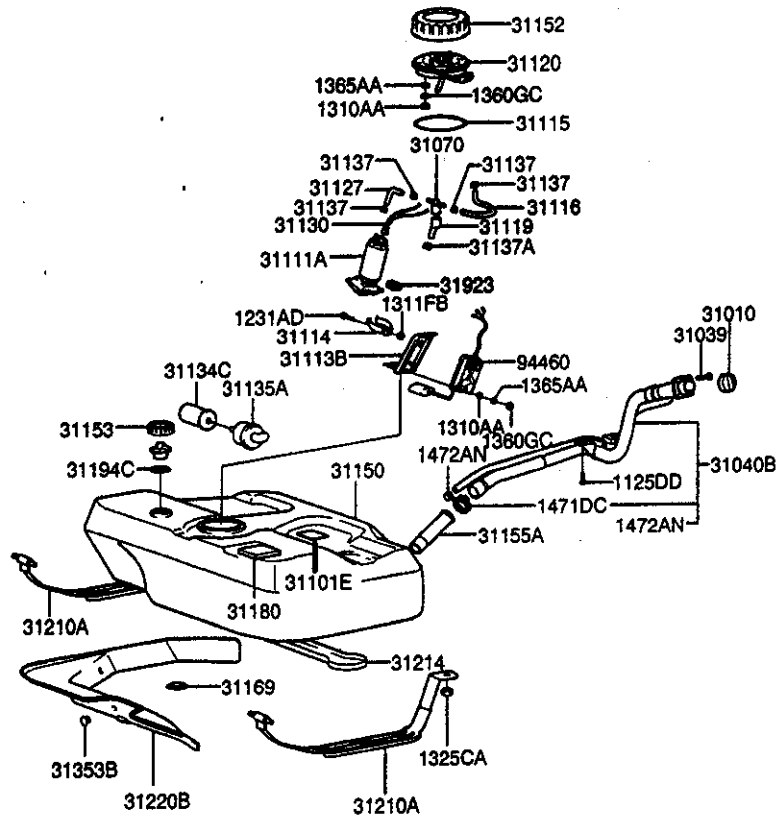
==M/E/M/O==

31	FUEL
-----------	-------------

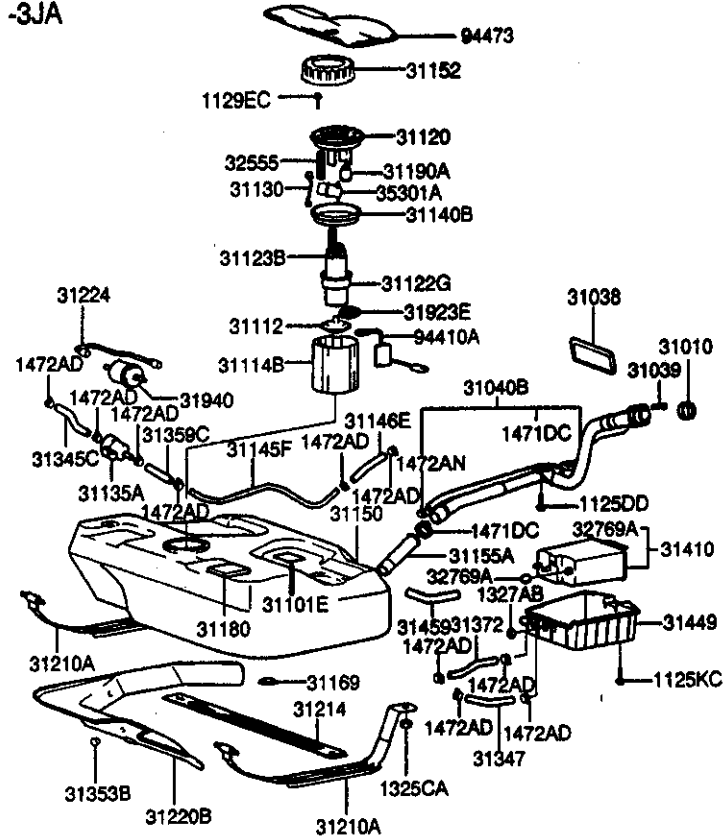
31-311	FUEL TANK.....	1-L10
31-313	FUEL LINES.....	1-J11
31-321	CARBURETOR ASSEMBLY.....	1-F12
31-327	ACCELERATOR LINKAGE.....	1-H12
31-331	FUEL INJECTION PUMP.....	1-L12
31-351	THROTTLE BODY & INJECTOR.....	1-M12



+3JA



-3JA

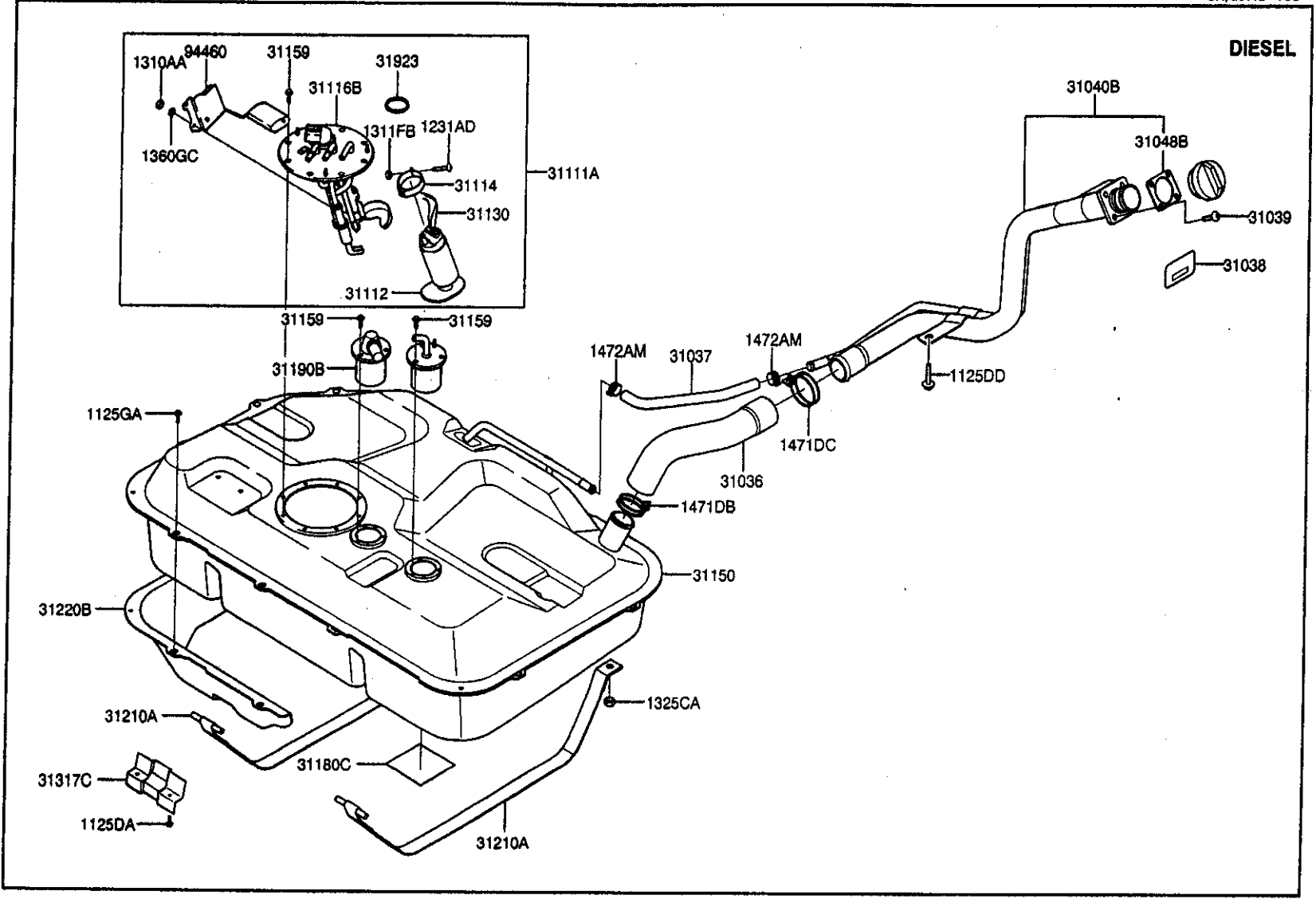


1-M10

31-311 FUEL TANK

BA,Q0112- 130

DIESEL



31-311 FUEL TANK

9A.00112- 131

1-A11

P N C		MODEL APPLICABLE		R E P	PART NO. (REPL P/NO)	Q T Y	REMARKS	P N C		MODEL APPLICABLE		R E P	PART NO. (REPL P/NO)	Q T Y	REMARKS
FROM-UP-TO	TYPE	DESCRIPTION						FROM-UP-TO	TYPE	DESCRIPTION					
1125DA		BOLT (S)PERNO (CON ARANDELA)						1129EC		BOLT (S)PERNO (CON ARANDELA)					
020101 -		ALL TCI	Y	11251-06161 (11251-06163)	2			990601 -		AD L35,P3B,P35,P6B	Y	11293-06121 (11293-06163)	1		
1125DD		BOLT (S)PERNO (CON ARANDELA)						990601 -		AG P3B,P35,P6B,P65	Y	11293-06121 (11293-06163)	1		
990601 -		ALL P3B,P35;-A08	Y	11251-08201 (11251-08203)	2			990601 -		DG P3B,P35,P65	Y	11293-06121 (11293-06163)	1		
020101 -		ALL TCI;-A08	Y	11251-08201 (11251-08203)	1			990601 -		DS M-S	Y	11293-06121 (11293-06163)	1		
990601 -		AD L35,L45,P6B;-A08	Y	11251-08201 (11251-08203)	2			990601 -		FD M-S	Y	11293-06121 (11293-06163)	1		
990601 -		AG P6B,P65;-A08	Y	11251-08201 (11251-08203)	2			990601 -		FG P3B,P35,P6B,P65	Y	11293-06121 (11293-06163)	1		
990601 -		DG P65;-A08	Y	11251-08201 (11251-08203)	2			1231AD		SCREW-MACHINE(W/WASHER)					
990601 -		DS L35,L45;-A08	Y	11251-08201 (11251-08203)	2			990601 -		(S)TORNILLO					
990601 -		FD L35,L45;-A08	Y	11251-08201 (11251-08203)	2			020101 -		AD L45,P85		12310-03141	1		
990601 -		FG P6B,P65;-A08	Y	11251-08201 (11251-08203)	2			020101 -		AG TCI		12310-03141	1		
								020101 -		DG TCI		12310-03141	1		
								990601 -		DS L45,P85		12310-03141	1		
								990601 -		FD L45,P85		12310-03141	1		
								020101 -		FG TCI		12310-03141	1		
1125GA		BOLT(W/WASHER)						1310AA		NUT					
020101 -		(S)CONJ.ARANDELA						020101 -		(S)TUERCA					
		ALL TCI		11253-08161	6			990601 -		ALL TCI	Y	13100-04001 (13100-04003)	2		
1125KC		BOLT(W/WASHER)						990601 -		AD CON	Y	13100-04001 (13100-04003)	7		
990601 -		(S)CONJ.ARANDELA						990601 -		DS CON	Y	13100-04001 (13100-04003)	7		
		AD L35,P3B,P35,P6B;2831, 0910,-A08		11254-06201	3			990601 -		FD CON	Y	13100-04001 (13100-04003)	7		
990601 -		AG P3B,P35,P6B,P65;2831, 0910,-A08		11254-06201	3										
990601 -		DG P3B,P35,P65;2831,0910, -A08		11254-06201	3										
990601 -		DS M-S;2831,0910,-A08		11254-06201	3										
990601 -		FD M-S;2831,0910,-A08		11254-06201	3										
990601 -		FG P3B,P35,P6B,P65;2831, 0910,-A08		11254-06201	3										

AD:3DR,GL AG:3DR,GLS DG:3DR,GLS DS:3DR,LL FD:4DR,GL FG:4DR,GLS

0910:UNLEADED PACKAGE 2831:EVAP. GAS CONTROL A08:TAMAN

1-B11

31-311 FUEL TANK

BA.G0112- 132

P N C		MODEL APPLICABLE		R E P	PART NO. (REPL P/NO)	Q T Y	REMARKS	P N C		MODEL APPLICABLE		R E P	PART NO. (REPL P/NO)	Q T Y	REMARKS
FROM-UP-TO	TYPE	DESCRIPTION						FROM-UP-TO	TYPE	DESCRIPTION					
CONTINUED								CONTINUED							
	1311FB		NUT						1472AD		CLAMP-HOSE				
			(S)TUERCA								(S)ABRAZADERA				
	020101 -		FG TCI		13110-03001	1			990601 -	AD	L35,P3B,P35,P6B		14720-10008	6	
	1325CA		NUT-LOCK						990601 -	AD	L35,L45,P6B		14720-10008	4	
			(S)TUERCA						990601 -	AD	L35,P3B,P35,P6B;2831,		14720-10008	2	
	990601 -		ALL		13251-10001	2					0910,-A08				
	1327AB		NUT(W/WASHER)						990601 -	AG	P3B,P35,P6B,P65		14720-10008	6	
			(S)TUERCA						990601 -	AG	P6B,P65		14720-10008	4	
	990601 -	AD	L35,P3B,P35,P6B;2831,		13270-06003	4			990601 -	AG	P3B,P35,P6B,P65;2831,		14720-10008	2	
			0910,-A08								0910,-A08				
	990601 -	AG	P3B,P35,P6B,P65;2831,		13270-06003	4			990601 -	DG	P3B,P35,P65		14720-10008	6	
			0910,-A08						990601 -	DG	P65		14720-10008	4	
	990601 -	DG	P3B,P35,P65;2831,0910,		13270-06003	4			990601 -	DG	P3B,P35,P65;2831,0910,		14720-10008	2	
			-A08								-A08				
	990601 -	DS	M-S;2831,0910,-A08		13270-06003	4			990601 -	DS	M-S		14720-10008	6	
	990601 -	FD	M-S;2831,0910,-A08		13270-06003	4			990601 -	DS	L35,L45		14720-10008	4	
	990601 -	FG	P3B,P35,P6B,P65;2831,		13270-06003	4			990601 -	DS	M-S;2831,0910,-A08		14720-10008	2	
			0910,-A08						990601 -	FD	M-S		14720-10008	6	
	1360GC		WASHER-SPRING						990601 -	FD	L35,L45		14720-10008	4	
			(S)ARANDELA						990601 -	FD	M-S;2831,0910,-A08		14720-10008	2	
	020101 -		ALL TCI		13602-04001	2			990601 -	FG	P3B,P35,P6B,P65		14720-10008	6	
	990601 -	AD	CON		13602-04001	7			990601 -	FG	P6B,P65		14720-10008	4	
	990601 -	DS	CON		13602-04001	7			990601 -	FG	P3B,P35,P6B,P65;2831,		14720-10008	2	
	990601 -	FD	CON		13602-04001	7					0910,-A08				
	1365AA		WASHER-TOOTH LOCK						1472AM		CLAMP-HOSE				
			(S)ARANDELA								(S)ABRAZADERA				
	990601 -	AD	CON		13650-04001	6			020101 -		ALL TCI		14720-18008	2	
	990601 -	DS	CON		13650-04001	6			1472AN		CLAMP-HOSE				
	990601 -	FD	CON		13650-04001	6					(S)ABRAZADERA				
	1471DB		CLAMP-HOSE						990601 -	ALL	P3B,P35;-A08		14720-21008	1	
			(S)ABRAZADERA						990601 -	AD	L35,L45,P6B;-A08		14720-21008	1	
	020101 -		ALL TCI		14711-48008	1			990601 -	AG	P6B,P65;-A08		14720-21008	1	
	1471DC		CLAMP-HOSE						990601 -	OG	P65;-A08		14720-21008	1	
			(S)ABRAZADERA						990601 -	DS	L35,L45;-A08		14720-21008	1	
	990601 -		ALL -A08		14711-52008	1			990601 -	FD	L35,L45;-A08		14720-21008	1	
	1472AD		CLAMP-HOSE						990601 -	FG	P6B,P65;-A08		14720-21008	1	
			(S)ABRAZADERA												
	990601 -		ALL P3B,P35		14720-10008	4									
CONTINUED															

1-C11

31-311 FUEL TANK

BA,00112- 133

P N C		MODEL APPLICABLE		R E P	PART NO. (REPL PNO)	Q T Y	REMARKS	P N C		MODEL APPLICABLE		R E P	PART NO. (REPL PNO)	Q T Y	REMARKS
FROM-UP-TO	TYPE	DESCRIPTION	FROM-UP-TO					TYPE	DESCRIPTION						
31010		CAP ASSY-FUEL FILLER (S)CONJUNTO TAPA						CONTINUED							
990601 -		ALL P3B,P35;-A08			31010-24000	1		31040B		NECK ASSY-FUEL FILLER (S)CONJ. CUELLO					
990601 -		AD L35,L45,P6B;-A08			31010-24000	1		990601 -		AG M-S;0920,-A08		31041-25200	1		
990601 -		AG P6B,P65;-A08			31010-24000	1		990601 -		DG P3B,P35,P65;0910,-A08		31041-25000	1		
990601 -		DG P65;-A08			31010-24000	1		990601 -		DG M-S;0920,-A08		31041-25200	1		
990601 -		DS L35,L45;-A08			31010-24000	1		990601 -		DS M-S;0910,-A08		31041-25000	1		
990601 -		FD L35,L45;-A08			31010-24000	1		990601 -		DS L35,L45,P3B,P35;0920, -A08		31041-25200	1		
990601 -		FG P6B,P65;-A08			31010-24000	1		990601 -		FD M-S;0910,-A08		31041-25000	1		
31036		HOSE-FUEL FILLER NECK (S)MANGUERA						990601 -		FD L35,L45,P3B,P35;0920, -A08		31041-25200	1		
020101 -		ALL TCI			31036-25800	1		990601 -		FG P3B,P35,P6B,P65;0910, -A08		31041-25000	1		
31037		HOSE-LEVELING PIPE (S)MANGUERA						990601 -		FG M-S;0920,-A08		31041-25200	1		
020101 -		ALL TCI			31036-25800	1		31048B		PACKING-FUEL FILLER NECK (S)EMPAQUE					
31038		LABEL-FUEL FILLER DR (S)ETIQUETA						020101 -		ALL TCI;0950,-A08		31048-24000	1		
020101 -		ALL TCI;0950,-A08			31038-43250	1		31070		VALVE-F/PRESSURE RELIEF (S)VALVULA					
990601 -		AD L35,P3B,P35,P6B;0910, -A08			31038-34500	1		990601 -		AD CON		31070-22200	1		
990601 -		AG P3B,P35,P6B,P65;0910, -A08			31038-34500	1		990601 -		DS CON		31070-22200	1		
990601 -		DG P3B,P35,P65;0910,-A08			31038-34500	1		990601 -		FD CON		31070-22200	1		
990601 -		DS M-S;0910,-A08			31038-34500	1		31101E		PAD-FUEL TANK (S)					
990601 -		FD M-S;0910,-A08			31038-34500	1		990601 -		ALL P3B,P35		31101-22350	6		
990601 -		FG P3B,P35,P6B,P65;0910, -A08			31038-34500	1		990601 -		AD L35,L45,P6B		31101-22350	6		
31039		BOLT (S)PERNO						990601 -		AG P6B,P65		31101-22350	6		
990601 -		ALL -A08			31039-29000	4		990601 -		DG P65		31101-22350	6		
31040B		NECK ASSY-FUEL FILLER (S)CONJ. CUELLO						990601 -		DS L35,L45		31101-22350	6		
020101 -		ALL TCI;0950,-A08			31040-25800	1		990601 -		FD L35,L45		31101-22350	6		
990601 -		AD L35,P3B,P35,P6B;0910, -A08			31041-25000	1		990601 -		FG P6B,P65		31101-22350	6		
990601 -		AD L35,L45,P3B,P35;0920, -A08			31041-25200	1		31111A		PUMP ASSY-FUEL (S)CONJUNTO BOMBA					
990601 -		AG P3B,P35,P6B,P65;0910, -A08			31041-25000	1		020101 -		ALL TCI		31111-2D400	1		
								990601 -		AD CON		31111-22140	1		
								990601 -		DS CON		31111-22140	1		
								990601 -		FD CON		31111-22140	1		

CONTINUED

AD:3DR,GL AG:3DR,QLS DG:3DR,QLS DS:3DR,L FD:4DR,GL FG:4DR,QLS

0910:UNLEADED PACKAGE 0920:LEADED PACKAGE 0950:DSL PACKAGE A08:TAIWAN

1-011

31-311 FUEL TANK

BA,G0112- 134

P N C		MODEL APPLICABLE		PART NO. (REPL P/NO)	Q T Y	REMARKS	P N C		MODEL APPLICABLE		PART NO. (REPL P/NO)	Q T Y	REMARKS
FROM-UP-TO	TYPE	DESCRIPTION					FROM-UP-TO	TYPE	DESCRIPTION				
31112		FILTER-FUEL PUMP					31116	HOSE-FUEL PUMP					
		(S)FILTRO						(S)MANGUERA					
020101 -		ALL TCI		31090-25600	1		990601 -	AD CON		31116-22140	1		
990601 -		AD L35,P3B,P35,P6B		31090-25000	1		990601 -	DS CON		31116-22140	1		
990601 -		AG P3B,P35,P6B,P65		31090-25000	1		990601 -	FD CON		31116-22140	1		
990601 -		DG P3B,P35,P65		31090-25000	1		31116B	PLATE-FUEL PUMP UPR					
990601 -		DS M-S		31090-25000	1			(S)PLACA					
990601 -		FD M-S		31090-25000	1		020101 -	ALL TCI		31116-25800	1		
990601 -		FG P3B,P35,P6B,P65		31090-25000	1		31119	CAP-RELIEF VALVE					
31113B		BRACKET-FUEL PUMP						(S)TAPA					
		(S)SOPORTE					990601 -	AD CON		31119-22200	1		
990601 -		AD CON		31113-22040	1		990601 -	DS CON		31119-22200	1		
990601 -		AD L35,P3B,P35,P6B		31113-25000	1		990601 -	FD CON		31119-22200	1		
990601 -		AG P3B,P35,P6B,P65		31113-25000	1		31120	PLATE ASSY-FUEL PUMP					
990601 -		DG P3B,P35,P65		31113-25000	1			(S)CONJ.TUBO					
990601 -		DS CON		31113-22040	1		990601 -	AD CON		31112-22140	1		
990601 -		DS M-S		31113-25000	1		990601 -	AD L35,P3B,P35,P6B		31112-25000	1		
990601 -		FD CON		31113-22040	1		990601 -	AG P3B,P35,P6B,P65		31112-25000	1		
990601 -		FD M-S		31113-25000	1		990601 -	DG P3B,P35,P65		31112-25000	1		
990601 -		FG P3B,P35,P6B,P65		31113-25000	1		990601 -	DS CON		31112-22140	1		
31114		HOLDER-FUEL PUMP					990601 -	DS M-S		31112-25000	1		
		(S)SOPORTE					990601 -	FD CON		31112-22140	1		
020101 -		ALL TCI		31119-25800	1		990601 -	FD M-S		31112-25000	1		
990601 -		AD CON		31119-22040	1		990601 -	FG P3B,P35,P6B,P65		31112-25000	1		
990601 -		DS CON		31119-22040	1		31122G	PUMP HOLDER					
990601 -		FD CON		31119-22040	1			(S)					
31114B		CUP ASSY-RESERVOIR					990601 -	AD L35,P3B,P35,P6B		31122-25000	1		
		(S)CONJUNTO COPA					990601 -	AG P3B,P35,P6B,P65		31122-25000	1		
990601 -		AD L35,P3B,P35,P6B		31114-25000	1		990601 -	DG P3B,P35,P65		31122-25000	1		
990601 -		AG P3B,P35,P6B,P65		31114-25000	1		990601 -	DS M-S		31122-25000	1		
990601 -		DG P3B,P35,P65		31114-25000	1		990601 -	FD M-S		31122-25000	1		
990601 -		DS M-S		31114-25000	1		990601 -	FG P3B,P35,P6B,P65		31122-25000	1		
990601 -		FD M-S		31114-25000	1		31123B	FUEL PUMP & TUBE ASSY					
990601 -		FG P3B,P35,P6B,P65		31114-25000	1			(S)CONJ. TUBO & BOMBA COMBUSTIBLE					
31115		PACKING					990601 -	AD L35,P3B,P35,P6B		31123-25000	1		
		(S)EMPAQUE					990601 -	AG P3B,P35,P6B,P65		31123-25000	1		
990601 -		AD CON		31115-22010	1		990601 -	DG P3B,P35,P65		31123-25000	1		
990601 -		DS CON		31115-22010	1		990601 -	DS M-S		31123-25000	1		
990601 -		FD CON		31115-22010	1		990601 -	FD M-S		31123-25000	1		

AD:3DR,GL AG:5DR,GLS DG:3DR,GLS DS:3DR,L FD:4DR,GL FG:4DR,GLS

CONTINUED

31-311 FUEL TANK

BA,00112- 135.

1-E11

P N C		MODEL APPLICABLE	R E P	PART NO. (REPL PNO)	Q T Y	REMARKS	P N C		MODEL APPLICABLE	R E P	PART NO. (REPL PNO)	Q T Y	REMARKS
FROM-UP-TO	TYPE	DESCRIPTION					FROM-UP-TO	TYPE	DESCRIPTION				
CONTINUED													
31123B		FUEL PUMP & TUBE ASSY					31137A		CLIP-FUEL HOSE				
990601 -		(S)CONJ. TUBO & BOMBA COMBUSTIBLE							(S)SUJETADOR		31137-29050	1	
990601 -		FG P3B,P35,P6B,P65		31123-25000	1		990601 -		AD CON		31137-29050	1	
31127		HOSE-FUEL PUMP					990601 -		DS CON		31137-29050	1	
990601 -		(S)MANGUERA					990601 -		FD CON		31137-29050	1	
990601 -		AD CON		31127-22140	1		31140B		PACKING-FUEL PUMP				
990601 -		DS CON		31127-22140	1				(S)EMPAQUE				
990601 -		FD CON		31127-22140	1		990601 -		AD L35,P3B,P35,P6B		31115-25000	1	
31130		CABLE ASSY-FUEL PUMP					990601 -		AG P3B,P35,P6B,P65		31115-25000	1	
990601 -		(S)CONJUNTO CABLE					990601 -		DG P3B,P35,P65		31115-25000	1	
020101 -		ALL TCI		31130-25800	1		990601 -		DS M-S		31115-25000	1	
990601 -		AD CON		31130-22040	1		990601 -		FD M-S		31115-25000	1	
990601 -		AD L35,P3B,P35,P6B		31130-25000	1		990601 -		FG P3B,P35,P6B,P65		31115-25000	1	
990601 -		AG P3B,P35,P6B,P65		31130-25000	1		31145F		TUBE-VENT				
990601 -		DG P3B,P35,P65		31130-25000	1				(S)TUBO				
990601 -		DS CON		31130-22040	1		990601 -		ALL P3B,P35		31145-25100	1	
990601 -		DS M-S		31130-25000	1		990601 -		AD L35,L45,P6B		31145-25100	1	
990601 -		FD CON		31130-22040	1		990601 -		AD L35,P3B,P35,P6B;2831		31145-25000	1	
990601 -		FD M-S		31130-25000	1		990601 -		AG P6B,P65		31145-25100	1	
990601 -		FG P3B,P35,P6B,P65		31130-25000	1		990601 -		AG P3B,P35,P6B,P65;2831		31145-25000	1	
31134C		2WAY VALVE CAP ASSY					990601 -		DG P65		31145-25100	1	
990601 -		(S)CUBIERTA					990601 -		DG P3B,P35,P65;2831		31145-25000	1	
990601 -		ALL		31181-22000	1		990601 -		DS L35,L45		31145-25100	1	
31135A		VALVE ASSY-2 WAY					990601 -		DS M-S;2831		31145-25000	1	
990601 -		(S)CONJUNTO VALVULA					990601 -		FD L35,L45		31145-25100	1	
990601 -		ALL P3B,P35		31135-22100	1		990601 -		FD M-S;2831		31145-25000	1	
990601 -		AD L35,L45,P6B		31135-22100	1		990601 -		FG P6B,P65		31145-25100	1	
990601 -		AG P6B,P65		31135-22100	1		990601 -		FG P3B,P35,P6B,P65;2831		31145-25000	1	
990601 -		DG P65		31135-22100	1		31146E		HOSE-VENT				
990601 -		DS L35,L45		31135-22100	1				(S)MANGUERA				
990601 -		FD L35,L45		31135-22100	1		990601 -		AD L35,P3B,P35,P6B;2831		31146-25000	1	
990601 -		FG P6B,P65		31135-22100	1		990601 -		AG P3B,P35,P6B,P65;2831		31146-25000	1	
31137		CLIP-FUEL HOSE					990601 -		DG P3B,P35,P65;2831		31146-25000	1	
990601 -		(S)SUJETADOR					990601 -		DS M-S;2831		31146-25000	1	
990601 -		AD CON		31137-36000	3		990601 -		FD M-S;2831		31146-25000	1	
990601 -		DS CON		31137-36000	3		990601 -		FG P3B,P35,P6B,P65;2831		31146-25000	1	
990601 -		FD CON		31137-36000	3		31150		TANK ASSY-FUEL				
									(S)CONJ. TANQUE				
							020101 -		ALL TCI		31150-25800	1	
CONTINUED													

1-F11

31-311 FUEL TANK

BA.G0112-136

P N C		MODEL APPLICABLE		R E P	PART NO. (REPL P/NO)	Q T Y	REMARKS	P N C		MODEL APPLICABLE		R E P	PART NO. (REPL P/NO)	Q T Y	REMARKS	
FROM-UP-TO	TYPE	DESCRIPTION						FROM-UP-TO	TYPE	DESCRIPTION						
CONTINUED																
31150		TANK ASSY-FUEL (S)CONJ. TANQUE						31159		BOLT (S)PERNO						
990601 -	AD	CON			31150-22000	1		020101 -	ALL	TCI			31159-36000	11		
990601 -	AD	L35,P3B,P35,P6B			31150-25000	1		31169		RETAINER-HOLDER (S)RETENEDOR						
990601 -	AG	P3B,P35,P6B,P65			31150-25000	1		990601 -	AD	CON			31169-22000	4		
990601 -	DG	P3B,P35,P65			31150-25000	1		990601 -	AD	L35,P3B,P35,P6B			31169-25000	2		
990601 -	DS	CON			31150-22000	1		990601 -	AG	P3B,P35,P6B,P65			31169-25000	2		
990601 -	DS	M-S			31150-25000	1		990601 -	DG	P3B,P35,P65			31169-25000	2		
990601 -	FD	CON			31150-22000	1		990601 -	DS	CON			31169-22000	4		
990601 -	FD	M-S			31150-25000	1		990601 -	DS	M-S			31169-25000	2		
990601 -	FG	P3B,P35,P6B,P65			31150-25000	1		990601 -	FD	CON			31169-22000	4		
31152		COVER-FUEL PUMP PLATE (S)CUBIERTA						990601 -	FD	M-S			31169-25000	2		
990601 -	AD	CON			31152-22200	1		990601 -	FG	P3B,P35,P6B,P65			31169-25000	2		
990601 -	AD	L35,P3B,P35,P6B			31152-25000	1		31180		PAD-FUEL TANK (S)ALMOHADILLA						
990601 -	AG	P3B,P35,P6B,P65			31152-25000	1		990601 -	ALL	P3B,P35			31101-22200	2		
990601 -	DG	P3B,P35,P65			31152-25000	1		990601 -	AD	L35,L45,P6B			31101-22200	2		
990601 -	DS	CON			31152-22200	1		990601 -	AG	P6B,P65			31101-22200	2		
990601 -	DS	M-S			31152-25000	1		990601 -	DG	P65			31101-22200	2		
990601 -	FD	CON			31152-22200	1		990601 -	DS	L35,L45			31101-22200	2		
990601 -	FD	M-S			31152-25000	1		990601 -	FD	L35,L45			31101-22200	2		
990601 -	FG	P3B,P35,P6B,P65			31152-25000	1		990601 -	FG	P6B,P65			31101-22200	2		
31153		COVER-FUEL CUT VALVE (S)CUBIERTA						31180C		PAD-FUEL TANK (S)ALMOHADILLA						
990601 -	AD	CON			31153-22000	1		020101 -	ALL	TCI			31101-22000	5		
990601 -	DS	CON			31153-22000	1		31190A		VALVE-FUEL CUT (S)VALVULA						
990601 -	FD	CON			31153-22000	1		990601 -	AD	CON			31190-22000	1		
31155A		VALVE-FUEL CUT (S)VALVULA						990601 -	AD	L35,P3B,P35,P6B			31190-25000	1		
990601 -	ALL	P3B,P35			31155-22000	1		990601 -	AG	P3B,P35,P6B,P65			31190-25000	1		
990601 -	AD	L35,L45,P6B			31155-22000	1		990601 -	DG	P3B,P35,P65			31190-25000	1		
990601 -	AG	P6B,P65			31155-22000	1		990601 -	DS	CON			31190-22000	1		
990601 -	DG	P65			31155-22000	1		990601 -	DS	M-S			31190-25000	1		
990601 -	DS	L35,L45			31155-22000	1		990601 -	FD	CON			31190-22000	1		
990601 -	FD	L35,L45			31155-22000	1		990601 -	FD	M-S			31190-25000	1		
990601 -	FG	P6B,P65			31155-22000	1		990601 -	FG	P3B,P35,P6B,P65			31190-25000	1		

AD:5DR,GL; AG:5DR,GLS; DG:3DR,GLS; DS:3DR,L; FD:4DR,GL; FG:4DR,GLS

31-311 FUEL TANK

BA,00112- 137

1-G11

P N C		MODEL APPLICABLE	P A R T N O. (REPL P N O)	Q T Y	R E M A R K S
FROM-UP-TO	TYPE	DESCRIPTION			
31190B		VALVE ASSY-2 WAY & CUT (S)CONJUNTO VALVULA			
020101 -		ALL TCI	31190-38000	1	
31194C		PACKING-CUT VALVE (S)EMPAQUE			
990601 -		AD CON	31194-22000	1	
990601 -		DS CON	31194-22000	1	
990601 -		FD CON	31194-22000	1	
31210A		BAND ASSY-FUEL TANK (S)CONJ. BANDA			
990601 -		ALL P3B,P35	31210-22110	2	
020101 -		ALL TCI	31210-25500	2	
990601 -		AD L35,L45,P6B	31210-22110	2	
990601 -		AG P6B,P65	31210-22110	2	
990601 -		DG P65	31210-22110	2	
990601 -		DS L35,L45	31210-22110	2	
990601 -		FD L35,L45	31210-22110	2	
990601 -		FG P6B,P65	31210-22110	2	
31214		REINFORCEMENT ASSY-FUEL TANK (S)CONJ. REFUERZO			
990601 -		AD CON	31214-22010	2	
990601 -		AD L35,P3B,P35,P6B	31214-25000	1	
990601 -		AG P3B,P35,P6B,P65	31214-25000	1	
990601 -		DG P3B,P35,P65	31214-25000	1	
990601 -		DS CON	31214-22010	2	
990601 -		DS M-S	31214-25000	1	
990601 -		FD CON	31214-22010	2	
990601 -		FD M-S	31214-25000	1	
990601 -		FG P3B,P35,P6B,P65	31214-25000	1	
31220B		PROTECTOR-FUEL TANK (S)PROTECTOR			
990601 -		ALL P3B,P35	31220-22010	1	
020101 -		ALL TCI	31220-22500	1	
990601 -		AD L35,L45,P6B	31220-22010	1	
990601 -		AG P6B,P65	31220-22010	1	
990601 -		DG P65	31220-22010	1	
990601 -		DS L35,L45	31220-22010	1	
990601 -		FD L35,L45	31220-22010	1	
990601 -		FG P6B,P65	31220-22010	1	

P N C		MODEL APPLICABLE	P A R T N O. (REPL P N O)	Q T Y	R E M A R K S
FROM-UP-TO	TYPE	DESCRIPTION			
31224		TUBE ASSY-FUEL PUMP TO FILTER (S)CONJ. TUBO			
990601 -		AD L35,P3B,P35,P6B	31224-25000	1	
990601 -		AG P3B,P35,P6B,P65	31224-25000	1	
990601 -		DG P3B,P35,P65	31224-25000	1	
990601 -		DS M-S	31224-25000	1	
990601 -		FD M-S	31224-25000	1	
990601 -		FG P3B,P35,P6B,P65	31224-25000	1	
31317C		PROTECTOR-FUEL TUBE (S)PROTECTOR			
020101 -		ALL TCI	31222-22000	1	
31345C		HOSE-VAPOR (S)MANGUERA			
990601 -		AD L35,P3B,P35,P6B	31345-25000	1	
990601 -		AD CON	31345-25300	1	
990601 -		AG P3B,P35,P6B,P65	31345-25000	1	
990601 -		DG P3B,P35,P65	31345-25000	1	
990601 -		DS M-S	31345-25000	1	
990601 -		DS CON	31345-25300	1	
990601 -		FD M-S	31345-25000	1	
990601 -		FD CON	31345-25300	1	
990601 -		FG P3B,P35,P6B,P65	31345-25000	1	
31347		HOSE-FUEL VAPOR TUBE (S)MANGUERA			
990601 -		AD L35,P3B,P35,P6B;2831, 0910,-A08	31347-25050	1	
990601 -		AG P3B,P35,P6B,P65;2831, 0910,-A08	31347-25050	1	
990601 -		DG P3B,P35,P65;2831,0910, -A08	31347-25050	1	
990601 -		DS M-S;2831,0910,-A08	31347-25050	1	
990601 -		FD M-S;2831,0910,-A08	31347-25050	1	
990601 -		FG P3B,P35,P6B,P65;2831, 0910,-A08	31347-25050	1	
31353B		CLIP (S)SUJETADOR			
990601 -		ALL P3B,P35	31225-22000	5	
990601 -		AD L35,L45,P6B	31225-22000	5	
990601 -		AG P6B,P65	31225-22000	5	

CONTINUED

31-311 FUEL TANK

BA,00112- 139

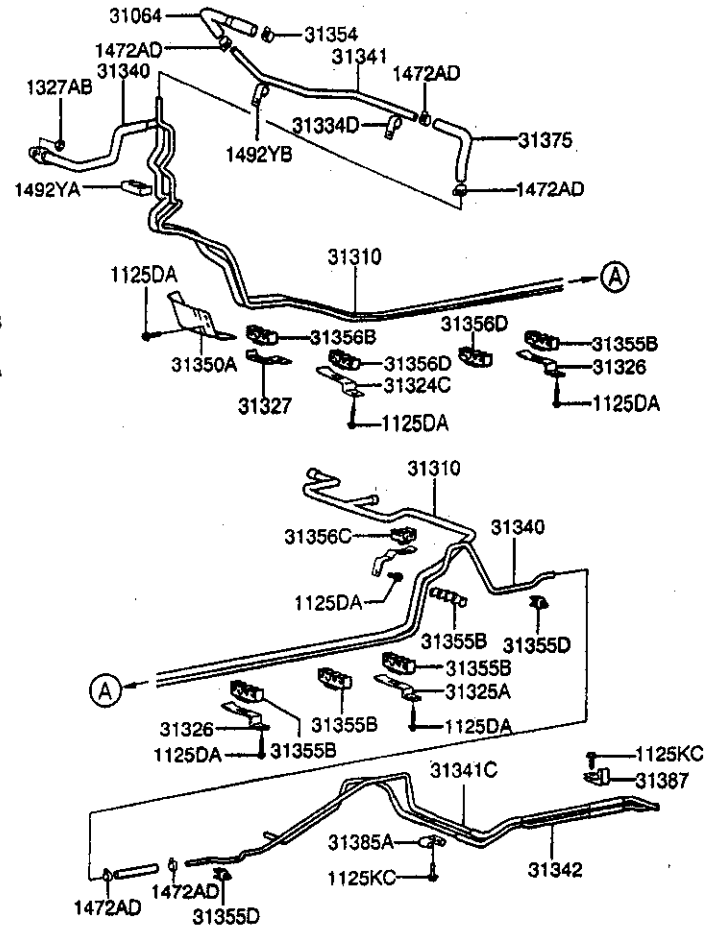
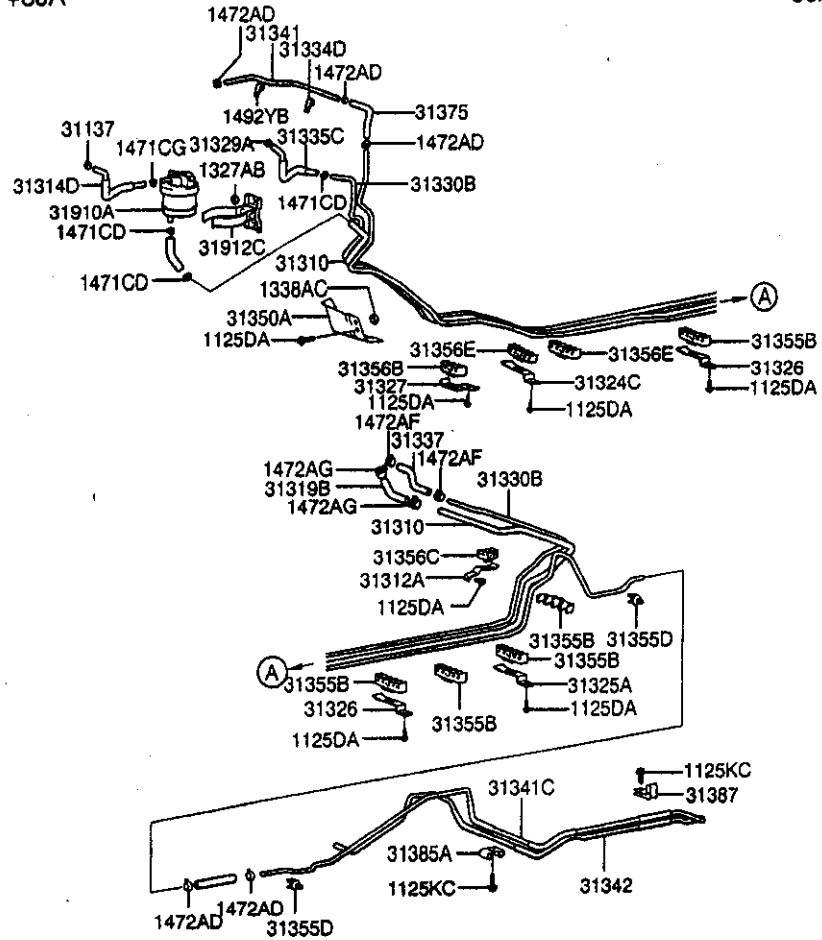
1-111

P N C	MODEL APPLICABLE		R E P	PART NO. (REPL P/NO)	Q T Y	REMARKS
	FROM-UP-TO	TYPE DESCRIPTION				
31923		RUBBER (S)GOMA				
020101 -		ALL TCI		31117-25800	1	
990601 -		AD CON	Y	31117-22020 (31117-29100)	1	
990601 -		AD L35,P3B,P35,P6B		31117-25000	1	
990601 -		AG P3B,P35,P6B,P65		31117-25000	1	
990601 -		DG P3B,P35,P65		31117-25000	1	
990601 -		DS CON	Y	31117-22020 (31117-29100)	1	
990601 -		DS M-S		31117-25000	1	
990601 -		FD CON	Y	31117-22020 (31117-29100)	1	
990601 -		FD M-S		31117-25000	1	
990601 -		FG P3B,P35,P6B,P65		31117-25000	1	
31923E		RUBBER-MOUNT (S)				
990601 -		AD L35,P3B,P35,P6B		31121-25000	1	
990601 -		AG P3B,P35,P6B,P65		31121-25000	1	
990601 -		DG P3B,P35,P65		31121-25000	1	
990601 -		DS M-S		31121-25000	1	
990601 -		FD M-S		31121-25000	1	
990601 -		FG P3B,P35,P6B,P65		31121-25000	1	
31940		FILTER ASSY-FUEL (S)CONJUNTO FILTRO				
990601 -		AD L35,P3B,P35,P6B		31911-25000	1	
990601 -		AG P3B,P35,P6B,P65		31911-25000	1	
990601 -		DG P3B,P35,P65		31911-25000	1	
990601 -		DS M-S		31911-25000	1	
990601 -		FD M-S		31911-25000	1	
990601 -		FG P3B,P35,P6B,P65		31911-25000	1	
32555		SPRING (S)MUELLE				
990601 -		AD L35,P3B,P35,P6B		31119-25000	1	
990601 -		AG P3B,P35,P6B,P65		31119-25000	1	
990601 -		DG P3B,P35,P65		31119-25000	1	
990601 -		DS M-S		31119-25000	1	
990601 -		FD M-S		31119-25000	1	
990601 -		FG P3B,P35,P6B,P65		31119-25000	1	

P N C	MODEL APPLICABLE		R E P	PART NO. (REPL P/NO)	Q T Y	REMARKS
	FROM-UP-TO	TYPE DESCRIPTION				
32769A		CAP-CANISTER AIR NIPPLE (S)TAPA				
990601 - 010105		AD L35,P3B,P35,P6B;2831, 0910,-A08		31426-38000	1	
990601 - 010105		AG P3B,P35,P6B,P65;2831, 0910,-A08		31426-38000	1	
990601 - 010105		DG P3B,P35,P65;2831,0910, -A08		31426-38000	1	
990601 - 010105		DS M-S;2831,0910,-A08		31426-38000	1	
990601 - 010105		FD M-S;2831,0910,-A08		31426-38000	1	
990601 - 010105		FG P3B,P35,P6B,P65;2831, 0910,-A08		31426-38000	1	
35301A		REGULATOR - PRESSURE (S)REGULADOR				
990601 -		AD L35,P3B,P35,P6B		35301-25000	1	
990601 -		AG P3B,P35,P6B,P65		35301-25000	1	
990601 -		DG P3B,P35,P65		35301-25000	1	
990601 -		DS M-S		35301-25000	1	
990601 -		FD M-S		35301-25000	1	
990601 -		FG P3B,P35,P6B,P65		35301-25000	1	
94410A		GAUGE ASSY-FUEL (S)CONJ. MEDIDOR				
990601 -		AD L35,P3B,P35,P6B		94460-25000	1	
990601 -		AG P3B,P35,P6B,P65		94460-25000	1	
990601 -		DG P3B,P35,P65		94460-25000	1	
990601 -		DS M-S		94460-25000	1	
990601 -		FD M-S		94460-25000	1	
990601 -		FG P3B,P35,P6B,P65		94460-25000	1	
94460		SENDER ASSY-FUEL TANK (S)CONJ. EMISOR				
020101 -		ALL TCI		94460-25800	1	
990601 -		AD CON		94460-22040	1	
990601 -		DS CON		94460-22040	1	
990601 -		FD CON		94460-22040	1	
94473		COVER-FUEL PUMP (S)CUBIERTA				
990601 -		ALL		94472-25000	1	

+3JA

-3JA



1-11

31-313 FUEL LINES

BA,G0112- 142

P N C	MODEL APPLICABLE		R E P	PART NO. (REPL P/NO)	Q T Y	REMARKS	P N C	MODEL APPLICABLE		R E P	PART NO. (REPL P/NO)	Q T Y	REMARKS
	FROM-UP-TO	TYPE						DESCRIPTION	FROM-UP-TO				
1125DA		BOLT					CONTINUED						
		(S)PERNO (CON ARANDELA)					1338AC		NUT-FLANGE				
990601 -		ALL	Y	11251-06163 (11251-06166B)	7				(S)TUERCA TAPA		13385-06003	2	
							990601 -		FD CON		13385-06003	1	
1125KC		BOLT(W/WASHER)					990601 -		FD M-S		13385-06003	1	
		(S)CONJ.ARANDELA					990601 -		FG P3B,P35,P6B,P65		13385-06003	1	
990601 -		AD L35,P3B,P35,P6B;2831		11254-06201	2		1471CD		CLAMP-HOSE				
990601 -		AG P3B,P35,P6B,P65;2831		11254-06201	2				(S)ABRAZADERA				
990601 -		DG P3B,P35,P65;2831		11254-06201	2		990601 - 010503		AD CON		14711-13008	1	
990601 -		DS M-S;2831		11254-06201	2		990601 - 010503		DS CON		14711-13008	1	
990601 -		FD M-S;2831		11254-06201	2		990601 - 010503		FD CON		14711-13008	1	
990601 -		FG P3B,P35,P6B,P65;2831		11254-06201	2		1471CG		CLAMP-HOSE				
									(S)ABRAZADERA				
1140ET		BOLT					990601 - 010503		AD CON		14711-15008	1	
		(S)PERNO (PESTANA)					990601 - 010503		DS CON		14711-15008	1	
020101 -		ALL TCI	Y	11403-06303 (21516-38000)	2		990601 - 010503		FD CON		14711-15008	1	
							1472AD		CLAMP-HOSE				
1229DH		SCREW-MACHINE							(S)ABRAZADERA				
		(S)TORNILLO					990601 -		AD CON		14720-10008	2	
020101 -		ALL TCI		12291-05143	1		990601 -		AD L35,P3B,P35,P6B		14720-10008	1	
1327AA		NUT					990601 -		AG P3B,P35,P6B,P65;2831		14720-10008	1	
		(S)TUERCA(CON ARANDELA)					990801 -		DG P3B,P35,P65;2831		14720-10008	1	
020101 -		ALL TCI		13270-05003	1		990601 -		DS CON		14720-10008	2	
							990601 -		DS M-S		14720-10008	1	
1327AB		NUT(W/WASHER)					990601 -		FD CON		14720-10008	2	
		(S)TUERCA					990601 -		FD M-S		14720-10008	1	
990601 -		AD L35,P3B,P35,P6B		13270-06003	2		990601 -		FG P3B,P35,P6B,P65;2831		14720-10008	1	
990601 -		AG P3B,P35,P6B,P65		13270-06003	2		1472AF		CLAMP-HOSE				
990601 -		DG P3B,P35,P65		13270-06003	2				(S)ABRAZADERA				
990601 -		DS M-S		13270-06003	2		990601 -		AD CON		14720-12008	2	
990601 -		FD M-S		13270-06003	2		990601 -		DS CON		14720-12008	2	
990601 -		FG P3B,P35,P6B,P65		13270-06003	2		990601 -		FD CON		14720-12008	2	
							1472AG		CLAMP-HOSE				
1338AC		NUT-FLANGE							(S)ABRAZADERA				
		(S)TUERCA TAPA					990601 -		AD CON		14720-13008	2	
020101 -		ALL TCI		13385-06003	4		990601 -		DS CON		14720-13008	2	
990601 -		AD CON		13385-06003	2		990601 -		FD CON		14720-13008	2	
990601 -		AD L35,P3B,P35,P6B		13385-06003	1		1472AG		CLAMP-HOSE				
990601 -		AG P3B,P35,P6B,P65		13385-06003	1				(S)ABRAZADERA				
990601 -		DG P3B,P35,P65		13385-06003	1		990601 -		AD CON		14720-13008	2	
990601 -		DS CON		13385-06003	2		990601 -		DS CON		14720-13008	2	
990601 -		DS M-S		13385-06003	1		990601 -		FD CON		14720-13008	2	

CONTINUED
AD:30R,QL AG:60R,QLS DG:30R,QLS DS:30R,L FD:40R,QL FG:40R,QLS

2831:EVAP. GAS CONTROL

1-M11

31-313 FUEL LINES

BA.G0112-143

P N C		MODEL APPLICABLE		P R E P	PART NO. (REPL P/NO)	Q T Y	REMARKS	P N C		MODEL APPLICABLE		P R E P	PART NO. (REPL P/NO)	Q T Y	REMARKS
FROM-UP-TO	TYPE	DESCRIPTION	FROM-UP-TO					TYPE	DESCRIPTION						
1492YA		CLIP-TUBE (S)SUJETADOR						31306B		TUBE ASSY-FUEL RETURN (S)CONJ. TUBO					
990601 -	AD	L35,P3B,P35,P6B			31358-25000	1		020101 -		ALL TCI		31430-27000	1		
990601 -	AG	P3B,P35,P6B,P65			31358-25000	1		31310		TUBE-FUEL FEED (S)TUBO					
990601 -	DG	P3B,P35,P65			31358-25000	1		020101 -		ALL TCI		31310-25800	1		
990601 -	DS	M-S			31358-25000	1		990601 -	AD	L35,P3B,P35,P6B		31310-25000	1		
990601 -	FD	M-S			31358-25000	1		990601 -	AD	CON		31310-25300	1		
990601 -	FG	P3B,P35,P6B,P65			31358-25000	1		990601 -	AG	P3B,P35,P6B,P65		31310-25000	1		
1492YB		CLIP-TUBE (S)SUJETADOR						990601 -	DG	P3B,P35,P65		31310-25000	1		
990601 -	AD	L35,P3B,P35,P6B;2831			31321-25000	1		990601 -	DS	M-S		31310-25000	1		
990601 -	AG	P3B,P35,P6B,P65;2831			31321-25000	1		990601 -	DS	CON		31310-25300	1		
990601 -	DG	P3B,P35,P65;2831			31321-25000	1		990601 -	FD	M-S		31310-25000	1		
990601 -	DS	M-S;2831			31321-25000	1		990601 -	FD	CON		31310-25300	1		
990601 -	FD	M-S;2831			31321-25000	1		990601 -	FG	P3B,P35,P6B,P65		31310-25000	1		
990601 -	FG	P3B,P35,P6B,P65;2831			31321-25000	1		31312A		CLAMP-FUEL TUBE (S)ABRAZADERA					
1791GA		HOSE-FUEL RETURN (S)MANGUERA						990601 -	ALL			31329-25000	1		
020101 -		ALL TCI			31337-17450	1		31314D		HOSE-STRAINER TO ENGINE (S)MANGUERA					
28366A		CLAMP-HOSE (S)ABRAZADERA						990601 -	AD	CON		31314-25300	1		
020101 -		ALL TCI			28366-21300	1		990601 -	DS	CON		31314-25300	1		
31064		HOSE-TUBE TO VALVE (S)MANGUERA						990601 -	FD	CON		31314-25300	1		
990601 -	AD	L35,P3B,P35,P6B;2831			31344-25050	1		31317B		HOSE-FUEL PUMP TO FUEL PIPE (S)MANGUERA					
990601 -	AG	P3B,P35,P6B,P65;2831			31344-25050	1		020101 -	ALL	TCI		31317-25800	1		
990601 -	DG	P3B,P35,P65;2831			31344-25050	1		31319		HOSE-FUEL FEED (S)HOSE					
990601 -	DS	M-S;2831			31344-25050	1		020101 -	ALL	TCI		31319-25800	1		
990601 -	FD	M-S;2831			31344-25050	1		31319B		HOSE-FUEL FEED (S)MANGUERA					
990601 -	FG	P3B,P35,P6B,P65;2831			31344-25050	1		020101 -	ALL	TCI		31318-25800	1		
31137		CLIP-FUEL HOSE (S)SUJETADOR						990601 -	AD	CON		31312-22100	1		
990601 -	AD	L45,P85			31352-34000	2		990601 -	AD	CON		31318-22000	1		
020101 -	AG	TCI			31352-34000	2		990601 -	DS	CON		31312-22100	1		
020101 -	DG	TCI			31352-34000	2		990601 -	DS	CON		31318-22000	1		
990601 -	DS	L45,P85			31352-34000	2		990601 -	FD	CON		31312-22100	1		
990601 -	FD	L45,P85			31352-34000	2		990601 -	FD	CON		31318-22000	1		
020101 -	FG	TCI			31352-34000	2									

AD:3DR,CL AG:3DR,GLS DG:3DR,GLS DS:3DR,L FD:4DR,CL FG:4DR,GLS

2831:EVAP. GAS CONTROL

1-A12

31-313 FUEL LINES

BA,00112-144

P N C		MODEL APPLICABLE		R E P	PART NO. (REPL P/NO)	Q T Y	REMARKS	P N C		MODEL APPLICABLE		R E P	PART NO. (REPL P/NO)	Q T Y	REMARKS	
FROM-UP-TO	TYPE	DESCRIPTION						FROM-UP-TO	TYPE	DESCRIPTION						
31323G		CONNECTOR-3WAY						CONTINUED								
		(S)CONNECTOR						31326		CLAMP-FUEL TUBE						
020101 -		ALL TCI			31323-25800	1				(S)ABRAZADERA						
31324B		BRACKET-FUEL FILTER MTG						990601 -		DS CON			31326-25300	2		
		(S)SOPORTE						990601 -		FD M-S			31326-25000	2		
020101 -		ALL TCI			31971-25800	1		990601 -		FD CON			31326-25300	2		
31324C		CLAMP-FUEL TUBE						990601 -		FG P3B,P35,P6B,P65			31326-25000	3		
		(S)ABRAZADERA						990601 -		FG P3B,P35,P6B,P65			31326-25000	2		
990601 -		AD L35,P3B,P35,P6B,P85			31324-25000	1		31327		CLAMP-FUEL TUBE						
990601 -		AD CON			31324-25300	1				(S)ABRAZADERA						
990601 -		AG			31324-25000	1		990601 -		ALL P3B,P35			31327-25000	1		
990601 -		DG			31324-25000	1		020101 -		ALL TCI			31327-25800	1		
990601 -		DS L35,P3B,P35,P85			31324-25000	1		990601 -		AD L35,L45,P6B			31327-25000	1		
990601 -		DS CON			31324-25300	1		990601 -		AG P6B,P65			31327-25000	1		
990601 -		FD L35,P3B,P35,P85			31324-25000	1		990601 -		DG P65			31327-25000	1		
990601 -		FD CON			31324-25300	1		990601 -		DS L35,L45			31327-25000	1		
990601 -		FG			31324-25000	1		990601 -		FD L35,L45			31327-25000	1		
31325A		CLAMP-FUEL TUBE						990601 -		FG P6B,P65			31327-25000	1		
		(S)ABRAZADERA						31329A		CLIP-FUEL HOSE						
990601 -		AD L35,P3B,P35,P6B,P85			31328-25000	1				(S)SUJETADOR						
990601 -		AD CON			31328-25300	1		990601 -		AD CON			31352-29000	2		
990601 -		AG			31328-25000	1		990601 -		DS CON			31352-29000	2		
990601 -		DG			31328-25000	1		990601 -		FD CON			31352-29000	2		
990601 -		DS L35,P3B,P35,P85			31328-25000	1		31330B		TUBE-FUEL RETURN						
990601 -		DS CON			31328-25300	1				(S)TUBO						
990601 -		FD L35,P3B,P35,P85			31328-25000	1		020101 -		ALL TCI			31330-25800	1		
990601 -		FD CON			31328-25300	1		990601 -		AD CON			31330-25300	1		
990601 -		FG			31328-25000	1		990601 -		DS CON			31330-25300	1		
31326		CLAMP-FUEL TUBE						990601 -		FD CON			31330-25300	1		
		(S)ABRAZADERA						31334B		HOSE-FUEL RETURN RR						
990601 -		AD L35,P3B,P35,P6B			31326-25000	3				(S)MANGUERA						
990601 -		AD L35,P3B,P35,P6B			31326-25000	2		020101 -		ALL TCI			31334-25800	1		
990601 -		AD CON			31326-25300	2		31334D		CLIP						
990601 -		AG P3B,P35,P6B,P65			31326-25000	3				(S)SUJETADOR						
990601 -		AG P3B,P35,P6B,P65			31326-25000	2		990601 -		AD L35,P3B,P35,P6B;2831			31359-25000	1		
990601 -		DG P3B,P35,P65			31326-25000	3		990601 -		AG P3B,P35,P6B,P65;2831			31359-25000	1		
990601 -		DG P3B,P35,P65			31326-25000	2		990601 -		DG P3B,P35,P65;2831			31359-25000	1		
990601 -		DS M-S			31326-25000	3		990601 -		DS M-S;2831			31359-25000	1		
990601 -		DS M-S			31326-25000	2		990601 -		FD M-S;2831			31359-25000	1		
CONTINUED								CONTINUED								

1-B12

31-313 FUEL LINES

BA,G0112- 145

P N C		MODEL APPLICABLE		P R E P	PART NO. (REPL P/NO)	Q T Y	REMARKS	P N C		MODEL APPLICABLE		P R E P	PART NO. (REPL P/NO)	Q T Y	REMARKS
FROM-UP-TO	TYPE	DESCRIPTION						FROM-UP-TO	TYPE	DESCRIPTION					
CONTINUED															
31334D		CLIP						31342		TUBE-FUEL VAPOR RR					
		(S)SUJETADOR								(S)TUBO					
990601 -		FG P3B,P35,P6B,P65;2831			31359-25000	1		990601 -		AD L35,L45,P3B,P35,P6B			31342-25050	1	
31335C		HOSE-RETURN						990601 -		AG P3B,P35,P6B,P65;2831			31342-25050	1	
		(S)MANGUERA						990601 -		DG P3B,P35,P65;2831			31342-25050	1	
990601 -		AD CON			31335-25300	1		990601 -		DS L35,L45,P3B,P35			31342-25050	1	
990601 -		DS CON			31335-25300	1		990601 -		FG L35,L45,P3B,P35			31342-25050	1	
990601 -		FD CON			31335-25300	1		31350A		PROTECTOR-FUEL TUBE					
31337		HOSE-FUEL RETURN RR								(S)PROTECTOR					
		(S)MANGUERA						990601 -		ALL			31322-25000	1	
020101 -		ALL TCI			31337-25800	1		31354		CLIP-HOSE					
990601 -		AD CON			31336-22000	1				(S)SUJETADOR					
990601 -		DS CON			31336-22000	1		990601 -		AD L35,P3B,P35,P6B;2831			31354-34000	1	
990601 -		FD CON			31336-22000	1		990601 -		AG P3B,P35,P6B,P65;2831			31354-34000	1	
31340		TUBE-FUEL VAPOR						990601 -		DG P3B,P35,P65;2831			31354-34000	1	
		(S)TUBO						990601 -		DS M-S;2831			31354-34000	1	
990601 -		AD L35,P3B,P35,P6B;2831			31340-25000	1		990601 -		FD M-S;2831			31354-34000	1	
990601 -		AG P3B,P35,P6B,P65;2831			31340-25000	1		990601 -		FG P3B,P35,P6B,P65;2831			31354-34000	1	
990601 -		DG P3B,P35,P65;2831			31340-25000	1		31355B		HOLDER-FUEL TUBE					
990601 -		DS M-S;2831			31340-25000	1				(S)SOPORTE					
990601 -		FD M-S;2831			31340-25000	1		020101 -		ALL TCI			31355-25800	1	
990601 -		FG P3B,P35,P6B,P65;2831			31340-25000	1		990601 -		AD L35,P3B,P35,P6B			31355-25000	7	
31341		TUBE-FUEL VAPOR FR						990601 -		AD CON			31355-25300	7	
		(S)TUBO						990601 -		AD L35,P3B,P35,P6B			31355-25000	6	
990601 -		AD L35,P3B,P35,P6B;2831			31349-25550	1		990601 -		AG P3B,P35,P6B,P65			31355-25000	7	
990601 -		AG P3B,P35,P6B,P65;2831			31349-25550	1		990601 -		AG P3B,P35,P6B,P65			31355-25000	6	
990601 -		DG P3B,P35,P65;2831			31349-25550	1		990601 -		DG P3B,P35,P65			31355-25000	7	
990601 -		DS M-S;2831			31349-25550	1		990601 -		DG P3B,P35,P65			31355-25000	6	
990601 -		FD M-S;2831			31349-25550	1		990601 -		DS M-S			31355-25000	7	
990601 -		FG P3B,P35,P6B,P65;2831			31349-25550	1		990601 -		DS CON			31355-25300	7	
31341C		TUBE-FUEL VAPOR RR						990601 -		DS M-S			31355-25000	6	
		(S)TUBO						990601 -		FD M-S			31355-25000	7	
990601 -		AD L35,P3B,P35,P6B;2831			31341-25050	1		990601 -		FD CON			31355-25300	7	
990601 -		AG P3B,P35,P6B,P65;2831			31341-25050	1		990601 -		FD M-S			31355-25000	6	
990601 -		DG P3B,P35,P65;2831			31341-25050	1		990601 -		FG P3B,P35,P6B,P65			31355-25000	7	
990601 -		DS M-S;2831			31341-25050	1		990601 -		FG P3B,P35,P6B,P65			31355-25000	6	
990601 -		FD M-S;2831			31341-25050	1									
990601 -		FG P3B,P35,P6B,P65;2831			31341-25050	1									

P N C	MODEL APPLICABLE	R E P	PART NO. (REPL P/NO)	Q T Y	REMARKS
FROM-UP-TO	TYPE DESCRIPTION				
31355D	HOLDER-FUEL TUBE (S)SOPORTE				
990601 -	AD L35,P3B,P35,P6B;2831		31355-28401	1	
990601 -	AG P3B,P35,P6B,P65;2831		31355-28401	1	
990601 -	DG P3B,P35,P65;2831		31355-28401	1	
990601 -	DS M-S;2831		31355-28401	1	
990601 -	FD M-S;2831		31355-28401	1	
990601 -	FG P3B,P35,P6B,P65;2831		31355-28401	1	
31355B	HOLDER-FUEL TUBE (S)SOPORTE				
990601 -	ALL P3B,P35		31356-25000	1	
990601 -	AD L35,L45,P6B		31356-25000	1	
990601 -	AG P6B,P65		31356-25000	1	
990601 -	DG P65		31356-25000	1	
990601 -	DS L35,L45		31356-25000	1	
990601 -	FD L35,L45		31356-25000	1	
990601 -	FG P6B,P65		31356-25000	1	
31356C	HOLDER-FUEL TUBE (S)SOPORTE				
990601 -	ALL P3B,P35		31357-25000	1	
020101 -	ALL TCI		31357-25800	2	
990601 -	AD L35,P3B,P35,P6B		31357-25000	2	
990601 -	AD L35,L45,P6B		31357-25000	1	
990601 -	AG P3B,P35,P6B,P65		31357-25000	2	
990601 -	AG P6B,P65		31357-25000	1	
990601 -	DG P3B,P35,P65		31357-25000	2	
990601 -	DG P65		31357-25000	1	
990601 -	DS M-S		31357-25000	2	
990601 -	DS L35,L45		31357-25000	1	
990601 -	FD M-S		31357-25000	2	
990601 -	FD L35,L45		31357-25000	1	
990601 -	FG P3B,P35,P6B,P65		31357-25000	2	
990601 -	FG P6B,P65		31357-25000	1	
31356D	HOLDER-FUEL TUBE (S)SOPORTE				
990601 -	AD L35,P3B,P35,P6B		31360-25000	2	
990601 -	AD CON		31360-25300	2	
990601 -	AG P3B,P35,P6B,P65		31360-25000	2	
990601 -	DG P3B,P35,P65		31360-25000	2	

CONTINUED

P N C	MODEL APPLICABLE	R E P	PART NO. (REPL P/NO)	Q T Y	REMARKS
FROM-UP-TO	TYPE DESCRIPTION				
CONTINUED					
31356D	HOLDER-FUEL TUBE (S)SOPORTE				
990601 -	DS M-S		31360-25000	2	
990601 -	DS CON		31360-25300	2	
990601 -	FD M-S		31360-25000	2	
990601 -	FD CON		31360-25300	2	
990601 -	FG P3B,P35,P6B,P65		31360-25000	2	
31356E	HOLDER-FUEL TUBE (S)SOPORTE				
990601 -	ALL P3B,P35		31359-25500	1	
020101 -	ALL TCI		31359-25800	1	
020101 -	ALL TCI		31360-25800	1	
990601 -	AD L35,L45,P6B		31359-25500	1	
990601 -	AG P6B,P65		31359-25500	1	
990601 -	DG P65		31359-25500	1	
990601 -	DS L35,L45		31359-25500	1	
990601 -	FD L35,L45		31359-25500	1	
990601 -	FG P6B,P65		31359-25500	1	
31360A	COOLER ASSY-FUEL DSL RTN (S)CONJ. REFRIGERADOR				
020101 -	ALL TCI		31370-25800	1	
31375	HOSE-VAPOR (S)MANGUERA				
990601 -	AD L35,P3B,P35,P6B;2831		31339-25550	1	
990601 -	AG P3B,P35,P6B,P65;2831		31339-25550	1	
990601 -	DG P3B,P35,P65;2831		31339-25550	1	
990601 -	DS M-S;2831		31339-25550	1	
990601 -	FD M-S;2831		31339-25550	1	
990601 -	FG P3B,P35,P6B,P65;2831		31339-25550	1	
31385A	CLIP (S)SUJETADOR				
990601 -	AD L35,P3B,P35,P6B;2831		31325-25000	1	
990601 -	AG P3B,P35,P6B,P65;2831		31325-25000	1	
990601 -	DG P3B,P35,P65;2831		31325-25000	1	
990601 -	DS M-S;2831		31325-25000	1	
990601 -	FD M-S;2831		31325-25000	1	
990601 -	FG P3B,P35,P6B,P65;2831		31325-25000	1	

1-D12

31-313 FUEL LINES

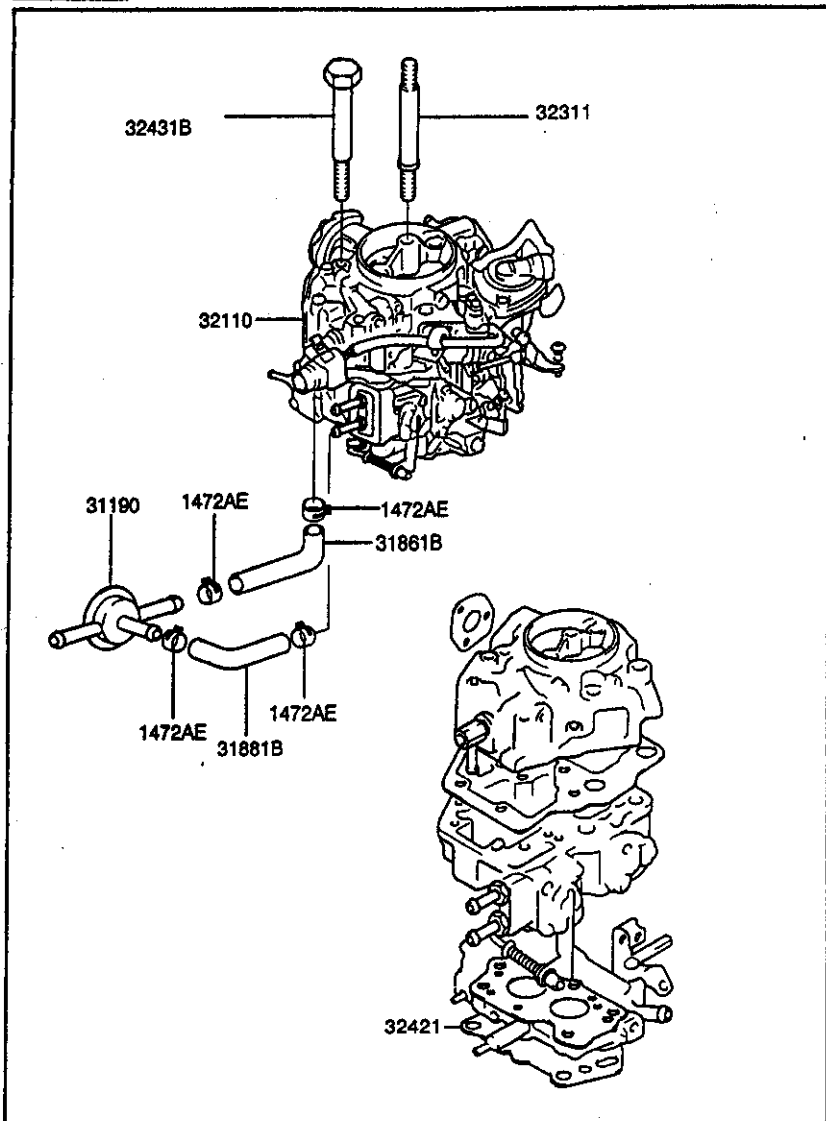
BA,00112- 147

P N C	MODEL APPLICABLE		R E P	PART NO. (REPL PNO)	Q T Y	REMARKS	P N C	MODEL APPLICABLE		R E P	PART NO. (REPL PNO)	Q T Y	REMARKS
	FROM-UP-TO	TYPE						DESCRIPTION	FROM-UP-TO				
31387		CLIP					31488A		CONNECTOR				
		(S)SUJETADOR						(S)CONECTOR					
020101 -		ALL TCI		31325-25800	1		020101 -	ALL TCI			31488-27000	1	
990601 -		AD L35,P3B,P35,P6B;2831		31325-26500	1		31490	GASKET					
990601 -		AG P3B,P35,P6B,P65;2831		31325-25500	1			(S)JUNTA					
990601 -		DG P3B,P35,P65;2831		31325-25500	1		020101 -	ALL TCI			31490-27000	2	
990601 -		DS M-S;2831		31325-25500	1		31910A	STRAINER-FUEL					
990601 -		FD M-S;2831		31325-26500	1			(S)					
990601 -		FG P3B,P35,P6B,P65;2831		31325-25500	1		990601 -	AD CON			31910-21000	1	
31400		FUEL RAIL ASSY					990601 -	DS CON			31910-21000	1	
		(S)MANGUERA COMBUSTIBLE					990601 -	FD CON			31910-21000	1	
020101 -		ALL TCI		31400-27500	1		31912	HOLDER-FUEL FILTER					
31410B		TUBE-FUEL(RAIL TO INJECTOR)						(S)SOPORTE					
		(S)TUBO					020101 -	ALL TCI			31972-25800	1	
020101 -		ALL TCI		31410-27000	3		31912C	CLAMP ASSY-FUEL STRAINER					
31420B		TUBE-FUEL(PUMP TO RAIL)						(S)CONJ. ABRAZADERA					
		(S)TUBO					990601 -	AD CON			31912-22100	1	
020101 -		ALL TCI		31420-27000	1		990601 -	DS CON			31912-22100	1	
31450D		BLOCK ASSY-FUNCTION					990601 -	FD CON			31912-22100	1	
		(S)COJUNTO BLOQUE					31921	WATER SENSOR-DIESEL FILTER					
020101 -		ALL TCI		31450-27002	1			(S)SEPARADOR					
31470B		O-RING					020101 -	ALL TCI			31921-17400	1	
		(S)O-ANILLO					31925	BODY-DIESEL FILTER					
020101 -		ALL TCI		31470-27000	1			(S)CUERPO					
31471A		HOSE ASSY-FUEL RETURN					020101 -	ALL TCI			31925-17400	1	
		(S)CONJ. MANGUERA					31970A	FILTER ASSY-DSL					
020101 -		ALL TCI		31471-27500	1			(S)FILTRO					
31476		BOLT-FLANGE					020101 -	ALL TCI			31970-17400	1	
		(S)PERNO					31973	CARTRIDGE					
020101 -		ALL TCI		31476-27000	2			(S)CARTUCHO					
31485		BANJO					020101 -	ALL TCI			31922-17400	1	
		(S)BANJO					33113A	O-RING					
020101 -		ALL TCI		31485-27500	1			(S)O-RING					
31486		BANJO BOLT					020101 -	ALL TCI			33113-27000	1	
		(S)BANJO					33116	BRKT ADAPTER					
020101 -		ALL TCI		31486-27000	1			(S)SOPORTE					
31487C		ADAPTER-FUEL FEED(RETURN)					020101 -	ALL TCI			33116-27001	1	
		(S)ADAPTADOR											
020101 -		ALL TCI		31487-27010	1								

1-F12

31-321 CARBURETOR ASSEMBLY

BA,00112-149



P N C	MODEL APPLICABLE		R E P	PART NO. (REPL. PNO)	Q T Y	REMARKS
	FROM-UP-TO	TYPE				
1472AE						
990601 -				14720-11006	4	
990601 -				14720-11006	4	
990601 -				14720-11006	4	
31190						
990601 -				31862-22302	1	
990601 -				31862-22302	1	
990601 -				31862-22302	1	
31861B						
990601 -				31861-22301	1	
990601 -				31861-22301	1	
990601 -				31861-22301	1	
31881B						
990601 -				31881-22301	1	
990601 -				31881-22301	1	
990601 -				31881-22301	1	
32110						
990601 -				32110-22620	1	
990601 -				32110-22620	1	
990601 -				32110-22620	1	
32311						
990601 -				32311-21020	1	
990601 -				32311-21020	1	
990601 -				32311-21020	1	
32421						
990601 -				32421-24310	1	
990601 -				32421-24310	1	
990601 -				32421-24310	1	
32431B						
990601 -				32431-21321	4	
990601 -				32431-21321	4	

CONTINUED

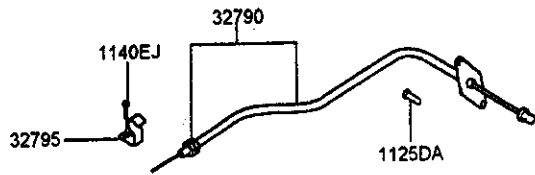
1-G12

31-321 CARBURETOR ASSEMBLY

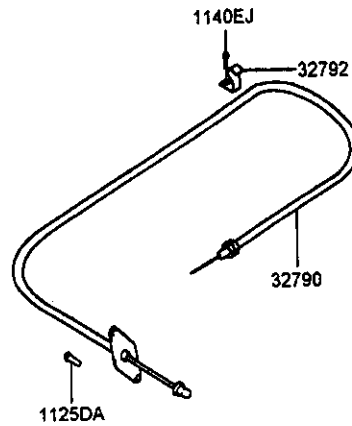
BA.G0112- 150

P N C		MODEL APPLICABLE		R E P	PART NO. (REPL P/NO)	Q T Y	REMARKS	P N C		MODEL APPLICABLE		R E P	PART NO. (REPL P/NO)	Q T Y	REMARKS	
FROM-UP-TO	TYPE	DESCRIPTION						FROM-UP-TO	TYPE	DESCRIPTION						
CONTINUED																
32431B		BOLT (S)PERNO (CON ARANDELA) FD CON;0920			32431-21321	4										
990601 -																

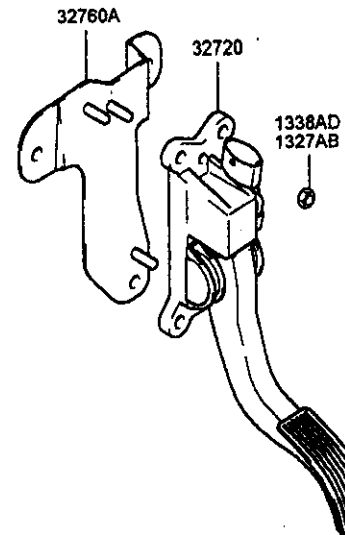
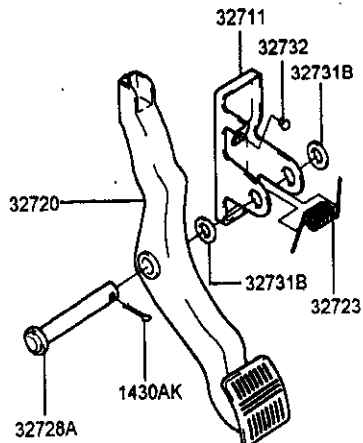
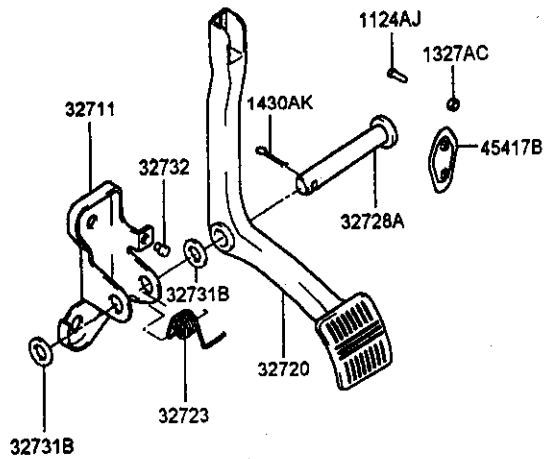
LHD



RHD



DIESEL



P N C	MODEL APPLICABLE		PART NO. (REPL P/N/O)	Q T Y	REMARKS	P N C	MODEL APPLICABLE		PART NO. (REPL P/N/O)	Q T Y	REMARKS
	FROM-UP-TO	TYPE					DESCRIPTION	FROM-UP-TO			
CONTINUED						CONTINUED					
32711						32723					
		BRACKET-ACCELERATOR PEDAL						SPRING-RETURN			
		(S)SOPORTE						(S)MUELLE			
990601 -	DS	LHD>L35,L45	32711-25010	1		990601 -	FD	RHD>L35,L45	32725-22900	1	
990601 -	DS	RHD>L35,L45	32711-25900	1		990601 -	FG	LHD>P6B,P65	32723-25000	1	
990601 -	FD	LHD>L35,L45	32711-25010	1		990601 -	FG	RHD>P6B,P65	32725-22900	1	
990601 -	FD	RHD>L35,L45	32711-25900	1		32728A		PIN			
990601 -	FG	LHD>P6B,P65	32711-25010	1				(S)PASADOR			
990601 -	FG	RHD>P6B,P65	32711-25900	1		990601 -	ALL	P3B,P35	32728-22000	1	
32720		ARM ASSY-ACCELERATOR				990601 -	AD	L35,L45,P6B	32728-22000	1	
		(S)CONJUNTO BRAZO				990601 -	AG	P6B,P65	32728-22000	1	
990601 -	ALL	LHD>P3B,P35	32720-25000	1		990601 -	DG	P65	32728-22000	1	
990601 -	ALL	RHD>P3B,P35	32720-22900	1		990601 -	DS	L35,L45	32728-22000	1	
020101 -	ALL	LHD>TCI	32710-25830	1		990601 -	FD	L35,L45	32728-22000	1	
990601 -	AD	LHD>L35,L45,P6B	32720-25000	1		990601 -	FG	P6B,P65	32728-22000	1	
990601 -	AD	RHD>L35,L45,P6B	32720-22900	1		32731B		WASHER			
990601 -	AG	LHD>P6B,P65	32720-25000	1				(S)ARANDELA			
990601 -	AG	RHD>P6B,P65	32720-22900	1		990601 -	ALL	P3B,P35	32731-36000	2	
990601 -	DG	LHD>P65	32720-25000	1		990601 -	ALL	P3B,P35	32731-36000	1	
990601 -	DG	RHD>P65	32720-22900	1		990601 -	AD	L35,L45,P6B	32731-36000	2	
990601 -	DS	LHD>L35,L45	32720-25000	1		990601 -	AD	L35,L45,P6B	32731-36000	1	
990601 -	DS	RHD>L35,L45	32720-22900	1		990601 -	AG	P6B,P65	32731-36000	2	
990601 -	FD	LHD>L35,L45	32720-25000	1		990601 -	AG	P6B,P65	32731-36000	1	
990601 -	FD	RHD>L35,L45	32720-22900	1		990601 -	DG	P65	32731-36000	2	
990601 -	FG	LHD>P6B,P65	32720-25000	1		990601 -	DG	P65	32731-36000	1	
990601 -	FG	RHD>P6B,P65	32720-22900	1		990601 -	DS	L35,L45	32731-36000	2	
32723		SPRING-RETURN				990601 -	DS	L35,L45	32731-36000	1	
		(S)MUELLE				990601 -	FD	L35,L45	32731-36000	2	
990601 -	ALL	LHD>P3B,P35	32723-25000	1		990601 -	FD	L35,L45	32731-36000	1	
990601 -	ALL	RHD>P3B,P35	32725-22900	1		990601 -	FG	P6B,P65	32731-36000	2	
990601 -	AD	LHD>L35,L45,P6B	32723-25000	1		990601 -	FG	P6B,P65	32731-36000	1	
990601 -	AD	RHD>L35,L45,P6B	32725-22900	1		32732		STOPPER-ACCELERATOR ARM			
990601 -	AG	LHD>P6B,P65	32723-25000	1				(S)OBTURADOR			
990601 -	AG	RHD>P6B,P65	32725-22900	1		990601 -	ALL	P3B,P35	32731-22000	1	
990601 -	DG	LHD>P65	32723-25000	1		990601 -	AD	L35,L45,P6B	32731-22000	1	
990601 -	DG	RHD>P65	32725-22900	1		990601 -	AG	P6B,P65	32731-22000	1	
990601 -	DS	LHD>L35,L45	32723-25000	1		990601 -	DG	P65	32731-22000	1	
990601 -	DS	RHD>L35,L45	32725-22900	1		990601 -	DS	L35,L45	32731-22000	1	
990601 -	FD	LHD>L35,L45	32723-25000	1		990601 -	FD	L35,L45	32731-22000	1	
CONTINUED						CONTINUED					

1-K12

31-327 ACCELERATOR LINKAGE

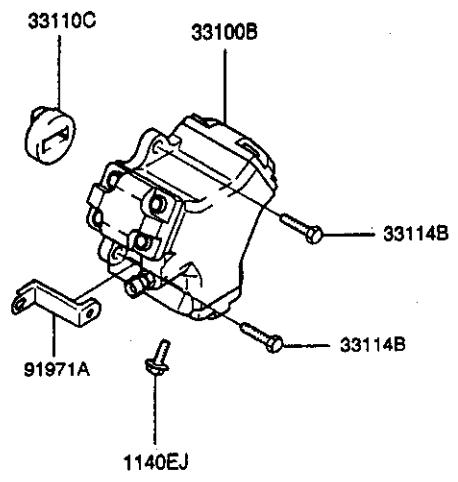
BA.G0112- 154

P N C		MODEL APPLICABLE		R E P	PART NO. (REPL P/NO)	Q T Y	REMARKS	P N C		MODEL APPLICABLE		R E P	PART NO. (REPL P/NO)	Q T Y	REMARKS
FROM-UP-TO	TYPE	DESCRIPTION						FROM-UP-TO	TYPE	DESCRIPTION					
CONTINUED															
		32732	STOPPER-ACCELERATOR ARM					45417B	PLATE ASSY						
		990601 -	(S)OBTURADOR					020101 -	(S)CONJ. PLACA						
		990601 -	FG P68,P65		32731-22000	1			ALL LHD>TCI			32780-25800	1		
		32760A	BRACKET												
		020101 -	(S)SOPORTE												
		990601 -	ALL LHD>TCI		32760-25830	1									
		32790	CABLE ASSY-ACCELERATOR												
		990601 -	(S)CONJUNTO CABLE												
		990601 -	ALL LHD>M-S		32790-25055	1									
		990601 -	ALL RHD>M-S		32790-25915	1									
		990601 -	AD LHD>CON		32790-25005	1									
		990601 -	AD LHD>M-D		32790-25105	1									
		990601 -	AD RHD>CON		32790-25905	1									
		990601 -	AD RHD>M-D		32790-25955	1									
		990601 -	AG LHD>M-D		32790-25105	1									
		990601 -	AG RHD>M-D		32790-25955	1									
		990601 -	DG LHD>M-D		32790-25105	1									
		990601 -	DG RHD>M-D		32790-25955	1									
		990601 -	DS LHD>CON		32790-25005	1									
		990601 -	DS RHD>CON		32790-25905	1									
		990601 -	FD LHD>CON		32790-25005	1									
		990601 -	FD RHD>CON		32790-25905	1									
		990601 -	FG LHD>M-D		32790-25105	1									
		990601 -	FG RHD>M-D		32790-25955	1									
		32792	CLAMP-ACCELERATOR CABLE												
		990601 -	(S)ABRAZADERA												
		990601 -	ALL LHD>M-S		32792-22000	2									
		990601 -	AD LHD>CON		32792-25000	1									
		990601 -	DS LHD>CON		32792-25000	1									
		990601 -	FD LHD>CON		32792-25000	1									
		32795	CLAMP-ACCELERATOR CABLE												
		990601 -	(S)ABRAZADERA												
		990601 -	AD LHD>M-D		32795-29005	2									
		990601 -	AG LHD>M-D		32795-29005	2									
		990601 -	DG LHD>M-D		32795-29005	2									
		990601 -	FG LHD>M-D		32795-29005	2									

1-L12

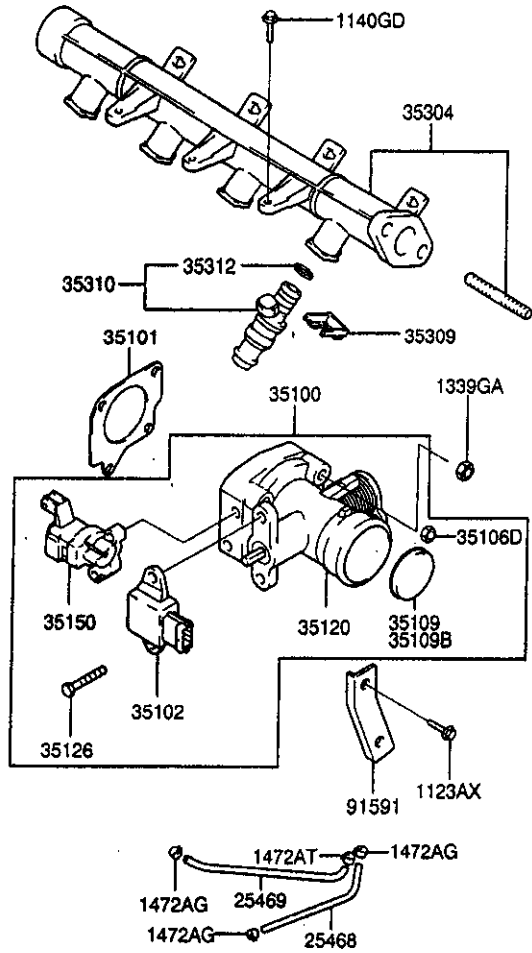
31-331 FUEL INJECTION PUMP

BA,00112- 155

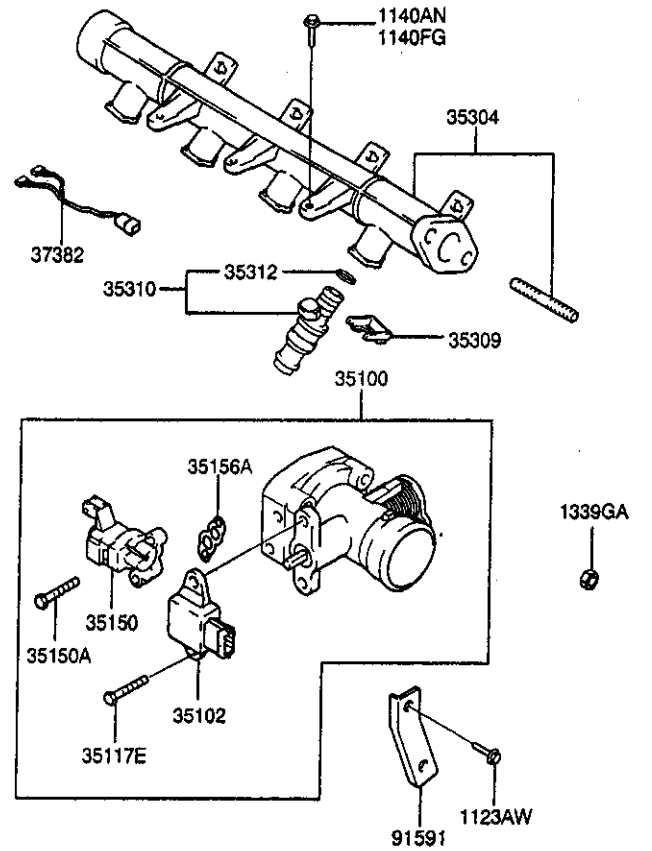


P N C	MODEL APPLICABLE		PART NO. (REPL #/NO)	Q T Y	REMARKS
	FROM-UP-TO	TYPE			
1140EJ					
020101 -			11403-06123	1	
33100B					
020101 -			33100-27500	1	
33110C					
020101 -			33110-27000	1	
33114B					
020101 -			33114-27001	3	
91971A					
020101 -			91971-17800	1	

SOHC

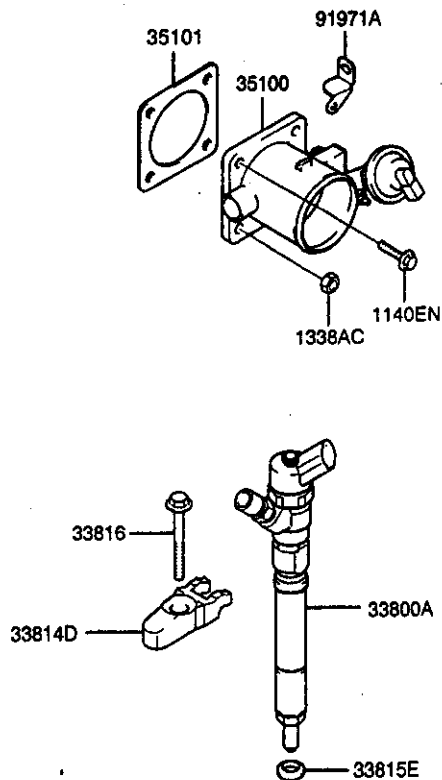


DOHC



31-351 THROTTLE BODY & INJECTOR

DIESEL



P N C	MODEL APPLICABLE		R E P	PART NO. (REPL P/NO)	Q T Y	REMARKS
	FROM-UP-TO	TYPE				
1123AW						
990601 - 001009	AD	L35,P3B,P35,P6B	Y	11230-08353 (11230-08383)	2	
001009 -	AD	M-D		11230-08383	2	
990601 - 001009	AG	P3B,P35,P6B,P65	Y	11230-08353 (11230-08383)	2	
001009 -	AG	M-D		11230-08383	2	
990601 - 001009	DG	P3B,P35,P65	Y	11230-08353 (11230-08383)	2	
001009 -	DG	M-D		11230-08383	2	
990601 - 000906	DS	M-S	Y	11230-08353 (11230-08383)	2	
990601 - 000906	FD	M-S	Y	11230-08353 (11230-08383)	2	
990601 - 001009	FG	P3B,P35,P6B,P65	Y	11230-08353 (11230-08383)	2	
001009 -	FG	M-D		11230-08383	2	
1123AX						
000906 -	ALL	M-S		11230-08403	2	
1140AN						
990601 - 000410	AD	M-D		11400-08253	3	
990601 - 000410	AG	M-D		11400-08253	3	
990601 - 000410	DG	M-D		11400-08253	3	
990601 - 000410	FG	M-D		11400-08253	3	
1140EN						
020101 -	ALL	TCi	Y	11403-06203 (11403-08223)	2	
1140FG						
000410 -	AD	M-D		11403-08223	2	
000410 -	AG	M-D		11403-08223	2	
000410 -	DG	M-D		11403-08223	2	
000410 -	FG	M-D		11403-08223	2	

1-B13

31-351 THROTTLE BODY & INJECTOR

BA,G0112-158

P N C	MODEL APPLICABLE		R E P	PART NO. (REPL PNO)	Q T Y	REMARKS	P N C	MODEL APPLICABLE		R E P	PART NO. (REPL PNO)	Q T Y	REMARKS
	FROM-UP-TO	TYPE						DESCRIPTION	FROM-UP-TO				
1140GD		BOLT					33815E		WASHER-INJECTOR BRKT				
		(S)PERNO (PESTANA)							(S)WASHER				
990601 -		ALL M-S		11403-08283	3		020101 -		ALL TCI		33815-27000	3	
1338AC		NUT-FLANGE					33816		BOLT ASSY-INJECTOR CLAMP				
		(S)TUERCA TAPA							(S)PERNO				
020101 -		ALL TCI		13385-06003	2		020101 -		ALL TCI		33816-27004	3	
1339GA		NUT					35100		BODY ASSY-THROTTLE				
		(S)TUERCA(BRIDA)							(S)CONJUNTO CARROGERIA				
990601 -		AD L35,P3B,P35,P6B		13396-08003	2		990601 - 011116		ALL M-S		35100-22615	1	
990601 -		AG P3B,P35,P6B,P65		13396-08003	2		011116 -		ALL M-S;-A10		35100-22615	1	
990601 -		DG P3B,P35,P65		13396-08003	2		011116 -		ALL M-S;2831		35100-22610	1	
990601 -		DS M-S		13396-08003	2		020101 -		ALL TCI		35100-27500	1	
990601 -		FD M-S		13396-08003	2		990601 -		AD M-D		35100-26610	1	
990601 -		FG P3B,P35,P6B,P65		13396-08003	2		990601 -		AD M-D;2831		35100-26600	1	
1472AG		CLAMP-HOSE					990601 -		AG M-D		35100-26610	1	
		(S)ABRAZADERA					990601 -		AG M-D;2831		35100-26600	1	
010420 -		ALL M-S		14720-13006	1		990601 -		DG M-D		35100-26610	1	
010420 - 011116		AD P3B		14720-13006	2		990601 -		DG M-D;2831		35100-26600	1	
010420 - 011116		AG P3B		14720-13006	2		990601 -		FG M-D		35100-26610	1	
010420 - 011116		DG 4AT2		14720-13006	2		990601 -		FG M-D;2831		35100-26600	1	
010420 - 011116		DS 4AT2		14720-13006	2		35101		GASKET-THROTTLE BODY				
010420 - 011116		FD 4AT2		14720-13006	2				(S)JUNTA				
010420 - 011116		FG P3B		14720-13006	2		020101 -		ALL TCI		35150-27000	1	
1472AT		CLAMP-HOSE					35102		SENSOR ASSY-THROTTLE POSITION				
		(S)ABRAZADERA							(S)CONJ. SENSOR				
010420 -		ALL M-S		14720-15506	1		990601 -		AD L35,P3B,P35,P6B		35170-22600	1	
25468		HOSE "A" ASSY-WATER					990601 -		AD L35,P3B,P35,P6B	Y	35170-23500	A	
		(S)MANGUERA							(35170-22600)				
010420 -		ALL M-S		25468-22600	1		990601 -		AG P3B,P35,P6B,P65		35170-22600	1	
25469		HOSE "B" ASSY-WATER					990601 -		AG P3B,P35,P6B,P65	Y	35170-23500	A	
		(S)MANGUERA							(35170-22600)				
010420 -		ALL M-S		25469-22601	1		990601 -		DG P3B,P35,P65		35170-22600	1	
33800A		INJECTOR ASSY-FUEL					990601 -		DG P3B,P35,P65	Y	35170-23500	A	
		(S)CONJ. INJECTOR							(35170-22600)				
020101 -		ALL TCI		33800-27000	3		990601 -		DS M-S		35170-22600	1	
33814D		BRKT-FUEL INJECTOR CLAMPING					990601 -		DS M-S	Y	35170-23500	A	
		(S)BRKT							(35170-22600)				
020101 -		ALL TCI		33814-27001	3		990601 -		FD M-S		35170-22800	1	

CONTINUED

1-C13

31-351 THROTTLE BODY & INJECTOR

SA,00112-159

P N C		MODEL APPLICABLE		R E P	PART NO. (REPL P/N)	Q T Y	REMARKS	P N C		MODEL APPLICABLE		R E P	PART NO. (REPL P/N)	Q T Y	REMARKS
FROM-UP-TO	TYPE	DESCRIPTION						FROM-UP-TO	TYPE	DESCRIPTION					
CONTINUED								CONTINUED							
35102		SENSOR ASSY-THROTTLE POSITION						35150A		BOLT-I.S.C.A					
		(S)CONJ. SENSOR								(S)PERNO					
990601 -		FD	M-S	Y	35170-23500	A		990601 -		FG	M-D		35150-06310	2	
					(35170-22600)					35156A	GASKET-ISC ACTUATOR				
990601 -		FG	P3B,P35,P6B,P65		35170-22600	1		990601 -		(S)JUNTA			35156-33271	1	
990601 -		FG	P3B,P35,P6B,P65	Y	35170-23500	A		990601 -		AD	M-D		35156-33271	1	
					(35170-22600)			990601 -		AG	M-D		35156-33271	1	
								990601 -		DG	M-D		35156-33271	1	
35106D		NUT						990601 -		FG	M-D		35156-33271	1	
		(S)TUERCA						35304		PIPE-DELIVERY					
990601 -		ALL	M-S		35106-35500	1				(S)TUBO					
35109		CAP-THROTTLE POSITION SENSOR						990601 -		ALL	M-S		35304-22610	1	
		(S)TAPA						990601 -		AD	M-D		35304-26610	1	
990601 -		ALL	M-S		35109-22000	1		990601 -		AG	M-D		35304-26610	1	
35109B		CAP-THROTTLE POSITION SENSOR						990601 -		DG	M-D		35304-26610	1	
		(S)						990601 -		FG	M-D		35304-26610	1	
990601 -		ALL	M-S		35109-22010	1		35309		CLIP-FUEL INJECTOR					
35117E		SCREW-TPS								(S)SUJETADOR					
		(S)TORNILLO						990601 -		AD	L35,P3B,P35,P6B		35309-26010	4	
990601 -		ALL	M-S		35116-22000	2		990601 -		AG	P3B,P35,P6B,P65		35309-26010	4	
35120		BODY ASSY-MIXING						990601 -		DG	P3B,P35,P65		35309-26010	4	
		(S)CONJUNTO CARROCERIA						990601 -		DS	M-S		35309-26010	4	
990601 -		ALL	M-S		35120-22600	1		990601 -		FD	M-S		35309-26010	4	
35126		SCREW-ADJUSTER						990601 -		FG	P3B,P35,P6B,P65		35309-26010	4	
		(S)TORNILLO						35310		INJECTOR ASSY-FUEL					
990601 -		ALL	M-S		35105-35500	1				(S)CONJ. INYECTOR					
35150		ACTUATOR ASSY-IDLE SPEED						990601 -		AD	L35,P3B,P35,P6B		35310-22600	4	
		(S)CONJ. ACTUADOR						990601 -		AG	P3B,P35,P6B,P65		35310-22600	4	
990601 -		AD	L35,P3B,P35,P6B		35150-22600	1		990601 -		DG	P3B,P35,P65		35310-22600	4	
990601 -		AG	P3B,P35,P6B,P65		35150-22600	1		990601 -		DS	M-S		35310-22600	4	
990601 -		DG	P3B,P35,P65		35150-22600	1		990601 -		FD	M-S		35310-22600	4	
990601 -		DS	M-S		35150-22600	1		990601 -		FG	P3B,P35,P6B,P65		35310-22600	4	
990601 -		FD	M-S		35150-22600	1		35312		RING"O"					
990601 -		FG	P3B,P35,P6B,P65		35150-22600	1				(S)JUNTAS TORICAS					
35150A		BOLT-I.S.C.A						990601 -		AD	L35,P3B,P35,P6B		35312-22000	8	
		(S)PERNO						990601 -		AG	P3B,P35,P6B,P65		35312-22000	8	
990601 -		AD	M-D		35150-06310	2		990601 -		DG	P3B,P35,P65		35312-22000	8	
990601 -		AG	M-D		35150-06310	2		990601 -		DS	M-S		35312-22000	8	
990601 -		DG	M-D		35150-06310	2		CONTINUED							

1-D13**31-351 THROTTLE BODY & INJECTOR**

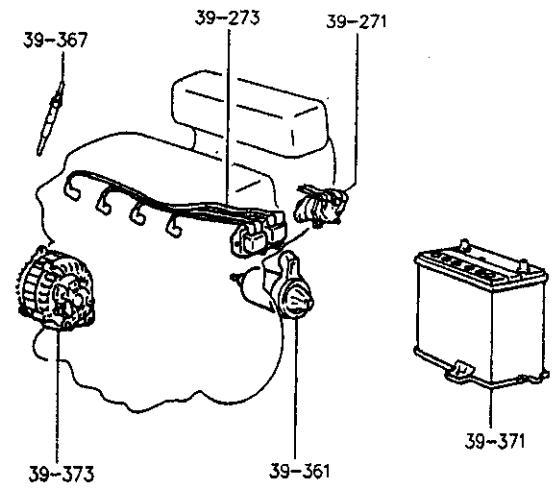
BA,G0112- 160

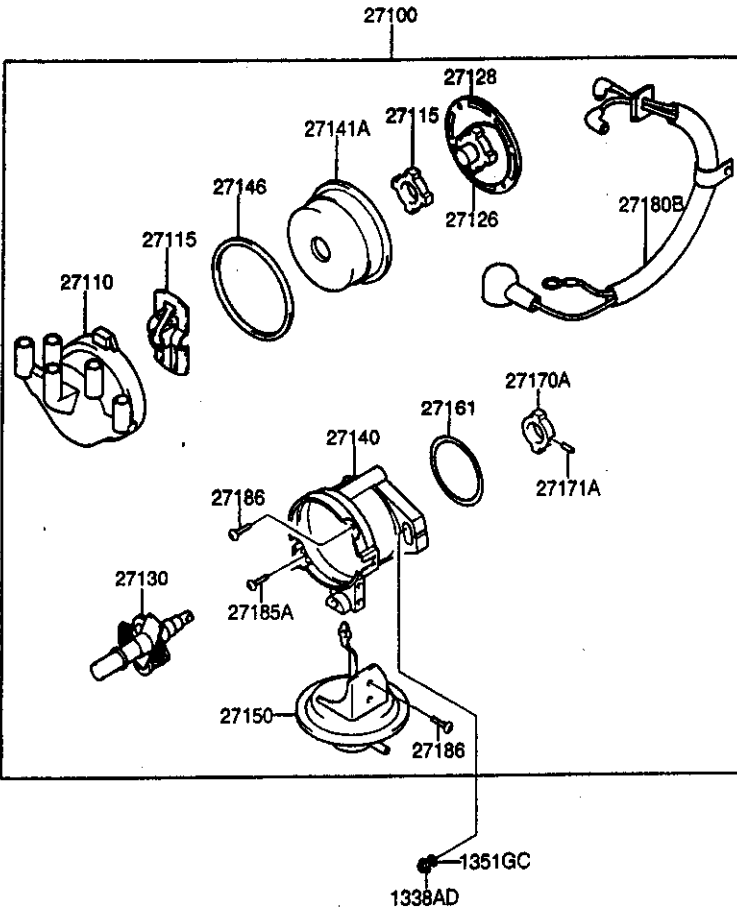
P N C		MODEL APPLICABLE		R E P	PART NO. (REPL P/NO)	Q T Y	REMARKS	P N C		MODEL APPLICABLE		R E P	PART NO. (REPL P/NO)	Q T Y	REMARKS
FROM-UP-TO	TYPE	DESCRIPTION						FROM-UP-TO	TYPE	DESCRIPTION					
CONTINUED															
35312		RING"O"													
		(S)JUNTAS TORICAS													
990601 -		FD M-S			35312-22000	8									
990601 -		FG P3B,P35,P6B,P65			35312-22000	8									
37382		WIRE ASSY-EXTENSION													
		(S)CONJ. CABLES													
990601 -		AD M-D			35341-26600	1									
990601 -		AG M-D			35341-26600	1									
990601 -		DG M-D			35341-26600	1									
990601 -		FG M-D			35341-26600	1									
91591		BRACKET-WIRING													
		(S)SOPORTE													
990601 - 010307		ALL M-S			91952-25500	1									
010307 -		ALL M-S			91952-25501	1									
91971A		BRKT-CONTROL WIRING(DSL)													
		(S)SOPORTE													
020101 -		ALL TC1			91971-17840	1									

~~M/E/M/O~~

39 ENGINE ELECTRICAL

39-271	DISTRIBUTOR.....	1-F13
39-273	SPARK PLUG & CABLE.....	1-H13
39-361	STARTER MOTOR.....	1-A14
39-367	GLOW PLUG(DIESEL).....	1-H14
39-371	BATTERY.....	1-I14
39-373	GENERATOR.....	1-K14





P N C	MODEL APPLICABLE		R E P	PART NO. (REPL PNO)	Q T Y	REMARKS
	FROM-UP-TO	TYPE				
1338AD						
990601 -				13385-06003 (13396-06003)	2	
990601 -				13385-06003 (13396-06003)	2	
990601 -				13385-06003 (13396-06003)	2	
1351GC						
990601 -				13510-08243	2	
990601 -				13510-08243	2	
990601 -				13510-08243	2	
27100						
990601 -				27100-22600	1	
990601 -				27100-22600	1	
990601 -				27100-22600	1	
27110						
990601 -				27110-22300	1	
990601 -				27110-22300	1	
990601 -				27110-22300	1	
27115						
990601 -				27131-22600	1	
990601 -				27131-22600	1	
990601 -				27131-22600	1	
27126						
990601 -				27126-22300	1	
990601 -				27126-22300	1	
990601 -				27126-22300	1	
27128						
990601 -				27128-22300	1	
990601 -				27128-22300	1	
990601 -				27128-22300	1	

1-G13

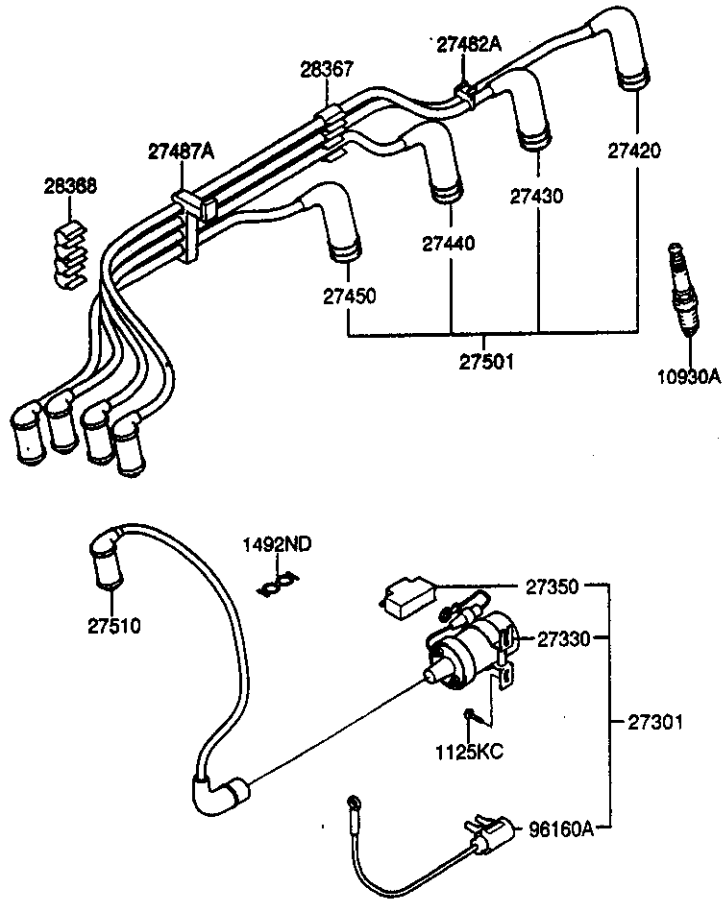
39-271 DISTRIBUTOR

BA.G0112-163

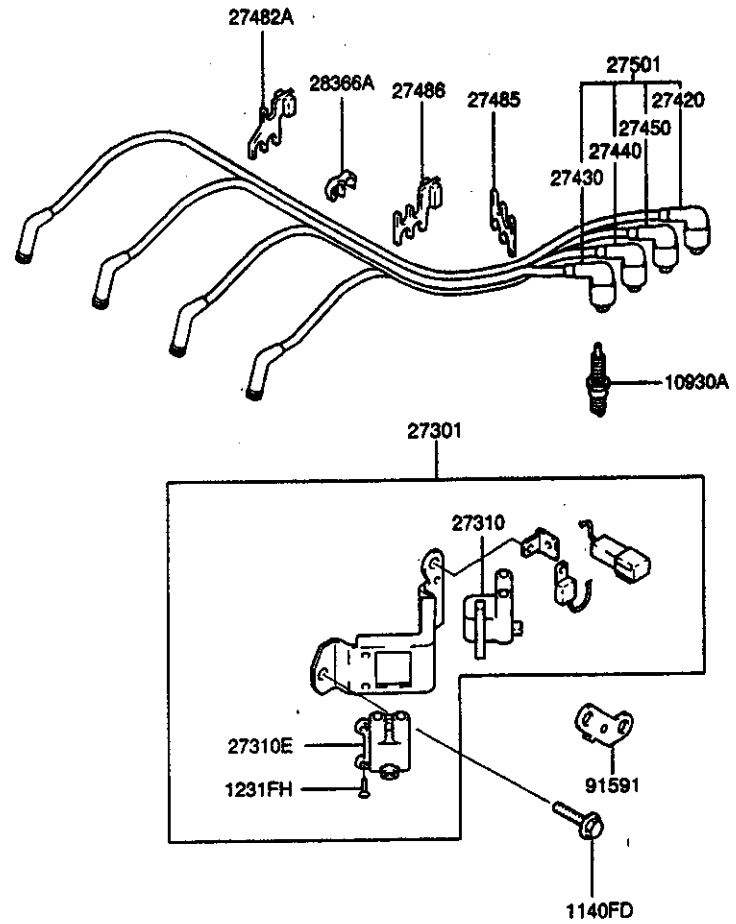
P N C		MODEL APPLICABLE		R E P	PART NO. (REPL P/NO)	Q T Y	REMARKS	P N C		MODEL APPLICABLE		R E P	PART NO. (REPL P/NO)	Q T Y	REMARKS	
FROM-UP-TO	TYPE	DESCRIPTION						FROM-UP-TO	TYPE	DESCRIPTION						
27130		GOVERNOR KIT-DISTRIBUTOR (S)JUEGO GOBERNADOR						CONTINUED								
990601 -		AD	CON;0920		27130-22600	1		27171A		PIN						
990601 -		DS	CON;0920		27130-22600	1				(S)PASADOR						
990601 -		FD	CON;0920		27130-22600	1		990601 -		FD	CON;0920		27171-22300	1		
27140		HOUSING ASSY (S)CONJ. ALOJAMIENTO						27180B		WIRE ASSY-LEAD (S)CONJ. CABLES						
990601 -		AD	CON;0920		27141-22300	1		990601 -		AD	CON;0920		27180-22300	1		
990601 -		DS	CON;0920		27141-22300	1		990601 -		DS	CON;0920		27180-22300	1		
990601 -		FD	CON;0920		27141-22300	1		990601 -		FD	CON;0920		27180-22300	1		
27141A		COVER (S)CUBIERTA						27185A		SCREW-DISTRIBUTOR (S)TORNILLO						
990601 -		AD	CON;0920		27133-22300	1		990601 -		AD	CON;0920		27185-22300	4		
990601 -		DS	CON;0920		27133-22300	1		990601 -		DS	CON;0920		27185-22300	4		
990601 -		FD	CON;0920		27133-22300	1		990601 -		FD	CON;0920		27185-22300	4		
27146		PACKING-DISTRIBUTOR "A" (S)EMPAQUE						27186		SCREW-DISTRIBUTOR (S)TORNILLO						
990601 -		AD	CON;0920		27146-22300	1		990601 -		AD	CON;0920		27186-22300	2		
990601 -		DS	CON;0920		27146-22300	1		990601 -		DS	CON;0920		27186-22300	2		
990601 -		FD	CON;0920		27146-22300	1		990601 -		FD	CON;0920		27186-22300	2		
27150		ADVANCER-DISTRIBUTOR VACUUM (S)AVANZADOR														
990601 -		AD	CON;0920		27150-22300	1										
990601 -		DS	CON;0920		27150-22300	1										
990601 -		FD	CON;0920		27150-22300	1										
27161		RING"O" (S)JUNTAS TORICAS														
990601 -		AD	CON;0920		27161-22300	1										
990601 -		DS	CON;0920		27161-22300	1										
990601 -		FD	CON;0920		27161-22300	1										
27170A		COUPLING (S)ACOPLAMIENTO														
990601 -		AD	CON;0920		27170-22300	1										
990601 -		DS	CON;0920		27170-22300	1										
990601 -		FD	CON;0920		27170-22300	1										
27171A		PIN (S)PASADOR														
990601 -		AD	CON;0920		27171-22300	1										
990601 -		DS	CON;0920		27171-22300	1										

CONTINUED

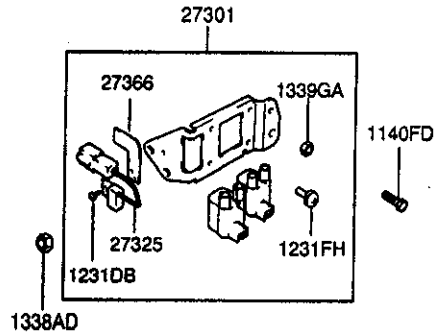
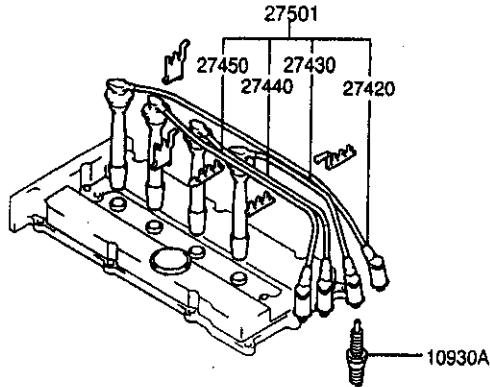
CARB.



MFLSOHC



DOHC



P N C	MODEL APPLICABLE		R E P	PART NO. (REPL P/NO)	Q T Y	REMARKS
	FROM-UP-TO	TYPE				
10930A				PLUG ASSY-SPARK		
990601 -				(S)TAPON		
990601 -	000701			ALL M-S;0910	4	BKR5ES-11
990601 -				ALL M-S;0910,+A10	4	BKR5ES-11
990601 -			Y	AD M-D	4	18823-11101 (18814-11051)
990601 -				AD M-D	4	18814-11051
990601 -				AD L35,L45,P3B,P35;0920	4	18814-08051
990601 -			Y	AG M-D	4	18823-11101 (18814-11051)
990601 -				AG M-D	4	18814-11051
990601 -				AG M-S;0920	4	18814-08051
990601 -			Y	DG M-D	4	18823-11101 (18814-11051)
990601 -				DG M-D	4	18814-11051
990601 -				DG M-S;0920	4	18814-08051
990601 -				DS L35,L45,P3B,P35;0920	4	18814-08051
990601 -				FD L35,L45,P3B,P35;0920	4	18814-08051
990601 -			Y	FG M-D	4	18823-11101 (18814-11051)
990601 -				FG M-D	4	18814-11051
990601 -				FG M-S;0920	4	18814-08051
1125KC				BOLT(W/WASHER)		
990601 -			Y	AD CON;0920	2	11254-06203 (11254-06206B)
990601 -			Y	DS CON;0920	2	11254-06203 (11254-06206B)
990601 -			Y	FD CON;0920	2	11254-06203 (11254-06206B)
1140FD				BOLT		
990601 -				(S)PERNO (PESTANA)	2	11403-08163
990601 -				ALL M-S	1	11403-08163
990601 -				AD M-D	1	11403-08163
990601 -				AG M-D	1	11403-08163
990601 -				DG M-D	1	11403-08163
990601 -				FG M-D	1	11403-08163

1-13

39-273 SPARK PLUG & CABLE

BA,00112-166

P N C		MODEL APPLICABLE		R E P	PART NO. (REPL P/NO)	Q T Y	REMARKS	P N C		MODEL APPLICABLE		R E P	PART NO. (REPL P/NO)	Q T Y	REMARKS
FROM-UP-TO	TYPE	DESCRIPTION						FROM-UP-TO	TYPE	DESCRIPTION					
1231DB		SCREW-MACHINE (S)TORNILLO						1492ND		CLIP-SNAP (S)SUJETADOR					
990601 -		AD	L35,P3B,P35,P6B		12310-05103	1		990601 -		AD	CON		14925-08120	3	
990601 -		AG	P3B,P35,P6B,P65		12310-05103	1		990601 -		AD	CON;0920		14925-08120	3	
990601 -		DG	P3B,P35,P65		12310-05103	1		990601 -		DS	CON		14925-08120	3	
990601 -		DS	M-S		12310-05103	1		990601 -		DS	CON;0920		14925-08120	3	
990601 -		FD	M-S		12310-05103	1		990601 -		FD	CON		14925-08120	3	
990601 -		FG	P3B,P35,P6B,P65		12310-05103	1		990601 -		FD	CON;0920		14925-08120	3	
1231FH		SCREW-MACHINE (S)TORNILLO						27301		COIL ASSY-IGNITION (S)CONJ. BOBINA					
990601 -		AD	L35,P3B,P35,P6B	Y	12310-06163 (12310-06161)	4		990601 -		ALL	M-S		27301-22600	1	
990601 -		AG	P3B,P35,P6B,P65	Y	12310-06163 (12310-06161)	4		990601 -		AD	CON;0920		27310-24001	1	
990601 -		DG	P3B,P35,P65	Y	12310-06163 (12310-06161)	4		000223 -		AD	M-D		27301-26600	1	
990601 -		DS	M-S	Y	12310-06163 (12310-06161)	4		000223 -		AG	M-D		27301-26600	1	
990601 -		FD	M-S	Y	12310-06163 (12310-06161)	4		000223 -		DG	M-D		27301-26600	1	
990601 -		FG	P3B,P35,P6B,P65	Y	12310-06163 (12310-06161)	4		990601 -		DS	CON;0920		27310-24001	1	
								990601 -		FD	CON;0920		27310-24001	1	
								000223 -		FG	M-D		27301-26600	1	
								27310		COIL-IGNITION (S)BOBINA					
								990601 -		ALL	M-S		27310-22600	1	
								27310E		COIL-IGNITION (S)BOBINA					
								990601 -		ALL	M-S		27310-22610	1	
1338AD		NUT-FLANGE (S)TUERCA TAPA						27325		CONDENSER ASSY-IGNITION COIL (S)CONJ. COMPRESOR					
990601 - 010222		AD	M-D	Y	13385-08003 (13396-08003)	2		990601 -		AD	L35,P3B,P35,P6B		27325-22600	1	
990601 - 010222		AG	M-D	Y	13385-08003 (13396-08003)	2		990601 -		AD	L35,P3B,P35,P6B		27325-22610	A	
990601 - 010222		DG	M-D	Y	13385-08003 (13396-08003)	2		990601 -		AG	P3B,P35,P6B,P65		27325-22600	1	
990601 - 010222		FG	M-D	Y	13385-08003 (13396-08003)	2		990601 -		AG	P3B,P35,P6B,P65		27325-22610	A	
								990601 -		DG	P3B,P35,P65		27325-22600	1	
								990601 -		DG	P3B,P35,P65		27325-22610	A	
								990601 -		DS	M-S		27325-22600	1	
								990601 -		DS	M-S		27325-22610	A	
								990601 -		FD	M-S		27325-22600	1	
								990601 -		FD	M-S		27325-22610	A	
								990601 -		FG	P3B,P35,P6B,P65		27325-22600	1	
								990601 -		FG	P3B,P35,P6B,P65		27325-22610	A	
1339GA		NUT (S)TUERCA(BRIDA)													
010222 -		AD	M-D		13396-08003	2									
010222 -		AG	M-D		13396-08003	2									
010222 -		DG	M-D		13396-08003	2									
010222 -		FG	M-D		13396-08003	2									

AD:3DR,GL AG:3DR,GLS DG:3DR,GLS DS:3DR,L FD:4DR,GL FG:4DR,GLS

0920:LEADED PACKAGE

1-K13

39-273 SPARK PLUG & CABLE

BA,00112-167

P N C		MODEL APPLICABLE		R E P	PART NO. (REPL P/NO)	Q T Y	REMARKS	P N C		MODEL APPLICABLE		R E P	PART NO. (REPL P/NO)	Q T Y	REMARKS
FROM-UP-TO	TYPE	DESCRIPTION						FROM-UP-TO	TYPE	DESCRIPTION					
27330		BRACKET-IGNITION COIL MTG (S)SOPORTE						CONTINUED							
990601 -		AD CON;0920			27315-21070	1		27420		CABLE ASSY-SPARK PLUG NO.1 (S)CONJUNTO CABLE					
990601 -		DS CON;0920			27315-21070	1		990601 - 010815	Y	FG M-D		27420-26600	1		
990601 -		FD CON;0920			27315-21070	1						(27420-26700)			
27350		RESISTOR ASSY (S)CONJ. RESISTENCIA						010815 -		FG M-D		27420-26700	1		
990601 -		AD CON;0920			27350-24000	1		27430		CABLE ASSY-SPARK PLUG NO.2 (S)CONJUNTO CABLE					
990601 -		DS CON;0920			27350-24000	1		990601 - 000701	Y	ALL M-S		27430-22010	1		
990601 -		FD CON;0920			27350-24000	1						(27430-22020)			
27366		BRACKET-CONNECTOR (S)SOPORTE						990601 - 000701	Y	ALL M-S;+A10		27430-22010	1		
990601 - 000223		AD M-D			27366-26600	1		000701 -		ALL M-S		27430-22020	1		
010401 -		AD M-D			27366-26602	1		990601 - 010815	Y	AD M-D		27430-26600	1		
990601 - 000223		AG M-D			27366-26600	1						(27430-26700)			
010401 -		AG M-D			27366-26802	1		000701 -		AD CON;0920		27430-22300	1		
990601 - 000223		DG M-D			27366-26600	1		010815 -		AD M-D		27430-26700	1		
010401 -		DG M-D			27366-26602	1		990601 - 010815	Y	AG M-D		27430-26600	1		
990601 - 000223		FG M-D			27366-26600	1						(27430-26700)			
010401 -		FG M-D			27366-26602	1		010815 -		AG M-D		27430-26700	1		
27420		CABLE ASSY-SPARK PLUG NO.1 (S)CONJUNTO CABLE						990601 - 010815	Y	DG M-D		27430-26600	1		
990601 - 000701		ALL M-S		Y	27420-22010	1						(27430-26700)			
					(27420-22020)			010815 -		DG M-D		27430-26700	1		
990601 - 000701		ALL M-S;+A10		Y	27420-22010	1		000701 -		DS CON;0920		27430-22300	1		
					(27420-22020)			000701 -		FD CON;0920		27430-22300	1		
000701 -		ALL M-S			27420-22020	1		990601 - 010815	Y	FG M-D		27430-26600	1		
990601 - 010815		AD M-D		Y	27420-26600	1						(27430-26700)			
					(27420-26700)			010815 -		FG M-D		27430-26700	1		
000701 -		AD CON;0920			27420-22300	1		27440		CABLE ASSY-SPARK PLUG NO.3 (S)CONJUNTO CABLE					
010815 -		AD M-D			27420-26700	1		990601 - 000701	Y	ALL M-S		27440-22010	1		
990601 - 010815		AG M-D		Y	27420-26600	1						(27440-22020)			
					(27420-26700)			990601 - 000701	Y	ALL M-S;+A10		27440-22010	1		
010815 -		AG M-D			27420-26700	1						(27440-22020)			
990601 - 010815		DG M-D		Y	27420-26600	1		000701 -		ALL M-S		27440-22020	1		
					(27420-26700)			990601 - 010815	Y	AD M-D		27440-26600	1		
010815 -		DG M-D			27420-26700	1						(27440-26700)			
000701 -		DS CON;0920			27420-22300	1		000701 -		AD CON;0920		27440-22300	1		
000701 -		FD CON;0920			27420-22300	1		010815 -		AD M-D		27440-26700	1		
CONTINUED								CONTINUED							

P N C		MODEL APPLICABLE		R E P	PART NO. (REPL P/NO)	Q T Y	REMARKS	P N C		MODEL APPLICABLE		R E P	PART NO. (REPL P/NO)	Q T Y	REMARKS
FROM-UP-TO	TYPE	DESCRIPTION	FROM-UP-TO					TYPE	DESCRIPTION						
CONTINUED								CONTINUED							
27440		CABLE ASSY-SPARK PLUG NO.3 (S)CONJUNTO CABLE						27482A		SUPPORT-CABLE (S)SOPORTE					
990601 - 010615	AG	M-D	Y	27440-26600 (27440-26700)	1			990601 - 000701	AD	M-S;+A10	Y	27482-32500	1		
010815 -	AG	M-D		27440-26700	1			990601 -	AG	M-S		27482-32500	1		
990601 - 010815	DG	M-D	Y	27440-26600 (27440-26700)	1			990601 -	DG	M-S		27482-32500	1		
010815 -	DG	M-D		27440-26700	1			990601 - 000701	DS	L35,L45,P3B,P35		27482-32500	1		
000701 -	DS	CON;0920		27440-22300	1			990601 -	DS	M-S;+A10		27482-32500	1		
000701 -	FD	CON;0920		27440-22300	1			990601 -	FD	L35,L45,P3B,P35		27482-32500	1		
990601 - 010815	FG	M-D	Y	27440-26600 (27440-26700)	1			990601 - 000701	FD	M-S;+A10		27482-32500	1		
010815 -	FG	M-D		27440-26700	1			990601 -	FG	M-S		27482-32500	1		
27450		CABLE ASSY-SPARK PLUG NO.4 (S)CONJUNTO CABLE						27485		CLAMP-CABLE (S)ABRAZADERA					
990601 - 000701	ALL	M-S	Y	27450-22010 (27450-22020)	1			990601 -	ALL	M-S	Y	27485-22000	1		
990601 - 000701	ALL	M-S;+A10	Y	27450-22010 (27450-22020)	1			27486		CLAMP-CABLE (S)ABRAZADERA					
000701 -	ALL	M-S		27450-22020	1			990601 -	ALL	M-S		27486-22000	1		
990601 - 010615	AD	M-D	Y	27450-26600 (27450-26700)	1			27487A		SUPPORT-CABLE (S)SOPORTE					
000701 -	AD	CON;0920		27450-22300	1			010321 -	AD	CON;0920		27487-22001	1		
010615 -	AD	M-D		27450-26700	1			010321 -	DS	CON;0920		27487-22001	1		
990601 - 010615	AG	M-D	Y	27450-26600 (27450-26700)	1			010321 -	FD	CON;0920		27487-22001	1		
010615 -	AG	M-D		27450-26700	1			27501		CABLE SET-SPARK PLUG (S)CONJUNTO CABLE					
990601 - 010815	DG	M-D	Y	27450-26600 (27450-26700)	1			990601 - 000701	ALL	M-S	Y	27501-22B00 (27501-22B10)	1		
010815 -	DG	M-D		27450-26700	1			990601 - 000701	ALL	M-S;+A10	Y	27501-22B00 (27501-22B10)	1		
990601 - 010815	DG	M-D	Y	27450-26600 (27450-26700)	1			000701 -	ALL	M-S		27501-22B10	1		
010815 -	DG	M-D		27450-26700	1			990601 -	AD	CON		27501-22C00	1		
000701 -	DS	CON;0920		27450-22300	1			990601 -	AD	CON;0920		27501-22C00	1		
000701 -	FD	CON;0920		27450-22300	1			990601 - 010615	AD	M-D	Y	27501-26C00 (27501-26D00)	1		
990601 - 010615	FG	M-D	Y	27450-26600 (27450-26700)	1			010615 -	AD	M-D		27501-26D00	1		
010615 -	FG	M-D		27450-26700	1			990601 - 010615	AG	M-D	Y	27501-26C00 (27501-26D00)	1		
27482A		SUPPORT-CABLE (S)SOPORTE						010615 -	AG	M-D		27501-26D00	1		
990601 -	AD	L35,L45,P3B,P35		27482-32500	1			990601 - 010615	DG	M-D	Y	27501-26C00 (27501-26D00)	1		
CONTINUED								CONTINUED							

1-M13

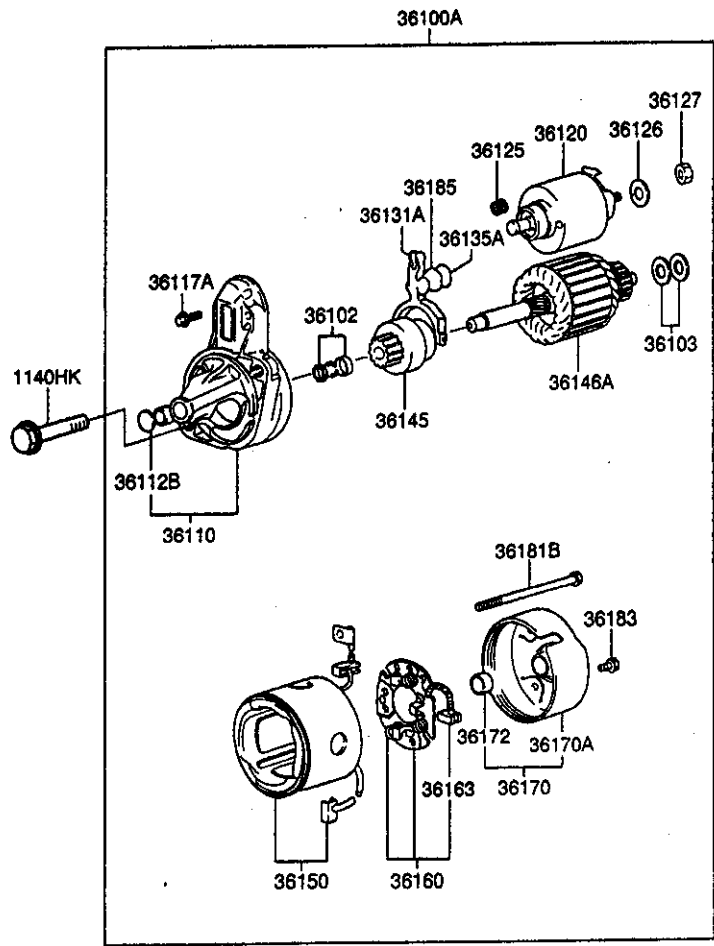
39-273 SPARK PLUG & CABLE

BA.G0112- 169

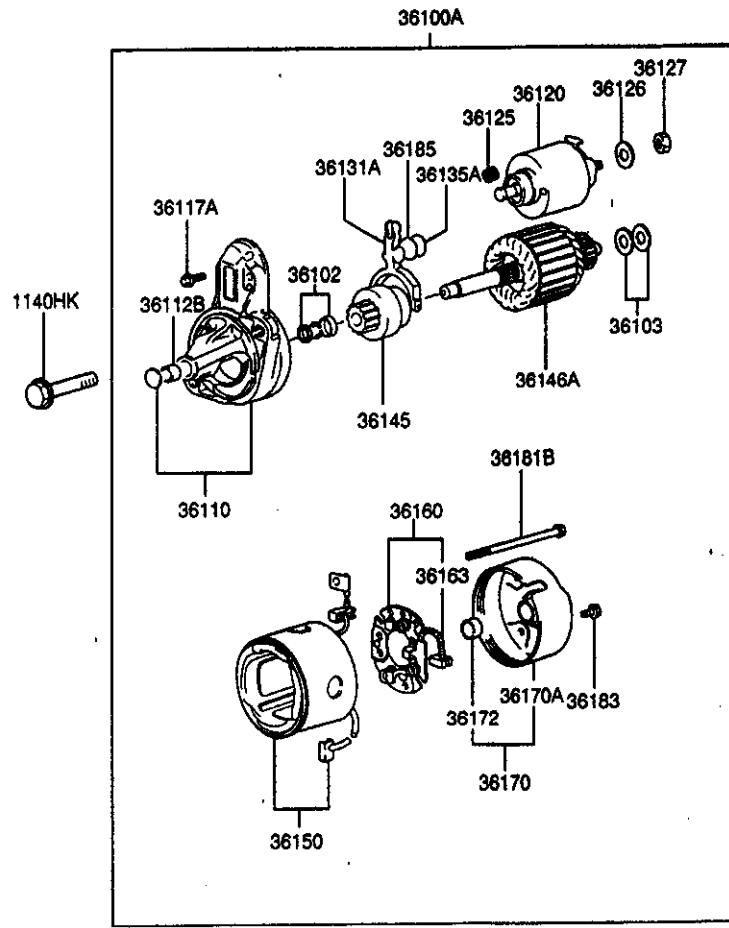
P N C	MODEL APPLICABLE		PART NO. (REPL P/NO)	Q T Y	REMARKS
	FROM-UP-TO	DESCRIPTION			
CONTINUED					
27501		CABLE SET-SPARK PLUG (S)CONJUNTO CABLE			
010815 -		DG M-D	27501-26D00	1	
990601 -		DS CON	27501-22C00	1	
990601 -		DS CON;0920	27501-22C00	1	
990601 -		FD CON	27501-22C00	1	
990601 -		FD CON;0920	27501-22C00	1	
990601 - 010815		FG M-D	Y 27501-26C00 (27501-26D00)	1	
010815 -		FG M-D	27501-26D00	1	
27510		CABLE ASSY-HIGH TENSION (S)CONJUNTO CABLE			
990601 -		AD CON	27510-22301	1	
990601 -		AD CON;0920	27510-22301	1	
990601 -		DS CON	27510-22301	1	
990601 -		DS CON;0920	27510-22301	1	
990601 -		FD CON	27510-22301	1	
990601 -		FD CON;0920	27510-22301	1	
28366A		CLAMP-HOSE (S)ABRAZADERA			
990601 -		ALL M-S	28366-21300	1	
990601 - 000701		ALL M-S;+A10	28366-21300	1	
28367		CLAMP-HOSE (S)ABRAZADERA			
000701 -		AD CON;0920	28367-21300	1	
000701 -		DS CON;0920	28367-21300	1	
000701 -		FD CON;0920	28367-21300	1	
28368		CLAMP-HOSE (S)ABRAZADERA			
000701 -		AD CON;0920	28368-21300	1	
000701 -		DS CON;0920	28368-21300	1	
000701 -		FD CON;0920	28368-21300	1	
91591		BRACKET-WIRING (S)SOPORTE			
990601 -		ALL M-S	91952-25400	1	
96160A		CONDENSER (S)CONDENSADOR			
990601 -		AD CON;0920	96160-11100	1	
CONTINUED					

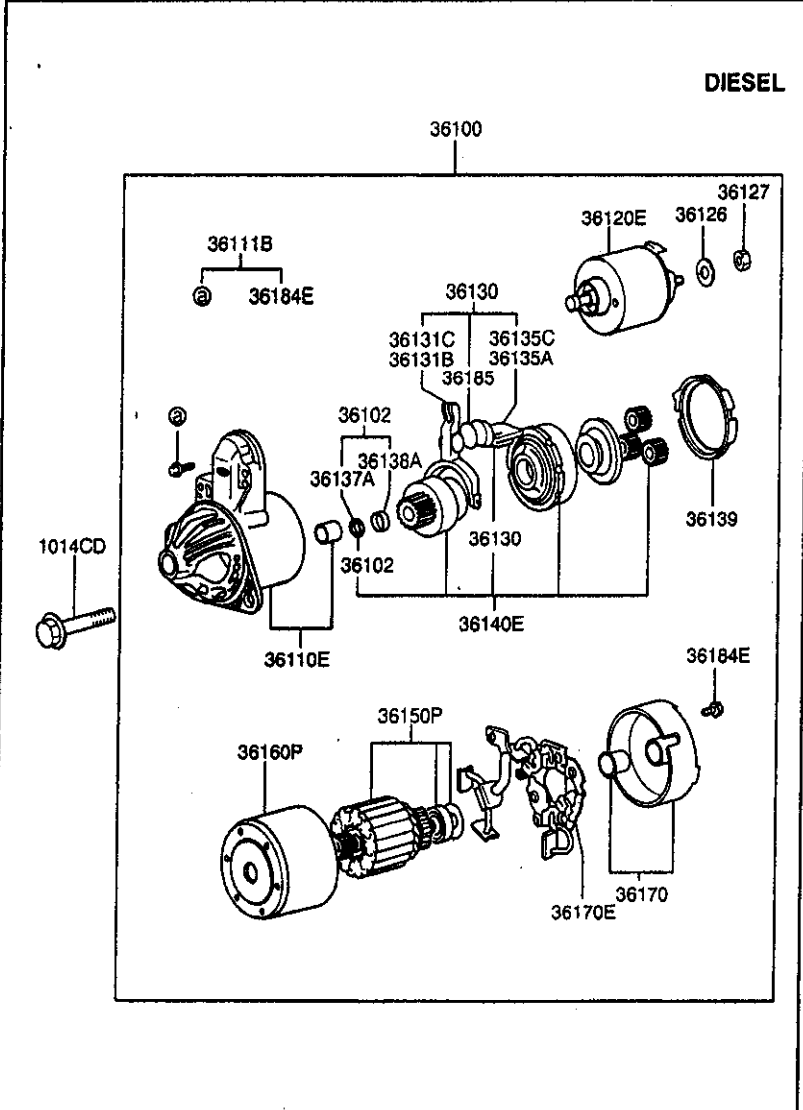
P N C	MODEL APPLICABLE		PART NO. (REPL P/NO)	Q T Y	REMARKS
	FROM-UP-TO	DESCRIPTION			
CONTINUED					
96160A		CONDENSER (S)CONDENSADOR			
990601 -		AD CON;0920	Y 96160-11001 (96160-11100)	1	A
990601 -		DS CON;0920	96160-11100	1	
990601 -		DS CON;0920	Y 96160-11001 (96160-11100)	1	A
990601 -		FD CON;0920	96160-11100	1	
990601 -		FD CON;0920	Y 96160-11001 (96160-11100)	1	A

SOHC



DOHC





P N C	MODEL APPLICABLE		PART NO. (REPL P/NO)	Q T Y	REMARKS
	FROM-UP-TO	TYPE			
1014CD					
020101 -			36194-27500	2	
1140HK					
990601 -			11404-10553	2	
990601 -			11404-10553	2	
990601 -			11404-10553	2	
990601 -			11404-10553	2	
990601 -			11404-10553	2	
990601 -			11404-10553	2	
990601 -			11404-10553	2	
990601 -			11404-10553	2	
36100					
020101 -			36100-27510	1	
36100A					
990601 - 010315			36100-21740	1	MT-0.9KW
990601 - 010315			36100-11150	1	0.9KW
010315 -			36100-22800	1	MT-0.9KW
990601 - 010315			36100-21770	1	AT-0.9KW
990601 - 010315			36100-21740	1	MT-0.9KW
990601 - 010315			36100-11150	1	0.9KW
990601 - 010315			36100-21770	1	AT-0.9KW
010315 -			36100-22850	1	AT-0.9KW
010315 -			36100-22800	1	MT-0.9KW
010315 -			36100-22850	1	AT-0.9KW
990601 - 010315			36100-21770	1	AT-0.9KW
990601 - 010315			36100-21740	1	MT-0.9KW
990601 - 010315			36100-11150	1	0.9KW
990601 - 010315			36100-21770	1	AT-0.9KW
010315 -			36100-22850	1	AT-0.9KW
010315 -			36100-22800	1	MT-0.9KW
010315 -			36100-22850	1	AT-0.9KW
990601 - 010315			36100-21770	1	AT-0.9KW
990601 - 010315			36100-21740	1	MT-0.9KW
990601 - 010315			36100-11150	1	0.9KW
010315 -			36100-22850	1	AT-0.9KW
010315 -			36100-22800	1	MT-0.9KW
010315 -			36100-22850	1	AT-0.9KW
990601 - 010315			36100-21770	1	AT-0.9KW
990601 - 010315			36100-21740	1	MT-0.9KW
990601 - 010315			36100-11150	1	0.9KW
010315 -			36100-22850	1	AT-0.9KW
CONTINUED					

AD:5DR.GL AG:5DR.GLS DG:3DR.GLS DS:3DR.L FD:4DR.GL FG:4DR.GLS 5613:STRG-POWER(N.P.S) W20:COLD ZONE

1-C14

39-361 STARTER MOTOR

BA,00112- 172

P N C	MODEL APPLICABLE		R E P	PART NO. (REPL P/N)	Q T Y	REMARKS	P N C	MODEL APPLICABLE		R E P	PART NO. (REPL P/N)	Q T Y	REMARKS
	FROM-UP-TO	TYPE						DESCRIPTION	FROM-UP-TO				
CONTINUED													
36100A							36110						
		STARTER ASSY							BRACKET ASSY-STARTER FR				
		(S)CONJ. ARRANQUE							(S)CONJUNTO SOPORTE				
010315 -	DG	M-D		36100-22800	A	MT-0.9KW	990601 - 010315	ALL	P35		36110-21740	1	
990601 - 010315	DS	4AT2		36100-21770	1	A/T-0.9KW	010315 -	ALL	P35		36110-22800	1	
990601 - 010315	DS	L35,L45		36100-21740	1	MT-0.9KW	990601 - 010315	AD	L35,L45		36110-21740	1	
990601 - 010315	DS	L35,L45;-W20		36100-11150	1	0.9KW	990601 - 010315	AD	P3B		36110-21770	1	
010315 -	DS	4AT2		36100-22850	1	A/T-0.9KW	990601 - 010315	AD	M-D;5613		36110-21770	1	
010315 -	DS	L35,L45		36100-22800	1	MT-0.9KW	010315 -	AD	L35,L45		36110-22800	1	
990601 - 010315	FD	4AT2		36100-21770	1	A/T-0.9KW	010315 -	AD	P3B		36110-22850	1	
990601 - 010315	FD	L35,L45		36100-21740	1	MT-0.9KW	010315 -	AD	M-D;5613		36110-22850	1	
990601 - 010315	FD	L35,L45;-W20		36100-11150	1	0.9KW	990601 - 010315	AG	P65		36110-21740	1	
010315 -	FD	4AT2		36100-22850	1	A/T-0.9KW	990601 - 010315	AG	P3B		36110-21770	1	
010315 -	FD	L35,L45		36100-22800	1	MT-0.9KW	990601 - 010315	AG	P6B;5613		36110-21770	1	
990601 - 010315	FG	P3B		36100-21770	1	A/T-0.9KW	010315 -	AG	P65		36110-22800	1	
990601 - 010315	FG	P65		36100-21740	1	MT-0.9KW	010315 -	AG	P3B		36110-22850	1	
990601 - 010315	FG	P65;-W20		36100-11150	1	0.9KW	010315 -	AG	P6B;5613		36110-22850	1	
990601 - 010315	FG	P6B;5613		36100-21770	1	A/T-0.9KW	990601 - 010315	DG	P65		36110-21740	1	
010315 -	FG	P3B		36100-22850	1	A/T-0.9KW	990601 - 010315	DG	4AT2		36110-21770	1	
010315 -	FG	P65		36100-22800	A	MT-0.9KW	010315 -	DG	P65		36110-22800	1	
010315 -	FG	P6B;5613		36100-22850	1	A/T-0.9KW	010315 -	DG	4AT2		36110-22850	1	
36102		STOPPER KIT-STARTER PINION					990601 - 010315	DS	L35,L45		36110-21740	1	
		(S)JUEGO OBTURADOR					990601 - 010315	DS	4AT2		36110-21770	1	
990601 -	AD	L35,L45,P3B,P35,P65		36102-11140	1		010315 -	DS	L35,L45		36110-22800	1	
990601 -	AD	M-D;5613		36102-11140	1		010315 -	DS	4AT2		36110-22850	1	
990601 -	AG			36102-11140	1		990601 - 010315	FD	L35,L45		36110-21740	1	
990601 -	DG			36102-11140	1		990601 - 010315	FD	4AT2		36110-21770	1	
990601 -	DS			36102-11140	1		010315 -	FD	L35,L45		36110-22800	1	
990601 -	FD			36102-11140	1		010315 -	FD	4AT2		36110-22850	1	
990601 -	FG			36102-11140	1		990601 - 010315	FG	P65		36110-21740	1	
36103		WASHER SET-STARTER ARMATURE RR					990601 - 010315	FG	P3B		36110-21770	1	
		(S)JUEGO DE ARANDELA					990601 - 010315	FG	P6B;5613		36110-21770	1	
990601 -	AD	M-D;5613		36103-21740	1		010315 -	FG	P65		36110-22800	1	
010315 -	AD	L35,L45,P3B,P35		36103-21740	1		010315 -	FG	P3B		36110-22850	1	
990601 -	AG	P3B,P35,P6B,P65		36103-21740	1		010315 -	FG	P6B;5613		36110-22850	1	
990601 -	DG	P3B,P35,P65		36103-21740	1		36110E	HOUSING					
010315 -	DS	L35,L45,P3B,P35		36103-21740	1		(S)HOUSING						
010315 -	FD	L35,L45,P3B,P35		36103-21740	1		020101 -	ALL	TCI		36110-27510	1	
990601 -	FG	P3B,P35,P6B,P65		36103-21740	1								

1-514

39-361 STARTER MOTOR

8A,00112-174

P N C	MODEL APPLICABLE		R E P	PART NO. (REPL PNO)	Q T Y	REMARKS	P N C	MODEL APPLICABLE		R E P	PART NO. (REPL PNO)	Q T Y	REMARKS
	FROM-UP-TO	TYPE						DESCRIPTION	FROM-UP-TO				
CONTINUED													
36131A		LEVER (S)PALANCA					36139						
990601 - 010315	AD	M-D;5813		36131-11140	1						36139-32510	1	
010315 -	AD	M-D;5813		36131-02550	1		020101 -						
990601 - 010315	AG	P6B,P65		36131-11140	1		36140E						
010315 -	AG	M-D		36131-02550	1						36140-27510	1	
990601 - 010315	DG	P65		36131-11140	1		020101 -						
010315 -	DG	M-D		36131-02550	1		36145						
990601 - 010315	DS	L35,L45		36131-11140	1						36139-11140	1	
990601 - 010315	FD	L35,L45		36131-11140	1		990601 -				36139-11140	1	
990601 - 010315	FG	P6B,P65		36131-11140	1		010315 -				36139-11140	1	
010315 -	FG	M-D		36131-02550	1		010316 -				36139-11140	1	
36131B		BALL-STARTER (S)BOLA					990601 -				36139-11140	1	
020101 -		ALL TCI		36131-32510	1		36146A						
36131C		BALL-STARTER (S)BOLA											
020101 -		ALL TCI		36133-32560	1		990601 - 010315				36150-21740	1	
36135A		PACKING (S)EMPAQUE					990601 - 010315				36150-11150	1	
020101 -		ALL TCI		36135-32510	1		010315 -				36150-02550	1	
990601 -	AD	M-D;5813		36135-11140	1		990601 - 010315				36150-21740	1	
010315 -	AD	L35,L45,P3B,P35		36135-11140	1		990601 - 010315				36150-11150	1	
990601 -	AG	P3B,P35,P6B,P65		36135-11140	1		990601 - 010315				36150-21740	1	
990601 -	DG	P3B,P35,P65		36135-11140	1		010315 -				36150-02550	1	
010315 -	DS	L35,L45,P3B,P35		36135-11140	1		010315 -				36150-21740	1	
010315 -	FD	L35,L45,P3B,P35		36135-11140	1		990601 - 010315				36150-11150	1	
990601 -	FG	P3B,P35,P6B,P65		36135-11140	1		010315 -				36150-02550	1	
36135C		LEVER PACKING (S)EMPAQUE PALANCA					990601 - 010315				36150-21740	1	
020101 -		ALL TCI		36135-38040	1		010315 -				36150-02550	1	
36137A		RING-STOP (S)ANILLO					990601 - 010315				36150-21740	1	
020101 -		ALL TCI		36137-11140	1		990601 - 010315				36150-11150	1	
36138A		STOPPER (S)OBTURADOR					010315 -				36150-02550	1	
020101 -		ALL TCI		36138-11140	1		990601 - 010315				36150-21740	1	
							990601 - 010315				36150-11150	1	
							CONTINUED						

1-F14

39-361 STARTER MOTOR

8A,G0112- 175

P N C		MODEL APPLICABLE		R E P	PART NO. (REPL P/NO)	Q T Y	REMARKS	P N C		MODEL APPLICABLE		R E P	PART NO. (REPL P/NO)	Q T Y	REMARKS
FROM-UP-TO	TYPE	DESCRIPTION	FROM-UP-TO					TYPE	DESCRIPTION						
CONTINUED								CONTINUED							
		36146A	ARMATURE ASSY (S)CONJ. ARMADURA					36160	HOLDER & BRUSH ASSY (S)CONJUNTO SOPORTE						
010315 -			FG P6B,P65		36150-02550	1		990601 -	DG P35,P65	Y		36169-21740	1		
		36150	YOKE ASSY-STARTER (S)CONJ. HORQUILLA					010315 -	DS L35,L45,P35	Y		36169-21740	1		
990601 - 010315			ALL P3B,P35		36160-21740	1		010315 -	FD L35,L45,P35	Y		36169-21740	1		
990601 - 010315			ALL P35;-W20		36160-11140	1		010315 -	FG P35,P65	Y		36169-21740	1		
010315 -			ALL P3B,P35		36160-02550	1		990601 -				36169-21740	1		
990601 - 010315			AD L35,L45		36160-21740	1			36160P	YOKE ASSY-STARTER (S)CONJ. HORQUILLA					
990601 - 010315			AD L35,L45;-W20		36160-11140	1		020101 -	ALL TCI			36160-27510	1		
990601 - 010315			AD M-D;5613		36160-21740	1			36163	BRUSH (S)ESCOBILLA					
010315 -			AD L35,L45		36160-02550	1		990601 -	AD M-D;5613			36173-11140	1		
010315 -			AD M-D;5613		36160-02550	1		010315 -	AD P3B			36173-11140	1		
990601 - 010315			AG P6B,P65		36160-21740	1		990601 -	AG P6B;5613			36173-11140	1		
990601 - 010315			AG P65;-W20		36160-11140	1		010315 -	AG P3B			36173-11140	1		
010315 -			AG P6B,P65		36160-02550	1		010315 -	DG 4AT2			36173-11140	1		
990601 - 010315			DG P65		36160-21740	1		010315 -	DS 4AT2			36173-11140	1		
990601 - 010315			DG P65;-W20		36160-11140	1		010315 -	FD 4AT2			36173-11140	1		
010315 -			DG P65		36160-02550	1		990601 -	FG P6B;5613			36173-11140	1		
990601 - 010315			DS L35,L45		36160-21740	1		010315 -	FG P3B			36173-11140	1		
990601 - 010315			DS L35,L45;-W20		36160-11140	1			36170	BRACKET-STARTER RR (S)SOPORTE					
010315 -			DS L35,L45		36160-02550	1		990601 - 010315	ALL P3B,P35			36180-21740	1		
990601 - 010315			FD L35,L45		36160-21740	1		010315 -	ALL P3B,P35			36180-02550	1		
990601 - 010315			FD L35,L45;-W20		36160-11140	1		020101 -	ALL TCI			36181-27510	1		
010315 -			FD L35,L45		36160-02550	1		990601 - 010315	AD L35,L45			36180-21740	1		
990601 - 010315			FG P6B,P65		36160-21740	1		990601 - 010315	AD M-D;5613			36180-21740	1		
990601 - 010315			FG P65;-W20		36160-11140	1		010315 -	AD L35,L45			36180-02550	1		
010315 -			FG P6B,P65		36160-02550	1		010315 -	AD M-D;5613			36180-02550	1		
		36150P	ARMATURE ASSY-STARTER (S)CONJ. ARMADURA					990601 - 010315	AG P6B,P65			36180-21740	1		
020101 -			ALL TCI		36150-27510	1		010315 -	AG P6B,P65			36180-02550	1		
		36160	HOLDER & BRUSH ASSY (S)CONJUNTO SOPORTE					990601 - 010315	DG P65			36180-21740	1		
010315 -			AD L35,L45,P35	Y	36169-21740	1		010315 -	DG P65			36180-02550	1		
					(36169-11140)			990601 - 010315	DS L35,L45			36180-21740	1		
990601 -			AG P35,P65	Y	36169-21740	1						36180-21740	1		
					(36169-11140)										
CONTINUED								CONTINUED							

AD:50R, GL AG:50R, GLS DG:30R, GLS DS:30R, L FD:40R, GL FG:40R, GLS

5613:STRG-POWER(N.P.B) W20:COLD ZONE

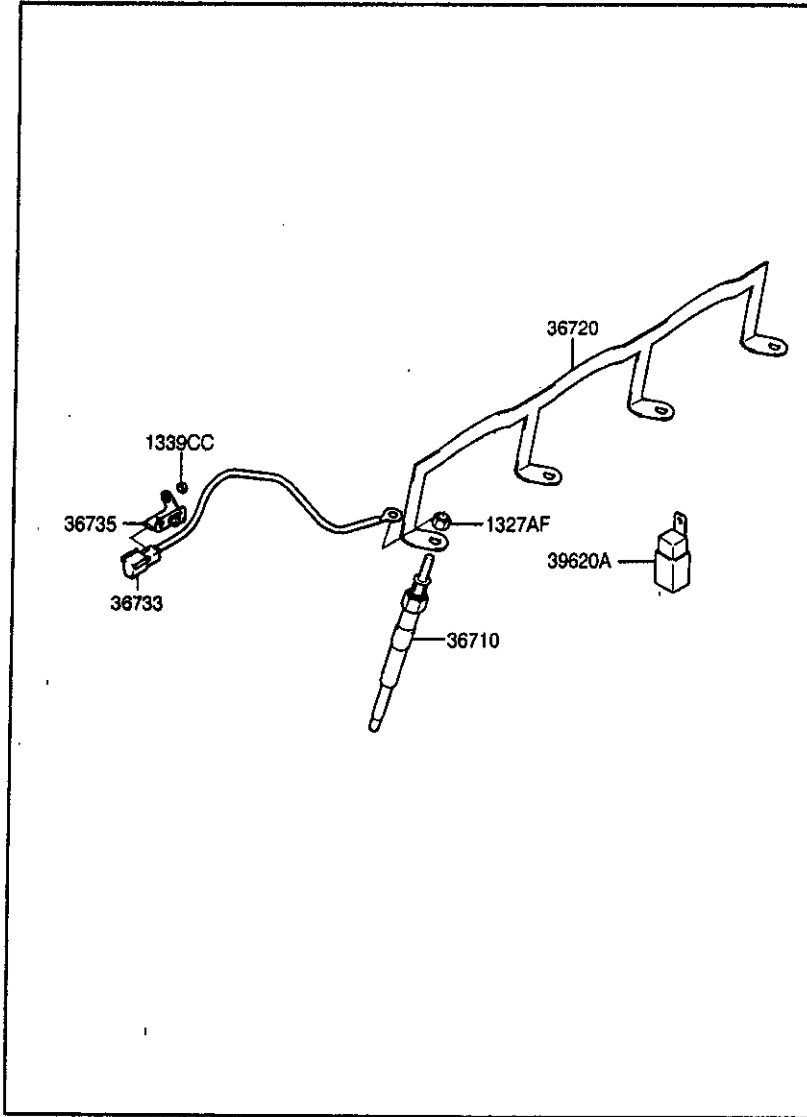
P N C	MODEL APPLICABLE		PART NO. (REPL P/NO)	Q T Y	REMARKS
	FROM-UP-TO	DESCRIPTION			
CONTINUED					
36170		BRACKET-STARTER RR (S)SOPORTE			
010315 -	DS	L35,L45	36180-02550	1	
990601 - 010315	FD	L35,L45	36180-21740	1	
010315 -	FD	L35,L45	36180-02550	1	
990601 - 010315	FG	P6B,P65	36180-21740	1	
010315 -	FG	P6B,P65	36180-02550	1	
36170A		BRUSH HOLDER ASSY (S)CONJ. PLACA			
990601 - 010315	ALL	P3B,P35	Y 36170-21740 (36170-11140)	1	
990601 - 010315	AD	L35,L45	Y 36170-21740 (36170-11140)	1	
990601 - 010315	AD	M-D;5613	Y 36170-21740 (36170-11140)	1	
010315 -	AD	M-D;5613	36170-22800	1	
990601 - 010315	AG	P6B,P65	Y 36170-21740 (36170-11140)	1	
010315 -	AG	M-D	36170-22800	1	
990601 - 010315	DG	P65	Y 36170-21740 (36170-11140)	1	
010315 -	DG	M-D	36170-22800	1	
990601 - 010315	DS	L35,L45	Y 36170-21740 (36170-11140)	1	
990601 - 010315	FD	L35,L45	Y 36170-21740 (36170-11140)	1	
990601 - 010315	FG	P6B,P65	Y 36170-21740 (36170-11140)	1	
010315 -	FG	M-D	36170-22800	1	
36170E		BRUSH HOLDER ASSY (S)BRUSH			
020101 -	ALL	TCI	36170-27510	1	
36172		BUSHING-RR (S)CASQUILLO			
990601 -	AD	M-D;5613	36182-21740	1	
010315 -	AD	P3B	36182-21740	1	
990601 -	AG	P3B,P6B,P65	36182-21740	1	
990601 -	DG	P3B,P65	36182-21740	1	

P N C	MODEL APPLICABLE		PART NO. (REPL P/NO)	Q T Y	REMARKS
	FROM-UP-TO	DESCRIPTION			
CONTINUED					
36172		BUSHING-RR (S)CASQUILLO			
010315 -	DS	4AT2	36182-21740	1	
010315 -	FD	4AT2	36182-21740	1	
990601 -	FG	P3B,P6B,P65	36182-21740	1	
36181B		BOLT-THROUGH (S)PERNO			
990601 -	AD	M-D;5613	36184-11140	2	
010315 -	AD	L35,L45,P3B,P35	36184-11140	2	
990601 -	AG	P3B,P35,P6B,P65	36184-11140	2	
990601 -	DG	P3B,P35,P65	36184-11140	2	
010315 -	DS	L35,L45,P3B,P35	36184-11140	2	
010315 -	FD	L35,L45,P3B,P35	36184-11140	2	
990601 -	FG	P3B,P35,P6B,P65	36184-11140	2	
36183		SCREW (S)TORNILLO			
990601 -	AD	M-D;5613	36183-11140	2	
010315 -	AD	L35,L45,P3B,P35,P65	36183-11140	2	
990601 -	AG		36183-11140	2	
990601 -	DG		36183-11140	2	
010315 -	DS		36183-11140	2	
010315 -	FD		36183-11140	2	
990601 -	FG		36183-11140	2	
36184E		THROUGH BOLT (S)THROUGH			
020101 -	ALL	TCI	36184-27510	1	
36185		PLATE (S)PLACA			
990601 -	AD	M-D;5613	36185-11140	1	
010315 -	AD	L35,L45,P3B,P35,P65	36185-11140	1	
990601 -	AG		36185-11140	1	
990601 -	DG		36185-11140	1	
010315 -	DS		36185-11140	1	
010315 -	FD		36185-11140	1	
990601 -	FG		36185-11140	1	

1-H14

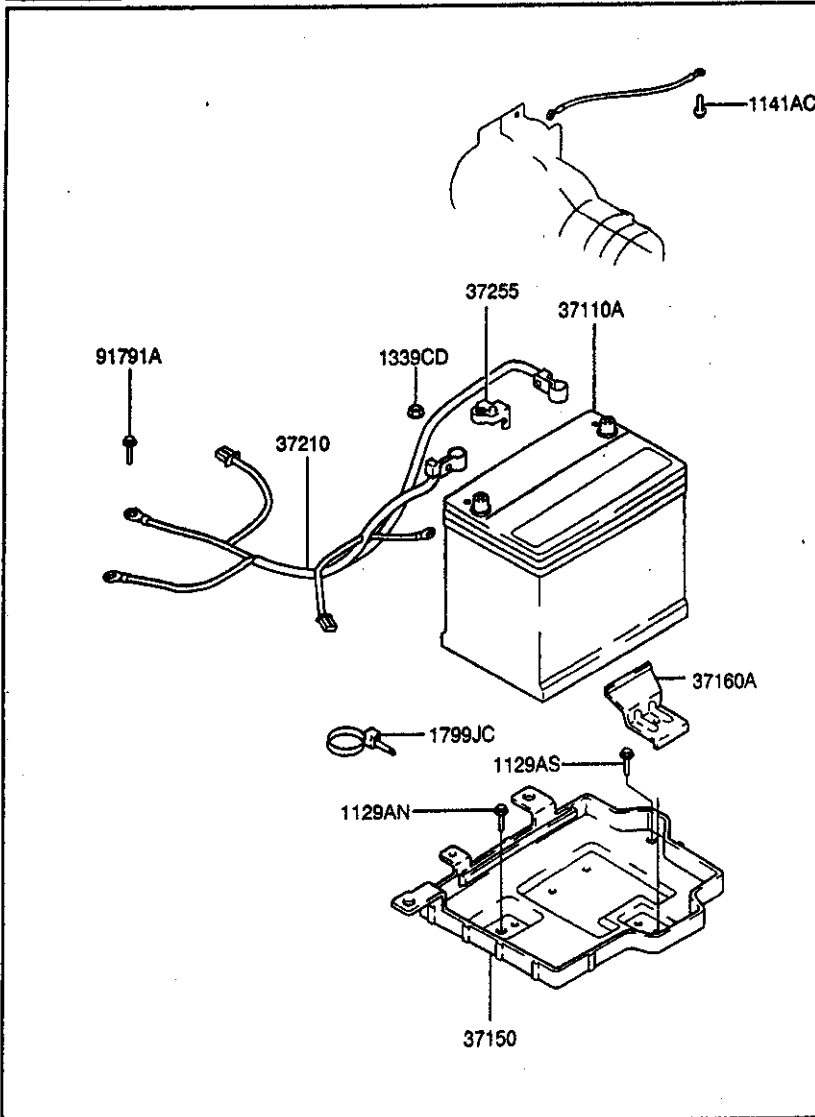
39-367 GLOW PLUG(DIESEL)

BA.G0112- 177



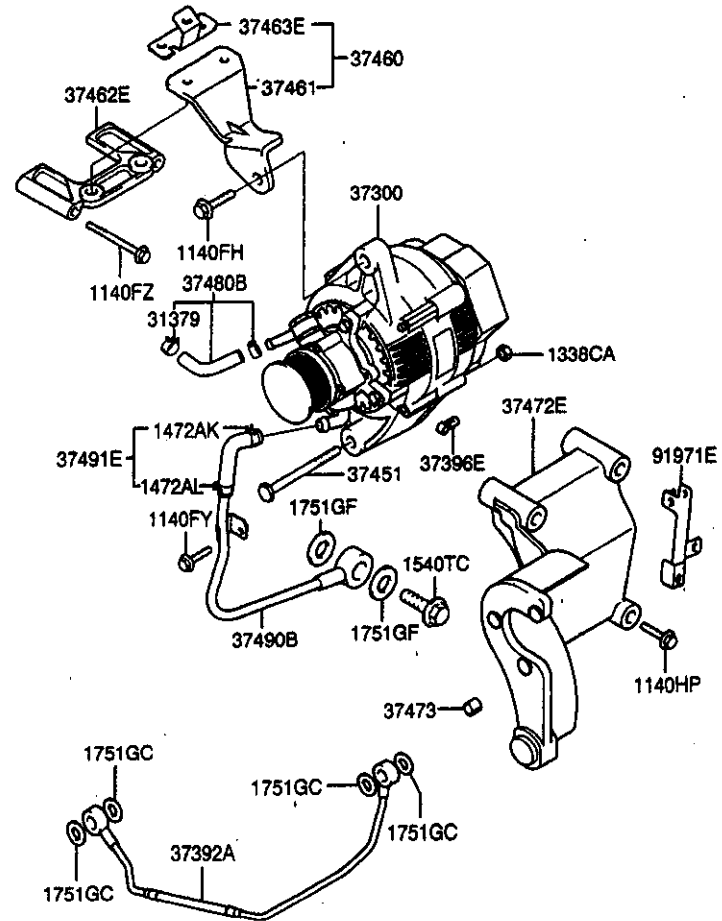
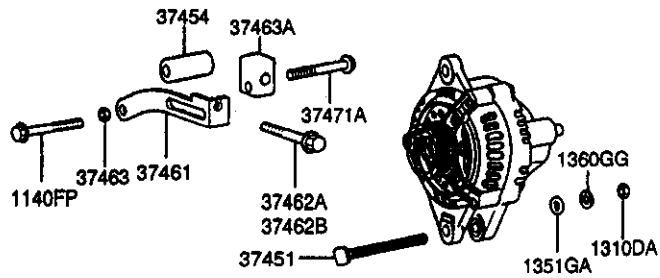
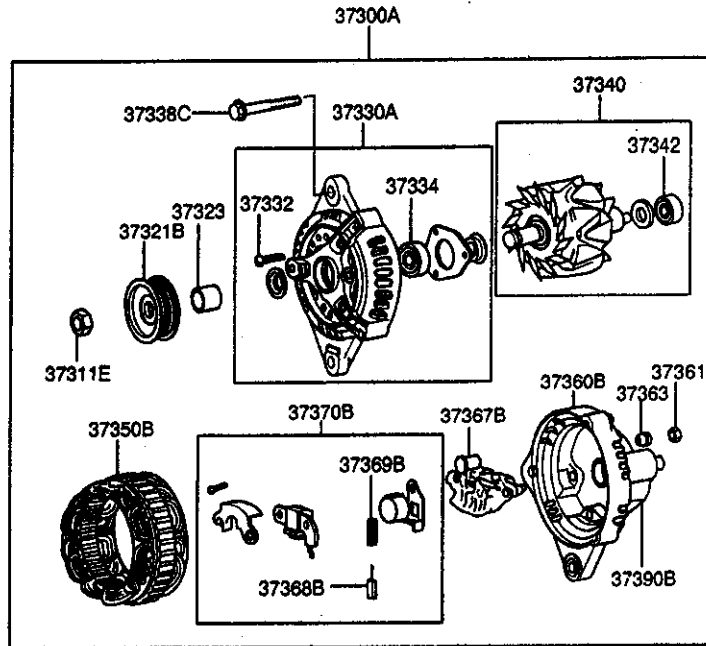
P N C	MODEL APPLICABLE		R E P	PART NO. (REPL P/NO)	Q T Y	REMARKS
	FROM-UP-TO	TYPE				
1327AF						
020101 -				13271-04003	3	
1339CC						
020101 -				13395-06003	1	
36710						
020101 -				36710-27000	3	
020101 -				36710-27010	A	
36720						
020101 -				36720-27500	1	
36733						
020101 -				36733-27000	1	
36735						
020101 -				36735-27500	1	
39620A						
020101 -				36860-27500	1	

39-371 BATTERY



P N C	MODEL APPLICABLE		R E P	PART NO. (REPL PWO)	Q T Y	REMARKS
	FROM-UP-TO	TYPE				
1129AN		BOLT				
990601 -		(S)PERNO (CON ARANDELA)				
1129AS		BOLT				
990601 -		(S)PERNO (CON ARANDELA)				
1141AC		BOLT				
991201 -		(S)PERNO (PESTANA)				
1339CD		NUT-FLANGE				
990601 - 020101		(S)TUERCA TAPA				
1799JC		STRAP				
990601 - 020101		(S)CORREA				
37110A		BATTERY ASSY				
990601 -		(S)CONJUNTO BATERIA				
990601 -		ALL 3716				
37150		TRAY ASSY-BATTERY				
990601 - 990901		(S)CONJ. BANDEJA				
990901 - 000309		ALL				
000309 -		ALL				
37160A		BRACKET-BATTERY MTG				
990601 -		(S)SOPORTE				
37210		CABLE ASSY-BATTERY				
990601 - 020101		(S)CONJUNTO CABLE				
990601 - 020101		ALL 4AT2				
990601 - 020101		ALL 5MT2				

DIESEL



1-L14

39-373 GENERATOR

BA,60112-181

P N C	MODEL APPLICABLE		R E P	PART NO. (REPL P/NO)	Q T Y	REMARKS	P N C	MODEL APPLICABLE		R E P	PART NO. (REPL P/NO)	Q T Y	REMARKS
	FROM-UP-TO	TYPE						DESCRIPTION	FROM-UP-TO				
1140FH		BOLT					CONTINUED						
020101 -		(S)PERNO (PESTANA)					1351GA						
		ALL TCI		11403-08253	3								
1140FP		BOLT					990601 -						
		(S)PERNO (PESTANA)											
990601 -		AD L35,L45,P3B,P35		11403-08503	1		990601 -						
990601 -		AG M-S		11403-08503	1		1360GG						
990601 -		DG M-S		11403-08503	1								
990601 -		DS L35,L45,P3B,P35		11403-08503	1		990601 -						
990601 -		FD L35,L45,P3B,P35		11403-08503	1		990601 -						
990601 -		FG M-S		11403-08503	1		990601 -						
1140FY		BOLT					990601 -						
		(S)PERNO (PESTANA)					990601 -						
020101 -		ALL TCI		11403-06143	1		990601 -						
1140FZ		BOLT					1472AK						
		(S)PERNO (PESTANA)											
020101 -		ALL TCI		11403-08803	2		020101 -						
1140HP		BOLT					1472AL						
		(S)PERNO (PESTANA)											
020101 -		ALL TCI		11404-10753	4		020101 -						
1310DA		NUT					1540TC						
		(S)TUERCA											
990601 -		ALL P3B,P35		13100-08003	1		020101 -						
990601 -		AD L35,L45,P6B		13100-08003	1		1751GC						
990601 -		AG P6B,P65		13100-08003	1								
990601 -		DG P65		13100-08003	1		020101 -						
990601 -		DS L35,L45		13100-08003	1		1751GF						
990601 -		FD L35,L45		13100-08003	1								
990601 -		FG P6B,P65		13100-08003	1		020101 -						
1338CA		NUT					31379						
		(S)TUERCA(BRIDA)											
020101 -		ALL TCI		13386-10003	1		020101 -						
1351GA		WASHER-PLAIN					020101 -						
		(S)ARANDELA					37300						
990601 -		ALL P3B,P35		13510-08003	1								
990601 -		AD L35,L45,P6B		13510-08003	1		020101 -						
990601 -		AG P6B,P65		13510-08003	1		37300A						
990601 -		DG P65		13510-08003	1								
990601 -		DS L35,L45		13510-08003	1		990601 -						
CONTINUED							CONTINUED						

AD:50R,GL AG:50R,GL5 DG:50R,GL5 DB:50R,L FD:40R,GL FG:40R,GL5

2-B 1

39-373 GENERATOR

BA,00112- 182

P N C		MODEL APPLICABLE		R E P	PART NO. (REPL P/NO)	Q T Y	REMARKS	P N C		MODEL APPLICABLE		R E P	PART NO. (REPL P/NO)	Q T Y	REMARKS
FROM-UP-TO	TYPE	DESCRIPTION						FROM-UP-TO	TYPE	DESCRIPTION					
CONTINUED								CONTINUED							
37300A		GENERATOR ASSY						37330A		BRACKET ASSY-GENERATOR FR					
		(S)CONJ. GENERADOR								(S)CONJUNTO SOPORTE					
990601 -		AD	L35,L45,P6B		37300-22600	1		990601 -		AD	L35,L45,P6B		37330-22600	1	
990601 -		AG	P6B,P65		37300-22600	1		990601 -		AG	P6B,P65		37330-22600	1	
990601 -		DG	P65		37300-22600	1		990601 -		DG	P65		37330-22600	1	
990601 -		DS	L35,L45		37300-22600	1		990601 -		DS	L35,L45		37330-22600	1	
990601 -		FD	L35,L45		37300-22600	1		990601 -		FD	L35,L45		37330-22600	1	
990601 -		FG	P6B,P65		37300-22600	1		990601 -		FG	P6B,P65		37330-22600	1	
37311E		NUT						37332		SCREW-FLANGE					
		(S)TUERCA								(S)TORNILLO					
990601 -		ALL	P3B,P35		37311-02500	1		990601 -		ALL	P3B,P35		37332-21320	4	
990601 -		AD	L35,L45,P6B		37311-02500	1		990601 -		AD	L35,L45,P6B		37332-21320	4	
990601 -		AG	P6B,P65		37311-02500	1		990601 -		AG	P6B,P65		37332-21320	4	
990601 -		DG	P65		37311-02500	1		990601 -		DG	P65		37332-21320	4	
990601 -		DS	L35,L45		37311-02500	1		990601 -		DS	L35,L45		37332-21320	4	
990601 -		FD	L35,L45		37311-02500	1		990601 -		FD	L35,L45		37332-21320	4	
990601 -		FG	P6B,P65		37311-02500	1		990601 -		FG	P6B,P65		37332-21320	4	
37321B		PULLEY-GENERATOR						37334		BEARING-FR					
		(S)POLEA								(S)COJINETE					
990601 -		ALL	P3B,P35		37321-22601	1		990601 -		ALL	P3B,P35	Y	37334-02500	1	
990601 -		AD	L35,L45,P6B		37321-22601	1							(37334-32700)		
990601 -		AG	P6B,P65		37321-22601	1		990601 -		AD	L35,L45,P6B	Y	37334-02500	1	
990601 -		DG	P65		37321-22601	1							(37334-32700)		
990601 -		DS	L35,L45		37321-22601	1		990601 -		AG	P6B,P65	Y	37334-02500	1	
990601 -		FD	L35,L45		37321-22601	1							(37334-32700)		
990601 -		FG	P6B,P65		37321-22601	1		990601 -		DG	P65	Y	37334-02500	1	
													(37334-32700)		
37323		SPACER						37338C		BOLT-THROUGH					
		(S)ESPACIADOR								(S)PERNO					
990601 -		ALL	P3B,P35		37323-22600	1		990601 -		ALL	P3B,P35		37338-21320	4	
990601 -		AD	L35,L45,P6B		37323-22600	1		990601 -		AD	L35,L45,P6B		37338-21320	4	
990601 -		AG	P6B,P65		37323-22600	1		990601 -		AG	P6B,P65		37338-21320	4	
990601 -		DG	P65		37323-22600	1									
990601 -		DS	L35,L45		37323-22600	1									
990601 -		FD	L35,L45		37323-22600	1									
990601 -		FG	P6B,P65		37323-22600	1									
37330A		BRACKET ASSY-GENERATOR FR													
		(S)CONJUNTO SOPORTE													
990601 -		ALL	P3B,P35		37330-22600	1									
CONTINUED								CONTINUED							

2-C1

39-373 GENERATOR

BA,G0112- 183

P N C		MODEL APPLICABLE		R E P	PART NO. (REPL P/NO)	Q T Y	REMARKS	P N C		MODEL APPLICABLE		R E P	PART NO. (REPL P/NO)	Q T Y	REMARKS
FROM-UP-TO	TYPE	DESCRIPTION						FROM-UP-TO	TYPE	DESCRIPTION					
CONTINUED								CONTINUED							
37338C		BOLT-THROUGH						37360B		BRACKET ASSY-GENERATOR RR					
		(S)PERNO						(S)CONJUNTO SOPORTE							
990601 -		DG	P65		37338-21320	4		990601 -		DG	P65		37360-22600	1	
990601 -		DS	L35,L45		37338-21320	4		990601 -		DS	L35,L45		37360-22600	1	
990601 -		FD	L35,L45		37338-21320	4		990601 -		FD	L35,L45		37360-22600	1	
990601 -		FG	P6B,P65		37338-21320	4		990601 -		FG	P6B,P65		37360-22600	1	
37340		ROTOR ASSY-GENERATOR						37361		NUT					
		(S)CONJ. ROTOR						(S)TUERCA(BRIDA)							
990601 -		ALL	P3B,P35		37340-22600	1		990601 -		ALL	P3B,P35		37361-02500	1	
990601 -		AD	L35,L45,P6B		37340-22600	1		990601 -		AD	L35,L45,P6B		37361-02500	1	
990601 -		AG	P6B,P65		37340-22600	1		990601 -		AG	P6B,P65		37361-02500	1	
990601 -		DG	P65		37340-22600	1		990601 -		DG	P65		37361-02500	1	
990601 -		DS	L35,L45		37340-22600	1		990601 -		DS	L35,L45		37361-02500	1	
990601 -		FD	L35,L45		37340-22600	1		990601 -		FD	L35,L45		37361-02500	1	
990601 -		FG	P6B,P65		37340-22600	1		990601 -		FG	P6B,P65		37361-02500	1	
37342		BEARING-RR						37363		MOLD-GENERATOR TERMINAL					
		(S)COJINETE						(S)MOLDE							
990601 -		ALL	P3B,P35		37342-22210	1		990601 -		ALL	P3B,P35		37361-38300	1	
990601 -		AD	L35,L45,P6B		37342-22210	1		990601 -		AD	L35,L45,P6B		37361-38300	1	
990601 -		AG	P6B,P65		37342-22210	1		990601 -		AG	P6B,P65		37361-38300	1	
990601 -		DG	P65		37342-22210	1		990601 -		DG	P65		37361-38300	1	
990601 -		DS	L35,L45		37342-22210	1		990601 -		DS	L35,L45		37361-38300	1	
990601 -		FD	L35,L45		37342-22210	1		990601 -		FD	L35,L45		37361-38300	1	
990601 -		FG	P6B,P65		37342-22210	1		990601 -		FG	P6B,P65		37361-38300	1	
37350B		STARTOR ASSY-GENERATOR						37367B		RECTIFIER ASSY-GENERATOR					
		(S)CONJ. ARRANQUE						(S)CONJ. RECTIFICADOR							
990601 -		ALL	P3B,P35		37350-22600	1		990601 -		ALL	P3B,P35		37367-22600	1	
990601 -		AD	L35,L45,P6B		37350-22600	1		990601 -		AD	L35,L45,P6B		37367-22600	1	
990601 -		AG	P6B,P65		37350-22600	1		990601 -		AG	P6B,P65		37367-22600	1	
990601 -		DG	P65		37350-22600	1		990601 -		DG	P65		37367-22600	1	
990601 -		DS	L35,L45		37350-22600	1		990601 -		DS	L35,L45		37367-22600	1	
990601 -		FD	L35,L45		37350-22600	1		990601 -		FD	L35,L45		37367-22600	1	
990601 -		FG	P6B,P65		37350-22600	1		990601 -		FG	P6B,P65		37367-22600	1	
37360B		BRACKET ASSY-GENERATOR RR						37368B		BRUSH-GENERATOR					
		(S)CONJUNTO SOPORTE						(S)ESCOBILLA							
990601 -		ALL	P3B,P35		37360-22600	1		990601 -		ALL	P3B,P35		37368-21330	2	
990601 -		AD	L35,L45,P6B		37360-22600	1		990601 -		AD	L35,L45,P6B		37368-21330	2	
990601 -		AG	P6B,P65		37360-22600	1		990601 -		AG	P6B,P65		37368-21330	2	
CONTINUED								CONTINUED							

AD:3DR,GL AG:3DR,GLS DG:3DR,GLS DS:3DR,L FD:4DR,GL FG:4DR,GLS

2-D1

39-373 GENERATOR

BA,00112- 184

P N C		MODEL APPLICABLE		R E P	PART NO. (REPL P/NO)	Q T Y	REMARKS	P N C		MODEL APPLICABLE		R E P	PART NO. (REPL P/NO)	Q T Y	REMARKS
FROM-UP-TO	TYPE	DESCRIPTION						FROM-UP-TO	TYPE	DESCRIPTION					
CONTINUED															
37368B		BRUSH-GENERATOR						37396E		BANJO V/PUMP OIL FEED					
		(S)ESCOBILLA						020101 -			(S)BANJO		37396-27500	1	
990601 -		DG	P65		37368-21330	2		37451			ALL TCI				
990601 -		DS	L35,L45		37368-21330	2					BOLT				
990601 -		FD	L35,L45		37368-21330	2		990601 -			(S)PERNO		37451-22000	1	
990601 -		FG	P6B,P65		37368-21330	2		020101 -			ALL P3B,P35		37451-27010	1	
37369B		SPRING-BRUSH						990601 -			ALL TCI		37451-22000	1	
		(S)MUELLE						990601 -			AD L35,L45,P6B		37451-22000	1	
990601 -		ALL	P3B,P35		37369-21330	2		990601 -			AG P6B,P65		37451-22000	1	
990601 -		AD	L35,L45,P6B		37369-21330	2		990601 -			DG P65		37451-22000	1	
990601 -		AG	P6B,P65		37369-21330	2		990601 -			DS L35,L45		37451-22000	1	
990601 -		DG	P65		37369-21330	2		990601 -			FD L35,L45		37451-22000	1	
990601 -		DS	L35,L45		37369-21330	2		990601 -			FG P6B,P65		37451-22000	1	
990601 -		FD	L35,L45		37369-21330	2		37454 SPACER							
990601 -		FG	P6B,P65		37369-21330	2		(S)ESPACIADOR							
37370B		REGULATOR ASSY-GENERATOR						990601 -			AD L35,L45,P3B,P35		37454-22010	1	
		(S)CONJ. REGULADOR						990601 -			AG M-S		37454-22010	1	
990601 -		ALL	P3B,P35		37370-22600	1		990601 -			DG M-S		37454-22010	1	
990601 -		AD	L35,L45,P6B		37370-22600	1		990601 -			DS L35,L45,P3B,P35		37454-22010	1	
990601 -		AG	P6B,P65		37370-22600	1		990601 -			FD L35,L45,P3B,P35		37454-22010	1	
990601 -		DG	P65		37370-22600	1		990601 -			FG M-S		37454-22010	1	
990601 -		DS	L35,L45		37370-22600	1		37460 BRACKET-GENERATOR							
990601 -		FD	L35,L45		37370-22600	1		(S)SOPORTE							
990601 -		FG	P6B,P65		37370-22600	1		020101 -			ALL TCI		37460-27500	1	
37390B		COVER						37461 BRACE-GENERATOR							
		(S)CUBIERTA						(S)ABRAZADERA							
990601 -		ALL	P3B,P35		37390-22600	1		990601 -			AD L35,L45,P3B,P35		37461-22021	1	
990601 -		AD	L35,L45,P6B		37390-22600	1		990601 -			AD M-D		37461-26000	1	
990601 -		AG	P6B,P65		37390-22600	1		990601 -			AG M-S		37461-22021	1	
990601 -		DG	P65		37390-22600	1		990601 -			AG M-D		37461-26000	1	
990601 -		DS	L35,L45		37390-22600	1		990601 -			DG M-S		37461-22021	1	
990601 -		FD	L35,L45		37390-22600	1		990601 -			DG M-D		37461-26000	1	
990601 -		FG	P6B,P65		37390-22600	1		990601 -			DS L35,L45,P3B,P35		37461-22021	1	
37392A		PIPE-OIL SUPPLY TO VACUUM PUMP						990601 -			FD L35,L45,P3B,P35		37461-22021	1	
		(S)TUBO						990601 -			FG M-S		37461-22021	1	
020101 -		ALL	TCI		37392-27500	1		990601 -			FG M-D		37461-26000	1	
								37462A BOLT							
								(S)PERNO							
								990601 -			AD L35,L45,P3B,P35		37462-22000	1	
								CONTINUED							

2-E 1

39-373 GENERATOR

BA,G0112- 185

P N C		MODEL APPLICABLE		R E P	PART NO. (REPL P/NO)	Q T Y	REMARKS	P N C		MODEL APPLICABLE		R E P	PART NO. (REPL P/NO)	Q T Y	REMARKS	
FROM-UP-TO	TYPE	DESCRIPTION	FROM-UP-TO					TYPE	DESCRIPTION							
CONTINUED								37471A	BOLT							
		(S)PERNO							(S)PERNO(PESTANA,8X40)							
990601 -	AG	M-S			37462-22000	1		990601 -	ALL	P3B,P35			37471-24000	1		
990601 -	DG	M-S			37462-22000	1		990601 -	AD	L35,L45,P6B			37471-24000	1		
990601 -	DS	L35,L45,P3B,P35			37462-22000	1		990601 -	AG	P6B,P65			37471-24000	1		
990601 -	FD	L35,L45,P3B,P35			37462-22000	1		990601 -	DG	P65			37471-24000	1		
990601 -	FG	M-S			37462-22000	1		990601 -	DS	L35,L45			37471-24000	1		
		(S)PERNO(PESTANA,8X80)						990601 -	FD	L35,L45			37471-24000	1		
		AD M-D			37462-23000	1		990601 -	FG	P6B,P65			37471-24000	1		
		AG M-D			37462-23000	1		37472E	BRACKET-GENERATOR,LWR							
		DG M-D			37462-23000	1			(S)SOPORTE							
		FG M-D			37462-23000	1		020101 -	ALL	TCI			37472-27500	1		
		BRACKET-GENERATOR ADAPTER UPPPER						37473	BUSHING-GENERATOR							
		(S)SOPORTE							(S)CASQUILLO							
020101 -		ALL	TCI		37462-27500	1		020101 -	ALL	TCI			37473-27000	1		
		NUT-GENERATOR ADJUST						37480B	HOSE-VACUUM							
		(S)TUERCA							(S)MANGUERA							
990601 -	ALL	P3B,P35			37463-33000	1		020101 -	ALL	TCI			37480-27500	1		
990601 -	AD	L35,L45,P6B			37463-33000	1		37490B	HOSE-VACUUM PUMP OIL DRAIN							
990601 -	AG	P6B,P65			37463-33000	1			(S)MANGUERA							
990601 -	DG	P65			37463-33000	1		020101 -	ALL	TCI			37490-27500	1		
990601 -	DS	L35,L45			37463-33000	1		37491E	HOSE-VACUUM PUMP OIL DRAIN							
990601 -	FD	L35,L45			37463-33000	1			(S)MANGUERA							
990601 -	FG	P6B,P65			37463-33000	1		020101 -	ALL	TCI			37491-27500	1		
		(S)TUERCA						91971E	BRKT-CONTROL WIRING(DSL)							
		AD L35,L45,P3B,P35			37463-22600	1			(S)SOPORTE							
		AG M-S			37463-22600	1		020101 -	ALL	TCI			91971-17821	1		
		DG M-S			37463-22600	1										
		DS L35,L45,P3B,P35			37463-22600	1										
		FD L35,L45,P3B,P35			37463-22600	1										
		FG M-S			37463-22600	1										
		BRKT-ENGINE COVER														
		(S)SOPORTE														
020101 -		ALL	TCI		37463-27500	1										

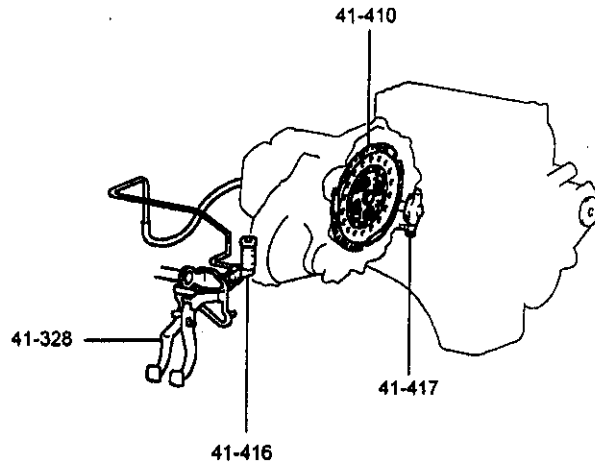
AD:SDR,GL AG:SDR,GLS DG:SDR,GLS DS:SDR,GL FD:DR,GL FG:DR,GLS

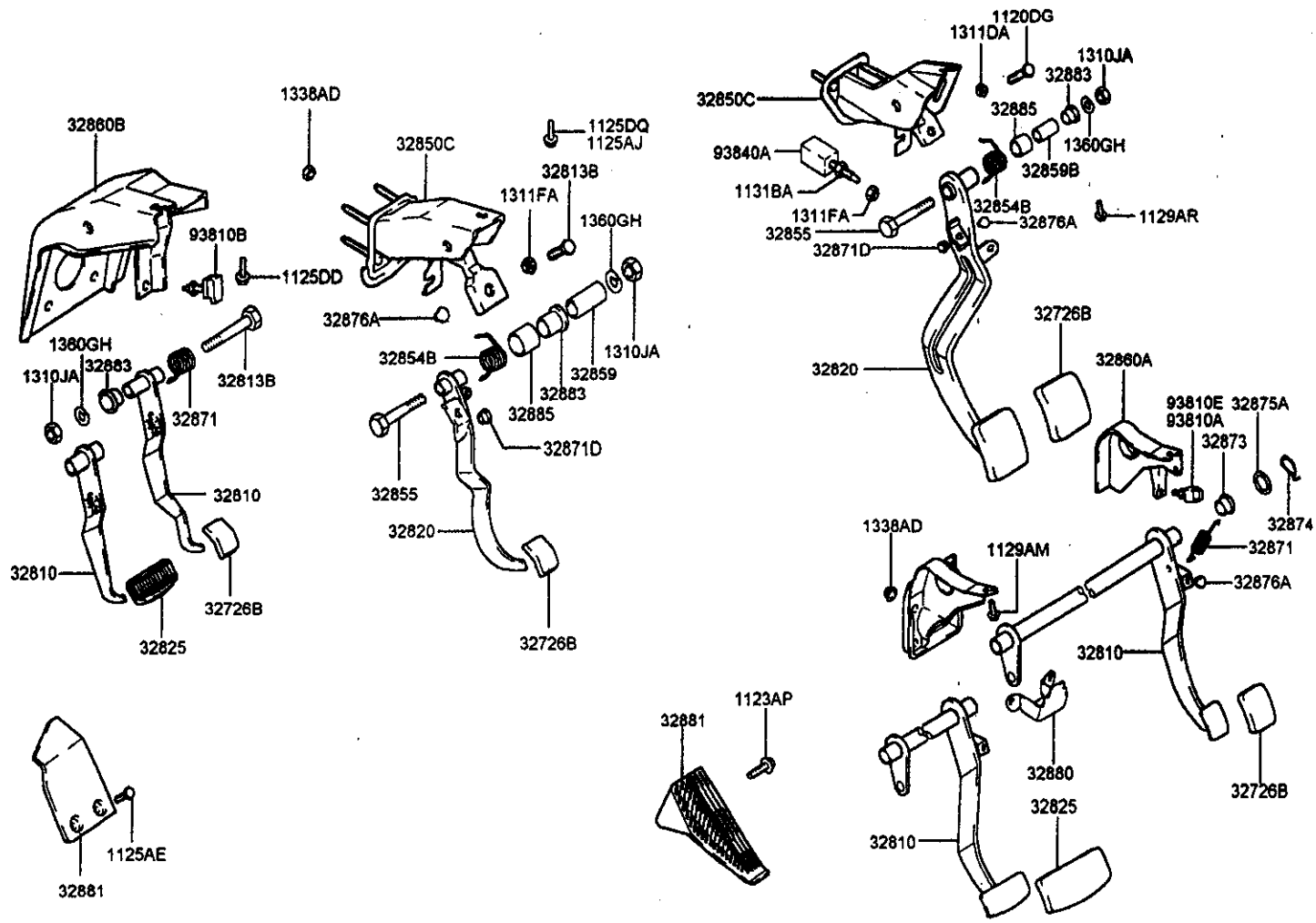
M/E/M/O

41

CLUTCH

41-328	CLUTCH & BRAKE PEDAL.....	2-G 1
41-410	CLUTCH & RELEASE FORK(MTA).....	2-K 1
41-416	CLUTCH & MASTER CYLINDER(MTA).....	2-M 1
41-417	CLUTCH RELEASE CYLINDER(MTA).....	2-B 2





2-H 1

41-328 CLUTCH & BRAKE PEDAL

BA.G0112- 188

P N C		MODEL APPLICABLE		R E P	PART NO. (REPL P/NO)	Q T Y	REMARKS	P N C		MODEL APPLICABLE		R E P	PART NO. (REPL P/NO)	Q T Y	REMARKS	
FROM-UP-TO	TYPE	DESCRIPTION	FROM-UP-TO					TYPE	DESCRIPTION							
1120DG		BOLT						1310JA		NUT						
990601 -		(S)PERNO								(S)TUERCA						
		ALL RHD>5MT2			11201-10351	2		990601 -		ALL		Y	13101-10001	1		
1123AP		BOLT(W/WASHER)											(13101-10003)			
990601 -		(S)PERNO (CON ARANDELA)						1311DA		NUT						
		ALL RHD		Y	11230-08201	2				(S)TUERCA						
					(11230-08203)			990601 -		ALL LHD>5MT2			13110-10001	1		
1125AE		BOLT						1311FA		NUT						
990601 -		(S)PERNO (CON ARANDELA)								(S)TUERCA						
		ALL LHD		Y	11250-06251	2		990601 -		ALL RHD>5MT2		Y	13111-10001	3		
					(11250-06253)								(13111-10003)			
1125AJ		BOLT						1338AD		NUT-FLANGE						
990601 - 990906		(S)PERNO (CON ARANDELA)								(S)TUERCA TAPA						
		ALL LHD>5MT2		Y	11250-08161	2		990601 -		ALL 5MT2		Y	13385-08001	6		
					(11251-08161)			990601 -		ALL 4AT2		Y	13385-08001	4		
990601 - 990906		ALL LHD>4AT2		Y	11250-08161	1						Y	13385-08003	2		
					(11251-08161)			990601 -		ALL RHD		Y	13385-08003	2		
													(13385-08003)			
1125DD		BOLT						1360GH		WASHER-SPRING						
990601 -		(S)PERNO (CON ARANDELA)								(S)ARANDELA						
		ALL LHD		Y	11251-08201	1		990601 -		ALL		Y	13602-10001	1		
					(11251-08203)								(13602-10003)			
1125DQ		BOLT						32726B		PAD-PEDAL						
990906 -		(S)PERNO (CON ARANDELA)								(S)ALMOHADILLA						
		ALL LHD			11251-08161	1		990601 -		ALL 5MT2			32825-24000	1		
1129AM		BOLT						32810		PEDAL-BRAKE						
990601 -		(S)PERNO (CON ARANDELA)								(S)PEDAL						
		ALL RHD>5MT2		Y	11290-08161	3		990601 -		ALL LHD>5MT2			32810-25020	1		
					(11290-08163)			990601 -		ALL LHD>4AT2			32810-25720	1		
990601 -		ALL RHD>4AT2		Y	11290-08161	2		990601 -		ALL RHD>5MT2			32810-25900	1		
					(11290-08163)			990601 -		ALL RHD>4AT2			32810-25970	1		
1129AR		BOLT						32813B		BOLT-BRAKE PEDAL						
990601 -		(S)PERNO (CON ARANDELA)								(S)PERNO						
		ALL RHD		Y	11290-08251	2		990601 -		ALL LHD			32813-22000	1		
					(11290-08253)											
1131BA		BOLT						32820		PEDAL-CLUTCH						
990601 -		(S)PERNO								(S)PEDAL						
		ALL SMT2			11311-10301	2		990601 -		ALL LHD>5MT2			32820-25110	1		
990601 -		ALL 5MT2			11311-10301	1		990601 - 010111		ALL RHD>5MT2			32820-25920	1		

CONTINUED

41-328 CLUTCH & BRAKE PEDAL

BA,00112-180

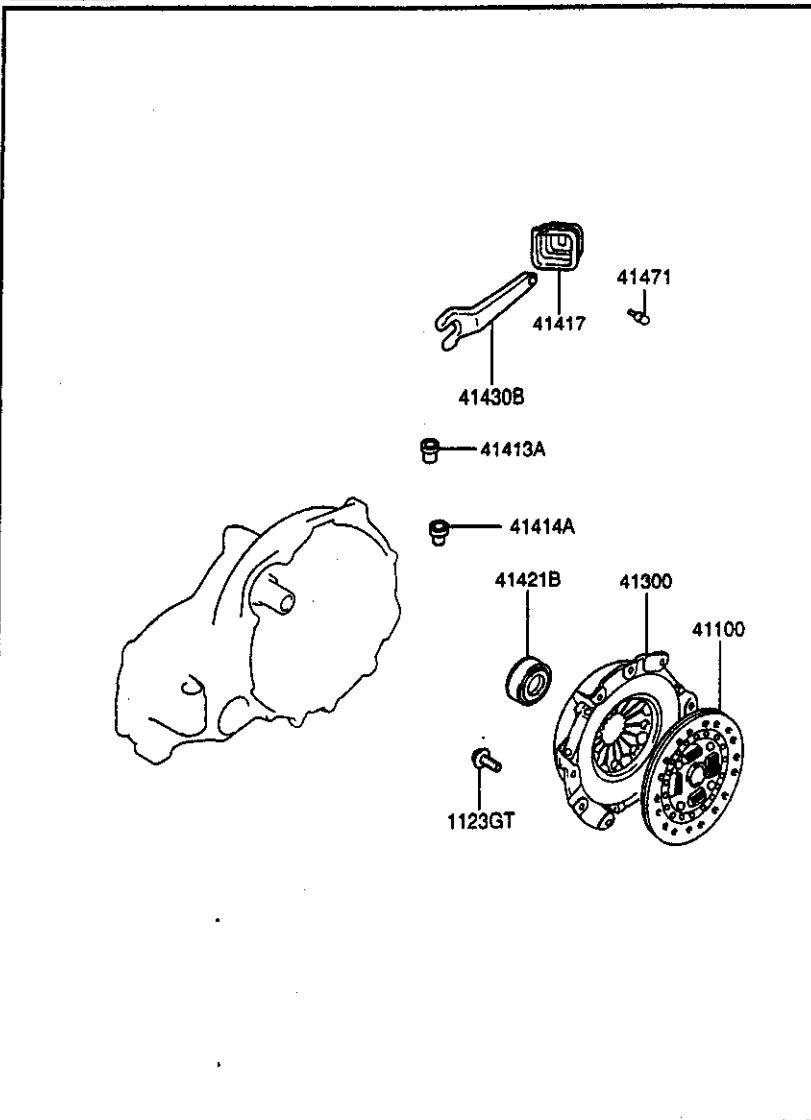
2-11

P N C		MODEL APPLICABLE		R E P	PART NO. (REPL P/NO)	Q T Y	REMARKS	P N C		MODEL APPLICABLE		R E P	PART NO. (REPL P/NO)	Q T Y	REMARKS
FROM-UP-TO	TYPE	DESCRIPTION						FROM-UP-TO	TYPE	DESCRIPTION					
CONTINUED								32871	SPRING-RETURN						
32820		PEDAL-CLUTCH							(S)MUELLE						
		(S)PEDAL						990601 -	ALL LHD			32871-22000	1		
010111 -		ALL RHD>P35			32820-25950	1		990601 -	ALL RHD			32871-25900	1		
010111 -		AD RHD>L35,L45			32820-25950	1		32871D	BUSH						
010111 -		DS RHD>L35,L45			32820-25950	1			(S)CASQUILLO						
010111 -		FD RHD>L35,L45			32820-25950	1		990601 -	ALL SMT2			32871-28000	1		
32825		PAD-PEDAL						32873	BUSH-BRAKE PEDAL						
		(S)ALMOHADILLA							(S)CASQUILLO						
990601 -		ALL 4AT2			32825-24700	1		990601 -	ALL RHD			32873-21000	1		
32850C		MEMBER-PEDAL SUPPORT						32874	STOPPER						
		(S)MIEMBRO							(S)OBTURADOR						
990601 -		ALL LHD>SMT2			32850-25110	1		990601 -	ALL RHD			32874-21000	1		
990601 - 010111		ALL RHD>SMT2			32850-25900	1		32875A	WASHER-BRAKE PEDAL						
010111 -		ALL RHD>P35			32850-25910	1			(S)ARANDELA						
010111 -		AD RHD>L35,L45			32850-25910	1		990601 -	ALL RHD			32875-21000	1		
010111 -		DS RHD>L35,L45			32850-25910	1		32876A	STOPPER-PEDEL						
010111 -		FD RHD>L35,L45			32850-25910	1			(S)OBTURADOR						
32854B		SPRING-RETURN						990601 -	ALL			32876-36000	1		
		(S)MUELLE						32880	COVER						
990601 -		ALL LHD>SMT2			32854-25000	1			(S)CUBIERTA						
990601 -		ALL RHD>SMT2			32854-25900	1		990601 -	ALL RHD			32880-22000	1		
32855		BOLT						32881	FOOT REST						
		(S)PERNO							(S)REPOSAPIE						
990601 -		ALL LHD>SMT2			32855-22000	1		990601 -	ALL LHD			32881-25010	1		
990601 -		ALL RHD>SMT2			32855-22900	1		990601 -	ALL RHD			32881-22900	1		
32859		COLLAR						32883	BUSH-PEDAL						
		(S)COLLAR							(S)CASQUILLO						
990601 -		ALL LHD>SMT2			32859-22000	1		990601 -	ALL SMT2			32883-29000	2		
32859B		COLLAR						32885	BUSH-CLUTCH PEDAL						
		(S)COLLAR							(S)CASQUILLO						
990601 -		ALL RHD>SMT2			32859-22950	1		990601 - 000424	ALL LHD>SMT2		Y	32883-22000	1		
32860A		MEMBER-PEDAL SUPPORT							(32883-25000)						
		(S)MIEMBRO						990601 - 000601	ALL RHD>SMT2		Y	32883-22900	1		
990601 -		ALL RHD			32841-25900	1			(32883-25900)						
32860B		MEMBER-PEDAL SUPPORT						000424 -	ALL LHD>SMT2			32883-25000	1		
		(S)MIEMBRO						000601 -	ALL RHD>P35			32883-25900	1		
990601 -		ALL LHD			32860-25020	1		000601 -	AD RHD>L35,L45			32883-25900	1		
								000601 -	DS RHD>L35,L45			32883-25900	1		
								CONTINUED							

2-K1

41-410 CLUTCH & RELEASE FORK(MTA)

BA,00112- 191



P N C	MODEL APPLICABLE		R E P	PART NO. (REPL P/NO)	Q T Y	REMARKS
	FROM-UP-TO	TYPE				
1123GT						
990601 -				11233-08161 (11233-08163)	6	
41100						
990601 -				41100-22660	1	
991231 -				41100-28036	1	
990601 -				41100-22650	1	
990601 -				41100-22660	1	
990601 -				41100-22660	1	
990601 -				41100-22650	1	
990601 -				41100-22650	1	
990601 -				41100-22660	1	
41300						
990601 -				41300-22660	1	
991231 -				41300-28035	1	
990601 -				41300-22650	1	
990601 -				41300-22660	1	
990601 -				41300-22660	1	
990601 -				41300-22650	1	
990601 -				41300-22650	1	
990601 -				41300-22660	1	
41413A						
020101 -				41413-28000	1	
41414A						
020101 -				41414-28000	1	
41417						
990601 -				41417-22652	1	
990601 -				41417-22652	1	
990601 -				41417-22652	1	
990601 -				41417-22652	1	
990601 -				41417-22652	1	
990601 -				41417-22652	1	
990601 -				41417-22652	1	

2-1.1

41-410 CLUTCH & RELEASE FORK(MTA)

BA,G0112-192

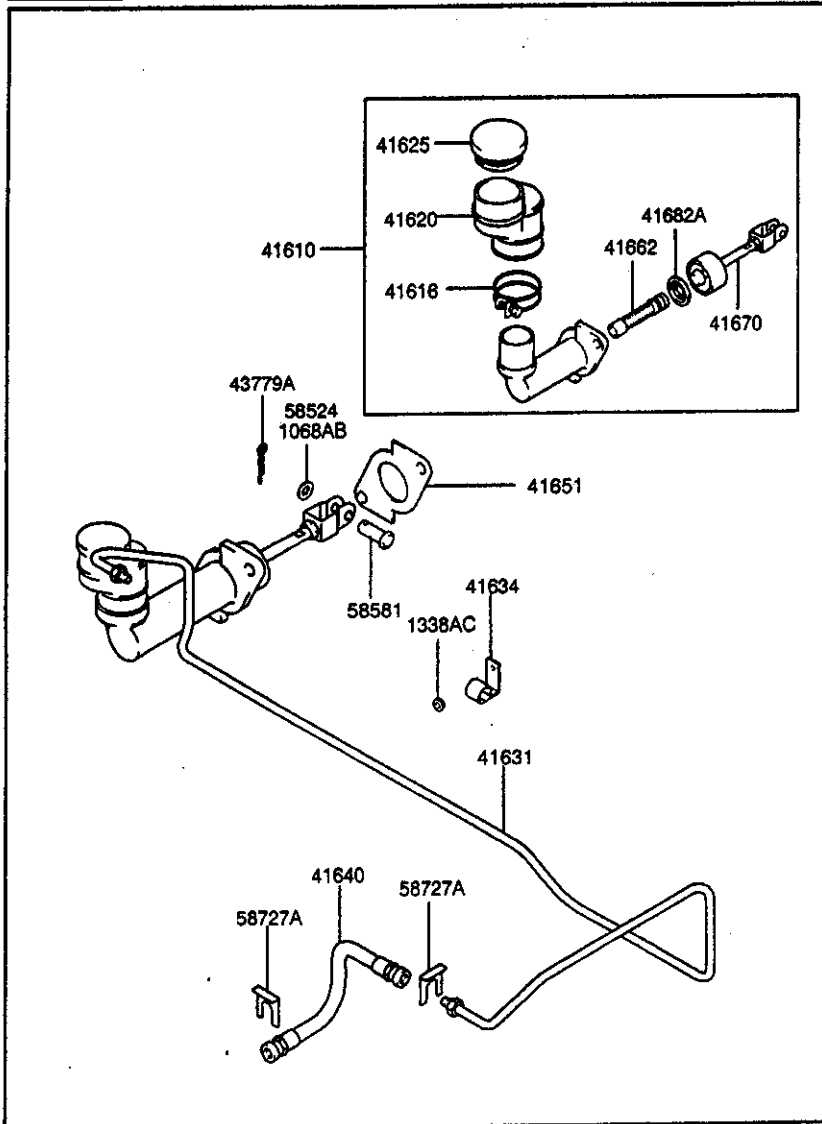
P N C		MODEL APPLICABLE		R E P	PART NO. (REPL P/NO)	Q T Y	REMARKS	P N C		MODEL APPLICABLE		R E P	PART NO. (REPL P/NO)	Q T Y	REMARKS
FROM-UP-TO	TYPE	DESCRIPTION	FROM-UP-TO					TYPE	DESCRIPTION						
41421B		BEARING-CLUTCH RELEASE						CONTINUED							
		(S)COJINETE						41471	FULCRUM-CLUTCH RELEASE LEVER						
990601 -		ALL P35			41421-28000	1			(S)FULCRO						
990601 -		ALL P35			41421-22650	A		990601 -	FD L35,L45	A	41471-22650	1			
020101 -		ALL TCI			41421-39000	1					(41471-4A020)				
990601 -		AD L35,L45			41421-28000	1		990601 -	FG P65	A	41471-22650	1			
990601 -		AD L35,L45			41421-22650	A					(41471-4A020)				
990601 -		AG P65			41421-28000	1									
990601 -		AG P65			41421-22650	A									
990601 -		DG P65			41421-28000	1									
990601 -		DG P65			41421-22650	A									
990601 -		DS L35,L45			41421-28000	1									
990601 -		DS L35,L45			41421-22650	A									
990601 -		FD L35,L45			41421-28000	1									
990601 -		FD L35,L45			41421-22650	A									
990601 -		FG P65			41421-28000	1									
990601 -		FG P65			41421-22650	A									
41430B		FORK ASSY-RELEASE													
		(S)CONJ. HORQUILLA													
990601 -		ALL P35			41430-22652	1									
990601 -		AD L35,L45			41430-22652	1									
990601 -		AG P65			41430-22652	1									
990601 -		DG P65			41430-22652	1									
990601 -		DS L35,L45			41430-22652	1									
990601 -		FD L35,L45			41430-22652	1									
990601 -		FG P65			41430-22652	1									
41471		FULCRUM-CLUTCH RELEASE LEVER													
		(S)FULCRO													
990601 -		ALL P35		A	41471-22650	1									
					(41471-4A020)										
990601 -		AD L35,L45		A	41471-22650	1									
					(41471-4A020)										
990601 -		AG P65		A	41471-22650	1									
					(41471-4A020)										
990601 -		DG P65		A	41471-22650	1									
					(41471-4A020)										
990601 -		DS L35,L45		A	41471-22650	1									
					(41471-4A020)										

CONTINUED

2-M1

41-416 CLUTCH & MASTER CYLINDER(MTA)

BA,00112-193



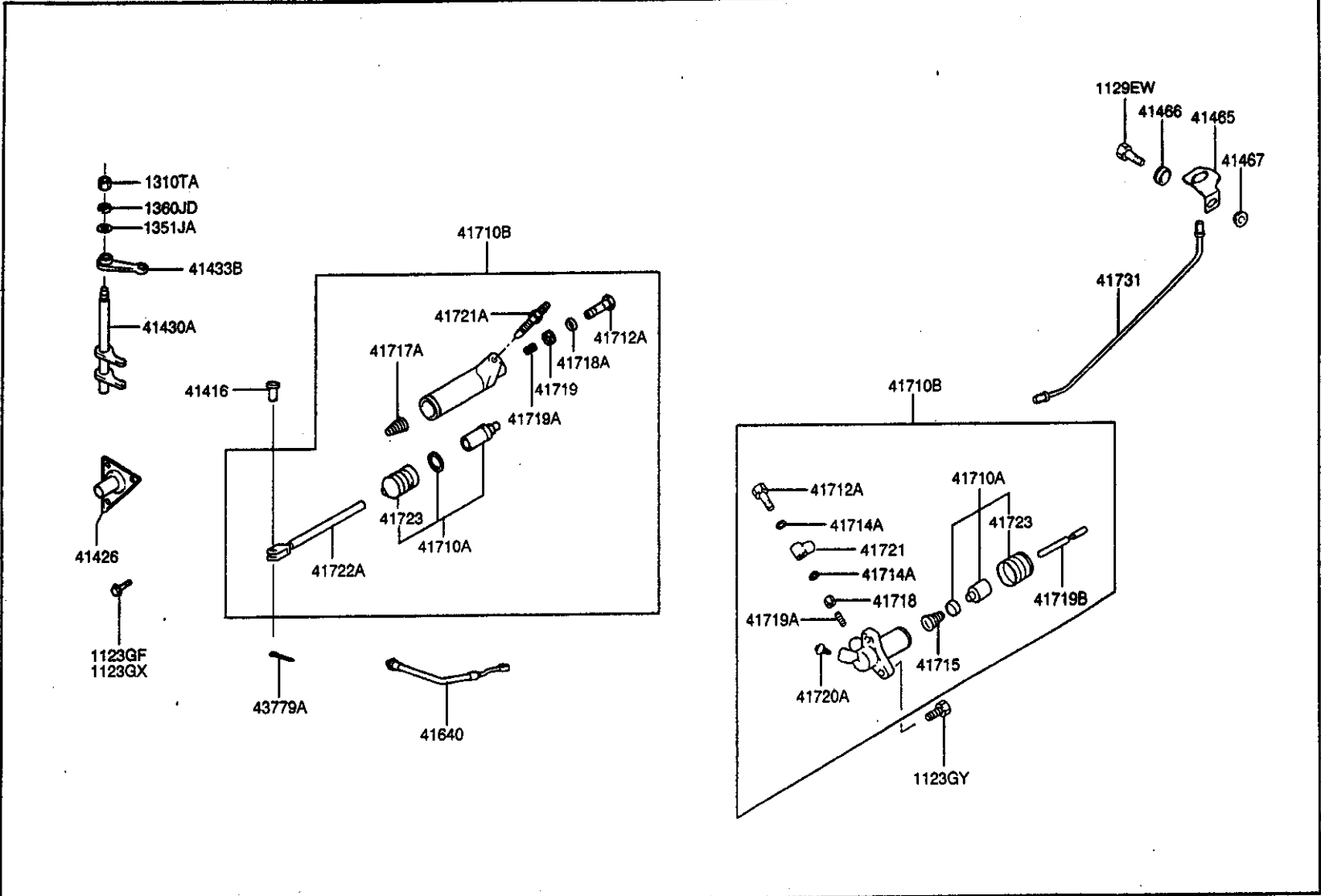
P N C	MODEL APPLICABLE		PART NO. (REPL PNO)	QTY	REMARKS
	FROM-UP-TO	TYPE			
1068AB					
990601 - 991101			10681-10220	1	
1338AC					
990601 -			13385-06003	1	
41610					
990601 - 001002			41610-25900	1	
990601 - 010601			41610-25010 (41610-25012)	1	
990601 - 010601			41610-25901	1	
010601 -			41610-25012	1	
010601 -			41610-25902	1	
010601 -			41610-25902	1	
010601 -			41610-25902	1	
010601 -			41610-25902	1	
010601 -			41610-25902	1	
41616					
990601 -			41685-22060	1	
990601 -			41685-24020	1	
41620					
990601 -			41620-22060	1	
41625					
990601 -			41625-36000	1	
990601 -			41625-24920	1	
41631					
990601 -			41631-25020	1	
990601 -			41631-25920	1	
41634					
990601 -			41630-25900	1	
41640					
990601 -			41640-25000	1	

2-A2

41-416 CLUTCH & MASTER CYLINDER(MTA)

BA.G0112- 194

P N C		MODEL APPLICABLE		R E P	PART NO. (REPL P/NO)	Q T Y	REMARKS	P N C		MODEL APPLICABLE		R E P	PART NO. (REPL P/NO)	Q T Y	REMARKS	
FROM-UP-TO	TYPE	DESCRIPTION	FROM-UP-TO					TYPE	DESCRIPTION							
41651		SEALER (S)SELLADOR														
990601 -		ALL 5MT2	Y	41651-24000 (41651-24001)	1											
41662		PISTON & CUP COMPLETE (S)PISTON														
001002 -		ALL 5MT2	*		A	SIK										
010601 -		ALL P35	*		1	SIK										
010601 -		AD L35,L45	*		1	SIK										
010601 -		AG P65	*		1	SIK										
010601 -		DG P65	*		1	SIK										
010601 -		DS L35,L45	*		1	SIK										
010601 -		FD L35,L45	*		1	SIK										
010601 -		FG P65	*		1	SIK										
41670		DAMPER & PUSH ROD ASSY (S)DAMPER														
010601 -		ALL 5MT2	*		1	SIK										
41682A		RING-PISTON (S)ANILLO														
010601 -		ALL 5MT2	*		1	SIK										
43779A		PIN-SNAP (S)PASADOR(HENDIDURA)														
990601 -		ALL 5MT2		43779-37010	1											
58524		WASHER (S)ARANDELA														
990601 -		ALL 5MT2		58575-22000	1											
58581		PIN-CLEVIS (S)PASADOR														
990601 -		ALL 5MT2		58581-22010	1											
58727A		CLIP-HOSE (S)GRAPA														
990601 -		ALL 5MT2		58727-11000	2											
020101 -		ALL TCI		58727-11000	1											



2-C 2

41-417 CLUTCH RELEASE CYLINDER(MTA)

BA.G0112- 196

P N C		MODEL APPLICABLE		R E P	PART NO. (REPL P/NO)	Q T Y	REMARKS	P N C		MODEL APPLICABLE		R E P	PART NO. (REPL P/NO)	Q T Y	REMARKS
FROM-UP-TO	TYPE	DESCRIPTION	FROM-UP-TO					TYPE	DESCRIPTION						
1123GF		BOLT-WASHER ASSY (S)CONJ.ARANDELA						41426		SLEEVE-RELEASE BEARING (S)MANGUITO					
020101 -		ALL TCI	Y	11233-06121 (11233-06123)	3			020101 -		ALL TCI		41426-28510	1		
1123GX		BOLT (S)PERNO (CON ARANDELA)						41430A		SHAFT COMPLETE-CLUTCH REL FORK (S)COMPLETA EJE					
020101 -		ALL TCI		11233-08253	2			020101 -		ALL TCI		41431-28020	1		
1123GY		BOLT (S)PERNO (CON ARANDELA)						41433B		LEVER-RELEASE FORK SHAFT (S)PALANCA					
990601 -		ALL P35		11233-08283	2			020101 -		ALL TCI		41433-28021	1		
990601 -		AD L35,L45		11233-08283	2			41465		BRACKET-CLUTCH OIL TUBE (S)SOPORTE					
990601 -		AG P65		11233-08283	2			990601 -		ALL P35		41465-22602	1		
990601 -		DG P65		11233-08283	2			990601 -		AD L35,L45		41465-22602	1		
990601 -		DS L35,L45		11233-08283	2			990601 -		AG P65		41465-22602	1		
990601 -		FD L35,L45		11233-08283	2			990601 -		DG P65		41465-22602	1		
990601 -		FG P65		11233-08283	2			990601 -		DS L35,L45		41465-22602	1		
								990601 -		FD L35,L45		41465-22602	1		
								990601 -		FG P65		41465-22602	1		
1129EW		WASHER & BOLT (S)PERNO (CON ARANDELA)						41466		INSULATOR-CLUTCH OIL TUBE BRKT (S)AISLADOR					
990601 -		ALL P35		11293-08253	1			990601 -		ALL P35		41466-34000	1		
990601 -		AD L35,L45		11293-08253	1			990601 -		AD L35,L45		41466-34000	1		
990601 -		AG P65		11293-08253	1			990601 -		AG P65		41466-34000	1		
990601 -		DG P65		11293-08253	1			990601 -		DG P65		41466-34000	1		
990601 -		DS L35,L45		11293-08253	1			990601 -		DS L35,L45		41466-34000	1		
990601 -		FD L35,L45		11293-08253	1			990601 -		FD L35,L45		41466-34000	1		
990601 -		FG P65		11293-08253	1			990601 -		FG P65		41466-34000	1		
1310TA		NUT (S)TUERCA						41467		WASHER (S)ARANDELA					
020101 -		ALL TCI		13104-10003	1			990601 -		ALL P35		41467-34000	1		
1351JA		WASHER-PLAIN (S)ARANDELA						990601 -		AD L35,L45		41467-34000	1		
020101 -		ALL TCI		13510-10003	1			990601 -		AG P65		41467-34000	1		
1360JD		WASHER-SPRING (S)ARANDELA						990601 -		DG P65		41467-34000	1		
020101 -		ALL TCI		13603-10003	1			990601 -		DS L35,L45		41467-34000	1		
41416		PIN-CLEVIS (S)PIN-CLEVIS						990601 -		FD L35,L45		41467-34000	1		
020101 -		ALL TCI		41416-28000	1			990601 -		FG P65		41467-34000	1		
								41640		HOSE-CLUTCH (S)MANGUERA					
								020101 -		ALL TCI		41640-25800	1		

CONTINUED

2-D2

41-417 CLUTCH RELEASE CYLINDER(MTA)

BA,00112- 197

P N C		MODEL APPLICABLE		R E P	PART NO. (REPL. PNO)	Q T Y	REMARKS	P N C		MODEL APPLICABLE		R E P	PART NO. (REPL. PNO)	Q T Y	REMARKS
FROM-UP-TO	TYPE	DESCRIPTION						FROM-UP-TO	TYPE	DESCRIPTION					
CONTINUED								CONTINUED							
41640		HOSE-CLUTCH (S)MANGUERA						41714A		GASKET-CLUTCH RELEASE CYLINDER (S)JUNTA					
991231 -		ALL TCI			41640-2D000	1		990601 -		DG P65		41714-24020	1		
41710A		CYLINDER KIT-CLUTCH RELEASE (S)JUEGO CILINDRO						990601 -		DS L35,L45		41714-24020	1		
990601 -		ALL P35			41710-24A10	1		990601 -		FD L35,L45		41714-24020	1		
990601 -		AD L35,L45			41710-24A10	1		990601 -		FG P65		41714-24020	1		
990601 -		AG P65			41710-24A10	1		41715		SPRING-RETURN (S)MUELLE					
990601 -		DG P65			41710-24A10	1		990601 -		ALL P35		41717-24020	1		
990601 -		DS L35,L45			41710-24A10	1		020101 -		ALL TCI		41717-39010	1		
990601 -		FD L35,L45			41710-24A10	1		990601 -		AD L35,L45		41717-24020	1		
990601 -		FG P65			41710-24A10	1		990601 -		AG P65		41717-24020	1		
41710B		CYLINDER ASSY-CLUTCH RELEASE (S)CONJ. CILINDRO IZO						990601 -		DG P65		41717-24020	1		
990601 -		ALL P35			41710-22660	1		990601 -		DS L35,L45		41717-24020	1		
020101 -		ALL TCI			41710-39020	1		990601 -		FD L35,L45		41717-24020	1		
991231 -		ALL TCI			41710-39001	1		990601 -		FG P65		41717-24020	1		
990601 -		AD L35,L45			41710-22660	1		41717A		SPRING-RETURN (S)MUELLE					
990601 -		AG P65			41710-22660	1		991231 -		ALL TCI		41717-39000	1		
990601 -		DG P65			41710-22660	1		41718		VALVE-CLUTCH RELEASE CYL PLATE (S)VALVULA					
990601 -		DS L35,L45			41710-22660	1		990601 -		ALL 5MT2		41718-24020	1		
990601 -		FD L35,L45			41710-22660	1		41718A		GASKET (S)GASKET					
990601 -		FG P65			41710-22660	1		020101 -		ALL TCI		41718-33040	2		
41712A		BOLT-UNION (S)PERNO						41719		CHOKE VALVE (S)CONJUNTO CABLE					
990601 -		ALL P35			41712-24020	1		020101 -		ALL TCI		41719-33040	1		
020101 -		ALL TCI			41712-39000	1		41719A		SPRING-VALVE (S)MUELLE					
990601 -		AD L35,L45			41712-24020	1		990601 -		ALL 5MT2		41719-24020	1		
990601 -		AG P65			41712-24020	1		020101 -		ALL TCI		41720-33040	1		
990601 -		DG P65			41712-24020	1		41719B		ROD-PUSH (S)VARILLA					
990601 -		DS L35,L45			41712-24020	1		990601 -		ALL P35		41722-22650	1		
990601 -		FD L35,L45			41712-24020	1		990601 -		AD L35,L45		41722-22650	1		
990601 -		FG P65			41712-24020	1		990601 -		AG P65		41722-22650	1		
41714A		GASKET-CLUTCH RELEASE CYLINDER (S)JUNTA						990601 -		DG P65		41722-22650	1		
990601 -		ALL P35			41714-24020	1		CONTINUED							
990601 -		AD L35,L45			41714-24020	1									
990601 -		AG P65			41714-24020	1									

2-E2

41-417 CLUTCH RELEASE CYLINDER(MTA)

BA,G0112-198

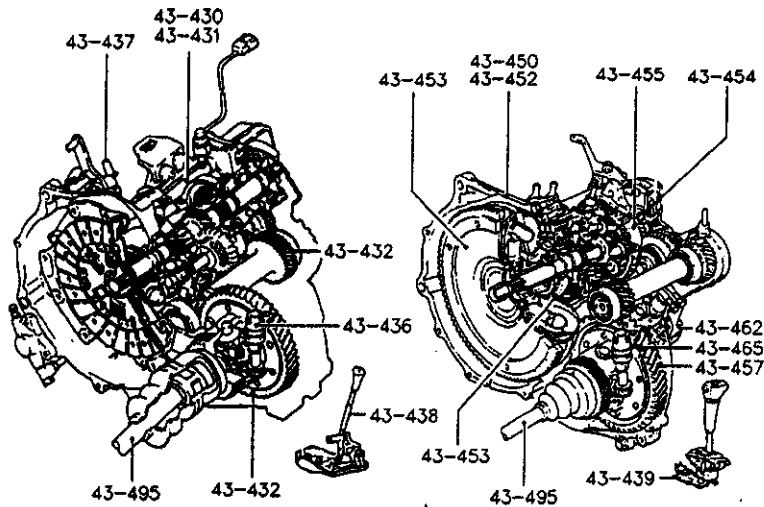
P N C	MODEL APPLICABLE		R E P	PART NO. (REPL P/NO)	Q T Y	REMARKS	P N C	MODEL APPLICABLE		R E P	PART NO. (REPL P/NO)	Q T Y	REMARKS
	FROM-UP-TO	TYPE						DESCRIPTION	FROM-UP-TO				
CONTINUED							CONTINUED						
41719B		ROD-PUSH					41723		BOOT-RELEASE CYLINDER				
		(S)VARILLA							(S)FUNDA				
990601 -		DS L35,L45		41722-22650	1		990601 -		DG P65			1	SIK
990601 -		FD L35,L45		41722-22650	1		990601 -		DS L35,L45	41723-24020		1	
990601 -		FG P65		41722-22650	1		990601 -		DS L35,L45			1	SIK
41720A		SCREW-BLEEDER					990601 -		FD L35,L45	41723-24020		1	
		(S)TORNILLO					990601 -		FD L35,L45			1	SIK
990601 -		ALL P35		41720-22600	1		990601 -		FG P65	41723-24020		1	
990601 -		AD L35,L45		41720-22600	1		990601 -		FG P65			1	SIK
990601 -		AG P65		41720-22600	1		41731		TUBE-CLUTCH OIL				
990601 -		DG P65		41720-22600	1				(S)TUBO				
990601 -		DS L35,L45		41720-22600	1		990601 -		ALL P35	41460-22652		1	
990601 -		FD L35,L45		41720-22600	1		990601 -		AD L35,L45	41460-22652		1	
990601 -		FG P65		41720-22600	1		990601 -		AG P65	41460-22652		1	
41721		UNION					990601 -		DG P65	41460-22652		1	
		(S)UNION					990601 -		DS L35,L45	41460-22652		1	
990601 -		ALL P35		41716-22600	1		990601 -		FD L35,L45	41460-22652		1	
990601 -		AD L35,L45		41716-22600	1		990601 -		FG P65	41460-22652		1	
990601 -		AG P65		41716-22600	1		43779A		PIN-SNAP				
990601 -		DG P65		41716-22600	1				(S)PASADOR(HENDIDURA)				
990601 -		DS L35,L45		41716-22600	1		020101 -		ALL TCI	43779-37010		1	
990601 -		FD L35,L45		41716-22600	1								
990601 -		FG P65		41716-22600	1								
41721A		BLEEDER SCREW											
		(S)PURGAR											
020101 -		ALL TCI		41721-33040	1								
41722A		ROD ASSY-PUSH											
		(S)ROD ASSY-PUSH											
020101 -		ALL TCI		41722-39000	1								
41723		BOOT-RELEASE CYLINDER											
		(S)FUNDA											
990601 -		ALL P35		41723-24020	1								
990601 -		ALL P35		*	1	SIK							
990601 -		AD L35,L45		41723-24020	1								
990601 -		AD L35,L45		*	1	SIK							
990601 -		AG P65		41723-24020	1								
990601 -		AG P65		*	1	SIK							
990601 -		DG P65		41723-24020	1								
CONTINUED													

AD:SDR.GL AG:SDR.GLS DG:SDR.GLS DE:SDR.L FD:SDR.GL FG:SDR.GLS

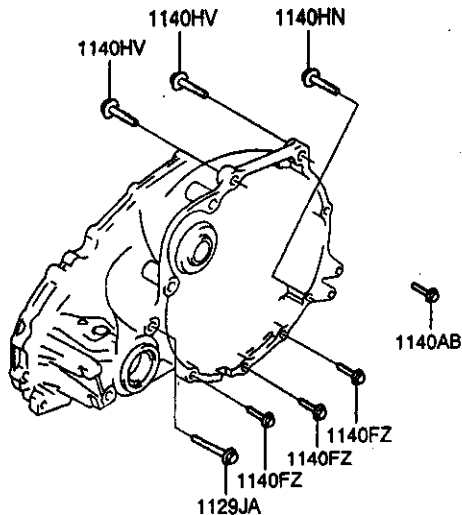
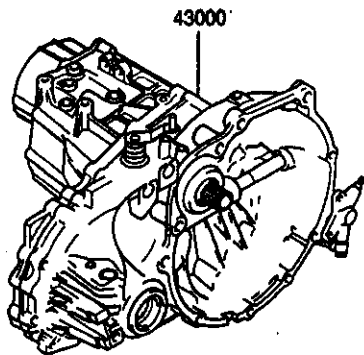
~~M/E/M/O~~

43

T/A & DRIVE SHAFT



43-430	TRANSAXLE(MTA)	2-G 2
43-431	TRANSAXLE CASE(MTA)	2-J 2
43-432	TRANSAXLE GEAR(MTA)	2-A 3
43-436	SPEEDOMETER DRIVEN GEAR(MTA)	2-K 4
43-437	GEAR SHIFT CONTROL(MTA)	2-L 4
43-438	SHIFT LEVER CONTROL(MTA)	2-C 5
43-439	SHIFT LEVER CONTROL(ATA)	2-E 5
43-450	TRANSAXLE(ATA)	2-I 5
43-452	TRANSAXLE CASE(ATA)	2-K 5
43-453	OIL PUMP & TQ/CONV(ATA)	2-B 6
43-454	TRANSAXLE CLUTCH(ATA)	2-C 6
43-455	TRANSAXLE BRAKE(ATA)	2-G 6
43-457	TRANSAXLE GEAR(ATA)	2-I 6
43-462	TRANSAXLE VALVE BODY(ATA)	2-L 6
43-465	SPEEDOMETER DRIVEN GEAR(ATA)	2-L 7
43-495	DRIVE SHAFT	2-M 7



P N C	MODEL APPLICABLE		R E P	PART NO. (REPL PNO)	Q T Y	REMARKS
	FROM-UP-TO	TYPE				
1129JA						
990601 -				11296-10601	1	
990601 -				11296-10603	1	
990601 -				11296-10601	1	
990601 -				11296-10603	1	
990601 -				11296-10601	1	
990601 -				11296-10603	1	
990601 -				11296-10601	1	
990601 -				11296-10603	1	
990601 -				11296-10601	1	
990601 -				11296-10603	1	
990601 -				11296-10601	1	
990601 -				11296-10603	1	
990601 -				11296-10601	1	
990601 -				11296-10603	1	
1140AB						
010906 -				11400-06123	4	FLANGE
010906 -				11400-06123	4	FLANGE
010906 -				11400-06123	4	FLANGE
010906 -				11400-06123	4	FLANGE
010906 -				11400-06123	4	FLANGE
010906 -				11400-06123	4	FLANGE
010906 -				11400-06123	4	FLANGE
1140FZ						
990601 - 010906				Y 11403-06103 (13395-06001)	4	FLANGE
990601 - 010906				Y 11403-06103 (13395-06001)	4	FLANGE
990601 - 010906				Y 11403-06103 (13395-06001)	4	FLANGE
990601 - 010906				Y 11403-06103 (13395-06001)	4	FLANGE
990601 - 010906				Y 11403-06103 (13395-06001)	4	FLANGE
990601 - 010906				Y 11403-06103 (13395-06001)	4	FLANGE
990601 - 010906				Y 11403-06103 (13395-06001)	4	FLANGE

CONTINUED

2-H2

43-430 TRANSAXLE(MTA)

BA,60112- 201

P N C		MODEL APPLICABLE		R E P	PART NO. (REPL PNO)	Q T Y	REMARKS	P N C		MODEL APPLICABLE		R E P	PART NO. (REPL PNO)	Q T Y	REMARKS
FROM-UP-TO	TYPE	DESCRIPTION						FROM-UP-TO	TYPE	DESCRIPTION					
CONTINUED								CONTINUED							
1140FZ		BOLT						43000		TRANSMISSION ASSY-MANUAL					
		(S)PERNO (PESTANA)								(S)CONJ. TRANSMISION					
990601 - 010906		PG P65		Y	11403-06103 (13395-06001)	4	FLANGE	010120 - 010308		AD CON		A	43000-22804	1	
								010308 -		AD L35			43000-22756	1	
								010308 -		AD CON			43000-22805	1	
								990601 - 991001		AG P65		A	43000-22762	1	
													(43000-22763)		
								991001 - 000103		AG P65		A	43000-22763	1	
													(43000-22763D)		
								000103 - 010120		AG P65			43000-22763D	1	
								010120 - 010308		AG P65			43000-22765	1	
								990601 - 991001		DG M-D		A	43000-22762	1	
													(43000-22763)		
								991001 - 000103		DG M-D		A	43000-22763	1	
													(43000-22763D)		
								000103 - 010120		DG M-D			43000-22763D	1	
								010120 - 010308		DG M-D			43000-22765	1	
								990601 - 991001		DS L35		A	43000-22752	1	
													(43000-22753)		
								990601 - 991001		DS CON		A	43000-22801	1	
													(43000-22802)		
								990601 - 991101		DS CON			43000-22653	1	
								991001 - 000103		DS L35		A	43000-22753	1	
													(43000-22753D)		
								000103 - 010120		DS L35			43000-22753D	1	
								000103 - 010120		DS CON			43000-22802D	1	
								010120 - 010308		DS L35			43000-22755	1	
								010120 - 010308		DS CON			43000-22804	1	
								010308 -		DS L35			43000-22756	1	
								010308 -		DS CON			43000-22805	1	
								990601 - 991001		FD L35		A	43000-22752	1	
													(43000-22753)		
								990601 - 991001		FD CON		A	43000-22801	1	
													(43000-22802)		
								990601 - 991101		FD CON			43000-22653	1	
CONTINUED								CONTINUED							

AD-SPR,QL AG-SPR,QLS DG-SPR,QLS DS-SPR,QL FD-DR,QL FG-DR,QLS

43-430 TRANSAXLE(MTA)

BA,00112- 202

2-2

P N C		MODEL APPLICABLE		R E P	PART NO. (REPL P/NO)	Q T Y	REMARKS	P N C		MODEL APPLICABLE		R E P	PART NO. (REPL P/NO)	Q T Y	REMARKS	
FROM-UP-TO	TYPE	DESCRIPTION	FROM-UP-TO					TYPE	DESCRIPTION							
CONTINUED																
43000																
TRANSMISSION ASSY-MANUAL (8)CONJ. TRANSMISION																
991001 - 000103	FD	L35	A	43000-22753 (43000-22753D)	1											
991001 - 000103	FD	CON	A	43000-22802 (43000-22802D)	1											
000103 - 010120	FD	L35		43000-22753D	1											
000103 - 010120	FD	CON		43000-22802D	1											
010120 - 010308	FD	L35		43000-22755	1											
010120 - 010308	FD	CON		43000-22804	1											
010308 -	FD	L35		43000-22756	1											
010308 -	FD	CON		43000-22805	1											
990601 - 991001	FG	P65	A	43000-22782 (43000-22763)	1											
991001 - 000103	FG	P65	A	43000-22763 (43000-22763D)	1											
000103 - 010120	FG	P65		43000-22763D	1											
010120 - 010308	FG	P65		43000-22765	1											

43-431 TRANSAXLE CASE(MTA)

BA,00112-204

2-K2

P N C		MODEL APPLICABLE		R E P	PART NO. (REPL PNO)	Q T Y	REMARKS	P N C		MODEL APPLICABLE		R E P	PART NO. (REPL PNO)	Q T Y	REMARKS
FROM-UP-TO	TYPE	DESCRIPTION	FROM-UP-TO					TYPE	DESCRIPTION						
1751DD		GASKET						43116		GUIDE-OIL					
990601 -		(S)JUNTA			17511-16000	1		990601 -		(S)GUM			43116-22000	1	
21421		SEAL-OIL						43116C		GASKET-LIQUID					
990601 -		(S)RETEN			43134-34000	1		990601 -		(S)JUNTA					
21513		GASKET-OIL PLUG						990601 -		ALL P35			4C116-34000	1	
990601 -		(S)JUNTA			21513-11000	1		990601 -		AD L35,L45			4C116-34000	1	
43110		CASE-MNL TRANSAXLE						990601 -		AG P65			4C116-34000	1	
020101 -		(S)CARCASA			43111-28502	1		990601 -		DG P65			4C116-34000	1	
43111		CASE-MTM						990601 -		DS L35,L45			4C116-34000	1	
990601 - 010308		ALL P35			43111-22611	1		990601 -		FD L35,L45			4C116-34000	1	
010308 -		ALL P35			43111-22612	1		43119		FG P65			4C116-34000	1	
990601 - 010308		AD L35			43111-22611	1		990601 -		SEAL-OIL			43119-28001	2	
010308 -		AD L35,L45			43111-22612	1		43120		(S)RETEN					
990601 - 010308		AG P65			43111-22611	1		990601 -		ALL 5MT2					
010308 -		AG P65			43111-22612	1		43120		BRACKET-TRANSAXLE MTG					
990601 - 010308		DG P65			43111-22611	1		990601 -		(S)			43120-22610	1	
010308 -		DG P65			43111-22612	1		990601 -		ALL P35			43120-22610	1	
990601 - 010308		DS L35			43111-22611	1		990601 -		AD L35,L45			43120-22610	1	
010308 -		DS L35,L45			43111-22612	1		990601 -		AG P65			43120-22610	1	
990601 - 010308		FD L35			43111-22611	1		990601 -		DG P65			43120-22610	1	
010308 -		FD L35,L45			43111-22612	1		990601 -		DS L35,L45			43120-22610	1	
990601 - 010308		FG P65			43111-22611	1		990601 -		FD L35,L45			43120-22610	1	
010308 -		FG P65			43111-22612	1		43121		FG P65			43120-22610	1	
43115		HOUSING-CLUTCH						990601 -		PLUG-MAGNET					
990601 -		(S)ALOJAMIENTO						990601 -		(S)TAPON					
020101 -		ALL P35			43115-22612	1		990601 -		ALL P35			43121-11000	1	
990601 -		ALL TC1			43115-28520	1		990601 -		AD L35,L45			43121-11000	1	
990601 -		AD L35,L45			43115-22612	1		990601 -		AG P65			43121-11000	1	
990601 -		AG P65			43115-22612	1		990601 -		DG P65			43121-11000	1	
990601 -		DG P65			43115-22612	1		990601 -		DS L35,L45			43121-11000	1	
990601 -		DS L35,L45			43115-22612	1		990601 -		FD L35,L45			43121-11000	1	
990601 -		FD L35,L45			43115-22612	1		990601 -		FG P65			43121-11000	1	
990601 -		FG P65			43115-22612	1		43121C		PLUG					
								010423 -		(S)TAPON					
								43122		ALL 5MT2			00810-17121	1	
								020101 -		BRACKET-T/M SUPT					
										(S)CUBIERTA					
										ALL TC1			43122-28541	1	

2-L 2

43-431 TRANSAXLE CASE(MTA)

BA,G0112- 205

P N C		MODEL APPLICABLE		R E P	PART NO. (REPL P/NO)	Q T Y	REMARKS	P N C		MODEL APPLICABLE		R E P	PART NO. (REPL P/NO)	Q T Y	REMARKS
FROM-UP-TO	TYPE	DESCRIPTION						FROM-UP-TO	TYPE	DESCRIPTION					
43123		RETAINER-BEARING						CONTINUED							
		(S)RETENEDOR						43140		COVER ASSY-MNL T/A CASE RR					
990601 -		ALL P35			43123-22600	1				(S)CONJUNTO CUBIERTA					
020101 -		ALL TCI			43123-28500	1		990601 -		AD L35,L45			43140-22604	1	
990601 -		AD L35,L45			43123-22600	1		990601 -		AG P65			43140-22604	1	
990601 -		AG P65			43123-22600	1		990601 -		DG P65			43140-22604	1	
990601 -		DG P65			43123-22600	1		990601 -		DS L35,L45			43140-22604	1	
990601 -		DS L35,L45			43123-22600	1		990601 -		FD L35,L45			43140-22604	1	
990601 -		FD L35,L45			43123-22600	1		990601 -		FG P65			43140-22604	1	
990601 -		FG P65			43123-22600	1		43146B		BEARING-MNL T/A CASE					
43124		BREATHER-AIR								(S)COJINETE					
		(S)RESPIRADERO						990601 -		ALL P35			43146-22600	2	
990601 -		ALL 5MT2			43124-34003	1		990601 -		ALL 5MT2			43146-34060	2	
43126		SEAL-OIL						990601 - 000103		ALL P35			43174-22610	2	
		(S)RETN						020101 -		ALL TCI			43146-34010	A	
990601 - 990714		ALL P35			43126-34020	1		990601 -		AD L35,L45			43146-22600	2	
990714 -		ALL 5MT2			43126-34011	1		990601 - 000103		AD L35			43174-22610	2	
990601 - 990714		AD L35			43126-34020	1		990601 -		AG P65			43146-22600	2	
990601 - 990714		AG P65			43126-34020	1		990601 - 000103		AG P65			43174-22610	2	
990601 - 990714		DG P65			43126-34020	1		990601 -		DG P65			43146-22600	2	
990601 - 990714		DS L35			43126-34020	1		990601 - 000103		DG P65			43174-22610	2	
990601 - 990714		FD L35			43126-34020	1		990601 -		DS L35,L45			43146-22600	2	
990601 - 990714		FG P65			43126-34020	1		990601 - 000103		DS L35			43174-22610	2	
43127		BOOT-CONTROL SHAFT						990601 -		FD L35,L45			43146-22600	2	
		(S)FUNDA						990601 - 000103		FD L35			43174-22610	2	
990601 -		ALL 5MT2			43127-28001	1		990601 -		FG P65			43146-22600	2	
43131B		MAGNET-TRANSAXLE CASE						990601 - 000103		FG P65			43174-22610	2	
		(S)IMAN						43171		PLUG-DRAIN					
990601 -		ALL 5MT2			43131-39000	1				(S)TAPON					
43135		GUIDE-OIL						990601 - 010423		ALL P35			43171-34002	1	
		(S)GUIA						990601 - 010423		AD L35			43171-34002	1	
990601 -		ALL 5MT2			43135-28011	1		990601 - 010423		AG P65			43171-34002	1	
43139B		BRACKET ASSY-SWITCH						990601 - 010423		DG P65			43171-34002	1	
		(S)BRKT ASSY						990601 - 010423		DS L35			43171-34002	1	
020101 -		ALL TCI			43139-28500	1		990601 - 010423		FD L35			43171-34002	1	
43140		COVER ASSY-MNL T/A CASE RR						990601 - 010423		FG P65			43171-34002	1	
		(S)CONJUNTO CUBIERTA						43175		BRACKET-ROLL SUPPORT FR					
990601 -		ALL P35			43140-22604	1				(S)SOPORTE					
020101 -		ALL TCI			43140-28010	1		990601 -		ALL P35			43175-22601	1	

AD:5DR,GL AG:5DR,GLS DG:3DR,GLS DS:3DR,L FD:4DR,GL FG:4DR,GLS

43-431 TRANSAXLE CASE(MTA)

BA,60112- 206

2-M 2

P N C		MODEL APPLICABLE		R E P	PART NO. (REPL. P/NO)	Q T Y	REMARKS	P N C		MODEL APPLICABLE		R E P	PART NO. (REPL. P/NO)	Q T Y	REMARKS
FROM-UP-TO	TYPE	DESCRIPTION						FROM-UP-TO	TYPE	DESCRIPTION					
CONTINUED															
		43175			BRACKET-ROLL SUPPORT FR (S)SOPORTE										
020101 -					ALL TCI	43175-26542	1								
990601 -					AD L35,L45	43175-22601	1								
990601 -					AQ P65	43175-22601	1								
990601 -					DQ P65	43175-22601	1								
990601 -					DS L35,L45	43175-22601	1								
990601 -					FD L35,L45	43175-22601	1								
990601 -					FG P65	43175-22601	1								
		43176			BRACKET-ROLL SUPPORT RR (S)SOPORTE										
990601 -					ALL P35	43176-22610	1								
020101 -					ALL TCI	43176-26542	1								
990601 -					AD L35,L45	43176-22610	1								
990601 -					AQ P65	43176-22610	1								
990601 -					DQ P65	43176-22610	1								
990601 -					DS L35,L45	43176-22610	1								
990601 -					FD L35,L45	43176-22610	1								
990601 -					FG P65	43176-22610	3								
		45328			BOLT (S)PERNO										
990601 -					ALL P35	45328-38000	1								
020101 -					ALL TCI	45328-38000	3								
990601 -					AD L35,L45	45328-38000	1								
990601 -					AQ P65	45328-38000	1								
990601 -					DQ P65	45328-38000	1								
990601 -					DS L35,L45	45328-38000	1								
990601 -					FD L35,L45	45328-38000	1								
990601 -					FG P65	45328-38000	1								
		K41800			PACKING (S)PACKING										
990601 - 010624					ALL P35	K9956-41800	1								
990601 - 010624					AD L35,L45	K9956-41800	1								
990601 - 010624					AQ P65	K9956-41800	1								
990601 - 010624					DQ P65	K9956-41800	1								
990601 - 010624					DS L35,L45	K9956-41800	1								
990601 - 010624					FD L35,L45	K9956-41800	1								
990601 - 010624					FG P65	K9956-41800	1								

P N C		MODEL APPLICABLE		R E P	PART NO. (REPL P/NO)	Q T Y	REMARKS	P N C		MODEL APPLICABLE		R E P	PART NO. (REPL P/NO)	Q T Y	REMARKS
FROM-UP-TO	TYPE	DESCRIPTION						FROM-UP-TO	TYPE	DESCRIPTION					
1140HE		BOLT						43215		SHAFT-OUTPUT					
		(S)PERNO (PESTANA)						(S)EJE							
990601 -		ALL P35			43318-34001	1		990601 -	ALL P35			43215-22750	1		
990601 -		AD L35			43318-34001	1		010810 -	ALL P35;-A10			43215-22750	1		
010810 -		AD L35,L45,P35;-A10			43318-34001	1		020101 -	ALL TCI			43215-28600	1		
990601 -		AG P65			43318-34001	1		990601 -	AD L35			43215-22750	1		
990601 -		DG P65			43318-34001	1		010810 -	AD L35;-A10			43215-22750	1		
990601 -		DS L35			43318-34001	1		010901 -	AD L35;-A10			43215-22768	1		
010810 -		DS L35,L45,P35;-A10			43318-34001	1		010912 -	AD CON;-A10			43215-22790	1		
990601 -		FD L35			43318-34001	1		990601 -	AG P65			43215-22760	1		
010810 -		FD L35,L45,P35;-A10			43318-34001	1		990601 -	DG M-D			43215-22760	1		
990601 -		FG P65			43318-34001	1		990601 -	DS L35			43215-22750	1		
40323		GEAR KIT-DIFFERENTIAL						010810 -	DS L35;-A10			43215-22750	1		
		(S)JUEGO ENGRANAJES						010901 -	DS L35;-A10			43215-22768	1		
990601 -		ALL P35			45835-36001	1		010912 -	DS CON;-A10			43215-22790	1		
990601 -		AD L35			45835-36001	1		990601 -	FD L35			43215-22750	1		
010810 -		AD L35,L45,P35;-A10			45835-36001	1		010810 -	FD L35;-A10			43215-22750	1		
990601 -		AG P65			45835-36001	1		010901 -	FD L35;-A10			43215-22768	1		
990601 -		DG P65			45835-36001	1		010912 -	FD CON;-A10			43215-22790	1		
990601 -		DS L35			45835-36001	1		990601 -	FG P65			43215-22760	1		
010810 -		DS L35,L45,P35;-A10			45835-36001	1		43216		NUT-LOCKING					
990601 -		FD L35			45835-36001	1		(S)TUERCA							
010810 -		FD L35,L45,P35;-A10			45835-36001	1		990601 -	AD L35,P35,P65			43216-22001	2		
990601 -		FG P65			45835-36001	1		010810 -	AD L35,L45,P35;-A10			43216-22001	2		
43204		SPACER-DIFFERENTIAL GEAR						990601 -	AG 5MT2			43216-22001	2		
		(S)						990601 -	DG 5MT2			43216-22001	2		
020101 -		ALL TCI			43204-34000	2		990601 -	DS L35,P35,P65			43216-22001	2		
43213		BOLT-SPECIAL						010810 -	DS L35,L45,P35;-A10			43216-22001	2		
		(S)PERNO						990601 -	FD L35,P35,P65			43216-22001	2		
990601 -		AD L35,P35,P65			43213-22600	8		010810 -	FD L35,L45,P35;-A10			43216-22001	2		
010810 -		AD L35,L45,P35;-A10			43213-22600	8		990601 -	FG 5MT2			43216-22001	2		
990601 -		AG 5MT2			43213-22600	8		43220B		BEARING-MNL T/A OUTPUT SHAFT FR					
990601 -		DG 5MT2			43213-22600	8		(S)COJINETE							
990601 -		DS L35,P35,P65			43213-22600	8		990601 -	ALL P35			43225-22620	1		
010810 -		DS L35,L45,P35;-A10			43213-22600	8		990601 -	ALL P35			43225-28050	1		
990601 -		FD L35,P35,P65			43213-22600	8		020101 -	ALL TCI			43225-28050	1		
010810 -		FD L35,L45,P35;-A10			43213-22600	8		990601 -	AD L35			43225-22620	1		
990601 -		FG 5MT2			43213-22600	8		990601 -	AD L35			43225-28050	1		
								010810 -	AD L35,L45,P35;-A10			43225-22620	1		

CONTINUED

2-C 3

43-432 TRANSAXLE GEAR(MTA)

BA,Q0112- 209

P N C	MODEL APPLICABLE		R E P	PART NO. (REPL P/NO)	Q T Y	REMARKS	P N C	MODEL APPLICABLE		R E P	PART NO. (REPL P/NO)	Q T Y	REMARKS
	FROM-UP-TO	TYPE						DESCRIPTION	FROM-UP-TO				
CONTINUED							CONTINUED						
43220B	BEARING-MNL T/A OUTPUT SHAFT FR (S)COJINETE						43220C	BEARING-MNL T/A OUTPUT SHAFT RR (TAPER ROLLER) (S)COJINETE					
010810 -	AD	L35,L45,P35;-A10		43225-28050	A		990601 -	FG	P65		43220-22630	1	
990601 -	AG	P65		43225-22620	1		990601 -	FG	P65		43220-28050	A	
990601 -	AG	P65		43225-28050	A		43221A	BEARING (S)COJINETE(BOLA RADIAL)					
990601 -	DG	P65		43225-22620	1		011031 -	ALL	P35		43221-22800	1	
990601 -	DG	P65		43225-28050	A		010801 -	AD	L35;-A10		43221-22660	1	
990601 -	DS	L35		43225-22620	1		011031 -	AD	L45,P35;-A10		43221-22800	1	
990601 -	DS	L35		43225-28050	A		011031 -	AG	P65		43221-22800	1	
010810 -	DB	L35,L45,P35;-A10		43225-22620	1		011031 -	DG	P65		43221-22800	1	
010810 -	DS	L35,L45,P35;-A10		43225-28050	A		010901 -	DS	L35;-A10		43221-22660	1	
990601 -	FD	L35		43225-22620	1		011031 -	DS	L45,P35;-A10		43221-22800	1	
990601 -	FD	L35		43225-28050	A		010901 -	FD	L35;-A10		43221-22660	1	
010810 -	FD	L35,L45,P35;-A10		43225-22620	1		011031 -	FD	L45,P35;-A10		43221-22800	1	
010810 -	FD	L35,L45,P35;-A10		43225-28050	A		011031 -	FG	P65		43221-22800	1	
990601 -	FG	P65		43225-22620	1		43221B	SHAFT-INPUT (S)EJE					
990601 -	FG	P65		43225-28050	A		990601 -	ALL	P35		43221-22611	1	
43220C	BEARING-MNL T/A OUTPUT SHAFT RR (TAPER ROLLER) (S)COJINETE						990601 - 011031	ALL	P35		43221-22618	A	
990601 -	ALL	P35		43220-22630	1		020101 -	ALL	TCI		43221-28515	1	
990601 -	ALL	P35		43220-28050	A		990601 -	AD	L35		43221-22611	1	
020101 -	ALL	TCI		43220-28500	1		990601 - 011031	AD	L35		43221-22618	A	
990601 -	AD	L35		43220-22630	1		010810 -	AD	L35,L45,P35;-A10		43221-22611	1	
990601 -	AD	L35		43220-28050	A		010810 - 011031	AD	L35,L45,P35;-A10		43221-22618	A	
010810 -	AD	L35,L45,P35;-A10		43220-22630	1		990601 -	AG	P65		43221-22611	1	
010810 -	AD	L35,L45,P35;-A10		43220-28050	A		990601 - 011031	AG	P65		43221-22618	A	
990601 -	AG	P65		43220-22630	1		990601 -	DG	P65		43221-22611	1	
990601 -	AG	P65		43220-28050	A		990601 - 011031	DG	P65		43221-22618	A	
990601 -	DG	P65		43220-22630	1		990601 -	DS	L35		43221-22611	1	
990601 -	DG	P65		43220-28050	A		990601 - 011031	DS	L35		43221-22618	A	
990601 -	DS	L35		43220-22630	1		010810 -	DS	L35,L45,P35;-A10		43221-22611	1	
990601 -	DS	L35		43220-28050	A		010810 - 011031	DS	L35,L45,P35;-A10		43221-22618	A	
010810 -	DS	L35,L45,P35;-A10		43220-22630	1		990601 -	FD	L35		43221-22611	1	
010810 -	DS	L35,L45,P35;-A10		43220-28050	A		990601 - 011031	FD	L35		43221-22618	A	
990601 -	FD	L35		43220-22630	1		010810 -	FD	L35,L45,P35;-A10		43221-22611	1	
990601 -	FD	L35		43220-28050	A		010810 - 011031	FD	L35,L45,P35;-A10		43221-22618	A	
010810 -	FD	L35,L45,P35;-A10		43220-22630	1		990601 -	FG	P65		43221-22611	1	
010810 -	FD	L35,L45,P35;-A10		43220-28050	A		CONTINUED						

AD:3DR,4L AG:3DR,4LS DG:3DR,4LS DS:3DR,4L FD:4DR,4L FG:4DR,4LS

A10:INDIA

2-D3

43-432 TRANSAXLE GEAR(MTA)

BA,00112- 210

P N C	MODEL APPLICABLE		PART NO. (REPL P/NO)	Q T Y	REMARKS
	FROM-UP-TO	TYPE DESCRIPTION			
CONTINUED					
43221B		SHAFT-INPUT			
		(S)EJE			
990601 - 011031		FG P65	43221-22618	A	
43222C		BEARING			
		(S)COJINETE (BOLA)			
990601 -		ALL P35	43222-22640	1	
020101 -		ALL TCI	43222-39041	1	
990601 -		AD L35	43222-22640	1	
010810 -		AD L35,L45,P35;-A10	43222-22640	1	
990601 -		AG P65	43222-22640	1	
990601 -		DG P65	43222-22640	1	
990601 -		DS L35	43222-22640	1	
010810 -		DS L35,L45,P35;-A10	43222-22640	1	
990601 -		FD L35	43222-22640	1	
010810 -		FD L35,L45,P35;-A10	43222-22640	1	
990601 -		FG P65	43222-22640	1	
43223		BEARING-MNL T/A INPUT SHAFT RR			
		(S)COJINETE			
990601 -		ALL P35	43223-22631	1	
990601 -		ALL P35	43223-22640	A	
020101 -		ALL TCI	43223-28530	1	
990601 -		AD L35	43223-22631	1	
990601 -		AD L35	43223-22640	A	
010810 -		AD L35,L45,P35;-A10	43223-22631	1	
010810 -		AD L35,L45,P35;-A10	43223-22640	A	
990601 -		AG P65	43223-22631	1	
990601 -		AG P65	43223-22640	A	
990601 -		DG P65	43223-22631	1	
990601 -		DG P65	43223-22640	A	
990601 -		DS L35	43223-22631	1	
990601 -		DS L35	43223-22640	A	
010810 -		DS L35,L45,P35;-A10	43223-22631	1	
010810 -		DS L35,L45,P35;-A10	43223-22640	A	
990601 -		FD L35	43223-22631	1	
990601 -		FD L35	43223-22640	A	
010810 -		FD L35,L45,P35;-A10	43223-22631	1	
010810 -		FD L35,L45,P35;-A10	43223-22640	A	
990601 -		FG P65	43223-22631	1	

P N C	MODEL APPLICABLE		PART NO. (REPL P/NO)	Q T Y	REMARKS
	FROM-UP-TO	TYPE DESCRIPTION			
CONTINUED					
43223		BEARING-MNL T/A INPUT SHAFT RR			
		(S)COJINETE			
990601 -		FG P65	43223-22640	A	
43224T		RING-SNAP			
		(S)RING			
990601 -		ALL P35	43224-21240	1	T=2.24
990601 -		ALL P35	43224-21310	C	T=2.31
990601 -		ALL P35	43224-21380	C	T=2.38
990601 -		AD L35	43224-21240	1	T=2.24
990601 -		AD L35	43224-21310	C	T=2.31
990601 -		AD L35	43224-21380	C	T=2.38
010810 -		AD L35,L45,P35;-A10	43224-21240	1	T=2.24
010810 -		AD L35,L45,P35;-A10	43224-21310	C	T=2.31
010810 -		AD L35,L45,P35;-A10	43224-21380	C	T=2.38
990601 -		AG P65	43224-21240	1	T=2.24
990601 -		AG P65	43224-21310	C	T=2.31
990601 -		AG P65	43224-21380	C	T=2.38
990601 -		DG P65	43224-21240	1	T=2.24
990601 -		DG P65	43224-21310	C	T=2.31
990601 -		DG P65	43224-21380	C	T=2.38
990601 -		DS L35	43224-21240	1	T=2.24
990601 -		DS L35	43224-21310	C	T=2.31
990601 -		DS L35	43224-21380	C	T=2.38
010810 -		DS L35,L45,P35;-A10	43224-21240	1	T=2.24
010810 -		DS L35,L45,P35;-A10	43224-21310	C	T=2.31
010810 -		DS L35,L45,P35;-A10	43224-21380	C	T=2.38
990601 -		FD L35	43224-21240	1	T=2.24
990601 -		FD L35	43224-21310	C	T=2.31
990601 -		FD L35	43224-21380	C	T=2.38
010810 -		FD L35,L45,P35;-A10	43224-21240	1	T=2.24
010810 -		FD L35,L45,P35;-A10	43224-21310	C	T=2.31
010810 -		FD L35,L45,P35;-A10	43224-21380	C	T=2.38
990601 -		FG P65	43224-21240	1	T=2.24
990601 -		FG P65	43224-21310	C	T=2.31
990601 -		FG P65	43224-21380	C	T=2.38
43225B		BEARING			
		(S)COJINETE(RODILLO AHUSADO)			
010601 -		AD L35;-A10	43225-22620	1	

CONTINUED

2-E3

43-432 TRANSAXLE GEAR(MTA)

BA,00112- 211

P N C	MODEL APPLICABLE		R E P	PART NO. (REPL P/NO)	Q T Y	REMARKS
	FROM-UP-TO	DESCRIPTION				
CONTINUED						
43225B		BEARING				
		(S)COJINETE(RODILLO AHUSADO)				
010901 -		AD L35;-A10		43225-28050	A	
010901 -		DS L35;-A10		43225-22620	T	
010901 -		DS L35;-A10		43225-28050	A	
010901 -		FD L35;-A10		43225-22620	T	
010901 -		FD L35;-A10		43225-28050	A	
43227T		SPACER				
		(S)ESPACIADOR				
990601 -		ALL P35		43227-22430	T	T=1.43
990601 -		ALL P35		43227-22460	T	T=1.46
990601 -		ALL P35		43227-22490	T	T=1.49
990601 -		ALL P35		43227-22520	T	T=1.52
990601 -		ALL P35		43227-22550	T	T=1.55
990601 -		ALL P35		43227-22580	T	T=1.58
990601 -		ALL P35		43227-22610	T	T=1.61
990601 -		ALL P35		43227-22640	T	T=1.64
990601 -		ALL P35		43227-22670	T	T=1.67
990601 -		ALL P35		43227-22700	T	T=1.70
990601 -		ALL P35		43227-22730	T	T=1.73
990601 -		ALL P35		43227-22760	T	T=1.76
990801 -		ALL P35		43227-22790	T	T=1.79
990601 -		ALL P35		43227-22820	T	T=1.82
990601 -		ALL P35		43227-22850	T	T=1.85
990601 -		ALL P35		43227-22880	T	T=1.88
990601 -		ALL P35		43227-22910	T	T=1.91
990601 -		ALL P35		43227-22940	T	T=1.94
990601 -		ALL P35		43227-22970	T	T=1.97
990601 -		ALL P35		43227-22000	T	T=2.00
990601 -		ALL P35		43227-22030	T	T=2.03
990601 -		ALL P35		43227-22060	T	T=2.06
990601 -		ALL P35		43227-22090	T	T=2.09
990601 -		ALL P35		43227-22120	T	T=2.12
990601 -		ALL P35		43227-22150	T	T=2.15
020101 -		ALL TCI		43227-28000	T	T=2.0
020101 -		ALL TCI		43227-28430	C	T=1.43
020101 -		ALL TCI		43227-28460	C	T=1.46
020101 -		ALL TCI		43227-28490	C	T=1.49
CONTINUED						

P N C	MODEL APPLICABLE		R E P	PART NO. (REPL P/NO)	Q T Y	REMARKS
	FROM-UP-TO	DESCRIPTION				
CONTINUED						
43227T		SPACER				
		(S)ESPACIADOR				
020101 -		ALL TCI		43227-28520	C	T=1.52
020101 -		ALL TCI		43227-28550	C	T=1.65
020101 -		ALL TCI		43227-28580	C	T=1.58
020101 -		ALL TCI		43227-28610	C	T=1.61
020101 -		ALL TCI		43227-28640	C	T=1.64
020101 -		ALL TCI		43227-28670	C	T=1.67
020101 -		ALL TCI		43227-28700	C	T=1.70
020101 -		ALL TCI		43227-28730	C	T=1.73
020101 -		ALL TCI		43227-28760	C	T=1.76
020101 -		ALL TCI		43227-28790	C	T=1.79
020101 -		ALL TCI		43227-28820	C	T=1.82
020101 -		ALL TCI		43227-28850	C	T=1.85
020101 -		ALL TCI		43227-28880	C	T=1.88
020101 -		ALL TCI		43227-28910	C	T=1.91
020101 -		ALL TCI		43227-28940	C	T=1.94
020101 -		ALL TCI		43227-28970	C	T=1.97
020101 -		ALL TCI		43227-28030	C	T=2.03
020101 -		ALL TCI		43227-28060	C	T=2.06
020101 -		ALL TCI		43227-28090	C	T=2.09
020101 -		ALL TCI		43227-28120	C	T=2.12
990601 -		AD L35		43227-22430	T	T=1.43
990601 -		AD L35		43227-22460	T	T=1.46
990601 -		AD L35		43227-22490	T	T=1.49
990601 -		AD L35		43227-22520	T	T=1.52
990601 -		AD L35		43227-22550	T	T=1.55
990601 -		AD L35		43227-22580	T	T=1.58
990601 -		AD L35		43227-22610	T	T=1.61
990601 -		AD L35		43227-22640	T	T=1.64
990601 -		AD L35		43227-22670	T	T=1.67
990601 -		AD L35		43227-22700	T	T=1.70
990601 -		AD L35		43227-22730	T	T=1.73
990601 -		AD L35		43227-22760	T	T=1.76
990601 -		AD L35		43227-22790	T	T=1.79
990601 -		AD L35		43227-22820	T	T=1.82
990601 -		AD L35		43227-22850	T	T=1.85
990601 -		AD L35		43227-22880	T	T=1.88
CONTINUED						

43-432 TRANSAXLE GEAR(MTA)

BA,00112- 212

2-F 3

P N C	MODEL APPLICABLE		R E P	PART NO. (REPL P/NO)	Q T Y	REMARKS
	FROM-UP-TO	DESCRIPTION				
CONTINUED						
43227T	SPACER					
	(S)ESPACIADOR					
990601 -	AD L35			43227-22910	1	T=1.91
990601 -	AD L35			43227-22940	1	T=1.94
990601 -	AD L35			43227-22970	1	T=1.97
990601 -	AD L35			43227-22000	1	T=2.00
990601 -	AD L35			43227-22030	1	T=2.03
990601 -	AD L35			43227-22060	1	T=2.06
990601 -	AD L35			43227-22090	1	T=2.09
990601 -	AD L35			43227-22120	1	T=2.12
990601 -	AD L35			43227-22150	1	T=2.15
010810 -	AD L35,P35;-A10			43227-22430	1	T=1.43
010810 -	AD L35,P35;-A10			43227-22460	1	T=1.46
010810 -	AD L35,P35;-A10			43227-22490	1	T=1.49
010810 -	AD L35,P35;-A10			43227-22520	1	T=1.52
010810 -	AD L35,P35;-A10			43227-22550	1	T=1.55
010810 -	AD L35,P35;-A10			43227-22580	1	T=1.58
010810 -	AD L35,P35;-A10			43227-22610	1	T=1.61
010810 -	AD L35,P35;-A10			43227-22640	1	T=1.64
010810 -	AD L35,P35;-A10			43227-22670	1	T=1.67
010810 -	AD L35,P35;-A10			43227-22700	1	T=1.70
010810 -	AD L35,P35;-A10			43227-22730	1	T=1.73
010810 -	AD L35,P35;-A10			43227-22760	1	T=1.76
010810 -	AD L35,P35;-A10			43227-22790	1	T=1.79
010810 -	AD L35,P35;-A10			43227-22820	1	T=1.82
010810 -	AD L35,P35;-A10			43227-22850	1	T=1.85
010810 -	AD L35,P35;-A10			43227-22880	1	T=1.88
010810 -	AD L35,P35;-A10			43227-22910	1	T=1.91
010810 -	AD L35,P35;-A10			43227-22940	1	T=1.94
010810 -	AD L35,P35;-A10			43227-22970	1	T=1.97
010810 -	AD L35,P35;-A10			43227-22030	1	T=2.03
010810 -	AD L35,P35;-A10			43227-22060	1	T=2.06
010810 -	AD L35,P35;-A10			43227-22090	1	T=2.09
010810 -	AD L35,L45,P35;-A10			43227-22120	1	T=2.12
010810 -	AD L35,P35;-A10			43227-22150	1	T=2.15
010810 -	AD L35,P35;-A10			43227-22200	1	T=2.00
010810 -	AD L35,P35;-A10			43227-22030	1	T=2.03
010810 -	AD L35,P35;-A10			43227-22060	1	T=2.06
010810 -	AD L35,P35;-A10			43227-22090	1	T=2.09
010810 -	AD L35,P35;-A10			43227-22120	1	T=2.12
010810 -	AD L35,P35;-A10			43227-22150	1	T=2.15
010901 -	AD L35;-A10			43227-22430	C	T=1.43
010901 -	AD L35;-A10			43227-22460	C	T=1.46

P N C	MODEL APPLICABLE		R E P	PART NO. (REPL P/NO)	Q T Y	REMARKS
	FROM-UP-TO	DESCRIPTION				
CONTINUED						
43227T	SPACER					
	(S)ESPACIADOR					
010901 -	AD L35;-A10			43227-22490	C	T=1.49
010901 -	AD L35;-A10			43227-22520	C	T=1.52
010901 -	AD L35;-A10			43227-22550	C	T=1.55
010901 -	AD L35;-A10			43227-22580	C	T=1.58
010901 -	AD L35;-A10			43227-22610	C	T=1.61
010901 -	AD L35;-A10			43227-22640	C	T=1.64
010901 -	AD L35;-A10			43227-22670	C	T=1.67
010901 -	AD L35;-A10			43227-22700	C	T=1.70
010901 -	AD L35;-A10			43227-22730	C	T=1.73
010901 -	AD L35;-A10			43227-22760	C	T=1.76
010901 -	AD L35;-A10			43227-22790	C	T=1.79
010901 -	AD L35;-A10			43227-22820	C	T=1.82
010901 -	AD L35;-A10			43227-22850	C	T=1.85
010901 -	AD L35;-A10			43227-22880	C	T=1.88
010901 -	AD L35;-A10			43227-22910	C	T=1.91
010901 -	AD L35;-A10			43227-22940	C	T=1.94
010901 -	AD L35;-A10			43227-22970	C	T=1.97
010901 -	AD L35;-A10			43227-22030	C	T=2.03
010901 -	AD L35;-A10			43227-22060	C	T=2.06
010901 -	AD L35;-A10			43227-22090	C	T=2.09
010901 -	AD L35;-A10			43227-22120	C	T=2.12
990601 -	AG P65			43227-22430	1	T=1.43
990601 -	AG P65			43227-22460	1	T=1.46
990601 -	AG P65			43227-22490	1	T=1.49
990601 -	AG P65			43227-22520	1	T=1.52
990601 -	AG P65			43227-22550	1	T=1.55
990601 -	AG P65			43227-22580	1	T=1.58
990601 -	AG P65			43227-22610	1	T=1.61
990601 -	AG P65			43227-22640	1	T=1.64
990601 -	AG P65			43227-22670	1	T=1.67
990601 -	AG P65			43227-22700	1	T=1.70
990601 -	AG P65			43227-22730	1	T=1.73
990601 -	AG P65			43227-22760	1	T=1.76
990601 -	AG P65			43227-22790	1	T=1.79
990601 -	AG P65			43227-22820	1	T=1.82
990601 -	AG P65			43227-22850	1	T=1.85

P N C	MODEL APPLICABLE		R E P	PART NO. (REPL P/NO)	Q T Y	REMARKS
	FROM-UP-TO	DESCRIPTION				
CONTINUED						
43227T		SPACER (S)ESPACIADOR				
990601 -	AG P65			43227-22880	1	T=1.88
990601 -	AG P65			43227-22910	1	T=1.91
990601 -	AG P65			43227-22940	1	T=1.94
990601 -	AG P65			43227-22970	1	T=1.97
990601 -	AG P65			43227-22000	1	T=2.00
990601 -	AG P65			43227-22030	1	T=2.03
990601 -	AG P65			43227-22060	1	T=2.06
990601 -	AG P65			43227-22090	1	T=2.09
990601 -	AG P65			43227-22120	1	T=2.12
990601 -	AG P65			43227-22150	1	T=2.15
990601 -	DG P65			43227-22430	1	T=1.43
990601 -	DG P65			43227-22460	1	T=1.46
990601 -	DG P65			43227-22490	1	T=1.49
990601 -	DG P65			43227-22520	1	T=1.52
990601 -	DG P65			43227-22550	1	T=1.55
990601 -	DG P65			43227-22580	1	T=1.58
990601 -	DG P65			43227-22610	1	T=1.61
990601 -	DG P65			43227-22640	1	T=1.64
990601 -	DG P65			43227-22670	1	T=1.67
990601 -	DG P65			43227-22700	1	T=1.70
990601 -	DG P65			43227-22730	1	T=1.73
990601 -	DG P65			43227-22760	1	T=1.76
990601 -	DG P65			43227-22790	1	T=1.79
990601 -	DG P65			43227-22820	1	T=1.82
990601 -	DG P65			43227-22850	1	T=1.85
990601 -	DG P65			43227-22880	1	T=1.88
990601 -	DG P65			43227-22910	1	T=1.91
990601 -	DG P65			43227-22940	1	T=1.94
990601 -	DG P65			43227-22970	1	T=1.97
990601 -	DG P65			43227-22000	1	T=2.00
990601 -	DG P65			43227-22030	1	T=2.03
990601 -	DG P65			43227-22060	1	T=2.06
990601 -	DG P65			43227-22090	1	T=2.09
990601 -	DG P65			43227-22120	1	T=2.12
990601 -	DG P65			43227-22150	1	T=2.15
990601 -	DS L35			43227-22430	1	T=1.43

CONTINUED

P N C	MODEL APPLICABLE		R E P	PART NO. (REPL P/NO)	Q T Y	REMARKS
	FROM-UP-TO	DESCRIPTION				
CONTINUED						
43227T		SPACER (S)ESPACIADOR				
990601 -	DS L35			43227-22460	1	T=1.46
990601 -	DS L35			43227-22490	1	T=1.49
990601 -	DS L35			43227-22520	1	T=1.52
990601 -	DS L35			43227-22550	1	T=1.55
990601 -	DS L35			43227-22580	1	T=1.58
990601 -	DS L35			43227-22610	1	T=1.61
990601 -	DS L35			43227-22640	1	T=1.64
990601 -	DS L35			43227-22670	1	T=1.67
990601 -	DS L35			43227-22700	1	T=1.70
990601 -	DS L35			43227-22730	1	T=1.73
990601 -	DS L35			43227-22760	1	T=1.76
990601 -	DS L35			43227-22790	1	T=1.79
990601 -	DS L35			43227-22820	1	T=1.82
990601 -	DS L35			43227-22850	1	T=1.85
990601 -	DS L35			43227-22880	1	T=1.88
990601 -	DS L35			43227-22910	1	T=1.91
990601 -	DS L35			43227-22940	1	T=1.94
990601 -	DS L35			43227-22970	1	T=1.97
990601 -	DS L35			43227-22000	1	T=2.00
990601 -	DS L35			43227-22030	1	T=2.03
990601 -	DS L35			43227-22060	1	T=2.06
990601 -	DS L35			43227-22090	1	T=2.09
990601 -	DS L35			43227-22120	1	T=2.12
990601 -	DS L35			43227-22150	1	T=2.15
990601 -	DS L35			43227-22430	1	T=1.43

CONTINUED

2-H3

43-432 TRANSAXLE GEAR(MTA)

BA,00112- 214

P N C	MODEL APPLICABLE		R E P	PART NO. (REPL P/NO)	Q T Y	REMARKS
	FROM-UP-TO	DESCRIPTION				
CONTINUED						
43227T		SPACER (S)ESPAZIADOR				
010810 -	DS	L35,P35;-A10		43227-22790	1	T=1.79
010810 -	DS	L35,P35;-A10		43227-22820	1	T=1.82
010810 -	DS	L35,P35;-A10		43227-22850	1	T=1.85
010810 -	DS	L35,P35;-A10		43227-22880	1	T=1.88
010810 -	DS	L35,P35;-A10		43227-22910	1	T=1.91
010810 -	DS	L35,P35;-A10		43227-22940	1	T=1.94
010810 -	DS	L35,P35;-A10		43227-22970	1	T=1.97
010810 -	DS	L35,L45,P35;-A10		43227-22000	1	T=2.00
010810 -	DS	L35,P35;-A10		43227-22030	1	T=2.03
010810 -	DS	L35,P35;-A10		43227-22060	1	T=2.06
010810 -	DS	L35,P35;-A10		43227-22090	1	T=2.09
010810 -	DS	L35,P35;-A10		43227-22120	1	T=2.12
010810 -	DS	L35,P35;-A10		43227-22150	1	T=2.15
010901 -	DS	L35;-A10		43227-22430	C	T=1.43
010901 -	DS	L35;-A10		43227-22460	C	T=1.46
010901 -	DS	L35;-A10		43227-22490	C	T=1.49
010901 -	DS	L35;-A10		43227-22520	C	T=1.52
010901 -	DS	L35;-A10		43227-22550	C	T=1.55
010901 -	DS	L35;-A10		43227-22580	C	T=1.58
010901 -	DS	L35;-A10		43227-22610	C	T=1.61
010901 -	DS	L35;-A10		43227-22640	C	T=1.64
010901 -	DS	L35;-A10		43227-22670	C	T=1.67
010901 -	DS	L35;-A10		43227-22700	C	T=1.70
010901 -	DS	L35;-A10		43227-22730	C	T=1.73
010901 -	DS	L35;-A10		43227-22760	C	T=1.76
010901 -	DS	L35;-A10		43227-22790	C	T=1.79
010901 -	DS	L35;-A10		43227-22820	C	T=1.82
010901 -	DS	L35;-A10		43227-22850	C	T=1.85
010901 -	DS	L35;-A10		43227-22880	C	T=1.88
010901 -	DS	L35;-A10		43227-22910	C	T=1.91
010901 -	DS	L35;-A10		43227-22940	C	T=1.94
010901 -	DS	L35;-A10		43227-22970	C	T=1.97
010901 -	DS	L35;-A10		43227-22000	C	T=2.00
010901 -	DS	L35;-A10		43227-22030	C	T=2.03
010901 -	DS	L35;-A10		43227-22060	C	T=2.06
010901 -	DS	L35;-A10		43227-22090	C	T=2.09
010901 -	DS	L35;-A10		43227-22120	C	T=2.12
CONTINUED						

P N C	MODEL APPLICABLE		R E P	PART NO. (REPL P/NO)	Q T Y	REMARKS
	FROM-UP-TO	DESCRIPTION				
CONTINUED						
43227T		SPACER (S)ESPAZIADOR				
990601 -	FD	L35		43227-22430	1	T=1.43
990601 -	FD	L35		43227-22460	1	T=1.46
990601 -	FD	L35		43227-22490	1	T=1.49
990601 -	FD	L35		43227-22520	1	T=1.52
990601 -	FD	L35		43227-22550	1	T=1.55
990601 -	FD	L35		43227-22580	1	T=1.58
990601 -	FD	L35		43227-22610	1	T=1.61
990601 -	FD	L35		43227-22640	1	T=1.64
990601 -	FD	L35		43227-22670	1	T=1.67
990601 -	FD	L35		43227-22700	1	T=1.70
990601 -	FD	L35		43227-22730	1	T=1.73
990601 -	FD	L35		43227-22760	1	T=1.76
990601 -	FD	L35		43227-22790	1	T=1.79
990601 -	FD	L35		43227-22820	1	T=1.82
990601 -	FD	L35		43227-22850	1	T=1.85
990601 -	FD	L35		43227-22880	1	T=1.88
990601 -	FD	L35		43227-22910	1	T=1.91
990601 -	FD	L35		43227-22940	1	T=1.94
990601 -	FD	L35		43227-22970	1	T=1.97
990601 -	FD	L35		43227-22000	1	T=2.00
990601 -	FD	L35		43227-22030	1	T=2.03
990601 -	FD	L35		43227-22060	1	T=2.06
990601 -	FD	L35		43227-22090	1	T=2.09
990601 -	FD	L35		43227-22120	1	T=2.12
990601 -	FD	L35		43227-22150	1	T=2.15
010810 -	FD	L35,P35;-A10		43227-22430	1	T=1.43
010810 -	FD	L35,P35;-A10		43227-22460	1	T=1.46
010810 -	FD	L35,P35;-A10		43227-22490	1	T=1.49
010810 -	FD	L35,P35;-A10		43227-22520	1	T=1.52
010810 -	FD	L35,P35;-A10		43227-22550	1	T=1.55
010810 -	FD	L35,P35;-A10		43227-22580	1	T=1.58
010810 -	FD	L35,P35;-A10		43227-22610	1	T=1.61
010810 -	FD	L35,P35;-A10		43227-22640	1	T=1.64
010810 -	FD	L35,P35;-A10		43227-22670	1	T=1.67
010810 -	FD	L35,P35;-A10		43227-22700	1	T=1.70
010810 -	FD	L35,P35;-A10		43227-22730	1	T=1.73
CONTINUED						

P N C		MODEL APPLICABLE		R E P	PART NO. (REPL PNO)	Q T Y	REMARKS	P N C		MODEL APPLICABLE		R E P	PART NO. (REPL PNO)	Q T Y	REMARKS
FROM-UP-TO	TYPE	DESCRIPTION						FROM-UP-TO	TYPE	DESCRIPTION					
CONTINUED								CONTINUED							
43227T		SPACER (S)ESPACIADOR						43227T		SPACER (S)ESPACIADOR					
010810 -	FD	L35,P35;-A10			43227-22760	1	T=1.76	010901 -	FD	L35;-A10			43227-22120	C	T=2.12
010810 -	FD	L35,P35;-A10			43227-22790	1	T=1.79	990601 -	FG	P65			43227-22430	1	T=1.43
010810 -	FD	L35,P35;-A10			43227-22820	1	T=1.82	990601 -	FG	P65			43227-22460	1	T=1.46
010810 -	FD	L35,P35;-A10			43227-22850	1	T=1.85	990601 -	FG	P65			43227-22490	1	T=1.49
010810 -	FD	L35,P35;-A10			43227-22880	1	T=1.88	990601 -	FG	P65			43227-22520	1	T=1.52
010810 -	FD	L35,P35;-A10			43227-22910	1	T=1.91	990601 -	FG	P65			43227-22550	1	T=1.55
010810 -	FD	L35,P35;-A10			43227-22940	1	T=1.94	990601 -	FG	P65			43227-22580	1	T=1.58
010810 -	FD	L35,P35;-A10			43227-22970	1	T=1.97	990601 -	FG	P65			43227-22610	1	T=1.61
010810 -	FD	L35,L45,P35;-A10			43227-22000	1	T=2.00	990601 -	FG	P65			43227-22640	1	T=1.64
010810 -	FD	L35,P35;-A10			43227-22030	1	T=2.03	990601 -	FG	P65			43227-22670	1	T=1.67
010810 -	FD	L35,P35;-A10			43227-22060	1	T=2.06	990601 -	FG	P65			43227-22700	1	T=1.70
010810 -	FD	L35,P35;-A10			43227-22090	1	T=2.09	990601 -	FG	P65			43227-22730	1	T=1.73
010810 -	FD	L35,P35;-A10			43227-22120	1	T=2.12	990601 -	FG	P65			43227-22760	1	T=1.76
010810 -	FD	L35,P35;-A10			43227-22150	1	T=2.15	990601 -	FG	P65			43227-22790	1	T=1.79
010901 -	FD	L35;-A10			43227-22430	C	T=1.43	990601 -	FG	P65			43227-22820	1	T=1.82
010901 -	FD	L35;-A10			43227-22460	C	T=1.46	990601 -	FG	P65			43227-22850	1	T=1.85
010901 -	FD	L35;-A10			43227-22490	C	T=1.49	990601 -	FG	P65			43227-22880	1	T=1.88
010901 -	FD	L35;-A10			43227-22520	C	T=1.52	990601 -	FG	P65			43227-22910	1	T=1.91
010901 -	FD	L35;-A10			43227-22550	C	T=1.55	990601 -	FG	P65			43227-22940	1	T=1.94
010901 -	FD	L35;-A10			43227-22580	C	T=1.58	990601 -	FG	P65			43227-22970	1	T=1.97
010901 -	FD	L35;-A10			43227-22610	C	T=1.61	990601 -	FG	P65			43227-22000	1	T=2.00
010901 -	FD	L35;-A10			43227-22640	C	T=1.64	990601 -	FG	P65			43227-22030	1	T=2.03
010901 -	FD	L35;-A10			43227-22670	C	T=1.67	990601 -	FG	P65			43227-22060	1	T=2.06
010901 -	FD	L35;-A10			43227-22700	C	T=1.70	990601 -	FG	P65			43227-22090	1	T=2.09
010901 -	FD	L35;-A10			43227-22730	C	T=1.73	990601 -	FG	P65			43227-22120	1	T=2.12
010901 -	FD	L35;-A10			43227-22760	C	T=1.76	990601 -	FG	P65			43227-22150	1	T=2.15
010901 -	FD	L35;-A10			43227-22790	C	T=1.79	43230 GEAR-5TH SPEED OUTPUT (S)ENGRANAJE							
010901 -	FD	L35;-A10			43227-22820	C	T=1.82	990601 -	ALL	P35			43230-22710	1	
010901 -	FD	L35;-A10			43227-22850	C	T=1.85	010810 -	ALL	P35;-A10			43230-22710	1	
010901 -	FD	L35;-A10			43227-22880	C	T=1.88	020101 -	ALL	TCI			43230-28520	1	
010901 -	FD	L35;-A10			43227-22910	C	T=1.91	990601 -	AD	L35			43230-22710	1	
010901 -	FD	L35;-A10			43227-22940	C	T=1.94	010810 -	AD	L35;-A10			43230-22710	1	
010901 -	FD	L35;-A10			43227-22970	C	T=1.97	010912 -	AD	CON;-A10			43230-22650	1	
010901 -	FD	L35;-A10			43227-22030	C	T=2.03	990601 -	AG	P65			43230-22650	1	
010901 -	FD	L35;-A10			43227-22060	C	T=2.06	990601 -	DG	M-D			43230-22650	1	
010901 -	FD	L35;-A10			43227-22090	C	T=2.09	CONTINUED							

43-432 TRANSAXLE GEAR(MTA)

BA,00112- 218

2-13

P N C	MODEL APPLICABLE		R E P	PART NO. (REPL PNO)	Q T Y	REMARKS
	FROM-UP-TO	TYPE DESCRIPTION				
CONTINUED						
43230		GEAR-5TH SPEED OUTPUT (S)ENGRANAJE				
990601 -	DS	L35		43230-22710	1	
010610 -	DS	L35;-A10		43230-22710	1	
010912 -	DS	CON;-A10		43230-22650	1	
990601 -	FD	L35		43230-22710	1	
010610 -	FD	L35;-A10		43230-22710	1	
010912 -	FD	CON;-A10		43230-22650	1	
990601 -	FG	P65		43230-22650	1	
43239		SPACER (S)ESPACIADOR				
990601 -	AD	L35,P35,P85		43239-22000	1	
010610 -	AD	L35,L45,P35;-A10		43239-22000	1	
990601 -	AG	5MT2		43239-22000	1	
990601 -	DG	5MT2		43239-22000	1	
990601 -	DS	L35,P35,P85		43239-22000	1	
010610 -	DS	L35,L45,P35;-A10		43239-22000	1	
990601 -	FD	L35,P35,P85		43239-22000	1	
010610 -	FD	L35,L45,P35;-A10		43239-22000	1	
990601 -	FG	5MT2		43239-22000	1	
43240		GEAR ASSY-5TH SPEED (S)CONJ. ENGRANAJE				
990601 -	ALL	P35		43240-22710	1	
010610 -	ALL	P35;-A10		43240-22710	1	
020101 -	ALL	TCI		43240-28520	1	
990601 -	AD	L35		43240-22710	1	
010610 -	AD	L35;-A10		43240-22710	1	
010912 -	AD	CON;-A10		43240-22650	1	
990601 -	AG	P65		43240-22650	1	
990601 -	DG	M-D		43240-22650	1	
990601 -	DS	L35		43240-22710	1	
010610 -	DS	L35;-A10		43240-22710	1	
010912 -	DS	CON;-A10		43240-22650	1	
990601 -	FD	L35		43240-22710	1	
010610 -	FD	L35;-A10		43240-22710	1	
010912 -	FD	CON;-A10		43240-22650	1	
990601 -	FG	P65		43240-22650	1	

P N C	MODEL APPLICABLE		R E P	PART NO. (REPL PNO)	Q T Y	REMARKS
	FROM-UP-TO	TYPE DESCRIPTION				
43243		SLEEVE-5TH SPEED GEAR (S)MANGUITO				
990601 -	ALL	P35		43243-22600	1	
020101 -	ALL	TCI		43243-28500	1	
990601 -	AD	L35		43243-22600	1	
010610 -	AD	L35,L45,P35;-A10		43243-22600	1	
990601 -	AG	P65		43243-22600	1	
990601 -	DG	P65		43243-22600	1	
990601 -	DS	L35		43243-22600	1	
010610 -	DS	L35,L45,P35;-A10		43243-22600	1	
990601 -	FD	L35		43243-22600	1	
010610 -	FD	L35,L45,P35;-A10		43243-22600	1	
990601 -	FG	P65		43243-22600	1	
43244		SPACER (S)ESPACIADOR				
990601 -	ALL	P35		43244-36500	1	
990601 -	AD	L35		43244-36500	1	
010610 -	AD	L35,L45,P35;-A10		43244-36500	1	
990601 -	AG	P65		43244-36500	1	
990601 -	DG	P65		43244-36500	1	
990601 -	DS	L35		43244-36500	1	
010610 -	DS	L35,L45,P35;-A10		43244-36500	1	
990601 -	FD	L35		43244-36500	1	
010610 -	FD	L35,L45,P35;-A10		43244-36500	1	
990601 -	FG	P65		43244-36500	1	
43245T		RING-SNAP (S)JUEGO ANILLO				
990601 -	AD	L35,P35,P85		43245-34180	1	T=1.80
990601 -	AD	L35,P35,P85		43245-34187	C	T=1.87
990601 -	AD	L35,P35,P85		43245-34194	C	T=1.94
990601 -	AD	L35,P35,P85		43245-34201	C	T=2.01
990601 -	AD	L35,P35,P85		43245-34208	C	T=2.08
990601 -	AD	L35,P35,P85		43245-34215	C	T=2.15
010610 -	AD	L35,L45,P35;-A10		43245-34180	1	T=1.80
010610 -	AD	L35,L45,P35;-A10		43245-34187	C	T=1.87
010610 -	AD	L35,L45,P35;-A10		43245-34194	C	T=1.94
010610 -	AD	L35,L45,P35;-A10		43245-34201	C	T=2.01
010610 -	AD	L35,L45,P35;-A10		43245-34208	C	T=2.08
010610 -	AD	L35,L45,P35;-A10		43245-34215	C	T=2.15
CONTINUED						

2-K3

43-432 TRANSAXLE GEAR(MTA)

BA,G0112- 217

P N C	MODEL APPLICABLE		R E P	PART NO. (REPL P/NO)	Q T Y	REMARKS	P N C	MODEL APPLICABLE		R E P	PART NO. (REPL P/NO)	Q T Y	REMARKS
	FROM-UP-TO	TYPE						DESCRIPTION	FROM-UP-TO				
CONTINUED							CONTINUED						
43245T		RING-SNAP (S)JUEGO ANILLO					43245T		RING-SNAP (S)JUEGO ANILLO				
990601 -		AG 5MT2		43245-34180	1	T=1.80	990601 -		FG 5MT2		43245-34180	1	T=1.80
990601 -		AG 5MT2		43245-34187	C	T=1.87	990601 -		FG 5MT2		43245-34187	C	T=1.87
990601 -		AG 5MT2		43245-34194	C	T=1.94	990601 -		FG 5MT2		43245-34194	C	T=1.94
990601 -		AG 5MT2		43245-34201	C	T=2.01	990601 -		FG 5MT2		43245-34201	C	T=2.01
990601 -		AG 5MT2		43245-34208	C	T=2.08	990601 -		FG 5MT2		43245-34208	C	T=2.08
990601 -		AG 5MT2		43245-34215	C	T=2.15	990601 -		FG 5MT2		43245-34215	C	T=2.15
990601 -		DG 5MT2		43245-34180	1	T=1.80	43250		GEAR ASSY-MAIN SHAFT 2ND (S)CONJ. ENGRANAJE				
990601 -		DG 5MT2		43245-34187	C	T=1.87	990601 -		ALL P35		43250-22750	A	
990601 -		DG 5MT2		43245-34194	C	T=1.94	990601 - 010120		ALL P35		43250-22030	1	
990601 -		DG 5MT2		43245-34201	C	T=2.01	020101 -		ALL TCI		43250-28570	1	
990601 -		DG 5MT2		43245-34208	C	T=2.08	020101 -		ALL TCI		43250-28551	A	
990601 -		DG 5MT2		43245-34215	C	T=2.15	990601 -		AD L35		43250-22750	A	
990601 -		DS L35,P35,P85		43245-34180	1	T=1.80	990601 - 010120		AD L35		43250-22030	1	
990601 -		DS L35,P35,P85		43245-34187	C	T=1.87	010810 -		AD L35,L45,P35;-A10		43250-22750	A	
990601 -		DS L35,P35,P85		43245-34194	C	T=1.94	990601 -		AG P65		43250-22750	A	
990601 -		DS L35,P35,P85		43245-34201	C	T=2.01	990601 - 010120		AG P65		43250-22030	1	
990601 -		DS L35,P35,P85		43245-34208	C	T=2.08	990601 -		DG P65		43250-22750	A	
990601 -		DS L35,P35,P85		43245-34215	C	T=2.15	990601 - 010120		DG P65		43250-22030	1	
010810 -		DS L35,L45,P35;-A10		43245-34180	1	T=1.80	990601 -		DS L35		43250-22750	A	
010810 -		DS L35,L45,P35;-A10		43245-34187	C	T=1.87	990601 - 010120		DS L35		43250-22030	1	
010810 -		DS L35,L45,P35;-A10		43245-34194	C	T=1.94	010810 -		DS L35,L45,P35;-A10		43250-22750	A	
010810 -		DS L35,L45,P35;-A10		43245-34201	C	T=2.01	990601 -		FD L35		43250-22750	A	
010810 -		DS L35,L45,P35;-A10		43245-34208	C	T=2.08	990601 - 010120		FD L35		43250-22030	1	
010810 -		DS L35,L45,P35;-A10		43245-34215	C	T=2.15	010810 -		FD L35,L45,P35;-A10		43250-22750	A	
990601 -		FD L35,P35,P85		43245-34180	1	T=1.80	990601 -		FG P65		43250-22750	A	
990601 -		FD L35,P35,P85		43245-34187	C	T=1.87	990601 - 010120		FG P65		43250-22030	1	
990601 -		FD L35,P35,P85		43245-34194	C	T=1.94	43250C		GEAR ASSY-1ST SPEED (S)				
990601 -		FD L35,P35,P85		43245-34201	C	T=2.01	010120 -		ALL P35		43250-22740	A	
990601 -		FD L35,P35,P85		43245-34208	C	T=2.08	010120 -		AD L35		43250-22740	A	
990601 -		FD L35,P35,P85		43245-34215	C	T=2.15	010810 -		AD L35,L45,P35;-A10		43250-22740	A	
010810 -		FD L35,L45,P35;-A10		43245-34180	1	T=1.80	010801 -		AD L35;-A10		43250-22740	1	
010810 -		FD L35,L45,P35;-A10		43245-34187	C	T=1.87	010901 -		AD L35;-A10		43250-22750	A	
010810 -		FD L35,L45,P35;-A10		43245-34194	C	T=1.94	010120 -		AG P65		43250-22740	A	
010810 -		FD L35,L45,P35;-A10		43245-34201	C	T=2.01	010120 -		DG P65		43250-22740	A	
010810 -		FD L35,L45,P35;-A10		43245-34208	C	T=2.08							
010810 -		FD L35,L45,P35;-A10		43245-34215	C	T=2.15							
CONTINUED							CONTINUED						

AD:3DR,GL AG:5DR,GLS DG:3DR,GLS DS:3DR,1 FG:4DR,GL

A10:INDIA

P N C	MODEL APPLICABLE		PART NO. (REPL P/NO)	Q T Y	REMARKS
	FROM-UP-TO	DESCRIPTION			
CONTINUED					
43250C	GEAR ASSY-1ST SPEED (S)				
010120 -	DS	L35	43250-22740	A	
010810 -	DS	L35,L45,P35;-A10	43250-22740	A	
010901 -	DS	L35;-A10	43250-22740	1	
010901 -	DS	L35;-A10	43250-22750	A	
010120 -	FD	L35	43250-22740	A	
010810 -	FD	L35,L45,P35;-A10	43250-22740	A	
010901 -	FD	L35;-A10	43250-22740	1	
010901 -	FD	L35;-A10	43250-22750	A	
010120 -	FG	P85	43250-22740	A	
43253A	BEARING-MTA 2ND GEAR (S)COJINETE				
990601 -	AD	L35,P35,P85	43253-22640	2	
990601 -	AD	L35,P35,P85	43253-34160	A	
010810 -	AD	L35,L45,P35;-A10	43253-22640	2	
010810 -	AD	L35,L45,P35;-A10	43253-34160	A	
990601 -	AG	5MT2	43253-22640	2	
990601 -	AG	5MT2	43253-34160	A	
990601 -	DG	5MT2	43253-22640	2	
990601 -	DG	5MT2	43253-34160	A	
990601 -	DS	L35,P35,P85	43253-22640	2	
990601 -	DS	L35,P35,P85	43253-34160	A	
010810 -	DS	L35,L45,P35;-A10	43253-22640	2	
010810 -	DS	L35,L45,P35;-A10	43253-34160	A	
990601 -	FD	L35,P35,P85	43253-22640	2	
990601 -	FD	L35,P35,P85	43253-34160	A	
010810 -	FD	L35,L45,P35;-A10	43253-22640	2	
010810 -	FD	L35,L45,P35;-A10	43253-34160	A	
990601 -	FG	5MT2	43253-22640	2	
990601 -	FG	5MT2	43253-34160	A	
43254	SPACER (S)ESPACIADOR				
990601 -	AD	L35,P35,P85	43254-34000	1	
010810 -	AD	L35,L45,P35;-A10	43254-34000	1	
990601 -	AG	5MT2	43254-34000	1	
990601 -	DG	5MT2	43254-34000	1	
990601 -	DS	L35,P35,P85	43254-34000	1	

P N C	MODEL APPLICABLE		PART NO. (REPL P/NO)	Q T Y	REMARKS
	FROM-UP-TO	DESCRIPTION			
CONTINUED					
43254	SPACER (S)ESPACIADOR				
010810 -	DS	L35,L45,P35;-A10	43254-34000	1	
990601 -	FD	L35,P35,P85	43254-34000	1	
010810 -	FD	L35,L45,P35;-A10	43254-34000	1	
990601 -	FG	5MT2	43254-34000	1	
43255	BEARING-INPUT SHAFT (S)COJINETE				
990601 -	AD	L35,P35,P85	43255-22640	1	
990601 -	AD	L35,P35,P85	43255-34060	A	
010810 -	AD	L35,L45,P35;-A10	43255-22640	1	
010810 -	AD	L35,L45,P35;-A10	43255-34060	A	
990601 -	AG	5MT2	43255-22640	1	
990601 -	AG	5MT2	43255-34060	A	
990601 -	DG	5MT2	43255-22640	1	
990601 -	DG	5MT2	43255-34060	A	
990601 -	DS	L35,P35,P85	43255-22640	1	
990601 -	DS	L35,P35,P85	43255-34060	A	
010810 -	DS	L35,L45,P35;-A10	43255-22640	1	
010810 -	DS	L35,L45,P35;-A10	43255-34060	A	
990601 -	FD	L35,P35,P85	43255-22640	1	
990601 -	FD	L35,P35,P85	43255-34060	A	
010810 -	FD	L35,L45,P35;-A10	43255-22640	1	
010810 -	FD	L35,L45,P35;-A10	43255-34060	A	
990601 -	FG	5MT2	43255-22640	1	
990601 -	FG	5MT2	43255-34060	A	
43258	SLEEVE-2ND SPEED GEAR (S)MANGUITO				
990601 -	AD	L35,P35,P85	43258-22000	1	
010810 -	AD	L35,L45,P35;-A10	43258-22000	1	
990601 -	AG	5MT2	43258-22000	1	
990601 -	DG	5MT2	43258-22000	1	
990601 -	DS	L35,P35,P85	43258-22000	1	
010810 -	DS	L35,L45,P35;-A10	43258-22000	1	
990601 -	FD	L35,P35,P85	43258-22000	1	
010810 -	FD	L35,L45,P35;-A10	43258-22000	1	
990601 -	FG	5MT2	43258-22000	1	

2-M 3

43-432 TRANSAXLE GEAR(MTA)

BA,G0112- 219

P N C		MODEL APPLICABLE		R E P	PART NO. (REPL P/NO)	Q T Y	REMARKS	P N C		MODEL APPLICABLE		R E P	PART NO. (REPL P/NO)	Q T Y	REMARKS
FROM-UP-TO	TYPE	DESCRIPTION						FROM-UP-TO	TYPE	DESCRIPTION					
43259B		SLEEVE-4TH SPEED GEAR						CONTINUED							
		(S)MANGUITO						43263	GEAR-3RD SPEED OUTPUT						
990601 -	AD	L35,P35,P85			43259-22600	1		990601 - 010310	AD	L35			43263-22000	1	
010810 -	AD	L35,L45,P35;-A10			43259-22600	1		010301 -	AD	L35			43263-22750	1	
990601 -	AG	SMT2			43259-22600	1		010810 -	AD	L35,L45,P35;-A10			43263-22750	1	
990601 -	DG	SMT2			43259-22600	1		010901 -	AD	L35;-A10			43263-22660	1	
990601 -	DS	L35,P35,P85			43259-22600	1		990601 - 010310	AG	P65			43263-22000	1	
010810 -	DS	L35,L45,P35;-A10			43259-22600	1		010301 -	AG	P65			43263-22750	1	
990601 -	FD	L35,P35,P85			43259-22600	1		990601 - 010310	DG	P65			43263-22000	1	
010810 -	FD	L35,L45,P35;-A10			43259-22600	1		010301 -	DG	P65			43263-22750	1	
990601 -	FG	SMT2			43259-22600	1		990601 - 010310	DS	L35			43263-22000	1	
43260		GEAR ASSY-3RD SPEED						010301 -	DS	L35			43263-22750	1	
		(S)CONJ. ENGRANAJE						010810 -	DS	L35,L45,P35;-A10			43263-22750	1	
990601 - 010310	ALL	P35			43260-22800	1		010901 -	DS	L35;-A10			43263-22660	1	
010310 -	ALL	P35			43260-22750	1		990601 - 010310	FD	L35			43263-22000	1	
020101 -	ALL	TCI			43260-28520	1		010301 -	FD	L35			43263-22750	1	
990601 - 010310	AD	L35			43260-22800	1		010810 -	FD	L35,L45,P35;-A10			43263-22750	1	
010310 -	AD	L35			43260-22750	1		010901 -	FD	L35;-A10			43263-22660	1	
010810 -	AD	L35,L45,P35;-A10			43260-22750	1		990601 - 010310	FG	P65			43263-22000	1	
010901 -	AD	L35;-A10			43260-22660	1		010301 -	FG	P65			43263-22750	1	
990601 - 010310	AG	P65			43260-22800	1		43265		BEARING-MNL T/A INPUT SHAFT					
010310 -	AG	P65			43260-22750	1			(S)COJINETE						
990601 - 010310	DG	P65			43260-22800	1		990601 -	AD	L35,P35,P85			43265-22640	2	
010310 -	DG	P65			43260-22750	1		990601 -	AD	L35,P35,P85			43265-34060	A	
990601 - 010310	DS	L35			43260-22800	1		010810 -	AD	L35,L45,P35;-A10			43265-22640	2	
010310 -	DS	L35			43260-22750	1		010810 -	AD	L35,L45,P35;-A10			43265-34060	A	
010810 -	DS	L35,L45,P35;-A10			43260-22750	1		990601 -	AG	SMT2			43265-22640	2	
010901 -	DS	L35;-A10			43260-22660	1		990601 -	AG	SMT2			43265-34060	A	
990601 - 010310	FD	L35			43260-22800	1		990601 -	DG	SMT2			43265-22640	2	
010310 -	FD	L35			43260-22750	1		990601 -	DG	SMT2			43265-34060	A	
010810 -	FD	L35,L45,P35;-A10			43260-22750	1		990601 -	DS	L35,P35,P85			43265-22640	2	
010901 -	FD	L35;-A10			43260-22660	1		990601 -	DS	L35,P35,P85			43265-34060	A	
990601 - 010310	FG	P65			43260-22800	1		010810 -	DS	L35,L45,P35;-A10			43265-22640	2	
010310 -	FG	P65			43260-22750	1		010810 -	DS	L35,L45,P35;-A10			43265-34060	A	
43263		GEAR-3RD SPEED OUTPUT						990601 -	FD	L35,P35,P85			43265-22640	2	
		(S)ENGRANAJE						990601 -	FD	L35,P35,P85			43265-34060	A	
990601 - 010310	ALL	P35			43263-22000	1		010810 -	FD	L35,L45,P35;-A10			43265-22640	2	
010301 -	ALL	P35			43263-22750	1		010810 -	FD	L35,L45,P35;-A10			43265-34060	A	
020101 -	ALL	TCI			43263-28500	1		010810 -	FD	L35,L45,P35;-A10			43265-34060	A	

AD:3DR,GL AG:5DR,QLS DG:3DR,QLS DS:3DR,L FD:4DR,GL FG:4DR,QLS

A10:INDIA

43-432 TRANSAXLE GEAR(MTA)

BA,00112-220

2-A 4

P N C		MODEL APPLICABLE		R E C P	PART NO. (REPL P/NO)	Q T Y	REMARKS	P N C		MODEL APPLICABLE		R E C P	PART NO. (REPL P/NO)	Q T Y	REMARKS
FROM-UP-TO	TYPE	DESCRIPTION						FROM-UP-TO	TYPE	DESCRIPTION					
CONTINUED								CONTINUED							
43265		BEARING-MNL T/A INPUT SHAFT (S)COJINETE						43270		GEAR ASSY-2ND SPEED (S)CONJ. ENGRANAJE					
990601 -		FG	5MT2		43265-22640	2		990601 - 011031	AG	P65		43270-22750	A		
990601 -		FG	5MT2		43265-34060	A		010120 -	AG	P65		43270-22640	1		
43265A		BEARING(NEEDLE) (S)COJINETE (AGUJA)						010120 -	AG	P65		43270-22740	1		
010901 -		AD	L35;-A10		43265-22640	2		011031 -	AG	P65		43270-22800	1		
010901 -		AD	L35;-A10		43265-34060	A		990601 - 010120	DG	P65		43270-22022	1		
010901 -		DB	L35;-A10		43265-22640	2		990601 - 011031	DG	P65		43270-22750	A		
010901 -		DS	L35;-A10		43265-34060	A		010120 -	DG	P65		43270-22640	1		
010901 -		DS	L35;-A10		43265-34060	2		010120 -	DG	P65		43270-22740	1		
010901 -		FD	L35;-A10		43265-22640	A		011031 -	DG	P65		43270-22600	1		
010901 -		FD	L35;-A10		43265-34060	A		990601 - 010120	DS	L35		43270-22022	1		
43269T		RING-SNAP (S)JUEGO ANILLO						990601 - 011031	DS	L35		43270-22750	A		
020101 -		ALL	TCI		43269-39215	1	T=2.15	010120 -	DS	L35		43270-22640	1		
020101 -		ALL	TCI		43269-39223	C	T=2.23	010120 -	DS	L35		43270-22740	1		
020101 -		ALL	TCI		43269-39231	C	T=2.31	010810 -	DS	L35,L45,P35;-A10		43270-22640	1		
020101 -		ALL	TCI		43269-39239	C	T=2.39	010810 -	DS	L35,L45,P35;-A10		43270-22750	A		
020101 -		ALL	TCI		43269-39247	C	T=2.47	010901 -	DS	L35;-A10		43270-22660	1		
43270		GEAR ASSY-2ND SPEED (S)CONJ. ENGRANAJE						011031 -	DS	L45,P35;-A10		43270-22800	1		
990601 - 010120		ALL	P35		43270-22022	1		990601 - 010120	FD	L35		43270-22022	1		
990601 - 011031		ALL	P35		43270-22750	A		990601 - 011031	FD	L35		43270-22750	A		
010120 -		ALL	P35		43270-22640	1		010120 -	FD	L35		43270-22640	1		
010120 -		ALL	P35		43270-22740	1		010120 -	FD	L35		43270-22740	1		
011031 -		ALL	P35		43270-22800	1		010810 -	FD	L35,L45,P35;-A10		43270-22640	1		
020101 -		ALL	TCI		43270-28510	1		010810 -	FD	L35,L45,P35;-A10		43270-22740	1		
020101 -		ALL	TCI		43270-28500	A		010810 - 011031	FD	L35,L45,P35;-A10		43270-22750	A		
990601 - 010120		AD	L35		43270-22022	1		010901 -	FD	L35;-A10		43270-22660	1		
990601 - 011031		AD	L35		43270-22750	A		011031 -	FD	L45,P35;-A10		43270-22600	1		
010120 -		AD	L35		43270-22640	1		990601 - 010120	FG	P65		43270-22022	1		
010120 -		AD	L35		43270-22740	1		990601 - 011031	FG	P65		43270-22750	A		
010810 -		AD	L35,L45,P35;-A10		43270-22640	1		010120 -	FG	P65		43270-22640	1		
010810 -		AD	L35,L45,P35;-A10		43270-22740	1		010120 -	FG	P65		43270-22740	1		
010810 - 011031		AD	L35,L45,P35;-A10		43270-22750	A		011031 -	FG	P65		43270-22800	1		
010901 -		AD	L35;-A10		43270-22660	1		43280		GEAR ASSY-4TH SPEED (S)CONJ. ENGRANAJE					
011031 -		AD	L45,P35;-A10		43270-22800	1		990601 -	AD	L35,P35,P85		43280-22800	1		
990601 - 010120		AG	P65		43270-22022	1		010810 -	AD	L35,L45,P35;-A10		43280-22800	1		

2-B 4

43-432 TRANSAXLE GEAR(MTA)

BA,G0112- 221

P N C		MODEL APPLICABLE	R E P	PART NO. (REPL P/NO)	Q T Y	REMARKS	P N C		MODEL APPLICABLE	R E P	PART NO. (REPL P/NO)	Q T Y	REMARKS
FROM-UP-TO	TYPE	DESCRIPTION					FROM-UP-TO	TYPE	DESCRIPTION				
CONTINUED													
43280		GEAR ASSY-4TH SPEED											
		(S)CONJ. ENGRANAJE											
010901 -		AD L35;-A10		43280-28500	1		020101 -		BOLT-REVERSE IDLER				
990601 -		AG 5MT2		43280-22800	1				(S)PERNO		43318-34001	1	
990601 -		DG 5MT2		43280-22800	1		010901 -		ALL TCI		43318-34001	1	
990601 -		DS L35,P35,P85		43280-22800	1		010901 -		AD L35;-A10		43318-34001	1	
010810 -		DS L35,L45,P35;-A10		43280-22800	1		010901 -		DS L35;-A10		43318-34001	1	
010901 -		DS L35;-A10		43280-28500	1				FD L35;-A10		43318-34001	1	
990601 -		FD L35,P35,P85		43280-22800	1		43319 GASKET-REV IDLER GEAR SHAFT						
010810 -		FD L35,L45,P35;-A10		43280-22800	1		(S)JUNTA						
010901 -		FD L35;-A10		43280-28500	1		990601 -		AD L35,P35,P85		43319-34000	1	
990601 -		FG 5MT2		43280-22800	1		010810 -		AD L35,L45,P35;-A10		43319-34000	1	
43282A		GEAR-4TH SPEED OUTPUT											
		(S)ENGRANAJE											
990601 -		AD L35,P35,P85		43282-22700	1		990601 -		AG 5MT2		43319-34000	1	
010810 -		AD L35,L45,P35;-A10		43282-22700	1		990601 -		DG 5MT2		43319-34000	1	
010901 -		AD L35;-A10		43282-28020	1		990601 -		DS L35,P35,P85		43319-34000	1	
990601 -		AG 5MT2		43282-22700	1		990601 -		DS L35,L45,P35;-A10		43319-34000	1	
990601 -		DG 5MT2		43282-22700	1		010810 -		DS L35,L45,P35;-A10		43319-34000	1	
990601 -		DS L35,P35,P85		43282-22700	1		990601 -		FD L35,P35,P85		43319-34000	1	
010810 -		DS L35,L45,P35;-A10		43282-22700	1		010810 -		FD L35,L45,P35;-A10		43319-34000	1	
010901 -		DS L35;-A10		43282-28020	1		990601 -		FG 5MT2		43319-34000	1	
990601 -		FD L35,P35,P85		43282-22700	1		43321 SHAFT-REVERSE IDLER GEAR						
010810 -		FD L35,L45,P35;-A10		43282-22700	1		(S)EJE						
010901 -		FD L35;-A10		43282-28020	1		990601 -		AD L35,P35,P85		43321-34011	1	
990601 -		FG 5MT2		43282-22700	1		010810 -		AD L35,L45,P35;-A10		43321-34011	1	
43310		GEAR ASSY-REVERSE IDLER											
		(S)CONJ. ENGRANAJE											
990601 -		AD L35,P35,P85		43310-28001	1		990601 -		AG 5MT2		43321-34011	1	
010810 -		AD L35,L45,P35;-A10		43310-28001	1		990601 -		DG 5MT2		43321-34011	1	
990601 -		AG 5MT2		43310-28001	1		990601 -		DS L35,P35,P85		43321-34011	1	
990601 -		DG 5MT2		43310-28001	1		010810 -		DS L35,L45,P35;-A10		43321-34011	1	
990601 -		DS L35,P35,P85		43310-28001	1		990601 -		DS L35,P35,P85		43321-34011	1	
010810 -		DS L35,L45,P35;-A10		43310-28001	1		010810 -		DS L35,L45,P35;-A10		43321-34011	1	
990601 -		FD L35,P35,P85		43310-28001	1		990601 -		FD L35,P35,P85		43321-34011	1	
010810 -		FD L35,L45,P35;-A10		43310-28001	1		010810 -		FD L35,L45,P35;-A10		43321-34011	1	
990601 -		FG 5MT2		43310-28001	1		990601 -		FG 5MT2		43321-34011	1	
							43322 CASE-DIFFERENTIAL						
							(S)CARCASA						
							990601 -		ALL P35		45822-22600	1	
							990601 -		AD L35		45822-22600	1	
							010810 -		AD L35,L45,P35;-A10		45822-22600	1	
							990601 -		AG P65		45822-22600	1	
							990601 -		DG P65		45822-22600	1	
							990601 -		DS L35		45822-22600	1	
							010810 -		DS L35,L45,P35;-A10		45822-22600	1	
							990601 -		FD L35		45822-22600	1	
							010810 -		FD L35,L45,P35;-A10		45822-22600	1	
							CONTINUED						

AD:3DR,GL AG:3DR,GLS DG:3DR,GLS DS:3DR,LD FD:3DR,GL FG:3DR,GLS

A10:INDIA

2-C4

43-432 TRANSAXLE GEAR(MTA)

BA,00112- 222

P N C	MODEL APPLICABLE		R E P	PART NO. (REPL PNO)	Q T Y	REMARKS	P N C	MODEL APPLICABLE		R E P	PART NO. (REPL PNO)	Q T Y	REMARKS
	FROM-UP-TO	TYPE						DESCRIPTION	FROM-UP-TO				
CONTINUED							CONTINUED						
43322		CASE-DIFFERENTIAL (S)CARCASA					43331T		SPACER (S)ESPACIADOR				
990601 -		FG P65		45822-22600	1		990601 -		ALL P35		43331-37010	C	T=1.01
43326		WASHER (S)					020101 -		ALL TCI		43331-37980	1	T=0.98
010901 -		AD L35;-A10		43326-21000	2		020101 -		ALL TCI		43331-37860	C	T=0.86
010901 -		DS L35;-A10		43326-21000	2		020101 -		ALL TCI		43331-37890	C	T=0.89
010901 -		PD L35;-A10		43326-21000	2		020101 -		ALL TCI		43331-37920	C	T=0.92
43327A		SHAFT-PINION (S)EJE					020101 -		ALL TCI		43331-37950	C	T=0.95
990601 -		ALL P35		43327-21001	1		020101 -		ALL TCI		43331-37250	C	T=1.25
990601 -		AD L35		43327-21001	1		020101 -		ALL TCI		43331-37280	C	T=1.28
010810 -		AD L35,L45,P35;-A10		43327-21001	1		020101 -		ALL TCI		43331-37220	A	T=1.22
990601 -		AG P65		43327-21001	1		990601 -		AD L35		43331-37920	1	T=0.92
990601 -		DG P65		43327-21001	1		990601 -		AD L35		43331-36560	C	T=0.56
990601 -		DS L35		43327-21001	1		990601 -		AD L35		43331-36650	C	T=0.65
010810 -		DS L35,L45,P35;-A10		43327-21001	1		990601 -		AD L35		43331-36740	C	T=0.74
990601 -		FD L35		43327-21001	1		990601 -		AD L35		43331-37830	C	T=0.83
010810 -		FD L35,L45,P35;-A10		43327-21001	1		010810 -		AD L35,L45,P35;-A10		43331-37010	C	T=1.01
990601 -		FG P65		43327-21001	1		010810 -		AD L35,L45,P35;-A10		43331-37920	1	T=0.92
43328		PIN-LOCK (S)PASADOR					010810 -		AD L35,L45,P35;-A10		43331-36560	C	T=0.56
990601 -		AD L35,P35,P65		43328-21000	1		010810 -		AD L35,L45,P35;-A10		43331-36650	C	T=0.65
010810 -		AD L35,L45,P35;-A10		43328-21000	1		010810 -		AD L35,L45,P35;-A10		43331-36740	C	T=0.74
990601 -		AG 5MT2		43328-21000	1		010810 -		AD L35,L45,P35;-A10		43331-37830	C	T=0.83
990601 -		DG 5MT2		43328-21000	1		010810 -		AD L35,L45,P35;-A10		43331-37010	1	T=0.92
990601 -		DS L35,P35,P65		43328-21000	1		990601 -		AG P65		43331-36560	C	T=0.56
010810 -		DS L35,L45,P35;-A10		43328-21000	1		990601 -		AG P65		43331-36650	C	T=0.65
990601 -		FD L35,P35,P65		43328-21000	1		990601 -		AG P65		43331-36740	C	T=0.74
010810 -		FD L35,L45,P35;-A10		43328-21000	1		990601 -		AG P65		43331-37830	C	T=0.83
990601 -		FG 5MT2		43328-21000	1		990601 -		AG P65		43331-37010	C	T=1.01
43331T		SPACER (S)ESPACIADOR					990601 -		DG P65		43331-37920	1	T=0.92
990601 -		ALL P35		43331-37920	1	T=0.92	990601 -		DG P65		43331-36560	C	T=0.56
990601 -		ALL P35		43331-36560	C	T=0.56	990601 -		DG P65		43331-36740	C	T=0.74
990601 -		ALL P35		43331-36650	C	T=0.65	990601 -		DG P65		43331-37830	C	T=0.83
990601 -		ALL P35		43331-36740	C	T=0.74	990601 -		DG P65		43331-37010	C	T=1.01
990601 -		ALL P35		43331-37830	C	T=0.83	990601 -		DS L35		43331-37920	1	T=0.92
CONTINUED							990601 -		DS L35		43331-36560	C	T=0.56
							990601 -		DS L35		43331-36650	C	T=0.65

2-D 4

43-432 TRANSAXLE GEAR(MTA)

BA,00112- 223

P N C		MODEL APPLICABLE	R E P	PART NO. (REPL P/NO)	Q T Y	REMARKS	P N C		MODEL APPLICABLE	R E P	PART NO. (REPL P/NO)	Q T Y	REMARKS
FROM-UP-TO	TYPE	DESCRIPTION					FROM-UP-TO	TYPE	DESCRIPTION				
CONTINUED							CONTINUED						
43331T SPACER (S)ESPACIADOR							43332 GEAR-DIFFERENTIAL DRIVE (S)ENGRANAJE						
990601 -	DS	L35		43331-36740	C	T=0.74	990601 -	AG	P65		43332-28310	C	
990601 -	DS	L35		43331-37830	C	T=0.83	990601 -	DG	M-D		43332-28310	C	
990601 -	DS	L35		43331-37010	C	T=1.01	990601 -	DS	L35		43332-28300	1	
010810 -	DS	L35,L45,P35;-A10		43331-37920	1	T=0.92	010810 -	DS	L35;-A10		43332-28300	1	
010810 -	DS	L35,L45,P35;-A10		43331-36560	C	T=0.56	010901 -	DS	L35;-A10		43332-28310	1	
010810 -	DS	L35,L45,P35;-A10		43331-36650	C	T=0.85	010912 -	DS	CON;-A10		43332-22600	C	
010810 -	DS	L35,L45,P35;-A10		43331-36740	C	T=0.74	990601 -	FD	L35		43332-28300	1	
010810 -	DS	L35,L45,P35;-A10		43331-37830	C	T=0.83	010810 -	FD	L35;-A10		43332-28300	1	
010810 -	DS	L35,L45,P35;-A10		43331-37010	C	T=1.01	010901 -	FD	L35;-A10		43332-28310	1	
990601 -	FD	L35		43331-37920	1	T=0.92	010912 -	FD	CON;-A10		43332-22600	C	
990601 -	FD	L35		43331-36560	C	T=0.56	990601 -	FG	P65		43332-28310	C	
990601 -	FD	L35		43331-36650	C	T=0.65	43350B CONE ASSY-DOUBLE (S)CONJUNTO CONO						
990601 -	FD	L35		43331-36740	C	T=0.74	010120 -	ALL	5MT2		43350-28501	2	
990601 -	FD	L35		43331-37830	C	T=0.83	010810 -	ALL	P35;-A10		43350-28501	2	
990601 -	FD	L35		43331-37010	C	T=1.01	010810 -	AD	L35,L45;-A10		43350-28501	2	
010810 -	FD	L35,L45,P35;-A10		43331-37920	1	T=0.92	010810 -	AG	P65;-A10		43350-28501	2	
010810 -	FD	L35,L45,P35;-A10		43331-36560	C	T=0.56	010810 -	DG	P65;-A10		43350-28501	2	
010810 -	FD	L35,L45,P35;-A10		43331-36650	C	T=0.65	010810 -	DS	L35,L45;-A10		43350-28501	2	
010810 -	FD	L35,L45,P35;-A10		43331-36740	C	T=0.74	010810 -	FD	L35,L45;-A10		43350-28501	2	
010810 -	FD	L35,L45,P35;-A10		43331-37830	C	T=0.83	010810 -	FG	P65;-A10		43350-28501	2	
010810 -	FD	L35,L45,P35;-A10		43331-37010	C	T=1.01	43351A HUB-SYNCHRONIZER (S)CUBO						
990601 -	FG	P65		43331-37920	1	T=0.92	990601 -	ALL	5MT2	*	1	SIK	
990601 -	FG	P65		43331-36560	C	T=0.56	010810 -	ALL	P35;-A10	*	1	SIK	
990601 -	FG	P65		43331-36650	C	T=0.65	010810 -	AD	L35,L45;-A10	*	1	SIK	
990601 -	FG	P65		43331-36740	C	T=0.74	010810 -	AG	P65;-A10	*	1	SIK	
990601 -	FG	P65		43331-37830	C	T=0.83	010810 -	DG	P65;-A10	*	1	SIK	
990601 -	FG	P65		43331-37010	C	T=1.01	010810 -	DS	L35,L45;-A10	*	1	SIK	
43332 GEAR-DIFFERENTIAL DRIVE (S)ENGRANAJE							010810 -	FD	L35,L45;-A10	*	1	SIK	
990601 -	ALL	P35		43332-28300	1		010810 -	FG	P65;-A10	*	1	SIK	
010810 -	ALL	P35;-A10		43332-28300	1		010810 -	43352A HUB-SYNCHRONIZER (S)CUBO					
020101 -	ALL	TCI		43332-28200	1		990601 -	ALL	P35	*	1	SIK	
990601 -	AD	L35		43332-28300	1		010810 -	ALL	P35;-A10	*	1	SIK	
010810 -	AD	L35;-A10		43332-28300	1		990601 -	AD	L35,L45	*	1	SIK	
010901 -	AD	L35;-A10		43332-28310	1		CONTINUED						
010912 -	AD	CON;-A10		43332-22600	C								

AD:5DR,GL AG:5DR,GLS DG:3DR,GLS DS:3DR,L FD:4DR,GL FG:4DR,GLS

A10:INDIA

2-E 4

43-432 TRANSAXLE GEAR(MTA)

BA,00112- 224

P N C	MODEL APPLICABLE		R E P	PART NO. (REPL P/NO)	Q T Y	REMARKS	P N C	MODEL APPLICABLE		R E P	PART NO. (REPL P/NO)	Q T Y	REMARKS
	FROM-UP-TO	TYPE						DESCRIPTION	FROM-UP-TO				
CONTINUED							CONTINUED						
43352A							43360A						
		HUB-SYNCHRONIZER (S)CUBO							HUB & SLEEVE-SYNC (S)CASQUILLO & CUBO				
010810 -		AD L35,L45;-A10	*		1	SIK	990601 -		FG P65		43360-28003	1	
990601 -		AG P65	*		1	SIK	010810 -		FG P65;-A10		43360-28003	1	
010810 -		AG P65;-A10	*		1	SIK	43370A		HUB & SLEEVE-SYNCHRONIZER (S)CASQUICCO/CUBO				
990601 -		DG P65	*		1	SIK	990601 -		ALL SMT2		43370-22003	1	
010810 -		DG P65;-A10	*		1	SIK	010810 -		ALL P35;-A10		43370-22003	1	
990601 -		DS L35,L45	*		1	SIK	010810 -		AD L35,L45;-A10		43370-22003	1	
010810 -		DS L35,L45;-A10	*		1	SIK	010810 -		AG P65;-A10		43370-22003	1	
990601 -		FD L35,L45	*		1	SIK	010810 -		DG P65;-A10		43370-22003	1	
010810 -		FD L35,L45;-A10	*		1	SIK	010810 -		DS L35,L45;-A10		43370-22003	1	
990601 -		FG P65	*		1	SIK	010810 -		FD L35,L45;-A10		43370-22003	1	
010810 -		FG P65;-A10	*		1	SIK	010810 -		FG P65;-A10		43370-22003	1	
43352B		HUB-SYNCHRONIZER (S)CUBO					43371A		SPRING-SYNCHRONIZER (S)MUELLE				
990601 -		ALL SMT2	*		1	SIK	990601 -		ALL SMT2		43371-34002	2	
010810 -		ALL P35;-A10	*		1	SIK	010810 -		ALL P35;-A10		43371-34002	2	
010810 -		AD L35,L45;-A10	*		1	SIK	010810 -		AD L35,L45;-A10		43371-34002	2	
010810 -		AG P65;-A10	*		1	SIK	010810 -		AG P65;-A10		43371-34002	2	
010810 -		DG P65;-A10	*		1	SIK	010810 -		DG P65;-A10		43371-34002	2	
010810 -		DS L35,L45;-A10	*		1	SIK	010810 -		DS L35,L45;-A10		43371-34002	2	
010810 -		FD L35,L45;-A10	*		1	SIK	010810 -		FD L35,L45;-A10		43371-34002	2	
010810 -		FG P65;-A10	*		1	SIK	010810 -		FG P65;-A10		43371-34002	2	
43360A		HUB & SLEEVE-SYNC (S)CASQUILLO & CUBO					43372		KEY-SYNCHRONIZER (S)LLAVE				
990601 -		ALL P35	*	43360-28003	1		990601 - 010120		ALL P35		43372-22003	3	
010810 -		ALL P35;-A10	*	43360-28003	1		990601 - 010120		AD L35,L45		43372-22003	3	
020101 -		ALL TCI	*	43360-28501	1		990601 - 010120		AG P65		43372-22003	3	
990601 -		AD L35,L45	*	43360-28003	1		990601 - 010120		DG P65		43372-22003	3	
010810 -		AD L35,L45;-A10	*	43360-28003	1		990601 - 010120		DS L35,L45		43372-22003	3	
990601 -		AG P65	*	43360-28003	1		990601 - 010120		FD L35,L45		43372-22003	3	
010810 -		AG P65;-A10	*	43360-28003	1		990601 - 010120		FG P65		43372-22003	3	
990601 -		DG P65	*	43360-28003	1		43373		KEY-SYNCHRONIZER (S)LLAVE				
010810 -		DG P65;-A10	*	43360-28003	1		990601 -		ALL P35		43373-22003	3	
990601 -		DS L35,L45	*	43360-28003	1		010810 -		ALL P35;-A10		43373-22003	3	
010810 -		DS L35,L45;-A10	*	43360-28003	1		990601 -		AD L35,L45		43373-22003	3	
990601 -		FD L35,L45	*	43360-28003	1		CONTINUED						
010810 -		FD L35,L45;-A10	*	43360-28003	1								
CONTINUED													

2-F 4

43-432 TRANSAXLE GEAR(MTA)

BA.G0112- 225

P N C	MODEL APPLICABLE		PART NO. (REPL P/NO)	Q T Y	REMARKS
	FROM-UP-TO	DESCRIPTION			
CONTINUED					
43373	KEY-SYNCHRONIZER (S)LLAVE				
010810 -	AD	L35,L45;-A10	43373-22003	3	
990601 -	AG	P65	43373-22003	3	
010810 -	AG	P65;-A10	43373-22003	3	
990601 -	DG	P65	43373-22003	3	
010810 -	DG	P65;-A10	43373-22003	3	
990601 -	DS	L35,L45	43373-22003	3	
010810 -	DS	L35,L45;-A10	43373-22003	3	
990601 -	FD	L35,L45	43373-22003	3	
010810 -	FD	L35,L45;-A10	43373-22003	3	
990601 -	FG	P65	43373-22003	3	
010810 -	FG	P65;-A10	43373-22003	3	
43373B	SLEEVE-SYNCHRONIZER (S)MANGUITO				
990601 -	ALL	5MT2	*	1	SIK
010810 -	ALL	P35;-A10	*	1	SIK
010810 -	AD	L35,L45;-A10	*	1	SIK
010810 -	AG	P65;-A10	*	1	SIK
010810 -	DG	P65;-A10	*	1	SIK
010810 -	DS	L35,L45;-A10	*	1	SIK
010810 -	FD	L35,L45;-A10	*	1	SIK
010810 -	FG	P65;-A10	*	1	SIK
43373D	KEY-SYNCHRONIZER (S)LLAVE				
990601 -	ALL	5MT2	43373-34005	3	
010810 -	ALL	P35;-A10	43373-34005	3	
010810 -	AD	L35,L45;-A10	43373-34005	3	
010810 -	AG	P65;-A10	43373-34005	3	
010810 -	DG	P65;-A10	43373-34005	3	
010810 -	DS	L35,L45;-A10	43373-34005	3	
010810 -	FD	L35,L45;-A10	43373-34005	3	
010810 -	FG	P65;-A10	43373-34005	3	
43374	RING-SYNCHRONIZER (S)ANILLO				
010120 -	ALL	P35	43374-28002	2	
010810 -	ALL	P35;-A10	43374-28002	2	
020101 -	ALL	TCI	43374-28500	1	

P N C	MODEL APPLICABLE		PART NO. (REPL P/NO)	Q T Y	REMARKS
	FROM-UP-TO	DESCRIPTION			
CONTINUED					
43374	RING-SYNCHRONIZER (S)ANILLO				
010120 -	AD	L35,L45	43374-28002	2	
010810 -	AD	L35,L45;-A10	43374-28002	2	
010120 -	AG	P65	43374-28002	2	
010810 -	AG	P65;-A10	43374-28002	2	
010120 -	DG	P65	43374-28002	2	
010810 -	DG	P65;-A10	43374-28002	2	
010120 -	DS	L35,L45	43374-28002	2	
010810 -	DS	L35,L45;-A10	43374-28002	2	
010120 -	FD	L35,L45	43374-28002	2	
010810 -	FD	L35,L45;-A10	43374-28002	2	
010120 -	FG	P65	43374-28002	2	
010810 -	FG	P65;-A10	43374-28002	2	
43376C	SLEEVE-SYNCHRONIZER (S)MANGUITO				
990601 -	ALL	5MT2	*	1	SIK
010810 -	ALL	P35;-A10	*	1	SIK
010810 -	AD	L35,L45;-A10	*	1	SIK
010810 -	AG	P65;-A10	*	1	SIK
010810 -	DG	P65;-A10	*	1	SIK
010810 -	DS	L35,L45;-A10	*	1	SIK
010810 -	FD	L35,L45;-A10	*	1	SIK
010810 -	FG	P65;-A10	*	1	SIK
43380B	HUB & SLEEVE-SYNC (S)CASQUILLO & CUBO				
990601 - 010120	ALL	P35	43380-28002	1	
010120 -	ALL	5MT2	43380-28502	1	
010810 -	ALL	P35;-A10	43380-28502	1	
990601 - 010120	AD	L35,L45	43380-28002	1	
010810 -	AD	L35,L45;-A10	43380-28502	1	
990601 - 010120	AG	P65	43380-28002	1	
010810 -	AG	P65;-A10	43380-28502	1	
990601 - 010120	DG	P65	43380-28002	1	
010810 -	DG	P65;-A10	43380-28502	1	
990601 - 010120	DS	L35,L45	43380-28002	1	
010810 -	DS	L35,L45;-A10	43380-28502	1	
990601 - 010120	FD	L35,L45	43380-28002	1	

AD:3DR,GL AG:3DR,GLS DG:3DR,GLS DS:3DR,L FD:4DR,GL FG:4DR,GLS A10:INDIA

2-G 4

43-432 TRANSAXLE GEAR(MTA)

BA,00112- 226

P N C		MODEL APPLICABLE		R E P	PART NO. (REPL P/NO)	Q T Y	REMARKS	P N C		MODEL APPLICABLE		R E P	PART NO. (REPL P/NO)	Q T Y	REMARKS
FROM-UP-TO	TYPE	DESCRIPTION						FROM-UP-TO	TYPE	DESCRIPTION					
CONTINUED								CONTINUED							
43380B		HUB & SLEEVE-SYNC (S)CASQUILLO & CUBO						43387		SPRING-SYNCHRONIZER (S)MUELLE					
010810 -	FD	L35,L45;-A10			43380-28502	1		010810 -	AD	L35,L45;-A10			43387-28500	2	
990601 - 010120	FG	P65			43380-28002	1		990601 -	AG	P65			43387-28500	2	
010810 -	FG	P65;-A10			43380-28502	1		990601 - 990913	AG	P65			43387-28000	4	
43384		RING-SYNCHRONIZER (S)ANILLO						990913 - 010120	AG	P65			43387-28010	4	
990601 -	ALL	5MT2			43384-28002	1		010120 -	AG	P65			43387-28010	2	
010810 -	ALL	P35;-A10			43384-28002	1		010810 -	AG	P65;-A10			43387-28010	2	
010810 -	AD	L35,L45;-A10			43384-28002	1		990601 -	DQ	P65			43387-28500	2	
010810 -	AG	P65;-A10			43384-28002	1		990601 - 990913	DQ	P65			43387-28000	4	
010810 -	DG	P65;-A10			43384-28002	1		990913 - 010120	DQ	P65			43387-28010	4	
010810 -	DS	L35,L45;-A10			43384-28002	1		010120 -	DQ	P65			43387-28010	2	
010810 -	FD	L35,L45;-A10			43384-28002	1		010810 -	DG	P65;-A10			43387-28010	2	
010810 -	FG	P65;-A10			43384-28002	1		010810 -	DG	P65;-A10			43387-28500	2	
43385A		RING-SYNCHRONIZER (S)ANILLO						990601 -	DS	L35,L45			43387-28500	2	
990601 - 010120	ALL	P35			43385-22600	1		990601 - 990913	DS	L35,L45			43387-28000	4	
990601 - 010120	AD	L35,L45			43385-22600	1		990913 - 010120	DS	L35,L45			43387-28010	4	
990601 - 010120	AG	P65			43385-22600	1		010120 -	DS	L35,L45			43387-28010	2	
990601 - 010120	DG	P65			43385-22600	1		010810 -	DS	L35,L45;-A10			43387-28010	2	
990601 - 010120	DS	L35,L45			43385-22600	1		010810 -	DS	L35,L45;-A10			43387-28500	2	
990601 - 010120	FD	L35,L45			43385-22600	1		990601 -	FD	L35,L45			43387-28500	2	
990601 - 010120	FG	P65			43385-22600	1		990601 - 990913	FD	L35,L45			43387-28000	4	
43387		SPRING-SYNCHRONIZER (S)MUELLE						990913 - 010120	FD	L35,L45			43387-28010	4	
990601 -	ALL	P35			43387-28500	2		010120 -	FD	L35,L45			43387-28010	2	
990601 - 990913	ALL	P35			43387-28000	4		010810 -	FD	L35,L45;-A10			43387-28010	2	
990913 - 010120	ALL	P35			43387-28010	4		010810 -	FD	L35,L45;-A10			43387-28500	2	
010120 -	ALL	P35			43387-28010	2		990601 -	FG	P65			43387-28500	2	
010810 -	ALL	P35;-A10			43387-28010	2		990601 - 990913	FG	P65			43387-28000	4	
010810 -	ALL	P35;-A10			43387-28500	2		990913 - 010120	FG	P65			43387-28010	4	
020101 -	ALL	TCI			43387-28500	4		010120 -	FG	P65			43387-28010	2	
990601 -	AD	L35,L45			43387-28500	2		010810 -	FG	P65;-A10			43387-28010	2	
990601 - 990913	AD	L35,L45			43387-28000	4		010810 -	FG	P65;-A10			43387-28500	2	
990913 - 010120	AD	L35,L45			43387-28010	4		43388		RING-REVERSE BRAKE (S)ANILLO					
010120 -	AD	L35,L45			43387-28010	2		990601 -	ALL	5MT2			43388-34201	1	
010810 -	AD	L35,L45;-A10			43387-28010	2		010810 -	ALL	P35;-A10			43388-34201	1	
	AD	L35,L45;-A10			43387-28010	2		010810 -	AD	L35,L45;-A10			43388-34201	1	
CONTINUED								CONTINUED							

2-H 4

43-432 TRANSAXLE GEAR(MTA)

BA,G0112- 227

P N C		MODEL APPLICABLE		R E P	PART NO. (REPL P/NO)	Q T Y	REMARKS	P N C		MODEL APPLICABLE		R E P	PART NO. (REPL P/NO)	Q T Y	REMARKS
FROM-UP-TO	TYPE	DESCRIPTION	FROM-UP-TO					TYPE	DESCRIPTION						
CONTINUED															
43388								45829							
RING-REVERSE BRAKE								BEARING-DIFFERENTIAL CASE							
(S)ANILLO								(S)COJINETE							
010810 -	AG	P65;-A10	43388-34201	1				990601 -	ALL	P35	Y	45829-36050	2		
010810 -	DG	P65;-A10	43388-34201	1								(45829-36041)			
010810 -	DS	L35,L45;-A10	43388-34201	1				990601 -	AD	L35	Y	45829-36050	2		
010810 -	FD	L35,L45;-A10	43388-34201	1								(45829-36041)			
010810 -	FG	P65;-A10	43388-34201	1				010810 -	AD	L35,L45,P35;-A10	Y	45829-36050	2		
												(45829-36041)			
43391A								45829-36050							
SPACER-REVERSE BRAKE								45829-36050							
(S)ESPACIADOR								(45829-36041)							
990601 -	ALL	SMT2	43391-22600	1				990601 -	AG	P65	Y	45829-36050	2		
010810 -	ALL	P35;-A10	43391-22600	1								(45829-36041)			
010810 -	AD	L35,L45;-A10	43391-22600	1				990601 -	DG	P65	Y	45829-36050	2		
010810 -	AG	P65;-A10	43391-22600	1								(45829-36041)			
010810 -	DG	P65;-A10	43391-22600	1				010810 -	DS	L35	Y	45829-36050	2		
010810 -	DS	L35,L45;-A10	43391-22600	1								(45829-36041)			
010810 -	FD	L35,L45;-A10	43391-22600	1				990601 -	DS	L35,L45,P35;-A10	Y	45829-36050	2		
010810 -	FG	P65;-A10	43391-22600	1								(45829-36041)			
								990601 -	FD	L35	Y	45829-36050	2		
43392								45829-36050							
CONE-REVERSE BRAKE								45829-36050							
(S)CONO								(45829-36041)							
990601 -	ALL	SMT2	43392-22600	1				990601 -	FG	P65	Y	45829-36050	2		
010810 -	ALL	P35;-A10	43392-22600	1								(45829-36041)			
010810 -	AD	L35,L45;-A10	43392-22600	1											
010810 -	AG	P65;-A10	43392-22600	1				45842A	SPACER SET-DIFFERENTIAL GEAR						
010810 -	DG	P65;-A10	43392-22600	1					(S)JUEGO ESPACIADOR						
010810 -	DS	L35,L45;-A10	43392-22600	1				990601 -	ALL	P35		43204-34000	2		
010810 -	FD	L35,L45;-A10	43392-22600	1				990601 -	ALL	P35		53526-11080	C		
010810 -	FG	P65;-A10	43392-22600	1				990601 -	ALL	P35		53526-11160	C		
								990601 -	ALL	P35		53526-21070	C		
43394								53526-21170							
RING-SYNCHRONIZER(3RD)								53526-21170							
(S)ANILLO								53526-21171							
020101 -	ALL	TCI	43394-28500	1				990601 -	ALL	P35		53526-21250	C		
								990601 -	ALL	P35		53526-21261	C		
45822								43204-34000							
CASE-DIFFERENTIAL								43204-34000							
(S)CARGASA								53526-11080							
020101 -	ALL	TCI	45822-34500	1				990601 -	AD	L35		53526-11160	C		
010901 -	AD	L35;-A10	45822-22600	1				990601 -	AD	L35		53526-21070	C		
010901 -	DS	L35;-A10	45822-22600	1				990601 -	AD	L35		53526-21170	C		
010901 -	FD	L35;-A10	45822-22600	1				990601 -	AD	L35		53526-21171	C		
								990601 -	AD	L35		53526-21250	C		
CONTINUED															

P N C	MODEL APPLICABLE		PART NO. (REPL P/NO)	Q T Y	REMARKS
	FROM-UP-TO	DESCRIPTION			
CONTINUED					
45842A		SPACER SET-DIFFERENTIAL GEAR (S)JUEGO ESPACIADOR			
990601 -	AD	L35	53526-21261	C	
010810 -	AD	L35,L45,P35;-A10	43204-34000	2	
010810 -	AD	L35,L45,P35;-A10	53526-11080	C	
010810 -	AD	L35,L45,P35;-A10	53526-11160	C	
010810 -	AD	L35,L45,P35;-A10	53526-21070	C	
010810 -	AD	L35,L45,P35;-A10	53526-21170	C	
010810 -	AD	L35,L45,P35;-A10	53526-21171	C	
010810 -	AD	L35,L45,P35;-A10	53526-21250	C	
010810 -	AD	L35,L45,P35;-A10	53526-21261	C	
990601 -	AG	P65	43204-34000	2	
990601 -	AG	P65	53526-11080	C	
990601 -	AG	P65	53526-11160	C	
990601 -	AG	P65	53526-21070	C	
990601 -	AG	P65	53526-21170	C	
990601 -	AG	P65	53526-21171	C	
990601 -	AG	P65	53526-21250	C	
990601 -	AG	P65	53526-21261	C	
990601 -	DG	P65	43204-34000	2	
990601 -	DG	P65	53526-11080	C	
990601 -	DG	P65	53526-11160	C	
990601 -	DG	P65	53526-21070	C	
990601 -	DG	P65	53526-21170	C	
990601 -	DG	P65	53526-21171	C	
990601 -	DG	P65	53526-21250	C	
990601 -	DG	P65	53526-21261	C	
990601 -	DS	L35	43204-34000	2	
990601 -	DS	L35	53526-11080	C	
990601 -	DS	L35	53526-11160	C	
990601 -	DS	L35	53526-21070	C	
990601 -	DS	L35	53526-21170	C	
990601 -	DS	L35	53526-21171	C	
990601 -	DS	L35	53526-21250	C	
990601 -	DS	L35	53526-21261	C	
010810 -	DS	L35,L45,P35;-A10	43204-34000	2	
010810 -	DS	L35,L45,P35;-A10	53526-11080	C	
010810 -	DS	L35,L45,P35;-A10	53526-11160	C	

CONTINUED

P N C	MODEL APPLICABLE		PART NO. (REPL P/NO)	Q T Y	REMARKS
	FROM-UP-TO	DESCRIPTION			
CONTINUED					
45842A		SPACER SET-DIFFERENTIAL GEAR (S)JUEGO ESPACIADOR			
010810 -	DS	L35,L45,P35;-A10	53526-21070	C	
010810 -	DS	L35,L45,P35;-A10	53526-21170	C	
010810 -	DS	L35,L45,P35;-A10	53526-21171	C	
010810 -	DS	L35,L45,P35;-A10	53526-21250	C	
010810 -	DS	L35,L45,P35;-A10	53526-21261	C	
990601 -	FD	L35	43204-34000	2	
990601 -	FD	L35	53526-11080	C	
990601 -	FD	L35	53526-11160	C	
990601 -	FD	L35	53526-21070	C	
990601 -	FD	L35	53526-21170	C	
990601 -	FD	L35	53526-21171	C	
990601 -	FD	L35	53526-21250	C	
990601 -	FD	L35	53526-21261	C	
010810 -	FD	L35,L45,P35;-A10	43204-34000	2	
010810 -	FD	L35,L45,P35;-A10	53526-11080	C	
010810 -	FD	L35,L45,P35;-A10	53526-11160	C	
010810 -	FD	L35,L45,P35;-A10	53526-21070	C	
010810 -	FD	L35,L45,P35;-A10	53526-21170	C	
010810 -	FD	L35,L45,P35;-A10	53526-21171	C	
010810 -	FD	L35,L45,P35;-A10	53526-21250	C	
010810 -	FD	L35,L45,P35;-A10	53526-21261	C	
990601 -	FG	P65	43204-34000	2	
990601 -	FG	P65	53526-11080	C	
990601 -	FG	P65	53526-11160	C	
990601 -	FG	P65	53526-21070	C	
990601 -	FG	P65	53526-21170	C	
990601 -	FG	P65	53526-21171	C	
990601 -	FG	P65	53526-21250	C	
990601 -	FG	P65	53526-21261	C	
51703		BEARING ASSY-HUB OTR (S)RODAMIENTO			
020101 -	ALL	TCI	53522-11050	2	
53512C		SHAFT-PINION (S)EJE DE ENTRADA			
020101 -	ALL	TCI	53512-11101	1	

2-14

43-432 TRANSAXLE GEAR(MTA)

BA,00112- 229

P N C		MODEL APPLICABLE		R E P	PART NO. (REPL P/NO)	Q T Y	REMARKS	P N C		MODEL APPLICABLE		R E P	PART NO. (REPL P/NO)	Q T Y	REMARKS	
FROM-UP-TO	TYPE	DESCRIPTION						FROM-UP-TO	TYPE	DESCRIPTION						
53513		WASHER						CONTINUED								
		(S)ARANDELA						53526T								
990601 -		ALL P35			43326-21000	2										
020101 -		ALL TCI			53513-11100	2		020101 -					53526-11160	C		
990601 -		AD L35			43326-21000	2		020101 -					53526-21070	C		
010810 -		AD L35,L45,P35;-A10			43326-21000	2		020101 -					53526-21170	C		
990601 -		AG P65			43326-21000	2		020101 -					53526-21171	C		
990601 -		DG P65			43326-21000	2		020101 -					53526-21250	C		
990601 -		DS L35			43326-21000	2		020101 -					53526-21261	C		
010810 -		DS L35,L45,P35;-A10			43326-21000	2										
990601 -		FD L35			43326-21000	2										
010810 -		FD L35,L45,P35;-A10			43326-21000	2										
990601 -		FG P65			43326-21000	2										
53526		SPACER-DIFFERENTIAL GEAR														
		(S)														
010901 -		AD L35;-A10			53526-11080	C										
010901 -		AD L35;-A10			53526-11160	C										
010901 -		AD L35;-A10			53526-21070	C										
010901 -		AD L35;-A10			53526-21170	C										
010901 -		AD L35;-A10			53526-21171	C										
010901 -		AD L35;-A10			53526-21250	C										
010901 -		AD L35;-A10			53526-21261	C										
010901 -		DS L35;-A10			53526-11080	C										
010901 -		DS L35;-A10			53526-11160	C										
010901 -		DS L35;-A10			53526-21070	C										
010901 -		DS L35;-A10			53526-21170	C										
010901 -		DS L35;-A10			53526-21171	C										
010901 -		DS L35;-A10			53526-21250	C										
010901 -		DS L35;-A10			53526-21261	C										
010901 -		FD L35;-A10			53526-11080	C										
010901 -		FD L35;-A10			53526-11160	C										
010901 -		FD L35;-A10			53526-21070	C										
010901 -		FD L35;-A10			53526-21170	C										
010901 -		FD L35;-A10			53526-21171	C										
010901 -		FD L35;-A10			53526-21250	C										
010901 -		FD L35;-A10			53526-21261	C										
53526T		SPACER-DIFFERENTIAL GEAR														
		(S)														
020101 -		ALL TCI			53526-11080	C										

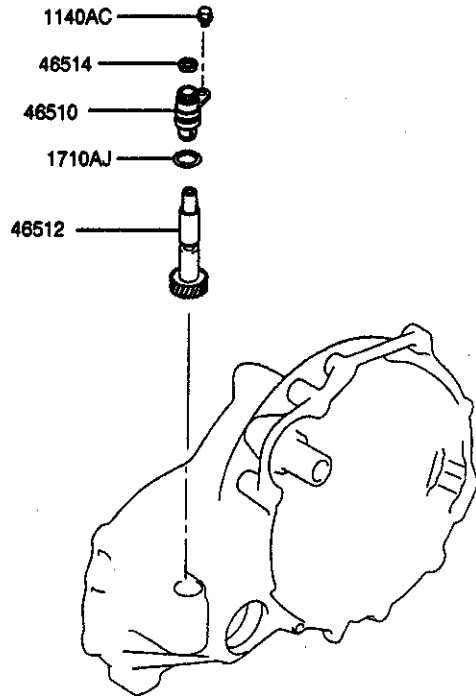
AD:3DR,QL AQ:3DR,QLS DG:3DR,QLS DG:3DR,QL FD:4DR,QL FG:4DR,QLS

A10:INDIA

2-K4

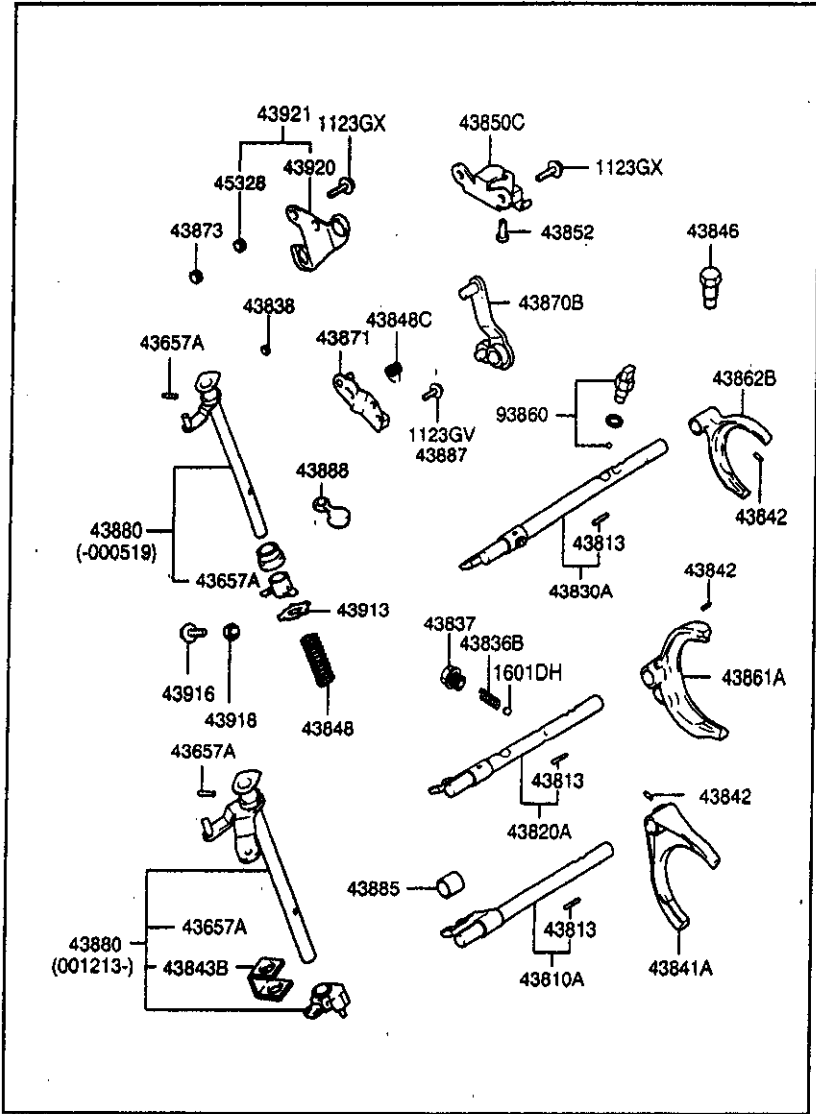
43-436 SPEEDOMETER DRIVEN GEAR(MTA)

BA,00112- 230



P N C	MODEL APPLICABLE		R E P	PART NO. (REPL P/NO)	Q T Y	REMARKS
	FROM-UP-TO	TYPE				
1140AC						
990601 -				11400-06141 (11400-06143)	1	
020101 -				11400-06143	1	
990601 -				11400-06141 (11400-06143)	1	
990601 -				11400-06141 (11400-06143)	1	
990601 -				11400-06141 (11400-06143)	1	
990601 -				11400-06141 (11400-06143)	1	
990601 -				11400-06141 (11400-06143)	1	
990601 -				11400-06141 (11400-06143)	1	
1710AJ						
990601 -				17100-22100	1	
46510						
990601 -				43622-22610	1	
020101 -				43622-22630	1	
46512						
990601 -				43624-22610	1	
020101 -				43624-22620	1	
46514						
990601 -				46514-36001	1	

43-437 GEAR SHIFT CONTROL(MTA)



P N C	MODEL APPLICABLE		R E P	PART NO. (REPL PANO)	Q T Y	REMARKS
	FROM-UP-TO	TYPE				
1123GV						
990601 -						
1123GX						
990601 -						
1601DH						
990601 -						
43657A						
990601 -						
43810A						
990601 - 010319						
010319 -						
990601 - 010319						
990601 - 010319						
990601 - 010319						
990601 - 010319						
990601 - 010319						
990601 - 010319						
990601 - 010319						
43813						
990601 -						
43820A						
990601 - 010319						
010319 -						
990601 - 010319						
990601 - 010319						
990601 - 010319						
990601 - 010319						
990601 - 010319						
990601 - 010319						
990601 - 010319						
990601 - 010319						
43830A						
990601 - 010308						
010308 -						

AG:3DR, GL AG:3DR, GLS DG:3DR, GLS DS:3DR, L FD:4DR, GL FG:4DR, GLS

CONTINUED

2-M 4

43-437 GEAR SHIFT CONTROL(MTA)

BA,00113- 232

P N C		MODEL APPLICABLE		R E P	PART NO. (REPL PNO)	Q T Y	REMARKS	P N C		MODEL APPLICABLE		R E P	PART NO. (REPL PNO)	Q T Y	REMARKS
FROM-UP-TO	TYPE	DESCRIPTION						FROM-UP-TO	TYPE	DESCRIPTION					
CONTINUED								43848							
43830A		RAIL SUB ASSY-SHIFT (S)SUBCONJUNTO RIEL							SPRING-NEUTRAL RETURN (S)MUELLE						
020101 -		ALL TCI			43830-28521	1		990601 - 000103		ALL P35			43847-22620	1	
990601 - 010308	AD	L35,L45			43830-22610	1		000103 -		ALL P35			43847-22620D	1	
010308 -	AD	L35,L45			43830-22611	1		010120 - 011107		ALL P35			43847-22621	1	
990601 - 010308	AG	P65			43830-22610	1		011107 -		ALL 5MT2			43847-22622	1	
010308 -	AG	P65			43830-22611	1		990601 - 000103	AD	L35,L45			43847-22620	1	
990601 - 010308	DG	P65			43830-22610	1		000103 -	AD	L35,L45			43847-22620D	1	
010308 -	DG	P65			43830-22611	1		010120 - 011107	AD	L35,L45			43847-22621	1	
990601 - 010308	DS	L35,L45			43830-22610	1		990601 - 000103	AG	P65			43847-22620	1	
010308 -	DS	L35,L45			43830-22611	1		000103 -	AG	P65			43847-22620D	1	
990601 - 010308	FD	L35,L45			43830-22610	1		010120 - 011107	AG	P65			43847-22621	1	
010308 -	FD	L35,L45			43830-22611	1		990601 - 000103	DG	P65			43847-22620	1	
990601 - 010308	FG	P65			43830-22610	1		000103 -	DG	P65			43847-22620D	1	
010308 -	FG	P65			43830-22611	1		010120 - 011107	DG	P65			43847-22621	1	
43836B		SPRING-POPPET (S)MUELLE						990601 - 000103	DS	L35,L45			43847-22620	1	
990601 -		ALL 5MT2			43836-22600	1		000103 -	DS	L35,L45			43847-22620D	1	
990601 -		ALL 5MT2			43836-34000	1		010120 - 011107	DS	L35,L45			43847-22621	1	
43837		BOLT-SEAL (S)PERNO						990601 - 000103	FD	L35,L45			43847-22620	1	
990601 -		ALL 5MT2			43837-34001	1		000103 -	FD	L35,L45			43847-22621	1	
43838		WASHER-INSULATOR (S)ARANDELA						010120 - 011107	FG	P65			43847-22620	1	
990601 -		ALL 5MT2			43838-36000	4		000103 -	FG	P65			43847-22620D	1	
43841A		FORK-SHIFT (S)HORQUILLA						010120 - 011107	FG	P65			43847-22621	1	
990601 -		ALL 5MT2			43841-28001	1		43849C		SPRING-NEUTRAL RETURN (S)MUELLE					
43842		PIN-SPRING (S)PASADOR						990601 -		ALL 5MT2			43848-22620	1	
990601 -		ALL 5MT2			43842-39000	3		43850C		LEVER ASSY-REVERSE SHIFT (S)CONJUNTO PALANCA					
43843B		PLATE-INTERLOCK (S)PLACA						990601 - 991230		ALL P35		A	43850-22611 (43850-22620)	1	
990601 -		ALL 5MT2			43843-22620	1		991230 -		ALL 5MT2			43850-22620	1	
43846		BALL ASSY-POPPET (S)CONJUNTO BOLA						990601 - 991230	AD	L35,L45		A	43850-22611 (43850-22620)	1	
990601 -		ALL 5MT2			43846-28000	1		990601 - 991230	AG	P65		A	43850-22611 (43850-22620)	1	
								990601 - 991230	DG	P65		A	43850-22611 (43850-22620)	1	
CONTINUED								CONTINUED							

2-A 5

43-437 GEAR SHIFT CONTROL(MTA)

8A,G0112- 233

P N C		MODEL APPLICABLE		R E P	PART NO. (REPL P/NO)	Q T Y	REMARKS	P N C		MODEL APPLICABLE		R E P	PART NO. (REPL P/NO)	Q T Y	REMARKS	
FROM-UP-TO	TYPE	DESCRIPTION						FROM-UP-TO	TYPE	DESCRIPTION						
CONTINUED								43873	SHOE-SELECT LEVER							
43850C		LEVER ASSY-REVERSE SHIFT							(S)ZAPATA							
		(S)CONJUNTO PALANCA											43873-22610	1		
990601 - 991230	DS	L35,L45		A	43850-22611 (43850-22620)	1		990601 -	ALL 5MT2							
990601 - 991230	FD	L35,L45		A	43850-22611 (43850-22620)	1		43880	SHAFT ASSY-CONTROL							
									(S)CONJ. EJE							
990601 - 991230	FG	P65		A	43850-22611 (43850-22620)	1		990601 - 991001	ALL P35				43880-22611	1		
								991001 - 001213	ALL P35				43880-22613	1		
								010120 -	ALL P35				43880-22614	1		
								020101 -	ALL TCI				43880-28522	1		
43852		PIN-SPRING						990601 - 991001	AD L35,L45				43880-22611	1		
		(S)PASADOR						991001 - 001213	AD L35,L45				43880-22613	1		
990601 -	ALL	5MT2			43852-21000	1		010120 -	AD L35,L45				43880-22614	1		
43861A		FORK-SHIFT						990601 - 991001	AG P65				43880-22611	1		
		(S)HORQUILLA						991001 - 001213	AG P65				43880-22613	1		
990601 -	ALL	P35			43861-28011	1		010120 -	AG P65				43880-22614	1		
020101 -	ALL	TCI			43861-28020	1		990601 - 991001	DG P65				43880-22611	1		
990601 -	AD	L35,L45			43861-28011	1		991001 - 001213	DG P65				43880-22613	1		
990601 -	AG	P65			43861-28011	1		010120 -	DG P65				43880-22614	1		
990601 -	DG	P65			43861-28011	1		990601 - 991001	DS L35,L45				43880-22611	1		
990601 -	DS	L35,L45			43861-28011	1		991001 - 001213	DS L35,L45				43880-22613	1		
990601 -	FD	L35,L45			43861-28011	1		010120 -	DS L35,L45				43880-22614	1		
990601 -	FG	P65			43861-28011	1		990601 - 991001	FD L35,L45				43880-22611	1		
								991001 - 001213	FD L35,L45				43880-22613	1		
43862B		FORK-SHIFT,5TH						010120 -	FD L35,L45				43880-22614	1		
		(S)HORQUILLA & LENG UETA						990601 - 991001	FG P65				43880-22611	1		
990601 -	ALL	5MT2			43862-28000	1		991001 - 001213	FG P65				43880-22613	1		
43870B		LEVER-SELECT						010120 -	FG P65				43880-22614	1		
		(S)PALANCA						43885	BUSH							
990601 -	ALL	P35			43870-28510	1			(S)CASQUILLO							
020101 -	ALL	TCI			43870-28520	1		990601 -	ALL 5MT2				43885-28000	4		
990601 -	AD	L35,L45			43870-28510	1		43887	BOLT							
990601 -	AG	P65			43870-28510	1			(S)PERNO (CON ARANDELA)							
990601 -	DG	P65			43870-28510	1		990601 -	ALL 5MT2				43887-28000	1		
990601 -	DS	L35,L45			43870-28510	1		43888	WEIGHT-DAMPER							
990601 -	FD	L35,L45			43870-28510	1			(S)PESO							
990601 -	FG	P65			43870-28510	1		990601 -	ALL P35				43888-22600	1		
								990601 -	ALL P35				43888-22610	A		
43871		SHAFT-SELECT LEVER						020101 -	ALL TCI				43888-28020	1		
		(S)EJE						990601 -	AD L35,L45				43888-22600	1		
990601 -	ALL	5MT2			43871-28510	1		CONTINUED								

P N C	MODEL APPLICABLE		PART NO. (REPL. P/NO)	Q T Y	REMARKS
	FROM-UP-TO	TYPE DESCRIPTION			
CONTINUED					
43888		WEIGHT-DAMPER (S)PESO			
990601 -		AD L35,L45	43888-22610	A	
990601 -		AG P65	43888-22600	1	
990601 -		AG P65	43888-22610	A	
990601 -		DG P65	43888-22600	1	
990601 -		DG P65	43888-22610	A	
990601 -		DS L35,L45	43888-22600	1	
990601 -		DS L35,L45	43888-22610	A	
990601 -		FD L35,L45	43888-22600	1	
990601 -		FD L35,L45	43888-22610	A	
990601 -		FG P65	43888-22600	1	
990601 -		FG P66	43888-22610	A	
43913		PLATE-STOPPER (S)PLACA			
990601 -		ALL 5MT2	43913-22610	1	
43916		BOLT-INTERLOCK (S)PERNO			
990601 -		ALL 5MT2	43916-34000	1	
43918		GASKET-MTA GEAR SHIFT CONTROL (S)JUNTA			
990601 -		ALL 5MT2	43918-34000	1	
43920		BRACKET-SHIFT CONTROL CABLE (S)SOPORTE			
990601 - 991201		ALL P35	43920-22602 (43920-22611)	1	
991201 -		ALL P35	43920-22611	1	
990601 - 991201		AD L35,L45	43920-22602 (43920-22611)	1	
991201 -		AD L35,L45	43920-22611	1	
990601 - 991201		AG P65	43920-22602 (43920-22611)	1	
991201 -		AG P65	43920-22611	1	
990601 - 991201		DG P65	43920-22602 (43920-22611)	1	
991201 -		DG P65	43920-22611	1	
990601 - 991201		DS L35,L45	43920-22602 (43920-22611)	1	

P N C	MODEL APPLICABLE		PART NO. (REPL. P/NO)	Q T Y	REMARKS
	FROM-UP-TO	TYPE DESCRIPTION			
CONTINUED					
43920		BRACKET-SHIFT CONTROL CABLE (S)SOPORTE			
991201 -		DS L35,L45	43920-22611	1	
990601 - 991201		FD L35,L45	43920-22602 (43920-22611)	1	
991201 -		FD L35,L45	43920-22611	1	
990601 - 991201		FG P65	43920-22602 (43920-22611)	1	
991201 -		FG P65	43920-22611	1	
43921		BRACKET-SHIFT CONTROL CABLE (S)SOPORTE			
020101 -		ALL TCI	43921-28521	1	
45328		BOLT (S)PERNO			
020101 -		ALL TCI	45328-38000	3	
93860		SWITCH ASSY-BACK UP LAMP (S)CONJ. CONMUTADOR			
990601 - 000906		ALL P35	93860-39002	1	
000906 -		ALL 5MT2	93860-39003	1	
990601 - 000906		AD L35,L45	93860-39002	1	
990601 - 000906		AG P65	93860-39002	1	
990601 - 000906		DG P65	93860-39002	1	
990601 - 000906		DS L35,L45	93860-39002	1	
990601 - 000906		FD L35,L45	93860-39002	1	
990601 - 000906		FG P65	93860-39002	1	

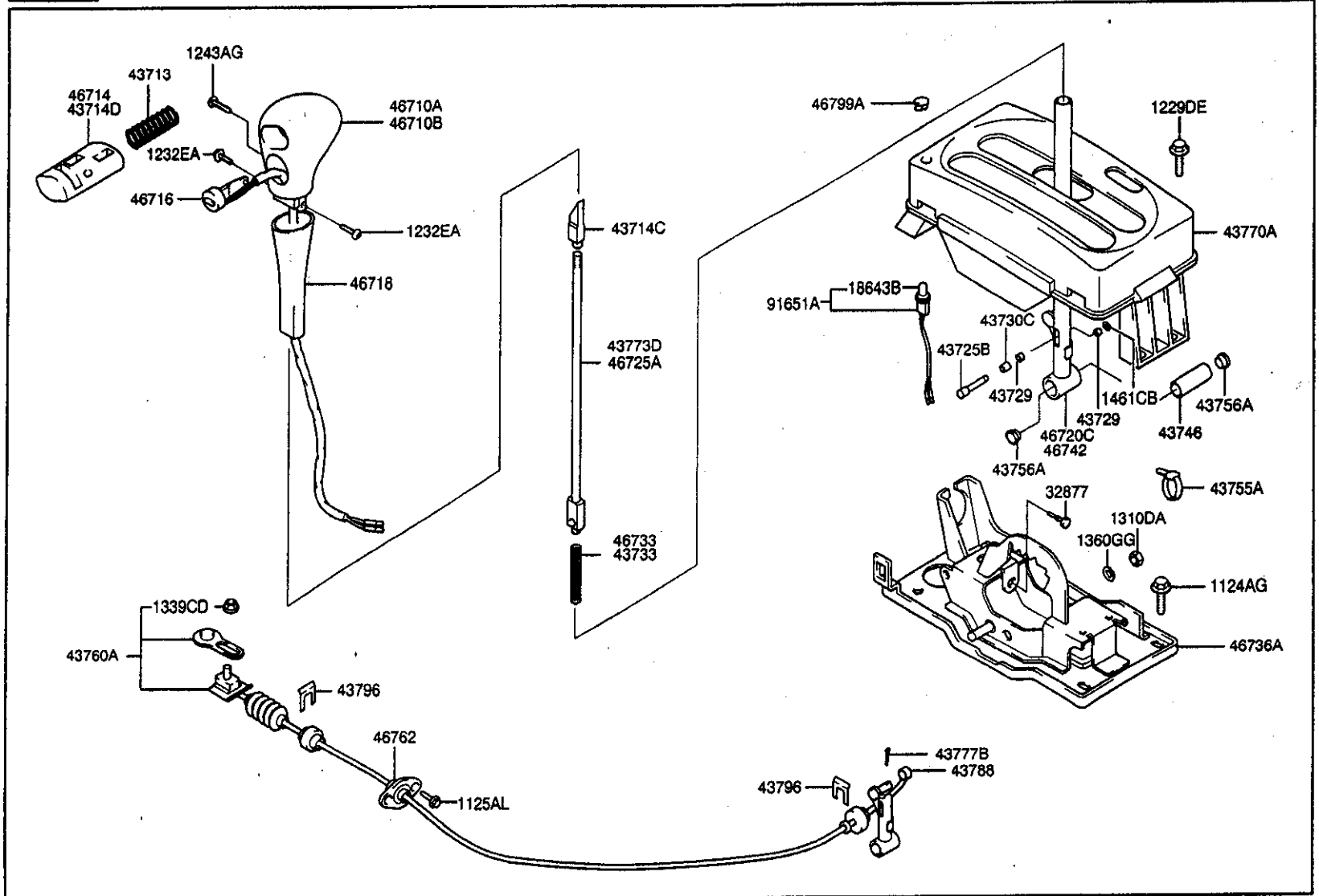
2-D 5

43-438 SHIFT LEVER CONTROL(MTA)

BA,00112- 236

P N C	MODEL APPLICABLE		R E P	PART NO. (REPL P/NO)	Q T Y	REMARKS	P N C	MODEL APPLICABLE		R E P	PART NO. (REPL P/NO)	Q T Y	REMARKS
	FROM-UP-TO	TYPE						DESCRIPTION	FROM-UP-TO				
43750B							CONTINUED						
							43794A						
990601 -				43750-25000	1						43794-25300	1	
990601 -				43750-36000	1						43794-25800	1	
43751B													
990601 -				43759-38200	1		43796						
43751E													
990601 -				43751-25200	1						43796-36700	4	
43752E							46773						
990601 -				43752-25200	1								
43753													
990601 -				43753-25200	1								
43754C													
990601 -				43754-25200	1								
43757C													
990601 -				43757-38200	1								
43761B													
990601 -				43755-38200	2								
43762A													
990601 -				43761-25000	4								
43763A													
990601 -				43763-25000	4								
43777B													
990601 -				43777-25000	2								
990601 -				43777-37710	1								
990601 - 991104				43777-25000	1								
43794A													
990601 - 991001				43794-25200	1								

CONTINUED



2-F 5

43-439 SHIFT LEVER CONTROL(ATA)

BA,00112- 238

P N C	MODEL APPLICABLE		R E P	PART NO. (REPL P/NO)	Q T Y	REMARKS	P N C	MODEL APPLICABLE		R E P	PART NO. (REPL P/NO)	Q T Y	REMARKS
	FROM-UP-TO	TYPE						DESCRIPTION	FROM-UP-TO				
1124AG		BOLT					1360GG		WASHER-SPRING				
990601 -		(S)PERNO (CON ARANDELA)		11240-08201	4		990601 -		(S)ARANDELA	Y	13602-08001	1	
990601 -		ALL 4AT2		11240-08201	4				ALL 4AT2		(13602-08003)		
1125AL		BOLT					990601 -		ALL 4AT2;-A08	Y	13602-08001	1	
990601 - 990615		(S)PERNO (CON ARANDELA)	Y	11250-08251	2				(13602-08003)		(13602-08003)		
990601 - 990615		ALL 4AT2	Y	(11250-08253)	2		1461CB		RING-SNAP				
990601 - 990615		ALL 4AT2;-A08	Y	11250-08251	2		990601 -		(S)JUEGO ANILLO		14611-03001	1	
990615 -		ALL 4AT2		(11250-08253)	2		990601 -		ALL 4AT2		14611-03001	1	
990615 -		ALL 4AT2;-A08		11250-08253	2		18643B		BULB				
1229DE		SCREW-MACHINE					990601 -		(S)BOMBILLA(12V 3,4W)		18643-03009	1	
990601 -		(S)TORNILLO		12291-05123	3		990601 -		ALL 4AT2		18643-03009	1	
990601 -		ALL 4AT2		12291-05123	3		32877		STOPPER-PEDAL				
1232EA		SCREW-MACHINE					990601 -		(S)OBTURADOR		32877-36000	1	
990601 -		(S)TORNILLO		12325-04083	2		990601 -		ALL 4AT2;-A08		32877-36000	1	
990601 -		ALL 4AT2		12325-04083	2		43713		SPRING-BUTTON RETURN				
990601 -		ALL 4AT2;-A08		12431-03201	1		990601 -		(S)MUELLE		46713-02700	1	
1243AG		SCREW-TAPPING					990601 -		ALL 4AT2		46713-02700	1	
990601 -		(S)TORNILLO		12431-03201	1		43714C		CAM-ROD ADJUSTING				
990601 -		ALL 4AT2;-A08		12431-03201	1		990601 -		(S)LEVA		43725-22710	1	
1310DA		NUT					990601 -		ALL 4AT2		43725-22710	1	
990601 -		(S)TUERCA	Y	13100-08001	1		990601 -		ALL 4AT2;-A08		43725-22710	1	
990601 -		ALL 4AT2	Y	(13100-08003)	1		43714D		BUTTON-PUSH				
990601 -		ALL 4AT2;-A08	Y	13100-08001	1		990601 -		(S)BOTON		43714-22711	1	
				(13100-08003)	1		990601 -		ALL LHD>4AT2;-A08		43714-22791	1	
1339CD		NUT-FLANGE					43725B		ALL RHD>4AT2				
990601 -		(S)TUERCA TAPA	Y	13395-08001	1		990601 -		PIN-DETENT				
990601 -		ALL 4AT2	Y	(13395-08003)	1		990601 -		(S)PASADOR		43728-22700	1	
				13395-08001	1		43729		ROLLER		43728-22700	1	
				(13395-08003)	1		990601 -		(S)RODILLO		43729-36700	2	
							990601 -		ALL 4AT2		43729-36700	2	
									ALL 4AT2;-A08				

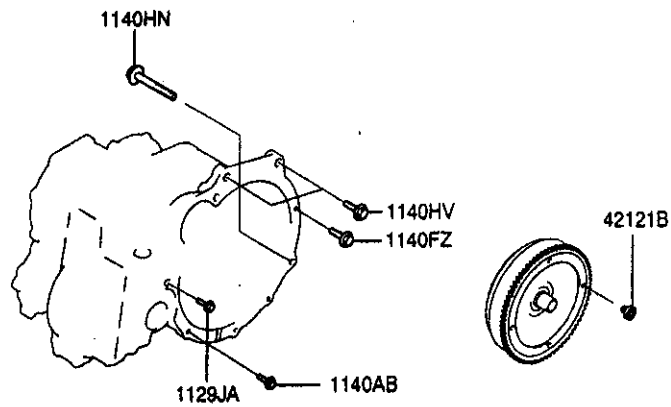
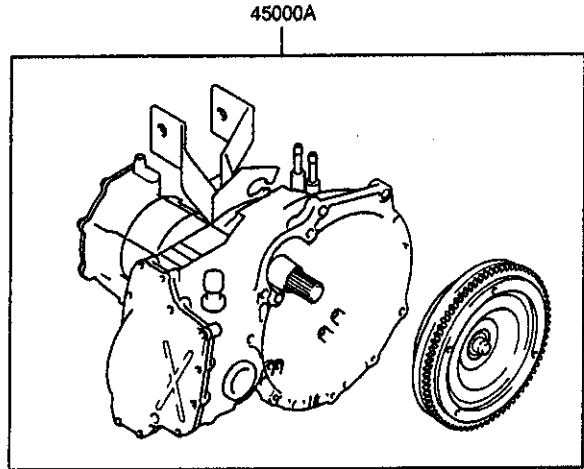
P N C		MODEL APPLICABLE		R E P	PART NO. (REPL P/NO)	Q T Y	REMARKS	P N C		MODEL APPLICABLE		R E P	PART NO. (REPL P/NO)	Q T Y	REMARKS
FROM-UP-TO	TYPE	DESCRIPTION	FROM-UP-TO					TYPE	DESCRIPTION						
43730C		ROLLER													
990601 -		(S)RODILLO													
990601 -		ALL 4AT2			43730-36700	1									
990601 -		ALL 4AT2;-A08			43730-36700	1									
43733		SPRING													
		(S)													
990601 -		ALL 4AT2			43733-22701	1									
990601 -		ALL 4AT2;-A08			43733-22701	1									
43746		BOLT-SPIDER													
		(S)PERNO													
990601 -		ALL 4AT2			43749-22700	1									
990601 -		ALL 4AT2;-A08			43749-22700	1									
43755A		BAND-CABLE													
		(S)BANDA													
990601 -		ALL 4AT2			43755-37700	1									
990601 -		ALL 4AT2;-A08			43755-37700	1									
43756A		BUSH-GEAR SHIFT LEVER													
		(S)CASQUILLO													
990601 -		ALL 4AT2			43756-36000	2									
990601 -		ALL 4AT2;-A08			43756-36000	2									
43760A		CABLE ASSY-ATM LEVER													
		(S)CONJUNTO CABLE													
990601 -		ALL 4AT2			46760-25700	1									
990601 -		ALL 4AT2;-A08			46760-25700	1									
43770A		INDICATOR ASSY-SHIFT LEVER													
		(S)CONJ. INDICADOR													
990603 -		AD LHD>4AT2;-A08			46770-25700YN	1	INT;LT								
990603 -		AD RHD>4AT2			46770-25790YN	1	INT;LT								
990603 -		AG LHD>4AT2;-A08			46770-25700YN	1	INT;LT								
990603 -		AG RHD>4AT2			46770-25790YN	1	INT;LT								
990603 -		DG LHD>4AT2;-A08			46770-25700YN	1	INT;LT								
990603 -		DG RHD>4AT2			46770-25790YN	1	INT;LT								
990603 -		DS LHD>4AT2;-A08			46770-25700YN	1	INT;LT								
990603 -		DS RHD>4AT2			46770-25790YN	1	INT;LT								
990603 -		FG LHD>4AT2;-A08			46770-25700YN	1	INT;LT								
990603 -		FG RHD>4AT2			46770-25790YN	1	INT;LT								
43773D		ROD ASSY													
		(S)													
990601 -		ALL 4AT2			43773-37710	1									
CONTINUED								CONTINUED							
43773D		ROD ASSY													
		(S)													
990601 -		ALL 4AT2;-A08			43773-37710	1									
43777B		PIN-SNAP													
		(S)PASADOR													
990601 -		ALL 4AT2			43777-37710	2									
990601 -		ALL 4AT2;-A08			43777-37710	2									
43788		BUSH													
		(S)CASQUILLO													
990601 -		ALL 4AT2			43788-36000	1									
990601 -		ALL 4AT2;-A08			43788-36000	1									
43796		CLIP-GEAR SHIFT LEVER CABLE													
		(S)SUJETADOR													
990601 -		ALL 4AT2			43796-36700	2									
990601 -		ALL 4AT2;-A08			43796-36700	2									
46710A		LEVER-GEAR SHIFT													
		(S)PALANCA													
990601 -		ALL 4AT2			46747-25700	1									
990601 -		ALL 4AT2;-A08			46747-25700	1									
46710B		KNOB-GEARSHIFT LEVER													
		(S)PERILLA													
990601 -		ALL LHD>4AT2;-A08			46710-25700	1									
990601 -		ALL RHD>4AT2			46710-25790	1									
990601 -		ALL RHD>4AT2;4372			46711-25790	1									
990601 -		AD LHD>4AT2;4372;-A08			46711-25700LT	1	INT;LT								
990601 -		AG LHD>4AT2;4372;-A08			46711-25700LT	1	INT;LT								
990601 -		DG LHD>4AT2;4372;-A08			46711-25700LT	1	INT;LT								
990601 -		DS LHD>4AT2;4372;-A08			46711-25700LT	1	INT;LT								
990601 -		FG LHD>4AT2;4372;-A08			46711-25700LT	1	INT;LT								
46714		BUTTON-PUSH													
		(S)BOTON													
990601 -		ALL LHD>4AT2;4372;-A08			46714-25700	1									
990601 -		ALL RHD>4AT2;4372			46714-25790	1									
46716		SWITCH ASSY-OVER DRIVE													
		(S)CONJ. CONMUTADOR													
990601 -		AD LHD>4AT2;-A08			46716-25705LT	1	INT;LT								
990601 -		AD RHD>4AT2			46716-25795LT	1	INT;LT								
990601 -		AG LHD>4AT2;-A08			46716-25705LT	1	INT;LT								
CONTINUED								CONTINUED							

2-H 5

43-439 SHIFT LEVER CONTROL(ATA)

BA.G0112- 240

P N C		MODEL APPLICABLE		P	PART NO. (REPL P/NO)	Q T Y	REMARKS	P N C		MODEL APPLICABLE		P	PART NO. (REPL P/NO)	Q T Y	REMARKS
FROM-UP-TO	TYPE	DESCRIPTION						FROM-UP-TO	TYPE	DESCRIPTION					
CONTINUED															
46716		SWITCH ASSY-OVER DRIVE (S)CONJ. CONMUTADOR						46725A		ROD ASSY (S)CONJUNTO VARILLA					
990601 -	AG	RHD>	4AT2		46716-25795LT	1	INT;LT	990601 -	ALL	4AT2		46725-25700	1		
990601 -	DG	LHD>	4AT2;-A08		46716-25705LT	1	INT;LT	990601 -	ALL	4AT2;-A08		46725-25700	1		
990601 -	DG	RHD>	4AT2		46716-25795LT	1	INT;LT	46733		SPRING (S)MUELLE					
990601 -	DS	LHD>	4AT2;-A08		46716-25705LT	1	INT;LT	990601 -	ALL	4AT2		46733-25700	1		
990601 -	DS	RHD>	4AT2		46716-25795LT	1	INT;LT	990601 -	ALL	4AT2;-A08		46733-25700	1		
990601 -	FG	LHD>	4AT2;-A08		46716-25705LT	1	INT;LT	46736A		BRACKET-SHIFT LEVER (S)SOPORTE					
990601 -	FG	RHD>	4AT2		46716-25795LT	1	INT;LT	990601 -	ALL	4AT2		46736-25710	1		
46718		COVER (S)CUBIERTA						990601 -	ALL	4AT2;-A08		46736-25710	1		
990601 -	AD	LHD>	4AT2;-A08		46718-25701LT	1	INT;LT	46742		LEVER ASSY (S)					
990601 -	AD	LHD>	4AT2;4372,-A08		46718-25701LT	1	INT;LT	990601 -	ALL	LHD>	4AT2;4372,-A08	46742-25700	1		
990601 -	AD	RHD>	4AT2		46718-25791LT	1	INT;LT	990601 -	ALL	RHD>	4AT2;4372	46742-25790	1		
990601 -	AD	RHD>	4AT2;4372		46719-25791LT	1	INT;LT	46762		PIN (S)PASADOR					
990601 -	AG	LHD>	4AT2;-A08		46718-25701LT	1	INT;LT	990601 -	ALL	RHD>	4AT2	43762-22700	1		
990601 -	AG	LHD>	4AT2;4372,-A08		46719-25701LT	1	INT;LT	46799A		COVER (S)CUBIERTA					
990601 -	AG	RHD>	4AT2		46718-25791LT	1	INT;LT	990603 -	AD	RHD>	4AT2	46799-25790YN	1	INT;LT	
990601 -	AG	RHD>	4AT2;4372		46719-25791LT	1	INT;LT	990603 -	AG	RHD>	4AT2	46799-25790YN	1	INT;LT	
990601 -	DG	LHD>	4AT2;-A08		46718-25701LT	1	INT;LT	990603 -	DG	RHD>	4AT2	46799-25790YN	1	INT;LT	
990601 -	DG	LHD>	4AT2;4372,-A08		46719-25701LT	1	INT;LT	990603 -	DS	RHD>	4AT2	46799-25790YN	1	INT;LT	
990601 -	DG	RHD>	4AT2		46718-25791LT	1	INT;LT	990603 -	FG	RHD>	4AT2	46799-25790YN	1	INT;LT	
990601 -	DG	RHD>	4AT2;4372		46719-25791LT	1	INT;LT	91651A		WIRING ASSY-ATA ILLUM EXTN (S)CONJ. CABLEADO					
990601 -	DS	LHD>	4AT2;-A08		46718-25701LT	1	INT;LT	990601 -	ALL	4AT2		91651-25000	1		
990601 -	DS	LHD>	4AT2;4372,-A08		46719-25701LT	1	INT;LT	990601 -	ALL	4AT2;-A08		91651-25000	1		
990601 -	DS	RHD>	4AT2		46718-25791LT	1	INT;LT								
990601 -	DS	RHD>	4AT2;4372		46719-25791LT	1	INT;LT								
990601 -	FG	LHD>	4AT2;-A08		46718-25701LT	1	INT;LT								
990601 -	FG	LHD>	4AT2;4372,-A08		46719-25701LT	1	INT;LT								
990601 -	FG	RHD>	4AT2		46718-25791LT	1	INT;LT								
990601 -	FG	RHD>	4AT2;4372		46719-25791LT	1	INT;LT								
46720C		LEVER ASSY-GEAR SHIFT (S)CONJUNTO PALANCA													
990601 -	ALL	4AT2			46720-25700	1									
990601 -	ALL	4AT2;-A08			46720-25700	1									
990601 -	ALL	LHD>	4AT2;4372,-A08		46743-25700	1									
990601 -	ALL	RHD>	4AT2;4372		46743-25790	1									



P N C	MODEL APPLICABLE		R E P	PART NO. (REPL PNO)	Q T Y	REMARKS
	FROM-UP-TO	TYPE				
1129JA						
990601 -				11296-10603	1	
1140AB						
010522 -				11400-06123	1	FLANGE
1140FZ						
990601 -				11403-06103 (13395-06001)	1	FLANGE
1140HN						
990601 -				11404-10703	1	
1140HV						
990601 -				11404-12403	2	
42121B						
990601 -				42121-21720	3	
45000A						
990601 - 010424				45000-22700 =(45000-22701) +(21461-22030) +(11403-10163)	1	
990601 - 010424				45000-22710 =(45000-22711) +(21461-22030) +(11403-10163)	1	
010424 -				45000-22701	1	
010424 -				45000-22711	1	
990601 - 010424				45000-22700 =(45000-22701) +(21461-22030) +(11403-10163)	1	
990601 - 010424				45000-22710 =(45000-22711) +(21461-22030) +(11403-10163)	1	

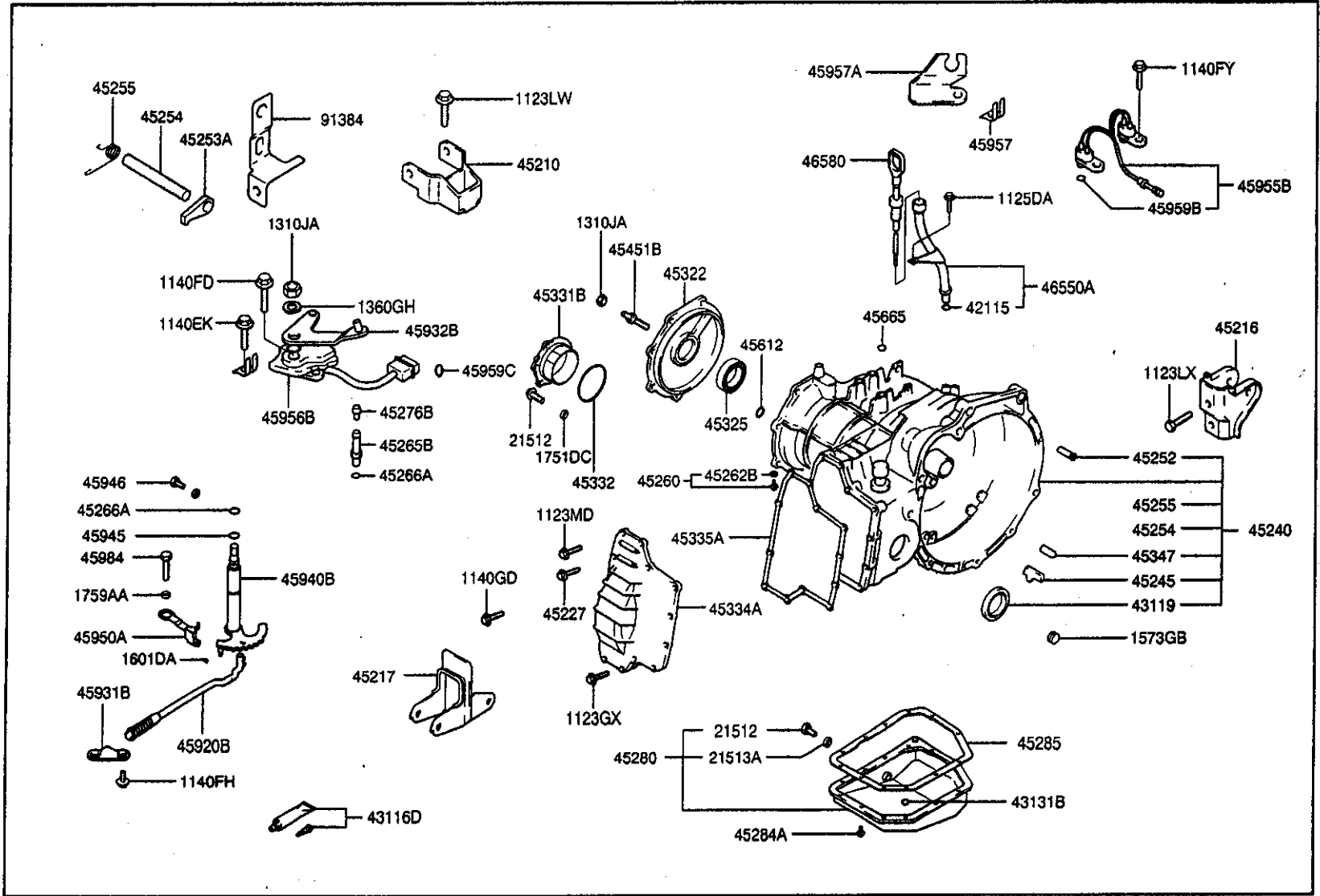
CONTINUED

2-15

43-450 TRANSAXLE(ATA)

BA,00112-242

P N C	MODEL APPLICABLE		R E P	PART NO. (REPL P/NO)	Q T Y	REMARKS	P N C	MODEL APPLICABLE		R E P	PART NO. (REPL P/NO)	Q T Y	REMARKS
	FROM-UP-TO	TYPE						DESCRIPTION	FROM-UP-TO				
CONTINUED													
45000A		ATA & TQ/CONV ASSY (S)CONJ. CONV/TQ & ATA											
010424 -	AG	P6B		45000-22701	1								
010424 -	AG	P3B		45000-22711	1								
990601 - 010424	DG	4AT2		45000-22710	1								
				=(45000-22711)									
				+(21461-22030)									
				+(11403-10163)									
010424 -	DG	4AT2		45000-22711	1								
990601 - 010424	DS	4AT2		45000-22710	1								
				=(45000-22711)									
				+(21461-22030)									
				+(11403-10163)									
010424 -	DS	4AT2		45000-22711	1								
990601 - 010424	FD	4AT2		45000-22710	1								
				=(45000-22711)									
				+(21461-22030)									
				+(11403-10163)									
010424 -	FD	4AT2		45000-22711	1								
990601 - 010424	FG	P6B		45000-22700	1								
				=(45000-22701)									
				+(21461-22030)									
				+(11403-10163)									
990601 - 010424	FG	P3B		45000-22710	1								
				=(45000-22711)									
				+(21461-22030)									
				+(11403-10163)									
010424 -	FG	P6B		45000-22701	1								
010424 -	FG	P3B		45000-22711	1								



2-L 5

43-452 TRANSAXLE CASE(ATA)

BA,G0112- 244

P N C		MODEL APPLICABLE		R E P	PART NO. (REPL P/NO)	Q T Y	REMARKS	P N C		MODEL APPLICABLE		R E P	PART NO. (REPL P/NO)	Q T Y	REMARKS
FROM-UP-TO	TYPE	DESCRIPTION						FROM-UP-TO	TYPE	DESCRIPTION					
1123GX		BOLT						1360GH		WASHER-SPRING					
990601 -		(S)PERNO (CON ARANDELA)			11233-08253	10		990601 -		(S)ARANDELA		Y	13602-10001	1	
		ALL 4AT2								ALL 4AT2			(13602-10003)		
1123LW		BOLT						1573GB		CAP-SEALING					
010306 - 010319		(S)PERNO (CON ARANDELA)			11234-12283	2		990601 -		(S)TAPA			15732-14001	1	
		ALL 4AT2								ALL 4AT2					
1123LX		BOLT						1601DA		BALL-STEEL					
990601 -		(S)PERNO (CON ARANDELA)			11234-12303	2		990601 -		(S)BOLA					
010306 - 010319		ALL 4AT2			11234-12303	3		990601 -		ALL 4AT2			16011-04000	1	
1123MD		BOLT						1761DC		GASKET-OIL PLUG					
990601 -		(S)PERNO (CON ARANDELA)			11234-12453	1		990601 -		(S)JUNTA			17511-14000	1	
		ALL 4AT2								ALL 4AT2					
1125DA		BOLT						1759AA		WASHER-SEALING					
990601 -		(S)PERNO (CON ARANDELA)			11251-06163	1		990601 -		(S)ARANDELA			17595-08000	1	
		ALL 4AT2		Y	(11251-06166B)					ALL 4AT2					
1140EK		BOLT						21512		PLUG-OIL DRAIN					
990601 -		(S)PERNO (PESTANA)			11403-06163	2		990601 -		(S)TAPON			21512-21010	1	
		ALL 4AT2								ALL 4AT2					
1140FD		BOLT						21513A		GASKET-OIL PLUG					
990601 -		(S)PERNO (PESTANA)			11403-08163	2		990601 -		(S)JUNTA			21513-21000	1	
		ALL 4AT2			11403-08163	1				ALL 4AT2					
990601 -		ALL 4AT2			11403-08163	1		42115		RING"O"					
990601 -		ALL 4AT2			11403-08163	1		990601 -		(S)JUNTAS TORICAS			42115-37000	1	
990601 - 010306		ALL 4AT2;+B29,+E02			11403-08163	1		990601 -		ALL 4AT2			42115-37000	1	
1140FH		BOLT						43116D		GASKET-LIQUID					
990601 -		(S)PERNO (PESTANA)			11403-08253	5		990601 -		(S)JUNTA					
		ALL 4AT2			11403-08251	2	FLANGE			ALL 4AT2			4C116-35100	1	
990601 -		ALL 4AT2		Y	(11403-08253)					ALL 4AT2					
1140FY		BOLT						43119		SEAL-OIL					
990601 -		(S)PERNO (PESTANA)			11403-06143	2		990601 -		(S)RETEN			43119-28001	1	
		ALL 4AT2								ALL 4AT2					
1140GD		BOLT						43131B		MAGNET-TRANSAXLE CASE					
990601 -		(S)PERNO (PESTANA)			11403-08283	12		990601 -		(S)IMAN			43131-34000	5	
		ALL 4AT2								ALL 4AT2					
990601 -		ALL 4AT2			13101-10003	1		45210		BRACKET ASSY-TRANSAXLE MTG					
1310JA		NUT						990601 -		(S)CONJUNTO SOPORTE			45210-22700	1	
990601 -		(S)TUERCA						990601 -		ALL 4AT2			45210-22800	1	
		ALL 4AT2						010306 - 010319		ALL 4AT2					

2-A 6

43-452 TRANSAXLE CASE(ATA)

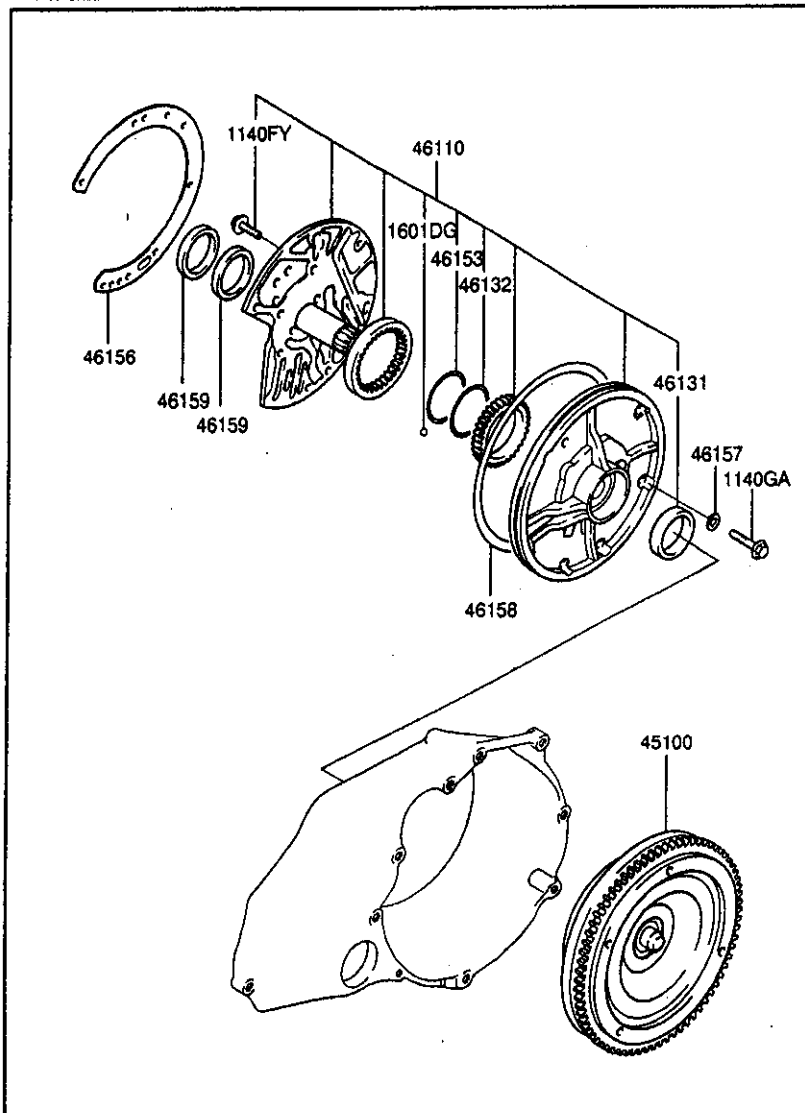
BA,00118- 246

P N C		MODEL APPLICABLE		R E P	PART NO. (REPL P/NO)	Q T Y	REMARKS	P N C		MODEL APPLICABLE		R E P	PART NO. (REPL P/NO)	Q T Y	REMARKS	
FROM-UP-TO	TYPE	DESCRIPTION						FROM-UP-TO	TYPE	DESCRIPTION						
45347		PLUG						45957		CLAMP						
990601 -		(S)TAPON			45346-38001	5		990601 -		(S)ABRAZADERA			45957-37001	1		
990601 -		ALL 4AT2						45957A		ALL 4AT2						
45451B		SCREW-ADJUST						990601 -		BRACKET-SHIFT CABLE						
990601 -		(S)TORNILLO			45330-22010	1		45959B		(S)SOPORTE			45957-22602	1		
990601 -		ALL 4AT2						990601 -		ALL 4AT2						
45612		RING"O"			46711-28000	1		45959C		RING"O"			45959-22611	2		
990601 -		(S)JUNTAS TORICAS						990601 -		(S)JUNTAS TORICAS						
990601 -		ALL 4AT2			45960-22700	1		45984		ALL 4AT2			45959-28010	1		
45665		RING-SNAP						990601 -		BOLT						
990601 -		(S)ANILLO			45920-22551	1		46550A		(S)PERNO			45958-22800	1		
990601 -		ALL 4AT2						990601 -		ALL 4AT2						
45920B		ROD ASSY-PARK SPRAG						990601 -		TUBE ASSY-OIL FILLER						
990601 -		(S)CONJUNTO VARILLA			45931-22000	1		990601 -		(S)CONJ. TUBO			46570-22702	1		
990601 -		ALL 4AT2						46580		ALL 4AT2;+B29,+E02			46570-22702	1		
45931B		SUPPORT-SPRAG ROD						990601 -		GAUGE-OIL LEVEL						
990601 -		(S)SOPORTE			45932-22602	1		91384		(S)MEDIDOR			46580-22702	1		
990601 -		ALL 4AT2						990601 -		ALL 4AT2			46580-22702	1		
45932B		LEVER-ATA MANUAL CONTROL						990601 -		ALL 4AT2;+B29,+E02						
990601 -		(S)PALANCA			45940-22550	1		990601 -		BRACKET-ATA						
990601 -		ALL 4AT2						91384		(S)SOPORTE						
45940B		SHAFT ASSY-MANUAL CONTROL						990601 -		ALL 4AT2			45961-22701	1		
990601 -		(S)CONJ. EJE			45945-36001	1		011008 -		ALL 4AT2			45961-22702	1		
990601 -		ALL 4AT2								ALL 4AT2						
45945		RING"O"														
990601 -		(S)JUNTAS TORICAS			45946-36000	1										
990601 -		ALL 4AT2														
45946		SCREW-SETTING														
990601 -		(S)TORNILLO			45950-22552	1										
990601 -		ALL 4AT2														
45950A		SPRING ASSY-DETENT														
990601 -		(S)CONJ. MUELLE			45955-22700	1										
990601 -		ALL 4AT2														
45955B		GENERATOR ASSY-PULSE														
990601 -		(S)CONJ. GENERADOR			45956-28010	1										
990601 -		ALL 4AT2														
45956B		SWITCH-TRANSAXLE RANGE														
990601 -		(S)CONMUTADOR														
990601 -		ALL 4AT2														

2-B 6

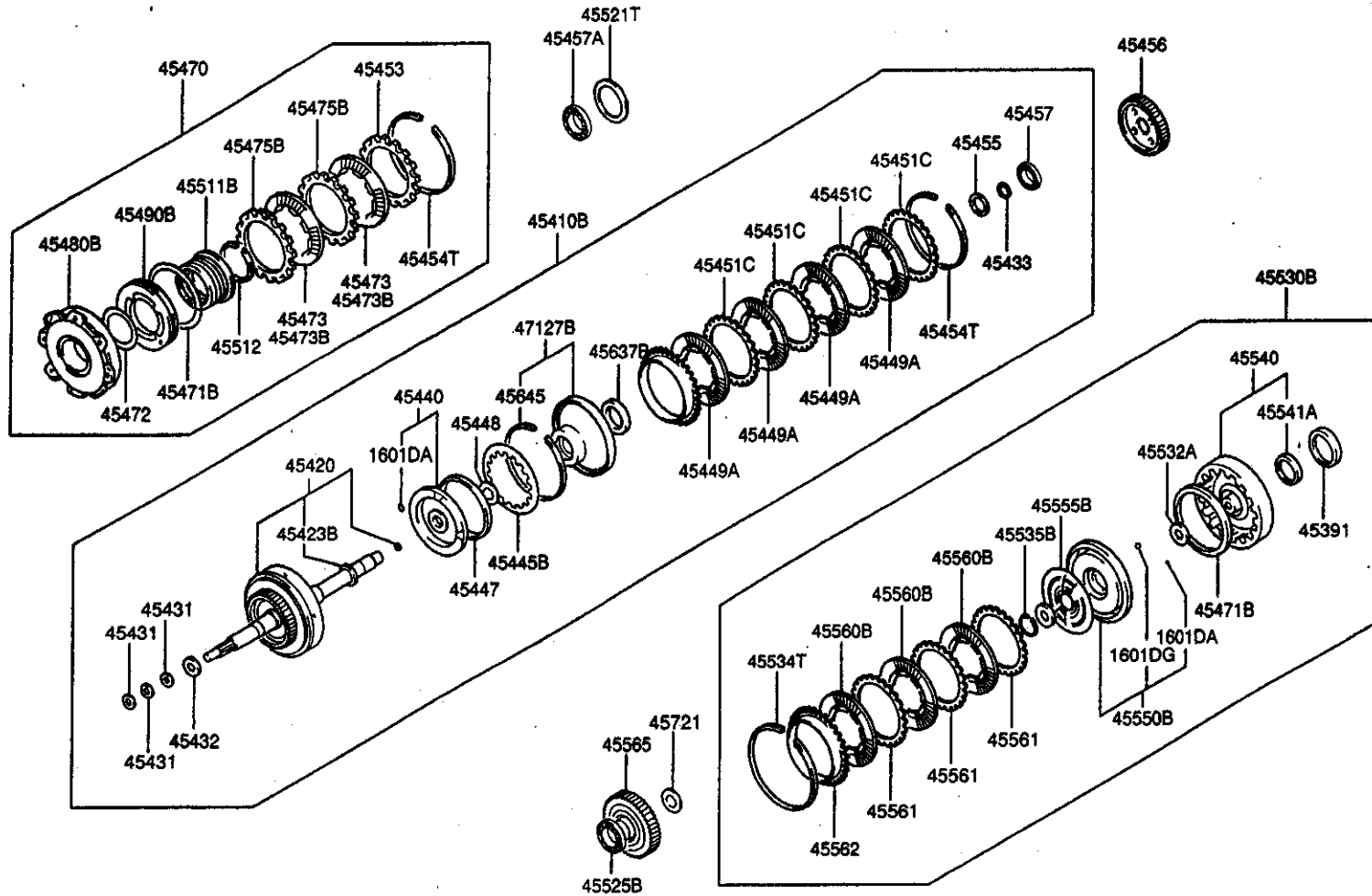
43-453 OIL PUMP & TQ/CONV(ATA)

BA,G0112- 247



P N C	MODEL APPLICABLE		R E P	PART NO. (REPL P/NO)	Q T Y	REMARKS
	FROM-UP-TO	TYPE				
1140FY						
990601 -				11403-06141 (11403-06143)	5	
1140GA						
990601 -				11403-08321	6	
1601DG						
990601 -				16011-10000	1	
45100						
990601 -				45100-36220	1	
990601 -				45100-36400	1	
46110						
990601 -				46110-22723	1	
46131						
990601 -				46131-36002	1	
46132						
990601 -				46132-36002	1	
46153						
990601 -				46153-36000	1	
46156						
990601 -				46156-22030	1	
46157						
990601 -				46157-36001	6	
46158						
990601 -				46158-36001	1	
46159						
990601 -				46159-36001	2	

43-454 TRANSAXLE CLUTCH(ATA)



2-D 6

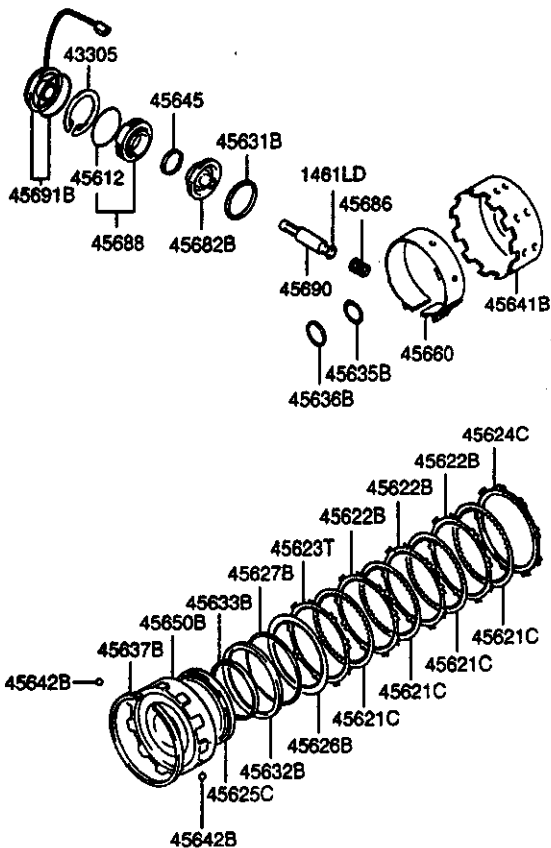
43-454 TRANSAXLE CLUTCH(ATA)

BA.G0112- 249

P N C	MODEL APPLICABLE		R E P	PART NO. (REPL P/NO)	Q T Y	REMARKS	P N C	MODEL APPLICABLE		R E P	PART NO. (REPL P/NO)	Q T Y	REMARKS
	FROM-UP-TO	TYPE						DESCRIPTION	FROM-UP-TO				
1601DA		BALL-STEEL (S)BOLA					45448		RING"D"-RR CLUTCH (S)ANILLO "D"				
990601 -		ALL 4AT2		16011-04000	1		990601 -		ALL 4AT2		45448-22710	1	
1601DG		BALL-STEEL (S)BOLA					45449A		DISC ASSY-CLUTCH RR (S)CONJ. DISCO				
990601 -		ALL 4AT2		16011-07000	2		990601 -		ALL 4AT2		45449-22760	4	
45391		RING-SEAL (S)ANILLO					45451C		PLATE-CLUTCH (S)PLACA				
990601 - 010129		ALL 4AT2	Y	45294-39010 (45294-39020)	1		990601 -		ALL 4AT2		45451-22700	4	
010129 -		ALL 4AT2		45294-39020	1		45453		PLATE-CLUTCH REACTION (S)PLACA				
45410B		CLUTCH ASSY-RR (S)CONJ. EMBRAGUE					990601 -		ALL 4AT2		45453-36000	1	
990601 -		ALL 4AT2		45410-22700	1		45454T		RING-SNAP (S)JUEGO ANILLO				
45420		RETAINER ASSY-RR CLUTCH (S)CONJ. RETENEDOR					990601 -		ALL 4AT2		45454-36190	1	T=1.90
990601 -		ALL 4AT2		45420-22700	1		990601 -		ALL 4AT2		45454-36160	C	T=1.60
45423B		RING-RR CLUTCH RETAINER (S)ANILLO					990601 -		ALL 4AT2		45454-36170	C	T=1.70
990601 -		ALL 4AT2		45424-36010	2		990601 -		ALL 4AT2		45454-36180	C	T=1.80
45431		RING-SEAL (S)ANILLO					990601 -		ALL 4AT2		45454-36200	C	T=2.0
990601 -		ALL 4AT2		45431-36001	3		990601 -		ALL 4AT2		45454-36210	C	T=2.1
45432		RING-SEAL (S)ANILLO					990601 -		ALL 4AT2		45454-36220	C	T=2.2
990601 -		ALL 4AT2		45432-36001	1		990601 -		ALL 4AT2		45454-36230	C	T=2.3
45433		RING-SNAP (S)ANILLO					990601 -		ALL 4AT2		45454-36240	C	T=2.4
990601 -		ALL 4AT2		45433-36010	1		990601 -		ALL 4AT2		45454-36250	C	T=2.5
45440		PISTON ASSY-RR CLUTCH (S)CONJ. PISTON					990601 -		ALL 4AT2		45454-36260	C	T=2.6
990601 -		ALL 4AT2		45440-22700	1		990601 -		ALL 4AT2		45454-36270	C	T=2.7
45445B		SPRING-RETURN (S)MUELLE					990601 -		ALL 4AT2		45454-36280	C	T=2.8
990601 -		ALL 4AT2		45445-22700	1		990601 -		ALL 4AT2		45454-36290	C	T=2.90
45447		RING"D"-RR CLUTCH (S)ANILLO "D"					990601 -		ALL 4AT2		45454-36300	C	T=3.0
990601 -		ALL 4AT2		45447-22701	1		45455		RACE-THRUST BEARING (S)CARRERA				
							990601 -		ALL 4AT2		45455-36001	1	
							45456		HUB-RR CLUTCH (S)CUBO				
							990601 -		ALL 4AT2		45456-22700	1	
							45457		BEARING-RR CLUTCH (S)COJINETE				
							990601 -		ALL 4AT2		45458-36060	1	

P N C	MODEL APPLICABLE		R E P	PART NO. (REPL. P/N)	Q T Y	REMARKS	P N C	MODEL APPLICABLE		R E P	PART NO. (REPL. P/N)	Q T Y	REMARKS
	FROM-UP-TO	TYPE						DESCRIPTION	FROM-UP-TO				
45457A		BEARING-FR CLUTCH (S)COJINETE					45521T		WASHER-THRUST (S)ARANDELA				
990601 -		ALL 4AT2		45457-36060	1		990601 -		ALL 4AT2		45521-36143	1	T=1.4
45470		CLUTCH ASSY-FR (S)CONJ. EMBRAGUE					990601 -		ALL 4AT2		45521-36183	C	T=1.8
990601 - 010601		ALL 4AT2		45470-22700	1		45525B		BEARING-ATA END CLUTCH (S)COJINETE				
010601 -		ALL 4AT2		45470-22705	1		990601 -		ALL 4AT2		45525-22800	1	
45471B		RING"D"-FR CLUTCH (S)ANILLO "D"					45530B		CLUTCH ASSY-END (S)CONJ. EMBRAGUE				
990601 -		ALL 4AT2		45471-36002	1		990601 -		ALL 4AT2		45530-22703	1	
45472		RING"D" (S)ANILLO "D"					45532A		RING"D" (S)ANILLO "D"				
990601 - 000610		ALL 4AT2	A	45472-36001 (45472-36002)	1		990601 -		ALL 4AT2		45532-22700	1	
000610 -		ALL 4AT2		45472-36002	1		45534T		RING-SNAP (S)ANILLO				
45473		DISC ASSY-CLUTCH FR (S)CONJ. DISCO					990601 -		ALL 4AT2		45534-37183	1	T=1.6
990601 - 010601		ALL 4AT2		45473-28060	2		990601 -		ALL 4AT2		45534-37173	C	T=1.7
45473B		DISC ASSY-CLUTCH (S)CONJ. DISCO					990601 -		ALL 4AT2		45534-37181	C	T=1.8
010601 -		ALL 4AT2		45473-22730	2		990601 -		ALL 4AT2		45534-37193	C	T=1.9
45475B		PLATE-CLUTCH REACTION (S)PLACA					990601 -		ALL 4AT2		45534-37203	C	T=2.0
990601 -		ALL 4AT2		45475-22700	1		990601 -		ALL 4AT2		45534-37211	C	T=2.1
990601 -		ALL 4AT2		45475-36000	1		990601 -		ALL 4AT2		45534-37223	C	T=2.2
45480B		RETAINER ASSY-FR CLUTCH (S)CONJ. RETENEDOR					990601 -		ALL 4AT2		45534-37233	C	T=2.3
990601 -		ALL 4AT2		45480-22700	1		45535B		RING-SNAP (S)ANILLO				
45490B		PISTON ASSY-FR CLUTCH (S)CONJ. PISTON					990601 -		ALL 4AT2		45535-22700	1	
990601 -		ALL 4AT2		45490-22700	1		45540		RETAINER ASSY-END CLUTCH (S)CONJ. RETENEDOR				
45511B		SPRING-CLUTCH RETURN (S)MUELLE					990601 -		ALL 4AT2		45540-22710	1	
990601 -		ALL 4AT2		45511-22700	1		45541A		SEAL-OIL (S)RETEN				
45512		RING-SNAP (S)ANILLO					990601 -		ALL 4AT2		45541-37001	1	
990601 -		ALL 4AT2		45512-22700	1		45550B		PISTON-END CLUTCH (S)PISTON				
							990601 -		ALL 4AT2		45550-22701	1	
							45555B		SPRING-RETURN (S)MUELLE				
							990601 -		ALL 4AT2		45555-22701	1	

43-455 TRANSAXLE BRAKE(ATA)



P N C	MODEL APPLICABLE		R E P	PART NO. (REPL. PRNO)	Q T Y	REMARKS
	FROM-UP-TO	TYPE				
1461LD						
990601 -				14614-18001	1	
43305						
990601 -				45613-36000	2	
45612						
990601 -				45612-36001	1	
45621C						
990601 -				45621-36071	4	
45622B						
990601 -				45622-36000	3	
45623T						
990601 -				45623-36560	1	T=5.6
990601 -				45623-36570	C	T=5.7
990601 -				45623-36580	C	T=5.8
990601 -				45623-36590	C	T=5.9
990601 -				45623-36600	C	T=6.0
990601 -				45623-36610	C	T=6.1
990601 -				45623-36620	C	T=6.2
990601 -				45623-36630	C	T=6.3
990601 -				45623-36640	C	T=6.4
990601 -				45623-36650	C	T=6.5
990601 -				45623-36660	C	T=6.6
990601 -				45623-36670	C	T=6.7
990601 -				45623-36680	C	T=6.8
45624C						
990601 -				45624-36000	1	
45625C						
990601 -				45625-36020	1	
45626B						
990601 -				45626-36000	1	

2-J 6

43-457 TRANSAXLE GEAR(ATA)

BA.G0112- 255

P N C		MODEL APPLICABLE		R E P	PART NO. (REPL P/NO)	Q T Y	REMARKS	P N C		MODEL APPLICABLE		R E P	PART NO. (REPL P/NO)	Q T Y	REMARKS
FROM-UP-TO	TYPE	DESCRIPTION	FROM-UP-TO					TYPE	DESCRIPTION						
CONTINUED								45765		BOLT					
45720B		GEAR KIT-ATA TRANSFER DRIVEN (S)JUEGO ENGRANAJES						990601 -		ALL 4AT2		45765-36001	3		
990601 -		AG P3B			45720-22830	1		45766		PLATE-LOCK (S)PLACA					
990601 -		DG 4AT2			45720-22830	1		990601 -		ALL 4AT2		45766-36000	1		
990601 -		DS 4AT2			45720-22830	1		45781B		RACE-OVER RUN CLUTCH OTR (S)CARRERA					
990601 -		FD 4AT2			45720-22830	1		990601 -		ALL 4AT2		45781-36001	1		
990601 -		FG P6B			45720-22820	1		45782		PLATE-STOPPER (S)PLACA					
990601 -		FG P3B			45720-22830	1		990601 -		ALL 4AT2		45782-36001	1		
45729		NUT-LOCKING (S)TUERCA						990601 -		ALL 4AT2		45782-36001	1		
990601 -		ALL 4AT2			45729-34110	1		45783B		CLUTCH-ONE WAY (S)EMBRAGUE					
45733B		RING-SNAP (S)ANILLO						990601 - 991201		ALL 4AT2	Y	45783-36080 (45783-36061)	1		
990601 -		ALL 4AT2			45820-22000	1		991201 -		ALL 4AT2		45783-36061	1		
45737B		BEARING-TRANSFER DRIVEN GEAR (S)COJINETE						45790B		GEAR ASSY-REVERSE SUN (S)CONJ. ENGRANAJE					
990601 -		ALL 4AT2			45737-22040	1		990601 -		ALL 4AT2		45790-36000	1		
45744		RACE-THRUST BEARING (S)CARRERA						45793		GEAR ASSY-FORWARD SUN (S)CONJ. ENGRANAJE					
990601 -		ALL 4AT2			45744-36001	1		990601 - 011201		ALL 4AT2		45793-22500	1		
45747B		RING-SEAL (S)ANILLO						011201 -		ALL 4AT2		45793-22650	1		
990601 -		ALL 4AT2			45747-36001	1		45796		GEAR-ANNULUS (S)ENGRANAJE					
45748		BEARING (S)COJINETE(EMPUJE)						990601 -		ALL 4AT2		45796-37000	1		
990601 -		ALL 4AT2			45743-36061	1		45811		GEAR-TRANSFER DRIVE (S)ENGRANAJE					
45751		RING-SNAP (S)ANILLO						990601 -		ALL 4AT2		45811-22750	1		
990601 -		ALL 4AT2			45751-36001	1		45812		FLANGE ASSY-OUTPUT (S)CONJUNTO BRIDA					
45760B		CARRIER ASSY-PLANET (S)CONJ. PORTADOR						990601 -		ALL 4AT2		45812-28850	1		
990601 - 990602		ALL 4AT2	A		45760-22600 (45760-22800)	1		45819		NUT-LOCK (S)TUERCA					
990602 -		ALL 4AT2			45760-22800	1		990601 -		ALL 4AT2		45819-22700	1		
45761C		BEARING-PLANET CARRIER (S)COJINETE						45821		RING-SNAP (S)ANILLO					
990601 -		ALL 4AT2			45761-28160	1		990601 -		ALL 4AT2		45821-36000	1		

2-K6

43-457 TRANSAXLE GEAR(ATA)

BA,00112-256

P N C		MODEL APPLICABLE		R E P	PART NO. (REPL PNO)	Q T Y	REMARKS	P N C		MODEL APPLICABLE		R E P	PART NO. (REPL PNO)	Q T Y	REMARKS
FROM-UP-TO	TYPE	DESCRIPTION	FROM-UP-TO					TYPE	DESCRIPTION						
45822		CASE-DIFFERENTIAL (S)CARCASA						CONTINUED							
990601 -		ALL 4AT2			45822-34500	1		45851T		SPACER (S)ESPACIADOR					
45829		BEARING-DIFFERENTIAL CASE (S)COJINETE						990601 -		ALL 4AT2		45851-37177	1	C	T=1.77
990601 -		ALL 4AT2			45829-34150	2		990601 -		ALL 4AT2		45851-37180	1	C	T=1.8
45837		GEAR SET-DIFFERENTIAL (S)JUEGO ENGRANAJES						45863A		BEARING (S)COJINETE(BOLA ANGULAR DBL)					
990601 -		ALL 4AT2	Y		45837-39000 (45837-39040)	1		990601 -		ALL 4AT2		45863-22740	1		
001201 -		ALL 4AT2	Y		45837-39040 (45837-39000)	1		45868		BOLT (S)PERNO					
45840		SHAFT ASSY-END CLUTCH (S)CONJ. EJE						990601 - 010426		ALL 4AT2	A	45868-39000 (45868-39010)	4		
990601 -		ALL 4AT2			45840-22710	1		010426 -		ALL 4AT2		45868-22800	4		
45842A		SPACER SET-DIFFERENTIAL GEAR (S)JUEGO ESPACIADOR						45874A		PLATE-STOPPER (S)PLACA					
990601 -		ALL 4AT2			45834-22700	1		990601 -		ALL 4AT2		45874-22700	1		
45851T		SPACER (S)ESPACIADOR						53513		WASHER (S)ARANDELA					
990601 -		ALL 4AT2			45851-37120	1	T=1.2	990601 -		ALL 4AT2		53513-11100	2		
990601 -		ALL 4AT2			45851-37123	C	T=1.23								
990601 -		ALL 4AT2			45851-37126	C	T=1.26								
990601 -		ALL 4AT2			45851-37129	C	T=1.29								
990601 -		ALL 4AT2			45851-37132	C	T=1.32								
990601 -		ALL 4AT2			45851-37135	C	T=1.35								
990601 -		ALL 4AT2			45851-37138	C	T=1.38								
990601 -		ALL 4AT2			45851-37141	C	T=1.41								
990601 -		ALL 4AT2			45851-37144	C	T=1.44								
990601 -		ALL 4AT2			45851-37147	C	T=1.47								
990601 -		ALL 4AT2			45851-37150	C	T=1.5								
990601 -		ALL 4AT2			45851-37153	C	T=1.53								
990601 -		ALL 4AT2			45851-37156	C	T=1.56								
990601 -		ALL 4AT2			45851-37159	C	T=1.59								
990601 -		ALL 4AT2			45851-37162	C	T=1.62								
990601 -		ALL 4AT2			45851-37165	C	T=1.65								
990601 -		ALL 4AT2			45851-37168	C	T=1.68								
990601 -		ALL 4AT2			45851-37171	C	T=1.71								
990601 -		ALL 4AT2			45851-37174	C	T=1.74								

CONTINUED

P N C	MODEL APPLICABLE		R E P	PART NO. (REPL P/NO)	Q T Y	REMARKS
	FROM-UP-TO	TYPE DESCRIPTION				
1120GB		BOLT				
		(S)PERNO				
990601 -		ALL 4AT2		11203-05101	18	
990601 - 010306	AD	P3B;+B29,+E02		11203-05101	18	
990601 - 010306	AG	P3B;+B29,+E02		11203-05101	18	
990601 - 010306	DG	4AT2;+B29,+E02		11203-05101	18	
990601 - 010306	DS	4AT2;+B29,+E02		11203-05101	18	
990601 - 010306	FD	4AT2;+B29,+E02		11203-05101	18	
990601 - 010306	FG	P3B;+B29,+E02		11203-05101	18	
1140EJ		BOLT				
		(S)PERNO (PESTANA)				
990601 -		ALL 4AT2		11403-06121	4	
1310BA		NUT				
		(S)TUERCA				
990601 -		ALL 4AT2	Y	13100-05001 (13100-05003)	1	
990601 - 010306	AD	P3B;+B29,+E02	Y	13100-05001 (13100-05003)	1	
990601 - 010306	AG	P3B;+B29,+E02	Y	13100-05001 (13100-05003)	1	
990601 - 010306	DG	4AT2;+B29,+E02	Y	13100-05001 (13100-05003)	1	
990601 - 010306	DS	4AT2;+B29,+E02	Y	13100-05001 (13100-05003)	1	
990601 - 010306	FD	4AT2;+B29,+E02	Y	13100-05001 (13100-05003)	1	
990601 - 010306	FG	P3B;+B29,+E02	Y	13100-05001 (13100-05003)	1	
1601DE		BALL-STEEL				
		(S)BOLA				
990601 - 011201		ALL 4AT2	Y	16011-08000 (K9961-12000)	6	
011201 -		ALL 4AT2		K9961-12000	6	
990601 - 010306	AD	P3B;+B29,+E02	Y	16011-08000 (K9961-12000)	6	
990601 - 010306	AG	P3B;+B29,+E02	Y	16011-08000 (K9961-12000)	6	
990601 - 010306	DG	4AT2;+B29,+E02	Y	16011-08000 (K9961-12000)	6	

CONTINUED

P N C	MODEL APPLICABLE		R E P	PART NO. (REPL P/NO)	Q T Y	REMARKS
	FROM-UP-TO	TYPE DESCRIPTION				
CONTINUED						
1601DE		BALL-STEEL				
		(S)BOLA				
990601 - 010306	DS	4AT2;+B29,+E02	Y	16011-08000 (K9961-12000)	6	
990601 - 010306	FD	4AT2;+B29,+E02	Y	16011-08000 (K9961-12000)	6	
990601 - 010306	FG	P3B;+B29,+E02	Y	16011-08000 (K9961-12000)	6	
1799VA		BAND-CABLE				
		(S)BANDA				
990601 -		ALL 4AT2		17998-15220	1	
45686		SPRING-COIL				
		(S)MUELLE				
990601 -		ALL 4AT2		46370-22000	2	
990601 - 010306	AD	P3B;+B29,+E02		46370-22000	2	
990601 - 010306	AG	P3B;+B29,+E02		46370-22000	2	
990601 - 010306	DG	4AT2;+B29,+E02		46370-22000	2	
990601 - 010306	DS	4AT2;+B29,+E02		46370-22000	2	
990601 - 010306	FD	4AT2;+B29,+E02		46370-22000	2	
990601 - 010306	FG	P3B;+B29,+E02		46370-22000	2	
46210		BODY ASSY-ATA VALVE				
		(S)CONJUNTO CARROCERIA				
990601 -		ALL 4AT2		46210-22701	1	
990601 - 010306	AD	P3B;+B29,+E02		46210-22701	1	
990601 - 010306	AG	P3B;+B29,+E02		46210-22701	1	
990601 - 010306	DG	4AT2;+B29,+E02		46210-22701	1	
990601 - 010306	DS	4AT2;+B29,+E02		46210-22701	1	
990601 - 010306	FD	4AT2;+B29,+E02		46210-22701	1	
990601 - 010306	FG	P3B;+B29,+E02		46210-22701	1	
46212		RING"O"				
		(S)JUNTAS TORICAS				
990601 -		ALL 4AT2		46212-36000	1	
990601 - 010306	AD	P3B;+B29,+E02		46212-36000	1	
990601 - 010306	AG	P3B;+B29,+E02		46212-36000	1	
990601 - 010306	DG	4AT2;+B29,+E02		46212-36000	1	
990601 - 010306	DS	4AT2;+B29,+E02		46212-36000	1	
990601 - 010306	FD	4AT2;+B29,+E02		46212-36000	1	
990601 - 010306	FG	P3B;+B29,+E02		46212-36000	1	

P N C	MODEL APPLICABLE		PART NO. (REPL P/NO)	Q T Y	REMARKS
	FROM-UP-TO	TYPE DESCRIPTION			
46212A		RING"O"			
		(S)JUNTAS TORICAS			
990601 -		ALL 4AT2	46212-22701	1	
990601 - 010306	AD	P3B;+B29,+E02	46212-22701	1	
990601 - 010306	AG	P3B;+B29,+E02	46212-22701	1	
990601 - 010306	DG	4AT2;+B29,+E02	46212-22701	1	
990601 - 010306	DS	4AT2;+B29,+E02	46212-22701	1	
990601 - 010306	FD	4AT2;+B29,+E02	46212-22701	1	
990601 - 010306	FG	P3B;+B29,+E02	46212-22701	1	
46216		PLATE-INTERMEDIATE			
		(S)PLACA			
990601 -		ALL 4AT2	46216-22701	1	
990601 - 010306	AD	P3B;+B29,+E02	46216-22701	1	
990601 - 010306	AG	P3B;+B29,+E02	46216-22701	1	
990601 - 010306	DG	4AT2;+B29,+E02	46216-22701	1	
990601 - 010306	DS	4AT2;+B29,+E02	46216-22701	1	
990601 - 010306	FD	4AT2;+B29,+E02	46216-22701	1	
990601 - 010306	FG	P3B;+B29,+E02	46216-22701	1	
46217A		BOLT-CONICAL WASHER			
		(S)PERNO			
990601 -		ALL 4AT2	46217-28000	5	
990601 - 010306	AD	P3B;+B29,+E02	46217-28000	5	
990601 - 010306	AG	P3B;+B29,+E02	46217-28000	5	
990601 - 010306	DG	4AT2;+B29,+E02	46217-28000	5	
990601 - 010306	DS	4AT2;+B29,+E02	46217-28000	5	
990601 - 010306	FD	4AT2;+B29,+E02	46217-28000	5	
990601 - 010306	FG	P3B;+B29,+E02	46217-28000	5	
46219A		BOLT-CONICAL WASHER			
		(S)PERNO			
990601 -		ALL 4AT2	46219-28000	4	
990601 - 010306	AD	P3B;+B29,+E02	46219-28000	4	
990601 - 010306	AG	P3B;+B29,+E02	46219-28000	4	
990601 - 010306	DG	4AT2;+B29,+E02	46219-28000	4	
990601 - 010306	DS	4AT2;+B29,+E02	46219-28000	4	
990601 - 010306	FD	4AT2;+B29,+E02	46219-28000	4	
990601 - 010306	FG	P3B;+B29,+E02	46219-28000	4	
46219B		BOLT-CONICAL WASHER			
		(S)PERNO			
990601 -		ALL 4AT2	46219-22700	1	

CONTINUED

P N C	MODEL APPLICABLE		PART NO. (REPL P/NO)	Q T Y	REMARKS
	FROM-UP-TO	TYPE DESCRIPTION			
CONTINUED					
46219B		BOLT-CONICAL WASHER			
		(S)PERNO			
990601 - 010306	AD	P3B;+B29,+E02	46219-22700	1	
990601 - 010306	AG	P3B;+B29,+E02	46219-22700	1	
990601 - 010306	DG	4AT2;+B29,+E02	46219-22700	1	
990601 - 010306	DS	4AT2;+B29,+E02	46219-22700	1	
990601 - 010306	FD	4AT2;+B29,+E02	46219-22700	1	
990601 - 010306	FG	P3B;+B29,+E02	46219-22700	1	
46220A		BOLT-CONICAL WASHER			
		(S)PERNO			
990601 -		ALL 4AT2	46220-28000	1	
990601 - 010306	AD	P3B;+B29,+E02	46220-28000	1	
990601 - 010306	AG	P3B;+B29,+E02	46220-28000	1	
990601 - 010306	DG	4AT2;+B29,+E02	46220-28000	1	
990601 - 010306	DS	4AT2;+B29,+E02	46220-28000	1	
990601 - 010306	FD	4AT2;+B29,+E02	46220-28000	1	
990601 - 010306	FG	P3B;+B29,+E02	46220-28000	1	
46221		WASHER-PLAIN			
		(S)ARANDELA			
990601 -		ALL 4AT2	46221-37000	1	
990601 - 010306	AD	P3B;+B29,+E02	46221-37000	1	
990601 - 010306	AG	P3B;+B29,+E02	46221-37000	1	
990601 - 010306	DG	4AT2;+B29,+E02	46221-37000	1	
990601 - 010306	DS	4AT2;+B29,+E02	46221-37000	1	
990601 - 010306	FD	4AT2;+B29,+E02	46221-37000	1	
990601 - 010306	FG	P3B;+B29,+E02	46221-37000	1	
46222A		VALVE-HIGH PRESSURE LOW			
		(S)VALVULA			
990601 -		ALL 4AT2	46222-22701	1	
990601 - 010306	AD	P3B;+B29,+E02	46222-22701	1	
990601 - 010306	AG	P3B;+B29,+E02	46222-22701	1	
990601 - 010306	DG	4AT2;+B29,+E02	46222-22701	1	
990601 - 010306	DS	4AT2;+B29,+E02	46222-22701	1	
990601 - 010306	FD	4AT2;+B29,+E02	46222-22701	1	
990601 - 010306	FG	P3B;+B29,+E02	46222-22701	1	
46231		PLUG-STOPPER			
		(S)TAPON			
990601 -		ALL 4AT2	46231-22700	1	

CONTINUED

P N C	MODEL APPLICABLE		R E P	PART NO. (REPL P/NO)	Q T Y	REMARKS	P N C	MODEL APPLICABLE		R E P	PART NO. (REPL P/NO)	Q T Y	REMARKS
	FROM-UP-TO	TYPE						DESCRIPTION	FROM-UP-TO				
CONTINUED							CONTINUED						
46231		PLUG-STOPPER (S)TAPON					46242A		VALVE-SHIFT (S)VALVULA				
990601 - 010306	AD	P3B;+B29,+E02		46231-22700	1		990601 - 010306	AD	P3B;+B29,+E02		46242-38000	1	
990601 - 010306	AG	P3B;+B29,+E02		46231-22700	1		990601 - 010306	AG	P3B;+B29,+E02		46242-38000	1	
990601 - 010306	DG	4AT2;+B29,+E02		46231-22700	1		990601 - 010306	DG	4AT2;+B29,+E02		46242-38000	1	
990601 - 010306	DS	4AT2;+B29,+E02		46231-22700	1		990601 - 010306	DS	4AT2;+B29,+E02		46242-38000	1	
990601 - 010306	FD	4AT2;+B29,+E02		46231-22700	1		990601 - 010306	FD	4AT2;+B29,+E02		46242-38000	1	
990601 - 010306	FG	P3B;+B29,+E02		46231-22700	1		990601 - 010306	FG	P3B;+B29,+E02		46242-38000	1	
46235		SLEEVE-DAMPER CLUTCH CONTROL (S)MANGUITO					46243		SPRING-COIL (S)MUELLE				
990601 -	ALL	4AT2		46235-37600	1		990601 -	ALL	4AT2		46243-37000	1	
990601 - 010306	AD	P3B;+B29,+E02		46235-37600	1		990601 - 010306	AD	P3B;+B29,+E02		46243-37000	1	
990601 - 010306	AG	P3B;+B29,+E02		46235-37600	1		990601 - 010306	AG	P3B;+B29,+E02		46243-37000	1	
990601 - 010306	DG	4AT2;+B29,+E02		46235-37600	1		990601 - 010306	DG	4AT2;+B29,+E02		46243-37000	1	
990601 - 010306	DS	4AT2;+B29,+E02		46235-37600	1		990601 - 010306	DS	4AT2;+B29,+E02		46243-37000	1	
990601 - 010306	FD	4AT2;+B29,+E02		46235-37600	1		990601 - 010306	FD	4AT2;+B29,+E02		46243-37000	1	
990601 - 010306	FG	P3B;+B29,+E02		46235-37600	1		990601 - 010306	FG	P3B;+B29,+E02		46243-37000	1	
46237		PLATE-STOPPER (S)PLACA					46244A		VALVE-SHIFT (S)VALVULA				
990601 -	ALL	4AT2		46237-22700	1		990601 -	ALL	4AT2		46244-37000	1	
990601 - 010306	AD	P3B;+B29,+E02		46237-22700	1		990601 - 010306	AD	P3B;+B29,+E02		46244-37000	1	
990601 - 010306	AG	P3B;+B29,+E02		46237-22700	1		990601 - 010306	AG	P3B;+B29,+E02		46244-37000	1	
990601 - 010306	DG	4AT2;+B29,+E02		46237-22700	1		990601 - 010306	DG	4AT2;+B29,+E02		46244-37000	1	
990601 - 010306	DS	4AT2;+B29,+E02		46237-22700	1		990601 - 010306	DS	4AT2;+B29,+E02		46244-37000	1	
990601 - 010306	FD	4AT2;+B29,+E02		46237-22700	1		990601 - 010306	FD	4AT2;+B29,+E02		46244-37000	1	
990601 - 010306	FG	P3B;+B29,+E02		46237-22700	1		990601 - 010306	FG	P3B;+B29,+E02		46244-37000	1	
46237A		PLATE-STOPPER (S)PLACA					46248		VALVE-VALVE BODY REGULATOR (S)VALVULA				
990601 -	ALL	4AT2		46237-37000	2		990601 -	ALL	4AT2		46248-22700	1	
990601 - 010306	AD	P3B;+B29,+E02		46237-37000	2		990601 - 010306	AD	P3B;+B29,+E02		46248-22700	1	
990601 - 010306	AG	P3B;+B29,+E02		46237-37000	2		990601 - 010306	AG	P3B;+B29,+E02		46248-22700	1	
990601 - 010306	DG	4AT2;+B29,+E02		46237-37000	2		990601 - 010306	DG	4AT2;+B29,+E02		46248-22700	1	
990601 - 010306	DS	4AT2;+B29,+E02		46237-37000	2		990601 - 010306	DS	4AT2;+B29,+E02		46248-22700	1	
990601 - 010306	FD	4AT2;+B29,+E02		46237-37000	2		990601 - 010306	FD	4AT2;+B29,+E02		46248-22700	1	
990601 - 010306	FG	P3B;+B29,+E02		46237-37000	2		990601 - 010306	FG	P3B;+B29,+E02		46248-22700	1	
46242A		VALVE-SHIFT (S)VALVULA					46255		VALVE-TORQUE CONVERTER (S)VALVULA				
990601 -	ALL	4AT2		46242-38000	1		990601 -	ALL	4AT2		46255-36000	1	
CONTINUED							CONTINUED						

2-C7

43-462 TRANSAXLE VALVE BODY(ATA)

BA,G0112- 261

P N C	MODEL APPLICABLE		R E P	PART NO. (REPL P/NO)	Q T Y	REMARKS
	FROM-UP-TO	TYPE DESCRIPTION				
CONTINUED						
46255		VALVE-TORQUE CONVERTER (S)VALVULA				
990601 - 010306		AD P3B;+B29,+E02		46255-36000	1	
990601 - 010306		AG P3B;+B29,+E02		46255-36000	1	
990601 - 010306		DG 4AT2;+B29,+E02		46255-36000	1	
990601 - 010306		DS 4AT2;+B29,+E02		46255-36000	1	
990601 - 010306		FD 4AT2;+B29,+E02		46255-36000	1	
990601 - 010306		FG P3B;+B29,+E02		46255-36000	1	
46258		BOLT-CONICAL WASHER (S)PERNO				
990601 -		ALL 4AT2		46258-28000	10	
990601 - 010306		AD P3B;+B29,+E02		46258-28000	10	
990601 - 010306		AG P3B;+B29,+E02		46258-28000	10	
990601 - 010306		DG 4AT2;+B29,+E02		46258-28000	10	
990601 - 010306		DS 4AT2;+B29,+E02		46258-28000	10	
990601 - 010306		FD 4AT2;+B29,+E02		46258-28000	10	
990601 - 010306		FG P3B;+B29,+E02		46258-28000	10	
46259		BOLT-CONICAL WASHER (S)PERNO				
990601 -		ALL 4AT2		46259-28000	7	
990601 - 010306		AD P3B;+B29,+E02		46259-28000	7	
990601 - 010306		AG P3B;+B29,+E02		46259-28000	7	
990601 - 010306		DG 4AT2;+B29,+E02		46259-28000	7	
990601 - 010306		DS 4AT2;+B29,+E02		46259-28000	7	
990601 - 010306		FD 4AT2;+B29,+E02		46259-28000	7	
990601 - 010306		FG P3B;+B29,+E02		46259-28000	7	
46260		SCREW ASSY-ADJUSTING (S)CONJUNTO TORNILLO				
990601 -		ALL 4AT2		46260-36000	1	
990601 - 010306		AD P3B;+B29,+E02		46260-36000	1	
990601 - 010306		AG P3B;+B29,+E02		46260-36000	1	
990601 - 010306		DG 4AT2;+B29,+E02		46260-36000	1	
990601 - 010306		DS 4AT2;+B29,+E02		46260-36000	1	
990601 - 010306		FD 4AT2;+B29,+E02		46260-36000	1	
990601 - 010306		FG P3B;+B29,+E02		46260-36000	1	
46260A		SCREW ASSY-ADJUSTING (S)CONJUNTO TORNILLO				
990601 -		ALL 4AT2		46260-38000	1	
CONTINUED						

P N C	MODEL APPLICABLE		R E P	PART NO. (REPL P/NO)	Q T Y	REMARKS
	FROM-UP-TO	TYPE DESCRIPTION				
CONTINUED						
46260A		SCREW ASSY-ADJUSTING (S)CONJUNTO TORNILLO				
990601 - 010306		AD P3B;+B29,+E02		46260-38000	1	
990601 - 010306		AG P3B;+B29,+E02		46260-38000	1	
990601 - 010306		DG 4AT2;+B29,+E02		46260-38000	1	
990601 - 010306		DS 4AT2;+B29,+E02		46260-38000	1	
990601 - 010306		FD 4AT2;+B29,+E02		46260-38000	1	
990601 - 010306		FG P3B;+B29,+E02		46260-38000	1	
46263		BOLT-CONICAL WASHER (S)PERNO				
990601 -		ALL 4AT2		46263-28000	10	
990601 - 010306		AD P3B;+B29,+E02		46263-28000	10	
990601 - 010306		AG P3B;+B29,+E02		46263-28000	10	
990601 - 010306		DG 4AT2;+B29,+E02		46263-28000	10	
990601 - 010306		DS 4AT2;+B29,+E02		46263-28000	10	
990601 - 010306		FD 4AT2;+B29,+E02		46263-28000	10	
990601 - 010306		FG P3B;+B29,+E02		46263-28000	10	
46265		VALVE-FAIL SAFE (S)VALVULA				
990601 -		ALL 4AT2		46265-22700	1	
990601 - 010306		AD P3B;+B29,+E02		46265-22700	1	
990601 - 010306		AG P3B;+B29,+E02		46265-22700	1	
990601 - 010306		DG 4AT2;+B29,+E02		46265-22700	1	
990601 - 010306		DS 4AT2;+B29,+E02		46265-22700	1	
990601 - 010306		FD 4AT2;+B29,+E02		46265-22700	1	
990601 - 010306		FG P3B;+B29,+E02		46265-22700	1	
46266		SLEEVE-FIAL SAFE (S)MANGUITO				
990601 -		ALL 4AT2		46266-22700	1	
990601 - 010306		AD P3B;+B29,+E02		46266-22700	1	
990601 - 010306		AG P3B;+B29,+E02		46266-22700	1	
990601 - 010306		DG 4AT2;+B29,+E02		46266-22700	1	
990601 - 010306		DS 4AT2;+B29,+E02		46266-22700	1	
990601 - 010306		FD 4AT2;+B29,+E02		46266-22700	1	
990601 - 010306		FG P3B;+B29,+E02		46266-22700	1	
46267		VALVE ASSY-MANUAL (S)CONJUNTO VALVULA				
990601 -		ALL 4AT2		46267-22701	1	
CONTINUED						

AD:3DR,GL AG:3DR,GLS DG:3DR,GLS DS:3DR,L FD:4DR,GL FG:4DR,GLS

B29:VENEZUELA E02:BOTSWANA

2-07

43-462 TRANSAXLE VALVE BODY(ATA)

BA00112-262

P N C		MODEL APPLICABLE		R E P	PART NO. (REPL PNO)	Q T Y	REMARKS	P N C		MODEL APPLICABLE		R E P	PART NO. (REPL PNO)	Q T Y	REMARKS
FROM-UP-TO	TYPE	DESCRIPTION						FROM-UP-TO	TYPE	DESCRIPTION					
CONTINUED								CONTINUED							
46267		VALVE ASSY-MANUAL						46273		VALVE-RANGE CONTROL					
		(S)CONJUNTO VALVULA								(S)VALVULA					
990601 - 010306	AD	P3B;+B29,+E02			46267-22701	1		990601 - 010306	AD	P3B;+B29,+E02			46273-22700	1	
990601 - 010306	AG	P3B;+B29,+E02			46267-22701	1		990601 - 010306	AG	P3B;+B29,+E02			46273-22700	1	
990601 - 010306	DG	4AT2;+B29,+E02			46267-22701	1		990601 - 010306	DG	4AT2;+B29,+E02			46273-22700	1	
990601 - 010306	DS	4AT2;+B29,+E02			46267-22701	1		990601 - 010306	DS	4AT2;+B29,+E02			46273-22700	1	
990601 - 010306	FD	4AT2;+B29,+E02			46267-22701	1		990601 - 010306	FD	4AT2;+B29,+E02			46273-22700	1	
990601 - 010306	FG	P3B;+B29,+E02			46267-22701	1		990601 - 010306	FG	P3B;+B29,+E02			46273-22700	1	
46269		PIN-SPRING						46275A		PLATE-BACKING					
		(S)PASADOR								(S)PLACA					
990601 -	ALL	4AT2			46269-22700	1		990601 -	ALL	4AT2			46275-22701	1	
990601 - 010306	AD	P3B;+B29,+E02			46269-22700	1		990601 - 010306	AD	P3B;+B29,+E02			46275-22701	1	
990601 - 010306	AG	P3B;+B29,+E02			46269-22700	1		990601 - 010306	AG	P3B;+B29,+E02			46275-22701	1	
990601 - 010306	DG	4AT2;+B29,+E02			46269-22700	1		990601 - 010306	DG	4AT2;+B29,+E02			46275-22701	1	
990601 - 010306	DS	4AT2;+B29,+E02			46269-22700	1		990601 - 010306	DS	4AT2;+B29,+E02			46275-22701	1	
990601 - 010306	FD	4AT2;+B29,+E02			46269-22700	1		990601 - 010306	FD	4AT2;+B29,+E02			46275-22701	1	
990601 - 010306	FG	P3B;+B29,+E02			46269-22700	1		990601 - 010306	FG	P3B;+B29,+E02			46275-22701	1	
46271A		VALVE-ATA VALVE BODY MANUAL						46278		COVER-END					
		(S)VALVULA								(S)CUBIERTA					
990601 -	ALL	4AT2			46271-22701	1		990601 -	ALL	4AT2			46278-22700	1	
990601 - 010306	AD	P3B;+B29,+E02			46271-22701	1		990601 - 010306	AD	P3B;+B29,+E02			46278-22700	1	
990601 - 010306	AG	P3B;+B29,+E02			46271-22701	1		990601 - 010306	AG	P3B;+B29,+E02			46278-22700	1	
990601 - 010306	DG	4AT2;+B29,+E02			46271-22701	1		990601 - 010306	DG	4AT2;+B29,+E02			46278-22700	1	
990601 - 010306	DS	4AT2;+B29,+E02			46271-22701	1		990601 - 010306	DS	4AT2;+B29,+E02			46278-22700	1	
990601 - 010306	FD	4AT2;+B29,+E02			46271-22701	1		990601 - 010306	FD	4AT2;+B29,+E02			46278-22700	1	
990601 - 010306	FG	P3B;+B29,+E02			46271-22701	1		990601 - 010306	FG	P3B;+B29,+E02			46278-22700	1	
46272		VALVE-ATA VALVE BODY REDUCING						46279		COVER-END RR					
		(S)VALVULA								(S)CUBIERTA					
990601 -	ALL	4AT2			46272-38000	1		990601 -	ALL	4AT2			46279-22700	1	
990601 - 010306	AD	P3B;+B29,+E02			46272-38000	1		990601 - 010306	AD	P3B;+B29,+E02			46279-22700	1	
990601 - 010306	AG	P3B;+B29,+E02			46272-38000	1		990601 - 010306	AG	P3B;+B29,+E02			46279-22700	1	
990601 - 010306	DG	4AT2;+B29,+E02			46272-38000	1		990601 - 010306	DG	4AT2;+B29,+E02			46279-22700	1	
990601 - 010306	DS	4AT2;+B29,+E02			46272-38000	1		990601 - 010306	DS	4AT2;+B29,+E02			46279-22700	1	
990601 - 010306	FD	4AT2;+B29,+E02			46272-38000	1		990601 - 010306	FD	4AT2;+B29,+E02			46279-22700	1	
990601 - 010306	FG	P3B;+B29,+E02			46272-38000	1		990601 - 010306	FG	P3B;+B29,+E02			46279-22700	1	
46273		VALVE-RANGE CONTROL						46281		COVER-END FR					
		(S)VALVULA								(S)CUBIERTA					
990601 -	ALL	4AT2			46273-22700	1		990601 -	ALL	4AT2			46281-22700	1	
CONTINUED								CONTINUED							

2-E7

43-462 TRANSAXLE VALVE BODY(ATA)

BA,G0112- 263

P N C		MODEL APPLICABLE		R E P	PART NO. (REPL P/NO)	Q T Y	REMARKS	P N C		MODEL APPLICABLE		R E P	PART NO. (REPL P/NO)	Q T Y	REMARKS
FROM-UP-TO	TYPE	DESCRIPTION						FROM-UP-TO	TYPE	DESCRIPTION					
CONTINUED								CONTINUED							
46281		COVER-END FR (S)CUBIERTA						46311		SPRING-COIL (S)MUELLE					
990601 - 010306		AD	P3B;+B29,+E02		46281-22700	1		990601 - 010306		AG	P3B;+B29,+E02		46311-36000	1	
990601 - 010306		AG	P3B;+B29,+E02		46281-22700	1		990601 - 010306		DG	4AT2;+B29,+E02		46311-36000	1	
990601 - 010306		DG	4AT2;+B29,+E02		46281-22700	1		990601 - 010306		DS	4AT2;+B29,+E02		46311-36000	1	
990601 - 010306		DS	4AT2;+B29,+E02		46281-22700	1		990601 - 010306		FD	4AT2;+B29,+E02		46311-36000	1	
990601 - 010306		FD	4AT2;+B29,+E02		46281-22700	1		990601 - 010306		FG	P3B;+B29,+E02		46311-36000	1	
990601 - 010306		FG	P3B;+B29,+E02		46281-22700	1		46312		VALVE-DAMPER CLUTCH CONTROL (S)VALVULA					
46286B		PLATE ASSY-SEPARATING LWR (S)CONJ. PLACA						990601 -		ALL	4AT2		46312-37600	1	
990601 - 010318		ALL	4AT2	Y	46286-22700 (46286-22720)	1		990601 - 010306		AD	P3B;+B29,+E02		46312-37600	1	
010318 -		ALL	4AT2		46286-22720	1		990601 - 010306		AG	P3B;+B29,+E02		46312-37600	1	
990601 - 010306		AD	P3B;+B29,+E02	Y	46286-22700 (46286-22720)	1		990601 - 010306		DG	4AT2;+B29,+E02		46312-37600	1	
990601 - 010306		AG	P3B;+B29,+E02	Y	46286-22700 (46286-22720)	1		990601 - 010306		DS	4AT2;+B29,+E02		46312-37600	1	
990601 - 010306		DG	4AT2;+B29,+E02	Y	46286-22700 (46286-22720)	1		990601 - 010306		FD	4AT2;+B29,+E02		46312-37600	1	
990601 - 010306		DS	4AT2;+B29,+E02	Y	46286-22700 (46286-22720)	1		990601 - 010306		FG	P3B;+B29,+E02		46312-37600	1	
990601 - 010306		FD	4AT2;+B29,+E02	Y	46286-22700 (46286-22720)	1		46313		VALVE ASSY-SOLENOID (S)CONJUNTO VALVULA					
990601 - 010306		FG	P3B;+B29,+E02	Y	46286-22700 (46286-22720)	1		990601 -		ALL	4AT2		46313-22700	1	
46287B		PLATE ASSY-SEPARATING UPR (S)CONJ. PLACA						990601 - 010306		AD	P3B;+B29,+E02		46313-22700	1	
990601 -		ALL	4AT2		46287-22700	1		990601 - 010306		AG	P3B;+B29,+E02		46313-22700	1	
990601 - 010306		AD	P3B;+B29,+E02		46287-22700	1		990601 - 010306		DG	4AT2;+B29,+E02		46313-22700	1	
990601 - 010306		AG	P3B;+B29,+E02		46287-22700	1		990601 - 010306		DS	4AT2;+B29,+E02		46313-22700	1	
990601 - 010306		DG	4AT2;+B29,+E02		46287-22700	1		990601 - 010306		FD	4AT2;+B29,+E02		46313-22700	1	
990601 - 010306		DS	4AT2;+B29,+E02		46287-22700	1		990601 - 010306		FG	P3B;+B29,+E02		46313-22700	1	
990601 - 010306		FD	4AT2;+B29,+E02		46287-22700	1		46314		CLAMP-ATA VALVE BODY (S)ABRAZADERA					
990601 - 010306		FG	P3B;+B29,+E02		46287-22700	1		990601 - 000426		ALL	4AT2		46314-22701	2	
46311		SPRING-COIL (S)MUELLE						000426 -		ALL	4AT2		46314-22702	2	
990601 -		ALL	4AT2		46311-36000	1		990601 - 000426		AD	P3B;+B29,+E02		46314-22701	2	
990601 - 010306		AD	P3B;+B29,+E02		46311-36000	1		000426 - 010306		AG	P3B;+B29,+E02		46314-22702	2	
								990601 - 000426		DG	4AT2;+B29,+E02		46314-22701	2	
								000426 - 010306		DS	4AT2;+B29,+E02		46314-22702	2	
								990601 - 000426		FD	4AT2;+B29,+E02		46314-22701	2	
								000426 - 010306		DS	4AT2;+B29,+E02		46314-22702	2	
								990601 - 000426		FD	4AT2;+B29,+E02		46314-22701	2	
								000426 - 010306		DS	4AT2;+B29,+E02		46314-22702	2	
								990601 - 000426		FD	4AT2;+B29,+E02		46314-22701	2	
								000426 - 010306		DS	4AT2;+B29,+E02		46314-22702	2	
								990601 - 000426		FD	4AT2;+B29,+E02		46314-22701	2	
								000426 - 010306		DS	4AT2;+B29,+E02		46314-22702	2	
								990601 - 000426		FD	4AT2;+B29,+E02		46314-22701	2	
								000426 - 010306		DS	4AT2;+B29,+E02		46314-22702	2	
								990601 - 000426		FD	4AT2;+B29,+E02		46314-22701	2	
								000426 - 010306		DS	4AT2;+B29,+E02		46314-22702	2	
								990601 - 000426		FD	4AT2;+B29,+E02		46314-22701	2	
								000426 - 010306		DS	4AT2;+B29,+E02		46314-22702	2	
								990601 - 000426		FD	4AT2;+B29,+E02		46314-22701	2	
								000426 - 010306		DS	4AT2;+B29,+E02		46314-22702	2	
								990601 - 000426		FD	4AT2;+B29,+E02		46314-22701	2	
								000426 - 010306		DS	4AT2;+B29,+E02		46314-22702	2	
								990601 - 000426		FD	4AT2;+B29,+E02		46314-22701	2	
								000426 - 010306		DS	4AT2;+B29,+E02		46314-22702	2	
								990601 - 000426		FD	4AT2;+B29,+E02		46314-22701	2	
								000426 - 010306		DS	4AT2;+B29,+E02		46314-22702	2	
								990601 - 000426		FD	4AT2;+B29,+E02		46314-22701	2	
								000426 - 010306		DS	4AT2;+B29,+E02		46314-22702	2	
								990601 - 000426		FD	4AT2;+B29,+E02		46314-22701	2	
								000426 - 010306		DS	4AT2;+B29,+E02		46314-22702	2	
								990601 - 000426		FD	4AT2;+B29,+E02		46314-22701	2	
								000426 - 010306		DS	4AT2;+B29,+E02		46314-22702	2	
								990601 - 000426		FD	4AT2;+B29,+E02		46314-22701	2	
								000426 - 010306		DS	4AT2;+B29,+E02		46314-22702	2	
								990601 - 000426		FD	4AT2;+B29,+E02		46314-22701	2	
								000426 - 010306		DS	4AT2;+B29,+E02		46314-22702	2	
								990601 - 000426		FD	4AT2;+B29,+E02		46314-22701	2	
								000426 - 010306		DS	4AT2;+B29,+E02		46314-22702	2	
								990601 - 000426		FD	4AT2;+B29,+E02		46314-22701	2	
								000426 - 010306		DS	4AT2;+B29,+E02		46314-22702	2	
								990601 - 000426		FD	4AT2;+B29,+E02		46314-22701	2	
								000426 - 010306		DS	4AT2;+B29,+E02		46314-22702	2	
								990601 - 000426		FD	4AT2;+B29,+E02		46314-22701	2	
								000426 - 010306		DS	4AT2;+B29,+E02		46314-22702	2	
								990601 - 000426		FD	4AT2;+B29,+E02		46314-22701	2	
								000426 - 010306		DS	4AT2;+B29,+E02		46314-22702	2	
								990601 - 000426		FD	4AT2;+B29,+E02		46314-22701	2	
								000426 - 010306		DS	4AT2;+B29,+E02		46314-22702	2	
								990601 - 000426		FD	4AT2;+B29,+E02		46314-22701	2	
								000426 - 010306		DS	4AT2;+B29,+E02		46314-22702	2	
								990601 - 000426		FD	4AT2;+B29,+E02		46314-22701	2	
								000426 - 010306		DS	4AT2;+B29,+E02		46314-22702	2	
								990601 - 000426		FD	4AT2;+B29,+E02		46314-22701	2	
								000426 - 010306		DS	4AT2;+B29,+E02		46314-22702	2	
								990601 - 000426		FD	4AT2;+B29,+E02		46314-22701	2	
								000426 - 010306		DS	4AT2;+B29,+E02		46314-22702	2	
								990601 - 000426		FD	4AT2;+B29,+E02		46314-22701	2	
								000426 - 010306		DS	4AT2;+B29,+E02		46314-22702	2	
								990601 -							

2-F 7

43-462 TRANSAXLE VALVE BODY(ATA)

BA,00112-204

P N C	MODEL APPLICABLE		R E P	PART NO. (REPL PNO)	Q T Y	REMARKS	P N C	MODEL APPLICABLE		R E P	PART NO. (REPL PNO)	Q T Y	REMARKS
	FROM-UP-TO	TYPE						DESCRIPTION	FROM-UP-TO				
CONTINUED							CONTINUED						
46314		CLAMP-ATA VALVE BODY (S)ABRAZADERA					46319		BOLT-CONICAL WASHER (S)PERNO				
000426 - 010306		FD 4AT2;+B29,+E02		46314-22702	2		990601 - 010306	AD P3B;+B29,+E02			46319-28000	7	
990601 - 000426		FG P3B;+B29,+E02		46314-22701	2		990601 - 010306	AG P3B;+B29,+E02			46319-28000	7	
000426 - 010306		FG P3B;+B29,+E02		46314-22702	2		990601 - 010306	DG 4AT2;+B29,+E02			46319-28000	7	
46315		CLAMP-ATA VALVE BODY (S)ABRAZADERA					990601 - 010306	DS 4AT2;+B29,+E02			46319-28000	7	
990601 - 000426		ALL 4AT2		46315-22701	2		990601 - 010306	FD 4AT2;+B29,+E02			46319-28000	7	
46316		SPRING-COIL (S)MUELLE					990601 - 010306	FG P3B;+B29,+E02			46319-28000	7	
990601 -		ALL 4AT2		46316-36000	1		46321	FILTER ASSY-VALVE BODY OIL (S)CONJUNTO FILTRO					
990601 - 010306		AD P3B;+B29,+E02		46316-36000	1		990601 -	ALL 4AT2			46321-22731	1	
990601 - 010306		AG P3B;+B29,+E02		46316-36000	1		46333	RING"O" (S)JUNTAS TORICAS					
990601 - 010306		DG 4AT2;+B29,+E02		46316-36000	1		990601 -	ALL 4AT2			46333-34010	1	
990601 - 010306		DS 4AT2;+B29,+E02		46316-36000	1		990601 - 010306	AD P3B;+B29,+E02			46333-34010	1	
990601 - 010306		FD 4AT2;+B29,+E02		46316-36000	1		990601 - 010306	AG P3B;+B29,+E02			46333-34010	1	
990601 - 010306		FG P3B;+B29,+E02		46316-36000	1		990601 - 010306	DG 4AT2;+B29,+E02			46333-34010	1	
46317		BOLT-CONICAL WASHER (S)PERNO					990601 - 010306	DS 4AT2;+B29,+E02			46333-34010	1	
990601 -		ALL 4AT2		46317-28000	1		990601 - 010306	FD 4AT2;+B29,+E02			46333-34010	1	
990601 - 010306		AD P3B;+B29,+E02		46317-28000	1		990601 - 010306	FG P3B;+B29,+E02			46333-34010	1	
990601 - 010306		AG P3B;+B29,+E02		46317-28000	1		46335	RETAINER-ATA VALVE BODY (S)RETENEDOR					
990601 - 010306		DG 4AT2;+B29,+E02		46317-28000	1		990601 -	ALL 4AT2			46335-37062	2	
990601 - 010306		DS 4AT2;+B29,+E02		46317-28000	1		990601 - 010306	AD P3B;+B29,+E02			46335-37062	2	
990601 - 010306		FD 4AT2;+B29,+E02		46317-28000	1		990601 - 010306	AG P3B;+B29,+E02			46335-37062	2	
990601 - 010306		FG P3B;+B29,+E02		46317-28000	1		990601 - 010306	DG 4AT2;+B29,+E02			46335-37062	2	
46318A		BOLT-CONICAL WASHER (S)PERNO					990601 - 010306	DS 4AT2;+B29,+E02			46335-37062	2	
990601 -		ALL 4AT2		46318-28000	2		990601 - 010306	FD 4AT2;+B29,+E02			46335-37062	2	
990601 - 010306		AD P3B;+B29,+E02		46318-28000	2		990601 - 010306	FG P3B;+B29,+E02			46335-37062	2	
990601 - 010306		AG P3B;+B29,+E02		46318-28000	2		46336	FILTER-OIL ATA V/S SEP PLATE (S)FILTRO					
990601 - 010306		DG 4AT2;+B29,+E02		46318-28000	2		990601 -	ALL 4AT2			46336-37000	1	
990601 - 010306		DS 4AT2;+B29,+E02		46318-28000	2		990601 - 010306	AD P3B;+B29,+E02			46336-37000	1	
990601 - 010306		FD 4AT2;+B29,+E02		46318-28000	2		990601 - 010306	AG P3B;+B29,+E02			46336-37000	1	
990601 - 010306		FG P3B;+B29,+E02		46318-28000	2		990601 - 010306	DG 4AT2;+B29,+E02			46336-37000	1	
46319		BOLT-CONICAL WASHER (S)PERNO					990601 - 010306	DS 4AT2;+B29,+E02			46336-37000	1	
990601 -		ALL 4AT2		46319-28000	7		990601 - 010306	FD 4AT2;+B29,+E02			46336-37000	1	
CONTINUED							990601 - 010306	FG P3B;+B29,+E02			46336-37000	1	

2-G7

43-462 TRANSAXLE VALVE BODY(ATA)

BA,G0112- 265

P N C	MODEL APPLICABLE		R E P	PART NO. (REPL P/NO)	Q T Y	REMARKS	P N C	MODEL APPLICABLE		R E P	PART NO. (REPL P/NO)	Q T Y	REMARKS
	FROM-UP-TO	TYPE						DESCRIPTION	FROM-UP-TO				
46341A		PACKING-ATA VALVE BODY (S)EMPAQUE					CONTINUED						
990601 -		ALL 4AT2		46341-22710	1		46343		RING"O"				
990601 - 010306		AD P3B;+B29,+E02		46341-22710	1		990601 - 010306		(S)JUNTAS TORICAS		46343-34010	1	
990601 - 010306		AG P3B;+B29,+E02		46341-22710	1		990601 - 010306		AD P3B;+B29,+E02		46343-34010	1	
990601 - 010306		DG 4AT2;+B29,+E02		46341-22710	1		990601 - 010306		AG P3B;+B29,+E02		46343-34010	1	
990601 - 010306		DS 4AT2;+B29,+E02		46341-22710	1		990601 - 010306		DG 4AT2;+B29,+E02		46343-34010	1	
990601 - 010306		FD 4AT2;+B29,+E02		46341-22710	1		990601 - 010306		DS 4AT2;+B29,+E02		46343-34010	1	
990601 - 010306		FG P3B;+B29,+E02		46341-22710	1		990601 - 010306		FD 4AT2;+B29,+E02		46343-34010	1	
46341B		HOLDER-ATA V/B OIL LINE VALVE (S)SOPORTE					46349		BUSH-ATA VALVE BODY DOWEL (S)CASQUILLO				
990601 -		ALL 4AT2		46341-37000	1		990601 -		ALL 4AT2		46349-37000	2	
990601 - 010306		AD P3B;+B29,+E02		46341-37000	1		990601 - 010306		AD P3B;+B29,+E02		46349-37000	2	
990601 - 010306		AG P3B;+B29,+E02		46341-37000	1		990601 - 010306		AG P3B;+B29,+E02		46349-37000	2	
990601 - 010306		DG 4AT2;+B29,+E02		46341-37000	1		990601 - 010306		DG 4AT2;+B29,+E02		46349-37000	2	
990601 - 010306		DS 4AT2;+B29,+E02		46341-37000	1		990601 - 010306		DS 4AT2;+B29,+E02		46349-37000	2	
990601 - 010306		FD 4AT2;+B29,+E02		46341-37000	1		990601 - 010306		FD 4AT2;+B29,+E02		46349-37000	2	
990601 - 010306		FG P3B;+B29,+E02		46341-37000	1		990601 - 010306		FG P3B;+B29,+E02		46349-37000	2	
46342B		PACKING-ATA VALVE BODY (S)EMPAQUE					46351		STOPPER-LWR V/B END CLU VALVE (S)OBTURADOR				
990601 -		ALL 4AT2		46342-34010	1		990601 -		ALL 4AT2		46351-22710	2	
990601 - 010306		AD P3B;+B29,+E02		46342-34010	1		990601 - 010306		AD P3B;+B29,+E02		46351-22710	2	
990601 - 010306		AG P3B;+B29,+E02		46342-34010	1		990601 - 010306		AG P3B;+B29,+E02		46351-22710	2	
990601 - 010306		DG 4AT2;+B29,+E02		46342-34010	1		990601 - 010306		DG 4AT2;+B29,+E02		46351-22710	2	
990601 - 010306		DS 4AT2;+B29,+E02		46342-34010	1		990601 - 010306		DS 4AT2;+B29,+E02		46351-22710	2	
990601 - 010306		FD 4AT2;+B29,+E02		46342-34010	1		990601 - 010306		FD 4AT2;+B29,+E02		46351-22710	2	
990601 - 010306		FG P3B;+B29,+E02		46342-34010	1		990601 - 010306		FG P3B;+B29,+E02		46351-22710	2	
46342C		VALVE (S)VALVULA					46355		SPRING-COIL (S)MUELLE				
990601 -		ALL 4AT2		46342-37000	1		990601 -		ALL 4AT2		46355-37000	1	
990601 - 010306		AD P3B;+B29,+E02		46342-37000	1		990601 - 010306		AD P3B;+B29,+E02		46355-37000	1	
990601 - 010306		AG P3B;+B29,+E02		46342-37000	1		990601 - 010306		AG P3B;+B29,+E02		46355-37000	1	
990601 - 010306		DG 4AT2;+B29,+E02		46342-37000	1		990601 - 010306		DG 4AT2;+B29,+E02		46355-37000	1	
990601 - 010306		DS 4AT2;+B29,+E02		46342-37000	1		990601 - 010306		DS 4AT2;+B29,+E02		46355-37000	1	
990601 - 010306		FD 4AT2;+B29,+E02		46342-37000	1		990601 - 010306		FD 4AT2;+B29,+E02		46355-37000	1	
990601 - 010306		FG P3B;+B29,+E02		46342-37000	1		990601 - 010306		FG P3B;+B29,+E02		46355-37000	1	
46343		RING"O" (S)JUNTAS TORICAS					46356		SPRING-COIL (S)MUELLE				
990601 -		ALL 4AT2		46343-34010	1		990601 -		ALL 4AT2		46356-37001	1	
CONTINUED							CONTINUED						

AD:3DR,GL AG:3DR,GL6 DG:3DR,GL5 DS:3DR,LD FD:4DR,GL FG:4DR,GL5

B29:VENEZUELA E02:BOTSWANA

2-H7

43-462 TRANSAXLE VALVE BODY(ATA)

BA,00112-268

P N C	MODEL APPLICABLE		R E P	PART NO. (REPL P/NO)	Q T Y	REMARKS
	FROM-UP-TO	DESCRIPTION				
CONTINUED						
46356		SPRING-COIL (S)MUELLE				
990601 - 010306	AD	P3B;+B29,+E02		46356-37001	1	
990601 - 010306	AG	P3B;+B29,+E02		46356-37001	1	
990601 - 010306	DG	4AT2;+B29,+E02		46356-37001	1	
990601 - 010306	DS	4AT2;+B29,+E02		46356-37001	1	
990601 - 010306	FD	4AT2;+B29,+E02		46356-37001	1	
990601 - 010306	FG	P3B;+B29,+E02		46356-37001	1	
46357		BOLT-CONICAL WASHER (S)PERNO				
990601 -	ALL	4AT2		46357-28000	1	
990601 - 010306	AD	P3B;+B29,+E02		46357-28000	1	
990601 - 010306	AG	P3B;+B29,+E02		46357-28000	1	
990601 - 010306	DG	4AT2;+B29,+E02		46357-28000	1	
990601 - 010306	DS	4AT2;+B29,+E02		46357-28000	1	
990601 - 010306	FD	4AT2;+B29,+E02		46357-28000	1	
990601 - 010306	FG	P3B;+B29,+E02		46357-28000	1	
46358		SPRING-LWR V/B REDUCING VALVE (S)MUELLE				
990601 -	ALL	4AT2		46358-38000	1	
990601 - 010306	AD	P3B;+B29,+E02		46358-38000	1	
990601 - 010306	AG	P3B;+B29,+E02		46358-38000	1	
990601 - 010306	DG	4AT2;+B29,+E02		46358-38000	1	
990601 - 010306	DS	4AT2;+B29,+E02		46358-38000	1	
990601 - 010306	FD	4AT2;+B29,+E02		46358-38000	1	
990601 - 010306	FG	P3B;+B29,+E02		46358-38000	1	
46361		JET-ATA VALVE BODY (S)SURTIDOR				
990601 - 010318	ALL	4AT2	Y	46361-37010 (46361-37020)	1	
010318 -	ALL	4AT2		46361-37020	1	
990601 - 010306	AD	P3B;+B29,+E02	Y	46361-37010 (46361-37020)	1	
990601 - 010306	AG	P3B;+B29,+E02	Y	46361-37010 (46361-37020)	1	
990601 - 010306	DG	4AT2;+B29,+E02	Y	46361-37010 (46361-37020)	1	

P N C	MODEL APPLICABLE		R E P	PART NO. (REPL P/NO)	Q T Y	REMARKS
	FROM-UP-TO	DESCRIPTION				
CONTINUED						
46361		JET-ATA VALVE BODY (S)SURTIDOR				
990601 - 010306	DS	4AT2;+B29,+E02	Y	46361-37010 (46361-37020)	1	
990601 - 010306	FD	4AT2;+B29,+E02	Y	46361-37010 (46361-37020)	1	
990601 - 010306	FG	P3B;+B29,+E02	Y	46361-37010 (46361-37020)	1	
46362		BOLT-CONICAL WASHER (S)PERNO				
990601 -	ALL	4AT2		46362-28000	1	
990601 - 010306	AD	P3B;+B29,+E02		46362-28000	1	
990601 - 010306	AG	P3B;+B29,+E02		46362-28000	1	
990601 - 010306	DG	4AT2;+B29,+E02		46362-28000	1	
990601 - 010306	DS	4AT2;+B29,+E02		46362-28000	1	
990601 - 010306	FD	4AT2;+B29,+E02		46362-28000	1	
990601 - 010306	FG	P3B;+B29,+E02		46362-28000	1	
46364		PIPE-ATA VALVE BODY UPR BLOCK (S)TUBO				
990601 -	ALL	4AT2		46364-37000	1	
990601 - 010306	AD	P3B;+B29,+E02		46364-37000	1	
990601 - 010306	AG	P3B;+B29,+E02		46364-37000	1	
990601 - 010306	DG	4AT2;+B29,+E02		46364-37000	1	
990601 - 010306	DS	4AT2;+B29,+E02		46364-37000	1	
990601 - 010306	FD	4AT2;+B29,+E02		46364-37000	1	
990601 - 010306	FG	P3B;+B29,+E02		46364-37000	1	
46366		VALVE-ATA UPR V/B RR CLU EXH (S)VALVULA				
990601 -	ALL	4AT2		46366-37000	1	
990601 - 010306	AD	P3B;+B29,+E02		46366-37000	1	
990601 - 010306	AG	P3B;+B29,+E02		46366-37000	1	
990601 - 010306	DG	4AT2;+B29,+E02		46366-37000	1	
990601 - 010306	DS	4AT2;+B29,+E02		46366-37000	1	
990601 - 010306	FD	4AT2;+B29,+E02		46366-37000	1	
990601 - 010306	FG	P3B;+B29,+E02		46366-37000	1	
46367		VALVE-ATA UPR V/B RR CLU EXH (S)VALVULA				
990601 -	ALL	4AT2		46367-37000	1	

AD:SDR,GL AG:SDR,GLS DG:SDR,GLS DS:SDR,L FD:4DR,GL FG:4DR,GLS

B29:VENEZUELA E02:BOTSWANA

P N C	MODEL APPLICABLE		PART NO. (REPL P/NO)	Q T Y	REMARKS
	FROM-UP-TO	DESCRIPTION			
CONTINUED					
46367		VALVE-ATA UPR V/B RR CLU EXH (S)VALVULA			
990601 - 010306	AD	P3B;+B29,+E02	46367-37000	1	
990601 - 010306	AG	P3B;+B29,+E02	46367-37000	1	
990601 - 010306	DG	4AT2;+B29,+E02	46367-37000	1	
990601 - 010306	DS	4AT2;+B29,+E02	46367-37000	1	
990601 - 010306	FD	4AT2;+B29,+E02	46367-37000	1	
990601 - 010306	FG	P3B;+B29,+E02	46367-37000	1	
46368		VALVE-ATA LWR V/B END CLUTCH (S)VALVULA			
990601 -	ALL	4AT2	46368-22700	1	
990601 - 010306	AD	P3B;+B29,+E02	46368-22700	1	
990601 - 010306	AG	P3B;+B29,+E02	46368-22700	1	
990601 - 010306	DG	4AT2;+B29,+E02	46368-22700	1	
990601 - 010306	DS	4AT2;+B29,+E02	46368-22700	1	
990601 - 010306	FD	4AT2;+B29,+E02	46368-22700	1	
990601 - 010306	FG	P3B;+B29,+E02	46368-22700	1	
46371		SPRING-COIL (S)MUELLE			
990601 -	ALL	4AT2	46371-22700	2	
990601 - 010306	AD	P3B;+B29,+E02	46371-22700	2	
990601 - 010306	AG	P3B;+B29,+E02	46371-22700	2	
990601 - 010306	DG	4AT2;+B29,+E02	46371-22700	2	
990601 - 010306	DS	4AT2;+B29,+E02	46371-22700	2	
990601 - 010306	FD	4AT2;+B29,+E02	46371-22700	2	
990601 - 010306	FG	P3B;+B29,+E02	46371-22700	2	
46372		VALVE-ATA UPR V/B SHIFT CONT (S)VALVULA			
990601 -	ALL	4AT2	46372-37000	1	
990601 - 010306	AD	P3B;+B29,+E02	46372-37000	1	
990601 - 010306	AG	P3B;+B29,+E02	46372-37000	1	
990601 - 010306	DG	4AT2;+B29,+E02	46372-37000	1	
990601 - 010306	DS	4AT2;+B29,+E02	46372-37000	1	
990601 - 010306	FD	4AT2;+B29,+E02	46372-37000	1	
990601 - 010306	FG	P3B;+B29,+E02	46372-37000	1	
46373		PLUG-SHIFT CONTROL (S)TAPON			
990601 -	ALL	4AT2	46373-37000	1	
CONTINUED					

P N C	MODEL APPLICABLE		PART NO. (REPL P/NO)	Q T Y	REMARKS
	FROM-UP-TO	DESCRIPTION			
CONTINUED					
46373		PLUG-SHIFT CONTROL (S)TAPON			
990601 - 010306	AD	P3B;+B29,+E02	46373-37000	1	
990601 - 010306	AG	P3B;+B29,+E02	46373-37000	1	
990601 - 010306	DG	4AT2;+B29,+E02	46373-37000	1	
990601 - 010306	DS	4AT2;+B29,+E02	46373-37000	1	
990601 - 010306	FD	4AT2;+B29,+E02	46373-37000	1	
990601 - 010306	FG	P3B;+B29,+E02	46373-37000	1	
46374		PLUG-ATA UPR V/B SHIFT CONTROL (S)TAPON			
990601 -	ALL	4AT2	46374-37000	1	
990601 - 010306	AD	P3B;+B29,+E02	46374-37000	1	
990601 - 010306	AG	P3B;+B29,+E02	46374-37000	1	
990601 - 010306	DG	4AT2;+B29,+E02	46374-37000	1	
990601 - 010306	DS	4AT2;+B29,+E02	46374-37000	1	
990601 - 010306	FD	4AT2;+B29,+E02	46374-37000	1	
990601 - 010306	FG	P3B;+B29,+E02	46374-37000	1	
46375A		VALVE-ATA V/B PRESSURE CONTROL (S)VALVULA			
990601 -	ALL	4AT2	46375-37000	2	
990601 - 010306	AD	P3B;+B29,+E02	46375-37000	2	
990601 - 010306	AG	P3B;+B29,+E02	46375-37000	2	
990601 - 010306	DG	4AT2;+B29,+E02	46375-37000	2	
990601 - 010306	DS	4AT2;+B29,+E02	46375-37000	2	
990601 - 010306	FD	4AT2;+B29,+E02	46375-37000	2	
990601 - 010306	FG	P3B;+B29,+E02	46375-37000	2	
46376		VALVE-ATA LWR V/B CONTROL (S)VALVULA			
990601 -	ALL	4AT2	46376-37000	1	
990601 - 010306	AD	P3B;+B29,+E02	46376-37000	1	
990601 - 010306	AG	P3B;+B29,+E02	46376-37000	1	
990601 - 010306	DG	4AT2;+B29,+E02	46376-37000	1	
990601 - 010306	DS	4AT2;+B29,+E02	46376-37000	1	
990601 - 010306	FD	4AT2;+B29,+E02	46376-37000	1	
990601 - 010306	FG	P3B;+B29,+E02	46376-37000	1	
46378		SPRING-COIL (S)MUELLE			
990601 -	ALL	4AT2	46378-37000	2	
CONTINUED					

2-17

43-462. TRANSAXLE VALVE BODY(ATA)

BA,00112- 268

P N C	MODEL APPLICABLE		R E P	PART NO. (REPL P/NO)	Q T Y	REMARKS
	FROM-UP-TO	DESCRIPTION				
CONTINUED						
46378		SPRING-COIL (S)MUELLE				
990601 - 010306	AD	P3B;+B29,+E02		46378-37000	2	
990601 - 010306	AG	P3B;+B29,+E02		46378-37000	2	
990601 - 010306	DG	4AT2;+B29,+E02		46378-37000	2	
990601 - 010306	DS	4AT2;+B29,+E02		46378-37000	2	
990601 - 010306	FD	4AT2;+B29,+E02		46378-37000	2	
990601 - 010306	FG	P3B;+B29,+E02		46378-37000	2	
46379A		SPRING-UPR V/B SHIFT (S)MUELLE				
990601 -	ALL	4AT2		46379-37000	1	
990601 - 010306	AD	P3B;+B29,+E02		46379-37000	1	
990601 - 010306	AG	P3B;+B29,+E02		46379-37000	1	
990601 - 010306	DG	4AT2;+B29,+E02		46379-37000	1	
990601 - 010306	DS	4AT2;+B29,+E02		46379-37000	1	
990601 - 010306	FD	4AT2;+B29,+E02		46379-37000	1	
990601 - 010306	FG	P3B;+B29,+E02		46379-37000	1	
46380		VALVE ASSY-LOW & REV (S)CONJUNTO VALVULA				
990601 -	ALL	4AT2		46380-37000	1	
990601 - 010306	AD	P3B;+B29,+E02		46380-37000	1	
990601 - 010306	AG	P3B;+B29,+E02		46380-37000	1	
990601 - 010306	DG	4AT2;+B29,+E02		46380-37000	1	
990601 - 010306	DS	4AT2;+B29,+E02		46380-37000	1	
990601 - 010306	FD	4AT2;+B29,+E02		46380-37000	1	
990601 - 010306	FG	P3B;+B29,+E02		46380-37000	1	
46381		SPRING-COIL (S)MUELLE				
990601 -	ALL	4AT2		46381-38000	1	
990601 - 010306	AD	P3B;+B29,+E02		46381-38000	1	
990601 - 010306	AG	P3B;+B29,+E02		46381-38000	1	
990601 - 010306	DG	4AT2;+B29,+E02		46381-38000	1	
990601 - 010306	DS	4AT2;+B29,+E02		46381-38000	1	
990601 - 010306	FD	4AT2;+B29,+E02		46381-38000	1	
990601 - 010306	FG	P3B;+B29,+E02		46381-38000	1	
46382A		PISTON ASSY-ACCUMULATOR (S)CONJ. PISTON				
990601 -	ALL	4AT2		46382-22700	1	

P N C	MODEL APPLICABLE		R E P	PART NO. (REPL P/NO)	Q T Y	REMARKS
	FROM-UP-TO	DESCRIPTION				
CONTINUED						
46382A		PISTON ASSY-ACCUMULATOR (S)CONJ. PISTON				
990601 - 010306	AD	P3B;+B29,+E02		46382-22700	1	
990601 - 010306	AG	P3B;+B29,+E02		46382-22700	1	
990601 - 010306	DG	4AT2;+B29,+E02		46382-22700	1	
990601 - 010306	DS	4AT2;+B29,+E02		46382-22700	1	
990601 - 010306	FD	4AT2;+B29,+E02		46382-22700	1	
990601 - 010306	FG	P3B;+B29,+E02		46382-22700	1	
46384		RING-SEAL (S)ANILLO				
990601 -	ALL	4AT2		46384-22700	1	
990601 - 010306	AD	P3B;+B29,+E02		46384-22700	1	
990601 - 010306	AG	P3B;+B29,+E02		46384-22700	1	
990601 - 010306	DG	4AT2;+B29,+E02		46384-22700	1	
990601 - 010306	DS	4AT2;+B29,+E02		46384-22700	1	
990601 - 010306	FD	4AT2;+B29,+E02		46384-22700	1	
990601 - 010306	FG	P3B;+B29,+E02		46384-22700	1	
46385		BRACKET-OIL TEMPERATURE SENSOR (S)SOPORTE				
990601 -	ALL	4AT2		46385-22700	1	
990601 - 010306	AD	P3B;+B29,+E02		46385-22700	1	
990601 - 010306	AG	P3B;+B29,+E02		46385-22700	1	
990601 - 010306	DG	4AT2;+B29,+E02		46385-22700	1	
990601 - 010306	DS	4AT2;+B29,+E02		46385-22700	1	
990601 - 010306	FD	4AT2;+B29,+E02		46385-22700	1	
990601 - 010306	FG	P3B;+B29,+E02		46385-22700	1	
46386		SENSOR-OIL TEMPERATURE (S)SENSOR				
990601 -	ALL	4AT2		46386-22600	1	
990601 - 010306	AD	P3B;+B29,+E02		46386-22600	1	
990601 - 010306	AG	P3B;+B29,+E02		46386-22600	1	
990601 - 010306	DG	4AT2;+B29,+E02		46386-22600	1	
990601 - 010306	DS	4AT2;+B29,+E02		46386-22600	1	
990601 - 010306	FD	4AT2;+B29,+E02		46386-22600	1	
990601 - 010306	FG	P3B;+B29,+E02		46386-22600	1	
46387		HOUSING ASSY-ACCUMULATOR (S)CONJ. ALOJAMIENTO				
990601 -	ALL	4AT2		46387-22701	1	

2-K7

43-462 TRANSAXLE VALVE BODY(ATA)

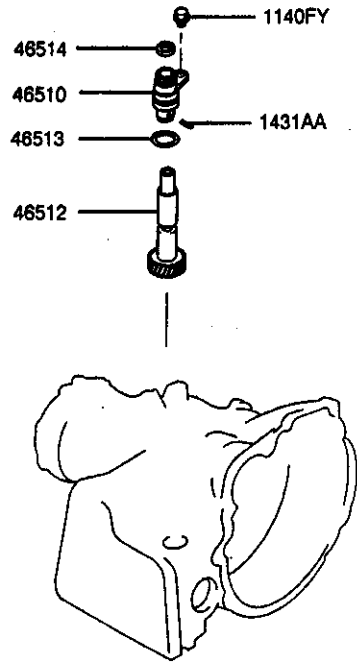
BA,G0112- 269

P N C		MODEL APPLICABLE		R E P	PART NO. (REPL P/NO)	Q T Y	REMARKS	P N C		MODEL APPLICABLE		R E P	PART NO. (REPL P/NO)	Q T Y	REMARKS
FROM-UP-TO	TYPE	DESCRIPTION						FROM-UP-TO	TYPE	DESCRIPTION					
CONTINUED															
46387		HOUSING ASSY-ACCUMULATOR													
		(S)CONJ. ALIJAMIENTO													
990601 - 010306		AD	P3B;+B29,+E02		46387-22701	1									
990601 - 010306		AG	P3B;+B29,+E02		46387-22701	1									
990601 - 010306		DG	4AT2;+B29,+E02		46387-22701	1									
990601 - 010306		DS	4AT2;+B29,+E02		46387-22701	1									
990601 - 010306		FD	4AT2;+B29,+E02		46387-22701	1									
990601 - 010306		FG	P3B;+B29,+E02		46387-22701	1									
46392		SPRING-COIL													
		(S)MUELLE													
990601 -		ALL	4AT2		46392-22700	1									
990601 - 010306		AD	P3B;+B29,+E02		46392-22700	1									
990601 - 010306		AG	P3B;+B29,+E02		46392-22700	1									
990601 - 010306		DG	4AT2;+B29,+E02		46392-22700	1									
990601 - 010306		DS	4AT2;+B29,+E02		46392-22700	1									
990601 - 010306		FD	4AT2;+B29,+E02		46392-22700	1									
990601 - 010306		FG	P3B;+B29,+E02		46392-22700	1									
46398		SPRING-COIL													
		(S)MUELLE													
990601 -		ALL	4AT2		46398-39000	1									
990601 - 010306		AD	P3B;+B29,+E02		46398-39000	1									
990601 - 010306		AG	P3B;+B29,+E02		46398-39000	1									
990601 - 010306		DG	4AT2;+B29,+E02		46398-39000	1									
990601 - 010306		DS	4AT2;+B29,+E02		46398-39000	1									
990601 - 010306		FD	4AT2;+B29,+E02		46398-39000	1									
990601 - 010306		FG	P3B;+B29,+E02		46398-39000	1									
46399		SPRING-COIL													
		(S)MUELLE													
990601 -		ALL	4AT2		46399-22701	1									
990601 - 010306		AD	P3B;+B29,+E02		46399-22701	1									
990601 - 010306		AG	P3B;+B29,+E02		46399-22701	1									
990601 - 010306		DG	4AT2;+B29,+E02		46399-22701	1									
990601 - 010306		DS	4AT2;+B29,+E02		46399-22701	1									
990601 - 010306		FD	4AT2;+B29,+E02		46399-22701	1									
990601 - 010306		FG	P3B;+B29,+E02		46399-22701	1									

2-L7

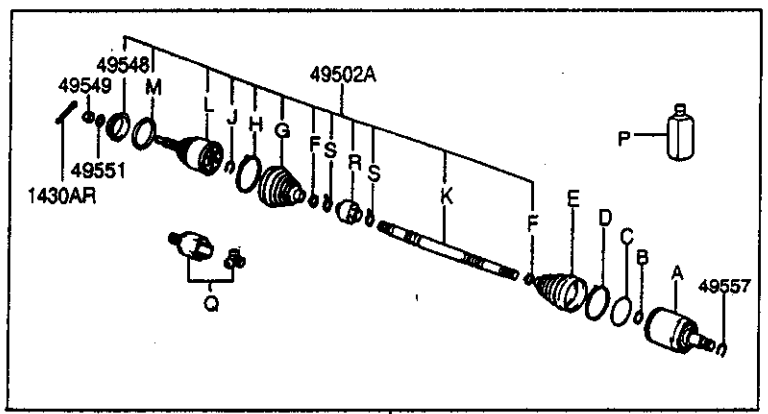
43-465 SPEEDOMETER DRIVEN GEAR(ATA)

BA,90112- 270



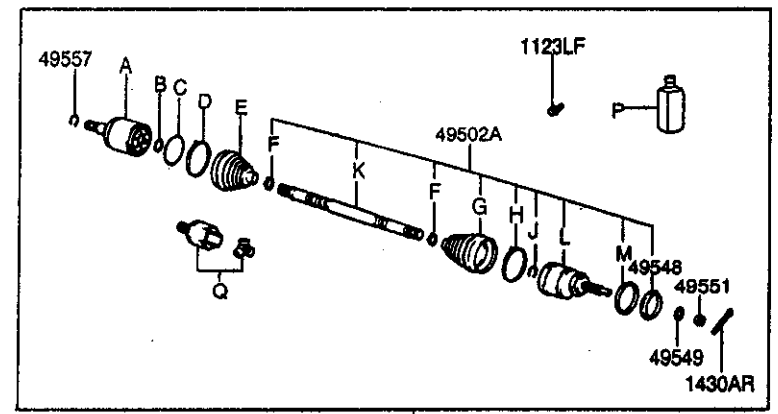
P N C	MODEL APPLICABLE		R E P	PART NO. (REPL PNO)	Q T Y	REMARKS
	FROM-UP-TO	TYPE				
1140FY						
990601 -				11403-08143	1	
1431AA						
990601 -				14310-03145	1	
46510						
990601 -				46516-22600	1	
46512						
990601 -				46512-22600	1	
46513						
990601 -				46513-36001	1	
46514						
990601 -				46514-36001	1	

RH

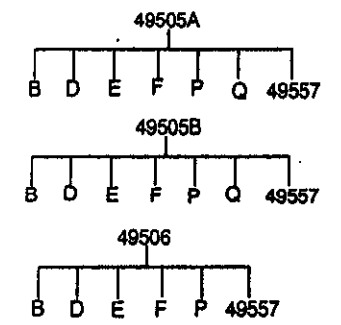
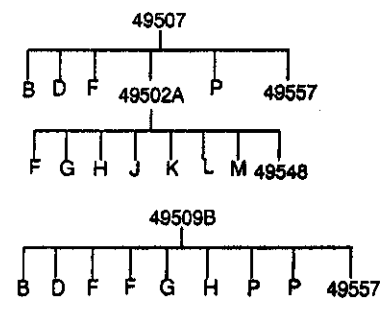
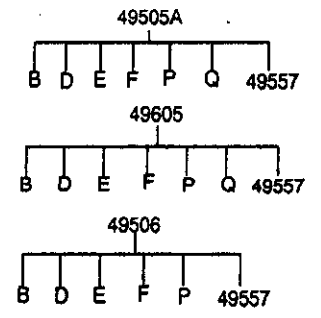
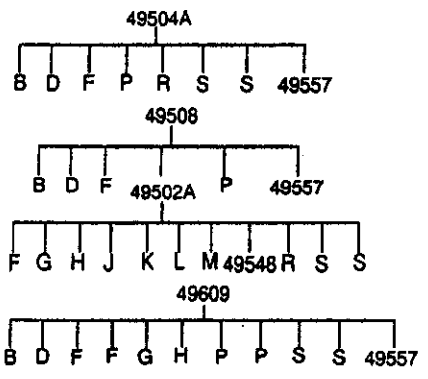


49500B

LH



49500A



2-A 8

43-495 DRIVE SHAFT

BA,00112- 272

P N C	MODEL APPLICABLE		R E P	PART NO. (REPL P/NO)	Q T Y	REMARKS	P N C	MODEL APPLICABLE		R E P	PART NO. (REPL P/NO)	Q T Y	REMARKS
	FROM-UP-TO	TYPE						DESCRIPTION	FROM-UP-TO				
1123LF		BOLT					49500B		JOINT ASSY-CV RH				
		(S)PERNO (CON ARANDELA)							(S)CONJ.JUNTAS				
020101 -		ALL TCI	Y	11234-10281 (11234-10283)	2		990601 -		ALL P35		49500-25210	1	
1430AR		PIN					990601 -		ALL 4AT2		49500-25410	1	
		(S)PASADOR(HENDIDURA)					990601 - 010725		ALL P35;5891	A	49500-25310 (49500-25311)	1	
990601 -		ALL		14300-04351	2		990601 - 010725		ALL 4AT2;5891		49500-25510	1	
49500A		JOINT ASSY-CV LH					010725 -		ALL P35;5891		49500-25311	1	
		(S)CONJ.JUNTAS					010725 -		ALL 4AT2;5891		49500-25611	1	
990601 -		ALL P35		49500-25200	1		990601 -		AD L35,L45		49500-25210	1	
990601 -		ALL 4AT2		49500-25400	1		990601 - 010725		AD L35;5891	A	49500-25310 (49500-25311)	1	
990601 - 010725		ALL P35;5891	A	49500-25300 (49500-25301A)	1		990601 -		AG P65		49500-25210	1	
990601 - 010725		ALL 4AT2;5891		49500-25500	1		990601 - 010725		AG P65;5891	A	49500-25310 (49500-25311)	1	
010725 -		ALL P35;5891		49500-25301	1		010725 -		AG P65;5891		49500-25311	1	
010725 -		ALL 4AT2;5891		49500-25501	1		990601 -		DG P65		49500-25210	1	
020101 -		ALL TCI		49500-25905	1		990601 - 010725		DG P65;5891	A	49500-25310 (49500-25311)	1	
990601 -		AD L35,L45		49500-25200	1		010725 -		DG P65;5891		49500-25311	1	
990601 - 010725		AD L35;5891	A	49500-25300 (49500-25301A)	1		990601 -		DS L35,L45		49500-25210	1	
990601 -		AG P65		49500-25200	1		990601 - 010725		DS L35;5891	A	49500-25310 (49500-25311)	1	
990601 - 010725		AG P65;5891	A	49500-25300 (49500-25301A)	1		990601 -		FD L35,L45		49500-25210	1	
010725 -		AG P65;5891		49500-25301	1		990601 - 010725		FD L35;5891	A	49500-25310 (49500-25311)	1	
990601 -		DG P65		49500-25200	1		990601 -		FG P65		49500-25210	1	
990601 - 010725		DG P65;5891	A	49500-25300 (49500-25301A)	1		990601 - 010725		FG P65;5891	A	49500-25310 (49500-25311)	1	
010725 -		DG P65;5891		49500-25301	1		010725 -		FG P65;5891		49500-25311	1	
990601 -		DS L35,L45		49500-25200	1		49502A		JOINT & SHAFT KIT-FR AXLE WHEEL SIDE				
990601 - 010725		DS L35;5891	A	49500-25300 (49500-25301A)	1				(S)CONJ. EJE & JUNTA				
990601 -		FD L35,L45		49500-25200	1		990601 -		ALL P3B,P35		*	1	SIK
990601 - 010725		FD L35;5891	A	49500-25300 (49500-25301A)	1		990601 -		AD L35,L45,P6B		*	1	SIK
990601 -		FG P65		49500-25200	1		990601 -		AG P6B,P65		*	1	SIK
990601 - 010725		FG P65;5891	A	49500-25300 (49500-25301A)	1		990601 -		DG P65		*	1	SIK
010725 -		FG P65;5891		49500-25301	1		990601 -		DS L35,L45		*	1	SIK
							990601 -		FD L35,L45		*	1	SIK
							990601 -		FG P6B,P65		*	1	SIK

AD:3DR,QL AG:3DR,QLS DG:3DR,QLS DS:3DR,L FD:4DR,QL FG:4DR,QLS

5891:ABS(ANTI SKID BRAKE SYSTEM)

2-38

43-495 DRIVE SHAFT

BA,G0112-273

P N C	MODEL APPLICABLE		PART NO. (REPL P/NO)	Q T Y	REMARKS	P N C	MODEL APPLICABLE		PART NO. (REPL P/NO)	Q T Y	REMARKS
	FROM-UP-TO	TYPE					DESCRIPTION	FROM-UP-TO			
49504A		DAMPER KIT-FR AXLE DYNAMIC (S)JUEGO AMORTIGUADOR				CONTINUED					
990601 -		ALL P3B,P35	49504-25A00	1		49507		JOINT & SHAFT KIT-FR AXLE WHEEL SIDE LH (S)JUEGO EJE & JUNTA			
990601 -		AD L35,L45,P6B	49504-25A00	1		990601 -		FD L35,L45	49507-25A00	1	
990601 -		AG P6B,P65	49504-25A00	1		990601 -		FG P65	49507-25A00	1	
990601 -		DG P65	49504-25A00	1		49508		JOINT & SHAFT KIT-FR AXLE WHEEL SIDE RH (S)JUEGO EJE & JUNTA			
990601 -		DS L35,L45	49504-25A00	1		990601 -		ALL P3B,P35	49508-25A00	1	
990601 -		FD L35,L45	49504-25A00	1		990601 -		ALL 4AT2	49508-25B00	1	
990601 -		FG P6B,P65	49504-25A00	1		990601 -		AD L35,L45,P6B	49508-25A00	1	
49505A		JOINT KIT-FR AXLE DIFF SIDE (S)JUEGO JUNTA				990601 -		AG P6B,P65	49508-25A00	1	
990601 -		ALL P35	49505-25A00	2		990601 -		DG P65	49508-25A00	1	
990601 -		AD L35,L45	49505-25A00	2		990601 -		DS L35,L45	49508-25A00	1	
990601 -		AG P65	49505-25A00	2		990601 -		FD L35,L45	49508-25A00	1	
990601 -		DG P65	49505-25A00	2		990601 -		FG P6B,P65	49508-25A00	1	
990601 -		DS L35,L45	49505-25A00	2		49509B		BOOT KIT-FR AXLE WHEEL SIDE LH (S)JUEGO FUNDA			
990601 -		FD L35,L45	49505-25A00	2		990601 -		ALL P35	49509-25A00	2	
990601 -		FG P65	49505-25A00	2		990601 -		AD L35,L45	49509-25A00	2	
49505B		JOINT KIT-FR AXLE DIFF SIDE LH (S)JUEGO JUNTA				990601 -		AD L35,P3B,P35,P6B	49509-25A00	1	
990601 -		ALL 4AT2	49505-25B00	1		990601 -		AG P65	49509-25A00	2	
49506		BOOT KIT-FR AXLE DIFF SIDE (S)EUNDA				990601 -		AG P3B,P35,P6B,P65	49509-25A00	1	
990601 -		ALL P35	49506-25A00	2		990601 -		DG P65	49509-25A00	2	
990601 -		ALL 4AT2	49506-25B00	2		990601 -		DG P3B,P35,P65	49509-25A00	1	
990601 -		AD L35,L45	49506-25A00	2		990601 -		DS L35,L45	49509-25A00	2	
990601 -		AG P65	49506-25A00	2		990601 -		DS M-S	49509-25A00	1	
990601 -		DG P65	49506-25A00	2		990601 -		FD L35,L45	49509-25A00	2	
990601 -		DS L35,L45	49506-25A00	2		990601 -		FD M-S	49509-25A00	1	
990601 -		FD L35,L45	49506-25A00	2		990601 -		FG P65	49509-25A00	2	
990601 -		FG P65	49506-25A00	2		990601 -		FG P3B,P35,P6B,P65	49509-25A00	1	
49507		JOINT & SHAFT KIT-FR AXLE WHEEL SIDE LH (S)JUEGO EJE & JUNTA				49548		COVER-DUST FR AXLE WHEEL SIDE (S)CUBIERTA			
990601 -		ALL P35	49507-25A00	1		010618 -		ALL	49548-25000	1	
990601 -		ALL 4AT2	49507-25B00	1		49549		WASHER-LOCK FR AXLE WHEEL SIDE (S)ARANDELA			
990601 -		AD L35,L45	49507-25A00	1		990601 -		ALL	49549-21000	2	
990601 -		AG P65	49507-25A00	1		49551		NUT-CASTLE FR AXLE WHEEL SIDE (S)TUERCA			
990601 -		DG P65	49507-25A00	1		990601 -		ALL	49551-21000	2	
990601 -		DS L35,L45	49507-25A00	1							

AD:3DR,QL AG:5DR,QLS DG:3DR,QLS DS:3DR,L FD:4DR,QL FG:4DR,QLS

2-C-8

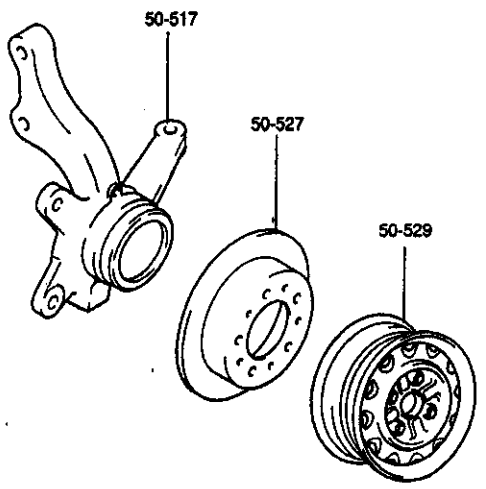
43-495 DRIVE SHAFT

BA,00112- 274

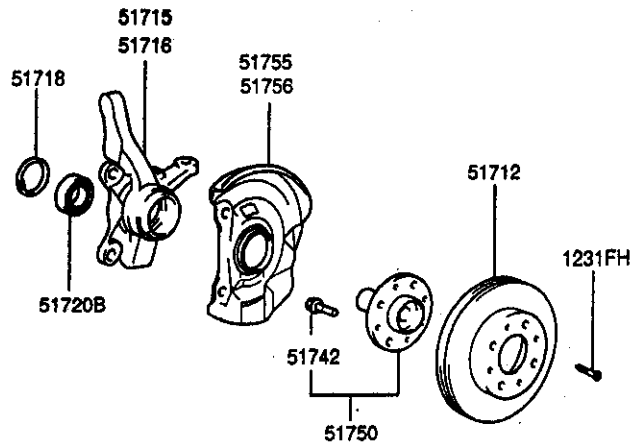
P N C		MODEL APPLICABLE		R E P	PART NO. (REPL P/N)	Q T Y	REMARKS	P N C		MODEL APPLICABLE		R E P	PART NO. (REPL P/N)	Q T Y	REMARKS	
FROM-UP-TO	TYPE	DESCRIPTION	FROM-UP-TO					TYPE	DESCRIPTION							
49557		CLIP-FR AXLE DIFF SIDE (S)SUETADOR														
990601 -		ALL			49557-24000	1										
49605		JOINT KIT-FR AXLE DIFF SIDE RH (S)JUEGO JUNTA														
990601 -		AD L35,P3B,P35,P6B			49605-25B00	1										
990601 -		AG P3B,P35,P6B,P65			49605-25B00	1										
990601 -		DG P3B,P35,P65			49605-25B00	1										
990601 -		DS M-S			49605-25B00	1										
990601 -		FD M-S			49605-25B00	1										
990601 -		FG P3B,P35,P6B,P65			49605-25B00	1										
49609		BOOT KIT-FR AXLE WHEEL SIDE RH (S)JUEGO FUNDA														
990601 -		ALL P3B,P35			49609-25A00	1										
990601 -		AD L35,L45,P6B			49609-25A00	1										
990601 -		AG P6B,P65			49609-25A00	1										
990601 -		DG P65			49609-25A00	1										
990601 -		DS L35,L45			49609-25A00	1										
990601 -		FD L35,L45			49609-25A00	1										
990601 -		FG P6B,P65			49609-25A00	1										

50 AXLE & WHEEL

50-517	FRONT AXLE HUB	2-E 8
50-527	REAR WHEEL HUB	2-F 8
50-529	WHEEL & CAP	2-G 8



50-517 FRONT AXLE HUB

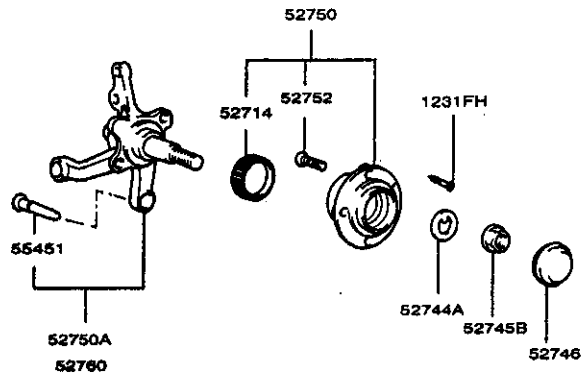


P N C	MODEL APPLICABLE		R E P	PART NO. (REPL. PNO)	Q T Y	REMARKS
	FROM-UP-TO	TYPE				
1231FH						
990601 -				12310-06181	1	
51712						
990601 -				51712-25060	1	
51715						
990601 -				51715-25000	1	
990601 - 010101				51715-25100	1	
010101 -				51715-25500	1	
51716						
990601 -				51716-25000	1	
990601 - 010101				51716-25100	1	
010101 -				51716-25500	1	
51718						
990601 -				51718-29100	1	
990601 - 010101				51718-25000	1	
010101 -				51718-25500	1	
51718						
990601 -				51718-29100	1	
51720B						
990601 -				51720-25000	1	
990601 -				51720-29400	1	
51742						
990601 -				51752-36000	4	
51750						
990601 -				51750-25000	1	
51755						
990601 - 010830				51755-25000	1	
010830 -				51755-25020	1	
51756						
990601 - 010830				51756-25000	1	
010830 -				51756-25020	1	

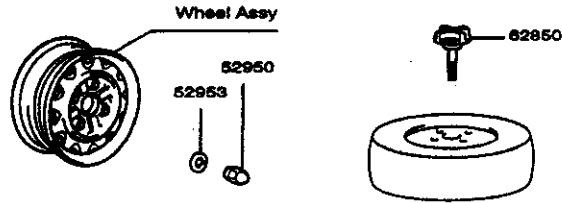
2-F 8

50-527 REAR WHEEL HUB

8A,G0112- 277



P N C	MODEL APPLICABLE		R E P	PART NO. (REPL P/NO)	Q T Y	REMARKS
	FROM-UP-TO	TYPE				
1231FH						
990601 - 000107				12310-06161	2	
52714						
990601 -				52714-25000	2	
52744A						
990601 -				52744-25000	2	
52745B						
990601 -				52745-37000	2	
52746						
990601 -				52746-25000	2	
52750						
990601 - 991215				A 52710-25000 (52710-25001)	2	
990601 - 991215				A 52710-25100 (52710-25101)	2	
991215 -				52710-25001	2	
991215 -				52710-25101	2	
52750A						
990601 -				52750-25000	1	
52752						
990601 -				52712-29400	8	
52760						
990601 -				52760-25000	1	
55451						
990601 -				52758-25000	1	



PNC	52910A		52910B	
ILLUST				
P/NO	25400/25450/25600		-25930	-25950

PNC	52960		52960D	
ILLUST				
P/NO	-25200	-25700	-25500/-25600	

PNC	MODEL APPLICABLE		PART NO. (REPL P/NO)	QTY	REMARKS
	FROM-UP-TO	TYPE			
52910A					
990601 -			52910-25550	1	5J*13
990601 -			52910-25400	5	4.5J*13
990601 -			52910-25450	5	4.5J*13
990601 -			52910-25650	5	5J*13
990601 -			52910-25600	5	5J*14
990601 -			52910-25600	1	5J*14
011101 -			52910-25600	1	5J*14
52910B					
990601 -			52910-25930	4	5J*13
990601 -			52910-25950	4	5J*14
011101 -			52910-25940	4	5J*14
52950					
990601 -			52951-11210	16	
990601 -			52950-24000	16	
990601 -			52950-24000	16	
990601 -			52950-24000	16	
990601 -			52950-24000	16	
990611 -			52950-14140	16	
011101 -			52951-11210	16	
52953					
990601 -			52953-24000	16	
990601 -			52953-24000	16	
990601 -			52953-24000	16	
990601 -			52953-24000	16	
52960					
990601 -			52960-25200	4	
990601 -			52960-25400	4	
990611 -			52960-25700	4	
011101 -			52960-25150	4	
52960D					
990601 -			52960-25500	4	
990601 -			52960-25600	4	

CONTINUED

0680:WORLD CUP PACKAGE 5296:WHL HUB CAP *A TYPE 5297:WHL-4.5J *13(STL) 5298:WHL-5.0J *13(STL) 5299:WHL-5.0J *13(AL:W/CLR) 5300:WHL-5.0J *14(STL) 5300:WHL-5.0J *14(AL:WITH CLR)
 531A:WHL FULL CVR-13 A TYPE 531B:WHL FULL CVR-13 B TYPE 531M:WHL FULL CVR-14 C TYPE

2-H 8

50-529 WHEEL & CAP

BA,G0112- 279

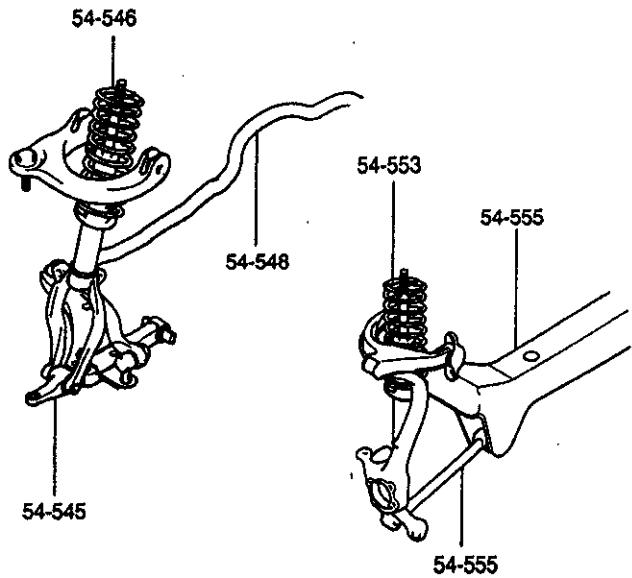
P N C		MODEL APPLICABLE		R E P	PART NO. (REPL P/NO)	Q T Y	REMARKS	P N C		MODEL APPLICABLE		R E P	PART NO. (REPL P/NO)	Q T Y	REMARKS
FROM-UP-TO	TYPE	DESCRIPTION						FROM-UP-TO	TYPE	DESCRIPTION					
CONTINUED															
52960D		COVER ASSY-WHEEL (S)CONJUNTO CUBIERTA			52960-25800	4									
990601 -		ALL 530B,531H													
62850		CLAMP-SPARE TIRE (S)ABRAZADERA			62850-25000	1									
990601 -		ALL			62850-25050	1									
990601 -		ALL 528H													

528H:TIRE 105/80 R 14 530B:WHL 6.0J 14(6TL) 531H:WHL FULL CVA-14 C TYPE

—M/E/M/O—

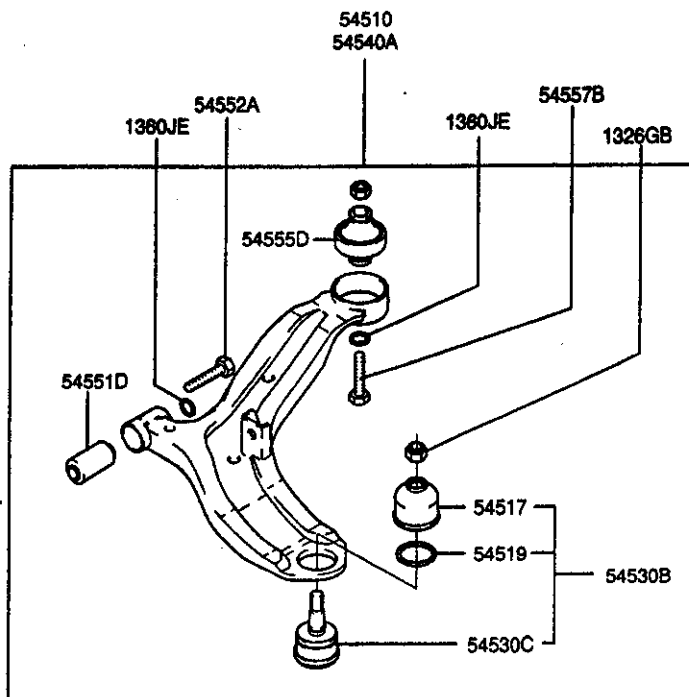
54 SUSPENSION

54-545	FRONT SUSPENSION LOWER ARM.....	2-J 8
54-546	FRONT SPRING & STRUT	2-L 8
54-548	FRONT STABILIZER BAR	2-A 9
54-553	REAR SHOCK ABSORBER & SPRING.....	2-C 9
54-555	REAR SUSPENSION CONTROL ARM	2-E 9



54-545 FRONT SUSPENSION LOWER ARM

BA,00112- 281



P N C	MODEL APPLICABLE		QTY	REMARKS
	FROM-UP-TO	TYPE		
1326GB				
990601 -			13262-12001	2
1360JE				
990601 -			13603-12001	4
990601 -			13603-12001	4
990601 -			13603-12001	4
990601 -			13603-12001	4
990601 -			13603-12001	4
990601 -			13603-12001	4
990601 -			13603-12001	4
990601 -			13603-12001	4
990601 -			13603-12001	4
54510				
990601 -			54500-25000	1
990601 -			54500-25000	1
990601 -			54500-25000	1
990601 -			54500-25000	1
990601 -			54500-25000	1
990601 -			54500-25000	1
990601 -			54500-25000	1
990601 -			54500-25000	1
54517				
990601 -			54517-22000	1
54519				
990601 -			54518-31600	1
54530B				
990601 -			54503-25A00	1
990601 -			54503-25A00	1
990601 -			54503-25A00	1
990601 -			54503-25A00	1
990601 -			54503-25A00	1
990601 -			54503-25A00	1
990601 -			54503-25A00	1
990601 -			54503-25A00	1

2-K8

54-545 FRONT SUSPENSION LOWER ARM

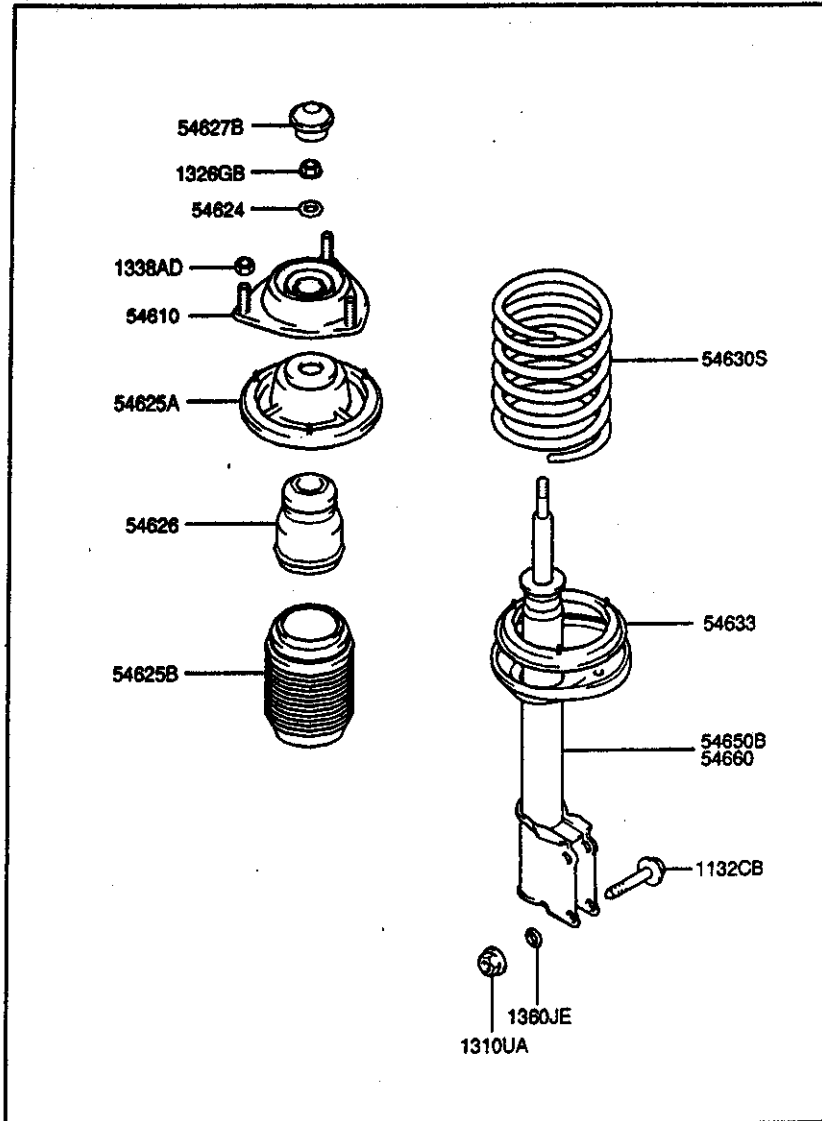
BA,G0112-282

P N C	MODEL APPLICABLE		R E P	PART NO. (REPL P/NO)	Q T Y	REMARKS	P N C	MODEL APPLICABLE		R E P	PART NO. (REPL P/NO)	Q T Y	REMARKS
	FROM-UP-TO	TYPE						DESCRIPTION	FROM-UP-TO				
54530C													
990601 -				54530-25000	1								
54540A													
990601 -				54501-25000	1								
990601 -				54501-25000	1								
990601 -				54501-25000	1								
990601 -				54501-25000	1								
990601 -				54501-25000	1								
990601 -				54501-25000	1								
990601 -				54501-25000	1								
990601 -				54501-25000	1								
54551D													
990601 -				54551-25000	1								
54552A													
990601 -				54559-25000	2								
990601 -				54559-25000	2								
990601 -				54559-25000	2								
990601 -				54559-25000	2								
990601 -				54559-25000	2								
990601 -				54559-25000	2								
990601 -				54559-25000	2								
990601 -				54559-25000	2								
54555D													
990601 -				54555-25000	1								
54557B													
990601 -				54547-25000	2								
990601 -				54547-25000	2								
990601 -				54547-25000	2								
990601 -				54547-25000	2								
990601 -				54547-25000	2								
990601 -				54547-25000	2								
990601 -				54547-25000	2								
990601 -				54547-25000	2								

AD:DR,QL AQ:DR,QLS DG:DR,GLS DS:DR,LL FD:DR,QL FG:DR,GLS

5613:STRG-POWER(N,P,S) 5618:STRG-MANUAL

54-546 FRONT SPRING & STRUT



P N C	MODEL APPLICABLE		QTY	REMARKS
	FROM-UP-TO	DESCRIPTION		
1132CB		BOLT (S)PERNO		
990601 -		ALL	11322-12501	4
1310UA		NUT (S)TUERCA		
990601 -		ALL	Y 13104-12001 (13104-12003)	4
1326GB		NUT-LOCK (S)TUERCA		
990601 -		ALL	13262-12001	2
1338AD		NUT-FLANGE (S)TUERCA TAPA		
990601 -		ALL	Y 13385-08003 (13398-08003)	6
1360JE		WASHER-SPRING (S)ARANDELA		
990601 -		ALL	13603-12001	4
54610		INSULATOR ASSY-STRUT (S)CONJ. AISLADOR		
990601 -		ALL	54610-25000	2
54624		WASHER (S)ARANDELA		
990601 -		ALL	54624-21000	2
54625A		SEAT ASSY-FR SPRING (S)CONJ. ASIENTO		
990601 -		ALL	54620-22000	2
54625B		COVER-FR SUSPENSION STRUT DUST (S)CUBIERTA		
990601 -		ALL	54625-22000	1
54626		BUMPER-RUBBER (S)PARACHOQUES		
990601 -		ALL	54626-22001	1
54627B		COVER-INSULATOR DUST (S)CUBIERTA		
990601 -		ALL	54627-31600	2
54630S		SPRING-FR (S)MUELLE		
990601 -		ALL SMT2	54630-25010	2
990601 -		ALL 5463	54630-25150	2

CONTINUED

2-M 8

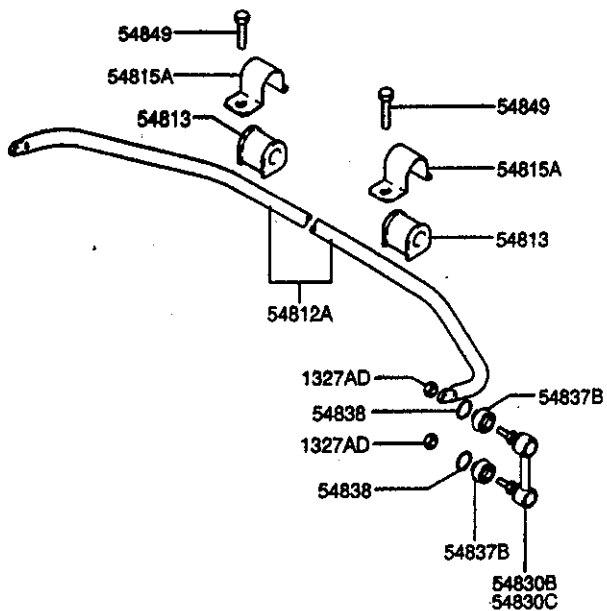
54-546 FRONT SPRING & STRUT

BA,G0112-284

P N C		MODEL APPLICABLE		R E P	PART NO. (REPL P/NO)	Q T Y	REMARKS	P N C		MODEL APPLICABLE		R E P	PART NO. (REPL P/NO)	Q T Y	REMARKS
FROM-UP-TO	TYPE	DESCRIPTION	FROM-UP-TO					TYPE	DESCRIPTION						
CONTINUED															
54630S		SPRING-FR (S)MUELLE						54650B		STRUT ASSY-FR LH (S)PUNTA					
990601 -		ALL 5MT2:5463	54630-25110	2	PINK-2			990601 -		ALL	54650-25100	1			
990601 -		ALL 4AT2:5613	54630-25050	2	GREEN-1,WHITE-1			990601 -		ALL 5891	54650-25150	1			
990601 -		ALL 4AT2:5613,5891	54630-25050	2	GREEN-1,WHITE-1			991124 -		ALL	54650-25500	1			
990601 -		ALL 5613,5891,9760	54630-25050	2	GREEN-1,WHITE-1			991124 -		ALL 5891	54650-25550	1			
990601 -		ALL 4AT2:5613,9760	54630-25050	2	GREEN-1,WHITE-1			54660		STRUT ASSY-FR RH (S)PUNTA					
990601 -		ALL 4AT2:9760	54630-25050	2	GREEN-1,WHITE-1			990601 -		ALL	54660-25100	1			
990601 - 991001		ALL 5MT2:0570	54630-22400	2				990601 -		ALL 5891	54660-25150	1			
990601 - 991001		ALL 0570,5613,9760	54630-22450	2				991124 -		ALL	54660-25500	1			
991001 - 991124		ALL 5MT2:0570,5613,5891,9760	54630-25050	2	GREEN-1,WHITE-1			991124 -		ALL 5891	54660-25550	1			
991001 - 991124		ALL 4AT2:0570,5613,9760	54630-25050	2	GREEN-1,WHITE-1										
991124 -		ALL 5613,9760	54630-25550	2	GREEN-1,PINK-1										
991124 - 000313		ALL 5MT2:0570,5613	54630-25500	2	GREEN-2										
991124 - 000313		ALL 5MT2:0570,5613,9760	54630-25500	2	GREEN-2										
991124 - 000313		ALL 5MT2:0570,9760	54630-25500	2	GREEN-2										
000313 -		ALL P35:5465,5613	54630-25500	2	GREEN-2										
000313 -		ALL P35:5465,5613,9760	54630-25500	2	GREEN-2										
000313 -		ALL P35:5465,9760	54630-25500	2	GREEN-2										
020101 -		ALL TCI:5613,9760	54630-25750	2	VIOLET-1										
000313 -		AD L35:5465,5613	54630-25500	2	GREEN-2										
000313 -		AD L35:5465,5613,9760	54630-25500	2	GREEN-2										
000313 -		AD L35:5465,9760	54630-25500	2	GREEN-2										
000313 -		AG P65:5465,5613	54630-25500	2	GREEN-2										
000313 -		AG P65:5465,5613,9760	54630-25500	2	GREEN-2										
000313 -		DG P65:5465,5613	54630-25500	2	GREEN-2										
000313 -		DG P65:5465,5613,9760	54630-25500	2	GREEN-2										
000313 -		DS L35:5465,5613	54630-25500	2	GREEN-2										
000313 -		DS L35:5465,5613,9760	54630-25500	2	GREEN-2										
000313 -		DS L35:5465,9760	54630-25500	2	GREEN-2										
000313 -		FD L35:5465,5613	54630-25500	2	GREEN-2										
000313 -		FD L35:5465,5613,9760	54630-25500	2	GREEN-2										
000313 -		FD L35:5465,9760	54630-25500	2	GREEN-2										
000313 -		FG P65:5465,5613	54630-25500	2	GREEN-2										
000313 -		FG P65:5465,5613,9760	54630-25500	2	GREEN-2										
54633		PAD-FR SPRING LWR (S)ALMOHADILLA													
990601 -		ALL	54633-22001	1											

AD:SDR,GL AG:SDR,GLS DG:SDR,GLS DS:SDR,GL FD:SDR,GL FG:SDR,GLS 0570:SPORTY PACKAGE 5463:FRONT SUSP-HIGH GROUND CLEARANC 5465:SUSPENSION-SPORTY TYPE 5613:STRG-POWER(N.P.S) 5891:ABS(ANTI SKID BRAKE SYSTEM) 9760:AIR CON

54-548 FRONT STABILIZER BAR



P N C	MODEL APPLICABLE		R E P	PART NO. (REPL PART NO)	Q T Y	REMARKS
	FROM-UP-TO	TYPE				
1327AD						
990601 -				13270-10001	4	
990601 -				13270-10001	4	
990601 - 000502				13270-10001	2	
990601 -				13270-10001	4	
990601 -				13270-10001	4	
990601 -				13270-10001	4	
990601 -				13270-10001	4	
990601 -				13270-10001	4	
990601 -				13270-10001	4	
54812A						
990601 -				54812-25000	1	
990601 -				54812-25000	1	
990601 -				54812-25000	1	
990601 -				54812-25000	1	
990601 -				54812-25000	1	
990601 -				54812-25000	1	
990601 -				54812-25000	1	
990601 -				54812-25000	1	
54813						
990601 -				54813-25000	2	
990601 -				54813-25000	2	
990601 -				54813-25000	2	
990601 -				54813-25000	2	
990601 -				54813-25000	2	
990601 -				54813-25000	2	
990601 -				54813-25000	2	
990601 -				54813-25000	2	
54815A						
990601 -				54814-25000	2	
990601 -				54814-25000	2	
990601 -				54814-25000	2	
990601 -				54814-25000	2	
990601 -				54814-25000	2	
990601 -				54814-25000	2	

CONTINUED

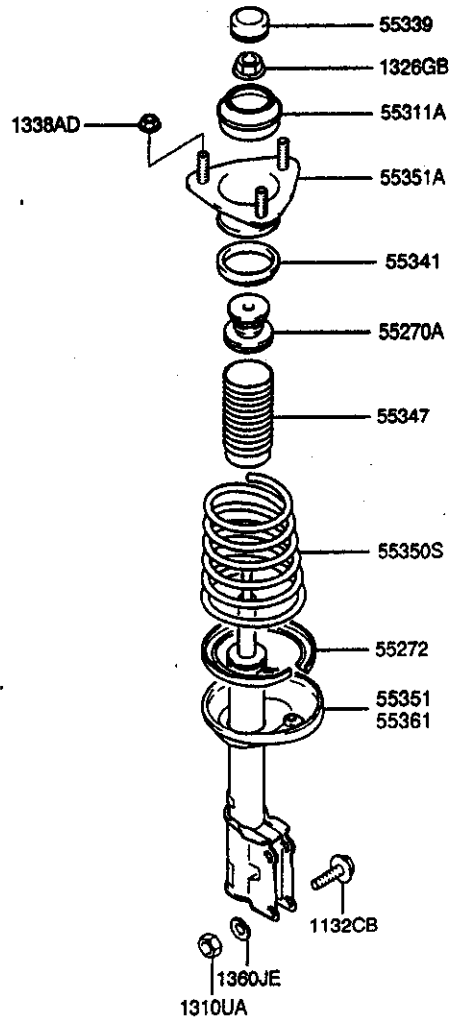
2-B 9

54-548 FRONT STABILIZER BAR

BA.G0112- 286

P N C		MODEL APPLICABLE		R E P	PART NO. (REPL P/NO)	Q T Y	REMARKS	P N C		MODEL APPLICABLE		R E P	PART NO. (REPL P/NO)	Q T Y	REMARKS
FROM-UP-TO	TYPE	DESCRIPTION						FROM-UP-TO	TYPE	DESCRIPTION					
CONTINUED								CONTINUED							
		54815A	BRACKET-STABILIZER BAR (S)SOPORTE						54838	RING-CLIP (S)ANILLO					
990601 -			FD	L35,L45;5618	54814-25000	2		990601 -		AD	L35,L45;5618	54838-36100	2		
990601 -			FG	P65;5618	54814-25000	2		990601 -		AG	P65;5618	54838-36100	2		
		54830B	LINK ASSY-FR STABILIZER LH (S)CONJ. ENLACE					990601 -		DG	P65;5618	54838-36100	2		
990601 -			ALL	5613	54830-25010	1		990601 -		DS	L35,L45;5618	54838-36100	2		
990601 -			ALL	P3B,P35;5618	54830-25010	1		990601 -		FD	L35,L45;5618	54838-36100	2		
990601 -			AD	L35,L45;5618	54830-25010	1		990601 -		FG	P65;5618	54838-36100	2		
990601 -			AG	P65;5618	54830-25010	1		54849	BOLT (S)PERNO (CON ARANDELA)						
990601 -			DG	P65;5618	54830-25010	1		990601 -		ALL	5613	54849-28000	2		
990601 -			DS	L35,L45;5618	54830-25010	1		990601 -		ALL	P3B,P35;5618	54849-28000	2		
990601 -			FD	L35,L45;5618	54830-25010	1		990601 -		AD	L35,L45;5618	54849-28000	2		
990601 -			FG	P65;5618	54830-25010	1		990601 -		AG	P65;5618	54849-28000	2		
		54830C	LINK ASSY-FR STABILIZER RH (S)CONJ. ENLACE					990601 -		DG	P65;5618	54849-28000	2		
990601 -			ALL	5613	54830-25020	1		990601 -		DS	L35,L45;5618	54849-28000	2		
990601 -			ALL	P3B,P35;5618	54830-25020	1		990601 -		FD	L35,L45;5618	54849-28000	2		
990601 -			AD	L35,L45;5618	54830-25020	1		990601 -		FG	P65;5618	54849-28000	2		
990601 -			AG	P65;5618	54830-25020	1									
990601 -			DG	P65;5618	54830-25020	1									
990601 -			DS	L35,L45;5618	54830-25020	1									
990601 -			FD	L35,L45;5618	54830-25020	1									
990601 -			FG	P65;5618	54830-25020	1									
		54837B	COVER-DUST (S)CUBIERTA												
990601 -			ALL	5613	54837-29500	2									
990601 -			ALL	P3B,P35;5618	54837-29500	2									
990601 -			AD	L35,L45;5618	54837-29500	2									
990601 -			AG	P65;5618	54837-29500	2									
990601 -			DG	P65;5618	54837-29500	2									
990601 -			DS	L35,L45;5618	54837-29500	2									
990601 -			FD	L35,L45;5618	54837-29500	2									
990601 -			FG	P65;5618	54837-29500	2									
		54838	RING-CLIP (S)ANILLO												
990601 -			ALL	5613	54838-36100	2									
990601 -			ALL	P3B,P35;5618	54838-36100	2									

54-553 REAR SHOCK ABSORBER & SPRING



P N C	MODEL APPLICABLE		P A R T	P A R T NO. (REPL PNO)	Q T Y	REMARKS
	FROM-UP-TO	TYPE				
1132CB						
990601 -						
1310UA						
990601 -						
1326GB						
990601 -						
1338AD						
990601 -						
1360JE						
990601 -						
55270A						
990601 -						
55272						
990601 -						
55311A						
990601 - 000307						
000307 -						
55339						
990601 -						
55341						
990601 -						
55347						
990601 -						
55350S						
990601 -						

CONTINUED

2 YELLOW-1

2-D9

54-553 REAR SHOCK ABSORBER & SPRING

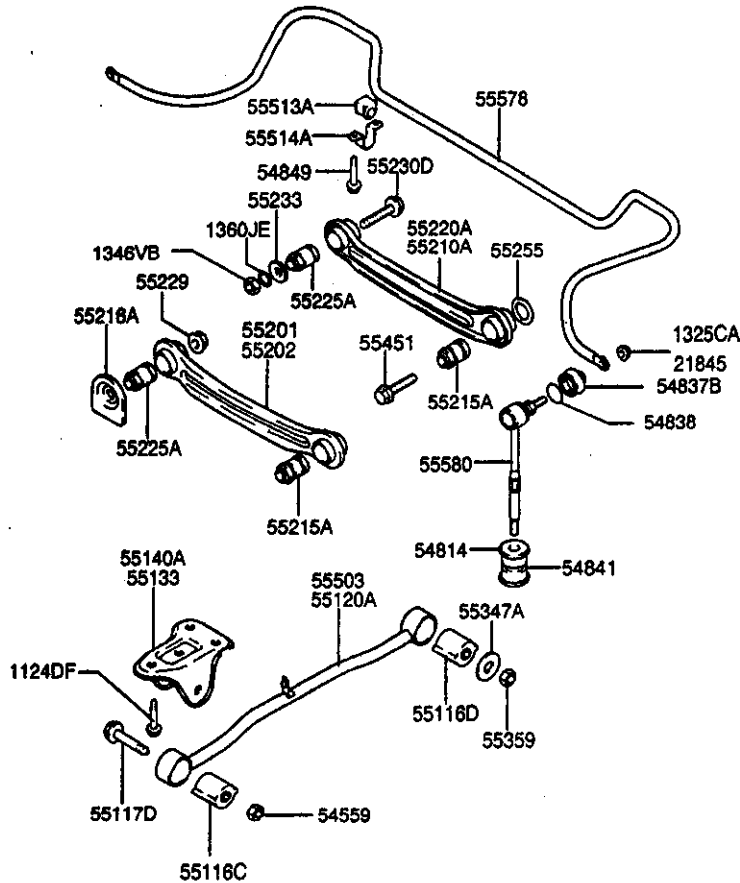
BA,00112- 288

P N C		MODEL APPLICABLE		R E P	PART NO. (REPL PNO)	Q T Y	REMARKS	P N C		MODEL APPLICABLE		R E P	PART NO. (REPL PNO)	Q T Y	REMARKS
FROM-UP-TO	TYPE	DESCRIPTION						FROM-UP-TO	TYPE	DESCRIPTION					
CONTINUED															
		55350S			SPRING-RR										
					(S)MUELLE										
		990601 -			ALL 5463	55330-25100	2	GREEN-1							
		991124 - 000313			ALL 0570	55330-25500	2	PINK-1							
		020101 -			ALL TCI	55330-25750	2	VIOLET-1							
		000313 -			AD L35,P3B,P35,P6B;5465	55330-25500	2	PINK-1							
		000313 -			AG P3B,P35,P6B,P65;5465	55330-25500	2	PINK-1							
		000313 -			DG P3B,P35,P65;5465	55330-25500	2	PINK-1							
		000313 -			DB M-S;5465	55330-25500	2	PINK-1							
		000313 -			FD M-S;5465	55330-25500	2	PINK-1							
		000313 -			FG P3B,P35,P6B,P65;5465	55330-25500	2	PINK-1							
		55351			SHOCK ABSORBER ASSY-RR LH										
					(S)CONJ. AMORTIGUADOR										
		990601 - 000307			ALL	55350-25100	1								
		990601 - 000307			ALL 5891	55350-25150	1								
		991124 - 000307			ALL 0570	55350-25500	1								
		991124 - 000307			ALL 0570,5891	55350-25550	1								
		000307 -			ALL	55350-25101	1								
		000307 -			ALL	55350-25501	1								
		000307 -			ALL 5891	55350-25151	1								
		000307 -			ALL 5891	55350-25551	1								
		55351A			SEAT-SPRING UPB										
					(S)ASIENTO										
		990601 -			ALL	55320-25000	2								
		55361			SHOCK ABSORBER ASSY-RR RH										
					(S)CONJ. AMORTIGUADOR										
		990601 - 000307			ALL	55360-25100	1								
		990601 - 000307			ALL 5891	55360-25150	1								
		991124 - 000307			ALL 0570	55360-25500	1								
		991124 - 000307			ALL 0570,5891	55360-25550	1								
		000307 -			ALL	55360-25101	1								
		000307 -			ALL	55360-25501	1								
		000307 -			ALL 5891	55360-25151	1								
		000307 -			ALL 5891	55360-25551	1								

AD:SDR,GL AG:SDR,GLS DG:3DR,GLS DS:3DR,L FD:4DR,GL FG:4DR,GLS

0570:SPORTY PACKAGE 5463:FRY SUSP-HIGH GROUND CLEARANC 5465:SUSPENSION-SPORTY TYPE 5891:ABS(ANTI SKID BRAKE SYSTEM)

54-555 REAR SUSPENSION CONTROL ARM

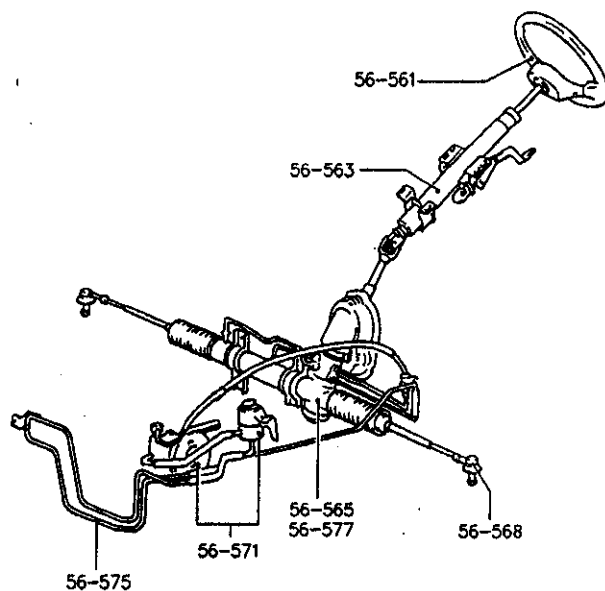


P N C	MODEL APPLICABLE		PART NO. (REPL PNO)	Q T Y	REMARKS
	FROM-UP-TO	TYPE			
1124DF					
990601 -			11241-10251	6	
1325CA					
990601 -			13251-10001	2	
1346VB					
990601 -			13468-12001	2	
1360JE					
990601 -			13603-12001	2	
21845					
990601 -			21845-24000	2	
54559					
990601 -			54559-28000	1	
54814					
990601 -			54814-36001	4	
54837B					
990601 -			54837-29500	2	
54838					
990601 -			54838-36100	2	
54841					
990601 -			54841-39000	4	
54849					
990601 -			54849-28000	4	
55116C					
990601 -			55116-25000	1	
55116D					
990601 -			55116-25000	1	

M/E/M/O

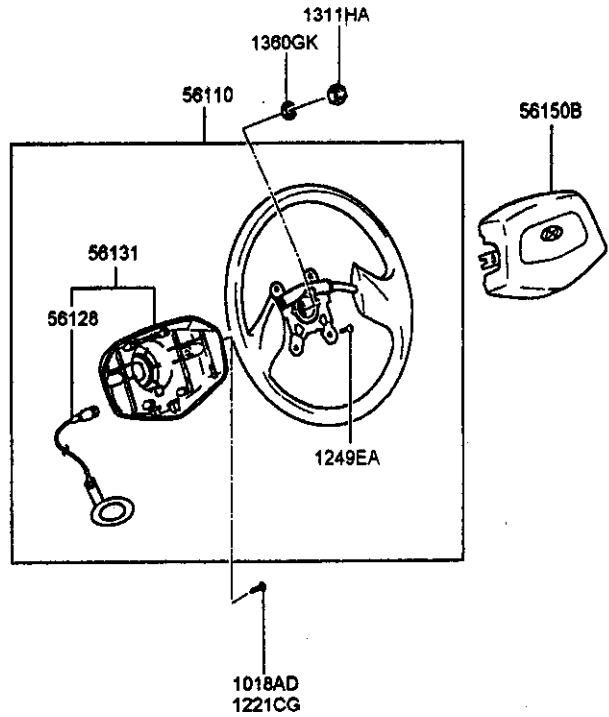
56

STEERING

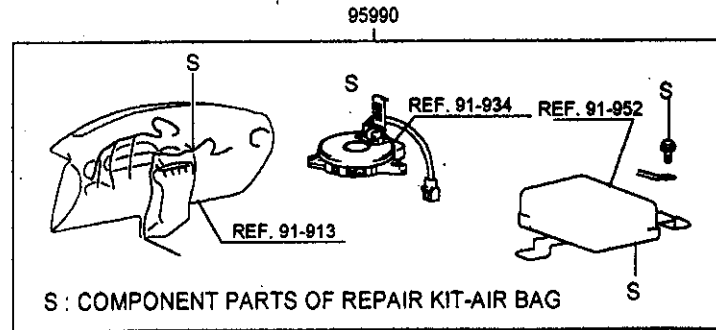
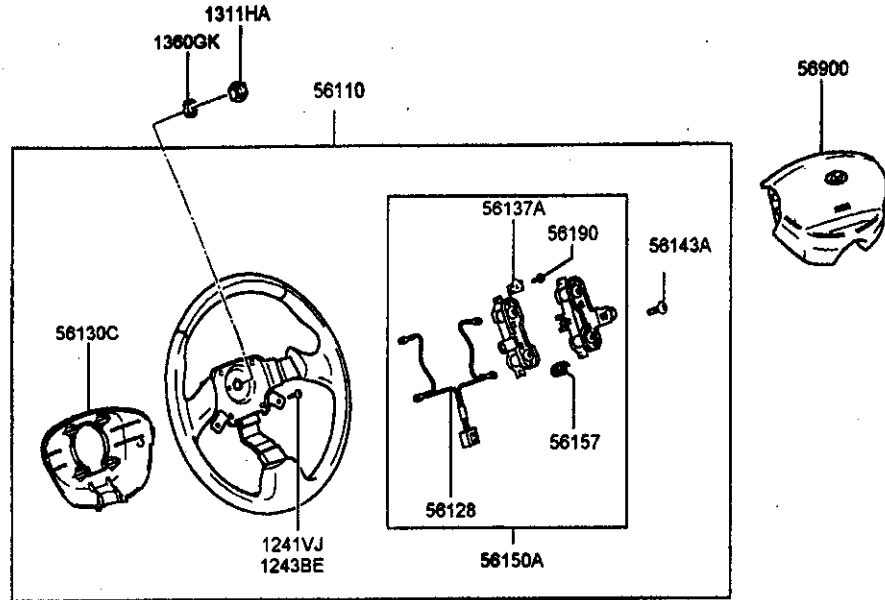


56-561	STEERING WHEEL.....	2-H 9
56-563	STEERING COLUMN & SHAFT	2-L 9
56-565	MANUAL STEERING GEAR BOX	2-M 9
56-568	STEERING LINKAGE.....	2-D10
56-571	POWER STEERING OIL PUMP	2-E10
56-575	POWER STEERING HOSE & BRACKET	2-J10
56-577	POWER STEERING GEAR BOX	2-D11

W/O AIR BAG



W/ AIR BAG



P N C	MODEL APPLICABLE	PART NO.	QTY	REMARKS	P N C	MODEL APPLICABLE	PART NO.	QTY	REMARKS
FROM-UP-TO	TYPE DESCRIPTION	(REPL P/NO)			FROM-UP-TO	TYPE DESCRIPTION	(REPL P/NO)		
1018AD	SCREW-TAPPING				CONTINUED				
	(S)TORNILLO				56110	WHEEL ASSY-STEERING			
990816 -	ALL 561A	10188-05163	2			(S)CONJUNTO RUEDA			
990816 -	ALL 561E	10188-05163	2		990601 -	AG 561A	56100-25100LT	1	INT;LT
990816 -	ALL 5611	10188-05163	2		990601 -	AG 561E	56100-25200LT	1	INT;LT
1221CG	SCREW-MACHINE				990601 -	AG 5611	56100-25000LT	1	INT;LT
	(S)TORNILLO				990601 - 990901	AG 561C,5691	56100-25600LT	1	INT;LT
990601 - 990816	ALL 561A	12211-05081	2		990601 - 990901	AG 5612,5691	56100-25500LT	1	INT;LT
990601 - 990816	ALL 561E	12211-05081	2		990901 -	AG 561C,5691	56100-25601LT	1	INT;LT
990601 - 990816	ALL 5611	12211-05081	2		990901 -	AG 5612,5691	56100-25501LT	1	INT;LT
1241VJ	SCREW-TAPPING				990601 -	DG 561A	56100-25100LT	1	INT;LT
	(S)TORNILLO				990601 -	DG 561E	56100-25200LT	1	INT;LT
990601 -	ALL 5691	12418-04122	4		990601 -	DG 5611	56100-25000LT	1	INT;LT
1243BE	SCREW-TAPPING				990601 - 990901	DG 561C,5691	56100-25600LT	1	INT;LT
	(S)TORNILLO				990601 - 990901	DG 5612,5691	56100-25500LT	1	INT;LT
020101 -	ALL TC1;5612,5691	12431-04122	4		990901 -	DG 561C,5691	56100-25601LT	1	INT;LT
1249EA	SCREW-TAPPING				990901 -	DG 5612,5691	56100-25501LT	1	INT;LT
	(S)TORNILLO				990601 -	DS 561A	56100-25100LT	1	INT;LT
990601 -	ALL 561A	12492-04101	4		990601 -	DS 561E	56100-25200LT	1	INT;LT
990601 -	ALL 561E	12492-04101	4		990601 -	DS 5611	56100-25000LT	1	INT;LT
990601 -	ALL 5611	12492-04101	4		990601 - 990901	DS 561C,5691	56100-25600LT	1	INT;LT
1311HA	NUT				990601 - 990901	DS 5612,5691	56100-25500LT	1	INT;LT
	(S)TUERCA				990901 -	DS 561C,5691	56100-25601LT	1	INT;LT
990601 -	ALL	Y 13111-14001 (13111-14003)	1		990901 -	DS 5612,5691	56100-25501LT	1	INT;LT
1360GK	WASHER-SPRING				990601 -	FD L35,L45,P85;561A	56100-25100LT	1	INT;LT
	(S)ARANDELA				990601 -	FD L35,L45,P85;561E	56100-25200LT	1	INT;LT
990601 -	ALL	Y 13602-14001 (13602-14003)	1		990601 -	FD L35,L45,P85;5611	56100-25000LT	1	INT;LT
56110	WHEEL ASSY-STEERING				990601 - 990901	FD L35,L45,P85;561C,5691	56100-25600LT	1	INT;LT
	(S)CONJUNTO RUEDA				990601 - 990901	FD L35,L45,P85;5612,5691	56100-25500LT	1	INT;LT
020101 -	ALL TC1;5612,5691	56100-25900LT	1	INT;LT	990901 -	FD L35,L45,P85;561C,5691	56100-25901LT	1	INT;LT
990601 -	AD 561A	56100-25100LT	1	INT;LT	990901 -	FD L35,L45,P85;5612,5691	56100-25501LT	1	INT;LT
990601 -	AD 561E	56100-25200LT	1	INT;LT	990601 -	FG 561A	56100-25100LT	1	INT;LT
990601 -	AD 5611	56100-25000LT	1	INT;LT	990601 -	FG 561E	56100-25200LT	1	INT;LT
990601 - 990901	AD 561C,5691	56100-25600LT	1	INT;LT	990601 -	FG 5611	56100-25000LT	1	INT;LT
990601 - 990901	AD 5612,5691	56100-25500LT	1	INT;LT	990601 - 990901	FG 561C,5691	56100-25600LT	1	INT;LT
990901 -	AD 561C,5691	56100-25601LT	1	INT;LT	990601 - 990901	FG 5612,5691	56100-25500LT	1	INT;LT
990901 -	AD 5612,5691	56100-25501LT	1	INT;LT	990901 -	FG 561C,5691	56100-25601LT	1	INT;LT
					990901 -	FG 5612,5691	56100-25501LT	1	INT;LT

AD:DR.GL AG:DR.GL DG:DR.GL DS:DR.LL FD:DR.GL FG:DR.GL

5611:STRG WHL-2 SPOKE(PVC) 5612:STRG WHL-3 SPOKE(PU) 561A:STRG WHL-2 SPOKE(PU) 561C:STRG WHL-3 SPOKE(LEATHER) 561E:STRG WHL-3 SPOKE(LEATHER) 5691:AIR BAG(DRIVER SIDE)

56-561 STEERING WHEEL

P N C	MODEL APPLICABLE		PART NO. (REPL PNO)	Q T Y	REMARKS
	FROM-UP-TO	DESCRIPTION			
56128		WIRE ASSY-HORN			
		(S)CONJ. CABLES			
990601 -		ALL 561A	56190-25000	1	
990601 -		ALL 561E	56190-25000	1	
990601 -		ALL 5611	56190-25000	1	
990601 -		ALL 5691	56180-25500	2	
56130C		COVER ASSY-STEERING WHEEL LWR			
		(S)CONJUNTO CUBIERTA			
990601 -		AD 561A	56120-25100LT	1	INT;LT
990601 -		AD 561E	56120-25200LT	1	INT;LT
990601 -		AD 5611	56120-25000LT	1	INT;LT
990601 - 990901		AD 5691	56120-25500LT	1	INT;LT
990901 -		AD 5691	56120-25501LT	1	INT;LT
990601 -		AG 561A	56120-25100LT	1	INT;LT
990601 -		AG 561E	56120-25200LT	1	INT;LT
990601 -		AG 5611	56120-25000LT	1	INT;LT
990601 - 990901		AG 5691	56120-25500LT	1	INT;LT
990901 -		AG 5691	56120-25501LT	1	INT;LT
990601 -		DG 561A	56120-25100LT	1	INT;LT
990601 -		DG 561E	56120-25200LT	1	INT;LT
990601 -		DG 5611	56120-25000LT	1	INT;LT
990601 - 990901		DG 5691	56120-25500LT	1	INT;LT
990901 -		DG 5691	56120-25501LT	1	INT;LT
990601 -		DS 561A	56120-25100LT	1	INT;LT
990601 -		DS 561E	56120-25200LT	1	INT;LT
990601 -		DS 5611	56120-25000LT	1	INT;LT
990601 - 990901		DS 5691	56120-25500LT	1	INT;LT
990901 -		DS 5691	56120-25501LT	1	INT;LT
990601 -		FD L35,L45,P85;561A	56120-25100LT	1	INT;LT
990601 -		FD L35,L45,P85;561E	56120-25200LT	1	INT;LT
990601 -		FD L35,L45,P85;5611	56120-25000LT	1	INT;LT
990601 - 990901		FD L35,L45,P85;5691	56120-25500LT	1	INT;LT
990901 -		FD L35,L45,P85;5691	56120-25501LT	1	INT;LT
990601 -		FG 561A	56120-25100LT	1	INT;LT
990601 -		FG 561E	56120-25200LT	1	INT;LT
990601 -		FG 5611	56120-25000LT	1	INT;LT
990601 - 990901		FG 5691	56120-25500LT	1	INT;LT
990901 -		FG 5691	56120-25501LT	1	INT;LT

P N C	MODEL APPLICABLE		PART NO. (REPL PNO)	Q T Y	REMARKS
	FROM-UP-TO	DESCRIPTION			
56131		COVER-STEERING WHEEL LWR			
		(S)CUBIERTA			
990601 -		AD 561A	56130-25000LT	1	INT;LT
990601 -		AD 561E	56130-25000LT	1	INT;LT
990601 -		AD 5611	56130-25000LT	1	INT;LT
990601 -		AG 561A	56130-25000LT	1	INT;LT
990601 -		AG 561E	56130-25000LT	1	INT;LT
990601 -		AG 5611	56130-25000LT	1	INT;LT
990601 -		DG 561A	56130-25000LT	1	INT;LT
990601 -		DG 561E	56130-25000LT	1	INT;LT
990601 -		DG 5611	56130-25000LT	1	INT;LT
990601 -		DS 561A	56130-25000LT	1	INT;LT
990601 -		DS 561E	56130-25000LT	1	INT;LT
990601 -		DS 5611	56130-25000LT	1	INT;LT
990601 -		FD L35,L45,P85;561A	56130-25000LT	1	INT;LT
990601 -		FD L35,L45,P85;561E	56130-25000LT	1	INT;LT
990601 -		FD L35,L45,P85;5611	56130-25000LT	1	INT;LT
990601 -		FG 561A	56130-25000LT	1	INT;LT
990601 -		FG 561E	56130-25000LT	1	INT;LT
990601 -		FG 5611	56130-25000LT	1	INT;LT
56137A		INSULATOR(B)			
		(S)AISLADOR(B)			
990601 -		ALL 5691	56160-25500	2	
56143A		BOLT-MODULE MTG			
		(S)PERNO			
990601 -		ALL 5691	56143-25500	2	
56150A		HORN ASSY-STEERING WHEEL			
		(S)CONJUNTO CLAXON			
990601 -		ALL 5691	56130-25500	1	
56150B		PAD ASSY-HORN			
		(S)CONJ. ALMOJADILLA			
990601 -		AD 561A	56150-25000LT	1	INT;LT
990601 -		AD 561E	56150-25000LT	1	INT;LT
990601 -		AD 5611	56150-25000LT	1	INT;LT
990601 -		AG 561A	56150-25000LT	1	INT;LT
990601 -		AG 561E	56150-25000LT	1	INT;LT
990601 -		AG 5611	56150-25000LT	1	INT;LT
990601 -		DG 561A	56150-25000LT	1	INT;LT
990601 -		DG 561E	56150-25000LT	1	INT;LT

CONTINUED

AD:3DR,QL AG:3DR,QLS DG:3DR,QLS DS:3DR,QL FD:4DR,QL FG:4DR,QLS 5611:STRG WHL-2 SPOKE(PVC) 561A:STRG WHL-2 SPOKE(PU) 561E:STRG WHL-2 SPOKE(LEATHER) 5691:AIR BAG(DRIVER SIDE)

2-K9

56-561 STEERING WHEEL

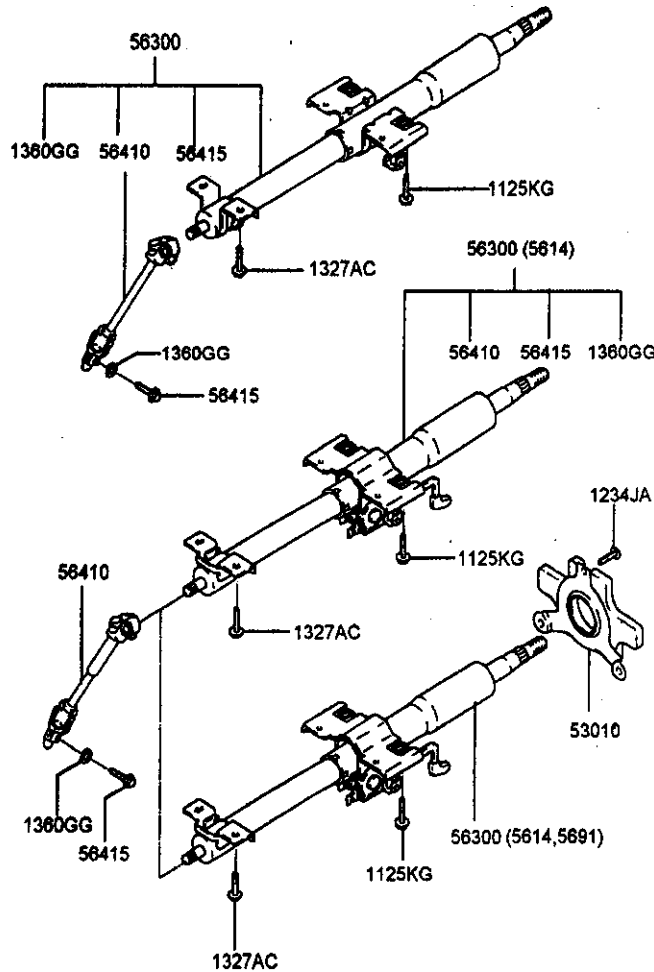
BA,G0112-295

P N C		MODEL APPLICABLE		R E P	PART NO. (REPL P/NO)	Q T Y	REMARKS	P N C		MODEL APPLICABLE		R E P	PART NO. (REPL P/NO)	Q T Y	REMARKS
FROM-UP-TO	TYPE	DESCRIPTION	FROM-UP-TO					TYPE	DESCRIPTION						
CONTINUED								CONTINUED							
		56150B	PAD ASSY-HORN (S)CONJ. ALMOJADILLA							95990	REPAIR KIT-AIR BAG (S)JUEGO REPARACION				
990601 -	DG	5611			56150-25000LT	1	INT;LT	990601 - 010521	FD	LHD;5691,5692,888H		95990-25A10	1		
990601 -	DS	561A			56150-25000LT	1	INT;LT	990601 - 010521	FD	LHD;5691,888H		95990-25A00	1		
990601 -	DS	561E			56150-25000LT	1	INT;LT	990601 - 010521	FD	RHD;5691,5692,888H		95990-25B10	1		
990601 -	DS	5611			56150-25000LT	1	INT;LT	990601 - 010521	FD	RHD;5691,888H		95990-25B00	1		
990601 -	FD	L35,L45,P85;561A			56150-25000LT	1	INT;LT	990601 - 010521	FG	LHD;5691,5692,888H		95990-25A10	1		
990601 -	FD	L35,L45,P85;561E			56150-25000LT	1	INT;LT	990601 - 010521	FG	LHD;5691,888H		95990-25A00	1		
990601 -	FD	L35,L45,P85;5611			56150-25000LT	1	INT;LT	990601 - 010521	FG	RHD;5691,5692,888H		95990-25B10	1		
990601 -	FG	561A			56150-25000LT	1	INT;LT	990601 - 010521	FG	RHD;5691,888H		95990-25B00	1		
990601 -	FG	561E			56150-25000LT	1	INT;LT								
990601 -	FG	5611			56150-25000LT	1	INT;LT								
		56157	SPRING-HORN (S)MUELLE												
990601 -	ALL	5691			56170-25500	4									
		56190	SCREW-TAPPING (S)TORNILLO												
990601 -	ALL	5691			56190-25500	8									
		56900	MODULE ASSY-STRG WHEEL AIR BAG (S)CONJ. MODULO												
990601 -	AD	5691			56900-25000LT	1	INT;LT								
990601 -	AG	5691			56900-25000LT	1	INT;LT								
990601 -	DG	5691			56900-25000LT	1	INT;LT								
990601 -	DS	5691			56900-25000LT	1	INT;LT								
990601 -	FD	L35,L45,P85;5691			56900-25000LT	1	INT;LT								
990601 -	FG	5691			56900-25000LT	1	INT;LT								
		95990	REPAIR KIT-AIR BAG (S)JUEGO REPARACION												
990601 - 010521	AD	LHD;5691,5692,888H			95990-25A10	1									
990601 - 010521	AD	LHD;5691,888H			95990-25A00	1									
990601 - 010521	AD	RHD;5691,5692,888H			95990-25B10	1									
990601 - 010521	AD	RHD;5691,888H			95990-25B00	1									
990601 - 010521	AG	LHD;5691,5692,888H			95990-25A10	1									
990601 - 010521	AG	LHD;5691,888H			95990-25A00	1									
990601 - 010521	AG	RHD;5691,5692,888H			95990-25B10	1									
990601 - 010521	AG	RHD;5691,888H			95990-25B00	1									
990601 - 010521	DG	LHD;5691,5692,888H			95990-25C10	1									
990601 - 010521	DS	LHD;5691,5692,888H			95990-25C10	1									

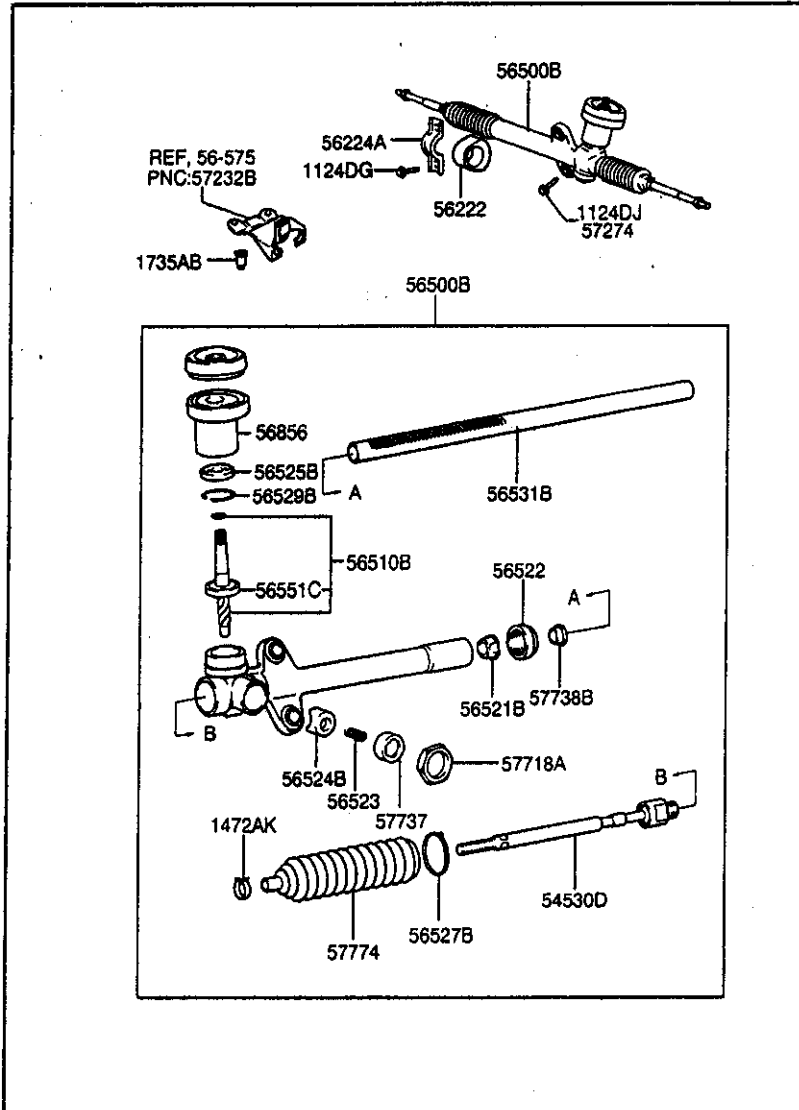
AD:DR.GL AG:DR.GLS DG:DR.GLS DS:DR.GL FD:DR.GL FG:DR.GLS

5611:STRG WHL-2 SPOKE(PVC) 561A:STRG WHL-2 SPOKE(PU) 561E:STRG WHL-2 SPOKE(LEATHER) 5691:AIR BAG(DRIVER SIDE) 5692:AIR BAG(PASSENGER SIDE) 888H:SEAT BELT-FR DR'S W/ ELECT TY

56-563 STEERING COLUMN & SHAFT



P N C	MODEL APPLICABLE		R E P	PART NO. (REPL P/N)	Q T Y	REMARKS
	FROM-UP-TO	TYPE				
1125KG						
990601 -				11254-08351 (11254-08451)	2	
1234JA						
990601 -				12342-05081	3	
1327AC						
990601 -				13270-08001 (13270-08003)	2	
1360GG						
990601 -				13602-08001 (13602-08003)	1	
53010						
990601 -				56200-25500	1	
56300						
990601 -				56310-25000	1	
990601 -				56310-25100	1	
990601 -				56310-25501	1	
56410						
990601 -				56370-25000	1	
990601 -				56370-25500	1	
990601 -				56370-25900	1	
990601 -				56370-25600	1	
56415						
990601 -				56415-21000 (56415-29000)	1	



P N C	MODEL APPLICABLE		R E P	PART NO. (REPL P/NO)	Q T Y	REMARKS
	FROM-UP-TO	TYPE				
1124DG						
990601 -						
990601 -						
990601 -						
990601 -						
990601 -						
990601 -						
990601 -						
990601 -						
990601 -						
990601 -						
1124DJ						
990601 - 000301						
1472AK						
990601 -						
1735AB						
990601 -						
54530D						
990601 -						
990601 -						
990601 -						
990601 -						
990601 -						
990601 -						
990601 -						
990601 -						
990601 -						
990601 -						
990601 -						
56222						
990601 -						
990601 -						
990601 -						
990601 -						
990601 -						
990601 -						
990601 -						
990601 -						

2-A10

56-565 MANUAL STEERING GEAR BOX

BA,00113-298

P N C	MODEL APPLICABLE		R E P	PART NO. (REPL P/NO)	Q T Y	REMARKS
	FROM-UP-TO	DESCRIPTION				
56224A	CLAMP-STEERING GEAR BOX MTG(B)					
	(S)ABRAZADERA					
990601 -	ALL	P3B,P35;5618		56224-25000	1	
990601 -	AD	L35,L45;5618		56224-25000	1	
990601 -	AG	P65;5618		56224-25000	1	
990601 -	DG	P65;5618		56224-25000	1	
990601 -	DS	L35,L45;5618		56224-25000	1	
990601 -	FD	L35,L45;5618		56224-25000	1	
990601 -	FG	P65;5618		56224-25000	1	
56500B	GEAR ASSY-STEERING					
	(S)CONJ. ENGRANAJE					
990601 - 000704	ALL	LHD;5618	A	56510-25000 (56510-25001)	1	
990601 - 000704	ALL	RHD;5618	A	56510-25900 (56510-25901)	1	
000705 -	ALL	LHD>P3B,P35;5618		56510-25011	1	
000704 - 000705	AD	LHD>L35,L45,P3B,P35 5618	A	56510-25001 (56510-25011)	1	
000704 - 000705	AD	RHD>L35,L45,P3B,P35 5618		56510-25901	1	
000705 -	AD	LHD>L35,L45;5618		56510-25011	1	
000705 -	AD	RHD>L35,L45,P3B,P35 5618		56510-25911	1	
000704 - 000705	AG	LHD>M-S;5618	A	56510-25001 (56510-25011)	1	
000704 - 000705	AG	RHD>M-S;5618		56510-25901	1	
000705 -	AG	LHD>P65;5618		56510-25011	1	
000705 -	AG	RHD>M-S;5618		56510-25911	1	
000704 - 000705	DG	LHD>M-S;5618	A	56510-25001 (56510-25011)	1	
000704 - 000705	DG	RHD>M-S;5618		56510-25901	1	
000705 -	DG	LHD>P65;5618		56510-25011	1	
000705 -	DG	RHD>M-S;5618		56510-25911	1	
000704 - 000705	DS	LHD>L35,L45,P3B,P35 5618	A	56510-25001 (56510-25011)	1	
000704 - 000705	DS	RHD>L35,L45,P3B,P35 5618		56510-25901	1	
000705 -	DS	LHD>L35,L45;5618		56510-25011	1	
000705 -	DS	RHD>L35,L45,P3B,P35 5618		56510-25911	1	

P N C	MODEL APPLICABLE		R E P	PART NO. (REPL P/NO)	Q T Y	REMARKS
	FROM-UP-TO	DESCRIPTION				
CONTINUED						
56500B	GEAR ASSY-STEERING					
	(S)CONJ. ENGRANAJE					
000704 - 000705	FD	LHD>L35,L45,P3B,P35 5618	A	56510-25001 (56510-25011)	1	
000704 - 000705	FD	RHD>L35,L45,P3B,P35 5618		56510-25901	1	
000705 -	FD	LHD>L35,L45;5618		56510-25011	1	
000705 -	FD	RHD>L35,L45,P3B,P35 5618		56510-25911	1	
000704 - 000705	FG	LHD>M-S;5618	A	56510-25001 (56510-25011)	1	
000704 - 000705	FG	RHD>M-S;5618		56510-25901	1	
000705 -	FG	LHD>P65;5618		56510-25011	1	
000705 -	FG	RHD>M-S;5618		56510-25911	1	
56510B	PINION ASSY-STEERING GEAR BOX					
	(S)CONJ. PINON					
990601 -	ALL	LHD>P3B,P35;5618		56511-25000	1	
990601 -	AD	LHD>L35,L45;5618		56511-25000	1	
990601 -	AD	RHD>L35,L45,P3B,P35 5618		56511-25900	1	
990601 -	AG	LHD>P65;5618		56511-25000	1	
990601 -	AG	RHD>M-S;5618		56511-25900	1	
990601 -	DG	LHD>P65;5618		56511-25000	1	
990601 -	DG	RHD>M-S;5618		56511-25900	1	
990601 -	DS	LHD>L35,L45;5618		56511-25000	1	
990601 -	DS	RHD>L35,L45,P3B,P35 5618		56511-25900	1	
990601 -	FD	LHD>L35,L45;5618		56511-25000	1	
990601 -	FD	RHD>L35,L45,P3B,P35 5618		56511-25900	1	
990601 -	FG	LHD>P65;5618		56511-25000	1	
990601 -	FG	RHD>M-S;5618		56511-25900	1	
56521B	BUSH-RACK					
	(S)CASQUILLO					
990601 - 000704	ALL	5618	A	56555-22000 (56555-25000)	1	
000704 -	ALL	P3B,P35;5618		56555-25000	1	
000704 -	AD	L35,L45;5618		56555-25000	1	

CONTINUED

2-B10

56-565 MANUAL STEERING GEAR BOX

BA,00112-299

P N C		MODEL APPLICABLE		R E P	PART NO. (REPL PNO)	Q T Y	REMARKS	P N C		MODEL APPLICABLE		R E P	PART NO. (REPL PNO)	Q T Y	REMARKS
FROM-UP-TO	TYPE	DESCRIPTION						FROM-UP-TO	TYPE	DESCRIPTION					
CONTINUED								CONTINUED							
		56521B	BUSH-RACK					56525B	RING-SNAP						
			(S)CASQUILLO						(S)ANILLO						
		000704 -	AG P65;5618		56555-25000	1		990601 -	AG P65;5618				56525-21010	1	
		000704 -	DG P65;5618		56555-25000	1		990601 -	DG P65;5618				56525-21010	1	
		000704 -	DS L35,L45;5618		56555-25000	1		990601 -	DS L35,L45;5618				56525-21010	1	
		000704 -	FD L35,L45;5618		56555-25000	1		990601 -	FD L35,L45;5618				56525-21010	1	
		000704 -	FG P65;5618		56555-25000	1		990601 -	FG P65;5618				56525-21010	1	
		56522	RUBBER-CUSHION					56527B	BAND						
			(S)GOMA						(S)BANDA						
		990601 -	ALL P3B,P35;5618		56522-25000	1		990601 -	ALL P3B,P35;5618				56527-21000	2	
		990601 -	AD L35,L45;5618		56522-25000	1		990601 -	AD L35,L45;5618				56527-21000	2	
		990601 -	AG P65;5618		56522-25000	1		990601 -	AG P65;5618				56527-21000	2	
		990601 -	DG P65;5618		56522-25000	1		990601 -	DG P65;5618				56527-21000	2	
		990601 -	DS L35,L45;5618		56522-25000	1		990601 -	DS L35,L45;5618				56527-21000	2	
		990601 -	FD L35,L45;5618		56522-25000	1		990601 -	FD L35,L45;5618				56527-21000	2	
		990601 -	FG P65;5618		56522-25000	1		990601 -	FG P65;5618				56527-21000	2	
		56523	SPRING-STEERING GEAR BOX					56529B	SEAL-OIL						
			(S)MUELLE						(S)RETEN						
		990601 -	ALL P3B,P35;5618		56523-02000	1		990601 -	ALL P3B,P35;5618				56529-21010	1	
		990601 -	AD L35,L45;5618		56523-02000	1		990601 -	AD L35,L45;5618				56529-21010	1	
		990601 -	AG P65;5618		56523-02000	1		990601 -	AG P65;5618				56529-21010	1	
		990601 -	DG P65;5618		56523-02000	1		990601 -	DG P65;5618				56529-21010	1	
		990601 -	DS L35,L45;5618		56523-02000	1		990601 -	DS L35,L45;5618				56529-21010	1	
		990601 -	FD L35,L45;5618		56523-02000	1		990601 -	FD L35,L45;5618				56529-21010	1	
		990601 -	FG P65;5618		56523-02000	1		990601 -	FG P65;5618				56529-21010	1	
		56524B	YOKE ASSY-RACK SUPPORT					56531B	RACK-STEERING GEAR BOX						
			(S)CONJ. HORQUILLA						(S)CREMALLERA						
		990601 -	ALL P3B,P35;5618		56534-24000	1		990601 - 000704	ALL LHD;5618	Y			56531-25000	1	
		990601 -	AD L35,L45;5618		56534-24000	1			(56531-25010)						
		990601 -	AG P65;5618		56534-24000	1		990601 - 000704	ALL RHD;5618	Y			56531-25900	1	
		990601 -	DG P65;5618		56534-24000	1			(56531-25910)						
		990601 -	DS L35,L45;5618		56534-24000	1		000704 -	ALL LHD>P3B,P35;5618				56531-25010	1	
		990601 -	FD L35,L45;5618		56534-24000	1		000704 -	AD LHD>L35,L45;5618				56531-25010	1	
		990601 -	FG P65;5618		56534-24000	1		000704 -	AD RHD>L35,L45,P3B,P35				56531-25910	1	
		56525B	RING-SNAP						5618						
			(S)ANILLO					000704 -	AG LHD>P65;5618				56531-25010	1	
		990601 -	ALL P3B,P35;5618		56525-21010	1		000704 -	AG RHD>M-S;5618				56531-25910	1	
		990601 -	AD L35,L45;5618		56525-21010	1		000704 -	DG LHD>P65;5618				56531-25010	1	
CONTINUED								CONTINUED							

2-C10

56-565 MANUAL STEERING GEAR BOX

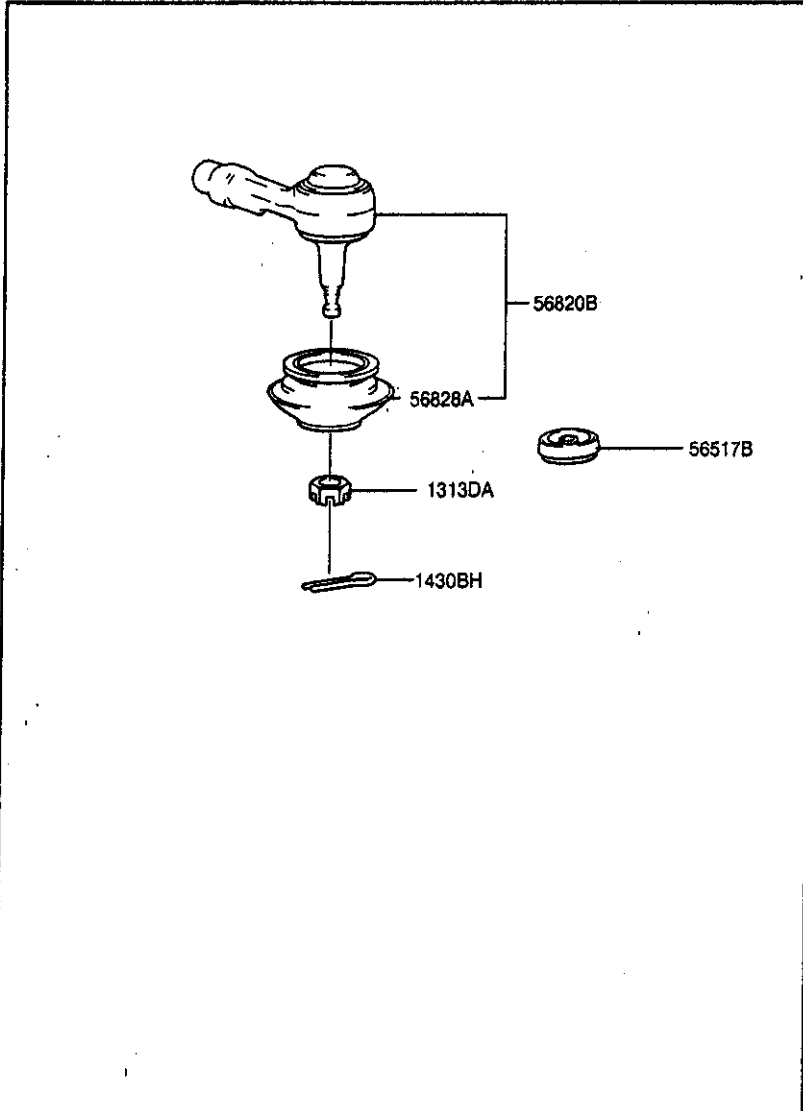
BA.G0112-300

P N C		MODEL APPLICABLE		R E P	PART NO. (REPL PWO)	Q T Y	REMARKS	P N C		MODEL APPLICABLE		R E P	PART NO. (REPL PWO)	Q T Y	REMARKS
FROM-UP-TO	TYPE	DESCRIPTION						FROM-UP-TO	TYPE	DESCRIPTION					
CONTINUED								CONTINUED							
56531B		RACK-STEERING GEAR BOX (S)CREMALLERA						57274		BOLT-GEAR BOX MTG (S)PERNO					
000704 -	DG	RHD>M-S;5618		56531-25910	1			990601 -	FD	L35,L45;5618		57274-25000	2		
000704 -	DS	LHD>L35,L45;5618		56531-25010	1			990601 -	FG	P65;5618		57274-25000	2		
000704 -	DS	RHD>L35,L45,P3B,P35 5618		56531-25910	1			57718A		NUT-LOCK (S)TUERCA					
000704 -	FD	LHD>L35,L45;5618		56531-25010	1			990601 -	ALL			57718-24000	1		
000704 -	FD	RHD>L35,L45,P3B,P35 5618		56531-25910	1			57737		PLUG-YOKE (S)TAPON					
000704 -	FG	LHD>P65;5618		56531-25010	1			990601 -	ALL			57737-24000	1		
000704 -	FG	RHD>M-S;5618		56531-25910	1			57738B		STOPPER-RACK (S)OBTURADOR					
56551C		BEARING (S)COJINETE (BOLA)						990601 -	ALL	P3B,P35;5618		56553-25000	1		
990601 -	ALL	P3B,P35;5618		56552-22000	1			990601 -	AD	L35,L45;5618		56553-25000	1		
990601 -	AD	L35,L45;5618		56552-22000	1			990601 -	AG	P65;5618		56553-25000	1		
990601 -	AG	P65;5618		56552-22000	1			990601 -	DG	P65;5618		56553-25000	1		
990601 -	DG	P65;5618		56552-22000	1			990601 -	DS	L35,L45;5618		56553-25000	1		
990601 -	DS	L35,L45;5618		56552-22000	1			990601 -	FD	L35,L45;5618		56553-25000	1		
990601 -	FD	L35,L45;5618		56552-22000	1			990601 -	FG	P65;5618		56553-25000	1		
990601 -	FG	P65;5618		56552-22000	1			57774		BELLOWE-STEERING GEAR BOX (S)FUELLE					
56856		CAP-DUST (S)TAPA						990601 -	ALL			56528-24000	2		
990601 -	ALL	5613		57734-25000	1										
010402 -	ALL	P3B,P35;5618		56516-25000	1										
010402 -	AD	L35,L45;5618		56516-25000	1										
010402 -	AG	P65;5618		56516-25000	1										
010402 -	DG	P65;5618		56516-25000	1										
010402 -	DS	L35,L45;5618		56516-25000	1										
010402 -	FD	L35,L45;5618		56516-25000	1										
010402 -	FG	P65;5618		56516-25000	1										
57274		BOLT-GEAR BOX MTG (S)PERNO													
990601 -	ALL	5613		57274-25000	2										
990601 -	ALL	P3B,P35;5618		57274-25000	2										
990601 -	AD	L35,L45;5618		57274-25000	2										
990601 -	AG	P65;5618		57274-25000	2										
990601 -	DG	P65;5618		57274-25000	2										
990601 -	DS	L35,L45;5618		57274-25000	2										
CONTINUED															

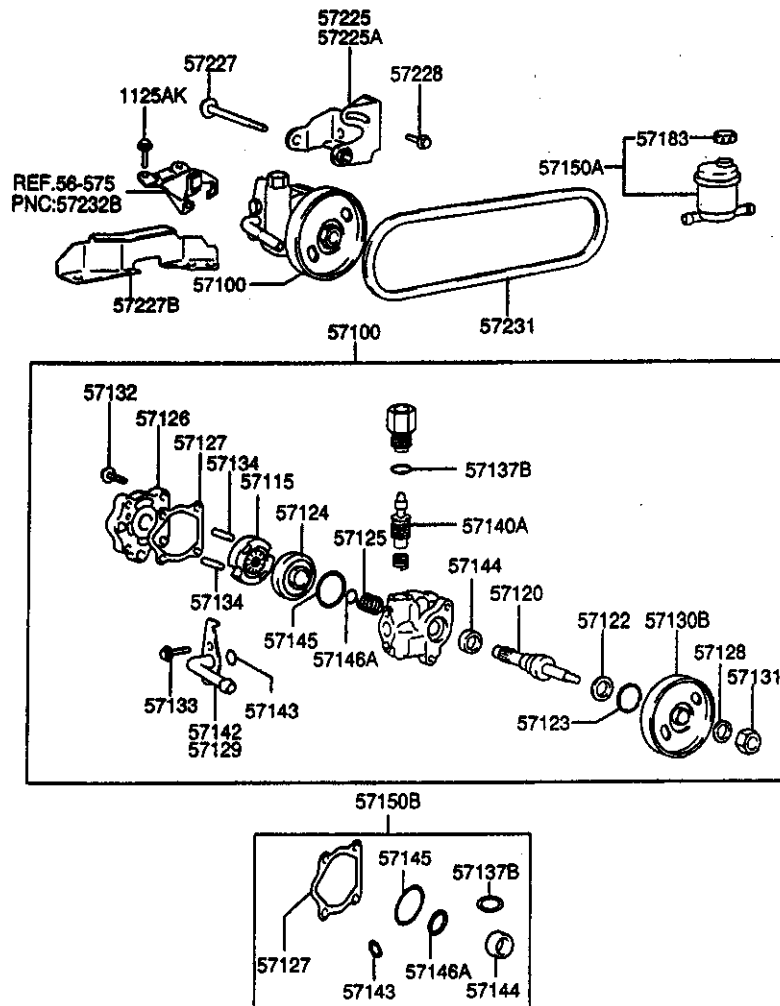
2-D10

56-568 STEERING LINKAGE

8A,G0112- 301



P N C	MODEL APPLICABLE		R E P	PART NO. (REPL P/NO)	Q T Y	REMARKS
	FROM-UP-TO	TYPE				
1313DA						
990601 -				13134-10001	2	
990601 -				13134-10001	2	
1430BH						
990601 -				14300-85251	2	
990601 -				14300-85251	2	
56517B						
990601 -				56517-25000	1	
56820B						
990601 -				56820-25000	2	
56820A						
991018 -				56828-22000	2	



P N C	MODEL APPLICABLE		P R E P	PART NO. (REPL P/NO)	Q T Y	REMARKS
	FROM-UP-TO	TYPE				
1125AK						
990601 -				11250-08203	2	
57100						
020101 -				57110-25300	1	
990601 -				57110-22502	1	
990601 -				57110-25000	1	
990601 -				57110-22502	1	
990601 -				57110-25000	1	
990601 -				57110-22502	1	
990601 -				57110-25000	1	
990601 -				57110-25000	1	
990601 -				57110-22502	1	
990601 -				57110-25000	1	
57115						
990601 -				57115-33500	1	
990601 -				57115-33500	1	
990601 -				57115-33500	1	
990601 -				57115-33500	1	
990601 -				57115-33500	1	
990601 -				57115-33500	1	
990601 -				57115-33500	1	
57120						
990601 -				57120-22001	1	
990601 -				57120-22001	1	
990601 -				57120-22001	1	
990601 -				57120-22001	1	
990601 -				57120-22001	1	
990601 -				57120-22001	1	
990601 -				57120-22001	1	
57122						
990601 -				57122-23500	1	
990601 -				57122-33800	1	
990601 -				57122-23500	1	

CONTINUED

2-F10

56-571 POWER STEERING OIL PUMP

BA,G0112-303

P N C		MODEL APPLICABLE		R E P	PART NO. (REPL. P.N.O.)	Q T Y	REMARKS	P N C		MODEL APPLICABLE		R E P	PART NO. (REPL. P.N.O.)	Q T Y	REMARKS
FROM-UP-TO	TYPE	DESCRIPTION						FROM-UP-TO	TYPE	DESCRIPTION					
CONTINUED								57126 COVER ASSY-POWER STRG OIL PUMP							
57122 SPACER-DUST								(S)CONJUNTO CUBIERTA							
990601 - AG M-D;5613 57122-33600 1								020101 - ALL TCI;5613 57126-25300 1							
990601 - DG M-S;5613 57122-23500 1								990601 - AD L35,L45,P3B,P35;5613 57126-22000 1							
990601 - DG M-D;5613 57122-33600 1								990601 - AD M-D;5613 57126-29000 1							
990601 - DS L35,L45,P3B,P35;5613 57122-23500 1								990601 - AG M-S;5613 57126-22000 1							
990601 - FD L35,L45,P3B,P35;5613 57122-23500 1								990601 - AG M-D;5613 57126-29000 1							
990601 - FG M-S;5613 57122-23500 1								990601 - DG M-S;5613 57126-22000 1							
990601 - FG M-D;5613 57122-33600 1								990601 - DG M-D;5613 57126-29000 1							
57123 RING-SNAP								990601 - DS L35,L45,P3B,P35;5613 57126-22000 1							
(S)ANILLO								990601 - FD L35,L45,P3B,P35;5613 57126-22000 1							
990601 - ALL P3B,P35;5613 57123-33600 1								990601 - FG M-S;5613 57126-22000 1							
990601 - AD L35,L45,P6B;5613 57123-33600 1								990601 - FG M-D;5613 57126-29000 1							
990601 - AG P6B,P65;5613 57123-33600 1								57127 WASHER-SEAL							
990601 - DG P65;5613 57123-33600 1								(S)ARANDELA							
990601 - DS L35,L45;5613 57123-33600 1								990601 - ALL P3B,P35;5613 57127-33500 1							
990601 - FD L35,L45;5613 57123-33600 1								020101 - ALL TCI;5613 57127-25300 1							
990601 - FG P6B,P65;5613 57123-33600 1								990601 - AD L35,L45,P6B;5613 57127-33500 1							
57124 PLATE-P/S OIL PUMP SIDE								990601 - AG P6B,P65;5613 57127-33500 1							
(S)PLACA								990601 - DG P65;5613 57127-33500 1							
990601 - ALL P3B,P35;5613 57124-33500 1								990601 - DS L35,L45;5613 57127-33500 1							
020101 - ALL TCI;5613 57124-33200 1								990601 - FD L35,L45;5613 57127-33500 1							
990601 - AD L35,L45,P6B;5613 57124-33500 1								990601 - FG P6B,P65;5613 57127-33500 1							
990601 - AG P6B,P65;5613 57124-33500 1								57128 WASHER-SPRING							
990601 - DG P65;5613 57124-33500 1								(S)ARANDELA							
990601 - DS L35,L45;5613 57124-33500 1								990601 - ALL 5613 57128-33500 1							
990601 - FD L35,L45;5613 57124-33500 1								57129 PIPE-SUCTION							
990601 - FG P6B,P65;5613 57124-33500 1								(S)TUBO							
57125 SPRING-SIDE PLATE								990601 - AD M-D;5613 57129-29000 1							
(S)MUELLE								990601 - AG M-D;5613 57129-29000 1							
990601 - ALL P3B,P35;5613 57125-33500 1								990601 - DG M-D;5613 57129-29000 1							
990601 - AD L35,L45,P6B;5613 57125-33500 1								990601 - FG M-D;5613 57129-29000 1							
990601 - AG P6B,P65;5613 57125-33500 1								57130B PULLEY-POWER STEERING PUMP							
990601 - DG P65;5613 57125-33500 1								(S)POLEA							
990601 - DS L35,L45;5613 57125-33500 1								020101 - ALL TCI;5613 57130-17500 1							
990601 - FD L35,L45;5613 57125-33500 1								990601 - AD M-D;5613 57130-02000 1							
990601 - FG P6B,P65;5613 57125-33500 1								990601 - AD L35,L45,P3B,P35;5613 57130-22000 1							
								990601 - AG M-D;5613 57130-02000 1							
								990601 - AG M-S;5613 57130-22000 1							
								CONTINUED							

AD:3DR,GL AG:5DR,GLS DG:3DR,GLS DS:3DR,L FD:4DR,GL FG:4DR,GLS

5613-STRG-POWER(N.P.8)

2-G10

56-571 POWER STEERING OIL PUMP

BA,00112-304

P N C	MODEL APPLICABLE		PART NO. (REPL P/N)	Q T Y	REMARKS
	FROM-UP-TO	TYPE DESCRIPTION			
CONTINUED					
57130B		PULLEY-POWER STEERING PUMP (S)POLEA			
990601 -	DG	M-D;5613	57130-02000	1	
990601 -	DG	M-S;5613	57130-22000	1	
990601 -	DS	L35,L45,P3B,P35;5613	57130-22000	1	
990601 -	FD	L35,L45,P3B,P35;5613	57130-22000	1	
990601 -	FG	M-D;5613	57130-02000	1	
990601 -	FG	M-S;5613	57130-22000	1	
57131		NUT-PULLEY (S)TUERCA			
990601 -	ALL	5613	57131-29100	1	
57132		BOLT (S)TORNILCO			
990601 -	ALL	P3B,P35;5613	57132-33500	4	
990601 -	AD	L35,L45,P6B;5613	57132-33500	4	
990601 -	AG	P6B,P65;5613	57132-33500	4	
990601 -	DG	P65;5613	57132-33500	4	
990601 -	DS	L35,L45;5613	57132-33500	4	
990601 -	FD	L35,L45;5613	57132-33500	4	
990601 -	FG	P6B,P65;5613	57132-33500	4	
57133		BOLT (S)PERNO			
990601 -	AD	M-D;5613	57133-29000	2	
990601 -	AD	L35,L45,P3B,P35;5613	57133-33500	2	
990601 -	AG	M-D;5613	57133-29000	2	
990601 -	AG	M-S;5613	57133-33500	2	
990601 -	DG	M-D;5613	57133-29000	2	
990601 -	DG	M-S;5613	57133-33500	2	
990601 -	DS	L35,L45,P3B,P35;5613	57133-33500	2	
990601 -	FD	L35,L45,P3B,P35;5613	57133-33500	2	
990601 -	FG	M-D;5613	57133-29000	2	
990601 -	FG	M-S;5613	57133-33500	2	
57134		PIN-LOCK (S)PASADOR			
990601 -	ALL	5613	57134-33500	2	
57137B		O-RING (S)JUNTAS TORICAS			
990601 -	ALL	P3B,P35;5613		1	SIK

P N C	MODEL APPLICABLE		PART NO. (REPL P/N)	Q T Y	REMARKS
	FROM-UP-TO	TYPE DESCRIPTION			
CONTINUED					
57137B		O-RING (S)JUNTAS TORICAS			
990601 -	AD	L35,L45,P6B;5613	*	1	SIK
990601 -	AG	P6B,P65;5613	*	1	SIK
990601 -	DG	P65;5613	*	1	SIK
990601 -	DS	L35,L45;5613	*	1	SIK
990601 -	FD	L35,L45;5613	*	1	SIK
990601 -	FG	P6B,P65;5613	*	1	SIK
57140A		VALVE ASSY-RELIEF (S)CONJUNTO VALVULA			
990601 -	ALL	P3B,P35;5613	57140-22000	1	
990601 -	AD	L35,L45,P6B;5613	57140-22000	1	
990601 -	AG	P6B,P65;5613	57140-22000	1	
990601 -	DG	P65;5613	57140-22000	1	
990601 -	DS	L35,L45;5613	57140-22000	1	
990601 -	FD	L35,L45;5613	57140-22000	1	
990601 -	FG	P6B,P65;5613	57140-22000	1	
57142		PIPE-SUCTION (S)TUBO			
990601 -	AD	L35,L45,P3B,P35;5613	57142-25000	1	
990601 -	AG	M-S;5613	57142-25000	1	
990601 -	DG	M-S;5613	57142-25000	1	
990601 -	DS	L35,L45,P3B,P35;5613	57142-25000	1	
990601 -	FD	L35,L45,P3B,P35;5613	57142-25000	1	
990601 -	FG	M-S;5613	57142-25000	1	
57143		RING "O" (S)ANILLO "O"			
990601 -	ALL	P3B,P35;5613	*	1	SIK
990601 -	AD	L35,L45,P6B;5613	*	1	SIK
990601 -	AG	P6B,P65;5613	*	1	SIK
990601 -	DG	P65;5613	*	1	SIK
990601 -	DS	L35,L45;5613	*	1	SIK
990601 -	FD	L35,L45;5613	*	1	SIK
990601 -	FG	P6B,P65;5613	*	1	SIK
57144		OIL SEAL (S)RETEN			
990601 -	ALL	P3B,P35;5613	*	1	SIK
990601 -	AD	L35,L45,P6B;5613	*	1	SIK

2-H10

56-571 POWER STEERING OIL PUMP

BA,G0112- 305

P N C		MODEL APPLICABLE		R E P	PART NO. (REPL P/NO)	Q T Y	REMARKS	P N C		MODEL APPLICABLE		R E P	PART NO. (REPL P/NO)	Q T Y	REMARKS	
FROM-UP-TO	TYPE	DESCRIPTION						FROM-UP-TO	TYPE	DESCRIPTION						
CONTINUED																
57144								57150B								
		OIL SEAL						SEAL KIT-P/S OIL PUMP								
		(S)RETEN						(S)JUEGO RETEN								
990601 -		AG	P6B,P65;5613	*		1	SIK	990601 -	AD	L35,L45,P3B,P35;5613		57150-25A00	1			
990601 -		DG	P65;5613	*		1	SIK	990601 -	AD	M-D;5613		57150-34A00	1			
990601 -		DS	L35,L45;5613	*		1	SIK	990601 -	AG	M-S;5613		57150-25A00	1			
990601 -		FD	L35,L45;5613	*		1	SIK	990601 -	AG	M-D;5613		57150-34A00	1			
990601 -		FG	P6B,P65;5613	*		1	SIK	990601 -	DG	M-S;5613		57150-25A00	1			
		57145						990601 -	DG	M-D;5613		57150-34A00	1			
		RING "O"						990601 -	DS	L35,L45,P3B,P35;5613		57150-25A00	1			
		(S)JUEGO ANILLO						990601 -	FD	L35,L45,P3B,P35;5613		57150-25A00	1			
990601 -		AD	L35,L45,P3B,P35;5613	*		1	SIK	990601 -	FG	M-S;5613		57150-25A00	1			
990601 -		AG	M-S;5613	*		1	SIK	990601 -	FG	M-D;5613		57150-34A00	1			
990601 -		DG	M-S;5613	*		1	SIK	57183								
990601 -		DS	L35,L45,P3B,P35;5613	*		1	SIK	CAP ASSY-RESERVOIR								
990601 -		FD	L35,L45,P3B,P35;5613	*		1	SIK	(S)CONJUNTO TAPA								
990601 -		FG	M-S;5613	*		1	SIK	990601 -	ALL	5613	Y	57153-34003	1			
		57146A						(57153-38010)								
		RING "O"						57225								
		(S)JUEGO ANILLO						BRACKET-P/S OIL PUMP MTG								
990601 -		AD	L35,L45,P3B,P35;5613	*		1	SIK	(S)SOPORTE								
990601 -		AG	M-S;5613	*		1	SIK	990601 -	AD	M-D;5613		57225-22500	1			
990601 -		DG	M-S;5613	*		1	SIK	990601 -	AG	M-D;5613		57225-22500	1			
990601 -		DS	L35,L45,P3B,P35;5613	*		1	SIK	990601 -	DG	M-D;5613		57225-22500	1			
990601 -		FD	L35,L45,P3B,P35;5613	*		1	SIK	990601 -	FG	M-D;5613		57225-22500	1			
990601 -		FG	M-S;5613	*		1	SIK	57225A								
		57150A						BRACKET-P/S OIL PUMP MTG (A)								
		RESERVOIR ASSY-POWER STEERING						(S)SOPORTE								
		(S)CONJ. RESERVA ACEITE						990601 -	AD	L35,L45,P3B,P35;5613		57225-22060	1			
990601 -		AD	L35,L45,P3B,P35;5613	*	57150-25000	1		990601 -	AG	M-S;5613		57225-22060	1			
990601 -		AD	P6B,P85;5613	*	57150-25500	1		990601 -	DG	M-S;5613		57225-22060	1			
990601 -		AG	M-S;5613	*	57150-25000	1		990601 -	DS	L35,L45,P3B,P35;5613		57225-22060	1			
990601 -		AG	P6B,P65,P85;5613	*	57150-25500	1		990601 -	FD	L35,L45,P3B,P35;5613		57225-22060	1			
990601 -		DG	M-S;5613	*	57150-25000	1		990601 -	FG	M-S;5613		57225-22060	1			
990601 -		DG	P65,P85;5613	*	57150-25500	1		57227								
990601 -		DS	L35,L45,P3B,P35;5613	*	57150-25000	1		BOLT-PUMP MTG								
020101 -		DS	TCI;5613	*	57150-25500	1		(S)PERNO								
990601 -		FD	L35,L45,P3B,P35;5613	*	57150-25000	1		990601 -	AD	L35,L45,P3B,P35;5613		57227-23500	1			
020101 -		FD	TCI;5613	*	57150-25500	1		990601 -	AD	M-D;5613		57227-24100	1			
990601 -		FG	M-S;5613	*	57150-25000	1		990601 -	AG	M-S;5613		57227-23500	1			
990601 -		FG	P6B,P65,P85;5613	*	57150-25500	1		990601 -	AG	M-D;5613		57227-24100	1			
										990601 -	DG	M-S;5613		57227-23500	1	
										990601 -	DG	M-D;5613		57227-24100	1	
										990601 -	DS	L35,L45,P3B,P35;5613		57227-23500	1	
								CONTINUED								

2-110

56-571 POWER STEERING OIL PUMP

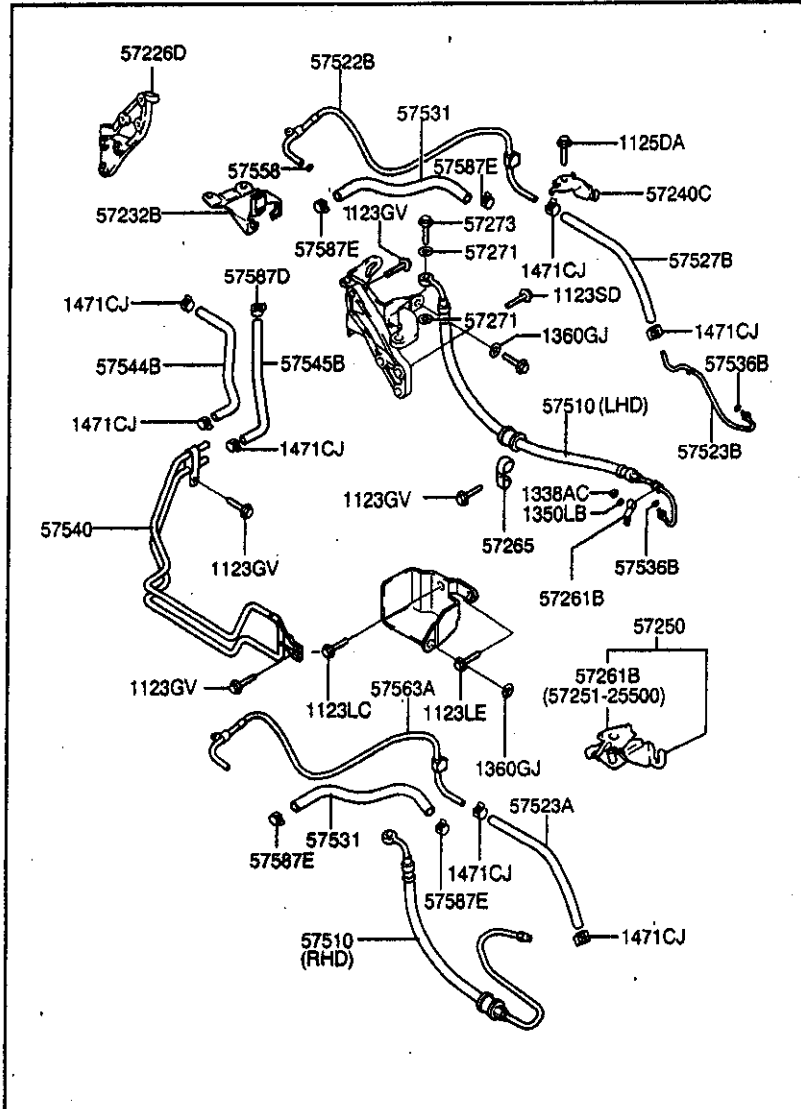
BA,00112- 306

P N C		MODEL APPLICABLE		R E P	PART NO. (REPL. P/NO)	Q T Y	REMARKS	P N C		MODEL APPLICABLE		R E P	PART NO. (REPL. P/NO)	Q T Y	REMARKS
FROM-UP-TO	TYPE	DESCRIPTION	FROM-UP-TO					TYPE	DESCRIPTION						
CONTINUED															
57227															
BOLT-PUMP MTG															
(S)PERNO															
990601 -	FD	L35,L45,P3B,P35;5613	57227-23500	1											
990601 -	FG	M-S;5613	57227-23500	1											
990601 -	FG	M-D;5613	57227-24100	1											
57227B															
STAY-PUMP SUPPORT BRKT															
(S)CIMENTO															
990601 -	AD	L35,L45,P3B,P35;5613	57227-25000	1											
990601 -	AG	M-S;5613	57227-25000	1											
990601 -	DG	M-S;5613	57227-25000	1											
990601 -	DS	L35,L45,P3B,P35;5613	57227-25000	1											
990601 -	FD	L35,L45,P3B,P35;5613	57227-25000	1											
990601 -	FG	M-S;5613	57227-25000	1											
57228															
BOLT-PUMP ADJUSTING															
(S)PERNO															
990601 -	ALL	P3B,P35;5613	57228-22000	1											
990601 -	AD	L35,L45,P6B;5613	57228-22000	1											
990601 -	AG	P6B,P65;5613	57228-22000	1											
990601 -	DG	P65;5613	57228-22000	1											
990601 -	DS	L35,L45;5613	57228-22000	1											
990601 -	FD	L35,L45;5613	57228-22000	1											
990601 -	FG	P6B,P65;5613	57228-22000	1											
57231															
BELT"V"-POWER STEERING PUMP															
(S)CORREA TRAPEZOIDAL															
990601 -	AD	L35,L45,P3B,P35;5613	57231-22000	1											
990601 -	AD	M-D;5613	57231-29100	1											
990601 -	AG	M-S;5613	57231-22000	1											
990601 -	AG	M-D;5613	57231-29100	1											
990601 -	DG	M-S;5613	57231-22000	1											
990601 -	DG	M-D;5613	57231-29100	1											
990601 -	DS	L35,L45,P3B,P35;5613	57231-22000	1											
990601 -	FD	L35,L45,P3B,P35;5613	57231-22000	1											
990601 -	FG	M-S;5613	57231-22000	1											
990601 -	FG	M-D;5613	57231-29100	1											

2-110

56-575 POWER STEERING HOSE & BRACKET

8A.G0112- 307



P N C	MODEL APPLICABLE		R P	PART NO. (REPL PNO)	Q T Y	REMARKS
	FROM-UP-TO	TYPE				
1123GV						
				BOLT		
				(S)PERNO (CON ARANDELA)		
990601 -				AD L35,L45,P3B,P35;5613	11233-08203	4
990601 -				AG M-S;5613	11233-08203	4
990601 -				DG M-S;5613	11233-08203	4
990601 -				DS L35,L45,P3B,P35;5613	11233-08203	4
990601 -				FD L35,L45,P3B,P35;5613	11233-08203	4
990601 -				FG M-S;5613	11233-08203	4
1123LC						
				BOLT		
				(S)PERNO (CON ARANDELA)		
990601 -				AD M-D;5613	11234-10203	3
990601 -				AD L35,L45,P3B,P35;5613	11234-10203	1
990601 -				AG M-D;5613	11234-10203	3
990601 -				AG M-S;5613	11234-10203	1
990601 -				DG M-D;5613	11234-10203	3
990601 -				DG M-S;5613	11234-10203	1
990601 -				DS L35,L45,P3B,P35;5613	11234-10203	1
990601 -				FD L35,L45,P3B,P35;5613	11234-10203	1
990601 -				FG M-D;5613	11234-10203	3
990601 -				FG M-S;5613	11234-10203	1
1123LE						
				BOLT-WASHER ASSY		
				(S)PERNO (CON ARANDELA)		
990601 -				AD M-D;5613	11234-10253	1
990601 -				AG M-D;5613	11234-10253	1
990601 -				DG M-D;5613	11234-10253	1
990601 -				FG M-D;5613	11234-10253	1
1123SD						
				BOLT		
				(S)PERNO (CON ARANDELA)		
990601 -				AD L35,L45,P3B,P35;5613	11236-10283	3
990601 -				AG M-S;5613	11236-10283	3
990601 -				DG M-S;5613	11236-10283	3
990601 -				DS L35,L45,P3B,P35;5613	11236-10283	3
990601 -				FD L35,L45,P3B,P35;5613	11236-10283	3
990601 -				FG M-S;5613	11236-10283	3
1125DA						
				BOLT		
				(S)PERNO (CON ARANDELA)		
990601 -				ALL P3B,P35;5613	Y 11251-06163 (11251-06166B)	3

CONTINUED

2-K10

56-575 POWER STEERING HOSE & BRACKET

BA,00112-308

P N C	MODEL APPLICABLE		P A R T N O. (REPL PNO)	Q T Y	REMARKS
	FROM-UP-TO	TYPE DESCRIPTION			
CONTINUED					
1125DA		BOLT (S)PERNO (CON ARANDELA)			
020101 -		ALL TCI;5613	Y 11251-06163 (11251-06166B)	4	
990601 -	AD	L35,L45,P6B;5613	Y 11251-06163 (11251-06166B)	3	
990601 -	AG	P6B,P65;5613	Y 11251-06163 (11251-06166B)	3	
990601 -	DG	P65;5613	Y 11251-06163 (11251-06166B)	3	
990601 -	DS	L35,L45;5613	Y 11251-06163 (11251-06166B)	3	
990601 -	FD	L35,L45;5613	Y 11251-06163 (11251-06166B)	3	
990601 -	FG	P6B,P65;5613	Y 11251-06163 (11251-06166B)	3	
1338AC		NUT-FLANGE (S)TUERCA TAPA			
990601 -	AD	P6B,P65;5613	13385-06003	1	
990601 -	AG	P6B,P65,P65;5613	13385-06003	1	
990601 -	DG	P65,P65;5613	13385-06003	1	
020101 -	DS	LHD>TCI;5613	13385-06003	1	
020101 -	FD	LHD>TCI;5613	13385-06003	1	
990601 -	FG	P6B,P65,P65;5613	13385-06003	1	
1350LB		WASHER-PLAIN (S)ARANDELA			
990601 -	AD	P6B,P65;5613	13504-06183	1	
990601 -	AG	P6B,P65,P65;5613	13504-06183	1	
990601 -	DG	P65,P65;5613	13504-06183	1	
020101 -	DS	LHD>TCI;5613	13504-06183	1	
020101 -	FD	LHD>TCI;5613	13504-06183	1	
990601 -	FG	P6B,P65,P65;5613	13504-06183	1	
1360GJ		WASHER-SPRING (S)ARANDELA			
990601 -	ALL	P3B,P35;5613	13602-12003	1	
990601 -	AD	L35,L45,P6B;5613	13602-12003	1	
990601 -	AG	P6B,P65;5613	13602-12003	1	
990601 -	DG	P65;5613	13602-12003	1	

P N C	MODEL APPLICABLE		P A R T N O. (REPL PNO)	Q T Y	REMARKS
	FROM-UP-TO	TYPE DESCRIPTION			
CONTINUED					
1360GJ		WASHER-SPRING (S)ARANDELA			
990601 -	DS	L35,L45;5613	13602-12003	1	
990601 -	FD	L35,L45;5613	13602-12003	1	
990601 -	FG	P6B,P65;5613	13602-12003	1	
1471CJ		CLAMP-HOSE (S)ABRAZADERA			
990601 -	ALL	LHD;5613	57587-34500	2	
000301 -	AD	RHDL35,L45,P3B,P35, P6B;5613	57587-34500	2	
000301 -	AG	RHD>P3B,P35,P6B;5613	57587-34500	2	
000301 -	DG	RHD>M-S;5613	57587-34500	2	
000301 -	DS	RHD>L35,L45,P3B,P35 5613	57587-34500	2	
000301 -	FD	RHD>L35,L45,P3B,P35 5613	57587-34500	2	
000301 -	FG	RHD>P3B,P35,P6B;5613	57587-34500	2	
57226D		BRACKET-P/S OIL PUMP MTG (S)SOPORTE			
990601 -	AD	L35,L45,P3B,P35;5613	57226-25010	1	
990601 -	AG	M-S;5613	57226-25010	1	
990601 -	DG	M-S;5613	57226-25010	1	
990601 -	DS	L35,L45,P3B,P35;5613	57226-25010	1	
990601 -	FD	L35,L45,P3B,P35;5613	57226-25010	1	
990601 -	FG	M-S;5613	57226-25010	1	
57232B		BRACKET-RESERVOIR MTG (S)SOPORTE			
990601 -	ALL	P3B,P35;5613	57232-25000	1	
020101 -	ALL	TCI;5613	57232-25000	1	
990601 -	AD	L35,L45,P6B;5613	57232-25000	1	
990601 -	AG	P6B,P65;5613	57232-25000	1	
990601 -	DG	P65;5613	57232-25000	1	
990601 -	DS	L35,L45;5613	57232-25000	1	
990601 -	FD	L35,L45;5613	57232-25000	1	
990601 -	FG	P6B,P65;5613	57232-25000	1	
57240C		BRACKET-RTN TUBE MTG (S)SOPORTE			
990601 -	AD	L35,L45,P3B,P35;5613	57240-25000	1	

AD:5DR,QL AG:5DR,QLS DG:3DR,QLS DS:3DR,LD FD:4DR,QL FG:4DR,QLS

5613:STRG-POWER(N,P5)

2-L10

56-575 POWER STEERING HOSE & BRACKET

BA,G0112- 309

P N C		MODEL APPLICABLE		R E P	PART NO. (REPL P/NO)	Q T Y	REMARKS	P N C		MODEL APPLICABLE		R E P	PART NO. (REPL P/NO)	Q T Y	REMARKS
FROM-UP-TO	TYPE	DESCRIPTION						FROM-UP-TO	TYPE	DESCRIPTION					
CONTINUED								CONTINUED							
57240C		BRACKET-RTN TUBE MTG (S)SOPORTE						57265		CLIP-PRESSURE TUBE MTG (S)SUJETADOR					
990601 -	AG	M-S;5613			57240-25000	1		990601 -	DS	LHD>L35,L45,P3B,P35 5613		57222-25000	1		
990601 -	DG	M-S;5613			57240-25000	1		990601 -	FD	LHD>L35,L45,P3B,P35 5613		57222-25000	1		
990601 -	DS	L35,L45,P3B,P35;5613			57240-25000	1		990601 -	FG	LHD>M-S;5613		57222-25000	1		
990601 -	FD	L35,L45,P3B,P35;5613			57240-25000	1		57271		WASHER (S)ARANDELA					
990601 -	FG	M-S;5613			57240-25000	1		990601 -	ALL	P3B,P35;5613		57272-34000	2		
57250		BRACKET-TUBE MTG (S)SOPORTE						020101 -	ALL	TCI;5613		57272-34000	1		
990601 -	AD	P6B,P85;5613			57250-25500	1		020101 -	ALL	LHD>TCI;5613		57272-26300	1		
990601 -	AG	P6B,P65,P85;5613			57250-25500	1		990601 -	AD	L35,L45,P6B;5613		57272-34000	2		
990601 -	DG	P65,P85;5613			57250-25500	1		990601 -	AG	P6B,P65;5613		57272-34000	2		
020101 -	DS	LHD>TCI;5613			57250-25500	1		990601 -	DG	P65;5613		57272-34000	2		
020101 -	FD	LHD>TCI;5613			57250-25500	1		990601 -	DS	L35,L45;5613		57272-34000	2		
990601 -	FG	P6B,P65,P85;5613			57250-25500	1		990601 -	FD	L35,L45;5613		57272-34000	2		
57261B		BRACKET-P/S PRESSURE HOSE (S)SOPORTE						990601 -	FG	P6B,P65;5613		57272-34000	2		
990601 -	AD	P6B,P85;5613			57251-25500	1		57273		BOLT (S)PERNO					
010402 -	AD	LHD>L35,L45,P3B,P35 5613			57251-25000	1		990601 -	ALL	P3B,P35;5613		57273-22500	1		
990601 -	AG	P6B,P65,P85;5613			57251-25500	1		020101 -	ALL	LHD>TCI;5613		57273-26000	1		
010402 -	AG	LHD>M-S;5613			57251-25000	1		990601 -	AD	L35,L45,P6B;5613		57273-22500	1		
990601 -	DG	P65,P85;5613			57251-25500	1		990601 -	AG	P6B,P65;5613		57273-22500	1		
010402 -	DG	LHD>M-S;5613			57251-25000	1		990601 -	DG	P65;5613		57273-22500	1		
010402 -	DS	LHD>L35,L45,P3B,P35 5613			57251-25000	1		990601 -	DS	L35,L45;5613		57273-22500	1		
020101 -	DS	LHD>TCI;5613			57251-25500	1		990601 -	FD	L35,L45;5613		57273-22500	1		
010402 -	FD	LHD>L35,L45,P3B,P35 5613			57251-25000	1		990601 -	FG	P6B,P65;5613		57273-22500	1		
020101 -	FD	LHD>TCI;5613			57251-25500	1		57510		HOSE ASSY-P/S OIL PRESSURE (S)CONJ. MANGUERA					
990601 -	FG	P6B,P65,P85;5613			57251-25500	1		020101 -	ALL	LHD>TCI;5613		57510-25300	1		
010402 -	FG	LHD>M-S;5613			57251-25000	1		990601 - 000301	AD	LHD>L35,L45,P3B,P35 5613	Y	57510-25000	1		
57265		CLIP-PRESSURE TUBE MTG (S)SUJETADOR						990601 - 000301	AD	LHD>M-D;5613	Y	57510-25500	1		
990601 -	AD	LHD>L35,L45,P3B,P35 5613			57222-25000	1		990601 - 000301	AD	RHD>M-D;5613	Y	57510-25800	1		
990601 -	AG	LHD>M-S;5613			57222-25000	1						(57510-25810)			
990601 -	DG	LHD>M-S;5613			57222-25000	1		CONTINUED							
CONTINUED															

2-M10

56-575 POWER STEERING HOSE & BRACKET

BA,00112- 310

P N C	MODEL APPLICABLE		R E P	PART NO. (REPL P/NO)	Q T Y	REMARKS
	FROM-UP-TO	DESCRIPTION				
CONTINUED						
57510		HOSE ASSY-P/S OIL PRESSURE (S)CONJ. MANGUERA				
990601 - 000301	AD	RHD>L35,L45,P3B,P35 5613	Y	57510-25900 (57510-25910)	1	
000301 -	AD	LHD>L35,L45,P3B,P35 5613		57510-25010	1	
000301 -	AD	LHD>M-D;5613		57510-25510	1	
000301 -	AD	RHD>M-D;5613		57510-25810	1	
000301 -	AD	RHD>L35,L45,P3B,P35 5613		57510-25910	1	
990601 - 000301	AG	LHD>M-S;5613	Y	57510-25000 (57510-25010)	1	
990601 - 000301	AG	LHD>M-D;5613	Y	57510-25500 (57510-25510)	1	
990601 - 000301	AG	RHD>P6B;5613	Y	57510-25800 (57510-25810)	1	
990601 - 000301	AG	RHD>M-S;5613	Y	57510-25900 (57510-25910)	1	
000301 -	AG	LHD>M-S;5613		57510-25010	1	
000301 -	AG	LHD>M-D;5613		57510-25510	1	
000301 -	AG	RHD>P6B;5613		57510-25810	1	
000301 -	AG	RHD>M-S;5613		57510-25910	1	
990601 - 000301	DG	LHD>M-S;5613	Y	57510-25000 (57510-25010)	1	
990601 - 000301	DG	LHD>M-D;5613	Y	57510-25500 (57510-25510)	1	
990601 - 000301	DG	RHD>M-S;5613	Y	57510-25900 (57510-25910)	1	
000301 -	DG	LHD>M-S;5613		57510-25010	1	
000301 -	DG	LHD>M-D;5613		57510-25510	1	
000301 -	DG	RHD>M-S;5613		57510-25910	1	
990601 - 000301	DS	LHD>L35,L45,P3B,P35 5613	Y	57510-25000 (57510-25010)	1	
990601 - 000301	DS	RHD>L35,L45,P3B,P35 5613	Y	57510-25900 (57510-25910)	1	
000301 -	DS	LHD>L35,L45,P3B,P35 5613		57510-25010	1	
000301 -	DS	RHD>L35,L45,P3B,P35 5613		57510-25910	1	

CONTINUED

P N C	MODEL APPLICABLE		R E P	PART NO. (REPL P/NO)	Q T Y	REMARKS
	FROM-UP-TO	DESCRIPTION				
CONTINUED						
57510		HOSE ASSY-P/S OIL PRESSURE (S)CONJ. MANGUERA				
990601 - 000301	FD	LHD>L35,L45,P3B,P35 5613	Y	57510-25000 (57510-25010)	1	
990601 - 000301	FD	RHD>L35,L45,P3B,P35 5613	Y	57510-25900 (57510-25910)	1	
000301 -	FD	LHD>L35,L45,P3B,P35 5613		57510-25010	1	
000301 -	FD	RHD>L35,L45,P3B,P35 5613		57510-25910	1	
990601 - 000301	FG	LHD>M-S;5613	Y	57510-25000 (57510-25010)	1	
990601 - 000301	FG	LHD>M-D;5613	Y	57510-25500 (57510-25510)	1	
990601 - 000301	FG	RHD>P6B;5613	Y	57510-25800 (57510-25810)	1	
990601 - 000301	FG	RHD>M-S;5613	Y	57510-25900 (57510-25910)	1	
000301 -	FG	LHD>M-S;5613		57510-25010	1	
000301 -	FG	LHD>M-D;5613		57510-25510	1	
000301 -	FG	RHD>P6B;5613		57510-25810	1	
000301 -	FG	RHD>M-S;5613		57510-25910	1	
57522B		HOSE-RETURN(B) (S)MANGUERA				
990601 -		ALL LHD;5613		57522-25000	1	
57523A		HOSE-RETURN(A) (S)MANGUERA				
000301 -	AD	RHDL35,L45,P3B,P35, P6B;5613		57523-25900	1	
000301 -	AG	RHD>P3B,P35,P6B;5613		57523-25900	1	
000301 -	DG	RHD>M-S;5613		57523-25900	1	
000301 -	DS	RHD>L35,L45,P3B,P35 5613		57523-25900	1	
000301 -	FD	RHD>L35,L45,P3B,P35 5613		57523-25900	1	
000301 -	FG	RHD>P3B,P35,P6B;5613		57523-25900	1	

2-A11

56-575 POWER STEERING HOSE & BRACKET

BA.G0112- 311

P N C	MODEL APPLICABLE		R E P	PART NO. (REPL. P/NO)	Q T Y	REMARKS
	FROM-UP-TO	TYPE DESCRIPTION				
57523B		TUBE ASSY-RETURN (S)CONJ. TUBO				
020101 -		ALL LHD>TCI;5613		57521-25300	1	
990601 - 991018	AD	LHD>L35,L45,P3B,P35 5613	Y	57521-25000 (57521-25010)	1	
990601 - 991018	AD	LHD>M-D;5613	Y	57521-25500 (57521-25510)	1	
990601 - 991018	AD	RHD>L35,L45,P3B,P35 5613	Y	57521-25900 (57521-25910)	1	
991018 -	AD	LHD>L35,L45,P3B,P35 5613		57521-25010	1	
991018 -	AD	LHD>P6B,P65;5613		57521-25510	1	
991018 -	AD	RHD>L35,L45,P3B,P35, P6B;5613		57521-25910	1	
990601 - 991018	AG	LHD>M-S;5613	Y	57521-25000 (57521-25010)	1	
990601 - 991018	AG	LHD>M-D;5613	Y	57521-25500 (57521-25510)	1	
990601 - 991018	AG	RHD>M-S;5613	Y	57521-25900 (57521-25910)	1	
991018 -	AG	LHD>M-S;5613		57521-25010	1	
991018 -	AG	LHD>P6B,P65,P85;5613		57521-25510	1	
991018 -	AG	RHD>P3B,P35,P6B;5613		57521-25910	1	
990601 - 991018	DG	LHD>M-S;5613	Y	57521-25000 (57521-25010)	1	
990601 - 991018	DG	LHD>M-D;5613	Y	57521-25500 (57521-25510)	1	
990601 - 991018	DG	RHD>M-S;5613	Y	57521-25900 (57521-25910)	1	
991018 -	DG	LHD>M-S;5613		57521-25010	1	
991018 -	DG	LHD>P65,P85;5613		57521-25510	1	
991018 -	DG	RHD>M-S;5613		57521-25910	1	
990601 - 991018	DS	LHD>L35,L45,P3B,P35 5613	Y	57521-25000 (57521-25010)	1	
990601 - 991018	DS	RHD>L35,L45,P3B,P35 5613	Y	57521-25900 (57521-25910)	1	
991018 -	DS	LHD>L35,L45,P3B,P35 5613		57521-25010	1	
991018 -	DS	RHD>L35,L45,P3B,P35 5613		57521-25910	1	

CONTINUED

P N C	MODEL APPLICABLE		R E P	PART NO. (REPL. P/NO)	Q T Y	REMARKS
	FROM-UP-TO	TYPE DESCRIPTION				
CONTINUED						
57523B		TUBE ASSY-RETURN (S)CONJ. TUBO				
020101 -		DS LHD>TCI;5613		57521-25510	1	
990601 - 991018	FD	LHD>L35,L45,P3B,P35 5613	Y	57521-25000 (57521-25010)	1	
990601 - 991018	FD	RHD>L35,L45,P3B,P35 5613	Y	57521-25900 (57521-25910)	1	
991018 -	FD	LHD>L35,L45,P3B,P35 5613		57521-25010	1	
991018 -	FD	RHD>L35,L45,P3B,P35 5613		57521-25910	1	
020101 -	FD	LHD>TCI;5613		57521-25510	1	
990601 - 991018	FG	LHD>M-S;5613	Y	57521-25000 (57521-25010)	1	
990601 - 991018	FG	LHD>M-D;5613	Y	57521-25500 (57521-25510)	1	
990601 - 991018	FG	RHD>M-S;5613	Y	57521-25900 (57521-25910)	1	
991018 -	FG	LHD>M-S;5613		57521-25010	1	
991018 -	FG	LHD>P6B,P65,P85;5613		57521-25510	1	
991018 -	FG	RHD>P3B,P35,P6B;5613		57521-25910	1	
57527B		HOSE-RETURN(A) (S)MANGUERA				
990601 -		ALL LHD>P3B,P35;5613		57523-25000	1	
990601 -	AD	LHD>L35,L45,P6B;5613		57523-25000	1	
990601 -	AG	LHD>P6B,P65;5613		57523-25000	1	
990601 -	DG	LHD>P65;5613		57523-25000	1	
990601 -	DS	LHD>L35,L45;5613		57523-25000	1	
990601 -	FD	LHD>L35,L45;5613		57523-25000	1	
990601 -	FG	LHD>P6B,P65;5613		57523-25000	1	
57531		HOSE-P/S OIL SUCTION (S)MANGUERA				
020101 -		ALL TCI;5613		57531-25300	1	
990601 -	AD	L35,L45,P3B,P35;5613		57531-25000	1	
990601 -	AD	M-D;5613		57531-25500	1	
990601 -	AG	M-S;5613		57531-25000	1	
990601 -	AG	M-D;5613		57531-25500	1	
990601 -	DG	M-S;5613		57531-25000	1	

CONTINUED

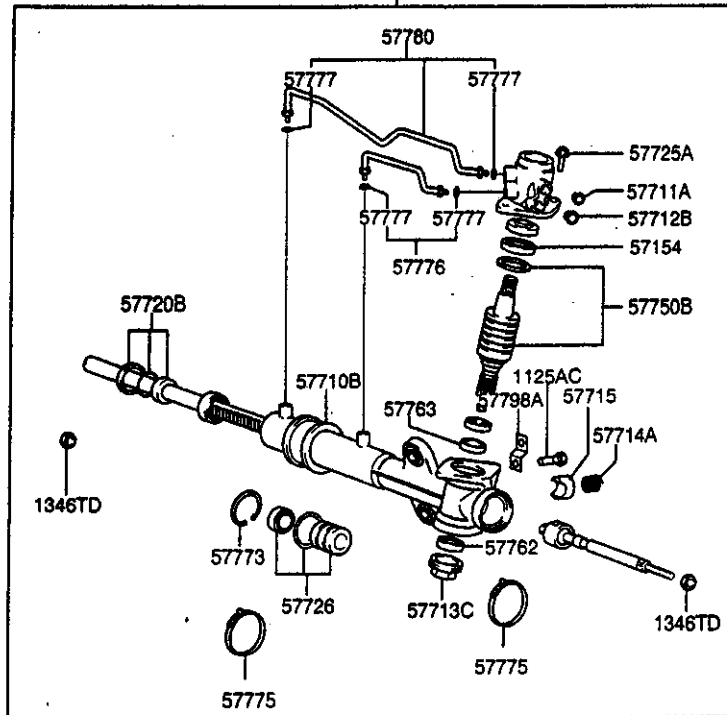
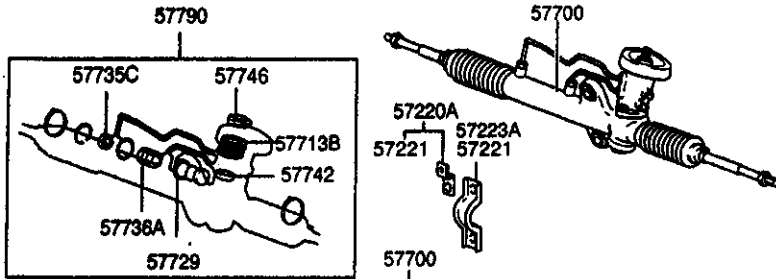
P N C		MODEL APPLICABLE		R E P	PART NO. (REPL. PNO)	Q T Y	REMARKS	P N C		MODEL APPLICABLE		R E P	PART NO. (REPL. PNO)	Q T Y	REMARKS
FROM-UP-TO	TYPE	DESCRIPTION						FROM-UP-TO	TYPE	DESCRIPTION					
CONTINUED								CONTINUED							
		57531	HOSE-P/S OIL SUCTION (S)MANGUERA						57544B	HOSE-RETURN(B) (S)MANGUERA					
990601 -			DG	M-D;5613	57531-25500	1		001120 -	AD	L35,L45,P6B;5613	57544-25600	1			
990601 -			DS	L35,L45,P3B,P35;5613	57531-25000	1		001120 -	AG	P6B,P65;5613	57544-25600	1			
990601 -			FD	L35,L45,P3B,P35;5613	57531-25000	1		001120 -	DG	P65;5613	57544-25600	1			
990601 -			FG	M-S;5613	57531-25000	1		001120 -	DS	L35,L45;5613	57544-25600	1			
990601 -			FG	M-D;5613	57531-25500	1		001120 -	FD	L35,L45;5613	57544-25600	1			
		57536B	RING"O"					001120 -	FG	P6B,P65;5613	57544-25600	1			
			(S)JUNTAS TORICAS						57545B	HOSE-RETURN(R) (S)MANGUERA					
990601 -			ALL	P3B,P35;5613	57536-33100	1		990601 -	ALL	P3B,P35;5613	57545-25000	1			
020101 -			ALL	LHD>TCI;5613	57536-33000 (57536-33100)	1		990601 -	AD	L35,L45,P6B;5613	57545-25000	1			
990601 -			AD	L35,L45,P6B;5613	57536-33100	1		990601 -	AG	P6B,P65;5613	57545-25000	1			
990601 -			AG	P6B,P65;5613	57536-33100	1		990601 -	DG	P65;5613	57545-25000	1			
990601 -			DG	P65;5613	57536-33100	1		990601 -	DS	L35,L45;5613	57545-25000	1			
990601 -			DS	L35,L45;5613	57536-33100	1		990601 -	FD	L35,L45;5613	57545-25000	1			
990601 -			FD	L35,L45;5613	57536-33100	1		990601 -	FG	P6B,P65;5613	57545-25000	1			
990601 -			FG	P6B,P65;5613	57536-33100	1			57558	RING"O"					
		57540	HOSE-RUBBER (S)CONJ. TUBO					990601 -	ALL	P3B,P35;5613	57558-36000	1			
990601 - 001120			ALL	P3B,P35;5613	57541-25000	1		990601 -	AD	L35,L45,P6B;5613	57558-36000	1			
001120 -			ALL	P3B,P35;5613	57541-25600	1		990601 -	AG	P6B,P65;5613	57558-36000	1			
020101 -			ALL	LHD>TCI;5613	57541-25300	1		990601 -	DG	P65;5613	57558-36000	1			
990601 - 001120			AD	L35,L45,P6B;5613	57541-25000	1		990601 -	DS	L35,L45;5613	57558-36000	1			
001120 -			AD	L35,L45,P6B;5613	57541-25600	1		990601 -	FD	L35,L45;5613	57558-36000	1			
990601 - 001120			AG	P6B,P65;5613	57541-25000	1		990601 -	FG	P6B,P65;5613	57558-36000	1			
001120 -			AG	P6B,P65;5613	57541-25600	1			57563A	TUBE ASSY-RETURN(P) (S)CONJ. TUBO					
990601 - 001120			DG	P65;5613	57541-25000	1		000301 -	AD	RHDL35,L45,P3B,P35, P6B;5613	57522-25900	1			
001120 -			DG	P65;5613	57541-25600	1		000301 -	AG	RHD>P3B,P35,P6B;5613	57522-25900	1			
990601 - 001120			DS	L35,L45;5613	57541-25000	1		000301 -	DG	RHD>M-S;5613	57522-25900	1			
001120 -			DS	L35,L45;5613	57541-25600	1		000301 -	DS	RHD>L35,L45,P3B,P35 5613	57522-25900	1			
990601 - 001120			FD	L35,L45;5613	57541-25000	1		000301 -	FD	RHD>L35,L45,P3B,P35 5613	57522-25900	1			
001120 -			FD	L35,L45;5613	57541-25600	1		000301 -	FG	RHD>P3B,P35,P6B;5613	57522-25900	1			
990601 - 001120			FG	P6B,P65;5613	57541-25000	1									
001120 -			FG	P6B,P65;5613	57541-25600	1									
		57544B	HOSE-RETURN(B) (S)MANGUERA												
001120 -			ALL	P3B,P35;5613	57544-25600	1									
CONTINUED															

2-C11

56-575 POWER STEERING HOSE & BRACKET

5A.G0112- 313

P N C		MODEL APPLICABLE		R E P	PART NO. (REPL PNO)	Q T Y	REMARKS	P N C		MODEL APPLICABLE		R E P	PART NO. (REPL PNO)	Q T Y	REMARKS
FROM-UP-TO	TYPE	DESCRIPTION						FROM-UP-TO	TYPE	DESCRIPTION					
57587D		CLIP-HOSE													
990601 -		(S)SUJETADOR													
		ALL 5613			57587-34600	1									
57587E		CLIP-HOSE													
990601 -		(S)SUJETADOR													
		ALL 5613			57587-34900	2									



P N C	MODEL APPLICABLE		R E P	PART NO. (REPL PWD)	Q T Y	REMARKS
	FROM-UP-TO	TYPE				
1125AC						
990601 -	AD	RHD>L35,L45,P3B,P35	Y	11250-06161 (11250-06163)	1	
990601 -	AG	RHD>M-S;5613	Y	11250-06161 (11250-06163)	1	
990601 -	DG	RHD>M-S;5613	Y	11250-06161 (11250-06163)	1	
990601 -	DS	RHD>L35,L45,P3B,P35	Y	11250-06161 (11250-06163)	1	
990601 -	FD	RHD>L35,L45,P3B,P35	Y	11250-06161 (11250-06163)	1	
990601 -	FG	RHD>M-S;5613	Y	11250-06161 (11250-06163)	1	
1346TD						
990601 -	ALL			13467-14001	2	
56223A						
990601 -	AD	LHD>L35,L45,P3B,P35		57220-25000	1	
990601 -	AG	LHD>M-S;5613		57220-25000	1	
990601 -	DG	LHD>M-S;5613		57220-25000	1	
990601 -	DS	LHD>L35,L45,P3B,P35		57220-25000	1	
990601 -	FD	LHD>L35,L45,P3B,P35		57220-25000	1	
990601 -	FG	LHD>M-S;5613		57220-25000	1	
57154						
990601 -	ALL	5613		57768-25000	1	
57220A						
990601 -	AD	LHD>P6B,P85;5613		57220-25500	1	
990601 -	AG	LHD>P6B,P65,P85;5613		57220-25500	1	
990601 -	DG	LHD>P65,P85;5613		57220-25500	1	
020101 -	DS	LHD>TCI;5613		57220-25500	1	
020101 -	FD	LHD>TCI;5613		57220-25500	1	
990601 -	FG	LHD>P6B,P65,P85;5613		57220-25500	1	

2-E11

56-577 POWER STEERING GEAR BOX

BA,00112- 315

P N C	MODEL APPLICABLE		R E P	PART NO. (REPL P/NO)	Q T Y	REMARKS
	FROM-UP-TO	DESCRIPTION				
57221		CLAMP-STEERING GEAR BOX MTG(B)				
		(S)ABRAZADERA				
990601 -		ALL 5613		57221-21000	1	
57700		GEAR & LINKAGE ASSY-P/S				
		(S)CONJ. ENLACE & ENGRANAJE				
990601 - 000704	AD	LHD>L35,L45,P3B,P35 5613	Y	57710-25000 (57710-25010)	1	
990601 - 000704	AD	LHD>M-D;5613	Y	57710-25500 (57710-25510)	1	
990601 - 000704	AD	RHD>L35,L45,P3B,P35, P6B;5613	Y	57710-25900 (57710-25910)	1	
000704 -	AD	LHD>L35,L45,P3B,P35 5613		57710-25010	1	
000704 -	AD	LHD>P6B,P85;5613		57710-25510	1	
000704 -	AD	RHD>L35,L45,P3B,P35, P6B;5613		57710-25910	1	
990601 - 000704	AG	LHD>M-S;5613	Y	57710-25000 (57710-25010)	1	
990601 - 000704	AG	LHD>M-D;5613	Y	57710-25500 (57710-25510)	1	
990601 - 000704	AG	RHD>P3B,P35,P6B;5613	Y	57710-25900 (57710-25910)	1	
000704 -	AG	LHD>M-S;5613		57710-25010	1	
000704 -	AG	LHD>P6B,P65,P85;5613		57710-25510	1	
000704 -	AG	RHD>P3B,P35,P6B;5613		57710-25910	1	
990601 - 000704	DG	LHD>M-S;5613	Y	57710-25000 (57710-25010)	1	
990601 - 000704	DG	LHD>M-D;5613	Y	57710-25500 (57710-25510)	1	
990601 - 000704	DG	RHD>M-S;5613	Y	57710-25900 (57710-25910)	1	
000704 -	DG	LHD>M-S;5613		57710-25010	1	
000704 -	DG	LHD>P65,P85;5613		57710-25510	1	
000704 -	DG	RHD>M-S;5613		57710-25910	1	
990601 - 000704	DS	LHD>L35,L45,P3B,P35 5613	Y	57710-25000 (57710-25010)	1	
990601 - 000704	DS	RHD>L35,L45,P3B,P35 5613	Y	57710-25900 (57710-25910)	1	
000704 -	DS	LHD>L35,L45,P3B,P35 5613		57710-25010	1	

CONTINUED

P N C	MODEL APPLICABLE		R E P	PART NO. (REPL P/NO)	Q T Y	REMARKS
	FROM-UP-TO	DESCRIPTION				
CONTINUED						
57700		GEAR & LINKAGE ASSY-P/S				
		(S)CONJ. ENLACE & ENGRANAJE				
000704 -	DS	RHD>L35,L45,P3B,P35 5613		57710-25910	1	
020101 -	DS	LHD>TCI;5613		57710-25510	1	
990601 - 000704	FD	LHD>L35,L45,P3B,P35 5613	Y	57710-25000 (57710-25010)	1	
990601 - 000704	FD	RHD>L35,L45,P3B,P35 5613	Y	57710-25900 (57710-25910)	1	
000704 -	FD	LHD>L35,L45,P3B,P35 5613		57710-25010	1	
000704 -	FD	RHD>L35,L45,P3B,P35 5613		57710-25910	1	
020101 -	FD	LHD>TCI;5613		57710-25510	1	
990601 - 000704	FG	LHD>M-S;5613	Y	57710-25000 (57710-25010)	1	
990601 - 000704	FG	LHD>M-D;5613	Y	57710-25500 (57710-25510)	1	
990601 - 000704	FG	RHD>P3B,P35,P6B;5613	Y	57710-25900 (57710-25910)	1	
000704 -	FG	LHD>M-S;5613		57710-25010	1	
000704 -	FG	LHD>P6B,P65,P85;5613		57710-25510	1	
000704 -	FG	RHD>P3B,P35,P6B;5613		57710-25910	1	
57710B		RUBBER-GEAR BOX MTG				
		(S)GOMA				
990601 -		ALL 5613		57792-22000	1	
57711A		CAP				
		(S)TAPA				
990601 -		ALL 5613		57711-33100	1	
57712B		CAP				
		(S)TAPA				
990601 -		ALL 5613		57712-33100	1	
57713B		SPECIAL BEARING				
		(S)COJINETE				
990601 - 991018		ALL RHD>P35;5613		*	1	SIK
990601 - 991018	AD	RHD>L35,L45;5613		*	1	SIK
990601 - 991018	DS	RHD>L35,L45;5613		*	1	SIK
990601 - 991018	FD	RHD>L35,L45;5613		*	1	SIK

AD:5DR,6L AG:5DR,6LS DG:3DR,6LS DS:3DR,1 FD:4DR,6L FG:4DR,6LS 5613:STRG-POWER(N.P.S)

P N C		MODEL APPLICABLE	R E P	PART NO. (REPL P/NO)	Q T Y	REMARKS	P N C		MODEL APPLICABLE	R E P	PART NO. (REPL P/NO)	Q T Y	REMARKS
FROM-UP-TO	TYPE	DESCRIPTION					FROM-UP-TO	TYPE	DESCRIPTION				
57713C		PLUG-END (S)TAPON					CONTINUED						
990601 -		ALL 5613		57713-33100	1		57720B		RACK ASSY-P/S GEAR BOX (S)CONJ. CREMALLERA				
57714A		SPRING-STEERING GEAR BOX (S)MUELLE					990601 - 000704		DS RHD>L35,L45,P3B,P35 5613		57720-22900	1	
990601 -		ALL 5613		57714-33100	1		990601 -		FD RHD>L35,L45,P3B,P35 5613		57720-25910	1	
57715		YOKE ASSY-RACK SUPPORT (S)CONJ. HORQUILLA					990601 - 000704		FD LHD>L35,L45;5613	Y	57720-22000 (57720-25010)	1	
990601 -		ALL 5613		57715-24000	1		990601 - 000704		FD RHD>L35,L45,P3B,P35 5613		57720-22900	1	
990601 - 000704		ALL P3B,P35;5613		57715-33100	1		990601 -		FG RHD>P3B,P35,P6B;5613		57720-25910	1	
990601 - 000704		AD L35,L45,P6B;5613		57715-33100	1		990601 - 000704		FG LHD>P6B,P65;5613	Y	57720-22000 (57720-25010)	1	
990601 - 000704		AG P6B,P65;5613		57715-33100	1		990601 - 000704		FG RHD>P3B,P35,P6B;5613		57720-22900	1	
990601 - 000704		DG P65;5613		57715-33100	1		57725A		BOLT				
990601 - 000704		DS L35,L45;5613		57715-33100	1		(S)PERNO		ALL 5613		57725-24000	2	
990601 - 000704		FD L35,L45;5613		57715-33100	1		57726		BUSH ASSY-RACK (S)CONJ. CASQUILLO				
990601 - 000704		FG P6B,P65;5613		57715-33100	1		990601 -		ALL 5613		57726-22000	1	
57720B		RACK ASSY-P/S GEAR BOX (S)CONJ. CREMALLERA					57729		O-RING				
990601 - 000704		ALL LHD>P3B,P35;5613	Y	57720-22000 (57720-25010)	1		990601 -		(S)JUNTAS TORICAS			1	SIK
000704 -		ALL LHD;5613		57720-25010	1		57735C		OIL SEAL				
990601 -		AD RHDL35,L45,P3B,P35, P6B;5613		57720-25910	1		990601 -		(S)OIL SEAL			1	SIK
990601 - 000704		AD LHD>L35,L45,P6B;5613	Y	57720-22000 (57720-25010)	1		990601 -		ALL 5613			1	SIK
990601 - 000704		AD RHDL35,L45,P3B,P35, P6B;5613		57720-22900	1		57736A		OIL-SEAL				
990601 -		AG RHD>P3B,P35,P6B;5613		57720-25910	1		990601 -		(S)RETEN			1	SIK
990601 - 000704		AG LHD>P6B,P65;5613	Y	57720-22000 (57720-25010)	1		990601 -		ALL 5613			1	SIK
990601 - 000704		AG RHD>P3B,P35,P6B;5613		57720-22900	1		57742		OIL-SEAL				
990601 -		DG RHD>M-S;5613		57720-25910	1		990601 -		(S)CONJ. HORQUILLA			1	SIK
990601 - 000704		DG LHD>P65;5613	Y	57720-22000 (57720-25010)	1		990601 -		ALL 5613			1	SIK
990601 - 000704		DG RHD>M-S;5613		57720-22900	1		57746		OIL-SEAL				
990601 -		DS RHD>L35,L45,P3B,P35 5613		57720-25910	1		990601 -		(S)TAPON			1	SIK
990601 - 000704		DS LHD>L35,L45;5613	Y	57720-22000 (57720-25010)	1		57750B		PINION & VALVE ASSY-P/S (S)CONJ. VALVULA & PINON				
CONTINUED							990601 -		ALL LHD;5613		57760-25000	1	

2-G11

56-577 POWER STEERING GEAR BOX

BA,G0112- 317

P N C		MODEL APPLICABLE		R E P	PART NO. (REPL PNO)	Q T Y	REMARKS	P N C		MODEL APPLICABLE		R E P	PART NO. (REPL PNO)	Q T Y	REMARKS
FROM-UP-TO	TYPE	DESCRIPTION						FROM-UP-TO	TYPE	DESCRIPTION					
CONTINUED								CONTINUED							
		57750B	PINION & VALVE ASSY-P/S (S)CONJ. VALVULA & PINON					57776	TUBE ASSY-FEED LH (S)CONJ. TUBO						
990601 -	AD	RHDL35,L45,P3B,P35, P6B;5613			57760-25900	1		990601 -	FD	RHD>L35,L45,P3B,P35 5613		57751-25900	1		
990601 -	AG	RHD>P3B,P35,P6B;5613			57760-25900	1		990601 -	FG	LHD>M-S;5613		57751-25000	1		
990601 -	DG	RHD>M-S;5613			57760-25900	1		990601 -	FG	RHD>P3B,P35,P6B;5613		57751-25900	1		
990601 -	DS	RHD>L35,L45,P3B,P35 5613			57760-25900	1		57777	RING"O" (S)JUNTAS TORICAS						
990601 -	FD	RHD>L35,L45,P3B,P35 5613			57760-25900	1		990601 -	ALL	5613		57777-33100	4		
990601 -	FG	RHD>P3B,P35,P6B;5613			57760-25900	1		57780	TUBE ASSY-FEED RH (S)CONJ. TUBO						
		57762	BEARING-BALL (S)COJINETE					990601 -	ALL	LHD;5613		57752-25000	1		
990601 -	ALL	5613			57762-33100	1		990601 -	AD	RHDL35,L45,P3B,P35, P6B;5613		57752-25900	1		
		57763	BEARING-STRG GEAR PINION UPR (S)COJINETE					990601 -	AG	RHD>P3B,P35,P6B;5613		57752-25900	1		
990601 -	ALL	5613			57763-33100	1		990601 -	DG	RHD>M-S;5613		57752-25900	1		
		57773	CLIP-CIRCULATION (S)SUJETADOR					990601 -	DS	RHD>L35,L45,P3B,P35 5613		57752-25900	1		
990601 -	ALL	5613			57773-33100	1		990601 -	FD	RHD>L35,L45,P3B,P35 5613		57752-25900	1		
		57775	BAND-POWER STEERING GEAR BOX (S)BANDA					990601 -	FG	RHD>P3B,P35,P6B;5613		57752-25900	1		
990601 -	ALL	5613			57727-28500	2		57790	SEAL KIT-POWER STEERING GEAR (S)JUEGO RETEN						
		57776	TUBE ASSY-FEED LH (S)CONJ. TUBO					990601 -	ALL	5613		57790-25A00	1		
990601 -	AD	LHD>L35,L45,P3B,P35 5613			57751-25000	1		57798A	BRACKET-HOSE MTG (S)SOPORTE						
990601 -	AD	RHDL35,L45,P3B,P35, P6B;5613			57751-25900	1		990601 -	AD	RHD>L35,L45,P3B,P35 5613		57798-25900	1		
990601 -	AG	LHD>M-S;5613			57751-25000	1		990601 -	AG	RHD>M-S;5613		57798-25900	1		
990601 -	AG	RHD>P3B,P35,P6B;5613			57751-25900	1		990601 -	DG	RHD>M-S;5613		57798-25900	1		
990601 -	DG	LHD>M-S;5613			57751-25000	1		990601 -	DS	RHD>L35,L45,P3B,P35 5613		57798-25900	1		
990601 -	DG	RHD>M-S;5613			57751-25900	1		990601 -	FD	RHD>L35,L45,P3B,P35 5613		57798-25900	1		
990601 -	DS	LHD>L35,L45,P3B,P35 5613			57751-25000	1		990601 -	FG	RHD>M-S;5613		57798-25900	1		
990601 -	DS	RHD>L35,L45,P3B,P35 5613			57751-25900	1									
990601 -	FD	LHD>L35,L45,P3B,P35 5613			57751-25000	1									

CONTINUED

AD:3DR,QL AG:3DR,GLS DG:3DR,GLS DS:3DR,QL FD:3DR,QL FG:3DR,GLS

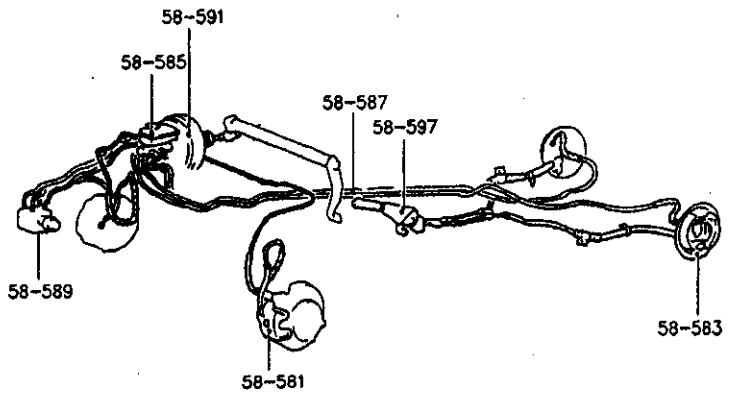
5613:STRG-POWER(N,P,S)

~~M/E/M/O~~

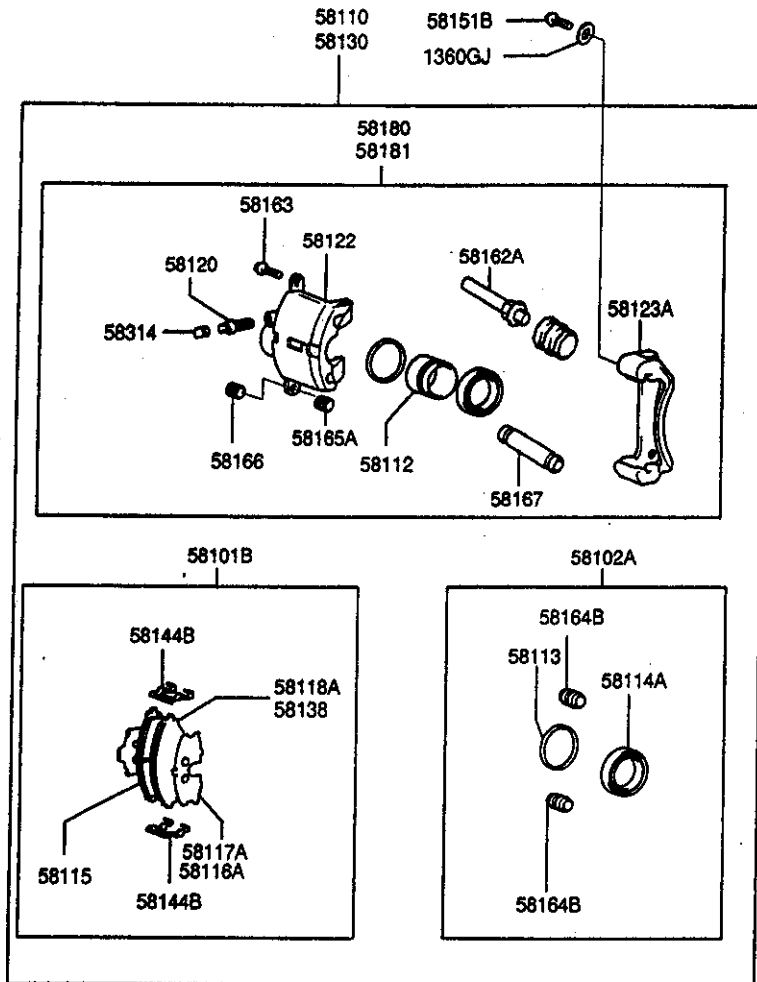
58

BRAKE

58-581	FRONT WHEEL BRAKE	2-H11
58-583	REAR WHEEL BRAKE	2-K11
58-585	BRAKE MASTER CYLINDER.....	2-A12
58-587	BRAKE FLUID LINES	2-C12
58-589	HYDRAULIC MODULE	2-H12
58-591	POWER BRAKE BOOSTER.....	2-I12
58-597	PARKING BRAKE.....	2-K12



58-581 FRONT WHEEL BRAKE



P N C	MODEL APPLICABLE		R E P	PART NO. (REPL. P/NO)	Q T Y	REMARKS
	FROM-UP-TO	TYPE				
1360GJ						
990601 -				13602-12001 (13602-12003)	4	
990601 -				13602-12001 (13602-12003)	2	
58101B						
990601 -				58101-25A10	1	
990601 - 010718				58101-25A00	1	
58102A						
990601 -				58102-25A00	1	
58110						
990601 -				58110-25000	1	
58112						
990601 -				58112-24000	1	
58113						
990601 -				*	1	SIK
58114A						
990601 -				*	1	SIK
58115						
990601 -				*	1	SIK
58116A						
990601 -				*	1	SIK
58117A						
990601 -				*	1	SIK
58118A						
990601 -				*	1	SIK

2-J11

58-581 FRONT WHEEL BRAKE

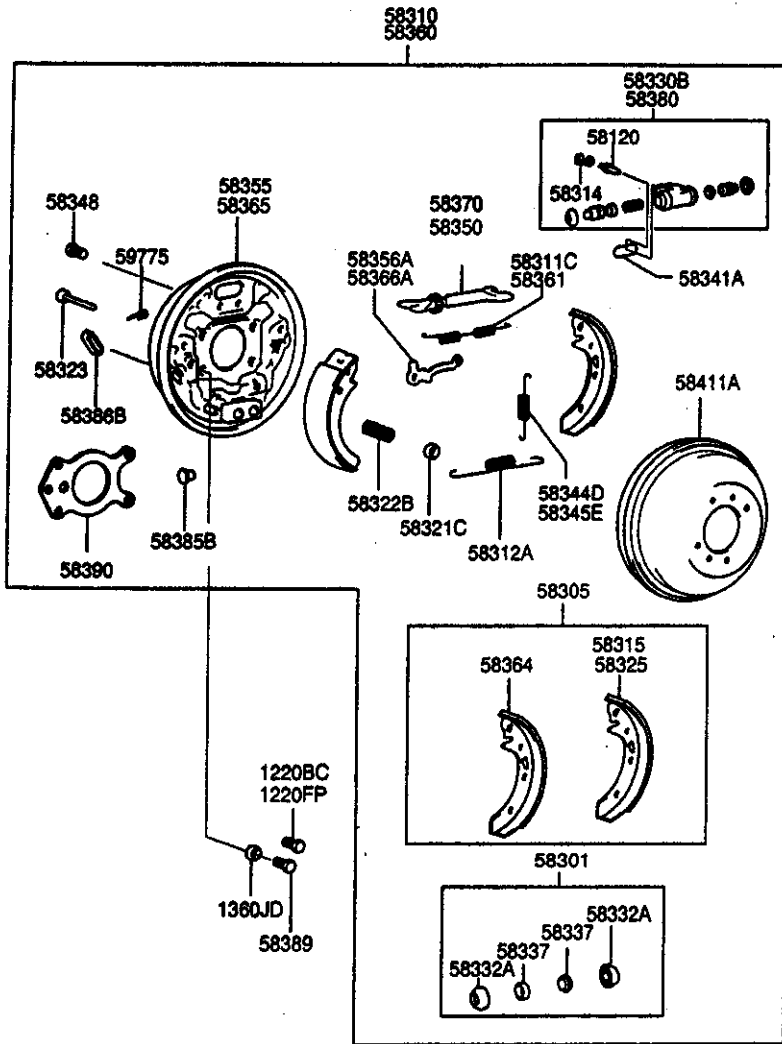
BA.G0112-320

P N C	MODEL APPLICABLE		R E P	PART NO. (REPL P/NO)	Q T Y	REMARKS	P N C	MODEL APPLICABLE		R E P	PART NO. (REPL P/NO)	Q T Y	REMARKS
	FROM-UP-TO	TYPE						DESCRIPTION	FROM-UP-TO				
58120		SCREW-BLEEDER (S)TORNILLO					58167		SLEEVE (S)MANGUITO				
990601 -		ALL	Y	58120-24000 (58125-44001)	1		990601 -		ALL		58167-32000	1	
990601 -		ALL		.	1	SIK	58180		CALIPER KIT-FR BRAKE LH (S)JUEGO CALIBRADOR				
58122		CYLINDER MACHINING LH (S)CILINDRO					990601 -		ALL		58180-25A00	1	
990601 -		ALL		.	1	SIK	58181		CALIPER KIT-FR BRAKE RH (S)JUEGO CALIBRADOR				
58123A		CARRIER MACHINING (S)PORTADOR					990601 -		ALL		58181-25A00	1	
990601 -		ALL		.	1	SIK	58314		CAP-BLEEDER SCREW (S)TAPA				
58130		BRAKE ASSY-FR RH (S)CONJUNTO FRENO					990601 -		ALL		58121-32000	1	
990601 -		ALL -E02,-E37		58130-25000	1								
58138		PAD & SENSOR ASSY RH (S)CONJ.SENSOR											
990601 -		ALL		.	1	SIK							
58144B		SPRING-PAD (S)MUELLE											
990601 -		ALL		58144-32000	2								
58151B		BOLT-CALIPER MTG (S)PERNO											
990601 -		ALL		58151-21300	2								
58162A		PIN-FIXED (S)PASADOR											
990601 -		ALL		58162-32300	1								
58163		BOLT (S)PERNO											
990601 -		ALL		58163-32000	1								
58164B		BOOT-GUIDE ROD (S)FUNDA											
990601 -		ALL		.	1	SIK							
58165A		BOLT-GUIDE PIN (S)CONJ.ARANDELA											
990601 -		ALL		.	1	SIK							
58166		BOOT-SLEEVE (S)FUNDA											
990601 -		ALL		.	1	SIK							

2-K11

58-583 REAR WHEEL BRAKE

BA,00112- 321



P N C	MODEL APPLICABLE		R E P	PART NO. (REPL. P/N)	Q T Y	REMARKS
	FROM-UP-TO	TYPE				
1220BC						
990601 - 991011				12201-06121 (12201-06123)	2	
1220FP						
991011 -				12203-06121	2	
991011 - 000107				12203-06121	1	
1360JD						
990601 -				13603-10001	8	
58120						
990601 -				58120-24000 (58125-44001)	1	
58301						
990601 -				58301-25A00	1	
58305						
990601 -				58305-25A00	1	
58310						
990601 - 010614				58310-25010	1	
990601 - 010614				58310-25310	1	
58311C						
990601 -				58311-24000	1	
58312A						
990601 -				58312-24000	1	
58314						
990601 -				58314-24000	1	
58315						
990601 -					1	SHK

2-L11

58-583 REAR WHEEL BRAKE

BA.G0112- 322

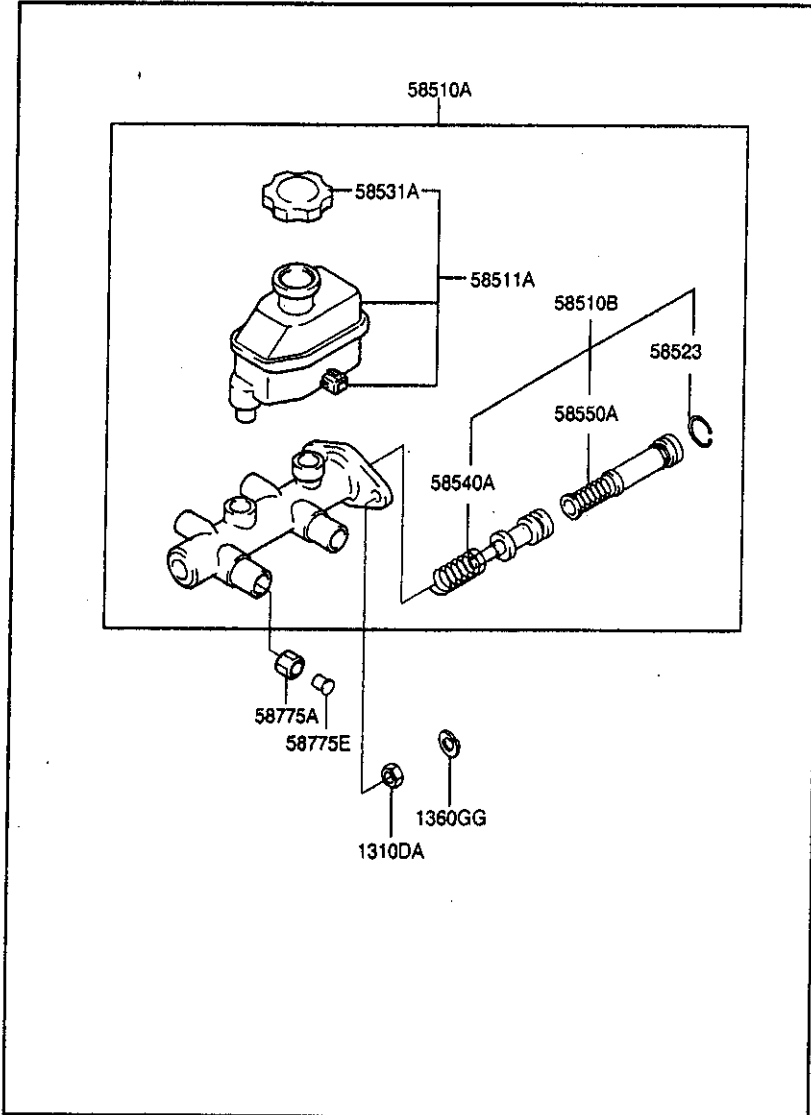
P N C		MODEL APPLICABLE		R E P	PART NO. (REPL P/NO)	Q T Y	REMARKS	P N C		MODEL APPLICABLE		R E P	PART NO. (REPL P/NO)	Q T Y	REMARKS
FROM-UP-TO	TYPE	DESCRIPTION						FROM-UP-TO	TYPE	DESCRIPTION					
58321C		WASHER-SHOE HOLD DOWN (S)ARANDELA						CONTINUED							
990601 -		ALL			58321-24000	2		58355		PLATE ASSY-RR BRAKE BACK LH (S)PLACA					
58322B		SPRING-SHOE HOLD DOWN (S)MUELLE						990601 -		ALL 5891			58355-25300	1	
990601 -		ALL			58322-24000	2		58356A		LEVER-PAWL LH (S)PALANCA					
58323		PIN-SHOE HOLD DOWN (S)PASADOR						990601 -		ALL			58356-24000	1	
990601 -		ALL			58323-24000	2		58360		BRAKE ASSY-RR RH (S)CONJUNTO FRENO					
58325		SHOE & LINING ASSY-TRAINING LH (S)CONJ.FORRRO						990601 - 010814		ALL			58360-25010	1	
010814 -		ALL			*	1	SIK	990601 - 010814		ALL 5891			58360-25310	1	
58330B		CYLINDER ASSY-WHEEL LH (S)CONJ. CILINDRO IZQ						58361		SPRING-SHOE RETURN UPR RH (S)MUELLE					
990601 -		ALL			58330-25000	1		990601 -		ALL			58361-24000	1	
58332A		DUST COVER (S)POLVO						58364		SHOE & LINING ASSY-TRAINING RH (S)CONJ.FORRRO					
990601 -		ALL			*	2	SIK	990601 -		ALL			*	1	SIK
58337		SEAL-L TYPE (S)JUEGO RETEN						58365		PLATE ASSY-RR BRAKE BACK RH (S)PLACA					
990601 -		ALL			*	2	SIK	990601 -		ALL			58365-25000	1	
58341A		SEAL-WHEEL CYLINDER (S)RETEN						990601 -		ALL 5891			58365-25300	1	
990601 -		ALL			58341-11000	1		58366A		LEVER-PAWL RH (S)PALANCA					
58344D		SPRING-ADJUSTER LH (S)MUELLE						990601 -		ALL			58366-24000	1	
990601 -		ALL			58344-25000	1		58370		ADJUSTER-ASSY RH (S)AJUSTADOR					
58345E		SPRING-ADJUSTER RH (S)MUELLE						990601 -		ALL			58370-25000	1	
990601 -		ALL			58345-25000	1		58380		CYLINDER ASSY-WHEEL RH (S)CONJ. CILINDRO IZQ					
58348		BOLT-SET (S)PERNO						990601 -		ALL			58380-25000	1	
990601 -		ALL			58348-24000	2		58385B		PLUG ASSY-RR BRAKE (S)CONJUNTO TAPON					
58350		ADJUSTER-ASSY LH (S)AJUSTADOR						990601 -		ALL			58385-21000	1	
990601 -		ALL			58350-25000	1		58386B		PLUG-INSPECTION (S)TAPON					
58355		PLATE ASSY-RR BRAKE BACK LH (S)PLACA						990601 -		ALL			58386-31000	1	
990601 -		ALL			58355-25000	1									
CONTINUED															

2-M11

58-583 REAR WHEEL BRAKE

BA,00112- 323

P N C		MODEL APPLICABLE		R E P	PART NO. (REPL P/NO)	Q T Y	REMARKS	P N C		MODEL APPLICABLE		R E P	PART NO. (REPL P/NO)	Q T Y	REMARKS	
FROM-UP-TO	TYPE	DESCRIPTION						FROM-UP-TO	TYPE	DESCRIPTION						
58389		BOLT (S)PERNO			58389-21000 (58389-17000)	6										
990601 -		ALL		A												
990601 -		ALL 5891			58389-22300	8										
58390		BRACKET (S)SOPORTE			58390-22300	2										
990601 -		ALL 5891														
58411A		DRUM ASSY-RR BRAKE (S)CONJ. TAMBOR			58411-25010	2										
990601 -		ALL														
59775		RING-PARK CABLE RETAINING (S)ANILLO			59775-34000	1										
990601 -		ALL														



P N C	MODEL APPLICABLE		R E P	PART NO. (REPL PNO)	Q T Y	REMARKS
	FROM-UP-TO	TYPE				
1310DA						
990601 -				13100-08003	2	
1360GG						
990601 -				13602-08003	2	
58510A						
990601 -				58510-25000	1	
990601 -				58510-25300	1	
990601 -				58510-25300	1	
990601 -				58510-25300	1	
990601 -				58510-25300	1	
990601 -				58510-25300	1	
990601 -				58510-25300	1	
990601 -				58510-25300	1	
58510B						
990601 -				58510-24A00	1	
990601 -				58510-29A00	1	
990601 -				58510-29A00	1	
990601 -				58510-29A00	1	
990601 -				58510-29A00	1	
990601 -				58510-29A00	1	
990601 -				58510-29A00	1	
990601 -				58510-29A00	1	
58511A						
990601 -				58511-25000	1	
990601 -				58511-25300	1	
990601 -				58511-25300	1	
990601 -				58511-25300	1	
990601 -				58511-25300	1	
990601 -				58511-25300	1	
990601 -				58511-25300	1	
990601 -				58511-25300	1	
58523						
990601 -					1	SIK
58531A						
990601 -				58531-25000	1	

CONTINUED

2-B12

58-585 BRAKE MASTER CYLINDER

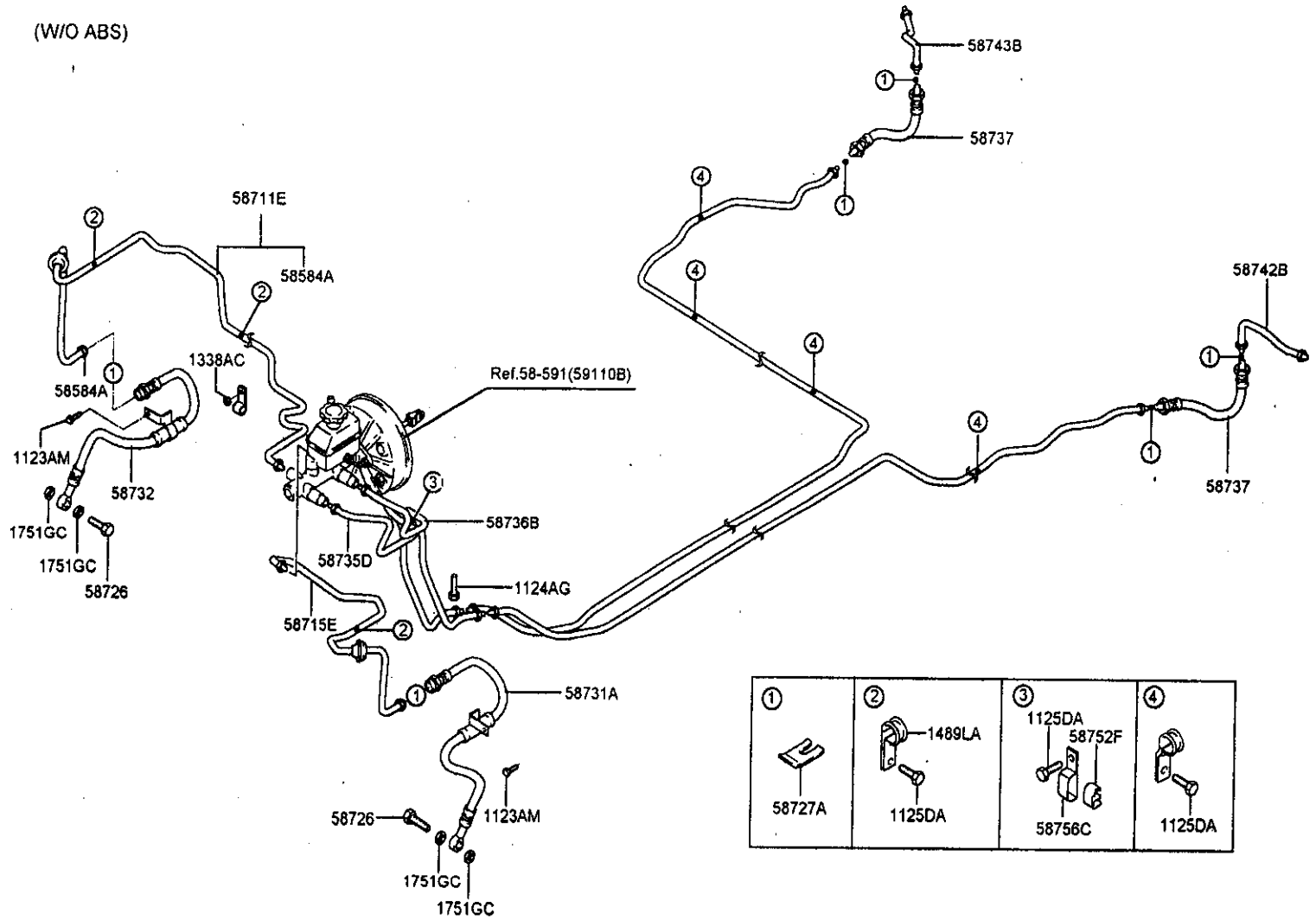
BA,00112-325

P N C		MODEL APPLICABLE		R E P	PART NO. (REPL PNO)	Q T Y	REMARKS	P N C		MODEL APPLICABLE		R E P	PART NO. (REPL PNO)	Q T Y	REMARKS
FROM-UP-TO	TYPE	DESCRIPTION						FROM-UP-TO	TYPE	DESCRIPTION					
CONTINUED															
58531A								58775E							
		CAP ASSY-RESERVOIR						VALVE							
		(S)CONJUNTO TAPA						(S)VALVULA							
990601 -		AD	L35,P3B,P35,P6B;5891		58531-25300	1		000120 -				58775-25010	2		
990601 -		AG	P3B,P35,P6B,P65;5891		58531-25300	1									
990601 -		DG	P3B,P35,P65;5891		58531-25300	1									
990601 -		DS	M-S;5891		58531-25300	1									
990601 -		FD	M-S;5891		58531-25300	1									
990601 -		FG	P3B,P35,P6B,P65;5891		58531-25300	1									
58540A															
		PISTON ASSY-SECONDARY													
		(S)CONJ. PISTON													
990601 -		ALL				1	SIK								
58550A															
		PISTON ASSY-PRIMARY													
		(S)CONJ. PISTON													
990601 -		ALL				1	SIK								
58775A															
		VALVE-PROPORTIONING CONT													
		(S)VALVULA													
990601 - 000101		ALL	P3B,P35	A	58775-25000 (58775-25000A)	2									
000101 - 000120		ALL	P3B,P35		58775-25000A	2									
990601 - 000101		AD	L35,L45,P6B	A	58775-25000 (58775-25000A)	2									
000101 - 000120		AD	L35,L45,P6B		58775-25000A	2									
990601 - 000101		AG	P6B,P65	A	58775-25000 (58775-25000A)	2									
000101 - 000120		AG	P6B,P65		58775-25000A	2									
990601 - 000101		DG	P65	A	58775-25000 (58775-25000A)	2									
000101 - 000120		DG	P65		58775-25000A	2									
990601 - 000101		DS	L35,L45	A	58775-25000 (58775-25000A)	2									
000101 - 000120		DS	L35,L45		58775-25000A	2									
990601 - 000101		FD	L35,L45	A	58775-25000 (58775-25000A)	2									
000101 - 000120		FD	L35,L45		58775-25000A	2									
990601 - 000101		FG	P6B,P65	A	58775-25000 (58775-25000A)	2									
000101 - 000120		FG	P6B,P65		58775-25000A	2									

AD:SDR,QL AG:SDR,QLS DG:SDR,QLS DS:SDR,QL FD:4DR,QL FG:4DR,QLS

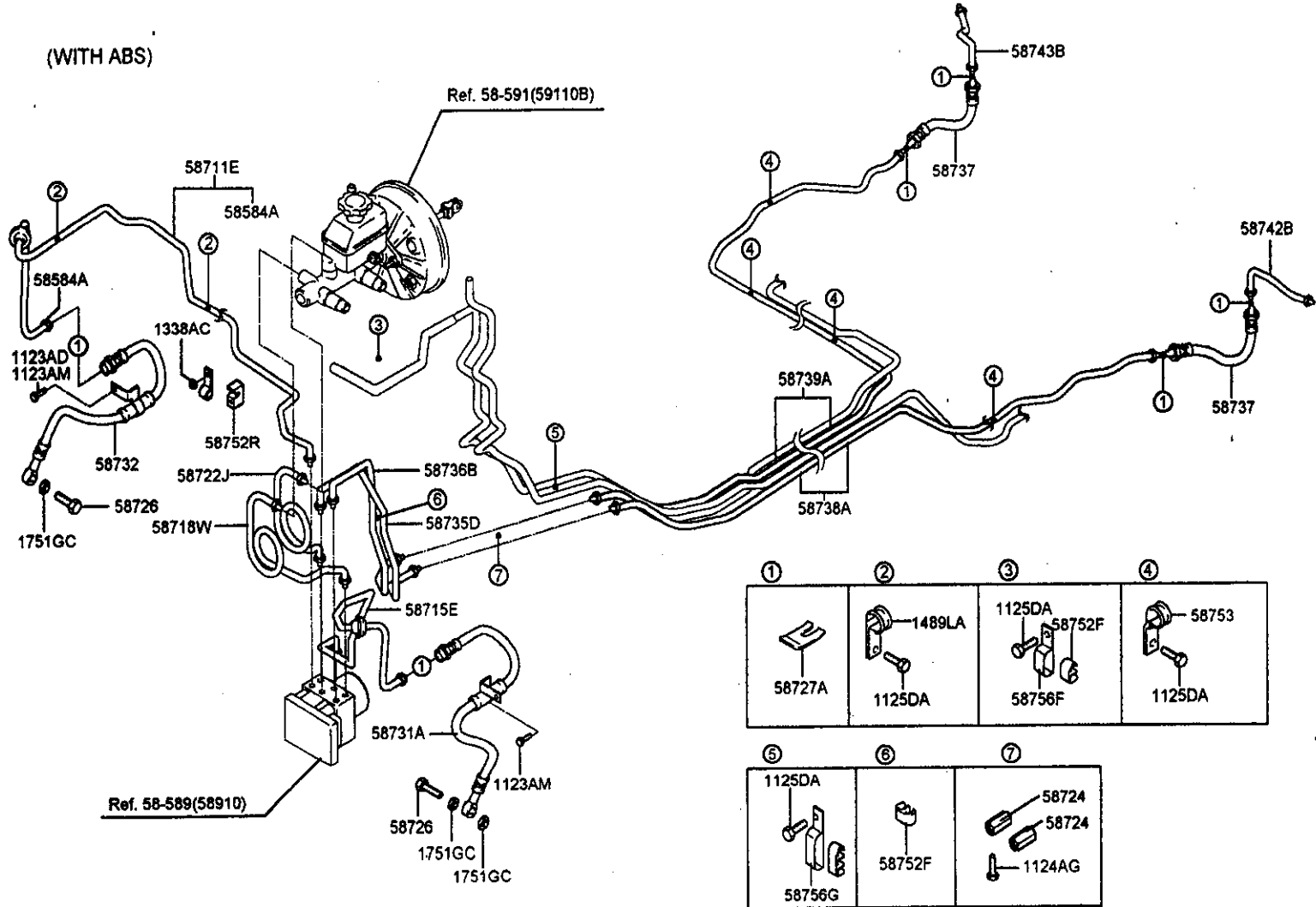
5891:ABS(ANTI SKID BRAKE SYSTEM)







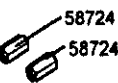
(W/O ABS)



① 58727A	② 1489LA 1125DA	③ 1125DA 58752F 58756C	④ 1125DA
-------------	-----------------------	---------------------------------	-------------

(WITH ABS)



<p>①</p>  <p>58727A</p>	<p>②</p>  <p>1489LA 1125DA</p>	<p>③</p>  <p>1125DA 58752F</p>	<p>④</p>  <p>58753 1125DA</p>
<p>⑤</p>  <p>1125DA 58756G</p>	<p>⑥</p>  <p>58752F</p>	<p>⑦</p>  <p>58724 58724 1124AG</p>	

2-E12

58-587 BRAKE FLUID LINES

BA,00112- 328

P N C		MODEL APPLICABLE		R E P	PART NO. (REPL P/NO)	Q T Y	REMARKS	P N C		MODEL APPLICABLE		R E P	PART NO. (REPL P/NO)	Q T Y	REMARKS
FROM-UP-TO	TYPE	DESCRIPTION						FROM-UP-TO	TYPE	DESCRIPTION					
1123AD		BOLT						CONTINUED							
		(S)PERNO (CON ARANDELA)						58711E		TUBE-PCV TO FR BRK HOSE RH					
990615 - 991101		ALL 5891			11230-06143	1					(S)TUBO	A	58711-25300	1	
1123AM		BOLT						990601 - 010701		ALL LHD;5891			(58711-25301)		
		(S)PERNO (CON ARANDELA)						990601 - 010701		ALL RHD			58711-25500	1	
990601 -		ALL		Y	11230-08141 (11230-08143)	2		990601 - 010701		ALL RHD;5891	A	58711-25700	1		
1124AG		BOLT						010701 -		ALL LHD			(58711-25701)		
		(S)PERNO (CON ARANDELA)						010701 -		ALL RHD>P3B,P35	A	58711-25002	1		
990601 -		ALL			11240-08201	1		010701 -		AD LHD>L35,P3B,P35,P6B 5891			58711-25301	1	
1125DA		BOLT						010701 -		AD RHD>L35,L45,P6B	A	58711-25501	1		
		(S)PERNO (CON ARANDELA)						010701 -		AD RHD>L35,L45,P6B			(58711-25002)		
990601 -		ALL		Y	11251-06163 (11251-06166B)	8		010701 -		AD RHD>L35,L45,P6B	A	58711-25501	1		
990601 -		ALL		Y	11251-06163 (11251-06166B)	7		010701 -		AD RHD>L35,P3B,P35,P6B 5891			58711-25701	1	
1338AC		NUT-FLANGE						010701 -		AG LHD>P3B,P35,P6B,P65 5891			58711-25301	1	
		(S)TUERCA TAPA						010701 -		AG RHD>P6B,P65	A	58711-25501	1		
990601 -		ALL LHD			13385-06003	1		010701 -		AG RHD>P6B,P65			(58711-25002)		
1489LA		CLIP						010701 -		AG RHD>P3B,P35,P6B,P65 5891			58711-25701	1	
		(S)SUJETADOR						010701 -		AG RHD>P3B,P35,P6B,P65 5891			58711-25301	1	
990601 -		ALL			14894-05179	3		010701 -		DG LHD>P3B,P35,P65;5891			58711-25501	1	
1751GC		GASKET(10)						010701 -		DG RHD>P65	A	58711-25501	1		
		(S)JUNTA						010701 -		DG RHD>P3B,P35,P65;5891			58711-25701	1	
990601 -		ALL			17512-10000	4		010701 -		DS LHD>M-S;5891			58711-25301	1	
58584A		NUT						010701 -		DS RHD>L35,L45	A	58711-25501	1		
		(S)TUERCA						010701 -		DS RHD>M-S;5891			58711-25701	1	
010701 -		ALL P3B,P35			58754-11120	2		010701 -		FD LHD>M-S;5891			58711-25301	1	
010701 -		AD L35,L45,P6B			58754-11120	2		010701 -		FD RHD>L35,L45	A	58711-25501	1		
010701 -		AG P6B,P65			58754-11120	2		010701 -		FD RHD>M-S;5891			58711-25701	1	
010701 -		DG P65			58754-11120	2		010701 -		FG LHD>P3B,P35,P6B,P65 5891			58711-25301	1	
010701 -		DS L35,L45			58754-11120	2		010701 -		FG RHD>P6B,P65	A	58711-25501	1		
010701 -		FD L35,L45			58754-11120	2		010701 -		FG LHD>P3B,P35,P6B,P65 5891			58711-25002		
010701 -		FG P6B,P65			58754-11120	2		010701 -		FG RHD>P6B,P65	A	58711-25501	1		
58711E		TUBE-PCV TO FR BRK HOSE RH						010701 -		FD RHD>M-S;5891			58711-25701	1	
		(S)TUBO						010701 -		FG LHD>P3B,P35,P6B,P65 5891			58711-25301	1	
990601 - 991001		ALL LHD		A	58711-25000 (58711-25001)	1		010701 -		FG RHD>P6B,P65	A	58711-25501	1		
990601 - 010701		ALL LHD			58711-25001	1							(58711-25002)		

AD:3DR,GL AG:3DR,GLS DG:3DR,GLS DS:3DR,L FD:4DR,GL FG:4DR,GLS 5891:ABS(ANTI SKID BRAKE SYSTEM)

2-F12

58-587 BRAKE FLUID LINES

BA,00112- 329

P N C	MODEL APPLICABLE		PART NO. (REPL P/NO)	Q T Y	REMARKS	P N C	MODEL APPLICABLE		PART NO. (REPL P/NO)	Q T Y	REMARKS
	FROM-UP-TO	TYPE					DESCRIPTION	FROM-UP-TO			
CONTINUED						CONTINUED					
58711E		TUBE-PCV TO FR BRK HOSE RH (S)TUBO				58735D		TUBE-PCV TO CONNECTOR RR LH (S)TUBO			
010701 -		FG RHD>P3B,P35,P6B,P65 5891	58711-25701	1		990601 -		ALL RHD;5891	58733-25700	1	
58715E		TUBE-PCV TO FR BRK HOSE LH (S)TUBO				990601 - 000120		ALL LHD	58733-25000	1	
990601 -		ALL 5891	58715-25300	1		990601 - 000120		ALL RHD	58733-25500	1	
990601 -		ALL RHD	58715-25500	1		000120 -		ALL LHD	58733-25010	1	
990601 - 991001		ALL LHD	58715-25000	1		000120 -		ALL RHD>P3B,P35	58733-25510	1	
991001 -		ALL LHD	58715-25001	1		000120 -		AD RHD>L35,L45,P6B	58733-25510	1	
58718W		TUBE-M/CYL TO H/MODULE (S)TUBO				000120 -		AG RHD>P6B,P65	58733-25510	1	
990601 -		ALL LHD;5891	58718-25300	1		000120 -		DG RHD>P65	58733-25510	1	
990601 -		ALL RHD;5891	58718-25700	1		000120 -		DS RHD>L35,L45	58733-25510	1	
58722J		TUBE-M/CYL TO H/MODULE (S)TUBO				000120 -		FD RHD>L35,L45	58733-25510	1	
990601 -		ALL LHD;5891	58722-25300	1		000120 -		FG RHD>P6B,P65	58733-25510	1	
990601 -		ALL RHD;5891	58722-25700	1		58736B		TUBE-PCV TO CONNECTOR RR RH (S)TUBO			
58724		CONNECTOR-BRAKE TUBE 2 WAY (S)CONECTOR				990601 -		ALL LHD;5891	58734-25300	1	
990601 -		ALL	58724-24000	2		990601 -		ALL RHD;5891	58734-25700	1	
58726		BOLT-HOSE CONNCTING (S)CONJ.ARADELA				990601 - 000120		ALL LHD	58734-25000	1	
990601 -		ALL	58726-21300	2		990601 - 000120		ALL RHD	58734-25500	1	
58727A		CLIP-HOSE (S)GRAPA				000120 -		ALL LHD	58734-25010	1	
990601 -		ALL	58727-11000	6		000120 -		ALL RHD>P3B,P35	58734-25510	1	
58731A		HOSE-BRAKE FR LH (S)MANGUERA				000120 -		AD RHD>L35,L45,P6B	58734-25510	1	
990601 -		ALL	58731-25000	1		000120 -		AG RHD>P6B,P65	58734-25510	1	
020101 -		ALL LHD>TCI	58731-1A000	1		000120 -		DG RHD>P65	58734-25510	1	
58732		HOSE-BRAKE FR RH (S)MANGUERA				000120 -		DS RHD>L35,L45	58734-25510	1	
990601 -		ALL	58732-25000	1		000120 -		FD RHD>L35,L45	58734-25510	1	
020101 -		ALL LHD>TCI	58732-1A000	1		000120 -		FG RHD>P6B,P65	58734-25510	1	
58735D		TUBE-PCV TO CONNECTOR RR LH (S)TUBO				58737		HOSE-BRAKE (S)MANGUERA			
990601 -		ALL LHD;5891	58733-25300	1		990601 - 010601		ALL	58737-25000 (58737-1A000)	2	
CONTINUED						010601 -		ALL P3B,P35	58737-1A000	1	
						020101 -		ALL TCI	58737-1A000	2	
						010601 -		AD L35,L45,P6B	58737-1A000	1	
						010601 -		AG P6B,P65	58737-1A000	1	
						010601 -		DG P65	58737-1A000	1	
						010601 -		DS L35,L45	58737-1A000	1	
						010601 -		FD L35,L45	58737-1A000	1	
						CONTINUED					

AD:5DR,QL AG:5DR,QLS DG:3DR,QLS DS:3DR,L FD:4DR,QL FG:4DR,QLS

5891:ABS(ANTI SKID BRAKE SYSTEM)

2-G12

58-587 BRAKE FLUID LINES

BA,G0112- 330

P N C	MODEL APPLICABLE		R E P	PART NO. (REPL P/NO)	Q T Y	REMARKS
FROM-UP-TO	TYPE	DESCRIPTION				
CONTINUED						
58737		HOSE-BRAKE (S)MANGUERA				
010601 -		FG P6B,P65		58737-1A000	1	
58738A		TUBE-CONNECTOR TO RR LH (S)TUBO				
990601 -		ALL		58735-25000	1	
58739A		TUBE-CONNECTOR TO RR RH (S)TUBO				
990601 -		ALL		58736-25000	1	
58742B		TUBE ASSY-RR LH (S)CONJ. TUBO				
990601 -		ALL		58742-25000	1	
990601 -		ALL 5891		58742-25300	1	
58743B		TUBE-RR BRAKE HOSE (S)TUBO				
990601 -		ALL		58743-25000	1	
990601 -		ALL 5891		58743-25300	1	
58752F		CLIP-BRAKE FLUID LINE (S)SUJETADOR				
990601 -		ALL		58752-21000	1	
58752R		CLIP (S)SUJETADOR				
990601 -		ALL RHD		58752-02000	1	
58753		CLIP (S)SUJETADOR				
990601 -		ALL		58753-22000	4	
58756C		CLIP-BRAKE FLUID LINE (S)SUJETADOR				
990601 - 000120		ALL	Y	58756-36001 (58756-38000)	1	
991018 -		ALL		58756-36000	1	
58756F		CLIP-BRAKE FLUID LINE (S)SUJETADOR				
990601 - 991101		ALL 5891		58756-22200	2	
58756G		CLIP-BRAKE FLUID LINE (S)SUJETADOR				
990601 - 991101		ALL 5891		58756-22300	1	

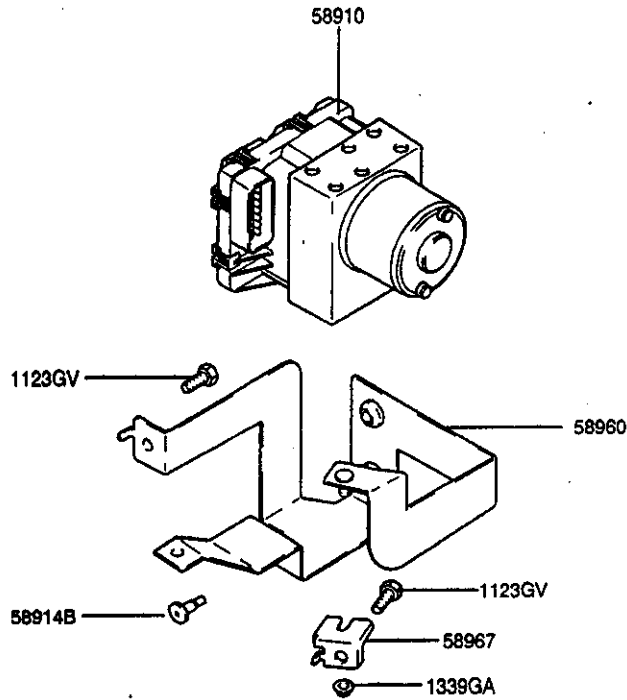
P N C	MODEL APPLICABLE		R E P	PART NO. (REPL P/NO)	Q T Y	REMARKS
FROM-UP-TO	TYPE	DESCRIPTION				

FG:4DR,QLS 5891:ABS(ANTI SKID BRAKE SYSTEM)

2-H12

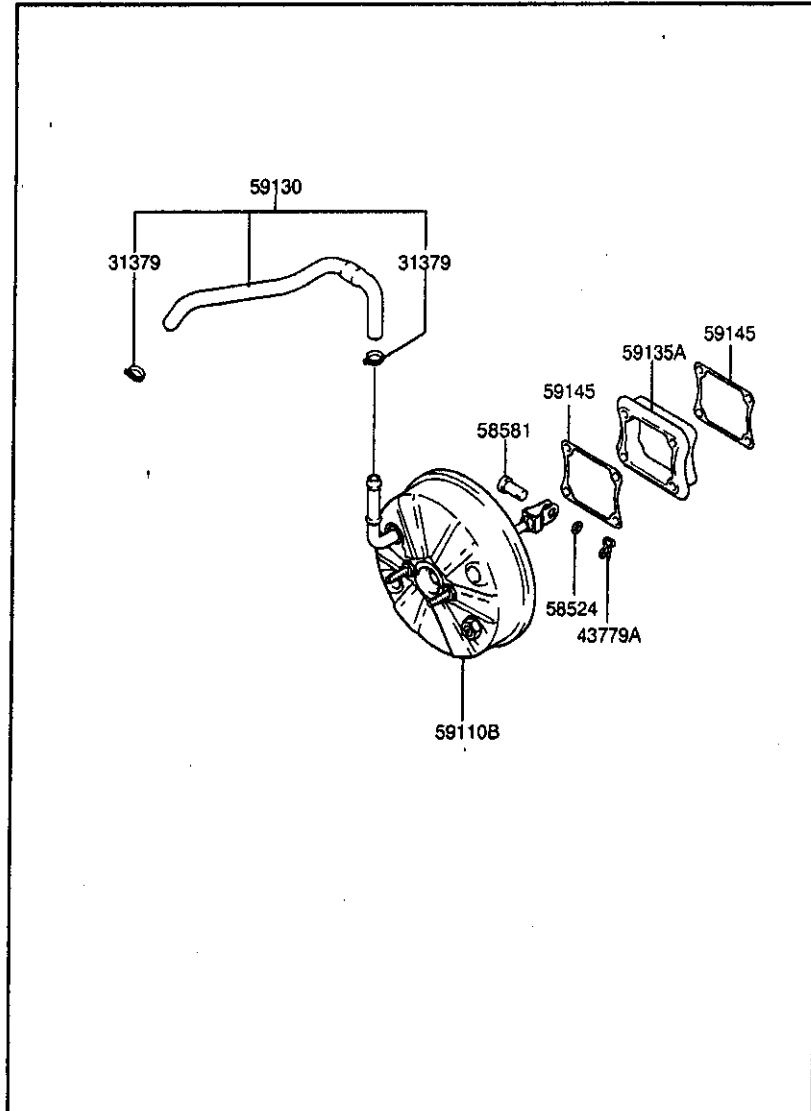
58-589 HYDRAULIC MODULE

8A,00112- 331



P N C	MODEL APPLICABLE		R E P	PART NO. (REPL P/N)	Q T Y	REMARKS
	FROM-UP-TO	TYPE				
1123GV						
990601 - 990615				11233-08201 (11233-08203)	3	W/WASHER
990615 -				11233-08203	3	
1339GA						
990601 - 990615				13396-08001 (13396-08003)	1	
990615 -				13396-08003	1	
58910						
990601 -				58910-25310	1	
58914B						
990601 -				58914-25000	3	
990601 -						
58960						
990601 -				58960-25310	1	
58967						
990601 -				58964-25300	1	

58-591 POWER BRAKE BOOSTER



P N C	MODEL APPLICABLE		RE P	PART NO. (REPL PNO)	Q T Y	REMARKS
	FROM-UP-TO	TYPE				
31379						
990601 -				31379-21000	2	
43779A						
990601 -				43779-37010	1	
58524						
990601 -				58575-22000	1	
58581						
990601 -				58581-22010	1	
59110B						
990601 -				59110-25010	1	
990601 -				59110-25510	1	
990601 -				59110-25510	1	
990601 -				59110-25510	1	
990601 -				59110-25510	1	
990601 -				59110-25510	1	
990601 -				59110-25510	1	
990601 -				59110-25510	1	
59130						
990601 - 001116				59130-25100 (59130-25110)	1	
020101 -				59130-25300	1	
990601 -				59130-25000	1	
990601 - 001116				59130-25200 (59130-25110)	1	
001116 -				59130-25110	1	
990601 - 001116				59130-25200 (59130-25110)	1	
001116 -				59130-25110	1	
990601 - 001116				59130-25200 (59130-25110)	1	
001116 -				59130-25110	1	
990601 -				59130-25000	1	
001116 -				59130-25110	1	

CONTINUED

2-J12

58-591 POWER BRAKE BOOSTER

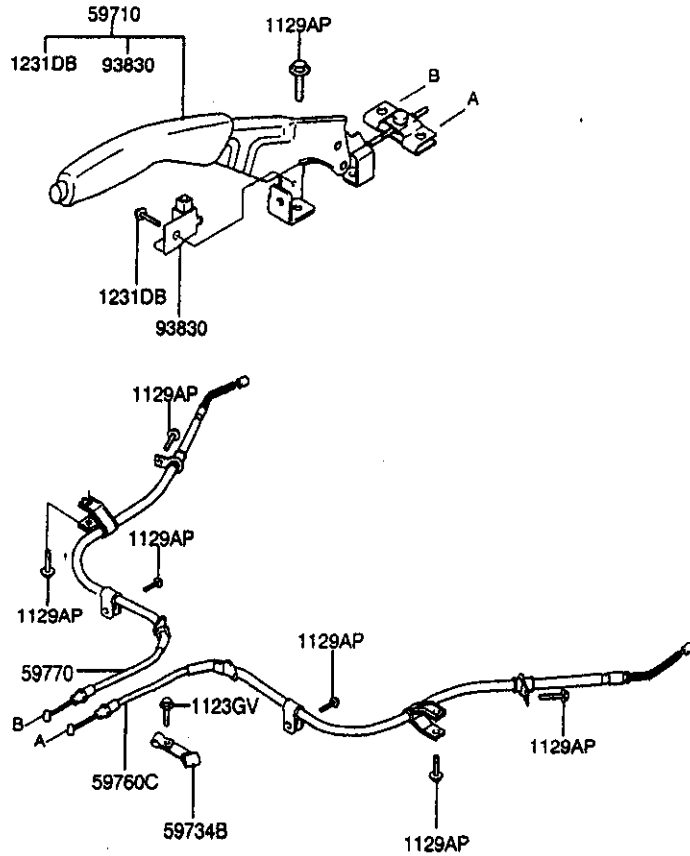
BA,00112- 333

P N C		MODEL APPLICABLE		R E P	PART NO. (REPL P/NO)	Q T Y	REMARKS	P N C		MODEL APPLICABLE		R E P	PART NO. (REPL P/NO)	Q T Y	REMARKS
FROM-UP-TO	TYPE	DESCRIPTION						FROM-UP-TO	TYPE	DESCRIPTION					
CONTINUED															
		59130			HOSE ASSY-BRAKE BOOSTER VACUUM (S)CONJ. MANGUERA										
		990601 -			FD CON	59130-25000	1								
		001116 -			FD M-S	59130-25110	1								
		990601 - 001116			FG M-D	59130-25200 (59130-25110)	1								
		001116 -			FG P3B,P35,P6B,P6S	59130-25110	1								
		59135A			SPACER (S)ESPACIADOR										
		990601 -			ALL	59135-25000	1								
		59145			SEAL (S)RETEN										
		990601 -			ALL	59145-24001 (59145-02000)	2								

2-K12

58-597 PARKING BRAKE

BA,G0112- 334

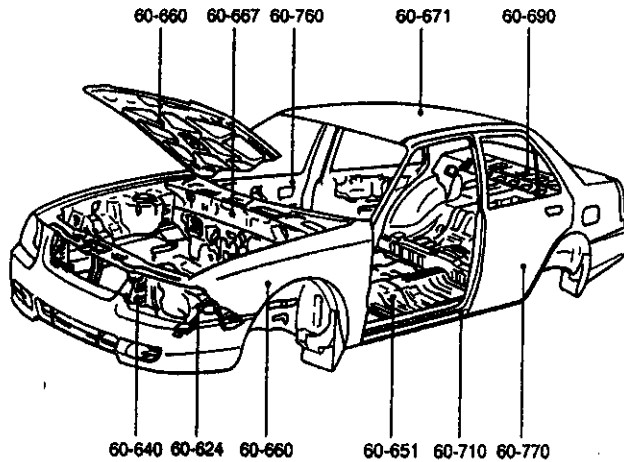


P N C	MODEL APPLICABLE		R E P	PART NO. (REPL P/NO)	Q T Y	REMARKS
	FROM-UP-TO	TYPE				
1123GV						
990601 - 990615			Y	11233-08201 (11233-08203)	2	W/WASHER
1129AP						
990601 -			Y	11290-08201 (11290-08203)	4	
1231DB						
990601 -				12310-05101	1	
59710						
990601 -				59710-25000LT	1	INT;LT
990601 -				59710-25000LT	1	INT;LT
990601 -				59710-25000LT	1	INT;LT
990601 -				59710-25000LT	1	INT;LT
990601 -				59710-25000LT	1	INT;LT
990601 -				59710-25000LT	1	INT;LT
59734B						
990601 -				59734-22000	1	
59760C						
990601 -				59760-25000	1	
59770						
990601 -				59770-25000	1	
93830						
990601 -				93830-29000	1	

==M/E/M/O==

60

BODY

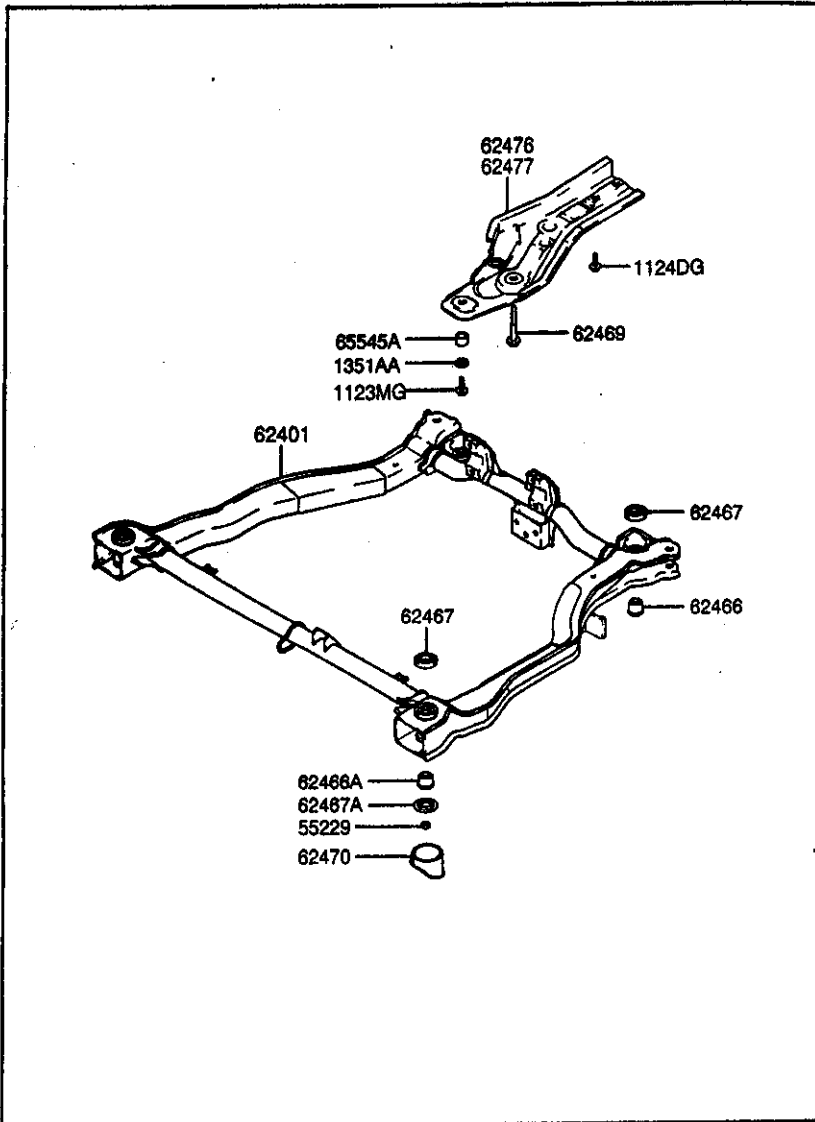


60-624	FRONT SUSPENSION CROSSMEMBER	2-M12
60-640	FENDER APRON & RAD SUPT RNL	2-C13
60-651	FLOOR PANEL	2-E13
60-660	FENDER & HOOD PANEL	2-I13
60-667	COWL PANEL	2-K13
60-671	ROOF PANEL	2-M13
60-690	TAIL GATE & BACK PANEL	2-B14
60-710	SIDE BODY PANEL	2-D14
60-760	FRONT DOOR PANEL	2-L14
60-770	REAR DOOR PANEL	3-A 1

2-M12

60-624 FRONT SUSPENSION CROSSMEMBER

BA00112-336



P N C	MODEL APPLICABLE		P A R T N O. (REPL P/N)	Q T Y	RE M A R K S
	FROM-UP-TO	TYPE			
1123MG		BOLT			
		(S)PERNO (CON ARANDELA)			
990601 -		ALL	11234-12401	2	
1124DG		BOLT			
		(S)PERNO (CON ARANDELA)			
990601 -		ALL	11241-12301	4	
1351AA		WASHER-PLAIN			
		(S)ARANDELA			
990601 -		ALL	Y 13510-12361 (13510-1236B)	2	
55229		NUT-"U" BOLT			
		(S)TUERCA-PERNO "U"			
990601 -		ALL	55229-44002	2	
62401		CROSSMEMBER COMPL			
		(S)COMPL. TRAVESANO			
010102 -		ALL LHD>P3B,P35;5613	62410-25001	1	
010102 -		ALL LHD>P3B,P35;5618	62410-25001	1	
020101 -		ALL LHD>TCI;5613	62410-25700	1	
990601 - 010102		AD LHD>L35,L45,P3B,P35 5618	Y 62410-25000 (62410-25001)	1	
990601 - 010102		AD RHD>L35,L45,P3B,P35 5613	Y 62410-25900 (62410-25901)	1	
990601 - 010102		AD RHD>L35,L45,P3B,P35 5618	Y 62410-25900 (62410-25901)	1	
010102 -		AD LHD>L35,L45,P6B;5613	62410-25001	1	
010102 -		AD LHD>L35,L45;5618	62410-25001	1	
010102 -		AD RHD L35,L45,P3B,P35, P6B;5613	62410-25901	1	
010102 -		AD RHD>L45,P3B,P35;5618	62410-25901	1	
990601 - 010102		AG LHD>M-S;5618	Y 62410-25000 (62410-25001)	1	
990601 - 010102		AG RHD>M-S;5613	Y 62410-25900 (62410-25901)	1	
990601 - 010102		AG RHD>M-S;5618	Y 62410-25900 (62410-25901)	1	
010102 -		AG LHD>P6B,P65;5613	62410-25001	1	
010102 -		AG LHD>P65;5618	62410-25001	1	
010102 -		AG RHD>P3B,P35,P6B;5613	62410-25901	1	
010102 -		AG RHD>M-S;5618	62410-25901	1	

CONTINUED

2-A13

60-624 FRONT SUSPENSION CROSSMEMBER

BA,00112- 337

P N C	MODEL APPLICABLE		R E P	PART NO. (REPL PNO)	Q T Y	REMARKS	P N C	MODEL APPLICABLE		R E P	PART NO. (REPL PNO)	Q T Y	REMARKS
	FROM-UP-TO	TYPE						DESCRIPTION	FROM-UP-TO				
CONTINUED							CONTINUED						
62401		CROSSMEMBER COMPL (S)COMPL. TRAVESANO					62401		CROSSMEMBER COMPL (S)COMPL. TRAVESANO				
990601 - 010102	DG	LHD>M-S;5618	Y	62410-25000 (62410-25001)	1		990601 - 010102	FG	RHD>M-S;5618	Y	62410-25900 (62410-25901)	1	
990601 - 010102	DG	RHD>M-S;5613	Y	62410-25900 (62410-25901)	1		010102 -	FG	LHD>P6B,P65;5613		62410-25001	1	
990601 - 010102	DG	RHD>M-S;5618	Y	62410-25900 (62410-25901)	1		010102 -	FG	LHD>P65;5618		62410-25001	1	
010102 -	DG	LHD>P65;5613		62410-25001	1		010102 -	FG	RHD>P3B,P35,P6B;5613		62410-25901	1	
010102 -	DG	LHD>P65;5618		62410-25001	1		010102 -	FG	RHD>M-S;5618		62410-25901	1	
010102 -	DG	RHD>M-S;5613		62410-25901	1		62466		BUSHING-CROSSMEMBER MTG (S)CASQUILLO				
010102 -	DG	RHD>M-S;5618		62410-25901	1		990601 -	ALL	5613		62466-25000	2	
990601 - 010102	DS	LHD>L35,L45,P3B,P35 5618	Y	62410-25000 (62410-25001)	1		990601 -	ALL	P3B,P35;5618		62466-25000	2	
990601 - 010102	DS	RHD>L35,L45,P3B,P35 5613	Y	62410-25900 (62410-25901)	1		990601 -	AD	L35,L45;5618		62466-25000	2	
990601 - 010102	DS	RHD>L35,L45,P3B,P35 5618	Y	62410-25900 (62410-25901)	1		990601 -	AG	P65;5618		62466-25000	2	
010102 -	DS	LHD>L35,L45;5613		62410-25001	1		990601 -	DG	P65;5618		62466-25000	2	
010102 -	DS	LHD>L35,L45;5618		62410-25001	1		990601 -	DS	L35,L45;5618		62466-25000	2	
010102 -	DS	RHD>L35,L45,P3B,P35 5613		62410-25901	1		990601 -	FD	L35,L45;5618		62466-25000	2	
010102 -	DS	RHD>L45,P3B,P35;5618		62410-25901	1		990601 -	FG	P65;5618		62466-25000	2	
990601 - 010102	FD	LHD>L35,L45,P3B,P35 5618	Y	62410-25000 (62410-25001)	1		62466A		BUSHING-CROSSMEMBER MTG (S)CASQUILLO				
990601 - 010102	FD	RHD>L35,L45,P3B,P35 5613	Y	62410-25900 (62410-25901)	1		990601 -	ALL	5613		62466-25100	2	
990601 - 010102	FD	RHD>L35,L45,P3B,P35 5618	Y	62410-25900 (62410-25901)	1		990601 -	ALL	P3B,P35;5618		62466-25100	2	
010102 -	FD	LHD>L35,L45;5613		62410-25001	1		990601 -	AD	L35,L45;5618		62466-25100	2	
010102 -	FD	LHD>L35,L45;5618		62410-25001	1		990601 -	AG	P65;5618		62466-25100	2	
010102 -	FD	RHD>L35,L45,P3B,P35 5613		62410-25901	1		990601 -	DG	P65;5618		62466-25100	2	
010102 -	FD	RHD>L45,P3B,P35;5618		62410-25901	1		990601 -	DS	L35,L45;5618		62466-25100	2	
990601 - 010102	FG	LHD>M-S;5618	Y	62410-25000 (62410-25001)	1		990601 -	FD	L35,L45;5618		62466-25100	2	
990601 - 010102	FG	RHD>M-S;5613	Y	62410-25900 (62410-25901)	1		990601 -	FG	P65;5618		62466-25100	2	
CONTINUED							62467		STOPPER-CROSSMEMBER BUSHING (S)OBTURADOR				
							990601 -	ALL	5613		62468-25000	4	
							990601 -	ALL	P3B,P35;5618		62468-25000	4	
							990601 -	AD	L35,L45;5618		62468-25000	4	
							990601 -	AG	P65;5618		62468-25000	4	
							990601 -	DG	P65;5618		62468-25000	4	
							990601 -	DS	L35,L45;5618		62468-25000	4	
							990601 -	FD	L35,L45;5618		62468-25000	4	
							990601 -	FG	P65;5618		62468-25000	4	

AD:3DR,6L AG:3DR,6LS DG:3DR,6LS DS:3DR,6L FD:4DR,6L FG:4DR,6LS

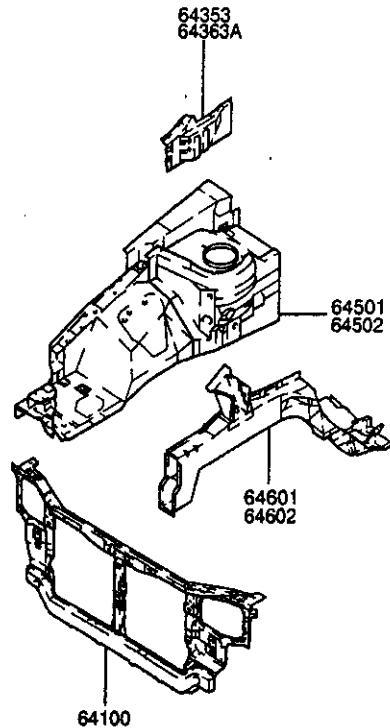
5613:STRG-POWER(N,P,S) 5618:STRG-MANUAL

2-913

60-624 FRONT SUSPENSION CROSSMEMBER

BA,00112- 338

P N C	MODEL APPLICABLE		R E P	PART NO. (REPL PNO)	Q T Y	REMARKS	P N C	MODEL APPLICABLE		R E P	PART NO. (REPL PNO)	Q T Y	REMARKS
	FROM-UP-TO	TYPE						DESCRIPTION	FROM-UP-TO				
62467A													
990001 -				62467-25000	2								
62469													
990001 -				62469-25000	2								
62470													
990001 -				62470-25000	2								
990001 -				62470-25000	2								
990001 -				62470-25000	2								
990001 -				62470-25000	2								
990001 -				62470-25000	2								
990001 -				62470-25000	2								
990001 -				62470-25000	2								
990001 -				62470-25000	2								
990001 -				62470-25000	2								
62476													
990001 -				62480-25000	1								
62477													
990001 -				62490-25000	1								
65545A													
990001 -				62492-25000	2								



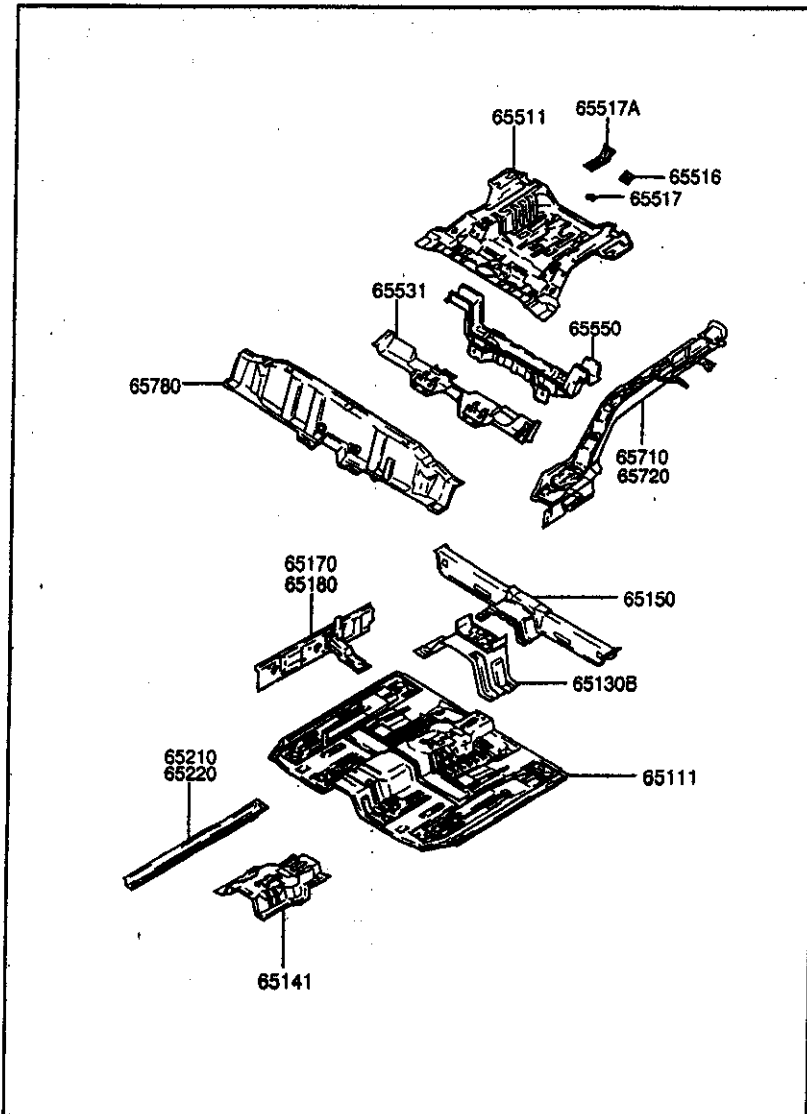
P N C	MODEL APPLICABLE		R E P	PART NO. (REPL P/NO)	Q T Y	REMARKS
	FROM-UP-TO	TYPE				
64100				PANEL COMPL-RADIATOR SUPT (S)COMPLETA PANEL		
990601 -				ALL 4AT2;6501	1	
990601 -				ALL 5MT2;6501	1	
990601 -			Y	ALL 4AT2;6502	1	
				(64100-25300)		
990601 -			Y	ALL 5MT2;6502	1	
				(64100-25400)		
020101 -				AD P35,P85;0950,6501	1	
020101 -				AG 5MT2;0950,6501	1	
020101 -				DG 5MT2;0950,6501	1	
020101 -				DS P35,P85;0950,6501	1	
020101 -				FD P35,P85;0950,6501	1	
020101 -				FG 5MT2;0950,6501	1	
64353				EXTENSION ASSY-SIDE SILL INR FR LH (S)CONJUNTO EXTENSION		
990601 -				ALL 6501	1	
990601 -			Y	ALL LHD;8502	1	
				(64354-25300)		
64363A				EXTENSION ASSY-SIDE SILL INR FR RH (S)CONJUNTO EXTENSION		
990601 -				ALL 6501	1	
990601 -			Y	ALL LHD;6502	1	
				(64364-25300)		
64501				PANEL ASSY-FNDR APRON LH (S)CONJUNTO PANEL		
990601 - 010905				ALL	1	
010905 -				ALL	1	
64502				PANEL ASSY-FNDR APRON RH (S)CONJUNTO PANEL		
990601 - 010905				ALL	1	
010905 -				ALL	1	
64601				MEMBER ASSY-FR SIDE LH (S)CONJ. MIEMBRO		
990601 -				ALL 6501	1	
990601 -			Y	ALL 6502	1	
				(64605-25300)		

2-D13

60-640 FENDER APRON & RAD SUPT RNL

BA.00113- 340

P N C		MODEL APPLICABLE		Q T Y	REMARKS	P N C		MODEL APPLICABLE		Q T Y	REMARKS
FROM-UP-TO	TYPE	DESCRIPTION	PART NO. (REPL P/NO)			FROM-UP-TO	TYPE	DESCRIPTION	PART NO. (REPL P/NO)		
64602		MEMBER ASSY-FR SIDE RH (S)CONJ. MIEMBRO									
990601 -		ALL 6501	64606-25300	1							
990601 -		ALL 6502	64606-25000 (64606-25300)	1							



P N C	MODEL APPLICABLE		R E P	PART NO. (REPL P/NO)	Q T Y	REMARKS
	FROM-UP-TO	TYPE				
65111						
990601 -				65111-22303	1	
990601 -			Y	65111-22002 (65111-22303)	1	
990601 -			Y	65111-22002 (65111-22303)	1	
990601 -			Y	65111-22002 (65111-22303)	1	
990601 -			Y	65111-22002 (65111-22303)	1	
990601 -			Y	65111-22002 (65111-22303)	1	
990601 -			Y	65111-22002 (65111-22303)	1	
990601 -			Y	65111-22002 (65111-22303)	1	
65130B						
990601 -				65113-25000	1	
65141						
990601 -				65141-22302	1	
990601 -			Y	65141-22002 (65141-22302)	1	
990601 -			Y	65141-22002 (65141-22302)	1	
990601 -			Y	65141-22002 (65141-22302)	1	
990601 -			Y	65141-22002 (65141-22302)	1	
990601 -			Y	65141-22002 (65141-22302)	1	
990601 -			Y	65141-22002 (65141-22302)	1	
990601 -			Y	65141-22002 (65141-22302)	1	
65150						
990601 -				65150-25000	1	
990601 -				65150-25050	1	
990601 -				65150-25050	1	
990601 -				65150-25050	1	

AD:SDR,GL AD:SDR,GLS DG:SDR,GLS DS:SDR, FD:DR,GL FG:4DR,GLS 6501:HIGH GRADE ANTI-CORROSION 6502:LOW GRADE ANTI-CORROSION

CONTINUED

2-F13

60-651 FLOOR PANEL

BA,00112- 342

P N C	MODEL APPLICABLE		R E P	PART NO. (REPL. P/NO)	Q T Y	REMARKS	P N C	MODEL APPLICABLE		R E P	PART NO. (REPL. P/NO)	Q T Y	REMARKS
	FROM-UP-TO	TYPE						DESCRIPTION	FROM-UP-TO				
CONTINUED							CONTINUED						
65150		CROSSMEMBER ASSY-FR SEAT					65210		MEMBER ASSY-FR FLOOR SIDE LH				
		(S)CONJ. TRAVESANO							(S)CONJ. MIEMBRO				
990601 -		DS 4AT2;6501		65150-25050	1		990601 -		AG 6502	Y	65210-22000	1	
990601 -		FD 4AT2		65150-25050	1						(65210-22300)		
990601 -		FG 4AT2		65150-25050	1		990601 -		DG 5MT2;6502	Y	65210-22000	1	
65170		PANEL ASSY-SIDE SILL INR LH									(65210-22300)		
		(S)CONJUNTO PANEL					990601 -		DS 5MT2;6502	Y	65210-22000	1	
990601 -		AD		65170-25000	1						(65210-22300)		
990601 -		AG		65170-25000	1		990601 -		FD 6502	Y	65210-22000	1	
990601 -		DG		65170-25200	1						(65210-22300)		
990601 -		DS		65170-25200	1		990601 -		PG 6502	Y	65210-22000	1	
990601 -		FD		65170-25000	1						(65210-22300)		
990601 -		FG		65170-25000	1		65220		MEMBER ASSY-FR FLOOR SIDE RH				
65180		PANEL ASSY-SIDE SILL INR RH							(S)CONJ. MIEMBRO				
		(S)CONJUNTO PANEL					990601 - 000201		ALL 6501	Y	65220-22300	1	
990601 -		AD	A	65180-25000	1						(65220-22301)		
				(65180-25300)			000201 -		ALL 6501		65220-22301	1	
990910 - 991101		AD 6501		65180-25300	1		990601 - 000201		AD 6502	Y	65220-22000	1	
990601 -		AG	A	65180-25000	1						(65220-22001)		
				(65180-25300)			000201 -		AD 6502	Y	65220-22001	1	
990910 - 991101		AG 6501		65180-25300	1						(65220-22301)		
990601 -		DG	A	65180-25200	1		990601 - 000201		AG 6502	Y	65220-22000	1	
				(65180-25500)							(65220-22001)		
990910 - 991101		DG 6501		65180-25500	1		000201 -		AG 6502	Y	65220-22001	1	
990601 -		DS	A	65180-25200	1						(65220-22301)		
				(65180-25500)			990601 - 000201		DG 5MT2;6502	Y	65220-22000	1	
990910 - 991101		DS 6501		65180-25500	1						(65220-22001)		
990601 -		FD	A	65180-25000	1		000201 -		DG 5MT2;6502	Y	65220-22001	1	
				(65180-25300)							(65220-22301)		
990910 - 991101		FD 6501		65180-25300	1		990601 - 000201		DS 5MT2;6502	Y	65220-22000	1	
990601 -		FG	A	65180-25000	1						(65220-22001)		
				(65180-25300)			000201 -		DS 5MT2;6502	Y	65220-22001	1	
990910 - 991101		FG 6501		65180-25300	1						(65220-22301)		
65210		MEMBER ASSY-FR FLOOR SIDE LH					990601 - 000201		FD 6502	Y	65220-22000	1	
		(S)CONJ. MIEMBRO									(65220-22001)		
990601 -		ALL 6501		65210-22300	1		000201 -		FD 6502	Y	65220-22001	1	
990601 -		AD 6502	Y	65210-22000	1						(65220-22301)		
				(65210-22300)			CONTINUED						

AD:DR,GL AG:DR,GL DG:DR,GL DS:DR,L FD:DR,GL FG:DR,GL

9801-HIGH GRADE ANTI-CORROSION 6502-LOW GRADE ANTI-CORROSION

2-G13

60-651 FLOOR PANEL

8A.G0112-343

P N C		MODEL APPLICABLE		R E P	PART NO. (REPL PNO)	Q T Y	REMARKS	P N C		MODEL APPLICABLE		R E P	PART NO. (REPL PNO)	Q T Y	REMARKS
FROM-UP-TO	TYPE	DESCRIPTION	FROM-UP-TO					TYPE	DESCRIPTION						
CONTINUED															
65220		MEMBER ASSY-FR FLOOR SIDE RH (S)CONJ. MIEMBRO						65517A		BRACKET ASSY-RR TOWING HOOK (S)CONJUNTO SOPORTE					
990601 - 000201		FG 6502	Y	65220-22000 (65220-22001)	1			990601 -	ALL	Y	65517-25000 (65517-25300)	1			
000201 -		FG 6502	Y	65220-22001 (65220-22301)	1			65531		MEMBER ASSY-RR S/BELT ANCHOR (S)CONJ. MIEMBRO					
65511		PANEL-RR FLOOR (S)PANEL						990601 - 010827	ALL		65531-25000	1			
990601 - 010827		AD	Y	65511-22001 (65511-22301)	1			010827 -	ALL		65531-25050	1			
010827 -		AD		65511-22002	1			65550		MEMBER ASSY-RR FLOOR CTR (S)CONJ. MIEMBRO					
990601 - 010827		AG	Y	65511-22001 (65511-22301)	1			990601 -	ALL	Y	65750-22001 (65750-22301)	1			
010827 -		AG		65511-22002	1			65710		MEMBER ASSY-RR FLOOR SIDE LH (S)CONJ. MIEMBRO					
990601 - 010827		DG	Y	65511-22001 (65511-22301)	1			990601 - 010827	AD	Y	65710-25100 (65710-25400)	1			
010827 -		DG		65511-22002	1			010827 -	AD		65710-25150	1			
990601 - 010827		DS	Y	65511-22001 (65511-22301)	1			990601 - 010827	AG	Y	65710-25100 (65710-25400)	1			
010827 -		DS		65511-22002	1			010827 -	AG		65710-25150	1			
990601 - 000703		FD	Y	65511-25000 (65511-25300)	1			990601 - 010827	DG	Y	65710-25200 (65710-25500)	1			
990601 - 010827		FD	Y	65511-25001 (65511-25301)	1			010827 -	DG		65710-25250	1			
010827 -		FD		65511-25002	1			990601 - 010827	DS	Y	65710-25200 (65710-25500)	1			
990601 - 000703		FG	Y	65511-25000 (65511-25300)	1			010827 -	DS		65710-25250	1			
990601 - 010827		FG	Y	65511-25001 (65511-25301)	1			990601 - 010827	FD	Y	65710-25000 (65710-25300)	1			
010827 -		FG		65511-25002	1			010827 -	FD		65710-25050	1			
65516		BRACKET-JACK MTG (S)SOPORTE						990601 - 010827	FG	Y	65710-25000 (65710-25300)	1			
990601 -		ALL		65514-22000	1			010827 -	FG		65710-25050	1			
65517		BRACKET ASSY-SPARE TIRE MTG (S)CONJUNTO SOPORTE						65720		MEMBER ASSY-RR FLOOR SIDE RH (S)CONJ. MIEMBRO					
990601 -		ALL		65515-22000	1			990601 - 010827	AD	Y	65720-25100 (65720-25400)	1			
990601 -		ALL						010827 -	AD		65720-25150	1			
								990601 - 010827	AG	Y	65720-25100 (65720-25400)	1			
CONTINUED															

AD:3DR,GL AG:5DR,GLS DG:3DR,GLS DS:3DR,L FD:4DR,GL FG:4DR,GLS

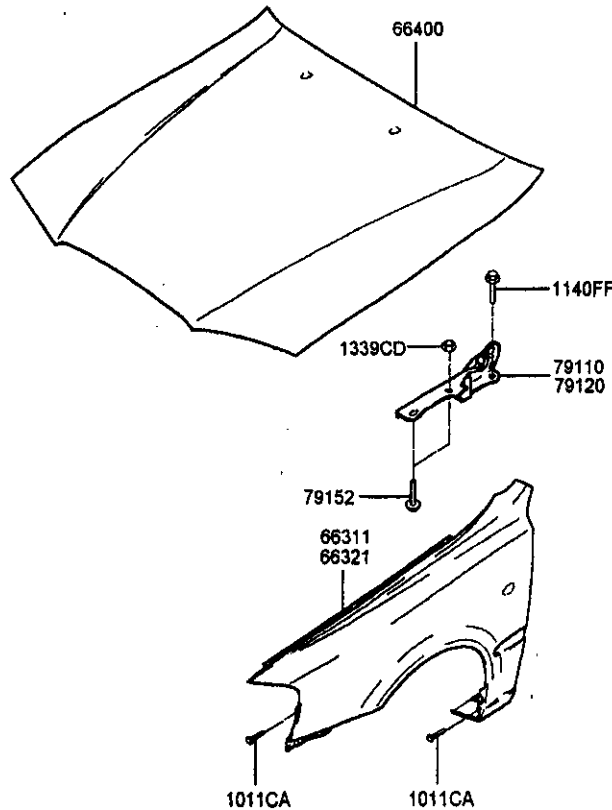
6502:LOW GRADE ANTI-CORROSION

2-H13

60-651 FLOOR PANEL

BA,00112- 344

P N C		MODEL APPLICABLE		R E P	PART NO. (REPL PNO)	Q T Y	REMARKS	P N C		MODEL APPLICABLE		R E P	PART NO. (REPL PNO)	Q T Y	REMARKS
FROM-UP-TO	TYPE	DESCRIPTION	FROM-UP-TO					TYPE	DESCRIPTION						
CONTINUED															
65720		MEMBER ASSY-RR FLOOR SIDE RH													
(S)CONJ. MIEMBRO															
010827 -	AG		65720-25150		1										
990801 - 010827	DG		65720-25200	Y	1										
			(65720-25500)												
010827 -	DG		65720-25250		1										
990801 - 010827	DS		65720-25200	Y	1										
			(65720-25500)												
010827 -	DS		65720-25250		1										
990801 - 010827	FD		65720-25000	Y	1										
			(65720-25300)												
010827 -	FD		65720-25050		1										
990801 - 010827	FG		65720-25000	Y	1										
			(65720-25300)												
010827 -	FG		65720-25050		1										
65780		EXTENSION ASSY-RR FLOOR FR													
(S)CONJUNTO EXTENSION															
990801 -	ALL		65780-22001	Y	1										
			(65780-22301)												



* 79110/79120 (HINGE ASSY-HOOD,L/RH)
 We can not supply the parts numbers, 79110/120-25000, anymore.
 Instead of these parts, please place an order new kit No,
 depending on your drive type.

	LHD	RHD
LH	79110-25A00	79110-25A00
RH	79120-25A00	79120-25A00

P N C	MODEL APPLICABLE		Q T Y	REMARKS
	FROM-UP-TO	DESCRIPTION		
1011CA		BOLT (S)PERNO (CON ARANDELA)		
990601 -		ALL	10117-06161	14
1140FF		BOLT (S)PERNO (PESTANA)		
990601 -		ALL	11403-08201	2
1339CD		NUT-FLANGE (S)TUERCA TAPA		
990601 -		ALL	Y 13395-08001 (13395-08003)	2
66311		PANEL-FENDER LH (S)PANEL		
990601 - 000221		ALL 6501	66311-25300	1
990601 - 000221		ALL 6502	Y 66311-25000 (66311-25300)	1
990601 - 000221		ALL 8783,6501	66311-25600	1
990601 - 000221		ALL 8783,6502	Y 66311-25200 (66311-25600)	1
000221 -		ALL	66311-25300	1
000221 -		ALL 8783	66311-25600	1
001101 -		ALL 9231	66311-25350	1
66321		PANEL-FENDER RH (S)PANEL		
990601 - 000221		ALL 6501	66321-25300	1
990601 - 000221		ALL 6502	Y 66321-25000 (66321-25300)	1
990601 - 000221		ALL 8783,6501	66321-25600	1
990601 - 000221		ALL 8783,6502	Y 66321-25200 (66321-25600)	1
000221 -		ALL	66321-25300	1
000221 -		ALL 8783	66321-25600	1
001101 -		ALL 9231	66321-25350	1
66400		PANEL ASSY-HOOD (S)CONJUNTO PANEL		
990601 - 011126		ALL 6501	Y 66400-25010 (66400-25020)	1
990601 - 011126		ALL 6502	Y 66400-25000 (66400-25010)	1
011101 -		ALL 6501	66400-25310	1

CONTINUED

2-113

60-660 FENDER & HOOD PANEL

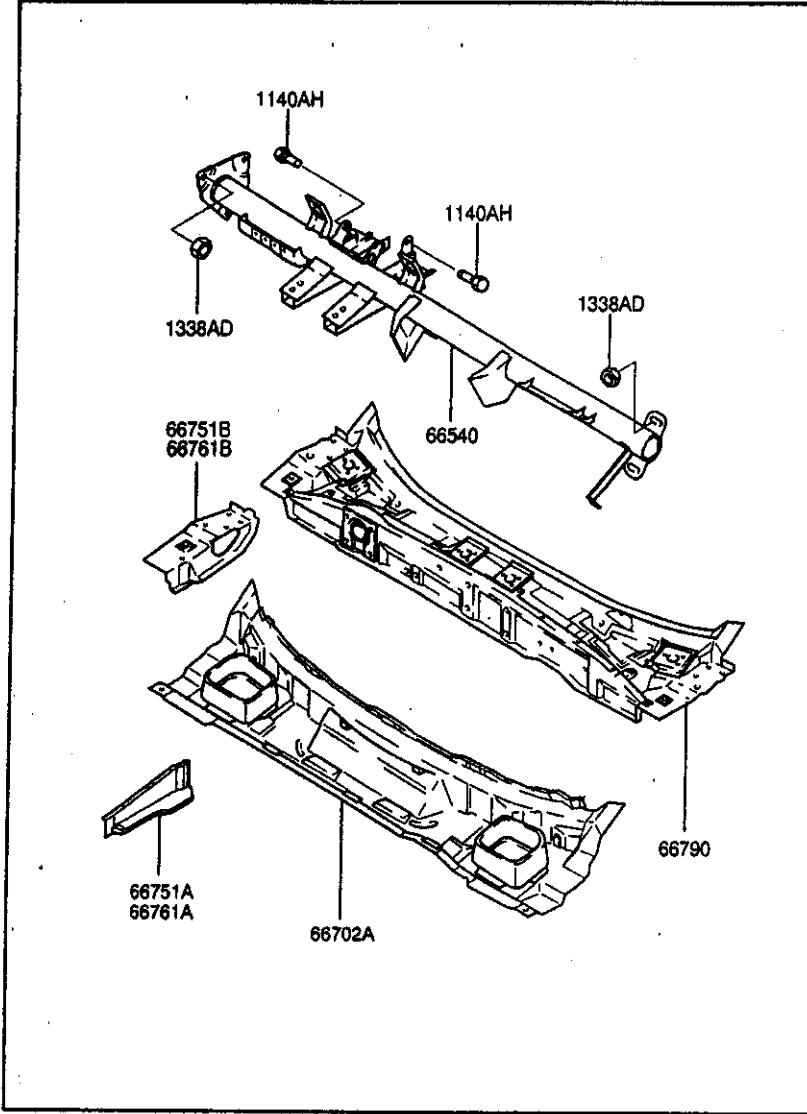
BA,00112- 346

P N C		MODEL APPLICABLE		R E P	PART NO. (REPL PNO)	Q T Y	REMARKS	P N C		MODEL APPLICABLE		R E P	PART NO. (REPL PNO)	Q T Y	REMARKS
FROM-UP-TO	TYPE	DESCRIPTION						FROM-UP-TO	TYPE	DESCRIPTION					
CONTINUED															
66400		PANEL ASSY-HOOD (S)CONJUNTO PANEL													
011101 -		ALL 6502			66400-25300	1									
79110		HINGE ASSY-HOOD LH (S)CONJUNTO BISAGRA													
990601 - 001214		ALL			79110-25000	1									
001214 -		ALL			79110-25001	1									
79120		HINGE ASSY-HOOD RH (S)CONJUNTO BISAGRA													
990601 - 001214		ALL			79120-25000	1									
001214 -		ALL			79120-25001	1									
79152		BOLT-HOOD HINGE MTG (S)PERNO													
990601 -		ALL			79152-22000	4									

2-K13

60-667 COWL PANEL

BA,60112-347



P N C	MODEL APPLICABLE		R E P	PART NO. (REPL PNO)	Q T Y	REMARKS
	FROM-UP-TO	TYPE				
1140AH						
990601 -				11415-08161	5	
1338AD						
990601 -			Y	13385-08001 (13385-08003)	4	
66540						
990601 -				66540-25000	1	
990601 -				66540-25050	1	
990601 -				66540-25900	1	
990601 -				66540-25950	1	
66702A						
990601 -				66702-25900	1	
990601 - 010910			A	66702-25100 (65702-25101)	1	
990601 - 010910			A	66702-25000 (66702-25001)	1	
010910 -				66702-25101	1	
010910 -			Y	66702-25001 (66702-25011)	1	
66751A						
990601 -				66756-25300	1	
990601 -			Y	66756-25000 (66756-25300)	1	
66751B						
990601 -				66751-25100	1	
990601 -			Y	66751-25000 (66751-25100)	1	
66761A						
990601 -				66766-25300	1	
990601 -			Y	66766-25000 (66766-25300)	1	

6002:AIR BAG(PASSENGER SIDE) 6501:HIGH GRADE ANTI-CORROSION 6502:LOW GRADE ANTI-CORROSION

2-L13

60-667 COWL PANEL

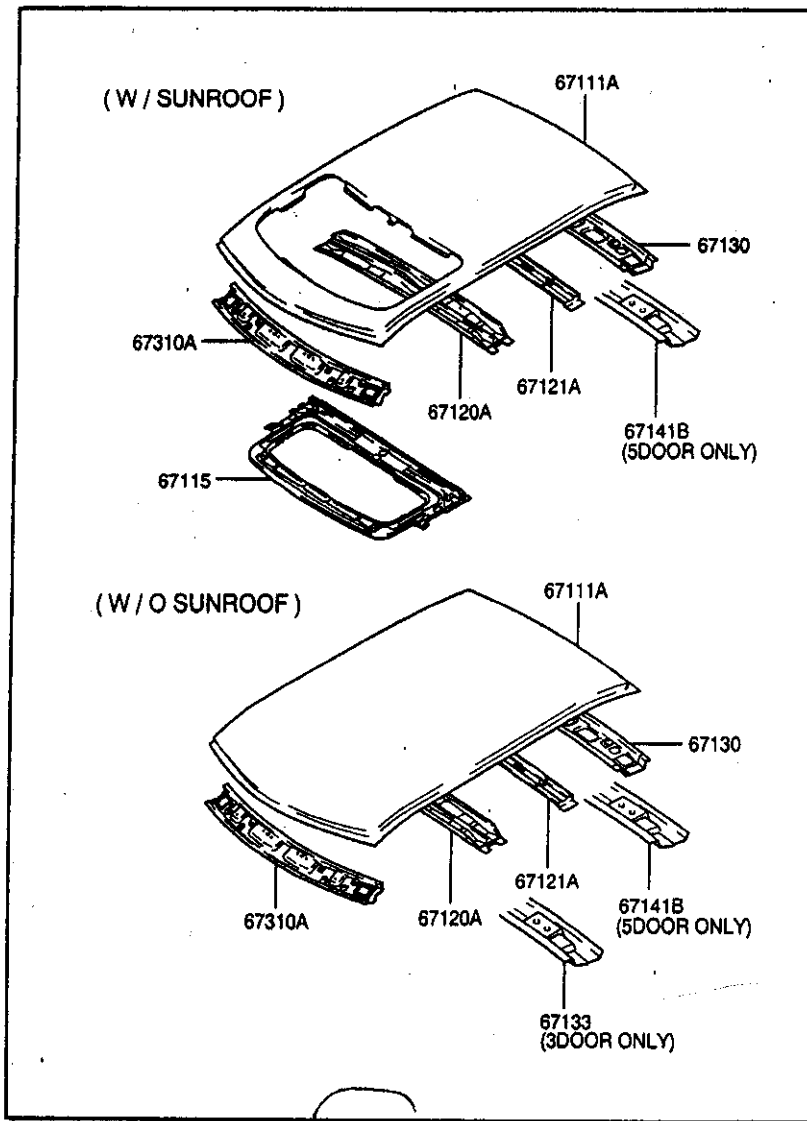
BA,00112-348

P N C		MODEL APPLICABLE		R E P	PART NO. (REPL. PWO)	Q T Y	REMARKS	P N C		MODEL APPLICABLE		R E P	PART NO. (REPL. PWO)	Q T Y	REMARKS	
FROM-UP-TO	TYPE	DESCRIPTION	FROM-UP-TO					TYPE	DESCRIPTION							
66761B		PANEL ASSY-COWL SIDE INR UPR RH (S)CONJUNTO PANEL														
990801 -		ALL 6501			66761-25100	1										
990801 -		ALL LHD;8502		Y	66761-25000 (66761-25100)	1										
66790		PANEL ASSY-COWL TOP OTR (S)CONJUNTO PANEL														
990801 -		ALL LHD;8501			66703-25100	1										
990801 -		ALL LHD;8502		Y	66703-25000 (66703-25100)	1										
990801 -		ALL RHD;8501			66703-25800	1										

2-M13

60-671 ROOF PANEL

BA,G0112- 349



P N C	MODEL APPLICABLE		PART NO. (REPL PNO)	QTY	REMARKS
	FROM-UP-TO	TYPE			
67111A					
990601 - 991108		AD	67111-25100 =(67111-25101) +(98881-25000) +(98896-24000)	1	
990601 - 991108		AD (8161)	67111-25150 =(67111-25151) +(98881-25000) +(98896-24000)	1	S/ROOF
991108 -		AD	67111-25101	1	
991108 -		AD 8161	67111-25151	1	S/R
990601 - 991108		AG	67111-25100 =(67111-25101) +(98881-25000) +(98896-24000)	1	
990601 - 991108		AG 8161	67111-25150 =(67111-25151) +(98881-25000) +(98896-24000)	1	S/R
991108 -		AG	67111-25101	1	
991108 -		AG 8161	67111-25151	1	S/R
990601 - 991108		DG	67111-25100 =(67111-25101) +(98881-25000) +(98896-24000)	1	
990601 - 991108		DG 8161	67111-25150 =(67111-25151) +(98881-25000) +(98896-24000)	1	S/R
991108 -		DG	67111-25101	1	
991108 -		DG 8161	67111-25151	1	S/R
990601 - 991108		DS	67111-25100 =(67111-25101) +(98881-25000) +(98896-24000)	1	

CONTINUED

AD:3DR.GL AG:3DR.GLS DG:3DR.GLS DS:3DR.L 8161:ROOF-SUN

2-A14

60-671 ROOF PANEL

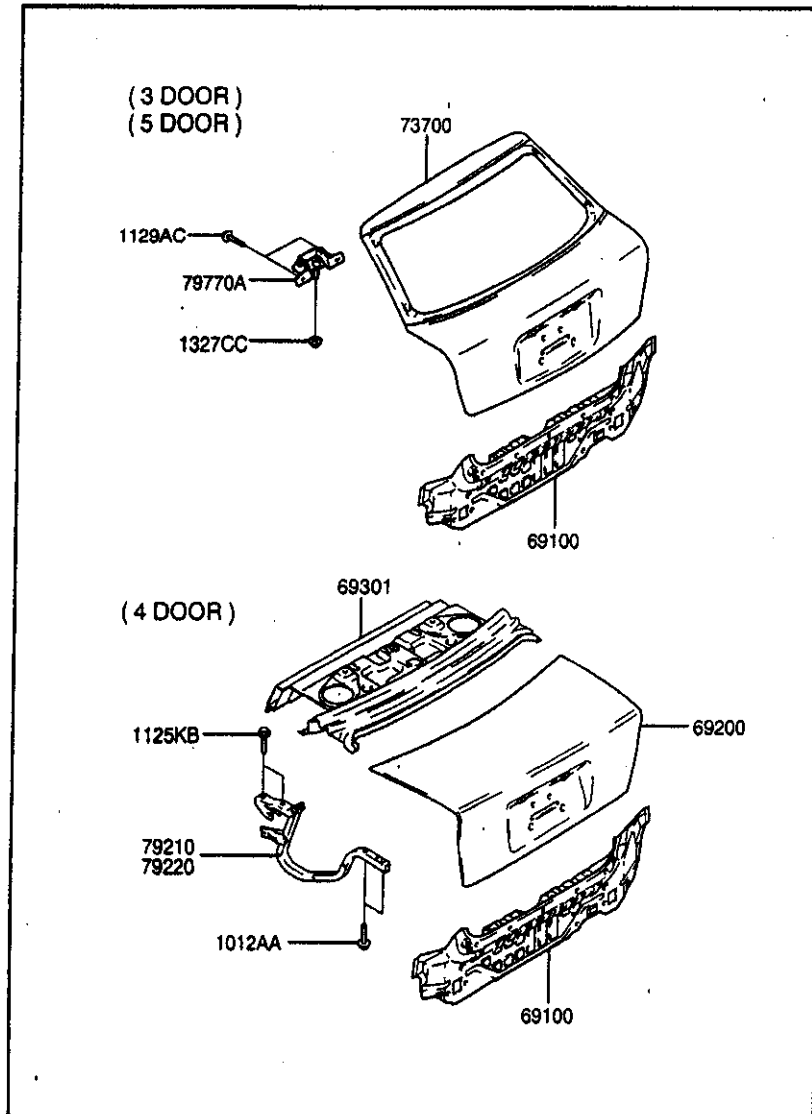
BA.00112-350

P N C		MODEL APPLICABLE		R E P	PART NO. (REPL P/NO)	Q T Y	REMARKS	P N C		MODEL APPLICABLE		R E P	PART NO. (REPL P/NO)	Q T Y	REMARKS
FROM-UP-TO	TYPE	DESCRIPTION						FROM-UP-TO	TYPE	DESCRIPTION					
CONTINUED															
67111A		PANEL-ROOF (S)PANEL						67141B		RAIL ASSY-ROOF RR (S)CONJUNTO RIEL					
990601 - 991108	DS	8161			67111-25150 =(67111-25151) +(98881-25000) +(98896-24000)	1		990601 -	AD				67130-25100	1	
991108 -	DS	8161			67111-25101	1		990601 -	AG				67130-25100	1	
991108 -	DS	8161			67111-25151	1		990601 -	DG				67130-25100	1	
990601 - 010613	FD				67111-25000	1		990601 -	DS				67130-25100	1	
990601 - 010613	FD	8161			67111-25050	1		67310A		RAIL ASSY-ROOF FR (S)CONJUNTO RIEL					
010613 -	FD				67111-25001	1		990601 -	ALL				67310-25000	1	
010613 -	FD	(8161)			67111-25051	1		990601 -	ALL 8161				67310-25050	1	
990601 - 010613	FG				67111-25000	1									
990601 - 010613	FG	8161			67111-25050	1									
010613 -	FG				67111-25001	1									
010613 -	FG	(8161)			67111-25051	1									
67115		RING ASSY-SUNROOF REINF (S)CONJ. ANILLO													
990601 -	ALL	8161			67115-25000	1									
67120A		RAIL ASSY-ROOF CTR (S)CONJUNTO RIEL													
990601 -	ALL				67120-25000	1									
67121A		RAIL-ROOF CTR (S)RIEL													
990601 -	AD				67136-25000	1									
990601 -	AG				67136-25000	1									
990601 -	FD				67136-25000	1									
990601 -	FG				67136-25000	1									
67130		RAIL-ROOF RR (S)RIEL													
990601 -	FD				67132-25000	1									
990601 -	FG				67132-25000	1									
67133		RAIL ASSY-ROOF CTR NO1 (S)CONJUNTO RIEL													
990601 -	DG				67133-25200	1									
990601 -	DS				67133-25200	1									

2-B14

60-690 TAIL GATE & BACK PANEL

BA,00112- 351



P N C	MODEL APPLICABLE		R E P	PART NO. (REPL. P/MO)	Q T Y	REMARKS
	FROM-UP-TO	TYPE				
1012AA						
990601 -						
990601 -						
1125KB						
990601 -						
990601 -						
1129AC						
990601 -						
990601 -						
990601 -						
990601 -						
1327CC						
990601 -						
990601 -						
990601 -						
990601 -						
69100						
990601 -						
990601 - 001117						
991008 -						
990601 -						
990601 - 001117						
991008 -						

CONTINUED

2-C14

60-690 TAIL GATE & BACK PANEL

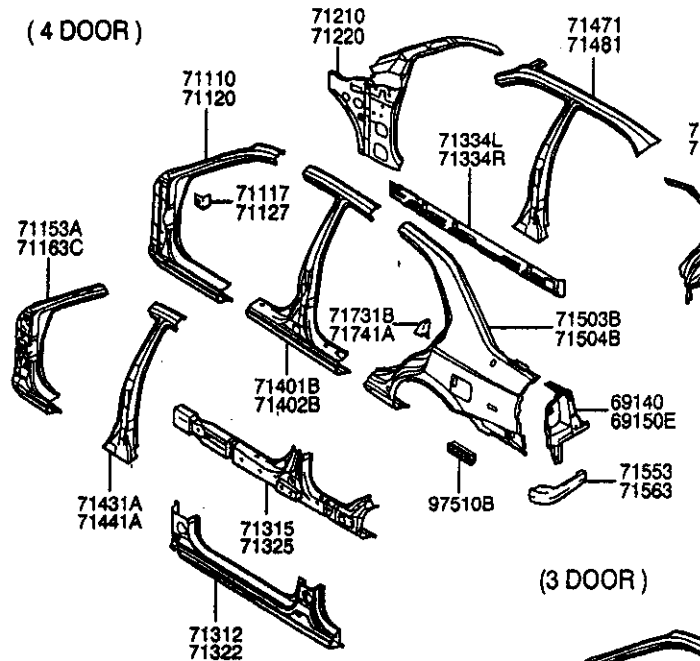
BA,00112-382

P N C	MODEL APPLICABLE		R E P	PART NO. (REPL PNO)	Q T Y	REMARKS	P N C	MODEL APPLICABLE		R E P	PART NO. (REPL PNO)	Q T Y	REMARKS
	FROM-UP-TO	TYPE						DESCRIPTION	FROM-UP-TO				
CONTINUED													
69100		PANEL ASSY-BACK (S)CONJUNTO PANEL					79210		HINGE ASSY-TRUNK LID LH (S)CONJUNTO BISAGRA				
990601 -	DG	6502	Y	69100-25100 (69100-25400)	1		990601 -	FD			79210-25000	1	
991006 -	DG	6501		69100-25400	1		990601 -	FG			79210-25000	1	
990601 -	DS	6502	Y	69100-25100 (69100-25400)	1		79220		HINGE ASSY-TRUNK LID RH (S)CONJUNTO BISAGRA				
991006 -	DS	6501		69100-25400	1		990601 -	FD			79220-25000	1	
990601 - 991207	FD	6502		69100-25000	1		990601 -	FG			79220-25000	1	
990601 - 991208	FD	6501		69100-25300	1		79770A		HINGE ASSY-TAIL GATE (S)CONJUNTO BISAGRA				
991207 - 001127	FD	6502		69100-25001	1		990601 -	AD			79770-25200	2	
991208 - 001127	FD	6501		69100-25301	1		990601 -	AG			79770-25200	2	
001127 -	FD	6501		69100-25310	1		990601 -	DG			79770-25200	2	
001127 -	FD	6502		69100-25010	1		990601 -	DS			79770-25200	2	
990601 - 991207	FG	6502		69100-25000	1								
990601 - 991208	FG	6501		69100-25300	1								
991207 - 001127	FG	6502		69100-25001	1								
991208 - 001127	FG	6501		69100-25301	1								
001127 -	FG	6501		69100-25310	1								
001127 -	FG	6502		69100-25010	1								
69200		PANEL ASSY-TRUNK LID (S)CONJUNTO PANEL											
990601 -	FD			69200-25040	1								
990601 -	FG			69200-25040	1								
69301		PANEL ASSY-RR PACKAGE TRAY (S)CONJUNTO PANEL											
990601 -	FD	8901		69300-25000	1								
990601 -	FD	8903		69300-25050	1								
990601 -	FG	8901		69300-25000	1								
990601 -	FG	8903		69300-25050	1								
73700		PANEL ASSY-TAIL GATE (S)CONJUNTO PANEL											
990601 -	AD			73700-25240	1								
990601 -	AG			73700-25240	1								
990601 -	DG			73700-25240	1								
990601 -	DG	8722		73700-25300	1								
990601 -	DS			73700-25240	1								
990601 -	DS	8722		73700-25300	1								

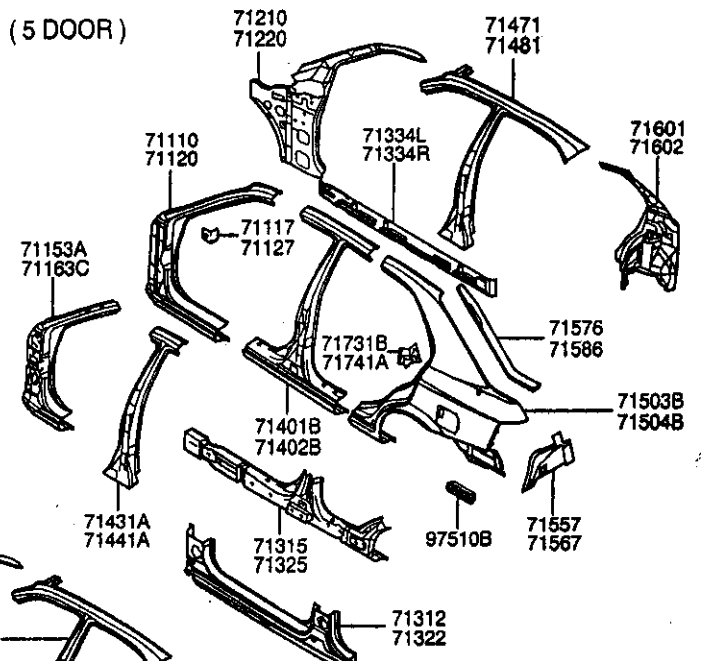
AD-3DR, GL AG-5DR, GLS DG-3DR, GLS DS-3DR, L FD-4DR, GL FG-4DR, GLS

6501:HIGH GRADE ANTI-CORROSION 6502:LOW GRADE ANTI-CORROSION 8722:SPOILER-LOWER(W/HMSL) 8901:SEAT-RR(FIX TYPE) 8903:SEAT-RR(SPLIT FOLDING DOWN)

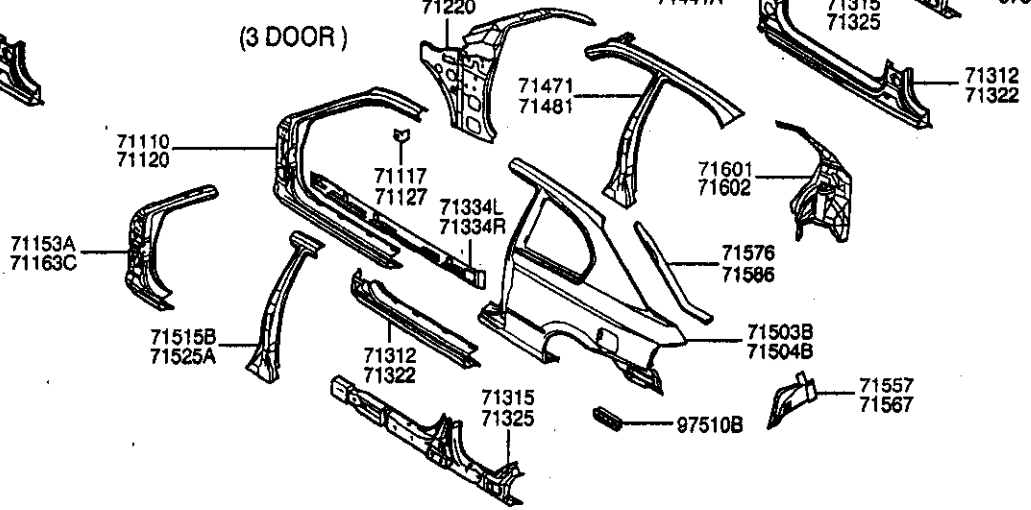
(4 DOOR)



(5 DOOR)



(3 DOOR)



60-710 SIDE BODY PANEL

SA,GP119-354

2-E14

P N C	MODEL APPLICABLE		R E P	PART NO. (REPL P/NO)	Q T Y	REMARKS
	PROM-UP-TO	DESCRIPTION				
69140		PANEL COMPL-COMB LAMP HSG LH (S)COMPLETA PANEL				
990601 -	FD 6601			69141-25300	1	
990601 - 000215	FD 6502		A	69141-25000 (69141-25001)	1	
000215 -	FD 6502		Y	69141-25001 (69141-25300)	1	
990601 -	FG 6501			69141-25300	1	
990601 - 000215	FG 6502		A	69141-25000 (69141-25001)	1	
000215 -	FG 6502		Y	69141-25001 (69141-25300)	1	
69150E		PANEL COMPL-COMB LAMP HSG RH (S)COMPLETA PANEL				
990601 -	FD 6601			69151-25300	1	
990601 - 000215	FD 6502		A	69151-25000 (69151-25001)	1	
000215 -	FD 6502		Y	69151-25001 (69151-25300)	1	
990601 -	FG 6501			69151-25300	1	
990601 - 000215	FG 6502		A	69151-25000 (69151-25001)	1	
000215 -	FG 6502		Y	69151-25001 (69151-25300)	1	
71110		PANEL ASSY-PILLAR OTR LH (S)CONJUNTO PANEL				
990601 -	AD 6501			71110-250B0	1	
990601 -	AD 6502		Y	71110-250A0 (71110-250B0)	1	
990601 -	AG 6501			71110-250B0	1	
990601 -	AG 6502		Y	71110-250A0 (71110-250B0)	1	
990601 -	DG 6501			71110-252B0	1	
990601 -	DG 8783,6501			71110-252D0	1	
990601 -	DG 8783,6502			71110-252C0	1	
990601 -	DS 6501			71110-252B0	1	
990601 -	DS 8783,6501			71110-252D0	1	
990601 -	DS 8783,6502			71110-252C0	1	
990601 -	FD 6501			71110-250B0	1	

P N C	MODEL APPLICABLE		R E P	PART NO. (REPL P/NO)	Q T Y	REMARKS
	PROM-UP-TO	DESCRIPTION				
CONTINUED						
71110		PANEL ASSY-PILLAR OTR LH (S)CONJUNTO PANEL				
990601 -	FD 6502		Y	71110-250A0 (71110-250B0)	1	
990601 -	FG 6501			71110-250B0	1	
990601 -	FG 6502		Y	71110-250A0 (71110-250B0)	1	
71117		BRACKET ASSY-FENDER MTG LH (S)CONJUNTO SOPORTE				
990601 -	ALL			71133-25000	1	
71120		PANEL ASSY-PILLAR OTR RH (S)CONJUNTO PANEL				
990601 -	AD 6601			71120-250B0	1	
990601 -	AD 6502		Y	71120-250A0 (71120-250B0)	1	
990601 -	AG 6501			71120-250B0	1	
990601 -	AG 6502		Y	71120-250A0 (71120-250B0)	1	
990601 -	DG 6501			71120-252B0	1	
990601 -	DG 8783,6501			71120-252D0	1	
990601 -	DG 8783,6502			71120-252C0	1	
990601 -	DS 6501			71120-252B0	1	
990601 -	DS 8783,6501			71120-252D0	1	
990601 -	DS 8783,6502			71120-252C0	1	
990601 -	FD 6501			71120-250B0	1	
990601 -	FD 6502		Y	71120-250A0 (71120-250B0)	1	
990601 -	FG 6501			71120-250B0	1	
990601 -	FG 6502		Y	71120-250A0 (71120-250B0)	1	
71127		BRACKET ASSY-FENDER MTG RH (S)CONJUNTO SOPORTE				
990601 -	ALL			71143-25000	1	
71153A		REINF ASSY-FR PILLAR OTR LH (S)CONJUNTO REFUERZO				
990601 -	ALL 6501			71153-25300	1	
990601 -	ALL 6502		Y	71153-25000 (71153-25300)	1	

AD:3DR, GL AG:3DR, GLS DG:3DR, GLS DS:3DR, L FD:4DR, GL FG:4DR, GLS

6501:HIGH GRADE ANTI-CORROSION 6502:LOW GRADE ANTI-CORROSION 8783:MLDG-ROCKER PNL(WIDE TYPE)

2-F14

60-710 SIDE BODY PANEL

BA.G0112-365

P N C		MODEL APPLICABLE		R E P	PART NO. (REPL P/NO)	Q T Y	REMARKS	P N C		MODEL APPLICABLE		R E P	PART NO. (REPL P/NO)	Q T Y	REMARKS
FROM-UP-TO	TYPE	DESCRIPTION						FROM-UP-TO	TYPE	DESCRIPTION					
71163C		REINF ASSY-FR PILLAR OTR RH (S)CONJUNTO REFUERZO						CONTINUED							
990601 -		ALL 6501			71163-25300	1		71312		PANEL-SIDE SILL OTR LH (S)PANEL					
990601 -		ALL 6502		Y	71163-25000 (71163-25300)	1		990601 -		FD 6502	Y	71312-250A0 (71312-250B0)	1		
71210		PILLAR ASSY-FR INR LWR LH (S)CONJ. PILAR						990601 -		FG 6501		71312-250B0	1		
990601 -		ALL RHD			71201-25901	1		990601 -		FG 6502	Y	71312-250A0 (71312-250B0)	1		
990601 - 990703		ALL LHD			71201-25000 =(71201-25001) +(91248-22000)	1		71315		REINF ASSY-SIDE SILL OTR LH (S)CONJUNTO REFUERZO					
990703 - 990901		ALL LHD		A	71201-25001 (71201-25002)	1		990601 -		AD		71311-25300	1		
990901 -		ALL LHD			71201-25002	1		990601 -		AG		71311-25300	1		
71220		PILLAR ASSY-FR INR LWR RH (S)CONJ. PILAR						990601 -		DG		71311-25200	1		
990601 -		ALL RHD			71202-25901	1		990601 -		DS		71311-25200	1		
990601 - 990703		ALL LHD			71202-25000 =(71202-25001) +(91248-22000)	1		990601 -		FD		71311-25300	1		
990703 - 990901		ALL LHD		A	71202-25001 (71202-25002)	1		990601 -		FG		71311-25300	1		
990901 -		ALL LHD			71202-25002	1		71322		PANEL-SIDE SILL OTR RH (S)PANEL					
71312		PANEL-SIDE SILL OTR LH (S)PANEL						990601 -		AD 6501		71322-250B0	1		
990601 -		AD 6501			71312-250B0	1		990601 -		AD 6502	Y	71322-250A0 (71322-250B0)	1		
990601 -		AD 6502		Y	71312-250A0 (71312-250B0)	1		990601 -		AG 6501		71322-250B0	1		
990601 -		AG 6501			71312-250B0	1		990601 -		AG 6502	Y	71322-250A0 (71322-250B0)	1		
990601 -		AG 6502		Y	71312-250A0 (71312-250B0)	1		990601 -		DG 6501		71322-252B0	1		
990601 -		DG 6501			71312-252B0	1		990601 -		DG 8783,6501		71322-252D0	1		
990601 -		DG 8783,6501			71312-252D0	1		990601 -		DG 8783,6502		71322-252C0	1		
990601 -		DG 8783,6502			71312-252C0	1		990601 -		DS 6501		71322-252B0	1		
990601 -		DS 6501			71312-252B0	1		990601 -		DS 8783,6501		71322-252D0	1		
990601 -		DS 8783,6501			71312-252D0	1		990601 -		DS 8783,6502		71322-252C0	1		
990601 -		DS 8783,6502			71312-252C0	1		990601 -		FD 6501		71322-250B0	1		
990601 -		DS 8783,6502			71312-252B0	1		990601 -		FD 6502	Y	71322-250A0 (71322-250B0)	1		
990601 -		FD 6501			71312-250B0	1		990601 -		FG 6501		71322-250B0	1		
990601 -		FD 6502		Y	71312-250A0 (71312-250B0)	1		990601 -		FG 6502	Y	71322-250A0 (71322-250B0)	1		
71325		REINF ASSY-SIDE SILL OTR RH (S)CONJUNTO REFUERZO						990601 -		AD		71321-25300	1		
990601 -		AD			71321-25300	1		CONTINUED							

AD:SDR,DL AG:SDR,GLS DG:SDR,GLS DS:SDR,1 FD:40R,DL FG:4PR,GLS

6801-HIGH GRADE ANTI-CORROSION 6502-LOW GRADE ANTI-CORROSION 8783-MLDG,ROCKER PNL(WIDE TYPE)

2-G14

60-710 SIDE BODY PANEL

BA,00112-356

P N C		MODEL APPLICABLE		R E P	PART NO. (REPL. P/NQ)	Q T Y	REMARKS	P N C		MODEL APPLICABLE		R E P	PART NO. (REPL. P/NQ)	Q T Y	REMARKS
FROM-UP-TO	TYPE	DESCRIPTION	FROM-UP-TO					TYPE	DESCRIPTION						
CONTINUED															
71325		REINF ASSY-SIDE SILL OTR RH (S)CONJUNTO REFUERZO						71402B		PILLAR ASSY-CTR OTR RH (S)CONJ. PILAR					
990601 -	AG		71321-25300		1			990601 -	AD 6501			71402-250B0	1		
990601 -	DG		71321-25200		1			990601 -	AD 6502	Y		71402-250A0	1		
990601 -	DS		71321-25200		1							(71402-250B0)	1		
990601 -	FD		71321-25300		1			990601 -	AG 6501			71402-250B0	1		
990601 -	FG		71321-25300		1			990601 -	AG 6502	Y		71402-250A0	1		
												(71402-250B0)	1		
71334L		REINFORCEMENT ASSY-SIDE SILL INR LH (S)CONJ. REFUERZO						990601 -	FD 6501			71402-250B0	1		
990601 -	AD		71334-25000		1			990601 -	FD 6502	Y		71402-250A0	1		
990601 -	AG		71334-25000		1							(71402-250B0)	1		
990601 -	DG		71334-25200		1			990601 -	FG 6501			71402-250B0	1		
990601 -	DS		71334-25200		1			990601 -	FG 6502	Y		71402-250A0	1		
990601 -	FD		71334-25000		1							(71402-250B0)	1		
990601 -	FG		71334-25000		1							71402-250A0	1		
71334R		REINFORCEMENT ASSY-SIDE SILL INR RH (S)CONJ. REFUERZO										(71402-250B0)	1		
990601 -	AD		71343-25000		1			71431A		REINF ASSY-CTR PILLAR OTR LH (S)CONJUNTO REFUERZO					
990601 -	AG		71343-25000		1			990601 -	AD 6501			71431-25300	1		
990601 -	DG		71343-25200		1			990601 -	AD 6502	Y		71431-25000	1		
990601 -	DS		71343-25200		1							(71431-25300)	1		
990601 -	FD		71343-25000		1			990601 -	AG 6501			71431-25300	1		
990601 -	FG		71343-25000		1			990601 -	AG 6502	Y		71431-25000	1		
71401B		PILLAR ASSY-CTR OTR LH (S)CONJ. PILAR										(71431-25300)	1		
990601 -	AD 6501		71401-250B0		1			990601 -	FD 6501			71431-25300	1		
990601 -	AD 6502	Y	71401-250A0		1			990601 -	FD 6502	Y		71431-25000	1		
			(71401-250B0)		1							(71431-25300)	1		
990601 -	AG 6501		71401-250B0		1			71441A		REINF ASSY-CTR PILLAR OTR RH (S)CONJUNTO REFUERZO					
990601 -	AG 6502	Y	71401-250A0		1			990601 -	AD 6501			71441-25300	1		
			(71401-250B0)		1			990601 -	AD 6502	Y		71441-25000	1		
990601 -	FD 6501		71401-250B0		1							(71441-25300)	1		
990601 -	FD 6502	Y	71401-250A0		1			990601 -	AG 6501			71441-25300	1		
			(71401-250B0)		1			990601 -	AG 6502	Y		71441-25000	1		
990601 -	FG 6501		71401-250B0		1							(71441-25300)	1		
990601 -	FG 6502	Y	71401-250A0		1			990601 -	FD 6501			71441-25300	1		
			(71401-250B0)		1			990601 -	FD 6502	Y		71441-25000	1		
												(71441-25300)	1		
CONTINUED															

AD:3DR,GL AG:3DR,GLS DG:3DR,GLS DS:3DR,L FD:4DR,GL FG:4DR,GLS

6501:HIGH GRADE ANTI-CORROSION 6502:LOW GRADE ANTI-CORROSION

2-H14

60-710 SIDE BODY PANEL

BA,00112-357

P N C	MODEL APPLICABLE		R E P	PART NO. (REPL PNO)	Q T Y	REMARKS	P N C	MODEL APPLICABLE		R E P	PART NO. (REPL PNO)	Q T Y	REMARKS
	FROM-UP-TO	TYPE						DESCRIPTION	FROM-UP-TO				
CONTINUED							CONTINUED						
71441A							71503B						
		REINF ASSY-CTR PILLAR OTR RH							PANEL ASSY-QUARTER OTR LH				
		(S)CONJUNTO REFUERZO							(S)CONJUNTO PANEL				
990601 -		FG 6501		71441-25300	1		990601 -		FD 6502	Y	71503-250A0	1	
990601 -		FG 6502	Y	71441-25000 (71441-25300)	1		990601 -		FG 6501		(71503-250B0)	1	
							990601 -		FG 6502	Y	71503-250B0	1	
71471		PILLAR ASSY-CTR INR LH									71503-250A0	1	
		(S)CONJ. PILAR									(71503-250B0)	1	
990601 -		AD		71401-25100	1		71504B		PANEL ASSY-QUARTER OTR RH				
990601 -		AG		71401-25100	1				(S)CONJUNTO PANEL				
990601 -		DG		71401-25200	1		990601 -		AD 6501		71504-251B0	1	
990601 -		DS		71401-25200	1		990601 -		AD 6502	Y	71504-251A0	1	
990601 -		FD		71401-25000	1						(71504-251B0)	1	
990601 -		FG		71401-25000	1		990601 -		AG 6501		71504-251B0	1	
							990601 -		AG 6502	Y	71504-251A0	1	
71481		PILLAR ASSY-CTR INR RH									(71504-251B0)	1	
		(S)CONJ. PILAR					990601 -		DG 6501		71504-252B0	1	
990601 -		AD		71402-25100	1		990601 -		DG 8783,6501		71504-252D0	1	
990601 -		AG		71402-25100	1		990601 -		DG 8783,6502	Y	71504-252C0	1	
990601 -		DG		71402-25200	1						(71504-252D0)	1	
990601 -		DS		71402-25200	1		990601 -		DS 6501		71504-252B0	1	
990601 -		FD		71402-25000	1		990601 -		DS 8783,6501		71504-252D0	1	
990601 -		FG		71402-25000	1		990601 -		DS 8783,6502	Y	71504-252C0	1	
											(71504-252D0)	1	
71503B		PANEL ASSY-QUARTER OTR LH									71504-250B0	1	
		(S)CONJUNTO PANEL					990601 -		FD 6501		71504-250B0	1	
990601 -		AD 6501		71503-251B0	1		990601 -		FD 6502	Y	71504-250A0	1	
990601 -		AD 6502	Y	71503-251A0 (71503-251B0)	1						(71504-250B0)	1	
990601 -		AG 6501		71503-251B0	1		990601 -		FG 6501		71504-250B0	1	
990601 -		AG 6502	Y	71503-251A0 (71503-251B0)	1		990601 -		FG 6502	Y	71504-250A0	1	
											(71504-250B0)	1	
990601 -		DG 6501		71503-252B0	1		71515B		REINF ASSY-QTR OTR FR LH				
990601 -		DG 8783,6501		71503-252D0	1				(S)CONJUNTO REFUERZO				
990601 -		DG 8783,6502	Y	71503-252C0 (71503-252D0)	1		990601 -		DG 6501		71515-25500	1	
							990601 -		DG 6502	Y	71515-25200	1	
990601 -		DS 6501		71503-252B0	1						(71515-25500)	1	
990601 -		DS 8783,6501		71503-252D0	1		990601 -		DS 6501		71515-25500	1	
990601 -		DS 8783,6502	Y	71503-252C0 (71503-252D0)	1		990601 -		DS 6502	Y	71515-25200	1	
											(71515-25500)	1	
990601 -		FD 6501		71503-250B0	1						71515-25200	1	
CONTINUED											(71515-25500)	1	

AD:DR,DL AG:DR,DL DG:DR,DL DS:DR,DL FD:DR,DL FG:DR,DL

6501:HIGH GRADE ANTI-CORROSION 6502:LOW GRADE ANTI-CORROSION 8783:MLDG-ROCKER PNL(WIDE TYPE)

60-710 SIDE BODY PANEL

P N C	MODEL APPLICABLE		R E P	PART NO. (REPL P/NO)	Q T Y	REMARKS
	FROM-UP-TO	TYPE DESCRIPTION				
71525A		REINF ASSY-QTR OTR FR RH (S)CONJUNTO REFUERZO				
990601 -	DG	6501		71525-25500	1	
990601 -	DG	6502	Y	71525-25200 (71525-25500)	1	
990601 -	DS	6501		71525-25500	1	
990601 -	DS	6502	Y	71525-25200 (71525-25500)	1	
71553		GUSSET-QTR RR LH (S)ESCUDETE				
990601 -	FD	6501		71553-25300	1	
990601 -	FD	6502	Y	71553-25000 (71553-25300)	1	
990601 -	FG	6501		71553-25300	1	
990601 -	FG	6502	Y	71553-25000 (71553-25300)	1	
71557		FILLER ASSY-SIDE OTR RR LH (S)CONJUNTO LLENADO				
990601 -	AD	6501		71557-25400	1	
990601 -	AD	6502	Y	71557-25100 (71557-25400)	1	
990601 -	AG	6501		71557-25400	1	
990601 -	AG	6502	Y	71557-25100 (71557-25400)	1	
990601 -	DG	6501		71557-25400	1	
990601 -	DG	6502	Y	71557-25100 (71557-25400)	1	
990601 -	DS	6501		71557-25400	1	
990601 -	DS	6502	Y	71557-25100 (71557-25400)	1	
71563		GUSSET-QTR RR RH (S)ESCUDETE				
990601 -	FD	6501		71563-25300	1	
990601 -	FD	6502	Y	71563-25000 (71563-25300)	1	
990601 -	FG	6501		71563-25300	1	
990601 -	FG	6502	Y	71563-25000 (71563-25300)	1	

P N C	MODEL APPLICABLE		R E P	PART NO. (REPL P/NO)	Q T Y	REMARKS
	FROM-UP-TO	TYPE DESCRIPTION				
71567		FILLER ASSY-SIDE OTR RR RH (S)CONJUNTO LLENADO				
990601 -	AD	6501		71567-25400	1	
990601 -	AD	6502	Y	71567-25100 (71567-25400)	1	
990601 -	AG	6501		71567-25400	1	
990601 -	AG	6502	Y	71567-25100 (71567-25400)	1	
990601 -	DG	6501		71567-25400	1	
990601 -	DG	6502	Y	71567-25100 (71567-25400)	1	
990601 -	DS	6501		71567-25400	1	
990601 -	DS	6502	Y	71567-25100 (71567-25400)	1	
71576		SUPPORT-C PILLAR OTR RR LH (S)SOPORTE				
990601 -	AD	6501		71576-25400	1	
990601 - 000215	AD	6502	A	71576-25100 (71572-25100)	1	
000215 -	AD	6502	Y	71572-25100 (71576-25400)	1	
990601 -	AG	6501		71576-25400	1	
990601 - 000215	AG	6502	A	71576-25100 (71572-25100)	1	
000215 -	AG	6502	Y	71572-25100 (71576-25400)	1	
990601 -	DG	6501		71576-25400	1	
990601 - 000215	DG	6502	A	71576-25100 (71572-25100)	1	
000215 -	DG	6502	Y	71572-25100 (71576-25400)	1	
990601 -	DS	6501		71576-25400	1	
990601 - 000215	DS	6502	A	71576-25100 (71572-25100)	1	
000215 -	DS	6502	Y	71572-25100 (71576-25400)	1	
990601 -	DS	6501		71576-25400	1	
990601 - 000215	DS	6502	A	71576-25100 (71572-25100)	1	
000215 -	DS	6502	Y	71572-25100 (71576-25400)	1	
71586		SUPPORT-C PILLAR OTR RR RH (S)SOPORTE				
990601 -	AD	6501		71586-25400	1	

CONTINUED

2-J14

60-710 SIDE BODY PANEL

BA.G0112-359

P N C	MODEL APPLICABLE		R E P	PART NO. (REPL P/NO)	Q T Y	REMARKS
	FROM-UP-TO	TYPE DESCRIPTION				
CONTINUED						
71586		SUPPORT-C PILLAR OTR RR RH (S)SOPORTE				
990601 - 000215	AD	6502	A	71586-25100 (71582-25100)	1	
000215 -	AD	6502	Y	71582-25100 (71586-25400)	1	
990601 -	AG	6501		71586-25400	1	
990601 - 000215	AG	6502	A	71586-25100 (71582-25100)	1	
000215 -	AG	6502	Y	71582-25100 (71586-25400)	1	
990601 -	DG	6501		71586-25400	1	
990601 - 000215	DG	6502	A	71586-25100 (71582-25100)	1	
000215 -	DG	6502	Y	71582-25100 (71586-25400)	1	
990601 -	DS	6501		71586-25400	1	
990601 - 000215	DS	6502	A	71586-25100 (71582-25100)	1	
000215 -	DS	6502	Y	71582-25100 (71586-25400)	1	
71601		PANEL ASSY-QUARTER INR LH (S)CONJUNTO PANEL				
990601 -	AD	6501		71601-25400	1	
990601 -	AD	6502	Y	71601-25100 (71601-25400)	1	
990601 -	AG	6501		71601-25400	1	
990601 -	AG	6502	Y	71601-25100 (71601-25400)	1	
990601 -	DG	6501		71601-25500	1	
990601 -	DG	6502	Y	71601-25200 (71601-25500)	1	
990601 -	DS	6501		71601-25500	1	
990601 -	DS	6502	Y	71601-25200 (71601-25500)	1	
990601 -	FD	6501		71601-25300	1	
990601 -	FD	6502	Y	71601-25000 (71601-25300)	1	
CONTINUED						

P N C	MODEL APPLICABLE		R E P	PART NO. (REPL P/NO)	Q T Y	REMARKS
	FROM-UP-TO	TYPE DESCRIPTION				
CONTINUED						
71601		PANEL ASSY-QUARTER INR LH (S)CONJUNTO PANEL				
990601 -	FG	6501		71601-25300	1	
990601 -	FG	6502	Y	71601-25000 (71601-25300)	1	
71602		PANEL ASSY-QUARTER INR RH (S)CONJUNTO PANEL				
990601 -	AD	6501		71602-25400	1	
990601 -	AD	6502	Y	71602-25100 (71602-25400)	1	
990601 -	AG	6501		71602-25400	1	
990601 -	AG	6502	Y	71602-25100 (71602-25400)	1	
990601 -	DG	6501		71602-25500	1	
990601 -	DG	6502	Y	71602-25200 (71602-25500)	1	
990601 -	DS	6501		71602-25500	1	
990601 -	DS	6502	Y	71602-25200 (71602-25500)	1	
990601 -	FD	6501		71602-25300	1	
990601 -	FD	6502	Y	71602-25000 (71602-25300)	1	
990601 -	FG	6501		71602-25300	1	
990601 -	FG	6502	Y	71602-25000 (71602-25300)	1	
71731B		RETAINER-RR DR STRIKER LH (S)RETENEDOR				
990601 -	AD	6501		71731-25300	1	
990601 -	AD	6502	Y	71731-25000 (71731-25300)	1	
990601 -	AG	6501		71731-25300	1	
990601 -	AG	6502	Y	71731-25000 (71731-25300)	1	
990601 -	FD	6501		71731-25300	1	
990601 -	FD	6502	Y	71731-25000 (71731-25300)	1	
990601 -	FG	6501		71731-25300	1	
CONTINUED						

AD:5DR,6L AG:3DR,6LS DG:3DR,6LS DS:3DR,6L FD:4DR,6L FG:4DR,6LS

6501:HIGH GRADE ANTI-CORROSION 6502:LOW GRADE ANTI-CORROSION

2-K14

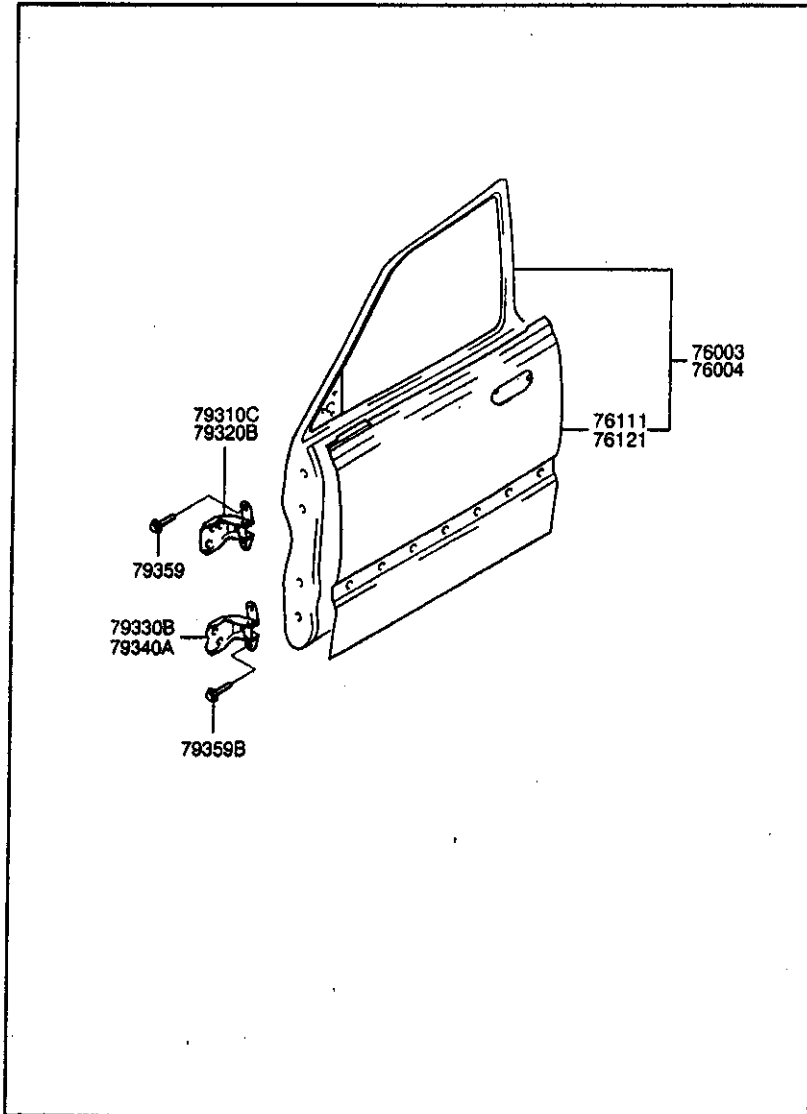
60-710 SIDE BODY PANEL

BA,00112-380

P N C		MODEL APPLICABLE		R E P	PART NO. (REPL PNO)	Q T Y	REMARKS	P N C		MODEL APPLICABLE		R E P	PART NO. (REPL PNO)	Q T Y	REMARKS
FROM-UP-TO	TYPE	DESCRIPTION						FROM-UP-TO	TYPE	DESCRIPTION					
CONTINUED															
71731B		RETAINER-RR DR STRIKER LH (S)RETENEDOR													
990601 -		FG	6502	Y	71731-25000 (71731-25300)	1									
71741A		RETAINER-RR DR STRIKER RH (S)RETENEDOR													
990601 -		AD	6501		71741-25300	1									
990601 -		AD	6502	Y	71741-25000 (71741-25300)	1									
990601 -		AG	6501		71741-25300	1									
990601 -		AG	6502	Y	71741-25000 (71741-25300)	1									
990601 -		FD	6501		71741-25300	1									
990601 -		FD	6502	Y	71741-25000 (71741-25300)	1									
990601 -		FG	6501		71741-25300	1									
990601 -		FG	6502	Y	71741-25000 (71741-25300)	1									
97510B		GRILLE ASSY-AIR EXTRACTOR (S)CONJUNTO REJILLA													
990601 -		ALL			97510-25000	2									

2-L14**60-760 FRONT DOOR PANEL**

BA.G0112- 361



P N C	MODEL APPLICABLE		R E P	PART NO. (REPL PNO)	Q T Y	REMARKS
	FROM-UP-TO	TYPE				
76003						
990601 -		AD 6501		76003-25020	1	
990601 -		AD 6502	Y	76003-25000 (76003-25020)	1	
990601 -		AG 6501		76003-25020	1	
990601 -		AG 6502	Y	76003-25000 (76003-25020)	1	
990601 -		DG 6501		76003-25220	1	
990601 -		DG 6502	Y	76003-25200 (76003-25220)	1	
990601 -		DS 6501		76003-25220	1	
990601 -		DS 6502	Y	76003-25200 (76003-25220)	1	
990601 -		FD 6501		76003-25020	1	
990601 -		FD 6502	Y	76003-25000 (76003-25020)	1	
990601 -		FG 6501		76003-25020	1	
990601 -		FG 6502	Y	76003-25000 (76003-25020)	1	
76004						
990601 -		AD 6501		76004-25020	1	
990601 -		AD 6502	Y	76004-25000 (76004-25020)	1	
990601 -		AG 6501		76004-25020	1	
990601 -		AG 6502	Y	76004-25000 (76004-25020)	1	
990601 -		DG 6501		76004-25220	1	
990601 -		DG 6502	Y	76004-25200 (76004-25220)	1	
990601 -		DS 6501		76004-25220	1	
990601 -		DS 6502	Y	76004-25200 (76004-25220)	1	
990601 -		FD 6501		76004-25020	1	
990601 -		FD 6502	Y	76004-25000 (76004-25020)	1	
990601 -		FG 6501		76004-25020	1	

CONTINUED

AD:3DR, GL AG:5DR, GLS DG:3DR, GLS DS:3DR, L FD:1DR, GL FG:2DR, GLS

6501:HIGH GRADE ANTI-CORROSION #602:LOW GRADE ANTI-CORROSION

2-M14

60-760 FRONT DOOR PANEL

BA,00112-362

P N C		MODEL APPLICABLE		R E P	PART NO. (REPL P/NO)	Q T Y	REMARKS	P N C		MODEL APPLICABLE		R E P	PART NO. (REPL P/NO)	Q T Y	REMARKS
FROM-UP-TO	TYPE	DESCRIPTION						FROM-UP-TO	TYPE	DESCRIPTION					
CONTINUED								CONTINUED							
76004		PANEL ASSY-FR DR RH (S)CONJUNTO PANEL						76121		PANEL-FR DR OTR RH (S)PANEL					
990601 -		FG	6502	Y	76004-25000 (76004-25020)	1		990601 -		FD	6501	Y	76121-25010	1	
								990601 -		FD	6502	Y	76121-25000 (76121-25010)	1	
76111		PANEL-FR DR OTR LH (S)PANEL						990601 -		FG	6501	Y	76121-25010	1	
990601 -		AD	6501		76111-25010	1		990601 -		FG	6502	Y	76121-25000 (76121-25010)	1	
990601 -		AD	6502	Y	76111-25000 (76111-25010)	1		79310C		HINGE ASSY-DR UPR LH (S)CONJUNTO BISAGRA					
990601 -		AG	6501		76111-25010	1		990601 -		ALL		Y	79310-25000	1	
990601 -		AG	6502	Y	76111-25000 (76111-25010)	1		79320B		HINGE ASSY-DR UPR RH (S)CONJUNTO BISAGRA					
990601 -		DQ	6501		76111-25210	1		990601 -		ALL		Y	79320-25000	1	
990601 -		DG	6502	Y	76111-25200 (76111-25210)	1		79330B		HINGE ASSY-DR LWR LH (S)CONJUNTO BISAGRA					
990601 -		DS	6501		76111-25210	1		990601 -		ALL		Y	79315-25000	1	
990601 -		DS	6502	Y	76111-25200 (76111-25210)	1		79340A		HINGE ASSY-DR LWR RH (S)CONJUNTO BISAGRA					
990601 -		FD	6501		76111-25010	1		990601 -		ALL		Y	79325-25000	1	
990601 -		FD	6502	Y	76111-25000 (76111-25010)	1		79359		BOLT (S)PERNO(PESTANA,DENTADO)					
990601 -		FG	6501		76111-25010	1		990601 -		ALL		Y	79359-21000	10	
990601 -		FG	6502	Y	76111-25000 (76111-25010)	1		79359B		BOLT (S)PERNO (CON ARANDELA & CINTA)					
76121		PANEL-FR DR OTR RH (S)PANEL						990601 -		ALL		Y	79359-38000 (79359-38010)	8	
990601 -		AD	6501		76121-25010	1									
990601 -		AD	6502	Y	76121-25000 (76121-25010)	1									
990601 -		AG	6501		76121-25010	1									
990601 -		AG	6502	Y	76121-25000 (76121-25010)	1									
990601 -		DG	6501		76121-25210	1									
990601 -		DG	6502	Y	76121-25200 (76121-25210)	1									
990601 -		DS	6501		76121-25210	1									
990601 -		DS	6502	Y	76121-25200 (76121-25210)	1									
CONTINUED															

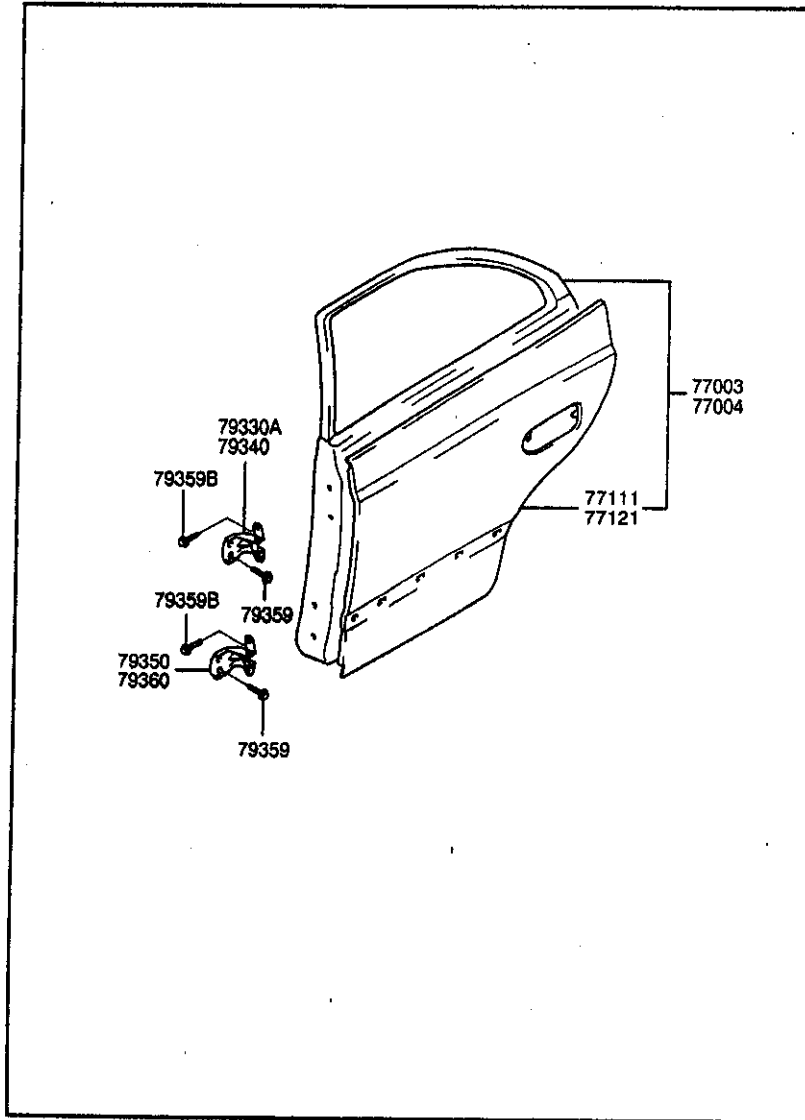
AD:3DR,QL AG:3DR,QLS DG:3DR,QLS DS:3DR,L FD:4DR,QL FG:4DR,QLS

6501:HIGH GRADE ANTI-CORROSION 6502:LOW GRADE ANTI-CORROSION

3-A1

60-770 REAR DOOR PANEL

BA,00112-363



P N C	MODEL APPLICABLE		R E P	PART NO. (REPL P/NO)	Q T Y	REMARKS
	FROM-UP-TO	TYPE				
77003						
990601 -				77003-25020	1	
990601 -			Y	77003-25000 (77003-25020)	1	
990601 -				77003-25020	1	
990601 -			Y	77003-25000 (77003-25020)	1	
990601 -				77003-25020	1	
990601 -			Y	77003-25000 (77003-25020)	1	
990601 -				77003-25020	1	
990601 -			Y	77003-25000 (77003-25020)	1	
77004						
990601 -				77004-25020	1	
990601 -			Y	77004-25000 (77004-25020)	1	
990601 -				77004-25020	1	
990601 -			Y	77004-25000 (77004-25020)	1	
990601 -				77004-25020	1	
990601 -			Y	77004-25000 (77004-25020)	1	
990601 -				77004-25020	1	
990601 -			Y	77004-25000 (77004-25020)	1	
77111						
990601 -				77111-25010	1	
990601 -			Y	77111-25000 (77111-25010)	1	
990601 -				77111-25010	1	
990601 -			Y	77111-25000 (77111-25010)	1	
990601 -				77111-25010	1	
990601 -			Y	77111-25000 (77111-25010)	1	

CONTINUED

3-B 1

60-770 REAR DOOR PANEL

BA,00112-384

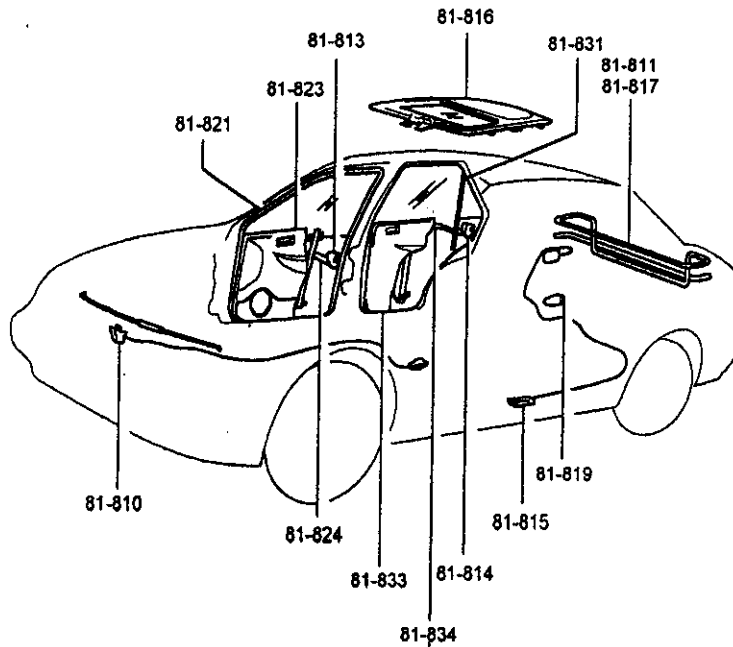
P N C		MODEL APPLICABLE		R E P	PART NO. (REPL P/NO)	Q T Y	REMARKS	P N C		MODEL APPLICABLE		R E P	PART NO. (REPL P/NO)	Q T Y	REMARKS
FROM-UP-TO	TYPE	DESCRIPTION						FROM-UP-TO	TYPE	DESCRIPTION					
CONTINUED								79359	BOLT						
77111		PANEL-RR DR OTR LH (S)PANEL							(S)PERNO(PESTANA,DENTADO)						
990601 -		FG	6501		77111-25010	1		990601 -	AD			79359-21000	8		
990601 -		FG	6502	Y	77111-25000 (77111-25010)	1		990601 -	AG			79359-21000	8		
990601 -		FG	6502					990601 -	FD			79359-21000	8		
990601 -		FG	6502					990601 -	FG			79359-21000	8		
77121		PANEL-RR DR OTR RH (S)PANEL						79359B	BOLT						
990601 -		AD	6501		77121-25010	1			(S)PERNO (CON ARANDELA & CINTA)						
990601 -		AD	6502	Y	77121-25000 (77121-25010)	1		990601 -	AD	Y		79359-38000 (79359-38010)	8		
990601 -		AG	6501		77121-25010	1		990601 -	AG	Y		79359-38000 (79359-38010)	8		
990601 -		AG	6502	Y	77121-25000 (77121-25010)	1		990601 -	FD	Y		79359-38000 (79359-38010)	8		
990601 -		FD	6501		77121-25010	1		990601 -	FG	Y		79359-38000 (79359-38010)	8		
990601 -		FD	6502	Y	77121-25000 (77121-25010)	1									
990601 -		FG	6501		77121-25010	1		79360	HINGE ASSY-RR DR LWR RH (S)CONJUNTO BISAGRA						
990601 -		FG	6502	Y	77121-25000 (77121-25010)	1		990601 -	AD			79360-25000	1		
990601 -		FG	6502					990601 -	AG			79360-25000	1		
990601 -		FG	6502					990601 -	FD			79360-25000	1		
990601 -		FG	6502					990601 -	FG			79360-25000	1		
79330A		HINGE ASSY-RR DR UP R LH (S)CONJUNTO BISAGRA													
990601 -		AD			79330-25000	1									
990601 -		AG			79330-25000	1									
990601 -		FD			79330-25000	1									
990601 -		FG			79330-25000	1									
79340		HINGE ASSY-RR DR UP R RH (S)CONJUNTO BISAGRA													
990601 -		AD			79340-25000	1									
990601 -		AG			79340-25000	1									
990601 -		FD			79340-25000	1									
990601 -		FG			79340-25000	1									
79350		HINGE ASSY-RR DR LWR LH (S)CONJUNTO BISAGRA													
990601 -		AD			79350-25000	1									
990601 -		AG			79350-25000	1									
990601 -		FD			79350-25000	1									
990601 -		FG			79350-25000	1									

AD:DR,QL AG:DR,QLS FD:DR,QL FG:DR,QLS

6501:HIGH GRADE ANTI-CORROSION 6502:LOW GRADE ANTI-CORROSION

81

DOOR

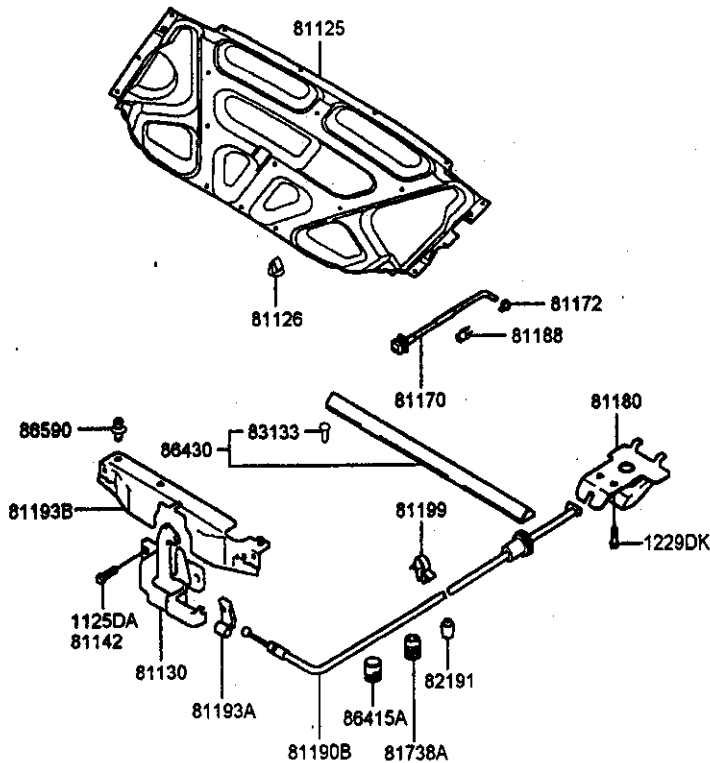


81-810	HOOD TRIM	3-D 1
81-811	TRUNK LID TRIM.....	3-F 1
81-813	FRONT DOOR LOCKING	3-H 1
81-814	REAR DOOR LOCKING	3-B 2
81-815	FUEL FILLER DOOR	3-H 2
81-816	SUNROOF.....	3-J 2
81-817	TAIL GATE TRIM.....	3-L 2
81-819	KEY & CYLINDER SET.....	3-E 3
81-821	FRONT DOOR MOULDING	3-H 3
81-823	FRONT DOOR TRIM	3-K 3
81-824	FRONT DOOR WINDOW REG & GLASS.....	3-B 4
81-831	REAR DOOR MOULDING	3-E 4
81-833	REAR DOOR TRIM	3-G 4
81-834	REAR DOOR WINDOW REG & GLASS.....	3-J 4

3-D1

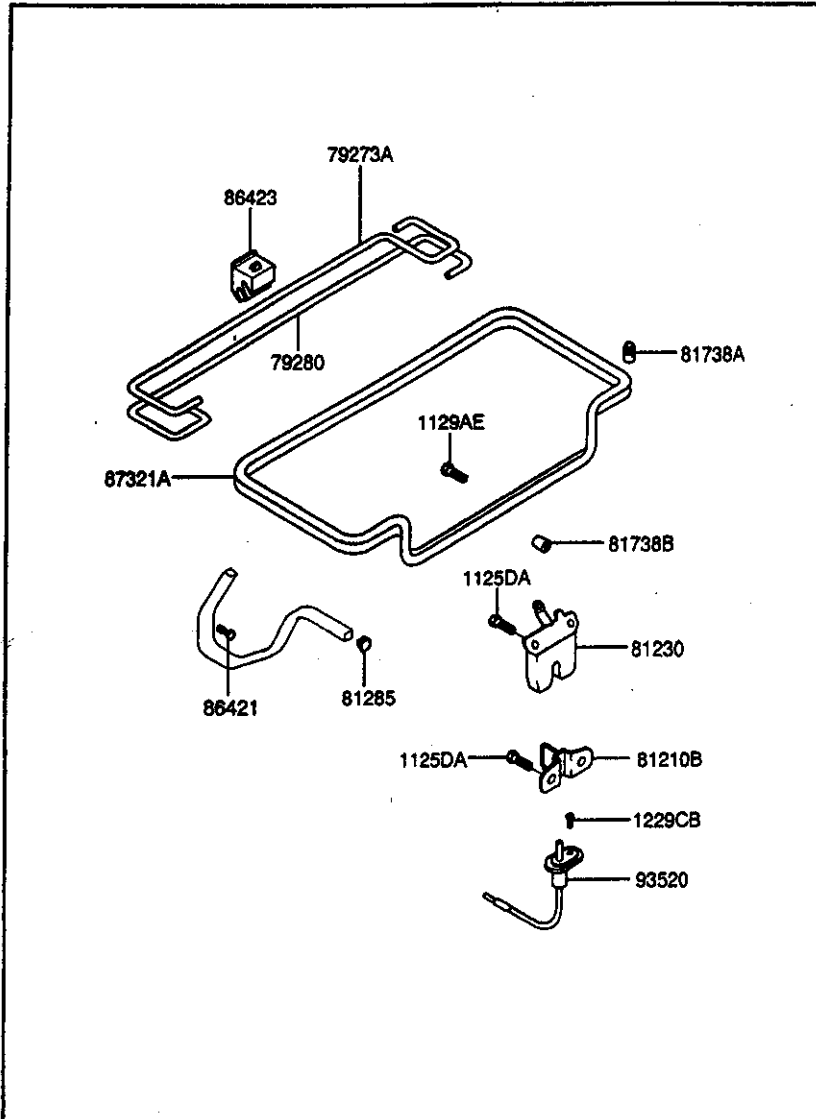
81-810 HOOD TRIM

BA,00112-385



P N C	MODEL APPLICABLE		R E P	PART NO. (REPL P/NO)	Q T Y	REMARKS
	FROM-UP-TO	TYPE				
1125DA		BOLT				
990601 - 020101		(S)PERNO (CON ARANDELA)	Y	11251-06163 (11251-06166B)	3	
1229DK		SCREW-MACHINE				
990601 -		(S)TORNILLO	Y	12291-05161 (12291-05163)	2	
81125		PAD-HOOD INSULATING				
020101 -		(S)ALMOHADILLA				
020101 -		ALL TCI		81125-25300	1	
81126		CLIP-HOOD INSULATING PAD MTG				
020101 -		(S)SUJETADOR				
020101 -		ALL TCI		81126-37010	19	
81130		LATCH ASSY-HOOD				
990601 -		(S)CONJ. PESTILLO				
990601 -		ALL LHD		81130-25000	1	
990601 -		ALL RHD		81130-25900	1	
81142		BOLT				
020101 -		(S)PERNO (CON ARANDELA)				
020101 -		ALL		11302-06146B	3	
81170		ROD ASSY-HOOD STAY				
990601 -		(S)CONJUNTO VARILLA				
990601 -		ALL		81170-25000	1	
81172		GROMMET-HOOD STAY ROD				
990601 -		(S)ARANDELA DE CABO				
990601 -		ALL		81173-22001	1	
81180		HANDLE ASSY-HOOD LATCH RELEASE				
990601 -		(S)CONJUNTO MANIJA				
990601 -		AD		81180-34000LT	1	INT;LT
990601 -		AG		81180-34000LT	1	INT;LT
990601 -		DG		81180-34000LT	1	INT;LT
990601 -		DS		81180-34000LT	1	INT;LT
990601 -		FD L35,L45,P85		81180-34000LT	1	INT;LT
990601 -		FG		81180-34000LT	1	INT;LT
81188		CLIP-ROD				
990601 -		(S)SUJETADOR				
990601 -		ALL		81176-25000	1	

81-811 TRUNK LID TRIM



P N C	MODEL APPLICABLE		R E P	PART NO. (REPL. P/N)	Q T Y	REMARKS
	FROM-UP-TO	TYPE				
1125DA						
990601 -			Y	11251-06163 (11251-06166B)	4	
990601 -			Y	11251-06163 (11251-06166B)	4	
1129AE						
990601 -			Y	11290-06163 (11250-06203)	1	
990601 -			Y	11290-06163 (11250-06203)	1	
1229CB						
990601 -				12291-04101	1	
990601 -				12291-04103	1	
990601 -				12291-04101	1	
990601 -				12291-04103	1	
79273A						
990601 - 000316				79273-25000	1	
000316 -				79273-25001	1	
990601 - 000316				79273-25000	1	
000316 -				79273-25001	1	
79280						
990601 -				79283-25000	1	
990601 -				79283-25000	1	
81210B						
990601 -				81220-22000	1	
990601 -				81220-29000	1	
990601 -				81220-22000	1	
990601 -				81220-29000	1	
81230						
990601 -				81230-25000	1	
990601 -				81230-25000	1	

3-G1**81-811 TRUNK LID TRIM**

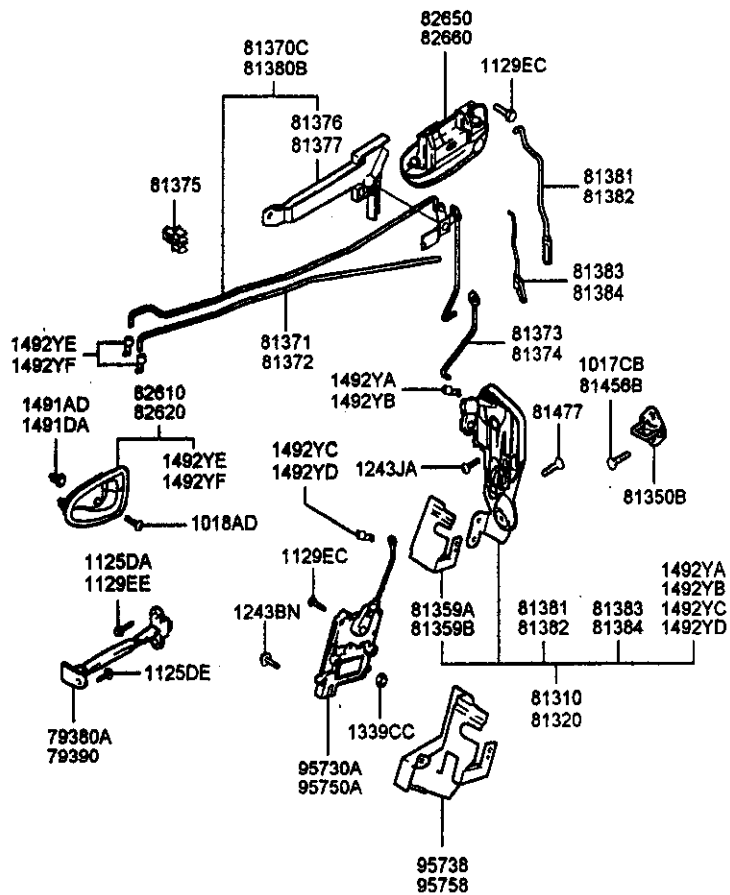
BA.G0112- 369

P N C		MODEL APPLICABLE		R E P	PART NO. (REPL P/NO)	Q T Y	REMARKS	P N C		MODEL APPLICABLE		R E P	PART NO. (REPL P/NO)	Q T Y	REMARKS	
FROM-UP-TO	TYPE	DESCRIPTION						FROM-UP-TO	TYPE	DESCRIPTION						
81285		COVER-T/LID HINGE ARM (S)CUBIERTA														
990601 -	FD				81285-28000	2										
990601 -	FG				81285-28000	2										
81738A		BUMPER-OVERSLAM (S)PARACHOQUES														
990601 -	FD				81738-28000	2										
990601 -	FG				81738-28000	2										
81738B		BUMPER-TRUNK LID OVERSLAM LWR (S)PARACHOQUES														
990601 -	FD				81739-22000	2										
990601 -	FG				81739-22000	2										
86421		BUMPER-TRUNK LID HINGE STOP (S)PARACHOQUES														
990601 -	FD				86421-37010	2										
990601 -	FG				86421-37010	2										
86423		HOLDER-T/LID TORSION BAR (S)SOPORTE														
990601 - 000316	FD				86423-25000	1										
000316 -	FD				86423-29011	1										
990601 - 000316	FG				86423-25000	1										
000316 -	FG				86423-29011	1										
87321A		W/STRIP-TRUNK LID OPNG (S)BURLETE														
990601 -	FD +W20				87321-25010	1										
990601 -	FD -W20			Y	87321-25000 (87321-25010)	1										
990601 -	FG +W20				87321-25010	1										
990601 -	FG -W20			Y	87321-25000 (87321-25010)	1										
93520		SWITCH ASSY-L/COMPT LAMP (S)CONJ. CONMUTADOR														
990601 -	FD				93230-22000	1										
990601 -	FG				93230-22000	1										

FD:4DR, GL FG:4DR, GLS

W20:COLD ZONE

81-813 FRONT DOOR LOCKING



P N C	MODEL APPLICABLE		R E P	PART NO. (REPL PNO)	Q T Y	REMARKS
	FROM-UP-TO	TYPE				
1017CB						
990601 - 991209			Y	10178-08221 (10178-08223)	4	
991209 - 001204				10178-08223	4	
1018AD						
990601 -		AD		10188-05163	4	
990601 -		AG		10188-05163	4	
990601 -		DG		10188-05163	2	
990601 -		DS		10188-05163	2	
990601 -		FD		10188-05163	4	
990601 -		FG		10188-05163	4	
1125DA						
991209 -		ALL	Y	11251-06163 (11251-06166B)	4	
1125DE						
990601 -		ALL	Y	11251-06253 (11251-08256B)	2	
1129EC						
990601 - 000209		ALL	Y	11293-06121 (11293-06163)	6	
000209 -		ALL	Y	11293-06121 (11293-06163)	4	
1129EE						
990601 -		ALL 8133,9572	Y	11293-06161 (11293-06163)	2	
990601 -		ALL 9572	Y	11293-06161 (11293-06163)	2	
990601 - 991209		ALL	Y	11293-06163 (11302-06163)	4	
000222 -		ALL 8133	Y	11293-06161 (11293-06163)	2	
011101 -		AD 826A,9572	Y	11293-06161 (11293-06163)	2	

CONTINUED

P N C		MODEL APPLICABLE		R E P	PART NO. (REPL P/NO)	Q T Y	REMARKS	P N C		MODEL APPLICABLE		R E P	PART NO. (REPL P/NO)	Q T Y	REMARKS
FROM-UP-TO	TYPE	DESCRIPTION	FROM-UP-TO					TYPE	DESCRIPTION						
CONTINUED								CONTINUED							
		1129EE	BOLT							1491AD	RETAINER-TAPPING SCREW				
			(S)PERNO (CON ARANDELA)								(S)RETENEDOR				
		011101 -	AG 826A,9572	Y	11293-06161	2				990601 - 000103	DS		14910-05000	4	
					(11293-06163)					000103 -	DS		14910-05000	2	
		011101 -	FD 8133,826A,9572	Y	11293-06161	2				990601 -	FD		14910-05000	4	
					(11293-06163)					990601 -	FG		14910-05000	4	
		011101 -	FG 8133,826A,9572	Y	11293-06161	2				1491DA	GROMMET-SCREW				
					(11293-06163)						(S)ARANDELA DE CABO				
		1243BN	SCREW-TAPPING							990601 -	DG		14911-06000	2	
			(S)TORNILLO							990601 -	DS		14911-06000	2	
		990601 -	ALL 8133,9572	Y	12431-04161	3				1492YA	CLIP-TUBE				
					(12431-05161)						(S)SUJETADOR				
		990601 -	ALL 9572	Y	12431-04161	3				011101 -	AD RHD;826A,9572		14929-18015	1	
					(12431-05161)					011101 -	AG RHD;826A,9572		14929-18015	1	
		000222 -	ALL 8133	Y	12431-04161	3				1492YB	CLIP-TUBE				
					(12431-05161)						(S)SUJETADOR				
		011101 -	AD 826A,9572	Y	12431-04161	3				011101 -	AD RHD;826A,9572		14929-18025	1	
					(12431-05161)					011101 -	AG RHD;826A,9572		14929-18025	1	
		011101 -	AG 826A,9572	Y	12431-04161	3				1492YC	CLIP-ROD				
					(12431-05161)						(S)SUJETADOR				
		011101 -	FD 8133,826A,9572	Y	12431-04161	3				011101 -	AD RHD;826A,9572		14929-22015	1	
					(12431-05161)					011101 -	AG RHD;826A,9572		14929-22015	1	
		011101 -	FG 8133,826A,9572	Y	12431-04161	3				1492YD	CLIP-ROD				
					(12431-05161)						(S)SUJETADOR				
		1243JA	SCREW-TAPPING							011101 -	AD RHD;826A,9572		14929-22025	1	
			(S)TORNILLO							011101 -	AG RHD;826A,9572		14929-22025	1	
		990601 -	ALL		12433-04103	2				1492YE	CLIP-ROD				
		990601 -	ALL		12433-04103	1					(S)SUJETADOR				
		1339CC	NUT							990601 -	ALL		14929-42015	2	
			(S)TUERCA(BRIDA)							990601 -	ALL		14929-42015	1	
		990601 -	ALL	Y	13395-06001	2				1492YF	CLIP-ROD				
					(13395-06003)						(S)SUJETADOR				
		1491AD	RETAINER-TAPPING SCREW							990601 -	ALL		14929-42025	2	
			(S)RETENEDOR							990601 -	ALL		14929-42025	1	
		990601 -	AD		14910-05000	4				79380A	CHECKER ASSY-FR DOOR LH				
		990601 -	AG		14910-05000	4					(S)CONJ. COMPROBADOR				
		990601 - 000103	DG		14910-05000	4				990601 - 990609	AD		79380-25000	1	
		000103 -	DG		14910-05000	2				990609 -	AD		79380-25001	1	
CONTINUED								CONTINUED							

81-813 FRONT DOOR LOCKING

BA,00112-372

3-11

P N C	MODEL APPLICABLE		PART NO. (REPL P/NO)	Q T Y	REMARKS
	FROM-UP-TO	DESCRIPTION			
CONTINUED					
79380A	CHECKER ASSY-FR DOOR LH (S)CONJ. COMPROBADOR				
990601 - 990809	AG		79380-25000	1	
990809 -	AG		79380-25001	1	
990601 -	DG		79380-25200	1	
990601 -	DS		79380-25200	1	
990601 - 990809	FD		79380-25000	1	
990809 -	FD		79380-25001	1	
990601 - 990809	FG		79380-25000	1	
990809 -	FG		79380-25001	1	
79390	CHECKER ASSY-FR DOOR RH (S)CONJ. COMPROBADOR				
990601 - 990809	AD		79390-25000	1	
990809 -	AD		79390-25001	1	
990601 - 990809	AG		79390-25000	1	
990809 -	AG		79390-25001	1	
990601 -	DG		79390-25200	1	
990601 -	DS		79390-25200	1	
990601 - 990809	FD		79390-25000	1	
990809 -	FD		79390-25001	1	
990601 - 990809	FG		79390-25000	1	
990809 -	FG		79390-25001	1	
81310	LATCH ASSY-FR DR LH (S)CONJ. PESTILLO				
990601 -	AD		81310-25000	1	
990601 -	AD 8133,9572		81310-25030	1	
990601 -	AD 9572		81310-25030	1	
000222 -	AD 8133		81310-25030	1	
011101 -	AD 826A,9572		81310-25030	1	
990601 -	AG		81310-25000	1	
990601 -	AG 8133,9572		81310-25030	1	
990601 -	AG 9572		81310-25030	1	
000222 -	AG 8133		81310-25030	1	
011101 -	AG 826A,9572		81310-25030	1	
990601 -	DG		81310-25200	1	
990601 -	DG 8133,9572		81310-25230	1	
990601 -	DG 9572		81310-25230	1	
000222 -	DG 8133		81310-25230	1	

P N C	MODEL APPLICABLE		PART NO. (REPL P/NO)	Q T Y	REMARKS
	FROM-UP-TO	DESCRIPTION			
CONTINUED					
81310	LATCH ASSY-FR DR LH (S)CONJ. PESTILLO				
990601 -	DS		81310-25200	1	
990601 -	DS 8133,9572		81310-25230	1	
990601 -	DS 9572		81310-25230	1	
000222 -	DS 8133		81310-25230	1	
990601 -	FD		81310-25000	1	
990601 -	FD 8133,9572		81310-25030	1	
990601 -	FD 9572		81310-25030	1	
000222 -	FD 8133		81310-25030	1	
011101 -	FD 8133,826A,9572		81310-25030	1	
990601 -	FG		81310-25000	1	
990601 -	FG 8133,9572		81310-25030	1	
990601 -	FG 9572		81310-25030	1	
000222 -	FG 8133		81310-25030	1	
011101 -	FG 8133,826A,9572		81310-25030	1	
81320	LATCH ASSY-FR DR RH (S)CONJ. PESTILLO				
990601 -	AD		81320-25000	1	
990601 -	AD 8133,9572		81320-25030	1	
990601 -	AD 9572		81320-25030	1	
000222 -	AD 8133		81320-25030	1	
011101 -	AD 826A,9572		81320-25030	1	
990601 -	AG		81320-25000	1	
990601 -	AG 8133,9572		81320-25030	1	
990601 -	AG 9572		81320-25030	1	
000222 -	AG 8133		81320-25030	1	
011101 -	AG 826A,9572		81320-25030	1	
990601 -	DG		81320-25200	1	
990601 -	DG 8133,9572		81320-25230	1	
990601 -	DG 9572		81320-25230	1	
000222 -	DG 8133		81320-25230	1	
990601 -	DS		81320-25200	1	
990601 -	DS 8133,9572		81320-25230	1	
990601 -	DS 9572		81320-25230	1	
000222 -	DS 8133		81320-25230	1	
990601 -	FD		81320-25000	1	
990601 -	FD 8133,9572		81320-25030	1	

AD:3DR,GL AG:3DR,GL,DG:3DR,GL,DS:3DR,LD,FD:4DR,GL,FG:4DR,GL

8133:ANTI THEFT SYSTEM-IGNITION KEY 826A:HANDLE-DR 95-CR COATG 9572:LOCKG-CENTRAL MANUAL(DR)

3-K1

81-813 FRONT DOOR LOCKING

BA.G0112-373

P N C		MODEL APPLICABLE		R E P	PART NO. (REPL PNO)	Q T Y	REMARKS
FROM-UP-TO	TYPE	DESCRIPTION					
CONTINUED							
81320		LATCH ASSY-FR DR RH (S)CONJ. PESTILLO					
990601 -	FD	9572			81320-25030	1	
000222 -	FD	8133			81320-25030	1	
011101 -	FD	8133,826A,9572			81320-25030	1	
990601 -	FG				81320-25000	1	
990601 -	FG	8133,9572			81320-25030	1	
990601 -	FG	9572			81320-25030	1	
000222 -	FG	8133			81320-25030	1	
011101 -	FG	8133,826A,9572			81320-25030	1	
81350B		STRIKER ASSY-DR (S)CONJ. PERCUTOR					
990601 - 991209	ALL			Y	81350-25000 (81350-25001)	2	
991209 -	ALL				81350-25001	2	
81359A		COVER-FR DR LATCH LH (S)CUBIERTA					
990601 -	ALL				81358-25000	1	
81359B		COVER-FR DR LATCH RH (S)CUBIERTA					
990601 -	ALL				81359-25000	1	
81370C		ROD ASSY-FR DR SAFETY LOCK LH (S)CONJUNTO VARILLA					
990601 -	AD				81370-25000	1	
990601 -	AG				81370-25000	1	
990601 -	DG				81370-25200	1	
990601 -	DS				81370-25200	1	
990601 -	FD				81370-25000	1	
990601 -	FG				81370-25000	1	
81371		ROD-FR DR VS HDL LH (S)VARILLA					
990601 -	AD				81371-25000	1	
990601 -	AG				81371-25000	1	
990601 -	DG				81371-25200	1	
990601 -	DS				81371-25200	1	
990601 -	FD				81371-25000	1	
990601 -	FG				81371-25000	1	

P N C		MODEL APPLICABLE		R E P	PART NO. (REPL PNO)	Q T Y	REMARKS
FROM-UP-TO	TYPE	DESCRIPTION					
81372		ROD-FR DR VS HDL RH (S)VARILLA					
990601 -	AD				81372-25000	1	
990601 -	AG				81372-25000	1	
990601 -	DG				81372-25200	1	
990601 -	DS				81372-25200	1	
990601 -	FD				81372-25000	1	
990601 -	FG				81372-25000	1	
81373		ROD-FR DR ACTUATOR LH (S)VARILLA					
990601 -	AD	8133,9572			81373-25000	1	
990601 -	AD	9572			81373-25000	1	
000222 -	AD	8133			81373-25000	1	
011101 -	AD	826A,9572			81373-25000	1	
990601 -	AG	8133,9572			81373-25000	1	
990601 -	AG	9572			81373-25000	1	
000222 -	AG	8133			81373-25000	1	
011101 -	AG	826A,9572			81373-25000	1	
990601 -	DG	8133,9572			81373-25200	1	
990601 -	DG	9572			81373-25200	1	
000222 -	DG	8133			81373-25200	1	
990601 -	DS	8133,9572			81373-25200	1	
990601 -	DS	9572			81373-25200	1	
000222 -	DS	8133			81373-25200	1	
990601 -	FD	8133,9572			81373-25000	1	
000222 -	FD	8133			81373-25000	1	
011101 -	FD	8133,826A,9572			81373-25000	1	
990601 -	FG	8133,9572			81373-25000	1	
990601 -	FG	9572			81373-25000	1	
000222 -	FG	8133			81373-25000	1	
011101 -	FG	8133,826A,9572			81373-25000	1	
81374		ROD-FR DR ACTUATOR RH (S)VARILLA					
990601 -	AD	8133,9572			81374-25000	1	
990601 -	AD	9572			81374-25000	1	
000222 -	AD	8133			81374-25000	1	
011101 -	AD	826A,9572			81374-25000	1	
990601 -	AG	8133,9572			81374-25000	1	

AD:5DR, GL; AG:5DR, GLS; DG:3DR, GLS; DS:3DR, L; FD:4DR, GL; FG:4DR, GLS

8135:ANTI THEFT SYSTEM-IGNITION KEY 826A:HANDLE-DR VS-CR COATG 8137:LOCKG-CENTRAL MANUAL(DR)

CONTINUED

81-813 FRONT DOOR LOCKING

BA,00112- 374

3-L-1

P N C		MODEL APPLICABLE		R E P	PART NO. (REPL P/NO)	Q T Y	REMARKS	P N C		MODEL APPLICABLE		R E P	PART NO. (REPL P/NO)	Q T Y	REMARKS
FROM-UP-TO	TYPE	DESCRIPTION						FROM-UP-TO	TYPE	DESCRIPTION					
CONTINUED															
81374								81380B							
		ROD-FR DR ACTUATOR RH						ROD ASSY-FR DR SAFETY LOCK RH							
		(S)VARILLA						(S)CONJUNTO VARILLA							
990601 -	AG	9572			81374-25000	1		990601 -	AD				81380-25000	1	
000222 -	AG	8133			81374-25000	1		990601 -	AG				81380-25000	1	
011101 -	AG	826A,9572			81374-25000	1		990601 -	DG				81380-25200	1	
990601 -	DG	8133,9572			81374-25200	1		990601 -	DS				81380-25200	1	
990601 -	DG	9572			81374-25200	1		990601 -	FD				81380-25000	1	
000222 -	DG	8133			81374-25200	1		990601 -	FG				81380-25000	1	
990601 -	DS	8133,9572			81374-25200	1		81381							
990601 -	DS	9572			81374-25200	1		ROD-FR DR O/S HDL LH							
000222 -	DS	8133			81374-25200	1		(S)VARILLA							
990601 -	FD	8133,9572			81374-25000	1		990601 -	AD				81381-25000	1	
990601 -	FD	9572			81374-25000	1		990601 -	AG				81381-25000	1	
000222 -	FD	8133			81374-25000	1		990601 -	DG				81381-25200	1	
011101 -	FD	8133,826A,9572			81374-25000	1		990601 -	DS				81381-25200	1	
990601 -	FG	8133,9572			81374-25000	1		990601 -	FD				81381-25000	1	
990601 -	FG	9572			81374-25000	1		990601 -	FG				81381-25000	1	
000222 -	FG	8133			81374-25000	1		81382							
011101 -	FG	8133,826A,9572			81374-25000	1		ROD-FR DR O/S HDL RH							
		CLIP-DR ROD HOLDING						(S)VARILLA							
		(S)SUJETADOR						990601 -	AD				81382-25000	1	
990601 -	ALL				81375-38000	2		990601 -	AG				81382-25000	1	
		COVER-FR DR SAFETY LOCK ROD LH						990601 -	DG				81382-25200	1	
		(S)CUBIERTA						990601 -	DS				81382-25200	1	
990601 -	AD				81376-25000	1		990601 -	FD				81382-25000	1	
990601 -	AG				81376-25000	1		990601 -	FG				81382-25000	1	
990601 -	DG				81376-25200	1		81383							
990601 -	DS				81376-25200	1		ROD-FR DR LOCK LH							
990601 -	FD				81376-25000	1		(S)VARILLA							
990601 -	FG				81376-25000	1		990601 -	AD				81383-25000	1	
		COVER-FR DR SAFETY LOCK ROD RH						990601 -	AG				81383-25000	1	
		(S)CUBIERTA						990601 -	DG				81383-25200	1	
990601 -	AD				81377-25000	1		990601 -	DS				81383-25200	1	
990601 -	AG				81377-25000	1		990601 -	FD				81383-25000	1	
990601 -	DG				81377-25200	1		990601 -	FG				81383-25000	1	
990601 -	DS				81377-25200	1		81384							
990601 -	FD				81377-25000	1		ROD-FR DR LOCK RH							
990601 -	FG				81377-25000	1		(S)VARILLA							
		COVER-FR DR SAFETY LOCK ROD RH						990601 -	AD				81384-25000	1	
		(S)CUBIERTA						990601 -	AG				81384-25000	1	
990601 -	AD				81377-25000	1		990601 -	DG				81384-25200	1	
990601 -	AG				81377-25000	1		990601 -	DS				81384-25200	1	
990601 -	DG				81377-25200	1		990601 -	FD				81384-25000	1	
990601 -	DS				81377-25200	1		990601 -	FG				81384-25000	1	
990601 -	FD				81377-25000	1		CONTINUED							
990601 -	FG				81377-25000	1									

AD:DR.GL AG:DR.GLS DG:DR.GLS DS:DR.LL FD:DR.GL FG:DR.GLS

8133:ANTI THEFT SYSTEM-IGNITION KEY 826A:HANDLE-DR VS-CR COATG 9572:LOCK-CENTRAL MANUAL(DR)

3-M 1

81-813 FRONT DOOR LOCKING

BA,60112- 375

P N C	MODEL APPLICABLE		R E P	PART NO. (REPL P/NO)	Q T Y	REMARKS
	FROM-UP-TO	DESCRIPTION				
CONTINUED						
81384		ROD-FR DR LOCK RH (S)VARILLA				
990601 -		FG		81384-25000	1	
81456B		SCREW-MACHINE (S)TORNILLO				
001204 -		ALL		81456-17000	4	
81477		SCREW-MACHINE (S)TORNILLO				
990601 - 991209		ALL	Y	81477-37000 (81477-4A000)	6	
991209 -		ALL		81477-4A000	6	
82610		HANDLE ASSY-DR VS LH (S)CONJUNTO MANIJA				
990601 -		ALL		82610-25000	1	
011101 -		AD RHD;826A,9572		82610-25100	1	
011101 -		AG RHD;826A,9572		82610-25100	1	
011030 -		FD 826A		82610-25100	1	
011030 -		FG 826A		82610-25100	1	
82620		HANDLE ASSY-DR VS RH (S)CONJUNTO MANIJA				
990601 -		ALL		82620-25000	1	
011101 -		AD RHD;826A,9572		82620-25100	1	
011101 -		AG RHD;826A,9572		82620-25100	1	
011030 -		FD 826A		82620-25100	1	
011030 -		FG 826A		82620-25100	1	
82650		HANDLE ASSY-FR DR O/S LH (S)CONJUNTO MANIJA				
990601 -		AD		82650-25000CA	1	
990601 -		AG		82650-25000CA	1	
990601 -		DG		82650-25000CA	1	
990601 -		DS		82650-25000CA	1	
990601 -		FD L35,L45,P85		82650-25000CA	1	
990601 -		FG P3B,P35,P6B,P65		82650-25000	1	
990601 -		FG		82650-25000CA	1	
82660		HANDLE ASSY-FR DR O/S RH (S)CONJUNTO MANIJA				
990601 -		AD		82660-25000CA	1	
990601 -		AG		82660-25000CA	1	
CONTINUED						

P N C	MODEL APPLICABLE		R E P	PART NO. (REPL P/NO)	Q T Y	REMARKS
	FROM-UP-TO	DESCRIPTION				
CONTINUED						
82660		HANDLE ASSY-FR DR O/S RH (S)CONJUNTO MANIJA				
990601 -		DG		82660-25000CA	1	
990601 -		DS		82660-25000CA	1	
990601 -		FD L35,L45,P85		82660-25000CA	1	
990601 -		FG P3B,P35,P6B,P65		82660-25000	1	
990601 -		FG		82660-25000CA	1	
95730A		ACTUATOR ASSY-FR DR LOCKING LH (S)CONJ. ACTUADOR				
990601 -		ALL 8133		95735-25020	1	
990601 -		ALL LHD;9572		95735-25010	1	
990601 -		ALL RHD;9572		95735-25000	1	
95738		COVER-DR ACTUATOR LH (S)CUBIERTA				
990601 -		AD 8133,9572		95738-25000	1	
990601 -		AD 9572		95738-25000	1	
000222 -		AD 8133		95738-25000	1	
011101 -		AD 826A,9572		95738-25000	1	
990601 -		AG 8133,9572		95738-25000	1	
990601 -		AG 9572		95738-25000	1	
000222 -		AG 8133		95738-25000	1	
011101 -		AG 826A,9572		95738-25000	1	
990601 -		DG 8133,9572		95738-25200	1	
990601 -		DG 9572		95738-25200	1	
000222 -		DG 8133		95738-25200	1	
990601 -		DS 8133,9572		95738-25200	1	
990601 -		DS 9572		95738-25200	1	
000222 -		DS 8133		95738-25200	1	
990601 -		FD 8133,9572		95738-25000	1	
990601 -		FD 9572		95738-25000	1	
000222 -		FD 8133		95738-25000	1	
011101 -		FD 8133,826A,9572		95738-25000	1	
990601 -		FG 8133,9572		95738-25000	1	
990601 -		FG 9572		95738-25000	1	
000222 -		FG 8133		95738-25000	1	
011101 -		FG 8133,826A,9572		95738-25000	1	
CONTINUED						

AD:3DR,GL AG:3DR,GLS DG:3DR,GLS DS:3DR,L FD:4DR,GL FG:4DR,GLS

8133:ANTI THEFT SYSTEM-IGNITION KEY 826A:HANDLE-DR VS-CR COATG 9572:LOCKG-CENTRAL MANUAL(DR)

3-A 2

81-813 FRONT DOOR LOCKING

BA,00112- 376

P N C		MODEL APPLICABLE		R E P	PART NO. (REPL P/NO)	Q T Y	REMARKS	P N C		MODEL APPLICABLE		R E P	PART NO. (REPL P/NO)	Q T Y	REMARKS	
FROM-UP-TO	TYPE	DESCRIPTION	FROM-UP-TO					TYPE	DESCRIPTION							
95750A		ACTUATOR ASSY-FR DR LOCKING RH (S)CONJ. ACTUADOR														
990601 -		ALL 8133			95736-25020	1										
990601 -		ALL LHD;9572			95736-25000	1										
990601 -		ALL RHD;9572			95736-25010	1										
95758		COVER-DR ACTUATOR RH (S)CUBIERTA														
990601 -		AD 8133,9572			95748-25000	1										
990601 -		AD 9572			95748-25000	1										
000222 -		AD 8133			95748-25000	1										
011101 -		AD 826A,9572			95748-25000	1										
990601 -		AG 8133,9572			95748-25000	1										
990601 -		AG 9572			95748-25000	1										
000222 -		AG 8133			95748-25000	1										
011101 -		AG 826A,9572			95748-25000	1										
990601 -		DG 8133,9572			95748-25200	1										
990601 -		DG 9572			95748-25200	1										
000222 -		DG 8133			95748-25200	1										
990601 -		DS 8133,9572			95748-25200	1										
990601 -		DS 9572			95748-25200	1										
000222 -		DS 8133			95748-25200	1										
990601 -		FD 8133,9572			95748-25000	1										
990601 -		FD 9572			95748-25000	1										
000222 -		FD 8133			95748-25000	1										
011101 -		FD 8133,826A,9572			95748-25000	1										
990601 -		FG 8133,9572			95748-25000	1										
990601 -		FG 9572			95748-25000	1										
000222 -		FG 8133			95748-25000	1										
011101 -		FG 8133,826A,9572			95748-25000	1										

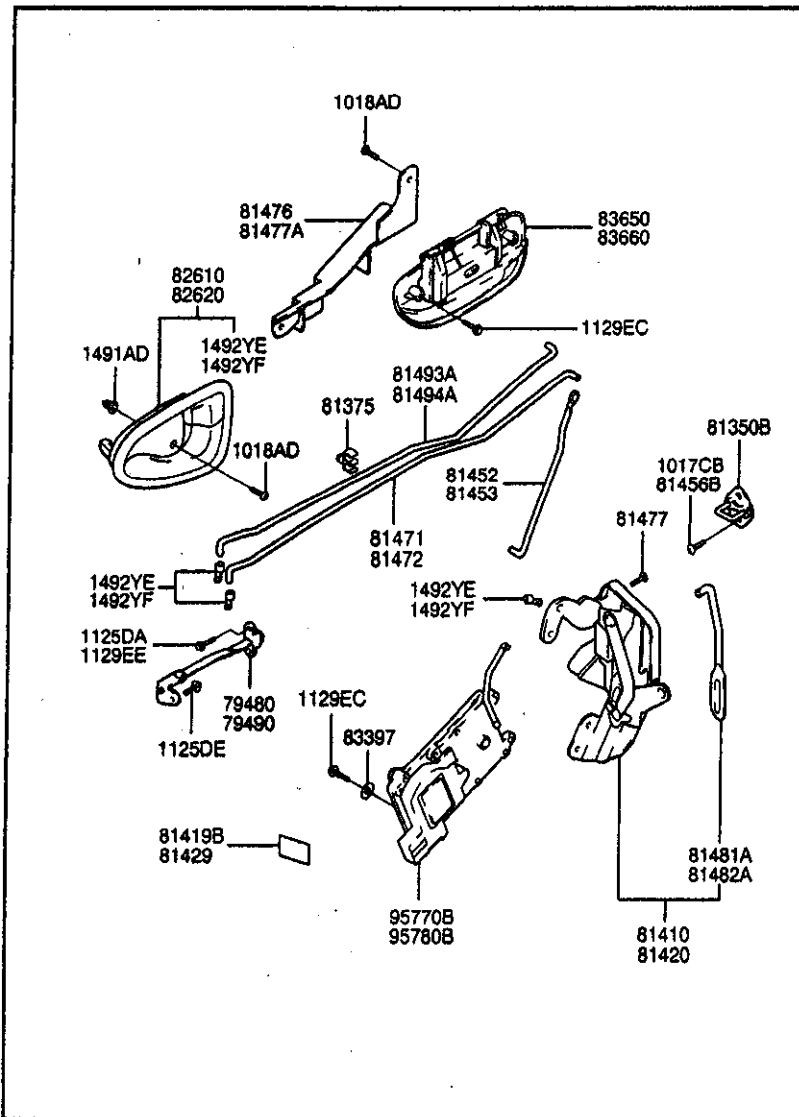
AD:3DR,QL AG:3DR,QLS DG:3DR,QLS DS:3DR,L FD:4DR,QL FG:4DR,QLS

8133:ANTI THEFT SYSTEM-IGNITION KEY 826A:HANDLE-DR VS-CR COATG 9572:LOCKING-CENTRAL MANUAL(DR)

3-B2

81-814 REAR DOOR LOCKING

BA,G0112-377



P N C	MODEL APPLICABLE		R E P	PART NO. (REPL P/NO)	Q T Y	REMARKS
	FROM-UP-TO	TYPE				
1017CB						
990601 - 991209	AD		Y	10178-08221 (10178-08223)	4	
991209 - 001204	AD			10178-08223	4	
990601 - 991209	AG		Y	10178-08221 (10178-08223)	4	
991209 - 001204	AG			10178-08223	4	
990601 - 991209	FD		Y	10178-08221 (10178-08223)	4	
991209 - 001204	FD			10178-08223	4	
990601 - 991209	FG		Y	10178-08221 (10178-08223)	4	
991209 - 001204	FG			10178-08223	4	
1018AD						
990601 -	AD			10188-05163	6	
990601 -	AG			10188-05163	6	
990601 -	FD			10188-05163	6	
990601 -	FG			10188-05163	6	
1125DA						
991209 -	AD		Y	11251-06163 (11251-06166B)	4	
991209 -	AG		Y	11251-06163 (11251-06166B)	4	
991209 -	FD		Y	11251-06163 (11251-06166B)	4	
991209 -	FG		Y	11251-06163 (11251-06166B)	4	
1125DE						
990601 -	AD		Y	11251-08253 (11251-08256B)	2	
990601 -	AG		Y	11251-08253 (11251-08256B)	2	
990601 -	FD		Y	11251-08253 (11251-08256B)	2	

CONTINUED

P N C	MODEL APPLICABLE		R E P	PART NO. (REPL P/NO)	Q T Y	REMARKS
	FROM-UP-TO	DESCRIPTION				
CONTINUED						
1125DE		BOLT (S)PERNO (CON ARANDELA)				
990601 -	FG		Y	11251-08253 (11251-08256B)	2	
1129EC		BOLT (S)PERNO (CON ARANDELA)				
990601 - 000209	AD		Y	11293-06121 (11293-06183)	6	
000209 -	AD		Y	11293-06121 (11293-06183)	4	
990601 - 000209	AG		Y	11293-06121 (11293-06183)	6	
000209 -	AG		Y	11293-06121 (11293-06183)	4	
990601 - 000209	FD		Y	11293-06121 (11293-06183)	6	
000209 -	FD		Y	11293-06121 (11293-06183)	4	
990601 - 000209	FG		Y	11293-06121 (11293-06183)	6	
000209 -	FG		Y	11293-06121 (11293-06183)	4	
1129EE		BOLT (S)PERNO (CON ARANDELA)				
990601 -	AD 8133,9572		Y	11293-06161 (11293-06183)	2	
990601 -	AD 9572		Y	11293-06161 (11293-06183)	2	
990601 - 991209	AD		Y	11293-06163 (11302-06183)	4	
000222 -	AD 8133		Y	11293-06161 (11293-06183)	2	
011101 -	AD 826A,9572		Y	11293-06161 (11293-06183)	2	
990601 -	AG 8133,9572		Y	11293-06161 (11293-06183)	2	
990601 -	AG 9572		Y	11293-06161 (11293-06183)	2	

P N C	MODEL APPLICABLE		R E P	PART NO. (REPL P/NO)	Q T Y	REMARKS
	FROM-UP-TO	DESCRIPTION				
CONTINUED						
1129EE		BOLT (S)PERNO (CON ARANDELA)				
990601 - 991209	AG		Y	11293-06163 (11302-06183)	4	
000222 -	AG 8133		Y	11293-06161 (11293-06183)	2	
011101 -	AG 826A,9572		Y	11293-06161 (11293-06183)	2	
990601 -	FD 8133,9572		Y	11293-06161 (11293-06183)	2	
990601 -	FD 9572		Y	11293-06161 (11293-06183)	2	
990601 - 991209	FD		Y	11293-06163 (11302-06183)	4	
000222 -	FD 8133		Y	11293-06161 (11293-06183)	2	
011101 -	FD 8133,826A,9572		Y	11293-06161 (11293-06183)	2	
990601 -	FG 8133,9572		Y	11293-06161 (11293-06183)	2	
990601 -	FG 9572		Y	11293-06161 (11293-06183)	2	
990601 - 991209	FG		Y	11293-06163 (11302-06183)	4	
000222 -	FG 8133		Y	11293-06161 (11293-06183)	2	
011101 -	FG 8133,826A,9572		Y	11293-06161 (11293-06183)	2	
1491AD		RETAINER-TAPPING SCREW (S)RETENEDOR				
990601 -	AD			14910-05000	6	
990601 -	AG			14910-05000	6	
990601 -	FD			14910-05000	6	
990601 -	FG			14910-05000	6	
1492YE		CLIP-ROD (S)SUJETADOR				
990601 -	AD			14929-42015	2	
990601 -	AD			14929-42015	1	

3-D 2

81-814 REAR DOOR LOCKING

BA,G0112- 379

P N C		MODEL APPLICABLE		R E P	PART NO. (REPL P/NO)	Q T Y	REMARKS	P N C		MODEL APPLICABLE		R E P	PART NO. (REPL P/NO)	Q T Y	REMARKS
FROM-UP-TO	TYPE	DESCRIPTION						FROM-UP-TO	TYPE	DESCRIPTION					
CONTINUED								CONTINUED							
1492YE		CLIP-ROD (S)SUJETADOR						81350B		STRIKER ASSY-DR (S)CONJ. PERCUTOR					
990601 -	AG				14929-42015	2		990601 - 991209	FD			Y	81350-25000 (81350-25001)	2	
990601 -	AG				14929-42015	1		991209 -	FD				81350-25001	2	
990601 -	FD				14929-42015	2		990601 - 991209	FG			Y	81350-25000 (81350-25001)	2	
000201 -	FD				14929-42015	1		991209 -	FG				81350-25001	2	
990601 -	FG				14929-42015	2									
000201 -	FG				14929-42015	1									
1492YF		CLIP-ROD (S)SUJETADOR						81375		CLIP-DR ROD HOLDING (S)SUJETADOR					
990601 -	AD				14929-42025	2		990601 -	AD				81375-38000	2	
990601 -	AD				14929-42025	1		990601 -	AG				81375-38000	2	
990601 -	AG				14929-42025	2		990601 -	FD				81375-38000	2	
990601 -	AG				14929-42025	1		990601 -	FG				81375-38000	2	
990601 -	FD				14929-42025	2									
990601 -	FD				14929-42025	1									
990601 -	FG				14929-42025	2									
990601 -	FG				14929-42025	1									
79480		CHECKER ASSY-RR DOOR LH (S)CONJ. COMPROBADOR						81410		LATCH ASSY-RR DR LH (S)CONJ. PESTILLO					
990601 -	AD				79480-25000	1		990601 -	AD	8133,9572			81410-25000	1	
990601 -	AG				79480-25000	1		990601 -	AD	9572			81410-25030	1	
990601 -	FD				79480-25000	1		990601 -	AD	8133			81410-25030	1	
990601 -	FG				79480-25000	1		000222 -	AD	826A,9572			81410-25030	1	
								011101 -	AD	826A,9572			81410-25030	1	
								990601 -	AG				81410-25000	1	
								990601 -	AG	8133,9572			81410-25030	1	
								990601 -	AG	9572			81410-25030	1	
								000222 -	AG	8133			81410-25030	1	
								011101 -	AG	826A,9572			81410-25030	1	
								990601 -	FD				81410-25000	1	
								990601 -	FD	8133,9572			81410-25030	1	
								990601 -	FD	9572			81410-25030	1	
								000222 -	FD	8133			81410-25030	1	
								011101 -	FD	8133,826A,9572			81410-25030	1	
								990601 -	FG				81410-25000	1	
								990601 -	FG	8133,9572			81410-25030	1	
								990601 -	FG	9572			81410-25030	1	
								000222 -	FG	8133			81410-25030	1	
								011101 -	FG	8133,826A,9572			81410-25030	1	
CONTINUED															
81350B		STRIKER ASSY-DR (S)CONJ. PERCUTOR													
990601 - 991209	AD			Y	81350-25000 (81350-25001)	2									
991209 -	AD				81350-25001	2									
990601 - 991209	AG			Y	81350-25000 (81350-25001)	2									
991209 -	AG				81350-25001	2									

AD:DR,QL AG:DR,QLS FD:DR,QL FG:DR,QLS 8133:ANTI THEFT SYSTEM-IGNITION KEY 826A:HANDLE-DR VS-CR COATO 9572:LOCK-0-CENTRAL MANUAL(DR)

P N C		MODEL APPLICABLE		R E P	PART NO. (REPL PNO)	Q T Y	REMARKS	P N C		MODEL APPLICABLE		R E P	PART NO. (REPL PNO)	Q T Y	REMARKS
FROM-UP-TO	TYPE	DESCRIPTION						FROM-UP-TO	TYPE	DESCRIPTION					
81419B		LABEL-RR DR LATCH LH (S)ETIQUETA						CONTINUED							
990601 -	AD				81419-34000	1		81452		ROD-RR DR ACTUATOR LH (S)VARILLA					
990601 -	AG				81419-34000	1		011101 -	AD	826A,9572		81452-25000	1		
990601 -	FD				81419-34000	1		990601 -	AG	8133,9572		81452-25000	1		
990601 -	FG				81419-34000	1		990601 -	AG	9572		81452-25000	1		
81420		LATCH ASSY-RR DR RH (S)CONJ. PESTILLO						000222 -	AG	8133		81452-25000	1		
990601 -	AD				81420-25000	1		011101 -	AG	826A,9572		81452-25000	1		
990601 -	AD	8133,9572			81420-25030	1		990601 -	FD	8133,9572		81452-25000	1		
990601 -	AD	9572			81420-25030	1		990601 -	FD	9572		81452-25000	1		
000222 -	AD	8133			81420-25030	1		000222 -	FD	8133		81452-25000	1		
011101 -	AD	826A,9572			81420-25030	1		011101 -	FD	8133,826A,9572		81452-25000	1		
990601 -	AG				81420-25000	1		990601 -	FG	8133,9572		81452-25000	1		
990601 -	AG	8133,9572			81420-25030	1		990601 -	FG	9572		81452-25000	1		
990601 -	AG	9572			81420-25030	1		000222 -	FG	8133		81452-25000	1		
000222 -	AG	8133			81420-25030	1		011101 -	FG	8133,826A,9572		81452-25000	1		
011101 -	AG	826A,9572			81420-25030	1		81453		ROD-RR DR ACTUATOR RH (S)VARILLA					
990601 -	FD				81420-25000	1		990601 -	AD	8133,9572		81453-25000	1		
990601 -	FD	8133,9572			81420-25030	1		990601 -	AD	9572		81453-25000	1		
990601 -	FD	9572			81420-25030	1		000222 -	AD	8133		81453-25000	1		
000222 -	FD	8133			81420-25030	1		011101 -	AD	826A,9572		81453-25000	1		
011101 -	FD	8133,826A,9572			81420-25030	1		990601 -	AG	8133,9572		81453-25000	1		
990601 -	FG				81420-25000	1		990601 -	AG	9572		81453-25000	1		
990601 -	FG	8133,9572			81420-25030	1		000222 -	AG	8133		81453-25000	1		
990601 -	FG	9572			81420-25030	1		011101 -	AG	826A,9572		81453-25000	1		
000222 -	FG	8133			81420-25030	1		990601 -	FD	8133,9572		81453-25000	1		
011101 -	FG	8133,826A,9572			81420-25030	1		990601 -	FD	9572		81453-25000	1		
81429		LABEL-RR DR LATCH RH (S)ETIQUETA						000222 -	FD	8133		81453-25000	1		
990601 -	AD				81429-34000	1		011101 -	FD	8133,826A,9572		81453-25000	1		
990601 -	AG				81429-34000	1		990601 -	FG	8133,9572		81453-25000	1		
990601 -	FD				81429-34000	1		990601 -	FG	9572		81453-25000	1		
990601 -	FG				81429-34000	1		000222 -	FG	8133		81453-25000	1		
81452		ROD-RR DR ACTUATOR LH (S)VARILLA						011101 -	FG	8133,826A,9572		81453-25000	1		
990601 -	AD	8133,9572			81452-25000	1		81456B		SCREW-MACHINE (S)TORNILLO					
990601 -	AD	9572			81452-25000	1		990601 -	AD			81456-17000	4		
000222 -	AD	8133			81452-25000	1		990601 -	AG			81456-17000	4		
								990601 -	FD			81456-17000	4		

3-E2

81-814 REAR DOOR LOCKING

BA,00112-381

P N C		MODEL APPLICABLE		R E P	PART NO. (REPL P/NO)	Q T Y	REMARKS	P N C		MODEL APPLICABLE		R E P	PART NO. (REPL P/NO)	Q T Y	REMARKS
FROM-UP-TO	TYPE	DESCRIPTION						FROM-UP-TO	TYPE	DESCRIPTION					
CONTINUED								CONTINUED							
		81456B	SCREW-MACHINE (S)TORNILLO					81477A	COVER-RR DR S/LOCK ROD RH (S)CUBIERTA						
990601 -			FG		81456-17000	4		990601 -	AG				81477-25000	1	
		81471	ROD-RR DR VS HDL LH (S)VARILLA					990601 -	FD				81477-25000	1	
990601 -			AD		81471-25000	1		990601 -	FG				81477-25000	1	
990601 -			AG		81471-25000	1		81481A	ROD-RR DR O/S HDL LH (S)VARILLA						
990601 -			FD		81471-25000	1		990601 -	AD				81481-25000	1	
990601 -			FG		81471-25000	1		990601 -	AG				81481-25000	1	
		81472	ROD-RR DR VS HDL RH (S)VARILLA					990601 -	FD				81481-25000	1	
990601 -			AD		81472-25000	1		990601 -	FG				81481-25000	1	
990601 -			AG		81472-25000	1		81482A	ROD-RR DR O/S HDL RH (S)VARILLA						
990601 -			FD		81472-25000	1		990601 -	AD				81482-25000	1	
990601 -			FG		81472-25000	1		990601 -	AG				81482-25000	1	
		81476	COVER-RR DR S/LOCK ROD LH (S)CUBIERTA					990601 -	FD				81482-25000	1	
990601 -			AD		81476-25000	1		990601 -	FG				81482-25000	1	
990601 -			AG		81476-25000	1		81493A	ROD-RR DR SAFETY LOCK LH (S)VARILLA						
990601 -			FD		81476-25000	1		990601 -	AD				81491-25000	1	
990601 -			FG		81476-25000	1		990601 -	AG				81491-25000	1	
		81477	SCREW-MACHINE (S)TORNILLO					990601 -	FD				81491-25000	1	
990601 - 991209			AD	Y	81477-37000 (81477-4A000)	6		990601 -	FG				81491-25000	1	
991209 -			AD		81477-4A000	6		81494A	ROD-RR DR SAFETY LOCK RH (S)VARILLA						
990601 - 991209			AG	Y	81477-37000 (81477-4A000)	6		990601 -	AD				81492-25000	1	
991209 -			AG		81477-4A000	6		990601 -	AG				81492-25000	1	
990601 - 991209			FD	Y	81477-37000 (81477-4A000)	6		990601 -	FD				81492-25000	1	
991209 -			FD		81477-4A000	6		990601 -	FG				81492-25000	1	
990601 - 991209			FG	Y	81477-37000 (81477-4A000)	6		82610	HANDLE ASSY-DR I/S LH (S)CONJUNTO MANIJA						
991209 -			FD		81477-4A000	6		990601 -	AD				82610-25000	1	
990601 - 991209			FG	Y	81477-37000 (81477-4A000)	6		011101 -	AD 826A,9572				82610-25100	1	
991209 -			FG		81477-4A000	6		990601 -	AG				82610-25000	1	
		81477A	COVER-RR DR S/LOCK ROD RH (S)CUBIERTA					011101 -	AG 826A,9572				82610-25100	1	
990601 -			AD		81477-25000	1		990601 -	FD				82610-25000	1	
CONTINUED								CONTINUED							

AD-DR, GL AG-DR, GL FD-DR, GL FG-DR, GL

826A-HANDLE-DR US-CR COATG 8672-LOCKG-CENTRAL MANUAL(DR)

3-G 2

81-814 REAR DOOR LOCKING

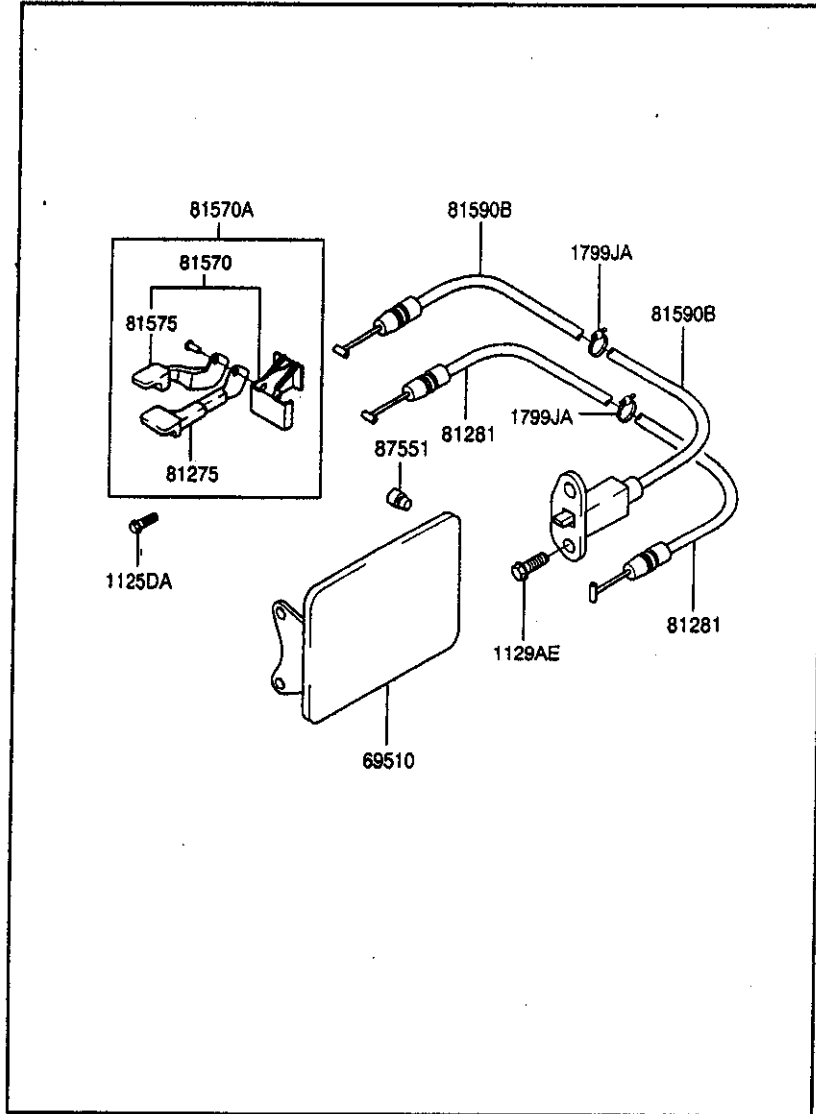
BA,00112-382

P N C		MODEL APPLICABLE		R E P	PART NO. (REPL PNO)	Q T Y	REMARKS	P N C		MODEL APPLICABLE		R E P	PART NO. (REPL PNO)	Q T Y	REMARKS
FROM-UP-TO	TYPE	DESCRIPTION						FROM-UP-TO	TYPE	DESCRIPTION					
CONTINUED								CONTINUED							
82610		HANDLE ASSY-DR VS LH (S)CONJUNTO MANIJA						95770B		ACTUATOR -RR DR LOCKING LH (S)ACTUADOR					
011030 -		FG	826A		82610-25100	1		990601 -	AG	9572		95755-25000	1		
82620		HANDLE ASSY-DR VS RH (S)CONJUNTO MANIJA						990601 -	FD	8133		95755-25010	1		
990601 -		AD			82620-25000	1		990601 -	FD	9572		95755-25000	1		
011101 -		AD	826A,9572		82620-25100	1		990601 -	FG	8133		95755-25010	1		
990601 -		AG			82620-25000	1		990601 -	FG	9572		95755-25000	1		
011101 -		AG	826A,9572		82620-25100	1		95780B	ACTUATOR -RR DR LOCKING RH (S)ACTUADOR						
990601 -		FD			82620-25000	1		990601 -	AD	8133		95756-25010	1		
011030 -		FD	826A		82620-25100	1		990601 -	AD	9572		95756-25000	1		
990601 -		FG			82620-25000	1		990601 -	AG	8133		95756-25010	1		
011030 -		FG	826A		82620-25100	1		990601 -	AG	9572		95756-25000	1		
83397		TAPE-BLANKING HOLE (S)CINTA						990601 -	FD	8133		95756-25010	1		
990601 -		AD			83397-37000	2		990601 -	FD	9572		95756-25000	1		
990601 -		AG			83397-37000	2		990601 -	FG	8133		95756-25010	1		
990601 -		FD			83397-37000	2		990601 -	FG	9572		95756-25010	1		
990601 -		FG			83397-37000	2						95756-25000	1		
83650		HANDLE ASSY-RR DR O/S LH (S)CONJUNTO MANIJA													
990601 -		AD			83650-25000CA	1									
990601 -		AG			83650-25000CA	1									
990601 -		FD	L35,L45,P85		83650-25000CA	1									
990601 -		FG	P3B,P35,P6B,P65		83650-25000	1									
990601 -		FG			83650-25000CA	1									
83660		HANDLE ASSY-RR DR O/S RH (S)CONJUNTO MANIJA													
990601 -		AD			83660-25000CA	1									
990601 -		AG			83660-25000CA	1									
990601 -		FD	L35,L45,P85		83660-25000CA	1									
990601 -		FG	P3B,P35,P6B,P65		83660-25000	1									
990601 -		FG			83660-25000CA	1									
95770B		ACTUATOR -RR DR LOCKING LH (S)ACTUADOR													
990601 -		AD	8133		95755-25010	1									
990601 -		AD	9572		95755-25000	1									
990601 -		AG	8133		95755-25010	1									
CONTINUED															

3-H2

81-815 FUEL FILLER DOOR

BA.G0112- 383



P N C	MODEL APPLICABLE		RE P	PART NO. (REPL P/NO)	Q T Y	REMARKS
	FROM-UP-TO	TYPE				
1125DA						
990601 -			Y	11251-06163 (11251-06166B)	1	
1129AE						
990601 -			Y	11290-06163 (11250-06203)	2	
1799JA						
990601 - 000221			Y	17993-08000 (17993-10000)	2	
000121 -			Y	17993-08000 (17993-10000)	3	
69510						
990601 -				69500-25010	1	
81275						
990601 -				81275-22000	1	
990601 -				81275-22900	1	
81281						
990601 -				81280-22003	1	
990601 -				81280-25900	1	
81570						
990601 -				81570-22901	1	
990601 -				81570-22001	1	
990601 -				81570-22001	1	
990601 -				81570-22001	1	
990601 -				81570-22001	1	
81570A						
990601 -				81570-22012	1	
990601 -				81570-22912	1	
81575						
990601 -				81575-22000	1	

AD:SDR,GL AG:SDR,GLS FD:ADR,GL FG:ADR,GLS 6953:FUEL FILLER LOCK G LID-RELEASE 8579:LOCK G REL-REMOTE/TGATE T/LID

81-815 FUEL FILLER DOOR

BA,00112-384

3-12

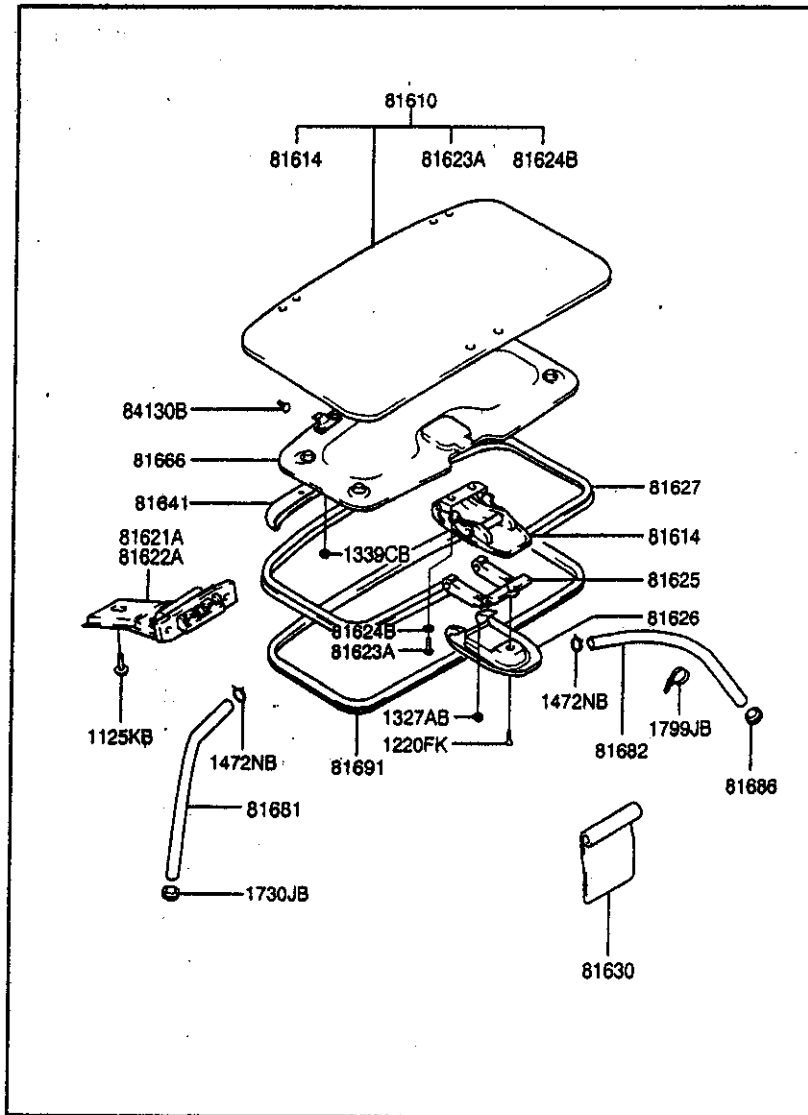
P N C		MODEL APPLICABLE		R E P	PART NO. (REPL PNO)	Q T Y	REMARKS	P N C		MODEL APPLICABLE		R E P	PART NO. (REPL PNO)	Q T Y	REMARKS	
FROM-UP-TO	TYPE	DESCRIPTION						FROM-UP-TO	TYPE	DESCRIPTION						
81590B		CATCH & CABLE ASSY-F/FILLER DR														
		(S)CONJ. CABLE & PESTILLO														
990601 -		ALL	RHD;6953		81590-25901	1										
990601 - 990716		AD	LHD;6953		81590-25000	1										
990716 -		AD	LHD;6953		81590-25001	1										
990601 - 990716		AQ	LHD;6953		81590-25000	1										
990716 -		AQ	LHD;6953		81590-25001	1										
990601 - 990716		DG	LHD;6953,9579		81590-25000	1										
990716 -		DG	LHD;6953,9579		81590-25001	1										
990601 - 990716		DS	LHD;6953,9579		81590-25000	1										
990716 -		DS	LHD;6953,9579		81590-25001	1										
990601 - 990716		FD	LHD;6953		81590-25000	1										
990716 -		FD	LHD;6953		81590-25001	1										
990601 - 990716		FG	LHD;6953		81590-25000	1										
990716 -		FG	LHD;6953		81590-25001	1										
87551		BUMPER-FUEL FILLER DR														
		(S)PARACHOQUES														
990601 -		ALL	6953		81511-25000	2										

AD:5DR,6L AD:5DR,6L5 DG:3DR,6L5 DS:3DR,1 FD:4DR,6L FG:4DR,6L5 6953:FUEL FILLER LOCK'G LID-RELEASE 9579:LOCK'G REL-REMOTE/TGATE T/LID

3-12

81-816 SUNROOF

BA,G0112- 385



P N C	MODEL APPLICABLE		R E P	PART NO. (REPL PNO)	Q T Y	REMARKS
	FROM-UP-TO	TYPE				
1125KB						
990601 -			Y	11254-08161 (11254-06201)	2	
1220FK						
990601 -				12203-05103	1	
1327AB						
990601 -			Y	13270-06001 (13395-06003)	2	
1339CB						
990601 -				13395-05001	4	
1472NB						
990601 -				14725-14001	4	
1730JB						
990601 -				17303-14012	2	
1799JB						
990601 -				17993-10000	2	
81610						
990601 -				81610-25000YL	1	INT;LT
990601 -				81610-25000YL	1	INT;LT
990601 -				81610-25000YL	1	INT;LT
990601 -				81610-25000YL	1	INT;LT
990601 -				81610-25000YL	1	INT;LT
990601 -				81610-25000YL	1	INT;LT
81614						
990601 -				81614-22000YL	1	INT;LT
990601 -				81614-22000YL	1	INT;LT
990601 -				81614-22000YL	1	INT;LT
990601 -				81614-22000YL	1	INT;LT
990601 -				81614-22000YL	1	INT;LT
990601 -				81614-22000YL	1	INT;LT

3-K2

81-816 SUNROOF

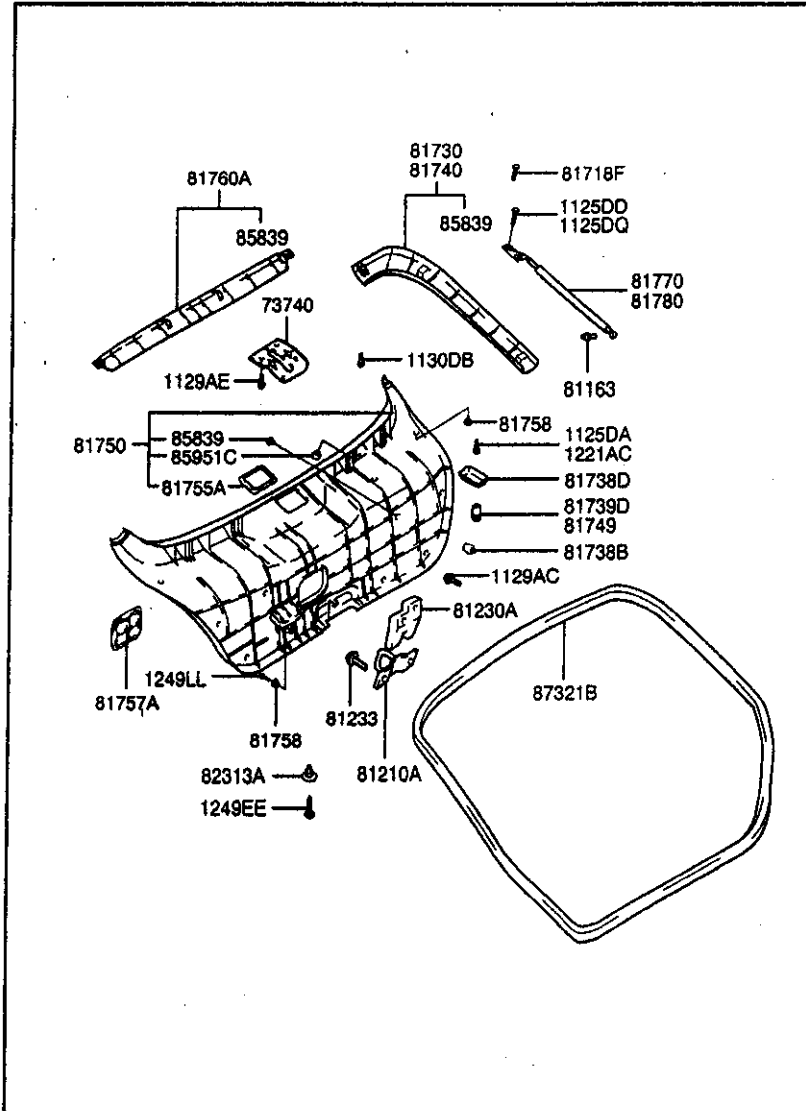
BA,00112-388

P N C	MODEL APPLICABLE		PART NO. (REPL P/NO)	Q T Y	REMARKS
	FROM-UP-TO	DESCRIPTION			
81621A		HINGE ASSY-SUNROOF FRAME LH (S)CONJUNTO BISAGRA			
990601 -		ALL 8161	81621-25000	1	
81622A		HINGE ASSY-SUNROOF FRAME RH (S)CONJUNTO BISAGRA			
990601 -		ALL 8161	81622-25000	1	
81623A		SCREW-MACHINE (S)TORNILLO			
990601 -		ALL 8161	81623-22000	2	
81624B		WASHER-PLAIN (S)ARANDELA			
990601 -		ALL 8161	81624-22000	2	
81625		PLATE ASSY-SUNROOF HDL BASE (S)CONJ. PLACA			
990601 -		ALL 8161	81625-23000	1	
81626		ESCUTCHEON-SUNROOF HDL (S)ESCUDETE			
990601 -		AD 8161	81626-22000YL	1	INT;LT
990601 -		AG 8161	81626-22000YL	1	INT;LT
990601 -		DG 8161	81626-22000YL	1	INT;LT
990601 -		DS 8161	81626-22000YL	1	INT;LT
990601 -		FD L35,L45,P85;8161	81626-22000YL	1	INT;LT
990601 -		FG 8161	81626-22000YL	1	INT;LT
81627		W/STRIP-SUNROOF FRAME (S)BURLETE			
990601 -		ALL 8161	81627-25000	1	
81630		BAG ASSY-SUNROOF GLASS STORAGE (S)CONJUNTO BOLSA			
990601 -		ALL 8161	81630-22000	1	
81641		DEFLECTOR ASSY-SUNROOF (S)CONJUNTO DEFLECTOR			
990601 -		ALL 8161	81641-25000	1	
81666		SUNSHADE ASSY-SUNROOF (S)CONJ. PARASOL			
990601 -		AD 8161	81666-25000YL	1	INT;LT
990601 -		AD 8161,8531	81666-25010YL	1	INT;LT
990601 -		AG 8161	81666-25000YL	1	INT;LT
990601 -		AG 8161,8531	81666-25010YL	1	INT;LT
990601 -		DG 8161	81666-25000YL	1	INT;LT

P N C	MODEL APPLICABLE		PART NO. (REPL P/NO)	Q T Y	REMARKS
	FROM-UP-TO	DESCRIPTION			
CONTINUED					
81666		SUNSHADE ASSY-SUNROOF (S)CONJ. PARASOL			
990601 -		DG 8161,8531	81666-25010YL	1	INT;LT
990601 -		DS 8161	81666-25000YL	1	INT;LT
990601 -		DS 8161,8531	81666-25010YL	1	INT;LT
990601 -		FD L35,L45,P85;8161	81666-25000YL	1	INT;LT
990601 -		FD L35,L45,P85;8161,8531	81666-25010YL	1	INT;LT
990601 -		FG 8161	81666-25000YL	1	INT;LT
990601 -		FG 8161,8531	81666-25010YL	1	INT;LT
81681		HOSE-SUNROOF DRAIN FR (S)MANGUERA			
990601 -		ALL 8161	81681-25000	2	
81682		HOSE-SUNROOF DRAIN RR (S)MANGUERA			
990601 -		ALL 8161	81682-25000	2	
81686		GROMMET-SUNROOF DRAIN HOSE RR (S)ARANDELA DE CABO			
990601 -		ALL 8161	81686-21000	2	
81691		TRIM-SUNROOF OPENING (S)REVESTIMIENTO			
990601 -		AD 8161	81691-25000YL	1	INT;LT
990601 -		AG 8161	81691-25000YL	1	INT;LT
990601 -		DG 8161	81691-25000YL	1	INT;LT
990601 -		DS 8161	81691-25000YL	1	INT;LT
990601 -		FD L35,L45,P85;8161	81691-25000YL	1	INT;LT
990601 -		FG 8161	81691-25000YL	1	INT;LT
84130B		SCREW-ROOF RACK MTG (S)TORNILLO			
990601 -		ALL 8161	84130-29000	4	

AD:3DR,GL AG:3DR,GLS DG:3DR,GLS DS:3DR,L FD:4DR,GL FG:4DR,GLS

8161:ROOF-SUN 8531:TRIM-HEAD LINING(CLOTH)



P N C	MODEL APPLICABLE		R E P	PART NO. (REPL. P/NO)	Q T Y	REMARKS
	FROM-UP-TO	TYPE				
1125DA				BOLT (S)PERNO (CON ARANDELA)		
990601 -		AD	Y	11251-06163 (11251-06166B)	3	
990601 - 990816		AD -W20	Y	11251-06163 (11251-06166B)	8	
990601 -		AG	Y	11251-06163 (11251-06166B)	3	
990601 - 990816		AG -W20	Y	11251-06163 (11251-06166B)	8	
990601 -		DG	Y	11251-06163 (11251-06166B)	3	
990601 - 990816		DG -W20	Y	11251-06163 (11251-06166B)	8	
990601 -		DS	Y	11251-06163 (11251-06166B)	3	
990601 - 990816		DS -W20	Y	11251-06163 (11251-06166B)	8	
990630 - 990816		DS	Y	11251-06163 (11251-06166B)	8	
1125DD				BOLT (S)PERNO (CON ARANDELA)		
990621 - 991006		AD -W20		11251-08203	4	
990621 - 991006		AG -W20		11251-08203	4	
990621 - 991006		DG -W20		11251-08203	4	
990630 - 991006		DG		11251-08203	4	
990621 - 991006		DS -W20		11251-08203	4	
990630 - 991006		DS		11251-08203	4	
1125DQ				BOLT (S)PERNO (CON ARANDELA)		
990601 - 990621		AD -W20		11251-08163	4	
990601 - 990621		AG -W20		11251-08163	4	
990601 - 990621		DG -W20		11251-08163	4	
990601 - 990621		DS -W20		11251-08163	4	

81-817 TAIL GATE TRIM

BA,90112-388

3-M2

P N C	MODEL APPLICABLE		R E P	PART NO. (REPL P/NO)	Q T Y	REMARKS
	FROM-UP-TO	DESCRIPTION				
1129AC		BOLT (S)PERNO (CON ARANDELA)				
990601 - 990719	AD -W20		Y	11290-06121 (11290-06123)	2	
990601 - 990719	AG -W20		Y	11290-06121 (11290-06123)	2	
990601 - 990719	DG -W20		Y	11290-06121 (11290-06123)	2	
990630 - 990719	DG		Y	11290-06121 (11290-06123)	2	
990601 - 990719	DS -W20		Y	11290-06121 (11290-06123)	2	
990630 - 990719	DS		Y	11290-06121 (11290-06123)	2	
1129AE		BOLT(W/WASHER) (S)CONJ.ARANDELA				
990601 -	AD		Y	11290-06163 (11250-06203)	1	
990601 -	AG		Y	11290-06163 (11250-06203)	1	
990601 -	DG		Y	11290-06163 (11250-06203)	1	
990601 -	DS		Y	11290-06163 (11250-06203)	1	
1130DB		BOLT (S)PERNO (CON ARANDELA)				
990719 - 991129	AD -W20			11302-06141	2	
991129 -	AD			11302-06141	2	
990719 - 991129	AG -W20			11302-06141	2	
991129 -	AG			11302-06141	2	
990719 -	DG			11302-06141	2	
990719 - 991129	DG -W20			11302-06141	2	
990719 -	DS			11302-06141	2	
990719 - 991129	DS -W20			11302-06141	2	
1221AC		SCREW-MACHINE (S)TORNILLO				
990616 - 991129	AD -W20			12210-06163	8	
991129 -	AD			12210-06163	8	
990816 - 991129	AG -W20			12210-06163	8	

P N C	MODEL APPLICABLE		R E P	PART NO. (REPL P/NO)	Q T Y	REMARKS
	FROM-UP-TO	DESCRIPTION				
CONTINUED						
1221AC		SCREW-MACHINE (S)TORNILLO				
991129 -	AG			12210-06163	8	
990816 -	DG			12210-06163	8	
990816 - 991129	DG -W20			12210-06163	8	
990816 -	DS			12210-06163	8	
990816 - 991129	DS -W20			12210-06163	8	
1249EE		SCREW-TAPPING (S)TORNILLO				
990601 - 991129	AD -W20			12492-04163	2	
991129 -	AD			12492-04163	2	
990601 - 991129	AG -W20			12492-04163	2	
991129 -	AG			12492-04163	2	
990601 - 991129	DG -W20			12492-04163	2	
990630 -	DG			12492-04163	2	
990601 - 991129	DS -W20			12492-04163	2	
990630 -	DS			12492-04163	2	
1249LL		SCREW-TAPPING (S)TORNILLO				
990601 - 991129	AD -W20			12493-04203	4	
991129 -	AD			12493-04203	4	
990601 - 991129	AG -W20			12493-04203	4	
991129 -	AG			12493-04203	4	
990601 - 991129	DG -W20			12493-04203	4	
990630 -	DG			12493-04203	4	
990601 - 991129	DS -W20			12493-04203	4	
990630 -	DS			12493-04203	4	
73740		BRACKET ASSY-T/GATE TRIM HMSL (S)CONJUNTO SOPORTE				
990601 - 991129	AD -W20			73740-25200	1	
991129 -	AD			73740-25200	1	
990601 - 991129	AG -W20			73740-25200	1	
991129 -	AG			73740-25200	1	
990601 - 991129	DG -W20			73740-25200	1	
990630 -	DG			73740-25200	1	
990601 - 991129	DS -W20			73740-25200	1	
990630 -	DS			73740-25200	1	

3-A 3

81-817 TAIL GATE TRIM

BA.G0112- 389

P N C	MODEL APPLICABLE		R E P	PART NO. (REPL P/MO)	Q T Y	REMARKS	P N C	MODEL APPLICABLE		R E P	PART NO. (REPL P/MO)	Q T Y	REMARKS
	FROM-UP-TO	TYPE						DESCRIPTION	FROM-UP-TO				
81163		JOINT-BALL					CONTINUED						
		(S)JUNTA					81718F						
990601 - 991129	AD	-W20		81163-36000	2				BOLT				
991129 -	AD			81163-36000	2				(S)PERNO (CON ARANDELA)				
990601 - 991129	AG	-W20		81163-36000	2		991016 - 991129		DG -W20		81708-25200	4	
991129 -	AG			81163-36000	2		991016 -		DS		81708-25200	4	
990601 - 991129	DG	-W20		81163-36000	2		991016 - 991129		DS -W20		81708-25200	4	
990630 -	DG			81163-36000	2		81730		TRIM ASSY-TAIL GATE SIDE LH				
990601 - 991129	DS	-W20		81163-36000	2				(S)CONJ. REVESTIMIENTO				
990630 -	DS			81163-36000	2		990601 - 991129		AD -W20		81730-25200LT	1	INT;LT
81210A		STRIKER ASSY-TAIL GATE					991129 -		AD		81730-25200LT	1	INT;LT
		(S)CONJ. PERCUTOR					990601 - 991129		AG -W20		81730-25200LT	1	INT;LT
990601 -	AD			81210-25200	1		991129 -		AG		81730-25200LT	1	INT;LT
990601 -	AD	9579		81210-25210	1		990601 - 991129		DG -W20		81730-25200LT	1	INT;LT
990601 -	AG			81210-25200	1		990630 -		DG		81730-25200LT	1	INT;LT
990601 -	AG	9579		81210-25210	1		990601 - 991129		DS -W20		81730-25200LT	1	INT;LT
990601 -	DG			81210-25200	1		990630 -		DS		81730-25200LT	1	INT;LT
990601 -	DG	9579		81210-25210	1		81738B		BUMPER-TRUNK LID OVERSLAM LWR				
990601 -	DS			81210-25200	1				(S)PARACHOQUES				
990601 -	DS	9579		81210-25210	1		990601 - 991129		AD -W20		81739-22000	2	
990601 -	DS			81210-25210	1		991129 -		AD		81739-22000	2	
81230A		LATCH ASSY-TAIL GATE					990601 - 991129		AG -W20		81739-22000	2	
		(S)CONJ. PESTILLO					991129 -		AG		81739-22000	2	
990601 -	AD			81730-25000	1		990601 - 991129		DG -W20		81739-22000	2	
990601 -	AG			81730-25000	1		990630 -		DG		81739-22000	2	
990601 -	DG			81730-25000	1		990601 - 991129		DS -W20		81739-22000	2	
990601 -	DS			81730-25000	1		990630 -		DS		81739-22000	2	
81233		BOLT-STRIKER MTG					81738D		BUMPER-T/GATE BODY SIDE GUIDE				
		(S)PERNO							(S)PARACHOQUES				
990601 -	AD			81233-22220	2		990601 - 991129		AD -W20		81738-25200	2	
990601 -	AG			81233-22220	2		991129 -		AD		81738-25200	2	
990601 -	DG			81233-22220	2		990601 - 991129		AG -W20		81738-25200	2	
990601 -	DS			81233-22220	2		991129 -		AG		81738-25200	2	
81718F		BOLT					990601 - 991129		DG -W20		81738-25200	2	
		(S)PERNO (CON ARANDELA)					990630 -		DG		81738-25200	2	
991016 - 991129	AD	-W20		81708-25200	4		990601 - 991129		DS -W20		81738-25200	2	
991129 -	AD			81708-25200	4		990630 -		DS		81738-25200	2	
991016 - 991129	AG	-W20		81708-25200	4		81739D		BUMPER-T/GATE BODY SIDE GUIDE LH				
991129 -	AG			81708-25200	4				(S)PARACHOQUES				
991016 -	DG			81708-25200	4		990601 - 991129		AD -W20		81739-25200	1	

AD:3DR,GL AG:5DR,GLS DG:3DR,GLS DS:3DR,A

9579:LOCKING REL-REMOTE(T)GATE T/LID W20:COLD ZONE

81-817 TAIL GATE TRIM

BA,00112- 390

3-B3

P N C		MODEL APPLICABLE		R E P	PART NO. (REPL PNO)	Q T Y	REMARKS
FROM-UP-TO	TYPE	DESCRIPTION					
CONTINUED							
81739D		BUMPER-T/GATE BODY SIDE GUIDE LH (S)PARACHOQUES					
991129 -	AD				81739-25200	1	
990601 - 991129	AG -W20				81739-25200	1	
991129 -	AG				81739-25200	1	
990601 - 991129	DG -W20				81739-25200	1	
990630 -	DG				81739-25200	1	
990601 - 991129	DS -W20				81739-25200	1	
990630 -	DS				81739-25200	1	
81740		TRIM ASSY-TAIL GATE SIDE RH (S)CONJ. REVESTIMIENTO					
990601 - 991129	AD -W20				81740-25200LT	1	INT;LT
991129 -	AD				81740-25200LT	1	INT;LT
990601 - 991129	AG -W20				81740-25200LT	1	INT;LT
991129 -	AG				81740-25200LT	1	INT;LT
990601 - 991129	DG -W20				81740-25200LT	1	INT;LT
990630 -	DG				81740-25200LT	1	INT;LT
990601 - 991129	DS -W20				81740-25200LT	1	INT;LT
990630 -	DS				81740-25200LT	1	INT;LT
81749		BUMPER-T/GATE BODY SIDE GUIDE RH (S)PARACHOQUES					
990601 - 991129	AD -W20				81749-25200	1	
991129 -	AD				81749-25200	1	
990601 - 991129	AG -W20				81749-25200	1	
991129 -	AG				81749-25200	1	
990601 - 991129	DG -W20				81749-25200	1	
990630 -	DG				81749-25200	1	
990601 - 991129	DS -W20				81749-25200	1	
990630 -	DS				81749-25200	1	
81750		PANEL ASSY-TAIL GATE TRIM (S)CONJUNTO PANEL					
990601 - 991129	AD -W20				81750-25200LT	1	INT;LT
990601 - 991129	AD 9275,-W20				81750-25210LT	1	INT;LT
990601 - 991129	AD 9275,9880,-W20				81750-25230LT	1	INT;LT
990601 - 991129	AD 9880,-W20				81750-25220LT	1	INT;LT
991129 -	AD				81750-25200LT	1	INT;LT
991129 -	AD 9275				81750-25210LT	1	INT;LT
991129 -	AD 9275,9880				81750-25230LT	1	INT;LT

P N C		MODEL APPLICABLE		R E P	PART NO. (REPL PNO)	Q T Y	REMARKS
FROM-UP-TO	TYPE	DESCRIPTION					
CONTINUED							
81750		PANEL ASSY-TAIL GATE TRIM (S)CONJUNTO PANEL					
991129 -	AD 9880				81750-25220LT	1	INT;LT
990601 - 991129	AG -W20				81750-25200LT	1	INT;LT
990601 - 991129	AG 9275,-W20				81750-25210LT	1	INT;LT
990601 - 991129	AG 9275,9880,-W20				81750-25230LT	1	INT;LT
990601 - 991129	AG 9880,-W20				81750-25220LT	1	INT;LT
991129 -	AG				81750-25200LT	1	INT;LT
991129 -	AG 9275				81750-25210LT	1	INT;LT
991129 -	AG 9275,9880				81750-25230LT	1	INT;LT
991129 -	AG 9880				81750-25220LT	1	INT;LT
990601 - 991129	DG -W20				81750-25200LT	1	INT;LT
990601 - 991129	DG 9275,-W20				81750-25210LT	1	INT;LT
990601 - 991129	DG 9880,-W20				81750-25220LT	1	INT;LT
990630 -	DG				81750-25200LT	1	INT;LT
990630 -	DG 9880				81750-25220LT	1	INT;LT
991129 -	DG 9275				81750-25210LT	1	INT;LT
990601 - 991129	DS -W20				81750-25200LT	1	INT;LT
990601 - 991129	DS 9275,-W20				81750-25210LT	1	INT;LT
990601 - 991129	DS 9880,-W20				81750-25220LT	1	INT;LT
990630 -	DS				81750-25200LT	1	INT;LT
990630 -	DS 9880				81750-25220LT	1	INT;LT
991129 -	DS 9275				81750-25210LT	1	INT;LT
81755A		COVER-T/GATE TRIM BLANKING (S)CUBIERTA					
990601 - 991129	AD -W20				81755-25200LT	1	INT;LT
991129 -	AD				81755-25200LT	1	INT;LT
990601 - 991129	AG -W20				81755-25200LT	1	INT;LT
991129 -	AG				81755-25200LT	1	INT;LT
990601 - 991129	DG -W20				81755-25200LT	1	INT;LT
990630 -	DG				81755-25200LT	1	INT;LT
990601 - 991129	DS -W20				81755-25200LT	1	INT;LT
990630 -	DS				81755-25200LT	1	INT;LT
81757A		COVER-T/GATE TRIM LICENSE (S)CUBIERTA					
990601 - 991129	AD -W20				81757-25200LT	1	INT;LT
991129 -	AD				81757-25200LT	1	INT;LT
990601 - 991129	AG -W20				81757-25200LT	1	INT;LT

3-C 3

81-817 TAIL GATE TRIM

BA.G0112- 391

P N C		MODEL APPLICABLE		R E P	PART NO. (REPL P/NO)	Q T Y	REMARKS	P N C		MODEL APPLICABLE		R E P	PART NO. (REPL P/NO)	Q T Y	REMARKS
FROM-UP-TO	TYPE	DESCRIPTION	FROM-UP-TO					TYPE	DESCRIPTION						
CONTINUED								CONTINUED							
81757A		COVER-T/GATE TRIM LICENSE (S)CUBIERTA						81770		LIFTER ASSY-TAIL GATE LH (S)CONJ. ELEVADOR					
991129 -	AG		81757-25200LT	1	INT;LT			990630 -	DS 8722,9880		81770-25210	1			
990601 - 991129	DG -W20		81757-25200LT	1	INT;LT			81780		LIFTER ASSY-TAIL GATE RH (S)CONJ. ELEVADOR					
990630 -	DG		81757-25200LT	1	INT;LT			990601 - 991129	AD -W20		81780-25200	1			
990601 - 991129	DS -W20		81757-25200LT	1	INT;LT			991129 -	AD		81780-25200	1			
990630 -	DS		81757-25200LT	1	INT;LT			990601 - 991129	AG -W20		81780-25200	1			
81758		GROMMET-T/GATE TRIM PNL MTG (S)ARANDELA DE CABO						991129 -	AG		81780-25200	1			
990601 - 991129	AD -W20		81758-22200	8				990601 - 991129	DG -W20		81780-25200	1			
991129 -	AD		81758-22200	8				990630 -	DG		81780-25200	1			
990601 - 991129	AG -W20		81758-22200	8				990630 -	DG 8722,9880		81780-25210	1			
991129 -	AG		81758-22200	8				990601 - 991129	DS -W20		81780-25200	1			
990601 - 991129	DG -W20		81758-22200	8				990630 -	DS		81780-25200	1			
990630 -	DG		81758-22200	8				990630 -	DS 8722,9880		81780-25210	1			
990601 - 991129	DS -W20		81758-22200	8				82313A		GROMMET-SCREW (S)ARANDELA DE CABO					
990630 -	DS		81758-22200	8				990601 - 991129	AD -W20	Y	82313-37000LT (82313-2D000LT)	2	INT;LT		
81780A		TRIM ASSY-TAIL GATE UPR (S)CONJ. REVESTIMIENTO						991129 -	AD	Y	82313-37000LT (82313-2D000LT)	2	INT;LT		
990601 - 991129	AD -W20		81760-25200LT	1	INT;LT			990601 - 991129	AG -W20	Y	82313-37000LT (82313-2D000LT)	2	INT;LT		
991129 -	AD		81760-25200LT	1	INT;LT			991129 -	AG	Y	82313-37000LT (82313-2D000LT)	2	INT;LT		
990601 - 991129	AG -W20		81760-25200LT	1	INT;LT			990601 - 991129	DG -W20	Y	82313-37000LT (82313-2D000LT)	2	INT;LT		
991129 -	AG		81760-25200LT	1	INT;LT			990630 -	DG	Y	82313-37000LT (82313-2D000LT)	2	INT;LT		
990601 - 991129	DG -W20		81760-25200LT	1	INT;LT			990601 - 991129	DS -W20	Y	82313-37000LT (82313-2D000LT)	2	INT;LT		
990630 -	DG		81760-25200LT	1	INT;LT			990630 -	DS	Y	82313-37000LT (82313-2D000LT)	2	INT;LT		
990601 - 991129	DS -W20		81760-25200LT	1	INT;LT			85839		CLIP-SPRING (S)SUJETADOR					
990630 -	DS		81760-25200LT	1	INT;LT			990601 - 991129	AD -W20		85839-22000	5			
81770		LIFTER ASSY-TAIL GATE LH (S)CONJ. ELEVADOR						990601 - 991129	AD -W20		85839-22000	2			
990601 - 991129	AD -W20		81770-25200	1				991129 -	AD		85839-22000	5			
991129 -	AD		81770-25200	1				990630 -	DS	Y	82313-37000LT (82313-2D000LT)	2	INT;LT		
990601 - 991129	AG -W20		81770-25200	1				CONTINUED							
991129 -	AG		81770-25200	1				CONTINUED							
990601 - 991129	DG -W20		81770-25200	1				CONTINUED							
990630 -	DG		81770-25200	1				CONTINUED							
990630 -	DG 8722,9880		81770-25210	1				CONTINUED							
990601 - 991129	DS -W20		81770-25200	1				CONTINUED							
990630 -	DS		81770-25200	1				CONTINUED							

AD:50R,OL AG:50R,OLE DG:30R,OLE DS:30R, 8722:SPOKER-LOWER(W/HMSL) 9880:WIPER-RR WINDOW W20:COLD ZONE

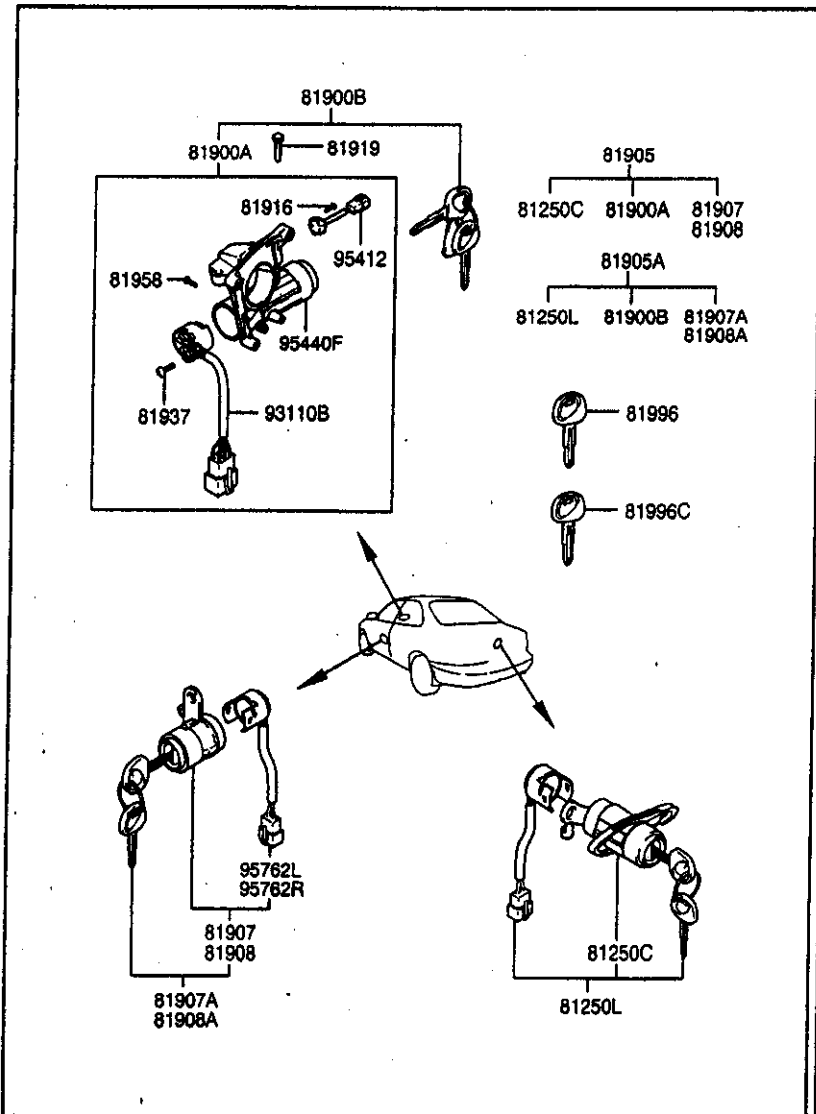
81-817 TAIL GATE TRIM

BA.G0112-392

3-D3

P N C		MODEL APPLICABLE		R E P	PART NO. (REPL PNO)	Q T Y	REMARKS	P N C		MODEL APPLICABLE		R E P	PART NO. (REPL PNO)	Q T Y	REMARKS
FROM-UP-TO	TYPE	DESCRIPTION						FROM-UP-TO	TYPE	DESCRIPTION					
CONTINUED															
85839		CLJP-SPRING													
		(S)SUJETADOR													
991129 -	AD				85839-22000	3									
991129 -	AD				85839-22000	2									
990601 - 991129	AG -W20				85839-22000	5									
990601 - 991129	AG -W20				85839-22000	2									
991129 -	AG				85839-22000	5									
991129 -	AG				85839-22000	9									
991129 -	AG				85839-22000	2									
990601 - 991129	DG -W20				85839-22000	9									
990601 - 991129	DG -W20				85839-22000	2									
990630 -	DG				85839-22000	5									
990630 -	DG				85839-22000	2									
990601 - 991129	DS -W20				85839-22000	8									
990601 - 991129	DS -W20				85839-22000	2									
990630 -	DS				85839-22000	5									
990630 -	DS				85839-22000	2									
85951C		DAMPER-T/GATE COVERING SHELF													
		(S)AMORTIGUADOR													
990601 - 991129	AD -W20				85951-25200	2									
991129 -	AD				85951-25200	2									
990601 - 991129	AG -W20				85951-25200	2									
991129 -	AG				85951-25200	2									
990601 - 991129	DG -W20				85951-25200	2									
990630 -	DG				85951-25200	2									
990601 - 991129	DS -W20				85951-25200	2									
990630 -	DS				85951-25200	2									
87321B		W/STRIP-TAIL GATE OPNG													
		(S)BURLETE													
990601 - 991129	AD -W20				87321-25200	1									
991129 -	AD				87321-25200	1									
990601 - 991129	AG -W20				87321-25200	1									
991129 -	AG				87321-25200	1									
990601 - 991129	DG -W20				87321-25200	1									
990630 -	DG				87321-25200	1									
990601 - 991129	DS -W20				87321-25200	1									
990630 -	DS				87321-25200	1									

81-819 KEY & CYLINDER SET



P N C	MODEL APPLICABLE		R E P	PART NO. (REPL P/NO)	Q T Y	REMARKS
	FROM-UP-TO	TYPE				
81250C						
990601 -					1	SIK
81250L						
990601 -				81250-25A00	1	
990715 -				81250-25A20	1	
990715 -				81250-25A20	1	
990715 -				81250-25A20	1	
990715 -				81250-25A20	1	
81900A						
990601 -					1	SIK
81900B						
990601 -				81900-25A10	1	
990601 -				81900-25A80	1	
990715 -				81900-25A50	1	
990715 -				81900-25A90	1	
990601 -				81900-25A80	1	
990715 -				81900-25A50	1	
990715 -				81900-25A90	1	
990715 -				81900-25A50	1	
990715 -				81900-25A90	1	
990715 -				81900-25A50	1	
990715 -				81900-25A90	1	
990601 -				81900-25A50	1	
990601 -				81900-25A90	1	
990601 -				81900-25A80	1	
990601 -				81900-25A50	1	
990601 -				81900-25A90	1	
990601 -				81900-25A80	1	
81905						
990601 -					1	SIK
81905A						
990601 -				81905-25A10	1	
				(81905-25C80)		

CONTINUED

P N C		MODEL APPLICABLE		R E P	PART NO. (REPL P/NO)	Q T Y	REMARKS	P N C		MODEL APPLICABLE		R E P	PART NO. (REPL P/NO)	Q T Y	REMARKS
FROM-UP-TO	TYPE	DESCRIPTION						FROM-UP-TO	TYPE	DESCRIPTION					
CONTINUED															
81905A		KEY & CYLINDER SET-LOCK (S)JUEGO CLINDRO						81919		BOLT-SAFETY LOCK (S)PERNO					
990601 -	AD	9542			81905-25A80	1		990601 -		ALL			81919-31000	2	
990715 -	AD	8133			81905-25C40	1		81937		SCREW (S)TORNILLO					
990715 -	AD	8133,9542			81905-25C60	1		990601 -		ALL			81937-33000	1	
990601 -	AQ	9542			81905-25A80	1		81958		SCREW (S)TORNILLO					
990715 -	AQ	8133			81905-25C40	1		990601 -	AD	9542			81958-24010	1	
990715 -	AQ	8133,9542			81905-25C60	1		990601 -	AQ	9542			81958-24010	1	
990715 -	DG	8133			81905-25C40	1		990715 -	DG	8133,9542			81958-24010	1	
990715 -	DG	8133,9542			81905-25C60	1		990715 -	DS	8133,9542			81958-24010	1	
990715 -	DS	8133			81905-25C40	1		990601 -	FD	9542			81958-24010	1	
990715 -	DS	8133,9542			81905-25C60	1		990601 -	FG	9542			81958-24010	1	
990601 -	FD	8133			81905-25B30	1		81996		KEY-BLANKING (S)LLAVE					
990601 -	FD	8133,9542			81905-25B90	1		990601 -	ALL				81996-29000	2	
990601 -	FD	9542			81905-25A80	1		81996C		KEY-BLANKG IMMOBILIZER (S)LLAVE					
990601 -	FG	8133			81905-25B30	1		990601 -	AD	9542			81996-25010	2	
990601 -	FG	8133,9542			81905-25B90	1		990601 -	AG	9542			81996-25010	2	
990601 -	FG	9542			81905-25A80	1		990715 -	DG	8133,9542			81996-25010	2	
81907		LOCK ASSY-DR LH (S)CERRADURA						990715 -	DS	8133,9542			81996-25010	2	
990601 -	ALL					1	SIK	990601 -	FD	9542			81996-25010	2	
81907A		LOCK ASSY-FR DR LH (S)CONJUNTO CIERRE						990601 -	FG	9542			81996-25010	2	
990601 -	ALL				81970-25A00	1		93110B		SWITCH ASSY-IGN (S)CONJ. CONMUTADOR					
81908		LOCK ASSY-DR RH (S)CONJUNTO CIERRE						990601 -	ALL				93110-25000	1	
990601 -	ALL					1	SIK	95412		SWITCH ASSY-DR WARNING (S)CONJ. CONMUTADOR					
81908A		LOCK ASSY-FR DR RH (S)CONJUNTO CIERRE						990715 -	AD	8133			95412-25000	1	
990601 -	ALL				81980-25A00	1		990715 -	AG	8133			95412-25000	1	
81916		SCREW (S)TORNILLO						990715 -	DG	8133			95412-25000	1	
990715 -	AD	8133			81916-33000	2		990715 -	DS	8133			95412-25000	1	
990715 -	AG	8133			81916-33000	2		990601 -	FD	8133			95412-25000	1	
990715 -	DG	8133			81916-33000	2		990601 -	FG	8133			95412-25000	1	
990715 -	DS	8133			81916-33000	2		95440F		ANTENNA ASSY-COIL (S)CONJUNTO ANTENA					
990601 -	FD	8133			81916-33000	2		990601 -	AD	9542			95440-25050	1	
990601 -	FG	8133			81916-33000	2		CONTINUED							

3-G 3

81-819 KEY & CYLINDER SET

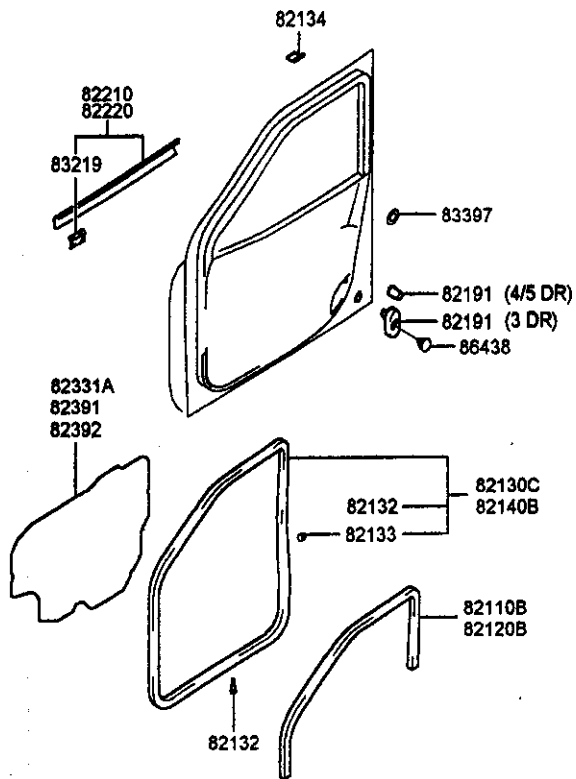
BA, G0112-395

P N C		MODEL APPLICABLE		P E P	PART NO. (REPL PNO)	Q T Y	REMARKS	P N C		MODEL APPLICABLE		P E P	PART NO. (REPL PNO)	Q T Y	REMARKS
FROM-UP-TO	TYPE	DESCRIPTION						FROM-UP-TO	TYPE	DESCRIPTION					
CONTINUED															
95440F		ANTENNA ASSY-COIL (S)CONJUNTO ANTENA													
990601 -		AG	9542		95440-25050	1									
990715 -		DG	8133,9542		95440-25050	1									
990715 -		DS	8133,9542		95440-25050	1									
990601 -		FD	9542		95440-25050	1									
990601 -		FG	9542		95440-25050	1									
95762L		SWITCH ASSY-DR UNLOCK LH (S)CONJ. CONMUTADOR													
990715 -		AD	8133		95762-25000	1									
990715 -		AG	8133		95762-25000	1									
990715 -		DG	8133		95762-25000	1									
990715 -		DS	8133		95762-25000	1									
990601 -		FD	8133		95762-25000	1									
990601 -		FG	8133		95762-25000	1									
95762R		SWITCH ASSY-DR UNLOCK RH (S)CONJ. CONMUTADOR													
990715 -		AD	8133		95762-25100	1									
990715 -		AG	8133		95762-25100	1									
990715 -		DG	8133		95762-25100	1									
990715 -		DS	8133		95762-25100	1									
990601 -		FD	8133		95762-25100	1									
990601 -		FG	8133		95762-25100	1									

AD:5DR, GL AG:5DR, GLS DG:3DR, GLS DS:3DR, L FD:4DR, GL FG:4DR, GLS

8133:ANTI THEFT SYSTEM-IGNITION KEY 9542:IMMOBILIZER SYSTEM

81-821 FRONT DOOR MOULDING



P N C	MODEL APPLICABLE		PART NO. (REPL. P/NO)	Q T Y	REMARKS
	FROM-UP-TO	TYPE			
82110B					
990601 -		AD	82110-25000	1	
990601 -		AG	82110-25000	1	
990601 -		DG	82110-25200	1	
990601 -		DS	82110-25200	1	
990601 -		FD	82110-25000	1	
990601 -		FG	82110-25000	1	
82120B					
990601 -		AD	82120-25000	1	
990601 -		AG	82120-25000	1	
990601 -		DG	82120-25200	1	
990601 -		DS	82120-25200	1	
990601 -		FD	82120-25000	1	
990601 -		FG	82120-25000	1	
82130C					
990601 -		AD	82130-25000	1	
990601 -		AG	82130-25000	1	
990601 -		DG	82130-25200	1	
990601 -		DS	82130-25200	1	
990601 -		FD	82130-25000	1	
990601 -		FG	82130-25000	1	
82132					
990601 -		AD	82132-27100	17	
990601 -		AG	82132-27100	17	
990601 -		DG	82132-27100	21	
990601 -		DS	82132-27100	21	
990601 -		FD	82132-27100	17	
990601 -		FG	82132-27100	17	
82133					
990601 -		AD	82133-37000	2	
990601 -		AG	82133-37000	2	
990601 -		DG	82133-37000	1	
990601 -		DS	82133-37000	1	
990601 -		FD	82133-37000	2	

CONTINUED

3-13

81-821 FRONT DOOR MOULDING

BA,00112-397

P N C		MODEL APPLICABLE		R E P	PART NO. (REPL P/NO)	Q T Y	REMARKS	P N C		MODEL APPLICABLE		R E P	PART NO. (REPL P/NO)	Q T Y	REMARKS
FROM-UP-TO	TYPE	DESCRIPTION						FROM-UP-TO	TYPE	DESCRIPTION					
CONTINUED								CONTINUED							
		82133	CLIP-W/STRIP MTG(B) (S)SUJETADOR							82220	W/STRIP ASSY-FR DR BELT O/S RH (S)CONJUNTO BURLETE				
990601 -			FG		82133-37000	2		990601 -			DG		82220-25200	1	
		82134	CLIP-DR OPNG W/STRIP FIXING (S)SUJETADOR					990601 -			DS		82220-25200	1	
990601 -			ALL		82134-22000	4		990601 -			FD		82220-25000	1	
		82140B	W/STRIP ASSY-FR DR SIDE RH (S)CONJUNTO BURLETE					990601 -			FG		82220-25000	1	
990601 -			AD		82140-25000	1				82331A	SEAL-FR DR TRIM (S)RETEN				
990601 -			AG		82140-25000	1		990601 -			AD		82391-25000	2	
990601 -			DG		82140-25200	1		990601 - 000318			AD 8233,8341	A	82391-25030	2	
990601 -			DS		82140-25200	1							(82391-25031)		
990601 -			FD		82140-25000	1		990601 -			AG		82391-25000	2	
990601 -			FG		82140-25000	1		990601 - 000318			AG 8233,8341	A	82391-25030	2	
		82191	BUMPER-DR OVERSLAM (S)PARACHOQUES								DG		82391-25000	2	
990601 -			AD	Y	82191-28010 (82191-33010)	2		990601 - 000927			DG 8233,8342	A	82391-25230	2	
990601 -			AG	Y	82191-28010 (82191-33010)	2					DS		82391-25200	2	
990601 -			DG		82191-38000	2		990601 - 000927			DS 8233,8342	A	82391-25230	2	
990601 -			DS		82191-38000	2					FD		82391-25000	2	
990601 -			FD	Y	82191-28010 (82191-33010)	2		990601 - 000318			FD 8233,8341	A	82391-25030	2	
990601 -			FG	Y	82191-28010 (82191-33010)	2					FG		82391-25000	2	
		82210	W/STRIP ASSY-FR DR BELT O/S LH (S)CONJUNTO BURLETE					990601 - 000318			FG 8233,8341	A	82391-25030	2	
990601 -			AD		82210-25000	1							(82391-25031)		
990601 -			AG		82210-25000	1				82391	SEAL-FR DR TRIM LH (S)RETEN				
990601 -			DG		82210-25200	1		000318 -			AD 8233,8341		82391-25031	1	
990601 -			DS		82210-25200	1		000318 -			AG 8233,8341		82391-25031	1	
990601 -			FD		82210-25000	1		000927 -			DG 8233,8342		82391-25231	1	
990601 -			FG		82210-25000	1		000927 -			DS 8233,8342		82391-25231	1	
		82220	W/STRIP ASSY-FR DR BELT O/S RH (S)CONJUNTO BURLETE					000318 -			FD 8233,8341		82391-25031	1	
990601 -			AD		82220-25000	1		000318 -			FG 8233,8341		82391-25031	1	
990601 -			AG		82220-25000	1				82392	SEAL-FR DR TRIM RH (S)RETEN				
								000318 -			AD 8233,8341		82392-25031	1	
								000318 -			AG 8233,8341		82392-25031	1	
CONTINUED								CONTINUED							

AD:DR,CL AG:DR,CL DG:DR,CL DS:DR,L FD:DR,CL FG:DR,CL

8233:TRIM-DR(DLX TYPE-CLOTH) 8341:WINDOW-POWER(FRT & RR) 8342:WINDOW-POWER(FRT)

81-821 FRONT DOOR MOULDING

BA,00112- 398

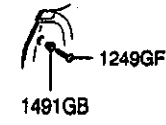
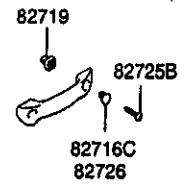
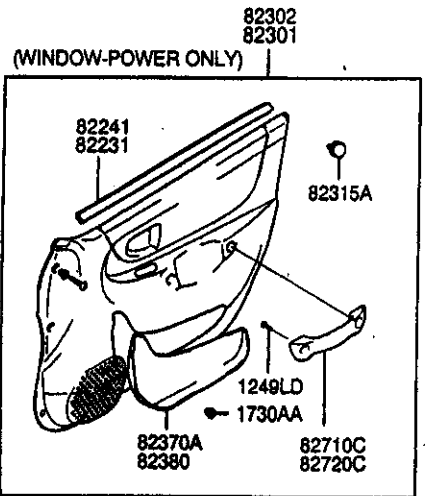
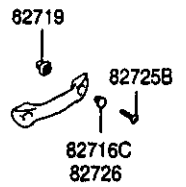
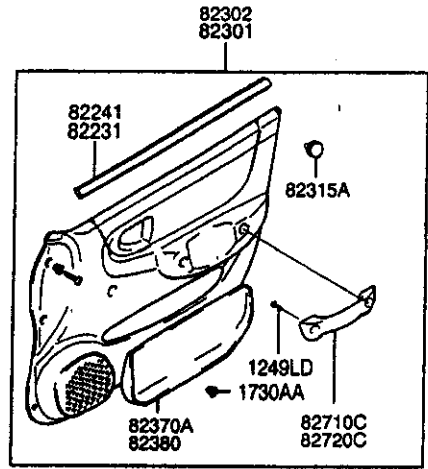
3-13

P N C		MODEL APPLICABLE		R E P	PART NO. (REPL P/NO)	Q T Y	REMARKS	P N C		MODEL APPLICABLE		R E P	PART NO. (REPL P/NO)	Q T Y	REMARKS
FROM-UP-TO	TYPE	DESCRIPTION						FROM-UP-TO	TYPE	DESCRIPTION					
CONTINUED															
		82392			SEAL-FR DR TRIM RH (S)RETEN										
		000927 -			DG 8233,8342	82392-25231	1								
		000927 -			DS 8233,8342	82392-25231	1								
		000318 -			FD 8233,8341	82392-25031	1								
		000318 -			FG 8233,8341	82392-25031	1								
		83219			CLIP-DR BELT O/S W/STRIP MTG (S)SUJETADOR										
		990801 -			ALL	83219-22000	14								
		83397			TAPE-BLANKING HOLE (S)CINTA										
		990801 -			ALL	83397-33000 (83191-38000)	2								
		86438			CLIP-HOOD SEAL STRIP MTG (S)SUJETADOR										
		990801 -			DG	86438-34000	2								
		990801 -			DS	86438-34000	2								

3-K 3

81-823 FRONT DOOR TRIM

BA,G0112- 399



P N C	MODEL APPLICABLE		R E P	PART NO. (REPL. P/N)	Q T Y	REMARKS
	FROM-UP-TO	TYPE				
1249GF						
990601 -						
990601 -						
990601 -						
990601 -						
990601 -						
990601 -						
1249LD						
990601 -						
990601 -						
990601 -						
990601 -						
990601 -						
990601 -						
990601 -						
1491GB						
990601 -						
990601 -						
990601 -						
990601 -						
990601 -						
990601 -						
1730AA						
990601 -						
990601 -						
82231						
990601 -						
990601 -						
990601 -						

AD:5DR, GL AG:5DR, GLS DG:3DR, GLS DS:3DR, I FD:4DR, GL FG:4DR, GLS

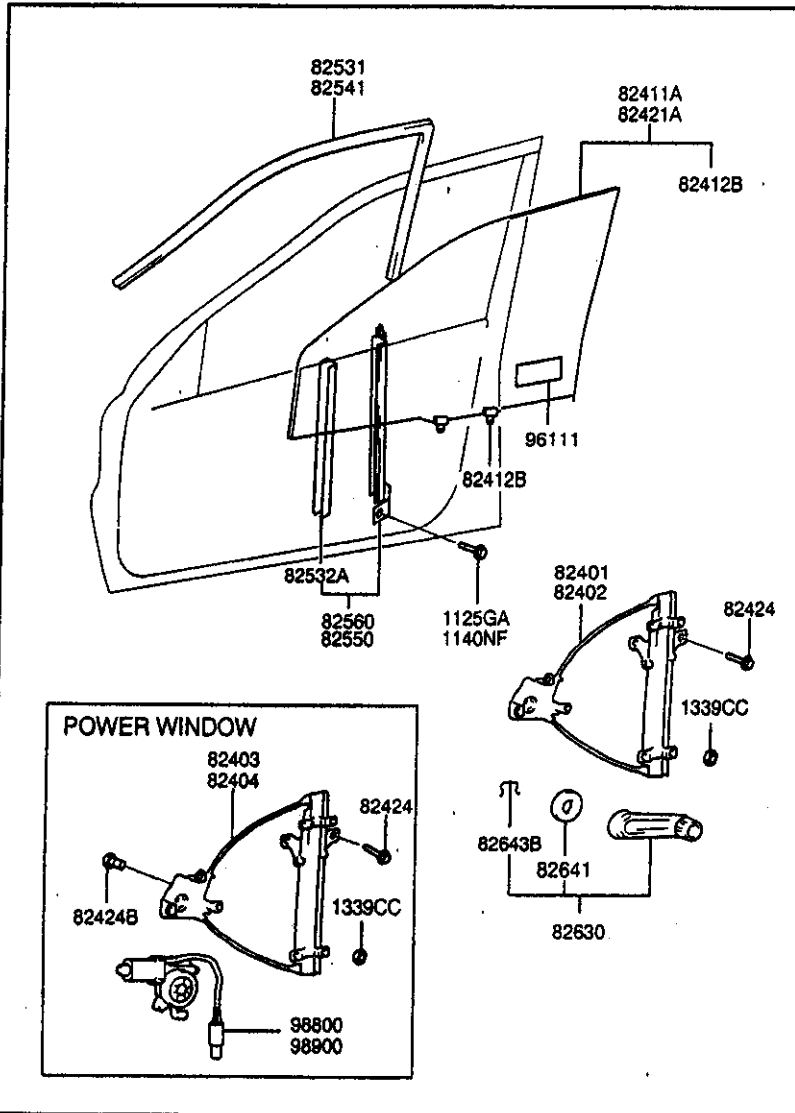
P N C		MODEL APPLICABLE		R E P	PART NO. (REPL P/NO)	Q T Y	REMARKS
FROM-UP-TO	TYPE	DESCRIPTION					
CONTINUED							
		82231	W/STRIP-FR DR BELT VS LH (S)BURLETE				
990601 -		DS			82231-25200	1	
990601 -		FD			82231-25000	1	
990601 -		FG			82231-25000	1	
		82241	W/STRIP-FR DR BELT VS RH (S)BURLETE				
990601 -		AD			82241-25000	1	
990601 -		AG			82241-25000	1	
990601 -		DG			82241-25200	1	
990601 -		DS			82241-25200	1	
990601 -		FD			82241-25000	1	
990601 -		FG			82241-25000	1	
		82301	PANEL COMPL-FR DR TRIM LH (S)COMPLETA PANEL				
990601 -		AD 8233			82301-25010MN	1	INT;LT
990601 -		AD LHD;8233,8341			82301-25060MN	1	INT;LT
990601 -		AD LHD;8233,8341,875D			82301-25100MN	1	INT;LT
990601 -		AD RHD;8233,8341			82301-25090MN	1	INT;LT
990601 -		AD RHD;8233,8341,875D			82301-25110MN	1	INT;LT
990601 -		AG			82301-25000LT	1	INT;LT
990601 -		AG 8233			82301-25010RC	1	INT;LT
990601 -		AG LHD;8233,8341			82301-25060RC	1	INT;LT
990601 -		AG LHD;8233,8341,875D			82301-25100RC	1	INT;LT
990601 -		AG RHD;8233,8341			82301-25090RC	1	INT;LT
990601 -		AG RHD;8233,8341,875D			82301-25110RC	1	INT;LT
990601 -		DG			82301-25200LT	1	INT;LT
990601 -		DG LHD;8233			82301-25210RC	1	INT;LT
990601 -		DG LHD;8233,8342			82301-25260RC	1	INT;LT
990601 -		DG LHD;8233,8342,875D			82301-25300RC	1	INT;LT
990601 -		DG RHD;8233,8342			82301-25290RC	1	INT;LT
990601 -		DG RHD;8233,8342,875D			82301-25310RC	1	INT;LT
990601 -		DS LHD;8233			82301-25210MN	1	INT;LT
990601 -		DS LHD;8233,8342			82301-25260MN	1	INT;LT
990601 -		DS LHD;8233,8342,875D			82301-25300MN	1	INT;LT
990601 -		DS RHD;8233,8342			82301-25290MN	1	INT;LT
990601 -		DS RHD;8233,8342,875D			82301-25310MN	1	INT;LT
990601 -		FD L35,L45,P85			82301-25000LT	1	INT;LT
CONTINUED							

P N C		MODEL APPLICABLE		R E P	PART NO. (REPL P/NO)	Q T Y	REMARKS
FROM-UP-TO	TYPE	DESCRIPTION					
CONTINUED							
		82301	PANEL COMPL-FR DR TRIM LH (S)COMPLETA PANEL				
990601 -		FD L35,L45,P85;8233			82301-25010MN	1	INT;LT
990601 -		FD LHD>L35,L45,P85;8233, 8341			82301-25060MN	1	INT;LT
990601 -		FD LHD>L35,L45,P85;8233, 8341,875D			82301-25100MN	1	INT;LT
990601 -		FD RHD>L35,L45,P85;8233, 8341			82301-25090MN	1	INT;LT
990601 -		FD RHD>L35,L45,P85;8233, 8341,875D			82301-25110MN	1	INT;LT
990601 -		FG			82301-25000LT	1	INT;LT
990601 -		FG 8233			82301-25010RC	1	INT;LT
990601 -		FG LHD;8233,8341			82301-25060RC	1	INT;LT
990601 -		FG LHD;8233,8341,875D			82301-25100RC	1	INT;LT
990601 -		FG RHD;8233,8341			82301-25090RC	1	INT;LT
990601 -		FG RHD;8233,8341,875D			82301-25110RC	1	INT;LT
		82302	PANEL COMPL-FR DR TRIM RH (S)COMPLETA PANEL				
990601 -		AD 8233			82302-25010MN	1	INT;LT
990601 -		AD LHD;8233,8341			82302-25060MN	1	INT;LT
990601 -		AD LHD;8233,8341,875D			82302-25100MN	1	INT;LT
990601 -		AD RHD;8233,8341			82302-25090MN	1	INT;LT
990601 -		AD RHD;8233,8341,875D			82302-25110MN	1	INT;LT
990601 -		AG			82302-25000LT	1	INT;LT
990601 -		AG 8233			82302-25010RC	1	INT;LT
990601 -		AG LHD;8233,8341			82302-25060RC	1	INT;LT
990601 -		AG LHD;8233,8341,875D			82302-25100RC	1	INT;LT
990601 -		AG RHD;8233,8341			82302-25090RC	1	INT;LT
990601 -		AG RHD;8233,8341,875D			82302-25110RC	1	INT;LT
990601 -		DG			82302-25200LT	1	INT;LT
990601 -		DG LHD;8233			82302-25210RC	1	INT;LT
990601 -		DG LHD;8233,8342			82302-25260RC	1	INT;LT
990601 -		DG LHD;8233,8342,875D			82302-25300RC	1	INT;LT
990601 -		DG RHD;8233,8342			82302-25290RC	1	INT;LT
990601 -		DG RHD;8233,8342,875D			82302-25310RC	1	INT;LT
990601 -		DS LHD;8233			82302-25210MN	1	INT;LT
990601 -		DS LHD;8233,8342			82302-25260MN	1	INT;LT
990601 -		DS LHD;8233,8342,875D			82302-25300MN	1	INT;LT
990601 -		DS RHD;8233,8342			82302-25290MN	1	INT;LT
990601 -		DS RHD;8233,8342,875D			82302-25310MN	1	INT;LT
990601 -		DS LHD;8233			82302-25210MN	1	INT;LT
990601 -		DS LHD;8233,8342			82302-25260MN	1	INT;LT
CONTINUED							

3-B 4

81-824 FRONT DOOR WINDOW REG & GLASS

BA.G0112- 403



P N C	MODEL APPLICABLE		R E P	P A R T N O . (R E P L P N O)	Q T Y	R E M A R K S
	FROM-UP-TO	TYPE				
1125GA						
991201 -		DG		11253-06161	4	
991201 -		DS		11253-06161	4	
1140NF						
		BOLT				
		(S)PERNO (PESTANA)				
990601 - 991201		DG	Y	11407-06121 (11253-06161)	4	
990601 - 991201		DS	Y	11407-06121 (11253-06161)	4	
1339CC						
		NUT				
		(S)TUERCA(BRIDA)				
990601 -		ALL	Y	13395-06001 (13395-06003)	14	
990601 -		ALL	Y	13395-06001 (13395-06003)	12	
82401						
		REGULATOR ASSY-FR DR WDO LH				
		(S)CONJ. REGULADOR				
990601 -		AD		82401-25000	1	
990601 -		AG		82401-25000	1	
990601 -		DG		82401-25200	1	
990601 -		DS		82401-25200	1	
990601 -		FD		82401-25000	1	
990601 -		FG		82401-25000	1	
82402						
		REGULATOR ASSY-FR DR WDO RH				
		(S)CONJ. REGULADOR				
990601 -		AD		82402-25000	1	
990601 -		AG		82402-25000	1	
990601 -		DG		82402-25200	1	
990601 -		DS		82402-25200	1	
990601 -		FD		82402-25000	1	
990601 -		FG		82402-25000	1	
82403						
		REGULATOR ASSY-FR DR P/WDO LH				
		(S)CONJ. REGULADOR				
990601 -		AD 8341		82403-25010	1	
990601 -		AG 8341		82403-25010	1	
990601 -		DG 8342		82403-25210	1	
990601 -		DS 8342		82403-25210	1	
990601 -		FD 8341		82403-25010	1	

CONTINUED

81-824 FRONT DOOR WINDOW REG & GLASS

BA,00112- 404

3-C 4

P N C		MODEL APPLICABLE		R E P	PART NO. (REPL P/NO)	Q T Y	REMARKS	P N C		MODEL APPLICABLE		R E P	PART NO. (REPL P/NO)	Q T Y	REMARKS
FROM-UP-TO	TYPE	DESCRIPTION	FROM-UP-TO					TYPE	DESCRIPTION						
CONTINUED								CONTINUED							
82403		REGULATOR ASSY-FR DR P/WDO LH (S)CONJ. REGULADOR						82421A		GLASS-FR DR WINDOW RH (S)CRISTAL					
990601 -	FG	8341			82403-25010	1		990601 -	DS	8242			82420-25200	1	
82404		REGULATOR ASSY-FR DR P/WDO RH (S)CONJ. REGULADOR						990601 -	FD	8241			82420-25010	1	
990601 -	AD	8341			82404-25010	1		990601 -	FD	8242			82420-25000	1	
990601 -	AG	8341			82404-25010	1		990601 -	FG	8241			82420-25010	1	
990601 -	DG	8342			82404-25210	1		82424		SCREW-TAPPING (S)TORNILLO					
990601 -	DS	8342			82404-25210	1		990601 -	ALL				82424-34010	4	
990601 -	FD	8341			82404-25010	1		82424B		SCREW-MACHINE (S)TORNILLO					
990601 -	FG	8341			82404-25010	1		990601 -	AD	8341			82424-02000	3	
82411A		GLASS-FR DR WINDOW LH (S)CRISTAL						990601 -	AG	8341			82424-02000	3	
990601 -	AD	8241			82410-25010	1		990601 -	DG	8342			82424-02000	3	
990601 -	AD	8242			82410-25000	1		990601 -	DS	8342			82424-02000	3	
990601 -	AG	8241			82410-25010	1		990601 -	FD	8341			82424-02000	3	
990601 -	AG	8242			82410-25000	1		990601 -	FG	8341			82424-02000	3	
990601 -	DG	8241			82410-25210	1		82531		RUN-FR DR WDO GLASS LH (S)CORREDERA					
990601 -	DG	8242			82410-25200	1		990601 - 011017	AD				82530-25000	1	
990601 -	DS	8241			82410-25210	1		011017 -	AD				82530-25001	1	
990601 -	DS	8242			82410-25200	1		990601 - 011017	AG				82530-25000	1	
990601 -	FD	8241			82410-25010	1		011017 -	AG				82530-25001	1	
990601 -	FD	8242			82410-25000	1		990601 - 011017	DG				82530-25200	1	
990601 -	FG	8241			82410-25010	1		011017 -	DG				82530-25201	1	
990601 -	FG	8242			82410-25000	1		990601 - 011017	DS				82530-25200	1	
82412B		GRIP ASSY-FR DR GLASS (S)CONJ. ASIDERO						011017 -	DS				82530-25201	1	
990601 -	ALL				82412-23000	2		011017 -	FD				82530-25000	1	
990601 - 991201	ALL				82412-23000	4		011017 -	FD				82530-25001	1	
82421A		GLASS-FR DR WINDOW RH (S)CRISTAL						990601 - 011017	FG				82530-25000	1	
990601 -	AD	8241			82420-25010	1		011017 -	FG				82530-25001	1	
990601 -	AD	8242			82420-25000	1		82532A		RUN-FR DR WDO GLASS LWR (S)CORREDERA					
990601 -	AG	8241			82420-25010	1		990601 -	DG				82554-25200	1	
990601 -	AG	8242			82420-25000	1		990601 -	DS				82554-25200	1	
990601 -	DG	8241			82420-25210	1									
990601 -	DG	8242			82420-25200	1									
990601 -	DS	8241			82420-25210	1									
CONTINUED															

AD:DR,OL AG:DR,OLS DG:DR,OLS DS:DR,L FD:DR,OL FG:DR,OLS

8241:GLASS-DOOR(TNTD) 8242:GLASS-DOOR(CLEAR) 8341:WINDOW-POWER(FRT & RR) 8342:WINDOW-POWER(FRT)

3-D 4

81-824 FRONT DOOR WINDOW REG & GLASS

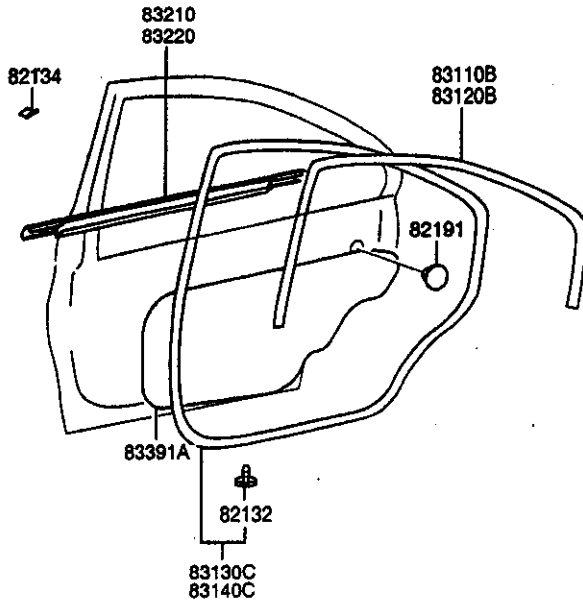
BA,G0112- 405

P N C		MODEL APPLICABLE		R E P	PART NO. (REPL P/NO)	Q T Y	REMARKS	P N C		MODEL APPLICABLE		R E P	PART NO. (REPL P/NO)	Q T Y	REMARKS
FROM-UP-TO	TYPE	DESCRIPTION						FROM-UP-TO	TYPE	DESCRIPTION					
82541		RUN-FR DR WDO GLASS RH (S)CORREDERA						82643B		CLIP-DR REGULATOR HANDLE (S)SUJETADOR					
990601 - 011017	AD				82540-25000	1		990601 -	ALL			82643-21000	2		
011017 -	AD				82540-25001	1		96111		TAG-AUDIO WARNING (S)ETIQUETA					
990601 - 011017	AG				82540-25000	1		990601 -	ALL 8133			96111-34002	2		
011017 -	AG				82540-25001	1		98800		MOTOR ASSY-P/WDO REG LH (S)CONJ. MOTOR					
990601 - 011017	DG				82540-25200	1		990601 -	AD 8341			98810-25100	1		
011017 -	DG				82540-25201	1		990601 -	AG 8341			98810-25100	1		
990601 - 011017	DS				82540-25201	1		990601 -	DG 8342			98810-25100	1		
011017 -	DS				82540-25201	1		990601 -	DS 8342			98810-25100	1		
990601 - 011017	FD				82540-25000	1		990601 -	FD 8341			98810-25100	1		
011017 -	FD				82540-25001	1		990601 -	FG 8341			98810-25100	1		
990601 - 011017	FG				82540-25000	1		98900		MOTOR ASSY-P/WDO REG RH (S)CONJ. MOTOR					
011017 -	FG				82540-25001	1		990601 -	AD 8341			98820-25100	1		
82550		CHANNEL ASSY-FR DR RR LH (S)CONJ. CANAL						990601 -	AG 8341			98820-25100	1		
990601 -	DG				82550-25200	1		990601 -	DG 8342			98820-25100	1		
990601 -	DS				82550-25200	1		990601 -	DS 8342			98820-25100	1		
82560		CHANNEL ASSY-FR DR RR RH (S)CONJ. CANAL						990601 -	FD 8341			98820-25100	1		
990601 -	DG				82560-25200	1		990601 -	FG 8341			98820-25100	1		
990601 -	DS				82560-25200	1									
82630		HANDLE ASSY-DR WDO REG (S)CONJUNTO MANIJA													
990601 -	AD				82630-22001LT	2	INT;LT								
990601 -	AG				82630-22001LT	2	INT;LT								
990601 -	DG				82630-22001LT	2	INT;LT								
990601 -	DS				82630-22001LT	2	INT;LT								
990601 -	FD L35,L45,P85				82630-22001LT	2	INT;LT								
990601 -	FG				82630-22001LT	2	INT;LT								
82641		ESCUTCHEON-DR WDO REG HDL (S)ESCUDETE													
990601 -	AD				82641-33002LT	2	INT;LT								
990601 -	AG				82641-33002LT	2	INT;LT								
990601 -	DG				82641-33002LT	2	INT;LT								
990601 -	DS				82641-33002LT	2	INT;LT								
990601 -	FD L35,L45,P85				82641-33002LT	2	INT;LT								
990601 -	FG				82641-33002LT	2	INT;LT								

AD:DR,GL AG:DR,GLS DG:DR,GLS DS:DR,LD FD:DR,GL FG:DR,GLS

8133:ANTI THEFT SYSTEM-IGNITION KEY 8341:WINDOW-POWER(FRT & RR) 8342:WINDOW-POWER(FRT)

81-831 REAR DOOR MOULDING



P N C	MODEL APPLICABLE		R E P	PART NO. (REPL PNO)	Q T Y	REMARKS
	FROM-UP-TO	TYPE				
82132						
990601 -	AD			82132-27100	17	
990601 -	AG			82132-27100	17	
990601 -	FD			82132-27100	17	
990601 -	FG			82132-27100	17	
82134						
990601 -	AD			82134-22000	4	
990601 -	AG			82134-22000	4	
990601 -	FD			82134-22000	4	
990601 -	FG			82134-22000	4	
82191						
990601 -	AD		Y	82191-28010 (82191-33010)	2	
990601 -	AG		Y	82191-28010 (82191-33010)	2	
990601 -	FD		Y	82191-28010 (82191-33010)	2	
990601 -	FG		Y	82191-28010 (82191-33010)	2	
83110B						
990601 -	AD			83110-25000	1	
990601 -	AG			83110-25000	1	
990601 -	FD			83110-25000	1	
990601 -	FG			83110-25000	1	
83120B						
990601 -	AD			83120-25000	1	
990601 -	AG			83120-25000	1	
990601 -	FD			83120-25000	1	
990601 -	FG			83120-25000	1	
83130C						
990601 -	AD			83130-25000	1	
990601 -	AG			83130-25000	1	
990601 -	FD			83130-25000	1	

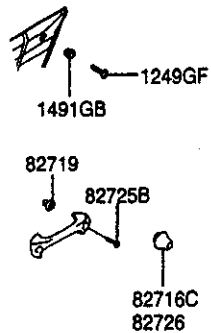
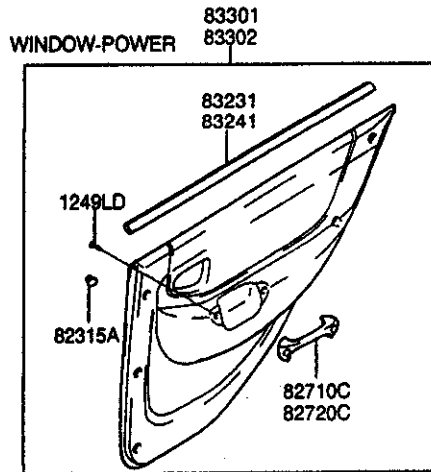
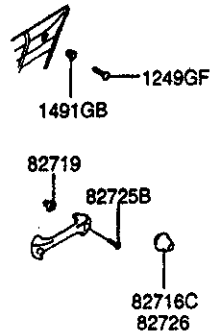
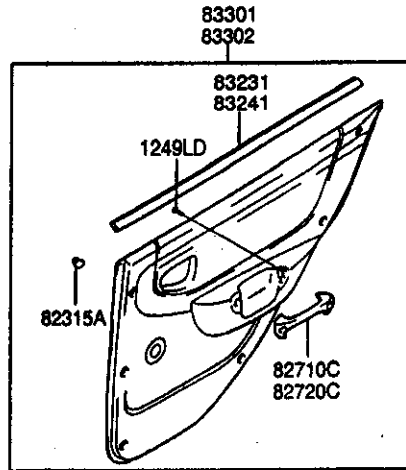
CONTINUED

3-F 4

81-831 REAR DOOR MOULDING

BA.G0112- 407

P N C		MODEL APPLICABLE		R E P	PART NO. (REPL P/NO)	Q T Y	REMARKS	P N C		MODEL APPLICABLE		R E P	PART NO. (REPL P/NO)	Q T Y	REMARKS
FROM-UP-TO	TYPE	DESCRIPTION						FROM-UP-TO	TYPE	DESCRIPTION					
CONTINUED															
		83130C			W/STRIP ASSY-RR DR SIDE LH (S)CONJUNTO BURLETE										
		990601 -			FG	83130-25000	1								
		83140C			W/STRIP ASSY-RR DR SIDE RH (S)CONJUNTO BURLETE										
		990601 -			AD	83140-25000	1								
		990601 -			AG	83140-25000	1								
		990601 -			FD	83140-25000	1								
		990601 -			FG	83140-25000	1								
		83210			W/STRIP ASSY-RR DR BELT O/S LH (S)CONJUNTO BURLETE										
		990601 -			AD	83210-25000	1								
		990601 -			AG	83210-25000	1								
		990601 -			FD	83210-25000	1								
		990601 -			FG	83210-25000	1								
		83220			W/STRIP ASSY-RR DR BELT O/S RH (S)CONJUNTO BURLETE										
		990601 -			AD	83220-25000	1								
		990601 -			AG	83220-25000	1								
		990601 -			FD	83220-25000	1								
		990601 -			FG	83220-25000	1								
		83391A			SEAL-RR DR TRIM (S)RETEN										
		990601 -			AD	83391-25000	2								
		990601 -			AD 8233,8341	83391-25020	2								
		990601 -			AG	83391-25000	2								
		990601 -			AG 8233,8341	83391-25020	2								
		990601 -			FD	83391-25000	2								
		990601 -			FD 8233,8341	83391-25020	2								
		990601 -			FG	83391-25000	2								
		990601 -			FG 8233,8341	83391-25020	2								



P N C	MODEL APPLICABLE		R E P	PART NO. (REPL P/N)	Q T Y	REMARKS
	FROM-UP-TO	TYPE				
1249GF				SCREW-TAPPING (S)TORNILLO		
990601 -				AD	4	12492-05203
990601 -				AG	4	12492-05203
990601 -				FD	4	12492-05203
990601 -				FG	4	12492-05203
1249LD				SCREW-TAPPING (S)TORNILLO		
990601 -			Y	AD	4	12493-04123 (12493-04129B)
990601 -			Y	AG	4	12493-04123 (12493-04129B)
990601 -			Y	FD	4	12493-04123 (12493-04129B)
990601 -			Y	FG	4	12493-04123 (12493-04129B)
1491GB				GROMMET-SCREW (S)ARANDELA DE CARO		
990601 -				AD	4	14912-04000
990601 -				AG	4	14912-04000
990601 -				FD	4	14912-04000
990601 -				FG	4	14912-04000
82315A				FASTENER-DR TRIM (S)SUJETADOR		
990601 -				AD	6	82315-38000
990601 -				AG	6	82315-38000
990601 -				FD	6	82315-38000
990601 -				FG	6	82315-38000
82710C				HANDLE ASSY-DR GRIP LH (S)CONJUNTO MANIJA		
990601 -				AD	1	82710-25000
990601 -				AD 8233,8341	1	82710-25010
990601 -				AG	1	82710-25000
990601 -				AG 8233,8341	1	82710-25010
990601 -				FD	1	82710-25000
990601 -				FD 8233,8341	1	82710-25010
990601 -				FG	1	82710-25000
990601 -				FG 8233,8341	1	82710-25010

3-H 4

81-833 REAR DOOR TRIM

BA,G0112- 409

P N C		MODEL APPLICABLE		R E P	PART NO. (REPL P/NO)	Q T Y	REMARKS	P N C		MODEL APPLICABLE		R E P	PART NO. (REPL P/NO)	Q T Y	REMARKS
FROM-UP-TO	TYPE	DESCRIPTION						FROM-UP-TO	TYPE	DESCRIPTION					
82716C		CAP-DR GRIP HDL LH (S)TAPA						CONTINUED							
990601 -	AD				82719-25010	2		82726	CAP-DR GRIP HDL RH (S)TAPA						
990601 -	AD				82719-25000	1		990601 -	AD			82729-25000	1		
990601 -	AD				82719-25010	1		990601 -	AD			82729-25010	1		
990601 -	AG				82719-25010	2		990601 -	AG			82729-25010	2		
990601 -	AG				82719-25000	1		990601 -	AG			82729-25000	1		
990601 -	AG				82719-25010	1		990601 -	AG			82729-25010	1		
990601 -	FD				82719-25010	2		990601 -	FD			82729-25010	2		
990601 -	FD				82719-25000	1		990601 -	FD			82729-25000	1		
990601 -	FD				82719-25010	1		990601 -	FD			82729-25010	1		
990601 -	FG				82719-25010	2		990601 -	FG			82729-25010	2		
990601 -	FG				82719-25000	1		990601 -	FG			82729-25000	1		
990601 -	FG				82719-25010	1		990601 -	FG			82729-25010	1		
82719		NUT-ARMREST MTG (S)TUERCA						83231		W/STRIP-RR DR BELT /S LH (S)BURLETE					
990601 -	AD				82719-22010	4		990601 -	AD			83231-25000	1		
990601 -	AG				82719-22010	4		990601 -	AG			83231-25000	1		
990601 -	FD				82719-22010	4		990601 -	FD			83231-25000	1		
990601 -	FG				82719-22010	4		990601 -	FG			83231-25000	1		
82720C		HANDLE ASSY-DR GRIP RH (S)CONJUNTO MANIJA						83241		W/STRIP-RR DR BELT /S RH (S)BURLETE					
990601 -	AD				82720-25000	1		990601 -	AD			83241-25000	1		
990601 -	AD	8233,8341			82720-25010	1		990601 -	AG			83241-25000	1		
990601 -	AG				82720-25000	1		990601 -	FD			83241-25000	1		
990601 -	AG	8233,8341			82720-25010	1		990601 -	FG			83241-25000	1		
990601 -	FD				82720-25000	1		83301		PANEL COMPL-RR DR TRIM LH (S)COMPLETA PANEL					
990601 -	FD	8233,8341			82720-25010	1		990601 -	AD	8233		83301-25010MN	1	INT;LT	
990601 -	FG				82720-25000	1		990601 -	AD	8233,8341		83301-25050MN	1	INT;LT	
990601 -	FG	8233,8341			82720-25010	1		990601 -	AG			83301-25000LT	1	INT;LT	
82725B		SCREW-TAPPING (S)TORNILLO						990601 -	AG	8233		83301-25010RC	1	INT;LT	
990601 -	AD				82725-22000	4		990601 -	AG	8233,8341		83301-25050RC	1	INT;LT	
990601 -	AG				82725-22000	4		990601 -	FD	L35,L45,P85		83301-25000LT	1	INT;LT	
990601 -	FD				82725-22000	4		990601 -	FD	L35,L45,P85;8233		83301-25010MN	1	INT;LT	
990601 -	FG				82725-22000	4		990601 -	FD	L35,L45,P85;8233,8341		83301-25050MN	1	INT;LT	
82726		CAP-DR GRIP HDL RH (S)TAPA						990601 -	FG			83301-25000LT	1	INT;LT	
990601 -	AD				82729-25010	2		990601 -	FG	8233		83301-25010RC	1	INT;LT	
CONTINUED								990601 -	FG	8233,8341		83301-25050RC	1	INT;LT	

AD:DR, GL AG:DR, GLS FD:DR, GL FG:DR, GLS

8233:TRIM-DR(DLX TYPE-CLOTH) 8341:WINDOW-POWER(FRT & RR)

3-14

81-833 REAR DOOR TRIM

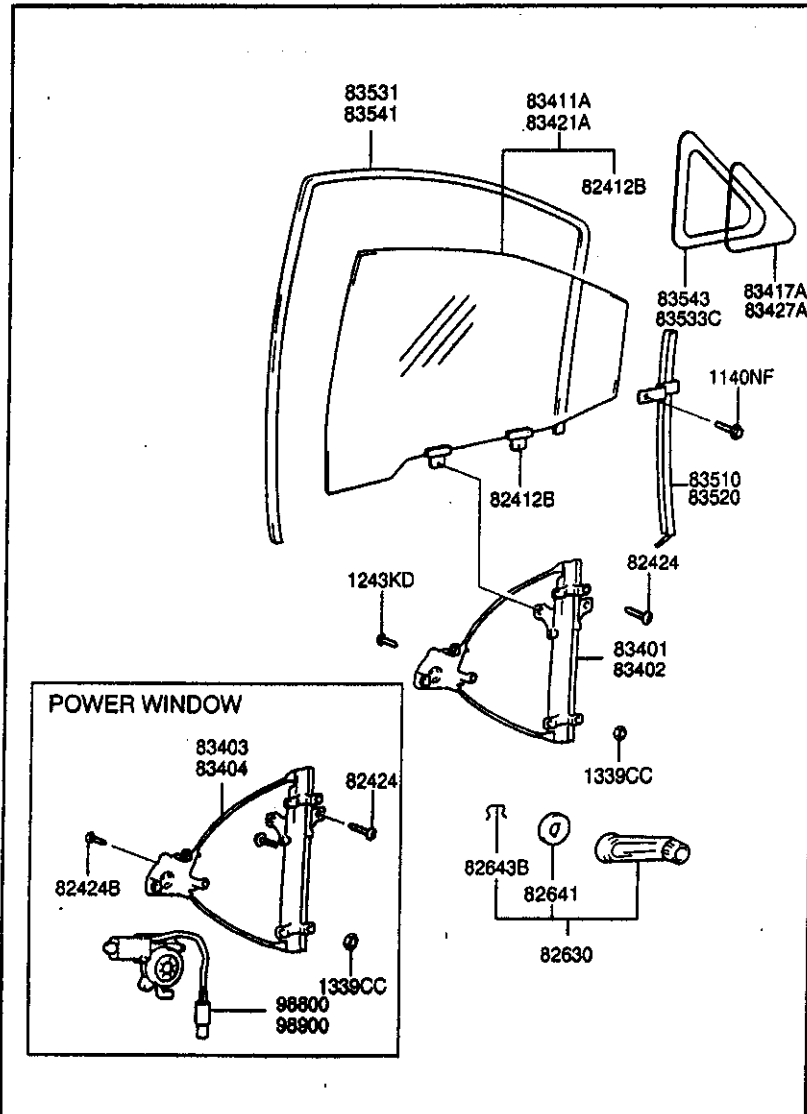
BA,00112- 410

P N C		MODEL APPLICABLE		R E P	PART NO. (REPL PNO)	Q T Y	REMARKS	P N C		MODEL APPLICABLE		R E P	PART NO. (REPL PNO)	Q T Y	REMARKS	
FROM-UP-TO	TYPE	DESCRIPTION	FROM-UP-TO					TYPE	DESCRIPTION							
83302		PANEL COMPL-RR DR TRIM RH (S)COMPLETA PANEL														
990601 -	AD	8233			83302-25010MN	1	INT;LT									
990601 -	AD	8233,8341			83302-25050MN	1	INT;LT									
990601 -	AG				83302-25000LT	1	INT;LT									
990601 -	AG	8233			83302-25010RC	1	INT;LT									
990601 -	AG	8233,8341			83302-25050RC	1	INT;LT									
990601 -	FD	L35,L45,P85			83302-25000LT	1	INT;LT									
990601 -	FD	L35,L45,P85;8233			83302-25010MN	1	INT;LT									
990601 -	FD	L35,L45,P85;8233,8341			83302-25050MN	1	INT;LT									
990601 -	FG				83302-25000LT	1	INT;LT									
990601 -	FG	8233			83302-25010RC	1	INT;LT									
990601 -	FG	8233,8341			83302-25050RC	1	INT;LT									

3-J4

81-834 REAR DOOR WINDOW REG & GLASS

BA.G0112- 411



P N C	MODEL APPLICABLE		RE P	PART NO. (REPL P/NO)	Q T Y	REMARKS
	FROM-UP-TO	TYPE				
1140NF						
				BOLT		
				(S)PERNO (PESTANA)		
990601 -		AD	Y	11407-06121 (11253-06161)	2	
990601 -		AG	Y	11407-06121 (11253-06161)	2	
990601 -		FD	Y	11407-06121 (11253-06161)	2	
990601 -		FG	Y	11407-06121 (11253-06161)	2	
1243KD						
				SCREW-TAPPING		
				(S)TORNILLO		
990601 -		AD		12433-05121	2	
990601 -		AG		12433-05121	2	
990601 -		FD		12433-05121	2	
990601 -		FG		12433-05121	2	
1339CC						
				NUT		
				(S)TUERCA(BRIDA)		
990601 -		AD	Y	13395-06001 (13395-06003)	12	
990601 -		AD	Y	13395-06001 (13395-06003)	10	
990601 -		AG	Y	13395-06001 (13395-06003)	12	
990601 -		AG	Y	13395-06001 (13395-06003)	10	
990601 -		FD	Y	13395-06001 (13395-06003)	12	
990601 -		FD	Y	13395-06001 (13395-06003)	10	
990601 -		FG	Y	13395-06001 (13395-06003)	12	
990601 -		FG	Y	13395-06001 (13395-06003)	10	
82412B						
				GRIP ASSY-FR DR GLASS		
				(S)CONJ. ASIDERO		
990601 -		AD		82412-23000	2	
990601 -		AG		82412-23000	2	
990601 -		FD		82412-23000	2	

AD:DR.GL AG:DR.GLS FD:DR.GL FG:DR.GLS

CONTINUED

3-K 4

81-834 REAR DOOR WINDOW REG & GLASS

BA,00112- 412

P N C	MODEL APPLICABLE		PART NO. (REPL P/NO)	Q T Y	REMARKS
	FROM-UP-TO	DESCRIPTION			
CONTINUED					
82412B		GRIP ASSY-FR DR GLASS (S)CONJ. ASIDERO			
990601 -	FG		82412-23000	2	
82424		SCREW-TAPPING (S)TORNILLO			
990601 -	AD		82424-34010	4	
990601 -	AG		82424-34010	4	
990601 -	FD		82424-34010	4	
990601 -	FG		82424-34010	4	
82424B		SCREW-MACHINE (S)TORNILLO			
990601 -	AD 8341		82424-02000	3	
990601 -	AG 8341		82424-02000	3	
990601 -	FD 8341		82424-02000	3	
990601 -	FG 8341		82424-02000	3	
82630		HANDLE ASSY-DR WDO REG (S)CONJUNTO MANUA			
990601 -	AD		82630-22001LT	2	INT:LT
990601 -	AG		82630-22001LT	2	INT:LT
990601 -	FD L35,L45,P85		82630-22001LT	2	INT:LT
990601 -	FG		82630-22001LT	2	INT:LT
82641		ESCUTCHEON-DR WDO REG HDL (S)ESCUDETE			
990601 -	AD		82641-33002LT	2	INT:LT
990601 -	AG		82641-33002LT	2	INT:LT
990601 -	FD L35,L45,P85		82641-33002LT	2	INT:LT
990601 -	FG		82641-33002LT	2	INT:LT
82643B		CLIP-DR REGULATOR HANDLE (S)SUJETADOR			
990601 -	AD		82643-21000	2	
990601 -	AG		82643-21000	2	
990601 -	FD		82643-21000	2	
990601 -	FG		82643-21000	2	
83401		REGULATOR ASSY-RR DR WDO LH (S)CONJ. REGULADOR			
990601 -	AD		83401-25000	1	
990601 -	AG		83401-25000	1	
990601 -	FD		83401-25000	1	

P N C	MODEL APPLICABLE		PART NO. (REPL P/NO)	Q T Y	REMARKS
	FROM-UP-TO	DESCRIPTION			
CONTINUED					
83401		REGULATOR ASSY-RR DR WDO LH (S)CONJ. REGULADOR			
990601 -	FG		83401-25000	1	
83402		REGULATOR ASSY-RR DR WDO RH (S)CONJ. REGULADOR			
990601 -	AD		83402-25000	1	
990601 -	AG		83402-25000	1	
990601 -	FD		83402-25000	1	
990601 -	FG		83402-25000	1	
83403		REGULATOR ASSY-RR DR P/WDO LH (S)CONJ. REGULADOR			
990601 -	AD 8341		83403-25010	1	
990601 -	AG 8341		83403-25010	1	
990601 -	FD 8341		83403-25010	1	
990601 -	FG 8341		83403-25010	1	
83404		REGULATOR ASSY-RR DR P/WDO RH (S)CONJ. REGULADOR			
990601 -	AD 8341		83404-25010	1	
990601 -	AG 8341		83404-25010	1	
990601 -	FD 8341		83404-25010	1	
990601 -	FG 8341		83404-25010	1	
83411A		GLASS-RR DR WINDOW LH (S)CRISTAL			
990601 -	AD 8241		83410-25010	1	
990601 -	AD 8242		83410-25000	1	
990601 -	AG 8241		83410-25010	1	
990601 -	AG 8242		83410-25000	1	
990601 -	FD 8241		83410-25010	1	
990601 -	FD 8242		83410-25000	1	
990601 -	FG 8241		83410-25010	1	
990601 -	FG 8242		83410-25000	1	
83417A		GLASS-RR DR FIXED LH (S)CRISTAL			
990601 -	AD 8241		83561-25010	1	
990601 -	AD 8242		83561-25000	1	
990601 -	AG 8241		83561-25010	1	
990601 -	AG 8242		83561-25000	1	
990601 -	FD 8241		83561-25010	1	

3-L 4

81-834 REAR DOOR WINDOW REG & GLASS

BA,00112- 413

P N C		MODEL APPLICABLE		R E P	PART NO. (REPL P/NO)	Q T Y	REMARKS	P N C		MODEL APPLICABLE		R E P	PART NO. (REPL P/NO)	Q T Y	REMARKS
FROM-UP-TO	TYPE	DESCRIPTION						FROM-UP-TO	TYPE	DESCRIPTION					
CONTINUED															
83417A								83531							
		GLASS-RR DR FIXED LH						RUN-RR DR WDO GLASS LH		(S)CORREDERA					
		(S)CRISTAL						AD					83530-25000	1	
990601 -		FD	8242		83561-25000	1		011017 -		AD			83530-25001	1	
990601 -		FG	8241		83561-25010	1		990601 - 011017		AG			83530-25000	1	
990601 -		FG	8242		83561-25000	1		011017 -		AG			83530-25001	1	
83421A								83533C							
		GLASS-RR DR WINDOW RH						W/STRIP-RR DR FIXED GLASS LH		(S)BURLETE					
		(S)CRISTAL						AD					83562-25000	1	
990601 -		AD	8241		83420-25010	1		AG					83562-25000	1	
990601 -		AD	8242		83420-25000	1		990601 -		FD			83562-25000	1	
990601 -		AG	8241		83420-25010	1		011017 -		FG			83530-25000	1	
990601 -		AG	8242		83420-25000	1		990601 - 011017		FG			83530-25001	1	
990601 -		FD	8241		83420-25010	1		011017 -		FG			83530-25001	1	
990601 -		FD	8242		83420-25000	1		83541		RUN-RR DR WDO GLASS RH		(S)CORREDERA			
990601 -		FG	8241		83420-25010	1		990601 - 011017		AD			83540-25000	1	
990601 -		FG	8242		83420-25000	1		011017 -		AD			83540-25001	1	
83427A								83543							
		GLASS-RR DR FIXED RH						W/STRIP-RR DR FIXED GLASS RH		(S)BURLETE					
		(S)CRISTAL						AD					83572-25000	1	
990601 -		AD	8241		83571-25010	1		990601 -		AG			83572-25000	1	
990601 -		AD	8242		83571-25000	1		011017 -		AG			83572-25000	1	
990601 -		AG	8241		83571-25010	1		990601 - 011017		FD			83572-25000	1	
990601 -		AG	8242		83571-25000	1		011017 -		FD			83572-25000	1	
990601 -		FD	8241		83571-25010	1		990601 - 011017		FG			83540-25000	1	
990601 -		FD	8242		83571-25000	1		011017 -		FG			83540-25001	1	
990601 -		FG	8241		83571-25010	1		83543		W/STRIP-RR DR FIXED GLASS RH		(S)BURLETE			
990601 -		FG	8242		83571-25000	1		990601 -		AD			83572-25000	1	
83510								98800							
		CHANNEL ASSY-RR DR DIVISION LH						MOTOR ASSY-P/WDO REG LH		(S)CONJ. MOTOR					
		(S)CONJ. CANAL						AD 8341					98810-25100	1	
990601 -		AD			83510-25000	1		990601 -		AG 8341			98810-25100	1	
990601 -		AG			83510-25000	1		011017 -		FD 8341			98810-25100	1	
990601 -		FD			83510-25000	1		990601 - 011017		FG			98810-25100	1	
990601 -		FG			83510-25000	1		011017 -		FG			98810-25100	1	
83520															
		CHANNEL ASSY-RR DR DIVISION RH						AD 8341					98810-25100	1	
		(S)CONJ. CANAL						990601 -		AG 8341			98810-25100	1	
990601 -		AD			83520-25000	1		011017 -		FD 8341			98810-25100	1	
990601 -		AG			83520-25000	1		990601 - 011017		FG			98810-25100	1	
990601 -		FD			83520-25000	1		011017 -		FG			98810-25100	1	
990601 -		FG			83520-25000	1		990601 - 011017		FG			98810-25100	1	
990601 -		FG			83520-25000	1		011017 -		FG			98810-25100	1	

AD:DR.GL AG:DR.GLS FD:DR.GL FG:DR.GLS

8241:GLASS-DOOR(TINTD) 8242:GLASS-DOOR(CLEAR) 8341:WINDOW-POWER(FRT & RR)

3-M 4

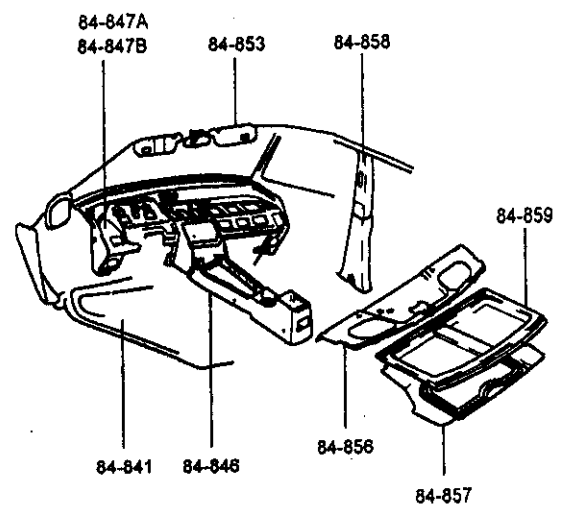
81-834 REAR DOOR WINDOW REG & GLASS

BA,00112- 414

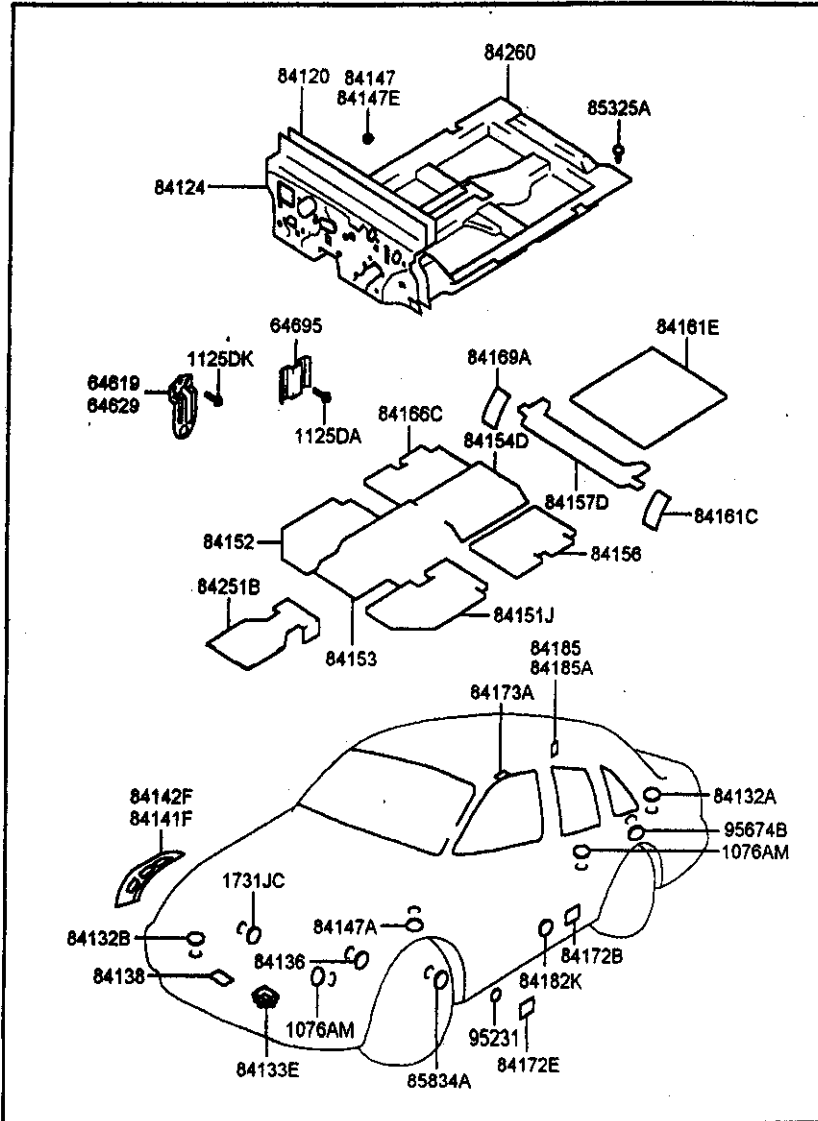
P N C		MODEL APPLICABLE		R E P	P A R T N O. (REPL PNO)	Q T Y	R E M A R K S	P N C		MODEL APPLICABLE		R E P	P A R T N O. (REPL PNO)	Q T Y	R E M A R K S	
FROM-UP-TO	TYPE	DESCRIPTION						FROM-UP-TO	TYPE	DESCRIPTION						
98900		MOTOR ASSY-P/WDO REG RH (S)CONJ. MOTOR														
990601 -		AD	8341		98820-25100	1										
990601 -		AG	8341		98820-25100	1										
990601 -		FD	8341		98820-25100	1										
990601 -		FG	8341		98820-25100	1										

84 INTERIOR

84-841	ISOLATION PAD & FLOOR COVERING	3-B 5
84-846	FLOOR CONSOLE.....	3-G 5
84-847A	CRASH PAD UPPER.....	3-I 5
84-847B	CRASH PAD LOWER.....	3-A 6
84-853	SUNVISOR & HEADLINING	3-I 6
84-856	REAR PACKAGE TRAY	3-A 7
84-857	LUGGAGE COMPARTMENT	3-B 7
84-858	INTERIOR SIDE TRIM.....	3-G 7
84-859	COVERING SHELF	3-L 7



84-841 ISOLATION PAD & FLOOR COVERING



P N C	MODEL APPLICABLE		P R T N O. (REPL. P/N)	Q T Y	REMARKS
	FROM-UP-TO	TYPE			
1076AM					
			PLUG (S)TAPON		
000403 -			ALL	A	17313-25000 (95674-02000)
991021 - 000403		AD		A	17313-25000 (95674-02000)
991021 - 000403		AG		A	17313-25000 (95674-02000)
991123 - 000403		DG		A	17313-25000 (95674-02000)
991123 - 000403		DS		A	17313-25000 (95674-02000)
990601 - 000403		FD		A	17313-25000 (95674-02000)
990601 - 000403		FG		A	17313-25000 (95674-02000)
1125DA					
			BOLT (S)PERNO (CON ARANDELA)		
991021 -		AD		Y	11251-06163 (11251-06166B)
991021 -		AG		Y	11251-06163 (11251-06166B)
991123 -		DG		Y	11251-06163 (11251-06166B)
991123 -		DS		Y	11251-06163 (11251-06166B)
990601 -		FD		Y	11251-06163 (11251-06166B)
990601 -		FG		Y	11251-06163 (11251-06166B)
1125DK					
			BOLT (S)PERNO (CON ARANDELA)		
991021 -		AD			11251-12301
991021 -		AG			11251-12301
991123 -		DG			11251-12301
991123 -		DS			11251-12301
990601 -		FD			11251-12301
990601 -		FG			11251-12301

3-C 5

84-841 ISOLATION PAD & FLOOR COVERING

BA.G0112- 417

P N C	MODEL APPLICABLE		R E P	PART NO. (REPL P/NO)	Q T Y	REMARKS	P N C	MODEL APPLICABLE		R E P	PART NO. (REPL P/NO)	Q T Y	REMARKS
	FROM-UP-TO	TYPE						DESCRIPTION	FROM-UP-TO				
1731JC		PLUG					84124		INSULATOR-DASH PANEL				
		(S)TAPON							(S)AISLADOR				
991021 -		AD		17313-20000	1		020101 -		FG LHD;0950		84124-25000	1	
991021 -		AG		17313-20000	1		84132A		PLUG-DRAIN				
991123 -		DG		17313-20000	1				(S)TAPON				
991123 -		DS		17313-20000	1		001212 -		ALL		84132-25000	2	
990601 -		FD		17313-20000	1		991021 - 000809		AD		84143-25000	2	
990601 -		FG		17313-20000	1		991021 - 001212		AD		84132-21100	2	
64619		HOOK-FR SHIPPING LH					991021 - 000809		AG		84143-25000	2	
		(S)GANCHO					991021 - 001212		AG		84132-21100	2	
991021 -		AD		64658-25000	1		991123 - 000809		DG		84143-25000	2	
991021 -		AG		64658-25000	1		991123 - 001212		DG		84132-21100	2	
991123 -		DG		64658-25000	1		991123 - 000809		DS		84143-25000	2	
991123 -		DS		64658-25000	1		991123 - 001212		DS		84132-21100	2	
990601 -		FD		64658-25000	1		990601 - 000809		FD		84143-25000	2	
990601 -		FG		64658-25000	1		990601 - 001212		FD		84132-21100	2	
64629		HOOK-FR SHIPPING RH					990601 - 000809		FG		84143-25000	2	
		(S)GANCHO					990601 - 001212		FG		84132-21100	2	
991021 -		AD		64668-25000	1		84132B		PLUG-BUTTON				
991021 -		AG		64668-25000	1				(S)TAPON				
991123 -		DG		64668-25000	1		990601 -		ALL		84134-22000	6	
991123 -		DS		64668-25000	1		991021 - 991123		AD		84134-22000	2	
990601 -		FD		64668-25000	1		991123 -		AD		84132-22000	2	
990601 -		FG		64668-25000	1		991021 - 991123		AG		84134-22000	2	
64695		REINFORCEMENT-BATTERY TRAY LEG					991123 -		AG		84132-22000	2	
		(S)REFUERZO					991123 -		DG		84132-22000	2	
991021 -		AD		64695-22000	1		991123 -		DS		84132-22000	2	
991021 -		AG		64695-22000	1		990601 -		FD		84132-22000	2	
991123 -		DG		64695-22000	1		990601 -		FG		84132-22000	2	
991123 -		DS		64695-22000	1		84133E		PLUG-DRAIN				
990601 -		FD		64695-22000	1				(S)TAPON				
990601 -		FG		64695-22000	1		990601 -		ALL		84133-22000	2	
84120		PAD ASSY-ISOLATION DASH PANEL					84136		PLUG-WAX INJECTION HOLE				
		(S)CONJ. ALMOJADILLA							(S)TAPON				
990601 -		ALL LHD>5MT2		84120-25000	1		991021 - 991201		AD		84136-21000	14	
990601 -		ALL LHD>4AT2		84120-25100	1		991021 - 991201		AG		84136-21000	14	
990601 -		ALL RHD>4AT2		84120-25850	1		991123 - 991201		DG		84136-21000	14	
990601 -		ALL RHD>5MT2		84120-25950	1		991123 - 991201		DS		84136-21000	14	
							990601 - 991201		FD		84136-21000	14	

CONTINUED

3-D5

84-841 ISOLATION PAD & FLOOR COVERING

BA,00112- 418

P N C	MODEL APPLICABLE		R E P	PART NO. (REPL P/N)	Q T Y	REMARKS
	FROM-UP-TO	DESCRIPTION				
CONTINUED						
84136		PLUG-WAX INJECTION HOLE (S)TAPON		84136-21000	14	
990601 - 991201	FG					
84138		PLUG-DASH PANEL (S)TAPON		84138-25000	2	
990601 -	ALL					
84141F		INSULATOR-FENDER LH (S)AISLADOR		84141-25000	1	
991021 -	AD					
991021 -	AG					
991123 -	DG					
991123 -	DS					
990601 -	FD					
990601 -	FG					
84142F		INSULATOR-FENDER RH (S)AISLADOR		84142-25000	1	
991021 -	AD					
991021 -	AG					
991123 -	DG					
991123 -	DS					
990601 -	FD					
990601 -	FG					
84147		NUT-PLUG (S)TUERCA		84147-34000	6	
020101 -	FG LHD;0950					
84147A		PLUG-PUSH ON TYPE (S)TAPON		84143-11000	4	
991021 -	AD					
991123 - 000701	AD					
991021 -	AG					
991123 -	AG					
991123 -	DG					
991123 -	DG					
991123 -	DS					
991123 - 000701	DS					
990601 -	FD					
991123 - 000701	FD					
990601 -	FG					
CONTINUED						

P N C	MODEL APPLICABLE		R E P	PART NO. (REPL P/N)	Q T Y	REMARKS
	FROM-UP-TO	DESCRIPTION				
CONTINUED						
84147A		PLUG-PUSH ON TYPE (S)TAPON		84143-11000	2	
991123 -	FG					
84147E		NUT-PLUG (S)TUERCA		84147-33000	8	
990601 -	ALL					
84151J		PAD-ANTIVIBRATION CTR FLR FR LH (S)JUEGOALMOHADILLA		84151-33A00	1	SIAR,SIAR
990601 -	ALL					
84152		PAD-ANTIVIBRATION CTR FLR FR RH (S)JUEGOALMOHADILLA		84151-33A00	1	SIAR,SIAR
990601 -	ALL					
84153		PAD-ANTIVIBRATION CTR FLR TUNNEL FR (S)JUEGOALMOHADILLA		84151-33A00	1	SIAR,SIAR
990601 -	ALL					
84154D		PAD-ANTIVIBRATION CTR FLR TUNNEL RR (S)JUEGOALMOHADILLA		84151-33A00	1	SIAR,SIAR
990601 -	ALL					
84156		PAD-ANTIVIBRATION CTR FLR RR LH (S)ALMOHADILLA		84151-33A00	1	SIAR,SIAR
990601 -	ALL					
84157D		PAD-ANTIVIBRATION RR FLR FR (S)ALMOHADILLA		84151-33A00	1	SIAR,SIAR
990601 -	ALL					
84161C		PAD-ANTIVIBRATION RR WHL HOUSE (S)ALMOHADILLA		84151-33A00	1	SIAR,SIAR
990601 -	ALL					
84161E		PAD-ANTIVIBRATION RR FLR RR (S)ALMOHADILLA		84151-33A00	1	SIAR,SIAR
990601 -	ALL					
84166C		PAD-ANTIVIBRATION CTR FLR RR RH (S)ALMOHADILLA		84151-33A00	1	SIAR,SIAR
990601 -	ALL					
84169A		PAD-ANTIVIBRATION WHL HOUSE RH (S)ALMOHADILLA		84151-33A00	1	SIAR,SIAR
990601 -	ALL					

3-E5

84-841 ISOLATION PAD & FLOOR COVERING

BA.G0112- 419

P N C	MODEL APPLICABLE		R E P	PART NO. (REPL. P/NO)	Q T Y	REMARKS
	FROM-UP-TO	DESCRIPTION				
84172B		PAD-ANTINOISE (S)ALMOHADILLA				
990601 -	ALL		84184-28000	2		
991021 -	AD		84175-25000	2		
991021 -	AG		84175-25000	2		
991123 -	DG		84175-25200	2		
991123 -	DS		84175-25200	2		
990601 -	FD		84175-25000	2		
990601 -	FG		84175-25000	2		
84172E		PAD-ANTINOISE (S)ALMOHADILLA				
991021 -	AD		84174-25000	2		
991021 -	AG		84174-25000	2		
991123 -	DG		84174-25000	2		
991123 -	DS		84174-25000	2		
990601 -	FD		84174-25000	2		
990601 -	FG		84174-25000	2		
84173A		PAD-ANTINOISE (S)ALMOHADILLA				
991021 -	AD		84172-22000	6		
991021 -	AD		84173-22000	2		
991021 -	AG		84172-22000	6		
991021 -	AG		84173-22000	2		
991123 -	DG		84172-22000	6		
991123 -	DS		84172-22000	6		
990601 -	FD		84172-22000	6		
990601 -	FD		84173-22000	2		
990601 -	FD		84173-25000	2		
990601 -	FG		84172-22000	6		
990601 -	FG		84173-22000	2		
990601 -	FG		84173-25000	2		
84182K		PAD-ANTINOISE (S)PAD				
991021 -	AD		84182-28000	6		
991021 -	AG		84182-28000	6		
991123 -	DG		84182-28000	6		
991123 -	DS		84182-28000	6		
990601 -	FD		84182-28000	6		
990601 -	FG		84182-28000	6		

P N C	MODEL APPLICABLE		R E P	PART NO. (REPL. P/NO)	Q T Y	REMARKS
	FROM-UP-TO	DESCRIPTION				
84185		PAD-ROOF RAIL (S)ALMOHADILLA				
991123 - 991202	ALL		84185-37010	2		
84185A		PAD-ANTINOISE (S)ALMOHADILLA				
991021 - 991123	AD		84185-37010	2		
991021 - 991123	AG		84185-37010	2		
990601 - 991123	FD		84185-37010	2		
990601 - 991123	FG		84185-37010	2		
84251B		PAD-ISOLATION FLOOR TUNNEL (S)ALMOHADILLA				
990601 -	ALL		84251-25300	1		
84260		CARPET ASSY-FLOOR (S)CONJ. MOQUETA				
990601 - 010309	AD LHD;8421		84260-25100SX	1		INT;LT
990601 - 010309	AD RHD;8421		84260-25850SX	1		INT;LT
010309 - 010625	AD LHD;8421		84260-25105SX	1		INT;LT
010309 - 010625	AD RHD;8421		84260-25855SX	1		INT;LT
010625 -	AD LHD;8421		84260-25108SX	1		INT;LT
010625 -	AD RHD;8421		84260-25858SX	1		INT;LT
990601 - 010309	AG LHD;8421		84260-25100SX	1		INT;LT
990601 - 010309	AG RHD;8421		84260-25850SX	1		INT;LT
010309 - 010625	AG LHD;8421		84260-25105SX	1		INT;LT
010309 - 010625	AG RHD;8421		84260-25855SX	1		INT;LT
010625 -	AG LHD;8421		84260-25108SX	1		INT;LT
010625 -	AG RHD;8421		84260-25858SX	1		INT;LT
990601 - 010309	DG LHD;8421		84260-25100SX	1		INT;LT
990601 - 010309	DG RHD;8421		84260-25850SX	1		INT;LT
010309 - 010625	DG LHD;8421		84260-25105SX	1		INT;LT
010309 - 010625	DG RHD;8421		84260-25855SX	1		INT;LT
010625 -	DG LHD;8421		84260-25108SX	1		INT;LT
010625 -	DG RHD;8421		84260-25858SX	1		INT;LT
990601 - 010309	DS LHD;8421		84260-25100SX	1		INT;LT
990601 - 010309	DS RHD;8421		84260-25850SX	1		INT;LT
010309 - 010625	DS LHD;8421		84260-25105SX	1		INT;LT
010309 - 010625	DS RHD;8421		84260-25855SX	1		INT;LT
010625 -	DS LHD;8421		84260-25108SX	1		INT;LT
010625 -	DS RHD;8421		84260-25858SX	1		INT;LT
990601 - 010309	FD LHD>L35,L45,P85;8421		84260-25100SX	1		INT;LT

CONTINUED

AD:SDR,QL AG:SDR,QLS DG:SDR,QLS DS:SDR,QL FD:4DR,QL FG:4DR,QLS 8421:COVERG-FLR(NEEDE PUNCH TYPE)

3-F 5

84-841 ISOLATION PAD & FLOOR COVERING

BA,00112- 420

P N C		MODEL APPLICABLE		R E P	PART NO. (REPL. PNO)	Q T Y	REMARKS	P N C		MODEL APPLICABLE		R E P	PART NO. (REPL. PNO)	Q T Y	REMARKS
FROM-UP-TO	TYPE	DESCRIPTION						FROM-UP-TO	TYPE	DESCRIPTION					
CONTINUED								CONTINUED							
84260		CARPET ASSY-FLOOR (S)CONJ, MOQUETA						85834A		PLUG-WAX INJECTION HOLE (S)TAPON					
990601 - 010309	FD	RHD>	L35,L45,P85;8421		84260-25850SX	1	INT;LT	990601 - 991201	FG			Y	85834-14000 (84136-27000)	4	
010309 - 010625	FD	LHD>	L35,L45,P85;8421		84260-25105SX	1	INT;LT						84136-27000	18	
010309 - 010625	FD	RHD>	L35,L45,P85;8421		84260-25855SX	1	INT;LT	991123 -	FG						
010625 -	FD	LHD>	L35,L45,P85;8421		84260-25108SX	1	INT;LT	95231		SILENCER-SIDE SILL INR FR (S)SILENCIADOR					
010625 -	FD	RHD>	L35,L45,P85;8421		84260-25858SX	1	INT;LT								
990601 - 010309	FG	LHD;	8421		84260-25100SX	1	INT;LT	991021 -	AD				95230-37000	2	
990601 - 010309	FG	RHD;	8421		84260-25850SX	1	INT;LT	991021 -	AG				95230-37000	2	
010309 - 010625	FG	LHD;	8421		84260-25105SX	1	INT;LT	991123 -	DG				95230-37000	2	
010309 - 010625	FG	RHD;	8421		84260-25855SX	1	INT;LT	991123 -	DS				95230-37000	2	
010625 -	FG	LHD;	8421		84260-25108SX	1	INT;LT	990601 -	FD				95230-37000	2	
010625 -	FG	RHD;	8421		84260-25858SX	1	INT;LT	990601 -	FG				95230-37000	2	
85328A		PLUG-TRIM MTG (S)TAPON						95674B		PLUG (S)TAPON					
990601 -	AD	8421			85325-21000LT	3	INT;LT	000609 -	ALL				95674-02000	4	
990601 -	AG	8421			85325-21000LT	3	INT;LT	000403 - 000609	AD				95674-02000	2	
990601 -	DG	8421			85325-21000LT	3	INT;LT	000403 -	AG				95674-02000	2	
990601 -	DS	8421			85325-21000LT	3	INT;LT	000403 -	DG				95674-02000	2	
990601 -	FD	L35,L45,P85;8421			85325-21000LT	3	INT;LT	000403 - 000609	DS				95674-02000	2	
990601 -	FG	8421			85325-21000LT	3	INT;LT	000403 - 000609	FD				95674-02000	2	
85834A		PLUG-WAX INJECTION HOLE (S)TAPON						000403 -	FG				95674-02000	2	
991021 - 991201	AD			Y	85834-14000 (84136-27000)	4									
991123 -	AD				84136-27000	18									
991021 - 991201	AG			Y	85834-14000 (84136-27000)	4									
991123 -	AG				84136-27000	18									
991123 -	DG				84136-27000	16									
991123 - 991201	DG			Y	85834-14000 (84136-27000)	2									
991123 -	DS				84136-27000	16									
991123 - 991201	DS			Y	85834-14000 (84136-27000)	2									
990601 - 991201	FD			Y	85834-14000 (84136-27000)	4									
991123 -	FD				84136-27000	18									
CONTINUED															

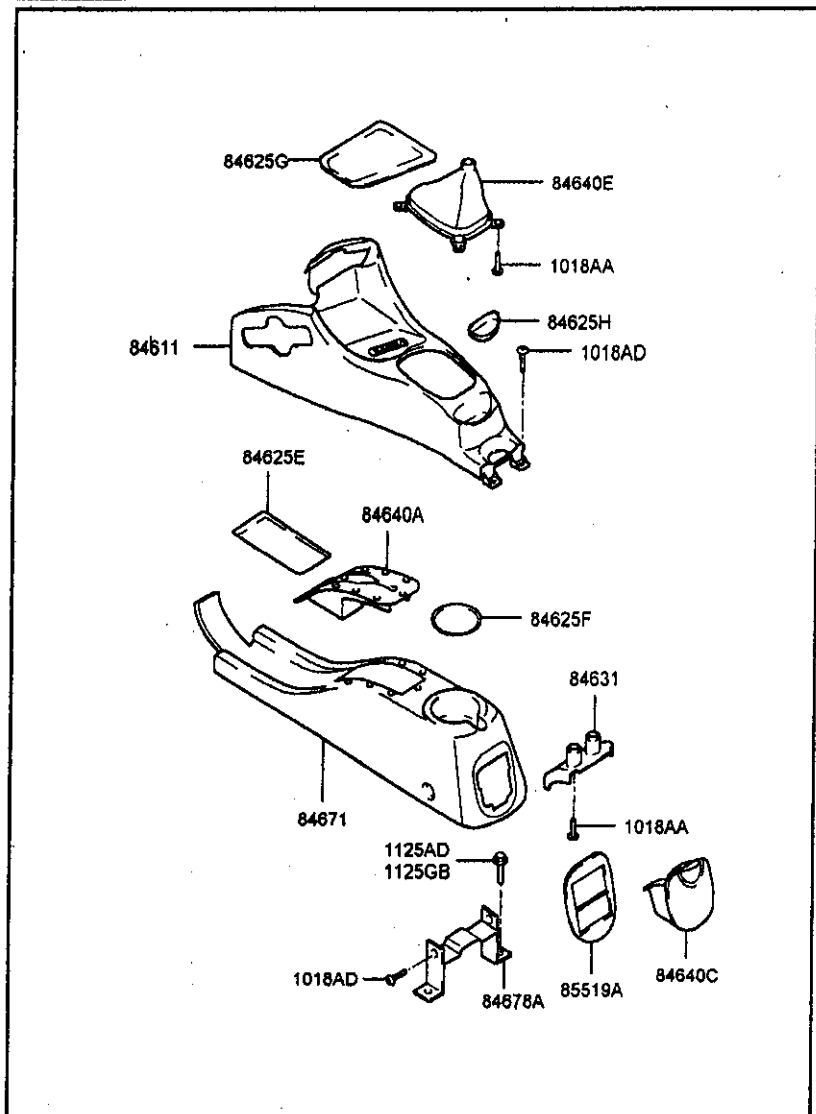
AD:3DR,QL AG:3DR,QLS DG:3DR,QLS DS:3DR,L FD:4DR,GL FG:4DR,QLS

8421:COVERG-FLR(NEEDLE PUNCH TYPE)

3-G 5

84-846 FLOOR CONSOLE

BA,G0112- 421



P N C	MODEL APPLICABLE		R E P	PART NO. (REPL. P/NO)	Q T Y	REMARKS
	FROM-UP-TO	TYPE				
1018AA						
990601 -				10188-05103	4	
990601 -				10188-05103	2	
1018AD						
990601 -				10188-05163	6	
1125AD						
001211 -				11250-06201 (11250-06203)	2	
1125GB						
990601 - 001211				11253-06201 (11253-06203)	2	
84611						
990601 -				84611-25010LT	1	INT;LT
990601 -				84611-25910LT	1	INT;LT
990601 -				84611-25010LT	1	INT;LT
990601 -				84611-25910LT	1	INT;LT
990601 -				84611-25010LT	1	INT;LT
990601 -				84611-25910LT	1	INT;LT
990601 -				84611-25010LT	1	INT;LT
990601 -				84611-25910LT	1	INT;LT
990601 -				84611-25010LT	1	INT;LT
990601 -				84611-25910LT	1	INT;LT
990601 -				84611-25010LT	1	INT;LT
990601 -				84611-25910LT	1	INT;LT
84625E						
990601 -				84625-25300	1	
84625F						
990601 -				84625-25400	1	
84625G						
990601 -				84625-25100	1	
990601 -				84625-25900	1	

AD:305.GL AG:305.GL DG:305.GL DS:305L FD:305.GL FQ:305.GL

3-H 5

84-846 FLOOR CONSOLE

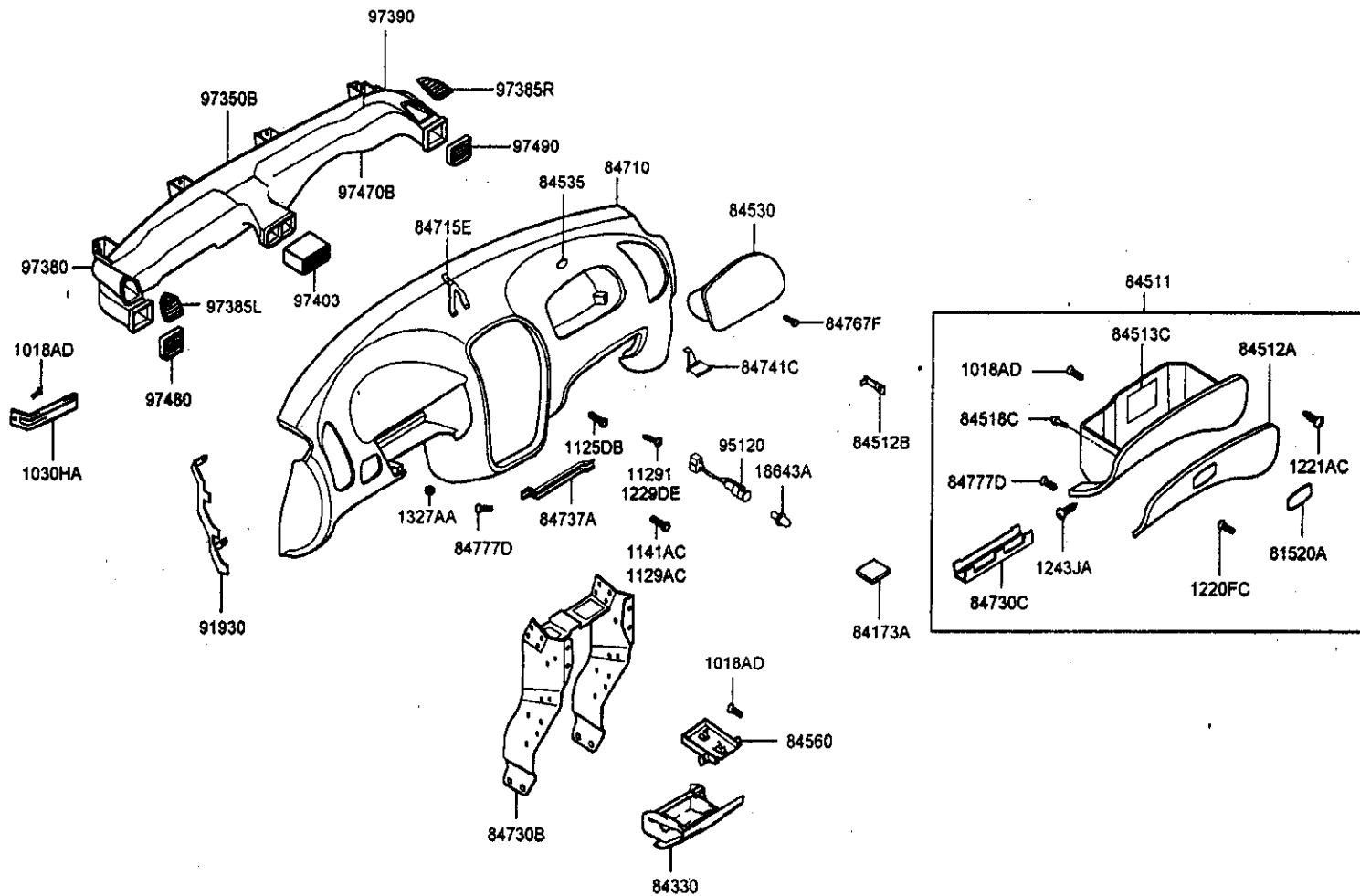
BA,00112- 422

P N C		MODEL APPLICABLE		R E P	PART NO. (REPL P/NO)	Q T Y	REMARKS	P N C		MODEL APPLICABLE		R E P	PART NO. (REPL P/NO)	Q T Y	REMARKS
FROM-UP-TO	TYPE	DESCRIPTION						FROM-UP-TO	TYPE	DESCRIPTION					
84625H		MAT RR-FRT CONSOLE (S)MOQUETA TRAS						CONTINUED							
990601 -		ALL LHD			84625-25200	1		85519A		COVER-BLANKING ASHTRAY (S)CUBIERTA					
990601 -		ALL RHD			84625-25950	1		990601 -		FD L35,L45,P85		84624-25000LT	1	INT:LT	
84631		HOUSING-RR CONSOLE ASHTRAY (S)ALOJAMIENTO						990601 -		FG		84624-25000LT	1	INT:LT	
990601 -		ALL 8464			84631-25000	1									
84640A		BOOT ASSY-PARK BRAKE LEVER (S)CONJUNTO FUNDA													
990601 -		AD			84623-25000LT	1	INT:LT								
990601 -		AG			84623-25000LT	1	INT:LT								
990601 -		DG			84623-25000LT	1	INT:LT								
990601 -		DS			84623-25000LT	1	INT:LT								
990601 -		FD L35,L45,P85			84623-25000LT	1	INT:LT								
990601 -		FG			84623-25000LT	1	INT:LT								
84640C		ASHTRAY ASSY-RR CONSOLE (S)CONJUNTO CENICERO													
990601 -		ALL 8464			84630-25000	1									
84640E		BOOT ASSY-SHIFT LEVER (S)CONJUNTO FUNDA													
990601 -		ALL LHD>SMT2			84640-25000	1									
990601 -		ALL RHD>SMT2			84640-25900	1									
84671		CONSOLE-RR (S)CONSOLA													
990601 -		AD			84621-25000LT	1	INT:LT								
990601 -		AG			84621-25000LT	1	INT:LT								
990601 -		DG			84621-25000LT	1	INT:LT								
990601 -		DS			84621-25000LT	1	INT:LT								
990601 -		FD L35,L45,P85			84621-25000LT	1	INT:LT								
990601 -		FG			84621-25000LT	1	INT:LT								
84678A		BRACKET-RR CONSOLE RR MTG (S)SOPORTE													
990601 -		ALL			84618-22010	1									
85519A		COVER-BLANKING ASHTRAY (S)CUBIERTA													
990601 -		AD			84624-25000LT	1	INT:LT								
990601 -		AG			84624-25000LT	1	INT:LT								
990601 -		DG			84624-25000LT	1	INT:LT								
990601 -		DS			84624-25000LT	1	INT:LT								

CONTINUED

AD:3DR,GL; AG:3DR,GL; DG:3DR,GL; DS:3DR,GL; FD:4DR,GL; FG:4DR,GL

8464:ASH TRAY-CONSOLE



84-847A CRASH PAD UPPER

BA,G0112- 424

3-15

P N C		MODEL APPLICABLE		R E P	PART NO. (REPL P/NO)	Q T Y	REMARKS	P N C		MODEL APPLICABLE		R E P	PART NO. (REPL P/NO)	Q T Y	REMARKS
FROM-UP-TO	TYPE	DESCRIPTION						FROM-UP-TO	TYPE	DESCRIPTION					
1018AD		SCREW-TAPPING						CONTINUED							
990825 -		(S)TORNILLO						1243JA							
990825 -		ALL LHD			10188-05163	3		990825 -				12433-04103	6		
990825 -		ALL RHD			10188-05163	3		1327AA							
1030HA		HOLDER-WIRING						990825 -							
		(S)SOPORTE						1327AA							
990825 -		ALL LHD			10306-05800	2		990825 -				13270-05001	4		
990825 -		ALL RHD			10306-05800	2		990825 -				13270-05001	4		
1125DB		BOLT						18643A							
		(S)PERNO (CON ARANDELA)						991022 -				18643-01004	2		
990825 -		ALL LHD			11251-06203	2		991022 -				18643-01004	2		
990825 -		ALL RHD			11251-06203	2		81520A							
11291		SCREW						990825 -							
		(S)TORNILLO						990825 -				81520-25000LT	1	INT;LT	
990825 - 000502		ALL RHD		Y	11291-05123	2		990825 -				81520-25900LT	1	INT;LT	
					(12291-05123)			990825 -				81520-25000LT	1	INT;LT	
1129AC		BOLT						990825 -				81520-25900LT	1	INT;LT	
		(S)PERNO (CON ARANDELA)						990825 -				81520-25000LT	1	INT;LT	
010130 -		ALL RHD			11290-06123	2		990825 -				81520-25900LT	1	INT;LT	
1141AC		BOLT						990825 -				81520-25000LT	1	INT;LT	
		(S)PERNO (PESTANA)						990825 -				81520-25900LT	1	INT;LT	
990825 -		ALL LHD		Y	11415-06163	2		990825 -				81520-25000LT	1	INT;LT	
					(11415-06143)			990825 -				81520-25900LT	1	INT;LT	
990825 -		ALL RHD		Y	11415-06163	2		990825 -				81520-25000LT	1	INT;LT	
					(11415-06143)			990825 -				81520-25900LT	1	INT;LT	
1220FC		SCREW-MACHINE						84173A							
		(S)TORNILLO						990825 - 010305				84173-24000	1		
990825 -		ALL LHD			12203-04083	2		990825 - 010305				84173-24000	1		
990825 -		ALL RHD			12203-04083	2		010305 -				84172-25000	1		
1221AC		SCREW-MACHINE						010305 -				84172-25000	1		
		(S)TORNILLO						84330							
990825 -		ALL LHD			12210-06163	2		990825 -							
990825 -		ALL RHD			12210-06163	2		990825 -				84550-25000	1		
1229DE		SCREW-MACHINE						990825 -				84550-25900	1		
		(S)TORNILLO						84511							
000502 - 010130		ALL RHD			12291-05123	2		990825 -							
1243JA		SCREW-TAPPING						990825 -							
		(S)TORNILLO						84511							
990825 -		ALL LHD			12433-04103	6		990825 -				84510-25000LT	1	INT;LT	
CONTINUED								CONTINUED							

3-K5

84-847A CRASH PAD UPPER

BA, G0112- 425

P N C		MODEL APPLICABLE		R E P	PART NO. (REPL P/NO)	Q T Y	REMARKS	P N C		MODEL APPLICABLE		R E P	PART NO. (REPL P/NO)	Q T Y	REMARKS
FROM-UP-TO	TYPE	DESCRIPTION						FROM-UP-TO	TYPE	DESCRIPTION					
CONTINUED								CONTINUED							
		84511	HOUSING-GLOVE BOX (S)ALOJAMIENTO					84512A	COVER ASSY-GLOVE BOX HOUSING (S)CONJUNTO CUBIERTA						
990825 -			AD LHD;5691		84510-25300LT	1	INT;LT	990825 -		FG RHD		84512-25900LT	1	INT;LT	
990825 -			AD RHD		84510-25900LT	1	INT;LT	84512B	GUIDE-GLOVE BOX (S)GUIA						
990825 -			AD RHD;5691		84510-25800LT	1	INT;LT	990825 -		ALL LHD		84530-22000	2		
990825 -			AG LHD		84510-25000LT	1	INT;LT	990825 -		ALL RHD		84530-22000	2		
990825 -			AG LHD;5691		84510-25300LT	1	INT;LT	84513C	LABEL-GL/BOX (S)ETIQUETA						
990825 -			AG RHD		84510-25900LT	1	INT;LT	990825 -		ALL LHD;5691		84513-29560	1		
990825 -			AG RHD;5691		84510-25800LT	1	INT;LT	990825 -		ALL RHD;5691		84513-29560	1		
990825 -			DG LHD		84510-25000LT	1	INT;LT	84518C	BUMPER-GLOVE BOX HOUSING (S)PARACHOQUES						
990825 -			DG LHD;5691		84510-25300LT	1	INT;LT	990825 -		ALL LHD		84516-25000	6		
990825 -			DG RHD		84510-25900LT	1	INT;LT	990825 -		ALL LHD		84518-22001	1		
990825 -			DG RHD;5691		84510-25800LT	1	INT;LT	990825 -		ALL RHD		84516-25000	6		
990825 -			DS LHD		84510-25000LT	1	INT;LT	990825 -		ALL RHD		84518-22001	1		
990825 -			DS LHD;5691		84510-25300LT	1	INT;LT	84530	AIR BAG ASSY-PASSENGER (S)CONJUNTO AIRBAG						
990825 -			DS RHD		84510-25900LT	1	INT;LT	990825 -		AD LHD;5691,5692		84560-25100LT	1	INT;LT	
990825 -			DS RHD;5691		84510-25800LT	1	INT;LT	990825 -		AD RHD;5691,5692		84560-25900LT	1	INT;LT	
990825 -			FD LHD>L35,L45,P85		84510-25000LT	1	INT;LT	990825 -		AG LHD;5691,5692		84560-25100LT	1	INT;LT	
990825 -			FD LHD>L35,L45,P85;5691		84510-25300LT	1	INT;LT	990825 -		AG RHD;5691,5692		84560-25900LT	1	INT;LT	
990825 -			FD RHD>L35,L45,P85		84510-25900LT	1	INT;LT	990825 -		DG LHD;5691,5692		84560-25100LT	1	INT;LT	
990825 -			FD RHD>L35,L45,P85;5691		84510-25800LT	1	INT;LT	990825 -		DG RHD;5691,5692		84560-25900LT	1	INT;LT	
990825 -			FG LHD		84510-25000LT	1	INT;LT	990825 -		DS LHD;5691,5692		84560-25100LT	1	INT;LT	
990825 -			FG LHD;5691		84510-25300LT	1	INT;LT	990825 -		DS RHD;5691,5692		84560-25900LT	1	INT;LT	
990825 -			FG RHD		84510-25900LT	1	INT;LT	990825 -		FD LHD>L35,L45,P85;5691, 5692		84560-25100LT	1	INT;LT	
990825 -			FG RHD;5691		84510-25800LT	1	INT;LT	990825 -		FD RHD>L35,L45,P85;5691, 5692		84560-25900LT	1	INT;LT	
		84512A	COVER ASSY-GLOVE BOX HOUSING (S)CONJUNTO CUBIERTA					990825 -		FG LHD;5691,5692		84560-25100LT	1	INT;LT	
990825 -			AD LHD		84512-25000LT	1	INT;LT	990825 -		FG RHD;5691,5692		84560-25900LT	1	INT;LT	
990825 -			AD RHD		84512-25900LT	1	INT;LT	84535	LABEL-CHILD SEAT WARNING (S)ETIQUETA						
990825 -			AG LHD		84512-25000LT	1	INT;LT	990825 -		ALL LHD;5691,5692		84535-29000	1		
990825 -			AG RHD		84512-25900LT	1	INT;LT	990825 -		ALL RHD;5691,5692		84535-29000	1		
990825 -			DG LHD		84512-25000LT	1	INT;LT								
990825 -			DG RHD		84512-25900LT	1	INT;LT								
990825 -			DS LHD		84512-25000LT	1	INT;LT								
990825 -			DS RHD		84512-25900LT	1	INT;LT								
990825 -			FD LHD>L35,L45,P85		84512-25000LT	1	INT;LT								
990825 -			FD RHD>L35,L45,P85		84512-25900LT	1	INT;LT								
990825 -			FG LHD		84512-25000LT	1	INT;LT								

AD:3DR,GL AG:3DR,GLS DG:3DR,GLS DS:3DR,L FD:4DR,GL FG:4DR,GLS

5691:AIR BAG(DRIVER SIDE) 5692:AIR BAG(PASSENGER SIDE)

84-847A CRASH PAD UPPER

P N C		MODEL APPLICABLE		R E P	PART NO. (REPL P/NO)	Q T Y	REMARKS	P N C		MODEL APPLICABLE		R E P	PART NO. (REPL P/NO)	Q T Y	REMARKS	
FROM-UP-TO	TYPE	DESCRIPTION	FROM-UP-TO					TYPE	DESCRIPTION							
84560		PLATE ASSY-ASH TRAY						CONTINUED								
990825 -		(S)CONJ. PLACA						84730B		BRACKET ASSY-C/PAD CTR SUPT						
990825 -		ALL LHD			84555-25000	1				(S)CONJUNTO SOPORTE						
990825 -		ALL RHD			84555-25000	1				ALL RHD			84730-25900	1		
84710		CRASH PAD ASSY-MAIN						84730C		HINGE ASSY-GLOVE BOX HOUSING						
		(S)CONJ. AMORTIGUADOR DE GOLPES								(S)CONJUNTO BISAGRA						
990825 -		AD LHD			84710-25000LT	1	INT;LT			ALL LHD			84520-25000	1		
990825 -		AD LHD;5691,5692			84710-25100LT	1	INT;LT			ALL RHD			84520-25000	1		
990825 -		AD RHD			84710-25800LT	1	INT;LT			84737A						
990825 -		AD RHD;5691,5692			84710-25900LT	1	INT;LT			BRACKET ASSY-Q/BOX HINGE MTG						
990825 -		AG LHD			84710-25000LT	1	INT;LT			(S)CONJUNTO SOPORTE						
990825 -		AG LHD;5691,5692			84710-25100LT	1	INT;LT			ALL LHD			84760-25000	1		
990825 -		AG RHD			84710-25900LT	1	INT;LT			990825 - 000124			84760-25900	1		
990825 -		AG RHD;5691,5692			84710-25900LT	1	INT;LT			000124 - 010130			(84760-25910)	1		
990825 -		DG LHD			84710-25000LT	1	INT;LT			010130 -			84760-25910	1		
990825 -		DG LHD;5691,5692			84710-25100LT	1	INT;LT			84741C			84760-25920	1		
990825 -		DG RHD			84710-25800LT	1	INT;LT			BRACKET ASSY-Q/BOX STRIKER MTG						
990825 -		DG RHD;5691,5692			84710-25900LT	1	INT;LT			(S)CONJUNTO SOPORTE						
990825 -		DS LHD			84710-25000LT	1	INT;LT			ALL LHD			84765-25000	1		
990825 -		DS LHD;5691,5692			84710-25100LT	1	INT;LT			990825 -			84765-25000	1		
990825 -		DS RHD			84710-25800LT	1	INT;LT			84767F						
990825 -		DS RHD;5691,5692			84710-25900LT	1	INT;LT			BOLT						
990825 -		DS RHD;5691,5692			84710-25900LT	1	INT;LT			(S)PERNO (CON ARANDELA)						
990825 -		FD LHD>L35,L45,P85			84710-25000LT	1	INT;LT			ALL LHD			84562-22000	1		
990825 -		FD LHD>L35,L45,P85;5691,5692			84710-25100LT	1	INT;LT			990825 -			84562-22000	16		
990825 -		FD RHD>L35,L45,P85			84710-25800LT	1	INT;LT			990825 -			84562-22000	1		
990825 -		FD RHD>L35,L45,P85;5691,5692			84710-25900LT	1	INT;LT			991022 -			84562-22000	16		
990825 -		FG LHD			84710-25000LT	1	INT;LT			000714 -			84562-22000	19		
990825 -		FG LHD;5691,5692			84710-25100LT	1	INT;LT			84777D						
990825 -		FG RHD			84710-25900LT	1	INT;LT			SCREW-TAPPING						
990825 -		FG RHD;5691,5692			84710-25900LT	1	INT;LT			(S)TORNILLO						
84715E		BRACKET-CLUSTER GAUGE REINF								ALL LHD			84777-22002	33		
		(S)SOPORTE								990825 -			84777-22002	33		
990825 -		ALL LHD			84715-25000	1				91930						
990825 -		ALL RHD			84715-25000	1				BRACKET-CONNECTOR						
84730B		BRACKET ASSY-C/PAD CTR SUPT								(S)SOPORTE						
		(S)CONJUNTO SOPORTE								ALL LHD			91951-25000	1		
990825 -		ALL LHD			84730-25000	1				990825 -			91951-25100	1		
990825 -		ALL RHD			84730-25000	1				95120						
84730B		BRACKET ASSY-C/PAD CTR SUPT								SOCKET ASSY-CIGAR LIGHTER						
		(S)CONJUNTO SOPORTE								(S)CONJ. CASQUILLO						
990825 -		ALL LHD			84730-25000	1				ALL LHD			95120-25100	1		
990825 -		ALL RHD			84730-25000	1				990825 - 991022			95120-25100	1		
990825 -		ALL LHD			84730-25000	1				990825 - 991022			95120-25100	1		
990825 -		ALL RHD			84730-25000	1				991022 -			95120-25000	1		
990825 -		ALL LHD			84730-25000	1				CONTINUED						

AD:DR,CL AG:DR,CLS DG:DR,CLS DS:DR,CL FD:DR,CL FG:DR,CLS 5691:AIR BAG(DRIVER SIDE) 5692:AIR BAG(PASSENGER SIDE)

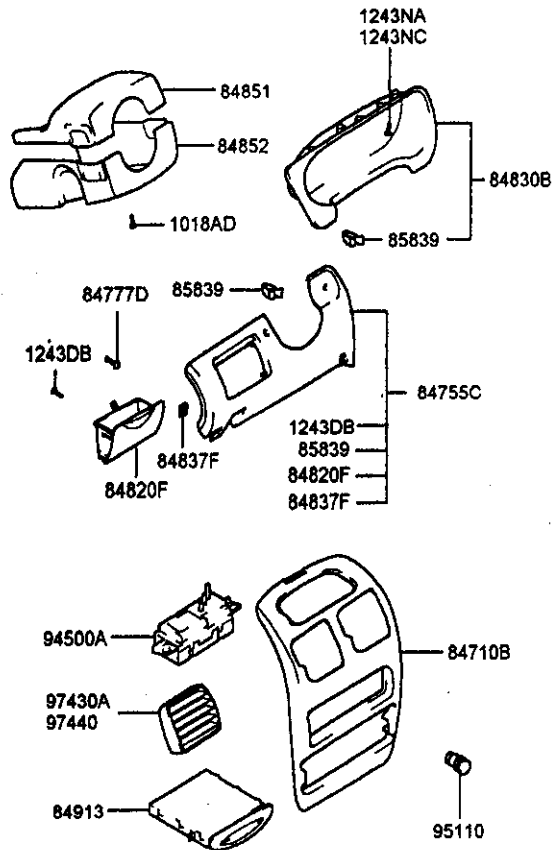
3-M 5

84-847A CRASH PAD UPPER

BA,60112- 427

P N C		MODEL APPLICABLE		R E P	PART NO. (REPL P/NO)	Q T Y	REMARKS	P N C		MODEL APPLICABLE		R E P	PART NO. (REPL P/NO)	Q T Y	REMARKS
FROM-UP-TO	TYPE	DESCRIPTION						FROM-UP-TO	TYPE	DESCRIPTION					
CONTINUED								CONTINUED							
95120		SOCKET ASSY-CIGAR LIGHTER (S)CONJ. CASQUILLO						97490		DUCT ASSY-SIDE AIR VENT RH (S)CONJUNTO CONDUCTO					
991022 -		ALL RHD			95120-25000	1		990825 -		ALL RHD			97490-25900	1	
97350B		NOZZLE ASSY-DEFROSTER (S)CONJ. TOBERA													
990825 -		ALL LHD			97350-25000	1									
990825 -		ALL RHD			97350-25000	1									
97380		HOSE ASSY-SIDE DEFROSTER LH (S)CONJ. MANGUERA													
990825 -		ALL LHD			97380-25000	1									
990825 -		ALL RHD			97390-25900	1									
97385L		NOZZLE ASSY-SIDE DEFROSTER LH (S)CONJ. TOBERA													
990825 -		ALL LHD			97383-25000	1									
990825 -		ALL RHD			97393-25900	1									
97385R		NOZZLE ASSY-SIDE DEFROSTER RH (S)CONJ. TOBERA													
990825 -		ALL LHD			97393-25000	1									
990825 -		ALL RHD			97383-25900	1									
97390		HOSE ASSY-SIDE DEFROSTER RH (S)CONJ. MANGUERA													
990825 -		ALL LHD			97390-25000	1									
990825 -		ALL RHD			97380-25900	1									
97403		DUCT ASSY-CTR AIR VENT (S)CONJUNTO CONDUCTO													
990825 -		ALL LHD			97410-25000	1									
990825 -		ALL RHD			97410-25000	1									
97470B		CONNECTOR ASSY-HEATER TO AIR VENT DUCT (S)CONJUNTO CONECTOR													
990825 -		ALL LHD			97470-25000	1									
990825 -		ALL RHD			97470-25900	1									
97480		DUCT ASSY-SIDE AIR VENT LH (S)CONJUNTO CONDUCTO													
990825 -		ALL LHD			97480-25000	1									
990825 -		ALL RHD			97480-25900	1									
97490		DUCT ASSY-SIDE AIR VENT RH (S)CONJUNTO CONDUCTO													
990825 -		ALL LHD			97490-25000	1									
CONTINUED															

84-847B CRASH PAD LOWER



P N C	MODEL APPLICABLE		R E P	PART NO. (REPL PNO)	Q T Y	REMARKS
	FROM-UP-TO	TYPE				
1018AD						
990601 -				10188-05163	4	
990601 -				10188-05163	3	
990601 -				10188-05163	8	
990601 -				10188-05163	12	
990601 -				10188-05163	8	
990601 -				10188-05163	12	
1243DB						
990601 -				12431-05101	4	
990601 -				12431-05101	2	
1243NA						
990601 - 991201				12434-05163 (12434-05203)	2	
1243NC						
991201 -				12434-05203	2	
84710B						
990601 -				84740-25400YN	1	INT;LT
990601 -				84740-25400YN	1	INT;LT
990601 -				84740-25400YN	1	INT;LT
990601 -				84740-25500YN	1	INT;LT
990601 -				84740-25500YN	1	INT;LT
990601 -				84740-25400YN	1	INT;LT
990601 - 010701				84740-25100YN	1	INT;LT
990601 - 010701				84740-25400YN	1	INT;LT
990601 - 010701				84740-25100YN	1	INT;LT
990611 - 010611				84740-25000YN	1	INT;LT
990611 - 010611				84740-25000YN	1	INT;LT
990611 - 010701				84740-25000YN	1	INT;LT
990611 - 010701				84740-25000YN	1	INT;LT
990611 - 010701				84740-25000YN	1	INT;LT
990611 - 010701				84740-25000YN	1	INT;LT
990611 - 010701				84740-25000YN	1	INT;LT
990611 - 010701				84740-25000YN	1	INT;LT
990611 - 010701				84740-25000YN	1	INT;LT
990611 - 010701				84740-25000YN	1	INT;LT
990611 - 010701				84740-25000YN	1	INT;LT
990611 - 010701				84740-25000YN	1	INT;LT

CONTINUED

3-B 6

84-847B CRASH PAD LOWER

BA,G0112- 429

P N C	MODEL APPLICABLE		R E P	PART NO. (REPL P/NO)	Q T Y	REMARKS	P N C	MODEL APPLICABLE		R E P	PART NO. (REPL P/NO)	Q T Y	REMARKS
	FROM-UP-TO	TYPE						DESCRIPTION	FROM-UP-TO				
CONTINUED							CONTINUED						
84710B		PANEL ASSY-CTR FACIA (S)CONJUNTO PANEL					84710B		PANEL ASSY-CTR FACIA (S)CONJUNTO PANEL				
990611 - 010701	AD	RHD;8711,96GK,9760		84740-25000YN	1	INT;LT	990601 -	DG	RHD;9451		84740-25500YN	1	INT;LT
000612 -	AD	LHD;8712,9630		84740-25400YN	1	INT;LT	990601 -	DG	RHD;9630		84740-25400YN	1	INT;LT
010701 -	AD	LHD;8711,96HJ,9760		84740-25400YN	1	INT;LT	990601 - 010701	DG	LHD;9451		84740-25100YN	1	INT;LT
010701 -	AD	LHD;8711,96HN,9760		84740-25400YN	1	INT;LT	990601 - 010701	DG	LHD;9630		84740-25400YN	1	INT;LT
010701 -	AD	LHD;8712,96HN,9760		84740-25400YN	1	INT;LT	990601 - 010701	DG	LHD;9630,9760		84740-25400YN	1	INT;LT
010701 -	AD	RHD;8711,96HN,9760		84740-25000YN	1	INT;LT	990601 - 010701	DG	RHD;9451		84740-25100YN	1	INT;LT
010801 -	AD	LHD;8711,96HN		84740-25400YN	1	INT;LT	990611 - 010611	DG	RHD;96GK		84740-25000YN	1	INT;LT
990601 -	AG	LHD;8711,9630		84740-25400YN	1	INT;LT	990611 - 010611	DG	RHD;96GK,9760		84740-25000YN	1	INT;LT
990601 -	AG	LHD;8711,9630,9760		84740-25400YN	1	INT;LT	990611 - 010701	DG	LHD;8711,96GK,9760		84740-25000YN	1	INT;LT
990601 -	AG	LHD;8712,9630,9760		84740-25400YN	1	INT;LT	990611 - 010701	DG	LHD;8712,96GJ,9760		84740-25000YN	1	INT;LT
990601 -	AG	LHD;9451		84740-25500YN	1	INT;LT	990611 - 010701	DG	LHD;8712,96GK,9760		84740-25000YN	1	INT;LT
990601 -	AG	RHD;9451		84740-25500YN	1	INT;LT	990611 - 010701	DG	LHD;96GJ		84740-25000YN	1	INT;LT
990601 -	AG	RHD;9630		84740-25400YN	1	INT;LT	990611 - 010701	DG	LHD;96GJ,9760		84740-25000YN	1	INT;LT
990601 - 010701	AG	LHD;9451		84740-25100YN	1	INT;LT	990611 - 010701	DG	LHD;96GK,9760		84740-25000YN	1	INT;LT
990601 - 010701	AG	LHD;9630		84740-25400YN	1	INT;LT	990611 - 010701	DG	RHD;8711,96GK,9760		84740-25000YN	1	INT;LT
990601 - 010701	AG	LHD;9630,9760		84740-25400YN	1	INT;LT	000612 -	DG	LHD;8712,9630		84740-25400YN	1	INT;LT
990601 - 010701	AG	RHD;9451		84740-25100YN	1	INT;LT	010701 -	DG	LHD;8711,96HJ,9760		84740-25400YN	1	INT;LT
990611 - 010611	AG	RHD;96GK		84740-25000YN	1	INT;LT	010701 -	DG	LHD;8711,96HN,9760		84740-25400YN	1	INT;LT
990611 - 010611	AG	RHD;96GK,9760		84740-25000YN	1	INT;LT	010701 -	DG	LHD;8712,96HN,9760		84740-25400YN	1	INT;LT
990611 - 010701	AG	LHD;8711,96GK,9760		84740-25000YN	1	INT;LT	010701 -	DG	RHD;8711,96HN,9760		84740-25000YN	1	INT;LT
990611 - 010701	AG	LHD;8712,96GJ,9760		84740-25000YN	1	INT;LT	010801 -	DG	LHD;8711,96HN		84740-25400YN	1	INT;LT
990611 - 010701	AG	LHD;8712,96GK,9760		84740-25000YN	1	INT;LT	990601 -	DS	LHD;8711,9630		84740-25400YN	1	INT;LT
990611 - 010701	AG	LHD;96GJ		84740-25000YN	1	INT;LT	990601 -	DS	LHD;8711,9630,9760		84740-25400YN	1	INT;LT
990611 - 010701	AG	LHD;96GJ,9760		84740-25000YN	1	INT;LT	990601 -	DS	LHD;8712,9630,9760		84740-25400YN	1	INT;LT
990611 - 010701	AG	LHD;96GK,9760		84740-25000YN	1	INT;LT	990601 -	DS	LHD;9451		84740-25500YN	1	INT;LT
990611 - 010701	AG	RHD;8711,96GK,9760		84740-25000YN	1	INT;LT	990601 -	DS	RHD;9451		84740-25500YN	1	INT;LT
000612 -	AG	LHD;8712,9630		84740-25400YN	1	INT;LT	990601 -	DS	RHD;9630		84740-25400YN	1	INT;LT
010701 -	AG	LHD;8711,96HJ,9760		84740-25400YN	1	INT;LT	990601 - 010701	DS	LHD;9451		84740-25100YN	1	INT;LT
010701 -	AG	LHD;8711,96HN,9760		84740-25400YN	1	INT;LT	990601 - 010701	DS	LHD;9630		84740-25400YN	1	INT;LT
010701 -	AG	LHD;8712,96HN,9760		84740-25400YN	1	INT;LT	990601 - 010701	DS	LHD;9630,9760		84740-25400YN	1	INT;LT
010701 -	AG	RHD;8711,96HN,9760		84740-25000YN	1	INT;LT	990601 - 010701	DS	RHD;9451		84740-25100YN	1	INT;LT
010901 -	AG	LHD;8711,96HN		84740-25400YN	1	INT;LT	990611 - 010611	DS	RHD;96GK		84740-25000YN	1	INT;LT
990601 -	DG	LHD;8711,9630		84740-25400YN	1	INT;LT	990611 - 010611	DS	RHD;96GK,9760		84740-25000YN	1	INT;LT
990601 -	DG	LHD;8711,9630,9760		84740-25400YN	1	INT;LT	990611 - 010701	DS	LHD;8711,96GK,9760		84740-25000YN	1	INT;LT
990601 -	DG	LHD;8712,9630,9760		84740-25400YN	1	INT;LT	990611 - 010701	DS	LHD;8712,96GJ,9760		84740-25000YN	1	INT;LT
990601 -	DG	LHD;9451		84740-25500YN	1	INT;LT	990611 - 010701	DS	LHD;8712,96GK,9760		84740-25000YN	1	INT;LT

AD-DR;AL-AD-DR;GLS-DG-DR;GLS-DS-DR;L

8711:GLASS-BLUTE(CLEAR WITH HTD) 8712:GLASS-BLUTE(HTD WITH HTD) 9451:LOCK-AUTO(DIGITAL) 9630:AUDIO BLANK COVER-GENERAL

96GJ:RADIO(M 8008) 96GK:RADIO-CASS(H 900A) 96HJ:RADIO-CASS(M 210) 96HN:RADIO-CASS(M 220) 9760:AIR CON

P N C	MODEL APPLICABLE		PART NO. (REPL P/NO)	Q T Y	REMARKS
	FROM-UP-TO	DESCRIPTION			
CONTINUED					
84710B	PANEL ASSY-CTR FACIA (S)CONJUNTO PANEL				
990611 - 010701	DS	LHD;96GJ	84740-25000YN	1	INT;LT
990611 - 010701	DS	LHD;96GJ,9760	84740-25000YN	1	INT;LT
990611 - 010701	DS	LHD;96GK,9760	84740-25000YN	1	INT;LT
990611 - 010701	DS	RHD;8711,96GK,9760	84740-25000YN	1	INT;LT
000612 -	DS	LHD;8712,9630	84740-25400YN	1	INT;LT
010701 -	DS	LHD;8711,96HJ,9760	84740-25400YN	1	INT;LT
010701 -	DS	LHD;8711,96HN,9760	84740-25400YN	1	INT;LT
010701 -	DS	LHD;8712,96HN,9760	84740-25400YN	1	INT;LT
010701 -	DS	RHD;8711,96HN,9760	84740-25000YN	1	INT;LT
010601 -	DS	LHD;8711,96HN	84740-25400YN	1	INT;LT
990601 -	FD	LHD>L35,L45,P85;8711, 9630	84740-25400YN	1	INT;LT
990601 -	FD	LHD>L35,L45,P85;8711, 9630,9760	84740-25400YN	1	INT;LT
990601 -	FD	LHD>L35,L45,P85;9451	84740-25500YN	1	INT;LT
990601 -	FD	RHD>L35,L45,P85;9451	84740-25500YN	1	INT;LT
990601 -	FD	RHD>L35,L45,P85;9630	84740-25400YN	1	INT;LT
990601 - 010701	FD	LHD>L35,L45,P85;9451	84740-25100YN	1	INT;LT
990601 - 010701	FD	LHD>L35,L45,P85;9630	84740-25400YN	1	INT;LT
990601 - 010701	FD	LHD>L35,L45,P85;9630, 9760	84740-25400YN	1	INT;LT
990601 - 010701	FD	RHD>L35,L45,P85;9451	84740-25100YN	1	INT;LT
990611 - 010611	FD	RHD>L35,L45,P85;96GK, 9760	84740-25000YN	1	INT;LT
990611 - 010611	FD	RHD>L35,L45,P85;96GK, 9760	84740-25000YN	1	INT;LT
990611 - 010701	FD	LHD>L35,L45,P85;8711, 96GK,9760	84740-25000YN	1	INT;LT
990611 - 010701	FD	LHD>L35,L45,P85;8712, 96GJ,9760	84740-25000YN	1	INT;LT
990611 - 010701	FD	LHD>L35,L45,P85;8712, 96GK,9760	84740-25000YN	1	INT;LT
990611 - 010701	FD	LHD>L35,L45,P85;96GJ	84740-25000YN	1	INT;LT
990611 - 010701	FD	LHD>L35,L45,P85;96GJ, 9760	84740-25000YN	1	INT;LT

CONTINUED

DS:DR1, FD:DR, FG:DR, GLS 8711:GLASS-BLITE(CLEAR WITH HTD) 8712:GLASS-BLITE(HTD WITH HTD) 9451:CLOCK-AUTO(DIGITAL) 9630:AUDIO BLANK'G COVER-GENERAL 96GJ:RADIO(H 9006)
96GK:RADIO-CASS(H 900A) 96HJ:RADIO-CASS(H 210) 96HN:RADIO-CASS(H 220) 9760:AIR CON

P N C	MODEL APPLICABLE		PART NO. (REPL P/NO)	Q T Y	REMARKS
	FROM-UP-TO	DESCRIPTION			
CONTINUED					
84710B	PANEL ASSY-CTR FACIA (S)CONJUNTO PANEL				
990611 - 010701	FD	LHD>L35,L45,P85;96GK, 9760	84740-25000YN	1	INT;LT
990611 - 010701	FD	RHD>L35,L45,P85;8711, 96GK,9760	84740-25000YN	1	INT;LT
000612 -	FD	LHD>L35,L45,P85;8712, 9630	84740-25400YN	1	INT;LT
010701 -	FD	LHD>L35,L45,P85;8711, 96HJ,9760	84740-25400YN	1	INT;LT
010701 -	FD	LHD>L35,L45,P85;8711, 96HN,9760	84740-25400YN	1	INT;LT
010701 -	FD	LHD>L35,L45,P85;8712, 96HN,9760	84740-25400YN	1	INT;LT
010701 -	FD	RHD>L35,L45,P85;8711, 96HN,9760	84740-25000YN	1	INT;LT
010601 -	FD	LHD>L35,L45,P85;8711, 96HN	84740-25400YN	1	INT;LT
990601 -	FG	LHD;8711,9630	84740-25400YN	1	INT;LT
990601 -	FG	LHD;8711,9630,9760	84740-25400YN	1	INT;LT
990601 -	FG	LHD;8712,9630,9760	84740-25400YN	1	INT;LT
990601 -	FG	LHD;9451	84740-25500YN	1	INT;LT
990601 -	FG	RHD;9451	84740-25500YN	1	INT;LT
990601 -	FG	RHD;9630	84740-25400YN	1	INT;LT
990601 - 010701	FG	LHD;9451	84740-25100YN	1	INT;LT
990601 - 010701	FG	LHD;9630	84740-25400YN	1	INT;LT
990601 - 010701	FG	LHD;9630,9760	84740-25400YN	1	INT;LT
990601 - 010701	FG	RHD;9451	84740-25100YN	1	INT;LT
990611 - 010611	FG	RHD;96GK	84740-25000YN	1	INT;LT
990611 - 010611	FG	RHD;96GK,9760	84740-25000YN	1	INT;LT
990611 - 010701	FG	LHD;8711,96GK,9760	84740-25000YN	1	INT;LT
990611 - 010701	FG	LHD;8712,96GJ,9760	84740-25000YN	1	INT;LT
990611 - 010701	FG	LHD;8712,96GK,9760	84740-25000YN	1	INT;LT
990611 - 010701	FG	LHD;96GJ	84740-25000YN	1	INT;LT
990611 - 010701	FG	LHD;96GJ,9760	84740-25000YN	1	INT;LT
990611 - 010701	FG	LHD;96GK,9760	84740-25000YN	1	INT;LT
990611 - 010701	FG	RHD;8711,96GK,9760	84740-25000YN	1	INT;LT
000612 -	FG	LHD;8712,9630	84740-25400YN	1	INT;LT

CONTINUED

3-D6

84-847B CRASH PAD LOWER

SA,G0112-431

P N C		MODEL APPLICABLE		R E P	PART NO. (REPL PNO)	Q T Y	REMARKS	P N C		MODEL APPLICABLE		R E P	PART NO. (REPL PNO)	Q T Y	REMARKS
FROM-UP-TO	TYPE	DESCRIPTION						FROM-UP-TO	TYPE	DESCRIPTION					
CONTINUED								CONTINUED							
84710B		PANEL ASSY-CTR FACIA (S)CONJUNTO PANEL						84830B		PANEL ASSY-CLUSTER FACIA (S)CONJUNTO PANEL					
010701 -		FG LHD;8711,96HJ,9760			84740-25400YN	1	INT;LT	990603 - 991229	AD	RHDL35,L45,P3B,P35, P6B		84830-25900YN	1	INT;LT	
010701 -		FG LHD;8711,96HN,9760			84740-25400YN	1	INT;LT	000502 -	AD	LHD		84830-25200CA	1	INT;LT	
010701 -		FG LHD;8712,96HN,9760			84740-25400YN	1	INT;LT	000502 -	AD	RHD		84830-25700CA	1	INT;LT	
010701 -		FG RHD;8711,96HN,9760			84740-25000YN	1	INT;LT	990601 -	AG	LHD		84830-25000CA	1	INT;LT	
010901 -		FG LHD;8711,96HN			84740-25400YN	1	INT;LT	990601 -	AG	RHD		84830-25900CA	1	INT;LT	
84755C		PANEL ASSY-LWR CRASH PAD (S)CONJUNTO PANEL						990603 - 991229	AG	LHD>P3B,P35,P6B,P65		84830-25000YN	1	INT;LT	
990601 -		AD LHD			84750-25000LT	1	INT;LT	990603 - 991229	AG	RHD>P3B,P35,P6B,P65		84830-25900YN	1	INT;LT	
990601 -		AD RHD			84750-25900LT	1	INT;LT	000502 -	AG	LHD		84830-25200CA	1	INT;LT	
990601 -		AG LHD			84750-25000LT	1	INT;LT	000502 -	AG	RHD		84830-25700CA	1	INT;LT	
990601 -		AG RHD			84750-25900LT	1	INT;LT	990601 -	DG	LHD		84830-25000CA	1	INT;LT	
990601 -		DG LHD			84750-25000LT	1	INT;LT	990601 -	DG	RHD		84830-25900CA	1	INT;LT	
990601 -		DG RHD			84750-25900LT	1	INT;LT	990603 - 991229	DG	LHD>P3B,P35,P65		84830-25000YN	1	INT;LT	
990601 -		DS LHD			84750-25000LT	1	INT;LT	990603 - 991229	DG	RHD>P3B,P35,P65		84830-25900YN	1	INT;LT	
990601 -		DS RHD			84750-25900LT	1	INT;LT	000502 -	DG	LHD		84830-25200CA	1	INT;LT	
990601 -		FD LHD>L35,L45,P85			84750-25000LT	1	INT;LT	000502 -	DG	RHD		84830-25700CA	1	INT;LT	
990601 -		FD RHD>L35,L45,P85			84750-25900LT	1	INT;LT	990601 -	DS	LHD		84830-25000CA	1	INT;LT	
990601 -		FG LHD			84750-25000LT	1	INT;LT	990601 -	DS	RHD		84830-25900CA	1	INT;LT	
990601 -		FG RHD			84750-25900LT	1	INT;LT	990603 - 991229	DS	LHD>L35,L45,P3B,P35		84830-25000YN	1	INT;LT	
84777D		SCREW-TAPPING (S)TORNILLO						990603 - 991229	DS	RHD>L35,L45,P3B,P35		84830-25900YN	1	INT;LT	
990601 -		ALL LHD			84777-22002	2		000502 -	DS	LHD		84830-25200CA	1	INT;LT	
990601 -		ALL RHD			84777-22002	2		000502 -	DS	RHD		84830-25700CA	1	INT;LT	
84820F		BOX -MULTI (S)CONJ. CAJA						990601 -	FD	LHD>L35,L45,P85		84830-25000CA	1	INT;LT	
990601 -		AD LHD			84755-25000LT	1	INT;LT	990601 -	FD	RHD>L35,L45,P85		84830-25900CA	1	INT;LT	
990601 -		AG LHD			84755-25000LT	1	INT;LT	990603 - 991229	FD	LHD>1.3L		84830-25000YN	1	INT;LT	
990601 -		DG LHD			84755-25000LT	1	INT;LT	990603 - 991229	FD	RHD>1.3L		84830-25900YN	1	INT;LT	
990601 -		DS LHD			84755-25000LT	1	INT;LT	000502 -	FD	LHD>L35,L45,P85		84830-25200CA	1	INT;LT	
990601 -		FD LHD>L35,L45,P85			84755-25000LT	1	INT;LT	000502 -	FD	RHD>L35,L45,P85		84830-25700CA	1	INT;LT	
990601 -		FG LHD			84755-25000LT	1	INT;LT	990601 -	FG	LHD		84830-25000CA	1	INT;LT	
84830B		PANEL ASSY-CLUSTER FACIA (S)CONJUNTO PANEL						990601 -	FG	RHD		84830-25900CA	1	INT;LT	
990601 -		AD LHD			84830-25000CA	1	INT;LT	990603 - 991229	FG	LHD>P3B,P35,P6B,P65		84830-25000YN	1	INT;LT	
990601 -		AD RHD			84830-25900CA	1	INT;LT	990603 - 991229	FG	RHD>P3B,P35,P6B,P65		84830-25900YN	1	INT;LT	
990603 - 991229		AD LHDL35,L45,P3B,P35, P6B			84830-25000YN	1	INT;LT	000502 -	FG	LHD		84830-25200CA	1	INT;LT	
CONTINUED								CONTINUED							

AD:SPR,GL AG:SPR,GLS DG:3DR,GLS DS:3DR,L FD:4DR,GL FG:4DR,GLS

8711:GLASS-BALITE(CLEAR WITH HTD) 8712:GLASS-BALITE(TINTD WITH HTD) 96HJ:RADIO-CASS(H 210) 96HN:RADIO-CASS(H 220) 9760:AIR CON

3-E 6

84-847B CRASH PAD LOWER

BA,00112- 432

P N C		MODEL APPLICABLE		R E P	PART NO. (REPL P/NO)	Q T Y	REMARKS	P N C		MODEL APPLICABLE		R E P	PART NO. (REPL P/NO)	Q T Y	REMARKS
FROM-UP-TO	TYPE	DESCRIPTION	FROM-UP-TO					TYPE	DESCRIPTION						
84837F		NUT-SPRING (S)TUERCA						CONTINUED	84852	SHROUD-STEERING COLUMN LWR (S)RECUBRIMIENTO					
011012 -		ALL			84837-31000	1		990902 - 000128	DS				84852-25201LT	1	INT:LT
84851		SHROUD-STEERING COLUMN UP (S)RECUBRIMIENTO						990902 - 000128	DS 5614				84852-25301LT	1	INT:LT
990601 - 000128	AD				84850-25100LT	1	INT:LT	000128 -	DS 5614				84852-25202LT	1	INT:LT
000128 -	AD				84850-25101LT	1	INT:LT	000128 -	DS 5614				84852-25302LT	1	INT:LT
990601 - 000128	AG				84850-25100LT	1	INT:LT	990601 - 990902	FD L35,L45,P85				84852-25200LT	1	INT:LT
000128 -	AG				84850-25101LT	1	INT:LT	990601 - 990902	FD L35,L45,P85;5614				84852-25300LT	1	INT:LT
990601 - 000128	DG				84850-25100LT	1	INT:LT	990902 - 000128	FD L35,L45,P85				84852-25201LT	1	INT:LT
000128 -	DG				84850-25101LT	1	INT:LT	990902 - 000128	FD L35,L45,P85;5614				84852-25301LT	1	INT:LT
990601 - 000128	DS				84850-25100LT	1	INT:LT	000128 -	FD L35,L45,P85				84852-25202LT	1	INT:LT
000128 -	DS				84850-25101LT	1	INT:LT	000128 -	FD L35,L45,P85;5614				84852-25302LT	1	INT:LT
990601 - 000128	FD L35,L45,P85				84850-25100LT	1	INT:LT	990601 - 990902	FG				84852-25200LT	1	INT:LT
000128 -	FD L35,L45,P85				84850-25101LT	1	INT:LT	990601 - 990902	FG 5614				84852-25300LT	1	INT:LT
990601 - 000128	FG				84850-25100LT	1	INT:LT	990902 - 000128	FG				84852-25201LT	1	INT:LT
000128 -	FG				84850-25101LT	1	INT:LT	990902 - 000128	FG 5614				84852-25301LT	1	INT:LT
84852		SHROUD-STEERING COLUMN LWR (S)RECUBRIMIENTO						000128 -	FG				84852-25202LT	1	INT:LT
990601 - 990902	AD				84852-25200LT	1	INT:LT	000128 -	FG 5614				84852-25302LT	1	INT:LT
990601 - 990902	AD 5614				84852-25300LT	1	INT:LT	84913	HOLDER-DRINK (S)SOPORTE						
990902 - 000128	AD				84852-25201LT	1	INT:LT	990601 -	AD LHD				84790-25100YN	1	INT:LT
990902 - 000128	AD 5614				84852-25301LT	1	INT:LT	990601 -	AD RHD				84790-25100YN	1	INT:LT
000128 -	AD				84852-25202LT	1	INT:LT	990601 -	AG LHD				84790-25100YN	1	INT:LT
000128 -	AD 5614				84852-25302LT	1	INT:LT	990601 -	AG RHD				84790-25100YN	1	INT:LT
990601 - 990902	AG				84852-25200LT	1	INT:LT	990601 -	DG LHD				84790-25100YN	1	INT:LT
990601 - 990902	AG 5614				84852-25300LT	1	INT:LT	990601 -	DG RHD				84790-25100YN	1	INT:LT
990902 - 000128	AG				84852-25201LT	1	INT:LT	990601 -	DS LHD				84790-25100YN	1	INT:LT
990902 - 000128	AG 5614				84852-25301LT	1	INT:LT	990601 -	DS RHD				84790-25100YN	1	INT:LT
000128 -	AG				84852-25202LT	1	INT:LT	990601 -	FD LHD>L35,L45,P85				84790-25100YN	1	INT:LT
000128 -	AG 5614				84852-25302LT	1	INT:LT	990601 -	FD RHD>L35,L45,P85				84790-25100YN	1	INT:LT
990601 - 990902	DG				84852-25200LT	1	INT:LT	990601 -	FG LHD				84790-25100YN	1	INT:LT
990601 - 990902	DG 5614				84852-25300LT	1	INT:LT	990601 -	FG RHD				84790-25100YN	1	INT:LT
990902 - 000128	DG				84852-25201LT	1	INT:LT	85839	CLIP-SPRING (S)SUJETADOR						
990902 - 000128	DG 5614				84852-25301LT	1	INT:LT	990601 -	ALL				85839-02000	2	
000128 -	DG				84852-25202LT	1	INT:LT	990601 -	ALL RHD;8711,9241,9451,9630				85839-02000	4	
000128 -	DG 5614				84852-25302LT	1	INT:LT	990601 -	ALL RHD;8711,9241,9451,9630, 9760				85839-02000	4	
990601 - 990902	DS				84852-25200LT	1	INT:LT								
990601 - 990902	DS 5614				84852-25300LT	1	INT:LT								

AD:3DR,QL AG:3DR,QLS DG:3DR,QLS DS:3DR,L FD:4DR,QL FG:4DR,QLS

5614:STRG-TILT 8711:GLASS-B/LITE(CLEAR WITH HTD) 9241:LAMP-FOG(FR) 9451:CLOCK-AUTO(DIGITAL) 9630:AUDIO BLANKTG COVER-GENERAL 9760:AIR CON

CONTINUED

P N C	MODEL APPLICABLE		R E P	PART NO. (REPL P/NO)	Q T Y	REMARKS
	FROM-UP-TO	TYPE DESCRIPTION				
CONTINUED						
85839		CLIP-SPRING (S)SUJETADOR				
990601 -		ALL RHD;8711,9451,9630		85839-02000	4	
990601 -		ALL RHD;8711,9451,9630,9760		85839-02000	4	
990601 -		ALL RHD;8711,9630		85839-02000	4	
990601 -		ALL RHD;8711,9630,9760		85839-02000	4	
990601 - 990611		ALL LHD;8711,9241,9451		85839-02000	4	
990601 - 990611		ALL LHD;8711,9241,9451,9760		85839-02000	4	
990601 - 990611		ALL LHD;8711,9451		85839-02000	4	
990601 - 990611		ALL LHD;8711,9451,9760		85839-02000	4	
990601 - 990611		ALL LHD;8712,9241,9451		85839-02000	4	
990601 - 990611		ALL LHD;8712,9241,9451,9760		85839-02000	4	
990601 - 990611		ALL LHD;8712,9451		85839-02000	4	
990601 - 990611		ALL LHD;8712,9451,9760		85839-02000	4	
990601 - 010611		ALL RHD;9630,9760		85839-02000	4	
990601 - 010701		ALL LHD;8711,9451,96GJ,9760		85839-02000	4	
990601 - 010701		ALL LHD;8711,9451,96GK,9760		85839-02000	4	
990601 - 010701		ALL LHD;8711,9451,96HB,9760		85839-02000	4	
990601 - 010701		ALL LHD;8712,9451,96GK,9760		85839-02000	4	
990601 - 010701		ALL LHD;8712,9451,96HB,9760		85839-02000	4	
990601 - 010701		ALL LHD;9630		85839-02000	4	
990601 - 010701		ALL LHD;9630,9760		85839-02000	4	
990601 - 010901		ALL LHD;8711,9451,9630		85839-02000	4	
990601 - 010901		ALL LHD;8711,9451,9630,9760		85839-02000	4	
990601 - 010901		ALL LHD;8711,9630		85839-02000	4	
990601 - 010901		ALL LHD;8711,9630,9760		85839-02000	4	
990601 - 010901		ALL LHD;8712,9451,9630,9760		85839-02000	4	
990601 - 010901		ALL LHD;8712,9630,9760		85839-02000	4	
990611 - 000612		ALL LHD;8712,9241,9451,96GJ,9760		85839-02000	4	
990611 - 000612		ALL LHD;9451,96GK		85839-02000	4	
990611 - 000612		ALL LHD;9451,96GK,9760		85839-02000	4	
990611 - 010315		ALL LHD;8712,9241,9451,96GK		85839-02000	4	
990611 - 010611		ALL RHD;9451,96GK,9760		85839-02000	4	
990611 - 010611		ALL RHD;96GK		85839-02000	4	
990611 - 010611		ALL RHD;96GK,9760		85839-02000	4	
990611 - 010701		ALL LHD;8711,9241,9451,96GJ		85839-02000	4	
990611 - 010701		ALL LHD;8711,9241,9451,96GJ,9760		85839-02000	4	

CONTINUED

P N C	MODEL APPLICABLE		R E P	PART NO. (REPL P/NO)	Q T Y	REMARKS
	FROM-UP-TO	TYPE DESCRIPTION				
CONTINUED						
85839		CLIP-SPRING (S)SUJETADOR				
990611 - 010701		ALL LHD;8711,9241,9451,96GK		85839-02000	4	
990611 - 010701		ALL LHD;8711,9241,9451,96GK,9760		85839-02000	4	
990611 - 010701		ALL LHD;8711,9241,9451,96HB,9760		85839-02000	4	
990611 - 010701		ALL LHD;8711,9451,96GJ		85839-02000	4	
990611 - 010701		ALL LHD;8711,9451,96GK		85839-02000	4	
990611 - 010701		ALL LHD;8711,96GK,9760		85839-02000	4	
990611 - 010701		ALL LHD;8712,9241,9451,96GK,9760		85839-02000	4	
990611 - 010701		ALL LHD;8712,9241,9451,96HB,9760		85839-02000	4	
990611 - 010701		ALL LHD;8712,9451,96GJ		85839-02000	4	
990611 - 010701		ALL LHD;8712,9451,96GJ,9760		85839-02000	4	
990611 - 010701		ALL LHD;8712,9451,96GK		85839-02000	4	
990611 - 010701		ALL LHD;8712,96GJ,9760		85839-02000	4	
990611 - 010701		ALL LHD;96GK,9760		85839-02000	4	
990611 - 010701		ALL RHD;8711,96GK,9760		85839-02000	4	
991008 - 010611		ALL RHD;9241,9630,9760		85839-02000	4	
000612 - 010315		ALL LHD;8712,9241,9451,96GJ		85839-02000	4	
000612 - 010701		ALL LHD;8711,9241,9451,96HB		85839-02000	4	
000612 - 010901		ALL LHD;8712,9630		85839-02000	4	
010701 -		ALL RHD;8711,9241,9451,96HL,9760		85839-02000	4	
010701 -		ALL RHD;8711,9241,9451,96HN,9760		85839-02000	4	
010701 -		ALL RHD;8711,9451,96HN,9760		85839-02000	4	
010701 -		ALL RHD;8711,96HN,9760		85839-02000	4	
010701 -		ALL RHD;8712,9241,9451,96HN,9760		85839-02000	4	
010701 -		ALL RHD;8712,9451,96HN,9760		85839-02000	4	
010701 - 010901		ALL LHD;8711,9241,9451,96HJ,9760		85839-02000	4	

CONTINUED

8711:GLASS-BLITE(CLEAR WITH HTD) 8712:GLASS-BLITE(TINTD WITH HTD) 9241:LAMP-FOG(FR) 9451:LOCK-AUTO(DIGITAL) 9630:AUDIO BLANK'G COVER-GENERAL 96GJ:RADIO(H 9008) 96GK:RADIO-CASS(H 900A)
96HB:RADIO-COIN 9241 96HJ:RADIO-CASS(H 910) 96HL:RADIO-COIN 96HN:RADIO-CASS(H 920) 9760:AIR COIN

3-G 6

84-847B CRASH PAD LOWER

BA,00112- 434

P N C	MODEL APPLICABLE		PART NO. (REPL P/NO)	Q T Y	REMARKS
	FROM-UP-TO	DESCRIPTION			
CONTINUED					
85839	CLIP-SPRING (S)SUJETADOR				
010701 - 010901	ALL LHD;8711,9241,9451,96HL, 9760		85839-02000	4	
010701 - 010901	ALL LHD;8711,9241,9451,96HN		85839-02000	4	
010701 - 010901	ALL LHD;8711,9241,9451,96HN, 9760		85839-02000	4	
010701 - 010901	ALL LHD;8711,9451,96HL,9760		85839-02000	4	
010701 - 010901	ALL LHD;8711,9451,96HN		85839-02000	4	
010701 - 010901	ALL LHD;8711,9451,96HN,9760		85839-02000	4	
010701 - 010901	ALL LHD;8711,96HJ,9760		85839-02000	4	
010701 - 010901	ALL LHD;8711,96HN,9760		85839-02000	4	
010701 - 010901	ALL LHD;8712,9241,9451,96HL, 9760		85839-02000	4	
010701 - 010901	ALL LHD;8712,9241,9451,96HN		85839-02000	4	
010701 - 010901	ALL LHD;8712,9241,9451,96HN, 9760		85839-02000	4	
010701 - 010901	ALL LHD;8712,9451,96HN		85839-02000	4	
010701 - 010901	ALL LHD;8712,9451,96HN,9760		85839-02000	4	
010701 - 010901	ALL LHD;8712,96HN,9760		85839-02000	4	
010901 -	ALL LHD		85839-02000	4	
94500A	CLOCK ASSY-DIGITAL (S)CONJUNTO RELOJ				
990601 -	ALL LHD;8711,9451,9630		94520-25000	1	
990601 -	ALL LHD;8711,9451,9630,9760		94520-25000	1	
990601 -	ALL LHD;8712,9451,9630,9760		94520-25000	1	
990601 -	ALL RHD;9451		94520-25000	1	
990601 - 990611	ALL LHD;8711,9241,9451		94520-25000	1	
990601 - 990611	ALL LHD;8711,9241,9451,9760		94520-25000	1	
990601 - 990611	ALL LHD;8711,9451		94520-25000	1	
990601 - 990611	ALL LHD;8711,9451,9760		94520-25000	1	
990601 - 990611	ALL LHD;8712,9241,9451		94520-25000	1	
990601 - 990611	ALL LHD;8712,9241,9451,9760		94520-25000	1	
990601 - 990611	ALL LHD;8712,9451		94520-25000	1	
990601 - 990611	ALL LHD;8712,9451,9760		94520-25000	1	
990601 - 010701	ALL LHD;8711,9451,96GJ,9760		94520-25000	1	
990601 - 010701	ALL LHD;8711,9451,96GK,9760		94520-25000	1	
990601 - 010701	ALL LHD;8711,9451,96HB,9760		94520-25000	1	

8711-GLASS-BALITE(CLEAR WITH HTD) 8712-GLASS-BALITE(TINTD WITH HTD) 9241-LAMP-FOG(FR) 9242-LAMP-FOG(RR) 9451-CLOCK-AUTO(DIGITAL) 9630-AUDIO BLANK'G COVER-GENERAL 96GJ-RADIO(H 9008) 96GK-RADIO-CASS(H 900A)
96HB-RADIO-CD(H 920C) 96HJ-RADIO-CASS(H 210) 96HL-RADIO-CD(H 260) 96HN-RADIO-CASS(H 220) 9760-AIR CON

P N C	MODEL APPLICABLE		PART NO. (REPL P/NO)	Q T Y	REMARKS
	FROM-UP-TO	DESCRIPTION			
CONTINUED					
94500A	CLOCK ASSY-DIGITAL (S)CONJUNTO RELOJ				
990601 - 010701	ALL LHD;8712,9451,96GK,9760		94520-25000	1	
990601 - 010701	ALL LHD;8712,9451,96HB,9760		94520-25000	1	
990611 - 000612	ALL LHD;8712,9241,9451,96GJ, 9760		94520-25000	1	
990611 - 010315	ALL LHD;8712,9241,9451,96GK		94520-25000	1	
990611 - 010701	ALL LHD;8711,9241,9242,9451, 96GK,9760		94520-25000	1	
990611 - 010701	ALL LHD;8711,9241,9451,96GJ		94520-25000	1	
990611 - 010701	ALL LHD;8711,9241,9451,96GJ, 9760		94520-25000	1	
990611 - 010701	ALL LHD;8711,9241,9451,96GK		94520-25000	1	
990611 - 010701	ALL LHD;8711,9241,9451,96GK, 9760		94520-25000	1	
990611 - 010701	ALL LHD;8711,9241,9451,96HB, 9760		94520-25000	1	
990611 - 010701	ALL LHD;8711,9451,96GJ		94520-25000	1	
990611 - 010701	ALL LHD;8711,9451,96GK		94520-25000	1	
990611 - 010701	ALL LHD;8712,9241,9242,9451, 96HB,9760		94520-25000	1	
990611 - 010701	ALL LHD;8712,9241,9451,96GK, 9760		94520-25000	1	
990611 - 010701	ALL LHD;8712,9241,9451,96HB, 9760		94520-25000	1	
990611 - 010701	ALL LHD;8712,9451,96GJ		94520-25000	1	
990611 - 010701	ALL LHD;8712,9451,96GK		94520-25000	1	
990611 - 010701	ALL LHD;8712,9241,9242,9451, 96HB,9760		94520-25000	1	
990611 - 010701	ALL LHD;8712,9241,9451,96GK, 9760		94520-25000	1	
990611 - 010701	ALL LHD;8712,9241,9451,96HB, 9760		94520-25000	1	
000612 - 010315	ALL LHD;8711,9241,9242,9451, 96HB,9760		94520-25000	1	
000612 - 010315	ALL LHD;8712,9241,9451,96GJ		94520-25000	1	
000612 - 010701	ALL LHD;8711,9241,9451,96HB		94520-25000	1	
000612 - 010701	ALL LHD;8711,9242,9451,96HB, 9760		94520-25000	1	

CONTINUED

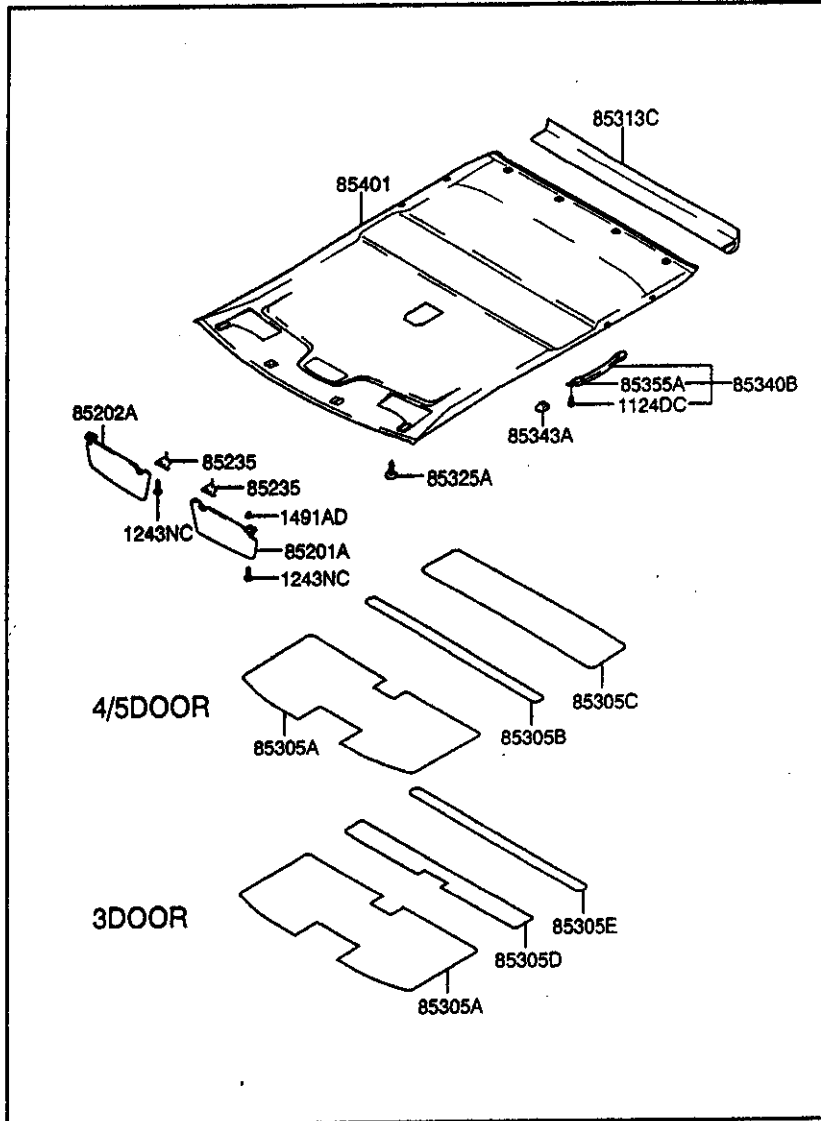
3-H 6

84-847B CRASH PAD LOWER

BA,G0112- 435

P N C		MODEL APPLICABLE		R E P	PART NO. (REPL P/NO)	Q T Y	REMARKS	P N C		MODEL APPLICABLE		R E P	PART NO. (REPL P/NO)	Q T Y	REMARKS
FROM-UP-TO	TYPE	DESCRIPTION						FROM-UP-TO	TYPE	DESCRIPTION					
CONTINUED															
94500A		CLOCK ASSY-DIGITAL (S)CONJUNTO RELOJ													
010701 -		ALL LHD;8711,9241,9451,96HL, 9760			94520-25000	1									
010701 -		ALL LHD;8711,9241,9451,96HN			94520-25000	1									
010701 -		ALL LHD;8711,9241,9451,96HN, 9760			94520-25000	1									
010701 -		ALL LHD;8711,9451,96HN			94520-25000	1									
010701 -		ALL LHD;8711,9451,96HN,9760			94520-25000	1									
010701 -		ALL LHD;8711,96HJ,9760			94520-25000	1									
010701 -		ALL LHD;8711,96HN,9760			94520-25000	1									
010701 -		ALL LHD;8712,9241,9451,96HL, 9760			94520-25000	1									
010701 -		ALL LHD;8712,9241,9451,96HN			94520-25000	1									
010701 -		ALL LHD;8712,9241,9451,96HN, 9760			94520-25000	1									
010701 -		ALL LHD;8712,9451,96HN			94520-25000	1									
010701 -		ALL LHD;8712,9451,96HN,9760			94520-25000	1									
010701 -		ALL LHD;8712,96HN,9760			94520-25000	1									
010701 - 010901		ALL LHD;8711,9241,9451,96HJ, 9760			94520-25000	1									
010701 - 010901		ALL LHD;8711,9451,96HL,9760			94520-25000	1									
010901 -		ALL LHD;8711,96HN			94520-25000	1									
95110		PLUG-CIGAR LIGHTER (S)TAPON													
990601 -		ALL		Y	95110-24001 (95110-3B000)	1									
97430A		NOZZLE ASSY-CTR AIR VENT LH (S)CONJ. TOBERA													
990601 -		ALL LHD			97430-25000	1									
990601 -		ALL RHD			97430-25000	1									
97440		NOZZLE ASSY-CTR AIR VENT RH (S)CONJ. TOBERA													
990601 -		ALL LHD			97440-25000	1									
990601 -		ALL RHD			97440-25000	1									

8711:GLASS-BALITE(CLEAR WITH HTD) 8712:GLASS-BALITE(HTD WITH HTD) 9241:LAMP-FOG(FR) 9451:CLOCK-AUTO(DIGITAL) 96HJ:RADIO-CASS(H 210) 96HL:RADIO-CDR(H 280) 96HN:RADIO-CASS(H 220) 9760:AIR CON



P N C	MODEL APPLICABLE		R E P	PART NO. (REPL P/NO)	Q T Y	REMARKS
	FROM-UP-TO	TYPE				
1124DC						
990601 -				11241-06281	2	
990601 -				11241-06281	4	
990601 -				11241-06281	4	
1243NC						
990601 -				12434-05203	6	
1491AD						
990601 -				14910-05000	6	
85201A						
990601 -				85201-25165YL	1	INT;LT
990601 -				85201-25115YL	1	INT;LT
990601 -				85201-25500YL	1	INT;LT
990601 -				85201-25550YL	1	INT;LT
990601 -				85201-25575YL	1	INT;LT
990601 -				85201-25570YL	1	INT;LT
990601 -				85201-25525YL	1	INT;LT
990601 -				85201-25520YL	1	INT;LT
990611 -				85201-25400YL	1	INT;LT
990611 -				85201-25450YL	1	INT;LT
990601 -				85201-25165YL	1	INT;LT
990601 -				85201-25115YL	1	INT;LT
990601 -				85201-25500YL	1	INT;LT
990601 -				85201-25550YL	1	INT;LT
990601 -				85201-25575YL	1	INT;LT
990601 -				85201-25570YL	1	INT;LT
990601 -				85201-25525YL	1	INT;LT
990601 -				85201-25520YL	1	INT;LT
990611 -				85201-25400YL	1	INT;LT
990611 -				85201-25450YL	1	INT;LT
990601 -				85201-25165YL	1	INT;LT
990601 -				85201-25115YL	1	INT;LT
990601 -				85201-25500YL	1	INT;LT
990601 -				85201-25550YL	1	INT;LT
990601 -				85201-25575YL	1	INT;LT
990601 -				85201-25570YL	1	INT;LT
990601 -				85201-25525YL	1	INT;LT
990601 -				85201-25520YL	1	INT;LT
990611 -				85201-25400YL	1	INT;LT
990611 -				85201-25450YL	1	INT;LT
990601 -				85201-25165YL	1	INT;LT
990601 -				85201-25115YL	1	INT;LT
990601 -				85201-25500YL	1	INT;LT
990601 -				85201-25550YL	1	INT;LT

AD:DR.GL AG:DR.GLS DG:DR.GLS FD:DR.GL FG:DR.GLS 5691:AIR BAG(DRIVER SIDE) 5692:AIR BAG(PASSENGER SIDE) 8526:MRR-VANITY(SV NON GLA) P/S 8527:SUNVISOR-DUAL(CLOTH) 852F:MRR WCVR-VANITY(GLASS) D/S 852G:MRR WCVR-VANITY(NON GLASS)D/S 852H:MRR WCVR-VANITY(GLASS) P/S 852J:MRR WCVR-VANITY(NON GLA) P/S

3-J 6

84-853 SUNVISOR & HEADLINING

BA.G0112- 437

P N C		MODEL APPLICABLE		R E P	PART NO. (REPL P/NO)	Q T Y	REMARKS	P N C		MODEL APPLICABLE		R E P	PART NO. (REPL P/NO)	Q T Y	REMARKS
FROM-UP-TO	TYPE	DESCRIPTION						FROM-UP-TO	TYPE	DESCRIPTION					
CONTINUED								CONTINUED							
85201A								85201A							
SUNVISOR ASSY-LH (S)CONJ.DESLUMBRANTE SOLAR								SUNVISOR ASSY-LH (S)CONJ.DESLUMBRANTE SOLAR							
990601 -	DG	RHD;5691,5692,852G,852J,8527			85201-25575YL	1	INT;LT	990601 -	FG	RHD			85201-25500YL	1	INT;LT
990601 -	DG	RHD;5691,5692,8526			85201-25570YL	1	INT;LT	990601 -	FG	RHD;5691,5692			85201-25550YL	1	INT;LT
990601 -	DG	RHD;852G,852J,8527			85201-25525YL	1	INT;LT	990601 -	FG	RHD;5691,5692,852G,852J,8527			85201-25575YL	1	INT;LT
990601 -	DG	RHD;8526			85201-25520YL	1	INT;LT	990601 -	FG	RHD;5691,5692,8526			85201-25570YL	1	INT;LT
990611 -	DG	LHD			85201-25400YL	1	INT;LT	990601 -	FG	RHD;852G,852J,8527			85201-25525YL	1	INT;LT
990611 -	DG	LHD;5691			85201-25450YL	1	INT;LT	990601 -	FG	RHD;8526			85201-25520YL	1	INT;LT
990601 -	DS	LHD;5691,852F,852H,8527			85201-25165YL	1	INT;LT	990611 -	FG	LHD			85201-25400YL	1	INT;LT
990601 -	DS	LHD;852F,852H,8527			85201-25115YL	1	INT;LT	990611 -	FG	LHD;5691			85201-25450YL	1	INT;LT
990601 -	DS	RHD			85201-25500YL	1	INT;LT	85202A							
990601 -	DS	RHD;5691,5692			85201-25550YL	1	INT;LT	(S)CONJ.DESLUMBRANTE SOLAR							
990601 -	DS	RHD;5691,5692,852G,852J,8527			85201-25575YL	1	INT;LT	990601 -	AD	LHD;5691,5692,852F,852H,8527			85202-25165YL	1	INT;LT
990601 -	DS	RHD;5691,5692,8526			85201-25570YL	1	INT;LT	990601 -	AD	LHD;852F,852H,8527			85202-25015YL	1	INT;LT
990601 -	DS	RHD;852G,852J,8527			85201-25525YL	1	INT;LT	990601 -	AD	RHD			85202-25500YL	1	INT;LT
990601 -	DS	RHD;8526			85201-25520YL	1	INT;LT	990601 -	AD	RHD;5691			85202-25550YL	1	INT;LT
990611 -	DS	LHD			85201-25400YL	1	INT;LT	990601 -	AD	RHD;5691,5692,852G,852J,8527			85202-25575YL	1	INT;LT
990611 -	DS	LHD;5691			85201-25450YL	1	INT;LT	990601 -	AD	RHD;852G,852J,8527			85202-25525YL	1	INT;LT
990601 -	FD	LHD>L35,L45,P85;5691,852F,852H,8527			85201-25165YL	1	INT;LT	990611 -	AD	LHD			85202-25400YL	1	INT;LT
990601 -	FD	LHD>L35,L45,P85;852F,852H,8527			85201-25115YL	1	INT;LT	990611 -	AD	LHD;5691,5692			85202-25450YL	1	INT;LT
990601 -	FD	RHD>L35,L45,P85			85201-25500YL	1	INT;LT	990611 -	AD	LHD;5691,5692,8525			85202-25460YL	1	INT;LT
990601 -	FD	RHD>L35,L45,P85;5691,5692			85201-25550YL	1	INT;LT	990611 -	AD	LHD;8525			85202-25410YL	1	INT;LT
990601 -	FD	RHD>L35,L45,P85;5691,5692,852G,852J,8527			85201-25575YL	1	INT;LT	990601 -	AG	LHD;5691,5692,852F,852H,8527			85202-25165YL	1	INT;LT
990601 -	FD	RHD>L35,L45,P85;5691,5692,852G,852J,8527			85201-25570YL	1	INT;LT	990601 -	AG	LHD;852F,852H,8527			85202-25015YL	1	INT;LT
990601 -	FD	RHD>L35,L45,P85;5691,5692,852G,852J,8527			85201-25525YL	1	INT;LT	990601 -	AG	RHD			85202-25500YL	1	INT;LT
990601 -	FD	RHD>L35,L45,P85			85201-25400YL	1	INT;LT	990601 -	AG	RHD;5691			85202-25550YL	1	INT;LT
990611 -	FD	LHD>L35,L45,P85;5691			85201-25450YL	1	INT;LT	990601 -	AG	RHD;5691,5692,852G,852J,8527			85202-25575YL	1	INT;LT
990601 -	FG	LHD;5691,852F,852H,8527			85201-25165YL	1	INT;LT	990601 -	AG	RHD;852G,852J,8527			85202-25525YL	1	INT;LT
990601 -	FG	LHD;852F,852H,8527			85201-25115YL	1	INT;LT	990611 -	AG	LHD			85202-25400YL	1	INT;LT
CONTINUED								CONTINUED							
CONTINUED								CONTINUED							

AD:SDR,GL AG:SDR,GLS DG:SDR,GLS DS:SDR,GL FD:DR,GL FG:DR,GLS 5691:AIR BAG(DRIVER SIDE) 5692:AIR BAG(PASSENGER SIDE) 8525:MRR-VANITY(SV-GLASS) P85 8526:MRR-VANITY(SV NON GLA) P85 8527:SUNVISOR-DUAL(CLOTH)
852F:MRR WCVR-VANITY(GLASS) DR 852G:MRR WCVR-VANITY(NON GL) AIR BAG ARPH-MRR WCVR-VANITY(DR) 852J:DR 852J:DR WCVR-VANITY(NON GL) DR

3-K6

84-853 SUNVISOR & HEADLINING

BA,00112- 438

P N C	MODEL APPLICABLE		PART NO. (REPL. PNO)	Q T Y	REMARKS	P N C	MODEL APPLICABLE		PART NO. (REPL. PNO)	Q T Y	REMARKS
	FROM-UP-TO	TYPE					DESCRIPTION	FROM-UP-TO			
CONTINUED						CONTINUED					
85202A		SUNVISOR ASSY-RH (S)CONJ.DESLUMBRANTE SOLAR				85202A		SUNVISOR ASSY-RH (S)CONJ.DESLUMBRANTE SOLAR			
990601 -	DG	LHD;852F,852H,8527	85202-25015YL	1	INT;LT	990611 -	FD	LHD>L35,L45,P85;5691, 5692,8525	85202-25460YL	1	INT;LT
990601 -	DG	RHD	85202-25500YL	1	INT;LT	990611 -	FD	LHD>L35,L45,P85;8525	85202-25410YL	1	INT;LT
990601 -	DG	RHD;5691	85202-25550YL	1	INT;LT	990601 -	FG	LHD;5691,5692,852F,852H, 8527	85202-25165YL	1	INT;LT
990601 -	DG	RHD;5691,5692,852G,852J, 8527	85202-25575YL	1	INT;LT	990601 -	FG	LHD;852F,852H,8527	85202-25015YL	1	INT;LT
990601 -	DG	RHD;852G,852J,8527	85202-25525YL	1	INT;LT	990601 -	FG	RHD	85202-25500YL	1	INT;LT
990611 -	DG	LHD	85202-25400YL	1	INT;LT	990601 -	FG	RHD;5691	85202-25550YL	1	INT;LT
990611 -	DG	LHD;5691,5692	85202-25450YL	1	INT;LT	990601 -	FG	RHD;5691,5692,852G,852J, 8527	85202-25575YL	1	INT;LT
990611 -	DG	LHD;5691,5692,8525	85202-25460YL	1	INT;LT	990601 -	FG	RHD;852G,852J,8527	85202-25525YL	1	INT;LT
990611 -	DG	LHD;8525	85202-25410YL	1	INT;LT	990611 -	FG	LHD	85202-25400YL	1	INT;LT
990601 -	DS	LHD;5691,5692,852F,852H, 8527	85202-25165YL	1	INT;LT	990611 -	FG	LHD;5691,5692	85202-25450YL	1	INT;LT
990601 -	DS	LHD;852F,852H,8527	85202-25015YL	1	INT;LT	990611 -	FG	LHD;5691,5692,8525	85202-25460YL	1	INT;LT
990601 -	DS	RHD	85202-25500YL	1	INT;LT	990611 -	FG	LHD;8525	85202-25410YL	1	INT;LT
990601 -	DS	RHD;5691	85202-25550YL	1	INT;LT	85235		RETAINER-SUNVISOR (S)RETENEDOR			
990601 -	DS	RHD;5691,5692,852G,852J, 8527	85202-25575YL	1	INT;LT	990601 - 990929	AD		85235-25000YL	2	INT;LT
990601 -	DS	RHD;852G,852J,8527	85202-25525YL	1	INT;LT	990929 -	AD		85235-25100YL	2	INT;LT
990611 -	DS	LHD	85202-25400YL	1	INT;LT	990601 - 990929	AG		85235-25000YL	2	INT;LT
990611 -	DS	LHD;5691,5692	85202-25450YL	1	INT;LT	990929 -	AG		85235-25100YL	2	INT;LT
990611 -	DS	LHD;5691,5692,8525	85202-25460YL	1	INT;LT	990601 - 990929	DG		85235-25000YL	2	INT;LT
990611 -	DS	LHD;8525	85202-25410YL	1	INT;LT	990929 -	DG		85235-25100YL	2	INT;LT
990601 -	FD	LHD>L35,L45,P85;5691, 5692,852F,852H,8527	85202-25165YL	1	INT;LT	990601 - 990929	DS		85235-25000YL	2	INT;LT
990601 -	FD	LHD>L35,L45,P85;852F, 852H,8527	85202-25015YL	1	INT;LT	990929 -	DS		85235-25100YL	2	INT;LT
990601 -	FD	RHD>L35,L45,P85	85202-25500YL	1	INT;LT	990601 - 990929	FD	L35,L45,P85	85235-25000YL	2	INT;LT
990601 -	FD	RHD>L35,L45,P85;5691	85202-25550YL	1	INT;LT	990929 -	FD	L35,L45,P85	85235-25100YL	2	INT;LT
990601 -	FD	RHD>L35,L45,P85;5691, 5692,852G,852J,8527	85202-25575YL	1	INT;LT	990601 - 990929	FG		85235-25000YL	2	INT;LT
990601 -	FD	RHD>L35,L45,P85;852G, 852J,8527	85202-25525YL	1	INT;LT	990929 -	FG		85235-25100YL	2	INT;LT
990611 -	FD	LHD>L35,L45,P85	85202-25400YL	1	INT;LT	85305A		PAD-ROOF NO 1 (S)ALMOHADILLA			
990611 -	FD	LHD>L35,L45,P85;5691, 5692	85202-25450YL	1	INT;LT	990601 -		ALL	85305-25000	1	
						85305B		PAD-ROOF NO 2 (S)ALMOHADILLA			
						990601 -		AD	85305-25100	1	
						990601 -		AG	85305-25100	1	
CONTINUED						CONTINUED					

AD:DR.GL, AG:DR.GL, DS:DR.GL, DS:DR.GL, DS:DR.GL, DS:DR.GL, DS:DR.GL, DS:DR.GL, DS:DR.GL 5691:AIR BAG(DRIVER SIDE) 5692:AIR BAG(PASSENGER SIDE) 8525:MRR-VANITY(SV-GLASS) P/S 8527:SUNVISOR-DUAL(CLOTH) 852F:MRR WCVR-VANITY(GLASS) D/S
852G:MRR WCVR-VANITY(NON GLASS)D/S 852H:MRR WCVR-VANITY(GLASS) P/S 852J:MRR WCVR-VANITY(NON GLA) P/S

3-L 6

84-853 SUNVISOR & HEADLINING

BA,GO112- 439

P N C		MODEL APPLICABLE		R E P	PART NO. (REPL P/NO)	Q T Y	REMARKS	P N C		MODEL APPLICABLE		R E P	PART NO. (REPL P/NO)	Q T Y	REMARKS
FROM-UP-TO	TYPE	DESCRIPTION						FROM-UP-TO	TYPE	DESCRIPTION					
CONTINUED															
85305B								85340B							
		PAD-ROOF NO 2 (S)ALMOHADILLA							HANDLE ASSY-ROOF ASSIST (S)CONJUNTO MANIJA						
990601 -	FD				85305-25100	1		990601 -	AD				85340-38000YL	2	INT;LT
990601 -	FG				85305-25100	1		990601 -	AD				85340-38100YL	1	INT;LT
85305C								85340C							
		PAD-ROOF NO 3 (S)ALMOHADILLA						990601 -	AG				85340-38000YL	2	INT;LT
990601 -	AD				85305-25200	2		990601 -	AG				85340-38100YL	1	INT;LT
990601 -	AD				85305-25200	1		990601 -	DG				85340-38000YL	2	INT;LT
990601 -	AG				85305-25200	2		990601 -	DG				85340-38100YL	1	INT;LT
990601 -	AG				85305-25200	1		990601 -	DS				85340-38000YL	2	INT;LT
990601 -	FD				85305-25200	2		990601 -	DS				85340-38100YL	1	INT;LT
990601 -	FD				85305-25200	1		990601 -	FD L35,L45,P85				85340-38000YL	2	INT;LT
990601 -	FG				85305-25200	2		990601 -	FD L35,L45,P85				85340-38100YL	1	INT;LT
990601 -	FG				85305-25200	1		990601 -	FG				85340-38000YL	2	INT;LT
					85305-25200	1		990601 -	FG				85340-38100YL	1	INT;LT
85305D								85343A							
		PAD-ROOF NO 4 (S)ALMOHADILLA							COVER-ROOF ASSIST HANDLE (S)CUBIERTA						
990601 -	DG				85305-25300	1		990601 -	AD				85343-25000YL	6	INT;LT
990601 -	DS				85305-25300	1		990601 -	AG				85343-25000YL	6	INT;LT
85305E								85343B							
		PAD-ROOF NO 5 (S)ALMOHADILLA						990601 -	DG				85343-25000YL	6	INT;LT
990601 -	DG				85305-25400	1		990601 -	DS				85343-25000YL	6	INT;LT
990601 -	DS				85305-25400	1		990601 -	FD L35,L45,P85				85343-25000YL	6	INT;LT
85313C								85355A							
		STRIP-HEADLINING RR (S)BANDA							HOOK-COAT (S)TUBO						
990601 -	AD				85313-24201YL	1	INT;LT	990601 -	AD				85346-38000YL	1	INT;LT
990601 -	AG				85313-24201YL	1	INT;LT	990601 -	AG				85346-38000YL	1	INT;LT
990601 -	DG				85313-24201YL	1	INT;LT	990601 -	DG				85346-38000YL	1	INT;LT
990601 -	DS				85313-24201YL	1	INT;LT	990601 -	DS				85346-38000YL	1	INT;LT
85325A								85401							
		PLUG-TRIM MTG (S)TAPON							HEADLINING ASSY (S)CONJ. FORRO TECHO						
990601 -	AD				85325-21000YL	4	INT;LT	990601 -	AD LHD				85301-25800YL	1	INT;LT
990601 -	AG				85325-21000YL	4	INT;LT	990601 -	AD LHD;8531,9285				85301-25860YL	1	INT;LT
990601 -	DG				85325-21000YL	4	INT;LT	990601 -	AD RHD				85301-25700YL	1	INT;LT
990601 -	DS				85325-21000YL	4	INT;LT	990601 -	AD RHD;8161,9285				85401-25700YL	1	INT;LT
990601 -	FD L35,L45,P85				85325-21000YL	3	INT;LT	990601 -	AD RHD;8531,9285				85301-25760YL	1	INT;LT
990601 -	FG				85325-21000YL	3	INT;LT	990601 -	AG LHD				85301-25800YL	1	INT;LT
								CONTINUED							

AD:3DR,GL AG:3DR,GLS DG:3DR,GLS DS:3DR,L FD:3DR,GL FG:3DR,GLS

8161:ROOF-SUN 8531:TRIM-HEAD LINING(CLOTH) 9285:LAMP-444P

3-M 6

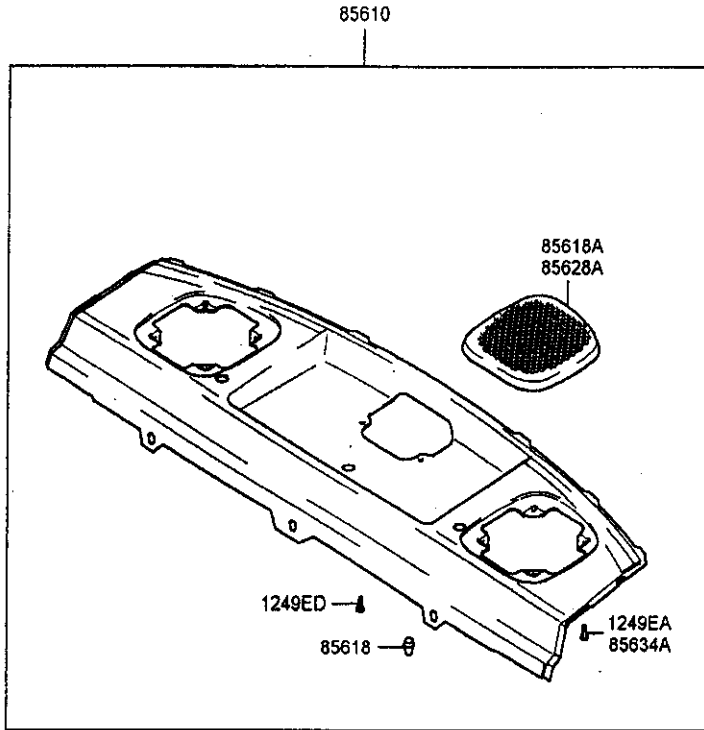
84-853 SUNVISOR & HEADLINING

BA,00112- 440

P N C		MODEL APPLICABLE		R E P	PART NO. (REPL PNO)	Q T Y	REMARKS	P N C		MODEL APPLICABLE		R E P	PART NO. (REPL PNO)	Q T Y	REMARKS
FROM-UP-TO	TYPE	DESCRIPTION						FROM-UP-TO	TYPE	DESCRIPTION					
CONTINUED															
85401		HEADLINING ABBY (S)CONJ. FORRO TECHO													
990601 -		AG	RHD		85301-25700YL	1	INT;LT								
990601 -		AG	RHD;8161,9285		85401-25700YL	1	INT;LT								
990601 -		AG	RHD;8531,9285		85301-25760YL	1	INT;LT								
990601 -		DG	LHD		85301-25500YL	1	INT;LT								
990601 -		DG	LHD;8161,8531,9285		85401-25550YL	1	INT;LT								
990601 -		DG	LHD;8161,9285		85401-25500YL	1	INT;LT								
990601 -		DG	LHD;8531,9285		85301-25560YL	1	INT;LT								
990601 -		DG	RHD		85301-25400YL	1	INT;LT								
990601 -		DG	RHD;8531,9285		85301-25460YL	1	INT;LT								
990601 -		DS	LHD		85301-25500YL	1	INT;LT								
990601 -		DS	LHD;8161,8531,9285		85401-25550YL	1	INT;LT								
990601 -		DS	LHD;8161,9285		85401-25500YL	1	INT;LT								
990601 -		DS	LHD;8531,9285		85301-25560YL	1	INT;LT								
990601 -		DS	RHD		85301-25400YL	1	INT;LT								
990601 -		DS	RHD;8531,9285		85301-25460YL	1	INT;LT								
990601 -		FD	LHD>L35,L45,P85		85301-25000YL	1	INT;LT								
990601 -		FD	LHD>L35,L45,P85;8161, 8531,9285		85401-25050YL	1	INT;LT								
990601 -		FD	LHD>L35,L45,P85;8161, 9285		85401-25000YL	1	INT;LT								
990601 -		FD	LHD>L35,L45,P85;8531, 9285		85301-25060YL	1	INT;LT								
990601 -		FD	RHD>L35,L45,P85		85301-25900YL	1	INT;LT								
990601 -		FD	RHD>L35,L45,P85;8531, 9285		85301-25960YL	1	INT;LT								
990601 -		FG	LHD		85301-25000YL	1	INT;LT								
990601 -		FG	LHD;8161,8531,9285		85401-25050YL	1	INT;LT								
990601 -		FG	LHD;8161,9285		85401-25000YL	1	INT;LT								
990601 -		FG	LHD;8531,9285		85301-25060YL	1	INT;LT								
990601 -		FG	RHD		85301-25900YL	1	INT;LT								
990601 -		FG	RHD;8531,9285		85301-25960YL	1	INT;LT								

AG:5DR,GLS DG:3DR,GLS DS:3DR,1 FD:4DR,GL FG:4DR,GLS

8161:ROOF-SUN 8531:TRM-HEAD LINING(CLOTH) 9285:LAMP-MAP



P N C	MODEL APPLICABLE		R E P	PART NO. (REPL P/NO)	Q T Y	REMARKS
	FROM-UP-TO	TYPE				
1249EA						
010201 -				12492-04103 (12492-04109B)	8	
010201 -				12492-04103 (12492-04109B)	8	
1249ED						
010201 -				12492-04143	2	
010201 -				12492-04143	2	
85610						
990601 -				85610-25000LT	1	INT;LT
990928 -				85610-25500LT	1	INT;LT
990601 -				85610-25000LT	1	INT;LT
990928 -				85610-25500LT	1	INT;LT
85618						
990601 -				85618-36000	4	
990601 -				85618-36000	4	
85618A						
990601 -				85618-25000LT	1	INT;LT
990601 -				85618-25000LT	1	INT;LT
85628A						
990601 -				85628-25000LT	1	INT;LT
990601 -				85628-25000LT	1	INT;LT
85634A						
990601 - 010201				85634-29000	8	
990928 - 010201				85634-29000	10	
990601 - 010201				85634-29000	8	
990928 - 010201				85634-29000	10	

3-C7

84-857 LUGGAGE COMPARTMENT

BA.G0112- 443

P N C		MODEL APPLICABLE		R E P	PART NO. (REPL P/NO)	Q T Y	REMARKS	P N C		MODEL APPLICABLE		R E P	PART NO. (REPL P/NO)	Q T Y	REMARKS
FROM-UP-TO	TYPE	DESCRIPTION						FROM-UP-TO	TYPE	DESCRIPTION					
CONTINUED								CONTINUED							
85510		TRIM ASSY-QUARTER INR LH (S)CONJ. REVESTIMIENTO						85710		MAT-LUGGAGE COVERING (S)MOQUETA					
000809 -		DS			85510-25001LT	1	INT;LT	010917 -	AG 528J				85710-25302	1	
85517B		COVER-QTR INR TRIM (S)CUBIERTA						010917 -	AG 5284,8902				85710-25402	1	
990601 - 000809		DG			85517-25000LT	6	INT;LT	010917 -	AG 5284,8903				85710-25402	1	
000809 -		DG			85530-25000LT	6	INT;LT	990601 - 010206	DG 528H,8903				85710-25400	1	
990601 - 000809		DS			85517-25000LT	6	INT;LT	990601 - 010206	DG 528J				85710-25300	1	
000809 -		DS			85530-25000LT	6	INT;LT	990601 - 010206	DG 5284,8902				85710-25400	1	
85520		TRIM ASSY-QUARTER INR RH (S)CONJ. REVESTIMIENTO						990601 - 010206	DG 5284,8903				85710-25400	1	
990601 - 000809		DG			85520-25000LT	1	INT;LT	010206 - 010917	DG 528H,8903				85710-25401	1	
000809 -		DG			85520-25001LT	1	INT;LT	010206 - 010917	DG 528J				85710-25301	1	
990601 - 000809		DS			85520-25000LT	1	INT;LT	010206 - 010917	DG 5284,8902				85710-25401	1	
000809 -		DS			85520-25001LT	1	INT;LT	010917 -	DG 528H,8903				85710-25401	1	
85710		MAT-LUGGAGE COVERING (S)MOQUETA						010917 -	DG 528J				85710-25402	1	
990601 - 010206		AD 528J			85710-25300	1		010917 -	DG 5284,8902				85710-25402	1	
990601 - 010206		AD 5284,8902			85710-25400	1		010917 -	DG 5284,8903				85710-25401	1	
990601 - 010206		AD 5284,8903			85710-25400	1		010917 -	DG 528H,8903				85710-25402	1	
010110 - 010206		AD 528H,8902			85710-25400	1		010917 -	DG 528J				85710-25302	1	
010206 - 010917		AD 528H,8902			85710-25401	1		010917 -	DG 5284,8902				85710-25402	1	
010206 - 010917		AD 528J			85710-25301	1		010917 -	DG 5284,8903				85710-25402	1	
010206 - 010917		AD 5284,8902			85710-25401	1		010917 -	DG 5284,8902				85710-25401	1	
010206 - 010917		AD 5284,8903			85710-25401	1		010917 -	DG 5284,8903				85710-25401	1	
010917 -		AD 528H,8902			85710-25402	1		010206 - 010917	DS 528H,8903				85710-25402	1	
010917 -		AD 528J			85710-25302	1		010917 -	DS 528J				85710-25302	1	
010917 -		AD 5284,8902			85710-25402	1		010917 -	DS 5284,8902				85710-25402	1	
010917 -		AD 5284,8903			85710-25402	1		010917 -	DS 5284,8903				85710-25402	1	
990601 - 010206		AG 528J			85710-25300	1		990601 - 010917	FD 528J				85710-25000	1	
990601 - 010206		AG 5284,8902			85710-25400	1		990601 - 010917	FD 5284				85710-25100	1	
990601 - 010206		AG 5284,8903			85710-25400	1		990601 - 010917	FD 5284,8903				85710-25100	1	
010110 - 010206		AG 528H,8902			85710-25400	1		010110 - 010917	FD 528H				85710-25100	1	
010206 - 010917		AG 528H,8902			85710-25401	1		010110 - 010917	FD 528H,8903				85710-25100	1	
010206 - 010917		AG 528J			85710-25301	1		010917 -	FD 528H				85710-25101	1	
010206 - 010917		AG 5284,8902			85710-25401	1		010917 -	FD 528H,8903				85710-25101	1	
010206 - 010917		AG 5284,8903			85710-25401	1		010917 -	FD 528J				85710-25001	1	
010917 -		AG 528H,8902			85710-25402	1		010917 -	FD 5284				85710-25101	1	
CONTINUED								CONTINUED							

AD:SDR,GL AG:SDR,GLS DG:SDR,GLS DS:SDR, FD:SDR,GL

5284:TIRE- 175/70 R 13 528H:TIRE- 165/80 R 14 528J:TIRE- 156/80 R 13 8902:SEAT-RR(BENCH FOLDING TYPE) 8903:SEAT-RR(SPLIT FOLDING DOWN)

3-D7

84-857 LUGGAGE COMPARTMENT

SA,00112- 444

P N C	MODEL APPLICABLE		R E P	PART NO. (REPL P/NO)	Q T Y	REMARKS	P N C	MODEL APPLICABLE		R E P	PART NO. (REPL P/NO)	Q T Y	REMARKS
	FROM-UP-TO	TYPE						DESCRIPTION	FROM-UP-TO				
CONTINUED						CONTINUED							
85710		MAT-LUGGAGE COVERING (S)MOQUETA				85730A		TRIM ASSY-LUGGAGE SIDE LH (S)CONJ. REVESTIMIENTO					
010917 -	FD	5284,8903		85710-25101	1		000223 - 010210	AD	8573,6501		85730-25700AQ	1	INT;LT
990601 - 010917	FG	528J		85710-25000	1		000223 - 010210	AD	8573,6502		85730-25501AQ	1	INT;LT
990601 - 010917	FG	5284		85710-25100	1		010210 -	AD	8573,6501		85730-25701AQ	1	INT;LT
990601 - 010917	FG	5284,8903		85710-25100	1		010210 -	AD	8573,6502		85730-25502AQ	1	INT;LT
010110 - 010917	FG	528H		85710-25100	1		990601 - 000203	AG	8573		85730-25500AQ	1	INT;LT
010110 - 010917	FG	528H,8903		85710-25100	1		000203 - 000222	AG	8573		85730-25501AQ	1	INT;LT
010917 -	FG	528H		85710-25101	1		000222 - 000223	AG	8573		85730-25700AQ	1	INT;LT
010917 -	FG	528H,8903		85710-25101	1		000223 - 010210	AG	8573,6501		85730-25700AQ	1	INT;LT
010917 -	FG	528J		85710-25001	1		000223 - 010210	AG	8573,6502		85730-26501AQ	1	INT;LT
010917 -	FG	5284		85710-25101	1		010210 -	AG	8573,6501		85730-25701AQ	1	INT;LT
010917 -	FG	5284,8903		85710-25101	1		010210 -	AG	8573,6502		85730-25502AQ	1	INT;LT
85719		HOOK-LUGGAGE COVERING (S)GANCHO					990601 - 000203	DG	8573		85730-25500AQ	1	INT;LT
990601 -	AD	8573		85756-25000AQ	1	INT;LT	000203 - 000222	DG	8573		85730-25501AQ	1	INT;LT
990601 -	AG	8573		85756-25000AQ	1	INT;LT	000222 - 000223	DG	8573		85730-25700AQ	1	INT;LT
990601 -	DG	8573		85756-25000AQ	1	INT;LT	000223 - 010210	DG	8573,6501		85730-25700AQ	1	INT;LT
990601 -	DB	8573		85756-25000AQ	1	INT;LT	000223 - 010210	DG	8573,6502		85730-25501AQ	1	INT;LT
990601 -	FD	L35,L45,P85;8573		85756-25000AQ	1	INT;LT	010210 -	DG	8573,6501		85730-25701AQ	1	INT;LT
990601 -	FG	8573		85756-25000AQ	1	INT;LT	010210 -	DG	8573,6502		85730-25502AQ	1	INT;LT
85720D		TRIM-LUGG PARTITION (S)REVESTIMIENTO					990601 - 000203	DS	8573		85730-25500AQ	1	INT;LT
990601 -	FD	L35,L45,P85;528J		85721-25000AQ	1	INT;LT	000203 - 000222	DS	8573		85730-25501AQ	1	INT;LT
990601 -	FD	L35,L45,P85;5284		85721-25000AQ	1	INT;LT	000222 - 000223	DS	8573		85730-25700AQ	1	INT;LT
010110 -	FD	L35,L45,P85;528H		85721-25000AQ	1	INT;LT	000223 - 010210	DS	8573,6501		85730-25501AQ	1	INT;LT
990601 -	FG	528J		85721-25000AQ	1	INT;LT	010210 -	DS	8573,6502		85730-25701AQ	1	INT;LT
990601 -	FG	5284		85721-25000AQ	1	INT;LT	010210 -	DS	8573,6502		85730-25502AQ	1	INT;LT
010110 -	FG	528H		85721-25000AQ	1	INT;LT	990601 - 010210	FD	L35,L45,P85;8573		85730-25000AQ	1	INT;LT
85725H		TRIM-PARTITION CTR (S)REVESTIMIENTO					010210 -	FD	L35,L45,P85;8573		85730-25100AQ	1	INT;LT
990601 -	FD	L35,L45,P85;8903		85725-25000AQ	1	INT;LT	990601 - 010210	FG	8573		85730-25000AQ	1	INT;LT
990601 -	FG	8903		85725-25000AQ	1	INT;LT	010210 -	FG	8573		85730-25100AQ	1	INT;LT
85730A		TRIM ASSY-LUGGAGE SIDE LH (S)CONJ. REVESTIMIENTO					85740A		TRIM ASSY-LUGGAGE SIDE RH (S)CONJ. REVESTIMIENTO				
990601 - 000203	AD	8573		85730-25500AQ	1	INT;LT	990601 - 000203	AD	8573		85740-25500AQ	1	INT;LT
000203 - 000222	AD	8573		85730-25501AQ	1	INT;LT	000203 - 000222	AD	8573		85740-25501AQ	1	INT;LT
000222 - 000223	AD	8573		85730-25700AQ	1	INT;LT	000222 - 000223	AD	8573		85740-25700AQ	1	INT;LT
							000223 - 010210	AD	8573,6501		85740-25700AQ	1	INT;LT
							000223 - 010210	AD	8573,6502		85740-25501AQ	1	INT;LT
CONTINUED						CONTINUED							

AD:SDR,OK AG:SDR,GLS DG:SDR,GLS DS:SDR,LD FD:ADR,GL FG:ADR,GLS 5284:TIRE- 175/70 R 13 528H:TIRE- 185/60 R 14 528J:TIRE- 155/80 R 13 6501:HIGH GRADE ANTI-CORROSION
8502:LOW GRADE ANTI-CORROSION 8573:TRIM-LUGGAGE SIDE(PLASTIC) 8903:SEAT-RR(SPLIT FOLDING DOWN)

3-E7

84-857 LUGGAGE COMPARTMENT

8A,G0112- 445

P N C		MODEL APPLICABLE		R E P	PART NO. (REPL P/NO)	Q T Y	REMARKS	P N C		MODEL APPLICABLE		R E P	PART NO. (REPL P/NO)	Q T Y	REMARKS
FROM-UP-TO	TYPE	DESCRIPTION	FROM-UP-TO					TYPE	DESCRIPTION						
CONTINUED															
85740A								85750E							
TRIM ASSY-LUGGAGE SIDE RH (S)CONJ. REVESTIMIENTO								TRIM ASSY-LUGGAGE RR LH (S)CONJ. REVESTIMIENTO							
010210 -	AD	8573,6501	85740-25701AQ	1	INT;LT			990601 - 991111	FD	L35,L45,P85;8573	85750-25000AQ	1	INT;LT		
010210 -	AD	8573,6502	85740-25502AQ	1	INT;LT			991111 - 000119	FD	L35,L45,P85;8573	85750-25050AQ	1	INT;LT		
990601 - 000203	AG	8573	85740-25500AQ	1	INT;LT			000119 - 000222	FD	L35,L45,P85;8573	85750-25051AQ	1	INT;LT		
000203 - 000222	AG	8573	85740-25501AQ	1	INT;LT			000222 - 000223	FD	L35,L45,P85;8573	85750-25200AQ	1	INT;LT		
000222 - 000223	AG	8573	85740-25700AQ	1	INT;LT			000223 - 010210	FD	L35,L45,P85;8573,6501	85750-25200AQ	1	INT;LT		
000223 - 010210	AG	8573,6501	85740-25700AQ	1	INT;LT			000223 - 010210	FD	L35,L45,P85;8573,6502	85750-25051AQ	1	INT;LT		
000223 - 010210	AG	8573,6502	85740-25501AQ	1	INT;LT			010210 -	FD	L35,L45,P85;8573,6501	85750-25201AQ	1	INT;LT		
010210 -	AG	8573,6501	85740-25701AQ	1	INT;LT			010210 -	FD	L35,L45,P85;8573,6502	85750-25052AQ	1	INT;LT		
010210 -	AG	8573,6502	85740-25502AQ	1	INT;LT			990601 - 991111	FG	8573	85750-25000AQ	1	INT;LT		
990601 - 000203	DG	8573	85740-25500AQ	1	INT;LT			991111 - 000119	FG	8573	85750-25050AQ	1	INT;LT		
000203 - 000222	DG	8573	85740-25501AQ	1	INT;LT			000119 - 000222	FG	8573	85750-25051AQ	1	INT;LT		
000222 - 000223	DG	8573	85740-25700AQ	1	INT;LT			000222 - 000223	FG	8573	85750-25200AQ	1	INT;LT		
000223 - 010210	DG	8573,6501	85740-25700AQ	1	INT;LT			000223 - 010210	FG	8573,6501	85750-25200AQ	1	INT;LT		
000223 - 010210	DG	8573,6502	85740-25501AQ	1	INT;LT			000223 - 010210	FG	8573,6502	85750-25051AQ	1	INT;LT		
010210 -	DG	8573,6501	85740-25701AQ	1	INT;LT			010210 -	FG	8573,6501	85750-25201AQ	1	INT;LT		
010210 -	DG	8573,6502	85740-25502AQ	1	INT;LT			010210 -	FG	8573,6502	85750-25052AQ	1	INT;LT		
990601 - 000203	DS	8573	85740-25500AQ	1	INT;LT			85753A							
000203 - 000222	DS	8573	85740-25501AQ	1	INT;LT			COVER-LUGGAGE RR BLANK'G (S)							
000222 - 000223	DS	8573	85740-25700AQ	1	INT;LT			990601 -	AD	8573	85753-25000AQ	1	INT;LT		
000223 - 010210	DS	8573,6501	85740-25700AQ	1	INT;LT			990601 -	AG	8573	85753-25000AQ	1	INT;LT		
000223 - 010210	DS	8573,6502	85740-25501AQ	1	INT;LT			990601 -	DG	8573	85753-25000AQ	1	INT;LT		
010210 -	DS	8573,6501	85740-25701AQ	1	INT;LT			990601 -	DS	8573	85753-25000AQ	1	INT;LT		
010210 -	DS	8573,6502	85740-25502AQ	1	INT;LT			990601 -	FD	L35,L45,P85;8573	85753-25000AQ	1	INT;LT		
990601 - 010210	FD	L35,L45,P85;8573	85740-25000AQ	1	INT;LT			990601 -	FG	8573	85753-25000AQ	1	INT;LT		
010210 -	FD	L35,L45,P85;8573	85740-25100AQ	1	INT;LT			85760E							
990601 - 010210	FG	8573	85740-25000AQ	1	INT;LT			TRIM ASSY-LUGGAGE RR RH (S)CONJ. REVESTIMIENTO							
010210 -	FG	8573	85740-25100AQ	1	INT;LT			990601 - 991111	FD	L35,L45,P85;8573	85760-25000AQ	1	INT;LT		
85747								991111 - 000119	FD	L35,L45,P85;8573	85760-25050AQ	1	INT;LT		
PLUG-TRIM MOUNTING (S)TAPON								000119 - 000222	FD	L35,L45,P85;8573	85760-25051AQ	1	INT;LT		
000223 -	AD	8573,6502	85747-29000LT	2	INT;LT			000222 - 000223	FD	L35,L45,P85;8573	85760-25200AQ	1	INT;LT		
000223 -	AG	8573,6502	85747-29000LT	2	INT;LT			000223 - 010210	FD	L35,L45,P85;8573,6501	85760-25200AQ	1	INT;LT		
000223 -	DG	8573,6502	85747-29000LT	2	INT;LT			000223 - 010210	FD	L35,L45,P85;8573,6502	85760-25051AQ	1	INT;LT		
000223 -	DS	8573,6502	85747-29000LT	2	INT;LT			010210 -	FD	L35,L45,P85;8573,6501	85760-25201AQ	1	INT;LT		
000223 -	FD	L35,L45,P85;8573,6502	85747-29000LT	2	INT;LT			010210 -	FD	L35,L45,P85;8573,6502	85760-25052AQ	1	INT;LT		
000223 -	FG	8573,6502	85747-29000LT	2	INT;LT			990601 - 991111	FG	8573	85760-25000AQ	1	INT;LT		
								991111 - 000119	FG	8573	85760-25050AQ	1	INT;LT		
								000119 - 000222	FG	8573	85760-25051AQ	1	INT;LT		
								CONTINUED							

AD:50R,GL AG:50R,GLS DG:3DR,GLS DS:3DR,L FD:4DR,GL FG:4DR,GLS

6501:HIGH GRADE ANTI-CORROSION 6502:LOW GRADE ANTI-CORROSION 8573:TRIM LUGGAGE SIDE(PLASTIC)

3-F7

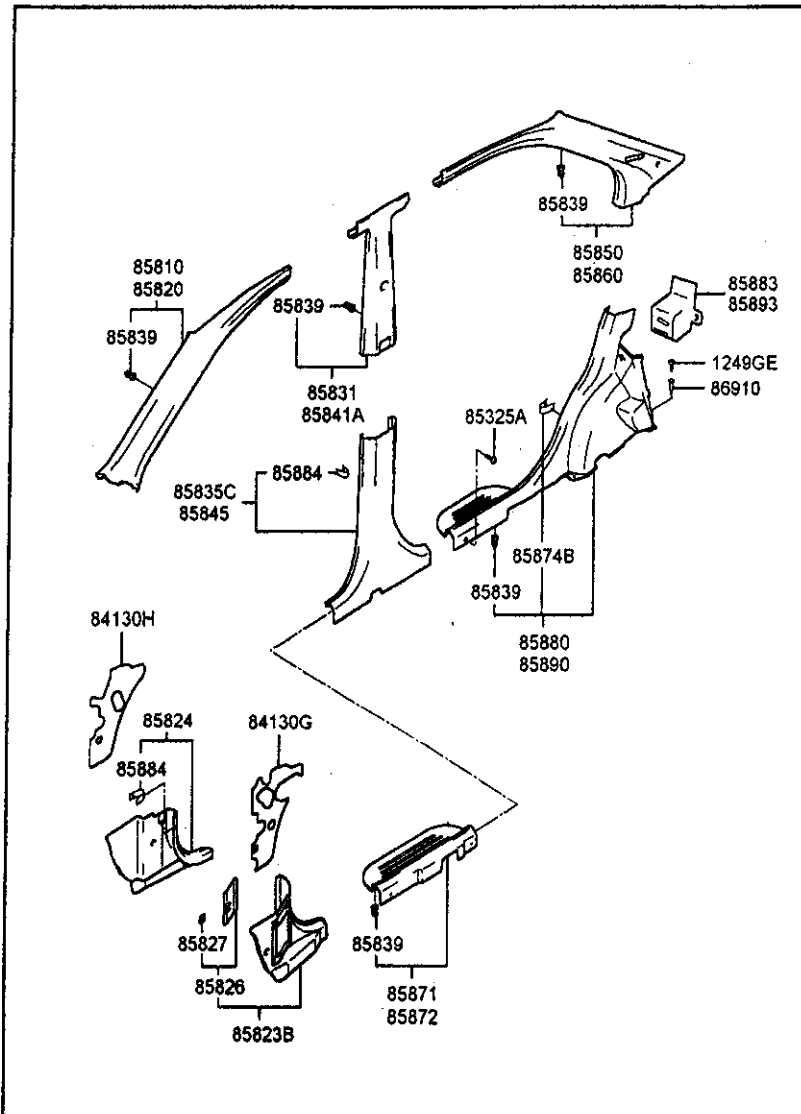
84-857 LUGGAGE COMPARTMENT

BA.G0112- 446

P N C	MODEL APPLICABLE		R E P	PART NO. (REPL P/NO)	Q T Y	REMARKS	P N C	MODEL APPLICABLE		R E P	PART NO. (REPL P/NO)	Q T Y	REMARKS
	FROM-UP-TO	TYPE						DESCRIPTION	FROM-UP-TO				
CONTINUED							86825						
85760E													
000222 - 000223	FG	8573		85760-25200AQ	1	INT;LT	990601 -	AD	8573		86825-22000	7	
000223 - 010210	FG	8573,8501		85760-25200AQ	1	INT;LT	990601 -	AG	8573		86825-22000	7	
000223 - 010210	FG	8573,8502		85760-25051AQ	1	INT;LT	990601 -	DG	8573		86825-22000	7	
010210 -	FG	8573,8501		85760-25201AQ	1	INT;LT	990601 -	DS	8573		86825-22000	7	
010210 -	FG	8573,8502		85760-25052AQ	1	INT;LT	990601 -	FD	8573		86825-22000	11	
							990601 -	FG	8573		86825-22000	11	
85771							86910						
990601 -	AD	8573		85770-25500AQ	1	INT;LT	990601 -	AD	8573		85714-22000	6	
000301 - 000323	AD	8573,8501		85770-25700AQ	1	INT;LT	990601 -	AG	8573		85714-22000	6	
990601 -	AG	8573		85770-25500AQ	1	INT;LT	990601 -	DG			85714-22000	2	
000301 - 000323	AG	8573,8501		85770-25700AQ	1	INT;LT	990601 -	DG	8573		85714-22000	6	
990601 -	DG	8573		85770-25500AQ	1	INT;LT	990601 -	DS			85714-22000	2	
000301 - 000323	DG	8573,8501		85770-25700AQ	1	INT;LT	990601 -	DS	8573		85714-22000	6	
990601 -	DS	8573		85770-25500AQ	1	INT;LT	990601 - 991111	FD	8573		85714-22000	6	
000301 - 000323	DS	8573,8501		85770-25700AQ	1	INT;LT	991111 -	FD	8573		85714-22000	4	
990601 -	FD	L35,L45,P85;8573		85770-25000AQ	1	INT;LT	990601 - 991111	FG	8573		85714-22000	6	
990601 -	FG	8573		85770-25000AQ	1	INT;LT	991111 -	FG	8573		85714-22000	4	
85839													
990601 -	AD	8573		85839-22000	4								
000223 -	AD	8573		85839-22000	1								
990601 -	AG	8573		85839-22000	4								
000223 -	AG	8573		85839-22000	1								
990601 -	DG	8573		85839-22000	1								
000223 -	DG	8573		85839-22000	4								
990601 -	DS	8573		85839-22000	1								
000223 -	DS	8573		85839-22000	4								
990601 -	FD	8573		85839-22000	4								
000223 -	FD	8573		85839-22000	1								
990601 -	FG	8573		85839-22000	4								
000223 -	FG	8573		85839-22000	1								
85884													
990601 -	DG			85884-22000	1								
990601 -	DS			85884-22000	1								

AD:DR,DL AG:DR,DL DG:DR,DL DS:DR,DL FD:DR,DL FG:DR,DL

8501:HIGH GRADE ANTI-CORROSION 8502:LOW GRADE ANTI-CORROSION 8573:TRIM-LUGGAGE SIDE(PLASTIC)



P N C	MODEL APPLICABLE		R E P	PART NO. (REPL P/NO)	Q T Y	REMARKS
	FROM-UP-TO	TYPE				
1249GE						
			SCREW-TAPPING			
			(S)TORNILLO			
990601 -			ALL	12492-05163	2	
990601 -			AD	12492-05163	4	
990601 -			AG	12492-05163	4	
990601 -			FD	12492-05163	4	
990601 -			FG	12492-05163	4	
84130G			PAD-FR PILLAR LWR INR LH			
			(S)ALMOHADILLA			
020101 -			ALL LHD>TCI	84125-25000	1	
84130H			PAD-FR PILLAR LWR INR RH			
			(S)ALMOHADILLA			
020101 -			ALL LHD>TCI	84125-25100	1	
85325A			PLUG-TRIM MTG			
			(S)TAPON			
990601 -			AD	85325-21000YL	4	INT;LT
990601 -			AD	85325-21000YL	2	INT;LT
990601 -			AG	85325-21000YL	4	INT;LT
990601 -			AG	85325-21000YL	2	INT;LT
990601 -			DG	85325-21000YL	6	INT;LT
990601 -			DS	85325-21000YL	6	INT;LT
990601 -			FD L35,L45,P85	85325-21000YL	4	INT;LT
990601 -			FD L35,L45,P85	85325-21000YL	2	INT;LT
990601 -			FG	85325-21000YL	4	INT;LT
990601 -			FG	85325-21000YL	2	INT;LT
85810			TRIM ASSY-FR PILLAR LH			
			(S)CONJ. REVESTIMIENTO			
990601 -			AD 8586	85810-25000LT	1	INT;LT
990601 -			AG 8585,8982	85810-25100LT	1	INT;LT
990601 -			AG 8586	85810-25000LT	1	INT;LT
990601 -			DG 8585,8982	85810-25450LT	1	INT;LT
990601 -			DG 8586	85810-25500LT	1	INT;LT
990601 -			DS 8586	85810-25500LT	1	INT;LT
990601 -			FD L35,L45,P85;8585	85810-25100LT	1	INT;LT
990601 -			FD L35,L45,P85;8586	85810-25000LT	1	INT;LT
990601 -			FG 8585	85810-25100LT	1	INT;LT
990601 -			FG 8586	85810-25000LT	1	INT;LT

AD:5DR,GL AG:5DR,GLS DG:3DR,GLS DS:3DR,L FD:4DR,GL FG:4DR,GLS

8585:CVRG-PILLAR(FLOCKING) 8586:CVRG-PILLAR(P/P) 8982:SEAT BELT-RR SIDE(ELR 3PT)

P N C	MODEL APPLICABLE		R E P	PART NO. (REPL P/NO)	Q T Y	REMARKS	P N C	MODEL APPLICABLE		R E P	PART NO. (REPL P/NO)	Q T Y	REMARKS
	FROM-UP-TO	TYPE						DESCRIPTION	FROM-UP-TO				
85820		TRIM ASSY-FR PILLAR RH (S)CONJ. REVESTIMIENTO					CONTINUED						
990601 -		AD 8586		85820-25000LT	1	INT;LT	85824						
990601 -		AG 8585,8982		85820-25100LT	1	INT;LT					85824-25901LT	1	INT;LT
990601 -		AG 8586		85820-25000LT	1	INT;LT	000211 -				AG RHD		
990601 -		DG 8585,8982		85820-25450LT	1	INT;LT	990601 -				DG LHD		85854-25000LT
990601 -		DG 8586		85820-25500LT	1	INT;LT	990601 - 000211				DG RHD		85824-25900LT
990601 -		DS 8586		85820-25500LT	1	INT;LT	000211 -				DG RHD		85824-25901LT
990601 -		FD L35,L45,P85;8585		85820-25100LT	1	INT;LT	990601 -				DS LHD		85854-25000LT
990601 -		FD L35,L45,P85;8586		85820-25000LT	1	INT;LT	990601 - 000211				DS RHD		85824-25900LT
990601 -		FG 8585		85820-25100LT	1	INT;LT	000211 -				DS RHD		85824-25901LT
990601 -		FG 8586		85820-25000LT	1	INT;LT	990601 -				FD LHD>L35,L45,P85		85854-25000LT
85823B		TRIM ASSY-COWL SIDE LH (S)CONJ. REVESTIMIENTO					990601 - 000211				FD RHD>L35,L45,P85		85824-25900LT
990601 -		AD RHD		85823-25900LT	1	INT;LT	000211 -				FD RHD>L35,L45,P85		85824-25901LT
990601 - 000211		AD LHD		85823-25000LT	1	INT;LT	990601 -				FG LHD		85854-25000LT
000211 -		AD LHD		85823-25001LT	1	INT;LT	990601 - 000211				FG RHD		85824-25900LT
990601 -		AG RHD		85823-25900LT	1	INT;LT	000211 -				FG RHD		85824-25901LT
990601 - 000211		AG LHD		85823-25000LT	1	INT;LT	85826						
000211 -		AG LHD		85823-25001LT	1	INT;LT							
990601 -		DG RHD		85823-25900LT	1	INT;LT	990601 - 000211				AD LHD		85826-25000LT
990601 - 000211		DG LHD		85823-25000LT	1	INT;LT	990601 - 000211				AD RHD		85826-25900LT
000211 -		DG LHD		85823-25001LT	1	INT;LT	000211 -				AD LHD		85826-25001LT
990601 -		DS RHD		85823-25900LT	1	INT;LT	000211 -				AD RHD		85826-25901LT
990601 - 000211		DS LHD		85823-25000LT	1	INT;LT	990601 - 000211				AG LHD		85826-25000LT
000211 -		DS LHD		85823-25001LT	1	INT;LT	000211 -				AG RHD		85826-25901LT
990601 -		FD RHD>L35,L45,P85		85823-25900LT	1	INT;LT	990601 - 000211				DG LHD		85826-25000LT
990601 - 000211		FD LHD>L35,L45,P85		85823-25000LT	1	INT;LT	990601 - 000211				DG RHD		85826-25900LT
000211 -		FD LHD>L35,L45,P85		85823-25001LT	1	INT;LT	000211 -				DG LHD		85826-25001LT
990601 -		FG RHD		85823-25900LT	1	INT;LT	000211 -				DG RHD		85826-25901LT
990601 - 000211		FG LHD		85823-25000LT	1	INT;LT	990601 - 000211				DS LHD		85826-25000LT
000211 -		FG LHD		85823-25001LT	1	INT;LT	990601 - 000211				DS RHD		85826-25900LT
85824		TRIM ASSY-COWL SIDE RH (S)CONJ. REVESTIMIENTO					000211 -				DS LHD		85826-25001LT
990601 -		AD LHD		85854-25000LT	1	INT;LT	000211 -				DS RHD		85826-25901LT
990601 - 000211		AD RHD		85824-25900LT	1	INT;LT	990601 - 000211				FD LHD>L35,L45,P85		85826-25000LT
000211 -		AD RHD		85824-25901LT	1	INT;LT	990601 - 000211				FD RHD>L35,L45,P85		85826-25900LT
990601 -		AG LHD		85854-25000LT	1	INT;LT	000211 -				FD LHD>L35,L45,P85		85826-25001LT
990601 - 000211		AG RHD		85824-25900LT	1	INT;LT	000211 -				FD RHD>L35,L45,P85		85826-25901LT
CONTINUED							990601 - 000211				FG LHD		85826-25000LT

P N C		MODEL APPLICABLE		R E P	PART NO. (REPL P/NO)	Q T Y	REMARKS	P N C		MODEL APPLICABLE		R E P	PART NO. (REPL P/NO)	Q T Y	REMARKS
FROM-UP-TO	TYPE	DESCRIPTION						FROM-UP-TO	TYPE	DESCRIPTION					
CONTINUED															
85826		COVER-COWL SIDE FUSE BOX (S)CUBIERTA						85839		CLIP-SPRING (S)SUJETADOR					
990601 - 000211		FG	RHD		85826-25900LT	1	INT;LT	990601 -		ALL			85839-22000	8	
000211 -		FG	LHD		85826-25001LT	1	INT;LT	990601 -		AD			85839-22000	3	
000211 -		FG	RHD		85826-25901LT	1	INT;LT	990601 -		AD			85839-22000	2	
85827		LOCK-FUSE BOX COVER (S)CIERRE						990601 -		AG			85839-22000	3	
990601 -		AD			85827-28020LT	1	INT;LT	990601 -		AG			85839-22000	2	
990601 -		AG			85827-28020LT	1	INT;LT	990601 -		DG			85839-22000	4	
990601 -		DG			85827-28020LT	1	INT;LT	990601 -		DS			85839-22000	4	
990601 -		DS			85827-28020LT	1	INT;LT	990601 -		FD			85839-22000	3	
990601 -		FD	L35,L45,P85		85827-28020LT	1	INT;LT	990601 -		FD			85839-22000	2	
990601 -		FG			85827-28020LT	1	INT;LT	990601 -		FG			85839-22000	3	
85831		TRIM ASSY-CTR PILLAR UPR LH (S)CONJ. REVESTIMIENTO						990601 -		FG			85839-22000	2	
990601 -		AD	8586		85830-25000LT	1	INT;LT	85841A		TRIM ASSY-CTR PILLAR UPR RH (S)CONJ. REVESTIMIENTO					
990601 -		AD	8586,888B,8982		85830-25200LT	1	INT;LT	990601 -		AD	8586		85840-25000LT	1	INT;LT
990601 -		AG	8585,8982		85830-25010LT	1	INT;LT	990601 -		AD	8586,888B,8982		85840-25200LT	1	INT;LT
990601 -		AG	8586		85830-25000LT	1	INT;LT	990601 -		AG	8585,8982		85840-25010LT	1	INT;LT
990601 -		AG	8586,888B,8982		85830-25200LT	1	INT;LT	990601 -		AG	8586		85840-25000LT	1	INT;LT
990601 -		FD	L35,L45,P85;8585		85830-25010LT	1	INT;LT	990601 -		AG	8586,888B,8982		85840-25200LT	1	INT;LT
990601 -		FD	L35,L45,P85;8585,888B,8982		85830-25100LT	1	INT;LT	990601 -		FD	L35,L45,P85;8585		85840-25010LT	1	INT;LT
990601 -		FD	L35,L45,P85;8586		85830-25000LT	1	INT;LT	990601 -		FD	L35,L45,P85;8585,888B,8982		85840-25100LT	1	INT;LT
990601 -		FD	L35,L45,P85;8586,888B,8982		85830-25200LT	1	INT;LT	990601 -		FD	L35,L45,P85;8586		85840-25000LT	1	INT;LT
990601 -		FG	8585		85830-25010LT	1	INT;LT	990601 -		FD	L35,L45,P85;8586,888B,8982		85840-25200LT	1	INT;LT
990601 -		FG	8585,888B,8982		85830-25100LT	1	INT;LT	990601 -		FG	8585		85840-25010LT	1	INT;LT
990601 -		FG	8586		85830-25000LT	1	INT;LT	990601 -		FG	8585,888B,8982		85840-25100LT	1	INT;LT
990601 -		FG	3586,888B,8982		85830-25200LT	1	INT;LT	990601 -		FG	8586		85840-25000LT	1	INT;LT
85835C		TRIM ASSY-CTR PILLAR LWR LH (S)CONJ. REVESTIMIENTO						990601 -		FG	8586,888B,8982		85840-25200LT	1	INT;LT
990601 -		AD			85835-25000LT	1	INT;LT	85845		TRIM ASSY-CTR PILLAR LWR RH (S)CONJ. REVESTIMIENTO					
990601 -		AG			85835-25000LT	1	INT;LT	990601 -		AD			85845-25000LT	1	INT;LT
990601 -		FD	L35,L45,P85		85835-25000LT	1	INT;LT	990601 -		AG			85845-25000LT	1	INT;LT
990601 -		FG			85835-25000LT	1	INT;LT	990601 -		FD	L35,L45,P85		85845-25000LT	1	INT;LT
								990601 -		FG			85845-25000LT	1	INT;LT
								85850		TRIM ASSY-RR PILLAR LH (S)CONJ. REVESTIMIENTO					
								990601 -		AD	8586		85850-25850LT	1	INT;LT
CONTINUED															

AD:SDR,GL AG:SDR,GLS DG:3DR,GLS DS:3DR,L FD:4DR,GL FG:4DR,GLS

8585:CYRG-PILLAR(FLOCKING) 8586:CYRG-PILLAR(PP) 888B:SEAT BELT-FR DR'S ADJUSTABLE 8982:SEAT BELT-RR SIDE(ELR 3FT)

84-858 INTERIOR SIDE TRIM

P N C	MODEL APPLICABLE		PART NO. (REPL PNO)	Q T Y	REMARKS
	FROM-UP-TO	TYPE DESCRIPTION			
CONTINUED					
85850		TRIM ASSY-RR PILLAR LH (S)CONJ. REVESTIMIENTO			
990601 -	AD	8586,8982	85850-25800LT	1	INT;LT
990601 -	AG	8585,8982	85850-25810LT	1	INT;LT
990601 -	AG	8586	85850-25850LT	1	INT;LT
990601 -	AG	8586,8982	85850-25800LT	1	INT;LT
990601 -	DG	8585,888B,8982	85850-25450LT	1	INT;LT
990601 -	DG	8585,8982	85850-25510LT	1	INT;LT
990601 -	DG	8586	85850-25400LT	1	INT;LT
990601 -	DG	8586,8982	85850-25500LT	1	INT;LT
990601 -	DS	8586	85850-25400LT	1	INT;LT
990601 -	DS	8586,8982	85850-25500LT	1	INT;LT
990601 -	FD	L35,L45,P85;8585	85850-25210LT	1	INT;LT
990601 -	FD	L35,L45,P85;8585,8982	85850-25100LT	1	INT;LT
990601 -	FD	L35,L45,P85;8586	85860-25200LT	1	INT;LT
990601 -	FD	L35,L45,P85;8586,8982	85850-25000LT	1	INT;LT
990601 -	FG	8585	85850-25210LT	1	INT;LT
990601 -	FG	8585,8982	85850-25100LT	1	INT;LT
990601 -	FG	8586	85850-25200LT	3	INT;LT
990601 -	FG	8586,8982	85850-25000LT	1	INT;LT
85860		TRIM ASSY-RR PILLAR RH (S)CONJ. REVESTIMIENTO			
990601 -	AD	8586	85860-25850LT	1	INT;LT
990601 -	AD	8586,8982	85860-25800LT	1	INT;LT
990601 -	AG	8585,8982	85860-25810LT	1	INT;LT
990601 -	AG	8586	85860-25850LT	1	INT;LT
990601 -	AG	8586,8982	85860-25800LT	1	INT;LT
990601 -	DG	8585,888B,8982	85860-25450LT	1	INT;LT
990601 -	DG	8585,8982	85860-25510LT	1	INT;LT
990601 -	DG	8586	85860-25400LT	1	INT;LT
990601 -	DG	8586,8982	85860-25500LT	1	INT;LT
990601 -	DS	8585,888B,8982	85860-25450LT	1	INT;LT
990601 -	DS	8586	85860-25400LT	1	INT;LT
990601 -	DS	8586,8982	85860-25500LT	1	INT;LT
990601 -	FD	L35,L45,P85;8585	85860-25210LT	1	INT;LT
990601 -	FD	L35,L45,P85;8585,8982	85860-25100LT	1	INT;LT
990601 -	FD	L35,L45,P85;8586	85860-25200LT	1	INT;LT
990601 -	FD	L35,L45,P85;8586,8982	85860-25000LT	1	INT;LT
CONTINUED					

P N C	MODEL APPLICABLE		PART NO. (REPL PNO)	Q T Y	REMARKS
	FROM-UP-TO	TYPE DESCRIPTION			
CONTINUED					
85860		TRIM ASSY-RR PILLAR RH (S)CONJ. REVESTIMIENTO			
990601 -	FG	8585	85860-25210LT	1	INT;LT
990601 -	FG	8585,8982	85860-25100LT	1	INT;LT
990601 -	FG	8586	85860-25200LT	1	INT;LT
990601 -	FG	8586,8982	85860-25000LT	1	INT;LT
85871		TRIM ASSY-FR DR SCUFF LH (S)CONJ. REVESTIMIENTO			
990601 -	AD		85871-25000LT	1	INT;LT
990601 -	AG		85871-25000LT	1	INT;LT
990601 -	DG		85871-25500LT	1	INT;LT
990601 -	DS		85871-25500LT	1	INT;LT
990601 -	FD	L35,L45,P85	85871-25000LT	1	INT;LT
990601 -	FG		85871-25000LT	1	INT;LT
85872		TRIM ASSY-FR DR SCUFF RH (S)CONJ. REVESTIMIENTO			
990601 -	AD		85872-25000LT	1	INT;LT
990601 -	AG		85872-25000LT	1	INT;LT
990601 -	DG		85872-25500LT	1	INT;LT
990601 -	DS		85872-25500LT	1	INT;LT
990601 -	FD	L35,L45,P85	85872-25000LT	1	INT;LT
990601 -	FG		85872-25000LT	1	INT;LT
85874B		CLIP-DR SCUFF TRIM MTG (S)SUJETADOR			
990601 -	AD		85874-33000	4	
990601 -	AG		85874-33000	4	
990601 -	FD		85874-33000	4	
990601 -	FG		85874-33000	4	
85880		TRIM ASSY-RR WHEEL HOUSE LH (S)CONJ. REVESTIMIENTO			
990601 -	AD		85880-25500LT	1	INT;LT
990601 -	AG		85880-25500LT	1	INT;LT
990601 -	FD	L35,L45,P85	85880-25000LT	1	INT;LT
990601 -	FD	L35,L45,P85;8903	85880-25100LT	1	INT;LT
990601 -	FG		85880-25000LT	1	INT;LT
990601 -	FG	8903	85880-25100LT	1	INT;LT

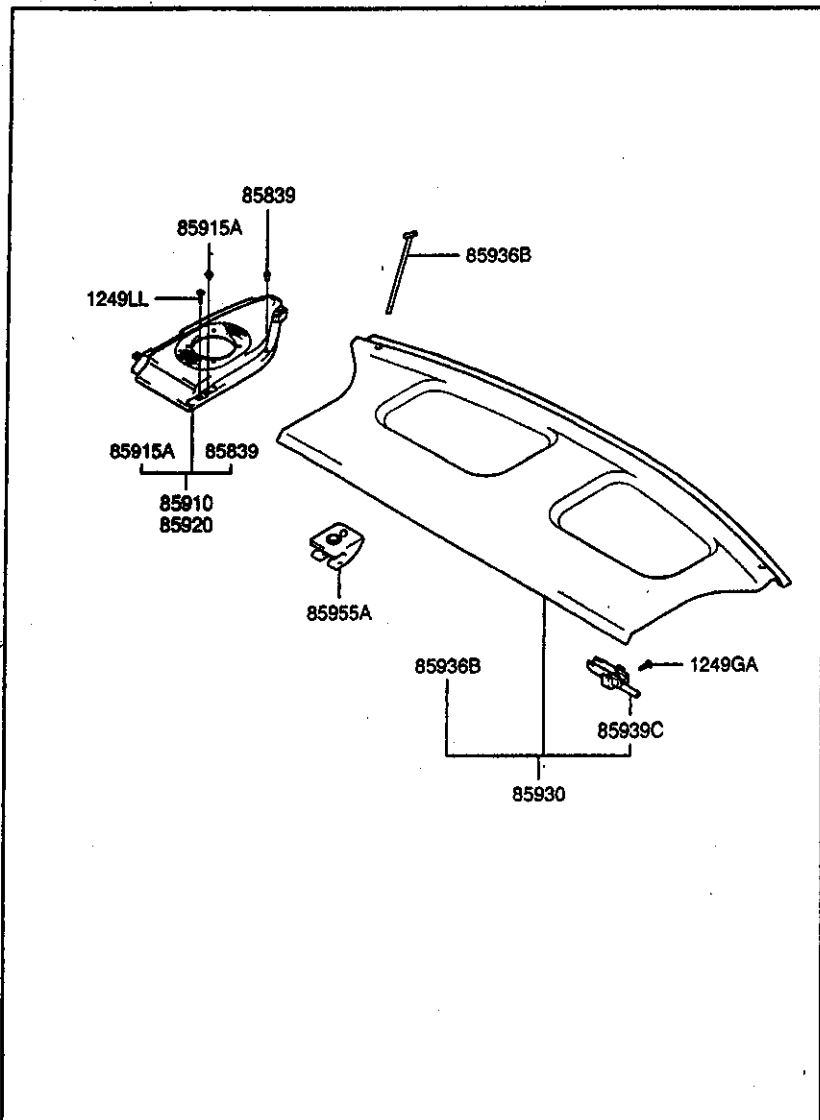
3-K7

84-858 INTERIOR SIDE TRIM

BA,G0112- 451

P N C		MODEL APPLICABLE		R E P	PART NO. (REPL P/NO)	Q T Y	REMARKS	P N C		MODEL APPLICABLE		R E P	PART NO. (REPL P/NO)	Q T Y	REMARKS	
FROM-UP-TO	TYPE	DESCRIPTION						FROM-UP-TO	TYPE	DESCRIPTION						
85883		COVER-RR WHEEL HOUSE LH (S)CUBIERTA														
990601 -		FD	L35,L45,P85;8903		85883-25000LT	1	INT;LT									
990601 -		FG	8903		85883-25000LT	1	INT;LT									
85884		CLIP-W/HOUSE TRIM (S)SUJETADOR														
990601 -		ALL			85884-22000	1										
990601 -		AD			85884-22000	2										
990601 -		AG			85884-22000	2										
990601 -		FD			85884-22000	2										
990601 -		FG			85884-22000	2										
85890		TRIM ASSY-RR WHEEL HOUSE RH (S)CONJ. REVESTIMIENTO														
990601 -		AD			85890-25500LT	1	INT;LT									
990601 -		AG			85890-25500LT	1	INT;LT									
990601 -		FD	L35,L45,P85		85890-25000LT	1	INT;LT									
990601 -		FD	L35,L45,P85;8903		85890-25100LT	1	INT;LT									
990601 -		FG			85890-25000LT	1	INT;LT									
990601 -		FG	8903		85890-25100LT	1	INT;LT									
85893		COVER-RR WHEEL HOUSE RH (S)CUBIERTA														
990601 -		FD	L35,L45,P85;8903		85893-25000LT	1	INT;LT									
990601 -		FG	8903		85893-25000LT	1	INT;LT									
86910		RETAINER (S)RETENEDOR														
990601 -		AD			85714-22000	2										
990601 -		AG			85714-22000	2										
990601 -		FD			85714-22000	2										
990601 -		FG			85714-22000	2										

84-859 COVERING SHELF



P N C	MODEL APPLICABLE		R E P	PART NO. (REPL. P/N)	Q T Y	REMARKS
	FROM-UP-TO	TYPE				
1249GA						
990601 -				12492-05103	2	
990601 -				12492-05103	2	
990601 -				12492-05103	2	
990601 -				12492-05103	2	
1249LL						
990601 -				12493-04203	2	
990601 -				12493-04203	2	
990601 -				12493-04203	2	
990601 -				12493-04203	2	
85839						
990601 -				85839-22000	2	
990601 -				85839-22000	2	
990601 -				85839-22000	2	
990601 -				85839-22000	2	
85910						
990601 -				85910-25500LT	1	INT;LT
990601 -				85910-25500LT	1	INT;LT
990601 -				85910-25500LT	1	INT;LT
990601 -				85910-25500LT	1	INT;LT
85915A						
990601 -				85915-22400	1	
990601 -				85915-22400	1	
990601 -				85915-22400	1	
990601 -				85915-22400	1	
85920						
990601 -				85920-25500LT	1	INT;LT
990601 -				85920-25500LT	1	INT;LT
990601 -				85920-25500LT	1	INT;LT
990601 -				85920-25500LT	1	INT;LT
85930						
990601 -				85930-25500LT	1	INT;LT

CONTINUED

3-M7**84-859 COVERING SHELF**

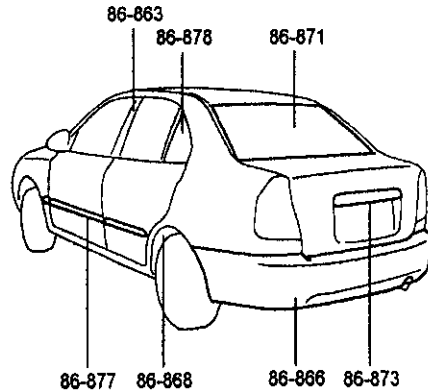
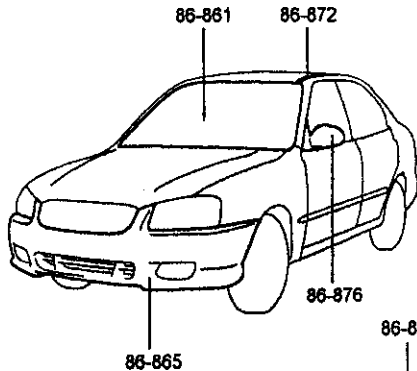
BA,G0112- 453

P N C		MODEL APPLICABLE		R E P	PART NO. (REPL P/NO)	Q T Y	REMARKS	P N C		MODEL APPLICABLE		R E P	PART NO. (REPL P/NO)	Q T Y	REMARKS
FROM-UP-TO	TYPE	DESCRIPTION						FROM-UP-TO	TYPE	DESCRIPTION					
CONTINUED															
	85930		TRIM ASSY-COVERING SHELF CTR												
			(S)CONJ. REVESTIMIENTO												
990601 -			AG		85930-25500LT	1	INT;LT								
990601 -			DG		85930-25500LT	1	INT;LT								
990601 -			DS		85930-25500LT	1	INT;LT								
	85936B		CABLE-COVERING SHELF CTR												
			(S)CABLE												
990601 -			AD		85936-25500	2									
990601 -			AG		85936-25500	2									
990601 -			DG		85936-25500	2									
990601 -			DS		85936-25500	2									
	85939C		PIN-COVERING SHELF CTR												
			(S)PASADOR												
990601 -			AD		85939-25500	2									
990601 -			AG		85939-25500	2									
990601 -			DG		85939-25500	2									
990601 -			DS		85939-25500	2									
	85955A		HOOK-COVERING SHELF CTR												
			(S)GANCHO												
990601 -			AD		85955-25500LT	2	INT;LT								
990601 -			AG		85955-25500LT	2	INT;LT								
990601 -			DG		85955-25500LT	2	INT;LT								
990601 -			DS		85955-25500LT	2	INT;LT								

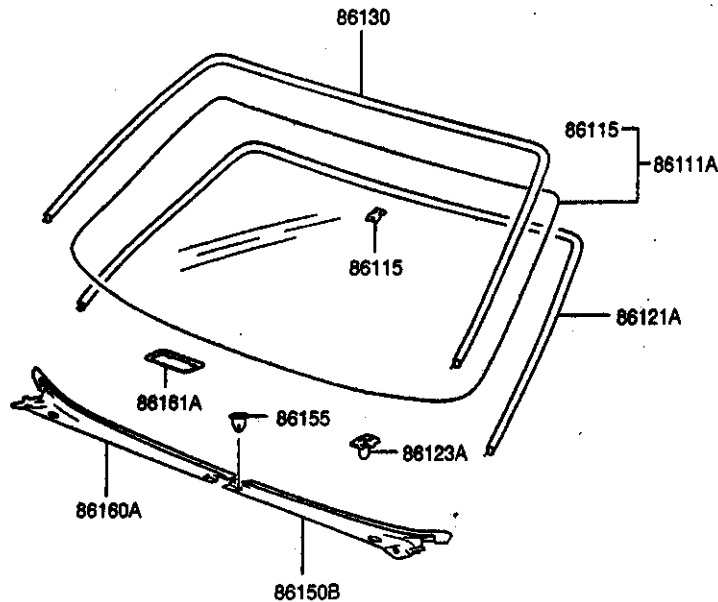
M/E/M/O

86

EXTERIOR



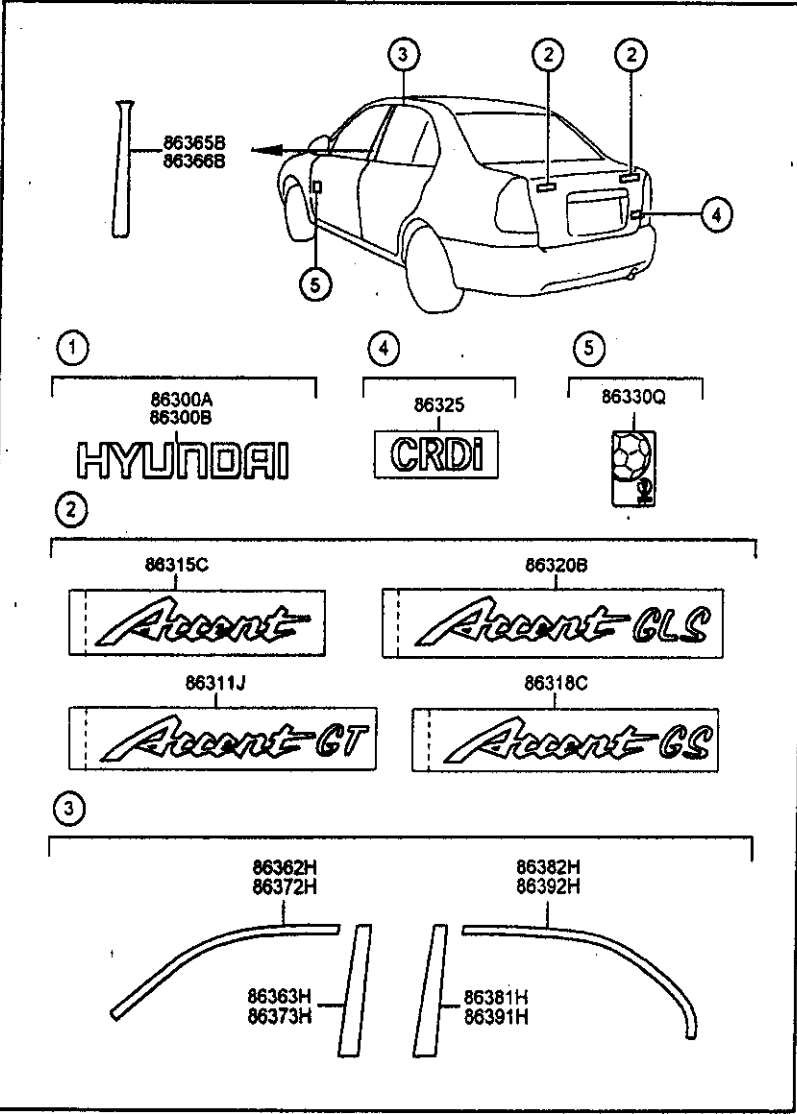
86-861	WINDSHIELD GLASS.....	3-B 8
86-863	EMBLEM	3-C 8
86-865	FRONT BUMPER	3-F 8
86-866	REAR BUMPER	3-L 8
86-868	WHEEL GUARD	3-B 9
86-871	REAR WINDOW GLASS & MOULDING.....	3-D 9
86-872	REAR SPOILER & ROOF GARNISH.....	3-F 9
86-873	BACK PANEL MOULDING	3-H 9
86-876	OUTSIDE REAR VIEW MIRROR	3-J 9
86-877	BODY SIDE MOULDING.....	3-C10
86-878	QUARTER FIXED GLASS.....	3-E10



NOTE : DAM- GLASS is supplied in length of 5M or 150M. Actual replacement to vehicle could be made by cutting the DAM- GLASS into desired length expressed in remarks.

P /NAME	P /NO	LENGTH
DAM-GLASS	86121-22A10	150M
	86121-28A00	5M

P N C	MODEL APPLICABLE		P A R T N O. (REPL P/NO)	Q T Y	REMARKS
	FROM-UP-TO	TYPE			
86111A		GLASS-W/SHLD			
		(S)CRISTAL			
990601 -		ALL 8615	86110-25000	1	
990601 -		ALL 8620	86110-25100	1	
86115		BASE-WS RR VIEW MIRROR			
		(S)BASE			
990601 -		ALL	86115-22000	1	
86121A		DAM-GLASS			
		(S)DIQUE			
990601 -		ALL	86121-28A00	1	SIAR
86123A		SPACER-W/SHLD GLASS			
		(S)ESPACIADOR			
990601 -		ALL	86122-28000	2	
86130		MOULDING-W/SHLD GLASS			
		(S)MOLDURA			
990601 -		ALL	86131-25000	1	
86150B		COVER ASSY-COWL TOP LH			
		(S)CONJUNTO CUBIERTA			
990601 - 001206		ALL LHD	A 86150-25000 (86150-25001)	1	
990601 - 001206		ALL RHD	A 86150-25900 (86150-25901)	1	
001206 -		ALL LHD	86150-25001	1	
001206 -		ALL RHD	86150-25901	1	
86155		RETAINER-COWL TOP COVER MTG			
		(S)RETENEDOR			
990601 -		ALL	86155-22000	4	
86160A		COVER ASSY-COWL TOP RH			
		(S)CONJUNTO CUBIERTA			
990601 - 001206		ALL LHD	A 86160-25000 (86160-25001)	1	
990601 - 001206		ALL RHD	A 86160-25900 (86160-25901)	1	
001206 -		ALL LHD	86160-25001	1	
001206 -		ALL RHD	86160-25901	1	
86161A		COVER-AIR INLET HOLE			
		(S)CUBIERTA			
990601 -		ALL LHD	86140-25000	1	
990601 -		ALL RHD	86140-25900	1	



P N C	MODEL APPLICABLE		R E P	PART NO. (REFL PNO)	Q T Y	REMARKS
	FROM-UP-TO	TYPE				
86300A		EMBLEM-HYUNDAI				
		(S)EMBLEMA				
990601 -		AD		86321-22000AP	1	
990601 -		AD		86321-22000DT	1	
990601 -		AG		86321-22000AP	1	
990601 -		AG		86321-22000DT	1	
990601 -		DG		86321-22000AP	1	
990601 -		DG		86321-22000DT	1	
990601 -		DS		86321-22000AP	1	
990601 -		DS		86321-22000DT	1	
990601 -		FD L35,L45,P85		86321-22000AP	1	
990601 -		FD L35,L45,P85		86321-22000DT	1	
990601 -		FG		86321-22000AP	1	
990601 -		FG		86321-22000DT	1	
86300B		EMBLEM-HYUNDAI				
		(S)EMBLEMA				
990601 -		DG 0570		86313-22500AP	1	
990601 -		DG 0570		86313-22500DT	1	
86311J		EMBLEM-ACCENT GT				
		(S)EMBLEMA				
990601 -		DG 0570		86311-25110AP	1	
990601 -		DG 0570		86311-25110DT	1	
86315C		EMBLEM-ACCENT				
		(S)EMBLEMA				
990601 -		AD		86315-25100AP	1	
990601 -		AD		86315-25100DT	1	
990601 -		DS		86315-25100AP	1	
990601 -		DS		86315-25100DT	1	
990601 -		FD L35,L45,P85		86315-25100AP	1	
990601 -		FD L35,L45,P85		86315-25100DT	1	
86318C		EMBLEM-ACCENT GS				
		(S)EMBLEMA				
990601 -		DG		86318-25100AP	1	
990601 -		DG		86318-25100DT	1	
86320B		EMBLEM-ACCENT GLS				
		(S)EMBLEMA				
990601 -		AG		86320-25100AP	1	
990601 -		AG		86320-25100DT	1	
990601 -		FG		86320-25100AP	1	

CONTINUED

3-D 8

86-863 EMBLEM

RA,00112- 457

P N C		MODEL APPLICABLE		R E P	PART NO. (REPL P/NO)	Q T Y	REMARKS	P N C		MODEL APPLICABLE		R E P	PART NO. (REPL P/NO)	Q T Y	REMARKS
FROM-UP-TO	TYPE	DESCRIPTION						FROM-UP-TO	TYPE	DESCRIPTION					
CONTINUED															
86320B		EMBLEM-ACCENT GLS (S)EMBLEMA						86365B		PILLAR BLACK OUT-POST LH (S)PILAR APAGON					
990601 -		FG			86320-25100DT	1		990601 - 010320	AD			86365-25000	1		
86325		EMBLEM-CROI (S)EMBLEMA						010320 -	AD			86365-25001	1		
020101 -		FG TCI			86321-25100AP	1		990601 - 010320	AG			86365-25000	1		
020101 -		FG TCI			86321-25100DT	1		010320 -	AG			86365-25001	1		
86330Q		EMBLEM-WORLDCUP (S)EMBLEM						990601 - 010320	FD			86365-25000	1		
011101 -		ALL 0660			86330-17000	2		010320 -	FD			86365-25001	1		
86362H		TAPE-FR DR BLACK FRAME UPR LH (S)CINTA						86366B		PILLAR BLACK OUT-POST RH (S)PILAR APAGON					
990601 - 010320		AD			86362-25000	1		990601 - 010320	AD			86366-25000	1		
010320 -		AD			86362-25001	1		010320 -	AD			86366-25001	1		
990601 - 010320		AG			86362-25000	1		990601 - 010320	AG			86366-25000	1		
010320 -		AG			86362-25001	1		010320 -	AG			86366-25001	1		
990601 - 010315		DG			86362-25200	1		990601 - 010320	FD			86366-25000	1		
010315 -		DG			86362-25201	1		010320 -	FD			86366-25001	1		
990601 - 010315		DS			86362-25200	1		990601 - 010320	FG			86366-25000	1		
010315 -		DS			86362-25201	1		010320 -	FG			86366-25001	1		
990601 - 010320		FD			86362-25000	1		86372H		TAPE-FR DR BLACK FRAME UPR RH (S)CINTA					
010320 -		FD			86362-25001	1		990601 - 010320	AD			86372-25000	1		
990601 - 010320		FG			86362-25000	1		010320 -	AD			86372-25001	1		
010320 -		FG			86362-25001	1		990601 - 010320	AG			86372-25000	1		
86363H		TAPE-FR DR BLACK FRAME RR LH (S)CINTA						010320 -	AG			86372-25001	1		
990601 - 010320		AD			86363-25000	1		990601 - 010315	DG			86372-25200	1		
010320 -		AD			86363-25001	1		010315 -	DG			86372-25201	1		
990601 - 010320		AG			86363-25000	1		990601 - 010315	DS			86372-25200	1		
010320 -		AG			86363-25001	1		010315 -	DS			86372-25201	1		
990601 - 010315		DG			86363-25200	1		990601 - 010320	FD			86372-25000	1		
010315 -		DG			86363-25201	1		010320 -	FD			86372-25001	1		
990601 - 010315		DS			86363-25200	1		990601 - 010320	FG			86372-25000	1		
010315 -		DS			86363-25201	1		010320 -	FG			86372-25001	1		
990601 - 010320		FD			86363-25000	1		86373H		TAPE-FR DR BLACK FRAME RR RH (S)CINTA					
010320 -		FD			86363-25001	1		990601 - 010320	AD			86373-25000	1		
990601 - 010320		FG			86363-25000	1		010320 -	AD			86373-25001	1		
010320 -		FG			86363-25001	1		990601 - 010320	AG			86373-25000	1		
CONTINUED															

AD:DR,GL AG:DR,GLS DG:DR,GLS DS:DR,L FD:DR,GL FG:DR,GLS

0660:WORLD CUP PACKAGE

3-E 8

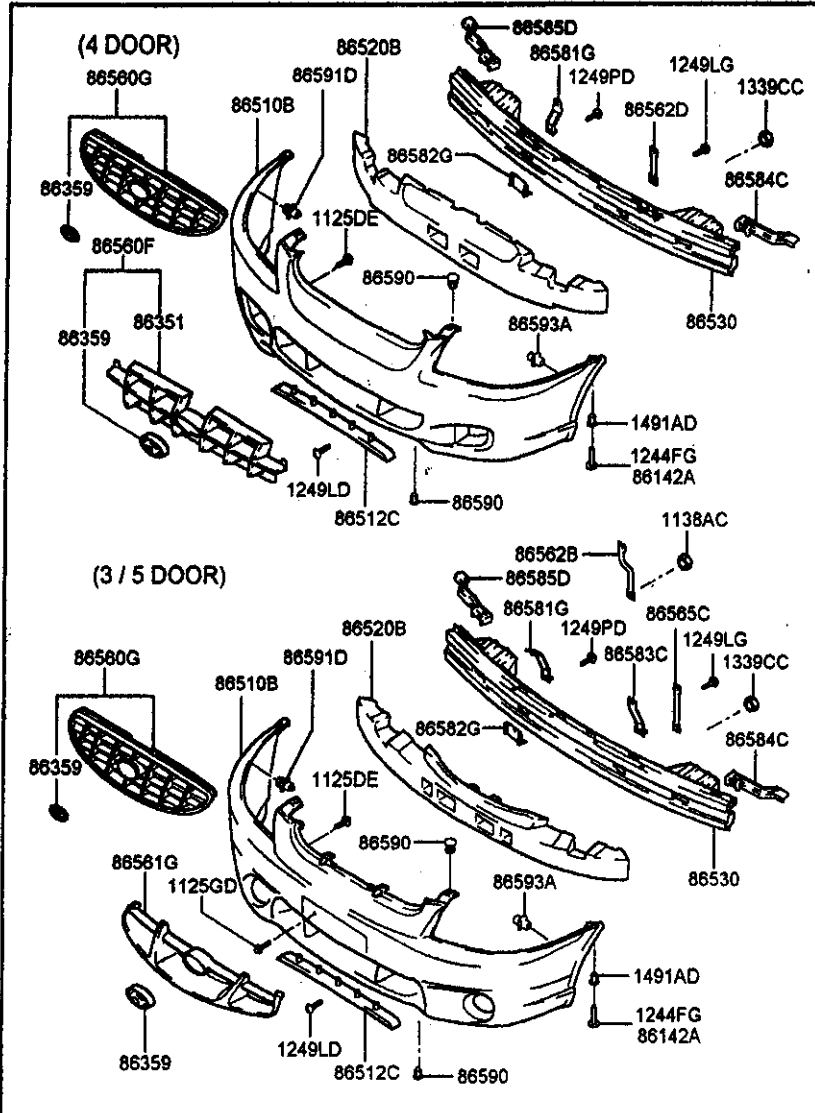
86-863 EMBLEM

BA, G0112- 458

P N C		MODEL APPLICABLE		R E P	PART NO. (REPL P/NO)	Q T Y	REMARKS	P N C		MODEL APPLICABLE		R E P	PART NO. (REPL P/NO)	Q T Y	REMARKS
FROM-UP-TO	TYPE	DESCRIPTION						FROM-UP-TO	TYPE	DESCRIPTION					
CONTINUED								CONTINUED							
86373H		TAPE-FR DR BLACK FRAME RR RH (S)CINTA						86391H		TAPE-RR DR BLACK FRAME FR RH (S)CINTA					
010320 -	AG				86373-25001	1		010320 -	FG				86391-25001	1	
010315 -	DG				86373-25201	1		86392H	TAPE-RR DR BLACK FRAME UPR RH (S)CINTA						
010315 -	DS				86373-25201	1		990601 - 010320	AD				86392-25000	1	
990601 - 010320	FD				86373-25000	1		010320 -	AD				86392-25001	1	
010320 -	FD				86373-25001	1		990601 - 010320	AG				86392-25000	1	
990601 - 010320	FG				86373-25000	1		010320 -	AG				86392-25001	1	
010320 -	FG				86373-25001	1		990601 - 010320	FD				86392-25000	1	
86381H		TAPE-RR DR BLACK FRAME FR LH (S)CINTA						010320 -	FD				86392-25001	1	
990601 - 010320	AD				86381-25000	1		990601 - 010320	FG				86392-25000	1	
010320 -	AD				86381-25001	1		010320 -	FG				86392-25001	1	
990601 - 010320	AG				86381-25000	1									
010320 -	AG				86381-25001	1									
990601 - 010320	FD				86381-25000	1									
010320 -	FD				86381-25001	1									
990601 - 010320	FG				86381-25000	1									
010320 -	FG				86381-25001	1									
86382H		TAPE-RR DR BLACK FRAME UPR LH (S)CINTA													
990601 - 010320	AD				86382-25000	1									
010320 -	AD				86382-25001	1									
990601 - 010320	AG				86382-25000	1									
010320 -	AG				86382-25001	1									
990601 - 010320	FD				86382-25000	1									
010320 -	FD				86382-25001	1									
990601 - 010320	FG				86382-25000	1									
010320 -	FG				86382-25001	1									
86391H		TAPE-RR DR BLACK FRAME FR RH (S)CINTA													
990601 - 010320	AD				86391-25000	1									
010320 -	AD				86391-25001	1									
990601 - 010320	AG				86391-25000	1									
010320 -	AG				86391-25001	1									
990601 - 010320	FD				86391-25000	1									
010320 -	FD				86391-25001	1									
990601 - 010320	FG				86391-25000	1									
CONTINUED															

AD:3DR,DL AG:3DR,GLS DG:3DR,GLS DS:3DR,L FD:4DR,SL FG:4DR,GLS

86-865 FRONT BUMPER



P N C	MODEL APPLICABLE		REPL	PART NO. (REPL. P.N.O.)	QTY	REMARKS
	FROM-UP-TO	TYPE				
1125DE						
990818 -				11251-08251 (11251-08253)	4	
990601 -				11251-08251 (11251-08253)	4	
990601 -				11251-08251 (11251-08253)	4	
990818 -				11251-08251 (11251-08253)	4	
990601 -				11251-08251 (11251-08253)	4	
906019 - 90618				11251-08251	Y	
990601 -				11251-08251 (11251-08253)	4	
906019 - 90618				11251-08251	Y	
1125GD						
990601 - 010309				11253-06253 (11407-06141)	2	
1138AC						
020101 -				13385-06001 (13385-06003)	5	
020101 -				13385-06001 (13385-06003)	5	
1244FG						
010309 -				12442-05203	2	
1249LD						
990801 -				12493-04123 (12493-04129B)	4	
906019 - 90618				12493-04123	Y	
020101 -				12493-04123 (12493-04129B)	16	
990601 -				12493-04123 (12493-04129B)	4	
906019 - 90618				12493-04123	Y	
CONTINUED						

AD:3DR, GL AG:3DR, GLS D:3DR, DG:3DR, GLS DB:3DR, FD:4DR, GL FG:4DR, GLS G: 8653:RAD. GRILLE-C TYPE 863C:RAD. GRILLE-CR COATG 8652:BUMPER-2.5 MILE 9241:LAMP-FOG(FR)

3-G 8

86-865 FRONT BUMPER

BA,G0112- 460

P N C	MODEL APPLICABLE		P	PART NO. (REPL P/NO)	Q T Y	REMARKS	P N C	MODEL APPLICABLE		R E P	PART NO. (REPL P/NO)	Q T Y	REMARKS
	FROM-UP-TO	TYPE						DESCRIPTION	FROM-UP-TO				
CONTINUED							CONTINUED						
1249LD		SCREW-TAPPING (S)TORNILLO					1249PD		SCREW-TAPPING (S)TORNILLO				
020101 -		FG TC1	Y	12493-04123 (12493-04129B)	16		990601 - 990731	FD 8652	Y	12493-06203 (12442-05163)	5		
1249LG		SCREW-TAPPING (S)TORNILLO					906019 - 90818	D. 63D8,651		12493-06203 =(12442-05163)	Y	5	
990818 -		AD 8633,8652		12493-04143	19		990731 -	FD 863D,8652	Y	12493-06203 (12442-05163)	5		
990601 -		AG 8652		12493-04143	19		990731 -	FD 8638,8652	Y	12493-06203 (12442-05163)	5		
990601 -		DG		12493-04143	19		907319 - 90818	D. 63D8,6529,241		12493-06203 =(12442-05163)	Y	5	
990818 -		DS 8633		12493-04143	19		990818 -	FD 863D,8651	Y	12493-06203 (12442-05163)	5		
990601 -		FD 863D,8651,9241		12493-04143	16		990601 -	FG 863D,8651,9241	Y	12493-06203 (12442-05163)	5		
990601 - 990731		FD 8652		12493-04143	8		990601 - 990731	FG 8651	Y	12493-06203 (12442-05163)	5		
990731 -		FD 863D,8652		12493-04143	8		990601 - 990731	FG 8651,9241	Y	12493-06203 (12442-05163)	5		
990731 -		FD 8638,8652		12493-04143	8		990601 - 990731	FG 8652,9241	Y	12493-06203 (12442-05163)	5		
907319 - 90818		D. 63D8,6529,241		12493-04143	6		990601 - 990731	FG 8652,9241	Y	12493-06203 (12442-05163)	5		
990818 -		FD 863D,8651		12493-04143	8		906019 - 90818	G. 63D8,651		12493-06203 =(12442-05163)	Y	5	
990818 -		FD 863D,8652,9241		12493-04143	16		990731 -	FG 863D,8652	Y	12493-06203 (12442-05163)	5		
990601 -		FG 863D,8651,9241		12493-04143	16		990731 -	FG 8638,8652	Y	12493-06203 (12442-05163)	5		
990601 - 990731		FG 8651		12493-04143	8		907319 - 90818	G. 63D8,6529,241		12493-06203 =(12442-05163)	Y	5	
990601 - 990731		FG 8651,9241		12493-04143	16		990818 -	FG 863D,8651	Y	12493-06203 (12442-05163)	5		
990601 - 990731		FG 8652,9241		12493-04143	16		990818 -	FG 863D,8652,9241	Y	12493-06203 (12442-05163)	5		
990731 -		FG 863D,8652		12493-04143	8								
990731 -		FG 8638,8652		12493-04143	8								
907319 - 90818		G. 63D8,6529,241		12493-04143	6								
990818 -		FG 863D,8651		12493-04143	8								
990818 -		FG 863D,8652,9241		12493-04143	16								
1249PD		SCREW-TAPPING (S)TORNILLO											
990818 -		AD 8633,8652	Y	12493-06203 (12442-05163)	5		990731 -	FG 8638,8652	Y	12493-06203 (12442-05163)	5		
990601 -		AG 8652	Y	12493-06203 (12442-05163)	5		907319 - 90818	G. 63D8,6529,241		12493-06203 =(12442-05163)	Y	5	
990601 -		DG	Y	12493-06203 (12442-05163)	5		990818 -	FG 863D,8651	Y	12493-06203 (12442-05163)	5		
990818 -		DS 8633	Y	12493-06203 (12442-05163)	5		990818 -	FG 863D,8652,9241	Y	12493-06203 (12442-05163)	5		
990601 -		FD 863D,8651,9241	Y	12493-06203 (12442-05163)	5								

CONTINUED

AD:FOR GL AG:FOR GLS D:FOR DG:FOR GLS DS:FOR DS:FOR FD:FOR GL FG:FOR GLS G: 241: 63D8: 651: 6529: 8633:RAD. GRILLE-C TYPE 8638:RAD. GRILLE-A TYPE 863D:RAD. GRILLE-BODY 8651:BUMPER-5 MILE 8652:BUMPER-2.5 MILE 9241:LAMP-POG(FR)

3-H 8

86-865 FRONT BUMPER

BA,00112- 461

P N C		MODEL APPLICABLE		R E P	PART NO. (REPL P/N/O)	Q T Y	REMARKS	P N C		MODEL APPLICABLE		R E P	PART NO. (REPL P/N/O)	Q T Y	REMARKS
FROM-UP-TO	TYPE	DESCRIPTION	FROM-UP-TO					TYPE	DESCRIPTION						
1339CC		NUT						CONTINUED							
		(S)TUERCA(BRIDA)						86351	GRILLE-RADIATOR						
990618 -	AD	8633,8652			13395-06003	9		990601 - 990731	FG 8651			86561-25020	1	BODY COLOR	
990601 -	AG	8652			13395-06003	9		990601 - 990731	FG 8651,9241			86561-25020	1	BODY COLOR	
990601 -	DG				13395-06003	9		990601 - 990731	FG 8652,9241			86561-25020	1	BODY COLOR	
990618 -	DS	8633			13395-06003	9		990601 - 991101	FG 863D,8651,9241			86561-25020	1	BODY COLOR	
990601 -	FD	863D,8651,9241			13395-06003	8		990731 -	FG 863D,8652			86561-25020	1	BODY COLOR	
990601 - 990731	FD	8652			13395-06003	8		990618 -	FG 863D,8652,9241			86561-25020	1	BODY COLOR	
990731 -	FD	863D,8652			13395-06003	8		990618 - 991101	FG 863D,8651			86561-25020	1	BODY COLOR	
990731 -	FD	8638,8652			13395-06003	8		86359	EMBLEM-SYMBOL MARK						
990618 -	FD	863D,8651			13395-06003	8			(S)EMBLEMA						
990618 -	FD	863D,8652,9241			13395-06003	8		990618 -	AD 8633,8652			86300-38000	1		
990601 -	FG	863D,8651,9241			13395-06003	8		990601 -	AG 8652			86300-38000	1		
990601 - 990731	FG	8651			13395-06003	8		990601 -	DG			86300-38000	1		
990601 - 990731	FG	8651,9241			13395-06003	8		990618 -	DS 8633			86300-38000	1		
990601 - 990731	FG	8652,9241			13395-06003	8		990601 -	FD			86300-38000	1		
990731 -	FG	863D,8652			13395-06003	8		990601 -	FG			86300-38000	1		
990731 -	FG	8638,8652			13395-06003	8		86510B	COVER ASSY-FR BUMPER						
990618 -	FG	863D,8651			13395-06003	8			(S)CONJUNTO CUBIERTA						
990618 -	FG	863D,8652,9241			13395-06003	8		990618 -	AD 8633,8652			86510-25200	1		
1491AD		RETAINER-TAPPING SCREW						990618 -	AD 8633,8652,9241			86510-25210	1		
		(S)RETENEDOR						990601 -	AG 8652,9241			86510-25210	1		
990618 -	AD	8633,8652			14910-05000	2		990618 -	AG 8633,8652			86510-25200	1		
990601 -	AG	8652			14910-05000	2		990601 -	DG 9241			86510-25210	1		
990601 -	DG				14910-05000	2		990618 -	DG 8633,8652			86510-25200	1		
990618 -	DS	8633			14910-05000	2		990618 -	DS 8633,8652			86510-25200	1		
990601 -	FD				14910-05000	2		990618 -	DS 8633,9241			86510-25210	1		
990601 -	FG				14910-05000	2		990601 -	FD 863D,9241			86510-25010	1		
86142A		SCREW-TAPPING						990601 - 990731	FD 8652			86510-25000	1		
		(S)TORNILLO						990731 -	FD 863D,8652			86510-25000	1		
990618 -	AD	8633,8652			86142-22000	2		990731 -	FD 8638,8652			86510-25000	1		
990601 -	AG	8652			86142-22000	2		990618 -	FD 863D,8651			86510-25000	1		
990601 -	DG				86142-22000	2		020101 -	FD TC1;863C,8652,9241			86510-25050	1		
990618 -	DS	8633			86142-22000	2		990601 -	FG 9241			86510-25010	1		
990601 -	FD				86142-22000	2		990601 - 990731	FG 8651			86510-25000	1		
990601 -	FG				86142-22000	2		990731 -	FG 863D,8652			86510-25000	1		
86351		GRILLE-RADIATOR						990731 -	FG 8638,8652			86510-25000	1		
		(S)REJILLA						990618 -	FG 8638,8652			86510-25000	1		
990601 -	FD	863D			86561-25020	1	BODY COLOR		FG 863D,8651			86510-25000	1		

CONTINUED

CONTINUED

AD:5DR,AG, AG:5DR,ALS DG:3DR,OLS DS:3DR,L FD:4DR,OL FG:4DR,OLS

8633:RAD. GRILLE-C TYPE 8638:RAD. GRILLE-A TYPE 863C:RAD. GRILLE-CR COATS 863D:RAD. GRILLE-BODY 8651:BUMPER-5 MILE 8652:BUMPER-2.5 MILE 9241:LAMP-FOG(FR)

3-18

86-865 FRONT BUMPER

BA,00112-462

P N C	MODEL APPLICABLE		P A R T N O . (REPL P/NO)	Q T Y	REMARKS	P N C	MODEL APPLICABLE		P A R T N O . (REPL P/NO)	Q T Y	REMARKS
	FROM-UP-TO	TYPE					DESCRIPTION	FROM-UP-TO			
CONTINUED											
86510B						86530					
		COVER ASSY-FR BUMPER						RAIL ASSY-FR BUMPER			
		(S)CONJUNTO CUBIERTA						(S)CONJUNTO RIEL			
020101 -		FG TCI;863C,8652,9241	86510-25050	1		990818 -	AD 8633,8652	86530-25200	1		
86512C		GRILLE-FR BUMPER				990601 -	AG 8652	86530-25200	1		
		(S)REJILLA				990601 -	DG 8652	86530-25200	1		
990818 -		AD 8633,8652	86512-25200	1		990818 -	DG 8633,8651,9241	86530-25250	1		
990601 -		AG 8652	86512-25200	1		990818 -	DS 8633,8651,9241	86530-25250	1		
990601 -		DG	86512-25200	1		990818 -	DS 8633,8652	86530-25200	1		
990818 -		DS 8633	86512-25200	1		990601 -	FD 863D,8651	86530-25050	1		
990601 -		FD 863D,8651,9241	86512-25000	1		990601 -	FD 8652	86530-25000	1		
990601 - 990731		FD 8652	86512-25000	1		020101 -	FD TCI;863C,8652,9241	86530-1A000	1		
990731 -		FD 863D,8652	86512-25000	1		990601 -	FG 8651	86530-25050	1		
990731 -		FD 8638,8652	86512-25000	1		990601 -	FG 8652	86530-25000	1		
990818 -		FD 863D,8651	86512-25000	1		020101 -	FG TCI;863C,8652,9241	86530-1A000	1		
990818 -		FD 863D,8652,9241	86512-25000	1		86560F	GRILLE ASSY-RADIATOR				
990601 -		FG 863D,8651,9241	86512-25000	1			(S)CONJUNTO REJILLA				
990601 - 990731		FG 8651	86512-25000	1		990601 -	FD L35,L45,P85;8652	86560-25010CA	1		
990601 - 990731		FG 8651,9241	86512-25000	1		990801 - 991101	FD 863D,8651	86560-25000	1		
990601 - 990731		FG 8652,9241	86512-25000	1		990801 - 991101	FG 8651	86560-25000	1		
990731 -		FG 863D,8652	86512-25000	1		990731 -	FG 8638,8652	86560-25010	1		
990731 -		FG 8638,8652	86512-25000	1		86560G	COVER ASSY-FR BPR UPR				
990818 -		FG 863D,8651	86512-25000	1			(S)CONJUNTO CUBIERTA				
990818 -		FG 863D,8652,9241	86512-25000	1		020101 -	FD TCI;863C,8652,9241	86560-1A000	1		
						020101 -	FG TCI;863C,8652,9241	86560-1A000	1		
86520B		ABSORBER-FR BUMPER ENERGY				86561G	COVER -FR BPR UPR				
		(S)AMORTIGUADOR					(S)CUBIERTA				
990818 -		AD 8633,8652	86520-25200	1		990818 -	AD 8633,8652	86561-25220	1		
990601 -		AG 8652	86520-25200	1		990601 -	AG 8652	86561-25220	1		
990601 -		DG 8652	86520-25200	1		990601 -	DG	86561-25220	1		
990818 -		DG 8633,8651,9241	86520-25250	1		990818 -	DS 8633	86561-25220	1		
990818 -		DS 8633,8651,9241	86520-25250	1		86562B	BAR-FR BUMPER UPR COVER SUPT				
990818 -		DS 8633,8652	86520-25200	1			(S)BARRA				
990601 -		FD 863D,8651	86520-25050	1		020101 -	FD TCI;863C,8652,9241	86562-1A000	1		
990601 -		FD 8652	86520-25000	1		020101 -	FG TCI;863C,8652,9241	86562-1A000	1		
020101 -		FD TCI;863C,8652,9241	86520-1A000	1		86562D	BAR-FR UPR SUPT				
990601 -		FG 8651	86520-25050	1			(S)BARRA				
990601 -		FG 8652	86520-25000	1		990601 -	FD 863D,8651,9241	86562-25000	4		
020101 -		FG TCI;863C,8652,9241	86520-1A000	1		990601 - 990731	FD 8652	86562-25000	4		
						990731 -	FD 863D,8652	86562-25000	4		
						CONTINUED					

AD:5DR,GL AG:5DR,GLS DG:5DR,GLS DS:5DR,1 FD:4DR,GL FG:4DR,GLS

8633:RAD, GRILLE-C TYPE 8638:RAD, GRILLE-A TYPE 863C:RAD, GRILLE-CR COATG 863D:RAD, GRILLE-BODY 8651:BUMPER-5 MILE 8652:BUMPER-2.5 MILE 8241:LAMP-POG(FR)

P N C	MODEL APPLICABLE		PART NO. (REPL. PNO)	Q T Y	REMARKS	P N C	MODEL APPLICABLE		PART NO. (REPL. PNO)	Q T Y	REMARKS
	FROM-UP-TO	TYPE					DESCRIPTION	FROM-UP-TO			
CONTINUED											
86562D		BAR-FR UPR SUPT (8)BARRA				86582G		BRACKET-FR BPR LWR SUPT (S)SOPORTE			
990731 -	FD	8638,8652	86562-25000	4		990818 -	AD	8633,8652	86582-25200	2	
990818 -	FD	863D,8651	86562-25000	4		990601 -	AG	8652	86582-25200	2	
990818 -	FD	863D,8652,9241	86562-25000	4		990601 -	DG		86582-25200	2	
990601 -	FG	863D,8651,9241	86562-25000	4		990818 -	DS	8633	86582-25200	2	
990601 - 990731	FG	8651	86562-25000	4		990601 -	FD	863D,8651,9241	86582-25000	2	
990601 - 990731	FG	8651,9241	86562-25000	4		990601 - 990731	FD	8652	86582-25000	2	
990801 - 990731	FG	8652,9241	86562-25000	4		990731 -	FD	863D,8652	86582-25000	2	
990731 -	FG	863D,8652	86562-25000	4		990731 -	FD	8638,8652	86582-25000	2	
990731 -	FG	8638,8652	86562-25000	4		990818 -	FD	863D,8651	86582-25000	2	
990818 -	FG	863D,8651	86562-25000	4		990818 -	FD	863D,8652,9241	86582-25000	2	
990818 -	FG	863D,8652,9241	86562-25000	4		020101 -	FD	TCI;863C,8652,9241	86582-1A000	2	
86565C		BAR-FR UPR COVER SUPT (8)BARRA				990601 -	FG	863D,8651,9241	86582-25000	2	
990818 -	AD	8633,8652	86565-25200	4		990601 - 990731	FG	8651,9241	86582-25000	2	
990601 -	AG	8652	86565-25200	4		990601 - 990731	FG	8652,9241	86582-25000	2	
990601 -	DG		86565-25200	4		990731 -	FG	863D,8652	86582-25000	2	
990818 -	DS	8633	86565-25200	4		990731 -	FG	8638,8652	86582-25000	2	
86581G		BRACKET-FR BPR UPR SUPT (S)SOPORTE				990818 -	FG	863D,8651	86582-25000	2	
990601 -	FD	863D,8651,9241	86581-25000	4		990818 -	FG	863D,8652,9241	86582-25000	2	
990801 - 990731	FD	8652	86581-25000	4		020101 -	FG	TCI;863C,8652,9241	86582-1A000	2	
990731 -	FD	863D,8652	86581-25000	4		86583C		BRACKET-FR BPR CTR SUPT (S)SOPORTE			
990731 -	FD	8638,8652	86581-25000	4		990818 -	AD	8633,8652	86583-25200	1	
990818 -	FD	863D,8651	86581-25000	4		990601 -	AG	8652	86583-25200	1	
990818 -	FD	863D,8652,9241	86581-25000	4		990601 -	DG		86583-25200	1	
020101 -	FD	TCI;863C,8652,9241	86581-1A000	2		990818 -	DS	8633	86583-25200	1	
990601 -	FG	863D,8651,9241	86581-25000	4		020101 -	FD	TCI;863C,8652,9241	86583-1A000	1	
990601 - 990731	FG	8651	86581-25000	4		020101 -	FG	TCI;863C,8652,9241	86583-1A000	1	
990601 - 990731	FG	8651,9241	86581-25000	4		86584C		BRACKET-FR BPR CORNER SUPT LH (S)SOPORTE			
990601 - 990731	FG	8652,9241	86581-25000	4		990818 -	AD	8633,8652	86584-25000	1	
990731 -	FG	863D,8652	86581-25000	4		990601 -	AG	8652	86584-25000	1	
990731 -	FG	8638,8652	86581-25000	4		990601 -	DG		86584-25000	1	
990818 -	FG	863D,8651	86581-25000	4		990818 -	DS	8633	86584-25000	1	
990818 -	FG	863D,8652,9241	86581-25000	4		990601 -	FD	863D,8651,9241	86584-25000	1	
020101 -	FG	TCI;863C,8652,9241	86581-1A000	2		990601 - 990731	FD	8652	86584-25000	1	
						990731 -	FD	863D,8652	86584-25000	1	
CONTINUED											

3-K 8

86-865 FRONT BUMPER

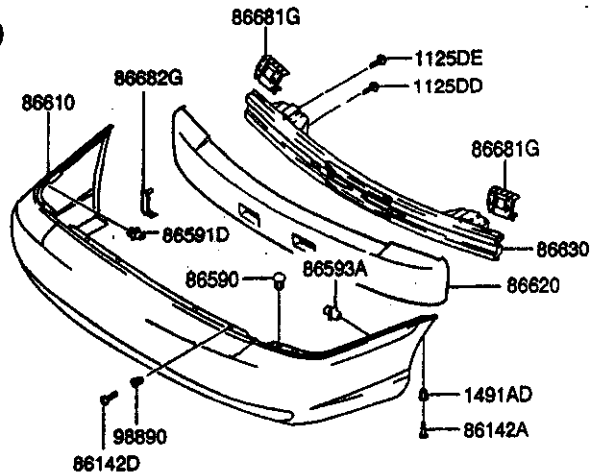
BA,G0112- 464

P N C	MODEL APPLICABLE		R E P	PART NO. (REPL P/NO)	Q T Y	REMARKS	P N C	MODEL APPLICABLE		R E P	PART NO. (REPL P/NO)	Q T Y	REMARKS
	FROM-UP-TO	TYPE						DESCRIPTION	FROM-UP-TO				
CONTINUED							86590 RETAINER ASSY-BUMPER COVER MTG						
86584C BRACKET-FR BPR CORNER SUPT LH (S)SOPORTE							(S)CONJ. RETENEDOR						
990731 -	FD	8638,8652		86584-25000	1		990818 -	AD	8633,8652		86590-28000	4	
990818 -	FD	863D,8651		86584-25000	1		990601 -	AG	8652		86590-28000	4	
990818 -	FD	863D,8652,9241		86584-25000	1		990601 -	DG			86590-28000	4	
020101 -	FD	TCI;863C,8652,9241		86584-1A000	1		990818 -	DG			86590-28000	6	
990601 -	FG	863D,8651,9241		86584-25000	1		990818 -	DS	8633		86590-28000	6	
990601 - 990731	FG	8651		86584-25000	1		990818 -	DS	8633		86590-28000	4	
990601 - 990731	FG	8651,9241		86584-25000	1		990601 -	FD			86590-28000	4	
990601 - 990731	FG	8652,9241		86584-25000	1		990601 -	FG			86590-28000	4	
990731 -	FG	863D,8652		86584-25000	1		86591D RETAINER ASSY-BUMPER SIDE BRKT MTG						
990731 -	FG	8638,8652		86584-25000	1		(S)CONJ. RETENEDOR						
990818 -	FG	863D,8651		86584-25000	1		990818 -	AD	8633,8652		86591-25000	2	
990818 -	FG	863D,8651		86584-25000	1		990601 -	AG	8652		86591-25000	2	
990818 -	FG	863D,8652,9241		86584-25000	1		990601 -	DG			86591-25000	2	
020101 -	FG	TCI;863C,8652,9241		86584-1A000	1		990818 -	DS	8633		86591-25000	2	
86585D BRACKET-FR BPR CORNER SUPT RH (S)SOPORTE							CLIP						
990818 -	AD	8633,8652		86585-25000	1		(S)SUJETADOR						
990601 -	AG	8652		86585-25000	1		990818 -	AD	8633,8652		86593-24000	2	
990601 -	DG			86585-25000	1		990601 -	AG	8652		86593-24000	2	
990818 -	DS	8633		86585-25000	1		990601 -	DG			86593-24000	2	
990601 -	FD	863D,8651,9241		86585-25000	1		990818 -	DS	8633		86593-24000	2	
990601 - 990731	FD	8652		86585-25000	1		990601 -	FD			86593-24000	2	
990731 -	FD	863D,8652		86585-25000	1		990601 -	FG			86593-24000	2	
990731 -	FD	8638,8652		86585-25000	1								
990818 -	FD	863D,8651		86585-25000	1								
990818 -	FD	863D,8652,9241		86585-25000	1								
020101 -	FD	TCI;863C,8652,9241		86585-1A000	1								
990601 -	FG	863D,8651,9241		86585-25000	1								
990601 - 990731	FG	8651		86585-25000	1								
990601 - 990731	FG	8651,9241		86585-25000	1								
990601 - 990731	FG	8652,9241		86585-25000	1								
990731 -	FG	863D,8652		86585-25000	1								
990731 -	FG	8638,8652		86585-25000	1								
990818 -	FG	863D,8651		86585-25000	1								
990818 -	FG	863D,8651		86585-25000	1								
990818 -	FG	863D,8652,9241		86585-25000	1								
020101 -	FG	TCI;863C,8652,9241		86585-1A000	1								

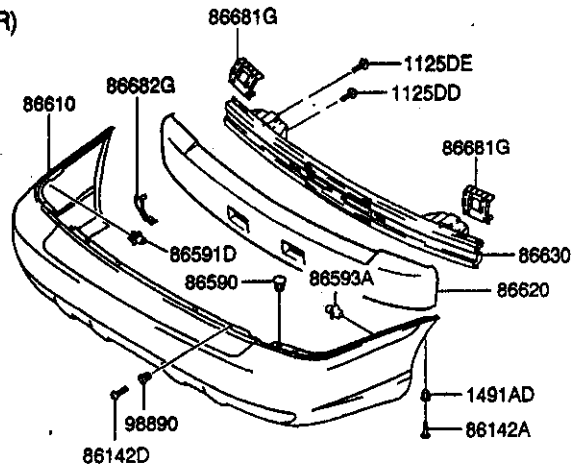
AD:SDR,QL AG:SDR,QLS DG:SDR,QLS DS:SDR,QL FD:DR,QL FG:DR,QLS

8633:RAD, GRILLE-C TYPE 8638:RAD, GRILLE-A TYPE 863C:RAD, GRILLE-CR COATG 863D:RAD, GRILLE-BOOY 8661:BUMPER-5 MILE 8662:BUMPER-2.5 MILE 9241:LAMP-FOG(FR)

(4 DOOR)



(3 / 5 DOOR)



P N C	MODEL APPLICABLE		R E P	PART NO. (REPL P/NO)	Q T Y	REMARKS
	FROM-UP-TO	TYPE				
1125DD						
990601 -			Y	11251-08201 (11251-08203)	4	
990601 -			Y	11251-08201 (11251-08203)	4	
990601 -			Y	11251-08201 (11251-08203)	4	
990601 -			Y	11251-08201 (11251-08203)	4	
990601 -			Y	11251-08201 (11251-08203)	4	
990601 -			Y	11251-08201 (11251-08203)	4	
1125DE						
990601 -			Y	11251-08251 (11251-08253)	2	
990601 -			Y	11251-08251 (11251-08253)	2	
990601 -			Y	11251-08251 (11251-08253)	2	
990601 -			Y	11251-08251 (11251-08253)	2	
990601 -			Y	11251-08251 (11251-08253)	2	
990601 -			Y	11251-08251 (11251-08253)	2	
1491AD						
990601 -				14910-05000	2	
990601 -				14910-05000	2	
990601 -				14910-05000	2	
990601 -				14910-05000	2	
990601 -				14910-05000	2	
86142A						
990601 -				86142-22000	2	

CONTINUED

3-M 8

86-866 REAR BUMPER

BA.G0112- 466

P N C	MODEL APPLICABLE		R E P	PART NO. (REPL P/NO)	Q T Y	REMARKS
	FROM-UP-TO	DESCRIPTION				
CONTINUED						
86142A		SCREW-TAPPING				
		(S)TORNILLO				
990601 -		AG 8652		86142-22000	2	
990601 -		DG LHD;8651		86142-22000	2	
990601 -		DS 8652		86142-22000	2	
990601 -		FD 8652		86142-22000	2	
990601 -		FG		86142-22000	2	
86142D		SCREW-TAPPING				
		(S)TORNILLO				
990601 -		AD 8652		86142-22100	4	
990601 -		AG 8652		86142-22100	4	
990601 -		DG LHD;8651		86142-22100	4	
990601 -		DS 8652		86142-22100	4	
990601 -		FD 8652		86142-22100	4	
990601 -		FG		86142-22100	4	
86590		RETAINER ASSY-BUMPER COVER MTG				
		(S)CONJ. RETENEDOR				
990601 -		AD 8652		86590-28000	6	
990601 -		AG 8652		86590-28000	6	
990601 -		DG LHD;8651		86590-28000	6	
990601 -		DS 8652		86590-28000	6	
990601 -		FD 8652		86590-28000	6	
990601 -		FG		86590-28000	6	
86591D		RETAINER ASSY-BUMPER SIDE BRKT MTG				
		(S)CONJ. RETENEDOR				
990601 -		AD 8652		86591-25000	2	
990601 -		AG 8652		86591-25000	2	
990601 -		DG LHD;8651		86591-25000	2	
990601 -		DS 8652		86591-25000	2	
990601 -		FD 8652		86591-25000	2	
990601 -		FG		86591-25000	2	
86593A		CLIP				
		(S)SUJETADOR				
990601 -		AD 8652		86593-24000	2	
990601 -		AG 8652		86593-24000	2	
990601 -		DG LHD;8651		86593-24000	2	
990601 -		DS 8652		86593-24000	2	
990601 -		FD 8652		86593-24000	2	

P N C	MODEL APPLICABLE		R E P	PART NO. (REPL P/NO)	Q T Y	REMARKS
	FROM-UP-TO	DESCRIPTION				
CONTINUED						
86593A		CLIP				
		(S)SUJETADOR				
990601 -		FG		86593-24000	2	
86610		COVER ASSY-RR BUMPER				
		(S)CONJUNTO CUBIERTA				
990601 -		AD 8652		86610-25200	1	
990601 -		AG 8652		86610-25200	1	
990601 -		DG LHD;8651		86610-25200	1	
990601 -		DS 8652		86610-25200	1	
990601 -		FD 8652		86610-25000	1	
990601 -		FG		86610-25000	1	
86620		ABSORBER-RR BUMPER ENERGY				
		(S)AMORTIGUADOR				
990601 -		AD 8652		86620-25200	1	
990601 -		AG 8652		86620-25200	1	
990601 -		DG LHD;8651		86620-25250	1	
990601 -		DS 8652		86620-25200	1	
990601 -		FD 8652		86620-25000	1	
990601 -		FG 8652		86620-25000	1	
990601 -		FG LHD;8651		86620-25050	1	
86630		RAIL ASSY-RR BUMPER				
		(S)CONJUNTO RIEL				
990601 -		AD 8652		86630-25200	1	
990601 -		AG 8652		86630-25200	1	
990601 -		DG LHD;8651		86630-25250	1	
990601 -		DS 8652		86630-25200	1	
990601 -		FD 8652		86630-25000	1	
990601 -		FG 8652		86630-25000	1	
990601 -		FG LHD;8651		86630-25050	1	
86681G		BRACKET-RR BUMPER UPR SUPT				
		(S)SOPORTE				
990601 -		AD 8652		86681-25200	2	
990601 -		AG 8652		86681-25200	2	
990601 -		DG LHD;8651		86681-25200	2	
990601 -		DS 8652		86681-25200	2	
990601 -		FD 8652		86681-25000	2	
990601 -		FG		86681-25000	2	

AD:DR,GL AG:DR,GLS DG:DR,GLS DS:DR,GL FD:DR,GL FG:DR,GLS 8651:BUMPER-5 MILE 8652:BUMPER-2.5 MILE

3-A9

86-866 REAR BUMPER

BA,Q0112- 467

P N C		MODEL APPLICABLE		R E P	PART NO. (REPL P/NO)	Q T Y	REMARKS
FROM-UP-TO	TYPE	DESCRIPTION					
86882G		BRACKET-RR BUMPER LWR SUPT					
		(S)SOPORTE					
990601 -		AD	8652		86882-25200	2	
990601 -		AG	8652		86882-25200	2	
990601 -		DG	LHD;8651		86882-25200	2	
990601 -		DS	8652		86882-25200	2	
990601 -		FD	8652		86882-25000	2	
990601 -		FG			86882-25000	2	
98890		RETAINER					
		(S)RETENEDOR					
990601 -		AD	8652	Y	97519-22000 (97519-02000)	4	
990601 -		AG	8652	Y	97519-22000 (97519-02000)	4	
990601 -		DG	LHD;8651	Y	97519-22000 (97519-02000)	4	
990601 -		DS	8652	Y	97519-22000 (97519-02000)	4	
990601 -		FD	8652	Y	97519-22000 (97519-02000)	4	
990601 -		FG		Y	97519-22000 (97519-02000)	4	

P N C		MODEL APPLICABLE		R E P	PART NO. (REPL P/NO)	Q T Y	REMARKS
FROM-UP-TO	TYPE	DESCRIPTION					

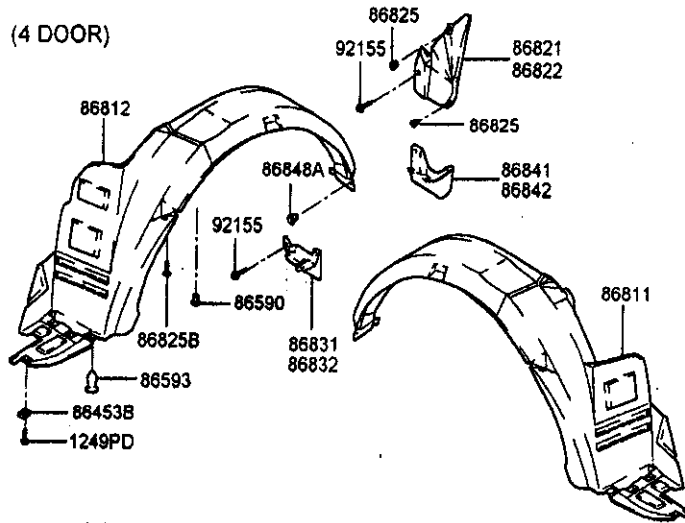
AD:DR,QL AG:SOR,QLS DG:DR,QLS DS:SOR,QL FD:DR,QL FG:DR,QLS 8651:BUMPER-5 MILE 8652:BUMPER-2.5 MILE

3-B 9

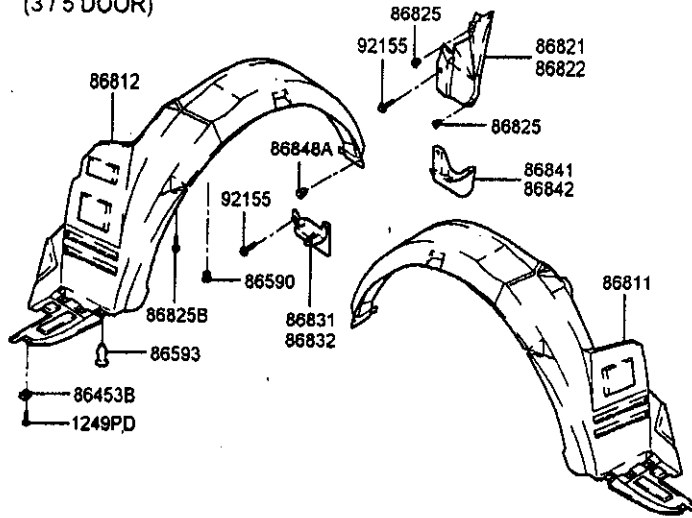
86-868 WHEEL GUARD

BA.G0112- 468

(4 DOOR)



(3 / 5 DOOR)

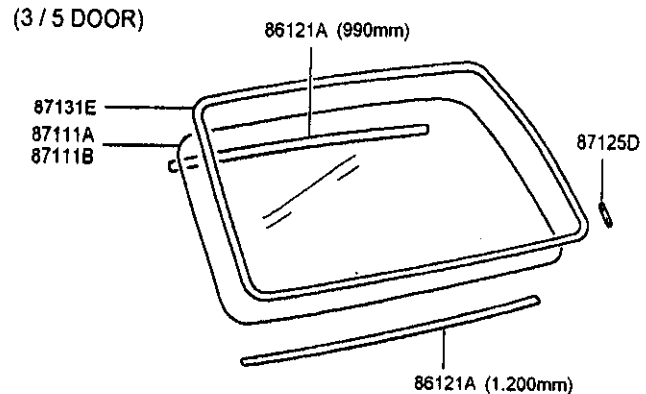
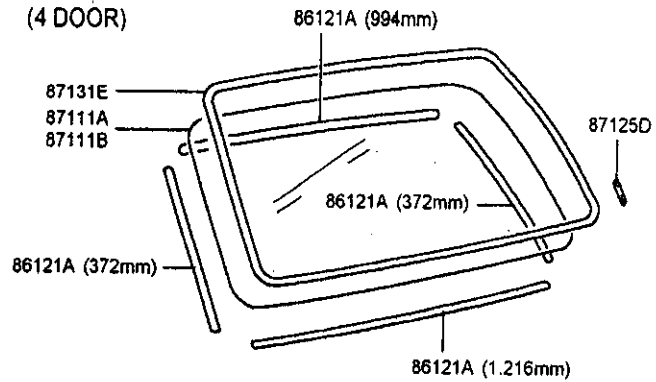


P N C	MODEL APPLICABLE		R E P	PART NO. (REPL P/MO)	Q T Y	REMARKS
	FROM-UP-TO	TYPE				
1249PD						
990601 -				12493-06203 (12442-05163)	4	
990601 -				12493-06203 (12442-05163)	2	
86453B						
990601 -				86825-28000	2	
86590						
990601 -				86590-28000	2	
990601 -				86590-28000	2	
86593						
990601 -				86593-34000	4	
86811						
990601 -				86811-25200	1	
990601 -				86811-25200	1	
990601 -				86811-25200	1	
990601 -				86811-25200	1	
990601 -				86811-25000	1	
020101 -				86811-25050	1	
990601 -				86811-25000	1	
020101 -				86811-25050	1	
86812						
990601 -				86812-25200	1	
990601 -				86812-25200	1	
990601 -				86812-25200	1	
990601 -				86812-25200	1	
990601 -				86812-25000	1	
020101 -				86812-25050	1	
990601 -				86812-25000	1	
020101 -				86812-25050	1	
86821						
990601 -				86821-25200	1	

CONTINUED

P N C	MODEL APPLICABLE		PART NO. (REPL P/NO)	Q T Y	REMARKS
	FROM-UP-TO	TYPE DESCRIPTION			
CONTINUED					
86821		GUARD-RR WHEEL LH (S)GUARDA			
990601 -		AG	86821-25200	1	
990601 -		DG	86821-25200	1	
990601 -		DS	86821-25200	1	
990601 -		FD	86821-25000	1	
990601 -		FG	86821-25000	1	
86822		GUARD-RR WHEEL RH (S)GUARDA			
990601 -		AD	86822-25200	1	
990601 -		AG	86822-25200	1	
990601 -		DG	86822-25200	1	
990601 -		DS	86822-25200	1	
990601 -		FD	86822-25000	1	
990601 -		FG	86822-25000	1	
86825		RETAINER-WHEEL GUARD MTG (S)RETENEDOR			
990601 -		ALL	86825-22000	6	
990601 -		ALL	86825-22000	4	
86825B		RETAINER-WHEEL GUARD MTG (S)RETENEDOR			
990601 -		ALL	86825-33000	8	
86831		GUARD ASSY-FR WHEEL MUD LH (S)CONJ. GUARDA			
990601 -		ALL 8647	86831-25000	1	
990601 -		DG 8647,8783	86831-25200	1	
990601 -		DS 8647,8783	86831-25200	1	
86832		GUARD ASSY-FR WHEEL MUD RH (S)CONJ. GUARDA			
990601 -		ALL 8647	86832-25000	1	
990601 -		DG 8647,8783	86832-25200	1	
990601 -		DS 8647,8783	86832-25200	1	
86841		GUARD ASSY-RR WHEEL MUD LH (S)CONJ. GUARDA			
990601 -		AD 864C	86841-25200	1	
990601 -		AG 864C	86841-25200	1	
990601 -		DG 864C	86841-25200	1	
990601 -		DS 864C	86841-25200	1	
CONTINUED					

P N C	MODEL APPLICABLE		PART NO. (REPL P/NO)	Q T Y	REMARKS
	FROM-UP-TO	TYPE DESCRIPTION			
CONTINUED					
86841		GUARD ASSY-RR WHEEL MUD LH (S)CONJ. GUARDA			
990601 -		FD 864C	86841-25000	1	
990601 -		FG 864C	86841-25000	1	
86842		GUARD ASSY-RR WHEEL MUD RH (S)CONJ. GUARDA			
990601 -		AD 864C	86842-25200	1	
990601 -		AG 864C	86842-25200	1	
990601 -		DG 864C	86842-25200	1	
990601 -		DS 864C	86842-25200	1	
990601 -		FD 864C	86842-25000	1	
990601 -		FG 864C	86842-25000	1	
86848A		RETAINER (S)RETENEDOR			
990601 -		ALL	86848-22000	4	
92155		BOLT (S)PERNO			
990601 -		ALL	92155-22000 (11254-06203)	2	



NOTE : DAM- GLASS is supplied in length of 5M or 150M. Actual replacement to vehicle could be made by cutting the DAM- GLASS into desired length expressed in remarks.

P / NAME	P / NO	LENGTH
DAM-GLASS	86121-22A10	150M
	86121-28A00	5M

P N C	MODEL APPLICABLE		R E P	PART NO. (REPL P/NO)	Q T Y	REMARKS
	FROM-UP-TO	TYPE				
86121A		DAM-GLASS				
		(S)DIQUE				
990601 -		AD		86121-28A00	1	SIAR
990601 -		AD		86121-22A10	1	
990601 -		AG		86121-22A00	1	SIAR
990601 -		DG		86121-28A00	1	SIAR
990601 -		DG		86121-22A10	1	
990601 -		DS		86121-28A00	1	SIAR
990601 -		DS		86121-22A10	1	
990601 -		FD		86121-28A00	1	SIAR
990601 -		FD		86121-22A10	1	
990601 -		FG		86121-28A00	1	SIAR
990601 -		FG		86121-22A10	1	
87111A		GLASS-RR WINDOW				
		(S)CRISTAL				
990601 - 010312	FD	8711	Y	87111-25120	1	
				(87111-25121)		
990601 - 010312	FD	8712	Y	87111-25130	1	
				(87111-25131)		
990601 - 010611	FD	8710		87111-25110	1	
010312 -	FD	8711		87111-25121	1	
010312 -	FD	8712		87111-25131	1	
990601 - 010312	FG	8711	Y	87111-25120	1	
				(87111-25121)		
990601 - 010312	FG	8712	Y	87111-25130	1	
				(87111-25131)		
990601 - 010611	FG	8710		87111-25110	1	
010312 -	FG	8711		87111-25121	1	
010312 -	FG	8712		87111-25131	1	
87111B		GLASS-T/GATE				
		(S)CRISTAL				
990601 -	AD	8711		87111-25220	1	
990601 -	AD	8711,9880		87111-25270	1	
990601 -	AD	8712		87111-25230	1	
990601 -	AD	8712,9880		87111-25280	1	
990601 - 010611	AD	8710		87111-25210	1	
990601 - 010611	AD	8710,9880		87111-25260	1	
990601 -	AG	8711		87111-25220	1	
990601 -	AG	8711,9880		87111-25270	1	
CONTINUED						

3-E 9

86-871 REAR WINDOW GLASS & MOULDING

SA:00112-471

P N C		MODEL APPLICABLE		R E P	PART NO. (REPL P/NO)	Q T Y	REMARKS	P N C		MODEL APPLICABLE		R E P	PART NO. (REPL P/NO)	Q T Y	REMARKS
FROM-UP-TO	TYPE	DESCRIPTION						FROM-UP-TO	TYPE	DESCRIPTION					
CONTINUED															
87111B		GLASS-T/GATE (S)CRISTAL													
990601 -	AG	8712			87111-25230	1									
990601 -	AG	8712,9680			87111-25280	1									
990601 - 010611	AG	8710			87111-25210	1									
990601 - 010611	AG	8710,9680			87111-25260	1									
990601 -	DG	8711			87111-25220	1									
990601 -	DG	8711,9680			87111-25270	1									
990601 -	DG	8712			87111-25230	1									
990601 -	DG	8712,9680			87111-25280	1									
990601 - 010611	DG	8710			87111-25210	1									
990601 -	DS	8711			87111-25220	1									
990601 -	DS	8711,9680			87111-25270	1									
990601 -	DS	8712			87111-25230	1									
990601 -	DS	8712,9680			87111-25280	1									
990601 - 010611	DS	8710			87111-25210	1									
87125D		FASTENER-DUAL LOCK (S)SUJETADOR													
990601 -	AD				87125-02000	4									
990601 -	AG				87125-02000	4									
990601 -	DG				87125-02000	4									
990601 -	DS				87125-02000	4									
87131E		MOULDING-RR WDO GLASS (S)MOLDURA													
990601 -	FD				87130-25000	1									
990601 -	FG				87130-25000	1									

AD:3DR, GL AG:3DR, GLS DG:3DR, GLS DS:3DR, L FD:4DR, GL FG:4DR, GLS

8710:GLASS-BL/ITE(CLEAR W/O HTD) 8711:GLASS-BL/ITE(CLEAR WITH HTD) 8712:GLASS-BL/ITE(TINTD WITH HTD) 9680:WIPER-RR WINDOW

3-F9

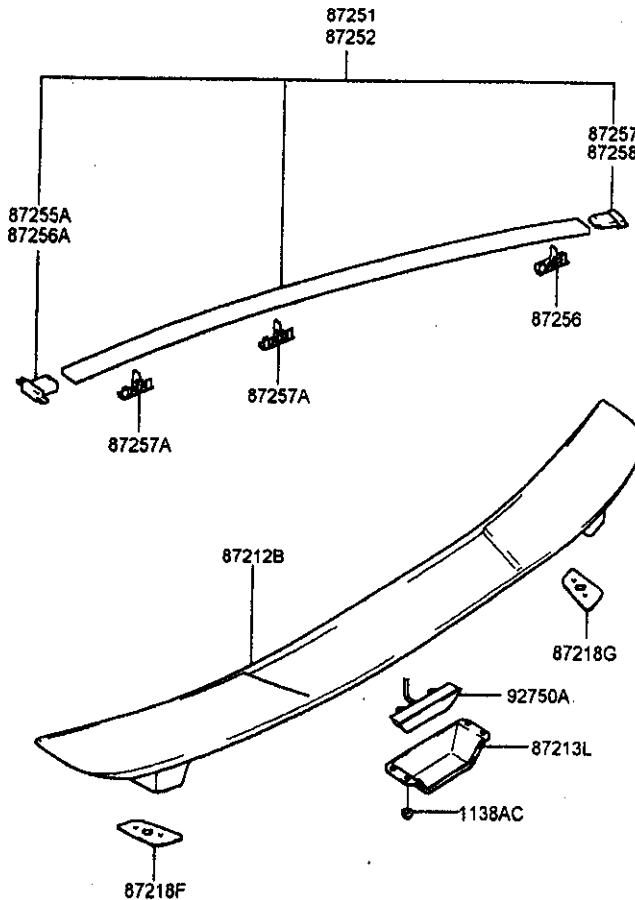
86-872 REAR SPOILER & ROOF GARNISH

BA,G0112- 472

P N C	MODEL APPLICABLE		R E P	PART NO. (REPL PNO)	Q T Y	REMARKS
	FROM-UP-TO	TYPE				
1138AC						
990601 -			Y	13385-06001 (13385-06003)	4	
990601 -			Y	13385-06001 (13385-06003)	4	
87212B						
990601 -				87211-25200	1	
990601 -				87211-25200	1	
87213L						
990601 -				87213-25200	1	
990601 -				87213-25200	1	
87218F						
990601 -				87212-25210	1	
990601 -				87212-25210	1	
87218G						
990601 -				87212-25200	1	
990601 -				87212-25200	1	
87251						
990601 -				87251-25200	1	
990601 -				87251-25200	1	
990601 -				87251-25200	1	
990601 -				87251-25200	1	
990601 -				87251-25000	1	
990601 -				87251-25000	1	
87252						
990601 -				87261-25200	1	
990601 -				87261-25200	1	
990601 -				87261-25200	1	
990601 -				87261-25200	1	
990601 -				87261-25000	1	
990601 -				87261-25000	1	

AD:3DR,GL AG:3DR,GLS DG:3DR,GLS DS:3DR,LA FD:4DR,GL FG:4DR,GLS

8722-SPOILER-LOWER(W/MSL)

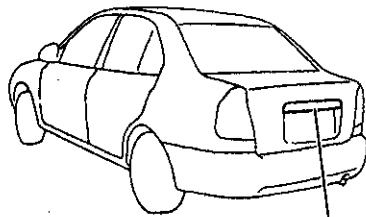


3-G 9

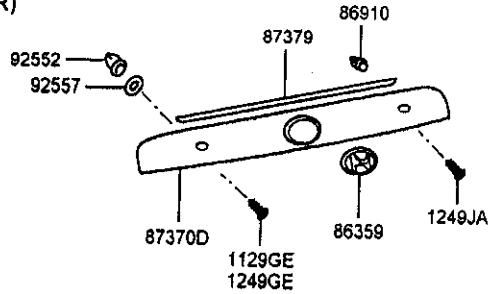
86-872 REAR SPOILER & ROOF GARNISH

BA,00112- 473

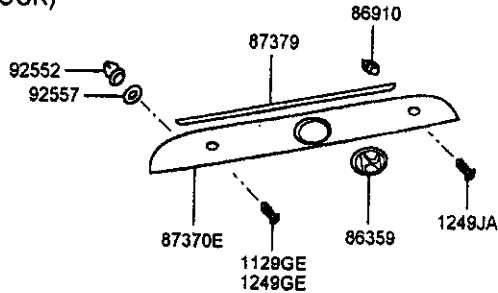
P N C		MODEL APPLICABLE		R E P	PART NO. (REPL PNO)	Q T Y	REMARKS	P N C		MODEL APPLICABLE		R E P	PART NO. (REPL PNO)	Q T Y	REMARKS	
FROM-UP-TO	TYPE	DESCRIPTION						FROM-UP-TO	TYPE	DESCRIPTION						
87255A		PIECE-ROOF GARNISH END FR LH														
		(S)PIEZA														
990601 -		FD			87253-25000	1										
990601 -		FG			87253-25000	1										
87256		CLIP-ROOF GARNISH MTG														
		(S)SUJETADOR														
990601 -		ALL		Y	87256-25000	2										
					(87256-25010)											
990601 -		ALL			87256-25010	2										
87256A		PIECE-ROOF GARNISH END FR RH														
		(S)PIEZA,														
990601 -		ALL			87263-25000	1										
87257		PIECE-ROOF GARNISH END RR LH														
		(S)PIEZA														
990601 -		AD			87254-25200	1										
990601 -		AG			87254-25200	1										
990601 -		DG			87254-25200	1										
990601 -		DS			87254-25200	1										
990601 -		FD			87254-25000	1										
990601 -		FG			87254-25000	1										
87257A		CLIP-ROOF GARNISH MTG														
		(S)CLIP														
990601 -		ALL		Y	87257-25000	4										
					(87257-25010)											
990601 -		ALL			87257-25010	4										
87258		PIECE-ROOF GARNISH END RR RH														
		(S)PIEZA														
990601 -		AD			87264-25200	1										
990601 -		AG			87264-25200	1										
990601 -		DG			87264-25200	1										
990601 -		DS			87264-25200	1										
990601 -		FD			87264-25000	1										
990601 -		FG			87264-25000	1										
92750A		LAMP ASSY-HMS														
		(S)CONJ. LAMPARA														
990601 -		DG 8722			92700-25500	1										
990601 -		DS 8722			92700-25500	1										



(4 DOOR)



(3 / 5 DOOR)



P N C	MODEL APPLICABLE		R	PART NO. (REPL. PNMO)	Q T Y	REMARKS
	FROM-UP-TO	TYPE				
1129GE						
010901 -				12492-05166B	4	
010901 -				12492-05166B	4	
010901 -				12492-05166B	4	
010901 -				12492-05166B	4	
010901 -				12492-05166B	3	
010901 -				12492-05166B	3	
1249GE						
990601 -				12492-05163	4	
990601 -				12492-05163	4	
990601 -				12492-05163	4	
990601 -				12492-05163	4	
990601 -				12492-05163	3	
990601 -				12492-05163	3	
1249JA						
990601 - 000807				12492-06183	4	
990601 - 000807				12492-06183	4	
990601 - 000807				12492-06183	4	
990601 - 000807				12492-06183	4	
990601 - 000807				12492-06183	3	
990601 - 000807				12492-06183	3	
86359						
990601 -				86300-38000	1	
86910						
990601 -				85714-22000	4	
990601 -				85714-22000	4	
990601 -				85714-22000	4	
990601 -				85714-22000	4	
990601 -				85714-22000	3	
990601 -				85714-22000	3	
87370D						
990601 - 010814				87371-25000CA (87371-25001CA)	1	

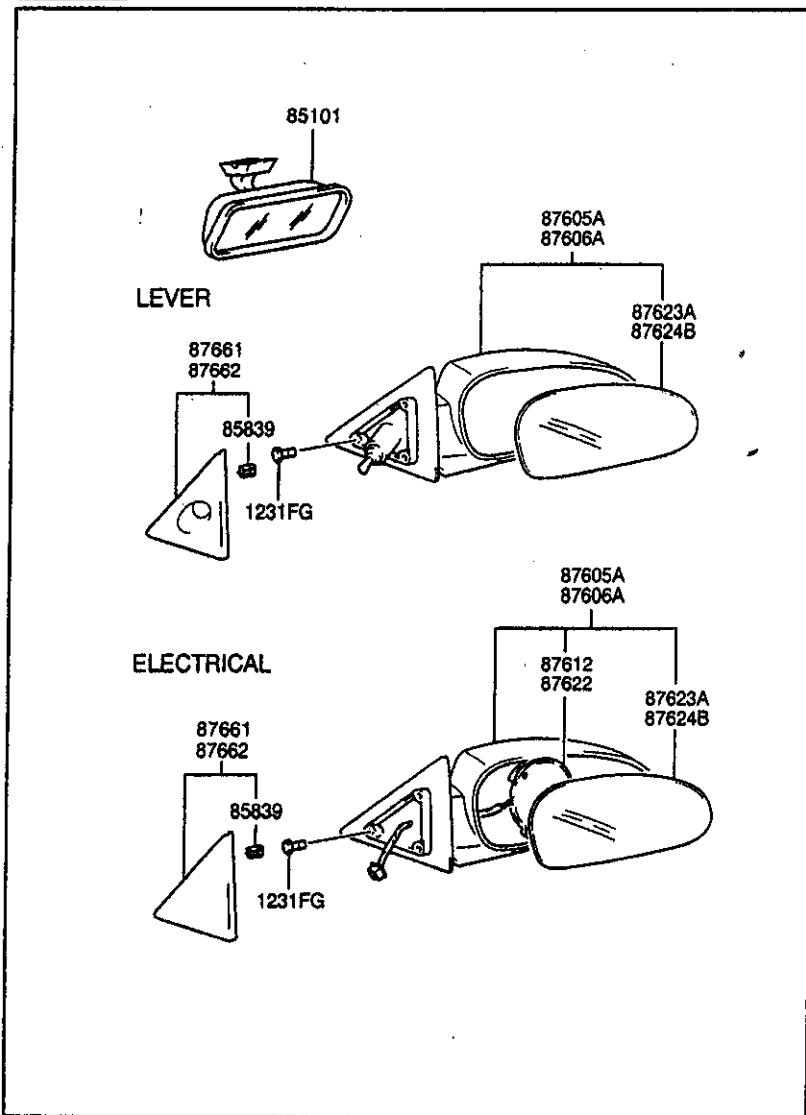
CONTINUED

3-19

86-873 BACK PANEL MOULDING

BA,00112-475

P N C		MODEL APPLICABLE		R E P	PART NO. (REPL. P/NO)	Q T Y	REMARKS	P N C		MODEL APPLICABLE		R E P	PART NO. (REPL. P/NO)	Q T Y	REMARKS
FROM-UP-TO	TYPE	DESCRIPTION						FROM-UP-TO	TYPE	DESCRIPTION					
CONTINUED															
87370D		GARNISH ASSY-T/LID													
	010814 -		(S)CONJ.LADORNO												
	990601 - 010814	FD	L35,L45,P85		87371-25001CA	1									
		FG		Y	87371-25000	1									
					(87371-25001)										
	010814 -	FG			87371-25001	1									
87370E		GARNISH ASSY-T/GATE													
			(S)CONJ.LADORNO												
	990601 -	AD			87371-25200CA	1									
	990601 -	AG			87371-25200	1									
	990601 -	DG			87371-25200	1									
	990601 -	DS			87371-25200CA	1									
87379		STRIP-BACK PANEL MOULDING													
			(S)BANDA												
	990601 -	AD			87375-25200	1									
	990601 -	AG			87375-25200	1									
	990601 -	DG			87375-25200	1									
	990601 -	DS			87375-25200	1									
	990601 -	FD			87375-22300	1									
	990601 -	FG			87375-22300	1									
92552		CLIP-GARNISH MTG RR													
			(S)SUJETADOR												
	990601 -	AD			92552-36000	4									
	990601 -	AG			92552-36000	4									
	990601 -	DG			92552-36000	4									
	990601 -	DS			92552-36000	4									
	990601 -	FD			92552-36000	2									
	990601 -	FG			92552-36000	2									
92557		PACKING													
			(S)EMPAQUE												
	990601 -	AD			92557-36000	4									
	990601 -	AG			92557-36000	4									
	990601 -	DG			92557-36000	4									
	990601 -	DS			92557-36000	4									
	990601 -	FD			92557-36000	2									
	990601 -	FG			92557-36000	2									



P N C	MODEL APPLICABLE		R E P	PART NO. (REPL P/NO)	Q T Y	REMARKS
	FROM-UP-TO	TYPE				
1231FG						
990601 -				12310-06141	3	
990601 -				12310-06141	3	
990601 -				12310-06141	3	
990601 -				12310-06141	3	
990601 -				12310-06141	3	
990601 -				12310-06141	3	
990601 -				12310-06141	3	
990601 -				12310-06141	3	
990601 -				12310-06141	3	
85101						
990601 - 991015				85101-22300 (85101-34000)	1	
991015 -				85101-34000	1	
85839						
990601 -				85839-22000	1	
87605A						
990601 -				87610-25300CA	1	
990601 - 000823				87610-25010CA (87610-25011CA)	1	
990601 - 000823				87610-25110CA	1	
990601 - 000823				87610-25310CA (87610-25311CA)	1	
990601 - 011101				87610-25000CA	1	
990601 - 011101				87610-25610CA	1	
990601 - 011101				87610-25620CA	1	
990601 - 011101				87610-25640CA	1	
000823 -				87610-25011CA	1	
000823 -				87610-25311CA	1	
000823 - 011101				87610-25111CA	1	
011101 -				87610-25700CA	1	
011101 -				87610-25710CA	1	
011101 -				87610-25760CA	1	
011101 -				87610-25730CA	1	
011101 -				87610-25641CA	1	
990601 -				87610-25300CA	1	

AD:SDR,QL AG:SDR,QLS 8512:MIRROR-VIS(DAY & NIGHT) 8752:MRR-DR'S MANU FLAT 8753:MRR-DR'S LEVER FLAT 8756:MRR-DR'S ELEC:HTR FLAT 8758:MRR-DR'S LEVER CONV 875A:MRR-PA'S MANU CONV
875B:MRR-PA'S LEVER CONV 875D:MRR-PA'S ELEC:HTR CONV 8761:MRR-DR'S ELEC:HTR CONV

CONTINUED

3-K9

86-876 OUTSIDE REAR VIEW MIRROR

BA,00112- 477

P N C		MODEL APPLICABLE		R E P	PART NO. (REPL PNO)	Q T Y	REMARKS
FROM-UP-TD	TYPE	DESCRIPTION					
CONTINUED							
87605A		MIRROR ASSY-RR VIEW O/S LH					
990601 - 000823	AG	LHD;	8753	Y	87610-25010CA (87610-25011CA)	1	
990601 - 000823	AG	LHD;	8758		87610-25110CA	1	
990601 - 000823	AG	RHD;	875B	Y	87610-25310CA (87610-25311CA)	1	
990601 - 011101	AG	LHD;	8752		87610-25000CA	1	
990601 - 011101	AG	LHD;	8756		87610-25610CA	1	
990601 - 011101	AG	LHD;	8761		87610-25620CA	1	
990601 - 011101	AG	RHD;	875D		87610-25640CA	1	
000823 -	AG	LHD;	8753		87610-25011CA	1	
000823 -	AG	RHD;	875B		87610-25311CA	1	
000823 - 011101	AG	LHD;	8758		87610-25111CA	1	
011101 -	AG	LHD;	8752		87610-25700CA	1	
011101 -	AG	LHD;	8753		87610-25710CA	1	
011101 -	AG	LHD;	8756		87610-25760CA	1	
011101 -	AG	LHD;	8758		87610-25730CA	1	
011101 -	AG	RHD;	875D		87610-25641CA	1	
990601 -	DG	RHD;	875A		87610-25300CA	1	
990601 - 000823	DG	LHD;	8753	Y	87610-25010CA (87610-25011CA)	1	
990601 - 000823	DG	LHD;	8758		87610-25110CA	1	
990601 - 000823	DG	RHD;	875B	Y	87610-25310CA (87610-25311CA)	1	
990601 - 011101	DG	LHD;	8752		87610-25000CA	1	
990601 - 011101	DG	LHD;	8756		87610-25610CA	1	
990601 - 011101	DG	LHD;	8761		87610-25620CA	1	
990601 - 011101	DG	RHD;	875D		87610-25640CA	1	
000823 -	DG	LHD;	8753		87610-25011CA	1	
000823 -	DG	RHD;	875B		87610-25311CA	1	
000823 - 011101	DG	LHD;	8758		87610-25111CA	1	
011101 -	DG	LHD;	8752		87610-25700CA	1	
011101 -	DG	LHD;	8753		87610-25710CA	1	
011101 -	DG	LHD;	8756		87610-25760CA	1	
011101 -	DG	LHD;	8758		87610-25730CA	1	
011101 -	DG	RHD;	875D		87610-25641CA	1	
990601 -	DS	RHD;	875A		87610-25300CA	1	

CONTINUED

P N C		MODEL APPLICABLE		R E P	PART NO. (REPL PNO)	Q T Y	REMARKS
FROM-UP-TD	TYPE	DESCRIPTION					
CONTINUED							
87605A		MIRROR ASSY-RR VIEW O/S LH					
990601 - 000823	DS	LHD;	8753	Y	87610-25010CA (87610-25011CA)	1	
990601 - 000823	DS	LHD;	8758		87610-25110CA	1	
990601 - 000823	DS	RHD;	875B	Y	87610-25310CA (87610-25311CA)	1	
990601 - 011101	DS	LHD;	8752		87610-25000CA	1	
990601 - 011101	DS	LHD;	8756		87610-25610CA	1	
990601 - 011101	DS	LHD;	8761		87610-25620CA	1	
990601 - 011101	DS	RHD;	875D		87610-25640CA	1	
000823 -	DS	LHD;	8753		87610-25011CA	1	
000823 -	DS	RHD;	875B		87610-25311CA	1	
000823 - 011101	DS	LHD;	8758		87610-25111CA	1	
011101 -	DS	LHD;	8752		87610-25700CA	1	
011101 -	DS	LHD;	8753		87610-25710CA	1	
011101 -	DS	LHD;	8756		87610-25760CA	1	
011101 -	DS	LHD;	8758		87610-25730CA	1	
011101 -	DS	RHD;	875D		87610-25641CA	1	
990601 -	FD	RHD>	L35,L45,P85;875A		87610-25300CA	1	
990601 - 000823	FD	LHD>	L35,L45,P85;8753	Y	87610-25010CA (87610-25011CA)	1	
990601 - 000823	FD	LHD>	L35,L45,P85;8758		87610-25110CA	1	
990601 - 000823	FD	RHD>	L35,L45,P85;875B	Y	87610-25310CA (87610-25311CA)	1	
990601 - 011101	FD	LHD>	L35,L45,P85;8752		87610-25000CA	1	
990601 - 011101	FD	LHD>	L35,L45,P85;8756		87610-25610CA	1	
990601 - 011101	FD	LHD>	L35,L45,P85;8761		87610-25620CA	1	
990601 - 011101	FD	RHD>	L35,L45,P85;875D		87610-25640CA	1	
000823 -	FD	LHD>	L35,L45,P85;8753		87610-25011CA	1	
000823 -	FD	RHD>	L35,L45,P85;875B		87610-25311CA	1	
000823 - 011101	FD	LHD>	L35,L45,P85;8758		87610-25111CA	1	
011101 -	FD	LHD>	L35,L45,P85;8752		87610-25700CA	1	
011101 -	FD	LHD>	L35,L45,P85;8753		87610-25710CA	1	
011101 -	FD	LHD>	L35,L45,P85;8756		87610-25760CA	1	
011101 -	FD	LHD>	L35,L45,P85;8758		87610-25730CA	1	
011101 -	FD	RHD>	L35,L45,P85;875D		87610-25641CA	1	
990601 -	FG	RHD>	P3B,P35,P6B,P85 875A		87610-25300	1	

CONTINUED

3-L 9

86-876 OUTSIDE REAR VIEW MIRROR

BA,G0112- 478

P N C		MODEL APPLICABLE		R E P	PART NO. (REPL P/NO)	Q T Y	REMARKS	P N C		MODEL APPLICABLE		R E P	PART NO. (REPL P/NO)	Q T Y	REMARKS
FROM-UP-TO	TYPE	DESCRIPTION						FROM-UP-TO	TYPE	DESCRIPTION					
CONTINUED								CONTINUED							
87605A		MIRROR ASSY-RR VIEW O/S LH (S)CONJ. ESPEJO						87605A		MIRROR ASSY-RR VIEW O/S LH (S)CONJ. ESPEJO					
990601 -		FG	RHD;875A		87610-25300CA	1		011101 -	FG	LHD>P3B,P35,P6B,P65		87610-25710	1		
990601 - 000823		FG	LHD>P3B,P35,P6B,P65 8753	Y	87610-25010 (87610-25011)	1		011101 -	FG	LHD;8753		87610-25710CA	1		
990601 - 000823		FG	LHD;8753	Y	87610-25010CA (87610-25011CA)	1		011101 -	FG	LHD>P3B,P35,P6B,P65		87610-25760	1		
990801 - 000823		FG	LHD>P3B,P35,P6B,P65 8758	Y	87610-25110 (87610-25111)	1		011101 -	FG	LHD;8756		87610-25760CA	1		
990601 - 000823		FG	LHD;8758		87610-25110CA	1		011101 -	FG	LHD>P3B,P35,P6B,P65		87610-25730	1		
990601 - 000823		FG	RHD>P3B,P35,P6B,P65 875B	Y	87610-25310 (87610-25311)	1		011101 -	FG	LHD;8758		87610-25730CA	1		
990601 - 000823		FG	RHD;875B	Y	87610-25310CA (87610-25311CA)	1		011101 -	FG	RHD>P3B,P35,P6B,P65		87610-25641	1		
990601 - 011101		FG	LHD>P3B,P35,P6B,P65 8752		87610-25000	1		011101 -	FG	RHD;875D		87610-25641CA	1		
990601 - 011101		FG	LHD;8752		87610-25000CA	1		87606A		MIRROR ASSY-RR VIEW O/S RH (S)CONJ. ESPEJO					
990601 - 011101		FG	LHD>P3B,P35,P6B,P65 8756		87610-25610	1		011101 -	ALL	LHD;875A		87620-25730	1		
990601 - 011101		FG	LHD;8756		87610-25610CA	1		011101 -	ALL	LHD;875B		87620-25740	1		
990601 - 011101		FG	LHD>P3B,P35,P6B,P65 8761		87610-25620	1		011101 -	ALL	LHD;875D		87620-25790	1		
990601 - 011101		FG	LHD;8761		87610-25620CA	1		990601 -	AD	RHD;8752		87620-25400CA	1		
990601 - 011101		FG	RHD>P3B,P35,P6B,P65 875D		87610-25640	1		990601 - 000823	AD	LHD;875B	Y	87620-25210CA (87620-25211CA)	1		
990601 - 011101		FG	RHD;875D		87610-25640CA	1		990601 - 000823	AD	RHD;8753	Y	87620-25410CA (87620-25411CA)	1		
000823 -		FG	LHD>P3B,P35,P6B,P65 8753		87610-25011	1		990601 - 000823	AD	RHD;8758	Y	87620-25510CA (87620-25511CA)	1		
000823 -		FG	LHD;8753		87610-25011CA	1		990601 - 011101	AD	LHD;875A		87620-25200CA	1		
000823 -		FG	RHD>P3B,P35,P6B,P65 875B		87610-25311	1		990601 - 011101	AD	LHD;875D		87620-25620CA	1		
000823 -		FG	RHD;875B		87610-25311CA	1		990601 - 011101	AD	RHD;8756		87620-25640CA	1		
000823 - 011101		FG	LHD>P3B,P35,P6B,P65 8758		87610-25111	1		990601 - 011101	AD	RHD;8761		87620-25650CA	1		
000823 - 011101		FG	LHD;8758		87610-25111CA	1		000823 -	AD	LHD;875B		87620-25211CA	1		
000823 - 011101		FG	LHD>P3B,P35,P6B,P65 8758		87610-25111CA	1		000823 -	AD	RHD;8753		87620-25411CA	1		
000823 - 011101		FG	LHD;8758		87610-25111CA	1		000823 -	AD	RHD;8758		87620-25511CA	1		
011101 -		FG	LHD>P3B,P35,P6B,P65 8752		87610-25700	1		011101 -	AD	RHD;8756		87620-25641CA	1		
011101 -		FG	LHD;8752		87610-25700CA	1		011101 -	AD	RHD;8761		87620-25661CA	1		
								990601 -	AG	RHD;8752		87620-25400CA	1		
								990601 - 000823	AG	LHD;875B	Y	87620-25210CA (87620-25211CA)	1		

ADSOR, GL AG, SOR, GLS FG, OR, GLS 8752:MRR-DR'S MANU FLAT 8753:MRR-DR'S LEVER FLAT 8756:MRR-DR'S ELEC:TR FLAT 8758:MRR-DR'S LEVER CONV 875A:MRR-PA'S MANU CONV
875B:MRR-PA'S LEVER CONV 875D:MRR-PA'S ELEC:TR CONV 875D:MRR-DR'S ELEC:TR CONV

P N C.	MODEL APPLICABLE		R E P	PART NO. (REPL PNO)	Q T Y	REMARKS
	FROM-UP-TO	TYPE DESCRIPTION				
CONTINUED						
87606A		MIRROR ASSY-RR VIEW O/S RH (S)CONJ. ESPEJO				
990601 - 000823	AG	RHD;8753	Y	87620-25410CA (87620-25411CA)	1	
990601 - 000823	AG	RHD;8758	Y	87620-25510CA (87620-25511CA)	1	
990601 - 011101	AG	LHD;875A		87620-25200CA	1	
990601 - 011101	AG	LHD;875D		87620-25620CA	1	
990601 - 011101	AG	RHD;8756		87620-25640CA	1	
990601 - 011101	AG	RHD;8761		87620-25650CA	1	
000823 -	AG	LHD;875B		87620-25211CA	1	
000823 -	AG	RHD;8753		87620-25411CA	1	
000823 -	AG	RHD;8758		87620-25511CA	1	
011101 -	AG	RHD;8756		87620-25641CA	1	
011101 -	AG	RHD;8761		87620-25651CA	1	
990601 -	DG	RHD;8752		87620-25400CA	1	
990601 - 000823	DG	LHD;875B	Y	87620-25210CA (87620-25211CA)	1	
990601 - 000823	DG	RHD;8753	Y	87620-25410CA (87620-25411CA)	1	
990601 - 000823	DG	RHD;8758	Y	87620-25510CA (87620-25511CA)	1	
990601 - 011101	DG	LHD;875A		87620-25200CA	1	
990601 - 011101	DG	LHD;875D		87620-25620CA	1	
990601 - 011101	DG	RHD;8756		87620-25640CA	1	
990601 - 011101	DG	RHD;8761		87620-25650CA	1	
000823 -	DG	LHD;875B		87620-25211CA	1	
000823 -	DG	RHD;8753		87620-25411CA	1	
000823 -	DG	RHD;8758		87620-25511CA	1	
011101 -	DG	RHD;8756		87620-25641CA	1	
011101 -	DG	RHD;8761		87620-25651CA	1	
990601 -	DS	RHD;8752		87620-25400CA	1	
990601 - 000823	DS	LHD;875B	Y	87620-25210CA (87620-25211CA)	1	
990601 - 000823	DS	RHD;8753	Y	87620-25410CA (87620-25411CA)	1	
990601 - 000823	DS	RHD;8758	Y	87620-25510CA (87620-25511CA)	1	

AG:DR,GLS DG:DR,GLS DS:DRLL FG:DR,QL EG:ADR,GLS 8752:MRR-DR'S MANU FLAT 8753:MRR-DR'S LEVER FLAT 8758:MRR-DR'S ELEC:HTR FLAT 8759:MRR-DR'S LEVER CONV 875A:MRR-PA'S MANU CONV 875B:MRR-PA'S LEVER CONV 875D:MRR-PA'S ELEC:HTR CONV 8761:MRR-DR'S ELEC:HTR CONV

P N C.	MODEL APPLICABLE		R E P	PART NO. (REPL PNO)	Q T Y	REMARKS
	FROM-UP-TO	TYPE DESCRIPTION				
CONTINUED						
87606A		MIRROR ASSY-RR VIEW O/S RH (S)CONJ. ESPEJO				
990601 - 011101	DS	LHD;875A		87620-25200CA	1	
990601 - 011101	DS	LHD;875D		87620-25620CA	1	
990601 - 011101	DS	RHD;8756		87620-25640CA	1	
990601 - 011101	DS	RHD;8761		87620-25650CA	1	
000823 -	DS	LHD;875B		87620-25211CA	1	
000823 -	DS	RHD;8753		87620-25411CA	1	
000823 -	DS	RHD;8758		87620-25511CA	1	
011101 -	DS	RHD;8756		87620-25641CA	1	
011101 -	DS	RHD;8761		87620-25651CA	1	
990601 -	FD	RHD>L35,L45,P85;8752		87620-25400CA	1	
990601 - 000823	FD	LHD>L35,L45,P85;875B	Y	87620-25210CA (87620-25211CA)	1	
990601 - 000823	FD	RHD>L35,L45,P85;8753	Y	87620-25410CA (87620-25411CA)	1	
990601 - 000823	FD	RHD>L35,L45,P85;8758	Y	87620-25510CA (87620-25511CA)	1	
990601 - 011101	FD	LHD>L35,L45,P85;875A		87620-25200CA	1	
990601 - 011101	FD	LHD>L35,L45,P85;875D		87620-25620CA	1	
990601 - 011101	FD	RHD>L35,L45,P85;8756		87620-25640CA	1	
990601 - 011101	FD	RHD>L35,L45,P85;8761		87620-25650CA	1	
000823 -	FD	LHD>L35,L45,P85;875B		87620-25211CA	1	
000823 -	FD	RHD>L35,L45,P85;8753		87620-25411CA	1	
000823 -	FD	RHD>L35,L45,P85;8758		87620-25511CA	1	
011101 -	FD	RHD>L35,L45,P85;8756		87620-25641CA	1	
011101 -	FD	RHD>L35,L45,P85;8761		87620-25651CA	1	
990601 -	FG	RHD>P3B,P35,P6B,P65 8752		87620-25400CA	1	
990601 -	FG	RHD;8752		87620-25210 (87620-25211)	1	
990601 - 000823	FG	LHD>P3B,P35,P6B,P65 875B	Y	87620-25210CA (87620-25211CA)	1	
990601 - 000823	FG	LHD;875B	Y	87620-25210CA (87620-25211CA)	1	
990601 - 000823	FG	RHD>P3B,P35,P6B,P65 8753	Y	87620-25410 (87620-25411)	1	
990601 - 000823	FG	RHD;8753	Y	87620-25410CA (87620-25411CA)	1	

CONTINUED

3-A10

86-876 OUTSIDE REAR VIEW MIRROR

BA,G0112-480

P N C		MODEL APPLICABLE		R E P	PART NO. (REPL P/NO)	Q T Y	REMARKS	P N C		MODEL APPLICABLE		R E P	PART NO. (REPL P/NO)	Q T Y	REMARKS
FROM-UP-TO	TYPE	DESCRIPTION						FROM-UP-TO	TYPE	DESCRIPTION					
CONTINUED								87622	ACTUATOR ASSY-O/S MIR RH						
87606A		MIRROR ASSY-RR VIEW O/S RH							(S)CONJ. ACTUADOR						
990601 - 000823	FG	RHD>P3B,P35,P6B,P65	8758	Y	87620-25510 (87620-25511)	1		990601 -	ALL LHD;875D				87622-25000	1	
990601 - 000823	FG	RHD;8758		Y	87620-25510CA (87620-25511CA)	1		990601 -	ALL RHD;8756				87622-25000	1	
990601 - 011101	FG	LHD>P3B,P35,P6B,P65	875A		87620-25200	1		990601 -	ALL RHD;8761				87622-25000	1	
990601 - 011101	FG	LHD;875A			87620-25200CA	1		87623A	MIRROR & HOLDER ASSY-O/S RR VIEW LH						
990601 - 011101	FG	LHD>P3B,P35,P6B,P65	875D		87620-25620	1			(S)CONJ. SOPORTE & ESPEJO						
990601 - 011101	FG	LHD;875D			87620-25620CA	1		990601 -	ALL LHD;8753				87611-25000	1	
990601 - 011101	FG	RHD>P3B,P35,P6B,P65	8756		87620-25640	1		990601 -	ALL RHD;875A				87611-25100	1	
990601 - 011101	FG	RHD;8756			87620-25640CA	1		990601 -	ALL RHD;875B				87611-25100	1	
990601 - 011101	FG	RHD>P3B,P35,P6B,P65	8761		87620-25650	1		990601 - 011101	ALL LHD;8752				87611-25000	1	
990601 - 011101	FG	RHD;8761			87620-25650CA	1		990601 - 011101	ALL LHD;8756				87611-25610	1	
000823 -	FG	LHD>P3B,P35,P6B,P65	875B		87620-25211	1		990601 - 011101	ALL LHD;8758				87611-25100	1	
000823 -	FG	LHD;875B			87620-25211CA	1		990601 - 011101	ALL LHD;8758				87611-25620	1	
000823 -	FG	RHD>P3B,P35,P6B,P65	8753		87620-25411	1		011101 -	ALL LHD;8752				87611-25700	1	
000823 -	FG	RHD;8753			87620-25411CA	1		011101 -	ALL LHD;8753				87611-25700	1	
000823 -	FG	RHD>P3B,P35,P6B,P65	8758		87620-25511	1		011101 -	ALL LHD;8756				87611-25730	1	
000823 -	FG	RHD;8758			87620-25511CA	1		011101 -	ALL LHD;8758				87611-25710	1	
011101 -	FG	RHD>P3B,P35,P6B,P65	8756		87620-25641	1		011101 -	ALL RHD;875D				87611-25621	1	
011101 -	FG	RHD;8756			87620-25641CA	1		87624B	MIRROR & HOLDER ASSY-O/S RR VIEW RH						
011101 -	FG	RHD>P3B,P35,P6B,P65	8761		87620-25651	1			(S)CONJ. SOPORTE & ESPEJO						
011101 -	FG	RHD;8761			87620-25651CA	1		990601 -	ALL LHD;875B				87621-25200	1	
87612		ACTUATOR ASSY-O/S MIR LH						990601 -	ALL RHD;8752				87621-25400	1	
990601 -	ALL	LHD;8756			87612-25000	1		990601 -	ALL RHD;8753				87621-25400	1	
990601 -	ALL	RHD;875D			87612-25000	1		990601 -	ALL RHD;8758				87621-25200	1	
990601 - 011101	ALL	LHD;8761			87612-25000	1		990601 - 011101	ALL LHD;875A				87621-25200	1	
								990601 - 011101	ALL LHD;875D				87621-25620	1	
								990601 - 011101	ALL RHD;8756				87621-25640	1	
								990601 - 011101	ALL RHD;8761				87621-25620	1	
								011101 -	ALL LHD;875A				87621-25720	1	
								011101 -	ALL LHD;875B				87621-25760	1	
								011101 -	ALL RHD;8756				87621-25641	1	
								011101 -	ALL RHD;8761				87621-25621	1	
								87661	COVER-FR DR QUADRANT INR LH						
									(S)CUBIERTA						
								990601 -	ALL 875B				87660-25010	1	
								990601 -	ALL 875D				87660-25000	1	
CONTINUED															

PG:DR,GLE

8752:MRR-DR'S MANU FLAT 8753:MRR-DR'S LEVER FLAT 8756:MRR-DR'S ELECHTR FLAT 8758:MRR-DR'S LEVER CONV 875A:MRR-PA'S MANU CONV 875B:MRR-PA'S LEVER CONV 875D:MRR-PA'S ELECHTR CONV 8761:MRR-DR'S ELECHTR CONV

3-B10**86-876 OUTSIDE REAR VIEW MIRROR**

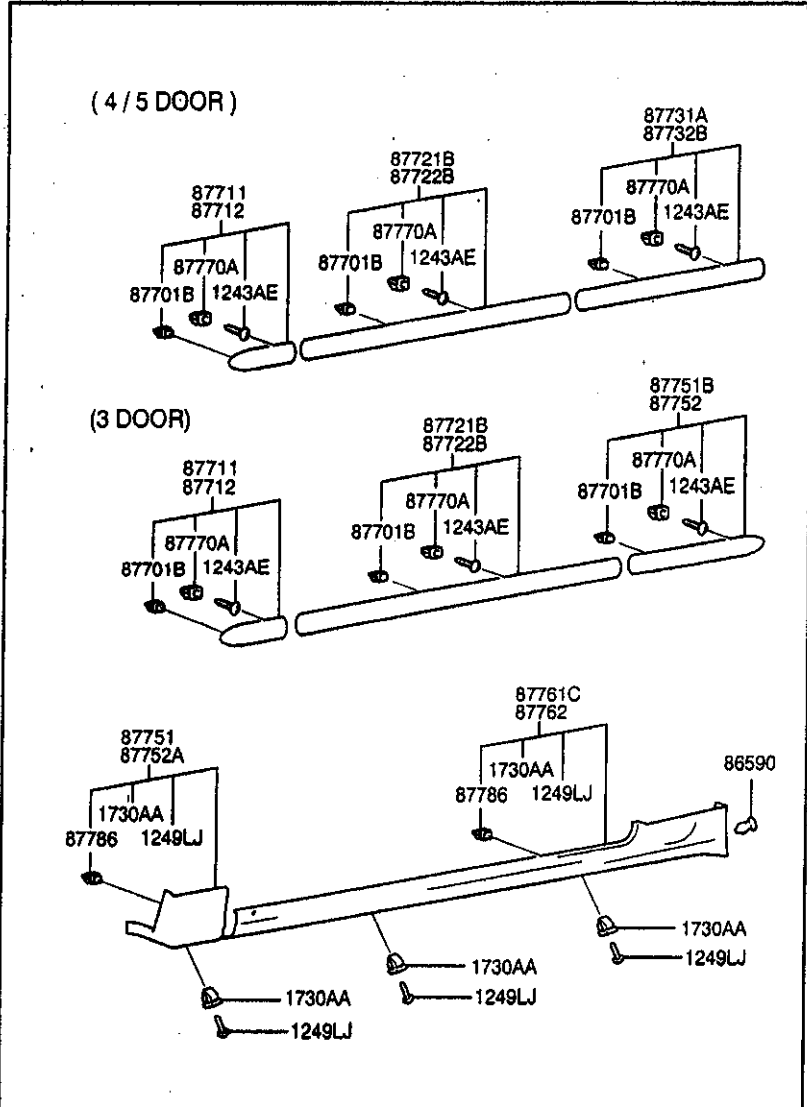
BA,00112-481

P N C		MODEL APPLICABLE		R E P	PART NO. (REPL PNO)	Q T Y	REMARKS	P N C		MODEL APPLICABLE		R E P	PART NO. (REPL PNO)	Q T Y	REMARKS
FROM-UP-TO	TYPE	DESCRIPTION						FROM-UP-TO	TYPE	DESCRIPTION					
CONTINUED															
		87661			COVER-FR DR QUADRANT INR LH (S)CUBIERTA										
		990601 -			ALL 875D,96SB	87660-25020	1								
		87662			COVER-FR DR QUADRANT INR RH (S)CUBIERTA										
		990601 -			ALL 875B	87670-25010	1								
		990601 -			ALL 875D	87670-25000	1								
		990601 -			ALL 875D,96SB	87670-25020	1								

3-C10

86-877 BODY SIDE MOULDING

BA,00112- 482



P N C	MODEL APPLICABLE		P A R T N O. (REPL PNO)	Q T Y	REMARKS
	FROM-UP-TO	TYPE			
1243AE					
990601 -			12431-03121	1	
1249LJ					
990601 -			12493-04163	1	
990601 -			12493-04163	1	
1730AA					
990601 -			87758-37000	1	
990601 -			87758-37000	1	
86590					
990601 -			86590-28000	4	
990601 -			86590-28000	4	
87701B					
990601 -			87770-02000	1	
87711					
990601 -			87711-25000CA	1	
990601 -			87711-25000	1	
990601 -			87711-25000	1	
990601 -			87711-25000CA	1	
990601 -			87711-25000CA	1	
990601 -			87711-25000	1	
87712					
990601 -			87712-25000CA	1	
990601 -			87712-25000	1	
990601 -			87712-25000	1	
990601 -			87712-25000CA	1	
990601 -			87712-25000CA	1	
990601 -			87712-25000	1	
87721B					
990601 -			87721-25000CA	1	
990601 -			87721-25000	1	
990601 -			87721-25200	1	

CONTINUED

AD:3DR,AG:3DR,GL: DG:3DR,GL: DS:3DR,L: FD:3DR,GL: FQ:4DR,GL: 8783:4LDG-ROCKER PNL(WIDE TYPE)

86-877 BODY SIDE MOULDING

BA,00112-483

3-D10

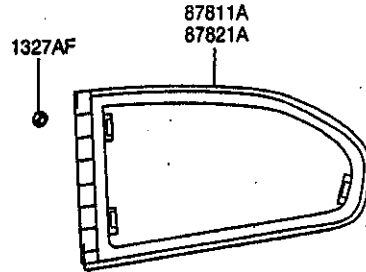
P N C		MODEL APPLICABLE		R E P	PART NO. (REPL P/NO)	Q T Y	REMARKS
FROM-UP-TO	TYPE	DESCRIPTION					
CONTINUED							
87721B		MOULDING ASSY-FR DR W/LINE LH (S)CONJ. MOLDURA					
990601 -	DS				87721-25200CA	1	
990601 -	FD L35,L45,P85				87721-25000CA	1	
990601 -	FG				87721-25000	1	
87722B		MOULDING ASSY-FR DR W/LINE RH (S)CONJ. MOLDURA					
990601 -	AD				87722-25000CA	1	
990601 -	AG				87722-25000	1	
990601 -	DG				87722-25200	1	
990601 -	DS				87722-25200CA	1	
990601 -	FD L35,L45,P85				87722-25000CA	1	
990601 -	FG				87722-25000	1	
87731A		MOULDING ASSY-RR DR W/LINE LH (S)CONJ. MOLDURA					
990601 -	AD				87731-25000CA	1	
990601 -	AG				87731-25000	1	
990601 -	FD L35,L45,P85				87731-25000CA	1	
990601 -	FG				87731-25000	1	
87732B		MOULDING ASSY-RR DR W/LINE RH (S)CONJ. MOLDURA					
990601 -	AD				87732-25000CA	1	
990601 -	AG				87732-25000	1	
990601 -	FD L35,L45,P85				87732-25000CA	1	
990601 -	FG				87732-25000	1	
87751		MOULDING ASSY-SIDE SILL FR LH (S)CONJ. MOLDURA					
990601 -	DG 8783				87751-25200	1	
990601 -	DS 8783				87751-25200	1	
87751B		MOULDING ASSY-QTR W/LINE LH (S)CONJ. MOLDURA					
990601 -	DG				87741-25200	1	
990601 -	DS				87741-25200CA	1	
87752		MOULDING ASSY-QTR W/LINE RH (S)CONJ. MOLDURA					
990601 -	DG				87742-25200	1	
990601 -	DS				87742-25200CA	1	

P N C		MODEL APPLICABLE		R E P	PART NO. (REPL P/NO)	Q T Y	REMARKS
FROM-UP-TO	TYPE	DESCRIPTION					
87752A		MOULDING ASSY-SIDE SILL FR RH (S)CONJ. MOLDURA					
990601 -	DG 8783				87752-25200	1	
990601 -	DS 8783				87752-25200	1	
87761C		MOULDING ASSY-SIDE SILL RR LH (S)CONJ. MOLDURA					
990601 -	DG 8783				87761-25200	1	
990601 -	DS 8783				87761-25200	1	
87762		MOULDING ASSY-SIDE SILL RR RH (S)CONJ. MOLDURA					
990601 -	DG 8783				87762-25200	1	
990601 -	DS 8783				87762-25200	1	
87770A		CLIP-SIDE GARNISH MTG (S)SUJETADOR					
990601 -	ALL				87758-35000	1	
87786		CLIP-SIDE SILL MOULDING MTG (S)SUJETADOR					
990601 -	DG 8783				87758-35000	2	
990601 -	DS 8783				87758-35000	2	

3-E10

86-878 QUARTER FIXED GLASS

BA,G0112- 484



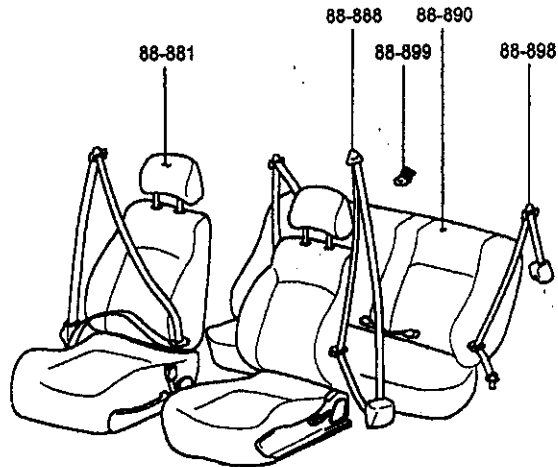
P N C	MODEL APPLICABLE		R E P	PART NO. (REPL P/NO)	Q T Y	REMARKS
	FROM-UP-TO	TYPE				
1327AF						
990601 -				13271-04001	6	
990601 -				13271-04001	6	
87811A						
990601 -				87810-25100	1	
990601 -				87810-25000	1	
990601 -				87810-25100	1	
990601 -				87810-25000	1	
87821A						
990601 -				87820-25100	1	
990601 -				87820-25000	1	
990601 -				87820-25100	1	
990601 -				87820-25000	1	

M/E/M/O

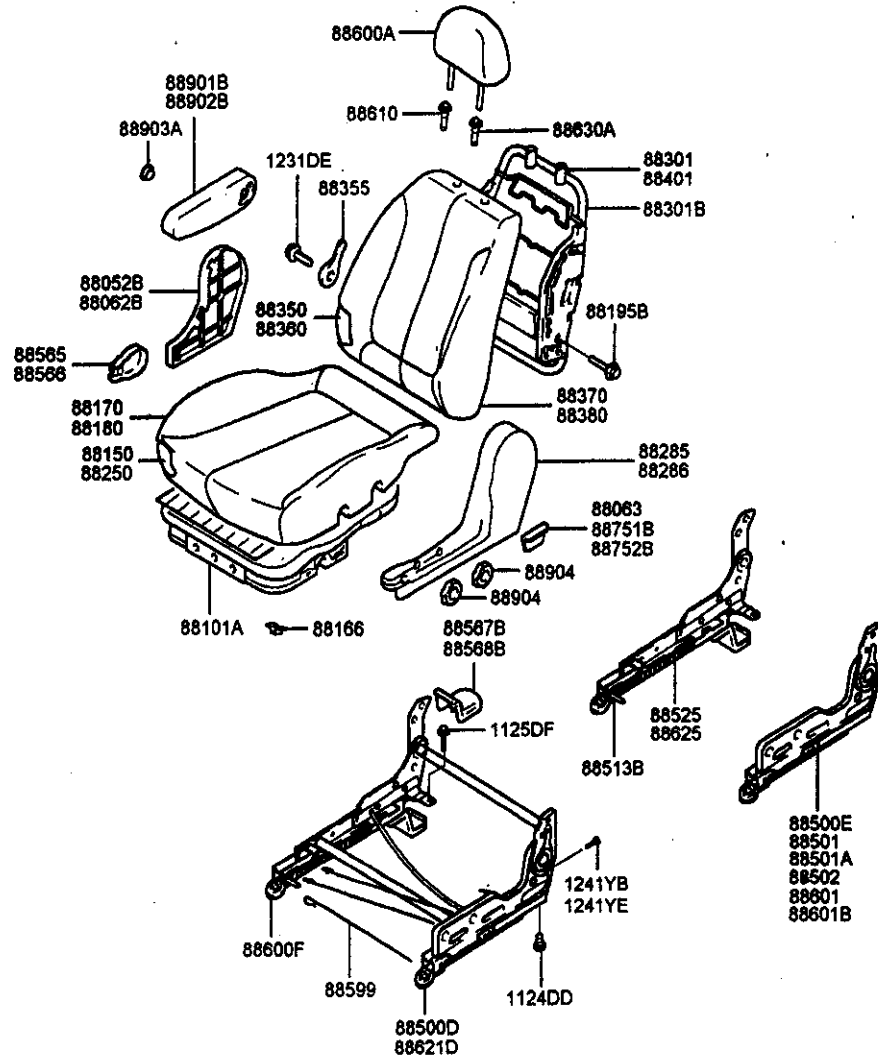
88

SEAT

88-881	FRONT SEAT	3-G10
88-888	FRONT SEAT BELT	3-D11
88-890	REAR SEAT	3-J11
88-898	REAR SEAT BELT	3-A12
88-899	CHILD REST HOLDER	3-C12



88-881 FRONT SEAT



3-H10

88-881 FRONT SEAT

BA,00112-487

P N C		MODEL APPLICABLE		R E P	PART NO. (REPL P/NO)	Q T Y	REMARKS	P N C		MODEL APPLICABLE		R E P	PART NO. (REPL P/NO)	Q T Y	REMARKS	
FROM-UP-TO	TYPE	DESCRIPTION	FROM-UP-TO					TYPE	DESCRIPTION							
1124DD		BOLT (S)PERNO (CON ARANDELA)						CONTINUED								
990601 -		ALL			11241-08201	4		1241YB		SCREW-TAPPING (S)TORNILLO						
1125DF		BOLT (S)PERNO (CON ARANDELA)						990601 -		FD	Y	12418-05103	2			
990601 -		ALL		Y	11251-10253 (11251-10256B)	8		990601 -		FG	Y	12418-05103	2			
1231DE		SCREW-MACHINE (S)TORNILLO						1241YE		SCREW-TAPPING (S)TORNILLO						
990601 -		AD 8811,8834		Y	12310-05121 (12310-05123)	1		990601 -		ALL	Y	12418-05133	2			
990601 -		AD RHD;8834,8860			12310-05123	2		990601 -		AD	Y	12418-05103	2			
990601 -		AG 8811,8834		Y	12310-05121 (12310-05123)	1		990601 -		AD RHD		12418-05133	2			
990601 -		AG 8834			12310-05123	2		991101 - 000501		AD RHD;8860		12418-05133	2			
990601 -		DG 8811,8834		Y	12310-05121 (12310-05123)	1		990601 -		AG	Y	12418-05103	2			
990601 -		DG 8834			12310-05123	2		990601 -		AG RHD		12418-05133	2			
990601 -		DS 8811,8834		Y	12310-05121 (12310-05123)	1		991101 - 000501		AG 8834		12418-05133	2			
990601 -		DS RHD;8834,8860			12310-05123	2		991101 - 000501		AG 8860		12418-05133	2			
990601 -		FD 8811,8834		Y	12310-05121 (12310-05123)	1		990601 -		DG	Y	12418-05103	2			
990601 -		FD RHD;8834,8860			12310-05123	2		990601 -		DG 8860	Y	12418-05103	2			
990601 -		FG 8811		Y	12310-05121 (12310-05123)	1		990601 - 000501		DG 8860		12418-05133	2			
990601 -		FG 8834			12310-05123	2		991101 - 000501		DG 8834		12418-05133	2			
1241YB		SCREW-TAPPING (S)TORNILLO						990601 -		DS 8860	Y	12418-05103	2			
990601 -		AD		Y	12418-05103 (12418-05133)	2		990601 -		FD	Y	12418-05103	2			
990601 -		AG		Y	12418-05103 (12418-05133)	2		990601 -		FD RHD		12418-05133	2			
000501 -		DG 8860		Y	12418-05103 (12418-05133)	2		991101 - 000501		FD RHD;8860		12418-05133	2			
990601 -		DS RHD;8860		Y	12418-05103 (12418-05133)	2		990601 -		FG	Y	12418-05103	2			
000501 -		DS 8860		Y	12418-05103 (12418-05133)	2		990601 -		FG RHD		12418-05133	2			
								991101 - 000501		FG 8834		12418-05133	2			
								991101 - 000501		FG 8860		12418-05133	2			

AD:SDR,GL AG:SDR,GLS DG:SDR,GLS DS:SDRL FD:DR,GL FG:DR,GLS

8811:SEAT-FR(LUMBER SUPT) DRIVER 8834:SEAT-FR(DUAL HEIGHT ADJUSTER) 8860:WALK IN DEVICE

P N C	MODEL APPLICABLE		R E P	PART NO. (REPL PNO)	Q T Y	REMARKS	P N C	MODEL APPLICABLE		R E P	PART NO. (REPL PNO)	Q T Y	REMARKS
	FROM-UP-TO	TYPE						DESCRIPTION	FROM-UP-TO				
88052B		COVER-FR SEAT INR LH (S)CUBIERTA					CONTINUED						
990601 -		AD LHD		88057-25000SX	1	INT;LT	88063						
990601 -		AD RHD		88057-25000SX	1	INT;LT					88063-25000SX	1	INT;LT
990601 -		AG LHD		88057-25000SX	1	INT;LT	990601 - 000212	DS	RHD;8860		88063-25000SX	1	INT;LT
990601 -		AG RHD		88057-25000SX	1	INT;LT	990601 - 010212	DS	LHD;8860		88063-25001SX	1	INT;LT
990601 -		DG LHD		88057-25000SX	1	INT;LT	000212 -	DS	RHD;8860		88063-25001SX	1	INT;LT
990601 -		DG RHD		88057-25000SX	1	INT;LT	010212 -	DS	LHD;8860		88063-25001SX	1	INT;LT
990601 -		DS LHD		88057-25000SX	1	INT;LT	990601 - 010212	FD	LHD>L35,L45,P85		88063-25000SX	1	INT;LT
990601 -		DS RHD		88057-25000SX	1	INT;LT	010212 -	FD	LHD>L35,L45,P85		88063-25001SX	1	INT;LT
990601 -		FD LHD>1.3L		88057-25000SX	1	INT;LT	010212 -	FD	RHD>L35,L45,P85		88063-25001SX	1	INT;LT
990601 -		FD RHD>1.3L		88057-25000SX	1	INT;LT	990601 - 010212	FG	LHD		88063-25000SX	1	INT;LT
990601 -		FG LHD		88057-25000SX	1	INT;LT	010212 -	FG	LHD		88063-25001SX	1	INT;LT
990601 -		FG RHD		88057-25000SX	1	INT;LT	010212 -	FG	RHD;8834		88063-25001SX	1	INT;LT
88062B		COVER-FR SEAT INR RH (S)CUBIERTA					88101A						
990601 -		AD LHD		88067-25000SX	1	INT;LT					88110-25100	1	
990601 -		AD RHD		88067-25000SX	1	INT;LT	990601 -						
990601 -		AG LHD		88067-25000SX	1	INT;LT	88150						
990601 -		AG RHD		88067-25000SX	1	INT;LT					88150-25000	1	
990601 -		DG LHD		88067-25000SX	1	INT;LT	990601 -				88150-25000	1	
990601 -		DG RHD		88067-25000SX	1	INT;LT	88166						
990601 -		DS LHD		88067-25000SX	1	INT;LT					88166-25000	1	
990601 -		DS RHD		88067-25000SX	1	INT;LT	990601 -						
990601 -		FD LHD>1.3L		88067-25000SX	1	INT;LT	88170						
990601 -		FD RHD>1.3L		88067-25000SX	1	INT;LT							
990601 -		FG LHD		88067-25000SX	1	INT;LT							
990601 -		FG RHD		88067-25000SX	1	INT;LT							
88063		KNOB-FR SEAT RECL RH (S)KNOB											
990601 - 010212		AD LHD		88063-25000SX	1	INT;LT	990601 - 001101	AD	LHD;8802		88160-25100FBJ	1	INT;LT
010212 -		AD LHD		88063-25001SX	1	INT;LT	990601 - 001101	AD	RHD;8802		88160-25100FBJ	1	INT;LT
010212 -		AD RHD		88063-25001SX	1	INT;LT	001101 -	AD	LHD;8802		88160-25101FBJ	1	INT;LT
990601 - 010212		AG LHD		88063-25000SX	1	INT;LT	001101 -	AD	RHD;8802		88160-25101FBJ	1	INT;LT
010212 -		AG LHD		88063-25001SX	1	INT;LT	011101 -	AD	LHD;8802		88160-25101FAV	1	INT;LT
010212 -		AG RHD;8834		88063-25001SX	1	INT;LT	990601 - 001101	AG	LHD;8801		88160-25600FCP	1	INT;LT
990601 - 010212		DG LHD;8860		88063-25000SX	1	INT;LT	990601 - 001101	AG	RHD;8801		88160-25200FCP	1	INT;LT
010212 -		DG LHD;8860		88063-25001SX	1	INT;LT	001101 -	AG	LHD;8801		88160-25602FCP	1	INT;LT
010212 -		DG RHD;8834		88063-25001SX	1	INT;LT	001101 -	AG	RHD;8801		88160-25202FCP	1	INT;LT
							011101 -	AG	LHD;8801		88160-25602FBV	1	INT;LT
							011101 -	AG	RHD;8801		88160-25202FBV	1	INT;LT
							990601 - 001101	DG	LHD;8801		88160-25600FCP	1	INT;LT
							990601 - 001101	DG	RHD;8801		88160-25200FCP	1	INT;LT

P N C		MODEL APPLICABLE		R E P	PART NO. (REPL P/NO)	Q T Y	REMARKS	P N C		MODEL APPLICABLE		R E P	PART NO. (REPL P/NO)	Q T Y	REMARKS
FROM-UP-TO	TYPE	DESCRIPTION						FROM-UP-TO	TYPE	DESCRIPTION					
CONTINUED								CONTINUED							
88170		COVER-FR SEAT CUSH LH						88180		COVER-FR SEAT CUSH RH					
		(S)CUBIERTA								(S)CUBIERTA					
001101 -	DG	LHD;8801			88160-25602FCP	1	INT;LT	990601 - 001101	DG	LHD;8801			88260-25200FCP	1	INT;LT
001101 -	DG	RHD;8801			88160-25202FCP	1	INT;LT	990601 - 001101	DG	RHD;8801			88260-25400FCP	1	INT;LT
011101 -	DG	LHD;8801			88160-25602FBV	1	INT;LT	001101 -	DG	LHD;8801			88260-25202FCP	1	INT;LT
011101 -	DG	RHD;8801			88160-25202FBV	1	INT;LT	001101 -	DG	RHD;8801			88260-25402FCP	1	INT;LT
990601 - 001101	DS	LHD;8802			88160-25100FBJ	1	INT;LT	011101 -	DG	LHD;8801			88260-25202FBV	1	INT;LT
990601 - 001101	DS	RHD;8802			88160-25100FBJ	1	INT;LT	011101 -	DG	RHD;8801			88260-25402FBV	1	INT;LT
001101 -	DS	LHD;8802			88160-25101FBJ	1	INT;LT	990601 - 001101	DS	LHD;8802			88260-25100FBJ	1	INT;LT
001101 -	DS	RHD;8802			88160-25101FBJ	1	INT;LT	001101 -	DS	RHD;8802			88260-25101FBJ	1	INT;LT
011101 -	DS	LHD;8802			88160-25101FAV	1	INT;LT	011101 -	DS	LHD;8802			88260-25101FAV	1	INT;LT
011101 -	DS	RHD;8802			88160-25101FAV	1	INT;LT	011101 -	DS	RHD;8802			88260-25101FAV	1	INT;LT
990601 - 001101	FD	LHD>1.3L;8802			88160-25100FBJ	1	INT;LT	990601 - 001101	FD	LHD>1.3L;8802			88260-25100FBJ	1	INT;LT
990601 - 001101	FD	RHD>1.3L;8802			88160-25100FBJ	1	INT;LT	990601 - 001101	FD	RHD>1.3L;8802			88260-25100FBJ	1	INT;LT
001101 -	FD	LHD>1.3L;8802			88160-25101FBJ	1	INT;LT	001101 -	FD	LHD>1.3L;8802			88260-25101FBJ	1	INT;LT
001101 -	FD	RHD>1.3L;8802			88160-25101FBJ	1	INT;LT	001101 -	FD	RHD>1.3L;8802			88260-25101FBJ	1	INT;LT
011101 -	FD	LHD>1.3L;8802			88160-25101FAV	1	INT;LT	011101 -	FD	LHD>1.3L;8802			88260-25101FAV	1	INT;LT
011101 -	FD	RHD>1.3L;8802			88160-25101FAV	1	INT;LT	011101 -	FD	RHD>1.3L;8802			88260-25101FAV	1	INT;LT
990601 - 001101	FG	LHD;8801			88160-25600FCP	1	INT;LT	990601 - 001101	FG	LHD;8801			88260-25200FCP	1	INT;LT
990601 - 001101	FG	RHD;8801			88160-25200FCP	1	INT;LT	990601 - 001101	FG	RHD;8801			88260-25400FCP	1	INT;LT
001101 -	FG	LHD;8801			88160-25602FCP	1	INT;LT	001101 -	FG	LHD;8801			88260-25202FCP	1	INT;LT
001101 -	FG	RHD;8801			88160-25202FCP	1	INT;LT	001101 -	FG	RHD;8801			88260-25402FCP	1	INT;LT
011101 -	FG	LHD;8801			88160-25602FBV	1	INT;LT	011101 -	FG	LHD;8801			88260-25202FBV	1	INT;LT
011101 -	FG	RHD;8801			88160-25202FBV	1	INT;LT	011101 -	FG	RHD;8801			88260-25402FBV	1	INT;LT
88180		COVER-FR SEAT CUSH RH						88195B		BOLT-FR SEAT RECLINER MTG					
		(S)CUBIERTA								(S)PERNO					
990601 - 001101	AD	LHD;8802			88260-25100FBJ	1	INT;LT	990601 -	ALL				88195-24000	4	
990601 - 001101	AD	RHD;8802			88260-25100FBJ	1	INT;LT	88250	PAD ASSY-FR SEAT CUSH RH						
001101 -	AD	LHD;8802			88260-25101FBJ	1	INT;LT		(S)CONJ. ALMOJADILLA						
001101 -	AD	RHD;8802			88260-25101FBJ	1	INT;LT	990601 -	ALL LHD				88250-25000	1	
011101 -	AD	LHD;8802			88260-25101FAV	1	INT;LT	990601 -	ALL RHD				88250-25000	1	
011101 -	AD	RHD;8802			88260-25101FAV	1	INT;LT	88285	COVER-SHIELD FR SEAT LH						
990601 - 001101	AG	LHD;8801			88260-25200FCP	1	INT;LT		(S)CUBIERTA						
990601 - 001101	AG	RHD;8801			88260-25400FCP	1	INT;LT	990601 -	AD RHD				88055-25300LT	1	INT;LT
001101 -	AG	LHD;8801			88260-25202FCP	1	INT;LT	990601 - 010212	AD				88056-25000LT	1	INT;LT
001101 -	AG	RHD;8801			88260-25402FCP	1	INT;LT	010212 -	AD				88055-25000LT	1	INT;LT
011101 -	AG	LHD;8801			88260-25202FBV	1	INT;LT	990601 -	AG RHD				88055-25300LT	1	INT;LT
011101 -	AG	RHD;8801			88260-25402FBV	1	INT;LT	990601 - 010212	AG				88056-25100LT	1	INT;LT
								010212 -	AG				88055-25100LT	1	INT;LT
CONTINUED								CONTINUED							

3-K10

88-881 FRONT SEAT

SA-00112-490

P N C	MODEL APPLICABLE		R E P	PART NO. (REPL P/NO)	Q T Y	REMARKS
FROM-UP-TO	TYPE	DESCRIPTION				
CONTINUED						
88285		COVER-SHIELD FR SEAT LH (S)CUBIERTA				
990601 - 010212	DG	RHD;8860		88056-25000LT	1	INT;LT
010212 -	DG	RHD;8860		88056-25000LT	1	INT;LT
990601 -	DS	8860		88055-25000LT	1	INT;LT
990601 -	FD	RHD>1.3L		88055-25300LT	1	INT;LT
990601 - 010212	FD	1.3L		88056-25000LT	1	INT;LT
010212 -	FD	1.3L		88055-25000LT	1	INT;LT
990601 -	FG	RHD		88055-25300LT	1	INT;LT
990601 - 010212	FG	8834		88056-25100LT	1	INT;LT
010212 -	FG	8834		88055-25100LT	1	INT;LT
88286		COVER-SHIELD FR SEAT RH (S)CUBIERTA				
990601 - 010212	AD	LHD		88066-25000SX	1	INT;LT
990601 - 010212	AD	RHD		88066-25000SX	1	INT;LT
010212 -	AD	LHD		88066-25000SX	1	INT;LT
010212 -	AD	RHD		88066-25000SX	1	INT;LT
990601 - 010212	AG	LHD		88066-25000SX	1	INT;LT
990601 - 010212	AG	RHD;8834		88066-25100SX	1	INT;LT
010212 -	AG	LHD		88066-25000SX	1	INT;LT
010212 -	AG	RHD;8834		88066-25100SX	1	INT;LT
990601 -	DG	LHD;8860		88065-25300SX	1	INT;LT
990601 -	DG	RHD;8834		88066-25100SX	1	INT;LT
990601 -	DS	LHD;8860		88066-25300SX	1	INT;LT
990601 -	DS	RHD;8860		88066-25000SX	1	INT;LT
990601 - 010212	FD	LHD>1.3L		88066-25000SX	1	INT;LT
990601 - 010212	FD	RHD>1.3L		88066-25000SX	1	INT;LT
010212 -	FD	LHD>1.3L		88066-25000SX	1	INT;LT
010212 -	FD	RHD>1.3L		88066-25000SX	1	INT;LT
990601 - 010212	FG	LHD		88066-25000SX	1	INT;LT
990601 - 010212	FG	RHD;8834		88066-25100SX	1	INT;LT
010212 -	FG	LHD		88066-25000SX	1	INT;LT
010212 -	FG	RHD;8834		88066-25100SX	1	INT;LT
88301		FRAME ASSY-FR SEAT BACK LH (S)CONJ. BASTIDOR				
990601 -	AD	LHD		88310-25050	1	INT;LT
990601 -	AD	LHD>1.5L;8811		88310-25150	1	INT;LT
990601 -	AD	LHD>1.5L;8811,8855		88310-25450	1	INT;LT
CONTINUED						

P N C	MODEL APPLICABLE		R E P	PART NO. (REPL P/NO)	Q T Y	REMARKS
FROM-UP-TO	TYPE	DESCRIPTION				
CONTINUED						
88301		FRAME ASSY-FR SEAT BACK LH (S)CONJ. BASTIDOR				
990601 - 000117	AD	LHD		88310-25000	1	
990601 - 000501	AG	LHD;8811		88310-25100	1	
990601 - 000501	AG	LHD;8811,8855		88310-25400	1	
000501 -	AG	LHD;8811		88310-25150	1	
000501 -	AG	LHD;8811,8855		88310-25450	1	
990601 - 000501	DG	LHD;8811		88310-25100	1	
990601 - 000501	DG	LHD;8811,8855		88310-25400	1	
000501 -	DG	LHD;8811		88310-25150	1	
000501 -	DG	LHD;8811,8855		88310-25450	1	
990601 -	DS	LHD		88310-25050	1	
990601 -	DS	LHD>1.5L;8811		88310-25150	1	
990601 -	DS	LHD>1.5L;8811,8855		88310-25450	1	
990601 - 000117	DS	LHD		88310-25000	1	
990601 -	FD	LHD		88310-25050	1	
990601 -	FD	LHD>1.5L;8811		88310-25150	1	
990601 -	FD	LHD>1.5L;8811,8855		88310-25450	1	
990601 - 000117	FD	LHD		88310-25000	1	
990601 - 000501	FG	LHD;8811		88310-25100	1	
990601 - 000501	FG	LHD;8811,8855		88310-25400	1	
000501 -	FG	LHD;8811		88310-25150	1	
000501 -	FG	LHD;8811,8855		88310-25450	1	
88301B		FRAME ASSY-FR SEAT BACK (S)CONJ. BASTIDOR				
990601 -	ALL			88310-25000	1	
88350		PAD ASSY-FR SEAT BACK LH (S)CONJ. ALMOJADILLA				
990601 -	ALL	LHD		88350-25000	1	
990601 -	ALL	RHD		88350-25000	1	
000501 -	AG	LHD;5895		88350-25800	1	
000501 -	DG	LHD;5895		88350-25800	1	
000501 -	FG	LHD;5895		88350-25800	1	
88355		HANDLE ASSY-LUMBAR SUPT ADJUST (S)CONJUNTO MANIJA				
990601 -	AD	8811,8834		88570-25100SX	1	INT;LT
990601 -	AD	8811,8834		88570-34000LT	1	INT;LT
990601 -	AG	8811,8834		88570-25100SX	1	INT;LT
CONTINUED						

AD:3DR,QL AG:5DR,GLS DG:3DR,GLS DS:3DR,L FD:4DR,QL FG:4DR,GLS

5695:AIR BAG(SIDE-FRT) 8811:SEAT-FR(LUMBER SUPT) DRIVER 8834:SEAT-FR(DUAL HEIGHT ADJUSTER) 8855:SEAT ARM REST-FR 8860:WALK IN DEVICE

3-110

88-881 FRONT SEAT

BA,00112-491

P N C		MODEL APPLICABLE		R E P	PART NO. (REPL P/NO)	Q T Y	REMARKS	P N C		MODEL APPLICABLE		R E P	PART NO. (REPL P/NO)	Q T Y	REMARKS
FROM-UP-TO	TYPE	DESCRIPTION						FROM-UP-TO	TYPE	DESCRIPTION					
CONTINUED								CONTINUED							
88355		HANDLE ASSY-LUMBAR SUPT ADJUST (S)CONJUNTO MANIJA						88370		COVER-FR SEAT BACK LH (S)CUBIERTA					
990601 -		DG	8811,8834		88570-25100SX	1	INT;LT	990601 -		FG	RHD;8801,8816		88360-25600FCP	1	INT;LT
990601 -		DS	8811,8834		88570-25100SX	1	INT;LT	011101 -		FG	LHD;8801,8816		88360-25600FBV	1	INT;LT
990601 -		DS	8811,8834		88570-34000LT	1	INT;LT	011101 -		FG	RHD;8801,8816		88360-25600FBV	1	INT;LT
990601 -		FD	L35,L45,P85;8811,8834		88570-25100SX	1	INT;LT	88380		COVER-FR SEAT BACK RH (S)CUBIERTA					
990601 -		FD	L35,L45,P85;8811,8834		88570-34000LT	1	INT;LT	990601 -		AD	LHD;8802		88460-25100FBJ	1	INT;LT
990601 -		FG	8811		88570-25100SX	1	INT;LT	990601 -		AD	RHD;8802		88460-25100FBJ	1	INT;LT
88360		PAD ASSY-FR SEAT BACK RH (S)CONJ. ALMOJADILLA						011101 -		AD	LHD;8802		88460-25100FAV	1	INT;LT
990601 -		ALL	LHD		88450-25000	1		011101 -		AD	RHD;8802		88460-25100FAV	1	INT;LT
990601 -		ALL	RHD		88450-25000	1		990601 -		AG	LHD;8801,8816		88460-25400FCP	1	INT;LT
000501 -		AG	RHD;5695		88450-25800	1		990601 -		AG	RHD;8801,8816		88460-25400FCP	1	INT;LT
000501 -		DG	RHD;5695		88450-25800	1		990601 -		AG	RHD;8801,8816,8855		88460-25600FCP	1	INT;LT
000501 -		FG	RHD;5695		88450-25800	1		011101 -		AG	LHD;8801,8816		88460-25400FBV	1	INT;LT
88370		COVER-FR SEAT BACK LH (S)CUBIERTA						011101 -		AG	RHD;8801,8816		88460-25400FBV	1	INT;LT
990601 -		AD	LHD;8802		88360-25100FBJ	1	INT;LT	011101 -		AG	RHD;8801,8816,8855		88460-25600FBV	1	INT;LT
990601 -		AD	RHD;8802		88360-25100FBJ	1	INT;LT	990601 -		DG	LHD;8801,8816		88460-25400FCP	1	INT;LT
011101 -		AD	LHD;8802		88360-25100FAV	1	INT;LT	990601 -		DG	RHD;8801,8816,8855		88460-25600FCP	1	INT;LT
011101 -		AD	RHD;8802		88360-25100FAV	1	INT;LT	011101 -		DG	LHD;8801,8816		88460-25400FBV	1	INT;LT
990601 -		AG	LHD;8801,8816		88360-25600FCP	1	INT;LT	011101 -		DG	RHD;8801,8816		88460-25400FBV	1	INT;LT
990601 -		AG	RHD;8801,8816		88360-25600FCP	1	INT;LT	011101 -		DG	RHD;8801,8816,8855		88460-25600FBV	1	INT;LT
011101 -		AG	LHD;8801,8816		88360-25600FBV	1	INT;LT	990601 -		DS	LHD;8802		88460-25100FBJ	1	INT;LT
011101 -		AG	RHD;8801,8816		88360-25600FBV	1	INT;LT	990601 -		DS	RHD;8802		88460-25100FBJ	1	INT;LT
990601 -		DG	LHD;8801,8816		88360-25600FCP	1	INT;LT	011101 -		DS	LHD;8802		88460-25100FAV	1	INT;LT
990601 -		DG	RHD;8801,8816		88360-25600FCP	1	INT;LT	011101 -		DS	RHD;8802		88460-25100FAV	1	INT;LT
011101 -		DG	LHD;8801,8816		88360-25600FBV	1	INT;LT	990601 -		FD	LHD>1.3L;8802		88460-25100FBJ	1	INT;LT
011101 -		DG	RHD;8801,8816		88360-25600FBV	1	INT;LT	990601 -		FD	RHD>1.3L;8802		88460-25100FBJ	1	INT;LT
990601 -		DS	LHD;8802		88360-25100FBJ	1	INT;LT	011101 -		FD	LHD>1.3L;8802		88460-25100FAV	1	INT;LT
990601 -		DS	RHD;8802		88360-25100FBJ	1	INT;LT	011101 -		FD	RHD>1.3L;8802		88460-25100FAV	1	INT;LT
011101 -		DS	LHD;8802		88360-25100FAV	1	INT;LT	990601 -		FG	LHD;8801,8816		88460-25400FCP	1	INT;LT
011101 -		DS	RHD;8802		88360-25100FAV	1	INT;LT	990601 -		FG	RHD;8801,8816		88460-25400FCP	1	INT;LT
990601 -		FD	LHD>1.3L;8802		88360-25100FBJ	1	INT;LT	990601 -		FG	RHD;8801,8816,8855		88460-25600FCP	1	INT;LT
990601 -		FD	RHD>1.3L;8802		88360-25100FBJ	1	INT;LT	011101 -		FG	LHD;8801,8816		88460-25400FBV	1	INT;LT
011101 -		FD	LHD>1.3L;8802		88360-25100FAV	1	INT;LT	011101 -		FG	RHD;8801,8816		88460-25400FBV	1	INT;LT
011101 -		FD	RHD>1.3L;8802		88360-25100FAV	1	INT;LT	011101 -		FG	RHD;8801,8816,8855		88460-25600FBV	1	INT;LT
990601 -		FG	LHD;8801,8816		88360-25600FCP	1	INT;LT								

AD:SDR,DL AG:SDR,GLS DG:SDR,GLS DS:SDR,LD FD:DR,DL FG:DR,GLS 8885:AIR BAG(SIDE-FRT) 8801:COVER-SEAT(CLOTH) 8802:COVER-SEAT(SEMI CLOTH) 8811:SEAT-FR(LUMBAR SUPT) DRIVER
8816:SEAT-FR(BACK POCKET) 8834:SEAT-FR(EQUAL HEIGHT ADJUSTER) 8888:SEAT ARM REST-FR

3-M10

88-881 FRONT SEAT

BA.00112- 492

P N C		MODEL APPLICABLE		R E P	PART NO. (REPL. PNO)	Q T Y	REMARKS	P N C		MODEL APPLICABLE		R E P	PART NO. (REPL. PNO)	Q T Y	REMARKS
FROM-UP-TO	TYPE	DESCRIPTION						FROM-UP-TO	TYPE	DESCRIPTION					
88401		FRAME ASSY-FR SEAT BACK RH (S)CONJ. BASTIDOR						88501A		ADJUSTER ASSY-FR SEAT LH (S)CONJ. AJUSTADOR					
990601 - 000501	AG	RHD;8811			88410-25100	1		990601 -	AD	LHD			88500-25000SX	1	INT;LT
990601 - 000601	AG	RHD;8811,8855			88410-25400	1		990601 -	AD	RHD			88500-25000SX	1	INT;LT
000501 -	AG	RHD;8811			88410-25150	1		990601 -	AD	RHD;8834,8860			88501-25090SX	1	INT;LT
000501 -	AG	RHD;8811,8855			88410-25450	1		990601 -	AD	RHD;8860			88510-25030SX	1	INT;LT
990601 - 000501	DG	RHD;8811			88410-25100	1		990601 -	AG	LHD;8834			88500-25060SX	1	INT;LT
990601 - 000601	DG	RHD;8811,8855			88410-25400	1		990601 -	AG	LHD;8834,8860			88501-25080SX	1	INT;LT
000501 -	DG	RHD;8811			88410-25150	1		990601 -	AG	RHD			88500-25000SX	1	INT;LT
000501 -	DG	RHD;8811,8855			88410-25450	1		990601 -	AG	RHD;8834,8860			88501-25090SX	1	INT;LT
990601 - 000601	FG	RHD;8811			88410-25100	1		990601 -	AG	RHD;8860			88510-25030SX	1	INT;LT
990601 - 000601	FG	RHD;8811,8855			88410-25400	1		990601 -	DG	LHD;8834			88500-25080SX	1	INT;LT
000501 -	FG	RHD;8811			88410-25150	1		990601 -	DG	LHD;8834,8860			88501-25060SX	1	INT;LT
000501 -	FG	RHD;8811,8855			88410-25450	1		990601 -	DG	RHD;8834,8860			88501-25090SX	1	INT;LT
88500D		D/HEIGHT & TRACK ASSY-FR SEAT (S)						990601 -	DG	RHD;8860			88500-25070SX	1	INT;LT
990601 -	AD	RHD;8834,8860			88521-25021	1		990601 -	DG	RHD;8860			88510-25030SX	1	INT;LT
990601 -	AG	LHD;8834			88520-25010	1	INT;LT	990601 -	DS	LHD;8860			88510-25070SX	1	INT;LT
990601 -	DG	LHD;8834,8860			88521-25010	1	INT;LT	990601 -	DS	RHD;8834,8860			88501-25090SX	1	INT;LT
990601 -	DG	RHD;8834,8860			88521-25021	1		990601 -	DS	RHD;8860			88500-25070SX	1	INT;LT
990601 -	DS	RHD;8834,8860			88521-25021	1		990601 -	DS	RHD;8860			88510-25030SX	1	INT;LT
990601 -	FD	RHD;8834,8860			88521-25021	1		990601 -	FD	LHD>1.3L			88500-25000SX	1	INT;LT
990601 -	FG	LHD;8834			88520-25010	1	INT;LT	990601 -	FD	RHD>1.3L			88500-25000SX	1	INT;LT
88500E		TRACK ASSY-FR SEAT OTR LH (S)TRACK ASSY-ASSIST.LH						990601 -	FD	RHD>1.3L;8834,8860			88501-25090SX	1	INT;LT
990601 -	DG	RHD;8860			88501-25070	1		990601 -	FD	RHD>1.3L;8860			88510-25030SX	1	INT;LT
990601 -	DS	RHD;8860			88501-25070	1		990601 -	FG	LHD;8834			88500-25080SX	1	INT;LT
88501		TRACK ASSY-FR SEAT LH (S)CONJ. PISTA						990601 -	FG	LHD;8834,8860			88501-25080SX	1	INT;LT
990601 -	AD	LHD			88501-25000	1		990601 -	FG	RHD			88500-25000SX	1	INT;LT
990601 -	AD	RHD			88501-25000	1		990601 -	FG	RHD			88500-25000SX	1	INT;LT
990601 -	AG	RHD			88501-25070	1		990601 -	FG	RHD;8834,8860			88501-25090SX	1	INT;LT
990601 - 000501	DG	RHD;8860			88511-25030	1		990601 -	FG	RHD;8860			88510-25030SX	1	INT;LT
000501 -	DG	RHD;8860			88511-25031	1		88502		ADJUSTER ASSY-FR SEAT RH (S)CONJ. AJUSTADOR					
990601 -	DS	LHD;8860			88511-25070	1		990601 -	AD	LHD			88600-25000SX	1	INT;LT
990601 -	FD	LHD			88501-25000	1		990601 -	AD	RHD			88600-25000SX	1	INT;LT
990601 -	FD	RHD			88501-25000	1		990601 -	AG	LHD			88600-25000SX	1	INT;LT
990601 -	FG	RHD			88501-25070	1		990601 -	AG	RHD;8834			88600-25060SX	1	INT;LT
								990601 -	AG	RHD;8834,8860			88601-25080SX	1	INT;LT
								990601 -	DG	LHD;8860			88600-25070SX	1	INT;LT
								990601 -	DG	RHD;8834			88600-25080SX	1	INT;LT
								990601 -	DG	RHD;8834,8860			88601-25080SX	1	INT;LT

CONTINUED

AD-DR,QL AG-DR,QLS DG-DR,QLS DS-DR,L FD-DR,QL FG-DR,QLS

8811:SEAT-FR(LUMBER SUPT) DRIVER 8834:SEAT-FR(DUAL HEIGHT ADJUSTER) 8855:SEAT ARM REST-FR 8860:WALK IN DEVICE

3-A11

88-881 FRONT SEAT

BA.G0112- 493

P N C		MODEL APPLICABLE		R E P	PART NO. (REPL P/NO)	Q T Y	REMARKS	P N C		MODEL APPLICABLE		R E P	PART NO. (REPL P/NO)	Q T Y	REMARKS
FROM-UP-TO	TYPE	DESCRIPTION						FROM-UP-TO	TYPE	DESCRIPTION					
CONTINUED								CONTINUED							
88502		ADJUSTER ASSY-FR SEAT RH (S)CONJ. AJUSTADOR						88565		COVER-FR SEAT MTG RR OTR LH (S)CUBIERTA					
990601 -		DS	LHD;8860		88600-25070SX	1	INT;LT	990601 -		DS			88566-25000SX	1	INT;LT
990601 -		DS	RHD;8860		88610-25070SX	1	INT;LT	990601 -		FD	1.3L		88566-25000SX	1	INT;LT
990601 -		FD	LHD>1.3L		88600-25000SX	1	INT;LT	990601 -		FG			88566-25000SX	1	INT;LT
990601 -		FD	RHD>1.3L		88600-25000SX	1	INT;LT	88566		COVER-FR SEAT MTG RR OTR RH (S)CUBIERTA					
990601 -		FG	LHD		88600-25000SX	1	INT;LT	990601 -		AD			88565-25000SX	1	INT;LT
990601 -		FG	RHD;8834		88600-25080SX	1	INT;LT	990601 -		AG			88565-25000SX	1	INT;LT
990601 -		FG	RHD;8834,8860		88601-25080SX	1	INT;LT	990601 -		DG			88565-25000SX	1	INT;LT
88513B		KNOB-TRACK LEVER (S)PERILLA						990601 -		DS			88565-25000SX	1	INT;LT
990601 -		AD			88513-38000	1		990601 -		FD	1.3L		88565-25000SX	1	INT;LT
990601 -		AG			88513-38000	1		990601 -		FG			88565-25000SX	1	INT;LT
990601 -		DG			88513-38000	1		88567B		COVER-FR SEAT MTG RR INR LH (S)CUBIERTA					
990601 -		DG	8860		88513-38000	1		990601 -		AD			88568-25000SX	1	INT;LT
990601 -		DS	8860		88513-38000	1		990601 -		AG			88568-25000SX	1	INT;LT
990601 -		FD			88513-38000	1		990601 -		DG			88568-25000SX	1	INT;LT
990601 -		FG			88513-38000	1		990601 -		DS			88568-25000SX	1	INT;LT
88525		TRACK ASSY-FR SEAT INR LH (S)CONJ. PISTA						990601 -		FD	1.3L		88568-25000SX	1	INT;LT
990601 -		AD	LHD		88525-25000	1		990601 -		FG			88568-25000SX	1	INT;LT
990601 -		AD	RHD		88525-25070	1		88568B		COVER-FR SEAT MTG RR INR RH (S)CUBIERTA					
990601 -		AG	LHD;8834		88525-25070	1		990601 -		AD			88567-25000SX	1	INT;LT
990601 -		AG	RHD		88525-25000	1		990601 -		AG			88567-25000SX	1	INT;LT
990626 - 991101		AG	RHD;8860		88525-25030	1		990601 -		DG			88567-25000SX	1	INT;LT
991101 - 000801		AG	RHD;8860		88525-25031	1		990601 -		DS			88567-25000SX	1	INT;LT
000501 -		AG	RHD;8860		88525-25032	1		990601 -		FD	1.3L		88567-25000SX	1	INT;LT
990601 -		DG	RHD		88525-25000	1		990601 -		FG			88567-25000SX	1	INT;LT
990601 -		DS	LHD;8860		88525-25070	1		88599		BAR-TRACK RELEASE CONNECTOR (S)BARRA					
990601 -		DS	RHD;8860		88525-25000	1		990601 - 990901		ALL			88542-25000	1	
990601 -		FD	LHD		88525-25000	1		990901 -		ALL			88541-25000	1	
990601 -		FD	RHD		88525-25070	1		88600A		HEADREST ASSY-FR SEAT (S)CONJ. REPOSACABEZA					
990601 -		FG	RHD		88525-25070	1		990601 -		AD			88700-25100FBJ	2	INT;LT
88565		COVER-FR SEAT MTG RR OTR LH (S)CUBIERTA						010101 - 010810		AD			88700-25101FBJ	2	INT;LT
990601 -		AD			88566-25000SX	1	INT;LT	011101 -		AD	0660		88700-25100FAV	2	INT;LT
990601 -		AG			88566-25000SX	1	INT;LT	CONTINUED							
990601 -		DG			88566-25000SX	1	INT;LT								

AD:SDR, GL AG:SDR, GLS DG:SDR, GLS DS:SDR, L FD:4DR, GL FG:4DR, GLS

0660:WORLDCLIP PACKAGE 8834:SEAT-FR(DUAL HEIGHT ADJUSTER) 8860:WALK IN DEVICE

3-B11

88-881 FRONT SEAT

BA,00112-484

P N C	MODEL APPLICABLE		PART NO. (REPL. P/N)	Q T Y	REMARKS
	FROM-UP-TO	DESCRIPTION			
CONTINUED					
88600A		HEADREST ASSY-FR SEAT (S)CONJ. REPOSACABEZA			
990601 - 010101	AG		88700-25100FCP	2	INT;LT
010101 -	AG		88700-25101FCP	2	INT;LT
011101 -	AG		88700-25101FBV	2	INT;LT
990601 - 010101	DG		88700-25100FCP	2	INT;LT
010101 -	DG		88700-25101FCP	2	INT;LT
011101 -	DG		88700-25101FBV	2	INT;LT
990601 -	DS		88700-25100FBJ	2	INT;LT
010101 - 010910	DS		88700-25101FBJ	2	INT;LT
011101 -	DS	0880	88700-25100FAV	2	INT;LT
990601 -	FD	L35,L45,P85	88700-25100FBJ	2	INT;LT
010101 - 010910	FD	L35,L45,P85	88700-25101FBJ	2	INT;LT
011101 -	FD	0880	88700-25100FAV	2	INT;LT
990601 - 010101	FG		88700-25100FCP	2	INT;LT
010101 -	FG		88700-25101FCP	2	INT;LT
011101 -	FG		88700-25101FBV	2	INT;LT
88600F		D/HEIGHT & TRACK ASSY-FR SEAT RH (S)			
990601 -	AG	RHD;8834	88620-25010	1	
990601 -	DG	RHD;8834	88621-25010	1	
990601 -	FG	RHD;8834	88620-25010	1	
88601		TRACK ASSY-FR SEAT RH (S)CONJ. PISTA			
990601 -	AD	LHD	88601-25000	1	
990601 -	AD	RHD	88601-25000	1	
990601 -	AG	LHD	88601-25000	1	
990601 -	DS	RHD;8860	88611-25070	1	
990601 -	FD	LHD	88601-25000	1	
990601 -	FD	RHD	88601-25000	1	
990601 -	FG	LHD	88601-25000	1	
88601B		TRACK ASSY-FR SEAT OTR RH (S)CONJ. PIERNA			
990601 -	DG	LHD;8880	88601-25070	1	
990601 -	DS	LHD;8860	88601-25070	1	
88610		GUIDE ASSY-HEADREST W/LEVER (S)CONJUNTO GUIA			
990601 -	AD	LHD	88720-25000SX	1	INT;LT

P N C	MODEL APPLICABLE		PART NO. (REPL. P/N)	Q T Y	REMARKS
	FROM-UP-TO	DESCRIPTION			
CONTINUED					
88610		GUIDE ASSY-HEADREST W/LEVER (S)CONJUNTO GUIA			
990601 -	AG	LHD	88720-25000SX	1	INT;LT
990601 -	DG	LHD	88720-25000SX	1	INT;LT
990601 -	DS	LHD	88720-25000SX	1	INT;LT
990601 -	FD	LHD>1.3L	88720-25000SX	1	INT;LT
990601 -	FG	LHD	88720-25000SX	1	INT;LT
88621D		D/HEIGHT & TRACK ASSY-FR SEAT (S)			
990601 -	AG	RHD;8834,8860	88620-25010	1	INT;LT
990601 -	DG	RHD;8834,8860	88621-25010	1	INT;LT
990601 -	FG	RHD;8834,8860	88620-25010	1	INT;LT
88625		TRACK ASSY-FR SEAT INR RH (S)CONJ. PISTA			
990601 -	AD	LHD	88625-25000	1	
990601 -	AD	RHD	88625-25000	1	
990601 -	AG	LHD	88625-25000	1	
990601 -	DG	LHD;8860	88625-25070	1	
990601 -	DS	LHD;8860	88625-25070	1	
990601 -	DS	RHD;8860	88625-25070	1	
990601 -	FD	LHD	88625-25000	1	
990601 -	FD	RHD	88625-25000	1	
990601 -	FG	LHD	88625-25000	1	
88630A		GUIDE ASSY-HEADREST (S)CONJUNTO GUIA			
990601 -	AD	LHD	88722-25000SX	1	INT;LT
990601 -	AG	LHD	88722-25000SX	1	INT;LT
990601 -	DG	LHD	88722-25000SX	1	INT;LT
990601 -	DS	LHD	88722-25000SX	1	INT;LT
990601 -	FD	LHD>1.3L	88722-25000SX	1	INT;LT
990601 -	FG	LHD	88722-25000SX	1	INT;LT
88751B		KNOB-FR SEAT RECLINER LH (S)PERILLA			
990601 - 010212	AD	RHD;8860	88053-25000SX	1	INT;LT
010212 -	AD	RHD;8860	88053-25001SX	1	INT;LT
990601 - 010212	AG	8834	88053-25000SX	1	INT;LT
990601 - 010212	AG	8860	88053-25000SX	1	INT;LT
010212 -	AG	8834	88053-25001SX	1	INT;LT

CONTINUED

AD:3DR,GL AG:5DR,GLS DG:3DR,GLS DS:3DR,L FD:4DR,GL FG:4DR,GLS

0860:WORLD CUP PACKAGE 8834:SEAT-FR(DUAL HEIGHT ADJUSTER) 8860:WALK IN DEVICE

3-C11

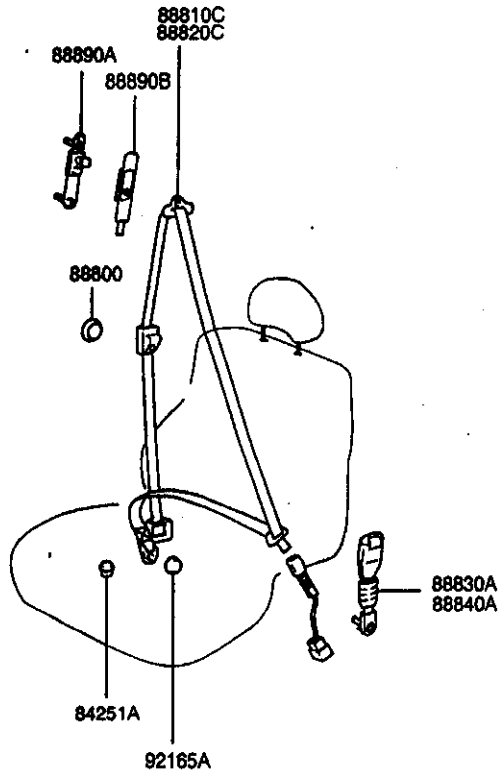
88-881 FRONT SEAT

8A,G0112- 495

P N C		MODEL APPLICABLE		R E P	PART NO. (REPL PNO)	Q T Y	REMARKS	P N C		MODEL APPLICABLE		R E P	PART NO. (REPL PNO)	Q T Y	REMARKS
FROM-UP-TO	TYPE	DESCRIPTION						FROM-UP-TO	TYPE	DESCRIPTION					
CONTINUED								CONTINUED							
88751B		KNOB-FR SEAT RECLINER LH (S)PERILLA						88901B		ARMREST ASSY-FR SEAT LH (S)CONJ. REPOSABRAZO					
010212 -	AG	8860			88053-25001SX	1	INT;LT	011101 -	AG	LHD;8811,8834,8855		88901-25000FBV	1	INT;LT	
990601 - 010212	DG	8834			88053-25000SX	1	INT;LT	990601 -	DG	LHD;8811,8834,8855		88901-25000FCP	1	INT;LT	
990601 - 010212	DG	8860			88053-25000SX	1	INT;LT	011101 -	DG	LHD;8811,8834,8855		88901-25000FBV	1	INT;LT	
990601 - 010212	DG	RHD;8860			88053-25000SX	1	INT;LT	990601 -	FD	LHD>L35,L45,P85;8811, 8834,8855		88901-25000FBJ	1	INT;LT	
010212 -	DG	8834			88053-25001SX	1	INT;LT	990601 -	FG	LHD;8811,8855		88901-25000FCP	1	INT;LT	
010212 -	DG	8860			88053-25001SX	1	INT;LT	011101 -	FG	LHD;8811,8855		88901-25000FBV	1	INT;LT	
010212 -	DG	RHD;8860			88053-25001SX	1	INT;LT	88902B ARMREST ASSY-FR SEAT RH (S)CONJ. REPOSABRAZO							
990601 - 010212	DS	8860			88053-25000SX	1	INT;LT	990601 -	AG	RHD;8811,8834,8855		88902-25000FCP	1	INT;LT	
990601 - 010212	DS	RHD;8860			88053-25000SX	1	INT;LT	011101 -	AG	RHD;8811,8834,8855		88902-25000FBV	1	INT;LT	
010212 -	DS	8860			88053-25001SX	1	INT;LT	990601 -	DG	RHD;8811,8834,8855		88902-25000FCP	1	INT;LT	
010212 -	DS	RHD;8860			88053-25001SX	1	INT;LT	011101 -	DG	RHD;8811,8834,8855		88902-25000FBV	1	INT;LT	
990601 - 010212	FD	RHD>1.3L;8860			88053-25000SX	1	INT;LT	990601 -	FD	RHD>L35,L45,P85;8811, 8834,8855		88902-25000FBJ	1	INT;LT	
010212 -	FD	RHD>1.3L;8860			88053-25001SX	1	INT;LT	990601 -	FG	RHD;8811,8855		88902-25000FCP	1	INT;LT	
990601 - 010212	FG	8834			88053-25000SX	1	INT;LT	011101 -	FG	RHD;8811,8855		88902-25000FBV	1	INT;LT	
990601 - 010212	FG	8860			88053-25000SX	1	INT;LT	88903A CAP-FR SEAT A/REST (S)TAPA							
010212 -	FG	8834			88053-25001SX	1	INT;LT	990601 -	AD	8811,8834,8855		88903-25000SX	1	INT;LT	
010212 -	FG	8860			88053-25001SX	1	INT;LT	990601 -	AG	8811,8834,8855		88903-25000SX	1	INT;LT	
990601 - 010212	AD	LHD			88063-25000SX	1	INT;LT	990601 -	DG	8811,8834,8855		88903-25000SX	1	INT;LT	
010212 -	AD	LHD			88063-25001SX	1	INT;LT	990601 -	DS	8811,8834,8855		88903-25000SX	1	INT;LT	
990601 - 010212	AG	LHD			88063-25000SX	1	INT;LT	990601 -	FD	1.3L;8811,8834,8855		88903-25000SX	1	INT;LT	
010212 -	AG	LHD			88063-25001SX	1	INT;LT	990601 -	FG	8811,8855		88903-25000SX	1	INT;LT	
990601 - 010212	DG	LHD;8860			88063-25000SX	1	INT;LT	88904 HANDLE-FR SEAT HEIGHT ADJUST (S)MANIJA							
010212 -	DG	LHD;8860			88063-25001SX	1	INT;LT	990601 -	AD	RHD;8834,8860		88904-38100LT	2	INT;LT	
990601 - 010212	DS	LHD;8860			88063-25000SX	1	INT;LT	990601 -	AG	8834		88904-38100LT	2	INT;LT	
990601 - 010212	DS	RHD;8860			88063-25000SX	1	INT;LT	990601 -	DG	8834		88904-38100LT	2	INT;LT	
010212 -	DS	LHD;8860			88063-25001SX	1	INT;LT	990601 -	DS	RHD;8834,8860		88904-38100LT	2	INT;LT	
010212 -	DS	RHD;8860			88063-25001SX	1	INT;LT	990601 -	FD	RHD>1.3L;8834,8860		88904-38100LT	2	INT;LT	
990601 - 010212	FD	LHD>1.3L			88063-25000SX	1	INT;LT	990601 -	FG	8834		88904-38100LT	2	INT;LT	
010212 -	FD	LHD>1.3L			88063-25001SX	1	INT;LT								
990601 - 010212	FG	LHD			88063-25000SX	1	INT;LT								
010212 -	FG	LHD			88063-25001SX	1	INT;LT								
88901B		ARMREST ASSY-FR SEAT LH (S)CONJ. REPOSABRAZO													
990601 -	AG	LHD;8811,8834,8855			88901-25000FCP	1	INT;LT								

AD:3DR,DL AG:3DR,DL DG:3DR,DL DS:3DR,DL FD:4DR,DL FG:4DR,DL

8811:SEAT-FR(LUMBER SUPT) DRIVER 8834:SEAT-FR(DUAL HEIGHT ADJUSTER) 8855:SEAT ARM REST-FR 8860:WALK IN DEVICE



P N C	MODEL APPLICABLE		PART NO. (REPL. P/NO)	Q T Y	REMARKS
	FROM-UP-TO	TYPE			
84251A					
990601 -	AD	8888	84251-21500LT	2	INT;LT
990601 -	AG	8888	84251-21500LT	2	INT;LT
990601 - 990611	DG	8888,-A22,-A24,-A29,-B09,-E02,-E37	84251-21500LT	2	INT;LT
990611 -	DG	8888,-B09	84251-21500LT	2	INT;LT
991120 -	DG	8888,-A22,-A24,-A29,-E02,-E37	84251-21500LT	2	INT;LT
990601 - 990611	DS	8888,-A22,-A24,-A29,-B09,-E02,-E37	84251-21500LT	2	INT;LT
990611 -	DS	8888,-B09	84251-21500LT	2	INT;LT
991120 -	DS	8888,-A22,-A24,-A29,-E02,-E37	84251-21500LT	2	INT;LT
990601 -	FD	L35,L45,P85;8888	84251-21500LT	2	INT;LT
990601 -	FG	8888	84251-21500LT	2	INT;LT
88800					
990601 -	AD	5691,888H,8888	88800-38010LT	2	INT;LT
990601 -	AG	5691,888H,8888	88800-38010LT	2	INT;LT
990601 - 990611	DG	5691,888H,8888,-A22,-A24,-A29,-B09,-E02,-E37	88800-38010LT	2	INT;LT
990611 -	DG	LHD;5691,888H,8888,-B09	88800-38010LT	2	INT;LT
990601 - 990611	DS	5691,888H,8888,-A22,-A24,-A29,-B09,-E02,-E37	88800-38010LT	2	INT;LT
990611 -	DS	LHD;5691,888H,8888,-B09	88800-38010LT	2	INT;LT
990601 -	FD	L35,L45,P85;5691,888H,8888	88800-38010LT	2	INT;LT
990601 -	FG	5691,888H,8888	88800-38010LT	2	INT;LT
88810C					
990601 - 990611	AD	5691,888H,8888,-A22,-A24,-A29,-B09,-E02,-E37	88810-25400LT	1	INT;LT
990601 - 990611	AD	8888,8888,+A22,+A24,+A29,+B09,+E02,+E37	88870-25001LT	1	INT;LT
990601 - 990611	AD	8888,-A22,-A24,-A29,-B09,-E02,-E37	88810-25000LT	1	INT;LT
990611 -	AD	5691,888H,8888,-A22,-A24,-A29,-E02,-E37	88810-25400LT	1	INT;LT

CONTINUED

3-E11

88-888 FRONT SEAT BELT

BA,G0112- 497

P N C	MODEL APPLICABLE		P A R T N O. (REPL P/NO)	Q T Y	REMARKS
FROM-UP-TO	TYPE	DESCRIPTION			
CONTINUED					
88810C		S/BELT ASSY-FR LH (S)CONJ. CINTURON SEGURIDAD			
990611 -	AD	5691,888H,8888,-B09	88810-25400LT	1	INT;LT
990611 -	AD	888B,8888,+A22,+A24,+A29, +E02,+E37	88870-25001LT	1	INT;LT
990611 -	AD	888B,8888,+B09	88870-25001LT	1	INT;LT
990611 -	AD	8888,-A22,-A24,-A29,-E02, -E37	88810-25000LT	1	INT;LT
990611 -	AD	8888,-B09	88810-25000LT	1	INT;LT
990611 -	AD	RHD;5691,888H,8888,-A22, -A24,-A29,-E02,-E37	88810-25800LT	1	INT;LT
991120 -	AD	5691,5692,888B,888H,8888, +A22,+A24,+A29,+E02,+E37	88870-25401LT	1	INT;LT
991120 -	AD	5691,5692,888B,888H,8888, +B09	88870-25401LT	1	INT;LT
990601 - 990611	AG	5691,888H,8888,-A22,-A24, -A29,-B09,-E02,-E37	88810-25400LT	1	INT;LT
990601 - 990611	AG	888B,8888,+A22,+A24,+A29, +B09,+E02,+E37	88870-25001LT	1	INT;LT
990601 - 990611	AG	8888,-A22,-A24,-A29,-B09, -E02,-E37	88810-25000LT	1	INT;LT
990611 -	AG	5691,888H,8888,-A22,-A24, -A29,-E02,-E37	88810-25400LT	1	INT;LT
990611 -	AG	5691,888H,8888,-B09	88810-25400LT	1	INT;LT
990611 -	AG	888B,8888,+A22,+A24,+A29, +E02,+E37	88870-25001LT	1	INT;LT
990611 -	AG	888B,8888,+B09	88870-25001LT	1	INT;LT
990611 -	AG	8888,-A22,-A24,-A29,-E02, -E37	88810-25000LT	1	INT;LT
990611 -	AG	8888,-B09	88810-25000LT	1	INT;LT
990611 -	AG	RHD;5691,888H,8888,-A22, -A24,-A29,-E02,-E37	88810-25800LT	1	INT;LT
991120 -	AG	5691,5692,888B,888H,8888, +A22,+A24,+A29,+E02,+E37	88870-25401LT	1	INT;LT
991120 -	AG	5691,5692,888B,888H,8888, +B09	88870-25401LT	1	INT;LT
990601 - 990611	DG	5691,888H,8888,-A22,-A24, -A29,-B09,-E02,-E37	88810-25480LT	1	INT;LT

CONTINUED

P N C	MODEL APPLICABLE		P A R T N O. (REPL P/NO)	Q T Y	REMARKS
FROM-UP-TO	TYPE	DESCRIPTION			
CONTINUED					
88810C		S/BELT ASSY-FR LH (S)CONJ. CINTURON SEGURIDAD			
990601 - 990611	DG	888B,8888,+A22,+A24,+A29, +B09,+E02,+E37	88870-25281LT	1	INT;LT
990611 -	DG	888B,8888,+A22,+A24,+A29, +E02,+E37	88870-25281LT	1	INT;LT
990611 -	DG	LHD;5691,888H,8888,-B09	88810-25480LT	1	INT;LT
991120 -	DG	8888,-A22,-A24,-A29,-E02, -E37	88810-25080LT	1	INT;LT
991120 -	DG	8888,-B09	88810-25080LT	1	INT;LT
990601 - 990611	DS	5691,888H,8888,-A22,-A24, -A29,-B09,-E02,-E37	88810-25480LT	1	INT;LT
990601 - 990611	DS	888B,8888,+A22,+A24,+A29, +B09,+E02,+E37	88870-25281LT	1	INT;LT
990611 -	DS	888B,8888,+A22,+A24,+A29, +E02,+E37	88870-25281LT	1	INT;LT
990611 -	DS	LHD;5691,888H,8888,-B09	88810-25480LT	1	INT;LT
991120 -	DS	8888,-A22,-A24,-A29,-E02, -E37	88810-25080LT	1	INT;LT
991120 -	DS	8888,-B09	88810-25080LT	1	INT;LT
990601 - 990611	FD	L35,L45,P85;5691,888H, 8888,-A22,-A24,-A29,-B09, -E02,-E37	88810-25400LT	1	INT;LT
990601 - 990611	FD	L35,L45,P85;888B,8888, +A22,+A24,+A29,+B09,+E02, +E37	88870-25001LT	1	INT;LT
990601 - 990611	FD	L35,L45,P85;8888,-A22, -A24,-A29,-B09,-E02,-E37	88810-25000LT	1	INT;LT
990611 -	FD	L35,L45,P85;5691,888H, 8888,-A22,-A24,-A29,-E02, -E37	88810-25400LT	1	INT;LT
990611 -	FD	L35,L45,P85;5691,888H, 8888,-B09	88810-25400LT	1	INT;LT
990611 -	FD	L35,L45,P85;888B,8888, +A22,+A24,+A29,+E02,+E37	88870-25001LT	1	INT;LT
990611 -	FD	L35,L45,P85;888B,8888, +B09	88870-25001LT	1	INT;LT

CONTINUED

AD:SOR,OL AG:SOR,OLS DG:SOR,OLS DS:SOR,OL FD:DR,OL 5691:AIR BAG(DRIVER SIDE) 8692:AIR BAG(PASSENGER SIDE) 888B:SEAT BELT-FR DR'S(ELR 3PT) 888B:SEAT BELT-FR DR'S ADJUSTABLE 888H:SEAT BELT-FR DR'S FIT ELECT TY
A22:SINGAPORE A24:THAILAND A29:HONG KONG B09:COSTA RICA E02:BOTSWANA E37:SOUTH AFRICA

3-F11

88-888 FRONT SEAT BELT

BA,00112-488

P N C	MODEL APPLICABLE		PART NO. (REPL P/NO)	Q T Y	REMARKS
	FROM-UP-TO	DESCRIPTION			
CONTINUED					
88810C	S/BELT ASSY-FR LH (S)CONJ. CINTURON SEGURIDAD				
990611 -	FD	L35,L45,P85;8888,-A22,-A24,-A29,-E02,-E37	88810-25000LT	1	INT:LT
990611 -	FD	L35,L45,P85;8888,-B09	88810-25000LT	1	INT:LT
990611 -	FD	RHD>L35,L45,P85;5691,888H,8888,-A22,-A24,-A29,-E02,-E37	88810-25800LT	1	INT:LT
991120 -	FD	L35,L45,P85;5691,5692,888B,888H,8888,+A22,+A24,+A29,+E02,+E37	88870-25401LT	1	INT:LT
991120 -	FD	L35,L45,P85;5691,5692,888B,888H,8888,+B09	88870-25401LT	1	INT:LT
990601 - 990611	FG	5691,888H,8888,-A22,-A24,-A29,-B09,-E02,-E37	88810-25400LT	1	INT:LT
990601 - 990611	FG	888B,8888,+A22,+A24,+A29,+B09,+E02,+E37	88870-25001LT	1	INT:LT
990601 - 990611	FG	8888,-A22,-A24,-A29,-B09,-E02,-E37	88810-25000LT	1	INT:LT
990611 -	FG	5691,888H,8888,-A22,-A24,-A29,-E02,-E37	88810-25400LT	1	INT:LT
990611 -	FG	5691,888H,8888,-B09	88810-25400LT	1	INT:LT
990611 -	FG	888B,8888,+A22,+A24,+A29,+E02,+E37	88870-25001LT	1	INT:LT
990611 -	FG	888B,8888,+B09	88870-25001LT	1	INT:LT
990611 -	FG	8888,-A22,-A24,-A29,-E02,-E37	88810-25000LT	1	INT:LT
990611 -	FG	8888,-B09	88810-25000LT	1	INT:LT
990611 -	FG	RHD;5691,888H,8888,-A22,-A24,-A29,-E02,-E37	88810-25800LT	1	INT:LT
991120 -	FG	5691,5692,888B,888H,8888,+A22,+A24,+A29,+E02,+E37	88870-25401LT	1	INT:LT
991120 -	FG	5691,5692,888B,888H,8888,+B09	88870-25401LT	1	INT:LT
88820C	S/BELT ASSY-FR RH (S)CONJ. CINTURON SEGURIDAD				
990601 - 990611	AD	5691,888H,8888,-A22,-A24,-A29,-B09,-E02,-E37	88820-25400LT	1	INT:LT

P N C	MODEL APPLICABLE		PART NO. (REPL P/NO)	Q T Y	REMARKS
	FROM-UP-TO	DESCRIPTION			
CONTINUED					
88820C	S/BELT ASSY-FR RH (S)CONJ. CINTURON SEGURIDAD				
990601 - 990611	AD	888B,8888,+A22,+A24,+A29,+B09,+E02,+E37	88820-25001LT	1	INT:LT
990601 - 990611	AD	8888,-A22,-A24,-A29,-B09,-E02,-E37	88820-25000LT	1	INT:LT
990611 -	AD	5691,888H,8888,-A22,-A24,-A29,-E02,-E37	88820-25400LT	1	INT:LT
990611 -	AD	5691,888H,8888,-B09	88820-25400LT	1	INT:LT
990611 -	AD	888B,8888,+A22,+A24,+A29,+E02,+E37	88820-25001LT	1	INT:LT
990611 -	AD	888B,8888,+B09	88820-25001LT	1	INT:LT
990611 -	AD	8888,-A22,-A24,-A29,-E02,-E37	88820-25000LT	1	INT:LT
990611 -	AD	8888,-B09	88820-25000LT	1	INT:LT
991120 -	AD	5691,5692,888B,888H,8888,+A22,+A24,+A29,+E02,+E37	88820-25401LT	1	INT:LT
991120 -	AD	5691,5692,888B,888H,8888,+B09	88820-25401LT	1	INT:LT
991120 -	AD	LHD;5691,888H,8888,-B09	88820-25800LT	1	INT:LT
990601 - 990611	AG	5691,888H,8888,-A22,-A24,-A29,-B09,-E02,-E37	88820-25400LT	1	INT:LT
990601 - 990611	AG	888B,8888,+A22,+A24,+A29,+B09,+E02,+E37	88820-25001LT	1	INT:LT
990601 - 990611	AG	8888,-A22,-A24,-A29,-B09,-E02,-E37	88820-25000LT	1	INT:LT
990611 -	AG	5691,888H,8888,-A22,-A24,-A29,-E02,-E37	88820-25400LT	1	INT:LT
990611 -	AG	5691,888H,8888,-B09	88820-25400LT	1	INT:LT
990611 -	AG	888B,8888,+A22,+A24,+A29,+E02,+E37	88820-25001LT	1	INT:LT
990611 -	AG	888B,8888,+B09	88820-25001LT	1	INT:LT
990611 -	AG	8888,-A22,-A24,-A29,-E02,-E37	88820-25000LT	1	INT:LT
991120 -	AG	5691,5692,888B,888H,8888,+A22,+A24,+A29,+E02,+E37	88820-25401LT	1	INT:LT

CONTINUED

AD:DR,AL AG:DR,AL,LS FD:DR,AL,LS FG:DR,AL,LS 8891:AIR BAG(DRIVER SIDE) 8892:AIR BAG(PASSENGER SIDE) 8888:SEAT BELT-FR DR'S(ELR SPT) 8889:SEAT BELT-FR DR'S ADJUSTABLE 888H:SEAT BELT-FR DR'S P/T ELECT TY
 A22:SINGAPORE A24:THAILAND A29:HONG KONG B09:COSTA RICA E02:BOTSWANA E37:SOUTH AFRICA

3-G11

88-888 FRONT SEAT BELT

BA,G0112-499

P N C		MODEL APPLICABLE		R E P	PART NO. (REPL P/NO)	Q T Y	REMARKS	P N C		MODEL APPLICABLE		R E P	PART NO. (REPL P/NO)	Q T Y	REMARKS		
FROM-UP-TO	TYPE	DESCRIPTION	FROM-UP-TO					TYPE	DESCRIPTION								
CONTINUED								CONTINUED									
88820C								88820C									
S/BELT ASSY-FR RH (S)CONJ. CINTURON SEGURIDAD								S/BELT ASSY-FR RH (S)CONJ. CINTURON SEGURIDAD									
991120 -	AG	5691,5692,888B,888H,8888,+B09	88880-25401LT	1	INT;LT	990611 -	FD	L35,L45,P85;888B,8888,+A22,+A24,+A29,+E02,+E37	88880-25001LT	1	INT;LT	990611 -	FD	L35,L45,P85;888B,8888,+B09	88880-25001LT	1	INT;LT
991120 -	AG	LHD;5691,888H,8888,-B09	88820-25800LT	1	INT;LT	990611 -	FD	L35,L45,P85;888B,8888,+B09	88880-25001LT	1	INT;LT	990611 -	FD	L35,L45,P85;8888,-A22,-A24,-A29,-B09,-E02,-E37	88820-25000LT	1	INT;LT
990601 - 990611	DG	5691,888H,8888,-A22,-A24,-A29,-B09,-E02,-E37	88820-25480LT	1	INT;LT	990611 -	FD	L35,L45,P85;8888,-A22,-A24,-A29,-E02,-E37	88820-25000LT	1	INT;LT	990611 -	FD	L35,L45,P85;8888,-B09	88820-25000LT	1	INT;LT
990601 - 990611	DG	888B,8888,+A22,+A24,+A29,+B09,+E02,+E37	88880-25281LT	1	INT;LT	990611 -	FD	L35,L45,P85;8888,-B09	88820-25000LT	1	INT;LT	991120 -	FD	L35,L45,P85;5691,5692,888B,888H,8888,+A22,+A24,+A29,+E02,+E37	88880-25401LT	1	INT;LT
990611 -	DG	888B,8888,+A22,+A24,+A29,+E02,+E37	88880-25281LT	1	INT;LT	991120 -	FD	L35,L45,P85;5691,5692,888B,888H,8888,+B09	88880-25401LT	1	INT;LT	991120 -	FD	L35,L45,P85;5691,5692,888B,888H,8888,+B09	88820-25800LT	1	INT;LT
990611 -	DG	LHD;5691,888H,8888,-B09	88820-25480LT	1	INT;LT	991120 -	FD	L35,L45,P85;5691,5692,888B,888H,8888,+B09	88820-25800LT	1	INT;LT	990601 - 990611	FG	5691,888H,8888,-A22,-A24,-A29,-B09,-E02,-E37	88820-25400LT	1	INT;LT
991120 -	DG	8888,-A22,-A24,-A29,-E02,-E37	88820-25080LT	1	INT;LT	990601 - 990611	FG	888B,8888,+A22,+A24,+A29,+B09,+E02,+E37	88880-25001LT	1	INT;LT	990601 - 990611	FG	8888,-A22,-A24,-A29,-B09,-E02,-E37	88820-25000LT	1	INT;LT
991120 -	DG	8888,-B09	88820-25080LT	1	INT;LT	990601 - 990611	FG	8888,-A22,-A24,-A29,-B09,-E02,-E37	88820-25000LT	1	INT;LT	990611 -	FG	5691,888H,8888,-A22,-A24,-A29,-E02,-E37	88820-25400LT	1	INT;LT
990601 - 990611	DS	5691,888H,8888,-A22,-A24,-A29,-B09,-E02,-E37	88820-25480LT	1	INT;LT	990611 -	FG	888B,8888,+A22,+A24,+A29,+E02,+E37	88880-25001LT	1	INT;LT	990611 -	FG	888B,8888,-B09	88820-25001LT	1	INT;LT
990601 - 990611	DS	888B,8888,+A22,+A24,+A29,+B09,+E02,+E37	88880-25281LT	1	INT;LT	990611 -	FG	888B,8888,+B09	88880-25001LT	1	INT;LT	990611 -	FG	8888,-A22,-A24,-A29,-E02,-E37	88820-25000LT	1	INT;LT
990611 -	DS	888B,8888,+A22,+A24,+A29,+E02,+E37	88880-25281LT	1	INT;LT	990611 -	FG	8888,-A22,-A24,-A29,-E02,-E37	88820-25000LT	1	INT;LT	990611 -	FG	5691,888H,8888,-A22,-A24,-A29,-E02,-E37	88820-25400LT	1	INT;LT
990611 -	DS	LHD;5691,888H,8888,-B09	88820-25480LT	1	INT;LT	990611 -	FG	8888,-A22,-A24,-A29,-E02,-E37	88820-25000LT	1	INT;LT	990611 -	FG	5691,888H,8888,-B09	88820-25400LT	1	INT;LT
991120 -	DS	8888,-A22,-A24,-A29,-E02,-E37	88820-25080LT	1	INT;LT	990611 -	FG	888B,8888,+A22,+A24,+A29,+E02,+E37	88880-25001LT	1	INT;LT	990611 -	FG	888B,8888,+A22,+A24,+A29,+E02,+E37	88880-25001LT	1	INT;LT
991120 -	DS	8888,-B09	88820-25080LT	1	INT;LT	990611 -	FG	888B,8888,+B09	88880-25001LT	1	INT;LT	990611 -	FG	888B,8888,-B09	88820-25001LT	1	INT;LT
990601 - 990611	FD	L35,L45,P85;5691,888H,8888,-A22,-A24,-A29,-B09,-E02,-E37	88820-25400LT	1	INT;LT	990611 -	FG	888B,8888,+B09	88880-25001LT	1	INT;LT	990611 -	FG	8888,-A22,-A24,-A29,-E02,-E37	88820-25000LT	1	INT;LT
990601 - 990611	FD	L35,L45,P85;888B,8888,+A22,+A24,+A29,+B09,+E02,+E37	88880-25001LT	1	INT;LT	990611 -	FG	8888,-A22,-A24,-A29,-E02,-E37	88820-25000LT	1	INT;LT	990611 -	FG	8888,-B09	88820-25000LT	1	INT;LT
990601 - 990611	FD	L35,L45,P85;8888,-A22,-A24,-A29,-B09,-E02,-E37	88820-25000LT	1	INT;LT	991120 -	FG	5691,5692,888B,888H,8888,+A22,+A24,+A29,+E02,+E37	88880-25401LT	1	INT;LT	991120 -	FG	5691,5692,888B,888H,8888,+B09	88880-25401LT	1	INT;LT
990611 -	FD	L35,L45,P85;5691,888H,8888,-A22,-A24,-A29,-E02,-E37	88820-25400LT	1	INT;LT	991120 -	FG	5691,5692,888B,888H,8888,+B09	88880-25401LT	1	INT;LT	991120 -	FG	LHD;5691,888H,8888,-B09	88820-25800LT	1	INT;LT
990611 -	FD	L35,L45,P85;5691,888H,8888,-B09	88820-25400LT	1	INT;LT												

AG:FOR GLS DG:FOR GLS DS:FOR L FD:FOR GLS PG:FOR GLS 5691:AIR BAG(DRIVER SIDE) 5692:AIR BAG(PASSENGER SIDE) 888B:SEAT BELT-FR DR'S(ELF 3PT) 888H:SEAT BELT-FR DR'S ADJUSTABLE 888H:SEAT BELT-FR DR'S PIT ELECT TY
A22:SINGAPORE A24:THAILAND A29:HONG KONG B09:COSTA RICA E02:BOTSWANA E37:SOUTH AFRICA

3-H11

88-888 FRONT SEAT BELT

SA, G0112-500

P N C	MODEL APPLICABLE		R E P	PART NO. (REPL P/NO)	Q T Y	REMARKS
	FROM-UP-TO	DESCRIPTION				
88830A		BUCKLE ASSY-FR S/BELT LH (S)CONJ. HEBILLA				
990601 -		AD		88830-25200SX	1	INT;LT
990601 - 990611		AD 8888		88830-25000SX	1	INT;LT
990611 - 991120		AD 8888,-A22,-A24,-A29,-E02,-E37		88830-25201SX	1	INT;LT
990611 - 991120		AD 8888,-B09		88830-25201SX	1	INT;LT
990601 -		AG		88830-25200SX	1	INT;LT
990601 - 990611		AG 8888		88830-25000SX	1	INT;LT
990611 - 991120		AG 8888,-A22,-A24,-A29,-E02,-E37		88830-25201SX	1	INT;LT
990611 - 991120		AG 8888,-B09		88830-25201SX	1	INT;LT
990601 -		DG		88830-25200SX	1	INT;LT
990601 - 990611		DG 8888		88830-25000SX	1	INT;LT
990611 - 990611		DG LHD;8888		88830-25000SX	1	INT;LT
990601 -		DS		88830-25200SX	1	INT;LT
990601 - 990611		DS 8888		88830-25000SX	1	INT;LT
990611 - 990611		DS LHD;8888		88830-25000SX	1	INT;LT
990601 -		FD L35,L45,P85		88830-25200SX	1	INT;LT
990601 - 990611		FD L35,L45,P85;8888		88830-25000SX	1	INT;LT
990611 - 991120		FD L35,L45,P85;8888,-A22,-A24,-A29,-E02,-E37		88830-25201SX	1	INT;LT
990611 - 991120		FD L35,L45,P85;8888,-B09		88830-25201SX	1	INT;LT
990601 -		FG		88830-25200SX	1	INT;LT
990601 - 990611		FG 8888		88830-25000SX	1	INT;LT
990611 - 991120		FG 8888,-A22,-A24,-A29,-E02,-E37		88830-25201SX	1	INT;LT
990611 - 991120		FG 8888,-B09		88830-25201SX	1	INT;LT
88840A		BUCKLE ASSY-FR S/BELT RH (S)CONJ. HEBILLA				
990601 -		AD		88840-25200SX	1	INT;LT
990601 - 990611		AD 8888		88840-25000SX	1	INT;LT
990611 -		AD 8888		88840-25201SX	2	INT;LT
990601 -		AG		88840-25200SX	1	INT;LT
990601 - 990611		AG 8888		88840-25000SX	1	INT;LT
990611 -		AG 8888		88840-25201SX	2	INT;LT
990601 -		DG		88840-25200SX	1	INT;LT
990601 - 990611		DG 8888		88840-25000SX	1	INT;LT
990611 - 990611		DG LHD;8888		88840-25000SX	1	INT;LT

P N C	MODEL APPLICABLE		R E P	PART NO. (REPL P/NO)	Q T Y	REMARKS
	FROM-UP-TO	DESCRIPTION				
CONTINUED						
88840A		BUCKLE ASSY-FR S/BELT RH (S)CONJ. HEBILLA				
990611 -		DG 8888		88840-25201SX	2	INT;LT
990611 -		DG 8888,-B09		88840-25201SX	2	INT;LT
990601 -		DS		88840-25200SX	1	INT;LT
990601 - 990611		DS 8888		88840-25000SX	1	INT;LT
990611 - 990611		DS LHD;8888		88840-25000SX	1	INT;LT
990611 -		DS 8888		88840-25201SX	2	INT;LT
990611 -		DS 8888,-B09		88840-25201SX	2	INT;LT
990601 -		FD L35,L45,P85		88840-25200SX	1	INT;LT
990601 - 990611		FD L35,L45,P85;8888		88840-25000SX	1	INT;LT
990611 -		FD L35,L45,P85;8888		88840-25201SX	2	INT;LT
990601 -		FG		88840-25200SX	1	INT;LT
990601 - 990611		FG 8888		88840-25000SX	1	INT;LT
990611 -		FG 8888		88840-25201SX	2	INT;LT
88890A		ADJUSTER ASSY-HEIGHT (S)CONJ. AJUSTADOR				
990601 - 990611		AD 888B,8888,+A22,+A24,+A29,+B09,+E02,+E37		88890-25000LT	2	INT;LT
990611 -		AD 888B,8888,+A22,+A24,+A29,+E02,+E37		88890-25000LT	2	INT;LT
990611 -		AD 888B,8888,+B09		88890-25000LT	2	INT;LT
990601 - 990611		AG 888B,8888,+A22,+A24,+A29,+B09,+E02,+E37		88890-25000LT	2	INT;LT
990611 -		AG 888B,8888,+A22,+A24,+A29,+E02,+E37		88890-25000LT	2	INT;LT
990611 -		AG 888B,8888,+B09		88890-25000LT	2	INT;LT
990601 - 990611		DG 888B,8888,+A22,+A24,+A29,+B09,+E02,+E37		88890-25000LT	2	INT;LT
990611 -		DG 888B,8888,+A22,+A24,+A29,+E02,+E37		88890-25000LT	2	INT;LT
990601 - 990611		DS 888B,8888,+A22,+A24,+A29,+B09,+E02,+E37		88890-25000LT	2	INT;LT
990611 -		DS 888B,8888,+A22,+A24,+A29,+E02,+E37		88890-25000LT	2	INT;LT
990601 - 990611		FD L35,L45,P85;888B,8888,+A22,+A24,+A29,+B09,+E02,+E37		88890-25000LT	2	INT;LT

CONTINUED

AD:SDR,GL AG:SDR,GLS DG:SDR,GLS DS:SDRL FD:4DR,GL FG:4DR,GLS

888B:SEAT BELT-FR DR'S(ELR OPT) 888B:SEAT BELT-FR DR'S ADJUSTABLE A22:SINGAPORE A24:THAILAND A29:HONG KONG B09:COSTA RICA E02:BOTSWANA E37:SOUTH AFRICA

3-111

88-888 FRONT SEAT BELT

BA,G0112- 501

P N C	MODEL APPLICABLE		R E P	PART NO. (REPL P/NO)	Q T Y	REMARKS	P N C	MODEL APPLICABLE		R E P	PART NO. (REPL P/NO)	Q T Y	REMARKS
	FROM-UP-TO	TYPE						DESCRIPTION	FROM-UP-TO				
CONTINUED													
88890A		ADJUSTER ASSY-HEIGHT (S)CONJ. AJUSTADOR					88890B		COVER ASSY-HEIGHT ADJUSTER (S)CONJUNTO CUBIERTA				
990611 -	FD	L35,L45,P85;888B,888B, +A22,+A24,+A29,+E02,+E37		88890-25000LT	2	INT;LT	990601 - 990611	FG	888B,888B,+A22,+A24,+A29, +B09,+E02,+E37		88891-25000LT	2	INT;LT
990611 -	FD	L35,L45,P85;888B,888B, +B09		88890-25000LT	2	INT;LT	990611 -	FG	888B,888B,+A22,+A24,+A29, +E02,+E37		88891-25000LT	2	INT;LT
990601 - 990611	FG	888B,888B,+A22,+A24,+A29, +B09,+E02,+E37		88890-25000LT	2	INT;LT	990611 -	FG	888B,888B,+B09		88891-25000LT	2	INT;LT
990611 -	FG	888B,888B,+A22,+A24,+A29, +E02,+E37		88890-25000LT	2	INT;LT	92165A	CAP-BOLT (S)TAPA					
990611 -	FG	888B,888B,+B09		88890-25000LT	2	INT;LT	990601 -	ALL	888B		88811-22000	2	
88890B		COVER ASSY-HEIGHT ADJUSTER (S)CONJUNTO CUBIERTA					990601 -	DG	888B		88811-22000	4	
990601 - 990611	AD	888B,888B,+A22,+A24,+A29, +B09,+E02,+E37		88891-25000LT	2	INT;LT	990601 -	DS	888B		88811-22000	4	
990611 -	AD	888B,888B,+A22,+A24,+A29, +E02,+E37		88891-25000LT	2	INT;LT							
990611 -	AD	888B,888B,+B09		88891-25000LT	2	INT;LT							
990601 - 990611	AG	888B,888B,+A22,+A24,+A29, +B09,+E02,+E37		88891-25000LT	2	INT;LT							
990611 -	AG	888B,888B,+A22,+A24,+A29, +E02,+E37		88891-25000LT	2	INT;LT							
990611 -	AG	888B,888B,+B09		88891-25000LT	2	INT;LT							
990601 - 990611	DG	888B,888B,+A22,+A24,+A29, +B09,+E02,+E37		88891-25000LT	2	INT;LT							
990611 -	DG	888B,888B,+A22,+A24,+A29, +E02,+E37		88891-25000LT	2	INT;LT							
990601 - 990611	DS	888B,888B,+A22,+A24,+A29, +B09,+E02,+E37		88891-25000LT	2	INT;LT							
990611 -	DS	888B,888B,+A22,+A24,+A29, +E02,+E37		88891-25000LT	2	INT;LT							
990601 - 990611	FD	L35,L45,P85;888B,888B, +A22,+A24,+A29,+B09,+E02, +E37		88891-25000LT	2	INT;LT							
990611 -	FD	L35,L45,P85;888B,888B, +A22,+A24,+A29,+E02,+E37		88891-25000LT	2	INT;LT							
990611 -	FD	L35,L45,P85;888B,888B, +B09		88891-25000LT	2	INT;LT							
CONTINUED													

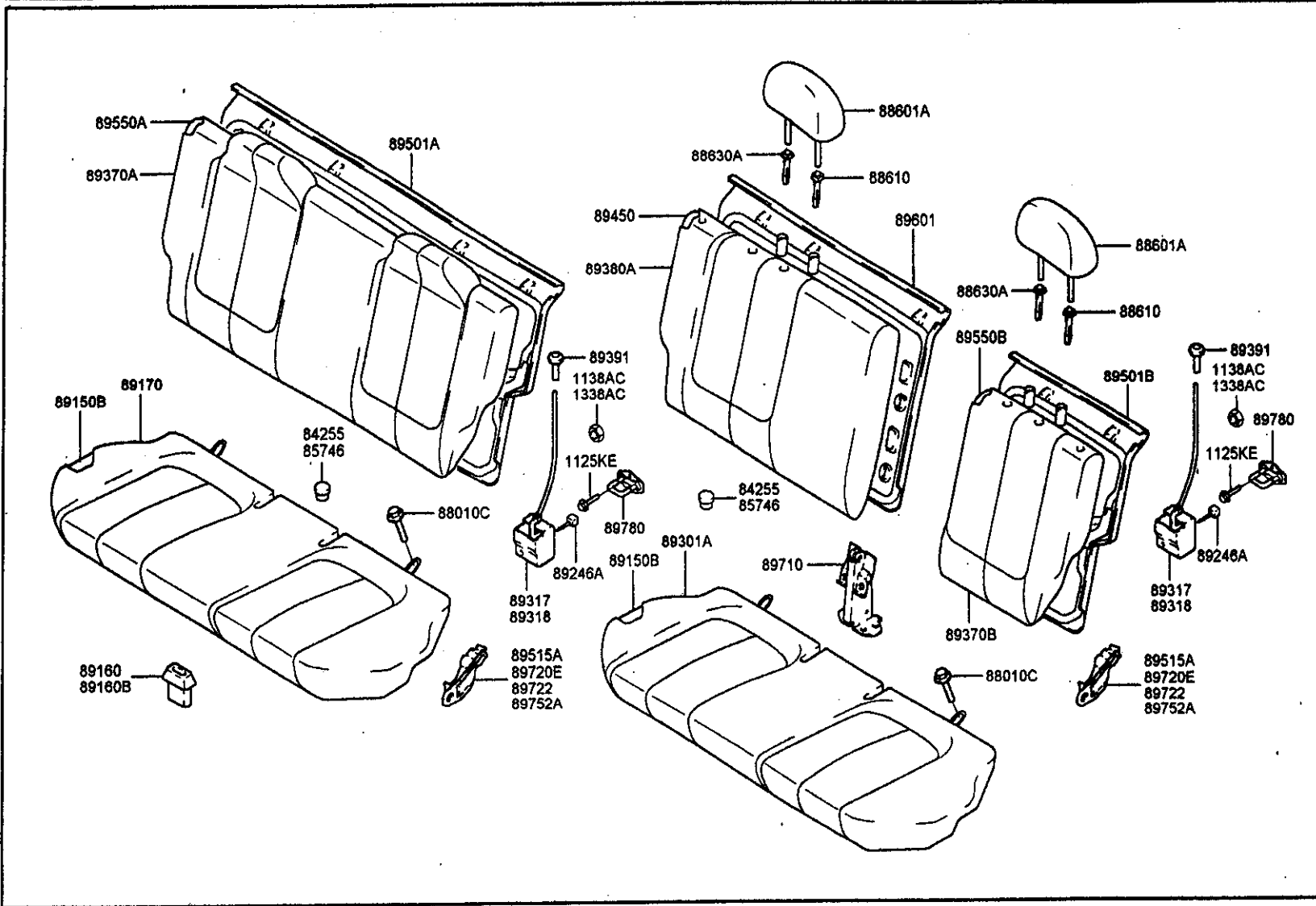
AD:4DR,GL AG:4DR,GLS DG:3DR,GLS DS:3DR,LD FD:4DR,GL FG:4DR,GLS

888B:SEAT BELT-FR DR'S(ELR OPT) 888B:SEAT BELT-FR DR'S ADJUSTABLE A22:SINGAPORE A24:THAILAND A29:HONG KONG B09:COSTA RICA E02:BOTSWANA E37:SOUTH AFRICA

88-890 REAR SEAT

8A,00112- 502

3-11



3-K11

88-890 REAR SEAT

BA,G0112- 503

P N C	MODEL APPLICABLE		R E P	PART NO. (REPL P/NO)	Q T Y	REMARKS	P N C	MODEL APPLICABLE		R E P	PART NO. (REPL P/NO)	Q T Y	REMARKS
	FROM-UP-TO	TYPE						DESCRIPTION	FROM-UP-TO				
1125KE		BOLT					88630A		GUIDE ASSY-HEADREST				
990601 -		(S)PERNO (CON ARANDELA)					990601 -	AD	8954		89722-25300SX	2	INT;LT
990601 -		ALL 8901		11254-08203	2		990601 -	AG	8954		89722-25300SX	2	INT;LT
990601 -		ALL 8903		11254-08203	3		990601 -	DG	8954		89722-25300SX	2	INT;LT
1138AC		NUT-FLANGE					990601 -	DS	8954		89722-25300SX	2	INT;LT
990601 -		(S)NUT					990601 -	FD	1.3L;8954		89722-25300SX	2	INT;LT
990601 -		ALL 8902	Y	13385-06001	4		990601 -	FG	8954		89722-25300SX	2	INT;LT
990601 -		ALL 8903	Y	13385-06001	4		89150B		FRAME & PAD ASSY-RR SEAT CUSH				
				(13385-06003)					(S)CONJ. ALMOHADILLA & BASTIDOR				
1338AC		NUT-FLANGE					990601 -	ALL			89150-25000	1	
990601 -		(S)TUERCA TAPA					89160		GROMMET-RR CUSH LOCK				
990601 -		ALL 8902	Y	13385-06001	4		990601 -	(S)ARANDELA DE CABO			89160-22000	2	
990601 -		ALL 8903	Y	13385-06001	4		89160B		GROMMET & SPRING ASSY-RR				
				(13385-06003)				(S)			89160-22000	2	
84255		PLUG-CHILD REST ANCHOR HOLE					990601 -	ALL			89160-22000	2	
990601 -		(S)TAPON					89170		COVER-RR SEAT CUSH				
990601 -		ALL		84255-21000	4			(S)CUBIERTA			89160-25100FBJ	1	INT;LT
990601 -		ALL		84255-21000	3		990601 -	AD	8802		89160-25100FAV	1	INT;LT
990601 -		ALL		84255-21000	1		011101 -	AD	8802		89160-25100FAV	1	INT;LT
85746		PLUG-TRIM MOUNTING					990601 -	AG	8801		89160-25200FCP	1	INT;LT
990601 -		(S)TAPON					011101 -	AG	8801		89160-25200FBV	1	INT;LT
990601 -		ALL		84255-21000	4		990601 -	DG	8801		89160-25200FCP	1	INT;LT
990601 -		ALL		84255-21000	3		011101 -	DG	8801		89160-25200FBV	1	INT;LT
990601 -		ALL		84255-21000	1		990601 -	DS	8802		89160-25100FBJ	1	INT;LT
88010C		BOLT					011101 -	DS	8802		89160-25100FAV	1	INT;LT
990601 -		(S)PERNO					990601 -	FD	1.3L;8802		89160-25100FBJ	1	INT;LT
990601 -		ALL		88010-22000	8		011101 -	FD	1.3L;8802		89160-25100FAV	1	INT;LT
990601 -		ALL		88010-22000	4		990601 -	FG	8801		89160-25200FCP	1	INT;LT
990601 -		ALL		88010-22000	10		011101 -	FG	8801		89160-25200FBV	1	INT;LT
88610		GUIDE ASSY-HEADREST W/LEVER					89246A		DAMPER-RR SEAT BACK LATCH				
990601 -		(S)CONJUNTO GUIA						(S)AMORTIGUADOR			89246-28100	2	
990601 -		AD 8954		89720-25300SX	2	INT;LT	990601 -	ALL			89246-28100	1	
990601 -		AG 8954		89720-25300SX	2	INT;LT	990601 -	ALL			89246-28100	1	
990601 -		DG 8954		89720-25300SX	2	INT;LT	89301A		FRAME & PAD ASSY-RR SEAT BACK				
990601 -		DS 8954		89720-25300SX	2	INT;LT		(S)CONJ. ALMOHADILLA & BASTIDOR					
990601 -		FD 1.3L;8954		89720-25300SX	2	INT;LT	990601 -	ALL 8901			89350-25000	1	
990601 -		FG 8954		89720-25300SX	2	INT;LT	990601 -	ALL 8901,8954			89350-25300	1	

AD:3DR,AG:4DR,DL:5DR,DS:3DR,FD:4DR,FG:4DR,GL:5DR

8801:COVER-SEAT(CLOTH) 8802:COVER-SEAT(SEM CLOTH) 8901:SEAT-RR(FIX TYPE) 8902:SEAT-RR(BENCH FOLDING TYPE) 8903:SEAT-RR(SPLIT FOLDING DOWN) 8904:HR-RR(UP/DOWN)

P N C		MODEL APPLICABLE	R E P	PART NO.	Q T Y	REMARKS	P N C		MODEL APPLICABLE	R E P	PART NO.	Q T Y	REMARKS
FROM-UP-TO	TYPE	DESCRIPTION		(REPL. P/NO)			FROM-UP-TO	TYPE	DESCRIPTION		(REPL. P/NO)		
89317		LOCK ASSY-RR SEAT BACK LH (S)CONJUNTO CIERRE					CONTINUED						
990601 -		ALL		89331-25100	1		89380A		COVER-RR SEAT BACK RH (S)CUBIERTA				
89318		LOCK ASSY-RR SEAT BACK RH (S)CONJUNTO CIERRE					011101 -	AG 8801,8903,8954			89460-25320FBV	1	INT;LT
990601 -		ALL		89431-25100	1		990601 -	DG 8801,8903			89460-25220FCP	1	INT;LT
89370A		COVER-RR SEAT BACK (S)CUBIERTA					990601 -	DG 8801,8903,8954			89460-25320FCP	1	INT;LT
990601 -	AD 8802,8902			89360-25110FBJ	1	INT;LT	011101 -	DG 8801,8903			89460-25220FBV	1	INT;LT
990601 -	AD 8802,8902,8954			89360-25410FBJ	1	INT;LT	011101 -	DG 8801,8903,8954			89460-25220FCP	1	INT;LT
011101 -	AD 8802,8902			89360-25110FAV	1	INT;LT	990601 -	FG 8801,8903,8954			89460-25320FCP	1	INT;LT
011101 -	AD 8802,8902,8954			89360-25410FAV	1	INT;LT	011101 -	FG 8801,8903			89460-25220FBV	1	INT;LT
990601 -	DS 8802,8902			89360-25110FBJ	1	INT;LT	011101 -	FG 8801,8903,8954			89460-25320FBV	1	INT;LT
990601 -	DS 8802,8902,8954			89360-25410FBJ	1	INT;LT	89391	KNOB-LATCH ROD (S)SPERILLA					
011101 -	DS 8802,8902			89360-25110FAV	1	INT;LT	990601 -	AD			89390-25000SX	2	INT;LT
011101 -	DS 8802,8902,8954			89360-25410FAV	1	INT;LT	990601 -	AG			89390-25000SX	2	INT;LT
990601 -	FD 1.3L;8802,8901			89360-25010FBJ	1	INT;LT	990601 -	DG			89390-25000SX	2	INT;LT
990601 -	FD 1.3L;8802,8901,8954			89360-25400FBJ	1	INT;LT	990601 -	DS			89390-25000SX	2	INT;LT
011101 -	FD 1.3L;8802,8901			89360-25010FAV	1	INT;LT	990601 -	FD 1.3L			89390-25000SX	2	INT;LT
011101 -	FD 1.3L;8802,8901,8954			89360-25400FAV	1	INT;LT	990601 -	FG			89390-25000SX	2	INT;LT
89370B		COVER-RR SEAT BACK LH (S)CUBIERTA					89450	PAD ASSY-RR SEAT BACK RH (S)CONJ. ALMOJADILLA					
990601 -	AG 8801,8903			89360-25220FCP	1	INT;LT	990601 -	AG 8903			89450-25200	1	
990601 -	AG 8801,8903,8954			89360-25320FCP	1	INT;LT	990601 -	AG 8903,8954			89450-25320	1	
011101 -	AG 8801,8903			89360-25220FBV	1	INT;LT	990601 -	DG 8903			89450-25200	1	
011101 -	AG 8801,8903,8954			89360-25320FBV	1	INT;LT	990601 -	DG 8903,8954			89450-25320	1	
990601 -	DG 8801,8903			89360-25220FCP	1	INT;LT	990601 -	FG 8903			89450-25200	1	
990601 -	DG 8801,8903,8954			89360-25320FCP	1	INT;LT	990601 -	FG 8903,8954			89450-25320	1	
011101 -	DG 8801,8903			89360-25220FBV	1	INT;LT	89501A	FRAME ASSY-RR SEAT BACK (S)CONJ. BASTIDOR					
011101 -	DG 8801,8903,8954			89360-25320FBV	1	INT;LT	990601 -	ALL 8902			89310-25100	1	
990601 -	FG 8801,8903			89360-25220FCP	1	INT;LT	990601 -	ALL 8902,8954			89310-25310	1	
990601 -	FG 8801,8903,8954			89360-25320FCP	1	INT;LT	990601 -	ALL 8903			89310-25200	1	
011101 -	FG 8801,8903			89360-25220FBV	1	INT;LT	89501B	FRAME ASSY-RR SEAT BACK LH (S)CONJ. BASTIDOR					
011101 -	FG 8801,8903,8954			89360-25320FBV	1	INT;LT	990601 -	ALL 8903,8954			89310-25320	1	
89380A		COVER-RR SEAT BACK RH (S)CUBIERTA					89515A	HINGE ASSY-RR SEAT BACK SIDE LH (S)CONJUNTO BISAGRA					
990601 -	AG 8801,8903			89460-25220FCP	1	INT;LT	990601 -	ALL 8902			89720-25000	1	
990601 -	AG 8801,8903,8954			89460-25320FCP	1	INT;LT							
011101 -	AG 8801,8903			89460-25220FBV	1	INT;LT							

CONTINUED

CONTINUED

8801:COVER-SEAT(CLOTH) 8802:COVER-SEAT(SEMI CLOTH) 8901:SEAT-RR(FIX TYPE) 8902:SEAT-RR(BENCH FOLDING TYPE) 8903:SEAT-RR(SPLIT FOLDING DOWN) 8954:HR-RR(UP/DOWN)

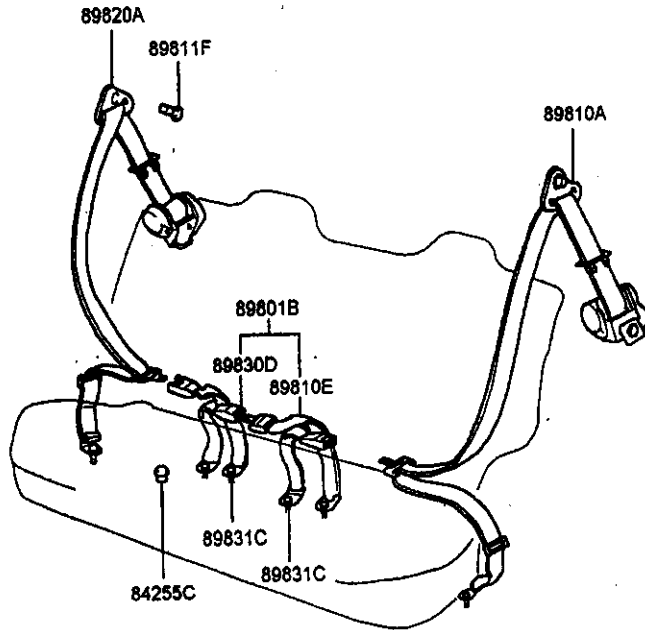
3-M11

88-890 REAR SEAT

BA,G0112- 505

P N C		MODEL APPLICABLE		R E P	PART NO. (REPL PNO)	Q T Y	REMARKS	P N C		MODEL APPLICABLE		R E P	PART NO. (REPL PNO)	Q T Y	REMARKS
FROM-UP-TO	TYPE	DESCRIPTION	DESCRIPTION					FROM-UP-TO	TYPE	DESCRIPTION	DESCRIPTION				
CONTINUED								CONTINUED							
		89515A	HINGE ASSY-RR SEAT BACK SIDE LH (S)CONJUNTO BISAGRA							89710	HINGE ASSY-RR SEAT BACK CTR (S)CONJUNTO BISAGRA				
		990601 -	ALL 8903		89720-25000	1				990601 -	ALL 8903		89710-25000	1	
		89550A	PAD ASSY-RR SEAT BACK (S)CONJ. ALMOJADILLA							89720E	GUIDE ASSY-R/S H/REST W/LVR (S)				
		990601 -	ALL 8902		89350-25100	1				990601 -	AD 8954		89720-25300SX	2	INT;LT
		990601 -	ALL 8902,8954		89350-25310	1				990601 -	AG 8954		89720-25300SX	2	INT;LT
		89550B	PAD ASSY-RR SEAT BACK LH (S)CONJ. ALMOJADILLA							990601 -	DG 8954		89720-25300SX	2	INT;LT
		990601 -	ALL 8903		89350-25200	1				990601 -	DS 8954		89720-25300SX	2	INT;LT
		990601 -	ALL 8903,8954		89350-25320	1				990601 -	FD L35,L45,P85;8954		89720-25300SX	2	INT;LT
		89601	FRAME ASSY-RR SEAT BACK RH (S)CONJ. BASTIDOR							990601 -	FG 8954		89720-25300SX	2	INT;LT
		990601 -	ALL 8903		89410-25200	1				89722	GUIDE ASSY-R/S H/REST L/LVR (S)				
		990601 -	ALL 8903,8954		89410-25320	1				990601 -	AD 8954		89722-25300SX	2	INT;LT
		89601A	HEADREST ASSY-RR SEAT (S)CONJ. REPOSACABEZA							990601 -	AG 8954		89722-25300SX	2	INT;LT
		990601 - 010101	AD 8954		89700-25300FBJ	2	INT;LT			990601 -	DG 8954		89722-25300SX	2	INT;LT
		010101 -	AD 8954		89700-25301FBJ	2	INT;LT			990601 -	DS 8954		89722-25300SX	2	INT;LT
		011101 -	AD 8954		89700-25301FAV	2	INT;LT			990601 -	FD L35,L45,P85;8954		89722-25300SX	2	INT;LT
		990601 - 010101	AG 8954		89700-25300FCP	2	INT;LT			990601 -	FG 8954		89722-25300SX	2	INT;LT
		010101 -	AG 8954		89700-25301FCP	2	INT;LT			89752A	HINGE ASSY-RR SEAT BACK SIDE RH (S)HINGE ASSY				
		011101 -	AG 8954		89700-25301FBV	2	INT;LT			990601 -	ALL 8902		89730-25000	1	
		990601 - 010101	DG 8954		89700-25300FCP	2	INT;LT			990601 -	ALL 8903		89730-25000	1	
		010101 -	DG 8954		89700-25301FCP	2	INT;LT			89760	STRIKER ASSY-RR SEAT BACK (S)CONJ. PERCUTOR				
		011101 -	DG 8954		89700-25301FBV	2	INT;LT			990601 -	ALL 8902		89780-22001	2	
		990601 - 010101	DS 8954		89700-25300FBJ	2	INT;LT			990601 -	ALL 8903		89780-22001	2	
		010101 -	DS 8954		89700-25301FBJ	2	INT;LT								
		011101 -	DS 8954		89700-25301FAV	2	INT;LT								
		990601 - 010101	FD 1.3L;8954		89700-25300FBJ	2	INT;LT								
		010101 -	FD 1.3L;8954		89700-25301FBJ	2	INT;LT								
		011101 -	FD 1.3L;8954		89700-25301FAV	2	INT;LT								
		990601 - 010101	FG 8954		89700-25300FCP	2	INT;LT								
		010101 -	FG 8954		89700-25301FCP	2	INT;LT								
		011101 -	FG 8954		89700-25301FBV	2	INT;LT								
		89710	HINGE ASSY-RR SEAT BACK CTR (S)CONJUNTO BISAGRA												
		990601 -	ALL 8901		89710-22100	1									
CONTINUED															

AD:5DR,6L AG:5DR,6LS DG:3DR,6LS DS:3DR,6L FD:4DR,6L FG:4DR,6LS 8901:SEAT-RR(FIX TYPE) 8902:SEAT-RR(BENCH FOLDING TYPE) 8903:SEAT-RR(SPLIT FOLDING DOWN) 8954:HR-RR(UP/DOWN)



P N C	MODEL APPLICABLE		PART NO. (REPL P/N)	Q T Y	REMARKS
	FROM-UP-TO	TYPE			
84255C					
990601 -	AD	8573	84251-11000	6	
990601 -	AG	8573	84251-11000	6	
990601 -	DG	8573,-A07	84251-11000	6	
990601 -	DS	8573,-A07	84251-11000	6	
990601 -	FD	8573	84251-11000	6	
990601 -	FG	8573	84251-11000	6	
89801B					
990601 -	AD	8573,8982	89801-25010LT	1	INT;LT
990601 -	AG	8573,8982	89801-25010LT	1	INT;LT
990601 -	DG	8573,8982,-A07	89801-25010LT	1	INT;LT
990601 -	DS	8573,8982,-A07	89801-25010LT	1	INT;LT
990601 -	PD	L35,L45,P85;8573,8982	89801-25010LT	1	INT;LT
990601 -	FG	8573,8982	89801-25010LT	1	INT;LT
89810A					
990601 -	AD	8573,8982	89810-25050LT	1	INT;LT
990601 -	AG	8573,8982	89810-25050LT	1	INT;LT
990601 -	DG	8573,8982,-A07	89810-25050LT	1	INT;LT
990601 -	DS	8573,8982,-A07	89810-25050LT	1	INT;LT
990601 -	FD	L35,L45,P85;8573,8982	89810-25050LT	1	INT;LT
990601 -	FG	8573,8982	89810-25050LT	1	INT;LT
89810E					
990601 -	AD	8573,8982	89810-25010LT	1	INT;LT
990601 -	AG	8573,8982	89810-25010LT	1	INT;LT
990601 -	DG	8573,8982,-A07	89810-25010LT	1	INT;LT
990601 -	DS	8573,8982,-A07	89810-25010LT	1	INT;LT
990601 -	FD	L35,L45,P85;8573,8982	89810-25010LT	1	INT;LT
990601 -	FG	8573,8982	89810-25010LT	1	INT;LT
89811F					
990601 -	ALL	8982	89811-25301	2	
89820A					
990601 -	AD	8573,8982	89820-25050LT	1	INT;LT
990601 -	AG	8573,8982	89820-25050LT	1	INT;LT

CONTINUED

3-B12

88-898 REAR SEAT BELT

BA,G0112- 507

P N C		MODEL APPLICABLE		R E P	PART NO. (REPL P/NO)	Q T Y	REMARKS	P N C		MODEL APPLICABLE		R E P	PART NO. (REPL P/NO)	Q T Y	REMARKS
FROM-UP-TO	TYPE	DESCRIPTION						FROM-UP-TO	TYPE	DESCRIPTION					
CONTINUED															
89820A		S/BELT ASSY-RR RH (S)CONJ. CINTURON SEGURIDAD													
990601 -		DG	8573,8982,-A07		89820-25050LT	1	INT;LT								
990601 -		DS	8573,8982,-A07		89820-25050LT	1	INT;LT								
990601 -		FD	L35,L45,P85;8573,8982		89820-25050LT	1	INT;LT								
990601 -		FG	8573,8982		89820-25050LT	1	INT;LT								
89830D		BUCKLE ASSY-RR STATIC 2PT CTR (S)CONJ. HEBILLA													
990601 -		AD	8573,8982		89830-25010LT	1	INT;LT								
990601 -		AG	8573,8982		89830-25010LT	1	INT;LT								
990601 -		DG	8573,8982,-A07		89830-25010LT	1	INT;LT								
990601 -		DS	8573,8982,-A07		89830-25010LT	1	INT;LT								
990601 -		FD	L35,L45,P85;8573,8982		89830-25010LT	1	INT;LT								
990601 -		FG	8573,8982		89830-25010LT	1	INT;LT								
89831C		BUCKLE ASSY-RR S/BELT SIDE (S)CONJ. HEBILLA													
990601 -		AD	8573,8982		89830-25000LT	2	INT;LT								
990601 -		AG	8573,8982		89830-25000LT	2	INT;LT								
990601 -		DG	8573,8982,-A07		89830-25000LT	2	INT;LT								
990601 -		DS	8573,8982,-A07		89830-25000LT	2	INT;LT								
990601 -		FD	L35,L45,P85;8573,8982		89830-25000LT	2	INT;LT								
990601 -		FG	8573,8982		89830-25000LT	2	INT;LT								

AD:5DR,GL AG:3DR,GL6 DG:3DR,GL5 DS:3DR,L FD:4DR,GL FG:4DR,GL5

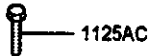
8573:TRM-LUGGAGE SIDE(PLASTIC) 8982:SEAT BELT-RR SIDE(ELR 3PT) A07:CHINA

3-C12

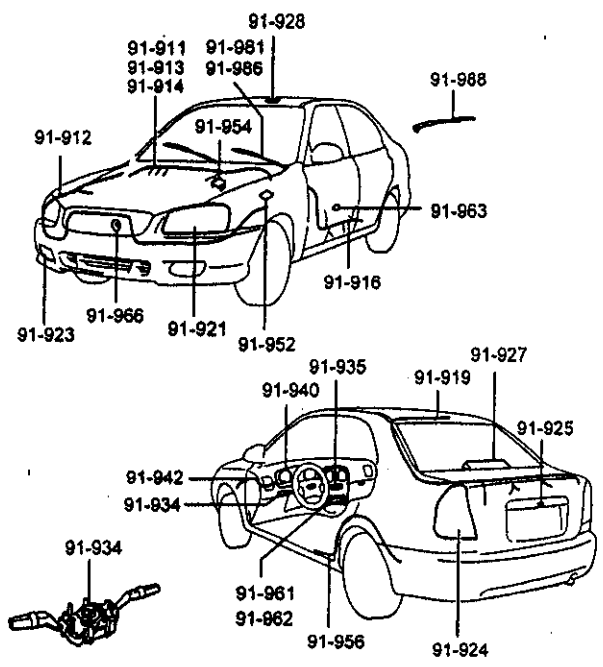
88-899 CHILD REST HOLDER

BA,00112- 508

P N C	MODEL APPLICABLE		R E P	PART NO. (REPL PNO)	Q T Y	REMARKS
	FROM-UP-TO	TYPE DESCRIPTION				
1125AC		BOLT				
010831 -		(S)PERNO (CON ARANDELA)				
		ALL	Y	11251-06183 (11251-06188)	6	



91 CHASSIS ELECTRICAL



91-911	MAIN WIRING	3-E12
91-912	ENGINE WIRING	3-E13
91-913	INSTRUMENT WIRING	3-H13
91-914	CONTROL WIRING	3-J13
91-916	MISCELLANEOUS WIRING	3-M13
91-919	TAIL GATE WIRING	3-E14
91-921	HEADLAMP	3-G14
91-923	BODY SIDE LAMP	3-I14
91-924	REAR COMBINATION LAMP	3-K14
91-925	LICENSE PLATE & INTERIOR LAMP	4-A 1
91-927	HIGH MOUNTED STOP LAMP	4-B 1
91-928	ROOM LAMP	4-D 1
91-934	MULTIFUNCTION SWITCH.....	4-F 1
91-935	SWITCH.....	4-H 1
91-940	INSTRUMENT CLUSTER.....	4-B 2
91-942	SPEEDOMETER CABLE	4-H 2
91-952	RELAY	4-I 2
91-954	AUTO TRANSAXLE CONTROL	4-M 2
91-956	ANTI-SKID BRAKE SENSOR.....	4-B 3
91-961	CAR RADIO	4-D 3
91-962	ANTENNA	4-G 3
91-963	SPEAKER.....	4-I 3
91-966	HORN	4-K 3
91-981	WINDSHIELD WIPER	4-L 3
91-986	WINDSHIELD WASHER	4-M 3
91-988	REAR WIPER & WASHER.....	4-B 4

P N C	MODEL APPLICABLE		R E P	PART NO. (REPL P/NO)	Q T Y	REMARKS
	FROM-UP-TO	DESCRIPTION				
CONTINUED						
1076AM		PLUG (S)TAPON				
990601 - 000101	FG	LHD>P65	A	17313-25000 (95674-02000)	2	
990601 - 000101	FG	LHD>4AT2;-A08	A	17313-25000 (95674-02000)	2	
990601 - 000101	FG	RHD>P3B,P6B	A	17313-25000 (95674-02000)	2	
1125KC		BOLT(W/WASHER) (S)CONJ.ARANDELA				
990601 -	ALL	RHD>P35		11254-06201	2	
990601 -	AD	LHD>L35,L45,P35		11254-06201	2	
990601 -	AD	LHD>4AT2;-A08		11254-06201	2	
990601 -	AD	RHD>L35,L45,P3B,P6B		11254-06201	2	
990601 -	AG	LHD>P35,P65		11254-06201	2	
990601 -	AG	LHD>4AT2;-A08		11254-06201	2	
990601 -	AG	RHD>P3B,P6B		11254-06201	2	
990601 -	DG	LHD>P35,P65		11254-06201	2	
990601 -	DG	LHD>4AT2;8133,9572,9831,-A08		11254-06201	2	
990601 -	DG	RHD>4AT2;9831		11254-06201	2	
990601 -	DS	LHD>L35,L45,P35		11254-06201	2	
990601 -	DS	LHD>4AT2;8133,9572,9831,-A08		11254-06201	2	
990601 -	DS	RHD>L35,L45		11254-06201	2	
990601 -	DS	RHD>4AT2;9831		11254-06201	2	
990601 -	DS	RHD>4AT2;9831		11254-06201	2	
990601 -	FD	LHD>5MT2		11254-06201	2	
990601 -	FD	LHD>4AT2;-A08		11254-06201	2	
990601 -	FD	RHD>L35,L45,P3B		11254-06201	2	
990601 -	FG	LHD>5MT2		11254-06201	2	
990601 -	FG	LHD>4AT2;-A08		11254-06201	2	
990601 -	FG	RHD>P3B,P6B		11254-06201	2	
1141AC		BOLT (S)PERNO (PESTANA)				
990601 -	ALL	RHD>P35	Y	11415-06163 (11415-06143)	6	
990601 -	AD	LHD>L35,L45,P35	Y	11415-06163 (11415-06143)	6	

CONTINUED

P N C	MODEL APPLICABLE		R E P	PART NO. (REPL P/NO)	Q T Y	REMARKS
	FROM-UP-TO	DESCRIPTION				
CONTINUED						
1141AC		BOLT (S)PERNO (PESTANA)				
990601 -	AD	LHD>4AT2;-A08	Y	11415-06163 (11415-06143)	6	
990601 -	AD	RHD>L35,L45,P3B,P6B	Y	11415-06163 (11415-06143)	6	
990601 -	AG	LHD>P35,P65	Y	11415-06163 (11415-06143)	6	
990601 -	AG	LHD>4AT2;-A08	Y	11415-06163 (11415-06143)	6	
990601 -	AG	RHD>P3B,P6B	Y	11415-06163 (11415-06143)	6	
990601 -	DG	LHD>P35,P65	Y	11415-06163 (11415-06143)	6	
990601 -	DG	LHD>4AT2;8133,9572,9831,-A08	Y	11415-06163 (11415-06143)	6	
990710 -	DG	RHD>4AT2;9831	Y	11415-06163 (11415-06143)	6	
990601 -	DS	LHD>L35,L45,P35	Y	11415-06163 (11415-06143)	6	
990601 -	DS	LHD>4AT2;8133,9572,9831,-A08	Y	11415-06163 (11415-06143)	6	
990601 -	DS	RHD>L35,L45	Y	11415-06163 (11415-06143)	6	
990710 -	DS	RHD>4AT2;9831	Y	11415-06163 (11415-06143)	6	
990601 -	FD	LHD>5MT2	Y	11415-06163 (11415-06143)	6	
990601 -	FD	LHD>4AT2;-A08	Y	11415-06163 (11415-06143)	6	
990601 -	FD	RHD>L35,L45,P3B	Y	11415-06163 (11415-06143)	6	
990601 -	FG	LHD>5MT2	Y	11415-06163 (11415-06143)	6	
990601 -	FG	LHD>4AT2;-A08	Y	11415-06163 (11415-06143)	6	
990601 -	FG	RHD>P3B,P6B	Y	11415-06163 (11415-06143)	6	

3-G12

91-911 MAIN WIRING

BA,G0112-512

P N C	MODEL APPLICABLE		R E P	PART NO. (REPL P/NO)	Q T Y	REMARKS	P N C	MODEL APPLICABLE		R E P	PART NO. (REPL P/NO)	Q T Y	REMARKS
	FROM-UP-TO	TYPE						DESCRIPTION	FROM-UP-TO				
1731JF		PLUG					CONTINUED						
		(S)TAPON					84171B		PAD-ANTINOISE				
000703 -		ALL RHD>P35		17313-35000	2				(S)ALMOHADILLA				
990601 -	AD	LHD>L35,L45,P35		17313-35000	2		990601 -	DS	RHD>L35,L45		84171-24000	1	
990601 -	AD	LHD>4AT2;-A08		17313-35000	2		990601 -	DS	RHD>4AT2;9831		84171-24000	1	
000703 -	AD	RHD>L35,L45,P3B,P6B		17313-35000	2		990601 -	FD	LHD>5MT2		84171-24000	1	
990601 -	AG	LHD>P35,P65		17313-35000	2		990601 -	FD	LHD>4AT2;-A08		84171-24000	1	
990601 -	AG	LHD>4AT2;-A08		17313-35000	2		990601 -	FD	RHD>L35,L45,P3B		84171-24000	1	
000703 -	AG	RHD>P3B,P6B		17313-35000	2		990601 -	FG	LHD>5MT2		84171-24000	1	
990601 -	DG	LHD>P35,P65		17313-35000	2		990601 -	FG	LHD>4AT2;-A08		84171-24000	1	
000703 -	DG	LHD>4AT2;8133,9572,9831,-A08		17313-35000	2		990601 -	FG	RHD>P3B,P6B		84171-24000	1	
000703 -	DG	RHD>4AT2;9831		17313-35000	2		84173A		PAD-ANTINOISE				
990601 -	DS	LHD>L35,L45,P35		17313-35000	2			(S)ALMOHADILLA					
000703 -	DS	LHD>4AT2;8133,9572,9831,-A08		17313-35000	2		990601 -	ALL	RHD>P35		84173-24000	1	
000703 -	DS	RHD>L35,L45		17313-35000	2		990601 -	AD	LHD>L35,L45,P35		84173-24000	1	
000703 -	DS	RHD>4AT2;9831		17313-35000	2		990601 -	AD	LHD>4AT2;-A08		84173-24000	1	
000703 -	FD	LHD>5MT2		17313-35000	2		990601 -	AD	RHD>L35,L45,P3B,P6B		84173-24000	1	
000703 -	FD	LHD>4AT2;-A08		17313-35000	2		990601 -	AG	LHD>P35,P65		84173-24000	1	
000703 -	FD	RHD>L35,L45,P3B		17313-35000	2		990601 -	AG	LHD>4AT2;-A08		84173-24000	1	
000703 -	FG	LHD>5MT2		17313-35000	2		990601 -	AG	RHD>P3B,P6B		84173-24000	1	
000703 -	FG	LHD>4AT2;-A08		17313-35000	2		990601 -	DG	LHD>P35,P65		84173-24000	1	
000703 -	FG	RHD>P3B,P6B		17313-35000	2		990601 -	DG	LHD>4AT2;8133,9572,9831,-A08		84173-24000	1	
84171B		PAD-ANTINOISE					990601 -	DG	RHD>4AT2;9831		84173-24000	1	
		(S)ALMOHADILLA					990601 -	DS	LHD>L35,L45,P35		84173-24000	1	
990601 -		ALL RHD>P35		84171-24000	1		990601 -	DS	LHD>4AT2;8133,9572,9831,-A08		84173-24000	1	
990601 -	AD	LHD>L35,L45,P35		84171-24000	1		990601 -	DS	RHD>L35,L45		84173-24000	1	
990601 -	AD	LHD>4AT2;-A08		84171-24000	1		990601 -	DS	RHD>4AT2;9831		84173-24000	1	
990601 -	AD	RHD>L35,L45,P3B,P6B		84171-24000	1		990601 -	FD	LHD>5MT2		84173-24000	1	
990601 -	AG	LHD>P35,P65		84171-24000	1		990601 -	FD	LHD>4AT2;-A08		84173-24000	1	
990601 -	AG	LHD>4AT2;-A08		84171-24000	1		990601 -	FD	RHD>L35,L45,P3B		84173-24000	1	
990601 -	AG	RHD>P3B,P6B		84171-24000	1		990601 -	FG	LHD>5MT2		84173-24000	1	
990601 -	DG	LHD>P35,P65		84171-24000	1		990601 -	FG	LHD>4AT2;-A08		84173-24000	1	
990601 -	DG	LHD>4AT2;8133,9572,9831,-A08		84171-24000	1		990601 -	FG	RHD>P3B,P6B		84173-24000	1	
990601 -	DG	RHD>4AT2;9831		84171-24000	1		91100		WIRING ASSY-MAIN				
990601 -	DS	LHD>L35,L45,P35		84171-24000	1			(S)CONL. CABLEADO					
990601 -	DS	LHD>4AT2;8133,9572,9831,-A08		84171-24000	1		990601 -	AD	RHD>CON		91101-25512	1	
							990601 -	AD	RHD>M-S;8341,9572		91101-25412	1	
CONTINUED							CONTINUED						

AD:3DR,GL AG:5DR,GLS DG:3DR,GLS DS:3DR,L FD:4DR,GL FG:4DR,GLS

8133:ANTI THEFT SYSTEM-IGNITION KEY 8341:WINDOW-POWER(FRT & RR) 9572:LOCK-G-CENTRAL MANUAL(DR) 9831:WIPER INTERMITTENT-FRT A08:TAIWAN

3-H12

91-911 MAIN WIRING

BA.G0112- 513

P N C		MODEL APPLICABLE		R E P	PART NO. (REPL P/NO)	Q T Y	REMARKS	P N C		MODEL APPLICABLE		R E P	PART NO. (REPL P/NO)	Q T Y	REMARKS
FROM-UP-TO	TYPE	DESCRIPTION	DESCRIPTION					FROM-UP-TO	TYPE	DESCRIPTION					
CONTINUED								CONTINUED							
91100		WIRING ASSY-MAIN (S)CONJ. CABLEADO						91100		WIRING ASSY-MAIN (S)CONJ. CABLEADO					
990601 - 991201	AD	LHD>L35,P35			91101-25070	1		991201 -	AD	LHD>M-D;5891,8133,8341, 9572,9831,-A08		91101-25871	1		
990601 - 991201	AD	LHD>P3B;-A08			91101-25070	1		991201 -	AD	LHD>L35,P35;5891,8341, 9572,9831		91101-25001	1		
990601 - 991201	AD	LHD>M-D;5891,8133,8341, 9572,9831,-A08			91101-25870	1		991201 -	AD	LHD>P3B;5891,8341,9572, 9831,-A08		91101-25001	1		
990601 - 991201	AD	LHD>L35,P35;5891,8341, 9572,9831			91101-25000	1		991201 -	AD	LHD>L35,P35;8133,8341, 9572,9831		91101-25881	1		
990601 - 991201	AD	LHD>P3B;5891,8341,9572, 9831,-A08			91101-25000	1		991201 -	AD	LHD>M-D;8133,8341,9572, 9831,-A08		91101-25881	1		
990601 - 991201	AD	LHD>L35,P35;8133,8341, 9572,9831			91101-25880	1		991201 -	AD	LHD>L35,P35;9572,9831		91101-25041	1		
990601 - 991201	AD	LHD>M-D;8133,8341,9572, 9831,-A08			91101-25880	1		991201 -	AD	LHD>4AT2;9831,-A08		91101-25041	1		
990601 - 991201	AD	LHD>4AT2;8341,9831,-A08			91101-25040	1		991201 - 000301	AD	LHD>L35,P35;9831		91101-25061	1		
990601 - 991201	AD	LHD>CON;9572			91101-25180	1		991201 - 000301	AD	LHD>P3B;9831,-A08		91101-25061	1		
990601 - 991201	AD	LHD>L35,P35;9572,9831			91101-25040	1		991201 - 000301	AD	RHD>M-S;9831		91101-25421	1		
990601 - 991201	AD	LHD>L35,P35;9831			91101-25060	1		991201 - 000409	AD	LHD>CON;9831		91101-25161	1		
990601 - 991201	AD	LHD>CON;9831			91101-25160	1		991201 - 000703	AD	LHD>CON;9572		91101-25181	1		
990601 - 991201	AD	LHD>P3B;9831,-A08			91101-25060	1		991201 - 000703	AD	RHD>CON		91101-25511	1		
990601 - 991201	AD	RHD>CON			91101-25510	1		991201 - 000703	AD	RHD>L35,P35;5891,8133, 8341,9572,9831		91101-25991	1		
990601 - 991201	AD	RHD>L35,P35;5891,8133, 8341,9572,9831			91101-25990	1		991201 - 000703	AD	RHD>P3B;5891,8133,8341, 9831		91101-25991	1		
990601 - 991201	AD	RHD>P3B;5891,8133,8341, 9831			91101-25990	1		991201 - 000703	AD	RHD>M-S;5891,8341,9572, 9831		91101-25361	1		
990601 - 991201	AD	RHD>M-S;5891,8341,9572, 9831			91101-25360	1		991201 - 000703	AD	RHD>P3B;8133,9831		91102-25001	1		
990601 - 991201	AD	RHD>P3B;8133,9831			91102-25000	1		991201 - 000703	AD	RHD>M-S;8341,9572		91101-25411	1		
990601 - 991201	AD	RHD>M-S;8341,9572			91101-25410	1		991201 - 000703	AD	RHD>M-D;9572		91101-25431	1		
990601 - 991201	AD	RHD>M-S;8341,9831			91101-25400	1		991201 - 000703	AD	RHD>L35,P3B,P35,P6B 9831		91101-25401	1		
990601 - 991201	AD	RHD>M-D;9572			91101-25430	1		991201 - 000703	AD	RHD>CON;9831		91101-25501	1		
990601 - 991201	AD	RHD>M-S;9831			91101-25420	1		000301 -	AD	LHD>L35,P35;9831		91101-25062	1		
990601 - 991201	AD	RHD>CON;9831			91101-25500	1		000301 -	AD	LHD>P3B;9831,-A08		91101-25062	1		
990601 - 010701	AD	LHD>L35,P35			91101-25071	1		000301 - 000703	AD	RHD>M-S;9831		91101-25422	1		
990601 - 010701	AD	LHD>4AT2;-A08			91101-25071	1		000409 - 000703	AD	LHD>CON;9831		91101-25162	1		
990601 - 010701	AD	LHD>CON;9572			91101-25182	1		000703 -	AD	LHD>CON;9831		91101-25163	1		
990601 - 010701	AD	RHD>M-D;9572			91101-25432	1									

AD-SPR-GL

5891:ABS(ANTI SKID BRAKE SYSTEM) 8133:ANTI THEFT SYSTEM-IGNITION KEY 8341:WINDOW-POWER(FRT & RR) 9572:LOCK-G-CENTRAL MANUAL(DR) 9831:WIPER INTERMITTENT-FRT A08:TAIWAN

P N C	MODEL APPLICABLE		R E P	PART NO. (REPL PNO)	Q T Y	REMARKS	P N C	MODEL APPLICABLE		R E P	PART NO. (REPL PNO)	Q T Y	REMARKS
	FROM-UP-TO	TYPE						DESCRIPTION	FROM-UP-TO				
CONTINUED							CONTINUED						
91100							91100						
000703 -	AD	RHD>L35,P35;5891,8133,8341,9572,9831		91101-25992	1		990801 - 991201	AG	RHD>P38;8133,9831		91102-25000	1	
000703 -	AD	RHD>P3B;5891,8133,8341,9831		91101-25992	1		990801 - 991201	AG	RHD>M-S;8341,9572		91101-25410	1	
000703 -	AD	RHD>M-S;5891,8341,9572,9831		91101-25362	1		990601 - 991201	AG	RHD>M-S;8341,9831		91101-25400	1	
000703 -	AD	RHD>P3B;8133,9831		91102-25002	1		990601 - 991201	AG	RHD>P6B;9572		91101-25430	1	
000703 -	AD	RHD>L35,P3B,P35,P6B,9831		91101-25402	1		990601 - 010701	AG	RHD>M-S;9831		91101-25420	1	
000703 -	AD	RHD>M-S;9831		91101-25423	1		990601 - 010701	AG	LHD>P35		91101-25071	1	
000703 -	AD	RHD>CON;9831		91101-25502	1		990601 - 010701	AG	LHD>4AT2;-A08		91101-25071	1	
990601 -	AG	RHD>M-S;8341,9572		91101-25412	1		990601 - 010701	AG	RHD>P6B;9572		91101-25432	1	
990601 - 991201	AG	LHD>P35		91101-25070	1		991201 -	AG	LHD>P65;5891,8133,8341,9572,9831		91101-25871	1	
990801 - 991201	AG	LHD>P3B;-A08		91101-25070	1		991201 -	AG	LHD>P6B;5891,8133,8341,9572,9831,-A08		91101-25871	1	
990601 - 991201	AG	LHD>P65;5891,8133,8341,9572,9831		91101-25870	1		991201 -	AG	LHD>P35;5891,8341,9572,9831		91101-25001	1	
990601 - 991201	AG	LHD>P6B;5891,8133,8341,9572,9831,-A08		91101-25870	1		991201 -	AG	LHD>P3B;5891,8341,9572,9831,-A08		91101-25001	1	
990601 - 991201	AG	LHD>P35;5891,8341,9572,9831		91101-25000	1		991201 -	AG	LHD>P35,P65;8133,8341,9572,9831		91101-25881	1	
990601 - 991201	AG	LHD>P3B;5891,8341,9572,9831,-A08		91101-25000	1		991201 -	AG	LHD>P6B;8133,8341,9572,9831,-A08		91101-25041	1	
990601 - 991201	AG	LHD>P35,P65;8133,8341,9572,9831		91101-25880	1		991201 -	AG	LHD>4AT2;9831,-A08		91101-25041	1	
990601 - 991201	AG	LHD>P6B;8133,8341,9572,9831,-A08		91101-25880	1		991201 - 000301	AG	LHD>P35,P65;9831		91101-25061	1	
990601 - 991201	AG	LHD>4AT2;8341,9831,-A08		91101-25040	1		991201 - 000301	AG	LHD>P3B;9831,-A08		91101-25061	1	
990601 - 991201	AG	LHD>P35,P65;9572,9831		91101-25040	1		991201 - 000301	AG	RHD>M-S;9831		91101-25421	1	
990601 - 991201	AG	LHD>P35,P65;9831		91101-25060	1		991201 - 000703	AG	RHD>P35;5891,8133,8341,9572,9831		91101-25991	1	
990601 - 991201	AG	LHD>P3B;9831,-A08		91101-25060	1		991201 - 000703	AG	RHD>P3B;5891,8133,8341,9831		91101-25991	1	
990601 - 991201	AG	RHD>P35;5891,8133,8341,9572,9831		91101-25990	1		991201 - 000703	AG	RHD>M-S;5891,8341,9572,9831		91101-25361	1	
990601 - 991201	AG	RHD>P3B;5891,8133,8341,9831		91101-25990	1		991201 - 000703	AG	RHD>P3B;8133,9831		91102-25001	1	
990601 - 991201	AG	RHD>M-S;5891,8341,9572,9831		91101-25360	1		991201 - 000703	AG	RHD>M-S;8341,9572		91101-25411	1	
							991201 - 000703	AG	RHD>P6B;9572		91101-25431	1	
							991201 - 000703	AG	RHD>P3B,P35,P6B;9831		91101-25401	1	
							000301 -	AG	LHD>P35,P65;9831		91101-25062	1	
CONTINUED							CONTINUED						

3-112

91-911 MAIN WIRING

BA,G0112- 515

P N C	MODEL APPLICABLE		R E P	PART NO. (REPL P/NO)	Q T Y	REMARKS	P N C	MODEL APPLICABLE		R E P	PART NO. (REPL P/NO)	Q T Y	REMARKS
	FROM-UP-TO	TYPE						DESCRIPTION	FROM-UP-TO				
CONTINUED						CONTINUED							
91100		WIRING ASSY-MAIN (S)CONJ. CABLEADO					91100		WIRING ASSY-MAIN (S)CONJ. CABLEADO				
000301 -		AG LHD>P3B;9831,-A08		91101-25062	1		991201 -	DG	LHD>4AT2;8133,9572,9831,-A08		91101-25761	1	
000301 - 000703		AG RHD>M-S;9831		91101-25422	1		991201 -	DG	LHD>P35,P65;9831		91100-25561	1	
000703 -		AG RHD>P35;5891,8133,8341,9572,9831		91101-25992	1		991201 - 000301	DG	LHD>P35;9831		91100-25581	1	
000703 -		AG RHD>P3B;5891,8133,8341,9831		91101-25992	1		991201 - 000703	DG	RHD>P35		91101-25271	1	
000703 -		AG RHD>M-S;5891,8341,9572,9831		91101-25362	1		991201 - 000703	DG	RHD>P35;8133,8342,9572,9831		91101-25921	1	
000703 -		AG RHD>P3B;8133,9831		91102-25002	1		991201 - 000703	DG	RHD>4AT2;8133,9831		91101-25921	1	
000703 -		AG RHD>P3B,P35,P6B;9831		91101-25402	1		991201 - 000703	DG	RHD>P35;8342,9572		91101-25251	1	
000703 -		AG RHD>M-S;9831		91101-25423	1		991201 - 000703	DG	RHD>4AT2;9572,9831		91101-25241	1	
990601 -		DG LHD>P35,P65;5891,8342,9572,9831		91100-25521	1		000301 -	DG	LHD>P35;9831		91100-25682	1	
990601 -		DG RHD>P35		91101-25272	1		000703 -	DG	RHD>P35;8133,8342,9572,9831		91101-25922	1	
990601 -		DG RHD>P35;8342,9572		91101-25252	1		000703 -	DG	RHD>4AT2;8133,9831		91101-25242	1	
990601 - 991201		DG LHD>P35		91100-25590	1		000703 -	DG	RHD>P35;9831		91101-25242	1	
990601 - 991201		DG LHD>M-D;5891,8133,8342,9572,9831		91101-25750	1		990601 -	DS	LHD>L35,P35;5891,8342,9572,9831		91100-25521	1	
990601 - 991201		DG LHD>P35,P65;8133,9572,9831		91101-25760	1		990601 -	DS	RHD>L35,P35		91101-25272	1	
990601 - 991201		DG LHD>4AT2;8133,9572,9831,-A08		91101-25760	1		990601 -	DS	RHD>CON		91101-25452	1	
990601 - 991201		DG LHD>P35,P65;9831		91100-25560	1		990601 -	DS	RHD>L35,P35;8342,9572		91101-25252	1	
990601 - 991201		DG LHD>P35;9831		91100-25580	1		990601 - 991201	DS	LHD>L35,P35		91100-25590	1	
990601 - 991201		DG RHD>P35		91101-25270	1		990601 - 991201	DS	LHD>CON		91101-25100	1	
990601 - 991201		DG RHD>P35;8133,8342,9572,9831		91101-25920	1		990601 - 991201	DS	LHD>L35,P35;8133,9572,9831		91101-25760	1	
990601 - 991201		DG RHD>4AT2;8133,9831		91101-25920	1		990601 - 991201	DS	LHD>4AT2;8133,9572,9831,-A08		91101-25760	1	
990601 - 991201		DG RHD>P35;8342,9572		91101-25250	1		990601 - 991201	DS	LHD>L35,P35;9831		91100-25560	1	
990601 - 991201		DG RHD>4AT2;8342,9572,9831		91101-25240	1		990601 - 991201	DS	LHD>L35,P35;9831		91100-25580	1	
990601 - 991201		DG RHD>P35;8342,9831		91101-25240	1		990601 - 991201	DS	LHD>CON;9831		91101-25080	1	
990601 - 010701		DG LHD>P35		91100-25591	1		990601 - 991201	DS	RHD>L35,P35		91101-25270	1	
991201 -		DG LHD>M-D;5891,8133,8342,9572,9831		91101-25751	1		990601 - 991201	DS	RHD>CON		91101-25450	1	
991201 -		DG LHD>P35,P65;8133,9572,9831		91101-25761	1		990601 - 991201	DS	RHD>L35,P35;8133,8342,9572,9831		91101-25920	1	
CONTINUED						CONTINUED							

AG-SOR,OLS DG-SOR,OLS DS-SOR,L

5891-ABS(ANTI SKID BRAKE SYSTEM) 8133-ANTI THEFT SYSTEM-IGNITION KEY 8341-WINDOW-POWER(FRT & RR) 8342-WINDOW-POWER(FRT) 9572-LOCK-G-CENTRAL MANUAL(DR) 9831-WIPER INTERMITTENT-FRT A08-TAWAN

3-K12

91-911 MAIN WIRING

BA,00112- 516

P N C		MODEL APPLICABLE		P R E P	PART NO. (REPL. P/NO)	Q T Y	REMARKS	P N C		MODEL APPLICABLE		P R E P	PART NO. (REPL. P/NO)	Q T Y	REMARKS
FROM-UP-TO	TYPE	DESCRIPTION						FROM-UP-TO	TYPE	DESCRIPTION					
CONTINUED								CONTINUED							
91100		WIRING ASSY-MAIN						91100		WIRING ASSY-MAIN					
		(S)CONJ. CABLEADO								(S)CONJ. CABLEADO					
990601 - 991201	DS	RHD>	L35,P35;8342,9572		91101-25250	1		990601 -	FD	LHD>	L35,P35;5891,8341, 9572,9831		91100-25760	1	
990601 - 991201	DS	RHD>	4AT2;8342,9572,9831		91101-25240	1		990601 -	FD	LHD>	4AT2;5891,8341,9572, 9831,-A08		91100-25760	1	
990601 - 991201	DS	RHD>	L35,P35;8342,9831		91101-25240	1		990601 -	FD	LHD>	L35,P35;8133,8341, 9572,9831		91101-25820	1	
990601 - 991201	DS	RHD>	CON;8342,9831		91101-25440	1		990601 -	FD	LHD>	4AT2;8133,9572,9831, -A08		91101-25820	1	
990601 - 010701	DS	LHD>	L35,P35		91100-25591	1		990601 -	FD	LHD>	L35,P35;9831		91100-25800	1	
990601 - 010701	DS	LHD>	CON		91101-25102	1		990601 -	FD	LHD>	CON;9831		91101-25120	1	
991201 -	DS	LHD>	L35,P35;8133,9572, 9831		91101-25761	1		990601 -	FD	LHD>	4AT2;9831,-A08		91100-25800	1	
991201 -	DS	LHD>	4AT2;8133,9572,9831, -A08		91101-25761	1		990601 -	FD	LHD>	4AT2;9831,-A08		91100-25800	1	
991201 -	DS	LHD>	L35,P35;9831		91100-25561	1		990601 -	FD	RHD>	M-S		91101-25350	1	
991201 - 000301	DS	LHD>	L35,P35;9831		91100-25581	1		990601 -	FD	RHD>	CON		91101-25480	1	
991201 - 000703	DS	LHD>	CON		91101-25101	1		990601 -	FD	RHD>	M-S;5891,8341,9572, 9831		91101-25280	1	
991201 - 000703	DS	LHD>	CON;9831		91101-25081	1		990601 -	FD	RHD>	L35,P35;8133,8341, 9572,9831		91101-25960	1	
991201 - 000703	DS	RHD>	L35,P35		91101-25271	1		990601 -	FD	RHD>	4AT2;8133,9831		91101-25960	1	
991201 - 000703	DS	RHD>	CON		91101-25451	1		990601 -	FD	RHD>	M-S;9831		91101-25320	1	
991201 - 000703	DS	RHD>	L35,P35;8133,8342, 9572,9831		91101-25921	1		990601 -	FD	RHD>	CON;9831		91101-25470	1	
991201 - 000703	DS	RHD>	4AT2;8133,9831		91101-25921	1		990601 - 000301	FD	LHD>	L35,P35;9831		91100-25620	1	
991201 - 000703	DS	RHD>	L35,P35;8342,9572		91101-25251	1		990601 - 000301	FD	LHD>	4AT2;9831,-A08		91100-25820	1	
991201 - 000703	DS	RHD>	CON;8342,9831		91101-25441	1		990601 - 000301	FD	RHD>	M-S;9831		91101-25340	1	
991201 - 000703	DS	RHD>	4AT2;9572,9831		91101-25241	1		990601 - 010701	FD	LHD>	L35,P35		91100-25630	1	
991201 - 000703	DS	RHD>	L35,P35;9831		91101-25241	1		990601 - 010701	FD	LHD>	CON		91101-25140	1	
000301 -	DS	LHD>	L35,P35;9831		91100-25582	1		990601 - 010701	FD	LHD>	4AT2;-A08		91100-25830	1	
000703 -	DS	LHD>	CON;9831		91101-25082	1		990601 - 010701	FD	LHD>	L35,P35;8341		91100-25810	1	
000703 -	DS	RHD>	L35,P35;8133,8342, 9572,9831		91101-25922	1		990601 - 010701	FD	LHD>	4AT2;8341,-A08		91101-25330	1	
000703 -	DS	RHD>	4AT2;8133,9831		91101-25922	1		990601 - 010701	FD	RHD>	4AT2;8341,9572		91101-25821	1	
000703 -	DS	RHD>	CON;8342,9831		91101-25442	1		000301 -	FD	LHD>	L35,P35;9831		91100-25821	1	
000703 -	DS	RHD>	4AT2;9572,9831		91101-25242	1		000301 -	FD	LHD>	4AT2;9831,-A08		91100-25821	1	
000703 -	DS	RHD>	L35,P35;9831		91101-25242	1		000301 -	FD	RHD>	M-S;9831		91101-25341	1	
990601 -	FD	LHD>	L35,P35;5891,8133, 8341,9572,9831		91101-25810	1		000306 -	FD	LHD>	4AT2;5891,8341,9242, 9572,9831,-A08		91100-25600	1	
990601 -	FD	LHD>	4AT2;5891,8133,8341, 9572,9831,-A08		91101-25810	1		000306 -	FD	LHD>	L35,P35;8341,9242, 9572,9831		91100-25640	1	
CONTINUED								CONTINUED							

DS:DR, FD:DR, GL

5891:ABS(ANTI SKID BRAKE SYSTEM) 8133:ANTI THEFT SYSTEM-IGNITION KEY 8341:WINDOW-POWER(FRT & RR) 8342:WINDOW-POWER(FRT) 9242:LAMP-FOG(RR) 9572:LOCK-CENTRAL MANUAL(DR) 9831:WIPER INTERMITTENT-FRT A08:TAWAN

3-L12

91-911 MAIN WIRING

BA,G0112- 517

P N C		MODEL APPLICABLE		R E P	PART NO. (REPL P/NO)	Q T Y	REMARKS	P N C		MODEL APPLICABLE		R E P	PART NO. (REPL P/NO)	Q T Y	REMARKS	
FROM-UP-TO	TYPE	DESCRIPTION						FROM-UP-TO	TYPE	DESCRIPTION						
CONTINUED								CONTINUED								
91100		WIRING ASSY-MAIN (S)CONJ. CABLEADO						91100		WIRING ASSY-MAIN (S)CONJ. CABLEADO						
000306 -	FD	LHD>4AT2;9242,9572,9831,-A08			91100-25640	1		000301 -	FG	LHD>4AT2;9831,-A08			91100-25821	1		
000306 -	FD	LHD>L35,P35;9242,9831			91100-25661	1		000301 -	FG	RHD>M-S;9831			91101-25341	1		
020101 -	FD	LHD>TCI;9572,9831			91103-25340	1		000306 -	FG	LHD>4AT2;5891,8341,9242,9572,9831,-A08			91100-25600	1		
990601 -	FG	LHD>P35;5891,8133,8341,9572,9831			91101-25810	1		000306 -	FG	LHD>P35;8341,9242,9572,9831			91100-25640	1		
990601 -	FG	LHD>P3B;5891,8133,8341,9572,9831,-A08			91101-25810	1		000306 -	FG	LHD>4AT2;9242,9572,9831,-A08			91100-25640	1		
990601 -	FG	LHD>P35,P65;5891,8341,9572,9831			91100-25760	1		000306 -	FG	LHD>P35;9242,9831			91100-25661	1		
990601 -	FG	LHD>4AT2;5891,8341,9572,9831,-A08			91100-25760	1		020101 -	FG	LHD>TCI;9572,9831			91103-25340	1		
990601 -	FG	LHD>P35,P65;8133,8341,9572,9831			91101-25820	1		91713		GROMMET-BLANKING (S)ARANDELA DE CABO						
990601 -	FG	LHD>P3B;8133,9572,9831,-A08			91101-25820	1		990601 - 010411	AD	LHD>4AT2;-A08			91143-29000	1		
990601 -	FG	LHD>P35,P65;9831			91100-25800	1		990601 - 010701	AD	LHD>L35,L45,P35			91143-29000	1		
990601 -	FG	LHD>4AT2;9831,-A08			91100-25800	1		990601 - 010701	AD	RHDL35,L45,P3B,P35,P6B			91143-29000	1		
990601 -	FG	RHD>M-S			91101-25350	1		990601 - 010411	AG	LHD>4AT2;-A08			91143-29000	1		
990601 -	FG	RHD>P6B;5891,8133,9572,9831			91101-25960	1		990601 - 010701	AG	LHD>P35,P65			91143-29000	1		
990601 -	FG	RHD>M-S;5891,8341,9572,9831			91101-25280	1		990601 - 010411	DG	LHD>P35,P65			91143-29000	1		
990601 -	FG	RHD>P35;8133,8341,9572,9831			91101-25960	1		990601 - 010411	DG	LHD>4AT2;8133,9572,9831,-A08			91143-29000	1		
990601 -	FG	RHD>P3B;8133,9831			91101-25960	1		990601 - 010411	DG	RHD>P35			91143-29000	1		
990601 -	FG	RHD>M-S;9831			91101-25320	1		990601 - 010411	DG	RHD>4AT2;9831			91143-29000	1		
990601 - 000301	FG	LHD>P35,P65;9831			91100-25820	1		990601 - 010411	D6	LHD>L35,L45,P35			91143-29000	1		
990601 - 000301	FG	LHD>4AT2;9831,-A08			91100-25820	1		990601 - 010411	D8	LHD>4AT2;8133,9572,9831,-A08			91143-29000	1		
990601 - 000301	FG	RHD>M-S;9831			91101-25340	1		990601 - 010411	D8	RHD>L35,L45,P35			91143-29000	1		
990601 - 010701	FG	LHD>P35			91100-25830	1		990601 -	FD	LHD>L35,L45,P35			91143-29000	1		
990601 - 010701	FG	LHD>P3B;-A08			91100-25830	1		990601 - 010701	FD	LHD>4AT2;-A08			91143-29000	1		
990601 - 010701	FG	LHD>P35;8341			91100-25810	1		990601 - 010701	FD	RHD>L35,L45,P3B,P35			91143-29000	1		
990601 - 010701	FG	LHD>P3B;8341,-A08			91100-25810	1		990601 -	FG	LHD>P35,P65			91143-29000	1		
990601 - 010701	FG	RHD>P3B;8341,9572			91101-25330	1		990601 - 010701	FG	LHD>4AT2;-A08			91143-29000	1		
000301 -	FG	LHD>P35,P65;9831			91100-25821	1		990601 - 010701	FG	RHD>P3B,P35,P6B			91143-29000	1		

AD=DR.GL AG=DR.GLS DG=DR.GLS DS=DR.GL FR=DR.GL FG=DR.GLS

5891:ABS(ANTI SKID BRAKE SYSTEM) 8133:ANTI THEFT SYSTEM-IGNITION KEY 8341:WINDOW-POWER(PRT & RR)

9242:LAMP-FOG(FR) 9572:LOCK-CENTRAL MANUAL(DR) 9831:WIPER INTERMITTENT-FRT A08:TAWAN

P N C	MODEL APPLICABLE		R E P	PART NO. (REPL P/NO)	Q T Y	REMARKS	P N C	MODEL APPLICABLE		R E P	PART NO. (REPL P/NO)	Q T Y	REMARKS
	FROM-UP-TO	TYPE						DESCRIPTION	FROM-UP-TO				
91784		SILENCER					CONTINUED						
		(S)SILENCIADOR					91789B						
990601 -		ALL RHD>P35		91764-22001	4			DIODE					
990601 -		AD LHD>L35,L45,P35		91764-22001	4			(S)DIODO(3P)					
990601 -		AD LHD>4AT2;-A08		91764-22001	4		990601 -	DS RHD>L35,L45		Y	91789-34000	1	
990601 -		AD RHD>L35,L45,P3B,P6B		91764-22001	4		990601 -	DS RHD>4AT2;9831		Y	91789-34000	1	
990601 -		AG LHD>P35,P65		91764-22001	4		990601 -	FD LHD>5MT2		Y	91789-34000	1	
990601 -		AG LHD>4AT2;-A08		91764-22001	4		990601 -	FD LHD>4AT2;-A08		Y	91789-34000	1	
990601 -		AG RHD>P3B,P6B		91764-22001	4		990601 -	FD RHD>L35,L45,P3B		Y	91789-34000	1	
990601 -		DG LHD>P35,P65		91764-22001	4		990601 -	FG LHD>5MT2		Y	91789-34000	1	
990601 -		DG LHD>4AT2;8133,9572,9831,-A08		91764-22001	4		990601 -	FG LHD>4AT2;-A08		Y	91789-34000	1	
990601 -		DG RHD>4AT2;9831		91764-22001	4		990601 -	FG RHD>P3B,P6B		Y	91789-34000	1	
990601 -		DS LHD>L35,L45,P35		91764-22001	4			91791A					
990601 -		DS LHD>4AT2;8133,9572,9831,-A08		91764-22001	4		990601 - 990710	BOLT-GROUND					
990601 -		DS RHD>L35,L45		91764-22001	4			(S)PERNO					
990601 -		DS RHD>4AT2;9831		91764-22001	4		990601 - 990710	ALL LHD>P35		Y	91791-33000	2	
990601 -		FD LHD>5MT2		91764-22001	4		990601 - 990913	ALL RHD>P35		Y	91791-33000	2	
990601 -		FD LHD>4AT2;-A08		91764-22001	4			(11415-06163)					
990601 -		FD RHD>L35,L45,P3B		91764-22001	4		990601 - 990710	AD LHD>L35,L45		Y	91791-33000	2	
990601 -		FG LHD>5MT2		91764-22001	4			(11415-06163)					
990601 -		FG LHD>4AT2;-A08		91764-22001	4		990601 - 990710	AD LHD>4AT2;-A08		Y	91791-33000	2	
990601 -		FG RHD>P3B,P6B		91764-22001	4			(11415-06163)					
							990601 - 990913	AD RHD>L35,L45,P3B,P6B		Y	91791-33000	2	
								(11415-06163)					
							990601 - 990710	AG LHD>P65		Y	91791-33000	2	
								(11415-06163)					
							990601 - 990710	AG LHD>4AT2;-A08		Y	91791-33000	2	
								(11415-06163)					
							990601 - 990913	AG RHD>P3B,P6B		Y	91791-33000	2	
								(11415-06163)					
							990601 -	DG LHD>4AT2;8133,9572,9831,-A08		Y	91791-33000	2	
								(11415-06163)					
							990601 - 990710	DG LHD>P65		Y	91791-33000	2	
								(11415-06163)					
							990601 - 990710	DG RHD>4AT2;9831		Y	91791-33000	2	
								(11415-06163)					
							990601 -	DS LHD>4AT2;8133,9572,9831,-A08		Y	91791-33000	2	
								(11415-06163)					
							990601 - 990710	DS LHD>L35,L45		Y	91791-33000	2	
								(11415-06163)					

3-A13

91-911 MAIN WIRING

8A,G0112- 519

P N C	MODEL APPLICABLE		R E P	PART NO. (REPL P/NO)	Q T Y	REMARKS	P N C	MODEL APPLICABLE		R E P	PART NO. (REPL P/NO)	Q T Y	REMARKS
	FROM-UP-TO	TYPE						DESCRIPTION	FROM-UP-TO				
CONTINUED													
91791A		BOLT-GROUND (S)PERNO					91791B		BOLT (S)PERNO (CON ARANDELA)				
990601 - 990710	DS	RHD>4AT2;9831	Y	91791-33000 (11415-06163)	2		990601 - 990710	DG	LHD>P65	Y	91791-33300 (91791-29000)	4	
990601 - 990913	DS	RHD>L35,L45	Y	91791-33000 (11415-06163)	2		990601 - 990710	DG	RHD>4AT2;9831	Y	91791-33300 (91791-29000)	4	
990601 - 990710	FD	LHD>L35,L45	Y	91791-33000 (11415-06163)	2		990601 -	DS	LHD>4AT2;8133,9572,9831, -A08	Y	91791-33300 (91791-29000)	4	
990601 - 990710	FD	LHD>4AT2;-A08	Y	91791-33000 (11415-06163)	2		990601 - 990710	DS	LHD>L35,L45	Y	91791-33300 (91791-29000)	4	
990601 - 990913	FD	RHD>L35,L45,P3B	Y	91791-33000 (11415-06163)	2		990601 - 990710	DS	RHD>4AT2;9831	Y	91791-33300 (91791-29000)	4	
990601 - 990710	FG	LHD>P65	Y	91791-33000 (11415-06163)	2		990601 - 990913	DS	RHD>L35,L45	Y	91791-33300 (91791-29000)	4	
990601 - 990710	FG	LHD>4AT2;-A08	Y	91791-33000 (11415-06163)	2		990601 - 990710	FD	LHD>L35,L45	Y	91791-33300 (91791-29000)	4	
990601 - 990913	FG	RHD>P3B,P6B	Y	91791-33000 (11415-06163)	2		990601 - 990710	FD	LHD>4AT2;-A08	Y	91791-33300 (91791-29000)	4	
91791B		BOLT (S)PERNO (CON ARANDELA)					990601 - 990913	FD	RHD>L35,L45,P3B	Y	91791-33300 (91791-29000)	4	
990601 - 990710	ALL	LHD>P35	Y	91791-33300 (91791-29000)	4		990601 - 990710	FG	LHD>P65	Y	91791-33300 (91791-29000)	4	
990601 - 990913	ALL	RHD>P35	Y	91791-33300 (91791-29000)	4		990601 - 990710	FG	LHD>4AT2;-A08	Y	91791-33300 (91791-29000)	4	
990601 - 990710	AD	LHD>L35,L45	Y	91791-33300 (91791-29000)	4		990601 - 990913	FG	RHD>P3B,P6B	Y	91791-33300 (91791-29000)	4	
990601 - 990710	AD	LHD>4AT2;-A08	Y	91791-33300 (91791-29000)	4		91810C		BOX KIT-FUSE (S)JUEGO CAJA				
990601 - 990913	AD	RHD>L35,L45,P3B,P6B	Y	91791-33300 (91791-29000)	4		990601 - 001101	ALL	LHD>P35	A	91810-25A00 (91810-25A01)	1	
990601 - 990710	AG	LHD>P65	Y	91791-33300 (91791-29000)	4		990601 - 001101	ALL	RHD>P35	A	91820-25A00 (91820-25A01)	1	
990601 - 990710	AG	LHD>4AT2;-A08	Y	91791-33300 (91791-29000)	4		001101 -	ALL	RHD>P35		91820-25A01	1	
990601 - 990913	AG	RHD>P3B,P6B	Y	91791-33300 (91791-29000)	4		990601 - 001101	AD	LHD>L35,L45	A	91810-25A00 (91810-25A01)	1	
990601 -	DG	LHD>4AT2;8133,9572,9831, -A08	Y	91791-33300 (91791-29000)	4		990601 - 001101	AD	LHD>4AT2;-A08	A	91810-25A00 (91810-25A01)	1	
CONTINUED													

AD-3DR,GL AG-3DR,GLS DG-3DR,GLS DS-3DR,1 FD-4DR,GL FG-4DR,GLS

8133:ANTI THEFT SYSTEM-IGNITION KEY 9572:LOCK'S-CENTRAL MANUAL,(DR) 9831:WIPER INTERMITTENT-FRT A08:TAIWAN

P N C		MODEL APPLICABLE		R E P	PART NO. (REPL P/NO)	Q T Y	REMARKS	P N C		MODEL APPLICABLE		R E P	PART NO. (REPL P/NO)	Q T Y	REMARKS
FROM-UP-TO	TYPE	DESCRIPTION						FROM-UP-TO	TYPE	DESCRIPTION					
CONTINUED															
91810C		BOX KIT-FUSE (S)JUEGO CAJA						91810C		BOX KIT-FUSE (S)JUEGO CAJA					
990601 - 001101	AD	RHD>	L35,L45,P3B,P6B	A	91820-25A00 (91820-25A01)	1		001101 -	DS	RHD>	4AT2;9831	A	91820-25A01	1	
001101 -	AD	LHD>	L35,L45,P35		91810-25A01	1		990601 - 001101	FD	LHD>	L35,L45	A	91810-25A00 (91810-25A01)	1	
001101 -	AD	LHD>	4AT2;-A08		91810-25A01	1		990601 - 001101	FD	LHD>	4AT2;-A08	A	91810-25A00 (91810-25A01)	1	
001101 -	AD	RHD>	L35,L45,P3B,P6B		91820-25A01	1		990601 - 001101	FD	RHD>	L35,L45,P3B	A	91820-25A00 (91820-25A01)	1	
990601 - 001101	AG	LHD>	P65	A	91810-25A00 (91810-25A01)	1		001101 -	FD	LHD>	5MT2		91810-25A01	1	
990601 - 001101	AG	LHD>	4AT2;-A08	A	91810-25A00 (91810-25A01)	1		001101 -	FD	LHD>	4AT2;-A08		91810-25A01	1	
990601 - 001101	AG	RHD>	P3B,P6B	A	91820-25A00 (91820-25A01)	1		001101 -	FD	RHD>	L35,L45,P3B		91820-25A01	1	
001101 -	AG	LHD>	P35,P65		91810-25A01	1		990601 - 001101	FG	LHD>	P65	A	91810-25A00 (91810-25A01)	1	
001101 -	AG	LHD>	4AT2;-A08		91810-25A01	1		990601 - 001101	FG	LHD>	4AT2;-A08	A	91810-25A00 (91810-25A01)	1	
001101 -	AG	RHD>	P3B,P6B		91820-25A01	1		990601 - 001101	FG	RHD>	P3B,P6B	A	91820-25A00 (91820-25A01)	1	
990601 - 001101	DG	LHD>	P65	A	91810-25A00 (91810-25A01)	1		001101 -	FG	LHD>	5MT2		91810-25A01	1	
990601 - 001101	DG	LHD>	4AT2;8133,9572,9831, -A08	A	91810-25A00 (91810-25A01)	1		001101 -	FG	LHD>	4AT2;-A08		91810-25A01	1	
990601 - 001101	DG	RHD>	4AT2;9831	A	91820-25A00 (91820-25A01)	1		001101 -	FG	RHD>	P3B,P6B		91820-25A01	1	
001101 -	DG	LHD>	P35,P65		91810-25A01	1		91830		BOX ASSY-RELAY (S)CONJ. CAJA					
001101 -	DG	LHD>	4AT2;8133,9572,9831, -A08		91810-25A01	1		990601 -	ALL	RHD>	P35		91830-25A00	1	
001101 -	DG	LHD>	4AT2;9831		91820-25A01	1		990601 -	AD	LHD>	L35,L45,P35		91830-25A00	1	
990601 - 001101	DS	LHD>	L35,L45	A	91810-25A00 (91810-25A01)	1		990601 -	AD	LHD>	4AT2;-A08		91830-25A00	1	
990601 - 001101	DS	LHD>	4AT2;8133,9572,9831, -A08	A	91810-25A00 (91810-25A01)	1		990601 -	AD	RHD>	L35,L45,P3B,P6B		91830-25A00	1	
990601 - 001101	DS	RHD>	L35,L45	A	91820-25A00 (91820-25A01)	1		990601 -	AG	LHD>	P35,P65		91830-25A00	1	
990601 - 001101	DS	RHD>	4AT2;9831	A	91820-25A00 (91820-25A01)	1		990601 -	AG	LHD>	4AT2;-A08		91830-25A00	1	
001101 -	DS	LHD>	L35,L45,P35		91810-25A01	1		990601 -	AG	RHD>	P3B,P6B		91830-25A00	1	
001101 -	DS	LHD>	4AT2;8133,9572,9831, -A08		91810-25A01	1		990601 -	DG	LHD>	P35,P65		91830-25A00	1	
001101 -	DS	RHD>	L35,L45		91820-25A01	1		990601 -	DG	LHD>	4AT2;8133,9572,9831, -A08		91830-25A00	1	
001101 -	DS	RHD>	L35,L45		91820-25A01	1		990601 -	DG	RHD>	4AT2;9831		91830-25A00	1	
001101 -	DS	LHD>	L35,L45,P35		91810-25A01	1		990601 -	DS	LHD>	L35,L45,P35		91830-25A00	1	
001101 -	DS	LHD>	4AT2;8133,9572,9831, -A08		91810-25A01	1		990601 -	DS	LHD>	4AT2;8133,9572,9831, -A08		91830-25A00	1	
001101 -	DS	RHD>	L35,L45		91820-25A01	1		990601 -	DS	RHD>	L35,L45		91830-25A00	1	
CONTINUED															

3-C13

91-911 MAIN WIRING

BA,G0112- 521

P N C	MODEL APPLICABLE		R E P	PART NO. (REPL P/NO)	Q T Y	REMARKS
	FROM-UP-TO	TYPE DESCRIPTION				
CONTINUED						
91830		BOX ASSY-RELAY (S)CONJ. CAJA				
990601 -		DS RHD>4AT2;9831		91830-25A00	1	
990601 -		FD LHD>5MT2		91830-25A00	1	
990601 -		FD LHD>4AT2;-A08		91830-25A00	1	
990601 -		FD RHD>L35,L45,P3B		91830-25A00	1	
990601 -		FG LHD>5MT2		91830-25A00	1	
990601 -		FG LHD>4AT2;-A08		91830-25A00	1	
990601 -		FG RHD>P3B,P6B		91830-25A00	1	
91835A		FUSE-BLADE (S)FUSION				
990601 -		ALL RHD>P35		91870-38050	9	10A
990601 -		ALL RHD>P35		91870-38060	9	15A
990601 -		ALL RHD>P35		91870-38070	9	20A
990601 -		AD LHD>L35,L45,P35		91870-38050	9	10A
990601 -		AD LHD>L35,L45,P35		91870-38060	9	15A
990601 -		AD LHD>L35,L45,P35		91870-38070	9	20A
990601 -		AD LHD>4AT2;-A08		91870-38050	9	10A
990601 -		AD LHD>4AT2;-A08		91870-38060	9	15A
990601 -		AD LHD>4AT2;-A08		91870-38070	9	20A
990601 -		AD RHD>L35,L45,P3B,P6B		91870-38050	9	10A
990601 -		AD RHD>L35,L45,P3B,P6B		91870-38060	9	15A
990601 -		AD RHD>L35,L45,P3B,P6B		91870-38070	9	20A
990601 -		AG LHD>P35,P65		91870-38050	9	10A
990601 -		AG LHD>P35,P65		91870-38060	9	15A
990601 -		AG LHD>P35,P65		91870-38070	9	20A
990601 -		AG LHD>4AT2;-A08		91870-38050	9	10A
990601 -		AG LHD>4AT2;-A08		91870-38060	9	15A
990601 -		AG LHD>4AT2;-A08		91870-38070	9	20A
990601 -		AG RHD>P3B,P6B		91870-38050	9	10A
990601 -		AG RHD>P3B,P6B		91870-38060	9	15A
990601 -		AG RHD>P3B,P6B		91870-38070	9	20A
990601 -		DG LHD>P35,P65		91870-38050	9	10A
990601 -		DG LHD>P35,P65		91870-38060	9	15A
990601 -		DG LHD>P35,P65		91870-38070	9	20A
990601 -		DG LHD>4AT2;8133,9572,9831, -A08		91870-38050	9	10A
990601 -		DG LHD>4AT2;8133,9572,9831, -A08		91870-38060	9	15A
CONTINUED						

P N C	MODEL APPLICABLE		R E P	PART NO. (REPL P/NO)	Q T Y	REMARKS
	FROM-UP-TO	TYPE DESCRIPTION				
CONTINUED						
91835A		FUSE-BLADE (S)FUSION				
990601 -		DG LHD>4AT2;8133,9572,9831, -A08		91870-38070	9	20A
990601 -		DG RHD>4AT2;9831		91870-38050	9	10A
990601 -		DG RHD>4AT2;9831		91870-38060	9	15A
990601 -		DG RHD>4AT2;9831		91870-38070	9	20A
990601 -		DS LHD>L35,L45,P35		91870-38050	9	10A
990601 -		DS LHD>L35,L45,P35		91870-38060	9	15A
990601 -		DS LHD>L35,L45,P35		91870-38070	9	20A
990601 -		DS LHD>4AT2;8133,9572,9831, -A08		91870-38050	9	10A
990601 -		DS LHD>4AT2;8133,9572,9831, -A08		91870-38060	9	15A
990601 -		DS LHD>4AT2;8133,9572,9831, -A08		91870-38070	9	20A
990601 -		DS RHD>L35,L45		91870-38050	9	10A
990601 -		DS RHD>L35,L45		91870-38060	9	15A
990601 -		DS RHD>L35,L45		91870-38070	9	20A
990601 -		DS RHD>4AT2;9831		91870-38050	9	10A
990601 -		DS RHD>4AT2;9831		91870-38060	9	15A
990601 -		DS RHD>4AT2;9831		91870-38070	9	20A
990601 -		FD LHD>5MT2		91870-38050	9	10A
990601 -		FD LHD>5MT2		91870-38060	9	15A
990601 -		FD LHD>5MT2		91870-38070	9	20A
990601 -		FD LHD>4AT2;-A08		91870-38050	9	10A
990601 -		FD LHD>4AT2;-A08		91870-38060	9	15A
990601 -		FD LHD>4AT2;-A08		91870-38070	9	20A
990601 -		FD RHD>L35,L45,P3B		91870-38050	9	10A
990601 -		FD RHD>L35,L45,P3B		91870-38060	9	15A
990601 -		FD RHD>L35,L45,P3B		91870-38070	9	20A
990601 -		FG LHD>5MT2		91870-38050	9	10A
990601 -		FG LHD>5MT2		91870-38060	9	15A
990601 -		FG LHD>5MT2		91870-38070	9	20A
990601 -		FG LHD>4AT2;-A08		91870-38050	9	10A
990601 -		FG LHD>4AT2;-A08		91870-38060	9	15A
990601 -		FG LHD>4AT2;-A08		91870-38070	9	20A
990601 -		FG RHD>P3B,P6B		91870-38050	9	10A
CONTINUED						

AD>3DR,GL AG>3DR,GLS DG>3DR,GLS DS>3DR,L FD>4DR,GL FG>4DR,GLS

8133:ANTI THEFT SYSTEM-IGNITION KEY 9572:LOCK'S-CENTRAL MANUAL(LDR) 9831:WIPER INTERMITTENT-FRT A08:TAIWAN

3-D13

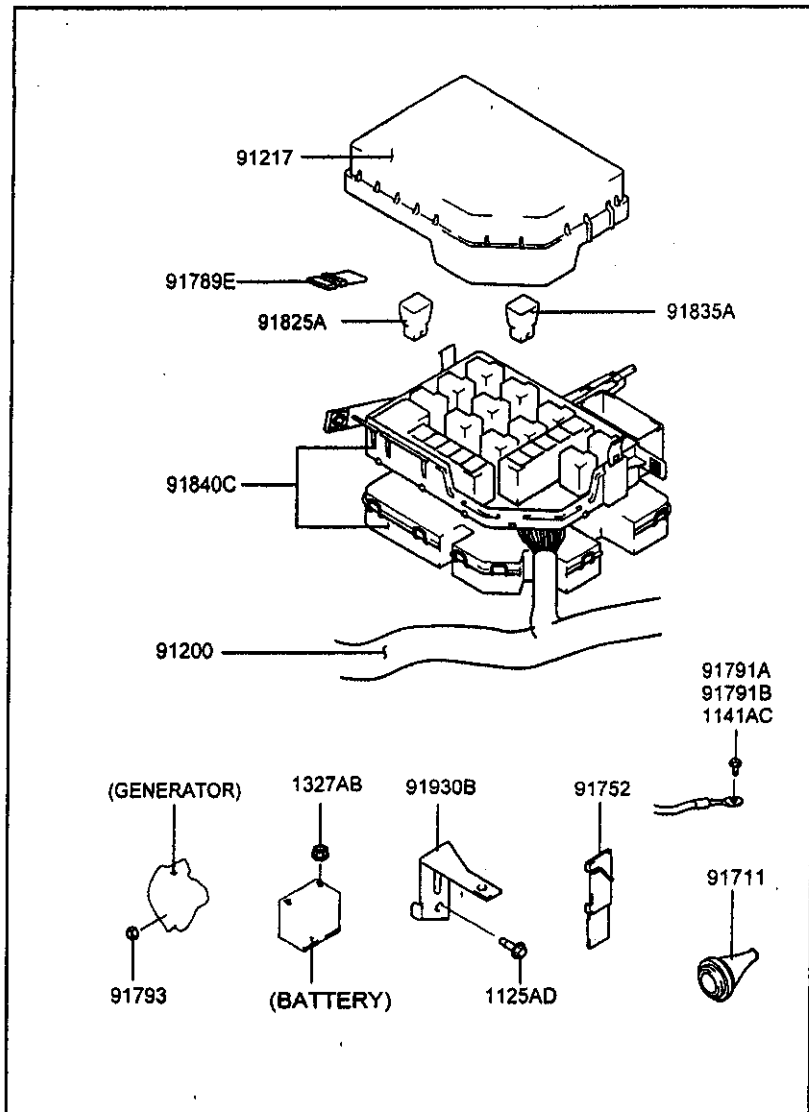
91-911 MAIN WIRING

BA,00112- 522

P N C		MODEL APPLICABLE		R E P	PART NO. (REPL PNO)	Q T Y	REMARKS	P N C		MODEL APPLICABLE		R E P	PART NO. (REPL PNO)	Q T Y	REMARKS		
FROM-UP-TO	TYPE	DESCRIPTION						FROM-UP-TO	TYPE	DESCRIPTION							
CONTINUED																	
91835A		FUSE-BLADE															
		(S)FUSION															
990601 -	FG	RHD>	P3B,P6B		91870-38060	9	15A										
990601 -	FG	RHD>	P3B,P6B		91870-38070	9	20A										
95674B		PLUG															
		(S)TAPON															
000101 - 000703	ALL	LHD>	P35		95674-02000	2											
000101 - 000703	ALL	RHD>	P35		95674-02000	2											
000101 - 000703	AD	LHD>	L35,L45		95674-02000	2											
000101 - 000703	AD	LHD>	4AT2;-A08		95674-02000	2											
000101 - 000703	AD	RHD>	L35,L45,P3B,P6B		95674-02000	2											
000101 - 000703	AG	LHD>	P65		95674-02000	2											
000101 - 000703	AG	LHD>	4AT2;-A08		95674-02000	2											
000101 - 000703	AG	RHD>	P3B,P6B		95674-02000	2											
000101 - 000703	DG	LHD>	P65		95674-02000	2											
000101 - 000703	DG	LHD>	4AT2;8133,9572,9831,-A08		95674-02000	2											
000101 - 000703	DG	RHD>	4AT2;9831		95674-02000	2											
000101 - 000703	DS	LHD>	L35,L45		95674-02000	2											
000101 - 000703	DS	LHD>	4AT2;8133,9572,9831,-A08		95674-02000	2											
000101 - 000703	DS	RHD>	L35,L45		95674-02000	2											
000101 - 000703	DS	RHD>	4AT2;9831		95674-02000	2											
000101 - 000703	FD	LHD>	L35,L45		95674-02000	2											
000101 - 000703	FD	LHD>	4AT2;-A08		95674-02000	2											
000101 - 000703	FD	RHD>	L35,L45,P3B		95674-02000	2											
000101 - 000703	FG	LHD>	P65		95674-02000	2											
000101 - 000703	FG	LHD>	4AT2;-A08		95674-02000	2											
000101 - 000703	FG	RHD>	P3B,P6B		95674-02000	2											

AD:5DR,QL AQ:5DR,QLS DG:3DR,QLS DS:3DR,L FD:4DR,QL FG:4DR,QLS

8133:ANTI THEFT SYSTEM-IGNITION KEY 9572:LOCK-G-CENTRAL MANUAL(DR) 9831:WIPER INTERMITTENT-FRT A08:TAIWAN



P N C	MODEL APPLICABLE		R E P	PART NO. (REPL P/NO)	Q T Y	REMARKS
	FROM-UP-TO	TYPE				
1125AD						
990601 -				11250-06203	2	
1141AC						
990601 -				11415-06163 (11415-06143)	1	
1327AB						
990601 -				13270-06003	1	
91200						
990601 - 990703				91200-25040	1	
990601 - 990703				91200-25070	1	
990601 - 990703				91200-25050	1	
990601 - 990703				91200-25050	1	
990601 - 990703				91200-25050	1	
990601 - 000807				91200-25350	1	
990601 - 000807				91200-25370	1	
990601 - 000807				91200-25360	1	
990601 - 000807				91200-25360	1	
990601 - 000807				91200-25360	1	
990601 - 000807				91200-25090	1	
990703 - 000807				91200-25041	1	
990703 - 000807				91200-25071	1	
990703 - 000807				91200-25051	1	
990703 - 000807				91200-25051	1	
990703 - 000807				91200-25051	1	
000807 -				91200-25042	1	
000807 -				91200-25072	1	
000807 -				91200-25052	1	
000807 -				91200-25052	1	
000807 -				91200-25351	1	
000807 -				91200-25371	1	
000807 -				91200-25361	1	
000807 -				91200-25361	1	
000807 - 010801				91200-25052	1	
000807 - 010801				91200-25361	1	
000807 - 010801				91200-25091	1	

CONTINUED

5891:ABS(ANTI SKID BRAKE SYSTEM) 8133:ANTI THEFT SYSTEM-IGNITION KEY 9241:LAMP-FOG(FR) 9663:HORN-DOUBLE

3-F13

91-912 ENGINE WIRING

BA,00112- 624

P N C		MODEL APPLICABLE		R E P	PART NO. (REPL P/NO)	Q T Y	REMARKS	P N C		MODEL APPLICABLE		R E P	PART NO. (REPL P/NO)	Q T Y	REMARKS
FROM-UP-TO	TYPE	DESCRIPTION						FROM-UP-TO	TYPE	DESCRIPTION					
CONTINUED								CONTINUED							
91200		WIRING ASSY-ENGINE						91200		WIRING ASSY-ENGINE					
		(S)CONJ. CABLEADO								(S)CONJ. CABLEADO					
001101 - 010801		ALL RHD>M-S;9231,9663			91200-25740	1		000807 -		DG RHD>M-D;5891,9241			91200-25451	1	
020101 -		ALL LHD>TCI;9241			91200-25581	1		000807 - 010801		DG RHD>M-D;9241			91200-25441	1	
990801 - 000807		AD LHD>M-D			91200-25261	1		990801 - 000807		DS RHD>CON			91200-25380	1	
990801 - 000807		AD LHD>M-D;5891			91200-25281	1		990913 - 000807		DS LHD>CON			91200-25020	1	
990801 - 000807		AD LHD>M-D;9241			91200-25271	1		000807 -		DS LHD>CON			91200-25021	1	
990801 - 000807		AD RHD>CON			91200-25380	1		000807 -		DS RHD>CON			91200-25730	1	
990801 - 000807		AD RHD>M-D;5891,9241			91200-25450	1		000807 -		DS RHD>CON;9663			91200-25381	1	
990910 - 000807		AD RHD>M-D;9241			91200-25440	1		001101 -		DS RHD>CON;9231,9663			91200-25760	1	
990913 - 000807		AD LHD>CON			91200-25020	1		990801 - 000807		FD RHD>CON			91200-25380	1	
000807 -		AD LHD>CON			91200-25021	1		990913 - 000807		FD LHD>CON			91200-25020	1	
000807 -		AD LHD>M-D			91200-25262	1		000807 -		FD LHD>CON			91200-25021	1	
000807 -		AD LHD>M-D;5891			91200-25282	1		000807 -		FD RHD>CON			91200-25730	1	
000807 -		AD LHD>M-D;9241			91200-25272	1		000807 -		FD RHD>CON;9663			91200-25381	1	
000807 -		AD RHD>CON			91200-25730	1		001101 -		FD RHD>CON;9231,9663			91200-25760	1	
000807 -		AD RHD>M-D;5891,9241			91200-25451	1		990601 - 000807		FG LHD>M-D			91200-25261	1	
000807 -		AD RHD>CON;9663			91200-25381	1		990601 - 000807		FG LHD>M-D;5891			91200-25281	1	
000807 - 010801		AD RHD>M-D;9241			91200-25441	1		990601 - 000807		FG LHD>M-D;9241			91200-25271	1	
001101 -		AD RHD>CON;9231,9663			91200-25760	1		990601 - 000807		FG RHD>M-D;5891,9241			91200-25450	1	
990801 - 000807		AG LHD>M-D			91200-25261	1		990910 - 000807		FG RHD>M-D;9241			91200-25440	1	
990801 - 000807		AG LHD>M-D;5891			91200-25281	1		000807 -		FG LHD>M-D			91200-25262	1	
990801 - 000807		AG LHD>M-D;9241			91200-25271	1		000807 -		FG LHD>M-D;5891			91200-25282	1	
990801 - 000807		AG RHD>M-D;5891,9241			91200-25450	1		000807 -		FG LHD>M-D;9241			91200-25272	1	
990910 - 000807		AG RHD>M-D;9241			91200-25440	1		000807 -		FG RHD>M-D;5891,9241			91200-25451	1	
000807 -		AG LHD>M-D			91200-25262	1		000807 - 010801		FG RHD>M-D;9241			91200-25441	1	
000807 -		AG LHD>M-D;5891			91200-25282	1		91217		COVER-RELAY & FUSE BOX UPR					
000807 -		AG LHD>M-D;9241			91200-25272	1				(S)CUBIERTA					
000807 -		AG RHD>M-D;5891,9241			91200-25451	1		990601 - 020101		ALL			91213-25000	1	
000807 - 010801		AG RHD>M-D;9241			91200-25441	1		91711		GROMMET-ENGINE WIRING					
990601 - 000807		DG LHD>M-D			91200-25261	1				(S)ARANDELA DE CABO					
990601 - 000807		DG LHD>M-D;5891			91200-25281	1		990601 -		ALL			91248-22000	1	
990601 - 000807		DG LHD>M-D;9241			91200-25271	1		91752		CLIP					
990601 - 000807		DG RHD>M-D;5891,9241			91200-25450	1				(S)SUJETADOR					
990910 - 000807		DG RHD>M-D;9241			91200-25440	1		990601 - 020101		ALL			91981-25000	1	
000807 -		DG LHD>M-D			91200-25262	1		91789E		DIODE					
000807 -		DG LHD>M-D;5891			91200-25282	1				(S)DIODO(2P)					
000807 -		DG LHD>M-D;9241			91200-25272	1		990601 -		ALL			91870-38110	2	
CONTINUED															

AD:ADR,AL AG:ADR,ALS DG:ADR,ALS DE:ADPL FD:ADR,QLS FG:ADR,QLS

5891:ABS(AH) SKID BRAKE SYSTEM) 9231:REPEATER-SIDE 9241:LAMP-FOG(FR) 9663:HORN-DOUBLE

3-H13

91-913 INSTRUMENT WIRING

BA,90112- 526

P N C	MODEL APPLICABLE		R E P	PART NO. (REPL. PNO)	Q T Y	REMARKS
	FROM-UP-TO	TYPE				
91301						
990825 -				91300-25010	1	
990825 -				91300-25000	1	
990825 -				91300-25070	1	
990825 - 000612				91300-25220	1	
990825 - 000612				91300-25210	1	
990825 - 000612				91300-25240	1	
990825 - 000612				91300-25250	1	
991022 -				91300-25021	1	
991022 -				91300-25120	1	
991022 - 000612				91300-25020	1	
991022 - 000612				91300-25190	1	
991022 - 000612				91300-25230	1	
991022 - 000714				91300-25191	1	
000612 -				91300-26221	1	
000612 -				91300-25211	1	
000612 -				91300-25231	1	
000612 -				91300-25241	1	
000612 -				91300-25251	1	
91701						
990601 - 010521				91700-25030	1	
990601 - 010521				91700-25020	1	
990601 - 010521				91700-25070	1	
990601 - 010521				91700-25060	1	
010521 -				91700-25031	1	
010521 -				91700-25021	1	
010521 -				91700-25071	1	
010521 -				91700-25061	1	
990601 - 010521				91700-25030	1	
990601 - 010521				91700-25020	1	
990601 - 010521				91700-25070	1	
990601 - 010521				91700-25060	1	
010521 -				91700-25031	1	
010521 -				91700-25021	1	
010521 -				91700-25071	1	
010521 -				91700-25061	1	
990601 - 010521				91700-25090	1	

CONTINUED

AD:5DR, GL AG:5DR, GLS DG:2DR, GLS

5691: AIR BAG (DRIVER SIDE) 5692: AIR BAG (PASSENGER SIDE) 888H: SEAT BELT-FR DR'S FT ELECT TY 9241: LAMP-FOG (FR) 9242: LAMP-FOG (RR) 9880: WIPER-RR WINDOW

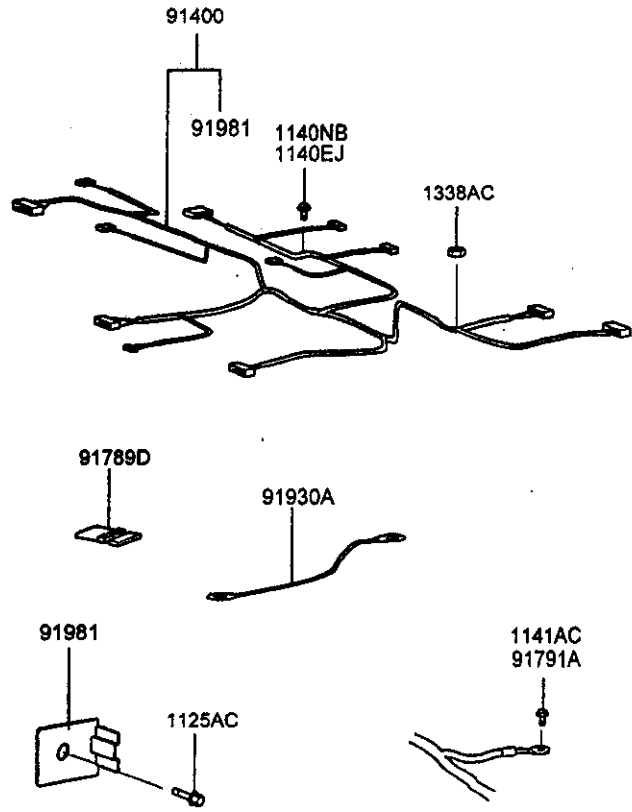
3-113

91-913 INSTRUMENT WIRING

BA,G0112- 527

P N C		MODEL APPLICABLE		R E P	PART NO. (REPL P/NO)	Q T Y	REMARKS	P N C		MODEL APPLICABLE		R E P	PART NO. (REPL P/NO)	Q T Y	REMARKS
FROM-UP-TO	TYPE	DESCRIPTION						FROM-UP-TO	TYPE	DESCRIPTION					
CONTINUED															
91701 WIRING ASSY-AIR BAG															
(S)CONJ. CABLEADO															
010521 -		DG	LHD;5691,5692,888H		91700-25091	1									
990601 - 010521		DS	LHD;5691,5692,888H		91700-25090	1									
010521 -		DS	LHD;5691,5692,888H		91700-25091	1									
990601 - 010521		FD	LHD;5691,5692,888H		91700-25030	1									
990601 - 010521		FD	LHD;5691,888H		91700-25020	1									
990601 - 010521		FD	RHD;5691,5692,888H		91700-25070	1									
990601 - 010521		FD	RHD;5691,888H		91700-25060	1									
010521 -		FD	LHD;5691,5692,888H		91700-25031	1									
010521 -		FD	LHD;5691,888H		91700-25021	1									
010521 -		FD	RHD;5691,5692,888H		91700-25071	1									
010521 -		FD	RHD;5691,888H		91700-25061	1									
990601 - 010521		FG	LHD;5691,5692,888H		91700-25030	1									
990601 - 010521		FG	LHD;5691,888H		91700-25020	1									
990601 - 010521		FG	RHD;5691,5692,888H		91700-25070	1									
990601 - 010521		FG	RHD;5691,888H		91700-25060	1									
010521 -		FG	LHD;5691,5692,888H		91700-25031	1									
010521 -		FG	LHD;5691,888H		91700-25021	1									
010521 -		FG	RHD;5691,5692,888H		91700-25071	1									
010521 -		FG	RHD;5691,888H		91700-25061	1									

91-914 CONTROL WIRING



P N C	MODEL APPLICABLE		R E P	PART NO. (REPL P/N)	Q T Y	REMARKS
	FROM-UP-TO	TYPE				
1125AC						
990601 -			Y	11250-06163 (11250-06166B)	2	
1140EJ						
990601 -				11403-06123	2	
1140NB						
990601 -				11407-06143	2	
1141AC						
990601 -			Y	11415-06183 (11415-06143)	1	
1338AC						
990601 -				13385-06003	2	
91400						
990601 -				91400-25010	1	
990601 -				91400-25070	1	
990601 -				91400-25120	1	
990601 -				91400-25180	1	
990601 - 001122				91400-25090	1	
990601 - 001122				91400-25200	1	
001122 -				91400-25091	1	
001122 -				91400-25201	1	
020101 -				91400-25300	1	
990601 -				91400-25000	1	
990601 -				91400-25010	1	
990601 -				91400-25060	1	
990601 -				91400-25100	1	
990601 -				91400-25110	1	
990601 -				91400-25120	1	
990601 -				91400-25170	1	
990601 -				91400-25210	1	
990601 - 000703			Y	91400-25220 (91400-25221)	1	

CONTINUED

3-K13

91-914 CONTROL WIRING

BA,G0112- 529

P N C	MODEL APPLICABLE		R E P	PART NO. (REPL P/NO)	Q T Y	REMARKS
	FROM-UP-TO	DESCRIPTION				
CONTINUED						
91400		WIRING ASSY-ECM (S)CONJ. CABLEADO				
990601 - 000703	AD	RHD>M-D;2831,2838,0910	Y	91400-25150 (91400-25151)	1	
990601 - 001122	AD	LHD>P3B;2831,2838,0910		91400-25080	1	
990601 - 001122	AD	RHD>P3B;2831,2838,0910		91400-25190	1	
990601 - 001122	AD	RHD>L35;2831,2838,0910		91400-25200	1	
000703 - 000915	AD	LHD>M-D;2831,0910		91400-25221	1	
000703 - 000915	AD	RHD>M-D;2831,2838,0910		91400-25151	1	
000915 -	AD	LHD>M-D;2831,0910		91400-25222	1	
000915 - 001122	AD	RHD>M-D;2831,2838,0910		91400-25152	1	
001122 -	AD	LHD>P3B;2838,0910		91400-25081	1	
001122 -	AD	RHD>M-D;2831,2838,0910		91400-25153	1	
001122 -	AD	RHD>P3B;2831,2838,0910		91400-25191	1	
001122 -	AD	RHD>L35;2831,2838,0910		91400-25201	1	
990601 -	AG	LHD>P3B;0910		91400-25000	1	
990601 -	AG	LHD>P3B;0920		91400-25060	1	
990601 -	AG	RHD>P3B;0910		91400-25110	1	
990601 -	AG	RHD>P3B;0920		91400-25170	1	
990601 - 000703	AG	LHD>P65;0910	Y	91400-25230 (91400-25231)	1	
990601 - 000703	AG	LHD>P6B;2831,0910	Y	91400-25220 (91400-25221)	1	
990601 - 000703	AG	LHD>P65;2831,2838,0910	Y	91400-25140 (91400-25141)	1	
990601 - 000703	AG	RHD>P6B;2831,2838,0910	Y	91400-25150 (91400-25151)	1	
990601 - 001122	AG	LHD>P3B;2831,2838,0910		91400-25080	1	
990601 - 001122	AG	RHD>P3B;2831,2838,0910		91400-25190	1	
000703 - 000915	AG	LHD>P65;0910		91400-25231	1	
000703 - 000915	AG	LHD>P6B;2831,0910		91400-25221	1	
000703 - 000915	AG	LHD>P65;2831,2838,0910		91400-25141	1	
000703 - 000915	AG	RHD>P6B;2831,2838,0910		91400-25151	1	
000915 -	AG	LHD>P65;0910		91400-25232	1	
000915 -	AG	LHD>P6B;2831,0910		91400-25222	1	
000915 - 001122	AG	LHD>P65;2831,2838,0910		91400-25142	1	
000915 - 001122	AG	RHD>P6B;2831,2838,0910		91400-25152	1	
001122 -	AG	LHD>P65;2831,2838,0910		91400-25143	1	
CONTINUED						

P N C	MODEL APPLICABLE		R E P	PART NO. (REPL P/NO)	Q T Y	REMARKS
	FROM-UP-TO	DESCRIPTION				
CONTINUED						
91400		WIRING ASSY-ECM (S)CONJ. CABLEADO				
001122 -	AG	LHD>P3B;2838,0910		91400-25081	1	
001122 -	AG	RHD>P6B;2831,2838,0910		91400-25153	1	
001122 -	AG	RHD>P3B;2831,2838,0910		91400-25191	1	
990601 -	DG	LHD>4AT2;0910		91400-25000	1	
990601 -	DG	LHD>4AT2;0920		91400-25060	1	
990601 -	DG	RHD>4AT2;0910		91400-25110	1	
990601 -	DG	RHD>4AT2;0920		91400-25170	1	
990601 - 000703	DG	LHD>M-D;0910	Y	91400-25230 (91400-25231)	1	
990601 - 000703	DG	LHD>M-D;2831,2838,0910	Y	91400-25140 (91400-25141)	1	
990601 - 001122	DG	LHD>4AT2;2831,2838,0910		91400-25080	1	
990601 - 001122	DG	RHD>4AT2;2831,2838,0910		91400-25190	1	
000703 - 000915	DG	LHD>M-D;0910		91400-25231	1	
000703 - 000915	DG	LHD>M-D;2831,2838,0910		91400-25141	1	
000915 -	DG	LHD>M-D;0910		91400-25232	1	
000915 - 001122	DG	LHD>M-D;2831,2838,0910		91400-25142	1	
001122 -	DG	LHD>M-D;2831,2838,0910		91400-25143	1	
001122 -	DG	LHD>4AT2;2838,0910		91400-25081	1	
001122 -	DG	RHD>4AT2;2831,2838,0910		91400-25191	1	
990601 -	DS	LHD>4AT2;0910		91400-25000	1	
990601 -	DS	LHD>L35;0910		91400-25010	1	
990601 -	DS	LHD>4AT2;0920		91400-25060	1	
990601 -	DS	LHD>CON;0920		91400-25100	1	
990601 -	DS	RHD>4AT2;0910		91400-25110	1	
990601 -	DS	RHD>L35;0910		91400-25120	1	
990601 -	DS	RHD>4AT2;0920		91400-25170	1	
990601 -	DS	RHD>CON;0920		91400-25210	1	
990601 - 001122	DS	LHD>4AT2;2831,2838,0910		91400-25080	1	
990601 - 001122	DS	RHD>4AT2;2831,2838,0910		91400-25190	1	
990601 - 001122	DS	RHD>L35;2831,2838,0910		91400-25200	1	
001122 -	DS	LHD>4AT2;2838,0910		91400-25081	1	
001122 -	DS	RHD>4AT2;2831,2838,0910		91400-25191	1	
001122 -	DS	RHD>L35;2831,2838,0910		91400-25201	1	
990601 -	FD	LHD>4AT2;0910		91400-25000	1	
990601 -	FD	LHD>L35;0910		91400-25010	1	
CONTINUED						

AD:3DR,GL AG:3DR,GLS DG:3DR,GLS DS:3DR,LD FD:4DR,GL 0910:UNLEADED PACKAGE 0920:LEADED PACKAGE 2831:EVAP GAS CONTROL 2838:EMISSION(EC 2000)

3-L13

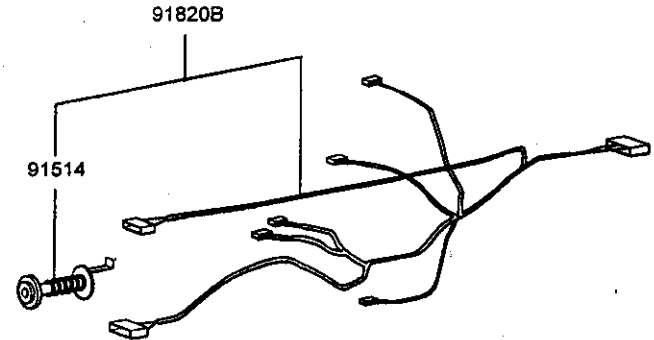
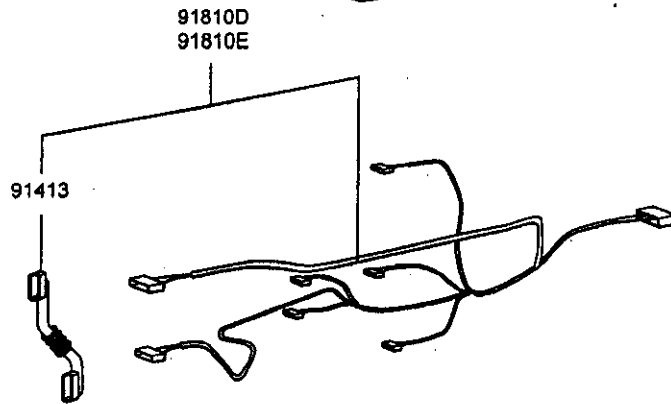
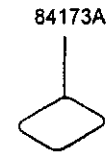
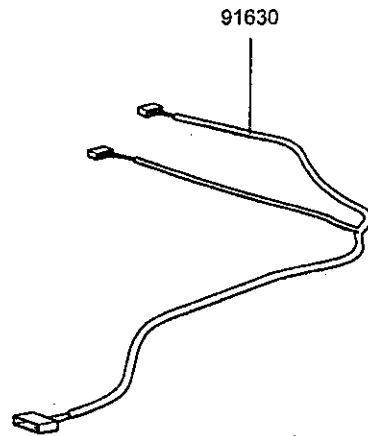
91-914 CONTROL WIRING

BA,00112- 530

P N C		MODEL APPLICABLE		R E P	PART NO. (REPL PNO)	Q T Y	REMARKS	P N C		MODEL APPLICABLE		R E P	PART NO. (REPL PNO)	Q T Y	REMARKS
FROM-UP-TO	TYPE	DESCRIPTION						FROM-UP-TO	TYPE	DESCRIPTION					
CONTINUED								CONTINUED							
91400		WIRING ASSY-ECM						91400		WIRING ASSY-ECM					
		(S)CONJ. CABLEADO								(S)CONJ. CABLEADO					
990601 -	FD	LHD>	4AT2;0920		91400-25060	1		001122 -	FG	RHD>	P6B;2831,2838,0910		91400-25153	1	
990601 -	FD	LHD>	CON;0920		91400-25100	1		001122 -	FG	RHD>	P3B;2831,2838,0910		91400-25191	1	
990601 -	FD	RHD>	4AT2;0910		91400-25110	1		91789D		DIODE					
990601 -	FD	RHD>	L35;0910		91400-25120	1				(S)DIODE(4P)					
990601 -	FD	RHD>	4AT2;0920		91400-25170	1		990601 -	ALL			91789-34200	1		
990601 -	FD	RHD>	CON;0920		91400-25210	1		91791A		BOLT-GROUND					
990601 - 001122	FD	LHD>	4AT2;2831,2838,0910		91400-25080	1				(S)PERNO					
990601 - 001122	FD	RHD>	4AT2;2831,2838,0910		91400-25190	1		990601 -	ALL		Y	91781-33000	1		
990601 - 001122	FD	RHD>	L35;2831,2838,0910		91400-25200	1						(11415-06163)			
001122 -	FD	LHD>	4AT2;2838,0910		91400-25081	1		91930A		WIRING ASSY-EARTH EXT					
001122 -	FD	RHD>	4AT2;2831,2838,0910		91400-25191	1				(S)CONJ. CABLEADO					
001122 -	FD	RHD>	L35;2831,2838,0910		91400-25201	1		990601 -	AD	L35,L45,P3B,P35		91930-25000	1		
990601 -	FG	LHD>	P3B;0910		91400-25000	1		990601 -	AD	M-D;2831,0910		91930-25010	1		
990601 -	FG	LHD>	P3B;0920		91400-25060	1		990601 - 990609	AD	CON;0920		91930-25020	1		
990601 -	FG	RHD>	P3B;0910		91400-25110	1		990601 -	AG	M-S		91930-25000	1		
990601 -	FG	RHD>	P3B;0920		91400-25170	1		990601 -	AG	M-D;0910		91930-25010	1		
990601 - 000703	FG	LHD>	P65;0910	Y	91400-25230	1		990601 -	DG	M-S		91930-25000	1		
					(91400-25231)			990601 -	DG	LHD>	M-D;0910		91930-25010	1	
990601 - 000703	FG	LHD>	P6B;2831,0910	Y	91400-25220	1		990601 -	DS	L35,L45,P3B,P35		91930-25000	1		
					(91400-25221)			990601 - 990609	DS	CON;0920		91930-25020	1		
990601 - 000703	FG	LHD>	P65;2831,2838,0910	Y	91400-25140	1		990601 -	FD	L35,L45,P3B,P35		91930-25000	1		
					(91400-25141)			990601 - 990609	FD	CON;0920		91930-25020	1		
990601 - 000703	FG	RHD>	P6B;2831,2838,0910	Y	91400-25150	1		990601 -	FG	M-S		91930-25000	1		
					(91400-25151)			990601 -	FG	M-D;0910		91930-25010	1		
990601 - 001122	FG	LHD>	P3B;2831,2838,0910		91400-25080	1		91981		CONNECTOR-CLIP					
990601 - 001122	FG	RHD>	P3B;2831,2838,0910		91400-25190	1				(S)CONNECTOR					
000703 - 000815	FG	LHD>	P65;0910		91400-25231	1		990601 -	ALL			91981-25300	1		
000703 - 000915	FG	LHD>	P6B;2831,0910		91400-25221	1									
000703 - 000915	FG	LHD>	P65;2831,2838,0910		91400-25141	1									
000703 - 000915	FG	RHD>	P6B;2831,2838,0910		91400-25151	1									
000915 -	FG	LHD>	P65;0910		91400-25232	1									
000915 -	FG	LHD>	P6B;2831,0910		91400-25222	1									
000915 - 001122	FG	LHD>	P65;2831,2838,0910		91400-25142	1									
000915 - 001122	FG	RHD>	P6B;2831,2838,0910		91400-25152	1									
001122 -	FG	LHD>	P65;2831,2838,0910		91400-25143	1									
001122 -	FG	LHD>	P3B;2838,0910		91400-25081	1									
CONTINUED															

AD:3DR,GL AQ:3DR,GLS DQ:3DR,GLS DS:3DR,GL FD:4DR,GL FG:4DR,GLS

0910:UNLEADED PACKAGE 0920:LEADED PACKAGE 2831:EVAP. GAS CONTROL 2838:EMISSION(EC 2000)



3-A14

91-916 MISCELLANEOUS WIRING

BA,00112- 532

P N C	MODEL APPLICABLE		R E P	PART NO. (REPL P/NO)	Q T Y	REMARKS	P N C	MODEL APPLICABLE		R E P	PART NO. (REPL P/NO)	Q T Y	REMARKS
	FROM-UP-TO	TYPE						DESCRIPTION	FROM-UP-TO				
1731JE		PLUG					CONTINUED						
990601 -		(S)TAPON					91514		GROMMET-RR DR				
		ALL		17313-30000	2		991020 -	AG	8133,8341,875D,8756,9572,96SB		91973-25000	2	
84146A		PLUG-PUSH ON TYPE					991020 -	AG	8133,8341,875D,8761,9572		91973-25000	2	
990601 - 991201		(S)TAPON					991020 -	AG	8341,875D,8756		91973-25000	2	
		AD		84146-11000	2		991020 -	AG	8341,875D,8756,9572,96SB		91973-25000	2	
990601 - 991201		AG		84146-11000	2		991020 -	AG	8341,875D,8761,9572		91973-25000	2	
990601 - 991201		FD		84146-11000	2		990601 -	FD	8133,8341,875D,8756,9572		91973-25000	2	
990601 - 991201		FG		84146-11000	2		990601 -	FD	8133,8341,9572		91973-25000	2	
84173A		PAD-ANTINOISE					990601 -	FD	8341		91973-25000	2	
990601 -		(S)ALMOHADILLA					990601 -	FD	8341,875D,8756,9572		91973-25000	2	
		DG		84173-24000	2		990601 -	FD	8341,9572		91973-25000	2	
990601 -		DS		84173-24000	2		990601 -	FD	9572		91973-25000	2	
86439A		PLUG-PUSH ON TYPE					990601 - 991020	FD	8341,875D,8761,9572		91973-25000	2	
991201 -		(S)TAPON					990610 -	FD	8133		91973-25000	2	
		ALL		84141-11000	2		990910 - 991020	FD	8133,8341,875D,8756		91973-25000	2	
91413		GROMMET-FR DR					990913 -	FD	8133,9572		91973-25000	2	
990601 -		(S)ARANDELA DE CABO					991020 -	FD	8133,8341,875D,8756,9572,96SB		91973-25000	2	
		ALL		91971-25100	1		991020 -	FD	8133,8341,875D,9572		91973-25000	2	
91514		GROMMET-RR DR					991020 -	FD	8341,875D,8756		91973-25000	2	
990601 -		(S)ARANDELA DE CABO					991020 -	FD	8341,875D,8756,9572,96SB		91973-25000	2	
		AD 8133,8341,875D,8756,9572		91973-25000	2		991020 -	FD	8341,875D,8756,9572,96SB		91973-25000	2	
990601 -		AD 8341		91973-25000	2		991020 -	FD	8341,875D,8761,9572,96SB		91973-25000	2	
990601 -		AD 8341,875D,8756,9572		91973-25000	2		991020 -	FD	8341,875D,8761,9572,96SB		91973-25000	2	
990601 -		AD 8341,9572		91973-25000	2		990601 -	FG	8133,8341,875D,8756,9572		91973-25000	2	
990601 -		AD 9572		91973-25000	2		990601 -	FG	8133,8341,9572		91973-25000	2	
990601 - 990910		AD 8133,8341,9572		91973-25000	2		990601 -	FG	8341		91973-25000	2	
991020 -		AD 8133,8341,875D,8756,9572,96SB		91973-25000	2		990601 -	FG	8341,875D,8756,9572		91973-25000	2	
991020 -		AD 8133,8341,875D,8761,9572		91973-25000	2		990601 -	FG	8341,9572		91973-25000	2	
991020 -		AD 8341,875D,8756		91973-25000	2		990601 - 991020	FG	8341,875D,8781,9572		91973-25000	2	
991020 -		AD 8341,875D,8756,9572,96SB		91973-25000	2		990910 -	FG	8133		91973-25000	2	
991020 -		AD 8341,875D,8761,9572		91973-25000	2		990910 - 991020	FG	8133,8341,875D,8756		91973-25000	2	
990601 -		AG 8133,8341,875D,8756,9572		91973-25000	2		990913 -	FG	8133,9572		91973-25000	2	
990601 -		AG 8341		91973-25000	2		991020 -	FG	8133,8341,875D,8756,9572,96SB		91973-25000	2	
990601 -		AG 8341,875D,8756,9572		91973-25000	2		991020 -	FG	8133,8341,875D,9572		91973-25000	2	
990601 -		AG 8341,9572		91973-25000	2		991020 -	FG	8341,875D,8756		91973-25000	2	
990601 -		AG 8341,9572		91973-25000	2								
990601 -		AG 9572		91973-25000	2								
990601 - 990910		AG 8133,8341,9572		91973-25000	2								

CONTINUED

CONTINUED

AD:DR.GL AG:DR.GL DS:DR.GL DG:DR.GL FD:DR.GL FG:DR.GL 8133:ANTI THEFT SYSTEM-IGNITION KEY 8341:WINDOW-POWER(FRT & RR) 8756:MRR-DR'S ELEC.HTR FLAT 875D:MRR-PA'S ELEC.HTR CONV
8761:MRR-DR'S ELEC.HTR CONV 9572:LOCK'G-CENTRAL MANUAL(DR) 96SB:SPKR-QUADRANT INR COVER

3-B14

91-916 MISCELLANEOUS WIRING

8A,G0112- 533

P N C	MODEL APPLICABLE	R E P	PART NO.	Q T Y	REMARKS
FROM-UP-TO	TYPE DESCRIPTION		(REPL P/NO)		
CONTINUED					
91514	GROMMET-RR DR				
	(S)ARANDELA DE CABO				
991020 -	FG 8341,875D,8756,9572,96SB		91973-25000	2	
991020 -	FG 8341,875D,8761,9572,96SB		91973-25000	2	
91630	WIRING ASSY-ROOF				
	(S)CONJ. CABLEADO				
990601 -	ALL 8161,9285		91600-25000	1	
990601 -	AD		91600-25010	1	
990601 -	AD 9285		91600-25030	1	
990601 -	AG		91600-25010	1	
990601 -	AG 9285		91600-25030	1	
990601 -	DG		91600-25020	1	
990601 -	DG 9285		91600-25040	1	
990601 -	DS		91600-25020	1	
990601 -	DS 9285		91600-25040	1	
990601 -	FD		91600-25010	1	
990601 -	FD 9285		91600-25030	1	
990601 -	FG		91600-25010	1	
990601 -	FG 9285		91600-25030	1	
91810D	WIRING ASSY-FR DR(DRIVE)				
	(S)CONJ. CABLEADO				
990601 -	AD		91810-25000	1	
990601 -	AD 9572		91810-25030	1	
990601 -	AD LHD;8341		91810-25010	1	
990601 -	AD LHD;8341,9572		91810-25040	1	
990601 -	AD RHD;8133,8341,9572		91810-25130	1	
990601 -	AD RHD;8341		91810-25080	1	
990601 -	AD RHD;8341,875D,8756,9572		91810-25120	1	
990601 -	AD RHD;8341,9572		91810-25110	1	
991020 -	AD LHD;8133,8341,875D,9572		91810-25350	1	
991020 -	AD LHD;8341,875D,8756,9572		91810-25340	1	
991020 -	AD RHD;8133,8341,875D,8756,9572		91810-25380	1	
991020 -	AD RHD;8341,875D,8756		91810-25360	1	
991020 -	AD RHD;8341,875D,9572		91810-25370	1	
990601 -	AG		91810-25000	1	
990601 -	AG 9572		91810-25030	1	
990601 -	AG LHD;8341		91810-25010	1	

CONTINUED

P N C	MODEL APPLICABLE	R E P	PART NO.	Q T Y	REMARKS
FROM-UP-TO	TYPE DESCRIPTION		(REPL P/NO)		
CONTINUED					
91810D	WIRING ASSY-FR DR(DRIVE)				
	(S)CONJ. CABLEADO				
990601 -	AG LHD;8341,9572		91810-25040	1	
990601 -	AG RHD;8133,8341,9572		91810-25130	1	
990601 -	AG RHD;8341		91810-25080	1	
990601 -	AG RHD;8341,875D,8756,9572		91810-25120	1	
990601 -	AG RHD;8341,9572		91810-25110	1	
991020 -	AG LHD;8133,8341,875D,9572		91810-25350	1	
991020 -	AG LHD;8341,875D,8756,9572		91810-25340	1	
991020 -	AG RHD;8133,8341,875D,8756,9572		91810-25380	1	
991020 -	AG RHD;8341,875D,8756		91810-25360	1	
991020 -	AG RHD;8341,875D,9572		91810-25370	1	
990601 -	DG		91810-25140	1	
990601 -	DG LHD;8342		91810-25150	1	
990601 -	DG LHD;8342,875D,8756,9572		91810-25190	1	
990601 -	DG LHD;8342,9572		91810-25180	1	
990601 -	DG RHD;8133,8342,9572		91810-25250	1	
990601 -	DG RHD;8342		91810-25210	1	
990601 -	DG RHD;8342,875D,8756		91810-25220	1	
990601 -	DG RHD;8342,9572		91810-25230	1	
990910 -	DG LHD;8133,9572		91810-25290	1	
991020 -	DG LHD;8133,8342,875D,8761,9572		91810-25410	1	
991020 -	DG LHD;8342,875D,8756		91810-25390	1	
991020 -	DG LHD;8342,875D,8756,9572		91810-25400	1	
991020 -	DG RHD;8342,875D,8756,9572		91810-25430	1	
990601 -	DS		91810-25140	1	
990601 -	DS LHD;8342		91810-25150	1	
990601 -	DS LHD;8342,875D,8756,9572		91810-25190	1	
990601 -	DS LHD;8342,9572		91810-25180	1	
990601 -	DS RHD;8133,8342,9572		91810-25250	1	
990601 -	DS RHD;8342		91810-25210	1	
990601 -	DS RHD;8342,875D,8756		91810-25220	1	
990601 -	DS RHD;8342,9572		91810-25230	1	
990910 -	DS LHD;8133,9572		91810-25290	1	
991020 -	DS LHD;8133,8342,875D,8761,9572		91810-25410	1	

CONTINUED

AD:SDR,GL AG:SDR,GLS DG:SDR,GLS DS:SDR,LD FD:DR,GL FG:DR,GLS 8133:ANTI-THEFT SYSTEM-IGNITION KEY 8161:ROOF-SUN 8341:WINDOW-POWER(FRT & RR) 8342:WINDOW-POWER(FRT) 8756:MRR-DR'S ELEC:HTR FLAT 875D:MRR-PA'S ELEC:HTR CONV 8761:MRR-DR'S ELEC:HTR CONV 9285:LAMP-MAP 9572:LOCK:G-CENTRAL MANUAL(DR) 96SB:SPKR-QUADRANT INR COVER

3-C14

91-916 MISCELLANEOUS WIRING

BA,00112-534

P N C	MODEL APPLICABLE		R E P	PART NO. (REPL PNO)	Q T Y	REMARKS	P N C	MODEL APPLICABLE		R E P	PART NO. (REPL PNO)	Q T Y	REMARKS
	FROM-UP-TO	TYPE						DESCRIPTION	FROM-UP-TO				
CONTINUED							CONTINUED						
91810D		WIRING ASSY-FR DR(DRIVE) (S)CONJ. CABLEADO					91810D		WIRING ASSY-FR DR(DRIVE) (S)CONJ. CABLEADO				
991020 -	DS	LHD;8342,875D,8756		91810-25390	1		991020 -	FG	RHD;8341,875D,8756,9572		91810-25370	1	
991020 -	DS	LHD;8342,875D,8756,9572		91810-25400	1		91810E		WIRING ASSY-FR DR(PASS) (S)CONJ. CABLEADO				
991020 -	DS	RHD;8342,875D,8756,9572		91810-25430	1		990601 -	AD			91820-25000	1	
990601 -	FD			91810-25000	1		990601 -	AD	8341		91820-25010	1	
990601 -	FD	LHD;8133,8341,9572		91810-25060	1		990601 -	AD	8341,9572		91820-25040	1	
990601 -	FD	LHD;8341		91810-25010	1		990601 -	AD	9572		91820-25030	1	
990601 -	FD	LHD;8341,875D,8756,9572		91810-25050	1		990601 -	AD	RHD;8133,8341,9572		91820-25130	1	
990601 -	FD	LHD;8341,9572		91810-25040	1		990601 -	AD	RHD;8341,875D,9572		91820-25060	1	
990601 -	FD	LHD;9572		91810-25030	1		991020 -	AD	8341,875D,9572		91820-25300	1	
990601 -	FD	RHD;8133,8341		91810-25130	1		991020 -	AD	LHD;8133,8341,875D,9572		91820-25310	1	
990601 -	FD	RHD;8341		91810-25080	1		991020 -	AD	RHD;8133,8341,875D,9572		91820-25320	1	
990601 -	FD	RHD;8341,875D,9572		91810-25120	1		991020 -	AD	RHD;8341,875D		91820-25290	1	
990601 -	FD	RHD;8341,9572		91810-25110	1		990601 -	AG			91820-25000	1	
990910 -	FD	LHD;8133		91810-25070	1		990601 -	AG	8341		91820-25010	1	
990910 -	FD	LHD;8133,8341,9572		91810-25280	1		990601 -	AG	8341,9572		91820-25040	1	
991020 -	FD	LHD;8133,8341,875D,9572		91810-25350	1		990601 -	AG	9572		91820-25030	1	
991020 -	FD	LHD;8341,875D,8756,9572		91810-25340	1		990601 -	AG	RHD;8133,8341,9572		91820-25130	1	
991020 -	FD	RHD;8133,8341,875D,9572		91810-25380	1		990601 -	AG	RHD;8341,875D,9572		91820-25060	1	
991020 -	FD	RHD;8341,875D,8756		91810-25360	1		991020 -	AG	8341,875D,9572		91820-25300	1	
991020 -	FD	RHD;8341,875D,8756,9572		91810-25370	1		991020 -	AG	LHD;8133,8341,875D,9572		91820-25310	1	
990601 -	FG			91810-25000	1		991020 -	AG	RHD;8133,8341,875D,9572		91820-25320	1	
990601 -	FG	LHD;8133,8341,9572		91810-25060	1		991020 -	AG	RHD;8341,875D		91820-25290	1	
990601 -	FG	LHD;8341		91810-25010	1		990601 -	DG			91820-25140	1	
990601 -	FG	LHD;8341,875D,8756,9572		91810-25050	1		990601 -	DG	8342		91820-25150	1	
990601 -	FG	LHD;8341,9572		91810-25040	1		990601 -	DG	8342,9572		91820-25180	1	
990601 -	FG	LHD;9572		91810-25030	1		990601 -	DG	LHD;8342,875D,9572		91820-25190	1	
990601 -	FG	RHD;8133,8341		91810-25130	1		990601 -	DG	RHD;8133,8342,9572		91820-25210	1	
990601 -	FG	RHD;8341		91810-25080	1		990601 -	DG	RHD;8342,875D		91820-25160	1	
990601 -	FG	RHD;8341,875D,9572		91810-25120	1		990910 -	DG	LHD;8133		91820-25250	1	
990601 -	FG	RHD;8341,9572		91810-25110	1		991020 -	DG	8342,875D,9572		91820-25340	1	
990910 -	FG	LHD;8133		91810-25070	1		991020 -	DG	LHD;8133,8342,875D,9572		91820-25350	1	
990910 -	FG	LHD;8133,8341,9572		91810-25260	1		991020 -	DG	LHD;8342,875D		91820-25330	1	
991020 -	FG	LHD;8133,8341,875D,9572		91810-25350	1		990601 -	DS			91820-25140	1	
991020 -	FG	LHD;8341,875D,8756,9572		91810-25340	1		990601 -	DS	8342		91820-25150	1	
991020 -	FG	RHD;8133,8341,875D,9572		91810-25380	1		990601 -	DS	8342,9572		91820-25180	1	
991020 -	FG	RHD;8341,875D,8756		91810-25360	1		CONTINUED						

AD:DR,AG:DR,AL:DR,AR:DR,AS:DR,AT:DR,AV:DR,AW:DR,AX:DR,AY:DR,AZ:DR,B1:DR,B2:DR,B3:DR,B4:DR,B5:DR,B6:DR,B7:DR,B8:DR,B9:DR,B0:DR,
 8756:MRR-DR'S ELEC:HTR FLAT 875D:MRR-PA'S ELEC:HTR CONV 9572:LOCKY-CENTRAL MANUAL(DR)

3-D14

91-916 MISCELLANEOUS WIRING

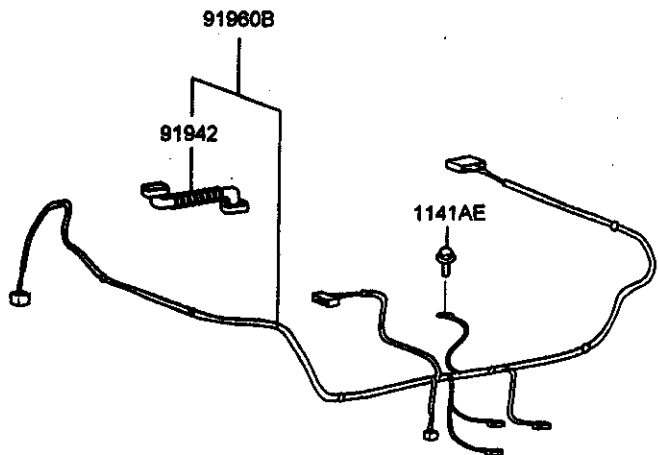
BA,G0112-535

P N C		MODEL APPLICABLE		R E P	PART NO. (REPL P/NO)	Q T Y	REMARKS	P N C		MODEL APPLICABLE		R E P	PART NO. (REPL P/NO)	Q T Y	REMARKS
FROM-UP-TO	TYPE	DESCRIPTION						FROM-UP-TO	TYPE	DESCRIPTION					
CONTINUED								CONTINUED							
91810E		WIRING ASSY-FR DR(PASS) (S)CONJ. CABLEADO						91820B		WIRING ASSY-RR DR (S)CONJ. CABLEADO					
990601 -	DS	LHD;8342,875D,9572			91820-25190	1		990601 -	AD	8341,9572			91860-25020	2	
990601 -	DS	RHD;8133,8342,9572			91820-25210	1		990601 -	AD	9572			91860-25010	2	
990601 -	DS	RHD;8342,875D			91820-25160	1		990601 -	AG	8341			91860-25000	2	
990910 -	DS	LHD;8133			91820-25250	1		990601 -	AG	8341,9572			91860-25020	2	
991020 -	DS	8342,875D,9572			91820-25340	1		990601 -	AG	9572			91860-25010	2	
991020 -	DS	LHD;8133,8342,875D,9572			91820-25350	1		990601 -	FD	8341			91860-25000	2	
991020 -	DS	LHD;8342,875D			91820-25330	1		990601 -	FD	8341			91860-25020	2	
990601 -	FD				91820-25000	1		990601 -	FD	LHD;9572			91860-25010	2	
990601 -	FD	8341			91820-25010	1		990910 -	FD	LHD;8133			91860-25010	2	
990601 -	FD	8341,875D,9572			91820-25050	1		990913 -	FD	LHD;8133,9572			91860-25010	2	
990601 -	FD	8341,9572			91820-25040	1		990601 -	FG	8341			91860-25000	2	
990601 -	FD	LHD;8133,9572			91820-25060	1		990601 -	FG	8341			91860-25020	2	
990601 -	FD	LHD;9572			91820-25030	1		990601 -	FG	LHD;9572			91860-25010	2	
990601 -	FD	RHD;8133,8341,9572			91820-25130	1		990910 -	FG	LHD;8133			91860-25010	2	
990910 -	FD	LHD;8133			91820-25070	1		990913 -	FG	LHD;8133,9572			91860-25010	2	
990810 -	FD	LHD;8133,8341			91820-25220	1									
991020 -	FD	8341,875D,9572			91820-25300	1									
991020 -	FD	LHD;8133,8341,875D,9572			91820-25310	1									
991020 -	FD	RHD;8133,8341,875D,9572			91820-25320	1									
991020 -	FD	RHD;8341,875D			91820-25290	1									
990601 -	FG				91820-25000	1									
990601 -	FG	8341			91820-25010	1									
990601 -	FG	8341,875D,9572			91820-25050	1									
990601 -	FG	8341,9572			91820-25040	1									
990601 -	FG	LHD;8133,9572			91820-25060	1									
990601 -	FG	LHD;9572			91820-25030	1									
990601 -	FG	RHD;8133,8341,9572			91820-25130	1									
990910 -	FG	LHD;8133			91820-25070	1									
990910 -	FG	LHD;8133,8341			91820-25220	1									
991020 -	FG	8341,875D,9572			91820-25300	1									
991020 -	FG	LHD;8133,8341,875D,9572			91820-25310	1									
991020 -	FG	RHD;8133,8341,875D,9572			91820-25320	1									
991020 -	FG	RHD;8341,875D			91820-25290	1									
91820B		WIRING ASSY-RR DR (S)CONJ. CABLEADO													
990601 -	AD	8341			91860-25000	2									
CONTINUED															

AD:DR,GL AG:DR,GLS DS:DR,L FD:DR,GL FG:DR,GLS

8133:ANTI THEFT SYSTEM-IGNITION KEY 8341:WINDOW-POWER(FRT & RR) 8342:WINDOW-POWER(FRT) 875D:MRR-PA'S ELEC:HTR CONV 9572:LOCK'G-CENTRAL MANUAL(DR)

91-919 TAIL GATE WIRING



P N C	MODEL APPLICABLE		R E P	PART NO. (REPL PNO)	Q T Y	REMARKS
	FROM-UP-TO	TYPE				
1141AE						
990601 -				11415-06143	1	
990601 -				11415-06143	1	
990601 -				11415-06143	1	
990601 -				11415-06143	1	
91942						
990601 -				91972-25000	1	
990601 -				91972-25000	1	
990601 -				91972-25000	1	
990601 -				91972-25000	1	
91960B						
990601 -				91960-25030	1	
990601 -				91960-25030	1	
990601 -				91960-25020	1	
990601 - 990910				91960-25010 (91960-25011)	1	
990601 - 990910				91960-25000 (91960-25001)	1	
990601 - 010701				91960-25070	1	
990601 - 010701				91960-25060	1	
990910 -				91960-25011	1	
990910 -				91960-25001	1	
990601 -				91960-25030	1	
990601 -				91960-25030	1	
990601 -				91960-25020	1	
990601 - 990910				91960-25010 (91960-25011)	1	
990601 - 990910				91960-25000 (91960-25001)	1	
990601 - 010701				91960-25070	1	
990601 - 010701				91960-25060	1	
990910 -				91960-25011	1	
990910 -				91960-25001	1	
990601 -				91960-25030	1	
990601 -				91960-25030	1	
990601 -				91960-25020	1	

CONTINUED

3-F14

91-919 TAIL GATE WIRING

BA,G0112- 537

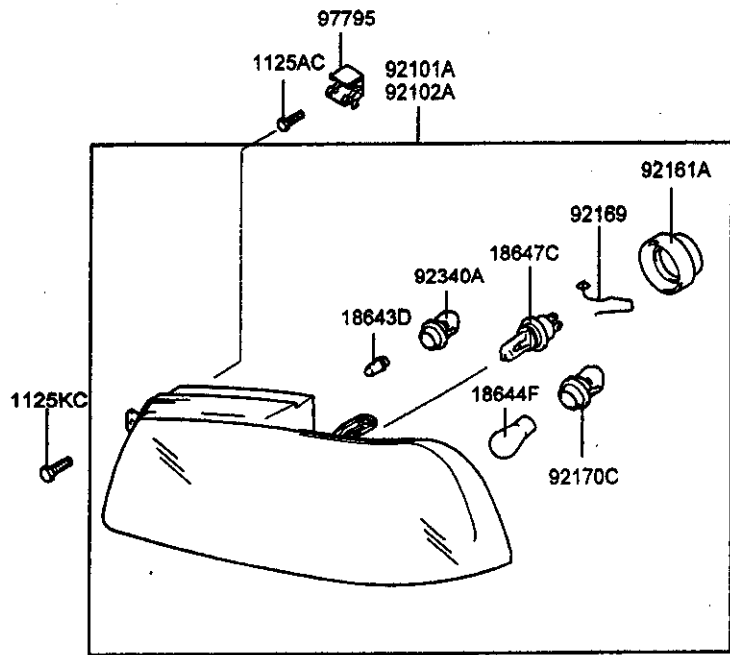
P N C		MODEL APPLICABLE		R E P	PART NO. (REPL P/NO)	Q T Y	REMARKS	P N C		MODEL APPLICABLE		R E P	PART NO. (REPL P/NO)	Q T Y	REMARKS
FROM-UP-TO	TYPE	DESCRIPTION	FROM-UP-TO					TYPE	DESCRIPTION						
CONTINUED															
91960B															
WIRING ASSY-TAIL GATE															
(S)CONJ. CABLEADO															
990601 - 990910	DG	8712,9275	Y	91960-25010	1										
				(91960-25011)											
990601 - 010701	DG			91960-25070	1										
990910 -	DG	8712,9275		91960-25011	1										
990910 -	DG	8722		91960-25110	1										
990910 -	DG	8722,9880		91960-25100	1										
990601 -	DS	8711		91960-25030	1										
990601 -	DS	9880		91960-25020	1										
990601 - 990910	DS	8712,9275	Y	91960-25010	1										
				(91960-25011)											
990601 - 010701	DS			91960-25070	1										
990910 -	DS	8712,9275		91960-25011	1										
990910 -	DS	8722		91960-25110	1										
990910 -	DS	8722,9880		91960-25100	1										

DG:3DR,GLS DS:3DR,L 8711:GLASS-BULB(E/CLEAR WITH HTD) 8712:GLASS-BULB(T/HTD WITH HTD) 8722:SPOLER-LOWER(W/HMSL) 9275:LAMP-HMS(RR P/TRAY) 9880:WIPER-RR WINDOW

3-G14

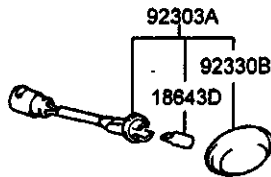
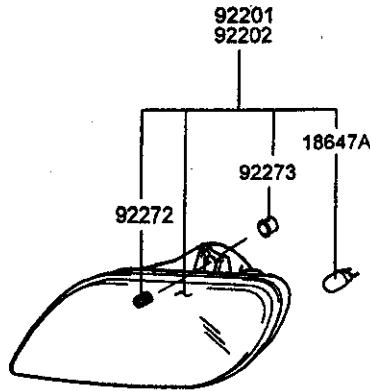
91-921 HEADLAMP

BA,00112- 638



P N C	MODEL APPLICABLE		R E P	PART NO. (REPL. P/NO)	Q T Y	REMARKS
	FROM-UP-TO	TYPE				
1125AC						
990601 -				11250-06183 (11250-06188B)	2	
1125KC						
990601 - 010820				11254-06203 (11254-06208B)	4	
18643D						
990601 -				18643-05009 (18643-05009E)	1	12V 5W
18644F						
990601 -				18644-21007	1	12V 21W(AMBER)
18647C						
990601 -				18647-61566 (18647-61566E)	1	12V 80/55W,CLEAER
92101A						
990601 -				92101-25010	1	
990601 -				92101-25030	1	
92102A						
990601 -				92102-25010	1	
990601 -				92102-25030	1	
92161A						
990601 -				92191-25000	1	
92169						
990601 -				92169-25000	1	
92170C						
990601 -				92160-38000	1	
92340A						
990601 -				92340-25000	1	

91-923 BODY SIDE LAMP



P N C	MODEL APPLICABLE		R E P	PART NO. (REPL. P/NO)	Q T Y	REMARKS
	FROM-UP-TO	TYPE				
18643D						
001101 -				18643-05009E	2	12V 5W
18647A						
000221 -				18647-27009	1	12V 27W
000221 -				18647-27009	1	12V 27W
000221 -				18647-27009	1	12V 27W
000221 -				18647-27009	1	12V 27W
990601 -				18647-27009	1	12V 27W
990601 -				18647-27009	1	12V 27W
92201						
000221 -				92201-25210	1	
000221 -				92201-25210	1	
000221 -				92201-25210	1	
000221 -				92201-25210	1	
990601 -				92201-25000	1	
020101 -				92201-25300	1	
990601 -				92201-25000	1	
020101 -				92201-25300	1	
92202						
000221 -				92202-25210	1	
000221 -				92202-25210	1	
000221 -				92202-25210	1	
000221 -				92202-25210	1	
990601 -				92202-25000	1	
020101 -				92202-25300	1	
990601 -				92202-25000	1	
020101 -				92202-25300	1	
92272						
000221 -				92272-22200	1	
000221 -				92272-22200	1	
000221 -				92272-22200	1	
000221 -				92272-22200	1	
990601 -				92272-22200	1	
020101 -				92272-25000	1	

CONTINUED

3-J14

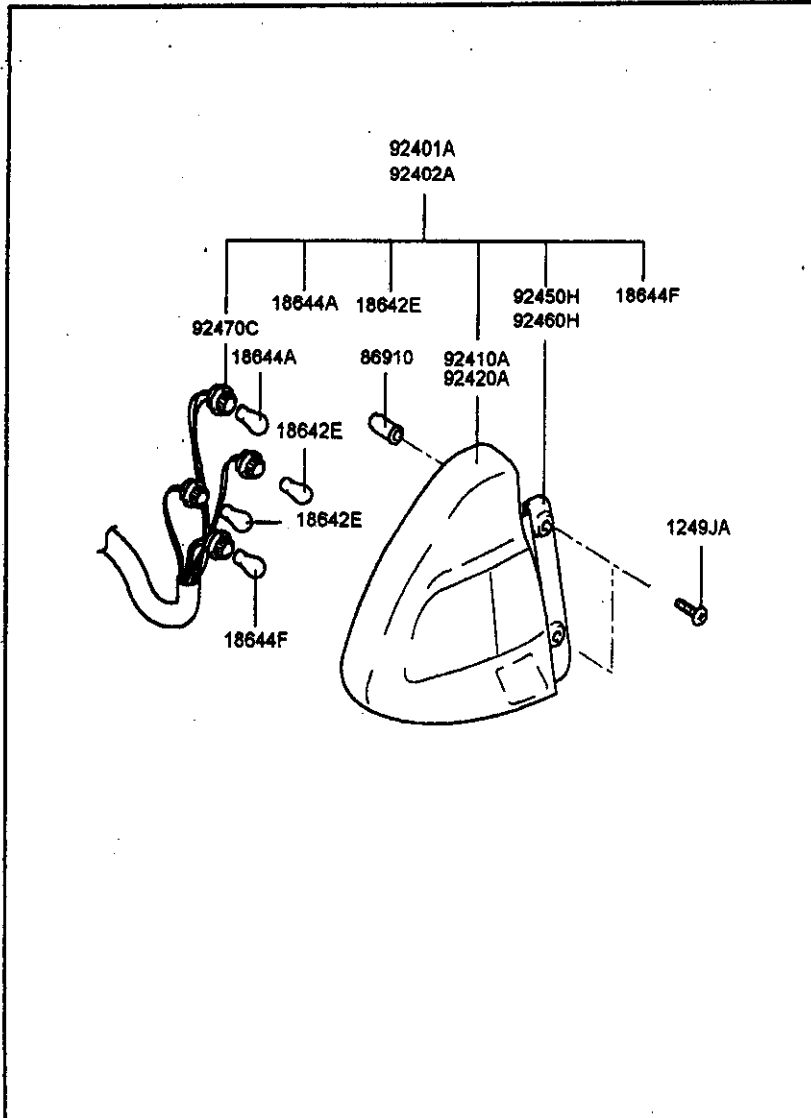
91-923 BODY SIDE LAMP

BA,00112- 541

P N C		MODEL APPLICABLE		R E P	PART NO. (REPL P/NO)	Q T Y	REMARKS	P N C		MODEL APPLICABLE		R E P	PART NO. (REPL P/NO)	Q T Y	REMARKS
FROM-UP-TO	TYPE	DESCRIPTION						FROM-UP-TO	TYPE	DESCRIPTION					
CONTINUED															
	92272		SPRING-AIMING (S)MUELLE												
990601 -			FG 9241		92272-22200	1									
020101 -			FG TCI;863C,8652,9241		92272-25000	1									
	92273		RETAINER-AIMING (S)RETENEDOR												
000221 -			AD 8633,8652,9241		92273-22200	1									
000221 -			AG 8633,8652,9241		92273-22200	1									
000221 -			DG 8633,9241		92273-22200	1									
000221 -			DS 8633,9241		92273-22200	1									
990601 -			FD 9241		92273-22200	1									
990601 -			FG 9241		92273-22200	1									
	92303A		LAMP ASSY-SIDE REPEATER (S)CONJ. LAMPARA												
001101 -			ALL 9231		92303-25000	2									
	92330B		LENS & HSG ASSY-SIDE REPEATER (S)CONJ. ALOJAMIENTO & LENTE												
001101 -			ALL 9231		92330-24010	2									

AD:SDR,GL AG:SDR,GLS DG:SDR,GLS DS:SDR,L FD:DR,GL FG:DR,GLS

8633:RAD. GRILLE-C TYPE 863C:RAD. GRILLE-CN COATG 8652:SUMPER-2.5 MILE 9231:REPEATER-SIDE 9241:LAMP-FOQ(FRI)



P N C	MODEL APPLICABLE		R E P	PART NO. (REPL PNO)	Q T Y	REMARKS
	FROM-UP-TO	TYPE				
1249JA						
990601 -						
990601 -						
990601 -						
990601 -						
990601 -						
990601 -						
18642E						
990601 -						
990601 -						
990601 -						
990601 -						
990601 -						
990601 -						
990601 -						
990601 -						
990601 -						
990601 -						
990601 -						
990601 -						
990601 -						
990601 -						
990601 -						
990601 -						
990601 -						
990601 -						
990601 -						
990601 -						
990601 -						
990601 -						
990601 -						
990601 -						
18644A						
990601 -						

CONTINUED

3-L14

91-924 REAR COMBINATION LAMP

BA.G0112- 543

P N C	MODEL APPLICABLE		R E P	PART NO. (REPL PNO)	Q T Y	REMARKS
	FROM-UP-TO	TYPE DESCRIPTION				
CONTINUED						
18644A		BULB				
		(S)BOMBILLA				
990601 -		AG	Y	18644-21058 (18644-21058E)	1	12V 21/5W
990601 -		DG -A07,-E02,-E37	Y	18644-21058 (18644-21058E)	1	12V 21/5W
990601 -		DS -A07,-E02,-E37	Y	18644-21058 (18644-21058E)	1	12V 21/5W
990601 -		FD	Y	18644-21058 (18644-21058E)	2	12V 21/5W
990601 -		FD	Y	18644-21058 (18644-21058E)	1	12V 21/5W
990601 -		FG	Y	18644-21058 (18644-21058E)	2	12V 21/5W
990601 -		FG	Y	18644-21058 (18644-21058E)	1	12V 21/5W
18644F		BULB				
		(S)BOMBILLA(12V 21W AMBAR)				
990601 -		AD +A07,+E02,+E37		18644-21007	1	12V 21W(AMBER)
990601 -		AG +A07,+E02,+E37		18644-21007	1	12V 21W(AMBER)
86910		RETAINER				
		(S)RETENEDOR				
990601 -		AD	Y	86910-22000 (85714-22000)	4	
990601 -		AG	Y	86910-22000 (85714-22000)	4	
990601 -		DG -A07,-E02,-E37	Y	86910-22000 (85714-22000)	4	
990601 -		DS -A07,-E02,-E37	Y	86910-22000 (85714-22000)	4	
990601 -		FD	Y	86910-22000 (85714-22000)	4	
990601 -		FG	Y	86910-22000 (85714-22000)	4	
92401A		LAMP ASSY-RR COMBINATION LH				
		(S)CONJ. LAMPARA				
990601 -		AD +A07,+E02,+E37		92401-25220	1	
990601 -		AD -A07,-E02,-E37		92401-25210	1	
CONTINUED						

P N C	MODEL APPLICABLE		R E P	PART NO. (REPL PNO)	Q T Y	REMARKS
	FROM-UP-TO	TYPE DESCRIPTION				
CONTINUED						
92401A		LAMP ASSY-RR COMBINATION LH				
		(S)CONJ. LAMPARA				
990601 -		AG +A07,+E02,+E37		92401-25220	1	
990601 -		AG -A07,-E02,-E37		92401-25210	1	
990601 -		DG -A07,-E02,-E37		92401-25210	1	
990601 -		DS -A07,-E02,-E37		92401-25210	1	
990601 -		FD +A07,+E02,+E37		92401-25020	1	
990601 -		FD -A07,-E02,-E37		92401-25010	1	
990601 -		FG +A07,+E02,+E37		92401-25020	1	
990601 -		FG -A07,-E02,-E37		92401-25010	1	
92402A		LAMP ASSY-RR COMBINATION RH				
		(S)CONJ. LAMPARA				
990601 -		AD +A07,+E02,+E37		92402-25220	1	
990601 -		AD -A07,-E02,-E37		92402-25210	1	
990601 -		AG +A07,+E02,+E37		92402-25220	1	
990601 -		AG -A07,-E02,-E37		92402-25210	1	
990601 -		DG -A07,-E02,-E37		92402-25210	1	
990601 -		DS -A07,-E02,-E37		92402-25210	1	
990601 -		FD +A07,+E02,+E37		92402-25020	1	
990601 -		FD -A07,-E02,-E37		92402-25010	1	
990601 -		FG +A07,+E02,+E37		92402-25020	1	
990601 -		FG -A07,-E02,-E37		92402-25010	1	
92410A		LENS & HSG-RR COMB LAMP LH				
		(S)LENTE & ALOJAMIENTO				
990601 -		AD +A07,+E02,+E37		92410-25220	1	
990601 -		AD -A07,-E02,-E37		92410-25200	1	
990601 -		AG +A07,+E02,+E37		92410-25220	1	
990601 -		AG -A07,-E02,-E37		92410-25200	1	
990601 -		DG -A07,-E02,-E37		92410-25200	1	
990601 -		DS -A07,-E02,-E37		92410-25200	1	
990601 -		FD +A07,+E02,+E37		92410-25020	1	
990601 -		FD -A07,-E02,-E37		92410-25000	1	
990601 -		FG +A07,+E02,+E37		92410-25020	1	
990601 -		FG -A07,-E02,-E37		92410-25000	1	
92420A		LENS & HSG-RR COMB LAMP RH				
		(S)LENTE & ALOJAMIENTO				
990601 -		AD +A07,+E02,+E37		92420-25220	1	
990601 -		AD -A07,-E02,-E37		92420-25200	1	
CONTINUED						

3-M14

91-924 REAR COMBINATION LAMP

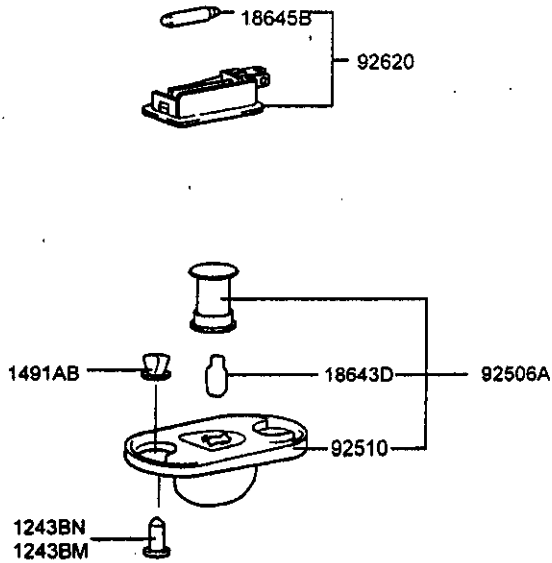
SA,00112- 544

P N C		MODEL APPLICABLE		R E P	PART NO. (REPL PNO)	Q T Y	REMARKS	P N C		MODEL APPLICABLE		R E P	PART NO. (REPL PNO)	Q T Y	REMARKS
FROM-UP-TO	TYPE	DESCRIPTION	FROM-UP-TO					TYPE	DESCRIPTION						
CONTINUED															
92420A		LENS & HSG-RR COMB LAMP RH													
(S)LENTE & ALOJAMIENTO															
990601 -	AG	+A07,+E02,+E37	92420-25220	1											
990601 -	AG	-A07,-E02,-E37	92420-25200	1											
990601 -	DG	-A07,-E02,-E37	92420-25200	1											
990601 -	DS	-A07,-E02,-E37	92420-25200	1											
990601 -	FD	+A07,+E02,+E37	92420-25020	1											
990601 -	FD	-A07,-E02,-E37	92420-25000	1											
990601 -	FG	+A07,+E02,+E37	92420-25020	1											
990601 -	FG	-A07,-E02,-E37	92420-25000	1											
92460H		BRACKET-LAMP MTG LH													
(S)SOPORTE															
990601 -	FD		92450-25000	1											
990601 -	FG		92450-25000	1											
92460H		BRACKET-LAMP MTG RH													
(S)SOPORTE															
990601 -	FD		92460-25000	1											
990601 -	FG		92460-25000	1											
92470C		HOLDER & WIRING-RR COMB													
(S)CABLEADO & SOPORTE															
990601 -	AD	+A07,+E02,+E37	92490-25220	1											
990601 -	AD	-A07,-E02,-E37	92490-25200	1											
990601 -	AG	+A07,+E02,+E37	92490-25220	1											
990601 -	AG	-A07,-E02,-E37	92490-25200	1											
990601 -	DG	-A07,-E02,-E37	92490-25200	1											
990601 -	DS	-A07,-E02,-E37	92490-25200	1											
990601 -	FD	+A07,+E02,+E37	92490-25020	1											
990601 -	FD	-A07,-E02,-E37	92490-25000	1											
990601 -	FG	+A07,+E02,+E37	92490-25020	1											
990601 -	FG	-A07,-E02,-E37	92490-25000	1											

4-A1

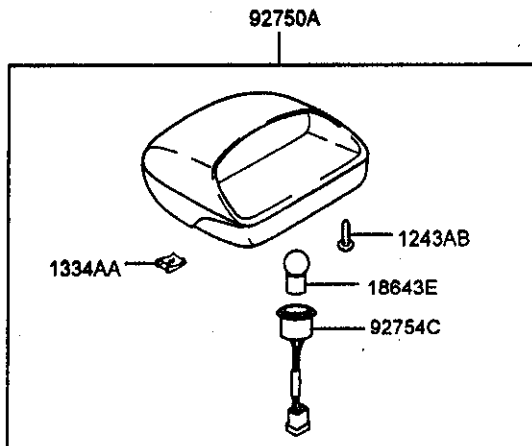
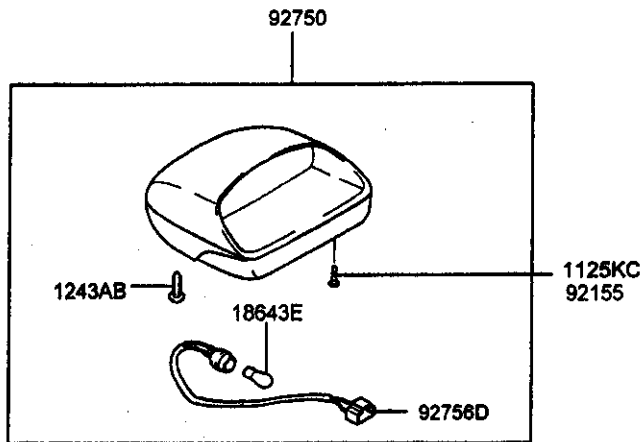
91-925 LICENSE PLATE & INTERIOR LAMP

BA.G0112- 545



P N C	MODEL APPLICABLE		R E P	PART NO. (REPL P/NO)	Q T Y	REMARKS
	FROM-UP-TO	TYPE				
1243BM						
000117 -				12431-04143	4	
1243BN						
990601 - 000117			Y	12431-04163 (12431-04143)	4	
1491AB						
990601 -				14910-04000	4	
18643D						
990601 -				18643-05009E	2	12V 5W
18645B						
990601 -				18645-05009	1	
92506A						
990601 -				92501-25000	2	
92510						
990601 -				92502-29610	2	
92620						
990601 -				92620-33000	1	

91-927 HIGH MOUNTED STOP LAMP



P N C	MODEL APPLICABLE		R E P	PART NO. (REPL PNO)	Q T Y	REMARKS
	FROM-UP-TO	TYPE				
1125KC						
991014 -			Y	11254-06203 (11254-06206B)	2	
991014 -		AG 9275	Y	11254-06203 (11254-06206B)	2	
991014 -		DG 9275	Y	11254-06203 (11254-06206B)	2	
991014 -		DS 9275	Y	11254-06203 (11254-06206B)	2	
1243AB						
990928 -		FD 9275		12431-03101	3	
990928 -		FG 9275		12431-03101	3	
1334AA						
990928 -		FD 9275		13327-04026	2	
990928 -		FG 9275		13327-04026	2	
18643E						
990601 -		AD 9275		18643-17004	1	
990601 -		AG 9275		18643-17004	1	
990601 -		DG 9275		18643-17004	1	
990601 -		DS 9275		18643-17004	1	
990928 -		FD 9275		18643-17004	1	
990928 -		FG 9275		18643-17004	1	
92155						
990601 - 991014		AD 9275	Y	92155-22000 (11254-06203)	2	
990601 - 991014		AG 9275	Y	92155-22000 (11254-06203)	2	
990601 - 991014		DG 9275	Y	92155-22000 (11254-06203)	2	
990601 - 991014		DS 9275	Y	92155-22000 (11254-06203)	2	
92750						
990601 -		LAMP ASSY-HMS INTERIOR (S)CONJ. LAMPARA				
990601 -		AD 9275		92750-25500LT	1	INT:LT

CONTINUED

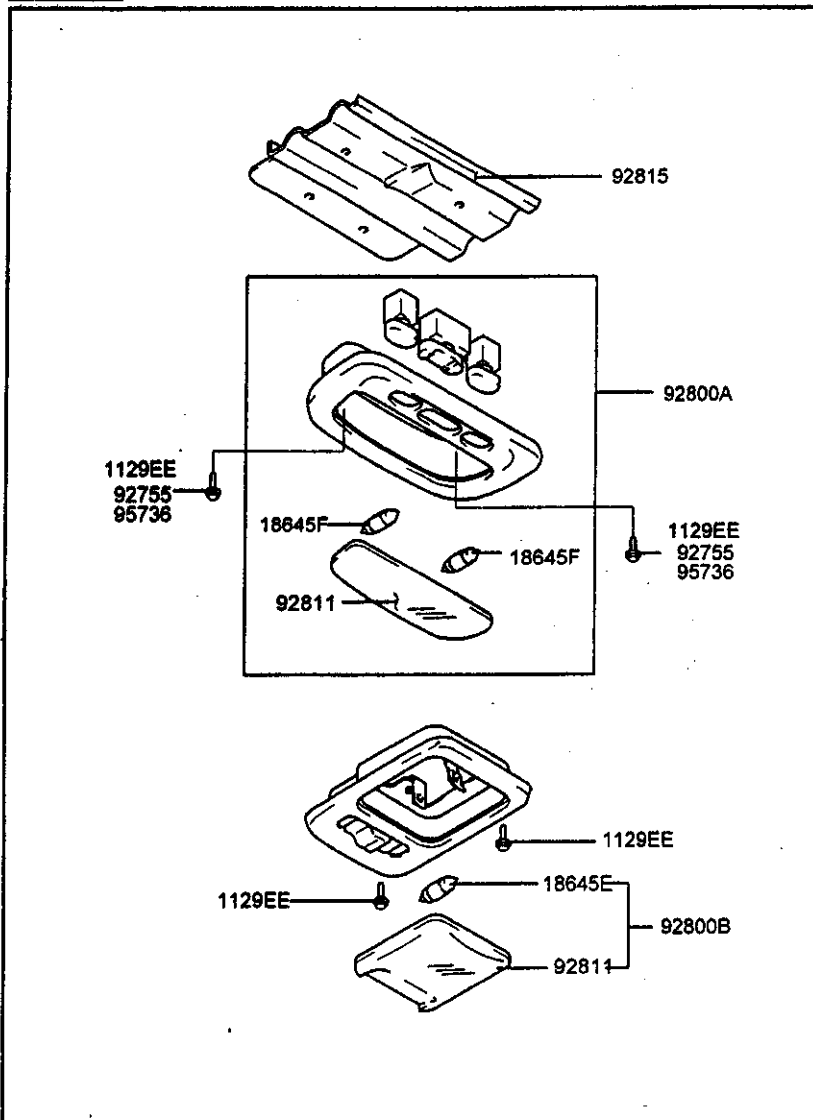
4-C1**91-927 HIGH MOUNTED STOP LAMP**

BA,G0112- 547

P N C		MODEL APPLICABLE		R E P	PART NO. (REPL P/NO)	Q T Y	REMARKS	P N C		MODEL APPLICABLE		R E P	PART NO. (REPL P/NO)	Q T Y	REMARKS
FROM-UP-TO	TYPE	DESCRIPTION						FROM-UP-TO	TYPE	DESCRIPTION					
CONTINUED															
92750															
LAMP ASSY-HMS INTERIOR (S)CONJ. LAMPARA															
990601 -		AG	9275		92750-25500LT	1	INT;LT								
990601 -		DG	9275		92750-25500LT	1	INT;LT								
990601 -		DS	9275		92750-25500LT	1	INT;LT								
92750A															
LAMP ASSY-HMS (S)CONJ. LAMPARA															
990928 -		FD	L35,L45,P85;9275		92750-25000LT	1	INT;LT								
990928 -		FG	9275		92750-25000LT	1	INT;LT								
92754C															
HOLDER -BULB (S)SOPORTE															
990928 -		FD	9275		92754-25000	1									
990928 -		FG	9275		92754-25000	1									
92756D															
HOLDER & WIRING ASSY-HMSL (S)CONJ. CABLEADO & SOPORTE															
990601 -		AD	9275	A	92756-25500 (92756-25600)	1									
990601 -		AG	9275	A	92756-25500 (92756-25600)	1									
990601 -		DG	9275	A	92756-25500 (92756-25600)	1									
990601 -		DS	9275	A	92756-25500 (92756-25600)	1									

AD:3DR,GL AG:5DR,GLS DG:3DR,GLS DS:3DR,L FD:4DR,GL FG:4DR,GLS

9275:LAMP-HMS(RR P/TRAY)



P N C	MODEL APPLICABLE		R E P	PART NO. (REPL. P/N/O)	Q T Y	REMARKS
	FROM-UP-TO	TYPE				
1129EE						
000601 -			Y	11293-06161 (11293-06163)	6	
000601 -			Y	11293-06161 (11293-06163)	2	
18645E						
990601 - 010907			Y	18645-10009K (18645-10009)	1	12V 10W
010907 -				18645-10009	1	12V 10W
18645F						
990601 -				18645-10019	2	
92755						
990601 - 010901				92755-22100	2	
92800A						
990601 -				92800-25000YL	1	INT;LT
990601 -				92800-25000YL	1	INT;LT
990601 -				92800-25000YL	1	INT;LT
990601 -				92800-25000YL	1	INT;LT
990601 -				92800-25000YL	1	INT;LT
990601 -				92800-25000YL	1	INT;LT
92800B						
990601 -				92800-4B000YL	1	INT;LT
990601 -				92800-4B000YL	1	INT;LT
990601 -				92800-4B000YL	1	INT;LT
990601 -				92800-4B000YL	1	INT;LT
990601 -				92800-4B000YL	1	INT;LT
990601 -				92800-4B000YL	1	INT;LT
92811						
990601 -				92811-4B000	1	
990601 -				92812-25000	1	

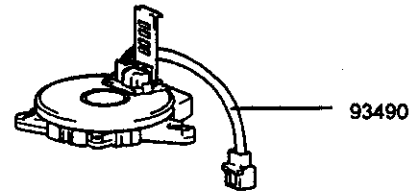
4-E 1**91-928 ROOM LAMP**

BA.G0112- 549

P N C		MODEL APPLICABLE		R E P	PART NO. (REPL P/NO)	Q T Y	REMARKS	P N C		MODEL APPLICABLE		R E P	PART NO. (REPL P/NO)	Q T Y	REMARKS	
FROM-UP-TO	TYPE	DESCRIPTION						FROM-UP-TO	TYPE	DESCRIPTION						
92815		BRACKET-ROOM LAMP MTG														
		(S)SOPORTE														
990601 - 000201		ALL 9285		Y	92810-25000 (92810-25002)	1										
000201 - 010101		ALL 9285			92810-25002	1										
010101 -		ALL 9285			92810-25001	1										
95736		BOLT														
		(S)PERNO (CON ARANDELA)														
010901 -		ALL			92755-25100	2										

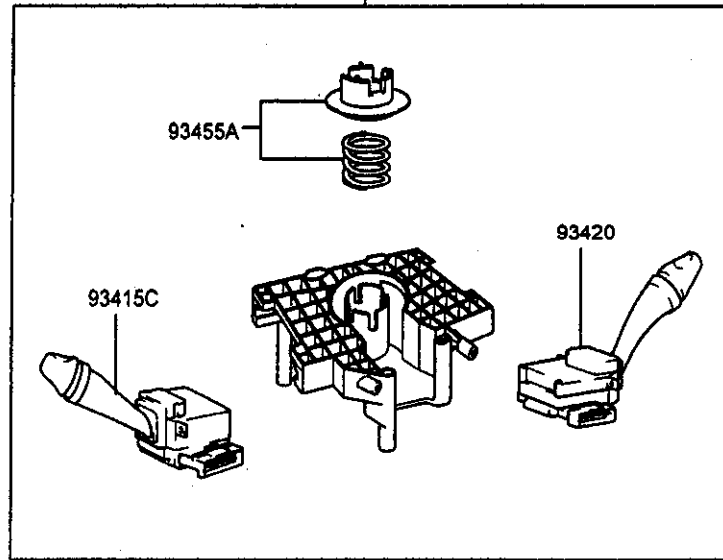
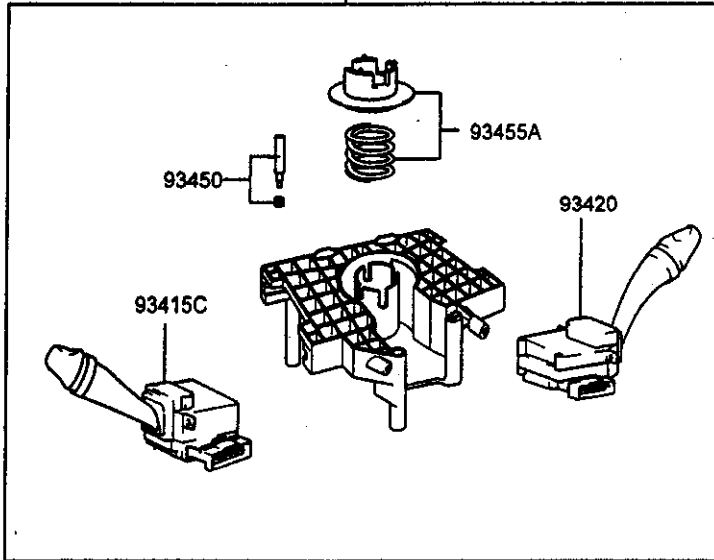
W/O AIR BAG

W/ AIR BAG



93400 1231DH

93400 1231DH



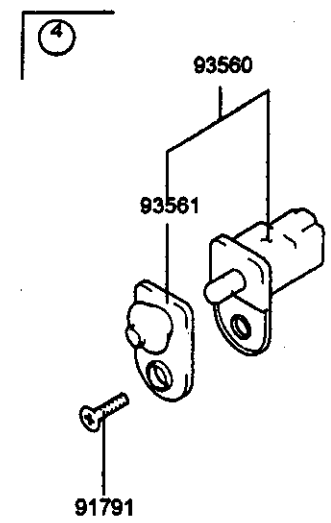
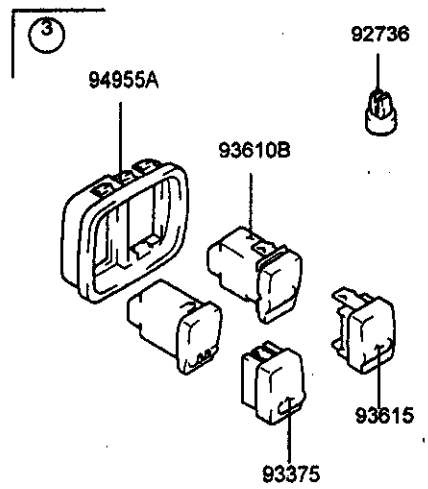
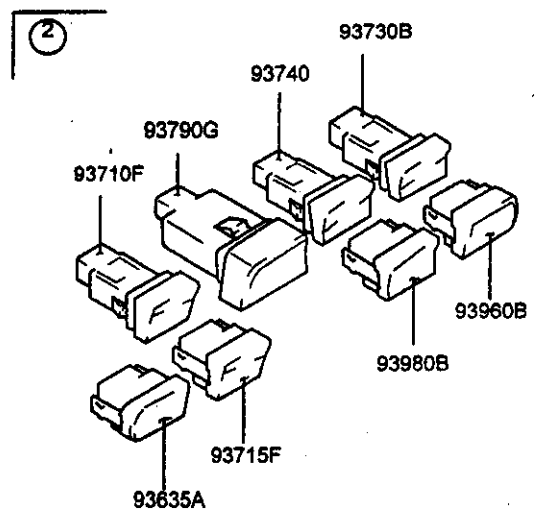
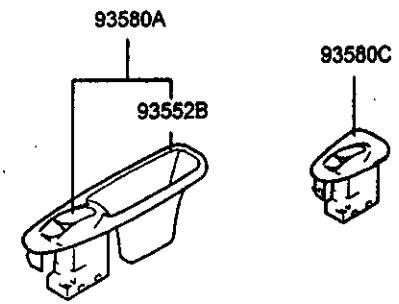
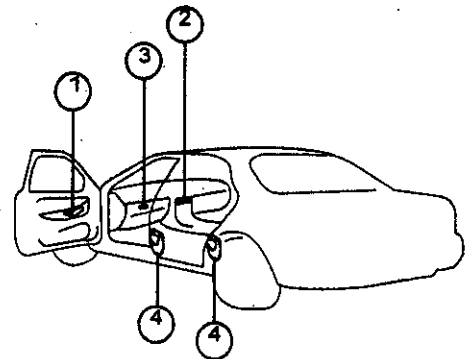
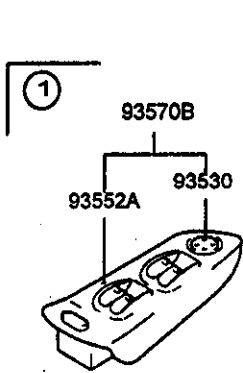
4-G 1

91-934 MULTIFUNCTION SWITCH

BA,G0112-551

P N C		MODEL APPLICABLE		R E P	PART NO. (REPL P/NO)	Q T Y	REMARKS	P N C		MODEL APPLICABLE		R E P	PART NO. (REPL P/NO)	Q T Y	REMARKS
FROM-UP-TO	TYPE	DESCRIPTION						FROM-UP-TO	TYPE	DESCRIPTION					
1231DH		SCREW-MACHINE (S)TORNILLO						CONTINUED							
990601 -		ALL		Y	12310-05141 (12290-05161)	3		93420		SWITCH ASSY-WIPER & WASHER (S)CONJ. CONMUTADOR					
93400		SWITCH ASSY-MULTIFUNCTION (S)CONJ. CONMUTADOR						990601 - 000201		ALL LHD;5691,9831		93430-25110YN	1		
990601 - 000201		ALL LHD			93400-25000YN	1		990601 - 000201		ALL LHD;9831		93430-25010YN	1		
990601 - 000201		ALL LHD;5691,9831			93401-25110YN	1		990601 - 000201		ALL RHD		93430-25500YN	1		
990601 - 000201		ALL LHD;9831			93400-25010YN	1		990601 - 000201		ALL RHD;5691,9831		93430-25610YN	1		
990601 - 000201		ALL RHD			93400-25500YN	1		990601 - 000201		ALL RHD;9831		93430-25510YN	1		
990601 - 000201		ALL RHD;5691,9831			93401-25610YN	1		990601 - 010701		ALL RHD		93430-25510YN	1		
990601 - 000201		ALL RHD;9831			93400-25510YN	1		000201 - 010701		ALL LHD	Y	93430-25520	1		
990601 - 010701		ALL RHD			93400-25500	1		000201 - 000726		ALL LHD	Y	93430-25000 (93430-25020)	1		
000201 -		ALL LHD			93400-25000	1		000201 - 000726		ALL LHD;5691,9831	Y	93430-25110 (93430-25130)	1		
000201 -		ALL LHD;5691,9831			93401-25110	1		000201 - 000726		ALL LHD;9831	Y	93430-25010 (93430-25030)	1		
000201 -		ALL LHD;9831			93400-25010	1		000201 - 000726		ALL RHD	Y	93430-25500 (93430-25520)	1		
000201 -		ALL RHD;5691,9831			93401-25610	1		000201 - 000726		ALL RHD;5691,9831	Y	93430-25610 (93430-25630)	1		
000201 -		ALL RHD;9831			93400-25510	1		000201 - 000726		ALL RHD;9831	Y	93430-25510 (93430-25530)	1		
93415C		SWITCH ASSY-LIGHTING & T/SIG (S)CONJ. CONMUTADOR						000201 - 000726		ALL RHD	Y	93430-25510 (93430-25530)	1		
990601 -		ALL RHD			93420-25510	1		000726 -		ALL LHD		93430-25020	1		
990601 - 000201		ALL LHD			93420-25000YN	1		000726 -		ALL LHD;5691,9831		93430-25130	1		
990601 - 000201		ALL LHD;5691,9831			93420-25100YN	1		000726 -		ALL LHD;9831		93430-25030	1		
990601 - 000201		ALL RHD			93420-25500YN	1		000726 -		ALL RHD;5691,9831		93430-25630	1		
990601 - 000201		ALL RHD;5691,9831			93420-25600YN	1		000726 -		ALL RHD;9831		93430-25630	1		
000201 - 000526		ALL LHD		Y	93420-25000 (93420-25010)	1		93450		CONTACT ASSY-HORN (S)CONJ. CONTACTO					
000201 - 000526		ALL LHD;5691,9831		Y	93420-25100 (93420-25110)	1		990601 -		ALL		93451-25000	1		
000201 - 000526		ALL RHD		Y	93420-25500 (93420-25510)	1		93455A		CAM-CANCEL (S)LEVA					
000201 - 000526		ALL RHD;5691,9831		Y	93420-25600 (93420-25610)	1		990601 -		ALL LHD		93440-25000	1		
000526 -		ALL LHD			93420-25010	1		990601 -		ALL RHD		93440-25500	1		
000526 -		ALL LHD;5691,9831			93420-25110	1		93490		CONTACT ASSY-CLOCK SPRING (S)CONJ. CONTACTO					
000526 -		ALL RHD;5691,9831			93420-25610	1		990601 - 000526		ALL 5691,9831	Y	93490-25000 (93490-25100)	1		
93420		SWITCH ASSY-WIPER & WASHER (S)CONJ. CONMUTADOR						000526 -		ALL 5691,9831		93490-25100	1		
990601 - 000201		ALL LHD			93430-25000YN	1									

5691:AIR BAG(DRIVER SIDE) 9831:WIPER INTERMITTENT-FRT



4-11

91-935 SWITCH

BA.G0112- 553

P N C		MODEL APPLICABLE		R E P	PART NO. (REPL P/NO)	Q T Y	REMARKS	P N C		MODEL APPLICABLE		R E P	PART NO. (REPL P/NO)	Q T Y	REMARKS
FROM-UP-TO	TYPE	DESCRIPTION						FROM-UP-TO	TYPE	DESCRIPTION					
91791		SCREW-EARTH COUNTERSUNK (S)TORNILLO						93560		SWITCH ASSY-DR (S)CONJ. CONMUTADOR					
990601 -	AD				91791-22000	4		990601 - 010312	ALL			Y	93560-25000 (93560-25110)	2	
990601 -	AG				91791-22000	4		010312 -	ALL				93560-25110	2	
990601 -	DG				91791-22000	2		990601 - 010221	AD			Y	93560-23100 (93560-25100)	2	
990601 -	DS				91791-22000	2		010221 -	AD				93560-25100	2	
990601 -	FD				91791-22000	4		990601 - 010221	AG			Y	93560-23100 (93560-25100)	2	
990601 -	FG				91791-22000	4		010221 -	AG				93560-25100	2	
92736		PAD-LID SWITCH (S)ALMOHADILLA						990601 - 990710	DG			Y	93560-23100 (93560-25100)	2	
990601 -	ALL	8133,8831			92736-25000	1		990601 - 990710	DS			Y	93560-23100 (93560-25100)	2	
93375		BLANKING-HEADLAMP LEVELING DEVICE SW (S)INTERRUPTOR						990601 - 010221	FD			Y	93560-23100 (93560-25100)	2	
990825 -	ALL	LHD			93375-25000	1		010221 -	FD				93560-25100	2	
990825 -	ALL	RHD			93375-25000	1		990601 - 010221	FG			Y	93560-23100 (93560-25100)	2	
93530		SWITCH ASSY-MIRROR REM CONT (S)CONJ. CONMUTADOR						010221 -	FG				93560-25100	2	
990601 -	AD	8233,8341,875D			93574-25000	1		93561	CAP-DR SWITCH (S)TAPA						
990601 -	AG	8233,8341,875D			93574-25000	1		990601 -	ALL				93565-23100	2	
990601 -	DG	8233,8342,875D			93574-25000	1		93570B	SWITCH ASSY-P/WDO MAIN (S)CONJ. CONMUTADOR						
990601 -	DS	8233,8342,875D			93574-25000	1		990603 -	AD	8233,8341			93570-25000YN	1	INT;LT
990601 -	FD	8233,8341,875D			93574-25000	1		990603 -	AD	8233,8341			93570-25020YN	1	INT;LT
990601 -	FG	8233,8341,875D			93574-25000	1		990603 -	AG	8233,8341			93570-25000YN	1	INT;LT
93552A		PLATE-P/WDO MAIN SWITCH (S)PLACA						990603 -	AG	8233,8341			93570-25020YN	1	INT;LT
990603 -	AD	8233,8341			93572-25000YN	1	INT;LT	990603 -	DG	8233,8342			93570-25100YN	1	INT;LT
990603 -	AG	8233,8341			93572-25000YN	1	INT;LT	990603 -	DS	8233,8342			93570-25100YN	1	INT;LT
990603 -	DG	8233,8342			93572-25100YN	1	INT;LT	990603 -	DS	8233,8342			93570-25120YN	1	INT;LT
990603 -	DS	8233,8342			93572-25100YN	1	INT;LT	990603 -	DS	8233,8342			93570-25100YN	1	INT;LT
990603 -	FD	8233,8341			93572-25000YN	1	INT;LT	990603 -	DS	8233,8342,875D			93570-25120YN	1	INT;LT
990603 -	FG	8233,8341			93572-25000YN	1	INT;LT	990603 -	DS	8233,8342			93570-25100YN	1	INT;LT
93552B		PLATE-P/WDO SUB SWITCH (S)PLACA						990603 -	DS	8233,8342,875D			93570-25120YN	1	INT;LT
990603 -	AD	8233,8341			93582-25000YN	1	INT;LT	990603 -	DS	8233,8342			93570-25100YN	1	INT;LT
990603 -	AG	8233,8341			93582-25000YN	1	INT;LT	990603 -	DS	8233,8342,875D			93570-25120YN	1	INT;LT
990603 -	DG	8233,8342			93582-25100YN	1	INT;LT	990603 -	FD	1.3L;8233,8341			93570-25000YN	1	INT;LT
990603 -	DS	8233,8342			93582-25100YN	1	INT;LT	990603 -	FD	1.3L;8233,8341			93570-25020YN	1	INT;LT
990603 -	FD	8233,8341			93582-25000YN	1	INT;LT	990603 -	FG	8233,8341			93570-25000YN	1	INT;LT
990603 -	FG	8233,8341			93582-25000YN	1	INT;LT	990603 -	FG	8233,8341			93570-25020YN	1	INT;LT

AD:DR;GL AG:DR;GLS DG:DR;GLS DS:DR;L FP:DR;GL FG:DR;GLS 8133:ANTI THEFT SYSTEM-IGNITION KEY 8233:TRIM-ORIDLX TYPE-CLOTH) 8341:WINDOW-POWER(FRT & RR)
8342:WINDOW-POWER(FRT) 875D:MRR-PA'S ELEC:HTR CONV 8831:WPPER INTERMITTENT-FRT

P N C		MODEL APPLICABLE	R E P	PART NO.	Q T Y	REMARKS	P N C		MODEL APPLICABLE	R E P	PART NO.	Q T Y	REMARKS
FROM-UP-TO	TYPE	DESCRIPTION		(REPL. P/NO)			FROM-UP-TO	TYPE	DESCRIPTION		(REPL. P/NO)		
93580A		SWITCH ASSY-P/WDO SUB (S)CONJ. CONMUTADOR					CONTINUED						
990603 -	AD	8233,8341		93580-25000YN	1	INT;LT	93710F		SWITCH ASSY-RR WINDOW DEFROSTER (S)CONJ. CONMUTADOR				
990603 -	AG	8233,8341		93580-25000YN	1	INT;LT	990601 - 990611	ALL LHD;8712,9241,9451			93710-25000	1	
990603 -	DG	8233,8342		93580-25100YN	1	INT;LT	990601 - 990611	ALL LHD;8712,9241,9451,9760			93710-25000	1	
990603 -	DS	8233,8342		93580-25100YN	1	INT;LT	990601 - 990611	ALL LHD;8712,9451			93710-25000	1	
990603 -	FD	1.3L;8233,8341		93580-25000YN	1	INT;LT	990601 - 990611	ALL LHD;8712,9451,9760			93710-25000	1	
990603 -	FG	8233,8341		93580-25000YN	1	INT;LT	990601 - 990611	ALL RHD;8711,9241,9451,9760			93710-25000	1	
93580C		SWITCH ASSY-P/WDO RR (S)CONJ. CONMUTADOR					990601 - 990611	ALL RHD;8711,9451			93710-25000	1	
010507 -	AD	8233,8341		93580-25010YN	1	INT;LT	990601 - 990611	ALL RHD;8711,9451,9760			93710-25000	1	
010507 -	AG	8233,8341		93580-25010YN	1	INT;LT	990601 - 990611	ALL RHD;8712,9241,9451,9760			93710-25000	1	
010507 -	FD	8233,8341		93580-25010YN	1	INT;LT	990601 - 010701	ALL LHD;8711,9451,96GJ,9760			93710-25000	1	
010507 -	FG	8233,8341		93580-25010YN	1	INT;LT	990601 - 010701	ALL LHD;8711,9451,96GK,9760			93710-25000	1	
93610B		SWITCH ASSY-RR WIPER & WASHER (S)CONJ. CONMUTADOR					990601 - 010701	ALL LHD;8711,9451,96HB,9760			93710-25000	1	
990625 -	ALL LHD	9880		93360-25100	1		990601 - 010701	ALL LHD;8712,9451,96GK,9760			93710-25000	1	
990625 -	ALL RHD	9880		93360-25100	1		990601 - 010901	ALL LHD;8711,9451,9630			93710-25000	1	
93615		BLANKING-SWITCH (S)INTERRUPTOR					990601 - 010901	ALL LHD;8711,9451,9630,9760			93710-25000	1	
990625 -	ALL LHD			93365-25000	1		990601 - 010901	ALL LHD;8711,9630			93710-25000	1	
990625 -	ALL RHD			93365-25000	1		990601 - 010901	ALL LHD;8711,9630,9760			93710-25000	1	
93635A		BLANKING-H/LAMP WASHER SWITCH (S)INTERRUPTOR					990601 - 010901	ALL LHD;8712,9451,9630,9760			93710-25000	1	
990601 -	ALL LHD			93645-25000	1		990611 - 000612	ALL LHD;8712,9241,9451,96GJ,9760			93710-25000	1	
990601 -	ALL RHD			93645-25000	1		990611 - 010315	ALL LHD;8712,9241,9451,96GK			93710-25000	1	
93710F		SWITCH ASSY-RR WINDOW DEFROSTER (S)CONJ. CONMUTADOR					990611 - 010701	ALL LHD;8711,9241,9242,9451,96GK,9760			93710-25000	1	
990601 -	ALL RHD;8711,9241,9451,9630			93710-25000	1		990611 - 010701	ALL LHD;8711,9241,9451,96GJ			93710-25000	1	
990601 -	ALL RHD;8711,9241,9451,9630,9760			93710-25000	1		990611 - 010701	ALL LHD;8711,9241,9451,96GJ,9760			93710-25000	1	
990601 -	ALL RHD;8711,9451,9630			93710-25000	1		990611 - 010701	ALL LHD;8711,9241,9451,96GK			93710-25000	1	
990601 -	ALL RHD;8711,9630,9760			93710-25000	1		990611 - 010701	ALL LHD;8711,9241,9451,96GK,9760			93710-25000	1	
990601 - 990611	ALL LHD;8711,9241,9451			93710-25000	1		990611 - 010701	ALL LHD;8711,9241,9451,96HB,9760			93710-25000	1	
990601 - 990611	ALL LHD;8711,9241,9451,9760			93710-25000	1		990611 - 010701	ALL LHD;8711,9451,96GJ			93710-25000	1	
990601 - 990611	ALL LHD;8711,9451			93710-25000	1		990611 - 010701	ALL LHD;8711,9451,96GK			93710-25000	1	
990601 - 990611	ALL LHD;8711,9451,9760			93710-25000	1		990611 - 010701	ALL LHD;8711,96GK,9760			93710-25000	1	

AD:3DR,QL AG:5DR,QLS DG:3DR,QLS DS:3DR,L FD:4DR,QL FG:4DR,QLS G23:TRM-DR(DLX TYPE-CLOTH) G34:WINDOW-POWER(FRT & RR) G342:WINDOW-POWER(FRT) G711:GLASS-BLUTE(CLEAR WITH HTD) G712:GLASS-BLUTE(TNTD WITH HTD) 9241:LAMP-FOG(FR) 9242:LAMP-FOG(RR) 9451:CLOCK-AUTO(DIGITAL) 9630:AUDIO BLANKG COVER-GENERAL 96GJ:RADIO(H 900A) 96GK:RADIO-CASS(H 900A) 96HB:RADIO-CD(H 920C) 9760:AIR CON 9880:WIPER-RR WINDOW

4-K1

91-935 SWITCH

8A,G0112-555

P N C	MODEL APPLICABLE		R E P	PART NO. (REPL P/NO)	Q T Y	REMARKS
	FROM-UP-TO	TYPE				
CONTINUED						
93710F						SWITCH ASSY-RR WINDOW DEFROSTER (S)CONJ. CONMUTADOR
990611 - 010701				93710-25000	1	ALL LHD;8712,9241,9242,9451, 96HB,9760
990611 - 010701				93710-25000	1	ALL LHD;8712,9241,9451,96GK, 9760
990611 - 010701				93710-25000	1	ALL LHD;8712,9241,9451,96HB, 9760
990611 - 010701				93710-25000	1	ALL LHD;8712,9451,96GJ
990611 - 010701				93710-25000	1	ALL LHD;8712,9451,96GJ,9760
990611 - 010701				93710-25000	1	ALL LHD;8712,9451,96GK
990611 - 010701				93710-25000	1	ALL LHD;8712,96GJ,9760
990611 - 010701				93710-25000	1	ALL LHD;8712,96GK,9760
990611 - 010701				93710-25000	1	ALL RHD;8711,9241,9242,9451, 96GK,9760
990611 - 010701				93710-25000	1	ALL RHD;8711,9241,9451,96GJ, 9760
990611 - 010701				93710-25000	1	ALL RHD;8711,9241,9451,96GK, 9760
990611 - 010701				93710-25000	1	ALL RHD;8711,9241,9451,96HB, 9760
990611 - 010701				93710-25000	1	ALL RHD;8711,9451,96GK,9760
990611 - 010701				93710-25000	1	ALL RHD;8711,9451,96HB
990611 - 010701				93710-25000	1	ALL RHD;8711,9451,96HB,9760
990611 - 010701				93710-25000	1	ALL RHD;8711,96GK,9760
990611 - 010701				93710-25000	1	ALL RHD;8712,9241,9451,96GJ, 9760
990611 - 010701				93710-25000	1	ALL RHD;8712,9241,9451,96GK, 9760
990611 - 010701				93710-25000	1	ALL RHD;8712,9241,9451,96HB, 9760
990611 - 010701				93710-25000	1	ALL RHD;8712,9451,96GJ,9760
990611 - 010701				93710-25000	1	ALL RHD;8712,9451,96GK
990611 - 010701				93710-25000	1	ALL RHD;8712,9451,96GK,9760
990611 - 010701				93710-25000	1	ALL RHD;8712,9451,96HB,9760
990609 - 010701				93710-25000	1	ALL LHD;8711,9242,9451,96GK
990609 - 010701				93710-25000	1	ALL LHD;8711,9242,9451,96GK, 9760
CONTINUED						

P N C	MODEL APPLICABLE		R E P	PART NO. (REPL P/NO)	Q T Y	REMARKS
	FROM-UP-TO	TYPE				
CONTINUED						
93710F						SWITCH ASSY-RR WINDOW DEFROSTER (S)CONJ. CONMUTADOR
000612 - 010315				93710-25000	1	ALL LHD;8711,9241,9242,9451, 96HB,9760
000612 - 010315				93710-25000	1	ALL LHD;8712,9241,9451,96GJ
000612 - 010701				93710-25000	1	ALL LHD;8711,9241,9451,96HB
000612 - 010701				93710-25000	1	ALL LHD;8711,9242,9451,96HB, 9760
000612 - 010901				93710-25000	1	ALL LHD;8712,9630
010701 -				93710-25000	1	ALL RHD;8711,9241,9451,96HL, 9760
010701 -				93710-25000	1	ALL RHD;8711,9241,9451,96HN, 9760
010701 -				93710-25000	1	ALL RHD;8711,9451,96HN,9760
010701 -				93710-25000	1	ALL RHD;8711,96HN,9760
010701 -				93710-25000	1	ALL RHD;8712,9241,9451,96HN, 9760
010701 -				93710-25000	1	ALL RHD;8712,9451,96HN,9760
010701 - 010901				93710-25000	1	ALL LHD;8711,9241,9451,96HJ, 9760
010701 - 010901				93710-25000	1	ALL LHD;8711,9241,9451,96HL, 9760
010701 - 010901				93710-25000	1	ALL LHD;8711,9241,9451,96HN
010701 - 010901				93710-25000	1	ALL LHD;8711,9241,9451,96HN, 9760
010701 - 010901				93710-25000	1	ALL LHD;8711,9451,96HL,9760
010701 - 010901				93710-25000	1	ALL LHD;8711,9451,96HN
010701 - 010901				93710-25000	1	ALL LHD;8711,9451,96HN,9760
010701 - 010901				93710-25000	1	ALL LHD;8711,96HJ,9760
010701 - 010901				93710-25000	1	ALL LHD;8711,96HN,9760
010701 - 010901				93710-25000	1	ALL LHD;8712,9241,9451,96HL, 9760
010701 - 010901				93710-25000	1	ALL LHD;8712,9241,9451,96HN
010701 - 010901				93710-25000	1	ALL LHD;8712,9241,9451,96HN, 9760
010701 - 010901				93710-25000	1	ALL LHD;8712,9451,96HN
010701 - 010901				93710-25000	1	ALL LHD;8712,9451,96HN,9760
010701 - 010901				93710-25000	1	ALL LHD;8712,96HN,9760
CONTINUED						








8711-GLASS-BLITE(CLEAR WITH HTD) 8712-GLASS-BLITE(TINTD WITH HTD) 8241-LAMP-POG(FR) 8242-LAMP-POG(RR) 8451-CLOCK-AUTO(DIGITAL) 8630-AUDIO BLANK COVER-GENERAL 86GJ-RADIO(H 8008) 86GK-RADIO-CASS(H 800A)
96HB-RADIO-CO(H 820C) 96HJ-RADIO-CASS(H 210) 96HL-RADIO-CO(H 200) 96HN-RADIO-CASS(H 220) 9760-AIR CON






P N C	MODEL APPLICABLE		PART NO. (REPL P/NO)	Q T Y	REMARKS	P N C	MODEL APPLICABLE		PART NO. (REPL P/NO)	Q T Y	REMARKS
	FROM-UP-TO	TYPE					DESCRIPTION	FROM-UP-TO			
CONTINUED						CONTINUED					
93710F		SWITCH ASSY-RR WINDOW DEFROSTER (S)CONJ. CONMUTADOR				93960B		BLANKING-RR FOG LAMP SWITCH (S)INTERRUPTOR			
010601 -		ALL LHD	93710-25000	1		990601 - 990611		ALL LHD;8711,9451,9760	93735-25000	1	
93715F		BLANKING-RR WINDOW DEFROSTER (S)INTERRUPTOR				990601 - 990611		ALL LHD;8712,9241,9451	93735-25000	1	
990601 - 010611		ALL RHD;9630,9760	93715-25000	1		990601 - 990611		ALL LHD;8712,9241,9451,9760	93735-25000	1	
990601 - 010701		ALL LHD;9630	93715-25000	1		990601 - 990611		ALL LHD;8712,9451	93735-25000	1	
990601 - 010701		ALL LHD;9630,9760	93715-25000	1		990601 - 990611		ALL LHD;8712,9451,9760	93735-25000	1	
990611 - 010611		ALL RHD;9451,96GK,9760	93715-25000	1		990601 - 010701		ALL LHD;8711,9451,96GJ,9760	93735-25000	1	
990611 - 010611		ALL RHD;96GK	93715-25000	1		990601 - 010701		ALL LHD;8711,9451,96GK,9760	93735-25000	1	
990611 - 010611		ALL RHD;96GK,9760	93715-25000	1		990601 - 010701		ALL LHD;8711,9451,96HB,9760	93735-25000	1	
990611 - 010701		ALL LHD;9451,96GK	93715-25000	1		990601 - 010701		ALL LHD;8712,9451,96GK,9760	93735-25000	1	
990611 - 010701		ALL LHD;9451,96GK,9760	93715-25000	1		990601 - 010701		ALL LHD;8712,9451,96HB,9760	93735-25000	1	
990611 - 010701		ALL LHD;96GJ	93715-25000	1		990601 - 010701		ALL LHD;9630	93735-25000	1	
990611 - 010701		ALL LHD;96GJ,9760	93715-25000	1		990601 - 010701		ALL LHD;9630,9760	93735-25000	1	
990611 - 010701		ALL LHD;96GK,9760	93715-25000	1		990601 - 010901		ALL LHD;8711,9451,9630	93735-25000	1	
991006 - 010611		ALL RHD;9241,9630,9760	93715-25000	1		990601 - 010901		ALL LHD;8711,9451,9630,9760	93735-25000	1	
93730B		SWITCH ASSY-RR FOG LAMP (S)CONJ. CONMUTADOR				990601 - 010901		ALL LHD;8711,9630,9760	93735-25000	1	
990611 - 990609		ALL RHD;8711,9241,9242,9451, 96GK,9760	93730-25000	1		990601 - 010901		ALL LHD;8712,9451,9630,9760	93735-25000	1	
990611 - 010701		ALL LHD;9242,9451	93730-25000	1		990601 - 010901		ALL LHD;8712,9630,9760	93735-25000	1	
990609 - 010701		ALL RHD;8711,9241,9242,9451, 96GK,9760	93730-25900	1		990611 - 000612		ALL LHD;8712,9241,9451,96GJ, 9760	93735-25000	1	
93740		SWITCH ASSY-FR FOG LAMP (S)CONJ. CONMUTADOR				990611 - 010315		ALL LHD;8712,9241,9451,96GK	93735-25000	1	
990601 -		ALL LHD;9241,9451	93740-25000	1		990611 - 010701		ALL LHD;8711,9241,9451,96GJ	93735-25000	1	
990601 -		ALL RHD;9241	93740-25000	1		990611 - 010701		ALL LHD;8711,9241,9451,96GJ, 9760	93735-25000	1	
93790G		SWITCH ASSY-HAZARD WARNING LAMP (S)CONJ. CONMUTADOR				990611 - 010701		ALL LHD;8711,9241,9451,96GK	93735-25000	1	
990601 -		ALL LHD	93790-25000	1		990611 - 010701		ALL LHD;8711,9241,9451,96HB, 9760	93735-25000	1	
990601 -		ALL RHD	93790-25000	1		990611 - 010701		ALL LHD;8711,9451,96GJ	93735-25000	1	
93960B		BLANKING-RR FOG LAMP SWITCH (S)INTERRUPTOR				990611 - 010701		ALL LHD;8711,9451,96GK	93735-25000	1	
990601 -		ALL RHD	93735-25000	1		990611 - 010701		ALL LHD;8711,96GK,9760	93735-25000	1	
990601 - 990611		ALL LHD;8711,9241,9451	93735-25000	1		990611 - 010701		ALL LHD;8712,9241,9451,96GK, 9760	93735-25000	1	
990601 - 990611		ALL LHD;8711,9241,9451,9760	93735-25000	1		990611 - 010701		ALL LHD;8712,9241,9451,96HB, 9760	93735-25000	1	
990601 - 990611		ALL LHD;8711,9451	93735-25000	1		CONTINUED					

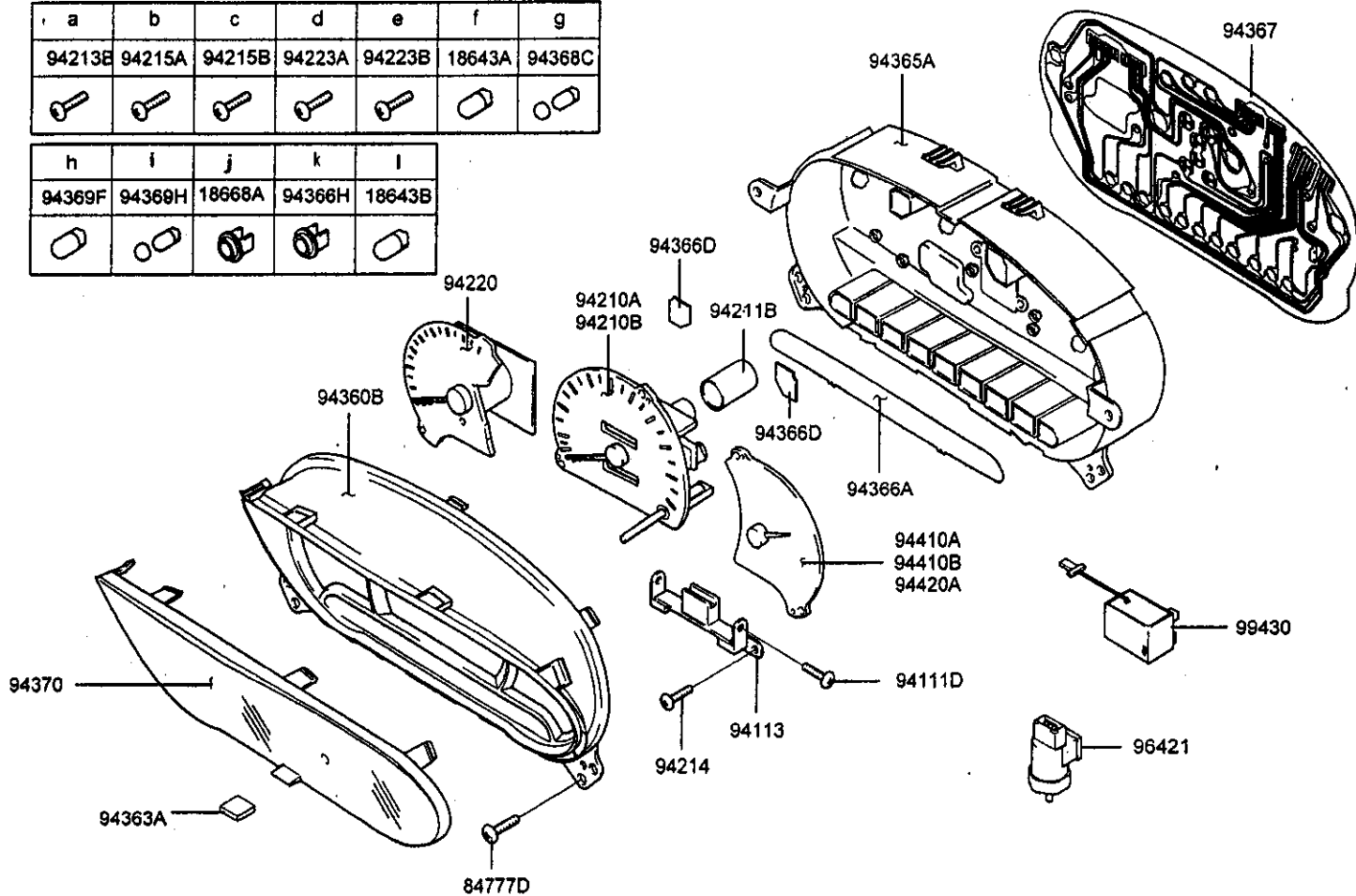
9711:GLASS-BLITE(CLEAR WITH HTD) 8712:GLASS-BLITE(HTD WITH HTD) 9241:LAMP-FOG(FR) 9242:LAMP-FOG(RR) 9451:CLOCK-AUTO(DIGITAL) 9630:AUDIO BLANK'G COVER-GENERAL 96GJ:RADIO(H 900B) 96GK:RADIO+CASE(H 900A) 96HB:RADIO-CD(H 820C) 9760:AIR CON

P N C		MODEL APPLICABLE		R E P	PART NO. (REPL PNO)	Q T Y	REMARKS	P N C		MODEL APPLICABLE		R E P	PART NO. (REPL PNO)	Q T Y	REMARKS
FROM-UP-TO	TYPE	DESCRIPTION						FROM-UP-TO	TYPE	DESCRIPTION					
CONTINUED															
93980B		BLANKING-FR FOG LAMP SWITCH													
(S)INTERRUPTOR															
990611 - 010701		ALL LHD;9451,96GK,9760			93745-25000	1									
990611 - 010701		ALL LHD;96GJ			93745-25000	1									
990611 - 010701		ALL LHD;96GJ,9760			93745-25000	1									
990611 - 010701		ALL LHD;96GK,9760			93745-25000	1									
990611 - 010701		ALL RHD;8711,9451,96GK,9760			93745-25000	1									
990611 - 010701		ALL RHD;8711,9451,96HB			93745-25000	1									
990611 - 010701		ALL RHD;8711,9451,96HB,9760			93745-25000	1									
990611 - 010701		ALL RHD;8711,96GK,9760			93745-25000	1									
990611 - 010701		ALL RHD;8712,9451,96GJ,9760			93745-25000	1									
990611 - 010701		ALL RHD;8712,9451,96GK			93745-25000	1									
990611 - 010701		ALL RHD;8712,9451,96GK,9760			93745-25000	1									
990611 - 010701		ALL RHD;8712,9451,96HB,9760			93745-25000	1									
990809 - 010701		ALL LHD;8711,9242,9451,96GK			93745-25000	1									
990809 - 010701		ALL LHD;8711,9242,9451,96GK,9760			93745-25000	1									
000612 -		ALL LHD;8712,9630			93745-25000	1									
000612 - 010701		ALL LHD;8711,9242,9451,96HB,9760			93745-25000	1									
010701 -		ALL LHD;8711,9451,96HN			93745-25000	1									
010701 -		ALL LHD;8711,9451,96HN,9760			93745-25000	1									
010701 -		ALL LHD;8711,96HJ,9760			93745-25000	1									
010701 -		ALL LHD;8711,96HN,9760			93745-25000	1									
010701 -		ALL LHD;8712,9451,96HN			93745-25000	1									
010701 -		ALL LHD;8712,9451,96HN,9760			93745-25000	1									
010701 -		ALL LHD;8712,96HN,9760			93745-25000	1									
010701 -		ALL RHD;8711,9451,96HN,9760			93745-25000	1									
010701 -		ALL RHD;8711,96HN,9760			93745-25000	1									
010701 -		ALL RHD;8712,9451,96HN,9760			93745-25000	1									
010701 - 010901		ALL LHD;8711,9451,96HL,9760			93745-25000	1									
010801 -		ALL LHD;8711,96HN			93745-25000	1									
94955A		BEZEL-SWITCH MTG													
(S)BISEL															
990825 -		ALL LHD			93370-25500	1									
990825 -		ALL RHD			93370-25500	1									

8711:GLASS-BLUTE(CLEAR WITH HTD) 8712:GLASS-BLUTE(TINTD WITH HTD) 9242:LAMP-FOG(RR) 9451:CLOCK-AUTO(DIGITAL) 9630:AUDIO BLANK'G COVER-GENERAL 96GJ:RADIO(H 900B) 96GK:RADIO-CASS(H 900A) 96HB:RADIO-CD(H 920C) 96HJ:RADIO-CASS(H 210) 96HL:RADIO-CD(H 260) 96HN:RADIO-CASS(H 220) 9760:AIR CON

a	b	c	d	e	f	g
94213B	94215A	94215B	94223A	94223B	18643A	94368C
						

h	i	j	k	l
94369F	94369H	18668A	94366H	18643B
				



4-C 2

91-940 INSTRUMENT CLUSTER

BA,00118-860

P N C	MODEL APPLICABLE		R E P	PART NO. (REPL P/NO)	Q T Y	REMARKS	P N C	MODEL APPLICABLE		R E P	PART NO. (REPL P/NO)	Q T Y	REMARKS
	FROM-UP-TO	TYPE						DESCRIPTION	FROM-UP-TO				
18643A		BULB											
990601 -		(S)BOMBILLA(12V 1,2W)		18643-01004	13								
18643B		BULB											
990601 -		(S)BOMBILLA(12V 3,4W)		18643-03009	4								
990601 -		ALL											
18668A		SOCKET-BULB											
990601 -		(S)SOCKET		18668-04000	13	12V,1.2W							
990601 -		ALL											
84777D		SCREW-TAPPING											
990601 -		(S)TORNILLO		84777-22002	4								
990601 -		ALL											
94111D		SCREW-SPEEDOMETER MTG											
990601 -		(S)TORNILLO		94111-43100	2								
990601 -		ALL											
94113		SWITCH ASSY-REED											
990601 -		(S)CONJ. CONMUTADOR		94113-43000	1								
990601 -		ALL											
94210A		SPEEDOMETER ASSY(KPH)											
990601 -		(S)CONJ.VELOCIMETRO		94160-25000	1								
990601 -		ALL P3B,P35;9403		94160-25000	1								
990601 -		AD L35,L45,P6B;9403		94160-25100	1								
990601 -		AD CON;9403,9415		94160-25100	1								
990601 -		AD L35,P3B,P35,P6B;9403, 9415,9419		94160-25010	1								
990601 -		AG P6B,P65;9403		94160-25000	1								
990601 -		AG P3B,P35,P6B,P65;9403, 9415,9419		94160-25010	1								
990601 -		DG P65;9403		94160-25000	1								
990601 -		DG P3B,P35,P65;9403,9415, 9419		94160-25010	1								
990601 -		DS L35,L45;9403		94160-25000	1								
990601 -		DS CON;9403,9415		94160-25100	1								
990616 -		DS M-S;9403,9415,9419		94160-25010	1								
990601 -		FD L35,L45;9403		94160-25000	1								
990601 -		FD CON;9403,9415		94160-25100	1								
990616 -		FD M-S;9403,9415,9419		94160-25010	1								
990601 -		FG P6B,P65;9403		94160-25000	1								
CONTINUED													
CONTINUED													
94210A		SPEEDOMETER ASSY(KPH)											
990601 -		(S)CONJ.VELOCIMETRO		94160-25010	1								
990601 -		FG P3B,P35,P6B,P65;9403, 9415,9419											
94210B		SPEEDOMETER ASSY(MPH)											
990616 -		(S)CONJ.VELOCIMETRO		94160-25610	1								
990601 -		ALL M-S;9401,9415,9419		94160-25600	1								
990601 -		AD L35,L45,P3B,P35;9401		94160-25600	1								
990601 -		AG M-S;9401		94160-25600	1								
990601 -		DG M-S;9401		94160-25600	1								
990601 -		DS L35,L45,P3B,P35;9401		94160-25600	1								
990601 -		FD L35,L45,P3B,P35;9401		94160-25600	1								
990601 -		FG M-S;9401		94160-25600	1								
94211B		BOSS-SPEEDOMETER											
990601 -		(S)LOMO											
990601 -		ALL		94211-33010	1								
94213B		SCREW-SPEEDOMETER MTG											
990601 -		(S)TORNILLO		94213-33010	2								
990601 -		ALL											
94214		SCREW											
990601 -		(S)TORNILLO(CON ARANDELA)		94223-25100	2								
990601 -		AD L35,P3B,P35,P6B;9415, 9419											
990601 -		AG P3B,P35,P6B,P65;9415, 9419		94223-25100	2								
990601 -		DG P3B,P35,P65;9415,9419		94223-25100	2								
990616 -		DS M-S;9415,9419		94223-25100	2								
990616 -		FD M-S;9415,9419		94223-25100	2								
990601 -		FG P3B,P35,P6B,P65;9415, 9419		94223-25100	2								
94215A		SCREW											
990601 -		(S)TORNILLO(CON ARANDELA)		94215-23010	3								
990601 -		ALL P3B,P35;9415		94215-23010	3								
990601 -		AD L35,L45,P6B;9415		94215-23010	3								
990601 -		AG P6B,P65;9415		94215-23010	3								
990601 -		DG P65;9415		94215-23010	3								
990601 -		DS L35,L45;9415		94215-23010	3								
990601 -		FD L35,L45;9415		94215-23010	3								

AD:DR,QL AG:DR,QLS DG:DR,QLS DS:DR,L FD:DR,QL FG:DR,QLS

9401:INST CLUSTER-MPH(KMPH) 9403:INST CLUSTER-KMPH 9416:TACHOMETER 9418:CLUSTER-WHITE FACED

4-D 2

91-940 INSTRUMENT CLUSTER

BA,00112- 561

P N C	MODEL APPLICABLE		R E P	PART NO. (REPL P/NO)	Q T Y	REMARKS	P N C	MODEL APPLICABLE		R E P	PART NO. (REPL P/NO)	Q T Y	REMARKS
	FROM-UP-TO	TYPE						DESCRIPTION	FROM-UP-TO				
CONTINUED							94363A	COVER-CUSHION					
94215A		SCREW						(S)CUBIERTA					
990601 -		(S)TORNILLO(CON ARANDELA)					990601 -	ALL			94110-25200	1	
990601 -		FG P6B,P6S;9415		94215-23010	3		94365A	CASE-CLUSTER					
94215B		SCREW-REED SWITCH TERMINAL MTG						(S)CARCASA					
990601 -		(S)TORNILLO					990601 -	ALL P3B,P35;9415			94130-25000	1	
990601 -		AD L35,P3B,P35,P6B;9415		94215-33010	1		990601 -	AD L35,L45,P3B,P35,P6B			94130-25100	1	
990601 -		AG P3B,P35,P6B,P6S;9415		94215-33010	1			9403					
990601 -		DG P3B,P35,P6S;9415		94215-33010	1		990601 -	AD L35,L45,P6B;9415			94130-25000	1	
990601 -		DS M-S;9415		94215-33010	1		990816 -	AD M-D;940C,9403			94130-25100	1	
990601 -		FD M-S;9415		94215-33010	1		990816 -	AD L35,L45,P3B,P35;9401			94130-25100	1	
990601 -		FG P3B,P35,P6B,P6S;9415		94215-33010	1		990601 -	AG P3B,P35,P6B,P6S;9403			94130-25100	1	
94220		TACHOMETER ASSY					990601 -	AG P6B,P6S;9415			94130-25000	1	
		(S)CONJ. TACOMETRO					990816 -	AG M-D;940C,9403			94130-25100	1	
990601 -		ALL M-S;9415		94170-25000	1		990816 -	AG M-S;9401			94130-25100	1	
990816 -		ALL M-S;9415,9419		94170-25010	1		990601 -	DG P3B,P35,P6S;9403			94130-25100	1	
990601 -		AD M-D;9403,9415		94170-25100	1		990601 -	DG P6S;9415			94130-25000	1	
990601 -		AD M-D;9403,9415,9419		94170-25110	1		990816 -	DG M-D;940C,9403			94130-25100	1	
990601 -		AD CON;9415		94170-25200	1		990816 -	DG M-S;9401			94130-25100	1	
990601 -		AG M-D;9403,9415		94170-25100	1		990601 -	DS L35,L45;9415			94130-25000	1	
990601 -		AG M-D;9403,9415,9419		94170-25110	1		990816 -	DS L35,L45,P3B,P35;9401			94130-25100	1	
990601 -		DG M-D;9403,9415		94170-25100	1		990816 -	DS L35,L45,P3B,P35;9403			94130-25100	1	
990601 -		DG M-D;9403,9415,9419		94170-25110	1		990601 -	FD L35,L45;9415			94130-25000	1	
990601 -		DS CON;9415		94170-25200	1		990816 -	FD L35,L45,P3B,P35;9401			94130-25100	1	
990601 -		FD CON;9415		94170-25200	1		990816 -	FD L35,L45,P3B,P35;9403			94130-25100	1	
990601 -		FG M-D;9403,9415		94170-25100	1		990601 -	FG P3B,P35,P6B,P6S;9403			94130-25100	1	
990601 -		FG M-D;9403,9415,9419		94170-25110	1		990601 -	FG P6B,P6S;9415			94130-25000	1	
94223A		SCREW					990816 -	FG M-D;940C,9403			94130-25100	1	
		(S)TORNILLO(CON ARANDELA)					990816 -	FG M-S;9401			94130-25100	1	
990601 -		ALL	A	94223-25000	6		94366A	LENS-WARNING SYMBOL					
				(94346-38050)				(S)LENTE					
94223B		SCREW					990601 -	ALL P3B,P35;9403,9415			94150-25200	1	
		(S)TORNILLO(CON ARANDELA,3X10)					990816 -	ALL M-S;940C,9401,9415			94150-25200	1	
990601 -		ALL		94223-24010	1		990816 -	ALL M-S;9401,9415,9419			94150-25200	1	
94360B		BEZEL-CLUSTER METER					990601 -	AD L35,L45,P3B,P35;9401,			94150-25200	1	
		(S)BISEL						9415					
990601 -		ALL		94110-25000	1		990601 -	AD L35,L45,P3B,P35,P6B			94150-25200	1	
								9403					
							990601 -	AD L35,L45,P6B;9403,9415			94150-25200	1	
							CONTINUED						

AD:SDR,QLS AG:SDR,QLS DG:SDR,QLS DS:SDR,QLS FD:DR,QLS FG:DR,QLS

9401:INST CLUSTER-MPH(KMPH) 9403:INST CLUSTER-KMPH 940C:LAMP-CHECK ENGINE WARN'G 9415:TACHOMETER 9419:CLUSTER-WHITE FACED

4-E 2

91-940 INSTRUMENT CLUSTER

BA,00112-582

P N C	MODEL APPLICABLE		R E P	PART NO. (REPL. P/N)	Q T Y	REMARKS	P N C	MODEL APPLICABLE		R E P	PART NO. (REPL. P/N)	Q T Y	REMARKS
	FROM-UP-TO	TYPE						DESCRIPTION	FROM-UP-TO				
CONTINUED							CONTINUED						
94366A		LENS-WARNING SYMBOL (S)LENTE					94366A		LENS-WARNING SYMBOL (S)LENTE				
990601 -	AD	L35,P3B,P35,P6B;9403, 9415,9419		94150-25200	1		990601 -	FD	L35,L45;9403,9415		94150-25200	1	
990616 -	AD	M-D;940C,9403		94150-25200	1		990616 -	FD	M-S;940C,9403,9415		94150-25200	1	
990616 -	AD	L35,P3B,P35,P6B;940C, 9403,9415		94150-25200	1		990616 -	FD	L35,L45,P3B,P35;9401		94150-25200	1	
990616 -	AD	M-D;940C,9403,9415,9419		94150-25200	1		990616 -	FD	L35,L45,P3B,P35;9403		94150-25200	1	
990616 -	AD	L35,L45,P3B,P35;9401		94150-25200	1		990616 -	FD	M-S;9403,9415,9419		94150-25200	1	
990601 -	AG	M-S;9401,9415		94150-25200	1		990601 -	FG	M-S;9401,9415		94150-25200	1	
990601 -	AG	P3B,P35,P6B,P65;9403,		94150-25200	1		990601 -	FG	P3B,P35,P6B,P65;9403		94150-25200	1	
990601 -	AG	P6B,P65;9403,9415		94150-25200	1		990601 -	FG	P6B,P65;9403,9415		94150-25200	1	
990601 -	AG	P3B,P35,P6B,P65;9403, 9415,9419		94150-25200	1		990601 -	FG	P3B,P35,P6B,P65;9403, 9415,9419		94150-25200	1	
990616 -	AG	M-D;940C,9403		94150-25200	1		990616 -	FG	M-D;940C,9403		94150-25200	1	
990616 -	AG	P3B,P35,P6B,P65;940C, 9403,9415		94150-25200	1		990616 -	FG	P3B,P35,P6B,P65;940C, 9403,9415		94150-25200	1	
990616 -	AG	M-D;940C,9403,9415,9419		94150-25200	1		990616 -	FG	M-D;940C,9403,9415,9419		94150-25200	1	
990616 -	AG	M-S;9401		94150-25200	1		990616 -	FG	M-S;9401		94150-25200	1	
990601 -	DG	M-S;9401,9415		94150-25200	1		94366D		LENS-TURN SIGNAL SYMBOL (S)LENTE				
990601 -	DG	P3B,P35,P65;9403		94150-25200	1		990601 -	ALL			94366-29500	2	
990601 -	DG	P65;9403,9415		94150-25200	1		94366H		SOCKET-BULB (S)CASQUILLO				
990601 -	DG	P3B,P35,P65;9403,9415, 9419		94150-25200	1		990601 -	ALL			94366-31700	4	
990616 -	DG	M-D;940C,9403		94150-25200	1		94367		BOARD-PRINTED CIRCUIT (S)TABLERO				
990616 -	DG	P3B,P35,P65;940C,9403, 9415		94150-25200	1		990601 -	ALL	P3B,P35;9415		94140-25000	1	
990616 -	DG	M-D;940C,9403,9415,9419		94150-25200	1		990601 -	AD	L35,L45,P3B,P35,P6B 9403		94140-25200	1	
990616 -	DG	M-S;9401		94150-25200	1		990601 -	AD	L35,L45,P6B;9415		94140-25000	1	
990601 -	DS	L35,L45,P3B,P35;9401, 9415		94150-25200	1		990616 -	AD	M-D;940C,9403		94140-25200	1	
990601 -	DS	L35,L45;9403,9415		94150-25200	1		990616 -	AD	L35,L45,P3B,P35;9401		94140-25200	1	
990616 -	DS	M-S;940C,9403,9415		94150-25200	1		990601 -	AG	P3B,P35,P6B,P65;9403		94140-25200	1	
990616 -	DS	L35,L45,P3B,P35;9401		94150-25200	1		990601 -	AG	P6B,P65;9415		94140-25000	1	
990616 -	DS	L35,L45,P3B,P35;9403		94150-25200	1		990616 -	AG	M-D;940C,9403		94140-25200	1	
990616 -	DS	M-S;9403,9415,9419		94150-25200	1		990616 -	AG	M-S;9401		94140-25200	1	
990601 -	FD	L35,L45,P3B,P35;9401, 9415		94150-25200	1		990601 -	DG	P3B,P35,P65;9403		94140-25200	1	
CONTINUED							CONTINUED						

AD:SDR,OL AQ:SDR,OLB DG:SDR,OLB DS:SDR,L FD:ADR,OL FG:ADR,OLB

8401:INST CLUSTER-MPH(KMPH) 9403:INST CLUSTER-KMPH 940C:LAMP-CHECK ENGINE WARNNG 9415:TACHOMETER 9419:CLUSTER-WHITE FACED

4-F 2

91-940 INSTRUMENT CLUSTER

BA, G0112- 563

P N C	MODEL APPLICABLE		R E P	PART NO. (REPL P/NQ)	Q T Y	REMARKS	P N C	MODEL APPLICABLE		R E P	PART NO. (REPL P/NQ)	Q T Y	REMARKS
	FROM-UP-TO	TYPE						DESCRIPTION	FROM-UP-TO				
CONTINUED													
94367		BOARD-PRINTED CIRCUIT					94410A		GAUGE ASSY-FUEL				
		(S)TABLERO							(S)CONJ. MEDIDOR				
990816 -		DG M-S;9401		94140-25200	1		990816 -	DS	L35,L45,P3B,P35;9403		94180-25100	1	
990601 -		DS L35,L45;9415		94140-25000	1		990816 -	FD	L35,L45,P3B,P35;9401		94180-25100	1	
990816 -		DS L35,L45,P3B,P35;9401		94140-25200	1		990816 -	FD	L35,L45,P3B,P35;9403		94180-25100	1	
990816 -		DS L35,L45,P3B,P35;9403		94140-25200	1		990601 -	FG	P3B,P35,P6B,P65;9403		94180-25100	1	
990601 -		FD L35,L45;9415		94140-25000	1		990816 -	FG	M-D;940C,9403		94180-25100	1	
990816 -		FD L35,L45,P3B,P35;9401		94140-25200	1		990816 -	FG	M-S;9401		94180-25100	1	
990816 -		FD L35,L45,P3B,P35;9403		94140-25200	1		94410B		GAUGE ASSY-FUEL & TEMPERATURE				
990601 -		FG P3B,P35,P6B,P65;9403		94140-25200	1				(S)CONJ. MEDIDOR				
990601 -		FG P6B,P65;9415		94140-25000	1		990601 -	ALL	P3B,P35;9415		94180-25000	1	
990816 -		FG M-D;940C,9403		94140-25200	1		990601 -	AD	L35,L45,P6B;9415		94180-25000	1	
990816 -		FG M-S;9401		94140-25200	1		990601 -	AD	L35,P3B,P35,P6B;9415, 9419		94180-25010	1	
94368C		SOCKET-BULB					990601 -	AG	P6B,P65;9415		94180-25000	1	
		(S)CASQUILLO					990601 -	AG	P3B,P35,P6B,P65;9415, 9419		94180-25010	1	
990601 -		ALL		94368-36000	1		990601 -	DG	P65;9415		94180-25000	1	
94369F		BULB					990601 -	DG	P3B,P35,P65;9415,9419		94180-25010	1	
		(S)BOMBILLA(14V 3,0W)					990601 -	DS	L35,L45;9415		94180-25000	1	
990601 -		ALL		94369-36000	1		990816 -	DS	M-S;9415,9419		94180-25010	1	
94369H		CAP-BULB					990601 -	FD	L35,L45;9415		94180-25000	1	
		(S)TAPA					990816 -	FD	M-S;9415,9419		94180-25010	1	
990601 -		ALL		94369-25000	4		990601 -	FG	P6B,P65;9415		94180-25000	1	
94370		GLASS-CLUSTER METER					990601 -	FG	P3B,P35,P6B,P65;9415, 9419		94180-25010	1	
		(S)CRISTAL					94420A		GAUGE ASSY-TEMPERATURE				
990601 -		ALL		94110-25100	1				(S)CONJ. MEDIDOR				
94410A		GAUGE ASSY-FUEL					990601 -	AD	L35,L45,P3B,P35,P6B 9403		94180-25200	1	
		(S)CONJ. MEDIDOR					990816 -	AD	M-D;940C,9403		94180-25200	1	
990601 -		AD L35,L45,P3B,P35,P6B 9403		94180-25100	1		990816 -	AD	L35,L45,P3B,P35;9401		94180-25200	1	
990816 -		AD M-D;940C,9403		94180-25100	1		990601 -	AG	P3B,P35,P6B,P65;9403		94180-25200	1	
990816 -		AD L35,L45,P3B,P35;9401		94180-25100	1		990816 -	AG	M-D;940C,9403		94180-25200	1	
990601 -		AG P3B,P35,P6B,P65;9403		94180-25100	1		990816 -	AG	M-S;9401		94180-25200	1	
990816 -		AG M-D;940C,9403		94180-25100	1		990601 -	DG	P3B,P35,P65;9403		94180-25200	1	
990816 -		AG M-S;9401		94180-25100	1		990816 -	DG	M-D;940C,9403		94180-25200	1	
990601 -		DG P3B,P35,P65;9403		94180-25100	1		990816 -	DG	M-S;9401		94180-25200	1	
990816 -		DG M-D;940C,9403		94180-25100	1		CONTINUED						
990816 -		DG M-S;9401		94180-25100	1								
990816 -		DS L35,L45,P3B,P35;9401		94180-25100	1								

AD:3DR,QL AG:3DR,QLS DG:3DR,QLS DS:3DR,L FD:4DR,QL FG:4DR,QLS

9401:INSTR CLUSTER-MPH(KMPH) 9403:INSTR CLUSTER-KMPH 940C:LAMP-CHECK ENGINE WARN'G 9415:TACHOMETER 9419:CLUSTER-WHITE FACED

4-G2

91-940 INSTRUMENT CLUSTER

BA,G0112-564

P N C		MODEL APPLICABLE		R E P	PART NO. (REPL P/NO)	Q T Y	REMARKS	P N C		MODEL APPLICABLE		R E P	PART NO. (REPL P/NO)	Q T Y	REMARKS
FROM-UP-TO	TYPE	DESCRIPTION						FROM-UP-TO	TYPE	DESCRIPTION					
CONTINUED															
94420A		GAUGE ASSY-TEMPERATURE													
		(S)CONJ. MEDIDOR													
990818 -	DS	L35,L45,P3B,P35;9401			94180-25200	1									
990816 -	DS	L35,L45,P3B,P35;9403			94180-25200	1									
990818 -	FD	L35,L45,P3B,P35;9401			94180-25200	1									
990818 -	FD	L35,L45,P3B,P35;9403			94180-25200	1									
990801 -	FG	P3B,P35,P6B,P65;9403			94180-25200	1									
990818 -	FG	M-D;940C,9403			94180-25200	1									
990818 -	FG	M-S;9401			94180-25200	1									
96421		SENSOR ASSY-SPEED													
		(S)CONJ. SENSOR													
020101 -		ALL TCI;9403,9415			96420-4A600	1									
99430		INVERTER ASSY													
		(S)CONJ. INVERTOR													
990801 -	AD	L35,P3B,P35,P6B;9415, 9419			94000-25000	1									
990801 -	AG	P3B,P35,P6B,P65;9415, 9419			94000-25000	1									
990801 -	DQ	P3B,P35,P65;9415,9419			94000-25000	1									
990818 -	DS	M-S;9415,9419			94000-25000	1									
990818 -	FD	M-S;9415,9419			94000-25000	1									
990801 -	FG	P3B,P35,P6B,P65;9415, 9419			94000-25000	1									

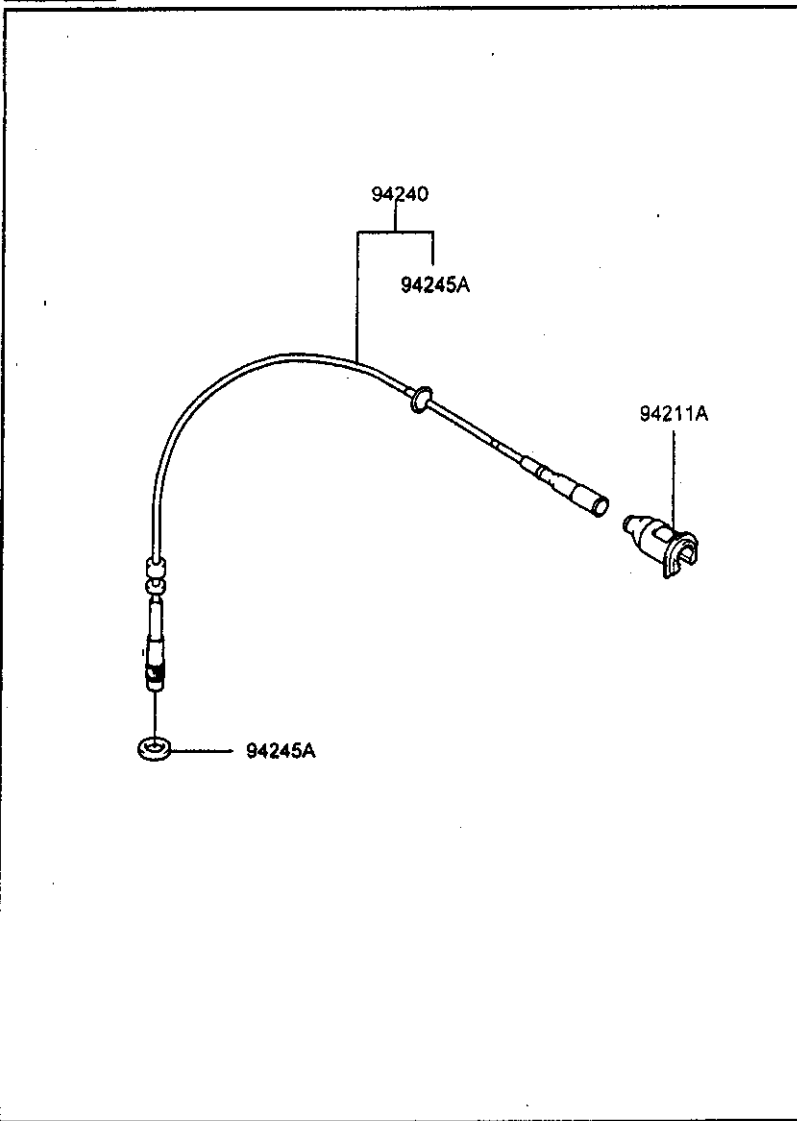
AD:3DR,6L AG:3DR,6LS DQ:3DR,6LS DS:3DR,6L FD:4DR,6L FG:4DR,6LS

9401:INST CLUSTER-MPH(KMPH) 9403:INST CLUSTER-KMPH 940C:LAMP-CHECK ENGINE WARN'G 9415:TACHOMETER 9419:CLUSTER-WHITE FACED

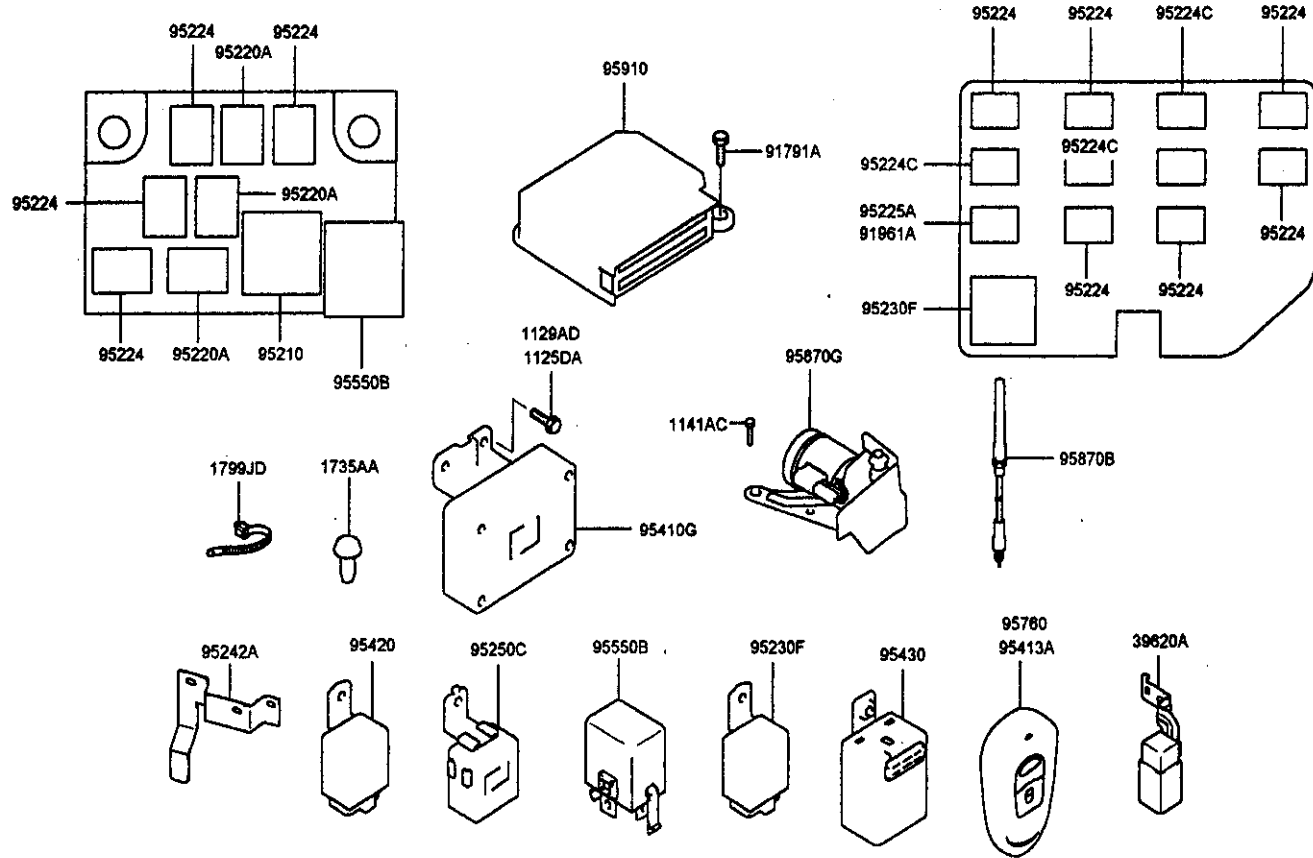
4-H 2

91-942 SPEEDOMETER CABLE

8A,G0112- 565



P N C	MODEL APPLICABLE		R E P	PART NO. (REPL P/NO)	Q T Y	REMARKS
	FROM-UP-TO	TYPE				
94211A						
990601 -				94241-29000	1	
94240						
990601 -				94240-25000	1	
990601 -				94240-25800	1	
94245A						
990601 -				94245-28000	1	



4-J 2

91-952 RELAY

BA,00112- 567

P N C	MODEL APPLICABLE		R E P	PART NO. (REPL P/NO)	Q T Y	REMARKS	P N C	MODEL APPLICABLE		R E P	PART NO. (REPL P/NO)	Q T Y	REMARKS
	FROM-UP-TO	TYPE						DESCRIPTION	FROM-UP-TO				
1125DA		BOLT					CONTINUED						
990601 -		(S)PERNO (CON ARANDELA) ALL 8133,9831	Y	11251-06161 (11251-06163)	2		1799JD						
1129AD		BOLT(W/WASHER)					990601 -	AG	P6B,P65	Y	17993-16000 (17993-13000)	1	
990601 -		(S)CONJ.ARANDELA ALL	Y	11290-06141 (11290-06143)	3		990601 -	DG	P65	Y	17993-16000 (17993-13000)	1	
990601 -		ALL	Y	11290-06141 (11290-06143)	2		990601 -	DS	L35,L45	Y	17993-16000 (17993-13000)	1	
990601 - 010701		ALL	Y	11290-06141 (11290-06143)	1		990601 -	FD	L35,L45	Y	17993-16000 (17993-13000)	1	
020101 -		ALL TCI		11290-06143	3		990601 -	FG	P6B,P65	Y	17993-16000 (17993-13000)	1	
1141AC		BOLT					39620A		RELAY ASSY-GLOW PLUG				
010901 -		(S)PERNO (PESTANA) ALL 5691	Y	11415-06163 (11415-06143)	1		020101 -	AD	LHD>TCI;0950		36860-27500	1	
1735AA		PLUG					000915 -	AG	LHD>P65;0910		36860-27500	1	
990601 -		(S)TAPON ALL 8711,9831		17350-06000	1		020101 -	AG	LHD>TCI		36860-27500	1	
990601 -		ALL 8712,9831		17350-06000	1		000915 -	DG	LHD>M-D;0910		36860-27500	1	
990601 - 010507		ALL 8712		17350-06000	1		020101 -	DG	LHD>TCI		36860-27500	1	
990601 - 010701		ALL 9831		17350-06000	1		020101 -	DS	LHD>TCI;0950		36860-27500	1	
010524 -		ALL 5691,8711,9831		17350-06000	1		020101 -	FD	LHD>TCI;0950		36860-27500	1	
010524 -		ALL 5691,8712,9831		17350-06000	1		000915 -	FG	LHD>P65;0910		36860-27500	1	
010601 -		ALL P3B,P35		17350-06000	1		020101 -	FG	LHD>TCI		36860-27500	1	
010601 -		AD L35,L45,P6B		17350-06000	1		91791A		BOLT-GROUND				
010601 -		AG P6B,P65		17350-06000	1		(S)PERNO						
010601 -		DG P65		17350-06000	1		990601 - 010901	ALL	5691	Y	91791-29000 (91791-33000)	3	
010601 -		DS L35,L45		17350-06000	1		990601 - 010901	ALL	5691	Y	91791-33000 (11415-06163)	1	
010601 -		FD L35,L45		17350-06000	1		91961A		RELAY-JOINT				
010601 -		FG P6B,P65		17350-06000	1		(S)RELE						
1799JD		STRAP					990601 -	ALL	P3B,P35		91961-25000	1	
990601 -		(S)CORREA ALL P3B,P35	Y	17993-16000 (17993-13000)	1		990601 -	AD	L35,L45,P6B		91961-25000	1	
990601 -		AD L35,L45,P6B	Y	17993-16000 (17993-13000)	1		990601 -	AG	P6B,P65		91961-25000	1	
							990601 -	DG	P65		91961-25000	1	
							990601 -	DS	L35,L45		91961-25000	1	
							990601 -	FD	L35,L45		91961-25000	1	
							990601 -	FG	P6B,P65		91961-25000	1	

CONTINUED

AD-SDR,DL AG-SDR,GLE DG-SDR,GLE DS-3DR,LL FD-4DR,DL FG-4DR,GLE 0910-UNLEADED PACKAGE 0950-DSL PACKAGE 9891-AIR BAG(DRIVER SIDE) 8133-ANTI THEFT SYSTEM-IGNITION KEY
 8711-GLASS-BULB(CLEAR WITH HTD) 8712-GLASS-BULB(TNID WITH HTD) 9831-WIPER INTERMITTENT-FRT

4-K2

91-952 RELAY

BA,G0112-568

P N C	MODEL APPLICABLE		PART NO. (REPL PNO)	Q T Y	REMARKS	P N C	MODEL APPLICABLE		PART NO. (REPL PNO)	Q T Y	REMARKS
	FROM-UP-TO	TYPE					DESCRIPTION	FROM-UP-TO			
95210		RELAY ASSY-FUEL PUMP CONT				CONTINUED					
		(S)CONJ. RELE				95224		RELAY ASSY-POWER			
990601 -	AD	L35,L45,P3B,P35	95210-22001	1		990601 -	DG	P65	95224-29000	2	
990601 - 001025	AG	M-S;8133	95210-22001	1		990601 -	DS	M-S	95224-29000	5	
990601 - 001025	DG	M-S;8133	95210-22001	1		990601 -	DS	L35,L45	95224-29000	4	
990601 -	DS	L35,L45,P3B,P35	95210-22001	1		990601 -	DS	L35,L45	95224-29000	3	
990601 -	FD	L35,L45,P3B,P35	95210-22001	1		990601 -	DS	L35,L45	95224-29000	2	
990601 - 001025	FG	M-S;8133	95210-22001	1		990601 -	FD	M-S	95224-29000	5	
95220A		RELAY ASSY-POWER				990601 -	FD	L35,L45	95224-29000	4	
		(S)CONJ. RELE				990601 -	FD	L35,L45	95224-29000	3	
990601 -	ALL	8133,9831	95225-29000	1		990601 -	FG	P3B,P35,P6B,P65	95224-29000	5	
990601 -	ALL	P3B,P35,9760	95225-29000	1		990601 -	FG	P6B,P65	95224-29000	4	
990601 - 001025	ALL	M-S;5891,8341	95225-29000	2		990601 -	FG	P6B,P65	95224-29000	3	
990601 - 001025	ALL	M-S;8133	95225-29000	1		990601 -	FG	P6B,P65	95224-29000	2	
990601 - 001025	ALL	M-S;8133,8341	95225-29000	1		95224C		RELAY ASSY-POWER			
990601 -	AD	L35,L45,P6B;9760	95225-29000	1				(S)CONJ. RELE			
990601 -	AG	P6B,P65;9760	95225-29000	1		990601 -	ALL	P3B,P35	95224-29800	2	
990601 -	DG	P65;9760	95225-29000	1		990601 -	ALL	P3B,P35	95224-29800	1	
990601 -	DS	L35,L45;9760	95225-29000	1		990601 -	AD	L35,P3B,P35,P6B	95224-29800	3	
990601 -	FD	L35,L45;9760	95225-29000	1		990601 -	AD	L35,L45,P6B	95224-29800	2	
990601 -	FG	P6B,P65;9760	95225-29000	1		990601 -	AG	P3B,P35,P6B,P65	95224-29800	3	
95224		RELAY ASSY-POWER				990601 -	AG	P6B,P65	95224-29800	2	
		(S)CONJ. RELE				990601 -	AG	P6B,P65	95224-29800	1	
990601 -	ALL	P3B,P35	95224-29000	4		990601 -	DG	P3B,P35,P65	95224-29800	3	
990601 -	ALL	P3B,P35	95224-29000	3		990601 -	DG	P65	95224-29800	2	
990601 -	ALL	P3B,P35	95224-29000	2		990601 -	DG	P65	95224-29800	1	
990601 -	ALL		95224-29000	1		990601 -	DS	M-S	95224-29800	3	
990601 -	ALL	8133,9831	95224-29000	1		990601 -	DS	L35,L45	95224-29800	2	
990601 -	AD	L35,P3B,P35,P6B	95224-29000	5		990601 -	DS	L35,L45	95224-29800	1	
990601 -	AD	L35,L45,P6B	95224-29000	4		990601 -	FD	M-S	95224-29800	3	
990601 -	AD	L35,L45,P6B	95224-29000	3		990601 -	FD	L35,L45	95224-29800	2	
990601 -	AD	L35,L45,P6B	95224-29000	2		990601 -	FD	L35,L45	95224-29800	1	
990601 -	AG	P3B,P35,P6B,P65	95224-29000	5		990601 -	FG	P3B,P35,P6B,P65	95224-29800	3	
990601 -	AG	P6B,P65	95224-29000	4		990601 -	FG	P6B,P65	95224-29800	2	
990601 -	AG	P6B,P65	95224-29000	3		990601 -	FG	P6B,P65	95224-29800	1	
990601 -	AG	P6B,P65	95224-29000	2							
990601 -	DG	P3B,P35,P65	95224-29000	5							
990601 -	DG	P65	95224-29000	4							
990601 -	DG	P65	95224-29000	3							

CONTINUED

AD:5DR,QL AG:5DR,QLS DG:5DR,QLS DS:5DR,L FD:4DR,QL FG:4DR,QLS

5891:ABS(ANTI SKID BRAKE SYSTEM) 8133:ANTI THEFT SYSTEM-IGNITION KEY 8341:WINDOW-POWER(FRT & RR) 9760:AIR COV 9831:WIPER INTERMITTENT-FRT

4-L2

91-952 RELAY

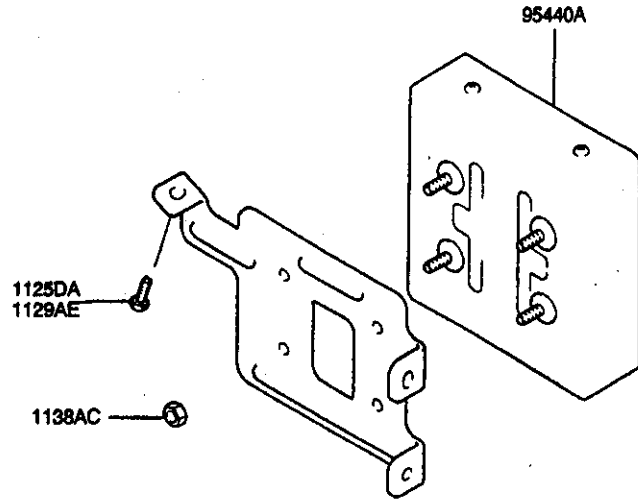
BA,G0112- 569

P N C		MODEL APPLICABLE		R E P	PART NO. (REPL P/NO)	Q T Y	REMARKS	P N C		MODEL APPLICABLE		R E P	PART NO. (REPL P/NO)	Q T Y	REMARKS
FROM-UP-TO	TYPE	DESCRIPTION	FROM-UP-TO					TYPE	DESCRIPTION						
95225A		RELAY ASSY-POWER (S)CONJ. RELE						CONTINUED							
990601 -		ALL 8133,9831			95225-29200	1		95550B		FLASHER MODULE-TURN SIGNAL (S)MODULO INTERMITENCIA					
95230F		RELAY-POWER (S)RELE						990601 - 000214	AD	L35,L45,P6B	Y	95550-34000 (95550-39000)	1		
990601 -		ALL P3B,P35			95230-25000	1	25A	990601 - 000214	AG	P6B,P65	Y	95550-34000 (95550-39000)	1		
990601 -		AD L35,L45,P6B			95230-25000	1	25A	990601 - 000214	DG	P65	Y	95550-34000 (95550-39000)	1		
990601 -		AG P6B,P65			95230-25000	1	25A	990601 - 000214	DS	L35,L45	Y	95550-34000 (95550-39000)	1		
990601 -		DG P65			95230-25000	1	25A	990601 - 000214	FD	L35,L45	Y	95550-34000 (95550-39000)	1		
990601 -		DS L35,L45			95230-25000	1	25A	990601 - 000214	FG	P6B,P65	Y	95550-34000 (95550-39000)	1		
990601 -		FD L35,L45			95230-25000	1	25A	990601 - 000214	FG	P6B,P65	Y	95550-34000 (95550-39000)	1		
990601 -		FG P6B,P65			95230-25000	1	25A								
95242A		BRACKET-RELAY (S)SOPORTE						95760		TRANSMITTER ASSY-KEYLESS ENTRY (S)CONJ. TRANSMISOR					
020101 -		ALL TCI			95230-25800	1		990601 -		ALL 8133,9831		95430-25200	2		
95250C		RELAY ASSY-POWER (S)CONJ. RELE					5A	95870B		ANTENNA ASSY-BURGLAR ALARM (S)CONJUNTO ANTENA					
990601 -		ALL 8133,9831			95250-25000	1		990601 -		ALL 8133,9831		95870-25200	1		
95410G		ETACS & BRACKET ASSY (S)CONJ. SOPORTE & ETACS						95870G		SIREN & SWITCH ASSY-BURGLAR ALARM (S)CONJ. CONM & SIRENA					
990601 -		ALL 8133,9831			95410-25300	1		990809 -		ALL 8133,9831		95870-25001	1		
95413A		BATTERY-TRANSMITTER (S)CONJUNTO BATERIA					220MA.H	95910		MODULE ASSY-AIR BAG CONTROL (S)CONJ. MODULO					
990601 -		ALL 8133,9831			95413-3A000	2		990601 -		ALL 5691		95910-25200	1		
95420		RELAY ASSY-WIPER (S)CONJ. RELE						990601 -		ALL 5691,5692		95910-25300	1		
990601 -		ALL 9831			95420-33000	1									
95430		TIMER ASSY-RR HEATED (S)CONJ. TEMPORIZADOR													
990601 -		ALL 8711,9831			95430-22002	1									
990601 -		ALL 8712,9831			95430-22002	1									
990601 - 010507		ALL 8712			95430-22002	1									
010524 -		ALL 5691,8711,9831			95430-22002	1									
010524 -		ALL 5691,8712,9831			95430-22002	1									
95550B		FLASHER MODULE-TURN SIGNAL (S)MODULO INTERMITENCIA													
990601 - 000214		ALL P3B,P35	Y		95550-34000 (95550-39000)	1									
000214 -		ALL			95550-39000	1									

AD:5DR,QL AQ:5DR,QLS DG:5DR,QLS DE:5DR,L FD:4DR,QL FG:4DR,QLS

5691:AIR BAG(DRIVER SIDE) 5692:AIR BAG(PASSENGER SIDE) 8133:ANTI THEFT SYSTEM-IGNITION KEY

8711:GLASS-BLITE(CLEAR WITH HTD) 8712:GLASS-BLITE(NTD WITH HTD) 9831:WIPER INTERMITTENT-FRT



P N C	MODEL APPLICABLE		R E P	PART NO. (REPL PNO)	Q T Y	REMARKS
	FROM-UP-TO	TYPE				
1125DA						
990601 -				11251-06161 (11251-06163)	3	
1129AE						
990601 -				11290-06161 (11290-06163)	3	
1138AC						
990601 -				13385-08001 (13385-08003)	4	
95440A						
990601 -				95440-22740	1	
990601 -				95440-22740	1	
990601 -				95440-22721	1	
990601 -				95440-22741	1	
990601 -				95440-22721	1	
990601 -				95440-22741	1	
990601 - 990728				95440-22710 (95440-22870)	1	
990728 -				95440-22870	1	
990728 -				95440-22870	1	
990601 -				95440-22740	1	
990601 -				95440-22740	1	
990601 -				95440-22721	1	
990601 -				95440-22741	1	
990601 -				95440-22721	1	
990601 -				95440-22741	1	
990601 - 990728				95440-22710 (95440-22870)	1	
990728 -				95440-22870	1	
990728 -				95440-22870	1	
990601 -				95440-22721	1	
990601 -				95440-22721	1	
990601 - 990728				95440-22710 (95440-22870)	1	
990728 -				95440-22870	1	

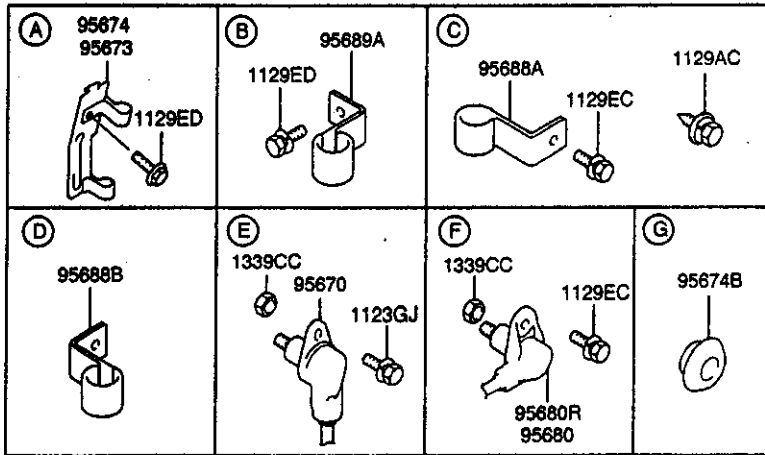
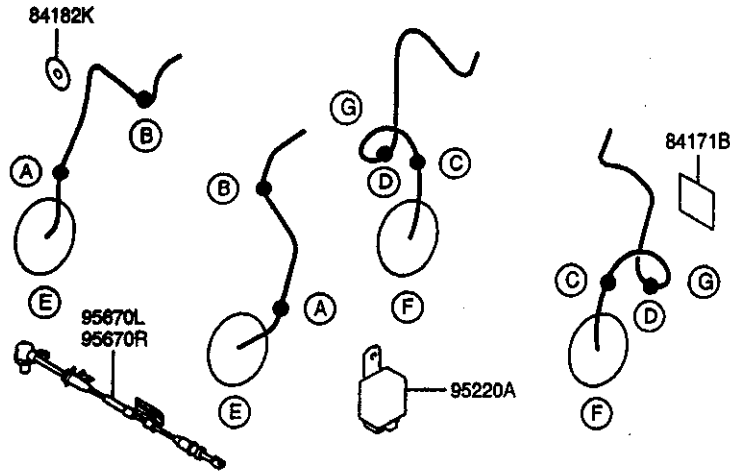
CONTINUED

4-A3

91-954 AUTO TRANSAXLE CONTROL

8A,G0112- 571

P N C		MODEL APPLICABLE		R E P	PART NO. (REPL P/NO)	Q T Y	REMARKS	P N C		MODEL APPLICABLE		R E P	PART NO. (REPL P/NO)	Q T Y	REMARKS
FROM-UP-TO	TYPE	DESCRIPTION	FROM-UP-TO					TYPE	DESCRIPTION						
CONTINUED															
95440A		CONTROL MODULE-ATA													
(S)MODULO DE CONTROL															
990728 -		DG LHD>4AT2;2838			95440-22870	1									
990601 -		DS RHD>4AT2			95440-22721	1									
990601 -		DS RHD>4AT2;2838			95440-22721	1									
990601 - 990728		DS LHD>4AT2	Y		95440-22710	1									
						(95440-22870)									
990728 -		DS LHD>4AT2			95440-22870	1									
990728 -		DS LHD>4AT2;2838			95440-22870	1									
990601 -		FD RHD>4AT2			95440-22721	1									
990601 -		FD RHD>4AT2;2838			95440-22721	1									
990601 - 990728		FD LHD>4AT2	Y		95440-22710	1									
						(95440-22870)									
990728 -		FD LHD>4AT2			95440-22870	1									
990728 -		FD LHD>4AT2;2838			95440-22870	1									
990601 -		FG LHD>P6B			95440-22740	1									
990601 -		FG LHD>P6B;2838			95440-22740	1									
990601 -		FG RHD>P3B			95440-22721	1									
990601 -		FG RHD>P6B			95440-22741	1									
990601 -		FG RHD>P3B;2838			95440-22721	1									
990601 -		FG RHD>P6B;2838			95440-22741	1									
990601 - 990728		FG LHD>P3B	Y		95440-22710	1									
						(95440-22870)									
990728 -		FG LHD>P3B			95440-22870	1									
990728 -		FG LHD>P3B;2838			95440-22870	1									



P N C	MODEL APPLICABLE		P A R T N O . (REPL P W O)	Q T Y	REMARKS
	FROM-UP-TO	TYPE			
1123GJ					
990601 -			11233-06181	2	
1129AC					
990601 -			Y 11290-06121 (11290-06123)	2	
1129EC					
990601 -			Y 11293-06121 (11293-06163)	2	
1129ED					
990601 -			Y 11293-06141 (11293-06143)	10	
1339CC					
990601 -			Y 13395-08001 (13395-08003)	2	
84171B					
990601 - 010725			84171-24000	2	
84182K					
990601 -			84182-28000	2	
95220A					
990601 -			95225-29000	2	
95670					
990601 - 010725			95671-25000	2	
95670L					
010725 -			95671-25200	1	
95670R					
010725 -			95671-25300	1	

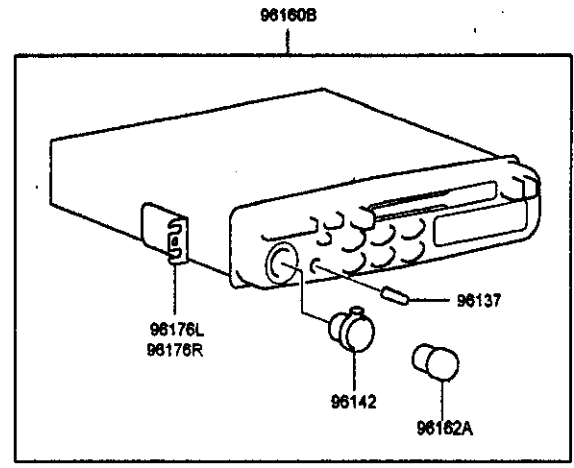
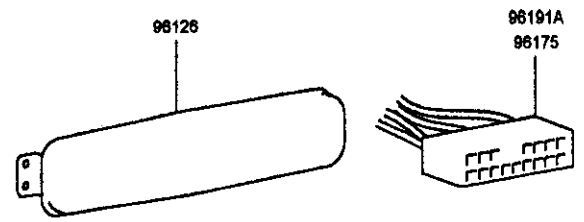
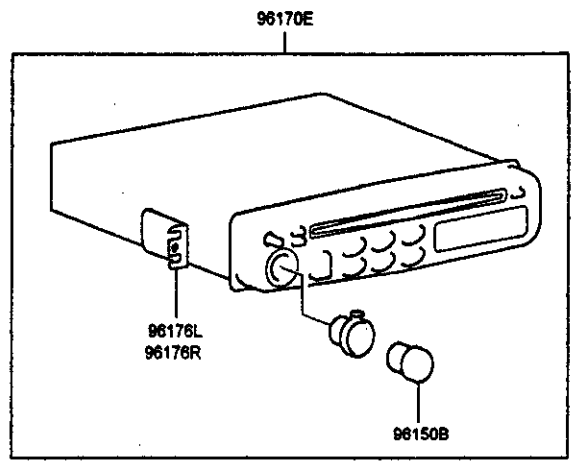
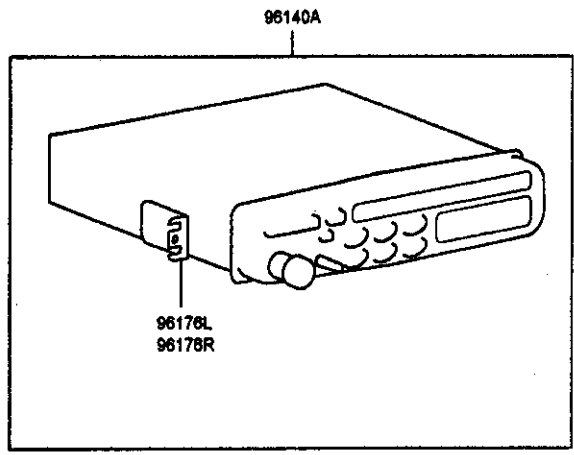
4-C 3

91-956 ANTI-SKID BRAKE SENSOR

BA,G0112- 573

P N C		MODEL APPLICABLE		R E P	PART NO. (REPL P/NO)	Q T Y	REMARKS	P N C		MODEL APPLICABLE		R E P	PART NO. (REPL P/NO)	Q T Y	REMARKS	
FROM-UP-TO	TYPE	DESCRIPTION						FROM-UP-TO	TYPE	DESCRIPTION						
95673		BRACKET-ABS FR WHEEL LH (S)SOPORTE														
990601 -		ALL 5891			95673-22000	1										
95674		BRACKET-ABS FR WHEEL RH (S)SOPORTE														
990601 -		ALL 5891			95673-22100	1										
95674B		PLUG (S)TAPON														
990601 -		ALL			95674-02000	2										
95680		SENSOR-ABS RR WHEEL LH (S)SENSOR														
990601 -		ALL 5891			95681-25000	1										
95680R		SENSOR-ABS RR WHEEL RH (S)SENSOR														
990601 -		ALL 5891			95681-25100	1										
95688A		CLIP (S)SUJETADOR														
990601 -		ALL 5891			95688-36000	1										
95688B		CLIP (S)SUJETADOR														
990601 -		ALL 5891			95688-25000	1										
95689A		CLAMP (S)ABRAZADERA														
990601 -		ALL 5891			95689-36000	1										

5891:ABS(ANTI SKID BRAKE SYSTEM)



4-E3

91-961 CAR RADIO

BA,0012- 575

P N C	MODEL APPLICABLE	R E P	PART NO. (REPL PNO)	Q T Y	REMARKS	P N C	MODEL APPLICABLE	R E P	PART NO. (REPL PNO)	Q T Y	REMARKS
FROM-UP-TO	TYPE	DESCRIPTION				FROM-UP-TO	TYPE	DESCRIPTION			
1234JF		SCREW-MACHINE (S)TORNILLO				CONTINUED					
990601 -		ALL	12342-05203	4		96160B		RADIO ASSY-ETR (S)CONJUNTO RADIO			
96116C		KNOB-FADER (S)PERILLA				990601 - 010701		ALL 96GK,9612,+E02,+E37	96150-25400	1	
990601 - 000901		ALL 96GK,9619	96161-02200	1		990601 - 010701		ALL 96GK,9612,-E02,-E37	96150-25100	1	
990601 - 010701		ALL 96GJ,9612	96161-02200	1		990601 - 010701		ALL 96GK,9613,-E02,-E37	96150-25300	1	
990601 - 010701		ALL 96GJ,9613	96161-02200	1		010701 -		ALL 96HJ,9612,-E02,-E37	96110-25105	1	
990601 - 010701		ALL 96GK,9612	96161-02200	1		010701 -		ALL 96HN,9612,-E02,-E37	96120-25105	1	
990601 - 010701		ALL 96GK,9613	96161-02200	1		010701 -		ALL 96HN,9613,-E02,-E37	96120-25305	1	
990601 - 010701		ALL 96HB,9612	96161-02200	1		96162A		KNOB-VOLUME (S)POMO VOLUMEN			
990601 - 010701		ALL 96HB,9613	96161-02200	1		010701 -		ALL 9612,-E02,-E37	96123-2D000	1	
96126		COVER-RADIO BLANKING (S)CUBIERTA				96170E		RADIO ASSY-ETR (S)CONJUNTO RADIO			
990601 -		ALL LHD:9630	96126-22000	1		990601 - 010701		ALL 96HB,9612,+E02,+E37	96160-25400	1	
990601 -		ALL RHD:9630	96126-22000	1		990601 - 010701		ALL 96HB,9612,-E02,-E37	96160-25100	1	
96137		KNOB-CONTROL (S)PERILLA				990601 - 010701		ALL 96HB,9613,-E02,-E37	96160-25300	1	
990601 - 000901		ALL 96GK,9619	96151-02100	1		010701 - 010820		ALL 96HL,9613,-E02,-E37	96160-25305 (96160-25306)	1	
990601 - 010701		ALL 96GJ,9612	96151-02100	1		010701 - 010822		ALL 96HL,9612,-E02,-E37	96160-25105 (96160-25106)	1	
990601 - 010701		ALL 96GJ,9613	96151-02100	1		010820 -		ALL 96HL,9613,-E02,-E37	96160-25306	1	
990601 - 010701		ALL 96GK,9612	96151-02100	1		010822 -		ALL 96HL,9612,-E02,-E37	96160-25106	1	
990601 - 010701		ALL 96GK,9613	96151-02100	1		96172A		KNOB-VOLUME (S)			
990601 - 010701		ALL 96HB,9612	96151-02100	1		010701 -		ALL 96HL,-E02,-E37	96172-26001	1	
990601 - 010701		ALL 96HB,9613	96151-02100	1		96175		WIRE-EXTENSION RADIO (S)CABLES			
010701 -		ALL 96HJ,9612,-E02,-E37	96163-26000	1		990601 -		ALL	96110-25A00	1	
010701 -		ALL 96HL,9612,-E02,-E37	96163-26000	1		96176L		BRACKET-RADIO MTG LH (S)SOPORTE			
010701 -		ALL 96HN,9612,-E02,-E37	96163-26000	1		990601 - 000901		ALL 96GK,9619	96155-02000	1	
010820 -		ALL 96HL,9613,-E02,-E37	96163-26000	1		990601 - 010701		ALL 96GJ,9612	96155-02000	1	
96140A		RADIO ASSY-ETR (S)CONJUNTO RADIO				990601 - 010701		ALL 96GJ,9613	96155-02000	1	
990601 - 010701		ALL 96GJ,9612,-E02,-E37	96140-25100	1		990601 - 010701		ALL 96GK,9612	96155-02000	1	
990601 - 010701		ALL 96GJ,9613,-E02,-E37	96140-25300	1		990601 - 010701		ALL 96GK,9613	96155-02000	1	
96142		KNOB-BALANCE/FADER (S)PERILLA				990601 - 010701		ALL 96HB,9612	96155-02000	1	
010701 -		ALL 9612,-E02,-E37	96127-2D000	1		990601 - 010701		ALL 96HB,9613	96155-02000	1	
96160B		RADIO ASSY-ETR (S)CONJUNTO RADIO				990601 - 010701		ALL 96HB,9613	96155-02000	1	
990601 - 000901		ALL 96GK,9619,-E02,-E37	96150-25200	1		010701 -		ALL 96HJ,9612,-E02,-E37	96175-26000	1	

9612:VIBRATION WIDTH(AMM)(PM100K) 9613:VIBRATION WIDTH(AMM)(PM200K) 9618:VIBRATION WIDTH(AMM)(PM50K) 9630:AUDIO BLANKING COVER-GENERAL 96GJ:RADIO(H 800B) 96GK:RADIO-CASS(H 900A) 96HB:RADIO-CD(H 800C)
 96HJ:RADIO-CASS(H 210) 96HL:RADIO-CD(H 280) 96HN:RADIO-CASS(H 220) E02:BOTSWANA E37:SOUTH AFRICA

4-F3

91-961 CAR RADIO

BA,00112-576

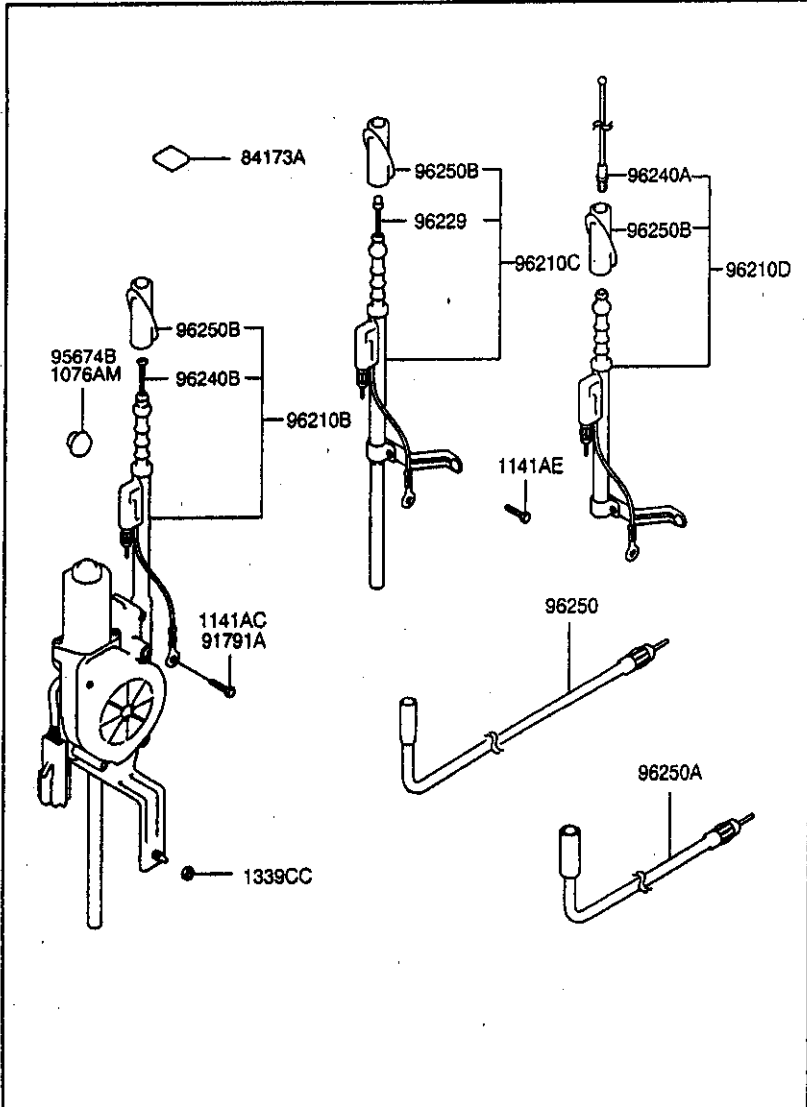
P N C		MODEL APPLICABLE		R E P	PART NO. (REPL PNO)	Q T Y	REMARKS	P N C		MODEL APPLICABLE		R E P	PART NO. (REPL PNO)	Q T Y	REMARKS
FROM-UP-TO	TYPE	DESCRIPTION						FROM-UP-TO	TYPE	DESCRIPTION					
CONTINUED															
96176L		BRACKET-RADIO MTG LH (S)SOPORTE													
010701 -		ALL 96HL,9612,-E02,-E37			96175-26000	1									
010701 -		ALL 96HL,9613,-E02,-E37			96175-26000	1									
010701 -		ALL 96HN,9612,-E02,-E37			96175-26000	1									
010701 -		ALL 96HN,9613,-E02,-E37			96175-26000	1									
96176R		BRACKET-RADIO MTG RH (S)SOPORTE													
990601 - 000901		ALL 96GK,9619			96156-02000	1									
990601 - 010701		ALL 96GJ,9612			96156-02000	1									
990601 - 010701		ALL 96GJ,9613			96156-02000	1									
990601 - 010701		ALL 96GK,9612			96156-02000	1									
990601 - 010701		ALL 96GK,9613			96156-02000	1									
990601 - 010701		ALL 96HB,9612			96156-02000	1									
990601 - 010701		ALL 96HB,9613			96156-02000	1									
010701 -		ALL 96HJ,9612,-E02,-E37			96175-26000	1									
010701 -		ALL 96HL,9612,-E02,-E37			96175-26000	1									
010701 -		ALL 96HL,9613,-E02,-E37			96175-26000	1									
010701 -		ALL 96HN,9612,-E02,-E37			96175-26000	1									
010701 -		ALL 96HN,9613,-E02,-E37			96175-26000	1									
96191A		WIRE-EXTENSION RADIO (S)CABLES													
990601 -		ALL LHD;9630			96191-02000	1									
990601 -		ALL RHD;9630			96191-02000	1									
96305		KNOB-VOLUME (S)PERILLA													
990601 - 010701		ALL 96GJ,9612,-E02,-E37			96161-02000	1									
990601 - 010701		ALL 96GJ,9613,-E02,-E37			96161-02000	1									
990601 - 010701		ALL 96GK			96161-02100	1									
990601 - 010701		ALL 96GK,9612,-E02,-E37			96161-02000	1									
990601 - 010701		ALL 96GK,9613,-E02,-E37			96161-02000	1									
990601 - 010701		ALL 96HB,9612,-E02,-E37			96161-02000	1									
990601 - 010701		ALL 96HB,9613,-E02,-E37			96161-02000	1									

9612-VIBRATION WIDTH(AMK/PM100K) 9613-VIBRATION WIDTH(AMK/PM200K) 9618-VIBRATION WIDTH(AMK/PM50K) 9630-AUDIO BLANKS COVER-GENERAL 96GJ-RADIO(H 900S) 96GK-RADIO-CASS(H 900A) 96HL-RADIO-CD(H 960C)
 96HJ-RADIO-CASS(H 210) 96HL-RADIO-CD(H 260) 96HN-RADIO-CASS(H 220) E02:BOTSWANA E37:SOUTH AFRICA

4-G 3

91-962 ANTENNA

BA,60112- 577



P N C	MODEL APPLICABLE		R E P	PART NO. (REPL P/NO)	Q T Y	REMARKS
	FROM-UP-TO	TYPE				
1076AM						
990601 - 991215	FD	9602		17313-25000 (95674-02000)	1	
990601 - 991215	FG	9602		17313-25000 (95674-02000)	1	
1141AC						
990601 - 010901	ALL			11415-06163 (11415-06143)	1	
1141AE						
010901 -	ALL			11415-06143	1	
1339CC						
990601 -	ALL			13395-06003	1	
84173A						
990601 -	ALL			84173-24000	1	
91791A						
990601 - 000307	ALL			91791-33000 (11415-06163)	1	
95674B						
991215 -	FD	9602		95674-02000	1	
991215 -	FG	9602		95674-02000	1	
96210B						
990601 -	AD	9601		96250-25300	1	
990601 -	AG	9601		96250-25300	1	
990601 -	DG	9601		96250-25100	1	AUTO
990601 -	DS	9601		96250-25100	1	AUTO
990601 - 990901	FD	9601		96250-25000 (96250-25001)	1	
990901 -	FD	9601		96250-25001	1	AUTO
990601 - 990901	FG	9601		96250-25000 (96250-25001)	1	
990901 -	FG	9601		96250-25001	1	AUTO

AD:SDR, GL AG:SDR, GLS DG:SDR, GLS DS:SDR, L FD:4DR, GL FG:4DR, GLS 9601:ANTENNA-POWER 9602:ANTENNA-ROD(BLACK)

4-H3

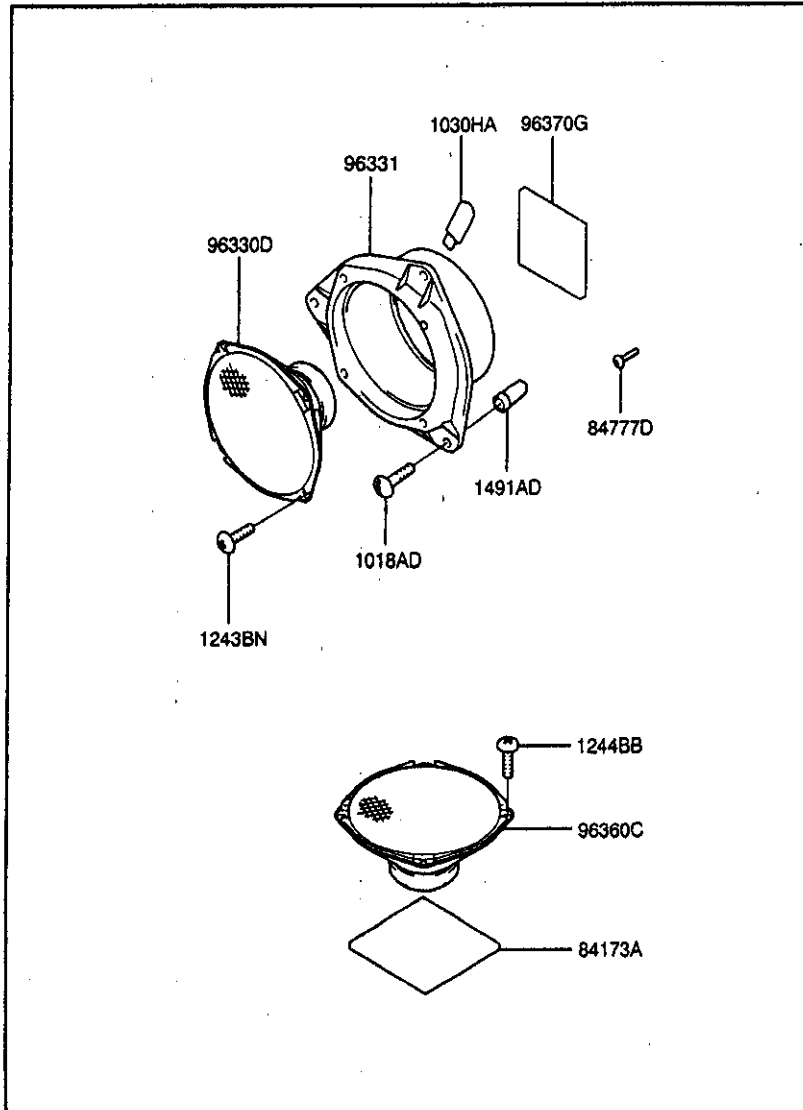
91-962 ANTENNA

BA,00112-578

P N C	MODEL APPLICABLE		R E P	PART NO. (REPL PNO)	Q T Y	REMARKS
	FROM-UP-TO	TYPE DESCRIPTION				
96210C		ANTENNA ASSY-RADIO (S)CONJUNTO ANTENA				
990601 -		AD 9603		96210-25300	1	
990601 -		AG 9603		96210-25300	1	
990601 -		DG 9603		96210-25100	1	
990601 -		DS 9603		96210-25100	1	
990601 - 990901		FD 9603	Y	96210-25000 (96210-25001)	1	
990901 -		FD 9603		96210-25001	1	
990601 - 990901		FG 9603	Y	96210-25000 (96210-25001)	1	
990901 -		FG 9603		96210-25001	1	
96210D		ANTENNA ASSY-RADIO (S)CONJUNTO ANTENA				
990601 -		FD 9602		96230-25000	1	ROD
990601 -		FG 9602		96230-25000	1	ROD
96229		ROD ASSY-MANUAL ANTENNA (S)CONJUNTO VARILLA				
990601 -		ALL 9603		96213-25501	1	
96240A		ROD-ANTENNA (S)VARILLA				
990601 -		FD 9602		96233-22500	1	
990601 -		FG 9602		96233-22500	1	
96240B		ROD ASSY-AUTO ANTENNA (S)CONJUNTO VARILLA				
990601 -		ALL 9601		96253-25501	1	
96250		CABLE-ANTENNA FEEDER (S)CABLE				
990601 -		ALL		96270-25000	1	
96250A		CABLE-ANTENNA FEEDER EXTENSION (S)CABLE				
990625 -		ALL LHD		96270-25200	1	
990625 -		ALL RHD		96270-25200	1	
96250B		MOUNTING BASE (S)BASE MONTAJE				
990601 -		AD		96251-25300	1	
990601 -		AG		96251-25300	1	
990601 -		DG		96251-25100	1	
990601 -		DS		96251-25100	1	
CONTINUED						

P N C	MODEL APPLICABLE		R E P	PART NO. (REPL PNO)	Q T Y	REMARKS
	FROM-UP-TO	TYPE DESCRIPTION				
CONTINUED						
96250B		MOUNTING BASE (S)BASE MONTAJE				
990601 -		FD		96250-25040	1	
990601 -		FG		96250-25040	1	

91-963 SPEAKER



P N C	MODEL APPLICABLE		R E P	PART NO. (REPL P/NO)	Q T Y	REMARKS
	FROM-UP-TO	TYPE				
1018AD						
990601 -				10188-05163	6	
990601 -				10188-05163	2	
1030HA						
990601 -				10306-05800	2	
1243BN						
990601 -				12431-04161 (12431-05161)	8	
1244BB						
990601 - 010115				12441-05123	6	
990601 - 010115				12441-05123	6	
990601 - 010115				12441-05123	6	
990601 - 010115				12441-05123	6	
990601 -				12441-05123	6	
990601 -				12441-05123	6	
1491AD						
990601 -				14910-05000	6	
84173A						
990601 -				84173-24000	4	
84777D						
010115 -				84777-22002	6	
010115 -				84777-22002	6	
010115 -				84777-22002	6	
010115 -				84777-22002	6	
96330D						
990601 -				96330-25110	2	
990601 -				96330-25010	2	
96331						
990601 -				96310-25000	2	

4-13

91-963 SPEAKER

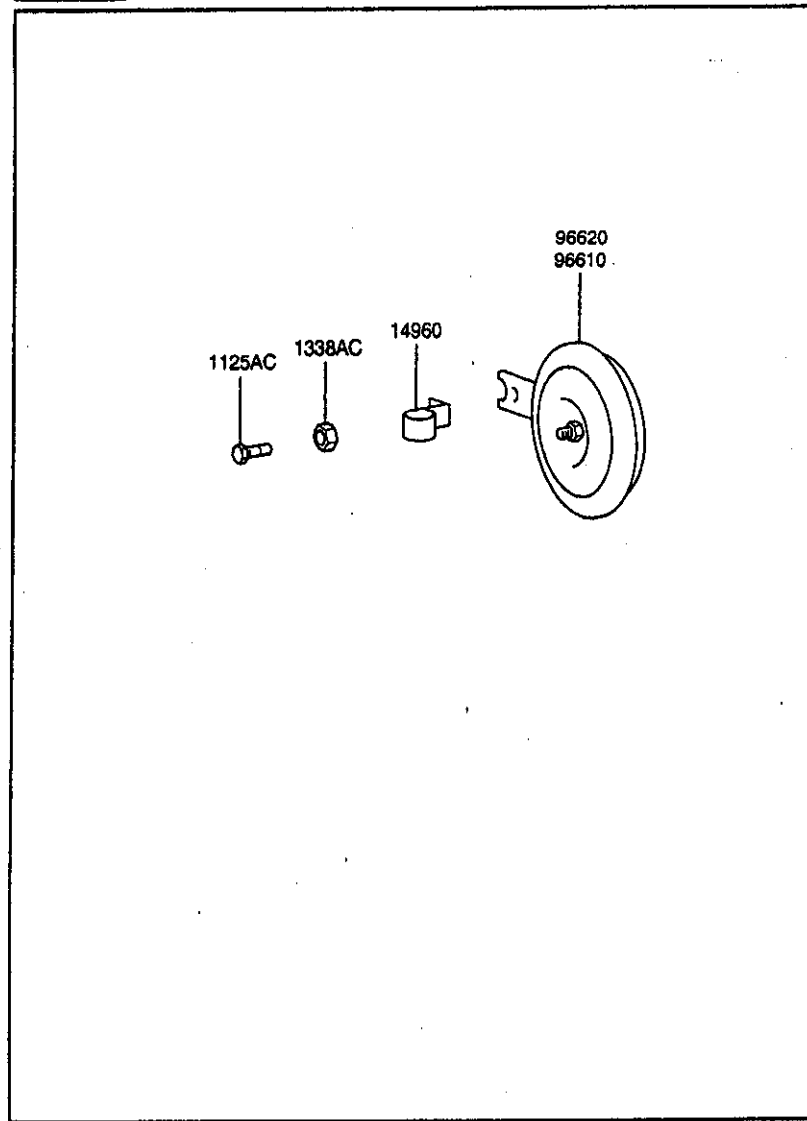
SA,90112-590

P N C		MODEL APPLICABLE		R E P	PART NO. (REPL PNO)	Q T Y	REMARKS	P N C		MODEL APPLICABLE		R E P	PART NO. (REPL PNO)	Q T Y	REMARKS	
FROM-UP-TO	TYPE	DESCRIPTION						FROM-UP-TO	TYPE	DESCRIPTION						
96360C		SPEAKER ASSY-RR (S)CONJ. PARLANTE														
990601 -	AD	96SA,96SB,96S8			96360-25300	2										
990601 -	AD	96SA,96S8			96360-25400	2										
990601 -	AG	96SA,96SB,96S8			96360-25300	2										
990601 -	AG	96SA,96S8			96360-25400	2										
990601 -	DG	96SA,96SB,96S8			96360-25300	2										
990601 -	DG	96SA,96S8			96360-25400	2										
990601 -	D8	96SA,96SB,96S8			96360-25300	2										
990601 -	D8	96SA,96S8			96360-25400	2										
990601 -	FD	96SA,96SB,96S8			96360-25100	2										
990601 -	FD	96SA,96S8			96360-25000	2										
990601 -	FQ	96SA,96SB,96S8			96360-25100	2										
990601 -	FQ	96SA,96S8			96360-25000	2										
96370G		PAD-DOOR SPEAKER (S)ALMCHADILLA														
990601 -	ALL				96370-22000	2										

4-K3

91-966 HORN

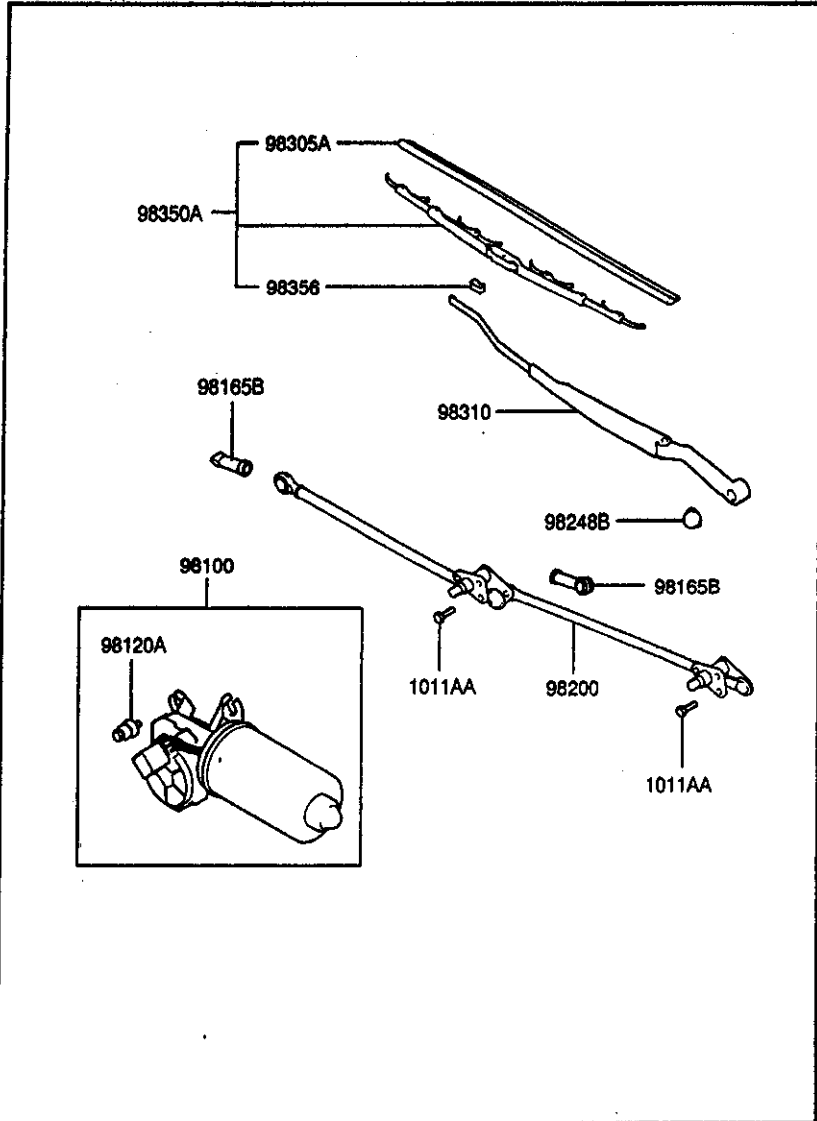
BA,G0112- 581



P N C	MODEL APPLICABLE		R E P	PART NO. (REPL PNO)	Q T Y	REMARKS
	FROM-UP-TO	TYPE				
1125AC						
990601 -				11250-06163 (11250-06166B)	1	
000807 -				11250-06163 (11250-06166B)	1	
1338AC						
990601 -				13385-06003	1	
990601 - 000807				13385-06003	1	
14960						
990601 - 000807				14895-06149	1	
990601 - 000807				14895-06149	1	
96610						
990601 -				96610-29200	1	
96620						
990601 -				96620-22200	1	

9662:HORN-SINGLE 9663:HORN-DOUBLE

91-981 WINDSHIELD WIPER

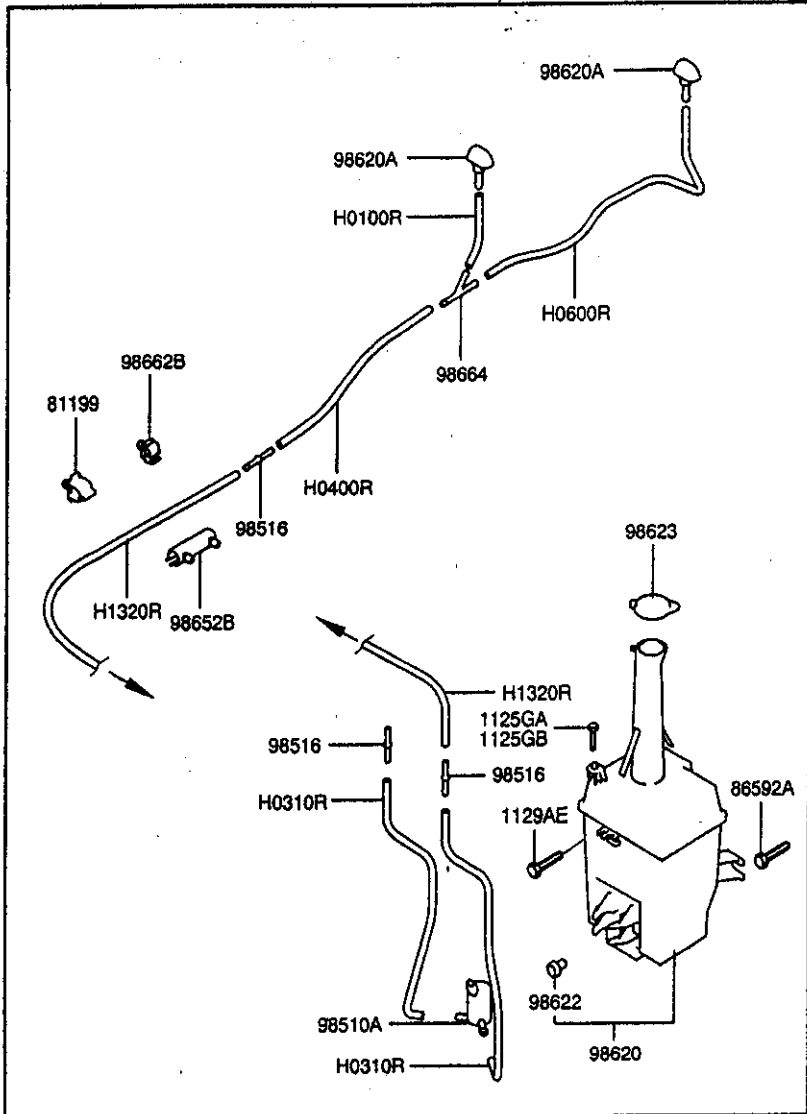


P N C	MODEL APPLICABLE		R E P	PART NO. (REPL P/NO)	Q T Y	REMARKS
	FROM-UP-TO	TYPE				
1011AA						
990601 -				10116-06163	6	
98100						
990601 -				98100-29100	1	
990601 -				98100-29900	1	
990901 -				98100-25000	1	
98120A						
990601 -				98120-29000	4	
98165B						
990601 -				98265-22100	1	
98200						
990601 -				98200-25000	1	
990601 -				98200-25900	1	
98248B						
990601 -				98248-37000	2	
98305A						
990601 -				98351-22000	1	DRIVER
990601 -				98361-22000	1	PASS
98310						
990601 -				98310-25000	1	DRIVER
990601 -				98320-25000	1	PASS
990601 -				98310-25900	1	
990601 -				98320-25900	1	
98350A						
990601 -				98350-22020	1	DRIVER
990601 -				98360-22020	1	PASS
98356						
990601 -				98356-22000	1	

4-M3

91-986 WINDSHIELD WASHER

BA.G0112-583



P N C	MODEL APPLICABLE		R E P	PART NO. (REPL P/NO)	Q T Y	REMARKS
	FROM-UP-TO	TYPE				
1125GA						
980601 -				11253-06163 (11253-06203)	1	
1125GB						
991122 -				11253-06203	1	
1129AE						
990601 -				11290-06161 (11290-06163)	1	
81199						
990601 -				81199-33000	5	
990601 -				81199-33000	1	
86592A						
990601 -				86691-37000	1	
98510A						
990601 -				98510-25000	1	
990601 -				98510-25100	1	
98516						
990601 -				98516-21100	1	
98620						
990601 -				98620-25100	1	
98620A						
990601 -				98630-25000	2	
990601 -				98630-25900	2	
98622						
990601 -				98622-14200	1	
98623						
990601 -				98623-22000	1	

4-A 4

91-986 WINDSHIELD WASHER

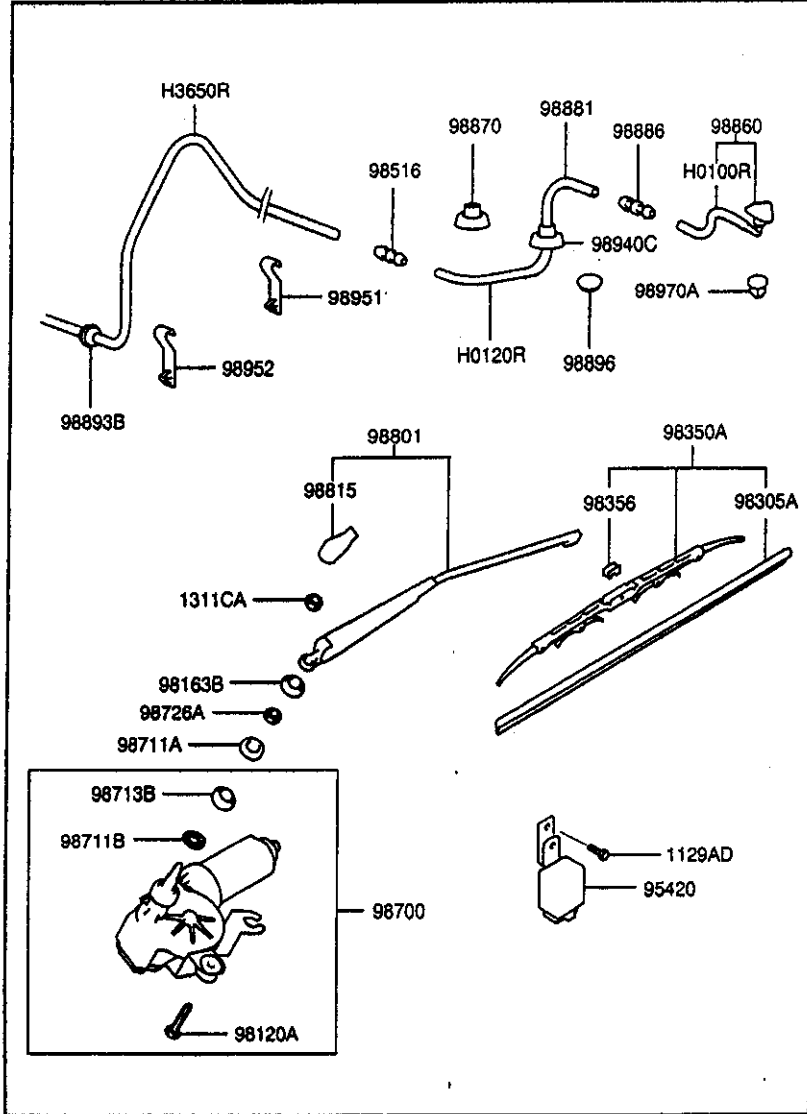
BA,00112-584

P N C		MODEL APPLICABLE		R E P	PART NO. (REPL P/NO)	Q T Y	REMARKS	P N C		MODEL APPLICABLE		R E P	PART NO. (REPL P/NO)	Q T Y	REMARKS	
FROM-UP-TO	TYPE	DESCRIPTION						FROM-UP-TO	TYPE	DESCRIPTION						
98652B		CONNECTOR-W/SHLD WASHER HOSE														
990601 -		(S)CONNECTOR			98651-25000	1										
98662B		ALL														
990601 -		CLIP-HOSE														
98664		(S)SUJETADOR			98662-24000	4										
990601 -		ALL 9880														
98664		CONNECTOR-W/SHLD WASHER														
990601 -		(S)CONNECTOR			98664-33000	1										
H0100R		ALL														
990601 -		HOSE														
H0310R		(S)MANGUERA(CAUCHO L=1000)			9J700-31000	1	SIR,RUBBER,L=100									
990601 -		ALL														
H0310R		HOSE														
990601 -		(S)MANGUERA(CAUCHO L=310)			9J700-31000	2	SIR,RUBBER,L=310									
990601 -		ALL			9J700-31000	1	SIR,RUBBER,L=310									
H0400R		HOSE														
990601 -		(S)MANGUERA(CAUCHO L=400)			9J700-31000	1	SIR,RUBBER,L=400									
H0600R		ALL														
990601 -		HOSE														
H1320R		(S)MANGUERA(CAUCHO L=600)			9J700-31000	1	SIR,RUBBER,L=600									
990601 -		ALL														
H1320R		HOSE														
990601 -		(S)MANGUERA(CAUCHO L=1320)			9J700-31000	1	SIR,RUBBER,L=1320									
990601 -		ALL														

4-B 4

91-988 REAR WIPER & WASHER

BA.G0112- 585



P N C	MODEL APPLICABLE		R E P	PART NO. (REPL P/NO)	Q T Y	REMARKS
	FROM-UP-TO	TYPE				
1129AD						
990601 -				11290-06141 (11290-06143)	1	
990601 -				11290-06141 (11290-06143)	1	
990601 -				11290-06141 (11290-06143)	1	
990601 -				11290-06141 (11290-06143)	1	
1311CA						
990601 -				13110-08001 (13110-08003)	1	
990601 -				13110-08001 (13110-08003)	1	
990601 -				13110-08001 (13110-08003)	1	
990601 -				13110-08001 (13110-08003)	1	
95420						
990601 -				95420-25000	1	
990601 -				95420-25000	1	
990601 -				95420-25000	1	
990601 -				95420-25000	1	
98120A						
990601 -				98716-29600	2	
990601 -				98716-29600	2	
990601 -				98716-29600	2	
990601 -				98716-29600	2	
98163B						
990601 -				98712-29600	1	
990601 -				98712-29600	1	
990601 -				98712-29600	1	
990601 -				98712-29600	1	

AD:3DR.GL AQ:3DR.GLS DG:3DR.GLS DS:3DR.L 9880:WIPER-FR WINDOW

4-C 4

91-988 REAR WIPER & WASHER

BA,00113-596

P N C	MODEL APPLICABLE		PART NO. (REPL P/NO)	Q T Y	REMARKS
	FROM-UP-TO	TYPE DESCRIPTION			
98305A		BLADE-W/SHLD WIPER (S)CONJUNTO CUCHICLA			
990601 -	AD	9880	98361-22000	1	PASS
990601 -	AG	9880	98361-22000	1	PASS
990601 -	DG	9880	98361-22000	1	PASS
990601 -	DS	9880	98361-22000	1	PASS
98350A		BLADE ASSY-W/SHLD WPR (S)CONJUNTO CUCHICLA			
990601 -	AD	9880	98360-22020	1	PASS
990601 -	AG	9880	98360-22020	1	PASS
990601 -	DG	9880	98360-22020	1	PASS
990601 -	DS	9880	98360-22020	1	PASS
98356		CLIP-W/SHLD WIPER BLADE (S)SUJETADOR			
990601 -	AD	9880	98356-22000	1	
990601 -	AG	9880	98356-22000	1	
990601 -	DG	9880	98356-22000	1	
990601 -	DS	9880	98356-22000	1	
98516		CONNECTOR-W/SHLD WASHER (S)CONECTOR			
990601 -	AD	9880	98516-21100	1	
990601 -	AG	9880	98516-21100	1	
990917 -	DG	9880	98516-21100	1	
990917 -	DS	9880	98516-21100	1	
98700		MOTOR & LINKAGE ASSY-RR WIPER (S)CONJ. ARTICULACION & MOTOR			
990601 -	AD	9880	98700-25000	1	
990601 -	AG	9880	98700-25000	1	
990601 -	DG	9880	98700-25000	1	
990601 -	DS	9880	98700-25000	1	
98711A		CAP & PAD ASSY (S)CONJ. ALMOHADILLA & TAPA			
990601 -	AD	9880	98714-25000	1	
990601 -	AG	9880	98714-25000	1	
990601 -	DG	9880	98714-25000	1	
990601 -	DS	9880	98714-25000	1	
98711B		SUPPORT (S)SOPORTE			
990601 -	AD	9880	98711-25000	1	

P N C	MODEL APPLICABLE		PART NO. (REPL P/NO)	Q T Y	REMARKS
	FROM-UP-TO	TYPE DESCRIPTION			
CONTINUED					
98711B		SUPPORT (S)SOPORTE			
990601 -	AG	9880	98711-25000	1	
990601 -	DG	9880	98711-25000	1	
990601 -	DS	9880	98711-25000	1	
98713B		PAD (S)ALMOHADILLA			
990601 -	AD	9880	98713-25000	1	
990601 -	AG	9880	98713-25000	1	
990601 -	DG	9880	98713-25000	1	
990601 -	DS	9880	98713-25000	1	
98726A		NUT-HEX (S)TUERCA			
990601 -	AD	9880	98726-29600	1	
990601 -	AG	9880	98726-29600	1	
990601 -	DG	9880	98726-29600	1	
990601 -	DS	9880	98726-29600	1	
98801		ARM ASSY-RR WIPER (S)CONJUNTO BRAZO			
990601 -	AD	9880	98810-25000	1	
990601 -	AG	9880	98810-25000	1	
990601 -	DG	9880	98810-25000	1	
990601 -	DS	9880	98810-25000	1	
98815		CAP-RR WIPER ARM (S)TAPA			
990601 -	AD	9880	98815-22000	1	
990601 -	AG	9880	98815-22000	1	
990601 -	DG	9880	98815-22000	1	
990601 -	DS	9880	98815-22000	1	
98860		NOZZLE ASSY-RR WASHER (S)CONJ. TOBERA			
990601 -	AD	9880	98930-27000	1	
990601 -	AG	9880	98930-27000	1	
990917 -	DG	9880	98930-27000	1	
990917 -	DS	9880	98930-27000	1	
98870		COVER-RR WASHER BLANKING HOLE (S)CUBIERTA			
990601 - 991108	AD		98940-27300	2	

CONTINUED

4-D 4

91-988 REAR WIPER & WASHER

BA,G0112- 587

P N C		MODEL APPLICABLE		R E P	PART NO. (REPL P/NO)	Q T Y	REMARKS	P N C		MODEL APPLICABLE		R E P	PART NO. (REPL P/NO)	Q T Y	REMARKS
FROM-UP-TO	TYPE	DESCRIPTION						FROM-UP-TO	TYPE	DESCRIPTION					
CONTINUED								98896 COVER-RR WASHER BLANKING HOLE							
98870 COVER-RR WASHER BLANKING HOLE (S)CUBIERTA								(S)CUBIERTA							
991108 -	AD				98940-27300	1		991108 -	AD				98896-24000	1	
990601 - 991108	AG				98940-27300	2		991108 -	AG				98896-24000	1	
991108 -	AG				98940-27300	1		991108 -	DG				98896-24000	1	
990601 - 991108	DG				98940-27300	2		991108 -	DS				98896-24000	1	
991108 -	DG				98940-27300	1		98940C GROMMET-RR WASHER HOSE							
990601 - 991108	DS				98940-27300	2		(S)GROMMET							
991108 -	DS				98940-27300	1		990601 -	AD 9880				98940-27200	1	
98881 CONNECTOR-RR WASHER (S)CONECTOR								990601 - AG 9880 98940-27200							
990601 -	AD 9880				98881-25000	1		990917 -	DG 9880				98940-27200	1	
990601 -	AG 9880				98881-25000	1		990917 -	DS 9880				98940-27200	1	
990917 -	DG 9880				98881-25000	1		98951 CLIP-RR WASHER HOSE (S)SUJETADOR							
990917 -	DS 9880				98881-25000	1		990601 -	AD 9880				98951-25000	10	
98886 CHECK VALVE ASSY-WASHER (S)CONJ. VALVULA COMPROBACION								990601 - AG 9880 98951-25000							
990601 -	AD 9880				98886-29000	1		990917 -	DG 9880				98951-25000	9	
990601 -	AG 9880				98886-29000	1		990917 -	DS 9880				98951-25000	9	
990917 -	DG 9880				98886-29000	1		98952 CLIP-WASHER HOSE (S)SUJETADOR							
990917 -	DS 9880				98886-29000	1		990917 -	DG 9880				98952-25000	1	
98893B GROMMET-WASHER HOSE (S)ARANDELA DE CABO								990917 - DS 9880 98952-25000							
990601 -	AD				98893-24100	2		98970A COVER-RR WASHER NOZZLE (S)CUBIERTA							
990601 -	AD				98893-24100	1		990601 -	AD				98970-25000	1	
990601 -	AD 9880				98893-24000	1		990601 -	AG				98970-25000	1	
990601 -	AG				98893-24100	2		990601 -	DG				98970-25000	1	
990601 -	AG				98893-24100	1		990601 -	DS				98970-25000	1	
990601 -	AG 9880				98893-24000	1		H0100R HOSE (S)MANGUERA(CAUCHO L=1000)							
990601 -	DG				98893-24100	2		990601 -	AD 9880				9J700-31000	1	SIR,RUBBER,L=100
990917 -	DG				98893-24100	1		990601 -	AG 9880				9J700-31000	1	SIR,RUBBER,L=100
990917 -	DG 9880				98893-24000	1		990917 -	DG 9880				9J700-31000	1	SIR,RUBBER,L=100
990601 -	DS				98893-24100	2		990917 -	DS 9880				9J700-31000	1	SIR,RUBBER,L=100
990917 -	DS				98893-24100	1		H0120R HOSE (S)MANGUERA(CAUCHO L=120)							
990917 -	DS 9880				98893-24000	1		990601 - 991108	AD 9880				9J700-31000	1	SIR,RUBBER,L=120
990917 -	FD				98893-24100	2		990601 - 991108	AG 9880				9J700-31000	1	SIR,RUBBER,L=120
990917 -	FG				98893-24100	2		990917 - 991108	DG 9880				9J700-31000	1	SIR,RUBBER,L=120
CONTINUED								CONTINUED							

AD:5DR,GL AG:5DR,GLS DG:3DR,GLS DS:3DR,L FD:4DR,GL FG:4DR,GLS

9880:WIPER-RR WINDOW

4-E4

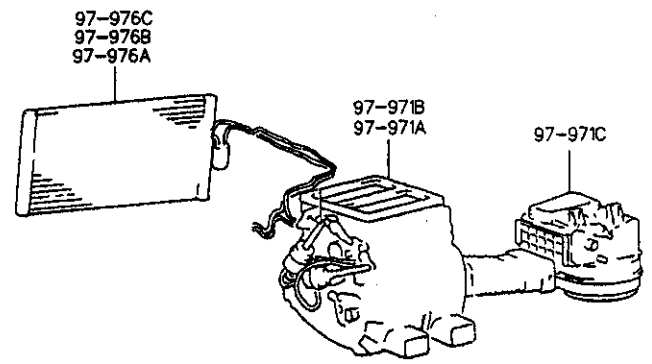
91-988 REAR WIPER & WASHER

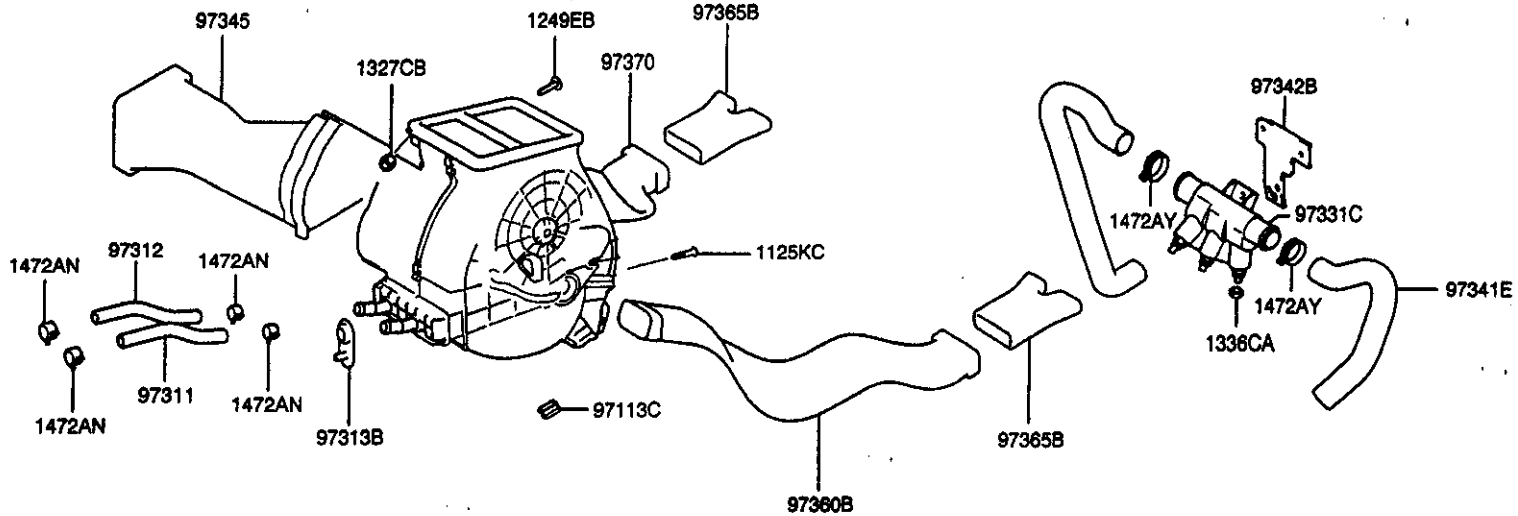
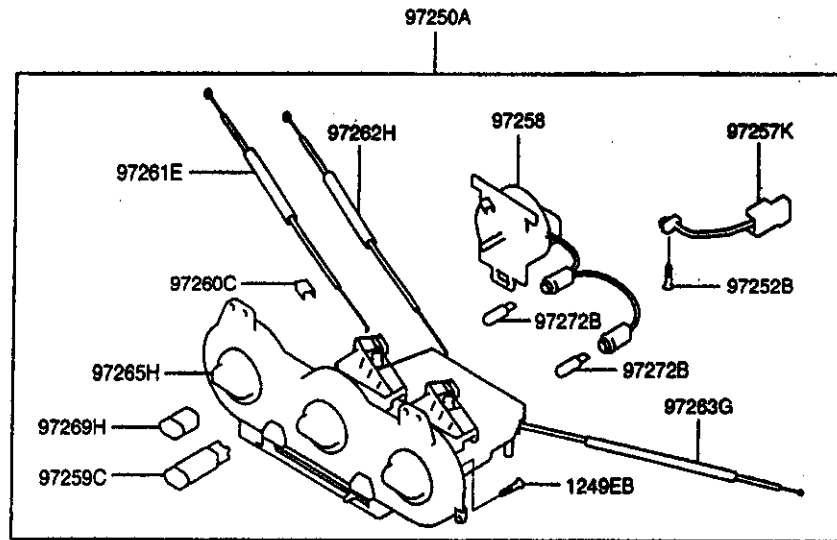
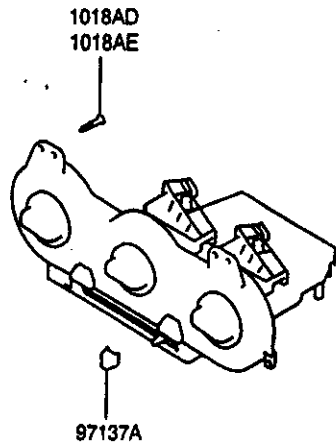
BA,00112-588

P N C		MODEL APPLICABLE		R E P	PART NO. (REPL PNO)	Q T Y	REMARKS	P N C		MODEL APPLICABLE		R E P	PART NO. (REPL PNO)	Q T Y	REMARKS	
FROM-UP-TO	TYPE	DESCRIPTION						FROM-UP-TO	TYPE	DESCRIPTION						
CONTINUED																
	H0120R		HOSE (SMANGUERA(CAUCHO L=120))													
990917 - 991108	DS	9880			9J700-31000	1	SIR,RUBBER,L=120									
	H3650R		HOSE (SMANGUERA													
990801 -	AD	9880			9J700-31000	1	SIR,RUBBER,L=3650									
990601 -	AQ	9880			9J700-31000	1	SIR,RUBBER,L=3650									
990917 -	DG	9880			9J700-31000	1	SIR,RUBBER,L=3650									
990917 -	DS	9880			9J700-31000	1	SIR,RUBBER,L=3650									

97	HEATER & A/C
-----------	-------------------------

97-971A HEATER SYSTEM-CONTROL & DUCT	4-G 4
97-971B HEATER SYSTEM-HEATER UNIT.....	4-M 4
97-971C HEATER SYSTEM-BLOWER UNIT	4-C 5
97-976A A/C SYSTEM-COOLER LINE	4-E 5
97-976B A/C SYSTEM-COMPRESSOR.....	4-C 6
97-976C A/C SYSTEM-EVAPORATOR	4-E 6





4-H 4

97-971A HEATER SYSTEM-CONTROL & DUCT

BA.G0112- 591

P N C	MODEL APPLICABLE		R E P	PART NO. (REPL P/NO)	Q T Y	REMARKS	P N C	MODEL APPLICABLE		R E P	PART NO. (REPL P/NO)	Q T Y	REMARKS
	FROM-UP-TO	TYPE						DESCRIPTION	FROM-UP-TO				
1018AD		SCREW-TAPPING (S)TORNILLO					1249EB		SCREW-TAPPING (S)TORNILLO				
990601 - 991101		ALL P3B,P35		10188-05163	2		990601 -		ALL LHD	Y	12492-04123 (12418-04123)	2	
990601 - 991101		AD L35,L45,P6B		10188-05163	2		990601 -		ALL RHD	Y	12492-04123 (12418-04123)	2	
990601 - 991101		AG P6B,P65		10188-05163	2		1327CB		NUT(W/WASHER) (S)TUERCA				
990601 - 991101		DG P65		10188-05163	2		990601 -		ALL	Y	13271-06001 (13271-06003)	6	
990601 - 991101		DS L35,L45		10188-05163	2		990601 -		ALL P3B,P35	Y	13271-06001 (13271-06003)	7	
990601 - 991101		FD L35,L45		10188-05163	2		990601 -		AD L35,L45,P6B	Y	13271-06001 (13271-06003)	7	
990601 - 991101		FG P6B,P65		10188-05163	2		990601 -		AG P6B,P65	Y	13271-06001 (13271-06003)	7	
1018AE		SCREW-TAPPING (S)TORNILLO					990601 -		DG P65	Y	13271-06001 (13271-06003)	7	
991101 -		ALL P3B,P35		10188-05203	2		990601 -		DS L35,L45	Y	13271-06001 (13271-06003)	7	
991101 -		AD L35,L45,P6B		10188-05203	2		990601 -		FD L35,L45	Y	13271-06001 (13271-06003)	7	
991101 -		AG P6B,P65		10188-05203	2		990601 -		FG P6B,P65	Y	13271-06001 (13271-06003)	7	
991101 -		DG P65		10188-05203	2		1336AC		NUT-FLANGE (S)				
991101 -		DS L35,L45		10188-05203	2		020101 -		ALL LHD>TCI:9760		13365-06003	2	
991101 -		FD L35,L45		10188-05203	2		1472AN		CLAMP-HOSE (S)ABRAZADERA				
991101 -		FG P6B,P65		10188-05203	2		990601 -		ALL P3B,P35		14720-21006B	2	
1125KC		BOLT(W/WASHER) (S)CONJ.ARANDELA					020101 -		ALL TCI		14720-21006B	1	
990601 -		ALL P3B,P35	Y	11254-06203 (11254-06206B)	2		990601 -		AD L35,L45,P6B		14720-21006B	2	
990601 -		ALL	Y	11254-06203 (11254-06206B)	1		990601 -		AG P6B,P65		14720-21006B	2	
990601 -		AD L35,L45,P6B	Y	11254-06203 (11254-06206B)	2		990601 -		DG P65		14720-21006B	2	
990601 -		AG P6B,P65	Y	11254-06203 (11254-06206B)	2		990601 -		DS L35,L45		14720-21006B	2	
990601 -		DG P65	Y	11254-06203 (11254-06206B)	2		990601 -		FD L35,L45		14720-21006B	2	
990601 -		DS L35,L45	Y	11254-06203 (11254-06206B)	2		990601 -		FG P6B,P65	Y	11254-06203 (11254-06206B)	2	
990601 -		FD L35,L45	Y	11254-06203 (11254-06206B)	2								
990601 -		FG P6B,P65	Y	11254-06203 (11254-06206B)	2								

P N C		MODEL APPLICABLE		R E P	PART NO. (REPL PNO)	Q T Y	REMARKS	P N C		MODEL APPLICABLE		R E P	PART NO. (REPL PNO)	Q T Y	REMARKS
FROM-UP-TO	TYPE	DESCRIPTION						FROM-UP-TO	TYPE	DESCRIPTION					
1472AY		CLAMP-HOSE						CONTINUED							
020101 -		(S)CONJ.ABRAZADERA						97250A		CONTROL ASSY-HEATER					
		ALL LHD>TC;9780			14720-26006	1			990611 - 010701	ALL LHD;8712,9451,98GK			97250-25100	1	
97113C		CLAMP-CONTROL CABLE							990611 - 010701	ALL LHD;9242,9451,9780			97250-25200	1	
		(S)ABRAZADERA							990611 - 010701	ALL LHD;9451,98GK			97250-25100	1	
990601 -		ALL P3B,P35			97113-02000	2			990611 - 010701	ALL LHD;98GJ			97250-25100	1	
990601 -		ALL			97113-02000	1			990611 - 010701	ALL RHD;8711,9451,98HB			97250-25800	1	
990601 -		AD L35,L45,P6B			97113-02000	2			990611 - 010701	ALL RHD;8712,9451,98GK			97250-25800	1	
990601 -		AG P6B,P65			97113-02000	2			990609 - 010701	ALL LHD;8711,9242,9451,98GK			97250-25100	1	
990601 -		DQ P65			97113-02000	2			000612 -	ALL LHD;8712,9630			97250-25100	1	
990601 -		DS L35,L45			97113-02000	2			000612 -	ALL RHD;9780			97250-25700	1	
990601 -		FD L35,L45			97113-02000	2			000612 - 010315	ALL LHD;8712,9241,9451,98GJ			97250-25100	1	
990601 -		FG P6B,P65			97113-02000	2			000612 - 010701	ALL LHD;8711,9241,9451,98HB			97250-25100	1	
97137A		KNOB							010701 -	ALL LHD;8711,9241,9451,98HN			97250-25100	1	
		(S)PERILLA							010701 -	ALL LHD;8711,9451,98HN			97250-25100	1	
990601 -		ALL LHD			97268-25100	1			010701 -	ALL LHD;8712,9241,9451,98HN			97250-25100	1	
990601 -		ALL RHD			97268-25100	1			010701 -	ALL LHD;8712,9451,98HN			97250-25100	1	
97250A		CONTROL ASSY-HEATER							010901 -	ALL LHD;8711,98HN			97250-25100	1	
		(S)CONJUNTO CONTROL							97252B	SCREW-TAPPING					
990601 -		ALL LHD;8711,9451,9830			97250-25100	1				(S)TORNILLO					
990601 -		ALL LHD;8711,9830			97250-25100	1			990601 -	ALL LHD;9780			97255-25100	2	
990601 -		ALL LHD;9780			97250-25150	1			990601 - 000612	ALL RHD;9780			97255-25100	2	
990601 -		ALL RHD;8711,9241,9451,9830			97250-25800	1			97257K	SWITCH ASSY-DEFROSTER					
990601 -		ALL RHD;8711,9451,9830			97250-25800	1				(S)CONJ. CONMUTADOR					
990601 -		ALL RHD;8711,9630			97250-25800	1			990601 -	ALL LHD;9780			97257-25100	1	
990601 - 990611		ALL LHD;8711,9241,9451			97250-25100	1			990601 - 000612	ALL RHD;9780			97257-25100	1	
990601 - 990611		ALL LHD;8711,9451			97250-25100	1			97258	SWITCH ASSY-BLOWER					
990601 - 990611		ALL LHD;8712,9241,9451			97250-25100	1				(S)CONJ. CONMUTADOR					
990601 - 990611		ALL LHD;8712,9451			97250-25100	1			990601 -	ALL LHD			97258-25100	1	
990601 - 990611		ALL RHD;8711,9451			97250-25800	1			990601 - 010101	ALL RHD			97258-25100	1	
990601 - 000612		ALL RHD;9780			97250-25850	1			010101 -	ALL RHD			97258-25800	1	
990601 - 010701		ALL LHD;9630			97250-25100	1			97259C	SWITCH ASSY-A/C					
990611 - 010315		ALL LHD;8712,9241,9451,98GK			97250-25100	1				(S)CONJ. CONMUTADOR					
990611 - 010611		ALL RHD;98GK			97250-25800	1			990601 -	ALL LHD;9780			97259-25100	1	
990611 - 010701		ALL LHD;8711,9241,9451,98GJ			97250-25100	1			990601 -	ALL RHD;9780			97259-25100	1	
990611 - 010701		ALL LHD;8711,9241,9451,98GK			97250-25100	1			97260C	CLIP-CABLE MT'G					
990611 - 010701		ALL LHD;8711,9451,98GJ			97250-25100	1				(S)SUJETADOR					
990611 - 010701		ALL LHD;8711,9451,98GK			97250-25100	1			990601 -	ALL LHD			97260-25100	3	
990611 - 010701		ALL LHD;8712,9451,98GJ			97250-25100	1			CONTINUED						

4-J 4

97-971A HEATER SYSTEM-CONTROL & DUCT

BA,G0112- 593

P N C		MODEL APPLICABLE		R E P	PART NO. (REPL P/NO)	Q T Y	REMARKS	P N C		MODEL APPLICABLE		R E P	PART NO. (REPL P/NO)	Q T Y	REMARKS
FROM-UP-TO	TYPE	DESCRIPTION						FROM-UP-TO	TYPE	DESCRIPTION					
CONTINUED								CONTINUED							
		97260C	CLIP-CABLE MT'G (S)SUJETADOR					97269H	BLANKING-COVER (S)INTERRUPTOR						
990601 -			ALL RHD		97260-25100	3		990611 - 010701	ALL LHD;8711,9451,96GK			97269-25100	1		
		97261E	MODE CABLE (S)CABLE DE MODO					990611 - 010701	ALL LHD;8712,9451,96GJ			97269-25100	1		
990601 -			ALL LHD		97261-25100	1		990611 - 010701	ALL LHD;8712,9451,96GK			97269-25100	1		
990601 -			ALL RHD		97261-25100	1		990611 - 010701	ALL LHD;9451,96GK			97269-25100	1		
		97262H	TEMP CABLE (S)CABLE DE TEMPERATURA					990611 - 010701	ALL LHD;96GJ			97269-25100	1		
990601 -			ALL LHD		97262-25100	1		990611 - 010701	ALL RHD;8711,9451,96HB			97269-25100	1		
990601 -			ALL RHD		97262-25100	1		990611 - 010701	ALL RHD;8712,9451,96GK			97269-25100	1		
		97263G	CABLE-INTAKE (S)CABLE					990809 - 010701	ALL LHD;8711,9242,9451,96GK			97269-25100	1		
990601 -			ALL LHD		97263-25100	1		000612 -	ALL LHD;8712,9630			97269-25100	1		
990601 - 000612			ALL RHD		97263-25100	1		000612 - 010315	ALL LHD;8712,9241,9451,96GJ			97269-25100	1		
000612 -			ALL RHD		97263-25800	1		000612 - 010701	ALL LHD;8711,9241,9451,96HB			97269-25100	1		
		97265H	KNOB ASSY-ROTARY (S)CONJ. PERILLA					010701 -	ALL LHD;8711,9241,9451,96HN			97269-25100	1		
990601 -			ALL LHD		97265-25100	3		010701 -	ALL LHD;8711,9451,96HN			97269-25100	1		
990601 -			ALL RHD		97265-25100	3		010701 -	ALL LHD;8712,9241,9451,96HN			97269-25100	1		
		97269H	BLANKING-COVER (S)INTERRUPTOR					010901 -	ALL LHD;8711,96HN			97269-25100	1		
990601 -			ALL LHD;8711,9451,9630		97269-25100	1			97272B	BULB (S)BOMBILLA					
990601 -			ALL LHD;8711,9630		97269-25100	1		990601 -	ALL LHD			97241-25100	2		
990601 -			ALL RHD;8711,9241,9451,9630		97269-25100	1		990601 -	ALL RHD;8711,9241,9451,9630			97241-25100	2		
990601 -			ALL RHD;8711,9451,9630		97269-25100	1		990601 -	ALL RHD;8711,9241,9451,9630, 9760			97241-25100	2		
990601 -			ALL RHD;8711,9630		97269-25100	1		990601 -	ALL RHD;8711,9451,9630			97241-25100	2		
990601 - 990611			ALL LHD;8711,9241,9451		97269-25100	1		990601 -	ALL RHD;8711,9451,9630,9760			97241-25100	2		
990601 - 990611			ALL LHD;8711,9451		97269-25100	1		990601 -	ALL RHD;8711,9630			97241-25100	2		
990601 - 990611			ALL LHD;8712,9241,9451		97269-25100	1		990601 -	ALL RHD;8711,9630,9760			97241-25100	2		
990601 - 990611			ALL LHD;8712,9451		97269-25100	1		990601 - 990611	ALL RHD;8711,9241,9451,9760			97241-25100	2		
990601 - 990611			ALL RHD;8711,9451		97269-25100	1		990801 - 990611	ALL RHD;8711,9451			97241-25100	2		
990601 - 010701			ALL LHD;9630		97269-25100	1		990601 - 990611	ALL RHD;8711,9451,9760			97241-25100	2		
990611 - 010315			ALL LHD;8712,9241,9451,96GK		97269-25100	1		990601 - 990611	ALL RHD;8712,9241,9451,9760			97241-25100	2		
990611 - 010611			ALL RHD;96GK		97269-25100	1		990601 - 990611	ALL RHD;8712,9451,9760			97241-25100	2		
990611 - 010701			ALL LHD;8711,9241,9451,96GJ		97269-25100	1		990601 - 010611	ALL RHD;9630,9760			97241-25100	2		
990611 - 010701			ALL LHD;8711,9241,9451,96GK		97269-25100	1		990611 - 010811	ALL RHD;9451,96GK,9760			97241-25100	2		
990611 - 010701			ALL LHD;8711,9451,96GJ		97269-25100	1		990611 - 010811	ALL RHD;96GK			97241-25100	2		
CONTINUED								CONTINUED							

8711-GLASS-BLUTE(CLEAR WITH HTD) 8712-GLASS-BLUTE(TINTD WITH HTD) 9241-LAMP-FOG(P/R) 9451-CLOCK-AUTO(DIGITAL) 9630-AUDIO BLANK'G COVER-GENERAL 96GJ-RADIO(H 900S)
96GK-RADIO-CASS(H 900A) 96HB-RADIO-CD(H 930C) 96HN-RADIO-CASS(H 220) 9760-AIR CON

4-K4

97-971A HEATER SYSTEM-CONTROL & DUCT

BA,00112-594

P N C		MODEL APPLICABLE		R E P	PART NO. (REPL. P/NO)	Q T Y	REMARKS	P N C		MODEL APPLICABLE		R E P	PART NO. (REPL. P/NO)	Q T Y	REMARKS	
FROM-UP-TO	TYPE	DESCRIPTION						FROM-UP-TO	TYPE	DESCRIPTION						
CONTINUED								CONTINUED								
97272B		BULB (S)BOMBILLA						97311		HOSE-HEATER COOLANT INLET (S)MANGUERA						
990611 - 010701		ALL RHD;8711,9241,9242,9451, 96GK,9760			97241-25100	2		990601 - 000915	AD	M-D		97311-25150	1			
990611 - 010701		ALL RHD;8711,9241,9451,96GJ, 9760			97241-25100	2		000915 - 010312	AD	M-D		97310-25160	1			
990611 - 010701		ALL RHD;8711,9241,9451,96GK, 9760			97241-25100	2		010312 -	AD	M-D		97310-25161	1			
990611 - 010701		ALL RHD;8711,9241,9451,96HB, 9760			97241-25100	2		990601 - 000915	AG	M-D		97311-25150	1			
990611 - 010701		ALL RHD;8711,9451,96GK,9760			97241-25100	2		000915 - 010312	AG	M-D		97310-25160	1			
990611 - 010701		ALL RHD;8711,9451,96HB			97241-25100	2		010312 -	AG	M-D		97310-25161	1			
990611 - 010701		ALL RHD;8711,9451,96HB,9760			97241-25100	2		990601 - 000915	DG	M-D		97311-25150	1			
990611 - 010701		ALL RHD;8711,96GK,9760			97241-25100	2		000915 - 010312	DG	M-D		97310-25160	1			
990611 - 010701		ALL RHD;8712,9241,9451,96GJ, 9760			97241-25100	2		010312 -	DG	M-D		97310-25161	1			
990611 - 010701		ALL RHD;8712,9241,9451,96GK, 9760			97241-25100	2		990601 -	DS	CON		97311-25200	1			
990611 - 010701		ALL RHD;8712,9241,9451,96HB, 9760			97241-25100	2		990601 -	FD	CON		97311-25200	1			
990611 - 010701		ALL RHD;8712,9451,96GJ,9760			97241-25100	2		990601 - 000915	FG	M-D		97311-25150	1			
990611 - 010701		ALL RHD;8712,9451,96HB,9760			97241-25100	2		000915 - 010312	FG	M-D		97310-25160	1			
010701 -		ALL RHD;8711,9241,9451,96HL, 9760			97241-25100	2		010312 -	FG	M-D		97310-25161	1			
010701 -		ALL RHD;8711,9241,9451,96HN, 9760			97241-25100	2		97312	HOSE-HEATER COOLANT OUTLET (S)MANGUERA							
010701 -		ALL RHD;8711,9451,96HN,9760			97241-25100	2		020101 -	ALL	LHD>TCI;9760		97320-25300	1			
010701 -		ALL RHD;8711,96HN,9760			97241-25100	2		990601 -	AD	L35,L45,P3B,P35		97321-25000	1			
010701 -		ALL RHD;8712,9241,9451,96HN, 9760			97241-25100	2		990601 - 000915	AD	M-D		97321-25160	1			
010701 -		ALL RHD;8712,9451,96GK,9760			97241-25100	2		000915 -	AD	M-D		97320-25160	1			
010701 -		ALL RHD;8712,9451,96HB,9760			97241-25100	2		990601 -	AG	M-S		97321-25000	1			
010701 -		ALL RHD;8711,9241,9451,96HL, 9760			97241-25100	2		990601 - 000915	AG	M-D		97321-25150	1			
010701 -		ALL RHD;8711,9241,9451,96HN, 9760			97241-25100	2		000915 -	AG	M-D		97320-25160	1			
010701 -		ALL RHD;8711,9451,96HN,9760			97241-25100	2		990601 -	DG	M-S		97321-25000	1			
010701 -		ALL RHD;8711,96HN,9760			97241-25100	2		990601 - 000915	DG	M-D		97321-25150	1			
010701 -		ALL RHD;8712,9241,9451,96HN, 9760			97241-25100	2		000915 -	DG	M-D		97320-25160	1			
010701 -		ALL RHD;8712,9451,96HN,9760			97241-25100	2		990601 -	DS	L35,L45,P3B,P35		97321-25000	1			
97311		HOSE-HEATER COOLANT INLET (S)MANGUERA						990601 -	FD	L35,L45,P3B,P35		97321-25000	1			
990601 -		ALL M-S			97311-25000	1		990601 -	FG	M-S		97321-25000	1			
020101 -		ALL LHD>TCI;9760			97310-25300	1		990601 - 000915	FG	M-D		97321-25150	1			
990601 -		AD CON			97311-25200	1		000915 -	FG	M-D		97320-25160	1			
CONTINUED								97313B		GROMMET-HEATER PIPE (S)ARANDELA DE CABO						
CONTINUED								990601 -		ALL			97313-22100	2		

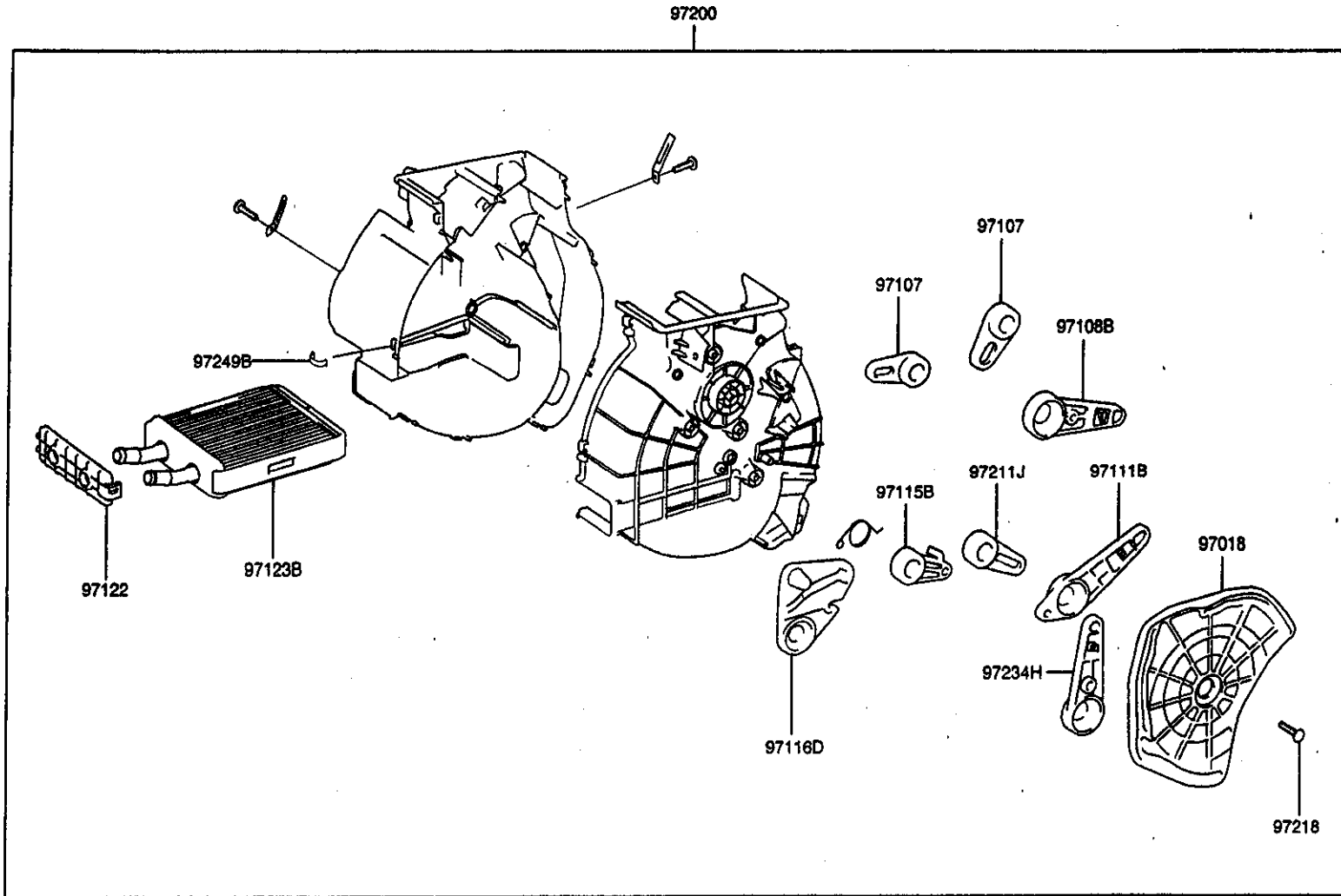
AD:DR.GL AG:DR.GL DG:DR.GL DS:DR.L FD:DR.GL FG:DR.GL 9711:GLASS-BLITE(CLEAR WITH HTD) 8712:GLASS-BLITE(TINTD WITH HTD) 9241:LAMP-FG(FR) 9242:LAMP-FG(RR) 9451:CLOCK-AUTO(DIGITAL)
96GJ:RADIO(M 900B) 96GK:RADIO+CASS(M 900A) 96HB:RADIO+CD(H 920C) 96HL:RADIO+CD(H 280) 96HN:RADIO+CASS(H 220) 9760:AIR CON

4-L4

97-971A HEATER SYSTEM-CONTROL & DUCT

BA,G0112-595

P N C		MODEL APPLICABLE		R E P	PART NO. (REPL P/NO)	Q T Y	REMARKS	P N C		MODEL APPLICABLE		R E P	PART NO. (REPL P/NO)	Q T Y	REMARKS	
FROM-UP-TO	TYPE	DESCRIPTION						FROM-UP-TO	TYPE	DESCRIPTION						
		97331C														
		020101 -			97331-25300	1										
		97341E														
		020101 -			97341-26000	1										
		97342B														
		020101 -			97351-25300	1										
		97345														
		990601 -			97345-25000	1										
		990601 -			97345-25000	1										
		990601 -			97345-25900	1										
		990601 -			97345-25000	1										
		990601 -			97345-25900	1										
		990601 -			97345-25000	1										
		990601 -			97345-25900	1										
		990601 -			97345-25000	1										
		990601 -			97345-25900	1										
		990601 -			97345-25000	1										
		990601 -			97345-25900	1										
		97360B														
		990601 -			97360-22000	1										
		97365B														
		990601 -			97365-24000	2										
		97370														
		990601 -			97370-22000	1										



4-A 5

97-971B HEATER SYSTEM-HEATER UNIT

BA.G0112- 597

P N C	MODEL APPLICABLE		R E P	PART NO. (REPL P/NO)	Q T Y	REMARKS	P N C	MODEL APPLICABLE		R E P	PART NO. (REPL P/NO)	Q T Y	REMARKS
	FROM-UP-TO	TYPE						DESCRIPTION	FROM-UP-TO				
97018		CAM-MODE					CONTINUED						
		(S)LEVA					97115B						
990601 -		ALL LHD		97212-25000	1						97222-25900	1	
990601 -		ALL RHD>P3B,P35		97212-25900	1						97222-25900	1	
990601 -		AD RHD>L35,L45,P6B		97212-25900	1						97222-25900	1	
990601 -		AG RHD>P6B,P65		97212-25900	1						97222-25900	1	
990601 -		DG RHD>P65		97212-25900	1						97222-25900	1	
990601 -		DS RHD>L35,L45		97212-25900	1								
990601 -		FD RHD>L35,L45		97212-25900	1		97116D						
990601 -		FG RHD>P6B,P65		97212-25900	1								
97107		ARM-VENT DOOR											
		(S)BRAZO											
990601 -		ALL LHD		97224-25000	2						97217-25000	1	
990601 -		ALL RHD>P3B,P35		97224-25900	2						97217-25900	1	
990601 -		AD RHD>L35,L45,P6B		97224-25900	2						97217-25900	1	
990601 -		AG RHD>P6B,P65		97224-25900	2						97217-25900	1	
990601 -		DG RHD>P65		97224-25900	2						97217-25900	1	
990601 -		DS RHD>L35,L45		97224-25900	2						97217-25900	1	
990601 -		FD RHD>L35,L45		97224-25900	2						97217-25900	1	
990601 -		FG RHD>P6B,P65		97224-25900	2						97217-25900	1	
97108B		LEVER-VENT DOOR											
		(S)PALANCA											
990601 -		ALL		97216-25000	1						97214-22000	1	
97111B		LEVER-FLOOR DOOR											
		(S)PALANCA											
990601 -		ALL LHD		97218-25000	1						97200-25000	1	
990601 -		ALL RHD>P3B,P35		97218-25900	1						97200-25900	1	
990601 -		AD RHD>L35,L45,P6B		97218-25900	1						97200-25900	1	
990601 -		AG RHD>P6B,P65		97218-25900	1						97200-25900	1	
990601 -		DG RHD>P65		97218-25900	1						97200-25900	1	
990601 -		DS RHD>L35,L45		97218-25900	1						97200-25900	1	
990601 -		FD RHD>L35,L45		97218-25900	1						97200-25900	1	
990601 -		FG RHD>P6B,P65		97218-25900	1						97200-25900	1	
97115B		ARM-TEMP DOOR											
		(S)BRAZO											
990601 -		ALL LHD		97222-25000	1						97220-25000	1	
990601 -		ALL RHD>P3B,P35		97222-25900	1						97220-25900	1	
990601 -		AD RHD>L35,L45,P6B		97222-25900	1						97220-25900	1	
990601 -		AG RHD>P6B,P65		97222-25900	1						97220-25900	1	
97115B		ARM-TEMP DOOR											
		(S)BRAZO											
990601 -		ALL LHD		97222-25000	1						97220-25000	1	
990601 -		ALL RHD>P3B,P35		97222-25900	1						97220-25900	1	
990601 -		AD RHD>L35,L45,P6B		97222-25900	1						97220-25900	1	
990601 -		AG RHD>P6B,P65		97222-25900	1						97220-25900	1	
97115B		ARM-TEMP DOOR											
		(S)BRAZO											
990601 -		ALL LHD		97222-25000	1						97220-25000	1	
990601 -		ALL RHD>P3B,P35		97222-25900	1						97220-25900	1	
990601 -		AD RHD>L35,L45,P6B		97222-25900	1						97220-25900	1	
990601 -		AG RHD>P6B,P65		97222-25900	1						97220-25900	1	
97115B		ARM-TEMP DOOR											
		(S)BRAZO											
990601 -		ALL LHD		97222-25000	1						97220-25000	1	
990601 -		ALL RHD>P3B,P35		97222-25900	1						97220-25900	1	
990601 -		AD RHD>L35,L45,P6B		97222-25900	1						97220-25900	1	
990601 -		AG RHD>P6B,P65		97222-25900	1						97220-25900	1	
97115B		ARM-TEMP DOOR											
		(S)BRAZO											
990601 -		ALL LHD		97222-25000	1						97220-25000	1	
990601 -		ALL RHD>P3B,P35		97222-25900	1						97220-25900	1	
990601 -		AD RHD>L35,L45,P6B		97222-25900	1						97220-25900	1	
990601 -		AG RHD>P6B,P65		97222-25900	1						97220-25900	1	
97115B		ARM-TEMP DOOR											
		(S)BRAZO											
990601 -		ALL LHD		97222-25000	1						97220-25000	1	
990601 -		ALL RHD>P3B,P35		97222-25900	1						97220-25900	1	
990601 -		AD RHD>L35,L45,P6B		97222-25900	1						97220-25900	1	
990601 -		AG RHD>P6B,P65		97222-25900	1						97220-25900	1	
97115B		ARM-TEMP DOOR											
		(S)BRAZO											
990601 -		ALL LHD		97222-25000	1						97220-25000	1	
990601 -		ALL RHD>P3B,P35		97222-25900	1						97220-25900	1	
990601 -		AD RHD>L35,L45,P6B		97222-25900	1						97220-25900	1	
990601 -		AG RHD>P6B,P65		97222-25900	1						97220-25900	1	

AD:3DR,6L AG:3DR,6LS DG:3DR,6LS DS:3DR,1L FD:4DR,6L FG:4DR,6LS

4-B 5

97-971B HEATER SYSTEM-HEATER UNIT

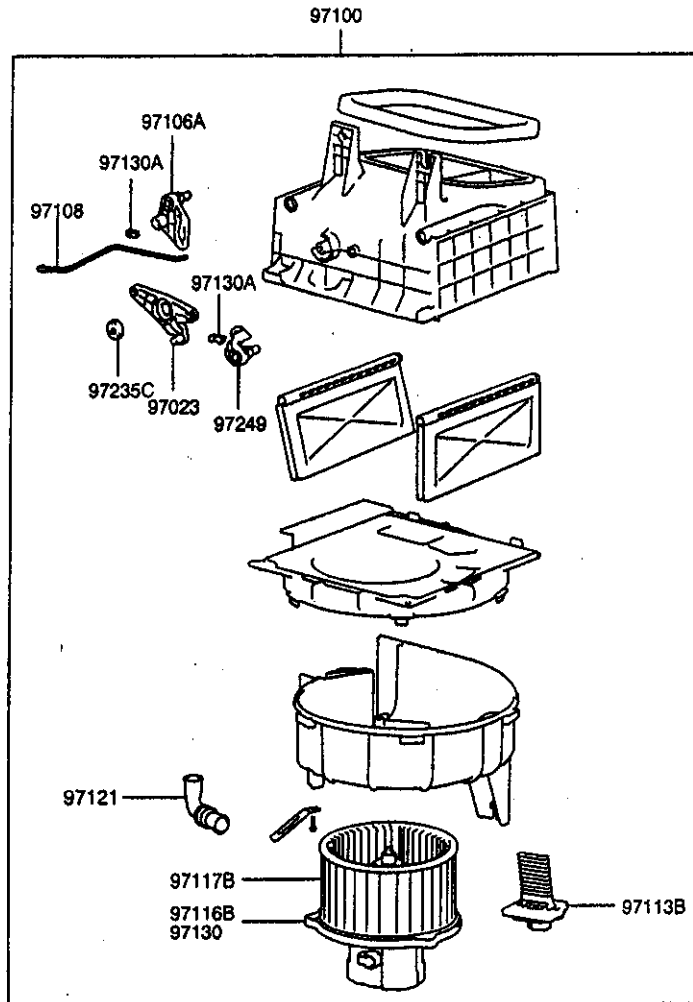
BA,00112- 598

P N C		MODEL APPLICABLE		R E P	PART NO. (REPL PNO)	Q T Y	REMARKS	P N C		MODEL APPLICABLE		R E P	PART NO. (REPL PNO)	Q T Y	REMARKS
FROM-UP-TO	TYPE	DESCRIPTION						FROM-UP-TO	TYPE	DESCRIPTION					
CONTINUED															
	97211J		ARM-DEFROSTER DOOR (S)BRAZO												
990601 -			DG RHD>P85		97220-25900	1									
990601 -			DS RHD>L35,L45		97220-25900	1									
990601 -			FD RHD>L35,L45		97220-25900	1									
990601 -			FG RHD>P6B,P65		97220-25900	1									
	97218		SCREW (S)TORNILLO												
990601 -			ALL P3B,P35		97218-29000	9									
990601 -			ALL P3B,P35		97218-29000	7									
990601 -			AD L35,L45,P6B		97218-29000	9									
990601 -			AD L35,L45,P3B,P35,P85		97218-29000	8									
990601 -			AD L35,L45,P6B		97218-29000	7									
990601 -			AG P6B,P85		97218-29000	9									
990601 -			AG		97218-29000	8									
990601 -			AG P6B,P65		97218-29000	7									
990601 -			DG P65		97218-29000	9									
990601 -			DG		97218-29000	8									
990601 -			DG P65		97218-29000	7									
990601 -			DS L35,L45		97218-29000	9									
990601 -			DS L35,P3B,P35,P85		97218-29000	8									
990601 -			DS L35,L45		97218-29000	7									
990601 -			FD L35,L45		97218-29000	9									
990601 -			FD L35,P3B,P35,P85		97218-29000	8									
990601 -			FD L35,L45		97218-29000	7									
990601 -			FG P6B,P85		97218-29000	9									
990601 -			FG		97218-29000	8									
990601 -			FG P6B,P65		97218-29000	7									
	97234H		LEVER-DEF DOOR (S)PALANCA												
990601 -			ALL		97215-25000	1									
	97249B		CLIP-HEATER CASE UPR (S)SUJETADOR												
990601 -			ALL		97249-33000	9									

4-C 5

97-971C HEATER SYSTEM-BLOWER UNIT

BA,G0112- 599



P N C	MODEL APPLICABLE		R E P	PART NO. (REPL PNO)	Q T Y	REMARKS
	FROM-UP-TO	TYPE				
97023				LEVER-AIR INLET DR		
				(S)PALANCA		
990601 -				ALL RHD>P3B,P35	97106-25900	1
990601 - 011101				ALL LHD>P3B,P35	97106-25000	1
990601 -				AD RHD>L35,L45,P6B	97106-25900	1
990601 - 011101				AD LHD>L35,L45,P6B	97106-25000	1
990601 -				AG RHD>P6B,P65	97106-25900	1
990601 - 011101				AG LHD>P6B,P65	97106-25000	1
990601 -				DG RHD>P65	97106-25900	1
990601 - 011101				DG LHD>P65	97106-25000	1
990601 -				DS RHD>L35,L45	97106-25900	1
990601 - 011101				DS LHD>L35,L45	97106-25000	1
990601 -				FD RHD>L35,L45	97106-25900	1
990601 - 011101				FD LHD>L35,L45	97106-25000	1
990601 -				FG RHD>P6B,P65	97106-25900	1
990601 - 011101				FG LHD>P6B,P65	97106-25000	1
97100				BLOWER UNIT		
				(S)UNIDAD SOPLADOR		
990601 -				ALL LHD	97100-25000	1
990601 -				ALL RHD>P3B,P35	97100-25900	1
990601 -				AD RHD>L35,L45,P6B	97100-25900	1
990601 -				AG RHD>P6B,P65	97100-25900	1
990601 -				DG RHD>P65	97100-25900	1
990601 -				DS RHD>L35,L45	97100-25900	1
990601 -				FD RHD>L35,L45	97100-25900	1
990601 -				FG RHD>P6B,P65	97100-25900	1
97106A				ARM-INLET DOOR		
				(S)BRAZO		
990601 -				ALL LHD	97111-25000	1
990601 -				ALL RHD>P3B,P35	97111-25900	1
990601 -				AD RHD>L35,L45,P6B	97111-25900	1
990601 -				AG RHD>P6B,P65	97111-25900	1
990601 -				DG RHD>P65	97111-25900	1
990601 -				DS RHD>L35,L45	97111-25900	1
990601 -				FD RHD>L35,L45	97111-25900	1
990601 -				FG RHD>P6B,P65	97111-25900	1
97108				LINK-AIR INLET DOOR		
				(S)ENLACE		
990601 -				ALL LHD	97108-25000	1

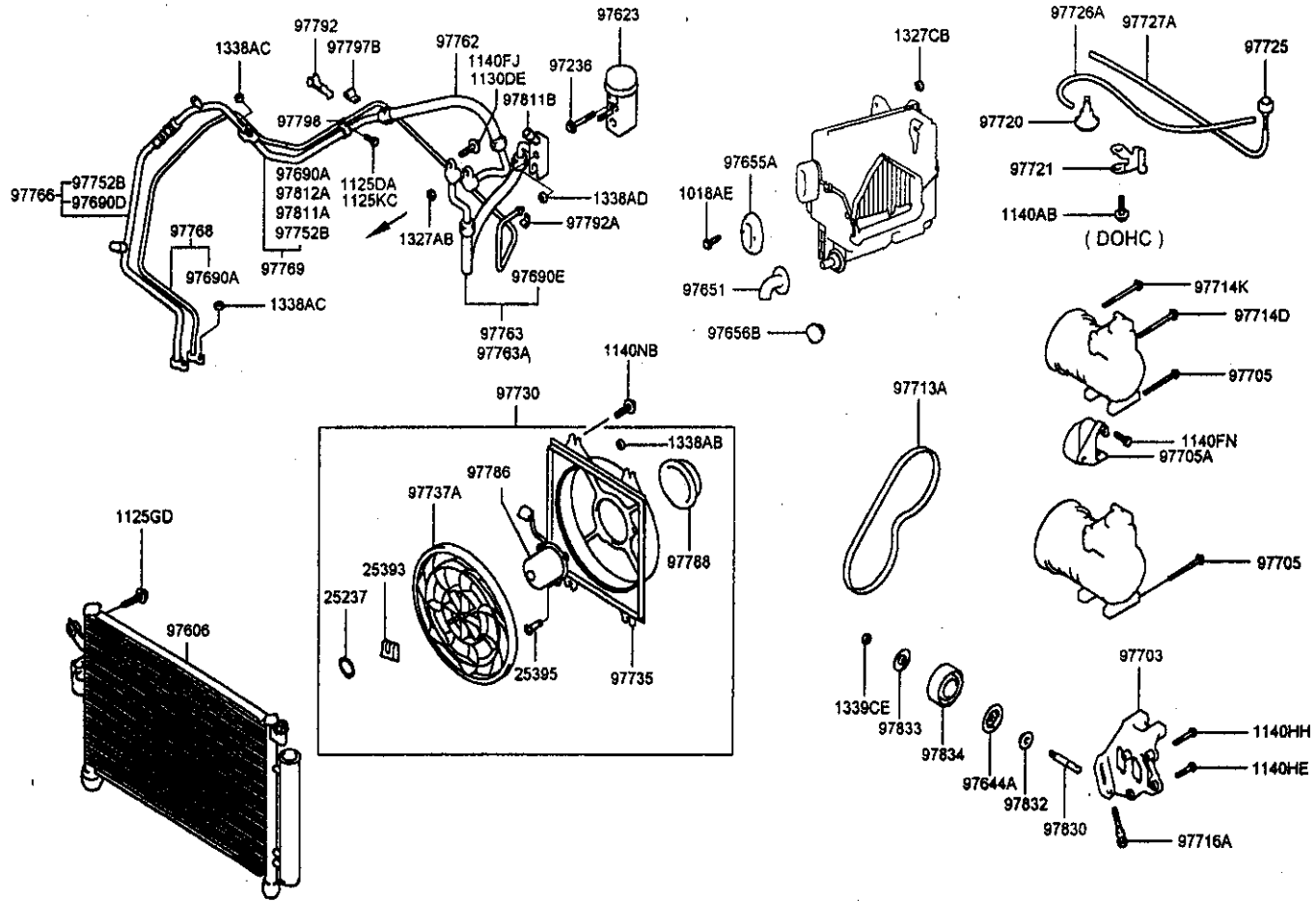
CONTINUED

4-D 5

97-971C HEATER SYSTEM-BLOWER UNIT

BA,00112-000

P N C		MODEL APPLICABLE		R E P	PART NO. (REPL PNO)	Q T Y	REMARKS	P N C		MODEL APPLICABLE		R E P	PART NO. (REPL PNO)	Q T Y	REMARKS
FROM-UP-TO	TYPE	DESCRIPTION						FROM-UP-TO	TYPE	DESCRIPTION					
CONTINUED								CONTINUED							
		97108			LINK-AIR INLET DOOR (S)ENLACE				97130				FAN & MOTOR ASSY (S)CONJ. MOTOR & VENTILADOR		
990601 -					ALL RHD>P3B,P35	97108-25900	1		990601 - 011101				AG LHD>P6B,P65	97116-24951	1
990601 -					AD RHD>L35,L45,P6B	97108-25900	1		990601 - 011101				DG LHD>P65	97116-24951	1
990601 -					AG RHD>P6B,P65	97108-25900	1		990601 - 011101				DS LHD>L35,L45	97116-24951	1
990601 -					DG RHD>P65	97108-25900	1		990601 - 011101				FD LHD>L35,L45	97116-24951	1
990601 -					DS RHD>L35,L45	97108-25900	1		990601 - 011101				FG LHD>P6B,P65	97116-24951	1
990601 -					FD RHD>L35,L45	97108-25900	1		97130A				HOLDER-LINKAGE ROD (S)SOPORTE		
990601 -					FG RHD>P6B,P65	97108-25900	1						(S)SOPORTE		
		97113B			RESISTOR (S)RESISTENCIA				990601 -				ALL	97214-38000	2
990601 -					ALL	97035-34000	1		97235C				WASHER-SPRING (S)ARANDELA		
		97116B			MOTOR-HEATER BLOWER (S)MOTOR				990601 -				ALL	97235-33000	1
990601 -					ALL RHD>P3B,P35	97116-24051	1		990601 -				AD L35,L45,P3B,P35	97235-33000	5
990601 -					AD RHD>L35,L45,P6B	97116-24051	1		990601 -				AG M-S	97235-33000	5
990601 -					AG RHD>P6B,P65	97116-24051	1		990601 -				DG M-S	97235-33000	5
990601 -					DG RHD>P65	97116-24051	1		990601 -				DS L35,L45,P3B,P35	97235-33000	5
990601 -					DS RHD>L35,L45	97116-24051	3		990601 -				FD L35,L45,P3B,P35	97235-33000	5
990601 -					FD RHD>L35,L45	97116-24051	1		990601 -				FG M-S	97235-33000	5
990601 -					FG RHD>P6B,P65	97116-24051	1		97249				ARM-INLET DOOR (S)BRAZO		
		97117B			FAN-HEATER BLOWER (S)VENTILADOR				990601 -				ALL LHD	97110-25000	1
990601 -					ALL RHD>P3B,P35	97117-29900	1		990601 -				ALL RHD>P3B,P35	97110-25900	1
990601 -					AD RHD>L35,L45,P6B	97117-29900	1		990601 -				AD RHD>L35,L45,P6B	97110-25900	1
990601 -					AG RHD>P6B,P65	97117-29900	1		990601 -				AG RHD>P6B,P65	97110-25900	1
990601 -					DG RHD>P65	97117-29900	1		990601 -				DG RHD>P65	97110-25900	1
990601 -					DS RHD>L35,L45	97117-29900	1		990601 -				DS RHD>L35,L45	97110-25900	1
990601 -					FD RHD>L35,L45	97117-29900	1		990601 -				FD RHD>L35,L45	97110-25900	1
990601 -					FG RHD>P6B,P65	97117-29900	1		990601 -				FG RHD>P6B,P65	97110-25900	1
		97121			TUBE-BLOWER MOTOR COOLING (S)TUBO										
990601 -					ALL LHD	97137-24200	1								
		97130			FAN & MOTOR ASSY (S)CONJ. MOTOR & VENTILADOR										
990601 - 011101					ALL LHD>P3B,P35	97116-24951	1								
011101 -					ALL LHD	97116-24052	1								
990601 - 011101					AD LHD>L35,L45,P6B	97116-24951	1								
CONTINUED															



4-F 5

97-976A A/C SYSTEM-COOLER LINE

BA,09112- 602

P N C		MODEL APPLICABLE		R E P	PART NO. (REPL P/NO)	Q T Y	REMARKS	P N C		MODEL APPLICABLE		R E P	PART NO. (REPL P/NO)	Q T Y	REMARKS
FROM-UP-TO	TYPE	DESCRIPTION	FROM-UP-TO					TYPE	DESCRIPTION						
1018AE		SCREW-TAPPING (S)TORNILLO						CONTINUED							
990601 -	ALL	P3B,P35;9760			10188-05203	2		1125GD	BOLT (S)PERNO (CON ARANDELA)						
990601 -	AD	L35,L45,P6B;9760			10188-05203	2		990601 -	DG	P65;9760	A	11253-06253 (11407-06141)	6		
990601 -	AQ	P6B,P65;9760			10188-05203	2		990601 -	DS	L35,L45;9760	A	11253-06253 (11407-06141)	6		
990601 -	DG	P65;9760			10188-05203	2		990601 -	FD	L35,L45;9760	A	11253-06253 (11407-06141)	6		
990601 -	DS	L35,L45;9760			10188-05203	2		990601 -	FG	P65;9760	A	11253-06253 (11407-06141)	6		
990601 -	FD	L35,L45;9760			10188-05203	2		1125KC		BOLT(W/WASHER) (S)CONJ.ARANDELA					
990601 -	FG	P6B,P65;9760			10188-05203	2		990601 -	AD	RHDL35,L45,P3B,P35, P6B;9760	Y	11254-06203 (11254-06206B)	1		
1125DA		BOLT (S)PERNO (CON ARANDELA)						990601 -	AG	RHD>P3B,P35,P6B;9760	Y	11254-06203 (11254-06206B)	1		
990601 -	ALL	P3B,P35;9760	Y	11251-06163 (11251-06166B)	1			990601 -	DG	RHD>M-S;9760	Y	11254-06203 (11254-06206B)	1		
020101 -	ALL	TCI;9760	Y	11251-06163 (11251-06166B)	3			990601 -	DS	RHD>L35,L45,P3B,P35 9760	Y	11254-06203 (11254-06206B)	1		
990601 -	AD	L35,L45,P6B;9760	Y	11251-06163 (11251-06166B)	1			990601 -	FD	RHD>L35,L45,P3B,P35 9760	Y	11254-06203 (11254-06206B)	1		
990601 -	AG	P6B,P65;9760	Y	11251-06163 (11251-06166B)	1			990601 -	FG	RHD>P3B,P35,P6B;9760	Y	11254-06203 (11254-06206B)	1		
990601 -	DG	P65;9760	Y	11251-06163 (11251-06166B)	1			1130DE		BOLT (S)PERNO (CON ARANDELA)					
990601 -	DS	L35,L45;9760	Y	11251-06163 (11251-06166B)	1			990601 -	ALL	P3B,P35;9760	A	11302-06303	1		
990601 -	FD	L35,L45;9760	Y	11251-06163 (11251-06166B)	1			990601 -	AD	L35,L45,P6B;9760	A	11302-06303	1		
990601 -	FG	P6B,P65;9760	Y	11251-06163 (11251-06166B)	1			990601 -	AG	P6B,P65;9760	A	11302-06303	1		
1125GD		BOLT (S)PERNO (CON ARANDELA)						990601 -	DG	P65;9760	A	11302-06303	1		
990601 -	ALL	P35;9760	A	11253-06253 (11407-06141)	6			990601 -	DS	L35,L45;9760	A	11302-06303	1		
990601 -	ALL	4AT2;9760	A	11253-06253 (11407-06141)	2			990601 -	FD	L35,L45;9760	A	11302-06303	1		
020101 -	ALL	TCI;9760	A	11253-06253 (11407-06141)	5			990601 -	FG	P6B,P65;9760	A	11302-06303	1		
990601 -	AD	L35,L45;9760	A	11253-06253 (11407-06141)	6			1140AB		BOLT (S)PERNO (PESTANA)					
990601 -	AG	P65;9760	A	11253-06253 (11407-06141)	6			990601 -	AD	CON;9760	Y	11400-06121 (11400-06123)	2	FLANGE	
CONTINUED								CONTINUED							

4-G5

97-976A A/C SYSTEM-COOLER LINE

BA,G0112- 603

P N C		MODEL APPLICABLE		R E P	PART NO. (REPL P/NO)	Q T Y	REMARKS	P N C		MODEL APPLICABLE		R E P	PART NO. (REPL P/NO)	Q T Y	REMARKS
FROM-UP-TO	TYPE	DESCRIPTION						FROM-UP-TO	TYPE	DESCRIPTION					
CONTINUED															
1140AB		BOLT (S)PERNO (PESTANA)						CONTINUED		1140HH					
990601 -		DS	CON;9760	Y	11400-06121 (11400-06123)	2	FLANGE	990601 -		AG	M-S;9760	Y	11404-10451 (11404-10453)	2	
990601 -		FD	CON;9760	Y	11400-06121 (11400-06123)	2	FLANGE	990601 -		DG	M-S;9760	Y	11404-10451 (11404-10453)	2	
1140FJ		BOLT (S)PERNO (PESTANA)						990601 -		DS	L35,L45,P3B,P35;9760	Y	11404-10451 (11404-10453)	2	
990601 -		ALL	9760		11403-08303	2		990601 -		FD	L35,L45,P3B,P35;9760	Y	11404-10451 (11404-10453)	2	
1140FN		BOLT (S)PERNO (PESTANA)						990601 -		FG	M-S;9760	Y	11404-10451 (11404-10453)	2	
990601 -		AD	M-D;9760	Y	11403-08451 (11403-08453)	2		1140NB		BOLT (S)PERNO (PESTANA)					
990601 -		AG	M-D;9760	Y	11403-08451 (11403-08453)	2		990601 -		ALL	4AT2;9760		11407-06143	4	
990601 -		DG	LHD>M-D;9760	Y	11403-08451 (11403-08453)	2		1327AB		NUT(W/WASHER) (S)TUERCA					
990601 -		FG	M-D;9760	Y	11403-08451 (11403-08453)	2		990601 -		ALL	P3B,P35;9760		13270-06003	1	
1140HE		BOLT (S)PERNO (PESTANA)						990601 -		AD	L35,L45,P6B;9760		13270-06003	1	
990601 -		AD	L35,L45,P3B,P35;9760	Y	11404-10301 (11404-10303)	2		990601 -		AG	P6B,P65;9760		13270-06003	1	
990601 -		AG	M-S;9760	Y	11404-10301 (11404-10303)	2		990601 -		DG	P65;9760		13270-06003	1	
990601 -		DG	M-S;9760	Y	11404-10301 (11404-10303)	2		990601 -		DS	L35,L45;9760		13270-06003	1	
990601 -		DS	L35,L45,P3B,P35;9760	Y	11404-10301 (11404-10303)	2		990601 -		FD	L35,L45;9760		13270-06003	1	
990601 -		FD	L35,L45,P3B,P35;9760	Y	11404-10301 (11404-10303)	2		990601 -		FG	P6B,P65;9760		13270-06003	1	
990601 -		FG	M-S;9760	Y	11404-10301 (11404-10303)	2		1327CB		NUT(W/WASHER) (S)TUERCA					
1140HH		BOLT (S)PERNO (PESTANA)						990601 -		ALL	P3B,P35;9760	Y	13271-06001 (13271-06003)	3	
990601 -		AD	L35,L45,P3B,P35;9760	Y	11404-10451 (11404-10453)	2		990601 -		AD	L35,L45,P6B;9760	Y	13271-06001 (13271-06003)	3	
CONTINUED															
1140HH		BOLT (S)PERNO (PESTANA)						990601 -		AD	L35,L45,P3B,P35,P6B 9760	Y	13271-06001 (13271-06003)	2	
990601 -		AD	L35,L45,P3B,P35;9760	Y	11404-10451 (11404-10453)	2		990601 -		AG	P6B,P65;9760	Y	13271-06001 (13271-06003)	3	
1140HH		BOLT (S)PERNO (PESTANA)						990601 -		AG	P3B,P35,P6B;9760	Y	13271-06001 (13271-06003)	2	
990601 -		AD	L35,L45,P3B,P35;9760	Y	11404-10451 (11404-10453)	2		990601 -		DG	P65;9760	Y	13271-06001 (13271-06003)	3	

AD:3DR,GL AG:5DR,GLS DG:3DR,GLS DS:3DR,LD FD:4DR,GL FG:4DR,GLS 9760:AIR CON

4-115

97-976A A/C SYSTEM-COOLER LINE

BA,00112-604

P N C		MODEL APPLICABLE		R E P	PART NO. (REPL PNO)	Q T Y	REMARKS	P N C		MODEL APPLICABLE		R E P	PART NO. (REPL PNO)	Q T Y	REMARKS
FROM-UP-TO	TYPE	DESCRIPTION						FROM-UP-TO	TYPE	DESCRIPTION					
CONTINUED								1339CE	NUT-FLANGE						
1327CB		NUT(W/WASHER)							(S)TUERCA TAPA						
990601 -		DG	M-S;9760	Y	13271-06001 (13271-06003)	2		990601 -	ALL	P3B,P35;9760	Y	13395-10001 (13395-10003)	1		
990601 -		DS	L35,L45;9760	Y	13271-06001 (13271-06003)	3		990601 -	AD	L35,L45,P6B;9760	Y	13395-10001 (13395-10003)	1		
990601 -		DS	L35,L45,P3B,P35;9760	Y	13271-06001 (13271-06003)	2		990601 -	AG	P6B,P65;9760	Y	13395-10001 (13395-10003)	1		
990601 -		FD	L35,L45;9760	Y	13271-06001 (13271-06003)	3		990601 -	DG	P65;9760	Y	13395-10001 (13395-10003)	1		
990601 -		FD	L35,L45,P3B,P35;9760	Y	13271-06001 (13271-06003)	2		990601 -	DS	L35,L45;9760	Y	13395-10001 (13395-10003)	1		
990601 -		FG	P6B,P65;9760	Y	13271-06001 (13271-06003)	3		990601 -	FD	L35,L45;9760	Y	13395-10001 (13395-10003)	1		
990601 -		FG	P3B,P35,P6B;9760	Y	13271-06001 (13271-06003)	2		990601 -	FG	P6B,P65;9760	Y	13395-10001 (13395-10003)	1		
1338AB		NUT						25237	WASHER						
020101 -		(S)TUERCA(BRIDA)						990601 -	ALL	P3B,P35;9760		25237-34000	1		
1338AC		NUT-FLANGE						990601 -	AD	L35,L45,P6B;9760		25237-34000	1		
990601 -		ALL	P3B,P35;9760		13385-05001	1		990601 -	AG	P6B,P65;9760		25237-34000	1		
990601 -		AD	9760		13385-06003	3		990601 -	DG	P65;9760		25237-34000	1		
990601 -		AD	L35,L45,P6B;9760		13385-06003	4		990601 -	DS	L35,L45;9760		25237-34000	1		
990601 -		AG	P3B,P35,P6B,P65;9760		13385-06003	3		990601 -	FD	L35,L45;9760		25237-34000	1		
990601 -		AG	P6B,P65;9760		13385-06003	4		990601 -	FG	P6B,P65;9760		25237-34000	1		
990601 -		DG	P3B,P35,P65;9760		13385-06003	3		25393	RETAINER						
990601 -		DG	P65;9760		13385-06003	4		990601 -	(S)RETENEDOR			25393-33050	1		
990601 -		DS	9760		13385-06003	3		990601 -	ALL	P3B,P35;9760		25393-33050	1		
990601 -		DS	L35,L45;9760		13385-06003	4		990601 -	AD	L35,L45,P6B;9760		25393-33050	1		
990601 -		FD	9760		13385-06003	3		990601 -	AG	P6B,P65;9760		25393-33050	1		
990601 -		FD	L35,L45;9760		13385-06003	4		990601 -	DG	P65;9760		25393-33050	1		
990601 -		FG	P3B,P35,P6B,P65;9760		13385-06003	3		990601 -	DS	L35,L45;9760		25393-33050	1		
990601 -		FG	P6B,P65;9760		13385-06003	4		990601 -	FD	L35,L45;9760		25393-33050	1		
1338AD		NUT-FLANGE						990601 -	FG	P6B,P65;9760		25393-33050	1		
990601 -		(S)TUERCA TAPA						25395	BOLT						
990601 -		ALL	9760	Y	13385-08003 (13396-08003)	1		990601 -	(S)PERNO			25395-02000	3		
								990601 -	ALL	P3B,P35;9760		25395-02000	3		
								990601 -	AD	L35,L45,P6B;9760		25395-02000	3		
								990601 -	AG	P6B,P65;9760		25395-02000	3		

CONTINUED

P N C		MODEL APPLICABLE		R E P	PART NO. (REPL P/NO)	Q T Y	REMARKS	P N C		MODEL APPLICABLE		R E P	PART NO. (REPL P/NO)	Q T Y	REMARKS
FROM-UP-TO	TYPE	DESCRIPTION						FROM-UP-TO	TYPE	DESCRIPTION					
CONTINUED								CONTINUED							
25395		BOLT (S)PERNO						97623		VALVE-EXPANSION (S)VALVULA					
990601 -		DG	P65;9760		25395-02000	3		990601 - 000106	DG	RHD>M-S;9760	Y	97604-25200 (97604-25300)	1		
990601 -		DS	L35,L45;9760		25395-02000	3		000106 -	DG	RHD>M-S;9760		97604-25300	1		
990601 -		FD	L35,L45;9760		25395-02000	3		990601 - 990901	DS	LHD>L35,L45;9760	Y	97604-25000 (97604-25100)	1		
990601 -		FG	P6B,P65;9760		25395-02000	3		990601 - 000106	DS	RHD>L35,L45,P3B,P35 9760	Y	97604-25200 (97604-25300)	1		
97236		BOLT (S)PERNO (CON ARANDELA)						000106 -	DS	RHD>L35,L45,P3B,P35 9760		97604-25300	1		
990601 -		ALL	9760		97714-25000	2		990601 - 990901	FD	LHD>L35,L45;9760	Y	97604-25000 (97604-25100)	1		
97606		CONDENSER ASSY-COOLER (S)CONJ. COMPRESOR						000106 -	DS	RHD>L35,L45,P3B,P35 9760		97604-25300	1		
990601 -		ALL	4AT2;9760		97606-25500	1		990601 - 990901	FD	LHD>L35,L45;9760	Y	97604-25000 (97604-25100)	1		
990601 -		ALL	P35;9760		97606-25600	1		990601 - 000106	FD	RHD>L35,L45,P3B,P35 9760	Y	97604-25200 (97604-25300)	1		
020101 -		ALL	LHD>TCI;9760		97606-25800	1		000106 -	FD	RHD>L35,L45,P3B,P35 9760		97604-25300	1		
990601 -		AD	L35,L45;9760		97606-25600	1		990601 - 990901	FG	LHD>P6B,P65;9760	Y	97604-25000 (97604-25100)	1		
990601 -		AG	P65;9760		97606-25600	1		990601 - 000106	FG	RHD>P3B,P35,P6B;9760	Y	97604-25200 (97604-25300)	1		
990601 -		DG	P65;9760		97606-25600	1		000106 -	FG	RHD>P3B,P35,P6B;9760		97604-25300	1		
990601 -		DS	L35,L45;9760		97606-25600	1		97644A	COVER-DUST (S)CUBIERTA						
990601 -		FD	L35,L45;9760		97606-25600	1		990601 -	ALL	P3B,P35;9760		97833-22000	1		
990601 -		FG	P65;9760		97606-25600	1		990601 -	AD	L35,L45,P6B;9760		97833-22000	1		
97623		VALVE-EXPANSION (S)VALVULA						990601 -	AG	P6B,P65;9760		97833-22000	1		
990601 - 990901		ALL	LHD>P3B,P35;9760	Y	97604-25000 (97604-25100)	1		990601 -	DG	P65;9760		97833-22000	1		
990901 -		ALL	LHD;9760		97604-25100	1		990601 -	DS	L35,L45;9760		97833-22000	1		
990601 - 990901		AD	LHD>L35,L45,P6B;9760	Y	97604-25000 (97604-25100)	1		990601 -	FD	L35,L45;9760		97833-22000	1		
990601 - 000106		AD	RHDL35,L45,P3B,P35, P6B;9760	Y	97604-25200 (97604-25300)	1		990601 -	FG	P6B,P65;9760		97833-22000	1		
000106 -		AD	RHDL35,L45,P3B,P35, P6B;9760		97604-25300	1		97651	HOSE-DRAIN (S)MANGUERA						
990601 - 990901		AG	LHD>P6B,P65;9760	Y	97604-25000 (97604-25100)	1		990601 - 011126	ALL	LHD>P3B,P35;9760		97653-02000	1		
990601 - 000106		AG	RHD>P3B,P35,P6B;9760	Y	97604-25200 (97604-25300)	1		011126 -	ALL	LHD;9760		97653-1C000	1		
000106 -		AG	RHD>P3B,P35,P6B;9760		97604-25300	1		990601 -	AD	RHDL35,L45,P3B,P35, P6B;9760		97651-22003	1		
990601 - 990901		DG	LHD>P65;9760	Y	97604-25000 (97604-25100)	1		990601 - 011126	AD	LHD>L35,L45,P6B;9760		97653-02000	1		
CONTINUED								CONTINUED							

97-976A A/C SYSTEM-COOLER LINE

P N C	MODEL APPLICABLE		R E P	PART NO. (REPL PNO)	Q T Y	REMARKS
FROM-UP-TO	TYPE	DESCRIPTION				
CONTINUED						
97651		HOSE-DRAIN (S)MANGUERA				
990601 -	AG	RHD>P3B,P35,P6B;9760		97651-22003	1	
990601 - 011126	AG	LHD>P6B,P65;9760		97653-02000	1	
990601 -	DG	RHD>M-S;9760		97651-22003	1	
990601 - 011126	DG	LHD>P65;9760		97653-02000	1	
990601 -	DS	RHD>L35,L45,P3B,P35 9760		97651-22003	1	
990601 - 011126	DS	LHD>L35,L45;9760		97653-02000	1	
990601 -	FD	RHD>L35,L45,P3B,P35 9760		97651-22003	1	
990601 - 011126	FD	LHD>L35,L45;9760		97653-02000	1	
990601 -	FG	RHD>P3B,P35,P6B;9760		97651-22003	1	
990601 - 011126	FG	LHD>P6B,P65;9760		97653-02000	1	
97655A		PLATE & GROMMET-A/C COOLER LINE (S)PLACA & ARANDELA				
990601 -	ALL	P3B,P35		97650-25100	1	
990601 -	ALL	P3B,P35;9760		97650-25000	1	
990601 -	AD	L35,L45,P6B		97650-25100	1	
990601 -	AD	L35,L45,P6B;9760		97650-25000	1	
990601 -	AG	P6B,P65		97650-25100	1	
990601 -	AG	P6B,P65;9760		97650-25000	1	
990601 -	DG	P65		97650-25100	1	
990601 -	DG	P65;9760		97650-25000	1	
990601 -	DS	L35,L45		97650-25100	1	
990601 -	DS	L35,L45;9760		97650-25000	1	
990601 -	FD	L35,L45		97650-25100	1	
990601 -	FD	L35,L45;9760		97650-25000	1	
990601 -	FG	P6B,P65		97650-25100	1	
990601 -	FG	P6B,P65;9760		97650-25000	1	
97656B		GROMMET-DRAIN HOSE (S)ARANDELA DE CABO				
990601 -	ALL	P3B,P35		97656-24000	1	
990601 -	AD	L35,L45,P6B		97656-24000	1	
990601 -	AG	P6B,P65		97656-24000	1	
990601 -	DG	P65		97656-24000	1	
990601 -	DS	L35,L45		97656-24000	1	
990601 -	FD	L35,L45		97656-24000	1	

P N C	MODEL APPLICABLE		R E P	PART NO. (REPL PNO)	Q T Y	REMARKS
FROM-UP-TO	TYPE	DESCRIPTION				
CONTINUED						
97656B		GROMMET-DRAIN HOSE (S)ARANDELA DE CABO				
990601 -	FG	P6B,P65		97656-24000	1	
97690A		RING"O" (S)JUNTAS TORICAS				
990601 -	ALL	P3B,P35;9760		97690-34310	2	HNBR,5/16 INCH
020101 -	ALL	TCI;9760		97690-34310	1	HNBR,5/16 INCH
990601 -	AD	L35,L45,P6B;9760		97690-34310	2	HNBR,5/16 INCH
990601 -	AG	P6B,P65;9760		97690-34310	2	HNBR,5/16 INCH
990601 -	DG	P65;9760		97690-34310	2	HNBR,5/16 INCH
990601 -	DS	L35,L45;9760		97690-34310	2	HNBR,5/16 INCH
990601 -	FD	L35,L45;9760		97690-34310	2	HNBR,5/16 INCH
990601 -	FG	P6B,P65;9760		97690-34310	2	HNBR,5/16 INCH
97690D		RING"O" (S)JUNTAS TORICAS				
990601 -	AD	L35,P3B,P35,P6B,P65 9760		97690-34350	2	HNBR,1/2 INCH
990601 -	AD	L35,L45,P3B,P35,P6B 9760		97690-34350	1	HNBR,1/2 INCH
990601 -	AG	P3B,P65,P65;9760		97690-34350	2	HNBR,1/2 INCH
990601 -	AG	P3B,P35,P6B,P65;9760		97690-34350	1	HNBR,1/2 INCH
990601 -	DG	P3B,P65,P65;9760		97690-34350	2	HNBR,1/2 INCH
990601 -	DG	P3B,P35,P65;9760		97690-34350	1	HNBR,1/2 INCH
990601 -	DS	5MT2;9760		97690-34350	2	HNBR,1/2 INCH
990601 -	DS	M-S;9760		97690-34350	1	HNBR,1/2 INCH
990601 -	FD	5MT2;9760		97690-34350	2	HNBR,1/2 INCH
990601 -	FD	M-S;9760		97690-34350	1	HNBR,1/2 INCH
990601 -	FG	P3B,P65,P65;9760		97690-34350	2	HNBR,1/2 INCH
990601 -	FG	P3B,P35,P6B,P65;9760		97690-34350	1	HNBR,1/2 INCH
97690E		RING"O" (S)JUNTAS TORICAS				
990601 -	ALL	9760		97690-34340	1	HNBR,5/8 INCH
000601 -	ALL	P3B,P35;9760		97690-34340	2	HNBR,5/8 INCH
000601 -	AD	L35,L45,P6B;9760		97690-34340	2	HNBR,5/8 INCH
000601 -	AG	P6B,P65;9760		97690-34340	2	HNBR,5/8 INCH
000601 -	DG	P65;9760		97690-34340	2	HNBR,5/8 INCH
000601 -	DS	L35,L45;9760		97690-34340	2	HNBR,5/8 INCH
000601 -	FD	L35,L45;9760		97690-34340	2	HNBR,5/8 INCH

4-K 5

97-976A A/C SYSTEM-COOLER LINE

BA.G0112- 607

P N C		MODEL APPLICABLE		R E P	PART NO. (REPL P/NO)	Q T Y	REMARKS	P N C		MODEL APPLICABLE		R E P	PART NO. (REPL P/NO)	Q T Y	REMARKS
FROM-UP-TO	TYPE	DESCRIPTION						FROM-UP-TO	TYPE	DESCRIPTION					
CONTINUED								CONTINUED							
		97690E	RING"O"					97713A	BELT"V"						
			(S)JUNTAS TORICAS						(S)CORREA TRAPEZOIDAL						
000601 -			FG P6B,P65;9760		97690-34340	2	HNBR,5/8 INCH	990601 -	FD L35,L45,P3B,P35;9760				97713-29000	1	
		97703	BRACKET-COMPRESSOR MTG					990601 -	FG M-D;9760				97713-22261	1	
			(S)SOPORTE					990601 -	FG M-S;9760				97713-29000	1	
990601 -			AD L35,L45,P3B,P35;9760		97703-25000	1		97714D	BOLT-COMPRESSOR MTG						
990601 -			AG M-S;9760		97703-25000	1			(S)PERNO						
990601 -			DG M-S;9760		97703-25000	1		020101 -	ALL LHD>TCI;9760				97714-29100	3	
990601 -			DS L35,L45,P3B,P35;9760		97703-25000	1		990601 -	AD M-D;9760				97714-22060	2	
990601 -			FD L35,L45,P3B,P35;9760		97703-25000	1		990601 -	AG M-D;9760				97714-22060	2	
990601 -			FG M-S;9760		97703-25000	1		990601 -	DG LHD>M-D;9760				97714-22060	2	
		97705	BOLT-COMPRESSOR MTG					990601 -	FG M-D;9760				97714-22060	2	
			(S)PERNO					97714K	BOLT-COMPRESSOR MTG						
990601 -			AD L35,L45,P3B,P35;9760		97714-33300	4			(S)PERNO						
990601 -			AD M-D;9760		97714-33300	2		020101 -	ALL LHD>TCI;9760				97714-38114	1	
990601 -			AG M-S;9760		97714-33300	4		97716A	BOLT-A/C PULLEY TENSION ADJUST						
990601 -			AG M-D;9760		97714-33300	2			(S)PERNO						
990601 -			DG M-S;9760		97714-33300	4		990601 -	AD L35,L45,P3B,P35;9760				97831-22000	1	
990601 -			DG M-D;9760		97714-33300	2		990601 -	AD M-D;9760				97831-22060	1	
990601 -			DS L35,L45,P3B,P35;9760		97714-33300	4		990601 -	AG M-S;9760				97831-22000	1	
990601 -			FD L35,L45,P3B,P35;9760		97714-33300	4		990601 -	AG M-D;9760				97831-22060	1	
990601 -			FG M-S;9760		97714-33300	4		990601 -	DG M-S;9760				97831-22000	1	
990601 -			FG M-D;9760		97714-33300	2		990601 -	DG LHD>M-D;9760				97831-22060	1	
		97705A	BRACKET-TENSION PULLEY MTG					990601 -	DS L35,L45,P3B,P35;9760				97831-22000	1	
			(S)SOPORTE					990601 -	FD L35,L45,P3B,P35;9760				97831-22000	1	
990601 -			AD M-D;9760		97705-22060	1		990601 -	FG M-S;9760				97831-22000	1	
990601 -			AG M-D;9760		97705-22060	1		990601 -	FG M-D;9760				97831-22060	1	
990601 -			DG LHD>M-D;9760		97705-22060	1		97720	ACTUATOR-FIC EQUIPMENT						
990601 -			FG M-D;9760		97705-22060	1			(S)ACTUADOR						
		97713A	BELT"V"					990601 -	AD CON;9760				97720-24000	1	
			(S)CORREA TRAPEZOIDAL					990601 -	DS CON;9760				97720-24000	1	
990601 -			AD M-D;9760		97713-22261	1		990601 -	FD CON;9760				97720-24000	1	
990601 -			AD L35,L45,P3B,P35;9760		97713-29000	1		97721	BRACKET-ACTUATOR MTG						
990601 -			AG M-D;9760		97713-22261	1			(S)SOPORTE						
990601 -			AG M-S;9760		97713-29000	1		990601 -	AD CON;9760				97721-22000	1	
990601 -			DG M-S;9760		97713-29000	1		990601 -	DS CON;9760				97721-22000	1	
990601 -			DG LHD>M-D;9760		97713-22261	1		990601 -	FD CON;9760				97721-22000	1	
990601 -			DS L35,L45,P3B,P35;9760		97713-29000	1									

AD:3DR,GL AG:3DR,GLS DG:3DR,GLS DS:3DR,LD FD:4DR,GL FG:4DR,GLS

9760:AIR CON

4-1.5

97-976A A/C SYSTEM-COOLER LINE

BA,00112- 608

P N C		MODEL APPLICABLE		R E P	PART NO. (REPL P/NO)	Q T Y	REMARKS	P N C		MODEL APPLICABLE		R E P	PART NO. (REPL P/NO)	Q T Y	REMARKS
FROM-UP-TO	TYPE	DESCRIPTION						FROM-UP-TO	TYPE	DESCRIPTION					
97725		VALVE-SOLENOID						97737A		FAN-COOLING					
		(S)VALVULA								(S)VENTILADOR					
990601 -		AD CON;9780			97725-24001	1		990601 -		ALL P3B,P35;9760			97737-25000	1	
990601 -		DS CON;9780			97725-24001	1		020101 -		ALL LHD>TCI;9760			97737-17000	1	
990601 -		FD CON;9780			97725-24001	1		990601 -		AD L35,L45,P6B;9760			97737-25000	1	
97726A		HOSE-VACUUM						990601 -		AG P6B,P65;9760			97737-25000	1	
		(S)MANGUERA						990601 -		DG P65;9760			97737-25000	1	
990601 -		AD CON;9780			97726-22000	1		990601 -		DS L35,L45;9760			97737-25000	1	
990601 -		DS CON;9780			97726-22000	1		990601 -		FD L35,L45;9760			97737-25000	1	
990601 -		FD CON;9780			97726-22000	1		990601 -		FG P6B,P65;9760			97737-25000	1	
97727A		HOSE-VACUUM						97752B		SWITCH ASSY-TRIPLE					
		(S)MANGUERA								(S)CONJ. CONMUTADOR					
990601 -		AD CON;9780			97727-22000	1		990601 -		ALL 9760			97752-25000	1	
990601 -		DS CON;9780			97727-22000	1		97762		HOSE-DISCHARGE					
990601 -		FD CON;9780			97727-22000	1				(S)MANGUERA					
97730		BLOWER ASSY						020101 -		ALL LHD>TCI;9760			97762-25800	1	
		(S)CONJ. MOTOR & VENTILADOR						990601 -		AD LHD>L35,L45,P3B,P35			97762-25000	1	
990601 -		ALL 4AT2;9780			97730-25000	1				9760					
990601 -		ALL P35;9780			97730-25100	1		990601 -		AD LHD>M-D;9760			97762-25100	1	
020101 -		ALL LHD>TCI;9760			97730-25800	1		990601 -		AD RHD>L35,L45,P3B,P35			97762-25200	1	
990601 -		AD L35,L45;9760			97730-25100	1				9760					
990601 -		AG P65;9780			97730-25100	1		990601 -		AD RHD>M-D;9760			97762-25300	1	
990601 -		DG P65;9780			97730-25100	1		990601 -		AG LHD>M-S;9760			97762-25000	1	
990601 -		DS L35,L45;9760			97730-25100	1		990601 -		AG LHD>M-D;9760			97762-25100	1	
990601 -		FD L35,L45;9760			97730-25100	1		990601 -		AG RHD>M-S;9760			97762-25200	1	
990601 -		FG P65;9760			97730-25100	1		990601 -		AG RHD>P6B;9760			97762-25300	1	
97735		SHROUD						990601 -		DG LHD>M-S;9760			97762-25000	1	
		(S)RECUBRIMIENTO						990601 -		DG LHD>M-D;9760			97762-25100	1	
990601 -		ALL 4AT2;9760			97735-25000	1		990601 -		DG RHD>M-S;9760			97762-25200	1	
990601 -		ALL P35;9780			97735-25100	1		990601 -		DS LHD>L35,L45,P3B,P35			97762-25000	1	
020101 -		ALL LHD>TCI;9760			97735-25800	1				9760					
990601 -		AD L35,L45;9760			97735-25100	1		990601 -		DS RHD>L35,L45,P3B,P35			97762-25200	1	
990601 -		AG P65;9780			97735-25100	1				9760					
990601 -		DG P65;9780			97735-25100	1		990601 -		FD LHD>L35,L45,P3B,P35			97762-25000	1	
990601 -		DS L35,L45;9760			97735-25100	1				9760					
990601 -		FD L35,L45;9760			97735-25100	1		990601 -		FD RHD>L35,L45,P3B,P35			97762-25200	1	
990601 -		FG P65;9780			97735-25100	1				9760					
								990601 -		FG LHD>M-S;9760			97762-25000	1	
								990601 -		FG LHD>M-D;9760			97762-25100	1	

CONTINUED

4-M 5

97-976A A/C SYSTEM-COOLER LINE

BA,00112- 609

P N C		MODEL APPLICABLE		R E P	PART NO. (REPL P/NO)	Q T Y	REMARKS	P N C		MODEL APPLICABLE		R E P	PART NO. (REPL P/NO)	Q T Y	REMARKS
FROM-UP-TO	TYPE	DESCRIPTION	FROM-UP-TO					TYPE	DESCRIPTION						
CONTINUED								CONTINUED							
97762		HOSE-DISCHARGE (S)MANGUERA						97766		PIPE-DISCHARGE (S)TUBO					
990601 -		FG RHD>M-S;9760			97762-25200	1		990601 -		AD L35,L45,P6B;9760			97765-25000	1	
990601 -		FG RHD>P6B;9760			97762-25300	1		990601 -		AG P6B,P65;9760			97765-25000	1	
97763		HOSE-COOLER LINE SUCTION (S)MANGUERA						990601 -		DG P65;9760			97765-25000	1	
020101 -		ALL LHD>TCI;9760			97763-25800	1		990601 -		DS L35,L45;9760			97765-25000	1	
990601 -		AD LHD>L35,L45,P3B,P35 9760			97763-25000	1		990601 -		FD L35,L45;9760			97765-25000	1	
990601 -		AD LHD>M-D;9760			97763-25100	1		990601 -		FG P6B,P65;9760			97765-25000	1	
990601 -		AD RHD>L35,L45,P3B,P35 9760			97763-25200	1		97768		TUBE-LIQUID (S)TUBO					
990601 -		AD RHD>M-D;9760			97763-25300	1		990601 -		ALL LHD>P3B,P35;9760			97767-25000	1	
990601 -		AG LHD>M-S;9760			97763-25000	1		020101 -		ALL LHD>TCI;9760			97767-25800	1	
990601 -		AG LHD>M-D;9760			97763-25100	1		990601 -		AD LHD>L35,L45,P6B;9760			97767-25000	1	
990601 -		AG RHD>M-S;9760			97763-25200	1		990601 -		AD RHD L35,L45,P3B,P35, P6B;9760			97767-25100	1	
990601 -		AG RHD>P6B;9760			97763-25300	1		990601 -		AG LHD>P6B,P65;9760			97767-25000	1	
990601 -		DG LHD>M-S;9760			97763-25000	1		990601 -		AG RHD>P3B,P35,P6B;9760			97767-25100	1	
990601 -		DG LHD>M-D;9760			97763-25100	1		990601 -		DG LHD>P65;9760			97767-25000	1	
990601 -		DG RHD>M-S;9760			97763-25200	1		990601 -		DG RHD>M-S;9760			97767-25100	1	
990601 -		DG RHD>M-D;9760			97763-25200	1		990601 -		DS LHD>L35,L45;9760			97767-25000	1	
990601 -		DS LHD>L35,L45,P3B,P35 9760			97763-25000	1		990601 -		DS RHD>L35,L45,P3B,P35 9760			97767-25100	1	
990601 -		DS RHD>L35,L45,P3B,P35 9760			97763-25200	1		990601 -		FD LHD>L35,L45;9760			97767-25000	1	
990601 -		FD LHD>L35,L45,P3B,P35 9760			97763-25000	1		990601 -		FD RHD>L35,L45,P3B,P35 9760			97767-25100	1	
990601 -		FD RHD>L35,L45,P3B,P35 9760			97763-25200	1		990601 -		FG LHD>P6B,P65;9760			97767-25000	1	
990601 -		FG LHD>M-S;9760			97763-25000	1		990601 -		FG RHD>P3B,P35,P6B;9760			97767-25100	1	
990601 -		FG LHD>M-D;9760			97763-25100	1		97769		TUBE-LIQUID (S)TUBO					
990601 -		FG RHD>M-S;9760			97763-25200	1		020101 -		ALL LHD>TCI;9760			97768-25800	1	
990601 -		FG RHD>P6B;9760			97763-25300	1		97786		MOTOR-CONDENSOR COOLING FAN (S)MOTOR					
97763A		PIPE-SUCTION (S)TUBO						990601 - 000220		ALL P3B,P35;9760	Y		97786-25100 (97786-25000)	1	
020101 -		ALL LHD>TCI;9760			97760-25800	1		000220 - 010305		ALL P3B,P35;9760			97786-25000	1	
97766		PIPE-DISCHARGE (S)TUBO						010305 -		ALL P3B,P35;9760			97786-25001	1	
990601 -		ALL P3B,P35;9760			97765-25000	1		020101 -		ALL LHD>TCI;9760			97786-17000	1	
CONTINUED								CONTINUED							

4-A 6

97-976A A/C SYSTEM-COOLER LINE

BA,00112- 610

P N C		MODEL APPLICABLE		R E P	PART NO. (REPL PNO)	Q T Y	REMARKS	P N C		MODEL APPLICABLE		R E P	PART NO. (REPL PNO)	Q T Y	REMARKS
FROM-UP-TO	TYPE	DESCRIPTION						FROM-UP-TO	TYPE	DESCRIPTION					
CONTINUED								CONTINUED							
97786		MOTOR-CONDENSOR COOLING FAN						97792		CLIP-A/C COOLER LINE					
		(S)MOTOR								(S)SUJETADOR					
990601 - 000220	AD	L35,L45,P6B;9760		Y	97786-25100	1		020101 -		ALL LHD>TCI;9760		97792-1A000	1		
					(97786-25000)			990601 -	AD	L35,L45,P6B;9760		97792-25000	1		
000220 - 010305	AD	L35,L45,P6B;9760			97786-25000	1		990601 -	AG	P6B,P65;9760		97792-25000	1		
010305 -	AD	L35,L45,P6B;9760			97786-25001	1		990601 -	DG	P65;9760		97792-25000	1		
990601 - 000220	AG	P6B,P65;9760		Y	97786-25100	1		990601 -	DS	L35,L45;9760		97792-25000	1		
					(97786-25000)			990601 -	FD	L35,L45;9760		97792-25000	1		
000220 - 010305	AG	P6B,P65;9760			97786-25000	1		990601 -	FG	P6B,P65;9760		97792-25000	1		
010305 -	AG	P6B,P65;9760			97786-25001	1		97792A		CLIP-LIQUID TUBE MTG					
990601 - 000220	DG	P65;9760		Y	97786-25100	1				(S)SUJETADOR					
					(97786-25000)			990601 -	AD	RHDL35,L45,P3B,P35, P6B;9760		97792-25100	1		
000220 - 010305	DG	P65;9760			97786-25000	1		990601 -	AG	RHD>P3B,P35,P6B;9760		97792-25100	1		
010305 -	DG	P65;9760			97786-25001	1		990601 -	DG	RHD>M-S;9760		97792-25100	1		
990601 - 000220	DS	L35,L45;9760		Y	97786-25100	1		990601 -	DS	RHD>L35,L45,P3B,P35 9760		97792-25100	1		
					(97786-25000)			990601 -	FD	RHD>L35,L45,P3B,P35 9760		97792-25100	1		
000220 - 010305	DS	L35,L45;9760			97786-25000	1		990601 -	FG	RHD>P3B,P35,P6B;9760		97792-25100	1		
010305 -	DS	L35,L45;9760			97786-25001	1		97797B		CLIP-LIQUID TUBE MTG					
990601 - 000220	FD	L35,L45;9760		Y	97786-25100	1				(S)SUJETADOR					
					(97786-25000)			990601 -	ALL	9760		97797-25000	1		
000220 - 010305	FD	L35,L45;9760			97786-25000	1		97798		CLIP-DISCHARGE HOSE MTG					
010305 -	FD	L35,L45;9760			97786-25001	1				(S)SUJETADOR					
990601 - 000220	FG	P6B,P65;9760		Y	97786-25100	1		990601 -	ALL	P3B,P35;9760		97798-25000	1		
					(97786-25000)			990601 -	AD	L35,L45,P6B;9760		97798-25000	1		
000220 - 010305	FG	P6B,P65;9760			97786-25000	1		990601 -	AG	P6B,P65;9760		97798-25000	1		
010305 -	FG	P6B,P65;9760			97786-25001	1		990601 -	DG	P65;9760		97798-25000	1		
97788		SHIELD-HEAT						990601 -	DS	L35,L45;9760		97798-25000	1		
		(S)ESCUDO						990601 -	FD	L35,L45;9760		97798-25000	1		
990601 -	ALL	P3B,P35;9760			97788-25000	1		990601 -	FG	P6B,P65;9760		97798-25000	1		
990601 -	AD	L35,L45,P6B;9760			97788-25000	1		97811A		CAP-CHARGE VALVE					
990601 -	AG	P6B,P65;9760			97788-25000	1				(S)TAPA					
990601 -	DG	P65;9760			97788-25000	1		020101 -		ALL LHD>TCI;9760		97811-22301	1		
990601 -	DS	L35,L45;9760			97788-25000	1		97811B		CAP-CHARGE VALVE					
990601 -	DS	L35,L45;9760			97788-25000	1				(S)TAPA					
990601 -	FD	L35,L45;9760			97788-25000	1		020101 -		ALL LHD>TCI;9760		97811-22351	1		
990601 -	FG	P6B,P65;9760			97788-25000	1				CAP-CHARGE VALVE					
97792		CLIP-A/C COOLER LINE						020101 -		ALL LHD>TCI;9760					
		(S)SUJETADOR								CAP-CHARGE VALVE					
990601 -	ALL	P3B,P35;9760			97792-25000	1				(S)TAPA					
CONTINUED								CONTINUED							

AD:3DR,AG:3DR,ALS DG:3DR,ALS DS:3DR,L FD:4DR,GL FG:4DR,GLS

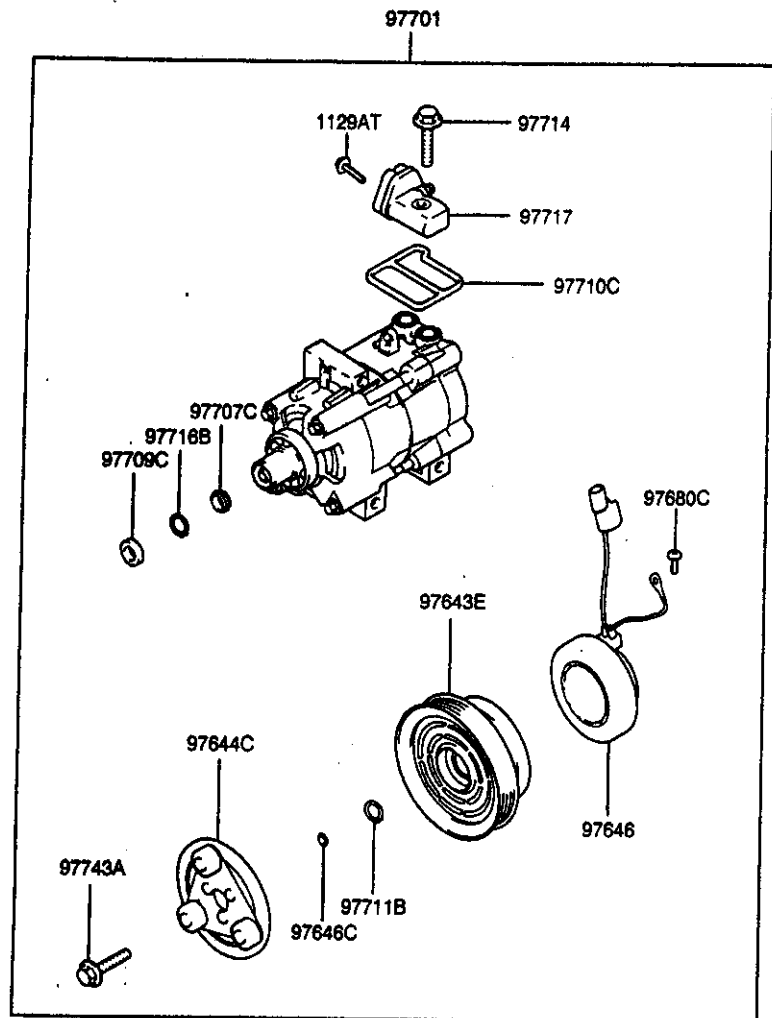
9760:AIR CON

4-B 6

97-976A A/C SYSTEM-COOLER LINE

BA,G0112- 611

P N C		MODEL APPLICABLE		R E P	PART NO. (REPL P/NO)	Q T Y	REMARKS	P N C		MODEL APPLICABLE		R E P	PART NO. (REPL P/NO)	Q T Y	REMARKS	
FROM-UP-TO	TYPE	DESCRIPTION						FROM-UP-TO	TYPE	DESCRIPTION						
97812A		CORE-CHARGE VALVE														
		(S)NUCLEO														
020101 -		ALL LHD>TCI;9760			97812-22301	1										
97830		SHAFT-A/C PULLEY TENSION ADJUST														
		(S)EJE														
990601 -		ALL P3B,P35;9760			97830-22000	1										
990601 -		AD L35,L45,P6B;9760			97830-22000	1										
990601 -		AG P6B,P65;9760			97830-22000	1										
990601 -		DG P65;9760			97830-22000	1										
990601 -		DS L35,L45;9760			97830-22000	1										
990601 -		FD L35,L45;9760			97830-22000	1										
990601 -		FG P6B,P65;9760			97830-22000	1										
97832		SPACER														
		(S)ESPACIADOR														
990601 -		ALL P3B,P35;9760			97832-22000	1										
990601 -		AD L35,L45,P6B;9760			97832-22000	1										
990601 -		AG P6B,P65;9760			97832-22000	1										
990601 -		DG P65;9760			97832-22000	1										
990601 -		DS L35,L45;9760			97832-22000	1										
990601 -		FD L35,L45;9760			97832-22000	1										
990601 -		FG P6B,P65;9760			97832-22000	1										
97833		COVER-DUST														
		(S)CUBIERTA														
990601 -		ALL P3B,P35;9760			97833-22050	1										
990601 -		AD L35,L45,P6B;9760			97833-22050	1										
990601 -		AG P6B,P65;9760			97833-22050	1										
990601 -		DG P65;9760			97833-22050	1										
990601 -		DS L35,L45;9760			97833-22050	1										
990601 -		FD L35,L45;9760			97833-22050	1										
990601 -		FG P6B,P65;9760			97833-22050	1										
97834		PULLEY-TENSION														
		(S)POLEA														
990601 -		ALL P3B,P35;9760			97834-22100	1										
990601 -		AD L35,L45,P6B;9760			97834-22100	1										
990601 -		AG P6B,P65;9760			97834-22100	1										
990601 -		DG P65;9760			97834-22100	1										
990601 -		DS L35,L45;9760			97834-22100	1										
990601 -		FD L35,L45;9760			97834-22100	1										
990601 -		FG P6B,P65;9760			97834-22100	1										



P N C	MODEL APPLICABLE		R E P	PART NO. (REPL P/NO)	Q T Y	REMARKS
	FROM-UP-TO	TYPE				
1129AT						
020101 -				11290-08351 (11293-08353)	2	
97643E						
020101 -				97643-17000	1	
990601 -				97643-22260	1	
990601 -				97643-29500	1	
990601 -				97643-22260	1	
990601 -				97643-29500	1	
990601 -				97643-29500	1	
990601 -				97643-22260	1	
990601 -				97643-29500	1	
990601 -				97643-29500	1	
990601 -				97643-22260	1	
990601 -				97643-29500	1	
97644C						
990601 -				97644-22000	1	
97646						
020101 -				97641-17000	1	
990601 -				97641-25000	1	
990601 -				97641-25100	1	
990601 -				97641-25000	1	
990601 -				97641-25100	1	
990601 -				97641-25000	1	
990601 -				97641-25100	1	
990601 -				97641-25000	1	
990601 -				97641-25000	1	
990601 -				97641-25000	1	
990601 -				97641-25100	1	
97646C						
990601 -				97646-33300	1	
97680C						
020101 -				97680-33300	1	

4-D 6

97-976B A/C SYSTEM-COMPRESSOR

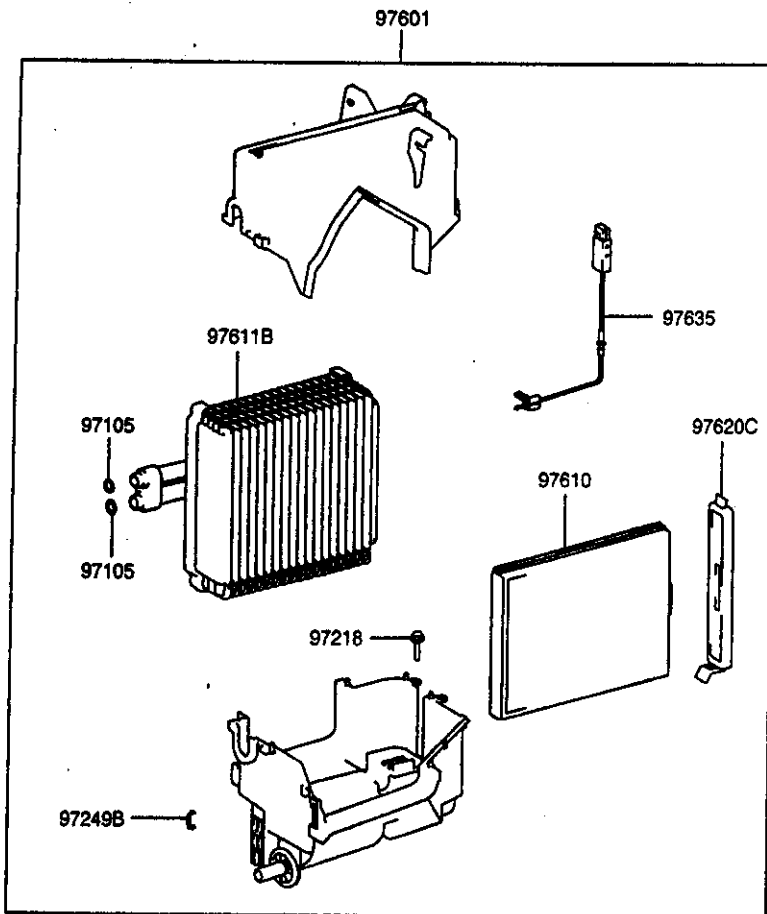
BA,00112- 613

P N C		MODEL APPLICABLE		R E P	PART NO. (REPL P/NO)	Q T Y	REMARKS	P N C		MODEL APPLICABLE		R E P	PART NO. (REPL P/NO)	Q T Y	REMARKS
FROM-UP-TO	TYPE	DESCRIPTION						FROM-UP-TO	TYPE	DESCRIPTION					
97701		COMPRESSOR ASSY						CONTINUED							
		(S)CONJUNTO COMPRESOR						97717		MANIFOLD-COMPRESSOR					
020101 -		ALL LHD>TCI;9760			97701-17000	1				(S)COLECTOR				1	
990601 -		AD L35,L45,P3B,P35;9760			97701-25000	1		990601 -		FD L35,L45;9760		97717-25000	1		
990601 -		AD M-D;9760			97701-25100	1		990601 -		FG P6B,P65;9760		97717-25000	1		
990601 -		AG M-S;9760			97701-25000	1		97743A		BOLT					
990601 -		AG M-D;9760			97701-25100	1				(S)PERNO					
990601 -		DG M-S;9760			97701-25000	1		990601 -		ALL 9760		97647-33300	1		
990601 -		DG LHD>M-D;9760			97701-25100	1									
990601 -		DS L35,L45,P3B,P35;9760			97701-25000	1									
990601 -		FD L35,L45,P3B,P35;9760			97701-25000	1									
990601 -		FG M-S;9760			97701-25000	1									
990601 -		FG M-D;9760			97701-25100	1									
97707C		SEAL-A/C COMPRESSOR SHAFT													
		(S)RETN													
990601 -		ALL 9760			97707-33300	1									
97709C		SEAL-A/C COMPRESSOR PORT													
		(S)RETN													
990601 -		ALL 9760			97709-33300	1									
97710C		GASKET-MUFFLER													
		(S)JUNTA													
990601 -		ALL 9760			97710-22200	1									
97711B		RING-SNAP													
		(S)ANILLO													
990601 -		ALL 9760			97645-33300	1									
97714		BOLT-MANIFOLD MTG													
		(S)PERNO													
990601 -		ALL 9760			97714-22200	4									
97716B		RING-SNAP													
		(S)ANILLO													
990601 -		ALL 9760			97708-33300	1									
97717		MANIFOLD-COMPRESSOR													
		(S)COLECTOR													
990601 -		ALL P3B,P35;9760			97717-25000	1									
020101 -		ALL LHD>TCI;9760			97717-1A000	1									
990601 -		AD L35,L45,P6B;9760			97717-25000	1									
990601 -		AG P6B,P65;9760			97717-25000	1									
990601 -		DG P65;9760			97717-25000	1									
990601 -		DS L35,L45;9760			97717-25000	1									
CONTINUED															

AD:3DR,GL AG:5DR,GLS DG:3DR,GLS DS:3DR,L FD:4DR,GL FG:4DR,GLS

9760-AIR CON

97-976C A/C SYSTEM-EVAPORATOR



P N C	MODEL APPLICABLE		R E P	PART NO. (REPL P/N)	Q T Y	REMARKS
	FROM-UP-TO	TYPE				
97105						
990601 - 000601			Y	97690-25000 (97690-34340)	2	
990601 - 000601			Y	97690-25000 (97690-34340)	2	
990601 - 000601			Y	97690-25000 (97690-34340)	2	
990601 - 000601			Y	97690-25000 (97690-34340)	2	
990601 - 000601			Y	97690-25000 (97690-34340)	2	
990601 - 000601			Y	97690-25000 (97690-34340)	2	
990601 - 000601			Y	97690-25000 (97690-34340)	2	
990601 - 000601			Y	97690-25000 (97690-34340)	2	
97218						
990601 -				97218-29000	2	
97249B						
990601 -				97249-33000	6	
990601 -				97249-33000	10	
990601 -				97249-33000	10	
990601 -				97249-33000	10	
990601 -				97249-33000	10	
990601 -				97249-33000	10	
97601						
990601 -				97601-25950	1	
990601 - 011101				97601-25000	1	
011101 - 011126				97601-25060	1	
011101 - 011128				97601-25010	1	
011126 -				97601-25250	1	
011126 -				97601-25200	1	
990601 -				97601-25900	1	

CONTINUED

P N C	MODEL APPLICABLE		R E P	PART NO. (REPL P/NO)	Q T Y	REMARKS
	FROM-UP-TO	TYPE DESCRIPTION				
CONTINUED						
97601		EVAPORATOR UNIT (S)UNIDAD EVAPORADORA				
990601 - 011101	AD	LHD>L35,P3B,P35,P6B 9713,9760		97601-25050	1	
990601 - 011101	AD	LHD>L35,L45,P6B;9760		97601-25000	1	
011101 - 011126	AD	LHD>P6B;9713,9760		97601-25060	1	
011101 - 011126	AD	LHD>L35,L46,P6B;9760		97601-25010	1	
011126 -	AD	LHD>P6B;9713,9760		97601-25250	1	
990601 -	AG	RHD>P3B,P35,P6B;9760		97601-25900	1	
990601 - 011101	AG	LHD>P3B,P35,P6B,P65 9713,9760		97601-25050	1	
990601 - 011101	AG	LHD>P6B,P65;9760		97601-25000	1	
011101 - 011126	AG	LHD>P6B,P65;9713,9760		97601-25060	1	
011101 - 011126	AG	LHD>P6B,P65;9760		97601-25010	1	
011126 -	AG	LHD>P6B,P65;9713,9760		97601-25250	1	
990601 -	DG	RHD>M-S;9760		97601-25900	1	
990601 - 011101	DG	LHD>P3B,P35,P65;9713, 9760		97601-25050	1	
990601 - 011101	DG	LHD>P65;9760		97601-25000	1	
011101 - 011126	DG	LHD>P65;9713,9760		97601-25060	1	
011101 - 011126	DG	LHD>P65;9760		97601-25010	1	
011126 -	DG	LHD>P65;9713,9760		97601-25250	1	
990601 -	DS	RHD>L35,L45,P3B,P35 9760		97601-25900	1	
990601 - 011101	DS	LHD>M-S;9713,9760		97601-25050	1	
990601 - 011101	DS	LHD>L35,L45;9760		97601-25000	1	
011101 - 011126	DS	LHD>L35,L45;9760		97601-25010	1	
990601 -	FD	RHD>L35,L45,P3B,P35 9760		97601-25900	1	
990601 - 011101	FD	LHD>M-S;9713,9760		97601-25050	1	
990601 - 011101	FD	LHD>L35,L45;9760		97601-25000	1	
011101 - 011126	FD	LHD>L35,L45;9760		97601-25010	1	
990601 -	FG	RHD>P3B,P35,P6B;9760		97601-25900	1	
990601 - 011101	FG	LHD>P3B,P35,P6B,P65 9713,9760		97601-25050	1	
990601 - 011101	FG	LHD>P6B,P65;9760		97601-25000	1	
011101 - 011126	FG	LHD>P6B,P65;9713,9760		97601-25060	1	
011101 - 011126	FG	LHD>P6B,P65;9760		97601-25010	1	
CONTINUED						

P N C	MODEL APPLICABLE		R E P	PART NO. (REPL P/NO)	Q T Y	REMARKS
	FROM-UP-TO	TYPE DESCRIPTION				
CONTINUED						
97601		EVAPORATOR UNIT (S)UNIDAD EVAPORADORA				
011126 -	FG	LHD>P6B,P65;9713,9760		97601-25250	1	
97610		FILTER-AIR (S)FILTRO				
990601 -	ALL	RHD>M-S;9713,9760		97610-25950	1	
011126 -	ALL	LHD>P3B,P35;9713,9760		97617-25000	1	
990601 - 000301	AD	LHD>L35,P3B,P35,P6B 9713,9760	Y	97610-37000 (97617-25000)	1	
011126 -	AD	LHD>P6B;9713,9760		97617-25000	1	
990601 - 000301	AG	LHD>P3B,P35,P6B,P65 9713,9760	Y	97610-37000 (97617-25000)	1	
011126 -	AG	LHD>P6B,P65;9713,9760		97617-25000	1	
990601 - 000301	DG	LHD>P3B,P35,P65;9713, 9760	Y	97610-37000 (97617-25000)	1	
011126 -	DG	LHD>P65;9713,9760		97617-25000	1	
990601 - 000301	DS	LHD>M-S;9713,9760	Y	97610-37000 (97617-25000)	1	
990601 - 000301	FD	LHD>M-S;9713,9760	Y	97610-37000 (97617-25000)	1	
990601 - 000301	FG	LHD>P3B,P35,P6B,P65 9713,9760	Y	97610-37000 (97617-25000)	1	
011126 -	FG	LHD>P6B,P65;9713,9760		97617-25000	1	
97611B		CORE & SEAL ASSY-EVAPORATOR (S)CONJ. SELLO & NUCLEO				
990601 -	ALL	LHD;9760		97609-25000	1	
990601 -	AD	RHDL35,L45,P3B,P35, P6B;9760		97609-25900	1	
990601 -	AG	RHD>P3B,P35,P6B;9760		97609-25900	1	
990601 -	DG	RHD>M-S;9760		97609-25900	1	
990601 -	DS	RHD>L35,L45,P3B,P35 9760		97609-25900	1	
990601 -	FD	RHD>L35,L45,P3B,P35 9760		97609-25900	1	
990601 -	FG	RHD>P3B,P35,P6B;9760		97609-25900	1	
97620C		COVER ASSY-AIR FILTER (S)CONJUNTO CUBIERTA				
990601 -	ALL	LHD;9760		97612-25000	1	
CONTINUED						

4-G 6

97-976C A/C SYSTEM-EVAPORATOR

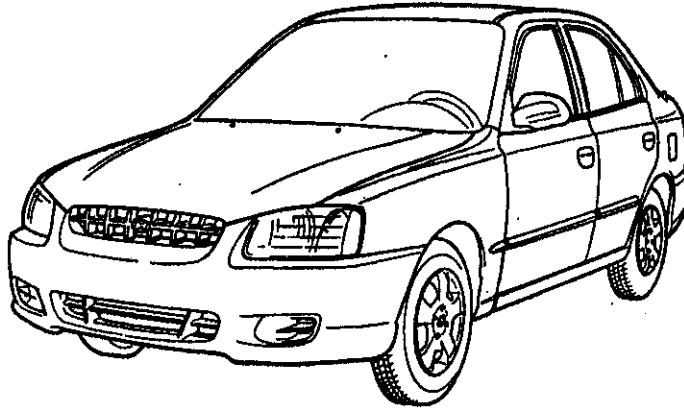
BA,00112- 616

P N C		MODEL APPLICABLE		R E P	PART NO. (REPL P/N/C)	Q T Y	REMARKS	P N C		MODEL APPLICABLE		R E P	PART NO. (REPL P/N/C)	Q T Y	REMARKS
FROM-UP-TO	TYPE	DESCRIPTION						FROM-UP-TO	TYPE	DESCRIPTION					
CONTINUED															
97620C		COVER ASSY-AIR FILTER (S)CONJUNTO CUBIERTA													
990601 -	AD	RHD>L35,L45,P3B,P35, P6B;9760	97612-25900	1											
990601 -	AG	RHD>P3B,P35,P6B;9760	97612-25900	1											
990601 -	DG	RHD>M-S;9760	97612-25900	1											
990601 -	DS	RHD>L35,L45,P3B,P35 9760	97612-25900	1											
990601 -	FD	RHD>L35,L45,P3B,P35 9760	97612-25900	1											
990601 -	FG	RHD>P3B,P35,P6B;9760	97612-25900	1											
97635		THERMISTOR (S)RESISTENCIA TERMICA													
990601 -	ALL	LHD;9760	97620-25000	1											
990601 -	AD	RHD>L35,L45,P3B,P35, P6B;9760	97620-25900	1											
990601 -	AG	RHD>P3B,P35,P6B;9760	97620-25900	1											
990601 -	DG	RHD>M-S;9760	97620-25900	1											
990601 -	DS	RHD>L35,L45,P3B,P35 9760	97620-25900	1											
990601 -	FD	RHD>L35,L45,P3B,P35 9760	97620-25900	1											
990601 -	FG	RHD>P3B,P35,P6B;9760	97620-25900	1											

AD:3DR,GI AQ:3DR,GLS DG:3DR,GLS DS:3DR,L FD:4DR,GI FG:4DR,GLS

9760:AIR CON

GROUP NO. INDEX



05 LABEL	1-A 1
09 OVM TOOL	1-D 1
20 ENGINE.....	1-F 1
25 COOLING.....	1-J 6
28 INTAKE & EXHAUST.....	1-M 7
31 FUEL	1-K10
39 ENGINE ELECTRICAL.....	1-E13
41 CLUTCH.....	2-F 1
43 T/A & DRIVE SHAFT	2-F 2
50 AXLE & WHEEL	2-D 8
54 SUSPENSION.....	2-I 8
56 STEERING	2-G 9
58 BRAKE.....	2-H11
60 BODY	2-L12
81 DOOR.....	3-C 1
84 INTERIOR.....	3-A 5
86 EXTERIOR.....	3-A 8
88 SEAT	3-F10
91 CHASSIS ELECTRICAL.....	3-D12
97 HEATER & A/C	4-F 4

B15**GROUP NO. INDEX**

BA,00112- P2

05 LABEL

05-052 LABEL 1-B 1

09 OVM TOOL

09-091 OVM TOOL 1-E 1

20 ENGINE

20-201 SUB ENGINE ASSY 1-G 1
 20-202 ENGINE GASKET KIT 1-I 1
 20-203 ENGINE GASKET KIT 1-K 1
 20-211 CYLINDER BLOCK 1-M 1
 20-213 FRONT CASE 1-G 2
 20-215 BELT COVER & OIL PAN 1-M 2
 20-216 ENGINE & T/A MOUNTING 1-I 3
 20-221 CYLINDER HEAD 1-B 4
 20-224 ROCKER COVER 1-J 4
 20-231 CRANKSHAFT & PISTON 1-B 5
 20-240 CAMSHAFT & VALVE 1-M 5
 20-291 MUD GUARD 1-H 6

25 COOLING

25-251 COOLANT PUMP 1-K 6
 25-253 RADIATOR 1-B 7
 25-253A RAD HOSE & RESERVOIR 1-F 7
 25-255 COOLANT HOSE & PIPE 1-I 7

28 INTAKE & EXHAUST

28-281 AIR CLEANER 1-A 8
 28-282 TURBOCHARGER 1-H 8
 28-283 INTAKE MANIFOLD 1-J 8
 28-284 VACUUM HOSE 1-E 9
 28-285 EXHAUST MANIFOLD 1-G 9
 28-286 EXHAUST PIPE 1-M 9
 28-289 VAPOR CONTROL SYSTEM 1-D10
 28-390 ELECTRONIC CONTROL 1-F10

31 FUEL

31-311 FUEL TANK 1-L10
 31-313 FUEL LINES 1-J11

31-321 CARBURETOR ASSEMBLY 1-F12
 31-327 ACCELERATOR LINKAGE 1-H12
 31-331 FUEL INJECTION PUMP 1-L12
 31-351 THROTTLE BODY & INJECTOR 1-M12

39 ENGINE ELECTRICAL

39-271 DISTRIBUTOR 1-F13
 39-273 SPARK PLUG & CABLE 1-H13
 39-361 STARTER MOTOR 1-A14
 39-367 GLOW PLUG(DIESEL) 1-H14
 39-371 BATTERY 1-I14
 39-373 GENERATOR 1-K14

41 CLUTCH

41-328 CLUTCH & BRAKE PEDAL 2-G 1
 41-410 CLUTCH & RELEASE FORK(MTA) 2-K 1
 41-416 CLUTCH & MASTER CYLINDER(MTA) 2-M 1
 41-417 CLUTCH RELEASE CYLINDER(MTA) 2-B 2

43 T/A & DRIVE SHAFT

43-430 TRANSAXLE(MTA) 2-G 2
 43-431 TRANSAXLE CASE(MTA) 2-J 2
 43-432 TRANSAXLE GEAR(MTA) 2-A 3
 43-436 SPEEDOMETER DRIVEN GEAR(MTA) 2-K 4
 43-437 GEAR SHIFT CONTROL(MTA) 2-L 4
 43-438 SHIFT LEVER CONTROL(MTA) 2-C 5
 43-439 SHIFT LEVER CONTROL(ATA) 2-E 5
 43-450 TRANSAXLE(ATA) 2-I 5
 43-452 TRANSAXLE CASE(ATA) 2-K 5
 43-453 OIL PUMP & TQ/CONV(ATA) 2-B 6
 43-454 TRANSAXLE CLUTCH(ATA) 2-C 6
 43-455 TRANSAXLE BRAKE(ATA) 2-G 6
 43-457 TRANSAXLE GEAR(ATA) 2-I 6
 43-462 TRANSAXLE VALVE BODY(ATA) 2-L 6
 43-465 SPEEDOMETER DRIVEN GEAR(ATA) 2-L 7
 43-495 DRIVE SHAFT 2-M 7

50 AXLE & WHEEL

50-517 FRONT AXLE HUB 2-E 8
 50-527 REAR WHEEL HUB 2-F 8

50-529 WHEEL & CAP 2-G 8

54 SUSPENSION

54-545 FRONT SUSPENSION LOWER ARM 2-J 8
 54-546 FRONT SPRING & STRUT 2-L 8
 54-548 FRONT STABILIZER BAR 2-A 9
 54-553 REAR SHOCK ABSORBER & SPRING 2-C 9
 54-555 REAR SUSPENSION CONTROL ARM 2-E 9

56 STEERING

56-561 STEERING WHEEL 2-H 9
 56-563 STEERING COLUMN & SHAFT 2-L 9
 56-565 MANUAL STEERING GEAR BOX 2-M 9
 56-568 STEERING LINKAGE 2-D10
 56-571 POWER STEERING OIL PUMP 2-E10
 56-575 POWER STEERING HOSE & BRACKET 2-J10
 56-577 POWER STEERING GEAR BOX 2-D11

58 BRAKE

58-581 FRONT WHEEL BRAKE 2-I11
 58-583 REAR WHEEL BRAKE 2-K11
 58-585 BRAKE MASTER CYLINDER 2-A12
 58-587 BRAKE FLUID LINES 2-C12
 58-589 HYDRAULIC MODULE 2-H12
 58-591 POWER BRAKE BOOSTER 2-I12
 58-597 PARKING BRAKE 2-K12

60 BODY

60-624 FRONT SUSPENSION CROSSMEMBER 2-M12
 60-640 FENDER APRON & RAD SUPT RNL 2-C13
 60-651 FLOOR PANEL 2-E13
 60-660 FENDER & HOOD PANEL 2-I13
 60-667 COWL PANEL 2-K13
 60-671 ROOF PANEL 2-M13
 60-690 TAIL GATE & BACK PANEL 2-B14
 60-710 SIDE BODY PANEL 2-D14
 60-760 FRONT DOOR PANEL 2-L14
 60-770 REAR DOOR PANEL 3-A 1

81 DOOR

81-810	HOOD TRIM.....	3-D 1
81-811	TRUNK LID TRIM.....	3-F 1
81-813	FRONT DOOR LOCKING.....	3-H 1
81-814	REAR DOOR LOCKING.....	3-B 2
81-815	FUEL FILLER DOOR.....	3-H 2
81-816	SUNROOF.....	3-J 2
81-817	TAIL GATE TRIM.....	3-L 2
81-819	KEY & CYLINDER SET.....	3-E 3
81-821	FRONT DOOR MOULDING.....	3-H 3
81-823	FRONT DOOR TRIM.....	3-K 3
81-824	FRONT DOOR WINDOW REG & GLASS.....	3-B 4
81-831	REAR DOOR MOULDING.....	3-E 4
81-833	REAR DOOR TRIM.....	3-G 4
81-834	REAR DOOR WINDOW REG & GLASS.....	3-J 4

84 INTERIOR

84-841	ISOLATION PAD & FLOOR COVERING.....	3-B 5
84-846	FLOOR CONSOLE.....	3-G 5
84-847A	CRASH PAD UPPER.....	3-I 5
84-847B	CRASH PAD LOWER.....	3-A 6
84-853	SUNVISOR & HEADLINING.....	3-I 6
84-856	REAR PACKAGE TRAY.....	3-A 7
84-857	LUGGAGE COMPARTMENT.....	3-B 7
84-858	INTERIOR SIDE TRIM.....	3-G 7
84-859	COVERING SHELF.....	3-L 7

86 EXTERIOR

86-861	WINDSHIELD GLASS.....	3-B 8
86-863	EMBLEM.....	3-C 8
86-865	FRONT BUMPER.....	3-F 8
86-866	REAR BUMPER.....	3-L 8
86-868	WHEEL GUARD.....	3-B 9
86-871	REAR WINDOW GLASS & MOULDING.....	3-D 9
86-872	REAR SPOILER & ROOF GARNISH.....	3-F 9
86-873	BACK PANEL MOULDING.....	3-H 9
86-876	OUTSIDE REAR VIEW MIRROR.....	3-J 9
86-877	BODY SIDE MOULDING.....	3-C 10
86-878	QUARTER FIXED GLASS.....	3-E 10

88 SEAT

88-881	FRONT SEAT.....	3-G 10
88-888	FRONT SEAT BELT.....	3-D 11
88-890	REAR SEAT.....	3-J 11
88-898	REAR SEAT BELT.....	3-A 12
88-899	CHILD REST HOLDER.....	3-C 12

91 CHASSIS ELECTRICAL

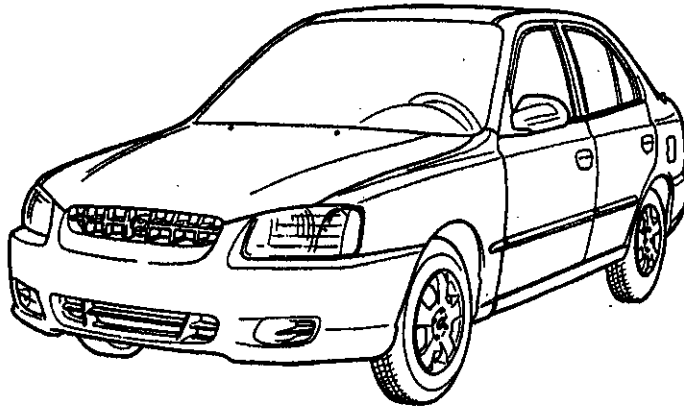
91-911	MAIN WIRING.....	3-E 12
91-912	ENGINE WIRING.....	3-E 13
91-913	INSTRUMENT WIRING.....	3-H 13
91-914	CONTROL WIRING.....	3-J 13
91-916	MISCELLANEOUS WIRING.....	3-M 13
91-919	TAIL GATE WIRING.....	3-E 14
91-921	HEADLAMP.....	3-G 14
91-923	BODY SIDE LAMP.....	3-I 14
91-924	REAR COMBINATION LAMP.....	3-K 14
91-925	LICENSE PLATE & INTERIOR LAMP.....	4-A 1
91-927	HIGH MOUNTED STOP LAMP.....	4-B 1
91-928	ROOM LAMP.....	4-D 1
91-934	MULTIFUNCTION SWITCH.....	4-F 1
91-935	SWITCH.....	4-H 1
91-940	INSTRUMENT CLUSTER.....	4-B 2
91-942	SPEEDOMETER CABLE.....	4-H 2
91-952	RELAY.....	4-I 2
91-954	AUTO TRANSAXLE CONTROL.....	4-M 2
91-956	ANTI-SKID BRAKE SENSOR.....	4-B 3
91-961	CAR RADIO.....	4-D 3
91-962	ANTENNA.....	4-G 3
91-963	SPEAKER.....	4-I 3
91-966	HORN.....	4-K 3
91-981	WINDSHIELD WIPER.....	4-L 3
91-986	WINDSHIELD WASHER.....	4-M 3
91-988	REAR WIPER & WASHER.....	4-B 4

97 HEATER & A/C

97-971A	HEATER SYSTEM-CONTROL & DUCT.....	4-G 4
97-971B	HEATER SYSTEM-HEATER UNIT.....	4-M 4
97-971C	HEATER SYSTEM-BLOWER UNIT.....	4-C 5
97-976A	A/C SYSTEM-COOLER LINE.....	4-E 5
97-976B	A/C SYSTEM-COMPRESSOR.....	4-C 6
97-976C	A/C SYSTEM-EVAPORATOR.....	4-E 6

—M/E/M/O—

PART NO. INDEX



.....	11290-08303.....	B12
11290-08351	12492-05163.....	C12
12492-05163	17303-14012.....	D12
17313-20000	22127-23000.....	E12
22127-26000	24211-22611.....	F12
24211-27000	27420-26600.....	G12
27420-26700	31101-22000.....	H12
31101-22200	35100-26610.....	I12
35100-27500	41431-28020.....	J12
41433-28021	43227-22820.....	K12
43227-22820	43820-28520.....	L12
43830-22610	45832-22830.....	M12
45834-22700	52710-25001.....	A13
52710-25100	57120-22001.....	B13
57122-23500	58742-25000.....	C13
58742-25300	71401-25000.....	D13
71401-250A0.....	81623-22000.....	E13
81624-22000	82729-25200.....	F13
82729-25210	85202-25450YL.....	G13
85202-25460YL.....	86318-25100AP.....	H13
86318-25100DT.....	87610-25710CA.....	I13
87610-25710CA.....	88600-25070SX.....	J13
88600-25080SX.....	91101-25402.....	K13
91101-25410	91791-33300.....	L13
91791-33300	93420-25010.....	M13
93420-25100	96230-25000.....	A14
96233-22500	97792-25100.....	B14
97797-25000	K9881-12000.....	C14

PART NO.	M/F NO.	P N C
2-A 2	41662	
2-A 2	41670	
2-A 2	41682A	
2-A 6	49602A	
2-A12	58623	
2-B12	58540A	
2-B12	58550A	
2-D 4	43351A	
2-D 4	43352A	
2-E 2	41723	
2-E 4	43352A	
2-E 4	43352B	
2-E11	57713B	
2-F 4	43373B	
2-F 4	43376C	
2-F11	57729	
2-F11	57735C	
2-F11	57736A	
2-F11	57742	
2-F11	57746	
2-G10	57137B	
2-G10	57143	
2-G10	57144	
2-H10	57144	
2-H10	57145	
2-H10	57146A	
2-H11	58113	
2-H11	58114A	
2-H11	58115	
2-H11	58118A	
2-H11	58117A	
2-H11	58118A	
2-J11	58120	
2-J11	58122	
2-J11	58123A	
2-J11	58138	
2-J11	58164B	
2-J11	58165A	
2-J11	58166	
2-K11	58315	
2-L11	58325	
2-L11	58332A	
2-L11	58337	
2-L11	58364	
3-E 3	81250C	
3-E 3	81900A	
3-E 3	81905	
3-F 3	81907	
3-F 3	81908	
00610-17121	43121C	
05203-25000	05203	
05203-25001	05203	
05203-25002	05203	
05203-25003	05203	
09110-29500	09110	
09111-02000	09111	
09131-29000	09131	
09131-38000	09131	
09132-38000	09132	
09135-11210	09135A	

PART NO.	M/F NO.	P N C
09145-11200	1-E 1	09145
09146-11110	1-E 1	09146
09149-34000	1-E 1	09129
0JF03-13465	1-L 9	K13465
10116-08163	4-L 3	1011AA
10116-10281	1-J 3	1011AA
10117-08161	2-H 3	1011CA
10127-08351	2-B14	1012AA
10176-08221	3-B 2	1017CB
	3-H 1	1017CB
10176-08223	3-B 2	1017CB
	3-H 1	1017CB
10188-05103	3-G 5	1018AA
10188-05163	2-A 9	1018AD
	3-A 6	1018AD
	3-B 2	1018AD
	3-G 5	1018AD
	3-H 1	1018AD
	3-J 5	1018AD
	4-H 4	1018AD
	4-I 3	1018AD
10188-05203	4-F 5	1018AE
	4-H 4	1018AE
10306-05800	3-J 5	1030HA
	4-I 3	1030HA
10681-10220	2-M 1	1068AB
11201-10351	2-H 1	1120DG
11203-05101	2-M 6	1120GB
11203-08253	1-A 2	1120GK
	1-G10	1120GK
11230-06143	2-E12	1123AD
11230-06141	2-E12	1123AM
11230-08201	2-H 1	1123AP
11230-08353	1-A13	1123AW
11230-08363	1-A13	1123AW
11230-08403	1-A13	1123AX
11231-10163	1-A10	1123EA
11233-06121	1-A 6	1123GF
	2-C 2	1123GF
11233-06123	1-A 6	1123GF
	1-L 6	1123GF
11233-06126	1-B 3	1123GF
11233-06143	1-L 6	1123GG
11233-06181	4-B 3	1123GJ
11233-08161	2-K 1	1123GT
11233-08163	1-J 3	1123GT
11233-08201	1-B 3	1123GV
	1-H 2	1123GV
	2-H12	1123GV
	2-K12	1123GV
11233-08203	1-J 3	1123GV
	2-H12	1123GV
	2-J10	1123GV
	2-L 4	1123GV
11233-08223	1-C 4	1123GW
	2-J 2	1123GW
11233-08253	1-C 4	1123GX
	2-C 2	1123GX
	2-J 2	1123GX
	2-L 4	1123GX

PART NO.	M/F NO.	P N C
11233-08253	2-L 5	1123GX
11233-08263	1-K 8	1123GY
	2-C 2	1123GY
11233-08353	1-C 4	1123HB
11234-10201	1-A10	1123LC
	1-J 3	1123LC
11234-10203	1-H 9	1123LC
	1-J 3	1123LC
	2-J10	1123LC
11234-10253	2-J10	1123LE
11234-10281	2-A 6	1123LF
11234-10301	1-J 3	1123LG
11234-10351	1-J 3	1123LJ
	1-K 3	1123LJ
11234-10403	2-J 2	1123LW
11234-12283	2-J 2	1123LW
	2-L 5	1123LW
11234-12303	2-J 2	1123LX
	2-L 5	1123LX
11234-12401	2-M12	1123MG
11234-12453	2-L 5	1123MD
11236-10283	2-J10	1123SD
11240-08201	2-E12	1124AG
	2-F 5	1124AG
11240-08301	1-H2	1124AJ
11241-08281	3-I 6	1124DC
11241-08201	3-H10	1124DD
11241-10251	2-E 9	1124DF
11241-12301	2-M 9	1124DG
	2-M12	1124DG
11241-12551	2-M 9	1124DJ
11250-06121	1-G10	1125AA
11250-06161	2-D11	1125AC
11250-06163	3-G14	1125AC
	3-J13	1125AC
	4-K 3	1125AC
11250-06201	3-G 5	1125AD
11250-06203	3-E13	1125AD
11250-06251	2-H 1	1125AE
11250-06161	2-H 1	1125AJ
11250-06203	2-E10	1125AK
11250-08251	2-C 5	1125AL
	2-F 5	1125AL
11250-08253	2-F 5	1125AL
11251-06161	1-A11	1125DA
	1-G10	1125DA
	4-J 2	1125DA
	4-M 2	1125DA
11251-06163	1-H 8	1125DA
	1-H2	1125DA
	1-L11	1125DA
	2-E12	1125DA
	2-J10	1125DA
	2-K10	1125DA
	2-L 5	1125DA
	3-B 2	1125DA
	3-B 5	1125DA
	3-C12	1125AC
	3-D 1	1125DA
	3-F 1	1125DA

PART NO.	M/F NO.	P N C
11251-06163	3-H 1	1125DA
	3-H 2	1125DA
	3-L 2	1125DA
	4-F 5	1125DA
11251-06203	3-J 5	1125DB
11251-06161	2-H 1	1125DQ
11251-06163	3-L 2	1125DQ
11251-06201	1-A11	1125DD
	2-H 1	1125DD
	3-L 8	1125DD
11251-06203	3-L 2	1125DD
11251-06251	3-F 6	1125DE
	3-L 6	1125DE
11251-08253	3-B 2	1125DE
	3-C 2	1125DE
	3-H 1	1125DE
11251-10253	3-H10	1125DF
11251-12301	3-B 5	1125DK
11251-12353	1-A10	1125DM
11253-06161	1-A11	1125GA
	3-B 4	1125GA
11253-06163	1-I 6	1125GA
	4-M 3	1125GA
11253-06201	3-G 5	1125GB
11253-06203	4-M 3	1125GB
11253-08253	1-C 7	1125GD
	3-F 8	1125GD
	4-F 5	1125GD
11254-06161	2-B14	1125KB
	3-J 2	1125KB
11254-06201	1-A11	1125KC
	1-L11	1125KC
	3-F12	1125KC
11254-06203	1-H13	1125KC
	3-G14	1125KC
	4-B 1	1125KC
	4-F 5	1125KC
	4-H 4	1125KC
11254-06363	1-D 8	1125KL
11254-06203	3-K11	1125KE
11254-08351	2-L 9	1125KG
11290-06121	2-B14	1129AC
	3-M 2	1129AC
	4-B 3	1129AC
11290-06123	3-J 5	1129AC
11290-06141	4-B 4	1129AD
	4-J 2	1129AD
11290-06143	4-J 2	1129AD
11290-06161	1-G10	1129AE
	1-H10	1129AE
	1-H11	1129AE
	4-M 2	1129AE
	4-M 3	1129AE
11290-06163	3-F 1	1129AE
	3-H 2	1129AE
	3-M 2	1129AE
11290-06161	2-H 1	1129AM
11290-06183	1-H4	1129AN
11290-08201	2-K12	1129AP
11290-08251	2-H 1	1129AR
11290-08303	1-H4	1129AS

PART NO.	M/F NO.	P N C	PART NO.	M/F NO.	P N C	PART NO.	M/F NO.	P N C	PART NO.	M/F NO.	P N C
11290-08351	4-C 6	1129AT	11400-08603	1-1 2	1140AW	11403-08453	1-L 8	1140FN	11974-10301	1-B10	1197AA
11291-06123	3-1 5	11291		1-L 6	1140AW	11403-08503	1-L14	1140FP	12201-06121	2-K11	1220BC
11291-12203	1-A10	1129CJ		1-M 6	1140AW		1-M 6	1140FP	12203-04083	3-J 5	1220FC
11293-06121	1-A11	1129EC	11403-08101	1-C 3	1140FZ	11403-08603	1-1 2	1140FX	12203-05103	3-J 2	1220FK
	3-C 2	1129EC	11403-06103	1-C 3	1140FZ	11403-08653	1-C 4	1140FS	12203-06121	1-1 2	1220FP
	3-H 1	1129EC		1-D10	1140FZ		1-D 4	1140FS		2-K11	1220FP
	4-B 3	1129EC		1-L 8	1140FZ	11403-08803	1-M 6	1140FS	12203-06141	1-H10	1220FR
11293-06141	4-B 3	1129ED		2-G 2	1140FZ		1-L14	1140FZ		1-1 2	1220FR
11293-06161	3-C 2	1129EE		2-H 2	1140FZ	11403-18453	1-1 2	1140FN	12203-06181	1-1 2	1220FS
	3-H 1	1129EE	11403-06121	2-1 5	1140FZ	11404-10181	1-K 3	1140HX	12210-06183	3-J 5	1221AC
	3-1 1	1129EE		2-M 6	1140EJ	11404-10223	1-D 4	1140HC		3-M 2	1221AC
	4-D 1	1129EE	11403-06123	1-B 3	1140EJ		1-H 9	1140HC	12211-05061	2-I 9	1221CG
11293-06163	3-C 2	1129EE		1-12	1140EJ	11404-10251	1-A 6	1140HD	12291-04101	3-F 1	1229CB
	3-H 1	1129EE		1-L12	1140EJ		1-B 6	1140HD	12291-04103	3-F 1	1229CB
11293-08253	1-H10	1129EX		3-J13	1140EJ	11404-10253	1-M 6	1140HD	12291-05123	2-F 5	1229DE
11293-08283	1-K 4	1129EF	11403-06141	1-C 3	1140FY	11404-10301	1-K 3	1140HE		3-J 5	1229DE
11293-08163	1-A10	1129EH		2-B 6	1140FY		4-G 5	1140HE	12291-05143	1-L11	1229DH
11293-08253	2-C 2	1129EW	11403-08143	1-C 3	1140FY	11404-10451	4-G 5	1140HE	12291-05161	3-D 1	1229DK
11294-10203	1-K 8	1129GB		1-H 9	1140FY	11404-10453	1-D 3	1140HH	12310-03141	1-A11	1231AD
11296-10601	2-G 2	1129JA		1-K 4	1140FY	11404-10553	1-B14	1140HK	12310-06101	2-K12	1231DB
11296-10603	2-G 2	1129JA		1-L14	1140FY		1-D 3	1140HK	12310-05103	1-J13	1231DB
	2-1 5	1129JA		2-L 5	1140FY	11404-10703	2-H 2	1140HN	12310-05121	3-H10	1231DE
11302-06141	3-M 2	1130DB		2-L 7	1140FY		2-1 5	1140HN	12310-06123	3-H10	1231DE
11302-06146B	3-D 1	81142	11403-06161	1-B 3	1140EK	11404-10753	1-D 3	1140HP	12310-06141	4-G 1	1231DH
11302-06163	1-D 8	1130DC	11403-06163	2-L 5	1140EK		1-L14	1140HP	12310-08141	3-J 9	1231FG
11302-06303	4-F 5	1130DE	11403-06183	1-B 3	1140EM	11404-10903	1-K 3	1140HO	12310-06161	2-E 8	1231FH
11311-10301	2-1 1	1131BA	11403-06201	1-C 3	1140EN	11404-12301	1-B 6	1140HU		2-F 8	1231FH
11321-12101A	1-K 3	1132AD	11403-06203	1-A13	1140EN	11404-12403	2-H 2	1140HV	12310-06163	1-J13	1231FH
11322-12501	2-C 9	1132CB		1-B 3	1140EN		2-1 5	1140HV	12325-04083	2-F 5	1232EA
	2-L 8	1132CB		1-C 3	1140EN	11404-12553	1-D 3	1140HW	12342-05081	2-L 9	1234JA
11400-06103	1-A 2	1140AA	11403-06303	1-M 6	1140EN	11405-06303	1-D 4	1140KC	12342-05203	4-E 3	1234JF
	1-D10	1140AA		1-H10	1140ET	11405-08163	1-C 5	1140KD	12418-04122	2-I 9	1241VJ
	1-E 9	1140AA		1-L11	1140ET	11405-08253	1-L 6	1140SA	12418-05103	3-H10	1241YB
11400-06121	1-H 9	1140AB	11403-08853	1-C 3	1140EZ	11407-06121	3-B 4	1140NF		3-H10	1241YE
	4-F 5	1140AB	11403-08123	1-K 7	1140FB		3-J 4	1140NF	12418-06133	3-H10	1241YE
	4-G 5	1140AB	11403-08143	1-H 9	1140FC	11407-06143	1-C 7	1140NB	12431-03101	4-B 1	1243AB
11400-06123	1-B 3	1140AB	11403-08163	1-113	1140FD		1-H 8	1140NB	12431-03121	3-C10	1243AE
	1-C 4	1140AB		2-L 5	1140FD		3-J13	1140NB	12431-03201	2-F 5	1243AG
	1-H10	1140AB	11403-08201	2-113	1140FF		4-G 5	1140NB	12431-04122	2-I 9	1243BE
	1-K 4	1140AB	11403-08203	1-1 2	1140FF	11415-06143	3-E14	1141AE	12431-04143	4-A 1	1243BM
	1-K 7	1140AB	11403-08221	1-K 8	1140FG		4-G 3	1141AE	12431-04161	3-1 1	1243BN
	2-G 2	1140AB	11403-08223	1-A13	1140FG	11415-06163	1-114	1141AC		4-1 3	1243BN
	2-1 5	1140AB	11403-08253	2-L 5	1140FH		3-E13	1141AC	12431-04163	4-A 1	1243BN
11400-06141	2-K 4	1140AC		1-K 8	1140FH		3-F12	1141AC	12431-05101	3-A 6	1243DB
11400-06143	2-K 4	1140AC		1-L 8	1140FH		3-J 5	1141AC	12433-04103	3-1 1	1243JA
11400-06163	1-B 3	1140AD		1-L14	1140FH		3-J13	1141AC		3-J 5	1243JA
11400-06121	1-K 7	1140AH		2-L 5	1140FH		4-G 3	1141AC	12433-05121	3-J 4	1243KD
11400-06123	1-A 2	1140AH	11403-08283	1-B13	1140GD		4-J 2	1141AC	12434-05163	3-A 6	1243NA
	1-A10	1140AH		2-L 5	1140GD	11415-08161	2-K13	1140AH	12434-05203	3-A 6	1243NC
	1-B 2	1140AH	11403-08303	1-1 2	1140FJ	11510-08283	1-F 4	2212SC		3-1 6	1243NC
	1-B 3	1140AH		4-G 5	1140FJ	11513-08253	1-D 4	1151CC	12441-05123	4-1 3	1244BB
	1-K 7	1140AH	11403-08321	2-B 6	1140GA		1-L 8	1151CC	12442-05203	3-F 8	1244FG
11400-08253	1-A13	1140AN	11403-08353	1-1 2	1140FH	11513-08403	1-L 8	1151CJ	12492-04101	2-I 9	1249EA
	1-B 2	1140AN		1-K 8	1140FH	11514-10251	1-B 2	1151OB	12492-04103	3-A 7	1249EA
	1-H 2	1140AN		1-L 8	1140FH	11514-10555	1-B 2	1151DD	12492-04123	4-H 4	1249EB
	1-H10	1140AN	11403-08381	1-A 6	1140FL	11533-06185	1-L 8	1153CK	12492-04143	3-A 7	1249ED
11400-08283	1-1 2	1140AP	11403-08401	1-C 4	1140FM	11533-08205	1-D 4	1153CA	12492-04163	3-M 2	1249EE
	1-L 6	1140AP		1-1 2	1140FM	11703-08121	1-B 2	1170AA	12492-05103	3-L 7	1249GA
11400-08453	1-H 2	1140AU	11403-08403	1-1 2	1140FM	11703-06183	1-C 5	11703	12492-05163	3-B 7	1249GE
	1-1 2	1140AU	11403-08451	4-G 5	1140FN		1-H 2	1120NX		3-G 7	1249GE

PART NO. INDEX

PART NO.	M/F NO.	P N C
12492-08183	3-H 9	1249GE
12492-061898	3-H 9	1129GE
12492-05203	3-G 4	1249GF
	3-K 3	1249GF
12492-08183	3-H 9	1249JA
	3-K 14	1249JA
12493-04123	3-F 8	1249LD
	3-G 4	1249LD
	3-G 8	1249LD
	3-K 3	1249LD
12493-04143	3-G 8	1249LG
12493-04183	3-C10	1249LJ
12493-04203	3-L 7	1249LL
	3-M 2	1249LL
12493-08203	3-B 9	1249PD
	3-G 8	1249PD
13100-04001	1-A11	1310AA
13100-05001	2-M 6	1310BA
13100-08001	2-F 5	1310DA
13100-08003	1-L14	1310DA
	2-A12	1310DA
13101-10001	2-H 1	1310JA
13101-10003	2-L 6	1310JA
13103-08003	1-D 4	1310SA
13104-10001	1-K 3	1310TA
13104-10003	2-C 2	1310TA
13104-12001	2-C 9	1310UA
	2-L 8	1310UA
13110-09001	1-A11	1311FB
	1-B11	1311FB
13110-08001	4-B 4	1311CA
13110-10001	2-H 1	1311DA
13111-10001	2-H 1	1311FA
13111-14001	2-I 9	1311HA
13134-10001	2-D10	1313DA
13251-10001	1-B11	1325CA
	2-E 9	1325CA
13262-12001	2-C 9	1326GB
	2-J 8	1326GB
	2-L 8	1326GB
13270-08001	3-J 5	1327AA
13270-05003	1-L11	1327AA
13270-08001	1-H12	1327AB
	3-J 2	1327AB
13270-08003	1-B11	1327AB
	1-G 7	1327AB
	1-L11	1327AB
	3-E13	1327AB
	4-G 5	1327AB
13270-08001	1-H12	1327AC
	2-L 9	1327AC
13270-10001	2-A 9	1327AD
13271-04001	3-E10	1327AF
13271-04003	1-H14	1327AF
13271-08001	4-G 5	1327CB
	4-H 4	1327CB
	4-H 5	1327CB
13271-08001	2-B14	1327CC
13327-04026	4-B 1	1334AA
13385-08003	4-H 4	1336AC

PART NO.	M/F NO.	P N C
13385-08001	4-H 5	1338AB
13385-08001	1-H10	1338AC
	2-C 5	1338AC
	3-F 8	1138AC
	3-F 9	1138AC
	3-K11	1138AC
	3-K11	1338AC
	4-M 2	1138AC
13385-06003	1-B13	1338AC
	1-G 7	1338AC
	1-L11	1338AC
	2-E12	1338AC
	2-K10	1338AC
	2-M 1	1338AC
	3-J13	1338AC
	4-H 5	1338AC
	4-K 3	1338AC
13385-08001	2-H 1	1338AD
	2-K13	1338AD
13385-08003	1-F13	1338AD
	1-H12	1338AD
	1-J13	1338AD
	2-C 9	1338AD
	2-H 1	1338AD
	2-L 8	1338AD
	4-H 5	1338AD
13386-10003	1-L14	1338CA
13386-05001	3-J 2	1339CB
13395-06001	3-B 4	1339CC
	3-I 1	1339CC
	3-J 4	1339CC
	4-B 3	1339CC
13395-08003	1-H14	1339CC
	3-H 8	1339CC
	4-G 3	1339CC
13395-08001	1-H14	1339CD
	2-F 5	1339CD
	2-H13	1339CD
13395-08003	1-H 9	1339CD
	1-L 8	1339CD
13395-10001	4-H 5	1339CE
13395-08001	2-H12	1339GA
13395-08003	1-B13	1339GA
	1-D 4	1339GA
	1-I 9	1339GA
	1-J13	1339GA
	1-L 8	1339GA
	1-M 8	1339GA
	2-H12	1339GA
13395-10001	1-K 3	1339GB
13395-10003	1-K 3	1339GB
13395-12003	1-K 3	1339GB
13467-14001	2-D11	1346TD
13468-12001	2-E 9	1346VB
13504-08183	2-K10	1350LB
13510-08001	1-D 4	1351GA
13510-08003	1-I 9	1351GA
	1-L14	1351GA
13510-08243	1-F13	1351GC
13510-10003	2-C 2	1351JA

PART NO.	M/F NO.	P N C
13610-12361	2-M12	1361AA
13602-04001	1-B11	1360GC
13602-08001	2-F 5	1360GG
	2-L 9	1360GG
13602-08003	1-D 4	1360GG
	1-L14	1360GG
	2-A12	1360GG
13602-10001	1-K 3	1360GH
	2-H 1	1360GH
	2-L 5	1360GH
13602-12001	2-H11	1360GJ
13602-12003	2-K10	1360GJ
13602-14001	2-I 9	1360GK
13603-10001	2-K11	1360JD
13603-10003	2-C 2	1360JD
13603-12001	2-C 9	1360JE
	2-E 9	1360JE
	2-J 8	1360JE
	2-L 8	1360JE
13650-04001	1-B11	1365AA
14300-03251	1-H12	1430AK
14300-04351	2-A 8	1430AR
14300-85251	2-O10	1430BH
14303-08140	1-B 2	1430JC
	1-B 6	1430JC
	1-D 3	1430JC
14303-08180	1-C 5	1430JE
14303-08240	1-C 5	1430JJ
14303-10200	2-J 2	1430JF
14310-03145	2-L 7	1431AA
14310-08405	2-C 5	1431AW
14331-08090	1-C 2	1433CF
14331-08090	1-B 2	1433CA
	1-D 3	1433CA
14331-10090	1-C 2	1433CG
14331-10130	1-C 5	1433CB
14331-10180	1-B 2	1433CC
	1-C 2	1433CC
14331-12131	1-C 2	1433CD
14331-12160	1-C 2	1433CE
14611-03001	2-F 5	1461CB
14614-16001	2-G 6	1461LD
14711-13008	1-L11	1471CD
14711-15008	1-L11	1471CG
14711-35003	1-D 8	1471CC
14711-48008	1-B11	1471DB
14711-52003	1-D 8	1471DC
14711-52008	1-B11	1471DC
14711-70003	1-D 8	1471DK
14720-10006	1-B11	1472AD
	1-L11	1472AD
	1-F12	1472AE
14720-11006	1-L11	1472AF
14720-13003	1-K 4	1472AG
	1-L 4	1472AG
	1-M 8	1472AG
14720-13006	1-B13	1472AG
	1-K 7	1472AG
14720-13008	1-D10	1472AG
	1-L11	1472AG

PART NO.	M/F NO.	P N C
14720-18003	1-L 4	1472AJ
14720-18006	1-B13	1472AT
14720-18001	2-M 9	1472AK
14720-18003	1-L 4	1472AK
	1-L14	1472AK
14720-17003	1-L14	1472AL
14720-18006	1-I 9	1472AM
14720-18008	1-B11	1472AM
14720-20003	1-K 7	1472AO
14720-210068	4-H 4	1472AN
14720-21006	1-B11	1472AN
14720-22006	1-K 7	1472AP
14720-23003	1-I 2	1472AR
14720-28006	1-D 8	1472AY
	4-I 4	1472AY
14725-14001	3-J 2	1472NB
14890-08089	1-D 4	1489AC
14894-08179	2-E12	1489LA
14895-08149	4-K 3	1489O
14910-04000	4-A 1	1491AB
14910-05000	3-C 2	1491AD
	3-H 8	1491AD
	3-I 1	1491AD
	3-I 6	1491AD
	3-L 8	1491AD
	4-I 3	1491AD
14911-08000	3-I 1	1491DA
14912-04000	3-G 4	1491GB
	3-K 3	1491GB
14925-08120	1-J13	1492ND
14929-18015	3-I 1	1492YA
14929-18025	3-I 1	1492YB
14929-22015	3-I 1	1492YC
14929-22025	3-I 1	1492YD
14929-42015	3-C 2	1492YE
	3-D 2	1492YE
	3-I 1	1492YE
14929-42025	3-D 2	1492YF
	3-I 1	1492YF
15407-16293	1-L14	1540TC
15716-13111	1-M 8	1571RB
15717-10081	1-D 4	1571TA
15717-13111	1-D 4	1571TB
15717-17121	1-D 4	1571TC
	1-I 2	1571TC
15732-14001	2-L 5	1573GB
15732-25001	1-D 4	1573GC
15732-30001	1-E 4	1573GE
15732-35001	1-C 2	1573GF
15732-35003	1-C 2	1573GF
	1-E 4	1573GF
	1-M 8	1573GF
16011-04000	2-D 6	1601DA
	2-L 5	1601DA
16011-07000	2-D 6	1601DG
16011-08000	2-M 6	1601DE
16011-10000	2-B 6	1601DG
16011-11000	2-L 4	1601DH
17100-22100	2-K 4	1710AJ
17303-14012	3-J 2	1730JB

PART NO.	M/F NO.	P N C	PART NO.	M/F NO.	P N C	PART NO.	M/F NO.	P N C	PART NO.	M/F NO.	P N C
17313-20000	3-C 5	1731JC	20910-28C01	1-L 1	20910	21355-27000	1-D 3	21362R	21821-25000	1-L 3	21821D
17313-25000	3-B 5	1076AM	20910-27C00	1-L 1	20910	21356-27000	1-E 3	21356C	21822-29000	1-L 3	21822B
	3-E12	1076AM	20920-22AC0	1-L 1	20920	21357-27000	1-E 3	21367A	21825-25000	1-L 3	21825B
	3-F12	1076AM	20920-22AD0	1-L 1	20920	21360-22000	1-E 3	21360A	21830-25000	1-L 3	21830
	4-G 3	1076AM	20920-22AE0	1-L 1	20920	21360-26002	1-E 3	21360A		1-M 3	21830
17313-30000	3-A14	1731JE	20920-26C00	1-L 1	20920	21360-27000	1-E 3	21360A	21830-25010	1-M 3	21830
17313-35000	3-G12	1731JF	20920-27C00	1-L 1	20920	21361-21A10	1-E 3	21364B	21830-25100	1-M 3	21830
17350-04000	1-L 4	1735AA	21100-22S00	1-C 2	21100	21362-22000	1-E 3	21362D	21830-25110	1-M 3	21830
	4-J 2	1735AA		1-D 2	21100	21362-26000	1-E 3	21362F	21830-25300	1-M 3	21830
17350-08000	2-M 9	1735AB	21100-22T00	1-C 2	21100	21362-27001	1-E 3	21365A	21830-25310	1-M 3	21830
17511-14000	2-L 5	1751DC	21100-22U00	1-C 2	21100	21363-27001	1-F 3	21365B	21830-25700	1-M 3	21830
17511-16000	2-K 2	1751DD		1-D 2	21100	21364-27001	1-F 3	21365E	21836-17100	1-J 3	1120KJ
17512-10000	1-J 9	1751GC	21100-26602	1-C 2	21100	21365-22000	1-E 3	21365A	21845-24000	1-A 4	21845
	1-L14	1751GC		1-D 2	21100	21365-26000	1-E 3	21365A		2-E 9	21845
	2-E12	1751GC	21100-27500	1-C 2	21100		1-F 3	21365A	21849-24000	1-A 4	21849
17512-18000	1-L14	1751GF	21101-22X00	1-H 1	21101	21365-27001	1-F 3	21366F	21910-25000	1-M 3	21840
17595-08000	2-L 5	1759AA	21101-22X10	1-H 1	21101	21366-27000	1-F 3	21366B	21910-25010	1-A 4	21840
17905-39999	1-F 9	H0250A	21101-22Y00	1-H 1	21101	21370-27000	1-D 3	21350		1-M 3	21840
17905-39999DF	1-E 9	H0100B	21101-22Y10	1-H 1	21101	21371-27000	1-F 3	21371A	21910-25110	1-A 4	21840
	1-F 9	H0100B	21101-22Z00	1-H 1	21101	21372-86001	1-F 3	21370		1-M 3	21840
	1-F 9	H0150B	21101-26B00	1-H 1	21101	21372-27000	1-F 3	21372A	21910-25700	1-M 3	21840
17905-39999JA	1-F 9	H0250E	21101-27C00	1-H 1	21101	21381-23002	1-F 3	21381A	21920-17100	1-A 4	21920
17905-39999KA	1-E 9	H0080F	21102-22T00	1-J 1	21102	21411-22010	1-J 2	21411B	21920-25000	1-A 4	21920
17983-08000	1-G 7	1798JA	21102-22U00	1-J 1	21102	21411-26010	1-J 2	21411B	21930-25000	1-A 4	21850
	3-H 2	1798JA	21102-22V00	1-J 1	21102	21414-23502	1-F 3	21414	21930-25010	1-A 4	21850
17983-10000	1-G 7	1798JB	21102-26B00	1-J 1	21102	21421-22601	1-J 2	21421	21930-25700	1-E 4	22100
	3-J 2	1798JB	21102-27C00	1-J 1	21102	21421-27500	1-F 3	21421C	22100-22600	1-E 4	22100
17983-13000	1-C 2	1798JC	21114-22020	1-D 2	21114	21431-22030	1-F 3	21431	22100-22601	1-E 4	22100
	1-H14	1798JC	21114-27000	1-D 2	21114	21431-27500	1-F 3	21431	22100-22620	1-E 4	22100
17983-18000	4-J 2	1798JD	21115-27000	1-D 2	21188B	21441-22610	1-F 3	21441	22100-22621	1-E 4	22100
17983-25000	1-G 7	1798JG	21124-21000	1-D 2	21124	21443-22000	1-F 3	21443	22100-26100	1-E 4	22100
17983-15207	1-C 7	1798VB		1-D 3	21124	21443-35510	1-D 2	21443	22100-27500	1-E 4	22100
17988-15220	2-M 6	1799VA	21133-32000	1-D 2	21133	21444-21110	1-F 3	21444	22112-22800	1-E 4	22112A
18642-21007	3-K14	18642E	21135-23010	1-D 2	21135		1-G 3	21444	22112-22801	1-E 4	22112A
18642-21008	3-K14	18642E	21151-27100	1-D 2	21151	21451-33A01	1-G 3	21451B	22112-26901	1-E 4	22112A
18643-01004	3-J 5	18643A	21310-22011	1-J 2	21310B	21461-22030	1-G 3	21461	22112-26902	1-E 4	22112A
	4-C 2	18643A	21310-22650	1-J 2	21310B	21461-22031	1-G 3	21461	22113-26902	1-E 4	22113A
18643-03009	2-F 5	18643B	21310-26020	1-J 2	21310B	21510-26010	1-G 3	21510	22114-22905	1-E 4	22114A
	4-C 2	18643B	21310-26650	1-J 2	21310B	21510-27501	1-G 3	21510	22114-22925	1-E 4	22114A
18643-05009	3-G14	18643D	21310-27500	1-J 2	21310B	21512-21010	1-G 3	21512	22114-22950	1-E 4	22114A
18643-05009E	3-H14	18643D	21313-22000	1-J 2	21313		2-L 5	21512	22114-22951	1-E 4	22114A
	4-A 1	18643D	21313-27500	1-J 2	21313	21512-27000	1-G 3	21512	22114-26901	1-E 4	22114A
18643-17004	4-B 1	18643E	21330-27001	1-J 2	21319	21513-11000	1-J 2	21513	22114-26902	1-E 4	22114A
18644-21007	3-G14	18644F	21331-27500	1-J 2	23344		2-K 2	21513	22114-26903	1-E 4	22114A
	3-L14	18644F	21335-27000	1-J 2	21729	21513-21000	1-G 3	21513A	22115-22905	1-F 4	22115A
18644-21058	3-K14	18644A	21350-22001	1-D 3	21350		2-L 5	21513A	22115-22925	1-F 4	22115A
	3-L14	18644A	21350-27000	1-D 3	21350C	21516-35000	1-G 3	21516	22115-22950	1-F 4	22115A
18645-05009	4-A 1	18645B	21352-22000	1-D 3	21352D	21670-27500	1-L 3	21610	22115-26901	1-F 4	22115A
18645-10009	4-D 1	18645E	21352-26000	1-D 3	21352K	21671-27500	1-L 3	21610B	22115-26902	1-F 4	22115A
18645-10009K	4-D 1	18645E	21352-27001	1-D 3	21352L	21672-27000	1-L 3	21617	22115-26903	1-F 4	22115A
18645-10019	4-D 1	18645F	21352-27010	1-D 3	21352M	21673-26000	1-L 3	21627	22122-22001	1-F 4	22122B
18647-27009	3-H14	18647A	21352-27010	1-D 3	21352M	21680-22011	1-L 3	21627A	22124-26000	1-F 4	22124B
18647-81566	3-G14	18647C	21353-22000	1-E 3	21353D	21810-25010	1-L 3	21810A	22124-27000	1-F 4	22124B
18668-04000	4-C 2	18668A		1-E 3	21353D	21810-25110	1-L 3	21810A	22124-32000	1-F 4	22124B
18814-08051	1-H13	10930A	21353-26000	1-E 3	21353G	21810-25700	1-L 3	21810A	22125-21000	1-F 4	22125A
18814-11051	1-H13	10930A	21353-27001	1-D 3	21352N	21813-22100	1-L 3	21823A	22125-22001	1-F 4	22125A
18823-11101	1-H13	10930A	21353-27010	1-D 3	21352O	21813-22520	1-L 3	21823A	22125-22020	1-F 4	22125D
20910-22AC0	1-L 1	20910	21354-22001	1-E 3	21354	21814-25700	1-L 3	21819	22125-22600	1-F 4	22125E
20910-22AD0	1-L 1	20910	21354-26001	1-E 3	21354	21815-22000	1-J 3	1123GT	22126-27500	1-F 4	22126C
20910-22AE0	1-L 1	20910	21354-27001	1-D 3	21352P	21821-22000	1-L 3	21821B	22127-23000	1-F 4	22127B
		20910	21354-27010	1-D 3	21352Q						

PART NO.	M/F NO.	P N C
22127-28000	1-F 4	22127A
22128-28000	1-F 4	22129A
22129-33000	1-F 4	22129
22133-22002	1-G 4	22133
22144-27000	1-G 4	22144
22144-36000	1-G 4	22144
22144-38000	1-G 4	22144
22211-22003	1-B 6	22211
22211-26600	1-B 6	22211
22211-27000	1-B 6	22211
22212-22011	1-B 6	22212
22212-22061	1-B 6	22212
22212-28000	1-B 6	22212
22212-27000	1-B 6	22212
22221-22800	1-B 6	22221
22221-29000	1-C 6	22221
22221-29000	1-B 6	22221
22221-27000	1-C 6	22221
22222-22800	1-C 6	22222
22222-29000	1-C 6	22222
22222-27000	1-C 6	22222
22223-22001	1-C 6	22223
22223-27000	1-C 6	22223
22224-22000	1-C 6	22224B
22224-27000	1-C 6	22224B
22225-22020	1-C 6	22225
22225-26000	1-D 6	22225
22225-26000	1-C 6	22225
22225-27000	1-D 6	22225
22226-27000	1-D 6	22226
22231-27000	1-G 6	24610
22231-37110	1-G 6	24610
22311-22601	1-G 4	22311
22311-22620	1-G 4	22311
22311-26602	1-G 4	22311
22311-27500	1-G 4	22311
22311-27510	1-G 4	22311
22311-27520	1-G 4	22311
22321-22000	1-G 4	22321
22321-28000	1-G 4	22321
22321-27000	1-G 4	22321
22322-22600	1-G 4	22322
22322-29001	1-G 4	22322
22327-35504	1-G 4	22327
22341-27500	1-H 4	22341
22345-27001	1-H 4	22345
22404-28000	1-L 4	22404C
22405-28016	1-L 4	22405
22405-28610	1-L 4	22405
22405-28620	1-L 4	22405
22410-22610	1-L 4	22410A
22410-28610	1-L 4	22410A
22410-27500	1-L 4	22410A
22410-27502	1-L 4	22410A
22411-27502	1-L 4	22411P
22441-22013	1-L 4	22441
22441-28001	1-L 4	22441
22441-27502	1-L 4	22441

PART NO.	M/F NO.	P N C
22442-23500	1-M 4	22442
22442-42001	1-M 4	22442
22443-23000	1-M 4	22443B
22443-27001	1-M 4	22443B
22448-27001	1-M 4	22448A
22450-27003	1-M 4	22450D
23040-22052	1-D 5	23040A
	1-E 5	23040A
	1-F 5	23040A
23040-22300	1-C 5	23040A
	1-D 5	23040A
	1-E 5	23040A
23040-22351	1-D 5	23040A
	1-E 5	23040A
23040-22801	1-C 6	23040A
	1-D 5	23040A
	1-E 5	23040A
23040-22901	1-C 6	23040A
	1-D 5	23040A
	1-E 5	23040A
23040-22902	1-C 6	23040A
	1-D 5	23040A
	1-E 5	23040A
23040-22903	1-C 6	23040A
	1-D 5	23040A
	1-E 5	23040A
23040-22904	1-C 6	23040A
	1-D 5	23040A
	1-E 5	23040A
23040-22905	1-D 5	23040A
	1-E 5	23040A
23040-22906	1-F 5	23040A
	1-D 5	23040A
	1-E 5	23040A
23040-22907	1-D 5	23040A
	1-E 5	23040A
23040-22908	1-D 5	23040A
	1-E 5	23040A
	1-F 5	23040A
23040-22931	1-C 6	23040A
	1-D 5	23040A
	1-E 5	23040A
23040-22932	1-C 6	23040A
	1-D 5	23040A
	1-E 5	23040A
23040-22933	1-D 5	23040A
	1-E 5	23040A
23040-22934	1-D 5	23040A
	1-E 5	23040A
23040-22939	1-C 5	23040A
	1-D 5	23040A
	1-E 5	23040A
23040-22940	1-C 6	23040A
	1-D 5	23040A
	1-E 5	23040A
23040-22941	1-D 5	23040A
	1-E 5	23040A
23040-22942	1-D 5	23040A

PART NO.	M/F NO.	P N C
23040-22942	1-E 5	23040A
23040-28001	1-C 6	23040A
	1-D 5	23040A
	1-E 5	23040A
23040-28902	1-C 5	23040A
	1-D 5	23040A
	1-E 5	23040A
23040-28903	1-D 5	23040A
	1-E 5	23040A
23040-28904	1-D 5	23040A
	1-E 5	23040A
23040-28905	1-D 5	23040A
	1-E 5	23040A
23080-22540	1-F 6	23080A
23080-22951	1-F 5	23080A
23080-22962	1-F 5	23080A
23080-22963	1-F 5	23080A
23080-28040	1-F 5	23080A
23080-28640	1-F 5	23080A
23080-28901	1-F 5	23080A
23080-28902	1-F 5	23080A
23080-28903	1-F 5	23080A
23080-28961	1-F 5	23080A
23080-28962	1-F 5	23080A
23080-28963	1-F 5	23080A
23110-27500	1-G 5	23110
23111-22802	1-G 5	23111
23111-28100	1-G 5	23111
23120-27000	1-G 5	23120
23121-22800	1-G 5	23120
23121-26000	1-G 5	23120
23121-47280	1-H 5	23222
23123-22020	1-G 5	23123
23124-22800	1-G 5	23124B
23124-22801	1-G 5	23124B
23124-26011	1-G 5	23124B
23124-27500	1-G 5	23124B
23125-22020	1-G 5	23125
23126-22000	1-G 5	23126A
	1-H 5	23126A
23127-22001	1-H 5	23127B
23127-22800	1-H 5	23127B
23127-27000	1-H 5	23127B
23131-27500	1-G 5	23122
23200-22202	1-H 5	23200B
23200-28001	1-H 5	23200B
23200-27510	1-H 5	23200B
23211-21054	1-H 5	23211B
23212-21000	1-H 5	23212
23212-32000	1-H 5	23212
23220-21054	1-H 5	23220B
23231-27510	1-F 5	23311B
23310-27500	1-F 5	23310A
23311-11100	1-F 5	23311A
23311-21054	1-F 5	23311B
23311-23000	1-F 5	23311A
23311-28000	1-F 5	23311A
23311-28050	1-F 5	23311B
23331-27500	1-F 5	23331
23351-27500	1-F 5	23351C

PART NO.	M/F NO.	P N C
23361-27000	1-I 5	23361A
23362-27000	1-I 5	23361B
23400-27000	1-I 5	23400P
23400-27010	1-I 5	23400P
23400-27020	1-I 5	23400P
23410-22812	1-I 5	23410A
	1-J 5	23410A
	1-K 5	23410A
23410-22894	1-I 5	23410A
	1-J 5	23410A
	1-K 5	23410A
23410-22712	1-I 5	23410A
	1-J 5	23410A
	1-K 5	23410A
23410-22661	1-I 5	23410A
	1-J 5	23410A
	1-K 5	23410A
23410-22962	1-I 5	23410A
	1-J 5	23410A
	1-K 5	23410A
23410-22963	1-I 5	23410A
	1-J 5	23410A
	1-K 5	23410A
23410-22971	1-I 5	23410A
	1-J 5	23410A
	1-K 5	23410A
23410-22972	1-I 5	23410A
	1-J 5	23410A
	1-K 5	23410A
23410-22973	1-I 5	23410A
	1-J 5	23410A
	1-K 5	23410A
23410-22974	1-I 5	23410A
	1-J 5	23410A
	1-K 5	23410A
23410-26611	1-I 5	23410A
	1-K 5	23410A
23410-26913	1-I 5	23410A
	1-K 5	23410A
23410-26961	1-I 5	23410A
	1-K 5	23410A
23410-26962	1-I 5	23410A
	1-K 5	23410A
23410-26963	1-I 5	23410A
	1-K 5	23410A
23410-26964	1-I 5	23410A
	1-K 5	23410A
23510-29001	1-K 5	23510
23510-28010	1-K 5	23510
23510-27000	1-K 5	23510
23513-11104	1-K 5	23513
23513-27000	1-K 5	23513
23514-22020	1-K 5	23514
23517-27000	1-K 5	23517
24000-22000	1-D 6	24000
24100-22012	1-D 6	24100A
24100-22311	1-D 6	24100A
24100-26800	1-D 6	24100C
24100-27500	1-D 6	24100A
24121-22011	1-D 6	24141
24170-27001	1-F 6	24531A
24180-27000	1-F 6	24529
24200-29003	1-D 6	24200A
24211-22021	1-D 6	24211
24211-22611	1-D 6	24211

PART NO.	M/F NO.	P N C
24211-27000	1-D 6	24211
24212-27001	1-E 6	24333
24213-27000	1-D 6	24212
24312-22811	1-D 8	24312
	1-E 6	24312
24312-22812	1-D 6	24312
	1-E 6	24312
24312-28000	1-D 6	24312
	1-E 6	24312
24312-28001	1-D 6	24312
	1-E 6	24312
24312-27000	1-D 6	24312
24321-28002	1-E 6	24321
24322-28001	1-E 6	24322
24322-28800	1-E 6	24322
24322-28801	1-E 6	24322
24323-28800	1-E 6	24323
24410-22020	1-E 6	24410
24410-28000	1-E 6	24410
24410-27000	1-E 6	24410
24421-24000	1-E 6	24421B
24422-22000	1-E 6	24422B
	1-F 6	24422B
24422-24000	1-E 6	24422B
	1-F 6	24422B
24423-21000	1-F 6	24423
24431-28000	1-F 6	24431B
24433-28001	1-F 6	24431A
24511-22010	1-F 6	24510A
24521-22010	1-F 6	24510A
24541-22010	1-F 6	24542A
24551-22020	1-F 6	24551B
24552-22020	1-F 6	24552A
24610-22800	1-G 6	24610
24810-28010	1-G 6	24810
24810-28020	1-G 6	24810
24810-27000	1-G 6	24810
25100-22850	1-M 6	25100
25100-28016	1-M 6	25100
25100-28900	1-M 6	25100
25100-27000	1-M 6	25100
25124-22000	1-M 6	25124
25124-28002	1-M 6	25124
25124-27000	1-M 6	25124
25212-22030	1-M 6	25211B
25212-28000	1-M 6	25211B
25212-27501	1-M 6	25211B
25212-27551	1-M 6	25211B
25221-22800	1-A 7	25221
	1-M 6	25221
25221-28001	1-A 7	25221
	1-M 6	25221
25221-28021	1-A 7	25221
	1-M 6	25221
25226-22810	1-A 7	25226
25226-28001	1-A 7	25226
25231-25000	1-C 7	25231
25237-34000	1-C 7	25237
	4-H 5	25237
25281-27000	1-A 7	25281

PART NO.	M/F NO.	P N C
25285-27500	1-A 7	25438
25287-27000	1-A 7	25286
25288-27000	1-A 7	25287
25310-25050	1-C 7	25310
25310-25100	1-C 7	25310
25310-26150	1-C 7	25310
25310-25250	1-C 7	25310
25310-25810	1-C 7	25310
25318-24100	1-C 7	25318
25319-24100	1-C 7	25319
25321-25000	1-D 7	25321
25330-2D090	1-D 7	25330
25331-24241	1-G 7	25331A
25331-25044	1-H 7	25441B
25333-25000	1-D 7	25333
25333-25100	1-D 7	25333
25333-25800	1-D 7	25333L
25336-22000	1-D 7	25336
25336-25000	1-D 7	25336
25350-25000	1-D 7	25350
25386-17800	1-D 7	25386
25386-25001	1-D 7	25386
25386-25201	1-D 7	25386
25393-33050	1-D 7	25393
	4-H 5	25393
25395-02000	1-D 7	25395
	1-E 7	25395
	4-H 5	25395
	4-I 5	25395
25411-25000	1-G 7	25411
25411-25100	1-G 7	25411
25411-25810	1-G 7	25411
25412-25000	1-G 7	25412A
25412-25100	1-G 7	25412A
25412-25810	1-G 7	25412A
25418-25001	1-G 7	25420A
25418-25101	1-G 7	25420A
25430-25100	1-H 7	25430
25430-28200	1-H 7	25430
25430-25820	1-H 7	25430
25431-27500	1-K 7	25461N
25432-25000	1-H 7	25432
25432-25100	1-H 7	25432
25432-27000	1-L 7	25462F
25435-22050	1-K 7	25435A
25441-02000	1-H 7	25441A
25442-22000	1-H 7	25442
25443-25300	1-H 7	25444
25443-25310	1-H 7	25451
25443-25820	1-H 7	25443A
25461-22801	1-K 7	25461A
25461-22840	1-K 7	25461A
25461-28000	1-K 7	25461A
25462-21010	1-K 7	25462B
	1-L 7	25462B
25462-23000	1-L 7	25462B
25462-32010	1-L 7	25462D
25468-22600	1-B13	25468
25468-22640	1-L 7	25468
25468-26101	1-L 7	25468

PART NO.	M/F NO.	P N C
25468-22801	1-B13	25468
25468-22640	1-L 7	25468
25468-26102	1-L 7	25468
25472-22600	1-L 7	25472A
25472-26001	1-L 7	25472A
25472-27500	1-L 7	25472A
25473-23030	1-L 7	25473C
25500-22800	1-H 4	25500A
25500-23001	1-H 4	25500A
25500-23010	1-H 4	25500A
25500-27000	1-L 7	25500A
25600-22760	1-H 4	25600A
25611-22011	1-H 4	25611
25611-26100	1-H 4	25611A
25612-22002	1-H 4	25612
25612-26001	1-H 4	25612
25613-22800	1-I 4	25620
25613-22680	1-I 4	25620
25613-27500	1-L 7	25620
25614-22002	1-H 4	25614
25614-28002	1-H 4	25614
25616-28801	1-H 4	25616
	1-I 4	25616
25617-28000	1-I 4	25617
25620-26100	1-I 4	25620
25620-26110	1-I 4	25620
25620-27500	1-K 7	2561C
25630-27500	1-L 7	25630A
25631-27500	1-K 7	25422
25633-23000	1-L 7	25612
25640-27500	1-K 2	25640A
25641-27500	1-K 2	25641P
26112-22050	1-K 2	26112A
26112-26020	1-K 2	26112A
26112-27500	1-K 2	26112B
26113-22050	1-K 2	26113A
26113-26020	1-K 2	26113A
26113-27500	1-K 2	26113B
26122-27000	1-K 2	26122
26122-35000	1-K 2	26122
26123-21000	1-K 2	26123
26123-27000	1-K 2	26123
26124-27000	1-K 2	26124
26124-35000	1-K 2	26124
26125-27000	1-L 2	26719
26250-22011	1-G 3	26250
26250-28010	1-G 3	26250
26250-27500	1-G 3	26250
26259-22010	1-G 3	26259
26300-35500	1-K 2	26300
26310-27200	1-K 2	26300
26410-27000	1-J 2	25460
26440-27001	1-L 2	26440
26441-27001	1-L 2	26441A
26502-22600	1-M 4	26502
26510-28600	1-M 4	26510
26611-22012	1-H 3	26611
26611-28000	1-D 2	26611

PART NO.	M/F NO.	P N C
26611-27500	1-H 3	26611
26612-22600	1-H 3	26612B
26612-26010	1-D 2	26612B
26612-27500	1-H 3	26612B
26614-23500	1-D 2	26614
	1-E 2	26614
	1-H 3	26614
26614-35010	1-H 3	26614
26615-33000	1-E 2	26615
	1-H 3	26615
26710-28611	1-M 4	26711
26710-27502	1-D 8	26710
26711-22602	1-M 4	26711
26711-22651	1-M 4	26711
26720-22620	1-M 4	26720
26720-27500	1-M 4	26721
26721-22320	1-M 4	26721
26721-26600	1-M 4	26721
	1-M 8	26721
26721-26611	1-M 8	26721
26721-27500	1-M 4	26721
26722-27000	1-D 8	26740
26740-21314	1-A 5	26740
	1-M 4	26740
26740-26700	1-A 5	26740
	1-M 4	26740
26740-27500	1-A 5	26740A
26740-32804	1-A 5	26740
	1-M 4	26740
27100-22800	1-F13	27100
27110-22300	1-F13	27110
27126-22300	1-F13	27126
27128-22300	1-F13	27128
27130-22600	1-G13	27130
27131-22600	1-F13	27115
27133-22300	1-G13	27141A
27141-22300	1-G13	27140
27146-22300	1-G13	27146
27150-22300	1-G13	27150
27161-22300	1-G13	27161
27170-22300	1-G13	27170A
27171-22300	1-G13	27171A
27180-22300	1-G13	27180B
27185-22300	1-G13	27185A
27186-22300	1-G13	27186
27301-22600	1-J13	27301
27301-26600	1-J13	27301
27310-22600	1-J13	27310
27310-22610	1-J13	27310E
27310-24001	1-J13	27301
27315-21070	1-K13	27330
27325-22600	1-J13	27325
27325-22810	1-J13	27325
27350-24000	1-K13	27350
27366-26800	1-K13	27366
27366-26602	1-K13	27366
27420-22010	1-K13	27420
27420-22020	1-K13	27420
27420-22300	1-K13	27420
27420-26600	1-K13	27420

PART NO. INDEX

PART NO.	M/F NO.	P N C
27420-26700	1-K13	27420
27430-22010	1-K13	27430
27430-22020	1-K13	27430
27430-22300	1-K13	27430
27430-26800	1-K13	27430
27430-26700	1-K13	27430
27440-22010	1-K13	27440
27440-22020	1-K13	27440
27440-22300	1-K13	27440
27440-26600	1-K13	27440
27440-26700	1-K13	27440
27450-22010	1-L13	27450
27450-22020	1-L13	27450
27450-22300	1-L13	27450
27450-26800	1-L13	27450
27450-26700	1-L13	27450
27482-32500	1-L13	27482A
27485-22000	1-L13	27485
27486-22000	1-L13	27486
27487-22001	1-L13	27487A
27501-22800	1-L13	27501
27501-22810	1-L13	27501
27501-22C00	1-L13	27501
27501-26C00	1-M13	27501
27501-26C00	1-L13	27501
27501-26C00	1-M13	27501
27501-26C00	1-L13	27501
27510-22301	1-M13	27510
28111-22380	1-D 8	28111
28111-22601	1-D 8	28111
28111-22651	1-D 8	28111
28112-22380	1-E 8	28112
28112-22380	1-E 8	28112
28112-22381	1-D 8	28112
28112-22601	1-D 8	28112
28112-22602	1-E 8	28112
28112-22602	1-D 8	28112
28112-22602	1-E 8	28112
28112-25001	1-D 8	28112
28113-22380	1-E 8	28113
28113-22600	1-E 8	28113
28113-25500	1-E 8	28113
28116-22000	1-E 8	28116A
28121-11020	1-E 8	28121
28135-25500	1-F 8	28135A
28138-22891	1-E 8	28138
28138-22802	1-E 8	28138
28138-22852	1-E 8	28138
28138-26851	1-E 8	28138
28138-26852	1-E 8	28138
28139-25050	1-E 8	28139
28160-38000	1-E 8	28160B
28161-38000	1-F 8	28161
28164-22801	1-F 8	28164
28164-22810	1-F 8	28164
28164-27500	1-F 8	28164

PART NO.	M/F NO.	P N C
28171-23000	1-F 8	28171
28174-37100	1-F 8	28174D
28177-22001	1-E 8	28180
28177-22600	1-E 8	28180
28177-23600	1-M 8	28177D
28178-22000	1-F 8	28181
28178-23600	1-M 8	28178C
28183-22010	1-H 8	28183C
28183-22020	1-H 8	28183D
28184-22010	1-H 8	28184
28185-22010	1-H 8	28185A
28190-22611	1-F 8	28190
28190-26510	1-F 8	28190
28190-26910	1-F 8	28190
28210-22380	1-F 8	28210
28210-22380	1-G 8	28210
28210-22601	1-F 8	28210
28210-22601	1-G 8	28210
28210-25500	1-F 8	28210
28211-21330	1-G 8	28211A
28231-27500	1-I 9	28231
28240-27500	1-I 9	28240
28245-27000	1-I 9	28245
28246-27500	1-I 9	28246
28247-27000	1-I 9	28247A
28250-22301	1-G 8	28250
28251-27500	1-H 8	27810
28258-27501	1-H 8	27820
28259-27500	1-H 8	28259
28261-27500	1-H 8	98852
28262-27500	1-H 8	98853
28263-27500	1-H 8	98875
28264-27500	1-H 8	98873
28270-27500	1-H 8	28190C
28281-27001	1-I 9	28281B
28285-27500	1-I 9	28285
28286-27500	1-I 9	28286
28310-22390	1-A 9	28310
28310-22601	1-M 8	28310
28310-22602	1-M 8	28310
28310-22851	1-M 8	28310
28310-26300	1-A 9	28310
28310-26652	1-M 8	28310
28310-26653	1-A 9	28310
28310-27500	1-M 8	28310
28312-22600	1-C 9	35101
28312-26351	1-A 9	28312
28314-28000	1-A 9	28314
28316-26600	1-A 9	28316A
28321-11002	1-A 9	28321A
28321-26600	1-A 9	28321D
28322-22300	1-A 9	28322
28322-26600	1-A 9	28322A
28325-21000	1-A 9	28325
28325-21000	1-B 9	28325
28325-21000	1-E 9	28325

PART NO.	M/F NO.	P N C
28325-22030	1-A 9	28328
28325-22030	1-B 9	28325
28325-22030	1-E 9	28340A
28340-24000	1-E 9	28360
28360-22300	1-E 9	28360
28366-21300	1-M11	28366A
28366-21300	1-M13	28366A
28367-21300	1-M13	28367
28368-21300	1-M13	28368
28371-26001	1-A 9	28371B
28371-32500	1-E 9	28371
28373-32500	1-E 9	28373
28410-26054	1-I 9	28410A
28410-27000	1-B 9	28450
28411-22310	1-B 9	28411B
28411-22601	1-B 9	28411B
28411-26011	1-B 9	28411B
28411-26800	1-B 9	28411B
28411-27500	1-B 9	28411B
28413-22000	1-I 9	28413
28413-22010	1-I 9	28413A
28413-22020	1-I 9	28413
28413-26011	1-I 9	28414
28413-26023	1-I 9	28413
28421-26012	1-B 9	28414B
28491-27501	1-B 9	28550
28492-27000	1-B 9	28492
28493-27000	1-B 9	28331
28494-27000	1-B 9	28553
28496-27001	1-B 9	28496A
28610-22670	1-J 9	28610
28610-22690	1-J 9	28610
28610-26560	1-J 9	28610
28610-26570	1-J 9	28610
28610-26670	1-J 9	28610
28610-26680	1-J 9	28610
28611-22300	1-J 9	28611A
28611-27500	1-J 9	28611A
28615-22100	1-J 9	28619
28617-27500	1-J 9	28617C
28618-22100	1-J 9	28618C
28621-22020	1-K 9	28621A
28621-26600	1-K 9	28621A
28621-27500	1-K 9	28621A
28622-11000	1-K 9	28622A
28622-33001	1-B 9	28622
28622-33001	1-K 9	28622
28623-22010	1-K 9	28623
28625-22300	1-K 9	28625A
28625-22601	1-K 9	28625A
28625-26600	1-K 9	28625A
28625-26801	1-K 9	28625A
28625-27501	1-K 9	28625A
28628-27500	1-L 9	28625B
28627-27500	1-I 9	21350P
28628-22000	1-L 9	28628
28628-26500	1-L 9	28628B
28628-32200	1-L 9	28628
28632-22030	1-B10	28619
28632-22030	1-J 9	28619

PART NO.	M/F NO.	P N C
28632-22030	1-K 9	28619
28656-35000	1-B 9	28656A
28656-35000	1-L 9	28656A
28671-27500	1-L 9	28671
28693-27500	1-L 9	28651
28610-25000	1-B10	28600
28610-25100	1-B10	28600
28610-25200	1-B10	28600
28610-25400	1-B10	28600
28650-25100	1-B10	28650B
28658-22000	1-B10	28658
28670-21000	1-B10	28679
28680-22000	1-B10	28680A
28700-25030	1-B10	28700
28700-25040	1-B10	28700
28700-26130	1-B10	28700
28700-26140	1-B10	28700
28751-22000	1-B10	28751C
28751-25000	1-B10	28751C
28752-25000	1-B10	28752
28764-37020	1-B10	28764
28767-38000	1-B10	28767
28768-22000	1-B10	28768
28781-37010	1-B10	28781
28910-22040	1-D10	28910
28911-22601	1-E10	28911B
28911-26601	1-E10	28911B
28911-26830	1-E10	28911A
28913-26500	1-D10	21631
28914-22601	1-E10	28914
28920-22601	1-E10	28921
28920-26601	1-E10	28921
28961-22560	1-C10	28961
29120-25000	1-I 8	29120E
29120-25800	1-I 8	29120E
29130-25000	1-I 8	29130F
29150-25000	1-I 8	29150C
29150-25800	1-I 8	29140E
29212-23000	1-C 9	29212D
29212-32600	1-A 5	29212
29212-32501	1-C 9	29212
29213-32800	1-C 9	29213
29214-22601	1-C 9	29214C
29217-23600	1-C 9	29217
29240-22600	1-C 9	29240
29240-27500	1-C 9	29240
31010-24000	1-C11	31010
31036-25800	1-C11	31036
31038-25800	1-C11	31037
31038-34800	1-C11	31038
31038-43250	1-C11	31038
31039-29000	1-C11	31039
31040-25800	1-C11	31040B
31041-25000	1-C11	31040B
31041-25200	1-C11	31040B
31048-24000	1-C11	31048B
31070-22200	1-C11	31070
31080-25000	1-D11	31112
31080-25800	1-D11	31112
31101-22000	1-F11	31180C

PART NO.	M/F NO.	P N C
31101-22200	1-F11	31180
31101-22360	1-C11	31101E
31111-22140	1-C11	31111A
31111-2D400	1-C11	31111A
31112-22140	1-D11	31120
31112-25000	1-D11	31120
31113-22040	1-D11	31113B
31113-25000	1-D11	31113B
31114-25000	1-D11	31114B
31115-22010	1-D11	31115
31115-25000	1-E11	31140B
31116-22140	1-D11	31116
31116-25000	1-D11	31116B
31117-22020	1-H11	31923
31117-25000	1-H11	31923
31117-25800	1-H11	31923
31119-22040	1-D11	31114
31119-22200	1-D11	31119
31119-25000	1-H11	32555
31119-25800	1-D11	31114
31121-25000	1-H11	31923E
31122-25000	1-D11	31122G
31123-25000	1-D11	31123B
	1-E11	31123B
31127-22140	1-E11	31127
31130-22040	1-E11	31130
31130-25000	1-E11	31130
31130-25800	1-E11	31130
31135-22100	1-E11	31135A
31137-29060	1-E11	31137A
31137-36000	1-E11	31137
31145-25000	1-E11	31145F
31145-25100	1-E11	31145F
31146-25000	1-E11	31146E
31150-22000	1-F11	31150
31150-25000	1-F11	31150
31150-25800	1-E11	31150
31152-22200	1-F11	31152
31152-25000	1-F11	31152
31153-22000	1-F11	31153
31155-22000	1-F11	31155A
31159-36000	1-F11	31159
31169-22000	1-F11	31169
31169-25000	1-F11	31169
31181-22000	1-E11	31134C
31190-22000	1-F11	31190A
31190-25000	1-F11	31190A
31190-36000	1-G11	31190B
31194-22000	1-G11	31194C
31210-22110	1-G11	31210A
31210-25000	1-G11	31210A
31214-22010	1-G11	31214
31214-25000	1-G11	31214
31220-22010	1-G11	31220B
31220-22500	1-G11	31220B
31222-22000	1-G11	31317C
31224-25000	1-G11	31224
31225-22000	1-G11	31353B
	1-H11	31353B
31310-25000	1-M11	31310

PART NO.	M/F NO.	P N C
31310-25300	1-M11	31310
31310-25800	1-M11	31310
31312-22100	1-M11	31319B
31314-25300	1-M11	31314D
31317-25800	1-M11	31317B
31318-22000	1-M11	31319B
31318-25800	1-M11	31319B
31319-25800	1-M11	31319
31321-25000	1-M11	14827B
31322-25000	1-B12	31350A
31323-25800	1-A12	31323G
31324-25000	1-A12	31324C
31324-25300	1-A12	31324C
31325-25000	1-C12	31385A
31325-25500	1-D12	31387
31325-25800	1-D12	31387
31326-25000	1-A12	31326
31326-25300	1-A12	31326
31327-25000	1-A12	31327
31327-25800	1-A12	31327
31328-25000	1-A12	31325A
31328-25300	1-A12	31325A
31329-25000	1-M11	31312A
31330-25300	1-A12	31330B
31330-25800	1-A12	31330B
31334-25800	1-A12	31334B
31335-25300	1-B12	31335C
31336-22000	1-B12	31337
31337-17450	1-M11	1791GA
31337-25800	1-B12	31337
31339-25550	1-C12	31375
31340-25000	1-B12	31340
31341-25050	1-B12	31341C
31342-25050	1-B12	31342
31344-25050	1-M11	31064
31345-25000	1-G11	31345C
31345-25300	1-G11	31345C
31346-25000	1-H11	31359C
31347-25050	1-G11	31347
31348-25050	1-H11	31372
31349-25550	1-B12	31341
31352-29000	1-A12	31329A
31352-34000	1-M11	31137
31354-34000	1-B12	31354
31355-25000	1-B12	31355B
31355-25300	1-B12	31355B
31355-25800	1-B12	31355B
31355-28401	1-C12	31355D
31356-25000	1-C12	31355B
31357-25000	1-C12	31356C
31357-25800	1-C12	31356C
31358-25000	1-M11	1482YA
31359-25000	1-A12	31334D
	1-B12	31334D
31359-25500	1-C12	31356E
31359-25800	1-C12	31356E
31360-25000	1-C12	31356D
31360-25300	1-C12	31356D
31360-25800	1-C12	31356E
31370-25800	1-C12	31360A

PART NO.	M/F NO.	P N C
31379-21000	1-114	31379
	2-112	31379
31400-27500	1-D12	31400
31410-27000	1-D12	31410B
31420-25000	1-H11	31410
31420-27000	1-D12	31420B
31426-38000	1-H11	32769A
31430-27000	1-M11	31306B
31450-27002	1-D12	31450D
31452-25000	1-H11	31449
31452-25001	1-H11	31449
31459-25000	1-H11	31459
31470-27000	1-D12	31470B
31471-27500	1-D12	31471A
31476-27000	1-D12	31476
31485-27500	1-D12	31485
31486-27000	1-D12	31486
31487-27010	1-D12	31487C
31488-27000	1-D12	31488A
31490-27000	1-D12	31490
31861-22301	1-F12	31861B
31862-22302	1-F12	31190
31861-22301	1-F12	31861B
31910-21000	1-D12	31910A
31911-25000	1-H11	31940
31912-22100	1-D12	31912C
31921-17400	1-D12	31921
31922-17400	1-D12	31973
31925-17400	1-D12	31925
31970-17400	1-D12	31970A
31971-25800	1-A12	31324B
31972-25800	1-D12	31912
32110-22620	1-F12	32110
32311-21020	1-F12	32311
32401-27500	1-B 1	32401
32421-24310	1-F12	32421
32431-21321	1-F12	32431B
	1-G12	32431B
32450-22620	1-B 1	32450
32450-22830	1-B 1	32450
32450-22870	1-B 1	32450
32450-26820	1-B 1	32450
32450-26720	1-B 1	32450
	1-C 1	32450
32710-25830	1-J12	32720
32711-25010	1-112	32711
	1-J12	32711
32711-25900	1-112	32711
	1-J12	32711
32720-22900	1-J12	32720
32720-25000	1-J12	32720
32723-25000	1-J12	32723
32725-22900	1-J12	32723
32728-22000	1-J12	32728A
32731-22000	1-J12	32732
	1-K12	32732
32731-36000	1-J12	32731B
32760-25830	1-K12	32760A
32780-25800	1-K12	45417B
32790-25005	1-K12	32790

PART NO.	M/F NO.	P N C
32790-25055	1-K12	31379
32790-25105	1-K12	32790
32790-25905	1-K12	32790
32790-25915	1-K12	32790
32790-25955	1-K12	32790
32792-22000	1-K12	32792
32792-25000	1-K12	32792
32795-29005	1-A 5	32795
	1-K12	32795
32810-25020	2-H 1	32810
32810-25720	2-H 1	32810
32810-25900	2-H 1	32810
32810-25970	2-H 1	32810
32813-22000	2-H 1	32813B
32820-25110	2-H 1	32820
32820-25920	2-H 1	32820
32820-25950	2-1	32820
32825-24000	2-H 1	32726B
32825-24700	2-1	32825
32841-25900	2-1	32860A
32850-25110	2-1	32850C
32850-25900	2-1	32850C
32850-25910	2-1	32850C
32854-25000	2-1	32854B
32854-25900	2-1	32854B
32855-22900	2-1	32855
32858-22000	2-1	32855
32859-22000	2-1	32859
32859-22950	2-1	32859B
32860-25020	2-1	32860B
32871-22000	2-1	32871
32871-25900	2-1	32871
32871-28000	2-1	32871D
32873-21000	2-1	32873
32874-21000	2-1	32874
32875-21000	2-1	32875A
32876-36000	2-1	32876A
32877-36000	2-F 5	32877
32880-22000	2-1	32880
32883-22000	2-1	32885
32883-22900	2-1	32885
32883-25000	2-1	32885
32883-25900	2-1	32885
	2-J 1	32885
32883-29000	2-1	32883
32891-22900	2-1	32891
32891-25010	2-1	32891
33100-27500	1-L12	33100B
33110-27000	1-L12	33110C
33113-27000	1-D12	33113A
33114-27001	1-L12	33114B
33116-27001	1-D12	33116
33800-27000	1-B13	33800A
33814-27001	1-B13	33814D
33815-27000	1-B13	33815E
33816-27004	1-B13	33816
35100-22610	1-B13	35100
35100-22615	1-B13	35100
35100-26600	1-B13	35100
35100-26610	1-B13	35100

PART NO. INDEX

PART NO.	M/F NO.	P N C
35100-27500	1-B13	35100
35103-22800	1-C 9	35103A
	1-D 9	35103B
35103-26000	1-D 9	35103B
35103-26901	1-D 9	35103B
35105-35500	1-C13	35126
35106-35500	1-C13	35106D
35109-22000	1-C13	35109
35109-22010	1-C13	35109B
35116-22000	1-C13	35117E
35120-22800	1-C13	35120
35120-27000	1-J10	39401
35150-06310	1-C13	35150A
35150-22600	1-C13	35150
35150-27000	1-B13	35101
35156-33271	1-C13	35156A
35170-22800	1-B13	35102
	1-C13	35102
35170-23500	1-B13	35102
	1-C13	35102
35301-25000	1-H11	35301A
35304-22610	1-C13	35304
35304-26810	1-C13	35304
35309-26010	1-C13	35309
35310-22600	1-C13	35310
35312-22000	1-C13	35312
	1-D13	35312
35341-26800	1-D13	37382
36100-11150	1-B14	36100A
	1-C14	36100A
36100-21740	1-B14	36100A
	1-C14	36100A
36100-21770	1-B14	36100A
	1-C14	36100A
36100-22800	1-B14	36100A
	1-C14	36100A
36100-22850	1-B14	36100A
	1-C14	36100A
36100-27510	1-B14	36100
36102-11140	1-C14	36102
36103-21740	1-C14	36103
36110-21740	1-C14	36110
36110-21770	1-C14	36110
36110-22800	1-C14	36110
36110-22850	1-C14	36110
36110-27510	1-C14	36110E
36111-11140	1-D14	36111B
36112-11140	1-D14	36112B
36117-11140	1-D14	36117A
36120-21740	1-D14	36120
36120-22800	1-D14	36120
36120-27510	1-D14	36120E
36125-21000	1-D14	36125
36126-21000	1-D14	36126
36127-21000	1-D14	36127
36130-32510	1-D14	36130
36131-02550	1-E14	36131A
36131-11140	1-D14	36131A
	1-E14	36131A
36131-32510	1-E14	36131B

PART NO.	M/F NO.	P N C
36133-32560	1-E14	36131C
36135-11140	1-E14	36135A
36135-32510	1-E14	36135A
36135-38040	1-E14	36135C
36137-11140	1-E14	36137A
36138-11140	1-E14	36138A
36139-11140	1-E14	36145
36139-32510	1-E14	36139
36140-27510	1-E14	36140E
36150-02550	1-E14	36146A
	1-F14	36146A
36150-11150	1-E14	36146A
36150-21740	1-E14	36146A
36150-27510	1-F14	36150P
36160-02550	1-F14	36150
36160-11140	1-F14	36150
36160-21740	1-F14	36150
36160-27510	1-F14	36160P
36169-21740	1-F14	36160
36170-21740	1-G14	36170A
36170-22800	1-G14	36170A
36170-27510	1-G14	36170E
36173-11140	1-F14	36163
36180-02550	1-F14	36170
	1-G14	36170
36180-21740	1-G14	36170
	1-F14	36170
36181-27510	1-F14	36170
36182-21740	1-G14	36172
36183-11140	1-G14	36183
36184-11140	1-G14	36181B
36184-27510	1-G14	36184E
36185-11140	1-G14	36185
36194-27500	1-B14	1014CD
36710-27000	1-H14	36710
36710-27010	1-H14	36710
36720-27500	1-H14	36720
36733-27000	1-H14	36733
36735-27500	1-H14	36735
36860-27500	1-H14	36820A
	4-J 2	39620A
36865-27500	1-H10	39112A
37110-25000	1-H14	37110A
37110-29200	1-H14	37110A
37150-25000	1-H14	37150
37150-25200	1-H14	37150
37150-25201	1-H14	37150
37160-22000	1-H14	37160A
37210-25000	1-H14	37210
37210-25100	1-H14	37210
37257-22001	1-J14	37255
37300-22800	1-L14	37300A
	2-B 1	37300A
37300-27503	1-L14	37300
37311-02500	2-B 1	37311E
37321-22601	2-B 1	37321B
37323-22600	2-B 1	37323
37330-22600	2-B 1	37330A
37332-21320	2-B 1	37332
37334-02500	2-B 1	37334

PART NO.	M/F NO.	P N C
37338-21320	2-B 1	37338C
	2-C 1	37338C
37340-22600	2-C 1	37340
37342-22210	2-C 1	37342
37350-22800	2-C 1	37350B
37360-22600	2-C 1	37360B
37361-02500	2-C 1	37361
37361-38300	2-C 1	37363
37367-22600	2-C 1	37367B
37368-21330	2-C 1	37368B
	2-D 1	37368B
37369-21330	2-D 1	37369B
37370-22600	2-D 1	37370B
37390-22600	2-D 1	37390B
37392-27500	2-D 1	37392A
37396-27500	2-D 1	37396E
37451-22000	2-D 1	37451
37451-27010	2-D 1	37451
37454-22010	2-D 1	37454
37460-27500	2-D 1	37460
37461-22021	2-D 1	37461
37461-26000	2-D 1	37461
37462-22000	2-D 1	37462A
	2-E 1	37462A
37462-23000	2-E 1	37462B
37462-27500	2-E 1	37462E
37463-22600	2-E 1	37463A
37463-27500	2-E 1	37463E
37463-33000	2-E 1	37463
37471-24000	2-E 1	37471A
37472-27500	2-E 1	37472E
37473-27000	2-E 1	37473
37480-27500	2-E 1	37480B
37490-27500	2-E 1	37490B
37491-27500	2-E 1	37491E
39101-27500	1-H10	39110
39110-22520	1-H10	39110
	1-H10	39110
39110-22540	1-H10	39110
	1-H10	39110
39110-22900	1-H10	39110
	1-H10	39110
39110-22905	1-H10	39110
39110-22920	1-H10	39110
	1-H10	39110
39110-22940	1-H10	39110
	1-H10	39110
39110-22945	1-H10	39110
	1-H10	39110
39110-26620	1-H10	39110
	1-H10	39110
39110-26630	1-H10	39110
	1-H10	39110
39110-26690	1-H10	39110
	1-H10	39110
39112-22600	1-H10	39112A
39112-22605	1-H10	39112B
39160-22030	1-H10	39160
39160-22040	1-H10	39160
39160-22600	1-E 2	39160

PART NO.	M/F NO.	P N C
39180-27000	1-I10	39180
39181-26850	1-E 2	39181
39182-22600	1-E 2	39211
39182-26800	1-E 2	39211
39182-26801	1-E 2	39211
39188-22000	1-E 2	39212
39190-22600	1-L 5	39190A
39190-23000	1-H10	39190
39190-27500	1-J10	39190A
39191-37100	1-J10	39191
	1-L 5	39191
39210-22600	1-C10	39210
39210-22610	1-C10	39210
39210-22620	1-C10	39210A
39211-22600	1-C10	39220
39211-26103	1-C10	39211
39211-26104	1-C10	39211
39220-27000	1-E 2	39220E
39220-27500	1-E 2	39220
39220-38020	1-I 4	39220
39220-38030	1-I 4	39220
39221-27501	1-E 2	31381B
39230-26600	1-E 2	39220
39250-22800	1-E 2	39220
39250-38600	1-E 2	39320
39251-22601	1-F 2	39321
	1-F 2	39321
39251-26800	1-F 2	39321
39275-02500	1-E12	39275
39300-22600	1-D 9	39300A
39300-27000	1-J10	39300A
39300-39110	1-D 9	39300A
39322-26300	1-D 9	39322
39350-22600	1-I 4	39350A
39351-28050	1-L 9	39351
39360-22030	1-J10	39360
39360-22040	1-J10	39360
39365-22800	1-J10	39366
39365-29001	1-J10	39365
39410-27501	1-J10	39463
39411-27501	1-J10	39411
39412-27000	1-J10	39412K
39471-27501	1-J10	39471
39471-27510	1-J10	39471A
41100-22650	2-K 1	41100
41100-22660	2-K 1	41100
41100-28036	2-K 1	41100
41300-22650	2-K 1	41300
41300-22680	2-K 1	41300
41300-28035	2-K 1	41300
41413-28000	2-K 1	41413A
41414-28000	2-K 1	41414A
41416-28000	2-C 2	41416
41417-22652	2-K 1	41417
41421-22650	2-L 1	41421B
41421-28000	2-L 1	41421B
41421-39000	2-L 1	41421B
41426-28510	2-C 2	41426
41430-22652	2-L 1	41430B
41431-28020	2-C 2	41430A

PART NO.	M/F NO.	P N C	PART NO.	M/F NO.	P N C	PART NO.	M/F NO.	P N C	PART NO.	M/F NO.	P N C
41433-26021	2-C 2	41433B	43000-22763	2-I 2	43000	43220-22630	2-C 3	43220C	43227-22460	2-F 3	43227T
41460-22652	2-E 2	41731	43000-22763D	2-H 2	43000	43220-28050	2-C 3	43220C		2-G 3	43227T
41465-22602	2-C 2	41465		2-I 2	43000	43220-28500	2-C 3	43220C		2-H 3	43227T
41466-34000	2-C 2	41466	43000-22765	2-H 2	43000	43221-22611	2-C 3	43221B		2-I 3	43227T
41467-34000	2-C 2	41467		2-I 2	43000	43221-22618	2-C 3	43221B	43227-22490	2-E 3	43227T
41471-22650	2-L 1	41471	43000-22801	2-H 2	43000		2-D 3	43221B		2-F 3	43227T
41610-25010	2-M 1	41610	43000-22802	2-H 2	43000	43221-22660	2-C 3	43221A		2-G 3	43227T
41610-25012	2-M 1	41610		2-I 2	43000	43221-22600	2-C 3	43221A		2-H 3	43227T
41610-25900	2-M 1	41610	43000-22802D	2-H 2	43000	43221-28515	2-C 3	43221B		2-I 3	43227T
41610-25901	2-M 1	41610		2-I 2	43000	43222-22640	2-D 3	43222C	43227-22520	2-E 3	43227T
41610-25902	2-M 1	41610	43000-22804	2-H 2	43000	43222-39041	2-D 3	43222C		2-F 3	43227T
41620-22060	2-M 1	41620		2-I 2	43000	43223-22631	2-D 3	43223		2-G 3	43227T
41625-24920	2-M 1	41625	43000-22805	2-H 2	43000	43223-22640	2-D 3	43223		2-H 3	43227T
41625-36000	2-M 1	41625		2-I 2	43000	43223-28530	2-D 3	43223		2-I 3	43227T
41630-25900	2-M 1	41634	43111-22611	2-K 2	43111	43224-21240	2-D 3	43224T	43227-22550	2-E 3	43227T
41631-25020	2-M 1	41631	43111-22612	2-K 2	43111	43224-21310	2-D 3	43224T		2-F 3	43227T
41631-25920	2-M 1	41631	43111-28502	2-K 2	43110	43224-21380	2-D 3	43224T		2-G 3	43227T
41640-25000	2-M 1	41640	43115-22612	2-K 2	43115	43225-22620	2-B 3	43220B		2-H 3	43227T
41640-25800	2-C 2	41640	43115-28520	2-K 2	43115		2-C 3	43220B		2-I 3	43227T
41640-2D000	2-D 2	41640	43116-22000	2-K 2	43116		2-D 3	43225B	43227-22580	2-E 3	43227T
41651-24000	2-A 2	41651	43119-28001	2-K 2	43119	43225-28050	2-E 3	43225B		2-F 3	43227T
41685-22060	2-M 1	41685		2-L 5	43119		2-B 3	43220B		2-G 3	43227T
41685-24020	2-M 1	41685	43120-22610	2-K 2	43120		2-C 3	43220B		2-H 3	43227T
41710-22660	2-D 2	41710B	43121-11000	2-K 2	43121	43227-22000	2-E 3	43225B		2-I 3	43227T
41710-24410	2-D 2	41710A	43122-28541	2-K 2	43122		2-F 3	43227T	43227-22610	2-E 3	43227T
41710-39001	2-D 2	41710B	43123-22600	2-L 2	43123		2-G 3	43227T		2-F 3	43227T
41710-39020	2-D 2	41710B	43123-28500	2-L 2	43123		2-H 3	43227T		2-G 3	43227T
41712-24020	2-D 2	41712A	43124-34003	2-L 2	43124		2-I 3	43227T		2-H 3	43227T
41712-39000	2-D 2	41712A	43126-34011	2-L 2	43126	43227-22030	2-E 3	43227T		2-I 3	43227T
41714-24020	2-D 2	41714A	43126-34020	2-L 2	43126		2-F 3	43227T	43227-22640	2-E 3	43227T
41716-22600	2-E 2	41721	43127-28001	2-L 2	43127		2-G 3	43227T		2-F 3	43227T
41717-24020	2-D 2	41715	43131-34000	2-L 5	43131B		2-H 3	43227T		2-G 3	43227T
41717-39000	2-D 2	41717A	43131-39000	2-L 2	43131B	43227-22060	2-E 3	43227T		2-H 3	43227T
41717-39010	2-D 2	41715	43134-34000	2-K 2	21421		2-I 3	43227T	43227-22670	2-E 3	43227T
41718-24020	2-D 2	41718	43135-28011	2-L 2	43135		2-F 3	43227T		2-F 3	43227T
41718-33040	2-D 2	41718A	43139-28500	2-L 2	43139B		2-G 3	43227T		2-G 3	43227T
41719-24020	2-D 2	41719A	43140-22604	2-L 2	43140		2-H 3	43227T		2-H 3	43227T
41719-33040	2-D 2	41719	43140-28010	2-L 2	43140		2-I 3	43227T		2-I 3	43227T
41720-22600	2-E 2	41720A	43146-22600	2-L 2	43146B	43227-22090	2-E 3	43227T		2-E 3	43227T
41720-33040	2-D 2	41719A	43146-34010	2-L 2	43146B		2-F 3	43227T		2-F 3	43227T
41721-33040	2-E 2	41721A	43146-34060	2-L 2	43146B		2-G 3	43227T		2-G 3	43227T
41722-22650	2-D 2	41719B	43171-34002	2-L 2	43171		2-H 3	43227T		2-H 3	43227T
	2-E 2	41719B	43174-22610	2-L 2	43148B	43227-22150	2-E 3	43227T		2-I 3	43227T
	2-E 2	41722A	43175-22601	2-L 2	43175		2-F 3	43227T	43227-22730	2-E 3	43227T
41723-24020	2-E 2	41723		2-M 2	43175		2-G 3	43227T		2-F 3	43227T
42115-37000	2-L 5	42115	43175-28542	2-M 2	43175		2-H 3	43227T		2-G 3	43227T
42121-21720	2-I 5	42121B	43176-22610	2-M 2	43176		2-I 3	43227T		2-H 3	43227T
43000-22653	2-H 2	43000	43176-28542	2-M 2	43176		2-I 3	43227T		2-I 3	43227T
43000-22752	2-H 2	43000	43204-34000	2-B 3	43204	43227-22150	2-E 3	43227T		2-F 3	43227T
43000-22753	2-H 2	43000		2-H 4	45842A		2-F 3	43227T		2-G 3	43227T
	2-I 2	43000		2-I 4	45842A		2-G 3	43227T		2-H 3	43227T
43000-22753D	2-H 2	43000	43213-21000	1-L 5	43213		2-H 3	43227T		2-I 3	43227T
	2-I 2	43000		2-I 6	43213	43227-22120	2-E 3	43227T		2-F 3	43227T
43000-22755	2-H 2	43000	43213-22600	2-B 3	43213		2-F 3	43227T	43227-22790	2-E 3	43227T
	2-I 2	43000	43215-22750	2-B 3	43215		2-G 3	43227T		2-F 3	43227T
43000-22756	2-H 2	43000	43215-22780	2-B 3	43215	43227-22430	2-E 3	43227T		2-G 3	43227T
	2-I 2	43000	43215-22768	2-B 3	43215		2-F 3	43227T		2-H 3	43227T
43000-22762	2-H 2	43000	43215-22790	2-B 3	43215		2-G 3	43227T		2-I 3	43227T
	2-I 2	43000	43215-28600	2-B 3	43215	43227-22480	2-E 3	43227T		2-H 3	43227T
43000-22763	2-H 2	43000	43216-22001	2-B 3	43216		2-I 3	43227T	43227-22820	2-E 3	43227T

PART NO.	M/F NO.	P N C
43227-22820	2-F 3	43227T
	2-G 3	43227T
	2-H 3	43227T
	2-I 3	43227T
43227-22850	2-E 3	43227T
	2-F 3	43227T
	2-G 3	43227T
	2-H 3	43227T
	2-I 3	43227T
43227-22880	2-E 3	43227T
	2-F 3	43227T
	2-G 3	43227T
	2-H 3	43227T
	2-I 3	43227T
43227-22910	2-E 3	43227T
	2-F 3	43227T
	2-G 3	43227T
	2-H 3	43227T
	2-I 3	43227T
43227-22940	2-E 3	43227T
	2-F 3	43227T
	2-G 3	43227T
	2-H 3	43227T
	2-I 3	43227T
43227-22970	2-E 3	43227T
	2-F 3	43227T
	2-G 3	43227T
	2-H 3	43227T
	2-I 3	43227T
43227-28000	2-E 3	43227T
43227-28030	2-E 3	43227T
43227-28060	2-E 3	43227T
43227-28090	2-E 3	43227T
43227-28120	2-E 3	43227T
43227-28430	2-E 3	43227T
43227-28460	2-E 3	43227T
43227-28490	2-E 3	43227T
43227-28520	2-E 3	43227T
43227-28550	2-E 3	43227T
43227-28580	2-E 3	43227T
43227-28610	2-E 3	43227T
43227-28640	2-E 3	43227T
43227-28670	2-E 3	43227T
43227-28700	2-E 3	43227T
43227-28730	2-E 3	43227T
43227-28760	2-E 3	43227T
43227-28790	2-E 3	43227T
43227-28820	2-E 3	43227T
43227-28850	2-E 3	43227T
43227-28880	2-E 3	43227T
43227-28910	2-E 3	43227T
43227-28940	2-E 3	43227T
43227-28970	2-E 3	43227T
43230-22650	2-I 3	43230
	2-J 3	43230
43230-22710	2-I 3	43230
	2-J 3	43230
43230-28520	2-I 3	43230
43239-22000	2-J 3	43239
43240-22850	2-J 3	43240

PART NO.	M/F NO.	P N C
43240-22710	2-J 3	43240
43240-28520	2-J 3	43240
43243-22800	2-J 3	43243
43243-28500	2-J 3	43243
43244-36500	2-J 3	43244
43245-34180	2-J 3	43245T
	2-K 3	43245T
43245-34187	2-J 3	43245T
	2-K 3	43245T
43245-34194	2-J 3	43245T
	2-K 3	43245T
43245-34201	2-J 3	43245T
	2-K 3	43245T
43245-34208	2-J 3	43245T
	2-K 3	43245T
43245-34215	2-J 3	43245T
	2-K 3	43245T
43250-22030	2-K 3	43250
43250-22740	2-K 3	43250C
	2-L 3	43250C
43250-22750	2-K 3	43250
	2-K 3	43250C
	2-L 3	43250C
43250-28551	2-K 3	43250
43250-28570	2-K 3	43250
43253-22640	2-L 3	43253A
43253-34180	2-L 3	43253A
43254-34000	2-L 3	43254
43255-22640	2-L 3	43255
43255-34080	2-L 3	43255
43258-22000	2-L 3	43258
43259-22600	2-M 3	43259B
43260-22660	2-M 3	43260
43260-22750	2-M 3	43260
43260-22800	2-M 3	43260
43260-28520	2-M 3	43260
43263-22000	2-M 3	43263
43263-22660	2-M 3	43263
43263-22750	2-M 3	43263
43263-28500	2-M 3	43263
43265-22640	2-A 4	43265
	2-A 4	43265A
43265-34080	2-A 4	43265
	2-A 4	43265A
43269-39215	2-A 4	43269T
43269-39223	2-A 4	43269T
43269-39231	2-A 4	43269T
43269-39239	2-A 4	43269T
43269-39247	2-A 4	43269T
43270-22022	2-A 4	43270
43270-22640	2-A 4	43270
43270-22660	2-A 4	43270
43270-22740	2-A 4	43270
43270-22750	2-A 4	43270
43270-22800	2-A 4	43270
43270-28500	2-A 4	43270
43270-28510	2-A 4	43270
43280-22800	2-A 4	43280

PART NO.	M/F NO.	P N C
43280-22600	2-B 4	43280
43280-28600	2-B 4	43280
43282-22700	2-B 4	43282A
43282-28020	2-B 4	43282A
43310-28001	2-B 4	43310
43318-34001	2-B 3	1140HE
	2-B 4	43318
43319-34000	2-B 4	43319
43321-34011	2-B 4	43321
43326-21000	2-C 4	43326
	2-J 4	63513
43327-21001	2-C 4	43327A
43328-21000	2-C 4	43328
43331-21310	2-I 6	43331T
43331-21400	2-I 6	43331T
43331-21490	2-I 6	43331T
43331-21580	2-I 6	43331T
43331-21870	2-I 6	43331T
43331-21760	2-I 6	43331T
43331-34850	2-I 6	43331T
43331-36580	2-C 4	43331T
	2-D 4	43331T
43331-36650	2-C 4	43331T
	2-D 4	43331T
43331-36740	2-C 4	43331T
	2-D 4	43331T
43331-37010	2-C 4	43331T
	2-D 4	43331T
43331-37220	2-C 4	43331T
43331-37250	2-C 4	43331T
43331-37280	2-C 4	43331T
43331-37830	2-C 4	43331T
43331-37880	2-C 4	43331T
43331-37890	2-C 4	43331T
43331-37920	2-C 4	43331T
	2-D 4	43331T
43331-37950	2-C 4	43331T
43331-37980	2-C 4	43331T
43332-22600	2-D 4	43332
43332-28200	2-D 4	43332
43332-28300	2-D 4	43332
43332-28310	2-D 4	43332
43360-28501	2-D 4	43350B
43360-28003	2-E 4	43360A
43360-28501	2-E 4	43360A
43370-22003	2-E 4	43370A
43371-34002	2-E 4	43371A
43372-22003	2-E 4	43372
43373-22003	2-E 4	43373
	2-F 4	43373
43373-34005	2-F 4	43373D
43374-28002	2-F 4	43374
43374-28500	2-F 4	43374
43380-28002	2-F 4	43380B
	2-G 4	43380B
43380-28502	2-F 4	43380B
	2-G 4	43380B
43384-28002	2-G 4	43384

PART NO.	M/F NO.	P N C
43385-22600	2-G 4	43385A
43387-28000	2-G 4	43387
43387-28010	2-G 4	43387
43387-28500	2-G 4	43387
43388-34201	2-G 4	43388
	2-H 4	43388
43391-22600	2-H 4	43391A
43392-22600	2-H 4	43392
43394-28500	2-H 4	43394
43622-22610	2-K 4	46510
43622-22630	2-K 4	46510
43624-22610	2-K 4	46512
43624-22620	2-K 4	46512
43657-44000	2-L 4	43657A
43711-25000LT	2-C 5	43711A
43711-25050LT	2-C 5	43711A
43714-22711	2-F 5	43714D
43714-22791	2-F 5	43714D
43720-25200	2-C 5	43720
43725-22710	2-F 5	43714C
43728-22700	2-F 5	43725B
43729-36700	2-F 5	43729
43730-25200	2-C 6	43731A
43730-36700	2-G 6	43730C
43733-22701	2-G 5	43733
43740-25200	2-C 5	43740E
43749-22700	2-G 6	43746
43750-25000	2-D 6	43750B
43750-36000	2-D 6	43750B
43751-25200	2-D 6	43751E
43752-25200	2-D 6	43752E
43753-25200	2-D 6	43753
43754-25200	2-D 6	43754C
43755-37700	2-G 6	43755A
43756-36200	2-D 6	43761B
43756-36000	2-G 6	43756A
43757-36200	2-D 6	43757C
43759-36200	2-D 6	43751B
43761-25000	2-D 6	43762A
43762-22700	2-H 5	46762
43762-25000	2-C 6	43748B
43763-25000	2-D 6	43763A
43773-37710	2-G 6	43773D
43777-25000	2-D 6	43777B
43777-37710	2-D 6	43777B
	2-G 6	43777B
43779-37010	2-A 2	43779A
	2-E 2	43779A
	2-I 2	43779A
43785-36000	2-G 6	43785
43794-25200	2-D 6	43794A
43794-25300	2-D 6	43794A
43794-25800	2-D 6	43794A
43796-36700	2-D 6	43796
	2-G 6	43796
43810-22620	2-L 4	43810A
43810-28520	2-L 4	43810A
43813-21000	2-L 4	43813
43820-22620	2-L 4	43820A
43820-28520	2-L 4	43820A

PART NO.	M/F NO.	P N C	PART NO.	M/F NO.	P N C	PART NO.	M/F NO.	P N C	PART NO.	M/F NO.	P N C
43830-22610	2-L 4	43830A	45217-22700	2-M 5	45217	45457-36060	2-E 6	45457A	45625-36020	2-G 6	45625C
	2-M 4	43830A	45227-28000	2-M 5	45227	45458-36060	2-D 6	45457	45626-36000	2-G 6	45626B
43830-22611	2-L 4	43830A	45240-22800	2-M 5	45240	45460-22700	2-F 6	47127B	45627-36070	2-H 6	45627B
	2-M 4	43830A	45240-22801	2-M 5	45240	45463-22700	2-F 6	45637B	45631-36001	2-H 6	45631B
43830-28521	2-M 4	43830A	45245-37000	2-M 5	45245	45465-22700	2-F 6	45645	45632-36002	2-H 6	45632B
43836-22600	2-M 4	43836B	45252-36000	2-M 5	45252	45470-22700	2-E 6	45470	45633-36002	2-H 6	45633B
43836-34000	2-M 4	43836B	45253-36000	2-M 5	45253A	45470-22705	2-E 6	45470	45635-28010	2-I 6	45635B
43837-34001	2-M 4	43837	45254-22000	2-M 5	45254	45471-36002	2-E 6	45471B	45635-36060	2-H 6	45635B
43838-36000	2-M 4	43838	45255-22000	2-M 6	45255	45472-36001	2-E 6	45472	45636-36000	2-H 6	45636B
43841-28001	2-M 4	43841A	45260-36000	2-M 6	45260	45472-36002	2-E 6	45472	45637-36001	2-H 6	45637B
43842-39000	2-M 4	43842	45262-36000	2-M 5	45262B	45473-22730	2-E 6	45473B	45641-36010	2-H 6	45641B
43843-22620	2-M 4	43843B	45265-36001	2-M 5	45265B	45473-28060	2-E 6	45473	45642-36001	2-H 6	45642B
43846-28000	2-M 4	43846	45266-36000	2-M 5	45266A	45475-22700	2-E 6	45475B	45645-36501	2-H 6	45645
43847-22620	2-M 4	43848	45276-36000	2-M 5	45276B	45475-36000	2-E 6	45475B	45645-36502	2-H 6	45645
43847-22620D	2-M 4	43848	45280-22701	2-M 5	45280	45480-22700	2-E 6	45480B	45650-36000	2-H 6	45650B
43847-22621	2-M 4	43848	45284-28000	2-M 5	45284A	45490-22700	2-E 6	45490B	45660-22600	2-H 6	45660
43847-22622	2-M 4	43848	45285-22010	2-M 5	45285	45511-22700	2-E 6	45511B	45662-22000	2-H 6	45662B
43848-22620	2-M 4	43848C	45294-39010	2-D 6	45391	45512-22700	2-E 6	45512	45663-22000	2-H 6	45663
43850-22611	2-A 5	43850C	45294-39020	2-D 6	45391	45521-36143	2-E 6	45521T	45668-22000	2-H 6	45668
	2-M 4	43850C	45323-22100	2-M 5	45322	45521-36183	2-E 6	45521T	45690-22010	2-H 6	45690
43860-22620	2-M 4	43850C	45323-22701	2-M 5	45322	45525-22800	2-E 6	45525B	45691-22612	2-H 6	45691B
43852-21000	2-A 5	43852	45325-37030	2-M 5	45325	45530-22703	2-E 6	45530B	45720-22620	2-I 6	45720B
43861-28011	2-A 5	43861A	45328-38000	2-B 5	45328	45532-22700	2-E 6	45532A		2-J 6	45720B
43861-28020	2-A 5	43861A		2-M 2	45328	45534-37163	2-E 6	45534T	45720-22630	2-I 6	45720B
43862-28000	2-A 5	43862B	45330-22010	2-A 6	45451B	45534-37173	2-E 6	45534T		2-J 6	45729
43870-28510	2-A 5	43870B	45331-28002	2-M 5	45331B	45534-37181	2-E 6	45534T	45729-34110	2-J 6	45729
43870-28520	2-A 5	43870B	45333-28001	2-M 5	45332	45534-37193	2-E 6	45534T	45737-22040	2-J 6	45737B
43871-28510	2-A 5	43871	45334-28011	2-M 5	45334A	45534-37203	2-E 6	45534T	45743-36061	2-J 6	45744
43873-22610	2-A 5	43873	45335-28012	2-M 5	45335A	45534-37211	2-E 6	45534T	45744-36001	2-J 6	45744B
43880-22611	2-A 5	43880	45346-38001	2-A 6	45347	45534-37221	2-E 6	45534T	45747-36001	2-J 6	45747B
43880-22613	2-A 5	43880	45410-22700	2-D 6	45410B	45534-37223	2-E 6	45534T	45747-36002	2-J 6	45747B
43880-22614	2-A 5	43880	45420-22700	2-D 6	45420	45534-37233	2-E 6	45534T	45748-28060	2-I 6	45635B
43880-28522	2-A 5	43880	45424-36010	2-D 6	45423B	45535-22700	2-E 6	45535B	45751-36001	2-J 6	45751
43885-28000	2-A 5	43885	45431-36001	2-D 6	45431	45540-22710	2-E 6	45540	45760-22600	2-J 6	45760B
43887-28000	2-A 5	43887	45432-36001	2-D 6	45432	45541-37001	2-E 6	45541A	45760-22800	2-J 6	45760B
43888-22600	2-A 5	43888	45433-36010	2-D 6	45433	45550-22701	2-E 6	45541A	45761-28160	2-J 6	45761C
	2-B 5	43888	45440-22700	2-D 6	45440	45555-22701	2-E 6	45555B	45765-36001	2-J 6	45765
43888-22610	2-A 5	43888	45445-22700	2-D 6	45445B	45560-22761	2-F 6	45560B	45766-36000	2-J 6	45766
	2-B 5	43888	45447-22701	2-D 6	45447	45561-22701	2-F 6	45561	45781-36001	2-J 6	45781B
43888-28020	2-A 5	43888	45448-22710	2-D 6	45448	45562-22700	2-F 6	45562	45782-36001	2-J 6	45782
43913-22610	2-B 6	43913	45448-22710	2-D 6	45448	45562-22710	2-F 6	45562	45783-36060	2-J 6	45783B
43918-34000	2-B 6	43918	45449-22760	2-D 6	45449A	45565-22700	2-F 6	45565	45783-36061	2-J 6	45783B
43918-34000	2-B 6	43918	45451-22700	2-D 6	45451C	45567-22700	2-F 6	45721	45790-36000	2-J 6	45790B
43920-22602	2-B 5	43920	45453-36000	2-D 6	45453	45612-36001	2-G 6	45612	45793-22650	2-J 6	45793
43920-22611	2-B 5	43920	45454-36160	2-D 6	45454T	45613-36000	2-G 6	43305	45793-22500	2-J 6	45793
43921-28521	2-B 5	43921	45454-36170	2-D 6	45454T	45621-36071	2-G 6	45621C	45796-37000	2-J 6	45796
45000-22700	2-I 5	45000A	45454-36180	2-D 6	45454T	45622-36000	2-G 6	45622B	45811-22750	2-J 6	45811
	2-J 5	45000A	45454-36190	2-D 6	45454T	45623-36560	2-G 6	45623T	45812-28850	2-J 6	45812
45000-22701	2-I 5	45000A	45454-36200	2-D 6	45454T	45623-36570	2-G 6	45623T	45819-22700	2-J 6	45819
	2-I 5	45000A	45454-36210	2-D 6	45454T	45623-36580	2-G 6	45623T	45820-22000	2-J 6	45733B
45000-22710	2-I 5	45000A	45454-36220	2-D 6	45454T	45623-36590	2-G 6	45623T	45821-36000	2-J 6	45821
	2-I 5	45000A	45454-36230	2-D 6	45454T	45623-36600	2-G 6	45623T	45822-22600	2-B 4	43322
45000-22711	2-I 5	45000A	45454-36240	2-D 6	45454T	45623-36610	2-G 6	45623T		2-C 4	43322
	2-I 5	45000A	45454-36250	2-D 6	45454T	45623-36620	2-G 6	45623T	45822-34500	2-H 4	45822
45100-36220	2-B 6	45100	45454-36260	2-D 6	45454T	45623-36630	2-G 6	45623T		2-K 6	45822
45100-36400	2-B 6	45100	45454-36270	2-D 6	45454T	45623-36640	2-G 6	45623T	45827-34110	2-I 6	43327A
45210-22700	2-L 5	45210	45454-36280	2-D 6	45454T	45623-36650	2-G 6	45623T	45829-34150	2-K 6	45829
45210-22800	2-L 5	45210	45454-36290	2-D 6	45454T	45623-36660	2-G 6	45623T	45829-36050	2-H 4	45829
45216-22601	2-M 5	45216	45454-36300	2-D 6	45454T	45623-36670	2-G 6	45623T	45832-22820	2-I 6	43332
45216-22800	2-M 5	45216	45455-36001	2-D 6	45455	45623-36680	2-G 6	45623T	45832-22830	2-I 6	43332
			45456-22700	2-D 6	45456	45624-36000	2-G 6	45624C			

PART NO.	M/F NO.	P N C
45834-22700	2-K 6	45842A
45835-38001	2-B 3	40323
45837-38000	2-K 6	45837
45837-38040	2-K 6	45837
45840-22710	2-K 6	45840
45851-37120	2-K 6	45851T
45851-37123	2-K 6	45851T
45851-37129	2-K 6	45851T
45851-37132	2-K 6	45851T
45851-37135	2-K 6	45851T
45851-37138	2-K 6	45851T
45851-37141	2-K 6	45851T
45851-37144	2-K 6	45851T
45851-37147	2-K 6	45851T
45851-37180	2-K 6	45851T
45851-37183	2-K 6	45851T
45851-37186	2-K 6	45851T
45851-37189	2-K 6	45851T
45851-37192	2-K 6	45851T
45851-37195	2-K 6	45851T
45851-37198	2-K 6	45851T
45851-37171	2-K 6	45851T
45851-37174	2-K 6	45851T
45851-37177	2-K 6	45851T
45851-37180	2-K 6	45851T
45863-22740	2-K 6	45863A
45866-22800	2-K 6	45866
45868-39000	2-K 6	45868
45874-22700	2-K 6	45874A
45920-22551	2-A 6	45920B
45931-22000	2-A 6	45931B
45932-22802	2-A 6	45932B
45940-22550	2-A 6	45940B
45945-36001	2-A 6	45945
45946-36000	2-A 6	45946
45950-22552	2-A 6	45950A
45955-22700	2-A 6	45955B
45956-22610	2-A 6	45956B
45957-22802	2-A 6	45957A
45957-37001	2-A 6	45957
45958-22800	2-A 6	45958
45959-22811	2-A 6	45959B
45959-28010	2-A 6	45959C
45960-22700	2-A 6	45960
45961-22701	2-A 6	91384
45961-22702	2-A 6	91384
46110-22725	2-B 6	46110
46131-38002	2-B 6	46131
46132-38002	2-B 6	46132
46153-38000	2-B 6	46153
46156-22630	2-B 6	46156
46157-38001	2-B 6	46157
46158-38001	2-B 6	46158
46159-38001	2-B 6	46159
46210-22701	2-M 6	46210
46212-22701	2-A 7	46212A
46212-38000	2-M 6	46212
46216-22701	2-A 7	46216
46217-28000	2-A 7	46217A

PART NO.	M/F NO.	P N C
46219-22700	2-A 7	46219B
46219-28000	2-A 7	46219A
46220-28000	2-A 7	46220A
46221-37000	2-A 7	46221
46222-22701	2-A 7	46222A
46231-22700	2-A 7	46231
	2-B 7	46231
46235-37800	2-B 7	46235
46237-22700	2-B 7	46237
46237-37000	2-B 7	46237A
46242-38000	2-B 7	46242A
46243-37000	2-B 7	46243
46244-37000	2-B 7	46244A
46246-22700	2-B 7	46246
46255-38000	2-B 7	46255
	2-C 7	46255
46258-28000	2-C 7	46258
46259-28000	2-C 7	46259
46260-38000	2-C 7	46260
46260-38000	2-C 7	46260A
46263-28000	2-C 7	46263
46265-22700	2-C 7	46265
46266-22700	2-C 7	46266
46267-22701	2-C 7	46267
	2-D 7	46267
46269-22700	2-D 7	46269
46271-22701	2-D 7	46271A
46272-38000	2-D 7	46272
46273-22700	2-D 7	46273
46275-22701	2-D 7	46275A
46276-22700	2-D 7	46276
46279-22700	2-D 7	46279
46281-22700	2-D 7	46281
	2-E 7	46281
46286-22700	2-E 7	46286B
46286-22720	2-E 7	46286B
46287-22700	2-E 7	46287B
46311-38000	2-E 7	46311
46312-37800	2-E 7	46312
46313-22700	2-E 7	46313
46314-22701	2-E 7	46314
	2-F 7	46314
46314-22702	2-E 7	46314
	2-F 7	46314
46315-22701	2-F 7	46315
46316-38000	2-F 7	46316
46317-28000	2-F 7	46317
46318-28000	2-F 7	46318A
46319-28000	2-F 7	46319
46321-22731	2-F 7	46321
46333-34010	2-F 7	46333
46335-37062	2-F 7	46335
46336-37000	2-F 7	46336
46341-22710	2-G 7	46341A
46341-37000	2-G 7	46341B
46342-34010	2-G 7	46342B
46342-37000	2-G 7	46342C
46343-34010	2-G 7	46343
46349-37000	2-G 7	46349
46351-22710	2-G 7	46351

PART NO.	M/F NO.	P N C
46355-37000	2-G 7	46355
46356-37001	2-G 7	46356
	2-H 7	46356
46357-28000	2-H 7	46357
46358-38000	2-H 7	46358
46361-37010	2-H 7	46361
46361-37020	2-H 7	46361
46362-28000	2-H 7	46362
46364-37000	2-H 7	46364
46366-37000	2-H 7	46366
46367-37000	2-H 7	46367
	2-I 7	46367
46368-22700	2-I 7	46368
46370-22000	2-M 6	46368
46371-22700	2-I 7	46371
46372-37000	2-I 7	46372
46373-37000	2-I 7	46373
46374-37000	2-I 7	46374
46375-37000	2-I 7	46375A
46376-37000	2-I 7	46376
46378-37000	2-I 7	46378
	2-J 7	46378
46379-37000	2-J 7	46379A
46380-37000	2-J 7	46380
46381-38000	2-J 7	46381
46382-22700	2-J 7	46382A
46384-22700	2-J 7	46384
46385-22700	2-J 7	46385
46386-22800	2-J 7	46386
46387-22701	2-J 7	46387
	2-K 7	46387
46389-22700	2-K 7	46389
46390-39000	2-K 7	46390
46399-22701	2-K 7	46399
46512-22800	2-L 7	46512
46513-36001	2-L 7	46513
46514-36001	2-K 4	46514
	2-L 7	46514
46516-22800	2-L 7	46510
46570-22702	2-A 6	46550A
46580-22702	2-A 6	46580
46710-25700	2-G 5	46710B
46710-25790	2-G 5	46710B
46711-25700LT	2-G 5	46710B
46711-25790	2-G 5	46710B
46711-28000	2-A 6	46712
46713-02700	2-F 5	43713
46714-25700	2-G 5	46714
46714-25790	2-G 5	46714
46716-25705LT	2-G 5	46716
	2-H 5	46716
46716-25795LT	2-G 5	46716
	2-H 5	46716
46718-25701LT	2-H 5	46718
46718-25791LT	2-H 5	46718
46719-25701LT	2-H 5	46718
46719-25791LT	2-H 5	46718
46720-25700	2-H 5	46720C
46725-25700	2-H 5	46725A
46733-25700	2-H 5	46733

PART NO.	M/F NO.	P N C
46736-25710	2-H 5	46736A
46742-25700	2-H 5	46742
46742-25790	2-H 5	46742
46743-25700	2-H 5	46720C
46743-25790	2-H 5	46720C
46747-25700	2-G 5	46710A
46780-25700	2-G 5	43760A
46770-25700YN	2-G 5	43770A
46770-25790YN	2-G 5	43770A
46773-39000	2-D 5	46773
46790-25790YN	2-H 5	46799A
49500-25200	2-A 8	49500A
49500-25210	2-A 8	49500B
49500-25300	2-A 8	49500A
49500-25301	2-A 8	49500A
49500-25310	2-A 8	49500B
49500-25311	2-A 8	49500B
49500-25400	2-A 8	49500A
49500-25410	2-A 8	49500B
49500-25500	2-A 8	49500A
49500-25501	2-A 8	49500B
49500-25510	2-A 8	49500B
49500-25511	2-A 8	49500B
49500-25905	2-A 8	49500A
49504-25A00	2-B 8	49504A
49506-25A00	2-B 8	49506A
49506-25B00	2-B 8	49506B
49506-25A00	2-B 8	49506
49506-25B00	2-B 8	49506
49507-25A00	2-B 8	49507
49507-25B00	2-B 8	49507
49508-25A00	2-B 8	49508
49508-25B00	2-B 8	49508
49509-25A00	2-B 8	49509B
49548-25000	2-B 8	49548
49549-21000	2-B 8	49549
49551-21000	2-B 8	49551
49557-24000	2-C 8	49557
49505-25B00	2-C 8	49505
49509-25A00	2-C 8	49509
4C118-34000	2-K 2	43116C
4C116-35100	2-L 5	43116D
51712-25800	2-E 8	51712
51715-25000	2-E 8	51715
51715-25100	2-E 8	51715
51715-25600	2-E 8	51715
51716-25000	2-E 8	51716
51716-25100	2-E 8	51716
51716-25500	2-E 8	51716
51718-29100	2-E 8	51718
51720-25000	2-E 8	51720B
51720-29400	2-E 8	51720B
51750-25000	2-E 8	51750
51752-36000	2-E 8	51752
51755-25000	2-E 8	51755
51755-25020	2-E 8	51755
51758-25000	2-E 8	51758
51758-25020	2-E 8	51758
52710-25000	2-F 8	52750
52710-25001	2-F 8	52750

PART NO.	M/F NO.	P N C	PART NO.	M/F NO.	P N C	PART NO.	M/F NO.	P N C	PART NO.	M/F NO.	P N C
52710-25100	2-F 8	52750	53526-21261	2-J 4	53526	55201-25100	2-F 9	55201	56120-25500LT	2-J 9	56130C
52710-25101	2-F 8	52750		2-J 4	53526T	55202-25000	2-F 9	55202	56120-25501LT	2-J 9	56130C
52712-29400	2-F 8	52752	54500-25000	2-J 8	54510	55202-25100	2-F 9	55202	56130-25000LT	2-J 9	56131
52714-25000	2-F 8	52714	54501-25000	2-K 8	54540A	55210-25000	2-F 9	55210A	56130-25500	2-J 9	56150A
52744-25000	2-F 8	52744A	54503-25A00	2-J 8	54530B	55210-25100	2-F 9	55210A	56143-25500	2-J 9	56143A
52745-37000	2-F 8	52745B	54517-22000	2-J 8	54517	55216-25000	2-F 9	55216A	56150-25000LT	2-J 9	56150B
52746-25000	2-F 8	52746	54518-31600	2-J 8	54519	55219-25000	2-F 9	55216A		2-K 9	56150B
52750-25000	2-F 8	52750A	54530-25000	2-K 8	54530C	55219-25100	2-F 9	55215A	56160-25500	2-J 9	56137A
52758-25000	2-F 8	55451	54547-25000	2-K 8	54557	55220-25000	2-F 9	55220A	56170-25500	2-K 9	56157
52760-25000	2-F 8	52760	54551-25000	2-K 8	54551D	55220-25000	2-F 9	55220A	56180-25500	2-J 9	56128
52773-25000	2-F 9	55225A	54555-25000	2-K 8	54555D	55229-44002	2-F 9	55229	56190-25000	2-J 9	56128
52773-25100	2-F 9	55225A	54559-25000	2-K 8	54552A		2-M12	55229	56190-25500	2-K 9	56190
52910-25400	2-G 8	52910A	54559-28000	2-E 9	54559	55230-22000	2-F 9	55230D	56200-25500	2-L 9	53010
52910-25450	2-G 8	52910A	54610-25000	2-L 8	54610	55233-22001	2-F 9	55233	56200-25500	2-L 9	53010
52910-25550	2-G 8	52910A	54620-22000	2-L 8	54625A	55255-25000	2-F 9	55255	56222-25000	2-M 9	56222
52910-25600	2-G 8	52910A	54624-21000	2-L 8	54624	55259-25000	2-F 9	55255	56224-25000	2-A10	56224A
52910-25930	2-G 8	52910B	54625-22000	2-L 8	54625B	55267-25000	2-F 9	55451	56310-25000	2-L 9	56300
52910-25940	2-G 8	52910B	54626-22001	2-L 8	54626	55311-22000	2-C 9	55451	56310-25100	2-L 9	56300
52910-25950	2-G 8	52910B	54627-31600	2-L 8	54627B	55311-25000	2-C 9	56311A	56310-25500	2-L 9	56410
52950-14140	2-G 8	52950	54630-22400	2-M 8	54630S	55320-25000	2-D 9	55351A	56370-25500	2-L 9	56410
52950-24000	2-G 8	52950	54630-22450	2-M 8	54630S	55321-25000	2-C 9	55341	56370-25600	2-L 9	56410
52951-11210	2-G 8	52950	54630-25010	2-L 8	54630S	55323-22000	2-C 9	55341	56370-25900	2-L 9	56410
52953-24000	2-G 8	52953	54630-25050	2-M 8	54630S	55325-22000	2-C 9	55347	56415-21000	2-L 9	56415
52960-25150	2-G 8	52960	54630-25110	2-M 8	54630S	55326-22001	2-C 9	55347	56510-25000	2-A10	56500B
52960-25200	2-G 8	52960	54630-25150	2-L 8	54630S	55326-22001	2-C 9	55347	56510-25000	2-A10	56500B
52960-25400	2-G 8	52960	54630-25500	2-M 8	54630S	55330-25000	2-D 9	55350S	56510-25011	2-A10	56500B
52960-25500	2-G 8	52960D	54630-25550	2-M 8	54630S	55330-25100	2-D 9	55350S	56510-25900	2-A10	56500B
52960-25600	2-G 8	52960D	54630-25750	2-M 8	54630S	55330-25500	2-D 9	55350S	56510-25911	2-A10	56500B
52960-25700	2-G 8	52960	54633-22001	2-M 8	54633	55339-25000	2-C 9	55339	56611-25000	2-A10	56510B
52960-25800	2-H 8	52960D	54650-25100	2-M 8	54650B	55350-25100	2-D 9	55351	56511-25900	2-A10	56510B
53512-11101	2-I 4	53512C	54650-25150	2-M 8	54650B	55350-25150	2-D 9	55351	56516-25000	2-C10	56856
53513-11100	2-I 4	53513	54650-25500	2-M 8	54650B	55350-25151	2-D 9	55351	56517-25000	2-D10	56617B
	2-K 6	53513	54650-25550	2-M 8	54650B	55350-25500	2-D 9	55351	56522-25000	2-B10	56522
	2-L 4	51703	54660-25100	2-M 8	54660	55350-25501	2-D 9	55351	56523-02000	2-B10	56523
53522-11050	2-I 4	45842A	54660-25150	2-M 8	54660	55350-25551	2-D 9	55351	56525-21010	2-B10	56525B
53526-11080	2-I 4	45842A	54660-25500	2-M 8	54660	55350-25551	2-D 9	55351	56527-21000	2-B10	56527B
	2-I 4	45842A	54660-25550	2-M 8	54660	55360-25100	2-D 9	55361	56528-24000	2-C10	57774
	2-J 4	53526T	54812-25000	2-A 9	54812A	55360-25101	2-D 9	55361	56529-21010	2-B10	56529B
	2-J 4	53526T	54813-25000	2-A 9	54813	55360-25150	2-D 9	55361	56531-25000	2-B10	56531B
53526-11160	2-H 4	45842A	54814-25000	2-A 9	54814A	55360-25151	2-D 9	55361	56531-25010	2-B10	56531B
	2-I 4	45842A		2-B 9	54815A	55360-25500	2-D 9	55361		2-C10	56531B
	2-J 4	53526	54814-38001	2-E 9	54814	55360-25501	2-D 9	55361	56531-25900	2-B10	56531B
	2-J 4	53526T	54830-25010	2-B 9	54830B	55360-25550	2-D 9	55361		2-C10	56531B
53526-21070	2-H 4	45842A	54830-25020	2-B 9	54830C	55360-25551	2-D 9	55361	56534-24000	2-B10	56524B
	2-I 4	45842A	54837-29500	2-B 9	54837B	55512-25000	2-F 9	55578	56540-25000	2-M 9	56430D
	2-J 4	53526		2-E 9	54837B	55513-22500	2-F 9	55513A	56552-22000	2-C10	56551C
	2-J 4	53526T	54838-36100	2-B 9	54838	55514-22000	2-F 9	55514A	56553-25000	2-C10	57738B
53526-21170	2-H 4	45842A		2-E 9	54841	55830-25000	2-F 9	55580	56555-22000	2-A10	56521B
	2-I 4	45842A	54841-38000	2-E 9	54841	56100-25000LT	2-I 9	56110	56555-25000	2-A10	56521B
	2-J 4	53526	54849-28000	2-B 9	54849	56100-25100LT	2-I 9	56110		2-B10	56521B
	2-J 4	53526T		2-E 9	55503	56100-25200LT	2-I 9	56110	56820-25000	2-D10	56820B
53526-21171	2-H 4	45842A		2-E 9	55116C	56100-25501LT	2-I 9	56110	56828-22000	2-D10	56828A
	2-I 4	45842A	55110-25000	2-F 9	55116D	56100-25501LT	2-I 9	56110	56900-25000LT	2-K 9	56900
	2-J 4	53526	55116-25000	2-E 9	55116C	56100-25800LT	2-I 9	56110	57110-22502	2-E10	57100
	2-J 4	53526T	55117-29000	2-F 9	55116D	56100-25801LT	2-I 9	56110	56100-25000	2-E10	57100
53526-21250	2-H 4	45842A	55119-25000	2-E 9	55120A	56100-25900LT	2-I 9	56110	57110-25300	2-E10	57100
	2-I 4	45842A	55120-25000	2-F 9	55133	56120-25000LT	2-I 9	56130C	57115-33500	2-E10	57115
	2-J 4	53526	55131-25000	2-F 9	55133	56120-25100LT	2-I 9	56130C	57120-22001	2-E10	57120
	2-J 4	53526T	55141-25000	2-F 9	55347A	56201-25200LT	2-J 9	56130C			
53526-21261	2-H 4	45842A	55155-25000	2-F 9	55201			56130C			
	2-I 4	45842A	56201-25000	2-F 9	55201			56130C			

PART NO.	M/F NO.	P N C
57122-22600	2-E10	57122
	2-F10	57122
57122-33600	2-E10	57122
	2-F10	57122
57123-33600	2-F10	57123
57124-33600	2-F10	57124
57124-36200	2-F10	57124
57125-33600	2-F10	57125
57126-22000	2-F10	57126
57126-25300	2-F10	57126
57126-29000	2-F10	57126
57127-25300	2-F10	57127
57127-33500	2-F10	57127
57128-33500	2-F10	57128
57129-29000	2-F10	57129
57130-02000	2-F10	57130B
	2-G10	57130B
57130-17800	2-F10	57130B
57130-22000	2-F10	57130B
	2-G10	57130B
57131-29100	2-G10	57131
57132-33600	2-G10	57132
57133-29000	2-G10	57133
57133-33600	2-G10	57133
57134-33500	2-G10	57134
57140-22000	2-G10	57140A
57142-26000	2-G10	57142
57150-25000	2-H10	57150A
57150-25500	2-H10	57150A
57150-25A00	2-H10	57150B
57150-34A00	2-H10	57150B
57153-34000	2-H10	57153
57220-25000	2-D11	57220A
57220-25500	2-D11	57220A
57221-21000	2-E11	57221
57222-25000	2-L10	57225
57225-22080	2-H10	57225A
57225-22500	2-H10	57225
57226-25010	2-K10	57226D
57227-23600	2-H10	57227
	2-I10	57227
57227-24100	2-H10	57227
	2-I10	57227
57227-25000	2-I10	57227B
57228-22000	2-I10	57228
57231-22000	2-I10	57231
57231-29100	2-I10	57231
57232-25000	2-K10	57232B
57232-25500	2-K10	57232B
57240-25000	2-K10	57240C
	2-L10	57240C
57250-25500	2-L10	57250
57251-25000	2-L10	57251B
57251-25500	2-L10	57251B
57272-26300	2-L10	57271
57272-34000	2-L10	57271
57273-22500	2-L10	57273
57273-26000	2-L10	57273
57274-25000	2-C10	57274
57510-25000	2-L10	57510

PART NO.	M/F NO.	P N C
57510-25000	2-M10	57510
57510-25010	2-M10	57510
57510-25300	2-L10	57510
57510-25500	2-L10	57510
	2-M10	57510
57510-25510	2-M10	57510
57510-25800	2-L10	57510
	2-M10	57510
57510-25810	2-M10	57510
57510-25900	2-M10	57510
57510-25910	2-M10	57510
57521-25000	2-A11	57523B
57521-25010	2-A11	57523B
57521-25300	2-A11	57523B
57521-25500	2-A11	57523B
57521-25510	2-A11	57523B
57521-25900	2-A11	57523B
57521-25910	2-A11	57523B
57522-25000	2-M10	57522B
57522-25800	2-B11	57523A
57523-25000	2-A11	57527B
57523-25800	2-M10	57523A
57531-25000	2-A11	57531
	2-B11	57531
57531-25300	2-A11	57531
57531-25500	2-A11	57531
	2-B11	57531
57536-33000	2-B11	57536B
57536-33100	2-B11	57536B
57541-25000	2-B11	57540
57541-25300	2-B11	57540
57541-25500	2-B11	57540
57544-25500	2-B11	57544B
57545-25000	2-B11	57545B
57558-30000	2-B11	57558
57587-34500	2-K10	1471CJ
57587-34800	2-C11	57587D
57587-34900	2-C11	57587E
57710-25000	2-E11	57700
57710-25010	2-E11	57700
57710-25500	2-E11	57700
57710-25510	2-E11	57700
57710-25900	2-E11	57700
57710-25910	2-E11	57700
57711-33100	2-E11	57711A
57712-33100	2-E11	57712B
57713-33100	2-F11	57713C
57714-33100	2-F11	57714A
57715-24000	2-F11	57715
57715-33100	2-F11	57715
57718-24000	2-C10	57718A
57720-22000	2-F11	57720B
57720-22800	2-F11	57720B
57720-25010	2-F11	57720B
57720-25910	2-F11	57720B
57725-24000	2-F11	57725A
57728-22000	2-F11	57728
57727-28500	2-G11	57775
57734-26000	2-C10	58556
57737-24000	2-C10	57737

PART NO.	M/F NO.	P N C
57751-25000	2-G11	57776
57751-25900	2-G11	57776
57752-25000	2-G11	57780
57752-25500	2-G11	57780
57755-25000	2-M 9	54530D
57790-25000	2-F11	57750B
57790-25900	2-G11	57750B
57792-33100	2-G11	57762
57793-33100	2-G11	57763
57798-28000	2-D11	57154
57793-33100	2-G11	57773
57777-33100	2-G11	57777
57790-25A00	2-G11	57790
57792-22000	2-E11	57710B
57798-25900	2-G11	57798A
58101-25A00	2-I11	58101B
58101-25A10	2-I11	58101B
58102-25A00	2-I11	58102A
58110-25000	2-I11	58110
58112-24000	2-I11	58112
58120-24000	2-J11	58120
	2-K11	58120
58121-32000	2-J11	58314
58130-25000	2-J11	58130
58144-32000	2-J11	58144B
58151-21300	2-J11	58151B
58162-32300	2-J11	58162A
58163-32000	2-J11	58163
58167-32000	2-J11	58167
58180-25A00	2-J11	58180
58181-25A00	2-J11	58181
58301-25A00	2-K11	58301
58305-25A00	2-K11	58305
58310-25010	2-K11	58310
58310-25310	2-K11	58310
58311-24000	2-K11	58311C
58312-24000	2-K11	58312A
58314-24000	2-K11	58314
58321-24000	2-L11	58321C
58322-24000	2-L11	58322B
58323-24000	2-L11	58323
58330-25000	2-L11	58330B
58341-11000	2-L11	58341A
58344-25000	2-L11	58344D
58345-25000	2-L11	58345E
58348-24000	2-L11	58348
58350-25000	2-L11	58350
58355-25000	2-L11	58355
58355-25300	2-L11	58355
58356-24000	2-L11	58356A
58360-25010	2-L11	58360
58360-25310	2-L11	58360
58361-24000	2-L11	58361
58365-25000	2-L11	58365
58365-25300	2-L11	58365
58366-24000	2-L11	58366A
58370-25000	2-L11	58370
58380-25000	2-L11	58380
58385-21000	2-L11	58385B
58386-31000	2-L11	58386B

PART NO.	M/F NO.	P N C
58389-21000	2-M11	58389
58389-22300	2-M11	58389
58390-22300	2-M11	58390
58411-25010	2-M11	58411A
58510-24A00	2-A12	58510B
58510-25000	2-A12	58510A
58510-25300	2-A12	58510A
58510-29A00	2-A12	58510B
58511-25000	2-A12	58511A
58511-25300	2-A12	58511A
58531-25000	2-A12	58531A
58531-25300	2-B12	58531A
58575-22000	2-A 2	58524
	2-I12	58524
58581-22010	2-A 2	58581
	2-I12	58581
58711-25000	2-E12	58711E
58711-25001	2-E12	58711E
58711-25002	2-E12	58711E
58711-25300	2-E12	58711E
58711-25301	2-E12	58711E
58711-25500	2-E12	58711E
58711-25501	2-E12	58711E
58711-25700	2-E12	58711E
58711-25701	2-E12	58711E
	2-F12	58711E
58715-25000	2-F12	58715E
58715-25001	2-F12	58715E
58715-25300	2-F12	58715E
58715-25500	2-F12	58715E
58718-25300	2-F12	58718W
58718-25700	2-F12	58718W
58722-25300	2-F12	58722J
58722-25700	2-F12	58722J
58724-24000	2-F12	58724
58726-21300	2-F12	58726
58727-11000	2-A 2	58727A
	2-F12	58727A
58731-1A000	2-F12	58731A
58731-25000	2-F12	58731A
58732-1A000	2-F12	58732
58732-25000	2-F12	58732
58733-25000	2-F12	58735D
58733-25010	2-F12	58735D
58733-25300	2-F12	58735D
58733-25500	2-F12	58735D
58733-25510	2-F12	58735D
58733-25700	2-F12	58735D
58734-26000	2-F12	58736B
58734-25010	2-F12	58736B
58734-25300	2-F12	58736B
58734-25500	2-F12	58736B
58734-25510	2-F12	58736B
58734-25700	2-F12	58736B
58735-25000	2-G12	58736A
58736-25000	2-G12	58736A
58737-1A000	2-F12	58737
	2-G12	58737
58737-25000	2-F12	58737
58742-25000	2-G12	58742B

PART NO.	M/F NO.	P N C	PART NO.	M/F NO.	P N C	PART NO.	M/F NO.	P N C	PART NO.	M/F NO.	P N C
58742-25300	2-G12	58742B	64354-25000	2-C13	64353	65750-22001	2-G13	65650	69100-25300	2-C14	69100
58743-25000	2-G12	58743B	64354-25300	2-C13	64353	65780-22001	2-H13	65780	69100-25310	2-C14	69100
58743-25300	2-G12	58743B	64364-25000	2-C13	64363A	66311-25000	2-I13	66311	69100-25400	2-B14	69100
58752-02000	2-G12	58752R	64364-25300	2-C13	64363A	66311-25200	2-I13	66311		2-C14	69100
58752-21000	2-G12	58752F	64501-25000	2-C13	64501	66311-25300	2-I13	66311		2-B14	69100
58753-22000	2-G12	58753	64901-25050	2-C13	64501	66311-25350	2-I13	66311		2-E14	69100
58754-11120	2-E12	58584A	64502-25000	2-C13	64502	66311-25600	2-I13	66311		2-E14	69140
58756-22200	2-G12	58756F	64902-25060	2-C13	64502	66321-25000	2-I13	66321		2-E14	69140
58756-22300	2-G12	58756G	64605-25000	2-C13	64601	66321-25200	2-I13	66321		2-E14	69140
58756-36000	2-G12	58756C	64605-25300	2-C13	64601	66321-25300	2-I13	66321		2-E14	69150E
58756-36001	2-G12	58756C	64606-25000	2-D13	64602	66321-25350	2-I13	66321		2-E14	69150E
58775-25000	2-B12	58775A	64606-25300	2-D13	64602	66321-25600	2-I13	66321		2-E14	69150E
58775-25000A	2-B12	58775A	64658-25000	3-C 5	64619	66400-25000	2-I13	66400		2-C14	69200
58775-25010	2-B12	58775E	64668-25000	3-C 5	64629	66400-25010	2-I13	66400		2-C14	69200
58910-25310	2-H12	58910	64695-22000	3-C 5	64695	66400-25300	2-J13	66400		3-H 2	69510
58914-25000	2-H12	58914B	65111-22002	2-E13	65111	66400-25310	2-I13	66400		2-E14	71110
58960-25310	2-H12	58960	65111-22303	2-E13	65111	66540-25000	2-K13	66540		2-E14	71110
58964-25300	2-H12	58967	65113-25000	2-E13	65130B	66540-25050	2-K13	66540		2-E14	71110
59110-25010	2-I12	59110B	65141-22002	2-E13	65141	66540-25900	2-K13	66540		2-E14	71110
59110-25510	2-I12	59110B	65141-22302	2-E13	65141	66540-26950	2-K13	66540		2-E14	71110
59130-25000	2-I12	59130	65150-25000	2-E13	65150	66702-25000	2-K13	66702A		2-E14	71120
	2-J12	59130	65150-25050	2-E13	65150	66702-25001	2-K13	66702A		2-E14	71120
59130-25100	2-I12	59130		2-F13	65150	66702-25100	2-K13	66702A		2-E14	71120
59130-25110	2-I12	59130	65170-26000	2-F13	65170	66702-25101	2-K13	66702A		2-E14	71120
	2-J12	59130	65170-25200	2-F13	65170	66702-25900	2-K13	66702A		2-E14	71120
59130-25200	2-I12	59130	65180-25000	2-F13	65180	66703-25000	2-L13	66790		2-E14	71120
	2-J12	59130	65180-25200	2-F13	65180	66703-25100	2-L13	66790		2-E14	71117
59130-25300	2-I12	59130	65180-25300	2-F13	65180	66703-25800	2-L13	66790		2-E14	71127
	2-J12	59130	65180-25500	2-F13	65180	66751-25000	2-K13	66751B		2-E14	71163A
59135-25000	2-J12	59135A	65210-22000	2-F13	65210	66751-25100	2-K13	66751B		2-E14	71163A
59145-24001	2-J12	59145	65210-22300	2-F13	65210	66756-25000	2-K13	66751A		2-F14	71163C
59710-25000LT	2-K12	59710	65220-22000	2-F13	65220	66756-25300	2-K13	66751A		2-F14	71210
59734-22000	2-K12	59734B		2-G13	65220	66761-25000	2-L13	66761B		2-F14	71210
59760-25000	2-K12	59760C	65220-22001	2-F13	65220	66766-25000	2-K13	66761A		2-F14	71210
59770-25000	2-K12	59770		2-F13	65220	66766-25300	2-K13	66761A		2-F14	71210
59775-34000	2-M11	59775	65220-22301	2-F13	65220	67111-25000	2-A14	67111A		2-F14	71220
62410-25000	2-A13	62401	65511-22001	2-G13	65511	67111-25001	2-A14	67111A		2-F14	71220
	2-M12	62401	65511-22002	2-G13	65511	67111-25050	2-A14	67111A		2-F14	71220
62410-25001	2-A13	62401	65511-25000	2-G13	65511	67111-25061	2-A14	67111A		2-F14	71220
	2-M12	62401	65511-25001	2-G13	65511	67111-25100	2-M13	67111A		2-F14	71311
62410-25700	2-M12	62401	65511-25002	2-G13	65511	67111-25101	2-A14	67111A		2-F14	71316
62410-25900	2-A13	62401	65514-22000	2-G13	65516		2-M13	67111A		2-F14	71312
	2-M12	62401	65515-22000	2-G13	65517	67111-25150	2-A14	67111A		2-F14	71312
62466-25000	2-A13	62466	65517-25000	2-G13	65517A		2-M13	67111A		2-F14	71312
62466-25100	2-A13	62466A	65531-25000	2-G13	65531	67111-25151	2-A14	67111A		2-F14	71325
62467-25000	2-B13	62467A	65531-25050	2-G13	65531		2-M13	67111A		2-F14	71325
62468-25000	2-A13	62467	65710-25000	2-G13	65710	67115-25000	2-A14	67115		2-G14	71325
62469-25000	2-B13	62468	65710-25050	2-G13	65710	67120-25000	2-A14	67120A		2-F14	71325
62470-25000	2-B13	62470	65710-25100	2-G13	65710	67130-25100	2-A14	67141B		2-G14	71325
62480-25000	2-B13	62476	65710-25150	2-G13	65710	67132-25000	2-A14	67130		2-F14	71322
62490-25000	2-B13	62477	65710-25200	2-G13	65710	67133-25200	2-A14	67133		2-F14	71322
62492-25000	2-B13	65545A	65710-25250	2-G13	65710	67135-25000	2-A14	67121A		2-F14	71322
62850-25000	2-H 8	62850	65720-25000	2-H13	65720	67310-25000	2-A14	67310A		2-F14	71322
62850-25050	2-H 8	62850	65720-25050	2-H13	65720	67310-25050	2-A14	67310A		2-F14	71322
64100-25000	2-C13	64100	65720-25100	2-G13	65720	69100-25000	2-C14	69100		2-G14	71334L
64100-25100	2-C13	64100	65720-25150	2-G13	65720	69100-25001	2-C14	69100		2-G14	71334L
64100-25300	2-C13	64100	65720-25200	2-H13	65720	69100-25010	2-C14	69100		2-G14	71334R
64100-25400	2-C13	64100	65720-25250	2-H13	65720	69100-25100	2-B14	69100		2-G14	71334R
64100-25500	2-C13	64100		2-H13	65720		2-C14	69100		2-H14	71471

PART NO.	M/F NO.	P N C
71401-250A0	2-G14	71401B
71401-250B0	2-G14	71401B
71401-25100	2-H14	71471
71401-25200	2-H14	71471
71402-25000	2-H14	71481
71402-250A0	2-G14	71402B
71402-250B0	2-G14	71402B
71402-25100	2-H14	71481
71402-25200	2-H14	71481
71431-25000	2-G14	71431A
71431-25300	2-G14	71431A
71441-25000	2-G14	71441A
71441-25300	2-H14	71441A
71441-25300	2-G14	71441A
71503-250A0	2-H14	71503B
71503-250B0	2-H14	71503B
71503-251A0	2-H14	71503B
71503-251B0	2-H14	71503B
71503-252B0	2-H14	71503B
71503-252C0	2-H14	71503B
71503-252D0	2-H14	71503B
71504-250A0	2-H14	71504B
71504-250B0	2-H14	71504B
71504-251A0	2-H14	71504B
71504-251B0	2-H14	71504B
71504-252B0	2-H14	71504B
71504-252C0	2-H14	71504B
71504-252D0	2-H14	71504B
71515-25200	2-H14	71515B
71515-25500	2-H14	71515B
71525-25200	2-H14	71525A
71525-25500	2-H14	71525A
71563-25000	2-H14	71563
71563-25300	2-H14	71563
71567-25100	2-H14	71567
71567-25400	2-H14	71567
71563-25000	2-H14	71563
71563-25300	2-H14	71563
71567-25100	2-H14	71567
71567-25400	2-H14	71567
71572-25100	2-H14	71572
71572-25100	2-H14	71572
71572-25400	2-H14	71572
71582-25100	2-H14	71582
71582-25100	2-H14	71582
71582-25400	2-H14	71582
71601-25000	2-H14	71601
71601-25100	2-H14	71601
71601-25200	2-H14	71601
71601-25300	2-H14	71601
71601-25400	2-H14	71601
71601-25500	2-H14	71601
71602-25000	2-H14	71602
71602-25100	2-H14	71602
71602-25200	2-H14	71602
71602-25300	2-H14	71602
71602-25400	2-H14	71602
71602-25500	2-H14	71602

PART NO.	M/F NO.	P N C
71731-25000	2-J14	71731B
71731-25300	2-J14	71731B
71741-25000	2-K14	71741A
71741-25300	2-K14	71741A
73700-25240	2-C14	73700
73700-25300	2-C14	73700
73740-25200	3-M 2	73740
76003-25000	2-L14	76003
76003-25020	2-L14	76003
76003-25200	2-L14	76003
76003-25220	2-L14	76003
76004-25000	2-L14	76004
76004-25020	2-L14	76004
76004-25200	2-L14	76004
76004-25220	2-L14	76004
76111-25000	2-M14	76111
76111-25010	2-M14	76111
76111-25200	2-M14	76111
76111-25210	2-M14	76111
76121-25000	2-M14	76121
76121-25010	2-M14	76121
76121-25200	2-M14	76121
76121-25210	2-M14	76121
77003-25000	3-A 1	77003
77003-25020	3-A 1	77003
77004-25000	3-A 1	77004
77004-25020	3-A 1	77004
77111-25000	3-A 1	77111
77111-25010	3-A 1	77111
77121-25000	3-B 1	77121
77121-25010	3-B 1	77121
79110-25000	2-J13	79110
79110-25001	2-J13	79110
79120-25000	2-J13	79120
79120-25001	2-J13	79120
79152-22000	2-J13	79152
79210-25000	2-C14	79210
79220-25000	2-C14	79220
79273-25000	3-F 1	79273A
79273-25001	3-F 1	79273A
79283-25000	3-F 1	79280
79310-25000	2-M14	79310C
79315-25000	2-M14	79320B
79320-25000	2-M14	79320B
79325-25000	2-M14	79340A
79330-25000	3-B 1	79330A
79340-25000	3-B 1	79340
79350-25000	3-B 1	79350
79359-21000	2-M14	79359
79359-25000	3-B 1	79359
79359-38000	2-M14	79359B
79360-25000	3-B 1	79360
79380-25000	3-J 1	79380A
79380-25001	3-I 1	79380A

PART NO.	M/F NO.	P N C
79380-25001	3-J 1	79380A
79380-25200	3-J 1	79380A
79390-25000	3-J 1	79390
79390-25001	3-J 1	79390
79390-25200	3-J 1	79390
79480-25000	3-D 2	79480
79490-25000	3-D 2	79490
79770-25200	2-C14	79770A
81125-25300	3-D 1	81125
81126-37010	3-D 1	81126
81130-25000	3-D 1	81130
81130-25900	3-D 1	81130
81163-36000	3-A 3	81163
81170-25000	3-D 1	81170
81173-22001	3-D 1	81172
81176-25000	3-D 1	81188
81180-34000LT	3-D 1	81180
81190-25000	3-E 1	81190B
81193-25000	3-E 1	81193A
81193-25011	3-E 1	81193B
81193-25900	3-E 1	81193A
81199-33000	3-E 1	81199
81210-25200	4-M 3	81210A
81210-25210	3-A 3	81210A
81220-22000	3-F 1	81210B
81220-29000	3-F 1	81210B
81230-25000	3-F 1	81230
81233-22220	3-A 3	81233
81250-25A00	3-E 3	81250L
81250-25A20	3-E 3	81250L
81275-22000	3-H 2	81275
81275-22900	3-H 2	81275
81280-22003	3-H 2	81281
81280-25800	3-H 2	81281
81285-28000	3-G 1	81285
81310-25000	3-J 1	81310
81310-25030	3-J 1	81310
81310-25200	3-J 1	81310
81310-25230	3-J 1	81310
81320-25000	3-J 1	81320
81320-25030	3-K 1	81320
81320-25000	3-J 1	81320
81320-25200	3-J 1	81320
81350-25000	3-D 2	81350B
81350-25001	3-K 1	81350B
81350-25000	3-D 2	81350B
81359-25000	3-K 1	81359A
81359-25000	3-K 1	81359B
81370-25000	3-K 1	81370C
81370-25200	3-K 1	81370C
81371-25000	3-K 1	81371
81371-25200	3-K 1	81371
81372-25000	3-K 1	81372
81372-25200	3-K 1	81372
81373-25000	3-K 1	81373

PART NO.	M/F NO.	P N C
81373-25200	3-K 1	81373
81374-25000	3-K 1	81374
81374-25200	3-L 1	81374
81374-25200	3-L 1	81374
81375-38000	3-D 2	81375
81376-25000	3-L 1	81376
81376-25200	3-L 1	81376
81377-25000	3-L 1	81377
81377-25200	3-L 1	81377
81380-25000	3-L 1	81380B
81380-25200	3-L 1	81380B
81381-25000	3-L 1	81381
81381-26200	3-L 1	81381
81382-25000	3-L 1	81382
81382-25200	3-L 1	81382
81383-25000	3-L 1	81383
81383-25200	3-L 1	81383
81384-25000	3-L 1	81384
81384-25200	3-M 1	81384
81410-25000	3-L 1	81410
81410-25030	3-D 2	81410
81419-34000	3-E 2	81419B
81420-25000	3-E 2	81420
81420-25030	3-E 2	81420
81429-34000	3-E 2	81429
81452-25000	3-E 2	81452
81453-25000	3-E 2	81453
81456-17000	3-E 2	81456B
81456-17000	3-F 2	81456B
81456-17000	3-M 1	81456B
81471-25000	3-F 2	81471
81472-25000	3-F 2	81472
81476-25000	3-F 2	81476
81477-25000	3-F 2	81477A
81477-37000	3-F 2	81477
81477-4A000	3-M 1	81477
81477-4A000	3-F 2	81477
81477-4A000	3-M 1	81477
81481-25000	3-F 2	81481A
81482-25000	3-F 2	81482A
81491-25000	3-F 2	81493A
81492-25000	3-F 2	81494A
81511-25000	3-I 2	87551
81520-25000LT	3-J 5	81520A
81520-25900LT	3-J 5	81520A
81570-22001	3-H 2	81570
81570-22012	3-H 2	81570A
81570-22901	3-H 2	81570
81570-22912	3-H 2	81570A
81575-22000	3-H 2	81575
81590-25000	3-I 2	81590B
81590-25001	3-I 2	81590B
81590-25901	3-I 2	81590B
81610-25000YL	3-J 2	81610
81614-22000YL	3-J 2	81614
81621-25000	3-K 2	81621A
81622-25000	3-K 2	81622A
81623-22000	3-K 2	81623A

PART NO.			PART NO.			PART NO.			PART NO.		
PART NO.	M/F NO.	P N C	PART NO.	M/F NO.	P N C	PART NO.	M/F NO.	P N C	PART NO.	M/F NO.	P N C
81624-22000	3-K 2	81624B	82130-25200	3-H 3	82130C	82302-25100MN	3-M 3	82302	82424-34010	3-C 4	82424
81625-23000	3-K 2	81625	82132-27100	3-E 4	82132	82302-25100RC	3-L 3	82302		3-K 4	82424
81626-22000YL	3-K 2	81626		3-H 3	82132		3-M 3	82302	82530-25000	3-C 4	82531
81627-25000	3-K 2	81627	82133-37000	3-H 3	82133	82302-25110MN	3-L 3	82302	82530-25001	3-C 4	82531
81630-22000	3-K 2	81630		3-I 3	82133		3-M 3	82302	82530-25200	3-C 4	82531
81641-25000	3-K 2	81641	82134-22000	3-E 4	82134	82302-25110RC	3-L 3	82302	82540-25000	3-C 4	82541
81666-25000YL	3-K 2	81666		3-I 3	82134		3-M 3	82302	82540-25001	3-D 4	82541
81666-25010YL	3-K 2	81666	82140-25000	3-I 3	82140B	82302-25200LT	3-L 3	82302	82540-25002	3-D 4	82541
81681-25000	3-K 2	81681	82140-25200	3-I 3	82140B	82302-25210MN	3-L 3	82302	82540-25201	3-D 4	82541
81682-25000	3-K 2	81682	82191-28010	3-E 4	82191	82302-25210RC	3-L 3	82302	82550-25200	3-D 4	82550
81686-21000	3-K 2	81686		3-I 3	82191	82302-25260MN	3-L 3	82302	82550-25201	3-C 4	82550
81691-25000YL	3-K 2	81691	82191-38000	3-I 3	82191	82302-25260RC	3-L 3	82302	82560-25200	3-D 4	82560
81708-25200	3-A 3	81718F	82191-38010	3-E 1	82191	82302-25290MN	3-M 3	82302	82610-25000	3-F 2	82610
81730-25000	3-A 3	81230A	82210-25000	3-I 3	82210	82302-25290RC	3-L 3	82302		3-M 1	82610
81730-25200LT	3-A 3	81730	82210-25200	3-I 3	82210	82302-25300MN	3-M 3	82302	82610-25100	3-F 2	82610
81738-24210	3-E 1	81738A	82220-25000	3-I 3	82220	82302-25300RC	3-L 3	82302		3-G 2	82610
81738-25200	3-A 3	81738D	82220-25200	3-I 3	82220	82302-25310MN	3-M 3	82302		3-M 1	82610
81738-28000	3-G 1	81738A	82231-25000	3-K 3	82231	82302-25310RC	3-L 3	82302	82620-25000	3-G 2	82620
81739-22000	3-A 3	81738B		3-L 3	82231	82313-37000LT	3-C 3	82313A		3-M 1	82620
	3-G 1	81738B	82231-25200	3-K 3	82231	82315-38000	3-G 4	82315A	82620-25100	3-G 2	82620
81739-25200	3-A 3	81739D		3-L 3	82231		3-M 3	82315A		3-M 1	82620
	3-B 3	81739D	82241-25000	3-I 3	82241	82370-25000LT	3-M 3	82370A	82630-22001LT	3-D 4	82630
81740-25200LT	3-B 3	81740	82241-25200	3-L 3	82241	82370-25010LT	3-M 3	82370A		3-K 4	82630
81749-25200	3-B 3	81749	82301-25000LT	3-L 3	82301	82370-25200LT	3-M 3	82370A	82641-33002LT	3-D 4	82641
81750-25200LT	3-B 3	81750	82301-25010MN	3-L 3	82301	82370-25210LT	3-M 3	82370A		3-K 4	82641
81750-25210LT	3-B 3	81750	82301-25010RC	3-L 3	82301	82380-25000LT	3-M 3	82380	82643-21000	3-D 4	82643B
81750-25220LT	3-B 3	81750	82301-25060MN	3-L 3	82301	82380-25010LT	3-M 3	82380		3-K 4	82643B
81750-25230LT	3-B 3	81750	82301-25060RC	3-L 3	82301	82380-25200LT	3-M 3	82380	82650-25000	3-M 1	82650
81755-25200LT	3-B 3	81755A	82301-25090MN	3-L 3	82301	82391-25000	3-I 3	82331A	82650-25000CA	3-M 1	82650
81757-25200LT	3-B 3	81757A	82301-25090RC	3-L 3	82301	82391-25031	3-I 3	82331A	82660-25000CA	3-M 1	82660
	3-C 3	81757A	82301-25100MN	3-L 3	82301	82391-25200	3-I 3	82331A	82710-25000	3-G 4	82710C
81758-22200	3-C 3	81758	82301-25100RC	3-L 3	82301	82391-25230	3-I 3	82331A		3-M 3	82710C
81760-25200LT	3-C 3	81760A	82301-25110MN	3-L 3	82301	82391-25231	3-I 3	82391	82710-25010	3-G 4	82710C
81770-25200	3-C 3	81770	82301-25110RC	3-L 3	82301	82392-25031	3-J 3	82392		3-M 3	82710C
81770-25210	3-C 3	81770	82301-25200LT	3-L 3	82301		3-J 3	82392	82710-25200	3-M 3	82710C
81780-25200	3-C 3	81780	82301-25210MN	3-L 3	82301	82392-25231	3-J 3	82392	82710-25210	3-M 3	82710C
81780-25210	3-C 3	81780	82301-25210RC	3-L 3	82301	82401-25000	3-B 4	82401	82719-22010	3-A 4	82719
81900-25A10	3-E 3	81900B	82301-25260MN	3-L 3	82301	82401-25200	3-B 4	82401		3-H 4	82719
81900-25A50	3-E 3	81900B	82301-25260RC	3-L 3	82301	82402-25000	3-B 4	82402	82719-25000	3-A 4	82716C
81900-25A80	3-E 3	81900B	82301-25290MN	3-L 3	82301	82402-25200	3-B 4	82402		3-H 4	82716C
81900-25A90	3-E 3	81900B	82301-25290RC	3-L 3	82301	82403-25010	3-B 4	82403	82719-25010	3-A 4	82716C
81906-25A10	3-E 3	81905A	82301-25300MN	3-L 3	82301		3-C 4	82403		3-H 4	82716C
81906-25A80	3-F 3	81905A	82301-25300RC	3-L 3	82301	82403-25210	3-B 4	82403		3-M 3	82716C
81905-25B30	3-F 3	81905A	82301-25310MN	3-L 3	82301	82404-25010	3-C 4	82404	82719-25200	3-A 4	82716C
81905-25B90	3-F 3	81905A	82301-25310RC	3-L 3	82301	82404-25210	3-C 4	82404	82719-25210	3-A 4	82716C
81905-25C40	3-F 3	81905A	82302-25000LT	3-L 3	82302	82410-25000	3-C 4	82411A	82720-25000	3-A 4	82720C
81905-25C80	3-F 3	81905A		3-M 3	82302	82410-25010	3-C 4	82411A		3-H 4	82720C
81918-33000	3-F 3	81918	82302-25010MN	3-L 3	82302	82410-25020	3-C 4	82411A	82720-25010	3-A 4	82720C
81919-31000	3-F 3	81919		3-M 3	82302	82412-23000	3-C 4	82412B		3-H 4	82720C
81937-33000	3-F 3	81937	82302-25010RC	3-L 3	82302		3-J 4	82412B	82720-25200	3-A 4	82720C
81958-24010	3-F 3	81958		3-M 3	82302	82420-25000	3-C 4	82421A	82725-22000	3-A 4	82725B
81970-25A00	3-F 3	81907A	82302-25060MN	3-L 3	82302	82420-25010	3-C 4	82421A		3-H 4	82725B
81980-25A00	3-F 3	81908A		3-M 3	82302	82420-25200	3-C 4	82421A	82729-25000	3-A 4	82726
81996-25010	3-F 3	81966C	82302-25060RC	3-L 3	82302	82420-25210	3-C 4	82421A		3-H 4	82726
81996-29000	3-F 3	81996		3-M 3	82302	82424-02000	3-C 4	82424B	82729-25200	3-A 4	82726
82110-25000	3-H 3	82110B	82302-25090MN	3-L 3	82302		3-K 4	82424B		3-H 4	82726
82110-25200	3-H 3	82110B		3-M 3	82302						
82120-25000	3-H 3	82120B	82302-25090RC	3-L 3	82302						
82120-25200	3-H 3	82120B		3-M 3	82302						
82130-25000	3-H 3	82130C	82302-25100MN	3-L 3	82302						

PART NO.	M/F NO.	P N C	PART NO.	M/F NO.	P N C	PART NO.	M/F NO.	P N C	PART NO.	M/F NO.	P N C
82729-25210	3-A 4	82728	84132-21100	3-C 6	84132A	84260-25855SX	3-F 5	84260	84750-25000LT	3-D 6	84755C
83110-25000	3-E 4	83110B	84132-22000	3-C 5	84132B	84260-25858SX	3-E 5	84260	84750-25900LT	3-D 6	84755C
83120-25000	3-E 4	83120B	84132-25000	3-C 5	84132A		3-F 5	84260	84755-25000LT	3-D 6	84820F
83130-25000	3-E 4	83130C	84133-22000	3-C 5	84133E	84510-25000LT	3-J 5	84511	84760-25000	3-L 5	84737A
	3-F 4	83130C	84134-22000	3-C 5	84132B		3-K 5	84511	84760-25900	3-L 5	84737A
83133-14000	3-E 1	83133	84136-21000	3-C 5	84136	84510-25300LT	3-K 5	84511	84760-25910	3-L 5	84737A
83140-25000	3-F 4	83140C		3-D 5	84136	84510-25800LT	3-K 5	84511	84760-25920	3-L 5	84737A
83210-25000	3-F 4	83210	84136-27000	3-F 5	85634A	84510-25900LT	3-K 5	84511	84765-25000	3-L 5	84741C
83219-22000	3-J 3	83219	84136-25000	3-D 5	84136	84512-25000LT	3-K 5	84512A	84777-22002	3-D 6	84777D
83220-25000	3-F 4	83220	84141-11000	3-A14	80439A	84512-25900LT	3-K 5	84512A		3-L 5	84777D
83221-25000	3-H 4	83221	84141-25000	3-D 5	84141F	84513-20560	3-K 5	84513C		4-C 2	84777D
83241-25000	3-H 4	83241	84142-25000	3-D 5	84142F	84516-25000	3-K 5	84518C		4-I 3	84777D
83301-25000LT	3-H 4	83301	84143-11000	3-D 5	84147A	84516-22001	3-K 5	84518C	84790-25100YN	3-E 6	84813
83301-25010MN	3-H 4	83301	84143-25000	3-C 5	84132A	84520-25000	3-L 5	84730C	84830-25000CA	3-D 6	84830B
83301-25010RC	3-H 4	83301	84146-11000	3-A14	84146A	84530-22000	3-K 5	84512B	84830-25000YN	3-D 6	84830B
83301-25050MN	3-H 4	83301	84147-33000	3-D 5	84147E	84535-29000	3-K 5	84535	84830-25200CA	3-D 6	84830B
83301-25050RC	3-H 4	83301	84147-34000	3-D 5	84147	84550-25000	3-J 5	84330	84830-25700CA	3-D 6	84830B
83302-25000LT	3-I 4	83302	84151-33A00	3-D 5	84151J	84550-25900	3-J 5	84330	84830-25900CA	3-D 6	84830B
83302-25010MN	3-I 4	83302		3-D 5	84152	84555-25000	3-L 5	84560	84830-25900YN	3-D 6	84830B
83302-25010RC	3-I 4	83302		3-D 5	84153	84560-25100LT	3-K 5	84530	84837-31000	3-E 6	84837F
83302-25050MN	3-I 4	83302		3-D 5	84154D	84560-25900LT	3-K 5	84530	84850-25100LT	3-E 6	84851
83302-25050RC	3-I 4	83302		3-D 5	84156	84562-22000	3-L 5	84787F	84850-25101LT	3-E 6	84851
83391-25000	3-F 4	83391A		3-D 5	84157D	84611-25010LT	3-G 5	84611	84852-25200LT	3-E 6	84852
83391-25020	3-F 4	83391A		3-D 5	84161C	84611-25910LT	3-G 5	84611	84852-25201LT	3-E 6	84852
83397-33000	3-J 3	83397		3-D 5	84161E	84616-22010	3-H 5	84678A	84852-25202LT	3-E 6	84852
83397-37000	3-G 2	83397		3-D 5	84168C	84621-25000LT	3-H 5	84671	84852-25300LT	3-E 6	84852
83401-25000	3-K 4	83401		3-D 5	84189A	84623-25000LT	3-H 5	84640A	84852-25301LT	3-E 6	84852
83402-25000	3-K 4	83402	84171-24000	3-G12	84171B	84624-25000LT	3-H 5	85519A	84852-25302LT	3-E 6	84852
83403-25010	3-K 4	83403		4-B 3	84171B	84625-25100	3-G 5	84625G	85101-32300	3-J 9	85101
83404-25010	3-K 4	83404	84172-22000	3-E 5	84173A	84625-25200	3-H 5	84625H	85101-34000	3-J 9	85101
83410-25000	3-K 4	83411A	84172-25000	3-J 5	84173A	84625-25300	3-G 5	84625E	85201-25115YL	3-I 6	85201A
83410-25010	3-K 4	83411A	84173-22000	3-E 5	84173A	84625-25400	3-G 5	84625F		3-J 6	85201A
83420-25000	3-L 4	83421A	84173-24000	3-A14	84173A	84625-25900	3-G 5	84625G	85201-25165YL	3-I 6	85201A
83420-25010	3-L 4	83421A		3-G12	84173A	84625-25950	3-H 5	84625H		3-J 6	85201A
83510-25000	3-L 4	83510		3-J 5	84173A	84630-25000	3-H 5	84640C	85201-25400YL	3-I 6	85201A
83620-25000	3-L 4	83620		4-G 3	84173A	84631-25000	3-H 5	84631		3-J 6	85201A
83630-25000	3-L 4	83631		4-I 3	84173A	84632-4A000LT	3-B 7	84632A	85201-25450YL	3-I 6	85201A
83630-25001	3-L 4	83631	84173-25000	3-E 5	84173A	84640-25000	3-H 5	84640E		3-J 6	85201A
83640-25000	3-L 4	83641	84174-25000	3-E 5	84172E	84640-25900	3-H 5	84640E	85201-25500YL	3-I 6	85201A
83640-25001	3-L 4	83641	84175-25000	3-E 5	84172B	84710-25000LT	3-L 5	84710		3-J 6	85201A
83661-25000	3-K 4	83417A	84175-25200	3-E 5	84172B	84710-25100LT	3-L 5	84710	85201-25520YL	3-I 6	85201A
	3-L 4	83417A	84182-28000	3-E 5	84182K	84710-25800LT	3-L 5	84710		3-J 6	85201A
83561-25010	3-K 4	83417A		4-B 3	84182K	84710-25900LT	3-L 5	84710	85201-25625YL	3-I 6	85201A
	3-L 4	83417A	84184-28000	3-E 5	84172B	84715-25000	3-L 5	84715E		3-J 6	85201A
83562-25000	3-L 4	83533C	84185-37010	3-E 5	84185	84730-25000	3-L 5	84730B	85201-25650YL	3-I 6	85201A
83571-25000	3-L 4	83427A		3-E 5	84185A	84730-25900	3-L 5	84730B		3-J 6	85201A
83571-25010	3-L 4	83427A	84251-11000	3-A12	84255C	84740-25000YN	3-A 6	84710B	85201-25670YL	3-I 6	85201A
83572-25000	3-L 4	83543	84251-21500LT	3-D11	84251A		3-B 6	84710B		3-J 6	85201A
83650-25000	3-G 2	83650	84251-25300	3-E 5	84251B		3-C 6	84710B	85201-25675YL	3-I 6	85201A
83650-25000CA	3-G 2	83650	84255-21000	3-K11	84255		3-D 6	84710B		3-J 6	85201A
83660-25000	3-G 2	83660		3-K11	85746	84740-25100YN	3-A 6	84710B		3-J 6	85201A
83660-25000CA	3-G 2	83660	84260-25100SX	3-E 5	84260		3-B 6	84710B	85202-25015YL	3-J 6	85202A
84120-25000	3-C 5	84120		3-F 5	84260	84740-25400YN	3-A 6	84710B		3-K 6	85202A
84120-25100	3-C 5	84120	84260-25105SX	3-E 5	84260		3-C 6	84710B	85202-25165YL	3-J 6	85202A
84120-25850	3-C 5	84120		3-F 5	84260		3-B 6	84710B		3-K 6	85202A
84120-25850	3-C 5	84120	84260-25108SX	3-E 5	84260		3-C 6	84710B	85202-25400YL	3-J 6	85202A
84124-25000	3-C 5	84124		3-F 5	84260		3-D 6	84710B		3-K 6	85202A
84125-25000	3-G 7	84130G	84260-25850SX	3-E 5	84260	84740-25500YN	3-A 6	84710B	85202-25410YL	3-J 6	85202A
84125-25100	3-G 7	84130H		3-F 5	84260		3-B 6	84710B		3-K 6	85202A
84130-29000	3-K 2	84130B	84260-25855SX	3-E 5	84260		3-C 6	84710B	85202-25450YL	3-J 6	85202A

PART NO.	M/F NO.	P N C	PART NO.	M/F NO.	P N C	PART NO.	M/F NO.	P N C	PART NO.	M/F NO.	P N C
85202-25480YL	3-J 6	85202A	85710-25000	3-C 7	85710	85810-25450LT	3-G 7	85810	85860-25800LT	3-J 7	85860
	3-K 6	85202A		3-D 7	85710	85810-25500LT	3-G 7	85810	85860-25810LT	3-J 7	85860
85202-25500YL	3-J 6	85202A	86710-26001	3-C 7	85710	85820-25000LT	3-H 7	85820	85860-25850LT	3-J 7	85860
	3-K 6	85202A		3-D 7	85710	85820-25100LT	3-H 7	85820	85871-25000LT	3-J 7	85871
85202-25525YL	3-J 6	85202A	85710-25100	3-C 7	85710	85820-25450LT	3-H 7	85820	85871-25500LT	3-J 7	85871
	3-K 6	85202A		3-D 7	85710	85820-25500LT	3-H 7	85820	85872-25000LT	3-J 7	85872
85202-25550YL	3-J 6	85202A	85710-25101	3-C 7	85710	85823-25000LT	3-H 7	85823B	85872-25500LT	3-J 7	85872
	3-K 6	85202A		3-D 7	85710	85823-25001LT	3-H 7	85823B	85874-33000	3-J 7	85874B
85202-25575YL	3-J 6	85202A	85710-25300	3-C 7	85710	85823-25900LT	3-H 7	85823B	85880-25000LT	3-J 7	85880
	3-K 6	85202A	85710-25301	3-C 7	85710	85824-25900LT	3-H 7	85824	85880-25100LT	3-J 7	85880
85235-25000YL	3-K 6	85235	85710-25302	3-C 7	85710	85824-25901LT	3-H 7	85824	85880-25500LT	3-J 7	85880
85235-25100YL	3-K 6	85235	85710-25400	3-C 7	85710	85826-25000LT	3-H 7	85826	85883-25000LT	3-K 7	85883
85301-25000YL	3-M 6	85401	85710-25401	3-C 7	85710	85826-25001LT	3-H 7	85826	85884-22000	3-F 7	85884
85301-25060YL	3-M 6	85401	85710-25402	3-C 7	85710		3-I 7	85826	85890-25000LT	3-K 7	85890
85301-25400YL	3-M 6	85401	86714-22000	3-F 7	86910	85826-25900LT	3-H 7	85826	85890-25100LT	3-K 7	85890
85301-25460YL	3-M 6	85401		3-H 9	86910		3-I 7	85826	85890-25500LT	3-K 7	85890
85301-25500YL	3-M 6	85401		3-K 7	86910	85826-25901LT	3-H 7	85826	85893-25000LT	3-K 7	85893
85301-25560YL	3-M 6	85401	85721-25000AQ	3-D 7	857200		3-I 7	85826	85910-25500LT	3-L 7	85910
85301-25700YL	3-L 6	85401	85725-25000AQ	3-D 7	85725H	85827-28020LT	3-I 7	85827	85915-22400	3-L 7	85915A
	3-M 6	85401	85730-25000AQ	3-D 7	85730A	85830-25000LT	3-I 7	85831	85920-25500LT	3-L 7	85920
	3-L 6	85401	85730-25100AQ	3-D 7	85730A	85830-25010LT	3-I 7	85831	85930-25500LT	3-L 7	85930
85301-25800YL	3-L 6	85401	85730-25500AQ	3-D 7	85730A	85830-25100LT	3-I 7	85831		3-M 7	85930
85301-25860YL	3-L 6	85401	85730-26501AQ	3-D 7	85730A	85830-25200LT	3-I 7	85831	85936-25500	3-M 7	85936B
85301-25900YL	3-M 6	85401	85730-26502AQ	3-D 7	85730A	86834-14000	3-F 5	86834A	85939-26500	3-M 7	85939C
85301-25960YL	3-M 6	85401	85730-26700AQ	3-D 7	85730A	85835-25000LT	3-I 7	85835C	85951-25200	3-D 3	85951C
85305-25000	3-K 6	85305A	85730-26701AQ	3-D 7	85730A	85839-02000	3-E 6	85839	85955-25500LT	3-M 7	85955A
85305-25100	3-K 6	85305B	85740-26000AQ	3-E 7	85740A		3-F 6	85839	86110-25000	3-B 8	86111A
	3-L 6	85305C	85740-26100AQ	3-E 7	85740A	85839-22000	3-G 6	85839	86110-25100	3-B 8	86111A
85305-25200	3-L 6	85305C	85740-26500AQ	3-D 7	85740A		3-C 3	85839	86115-22000	3-B 8	86115
85305-25300	3-L 6	85305D	85740-26501AQ	3-D 7	85740A		3-D 3	85839	86121-22A00	3-D 9	86121A
85305-25400	3-L 6	85305E	86740-26502AQ	3-E 7	85740A		3-F 7	85839	86121-22A10	3-D 9	86121A
85313-24201YL	3-L 6	85313C	85740-26503AQ	3-E 7	85740A		3-I 7	85839	86121-28A00	3-B 8	86121A
85325-21000AQ	3-B 7	85325A	85740-26504AQ	3-D 7	85740A	85840-25000LT	3-I 7	85841A	86122-28000	3-D 9	86121A
85325-21000LT	3-F 5	85325A	85740-26505AQ	3-E 7	85740A	85840-25010LT	3-I 7	85841A	86122-28000	3-B 8	86123A
85325-21000YL	3-G 7	85325A	85740-26506AQ	3-E 7	85740A	85840-25100LT	3-I 7	85841A	86131-25000	3-B 8	86130
	3-L 6	85325A	85740-26507AQ	3-E 7	85740A	85840-25200LT	3-I 7	85841A	86140-25000	3-B 8	86161A
85340-38000YL	3-L 6	85340B	85750-25000AQ	3-F 7	85750E	85840-25200LT	3-I 7	85841A	86140-25900	3-B 8	86161A
85340-38100YL	3-L 6	85340B	85750-25001AQ	3-F 7	85750E	85845-25000LT	3-I 7	85845	86142-22000	3-H 8	86142A
85343-25000YL	3-L 6	85343A	85750-25050AQ	3-E 7	85750E	85850-25000LT	3-J 7	85850		3-L 8	86142A
85346-38000YL	3-L 6	85355A	85750-25051AQ	3-E 7	85750E	85850-25100LT	3-J 7	85850		3-M 8	86142A
85401-25000YL	3-M 6	85401	85750-25052AQ	3-E 7	85750E	85850-25200LT	3-J 7	85850	86142-22100	3-M 8	86142D
85401-25050YL	3-M 6	85401	85750-25201AQ	3-E 7	85750E	85850-25210LT	3-J 7	85850	86150-25000	3-B 8	86150B
85401-25600YL	3-M 6	85401	85753-25000AQ	3-E 7	85753A	85850-25210LT	3-J 7	85850	86150-25001	3-B 8	86150B
85401-25650YL	3-M 6	85401	85756-25000AQ	3-D 7	85719	85850-25400LT	3-J 7	85850	86150-25901	3-B 8	86150B
85401-25700YL	3-L 6	85401	85760-25000AQ	3-E 7	85760E	85850-25450LT	3-J 7	85850	86155-22000	3-B 8	86155
	3-M 6	85401	85760-25001AQ	3-E 7	85760E	85860-25500LT	3-J 7	85850	86160-25000	3-B 8	86160A
85510-25000LT	3-B 7	85510	85760-25050AQ	3-E 7	85760E	85860-25510LT	3-J 7	85850	86160-25001	3-B 8	86160A
85510-25001LT	3-B 7	85510	85760-25051AQ	3-E 7	85760E	85860-25800LT	3-J 7	85850	86160-25901	3-B 8	86160A
	3-C 7	85510	85760-25052AQ	3-E 7	85760E	85860-25810LT	3-J 7	85850	86160-25901	3-B 8	86160A
85517-25000LT	3-C 7	85517B		3-F 7	85760E	85860-25850LT	3-I 7	85850	86300-38000	3-H 8	86359
85520-25000LT	3-C 7	85520	85760-26200AQ	3-E 7	85760E	85854-25000LT	3-H 7	85824	86311-25110AP	3-C 8	86311J
85520-25001LT	3-C 7	85520	85760-26201AQ	3-E 7	85760E	85860-25000LT	3-J 7	85860	86311-25110DT	3-C 8	86311J
85530-25000LT	3-C 7	85517B		3-F 7	85760E	85860-25100LT	3-J 7	85860	86313-22500AP	3-C 8	86300B
85610-25000LT	3-A 7	85610	85760-26202AQ	3-E 7	85760E	85860-25200LT	3-J 7	85860	86313-22500DT	3-C 8	86300B
85610-25500LT	3-A 7	85610	85770-25000AQ	3-F 7	85771	85860-25210LT	3-J 7	85860	86315-25100AP	3-C 8	86315C
85618-25000LT	3-A 7	85618A	85770-25500AQ	3-F 7	85771	85860-25400LT	3-J 7	85860	86315-25100DT	3-C 8	86315C
85618-36000	3-A 7	85618	85770-25700AQ	3-F 7	85771	85860-25450LT	3-J 7	85860	86318-25100AP	3-C 8	86318C
85628-25000LT	3-A 7	85628A	85810-25000LT	3-G 7	85810	85860-25600LT	3-J 7	85860			
85634-29000	3-A 7	85634A	85810-25100LT	3-G 7	85810	85860-25510LT	3-J 7	85860			

PART NO. INDEX

PART NO.	M/F NO.	P N C
86318-25100DT	3-C 8	86318C
86320-25100AP	3-C 8	86320B
86320-25100DT	3-C 8	86320B
	3-D 8	86320B
86321-22000AP	3-C 8	86300A
86321-22000DT	3-C 8	86300A
86321-25100AP	3-D 8	86325
86321-25100DT	3-D 8	86325
86330-17000	3-D 8	86330Q
86362-25000	3-D 8	86362H
86362-25001	3-D 8	86362H
86362-25200	3-D 8	86362H
86362-25201	3-D 8	86362H
86363-25000	3-D 8	86363H
86363-25001	3-D 8	86363H
86363-25200	3-D 8	86363H
86363-25201	3-D 8	86363H
86365-25000	3-D 8	86365B
86365-25001	3-D 8	86365B
86366-25000	3-D 8	86366B
86366-25001	3-D 8	86366B
86372-25000	3-D 8	86372H
86372-25001	3-D 8	86372H
86372-25200	3-D 8	86372H
86372-25201	3-D 8	86372H
86373-25000	3-E 8	86373H
86373-25001	3-D 8	86373H
	3-E 8	86373H
86373-25201	3-E 8	86373H
86381-25000	3-E 8	86381H
86381-25001	3-E 8	86381H
86382-25000	3-E 8	86382H
86382-25001	3-E 8	86382H
86391-25000	3-E 8	86391H
86391-25001	3-E 8	86391H
86392-25000	3-E 8	86392H
86392-25001	3-E 8	86392H
86410-25000	3-E 1	86415A
86410-25000	3-E 1	86415A
86410-25010	3-E 1	86415A
86421-37010	3-G 1	86423
86423-25000	3-G 1	86423
86430-25000	3-E 1	86430
86438-34000	3-J 3	86438
86510-25000	3-H 8	86510B
86510-25010	3-H 8	86510B
86510-25060	3-H 8	86510B
	3-I 8	86510B
86510-25200	3-H 8	86510B
86510-25210	3-H 8	86510B
86512-25000	3-I 8	86512C
86512-25200	3-I 8	86512C
86520-1A000	3-I 8	86520B
86520-25000	3-I 8	86520B
86520-25050	3-I 8	86520B
86520-25200	3-I 8	86520B
86520-25250	3-I 8	86520B
86530-1A000	3-I 8	86530

PART NO.	M/F NO.	P N C
86530-25000	3-I 8	86530
86530-25060	3-I 8	86530
86530-25200	3-I 8	86530
86530-25250	3-I 8	86530
86560-1A000	3-I 8	86560G
86560-25000	3-I 8	86560F
86560-25010	3-I 8	86560F
86560-25010CA	3-I 8	86560F
86561-25020	3-H 8	86561
86561-25220	3-I 8	86561G
86562-1A000	3-I 8	86562B
86562-25000	3-I 8	86562D
	3-J 8	86562D
86565-25200	3-J 8	86565C
86561-1A000	3-J 8	86561G
86561-25000	3-J 8	86561G
86562-1A000	3-J 8	86562G
86562-25000	3-J 8	86562G
86562-25200	3-J 8	86562G
86563-1A000	3-J 8	86563C
86563-25200	3-J 8	86563C
86564-1A000	3-K 8	86564C
86564-25000	3-K 8	86564C
	3-K 8	86564C
86565-1A000	3-K 8	86565D
86565-25000	3-K 8	86565D
86590-28000	1-I 6	86590
	3-B 9	86590
	3-C10	86590
	3-E 1	86590
	3-K 8	86590
	3-M 8	86590
86591-25000	3-K 8	86591D
	3-M 8	86591D
86593-24000	3-K 6	86593A
	3-M 8	86593A
86593-34000	3-B 9	86593
86610-25000	3-M 8	86610
86610-25200	3-M 8	86610
86620-25000	3-M 8	86620
86620-25050	3-M 8	86620
86620-25200	3-M 8	86620
86620-25250	3-M 8	86620
86630-25000	3-M 8	86630
86630-25050	3-M 8	86630
86630-25200	3-M 8	86630
86630-25250	3-M 8	86630
86681-25000	3-M 8	86681G
86681-25200	3-M 8	86681G
86682-25000	3-A 9	86682G
86682-25200	3-A 9	86682G
86681-37000	4-M 3	86592A
86611-25000	3-B 9	86611
86611-25060	3-B 9	86611
86611-25200	3-B 9	86611
86612-25000	3-B 9	86612
86612-25050	3-B 9	86612
86612-25200	3-B 9	86612
86621-25000	3-C 9	86621
86621-25200	3-B 9	86621

PART NO.	M/F NO.	P N C
86621-25200	3-C 9	86621
86622-25000	3-C 9	86622
86622-25200	3-C 9	86622
86625-22000	3-C 9	86625
	3-F 7	86625
86625-28000	3-B 9	86453B
86625-33000	3-C 9	86625B
86631-25000	3-C 9	86631
86631-25200	3-C 9	86631
86632-25000	3-C 9	86632
86632-25200	3-C 9	86632
86641-25000	3-C 9	86641
86641-25200	3-C 9	86641
86642-25000	3-C 9	86642
86642-25200	3-C 9	86642
86648-22000	3-C 9	86648A
86610-25000	3-L14	86610
87111-25110	3-D 9	87111A
87111-25120	3-D 9	87111A
87111-25121	3-D 9	87111A
87111-25130	3-D 9	87111A
87111-25131	3-D 9	87111A
87111-25210	3-D 9	87111B
	3-E 9	87111B
87111-25230	3-D 9	87111B
	3-E 9	87111B
87111-25260	3-D 9	87111B
	3-E 9	87111B
87111-25270	3-D 9	87111B
	3-E 9	87111B
87111-25280	3-D 9	87111B
	3-E 9	87111B
87125-02000	3-E 9	87125D
87130-25000	3-E 9	87131E
87211-25200	3-F 9	87212B
87212-25200	3-F 9	87218G
87212-25210	3-F 9	87218F
87213-25200	3-F 9	87213L
87251-25000	3-F 9	87251
87251-25200	3-F 9	87251
87253-25000	3-G 9	87255A
87254-25000	3-G 9	87267
87254-25200	3-G 9	87257
87256-25000	3-G 9	87256
87256-25010	3-G 9	87256
87257-25000	3-G 9	87257A
87257-25010	3-G 9	87257A
87261-25000	3-F 9	87252
87261-25200	3-F 9	87252
87263-25000	3-G 9	87256A
87264-25000	3-G 9	87258
87264-25200	3-G 9	87258
87321-25000	3-G 1	87321A
87321-25010	3-G 1	87321A
87321-25200	3-D 3	87321B
87371-25000	3-I 9	87370D
87371-25000CA	3-I 9	87370D
87371-25001	3-I 9	87370D

PART NO.	M/F NO.	P N C
87371-25001CA	3-I 9	87370D
87371-25200	3-I 9	87370E
87371-25200CA	3-I 9	87370E
87375-22300	3-I 9	87379
87375-25200	3-I 9	87379
87610-25000	3-I 9	87605A
87610-25000CA	3-I 9	87605A
	3-K 9	87605A
	3-L 9	87605A
87610-25010	3-L 9	87605A
87610-25010CA	3-J 9	87605A
	3-K 9	87605A
	3-L 9	87605A
87610-25011	3-L 9	87605A
87610-25011CA	3-J 9	87605A
	3-K 9	87605A
	3-L 9	87605A
87610-25310	3-L 9	87605A
87610-25310CA	3-J 9	87605A
	3-K 9	87605A
	3-L 9	87605A
87610-25311	3-L 9	87605A
87610-25311CA	3-J 9	87605A
	3-K 9	87605A
	3-L 9	87605A
87610-25610	3-L 9	87605A
87610-25610CA	3-J 9	87605A
	3-K 9	87605A
	3-L 9	87605A
87610-25640	3-J 9	87605A
87610-25640CA	3-J 9	87605A
	3-K 9	87605A
	3-L 9	87605A
87610-25641	3-L 9	87605A
87610-25641CA	3-J 9	87605A
	3-K 9	87605A
	3-L 9	87605A
87610-25700	3-L 9	87605A
87610-25700CA	3-J 9	87605A
	3-K 9	87605A
	3-L 9	87605A
87610-25710	3-L 9	87605A
87610-25710CA	3-J 9	87605A
	3-K 9	87605A

PART NO.	M/F NO.	P N C	PART NO.	M/F NO.	P N C	PART NO.	M/F NO.	P N C	PART NO.	M/F NO.	P N C
87810-25710CA	3-L 9	87605A	87820-25650CA	3-A10	87606A	88010-22000	3-K11	88010C	88310-25000	3-K10	88301B
87810-25730	3-L 9	87605A		3-L 9	87606A	88010-36000	1-F 8	28171	88310-25050	3-K10	88301
87810-25730CA	3-J 9	87605A		3-M 9	87606A	88053-25000SX	3-B11	88751B	88310-25100	3-K10	88301
	3-K 9	87605A	87820-25651	3-A10	87606A		3-C11	88751B	88310-25150	3-K10	88301
	3-L 9	87605A	87820-25851CA	3-A10	87606A	88053-25001SX	3-B11	88751B	88310-25400	3-K10	88301
87810-25760	3-L 9	87605A		3-L 9	87606A		3-C11	88751B	88310-25450	3-K10	88301
87810-25760CA	3-J 9	87605A	87820-25730	3-L 9	87606A	88055-25000LT	3-J10	88285	88350-25000	3-K10	88350
	3-K 9	87605A	87820-25740	3-L 9	87606A		3-K10	88285	88350-25800	3-K10	88350
	3-L 9	87605A	87820-25790	3-L 9	87606A	88055-25100LT	3-J10	88285	88360-25100FAV	3-L10	88370
87811-25000	3-A10	87623A	87821-25200	3-A10	87624B		3-K10	88285	88360-25100FBJ	3-L10	88370
87811-25100	3-A10	87623A	87821-25400	3-A10	87624B	88055-25300LT	3-J10	88285	88360-25600FBV	3-L10	88370
87811-25610	3-A10	87623A	87821-25400	3-A10	87624B		3-K10	88285	88360-25600FCP	3-L10	88370
87811-25620	3-A10	87623A	87821-25620	3-A10	87624B	88056-25000LT	3-J10	88285	88410-25100	3-M10	88401
87811-25621	3-A10	87623A	87821-25621	3-A10	87624B		3-K10	88285	88410-25150	3-M10	88401
87811-25700	3-A10	87623A	87821-25640	3-A10	87624B	88056-25100LT	3-J10	88285	88410-25400	3-M10	88401
87811-25710	3-A10	87623A	87821-25641	3-A10	87624B		3-K10	88285	88410-25450	3-M10	88401
87811-25730	3-A10	87623A	87821-25720	3-A10	87624B	88057-25000SX	3-I10	88052B	88450-25000	3-L10	88360
87812-25000	3-A10	87812	87821-25780	3-A10	87624B	88063-25000SX	3-C11	88752B	88450-25800	3-L10	88360
87820-26200	3-A10	87606A	87822-25000	3-A10	87622		3-I10	88063	88460-25100FAV	3-L10	88380
87820-25200CA	3-A10	87606A	87660-25000	3-A10	87661	88063-25001SX	3-C11	88752B	88460-25100FBJ	3-L10	88380
	3-L 9	87606A	87660-25010	3-A10	87661		3-I10	88063	88460-25400FBV	3-L10	88380
	3-M 9	87606A	87660-25020	3-B10	87661	88065-25000SX	3-K10	88286	88460-25400FCP	3-L10	88380
87820-25210	3-M 9	87606A	87870-25000	3-B10	87662	88065-25100SX	3-K10	88286	88460-25800FBV	3-L10	88380
87820-25210CA	3-L 9	87606A	87870-25010	3-B10	87662	88065-25300SX	3-K10	88286	88480-25600FCP	3-L10	88380
	3-M 9	87606A	87870-25020	3-B10	87662	88066-25000SX	3-K10	88286	88500-25000SX	3-M10	88501A
87820-25211	3-A10	87606A	87711-25000	3-C10	87711	88066-25100SX	3-K10	88286	88500-25070SX	3-M10	88501A
87820-25211CA	3-A10	87606A	87711-25000CA	3-C10	87711	88067-25000SX	3-I10	88062B	88500-25080SX	3-M10	88501A
	3-L 9	87606A	87712-25000	3-C10	87712	88110-25100	3-I10	88101A	88501-25000	3-M10	88501
	3-M 9	87606A	87712-25000CA	3-C10	87712	88150-25000	3-I10	88150	88501-25070	3-M10	88500E
87820-25400	3-M 9	87606A	87721-25000	3-C10	87721B	88160-25100FBJ	3-I10	88170		3-M10	88501
87820-25400CA	3-L 9	87606A		3-D10	87721B		3-J10	88170	88501-25080SX	3-M10	88501A
	3-M 9	87606A	87721-25000CA	3-C10	87721B	88160-25101FAV	3-I10	88170	88501-25090SX	3-M10	88501A
87820-25410	3-M 9	87606A		3-D10	87721B		3-J10	88170	88510-25030SX	3-M10	88501A
87820-25410CA	3-L 9	87606A	87721-25200	3-C10	87721B	88160-25101FBJ	3-I10	88170	88510-25070SX	3-M10	88501A
	3-M 9	87606A	87721-25200CA	3-D10	87721B		3-J10	88170	88511-25030	3-M10	88501
87820-25411	3-A10	87606A	87722-25000	3-D10	87722B	88160-25200FCP	3-I10	88170	88511-25031	3-M10	88501
87820-25411CA	3-A10	87606A	87722-25000CA	3-D10	87722B		3-J10	88170	88511-25070	3-M10	88501
	3-L 9	87606A	87722-25200	3-D10	87722B	88160-25202FBV	3-I10	88170	88513-38000	3-A11	88513B
	3-M 9	87606A	87722-25200CA	3-D10	87722B		3-J10	88170	88520-25010	3-M10	88500D
87820-25510	3-A10	87606A	87731-25000	3-D10	87731A	88160-25202FCP	3-I10	88170	88521-25010	3-M10	88500D
87820-25510CA	3-A10	87606A	87731-25000CA	3-D10	87731A		3-J10	88170	88521-25021	3-M10	88500D
	3-L 9	87606A	87732-25000	3-D10	87732B	88160-25600FCP	3-I10	88170	88525-25000	3-A11	88525
	3-M 9	87606A	87732-25000CA	3-D10	87732B		3-J10	88170	88525-25030	3-A11	88525
87820-25511	3-A10	87606A	87741-25200	3-D10	87751B	88160-25602FBV	3-I10	88170	88525-25031	3-A11	88525
87820-25511CA	3-A10	87606A	87741-25200CA	3-D10	87751B		3-J10	88170	88525-25032	3-A11	88525
	3-L 9	87606A	87742-25200	3-D10	87752	88160-25602FCP	3-I10	88170	88525-25070	3-A11	88525
	3-M 9	87606A	87742-25200CA	3-D10	87752		3-J10	88170	88541-25000	3-A11	88525
87820-25620	3-A10	87606A	87751-25200	3-D10	87751	88166-25000	3-I10	88166	88542-25000	3-A11	88525
87820-25620CA	3-A10	87606A	87752-25200	3-D10	87752A	88195-24000	3-J10	88195B	88565-25000SX	3-A11	88565
	3-L 9	87606A	87756-35000	3-D10	87770A	88250-25000	3-J10	88260	88566-25000SX	3-A11	88565
	3-M 9	87606A	87758-35000	3-D10	87786	88260-25100FBJ	3-J10	88180	88567-25000SX	3-A11	88565B
87820-25640	3-A10	87606A	87758-37000	3-C10	1730AA	88260-25101FAV	3-J10	88180	88568-25000SX	3-A11	88567B
87820-25640CA	3-A10	87606A		3-K 3	1730AA	88260-25101FBJ	3-J10	88180	88570-25100SX	3-K10	88355
	3-L 9	87606A	87761-25200	3-D10	87781C	88260-25200FCP	3-J10	88180		3-L10	88355
	3-M 9	87606A	87762-25200	3-D10	87762	88260-25202FBV	3-J10	88180	88570-34000LT	3-K10	88355
87820-25641	3-A10	87606A	87770-02000	3-C10	87701B	88260-25202FCP	3-J10	88180		3-L10	88355
87820-25641CA	3-A10	87606A	87810-25000	3-E10	87811A	88260-25400FCP	3-J10	88180	88600-25000SX	3-A11	88502
	3-L 9	87606A	87810-25100	3-E10	87811A	88260-25402FBV	3-J10	88180		3-M10	88502
	3-M 9	87606A	87820-26000	3-E10	87821A	88260-25402FCP	3-J10	88180	88600-25070SX	3-A11	88502
87820-25650	3-A10	87606A	87820-26100	3-E10	87821A	88310-25000	3-K10	88301		3-M10	88502

PART NO.	M/F NO.	P N C	PART NO.	M/F NO.	P N C	PART NO.	M/F NO.	P N C	PART NO.	M/F NO.	P N C
88800-25080SX	3-A11	88502	88880-25401LT	3-F11	88820C	89710-22100	3-M11	89710	91101-25062	3-I12	91100
	3-M10	88502		3-G11	88820C	89710-25000	3-M11	89710		3-J12	91100
88801-25000	3-B11	88801	88890-25000LT	3-H11	88890A	89720-25000	3-L11	88615A	91101-25070	3-H12	91100
88801-25070	3-B11	88801B		3-I11	88890A		3-M11	88615A		3-I12	91100
88801-25080SX	3-A11	88502	88891-25000LT	3-H11	88890B	89720-25300SX	3-K11	88610	91101-25071	3-H12	91100
	3-M10	88502	88891-25000FBJ	3-C11	88901B		3-M11	89720E		3-I12	91100
88810-25070SX	3-A11	88502	88891-25000FCP	3-C11	88901B	89722-25300SX	3-K11	88630A	91101-25080	3-J12	91100
88811-25070	3-B11	88801	88892-25000FBJ	3-C11	88902B		3-M11	89722	91101-25081	3-K12	91100
88820-25010	3-B11	88600F	88892-25000FCP	3-C11	88902B	89730-25000	3-M11	89752A	91101-25082	3-K12	91100
	3-B11	88621D	88892-25000FBV	3-C11	88902B	89780-22001	3-M11	89780	91101-25100	3-J12	91100
88821-25010	3-B11	88600F	88892-25000FCP	3-C11	88902B	89801-25010LT	3-A12	89801B	91101-25101	3-K12	91100
	3-B11	88621D	88893-25000SX	3-C11	88903A	89810-25010LT	3-A12	89810E	91101-25102	3-K12	91100
88825-25000	3-B11	88625	88904-38100LT	3-C11	88904	89810-25050LT	3-A12	89810A	91101-25120	3-K12	91100
88825-25070	3-B11	88625	89150-25000	3-K11	89150B	89811-25301	3-A12	89811F	91101-25140	3-K12	91100
88700-25100FAV	3-A11	88600A	89160-22000	3-K11	89160	89820-25050LT	3-A12	89820A	91101-25180	3-H12	91100
	3-B11	88600A		3-K11	89160B		3-B12	89820A	91101-25181	3-H12	91100
88700-25100FBJ	3-A11	88600A	89160-25100FAV	3-K11	89170	89830-25000LT	3-B12	89831C	91101-25182	3-H12	91100
	3-B11	88600A	89160-25100FBJ	3-K11	89170	89830-25010LT	3-B12	89830D	91101-25183	3-H12	91100
88700-25100FCP	3-B11	88600A	89160-25200FBV	3-K11	89170	91100-25521	3-J12	91100	91101-25184	3-H12	91100
88700-25101FBJ	3-A11	88600A	89160-25200FCP	3-K11	89170	91100-25560	3-J12	91100	91101-25185	3-H12	91100
	3-B11	88600A	89246-28100	3-K11	89246A	91100-25561	3-J12	91100	91101-25240	3-J12	91100
88700-25101FBV	3-B11	88600A	89310-25100	3-L11	89501A		3-K12	91100		3-K12	91100
88700-25101FCP	3-B11	88600A	89310-25200	3-L11	89501A	91100-25580	3-J12	91100	91101-25241	3-J12	91100
88720-25000SX	3-B11	88610	89310-25310	3-L11	89501A	91100-25581	3-J12	91100	91101-25242	3-J12	91100
88722-25000SX	3-B11	88630A	89310-25320	3-L11	89501B		3-K12	91100	91101-25243	3-J12	91100
88800-38010LT	3-D11	88800	89331-25100	3-L11	89317	91100-25582	3-J12	91100	91101-25244	3-J12	91100
88810-25000LT	3-D11	88810C	89350-25000	3-K11	89301A		3-K12	91100	91101-25245	3-J12	91100
	3-E11	88810C	89350-25100	3-M11	89550A	91100-25590	3-J12	91100	91101-25246	3-J12	91100
	3-F11	88810C	89350-25200	3-M11	89550B	91100-25591	3-J12	91100	91101-25247	3-J12	91100
88810-25080LT	3-E11	88810C	89350-25300	3-K11	89301A		3-K12	91100	91101-25248	3-J12	91100
88810-25400LT	3-D11	88810C	89350-25310	3-M11	89550A	91100-25600	3-K12	91100	91101-25249	3-K12	91100
	3-E11	88810C	89350-25320	3-M11	89550B		3-L12	91100	91101-25250	3-J12	91100
	3-F11	88810C	89360-25010FAV	3-L11	89370A	91100-25640	3-K12	91100	91101-25251	3-J12	91100
88810-25480LT	3-E11	88810C	89360-25010FBJ	3-L11	89370A		3-L12	91100	91101-25252	3-J12	91100
88810-25800LT	3-E11	88810C	89360-25110FAV	3-L11	89370A	91100-25680	3-K12	91100	91101-25253	3-J12	91100
	3-F11	88810C	89360-25110FBJ	3-L11	89370A	91100-25681	3-K12	91100	91101-25254	3-J12	91100
	3-I11	92165A	89360-25220FBV	3-L11	89370B	91100-25682	3-K12	91100	91101-25255	3-J12	91100
88820-25000LT	3-F11	88820C	89360-25220FCP	3-L11	89370B		3-L12	91100	91101-25256	3-K12	91100
	3-G11	88820C	89360-25320FBV	3-L11	89370B	91100-25683	3-K12	91100	91101-25257	3-K12	91100
88820-25080LT	3-G11	88820C	89360-25320FCP	3-L11	89370B		3-L12	91100	91101-25258	3-K12	91100
88820-25400LT	3-F11	88820C	89360-25400FAV	3-L11	89370A	91100-25684	3-K12	91100	91101-25259	3-K12	91100
	3-G11	88820C	89360-25400FBJ	3-L11	89370A		3-L12	91100	91101-25260	3-K12	91100
88820-25480LT	3-G11	88820C	89360-25410FAV	3-L11	89370A	91100-25685	3-K12	91100	91101-25261	3-K12	91100
88820-25800LT	3-F11	88820C	89360-25410FBJ	3-L11	89370A		3-L12	91100	91101-25262	3-K12	91100
	3-G11	88820C	89390-25000SX	3-L11	89391	91100-25686	3-L12	91100	91101-25263	3-K12	91100
88830-25000SX	3-H11	88830A	89410-25200	3-M11	89801	91100-25687	3-K12	91100	91101-25264	3-K12	91100
88830-25200SX	3-H11	88830A	89410-25320	3-M11	89801		3-L12	91100	91101-25265	3-K12	91100
88830-25201SX	3-H11	88830A	89431-25100	3-L11	89318	91101-25000	3-H12	91100	91101-25266	3-K12	91100
88840-25000SX	3-H11	88840A	89450-25200	3-L11	89450		3-I12	91100	91101-25267	3-H12	91100
88840-25200SX	3-H11	88840A	89450-25320	3-L11	89450	91101-25001	3-H12	91100	91101-25268	3-H12	91100
88840-25201SX	3-H11	88840A	89480-25220FBV	3-L11	89380A		3-I12	91100	91101-25269	3-H12	91100
88870-25001LT	3-D11	88810C	89480-25220FCP	3-L11	89380A	91101-25040	3-H12	91100	91101-25270	3-H12	91100
	3-E11	88810C	89480-25320FBV	3-L11	89380A		3-I12	91100	91101-25271	3-H12	91100
	3-F11	88810C	89480-25320FCP	3-L11	89380A	91101-25041	3-H12	91100	91101-25272	3-H12	91100
88870-25281LT	3-E11	88810C	89700-25300FBJ	3-M11	89601A		3-I12	91100	91101-25273	3-H12	91100
88870-25401LT	3-E11	88810C	89700-25300FCP	3-M11	89601A	91101-25060	3-H12	91100	91101-25274	3-H12	91100
	3-F11	88810C	89700-25301FAV	3-M11	89601A		3-I12	91100	91101-25275	3-H12	91100
88880-25001LT	3-F11	88820C	89700-25301FBJ	3-M11	89601A	91101-25061	3-H12	91100	91101-25276	3-H12	91100
	3-G11	88820C	89700-25301FBV	3-M11	89601A		3-I12	91100	91101-25277	3-H12	91100
88880-25281LT	3-G11	88820C	89700-25301FCP	3-M11	89601A	91101-25062	3-H12	91100	91101-25278	3-H12	91100

PART NO.	M/F NO.	P N C	PART NO.	M/F NO.	P N C	PART NO.	M/F NO.	P N C	PART NO.	M/F NO.	P N C
91791-33300	3-G13	91791B	91820-25050	3-D14	91810E	91952-25400	1-M13	91591	92402-25210	3-L14	92402A
91793-29000	3-G13	91793	91820-25060	3-D14	91810E	91952-25500	1-D13	91591	92402-25220	3-L14	92402A
91810-25000	3-B14	91810D	91820-25070	3-D14	91810E	91952-25601	1-D13	91591	92410-25000	3-L14	92410A
	3-C14	91810D	91820-25130	3-C14	91810E	91980-25000	3-E14	91980B	92410-25020	3-L14	92410A
91810-25010	3-B14	91810D		3-D14	91810E	91980-25001	3-E14	91980B	92410-25200	3-L14	92410A
	3-C14	91810D	91820-25140	3-C14	91810E	91980-25010	3-E14	91980B	92410-25220	3-L14	92410A
91810-25030	3-B14	91810D	91820-25150	3-C14	91810E		3-F14	91980B	92420-25000	3-M14	92420A
	3-C14	91810D	91820-25160	3-C14	91810E	91980-25011	3-E14	91980B	92420-25020	3-M14	92420A
91810-25040	3-B14	91810D		3-D14	91810E		3-F14	91980B	92420-25200	3-L14	92420A
	3-C14	91810D	91820-25180	3-C14	91810E	91980-25020	3-E14	91980B		3-M14	92420A
91810-25060	3-C14	91810D	91820-25190	3-C14	91810E		3-F14	91980B	92420-25220	3-L14	92420A
91810-25080	3-C14	91810D		3-D14	91810E	91980-25030	3-E14	91980B		3-M14	92420A
91810-25070	3-C14	91810D	91820-25210	3-C14	91810E		3-F14	91980B	92450-25000	3-M14	92450H
91810-25090	3-B14	91810D		3-D14	91810E	91980-25080	3-E14	91980B	92480-25000	3-M14	92480H
	3-C14	91810D	91820-25220	3-D14	91810E	91980-25070	3-E14	91980B	92490-25000	3-M14	92470C
91810-25110	3-B14	91810D	91820-25250	3-C14	91810E		3-F14	91980B	92490-25020	3-M14	92470C
	3-C14	91810D		3-D14	91810E	91980-25100	3-F14	91980B	92490-25200	3-M14	92470C
91810-25120	3-B14	91810D	91820-25290	3-C14	91810E	91980-25110	3-F14	91980B	92490-25220	3-M14	92470C
	3-C14	91810D		3-D14	91810E	91981-25000	4-J 2	91981A	92501-25000	4-A 1	92508A
91810-25130	3-B14	91810D	91820-25300	3-C14	91810E	91971-17790	1-E12	91971A	92502-29610	4-A 1	92510
	3-C14	91810D		3-D14	91810E	91971-17800	1-L12	91971A	92552-30000	3-I 9	92552
91810-25140	3-B14	91810D	91820-25310	3-C14	91810E	91971-17821	2-E 1	91971E	92557-30000	3-I 9	92557
91810-25160	3-B14	91810D		3-D14	91810E	91971-17831	1-H 3	91979	92620-33000	4-A 1	92620
91810-25180	3-B14	91810D	91820-25320	3-C14	91810E	91971-17840	1-D13	91971A	92700-25500	3-G 9	92790A
91810-25190	3-B14	91810D		3-D14	91810E	91971-25100	3-A14	91413	92736-25000	4-I 1	92736
91810-25210	3-B14	91810D	91820-25330	3-C14	91810E	91972-25000	3-E14	91942	92750-25000LT	4-C 1	92750A
91810-25220	3-B14	91810D		3-D14	91810E	91973-25000	3-A14	91514	92750-25500LT	4-B 1	92750
91810-25230	3-B14	91810D	91820-25340	3-C14	91810E		3-B14	91514		4-C 1	92750
91810-25250	3-B14	91810D		3-D14	91810E	91981-26000	3-F13	91752	92754-25000	4-C 1	92754C
91810-25260	3-C14	91810D	91820-25350	3-C14	91810E	91981-26300	3-L13	91981	92755-22100	4-D 1	92755
91810-25290	3-B14	91810D		3-D14	91810E	92101-25010	3-G14	92101A	92755-25100	4-E 1	92756
91810-25340	3-B14	91810D	91820-25A00	3-A13	91810C	92101-26030	3-G14	92101A	92756-26600	4-C 1	92756D
	3-C14	91810D		3-B13	91810C	92102-25010	3-G14	92102A	92800-25000YL	4-D 1	92800A
91810-25350	3-B14	91810D	91820-25A01	3-A13	91810C	92102-25030	3-G14	92102A	92800-49000YL	4-D 1	92800B
	3-C14	91810D		3-B13	91810C	92155-22000	3-C 9	92155	92810-25000	4-E 1	92815
91810-25360	3-B14	91810D	91820-38000	3-G13	91825A		4-B 1	92155	92810-25001	4-E 1	92815
	3-C14	91810D	91823-22600	3-G13	91825A	92160-38000	3-G14	92170C	92810-25002	4-E 1	92815
91810-25370	3-B14	91810D	91830-25A00	3-B13	91830	92169-25000	3-G14	92169	92811-48000	4-D 1	92811
	3-C14	91810D		3-C13	91830	92191-25000	3-G14	92161A	92812-25000	4-D 1	92811
91810-25380	3-B14	91810D	91830-38000	3-G13	91825A	92191-35000	3-H14	97795	93110-25000	3-F 3	93110B
	3-C14	91810D	91840-25A00	3-G13	91840C	92201-25000	3-I14	92201	93230-22000	3-G 1	93220
91810-25390	3-B14	91810D	91850-38000	3-G13	91825A	92201-25210	3-I14	92201	93360-25100	4-J 1	93610B
	3-C14	91810D	91860-25000	3-D14	91820B	92201-25300	3-I14	92201	93365-25000	4-J 1	93615
91810-25400	3-B14	91810D	91860-25010	3-D14	91820B	92202-25000	3-I14	92202	93370-25500	4-A 2	94955A
	3-C14	91810D	91860-25020	3-D14	91820B	92202-25210	3-I14	92202	93375-25000	4-I 1	93375
91810-25410	3-B14	91810D	91870-38050	3-C13	91835A	92202-25300	3-I14	92202	93400-25000	4-G 1	93400
91810-25430	3-B14	91810D		3-G13	91835A	92272-22200	3-I14	92272	93400-25000YN	4-G 1	93400
	3-C14	91810D	91870-38060	3-C13	91835A		3-J14	92272	93400-25010	4-G 1	93400
91810-25A00	3-A13	91810C		3-D13	91835A	92272-25000	3-I14	92272	93400-25010YN	4-G 1	93400
	3-B13	91810C	91870-38070	3-G13	91835A		3-J14	92272	93400-25500	4-G 1	93400
91810-25A01	3-B13	91810C		3-C13	91835A	92273-22200	3-J14	92273	93400-25500YN	4-G 1	93400
91820-25000	3-C14	91810E		3-D13	91835A	92303-25000	3-J14	92303A	93400-25510	4-G 1	93400
	3-D14	91810E	91870-38110	3-F13	91789E	92330-24010	3-J14	92330B	93400-25510YN	4-G 1	93400
91820-25010	3-C14	91810E	91930-25000	3-L13	91930A	92340-25000	3-G14	92340A	93401-25110	4-G 1	93400
	3-D14	91810E	91930-25010	1-D 9	91930A	92401-25010	3-L14	92401A	93401-25110YN	4-G 1	93400
91820-25030	3-C14	91810E		3-L13	91930A	92401-25020	3-L14	92401A	93401-25610	4-G 1	93400
	3-D14	91810E	91930-25020	3-L13	91930A	92401-25210	3-L14	92401A	93401-25610YN	4-G 1	93400
91820-25040	3-C14	91810E	91951-25000	3-L 5	91930	92401-25220	3-L14	92401A	93420-25000	4-G 1	93415C
	3-D14	91810E	91951-25100	3-L 5	91930	92402-25010	3-L14	92402A	93420-25000YN	4-G 1	93415C
91820-25050	3-C14	91810E	91952-25100	3-G13	91930B	92402-25020	3-L14	92402A	93420-25010	4-G 1	93415C

PART NO.	M/F NO.	P N C	PART NO.	M/F NO.	P N C	PART NO.	M/F NO.	P N C	PART NO.	M/F NO.	P N C
93420-25100	4-G 1	93415C	93745-25000	4-M 1	93880B	94620-25000	3-G 6	94500A	95738-25000	3-M 1	96738
93420-25100YN	4-G 1	93415C	93790-25000	4-L 1	93790G	93790-25000	4-L 1	94500A	95738-25200	3-M 1	96738
93420-25110	4-G 1	93415C	93810-22100	2-J 1	93810A	94650-32520	1-I 4	94650	95748-25000	3-A 2	95758
93420-25500	4-G 1	93415C	93810-25000	2-1	93810B	94750-21030	1-F 2	94750	95748-25200	3-A 2	95758
93420-25500YN	4-G 1	93415C	93810-25100	2-1	93810B	94760-27500	1-F 2	48307A	95756-25000	3-G 2	96770B
93420-25510	4-G 1	93415C	93810-25200	2-1	93810E	95110-24001	3-H 6	95110	95756-25010	3-G 2	96770B
93420-25600	4-G 1	93415C	93830-29000	2-K12	93830	95120-25000	3-L 5	95120	95756-25000	3-G 2	95780B
93420-25600YN	4-G 1	93415C	93840-25300	2-1	93840A		3-M 5	95120	95756-25010	3-G 2	95780B
93420-25610	4-G 1	93415C	93860-39002	2-B 5	93860	95120-25100	3-L 5	95120	95762-25000	3-G 3	95782L
93430-25000	4-G 1	93420	93860-39003	2-B 5	93860	95210-22001	4-K 2	95210	95762-25100	3-G 3	95782R
93430-25000YN	4-G 1	93420	94000-25000	4-G 2	94030	95224-29000	4-K 2	95224	95870-25001	4-L 2	95870G
93430-25010	4-G 1	93420	94110-25000	4-D 2	94360B	95224-29800	4-K 2	95224C	95870-25200	4-L 2	95870B
93430-25010YN	4-G 1	93420	94110-25100	4-F 2	94370	95225-29000	4-B 3	95220A	95910-25200	4-L 2	95910
93430-25020	4-G 1	93420	94110-25200	4-D 2	94363A		4-K 2	95220A	95910-25300	4-L 2	95910
93430-25030	4-G 1	93420	94111-43100	4-C 2	94111D	95225-29200	4-L 2	95225A	95990-25A00	2-K 9	95990
93430-25110	4-G 1	93420	94113-43000	4-C 2	94113	95230-25000	4-L 2	95230F	95990-25A10	2-K 9	95990
93430-25110YN	4-G 1	93420	94130-25000	4-D 2	94365A	95230-25800	4-L 2	95242A	95990-25B00	2-K 9	95990
93430-25130	4-G 1	93420	94130-25100	4-D 2	94366A	95230-37000	3-F 5	95231	95990-25B10	2-K 9	95990
93430-25500	4-G 1	93420	94140-25000	4-E 2	94367	95250-25000	4-L 2	95250C	95990-25C10	2-K 9	95990
93430-25500YN	4-G 1	93420		4-F 2	94367	95410-25300	4-L 2	95410G	96110-25105	4-E 3	96160B
93430-25510	4-G 1	93420	94140-25200	4-E 2	94367	95412-25000	3-F 3	95412	96110-25A00	4-E 3	96175
93430-25510YN	4-G 1	93420		4-F 2	94367	95413-3A000	4-L 2	95413A	96111-34002	3-D 4	96111
93430-25520	4-G 1	93420	94150-25200	4-D 2	94366A	95420-25000	4-B 4	95420	96120-25105	4-E 3	96160B
93430-25530	4-G 1	93420		4-E 2	94366A	95420-33000	4-L 2	95420	96120-25305	4-E 3	96160B
93430-25610	4-G 1	93420	94160-25000	4-C 2	94210A	95430-22002	4-L 2	95430	96123-2D000	4-E 3	96162A
93430-25610YN	4-G 1	93420	94160-25010	4-C 2	94210A	95430-25200	4-L 2	95760	96126-22000	4-E 3	96126
93430-25610YN	4-G 1	93420	94160-25100	4-C 2	94210A	95440-22710	4-A 3	95440A	96127-2D000	4-E 3	96142
93430-25630	4-G 1	93455A	94160-25600	4-C 2	94210B		4-M 2	95440A	96140-25100	4-E 3	96140A
93440-25000	4-G 1	93455A	94160-25610	4-C 2	94210B	95440-22721	4-A 3	95440A	96140-25300	4-E 3	96140A
93440-25500	4-G 1	93455A	94170-25000	4-D 2	94220		4-M 2	95440A	96150-25100	4-E 3	96160B
93451-25000	4-G 1	93450	94170-25010	4-D 2	94220	95440-22740	4-A 3	95440A	96150-25200	4-E 3	96160B
93490-25000	4-G 1	93490	94170-25100	4-D 2	94220		4-M 2	95440A	96150-25300	4-E 3	96160B
93490-25100	4-G 1	93490	94170-25110	4-D 2	94220	95440-22741	4-A 3	95440A	96150-25400	4-E 3	96160B
93560-23100	4-I 1	93560	94170-25110	4-D 2	94220		4-M 2	95440A	96151-02100	4-E 3	96137
93560-25000	4-I 1	93560	94170-25200	4-D 2	94220	95440-22870	4-A 3	95440A	96155-02000	4-E 3	96176R
93560-25100	4-I 1	93560	94180-25000	4-F 2	94410B		4-M 2	95440A	96156-02000	4-F 3	96176R
93560-25110	4-I 1	93560	94180-25010	4-F 2	94410B	95440-25050	3-F 3	95440F	96160-11001	1-M13	96180A
93565-23100	4-I 1	93561	94180-25100	4-F 2	94410A		3-G 3	95440F	96160-11100	1-M13	96180A
93570-25000YN	4-I 1	93570B	94180-25200	4-F 2	94420A	95550-34000	4-L 2	95550B	96160-25100	4-E 3	96170E
93570-25020YN	4-I 1	93570B		4-G 2	94420A	95550-39000	4-L 2	95550B	96160-25105	4-E 3	96170E
93570-25100YN	4-I 1	93570B	94211-33010	4-C 2	94211B	95671-25000	4-B 3	95670	96160-25106	4-E 3	96170E
93570-25120YN	4-I 1	93570B	94213-33010	4-C 2	94213B	95671-25200	4-B 3	95670L	96160-25300	4-E 3	96170E
93572-25000YN	4-I 1	93552A	94215-23010	4-C 2	94215A	95671-25300	4-B 3	95670R	96160-25306	4-E 3	96170E
93572-25100YN	4-I 1	93552A		4-D 2	94215A	95673-22000	4-C 3	95673	96160-25400	4-E 3	96170E
93574-25000	4-I 1	93530	94215-33010	4-D 2	94215B	95673-22100	4-C 3	95674	96161-02000	4-F 3	96305
93580-25000YN	4-J 1	93580A	94223-24010	4-D 2	94223B	95674-02000	3-D13	95674B	96161-02100	4-F 3	96305
93580-25010YN	4-J 1	93580C	94223-25000	4-D 2	94223A		3-F 5	95674B	96161-02200	4-E 3	96116C
93580-25100YN	4-J 1	93580A	94223-25100	4-C 2	94214	95681-25000	4-C 3	95680	96163-28000	4-E 3	96137
93582-25000YN	4-I 1	93552B	94240-25000	4-H 2	94240	95681-25100	4-C 3	95680R	96172-28001	4-E 3	96172A
93582-25100YN	4-I 1	93552B	94240-25900	4-H 2	94240	95681-25100	4-C 3	95680R	96175-26000	4-E 3	96176L
93645-25000	4-J 1	93635A	94241-29000	4-H 2	94211A	95688-25000	4-C 3	95688B		4-F 3	96176L
93710-25000	4-J 1	93710F	94245-28000	4-H 2	94245A	95688-36000	4-C 3	95688A	96176-26000	4-F 3	96176R
	4-K 1	93710F	94366-29500	4-E 2	94366D	95735-25000	3-M 1	96730A	96191-02000	4-F 3	96191A
	4-L 1	93710F	94366-31700	4-E 2	94366H	95735-25010	3-M 1	96730A	96210-25000	4-H 3	96210C
93715-25000	4-L 1	93715F	94368-36000	4-F 2	94366C	95735-25020	3-M 1	96730A	96210-25001	4-H 3	96210C
93730-25000	4-L 1	93730B	94369-25000	4-F 2	94369H	95735-25020	3-A 1	96730A	96210-25100	4-H 3	96210C
93730-25900	4-L 1	93730B	94369-38000	4-F 2	94369F	95736-25000	3-A 2	96750A	96210-25300	4-H 3	96210C
93735-25000	4-L 1	93960B	94460-22040	1-I11	94460	95736-25010	3-A 2	96750A	96213-25501	4-H 3	96229
	4-M 1	93960B	94460-25000	1-I11	94410A	95736-25020	3-A 2	96750A	96230-25000	4-H 3	96210D
93740-25000	4-L 1	93740		1-I11	94480						
93745-25000	4-A 2	93980B	94472-25000	1-I11	94473						

PART NO.	M/F NO.	P N C
96230-22500	4-H 3	96240A
96250-25000	4-G 3	96210B
96250-25001	4-G 3	96210B
96250-25040	4-H 3	96250B
96250-25100	4-G 3	96210B
96250-25300	4-G 3	96210B
96251-25100	4-H 3	96250B
96251-25300	4-H 3	96250B
96253-25601	4-H 3	96240B
96270-25000	4-H 3	96250
96270-25200	4-H 3	96250A
96310-25000	4-I 3	96331
96330-25010	4-I 3	96330D
96330-25110	4-I 3	96330D
96360-25000	4-J 3	96360C
96360-25100	4-J 3	96360C
96360-25300	4-J 3	96360C
96360-25400	4-J 3	96360C
96370-22000	4-J 3	96370G
96420-4A600	4-G 2	96421
96610-28200	4-K 3	96610
96620-22200	4-K 3	96620
97035-34000	4-D 5	97113B
97100-25000	4-C 5	97100
97100-25600	4-C 5	97100
97106-25000	4-C 5	97023
97106-25600	4-C 5	97023
97106-25800	4-C 5	97106
97106-25900	4-D 5	97106
97110-25000	4-D 5	97249
97110-25600	4-D 5	97249
97111-25000	4-C 5	97106A
97111-25900	4-C 5	97106A
97113-02000	4-I 4	97113C
97116-24051	4-D 5	97116B
97116-24052	4-D 5	97116B
97116-24951	4-D 5	97116B
97117-29900	4-D 5	97117B
97137-24200	4-D 5	97121
97200-25000	4-A 5	97200
97200-25900	4-A 5	97200
97212-25000	4-A 5	97018
97212-25900	4-A 5	97018
97214-22000	4-A 5	97122
97214-36000	4-D 5	97130A
97215-25000	4-B 5	97234H
97216-25000	4-A 5	97106B
97217-25000	4-A 5	97116D
97217-25900	4-A 5	97116D
97218-25000	4-A 5	97111B
97218-25900	4-A 5	97111B
97218-29000	4-B 5	97218
	4-E 6	97218
97220-25000	4-A 5	97211J
97220-25900	4-A 5	97211J
	4-B 5	97211J
97221-22000	4-A 5	97123B
97222-25000	4-A 5	97115B
97222-25900	4-A 5	97115B
97224-25000	4-A 5	97107

PART NO.	M/F NO.	P N C
97224-25900	4-A 5	97107
97236-33000	4-D 5	97236C
97241-25100	4-J 4	97272B
	4-K 4	97272B
97249-33000	4-B 5	97249B
	4-E 6	97249B
97250-25100	4-I 4	97250A
97250-25150	4-I 4	97250A
97250-25200	4-I 4	97250A
97250-25700	4-I 4	97250A
97250-25800	4-I 4	97250A
97250-25860	4-I 4	97250A
97256-25100	4-I 4	97252B
97257-25100	4-I 4	97257K
97258-25100	4-I 4	97258
97258-25800	4-I 4	97258
97259-25100	4-I 4	97258C
97260-25100	4-I 4	97260C
	4-J 4	97260C
97261-25100	4-J 4	97261E
97262-25100	4-J 4	97262H
97263-25100	4-J 4	97263G
97263-25800	4-J 4	97263G
97265-25100	4-J 4	97265H
97266-25100	4-I 4	97137A
97269-25100	4-J 4	97269H
97310-25180	4-K 4	97311
97310-25161	4-K 4	97311
97310-25300	4-K 4	97311
97311-25000	4-K 4	97311
97311-25150	4-K 4	97311
97311-25200	4-K 4	97311
97313-22100	4-K 4	97313B
97320-25160	4-K 4	97312
97320-25300	4-K 4	97312
97321-25000	4-K 4	97312
97321-25150	4-K 4	97312
97331-25300	4-L 4	97331C
97341-26000	4-L 4	97341E
97345-25000	4-L 4	97345
97345-25900	4-L 4	97345
97350-25000	3-M 5	97350B
97351-25300	4-L 4	97342B
97360-22000	4-L 4	97360B
97365-24000	4-L 4	97365B
97370-22000	4-L 4	97370
97380-25000	3-M 5	97380
97380-25900	3-M 5	97380
97383-25000	3-M 5	97385L
97383-25900	3-M 5	97385R
97390-25000	3-M 5	97390
97390-25900	3-M 5	97390
97393-25000	3-M 5	97385R
97393-25900	3-M 5	97385L
97410-25000	3-M 5	97403
97430-25000	3-H 6	97430A
97440-25000	3-H 6	97440
97470-25000	3-M 5	97470B
97470-25900	3-M 5	97470B
97480-25000	3-M 5	97480

PART NO.	M/F NO.	P N C
97480-25900	3-M 5	97480
97490-25000	3-M 5	97490
97490-25900	3-M 5	97490
97510-25000	2-K14	97510B
97519-22000	3-A 9	96890
97601-25000	4-E 6	97601
	4-F 6	97601
97601-25010	4-E 6	97601
	4-F 6	97601
97601-25050	4-F 6	97601
97601-25060	4-E 6	97601
	4-F 6	97601
97601-25200	4-E 6	97601
97601-25250	4-E 6	97601
	4-F 6	97601
97601-25900	4-E 6	97601
	4-F 6	97601
97601-25950	4-E 6	97601
97604-25000	4-I 5	97623
97604-25100	4-I 5	97623
97604-25200	4-I 5	97623
97604-25300	4-I 5	97623
97606-25500	4-I 5	97606
97606-25800	4-I 5	97606
97606-25900	4-I 5	97606
97609-25000	4-F 6	97611B
97609-25900	4-F 6	97611B
97610-25950	4-F 6	97610
97610-37000	4-F 6	97610
97612-25000	4-F 6	97620C
97612-25900	4-G 6	97620C
97617-25000	4-F 6	97610
97620-25000	4-G 6	97695
97620-25900	4-G 6	97635
97641-17000	4-C 6	97646
97641-25000	4-C 6	97646
97641-25100	4-C 6	97646
97643-17000	4-C 6	97643E
97643-22200	4-C 6	97643E
97643-29500	4-C 6	97643E
97644-22000	4-C 6	97644C
97645-33300	4-D 6	97711B
97646-33300	4-C 6	97646C
97647-33300	4-D 6	97743A
97650-25000	4-J 5	97655A
97650-25100	4-J 5	97655A
97651-22003	4-I 5	97651
	4-J 5	97651
97653-02000	4-I 5	97651
	4-J 5	97651
97653-1C000	4-I 5	97651
97656-24000	4-J 5	97656B
97680-33300	4-C 6	97680C
97690-25000	4-E 6	97106
97690-34310	4-J 5	97690A
97690-34340	4-J 5	97690E
	4-K 5	97690E
97690-34350	4-J 5	97690D
97701-17000	4-D 6	97701
97701-25000	4-D 6	97701

PART NO.	M/F NO.	P N C
97701-25100	4-D 6	97701
97703-25000	4-K 5	97703
97705-22000	4-K 5	97705A
97707-33300	4-D 6	97707C
97708-33300	4-D 6	97716B
97708-33300	4-D 6	97708C
97710-22200	4-D 6	97710C
97713-22261	4-K 5	97713A
97713-29000	4-K 5	97713A
97714-22060	4-K 5	97714D
97714-22200	4-D 6	97714
97714-25000	4-I 5	97236
97714-29100	4-K 5	97714D
97714-33300	4-K 5	97705
97714-3B114	4-K 5	97714K
97717-1A000	4-D 6	97717
97717-25000	4-D 6	97717
97720-24000	4-K 5	97720
97721-22000	4-K 5	97721
97725-24001	4-L 5	97726
97726-22000	4-L 5	97726A
97727-22000	4-L 5	97727A
97730-25000	4-L 5	97730
97730-25100	4-L 5	97730
97730-25800	4-L 5	97730
97735-25000	4-L 5	97735
97735-25100	4-L 5	97735
97735-25800	4-L 5	97735
97737-17000	4-L 5	97737A
97737-25000	4-L 5	97737A
97752-25000	4-L 5	97752B
97760-25800	4-M 5	97763A
97762-25000	4-L 5	97762
97762-25100	4-L 5	97762
97762-25200	4-L 5	97762
97762-25300	4-L 5	97762
	4-M 5	97762
97762-25800	4-L 5	97762
97763-25000	4-M 5	97763
97763-25100	4-M 5	97763
97763-25200	4-M 5	97763
97763-25300	4-M 5	97763
97763-25800	4-M 5	97763
97765-25000	4-M 5	97766
97767-25000	4-M 5	97766
97767-26100	4-M 5	97766
97767-26800	4-M 5	97766
97768-25800	4-M 5	97766
97768-17000	4-M 5	97766
97768-25000	4-A 6	97766
	4-M 5	97766
97768-25001	4-A 6	97766
	4-M 5	97766
97768-25100	4-A 6	97766
	4-M 5	97766
97768-25000	4-A 6	97766
97768-1A000	4-A 6	97766
97768-25000	4-A 6	97766
97768-25100	4-A 6	97766

C14

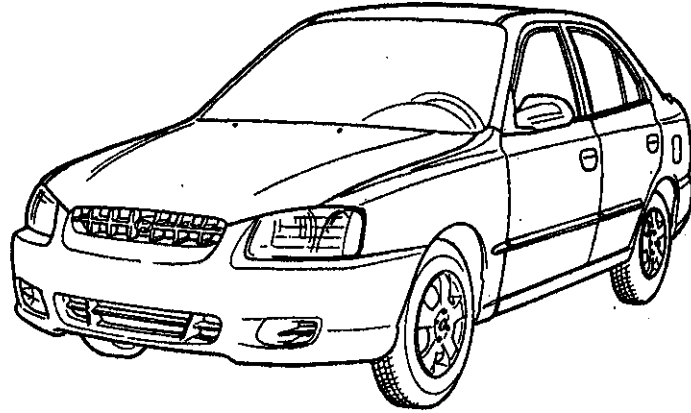
PART NO. INDEX

BA, G0112- P32

PART NO.	M/F NO.	P N C	PART NO.	M/F NO.	P N C
97797-25000	4-A 6	97797B	98893-24100	4-D 4	98893B
97798-25000	4-A 6	97798	98896-24000	4-D 4	98896
97811-22301	4-A 6	97811A	98930-27000	4-C 4	98860
97811-22351	4-A 6	97811B	98940-27200	4-D 4	98940C
97812-22301	4-B 6	97812A	98940-27300	4-C 4	98870
97830-22000	4-B 6	97830		4-D 4	98870
97831-22000	4-K 5	97716A	98951-25000	4-D 4	98951
97831-22060	4-K 5	97716A	98952-25000	4-D 4	98952
97832-22000	4-B 6	97832	98970-25000	4-D 4	98970A
97833-22000	4-I 5	97644A	9J700-31000	4-A 4	H0100R
97833-22050	4-B 6	97833		4-A 4	H0310R
97834-22100	4-B 6	97834		4-A 4	H0400R
98100-25000	4-L 3	98100		4-A 4	H0600R
98100-29100	4-L 3	98100		4-A 4	H1320R
98100-29900	4-L 3	98100		4-D 4	H0100R
98120-29000	4-L 3	98120A		4-D 4	H0120R
98200-25000	4-L 3	98200		4-E 4	H0120R
98200-25900	4-L 3	98200		4-E 4	H3650R
98248-37000	4-L 3	98248B	K9928-00670	1-I 8	K9928A
98265-22100	4-L 3	98185B	K9966-41800	2-M 2	K41800
98310-25000	4-L 3	98310	K9961-12000	2-M 6	1601DE
98310-25900	4-L 3	98310			
98320-25000	4-L 3	98310			
98320-25900	4-L 3	98310			
98350-22020	4-L 3	98350A			
98351-22000	4-L 3	98305A			
98356-22000	4-C 4	98356			
	4-L 3	98356			
98360-22020	4-C 4	98350A			
	4-L 3	98350A			
98361-22000	4-C 4	98305A			
	4-L 3	98305A			
98510-25000	4-M 3	98510A			
98510-25100	4-M 3	98510A			
98516-21100	4-C 4	98516			
	4-M 3	98516			
98620-25100	4-M 3	98620			
98622-14200	4-M 3	98622			
98623-22000	4-M 3	98623			
98630-25000	4-M 3	98620A			
98630-25900	4-M 3	98620A			
98651-25000	4-A 4	98652B			
98662-24000	4-A 4	98662B			
98664-33000	4-A 4	98664			
98700-25000	4-C 4	98700			
98711-25000	4-C 4	98711B			
98712-29600	4-B 4	98163B			
98713-25000	4-C 4	98713B			
98714-25000	4-C 4	98711A			
98716-29600	4-B 4	98120A			
98726-29600	4-C 4	98726A			
98810-25000	4-C 4	98801			
98810-25100	3-D 4	98800			
	3-L 4	98800			
98815-22000	4-C 4	98815			
98820-25100	3-D 4	98900			
	3-M 4	98900			
98881-25000	4-D 4	98881			
98886-29000	4-D 4	98886			
98893-24000	4-D 4	98893B			

—M/E/M/O—

PART NAME INDEX



PART NAME INDEX

PART NAME	M/F NO.	P N C
2WAY VALVE CAP ASSY.....	1-E11	31134C
ABSORBER-FR BUMPER ENERGY.....	3-I 8	86520B
ABSORBER-RR BUMPER ENERGY.....	3-M 8	86820
ACTUATOR -RR DR LOCKING LH.....	3-G 2	95770B
ACTUATOR -RR DR LOCKING RH.....	3-G 2	95780B
ACTUATOR ASSY-FR DR LOCKING LH.....	3-M 1	95730A
ACTUATOR ASSY-FR DR LOCKING RH.....	3-A 2	95750A
ACTUATOR ASSY-IDLE SPEED.....	1-C13	35150
ACTUATOR ASSY-O/S MIR LH.....	3-A10	87612
ACTUATOR ASSY-O/S MIR RH.....	3-A10	87622
ACTUATOR-FIC EQUIPMENT.....	4-K 5	97720
ADAPTER-FUEL FEED(RETURN).....	1-D12	31487C
ADAPTER-SPEEDOMETER CABLE.....	4-H 2	94211A
ADJUSTER ASSY-FR SEAT LH.....	3-M10	88601A
ADJUSTER ASSY-FR SEAT RH.....	3-M10	88602
ADJUSTER ASSY-HEIGHT.....	3-A11	88562
ADJUSTER ASSY-ROCKER ARM LASH.....	3-H11	88890A
ADJUSTER-ASSY LH.....	3-I11	88890A
ADJUSTER-ASSY RH.....	1-G 6	24610
ADVANCER-DISTRIBUTOR VACCUUM.....	2-L11	58350
AIR BAG ASSY-PASSENGER.....	2-L11	58370
ANTENNA ASSY-BURGLAR ALARM.....	1-G13	27150
ANTENNA ASSY-COIL.....	3-K 5	84530
ANTENNA ASSY-RADIO.....	4-L 2	95870B
ARM ASSY-ACCELERATOR.....	3-F 3	95440F
ARM ASSY-RR SUSPENSION FR LH.....	3-G 3	95440F
ARM ASSY-RR SUSPENSION RR LH.....	4-G 3	96210B
ARM ASSY-RR SUSPENSION RR RH.....	4-H 3	96210C
ARM ASSY-TRAILING LH.....	4-H 3	96210D
ARM ASSY-TRAILING RH.....	1-J12	32720
ARM COMPLETE-LWR LH.....	2-F 9	55201
ARM COMPLETE-LWR RH.....	2-F 9	55202
ARM DEFROSTER DOOR.....	2-F 9	55210A
ARM INLET DOOR.....	2-F 9	55220A
ARM TEMP DOOR.....	4-C 4	98801
ARM VENT DOOR.....	2-F 9	55803
ARMATURE ASSY.....	2-F 9	55120A
ARMATURE ASSY-STARTER.....	4-L 3	98310
ARMREST ASSY-FR SEAT LH.....	2-J 8	54510
ARMREST ASSY-FR SEAT RH.....	2-K 8	54540A
ASHTRAY ASSY.....	4-A 5	97211J
ASHTRAY ASSY-RR CONSOLE.....	4-B 5	97211J
ASSY-OIL SEPARATOR.....	4-C 5	97106A
ATA & TO/CONV ASSY.....	4-D 5	97249
BAG ASSY-SUNROOF GLASS STORAGE.....	4-A 5	97115B
BALL ASSY-POPPET.....	4-A 5	97107
BALL JOINT ASSY-RR.....	1-E14	36148A
BALL JOINT ASSY-LWR ARM.....	1-F14	36148A
BAND.....	1-F14	36150P
BAND ASSY-FUEL TANK.....	3-C11	88901B
BAND ASSY-KICK DOWN.....	3-C11	88902B
BAND-CABLE.....	3-J 5	84330
BAND-POWER STEERING GEAR BOX.....	3-H 5	84640C
BAND-RESERVOIR.....	1-A 5	26740A
BANJO.....	2-I 5	45000A
BANJO BOLT.....	2-J 5	45000A
BANJO V/PUMP OIL FEED.....	3-K 2	81630
BAR.....	2-M 4	43846
BAR-FR UPR COVER SUPT.....	2-M 9	54530D
BAR-FR BUMPER UPR COVER SUPT.....	2-K 8	54530C
BAR-FR STABILIZER.....	2-A 8	86562B
BAR-FR UPR SUPT.....	2-A 9	54812A
BAR-RR STABILIZER.....	3-I 8	86562D
BAR-TRACK RELEASE CONNECTOR.....	3-J 8	86562D
BAR-TRUNK LID HINGE TORSION LH.....	2-F 9	55578
BAR-TRUNK LID HINGE TORSION RH.....	3-A11	88599
BASE-V/S RR VIEW MIRROR.....	3-F 1	79273A
BATTERY ASSY.....	3-F 1	79280
BATTERY-TRANSMITTER.....	3-B 8	86115
BEARING.....	1-I14	37110A
BEARING ASSY-HUB OTR.....	4-L 2	96413A
BEARING SET-C/ROD.....	4-L 2	96413A
BEARING(NEEDLE).....	2-C 3	43221A
BEARING-ATA END CLUTCH.....	2-D 3	43222C
BEARING-ATA INPUT SHAFT RR.....	2-D 3	43225B
BEARING-BALL.....	2-E 3	43225B
BEARING-CLUTCH RELEASE.....	2-D 5	43753
BEARING-DIFFERENTIAL CASE.....	2-H 6	45635B
BEARING-FR.....	2-I 6	45635B
BEARING-FR CLUTCH.....	2-J 6	45748
BEARING-FR WHEEL HUB.....	2-K 6	45863A
BEARING-INPUT SHAFT.....	2-C10	58551C
BEARING-MNL T/A CASE.....	2-I 4	51703
BEARING-MNL T/A INPUT SHAFT.....	1-F 5	23060A
BELT.....	2-A 4	43285A
BELT-V.....	2-E 6	45525B
BELT-V-C/PUMP & GENERATOR.....	2-M 5	45325
BELT-V-POWER STEERING PUMP.....	2-D11	57154
BELT-VALVE TIMING.....	2-G11	57762
BEZEL-CLUSTER METER.....	2-L 1	41421B
BEZEL-SWITCH MTG.....	2-H 4	45829
BLADE ASSY-W/SHLD WPR.....	2-K 6	45829
BLADE-W/SHLD WIPER.....	2-B 1	37334
BLANKING COVER-CONSOLE UPR.....	2-E 6	45457A
BLANKING-COVER.....	2-E 8	51720B
BLANKING-FR FOG LAMP SWITCH.....	2-L 3	43255
BLANKING-H/LAMP WASHER SWITCH.....	2-L 2	43146B
BLANKING-HEADLAMP LEVELING DEVICE.....	2-M 3	43265
BLANKING-RR FOG LAMP SWITCH.....	2-A 4	43265
BLANKING-RR WINDOW DEFROSTER.....	2-A 4	43265
BLANKING-SWITCH.....	2-A 4	43265
BLEEDER SCREW.....	2-A 4	43265
BLOCK ASSY-CYLINDER.....	2-A 4	43265
BLOCK ASSY-FUNCTION.....	2-A 4	43265
BLOWER ASSY.....	2-A 4	43265
BLOWER UNIT.....	2-A 4	43265
BOARD-PRINTED CIRCUIT.....	2-A 4	43265
BODY ASSY-ATA VALVE.....	2-A 4	43265
BODY ASSY-MIXING.....	2-A 4	43265
BODY ASSY-THROTTLE.....	2-A 4	43265
BODY-AIR CLEANER.....	2-A 4	43265
BODY-DIESEL FILTER.....	2-A 4	43265
BOLT.....	2-A 4	43265

PART NAME	M/F NO.	P N C
BALL JOINT KIT-SUSP LWR ARM.....	2-J 8	54530B
BALL-STARTER.....	1-E14	36131B
BALL-STEEL.....	1-E14	36131C
BAND.....	2-L 4	1601DH
BAND ASSY-FUEL TANK.....	2-L 5	1601DA
BAND ASSY-KICK DOWN.....	2-B 6	1601DG
BAND-CABLE.....	2-D 6	1601DA
BAND-POWER STEERING GEAR BOX.....	2-D 6	1601DG
BAND-RESERVOIR.....	2-M 6	1601DE
BANJO.....	2-B10	56527B
BANJO BOLT.....	1-G11	31210A
BANJO V/PUMP OIL FEED.....	2-H 6	45660
BAR.....	1-C 7	1799VB
BAR-FR UPR COVER SUPT.....	2-G 5	43765A
BAR-FR BUMPER UPR COVER SUPT.....	2-M 6	1799VA
BAR-FR STABILIZER.....	57775	57775
BAR-FR UPR SUPT.....	2-G11	57775
BAR-RR STABILIZER.....	2-M 1	41616
BAR-TRACK RELEASE CONNECTOR.....	1-D12	31485
BAR-TRUNK LID HINGE TORSION LH.....	1-D12	31486
BAR-TRUNK LID HINGE TORSION RH.....	2-D 1	37398E
BASE-V/S RR VIEW MIRROR.....	1-E 1	09132
BATTERY ASSY.....	3-J 8	86566C
BATTERY-TRANSMITTER.....	3-J 8	86566B
BEARING.....	2-A 9	54812A
BEARING ASSY-HUB OTR.....	3-I 8	86562D
BEARING SET-C/ROD.....	2-F 9	55578
BEARING(NEEDLE).....	3-A11	88599
BEARING-ATA END CLUTCH.....	3-F 1	79273A
BEARING-ATA INPUT SHAFT RR.....	3-F 1	79280
BEARING-BALL.....	3-B 8	86115
BEARING-CLUTCH RELEASE.....	1-I14	37110A
BEARING-DIFFERENTIAL CASE.....	4-L 2	96413A
BEARING-FR.....	2-C 3	43221A
BEARING-FR CLUTCH.....	2-D 3	43222C
BEARING-FR WHEEL HUB.....	2-D 3	43225B
BEARING-INPUT SHAFT.....	2-E 3	43225B
BEARING-MNL T/A CASE.....	2-D 5	43753
BEARING-MNL T/A INPUT SHAFT.....	2-H 6	45635B
BELT.....	2-I 6	45635B
BELT-V.....	2-J 6	45748
BELT-V-C/PUMP & GENERATOR.....	2-K 6	45863A
BELT-V-POWER STEERING PUMP.....	2-C10	58551C
BELT-VALVE TIMING.....	2-I 4	51703
BEZEL-CLUSTER METER.....	1-F 5	23060A
BEZEL-SWITCH MTG.....	2-A 4	43285A
BLADE ASSY-W/SHLD WPR.....	2-E 6	45525B
BLADE-W/SHLD WIPER.....	2-M 5	45325
BLANKING COVER-CONSOLE UPR.....	2-D11	57154
BLANKING-COVER.....	2-G11	57762
BLANKING-FR FOG LAMP SWITCH.....	2-L 1	41421B
BLANKING-H/LAMP WASHER SWITCH.....	2-H 4	45829
BLANKING-HEADLAMP LEVELING DEVICE.....	2-K 6	45829
BLANKING-RR FOG LAMP SWITCH.....	2-B 1	37334
BLANKING-RR WINDOW DEFROSTER.....	2-E 6	45457A
BLANKING-SWITCH.....	2-E 8	51720B
BLEEDER SCREW.....	2-L 3	43255
BLOCK ASSY-CYLINDER.....	2-L 2	43146B
BLOCK ASSY-FUNCTION.....	2-M 3	43265
BLOWER ASSY.....	2-A 4	43265
BLOWER UNIT.....	2-A 4	43265
BOARD-PRINTED CIRCUIT.....	2-A 4	43265
BODY ASSY-ATA VALVE.....	2-A 4	43265
BODY ASSY-MIXING.....	2-A 4	43265
BODY ASSY-THROTTLE.....	2-A 4	43265
BODY-AIR CLEANER.....	2-A 4	43265
BODY-DIESEL FILTER.....	2-A 4	43265
BOLT.....	2-A 4	43265

PART NAME	M/F NO.	P N C
BEARING-MNL T/A INPUT SHAFT RR.....	2-D 3	43223
BEARING-MNL T/A OUTPUT SHAFT FR.....	2-B 3	43220B
BEARING-MNL T/A OUTPUT SHAFT RR(TAP ER ROLLER).....	2-C 3	43220C
BEARING-MTA 2ND GEAR.....	2-L 3	43253A
BEARING-PLANET CARRIER.....	2-J 6	45761C
BEARING-RR.....	2-C 1	37342
BEARING-RR CLUTCH.....	2-D 6	45457
BEARING-STRG GEAR PINION UPR.....	2-G11	57763
BEARING-TRANSFER DRIVEN GEAR.....	2-J 6	45737B
BELLOWS-STEERING GEAR BOX.....	2-C10	57774
BELT-V.....	4-K 5	97713A
BELT-V-C/PUMP & GENERATOR.....	1-M 6	25211B
BELT-V-POWER STEERING PUMP.....	2-I10	57231
BELT-VALVE TIMING.....	1-D 6	24312
BEZEL-CLUSTER METER.....	1-E 6	24312
BEZEL-SWITCH MTG.....	4-D 2	94960B
BLADE ASSY-W/SHLD WPR.....	4-A 2	94956A
BLADE-W/SHLD WIPER.....	4-L 3	96350A
BLANKING COVER-CONSOLE UPR.....	4-C 4	96350A
BLANKING-COVER.....	4-C 4	96306A
BLANKING-FR FOG LAMP SWITCH.....	3-B 7	84632A
BLANKING-H/LAMP WASHER SWITCH.....	4-J 1	97269H
BLANKING-HEADLAMP LEVELING DEVICE.....	4-M 1	93960B
BLANKING-RR FOG LAMP SWITCH.....	4-A 2	93960B
BLANKING-RR WINDOW DEFROSTER.....	4-J 1	93635A
BLANKING-SWITCH.....	4-I 1	93375
BLEEDER SCREW.....	4-L 1	93660B
BLOCK ASSY-CYLINDER.....	4-M 1	93660B
BLOCK ASSY-FUNCTION.....	4-L 1	93716F
BLOWER ASSY.....	4-L 1	93616
BLOWER UNIT.....	2-E 2	41721A
BOARD-PRINTED CIRCUIT.....	1-C 2	21100
BODY ASSY-ATA VALVE.....	1-D 2	21100
BODY ASSY-MIXING.....	1-D12	31450D
BODY ASSY-THROTTLE.....	4-L 5	97730
BODY-AIR CLEANER.....	4-C 5	97100
BODY-DIESEL FILTER.....	4-E 2	94367
BOLT.....	4-F 2	94367
BOLT.....	2-M 6	46210
BOLT.....	1-C13	35120
BOLT.....	1-B13	36100
BOLT.....	1-D 6	28112
BOLT.....	1-E 8	28112
BOLT.....	1-D12	31925
BOLT.....	1-A 2	1120GK
BOLT.....	1-A 2	1140AA
BOLT.....	1-A 2	1140AH
BOLT.....	1-B 2	1140AH
BOLT.....	1-B 2	1140AN
BOLT.....	1-B 2	1170AA
BOLT.....	1-D 2	21166B
BOLT.....	1-H 2	1123GV
BOLT.....	1-H 2	1140AN
BOLT.....	1-H 2	1140AP
BOLT.....	1-H 2	1140AU
BOLT.....	1-I 2	1140AU

PART NAME INDEX

PART NAME	M/F NO.	P N C
BOLT.....	1-1 2	1140AW
	1-1 2	1140FF
	1-1 2	1140FH
	1-1 2	1140FJ
	1-1 2	1140FM
	1-1 2	1140FN
	1-1 2	1140FX
	1-B 3	1123GV
	1-B 3	1140AB
	1-B 3	1140AD
	1-B 3	1140AH
	1-B 3	1140EJ
	1-B 3	1140EK
	1-B 3	1140EM
	1-B 3	1140EN
	1-C 3	1140EN
	1-C 3	1140EZ
	1-C 3	1140FY
	1-C 3	1140FZ
	1-D 3	1140HH
	1-D 3	1140HK
	1-D 3	1140HP
	1-D 3	1140HW
	1-F 3	21381A
	1-G 3	21516
	1-J 3	1011AA
	1-J 3	1120KJ
	1-J 3	1123GT
	1-J 3	1123GV
	1-J 3	1123LC
	1-J 3	1123LG
	1-J 3	1123LJ
	1-K 3	1123LJ
	1-K 3	1132AD
	1-K 3	1140HE
	1-K 3	1140HO
	1-K 3	1140HX
	1-L 3	21822B
	1-A 4	21920
	1-C 4	1123GW
	1-C 4	1123GX
	1-C 4	1123HB
	1-C 4	1140AB
	1-C 4	1140FM
	1-C 4	1140FS
	1-D 4	1140FS
	1-D 4	1140HC
	1-D 4	1140KC
	1-F 4	22122B
	1-F 4	22129A
	1-K 4	1129EF
	1-K 4	1140AB
	1-K 4	1140FY
	1-L 4	22404C
	1-M 4	22448A
	1-C 5	1140KD
	1-A 6	1140FL
	1-A 6	1140FM
	1-A 6	1140HD
	1-B 6	1140HD

PART NAME	M/F NO.	P N C
BOLT.....	1-B 6	1140HU
	1-D 6	24000
	1-F 6	24431A
	1-L 6	11405A
	1-L 6	1140AP
	1-L 6	1140AW
	1-M 6	1140AW
	1-M 6	1140EN
	1-M 6	1140FP
	1-M 6	1140FS
	1-M 6	1140HD
	1-C 7	1125GD
	1-C 7	1140NB
	1-D 7	25395
	1-E 7	25395
	1-K 7	1140AB
	1-K 7	1140AH
	1-K 7	1140FB
	1-D 8	1125KL
	1-D 8	1130DC
	1-F 8	28171
	1-H 8	1125DA
	1-H 8	1140NB
	1-K 8	1123GY
	1-K 8	1129GB
	1-K 8	1140FG
	1-K 8	1140FH
	1-L 8	1140FH
	1-L 8	1140FN
	1-L 8	1140FZ
	1-B 9	28495A
	1-C 9	29217
	1-E 9	1140AA
	1-H 9	1123LC
	1-H 9	1140AB
	1-H 9	1140FY
	1-H 9	1140HC
	1-I 9	28281B
	1-L 9	28528
	1-L 9	28528B
	1-A10	1123EA
	1-A10	1123LC
	1-A10	1129CJ
	1-A10	1129EH
	1-A10	1140AH
	1-B10	1197AA
	1-D10	1140AA
	1-D10	1140FZ
	1-G10	1120GK
	1-G10	1125AA
	1-G10	1125DA
	1-H10	1129EX
	1-H10	1140AB
	1-H10	1140AN
	1-H10	1140ET
	1-A11	1125DA
	1-A11	1125DD
	1-A11	1129EC
	1-C11	31039
	1-F11	31159

PART NAME	M/F NO.	P N C
BOLT.....	1-L11	1125DA
	1-L11	1140ET
	1-F12	32431B
	1-G12	32431B
	1-12	1124AJ
	1-12	1125DA
	1-12	1140EJ
	1-12	1140EJ
	1-A13	1123AX
	1-A13	1123AX
	1-A13	1140AN
	1-A13	1140EN
	1-A13	1140FG
	1-B13	1140GD
	1-13	1140FD
	1-B14	1014CD
	1-B14	1140HK
	1-14	1129AN
	1-14	1129AS
	1-14	1141AC
	1-14	1140FH
	1-14	1140FP
	1-14	1140FY
	1-14	1140FZ
	1-14	1140HP
	2-D 1	37451
	2-D 1	37462A
	2-E 1	37462A
	2-E 1	37462B
	2-E 1	37471A
	2-H 1	1120DG
	2-H 1	1125AE
	2-H 1	1125AJ
	2-H 1	1125DD
	2-H 1	1125DQ
	2-H 1	1129AM
	2-H 1	1129AR
	2-H 1	1131BA
	2-I 1	32855
	2-K 1	1123GT
	2-C 2	1123GX
	2-C 2	1123GY
	2-G 2	1129JA
	2-G 2	1140AB
	2-G 2	1140FZ
	2-H 2	1140FZ
	2-H 2	1140HN
	2-H 2	1140HV
	2-J 2	1123GW
	2-J 2	1123GX
	2-J 2	1123LK
	2-J 2	1123LW
	2-J 2	1123LX
	2-M 2	45328
	2-B 3	1140HE
	2-K 4	1140AC
	2-L 4	1123GV
	2-L 4	1123GX
	2-A 5	43887
	2-B 5	45328

PART NAME INDEX

PART NAME	M/F NO.	P N C
BOLT.....	2-C 5	1125AL
	2-D 5	43763A
	2-F 5	1124AG
	2-F 5	1125AL
	2-I 5	1129JA
	2-I 5	1140AB
	2-I 5	1140FZ
	2-I 5	1140HN
	2-I 5	1140HV
	2-L 5	1123GX
	2-L 5	1123LW
	2-L 5	1123LX
	2-L 5	1123MD
	2-L 5	1125DA
	2-L 5	1140EK
	2-L 5	1140FD
	2-L 5	1140FH
	2-L 5	1140FY
	2-L 5	1140GD
	2-M 5	45284A
	2-A 6	45984
	2-B 6	1140FY
	2-J 6	45765
	2-K 6	45868
	2-M 6	1120GB
	2-M 6	1140EJ
	2-L 7	1140FY
	2-A 8	1123LF
	2-K 8	54552A
	2-K 8	54557B
	2-L 8	1132CB
	2-B 9	54849
	2-C 9	1132CB
	2-E 9	1124DF
	2-E 9	54849
	2-F 9	55230D
	2-L 9	1125KG
	2-L 9	56415
	2-M 9	1124DG
	2-M 9	1124DJ
	2-E10	1125AK
	2-G10	57132
	2-G10	57133
	2-J10	1123GV
	2-J10	1123LC
	2-J10	1123SD
	2-J10	1125DA
	2-K10	1125DA
	2-L10	57273
	2-D11	1125AC
	2-F11	57725A
	2-J11	58163
	2-M11	58389
	2-E12	1123AD
	2-E12	1123AM
	2-E12	1124AG
	2-E12	1125DA
	2-H12	1123GV
	2-K12	1123GV
	2-K12	1129AP

PART NAME	M/F NO.	P N C
BOLT.....	2-M12	1123MG
	2-M12	1124DG
	2-B13	82489
	2-I13	1011CA
	2-I13	1140FF
	2-K13	1140AH
	2-B14	1012AA
	2-B14	1125KB
	2-B14	1129AC
	2-M14	79359
	2-M14	79359B
	3-B 1	79359
	3-B 1	79359B
	3-D 1	1125DA
	3-D 1	81142
	3-F 1	1125DA
	3-H 1	1125DA
	3-H 1	1125DE
	3-H 1	1129EC
	3-H 1	1129EE
	3-I 1	1129EE
	3-B 2	1125DA
	3-B 2	1125DE
	3-C 2	1125DE
	3-C 2	1129EC
	3-C 2	1129EE
	3-H 2	1125DA
	3-J 2	1125KB
	3-L 2	1125DA
	3-L 2	1125DD
	3-L 2	1125DQ
	3-M 2	1129AC
	3-M 2	1130DB
	3-A 3	81718F
	3-B 4	1140NF
	3-J 4	1140NF
	3-B 5	1125DA
	3-B 5	1125DK
	3-G 5	1125AD
	3-J 5	1125DB
	3-J 5	1129AC
	3-J 5	1141AC
	3-L 5	84767F
	3-I 6	1124DC
	3-F 8	1125DE
	3-F 8	1125GD
	3-L 8	1125DD
	3-L 8	1125DE
	3-C 9	92155
	3-H 9	1129GE
	3-H10	1124DD
	3-H10	1125DF
	3-K11	1125KE
	3-K11	88010C
	3-C12	1125AC
	3-F12	1141AC
	3-A13	91791B
	3-E13	1125AD
	3-E13	1141AC
	3-G13	91791B

PART NAME	M/F NO.	P N C
BOLT.....	3-J13	1125AC
	3-J13	1140EJ
	3-J13	1140NB
	3-J13	1141AC
	3-E14	1141AE
	3-G14	1125AC
	4-B 1	92155
	4-D 1	1129EE
	4-E 1	95736
	4-J 2	1125DA
	4-J 2	1141AC
	4-M 2	1125DA
	4-B 3	1123GJ
	4-B 3	1129AC
	4-B 3	1129EC
	4-G 3	1141AC
	4-G 3	1141AE
	4-K 3	1125AC
	4-L 3	1011AA
	4-M 3	88582A
	4-F 5	1125DA
	4-F 5	1125GD
	4-F 5	1130DE
	4-F 5	1140AB
	4-G 5	1140AB
	4-G 5	1140FJ
	4-G 5	1140FN
	4-G 5	1140HE
	4-G 5	1140HH
	4-G 6	1140NB
	4-H 5	25395
	4-I 5	25396
	4-I 5	97236
	4-C 6	1129AT
	4-D 6	97743A
BOLT & RUBBER ASSY-MTR MTG.....	4-L 3	98120A
	4-B 4	98120A
BOLT ASSY-ENGINE MTG.....	1-L 3	21821D
BOLT ASSY-INJECTOR CLAMP.....	1-B13	33616
BOLT ASSY-PILOT END.....	3-A12	89811F
BOLT ASSY-W/WASHER.....	4-D 1	92755
BOLT(M7 * 20).....	1-L12	33114B
BOLT(W/WASHER).....	1-I 6	1125GA
	1-G10	1129AE
	1-H10	1129AE
	1-A11	1125GA
	1-A11	1125KC
	1-L11	1125KC
	1-I13	1125KC
	2-H 1	1123AP
	3-F 1	1129AE
	3-H 2	1129AE
	3-M 2	1129AE
	3-B 4	1125GA
	3-G 5	1125GB
	3-F12	1125KC
	3-G14	1125KC
	4-B 1	1125KC
	4-J 2	1129AD
	4-M 2	1129AE

PART NAME INDEX

PART NAME	M/F NO.	P N C
BOLT(W/WASHER).....	4-M 3	1125GA
	4-M 3	1125GB
	4-M 3	1129AE
	4-B 4	1129AD
	4-H 4	1125KC
	4-F 5	1125KC
BOLT-A/C PULLEY TENSION ADJUST.....	4-K 5	97718A
BOLT-BALANCE SHAFT CARRIER.....	1-I 6	23381A
	1-I 5	23361B
BOLT-BEARING CAP.....	1-D 2	21114
BOLT-BRAKE PEDAL.....	2-H 1	32813B
BOLT-CALIPER MTG.....	2-J 11	58151B
BOLT-CAMSHAFT.....	1-E 6	24333
BOLT-COMPRESSOR MTG.....	4-K 5	97705
	4-K 6	97714D
	4-K 5	97714K
BOLT-CONICAL WASHER.....	2-A 7	46217A
	2-A 7	46219A
	2-A 7	46219B
	2-A 7	46220A
	2-C 7	46258
	2-C 7	46259
	2-C 7	46263
	2-F 7	46317
	2-F 7	46318A
	2-F 7	46319
	2-H 7	46357
	2-H 7	46362
BOLT-CONNECTING ROD.....	1-K 6	23513
BOLT-CRANKSHAFT.....	1-H 5	23127B
BOLT-CYLINDER HEAD.....	1-G 4	22321
BOLT-DRIVE PLATE.....	1-I 5	23311B
BOLT-ENGINE HANGER.....	1-H 4	22345
BOLT-EYE JOINT.....	1-L 14	1540TC
BOLT-FLANGE.....	1-D 12	31476
	2-F 8	55451
	2-F 9	55117D
	2-F 9	55451
BOLT-FLANGE(8"65).....	1-H 9	1140FC
BOLT-FLNAGE.....	2-B 6	1140GA
BOLT-FLYWHEEL.....	1-I 5	23311A
BOLT-FR SEAT RECLINER MTG.....	3-J 10	88195B
BOLT-GEAR BOX MTG.....	2-C 10	57274
BOLT-GROUND.....	1-J 10	91791A
	1-J 14	91791A
	3-M 12	91791A
	3-A 13	91791A
	3-G 13	91791A
	3-L 13	91791A
	4-J 2	91791A
	4-G 3	91791A
BOLT-GUIDE PIN.....	2-J 11	58185A
BOLT-HEX.....	1-H 2	1120NX
BOLT-HEXAGON SOCKET HEAD.....	1-C 5	11703
BOLT-HOOD HINGE MTG.....	2-J 13	79152
BOLT-HOSE CONNCTING.....	2-F 12	58726
BOLT-HUB.....	2-E 8	51742
	2-F 8	52752
BOLT-I.S.C.A.....	1-C 13	35150A
BOLT-INTERLOCK.....	2-B 5	43916

PART NAME	M/F NO.	P N C
BOLT-MANIFOLD MTG.....	4-D 6	97714
BOLT-MAP SENSOR MTG.....	1-D 9	39322
BOLT-MODULE MTG.....	2-J 9	56143A
BOLT-PUMP ADJUSTING.....	2-I 10	57228
BOLT-PUMP MTG.....	2-H 10	57227
	2-I 10	57227
BOLT-REVERSE IDLER.....	2-B 4	43318
BOLT-SAFETY LOCK.....	3-F 3	81919
BOLT-SEAL.....	2-M 4	43837
	2-M 5	46227
BOLT-SET.....	2-L 11	58348
BOLT-SPECIAL.....	1-L 5	43213
	2-B 3	43213
	2-I 5	42121B
	2-I 6	43213
BOLT-SPIDER.....	2-G 5	43746
BOLT-STRIKER MTG.....	3-A 3	81233
BOLT-STUD.....	1-F 12	32311
BOLT-THROUGH.....	1-G 14	36181B
	2-B 1	37338C
	2-C 1	37338C
BOLT-UNION.....	2-D 2	41712A
BOLT-WASHER ASSY.....	1-B 3	1123GF
	1-A 6	1123GF
	1-L 6	1123GF
	1-L 6	1123GG
	1-A 10	1125DM
	2-C 2	1123GF
	2-J 10	1123LE
	4-B 3	1129ED
BOOSTER ASSY-BRAKE.....	2-I 12	59110B
BOOT ASSY-PARK BRAKE LEVER.....	3-H 5	84640A
BOOT ASSY-SHIFT LEVER.....	3-H 5	84640E
BOOT KIT-FR AXLE DIFF SIDE.....	2-B 8	49506
BOOT KIT-FR AXLE WHEEL SIDE LH.....	2-B 8	49509B
BOOT KIT-FR AXLE WHEEL SIDE RH.....	2-C 8	49609
BOOT-CONTROL SHAFT.....	2-L 2	43127
BOOT-GUIDE ROD.....	2-J 11	58164B
BOOT-PISTON.....	2-I 11	58114A
BOOT-RELEASE CYLINDER.....	2-E 2	41723
BOOT-RELEASE FORK.....	2-K 1	41417
BOOT-SLEEVE.....	2-J 11	58186
BOSS-SPEEDOMETER.....	4-C 2	94211B
BOX -MULTI.....	3-D 6	84820F
BOX ASSY-RELAY.....	3-B 13	91830
	3-C 13	91830
BOX KIT-FUSE.....	3-A 13	91810C
	3-B 13	91810C
BOX KIT-RELAY & FUSE.....	3-G 13	91840C
BRACE-GENERATOR.....	2-D 1	37461
BRACKET.....	1-A 7	25438
	1-H 8	28259
	1-L 9	28651
	1-K 12	32760A
	2-M 11	58390
	4-L 4	97342B
BRACKET ASSY-C/PAD CTR SUPT.....	3-L 5	84730B
BRACKET ASSY-ENGINE MTG.....	1-L 3	21810A
BRACKET ASSY-FENDER MTG LH.....	2-E 14	71117
BRACKET ASSY-FENDER MTG RH.....	2-E 14	71127

PART NAME	M/F NO.	P N C
BRACKET ASSY-G/BOX HINGE MTG.....	3-L 8	84737A
BRACKET ASSY-G/BOX STRIKER MTG.....	3-L 5	84741C
BRACKET ASSY-GENERATOR FR.....	2-B 1	37330A
BRACKET ASSY-GENERATOR RR.....	2-C 1	37380B
BRACKET ASSY-P/S G/BOX MTG.....	2-D 11	57220A
BRACKET ASSY-RADIATOR MTG UPR.....	1-D 7	25333
BRACKET ASSY-RADIATOR MTG UPR LH.....	1-D 7	25333L
BRACKET ASSY-ROLL STOPPER FR.....	1-M 3	21840
	1-A 4	21840
	1-A 4	21850
BRACKET ASSY-ROLL STOPPER RR.....	1-A 4	21850
BRACKET ASSY-RR TOWING HOOK.....	2-G 13	65517A
BRACKET ASSY-SPARE TIRE MTG.....	2-G 13	65517
BRACKET ASSY-STARTER FR.....	1-C 14	36110
BRACKET ASSY-SWITCH.....	2-L 2	43139B
BRACKET ASSY-T/GATE TRIM HMSL.....	3-M 2	73740
BRACKET ASSY-TRANSAXLE MTG.....	1-L 3	21830
	1-M 3	21830
	2-L 5	46210
BRACKET KIT-ACC CABLE.....	1-C 9	35103A
	1-D 9	35103A
BRACKET-ABS FR WHEEL LH.....	4-C 3	95673
BRACKET-ABS FR WHEEL RH.....	4-C 3	95674
BRACKET-ACCEL SENSOR.....	1-J 10	39365
BRACKET-ACCEL WIRE.....	1-D 9	35103B
BRACKET-ACCELERATOR PEDAL.....	1-I 12	32711
	1-J 12	32711
BRACKET-ACTUATOR MTG.....	4-K 5	97721
BRACKET-ATA.....	2-A 6	91384
BRACKET-BATTERY MTG.....	1-I 14	37180A
BRACKET-CANISTER PURGE VALVE.....	1-E 10	28911A
BRACKET-CLUSTER GAUGE REINF.....	3-L 5	84716E
BRACKET-CLUTCH OIL TUBE.....	2-C 2	41465
BRACKET-COMPRESSOR MTG.....	4-K 5	97703
BRACKET-CONDENSER.....	1-I 4	25617
BRACKET-CONNECTOR.....	1-K 13	27366
	3-L 5	91930
	3-G 13	91830B
BRACKET-CONNECTOR MTG.....	1-E 2	39211
	1-C 10	39211
BRACKET-CONTROL WIRING MTG.....	1-A 9	28318
BRACKET-ECU.....	1-I 10	39112B
BRACKET-ECU(LHD).....	1-I 10	39112A
BRACKET-ENGINE COVER.....	1-C 9	28214C
BRACKET-ENGINE SUPPORT.....	1-L 3	21621A
BRACKET-ENGINE SUPPORT FR.....	1-L 3	21610
BRACKET-EXHAUST PIPE SUPPORT.....	1-B 10	28690A
BRACKET-FR BPR CORNER SUPT LH.....	3-J 8	86584C
	3-K 8	86584C
BRACKET-FR BPR CORNER SUPT RH.....	3-K 8	86585D
BRACKET-FR BPR CTR SUPT.....	3-J 8	86583C
BRACKET-FR BPR LWR SUPT.....	3-J 8	86582G
BRACKET-FR BPR UPR SUPT.....	3-J 8	86581G
BRACKET-FUEL FILTER MTG.....	1-A 12	31324B
BRACKET-FUEL PUMP.....	1-D 11	31113B
BRACKET-GENERATOR.....	2-D 1	37460
BRACKET-GENERATOR ADAPTER UPPER.....	E 1	37482E
BRACKET-GENERATOR,LWR.....	2-E 1	37472E
BRACKET-H/MODULE.....	2-H 12	58960
BRACKET-H/MODULE(A).....	2-H 12	58967
BRACKET-HOSE MTG.....	2-G 11	57798A

PART NAME INDEX

PART NAME	M/F NO.	P N C
BRACKET-IGNITION COIL MTG.....	1-K13	27330
BRACKET-JACK MTG.....	2-G13	66516
BRACKET-KNOCK SENSOR.....	1-E 2	39321
	1-F 2	39321
BRACKET-LAMP MTG LH.....	3-M14	92450H
BRACKET-LAMP MTG RH.....	3-M14	92460H
BRACKET-OIL TEMPERATURE SENSOR.....	2-J 7	46385
BRACKET-OXYGEN SENSOR CONN.....	1-C10	39280
BRACKET-P/S OIL PUMP MTG.....	2-H10	57225
	2-K10	57226D
BRACKET-P/S OIL PUMP MTG (A).....	2-H10	57225A
BRACKET-P/S PRESSURE HOSE.....	2-L10	57261B
BRACKET-PCV.....	1-E10	28911B
BRACKET-RADIATOR RSVR MTG.....	1-H 7	25432
BRACKET-RADIO MTG LH.....	4-E 3	96176L
	4-F 3	96176L
BRACKET-RADIO MTG RH.....	4-F 3	96176R
BRACKET-RELAY.....	4-L 2	95242A
BRACKET-RESERVOIR MTG.....	2-K10	57232B
BRACKET-ROLL SUPPORT FR.....	2-L 2	43175
	2-M 2	43175
	2-M 5	45216
BRACKET-ROLL SUPPORT RR.....	2-M 2	43176
	2-M 5	45217
BRACKET-ROOM LAMP MTG.....	4-E 1	92215
BRACKET-RR BUMPER LWR SUPT.....	3-A 9	86682G
BRACKET-RR BUMPER UPR SUPT.....	3-M 8	86681G
BRACKET-RR CONSOLE RR MTG.....	3-H 5	84678A
BRACKET-RTN TUBE MTG.....	2-K10	57240C
	2-L10	57240C
BRACKET-SHIFT CABLE.....	2-A 6	45957A
BRACKET-SHIFT CONTROL CABLE.....	2-B 5	43920
	2-B 5	43921
BRACKET-SHIFT LEVER.....	2-C 5	43731A
	2-H 5	46736A
BRACKET-SOLENOID VALVE.....	1-J10	39463
BRACKET-STABILIZER BAR.....	2-A 9	54815A
	2-B 9	54815A
	2-F 9	55514A
BRACKET-STARTER RR.....	1-F14	36170
	1-G14	36170
BRACKET-T/M SUPT.....	2-K 2	43122
BRACKET-TENSION PULLEY MTG.....	4-K 5	97705A
BRACKET-TRAILING ARM MTG.....	2-F 9	55133
BRACKET-TRAILING ARM RH.....	2-F 9	55140A
BRACKET-TRANSAXLE MTG.....	2-K 2	43120
BRACKET-TUBE MTG.....	2-L10	67250
BRACKET-W/S MTG.....	1-E 2	31381B
BRACKET-WIRING.....	1-F 2	91461
	1-A 9	28316A
	1-D 8	91422
	1-D13	91591
	1-M13	91591
BRACKET-WIRING GLOW PLUG.....	1-H14	36735
BRACKET-WIRING MTG.....	1-H 3	91975
BRAKE ASSY-FR LH.....	2-I11	58110
BRAKE ASSY-FR RH.....	2-J11	58130
BRAKE ASSY-RR LH.....	2-K11	58310
BRAKE ASSY-RR RH.....	2-L11	58360
BREAKER ASSY.....	1-F13	27128

PART NAME	M/F NO.	P N C
BREATHER-AIR.....	2-L 2	43124
BRKT ADAPTER.....	1-D12	33116
BRKT-CONTROL WIRING(DSL).....	1-E12	91971A
	1-L12	91971A
	1-D13	91971A
	2-E 1	91971E
BRKT-ENGINE COVER.....	2-E 1	37469E
BRKT-FUEL INJECTOR CLAMPING.....	1-B13	33814D
BRUSH.....	1-F14	36163
BRUSH HOLDER ASSY.....	1-G14	36170A
	1-G14	36170E
BRUSH-GENERATOR.....	2-C 1	37368B
	2-D 1	37368B
BUCKLE ASSY-FR S/BELT LH.....	3-M11	88830A
BUCKLE ASSY-FR S/BELT RH.....	3-H11	88840A
BUCKLE ASSY-RR S/BELT SIDE.....	3-B12	89831C
BUCKLE ASSY-RR STATIC 2PT CTR.....	3-B12	89830D
BULB.....	2-F 5	18643B
	3-J 5	18643A
	3-G14	18643D
	3-G14	18644F
	3-I14	18643D
	3-K14	18642E
	3-K14	18644A
	3-L14	18644A
	3-L14	18644F
	4-A 1	18643D
	4-A 1	18645B
	4-B 1	18643E
	4-D 1	18645E
	4-D 1	18645F
	4-C 2	18643A
	4-C 2	18643B
	4-F 2	94369F
	4-J 4	97272B
	4-K 4	97272B
BULB-HALOGEN.....	3-G14	18647C
	3-I14	18647A
BUMPER-DR OVERSLAM.....	3-E 1	82191
	3-I 3	82191
	3-E 4	82191
BUMPER-FUEL FILLER DR.....	3-I 2	87551
BUMPER-GLOVE BOX HOUSING.....	3-K 5	84518C
BUMPER-HOOD OVERSLAM.....	3-E 1	86415A
BUMPER-OVERSLAM.....	3-E 1	81738A
	3-G 1	81738A
BUMPER-RUBBER.....	2-L 8	54628
	2-C 9	55270A
BUMPER-T/GATE BODY SIDE GUIDE.....	3-A 3	81738D
BUMPER-T/GATE BODY SIDE GUIDE LH.....	3-A 3	81739D
	3-B 3	81739D
BUMPER-T/GATE BODY SIDE GUIDE RH.....	3-B 3	81749
BUMPER-TRUNK LID HINGE STOP.....	3-G 1	86421
BUMPER-TRUNK LID OVERSLAM LWR.....	3-G 1	81738B
	3-A 3	81738B
BUSH.....	1-B 2	1433CA
	1-B 2	1433CC
	1-C 2	1433CC
	1-C 2	1433CD
	1-C 2	1433CE

PART NAME	M/F NO.	P N C
BUSH.....	1-C 2	1433CF
	1-C 2	1433CG
	1-D 3	1433CA
	2-I 1	32871D
	2-A 5	43885
	2-D 5	43762A
	2-G 5	43768
BUSH ASSY-RACK.....	2-F11	57728
BUSH-ATA VALVE BODY DOWEL.....	2-G 7	46349
BUSH-BRAKE PEDAL.....	2-I 1	32879
BUSH-CLUTCH PEDAL.....	2-I 1	32885
	2-J 1	32885
BUSH-FR LWR ARM(A).....	2-K 8	54651D
BUSH-FR LWR ARM(G).....	2-K 8	54655D
BUSH-GEAR SHIFT LEVER.....	2-G 5	43756A
BUSH-KNOCK.....	1-D 2	21124
	1-D 3	21124
	1-F 4	22124B
BUSH-PEDAL.....	2-I 1	32883
BUSH-RACK.....	2-A10	56521B
	2-B10	56521B
BUSH-RR SUSP RR ARM.....	2-F 9	55225A
BUSH-RR SUSPENSION ARM.....	2-F 9	55215A
BUSH-RUBBER.....	2-E 9	54841
BUSH-STABILIZER BAR.....	2-A 9	54813
	2-F 9	55513A
BUSH-TRAILING ARM.....	2-E 9	55116C
	2-E 9	55116D
BUSHING.....	2-K 1	41413A
	2-K 1	41414A
	2-D 5	43761B
BUSHING-CON ROD.....	1-K 6	23517
BUSHING-CROSSMEMBER MTG.....	2-A13	62466
	2-A13	62468A
BUSHING-GENERATOR.....	2-E 1	37473
BUSHING-KNOCK.....	1-C 5	1433CB
BUSHING-RR.....	1-G14	36172
BUSHING-STARTER ARMATURE FR.....	1-D14	36112B
BUTTON-PUSH.....	2-F 5	43714D
	2-G 5	46714
CABLE ASSY-ACCELERATOR.....	1-K12	32790
CABLE ASSY-ATM LEVER.....	2-G 5	43760A
CABLE ASSY-BATTERY.....	1-I14	37210
CABLE ASSY-FUEL PUMP.....	1-E11	31130
CABLE ASSY-HIGH TENSION.....	1-M13	27510
CABLE ASSY-HOOD LATCH RELEASE.....	3-E 1	81190B
CABLE ASSY-MTA LEVER.....	2-D 5	43794A
CABLE ASSY-PARK BRAKE LH.....	2-K12	59760C
CABLE ASSY-PARKING BRAKE RH.....	2-K12	59770
CABLE ASSY-SPARK PLUG NO.1.....	1-K13	27420
CABLE ASSY-SPARK PLUG NO.2.....	1-K13	27430
CABLE ASSY-SPARK PLUG NO.3.....	1-K13	27440
	1-L13	27440
CABLE ASSY-SPARK PLUG NO.4.....	1-L13	27450
CABLE ASSY-SPEEDOMETER.....	4-H 2	94240
CABLE ASSY-T/LID RELEASE.....	3-H 2	81261
CABLE SET-SPARK PLUG.....	1-L13	27501
	1-M13	27501
CABLE-ANTENNA FEEDER.....	4-H 3	96250
CABLE-ANTENNA FEEDER EXTENSION.....	4-H 3	96250A

PART NAME INDEX

PART NAME	M/F NO.	P N C
CABLE-COVERING SHELF CTR.....	3-M 7	858368
CABLE-INTAKE.....	4-J 4	97283G
CALIPER KIT-FR BRAKE LH.....	2-J11	58180
CALIPER KIT-FR BRAKE RH.....	2-J11	58181
CAM-CANCEL.....	4-G 1	93455A
CAM-MODE.....	4-A 5	97018
CAM-ROD ADJUSTING.....	2-F 5	43714C
CAMSHAFT ASSY.....	1-D 6	24100A
CAMSHAFT ASSY-EXHAUST.....	1-D 6	24200A
CAMSHAFT ASSY-INTAKE.....	1-D 6	24100C
CANISTER ASSY.....	1-H11	31410
CAP.....	2-E11	57711A
	2-E11	57712B
CAP & PAD ASSY.....	4-C 4	98711A
CAP ASSY-DISTRIBUTOR.....	1-F13	27110
CAP ASSY-FUEL FILLER.....	1-C11	31010
CAP ASSY-RADIATOR.....	1-D 7	25330
CAP ASSY-RESERVOIR.....	2-M 1	41825
	2-H10	57183
	2-A12	58531A
	2-B12	58531A
CAP ASSY-WHEEL HUB.....	2-G 8	52960
CAP-AIR BREATHER.....	2-M 5	45276B
CAP-BATTERY TERMINAL.....	1-J14	37256
CAP-BLEEDER SCREW.....	2-J11	58314
	2-K11	58314
CAP-BOLT.....	3-I11	92165A
CAP-BULB.....	4-F 2	94369H
CAP-CANISTER AIR NIPPLE.....	1-H11	32769A
CAP-CARBURETOR.....	1-G 8	28250
CAP-CHARGE VALVE.....	4-A 6	97811A
	4-A 6	97811B
CAP-DR GRIP HDL LH.....	3-M 3	82716C
	3-A 4	82716C
	3-H 4	82716C
CAP-DR GRIP HOL RH.....	3-A 4	82726
	3-H 4	82726
CAP-DR SWITCH.....	4-I 1	93561
CAP-DUST.....	2-C10	56856
CAP-FR SEAT A/REST.....	3-C11	88903A
CAP-HEADLAMP DUST.....	3-G14	92161A
CAP-LAMP.....	3-F 9	87213L
CAP-OIL FILLER.....	1-M 4	26510
CAP-RADIATOR RESERVOIR.....	1-H 7	25441A
CAP-RELIEF VALVE.....	1-D11	31119
CAP-RR WIPER ARM.....	4-C 4	98815
CAP-RUBBER.....	1-A 9	28325
	1-B 9	28325
	1-E 9	28325
CAP-S/BELT PRETENSIONER CONNECTOR.....	D11	88800
CAP-SEALING.....	1-C 2	1573GF
	1-D 4	1573GC
	1-E 4	1573GE
	1-E 4	1573GF
	1-M 8	1573GF
	2-L 5	1573GB
CAP-THROTTLE POSITION SENSOR.....	1-C13	35109
	1-C13	35109B
CAP-VALVE.....	1-D 6	22226
CAP-W/SHLD WASHER RSVR.....	4-M 3	98623

PART NAME	M/F NO.	P N C
CAP-WHEEL HUB.....	2-F 8	52746
CARBURETOR ASSY.....	1-F12	32110
CARPET ASSY-FLOOR.....	3-E 5	84280
	3-F 5	84260
CARRIER ASSY-PLANET.....	2-J 6	45760B
CARRIER ASSY-RR AXLE LH.....	2-F 8	52750A
CARRIER ASSY-RR AXLE RH.....	2-F 8	52760
CARRIER MACHINING.....	2-J11	58123A
CARRIER-BALANCE SHAFT.....	1-I 5	23331
CARTRIDGE.....	1-D12	31973
CARTRIDGE ASSY P/S OIL PUMP.....	2-E10	57115
CASE ASSY-ATA.....	2-M 5	45240
CASE ASSY-FR.....	1-J 2	21310B
CASE-CLUSTER.....	4-D 2	94365A
CASE-DIFFERENTIAL.....	2-B 4	43322
	2-C 4	43322
	2-H 4	45822
	2-K 6	45822
CASE-MNL TRANSAXLE.....	2-K 2	43110
CASE-MTM.....	2-K 2	43111
CASE-OIL SEAL RR.....	1-F 3	21441
CASE-THERMOSTAT.....	1-I 4	25620
	1-L 7	25620
CASE-TOOL.....	1-E 1	09129
CATCH & CABLE ASSY-F/FILLER DR.....	3-I 2	81590B
CHAIN-TIMING.....	1-E 6	24321
CHANNEL ASSY-FR DR RR LH.....	3-D 4	82550
CHANNEL ASSY-FR DR RR RH.....	3-D 4	82560
CHANNEL ASSY-RR DR DIVISION LH.....	3-L 4	83510
CHANNEL ASSY-RR DR DIVISION RH.....	3-L 4	83520
CHECK VALVE ASSY-WASHER.....	4-D 4	98886
CHECKER ASSY-FR DOOR LH.....	3-I 1	79380A
	3-J 1	79380A
CHECKER ASSY-FR DOOR RH.....	3-J 1	79390
CHECKER ASSY-RR DOOR LH.....	3-D 2	79480
CHECKER ASSY-RR DOOR RH.....	3-D 2	79490
CHOKE VALVE.....	2-D 2	41719
CLAMP.....	1-F 8	28174D
	2-A 6	45957
	4-C 3	95689A
CLAMP ASSY-FUEL STRAINER.....	1-D12	31912C
CLAMP-ACCELERATOR CABLE.....	1-A 5	32795
	1-K12	32792
	1-K12	32795
CLAMP-ATA VALVE BODY.....	2-E 7	46314
	2-F 7	46314
	2-F 7	46315
CLAMP-CABLE.....	1-L13	27485
	1-L13	27486
CLAMP-CONTROL CABLE.....	4-I 4	97113C
CLAMP-FUEL TUBE.....	1-M11	31312A
	1-A12	31324C
	1-A12	31325A
	1-A12	31326
	1-A12	31327
CLAMP-HOSE.....	1-I 2	1472AR
	1-K 4	1472AG
	1-L 4	1472AG
	1-L 4	1472AJ
	1-L 4	1472AK

PART NAME	M/F NO.	P N C
CLAMP-HOSE.....	1-G 7	25331A
	1-H 7	25441B
	1-K 7	1472AG
	1-K 7	1472AP
	1-L 7	25473C
	1-D 8	1471CC
	1-D 8	1471DC
	1-D 8	1471DK
	1-D 8	1472AY
	1-F 8	28181A
	1-H 8	28183C
	1-H 8	28183D
	1-H 8	28184
	1-H 8	28185A
	1-I 8	K9928A
	1-M 8	1472AG
	1-I 9	1472AM
	1-D10	1472AG
	1-B11	1471DB
	1-B11	1471DC
	1-B11	1472AD
	1-B11	1472AM
	1-B11	1472AN
	1-L11	1471CO
	1-L11	1471CG
	1-L11	1472AD
	1-L11	1472AF
	1-L11	1472AG
	1-M11	28366A
	1-F12	1472AE
	1-B13	1472AG
	1-B13	1472AT
	1-M13	28366A
	1-M13	28367
	1-M13	28368
	1-L14	1472AK
	1-L14	1472AL
	2-M 9	1472AK
	2-K10	1471CJ
	3-J 2	1472NB
	4-H 4	1472AN
	4-I 4	1472AY
CLAMP-PARK BRAKE CABLE.....	2-K12	59734B
CLAMP-SPARE TIRE.....	2-H 8	62850
CLAMP-STEERING GEAR BOX MTG.....	2-D11	58223A
CLAMP-STEERING GEAR BOX MTG(B).....	2-A10	58224A
	2-E11	57221
CLIP.....	1-D 4	1489AC
	1-G11	31353B
	1-H11	31353B
	1-A12	31334D
	1-B12	31334D
	1-C12	31385A
	1-D12	31387
	1-E12	39275
	2-E12	1489LA
	2-G12	58752R
	2-G12	58753
	3-E 1	81199
	3-K 8	86593A

PART NAME INDEX

PART NAME	M/F NO.	P N C
CLIP.....	3-M 8	88593A
	3-F13	91752
	3-H14	97795
	4-C 3	95688A
	4-C 3	95688B
	4-K 3	14960
	4-M 3	81199
CLIP HOSE.....	1-L14	31379
	2-I12	31379
CLIP-A/C COOLER LINE.....	4-A 6	97792
CLIP-BRAKE FLUID LINE.....	2-G12	58752F
	2-G12	58756C
	2-G12	58756F
	2-G12	58756G
CLIP-CABLE MT'G.....	4-I 4	97280C
	4-J 4	97280C
CLIP-CIRCULATION.....	2-G11	57773
CLIP-CLUTCH TUBE.....	2-M 1	41634
CLIP-CONNECTOR.....	1-E 2	39181
	1-H 4	25616
	1-I 4	25616
	1-L 9	39351
CLIP-DISCHARGE HOSE MTG.....	4-A 6	97798
CLIP-DR BELT O/S W/STRIP MTG.....	3-J 3	83219
CLIP-DR OPNG W/STRIP FDXNG.....	3-I 3	82134
	3-E 4	82134
CLIP-DR REGULATOR HANDLE.....	3-D 4	82643B
	3-K 4	82643B
CLIP-DR ROD HOLDING.....	3-L 1	81375
	3-D 2	81375
CLIP-DR SCUFF TRIM MTG.....	3-J 7	85874B
CLIP-FR AXLE DIFF SIDE.....	2-C 8	49567
CLIP-FUEL HOSE.....	1-E11	31137
	1-E11	31137A
	1-M11	31137
	1-A12	31329A
CLIP-FUEL INJECTOR.....	1-C13	35309
CLIP-GARNISH MTG RR.....	3-I 9	92552
CLIP-GEAR SHIFT LEVER CABLE.....	2-D 5	43798
	2-G 5	43798
CLIP-HEATER CASE UPFR.....	4-B 5	97249B
	4-E 6	97249B
CLIP-HOOD INSULATING PAD MTG.....	3-D 1	81128
CLIP-HOOD SEAL STRIP MTG.....	3-J 3	86438
CLIP-HOSE.....	1-K 7	14720
	1-B12	31354
	2-A 2	58727A
	2-C11	57587D
	2-C11	57587E
	2-F12	58727A
	4-A 4	98682B
CLIP-LIQUID TUBE MTG.....	4-A 6	97792A
	4-A 6	97797B
CLIP-PRESSURE TUBE MTG.....	2-L10	57285
CLIP-ROD.....	3-D 1	81188
	3-I 1	1492YC
	3-I 1	1492YD
	3-I 1	1492YE
	3-I 1	1492YF
	3-C 2	1492YE

PART NAME	M/F NO.	P N C
CLIP-ROD.....	3-D 2	1492YE
	3-D 2	1492YF
CLIP-ROOF GARNISH MTG.....	3-G 9	87258
	3-G 9	87257A
CLIP-RR WASHER HOSE.....	4-D 4	98961
CLIP-SIDE GARNISH MTG.....	3-D10	87770A
CLIP-SIDE SILL MOULDING MTG.....	3-D10	87786
CLIP-SNAP.....	1-J13	1492ND
CLIP-SPRING.....	3-C 3	85839
	3-D 3	85839
	3-E 6	85839
	3-F 6	85839
	3-G 6	85839
	3-F 7	85839
	3-I 7	85839
	3-L 7	85839
	3-J 9	85839
CLIP-TRIM MTG.....	3-A 7	85618
CLIP-TUBE.....	1-M11	1492YA
	1-M11	1492YB
	3-I 1	1492YA
	3-I 1	1492YB
CLIP-W/HOUSE TRIM.....	3-F 7	85884
	3-K 7	85884
CLIP-W/LINE MOULDING MTG.....	3-C10	87701B
CLIP-W/SHLD WIPER BLADE.....	4-L 3	98356
	4-C 4	98356
CLIP-W/STRIP MTG.....	3-E 1	83133
	3-H 3	82132
	3-E 4	82132
CLIP-W/STRIP MTG(B).....	3-H 3	82133
	3-I 3	82133
CLIP-WASHER HOSE.....	4-D 4	98952
CLOCK ASSY-DIGITAL.....	3-G 8	94500A
	3-H 6	94500A
CLUTCH ASSY-END.....	2-E 6	45530B
CLUTCH ASSY-FR.....	2-E 6	45470
CLUTCH ASSY-RR.....	2-D 6	45410B
CLUTCH SET.....	1-E14	38140E
CLUTCH-ONE WAY.....	2-J 6	45783B
CLUTCH-OVER RUNNING.....	1-E14	38145
COIL ASSY-IGNITION.....	1-J13	27301
COIL-FIELD.....	4-C 6	97646
COIL-IGNITION.....	1-J13	27310
	1-J13	27310E
COLLAR.....	1-M 8	28178C
	2-I 1	32859
	2-I 1	32859B
	2-C 5	43748B
	2-B13	65548A
COLLAR-INSULATOR.....	1-F 8	28181
COLUMN & SHAFT ASSY-STEERING.....	2-L 9	56300
COMPRESSOR ASSY.....	4-D 8	97701
CONDENSER.....	1-M13	96160A
CONDENSER ASSY-COOLER.....	4-I 5	97806
CONDENSER ASSY-IGNITION COIL.....	1-J13	27325
CONE ASSY-DOUBLE.....	2-D 4	43350B
CONE-REVERSE BRAKE.....	2-H 4	43392
CONNECTOR.....	1-D12	31488A

PART NAME	M/F NO.	P N C
CONNECTOR-SWAY.....	1-A12	31323G
CONNECTOR-BRAKE TUBE 2 WAY.....	2-F12	58724
CONNECTOR-CLIP.....	3-L13	91981
CONNECTOR-OIL COOLER.....	2-M 5	48285B
CONNECTOR-RR WASHER.....	4-D 4	98961
CONNECTOR-VACUUM HOSE.....	1-E 9	28371
CONNECTOR-W/SHLD WASHER.....	4-M 3	98518
	4-A 4	98984
	4-C 4	98518
CONNECTOR-W/SHLD WASHER HOSE.....	4-A 4	98682B
CONSOLE-FR.....	3-G 5	84811
CONSOLE-RR.....	3-H 5	84871
CONTACT ASSY-CLOCK SPRING.....	4-G 1	93490
CONTACT ASSY-HORN.....	4-G 1	93450
CONTROL ASSY-COOLANT TEMPERATURE-H 4.....	4-G 1	26800A
CONTROL ASSY-HEATER.....	4-I 4	97260A
CONTROL MODULE-ATA.....	4-M 2	95440A
	4-A 3	95440A
CONVERTER ASSY-TORQUE.....	2-B 6	45100
COOLER ASSY-FUEL DSL RTN.....	1-C12	31380A
COOLER ASSY-INTER.....	1-H 8	28190C
COOLER ASSY-OIL.....	1-J 2	25480
CORE & SEAL ASSY-EVAPORATOR.....	4-F 6	97611B
CORE & SEAL ASSY-HEATER.....	4-A 5	97123B
CORE-CHARGE VALVE.....	4-B 6	97612A
COUPLING.....	1-G13	27170A
COUPLING-INJECTION PUMP.....	1-L12	33110C
COVER.....	1-F 3	21414
	1-L 4	22411P
	1-O 7	25321
	1-G13	27141A
	2-D 1	37390B
	2-I 1	32890
	2-D 5	43752E
	2-H 5	46718
	2-I 5	46799A
	2-B13	82470
COVER -FR BPR UPFR.....	3-I 8	86561G
COVER ASSY-AIR FILTER.....	4-F 6	97820C
	4-G 6	97820C
COVER ASSY-CLUTCH.....	2-K 1	41300
COVER ASSY-COWL TOP LH.....	3-B 8	86150B
COVER ASSY-COWL TOP RH.....	3-B 8	86160A
COVER ASSY-ENGINE.....	1-C 9	28240
COVER ASSY-FR BPR UPFR.....	3-I 8	86560G
COVER ASSY-FR BUMPER.....	3-H 8	86510B
	3-I 8	86510B
COVER ASSY-GLOVE BOX HOUSING.....	3-K 5	84512A
COVER ASSY-HEIGHT ADJUSTER.....	3-I11	86890B
COVER ASSY-MNL T/A CABE RR.....	2-L 2	43140
COVER ASSY-POWER STRG OIL PUMP.....	2-F10	57128
COVER ASSY-ROCKER.....	1-L 4	22410A
COVER ASSY-RR BUMPER.....	3-M 8	86810
COVER ASSY-STEERING WHEEL LWR.....	2-J 9	56130C
COVER ASSY-TIMING BELT LWR.....	1-D 3	21350
COVER ASSY-TIMING BELT UPR.....	1-D 3	21350C
COVER ASSY-TIMING BELT UPR.....	1-E 3	21360A
COVER ASSY-WHEEL.....	2-G 8	52960D
	2-H 8	52960D
COVER-AIR CLEANER.....	1-D 8	28111

PART NAME INDEX

PART NAME	M/F NO.	P N C
COVER-AIR INLET HOLE.....	3-B 8	86161A
COVER-BALANCE SHAFT CARRIER FR.....	1-I 5	23351C
COVER-BELL HOUSING.....	1-G 3	21461
COVER-BLANKING ASHTRAY.....	3-H 5	85619A
COVER-COWL SIDE FUSE BOX.....	3-H 7	85826
	3-I 7	85826
COVER-CUSHION.....	4-D 2	94363A
COVER-DIFFERENTIAL GEAR.....	2-M 5	45334A
COVER-DR ACTUATOR LH.....	3-M 1	95738
COVER-DR ACTUATOR RH.....	3-A 2	95758
COVER-DUST.....	2-B 9	54837B
	2-E 9	54837B
	4-I 5	97644A
	4-B 6	97833
COVER-DUST FR AXLE WHEEL SIDE.....	2-B 6	49646
COVER-DUST TIE ROD END.....	2-D10	56828A
COVER-DUST W/MPR LINKAGE.....	4-L 3	98165B
COVER-END.....	2-O 7	46278
COVER-END CLUTCH.....	2-M 5	45322
COVER-END FR.....	2-D 7	46281
	2-E 7	46281
COVER-END RR.....	2-D 7	46279
COVER-ENGINE UNDER.....	1-I 6	29140E
COVER-FR BRAKE DISC DUST LH.....	2-E 8	51755
COVER-FR BRAKE DISC DUST RH.....	2-E 8	51756
COVER-FR DR LATCH LH.....	3-K 1	81359A
COVER-FR DR LATCH RH.....	3-K 1	81359B
COVER-FR DR QUADRANT INR LH.....	3-A10	87661
	3-B10	87661
COVER-FR DR QUADRANT INR RH.....	3-B10	87662
COVER-FR DR SAFETY LOCK ROD LH.....	3-L 1	81376
COVER-FR DR SAFETY LOCK ROD RH.....	3-L 1	81377
COVER-FR SEAT BACK LH.....	3-L10	88370
COVER-FR SEAT BACK RH.....	3-L10	88380
COVER-FR SEAT CUSH LH.....	3-I10	88170
	3-J10	88170
COVER-FR SEAT CUSH RH.....	3-J10	88180
COVER-FR SEAT INR LH.....	3-I10	89062B
COVER-FR SEAT INR RH.....	3-I10	89062B
COVER-FR SEAT INSERT.....	3-I10	88166
COVER-FR SEAT MTG RR INR LH.....	3-A11	88567B
COVER-FR SEAT MTG RR INR RH.....	3-A11	88568B
COVER-FR SEAT MTG RR OTR LH.....	3-A11	88565
COVER-FR SEAT MTG RR OTR RH.....	3-A11	88566
COVER-FR SUSPENSION STRUT DUST.....	2-L 8	54625B
COVER-FUEL CUT VALVE.....	1-F11	31153
COVER-FUEL PUMP.....	1-I11	94473
COVER-FUEL PUMP PLATE.....	1-F11	31152
COVER-HEATER CORE.....	4-A 5	97122
COVER-INLET MANIFOLD,FR.....	1-A 9	28321D
COVER-INLET MANIFOLD,RR.....	1-A 9	28322A
COVER-INSULATOR DUST.....	2-L 8	54627B
	2-C 9	55339
COVER-LUGGAGE RR BLANK'G.....	3-E 7	86753A
COVER-LWR ARM BALL JOINT DUST.....	2-J 8	54517
COVER-OIL PUMP.....	1-J 2	21313
COVER-OTR INR TRIM.....	3-C 7	85517B
COVER-RADIO BLANKING.....	4-E 3	96126
COVER-RELAY & FUSE BOX UPR.....	3-F13	91217
COVER-ROCKER CTR.....	1-L 4	22405

PART NAME	M/F NO.	P N C
COVER-ROOF ASSIST HANDLE.....	3-L 6	85343A
COVER-RR DR S/LOCK ROD LH.....	3-F 2	81476
COVER-RR DR S/LOCK ROD RH.....	3-F 2	81477A
COVER-RR SEAT BACK.....	3-L11	89370A
COVER-RR SEAT BACK LH.....	3-L11	89370B
COVER-RR SEAT BACK RH.....	3-L11	89380A
COVER-RR SEAT CUSH.....	3-K11	89170
COVER-RR SHOCK ABSORBER DUST.....	2-C 9	55347
COVER-RR WASHER BLANKING HOLE.....	4-C 4	98870
	4-D 4	98870
	4-D 4	98896
COVER-RR WASHER NOZZLE.....	4-D 4	98970A
COVER-RR WHEEL HOUSE LH.....	3-K 7	85883
COVER-RR WHEEL HOUSE RH.....	3-K 7	85893
COVER-SHIELD FR SEAT LH.....	3-J10	88285
	3-K10	88285
COVER-SHIELD FR SEAT RH.....	3-K10	88286
COVER-SIDE LH.....	1-I 8	29130F
COVER-SIDE RH.....	1-I 6	29120E
COVER-STEERING WHEEL LWR.....	2-J 9	56131
COVER-T/GATE TRIM BLANKING.....	3-B 3	81755A
COVER-T/GATE TRIM LICENSE.....	3-B 3	81757A
	3-C 3	81757A
COVER-T/LID HINGE ARM.....	3-G 1	81285
COVER-TIMING BELT RR LH.....	1-F 3	21370
COVER-UNDER.....	1-I 6	29150C
COVER-W/SHLD WIPER DUST.....	4-B 4	98163B
CRANKSHAFT.....	1-G 5	23111
CRANKSHAFT ASSY.....	1-G 5	23110
CRASH PAD ASSY-MAIN.....	3-L 5	84710
CROSSMEMBER ASSY-COWL.....	2-K13	65540
CROSSMEMBER ASSY-FR SEAT.....	2-E13	65150
	2-F13	65150
CROSSMEMBER COMPL.....	2-M12	82401
	2-A13	82401
CUP & BOLT ASSY.....	2-F 9	55216A
CUP ASSY-RESERVOIR.....	1-D11	31114B
CUP-JOINT.....	2-E 9	54814
CUSHION.....	2-D 5	43754C
CYLINDER ASSY-BRAKE MASTER.....	2-A12	58510A
CYLINDER ASSY-CLUTCH MASTER.....	2-M 1	41610
CYLINDER ASSY-CLUTCH RELEASE.....	2-D 2	41710B
CYLINDER ASSY-WHEEL LH.....	2-L11	58330B
CYLINDER ASSY-WHEEL RH.....	2-L11	58380
CYLINDER KIT-BRAKE MASTER.....	2-A12	58510B
CYLINDER KIT-CLUTCH RELEASE.....	2-D 2	41710A
CYLINDER KIT-RR WHEEL BRAKE.....	2-K11	58301
CYLINDER MACHINING LH.....	2-J11	58122
D/HEIGHT & TRACK ASSY-FR SEAT.....	3-M10	88500D
	3-B11	88621D
D/HEIGHT & TRACK ASSY-FR SEAT RH.....	3-B11	88600F
DAM-GLASS.....	3-B 8	86121A
	3-D 9	86121A
DAMPER.....	1-L 3	21823A
DAMPER & PUSH ROD ASSY.....	2-A 2	41670
DAMPER ASSY-DYNAMIC.....	2-L 9	53010
DAMPER KIT-FR AXLE DYNAMIC.....	2-B 8	49504A
DAMPER-RR SEAT BACK LATCH.....	3-K11	89248A
DAMPER-T/GATE COVERING SHELF.....	3-D 3	85951C
DEFLECTOR ASSY-SUNROOF.....	3-K 2	81641

PART NAME	M/F NO.	P N C
DIODE.....	3-M12	91789B
	3-F13	91789E
	3-L13	91789D
DISC & HUB ASSY-A/C COMPRESSOR.....	4-C 6	97644C
DISC ASSY-BRAKE.....	2-G 6	45621C
DISC ASSY-CLUTCH.....	2-K 1	41100
	2-E 6	45473B
	2-F 6	45560B
DISC ASSY-CLUTCH FR.....	2-E 6	45473
DISC ASSY-CLUTCH RR.....	2-D 6	45449A
DISC-FR WHEEL BRAKE.....	2-E 8	51712
DISTRIBUTOR ASSY.....	1-F13	27100
DOOR ASSY-FUEL FILLER.....	3-H 2	69510
DRIVER-SCREW.....	1-E 1	09146
DRUM ASSY-RR BRAKE.....	2-M11	58411A
DRUM-KICK DOWN BRAKE.....	2-H 6	46641B
DUCT ASSY-CTR AIR VENT.....	3-M 5	97403
DUCT ASSY-SIDE AIR VENT LH.....	3-M 5	97480
DUCT ASSY-SIDE AIR VENT RH.....	3-M 5	97480
DUCT-AIR.....	1-F 8	28210
	1-G 8	28210
DUCT-BLOWER TO HEATER.....	4-L 4	97346
DUCT-CANI AIR.....	1-H11	31469
DUCT-RR HEATING LH.....	4-L 4	97360B
DUCT-RR HEATING RH.....	4-L 4	97370
DUCT-RR HEATING RR.....	4-L 4	97366B
DUST COVER.....	2-L11	58332A
ELECTRONIC CONTROL UNIT.....	1-I10	39110
	1-H10	39110
EMBLEM-ACCENT.....	3-C 8	86315C
EMBLEM-ACCENT GLS.....	3-C 8	86320B
	3-D 8	86320B
EMBLEM-ACCENT GS.....	3-C 8	86316C
EMBLEM-ACCENT GT.....	3-C 8	86311J
EMBLEM-CROI.....	3-D 8	86325
EMBLEM-HYUNDAI.....	3-C 8	86300A
	3-C 8	86300B
EMBLEM-SYMBOL MARK.....	3-H 8	86359
	3-H 8	86359
EMBLEM-WORLDCUP.....	3-D 8	86390Q
END ASSY-TIE ROD.....	2-D10	58820B
ENGINE ASSY-SHORT.....	1-J 1	21102
ENGINE ASSY-SUB.....	1-H 1	21101
ESCUTCHEON-DR WDO REG HDL.....	3-D 4	82641
	3-K 4	82641
ESCUTCHEON-SUNROOF HDL.....	3-K 2	81626
ETACS & BRACKET ASSY.....	4-L 2	96410G
EVAPORATOR UNIT.....	4-E 6	97601
	4-F 6	97601
EXTENSION ASSY-RR FLOOR FR.....	2-H13	65780
EXTENSION ASSY-SIDE SILL INR FR LH.....	2-C13	64353
EXTENSION ASSY-SIDE SILL INR FR RH.....	2-C13	64363A
FAN & MOTOR ASSY.....	4-D 5	97130
FAN-COOLING.....	1-C 7	25231
	4-L 5	97737A
FAN-HEATER BLOWER.....	4-D 5	97117B
FASTENER-DR TRIM.....	3-M 3	82315A
	3-G 4	82315A
FASTENER-DUAL LOCK.....	3-E 9	87125D
FILLER ASSY-SIDE OTR RR LH.....	2-I4	71557

PART NAME INDEX

PART NAME	M/F NO.	P N C
FILLER ASSY-SIDE OTR RR RH	2-114	71667
FILTER ASSY-DSI	1-D12	31970A
FILTER ASSY-ENGINE OIL	1-K-2	26300
	1-L-2	26300
FILTER ASSY-FUEL	1-111	31940
FILTER ASSY-VALVE BODY OIL	2-F-7	46321
FILTER-AIR	4-F-6	97610
FILTER-AIR CLEANER	1-E-8	28113
FILTER-FUEL PUMP	1-D11	31112
FILTER-OIL ATA V/B SEP PLATE	2-F-7	46336
FITTING-COOLANT INLET & OUTLET	1-H-4	25611A
FITTING-COOLANT OUTLET	1-H-4	25611
FLANGE ASSY-OUTPUT	2-J-6	45612
FLANGE NUT-BELT LOCKING	2-E-9	54559
FLANGE-CRANKSHAFT	1-G-5	23123
FLASHER MODULE-TURN SIGNAL	4-L-2	96560B
FLYWHEEL ASSY	1-H-5	23200B
FOOT REST	2-1	32281
FORK ASSY-RELEASE	2-L-1	41430B
FORK-SHIFT	2-M-4	43641A
	2-A-5	43661A
FORK-SHIFT,5TH	2-A-5	43682B
FRAME & PAD ASSY-RR SEAT BACK	3-K11	89301A
FRAME & PAD ASSY-RR SEAT CUSH	3-K11	89150B
FRAME ASSY-RR SEAT BACK	3-K10	88301B
FRAME ASSY-RR SEAT BACK LH	3-K10	88301
FRAME ASSY-RR SEAT BACK RH	3-M10	88401
FRAME ASSY-RR SEAT CUSH	3-110	88101A
FRAME ASSY-RR SEAT BACK	3-L11	89501A
FRAME ASSY-RR SEAT BACK LH	3-L11	89501B
FRAME ASSY-RR SEAT BACK RH	3-M11	89601
FUEL PUMP & TUBE ASSY	1-D11	31123B
	1-E11	31123B
FUEL RAIL ASSY	1-D12	31400
FULCRUM-CLUTCH RELEASE LEVER	2-L-1	41471
FUSE-BLADE	3-C13	91835A
	3-D13	91835A
	3-G13	91835A
FUSE-SLOW BLOW	3-G13	91825A
GARNISH ASSY-T/GATE	3-I-9	87370E
GARNISH ASSY-T/LID	3-H-9	87370D
	3-I-9	87370D
GARNISH ASSY-ROOF SIDE LH	3-F-9	87251
GARNISH ASSY-ROOF SIDE RH	3-F-9	87252
GASKET	1-H-4	25612
	1-L-7	25612
	1-D12	31490
	2-D-2	41718A
	2-K-2	17510D
GASKET 2-TIMING BELT COVER UPR	1-F-3	21365B
GASKET 3-TIMING BELT COVER UPR	1-F-3	21365E
GASKET 4-T/BELT COVETR,RR	1-D-3	21352R
GASKET 4-TIMING BELT COVER UPR	1-F-3	21366F
GASKET KIT-ENGINE OVERHAUL	1-L-1	20910
GASKET KIT-ENGINE OVERHAUL UPR	1-L-1	20920
GASKET(10)	1-I-9	1751GC
	1-L14	1751GC
	2-E12	1751GC
GASKET(16)	1-L14	1751GF
GASKET-AIR CLEANER TO CARB	1-G-8	28211A

PART NAME	M/F NO.	P N C
GASKET-CARBURETOR	1-F12	32421
GASKET-CLUTCH RELEASE CYLINDER	2-D-2	41714A
GASKET-CYLINDER HEAD	1-G-4	22311
GASKET-DIFF COVER	2-M-5	46335A
GASKET-EGR PIPE	1-B-9	28492
	1-B-9	28553
GASKET-EGR VALVE	1-B-9	28331
GASKET-EXHAUST MANIFOLD	1-K-9	28521A
GASKET-EXHAUST PIPE	1-B10	28751C
	1-B10	28752
	1-B10	28764
	1-B10	28781
GASKET-FR CASE	1-J-2	21411B
GASKET-INTAKE MANIFOLD	1-B-9	28411B
GASKET-ISC ACTUATOR	1-C13	35156A
GASKET-LIQUID	2-K-2	43116C
	2-L-5	43116D
GASKET-LIQUID ENGINE	1-G-3	21451B
GASKET-MTA GEAR SHIFT CONTROL	2-B-5	43918
GASKET-MUFFLER	4-D-6	97710C
GASKET-OIL PAN	2-M-5	45285
GASKET-OIL PLUG	1-J-2	21513
	1-G-3	21513A
	2-K-2	21513
	2-L-5	1751DC
	2-L-5	21513A
GASKET-OIL PUMP	2-B-6	46156
GASKET-OIL SCREEN	1-G-3	26258
	1-H-3	26259
GASKET-OIL SEAL CASE	1-F-3	21444
	1-G-3	21444
GASKET-RADIATOR RESERVOIR CAP	1-H-7	25442
GASKET-REV IDLER GEAR SHAFT	2-B-4	43319
GASKET-ROCKER COVER	1-L-4	22441
GASKET-T/C OIL DRAIN	1-I-9	28247A
GASKET-THERMOSTAT CASE	1-H-4	25614
GASKET-THROTTLE BODY	1-C-9	35101
	1-B13	35101
GASKET-TIMING BELT COVER LWR	1-E-3	21354
	1-F-3	21372A
GASKET-TIMING BELT COVER UPR	1-E-3	21365A
	1-F-3	21365A
GASKET-TIMING BELT CVR	1-D-3	21352D
	1-D-3	21352K
	1-D-3	21353D
	1-E-3	21353D
	1-E-3	21353G
	1-E-3	21362D
	1-E-3	21362F
	1-E-3	21364B
	1-F-3	21371A
GASKET-TURBOCHARGER INLET	1-I-9	28285
GASKET-TURBOCHARGER OUTLET	1-I-9	28286
GASKET-WATER PUMP	1-M-6	25124
GASKET1A-T/BELT COVETR,RR	1-D-3	21352L
GASKET1B-T/BELT COVETR,RR	1-D-3	21352M
GASKET2A-T/BELT COVETR,RR	1-D-3	21352N
GASKET2B-T/BELT COVETR,RR	1-D-3	21352O
GASKET3A-T/BELT COVETR,RR	1-D-3	21362P
GASKET3B-T/BELT COVETR,RR	1-D-3	21352Q

PART NAME	M/F NO.	P N C
GAUGE ASSY-FUEL	1-111	94410A
	4-F-2	94410A
GAUGE ASSY-FUEL & TEMPERATURE	4-F-2	94410B
GAUGE ASSY-TEMPERATURE	4-F-2	94420A
	4-G-2	94420A
GAUGE MODULE-COOLANT TEMPERATURE	1-4	94650
GAUGE-OIL LEVEL	2-A-6	46580
GEAR & LINKAGE ASSY-P/S	2-E11	57700
GEAR ASSY-1ST SPEED	2-K-3	43250C
	2-L-3	43250C
GEAR ASSY-2ND SPEED	2-A-4	43270
GEAR ASSY-3RD SPEED	2-M-3	43260
GEAR ASSY-4TH SPEED	2-A-4	43260
	2-B-4	43260
GEAR ASSY-5TH SPEED	2-J-3	43240
GEAR ASSY-FORWARD SUN	2-J-6	46793
GEAR ASSY-MAIN SHAFT 2ND	2-K-3	43250
GEAR ASSY-REVERSE IDLER	2-B-4	43310
GEAR ASSY-REVERSE SUN	2-J-6	45790B
GEAR ASSY-STEERING	2-A10	56500B
GEAR KIT-ATA TRANSFER DRIVEN	2-I-6	45720B
	2-J-6	45720B
GEAR KIT-DIFFERENTIAL	2-B-3	40323
GEAR SET-DIFFERENTIAL	2-K-6	46837
GEAR-3RD SPEED OUTPUT	2-M-3	43263
GEAR-4TH SPEED OUTPUT	2-L-5	43282A
GEAR-5TH SPEED OUTPUT	2-I-3	43230
	2-J-3	43230
GEAR-ANNULUS	2-J-6	45796
GEAR-BALANCER SHAFT DRIVE	1-J-2	23344
GEAR-CRANKSHAFT	1-G-5	23122
GEAR-DIFFERENTIAL DRIVE	2-D-4	43332
	2-I-6	43332
GEAR-OIL PUMP DRIVE	1-K-2	26112B
GEAR-OIL PUMP DRIVEN	1-K-2	26113B
GEAR-OIL PUMP INR	1-K-2	26112A
GEAR-OIL PUMP OTR	1-K-2	26113A
GEAR-RING	1-H-6	23212
GEAR-SPEEDOMETER DRIVEN	2-K-4	46512
	2-L-7	46512
GEAR-TRANSFER DRIVE	2-J-8	45811
GENERATOR ASSY	1-L14	37300
	1-L14	37300A
	2-B-1	37300A
GENERATOR ASSY-PULSE	2-A-6	46966B
GLASS-CLUSTER METER	4-F-2	94370
GLASS-FR DR WINDOW LH	3-C-4	82411A
GLASS-FR DR WINDOW RH	3-C-4	82421A
GLASS-QUARTER FIXED LH	3-E10	87611A
GLASS-QUARTER FIXED RH	3-E10	87821A
GLASS-RR DR FIXED LH	3-K-4	83417A
	3-L-4	83417A
GLASS-RR DR FIXED RH	3-L-4	83427A
GLASS-RR DR WINDOW LH	3-K-4	83411A
GLASS-RR DR WINDOW RH	3-L-4	83421A
GLASS-RR WINDOW	3-D-9	87111A
GLASS-T/GATE	3-D-9	87111B
	3-E-9	87111B
GLASS-W/SHLD	3-B-6	86111A
GOVERNOR KIT-DISTRIBUTOR	1-G13	27130

PART NAME INDEX

PART NAME	M/F NO.	P N C
GRILLE ASSY-AIR EXTRACTOR.....	2-K14	975108
GRILLE ASSY-RADIATOR.....	3-I 8	86560F
GRILLE-FR BUMPER.....	3-I 8	86612C
GRILLE-RADIATOR.....	3-H 8	86361
GRILLE-RR P/TRAY LH.....	3-A 7	86618A
GRILLE-RR P/TRAY RH.....	3-A 7	85628A
GRIP ASSY-FR DR GLASS.....	3-C 4	82412B
	3-J 4	82412B
	3-K 4	82412B
GROMMET.....	3-J 2	1730JB
	3-K 3	1730AA
	3-C10	1730AA
GROMMET & SPRING ASSY-RR.....	3-K11	89160B
GROMMET-BLANKING.....	3-L12	91713
GROMMET-DRAIN HOSE.....	4-J 5	97656B
GROMMET-ENGINE WIRING.....	3-F13	91711
GROMMET-FR DR.....	3-A14	91413
GROMMET-HEATER PIPE.....	4-K 4	97313B
GROMMET-HOOD STAY ROD.....	3-D 1	81172
GROMMET-RR CUSH LOCK.....	3-K11	89180
GROMMET-RR DR.....	3-A14	91514
	3-B14	91514
GROMMET-RR WASHER HOSE.....	4-D 4	98940C
GROMMET-SCREW.....	3-I 1	1491DA
	3-C 3	82313A
	3-K 3	1491GB
	3-G 4	1491GB
	3-B 9	86593
	4-A 1	1491AB
GROMMET-SUNROOF DRAIN HOSE RR... 3-K 2		81686
GROMMET-T/GATE TRIM PNL MTG.....	3-C 3	81758
GROMMET-TAIL GATE.....	3-E14	91942
GROMMET-W/SHLD WASHER.....	4-M 3	98622
GROMMET-WASHER HOSE.....	4-D 4	98893B
GUARD ASSY-FR WHEEL LH.....	3-B 9	86811
GUARD ASSY-FR WHEEL MUD LH.....	3-C 9	86831
GUARD ASSY-FR WHEEL MUD RH.....	3-C 9	86832
GUARD ASSY-FR WHEEL RH.....	3-B 9	86812
GUARD ASSY-RR WHEEL MUD LH.....	3-C 9	86841
GUARD ASSY-RR WHEEL MUD RH.....	3-C 9	86842
GUARD-RR WHEEL LH.....	3-B 9	86821
	3-C 9	86821
GUARD-RR WHEEL RH.....	3-C 9	86822
GUIDE ASSY-HEADREST.....	3-B11	88630A
	3-K11	88630A
GUIDE ASSY-HEADREST W/LEVER.....	3-B11	88610
	3-K11	89722
GUIDE ASSY-R/S H/REST L/LVR.....	3-M11	89720E
GUIDE ASSY-R/S H/REST W/LVR.....	3-M11	24431B
GUIDE-CHAIN LWR.....	1-F 6	22115A
GUIDE-EXHAUST VALVE.....	1-F 4	84512B
GUIDE-GLOVE BOX.....	3-K 5	22114A
GUIDE-INTAKE VALVE(0.06).....	1-E 4	43116
GUIDE-OIL.....	2-K 2	43135
	2-L 2	43135
GUIDE-OIL LEVEL GAUGE.....	1-D 2	26612B
	1-H 3	26612B
GUSSET-QTR RR LH.....	2-I14	71553
GUSSET-QTR RR RH.....	2-I14	71563
HANDLE ASSY-DR GRIP LH.....	3-M 3	82710C

PART NAME	M/F NO.	P N C
HANDLE ASSY-DR GRIP LH.....	3-G 4	82710C
HANDLE ASSY-DR GRIP RH.....	3-A 4	82720C
	3-H 4	82720C
HANDLE ASSY-DR I/S LH.....	3-M 1	82610
	3-F 2	82610
	3-G 2	82610
HANDLE ASSY-DR I/S RH.....	3-M 1	82620
	3-G 2	82620
HANDLE ASSY-DR W/OO REG.....	3-D 4	82630
	3-K 4	82630
HANDLE ASSY-FR DR O/S LH.....	3-M 1	82650
HANDLE ASSY-FR DR O/S RH.....	3-M 1	82660
HANDLE ASSY-FUEL FILLER DR.....	3-H 2	81570
HANDLE ASSY-FUEL FILLER T/LID.....	3-H 2	81570A
HANDLE ASSY-HOOD LATCH RELEASE.....	3-D 1	81180
HANDLE ASSY-LUMBAR SUPT ADJUST.....	3-K10	88355
	3-L10	88355
HANDLE ASSY-ROOF ASSIST.....	3-L 6	85340B
HANDLE ASSY-RR DR O/S LH.....	3-G 2	83650
HANDLE ASSY-RR DR O/S RH.....	3-G 2	83660
HANDLE ASSY-SUNROOF.....	3-J 2	81614
HANDLE-FR SEAT HEIGHT ADJUST.....	3-C11	88904
HANDLE-JACK.....	1-E 1	08111
HANGER ASSY-ENGINE.....	1-I 9	28410A
HANGER-ENGINE.....	1-H 4	22341
	1-I 9	28413
	1-I 9	28413A
	1-I 9	28414
	1-K 9	28523
HANGER-EXHAUST PIPE.....	1-B10	28658
	1-B10	28768
HARNES-OPS.....	1-F 2	48307A
HEAD ASSY-CYLINDER.....	1-E 4	22100
HEADLAMP ASSY-LH.....	3-G14	92101A
HEADLAMP ASSY-RH.....	3-G14	92102A
HEADLINING ASSY.....	3-L 6	85401
	3-M 6	85401
HEADREST ASSY-FR SEAT.....	3-A11	88600A
	3-B11	88600A
HEADREST ASSY-RR SEAT.....	3-M11	89601A
HEATER UNIT.....	4-A 5	97200
HINGE ASSY-DR LWR LH.....	2-M14	79330B
HINGE ASSY-DR LWR RH.....	2-M14	79340A
HINGE ASSY-DR UPR LH.....	2-M14	79310C
HINGE ASSY-DR UPR RH.....	2-M14	79320B
HINGE ASSY-GLOVE BOX HOUSING.....	3-L 5	84730C
HINGE ASSY-HOOD LH.....	2-J13	79110
HINGE ASSY-HOOD RH.....	2-J13	79120
HINGE ASSY-RR DR LWR LH.....	3-B 1	79350
HINGE ASSY-RR DR LWR RH.....	3-B 1	79360
HINGE ASSY-RR DR UPR LH.....	3-B 1	79330A
HINGE ASSY-RR DR UPR RH.....	3-B 1	79340
HINGE ASSY-RR SEAT BACK CTR.....	3-M11	89710
HINGE ASSY-RR SEAT BACK SIDE LH.....	3-L11	89615A
	3-M11	89615A
HINGE ASSY-RR SEAT BACK SIDE RH.....	3-M11	89752A
HINGE ASSY-SUNROOF FRAME LH.....	3-K 2	81621A
HINGE ASSY-SUNROOF FRAME RH.....	3-K 2	81622A
HINGE ASSY-TAIL GATE.....	2-C14	79770A
HINGE ASSY-TRUNK LID LH.....	2-C14	79210

PART NAME	M/F NO.	P N C
HINGE ASSY-TRUNK LID RH.....	2-C14	79220
HOLDER & BRUSH ASSY.....	1-F14	36160
HOLDER & WIRING ASSY-HMSL.....	4-C 1	92756D
HOLDER & WIRING-RR COMB.....	3-M14	92470C
HOLDER-BULB.....	4-C 1	92754C
HOLDER ASSY-BULB.....	3-G14	82340A
HOLDER ASSY-FR T/SIG LAMP.....	3-G14	92170C
HOLDER-ATA V/O OIL LINE VALVE.....	2-G 7	46341B
HOLDER-DRINK.....	3-E 6	84913
HOLDER-FUEL FILTER.....	1-D12	31912
HOLDER-FUEL PUMP.....	1-D11	31114
HOLDER-FUEL TUBE.....	1-B12	31356B
	1-C12	31356D
	1-C12	31356B
	1-C12	31356C
	1-C12	31356D
	1-C12	31356E
HOLDER-HEADLAMP BULB.....	3-G14	92169
HOLDER-LINKAGE ROD.....	4-D 5	97130A
HOLDER-T/LID TORSION BAR.....	3-G 1	86423
HOLDER-WIRING.....	3-J 5	1030HA
	4-I 3	1030HA
HOOK-COAT.....	3-L 6	85355A
HOOK-COVERING SHELF CTR.....	3-M 7	85955A
HOOK-FR SHIPPING LH.....	3-C 5	64619
HOOK-FR SHIPPING RH.....	3-C 5	64629
HOOK-LUGGAGE COVERING.....	3-D 7	85719
HORN ASSY-HIGH PITCH.....	4-K 3	96820
HORN ASSY-LOW PITCH.....	4-K 3	96810
HORN ASSY-STEERING WHEEL.....	2-J 9	56150A
HOSE.....	4-A 4	H0100R
	4-A 4	H0310R
	4-A 4	H0400R
	4-A 4	H0600R
	4-A 4	H1320R
	4-D 4	H0100R
	4-D 4	H0120R
	4-E 4	H0120R
	4-E 4	H3850R
HOSE "A".....	1-H 8	98852
HOSE "A" ASSY-WATER.....	1-L 7	25468
	1-B13	25468
HOSE "B".....	1-H 8	98853
HOSE "B" ASSY-WATER.....	1-L 7	25469
	1-B13	25469
HOSE "C".....	1-I 8	98875
HOSE "D".....	1-I 8	98873
HOSE (BLUE 100).....	1-E 9	H0100B
	1-F 9	H0100B
HOSE ASSY-ATA OIL COOLING(FEED).....	1-G 7	25420A
HOSE ASSY-BRAKE BOOSTER VACUUM.....	2-I12	59130
	2-J12	59130
HOSE ASSY-BRETHER.....	1-D 8	26710
HOSE ASSY-FEED.....	1-L 2	26440
HOSE ASSY-FUEL RETURN.....	1-D12	31471A
HOSE ASSY-HTR & OIL COOLER.....	1-L 7	25630A
HOSE ASSY-OIL COOLER.....	1-K 2	25840A
HOSE ASSY-P/S OIL PRESSURE.....	2-L10	57510
	2-M10	57510
HOSE ASSY-PCV.....	1-M 4	26720

PART NAME INDEX

PART NAME	M/F NO.	P N C
HOSE ASSY-PCV.....	1-E10	28914
HOSE ASSY-SIDE DEFROSTER LH.....	3-M 5	97380
HOSE ASSY-SIDE DEFROSTER RH.....	3-M 5	97390
HOSE ASSY-VACUUM.....	1-J10	39471
	1-J10	39471A
HOSE(BLACK 250).....	1-F 9	H0250A
HOSE(BLUE 150).....	1-F 9	H0150B
HOSE(GREEN 250).....	1-F 9	H0250E
HOSE(YELLOW 80).....	1-E 9	H0080F
HOSE-AIR INTAKE.....	1-E 8	28138
	1-E 8	28139
HOSE-BRAKE.....	2-F12	58737
	2-G12	58737
HOSE-BRAKE FR LH.....	2-F12	58731A
HOSE-BRAKE FR RH.....	2-F12	58732
HOSE-BREATH.....	1-M 4	26711
HOSE-CANISTER TO VAPOR TUBE.....	1-H11	31372
HOSE-CHK VALVE TO ACCEL PUMP.....	1-F12	31861B
HOSE-CHK VALVE TO CARB.....	1-F12	31861B
HOSE-CLUTCH.....	2-M 1	41640
	2-C 2	41640
	2-D 2	41640
HOSE-COOLANT BYPASS.....	1-L 7	25472A
HOSE-COOLER LINE SUCTION.....	4-M 5	97783
HOSE-DISCHARGE.....	4-L 5	97782
	4-M 5	97782
HOSE-DRAIN.....	4-I 5	97851
	4-J 5	97861
HOSE-FUEL FEED.....	1-M11	31319
	1-M11	31319B
HOSE-FUEL FILLER NECK.....	1-C11	31036
HOSE-FUEL PUMP.....	1-D11	31116
	1-E11	31127
HOSE-FUEL PUMP TO FUEL PIPE.....	1-M11	31317B
HOSE-FUEL RETURN.....	1-M11	1791GA
HOSE-FUEL RETURN RR.....	1-A12	31334B
	1-B12	31337
HOSE-FUEL VAPOR TUBE.....	1-G11	31347
HOSE-HEATER COOLANT INLET.....	4-K 4	97311
HOSE-HEATER COOLANT INLET NO2.....	4-L 4	97331C
HOSE-HEATER COOLANT OUTLET.....	4-K 4	97312
HOSE-LEVELING PIPE.....	1-C11	31037
HOSE-OIL.....	1-I 9	28245
HOSE-OIL COOLER COON.....	1-K 2	25841P
HOSE-OIL COOLING RETURN.....	1-K 7	25422
HOSE-P/S OIL SUCTION.....	2-A11	57531
	2-B11	57531
HOSE-PCV.....	1-M 4	26721
	1-M 8	26721
HOSE-RADIATOR LWR.....	1-G 7	25412A
HOSE-RADIATOR RSVR OVERFLOW.....	1-H 7	25444
HOSE-RADIATOR TO RESERVOIR.....	1-H 7	25451
HOSE-RADIATOR UPR.....	1-G 7	25411
HOSE-RESERVOIR INR.....	1-H 7	25443A
HOSE-RETURN.....	1-B12	31336C
HOSE-RETURN(A).....	2-M10	57523A
	2-A11	57527B
HOSE-RETURN(B).....	2-M10	57522B
	2-B11	57544B
HOSE-RETURN(R).....	2-B11	57545B

PART NAME	M/F NO.	P N C
HOSE-RUBBER.....	2-B11	57540
HOSE-STRAINER TO ENGINE.....	1-M11	31314D
HOSE-SUNROOF DRAIN FR.....	3-K 2	81681
HOSE-SUNROOF DRAIN RR.....	3-K 2	81682
HOSE-TUBE TO VALVE.....	1-M11	31064
HOSE-VACUUM.....	2-E 1	37480B
	4-L 5	97726A
	4-L 5	97727A
HOSE-VACUUM PUMP OIL DRAIN.....	2-E 1	37490B
	2-E 1	37491E
HOSE-VAPOR.....	1-E10	28921
	1-G11	31345C
	1-C12	31375
HOSE-VENT.....	1-E11	31146E
	1-H11	31359C
HOSE-WATER TO OIL COOLER.....	1-L 2	26441A
HOUSING.....	1-C14	36110E
HOUSING ASSY.....	1-G13	27140
	2-D 5	43751E
HOUSING ASSY-ACCUMULATOR.....	2-J 7	46387
	2-K 7	46387
HOUSING-CLUTCH.....	2-K 2	43115
HOUSING-FLYWHEEL.....	1-F 3	21421C
HOUSING-GLOVE BOX.....	3-J 5	84511
	3-K 5	84511
HOUSING-RR CONSOLE ASHTRAY.....	3-H 5	84631
HUB & SLEEVE-SYNC.....	2-E 4	43360A
	2-F 4	43380B
	2-G 4	43380B
HUB & SLEEVE-SYNCHRONIZER.....	2-E 4	43370A
HUB ASSY-FR WHEEL.....	2-E 8	51750
HUB ASSY-RR WHEEL.....	2-F 8	52750
HUB-END CLUTCH.....	2-F 6	45666
HUB-RR CLUTCH.....	2-D 6	45466
HUB-SYNCHRONIZER.....	2-D 4	43351A
	2-D 4	43352A
	2-E 4	43352A
	2-E 4	43352B
HYDRAULIC MODULE.....	2-H12	58910
INDICATOR ASSY-SHIFT LEVER.....	2-G 5	43770A
INJECTOR ASSY-FUEL.....	1-B13	33800A
	1-C13	35310
INSULATOR.....	1-E 8	26180
	1-E 8	26160B
	1-M 8	26177D
	1-D10	21631
INSULATOR ASSY-STRUT.....	2-L 8	54810
INSULATOR-CLUTCH OIL TUBE BRKT.....	2-C 2	41466
INSULATOR-DASH PANEL.....	3-C 5	84124
INSULATOR-FENDER LH.....	3-D 5	84141F
INSULATOR-FENDER RH.....	3-D 5	84142F
INSULATOR-RADIATOR MTG LWR.....	1-D 7	25336
INSULATOR-STRUT.....	2-C 9	55311A
INSULATOR(B).....	2-J 9	56137A
INVERTER ASSY.....	4-G 2	99430
JACK ASSY.....	1-E 1	09110
JET-ATA VALVE BODY.....	2-H 7	46361
JET-OIL.....	1-D 2	21151
JOINT.....	1-A 9	28322
JOINT & SHAFT KIT-FR AXLE WHEEL SIDE 2-A 8		49502A

PART NAME	M/F NO.	P N C
JOINT & SHAFT KIT-FR AXLE WHEEL SIDE L		
H.....	2-B 8	49507
JOINT & SHAFT KIT-FR AXLE WHEEL SIDER		
H.....	2-B 8	49508
JOINT ASSY-CV LH.....	2-A 8	49500A
JOINT ASSY-CV RH.....	2-A 8	49500B
JOINT ASSY-UNIVERSAL.....	2-L 9	56410
JOINT KIT-FR AXLE DIFF SIDE.....	2-B 8	49505A
JOINT KIT-FR AXLE DIFF SIDE LH.....	2-B 8	49505B
JOINT KIT-FR AXLE DIFF SIDE RH.....	2-C 8	49606
JOINT-BALL.....	3-A 3	81163
JOINT-VACUUM HOSE.....	1-E 9	28373
KEY & CYLINDER SET-LOCK.....	3-E 3	81905
	3-E 3	81906A
	3-F 3	81906A
KEY-BLANKG IMMOBILIZER.....	3-F 3	81998C
KEY-BLANKING.....	3-F 3	81998
KEY-CHAIN SPROCKET.....	1-E 6	24323
KEY-CRANKSHAFT.....	1-G 5	23125
KEY-SYNCHRONIZER.....	2-E 4	43372
	2-E 4	43373
	2-F 4	43373
	2-F 4	43373D
KNOB.....	4-I 4	97137A
KNOB ASSY-ROTARY.....	4-J 4	97265H
KNOB-BALANCE/FADER.....	4-E 3	96142
KNOB-CONTROL.....	4-E 3	96137
KNOB-FADER.....	4-E 3	96116C
KNOB-FR SEAT RECL RH.....	3-I10	86063
KNOB-FR SEAT RECLINER LH.....	3-B11	86751B
	3-C11	86751B
KNOB-FR SEAT RECLINER RH.....	3-C11	86752B
KNOB-FUEL FILLER DR.....	3-H 2	81576
KNOB-GEARSHIFT LEVER.....	2-C 5	43711A
	2-G 5	46710B
KNOB-LATCH ROD.....	3-L11	89391
KNOB-T/LID RELEASE.....	3-H 2	81275
KNOB-TRACK LEVER.....	3-A11	88613B
KNOB-VOLUME.....	4-E 3	96182A
	4-E 3	96172A
	4-F 3	96305
KNUCKLE-FR AXLE LH.....	2-E 8	51715
KNUCKLE-FR AXLE RH.....	2-E 8	51716
LABEL-ABSORPTION.....	1-B 1	32401
LABEL-CHILD SEAT WARNING.....	3-K 5	84535
LABEL-EMISSION CONTROL.....	1-B 1	32450
	1-C 1	32450
LABEL-FUEL FILLER DR.....	1-C11	31038
LABEL-GL/BOX.....	3-K 5	84513C
LABEL-RR DR LATCH LH.....	3-E 2	81419B
LABEL-RR DR LATCH RH.....	3-E 2	81429
LABEL-TIRE PRESSURE.....	1-B 1	05203
LAMP ASSY-FR FOG LH.....	3-I14	92201
LAMP ASSY-FR FOG RH.....	3-I14	92202
LAMP ASSY-HMS.....	3-G 9	92750A
	4-C 1	92750A
LAMP ASSY-HMS INTERIOR.....	4-B 1	92750
	4-C 1	92750
LAMP ASSY-LICENSE PLATE.....	4-A 1	92506A
LAMP ASSY-LUGGAGE COMPARTMENT.....	4-A 1	92620

PART NAME INDEX

PART NAME	M/F NO.	P N C
LAMP ASSY-ROOM.....	4-D 1	92800A
	4-D 1	92800B
LAMP ASSY-RR COMBINATION LH.....	3-L14	92401A
LAMP ASSY-RR COMBINATION RH.....	3-L14	92402A
LAMP ASSY-SIDE REPEATER.....	3-J14	92303A
LATCH ASSY-FR DR LH.....	3-J 1	81310
LATCH ASSY-FR DR RH.....	3-J 1	81320
	3-K 1	81320
LATCH ASSY-HOOD.....	3-D 1	81130
LATCH ASSY-RR DR LH.....	3-D 2	81410
LATCH ASSY-RR DR RH.....	3-E 2	81420
LATCH ASSY-TAIL GATE.....	3-A 3	81230A
LATCH ASSY-TRUNK LID.....	3-F 1	81230
LENS & HSG ASSY-LICENSE LAMP.....	4-A 1	92510
LENS & HSG ASSY-SIDE REPEATER.....	3-J14	92330B
LENS & HSG-RR COMB LAMP LH.....	3-L14	92410A
LENS & HSG-RR COMB LAMP RH.....	3-L14	92420A
	3-M14	92420A
LENS-ROOM LAMP.....	4-D 1	92811
LENS-TURN SIGNAL SYMBOL.....	4-E 2	94366D
LENS-WARNING SYMBOL.....	4-D 2	94366A
	4-E 2	94366A
LEVER.....	1-D14	36131A
	1-E14	36131A
LEVER ASSY.....	2-H 5	46742
LEVER ASSY-GEAR SHIFT.....	2-C 5	43720
	2-H 5	46720C
LEVER ASSY-PARKING BRAKE.....	2-K12	59710
LEVER ASSY-REVERSE SHIFT.....	2-M 4	43850C
	2-A 5	43850C
LEVER KIT-STARTER PINION SHIFT.....	1-D14	36130
LEVER PACKING.....	1-E14	36135C
LEVER-AIR INLET DR.....	4-C 5	97023
LEVER-ATA MANUAL CONTROL.....	2-A 8	45932B
LEVER-DEF DOOR.....	4-B 5	97234H
LEVER-FLOOR DOOR.....	4-A 5	97111B
LEVER-GEAR SHIFT.....	2-G 5	46710A
LEVER-PAWL LH.....	2-L11	58366A
LEVER-PAWL RH.....	2-L11	58366A
LEVER-RELEASE FORK SHAFT.....	2-C 2	41433B
LEVER-SELECT.....	2-A 5	43870B
	2-C 5	43740E
LEVER-TEMP DOOR.....	4-A 5	97116D
LEVER-VENT DOOR.....	4-A 5	97108B
LIFTER ASSY-TAIL GATE LH.....	3-C 3	81770
LIFTER ASSY-TAIL GATE RH.....	3-C 3	81780
LINK ASSY-FR STABILIZER LH.....	2-B 9	54830B
LINK ASSY-FR STABILIZER RH.....	2-B 9	54830C
LINK-AIR INLET DOOR.....	4-C 5	97108
	4-D 5	97108
LINK-STABILIZER BAR.....	2-F 9	55590
LINKAGE ASSY-W/WPR.....	4-L 3	98200
LOCK ASSY-DR LH.....	3-F 3	81907
LOCK ASSY-DR RH.....	3-F 3	81908
LOCK ASSY-FR DR LH.....	3-F 3	81907A
LOCK ASSY-FR DR RH.....	3-F 3	81908A
LOCK ASSY-GLOVE BOX.....	3-J 6	81520A
LOCK ASSY-RR SEAT BACK LH.....	3-L11	89317
LOCK ASSY-RR SEAT BACK RH.....	3-L11	89318
LOCK ASSY-STRG & IGN.....	3-E 3	81900A

PART NAME	M/F NO.	P N C
LOCK ASSY-STRG & IGN.....	3-E 3	81900B
LOCK ASSY-TRUNK LID.....	3-E 3	81250C
	3-E 3	81250L
LOCK-FUSE BOX COVER.....	3-I 7	85827
LOCK-VALVE SPRING RETAINER.....	1-C 6	22223
MAGNET-TRANSAXLE CASE.....	2-L 2	43131B
	2-L 5	43131B
MANIFOLD ASSY-EXHAUST.....	1-J 9	28510
MANIFOLD ASSY-INTAKE.....	1-M 8	28310
	1-A 9	28310
MANIFOLD-COMPRESSOR.....	4-D 6	97717
MANIFOLD-EXHAUST.....	1-J 9	28511A
MAT FRT-FRT CONSOLE.....	3-G 5	84625G
MAT FRT-RR CONSOLE.....	3-G 5	84625E
MAT RR-FRT CONSOLE.....	3-H 5	84625H
MAT RR-RR CONSOLE.....	3-G 5	84625F
MAT-LUGGAGE COVERING.....	3-C 7	85710
	3-D 7	85710
MEMBER ASSY-FR FLOOR SIDE LH.....	2-F13	65210
MEMBER ASSY-FR FLOOR SIDE RH.....	2-F13	65220
	2-G13	65220
MEMBER ASSY-FR SIDE LH.....	2-C13	64601
MEMBER ASSY-FR SIDE RH.....	2-D13	64602
MEMBER ASSY-RR FLOOR CTR.....	2-G13	65550
MEMBER ASSY-RR FLOOR SIDE LH.....	2-G13	65710
MEMBER ASSY-RR FLOOR SIDE RH.....	2-G13	65720
	2-H13	65720
MEMBER ASSY-RR S/BELT ANCHOR.....	2-G13	65531
MEMBER-PEDAL SUPPORT.....	2-I 1	32850C
	2-I 1	32860A
	2-I 1	32860B
MIRROR & HOLDER ASSY-O/S RR VIEW LH3-A10.....		87623A
MIRROR & HOLDER ASSY-O/S RR VIEW RH3-A10.....		87624B
MIRROR ASSY-RR VIEW INSIDE.....	3-J 9	85101
MIRROR ASSY-RR VIEW O/S LH.....	3-J 9	87806A
	3-K 9	87605A
	3-L 9	87605A
MIRROR ASSY-RR VIEW O/S RH.....	3-L 9	87606A
	3-M 9	87606A
	3-A10	87606A
MODE CABLE.....	4-J 4	97261E
MODULE ASSY-AIR BAG CONTROL.....	4-L 2	95910
MODULE ASSY-STRG WHEEL AIR BAG.....	2-K 9	58900
MOLD-GENERATOR TERMINAL.....	2-C 1	37363
MOTOR & LINKAGE ASSY-RR WIPER.....	4-C 4	98700
MOTOR & PUMP ASSY-W/S WASHER.....	4-M 3	98510A
MOTOR ASSY-P/WDO REG LH.....	3-D 4	98800
	3-L 4	98800
MOTOR ASSY-P/WDO REG RH.....	3-D 4	98900
	3-M 4	98900
MOTOR ASSY-WINDSHIELD WIPER.....	4-L 3	98100
MOTOR-CONDENSOR COOLING FAN.....	4-M 5	97786
	4-A 6	97786
MOTOR-HEATER BLOWER.....	4-D 5	97116B
MOTOR-RADIATOR COOLING FAN.....	1-D 7	25386
MOULDING ASSY-FNDR W/LINE LH.....	3-C10	87711
MOULDING ASSY-FNDR W/LINE RH.....	3-C10	87712
MOULDING ASSY-FR DR W/LINE LH.....	3-C10	87721B
	3-D10	87721B
MOULDING ASSY-FR DR W/LINE RH.....	3-D10	87722B

PART NAME	M/F NO.	P N C
MOULDING ASSY-QTR W/LINE LH.....	3-D10	87751B
MOULDING ASSY-QTR W/LINE RH.....	3-D10	87752
MOULDING ASSY-RR DR W/LINE LH.....	3-D10	87731A
MOULDING ASSY-RR DR W/LINE RH.....	3-D10	87732B
MOULDING ASSY-SIDE SILL FR LH.....	3-D10	87751
MOULDING ASSY-SIDE SILL FR RH.....	3-D10	87752A
MOULDING ASSY-SIDE SILL RR LH.....	3-D10	87761C
MOULDING ASSY-SIDE SILL RR RH.....	3-D10	87762
MOULDING-RR WDO GLASS.....	3-E 9	87131E
MOULDING-W/SHLD GLASS.....	3-B 8	86130
MOUNTING BASE.....	4-H 3	96250B
NECK ASSY-FUEL FILLER.....	1-C11	31040B
NIPPLE.....	1-G 4	22133
	1-A 5	29212
	1-A 9	28312
	1-A 9	28314
	1-A 9	28321A
	1-C 9	29212
	1-C 9	29212D
	1-C 9	29213
NIPPLE-HEATER.....	1-F 4	22126C
NOZZLE ASSY-CTR AIR VENT LH.....	3-H 6	97430A
NOZZLE ASSY-CTR AIR VENT RH.....	3-H 6	97440
NOZZLE ASSY-DEFROSTER.....	3-M 5	97360B
NOZZLE ASSY-RR WASHER.....	4-C 4	98660
NOZZLE ASSY-SIDE DEFROSTER LH.....	3-M 5	97386L
NOZZLE ASSY-SIDE DEFROSTER RH.....	3-M 5	97385R
NOZZLE ASSY-W/SHLD WASHER.....	4-M 3	98620A
NUT.....	1-K 3	13107A
	1-K 3	1339GB
	1-K 3	1339GC
	1-L 3	21825B
	1-A 4	21849
	1-D 4	1310SA
	1-D 4	1339GA
	1-E 8	28116A
	1-L 8	1339GA
	1-M 8	1339GA
	1-B 9	28522
	1-I 9	1339GA
	1-K 9	28522
	1-K 9	28522A
	1-L 9	K13465
	1-B10	28679
	1-B10	28787
	1-A11	1310AA
	1-A11	1311FB
	1-B11	1311FB
	1-L11	1327AA
	1-B13	1339GA
	1-C13	35106D
	1-J13	1339GA
	1-D14	36127
	1-H14	1327AF
	1-H14	1339CC
	1-L14	1310DA
	1-L14	1338CA
	2-B 1	37311E
	2-C 1	37361
	2-H 1	1310JA

PART NAME INDEX

PART NAME	M/F NO.	P N C
NUT.....	2-H 1	1311DA
	2-H 1	1311FA
	2-C 2	13107A
	2-F 5	1310DA
	2-L 5	1310JA
	2-M 6	1310BA
	2-L 8	1310UA
	2-A 9	1327AD
	2-C 9	1310UA
	2-E 9	1348VB
	2-I 9	1311HA
	2-D11	1346TD
	2-A12	1310DA
	2-E12	5858AA
	2-H12	1339GA
	2-B14	1327CC
	3-I 1	1339CC
	3-J 2	1339CB
	3-B 4	1339CC
	3-J 4	1339CC
	3-J 5	1327AA
	3-H 8	1339CC
	3-E10	1327AF
	3-G13	91793
	4-B 3	1339CC
	4-G 3	1339CC
	4-B 4	1311CA
	4-H 5	1338AB
NUT ASSY.....	1-L 3	21821B
	1-A 4	21845
	2-E 9	21845
NUT(W/WASHER).....	1-G 7	1327AB
	1-B11	1327AB
	1-L11	1327AB
	1-I12	1327AB
	3-J 2	1327AB
	3-E13	1327AB
	4-H 4	1327CB
	4-G 5	1327AB
	4-G 5	1327CB
	4-H 5	1327CB
NUT-U" BOLT.....	2-F 9	55229
	2-M12	55229
NUT-ADJUST ASSY.....	2-E 1	37463A
NUT-ARMREST MTG.....	3-A 4	82719
	3-H 4	82719
NUT-CAP W/WPR.....	4-L 3	98248B
NUT-CASTLE FR AXLE WHEEL SIDE.....	2-B 8	49551
NUT-CONNECTING ROD.....	1-K 5	23514
NUT-FLANGE.....	1-G 7	1338AC
	1-L 8	1339CD
	1-H 9	1339CD
	1-H10	1338AC
	1-L11	1338AC
	1-I12	1338AD
	1-B13	1338AC
	1-F13	1338AD
	1-J13	1338AD
	1-I14	1339CD
	2-H 1	1338AD

PART NAME	M/F NO.	P N C
NUT-FLANGE.....	2-M 1	1338AC
	2-C 5	1338AC
	2-F 5	1339CD
	2-L 8	1338AD
	2-C 9	1338AD
	2-K10	1338AC
	2-E12	1338AC
	2-I13	1339CD
	2-K13	1338AD
	3-F 8	1138AC
	3-F 9	1138AC
	3-K11	1138AC
	3-K11	1338AC
	3-J13	1338AC
	4-M 2	1138AC
	4-K 3	1338AC
	4-H 4	1338AC
	4-H 5	1338AC
	4-H 5	1338AD
	4-H 5	1399CE
NUT-FR WHEEL GUARD MTG.....	3-B 9	86453B
NUT-GENERATOR ADJUST.....	2-E 1	37463
NUT-HEX.....	4-C 4	98726A
NUT-HUB.....	2-G 8	52950
NUT-LOCK.....	1-B11	1325CA
	2-J 6	45819
	2-J 8	1326GB
	2-L 8	1326GB
	2-C 9	1326GB
	2-E 9	1325CA
	2-C10	57718A
NUT-LOCKING.....	2-B 3	43216
	2-J 6	45729
NUT-PLUG.....	3-D 5	84147
	3-D 5	84147E
NUT-PULLEY.....	2-G10	57131
NUT-SELF LOCKING.....	2-F 9	55359
NUT-SLOTTED.....	2-D10	1313DA
NUT-SPRING.....	3-E 6	84837F
	4-B 1	1334AA
NUT-WASHER ASSY.....	1-I12	1327AC
	2-L 9	1327AC
NUT-WHEEL BEARING.....	2-F 8	52745B
NUT-WING.....	1-E 8	28121
O-RING.....	1-D12	31470B
	1-D12	33113A
	2-G10	57137B
	2-F11	57729
	2-G10	57144
	2-H10	57144
	2-F11	57735C
OIL-SEAL.....	2-F11	57736A
	2-F11	57742
	2-F11	57748
PACKING.....	1-D11	31115
	1-E14	36135A
	2-M 2	K41800
	3-I 9	92557
PACKING-ATA LOW & REV BRK SUPT.....	2-M 6	45842B
PACKING-ATA VALVE BODY.....	2-G 7	48341A

PART NAME	M/F NO.	P N C
PACKING-ATA VALVE BODY.....	2-G 7	48342B
PACKING-CIRCULAR.....	1-G 4	22327
	1-H 4	22327
PACKING-CUT VALVE.....	1-G11	31194C
PACKING-DISTRIBUTOR "A".....	1-G13	27146
PACKING-DUST.....	2-D10	56517B
PACKING-FUEL FILLER NECK.....	1-C11	31048B
PACKING-FUEL PUMP.....	1-E11	31140B
PACKING-OIL FILLER CAP.....	1-M 4	26902
PACKING-SEMI CIRCULAR.....	1-M 4	22442
PACKING-STARTER.....	1-E14	36139
PAD.....	4-C 4	98713B
PAD & SENSOR ASSY LH.....	2-I11	58118A
PAD & SENSOR ASSY RH.....	2-J11	58138
PAD ASSY-FR SEAT BACK LH.....	3-K10	88360
PAD ASSY-FR SEAT BACK RH.....	3-L10	88380
PAD ASSY-FR SEAT CUSH LH.....	3-I10	88150
PAD ASSY-FR SEAT CUSH RH.....	3-J10	88250
PAD ASSY-HORN.....	2-J 9	58150B
	2-K 9	58150B
PAD ASSY-ISOLATION DASH PANEL.....	3-C 5	84120
PAD ASSY-OTR.....	2-I11	58115
PAD ASSY-RR SEAT BACK.....	3-M11	89650A
PAD ASSY-RR SEAT BACK LH.....	3-M11	89650B
PAD ASSY-RR SEAT BACK RH.....	3-L11	89450
PAD KIT-FR DISC BRAKE.....	2-I11	58101B
PAD-ANTINOISE.....	3-E 5	84172B
	3-E 5	84172E
	3-E 5	84173A
	3-E 5	84182K
	3-E 5	84185A
	3-J 5	84173A
	3-G12	84171B
	3-G12	84173A
	3-A14	84173A
	4-B 3	84171B
	4-B 3	84182K
	4-G 3	84173A
	4-I 3	84173A
PAD-ANTIVIBRATION CTR FLR FR LH.....	3-D 5	84161J
PAD-ANTIVIBRATION CTR FLR FR RH.....	3-D 5	84152
PAD-ANTIVIBRATION CTR FLR RR LH.....	3-D 5	84158
PAD-ANTIVIBRATION CTR FLR RR RH.....	3-D 5	84166C
PAD-ANTIVIBRATION CTR FLR TUNNEL FR 3-D 5		84153
PAD-ANTIVIBRATION CTR FLR TUNNEL RR 3-D 5		84154D
PAD-ANTIVIBRATION RR FLR FR.....	3-D 5	84157D
PAD-ANTIVIBRATION RR FLR RR.....	3-D 5	84161E
PAD-ANTIVIBRATION RR WHL HOUSE.....	3-D 5	84161C
PAD-ANTIVIBRATION WHL HOUSE RH.....	3-D 5	84169A
PAD-DOOR SPEAKER.....	4-J 3	96370G
PAD-FR PILLAR LWR INR LH.....	3-G 7	84130G
PAD-FR PILLAR LWR INR RH.....	3-G 7	84130H
PAD-FR SPRING LWR.....	2-M 8	64833
PAD-FUEL TANK.....	1-C11	31101E
	1-F11	31180
	1-F11	31180C
PAD-HOOD INSULATING.....	3-D 1	81125
PAD-ISOLATION FLOOR TUNNEL.....	3-E 5	84251B
PAD-LID SWITCH.....	4-I 1	92736
PAD-PEDAL.....	2-H 1	32726B

PART NAME INDEX

PART NAME	M/F NO.	P N C
PAD-PEDAL.....	2-I 1	32825
PAD-ROOF NO 1.....	3-K 6	85305A
PAD-ROOF NO 2.....	3-K 6	85305B
.....	3-L 6	85305B
PAD-ROOF NO 3.....	3-L 6	85305C
PAD-ROOF NO 4.....	3-L 6	85305D
PAD-ROOF NO 5.....	3-L 6	85305E
PAD-ROOF RAIL.....	3-E 5	84185
PAD-RR SPOILER MT'G LH.....	3-F 9	87218F
PAD-RR SPOILER MT'G RH.....	3-F 9	87218G
PAD-RR SPRING LWR.....	2-C 9	55272
PAD-RR SPRING UPR.....	2-C 9	55341
PAN ASSY-ATA OIL.....	2-M 5	45280
PAN ASSY-ENGINE OIL.....	1-G 3	21510
PANEL ASSY-BACK.....	2-B14	69100
.....	2-C14	69100
PANEL ASSY-CLUSTER FACIA.....	3-D 6	84830B
PANEL ASSY-COWL INR LWR.....	2-K13	66702A
PANEL ASSY-COWL SIDE INR UPR LH.....	2-K13	66751B
PANEL ASSY-COWL SIDE INR UPR RH.....	2-L13	66761B
PANEL ASSY-COWL SIDE OTR UPR LH.....	2-K13	66751A
PANEL ASSY-COWL SIDE OTR UPR RH.....	2-K13	66761A
PANEL ASSY-COWL TOP OTR.....	2-L13	66780
PANEL ASSY-CTR FACIA.....	3-A 6	84710B
.....	3-B 6	84710B
.....	3-C 6	84710B
.....	3-D 6	84710B
PANEL ASSY-FNDR APRON LH.....	2-C13	64501
PANEL ASSY-FNDR APRON RH.....	2-C13	64502
PANEL ASSY-FR DR LH.....	2-L14	76003
PANEL ASSY-FR DR RH.....	2-L14	76004
.....	2-M14	76004
PANEL ASSY-FR FLOOR REINF RR.....	2-E13	65141
PANEL ASSY-HOOD.....	2-I13	66400
.....	2-J13	66400
PANEL ASSY-LWR CRASH PAD.....	3-D 6	84755C
PANEL ASSY-PILLAR OTR LH.....	2-E14	71110
PANEL ASSY-PILLAR OTR RH.....	2-E14	71120
PANEL ASSY-QUARTER INR LH.....	2-J14	71601
PANEL ASSY-QUARTER INR RH.....	2-J14	71602
PANEL ASSY-QUARTER OTR LH.....	2-H14	71503B
PANEL ASSY-QUARTER OTR RH.....	2-H14	71504B
PANEL ASSY-RR DR LH.....	3-A 1	77003
PANEL ASSY-RR DR RH.....	3-A 1	77004
PANEL ASSY-RR PACKAGE TRAY.....	2-C14	69301
PANEL ASSY-SIDE SILL INR LH.....	2-F13	65170
PANEL ASSY-SIDE SILL INR RH.....	2-F13	65180
PANEL ASSY-SUNROOF GLASS.....	3-J 2	81610
PANEL ASSY-TAIL GATE.....	2-C14	73700
PANEL ASSY-TAIL GATE TRIM.....	3-B 3	81750
PANEL ASSY-TRUNK LID.....	2-C14	69200
PANEL COMPL-COMB LAMP HSG LH.....	2-E14	69140
PANEL COMPL-COMB LAMP HSG RH.....	2-E14	69150E
PANEL COMPL-FR DR TRIM LH.....	3-L 3	82301
PANEL COMPL-FR DR TRIM RH.....	3-L 3	82302
.....	3-M 3	82302
PANEL COMPL-RADIATOR SUPT.....	2-C13	64100
PANEL COMPL-RR DR TRIM LH.....	3-H 4	83301
PANEL COMPL-RR DR TRIM RH.....	3-I 4	83302
PANEL-FENDER LH.....	2-I13	66311

PART NAME	M/F NO.	P N C
PANEL-FENDER RH.....	2-I13	66321
PANEL-FR DR OTR LH.....	2-M14	76111
PANEL-FR DR OTR RH.....	2-M14	76121
PANEL-FR FLOOR.....	2-E13	65111
PANEL-ROOF.....	2-M13	67111A
.....	2-A14	67111A
PANEL-RR DR OTR LH.....	3-A 1	77111
.....	3-B 1	77111
PANEL-RR DR OTR RH.....	3-B 1	77121
PANEL-RR FLOOR.....	2-G13	65511
PANEL-SIDE SILL OTR LH.....	2-F14	71312
PANEL-SIDE SILL OTR RH.....	2-F14	71322
PEDAL-BRAKE.....	2-H 1	32810
PEDAL-CLUTCH.....	2-H 1	32820
.....	2-I 1	32820
PIECE-ROOF GARNISH END FR LH.....	3-G 9	87255A
PIECE-ROOF GARNISH END FR RH.....	3-G 9	87256A
PIECE-ROOF GARNISH END RR LH.....	3-G 9	87257
PIECE-ROOF GARNISH END RR RH.....	3-G 9	87258
PILLAR ASSY-CTR INR LH.....	2-H14	71471
PILLAR ASSY-CTR INR RH.....	2-H14	71481
PILLAR ASSY-CTR OTR LH.....	2-G14	71401B
PILLAR ASSY-CTR OTR RH.....	2-G14	71402B
PILLAR ASSY-FR INR LWR LH.....	2-F14	71210
PILLAR ASSY-FR INR LWR RH.....	2-F14	71220
PILLAR BLACK OUT-POST LH.....	3-D 8	86365B
PILLAR BLACK OUT-POST RH.....	3-D 8	86366B
PIN.....	1-I12	1430AK
.....	1-J12	32728A
.....	1-G13	27171A
.....	2-H 5	46762
.....	2-A 8	1430AR
.....	2-D10	1430BH
PIN-CLEVIS.....	2-A 2	58581
.....	2-C 2	41416
.....	2-I12	58581
PIN-COVERING SHELF CTR.....	3-M 7	85939C
PIN-DETENT.....	2-F 5	43726B
PIN-DOWEL.....	1-B 2	1430JC
.....	1-D 3	1430JC
.....	1-C 5	1430JE
.....	1-C 5	1430JJ
.....	1-H 5	23222
.....	1-B 6	1430JC
.....	1-D 6	24141
.....	2-J 2	1430JF
PIN-FIXED.....	2-J11	58162A
PIN-HOLDER.....	3-L 7	85915A
PIN-LOCK.....	2-C 4	4332B
.....	2-L 4	43657A
.....	2-L 4	43813
.....	2-I 6	4332B
.....	2-G10	57134
PIN-SHOE HOLD DOWN.....	2-L11	58323
PIN-SNAP.....	2-A 2	43779A
.....	2-E 2	43779A
.....	2-D 5	43777B
.....	2-G 5	43777B
.....	2-I12	43779A
PIN-SPRING.....	2-M 4	43842

PART NAME	M/F NO.	P N C
PIN-SPRING.....	2-A 5	43852
.....	2-C 5	1431AW
.....	2-D 7	46269
.....	2-L 7	1431AA
PINION & VALVE ASSY-P/S.....	2-F11	57750B
.....	2-G11	57750B
PINION ASSY-STEERING GEAR BOX.....	2-A10	56510B
PIPE ASSY-COOLANT.....	1-K 7	25461A
PIPE ASSY-COOLANT BYPASS.....	1-K 7	25435A
PIPE ASSY-EGR.....	1-B 9	26550
PIPE ASSY-HEATER.....	1-K 7	25461C
PIPE ASSY-OIL FEED.....	1-I 9	26631
PIPE ASSY-VACUUM.....	2-H 1	26360
PIPE-AIR BREATHER.....	2-M 5	45252
PIPE-ATA VALVE BODY UPR BLOCK.....	2-H 7	46364
PIPE-DELIVERY.....	1-C13	35304
PIPE-DISCHARGE.....	4-M 5	97766
PIPE-EXHAUST CTR.....	1-B10	28650B
PIPE-EXHAUST FR.....	1-B10	28600
PIPE-VCOOLER INLET.....	1-H 8	27810
PIPE-VCOOLER OUTLET.....	1-H 8	27820
PIPE-OIL SUPPLY TO VACUUM PUMP.....	2-D 1	37382A
PIPE-OIL T/C.....	1-I 9	26870
PIPE-SUCTION.....	2-F10	57129
.....	2-G10	57142
.....	4-M 5	97763A
PIPE-TAIL W/MUFFLER.....	1-B10	28700
PIPE-TURBOCHARGER DISCHARGE.....	1-L 9	28571
PIPE-WATER INLET.....	1-K 7	25461N
PISTON & CUP COMPLETE.....	2-A 2	41062
PISTON & PIN ASSY.....	1-I 5	23410A
.....	1-J 5	23410A
.....	1-K 5	23410A
PISTON ASSY.....	1-I 5	23400P
PISTON ASSY-ACCUMULATOR.....	2-J 7	46382A
PISTON ASSY-FR CLUTCH.....	2-E 6	45490B
PISTON ASSY-PRIMARY.....	2-B12	58560A
PISTON ASSY-RR CLUTCH.....	2-D 6	45440
PISTON ASSY-SECONDARY.....	2-B12	58540A
PISTON-END CLUTCH.....	2-E 6	45550B
PISTON-FR DISC BRAKE.....	2-I11	58112
PISTON-KICK DOWN SERVO.....	2-H 6	45682B
PISTON-LOW & REVERSE BRAKE.....	2-G 6	46625C
PLATE.....	1-G14	36185
PLATE & GROMMET-A/C COOLER LINE.....	4-J 5	97665A
PLATE ASSY.....	1-K12	45417B
PLATE ASSY-ASH TRAY.....	3-L 5	84560
PLATE ASSY-FUEL PUMP.....	1-D11	31120
PLATE ASSY-RR BRAKE BACK LH.....	2-L11	58355
PLATE ASSY-RR BRAKE BACK RH.....	2-L11	58365
PLATE ASSY-SEPARATING LWR.....	2-E 7	46286B
PLATE ASSY-SEPARATING UPR.....	2-E 7	46287B
PLATE ASSY-SUNROOF HDL BASE.....	3-K 2	81625
PLATE-ADAPTER.....	1-I 5	23226B
PLATE-BACKING.....	2-D 7	46275A
PLATE-BRAKE PRESSURE.....	2-G 6	45623T
PLATE-BRAKE REACTION.....	2-G 6	45624C
PLATE-CLUTCH.....	2-D 6	45451C
PLATE-CLUTCH REACTION.....	2-D 6	45453
.....	2-E 6	45475B

PART NAME INDEX

PART NAME	M/F NO.	P N C
PLATE-CYLINDER BLOCK RR.....	1-F 3	21431
PLATE-DRIVE.....	1-H 5	23211B
PLATE-END CLUTCH.....	2-F 8	45581
PLATE-END CLUTCH REACTION.....	2-F 6	45582
PLATE-FRAME.....	2-B13	82467A
PLATE-FUEL PUMP UPR.....	1-D11	31116B
PLATE-GLOW PLUG.....	1-H14	36720
PLATE-INTERLOCK.....	2-M 4	43843B
PLATE-INTERMEDIATE.....	2-A 7	48216
PLATE-LOCK.....	2-J 6	45786
PLATE-LOW & REVERSE BRAKE.....	2-G 6	45822B
PLATE-P/S OIL PUMP SIDE.....	2-F10	57124
PLATE-PWDO MAIN SWITCH.....	4-I 1	93552A
PLATE-PWDO SUB SWITCH.....	4-I 1	93552B
PLATE-STOPPER.....	2-B 5	43913
	2-J 6	45782
	2-K 6	45874A
	2-B 7	46237
	2-B 7	46237A
PLATE(B).....	2-F 9	55233
PLIERS.....	1-E 1	09145
PLUG.....	1-K 2	26124
	1-F 4	22129
	1-L 4	1735AA
	2-K 2	43121C
	2-A 6	45347
	2-M 9	1735AB
	3-B 5	1076AM
	3-C 5	1731JC
	3-F 5	95674B
	3-A12	84256C
	3-E12	1076AM
	3-F12	1076AM
	3-G12	1731JF
	3-D13	95674B
	3-A14	1731JE
	4-J 2	1735AA
	4-C 3	95674B
	4-G 3	1076AM
	4-G 3	95674B
PLUG ASSY-AIR EXH.....	2-M 5	45245
PLUG ASSY-INJECTOR INSTL.....	1-M 4	22450D
PLUG ASSY-PRESSURE CHECK.....	2-M 5	45280
PLUG ASSY-RR BRAKE.....	2-111	58385B
PLUG ASSY-SPARK.....	1-113	10930A
PLUG-ATA UPR V/B SHIFT CONTROL.....	2-1 7	48374
PLUG-BUTTON.....	3-C 5	84132B
PLUG-CHILD REST ANCHOR HOLE.....	3-K11	84255
PLUG-CIGAR LIGHTER.....	3-H 6	95110
PLUG-DASH PANEL.....	3-D 6	84138
PLUG-DRAIN.....	2-L 2	43171
	3-C 5	84132A
	3-C 5	84133E
PLUG-END.....	2-F11	57713C
PLUG-GLOW.....	1-H14	36710
PLUG-INSPECTION.....	2-L11	58386B
PLUG-MAGNET.....	2-K 2	43121
PLUG-OIL DRAIN.....	1-G 3	21512
	2-L 5	21512
PLUG-PUSH ON TYPE.....	3-D 5	84147A

PART NAME	M/F NO.	P N C
PLUG-PUSH ON TYPE.....	3-A14	84146A
	3-A14	86439A
PLUG-RADIATOR DRAIN.....	1-C 7	25318
PLUG-RUBBER.....	1-F 3	21366B
PLUG-SAFETY BELT HOLE.....	3-D11	84251A
PLUG-SHIFT CONTROL.....	2-1 7	48373
PLUG-STOPPER.....	2-A 7	48231
	2-B 7	48231
PLUG-TAPER.....	1-D 2	21133
	1-I 2	1571TC
	1-D 4	1571TA
	1-D 4	1571TB
	1-D 4	1571TC
	1-M 8	1571RB
PLUG-TRIM MOUNTING.....	3-E 7	85747
	3-K11	85746
PLUG-TRIM MTG.....	3-F 5	85325A
	3-L 6	85325A
	3-B 7	85325A
	3-G 7	85325A
PLUG-WAX INJECTION HOLE.....	3-C 5	84136
	3-D 5	84136
	3-F 5	85834A
PLUG-YOKE.....	2-C10	57737
PLUNGER-RELIEF.....	1-K 2	26122
POCKET-DR MAP LH.....	3-M 3	82370A
POCKET-DR MAP RH.....	3-M 3	82380
PRE HEATER UNIT.....	4-L 4	97341E
PROTECTOR-CANISTER.....	1-H11	31449
PROTECTOR-DR SPEAKER.....	4-I 3	96331
PROTECTOR-FUEL TANK.....	1-G11	31220B
PROTECTOR-FUEL TUBE.....	1-G11	31317C
	1-B12	31350A
PROTECTOR-HEAT.....	1-K 9	28525A
	1-L 9	28525A
	1-L 9	28525B
PROTECTOR-HOOD CABLE.....	3-E 1	81193A
PROTECTOR-HOOD LATCH REL CABLE.....	3-E 1	81193B
PROTECTOR-LWR.....	1-I 9	21350P
PULLEY ASSY-A/C COMPRESSOR.....	4-C 6	97643E
PULLEY-COOLANT PUMP.....	1-M 6	25221
	1-A 7	25221
PULLEY-DAMPER.....	1-G 5	23124B
PULLEY-DRIVE BELT.....	1-A 7	25287
PULLEY-GENERATOR.....	2-B 1	37321B
PULLEY-IDLER.....	1-G 6	24810
	1-A 7	25288
PULLEY-POWER STEERING.....	1-A 7	25226
PULLEY-POWER STEERING PUMP.....	2-F10	57130B
	2-G10	57130B
PULLEY-TENSION.....	4-B 6	97834
PUMP ASSY-COOLENT.....	1-M 6	25100
PUMP ASSY-FUEL.....	1-C11	31111A
PUMP ASSY-HIGH PRESSURE.....	1-L12	33100B
PUMP ASSY-OIL.....	2-B 6	46110
PUMP ASSY-POWER STEERING OIL.....	2-E10	57100
PUMP HOLDER.....	1-D11	31122G
RACE-OVER RUN CLUTCH OTR.....	2-J 6	45781B
RACE-THRUST.....	2-H 6	45636B
RACE-THRUST BEARING.....	2-D 6	45455

PART NAME	M/F NO.	P N C
RACE-THRUST BEARING.....	2-J 6	45744
RACK ASSY-P/S GEAR BOX.....	2-F11	57720B
RACK-STEERING GEAR BOX.....	2-B10	58531B
	2-C10	58531B
RADIATOR ASSY.....	1-C 7	25310
RADIO ASSY-ETR.....	4-E 3	96140A
	4-E 3	96180B
	4-E 3	96170E
RAIL ASSY-FR BUMPER.....	3-I 8	86530
RAIL ASSY-ROOF CTR.....	2-A14	67120A
RAIL ASSY-ROOF CTR NO1.....	2-A14	67133
RAIL ASSY-ROOF FR.....	2-A14	67310A
RAIL ASSY-ROOF RR.....	2-A14	67141B
RAIL ASSY-RR BUMPER.....	3-M 8	86630
RAIL SUB ASSY-SHIFT.....	2-L 4	43810A
	2-L 4	43820A
	2-L 4	43830A
	2-M 4	43830A
RAIL-ROOF CTR.....	2-A14	67121A
RAIL-ROOF RR.....	2-A14	67130
RECTIFIER ASSY-GENERATOR.....	2-C 1	37387B
REGULATOR - PRESSURE.....	1-H11	35301A
REGULATOR ASSY-FR DR PWDO LH.....	3-B 4	82403
	3-C 4	82403
REGULATOR ASSY-FR DR PWDO RH.....	3-C 4	82404
REGULATOR ASSY-FR DR WDO LH.....	3-B 4	82401
REGULATOR ASSY-FR DR WDO RH.....	3-B 4	82402
REGULATOR ASSY-GENERATOR.....	2-D 1	37370B
REGULATOR ASSY-RR DR PWDO LH.....	3-K 4	83403
REGULATOR ASSY-RR DR PWDO RH.....	3-K 4	83404
REGULATOR ASSY-RR DR WDO LH.....	3-K 4	83401
REGULATOR ASSY-RR DR WDO RH.....	3-K 4	83402
REINF ASSY-CTR PILLAR OTR LH.....	2-G14	71431A
REINF ASSY-CTR PILLAR OTR RH.....	2-G14	71441A
	2-H14	71441A
REINF ASSY-FR PILLAR OTR LH.....	2-E14	71153A
REINF ASSY-FR PILLAR OTR RH.....	2-F14	71163C
REINF ASSY-QTR OTR FR LH.....	2-H14	71515B
REINF ASSY-QTR OTR FR RH.....	2-H14	71525A
REINF ASSY-SIDE SILL OTR LH.....	2-F14	71315
REINF ASSY-SIDE SILL OTR RH.....	2-F14	71325
	2-G14	71325
REINFORCEMENT ASSY-CTR FLOOR.....	2-E13	65130B
REINFORCEMENT ASSY-FUEL TANK.....	1-G11	31214
REINFORCEMENT ASSY-SIDE SILL INR LH 2-G14.....	2-G14	71334L
REINFORCEMENT ASSY-SIDE SILL INR RH 2-G14.....	2-G14	71334R
REINFORCEMENT-BATTERY TRAY LEG.....	3-C 5	64895
RELAY ASSY-CONTROL.....	1-H10	39160
RELAY ASSY-FUEL PUMP CONT.....	4-K 2	95210
RELAY ASSY-GLOW PLUG.....	1-H14	39620A
	4-J 2	39620A
RELAY ASSY-POWER.....	4-K 2	95220A
	4-K 2	95224
	4-K 2	95224C
	4-L 2	95225A
	4-L 2	95250C
	4-B 3	95220A
RELAY ASSY-WIPER.....	4-L 2	95420
	4-B 4	95420
RELAY-JOINT.....	4-J 2	91961A

PART NAME INDEX

PART NAME	M/F NO.	P N C
RELAY-POWER	4-L 2	95230F
REPAIR KIT-AIR BAG	2-K 9	96990
RESERVOIR & HOSE ASSY-RAD	1-H 7	25430
RESERVOIR ASSY-CLU MASTER CYL	2-M 1	41620
RESERVOIR ASSY-POWER STEERING	2-H10	57150A
RESERVOIR ASSY-W/SHLD WASHER	4-M 3	98620
RESERVOIR-MASTER CYLINDER	2-A12	58511A
RESISTOR	4-D 5	97113B
RESISTOR ASSY	1-K13	27350
RESISTOR-W/DIODE	1-I10	39190
RESONATOR ASSY	1-F 8	28190
RETAINER	1-D 7	25393
	3-F 7	86910
	3-K 7	86910
	3-A 9	98890
	3-C 9	86848A
	3-H 9	86910
	3-L14	86910
	4-H 5	25393
RETAINER ASSY	2-F 6	47127B
RETAINER ASSY-BUMPER COVER MTG ...	1-I 6	86590
	3-E 1	86590
	3-K 8	86590
	3-M 8	86590
	3-B 9	86590
	3-C10	86590
RETAINER ASSY-BUMPER SIDE BRKT MTG	3-K 8	86591D
	3-M 8	86591D
RETAINER ASSY-DIFF BEARING	2-M 5	45331B
RETAINER ASSY-END CLUTCH	2-E 6	45540
RETAINER ASSY-FR CLUTCH	2-E 6	45480B
RETAINER ASSY-RR CLUTCH	2-D 6	45420
RETAINER-AIMING	3-J14	92273
RETAINER-ATA VALVE BODY	2-F 7	46335
RETAINER-BEARING	2-L 2	43123
RETAINER-COWL TOP COVER MTG	3-B 8	88155
RETAINER-HOLDER	1-F11	31169
RETAINER-RR DR STRIKER LH	2-J14	71731B
	2-K14	71731B
RETAINER-RR DR STRIKER RH	2-K14	71741A
RETAINER-SUNVISOR	3-K 6	85235
RETAINER-TAPPING SCREW	3-I 1	1491AD
	3-C 2	1491AD
	3-I 6	1491AD
	3-H 8	1491AD
	3-L 8	1491AD
	4-I 3	1491AD
RETAINER-VALVE SPRING	1-C 6	22222
RETAINER-WHEEL GUARD MTG	3-F 7	86825
	3-C 9	86825
	3-C 9	86825B
RING "O"	1-E 2	38612
	1-J 2	21319
	2-G10	57143
RING ASSY-SUNROOF REINF	2-A14	67115
RING SET-PISTON	1-C 5	23040A
	1-D 5	23040A
	1-E 5	23040A
	1-F 5	23040A
RING "O"	2-E 6	45472

PART NAME	M/F NO.	P N C
RING "D"	2-E 6	45532A
	2-F 6	45645
	2-H 6	45645
RING "D"-FR CLUTCH	2-E 6	45471B
RING "D"-LOW & REVERSE BRAKE	2-H 6	45632B
	2-H 6	45633B
RING "D"-RR CLUTCH	2-D 6	45447
	2-D 6	45448
RING "O"	1-D 2	26614
	1-E 2	26614
	1-E 2	26615
	1-H 3	26614
	1-H 3	26615
	1-C 7	25319
	1-K 7	25462B
	1-L 7	25462B
	1-L 7	25462D
	1-L 7	25462F
	1-C13	35312
	1-D13	35312
	1-G13	27161
	2-K 4	1710AJ
	2-L 5	42115
	2-M 5	45262B
	2-M 5	45266A
	2-M 5	45332
	2-A 6	45612
	2-A 6	45945
	2-A 6	45959B
	2-A 6	45959C
	2-G 6	45612
	2-M 6	46212
	2-A 7	46212A
	2-F 7	46333
	2-G 7	46343
	2-L 7	46513
	2-H10	57145
	2-H10	57146A
	2-B11	57536B
	2-B11	57558
	2-G11	57777
	4-J 5	97690A
	4-J 5	97690D
	4-J 5	97690E
	4-K 5	97690E
	4-E 6	97105
RING "O"-OIL PUMP	2-B 6	46158
RING-CLIP	2-B 9	54838
	2-E 9	54838
RING-PARK CABLE RETAINING	2-M11	59775
RING-PISTON	2-A 2	41682A
RING-RETAINER	2-G 6	1461LD
RING-REVERSE BRAKE	2-G 4	43388
	2-H 4	43388
RING-RITAING	2-A12	58523
RING-RR CLUTCH RETAINER	2-D 6	45423B
RING-RUBBER	4-H 2	94245A
RING-SEAL	2-B 6	46159
	2-D 6	45391
	2-D 6	45431

PART NAME	M/F NO.	P N C
RING-SEAL	2-D 6	45432
	2-H 6	45631B
	2-J 6	45747B
	2-J 7	46384
RING-SNAP	2-D 3	43224T
	2-J 3	43245T
	2-K 3	43245T
	2-A 4	43269T
	2-F 5	1461CB
	2-A 6	45665
	2-B 6	46153
	2-D 6	45433
	2-D 6	45454T
	2-E 6	45512
	2-E 6	45534T
	2-E 6	45535B
	2-F 6	45637B
	2-G 6	43305
	2-H 6	45637B
	2-J 6	45733B
	2-J 6	46751
	2-J 6	46821
	2-E 8	51718
	2-J 8	54519
	2-B10	56525B
	2-F10	57123
	4-D 6	97711B
	4-D 6	97716B
RING-STOP	1-E14	36137A
RING-SYNCHRONIZER	2-F 4	43374
	2-G 4	43364
	2-G 4	43385A
RING-SYNCHRONIZER(3RD)	2-H 4	43364
ROCKER ARM-EXHAUST	1-F 6	24529
ROCKER ARM-INTAKE	1-F 6	24531A
ROCKER ARM(A)	1-F 6	24561B
ROCKER ARM(B)	1-F 6	24562A
ROD ASSY	2-G 5	43773D
	2-H 5	46725A
ROD ASSY-AUTO ANTENNA	4-H 3	96240B
ROD ASSY-CONNECTING	1-K 5	23510
ROD ASSY-FR DR SAFETY LOCK LH	3-K 1	81370C
ROD ASSY-FR DR SAFETY LOCK RH	3-L 1	81380B
ROD ASSY-HOOD STAY	3-D 1	81170
ROD ASSY-KICK DOWN PISTON	2-H 6	45690
ROD ASSY-MANUAL ANTENNA	4-H 3	96229
ROD ASSY-OIL LEVEL GAUGE	1-D 2	26611
	1-H 3	26611
ROD ASSY-PARK SPRAG	2-A 6	45920B
ROD ASSY-PUSH	2-E 2	41722A
ROD-ANTENNA	4-H 3	96240A
ROD-FR DR ACTUATOR LH	3-K 1	81373
ROD-FR DR ACTUATOR RH	3-K 1	81374
	3-L 1	81374
ROD-FR DR I/S HDL LH	3-K 1	81371
ROD-FR DR I/S HDL RH	3-K 1	81372
ROD-FR DR LOCK LH	3-L 1	81363
ROD-FR DR LOCK RH	3-L 1	81384
	3-M 1	81384
ROD-FR DR O/S HDL LH	3-L 1	81381

PART NAME INDEX

PART NAME	M/F NO.	P N C
ROD-FR DR O/S HDL RH.....	3-L 1	81382
ROD-PUSH.....	2-D 2	41719B
	2-E 2	41719B
ROD-RR DR ACTUATOR LH.....	3-E 2	81452
ROD-RR DR ACTUATOR RH.....	3-E 2	81453
ROD-RR DR VS HDL LH.....	3-F 2	81471
ROD-RR DR VS HDL RH.....	3-F 2	81472
ROD-RR DR O/S HDL LH.....	3-F 2	81481A
ROD-RR DR O/S HDL RH.....	3-F 2	81482A
ROD-RR DR SAFETY LOCK LH.....	3-F 2	81493A
ROD-RR DR SAFETY LOCK RH.....	3-F 2	81494A
ROLLER.....	2-F 5	43729
	2-G 5	43730C
ROTOR ASSY-DISTRIBUTOR.....	1-F13	27115
ROTOR ASSY-GENERATOR.....	2-C 1	37340
RUBBER.....	1-I11	31923
RUBBER-CUSHION.....	2-B10	56522
RUBBER-FLOATING.....	1-E 3	21356C
RUBBER-GEAR BOX MTG.....	2-M 9	56222
	2-E11	57710B
RUBBER-MOUNT.....	1-I11	31923E
RUN-FR DR WDO GLASS LH.....	3-C 4	82531
RUN-FR DR WDO GLASS LWR.....	3-C 4	82532A
RUN-FR DR WDO GLASS RH.....	3-D 4	82541
RUN-RR DR WDO GLASS LH.....	3-L 4	83531
RUN-RR DR WDO GLASS RH.....	3-L 4	83541
S/BELT ASSY-FR LH.....	3-D11	88810C
	3-E11	88810C
	3-F11	88810C
S/BELT ASSY-FR RH.....	3-F11	88820C
	3-G11	88820C
S/BELT ASSY-RR LH.....	3-A12	89610A
S/BELT ASSY-RR RH.....	3-A12	89620A
	3-B12	89620A
S/BELT ASSY-RR STATIC 2PT, CTR.....	3-A12	89610E
S/BELT COMPL-RR.....	3-A12	89601B
SCREEN ASSY-OIL.....	1-G 3	26250
SCREW.....	1-D14	36117A
	1-G14	36183
	3-F 3	81918
	3-F 3	81937
	3-F 3	81958
	3-J 5	11291
	4-C 2	94214
	4-C 2	94215A
	4-D 2	94215A
	4-D 2	94223A
	4-D 2	94223B
	4-B 5	97218
	4-C 6	97890C
	4-E 8	97218
SCREW ASSY-ADJUSTING.....	2-C 7	46260
	2-C 7	46260A
SCREW SET-STARTER.....	1-D14	36111B
SCREW-ADJUST.....	2-A 6	46451B
SCREW-ADJUSTER.....	1-C13	35128
SCREW-BLEEDER.....	2-E 2	41720A
	2-J11	58120
	2-K11	58120
SCREW-CPS WHEEL.....	1-L 5	39191

PART NAME	M/F NO.	P N C
SCREW-CPS WHEEL.....	1-J10	39191
SCREW-DAMPER.....	2-H12	56914B
SCREW-DISTRIBUTOR.....	1-G13	27185A
	1-G13	27186
SCREW-EARTH COUNTERSUNK.....	4-1 1	91791
SCREW-FLANGE.....	2-B 1	37332
SCREW-MACHINE.....	1-I 2	1220FP
	1-I 2	1220FR
	1-I 2	1220FS
	1-H10	1220FR
	1-L11	1229DH
	1-J13	1231DB
	1-J13	1231FH
	2-F 5	1229DE
	2-F 5	1232EA
	2-E 8	1231FH
	2-F 8	1231FH
	2-I 9	1221CG
	2-L 9	1234JA
	2-K11	1220BC
	2-K11	1220FP
	2-K12	1231DB
	3-D 1	1229DK
	3-F 1	1229CB
	3-H 1	1017CB
	3-M 1	81458B
	3-M 1	81477
	3-B 2	1017CB
	3-E 2	81458B
	3-F 2	81456B
	3-F 2	81477
	3-J 2	1220FK
	3-K 2	81623A
	3-M 2	1221AC
	3-C 4	82424B
	3-K 4	82424B
	3-J 5	1220FC
	3-J 5	1221AC
	3-J 5	1229DE
	3-J 9	1231FG
	3-H10	1231DE
	4-G 1	1231DH
	4-E 9	1234JF
SCREW-MACHINE(W/WASHER).....	1-A11	1231AD
SCREW-REED SWITCH TERMINAL MTG.....	4-D 2	94215B
SCREW-ROOF RACK MTG.....	3-K 2	84130B
SCREW-SETTING.....	2-A 6	45946
SCREW-SPEEDOMETER MTG.....	4-C 2	94111D
	4-C 2	94213B
SCREW-TAPPING.....	2-F 5	1243AG
	2-I 9	1018AD
	2-I 9	1241VJ
	2-I 9	1243BE
	2-I 9	1249EA
	2-K 9	58190
	3-H 1	1018AD
	3-1 1	1243BN
	3-1 1	1243JA
	3-B 2	1018AD
	3-M 2	1249EE

PART NAME	M/F NO.	P N C
SCREW-TAPPING.....	3-M 2	1249LL
	3-K 3	1249GF
	3-K 3	1249LD
	3-A 4	82725B
	3-C 4	82424
	3-G 4	1249GF
	3-G 4	1249LD
	3-H 4	82725B
	3-J 4	1249KD
	3-K 4	82424
	3-G 6	1018AA
	3-G 6	1018AD
	3-J 5	1018AD
	3-J 6	1243JA
	3-L 5	84777D
	3-A 6	1018AD
	3-A 6	1243DB
	3-A 6	1243NA
	3-A 6	1243NC
	3-D 6	84777D
	3-I 6	1243NC
	3-A 7	1249EA
	3-A 7	1249ED
	3-A 7	85634A
	3-B 7	1249GE
	3-G 7	1249GE
	3-L 7	1249GA
	3-L 7	1249LL
	3-F 8	1244FG
	3-F 8	1249LD
	3-G 8	1249LD
	3-G 8	1249LG
	3-G 8	1249PD
	3-H 8	86142A
	3-L 8	86142A
	3-M 8	86142A
	3-M 8	86142D
	3-B 9	1249PD
	3-H 9	1249GE
	3-H 9	1249JA
	3-C10	1243AE
	3-C10	1249LJ
	3-H10	1241YB
	3-H10	1241YE
	3-K14	1249JA
	4-A 1	1243BN
	4-A 1	1243BN
	4-B 1	1243AB
	4-C 2	84777D
	4-I 3	1018AD
	4-I 3	1243BN
	4-I 3	1244BB
	4-I 3	84777D
	4-H 4	1018AD
	4-H 4	1018AE
	4-H 4	1249EB
	4-I 4	97252B
	4-F 5	1018AE
SCREW-TPS.....	1-C13	35117E
SEAL.....	2-J12	59145

PART NAME INDEX

PART NAME	M/F NO.	P N C
SEAL KIT-FR DISC BRAKE.....	2-I11	58102A
SEAL KIT-PS/OIL PUMP.....	2-H10	57150B
SEAL KIT-POWER STEERING GEAR.....	2-G11	57790
SEAL-A/C COMPRESSOR PORT.....	4-D 6	97709C
SEAL-A/C COMPRESSOR SHAFT.....	4-D 6	97707C
SEAL-FR DR TRIM.....	3-I 3	82331A
SEAL-FR DR TRIM LH.....	3-I 3	82391
SEAL-FR DR TRIM RH.....	3-I 3	82392
SEAL-L TYPE.....	2-L11	58337
SEAL-OIL.....	1-J 2	21421
	1-G 4	22144
	1-M 4	22443B
	2-K 2	21421
	2-K 2	43119
	2-L 2	43126
	2-K 4	46514
	2-L 5	43119
	2-B 6	48131
	2-B 6	46132
	2-E 6	45541A
	2-L 7	46514
	2-B10	56529B
SEAL-OIL FR.....	1-J 2	21729
SEAL-OIL RR.....	1-D 2	21443
	1-F 3	21443
SEAL-PISTON.....	2-I11	58113
SEAL-RR DR TRIM.....	3-F 4	93391A
SEAL-VALVE STEM.....	1-C 6	22224B
SEAL-WHEEL CYLINDER.....	2-L11	58341A
SEALER.....	2-A 2	41851
SEAT ASSY-FR SPRING.....	2-L 8	54625A
SEAT-EXHAUST VALVE.....	1-E 4	22113A
SEAT-INTAKE VALVE(0.30).....	1-E 4	22112A
SEAT-SPRING UPR.....	2-D 9	55351A
SEAT-VALVE SPRING.....	1-C 6	22225
	1-D 6	22225
SENDER ASSY-FUEL TANK.....	1-I11	94460
SENSOR ASSY-ABS FR WHEEL LH.....	4-B 3	95670L
SENSOR ASSY-ABS FR WHEEL RH.....	4-B 3	95670R
SENSOR ASSY-AIR FLOW.....	1-F 8	28164
SENSOR ASSY-COOLANT TEMPERATURE.....	1-E 2	39220
	1-I 4	39220
SENSOR ASSY-MAP.....	1-D 9	39300A
SENSOR ASSY-OIL TEMPERATURE.....	1-E12	39220E
SENSOR ASSY-OXYGEN.....	1-C10	39210
	1-C10	39210A
SENSOR ASSY-SPEED.....	4-G 2	96421
SENSOR ASSY-THROTTLE POSITION.....	1-B13	35102
	1-C13	35102
SENSOR-ABS FR WHEEL LH.....	4-B 3	95670
SENSOR-ABS RR WHEEL LH.....	4-C 3	95680
SENSOR-ABS RR WHEEL RH.....	4-C 3	95680R
SENSOR-ACCELERATION.....	1-J10	39360
SENSOR-CRANKSHAFT POSITION.....	1-E 2	39180
	1-I10	39180
SENSOR-KNOCK.....	1-E 2	39320
SENSOR-OIL TEMPERATURE.....	2-J 7	46396
SENSOR-T.D.C.....	1-I 4	39350A
	1-J10	39350A

PART NAME	M/F NO.	P N C
SHAFT.....	2-D 5	43757C
SHAFT ASSY-CONTROL.....	2-A 5	43880
SHAFT ASSY-DRIVE.....	2-E10	57120
SHAFT ASSY-END CLUTCH.....	2-K 6	45840
SHAFT ASSY-MANUAL CONTROL.....	2-A 6	45940B
SHAFT COMPLETE-CLUTCH REL FORK.....	2-C 2	41430A
SHAFT SUB ASSY-BALANCE.....	1-I 5	23310A
SHAFT-A/C PULLEY TENSION ADJUST.....	4-B 6	97830
SHAFT-EXHAUST VLV ROCKER ARM.....	1-F 6	24520A
SHAFT-INPUT.....	2-C 3	43221B
	2-D 3	43221B
SHAFT-INTAKE VLV ROCKER ARM.....	1-F 6	24510A
SHAFT-OUTPUT.....	2-B 3	43215
SHAFT-PARK SPRAG.....	2-M 5	45254
SHAFT-PINION.....	2-C 4	43327A
	2-I 4	53512C
	2-I 6	43327A
SHAFT-REVERSE IDLER GEAR.....	2-B 4	43321
SHAFT-SELECT LEVER.....	2-A 5	43871
SHIELD-HEAT.....	4-A 6	97788
SHIM-COVER.....	2-I11	58117A
SHIM-OTR.....	2-I11	58116A
SHOCK ABSORBER ASSY-RR LH.....	2-D 9	55351
SHOCK ABSORBER ASSY-RR RH.....	2-D 9	55361
SHOE & LINING ASSY-LEADING.....	2-K11	58315
SHOE & LINING ASSY-TRAINING LH.....	2-L11	58325
SHOE & LINING ASSY-TRAINING RH.....	2-L11	58364
SHOE & LINING KIT-RR BRAKE.....	2-K11	58305
SHOE-SELECT LEVER.....	2-A 5	43873
SHROUD.....	4-L 5	97735
SHROUD-RADIATOR.....	1-D 7	25360
SHROUD-STEERING COLUMN LWR.....	3-E 6	84852
SHROUD-STEERING COLUMN UPR.....	3-E 6	84851
SILENCER.....	3-M12	91764
SILENCER-SIDE SILL INR FR.....	3-F 5	95231
SIREN & SWITCH ASSY-BURGLAR ALARM.....	4-L 2	95870G
SLEEVE.....	2-J11	58167
SLEEVE-2ND SPEED GEAR.....	2-L 3	43258
SLEEVE-4TH SPEED GEAR.....	2-M 3	43259B
SLEEVE-5TH SPEED GEAR.....	2-J 3	43243
SLEEVE-DAMPER CLUTCH CONTROL.....	2-B 7	46235
SLEEVE-FIAT SAFE.....	2-C 7	46266
SLEEVE-KICK DOWN SERVO.....	2-H 6	45688
SLEEVE-RELEASE BEARING.....	2-C 2	41426
SLEEVE-SPEEDOMETER DRIVEN GEAR.....	2-K 4	46510
	2-L 7	46510
SLEEVE-SYNCHRONIZER.....	2-F 4	43373B
	2-F 4	43376C
SOCKET ASSY-CIGAR LIGHTER.....	3-L 5	95120
	3-M 5	95120
SOCKET-BULB.....	4-C 2	18668A
	4-E 2	94366H
	4-F 2	94368C
SPACER.....	1-E 3	21357A
	2-B 1	37323
	2-D 1	37454
	2-E 3	43227T
	2-F 3	43227T
	2-G 3	43227T
	2-H 3	43227T

PART NAME	M/F NO.	P N C
SPACER.....	2-I 3	43227T
	2-J 3	43239
	2-J 3	43244
	2-L 3	43254
	2-C 4	43331T
	2-D 4	43331T
	2-I 6	43331T
	2-K 6	45851T
	2-J12	59135A
	4-B 6	97832
	4-C 6	97846C
SPACER SET-DIFFERENTIAL GEAR.....	2-H 4	45842A
	2-I 4	45842A
	2-K 6	45842A
SPACER-DIFFERENTIAL GEAR.....	2-B 3	43204
	2-J 4	53526
	2-J 4	53626T
SPACER-DUST.....	2-E10	57122
	2-F10	57122
SPACER-REVERSE BRAKE.....	2-H 4	43391A
SPACER-TENSIONER.....	1-E 6	24421B
SPACER-WASHLD GLASS.....	3-B 8	86123A
SPANNER.....	1-E 1	09135A
SPEAKER ASSY-FR DR.....	4-I 3	963300
SPEAKER ASSY-RR.....	4-J 3	96360C
SPECIAL BEARING.....	2-E11	57713B
SPEEDOMETER ASSY(KPH).....	4-C 2	94210A
SPEEDOMETER ASSY(MPH).....	4-C 2	94210B
SPOILER-RR.....	3-F 9	87212B
SPRAG-PARK.....	2-M 5	45253A
SPRING.....	1-I11	32555
	2-D 5	46773
	2-G 6	43733
	2-H 5	46733
SPRING ASSY-DETENT.....	2-A 6	45950A
SPRING-ADJUSTER LH.....	2-L11	58344D
SPRING-ADJUSTER RH.....	2-L11	58345E
SPRING-AIMING.....	3-I14	92272
	3-J14	92272
SPRING-BRUSH.....	2-D 1	37369B
SPRING-BUTTON RETURN.....	2-F 5	43713
SPRING-CLUTCH RETURN.....	2-E 6	45511B
SPRING-COIL.....	2-H 6	45686
	2-M 6	45686
	2-B 7	48243
	2-E 7	46311
	2-F 7	46316
	2-G 7	46355
	2-G 7	46356
	2-H 7	46356
	2-I 7	46371
	2-I 7	46378
	2-J 7	46378
	2-J 7	46381
	2-K 7	46392
	2-K 7	46396
	2-K 7	46399
SPRING-FR.....	2-L 8	546306
	2-M 8	546306
SPRING-HORN.....	2-K 8	56157

PART NAME INDEX

PART NAME	M/F NO.	P N C
SPRING-LWR V/B REDUCING VALVE.....	2-H 7	46356
SPRING-NEUTRAL RETURN.....	2-M 4	43848
	2-M 4	43848C
SPRING-PAD.....	2-J11	58144B
SPRING-PARK SPRAG.....	2-M 5	45255
SPRING-POPPET.....	2-M 4	43836B
SPRING-RELIEF.....	1-K 2	26123
SPRING-RETURN.....	1-J12	32723
	2-1 1	32854B
	2-1 1	32871
	2-D 2	41715
	2-D 2	41717A
	2-D 5	43751B
	2-D 6	45445B
	2-E 6	45555B
	2-G 6	45626B
SPRING-ROCKER SHAFT.....	1-F 6	24542A
SPRING-RR.....	2-C 9	55350S
	2-D 9	55350S
SPRING-SHOE HOLD DOWN.....	2-L11	58322B
SPRING-SHOE RETURN LWR.....	2-K11	58312A
SPRING-SHOE RETURN UPR LH.....	2-K11	58311C
SPRING-SHOE RETURN UPR RH.....	2-L11	58361
SPRING-SIDE PLATE.....	2-F10	57125
SPRING-STEERING GEAR BOX.....	2-B10	56523
	2-F11	57714A
SPRING-SYNCHRONIZER.....	2-E 4	43371A
	2-G 4	43367
SPRING-TENSIONER.....	1-E 6	24422B
	1-F 6	24422B
SPRING-UPR V/B SHIFT.....	2-J 7	46379A
SPRING-VALVE.....	1-B 6	22221
	1-C 6	22221
	2-D 2	41719A
SPRING-WAVE.....	2-H 6	45627B
SPROCKET-CAMSHAFT.....	1-D 6	24211
SPROCKET-CRANKSHAFT.....	1-G 5	23120
SPROCKET-TIMING CHAIN.....	1-E 6	24322
STARTER ASSY.....	1-B14	36100
	1-B14	36100A
	1-C14	36100A
STARTOR ASSY-GENERATOR.....	2-C 1	37350B
STAY LH.....	2-B13	62476
STAY RH.....	2-B13	62477
STAY-C.C.C.....	1-C10	28961
STAY-ENGINE.....	1-L 3	21627
STAY-INTAKE MANIFOLD.....	1-B 9	28414B
STAY-PUMP SUPPORT BRKT.....	2-110	57227B
STOPPER.....	1-L 3	21619
	1-E14	36136A
	2-1 1	32874
STOPPER KIT-STARTER PINION.....	1-C14	36102
STOPPER-ACCELERATOR ARM.....	1-J12	32732
	1-K12	32732
STOPPER-CROSSMEMBER BUSHING.....	2-A13	62467
STOPPER-LWR V/B END CLU VALVE.....	2-G 7	46351
STOPPER-PEDAL.....	2-F 6	32877
STOPPER-PEDEL.....	2-1 1	32876A
STOPPER-RACK.....	2-C10	57736B
STRAINER-FUEL.....	1-D12	31910A

PART NAME	M/F NO.	P N C
STRAP.....	1-C 2	1799JC
	1-G 7	1799JA
	1-G 7	1799JB
	1-G 7	1799JG
	1-114	1799JC
	3-H 2	1799JA
	3-J 2	1799JB
	4-J 2	1799JD
STRIKER ASSY-DR.....	3-K 1	81350B
	3-D 2	81350B
STRIKER ASSY-RR SEAT BACK.....	3-M11	69780
STRIKER ASSY-TAIL GATE.....	3-A 3	81210A
STRIKER ASSY-TRUNK LID.....	3-F 1	81210B
STRIP-BACK PANEL MOULDING.....	3-I 9	87379
STRIP-HEADLINING RR.....	3-L 6	85313C
STRUT ASSY-FR LH.....	2-M 6	54650B
STRUT ASSY-FR RH.....	2-M 6	54660
STUD.....	1-B 2	1151DB
	1-B 2	1151DD
	1-L 3	21611B
	1-L 3	21617
	1-D 4	1151CC
	1-D 4	1153CA
	1-F 4	22125A
	1-F 4	22125C
	1-F 4	22125D
	1-F 4	22125E
	1-F 4	22127A
	1-F 4	22127B
	1-L 8	1151CC
	1-L 8	1151CJ
	1-L 8	1183CK
	1-J 9	28517C
	1-J 9	28518C
	1-J 9	28519
	1-K 9	28519
	1-B10	28519
SUNSHADE ASSY-SUNROOF.....	3-K 2	81666
SUNVISOR ASSY-LH.....	3-I 6	85201A
	3-J 6	85201A
SUNVISOR ASSY-RH.....	3-J 6	85202A
	3-K 6	85202A
SUPPORT.....	4-C 4	98711B
SUPPORT-C PILLAR OTR RR LH.....	2-114	71576
SUPPORT-C PILLAR OTR RR RH.....	2-114	71586
	2-114	71586
SUPPORT-CABLE.....	1-L13	27462A
	1-L13	27467A
SUPPORT-LOW & REVERSE BRAKE.....	2-H 6	45850B
SUPPORT-SPRAG ROD.....	2-A 6	45831B
SWITCH ASSY-A/C.....	4-I 4	97259C
SWITCH ASSY-BACK UP LAMP.....	2-B 5	93860
SWITCH ASSY-BLOWER.....	4-I 4	97256
SWITCH ASSY-CLU PEDAL POSN.....	2-J 1	93840A
SWITCH ASSY-DEFROSTER.....	4-I 4	97257K
SWITCH ASSY-DR.....	4-I 3	93580
SWITCH ASSY-DR UNLOCK LH.....	3-G 3	95762L
SWITCH ASSY-DR UNLOCK RH.....	3-G 3	95762R
SWITCH ASSY-DR WARNING.....	3-F 3	95412
SWITCH ASSY-FR FOG LAMP.....	4-L 1	93740

PART NAME	M/F NO.	P N C
SWITCH ASSY-HAZARD WARNING LAMP.....	4-L 1	93790G
SWITCH ASSY-IGN.....	3-F 3	93110B
SWITCH ASSY-L/COMPT LAMP.....	3-G 1	93520
SWITCH ASSY-LIGHTING & T/SIG.....	4-G 1	93415C
SWITCH ASSY-MIRROR REM CONT.....	4-I 1	93530
SWITCH ASSY-MULTIFUNCTION.....	4-G 1	93400
SWITCH ASSY-OIL PRESSURE.....	1-F 2	94760
SWITCH ASSY-OVER DRIVE.....	2-G 5	46716
	2-H 5	46716
SWITCH ASSY-PAWDO MAIN.....	4-I 1	93570B
SWITCH ASSY-PAWDO RR.....	4-J 1	93560C
SWITCH ASSY-PAWDO SUB.....	4-J 1	93560A
SWITCH ASSY-PARK BRAKE.....	2-K12	93830
SWITCH ASSY-REED.....	4-C 2	94113
SWITCH ASSY-RR FOG LAMP.....	4-L 1	93730B
SWITCH ASSY-RR WINDOW DEFROSTER.....	4-J 1	93710F
	4-K 1	93710F
	4-L 1	93710F
SWITCH ASSY-RR WIPER & WASHER.....	4-J 1	93610B
SWITCH ASSY-STARTER MAGNETIC.....	1-D14	36120
	1-D14	36120E
SWITCH ASSY-STOP LAMP.....	2-J 1	93810A
	2-J 1	93810B
SWITCH ASSY-STOP LAMP(4P).....	2-J 1	93810E
SWITCH ASSY-TRIPLE.....	4-L 5	97752B
SWITCH ASSY-WIPER & WASHER.....	4-G 1	93420
SWITCH-KICK DOWN SERVO.....	2-H 6	45691B
SWITCH-TRANSAXLE RANGE.....	2-A 6	45666B
TACHOMETER ASSY.....	4-D 2	94220
TAG-AUDIO WARNING.....	3-D 4	96111
TANK ASSY-FUEL.....	1-E11	31150
	1-F11	31150
TAPE-BLANKING HOLE.....	3-G 2	83397
	3-J 3	83397
TAPE-FR DR BLACK FRAME RR LH.....	3-D 8	86363H
TAPE-FR DR BLACK FRAME RR RH.....	3-D 8	86373H
	3-E 8	86373H
TAPE-FR DR BLACK FRAME UPR LH.....	3-D 8	86362H
TAPE-FR DR BLACK FRAME UPR RH.....	3-D 8	86372H
TAPE-RR DR BLACK FRAME FR LH.....	3-E 8	86361H
TAPE-RR DR BLACK FRAME FR RH.....	3-E 8	86361H
TAPE-RR DR BLACK FRAME UPR LH.....	3-E 8	86362H
TAPE-RR DR BLACK FRAME UPR RH.....	3-E 8	86362H
TEMP CABLE.....	4-J 4	97262H
TENSIONER ASSY.....	1-A 7	25261
TENSIONER ASSY-VLV TIMING BELT.....	1-E 6	24410
TERMINAL-VACUUM.....	1-J10	39412K
THERMISTOR.....	4-G 6	97636
THERMOSTAT ASSY.....	1-H 4	25500A
	1-L 7	25500A
THROUGH BOLT.....	1-G14	36184E
TIMER ASSY-RR HEATED.....	4-L 2	95430
TONE WHEEL-RR.....	2-F 8	52714
TRACK ASSY-FR SEAT INR LH.....	3-A11	86626
TRACK ASSY-FR SEAT INR RH.....	3-B11	86626
TRACK ASSY-FR SEAT LH.....	3-M10	86601
TRACK ASSY-FR SEAT OTR LH.....	3-M10	86600E
TRACK ASSY-FR SEAT OTR RH.....	3-B11	86601B
TRACK ASSY-FR SEAT RH.....	3-B11	86601
TRANSMISSION ASSY-MANUAL.....	2-H 2	43000

PART NAME INDEX

PART NAME	M/F NO.	P N C
TRANSMISSION ASSY-MANUAL	2-1 2	43000
TRANSMITTER ASSY-KEYLESS ENTRY.....	4-L 2	95790
TRAY ASSY-BATTERY	1-14	37150
TRIGGER-WHEEL	1-F13	27126
TRIM ASSY-COVERING SHELF CTR.....	3-L 7	85930
TRIM ASSY-COWL SIDE LH	3-M 7	85930
TRIM ASSY-COWL SIDE RH	3-H 7	85823B
TRIM ASSY-CTR PILLAR LWR LH.....	3-H 7	85824
TRIM ASSY-CTR PILLAR LWR RH.....	3-I 7	85835C
TRIM ASSY-CTR PILLAR LWR RH.....	3-I 7	85845
TRIM ASSY-CTR PILLAR LWR RH.....	3-I 7	85831
TRIM ASSY-CTR PILLAR UPR LH.....	3-I 7	85841A
TRIM ASSY-CTR PILLAR UPR RH.....	3-I 7	85810
TRIM ASSY-CVR SHELF SIDE LH.....	3-L 7	85910
TRIM ASSY-CVR SHELF SIDE RH.....	3-L 7	85920
TRIM ASSY-FR DR SCUFF LH.....	3-J 7	85871
TRIM ASSY-FR DR SCUFF RH.....	3-J 7	85872
TRIM ASSY-FR PILLAR LH.....	3-G 7	85810
TRIM ASSY-FR PILLAR RH.....	3-H 7	85820
TRIM ASSY-LUGGAGE RR LH.....	3-E 7	85750E
TRIM ASSY-LUGGAGE RR RH.....	3-E 7	85780E
TRIM ASSY-LUGGAGE SIDE LH.....	3-F 7	85760E
TRIM ASSY-LUGGAGE SIDE RH.....	3-D 7	85730A
TRIM ASSY-LUGGAGE SIDE RH.....	3-D 7	85740A
TRIM ASSY-LUGGAGE SIDE RH.....	3-E 7	85740A
TRIM ASSY-PACKAGE TRAY.....	3-A 7	85610
TRIM ASSY-QUARTER INR LH.....	3-B 7	85510
TRIM ASSY-QUARTER INR LH.....	3-C 7	85510
TRIM ASSY-QUARTER INR RH.....	3-C 7	85520
TRIM ASSY-RR PILLAR LH.....	3-I 7	85850
TRIM ASSY-RR PILLAR LH.....	3-J 7	85850
TRIM ASSY-RR PILLAR RH.....	3-J 7	85860
TRIM ASSY-RR WHEEL HOUSE LH.....	3-J 7	85880
TRIM ASSY-RR WHEEL HOUSE RH.....	3-K 7	85890
TRIM ASSY-TAIL GATE SIDE LH.....	3-A 3	81730
TRIM ASSY-TAIL GATE SIDE RH.....	3-B 3	81740
TRIM ASSY-TAIL GATE UPR.....	3-C 3	81760A
TRIM-LUGG PARTITION.....	3-D 7	85720D
TRIM-PARTITION CTR.....	3-D 7	85725H
TRIM-SUNROOF OPENING.....	3-K 2	81691
TRIM-TRANSVERSE RR.....	3-F 7	85771
TUBE ASSY-FEED LH.....	2-G11	57778
TUBE ASSY-FEED RH.....	2-G11	57780
TUBE ASSY-FUEL PUMP TO FILTER.....	1-G11	31224
TUBE ASSY-FUEL RETURN.....	1-M11	31306B
TUBE ASSY-OIL FILLER.....	2-A 6	46550A
TUBE ASSY-RETURN.....	2-A11	57523B
TUBE ASSY-RETURN(P).....	2-B11	57563A
TUBE ASSY-RR LH.....	2-G12	58742B
TUBE-BLOWER MOTOR COOLING.....	4-D 5	97121
TUBE-CLUTCH.....	2-M 1	41631
TUBE-CLUTCH OIL.....	2-E 2	41731
TUBE-CONNECTOR TO RR LH.....	2-G12	58738A
TUBE-CONNECTOR TO RR RH.....	2-G12	58739A
TUBE-FUEL FEED.....	1-M11	31310
TUBE-FUEL RETURN.....	1-A12	31330B
TUBE-FUEL VAPOR.....	1-B12	31340
TUBE-FUEL VAPOR FR.....	1-B12	31341
TUBE-FUEL VAPOR RR.....	1-B12	31341C
TUBE-FUEL VAPOR RR.....	1-B12	31342
TUBE-FUEL(PUMP TO RAIL).....	1-D12	31420B

PART NAME	M/F NO.	P N C
TUBE-FUEL(RAIL TO INJECTOR).....	1-D12	31410B
TUBE-LIQUID.....	4-M 5	97768
TUBE-LIQUID.....	4-M 5	97769
TUBE-M/CYL TO H/MODULE.....	2-F12	56718W
TUBE-M/CYL TO H/MODULE.....	2-F12	56722J
TUBE-PCV TO CONNECTOR RR LH.....	2-F12	56735D
TUBE-PCV TO CONNECTOR RR RH.....	2-F12	56736B
TUBE-PCV TO FR BRK HOSE LH.....	2-F12	56715E
TUBE-PCV TO FR BRK HOSE RH.....	2-E12	56711E
TUBE-RR BRAKE HOSE.....	2-F12	56711E
TUBE-RR BRAKE HOSE.....	2-G12	56743B
TUBE-VENT.....	1-E11	31145F
TURBOCHARGER.....	1-I 9	28231
UNION.....	2-E 2	41721
VALVE.....	2-G 7	46342C
VALVE.....	2-B12	56775E
VALVE & BRACKET-SOLENOID.....	1-J10	39411
VALVE ASSY-2 WAY.....	1-E11	31135A
VALVE ASSY-2 WAY & CUT.....	1-G11	31190B
VALVE ASSY-CHECK.....	1-F12	31190
VALVE ASSY-EGR.....	1-B 9	28450
VALVE ASSY-LOW & REV.....	2-J 7	46380
VALVE ASSY-MANUAL.....	2-C 7	46267
VALVE ASSY-MANUAL.....	2-D 7	46267
VALVE ASSY-RELIEF.....	2-G10	57140A
VALVE ASSY-SOLENOID.....	1-J10	39401
VALVE ASSY-SOLENOID.....	2-E 7	46313
VALVE ASSY-THERMOSTAT.....	1-E 9	28340A
VALVE-ATA LWR V/B CONTROL.....	2-I 7	46376
VALVE-ATA LWR V/B END CLUTCH.....	2-I 7	46368
VALVE-ATA UPR V/B RR CLU EXH.....	2-H 7	46366
VALVE-ATA UPR V/B RR CLU EXH.....	2-H 7	46367
VALVE-ATA UPR V/B RR CLU EXH.....	2-I 7	46367
VALVE-ATA UPR V/B SHIFT CONT.....	2-I 7	46372
VALVE-ATA V/B PRESSURE CONTROL.....	2-I 7	46376A
VALVE-ATA VALVE BODY MANUAL.....	2-D 7	46271A
VALVE-ATA VALVE BODY REDUCING.....	2-D 7	46272
VALVE-CLUTCH RELEASE CYL PLATE.....	2-D 2	41718
VALVE-DAMPER CLUTCH CONTROL.....	2-E 7	46312
VALVE-EXHAUST.....	1-B 6	22212
VALVE-EXPANSION.....	4-I 5	97623
VALVE-F/PRESSURE RELIEF.....	1-C11	31070
VALVE-FAIL SAFE.....	2-C 7	46265
VALVE-FUEL CUT.....	1-F11	31155A
VALVE-FUEL CUT.....	1-F11	31190A
VALVE-HIGH PRESSURE LOW.....	2-A 7	46222A
VALVE-INTAKE.....	1-B 6	22211
VALVE-NON RETURN.....	1-D 2	21135
VALVE-PCV.....	1-M 4	26740
VALVE-PCV.....	1-A 5	26740
VALVE-PCV.....	1-D 8	26740
VALVE-PROPORTIONING CONT.....	2-B12	56775A
VALVE-PURGE CONTROL.....	1-D10	28910
VALVE-RANGE CONTROL.....	2-D 7	46273
VALVE-SHIFT.....	2-B 7	46242A
VALVE-SHIFT.....	2-B 7	46244A
VALVE-SOLENOID.....	4-L 5	97725
VALVE-TORQUE CONVERTER.....	2-B 7	46255
VALVE-TORQUE CONVERTER.....	2-C 7	46255
VALVE-TORQUE CONVERTER.....	2-B 7	46248
VALVE-VALVE BODY REGULATOR.....	2-B 7	46248

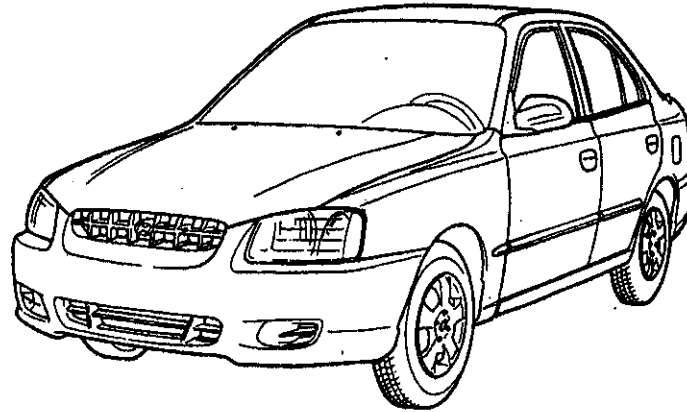
PART NAME	M/F NO.	P N C
W/STRIP ASSY-FR DR BELT O/S LH.....	3-I 3	82210
W/STRIP ASSY-FR DR BELT O/S RH.....	3-I 3	82220
W/STRIP ASSY-FR DR SIDE LH.....	3-H 3	82130C
W/STRIP ASSY-FR DR SIDE RH.....	3-I 3	82140B
W/STRIP ASSY-RR DR BELT O/S LH.....	3-F 4	83210
W/STRIP ASSY-RR DR BELT O/S RH.....	3-F 4	83220
W/STRIP ASSY-RR DR SIDE LH.....	3-E 4	83130C
W/STRIP ASSY-RR DR SIDE LH.....	3-F 4	83130C
W/STRIP ASSY-RR DR SIDE RH.....	3-F 4	83140C
W/STRIP-FR DR BELT VS LH.....	3-K 3	82231
W/STRIP-FR DR BELT VS LH.....	3-L 3	82231
W/STRIP-FR DR BELT VS RH.....	3-I 3	82241
W/STRIP-FR DR BODY SIDE LH.....	3-H 3	82110B
W/STRIP-FR DR BODY SIDE RH.....	3-H 3	82120B
W/STRIP-FR DR BELT VS LH.....	3-E 1	86430
W/STRIP-RR DR BELT VS LH.....	3-H 4	83231
W/STRIP-RR DR BELT VS RH.....	3-H 4	83241
W/STRIP-RR DR BODY SIDE LH.....	3-E 4	83110B
W/STRIP-RR DR BODY SIDE RH.....	3-E 4	83120B
W/STRIP-RR DR FIXED GLASS LH.....	3-L 4	83533C
W/STRIP-RR DR FIXED GLASS RH.....	3-L 4	83543
W/STRIP-SUNROOF FRAME.....	3-K 2	81627
W/STRIP-TAIL GATE OPNG.....	3-D 3	87321B
W/STRIP-TRUNK LID OPNG.....	3-G 1	87321A
WASHER.....	1-L 2	26719
WASHER.....	1-G 5	23126A
WASHER.....	1-H 5	23126A
WASHER.....	1-C 7	25237
WASHER.....	1-J12	32731B
WASHER-ATA LWR V/B END CLUTCH.....	2-A 2	58524
WASHER-ATA UPR V/B RR CLU EXH.....	2-C 2	41467
WASHER-ATA UPR V/B RR CLU EXH.....	2-C 4	43326
WASHER-ATA UPR V/B RR CLU EXH.....	2-J 4	53513
WASHER-ATA UPR V/B RR CLU EXH.....	2-K 6	53513
WASHER-ATA UPR V/B RR CLU EXH.....	2-G 8	52953
WASHER-ATA UPR V/B RR CLU EXH.....	2-L 8	54824
WASHER-ATA UPR V/B RR CLU EXH.....	2-L10	57271
WASHER-ATA UPR V/B RR CLU EXH.....	2-I12	58524
WASHER-ATA UPR V/B RR CLU EXH.....	4-H 5	26237
WASHER & BOLT.....	2-C 2	1129EW
WASHER SET-STARTER ARMATURE RR.....	1-C14	36103
WASHER-ATA OIL PUMP SEAL.....	2-B 6	46167
WASHER-BRAKE PEDAL.....	2-I 1	32875A
WASHER-CAMSHAFT SPROCKET.....	1-D 6	24212
WASHER-CYLINDER HEAD BOLT.....	1-G 4	22322
WASHER-INJECTOR BRKT.....	1-B13	33815E
WASHER-INSULATOR.....	2-M 4	43836
WASHER-LOCK FR AXLE WHEEL SIDE.....	2-B 8	49549
WASHER-PLAIN.....	1-D 4	1351GA
WASHER-PLAIN.....	1-F 6	24423
WASHER-PLAIN.....	1-B 9	28556A
WASHER-PLAIN.....	1-I 9	1351GA
WASHER-PLAIN.....	1-L 9	28556A
WASHER-PLAIN.....	1-F13	1351GC
WASHER-PLAIN.....	1-D14	36125
WASHER-PLAIN.....	1-L14	1351GA
WASHER-PLAIN.....	2-M 1	1068AB
WASHER-PLAIN.....	2-C 2	1351JA
WASHER-PLAIN.....	2-D 5	43750B
WASHER-PLAIN.....	2-A 7	46221

PART NAME INDEX

PART NAME	M/F NO.	P N C
WASHER-PLAIN	2-F 9	55255
	2-F 9	55347A
	2-K10	1360LB
	2-M12	1361AA
	3-K 2	81824B
WASHER-SEAL	2-F10	57127
WASHER-SEALING	2-L 5	1759AA
WASHER-SHOE HOLD DOWN	2-L11	58321C
WASHER-SPRING	1-K 3	1360QH
	1-D 4	1360GG
	1-B11	1360GC
	1-D14	36126
	1-L14	1360GG
	2-H 1	1360GH
	2-C 2	1360JD
	2-F 5	1360GG
	2-L 5	1360GH
	2-J 8	1360JE
	2-L 8	1360JE
	2-C 9	1360JE
	2-E 9	1360JE
	2-I 9	1360GK
	2-L 9	1360GG
	2-F10	57128
	2-K10	1360GJ
	2-I11	1360GJ
	2-K11	1360JD
	2-A12	1360GG
	4-D 5	97235C
WASHER-THRUST	2-E 6	45521T
	2-F 6	45721
WASHER-TONGUED	2-F 8	52744A
WASHER-TOOTH LOCK	1-B11	1385AA
WATER SENSOR-DIESEL FILTER	1-D12	31921
WEIGHT-DAMPER	2-A 5	43888
	2-B 5	43888
WHEEL ASSY-ALUMINIUM	2-G 8	52910B
WHEEL ASSY-STEEL	2-G 8	52910A
WHEEL ASSY-STEERING	2-I 9	66110
WHEEL-CRIK/SHF POSITION SENSOR	1-L 5	39190A
	1-J10	39190A
WIRE ASSY-EXTENSION	1-D13	37382
WIRE ASSY-HORN	2-J 9	66128
WIRE ASSY-LEAD	1-G13	27180B
WIRE-EXTENSION RADIO	4-E 3	96175
	4-F 3	96191A
WIRING ASSY-AIR BAG	3-H13	91701
	3-I13	91701
WIRING ASSY-ATA ILLUM EXTN	2-H 5	91851A
WIRING ASSY-EARTH EXT	1-D 9	91930A
	3-L13	91930A
WIRING ASSY-ECM	3-J13	91400
	3-K13	91400
	3-L13	91400
WIRING ASSY-ENGINE	3-E13	91200
	3-F13	91200
WIRING ASSY-FR DR(DRIVE)	3-B14	91810D
	3-C14	91810D
WIRING ASSY-FR DR(PASS)	3-C14	91810E
	3-D14	91810E

PART NAME	M/F NO.	P N C
WIRING ASSY-INSTRUMENT	3-H13	91301
WIRING ASSY-MAIN	3-G12	91100
	3-H12	91100
	3-I12	91100
	3-J12	91100
	3-K12	91100
	3-L12	91100
WIRING ASSY-ROOF	3-B14	91630
WIRING ASSY-RR DR	3-D14	91820B
WIRING ASSY-TAIL GATE	3-E14	91960B
	3-F14	91960B
WIRING-GLOW PLUG	1-H14	36733
WRENCH-WHEEL NUT	1-E 1	09131
YOKE ASSY-RACK SUPPORT	2-B10	56524B
	2-F11	57715
YOKE ASSY-STARTER	1-F14	36150
	1-F14	36160P

PART NAME INDEX



PART NAME INDEX

PART NAME	M/F NO.	P N C
ABRAZADERA.....	1-I 2	1472AR
	1-K 4	1472AG
	1-L 4	1472AJ
	1-L 4	1472AK
	1-A 5	52795
	1-G 7	25831A
	1-H 7	25441B
	1-K 7	1472AG
	1-K 7	1472AP
	1-L 7	25479C
	1-D 8	1471CC
	1-D 8	1471DC
	1-D 8	1471DK
	1-F 8	28174D
	1-F 8	28181A
	1-H 8	28183C
	1-H 8	28183D
	1-H 8	28184
	1-H 8	28185A
	1-M 8	1472AG
	1-I 9	1472AM
	1-D10	1472AG
	1-B11	1471DB
	1-B11	1471DC
	1-B11	1472AD
	1-B11	1472AM
	1-B11	1472AN
	1-L11	1471CD
	1-L11	1471CG
	1-L11	1472AD
	1-L11	1472AF
	1-L11	1472AG
	1-M11	28366A
	1-M11	31312A
	1-A12	31324C
	1-A12	31325A
	1-A12	31328
	1-A12	31327
	1-F12	1472AE
	1-K12	32792
	1-K12	32795
	1-B13	1472AG
	1-B13	1472AT
	1-L13	27485
	1-L13	27486
	1-M13	28366A
	1-M13	28367
	1-M13	28368
	1-L14	1472AK
	1-L14	1472AL
	1-L14	31379
	2-D 1	37461
	2-A 6	45957
	2-E 7	48314
	2-F 7	46315
	2-H 8	62850
	2-M 9	1472AK
	2-A10	58224A
	2-K10	1471CJ
	2-D11	58223A

PART NAME	M/F NO.	P N C
ABRAZADERA.....	2-E11	57221
	2-I12	31379
	2-K12	59734B
	3-J 2	1472NB
	4-C 3	95689A
	4-H 4	1472AN
	4-I 4	97113C
ACOPLAMIENTO.....	1-L12	33110C
	1-G13	27170A
ACTUADOR.....	3-G 2	95770B
	3-G 2	95780B
	4-K 5	97720
ADAPTADOR.....	1-D12	31487C
	4-H 2	94211A
AISLADOR.....	1-D 7	25336
	1-E 8	28180
	1-E 8	28180B
	1-D10	21631
	2-C 2	41488
	2-C 9	55311A
	3-C 5	84124
	3-D 5	84141F
	3-D 5	84142F
AISLADOR CUERPO.....	1-M 8	28177D
AISLADOR(B).....	2-J 9	58137A
AJUSTADOR.....	2-L11	58350
	2-L11	58370
AJUSTE.....	1-H 4	25811
	1-H 4	25811A
ALMOHADILLA.....	1-F11	31180
	1-F11	31180C
	2-H 1	32726B
	2-I 1	32825
	2-M 8	54833
	2-C 9	55272
	2-C 9	55341
	3-D 1	81125
	3-D 5	84158
	3-D 5	84157D
	3-D 5	84181C
	3-D 5	84181E
	3-D 5	84168C
	3-D 5	84189A
	3-E 5	84172B
	3-E 5	84172E
	3-E 5	84173A
	3-E 5	84185
	3-E 5	84185A
	3-E 5	84251B
	3-J 5	84173A
	3-K 6	85305A
	3-K 6	85305B
	3-L 6	85305C
	3-L 6	85305D
	3-L 6	85305E
	3-G 7	84130G
	3-G 7	84130H
	3-F 9	87218F
	3-F 9	87218G
	3-G12	84171B

PART NAME	M/F NO.	P N C
ALMOHADILLA.....	3-G12	84173A
	3-A14	84173A
	4-I 1	92736
	4-B 3	84171B
	4-G 3	84173A
	4-I 3	84173A
	4-J 3	96370G
	4-C 4	96713B
ALOJAMIENTO.....	1-F 3	21421C
	2-K 2	43115
	3-H 5	84831
	3-J 5	84511
	4-D 1	92755
AMORTIGUADOR.....	1-L 3	21823A
	2-D 5	43754C
	3-D 3	85861C
	3-I 8	86520B
	3-M 8	86620
	3-K11	89248A
ANILLO.....	2-A 2	41682A
ANILLO.....	1-E14	36137A
	2-F 4	43374
	2-G 4	43384
	2-G 4	43385A
	2-G 4	43388
	2-H 4	43394
	2-A 6	45665
	2-B 6	46153
	2-B 6	46159
	2-D 6	46391
	2-D 6	45423B
	2-D 6	45431
	2-D 6	45432
	2-D 8	45433
	2-E 6	45512
	2-E 6	45534T
	2-E 6	45535B
	2-F 6	45637B
	2-G 6	1461LD
	2-G 6	43305
	2-H 6	45631B
	2-H 6	45637B
	2-J 6	45733B
	2-J 6	45747B
	2-J 6	45751
	2-J 6	45821
	2-J 7	46384
	2-J 8	54519
	2-B 9	54838
	2-E 9	54838
	2-B10	58525B
	2-F10	57123
	2-M11	58775
	4-H 2	94245A
	4-D 6	97711B
	4-D 6	97716B
ANILLO "D".....	2-D 6	45447
	2-D 6	45448
	2-E 6	45471B
	2-E 6	45472

PART NAME INDEX

PART NAME	M/F NO.	P N C
ANILLO "D".....	2-E 6	45532A
	2-F 6	45646
	2-H 6	45632B
	2-H 6	45633B
	2-H 6	45645
ANILLO "O".....	2-G10	57143
ARANDELA.....	1-L 2	28719
	1-K 3	1360GH
	1-D 4	1351GA
	1-D 4	1360GG
	1-G 4	22322
	1-G 5	23126A
	1-D 6	24212
	1-F 6	24423
	1-C 7	26237
	1-B 9	28566A
	1-I 9	1351GA
	1-L 9	28566A
	1-B11	1360GC
	1-B11	1365AA
	1-J12	32731B
	1-F13	1351GC
	1-D14	36125
	1-D14	36126
	1-L14	1351GA
	1-L14	1360GG
	2-H 1	1360GH
	2-I 1	32875A
	2-M 1	1068AB
	2-A 2	58524
	2-C 2	1351JA
	2-C 2	1360JD
	2-C 2	41467
	2-J 4	53513
	2-M 4	43838
	2-D 5	43750B
	2-F 5	1360GG
	2-L 5	1360GH
	2-L 5	1759AA
	2-B 6	46157
	2-E 6	45521T
	2-F 6	45721
	2-K 6	53513
	2-A 7	46221
	2-B 8	49649
	2-F 8	52744A
	2-G 8	52953
	2-J 8	1360JE
	2-L 8	1360JE
	2-L 8	54824
	2-C 9	1360JE
	2-E 9	1360JE
	2-F 9	55255
	2-F 9	55347A
	2-I 9	1360GK
	2-L 9	1360GG
	2-F10	57127
	2-F10	57128
	2-K10	1360LB
	2-K10	1360GJ

PART NAME	M/F NO.	P N C
ARANDELA.....	2-L10	57271
	2-I11	1360GJ
	2-K11	1360JD
	2-L11	58321C
	2-A12	1360GG
	2-I12	58524
	2-M12	1351AA
	3-K 2	81624B
	4-D 6	97235C
	4-H 5	25237
ARANDELA DE CABO.....	3-D 1	81172
	3-I 1	1491DA
	3-J 2	1730JB
	3-K 2	81688
	3-C 3	81758
	3-C 3	82313A
	3-K 3	1491GB
	3-K 3	1730AA
	3-G 4	1491GB
	3-B 9	86593
	3-C10	1730AA
	3-K11	89160
	3-L12	91713
	3-F13	91711
	3-A14	91413
	3-A14	91514
	3-E14	91942
	4-A 1	1491AB
	4-M 3	98622
	4-D 4	98893B
	4-K 4	97313B
	4-J 5	97656B
ASIENTO.....	1-C 6	22225
	2-D 9	55351A
AVANZADOR.....	1-G13	27150
BALANCIN.....	1-F 6	24529
	1-F 6	24531A
BALANCIN(A).....	1-F 6	24551B
BALANCIN(B).....	1-F 6	24552A
BANDA.....	1-C 7	1799VB
	2-M 1	41616
	2-G 5	43755A
	2-M 6	1799VA
	2-B10	56527B
	2-G11	57775
	3-L 6	85313C
	3-I 9	87379
BANJO.....	1-D12	31485
	1-D12	31486
	2-D 1	37396E
BARRA.....	1-E 1	09132
	2-A 9	54812A
	2-F 9	55578
	3-F 1	79273A
	3-F 1	79290
	3-I 8	86562B
	3-I 8	86562D
	3-J 8	86565C
	3-A11	86599
BASE.....	3-B 6	86115

PART NAME	M/F NO.	P N C
BASE MONTAJE.....	4-H 3	98250B
BISEL.....	4-A 2	94956A
	4-D 2	94360B
BOBINA.....	1-J13	27310
	1-J13	27310E
	4-C 6	97646
BOLA.....	1-E14	36131B
	1-E14	36131C
	2-L 4	1601DH
	2-L 5	1601DA
	2-B 6	1601DG
	2-D 6	1601DA
	2-D 6	1601DG
	2-M 6	1601DE
BOLSILLO.....	3-M 3	82370A
	3-M 3	82380
BOLT.....	1-I 9	28281B
	1-L 9	28528B
	1-L12	33114B
BOMBILLA.....	3-G14	18643D
	3-I14	18643D
	3-I14	18647A
	3-K14	18644A
	4-A 1	18643D
	4-J 4	97272B
BOMBILLA(12V 1,2W).....	3-J 5	18643A
	4-C 2	18643A
BOMBILLA(12V 10W).....	4-D 1	18645E
	4-D 1	18645F
BOMBILLA(12V 17W).....	4-B 1	18643E
BOMBILLA(12V 21W AMBAR).....	3-G14	18644F
	3-L14	18644F
BOMBILLA(12V 27/8W).....	4-A 1	18645B
BOMBILLA(12V 3,4W).....	2-F 5	18643B
	4-C 2	18643B
BOMBILLA(14V 3,0W).....	4-F 2	94368F
BOQUILLA.....	1-G 4	22133
	1-A 5	29212
	1-A 9	28312
	1-A 9	28314
	1-A 9	28321A
	1-C 9	29212
	1-C 9	29212D
	1-C 9	29213
BOTON.....	2-F 5	43714D
	2-G 5	46714
BRAZO.....	4-A 5	97107
	4-A 5	97115B
	4-A 5	97211J
	4-C 5	97106A
	4-D 5	97249
BRIDA.....	1-G 5	23123
	2-E 9	54669
BRKT.....	1-B13	33814D
BRKT ASSY.....	2-L 2	43139B
BRUSH.....	1-G14	36170E
BRUSH.....	3-G14	18647C
	3-K14	18642E
BURLETE.....	3-E 1	86430
	3-G 1	87321A

PART NAME INDEX

PART NAME	M/F NO.	P N C
BURLETE.....	3-K 2	81627
	3-D 3	87321B
	3-H 3	82110B
	3-H 3	82120B
	3-K 3	82231
	3-L 3	82241
	3-E 4	83110B
	3-E 4	83120B
	3-H 4	83231
	3-H 4	83241
	3-L 4	83533C
	3-L 4	83543
BUSHING.....	2-K 1	41413A
CABLE.....	3-M 7	85936B
	4-H 3	96250
	4-H 3	96250A
	4-J 4	97263G
CABLE DE MODO.....	4-J 4	97261E
CABLE DE TEMPERATURA.....	4-J 4	97262H
CABLEADO.....	1-H14	36733
CABLEADO & BOPORTE.....	3-M14	92470C
CABLES.....	4-E 3	96175
	4-F 3	96191A
CADENA.....	1-E 6	24321
CALZA.....	2-M 5	45253A
	2-I11	58116A
	2-I11	58117A
CARCASA.....	1-E 1	09129
	1-F 3	21441
	1-I 4	25620
	1-L 7	25620
	2-K 2	43110
	2-K 2	43111
	2-B 4	43322
	2-H 4	45822
	2-K 6	45822
	4-D 2	94385A
CARRERA.....	2-D 6	45455
	2-H 6	45636B
	2-J 6	45744
	2-J 6	45781B
CARROCERIA.....	1-D 8	28112
CARTUCHO.....	1-D12	31973
CASQUICCO/CUBO.....	2-E 4	43370A
CASQUILLO.....	1-B 2	1433CA
	1-B 2	1433CC
	1-C 2	1433CD
	1-C 2	1433CE
	1-C 2	1433CF
	1-C 2	1433CG
	1-D 2	21124
	1-D 3	1433CA
	1-D 3	21124
	1-F 4	22124B
	1-C 5	1433CB
	1-K 5	23517
	1-D14	36112B
	1-G14	36172
	2-E 1	37473
	2-I 1	32871D

PART NAME	M/F NO.	P N C
CASQUILLO.....	2-I 1	32673
	2-I 1	32683
	2-I 1	32685
	2-A 5	43685
	2-D 5	43781B
	2-D 5	43782A
	2-G 5	43758A
	2-G 5	43788
	2-G 7	48349
	2-K 8	54551D
	2-K 8	54555D
	2-A 9	54813
	2-E 9	54841
	2-E 9	55116C
	2-E 9	55118D
	2-F 9	55215A
	2-F 9	55225A
	2-F 9	55513A
	2-A10	56521B
	2-A13	62466
	2-A13	62466A
	4-E 2	94366H
	4-F 2	94368C
CASQUILLO & CUBO.....	2-E 4	43360A
	2-F 4	43380B
CERRADURA.....	3-E 3	81250C
	3-E 3	81250L
	3-F 3	81907
CHARNELA.....	2-E 8	51715
	2-E 8	51716
CIERRE.....	1-C 6	22223
	3-I 7	85827
CIGUENAL.....	1-G 5	23111
CILINDRO.....	2-J11	58122
CIMIENTO.....	1-L 3	21627
	1-B 9	28414B
	1-C10	28961
	2-I10	57227B
CIMIENTO DER.....	2-B13	62477
CIMIENTO IZQ.....	2-B13	62476
CINTA.....	3-G 2	83397
	3-J 3	83397
	3-D 8	86382H
	3-D 8	86363H
	3-D 8	86372H
	3-D 8	86373H
	3-E 8	86381H
	3-E 8	86382H
	3-E 8	86391H
	3-E 8	86392H
CLAMP.....	1-I 8	K9928A
CLIP.....	3-G 9	87257A
COJINETE.....	2-B 1	37334
	2-C 1	37342
	2-L 1	41421B
	2-L 2	43146B
	2-B 3	43220B
	2-C 3	43220C
	2-D 3	43223
	2-L 3	43253A

PART NAME	M/F NO.	P N C
COJINETE.....	2-L 3	43255
	2-M 3	43265
	2-H 4	45829
	2-D 5	43763
	2-M 5	45325
	2-D 6	45457
	2-E 6	45457A
	2-E 6	45525B
	2-J 6	45737B
	2-J 6	45781C
	2-K 6	45829
	2-D11	57154
	2-E11	57713B
	2-G11	57762
	2-G11	57763
COJINETE (AGUJA).....	2-A 4	43266A
COJINETE (BOLA).....	2-D 3	43222C
	2-C10	56551C
COJINETE(BOLA ANGULAR DBL).....	2-K 6	45863A
COJINETE(BOLA RADIAL).....	2-C 3	43221A
COJINETE(EMPUJE).....	2-H 8	45635B
	2-I 6	45635B
	2-J 6	45748
COJINETE(RODILLO AHUSADO).....	2-D 3	43225B
COJUNTO BLOQUE.....	1-C 2	21100
	1-D12	31460D
COLECTOR.....	1-J 9	28511A
	4-D 6	97717
COLGADOR.....	1-H 4	22341
	1-I 9	28413
	1-I 9	28413A
	1-I 9	28414
	1-K 9	28523
	1-B10	28658
	1-B10	28768
COLLAR.....	1-F 6	28181
	1-M 6	28178C
	2-I 1	32859
	2-I 1	32859B
	2-C 5	43748B
	2-B13	86545A
COMPL CINTURON SEGURIDAD.....	3-A12	89801B
COMPL TRAVESANO.....	2-M12	62401
COMPLETA DE BRAZO.....	2-J 8	54510
	2-K 8	54540A
COMPLETA EJE.....	2-C 2	41430A
COMPLETA PANEL.....	2-C13	64100
	2-E14	69140
	2-E14	69150E
	3-L 3	82301
	3-L 3	82302
	3-H 4	83301
	3-I 4	83302
CONDENSADOR.....	1-M13	96160A
CONDUCTO.....	1-F 6	28210
	4-L 4	97345
	4-L 4	97360B
	4-L 4	97365B
	4-L 4	97370
CONECTOR.....	1-E 9	26371

PART NAME INDEX

PART NAME	M/F NO.	P N C
CONECTOR.....	1-A12	31323G
	1-D12	31488A
	2-M 5	45265B
	2-F12	58724
	3-L13	91981
	4-M 3	98518
	4-A 4	98852B
	4-A 4	98684
	4-C 4	98518
	4-D 4	98881
CONJ. ARMADURA.....	1-F14	36150P
CONJ. CONMUTATEUR.....	1-D14	36120E
CONJ. EMBRAGUE.....	1-E14	36140E
CONJ. HORQUILLA.....	1-F14	36160P
CONJ. SEPARATOR.....	1-A 5	26740A
CONJ. ARRANQUE.....	1-B14	36100
CONJ. GENERATOR.....	1-L14	37300
CONJ. BALANCIN.....	2-F 9	55210A
	2-F 9	55220A
CONJ. ABRAZADERA.....	1-D12	31912C
CONJ. ACTUADOR.....	1-C13	35150
	3-M 1	95730A
	3-A 2	95750A
	3-A10	87812
	3-A10	87622
CONJ. ADORNO.....	3-F 9	87251
	3-F 9	87252
CONJ. AISLADOR.....	2-L 8	54610
CONJ. AJUSTADOR.....	1-G 6	24610
	3-M10	88501A
	3-M10	88502
	3-H11	88890A
CONJ. ALMOHADILLA & BASTIDOR.....	3-K11	89150B
	3-K11	89301A
CONJ. ALMOHADILLA & TAPA.....	4-C 4	98711A
CONJ. ALMOHADILLA.....	2-J 9	56150B
	3-C 5	84120
	3-I10	88150
	3-J10	88250
	3-K10	88350
	3-L10	88360
	3-L11	89450
	3-M11	89550A
	3-M11	89550B
CONJ. ALOJAMIENTO.....	1-G13	27140
	2-D 5	43751E
	2-J 7	46387
CONJ. ALOJAMIENTO & LENTE.....	3-J14	92330B
	4-A 1	92510
CONJ. AMORTIGUADOR.....	2-D 9	55351
	2-D 9	55361
	2-L 9	53010
CONJ. AMORTIGUADOR DE GOLPES.....	3-L 5	84710
CONJ. ANILLO.....	2-A14	67115
CONJ. ARMADURA.....	1-E14	36148A
CONJ. ARRANQUE.....	1-B14	36100A
	2-C 1	37350B
CONJ. ARTICULACION.....	4-L 3	98200
CONJ. ARTICULACION & MOTOR.....	4-C 4	98700
CONJ. ASIDERO.....	3-C 4	82412B

PART NAME	M/F NO.	P N C
CONJ. ASIDERO.....	3-J 4	82412B
CONJ. ASIENTO.....	2-L 8	54625A
CONJ. BANDA.....	1-G11	31210A
	2-H 6	45860
CONJ. BANDEJA.....	1-I14	37150
CONJ. BASTIDOR.....	3-I10	88101A
	3-K10	88301
	3-K10	88301B
	3-M10	88401
	3-L11	89501A
	3-L11	89501B
	3-M11	89601
CONJ. BOBINA.....	1-J13	27301
CONJ. BOMBA & MOTOR.....	4-M 3	98610A
CONJ. CABLE & PESTILLO.....	3-I 2	81590B
CONJ. CABLEADO.....	1-D 9	91930A
	2-H 5	91651A
	3-G12	91100
	3-E13	91200
	3-H13	91301
	3-H13	91701
	3-J13	91400
	3-L13	91930A
	3-B14	91630
	3-B14	91810D
	3-C14	91810E
	3-D14	91820B
	3-E14	91960B
CONJ. CABLEADO & SOPORTE.....	4-C 1	92756D
CONJ. CABLES.....	1-D13	37382
	1-G13	27180B
	2-J 9	56128
CONJ. CAJA.....	3-D 6	84820F
	3-B13	91830
CONJ. CANAL.....	3-D 4	82550
	3-D 4	82560
	3-L 4	83510
	3-L 4	83520
CONJ. CARBURADOR.....	1-F12	32110
CONJ. CARCASA.....	1-J 2	21310B
	2-M 5	45240
CONJ. CASQUILLO.....	2-F11	57726
	3-L 5	95120
CONJ. CAUCHO & PERNO.....	4-L 3	98120A
	4-B 4	98120A
CONJ. CILINDRO IZQ.....	2-M 1	41810
	2-D 2	41710B
	2-L11	58330B
	2-L11	58380
	2-A12	58510A
CONJ. CINTURON SEGURIDAD.....	3-D11	88810C
	3-F11	88820C
	3-A12	89810A
	3-A12	89810E
	3-A12	89820A
CONJ. COLECTOR.....	1-G 3	21510
	1-M 8	28310
	1-J 9	28510
	2-M 5	45280
CONJ. COMPRESOR.....	1-J13	27325

PART NAME	M/F NO.	P N C
CONJ. COMPRESOR.....	4-I 5	97806
CONJ. COMPROBADOR.....	3-I 1	79380A
	3-J 1	79390
	3-D 2	79480
	3-D 2	79490
CONJ. CONM & SIRENA.....	4-L 2	95870G
CONJ. CONMUTADOR.....	1-F 2	94750
	1-D14	36120
	2-J 1	93810A
	2-J 1	93810B
	2-J 1	93810E
	2-J 1	93840A
	2-B 5	93860
	2-G 5	46716
	2-K12	93830
	3-G 1	93520
	3-F 3	93110B
	3-F 3	95412
	3-G 3	95782L
	3-G 3	95782R
	4-G 1	93400
	4-G 1	93415C
	4-G 1	93420
	4-I 1	93530
	4-I 1	93560
	4-I 1	93570B
	4-J 1	93580A
	4-J 1	93580C
	4-J 1	93610B
	4-J 1	93710F
	4-L 1	93730B
	4-L 1	93740
	4-L 1	93790G
	4-C 2	84113
	4-I 4	87257K
	4-I 4	87258
	4-I 4	87259C
	4-L 5	87752B
CONJ. CONTACTO.....	4-G 1	93450
	4-G 1	93490
CONJ. CONVTO & ATA.....	2-I 5	45000A
CONJ. CONVERTIDOR.....	2-B 6	45100
CONJ. COPA & PERNO.....	2-F 9	55216A
CONJ. CREMALLERA.....	2-F11	57720B
CONJ. CUBO & DISCO.....	4-C 6	97644C
CONJ. CUELLO.....	1-C11	31040B
CONJ. DISCO.....	2-K 1	41100
	2-D 6	45448A
	2-E 6	45473
	2-E 6	45473B
	2-F 6	45580B
	2-G 6	45621C
CONJ. DISTRIBUIDOR.....	1-F13	27100
CONJ. EJE.....	2-A 5	43880
	2-A 6	45940B
	2-K 6	45840
	2-E10	57120
CONJ. EJE & COLUMNA.....	2-L 9	56300
CONJ. EJE & JUNTA.....	2-A 8	49502A
CONJ. ELEVADOR.....	3-C 3	81770

PART NAME	M/F NO.	P N C
CONJ. ELEVADOR.....	3-C 3	81780
CONJ. EMBRAGUE.....	2-D 8	46410B
	2-E 8	45470
	2-E 8	45530B
CONJ. EMBOR.....	1-H11	94480
CONJ. ENGRANAJE.....	2-J 3	43240
	2-K 3	43250
	2-M 3	43260
	2-A 4	43270
	2-A 4	43280
	2-B 4	43310
	2-J 6	45790B
	2-J 6	45793
	2-A10	56500B
CONJ. ENLACE.....	2-B 9	54830B
	2-B 9	54830C
CONJ. ENLACE & ENGRANAJE.....	2-E11	57700
CONJ. ESPEJO.....	3-J 9	85101
	3-J 9	87805A
	3-L 9	87806A
CONJ. FORRO TECHO.....	3-L 8	85401
CONJ. GENERADOR.....	1-L14	37300A
	2-A 6	45955B
CONJ. GUARDA.....	3-B 9	86811
	3-B 9	86812
	3-C 9	86831
	3-C 9	86832
	3-C 9	86841
	3-C 9	86842
CONJ. HEBILLA.....	3-H11	88830A
	3-H11	88840A
	3-B12	89830D
	3-B12	89831C
CONJ. HORQUILLA.....	1-F14	36150
	2-L 1	41430B
	2-B10	56524B
	2-F11	57715
	2-F11	57742
CONJ. IMPULSOR.....	2-H12	59110B
CONJ. INDICADOR.....	2-G 5	43770A
CONJ. INVERSOR.....	4-G 2	99430
CONJ. INYECTOR.....	1-B13	33800A
	1-C13	35310
CONJ. JUNTA.....	2-L 9	56410
CONJ. JUNTA ESFERICA.....	2-J 8	54530B
	2-K 8	54530C
	2-M 9	54530D
CONJ. LAMPARA.....	3-G 9	92750A
	3-H4	92201
	3-H4	92202
	3-J14	92303A
	3-L14	92401A
	3-L14	92402A
	4-A 1	92506A
	4-A 1	92620
	4-B 1	92750
	4-C 1	92750A
	4-D 1	92800A
	4-D 1	92800B
CONJ. MANGUERA.....	1-L 2	26440

PART NAME	M/F NO.	P N C
CONJ. MANGUERA.....	1-M 4	26720
	1-G 7	25420A
	1-D 8	26710
	1-J10	39471
	1-D12	31471A
	2-L10	57510
	2-H12	59130
	3-M 5	97380
	3-M 5	97390
CONJ. MEDIDOR.....	1-H11	94410A
	4-F 2	94410A
	4-F 2	94410B
	4-F 2	94420A
CONJ. MIEMBRO.....	2-C13	64801
	2-D13	64802
	2-F13	65210
	2-F13	65220
	2-G13	65531
	2-G13	65550
	2-G13	65710
	2-G13	65720
CONJ. MODULO.....	2-K 9	58900
CONJ. MOLDURA.....	4-L 2	95910
	3-C10	87711
	3-C10	87712
	3-C10	87721B
	3-D10	87722B
	3-D10	87731A
	3-D10	87732B
	3-D10	87751
	3-D10	87751B
	3-D10	87752
	3-D10	87752A
	3-D10	87761C
	3-D10	87782
CONJ. MOQUETA.....	3-E 5	84260
CONJ. MOTOR.....	3-D 4	98800
	3-D 4	98900
	3-L 4	98800
	3-M 4	98900
	4-L 3	98100
CONJ. MOTOR & VENTILADOR.....	4-D 5	97130
	4-L 5	97730
CONJ. MUELLE.....	2-A 6	45950A
CONJ. PANTALLA.....	1-G 3	26250
CONJ. PARASOL.....	3-K 2	81866
CONJ. PARLANTE.....	4-I 3	96330D
	4-J 3	96360C
CONJ. PERCUTOR.....	3-F 1	81210B
	3-K 1	81350B
	3-D 2	81350B
	3-A 3	81210A
	3-M11	89780
CONJ. PERILLA.....	4-J 4	97265H
CONJ. PESTILLO.....	3-D 1	81130
	3-F 1	81230
	3-J 1	81310
	3-J 1	81320
	3-D 2	81410
	3-E 2	81420

PART NAME	M/F NO.	P N C
CONJ. PESTILLO.....	3-A 3	81230A
CONJ. PIERNA.....	3-B11	88801B
CONJ. PILAR.....	2-F14	71210
	2-F14	71220
	2-G14	71401B
	2-G14	71402B
	2-H14	71471
	2-H14	71481
CONJ. PINON.....	2-A10	56510B
CONJ. PISTA.....	3-M10	88501
	3-A11	88525
	3-B11	88601
	3-B11	88625
CONJ. PISTON.....	1-4 5	23400P
	2-D 6	45440
	2-E 6	45490B
	2-J 7	46382A
	2-B12	58540A
	2-B12	58560A
CONJ. PLACA.....	1-K12	45417B
	1-G14	36170A
	2-E 7	46286B
	2-E 7	46287B
	3-K 2	81825
	3-L 5	84580
CONJ. PORTADOR.....	2-J 6	45780B
	2-F 8	52750A
	2-F 8	52780
CONJ. PUERTA.....	3-H 2	69810
CONJ. RECTIFICADOR.....	2-C 1	37367B
CONJ. REFRIGERADOR.....	1-J 2	25460
	1-H 8	28190C
CONJ. REFUERZO.....	1-C12	31360A
	1-G11	31214
	2-E13	65130B
	2-G14	71334L
	2-G14	71334R
CONJ. REGULADOR.....	2-D 1	37370B
	3-B 4	82401
	3-B 4	82402
	3-B 4	82403
	3-C 4	82404
	3-K 4	83401
	3-K 4	83402
	3-K 4	83403
	3-K 4	83404
CONJ. RELE.....	1-H10	39160
	1-H14	39620A
	4-J 2	39620A
	4-K 2	95210
	4-K 2	95220A
	4-K 2	95224
	4-K 2	95224C
	4-L 2	95225A
	4-L 2	95250C
	4-L 2	95420
	4-B 3	95220A
	4-B 4	96420
CONJ. REPOSABRAZO.....	3-C11	88901B
	3-C11	88902B

C10

PART NAME INDEX

BA, G0112- P61

PART NAME	M/F NO.	P N C
CONJ. REPOSACABEZA.....	3-A11	88600A
	3-M11	89601A
CONJ. RESERVA ACEITE.....	1-H 7	25430
	2-M 1	41620
	2-H10	57150A
	4-M 3	98620
CONJ. RESISTENCIA.....	1-K13	27360
CONJ. RESONADOR.....	1-F 8	28190
CONJ. RETENEDOR.....	1-I 6	86590
	2-M 5	45331B
	2-D 6	45420
	2-E 6	45480B
	2-E 8	45540
	2-F 6	47127B
	3-E 1	86590
	3-K 8	86590
	3-K 8	86591D
	3-M 8	86590
	3-M 8	86591D
	3-B 9	86690
	3-C10	86590
CONJ. REVESTIMIENTO.....	3-A 3	81730
	3-B 3	81740
	3-C 3	81760A
	3-A 7	85610
	3-B 7	85510
	3-C 7	85520
	3-D 7	85730A
	3-D 7	85740A
	3-E 7	85750E
	3-E 7	85760E
	3-G 7	85810
	3-H 7	85820
	3-H 7	85823B
	3-I 7	85831
	3-I 7	85835C
	3-I 7	85841A
	3-I 7	85845
	3-I 7	85850
	3-J 7	85860
	3-J 7	85871
	3-J 7	85872
	3-J 7	85880
	3-K 7	85890
	3-L 7	85910
	3-L 7	85920
	3-L 7	85930
CONJ. ROTOR.....	1-F13	27115
	2-C 1	37340
CONJ. SELLO & NUCLEO.....	4-A 5	97123B
	4-F 6	97611B
CONJ. SENSOR.....	1-E 2	39220
	1-I 4	39220
	1-F 8	28164
	1-D 9	39300A
	1-C10	39210
	1-C10	39210A
	1-B13	35102
	4-G 2	96421
	4-B 3	95670L

PART NAME	M/F NO.	P N C
CONJ. SENSOR.....	4-B 3	95670R
CONJ. SOPORTE & ESPEJO.....	3-A10	87623A
	3-A10	87624B
CONJ. SOPORTE & ETACS.....	4-L 2	95410G
CONJ. TACOMETRO.....	4-D 2	94220
CONJ. TAMBOR.....	2-M11	58411A
CONJ. TANQUE.....	1-E11	31150
CONJ. TEMPORIZADOR.....	4-L 2	96430
CONJ. TENSOR.....	1-E 6	24410
	1-A 7	25281
CONJ. TERMOSTATO.....	1-H 4	25500A
	1-L 7	25500A
CONJ. TOBERA.....	3-M 5	97350B
	3-M 5	97385L
	3-M 5	97385R
	3-H 6	97430A
	3-H 6	97440
	4-M 3	98620A
	4-C 4	98860
CONJ. TRANSMISION.....	2-H 2	43000
CONJ. TRANSMISOR.....	4-L 2	95760
CONJ. TRAVESANO.....	2-E13	65150
	2-K13	66540
CONJ. TUBO.....	1-G11	31224
	1-M11	31306B
	2-A 6	46550A
	2-A11	57523B
	2-B11	57540
	2-B11	57563A
	2-G11	57776
	2-G11	57780
	2-G12	58742B
CONJ. TUBO & BOMBA COMBUSTIBLE.....	1-D11	31123B
CONJ. VALVULA & PINON.....	2-F11	57750B
CONJ. VALVULA COMPROBACION.....	4-D 4	98886
CONJ. ABRAZADERA.....	1-D 8	1472AY
	4-I 4	1472AY
CONJ. ADORNO.....	3-H 9	87370D
	3-I 9	87370E
CONJ. ALMOJADILLA.....	2-I11	58115
CONJ. ARANDELA.....	1-B 3	1123GF
	1-H 4	22345
	1-A 6	1123GF
	1-I 6	1125GA
	1-L 6	1123GF
	1-L 6	1123GG
	1-H 9	1140FC
	1-A10	1126DM
	1-G10	1129AE
	1-A11	1125GA
	1-A11	1125KC
	1-L11	1125KC
	1-I13	1125KC
	2-C 2	1123GF
	2-B 6	1140GA
	2-J11	58165A
	2-F12	58726
	3-F 1	1129AE
	3-H 2	1129AE
	3-M 2	1129AE

PART NAME	M/F NO.	P N C
CONJ. ARANDELA.....	3-B 4	1125GA
	3-G 5	1125GB
	3-F12	1125KC
	3-G14	1125KC
	4-B 1	1125KC
	4-J 2	1129AD
	4-M 2	1129AE
	4-B 3	1129ED
	4-M 3	1125GA
	4-M 3	1125GB
	4-M 3	1129AE
	4-B 4	1129AD
	4-H 4	1125KC
	4-F 5	1125KC
CONJ. ASIENTO.....	1-E 4	22112A
	1-E 4	22113A
CONJ. CUBO EMBRAGUE.....	2-F 8	52750
CONJ. DESLUMBRANTE SOLAR.....	3-I 6	85201A
	3-J 6	85202A
CONJ. FORRRO.....	2-K11	58305
	2-K11	58315
	2-L11	58325
	2-L11	58364
CONJ. FRENO DISCO.....	2-E 8	51712
CONJ. JUNTAS.....	2-A 8	49500A
	2-A 8	49500B
CONJ. PASADOR.....	1-I 5	23410A
	2-I11	58112
CONJ. POLEA.....	2-E10	57100
CONJ. REVESTIMIENTO.....	3-H 7	85824
CONJ. SENSOR.....	2-I11	58118A
	2-J11	58138
CONJ. SOPORTE.....	1-I10	39112A
	1-I10	39112B
CONJ. TUBO.....	1-D11	31120
CONJ. VELOCIMETRO.....	4-C 2	94210A
	4-C 2	94210B
CONJUNTO AIRBAG.....	3-K 5	84530
CONJUNTO ANTENA.....	3-F 3	95440F
	4-L 2	95870B
	4-G 3	96210B
	4-H 3	98210C
	4-H 3	98210D
CONJUNTO ARBOL DE LEVAS.....	1-D 6	24100A
	1-D 6	24100C
	1-D 6	24200A
CONJUNTO BATERIA.....	1-I14	37110A
CONJUNTO BATTERIA.....	4-L 2	95413A
CONJUNTO BISAGRA.....	2-J13	79110
	2-J13	79120
	2-C14	79210
	2-C14	79220
	2-C14	79770A
	2-M14	79310C
	2-M14	79320B
	2-M14	79330B
	2-M14	79340A
	3-B 1	79330A
	3-B 1	79340
	3-B 1	79350

PART NAME INDEX

PART NAME	M/F NO.	P N C
CONJUNTO BISAGRA.....	3-B 1	79360
	3-K 2	81821A
	3-K 2	81822A
	3-L 5	84730C
	3-L11	89515A
	3-M11	89710
CONJUNTO BOLA.....	2-M 4	43846
CONJUNTO BOLSA.....	3-K 2	81830
CONJUNTO BOMBA.....	1-M 6	25100
	1-C11	31111A
	1-L12	33100B
	2-B 6	46110
CONJUNTO BOTE.....	1-H11	31410
CONJUNTO BRAZO.....	1-J12	32720
	2-F 9	55120A
	2-F 9	55201
	2-F 9	55202
	2-F 9	55503
	4-L 3	98310
	4-C 4	98801
CONJUNTO BRIDA.....	2-J 6	45812
CONJUNTO BURLETE.....	3-H 3	82130C
	3-I 3	82140B
	3-I 3	82210
	3-I 3	82220
	3-E 4	83130C
	3-F 4	83140C
	3-F 4	83210
	3-F 4	83220
CONJUNTO CABLE.....	1-E11	31130
	1-K12	32790
	1-K13	27420
	1-K13	27430
	1-K13	27440
	1-L13	27460
	1-L13	27501
	1-M13	27510
	1-H14	37210
	2-D 2	41719
	2-D 5	43794A
	2-G 5	43760A
	2-K12	59760C
	2-K12	59770
	3-E 1	81190B
	3-H 2	81281
	4-H 2	94240
CONJUNTO CARROCERIA.....	1-B13	35100
	1-C13	35120
	2-M 6	46210
CONJUNTO CENICERO.....	3-H 5	84640C
	3-J 5	84330
CONJUNTO CIERRE.....	3-E 3	81900A
	3-F 3	81907A
	3-F 3	81908
	3-F 3	81908A
	3-J 5	81520A
	3-L11	89317
	3-L11	89318
CONJUNTO CLAXON.....	2-J 9	56150A
	4-K 3	98610

PART NAME	M/F NO.	P N C
CONJUNTO CLAXON.....	4-K 3	98620
CONJUNTO COMPRESOR.....	4-D 6	97701
CONJUNTO CONDUCTO.....	3-M 5	97403
	3-M 6	97480
	3-M 5	97490
CONJUNTO CONECTOR.....	3-M 5	97470B
CONJUNTO CONO.....	2-D 4	43350B
CONJUNTO CONTROL.....	1-H 4	25800A
	4-I 4	97250A
CONJUNTO COPA.....	1-D11	31114B
CONJUNTO CUBIERTA.....	1-D 3	21350
	1-D 3	21350C
	1-E 3	21360A
	1-L 4	22410A
	1-C 9	29240
	2-K 1	41300
	2-L 2	43140
	2-G 8	52960D
	2-J 9	56130C
	2-F10	57126
	3-K 5	84512A
	3-B 8	86150B
	3-B 8	86160A
	3-H 8	86510B
	3-I 8	86560G
	3-M 8	86610
	3-I11	88890B
	4-F 6	97820C
CONJUNTO CUBO.....	2-E 8	51750
CONJUNTO CUCHICLA.....	4-L 3	98305A
	4-L 3	98350A
	4-C 4	98305A
	4-C 4	98350A
CONJUNTO CULATA.....	1-E 4	22100
CONJUNTO DEFLECTOR.....	3-K 2	81641
CONJUNTO EXTENSION.....	2-C13	64353
	2-C13	64363A
	2-H13	65780
CONJUNTO EXTREMO.....	2-D10	56820B
CONJUNTO FARO.....	3-G14	92101A
	3-G14	92102A
CONJUNTO FILTRO.....	1-K 2	26300
	1-H11	31940
	2-F 7	46321
CONJUNTO FRENO.....	2-H11	58110
	2-J11	58130
	2-K11	58310
	2-L11	58360
CONJUNTO FUNDA.....	3-H 5	84840A
	3-H 5	84840E
CONJUNTO GATO.....	1-E 1	09110
CONJUNTO GUIA.....	3-B11	88610
	3-B11	88630A
	3-K11	88610
	3-K11	88630A
CONJUNTO LLENADO.....	2-H14	71557
	2-H14	71567
CONJUNTO MANIJA.....	3-D 1	81180
	3-M 1	82610
	3-M 1	82620

PART NAME	M/F NO.	P N C
CONJUNTO MANIJA.....	3-M 1	82650
	3-M 1	82660
	3-F 2	82610
	3-G 2	82620
	3-G 2	83650
	3-G 2	83660
	3-H 2	81570
	3-H 2	81570A
	3-J 2	81614
	3-M 3	82710C
	3-A 4	82720C
	3-D 4	82630
	3-G 4	82710C
	3-H 4	82720C
	3-K 4	82630
	3-L 6	85340B
	3-K10	86355
CONJUNTO MOTOR.....	1-H 1	21101
	1-J 1	21102
CONJUNTO PALANCA.....	2-M 4	43850C
	2-C 5	43720
	2-H 5	46720C
	2-K12	59710
CONJUNTO PANEL.....	2-C13	64501
	2-C13	64502
	2-E13	65141
	2-F13	65170
	2-F13	65180
	2-I13	66400
	2-K13	66702A
	2-K13	66751A
	2-K13	66751B
	2-K13	66761A
	2-L13	66761B
	2-L13	66790
	2-B14	69100
	2-C14	69200
	2-C14	69301
	2-C14	73700
	2-E14	71110
	2-E14	71120
	2-H14	71503B
	2-H14	71504B
	2-J14	71601
	2-J14	71602
	2-L14	76003
	2-L14	76004
	3-A 1	77003
	3-A 1	77004
	3-J 2	81610
	3-B 3	81750
	3-A 6	84710B
	3-D 6	84755C
	3-D 6	84830B
CONJUNTO PERNO.....	1-L 3	21821D
CONJUNTO POLEA.....	4-C 6	97643E
CONJUNTO RADIADOR.....	1-C 7	25310
CONJUNTO RADIO.....	4-E 3	96140A
	4-E 3	96180B
	4-E 3	96170E

E10

PART NAME INDEX

BA.G0112- P63

PART NAME	M/F NO.	P N C
CONJUNTO REFUERZO.....	2-E14	71153A
	2-F14	71163C
	2-F14	71315
	2-F14	71325
	2-G14	71431A
	2-G14	71441A
	2-H14	71515B
	2-I14	71525A
CONJUNTO REJILLA.....	2-K14	97510B
	3-I 8	86560F
CONJUNTO RELOJ.....	3-G 6	94500A
CONJUNTO RIEL.....	2-A14	67120A
	2-A14	67133
	2-A14	67141B
	2-A14	67310A
	3-I 8	86630
	3-M 8	86630
CONJUNTO RUEDA.....	2-I 9	56110
CONJUNTO RUPTOR.....	1-F13	27128
CONJUNTO SOPORTE.....	1-L 3	21810A
	1-L 3	21830
	1-M 3	21840
	1-A 4	21850
	1-D 7	25333
	1-D 7	25333L
	1-C14	36110
	1-F14	36160
	2-B 1	37330A
	2-C 1	37360B
	2-L 5	45210
	2-D11	57220A
	2-G13	65517
	2-G13	65517A
	2-E14	71117
	2-E14	71127
	3-M 2	73740
	3-L 5	84730B
	3-L 5	84737A
	3-L 5	84741C
	3-G14	92170C
	3-G14	92340A
CONJUNTO TAPA.....	1-D 7	25330
	1-C11	31010
	1-F13	27110
	2-M 1	41625
	2-G 8	52960
	2-H10	57183
	2-A12	58531A
CONJUNTO TAPON.....	1-M 4	22450D
	2-M 5	45245
	2-M 5	45260
	2-L11	58385B
CONJUNTO TORNILLO.....	2-C 7	46260
	2-C 7	46260A
CONJUNTO TUBO.....	1-K 7	25435A
	1-K 7	25461A
	1-K 7	25461C
	1-B 9	28550
	1-E 9	28360
	1-I 9	28831

PART NAME	M/F NO.	P N C
CONJUNTO TUERCA.....	1-L 3	21821B
	1-A 4	21845
	2-E 9	21845
CONJUNTO VALVULA.....	1-B 9	28450
	1-E 9	28340A
	1-J10	39401
	1-E11	31135A
	1-G11	31190B
	1-F12	31190
	2-C 7	46267
	2-E 7	46313
	2-J 7	46380
	2-G10	57140A
CONJUNTO VALVULA & SOPORTE.....	1-J10	39411
CONJUNTO VARILLA.....	1-D 2	26611
	1-H 3	26611
	2-H 5	46725A
	2-A 6	45920B
	2-H 6	45690
	3-D 1	81170
	3-K 1	81370C
	3-L 1	81380B
	4-H 3	96229
	4-H 3	96240B
CONJUNTO VOLANTE.....	1-H 5	23200B
CONMUTADOR.....	2-A 6	45956B
	2-H 6	45691B
CONO.....	2-H 4	43392
CONSOLA.....	3-G 5	84611
	3-H 5	84671
COPA.....	2-E 9	54814
CORREA.....	1-C 2	1799JC
	1-D 6	24312
	1-G 7	1799JA
	1-G 7	1799JB
	1-G 7	1799JG
	1-I14	1799JC
	3-H 2	1799JA
	3-J 2	1799JB
	4-J 2	1799JD
CORREA TRAPEZOIDAL.....	1-M 6	25211B
	2-I10	57231
	4-K 5	97713A
CORREDERA.....	3-C 4	82531
	3-C 4	82532A
	3-D 4	82541
	3-L 4	83531
	3-L 4	83541
CRANKSHAFT.....	1-G 5	23110
CREMALLERA.....	2-B10	56531B
CRISTAL.....	3-C 4	82411A
	3-C 4	82421A
	3-K 4	83411A
	3-K 4	83417A
	3-L 4	83421A
	3-L 4	83427A
	3-B 8	86111A
	3-D 9	87111A
	3-D 9	87111B
	3-E10	87811A

PART NAME	M/F NO.	P N C
CRISTAL.....	3-E10	87821A
	4-F 2	94370
CUBIERTA.....	1-J 2	21313
	1-F 3	21370
	1-F 3	21414
	1-G 3	21461
	1-L 4	22405
	1-L 4	22411P
	1-I 5	23351C
	1-I 6	29120E
	1-I 6	29130F
	1-I 6	29140E
	1-I 6	29150C
	1-D 7	25321
	1-D 8	28111
	1-A 9	28321D
	1-A 9	28322A
	1-E11	31134C
	1-F11	31152
	1-F11	31153
	1-I11	94473
	1-G13	27141A
	2-D 1	37390B
	2-I 1	32880
	2-K 2	43122
	2-D 5	43752E
	2-H 5	46718
	2-H 5	46799A
	2-M 5	45322
	2-M 5	45334A
	2-D 7	46278
	2-D 7	46279
	2-D 7	46281
	2-B 8	49648
	2-E 8	51755
	2-E 8	51758
	2-J 8	54517
	2-L 8	54625B
	2-L 8	54627B
	2-B 9	54637B
	2-C 9	55339
	2-C 9	55347
	2-E 9	54837B
	2-J 9	58131
	2-D10	56828A
	2-B13	62470
	3-G 1	81285
	3-K 1	81359A
	3-K 1	81359B
	3-L 1	81376
	3-L 1	81377
	3-M 1	96738
	3-A 2	96758
	3-F 2	81476
	3-F 2	81477A
	3-B 3	81755A
	3-B 3	81757A
	3-H 5	85519A
	3-L 6	85343A
	3-C 7	85517B

PART NAME INDEX

PART NAME	M/F NO.	P N C
CUBIERTA.....	3-H 7	85826
	3-K 7	85883
	3-K 7	85883
	3-B 8	86161A
	3-I 8	88561G
	3-A10	87881
	3-B10	87882
	3-I10	89062B
	3-I10	89062B
	3-I10	88188
	3-I10	88170
	3-J10	88180
	3-J10	88285
	3-K10	88288
	3-L10	88370
	3-L10	88380
	3-A11	88665
	3-A11	88566
	3-A11	88567B
	3-A11	88568B
	3-K11	89170
	3-L11	89370A
	3-L11	89370B
	3-L11	89380A
	3-F13	91217
	4-D 2	94363A
	4-E 3	96126
	4-L 3	98165B
	4-B 4	98163B
	4-C 4	98870
	4-D 4	98896
	4-D 4	98970A
	4-A 5	97122
	4-I 5	97644A
	4-B 6	97833
CUBIERTA INTERRUPTOR.....	3-B 7	84832A
CUBO.....	2-D 4	43351A
	2-D 4	43352A
	2-E 4	43352B
	2-D 6	45456
	2-F 6	45565
CUERPO.....	1-D12	31925
CUJA DE TUBO.....	1-E 4	22114A
	1-F 4	22115A
DAMPER.....	2-A 2	41870
DESTORNILLADOR.....	1-E 1	09146
DIENTE DE ENGRANAJE.....	1-G 5	23120
	1-D 6	24211
	1-E 6	24322
DIODO(2P).....	3-F13	91789E
DIODO(3P).....	3-M12	91789B
DIODO(4P).....	3-L13	91789D
DIQUE.....	3-B 8	86121A
	3-D 9	86121A
DISPARADOR.....	1-F13	27126
DUCT.....	1-H11	31459
EJE.....	1-F 6	24510A
	1-F 6	24520A
	2-B 3	43215
	2-C 3	43221B

PART NAME	M/F NO.	P N C
EJE.....	2-B 4	43321
	2-C 4	43327A
	2-A 5	43671
	2-D 5	43757C
	2-M 5	45254
	2-I 6	43327A
	4-B 6	97830
EJE DE ENTRADA.....	2-I 4	53512C
EMBLEM.....	3-D 8	86330Q
EMBLEMA.....	3-C 8	86300A
	3-C 8	86300B
	3-C 8	86311J
	3-C 8	86315C
	3-C 8	86318C
	3-C 8	86320B
	3-D 8	86325
	3-H 8	86359
	3-H 9	86359
EMBOLO.....	1-K 2	26122
EMBRAGUE.....	1-E14	36145
	2-J 6	45783B
EMPAQUE.....	1-G 4	22327
	1-M 4	22442
	1-M 4	26502
	1-C11	31048B
	1-D11	31115
	1-E11	31140B
	1-G11	31194C
	1-G13	27146
	1-E14	36135A
	1-E14	36139
	2-H 6	45642B
	2-G 7	46341A
	2-G 7	46342B
	2-D10	56517B
	3-I 9	92557
EMPAQUE PALANCA.....	1-E14	36135C
ENGRANAJE.....	1-J 2	23344
	1-K 2	26112A
	1-K 2	26112B
	1-K 2	26113A
	1-K 2	26113B
	1-G 5	23122
	1-H 5	23212
	2-I 3	43230
	2-M 3	43263
	2-B 4	43282A
	2-D 4	43332
	2-K 4	46512
	2-I 6	43332
	2-J 6	46796
	2-J 6	46811
	2-L 7	46512
ENLACE.....	2-F 9	55580
	4-C 5	97108
ESCOBILLA.....	1-F14	36183
	2-C 1	37368B
ESCUDETE.....	2-I4	71563
	2-I4	71563
	3-K 2	81626

PART NAME	M/F NO.	P N C
ESCUDETE.....	3-D 4	82841
	3-K 4	82841
ESCUDO.....	4-A 8	97788
ESPACIADOR.....	1-E 3	21357A
	1-E 8	24421B
	2-B 1	37323
	2-D 1	37454
	2-E 3	43227T
	2-J 3	43239
	2-J 3	43244
	2-L 3	43254
	2-C 4	43331T
	2-H 4	43391A
	2-I 6	43331T
	2-K 6	45651T
	2-E10	57122
	2-J12	59135A
	3-B 8	86123A
	4-B 6	97832
	4-C 6	97846C
ETIQUETA.....	1-B 1	05203
	1-B 1	32401
	1-B 1	32450
	1-C11	31036
	3-E 2	81419B
	3-E 2	81429
	3-D 4	96111
	3-K 5	84513C
	3-K 5	84635
EUNDA.....	2-B 8	49506
FILTRO.....	1-E 8	28113
	1-D11	31112
	1-D12	31970A
	2-F 7	46336
	4-F 6	97610
FRAGMENTO.....	1-D 4	1153CA
	1-L 6	1151CJ
	1-L 8	1153CK
FUELLE.....	2-C10	57774
FULCRO.....	2-L 1	41471
FUNDA.....	2-K 1	41417
	2-E 2	41723
	2-L 2	43127
	2-I11	58114A
	2-J11	58164B
	2-J11	58186
FUSION.....	3-C13	91835A
	3-G13	91825A
	3-G13	91835A
GANCHO.....	3-C 5	64619
	3-C 5	64629
	3-D 7	85719
	3-M 7	85965A
GASKET.....	1-I 9	28247A
	2-D 2	41718A
GOMA.....	1-E 3	21356C
	1-I11	31923
	2-M 9	56222
	2-B10	56522
	2-E11	57710B

G10

PART NAME INDEX

BA.G0112- P65

PART NAME	M/F NO.	P N C
GRAPA.....	1-K 7	14720
	2-A 2	58727A
	2-F12	58727A
GROMMET.....	4-D 4	88940C
GUARDA.....	3-B 9	86821
	3-C 9	86822
GUIA.....	1-D 2	26612B
	1-H 3	26612B
	1-F 6	24431B
	2-K 2	43116
	2-L 2	43135
	3-K 5	84512B
HANGER.....	1-I 9	28410A
HARNES.....	1-F 2	46307A
HINGE ASSY.....	3-M11	89752A
HORQUILLA.....	2-M 4	43841A
	2-A 5	43861A
HORQUILLA & LENG UETA.....	2-A 5	43862B
HOSE.....	1-M11	31319
HOUSING.....	1-C14	36110E
HUSILLO.....	1-B 2	1151DB
	1-B 2	1151DD
	1-L 3	21611B
	1-L 3	21617
	1-D 4	1151CC
	1-F 4	22125A
	1-F 4	22125C
	1-F 4	22125D
	1-F 4	22125E
	1-L 8	1151CC
	1-J 9	28517C
	1-J 9	28518C
	1-J 9	28519
HUSILLO(12X45).....	1-B10	28519
HUSILLO(8X16).....	1-F 4	22127B
HUSILLO(8X25).....	1-F 4	22127A
IMAN.....	2-L 2	43131B
	2-L 5	43131B
INTERRUPTOR.....	4-I 1	93375
	4-J 1	93615
	4-J 1	93635A
	4-L 1	93715F
	4-L 1	93960B
	4-M 1	93980B
	4-J 4	97269H
JUEGO ALMOHADILLA.....	2-I11	58101B
JUEGO AMORTIGUADOR.....	2-B 8	49504A
JUEGO ANILLO.....	1-C 5	23040A
	2-J 3	43245T
	2-A 4	43268T
	2-K 4	1710AJ
	2-F 5	1461CB
	2-D 6	45454T
	2-E 8	51718
	2-H10	57145
	2-H10	57146A
JUEGO CAJA.....	3-A13	91810C
	3-G13	91840C
JUEGO CALIBRADOR.....	2-J11	58180
	2-J11	58181

PART NAME	M/F NO.	P N C
JUEGO CARTUCHO.....	2-E10	57115
JUEGO CIERRE.....	3-E 3	81900B
JUEGO CILINDRO.....	2-D 2	41710A
	2-K11	58301
	2-A12	58510B
JUEGO CLINDRO.....	3-E 3	81905
	3-E 3	81905A
JUEGO COJINETE.....	1-F 5	23060A
	2-E 8	51720B
JUEGO DE ARANDELA.....	1-C14	36103
JUEGO EJE & JUNTA.....	2-B 8	49507
	2-B 8	49508
JUEGO ENGRANAJES.....	2-B 3	40323
	2-I 6	45720B
	2-K 6	45837
JUEGO ESPACIADOR.....	2-H 4	45842A
	2-K 6	45842A
JUEGO FUNDA.....	2-B 8	49509B
	2-C 8	49609
JUEGO GOBERNADOR.....	1-G13	27130
JUEGO JUNTA.....	1-L 1	20910
	1-L 1	20920
	2-B 8	49505A
	2-B 8	49505B
	2-C 8	49605
JUEGO OBTURADOR.....	1-C14	36102
JUEGO PALANCA.....	1-D14	36130
JUEGO REPARACION.....	2-K 9	95890
JUEGO RETEN.....	2-H10	57150B
	2-G11	57790
	2-I11	58102A
	2-I11	58113
	2-L11	58337
JUEGO SOPORTE.....	1-C 9	35103A
JUEGO TORNILLO.....	1-D14	36111B
JUEGOALMOHADILLA.....	3-D 5	84151J
	3-D 5	84152
	3-D 5	84153
	3-D 5	84154D
JUNTA.....	1-J 2	21411B
	1-J 2	21513
	1-D 3	21352D
	1-D 3	21352K
	1-D 3	21352L
	1-D 3	21352M
	1-D 3	21352N
	1-D 3	21352O
	1-D 3	21352P
	1-D 3	21352Q
	1-D 3	21352R
	1-E 3	21353D
	1-E 3	21353G
	1-E 3	21354
	1-E 3	21362D
	1-E 3	21362F
	1-E 3	21364B
	1-E 3	21365A
	1-F 3	21365B
	1-F 3	21365E
	1-F 3	21365F

PART NAME	M/F NO.	P N C
JUNTA.....	1-F 3	21371A
	1-F 3	21372A
	1-F 3	21444
	1-G 3	21451B
	1-G 3	21513A
	1-G 3	26259
	1-G 4	22311
	1-H 4	25612
	1-H 4	25614
	1-L 4	22441
	1-M 6	25124
	1-H 7	25442
	1-L 7	25812
	1-G 8	28211A
	1-A 9	28322
	1-B 9	28331
	1-B 9	28411B
	1-B 9	28492
	1-B 9	28553
	1-C 9	35101
	1-E 9	28373
	1-I 9	1751GC
	1-I 9	28285
	1-I 9	28286
	1-K 9	28521A
	1-B10	28751C
	1-B10	28752
	1-B10	28764
	1-B10	28781
	1-D12	31490
	1-F12	32421
	1-B13	35101
	1-C13	35156A
	1-L14	1751GC
	1-L14	1751GF
	2-D 2	41714A
	2-K 2	1751DD
	2-K 2	21513
	2-K 2	43116C
	2-B 4	43319
	2-B 5	43918
	2-L 5	1751DC
	2-L 5	21513A
	2-L 5	43116D
	2-M 5	45286
	2-M 5	45335A
	2-B 6	48156
	2-E12	1751GC
	3-A 3	81163
	4-D 6	97710C
JUNTAS TORICAS.....	1-D 2	26614
	1-E 2	26615
	1-E 2	38612
	1-J 2	21319
	1-H 3	26614
	1-H 3	26615
	1-C 7	25319
	1-K 7	25462B
	1-L 7	25462D
	1-L 7	25462F

PART NAME INDEX

PART NAME	MF NO.	P N C
JUNTAS TORICAS	1-C13	35312
	1-G13	27161
	2-L 5	42115
	2-M 5	45262B
	2-M 5	45266A
	2-M 5	45332
	2-A 6	45612
	2-A 6	45945
	2-A 6	46959B
	2-A 6	45959C
	2-B 6	46158
	2-G 6	45612
	2-M 6	46212
	2-A 7	46212A
	2-F 7	46333
	2-G 7	46343
	2-L 7	46513
	2-G10	57137B
	2-B11	57536B
	2-B11	57558
	2-F11	57729
	2-G11	57777
	4-J 5	97690A
	4-J 5	97690D
	4-J 5	97690E
	4-E 6	97105
KNOB	3-I10	88083
LENTE	4-D 1	92611
	4-D 2	94366A
	4-E 2	94366D
LENTE & ALOJAMIENTO	3-L14	92410A
	3-L14	92420A
LEVA	2-F 5	43714C
	4-G 1	93455A
	4-A 5	97018
LLAVE	1-E 1	09131
	1-G 5	23125
	1-E 6	24323
	2-E 4	43372
	2-E 4	43373
	2-F 4	43373D
	3-F 3	81996
	3-F 3	81996C
LOMO	4-C 2	94211B
MANGUERA	1-K 2	25640A
	1-K 2	25641P
	1-M 4	26711
	1-M 4	26721
	1-G 7	25411
	1-G 7	25412A
	1-H 7	25443A
	1-H 7	25444
	1-H 7	25451
	1-K 7	25422
	1-L 7	25466
	1-L 7	25469
	1-L 7	25472A
	1-L 7	25630A
	1-E 8	28138
	1-E 8	28139

PART NAME	MF NO.	P N C
MANGUERA	1-M 6	26721
	1-I 9	28245
	1-E10	28921
	1-C11	31036
	1-C11	31037
	1-D11	31116
	1-E11	31127
	1-E11	31146E
	1-G11	31345C
	1-G11	31347
	1-H11	31359C
	1-H11	31372
	1-M11	1791GA
	1-M11	31084
	1-M11	31314D
	1-M11	31317B
	1-M11	31319B
	1-A12	31334B
	1-B12	31335C
	1-B12	31337
	1-C12	31375
	1-F12	31861B
	1-F12	31881B
	1-B13	25468
	1-B13	25489
	2-E 1	37480B
	2-E 1	37490B
	2-E 1	37491E
	2-M 1	41840
	2-C 2	41640
	2-M10	57522B
	2-M10	57523A
	2-A11	57527B
	2-A11	67631
	2-B11	57544B
	2-B11	57545B
	2-F12	58731A
	2-F12	58732
	2-F12	58737
	3-K 2	81681
	3-K 2	81682
	4-E 4	H3650R
	4-K 4	97311
	4-K 4	97312
	4-L 4	97331C
	4-I 5	97651
	4-L 5	97726A
	4-L 5	97727A
	4-L 5	97762
	4-M 5	97763
MANGUERA "A"	1-H 8	98852
MANGUERA "B"	1-H 8	98853
MANGUERA "C"	1-I 8	98875
MANGUERA "D"	1-I 8	98873
MANGUERA COMBUSTIBLE	1-O12	31400
MANGUERA(AMARILLA L=80)	1-E 9	H0080F
MANGUERA(AZUL L=100)	1-E 9	H0100B
MANGUERA(AZUL L=150)	1-F 9	H0150B
MANGUERA(CAUCHO L=1000)	4-A 4	H0100R
	4-D 4	H0100R

PART NAME	MF NO.	P N C
MANGUERA(CAUCHO L=120)	4-D 4	H0120R
MANGUERA(CAUCHO L=1320)	4-A 4	H1320R
MANGUERA(CAUCHO L=310)	4-A 4	H0310R
MANGUERA(CAUCHO L=400)	4-A 4	H0400R
MANGUERA(CAUCHO L=600)	4-A 4	H0600R
MANGUERA(L=250)	1-F 9	H0250A
MANGUERA(VERDE L=250)	1-F 9	H0250E
MANGUITO	2-C 2	41426
	2-J 3	43243
	2-L 3	43258
	2-M 3	43259B
	2-F 4	43373B
	2-F 4	43376C
	2-K 4	46510
	2-H 6	46686
	2-B 7	46236
	2-C 7	46266
	2-L 7	46510
	2-J11	58167
MANIJA	1-E 1	09111
	3-C11	88904
MEDIDOR	2-A 6	46580
MIEMBRO	2-I 1	32850C
	2-I 1	32860A
	2-I 1	32860B
MODULO DE CONTROL	4-M 2	95440A
MODULO HIDRAULICO	2-H12	58910
MODULO INTERMITENCIA	4-L 2	95550B
MODULO MEDIDOR	1-I 4	94650
MOLDE	2-C 1	37363
MOLDURA	3-B 8	86130
	3-E 9	87131E
MOQUETA	3-C 7	85710
MOQUETA DEL	3-G 5	84625E
	3-G 5	84625G
MOQUETA TRAS	3-G 5	84625F
	3-H 5	84625H
MOTOR	1-D 7	25386
	4-D 5	97116B
	4-M 5	97786
MUELLE	1-K 2	26123
	1-B 6	22221
	1-E 6	24422B
	1-F 6	24542A
	1-I11	32555
	1-J12	32723
	2-D 1	37369B
	2-I 1	32654B
	2-I 1	32671
	2-K 1	41414A
	2-D 2	41715
	2-D 2	41717A
	2-D 2	41719A
	2-E 4	43371A
	2-G 4	43367
	2-M 4	43836B
	2-M 4	43848
	2-M 4	43848C
	2-D 5	43751B
	2-D 5	46773

PART NAME INDEX

PART NAME	M/F NO.	P N C
MUELLE.....	2-F 5	43713
	2-H 5	46733
	2-M 5	45255
	2-D 6	45445B
	2-E 6	45511B
	2-E 6	45555B
	2-G 8	45626B
	2-H 6	45627B
	2-H 6	45686
	2-M 6	45686
	2-B 7	46243
	2-E 7	46311
	2-F 7	46316
	2-G 7	46355
	2-G 7	46356
	2-H 7	46358
	2-I 7	46371
	2-I 7	46378
	2-J 7	46379A
	2-J 7	46381
	2-K 7	46392
	2-K 7	46398
	2-K 7	46399
	2-L 8	54630S
	2-C 9	55350S
	2-K 9	56157
	2-B10	56523
	2-F10	57125
	2-F11	57714A
	2-J11	58144B
	2-K11	58311C
	2-K11	58312A
	2-L11	58322B
	2-L11	58344D
	2-L11	58345E
	2-L11	58361
	3-I14	92272
NIPPLE.....	1-F 4	22126C
NUCLEO.....	4-B 6	97812A
NUT.....	3-F 8	1138AC
	3-F 9	1138AC
	3-K11	1138AC
	4-M 2	1138AC
O-ANILLO.....	1-D12	31470B
O-RING.....	1-D12	33113A
	1-L 3	21819
OBTURADOR.....	1-J12	32782
	1-E14	36138A
	2-I 1	32674
	2-I 1	32676A
	2-F 5	32677
	2-G 7	46351
	2-C10	57738B
	2-A13	62467
OIL SEAL.....	2-F11	57735C
PACKING.....	2-M 2	K41800
PAD.....	3-E 5	84182K
	4-B 3	84182K
PALANCA.....	1-D14	36131A
	2-C 2	41433B

PART NAME	M/F NO.	P N C
PALANCA.....	2-A 5	43870B
	2-C 5	43740E
	2-G 5	46710A
	2-A 6	45932B
	2-L11	58356A
	2-L11	58366A
	4-A 5	97108B
	4-A 5	97111B
	4-A 5	97116D
	4-B 5	97234H
	4-C 5	97023
PANEL.....	2-E13	65111
	2-G13	65511
	2-I13	66311
	2-I13	66321
	2-M13	67111A
	2-F14	71312
	2-F14	71322
	2-M14	76111
	2-M14	76121
	3-A 1	77111
	3-B 1	77121
PARACHOQUES.....	2-L 8	54626
	2-C 9	55270A
	3-E 1	81738A
	3-E 1	82191
	3-E 1	86415A
	3-G 1	81738A
	3-G 1	81738B
	3-G 1	86421
	3-I 2	87551
	3-A 3	81738B
	3-A 3	81738D
	3-A 3	81739D
	3-B 3	81749
	3-I 3	82191
	3-E 4	82191
	3-K 5	84518C
PASADOR.....	1-B 2	1430JC
	1-D 3	1430JC
	1-C 5	1430JE
	1-C 5	1430JJ
	1-H 5	23222
	1-B 6	1430JC
	1-D 6	24141
	1-J12	32728A
	1-G13	27171A
	2-A 2	58581
	2-J 2	1430JF
	2-C 4	43328
	2-L 4	43657A
	2-L 4	43813
	2-M 4	43842
	2-A 5	43852
	2-C 5	1431AW
	2-D 5	43777B
	2-F 6	43725B
	2-G 5	43777B
	2-H 5	46762
	2-I 6	43328

PART NAME	M/F NO.	P N C
PASADOR.....	2-D 7	46269
	2-L 7	1431AA
	2-G10	57134
	2-J11	56162A
	2-L11	58323
	2-I12	58581
	3-L 7	85915A
	3-M 7	85939C
PASADOR(HENDIDURA).....	1-I12	1430AK
	2-A 2	43779A
	2-E 2	43779A
	2-A 8	1430AR
	2-D10	1430BH
	2-I12	43779A
PEDAL.....	2-H 1	32810
	2-H 1	32820
PERILLA.....	2-C 6	43711A
	2-G 5	46710B
	3-H 2	81275
	3-H 2	81575
	3-A11	88513B
	3-B11	88751B
	3-C11	88752B
	3-L11	89391
	4-E 3	96116C
	4-E 3	96137
	4-E 3	96142
	4-F 3	96305
	4-I 4	97137A
PERNO.....	1-A 2	1120GK
	1-B 2	1170AA
	1-D 2	21114
	1-H 2	1120NX
	1-J 3	1120KJ
	1-K 3	1132AD
	1-A 4	21920
	1-G 4	22321
	1-M 4	22448A
	1-C 5	11703
	1-H 5	23127B
	1-I 5	23311A
	1-I 5	23311B
	1-I 5	23361A
	1-I 5	23361B
	1-K 5	23513
	1-L 5	43213
	1-E 6	24333
	1-D 7	25395
	1-C 9	29217
	1-D 9	39322
	1-G10	1120GK
	1-J10	91791A
	1-C11	31039
	1-F11	31150
	1-D12	31476
	1-F12	32311
	1-B13	33816
	1-C13	36150A
	1-G14	36181B
	1-J14	91791A

PART NAME INDEX

PART NAME	M/F NO.	P N C
PERNO.....	1-L14	1540TC
	2-B 1	37338C
	2-D 1	37451
	2-D 1	37462A
	2-H 1	1120DG
	2-H 1	1131BA
	2-H 1	32613B
	2-I 1	32855
	2-O 2	41712A
	2-M 2	45328
	2-B 3	43213
	2-B 4	43318
	2-M 4	43837
	2-B 5	43916
	2-B 5	45328
	2-D 5	43763A
	2-G 5	43746
	2-I 5	42121B
	2-M 5	45227
	2-A 6	45994
	2-I 6	43213
	2-J 6	45765
	2-K 6	45868
	2-M 6	1120GB
	2-A 7	46217A
	2-A 7	46219A
	2-A 7	46219B
	2-A 7	46220A
	2-C 7	46258
	2-C 7	46259
	2-C 7	46263
	2-F 7	46317
	2-F 7	46318A
	2-F 7	46319
	2-H 7	46357
	2-H 7	46362
	2-E 8	51742
	2-F 8	52752
	2-F 8	55451
	2-K 8	54552A
	2-L 8	1132CB
	2-C 9	1132CB
	2-F 9	55230D
	2-F 9	55451
	2-J 9	56143A
	2-L 9	56415
	2-C10	57274
	2-G10	57133
	2-H10	57227
	2-I10	57228
	2-L10	57273
	2-F11	57725A
	2-J11	58151B
	2-J11	58163
	2-L11	58348
	2-M11	58389
	2-J13	79152
	3-A 3	81233
	3-F 3	81919
	3-C 9	92155

PART NAME	M/F NO.	P N C
PERNO.....	3-J10	88195B
	3-K11	88010C
	3-M12	91791A
	3-G13	91791A
	3-L13	91791A
	3-E14	1141AE
	4-B 1	92155
	4-J 2	91791A
	4-G 3	1141AE
	4-G 3	91791A
	4-H 5	25395
	4-K 5	97705
	4-K 5	97714D
	4-K 5	97714K
	4-K 5	97716A
	4-D 6	97714
	4-D 6	97743A
PERNO (CON ARANDELA & CINTA).....	2-M14	79359B
	3-B 1	79359B
PERNO (CON ARANDELA).....	1-H 2	1123GV
	1-B 3	1123GV
	1-F 3	21381A
	1-J 3	1011AA
	1-J 3	1123GT
	1-J 3	1123GV
	1-J 3	1123LC
	1-J 3	1123LG
	1-J 3	1123LJ
	1-C 4	1123GW
	1-C 4	1123GX
	1-C 4	1123HB
	1-F 4	22129A
	1-K 4	1129EF
	1-L 4	22404C
	1-F 6	24431A
	1-C 7	1125GD
	1-D 8	1125KL
	1-D 8	1130DC
	1-F 8	28171
	1-H 8	1125DA
	1-K 8	1123GY
	1-K 8	1129GB
	1-H 9	1123LC
	1-A10	1123EA
	1-A10	1123LC
	1-A10	1129CJ
	1-A10	1129EH
	1-B10	1197AA
	1-G10	1125AA
	1-G10	1125DA
	1-H10	1129EX
	1-A11	1125DA
	1-A11	1125DD
	1-A11	1129EC
	1-L11	1125DA
	1-F12	32431B
	1-I12	1124AJ
	1-I12	1125DA
	1-A13	1123AW
	1-A13	1123AX

PART NAME	M/F NO.	P N C
PERNO (CON ARANDELA).....	1-I14	1129AN
	1-I14	1129AS
	2-H 1	1123AP
	2-H 1	1125AE
	2-H 1	1125AJ
	2-H 1	1125DD
	2-H 1	1125DQ
	2-H 1	1129AM
	2-H 1	1129AR
	2-K 1	1129GT
	2-C 2	1123GX
	2-C 2	1123GY
	2-C 2	1129EW
	2-G 2	1126JA
	2-J 2	1123GW
	2-J 2	1123GX
	2-J 2	1123LK
	2-J 2	1123LW
	2-J 2	1123LX
	2-L 4	1123GV
	2-L 4	1123GX
	2-A 5	43867
	2-C 5	1125AL
	2-F 5	1124AG
	2-F 5	1125AL
	2-L 5	1126JA
	2-L 5	1123GX
	2-L 5	1123LW
	2-L 5	1123LX
	2-L 5	1123MD
	2-L 5	1125DA
	2-M 5	45284A
	2-A 8	1123LF
	2-B 9	54849
	2-E 9	1124DF
	2-E 9	54849
	2-L 9	1125KG
	2-M 9	1124DG
	2-M 9	1124DJ
	2-E10	1125AK
	2-J10	1123GV
	2-J10	1123LC
	2-J10	1123LE
	2-J10	11239D
	2-J10	1125DA
	2-D11	1125AC
	2-E12	1123AD
	2-E12	1123AM
	2-E12	1124AG
	2-E12	1125DA
	2-H12	1123GV
	2-K12	1123GV
	2-K12	1129AP
	2-M12	1123MG
	2-M12	1124DG
	2-I13	1011CA
	2-B14	1012AA
	2-B14	1125KB
	2-B14	1129AC
	3-D 1	1125DA

PART NAME INDEX

BA.G0112- P69

K10

PART NAME	M/F NO.	P N C
PERNO (CON ARANDELA)	3-D 1	81142
	3-F 1	1125DA
	3-H 1	1125DA
	3-H 1	1125DE
	3-H 1	1129EC
	3-H 1	1129EE
	3-B 2	1125DA
	3-B 2	1125DE
	3-C 2	1129EC
	3-C 2	1129EE
	3-H 2	1125DA
	3-J 2	1125KB
	3-L 2	1125DA
	3-L 2	1125DD
	3-L 2	1125DQ
	3-M 2	1129AC
	3-M 2	1130DB
	3-A 3	81718F
	3-B 5	1125DA
	3-B 5	1125DK
	3-G 5	1125AD
	3-J 5	1125DB
	3-J 5	1129AC
	3-L 5	84767F
	3-I 6	1124DC
	3-F 8	1125DE
	3-F 8	1125GD
	3-L 8	1125DD
	3-L 8	1125DE
	3-H 9	1129GE
	3-H10	1124DD
	3-H10	1125DF
	3-K11	1125KE
	3-C12	1125AC
	3-A13	91791B
	3-E13	1125AD
	3-G13	91791B
	3-J13	1125AC
	3-G14	1125AC
	4-D 1	1129EE
	4-E 1	95736
	4-J 2	1125DA
	4-M 2	1125DA
	4-B 3	1123GJ
	4-B 3	1129AC
	4-B 3	1129EC
	4-K 3	1125AC
	4-L 3	1011AA
	4-F 5	1125DA
	4-F 5	1125GD
	4-F 5	1130DE
	4-I 5	97236
	4-C 6	1129AT
PERNO (CON ARANDELA, 10X73)	1-L 3	21822B
PERNO (PESTANA)	1-A 2	1140AA
	1-A 2	1140AH
	1-B 2	1140AN
	1-D 2	21186B
	1-H 2	1140AN
	1-H 2	1140AP

PART NAME	M/F NO.	P N C
PERNO (PESTANA)	1-H 2	1140AU
	1-J 2	1140AW
	1-I 2	1140FF
	1-I 2	1140FH
	1-I 2	1140FJ
	1-I 2	1140FM
	1-I 2	1140FN
	1-I 2	1140FX
	1-B 3	1140AB
	1-B 3	1140AD
	1-B 3	1140AH
	1-B 3	1140EJ
	1-B 3	1140EK
	1-B 3	1140EM
	1-B 3	1140EN
	1-C 3	1140EZ
	1-C 3	1140FY
	1-C 3	1140FZ
	1-D 3	1140HH
	1-D 3	1140HK
	1-D 3	1140HP
	1-D 3	1140HW
	1-G 3	21516
	1-K 3	1140HE
	1-K 3	1140HO
	1-K 3	1140HX
	1-C 4	1140AB
	1-C 4	1140FM
	1-C 4	1140FS
	1-D 4	1140HC
	1-D 4	1140KC
	1-F 4	22122B
	1-K 4	1140AB
	1-K 4	1140FY
	1-C 5	1140KO
	1-A 6	1140FL
	1-A 6	1140FM
	1-A 6	1140HO
	1-B 6	1140HU
	1-D 6	24000
	1-L 6	11405A
	1-L 6	1140AP
	1-L 6	1140AW
	1-M 6	1140EN
	1-M 6	1140FF
	1-M 6	1140FS
	1-M 6	1140HD
	1-C 7	1140NB
	1-K 7	1140AB
	1-K 7	1140AH
	1-K 7	1140FB
	1-H 8	1140NB
	1-K 8	1140FG
	1-K 8	1140FH
	1-L 8	1140FN
	1-L 8	1140FZ
	1-B 9	28495A
	1-E 9	1140AA
	1-H 9	1140AB
	1-H 9	1140FY

PART NAME	M/F NO.	P N C
PERNO (PESTANA)	1-H 9	1140HC
	1-L 9	2852B
	1-A10	1140AH
	1-D10	1140AA
	1-D10	1140FZ
	1-H10	1140AB
	1-H10	1140AN
	1-H10	1140ET
	1-L11	1140ET
	1-I12	1140EJ
	1-L12	1140EJ
	1-A13	1140AN
	1-A13	1140EN
	1-A13	1140FG
	1-B13	1140GD
	1-I13	1140FD
	1-B14	1014CD
	1-B14	1140HK
	1-I14	1141AC
	1-L14	1140FH
	1-L14	1140FP
	1-L14	1140FY
	1-L14	1140FZ
	1-L14	1140HP
	2-G 2	1140AB
	2-G 2	1140FZ
	2-H 2	1140HN
	2-H 2	1140HV
	2-B 3	1140HE
	2-K 4	1140AC
	2-I 5	1140AB
	2-I 5	1140FZ
	2-I 5	1140HN
	2-I 5	1140HV
	2-L 5	1140EK
	2-L 5	1140FD
	2-L 5	1140FH
	2-L 5	1140FY
	2-L 5	1140GD
	2-B 6	1140FY
	2-M 6	1140EJ
	2-L 7	1140FY
	2-K 8	54557B
	2-F 9	55117D
	2-I13	1140FF
	2-K13	1140AH
	3-B 4	1140NF
	3-J 4	1140NF
	3-J 5	1141AC
	3-F12	1141AC
	3-E13	1141AC
	3-J13	1140EJ
	3-J13	1140NB
	3-J13	1141AC
	4-J 2	1141AC
	4-G 3	1141AC
	4-M 3	88692A
	4-F 5	1140AB
	4-G 5	1140FJ
	4-G 5	1140FN

PART NAME INDEX

PART NAME	M/F NO.	P N C
PERNO (PESTANA).....	4-G 5	1140HE
	4-G 5	1140HH
	4-G 5	1140NB
PERNO(PESTANA,8X40).....	2-E 1	37471A
PERNO(PESTANA,8X30).....	2-E 1	37482B
PERNO(PESTANA,DENTADO).....	2-M14	79359
	3-B 1	79359
PERNO(PESTANA,M12X95).....	2-B13	62469
PESO.....	2-A 5	43888
PIEZA.....	3-G 9	87255A
	3-G 9	87258A
	3-G 9	87257
	3-G 9	87258
PILAR APAGON.....	3-D 8	86385B
	3-D 8	86388B
PIN-CLEVIS.....	2-C 2	41418
PINZAS.....	1-E 1	09145
PIPE.....	1-K 7	25481N
PISTON.....	2-A 2	41882
	2-E 8	45580B
	2-G 8	45825C
	2-H 6	45882B
PLACA.....	1-F 3	21431
	1-H 5	23211B
	1-I 5	23228B
	1-D11	31116B
	1-G14	38185
	1-H14	36720
	2-M 4	43843B
	2-B 5	43913
	2-D 8	45451C
	2-D 6	45453
	2-E 8	45475B
	2-F 8	45561
	2-F 6	45582
	2-G 6	45822B
	2-G 6	45823T
	2-G 8	45824C
	2-J 6	45788
	2-J 6	45782
	2-K 6	45874A
	2-A 7	46218
	2-B 7	46237
	2-B 7	46237A
	2-D 7	46275A
	2-F10	57124
	2-L11	58356
	2-L11	58385
	2-B13	62467A
	4-I 1	93552A
	4-I 1	93552B
PLACA & ARANDELA.....	4-J 5	97855A
PLACA(B).....	2-F 9	55233
POLEA.....	1-G 5	23124B
	1-G 8	24810
	1-M 6	25221
	1-A 7	25226
	1-A 7	25286
	1-A 7	25287
	2-B 1	37321B

PART NAME	M/F NO.	P N C
POLEA.....	2-F10	57130B
	4-B 8	97834
POLVO.....	2-L11	58332A
POMO VOLUMEN.....	4-E 3	98182A
PORTADOR.....	1-I 5	23331
	2-J11	58123A
PROTECTO CABLE CAPO.....	3-E 1	81193B
PROTECTOR.....	1-I 9	21350P
	1-K 9	28525A
	1-L 9	28525B
	1-G11	31220B
	1-G11	31317C
	1-H11	31449
	1-B12	31350A
	3-E 1	81193A
	4-I 3	96331
PUNTA.....	2-M 8	54850B
	2-M 8	54860
PURGAR.....	2-E 2	41721A
RECUBRIMIENTO.....	1-D 7	25350
	3-E 6	84851
	3-E 8	84852
	4-L 5	97735
REFUERZO.....	3-C 5	64895
REGULADOR.....	1-H11	35301A
REJILLA.....	3-A 7	85818A
	3-A 7	85828A
	3-H 8	86351
	3-I 8	86512C
RELE.....	4-J 2	91961A
	4-L 2	95230F
REPOSAPIE.....	2-1 1	32881
RESERVA ACEITE.....	2-A12	58511A
RESISTENCIA.....	1-I10	39190
	4-D 5	97113B
RESISTENCIA TERMICA.....	4-G 6	97635
RESPIRADERO.....	2-L 2	43124
RETEN.....	1-D 2	21443
	1-J 2	21421
	1-J 2	21729
	1-F 3	21443
	1-G 4	22144
	1-M 4	22443B
	1-C 8	22224B
	2-K 2	21421
	2-K 2	43119
	2-L 2	43126
	2-K 4	48514
	2-L 5	43119
	2-B 6	46131
	2-B 6	46132
	2-E 6	45541A
	2-L 7	48514
	2-B10	58529B
	2-G10	57144
	2-F11	57736A
	2-L11	58341A
	2-J12	59145
	3-I 3	82331A
	3-I 3	82391

PART NAME	M/F NO.	P N C
RETEN.....	3-I 3	82392
	3-F 4	83391A
	4-D 6	97707C
	4-D 8	97709C
RETENEDOR.....	1-C 8	22222
	1-D 7	25393
	1-F11	31189
	2-L 2	43123
	2-F 7	48335
	2-J14	71731B
	2-K14	71741A
	3-I 1	1491AD
	3-C 2	1491AD
	3-I 6	1491AD
	3-K 8	85235
	3-F 7	88825
	3-F 7	88910
	3-K 7	88910
	3-B 8	88155
	3-H 8	1491AD
	3-L 8	1491AD
	3-A 9	98890
	3-C 9	98825
	3-C 9	98825B
	3-C 9	98848A
	3-H 9	88910
	3-J14	92279
	3-L14	88910
	4-I 3	1491AD
	4-H 5	25393
REVESTIMIENTO.....	3-K 2	81691
	3-D 7	85720D
	3-D 7	85726H
	3-F 7	85771
RIEL.....	2-A14	67121A
	2-A14	67130
RING.....	2-D 3	43224T
	2-A12	58523
ROD ASSY-PUSH.....	2-E 2	41722A
RODAMIENTO.....	2-I 4	51703
RODILLO.....	2-F 5	43729
	2-G 5	43730C
RUEDA.....	1-L 5	39190A
	1-J10	39190A
	2-G 8	52910A
	2-G 8	52910B
RUEDA DE TONO.....	2-F 8	52714
SELLADOR.....	2-A 2	41851
SENSOR.....	1-E 2	39180
	1-E 2	39320
	1-I 4	39350A
	1-I10	39180
	1-J10	39350A
	1-J10	39380
	1-E12	39220E
	2-J 7	48388
	4-B 3	95670
	4-C 3	95680
	4-C 3	95680R
SEPARADOR.....	1-D12	31921

PART NAME INDEX

BA,00112- P71

M10

PART NAME	M/F NO.	P N C
SILENCIADOR.....	3-F 5	95231
	3-M12	91764
SOCKET.....	4-C 2	18668A
SOPORTE.....	1-E 2	31381B
	1-E 2	39211
	1-E 2	39321
	1-F 2	91461
	1-H 3	91975
	1-L 3	21810
	1-L 3	21621A
	1-I 4	25617
	1-A 7	25438
	1-H 7	25432
	1-H 8	28259
	1-A 9	28316A
	1-A 9	28316
	1-C 9	29214C
	1-D 9	35103B
	1-D 9	91422
	1-L 9	28651
	1-B10	28680A
	1-C10	39211
	1-C10	39280
	1-E10	28911A
	1-E10	28911B
	1-J10	39365
	1-J10	39463
	1-D11	31113B
	1-D11	31114
	1-A12	31324B
	1-B12	31355B
	1-C12	31355D
	1-C12	31356B
	1-C12	31356C
	1-C12	31356D
	1-C12	31356E
	1-D12	31912
	1-D12	33116
	1-E12	91971A
	1-H12	32711
	1-K12	32760A
	1-L12	91971A
	1-D13	91591
	1-D13	91971A
	1-K13	27330
	1-K13	27366
	1-L13	27482A
	1-L13	27487A
	1-M13	91591
	1-F14	36170
	1-H14	36735
	1-I14	37160A
	2-D 1	37480
	2-E 1	37462E
	2-E 1	37483E
	2-E 1	37472E
	2-E 1	91971E
	2-C 2	41465
	2-L 2	43175
	2-M 2	43176

PART NAME	M/F NO.	P N C
SOPORTE.....	2-B 5	43920
	2-B 5	43921
	2-C 5	43731A
	2-H 5	46736A
	2-M 5	45216
	2-M 5	45217
	2-A 6	45931B
	2-A 6	45967A
	2-A 6	91384
	2-H 6	45650B
	2-G 7	46341B
	2-J 7	46385
	2-A 9	54815A
	2-F 9	55133
	2-F 9	55140A
	2-F 9	55514A
	2-H10	57225
	2-H10	57225A
	2-K10	57226D
	2-K10	57232B
	2-K10	57240C
	2-L10	57250
	2-L10	57261B
	2-G11	57798A
	2-M11	58390
	2-H12	58980
	2-H12	58967
	2-G13	65516
	2-I14	71576
	2-I14	71586
	3-G 1	86423
	3-H 5	84678A
	3-J 5	1030HA
	3-L 5	84715E
	3-L 5	91930
	3-E 6	84913
	3-J 8	86581G
	3-J 8	86582G
	3-J 8	86583C
	3-J 8	86584C
	3-K 8	86585D
	3-M 8	86681G
	3-A 9	86682G
	3-G13	91930B
	3-G14	92169
	3-M14	92450H
	3-M14	92460H
	4-C 1	92754C
	4-E 1	92815
	4-L 2	95242A
	4-C 3	95673
	4-C 3	95674
	4-E 3	96176L
	4-F 3	96176R
	4-I 3	1030HA
	4-C 4	96711B
	4-L 4	97342B
	4-D 5	97130A
	4-K 5	97703
	4-K 5	97705A

PART NAME	M/F NO.	P N C
SOPORTE.....	4-K 5	97721
SPANNER.....	1-E 1	09135A
SPOILER.....	3-F 9	87212B
SUBCONJUNTO EJE.....	1-I 6	23310A
SUBCONJUNTO RIEL.....	2-L 4	43810A
	2-L 4	43820A
	2-L 4	43830A
	1-E 2	39181
SUJETADOR.....	1-D 4	1489AC
	1-H 4	25616
	1-L 9	39351
	1-E11	31137
	1-E11	31137A
	1-G11	31353B
	1-M11	1492YA
	1-M11	1492YB
	1-M11	31137
	1-A12	31329A
	1-A12	31334D
	1-B12	31354
	1-C12	31365A
	1-D12	31387
	1-E12	39275
	1-C13	35309
	1-J13	1492ND
	2-M 1	41634
	2-D 5	43796
	2-G 5	43796
	2-C 8	49557
	2-L10	57265
	2-C11	57587D
	2-C11	57587E
	2-G11	57773
	2-E12	1489LA
	2-G12	58752F
	2-G12	58752R
	2-G12	58753
	2-G12	58756C
	2-G12	58756F
	2-G12	58756G
	3-D 1	81126
	3-D 1	81168
	3-E 1	81199
	3-E 1	83133
	3-I 1	1492YA
	3-I 1	1492YB
	3-I 1	1492YC
	3-I 1	1492YD
	3-I 1	1492YE
	3-I 1	1492YF
	3-L 1	81375
	3-C 2	1492YE
	3-D 2	1492YF
	3-D 2	81375
	3-C 3	85639
	3-H 3	82132
	3-H 3	82133
	3-I 3	82134
	3-J 3	83219
	3-J 3	86436

PART NAME INDEX

BA 00112- F72

PART NAME	M/F NO.	P N C
SUJETADOR.....	3-M 3	82316A
	3-D 4	82043B
	3-E 4	82132
	3-E 4	82134
	3-G 4	82316A
	3-K 4	82043B
	3-E 8	85839
	3-A 7	85818
	3-F 7	85839
	3-F 7	85884
	3-I 7	85839
	3-J 7	85874B
	3-K 7	85884
	3-L 7	85839
	3-K 8	86593A
	3-M 8	86593A
	3-E 9	87125D
	3-G 9	87256
	3-I 9	92552
	3-J 9	85839
	3-C10	87701B
	3-D10	87770A
	3-D10	87786
	3-F13	91752
	3-H14	97795
	4-C 3	95688A
	4-C 3	95688B
	4-K 3	14960
	4-L 3	98356
	4-M 3	81199
	4-A 4	98682B
	4-C 4	98356
	4-D 4	98951
	4-D 4	98952
	4-I 4	97280C
	4-B 6	97249B
	4-A 6	97792
	4-A 6	97792A
	4-A 6	97797B
	4-A 6	97798
	4-E 6	97249B
SURTIDOR.....	1-D 2	21151
	2-H 7	46381
TABlero.....	4-E 2	94367
TAMBOR.....	2-H 8	45841B
TAPA.....	1-C 2	1573GF
	1-D 4	1573GC
	1-E 4	1573GE
	1-E 4	1573GF
	1-M 4	28610
	1-D 8	22226
	1-H 7	25441A
	1-G 8	28250
	1-M 8	1573GF
	1-A 9	28325
	1-E 9	28325
	1-D11	31119
	1-I11	32769A
	1-C13	35109
	1-J14	37255

PART NAME	M/F NO.	P N C
TAPA.....	2-L 5	1573GB
	2-M 5	45278B
	2-F 8	52748
	2-C10	56856
	2-E11	57711A
	2-E11	67712B
	2-J11	58314
	2-K11	58314
	3-M 3	82716C
	3-A 4	82726
	3-H 4	82716C
	3-H 4	82726
	3-F 9	87213L
	3-C11	88903A
	3-D11	88800
	3-I11	92165A
	3-G14	92181A
	4-I 1	93561
	4-F 2	94369H
	4-M 3	98623
	4-C 4	98815
	4-A 6	97811A
	4-A 6	97811B
TAPON.....	1-D 2	21133
	1-I 2	1571TC
	1-K 2	26124
	1-F 3	21366B
	1-G 3	21512
	1-D 4	1571TA
	1-D 4	1571TB
	1-D 4	1571TC
	1-F 4	22129
	1-L 4	1735AA
	1-C 7	25318
	1-M 8	1571RB
	1-I13	10930A
	1-H14	36710
	2-K 2	43121
	2-K 2	43121C
	2-L 2	43171
	2-L 5	21512
	2-A 6	45347
	2-A 7	48231
	2-I 7	46373
	2-I 7	48374
	2-M 9	1735AB
	2-C10	57737
	2-F11	57713C
	2-F11	57746
	2-L11	58386B
	3-B 5	1076AM
	3-C 5	1731JC
	3-C 5	84132A
	3-C 5	84132B
	3-C 5	84133E
	3-C 5	84136
	3-D 5	84138
	3-D 5	84147A
	3-F 5	85325A
	3-F 5	85834A

PART NAME	M/F NO.	P N C
TAPON.....	3-F 6	96874B
	3-H 6	95110
	3-L 6	85325A
	3-B 7	85325A
	3-E 7	85747
	3-G 7	85325A
	3-D11	84251A
	3-K11	84255
	3-K11	85748
	3-A12	84255C
	3-E12	1076AM
	3-G12	1731JF
	3-O13	95874B
	3-A14	1731JE
	3-A14	84146A
	3-A14	86439A
	4-J 2	1735AA
	4-C 3	95874B
	4-G 3	1076AM
	4-G 3	96874B
TERMINAL.....	1-J10	39412K
THROUGH.....	1-G14	36184E
TORNILLO.....	2-G10	57132
TORNILLO.....	1-I 2	1220FP
	1-I 2	1220FR
	1-I 2	1220FS
	1-L 5	39191
	1-H10	1220FR
	1-J10	39191
	1-A11	1231AO
	1-L11	1229DH
	1-C13	35117E
	1-C13	36128
	1-G13	27185A
	1-G13	27186
	1-J13	1231DB
	1-J13	1231FH
	1-D14	36117A
	1-G14	36163
	2-B 1	37332
	2-E 2	41720A
	2-F 5	1229DE
	2-F 5	1232EA
	2-F 5	1243AG
	2-A 6	45451B
	2-A 6	45946
	2-E 8	1231FH
	2-F 8	1231FH
	2-I 9	1018AD
	2-I 9	1221CG
	2-I 9	1241VJ
	2-I 9	1243BE
	2-I 9	1249EA
	2-K 9	56190
	2-L 9	1234JA
	2-J11	58120
	2-K11	1220BC
	2-K11	1220FP
	2-K11	58120
	2-H12	58914B

PART NAME INDEX

PART NAME	M/F NO.	P N C
TORNILLO.....	2-K12	1231DB
	3-D 1	1229DK
	3-F 1	1229CB
	3-H 1	1017CB
	3-H 1	1018AD
	3-I 1	1243BN
	3-I 1	1243JA
	3-M 1	81456B
	3-M 1	81477
	3-B 2	1017CB
	3-B 2	1018AD
	3-E 2	81458B
	3-F 2	81477
	3-J 2	1220FK
	3-K 2	81823A
	3-K 2	84130B
	3-M 2	1221AC
	3-M 2	1249EE
	3-M 2	1249LL
	3-F 3	81918
	3-F 3	81937
	3-F 3	81958
	3-K 3	1249GF
	3-K 3	1249LD
	3-A 4	82725B
	3-C 4	82424
	3-C 4	82424B
	3-G 4	1249GF
	3-G 4	1249LD
	3-H 4	82725B
	3-J 4	1243KD
	3-K 4	82424
	3-K 4	82424B
	3-G 5	1018AA
	3-G 5	1018AD
	3-J 5	1018AD
	3-J 5	11291
	3-J 5	1220FC
	3-J 5	1221AC
	3-J 5	1229DE
	3-J 5	1243JA
	3-L 5	84777D
	3-A 6	1018AD
	3-A 6	1243DB
	3-A 6	1243NA
	3-A 6	1243NC
	3-D 6	84777D
	3-I 6	1243NC
	3-A 7	1249EA
	3-A 7	1249ED
	3-A 7	85634A
	3-B 7	1249GE
	3-G 7	1249GE
	3-L 7	1249GA
	3-L 7	1249LL
	3-F 8	1244FG
	3-F 8	1249LD
	3-G 8	1249LG
	3-G 8	1249PD
	3-H 8	86142A

PART NAME	M/F NO.	P N C
TORNILLO.....	3-L 8	86142A
	3-M 8	86142D
	3-B 9	1249PD
	3-H 9	1249GE
	3-H 9	1249JA
	3-J 9	1231FG
	3-C10	1243AE
	3-C10	1249LJ
	3-H10	1231DE
	3-H10	1241YB
	3-H10	1241YE
	3-K14	1249JA
	4-A 1	1243BM
	4-A 1	1243BN
	4-B 1	1243AB
	4-G 1	1231DH
	4-I 1	91791
	4-C 2	84777D
	4-C 2	94111D
	4-C 2	94213B
	4-D 2	94215B
	4-E 3	1234JF
	4-I 3	1018AD
	4-I 3	1243BN
	4-I 3	1244BB
	4-I 3	84777D
	4-H 4	1018AD
	4-H 4	1018AE
	4-H 4	1249EB
	4-I 4	97252B
	4-B 5	97218
	4-F 5	1018AE
	4-E 6	97218
TORNILLO(CON ARANDELA).....	4-C 2	94214
	4-C 2	94215A
	4-D 2	94223A
	4-C 6	97680C
TORNILLO(CON ARANDELA,3X10).....	4-D 2	94223B
TRACK ASSY-ASSIST.LH.....	3-M10	88500E
TUBO.....	1-H 8	27810
	1-H 8	27820
	1-I 9	26870
	1-L 9	28571
	1-B10	28600
	1-B10	28650B
	1-B10	28700
	1-E11	31145F
	1-M11	31310
	1-A12	31330B
	1-B12	31340
	1-B12	31341
	1-B12	31341C
	1-B12	31342
	1-D12	31410B
	1-D12	31420B
	1-C13	35304
	2-D 1	37392A
	2-M 1	41631
	2-E 2	41731
	2-M 5	45252

PART NAME	M/F NO.	P N C
TUBO.....	2-H 7	46384
	2-F10	57129
	2-G10	57142
	2-E12	58711E
	2-F12	58715E
	2-F12	58718W
	2-F12	58722J
	2-F12	58735D
	2-F12	58736B
	2-G12	58738A
	2-G12	58739A
	2-G12	58743B
	3-L 6	85355A
	4-D 5	97121
	4-M 5	97763A
	4-M 5	97766
	4-M 5	97768
	4-M 5	97769
	4-M 5	97769
TUERCA.....	1-K 3	1310TA
	1-L 3	21825B
	1-A 4	21849
	1-D 4	1310SA
	1-K 5	23514
	1-G 7	1327AB
	1-E 8	28121
	1-B 9	28522
	1-K 9	28522
	1-K 9	28522A
	1-L 9	K13465
	1-B10	28679
	1-B10	28767
	1-A11	1310AA
	1-A11	1311FB
	1-B11	1325CA
	1-B11	1327AB
	1-L11	1327AB
	1-I12	1327AB
	1-C13	35106D
	1-D14	36127
	1-L14	1310DA
	2-B 1	37311E
	2-E 1	37463
	2-E 1	37463A
	2-H 1	1310JA
	2-H 1	1311DA
	2-H 1	1311FA
	2-C 2	1310TA
	2-B 3	43216
	2-F 5	1310DA
	2-L 5	1310JA
	2-J 6	45729
	2-J 6	45819
	2-M 6	1310BA
	2-B 8	49551
	2-F 8	52745B
	2-G 8	52950
	2-J 8	1328GB
	2-L 8	1310UA
	2-L 8	1326GB
	2-C 9	1310UA

PART NAME INDEX

PART NAME	M/F NO.	P N C
TUERCA	2-C 9	1326GB
	2-E 9	1325CA
	2-E 9	1348VB
	2-F 9	55359
	2-I 9	1311HA
	2-C10	57718A
	2-D10	1313DA
	2-G10	57131
	2-D11	1346TD
	2-A12	1310DA
	2-E12	58584A
	3-J 2	1327AB
	3-A 4	82719
	3-H 4	82719
	3-D 5	84147
	3-D 5	84147E
	3-E 6	84837F
	3-B 9	86453B
	3-E13	1327AB
	3-G13	91793
	4-B 1	1334AA
	4-L 3	98248B
	4-B 4	1311CA
	4-C 4	98726A
	4-H 4	1327CB
	4-G 5	1327AB
	4-G 5	1327CB
TUERCA TAPA	1-G 7	1338AC
	1-L 8	1339CD
	1-H 9	1339CD
	1-H10	1338AC
	1-L11	1338AC
	1-I12	1338AD
	1-B13	1338AC
	1-F13	1338AD
	1-J13	1338AD
	1-I14	1339CD
	2-H 1	1338AD
	2-M 1	1338AC
	2-C 5	1338AC
	2-F 5	1339CD
	2-L 8	1338AD
	2-C 9	1338AD
	2-K10	1338AC
	2-E12	1338AC
	2-I13	1339CD
	2-K13	1338AD
	3-K11	1338AC
	3-J13	1338AC
	4-K 3	1338AC
	4-H 5	1338AC
	4-H 5	1338AD
	4-H 5	1339CE
TUERCA(BRIDA)	1-K 3	1339GB
	1-K 3	1339GC
	1-D 4	1339GA
	1-L 8	1339GA
	1-I 9	1339GA
	1-B13	1339GA
	1-J13	1339GA

PART NAME	M/F NO.	P N C
TUERCA(BRIDA)	1-H14	1339CC
	1-L14	1338CA
	2-C 1	37361
	2-H12	1339GA
	3-I 1	1339CC
	3-J 2	1339CB
	3-B 4	1339CC
	3-J 4	1339CC
	3-H 8	1339CC
	4-B 3	1339CC
	4-G 3	1339CC
	4-H 5	1338AB
TUERCA(CON ARANDELA)	1-E 8	28116A
	1-L11	1327AA
	1-I12	1327AC
	1-H14	1327AF
	2-A 9	1327AD
	2-L 9	1327AC
	2-B14	1327CC
	3-J 5	1327AA
	3-E10	1327AF
TUERCA-PERNO "U"	2-F 9	55229
	2-M12	55229
TURBOCARGADOR	1-I 9	28231
UNIDAD CALEFACTORA	4-L 4	97341E
	4-A 5	97200
UNIDAD EVAPORADORA	4-E 6	97601
UNIDAD SOPLADOR	4-C 5	97100
UNIDAD CONTROL	1-H10	39110
UNION	2-E 2	41721
VALVULA	1-D 2	21135
	1-M 4	26740
	1-B 6	22211
	1-B 6	22212
	1-D 8	26740
	1-D10	28910
	1-C11	31070
	1-F11	31155A
	1-F11	31190A
	2-D 2	41718
	2-A 7	46222A
	2-B 7	46242A
	2-B 7	46244A
	2-B 7	46248
	2-B 7	46255
	2-C 7	46265
	2-D 7	46271A
	2-D 7	46272
	2-D 7	46273
	2-E 7	46312
	2-G 7	46342C
	2-H 7	46366
	2-H 7	46367
	2-I 7	46368
	2-I 7	46372
	2-I 7	46375A
	2-I 7	46376
	2-B12	58775A
	2-B12	58775E
	4-I 5	97623

PART NAME	M/F NO.	P N C
VALVULA	4-L 5	97725
VARILLA	2-D 2	41719B
	3-K 1	81371
	3-K 1	81372
	3-K 1	81373
	3-K 1	81374
	3-L 1	81381
	3-L 1	81382
	3-L 1	81383
	3-L 1	81384
	3-E 2	81452
	3-E 2	81453
	3-F 2	81471
	3-F 2	81472
	3-F 2	81481A
	3-F 2	81482A
	3-F 2	81493A
	3-F 2	81494A
	4-H 3	98240A
VENTILADOR	1-C 7	25231
	4-D 5	97117B
	4-L 5	97737A
WASHER	1-B13	33815E
WNL VARILLA	1-K 5	23510
ZAPATA	2-A 5	43673