

# SPECIAL SERVICE TOOLS CATALOG

(特殊维修工具手册)

## FOREWORD

This catalogue has been prepared to provide information about special service tools for new **SsangYong** vehicles.

Special tools have been developed and tested by **SYMC** with the aim of increasing operational accuracy, safety and efficiency, and preserving quality when **SsangYong** vehicles are inspected, diagnosed and serviced.

These special tools are manufactured specially for use under the prescribed and authorized service procedures as described in service manuals, bulletins and other publications of **SYMC**.

We encourage you to have a set of necessary tools which are listed in this catalogue.

If you have any questions regarding this information, please do not hesitate to contact us.

All information and illustration contained in this catalogue are based on the latest product information available at the time of printing.

**SYMC** reserves the right to make changes at any time without notice and without incurring any obligation whatsoever.

2004.08.

 **SsangYong Motor CO., LTD.**  
PYUNGTAEK, KOREA

## CONTENTS (目次)

1. ENGINE (发动机)

3. TRANSMISSION/TRANSAXLE  
(变速箱)

4. AXLE (轴)

6. STEERING (转向)

7. SUSPENSION (悬吊)

8. BRAKE (刹车)

## OLD SST

1. ENGINE (发动机)

3. TRANSMISSION/TRANSAXLE  
(变速箱)

4. AXLE (轴)

6. STEERING (转向)

7. SUSPENSION (悬吊)

8. BRAKE (刹车)

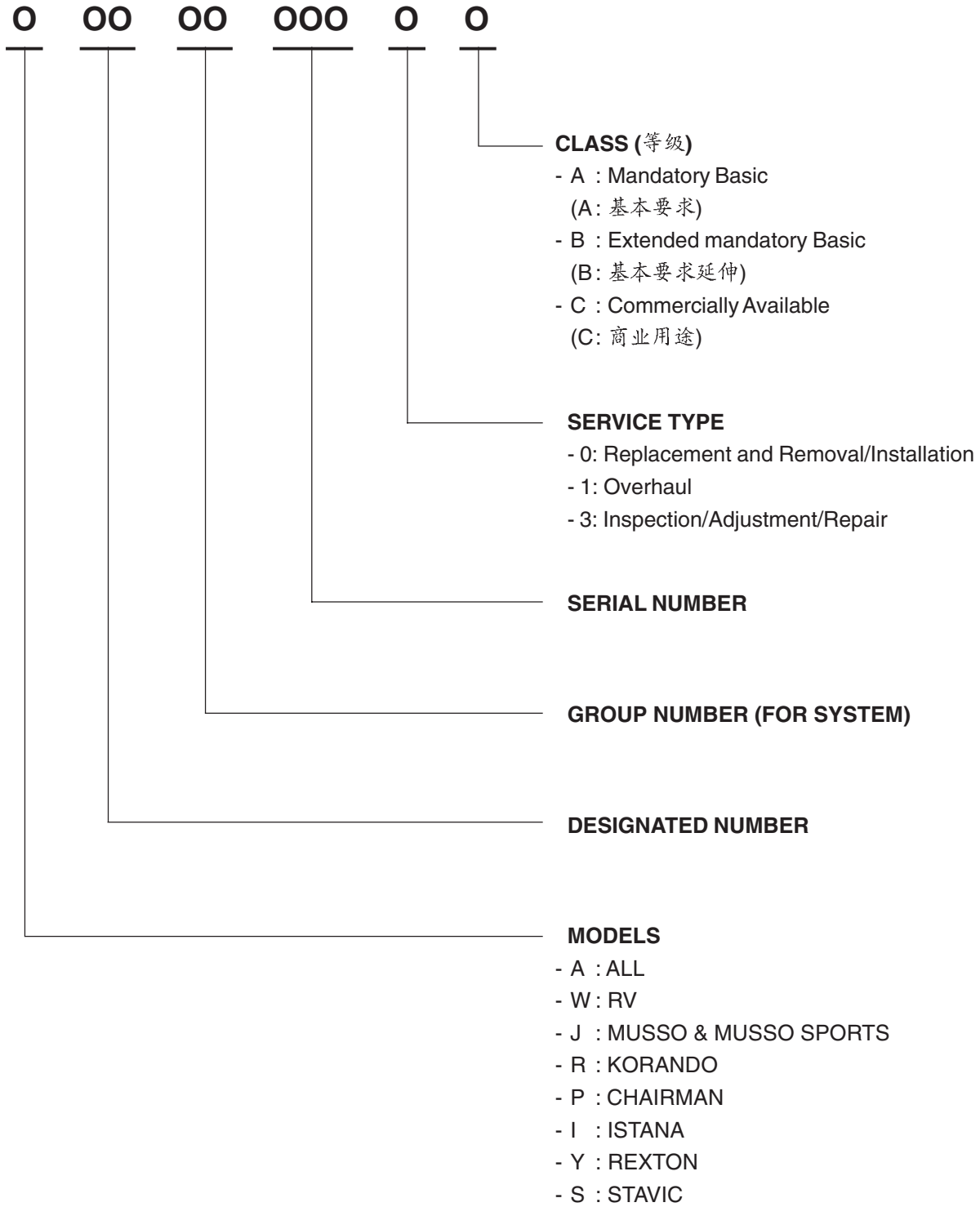


# 0 INDEX

---

A. Special Service Tools INDEX .....	02
B. Old Special Service Tools INDEX .....	08

# 1. TOOLS Numbers



# A. SPECIAL SERVICE TOOLS INDEX

NO.	PAGE	TOOL NO.	DESCRIPTION	CLASS	VEHICLE TYPE							SYSTEM								
					MUSO&M/SPORTS	I STAN A	KORAN DO	CHAIRMAN	REXTON	STAYIC	ENGINE	T / M	CHASSIS	OT'S						
1	44	126589 020900	Socket Weanch	A	O															
2	44	140589 152100	Dipstick	A		O	O													
3	74	661589 011501	Attachment	B	O															
4	22	A9900 0012A	Scanner	A	O	O	O	O	O											
5	22	A9910 0010B	Counter Support	B	O	O	O	O	O											
6	22	A9910 0032B	Dial Gauge (1/101)	B	O	O	O	O	O											
7	22	A9910 0040A	Magnetic Lifter	A	O	O	O	O	O											
8	23	A9910 0050A	Socket (Oil Filter)	A	O	O	O	O	O											
9	23	A9910 0060A	Holder	A	O	O	O	O	O											
10	23	A9910 0070A	Open End Wrench Socket	A	O	O	O	O	O											
11	23	A9910 0080A	Screw Driver	A	O	O	O	O	O											
12	24	A9910 0140B	Engine Lock Fixture	B	O	O	O	O	O											
13	24	A9910 0150A	Holding Wrench (Fan)	A	O	O	O	O	O											
14	24	A9910 0150B	Engine Lock	B	O	O	O	O	O											
15	24	A9910 0160A	Holding Wrench (Fan)	A	O	O	O	O	O											
16	25	A9911 0041B	Piston Ring Pliers	B	O	O	O	O	O											
17	25	A9911 0050B	Drift (Ø7)	B	O	O	O	O	O											
18	25	A9911 0060B	Sleeve	B	O	O	O	O	O											
19	25	A9912 0012B	Compression Pressure Recorder	B	O	O	O	O	O											
20	26	A9912 0031B	Drift Punch	B	O	O	O	O	O											
21	26	A9912 0050B	T-Hex Screw Driver(5mm, 300mm)	B	O	O	O	O	O											
22	26	A9912 0060B	T-Hex Screw Driver (6mm,400mm)	B	O	O	O	O	O											
23	26	A9912 0080B	Cylinder Head Bolt Wrench (12mm)	B	O	O	O	O	O											
24	27	A9912 0082B	DI ENG Support Tool	B																



NO.	PAGE	TOOL NO.	DESCRIPTION	CLASS	VEHICLE TYPE	SYSTEM																								
						ENGINE	T/M			CHASSIS				OT'S																
					MUSO&M/SPORTS	ISTANA	KORANDO	CHAIRMAN	REXTON	STAVIC	OM 661 / 662 LA		XDI (D27DT)				G32D / G28D	G23D / G20D	MANUAL T/M	AUTOT/M	TRANSAXLE	AXLE	STEERING	SUSPENSION	BRAKE	BODY	ELECTRICAL			
49	46	L9931 1071C	Spring Pin Installer	C																●										
50	47	L9931 1081C	Drift	C																●										
51	47	L9931 1091C	Drift	C																●										
52	47	L9931 1111C	Drift	C																●										
53	47	L9931 1121C	Counter Holder	C																●										
54	48	L9931 1131C	Pressing Off Fixture	C																●										
55	48	L9931 1151C	Drift	C																●										
56	48	L9931 1161C	Removing Device	C																●										
57	48	L9931 1171C	Main Assembly Remover Jig	C																●										
58	49	L9931 1181C	Drive Shaft Jig (4Gear)	C																●										
59	49	L9931 1191C	Speedometer Remover & Installer	C																●										
60	49	L9931 1201C	Interlock Plug Remover & Installer	C																●										
61	49	L9931 1221C	Differential Seal Installer	C																●										
62	50	L9931 1231C	Puller	C																●										
63	50	L9931 1241C	Bearing Cover Seal Installer	C																●										
64	50	L9931 1251C	Assembly Jack	C																●										
65	50	L99311261C	Main Assembly Installer Jig	C																●										
66	62	L9942 0010A	Puller	A																		●								
67	62	L9942 0020A	Mandrel	A																			●							
68	62	L9942 0032A	Hook Spanner	A																				●						
69	62	L9942 0040A	Rear Hob Not Wrench	A																				●						
70	63	L9942 0052A	Dial Gauge Holder	A																					●					
71	63	L9942 0060A	Mandrel	A																					●					
72	63	L9942 0070A	Mounting Device	A																						●				







NO.	PAGE	TOOL NO.	DESCRIPTION	CLAS S	VEHICLE TYPE						SYSTEM																				
					MUSSO&M /SPORTS	I STAN A	KORAN DO	CHAIRMAN	REXTON	STAVIC	ENGINE			T / M			CHASSIS			OT'S											
											OM 6 6 1 / 6 6 2 LA	X D I (D 2 7 DT)		G 3 2 D / G 2 8 D	G 2 3 D / G 2 0 D	MANUAL T / M	AUTO T / M	TRANS AXLE	AXLE	STEERING	SUSPENSION	BRAKE	BODY	ELECTRICAL							
121	81	P9944 0040A	Clamping Plates	A																											
122	81	P9945 0030A	Rear Spring Clamp	A																											
123	76	P9946 0010A	Installation Device	A																											
124	76	P9946 0020A	Puller	A																											
125	76	P9946 0040A	Socket	A																											
126	77	P9946 0050A	Puller	A																											
127	77	P9946 0070A	Spreader	A																											
128	77	P9946 0090A	Puller	A																											
129	77	P9946 0100A	Puller	A																											
130	78	P9946 0110A	Puller	A																											
131	84	P9948 0010A	Pliers	A																											
132	84	P9948 0020A	Installer	A																											
133	84	P9948 0030A	Removal & Installation Tool	A																											
134	85	P9948 0040A	Puller	A																											
135	85	P9948 0050A	Puller	A																											
136	31	W9910 0020A	Socket (8mm)	A																											
137	31	W9911 0010B	Drift Ring	B																											
138	31	W9911 0020B	Installing Tool	B																											
139	31	W9911 0030B	Punch	B																											
140	32	W9911 0050B	Puller	B																											
141	32	W9912 0010B	Cylinder Head Bolt-102mm	B																											
142	32	W9912 0032B	Counter Sink	B																											
143	32	W9912 0040B	Mounting Board	B																											
144	33	W9912 0042B	Measuring Bridge	B																											



NO.	PAGE	TOOL NO.	DESCRIPTION	CLASS	VEHICLE TYPE							SYSTEM							
					MUSCO & M / SPORTS	ISTANA	KORANDO	CHAIRMAN	REXTON	STAVIC	ENGINE	T/M	CHASSIS	OT'S					
169	52	W9931 0051B	Holder	B															
170	53	W9931 0071B	Drift	B															
171	53	W9931 0081B	T/M Idler Gear Roll Pin Installer	B															
172	53	W9931 0101B	Insert Key	B															
173	53	W9931 0111B	Die	B															
174	54	W9931 0121B	Dial Gauge Holder	B															
175	54	W9936 0011C	Pump Puller	C															
176	54	W9936 0021C	Pin Remover/Installer tool	C															
177	54	W9936 0031C	Clutch Spring Compressor	C															
178	55	W9936 0042C	Clutch Pack Clearance Kit	C															
179	55	W9936 0051C	Seal Remover (Cross Shaft )	C															
180	55	W9936 0061C	Cross Shaft Seal Installer	C															
181	55	W9936 0071C	Assembly Bullet Cross Shaft	C															
182	56	W9936 0080A	Pin Re/Installer (Inhibitor Switch)	A															
183	56	W9936 0090B	Seal Installer Adapter HSG	B															
184	56	W9936 0110C	Pump Seal Installer	C															
185	56	W9936 0122C	End Float Adapter	C															
186	57	W9936 0132C	End Float Adapter	C															
187	57	W9936 0140B	Input Shaft Bullet	B															
188	57	W9936 0150B	Output Shaft Bullet	B															
189	57	W9936 0180B	Assembly Support	B															
190	58	W9936 0192B	Trans Pressure Gauge Set	B															
191	58	W9936 0201C	Assembly Fixture	C															
192	58	W9936 0220B	Torque Convert Mendel	B															



**B. OLD SPECIAL SERVICE TOOLS INDEX**

NO.	PAGE	TOOL NO.	DESCRIPTION	CLASS	VEHICLE TYPE							SYSTEM													
					MUSSO & M / SPORTS	ISTANBA	KORANDO	CHAIRMAN	REXTON	STAVIC	ENGINE	T/M	CHASSIS	OT'S	OM 661 / 662 LA	XDI (D27DT)	MANUAL T/M	AUTO T/M	TRANSAXLE	AXLE	STEERING	SUSPENSION	BRAKE	BODY	ELECTRICAL
1	90	000589	106800	Cylinder Brush	B	o	o	o	o	o	o	o	o	o	o	o	o	o	o	o	o	o	o	o	o
2	90	A9910	0020A	Puller	A	o	o	o	o	o	o	o	o	o	o	o	o	o	o	o	o	o	o	o	o
3	90	A9910	0092B	Test Cable-55 Pole Can	B	o	o	o	o	o	o	o	o	o	o	o	o	o	o	o	o	o	o	o	o
4	90	A9910	0102B	Contact Box (126 Pole)	B	o	o	o	o	o	o	o	o	o	o	o	o	o	o	o	o	o	o	o	o
5	91	A9910	0112B	Vacuum Tester	B	o	o	o	o	o	o	o	o	o	o	o	o	o	o	o	o	o	o	o	o
6	91	A9910	0122B	ECU Test Cable-145 Pins	B	o	o	o	o	o	o	o	o	o	o	o	o	o	o	o	o	o	o	o	o
7	91	A9910	0132B	Dial Gauge Holder	B	o	o	o	o	o	o	o	o	o	o	o	o	o	o	o	o	o	o	o	o
8	91	A9911	0012B	Connecting Hose	B	o	o	o	o	o	o	o	o	o	o	o	o	o	o	o	o	o	o	o	o
9	92	A9911	0031B	Clamping Strap	B	o	o	o	o	o	o	o	o	o	o	o	o	o	o	o	o	o	o	o	o
10	92	A9911	0070B	Drift	B	o	o	o	o	o	o	o	o	o	o	o	o	o	o	o	o	o	o	o	o
11	92	A9912	0020B	Holder	B	o	o	o	o	o	o	o	o	o	o	o	o	o	o	o	o	o	o	o	o
12	92	A9912	0042C	Mounting Device	C	o	o	o	o	o	o	o	o	o	o	o	o	o	o	o	o	o	o	o	o
13	93	A9913	0030B	Puller	B	o	o	o	o	o	o	o	o	o	o	o	o	o	o	o	o	o	o	o	o
14	93	A9913	0042B	Open end Wrench	B	o	o	o	o	o	o	o	o	o	o	o	o	o	o	o	o	o	o	o	o
15	93	A9917	0032B	Reamer (8mm)	B	o	o	o	o	o	o	o	o	o	o	o	o	o	o	o	o	o	o	o	o
16	93	A9917	0042B	Go/No Go Gauge	B	o	o	o	o	o	o	o	o	o	o	o	o	o	o	o	o	o	o	o	o
17	94	A9917	0050B	Caulking Screw	B	o	o	o	o	o	o	o	o	o	o	o	o	o	o	o	o	o	o	o	o
18	94	A9917	0061B	Drift (7,9,11mm)	B	o	o	o	o	o	o	o	o	o	o	o	o	o	o	o	o	o	o	o	o
19	94	A9917	0071B	Drift (8,10mm)	B	o	o	o	o	o	o	o	o	o	o	o	o	o	o	o	o	o	o	o	o
20	94	A9917	0091B	Mandrel	B	o	o	o	o	o	o	o	o	o	o	o	o	o	o	o	o	o	o	o	o
21	95	A9917	0131B	Broach (14.2mm)	B	o	o	o	o	o	o	o	o	o	o	o	o	o	o	o	o	o	o	o	o
22	95	A9917	0141B	Broach (14.4mm)	B	o	o	o	o	o	o	o	o	o	o	o	o	o	o	o	o	o	o	o	o
23	95	A9917	0161B	Go/No Go Gauge(9mm)	B	o	o	o	o	o	o	o	o	o	o	o	o	o	o	o	o	o	o	o	o
24	95	A9917	0171B	Mandrel	B	o	o	o	o	o	o	o	o	o	o	o	o	o	o	o	o	o	o	o	o

NO.	PAGE	TOOL NO.	DESCRIPTION	CLASS	VEHICLE TYPE							SYSTEM																									
					MUSO&M/SPORTS	ISTANA	KORANDO	CHAIRMAN	REXTON	STAVIC	CLAS	ENGINE	T/M	CHASSIS	OT'S	OM661/662LA	XDI(D27DT)	G32D/G28D	G23D/G20D	MANUAL T/M	AUTO T/M	TRANSAXLE	AXLE	STEERING	SUSPENSION	BRAKE	BODY	ELECTRICAL									
25	96	A9917 0181B	Push Lever	B											●																						
26	96	A9917 0191B	Mandrel	B												●																					
27	96	A9917 0202C	Cooling Box	C												●																					
28	96	A9917 0220B	Supporting Bar	B												●																					
29	97	A9921 0012A	Leakage Tester	A												●																					
30	104	A9936 0012B	Silenoid/Themistor, Electronic Tester	B																								●									
31	97	A9946 0012A	Hose Clamp	A													●																				
32	97	A9948 0012A	Hose Clamp	A														●																			
33	124	A9948 0032A	Pressure Gauge	A																																	
34	124	A9948 0042A	Pressure Gauge	A																																	
35	110	L9942 0011B	Drive Differential Remover & Installer	B																																	
36	110	L9942 0110A	Collte	A																																	
37	110	L9942 0140B	Front Drive Axle Support	B																																	
38	116	L9946 0082A	Connector	A																																	
39	116	L9946 0102A	Connector	A																																	
40	116	L9946 0120B	Installer	B																																	
41	116	L9946 0130B	Handle	B																																	
42	117	L9946 0140B	Guider	B																																	
43	117	L9946 0150B	Installing Tool	B																																	
44	117	L9946 0160A	P/S Pump Pulley Remover & Installer	A																																	
45	117	L9946 0170B	P/S Rack Guide Spring Cap Wrench	B																																	
46	124	P9933 0020B	Pulling Arms	B																																	
47	104	P9936 0062B	Test Cable-30 Pole Can	B																																	
48	104	P9936 0072B	Adapter Line	B																																	

NO.	PAGE	TOOL NO.	DESCRIPTION	CLASS	VEHICLE TYPE							SYSTEM														
					MUSCO & M / SPORTS	ISTANA	KORANDO	CHAIRMAN	REXTON	STAVIC	ENGINE	T/M	CHASSIS	OT'S	OM 661 / 662 LA	XDI (D27DT)	G32D / G28D	G23D / G20D	MANUAL T/M	AUTO T/M	TRANSAXLE	AXLE	STEERING	SUSPENSION	BRAKE	BODY
49	110	P9942 0021B	Collet Chuck	B															●							
50	111	P9942 0031B	Collet Chuck	B															●							
51	111	P9942 0130B	Drift Punch	B															●							
52	111	P9942 0150A	Puller	A															●							
53	111	P9942 0191B	Alignment Tool	B															●							
54	112	P9942 0250A	ATM & RR Axle Support	A															●							
55	112	P9942 0270A	Collet Chuck	A															●							
56	112	P9942 0350B	Remover & Installer Tool	B															●							
57	112	P9942 0360B	Remover & Installer Tool	B															●							
58	118	P9946 0032A	Testing Unit	A																						
59	118	P9946 0062A	Holder	A																						
60	118	P9946 0082A	Connection Fittings	A																						
61	97	W9910 0012A	Hand Vacuum Pump	A																						
62	98	W9910 0032B	Extension	B																						
63	98	W9910 0042A	Tester	A																						
64	98	W9910 0052A	Connector	A																						
65	98	W9910 0062A	Micro Switch Setting	A																						
66	99	W9910 0070B	Holding Fixture for Engine	B																						
67	99	W9912 0020B	Internal Torx Set	B																						
68	99	W9912 0022C	Pressure Testing Plate	C																						
69	99	W9912 0062B	Height Gauge	B																						
70	100	W9912 0072C	Pressure Testing Plate	C																						
71	100	W9913 0020B	Puller	B																						
72	100	W9913 0052B	TDC Pulse Sender Unit	B																						





NO.	PAGE	TOOL NO.	DESCRIPTION	C L A S S	VEHICLE TYPE							SYSTEM																											
					MUSSO & M / SPORTS	I ST A N A	K O R A N D O	C H A I R M A N	R E X T O N	S T A V I C	ENGINE	T / M	CHASSIS	OT'S	OM 6 6 1 / 6 6 2 L A	X D I (D 2 7 D T)	MANUAL T / M	AUTO T / M	TRANSAXLE	AXLE	STEERING	SUSPENSION	BRAKE	BODY	ELECTRICAL														
97	108	W9936 0311B	Assembly Fixture	B	○	○	○	○	○	○	○	○	○	○	○	○	○																						
98	113	W9942 0021B	Front Drive Differential Remover & Installer	B	○	○	○	○	○	○	○	○																											
99	113	W9942 0031B	Rear Drive Differential Remover & Installer	B	○	○	○	○	○	○	○	○																											
100	124	W9948 0010A	RR A.B.S Tooth Wheel Installer	A	○	○	○	○	○	○	○																												
101	120	W9948 0060A	Handle	A	○	○	○	○	○	○	○																												
102	120	W9948 0070A	Front Inner Bearing Race Installer	A	○	○	○	○	○	○	○																												
103	120	W9948 0080A	Front Outer Bearing Race Installer	A	○	○	○	○	○	○	○																												
104	120	W9948 0090A	Sliding Hammer	A	○	○	○	○	○	○	○																												
105	121	W9948 0100A	Front Hub Cap Remover/Installer	A	○	○	○	○	○	○	○																												
106	121	W9948 0110A	Front Hub Flange Remover	A	○	○	○	○	○	○	○																												
107	121	Y9944 0010A	Front Coil Spring Remover & Installer	A	○	○	○	○	○	○	○																												

# **SPECIAL SERVICE TOOLS**


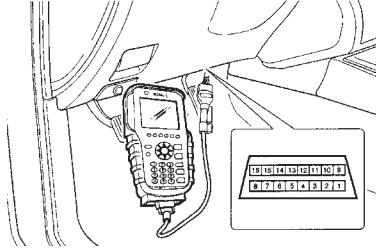
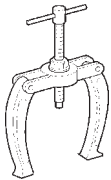
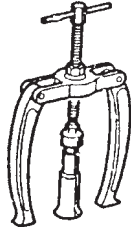
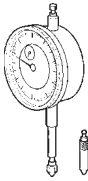
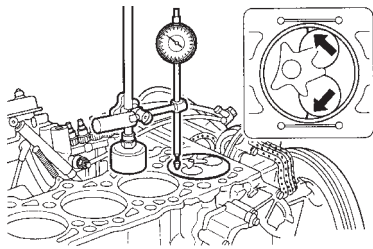
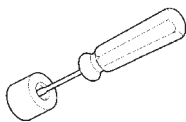
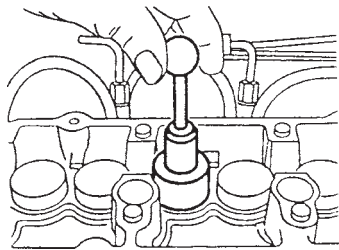
- 1. ENGINE (发动机)**
- 3. TRANSMISSION/TRANSAXLE (变速箱)**
- 4. AXLE (轴)**
- 6. STEERING (转向)**
- 7. SUSPENSION (悬吊)**
- 8. BRAKE (刹车)**



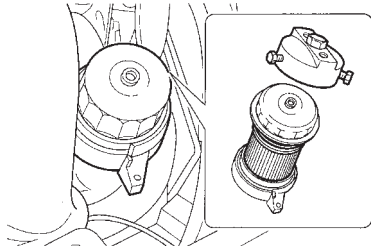
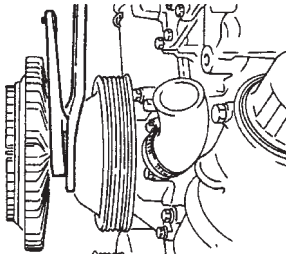
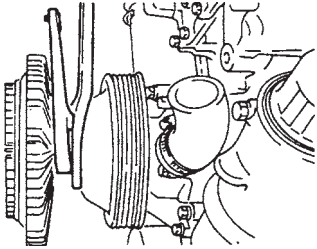
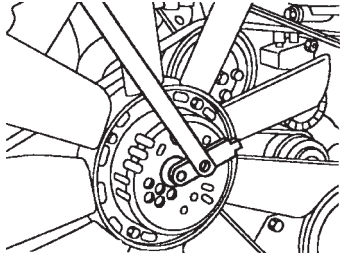
# 1 ENGINE (发动机)

A9900 0012A (Scanner).....	22	W9912 0032B (Counter Sink) .....	32
A9910 0010B (Counter Support) .....	22	W9912 0040B (Mounting Board) .....	32
A9910 0032B (Dial Gauge (1/101)) .....	22	W9912 0042B (Measuring Bridge) .....	33
A9910 0040A (Magnetic Lifter) .....	22	W9912 0050B (Socket Wrench Element) .....	33
A9910 0050A (Socket (Oil Filter)) .....	23	W9912 0070B (Impact Puller) .....	33
A9910 0060A (Holder) .....	23	W9913 0010B (Internal Puller) .....	33
A9910 0070A (Open End Wrench Socket) .....	23	W9913 0020B (Threaded Pin) .....	34
A9910 0080A (Screw Driver) .....	23	W9913 0032B (Measuring Device) .....	34
A9910 0140B (Engine Lock Fixture).....	24	W9913 0040B (Retaining Tool).....	34
A9910 0150A (Holding Wrench (Fan)) .....	24	W9917 0050B (Drift 9.6mm) .....	34
A9910 0150B (Engine Lock) .....	24	W9917 0060B (Supporting Bridge).....	35
A9910 0160A (Holding Wrench (Fan)) .....	24	W9917 0070B (Drift (8mm)) .....	35
A9911 0041B (Piston Ring Pliers) .....	25	W9918 0011A (Cleaning Set).....	35
A9911 0050B (Drift (Ø7)).....	25	W9918 0022B (Fuel Injection Nozzle Tester) .....	35
A9911 0060B (Sleeve) .....	25	W9918 0030A (Box Wrench Insert) .....	36
A9912 0012B (Compression Pressure Recorder) .....	25	W9918 0040B (Flange) .....	36
A9912 0031B (Drift Punch) .....	26	W9918 0050B (Assembly Cage).....	36
A9912 0050B (T-Hex Screw Driver(5mm, 300mm)) .....	26	W9918 0062B (Locking Screw).....	36
A9912 0060B (T-Hex Screw Driver (6mm,400mm)) .....	26	W9918 0070B (Socket) .....	37
A9912 0080B (Cylinder Head Bolt Wrench (12mm)) .....	26	W9918 0082B (Position Indicator) .....	37
A9912 0082B (DI ENG Support Tool) .....	27	W9918 0112B (Retaining Plate) .....	37
A9913 0010B (Chain Installer) .....	27	W9922 0012A (Fuel Sending Unit Cap Wrench).....	37
A9913 0052B (Holding Pins (1 pairs)).....	27	W9922 0020A (Fuel Cap Remover & Installer) .....	38
A9913 0061B (Threaded Pin (50mm)) .....	27	Y9922 0012B (Tool A-Fuel Diagnostic) .....	38
A9913 0070B (Drift) .....	28	Y9922 0022B (Extractor-Injection Washer).....	38
A9913 0080B (Sliding Hammer) .....	28	Y9922 0032B (Puller-HP Pump Bearing) .....	38
A9913 0092B (Fixing Device) .....	28	Y9922 0042B (Gauge-Low Pressure) .....	39
A9917 0012B (Holding Pin).....	28	Y9922 0052B (Holder-Viscous Damper Pulley).....	39
A9917 0081B (Pliers) .....	29	Y9922 0062B (Locator-Injector) .....	39
A9917 0101B (Supporting Bridge) .....	29	Y9922 0072B (Extractor-Injector) .....	39
A9917 0111B (Push Lever) .....	29	Y9922 0082B (Complete-Valve Spring) .....	40
A9917 0121B (Supporting Device of Push Lever) .....	29	Y9922 0092B (Adaptor-Pressure Gauge) .....	40
A9917 0151B (Magnetic Finger).....	30	Y9922 0102B (Holder-HP Pump Sprocket) .....	40
A9917 0211B (Press Lever) .....	30	Y9922 0112B (Guide Pin-Intake Manifold) .....	40
A9922 0012A (Testing Unit (Fuel)).....	30	Y9922 0122B (Gauge-Piston) .....	41
A9922 0022A (Hose-Pressure).....	30	Y9922 0132B (Wrench-Preheating Plug) .....	41
W9910 0020A (Socket (8mm)) .....	31	Y9922 0142B (Installer-Stem Seal) .....	41
W9911 0010B (Drift Ring) .....	31	Y9922 0152B (Remover-HLA) .....	41
W9911 0020B (Installing Tool) .....	31	Y9922 0162B (Remover-Guide Pin) .....	42
W9911 0030B (Punch) .....	31	Y9922 0172B (Guide-Piston Installer) .....	42
W9911 0050B (Puller) .....	32	Y9922 0182B (Remover-Stem Seal) .....	42
W9912 0010B (Cylinder Head Bolt-102mm).....	32		

1 - ENGINE

TOOL NUMBER AND DESCRIPTION	APPLICATION		MODEL						CLASS				
	ENGLISH	OTHER LANGUAGE	M	I	K	C	R	S	A	B	C		
<b>A9900 0012A</b> (SC-11017-A) <b>Scanner</b> (诊断仪器)	A hand-held diagnostic computer used to analyze and diagnose the electronic control system such as engine, auto t/m and ABS, air bag.	为一掌握型电脑,用以分析和诊断控制系统,例如:发动机、自动变速箱、ABS和安全气囊。	○	○	○	○	○	○		●	●	●	
													
<b>A9910 0010B</b> (000589 333300) <b>Counter Support</b> (反向支撑架)	Counter support for internal puller (12-37mm).	有关(12-37mm)内张式拉拔器配合之反向支撑架	○	○	○	○	○				●	●	
													
<b>A9910 0032B</b> (001589 532100) <b>Dial Gauge (1/101)</b> (千分表-1/101)	Dial gauge 20mm stroke, scale value 0.01mm with measuring insert 25mm long.	20mm行程之千分表,刻度值为0.01mm量测长度为25mm	○	○	○	○	○				●	●	
													
<b>A9910 0040A</b> (102589 034000) <b>Magnetic Lifter</b> (吸铁器)	Magnetic lifter for lifting bucket tappet out of cylinder.	用以吸取出汽门液压举杆	○	○	○	○	○				●	●	●
													

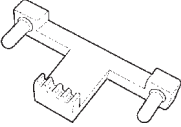
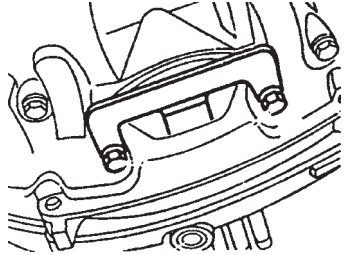
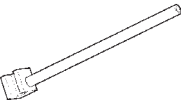
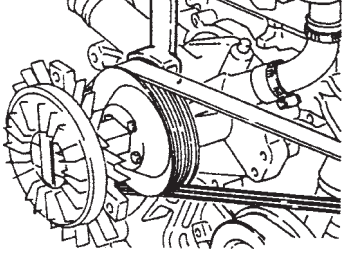
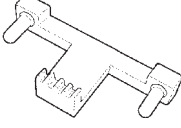
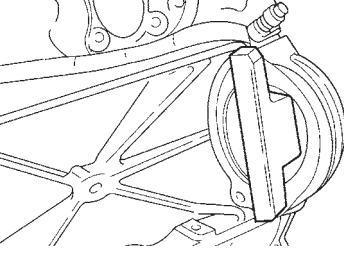

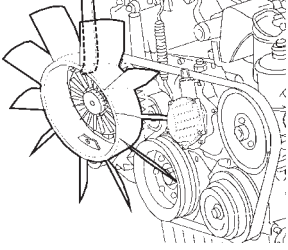
MODEL (车型) - M : Musso & Musso Sports, I : Istana, K : Korando, C : Chairman, R : Rexton, S : Stavic

TOOL NUMBER AND DESCRIPTION	APPLICATION		MODEL							CLASS		
	ENGLISH	OTHER LANGUAGE	M	I	K	C	R	S	A	B	C	
<b>A9910 0050A</b> (103589 020900) <b>Socket (Oil Filter)</b> (机油芯拆装工具)	To replace the oil filter element by tightening the bolt on socket. 	藉由锁紧套筒上之螺丝来拆装更换机油滤清器滤芯	○	○	○	○	○			●	●	●
<b>A9910 0060A</b> (111589 004000) <b>Holder</b> (固定扳手)	Counter holder for pulley for removal/installation of fan coupling in combination with (111589 020100). 	与111589 020100 配合使用用来拆装风扇液体接合器	○	○	○	○	○			●	●	●
<b>A9910 0070A</b> (111589 020100) <b>Open End Wrench Socket</b> (固定扳手)	To install and remove the fan. 	用以拆装风扇	○	○	○	○	○			●	●	●
<b>A9910 0080A</b> (120589 140700) <b>Screw Driver</b> (螺牙式起子)	Screw Driver 	螺牙式起子	○	○	○	○	○			●	●	●

**CLASS (等级) - A : Mandatory Basic, B : Extended Mandatory Basic, C : Commercially Available**

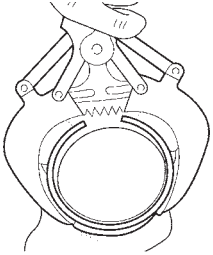
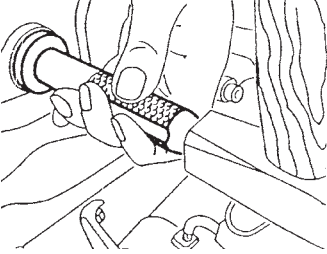
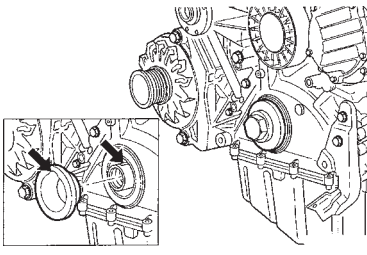
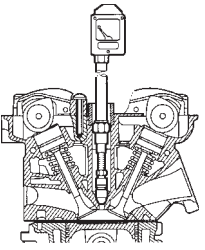
(A:基本要求, B:基本要求延伸, C:商业用途)

1 - ENGINE

TOOL NUMBER AND DESCRIPTION	APPLICATION		MODEL							CLASS				
	ENGLISH	OTHER LANGUAGE	M	I	K	C	R	S		A	B	C		
<b>A9910 0140B</b> (601589 024000) <b>Engine Lock Fixture</b> (飞轮固定器)	To lock crankshaft rotation by blocking the flywheel.	用以固定飞轮以免让曲轴转动	○	○	○	○	○					●	●	
 														
<b>A9910 0150A</b> (603589 004000) <b>Holding Wrench (Fan)</b> (风扇固定板手)	To install and remove fan clutch. Put it on the belt pulley.	用以拆装风扇离合器	○	○	○	○	○					●	●	●
 														
<b>A9910 0150B</b> (602589 004000) <b>Engine Lock</b> (飞轮固定器)	Engine lock for fixing ring gear.	用以固定飞轮以防曲轴转动	○	○	○	○	○					●	●	
 														
<b>A9910 0160A</b> (603589 004001) <b>Holding Wrench (Fan)</b> (风扇固定板手)	To install and remove the fan.	用以拆装风扇	○	○	○		○					●	●	●
 														

MODEL (车型) - M : Musso & Musso Sports, I : Istana, K : Korando, C : Chairman, R : Rexton, S : Stavic

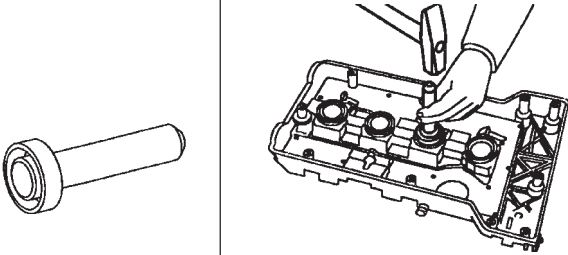
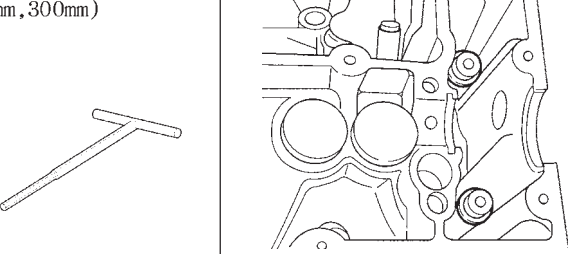
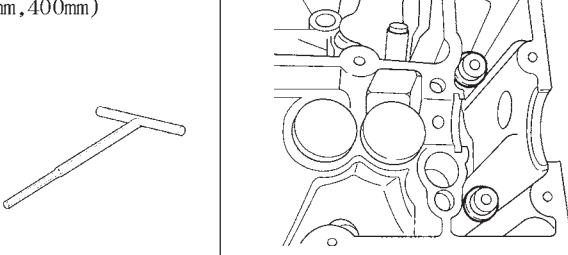
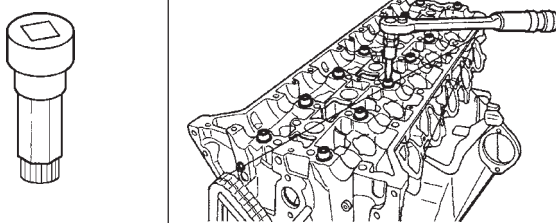


TOOL NUMBER AND DESCRIPTION	APPLICATION		MODEL							CLASS		
	ENGLISH	OTHER LANGUAGE	M	I	K	C	R	S	A	B	C	
<b>A9911 0041B</b> (000589 513700) <b>Piston Ring Pliers</b> (活塞环扩张钳)	Piston ring for installing and removal. 	用以拆装活塞环	<input type="radio"/>	<input type="radio"/>	<input type="radio"/>	<input type="radio"/>	<input type="radio"/>				<input checked="" type="radio"/>	<input checked="" type="radio"/>
<b>A9911 0050B</b> (102589 121500) <b>Drift (Ø7)</b> (配合冲-φ17)	Punch for driving core plug A17 DIN443 into crankcase and into cylinder head. 	有关将水塞A17 DIN443 敲入曲轴箱和汽缸盖中	<input type="radio"/>	<input type="radio"/>	<input type="radio"/>		<input type="radio"/>				<input checked="" type="radio"/>	<input checked="" type="radio"/>
<b>A9911 0060B</b> (601589 031400) <b>Sleeve</b> (衬套)	To install front crankshaft radial seal. 	用以安装曲轴前油封	<input type="radio"/>	<input type="radio"/>	<input type="radio"/>	<input type="radio"/>	<input type="radio"/>				<input checked="" type="radio"/>	<input checked="" type="radio"/>
<b>A9912 0012B</b> (001589 762100) <b>Compression            Pressure Recorder</b> (汽缸压力表)	Compression pressure holder complete for diesel engines, measuring range 3.5-17.5 bar and 10-40 bar. 	用以量测汽油和柴油发 动机之汽缸压力, 量测 范围3.5-17.5bar及10- 40bar	<input type="radio"/>	<input type="radio"/>	<input type="radio"/>	<input type="radio"/>	<input type="radio"/>				<input checked="" type="radio"/>	<input checked="" type="radio"/>

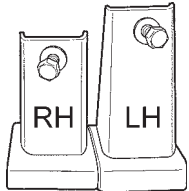
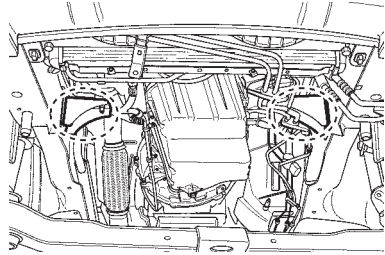
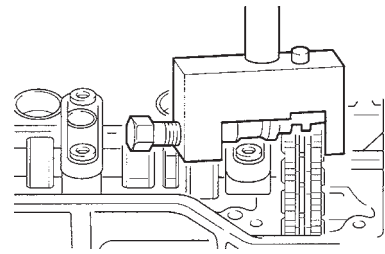
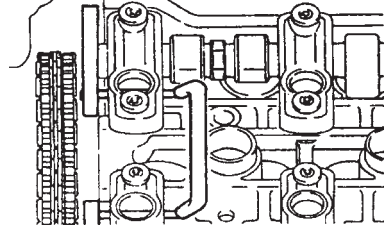
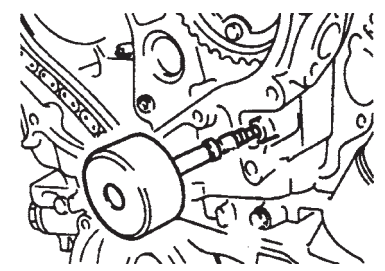
**CLASS (等级) - A : Mandatory Basic, B : Extended Mandatory Basic, C : Commercially Available**

(A:基本要求, B:基本要求延伸, C:商业用途)

1 - ENGINE

TOOL NUMBER AND DESCRIPTION	APPLICATION		MODEL						CLASS			
	ENGLISH	OTHER LANGUAGE	M	I	K	C	R	S	A	B	C	
<b>A9912 0031B</b> (111589 041500) <b>Drift Punch</b> (配合冲)	Drift punch  	用以安装汽门盖上之油封	○	○	○	○	○				●	●
<b>A9912 0050B</b> (116589 020700) <b>T-Hex Screw Driver</b> <b>(5mm, 300mm)</b> (T型六角螺丝起子-5mm, 300mm)	Screw Driver, 5mm, 300mm long for hex socket screws.  	5mm, 300mm长之六角螺丝起子	○	○	○	○	○				●	●
<b>A9912 0060B</b> (116589 030700) <b>T-Hex Screw Driver</b> <b>(6mm, 400mm)</b> (T型六角螺丝起子-6mm, 400mm)	Screw Driver, 6mm, 300mm long for hex, socket screws.  	6mm, 300mm长之六角螺丝起子	○	○	○	○	○				●	●
<b>A9912 0080B</b> (617589 001000) <b>Cylinder Head Bolt Wrench (12mm)</b> (套筒板手-12mm)	For disassembly and assembly of cylinder head bolt.  	用以拆装汽缸盖螺丝	○	○	○	○	○				●	●

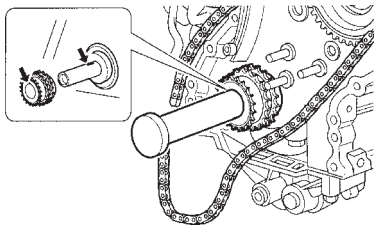
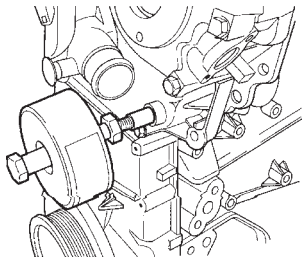
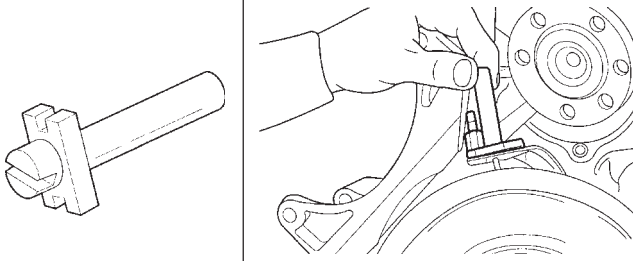
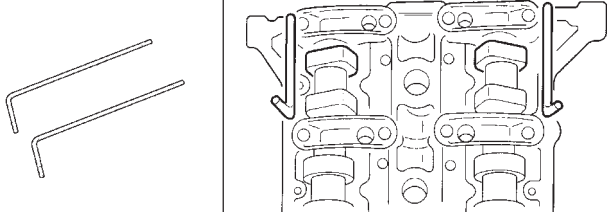
MODEL (车型) - M : Musso & Musso Sports, I : Istana, K : Korando, C : Chairman, R : Rexton, S : Stavic

TOOL NUMBER AND DESCRIPTION	APPLICATION		MODEL							CLASS		
	ENGLISH	OTHER LANGUAGE	M	I	K	C	R	S	A	B	C	
<b>A9912 0082B</b> <b>DI ENG Support</b> <b>Tool</b> 	Supporting before removing the sub-frame. 							○			●	●
<b>A9913 0010B</b> (000589 584300) <b>Chain Installer</b> (正时链条固定工具)	To fit the timing chain plate on the chain link. 	用以安置正时链条板于正时链条上	○	○	○	○	○				●	●
<b>A9913 0052B</b> (111589 031500) <b>Holding Pins</b> <b>(1 pairs)</b> (固定肖-玲对)	To inspect and adjust initial ignition timing. Align the holes on intake and exhaust cam shaft to the hole on cylinder head. Insert the pins into the holes. 	用以检查和调整最初的点火正时，对正进气和排气凸轮轴与汽缸盖上的定位孔后，将此定位肖插入孔洞中	○	○	○	○	○				●	●
<b>A9913 0061B</b> (116589 013400) <b>Threaded Pin</b> <b>(50mm)</b> (螺牙肖-50mm)	Threaded bolt. M6, 50mm long, for impact puller 116589 203300. 	M6.50mm长之螺栓与冲击式拉拔器(116589 203300)配合使用	○	○	○	○	○				●	●

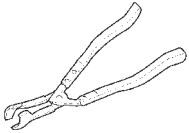
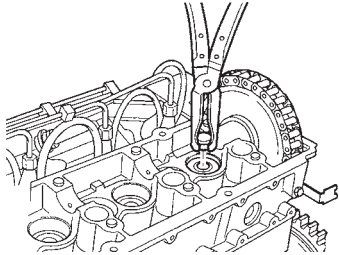
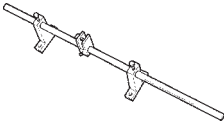
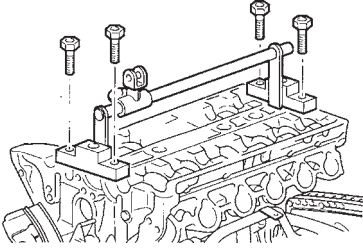
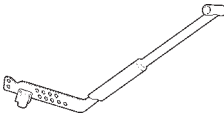
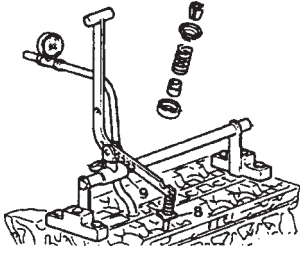
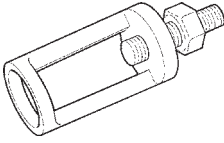
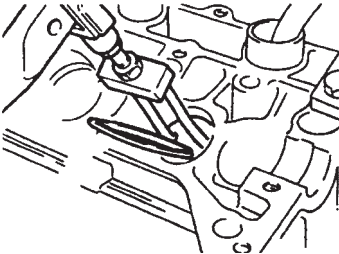
**CLASS (等级) - A : Mandatory Basic, B : Extended Mandatory Basic, C : Commercially Available**

(A:基本要求, B:基本要求延伸, C:商业用途)

1 - ENGINE

TOOL NUMBER AND DESCRIPTION	APPLICATION		MODEL						CLASS				
	ENGLISH	OTHER LANGUAGE	M	I	K	C	R	S	A	B	C		
<b>A9913 0070B</b> (116589 071500) <b>Drift</b> (配合冲)	Drift for crankshaft gear.  	用以敲入曲轴正时齿轮	○	○	○		○					●	●
<b>A9913 0080B</b> (116589 203300) <b>Sliding Hammer</b> (冲击式拉拔器)	Impact type extractor for sliding ball pins (basic unit).  	用以敲出正时外盖固定肖(基本元件)	○	○	○	○	○					●	●
<b>A9913 0092B</b> (667589 012100) <b>Fixing Device</b> (固定装置)	Locating tool for holder top of T.D.C transmitter.  	用以固定变速器在上死点位置	○	○	○		○					●	●
<b>A9917 0012B</b> (DW 110120) <b>Holding Pin</b> (固定肖)	Holding pin Intake Side: 3 o'clock position Exhaust Side: 9 o'clock position  	固定肖 进气侧L13冀奔离 排气侧L19冀奔离	○		○	○	○					●	●

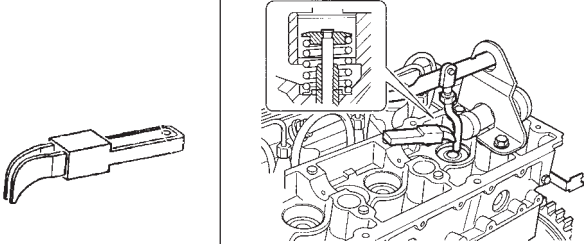
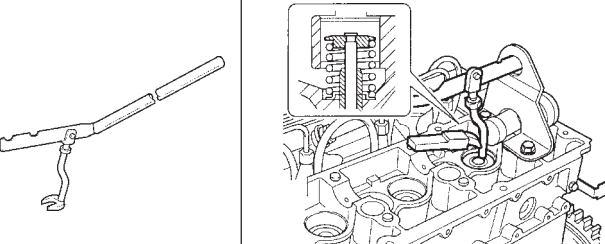
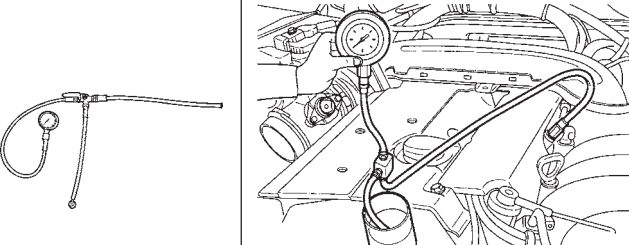
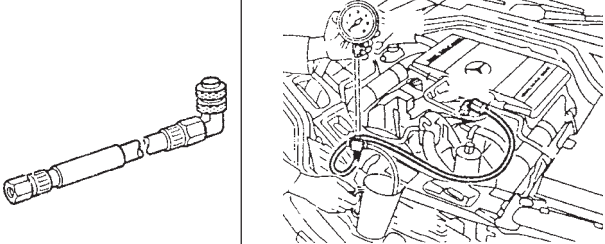
MODEL (车型) - M : Musso & Musso Sports, I : Istana, K : Korando, C : Chairman, R : Rexton, S : Stavic

TOOL NUMBER AND DESCRIPTION	APPLICATION		MODEL							CLASS			
	ENGLISH	OTHER LANGUAGE	M	I	K	C	R	S	A	B	C		
<b>A9917 0081B</b> (104589 003700) <b>Pliers</b> (汽门油封固定钳)	Pliers for mounting valve stem seal.  	用以固定汽门油封之工具	○	○	○		○					●	●
<b>A9917 0101B</b> (111589 015900) <b>Supporting Bridge</b> (支撑架)	To install and remove the valve with push lever (111589 186100) and supporting device of push lever (111589 256300).  	与推杆(111589 186100)和推杆之支撑装置(111589 256300)相配合,用以拆装汽门	○	○	○	○	○					●	●
<b>A9917 0111B</b> (111589 186100) <b>Push Lever</b> (推杆)	Tool used for installing and removal of valve.  	用以拆装汽门	○	○	○	○	○					●	●
<b>A9917 0121B</b> (111589 256300) <b>Supporting Device of Push Lever</b> (推杆支撑装置)	To install and remove the valve with supporting bridge (111589 015900) and push lever (111589 186100).  	与支撑架(111589 015900)及推杆(111589 186100)配合,用以拆装汽门	○	○	○	○	○	○				●	●

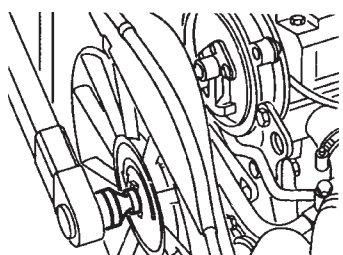
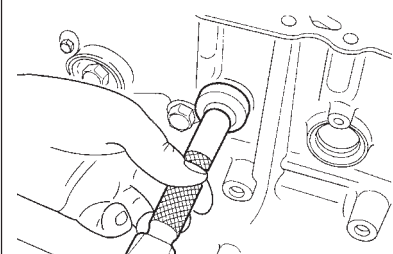
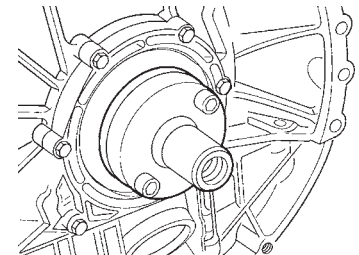
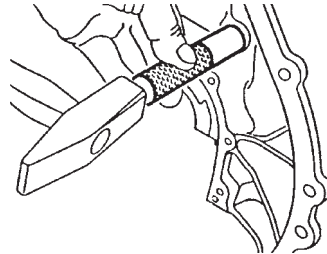
CLASS (等级) - A : Mandatory Basic, B : Extended Mandatory Basic, C : Commercially Available

(A:基本要求, B:基本要求延伸, C:商业用途)

1 - ENGINE

TOOL NUMBER AND DESCRIPTION	APPLICATION		MODEL						CLASS				
	ENGLISH	OTHER LANGUAGE	M	I	K	C	R	S	A	B	C		
<b>A9917 0151B</b> (116589 066300) <b>Magnetic Finger</b> (磁铁夹)	Special magnetic finger for removal of valve cones.  	特殊的磁铁夹用以拆除汽门垫圈	○	○	○	○	○				●	●	
<b>A9917 0211B</b> (667589 003100) <b>Press Lever</b> (压杆)	Press lever for removal and installation of valve spring.  	用以拆装汽门弹簧	○	○	○		○				●	●	
<b>A9922 0012A</b> (103589 002100) <b>Testing Unit (Fuel)</b> (汽油压力表)	Tester of fuel pressure.  	用以测试燃油压力	○	○	○	○	○				●	●	●
<b>A9922 0022A</b> (119589 046300) <b>Hose-Pressure</b> (油管)	Hose-Pressure  	油管	○	○	○	○	○				●	●	●

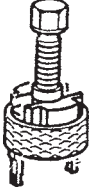
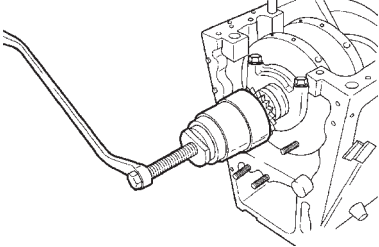
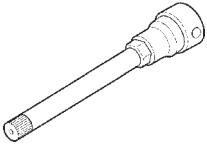
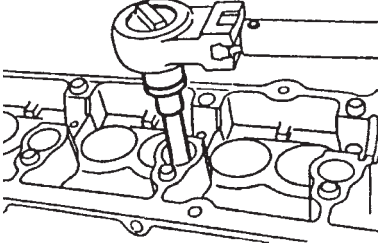
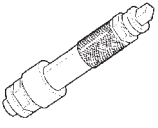
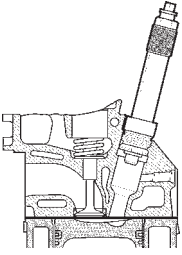
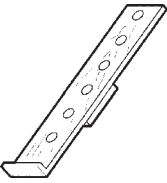
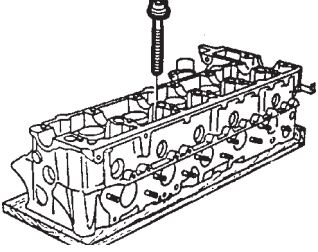
MODEL (车型) - M : Musso & Musso Sports, I : Istana, K : Korando, C : Chairman, R : Rexton, S : Stavic

TOOL NUMBER AND DESCRIPTION	APPLICATION		MODEL							CLASS		
	ENGLISH	OTHER LANGUAGE	M	I	K	C	R	S	A	B	C	
<b>W9910 0020A</b> (103589 010900) <b>Socket (8mm)</b> (内六角套筒-8mm)	For removal of installation. 	有关风扇液体接合器之 拆装使用	○	○	○	○	○			●	●	●
<b>W9911 0010B</b> (102589 001500) <b>Drift Ring</b> (配合冲)	Drift for knocking core hole closing A34 DIN443 into crankcase. 	有关将爆震感知器孔座 接近A34 DIN443敲入曲 轴箱中	○	○	○		○				●	●
<b>W9911 0020B</b> (601589 034300) <b>Installing Tool</b> (安装工具)	Installing tool for oil seal on rear crankshaft. 	用以安装曲轴后油封	○	○	○		○				●	●
<b>W9911 0030B</b> (601589 081500) <b>Punch</b> (配合冲)	Punch for knocking sealing balls and 15mm and ø17mm into main oil duct in crankcase. 	用以敲击15mm和17mm密 封钢珠至曲轴箱中之主 油道中	○	○	○		○				●	●

**CLASS (等级) - A : Mandatory Basic, B : Extended Mandatory Basic, C : Commercially Available**

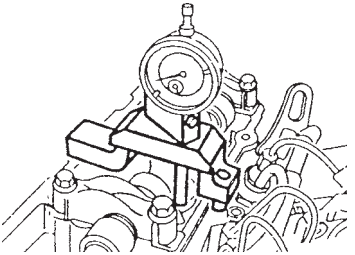
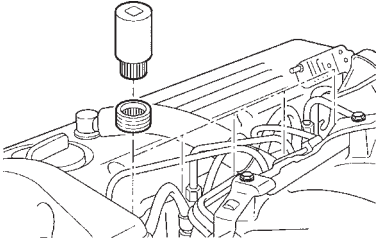
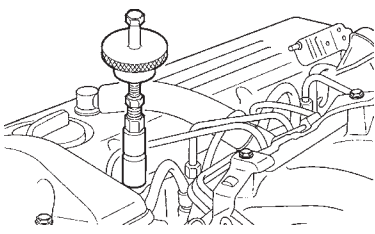
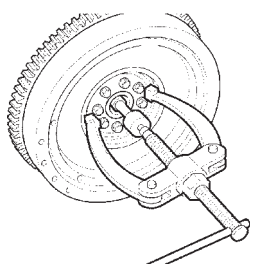
(A:基本要求, B:基本要求延伸, C:商业用途)

1 - ENGINE

TOOL NUMBER AND DESCRIPTION	APPLICATION		MODEL						CLASS				
	ENGLISH	OTHER LANGUAGE	M	I	K	C	R	S	A	B	C		
<b>W9911 0050B</b> (615589 013300) <b>Puller</b> (拉拔器)	Puller for installing and removal of chain sprocket of crankshaft.	用以拆装曲轴正时齿轮	○	○	○		○					●	●
													
<b>W9912 0010B</b> (601589 001000) <b>Cylinder Head Bolt-102mm</b> (汽缸盖螺丝板手型套筒)	To install and remove cylinder head bolt 1/2", 140mm.	用以拆装1/2", 140mm之汽缸盖螺丝	○	○	○		○					●	●
													
<b>W9912 0032B</b> (601589 006600) <b>Counter Sink</b> (反向嵌入冲击器)	Counter sink	反向嵌入冲击器	○	○	○		○					●	●
													
<b>W9912 0040B</b> (601589 015900) <b>Mounting Board</b> (固定板)	Assembly board for clamping cylinder head without camshaft.	在无凸轮轴情况下用以夹住汽缸盖	○	○	○		○					●	●
													

MODEL (车型) - M : Musso & Musso Sports, I : Istana, K : Korando, C : Chairman, R : Rexton, S : Stavic

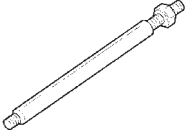
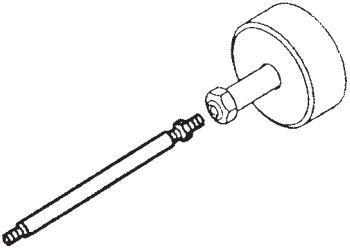
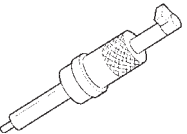
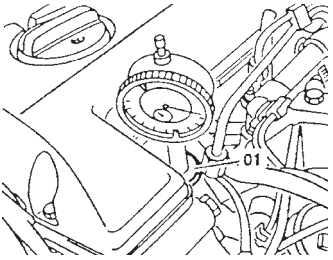
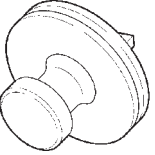
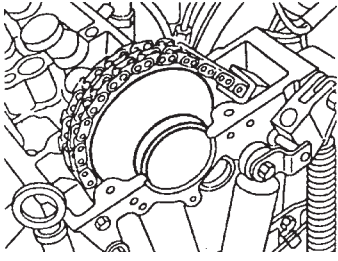
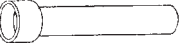
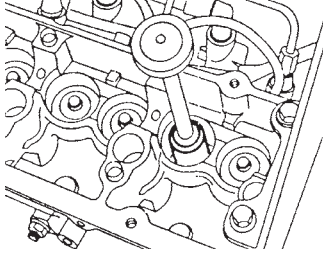


TOOL NUMBER AND DESCRIPTION	APPLICATION		MODEL							CLASS			
	ENGLISH	OTHER LANGUAGE	M	I	K	C	R	S		A	B	C	
<b>W9912 0042B</b> (601589 082100) <b>Measuring Bridge</b> (量架)	Measuring bridge for remaining stroke of hydraulic valve clearance compensating elements. 	用以维持液压阀间隙补偿元件之行程	○	○	○		○					●	●
<b>W9912 0050B</b> (603589 000900) <b>Socket Wrench Element</b> (套筒扳手)	To install and remove threaded ring for the prechamber. 1.5X58N 442 1/2 square. 	用以拆装预燃室螺牙环 (1.5X58N 442 1/2")	○	○	○		○					●	●
<b>W9912 0070B</b> (667589 036300) <b>Impact Puller</b> (冲击式拉拔器)	To remove the prechamber. 	用以拆除预燃烧室	○	○	○		○					●	●
<b>W9913 0010B</b> (000589 253300) <b>Internal Puller</b> (内张式拉拔器)	Internal puller 14-19mm 	14-19mm内张式拉拔器	○	○	○		○					●	●

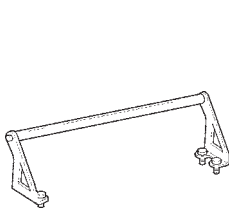
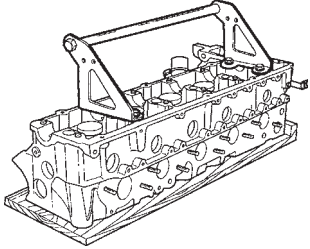

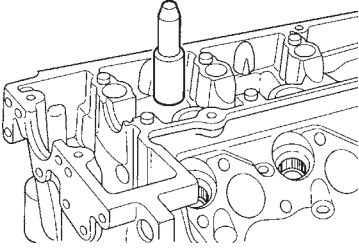
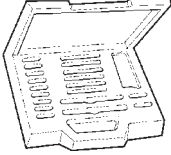
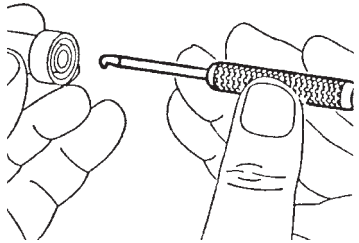
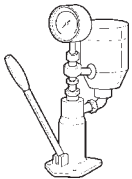
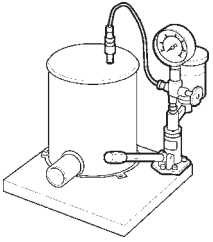
**CLASS (等级) - A : Mandatory Basic, B : Extended Mandatory Basic, C : Commercially Available**

(A:基本要求, B:基本要求延伸, C:商业用途)

1 - ENGINE

TOOL NUMBER AND DESCRIPTION	APPLICATION		MODEL						CLASS			
	ENGLISH	OTHER LANGUAGE	M	I	K	C	R	S	A	B	C	
<b>W9913 0020B</b> (116589 023400) <b>Threaded Pin</b> (螺牙肖)	Threaded Pin for M6, 150mm long, for impact puller 116589 203300.	M6,150mm长之螺牙肖与 冲击式拉拔器116589 203300 配合使用	○	○	○		○				●	●
												
<b>W9913 0032B</b> (601589 072100) <b>Measuring Device</b> (深度规)	Measuring device for T.D.C and 20° after T.D.C position of piston in 1st cylinder above injection nozzle bore.	用量测喷油嘴是否位 于第一缸上死点和上死 点后20° 位置	○	○	○		○				●	●
												
<b>W9913 0040B</b> (603589 014000) <b>Retaining Tool</b> (正时链条固定器)	To hold the timing chain.	用以固定正时链条	○	○	○		○				●	●
												
<b>W9917 0050B</b> (601589 024300) <b>Drift 9.6mm</b> (配合冲 9.6mm)	Punch for pressing on valve stem seal on valve guide.	用以敲击汽门油封让其 固定于汽门导管上	○	○	○		○				●	●
												

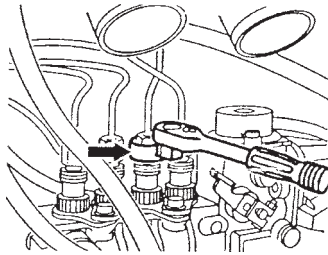
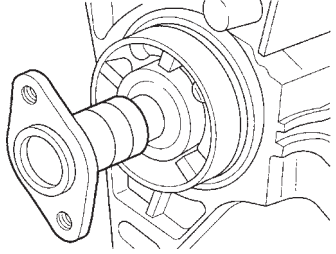
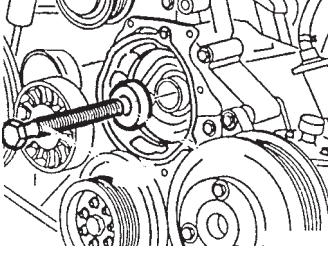
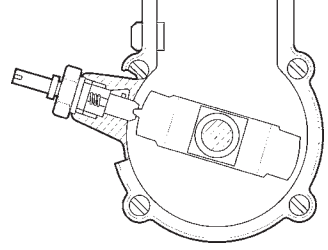
MODEL (车型) - M : Musso & Musso Sports, I : Istana, K : Korando, C : Chairman, R : Rexton, S : Stavic

TOOL NUMBER AND DESCRIPTION	APPLICATION		MODEL							CLASS				
	ENGLISH	OTHER LANGUAGE	M	I	K	C	R	S	A	B	C			
<b>W9917 0060B</b> (601589 025900) <b>Supporting Bridge</b> (支撑架)	Supporting bridge for removal and installation of valve spring.  	用以拆装汽门弹簧	○	○	○		○					●	●	
<b>W9917 0070B</b> (601589 051500) <b>Drift (8mm)</b> (配合冲-8mm)	Mandrel 8mm for knocking in valve guide (inlet).  	用以安装进气门导管 (8mm)	○	○	○		○					●	●	
<b>W9918 0011A</b> (000589 006800) <b>Cleaning Set</b> (清洁工具组)	Oil cleanig set for injection nozzle.  	有关喷油嘴之清洁工具组	○	○	○		○					●	●	●
<b>W9918 0022B</b> (000589 142700) <b>Fuel Injection Nozzle Tester</b> (喷油嘴测试器)	Tester for fuel injection nozzle.  	用以测试喷油嘴状况	○	○	○		○					●	●	

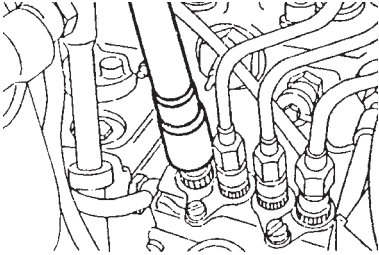
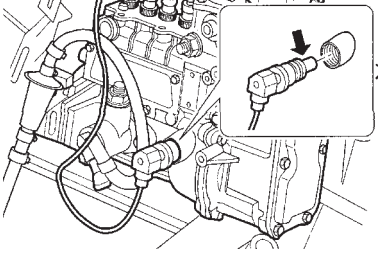
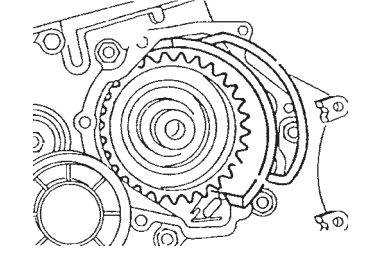
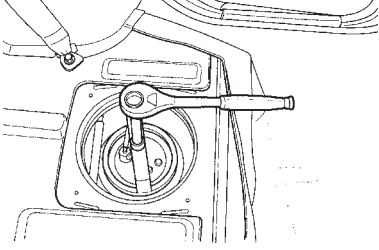
**CLASS (等级) - A : Mandatory Basic, B : Extended Mandatory Basic, C : Commercially Available**

(A:基本要求, B:基本要求延伸, C:商业用途)

1 - ENGINE

TOOL NUMBER AND DESCRIPTION	APPLICATION		MODEL						CLASS				
	ENGLISH	OTHER LANGUAGE	M	I	K	C	R	S	A	B	C		
<b>W9918 0030A</b> (000589 770300) <b>Box Wrench Insert</b> (开口式套筒板手)	Box wrench socket, open 14mm, 1/4 drive for injection lines.  	14mm, 1/4" 开口式套筒 板手, 用以拆装喷射泵 上之油管	○	○	○		○				●	●	●
<b>W9918 0040B</b> (601589 000800) <b>Flange</b> (固定座)	Splined wrench for timing injection pump on camshaft.  	有关喷射泵凸轮轴正时 之枢轴板手	○	○	○		○					●	●
<b>W9918 0050B</b> (601589 051400) <b>Assembly Cage</b> (组装隔离套)	To remove/install the fuel injection pump.  	用以拆装组装隔离套	○	○	○		○					●	●
<b>W9918 0062B</b> (601589 052100) <b>Locking Screw</b> (锁定螺丝)	To adjust the start of delivery for in- jection pump.  	用以调整喷射泵开始供 油之触发点	○	○	○		○					●	●

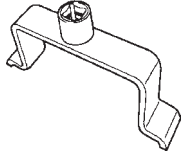
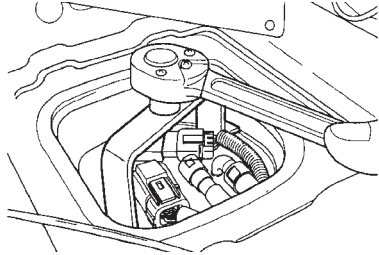
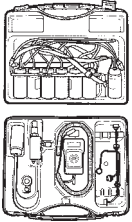
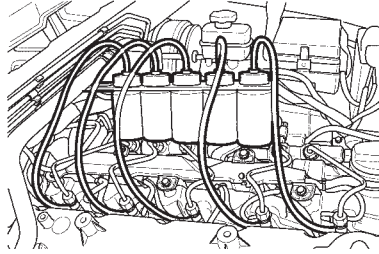
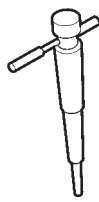
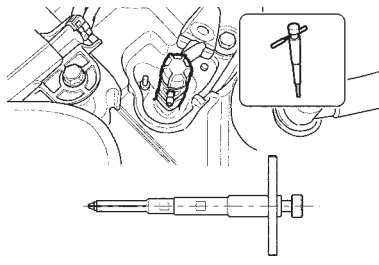
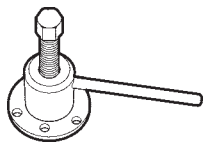
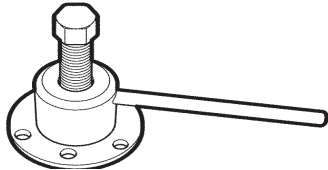
MODEL (车型) - M : Musso & Musso Sports, I : Istana, K : Korando, C : Chairman, R : Rexton, S : Stavic

TOOL NUMBER AND DESCRIPTION	APPLICATION		MODEL							CLASS		
	ENGLISH	OTHER LANGUAGE	M	I	K	C	R	S	A	B	C	
<b>W9918 0070B</b> (617589 010900) <b>Socket</b> (套筒)	Socket wrench element serration 17-20mm, 1/2 square for remove and installation of pressure valve holder on M/RSF and ERE injection pump. 	有关在M/RSF和ERE喷射泵上之压力阀固定座拆装工具17-20mm	○	○	○		○				●	●
<b>W9918 0082B</b> (617589 082100) <b>Position Indicator</b> (位置指示器)	To adjust start of delivery for injection pump. Put the sensor on the garvernner housing and connect the line to the battery B+ Rotate crankshaft until the lamps A, B come on. 	用以调整喷射泵开始供油之触发点,放置此感知器于调速器外壳上,并连接线组接头至电瓶B+,转动曲轴直至指示灯A,B亮起	○	○	○		○				●	●
<b>W9918 0112B</b> (667589 046300) <b>Retaining Plate</b> (固定板)	Retaining plate 	固定板	○	○	○		○			●	●	●
<b>W9922 0012A</b> (661589 004600) <b>Fuel Sending Unit Cap Wrench</b> (汽油泵外盖拆装工具)	For removal and installation of cap of fuel sending unit. 	用以拆装汽油泵外盖	○	○	○		○			●	●	●

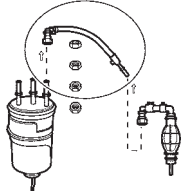
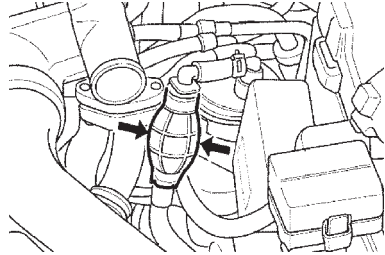
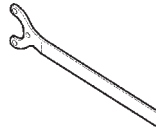
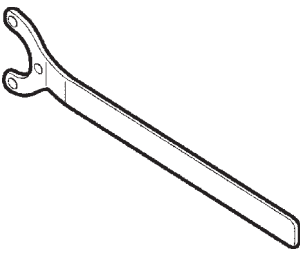
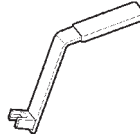
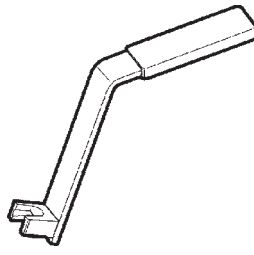
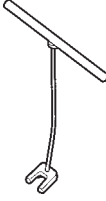
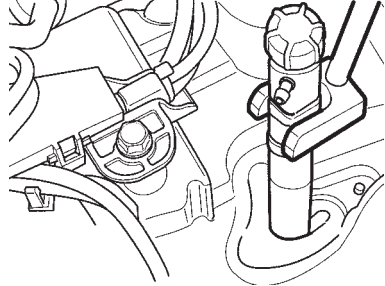
CLASS (等级) - A : Mandatory Basic, B : Extended Mandatory Basic, C : Commercially Available

(A:基本要求, B:基本要求延伸, C:商业用途)

1 - ENGINE

TOOL NUMBER AND DESCRIPTION	APPLICATION		MODEL						CLASS				
	ENGLISH	OTHER LANGUAGE	M	I	K	C	R	S	A	B	C		
<b>W9922 0020A</b> (DW 150-010) <b>Fuel Cap Remover &amp; Installer</b> (汽油泵外盖拆装工具)	For removal and installation of fuel unit cap.	用以拆装汽油泵外盖	○	○	○		○				●	●	●
													
<b>Y9922 0012B</b> <b>Tool A-Fuel Diagnostic</b>	Fuel diagnostic tool is used for fuel back leak test of injector (refer to service manual).						○	○				●	●
													
<b>Y9922 0022B</b> <b>Extractor-Injection Washer</b>	Extractor of injection washer is used for burnt to hardening between injector washer and cylinder head.						○	○				●	●
													
<b>Y9922 0032B</b> <b>Puller-HP Pump Bearing</b>	Puller of high pressure pump bearing is used for removal of bearing as high pressure pump is replaced.						○	○				●	●
													

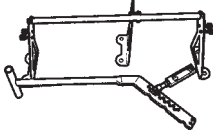
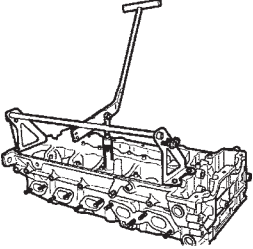

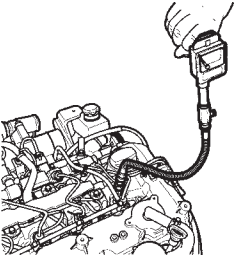
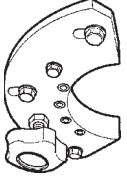
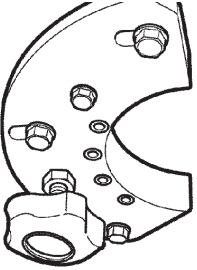
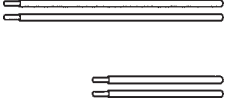
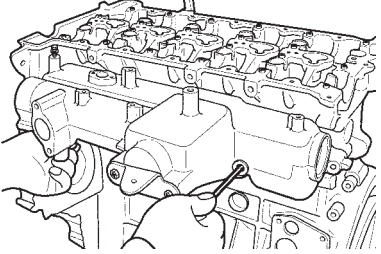
MODEL (车型) - M : Musso & Musso Sports, I : Istana, K : Korando, C : Chairman, R : Rexton, S : Stavic

TOOL NUMBER AND DESCRIPTION	APPLICATION		MODEL							CLASS		
	ENGLISH	OTHER LANGUAGE	M	I	K	C	R	S	A	B	C	
<b>Y9922 0042B</b> <b>Gauge-Low Pressure</b> 	Gauge of low pressure is used for checking fuel supplying of low line. 						○	○			●	●
<b>Y9922 0052B</b> <b>Holder-Viscous Damper Pulley</b> 	Holder of viscous damper pulley is used for fixing pulley as fan of viscous clutch is removed. 						○	○			●	●
<b>Y9922 0062B</b> <b>Locator-Injector</b> 	Locator-injector is used for installing the injector. 						○	○			●	●
<b>Y9922 0072B</b> <b>Extractor-Injector</b> 	Extractor for removing the injectors 						○	○			●	●

**CLASS (等级) - A : Mandatory Basic, B : Extended Mandatory Basic, C : Commercially Available**

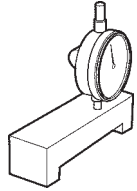
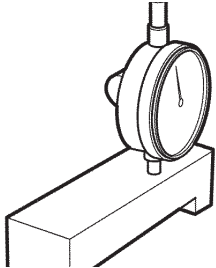
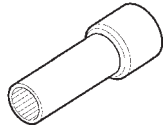
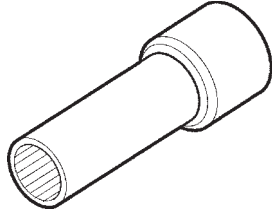
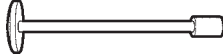
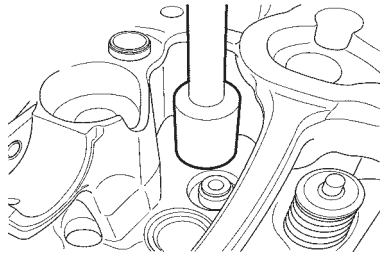
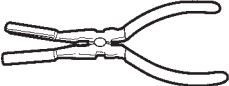
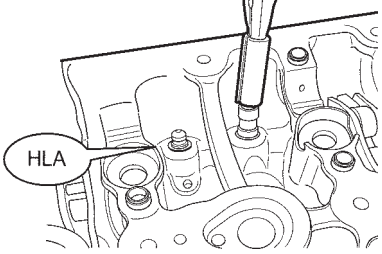
(A:基本要求, B:基本要求延伸, C:商业用途)

1 - ENGINE

TOOL NUMBER AND DESCRIPTION	APPLICATION		MODEL						CLASS			
	ENGLISH	OTHER LANGUAGE	M	I	K	C	R	S	A	B	C	
<b>Y9922 0082B</b> <b>Complete-Valve Spring</b>  	For removing the valves  						○	○			●	●
<b>Y9922 0092B</b> <b>Adaptor-Pressure Gauge</b>  	Adaptor for checking the cylinder compression pressure (After removing the preheating plug, put this tool in the hole).  						○	○			●	●
<b>Y9922 0102B</b> <b>Holder-HP Pump Sprocket</b>  	Holder for holding the sprocket of high pressure pump (when removing the HP pump & Sprocket).  						○	○			●	●
<b>Y9922 0112B</b> <b>Guide Pin-Intake Manifold</b>  	Guide pin for removing the intake manifold.  						○	○			●	●

MODEL (车型) - M : Musso & Musso Sports, I : Istana, K : Korando, C : Chairman, R : Rexton, S : Stavic

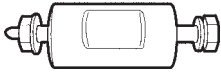
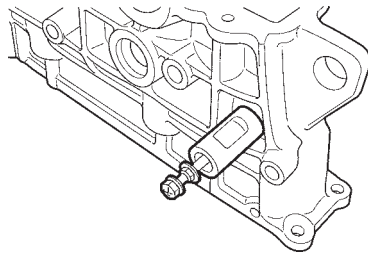
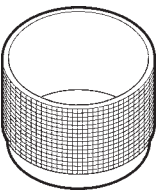
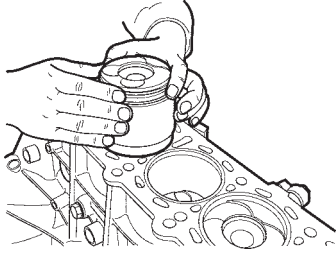
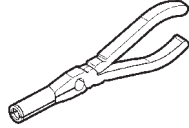
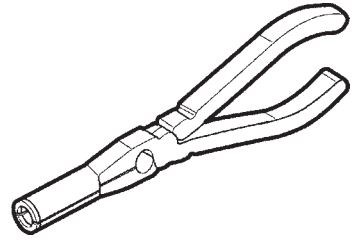


TOOL NUMBER AND DESCRIPTION	APPLICATION		MODEL							CLASS		
	ENGLISH	OTHER LANGUAGE	M	I	K	C	R	S		A	B	C
<b>Y9922 0122B</b> <b>Gauge-Piston</b> 	Gauge for checking the depth between upper face of Piston and Cylinder Head. 						○	○			●	●
<b>Y9922 0132B</b> <b>Wrench-Preheating Plug</b> 	Wrench for removing the preheating plug. 						○	○			●	●
<b>Y9922 0142B</b> <b>Installer-Stem Seal</b> 	Installer for installing of Stem Seal. 						○	○			●	●
<b>Y9922 0152B</b> <b>Remover-HLA</b> 	Remover for removing HLA. 						○	○			●	●

**CLASS (等级) - A : Mandatory Basic, B : Extended Mandatory Basic, C : Commercially Available**

(A:基本要求, B:基本要求延伸, C:商业用途)

1 - ENGINE

TOOL NUMBER AND DESCRIPTION	APPLICATION		MODEL						CLASS			
	ENGLISH	OTHER LANGUAGE	M	I	K	C	R	S	A	B	C	
<b>Y9922 0162B</b> <b>Remover-Guide Pin</b> 	Remover for removing the guide pin of timing chain. 						○	○			●	●
<b>Y9922 0172B</b> <b>Guide-Piston Installer</b> 	Installing guide for holding the Compression ring & Oil ring when installing the piston to Cylinder. 						○	○			●	●
<b>Y9922 0182B</b> <b>Remover-Stem Seal</b> 	Remover for removing the stem seal of Intake & Exhaust Valves. 						○	○			●	●


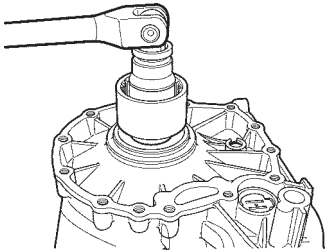
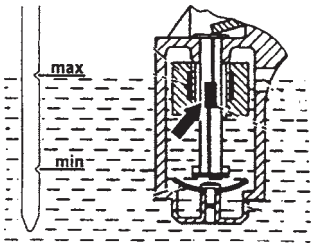
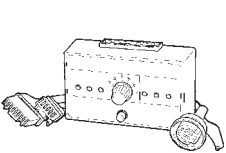
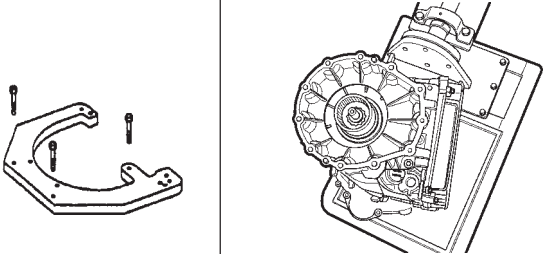
MODEL (车型) - M : Musso & Musso Sports, I : Istana, K : Korando, C : Chairman, R : Rexton, S : Stavic

# 3 TRANSMISSION & TRANSAXLE

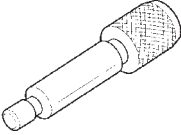
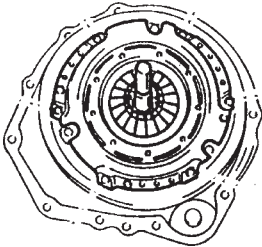
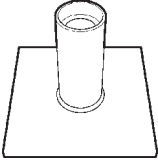
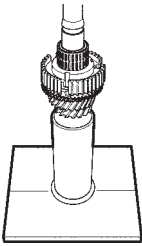
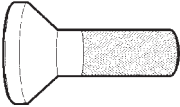
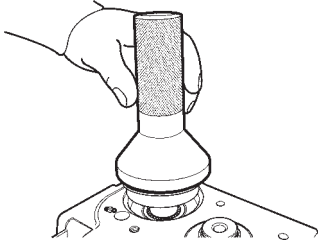
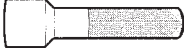
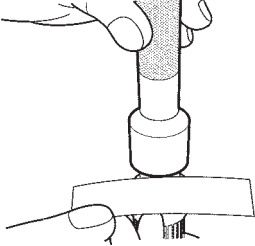
## (变速箱)

126589 020900 (Socket Weanch) .....	44	W9931 0010B (Transmission Bench Cradle) .....	51
140589 152100(Dipstick) .....	44	W9931 0011B (Bearing Puller) .....	52
A9936 0022B (Solenoid, Bench Tester) .....	44	W9931 0020B (T/M Oil Seal Installer) .....	52
A9936 0030B (Mounting Plate) .....	44	W9931 0021B (Pressure Pipe) .....	52
L9930 0010B (Centering Mandrel) .....	45	W9931 0051B (Holder) .....	52
L9931 1011C (Drive Shaft Jig) .....	45	W9931 0071B (Drift) .....	53
L9931 1021C (Drift) .....	45	W9931 0081B (T/M Idler Gear Roll Pin Installer) .....	53
L9931 1031C (Drift) .....	45	W9931 0101B (Insert Key) .....	53
L9931 1041C (Pin Spanner) .....	46	W9931 0111B (Die) .....	53
L9931 1051C (Inter Lock Pin Jig) .....	46	W9931 0121B (Dial Gauge Holder) .....	54
L9931 1061C (Main Shaft Jig) .....	46	W9936 0011C (Pump Puller) .....	54
L9931 1071C (Spring Pin Installer) .....	46	W9936 0021C (Pin Remover/Installer tool) .....	54
L9931 1081C (Drift) .....	47	W9936 0031C (Clutch Spring Compressor) .....	54
L9931 1091C (Drift) .....	47	W9936 0042C (Clutch Pack Clearance Kit) .....	55
L9931 1111C (Drift) .....	47	W9936 0051C (Seal Remover (Cross Shaft)) .....	55
L9931 1121C (Counter Holder) .....	47	W9936 0061C (Cross Shaft Seal Installer) .....	55
L9931 1131C (Pressing Off Fixture) .....	48	W9936 0071C (Assembly Bullet Cross Shaft) .....	55
L9931 1151C (Drift) .....	48	W9936 0080A (Pin Re/Installer (Inhibitor Switch)) .....	56
L9931 1161C (Removing Device) .....	48	W9936 0090B (Seal Installer Adapter HSG) .....	56
L9931 1171C (Main Assembly Remover Jig) .....	48	W9936 0110C (Pump Seal Installer) .....	56
L9931 1181C (Drive Shaft Jig (4Gear)) .....	49	W9936 0122C (End Float Adapter) .....	56
L9931 1191C (Speedometer Remover & Installer) .....	49	W9936 0132C (End Float Adapter) .....	57
L9931 1201C (Interlock Plug Remover & Installer) .....	49	W9936 0140B (Input Shaft Bullet) .....	57
L9931 1221C (Differential Seal Installer) .....	49	W9936 0150B (Output Shaft Bullet) .....	57
L9931 1231C (Puller) .....	50	W9936 0180B (Assembly Support) .....	57
L9931 1241C (Bearing Cover Seal Installer) .....	50	W9936 0192B (Trans Pressure Gauge Set) .....	58
L9931 1251C (Assembly Jack) .....	50	W9936 0201C (Assembly Fixture) .....	58
L99311261C (Main Assembly Installer Jig) .....	50	W9936 0220B (Torque Convert Mendel) .....	58
P9936 0021C (Installation Tool) .....	51	W9936 0292C (Measuring Disk) .....	58
P9936 0031C (Collet Chuck) .....	51	W9936 0321C (Assembly Tool) .....	59
P9936 0041C (Drift Punch) .....	51		

### 3 - TRANSMISSION & TRANSAXLE

TOOL NUMBER AND DESCRIPTION	APPLICATION		MODEL						CLASS				
	ENGLISH	OTHER LANGUAGE	M	I	K	C	R	S	A	B	C		
<b>126589 020900</b> <b>Socket Wrench</b>  	To remove & install lock nut.  		○			○	○	○			●	●	●
<b>140589 152100</b> <b>Dipstick</b> (油尺)	To measure the oil lever. Insert it until it touches the bottom.  	用以测量变速箱油位				○	○	○			●	●	●
<b>A9936 0022B</b> (0555 - 336046) <b>Solenoid, Bench Tester</b> (电磁阀工作测试台)	BTRA A/T Tester bench.  	BTRA自动变速箱测试台	○		○	○	○					●	●
<b>A9936 0030B</b> (140589 346300) <b>Mounting Plate</b> (固定盘)	Secure the transmission on the mounting plate  	有关固定变速箱的工具	○	○	○	○	○	○				●	●

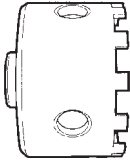
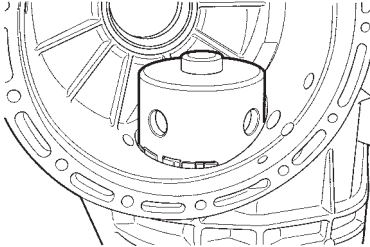

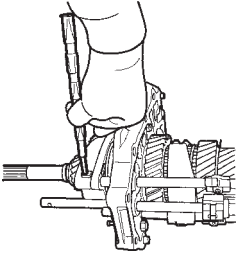
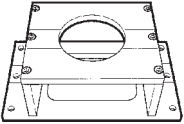
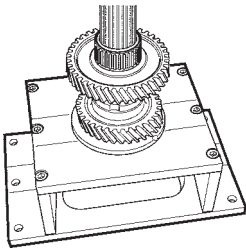

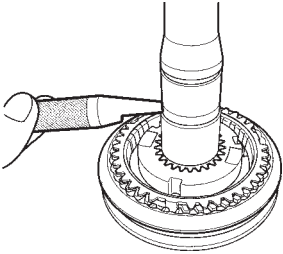
MODEL (车型) - M : Musso & Musso Sports, I : Istana, K : Korando, C : Chairman, R : Rexton, S : Stavic

TOOL NUMBER AND DESCRIPTION	APPLICATION		MODEL							CLASS					
	ENGLISH	OTHER LANGUAGE	M	I	K	C	R	S	A	B	C				
<b>L9930 0010B</b> (661589 001500) <b>Centering Mandrel</b> (中心冲)	To align the clutch assembly to the flywheel.	用以对正离合器总成与飞轮中心		○				○					●	●	
															
<b>L9931 1011C</b> <b>Drive Shaft Jig</b>	To fix the drive shaft.			○										●	
															
<b>L9931 1021C</b> <b>Drift</b>	To install the counter shaft bearing.			○										●	
															
<b>L9931 1031C</b> <b>Drift</b>	To remove the differential taper roller bearing outer race.			○										●	
															


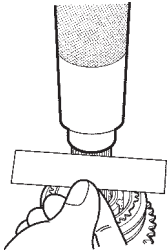
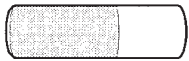
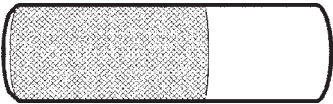
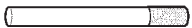


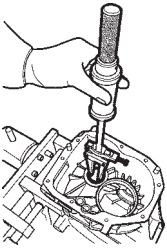
CLASS (等级) - A : Mandatory Basic, B : Extended Mandatory Basic, C : Commercially Available

(A:基本要求, B:基本要求延伸, C:商业用途)

3 - TRANSMISSION & TRANSAXLE

TOOL NUMBER AND DESCRIPTION	APPLICATION		MODEL						CLASS			
	ENGLISH	OTHER LANGUAGE	M	I	K	C	R	S	A	B	C	
<b>L9931 1041C</b> <b>Pin Spanner</b> 	To tighten/remove the slotted nut on transmission main shaft. 			○								●
<b>L9931 1051C</b> <b>Inter Lock Pin Jig</b> 	To install the interlock pin. 			○								●
<b>L9931 1061C</b> <b>Main Shaft Jig</b> 	To fix the main shaft. 			○								●
<b>L9931 1071C</b> <b>Spring Pin Installer</b> 	To install the spring pin. 			○								●

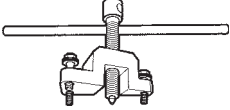
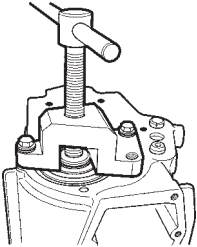

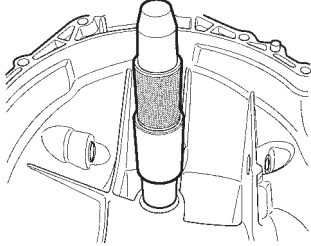
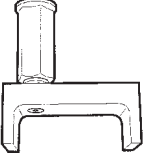
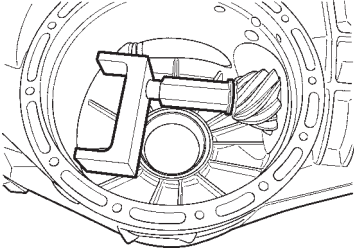
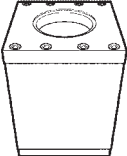
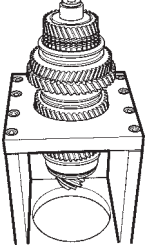
MODEL (车型) - M : Musso & Musso Sports, I : Istana, K : Korando, C : Chairman, R : Rexton, S : Stavic

TOOL NUMBER AND DESCRIPTION	APPLICATION		MODEL							CLASS		
	ENGLISH	OTHER LANGUAGE	M	I	K	C	R	S	A	B	C	
<b>L9931 1081C</b> Drift 	To install the bearing. 			○								●
<b>L9931 1091C</b> Drift 	To install the bearing. 			○								●
<b>L9931 1111C</b> Drift 	To install the bearing. 			○								●
<b>L9931 1121C</b> Counter Holder 	To remove the drive shaft bearing. 			○								●

**CLASS (等级) - A : Mandatory Basic, B : Extended Mandatory Basic, C : Commercially Available**

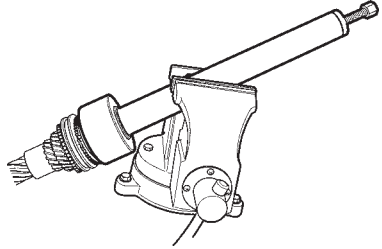
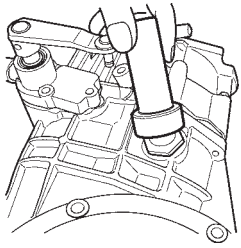
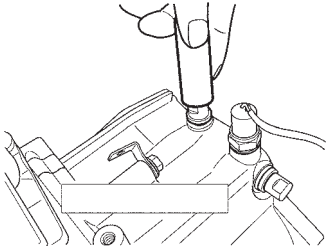
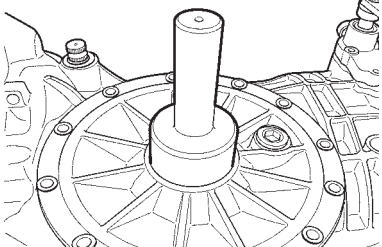
(A:基本要求, B:基本要求延伸, C:商业用途)

### 3 - TRANSMISSION & TRANSAXLE

TOOL NUMBER AND DESCRIPTION	APPLICATION		MODEL						CLASS			
	ENGLISH	OTHER LANGUAGE	M	I	K	C	R	S	A	B	C	
<b>L9931 1131C</b> <b>Pressing Off</b> <b>Fixture</b> 	To remove the intermediate shaft bearing. 			○								●
<b>L9931 1151C</b> <b>Drift</b> 	To remove. 			○								●
<b>L9931 1161C</b> <b>Removing Device</b> 	To remove the main shaft. 			○								●
<b>L9931 1171C</b> <b>Main Assembly</b> <b>Remover Jig</b> 	To remove the main gear. 			○								●

MODEL (车型) - M : Musso & Musso Sports, I : Istana, K : Korando, C : Chairman, R : Rexton, S : Stavic

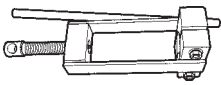
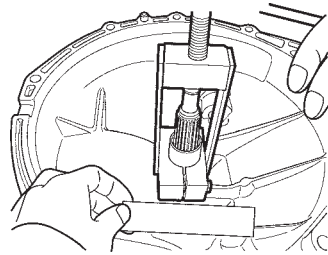
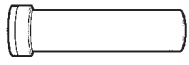
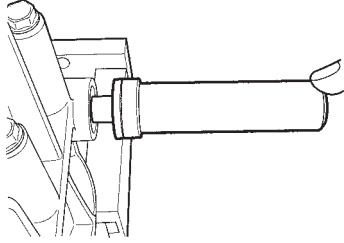
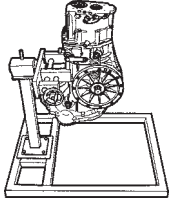
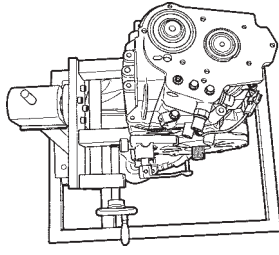
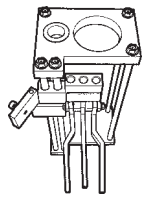
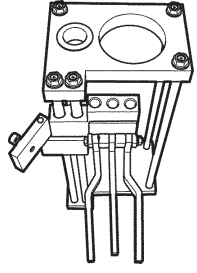


TOOL NUMBER AND DESCRIPTION	APPLICATION		MODEL							CLASS		
	ENGLISH	OTHER LANGUAGE	M	I	K	C	R	S	A	B	C	
<b>L9931 1181C</b> <b>Drive Shaft Jig</b> <b>(4Gear)</b>	To remove the 4th gear.  			○								●
<b>L9931 1191C</b> <b>Speedometer</b> <b>Remover &amp; Installer</b>	To remove the speedometer.  			○								●
<b>L9931 1201C</b> <b>Interlock Plug</b> <b>Remover &amp; Installer</b>	To remove the interlock plug.  			○								●
<b>L9931 1221C</b> <b>Differential Seal</b> <b>Installer</b>	To install the differential seal.  			○								●

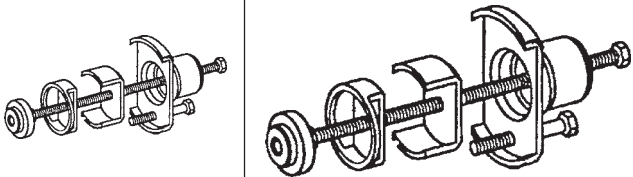
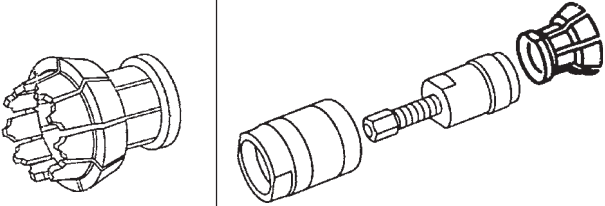
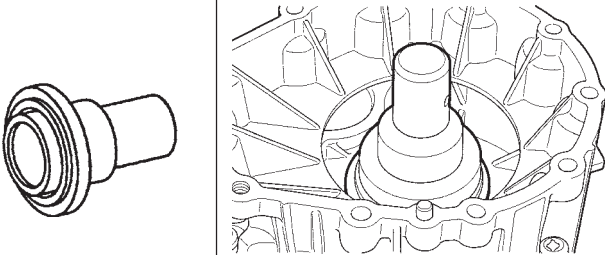
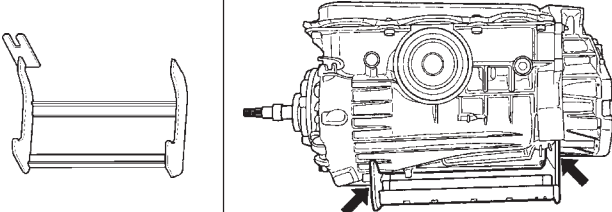
**CLASS (等级) - A : Mandatory Basic, B : Extended Mandatory Basic, C : Commercially Available**

(A:基本要求, B:基本要求延伸, C:商业用途)

### 3 - TRANSMISSION & TRANSAXLE

TOOL NUMBER AND DESCRIPTION	APPLICATION		MODEL						CLASS			
	ENGLISH	OTHER LANGUAGE	M	I	K	C	R	S	A	B	C	
<b>L9931 1231C</b> <b>Puller</b> 	To remove the drive shaft guide sleeve. 			○								●
<b>L9931 1241C</b> <b>Bearing Cover Seal Installer</b> 	To install the bearing cover. 			○								●
<b>L9931 1251C</b> <b>Assembly Jack</b> 	To fix the removed transmission. 			○								●
<b>L99311261C</b> <b>Main Assembly Installer Jig</b> 	To fix the main gear. 			○								●

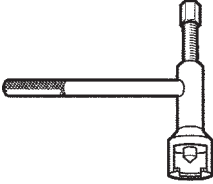
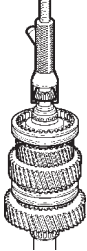
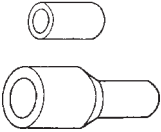
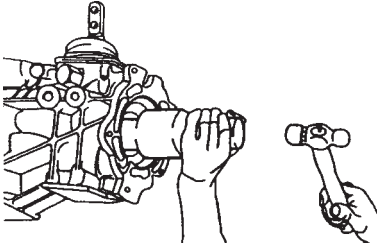
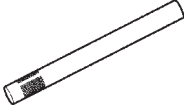
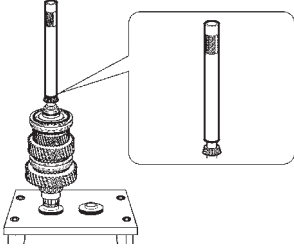
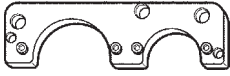
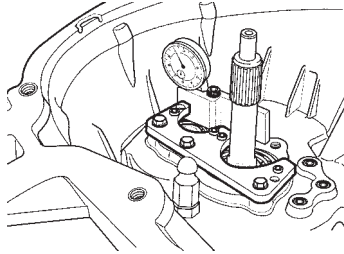
MODEL (车型) - M : Musso & Musso Sports, I : Istana, K : Korando, C : Chairman, R : Rexton, S : Stavic

TOOL NUMBER AND DESCRIPTION	APPLICATION		MODEL							CLASS		
	ENGLISH	OTHER LANGUAGE	M	I	K	C	R	S	A	B	C	
<b>P9936 0021C</b> (140589 134300) <b>Installation Tool</b> (安装工具)	Clutch installation tool.  	离合器安装工具				○	○	○				●
<b>P9936 0031C</b> (140589 063400) <b>Collet Chuck</b> (开槽式夹头)	To install and remove the ball bearing of output shaft.  	用以拆装输出轴之滚珠轴承				○	○	○				●
<b>P9936 0041C</b> (140589 121500) <b>Drift Punch</b> (配合冲)	To install the seal for extension housing  	用以安装延伸壳油封				○	○	○				●
<b>W9931 0010B</b> (0555 - 336256) <b>Transmission Bench Cradle</b> (变速箱工作台固定架)	For transmission support when removing and installing transmission.  	当拆装变速箱组件时,用以支撑变速箱壳使用之	○		○	○	○				●	●


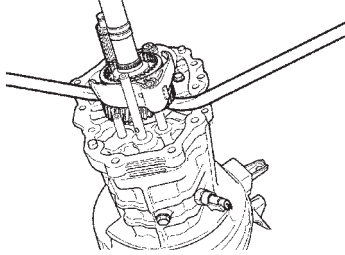

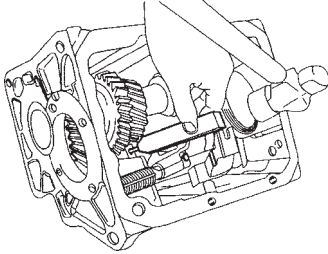
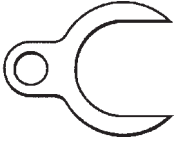
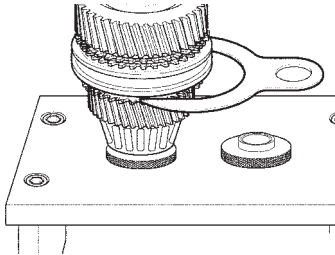
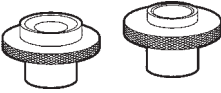
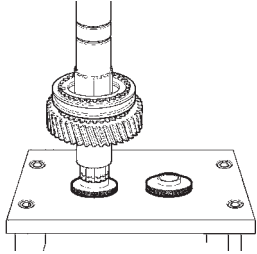
CLASS (等级) - A : Mandatory Basic, B : Extended Mandatory Basic, C : Commercially Available

(A:基本要求, B:基本要求延伸, C:商业用途)

### 3 - TRANSMISSION & TRANSAXLE

TOOL NUMBER AND DESCRIPTION	APPLICATION		MODEL						CLASS			
	ENGLISH	OTHER LANGUAGE	M	I	K	C	R	S	A	B	C	
<b>W9931 0011B</b> <b>Bearing Puller</b> 	To remove the middle taper roller bearing. 		○		○		○	○			●	●
<b>W9931 0020B</b> (661589 004300) <b>T/M Oil Seal Installer</b> (变速箱油封保护器) 	To install the seal for extension housing. 	用以安装延伸壳油封	○		○		○				●	●
<b>W9931 0021B</b> <b>Pressure Pipe</b> 	To install the bearing and gear. 		○		○		○	○			●	●
<b>W9931 0051B</b> <b>Holder</b> 	To measure the end play on taper roller bearing. 		○		○		○	○			●	●

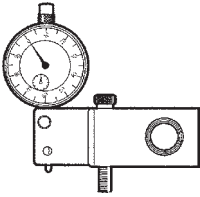
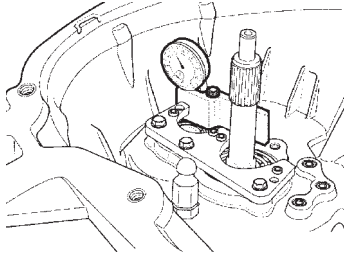
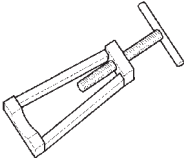
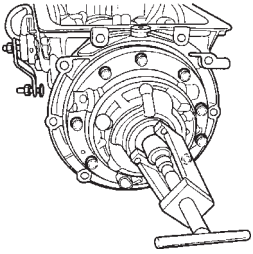
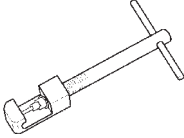
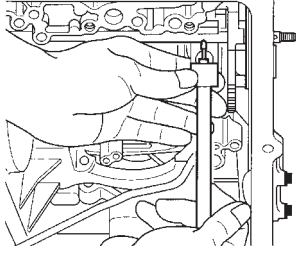
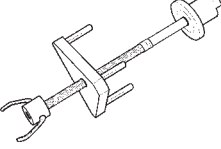
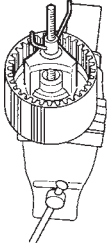
MODEL (车型) - M : Musso & Musso Sports, I : Istana, K : Korando, C : Chairman, R : Rexton, S : Stavic

TOOL NUMBER AND DESCRIPTION	APPLICATION		MODEL							CLASS			
	ENGLISH	OTHER LANGUAGE	M	I	K	C	R	S			A	B	C
<b>W9931 0071B</b> <b>Drift</b> 	To remove the 5th/reverse synchronizer hub assembly and the reverse gear and shift fork simultaneously. 		○		○		○	○				●	●
<b>W9931 0081B</b> (661589 143300) <b>T/M Idler Gear Roll Pin Installer</b> (变速箱惰轮滚动肖安装器) 	Installing tool for pressing roll pin of manual transmission. 	用以安装手排变速箱滚动肖	○		○		○					●	●
<b>W9931 0101B</b> <b>Insert Key</b> 	To provide the clearance between bearings on input shaft. 		○		○		○	○				●	●
<b>W9931 0111B</b> <b>Die</b> 	To insert the gears and bearings on shaft. 		○		○		○	○				●	●

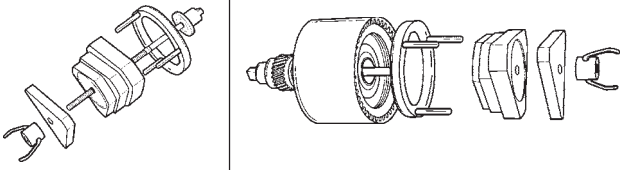
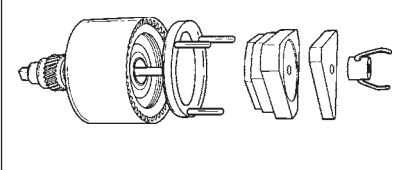
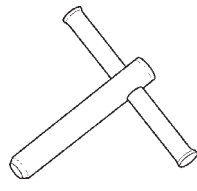
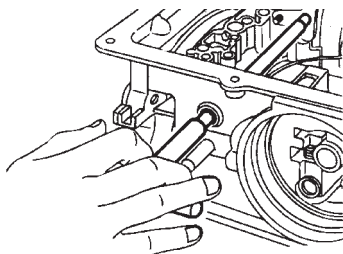
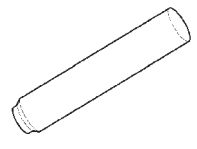
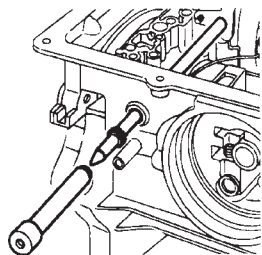
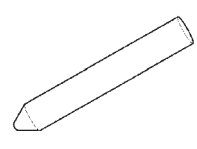
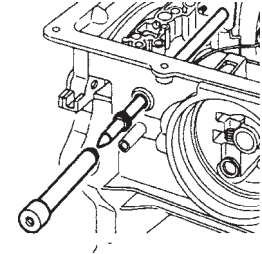
**CLASS (等级) - A : Mandatory Basic, B : Extended Mandatory Basic, C : Commercially Available**

(A:基本要求, B:基本要求延伸, C:商业用途)

### 3 - TRANSMISSION & TRANSAXLE

TOOL NUMBER AND DESCRIPTION	APPLICATION		MODEL						CLASS			
	ENGLISH	OTHER LANGUAGE	M	I	K	C	R	S	A	B	C	
<b>W9931 0121B</b> <b>Dial Gauge Holder</b> 	To measure the bearing end play on the counter and main taper roller bearing outer race in manual transmission. 		○		○		○	○			●	●
<b>W9936 0011C</b> (0555 - 336257) <b>Pump Puller</b> (油泵拉拔器) 	For removal of oil pump. 	油泵之拆卸工具	○		○	○	○					●
<b>W9936 0021C</b> (0555 - 336258) <b>Pin Remover/ Installer tool</b> (轴肖拆装工具) 	For removal and installation of spring pin at cross shaft detent lever. 	有关横向轴止推杆弹簧肖之拆装工具	○		○	○	○					●
<b>W9936 0031C</b> (0555 - 336259) <b>Clutch Spring Compressor</b> (离合器弹簧压缩器) 	For compressing the spring when removal of clutch snap ring. 	用以压缩离合器弹簧来拆除离合器扣环	○		○	○	○					●

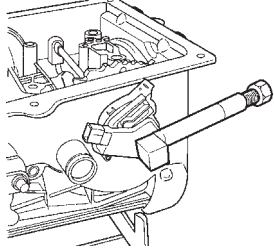
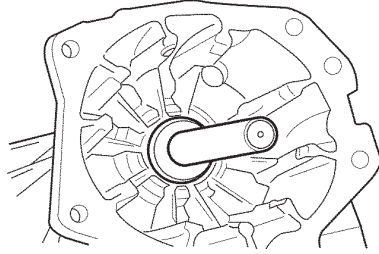
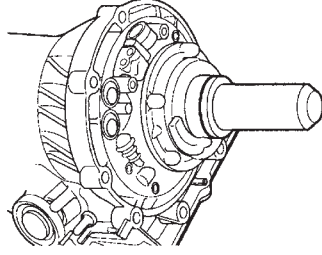
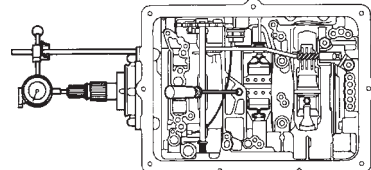
MODEL (车型) - M : Musso & Musso Sports, I : Istana, K : Korando, C : Chairman, R : Rexton, S : Stavic

TOOL NUMBER AND DESCRIPTION	APPLICATION		MODEL							CLASS		
	ENGLISH	OTHER LANGUAGE	M	I	K	C	R	S	A	B	C	
<b>W9936 0042C</b> (0555 - 336260) <b>Clutch Pack Clearance Kit</b> (离合器片组量测工具)	For checking the clearance of C4 clutch plate.	用以检查离合器片间隙	○		○	○	○					●
												
<b>W9936 0051C</b> (0555 - 336261) <b>Seal Remover (Cross Shaft)</b> (横向轴油封拆卸器)	For pisassembling of cross shaft oil seal.	用以拆除横向轴油封	○		○	○	○					●
												
<b>W9936 0061C</b> (0555 - 336262) <b>Cross Shaft Seal Installer</b> (横向轴油封安装器)	To install the seal with rubber ham- mer for assembly of cross oil seal.	配合塑胶榔头来组装横 向轴油封	○		○	○	○					●
												
<b>W9936 0071C</b> (0555 - 336263) <b>Assembly Bullet Cross Shaft</b> (油封组装护套)	For protecting the seal when as- sembling cross shaft oil seal.	当组装横向轴油封时用 以保护油封免于损坏	○		○	○	○					●
												

CLASS (等级) - A : Mandatory Basic, B : Extended Mandatory Basic, C : Commercially Available

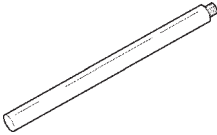
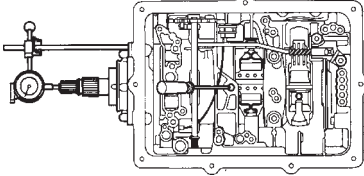
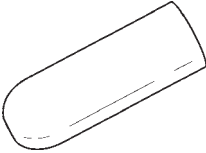
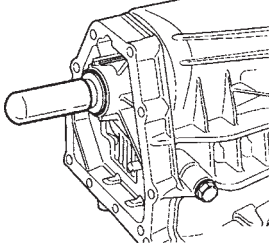
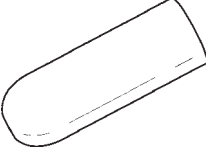
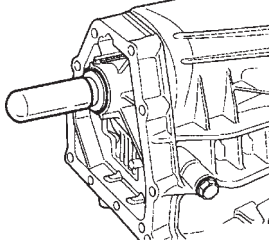
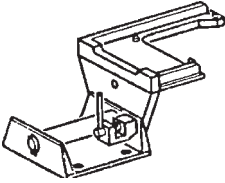
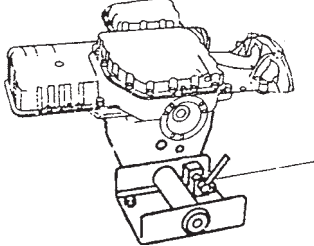
(A:基本要求, B:基本要求延伸, C:商业用途)

### 3 - TRANSMISSION & TRANSAXLE

TOOL NUMBER AND DESCRIPTION	APPLICATION		MODEL						CLASS				
	ENGLISH	OTHER LANGUAGE	M	I	K	C	R	S	A	B	C		
<b>W9936 0080A</b> (0555 - 336265) <b>Pin Re/Installer</b> <b>(Inhibitor Switch)</b> (抑制开关固定肖拆装器)	To install and remove the pin for fixing the inhibitor switch. 	用以拆装抑制开关固定肖	○		○	○	○				●	●	●
<b>W9936 0090B</b> (0555 - 336266) <b>Seal Installer Adapter HSG</b> (油封安装器)	To install the seal for extension housing. 	用以安装延伸盖油封	○		○	○	○					●	●
<b>W9936 0110C</b> (0555 - 336268) <b>Pump Seal Installer</b> (泵浦油封安装器)	For assembling of oil seal of oil pump. 	用以组装油泵之油封	○		○	○	○						●
<b>W9936 0122C</b> (0555 - 336269) <b>End Float Adapter</b> (端间隙量测导座)	For housing connecting when checking the gap of mission after assembling. 	在组装后当要检查变速箱间隙时使用	○		○	○	○						●

MODEL (车型) - M : Musso & Musso Sports, I : Istana, K : Korando, C : Chairman, R : Rexton, S : Stavic

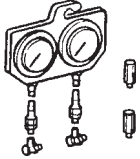
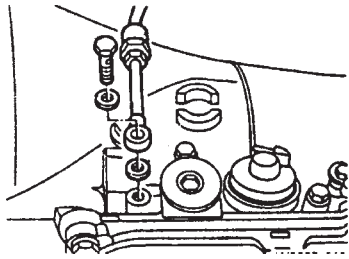
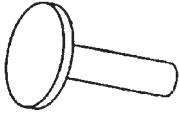
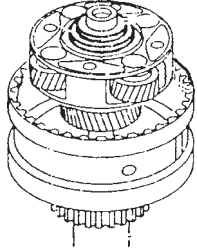
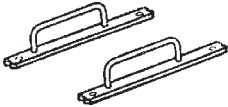
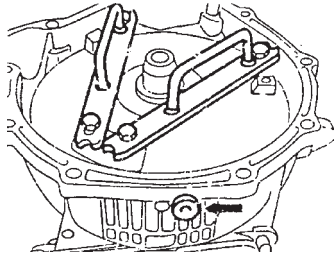

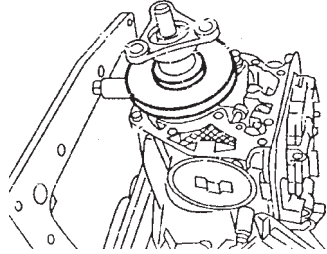


TOOL NUMBER AND DESCRIPTION	APPLICATION		MODEL							CLASS			
	ENGLISH	OTHER LANGUAGE	M	I	K	C	R	S	A	B	C		
<b>W9936 0132C</b> (0555 - 336270) <b>End Float Adapter</b> (端间隙量测轴)	For installation of dial gauge at adapter connecting the housing.  	配合器连接壳上安装千分表之用	○		○	○	○					●	
<b>W9936 0140B</b> (0555 - 336271) <b>Input Shaft Bullet</b> (输入轴保护套)	For protecting the seal when assemble the oil seal of presser shaft.  	当组装输入轴油封时用以保护油封	○		○	○	○					●	●
<b>W9936 0150B</b> (0555 - 336302) <b>Output Shaft Bullet</b> (输出轴保护套)	For protecting the seal when assemble the oil seal of presser shaft.  	当安装输出轴油封时用以保护油封	○		○	○	○					●	●
<b>W9936 0180B</b> (116589 065900) <b>Assembly Support</b> (组装架)	Assembly support of automatic transmission over haul.  	自动变速箱分解时使用	○		○	○	○	○				●	●

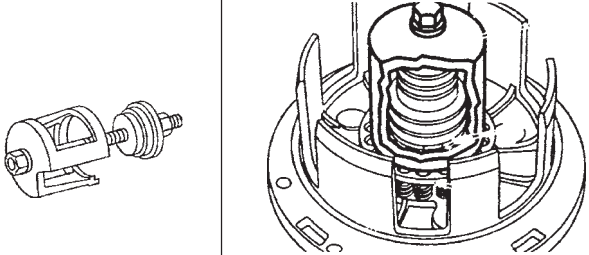
CLASS (等级) - A : Mandatory Basic, B : Extended Mandatory Basic, C : Commercially Available

(A:基本要求, B:基本要求延伸, C:商业用途)

### 3 - TRANSMISSION & TRANSAXLE

TOOL NUMBER AND DESCRIPTION	APPLICATION		MODEL						CLASS				
	ENGLISH	OTHER LANGUAGE	M	I	K	C	R	S	A	B	C		
<b>W9936 0192B</b> (123589 042100) <b>Trans Pressure Gauge Set</b> (变速箱油压表组)	To test the modulating pressure, the governor pressure and the working pressure.	用以测试调节压力、调速器压力和工作压力	○		○	○	○					●	●
													
<b>W9936 0201C</b> (126589 003500) <b>Assembly Fixture</b> (组装架)	Assembly fixture for radial ball bearings on input shaft and for assembly of complete gear set.	用以组装在输入轴上之径向滚珠轴承和组装整个行星齿轮组时使用	○		○		○						●
													
<b>W9936 0220B</b> (126589 016200) <b>Torque Convert Mendel</b> (扭力变换器固定板)	Handles (2each) for removal and installation of torque converter.	用以拆装扭力变换器 (二片)	○		○	○	○	○				●	●
													
<b>W9936 0292C</b> (129589 062300) <b>Measuring Disk</b> (测量板)	Measuring disk for measuring endplay of rear planetary gear train.	用以测量后行星齿轮组之端间隙	○		○		○						●
													

MODEL (车型) - M : Musso & Musso Sports, I : Istana, K : Korando, C : Chairman, R : Rexton, S : Stavic

TOOL NUMBER AND DESCRIPTION	APPLICATION		MODEL							CLASS		
	ENGLISH	OTHER LANGUAGE	M	I	K	C	R	S		A	B	C
<b>W9936 0321C</b> (201589 124300) <b>Assembly Tool</b> (组装机具)	Assembly Tool. K1. K2 and B3 clutch retainer.	有关K1, K2和K3离合器 座之组装机具	○		○		○					●
												

**CLASS (等级) - A : Mandatory Basic, B : Extended Mandatory Basic, C : Commercially Available**  
 (A:基本要求, B:基本要求延伸, C:商业用途)



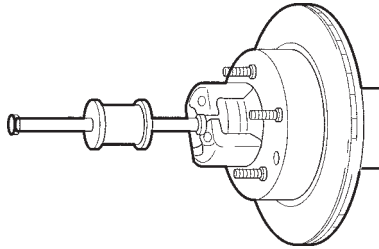
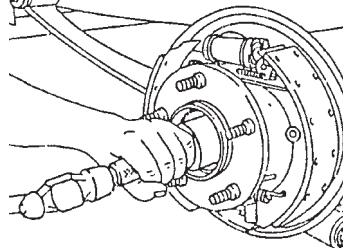
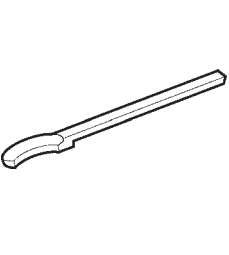
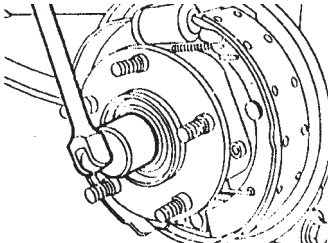
# 4 AXLE (轴)

---

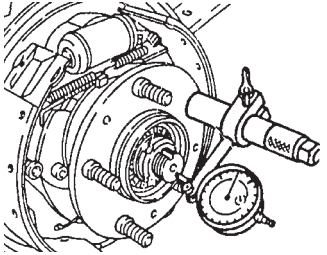
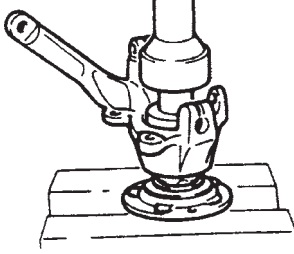
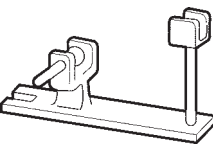
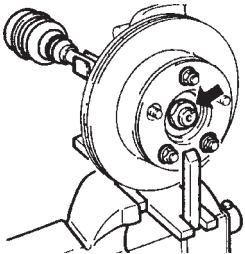
L9942 0010A (Puller) .....	62	P9942 0111B (Installation Punch) .....	67
L9942 0020A (Mandrel) .....	62	P9942 0121B (Puller) .....	67
L9942 0032A (Hook Spanner) .....	62	P9942 0150A (Puller & Installation Tool) .....	67
L9942 0040A (Rear Hob Not Wrench) .....	62	P9942 0160B (Puller & Installation Tool) .....	67
L9942 0052A (Dial Gauge Holder) .....	63	P9942 0170B (Drift Punch) .....	68
L9942 0060A (Mandrel) .....	63	P9942 0181B (Installation Punch (210mm)) .....	68
L9942 0070A (Mounting Device) .....	63	P9942 0200B (Assembly Stand) .....	68
L9942 0080A (Holding Wrench) .....	63	P9942 0210B (Pin Wrench) .....	68
L9942 0090A (Hub Nut Wrench) .....	64	P9942 0220B (Puller) .....	69
L9942 0100A (Bearing Installer) .....	64	P9942 0230B (Removal & Installation Tool) .....	69
L9942 0120A (Drift) .....	64	P9942 0240A (Retaining Plate) .....	69
L9942 0130A (Drift Ring) .....	64	P9942 0260A (Drift Punch) .....	69
P9942 0010B (Thrust Piece) .....	65	P9942 0280A (Installation Tool) .....	70
P9942 0041B (Puller) .....	65	P9942 0292B (Disk) .....	70
P9942 0051B (Installer Punch) .....	65	P9942 0300B (Installation Tool) .....	70
P9942 0060B (Removal Tool) .....	65	P9942 0310A (Impact Extractor) .....	70
P9942 0071B (Installation Tool) .....	66	P9942 0320A (Remover & Installer Tool) .....	71
P9942 0081B (Installation Tool) .....	66	P9942 0330A (Remover & Installer Tool) .....	71
P9942 0091B (Installation Tool) .....	66	P9942 0340A (Remover & Installer Tool) .....	71
P9942 0101B (Remover & Installation Tool) .....	66		

---

4 - AXLE

TOOL NUMBER AND DESCRIPTION	APPLICATION		MODEL						CLASS			
	ENGLISH	OTHER LANGUAGE	M	I	K	C	R	S	A	B	C	
<b>L9942 0010A</b> (631589 053300) <b>Puller</b> (拉拔器)	To install and remove the hub cap. 	用以拆装轮毂盖		○						●	●	●
<b>L9942 0020A</b> (631589 203500) <b>Mandrel</b> (配合冲)	Installing of rear axle hub braring. 	用以安装后轴轮毂轴承		○						●	●	●
<b>L9942 0032A</b> (661589 000700) <b>Hook Spanner</b> (勾爪式扳手)	Hook wrench for rear wheel hub. 	用以固定后轮毂		○						●	●	●
<b>L9942 0040A</b> (661589 000800) <b>Rear Hob Not Wrench</b> (后轮毂螺帽套筒)	To install and remove rear lock nut. 	用以拆装后轮毂螺帽		○						●	●	●

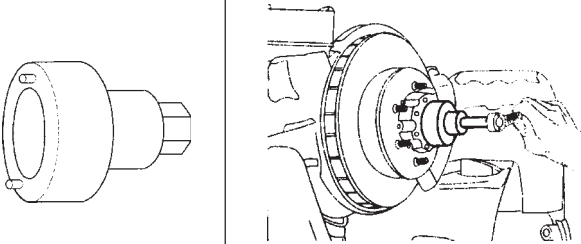
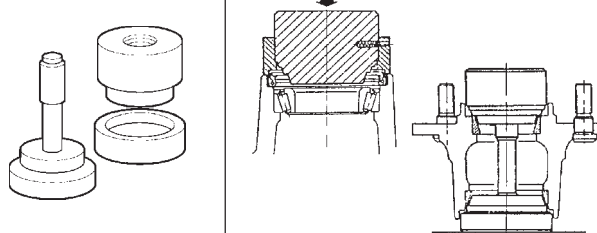
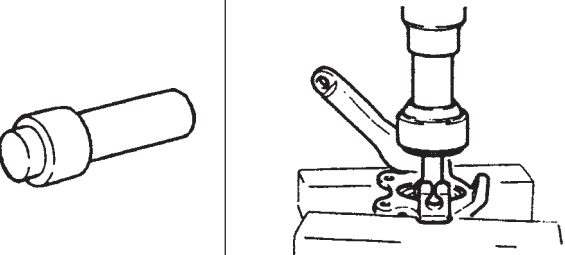
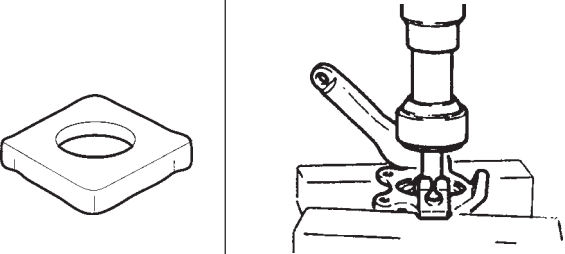
MODEL (车型) - M : Musso & Musso Sports, I : Istana, K : Korando, C : Chairman, R : Rexton, S : Stavic

TOOL NUMBER AND DESCRIPTION	APPLICATION		MODEL							CLASS		
	ENGLISH	OTHER LANGUAGE	M	I	K	C	R	S	A	B	C	
<b>L9942 0052A</b> (661589 002100) <b>Dial Gauge Holder</b> (千分表固定架)	Dial gauge holder for measurement of rear axle hub clearance. 	用以量测后轮毂间隙		○						●	●	●
<b>L9942 0060A</b> (661589 003500) <b>Mandrel</b> (配合冲)	To install the bearing and the hub for the knuckle. 	用以安装轮毂与转向节间之轴承		○						●	●	●
<b>L9942 0070A</b> (661589 004100) <b>Mounting Device</b> (固定装置)	Mounting device for front axle. 	用以固定前轴		○						●	●	●
<b>L9942 0080A</b> (661589 006300) <b>Holding Wrench</b> (固定扳手)	Holding wrench for removal and installation of front wheel hub nut/ drive shaft. 	用以拆装前轮毂螺帽与驱动轴		○						●	●	●

CLASS (等级) - A : Mandatory Basic, B : Extended Mandatory Basic, C : Commercially Available

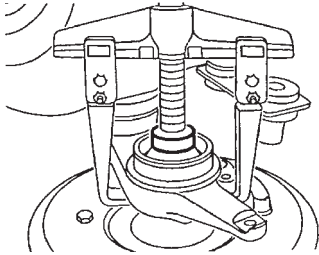
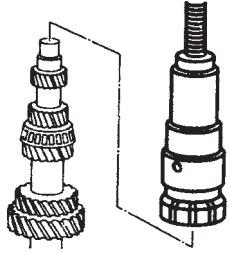
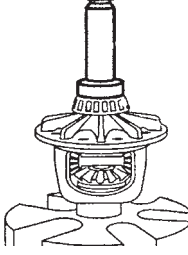
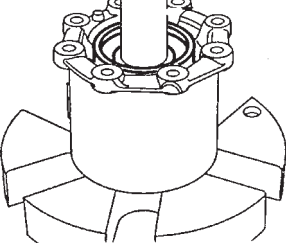
(A:基本要求, B:基本要求延伸, C:商业用途)

4 - AXLE

TOOL NUMBER AND DESCRIPTION	APPLICATION		MODEL						CLASS			
	ENGLISH	OTHER LANGUAGE	M	I	K	C	R	S	A	B	C	
<b>L9942 0090A</b> (661589 010700) <b>Hub Nut Wrench</b> (轮毂螺帽扳手)	Hub nut wrench for removal and installation of hub bearing of front axle.  	用以拆装前轮毂轴承		○				○		●	●	●
<b>L9942 0100A</b> (661589 036200) <b>Bearing Installer</b> (轴承安装器)	Installing of rear axle hub bearing out race or oil seal.  	用以安装后轴轮毂轴承外环或油封		○						●	●	●
<b>L9942 0120A</b> (661 589 06 33 00) <b>Drift</b> (配合冲)	To remove the bearing and the hub for the knuckle with drift ring(661 589 06 33 01).  	与压离式夹环(661 589 06 33 01)配合用以拆卸转向节上之轮毂和轴承		○						●	●	●
<b>L9942 0130A</b> (661 589 06 33 00) <b>Drift Ring</b> (配合环)	To remove the hub bearing with drift(661 589 06 33 00).  	与配合冲(661 589 06 33 00)相组合来拆卸轮毂轴承		○						●	●	●

MODEL (车型) - M : Musso & Musso Sports, I : Istana, K : Korando, C : Chairman, R : Rexton, S : Stavic

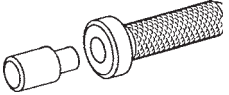
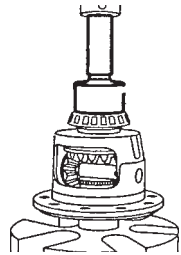
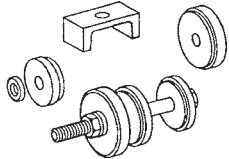
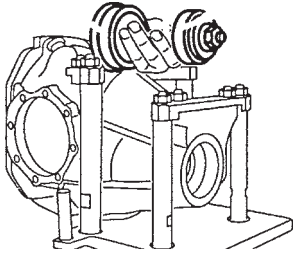
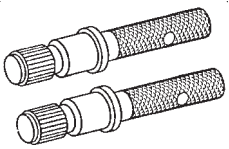
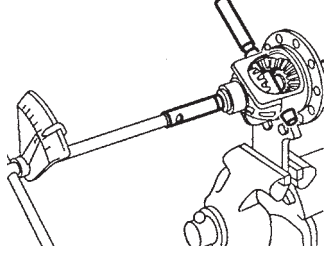
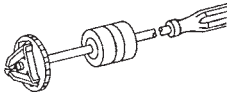
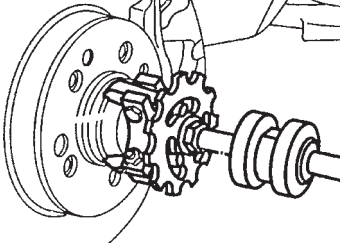


TOOL NUMBER AND DESCRIPTION	APPLICATION		MODEL							CLASS		
	ENGLISH	OTHER LANGUAGE	M	I	K	C	R	S	A	B	C	
<b>P9942 0010B</b> (000589 033400) <b>Thrust Piece</b> (推力片)	A hand-held. 	为手握型				○					●	●
<b>P9942 0041B</b> (001589 503300) <b>Puller</b> (拉拔器)	A hand-held. 	为一手握型工具				○	○	○			●	●
<b>P9942 0051B</b> (115589 046100) <b>Installer Punch</b> (安装冲)	Installation punch. 	用以安装差速器轴承				○					●	●
<b>P9942 0060B</b> (116589 003500) <b>Removal Tool</b> (拆卸工具)	Removal tool. 	拆卸工具				○					●	●

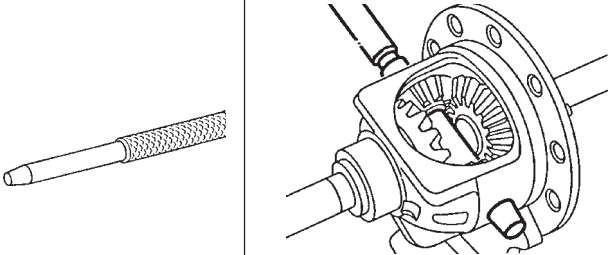
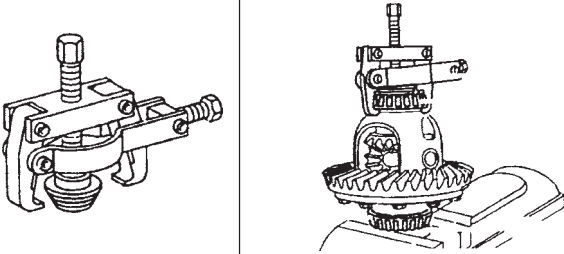
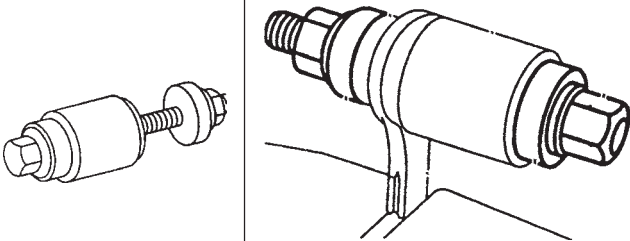
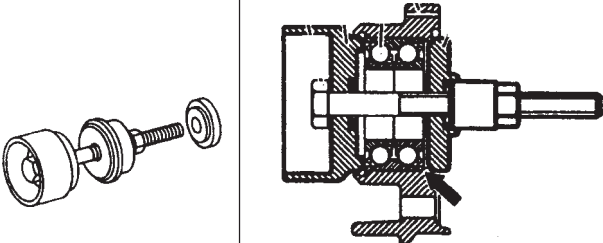
**CLASS (等级) - A : Mandatory Basic, B : Extended Mandatory Basic, C : Commercially Available**

(A:基本要求, B:基本要求延伸, C:商业用途)

4 - AXLE

TOOL NUMBER AND DESCRIPTION	APPLICATION		MODEL							CLASS		
	ENGLISH	OTHER LANGUAGE	M	I	K	C	R	S	A	B	C	
<b>P9942 0071B</b> (116589 086100) <b>Installation Tool</b> (安装工具)	Installation tool   	安装工具				○					●	●
<b>P9942 0081B</b> (116589 116100) <b>Installation Tool</b> (安装工具)	Installation tool   	安装工具				○					●	●
<b>P9942 0091B</b> (116589 186100) <b>Installation Tool</b> (安装工具)	Installation tool   	安装工具				○					●	●
<b>P9942 0101B</b> (116589 223300) <b>Remover &amp; Installation Tool</b> (冲击式拉拔器)	Remover & Installation tool.   	冲击式拉拔器				○					●	●

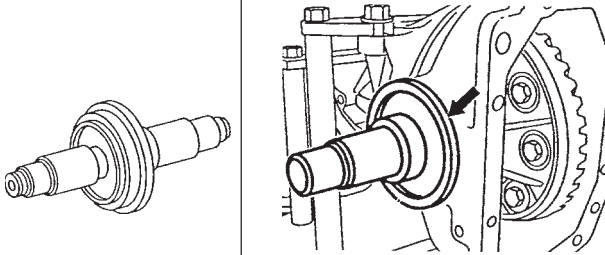
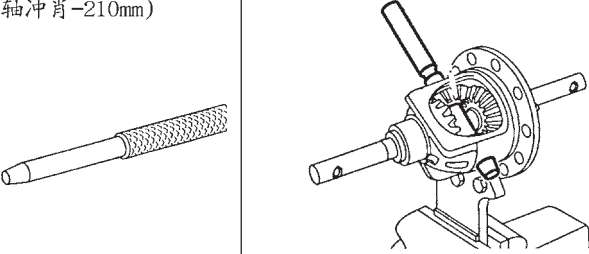
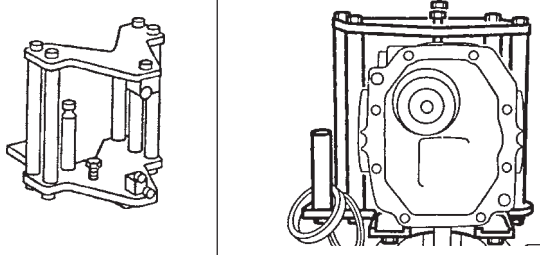
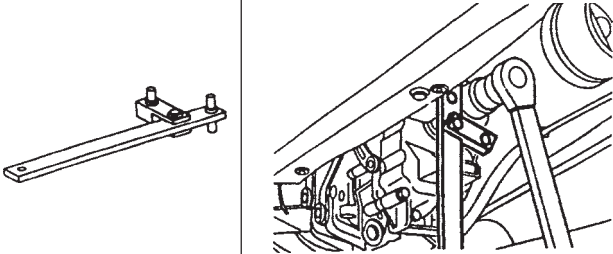
MODEL (车型) - M : Musso & Musso Sports, I : Istana, K : Korando, C : Chairman, R : Rexton, S : Stavic

TOOL NUMBER AND DESCRIPTION	APPLICATION		MODEL							CLASS			
	ENGLISH	OTHER LANGUAGE	M	I	K	C	R	S	A	B	C		
<p><b>P9942 0111B</b> (123589 061500) <b>Installation Punch</b> (差速器小齿轮安装冲)</p> 	<p>Installation punch</p>	<p>用以安装差速器小齿轮 固定轴</p>				○					●	●	
<p><b>P9942 0121B</b> (123589 083300) <b>Puller</b> (差速器轴承拉拔器)</p> 	<p>To remove both tapered roller bearings.</p>	<p>用以拆卸差速器两侧轴承</p>				○					●	●	
<p><b>P9942 0150A</b> (124589 024300) <b>Puller &amp; Installation Tool</b> (拆装工具)</p> 	<p>To install and remove the rubber mounting for track rod.</p>	<p>用以拆装侧拉杆橡皮衬套</p>				○					●	●	●
<p><b>P9942 0160B</b> (124589 054300) <b>Puller &amp; Installation Tool</b> (拆装工具)</p> 	<p>To install and remove the ball bearing for wheel carrier.</p>	<p>用以拆装轮架轴承</p>				○					●	●	

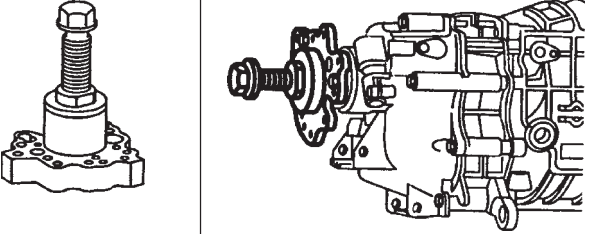
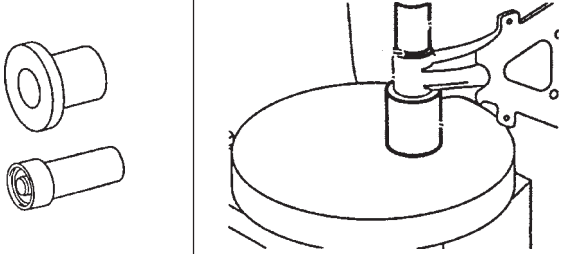
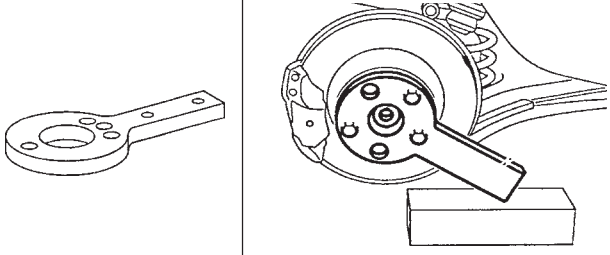
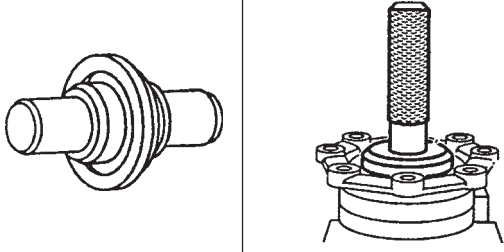
**CLASS (等级) - A : Mandatory Basic, B : Extended Mandatory Basic, C : Commercially Available**

(A:基本要求, B:基本要求延伸, C:商业用途)

4 - AXLE

TOOL NUMBER AND DESCRIPTION	APPLICATION		MODEL							CLASS		
	ENGLISH	OTHER LANGUAGE	M	I	K	C	R	S	A	B	C	
<b>P9942 0170B</b> (126589 001500) <b>Drift Punch</b> (配合冲)	Drift punch 	配合冲				○					●	●
<b>P9942 0181B</b> (126589 021500) <b>Installation Punch</b> (210mm) (差速器小齿轮固定轴冲肖-210mm)	Installation punch 	安装冲				○					●	●
<b>P9942 0200B</b> (129589 003100) <b>Assembly Stand</b> (组装架)	Assembly stand 	加力箱组装架				○					●	●
<b>P9942 0210B</b> (129589 010700) <b>Pin Wrench</b> (固定扳手)	To install and remove the joint flange. 	用以安装接头固定座				○					●	●

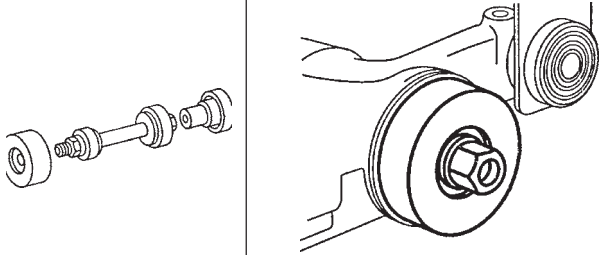
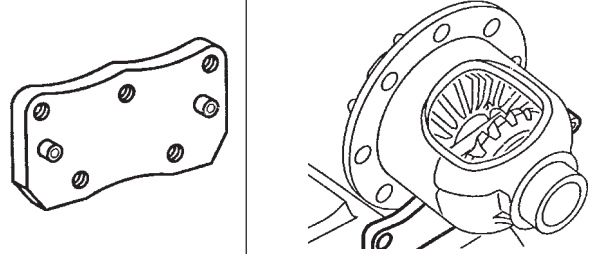
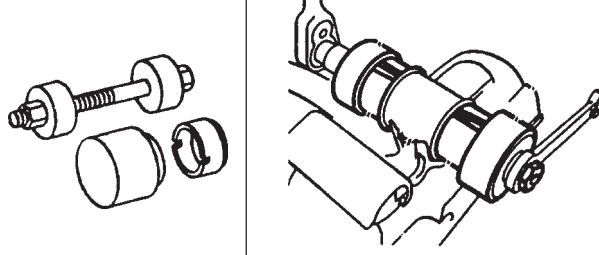
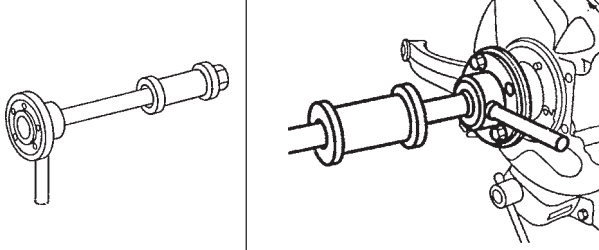
MODEL (车型) - M : Musso & Musso Sports, I : Istana, K : Korando, C : Chairman, R : Rexton, S : Stavic

TOOL NUMBER AND DESCRIPTION	APPLICATION		MODEL							CLASS			
	ENGLISH	OTHER LANGUAGE	M	I	K	C	R	S	A	B	C		
<b>P9942 0220B</b> (129589 013300) <b>Puller</b> (拉拔器)	Puller 	拉拔器				○					●	●	
<b>P9942 0230B</b> (129589 014300) <b>Removal &amp; Installation Tool</b> (拆装工具)	To install and remove the radial seal for rear axle housing. 	用以拆装后轴壳径向油封				○					●	●	
<b>P9942 0240A</b> (136589 053100) <b>Retaining Plate</b> (固定板)	Retaining plate 	固定板				○					●	●	●
<b>P9942 0260A</b> (140589 061500) <b>Drift Punch</b> (配合冲)	To install the bearing cap for rear axle housing. 	用以安装后轴壳之轴承盖				○					●	●	●

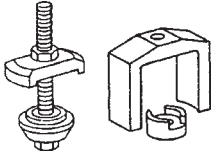
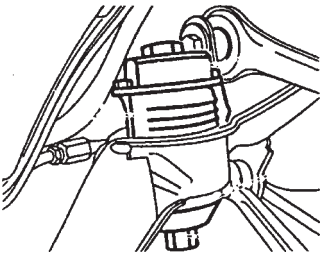
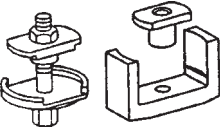
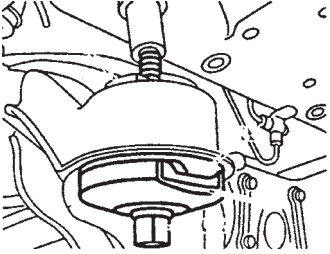
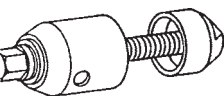
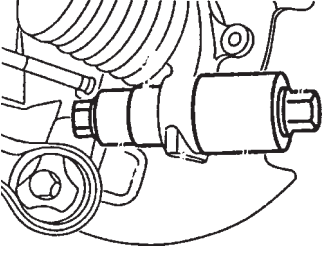
**CLASS (等级) - A : Mandatory Basic, B : Extended Mandatory Basic, C : Commercially Available**

(A:基本要求, B:基本要求延伸, C:商业用途)

4 - AXLE

TOOL NUMBER AND DESCRIPTION	APPLICATION		MODEL							CLASS		
	ENGLISH	OTHER LANGUAGE	M	I	K	C	R	S	A	B	C	
<b>P9942 0280A</b> (201589 014300) <b>Installation Tool</b> (安装工具)	Installation tool 	安装工具				○				●	●	●
<b>P9942 0292B</b> (201589 023100) <b>Disk</b> (差速器固定板)	Disk 	差速器固定板				○					●	●
<b>P9942 0300B</b> (201589 063300) <b>Installation Tool</b> (安装工具)	To install the mounting rubber of front lower arm. 	用以安装前端下控制臂衬套				○					●	●
<b>P9942 0310A</b> (201589 103300) <b>Impact Extractor</b> (冲击式拉拔器)	Impact extractor 	冲击式拉拔器				○				●	●	●

MODEL (车型) - M : Musso & Musso Sports, I : Istana, K : Korando, C : Chairman, R : Rexton, S : Stavic

TOOL NUMBER AND DESCRIPTION	APPLICATION		MODEL							CLASS		
	ENGLISH	OTHER LANGUAGE	M	I	K	C	R	S	A	B	C	
<p><b>P9942 0320A</b> (201589 104300) <b>Remover &amp; Installer Tool</b> (拆装工具)</p> 	<p>To install and remove front rubber mounting of rear axle.</p> 	<p>用以拆装后轴前橡皮衬套</p>				○				●	●	●
<p><b>P9942 0330A</b> (201589 114300) <b>Remover &amp; Installer Tool</b> (拆装工具)</p> 	<p>To install and remove rear rubber mounting of rear axle.</p> 	<p>用以拆装后轴后方橡皮衬套</p>				○				●	●	●
<p><b>P9942 0340A</b> (202589 004300) <b>Remover &amp; Installer Tool</b> (拆装工具)</p> 	<p>To install and remove the support joint.</p> 	<p>用以拆装支撑接头</p>				○				●	●	●

**CLASS (等级) - A : Mandatory Basic, B : Extended Mandatory Basic, C : Commercially Available**

(A:基本要求, B:基本要求延伸, C:商业用途)





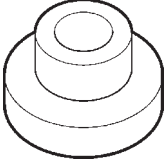
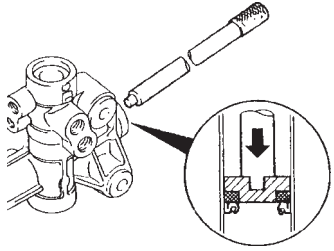
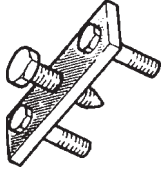
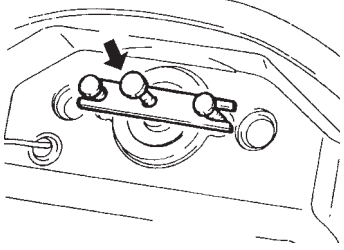
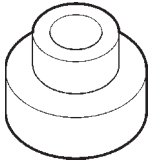
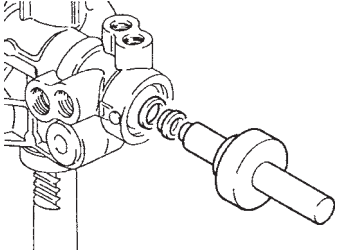

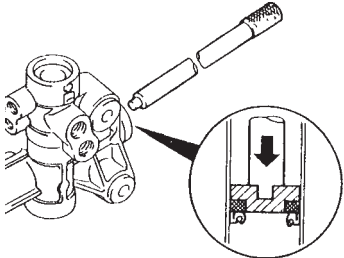
# 6 STEERING (转向)

---

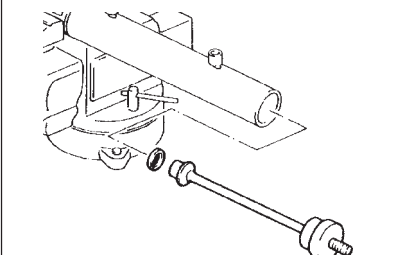
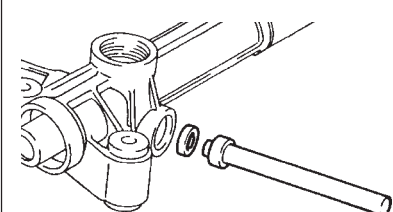
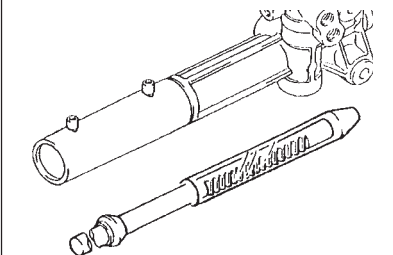
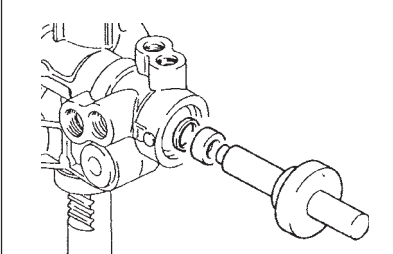
661589 011501 (Attachment) .....	74	P9946 0010A (Installation Device) .....	76
L9946 0010A (Puller Steering Wheel) .....	74	P9946 0020A (Puller) .....	76
L9946 0020B (Attachment) .....	74	P9946 0040A (Socket) .....	76
L9946 0040B (Handle) .....	74	P9946 0050A (Puller) .....	77
L9946 0050B (Guider) .....	75	P9946 0070A (Spreader) .....	77
L9946 0060B (Attachment) .....	75	P9946 0090A (Puller) .....	77
L9946 0070B (Protector) .....	75	P9946 0100A (Puller) .....	77
L9946 0090B (Attachment) .....	75	P9946 0110A (Puller) .....	78
L9946 0110A (Torsion Bar Puller) .....	76		

---

6 - STEERING

TOOL NUMBER AND DESCRIPTION	APPLICATION		MODEL						CLASS			
	ENGLISH	OTHER LANGUAGE	M	I	K	C	R	S	A	B	C	
<b>661589 011501</b> <b>Attachment</b> (固定座)	Attachment for removal of rod seal & housing insert of steering gear.	用以拆卸动力方向机之 连杆油封与外壳	○	○	○		○				●	●
												
<b>L9946 0010A</b> (661589 003300) <b>Puller Steering Wheel</b> (方向盘拉拔器)	Puller for removal of steering wheel.	用以拆卸方向盘		○			○			●	●	●
												
<b>L9946 0020B</b> (661589 011400) <b>Attachment</b> (固定座)	Attachment for removal and installation of plane bearing of steering gear.	用以拆装动力方向机内 之平轴承	○	○	○		○				●	●
												
<b>L9946 0040B</b> (661589 011500) <b>Handle</b> (导肖)	Handle for removal of rod seal & housing insert steering gear.	用以拆卸动力方向机连 杆油封与外壳	○	○	○		○				●	●
												

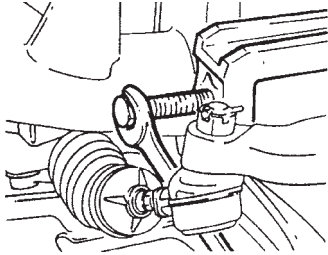
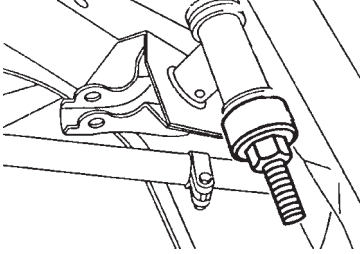
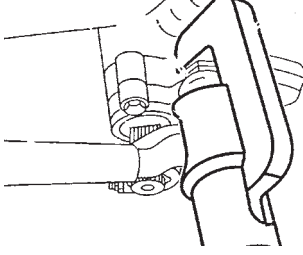
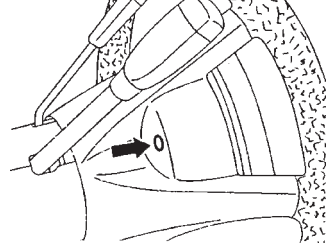
MODEL (车型) - M : Musso & Musso Sports, I : Istana, K : Korando, C : Chairman, R : Rexton, S : Stavic

TOOL NUMBER AND DESCRIPTION	APPLICATION		MODEL							CLASS			
	ENGLISH	OTHER LANGUAGE	M	I	K	C	R	S	A	B	C		
<b>L9946 0050B</b> (661589 013400) <b>Guider</b> (导座)	Guider for removal of rod seal & housing insert steering gear. 	用以拆除动力方向机之连杆油封和外壳	○	○	○		○					●	●
<b>L9946 0060B</b> (661589 021400) <b>Attachment</b> (固定座)	Attachment for installation of pinion bearing. 	用以安装齿条小齿轮轴承	○	○	○		○					●	●
<b>L9946 0070B</b> (661589 026200) <b>Protector</b> (护套)	Protection for oil seal. 	用以保护油封	○	○	○		○					●	●
<b>L9946 0090B</b> (661589 031400) <b>Attachment</b> (固定座)	Installation of pinion seal. 	用以安装齿条小齿轮之油封	○	○	○		○					●	●

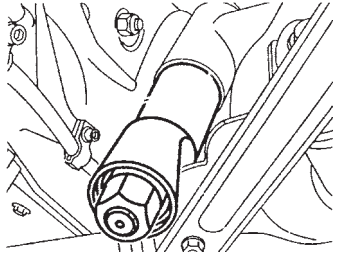
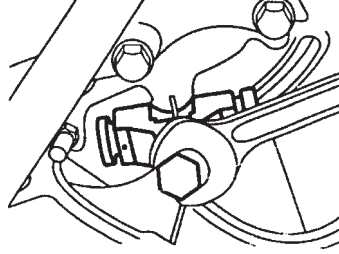
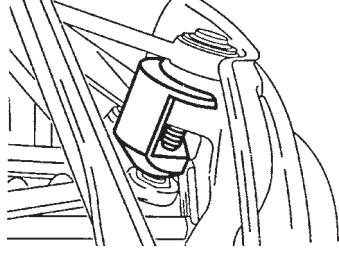
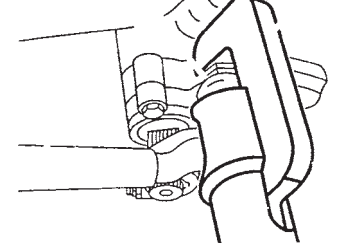
CLASS (等级) - A : Mandatory Basic, B : Extended Mandatory Basic, C : Commercially Available

(A:基本要求, B:基本要求延伸, C:商业用途)

6 - STEERING

TOOL NUMBER AND DESCRIPTION	APPLICATION		MODEL						CLASS			
	ENGLISH	OTHER LANGUAGE	M	I	K	C	R	S	A	B	C	
<b>L9946 0110A</b> (661589 043300) <b>Torsion Bar Poller</b> (扭力杆拉拔器)	Puller for removal of torsion bar. 	用以拆卸扭力杆		○						●	●	●
<b>P9946 0010A</b> (115589 086100) <b>Installation Device</b> (方向机惰杆衬套安装工具)	Installation tool 	安装工具				○				●	●	●
<b>P9946 0020A</b> (124589 023300) <b>Puller</b> (拉拔器)	Puller 	拉拔器				○				●	●	●
<b>P9946 0040A</b> (126589 001000) <b>Scket</b> (星形套筒)	To remove and install the unit of steering coheel ainbag. 	用以拆装方向盘安全气囊组件				○				●	●	●

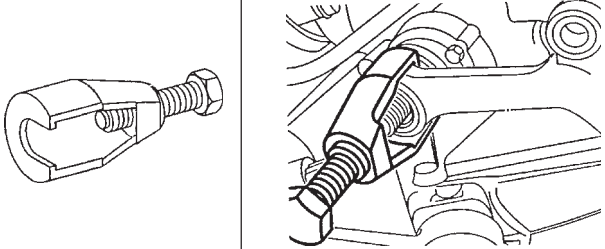
MODEL (车型) - M : Musso & Musso Sports, I : Istana, K : Korando, C : Chairman, R : Rexton, S : Stavic

TOOL NUMBER AND DESCRIPTION	APPLICATION		MODEL							CLASS		
	ENGLISH	OTHER LANGUAGE	M	I	K	C	R	S	A	B	C	
<b>P9946 0050A</b> (129589 003300) <b>Puller</b> (拉拔器)	Puller 	拉拔器				○				●	●	●
<b>P9946 0070A</b> (140589 023100) <b>Spreader</b> (扩张器)	To remove the streeing knuckle. 	用以拆卸转向节				○				●	●	●
<b>P9946 0090A</b> (201589 013300) <b>Puller</b> (拉拔器)	Puller 	拉拔器				○				●	●	●
<b>P9946 0100A</b> (201589 133300) <b>Puller</b> (拉拔器)	To remove the ball joint of steering arm and drag link. 	用以拆卸转向臂和直拉杆之球接头				○				●	●	●

CLASS (等级) - A : Mandatory Basic, B : Extended Mandatory Basic, C : Commercially Available

(A:基本要求, B:基本要求延伸, C:商业用途)

6 - STEERING

TOOL NUMBER AND DESCRIPTION	APPLICATION		MODEL							CLASS			
	ENGLISH	OTHER LANGUAGE	M	I	K	C	R	S		A	B	C	
<b>P9946 0110A</b> (601589 043300) <b>Puller</b> (拉拔器)	Puller  	拉拔器				○					●	●	●

MODEL (车型) - M : Musso & Musso Sports, I : Istana, K : Korando, C : Chairman, R : Rexton, S : Stavic

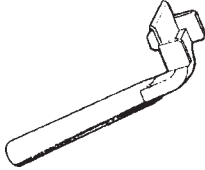
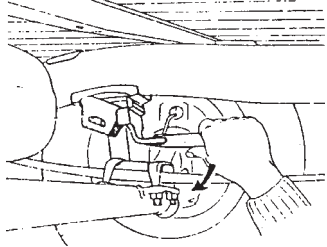

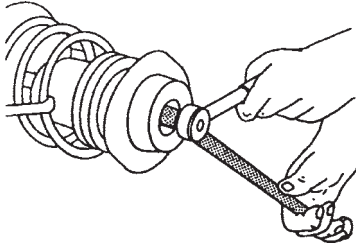

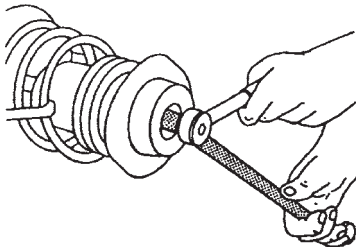

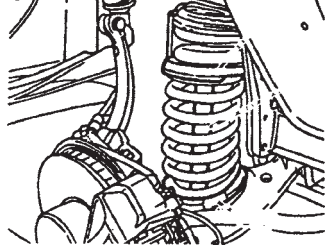
# 7 SUSPENSION (悬吊)

---

L9945 0010A (Assembly Lever) .....	80	P9944 0040A (Clamping Plates) .....	81
P9944 0012A (Socket Wrench) .....	80	P9945 0030A (Rear Spring Clamp) .....	81
P9944 0022A (FRT/RR Upper Mount Wrench) .....	80	W9944 0020A (Ball Joint Puller) .....	81
P9944 0030A (Front Spring Clamp).....	80	W9945 0010A (Coil Spring Comp) .....	81

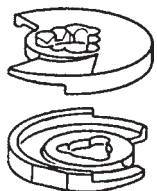
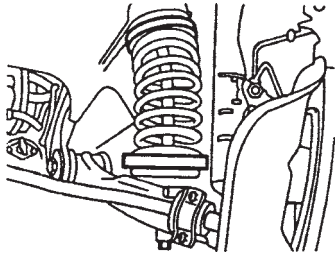
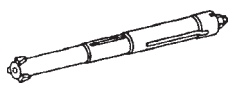
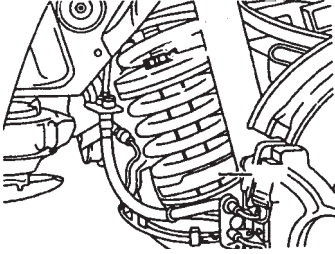
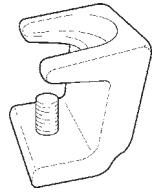
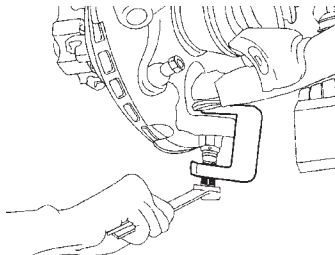
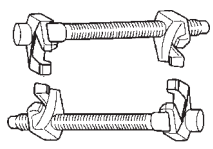
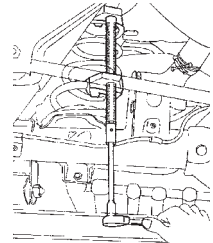
---

7 - SUSPENSION

TOOL NUMBER AND DESCRIPTION	APPLICATION		MODEL						CLASS			
	ENGLISH	OTHER LANGUAGE	M	I	K	C	R	S	A	B	C	
<p><b>L9945 0010A</b> (631589 016200) <b>Assembly Lever</b> (组装机)</p> 	<p>Assembly lever for rear axle rubber spring.</p> 	<p>用以拆装后轴橡皮弹簧之组装机</p>		○						●	●	●
<p><b>P9944 0012A</b> (124589 000900) <b>Socket Wrench</b> (套筒扳手)</p> 	<p>To tighten and untighten the damper strut with socket wrench holder (124589 000901).</p> 	<p>与套筒扳手固定杆(124589 000901)配合用以放松或锁紧避震器上座</p>				○				●	●	●
<p><b>P9944 0022A</b> (124589 000901) <b>FRT/RR Upper Mount Wrench</b> (套筒扳手固定杆)</p> 	<p>To tighten and untighten the damper strut with socket wrench (124589 000900).</p> 	<p>与套筒扳手(124589 000900)配合用以放松或锁紧避震器上座</p>				○				●	●	●
<p><b>P9944 0030A</b> (202589 013100) <b>Front Spring Clamp</b> (前避震器弹簧拆装固定夹)</p> 	<p>To install and remove the front coil spring with clamping plates (202589 136300) Do not use impact wrench with this clamp.</p> 	<p>与夹板(202589 136300)配合用以拆装前避震器圈状弹簧。不可使用冲击扳手与此固定夹一起来操作</p>				○				●	●	●

MODEL (车型) - M : Musso & Musso Sports, I : Istana, K : Korando, C : Chairman, R : Rexton, S : Stavic



TOOL NUMBER AND DESCRIPTION	APPLICATION		MODEL							CLASS		
	ENGLISH	OTHER LANGUAGE	M	I	K	C	R	S	A	B	C	
<b>P9944 0040A</b> (202589 136300) <b>Clamping Plates</b> (避震器弹簧夹板)	To install and remove front and rear coil spring with the clamp (202589 013100) for front and the clamp (202589 023100) for rear.	与固定夹(202589 013100)或(202589 023100)配合用以拆装前后避震器圈状弹簧				○				●	●	●
												
<b>P9945 0030A</b> (202589 023100) <b>Rear Spring Clamp</b> (后避震器弹簧拆装固定夹)	To install and remove the rear coil spring with clamping plate (202589 136300) Do not use impact wrench with this clamp.	与夹板(202589 136300)配合用以拆装后避震器圈状弹簧。不可使用冲击扳手与此固定夹一起来操作				○				●	●	●
												
<b>W9944 0020A</b> (661589 133300) <b>Ball Joint Puller</b> (球接头拉拔器)	Ball joint puller for removal of end assembly of front suspension system.	用以拆卸前悬吊系统之球接头	○		○		○			●	●	●
												
<b>W9945 0010A</b> (661589 123300) <b>Coil Spring Comp</b> (圈状弹簧压缩器)	Coil spring for removal and installation of spring of rear suspension.	用以拆装后悬吊之圈状弹簧	○		○		○			●	●	●
												

CLASS (等级) - A : Mandatory Basic, B : Extended Mandatory Basic, C : Commercially Available

(A:基本要求, B:基本要求延伸, C:商业用途)



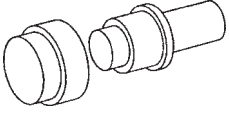
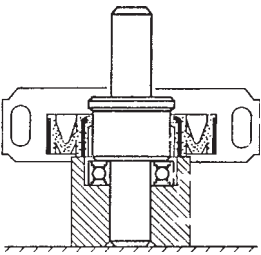
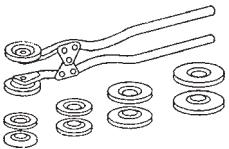
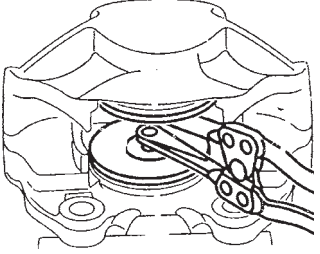
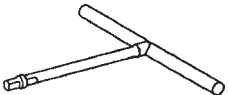
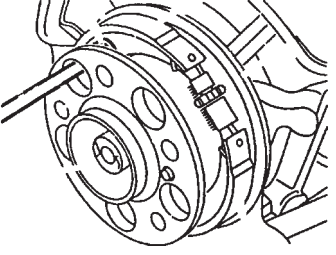
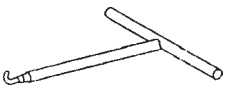
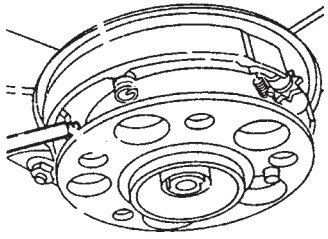
# 8 BRAKE (刹车)

---

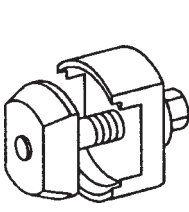
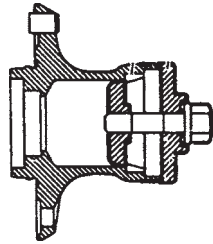
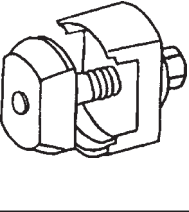
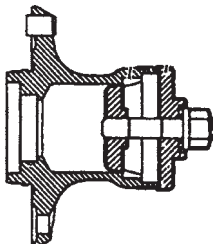
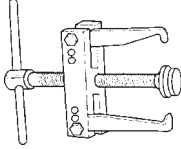
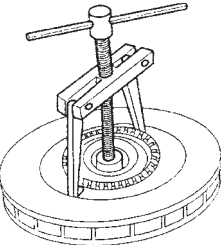
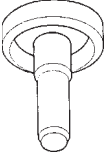
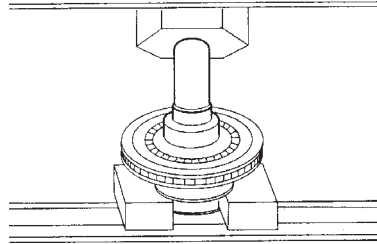
P9933 0011B (Removal & Installation Tool) .....	84	P9948 0040A (Puller) .....	85
P9948 0010A (Pliers) .....	84	P9948 0050A (Puller) .....	85
P9948 0020A (Installer) .....	84	W9948 0020A (Front A.B.S tooth Wheel Puller) .....	85
P9948 0030A (Removal & Installation Tool) .....	84	W9948 0030A (Front A.B.S Wheel Installer) .....	85

---

8 - BRAKE

TOOL NUMBER AND DESCRIPTION	APPLICATION		MODEL						CLASS				
	ENGLISH	OTHER LANGUAGE	M	I	K	C	R	S	A	B	C		
<p><b>P9933 0011B</b> (116589 094300) <b>Removal &amp; Installation Tool</b> (拆装工具)</p> 	<p>To install and remove.</p> 	<p>拆装工具</p>				○	○				●	●	
<p><b>P9948 0010A</b> (000589 493700) <b>Pliers</b> (刹车束紧器活塞拆卸钳)</p> 	<p>Pliers</p> 	<p>刹车束紧器活塞拆卸钳</p>	○		○	○	○				●	●	●
<p><b>P9948 0020A</b> (112589 096100) <b>Installer</b> (刹车蹄片弹簧拆卸器)</p> 	<p>To remove the spring.</p> 	<p>用以拆卸弹簧</p>				○					●	●	●
<p><b>P9948 0030A</b> (116589 016200) <b>Removal &amp; Installation Tool</b> (刹车蹄片回拉弹簧拆装工具)</p> 	<p>To install and remove the return spring.</p> 	<p>用以拆装回拉弹簧</p>				○					●	●	●

MODEL (车型) - M : Musso & Musso Sports, I : Istana, K : Korando, C : Chairman, R : Rexton, S : Stavic

TOOL NUMBER AND DESCRIPTION	APPLICATION		MODEL							CLASS		
	ENGLISH	OTHER LANGUAGE	M	I	K	C	R	S	A	B	C	
<b>P9948 0040A</b> (201589 003300) <b>Puller</b> (拉拔器)	To remove the bearing outer race of front wheel hub.  	用以拆卸前輪殼外側軸承座				○				●	●	●
<b>P9948 0050A</b> (201589 003301) <b>Puller</b> (拉拔器)	To remove the bearing outer race of front wheel hub.  	用以拆卸前輪殼外側軸承座				○				●	●	●
<b>W9948 0020A</b> (661589 163300) <b>Front A.B.S tooth Wheel Puller</b> (前輪ABS環齒拉拔器)	For removal of front brake tooth wheel of A.B.S.  	有關前輪ABS環齒之拆卸	○		○		○			●	●	●
<b>W9948 0030A</b> (661589 173300) <b>Front A.B.S Wheel Installer</b> (前輪ABS環齒安裝器)	For installation of front brake tooth wheel of A.B.S.  	用以安裝前輪ABS環齒	○		○		○			●	●	●

CLASS (等級) - A : Mandatory Basic, B : Extended Mandatory Basic, C : Commercially Available

(A:基本要求, B:基本要求延伸, C:商业用途)



# **SPECIAL SERVICE TOOLS**

- 1. ENGINE (发动机)**
- 3. TRANSMISSION/TRANSAXLE (变速箱)**
- 4. AXLE (轴)**
- 6. STEERING (转向)**
- 7. SUSPENSION (悬吊)**
- 8. BRAKE (刹车)**

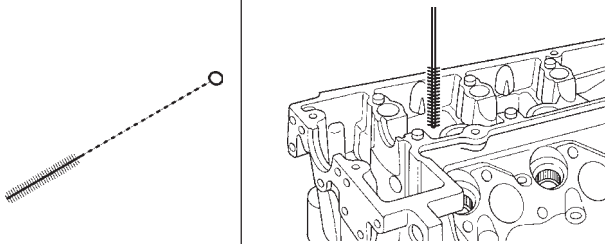
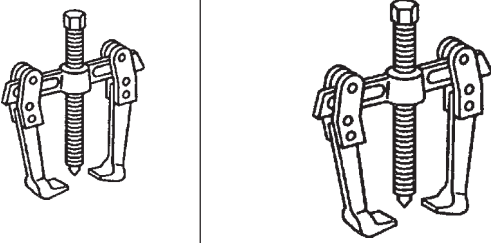
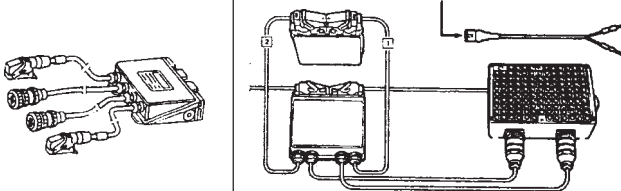
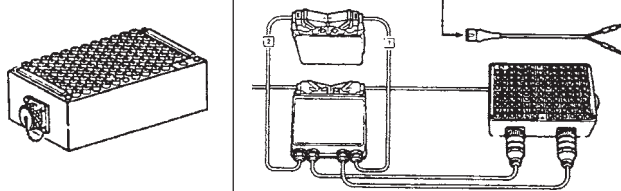




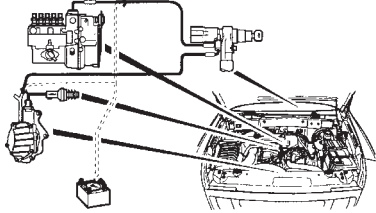
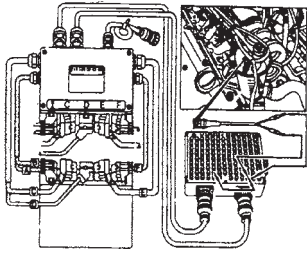
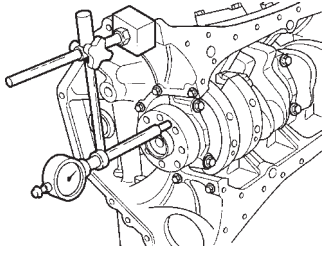
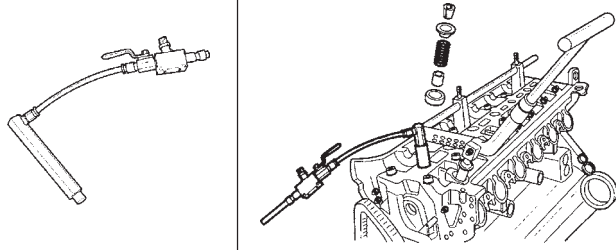
# 1 ENGINE (发动机)

000589 106800 (Cylinder Brush).....	90	A9917 0202C (Cooling Box).....	96
A9910 0020A (Puller).....	90	A9917 0220B (Supporting Bar).....	96
A9910 0092B (Test Cable-55 Pole Can).....	90	A9921 0012A (Leakage Tester).....	97
A9910 0102B (Contact Box (126 Pole)).....	90	A9946 0012A (Hose Clamp).....	97
A9910 0112B (Vacuum Tester).....	91	A9948 0012A (Hose Clamp).....	97
A9910 0122B (ECU Test Cable-145 Pins).....	91	W9910 0012A (Hand Vacuum Pump).....	97
A9910 0132B (Dial Gauge Holder).....	91	W9910 0032B (Extension).....	98
A9911 0012B (Connecting Hose).....	91	W9910 0042A (Tester).....	98
A9911 0031B (Clamping Strap).....	92	W9910 0052A (Connector).....	98
A9911 0070B (Drift).....	92	W9910 0062A (Micro Switch Setting).....	98
A9912 0020B (Holder).....	92	W9910 0070B (Holding Fixture for Engine).....	99
A9912 0042C (Mounting Device).....	92	W9912 0020B (Internal Torx Set).....	99
A9913 0030B (Puller).....	93	W9912 0022C (Pressure Testing Plate).....	99
A9913 0042B (Open end Wrench).....	93	W9912 0062B (Height Gauge).....	99
A9917 0032B (Reamer (8mm)).....	93	W9912 0072C (Pressure Testing Plate).....	100
A9917 0042B (Go/No Go Gauge).....	93	W9913 0020B (Puller).....	100
A9917 0050B (Caulking Screw).....	94	W9913 0052B (TDC Pulse Sender Unit).....	100
A9917 0061B (Drift (7,9,11mm)).....	94	W9917 0012B (Reamer (9mm)).....	100
A9917 0071B (Drift (8,10mm)).....	94	W9917 0022B (Guide Sleeve).....	101
A9917 0091B (Mandrel).....	94	W9917 0032B (Guide Sleeve).....	101
A9917 0131B (Broach (14.2mm)).....	95	W9917 0042B (Go/No Go Gauge).....	101
A9917 0141B (Broach (14.4mm)).....	95	W9917 0080B (Drift (9mm)).....	101
A9917 0161B (Go/No Go Gauge(9mm)).....	95	W9917 0092B (Guide Sleeve).....	102
A9917 0171B (Mandrel).....	95	W9918 0092B (RI. Adapter).....	102
A9917 0181B (Push Lever).....	96	W9918 0102B (RI. Transmitter).....	102
A9917 0191B (Mandrel).....	96		

1 - ENGINE (OLD)

TOOL NUMBER AND DESCRIPTION	APPLICATION		MODEL						CLASS			
	ENGLISH	OTHER LANGUAGE	M	I	K	C	R	S	A	B	C	
<b>000589 106800</b> <b>Cylinder Brush</b> (汽缸刷)	Multi purpose brush.  	多用途刷子	○	○	○	○	○				●	●
<b>A9910 0020A</b> (000589 883300) <b>Puller</b> (拉拔器)	Multi purpose tool for 129589 003400.  	多用途工具 129589 003400	○	○	○	○	○			●	●	●
<b>A9910 0092B</b> (124589 456300) <b>Test Cable-55 Pole Can</b> (55pin 测试线)	To diagnose ECU and Sensors with contact box (129589 002100).  	与连接盒(129589 002100)联结用以诊断 ECU 和感知器	○	○	○	○					●	●
<b>A9910 0102B</b> (129589 002100) <b>Contact Box (126 Pole)</b> (126pin 连接盒)	To diagnose ECU and Sensors with Test Cable (124589 456300).  	与测试线(124589 456300)联结用以诊断 ECU和感知器	○	○	○	○	○				●	●

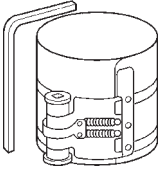
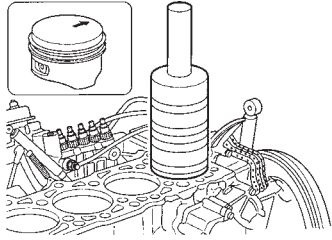

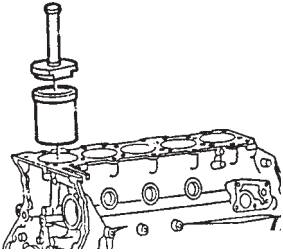
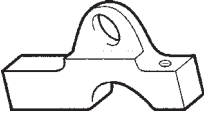
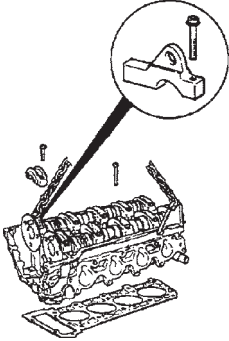
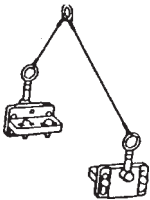
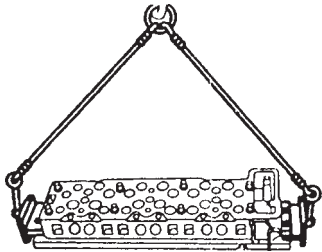
MODEL (车型) - M : Musso & Musso Sports, I : Istana, K : Korando, C : Chairman, R : Rexton, S : Stavic

TOOL NUMBER AND DESCRIPTION	APPLICATION		MODEL							CLASS		
	ENGLISH	OTHER LANGUAGE	M	I	K	C	R	S	A	B	C	
<b>A9910 0112B</b> (201589 132100) <b>Vacuum Tester</b> (真空测试器)	Tester 0~1000mbar for vacuum and pressure test. 	0~1000mbar测试器用以测试真空和压力值	<input type="radio"/>	<input type="radio"/>	<input type="radio"/>	<input type="radio"/>	<input type="radio"/>				<input checked="" type="radio"/>	<input checked="" type="radio"/>
<b>A9910 0122B</b> (210589 086300) <b>ECU Test Cable-145 Pins</b> (145pin ECU 测试线)	To diagnose ECU and Sensors with contact box (126pole). 	与连接盒(126 pole)联结用以诊断ECU和感知器	<input type="radio"/>		<input type="radio"/>	<input type="radio"/>	<input type="radio"/>				<input checked="" type="radio"/>	<input checked="" type="radio"/>
<b>A9910 0132B</b> (363589 022100) <b>Dial Gauge Holder</b> (千分表固定架)	Dial gauge holder magnetic. 	吸铁式千分表固定架	<input type="radio"/>	<input type="radio"/>	<input type="radio"/>	<input type="radio"/>	<input type="radio"/>				<input checked="" type="radio"/>	<input checked="" type="radio"/>
<b>A9911 0012B</b> (DW 110090) <b>Connecting Hose</b> (连接管)	Connecting hose. Blow up with compressed air. 	连接管 用压缩空气充气	<input type="radio"/>	<input type="radio"/>	<input type="radio"/>	<input type="radio"/>	<input type="radio"/>				<input checked="" type="radio"/>	<input checked="" type="radio"/>

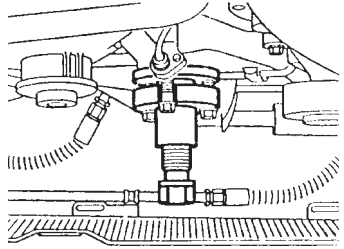
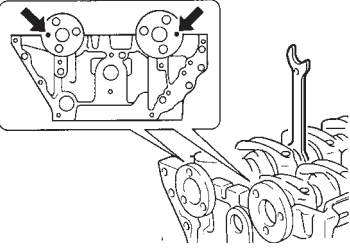
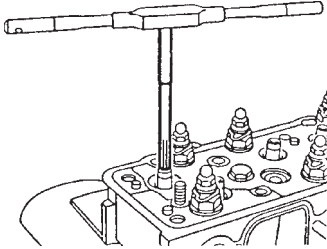
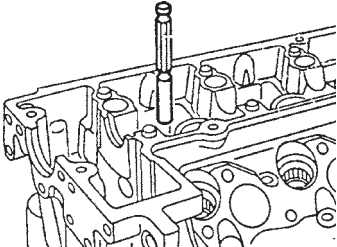
**CLASS (等级) - A : Mandatory Basic, B : Extended Mandatory Basic, C : Commercially Available**

(A:基本要求, B:基本要求延伸, C:商业用途)

1 - ENGINE (OLD)

TOOL NUMBER AND DESCRIPTION	APPLICATION		MODEL						CLASS			
	ENGLISH	OTHER LANGUAGE	M	I	K	C	R	S	A	B	C	
<b>A9911 0031B</b> (000589 041400) <b>Clamping Strap</b> (活塞环压缩器)	Clamping strap for compressing piston 60-125mm ring.  	用以压缩60-125mm尺寸之活塞环	○	○	○	○	○				●	●
<b>A9911 0070B</b> (603589 001500) <b>Drift</b> (配合冲)	Press in out cylinder liners with drift.  	用以拆装汽缸套	○	○	○	○	○				●	●
<b>A9912 0020B</b> (104589 004000) <b>Holder</b> (固定架)	Mounting holder.  	用以固定于汽缸盖上, 用以悬吊汽缸盖之用	○	○	○		○				●	●
<b>A9912 0042C</b> (115589 346300) <b>Mounting Device</b> (汽缸盖固定装置)	Mounting device for pressure testing plate.  	有关压力测试板之固定装置	○	○	○		○					●

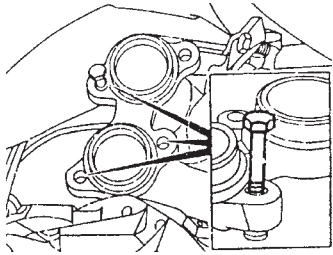
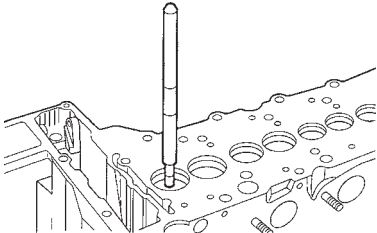
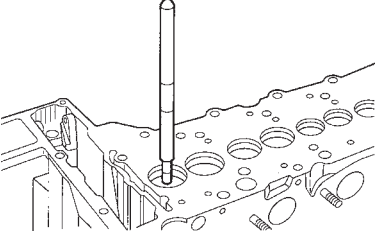
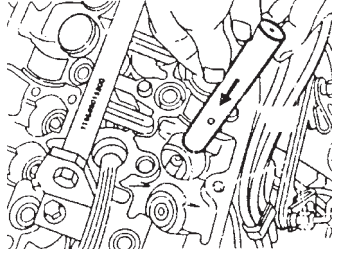
MODEL (车型) - M : Musso & Musso Sports, I : Istana, K : Korando, C : Chairman, R : Rexton, S : Stavic

TOOL NUMBER AND DESCRIPTION	APPLICATION		MODEL							CLASS		
	ENGLISH	OTHER LANGUAGE	M	I	K	C	R	S	A	B	C	
<b>A9913 0030B</b> (103589 003300) <b>Puller</b> (拉拔器)	Puller for balance disk hub. 	有关平衡盘毂使用之拉拔器	○	○	○	○	○				●	●
<b>A9913 0042B</b> (104589 010100) <b>Open end Wrench</b> (开口扳手)	Spanner for adjusting the timing of camshaft. 	用以调整凸轮轴正时	○	○	○	○	○				●	●
<b>A9917 0032B</b> (000589 215300) <b>Reamer (8mm)</b> (铰刀-8mm)	Reamer (8mm) for valve guide. 	汽门导管铰刀(8mm)	○	○	○		○				●	●
<b>A9917 0042B</b> (102589 002300) <b>Go/No Go Gauge</b> (量规)	Mandrel for checking in valve guide bore (8L). 	用以检查汽门导管孔	○	○	○		○				●	●

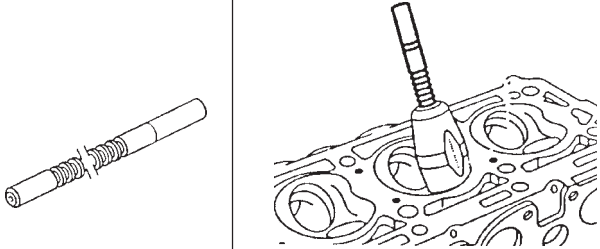
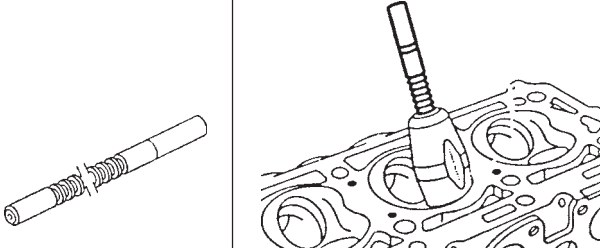
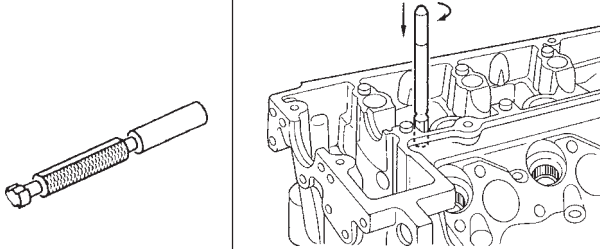
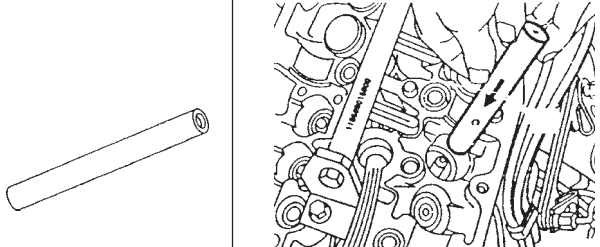
CLASS (等级) - A : Mandatory Basic, B : Extended Mandatory Basic, C : Commercially Available

(A:基本要求, B:基本要求延伸, C:商业用途)

1 - ENGINE (OLD)

TOOL NUMBER AND DESCRIPTION	APPLICATION		MODEL						CLASS			
	ENGLISH	OTHER LANGUAGE	M	I	K	C	R	S	A	B	C	
<b>A9917 0050B</b> (103589 013900) <b>Caulking Screw</b> (蹄型螺丝)	Caulking Screw for exhaust manifold and muffler pipe inner bolt. 	有关排汽歧管和消音器内侧螺丝所使用之蹄形螺丝	○	○	○	○	○				●	●
<b>A9917 0061B</b> (103589 021500) <b>Drift (7,9,11mm)</b> (汽门导管拆卸工具-7,9,11mm)	Drift 7/9/11mm for knocking out valve guide. 	7/9/11mm敲击冲用以敲出汽门导管	○	○	○	○	○				●	●
<b>A9917 0071B</b> (103589 031500) <b>Drift (8,10mm)</b> (汽门导管拆卸工具-8,10mm)	Drift 8/10mm for knocking out valve guide. 	8/10mm敲击冲用以敲出汽门导管	○	○	○		○				●	●
<b>A9917 0091B</b> (104589 014300) <b>Mandrel</b> (汽门油封安装工具)	Mandrel for changing of valve stem seal. 	用以更换汽门油封	○		○	○	○				●	●

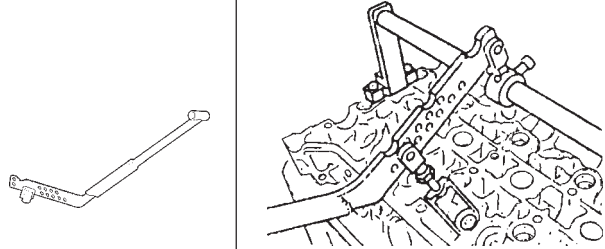
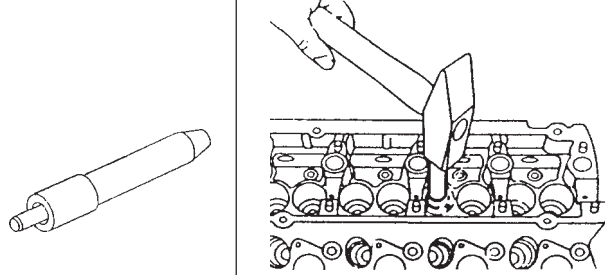
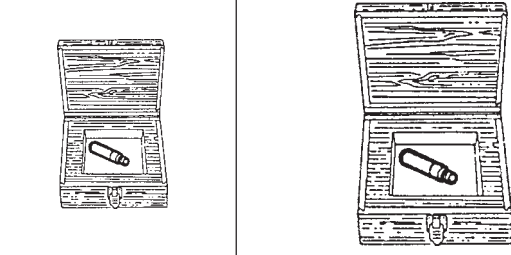
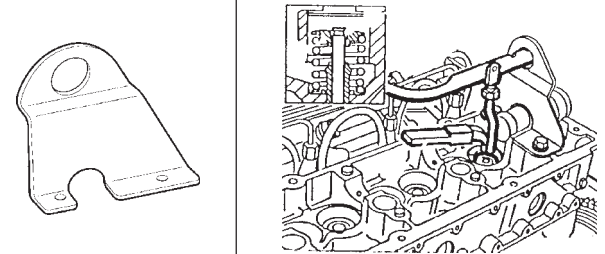
MODEL (车型) - M : Musso & Musso Sports, I : Istana, K : Korando, C : Chairman, R : Rexton, S : Stavic

TOOL NUMBER AND DESCRIPTION	APPLICATION		MODEL							CLASS			
	ENGLISH	OTHER LANGUAGE	M	I	K	C	R	S			A	B	C
<b>A9917 0131B</b> (115589 005300) <b>Broach (14.2mm)</b> (铰孔-14.2mm)	Broach-14.2mm for valve guide basic bore. 	有关汽门导管基孔之铰孔工具14.2mm	○	○	○	○	○					●	●
<b>A9917 0141B</b> (115589 015300) <b>Broach (14.4mm)</b> (铰孔-14.4mm)	Broach-14.4mm for valve guide basic bore. 	有关汽门导管基孔之铰孔工具14.4mm	○	○	○	○	○					●	●
<b>A9917 0161B</b> (117589 032300) <b>Go/No Go Gauge (9mm)</b> (量规-9mm)	Manbrel 19mm for checking valve guide. 	有关检查汽门导管之量规(9mm)	○	○	○	○	○					●	●
<b>A9917 0171B</b> (119589 004300) <b>Mandrel</b> (汽门油封安装工具)	Mandrel for changing the valve stem seal. 	有关更换汽门油封之安装工具	○	○	○	○	○					●	●

**CLASS (等级) - A : Mandatory Basic, B : Extended Mandatory Basic, C : Commercially Available**

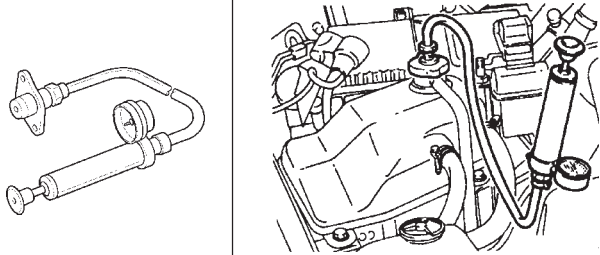
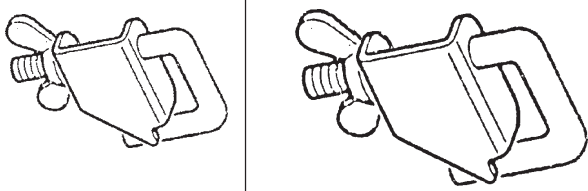
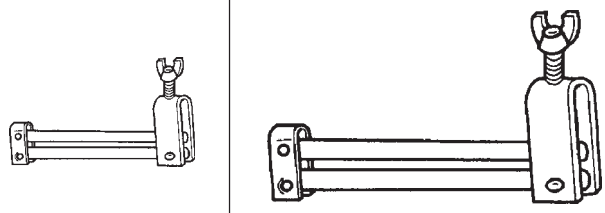
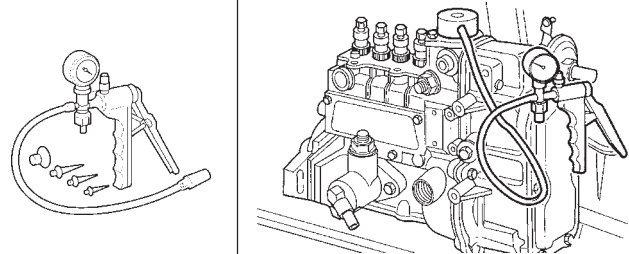
(A:基本要求, B:基本要求延伸, C:商业用途)

1 - ENGINE (OLD)

TOOL NUMBER AND DESCRIPTION	APPLICATION		MODEL						CLASS			
	ENGLISH	OTHER LANGUAGE	M	I	K	C	R	S	A	B	C	
<b>A9917 0181B</b> (119589 016100) <b>Push Lever</b> (推杆)	Spring compressor for removal and installation of valve springs (basic unit) Replacement for 111589 186100. 	有关汽门弹簧拆装之弹簧压缩器(基本元件与) 111589 186100 配合使用	○	○	○	○	○				●	●
<b>A9917 0191B</b> (119589 021500) <b>Mandrel</b> (汽门拆装工具)	Mandrel for changing, installing and removal of valve. 	有关更换汽门之拆装工具	○	○	○	○	○				●	●
<b>A9917 0202C</b> (346589 006300) <b>Cooling Box</b> (冷却箱)	Cool down new valve guide with liquid nitrogen. 	用以氮急速地冷却新的汽门导管之工具	○	○	○	○	○					●
<b>A9917 0220B</b> (667589 026300) <b>Supporting Bar</b> (支撑板)	Supporting bar for press lever. 	压杆所配合之支撑板	○	○	○		○				●	●

MODEL (车型) - M : Musso & Musso Sports, I : Istana, K : Korando, C : Chairman, R : Rexton, S : Stavic

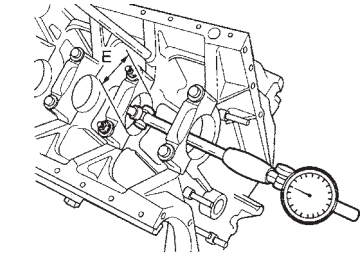
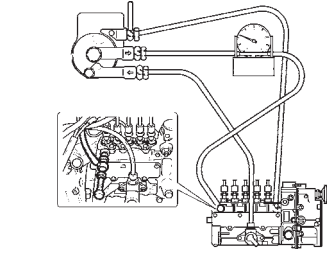
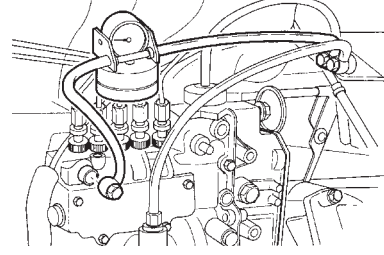
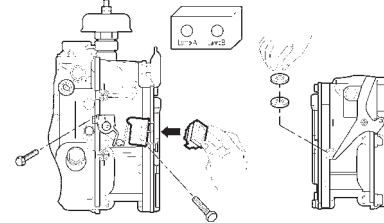


TOOL NUMBER AND DESCRIPTION	APPLICATION		MODEL							CLASS				
	ENGLISH	OTHER LANGUAGE	M	I	K	C	R	S			A	B	C	
<b>A9921 0012A</b> (124589 152100) <b>Leakage Tester</b> (水箱压力表)	Leakage tester 	水箱压力表	○	○	○	○	○					●	●	●
<b>A9946 0012A</b> (000589 403700) <b>Hose Clamp</b> (管夹)	Hose clamp for fuel hose and power steering oil hose. 	有关油管和动力方向机油管之管夹	○	○	○	○	○					●	●	●
<b>A9948 0012A</b> (661589 003700) <b>Hose Clamp</b> (管夹)	Hose clamp for fuel hose and power steering oil hose. 	有关油管和动力方向机油管之管夹	○	○	○	○	○					●	●	●
<b>W9910 0012A</b> (001589 732100) <b>Hand Vacuum Pump</b> (手动真空泵)	Vacuum hand pump for leakage of diaphragm and checking function, measuring range 0-1000mbar scale value 20mbar. 	手动真空泵用以检查膜片是否泄漏, 量测范围0-1000mbar, 刻度值为20mbar	○	○	○		○					●	●	●

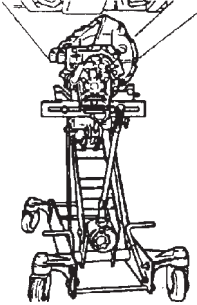
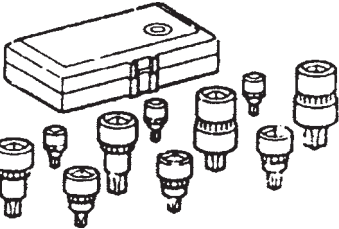
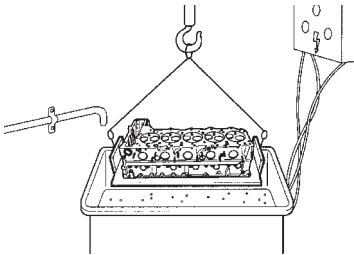
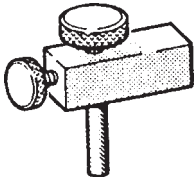
**CLASS (等级) - A : Mandatory Basic, B : Extended Mandatory Basic, C : Commercially Available**

(A:基本要求, B:基本要求延伸, C:商业用途)

1 - ENGINE (OLD)

TOOL NUMBER AND DESCRIPTION	APPLICATION		MODEL						CLASS				
	ENGLISH	OTHER LANGUAGE	M	I	K	C	R	S	A	B	C		
<b>W9910 0032B</b> (366589 002105) <b>Extension</b> (延伸杆)	Extension for measuring inner diameter of crankshaft bearing with dial gauge. 	与千分表接合用以量测曲轴轴承内径	○	○	○		○				●	●	
<b>W9910 0042A</b> (617589 042100) <b>Tester</b> (测试器)	Tester for oil pressure and leakage from (-1) to (+1) bar. 	有关机油压力和泄漏测试器从(-1)至(+1)bar	○	○	○		○				●	●	●
<b>W9910 0052A</b> (617589 042132) <b>Connector</b> (接头)	Connector (8 each) for tester 617589 042100. 	有关测试器617589 042100接头(8个)	○	○	○		○				●	●	●
<b>W9910 0062A</b> (617589 082101) <b>Micro Switch Setting</b> (微型开关设置)	EGR system is the device to prevent the Nox from being generated. 	EGR系统是防止氮氧化物之设备	○	○	○		○				●	●	●

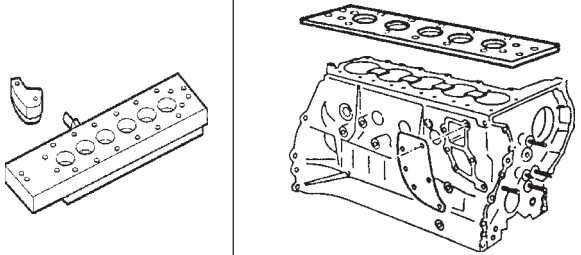
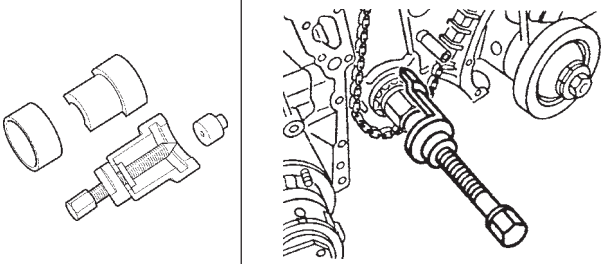
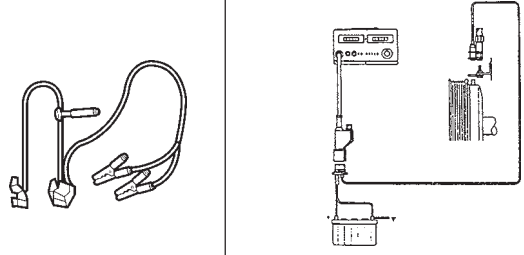
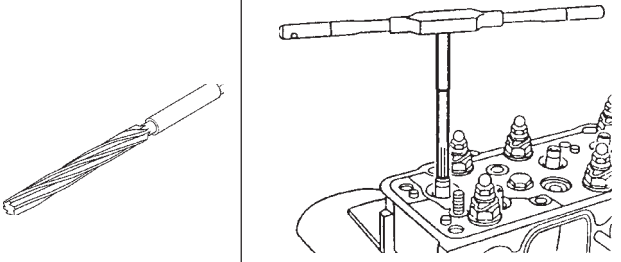
MODEL (车型) - M : Musso & Musso Sports, I : Istana, K : Korando, C : Chairman, R : Rexton, S : Stavic

TOOL NUMBER AND DESCRIPTION	APPLICATION		MODEL							CLASS			
	ENGLISH	OTHER LANGUAGE	M	I	K	C	R	S	A	B	C		
<b>W9910 0070B</b> (661589 016200) <b>Holding Fixture for Engine</b> (发动机固定架)	To install and remove engine assembly. 	用以拆装发动机总成	○	○	○		○					●	●
<b>W9912 0020B</b> (000589 011000) <b>Internal Torx Set</b> (星形套筒组)	To install and remove engine head, camshaft and OTH Multi purpose. 	拆装发动机汽缸盖和多用途工具组	○	○	○	○	○					●	●
<b>W9912 0022C</b> (601589 002500) <b>Pressure Testing Plate</b> (压力测试板)	Cylinder testing plate for cylinder head. 	用以测试汽缸盖是否泄漏	○	○	○		○						●
<b>W9912 0062B</b> (667589 002300) <b>Height Gauge</b> (高度规)	Depth gauge for checking dimensional when machining prechaber sealing surface. 	当预燃烧室表面加工时须使用此量规检查之	○	○	○		○					●	●

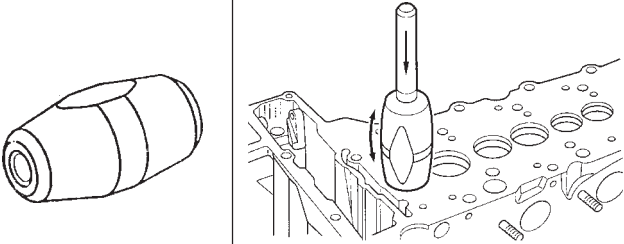
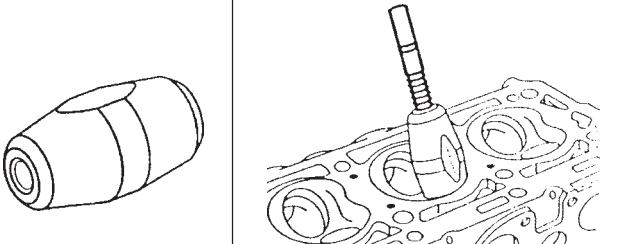
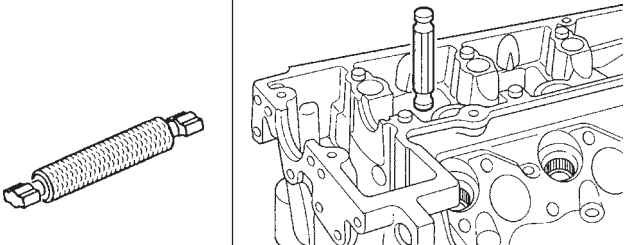
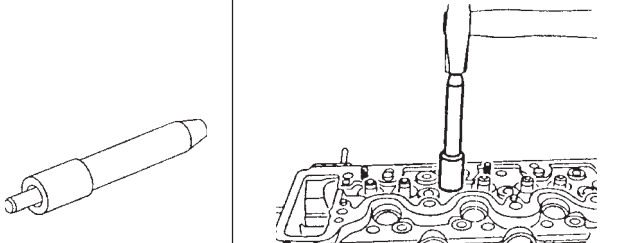
**CLASS (等级) - A : Mandatory Basic, B : Extended Mandatory Basic, C : Commercially Available**

(A:基本要求, B:基本要求延伸, C:商业用途)

1 - ENGINE (OLD)

TOOL NUMBER AND DESCRIPTION	APPLICATION		MODEL						CLASS			
	ENGLISH	OTHER LANGUAGE	M	I	K	C	R	S	A	B	C	
<b>W9912 0072C</b> (601589 012500) <b>Pressure Testing Plate</b> (压力测试板)	Pressure-testing crankcase. 	用以测试曲轴箱是否泄漏	○	○	○	○	○					●
<b>W9913 0020B</b> (102589 053300) <b>Puller</b> (曲轴正时齿轮拉拔器)	Puller for crankshaft (single and double roller chain). 	有关曲轴正时齿轮用之拉拔器(单和双排链条)	○	○	○		○					● ●
<b>W9913 0052B</b> (667589 002100) <b>TDC Pulse Sender Unit</b> (TDC 搏动传送器)	Disital tester and TDC pulse sender unit. 	数字式测试器和TDC 搏动传送器	○	○	○		○					● ●
<b>W9917 0012B</b> (000589 105300) <b>Reamer (9mm)</b> (铰刀-9mm)	Reamer (9mm) for valve guide. 	汽门导管铰刀(9mm)	○	○	○		○					● ●

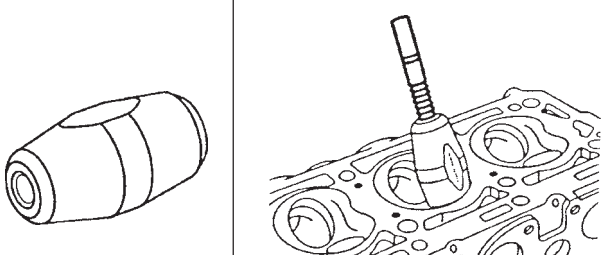
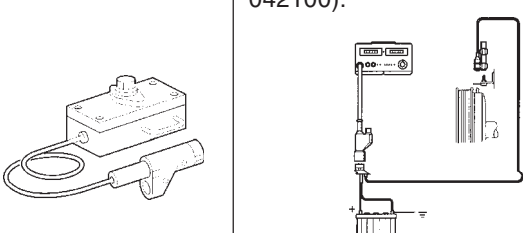
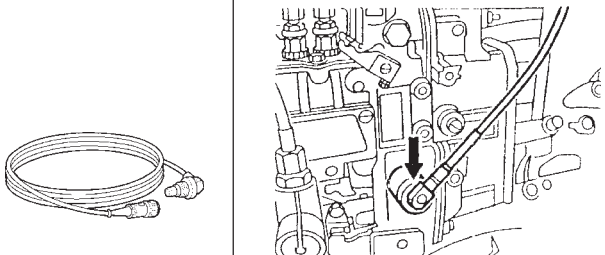
MODEL (车型) - M : Musso & Musso Sports, I : Istana, K : Korando, C : Chairman, R : Rexton, S : Stavic

TOOL NUMBER AND DESCRIPTION	APPLICATION		MODEL							CLASS			
	ENGLISH	OTHER LANGUAGE	M	I	K	C	R	S			A	B	C
<b>W9917 0022B</b> (102589 0063 00) <b>Guide Sleeve</b> (汽门导管衬套)	TGuide Sleeve 32.5/34mm for broach (valve guide basic bore $\phi$ 14.21mm-115589 005300). 	32.5/34mm导管衬套用以钻铰(汽门导管基本孔径 $\phi$ 14.21mm-115589 005300)	○	○	○		○					●	●
<b>W9917 0032B</b> (102589 086300) <b>Guide Sleeve</b> (汽门导管衬套)	Guide sleeve 30/35mm for broach (valve guide basic bore $\phi$ 14.2mm-115589 005300). 	30/35mm导管衬套用以钻铰(汽门导管基本孔径 $\phi$ 14.2mm-115589 005300)	○	○	○		○					●	●
<b>W9917 0042B</b> (601589 022300) <b>Go/No Go Gauge</b> (量规)	Mandrel 8/9mm for checking valve guide basic bore. 	有关检查汽门导管之量规(8/9mm)	○	○	○		○					●	●
<b>W9917 0080B</b> (601589 061500) <b>Drift (9mm)</b> (配合冲-9mm)	Mandrel 9mm for knocking in valve guide (outlet). 	用以安装排气门导管(9mm)	○	○	○		○					●	●

**CLASS (等级) - A : Mandatory Basic, B : Extended Mandatory Basic, C : Commercially Available**

(A:基本要求, B:基本要求延伸, C:商业用途)

1 - ENGINE (OLD)

TOOL NUMBER AND DESCRIPTION	APPLICATION		MODEL						CLASS			
	ENGLISH	OTHER LANGUAGE	M	I	K	C	R	S	A	B	C	
<b>W9917 0092B</b> (601589 156300) <b>Guide Sleeve</b> (汽门导管衬套)	Guide sleeve 29.5/32.5mm for broach (valve guide basic bore $\phi$ 14.41mm - 115589 015300).  	29.5/32.5mm导管衬套用以钻铰(汽门导管基本孔径 $\phi$ 14.41mm - 115589 015300)	○	○	○		○				●	●
<b>W9918 0092B</b> (617589 092100) <b>RI. Adapter</b> (RI.接收器)	RI. Adapter for engine tester for dynamic injection timing measurement of injection pump according to RIV used with RI sensor (617589 102100) and TDC sensor (601589 042100).  	依据所使用之RIV与RI感知器(617589 102100)和TDC感知器(601589 042100)来量测发动机测试器之动态喷射正时	○	○	○		○				●	●
<b>W9918 0102B</b> (617589 102100) <b>RI. Transmitter</b> (RI.传送器)	RI Transmitter for dynamic injection timing measurement of injection pump according to RI with diesel or engine tester.  	依据 RI与柴油或发动机测试器来量测喷射泵之动态喷射正时所需之工具	○	○	○		○				●	●

MODEL (车型) - M : Musso & Musso Sports, I : Istana, K : Korando, C : Chairman, R : Rexton, S : Stavic

# 3 TRANSMISSION & TRANSAXLE

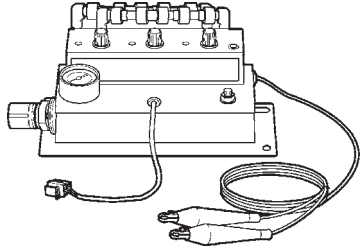
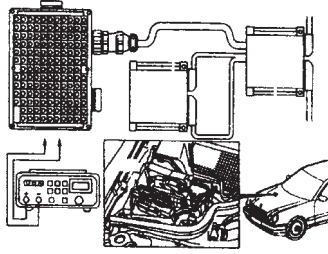
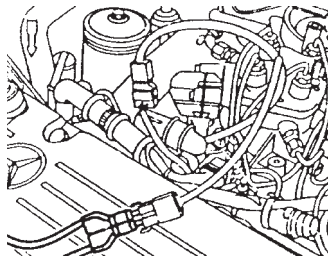
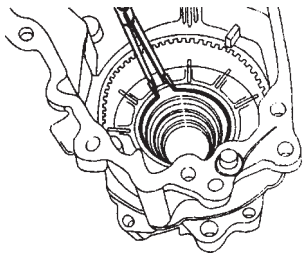
## (变速箱)

---

A9936 0012B (Solenoid/Themistor, Electronic Tester)...	104	W9936 0170C (Flushing Input Shaft) .....	106
P9936 0062B (Test Cable-30 Pole Can) .....	104	W9936 0211C (Clamping Device) .....	106
P9936 0072B (Adapter Line) .....	104	W9936 0231C (Sleeve) .....	107
W9931 0011B (T/C Carrier In & Remover Plier) .....	104	W9936 0242C (Parallel Support) .....	107
W9931 0031B (Bearing Remover & Installer) .....	105	W9936 0252C (Measuring Sleeve) .....	107
W9931 0041B (Input Shaft Support) .....	105	W9936 0261C (Sleeve) .....	107
W9931 0050B (Oil Seal Installer) .....	105	W9936 0270B (Plate-Trans Mounting) .....	108
W9931 0061B (Bearing Installer).....	105	W9936 0282A (Funnel) .....	108
W9936 0100C (Pump Alignment) .....	106	W9936 0300B (Mounting Device) .....	108
W9936 0160A (Oil Hand Pump) .....	106	W9936 0311B (Assembly Fixture).....	108

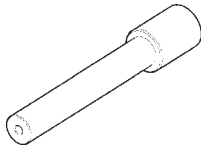
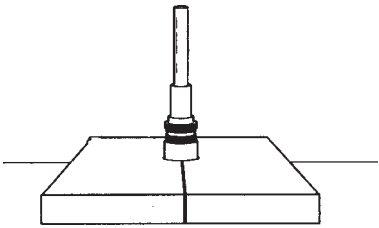
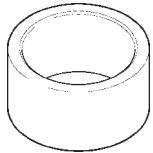
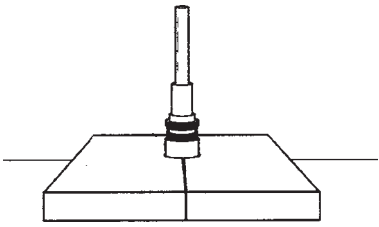

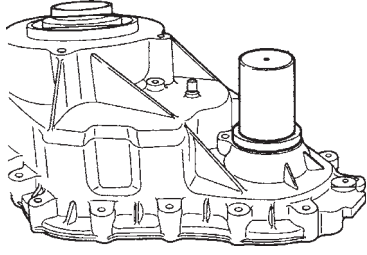
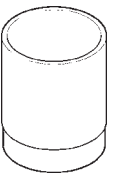
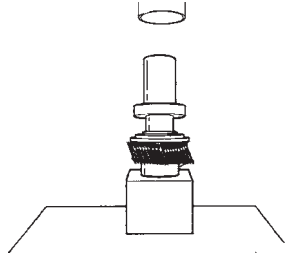
---

### 3 - TRANSMISSION & TRANSAXLE (OLD)

TOOL NUMBER AND DESCRIPTION	APPLICATION		MODEL						CLASS				
	ENGLISH	OTHER LANGUAGE	M	I	K	C	R	S	A	B	C		
<b>A9936 0012B</b> (0555 - 332083) <b>Solenoid/Themistor,                      Electronic Tester</b> (电磁阀/调节器之,电 子测试器)	BTRA A/T Solenoid tester.  	BTRA 自动变速箱电磁 阀测试器	○		○	○	○					●	●
<b>P9936 0062B</b> (140589 436300) <b>Test Cable-30 Pole                      Can</b> (30pin测试线)	To diagnose ECU and Sensor with contact box(129589 002100).  	与连接盒(129589 002100)联结用以诊断 ECU和感知器				○						●	●
<b>P9936 0072B</b> (201589 009921) <b>Adapter Line</b> (搭配线)	Connecting line used for sensor test.  	有关测试感知器之搭配线				○						●	●
<b>W9931 0011B</b> (661589 013700) <b>T/C Carrier In &amp;                      Remover Plier</b> (加力箱行星架拆装钳)	Piller for removal and installation of carrier assembly of transfer case.  	用以拆装加力箱行星架 总成	○		○		○					●	●

MODEL (车型) - M : Musso & Musso Sports, I : Istana, K : Korando, C : Chairman, R : Rexton, S : Stavic

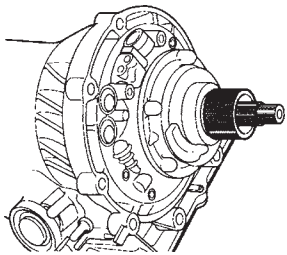
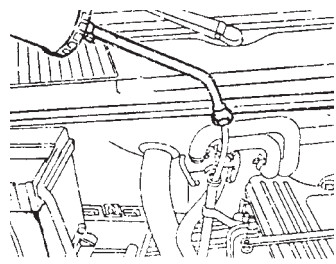
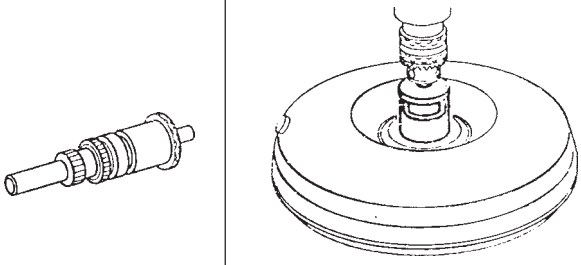
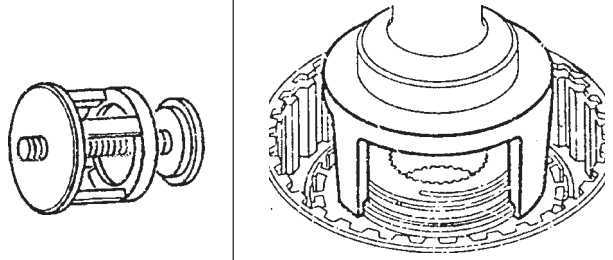


TOOL NUMBER AND DESCRIPTION	APPLICATION		MODEL							CLASS			
	ENGLISH	OTHER LANGUAGE	M	I	K	C	R	S			A	B	C
<b>W9931 0031B</b> (DW 220-060) <b>Bearing Remover &amp; Installer</b> (轴承拆装工具)	For removal and installation of input shaft bearing.	用以拆装输入轴轴承	○		○		○					●	●
													
<b>W9931 0041B</b> (DW 220-070) <b>Input Shaft Support</b> (输入轴支架)	Support plate for removal and installation of input bearing and pinion bearing.	用以拆装输入轴轴承与驱动小齿轮轴承	○		○		○					●	●
													
<b>W9931 0050B</b> (DW 220-080) <b>Oil Seal Installer</b> (油封安装器)	For assembling of oil & seal of transfer case.	用以组装加力箱油封	○		○		○					●	●
													
<b>W9931 0061B</b> (DW 220-090) <b>Bearing Installer</b> (轴承安装器)	For installation of input shaft bearing.	用以安装输入轴轴承	○		○		○					●	●
													

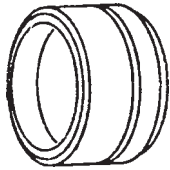
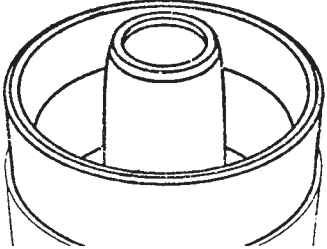

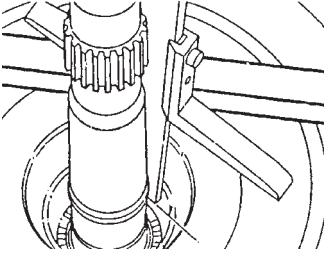
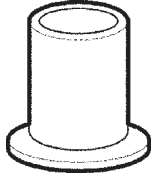
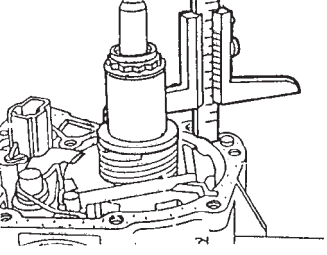
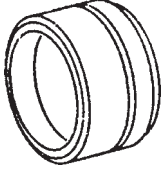
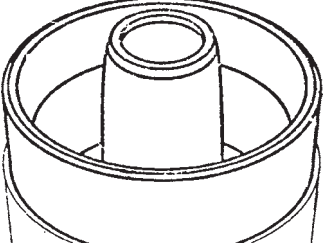
CLASS (等级) - A : Mandatory Basic, B : Extended Mandatory Basic, C : Commercially Available

(A:基本要求, B:基本要求延伸, C:商业用途)

### 3 - TRANSMISSION & TRANSAXLE (OLD)

TOOL NUMBER AND DESCRIPTION	APPLICATION		MODEL						CLASS			
	ENGLISH	OTHER LANGUAGE	M	I	K	C	R	S	A	B	C	
<b>W9936 0100C</b> (0555 - 336267) <b>Pump Alignment</b> (校正工具)	For angle checking when assembly of oil pump. 	当组装油泵时用以检查角度	○		○	○	○					●
<b>W9936 0160A</b> (112589 007200) <b>Oil Hand Pump</b> (手动式油泵)	Hand pump with, 1,000mm long for removing oil and flushing oil cooler. 	长1000mm, 用以吸油或冲洗油冷却器	○		○	○	○					● ● ●
<b>W9936 0170C</b> (116589 001500) <b>Flushing Input Shaft</b> (输入轴)	Input shaft for flushing torque converter. 	用以冲洗扭力变换器	○		○	○	○					●
<b>W9936 0211C</b> (126589 004300) <b>Clamping Device</b> (固定夹)	Assembly top for spring retainer/clutch piston. 	用以组装弹簧固定座和离合器活塞	○		○		○					●

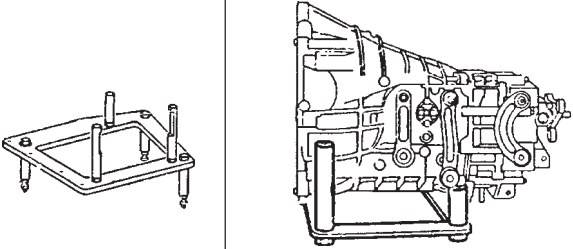
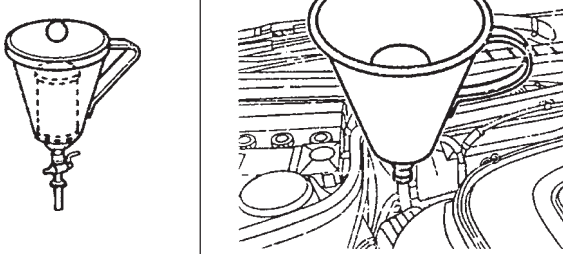
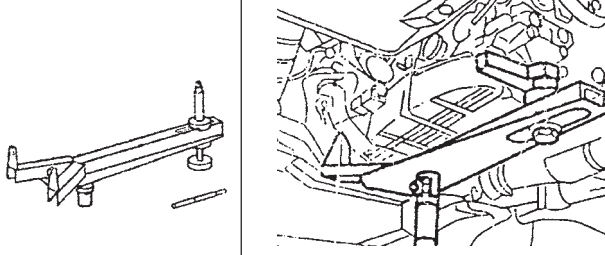
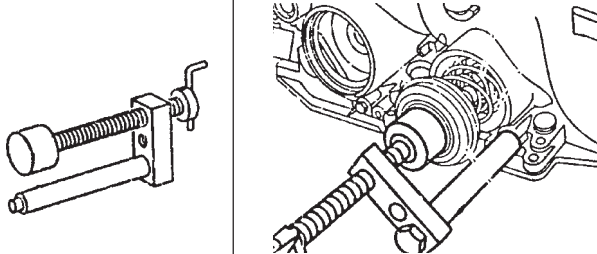
MODEL (车型) - M : Musso & Musso Sports, I : Istana, K : Korando, C : Chairman, R : Rexton, S : Stavic

TOOL NUMBER AND DESCRIPTION	APPLICATION		MODEL							CLASS		
	ENGLISH	OTHER LANGUAGE	M	I	K	C	R	S	A	B	C	
<b>W9936 0231C</b> (126589 021400) <b>Sleeve</b> (衬套)	Sleeve for installing clutch piston K1 (118mm) in out plate carrier (in combination with sleeve 126589 101400).	安装离合器活塞K1 (118mm)至行星架中(与衬套126589 101400)相配合使用	○		○		○					●
												
<b>W9936 0242C</b> (126589 043100) <b>Parallel Support</b> (平面量规)	Parallel support for measuring axial play at front and rear planetary gear train.	用以量测在前后端行星齿轮组之轴向间隙	○		○		○					●
												
<b>W9936 0252C</b> (126589 061400) <b>Measuring Sleeve</b> (量套)	Measuring adjustment of input shaft (clutch K2).	输入轴之测量调整(K2 离合器)	○		○		○					●
												
<b>W9936 0261C</b> (126 589 10 14 00) <b>Sleeve</b> (衬套)	Sleeve for installing clutch piston K1 (118mm) in out plate carrier.	用以安装离合器活塞K1 (118mm)于行星架中	○		○		○					●
												

CLASS (等级) - A : Mandatory Basic, B : Extended Mandatory Basic, C : Commercially Available

(A:基本要求, B:基本要求延伸, C:商业用途)

### 3 - TRANSMISSION & TRANSAXLE (OLD)

TOOL NUMBER AND DESCRIPTION	APPLICATION		MODEL						CLASS				
	ENGLISH	OTHER LANGUAGE	M	I	K	C	R	S	A	B	C		
<b>W9936 0270B</b> (126 589 10 63 00) <b>Plate-Trans Mounting</b> (变速箱固定板)	Mounting picture for attaching transmission to assembly. 	用以固定变速箱以便于组装	○		○		○				●	●	
<b>W9936 0282A</b> (126 589 12 63 00) <b>Funnel</b> (漏斗)	Funnel complete for adding oil Component : filter 000 584 47 25. 	用以添加油时使用组件:滤网 00 584 47 25	○		○	○	○				●	●	●
<b>W9936 0300B</b> (140589 023200) <b>Mounting Device</b> (固定装置)	Replacement 140589 026200 fitting for removal and installation of automatic transmission. 	取代 140589 026200来固定自动变速箱便于拆装	○		○	○	○				●	●	
<b>W9936 0311B</b> (201589 035900) <b>Assembly Fixture</b> (组装架)	Assembly tool for brake band piston B1. 	有关制动带活塞B1之组装工具	○		○		○				●	●	

MODEL (车型) - M : Musso & Musso Sports, I : Istana, K : Korando, C : Chairman, R : Rexton, S : Stavic

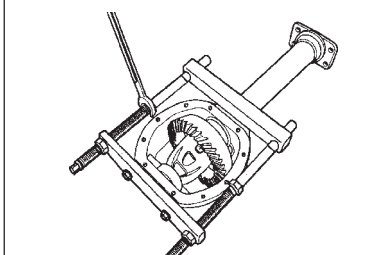
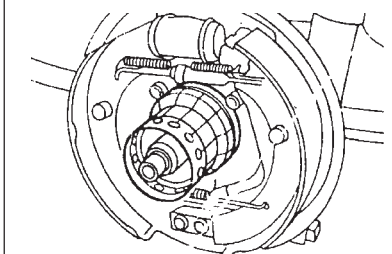
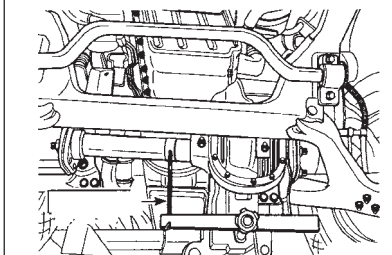
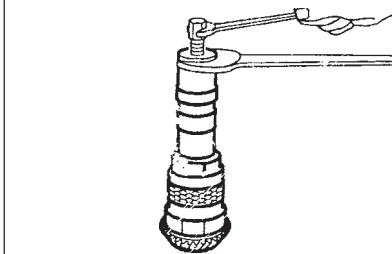
# 4 AXLE (轴)

---

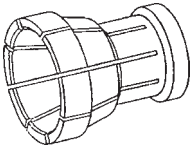
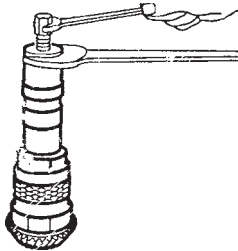
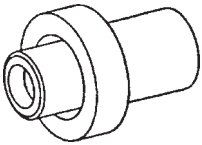
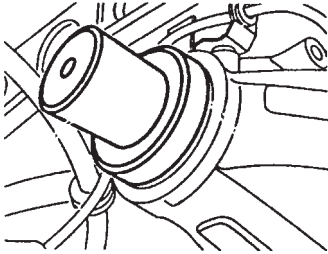
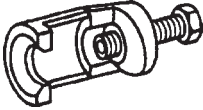
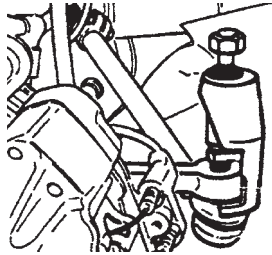
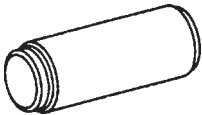
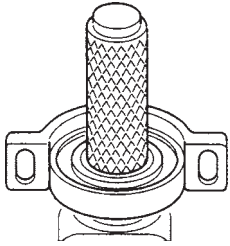
L9942 0011B (Drive Differential Remover & Installer) ...	110	P9942 0250A (ATM & RR Axle Support) .....	112
L9942 0110A (Collte) .....	110	P9942 0270A (Collet Chuck) .....	112
L9942 0140B (Front Drive Axle Support) .....	110	P9942 0350B (Remover & Installer Tool) .....	112
P9942 0021B (Collet Chuck) .....	110	P9942 0360B (Remover & Installer Tool) .....	112
P9942 0031B (Collet Chuck) .....	111	W9942 0021B	
P9942 0130B (Drift Punch) .....	111	(Front Drive Differential Remover & Installer) .....	113
P9942 0150A (Puller) .....	111	W9942 0031B	
P9942 0191B (Alignment Tool) .....	111	(Rear Drive Differential Remover & Installer) .....	113

---

4 - AXLE (OLD)

TOOL NUMBER AND DESCRIPTION	APPLICATION		MODEL						CLASS					
	ENGLISH	OTHER LANGUAGE	M	I	K	C	R	S	A	B	C			
<b>L9942 0011B</b> (DW 340-090-01) <b>Drive Differential Remover &amp; Installer</b> (差速器拆装工具)	For removal and installation of drive axle differential gear. 	用以拆装驱动轴差速器齿轮	○	○	○		○					●	●	
<b>L9942 0110A</b> (661589 053300) <b>Collte</b> (开槽式夹头)	Puller for rear axle inner wheel bearing. 	用以拆卸后轴内轴承		○								●	●	●
<b>L9942 0140B</b> (DW 340-080) <b>Front Drive Axle Support</b> (前驱动轴支架)	Using when remove and install of front drive axle. 	用以拆装驱动轴	○	○	○		○						●	●
<b>P9942 0021B</b> (000589 333400) <b>Collet Chuck</b> (开槽式夹头)	To remove the bearing of drive pinion. 	用以拆卸驱动小齿轮轴承					○						●	●

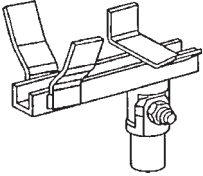
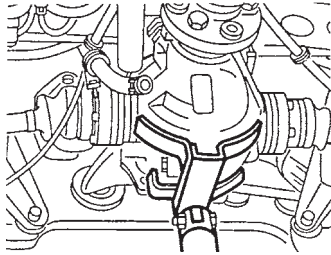
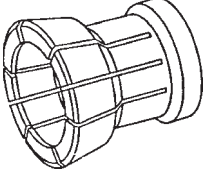
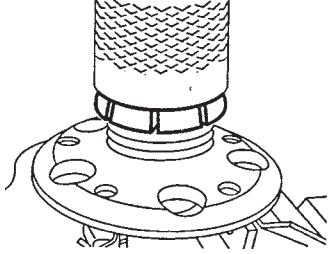
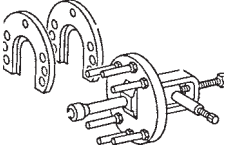
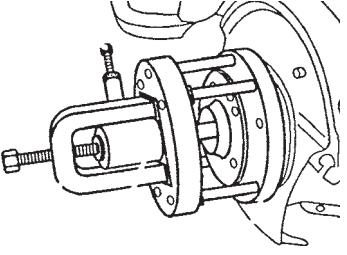
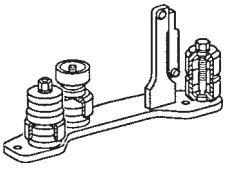
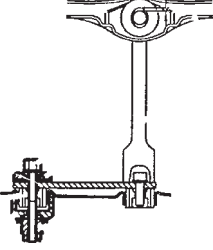
MODEL (车型) - M : Musso & Musso Sports, I : Istana, K : Korando, C : Chairman, R : Rexton, S : Stavic

TOOL NUMBER AND DESCRIPTION	APPLICATION		MODEL							CLASS			
	ENGLISH	OTHER LANGUAGE	M	I	K	C	R	S	A	B	C		
<b>P9942 0031B</b> (000589 343400) <b>Collet Chuck</b> (开槽式夹头)	To remove the bearing of drive pinion.	用以拆卸驱动小齿轮轴承				○					●	●	
													
<b>P9942 0130B</b> (124589 021500) <b>Drift Punch</b> (配合冲)	To install the seal for drive shaft.	用以安装驱动轴油封				○					●	●	
													
<b>P9942 0150A</b> (124589 033300) <b>Puller</b> (拉拔器)	To remove the steering knuckle arm and tie-rod ball joint.	有关转向节臂和横拉杆球接头之拆装使用				○					●	●	●
													
<b>P9942 0191B</b> (126589 031500) <b>Alignment Tool</b> (校正工具)	Press in the intermediate bearing and ball bearing until they contact backside of the joint fork.	按中段轴承和滚珠轴承知道它们接触在接头叉				○					●	●	
													

CLASS (等级) - A : Mandatory Basic, B : Extended Mandatory Basic, C : Commercially Available

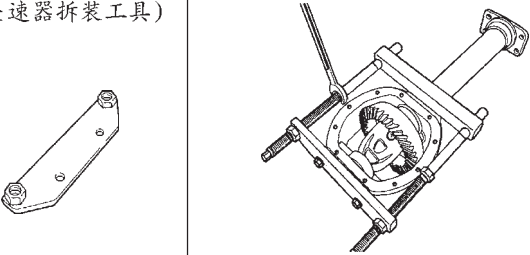
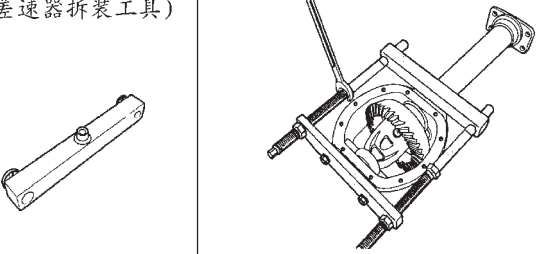
(A:基本要求, B:基本要求延伸, C:商业用途)

4 - AXLE (OLD)

TOOL NUMBER AND DESCRIPTION	APPLICATION		MODEL						CLASS				
	ENGLISH	OTHER LANGUAGE	M	I	K	C	R	S	A	B	C		
<b>P9942 0250A</b> (140589 016201) <b>ATM &amp; RR Axle Support</b> (ATM与后轴支撑架) 	ATM & RR axle support. 	ATM & 后轴支撑架				○					●	●	
<b>P9942 0270A</b> (201589 003400) <b>Collet Chuck</b> (开槽式夹头) 	To install and remove the bearing inner-race of rear axle shaft flange. 	用以拆装后轴固定座轴承内环				○					●	●	●
<b>P9942 0350B</b> (202589 044300) <b>Remover &amp; Installer Tool</b> (拆装工具) 	To remove and install the hub flange of rear axle. 	用以拆装后轴轮毂固定座				○						●	●
<b>P9942 0360B</b> (210589 024300) <b>Remover &amp; Installer Tool</b> (拆装工具) 	To remove and install the mounting rubber to connected rear differential and frame. 	T用以拆装连接至差速器与车架之固定橡皮				○						●	●

MODEL (车型) - M : Musso & Musso Sports, I : Istana, K : Korando, C : Chairman, R : Rexton, S : Stavic



TOOL NUMBER AND DESCRIPTION	APPLICATION		MODEL							CLASS			
	ENGLISH	OTHER LANGUAGE	M	I	K	C	R	S		A	B	C	
<b>W9942 0021B</b> (DW 340-090-02) <b>Front Drive Differential Remover &amp; Installer</b> (前差速器拆装工具)	For removal and installation front drive axle differential gear.	用以拆装前差速器齿轮	○	○	○		○					●	●
													
<b>W9942 0031B</b> (DW 340-090-03) <b>Rear Drive Differential Remover &amp; Installer</b> (后差速器拆装工具)	For removal and installation rear drive axle differential gear.	用以拆装后差速器齿轮	○	○	○		○					●	●
													

**CLASS (等级) - A : Mandatory Basic, B : Extended Mandatory Basic, C : Commercially Available**  
 (A:基本要求, B:基本要求延伸, C:商业用途)



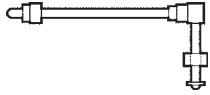
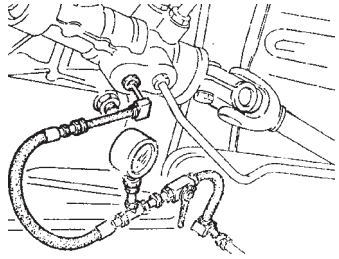
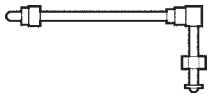
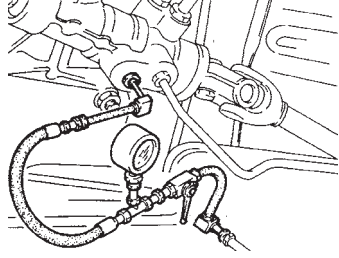
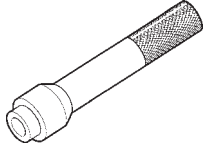
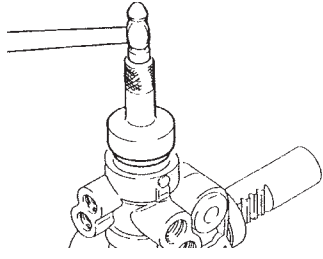
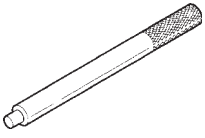
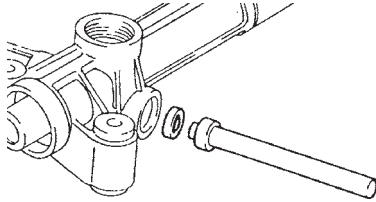
# 6 STEERING (转向)

---

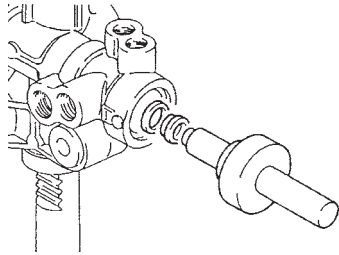
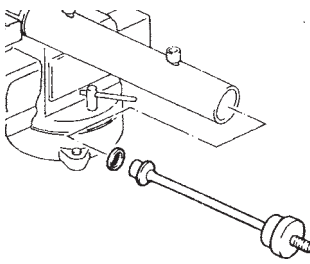
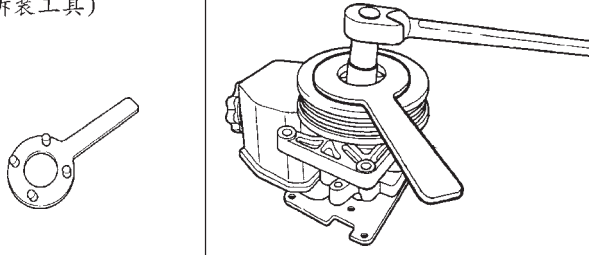
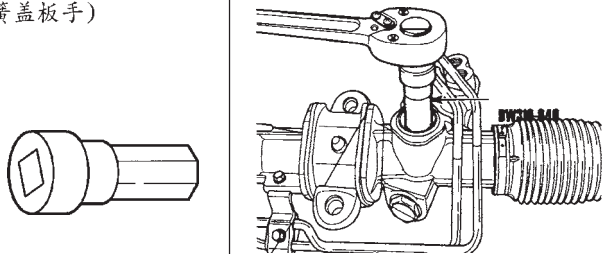
L9946 0082A (Connector) .....	116	L9946 0160A (P/S Pump Pulley Remover & Installer) ...	117
L9946 0102A (Connector) .....	116	L9946 0170B (P/S Rack Guide Spring Cap Wrench) ....	117
L9946 0120B (Installer) .....	116	P9946 0032A (Testing Unit) .....	118
L9946 0130B (Handle) .....	116	P9946 0062A (Holder) .....	118
L9946 0140B (Guider) .....	117	P9946 0082A (Connection Fittings) .....	118
L9946 0150B (Installing Tool).....	117		

---

6 - STEERING (OLD)

TOOL NUMBER AND DESCRIPTION	APPLICATION		MODEL						CLASS			
	ENGLISH	OTHER LANGUAGE	M	I	K	C	R	S	A	B	C	
<b>L9946 0082A</b> (661589 026300) <b>Connector</b> (接头)	Connector for measuring the oil pressure of steering gear.	用以连接测量方向机之油压表	○	○	○		○			●	●	●
 												
<b>L9946 0102A</b> (661589 036300) <b>Connector</b> (接头)	Connector for measuring the oil pressure of steering gear.	用以连接测量方向机之油压表	○	○	○		○			●	●	●
 												
<b>L9946 0120B</b> (661589 093300) <b>Installer</b> (安装器)	Installation of input shaft oil seal.	用以安装输入轴油封	○	○	○		○				●	●
 												
<b>L9946 0130B</b> (661589 103300) <b>Handle</b> (导肖)	Handle for removal of pinion bearing of steering gear.	用以拆装方向机之齿条小齿轮轴承	○	○	○		○				●	●
 												

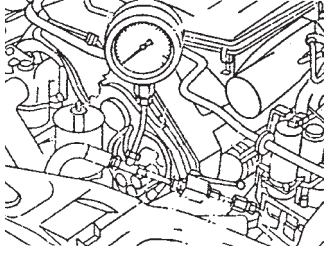
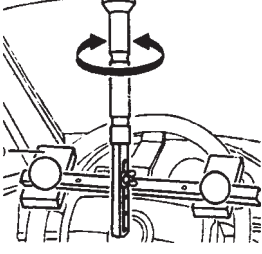
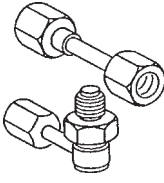
MODEL (车型) - M : Musso & Musso Sports, I : Istana, K : Korando, C : Chairman, R : Rexton, S : Stavic

TOOL NUMBER AND DESCRIPTION	APPLICATION		MODEL							CLASS				
	ENGLISH	OTHER LANGUAGE	M	I	K	C	R	S	A	B	C			
<b>L9946 0140B</b> (661589 103301) <b>Guider</b> (导座)	Guider for installation of pinion seal & plane bearing of steering gear. 	用以安装方向机齿条小齿轮油封与平轴承	○	○	○		○					●	●	
<b>L9946 0150B</b> (661589 113300) <b>Installing Tool</b> (安装工具)	Installing tool for installation of rod seal & housing insert of steering gear. 	用以安装方向机之连杆油封和外壳	○	○	○		○					●	●	
<b>L9946 0160A</b> (DW 310-021) <b>P/S Pump Pulley Remover &amp; Installer</b> (动力方向机泵皮带盘拆装工具)	For removal and installation of power steering pump pulley. 	用以拆装动力方向机泵之皮带盘	○		○	○	○					●	●	●
<b>L9946 0170B</b> (DW 310-040) <b>P/S Rack Guide Spring Cap Wrench</b> (动力方向机齿条弹簧盖板手)	For disassembling of steering assembly gear box. 	用以分解动力方向机	○		○		○					●	●	

CLASS (等级) - A : Mandatory Basic, B : Extended Mandatory Basic, C : Commercially Available

(A:基本要求, B:基本要求延伸, C:商业用途)

6 - STEERING (OLD)

TOOL NUMBER AND DESCRIPTION	APPLICATION		MODEL						CLASS				
	ENGLISH	OTHER LANGUAGE	M	I	K	C	R	S	A	B	C		
<b>P9946 0032A</b> (124589 062100) <b>Testing Unit</b> (油压测试表)	Tester 0-160bar for power steering pump.  	0-160bar测试表用以测试动力方向机泵	○	○	○	○	○				●	●	●
<b>P9946 0062A</b> (129589 012100) <b>Holder</b> (固定架)	Hold the steering wheel with the holder.  	有关固定方向盘的工具				○					●	●	●
<b>P9946 0082A</b> (140589 176300) <b>Connection Fittings</b> (接头)	To connect the tester of steering pressure gauge.  	用以连接动力方向机油压表				○					●	●	●

MODEL (车型) - M : Musso & Musso Sports, I : Istana, K : Korando, C : Chairman, R : Rexton, S : Stavic

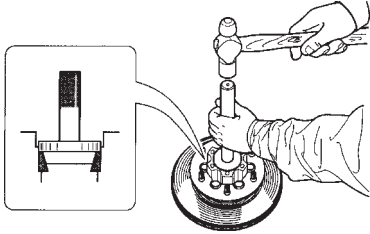
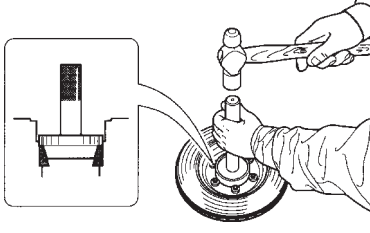
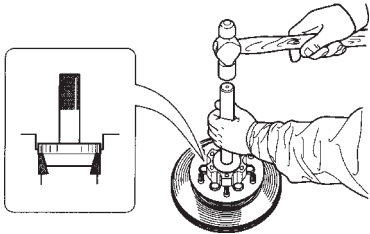
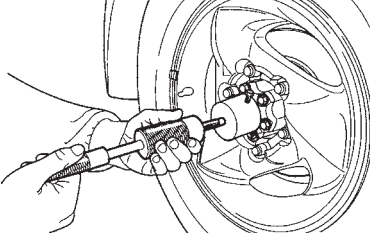
# 7 SUSPENSION (悬吊)

---

W9948 0060A (Handle) .....	120	W9948 0100A (Front Hub Cap Remover/Installer) .....	121
W9948 0070A (Front Inner Bearing Race Installer) .....	120	W9948 0110A (Front Hub Flange Remover) .....	121
W9948 0080A (Front Outer Bearing Race Installer).....	120	Y9944 0010A (Front Coil Spring Remover & Installer)...	121
W9948 0090A (Sliding Hammer) .....	120		

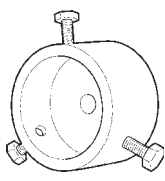
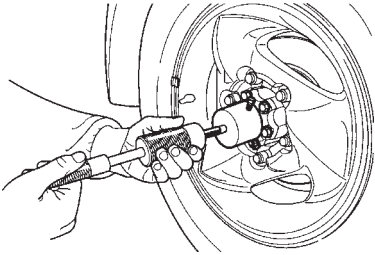
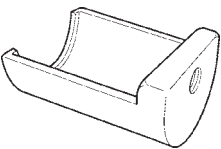
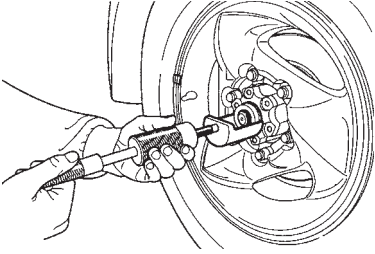
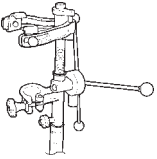
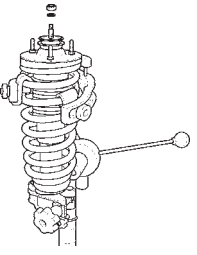
---

7 - SUSPENSION (OLD)

TOOL NUMBER AND DESCRIPTION	APPLICATION		MODEL						CLASS			
	ENGLISH	OTHER LANGUAGE	M	I	K	C	R	S	A	B	C	
<b>W9948 0060A</b> (DW 340-021-01) <b>Handle</b> (配合冲)	Handle 	配合冲	○		○		○			●	●	●
<b>W9948 0070A</b> (DW 340-021-02) <b>Front Inner Bearing Race Installer</b> (前轮内轴承座安装器)	Front Inner Bearing Race Installer. 	前轮内轴承座安装器	○		○		○			●	●	●
<b>W9948 0080A</b> (DW 340-021-03) <b>Front Outer Bearing Race Installer</b> (前轮外轴承座安装器)	Front Outer Bearing Race Installer. 	前轮外轴承座安装器	○		○		○			●	●	●
<b>W9948 0090A</b> (DW 340-050) <b>Sliding Hammer</b> (滑动榔头)	Sliding Hammer 	滑动榔头	○		○		○			●	●	●

MODEL (车型) - M : Musso & Musso Sports, I : Istana, K : Korando, C : Chairman, R : Rexton, S : Stavic



TOOL NUMBER AND DESCRIPTION	APPLICATION		MODEL							CLASS		
	ENGLISH	OTHER LANGUAGE	M	I	K	C	R	S	A	B	C	
<b>W9948 0100A</b> (DW 340-060) <b>Front Hub Cap Remover/Installer</b> (前轮毂盖拆装工具)	Front Hub Cap Remover/Installer DW340-050 To.	前轮毂盖拆装工具 和DW340-050一起使用	○		○		○			●	●	●
												
<b>W9948 0110A</b> (DW 340-070) <b>Front Hub Flange Remover</b> (前轮毂座拆卸器)	Front Hub Flange Remover DW340-050 To.	前轮毂座拆卸器 和DW340-050一起使用	○		○		○			●	●	●
												
<b>Y9944 0010A</b> (DW 310-010) <b>Front Coil Spring Remover &amp; Installer</b> (前悬挂螺旋弹簧拆 装工具)	Front Coil Spring Remover & Installer.	前悬挂螺旋弹簧拆装工具					○			●	●	●
												

CLASS (等级) - A : Mandatory Basic, B : Extended Mandatory Basic, C : Commercially Available

(A:基本要求, B:基本要求延伸, C:商业用途)



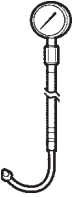
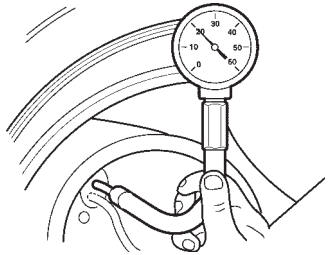
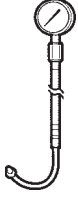
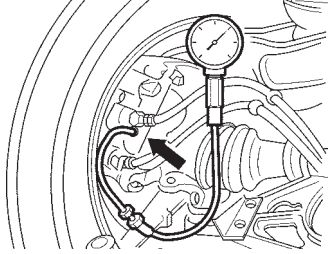
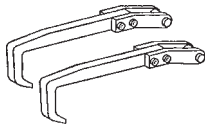
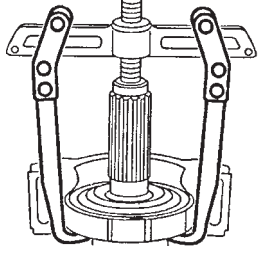
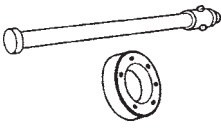
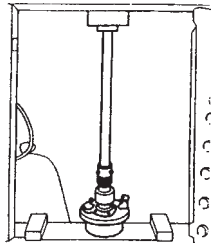
# 8 BRAKE (刹车)

---

A9948 0032A (Pressure Gauge) .....	124	P9933 0020B (Pulling Arms) .....	124
A9948 0042A (Pressure Gauge) .....	124	W9948 0010A (RR A.B.S Tooth Wheel Installer) .....	124

---

8 - BRAKE (OLD)

TOOL NUMBER AND DESCRIPTION	APPLICATION		MODEL						CLASS				
	ENGLISH	OTHER LANGUAGE	M	I	K	C	R	S	A	B	C		
<b>A9948 0032A</b> (631589 002300) <b>Pressure Gauge</b> (刹车压力表)	Unscrew vent valve on front brake caliper pressure gauge for input pressure.	联接至前刹车束紧器之放空气阀以测量前刹车之输入油压	○	○	○	○	○				●	●	●
													
<b>A9948 0042A</b> (631589 012300) <b>Pressure Gauge</b> (刹车压力表)	Unscrew vent valve on front brake caliper connect pressure gauge (631589 022300) for input pressure.	联接刹车压力表 (631589 022300) 至前刹车束紧器之放空气阀以量测输入油压	○	○	○	○	○				●	●	●
													
<b>P9933 0020B</b> (129589 003400) <b>Pulling Arms</b> (拉拔臂)	To remove and install the middle bearing of propeller shaft.	用以拆装传动轴中间轴承					○	○				●	●
													
<b>W9948 0010A</b> (661589 153300) <b>RR A.B.S Tooth Wheel Installer</b> (后轮ABS环齿安装器)	To installer the rear brake tooth wheel for ABS.	用以安装后轮ABS环齿	○		○		○				●	●	●
													

MODEL (车型) - M : Musso & Musso Sports, I : Istana, K : Korando, C : Chairman, R : Rexton, S : Stavic

## EDITION HISTORY

No.	CODE NO.	PRINTING DATE	MODEL YEAR	REMARKS
1	ALL-4SST1E-4I-150A	Sep. 2004	2004	

## **SPECIAL SERVICE TOOLS CATALOG**

---

---

ISSUED BY  
INTERNATIONAL A/S TEAM  
SSANGYONG MOTOR CO., LTD.

150-3, CHILGOI-DONG, PYUNGTAEK-SI  
GYEONGGI-DO, 459-711 KOREA

TELEPHONE : 82-31-610-2740  
FACSIMILE : 82-31-610-3762

---

---

**NOTE:** All rights reserved. Printed in **SSANGYONG** Motor Co., Ltd.  
No part of this book may be used or reproduced without the  
written permission of International A/S Team.