

VIN PLATE DECODING INFORMATION

1	2	3	4	5	6	7	8	9	10	11	12 thru 17
Country	Make	Vehicle Type	Other	Line	Series	Body Style	Engine	Check Digit	Model Year	Assy. Plant	Sequence No.

The following table interprets the VIN Plate position shown above.

Position	Interpretation	Codes = Description
1	Country of Origin	1 = United States
2	Assembler	B = Dodge C = Chrysler P = Plymouth
3	Vehicle Type	3 = Passenger Car
4	Restraint System	B = Manual Seat Belts D = Driver and Passenger without Air Bags E = Active Driver and Passenger Air Bag H = Restraint System-Active Driver and Passenger Air Bag
5	Vehicle Line	J = Chrysler, Cirrus J = Dodge, Stratus J = Plymouth, Breeze
6	Series	4 = High Line 5 = Premium 6 = Sport
7	Body Style	6 = 4 Door Sedan
8	Engine	C = 2.0L (ECB) H = 2.5L (EEB) X = 2.4L (EDZ)
9	Check Digit	0 = Check Digit 0 = Check Digit 0 = Check Digit
10	Model Year	V = 1997 W = 1998 X = 1999
11	Assembly Plant	N = Sterling Heights Assembly
12 thru 17	Vehicle Build Sequence	Model Year Assembly Sequence

Group - 2

Front Suspension & Drive

Group - 2 Front Suspension & Drive

Illustration Title

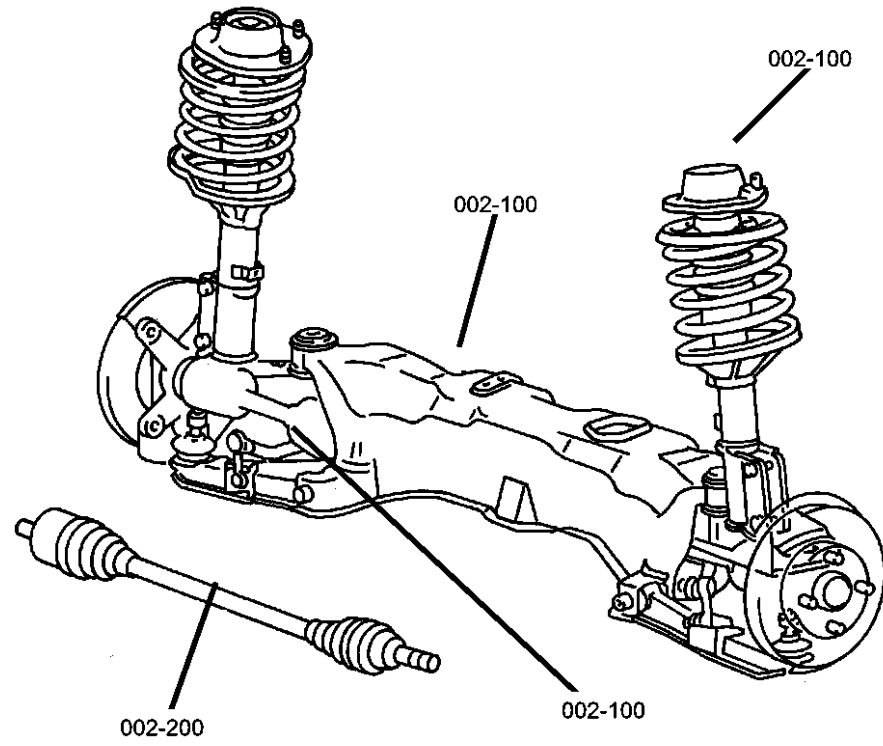
Group-Fig. No.

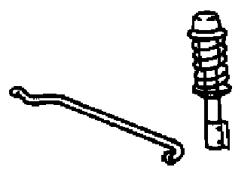
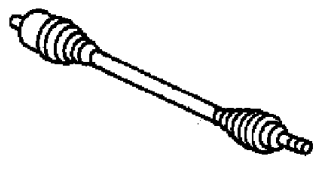
Front Suspension

Suspension, Front..... Fig. 2 - 120

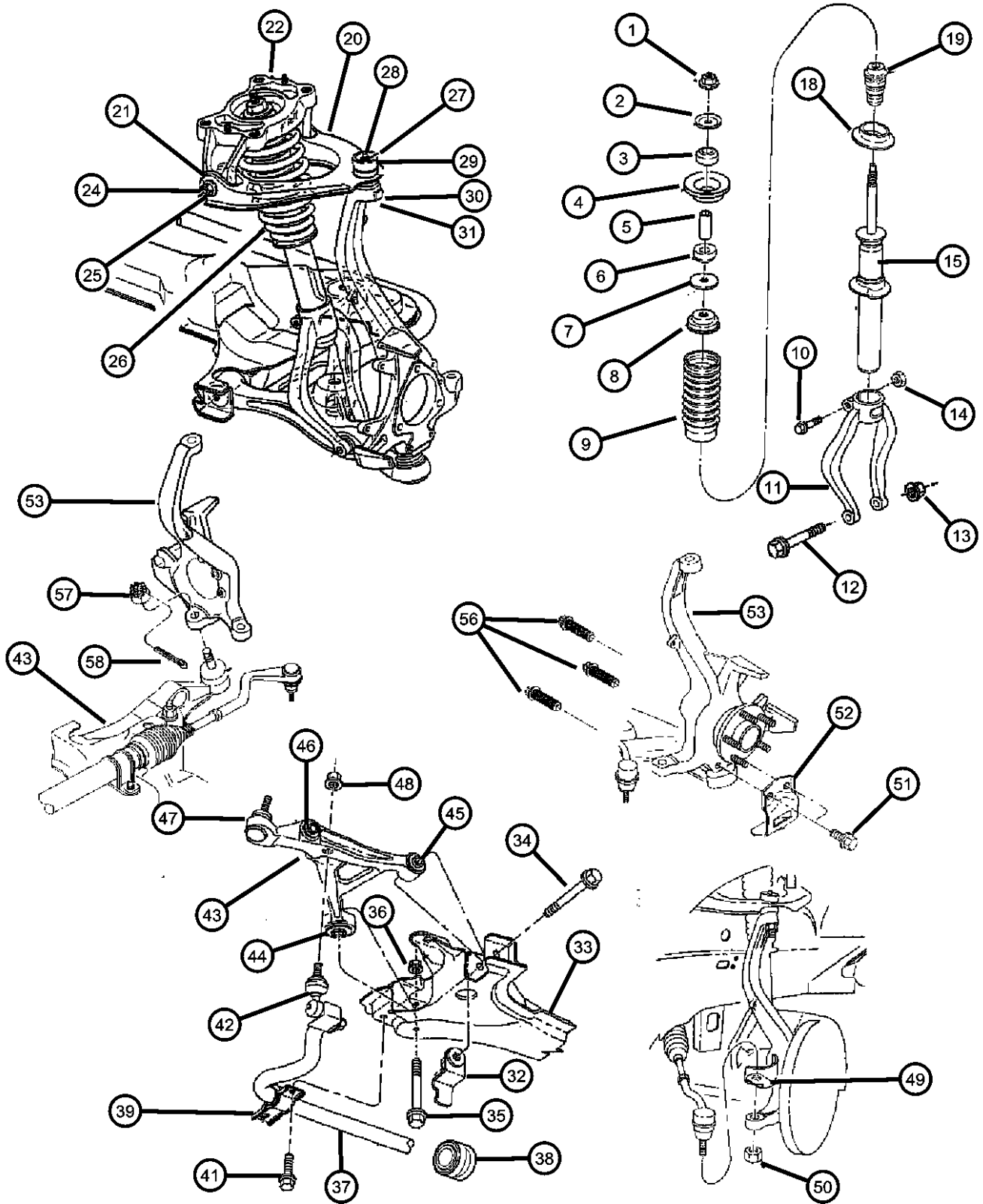
Front Axle Drive Shafts

Shaft, Front Drive Fig. 2 - 220



<p>002-100 Front Suspension</p> 	<p>002-200 Front Axle Drive Shafts</p> 		
--	---	--	--

Suspension, Front
Figure 2-120



ITEM	PART NUMBER	QTY	LINE	SERIES	BODY	ENGINE	TRANS	TRIM	DESCRIPTION
------	-------------	-----	------	--------	------	--------	-------	------	-------------

NOTE: Sales Code BRA= DISC/DRUM
 NOTE: Sales Code BRJ= DISC/DRUM w/ABS
 NOTE: Sales Code BRB DISC/DRUM w/o ABS
 NOTE: Sales Code BRK= DISC/DRUM w/ABS
 NOTE: Sales Code BRF= DISC/DISC w/ABS
 NOTE: Sales Code ZCF Thru ZTF= Spring Group Type's Found on Individual Vehical Sales's Code Listing
 NOTE: Sales Code SDA= Standard Suspension
 NOTE: Sales Code SDC= Firm Feel Suspension
 NOTE: Sales Code ECB= 2.0L 4 Cyl. SOHC 16 Valve
 NOTE: Sales Code EDZ= 2.4L 4 Cyl. DOHC 16 Valve
 NOTE: Sales Code EEB= 2.5L 6 Cyl. SOHC 24 Valve

1	06503644	1							NUT, Hex Flange Lock, M14x1.50, S/Absorber
2	04616934	1							RETAINER, Shock AbsorberUpper
3	04764483AA	2				ECC			BUSHING, Shock AbsorberUpper
4									ISOLATOR, Spring
	04616983	1				ECB			Upper
						EDZ			Upper
						EEB			Upper
5	04764221	1							SLEEVE, Shock Absorber, Rod Att
6	04764483AA	2				ECC			BUSHING, Shock Absorber, ECB,EDZ,EEB, Lower
7	04695030	1							RETAINER, Shock AbsorberLower
8									CUP, Shock Absorber Stop
	04695147	1				ECB			
						EDZ			
						EEB			
9									SHIELD, Shock Absorber Dust
	04616929	1				EEB			
						ECB			
						EDZ			
10									SCREW, Hex Flange Head, M12x1.75x80
	06503862	1				ECB			Clevis to S/ABS Pinch
						EDZ			Clevis to S/ABS Pinch
						EEB			Clevis to S/ABS Pinch
11									CLEVIS, Front
	04656235	1				EEB			
	04656234	1				ECB			Right

CIRRUS,BREEZE,STRATUS (JA)
 SERIES LINE
 H = HIGHLINE C = CHRYSLER
 P = PREMIUM D = DODGE
 P = PLYMOUTH

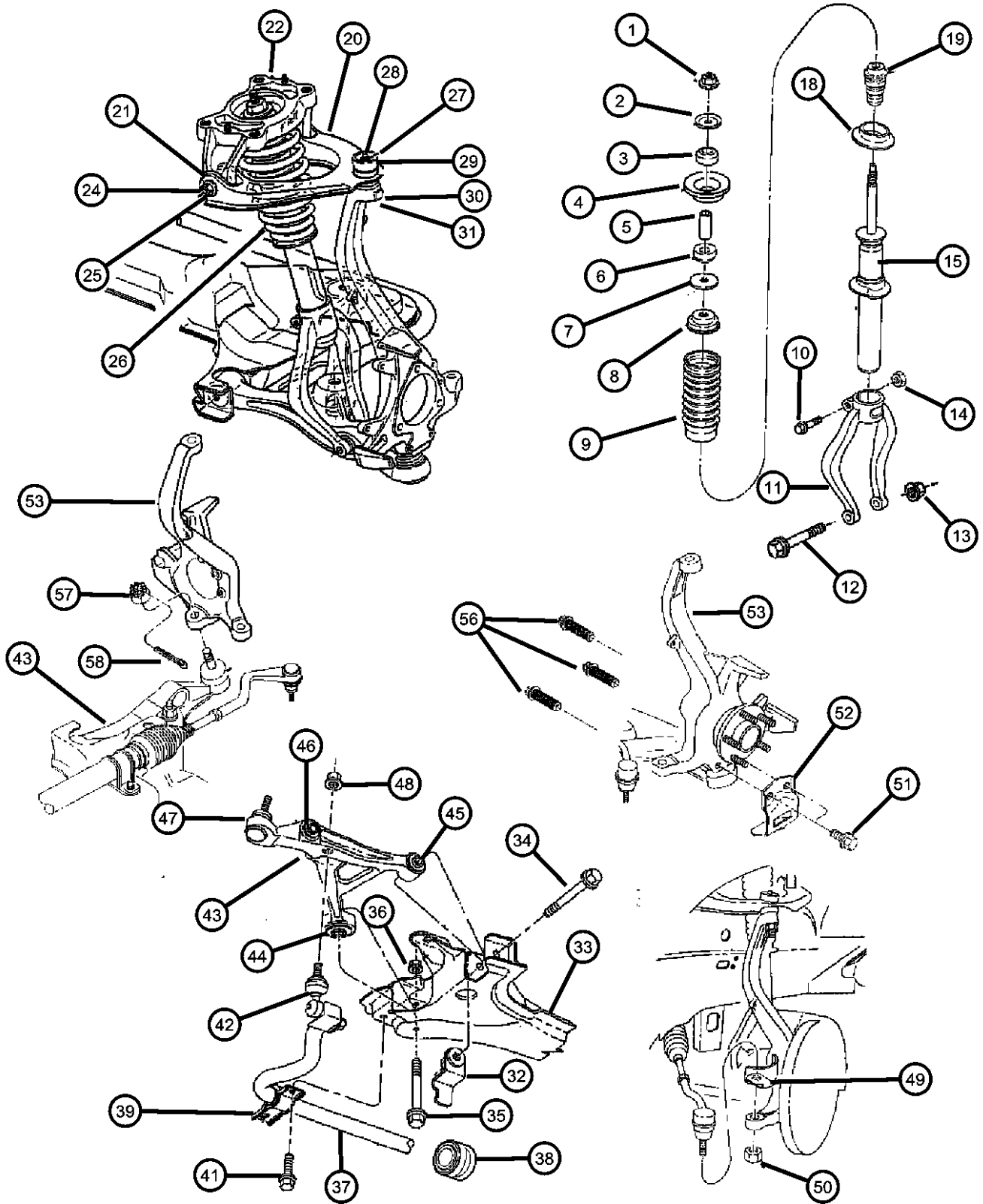
BODY
 41 = 4 Door Sedan

ENGINE
 ECB = 2.0L 4 Cyl SOHC 16V SMPI Engine
 EDZ = 2.4L 4 Cyl DOHC 16V SMPI Engine
 EEB = 2.5L V6 SOHC 24V SMPI Engine

TRANSMISSION
 DD5 = TRANSMISSION - 5-SPEED MANUAL
 DGL = TRANSMISSION - 4-SPD. AUTOMATIC,41TE
 DD4 = TRANSMISSION - 5-SPEED PERF. MANUAL

AR = use ase required - = Non illustrated part

Suspension, Front
Figure 2-120



ITEM	PART NUMBER	QTY	LINE	SERIES	BODY	ENGINE	TRANS	TRIM	DESCRIPTION
						EDZ			Right
						EEB			Right
						ECB			Left
						EDZ			
12	06503889	2							SCREW, Flange Head, M12x1.75x98, Clevis to S/ABS Pinch
13	06502697	1				ECB, EDZ			NUT, Hex Flange Lock, M12x1.75, S/ABS Clevis to LCA Bolt
14	06503711	4							NUT, Hex Flange Lock, M12x1.75
15									SHOCK ABSORBER, Suspension
	04764523AA	1				EDZ			
	0SG81565								Mopar V-Line Alternative Part
	04764859AA	1				ECB			
	0SG81565								Mopar V-Line Alternative Part
	04764872AA	1				EEB			
	0SG81565								Mopar V-Line Alternative Part
-16	04764872AA	1							CAP, Shock Absorber, (NOT SERVICED)
-17	04695769	1							COLLAR, Shock Absorber Rod, Rod
18									ISOLATOR, Spring Seat
	04616982	1				ECB			Lower
		1				EDZ			Lower
		1				EEB			Lower
19									BUMPER, Jounce
	04616931	1				ECB			
		1				EDZ			
		1				EEB			
20									ARM, Control
	04764408	1				EEB			and Ball Joint Upper, Right
	04764409	1				ECB			and Ball Joint Upper, Left
		1				EDZ			and Ball Joint Upper, Left
		1				EEB			and Ball Joint Upper, Left
		1				ECB			and Ball Joint upper, Right
		1				EDZ			and Ball Joint Upper, Right

CIRRUS,BREEZE,STRATUS (JA)
 SERIES LINE
 H = HIGHLINE C = CHRYSLER
 P = PREMIUM D = DODGE
 P = PLYMOUTH

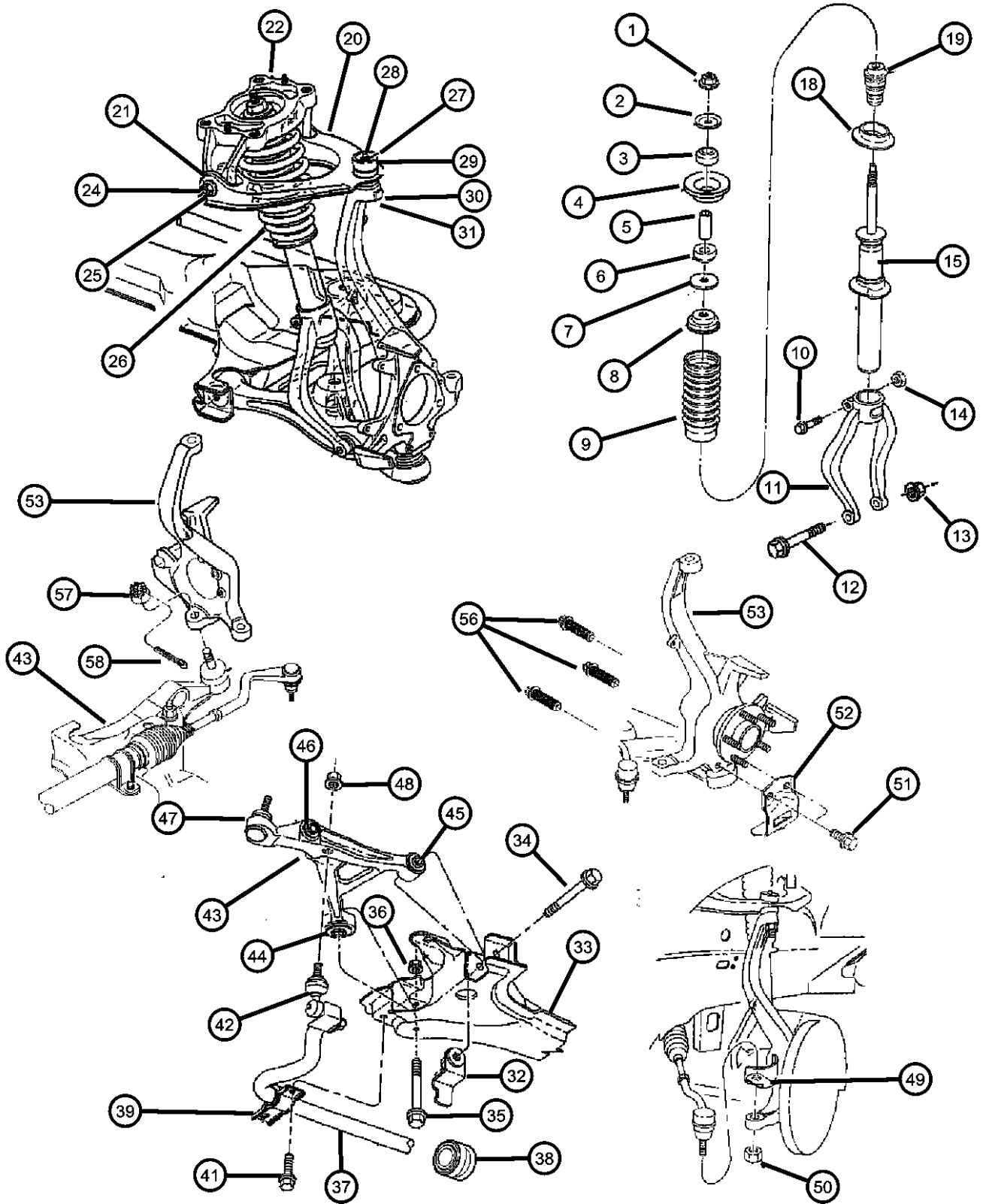
BODY
 41 = 4 Door Sedan

ENGINE
 ECB = 2.0L 4 Cyl SOHC 16V SMPI Engine
 EDZ = 2.4L 4 Cyl DOHC 16V SMPI Engine
 EEB = 2.5L V6 SOHC 24V SMPI Engine

TRANSMISSION
 DD5 = TRANSMISSION - 5-SPEED MANUAL
 DGL = TRANSMISSION - 4-SPD. AUTOMATIC, 41TE
 DD4 = TRANSMISSION - 5-SPEED PERF. MANUAL

AR = use ase required - = Non illustrated part

Suspension, Front
Figure 2-120



ITEM	PART NUMBER	QTY	LINE	SERIES	BODY	ENGINE	TRANS	TRIM	DESCRIPTION
21	04695096	2				ECB			BUSHING UCA Pivot
		2				EDZ			UCA Pivot
		2				EEB			UCA Pivot
22	04616572	1				ECB			BRACKET, Control Arm UCA and S/ABS Mount, Right
		1				EDZ			UCA and S/ABS Mount, Right
		1				EEB			UCA and S/ABS Mount, Right
	04616573	1				ECB			UCA and S/ABS Mount, Left
		1				EDZ			UCA and S/ABS Mount, Left
		1				EEB			UCA and S/ABS Mount, Left
-23	06502940	8							SCREW, Hex Head, M12x1.75x60, UCA and S/ABS Mount Bracket to Tower
24	06503711	4							NUT, Hex Flange Lock, M12x1.75, UCA Pivot
25	06503610	2				EEB			UCA Pivot
		2				ECB			UCA Pivot
		2				EDZ			UCA Pivot
26	05024043AA	1				ECB			SPRING, Front Coil w/ZNC
	05024065AA	1				EDZ			w/ZRE
	05024076AA	1				EDZ			w/ZCF
	05024086AA	1				EEB			w/ZTF
	05024097AA	1				EEB			w/ZDG
27	05024097AA	1							BALL JOINT, Lower Control Arm, Service in Control Arm, lower, (NOT SERVICED), FITTING, Ball Joint, Zirc
28	06030099	1							SEAL, Control Arm Ball Joint
29	04695673	1							NUT, Hex, M12x1.25, UCA to Ball Joint Stud
30	06503693	2							PIN, Cotter, M2.5x28.00, UCA Ball Joint Stud Nut
31	06100017	2							NUT AND RETAINER, Hex Flange Locking, M14 x 2.00, C/Member
32	06503349	2							

CIRRUS,BREEZE,STRATUS (JA)
SERIES LINE
H = HIGHLINE C = CHRYSLER
P = PREMIUM D = DODGE
P = PLYMOUTH

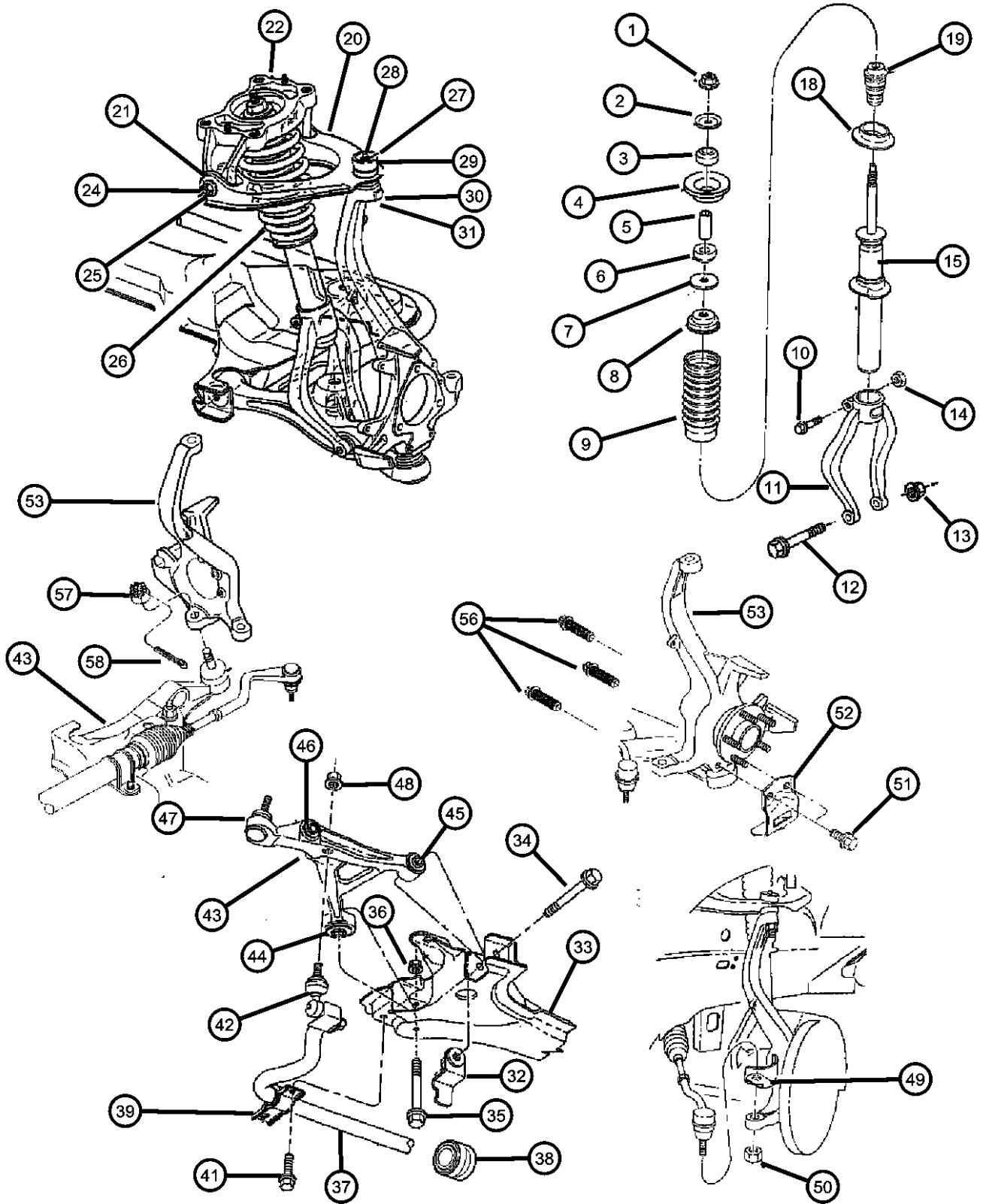
BODY
41 = 4 Door Sedan

ENGINE
ECB = 2.0L 4 Cyl SOHC 16V
SMPI Engine
EDZ = 2.4L 4 Cyl DOHC 16V
SMPI Engine
EEB = 2.5L V6 SOHC 24V
SMPI Engine

TRANSMISSION
DD5 = TRANSMISSION - 5-SPEED
MANUAL
DGL = TRANSMISSION - 4-SPD.
AUTOMATIC,41TE
DD4 = TRANSMISSION - 5-SPEED
PERF. MANUAL

AR = use ase required - = Non illustrated part

Suspension, Front
Figure 2-120



ITEM	PART NUMBER	QTY	LINE	SERIES	BODY	ENGINE	TRANS	TRIM	DESCRIPTION
33	06503349	2							CROSSMEMBER, Front Suspension, Reference, (NOT SERVICED)
34	06505029AA	2							SCREW, Hex Flange Head, M14x2x100, LCA to C/Member Front
35	06503854	2							SCREW AND WASHER, Hex Head, M8x1.25x25, LCA Bolt to C/Member Rear
36	06502697	1				ECB, EDZ			NUT, Hex Flange Lock, M12x1.75, LCA Bolt
37	04764856AA	1							BAR, Front Sway
38	04764897AA	2							CUSHION, Sway Eliminator
39									CLAMP, Stabilizer Bar Cushion
	04616927	2							Lower
	04616928	2							Upper
-40									SHIELD, Sway Bar Link
	04695656	1							Protection, Right
	04695657	1							Protection, Left
41	06101671	4							SCREW AND WASHER, M10x1.50x45.00, Sway Bar Clamp to C/Member
42	04695626	2							BALL JOINT, Sway Bar, to LCA Attch
43									ARM, Control
	04616922	1							Front, Right
	04616923	1							Front, Left
44	04616736	1							BUSHING, Lower Control ArmRear
45	04695631	1							BUSHING, Lower Control Arm, Pivot
46	04695116	1							BUSHING, Lower Control Arm, Clevis Pivot to Knuckle
47	04797150	1							SEAL PACKAGE, Suspension, Contains; Seal, Clip, Grease, Lower Control Arm Ball Joint
48	06101678	2							NUT, Hex, M12x1.75, Sway Bar to LCA Att
49	04695601	2							SHIELD, Tie Rod End, Tie Rod End Seal
50	06503046	2							NUT, Hex Lock, M12 x 1.25, w/Nylon Ring tie Rod Stud

CIRRUS,BREEZE,STRATUS (JA)
 SERIES LINE
 H = HIGHLINE C = CHRYSLER
 P = PREMIUM D = DODGE
 P = PLYMOUTH

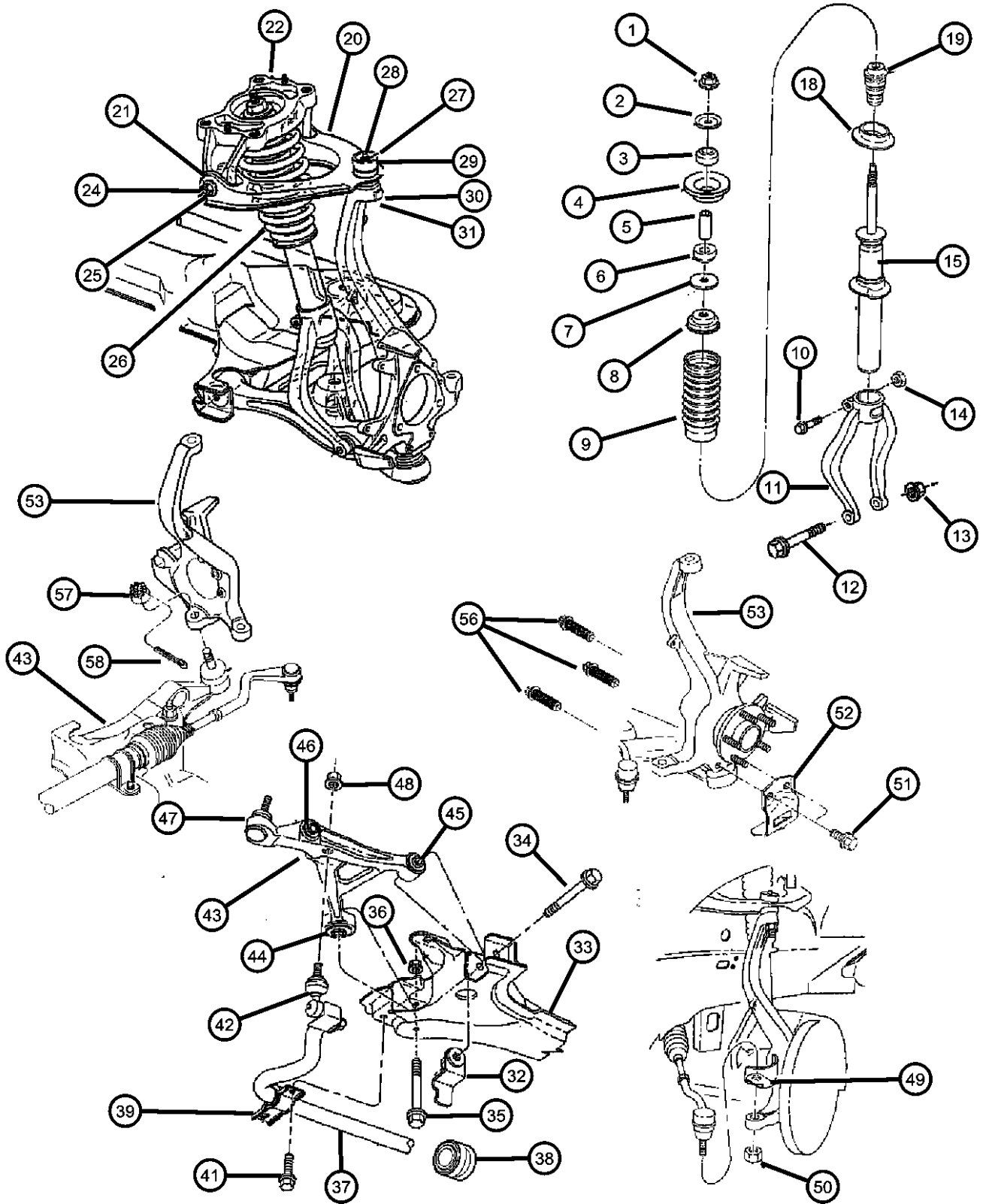
BODY
 41 = 4 Door Sedan

ENGINE
 ECB = 2.0L 4 Cyl SOHC 16V SMPI Engine
 EDZ = 2.4L 4 Cyl DOHC 16V SMPI Engine
 EEB = 2.5L V6 SOHC 24V SMPI Engine

TRANSMISSION
 DD5 = TRANSMISSION - 5-SPEED MANUAL
 DGL = TRANSMISSION - 4-SPD. AUTOMATIC,41TE
 DD4 = TRANSMISSION - 5-SPEED PERF. MANUAL

AR = use ase required - = Non illustrated part

Suspension, Front
Figure 2-120



ITEM	PART NUMBER	QTY	LINE	SERIES	BODY	ENGINE	TRANS	TRIM	DESCRIPTION
51	06101495	4							SCREW AND WASHER, Hex Head, M6x1x12, Heatshield to Knuckle
52									SHIELD, Ball Joint
	04695413	2							B/Joint Seal Package (w/14" Brakes).
	04695547	2							B/Joint Seal w/15" Brakes
53									KNUCKLE, Front
	04695982	1							(BRA,BRJ,BRF), Right
	04695983	1							(BRA,BRJ,BRF), Left
	04695984AB	1							(BRB), Right
	04695985AB	1							(BRB), Left
-54	06503622	2							BOLT, Hex Flange Head, M12-1.75x80.0, Shock to Knuckle
-55	04616749	1							BUSHING, Shock Absorber, S/ABS to Knuckle
56	06503088	3							BOLT, Knuckle to Bearing Attaching, M12 x 1.75 x 43.00, 6 Lobe Ext Hd
57	06502749	2							NUT, Castle, M14x1.5, Hex Slotted LCA to B/Joint Stud
58	06100017	2							PIN, Cotter, M2.5x28.00
-59	06503711	4							NUT, Hex Flange Lock, M12x1.75, R/S UCA Pivot Bar or Bolt
-60	06503711	4							COTTER PIN, .093x1.125, LCA to Ball Joint Stud Nut M3.2x28.00, (NOT SERVICED)

CIRRUS,BREEZE,STRATUS (JA)
 SERIES LINE
 H = HIGHLINE C = CHRYSLER
 P = PREMIUM D = DODGE
 P = PLYMOUTH

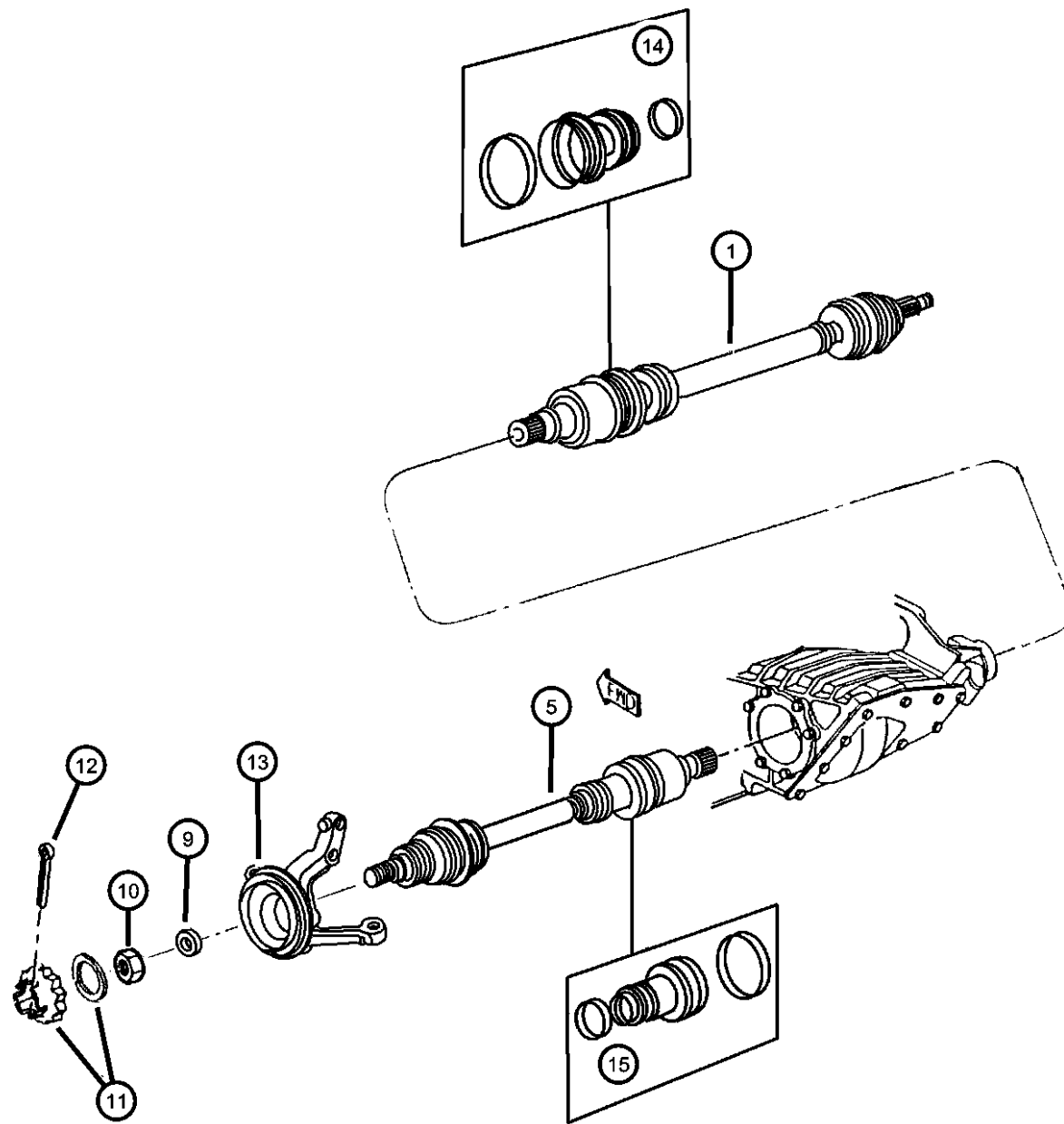
BODY
 41 = 4 Door Sedan

ENGINE
 ECB = 2.0L 4 Cyl SOHC 16V SMPI Engine
 EDZ = 2.4L 4 Cyl DOHC 16V SMPI Engine
 EEB = 2.5L V6 SOHC 24V SMPI Engine

TRANSMISSION
 DD5 = TRANSMISSION - 5-SPEED MANUAL
 DGL = TRANSMISSION - 4-SPD. AUTOMATIC,41TE
 DD4 = TRANSMISSION - 5-SPEED PERF. MANUAL

AR = use ase required - = Non illustrated part

Shaft, Front Drive
Figure 2-220



ITEM	PART NUMBER	QTY	LINE	SERIES	BODY	ENGINE	TRANS	TRIM	DESCRIPTION
1	04778582	1							SHAFT, Front Drive w/o ABS, Right
	R2073682								Mopar Remanufactured Part
	04886263AA	1							w/ABS, Right
-2	04886263AA	1							DAMPER, Axle, (Service in Assy.), (NOT SERVICED),
-3	04778689	2							SPACER, Tripod, Seal to Joint
-4	04797704	2							CIRCLIP, Half Shaft, C-Inner C/V Joint
5	04778579	1							SHAFT, Front Drive w/o ABS, Left
	R2073672								Mopar Remanufactured Part
	04886264AA	1							w/ABS, Left
-6	04886264AA	1							DAMPER, Axle, (Service in Assy.), (NOT SERVICED),
-7	04778689	2							SPACER, Tripod, Seal to Joint
-8	04797704	2							CIRCLIP, Half Shaft, C-Inner C/V Joint
9	06503352	2							WASHER, Flat, M23x38.0x405, Drive Hub
10	06503685	2							NUT, Hex Hub M22x1.50
11	04293167	2							NUT AND WASHER PACKAGE, Front Hub
12	06500336	2							PIN, Cotter, M5x36.00
13	06500336	2							KNUCKLE, Front, (Reference), (NOT SERVICED)
14	04778597	1							BOOT KIT, Half Shaft, Inner, w/or w/o ABS, Right
15	04778586	1							BOOT KIT, Half Shaft, Inner, w/or w/o ABS, Left
-16	04863722	1							BOOT KIT, Half Shaft, Outer

CIRRUS,BREEZE,STRATUS (JA)

SERIES LINE
H = HIGHLINE C = CHRYSLER
P = PREMIUM D = DODGE
P = PLYMOUTH

BODY
41 = 4 Door Sedan

ENGINE
ECB = 2.0L 4 Cyl SOHC 16V
SMPI Engine
EDZ = 2.4L 4 Cyl DOHC 16V
SMPI Engine
EEB = 2.5L V6 SOHC 24V
SMPI Engine

TRANSMISSION
DD5 = TRANSMISSION - 5-SPEED
MANUAL
DGL = TRANSMISSION - 4-SPD.
AUTOMATIC,41TE
DD4 = TRANSMISSION - 5-SPEED
PERF. MANUAL

AR = use ase required - = Non illustrated part

1999 JA

Group - 4

Parking Brake

Group - 4 Parking Brake

Group-Fig. No.

Illustration Title

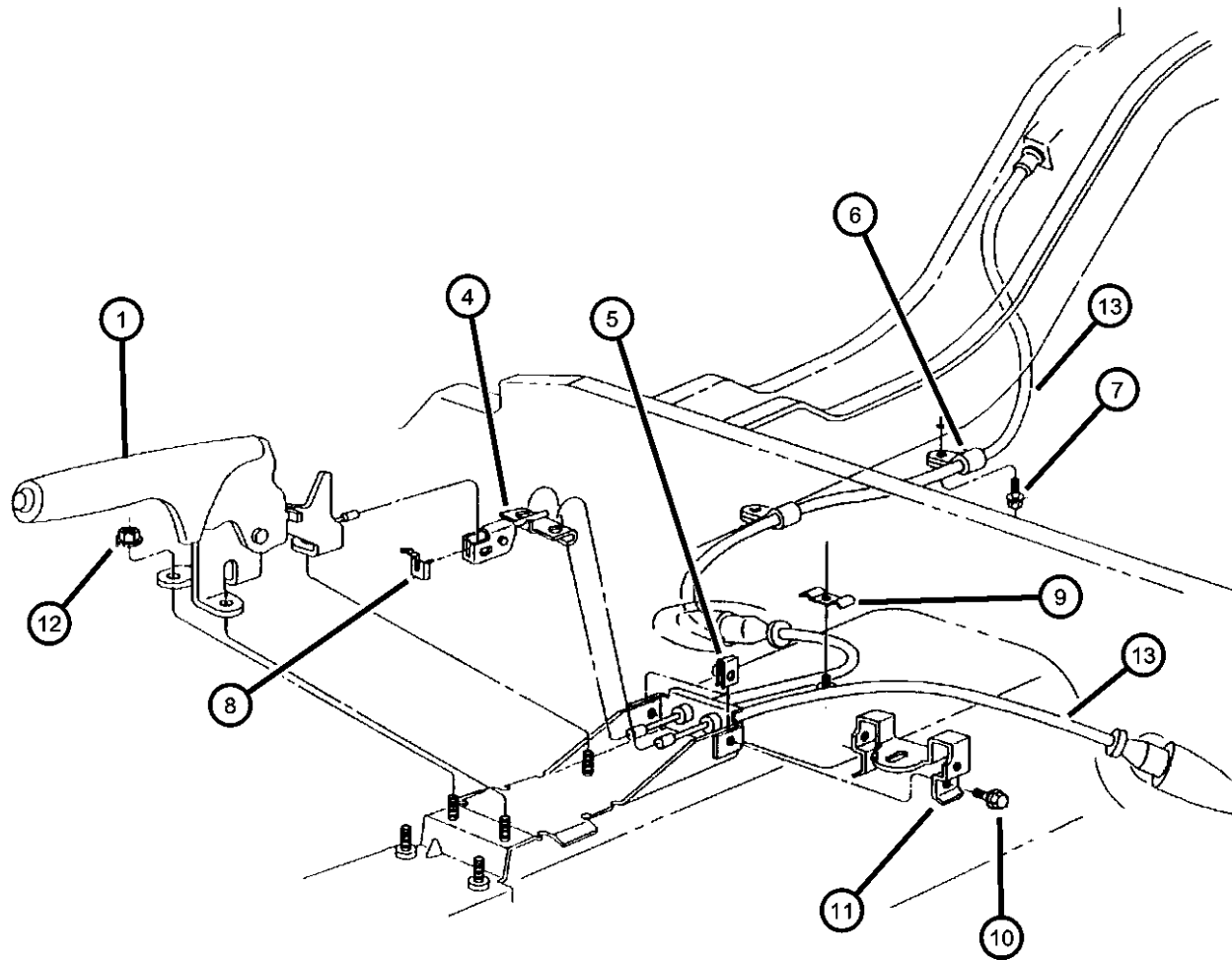
Parking Brake Lever and Cables

Lever And Cables, Parking Brake..... Fig. 4 - 120

004-100
Parking Brake Lever and Cables



Lever And Cables, Parking Brake
Figure 4-120



ITEM	PART NUMBER	QTY	LINE	SERIES	BODY	ENGINE	TRANS	TRIM	DESCRIPTION
1	04764083AB	1							LEVER, Park Brake
-2	05209922	1							SWITCH, Parking Brake
-3	05209922	1							SCREW, , Tap Hex Flg Hd Switch .190-24x.750, (NOT SERVICED)
4	04764531AA	1							EQUALIZER, Parking Brake Cable, Tensioner Rear
5	04764531AA	1							U-NUT, Console Rear Support Bracket Att M6x1.00, (NOT REQUIRED)
6	04764831AA	4							CLIP, Parking Brake Cable, Rear to Rail
7	06505344AA	2							SCREW, Hex Flange Head Tapping, M6.3 x 1.81 x 20.00, P/Bake Cable Clip to Rail
8	04695562	1							CLIP, Parking Brake Cable, Lever to Tensioner
9	04695093	1							CLIP, Parking Brake Cable, Tunnel
10	06501714	1							SCREW AND WASHER, Hex Head, M6x1x18, Console to Rear Support
11	06501714	1							BRACKET, Console Mount Rear (, (NOT REQUIRED)
12	06501714	1							NUT, Hex Flg w/Locking Serrations M8x1.25, (NOT SERVICED)
13									CABLE, Parking Brake
	04764068	2							(Drum)
	04764262AA	2							(Disc)
-14	04446981	2							GROMMET, Cable, Dash

104 120

CIRRUS,BREEZE,STRATUS (JA)

SERIES LINE
H = HIGHLINE C = CHRYSLER
P = PREMIUM D = DODGE
 P = PLYMOUTH

BODY
41 = 4 Door Sedan

ENGINE
ECB = 2.0L 4 Cyl SOHC 16V
SMPI Engine
EDZ = 2.4L 4 Cyl DOHC 16V
SMPI Engine
EEB = 2.5L V6 SOHC 24V
SMPI Engine

TRANSMISSION
DD5 = TRANSMISSION - 5-SPEED
MANUAL
DGL = TRANSMISSION - 4-SPD.
AUTOMATIC,41TE
DD4 = TRANSMISSION - 5-SPEED
PERF. MANUAL

AR = use ase required - = Non illustrated part

1999 JA

Group - 5

Service Brakes

Group - 5 Service Brakes

Illustration Title

Group-Fig. No.

Front Brakes

Brakes, Front Fig. 5 - 120

Rear Brakes

Brakes, Rear Drum..... Fig. 5 - 220

Brakes, Rear Disc..... Fig. 5 - 240

Power Brake Booster

Booster, Power Brake..... Fig. 5 - 320

Brake Master Cylinder

Master Cylinder..... Fig. 5 - 412

Anti-lock Brake Control Fig. 5 - 426

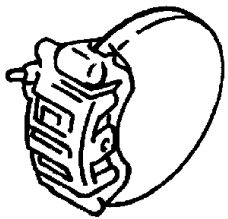
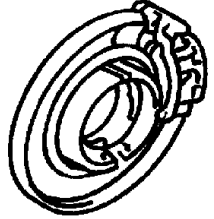
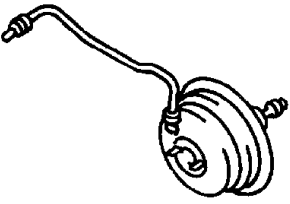
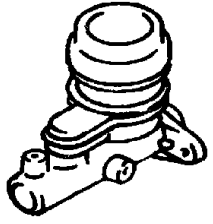
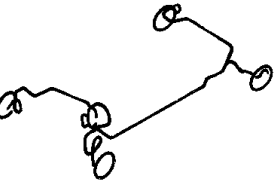

Brake Lines and Hoses

Lines And Hoses, Brake W/o Anti-lock Brakes Fig. 5 - 520

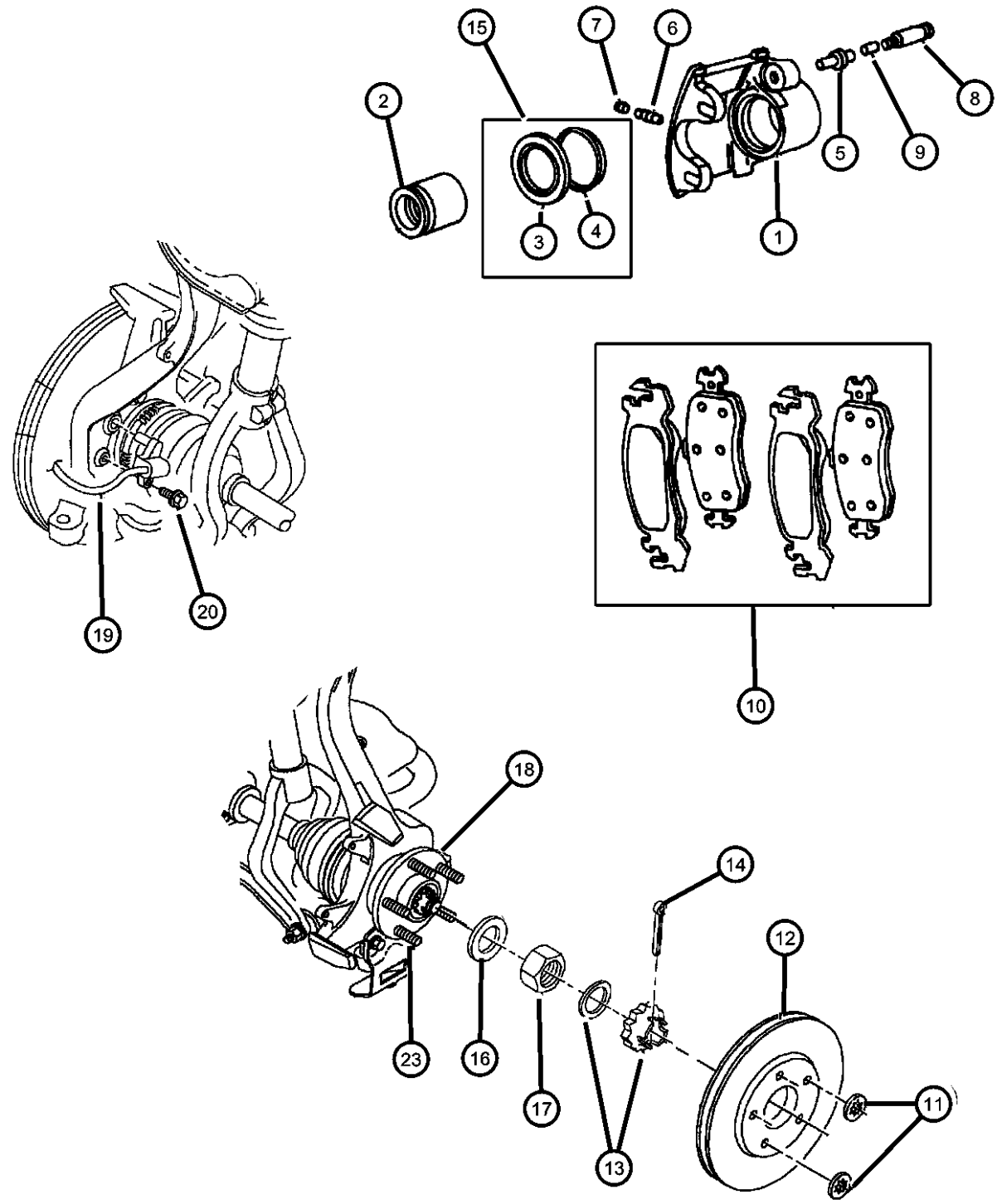
Lines And Hoses, Brake W/anti-lock Brakes..... Fig. 5 - 556

Brake Pedals

Pedal, Brake..... Fig. 5 - 620

<p>005-100 Front Brakes</p> 	<p>005-200 Rear Brakes</p> 	<p>005-300 Power Brake Booster</p> 	<p>005-400 Brake Master Cylinder</p> 
<p>005-500 Brake Lines and Hoses</p> 	<p>005-600 Brake Pedals</p> 		

Brakes, Front
Figure 5-120



ITEM	PART NUMBER	QTY	LINE	SERIES	BODY	ENGINE	TRANS	TRIM	DESCRIPTION
------	-------------	-----	------	--------	------	--------	-------	------	-------------

Note: Sale Codes
 [BRA]=POWER FRONT DISC/REAR DRUM
 [BRB]=POWER FRONT DISC/REAR DRUM
 [BRF]=ANTI-LOCK 4-WHEEL-DISC
 [BRJ]=ANTI-LOCK FRT DISC/RR DRUM
 [BRK]=ANTI-LOCK, FRT DISC/RR DRU
 [BRT]=ANTI-LOCK 4-WHEEL DISC

1									CALIPER, Disc Brake
	04856922	1							Right
	04856923	1							Left
2	04762639	1							PISTON, Brake
3	04762639	1							BOOT, Brake Piston, [Service in Item 16], (NOT SERVICED)
4	04762639	1							SEAL, Caliper Piston, [Service in Item 16], (NOT SERVICED)
5	04762106	1							BUSHING, Caliper
6	J0920463	1							BLEEDER SCREW, Brake
7	04762113	1							CAP, Bleeder
8	06503731	4							BOLT, Hex Flange Head, M8-1.25x66.50, Disc Brake Caliper
9	04762105	1							SLEEVE, Brake Caliper
10									PAD KIT, Front Disc Brake
	05016164AA	1							Mopar V-Line Alternative Part Disc Hardware
	BHKH5593								Mopar V-Line Alternative Part Caliper Bolts
	BHKH5066								Mopar V-Line Alternative Part Ceramic
	V1012926AB								Make It Ceramic Brake Kit
	V3012885								Export
	VCJX0029AB								Mopar V-Line Alternative Part Ceramic
	05016227AA	1							Mopar V-Line Alternative Part Disc Hardware
	V3012885								Mopar V-Line Alternative Part Caliper Bolts
	BHKH5593								NUT, Push Rotor Retainer, (NOT SERVICED),
	BHKH5066								ROTOR, Brake
11	05016227AA	1							
12									

CIRRUS,BREEZE,STRATUS (JA)
 SERIES LINE
 H = HIGHLINE C = CHRYSLER
 P = PREMIUM D = DODGE
 P = PLYMOUTH

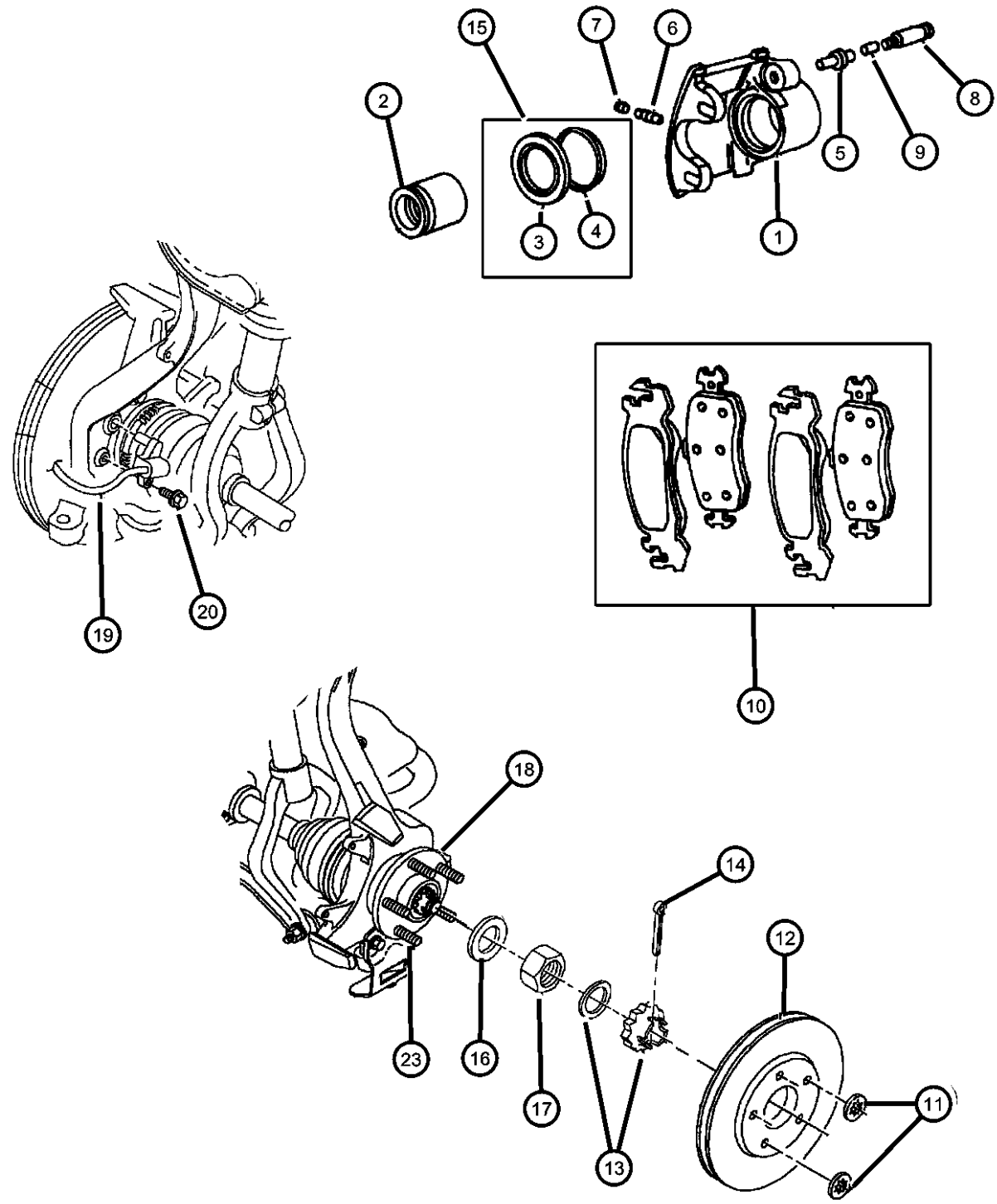
BODY
 41 = 4 Door Sedan

ENGINE
 ECB = 2.0L 4 Cyl SOHC 16V SMPI Engine
 EDZ = 2.4L 4 Cyl DOHC 16V SMPI Engine
 EEB = 2.5L V6 SOHC 24V SMPI Engine

TRANSMISSION
 DD5 = TRANSMISSION - 5-SPEED MANUAL
 DGL = TRANSMISSION - 4-SPD. AUTOMATIC,41TE
 DD4 = TRANSMISSION - 5-SPEED PERF. MANUAL

AR = use ase required - = Non illustrated part

Brakes, Front
Figure 5-120



ITEM	PART NUMBER	QTY	LINE	SERIES	BODY	ENGINE	TRANS	TRIM	DESCRIPTION
	04616935	2							[BRA] [BRJ] [BRF]
	04764073	2							[BRB] [BRS] [BRT]
13	04293167	2							NUT AND WASHER PACKAGE, Front Hub, Lock
14	06500336	2							PIN, Cotter, M5x36.00
15	04728241	1							BOOT AND SEAL, Disc Brake
16	06503352	2							WASHER, Flat, M23x38.0x405
17	06503685	2							NUT, Hex Hub Nut M22x1.50
18	04593777	1							HUB AND BEARING, Brake
19									SENSOR, Anti-Lock Brakes
	04764116	1							w/Grommet, Right
	04764117	1							w/Grommet, Left
20	06101010	2							SCREW AND WASHER, Hex Head, M6x1x18, Sensor Hd Att to Knuckle
-21	06101495	2							SCREW AND WASHER, Hex Head, M6x1x12, Sensor Wire Bracket to Knuckle
-22	06505344AA	2							SCREW, Hex Flange Head Tapping, M6.3 x 1.81 x 20.00, Front Sensor Retg Bracket
23	06503067	10							STUD, Hub

CIRRUS,BREEZE,STRATUS (JA)
 SERIES LINE
 H = HIGHLINE C = CHRYSLER
 P = PREMIUM D = DODGE
 P = PLYMOUTH

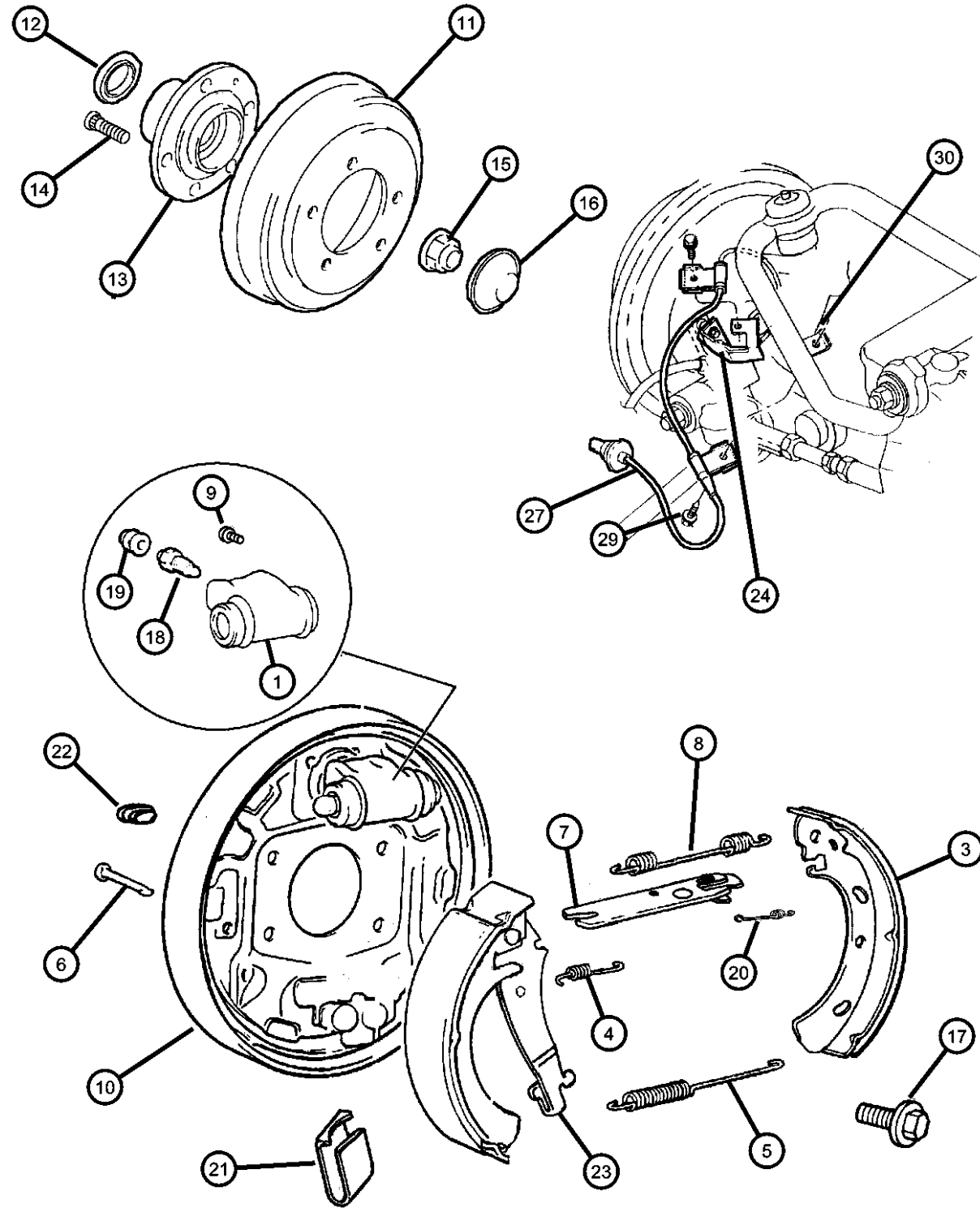
BODY
 41 = 4 Door Sedan

ENGINE
 ECB = 2.0L 4 Cyl SOHC 16V SMPI Engine
 EDZ = 2.4L 4 Cyl DOHC 16V SMPI Engine
 EEB = 2.5L V6 SOHC 24V SMPI Engine

TRANSMISSION
 DD5 = TRANSMISSION - 5-SPEED MANUAL
 DGL = TRANSMISSION - 4-SPD. AUTOMATIC,41TE
 DD4 = TRANSMISSION - 5-SPEED PERF. MANUAL

AR = use ase required - = Non illustrated part

Brakes, Rear Drum
Figure 5-220



ITEM	PART NUMBER	QTY	LINE	SERIES	BODY	ENGINE	TRANS	TRIM	DESCRIPTION
1	04728859 V2108859AA	1							CYLINDER, WheelRight or Left Mopar V-Line Alternative Part Wheel Cylinder
-2	04423240	1							SEAL, Brake Cylinder Mounting
3	04864304 V2012375 BHKH7292	1							SHOE AND LINING KIT, Drum Mopar V-Line Alternative Part Mopar V-Line Alternative Part All In One Drum Combi Kits
4									SPRING, Brake Auto Adjuster Lever
	04796414	1							Right
	04796415	1							Left
5	04796418	1							SPRING, Brake Shoe to ShoeLower
6	04796412	1							PIN, Brake Shoe Hold Down
7									ADJUSTER, Brake Shoe
	04796420	1							Right
	04796421	1							Left
8									SPRING, Brake Shoe to Shoe
	04796416	1							Upper Right
	04796417	1							Upper Left
9	04423232	1							SCREW
10									SUPPORT, Rear Wheel Brake
	04796422	1							[BRA,BRB], Right
	04796423	1							[BRA,BRB], Left
	04796424	1							[BRJ], Right
	04796425	1							[BRJ], Left
11	04695732	2							DRUM, Brake
12	04509544	2							SEAL, Brake Support
13									HUB AND BEARING, Brake
	04616477	2							w/o ABS
	05003550AA	2							w/ABS
14	06503067	10							STUD, Hub
15	06502432	2							LOCK NUT, Rear Spindle, M20-1.50, Hx Hd Flg w/Nylon Insert Wheel Brg
16	04509396	2							CAP, Wheel Bearing

CIRRUS,BREEZE,STRATUS (JA)
 SERIES LINE
 H = HIGHLINE C = CHRYSLER
 P = PREMIUM D = DODGE
 P = PLYMOUTH

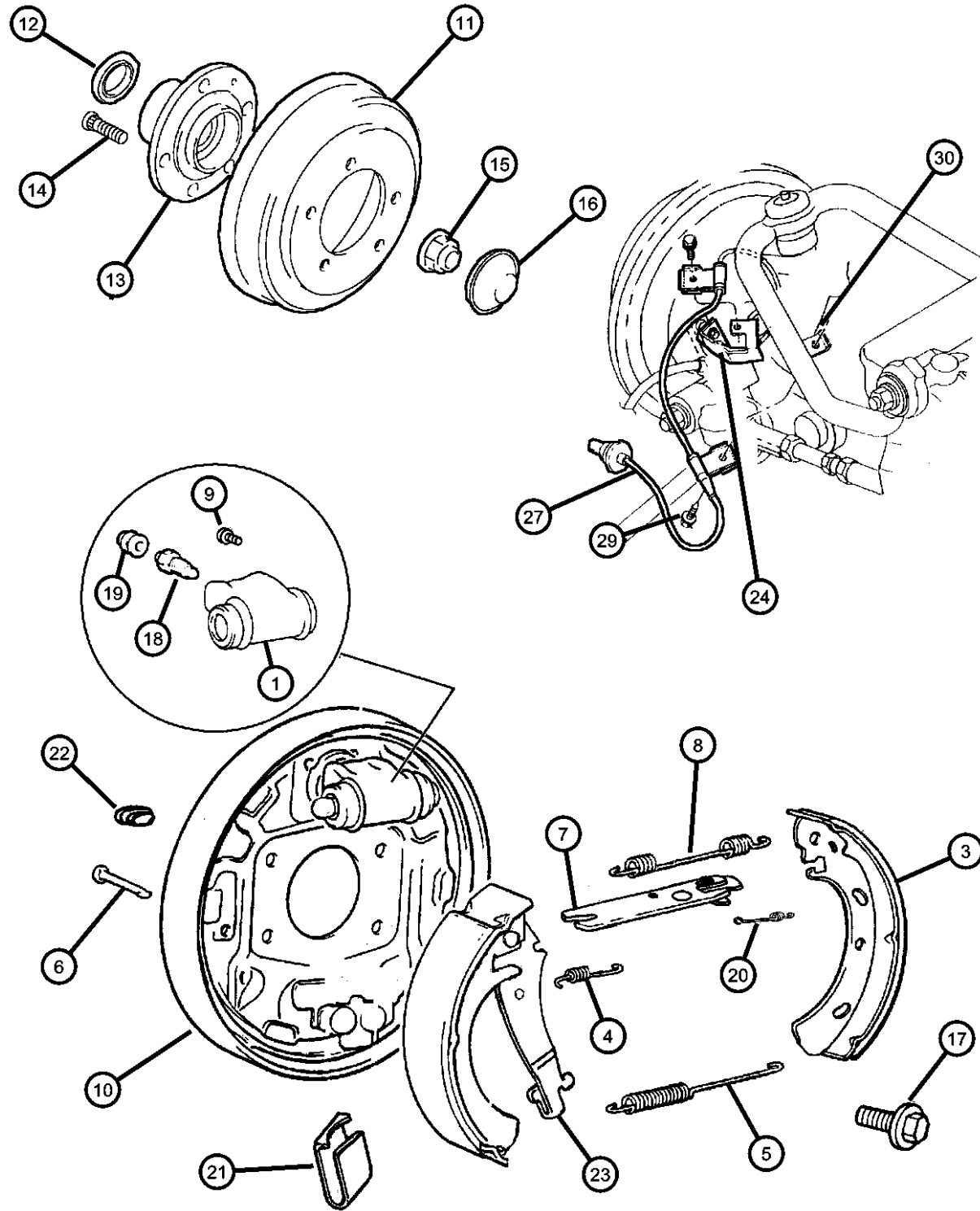
BODY
 41 = 4 Door Sedan

ENGINE
 ECB = 2.0L 4 Cyl SOHC 16V
 SMPI Engine
 EDZ = 2.4L 4 Cyl DOHC 16V
 SMPI Engine
 EEB = 2.5L V6 SOHC 24V
 SMPI Engine

TRANSMISSION
 DD5 = TRANSMISSION - 5-SPEED
 MANUAL
 DGL = TRANSMISSION - 4-SPD.
 AUTOMATIC,41TE
 DD4 = TRANSMISSION - 5-SPEED
 PERF. MANUAL

AR = use ase required - = Non illustrated part

Brakes, Rear Drum
Figure 5-220



ITEM	PART NUMBER	QTY	LINE	SERIES	BODY	ENGINE	TRANS	TRIM	DESCRIPTION
17	06503579	8							BOLT AND CONED WASHER, Hex Head, M10x1.5x30, Rear Brake Adapt to Spindle
18	J0920463	1							BLEEDER SCREW, Brake
19	04238717	1							CAP, Bleeder
20	04796419	1							SPRING, Cam To Strut Park Brake
21	04796413	1							CLIP, Parking Brake Hold Down
22	04423235	1							PLUG, Brake Adjusting Hole
23	04423235	1							LEVER, [P/Brake Cable to Brake Shoe Service in Item 3], (NOT SERVICED)
24	06101978	2							SCREW AND WASHER, Hex Head, M8-1.25x40, Backing Plate Att
-25	04695160	2							CLIP, Brake Speed Sensor, Rear Sensor Wire Grommet Mount
-26	06505344AA	2							SCREW, Hex Flange Head Tapping, M6.3 x 1.81 x 20.00, Rear Att and Ret Brk Sensor
27	04764107	2							SENSOR, Anti-Lock Brakes
-28	04695796	2							SLEEVE, Antilock Brake Sensor, Foam Rear ABS Sensor Conn
29	06034959	2							SCREW, Hex Flange Head, M6.3 x 1.81 x 15.00, Rear Sensor Att
30	06034959	2							BRACKET, [Service in Assembly], (NOT SERVICED)

CIRRUS,BREEZE,STRATUS (JA)
 SERIES LINE
 H = HIGHLINE C = CHRYSLER
 P = PREMIUM D = DODGE
 P = PLYMOUTH

BODY
 41 = 4 Door Sedan

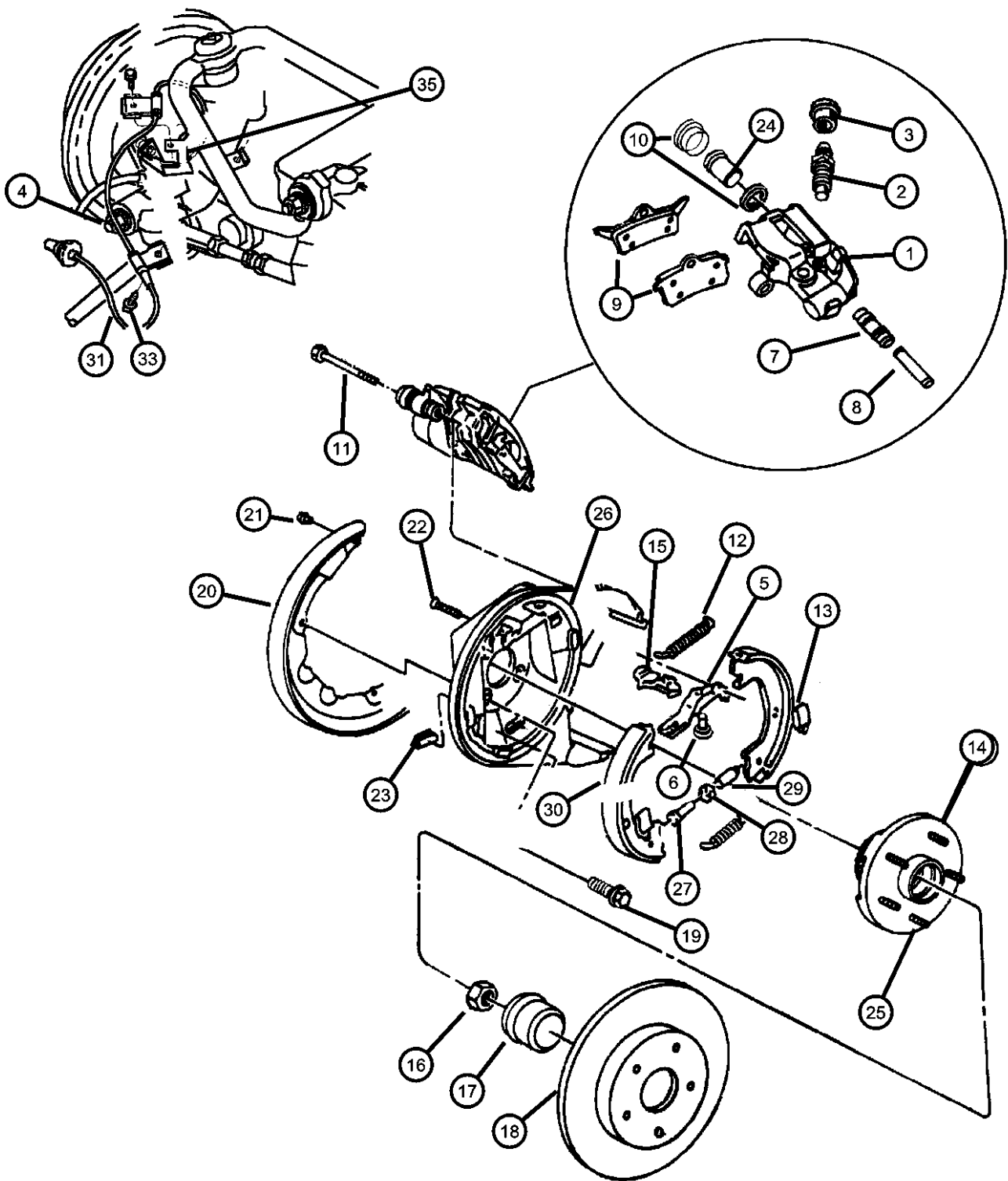
ENGINE
 ECB = 2.0L 4 Cyl SOHC 16V SMPI Engine
 EDZ = 2.4L 4 Cyl DOHC 16V SMPI Engine
 EEB = 2.5L V6 SOHC 24V SMPI Engine

TRANSMISSION
 DD5 = TRANSMISSION - 5-SPEED MANUAL
 DGL = TRANSMISSION - 4-SPD. AUTOMATIC,41TE
 DD4 = TRANSMISSION - 5-SPEED PERF. MANUAL

AR = use ase required - = Non illustrated part

1999 JA

Brakes, Rear Disc
Figure 5-240



ITEM	PART NUMBER	QTY	LINE	SERIES	BODY	ENGINE	TRANS	TRIM	DESCRIPTION
1									CALIPER, Disc Brake
	05011748AA	1							Right
	05011749AA	1							Left
2	03780788	1							SCREW, Bleeder
3	04238717	1							CAP, Bleeder
4	06101978	2							SCREW AND WASHER, Hex Head, M8-1.25x40, Backing Plate Att
5	06101978	2							LINK, Brake, P/Brake [Service in Item 16], (NOT SERVICED)
6	06101978	2							PIN, P/Brake Lever to Link [Service in Item 16], (NOT SERVICED)
7	04383471	1							BUSHING, Disc Brake Caliper
8	04423573	1							SLEEVE, Disc Brake Caliper
9	05012651AA	1							PAD KIT, Rear Disc Brake
	BHKH5593								Mopar V-Line Alternative Part Disc Hardware
	BHKH5066								Mopar V-Line Alternative Part Caliper Bolts
	V2013641AC								Mopar V-Line Alternative Part
10	04728132	1							BOOT AND SEAL PACKAGE, Disc Brake
11	06503731	4							BOLT, Hex Flange Head, M8-1.25x66.50, Caliper Mount
12	04383541	1							SPRING, Park Brake Shoe Return, (Yellow)
13	04383543	1							CLIP, Brake Shoe Hold Down
14	05003550AA	2							HUB AND BEARING, Brake, w/Tone Wheel
15									LEVER, Park Brake Adjusting
	04423538	1							Right
	04423539	1							Left
16	06502432	2							LOCK NUT, Rear Spindle, M20-1.50, Hub and Bearing
17	04509396	2							CAP, Wheel Bearing, (Dust)
18	04616433	2							ROTOR, Brake
19	06503579	8							BOLT AND CONED WASHER, Hex Head, M10x1.5x30, Adapt to Spindle
20	04423663	1							SHIELD, Brake, (Dust)

CIRRUS,BREEZE,STRATUS (JA)
 SERIES LINE
 H = HIGHLINE C = CHRYSLER
 P = PREMIUM D = DODGE
 P = PLYMOUTH

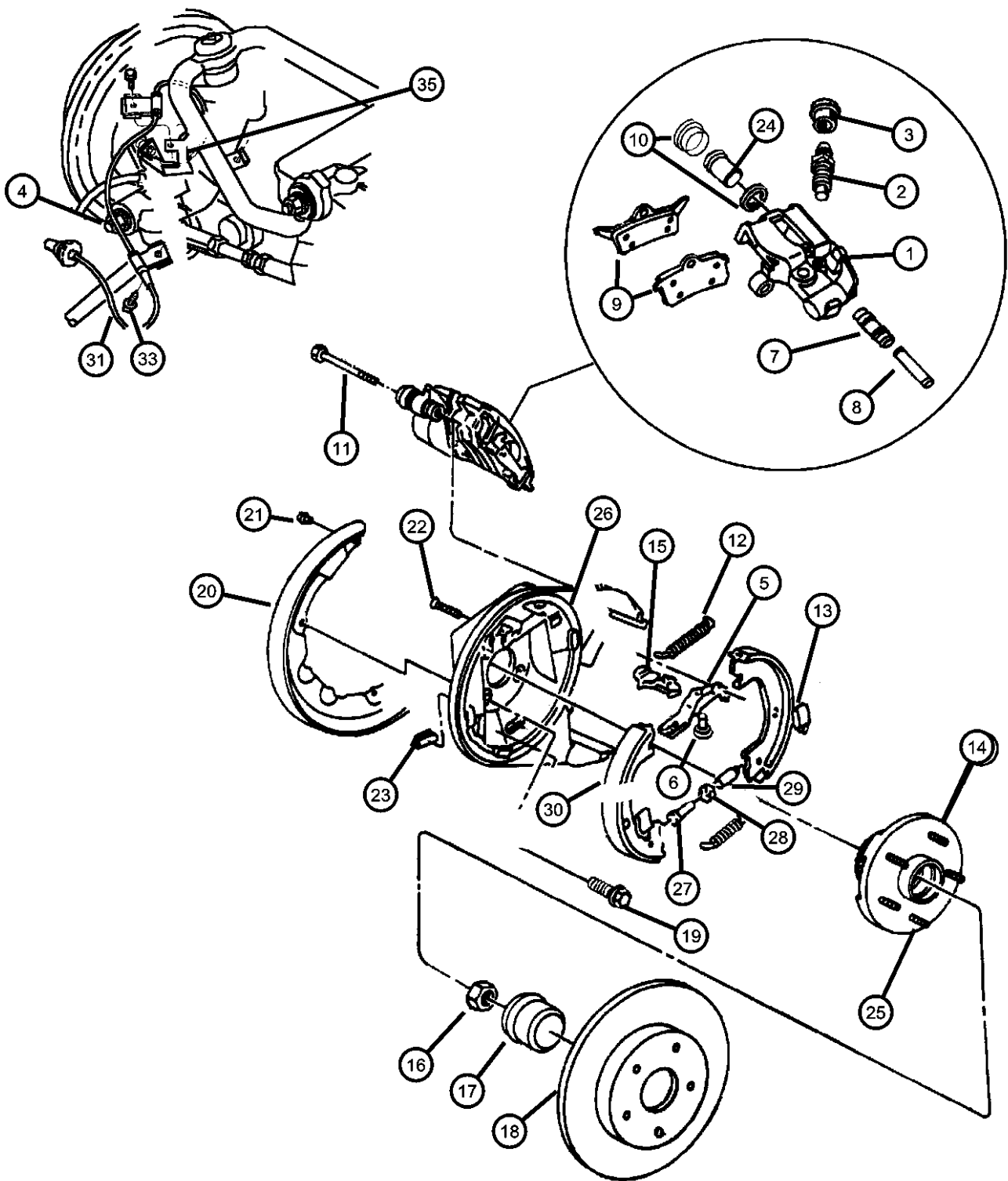
BODY
 41 = 4 Door Sedan

ENGINE
 ECB = 2.0L 4 Cyl SOHC 16V SMPI Engine
 EDZ = 2.4L 4 Cyl DOHC 16V SMPI Engine
 EEB = 2.5L V6 SOHC 24V SMPI Engine

TRANSMISSION
 DD5 = TRANSMISSION - 5-SPEED MANUAL
 DGL = TRANSMISSION - 4-SPD. AUTOMATIC, 41TE
 DD4 = TRANSMISSION - 5-SPEED PERF. MANUAL

AR = use ase required - = Non illustrated part

Brakes, Rear Disc
Figure 5-240



ITEM	PART NUMBER	QTY	LINE	SERIES	BODY	ENGINE	TRANS	TRIM	DESCRIPTION
21	04723981	1							SCREW, Rear Brake Dust Shield to Adapter
22	04238733	1							PIN, Brake Shoe Hold Down
23	04238721	1							PLUG, Brake Adjusting Hole
24	04728133	1							PISTON PACKAGE, Disc Brake
25	06503067	10							STUD, Hub, M12x1.50x44.00
26									ADAPTER, Parking Brake
	04773272	1							Right
	04773273	1							Left
27	04509503	1							SCREW, Parking Brake
28	04383539	1							NUT, Parking Brake Adjusting
29	04509504	1							SOCKET, Brake Adjusting Screw
30	04741772	1							SHOE AND LINING, Parking Brake
	BHKP7300								Mopar Parking Brake Hardware Kit
	BHKP7301								Mopar Parking Brake Hardware Kit
	V2013036								Mopar V-Line Alternative Part
31	04764107	2							SENSOR, Anti-Lock Brakes
-32	04695796	2							SLEEVE, Antilock Brake Sensor, Form Rear ABS Sensor Conn
33	06034959	2							SCREW, Hex Flange Head, .25-14x.549
-34	06034959	2							BRACKET, [Service in Assy.], (NOT SERVICED)
35									BRACKET, Brake Sensor
	04764384AA	1							European, Right
	04764385AA	1							European, Left
-36	04695160	2							CLIP, Brake Speed Sensor, Rear Sensor Wire Grommet Mount
-37	06505344AA	2							SCREW, Hex Flange Head Tapping, M6.3 x 1.81 x 20.00, Rear Att and Retainer Brake Sensor
-38	04773541	1							SPRING, Brake Shoe ReturnLower

CIRRUS,BREEZE,STRATUS (JA)
 SERIES LINE
 H = HIGHLINE C = CHRYSLER
 P = PREMIUM D = DODGE
 P = PLYMOUTH

BODY
 41 = 4 Door Sedan

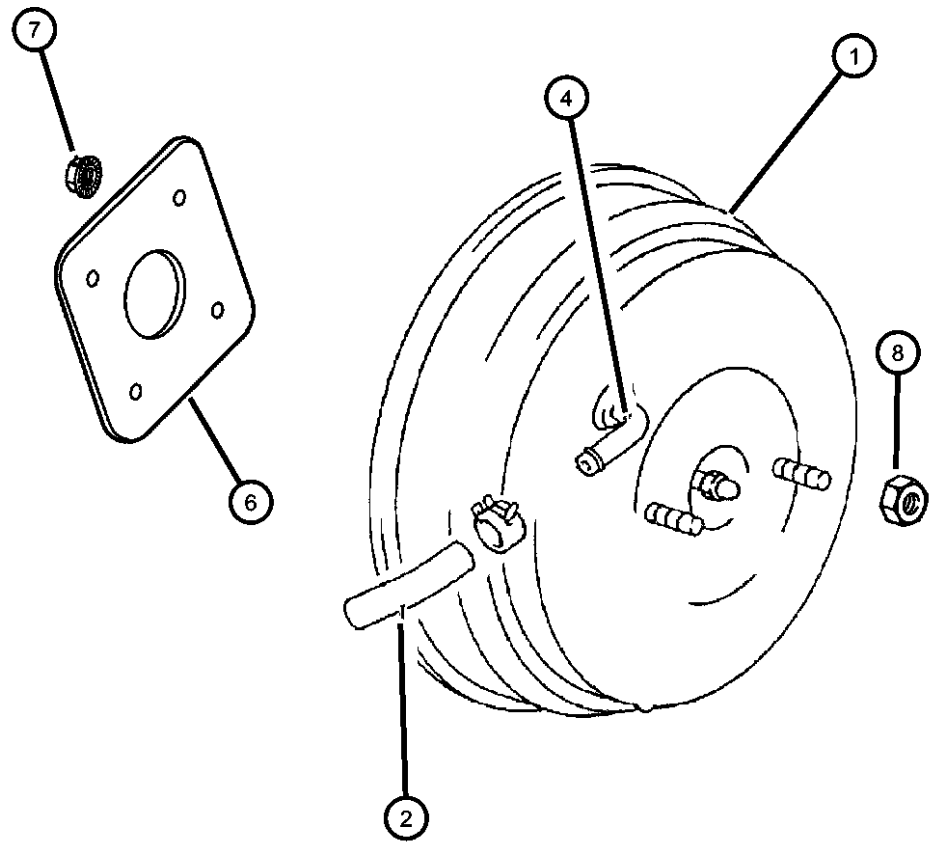
ENGINE
 ECB = 2.0L 4 Cyl SOHC 16V SMPI Engine
 EDZ = 2.4L 4 Cyl DOHC 16V SMPI Engine
 EEB = 2.5L V6 SOHC 24V SMPI Engine

TRANSMISSION
 DD5 = TRANSMISSION - 5-SPEED MANUAL
 DGL = TRANSMISSION - 4-SPD. AUTOMATIC, 41TE
 DD4 = TRANSMISSION - 5-SPEED PERF. MANUAL

AR = use ase required - = Non illustrated part

**Booster, Power Brake
Figure 5-320**

ITEM	PART NUMBER	QTY	LINE	SERIES	BODY	ENGINE	TRANS	TRIM	DESCRIPTION
1	04616492	1							BOOSTER, Power Brake
2									HOSE, Brake Booster
	04616493	1							w/2.0 L 4 Cyl.
	04616497	1							w/2.5 L 6 Cyl.
	04764219	1							w/2.4 L 4 Cyl.
-3	02448761	1							CLAMP, Hose
4	04796355	1							VALVE, Brake Booster Check
-5	04723640	1							GROMMET, Brake Booster Check Valve
6	03699447	1							GASKET, Booster To Dash, Mount
7	06101445	1							NUT AND WASHER, Hex Nut-Coned Washer, M8 x 1.25, Brake Booster Mount
8	06502524	2							NUT, Hex Lock, M8x1.25
-9	04306550	1							CONNECTOR, Brake Booster Vacuum
-10	03699447	1							GASKET, Booster To Dash



CIRRUS,BREEZE,STRATUS (JA)
 SERIES LINE
 H = HIGHLINE C = CHRYSLER
 P = PREMIUM D = DODGE
 P = PLYMOUTH

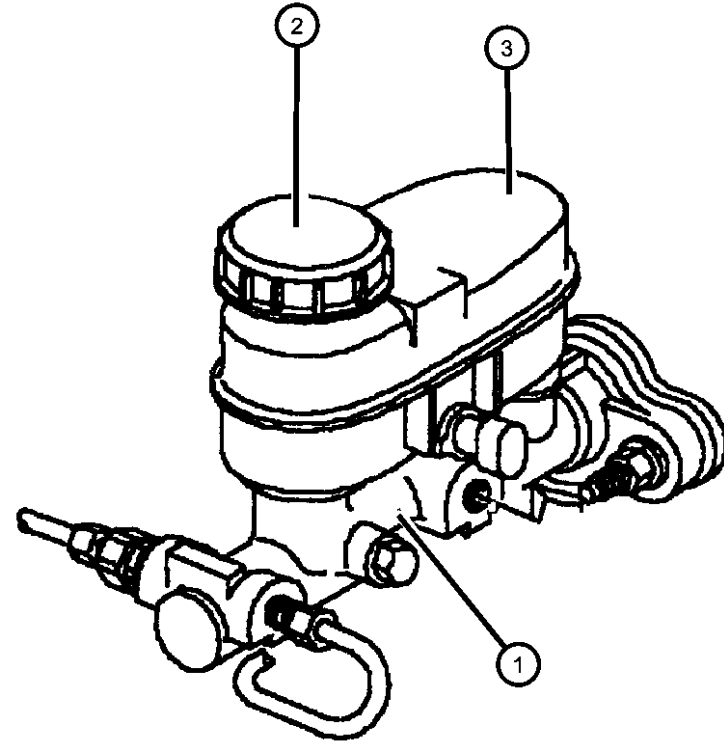
BODY
 41 = 4 Door Sedan

ENGINE
 ECB = 2.0L 4 Cyl SOHC 16V SMPI Engine
 EDZ = 2.4L 4 Cyl DOHC 16V SMPI Engine
 EEB = 2.5L V6 SOHC 24V SMPI Engine

TRANSMISSION
 DD5 = TRANSMISSION - 5-SPEED MANUAL
 DGL = TRANSMISSION - 4-SPD. AUTOMATIC,41TE
 DD4 = TRANSMISSION - 5-SPEED PERF. MANUAL

AR = use ase required - = Non illustrated part

**Master Cylinder
Figure 5-412**



ITEM	PART NUMBER	QTY	LINE	SERIES	BODY	ENGINE	TRANS	TRIM	DESCRIPTION
1	04764192	1							MASTER CYLINDER, Brake w/o ABS
	R4764192								Mopar Remanufactured Part
	04764194	1							w/ABS
2	04509683	1							CAP, Master Cylinder Reservoir, w/Rubber Seal
3	04509683	1							RESERVOIR, Brake Master Cylinder, (Service in the Master Cylinder, (NOT SERVICED)
-4	04637625	1							SWITCH, Brake Fluid Level, Reservoir
-5	04723389	1							GROMMET, Master Cylinder Reservoir, Mounting
-6	06502524	2							NUT, Hex Lock, M8x1.25, Brake M/Cylinder Booster Mtg

CIRRUS,BREEZE,STRATUS (JA)
 SERIES LINE
 H = HIGHLINE C = CHRYSLER
 P = PREMIUM D = DODGE
 P = PLYMOUTH

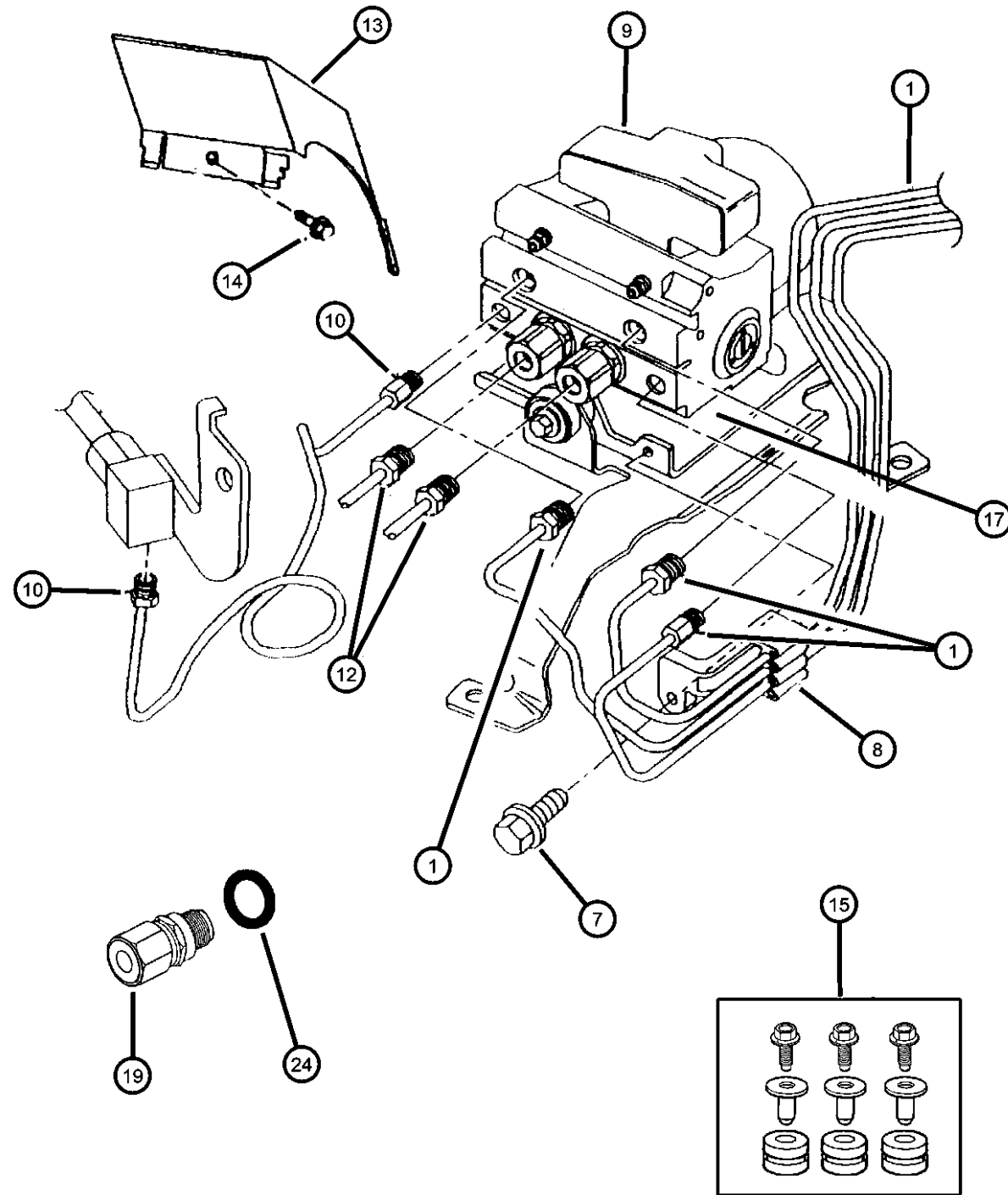
BODY
 41 = 4 Door Sedan

ENGINE
 ECB = 2.0L 4 Cyl SOHC 16V SMPI Engine
 EDZ = 2.4L 4 Cyl DOHC 16V SMPI Engine
 EEB = 2.5L V6 SOHC 24V SMPI Engine

TRANSMISSION
 DD5 = TRANSMISSION - 5-SPEED MANUAL
 DGL = TRANSMISSION - 4-SPD. AUTOMATIC,41TE
 DD4 = TRANSMISSION - 5-SPEED PERF. MANUAL

AR = use ase required - = Non illustrated part

**Anti-lock Brake Control
Figure 5-426**



ITEM	PART NUMBER	QTY	LINE	SERIES	BODY	ENGINE	TRANS	TRIM	DESCRIPTION
1	01843251	1							TUBE, Steel, .187 25 Foot Roll, HCU to M/Cyl. Primary
-2	06034880	1							NUT, Hex, .375-24x.85, Qty 02
-3	01843251	1							TUBE, Steel, .187 25 Foot Roll, HCU to M/Cyl.- Secondary
-4	06034880	1							NUT, Hex, .375-24x.85, Qty 02
-5	01843251	1							TUBE, Steel, .187 25 Foot Roll, HCU to Lt Front Hose
-6	06034880	1							NUT, Hex, .375-24x.85, Qty 02
7	06034880	1							SCREW, Tap/Ca- Ann Ring Type CA HCU Brake M6x1.00x20.00, (NOT SERVICED)
8									CLIP, Brake Tube
	04616057	2							Module Center Separator
	04616992	1							Module to M/Cyl.
9	04897779AA	1							HYDRAULIC CONTROL UNIT, Anti-Lock Brake System, ABS (w/Prop Valves) w/Screws
10	04764114	1							TUBE, HCU to Front Hose
-11	06034880	1							NUT, Hex, .375-24x.85, Qty 02
12	06034880	1							VALVE, Proportioning, (Reference), (NOT SERVICED)
13	04764152	1							SHIELD, ICU
14	06504055	1							SCREW, Hex Head, M6x1x16, Tap Type CA Att Shield to HCU
15	04762171	1							INSULATOR, Hydraulic Control Unit, Package ABS Unit Mounting
-16	06503492	1							SCREW AND WASHER, Hex Head Tapping, M8x1.25x26, Tap-WA/Type CA AttClip to C/Member (Bracket to HCU)
17	04897783AA	1							BRACKET, Brake Control Unit
-18	06101795	3							SCREW, Tapping, M8x1.25x30, Tap/CA Att Bracket HCU Assy. Mount
19	06101795	3							VALVE, Proportioning, (Primary Service in the HCU), (NOT SERVICED)
-20	06101795	3							SCREW, Tap Hex Flg Hd Unit Mtg .250-14x1.0o (Service in HCU, Bracket, Unit Mtg), (NOT SERVICED)
-21	06035956AA	2							SCREW, .250-14X1.500, Fuel Brake Module to Body

CIRRUS,BREEZE,STRATUS (JA)

SERIES	LINE
H = HIGHLINE	C = CHRYSLER
P = PREMIUM	D = DODGE
	P = PLYMOUTH

BODY
41 = 4 Door Sedan

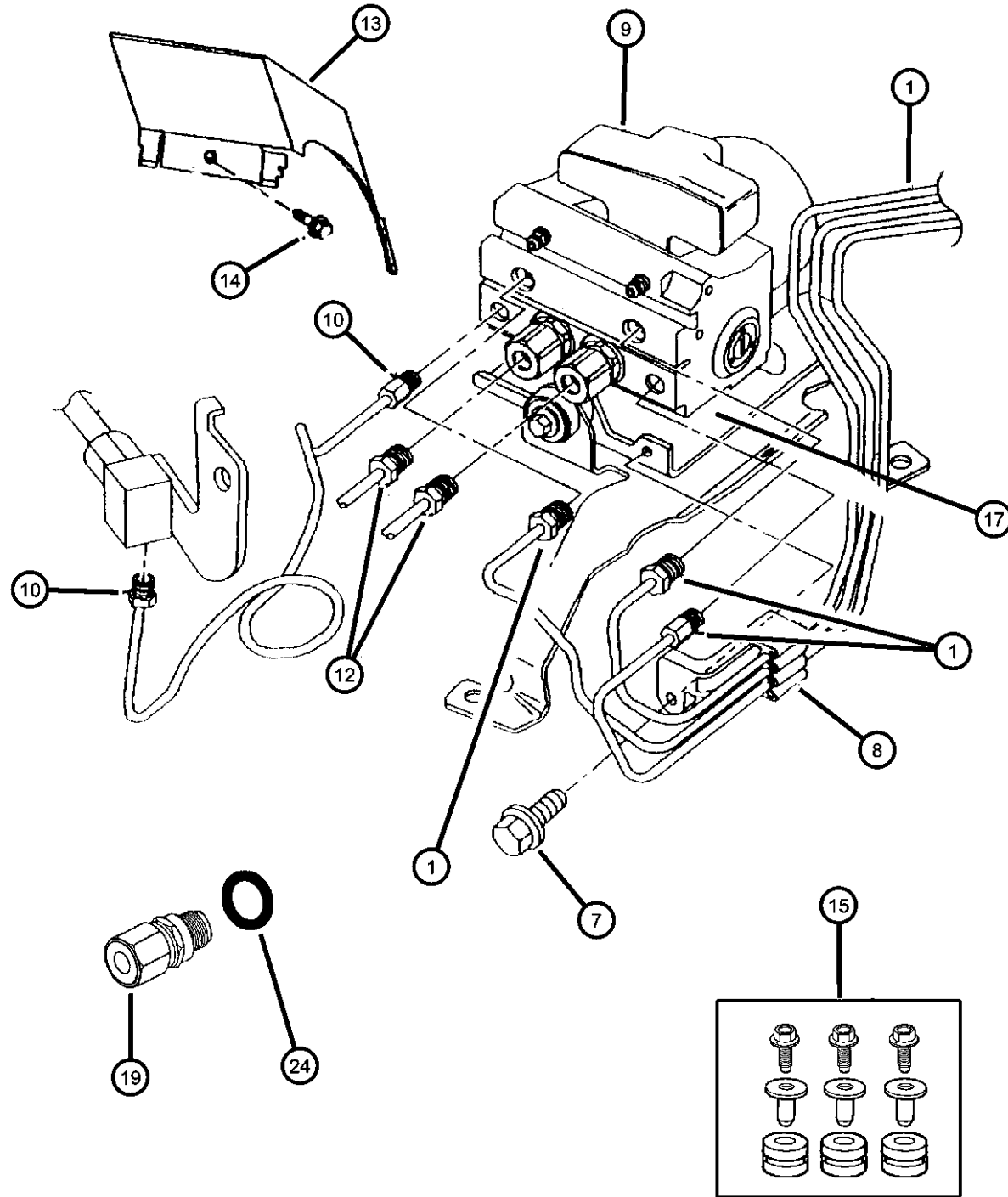
ENGINE
ECB = 2.0L 4 Cyl SOHC 16V SMPI Engine
EDZ = 2.4L 4 Cyl DOHC 16V SMPI Engine
EEB = 2.5L V6 SOHC 24V SMPI Engine

TRANSMISSION
DD5 = TRANSMISSION - 5-SPEED MANUAL
DGL = TRANSMISSION - 4-SPD. AUTOMATIC, 41TE
DD4 = TRANSMISSION - 5-SPEED PERF. MANUAL

AR = use ase required - = Non illustrated part

1999 JA

**Anti-lock Brake Control
Figure 5-426**



ITEM	PART NUMBER	QTY	LINE	SERIES	BODY	ENGINE	TRANS	TRIM	DESCRIPTION
-22	06504802AA	4							SCREW, 6 Lobed, Ext Hd-ECU to HCU Pump
-23	06504802AA	4							VALVE, Proportioning, (Secondary Service in the HCU), (NOT SERVICED)
24	06504802AA	4							O RING, Proportioning Valve, (NOT REQUIRED)
-25	04764238AA	1							BRACKET, Heat Shield

CIRRUS,BREEZE,STRATUS (JA)

SERIES	LINE
H = HIGHLINE	C = CHRYSLER
P = PREMIUM	D = DODGE
	P = PLYMOUTH

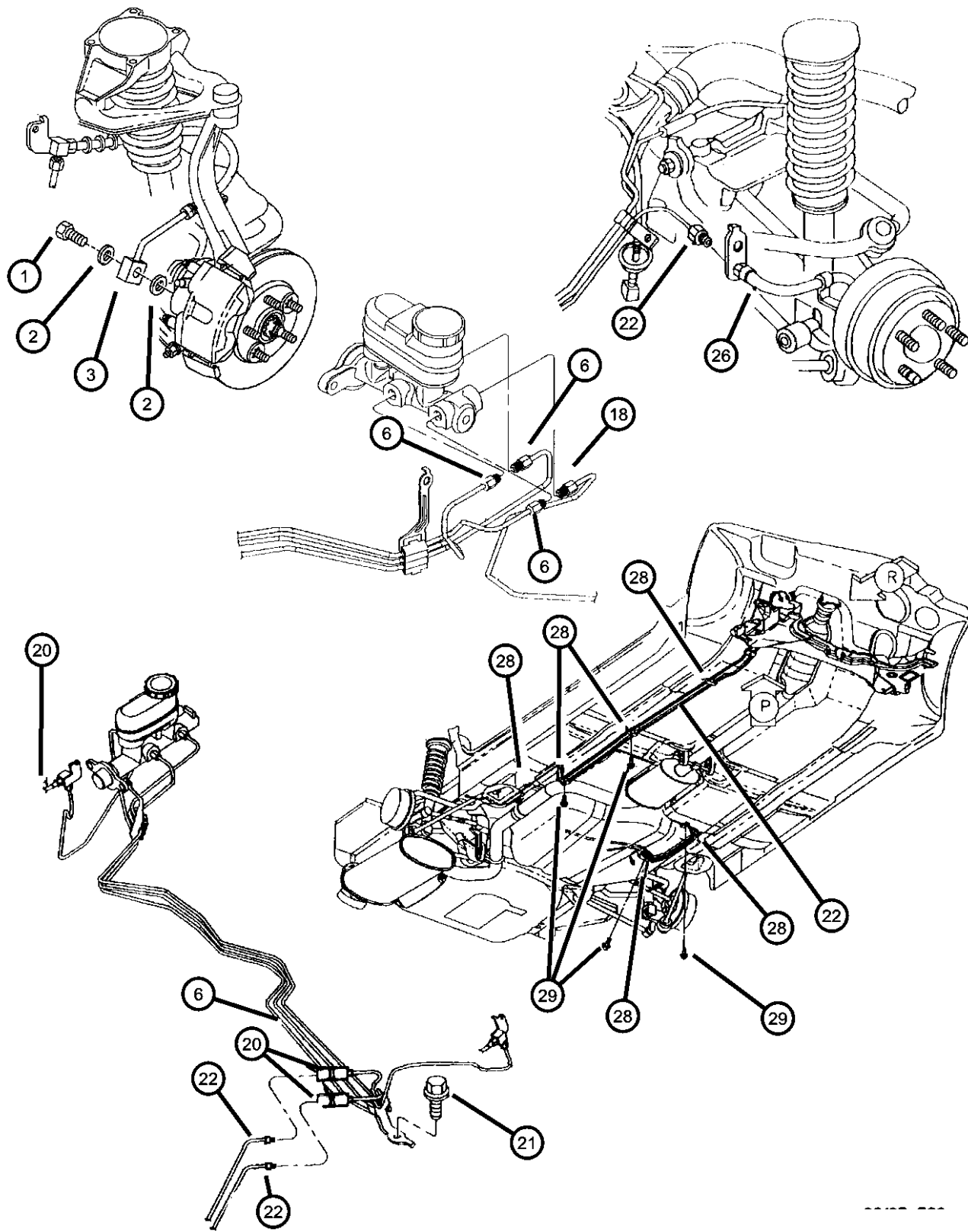
BODY
41 = 4 Door Sedan

ENGINE
ECB = 2.0L 4 Cyl SOHC 16V SMPI Engine
EDZ = 2.4L 4 Cyl DOHC 16V SMPI Engine
EEB = 2.5L V6 SOHC 24V SMPI Engine

TRANSMISSION
DD5 = TRANSMISSION - 5-SPEED MANUAL
DGL = TRANSMISSION - 4-SPD. AUTOMATIC, 41TE
DD4 = TRANSMISSION - 5-SPEED PERF. MANUAL

AR = use ase required - = Non illustrated part

**Lines And Hoses, Brake W/o Anti-lock Brakes
Figure 5-520**



ITEM	PART NUMBER	QTY	LINE	SERIES	BODY	ENGINE	TRANS	TRIM	DESCRIPTION
1	06035098	2							BOLT, Hex Head, .437-20x.937, Drilled F/Whl Hose to Caliper
2	06030084	4							GASKET, Brake Hose, F/Whl Disc ID= .460 OD= .640 THK= .077
3									HOSE, Brake
	04616062	1							F/Whl Disc, Right
	04616063	1							F/Whl Disc, Left
-4	06505344AA	2							SCREW, Hex Flange Head Tapping, M6.3 x 1.81 x 20.00, F/Whl Brake Hose Att
-5	06034959	2							SCREW, Hex Flange Head, .25-14x.549, Brake Hose Bracket Att
6	04695440	1							TUBE, Brake, Prop Valve- M/Cyl., Primary
-7	06034879	1							NUT, Inverted Flare, .50-20x.75
-8	06034881	1							NUT, Inverted Flare, .375-24
-9	04695441	1							TUBE, Brake, Prop Valve- M/Cyl., Secondary
-10	06034881	1							NUT, Inverted Flare, .375-24
-11	06034880	1							NUT, Hex, .375-24x.85, Inverted Flare Tube
-12	04695442	1							TUBE, Brake, M/Cyl. to Rt F/Hose
-13	06034880	1							NUT, Hex, .375-24x.85, Inverted Flare Tube
-14	06034881	1							NUT, Inverted Flare, .375-24
-15	04616997	1							CLIP, Brake Tube
-16	04616057	2							CLIP, Brake Tube
-17	04616992	1							CLIP, Brake Tube
18	04695620	1							TUBE, Brake, M/Cyl. to Lt F/Hose
-19	06034880	1							NUT, Hex, .375-24x.85
20									VALVE, Proportioning
	04695649	1							(Screw In), Primary
	04695745	1							(Screw in), Secondary
21	06503492	1							SCREW AND WASHER, Hex Head Tapping, M8x1.25x26, and WA Type CA Att Clip to C/Member
22	01843251	1							TUBE, Steel, .187 25 Foot Roll, Prop Valve to Rt Rear Hose
-23	06034880	1							NUT, Hex, .375-24x.85, Qty 02

CIRRUS,BREEZE,STRATUS (JA)
 SERIES LINE
 H = HIGHLINE C = CHRYSLER
 P = PREMIUM D = DODGE
 P = PLYMOUTH

BODY
 41 = 4 Door Sedan

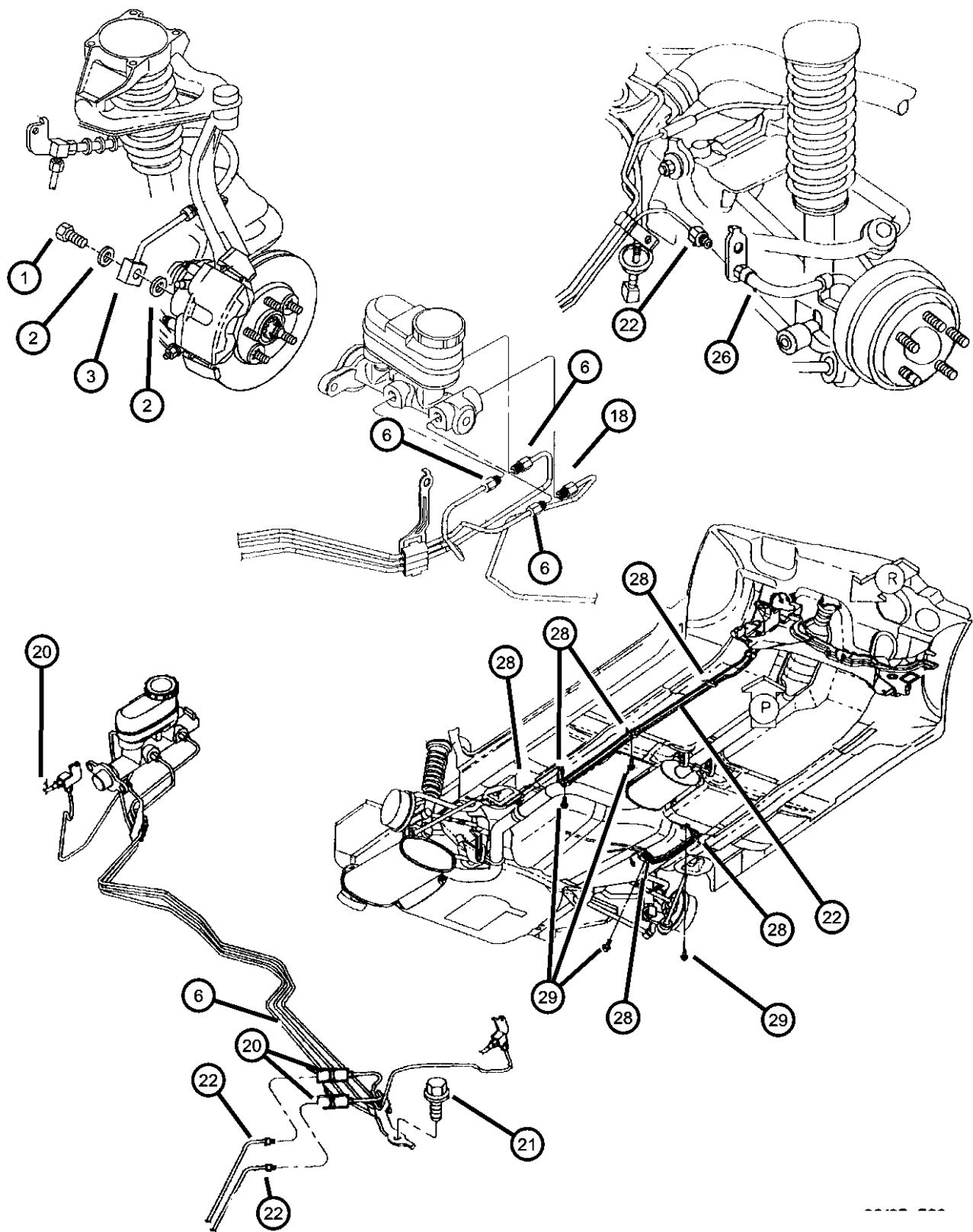
ENGINE
 ECB = 2.0L 4 Cyl SOHC 16V SMPI Engine
 EDZ = 2.4L 4 Cyl DOHC 16V SMPI Engine
 EEB = 2.5L V6 SOHC 24V SMPI Engine

TRANSMISSION
 DD5 = TRANSMISSION - 5-SPEED MANUAL
 DGL = TRANSMISSION - 4-SPD. AUTOMATIC,41TE
 DD4 = TRANSMISSION - 5-SPEED PERF. MANUAL

AR = use ase required - = Non illustrated part

1999 JA

**Lines And Hoses, Brake W/o Anti-lock Brakes
Figure 5-520**



ITEM	PART NUMBER	QTY	LINE	SERIES	BODY	ENGINE	TRANS	TRIM	DESCRIPTION
-24	01843251	1							TUBE, Steel, .187 25 Foot Roll, Prop Valve to Lt Rear Hose
-25	06034880	1							NUT, Hex, .375-24x.85, Qty 02
26									HOSE, Brake
	04616064	1							Rear Wheel Drum Brake, Right
	V1126064AA								Mopar V-Line Alternative Brake Hoses and Tubes
	04616065	1							Rear Wheel Drum Brake, Left
	V1126065AA								Mopar V-Line Alternative Brake Hoses and Tubes
-27	06034959	2							SCREW, Hex Flange Head, .25-14x.549, Brake Hose Bracket Att or Drum Brake Att
28	04695819	2							CLIP, Fuel Bundle
29	06035956AA	2							SCREW, .250-14X1.500, Floor Pan
-30	01843251	1							TUBE, Steel, .187 25 Foot Roll
-31	06034880	1							NUT, Hex, .375-24x.85, Qty 02
-32	06100293	3							BOLT AND CONED WASHER, Hex Head, M8x14x17, Brake Tube Clip

CIRRUS,BREEZE,STRATUS (JA)
 SERIES LINE
 H = HIGHLINE C = CHRYSLER
 P = PREMIUM D = DODGE
 P = PLYMOUTH

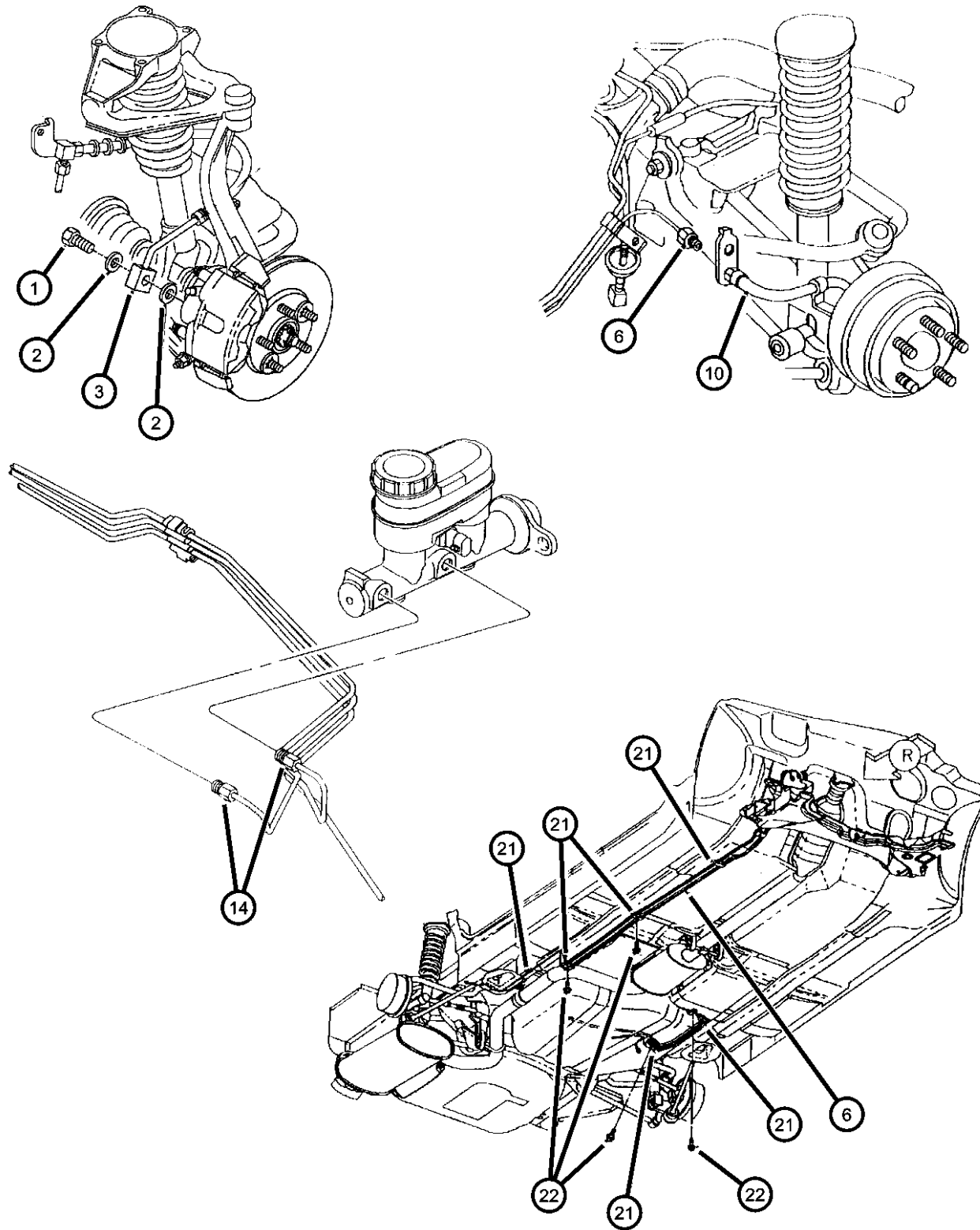
BODY
 41 = 4 Door Sedan

ENGINE
 ECB = 2.0L 4 Cyl SOHC 16V SMPI Engine
 EDZ = 2.4L 4 Cyl DOHC 16V SMPI Engine
 EEB = 2.5L V6 SOHC 24V SMPI Engine

TRANSMISSION
 DD5 = TRANSMISSION - 5-SPEED MANUAL
 DGL = TRANSMISSION - 4-SPD. AUTOMATIC,41TE
 DD4 = TRANSMISSION - 5-SPEED PERF. MANUAL

AR = use ase required - = Non illustrated part

**Lines And Hoses, Brake W/anti-lock Brakes
Figure 5-556**



ITEM	PART NUMBER	QTY	LINE	SERIES	BODY	ENGINE	TRANS	TRIM	DESCRIPTION
21	04695819	2							CLIP, Fuel Bundle, Lt
22	06035956AA	2							SCREW, .250-14X1.500, Floor Pan
-23	01843251	1							TUBE, Steel, .187 25 Foot Roll
-24	06034880	1							NUT, Hex, .375-24x.85, Qty 02
-25	06100293	3							BOLT AND CONED WASHER, Hex Head, M8x14x17, Brake Tube Clip
-26	06505344AA	2							SCREW, Hex Flange Head Tapping, M6.3 x 1.81 x 20.00, Rear Brake Hose to Rail

CIRRUS,BREEZE,STRATUS (JA)
 SERIES LINE
 H = HIGHLINE C = CHRYSLER
 P = PREMIUM D = DODGE
 P = PLYMOUTH

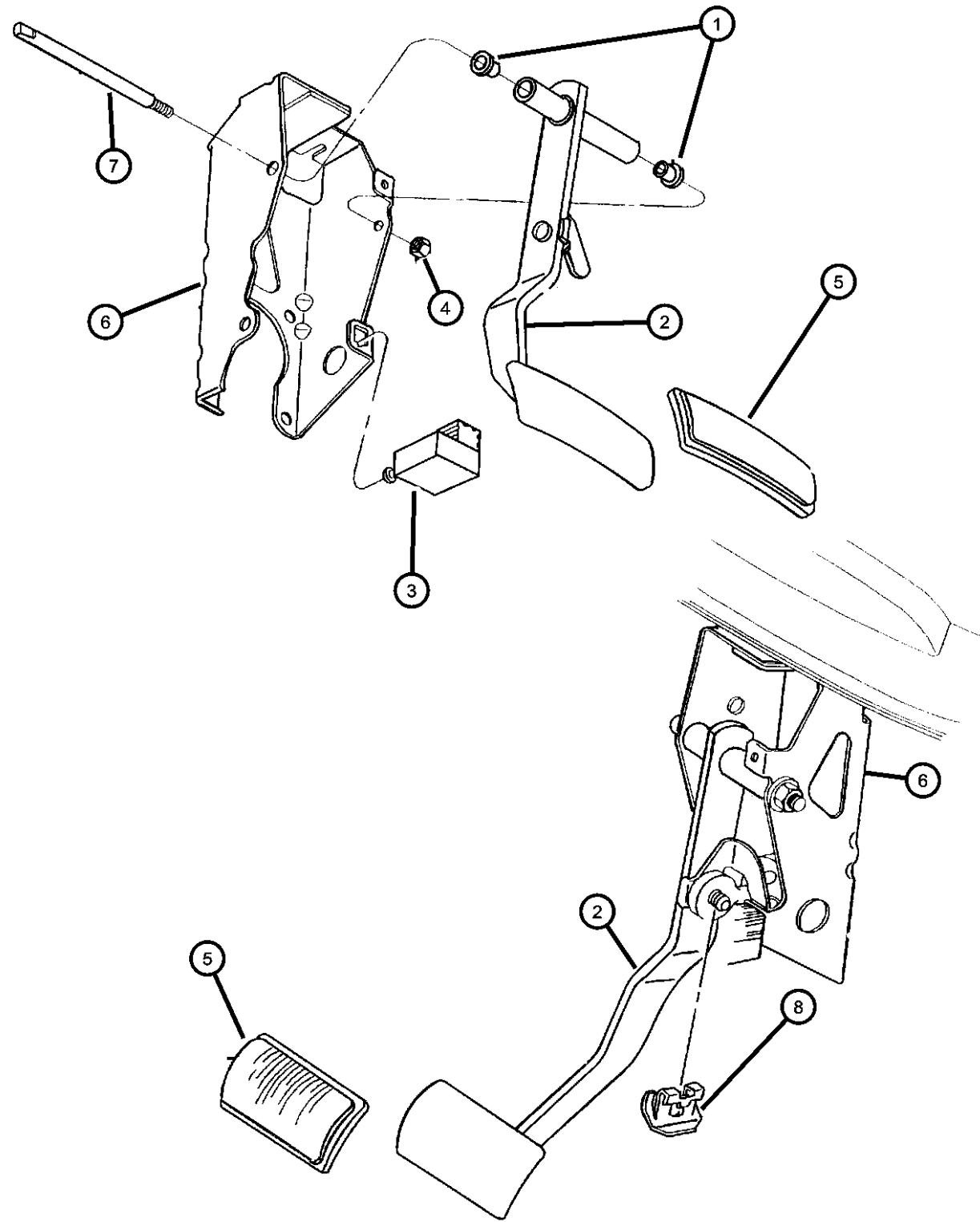
BODY
 41 = 4 Door Sedan

ENGINE
 ECB = 2.0L 4 Cyl SOHC 16V SMPI Engine
 EDZ = 2.4L 4 Cyl DOHC 16V SMPI Engine
 EEB = 2.5L V6 SOHC 24V SMPI Engine

TRANSMISSION
 DD5 = TRANSMISSION - 5-SPEED MANUAL
 DGL = TRANSMISSION - 4-SPD. AUTOMATIC,41TE
 DD4 = TRANSMISSION - 5-SPEED PERF. MANUAL

AR = use ase required - = Non illustrated part

Pedal, Brake
Figure 5-620



ITEM	PART NUMBER	QTY	LINE	SERIES	BODY	ENGINE	TRANS	TRIM	DESCRIPTION
1	02467770	2							BUSHING, Pedal Shaft
2									PEDAL, Brake
	04616049	1							w/Auto
	04616252	1							w/Manual
3	04671336	1							SWITCH, Stop Lamp, and Speed Control (4.15MM)
4	06500197	1							NUT, M10x1.5, Brake Pedal Pivot Shaft M10x1.50
5									PAD, Clutch
	04695364	1							Brake w/Manual
	04695365	1							Brake w/Auto
6	04695882	1							BRACKET, Clutch and Brake Pedal, w/Manual
7	04695092	1							SHAFT, Brake Pedal Pivot
8	04294036	1							CLIP, M/Cyl. Push Rod Pin WD=.920 LG=.950 THK=.019
-9	06100574	2							BOLT AND CONED WASHER, Hex Head, M8x20x17, Pedal Bracket to Plenum
-10	04294633	1							SPACER, Brake Pedal Bracket, to Dash Panel
-11	04616482	1							BRACKET, Pedal, w/Auto

CIRRUS,BREEZE,STRATUS (JA)
 SERIES LINE
 H = HIGHLINE C = CHRYSLER
 P = PREMIUM D = DODGE
 P = PLYMOUTH

BODY
 41 = 4 Door Sedan

ENGINE
 ECB = 2.0L 4 Cyl SOHC 16V SMPI Engine
 EDZ = 2.4L 4 Cyl DOHC 16V SMPI Engine
 EEB = 2.5L V6 SOHC 24V SMPI Engine

TRANSMISSION
 DD5 = TRANSMISSION - 5-SPEED MANUAL
 DGL = TRANSMISSION - 4-SPD. AUTOMATIC,41TE
 DD4 = TRANSMISSION - 5-SPEED PERF. MANUAL

AR = use ase required - = Non illustrated part

1999 JA

Group - 6

Clutch

Group - 6 Clutch

Group-Fig. No.

Illustration Title

Clutch

Clutch And Disc, (DD5) Fig. 6 - 110

Clutch Housing

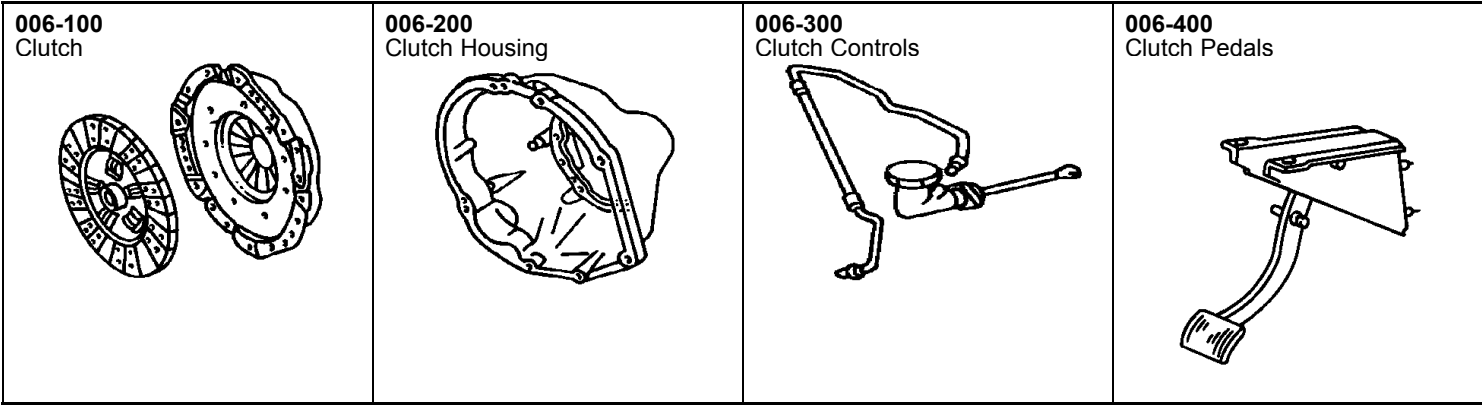
Housing, Clutch And Mounting Bolts, (DD5) Fig. 6 - 210

Clutch Controls

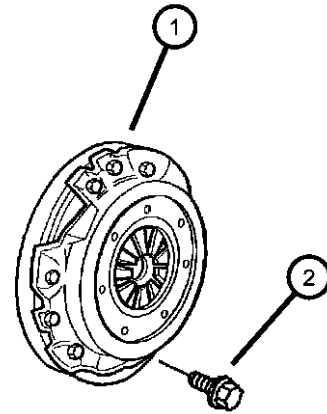
Linkage, Clutch, (DD5) Fig. 6 - 310

Clutch Pedals

Pedal, Clutch, (DD5) Fig. 6 - 410



**Clutch And Disc, (DD5)
Figure 6-110**



ITEM	PART NUMBER	QTY	LINE	SERIES	BODY	ENGINE	TRANS	TRIM	DESCRIPTION
NOTE; SALES CODES; DD5 = 5 Spd Manual Trans A578									
1	04593250	1					DD5		CLUTCH PACKAGE, w/Disc, Modular (Complete) Mopar V-Line Alternative Part
	V9900105								
2	06501099	4					DD5		BOLT, Hex Head, M10x1.50 x 13.20, w/Washer, Drive Plate to Clutch

CIRRUS,BREEZE,STRATUS (JA)

SERIES	LINE
H = HIGHLINE	C = CHRYSLER
P = PREMIUM	D = DODGE
	P = PLYMOUTH

BODY
41 = 4 Door Sedan

ENGINE
ECB = 2.0L 4 Cyl SOHC 16V SMPI Engine
EDZ = 2.4L 4 Cyl DOHC 16V SMPI Engine
EEB = 2.5L V6 SOHC 24V SMPI Engine

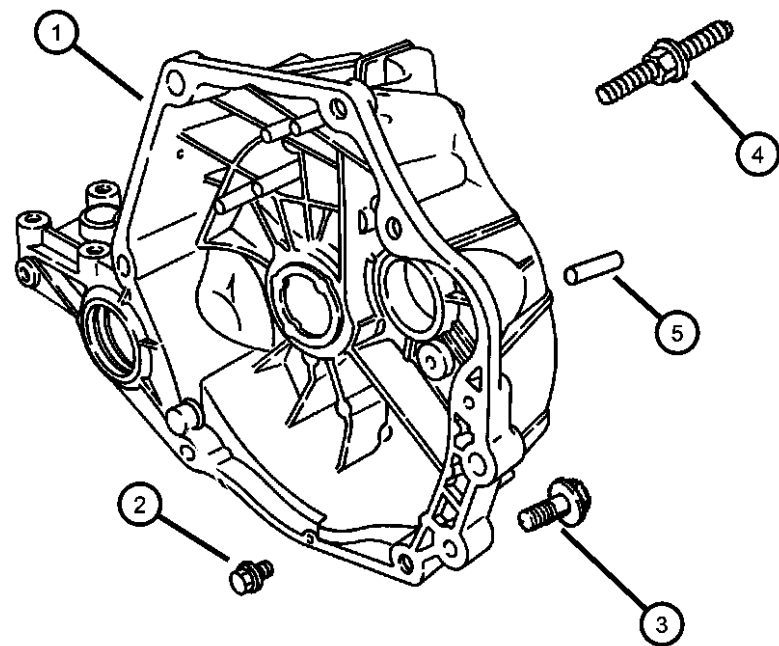
TRANSMISSION
DD5 = TRANSMISSION - 5-SPEED MANUAL
DGL = TRANSMISSION - 4-SPD. AUTOMATIC,41TE
DD4 = TRANSMISSION - 5-SPEED PERF. MANUAL

AR = use ase required - = Non illustrated part

1999 JA

Housing, Clutch And Mounting Bolts, (DD5)

Figure 6-210



ITEM	PART NUMBER	QTY	LINE	SERIES	BODY	ENGINE	TRANS	TRIM	DESCRIPTION
NOTE; SALES CODES; DD5 = 5 Spd Manual Trans A578									
1	05003474AA	1					DD5		HOUSING, Clutch
2	06500136	1					DD5		SCREW AND WASHER, Hex Head, M6x1x14, Dust Cover, M6x1.0x14
3	06503523	2					DD5		BOLT, Hex Head, M12-1.75x60
4	06503244	1					DD5		STUD, M12x1.75xM10x1.5x94.5
5	05240849	2				ECB			DOWEL, Block To Clutch Housing

CIRRUS,BREEZE,STRATUS (JA)

SERIES	LINE
H = HIGHLINE	C = CHRYSLER
P = PREMIUM	D = DODGE
	P = PLYMOUTH

BODY
41 = 4 Door Sedan

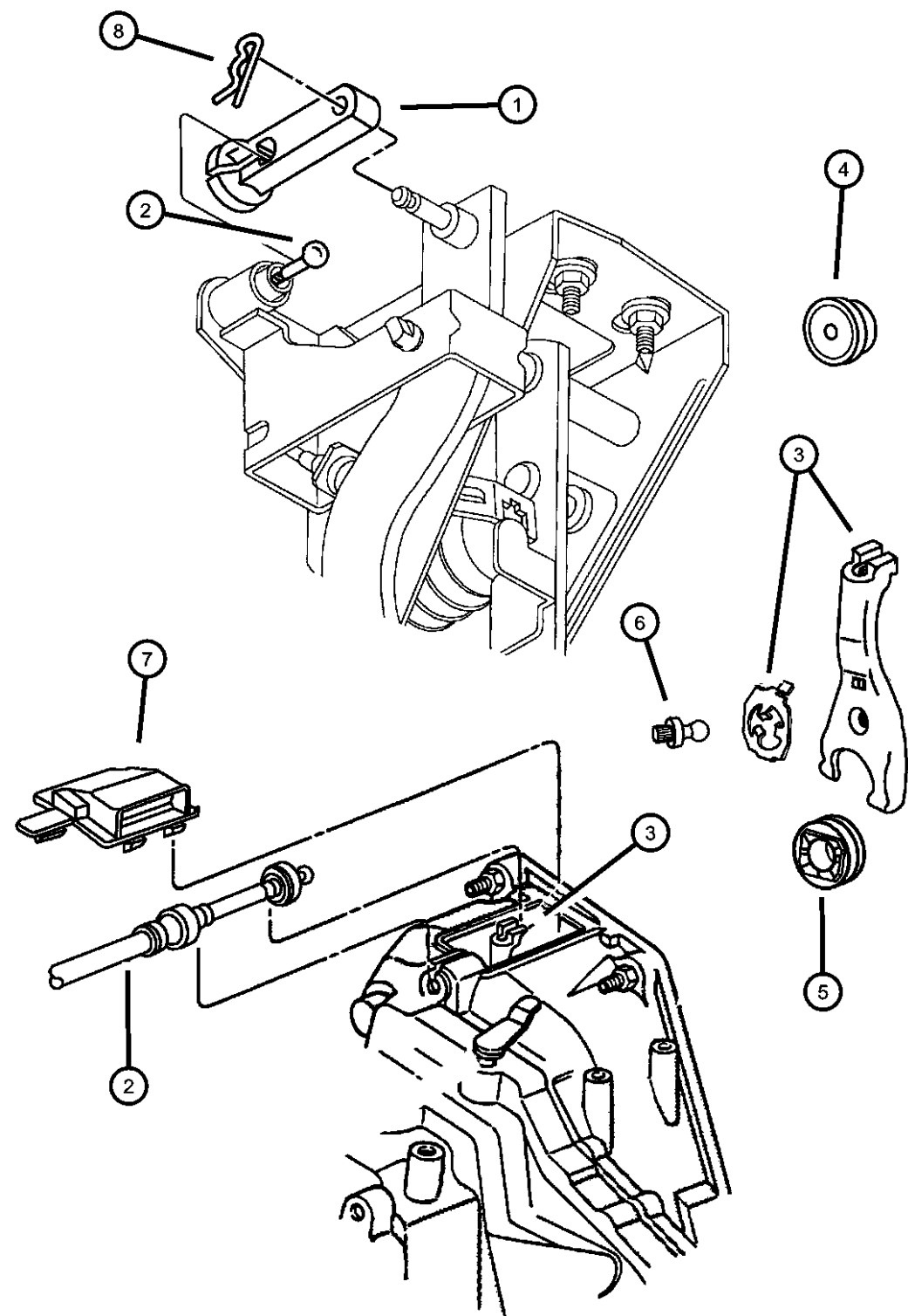
ENGINE
ECB = 2.0L 4 Cyl SOHC 16V SMPI Engine
EDZ = 2.4L 4 Cyl DOHC 16V SMPI Engine
EEB = 2.5L V6 SOHC 24V SMPI Engine

TRANSMISSION
DD5 = TRANSMISSION - 5-SPEED MANUAL
DGL = TRANSMISSION - 4-SPD. AUTOMATIC, 41TE
DD4 = TRANSMISSION - 5-SPEED PERF. MANUAL

AR = use ase required - = Non illustrated part

1999 JA

Linkage, Clutch, (DD5)
Figure 6-310



ITEM	PART NUMBER	QTY	LINE	SERIES	BODY	ENGINE	TRANS	TRIM	DESCRIPTION
------	-------------	-----	------	--------	------	--------	-------	------	-------------

NOTE; SALES CODES; DD5 = 5 Spd Manual Trans A578

1	04593147	1					DD5		SPACER, Clutch Pedal Adjuster, Pedal Upstop/Adjuster
2	04593333	1					DD5		CABLE, Clutch Release
3	04796664	1					DD5		LEVER PACKAGE, Clutch Release
4	04670088	1					DGL		PLUG, Dash Panel, 35mm Diameter, Clutch Cable Hole w/Auto Trans., 35mm Dia.
5	04670026	1					DD5		BEARING, Clutch Release
6	04670240	1					DD5		PIVOT, Clutch Release Lever
7	04593121	1					DD5		BOOT, Clutch Release Lever, Clutch Release Lever Bell Hsg.
8	06034206	1							PIN, Hair, .250 Dia x.766x.059, Hair, Pedal Upstop/Adjuster Spacer Retaining

CIRRUS,BREEZE,STRATUS (JA)

SERIES	LINE
H = HIGHLINE	C = CHRYSLER
P = PREMIUM	D = DODGE
	P = PLYMOUTH

BODY
41 = 4 Door Sedan

ENGINE
ECB = 2.0L 4 Cyl SOHC 16V SMPI Engine
EDZ = 2.4L 4 Cyl DOHC 16V SMPI Engine
EEB = 2.5L V6 SOHC 24V SMPI Engine

TRANSMISSION
DD5 = TRANSMISSION - 5-SPEED MANUAL
DGL = TRANSMISSION - 4-SPD. AUTOMATIC,41TE
DD4 = TRANSMISSION - 5-SPEED PERF. MANUAL

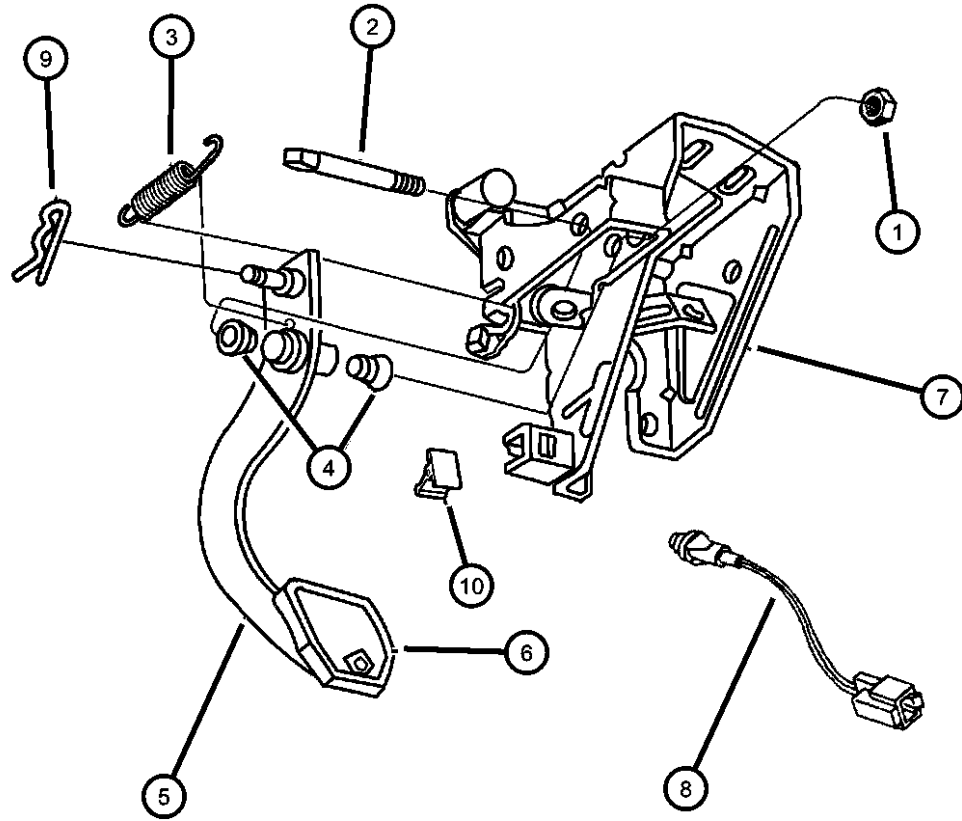
AR = use ase required - = Non illustrated part

**Pedal, Clutch, (DD5)
Figure 6-410**

ITEM	PART NUMBER	QTY	LINE	SERIES	BODY	ENGINE	TRANS	TRIM	DESCRIPTION
------	-------------	-----	------	--------	------	--------	-------	------	-------------

NOTE; SALES CODES; DD5 = 5 Spd Manual Trans A578

1	06500197	1					DD5		NUT, M10x1.5, Pedal Pivot Shaft, M10x1.50
2	04593128	1					DD5		SHAFT, Clutch Pedal, Clutch Pedal Pivot
3	04593152	1					DD5		SPRING, Clutch Pedal Return, Pedal Return ***
4	02467770	2							BUSHING, Pedal Shaft, Pedal Pivot
5	04593127	1					DD5		PEDAL, Clutch, Clutch (Includes 6034206 Pin) ***
6	04695364	1					DD5		PAD, Clutch, Clutch Pedal
7	04695882	1					DD5		BRACKET, Clutch and Brake Pedal, Clutch Pedal Mounting
8	04685460	1					DD5		SWITCH, Clutch Starter Interlock, Starter, Clutch Interlock, w/Clip
9	06034206	1							PIN, Hair, .250 Dia x.766x.059, Clutch Pedal Retaining
10	02266820	1					DD5		BUMPER, Clutch Pedal, Clutch Pedal Stop Bracket



CIRRUS,BREEZE,STRATUS (JA)

SERIES	LINE
H = HIGHLINE	C = CHRYSLER
P = PREMIUM	D = DODGE
	P = PLYMOUTH

BODY
41 = 4 Door Sedan

ENGINE
ECB = 2.0L 4 Cyl SOHC 16V SMPI Engine
EDZ = 2.4L 4 Cyl DOHC 16V SMPI Engine
EEB = 2.5L V6 SOHC 24V SMPI Engine

TRANSMISSION
DD5 = TRANSMISSION - 5-SPEED MANUAL
DGL = TRANSMISSION - 4-SPD. AUTOMATIC,41TE
DD4 = TRANSMISSION - 5-SPEED PERF. MANUAL

AR = use ase required - = Non illustrated part

1999 JA

Group - 7

Cooling

Group - 7 Cooling

Group-Fig. No.

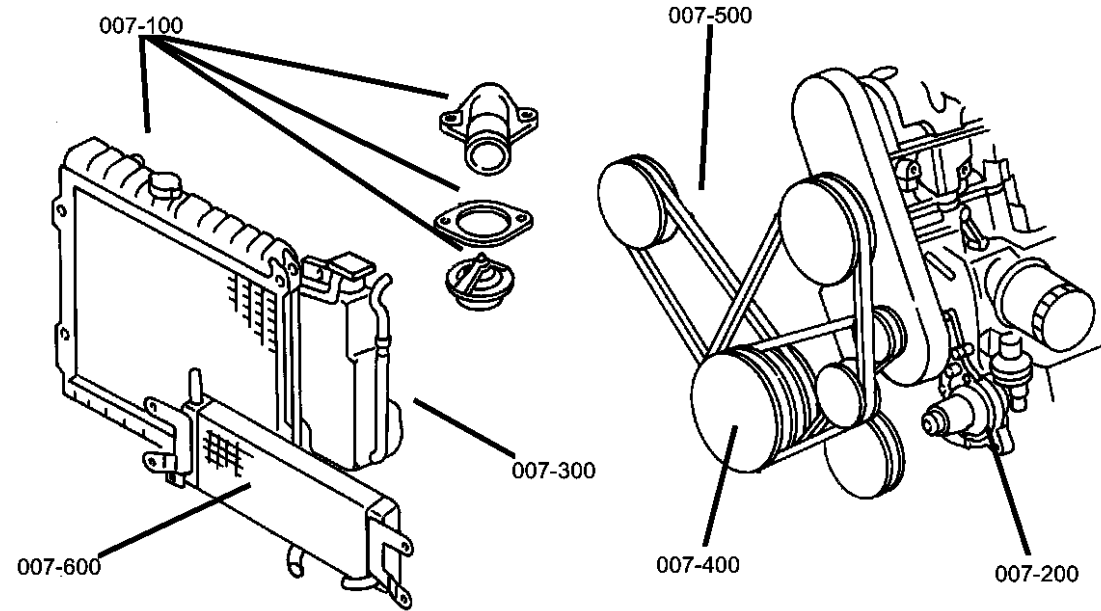


Illustration Title

Radiator and Related Parts

Radiator and Related Parts Fig. 7 - 180

Water Pump and Related Parts

Water Pump and Related Parts Fig. 7 - 240

Tank, Coolant Engine

Coolant Reserve Tank Fig. 7 - 320

Pulleys and Related Parts

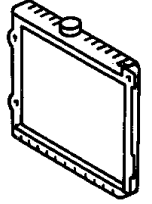
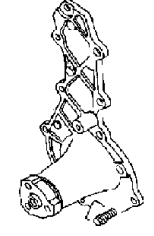
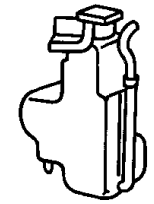
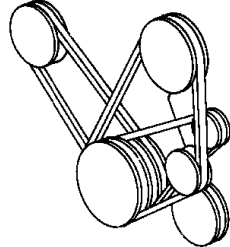
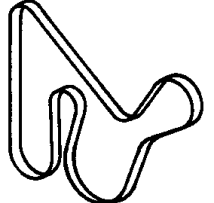
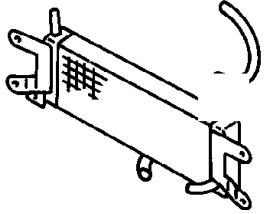
Pulleys And Related Parts Fig. 7 - 440

Drive Belts

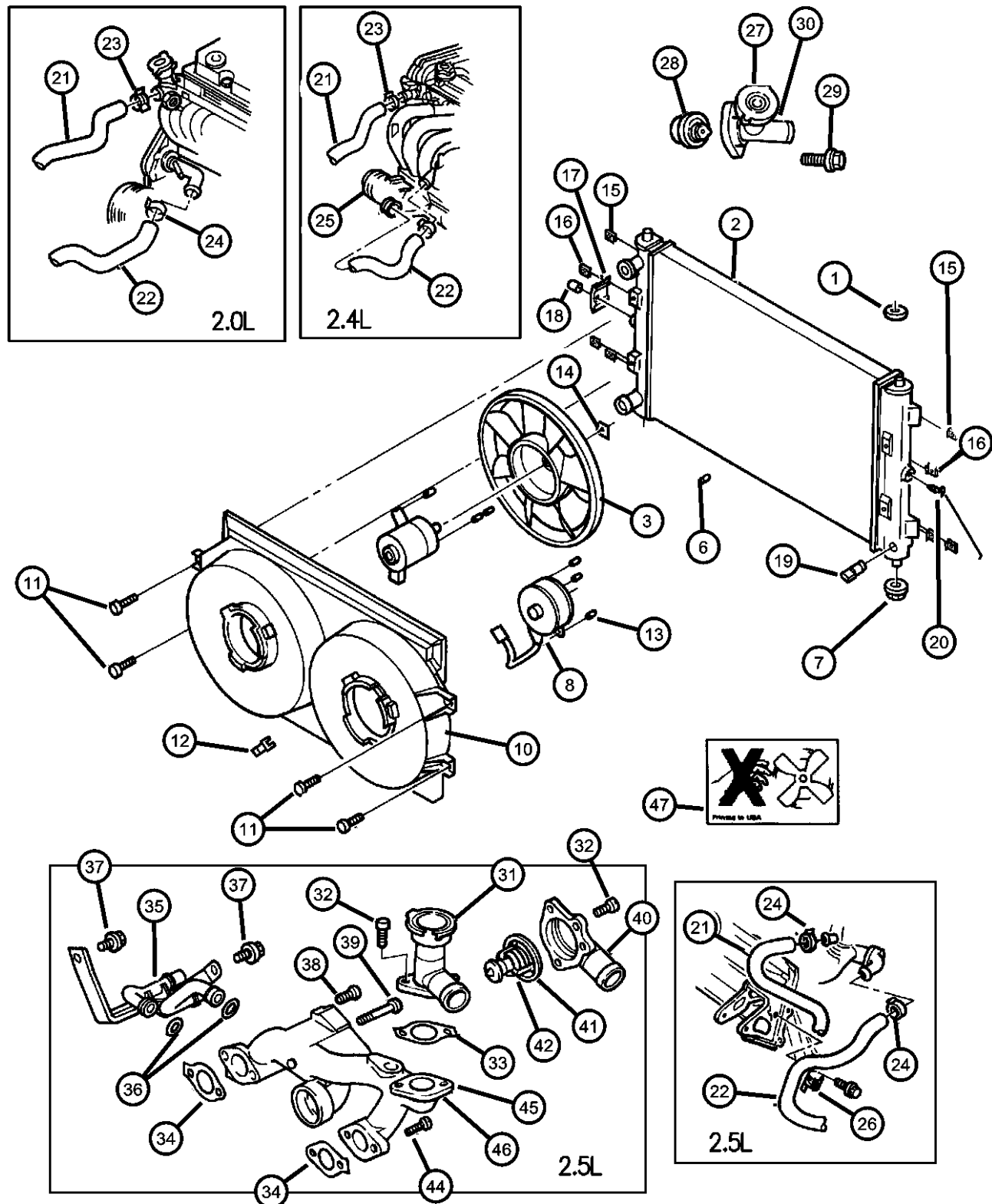
Drive Belts Fig. 7 - 510

Lines, Transmission Oil Cooler

Oil Cooler And Lines Fig. 7 - 620

<p>007-100 Radiator and Related Parts</p> 	<p>007-200 Water Pump and Related Parts</p> 	<p>007-300 Tank, Coolant Engine</p> 	<p>007-400 Pulleys and Related Parts</p> 
<p>007-500 Drive Belts</p> 	<p>007-600 Lines, Transmission Oil Cooler</p> 		

Radiator and Related Parts
Figure 7-180



ITEM	PART NUMBER	QTY	LINE	SERIES	BODY	ENGINE	TRANS	TRIM	DESCRIPTION
------	-------------	-----	------	--------	------	--------	-------	------	-------------

NOTE: Sales Codes:
 [DD5] = TRANSMISSION - PERF. MANUAL 5-SPEED
 [DGL] = TRANSMISSION - AUTOMATIC 4-SPD, 41TE
 [ECB] = 2.0L SOHC 16V
 [EDZ] = 2.4L 4 CYL DOHC 16V
 [EEB] = 2.5L V6 SOHC 24V

1	04596836	2							ISOLATOR, RadiatorUpper
2									RADIATOR, Engine Cooling
	04741108	1				ECB	DD5		
	04267020AB								Mopar Coolant 3 Year Formula 1 Gallon
	04741110	1				EEB	DGL		
	04267020AB								Mopar Coolant 3 Year Formula 1 Gallon
	04773642	1				ECB, EDZ	DGL		
	04267020AB								Mopar Coolant 3 Year Formula 1 Gallon
3									FAN, Cooling
	04592084	2				ECB	DD5		Module 4595681AC
		2				ECB, EDZ	DGL		Module 4595780AC
		1				EEB	DGL		Module 4595782AF, Right
	04592085	1				EEB	DGL		Module 4595782AF, Left
-4	04883308	1				EEB	DGL		SHIELD, Air - Right
-5	04883309	1				EEB	DGL		SHIELD, Air - Left
6	04741988	1				EEB	DGL		NUT, Motor
7									ISOLATOR, Radiator, Lower
	04741109	2				ECB	DD5		
		2				ECB, EDZ	DGL		
		2				EEB	DGL		
8									MOTOR, Radiator Fan
	04798894	1				ECB	DD5		Module 4595780AB - 4595681AB, Right
		1				ECB, EDZ	DGL		Module 4595780AB - 4595681AB, Right
	04798895	1				ECB	DD5		Module 4595780AB - 4595681AB, Left
		1				ECB, EDZ	DGL		Module 4595780AB - 4595681AB, Left
		1				EEB	DGL		Module 4595782AB, Left

CIRRUS,BREEZE,STRATUS (JA)
 SERIES LINE
 H = HIGHLINE C = CHRYSLER
 P = PREMIUM D = DODGE
 P = PLYMOUTH

BODY
 41 = 4 Door Sedan

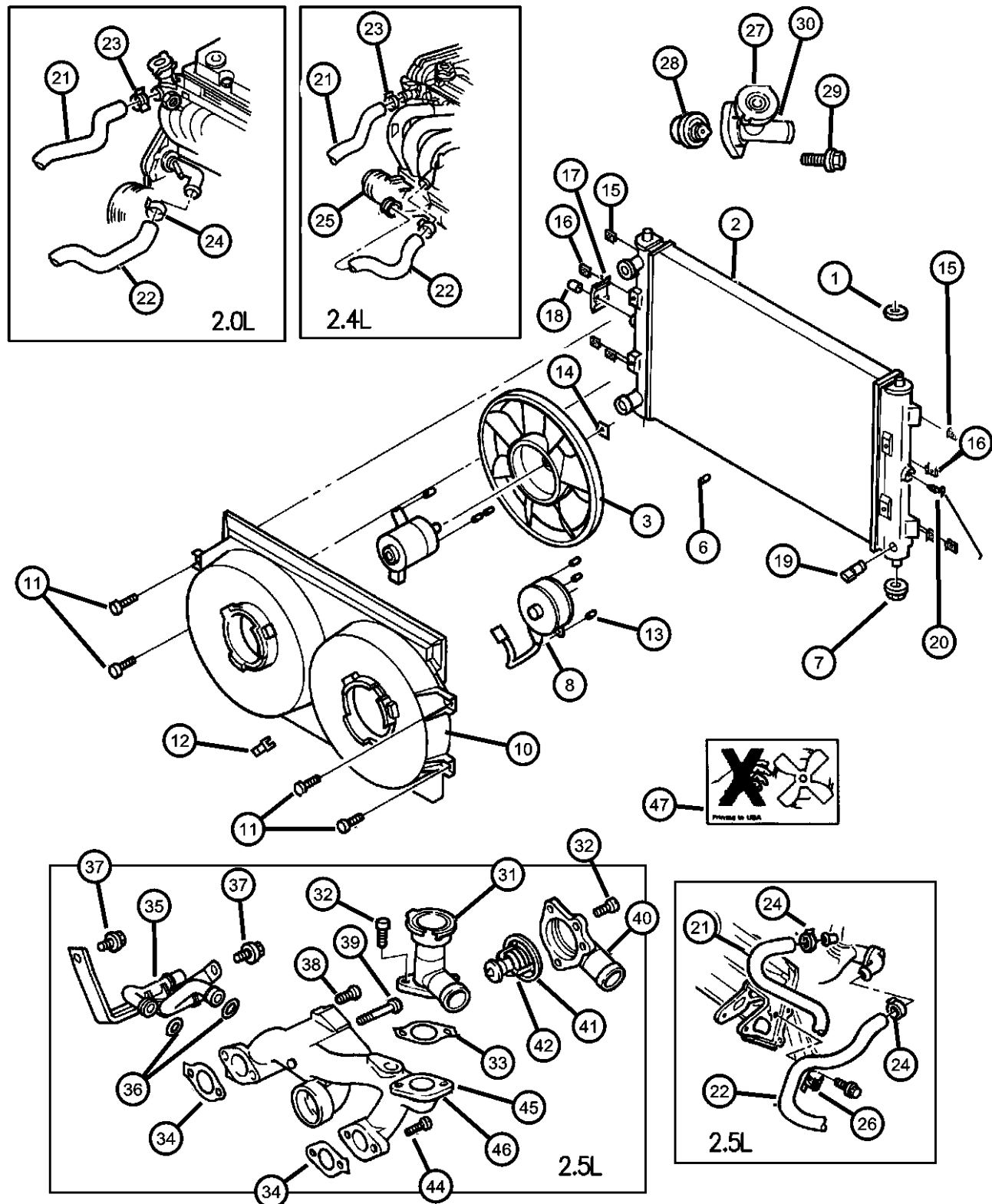
ENGINE
 ECB = 2.0L 4 Cyl SOHC 16V SMPI Engine
 EDZ = 2.4L 4 Cyl DOHC 16V SMPI Engine
 EEB = 2.5L V6 SOHC 24V SMPI Engine

TRANSMISSION
 DD5 = TRANSMISSION - 5-SPEED MANUAL
 DGL = TRANSMISSION - 4-SPD. AUTOMATIC, 41TE
 DD4 = TRANSMISSION - 5-SPEED PERF. MANUAL

AR = use ase required - = Non illustrated part

1999 JA

Radiator and Related Parts
Figure 7-180



ITEM	PART NUMBER	QTY	LINE	SERIES	BODY	ENGINE	TRANS	TRIM	DESCRIPTION
-9	04882627	1				EEB	DGL		Module 4595782AB, Right WIRING, Fan Motor
	04882626	1				ECB	DD5		(Motor 4798894-5)
		1				ECB, EDZ	DGL		(Motor 4798894-5)
10	04761507	1				ECB	DD5		SHROUD, Fan
		1				ECB, EDZ	DGL		
		1				EEB	DGL		
11									BOLT AND CONED WASHER, Hex Head, M6x16x14
	06102003	4				ECB	DD5		
		4				ECB, EDZ	DGL		
		4				EEB	DGL		
12									CLIP, Fan Shroud
	04796299	1				ECB	DD5		
		1				ECB, EDZ	DGL		
		1				EEB	DGL		
13									SCREW
	04761511	2				ECB	DD5		
		2				ECB, EDZ	DGL		
		2				EEB			
14									CLIP, Motor
	06500377	2				ECB	DD5		
		2				ECB, EDZ	DGL		
		1				EEB	DGL		
15	06504118	4							U-NUT, M6 x 1.00, M6x1.00Condenser To Radiator
16									U-NUT, Module
	04546552	4				ECB	DD5		Shroud To Radiator
		4				ECB, EDZ	DGL		Shroud To Radiator
		4				EEB	DGL		Shroud To Radiator
17									BRACKET, Tube
	04796277	1				ECB, EDZ	DGL		
		1				EEB	DGL		

CIRRUS,BREEZE,STRATUS (JA)
 SERIES LINE
 H = HIGHLINE C = CHRYSLER
 P = PREMIUM D = DODGE
 P = PLYMOUTH

BODY
 41 = 4 Door Sedan

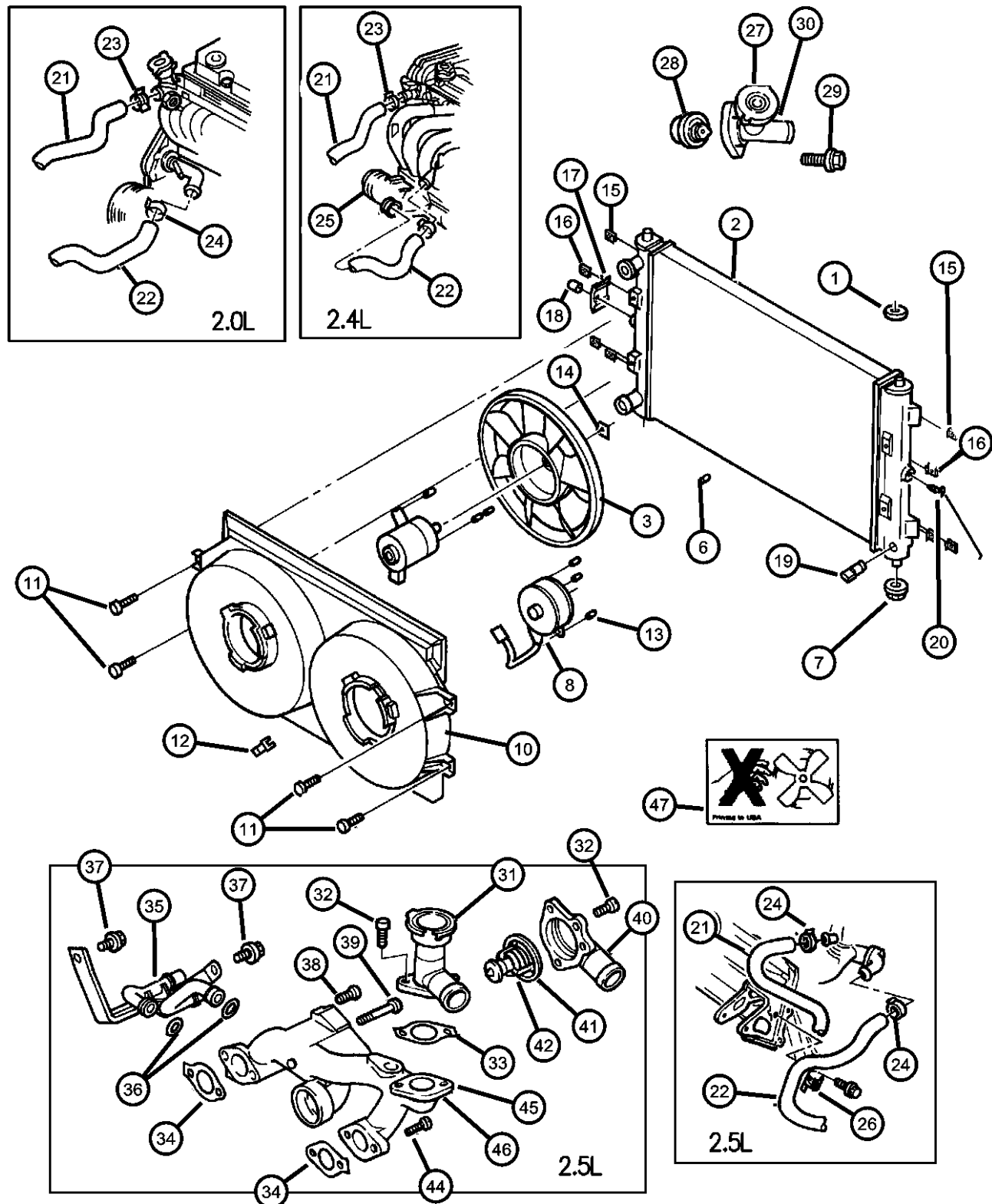
ENGINE
 ECB = 2.0L 4 Cyl SOHC 16V
 SMPI Engine
 EDZ = 2.4L 4 Cyl DOHC 16V
 SMPI Engine
 EEB = 2.5L V6 SOHC 24V
 SMPI Engine

TRANSMISSION
 DD5 = TRANSMISSION - 5-SPEED
 MANUAL
 DGL = TRANSMISSION - 4-SPD.
 AUTOMATIC,41TE
 DD4 = TRANSMISSION - 5-SPEED
 PERF. MANUAL

AR = use ase required - = Non illustrated part

1999 JA

Radiator and Related Parts
Figure 7-180



ITEM	PART NUMBER	QTY	LINE	SERIES	BODY	ENGINE	TRANS	TRIM	DESCRIPTION
18									SCREW, Condenser Tube Bracket, Plastic
	04761512	1				ECB	DD5		
		1				ECB, EDZ	DGL		
		1				EEB	DGL		
19									DRAINCOCK, Radiator
	04644269	1				ECB	DD5		
		1				ECB, EDZ	DGL		
		1				EEB	DGL		
20									SCREW, Condenser Tube Bracket, Plastic
	04761512	1				ECB	DD5		
		1				ECB, EDZ	DGL		
		1				EEB	DGL		
21									HOSE, Radiator Inlet
	04592158	1				EEB			
	04592159AB	1				ECB			
	04596735	1				EDZ			
22									HOSE, Radiator Outlet
	04592160	1				EEB			
	04592161	1				ECB			
	04596734AB	1				EDZ			
23	04401438	1							CLAMP, RadiatorInlet
24	04401438	1							CLAMP, RadiatorOutlet
25	04401438	1							CLIP, Hose, (NOT REQUIRED)
26	04592170	1				EEB			CLIP, Hose
27									CAP, Radiator
	03781830	1				ECB			
		1				EDZ			
		1				EEB			
28									THERMOSTAT
	05278144AA	1				ECB			
		1				EDZ			
29									SCREW AND WASHER, Hex Head, M6x1x30

CIRRUS,BREEZE,STRATUS (JA)
 SERIES LINE
 H = HIGHLINE C = CHRYSLER
 P = PREMIUM D = DODGE
 P = PLYMOUTH

BODY
 41 = 4 Door Sedan

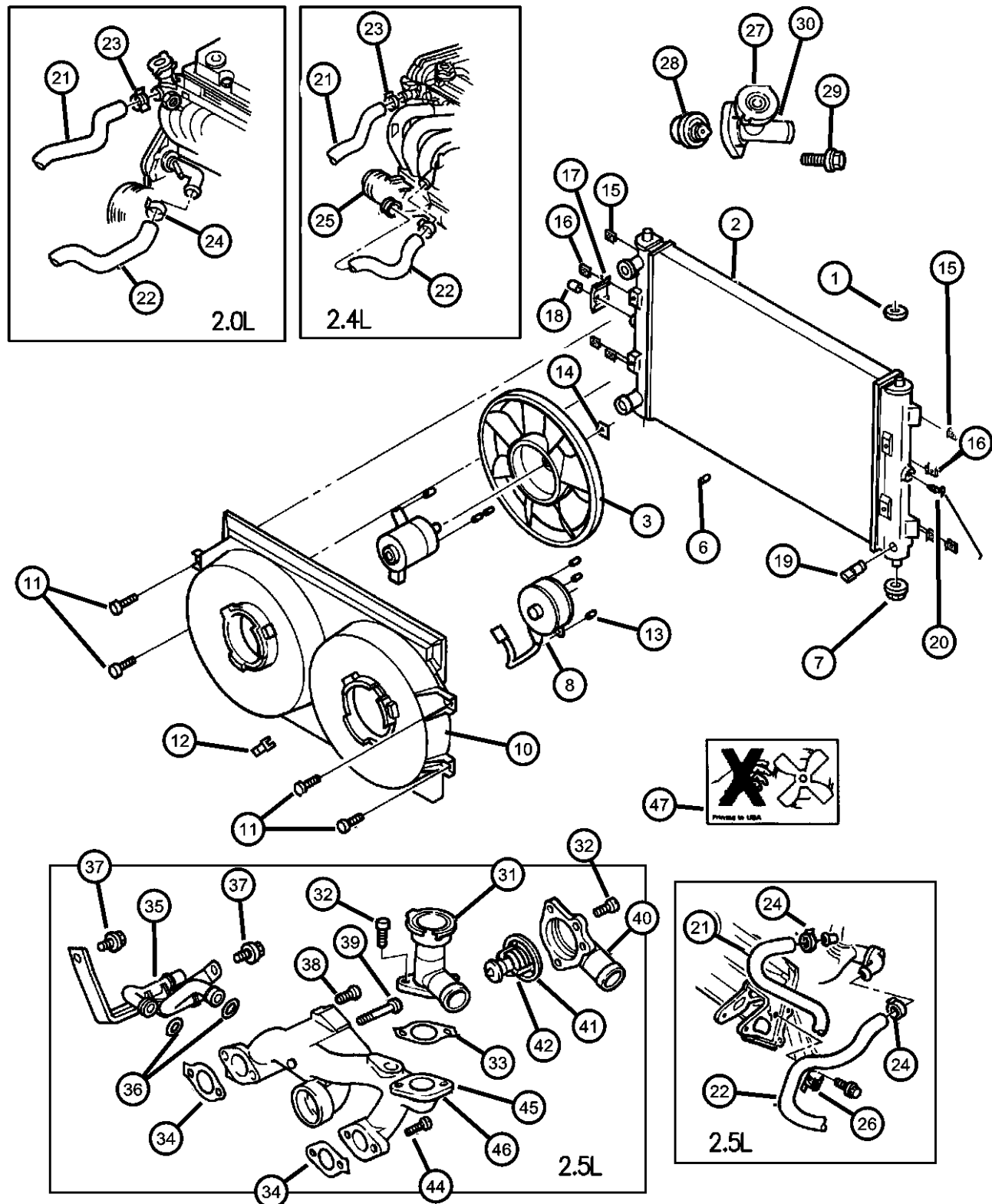
ENGINE
 ECB = 2.0L 4 Cyl SOHC 16V SMPI Engine
 EDZ = 2.4L 4 Cyl DOHC 16V SMPI Engine
 EEB = 2.5L V6 SOHC 24V SMPI Engine

TRANSMISSION
 DD5 = TRANSMISSION - 5-SPEED MANUAL
 DGL = TRANSMISSION - 4-SPD. AUTOMATIC, 41TE
 DD4 = TRANSMISSION - 5-SPEED PERF. MANUAL

AR = use ase required - = Non illustrated part

1999 JA

Radiator and Related Parts
Figure 7-180



ITEM	PART NUMBER	QTY	LINE	SERIES	BODY	ENGINE	TRANS	TRIM	DESCRIPTION
	06101939	2				ECB			
		2				EDZ			
30									CONNECTOR, Engine Coolant Outlet
	04546729	1				ECB			
	04663501	1				EDZ			
31	MD308982	1				EEB			FITTING, Water Outlet
32	MF241255	5				EEB			BOLT AND WASHER, M8x25, Water Line
33	MD165017	1				EEB			GASKET, Intake Manifold/Water Outlet
34	MD194919	2				EEB			GASKET, Thermostat
35	MD322430	1				EEB			TUBE, Water By Pass
36	MD030763	2				EEB			O RING, Water Line
37	MF244849	2				EEB			BOLT, Water Line (8 x 16)
38	MF241254	1				EEB			BOLT AND WASHER, M8x22
39	MF241264	1				EEB			BOLT AND WASHER, M8x55
40	MD300763	1				EEB			FITTING, Inlet Water Hose
41	MD194988	1				EEB			THERMOSTAT, Temperature Control
42	MD194988	1							THERMOSTAT, (NOT REQUIRED)
-43	04602180	1				EEB			CLIP, Housing
44	MF241257	2				EEB			BOLT AND WASHER, M8x30
45	MF241257	2							HOUSING, Water Outlet, (NOT REQUIRED)
46	MD344841	1				EEB			HOUSING, Thermostat
47	04592114	1							LABEL, Fan Caution
-48	04592114	1							LABEL, Belt Routing, (NOT REQUIRED)
-49	04596353AA	1							LABEL, Three In One

CIRRUS,BREEZE,STRATUS (JA)
 SERIES LINE
 H = HIGHLINE C = CHRYSLER
 P = PREMIUM D = DODGE
 P = PLYMOUTH

BODY
 41 = 4 Door Sedan

ENGINE
 ECB = 2.0L 4 Cyl SOHC 16V SMPI Engine
 EDZ = 2.4L 4 Cyl DOHC 16V SMPI Engine
 EEB = 2.5L V6 SOHC 24V SMPI Engine

TRANSMISSION
 DD5 = TRANSMISSION - 5-SPEED MANUAL
 DGL = TRANSMISSION - 4-SPD. AUTOMATIC, 41TE
 DD4 = TRANSMISSION - 5-SPEED PERF. MANUAL

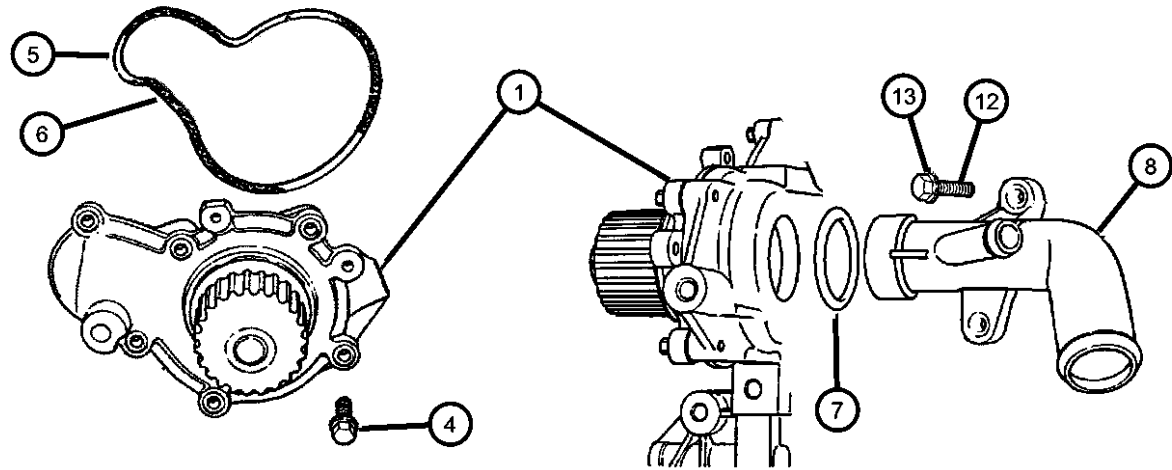
AR = use ase required - = Non illustrated part

1999 JA

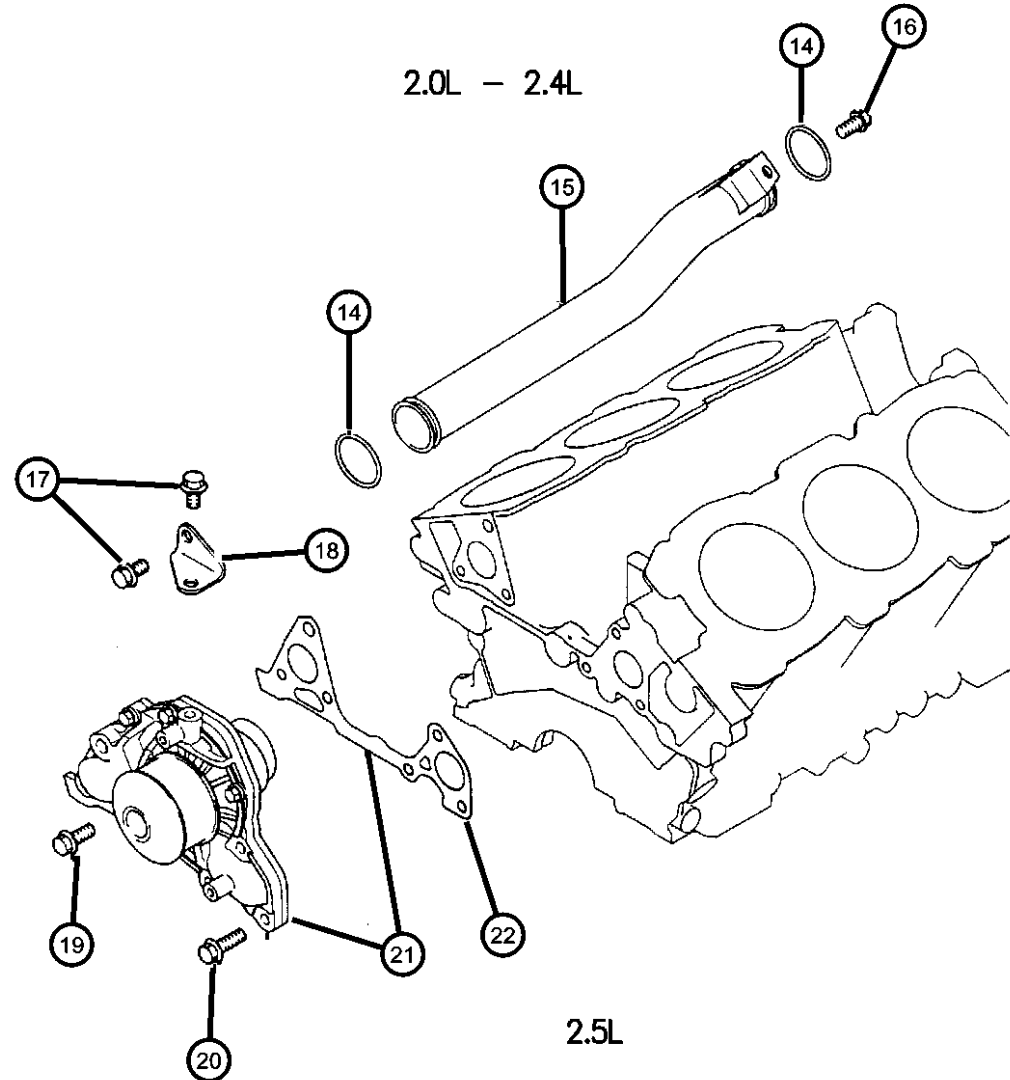
**Water Pump and Related Parts
Figure 7-240**

ITEM	PART NUMBER	QTY	LINE	SERIES	BODY	ENGINE	TRANS	TRIM	DESCRIPTION
------	-------------	-----	------	--------	------	--------	-------	------	-------------

NOTE: Sales Codes:
 [ECB] = 2.0L SOHC 16V
 [EDZ] = 2.4L 4 CYL DOHC 16V
 [EEB] = 2.5L V6 SOHC 24V



2.0L - 2.4L



2.5L

1									PUMP, Water
	04667660	1				ECB			
	04694307AB	1				EDZ			
-2	04621653	1				ECB			NIPPLE, Heater Return
-3	04621652	1				EDZ			NIPPLE, Pump
4									BOLT, Hex Head, M6x1.0x22
	06503255	6				ECB			
		4				EDZ			
5	04667663	1				ECB			SEAL, Water Pump To Front Cover
6	04621564	1				EDZ			SEAL, Water Pump Body
7									O RING, Water Inlet Tube
	04777173	1				ECB			
	06503180	1				EDZ			
8									TUBE, Water Inlet
	04621491	1				EDZ			
	04777171	1				ECB			
-9	05264689	1				ECB			HOSE, Heater, Tube to Engine
-10	04428965	1				ECB			HOSE, Heater, Tube to Pump
-11									CLAMP, Supply Hose, 26 mm Diameter
	06503422	2				ECB, EDZ			
		2				EEB			
12	06100267	2				ECB			BOLT AND CONED WASHER, Hex Head, M6x25x12.5, Inlet Tube
13	06100274	2				EDZ			BOLT AND CONED WASHER, Hex Head, M6x14x14, Inlet Tube
14	MD147332	2				EEB			O RING, Water Pipe
15	MD198102	1				EEB			PIPE, Water Inlet
16	MF140021	1				EEB			BOLT, Hex Flange Head, M8 x 12
17	MF140222	2				EEB			BOLT, Hex Flange Head, M8 x 14
18	MD133859	1				EEB			STAY, Water Pump
19	MF140225	1				EEB			BOLT, Hex Flange Head, M8x20

CIRRUS,BREEZE,STRATUS (JA)

SERIES	LINE
H = HIGHLINE	C = CHRYSLER
P = PREMIUM	D = DODGE
	P = PLYMOUTH

BODY
41 = 4 Door Sedan

ENGINE
 ECB = 2.0L 4 Cyl SOHC 16V SMPI Engine
 EDZ = 2.4L 4 Cyl DOHC 16V SMPI Engine
 EEB = 2.5L V6 SOHC 24V SMPI Engine

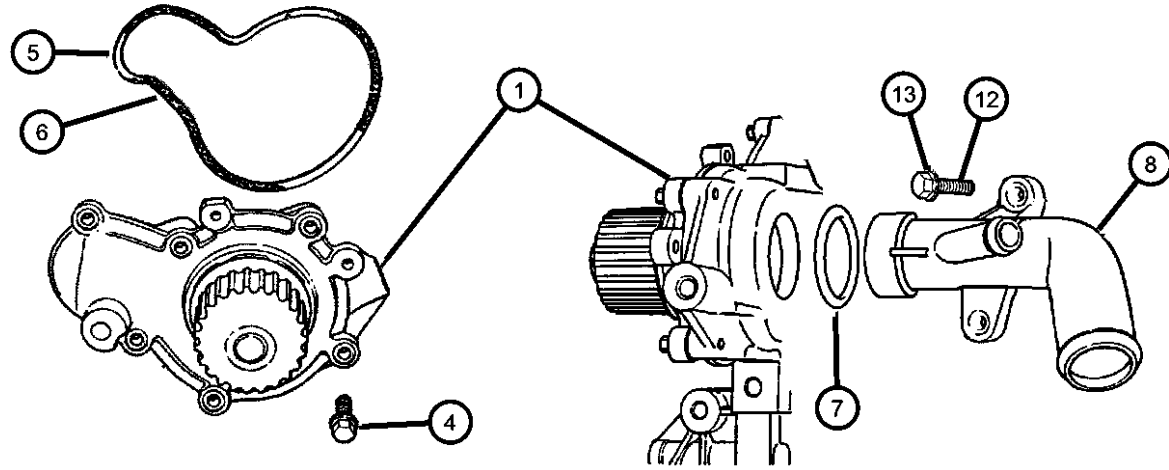
TRANSMISSION
 DD5 = TRANSMISSION - 5-SPEED MANUAL
 DGL = TRANSMISSION - 4-SPD. AUTOMATIC, 41TE
 DD4 = TRANSMISSION - 5-SPEED PERF. MANUAL

AR = use ase required - = Non illustrated part

1999 JA

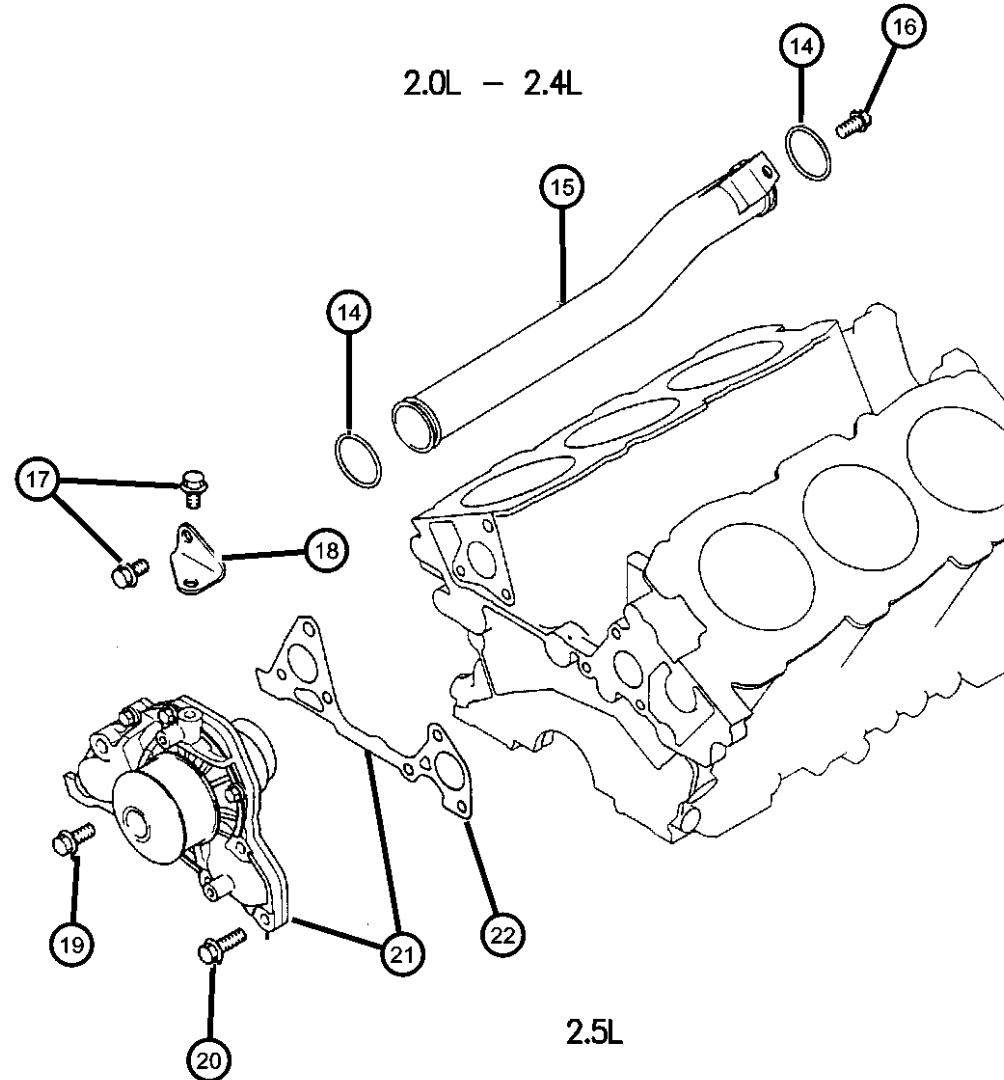
Water Pump and Related Parts
Figure 7-240

ITEM	PART NUMBER	QTY	LINE	SERIES	BODY	ENGINE	TRANS	TRIM	DESCRIPTION
------	-------------	-----	------	--------	------	--------	-------	------	-------------



20	MF140227	4				EEB			BOLT, Hex Flange Head, M8x25
21	MD973025	1				EEB			PUMP, Water
22	MD188352	1				EEB			GASKET, Water Pump

2.0L - 2.4L



2.5L

CIRRUS,BREEZE,STRATUS (JA)
 SERIES LINE
 H = HIGHLINE C = CHRYSLER
 P = PREMIUM D = DODGE
 P = PLYMOUTH

BODY
 41 = 4 Door Sedan

ENGINE
 ECB = 2.0L 4 Cyl SOHC 16V SMPI Engine
 EDZ = 2.4L 4 Cyl DOHC 16V SMPI Engine
 EEB = 2.5L V6 SOHC 24V SMPI Engine

TRANSMISSION
 DD5 = TRANSMISSION - 5-SPEED MANUAL
 DGL = TRANSMISSION - 4-SPD. AUTOMATIC, 41TE
 DD4 = TRANSMISSION - 5-SPEED PERF. MANUAL

AR = use ase required - = Non illustrated part

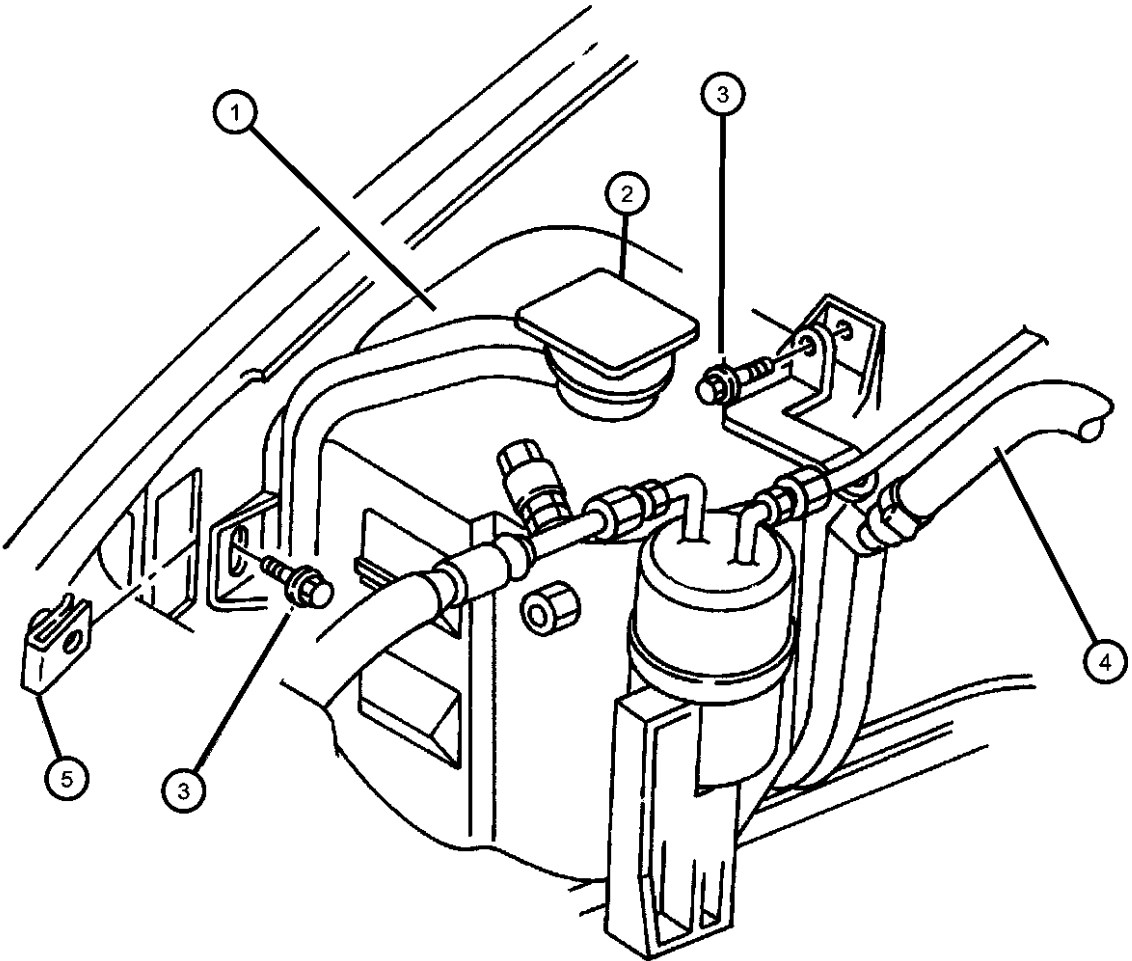
1999 JA

Coolant Reserve Tank

Figure 7-320

ITEM	PART NUMBER	QTY	LINE	SERIES	BODY	ENGINE	TRANS	TRIM	DESCRIPTION
------	-------------	-----	------	--------	------	--------	-------	------	-------------

NOTE: Sales Codes:
 [ECB] = 2.0L SOHC 16V
 [EDZ] = 2.4L 4 CYL DOHC 16V
 [EEB] = 2.5L V6 SOHC 24V



1									BOTTLE, Coolant Recovery
	04592165	1				EEB			
	04595575	1				ECB, EDZ			
2									CAP, Coolant Reserve Tank
	04796494	1				EEB			
		1				ECB, EDZ			
3	06034716	1							SCREW AND WASHER, Hex Flange Head, .25-14x.875
4									HOSE, Overflow, Roll Stock
	04266423	1				EEB			
		1				ECB, EDZ			
5	06029509	1							U-NUT, .250-14

CIRRUS,BREEZE,STRATUS (JA)

SERIES LINE
 H = HIGHLINE C = CHRYSLER
 P = PREMIUM D = DODGE
 P = PLYMOUTH

BODY
 41 = 4 Door Sedan

ENGINE
 ECB = 2.0L 4 Cyl SOHC 16V SMPI Engine
 EDZ = 2.4L 4 Cyl DOHC 16V SMPI Engine
 EEB = 2.5L V6 SOHC 24V SMPI Engine

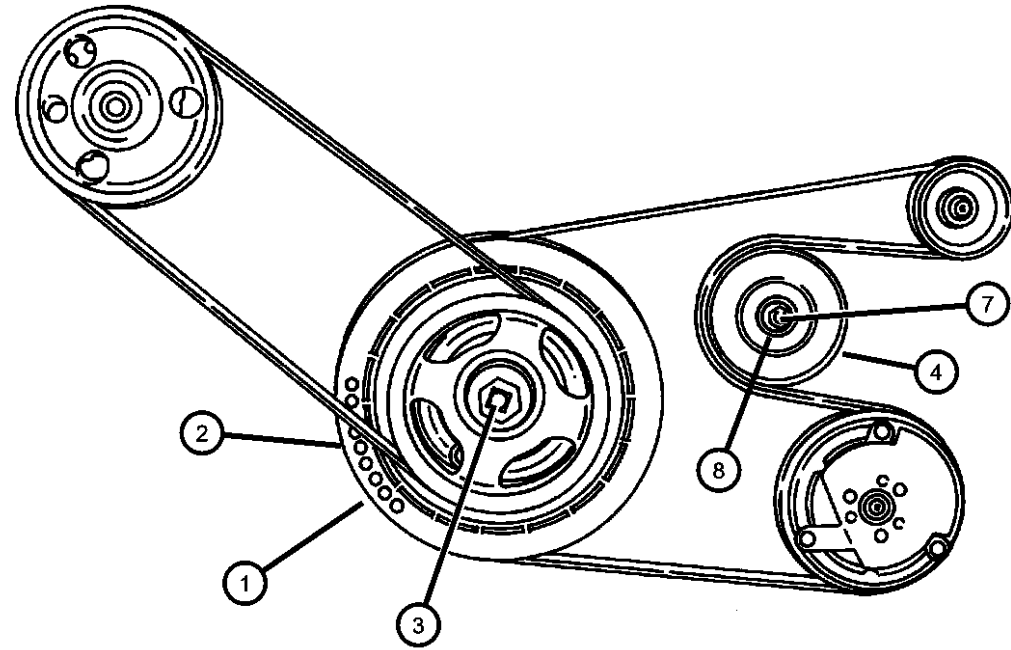
TRANSMISSION
 DD5 = TRANSMISSION - 5-SPEED MANUAL
 DGL = TRANSMISSION - 4-SPD. AUTOMATIC, 41TE
 DD4 = TRANSMISSION - 5-SPEED PERF. MANUAL

AR = use ase required - = Non illustrated part

**Pulleys And Related Parts
Figure 7-440**

ITEM	PART NUMBER	QTY	LINE	SERIES	BODY	ENGINE	TRANS	TRIM	DESCRIPTION
------	-------------	-----	------	--------	------	--------	-------	------	-------------

NOTE: For Idler Pulley Mounting see Illustration 24 430&440.
Sales Codes:
[ECB] = 2.0L SOHC 16V
[EDZ] = 2.4L 4 CYL DOHC 16V
[EEB] = 2.5L V6 SOHC 24V



1									DAMPER, Engine Vibration
	04694268	1				ECB			
		1				EDZ			
2	MD324796	1				EEB			PULLEY, Crankshaft
3									BOLT, Hex Flange Head, M12x1.75x87.50
	06503553	1				ECB			Damper
		1				EDZ			Damper
4									PULLEY, Idler
	04792112	1				EEB			
		1				ECB, EDZ			
-5									BUSHING, Idler Pulley
	33002201	1				ECB, EDZ			
		1				EEB			
-6	06034408	1				EEB			SPACER, Idler Pulley, 2.5L Engine
7									BOLT AND WASHER, Hex Head, M10x1.5x35
	06101514	1				ECB, EDZ			
		1				EEB			
8	06101622	1				EEB			SCREW AND WASHER, Hex Head, M10x1.5x55Pulley

CIRRUS,BREEZE,STRATUS (JA)

SERIES LINE
H = HIGHLINE C = CHRYSLER
P = PREMIUM D = DODGE
 P = PLYMOUTH

BODY
41 = 4 Door Sedan

ENGINE TRANSMISSION
ECB = 2.0L 4 Cyl SOHC 16V SMPI Engine DD5 = TRANSMISSION - 5-SPEED MANUAL
EDZ = 2.4L 4 Cyl DOHC 16V SMPI Engine DGL = TRANSMISSION - 4-SPD. AUTOMATIC,41TE
EEB = 2.5L V6 SOHC 24V SMPI Engine DD4 = TRANSMISSION - 5-SPEED PERF. MANUAL

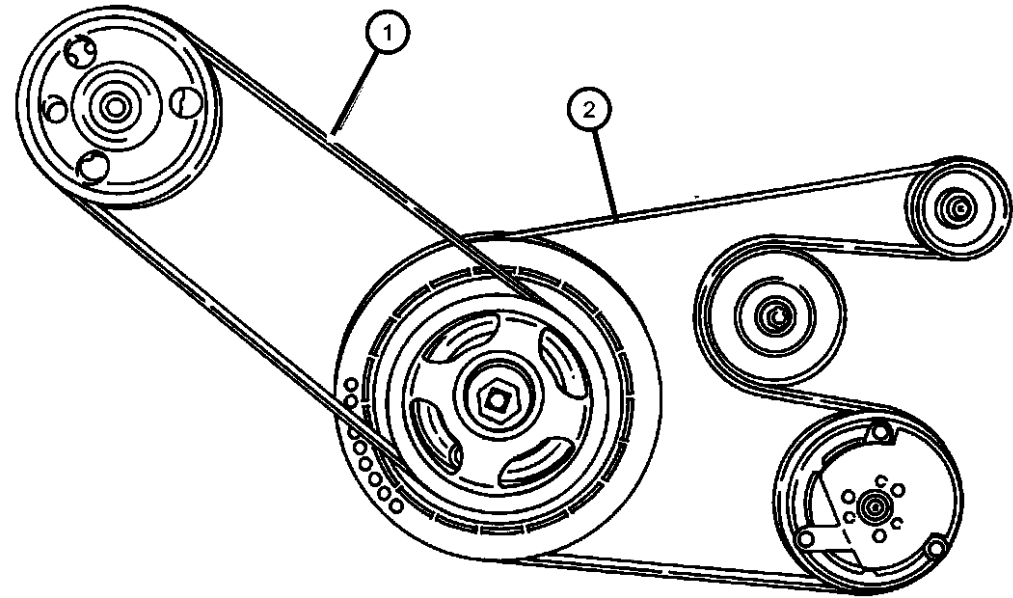
AR = use ase required - = Non illustrated part

1999 JA

**Drive Belts
Figure 7-510**

ITEM	PART NUMBER	QTY	LINE	SERIES	BODY	ENGINE	TRANS	TRIM	DESCRIPTION
------	-------------	-----	------	--------	------	--------	-------	------	-------------

NOTE: Sales Codes:
 [ECB] = 2.0L SOHC 16V
 [EDZ] = 2.4L 4 CYL DOHC 16V
 [EEB] = 2.5L V6 SOHC 24V



1									BELT, Power Steering
	04573737	1				EEB			
	04663182	1				ECB, EDZ			
2									BELT, Accessory Drive
	04573727	1				EEB			
	04573974AB	1				ECB			
	04663199	1				EDZ			
	04668324	1				EEB			w/125 Amp Alternator
	04792396AA	1				EDZ			Engine Block Heater
	04792397AA	1				EEB			Engine Block Heater
	04792533AA	1				ECB			Engine Block Heater

CIRRUS,BREEZE,STRATUS (JA)
 SERIES LINE
 H = HIGHLINE C = CHRYSLER
 P = PREMIUM D = DODGE
 P = PLYMOUTH

BODY
 41 = 4 Door Sedan

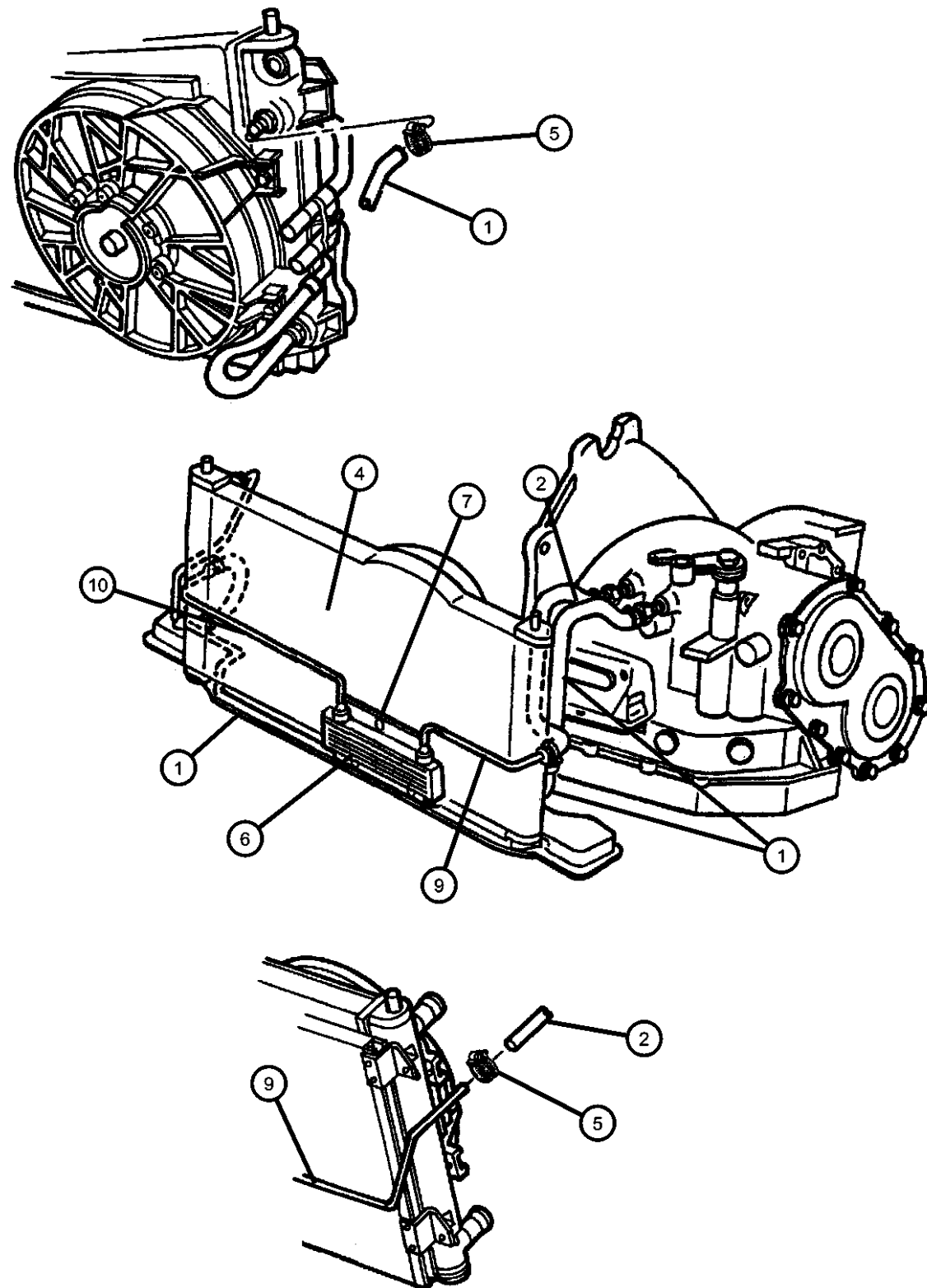
ENGINE
 ECB = 2.0L 4 Cyl SOHC 16V SMPI Engine
 EDZ = 2.4L 4 Cyl DOHC 16V SMPI Engine
 EEB = 2.5L V6 SOHC 24V SMPI Engine

TRANSMISSION
 DD5 = TRANSMISSION - 5-SPEED MANUAL
 DGL = TRANSMISSION - 4-SPD. AUTOMATIC, 41TE
 DD4 = TRANSMISSION - 5-SPEED PERF. MANUAL

AR = use ase required - = Non illustrated part

1999 JA

Oil Cooler And Lines
Figure 7-620



ITEM	PART NUMBER	QTY	LINE	SERIES	BODY	ENGINE	TRANS	TRIM	DESCRIPTION
NOTE: Sales Codes: [ECB] = 2.0L SOHC 16V [EDZ] = 2.4L 4 CYL DOHC 16V [EEB] = 2.5L V6 SOHC 24V									
1									HOSE, Transmission Oil Inlet
	04596630AA	1				ECB, EDZ	DGL		
	04546693	1				EEB	DGL		Trans to Inner Oil Cooler
2									HOSE, Transmission Oil Outlet
	04596420AB	1				ECB, EDZ	DGL		
		1				EEB	DGL		
-3	04546098	1							CLIP, Cooler Line, (M12.7 x 22.00, Hgt=13.00)
4									CONDENSER KIT, Air Conditioning
	05011395AA	1				ECB, EDZ	DGL		
		1				EEB	DGL		
5	06032839	4					DGL		CLAMP, Oil Cooler
6									COOLER, Auxiliary Oil
	04856561	1				ECB, EDZ	DGL		
		1				EEB	DGL		
7									FITTING PACKAGE, Cooler Mount
	04796282AB	1				ECB, EDZ	DGL		
		1				EEB	DGL		
-8									BRACKET, Tube
	04796277	1				ECB, EDZ	DGL		
		1				EEB	DGL		
9									TUBE, Auxiliary Transaxle Oil Cooler Inlet
	05003610AA	1				EEB	DGL		Inlet
	05011306AA	1				ECB, EDZ	DGL		Inlet
10									TUBE, Auxiliary Transaxle Oil Cooler Outlet
	05003611AA	1				EEB	DGL		Outlet
	05011307AA	1				ECB, EDZ	DGL		Outlet
-11									CLAMP, Oil Cooler Tube
	04856528	1				EEB	DGL		
		1				ECB, EDZ	DGL		

CIRRUS,BREEZE,STRATUS (JA)
 SERIES LINE
 H = HIGHLINE C = CHRYSLER
 P = PREMIUM D = DODGE
 P = PLYMOUTH

BODY
 41 = 4 Door Sedan

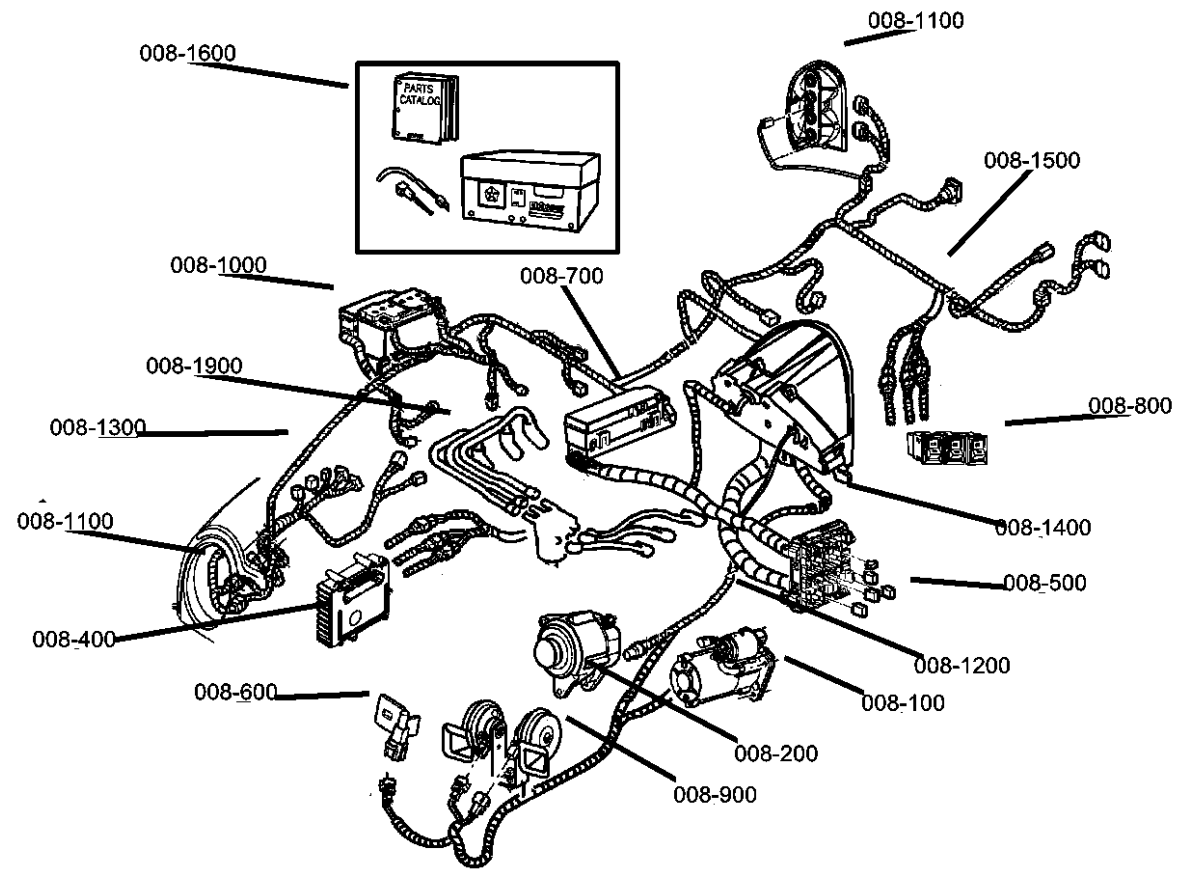
ENGINE
 ECB = 2.0L 4 Cyl SOHC 16V SMPI Engine
 EDZ = 2.4L 4 Cyl DOHC 16V SMPI Engine
 EEB = 2.5L V6 SOHC 24V SMPI Engine

TRANSMISSION
 DD5 = TRANSMISSION - 5-SPEED MANUAL
 DGL = TRANSMISSION - 4-SPD. AUTOMATIC, 41TE
 DD4 = TRANSMISSION - 5-SPEED PERF. MANUAL

AR = use ase required - = Non illustrated part

Group - 8

Electrical



008-1900 Spark Plugs-Cables-Coils 	008-200 Alternators 	008-300 Distributor 	008-400 Modules
008-500 Relays 	008-600 Sensors 	008-700 Single Board Engine Controllers 	008-800 Switches
008-900 Horns 			

008-100 Starters 	008-1000 Battery Tray and Cables 	008-1100 Lamps - Front, Rear and Courtesy 	008-1200 Wiring-Engine & Related Parts
008-1300 Wiring-Headlamp to Dash 	008-1400 Wiring-Instrument Panel WIRING INSTR. PANEL	008-1500 Wiring-Body & Accessories 	008-1600 Wiring Repair WIRING REPAIR PKG.

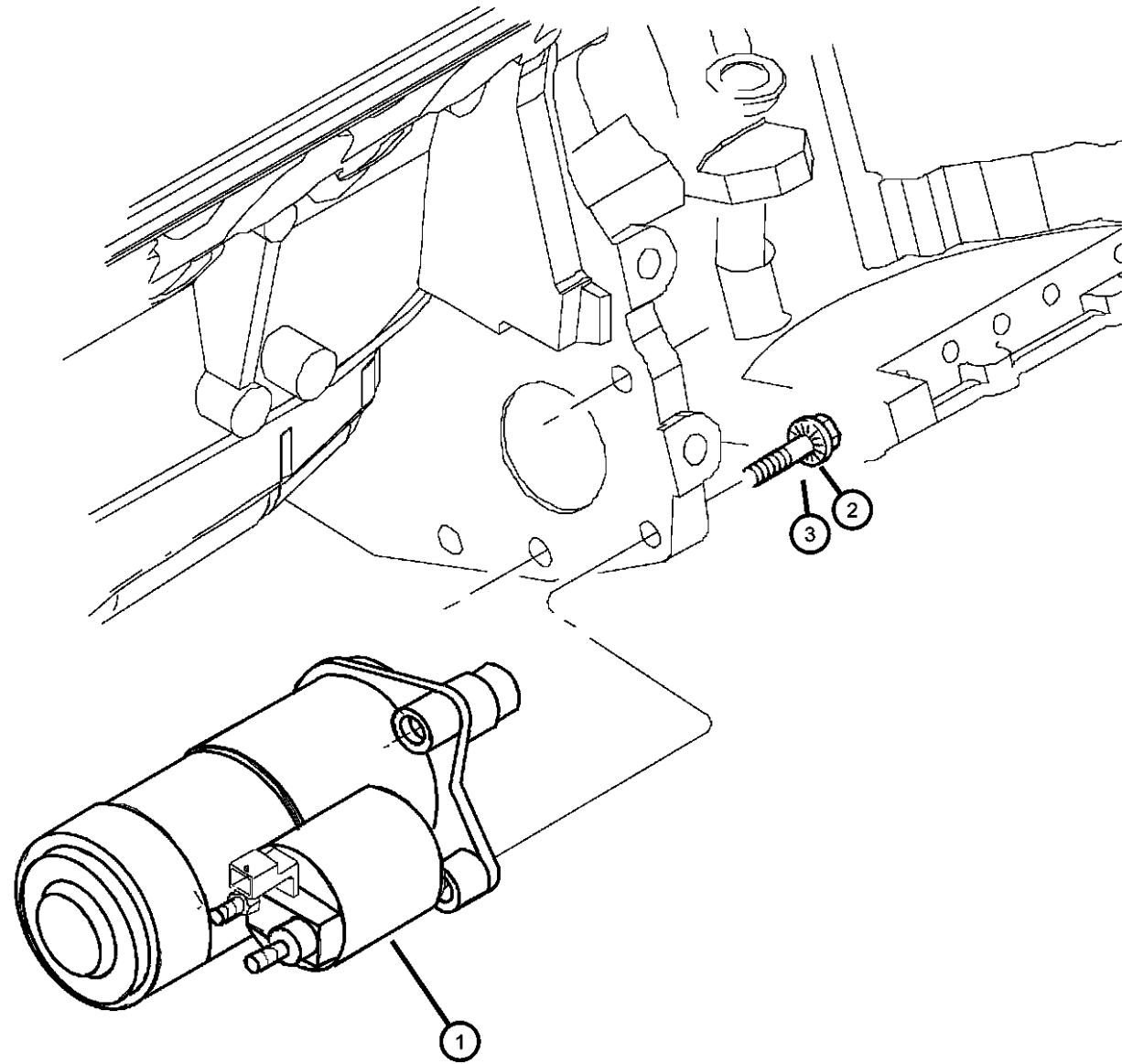
Group - 8 Electrical

Illustration Title	Group-Fig. No.
Starters	
Starter 4 and 6 Cylinder	Fig. 8 - 102
Alternators	
Alternator and Pulley (Generator).....	Fig. 8 - 202
Distributor	
Distributor 2.5L V-6 Engine.....	Fig. 8 - 304
Modules	
Modules - Electronic	Fig. 8 - 420
Relays	
Relays.....	Fig. 8 - 520
Sensors	
Sensors	Fig. 8 - 620
Single Board Engine Controllers	
Single Board Engine Controllers	Fig. 8 - 720
Switches	
Switches	Fig. 8 - 820
Horns	
Horns.....	Fig. 8 - 904
Battery Tray and Cables	
Battery Tray and Cables.....	Fig. 8 - 1010
Lamps - Front, Rear and Courtesy	
Lamps - Front.....	Fig. 8 - 1130
Lamps - Rear	Fig. 8 - 1135
Lamps-Cargo, Dome, Courtesy, Trunk, under Hood	Fig. 8 - 1140
Sockets and Bulbs	Fig. 8 - 1180
Wiring-Engine & Related Parts	
Wiring--engine & Related Parts	Fig. 8 - 1220
Wiring-Headlamp to Dash	
Wiring-Headlamp to Dash	Fig. 8 - 1320
Wiring-Instrument Panel	
Wiring-Instrument Panel	Fig. 8 - 1420
Wiring-Body & Accessories	
Wiring-Body and Accessories	Fig. 8 - 1520
Wiring Repair	
Wiring Harness Repair Crimp Package-Fusible Link Package-Heat Shrink Tube	Fig. 8 - 1610
Spark Plugs-Cables-Coils	
Spark Plugs - Cables - Coils	Fig. 8 - 1902

**Starter 4 and 6 Cylinder
Figure 8-102**

ITEM	PART NUMBER	QTY	LINE	SERIES	BODY	ENGINE	TRANS	TRIM	DESCRIPTION
------	-------------	-----	------	--------	------	--------	-------	------	-------------

ECB = 2.0L 4 CYL SOHC 16V SMPI
 EDZ = 2.4L 4 CYL DOHC 16V SMPI
 EEB = 2.5L V6 SOHC 24V SMPI



1									STARTER
	04609058	1				EEB			
	04609703	1				EDZ			
	R4609703								Mopar Remanufactured Part
	04793804	1				ECB			
2	06503237	1				ECB, EDZ			SCREW AND WASHER, Hex Head, M10x1.5x95, Start mounting
3									SCREW AND WASHER, Hex Head, M10x1.5x50
	06502717	1				ECB, EDZ			Start mounting
		3				EEB			Start mounting

CIRRUS,BREEZE,STRATUS (JA)

SERIES	LINE
H = HIGHLINE	C = CHRYSLER
P = PREMIUM	D = DODGE
	P = PLYMOUTH

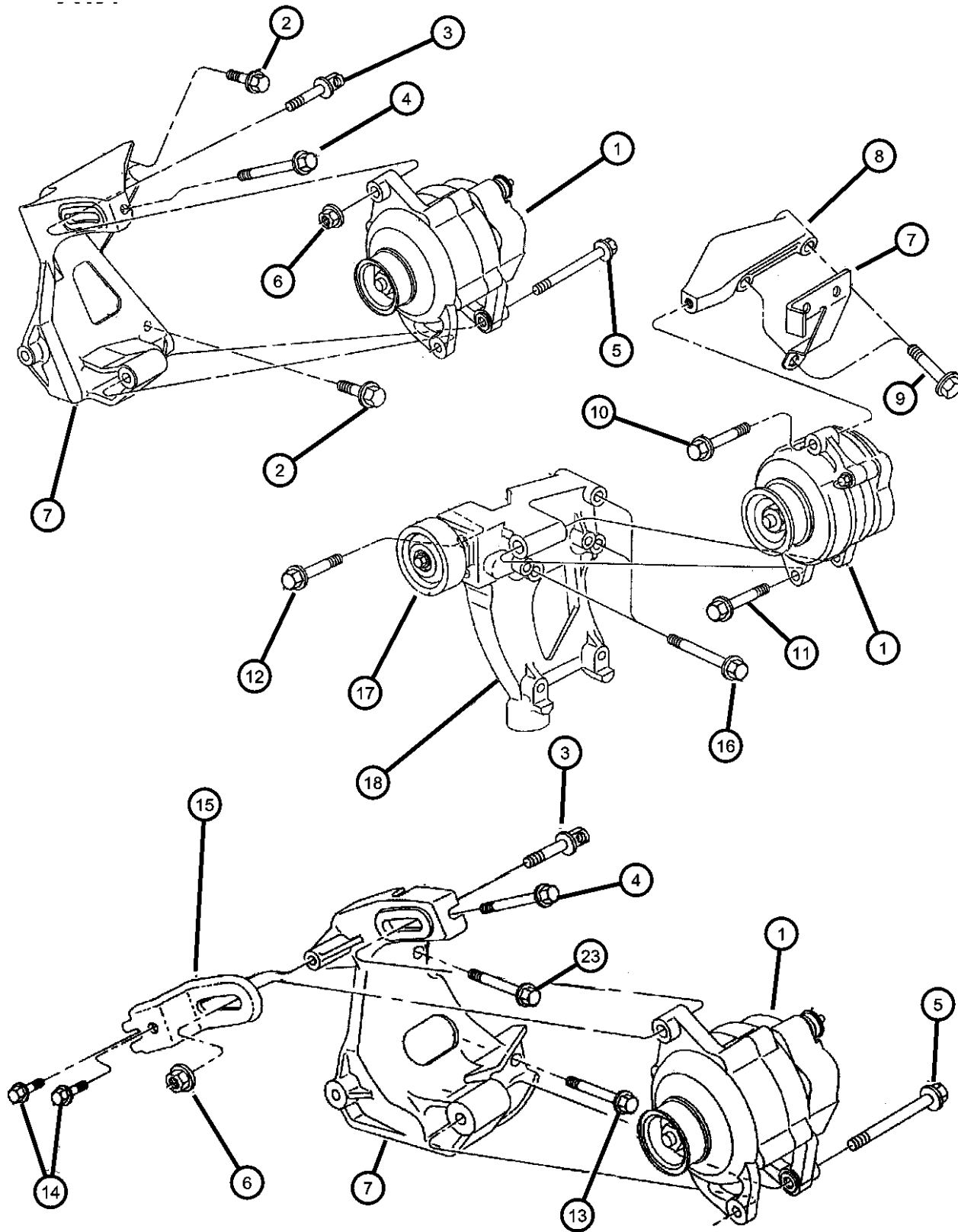
BODY
41 = 4 Door Sedan

ENGINE	TRANSMISSION
ECB = 2.0L 4 Cyl SOHC 16V SMPI Engine	DD5 = TRANSMISSION - 5-SPEED MANUAL
EDZ = 2.4L 4 Cyl DOHC 16V SMPI Engine	DGL = TRANSMISSION - 4-SPD. AUTOMATIC, 41TE
EEB = 2.5L V6 SOHC 24V SMPI Engine	DD4 = TRANSMISSION - 5-SPEED PERF. MANUAL

AR = use ase required - = Non illustrated part

1999 JA

**Alternator and Pulley (Generator)
Figure 8-202**



ITEM	PART NUMBER	QTY	LINE	SERIES	BODY	ENGINE	TRANS	TRIM	DESCRIPTION
ECB = 2.0L 4 CYL SOHC 16V SMPI EDZ = 2.4L 4 CYL DOHC 16V SMPI EEB = 2.5L V6 SOHC 24V SMPI									
1									ALTERNATOR
	04609125	1				EEB			Melco
	04609230AA	1							125 AMP
	04609415	1				ECB, EDZ			Denso
2	06101524	3				EDZ			BOLT AND WASHER, Hex Head, M10x1.5x30Alternator Bracket To Block
3	06503209	1				ECB, EDZ			BOLT, Hex Flange Head, M10x1.50x55
4	06502955	1				ECB, EDZ			SCREW AND WASHER, Hex Head, M8x1.25x90
5	06504064	1				ECB, EDZ			SCREW, M10X1.50X91.00
6	06101448	1				ECB, EDZ			NUT AND WASHER, Hex Nut-Coned Washer, M10 x 1.5
7									BRACKET, Alternator
	04668244	1				EDZ			
	04671131	1				EEB			
	04792080AD	1				ECB			
8	04792493AA	1				EEB			BRACKET, Alternator Upper
9	06503034	2				EEB			BOLT, Hex Head, M10x1.25x65
10	06101622	1				EEB			SCREW AND WASHER, Hex Head, M10x1.5x55
11	06101623	1				EEB			SCREW AND WASHER, Hex Head, M10x1.5x105
12	06101763	1				EEB			BOLT AND WASHER, Hex Head, M10x1.5
13	06101707	1				ECB			BOLT, M10x1.50x75
14	06101767	2				ECB			SCREW AND WASHER, M8x1.25x25
15									STRUT, Alternator Bracket
	04663051	1				ECB			Alternator to Engine Bracket
	04663800	1				ECB			Alternator to A/C Bracket
	04663925	1				EDZ			
16	06101702	3				EEB			BOLT, M10x1.50x70
17									PULLEY, Idler
	04792112	1				EEB			

CIRRUS,BREEZE,STRATUS (JA)
 SERIES LINE
 H = HIGHLINE C = CHRYSLER
 P = PREMIUM D = DODGE
 P = PLYMOUTH

BODY
 41 = 4 Door Sedan

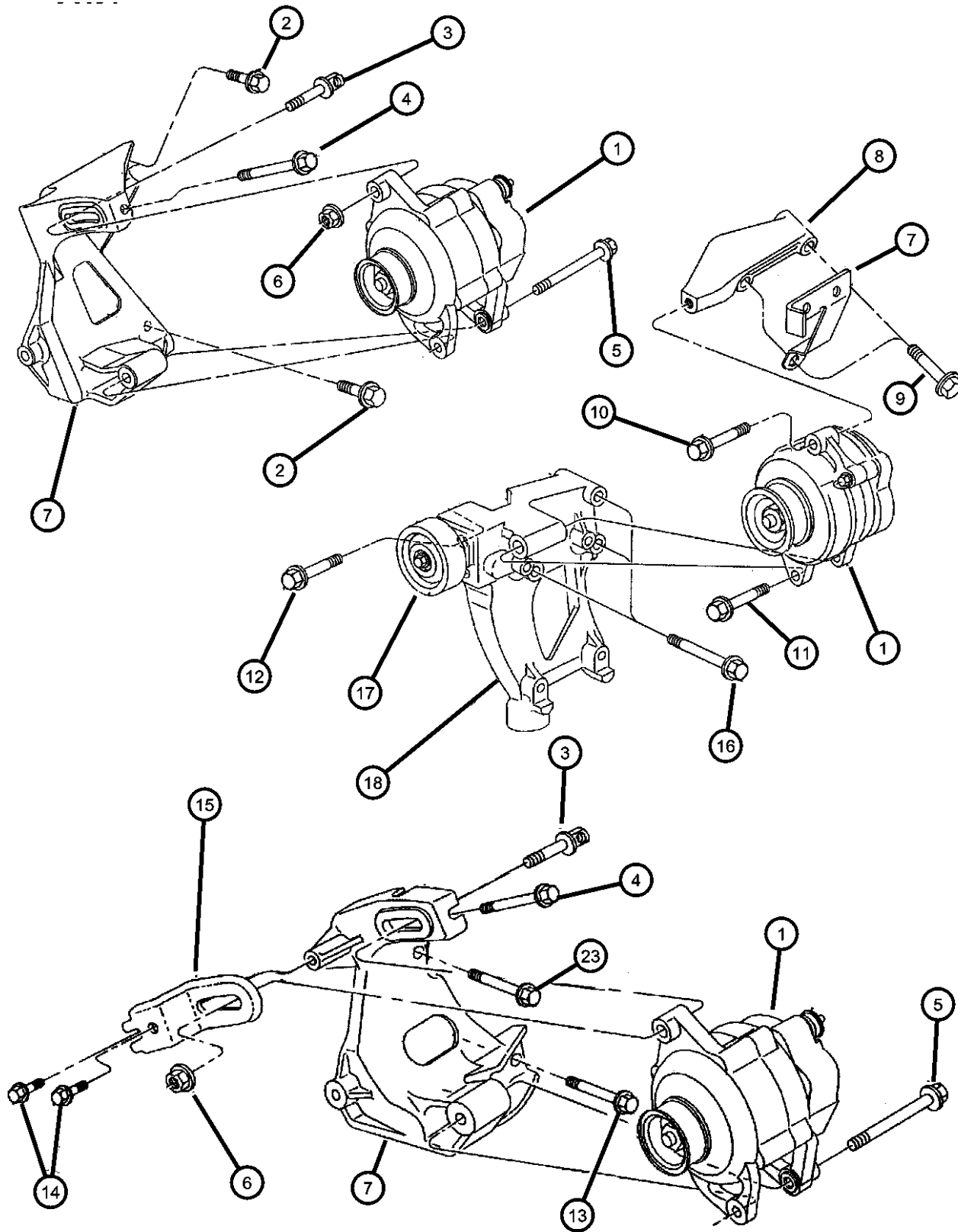
ENGINE
 ECB = 2.0L 4 Cyl SOHC 16V SMPI Engine
 EDZ = 2.4L 4 Cyl DOHC 16V SMPI Engine
 EEB = 2.5L V6 SOHC 24V SMPI Engine

TRANSMISSION
 DD5 = TRANSMISSION - 5-SPEED MANUAL
 DGL = TRANSMISSION - 4-SPD. AUTOMATIC,41TE
 DD4 = TRANSMISSION - 5-SPEED PERF. MANUAL

AR = use ase required - = Non illustrated part

1999 JA

Alternator and Pulley (Generator)
Figure 8-202



ITEM	PART NUMBER	QTY	LINE	SERIES	BODY	ENGINE	TRANS	TRIM	DESCRIPTION
		1				ECB, EDZ			
18	04663132	1				EEB			BRACKET, Alternator And Compressor
-19	33002201	1				ECB, EDZ			BUSHING, Idler Pulley
		1				EEB			
-20	06034408	1				EEB			SPACER, Idler Pulley
-21	04602081	1							COVER, Alternator Bracket, ' B ' Post Black
-22	06502691	1							NUT, Hex Flange Lock, M6x1
23	06502691	1							SCREW AND WASHER, (NOT SERVICED)
-24	04792139	1				EEB			COLLAR, Adjusting, Alternator Belt Adjusting

CIRRUS,BREEZE,STRATUS (JA)
 SERIES LINE
 H = HIGHLINE C = CHRYSLER
 P = PREMIUM D = DODGE
 P = PLYMOUTH

BODY
 41 = 4 Door Sedan

ENGINE
 ECB = 2.0L 4 Cyl SOHC 16V SMPI Engine
 EDZ = 2.4L 4 Cyl DOHC 16V SMPI Engine
 EEB = 2.5L V6 SOHC 24V SMPI Engine

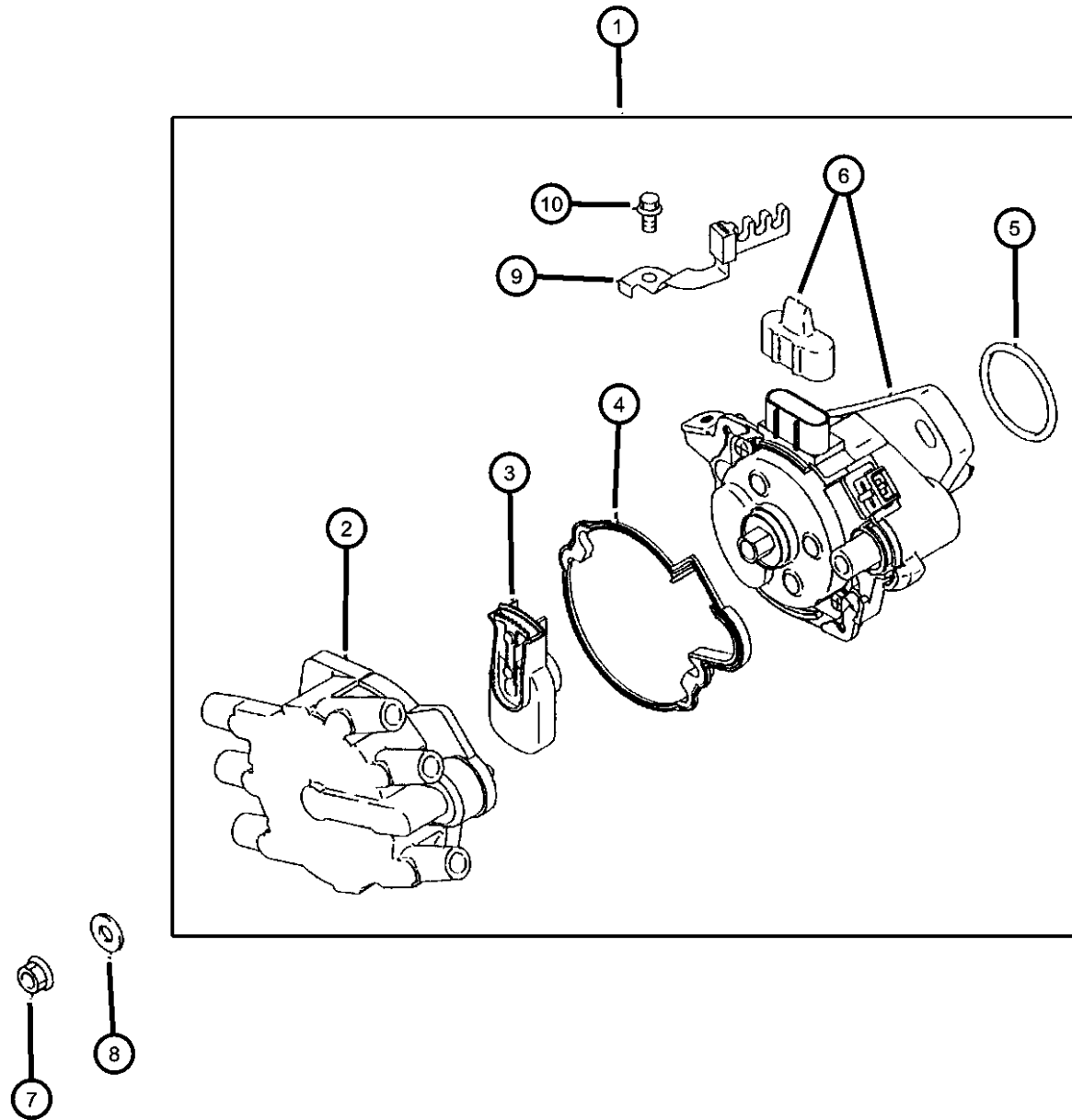
TRANSMISSION
 DD5 = TRANSMISSION - 5-SPEED MANUAL
 DGL = TRANSMISSION - 4-SPD. AUTOMATIC,41TE
 DD4 = TRANSMISSION - 5-SPEED PERF. MANUAL

AR = use ase required - = Non illustrated part

1999 JA

**Distributor 2.5L V-6 Engine
Figure 8-304**

ITEM	PART NUMBER	QTY	LINE	SERIES	BODY	ENGINE	TRANS	TRIM	DESCRIPTION
EEB = 2.5L V6 SOHC 24V SMPI									
1	MD343019	1				EEB			DISTRIBUTOR, Engine
2	MD619050	1				EEB			CAP, Distributor
3	MD619276	1				EEB			ROTOR, Distributor
4	MD618662	1				EEB			GASKET, Distributor Cap
5	MD618665	1				EEB			O RING, Distributor
6	MD619496	1				EEB			HOUSING, Distributor
7	MF434114	2				EEB			NUT, Hex Flange
8	MD102178	2				EEB			WASHER, Distributor
9	MD302268	1				EEB			SEPERATOR, Ignition Cable
10	MD618316	1				EEB			SCREW, Adjusting



CIRRUS,BREEZE,STRATUS (JA)

SERIES	LINE
H = HIGHLINE	C = CHRYSLER
P = PREMIUM	D = DODGE
	P = PLYMOUTH

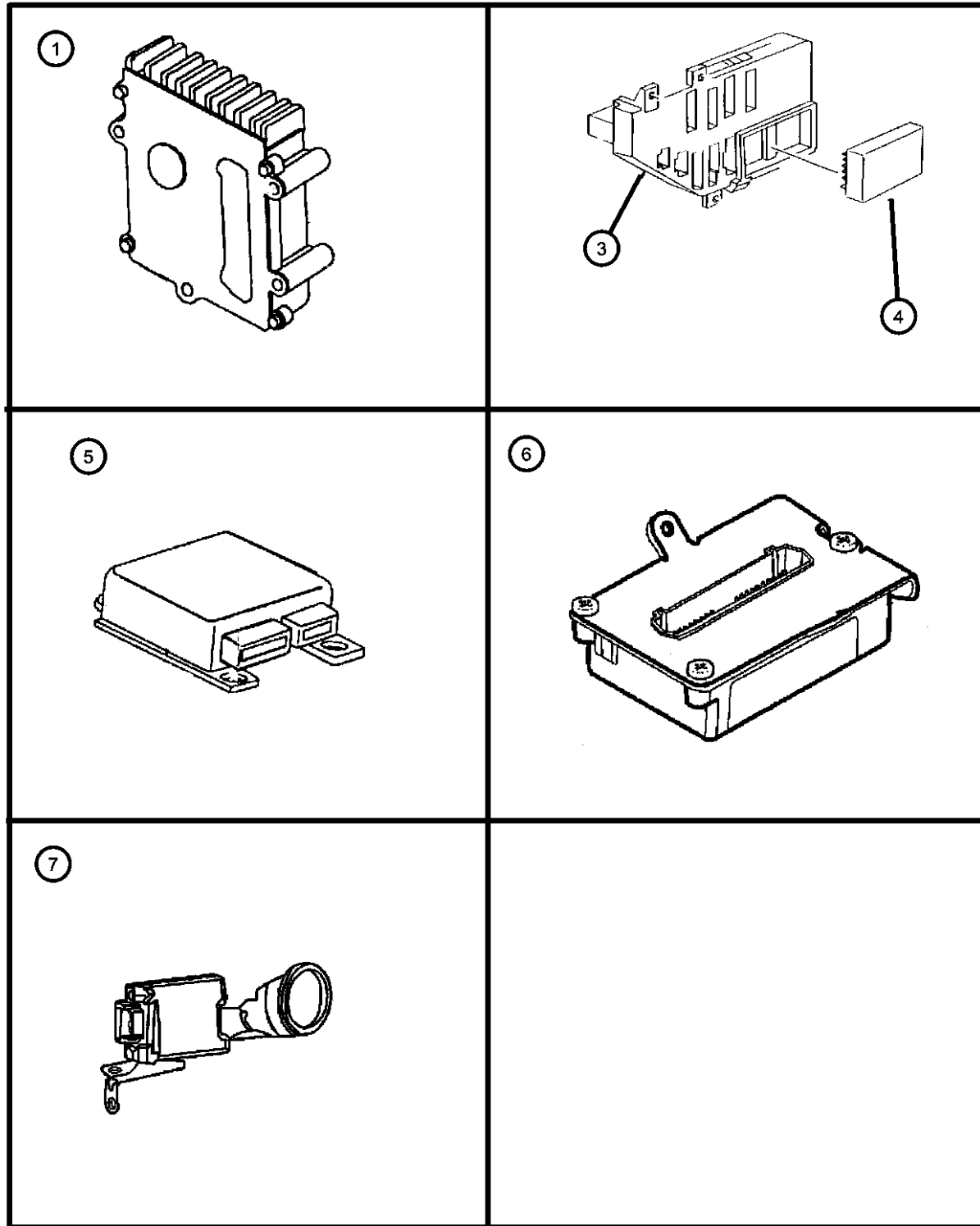
BODY
41 = 4 Door Sedan

ENGINE	TRANSMISSION
ECB = 2.0L 4 Cyl SOHC 16V SMPI Engine	DD5 = TRANSMISSION - 5-SPEED MANUAL
EDZ = 2.4L 4 Cyl DOHC 16V SMPI Engine	DGL = TRANSMISSION - 4-SPD. AUTOMATIC,41TE
EEB = 2.5L V6 SOHC 24V SMPI Engine	DD4 = TRANSMISSION - 5-SPEED PERF. MANUAL

AR = use ase required - = Non illustrated part

1999 JA

Modules - Electronic
Figure 8-420



ITEM	PART NUMBER	QTY	LINE	SERIES	BODY	ENGINE	TRANS	TRIM	DESCRIPTION
DGL = AUTOMATIC 4-SPD, 41TE									
1	04606962AB	1					DGL		MODULE, Transmission Control w/o Autostick
	04606963AA	1					DGL		w/Autostick
-2	04606054	1					DGL		BRACKET, Mounting, TCM Mounting, EATX
3	04606216AB	1							MODULE, Multifunction w/o Power Door Locks
	04606217AC	1							W/ Power Door Locks[JPB]
	04606218AC	1							W/ Power Door Locks, illuminated entry
	04606467AA	1							W/ Power Door Locks[JPF], Export
4	04606139	1							MODULE, Daytime Running Lamp, Canada Only
5	04602315AB	1							MODULE, Air Bag Control
6	04602249AB	1							MODULE, Anti-Lock Brake System Up to 11-18-98
	04602249AC	1							After 11-18-98
7	04671243AC	1							MODULE, Immobilizer
-8	00154844	2							SCREW, Tapping, Immobilizer to Steering Column attaching
-9	00154844	2							MODULE, Traveler, (NOT REQUIRED)
-10	04882745	1			C				MODULE, Heated Seat
-11	05012164AA	1							MODULE, Security Alarm
-12	0QC73LAZ	1							CUPHOLDER, Console

CIRRUS,BREEZE,STRATUS (JA)
 SERIES LINE
 H = HIGHLINE C = CHRYSLER
 P = PREMIUM D = DODGE
 P = PLYMOUTH

BODY
 41 = 4 Door Sedan

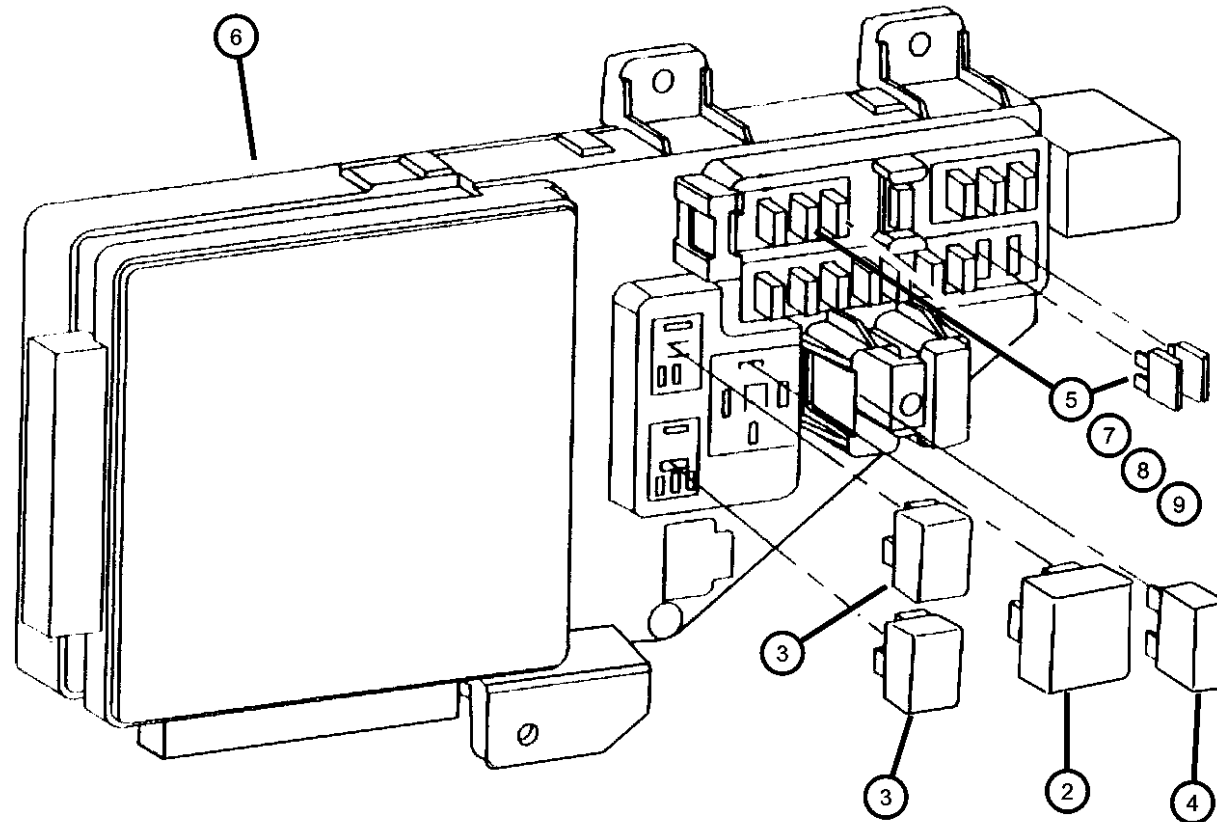
ENGINE
 ECB = 2.0L 4 Cyl SOHC 16V
 SMPI Engine
 EDZ = 2.4L 4 Cyl DOHC 16V
 SMPI Engine
 EEB = 2.5L V6 SOHC 24V
 SMPI Engine

TRANSMISSION
 DD5 = TRANSMISSION - 5-SPEED
 MANUAL
 DGL = TRANSMISSION - 4-SPD.
 AUTOMATIC,41TE
 DD4 = TRANSMISSION - 5-SPEED
 PERF. MANUAL

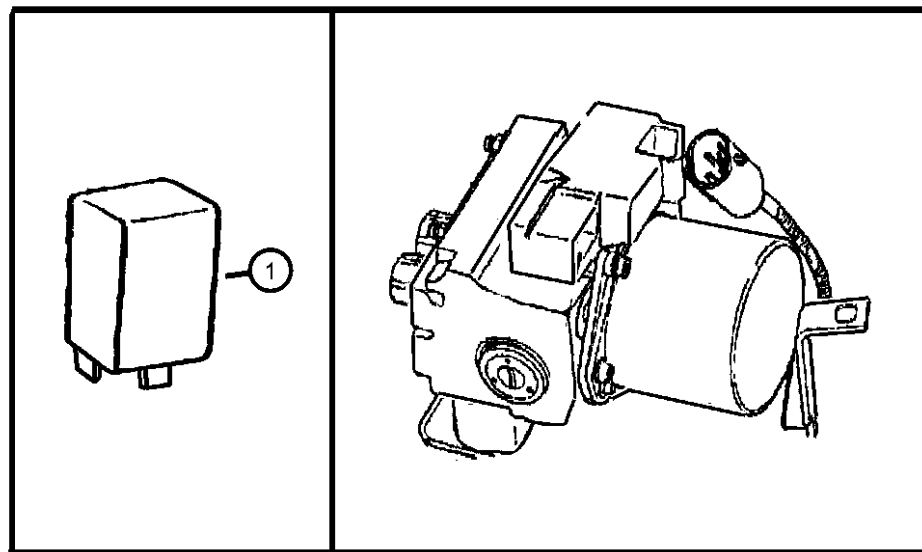
AR = use ase required - = Non illustrated part

1999 JA

Relays
Figure 8-520



ITEM	PART NUMBER	QTY	LINE	SERIES	BODY	ENGINE	TRANS	TRIM	DESCRIPTION
1	04671168	1							RELAY, Mini, EATX
2	04638094	1							RELAY PACKAGE, Electrical, Electric Back Lite, Mini Plug-In
3	56006846	1							RELAY, ElectricalHorn, Headlamp Delay
4	04604235	1							BREAKER, Circuit, 20 Amp.
5	06101486	2							FUSE, Mini, 10 AMP, Red
6	04604436	1							JUNCTION BLOCK, Premium
7	000ATM15	1							FUSE, Mini, 15 AMP, Light Blue
8	000ATM20	1							FUSE, Mini, 20 AMP, Yellow
9	000ATC30	1							FUSE, Standard, 30 Amp, Light Green



CIRRUS,BREEZE,STRATUS (JA)
 SERIES LINE
 H = HIGHLINE C = CHRYSLER
 P = PREMIUM D = DODGE
 P = PLYMOUTH

BODY
 41 = 4 Door Sedan

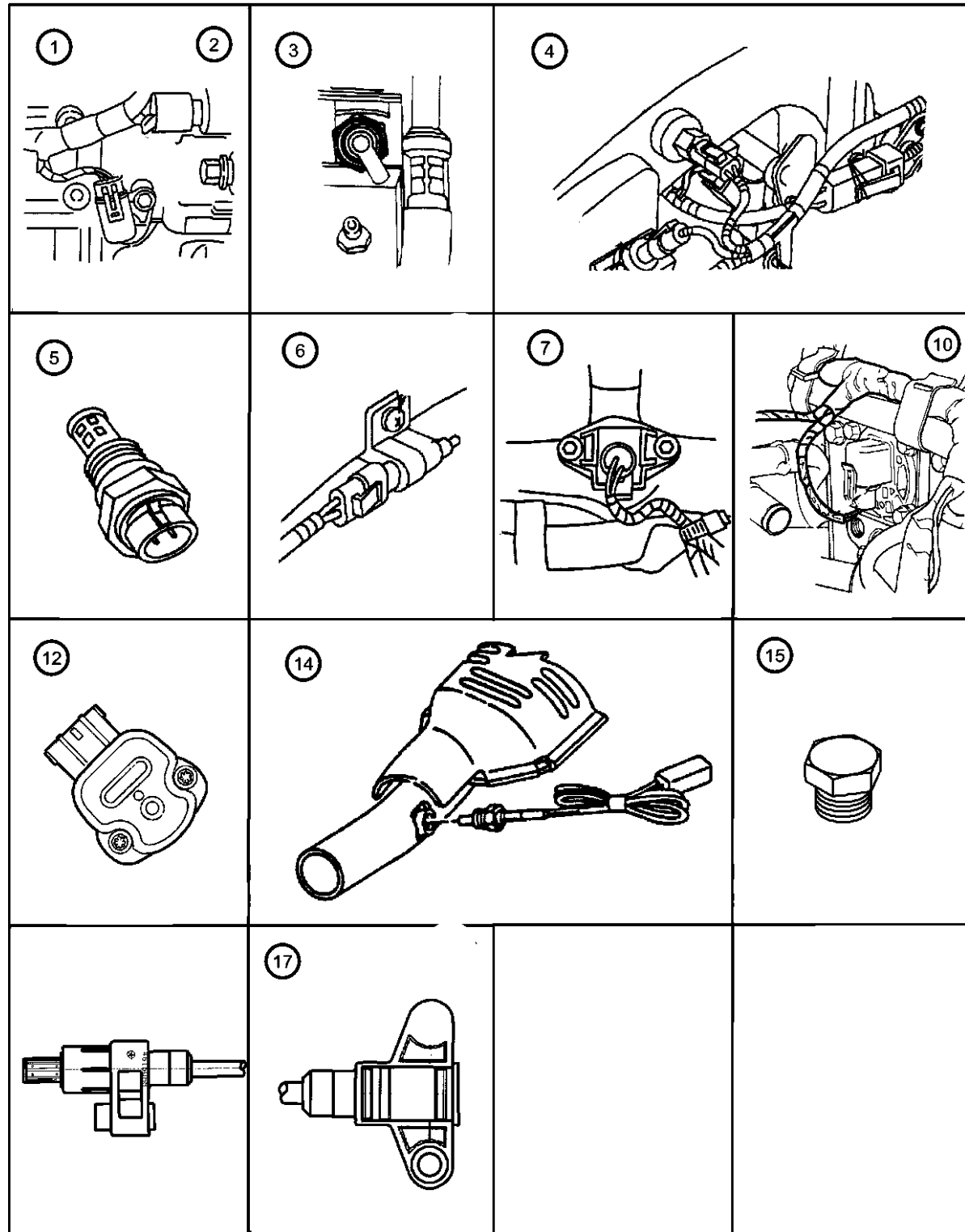
ENGINE
 ECB = 2.0L 4 Cyl SOHC 16V SMPI Engine
 EDZ = 2.4L 4 Cyl DOHC 16V SMPI Engine
 EEB = 2.5L V6 SOHC 24V SMPI Engine

TRANSMISSION
 DD5 = TRANSMISSION - 5-SPEED MANUAL
 DGL = TRANSMISSION - 4-SPD. AUTOMATIC,41TE
 DD4 = TRANSMISSION - 5-SPEED PERF. MANUAL

AR = use ase required - = Non illustrated part

1999 JA

Sensors
Figure 8-620



ITEM	PART NUMBER	QTY	LINE	SERIES	BODY	ENGINE	TRANS	TRIM	DESCRIPTION
1									SENSOR, Crankshaft Position
	05269703	1				ECB			
		1				EDZ			
2	04807083	1				EEB			SENSOR, Crankshaft
3									SENSOR, Detonation
	04605122	1				ECB			
		1				EDZ			
4									SENSOR, Air Temperature
	56027872	1				EDZ			
		1				EEB			
5									SENSOR, Coolant Temperature
	56027873	1				ECB			
		1				EDZ			
		1				EEB			
6	56042395	1							SENSOR, Ambient Temperature, Battery Temp Sensor
7									SENSOR, MAP
	05269983	1				EDZ			
		1				EEB			
	05293985AA	1				ECB			
-8									SCREW
	06035957AA	2				EDZ			Map Sensor attaching
		2				EEB			Map Sensor attaching
-9	06035978AA	2				ECB			SCREW, Round Head, .164-15x1.00, Map Sensor attaching
10									SENSOR PACKAGE, Camshaft
	04882850AA	1				ECB			
	04882851AA	1				EDZ			
-11									SEAL, Camshaft Sensor
	04777068	1				ECB			
		1				EDZ			

CIRRUS,BREEZE,STRATUS (JA)
 SERIES LINE
 H = HIGHLINE C = CHRYSLER
 P = PREMIUM D = DODGE
 P = PLYMOUTH

BODY
 41 = 4 Door Sedan

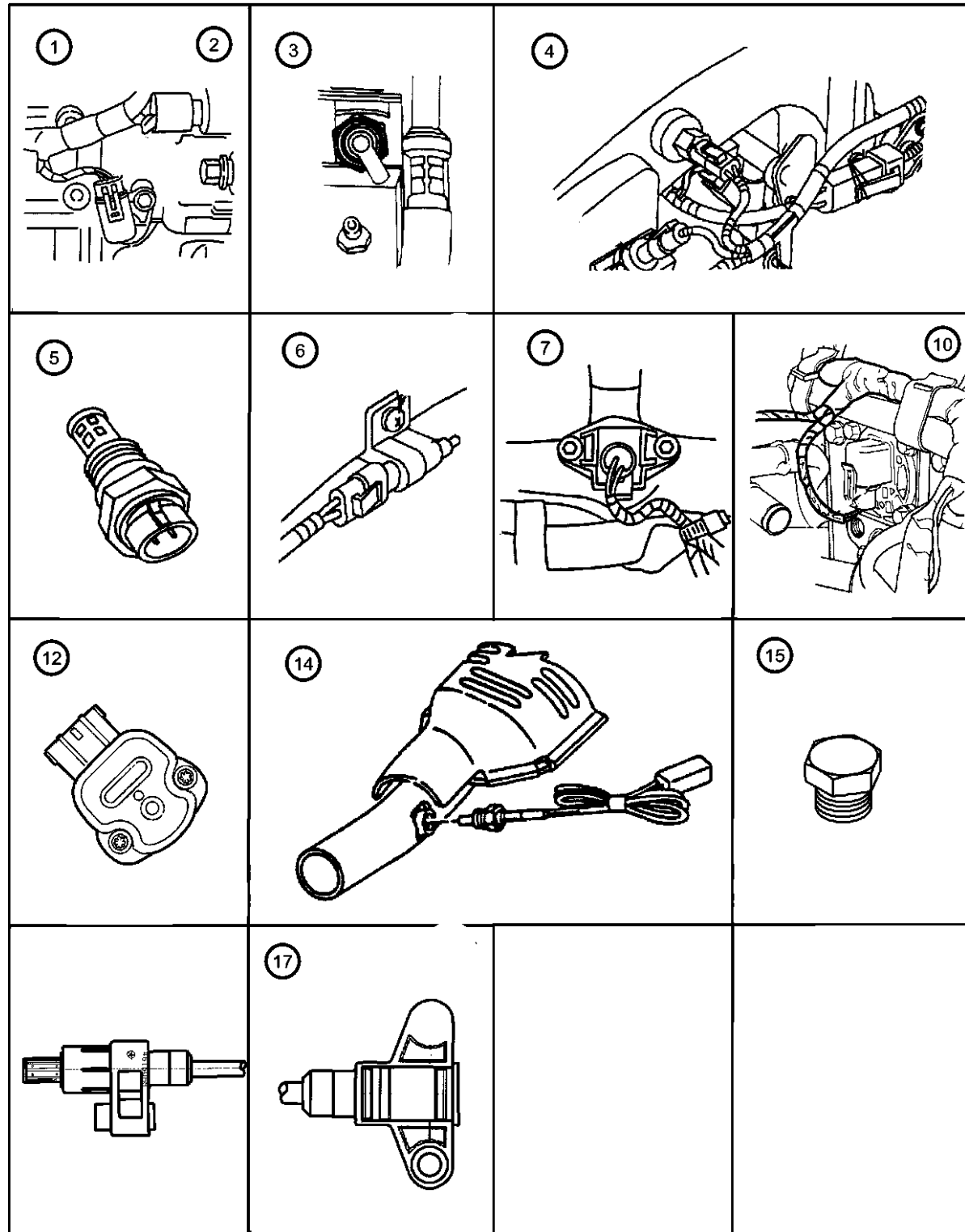
ENGINE
 ECB = 2.0L 4 Cyl SOHC 16V
 SMPI Engine
 EDZ = 2.4L 4 Cyl DOHC 16V
 SMPI Engine
 EEB = 2.5L V6 SOHC 24V
 SMPI Engine

TRANSMISSION
 DD5 = TRANSMISSION - 5-SPEED
 MANUAL
 DGL = TRANSMISSION - 4-SPD.
 AUTOMATIC,41TE
 DD4 = TRANSMISSION - 5-SPEED
 PERF. MANUAL

AR = use ase required - = Non illustrated part

1999 JA

Sensors
Figure 8-620



ITEM	PART NUMBER	QTY	LINE	SERIES	BODY	ENGINE	TRANS	TRIM	DESCRIPTION
12	04606196	1				EDZ			SENSOR, Throttle Position
	04606197	1				EEB			
-13	04874430	1				ECB	DGL		SENSOR KIT, Throttle Position
		1				ECB	DD5		
14	04606133AC	1				ECB			SENSOR, Oxygen
		1				EDZ			Upstream
	04606135AB	1							Upstream
	04606950AB	1				EEB			Downstream
15	04606950AB	1							Upstream
-16	04606950AB	1							PLUG, Oxygen Sensor, (NOT SERVICED), WASHER, Flat, .721x.990 Copper, (NOT REQUIRED)
17									SENSOR, Anti-Lock Brakes
	04764116	1							Right
	04764117	1							Left
-18	04659559AC	1				EDZ	DGL		SENSOR, Transmission Range
		1				EEB			Pin Terminals, Upto 10-1-98
		1				ECB	DGL		Pin Terminals, Upto 10-1-98
	04659676AB	1				EDZ	DGL		Blade Terminals, After 10-1-98
		1				EEB			Blade Terminals, After 10-1-98
		1				ECB	DGL		Blade Terminals, After 10-1-98
-19	04707839AA	1					DD5		SENSOR, Vehicle Speed

CIRRUS,BREEZE,STRATUS (JA)

SERIES LINE
H = HIGHLINE C = CHRYSLER
P = PREMIUM D = DODGE
 P = PLYMOUTH

BODY
41 = 4 Door Sedan

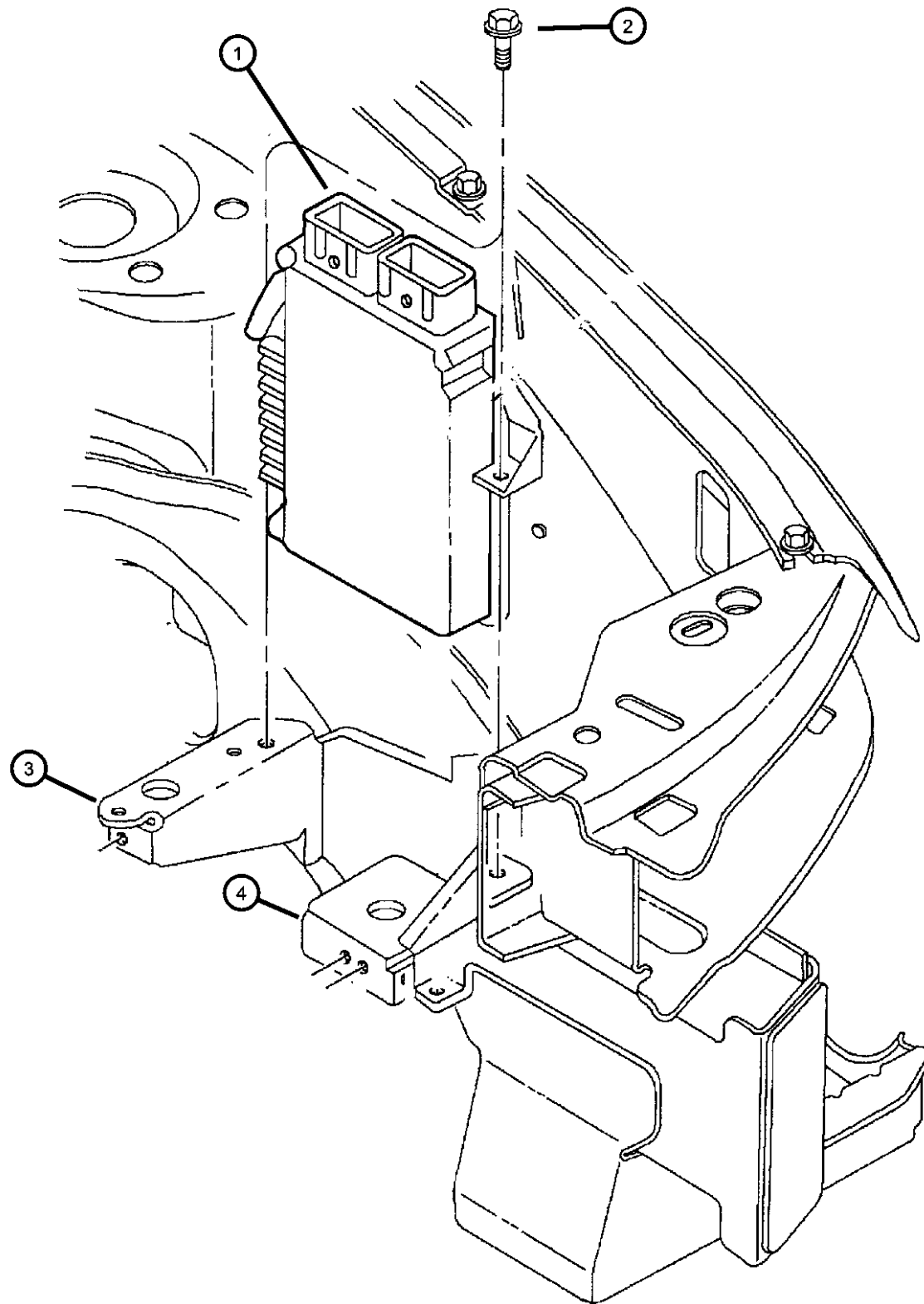
ENGINE
ECB = 2.0L 4 Cyl SOHC 16V SMPI Engine
EDZ = 2.4L 4 Cyl DOHC 16V SMPI Engine
EEB = 2.5L V6 SOHC 24V SMPI Engine

TRANSMISSION
DD5 = TRANSMISSION - 5-SPEED MANUAL
DGL = TRANSMISSION - 4-SPD. AUTOMATIC,41TE
DD4 = TRANSMISSION - 5-SPEED PERF. MANUAL

AR = use ase required - = Non illustrated part

1999 JA

**Single Board Engine Controllers
Figure 8-720**



ITEM	PART NUMBER	QTY	LINE	SERIES	BODY	ENGINE	TRANS	TRIM	DESCRIPTION
DGL = AUTOMATIC 4-SPD, 41TE DD4 = PERFORMANCE. MANUAL 5-SPEED DD5 = MANUAL 5-SPEED ECB = 2.0L 4 CYL SOHC 16V SMPI EDZ = 2.4L 4 CYL DOHC 16V SMPI EEB = 2.5L V6 SOHC 24V SMPI									
1									MODULE, Engine Controller
	04606433AC	1				ECB	DD5		California Emissions
	04606438AE	1				EEB	DGL		Federal Emissions
	04606439AE	1				EEB	DGL		California Emissions
	04606531AC	1				ECB	DD4, DD5		Federal Emissions
	04606634AC	1				ECB	DD4, DD5		European Emissions
	04606637AF	1				EDZ	DGL		California Emissions
	04606641AE	1				EEB	DGL		w/Leaded Fuel
	04606836AF	1				EDZ	DGL		Federal Emissions
	04606932AC	1				ECB	DGL		California Emissions
	04606935AC	1				ECB	DGL		European Emissions
	04896330AC	1				ECB	DGL		Federal Emissions
	04896340AD	1				EEB	DGL		European Emissions
2	04896340AD	1							SCREW, (NOT REQUIRED),
3	04696855	1							BRACKET, Power Distribution CenterRear
4	04604402	1							BRACKET, Power Distribution Center
-5	04897267AA	1							COVER PACKAGE, Powertrain Control Module

CIRRUS,BREEZE,STRATUS (JA)

SERIES	LINE
H = HIGHLINE	C = CHRYSLER
P = PREMIUM	D = DODGE
	P = PLYMOUTH

BODY
41 = 4 Door Sedan

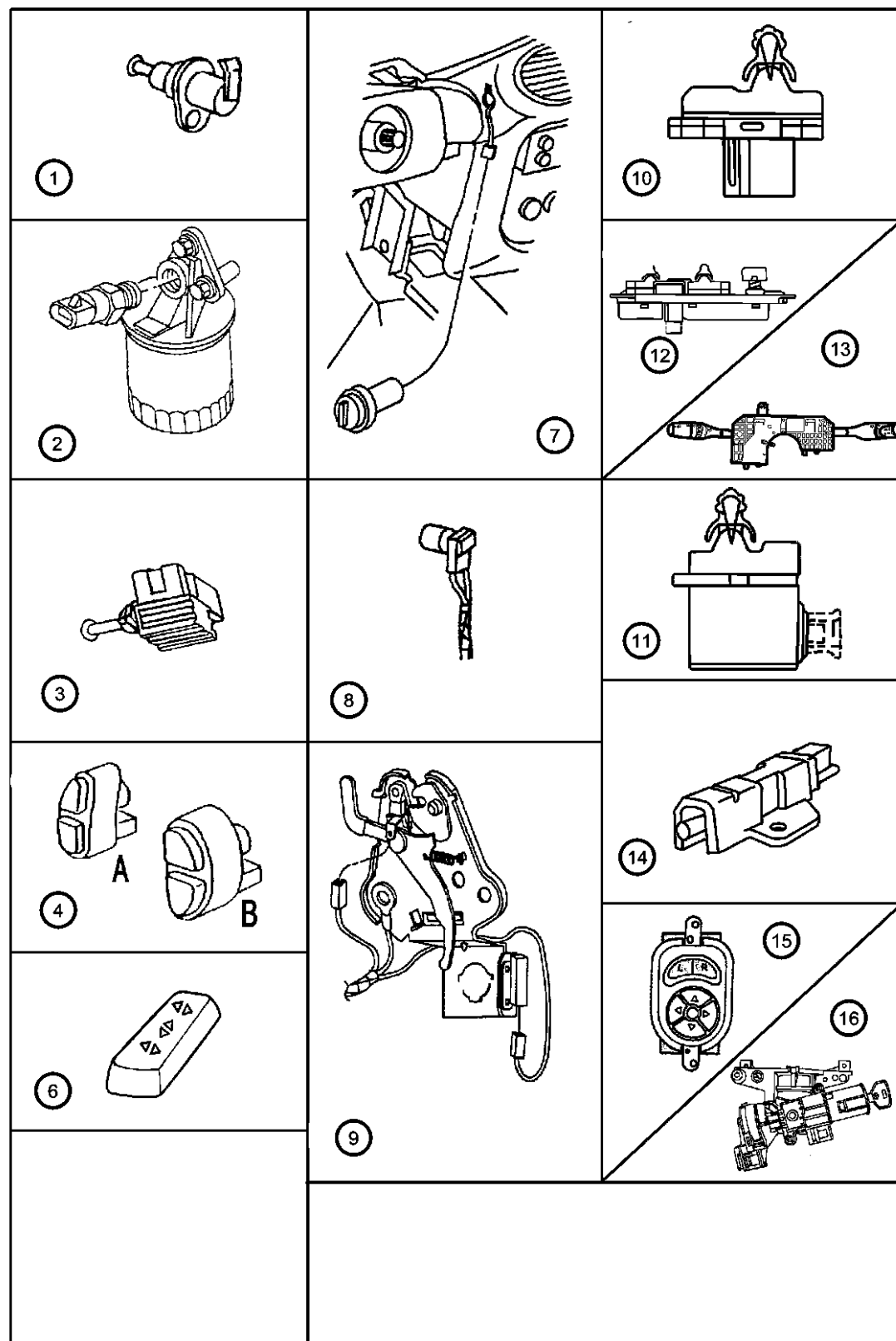
ENGINE
ECB = 2.0L 4 Cyl SOHC 16V
SMPI Engine
EDZ = 2.4L 4 Cyl DOHC 16V
SMPI Engine
EEB = 2.5L V6 SOHC 24V
SMPI Engine

TRANSMISSION
DD5 = TRANSMISSION - 5-SPEED
MANUAL
DGL = TRANSMISSION - 4-SPD.
AUTOMATIC, 41TE
DD4 = TRANSMISSION - 5-SPEED
PERF. MANUAL

AR = use ase required - = Non illustrated part

1999 JA

Switches
Figure 8-820



ITEM	PART NUMBER	QTY	LINE	SERIES	BODY	ENGINE	TRANS	TRIM	DESCRIPTION
1	04609106	4							SWITCH, Door Ajar
2	04608303	1				EDZ			SWITCH, Oil Pressure
		1				EEB			
		1				ECB			
3	04671336	1							SWITCH, Stop Lamp
4	04608582	1							SWITCH, Speed Control
	04608583	1							On/Off
									Set/Resume
-5	04601757	1							SWITCH, Seat
	04897157AA	1							Power 8 way
									Heated
6	04607043	1							KNOB, Power Seat Switch
	04607045	1							Power Recliner
7	04608269	1							SWITCH, Headlamp, (ABB) European
8	04608262	1							SWITCH, Central Locking
	04608263	1							Right
	04608288AB	1							Left
9	04608322	1							SWITCH, Cargo Lamp
10		1							SWITCH, Window
		1			D				
		1			C				
		1			P				
		2							Rear Door
11	04608323	1			D				SWITCH, Door Lock
		1			C				
		1			P				
12									SWITCH, Power Window

CIRRUS,BREEZE,STRATUS (JA)
 SERIES LINE
 H = HIGHLINE C = CHRYSLER
 P = PREMIUM D = DODGE
 P = PLYMOUTH

BODY
 41 = 4 Door Sedan

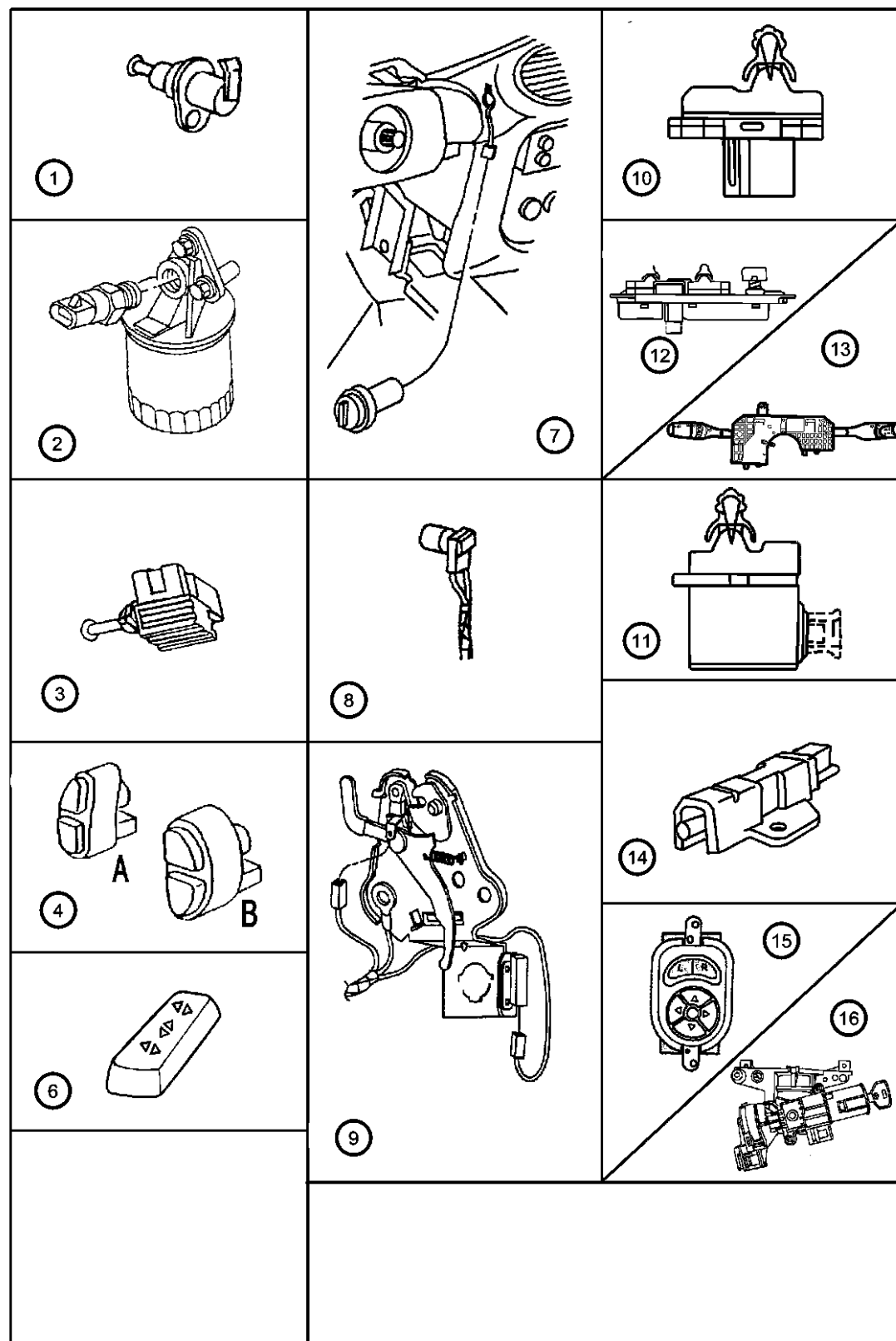
ENGINE
 ECB = 2.0L 4 Cyl SOHC 16V SMPI Engine
 EDZ = 2.4L 4 Cyl DOHC 16V SMPI Engine
 EEB = 2.5L V6 SOHC 24V SMPI Engine

TRANSMISSION
 DD5 = TRANSMISSION - 5-SPEED MANUAL
 DGL = TRANSMISSION - 4-SPD. AUTOMATIC, 41TE
 DD4 = TRANSMISSION - 5-SPEED PERF. MANUAL

AR = use ase required - = Non illustrated part

1999 JA

Switches
Figure 8-820



ITEM	PART NUMBER	QTY	LINE	SERIES	BODY	ENGINE	TRANS	TRIM	DESCRIPTION
	04608448	1	D						
		1	C						
		1	P						
13									SWITCH, Multifunction
	04608382	1							Base
	04608383	1							Front Fog Lamp
	04671257	1							Front and Rear, Fog Lamp
	04671258	1							Rear Fog Lamp
14	04671258	1							SWITCH, Deck Lid Alarm, Serviced with Latch Only, (NOT SERVICED)
15									SWITCH, Mirror
	04608294	1	D						
		1	C						
		1	P						
16	04671324	1					DGL		SWITCH, Ignition
-17	06035021	1					DGL		SCREW, Pan Head Tapping, .125-40x.437 Ignition Switch, Ground
-18									SWITCH, Power Steering
	04606045	1				EEB			
		1				ECB, EDZ			
-19	04864775	1					DD5		SWITCH, Back Up Lamp
-20	04685460	1					DD5		SWITCH, Clutch Starter Interlock
-21	05209922	1							SWITCH, Parking Brake
-22	04565022	1							SWITCH AND LAMP, Glove Box
-23									SWITCH, Sunroof
	0JF70RK4	1							Camel Tan, Open, Close, Vent
	0JF70TL2	1							Neutral Beige, Open, Close, Vent
-24									RETAINER, Sunroof Switch
	0JX24RK4AC	1							[K5]
	0JX24TL2AC	1							[AZ]

CIRRUS, BREEZE, STRATUS (JA)

SERIES LINE
H = HIGHLINE C = CHRYSLER
P = PREMIUM D = DODGE
P = PLYMOUTH

BODY
41 = 4 Door Sedan

ENGINE
ECB = 2.0L 4 Cyl SOHC 16V SMPI Engine
EDZ = 2.4L 4 Cyl DOHC 16V SMPI Engine
EEB = 2.5L V6 SOHC 24V SMPI Engine

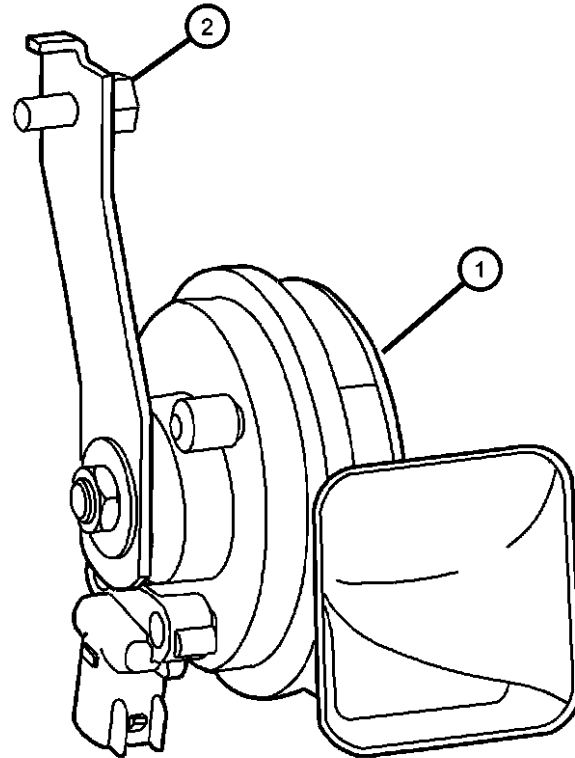
TRANSMISSION
DD5 = TRANSMISSION - 5-SPEED MANUAL
DGL = TRANSMISSION - 4-SPD. AUTOMATIC, 41TE
DD4 = TRANSMISSION - 5-SPEED PERF. MANUAL

AR = use ase required - = Non illustrated part

1999 JA

Horns
Figure 8-904

ITEM	PART NUMBER	QTY	LINE	SERIES	BODY	ENGINE	TRANS	TRIM	DESCRIPTION
1									HORN AND BRACKET KIT
	04608300AF	1							High Note
	04608311AF	1							Low Note
2	04608311AF	1							SCREW, M6x1.0x18, (NOT SERVICED),



CIRRUS,BREEZE,STRATUS (JA)

SERIES LINE
H = HIGHLINE C = CHRYSLER
P = PREMIUM D = DODGE
 P = PLYMOUTH

BODY
41 = 4 Door Sedan

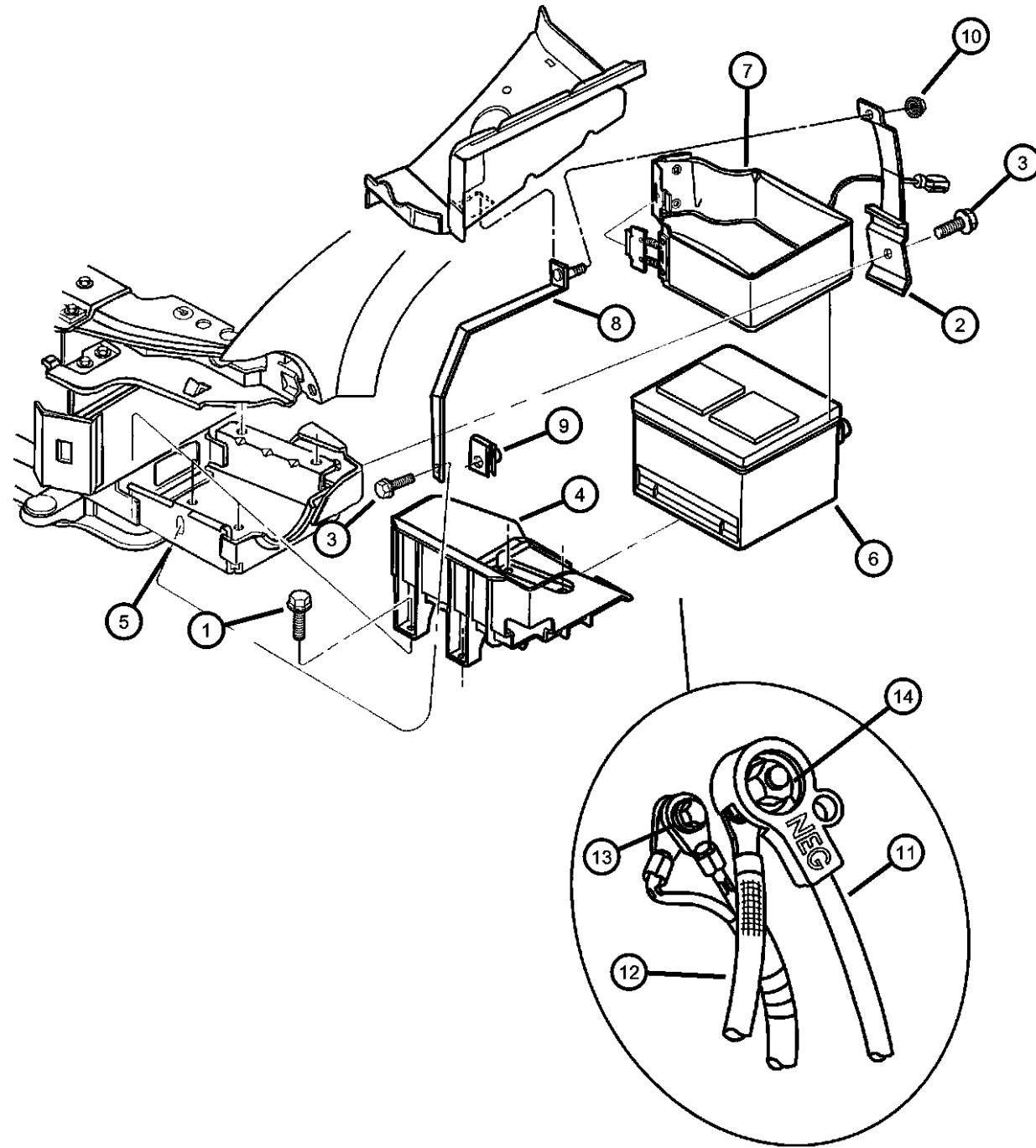
ENGINE
ECB = 2.0L 4 Cyl SOHC 16V SMPI Engine
EDZ = 2.4L 4 Cyl DOHC 16V SMPI Engine
EEB = 2.5L V6 SOHC 24V SMPI Engine

TRANSMISSION
DD5 = TRANSMISSION - 5-SPEED MANUAL
DGL = TRANSMISSION - 4-SPD. AUTOMATIC,41TE
DD4 = TRANSMISSION - 5-SPEED PERF. MANUAL

AR = use ase required - = Non illustrated part

1999 JA

Battery Tray and Cables
Figure 8-1010



ITEM	PART NUMBER	QTY	LINE	SERIES	BODY	ENGINE	TRANS	TRIM	DESCRIPTION
1	06502656	4							BOLT, Hex Flange Head, M8-1.25x30.0Battery Tray To Rail Attachment
2	04696951	1							RETAINER, Battery Hold Down
3									SCREW AND WASHER, Hex Head, M8x1.25x25
	06101636	1							Battery Hold Down
									Battery Strap Attaching
4	04646511	1							TRAY, Battery
	BAUNV75450								Mopar Universal Battery
	0VU01205								Repair Battery Terminal End Top Post (Ten Per Box)
	0VU01207								Repair Battery Terminal End Side Post (Ten Per Box)
	BA075510EX								Mopar Power Pro 6
	BA075690EX								Mopar Power Pro 7
5	04696369	1							PANEL, Lower Radiator, Battery Tray Support
6	04696369	1							BATTERY, (See Mopar Battery Catalog), (NOT SERVICED)
7	04609064	1							HEATER, Battery
8	04696950	1							STRAP, Battery
9	04696950	1							U-NUT, (NOT SERVICED)
10	06101445	1							NUT AND WASHER, Hex Nut-Coned Washer, M8 x 1.25Battery Hold Down
11	04608415AB	1							WIRING, Battery
12	04604566	1							WIRING, Ground Jumper
13	00154554	1							SCREW, Self Piercing, .25-14x.625
14	00154554	1							NUT, Battery Wiring, M10X1.50, (NOT SERVICED)
-15									LABEL, Battery
	04557480	1							Middle East
	04793062	1							European
-16	04602185	1							RETAINER, Battery Cable

CIRRUS,BREEZE,STRATUS (JA)

SERIES	LINE
H = HIGHLINE	C = CHRYSLER
P = PREMIUM	D = DODGE
	P = PLYMOUTH

BODY
41 = 4 Door Sedan

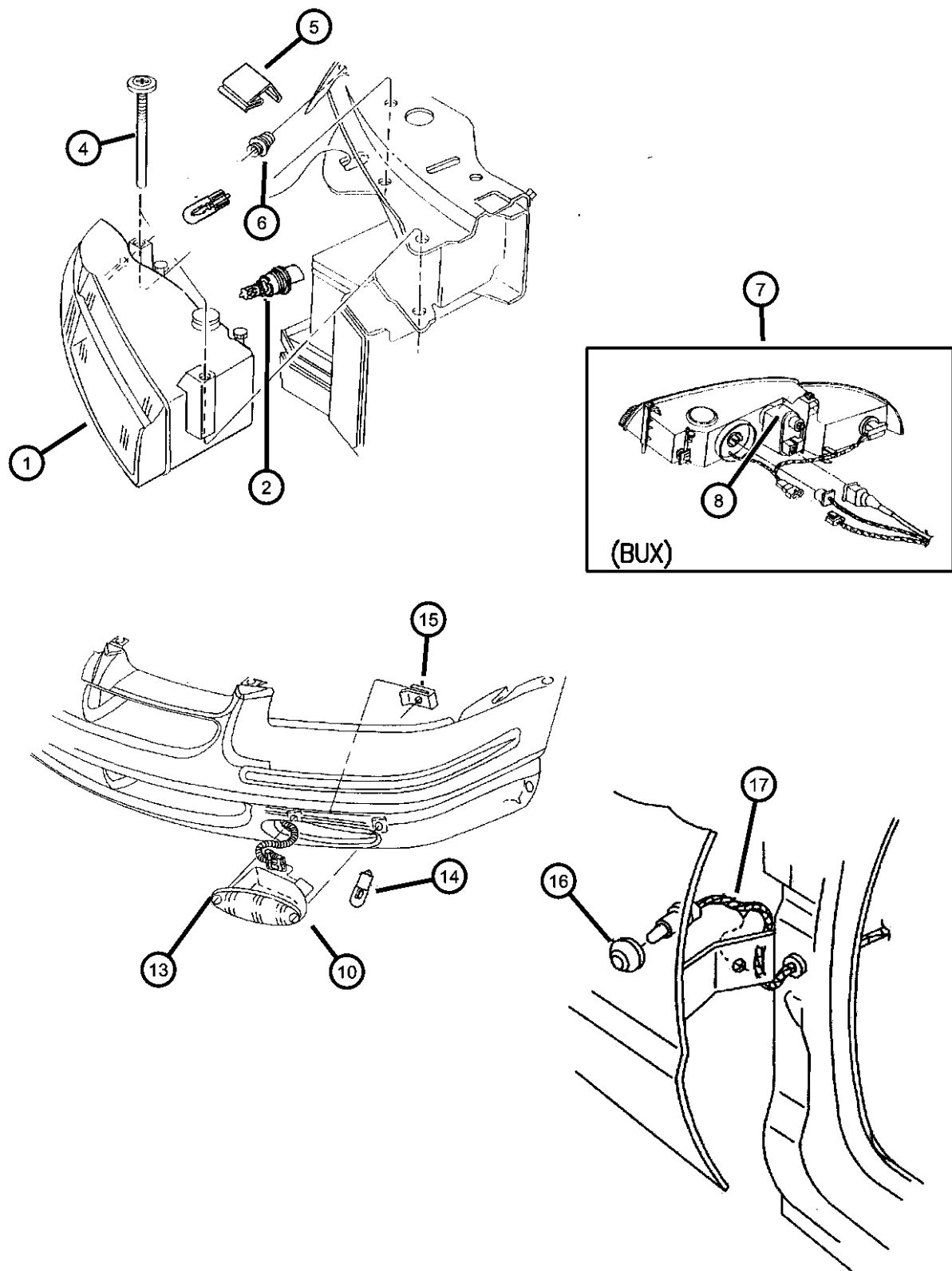
ENGINE
ECB = 2.0L 4 Cyl SOHC 16V SMPI Engine
EDZ = 2.4L 4 Cyl DOHC 16V SMPI Engine
EEB = 2.5L V6 SOHC 24V SMPI Engine

TRANSMISSION
DD5 = TRANSMISSION - 5-SPEED MANUAL
DGL = TRANSMISSION - 4-SPD. AUTOMATIC, 41TE
DD4 = TRANSMISSION - 5-SPEED PERF. MANUAL

AR = use ase required - = Non illustrated part

1999 JA

Lamps - Front
Figure 8-1130



ITEM	PART NUMBER	QTY	LINE	SERIES	BODY	ENGINE	TRANS	TRIM	DESCRIPTION
1	04630872	1							MODULE, Headlamp Right
	04630873	1							Left
2	L0009007	1							BULB, Headlamp
-3	04778222	1							RETAINER, Headlamp Bulb
4	06034882	4							SCREW AND WASHER, Round Head, .25-20x5Headlamp Attaching
5	04630559	2							CLIP, Lamp
6	04630626	2							RETAINER, Headlamp to Fender
7									HEADLAMP, see item1
	04805440AA	1							Export, Right
	04805441AA	1							Export, Left
8	04630561	1							MOTOR, Headlamp LevelingExport
-9	05263494	1							LABEL, Headlamp Leveling
10									LAMP, Fog
	04630380	1	C						Right
		1	D	H					Right
	04630381	1	C						Left
		1	D	H					Left
	04630748	1							European, Right Front
	04630749	1							European, Left Front
	04778220	1							Domestic, Right Front
	04778221	1							Domestic, Left Front
-11	05263541	2							SCREW, Round Head, .218-24x2.24, Fog lamp
-12	05003368AA	2	D						VENT, Fog Lamp
13									BEZEL, Fog Lamp
	0LF16MS4	1	D	H					[S4], Right
		1	C	H					[S4], Right
	0LF16PR4	1	D	H					[R4], Right
		1	C	H					[R4], Right
	0LF16RX8	1	D	H					[X8], Right
		1	C	H					[X8], Right
	0LF16SG8	1	D	H					[G8], Right

CIRRUS,BREEZE,STRATUS (JA)

SERIES LINE
H = HIGHLINE C = CHRYSLER
P = PREMIUM D = DODGE
P = PLYMOUTH

BODY
41 = 4 Door Sedan

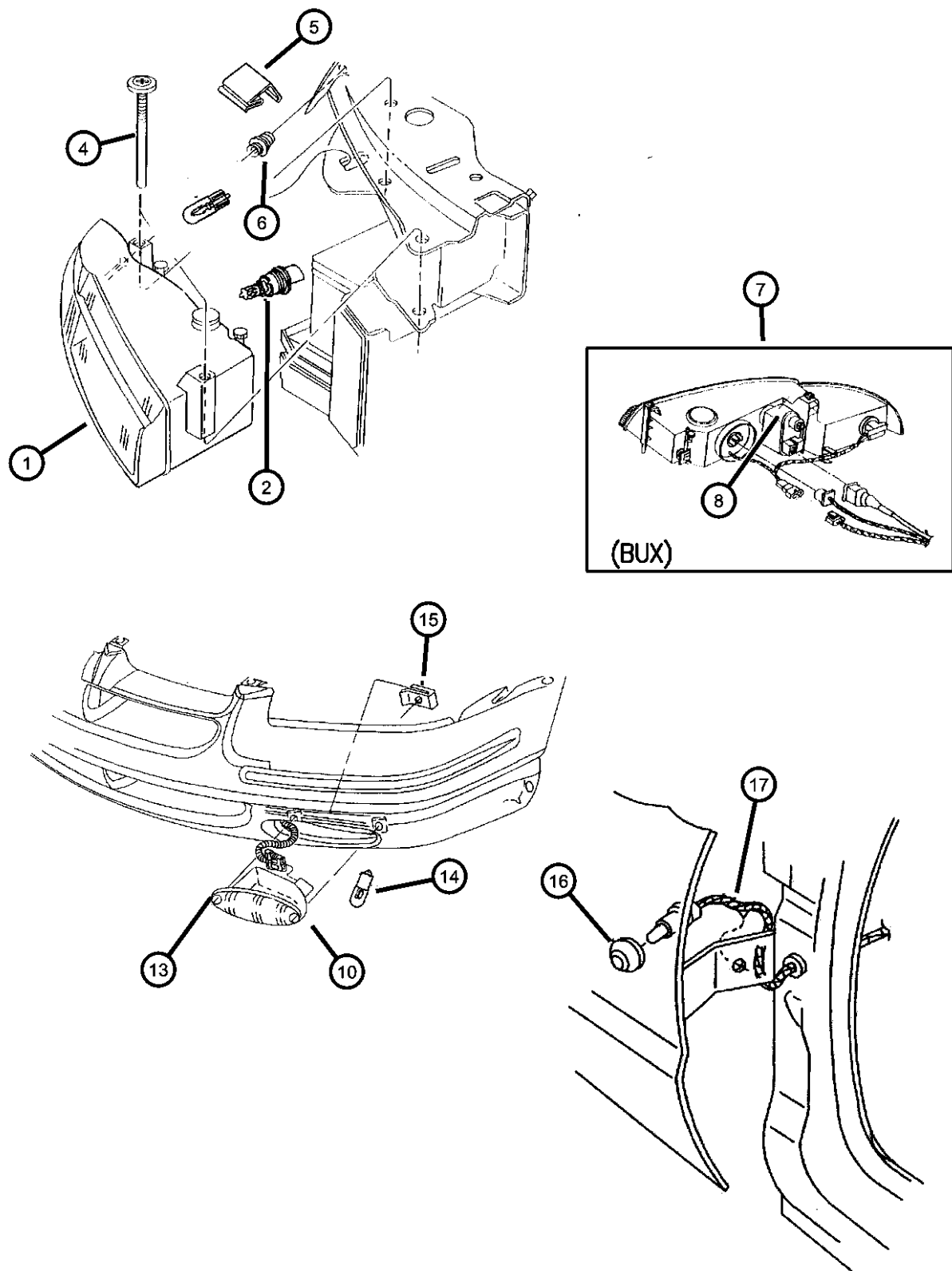
ENGINE
ECB = 2.0L 4 Cyl SOHC 16V SMPI Engine
EDZ = 2.4L 4 Cyl DOHC 16V SMPI Engine
EEB = 2.5L V6 SOHC 24V SMPI Engine

TRANSMISSION
DD5 = TRANSMISSION - 5-SPEED MANUAL
DGL = TRANSMISSION - 4-SPD. AUTOMATIC, 41TE
DD4 = TRANSMISSION - 5-SPEED PERF. MANUAL

AR = use ase required - = Non illustrated part

1999 JA

Lamps - Front
Figure 8-1130



ITEM	PART NUMBER	QTY	LINE	SERIES	BODY	ENGINE	TRANS	TRIM	DESCRIPTION
		1	C	H					[G8], Right
	0LF16SW1	1	D	H					[W1], Right
		1	C	H					[W1], Right
	0LF16TCN	1	D	H					[CN], Right
		1	C	H					[CN], Right
	0LF16TTK	1	D	H					[TK], Right
		1	C	H					[TK], Right
	0LF16VAW	1	D	H					[AW], Right
		1	C	H					[AW], Right
	0LF16VB3	1	D	H					[B3], Right
	0LF16VMT	1	D	H					[MT], Right
		1	C	H					[MT], Right
	0LF16VTE	1	D	H					[TE], Right
		1	C	H					[TE], Right
	0LF16WEL	1	D	H					[EL], Right
		1	C	H					[EL], Right
	0LF16WG2	1	D	H					[G2], Right
		1	C	H					[G2], Right
	0LF16WS2	1	D	H					[S2], Right
		1	C	H					[S2], Right
	0LF17MS4	1	D	H					[S4], Left
		1	C	H					[S4], Left
	0LF17PR4	1	D	H					[R4], Left
		1	C	H					[R4], Left
	0LF17RX8	1	D	H					[X8], Left
		1	C	H					[X8], Left
	0LF17SG8	1	D	H					[G8], Left
		1	C	H					[G8], Left
	0LF17SW1	1	D	H					[W1], Left
		1	C	H					[W1], Left
	0LF17TCN	1	D	H					[CN], Left
		1	C	H					[CN], Left
	0LF17TTK	1	D	H					[TK], Left

CIRRUS,BREEZE,STRATUS (JA)

SERIES LINE
H = HIGHLINE C = CHRYSLER
P = PREMIUM D = DODGE
 P = PLYMOUTH

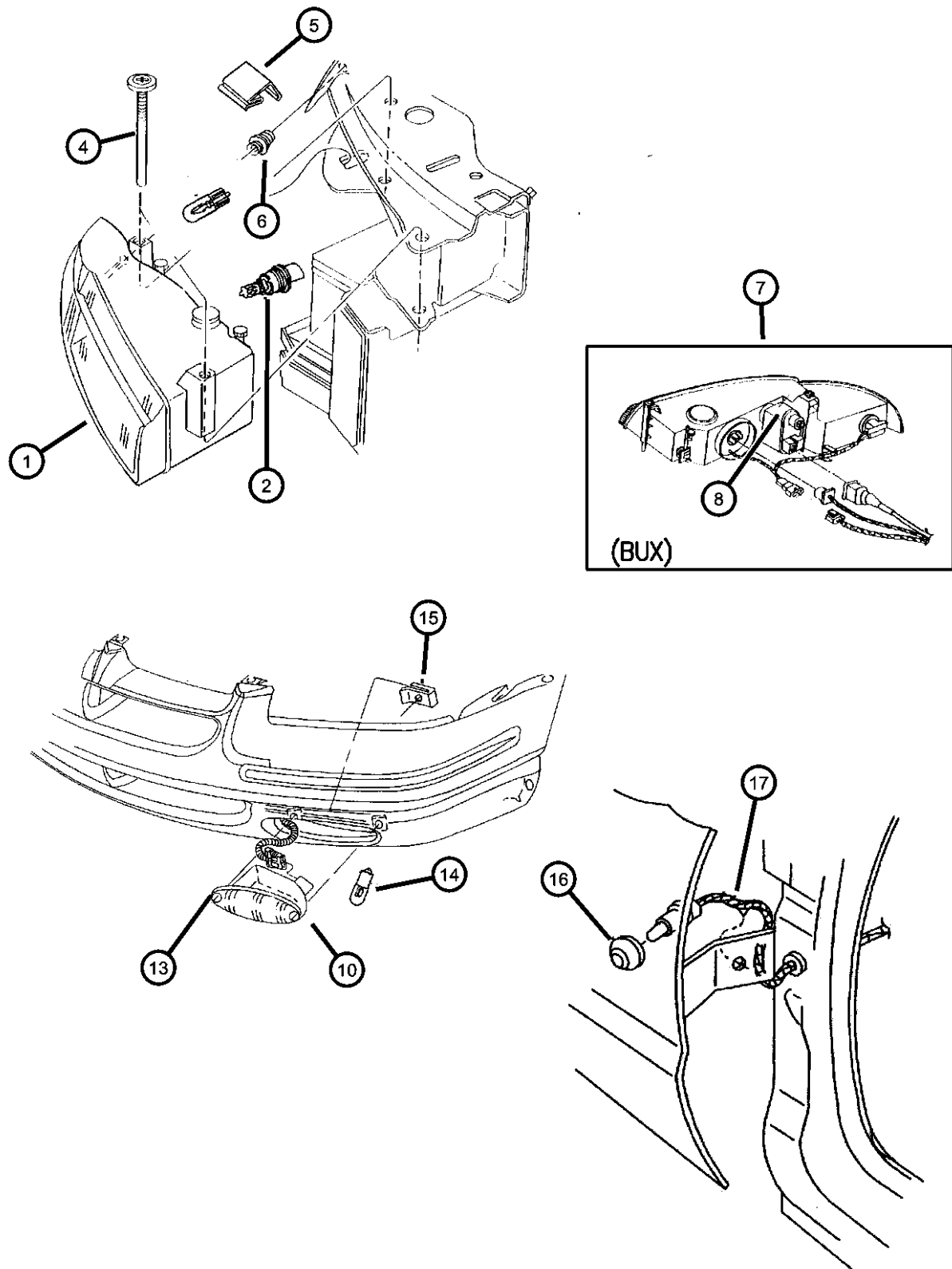
BODY
41 = 4 Door Sedan

ENGINE TRANSMISSION
ECB = 2.0L 4 Cyl SOHC 16V SMPI Engine DD5 = TRANSMISSION - 5-SPEED MANUAL
EDZ = 2.4L 4 Cyl DOHC 16V SMPI Engine DGL = TRANSMISSION - 4-SPD. AUTOMATIC, 41TE
EEB = 2.5L V6 SOHC 24V SMPI Engine DD4 = TRANSMISSION - 5-SPEED PERF. MANUAL

AR = use ase required - = Non illustrated part

1999 JA

Lamps - Front
Figure 8-1130



ITEM	PART NUMBER	QTY	LINE	SERIES	BODY	ENGINE	TRANS	TRIM	DESCRIPTION
		1	C	H					[TK], Left
	0LF17VAW	1	D	H					[AW], Left
		1	C	H					[AW], Left
	0LF17VB3	1	D	H					[B3], Left
	0LF17VMT	1	D	H					[MT], Left
		1	C	H					[MT], Left
	0LF17VTE	1	D	H					[TE], Left
		1	C	H					[TE], Left
	0LF17WEL	1	D	H					[EL], Left
		1	C	H					[EL], Left
	0LF17WG2	1	D	H					[G2]
		1	C	H					[G2], Left
	0LF17WS2	1	D	H					[S2], Left
		1	C	H					[S2], Left
14	L0009006	1							BULB, HeadlampFog Lamp, Front
15									NUT, Lamp
	04630771	4	D	P					
		4	C						
16	05303260	2							LAMP, Side Repeater
17	04608530AA	2							WIRING, Side Repeater Lamp
-18	04676801	2							GASKET, Side Marker Lamp

CIRRUS,BREEZE,STRATUS (JA)
 SERIES LINE
 H = HIGHLINE C = CHRYSLER
 P = PREMIUM D = DODGE
 P = PLYMOUTH

BODY
 41 = 4 Door Sedan

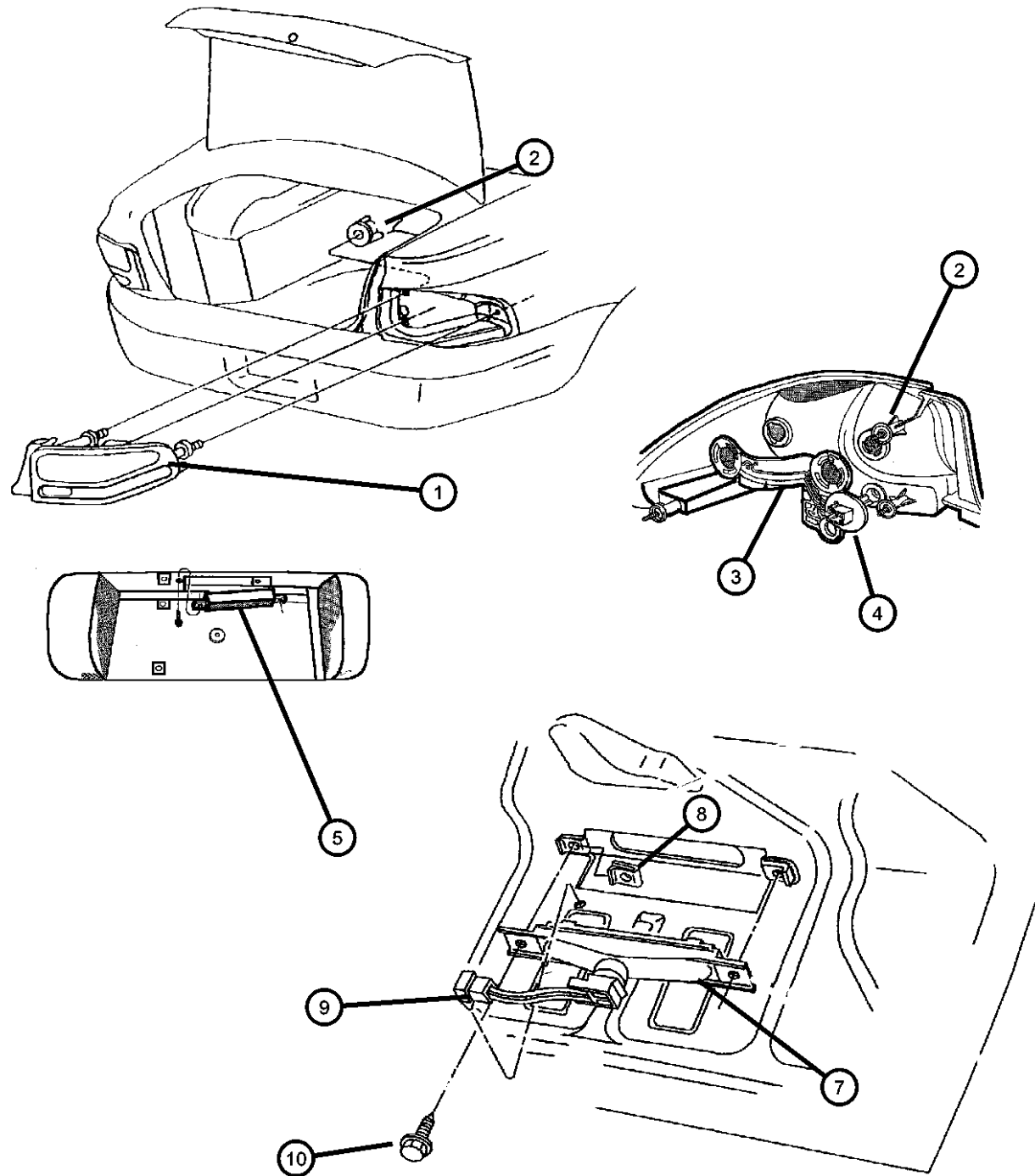
ENGINE
 ECB = 2.0L 4 Cyl SOHC 16V SMPI Engine
 EDZ = 2.4L 4 Cyl DOHC 16V SMPI Engine
 EEB = 2.5L V6 SOHC 24V SMPI Engine

TRANSMISSION
 DD5 = TRANSMISSION - 5-SPEED MANUAL
 DGL = TRANSMISSION - 4-SPD. AUTOMATIC,41TE
 DD4 = TRANSMISSION - 5-SPEED PERF. MANUAL

AR = use ase required - = Non illustrated part

1999 JA

Lamps - Rear
Figure 8-1135



ITEM	PART NUMBER	QTY	LINE	SERIES	BODY	ENGINE	TRANS	TRIM	DESCRIPTION
1									LAMP, Tail Stop Turn
	04630346	1							w/Rear Chrysler Export Appearance Group, Right
	04630347	1							w/Rear Chrysler Export Appearance Group, Left
	04814374AC	1	P						Right
	04814375AC	1	P						Left
	04814342AC	1	D						Right
	04814343AC	1	D						Left
	04814360AC	1	D	H					w/Chrysler Export Appearance Group, w/o Rear Export Appearance Group, Right
		1	C	P					w/o Rear Export Appearance Group, Right
	04814361AC	1	D	H					w/Chrysler Export Appearance Group, w/o Rear Export Appearance Group, Left
		1	C	P					w/o Rear Export Appearance Group, Left
2	34202385	6							NUT, Wing, M6x1, Taillamp Attaching
3									BOARD, Circuit
	04608422	1	D						Right
		1	P						Right
	04608423	1	D						Left
		1	P						Left
	04608424	1	D	H					w/Export Chrysler Appearance Group, Right
		1	C	P					Right
	04608425	1	D	H					w/Export Chrysler Appearance Group, Left
		1	C	P					Left
4									SOCKET, Tail, Stop, and Turn Lamp
	05303093	2	P						S-8 Wedge
		2	D	H					S-8 Wedge
	05303094	2	P						T-5 Wedge
		2	D						T-5 Wedge
5									LAMP, License Plate
	04630712	2	C						Export

CIRRUS,BREEZE,STRATUS (JA)

SERIES LINE
H = HIGHLINE C = CHRYSLER
P = PREMIUM D = DODGE
P = PLYMOUTH

BODY
41 = 4 Door Sedan

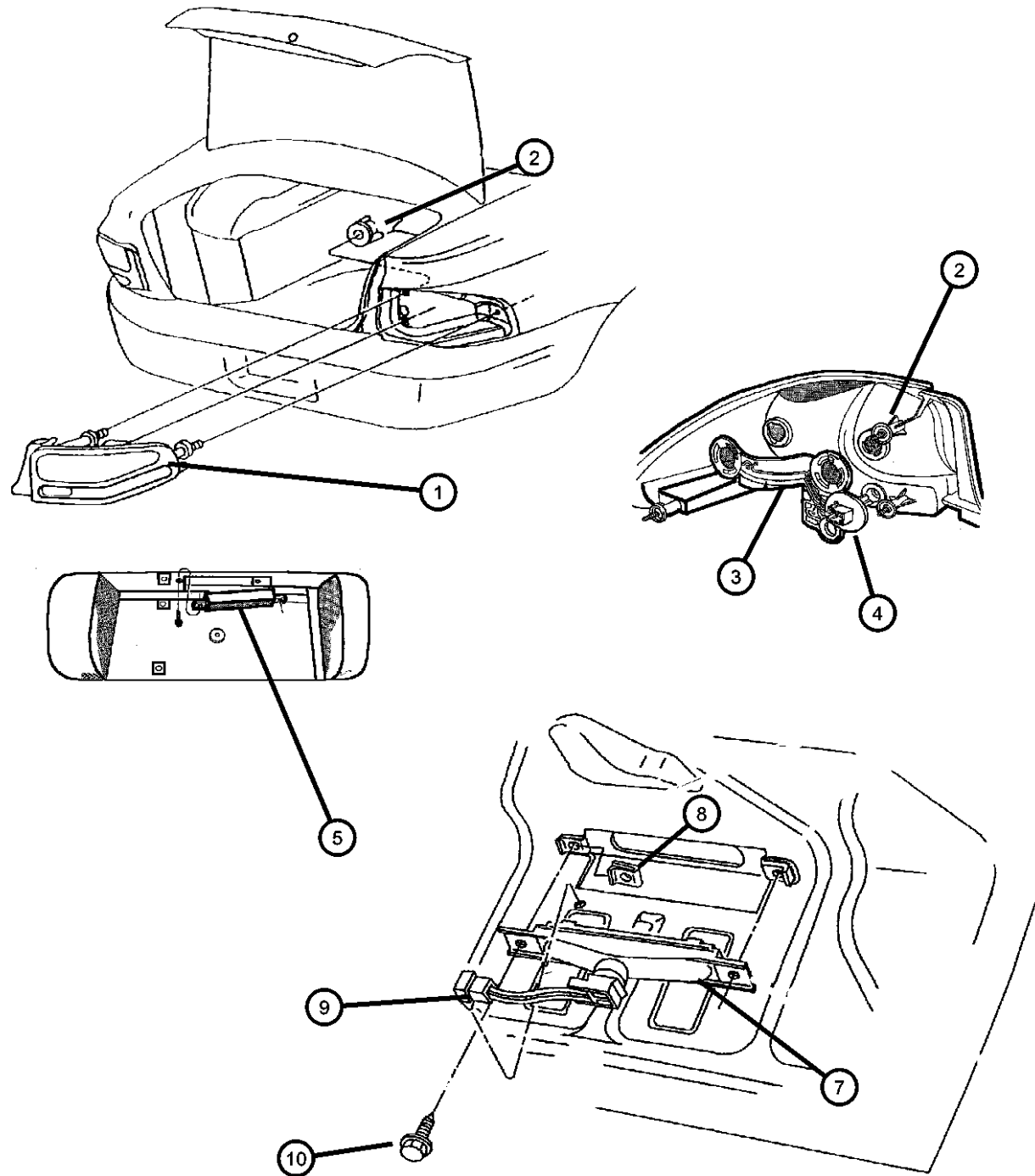
ENGINE
ECB = 2.0L 4 Cyl SOHC 16V SMPI Engine
EDZ = 2.4L 4 Cyl DOHC 16V SMPI Engine
EEB = 2.5L V6 SOHC 24V SMPI Engine

TRANSMISSION
DD5 = TRANSMISSION - 5-SPEED MANUAL
DGL = TRANSMISSION - 4-SPD. AUTOMATIC,41TE
DD4 = TRANSMISSION - 5-SPEED PERF. MANUAL

AR = use ase required - = Non illustrated part

1999 JA

Lamps - Rear
Figure 8-1135



ITEM	PART NUMBER	QTY	LINE	SERIES	BODY	ENGINE	TRANS	TRIM	DESCRIPTION
		2	D	H					Export
	04601409	2	C						[AXR]
		2	D	H					[AXR]
	04630382	1	P						
		1	C						
		1	D	H					
-6									WIRING, License Lamp
	04604406	1	P						
		1	C						
		1	D						
7	04630234	1							LAMP, High Mounted Stop
8	06101308	2							NUT, U, M6x1, CHMSL Lamp attaching
9	04604407	1							WIRING, High Mounted Stop Lamp
10	06101777	2							SCREW, Hex Flange Head Tapping, M6x1.00x20.00Chmsl
-11									LAMP, Fog
	04630380	1	C						Rear Right
	04630381	1	D	H					Rear Left
	04630748	1							Europe, Front Right
	04630749	1							Europe, Front Left
	04778220	1							Front Right
	04778221	1							Front Left
-12									SCREW, Pan Head, M5x.8x30
	06503904	4	C						Rear Fog Lamp attaching
		4	D	H					Rear Fog Lamp attaching
-13									APPLIQUE, Deck Lid
	04805496AA	1							[MVX]
		1							[MVX,MVS]
	04630768	1							[MVW]
	04630769	1	C, D						[MVQ]
-14	04602106	1							TUBE AND GROMMET, Taillamp, Export

CIRRUS,BREEZE,STRATUS (JA)

SERIES LINE
H = HIGHLINE C = CHRYSLER
P = PREMIUM D = DODGE
P = PLYMOUTH

BODY
41 = 4 Door Sedan

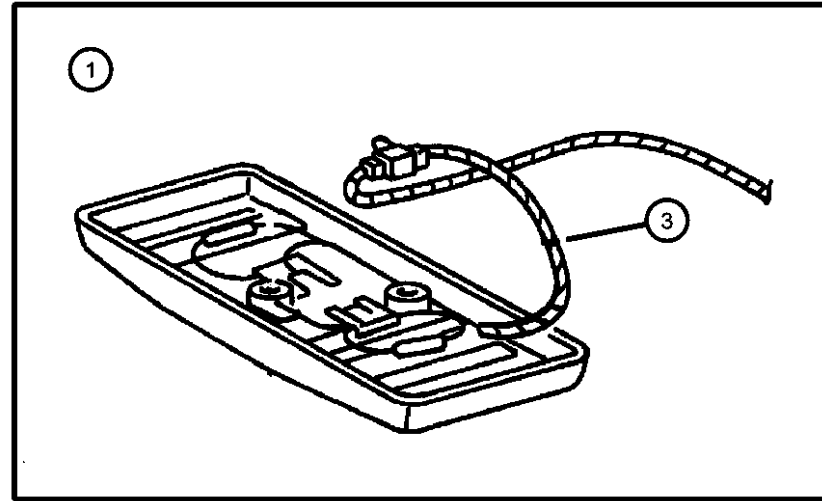
ENGINE
ECB = 2.0L 4 Cyl SOHC 16V SMPI Engine
EDZ = 2.4L 4 Cyl DOHC 16V SMPI Engine
EEB = 2.5L V6 SOHC 24V SMPI Engine

TRANSMISSION
DD5 = TRANSMISSION - 5-SPEED MANUAL
DGL = TRANSMISSION - 4-SPD. AUTOMATIC,41TE
DD4 = TRANSMISSION - 5-SPEED PERF. MANUAL

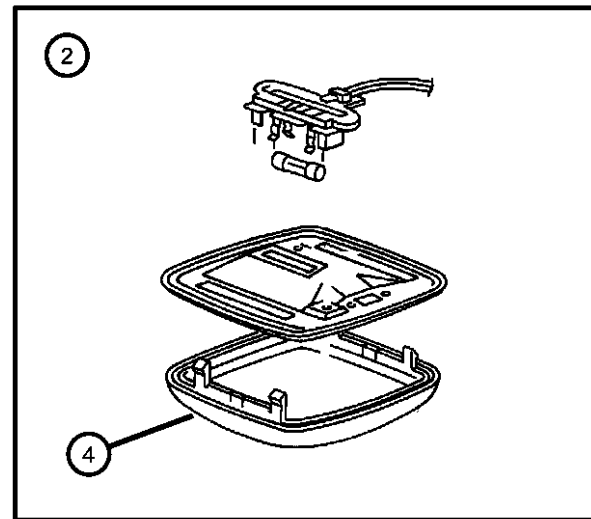
AR = use ase required - = Non illustrated part

1999 JA

Lamps-Cargo, Dome, Courtesy, Trunk, under Hood
Figure 8-1140



ITEM	PART NUMBER	QTY	LINE	SERIES	BODY	ENGINE	TRANS	TRIM	DESCRIPTION
1	0QE64RK4	1							LAMP, Reading Camel
	0QE64TL2	1							Beige
2	0GS87SK4	1							LAMP, Dome Camel
	0GS87TL2	1	D, P						Beige
3	04604414	1	D, P						WIRING, Dome and Reading Lamp
4	04746362	1							LENS, Dome Lamp
-5	09436750	1							BULB, 906
	L0000906	1							Trunk Lamp



CIRRUS,BREEZE,STRATUS (JA)
 SERIES LINE
 H = HIGHLINE C = CHRYSLER
 P = PREMIUM D = DODGE
 P = PLYMOUTH

BODY
 41 = 4 Door Sedan

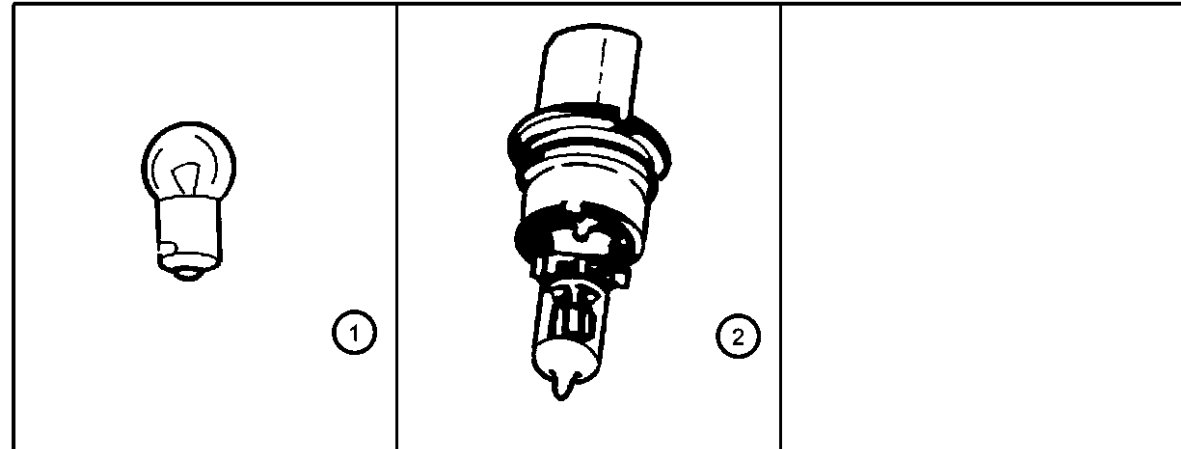
ENGINE
 ECB = 2.0L 4 Cyl SOHC 16V SMPI Engine
 EDZ = 2.4L 4 Cyl DOHC 16V SMPI Engine
 EEB = 2.5L V6 SOHC 24V SMPI Engine

TRANSMISSION
 DD5 = TRANSMISSION - 5-SPEED MANUAL
 DGL = TRANSMISSION - 4-SPD. AUTOMATIC,41TE
 DD4 = TRANSMISSION - 5-SPEED PERF. MANUAL

AR = use ase required - = Non illustrated part

1999 JA

Sockets and Bulbs
Figure 8-1180



ITEM	PART NUMBER	QTY	LINE	SERIES	BODY	ENGINE	TRANS	TRIM	DESCRIPTION
1	L0000906	1							BULB, 906Trunk Lamp, Reading Lamp
2	L0009007	1							BULB, Headlamp
-3	L0000037	1							BULB, 37Ash Receiver Lamp, A/C Or Heater Control
-4									BULB, 3157 NAK, Use P/N L003157NAK
	00154841	1	D						Park And Turn Signal Lamp
		1	P						Park And Turn Signal Lamp
-5									LAMP, Bulb And Socket
	04608304	1							ABS, Fog Lamp, Instrument Panel
	L00PC194	19							Instrument Cluster, Fog Lamp
-6	00153620	2							BULB, 8/4Front Fender Side Repeater
-7									BULB, W10/5
	00153625	2	C						License Plate Lamp
		2	D	H					License Plate Lamp
-8	04608419	1							SOCKET, Twist in Type, Security Alarm
-9	L0009006	1							BULB, Headlamp
-10									SOCKET, Tail, Stop, and Turn Lamp
	05303093	2	P						S8 Wedge Type
		2	D	H					S8 Wedge Type
		2	C	P					S8 Wedge Type
	05303094	2	P						T5 Type
		2	D						T5 Type
-11									BULB, P-25-1
	00153622	2	C						
		2	D	H					
-12									BULB, P-25-2
	00153623	1	C						
		1	D	H					
-13	L0000194	1							BULB, 194
-14	L00002057A	1							BULB, 2057A
-15	L00003057A	1							BULB, 3057A
-16	00154843	2	D	H					BULB, 3057K

CIRRUS,BREEZE,STRATUS (JA)

SERIES LINE
H = HIGHLINE C = CHRYSLER
P = PREMIUM D = DODGE
 P = PLYMOUTH

BODY
41 = 4 Door Sedan

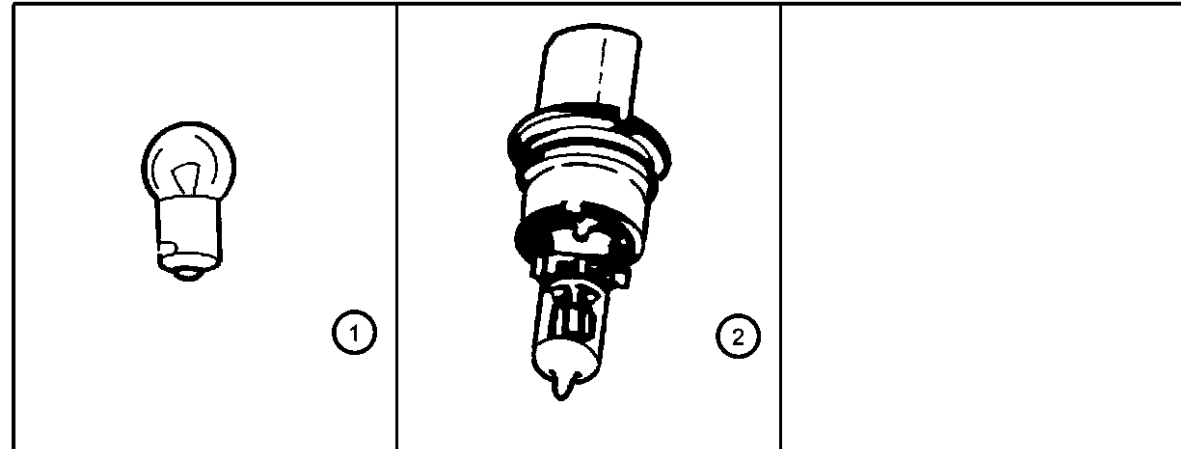
ENGINE
ECB = 2.0L 4 Cyl SOHC 16V SMPI Engine
EDZ = 2.4L 4 Cyl DOHC 16V SMPI Engine
EEB = 2.5L V6 SOHC 24V SMPI Engine

TRANSMISSION
DD5 = TRANSMISSION - 5-SPEED MANUAL
DGL = TRANSMISSION - 4-SPD. AUTOMATIC,41TE
DD4 = TRANSMISSION - 5-SPEED PERF. MANUAL

AR = use ase required - = Non illustrated part

1999 JA

Sockets and Bulbs
Figure 8-1180



ITEM	PART NUMBER	QTY	LINE	SERIES	BODY	ENGINE	TRANS	TRIM	DESCRIPTION
-17	L00003157A L0003157ST	1							BULB, 3157A SilverStar
-18	00154655	1							BULB, 578
-19	L0000916	1	D						BULB
		1	P						
-20	L000921E	1							BULB, 921
-21	L0003457AK L0003457ST	1							BULB, Stop Lamp SilverStar
-22	05303297	1	D	H					SOCKET, Tail, Stop, and Turn Lamp
		1	C						

CIRRUS,BREEZE,STRATUS (JA)

SERIES LINE
H = HIGHLINE C = CHRYSLER
P = PREMIUM D = DODGE
P = PLYMOUTH

BODY
41 = 4 Door Sedan

ENGINE
ECB = 2.0L 4 Cyl SOHC 16V SMPI Engine
EDZ = 2.4L 4 Cyl DOHC 16V SMPI Engine
EEB = 2.5L V6 SOHC 24V SMPI Engine

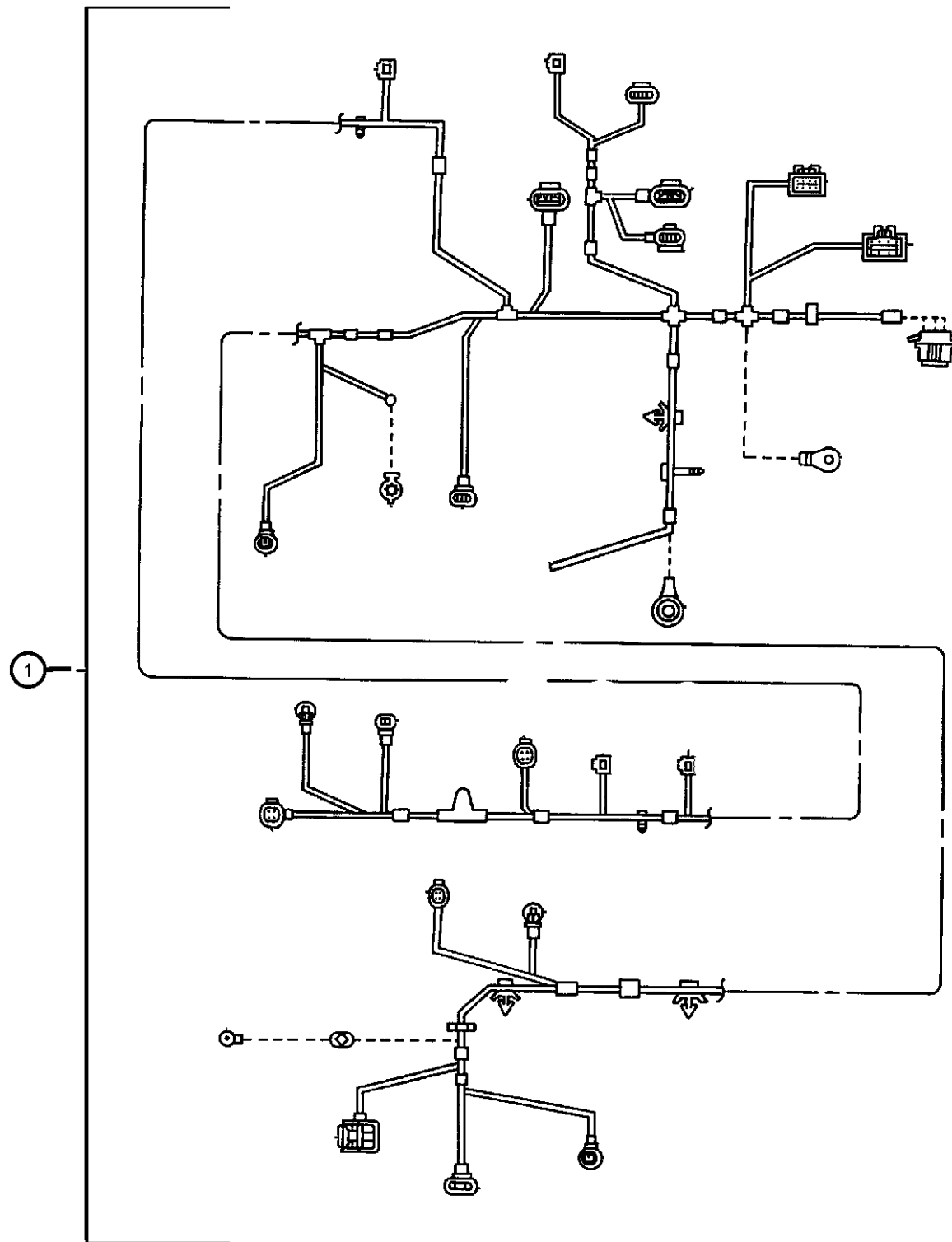
TRANSMISSION
DD5 = TRANSMISSION - 5-SPEED MANUAL
DGL = TRANSMISSION - 4-SPD. AUTOMATIC,41TE
DD4 = TRANSMISSION - 5-SPEED PERF. MANUAL

AR = use ase required - = Non illustrated part

1999 JA

Wiring--engine & Related Parts
Figure 8-1220

ITEM	PART NUMBER	QTY	LINE	SERIES	BODY	ENGINE	TRANS	TRIM	DESCRIPTION
------	-------------	-----	------	--------	------	--------	-------	------	-------------



DGL = AUTOMATIC 4-SPD, 41TE
 DD4 = PERFORMANCE. MANUAL 5-SPEED
 DD5 = MANUAL 5-SPEED
 ECB = 2.0L 4 CYL SOHC 16V SMPI
 EDZ = 2.4L 4 CYL DOHC 16V SMPI
 EEB = 2.5L V6 SOHC 24V SMPI

1									WIRING, Engine
	04608439	1				ECB			
	04608561	1				EEB			
	04608660	1				EDZ			
	04671349AC	1				EEB			[JPM]
-2	04604566	1							WIRING, Ground Jumper
-3	04608770AA	1					DGL		WIRING, Automatic Transmission Repair
-4	04608570	1					DD5		WIRING, Transmission
-5	04608570	1							INSULATOR, Wiring, (NOT SERVICED)
-6	04897266AA	1							INSULATOR PACKAGE
-7	04602169	1				EDZ			CLIP, Engine Wiring Cylinder Head
-8	06504362	1				ECB			STUD, M6x1.00x56.80, Engine Wiring Clip attaching
-9	04602128	1				EEB			CLIP, Eng., Engine Wiring
-10	04608386	2				ECB			CLIP, Wiring, Engine Wiring
-11	04759239	1				EDZ			CLIP, Wiring, Intake Manifold
-12									CLIP, Wiring
	04608342	1				ECB	DD5		Trans Wiring
		1				ECB	DD4, DD5		Trans Wiring
-13	06506350AA	1				EDZ			STUD, 2 End Same Tapping, M8x1.25x46.00, Engine Wiring Clip attaching

CIRRUS,BREEZE,STRATUS (JA)

SERIES LINE
 H = HIGHLINE C = CHRYSLER
 P = PREMIUM D = DODGE
 P = PLYMOUTH

BODY
 41 = 4 Door Sedan

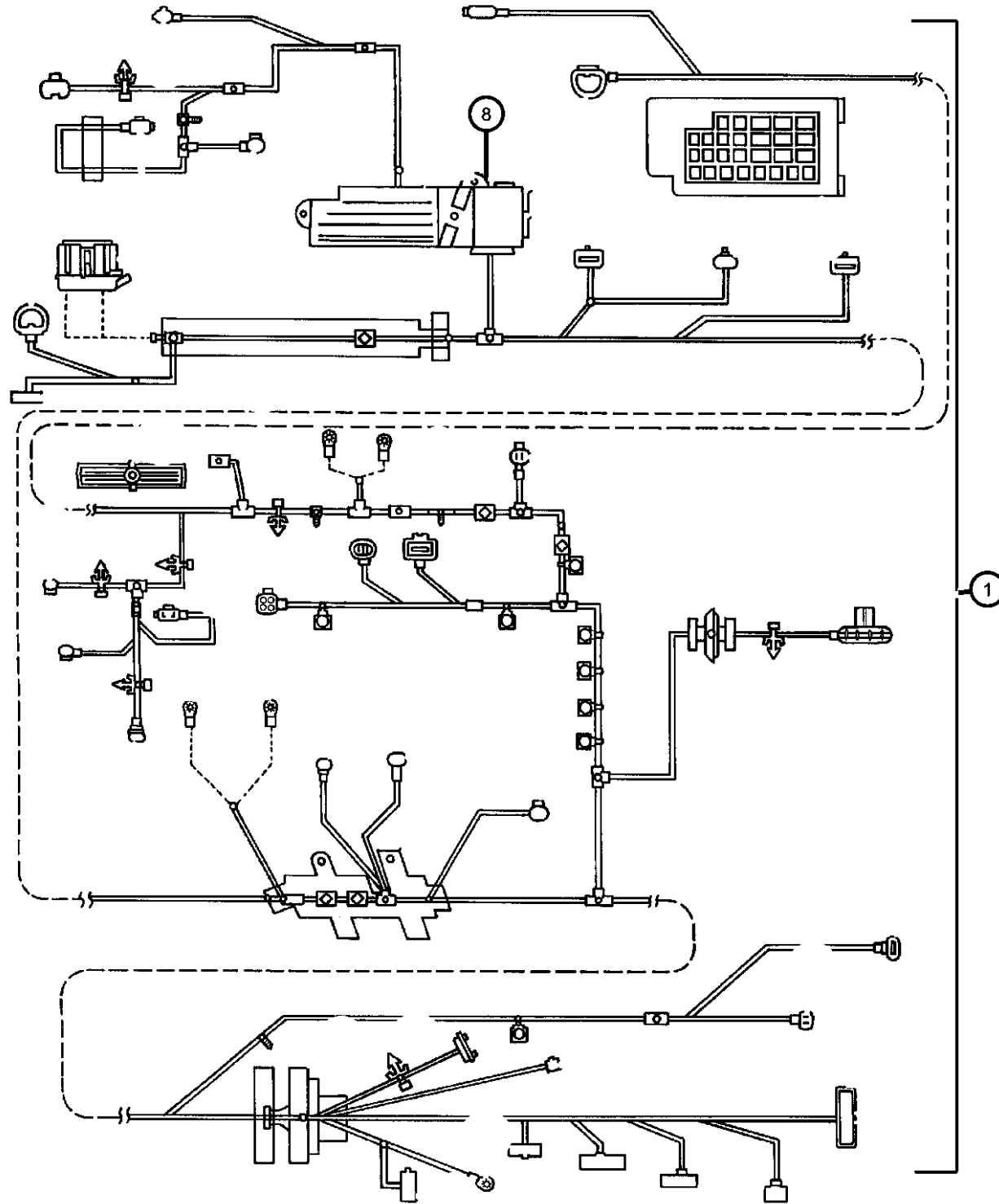
ENGINE
 ECB = 2.0L 4 Cyl SOHC 16V SMPI Engine
 EDZ = 2.4L 4 Cyl DOHC 16V SMPI Engine
 EEB = 2.5L V6 SOHC 24V SMPI Engine

TRANSMISSION
 DD5 = TRANSMISSION - 5-SPEED MANUAL
 DGL = TRANSMISSION - 4-SPD. AUTOMATIC, 41TE
 DD4 = TRANSMISSION - 5-SPEED PERF. MANUAL

AR = use ase required - = Non illustrated part

1999 JA

Wiring-Headlamp to Dash
Figure 8-1320



ITEM	PART NUMBER	QTY	LINE	SERIES	BODY	ENGINE	TRANS	TRIM	DESCRIPTION
------	-------------	-----	------	--------	------	--------	-------	------	-------------

DGL = AUTOMATIC 4-SPD, 41TE
DD5 = MANUAL 5-SPEED

1									WIRING, Headlamp to Dash
	04608677AA	1				DGL			Europe, w/Brake/Park Interlock
	04608733AA	1				DGL			Fog Lamp
	04608734AA	1				DGL			Anti-Lock Brakes
	04608735AA	1				DD5			Anti-Lock Brakes
	04608736AA	1				DGL			Anti-Lock Brakes, Fog Lamp
	04608737AA	1				DD5			Europe
	04608738AA	1				DD5			Europe, w/o Headlamp Washer
	04608739AA	1				DGL			Europe, Anti-Lock Brakes
	04608743AA	1				DGL			Europe, w/o Headlamp Washer
	04608831AA	1				DGL			w/o Fog Lamps
	04608832AA	1				DD5			Fog Lamp
	04608840AA	1				DD5			Europe, w/Headlamp Washers
	04608841AA	1				DGL			Europe, w/Headlamp Washers
	04608930AA	1				DD5			w/o Fog Lamps, ABS
-2	04608331	1							BLOCK, Fuse and Relay
-3									BRACKET, Power Distribution Center
	04604402	1							APEX Connector
	04608330	1							Rear
	04696855	1							RETAINER, Wiring Harness, APEX Connector
-4	04759866AA	1							COVER, Fuse Access
-5	04759282AB	1							RELAY PACKAGE, Electrical
-6	04638094	1							RELAY, Electrical
-7	56006846	1							TROUGH, Engine Wiring
8	04602188	1							CLIP, Wiring, Wiring Right Shock Tower
-9	04602140	1							

CIRRUS,BREEZE,STRATUS (JA)

SERIES LINE
H = HIGHLINE C = CHRYSLER
P = PREMIUM D = DODGE
P = PLYMOUTH

BODY
41 = 4 Door Sedan

ENGINE
ECB = 2.0L 4 Cyl SOHC 16V SMPI Engine
EDZ = 2.4L 4 Cyl DOHC 16V SMPI Engine
EEB = 2.5L V6 SOHC 24V SMPI Engine

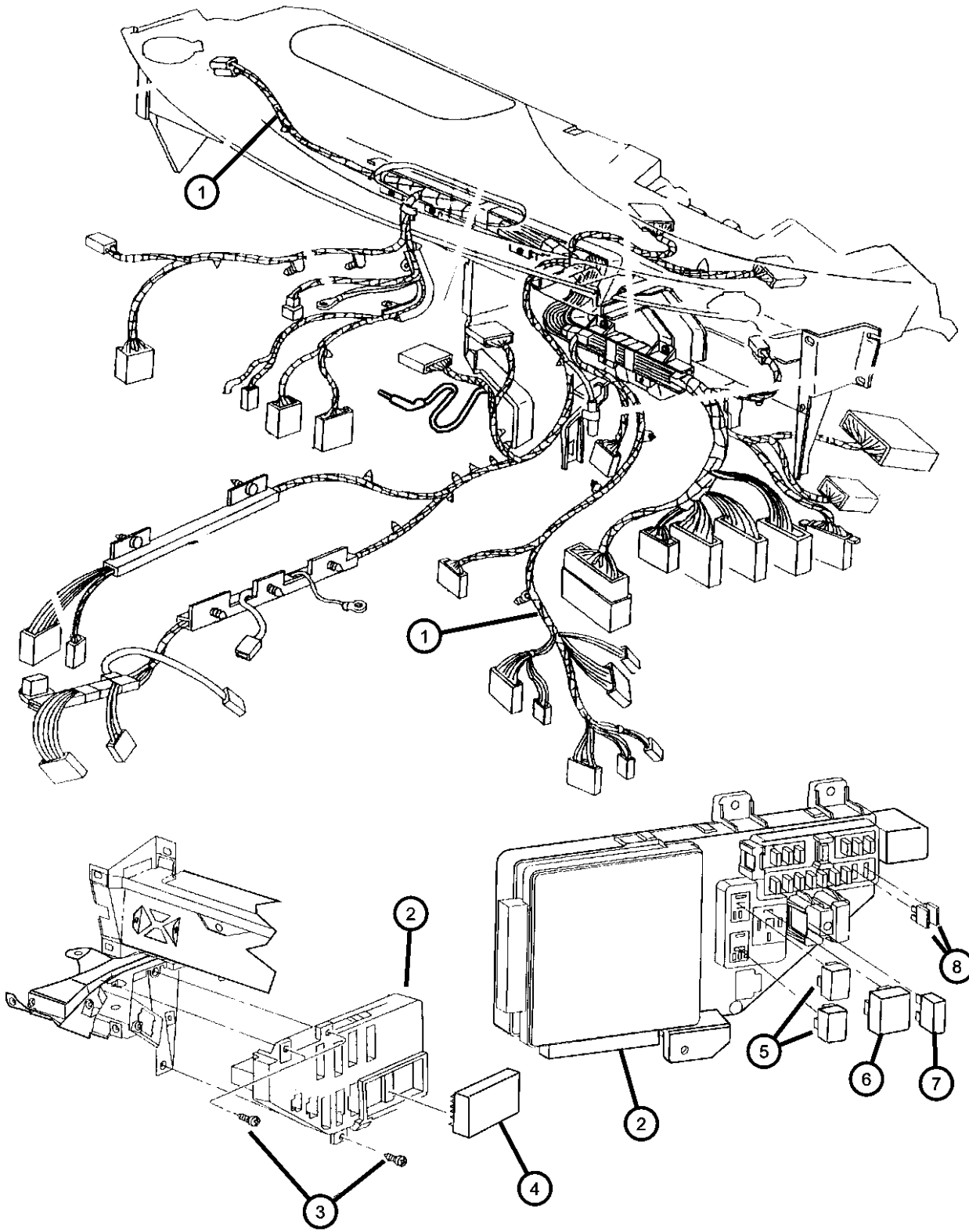
TRANSMISSION
DD5 = TRANSMISSION - 5-SPEED MANUAL
DGL = TRANSMISSION - 4-SPD. AUTOMATIC, 41TE
DD4 = TRANSMISSION - 5-SPEED PERF. MANUAL

AR = use ase required - = Non illustrated part

1999 JA

Wiring-Instrument Panel
Figure 8-1420

ITEM	PART NUMBER	QTY	LINE	SERIES	BODY	ENGINE	TRANS	TRIM	DESCRIPTION
1									WIRING, Instrument Panel
	04608550AF	1							Six Speaker System
	04608552AE	1							Premium, w/Autostick
	04608554AF	1							Premium Sound
	04608651AF	1							Fog Lamp
	04608653AH	1							Six Speaker System, Export
2	04604436	1							JUNCTION BLOCK, Premium
3	06032723	2							SCREW, Self Tapping, M4.2x1.69x19.05, Junction Block Mounting
4	04606139	1							MODULE, Daytime Running Lamp
5	56006846	1							RELAY, ElectricalHorn, Headlamp Delay
6	04638094	1							RELAY PACKAGE, Electrical, Electric Back Lite, Mini Plug-In
7	04604235	1							BREAKER, CircuitPower Seat
8	06101486	2							FUSE, Mini, 10 AMP, RedHorn
-9	04450129	1							PULLER, Fuse
-10									FLASHER
	04607084	1							Combination
	04607091	1							Europe



CIRRUS,BREEZE,STRATUS (JA)
 SERIES LINE
 H = HIGHLINE C = CHRYSLER
 P = PREMIUM D = DODGE
 P = PLYMOUTH

BODY
 41 = 4 Door Sedan

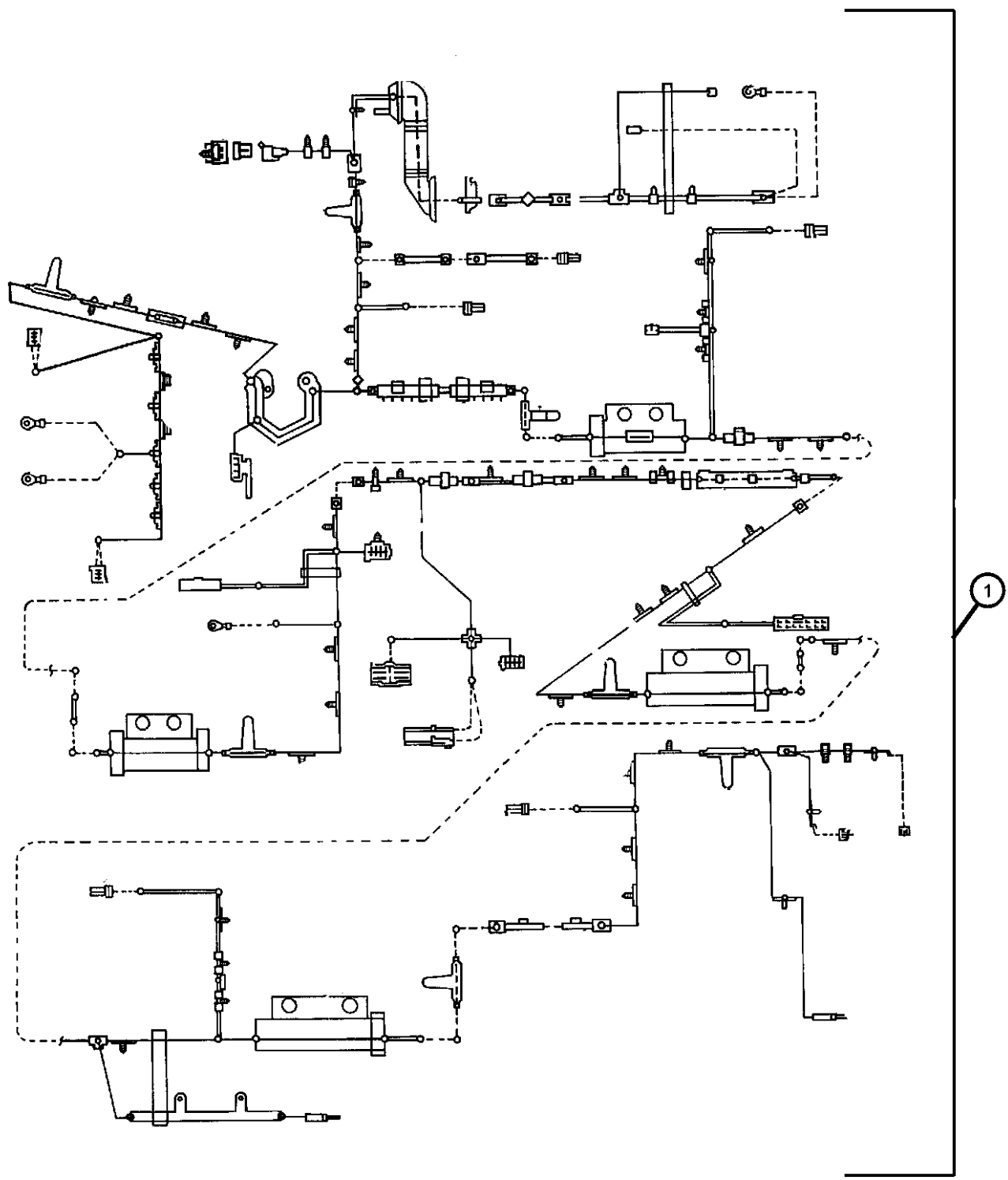
ENGINE
 ECB = 2.0L 4 Cyl SOHC 16V
 SMPI Engine
 EDZ = 2.4L 4 Cyl DOHC 16V
 SMPI Engine
 EEB = 2.5L V6 SOHC 24V
 SMPI Engine

TRANSMISSION
 DD5 = TRANSMISSION - 5-SPEED
 MANUAL
 DGL = TRANSMISSION - 4-SPD.
 AUTOMATIC,41TE
 DD4 = TRANSMISSION - 5-SPEED
 PERF. MANUAL

AR = use ase required - = Non illustrated part

1999 JA

Wiring-Body and Accessories
Figure 8-1520



ITEM	PART NUMBER	QTY	LINE	SERIES	BODY	ENGINE	TRANS	TRIM	DESCRIPTION
1									WIRING, Unified Body
	04608450AD	1							w/Six Speaker System. w/o Power Locks
	04608451AD	1							w/Six Speaker System, Anti Lock Brakes
	04608452AD	1							w/Six Speaker Syatem, Power Locks
	04608453AD	1							w/Six Speaker System, Power Locks, Anti Lock Brakes
	04608454AD	1							w/Six Speaker System, Power Locks, Security alarm, Power Seat
	04608455AD	1							w/Eight Way Speaker System, w/o Power Locks
	04608456AD	1							w/Eight Way Speaker System, Power Locks, Security Alarm
	04608457AD	1							w/Eight Way Speaker System, Power Locks, w/o Security Alarm
	04608459AE	1							w/Six Way Speaker System, Rear Apperance Group
	04608461AE	1							w/Eight Way Speaker System, Rear Apperance Group
	04608572AD	1							w/Four Way Speaker System, Power Antenna
-2	04608464	1							WIRING, Headliner
-3	04602055	1							WIRING, Power Seat Jumper
-4									WIRING, Heated Seat
	04608426	1							Export
	04882795	1							
-5	04608530AA	2							WIRING, Side Repeater Lamp
-6									WIRING, Speaker
	04602151	1	D						Front Door
		1	P						Front Door
-7									WIRING, Door
	04602542	1	D						Power Locks & Windows, Power Mirror, Security, Right, Front
		1	C						Power Locks & Windows, Power Mirror, Security, Right, Front
	04602543	1	D						Power Locks & Windows, Power Mirror, Security, Left, Front
		1	C						Power Locks & Windows, Power Mirror, Security, Left, Front

CIRRUS,BREEZE,STRATUS (JA)
 SERIES LINE
 H = HIGHLINE C = CHRYSLER
 P = PREMIUM D = DODGE
 P = PLYMOUTH

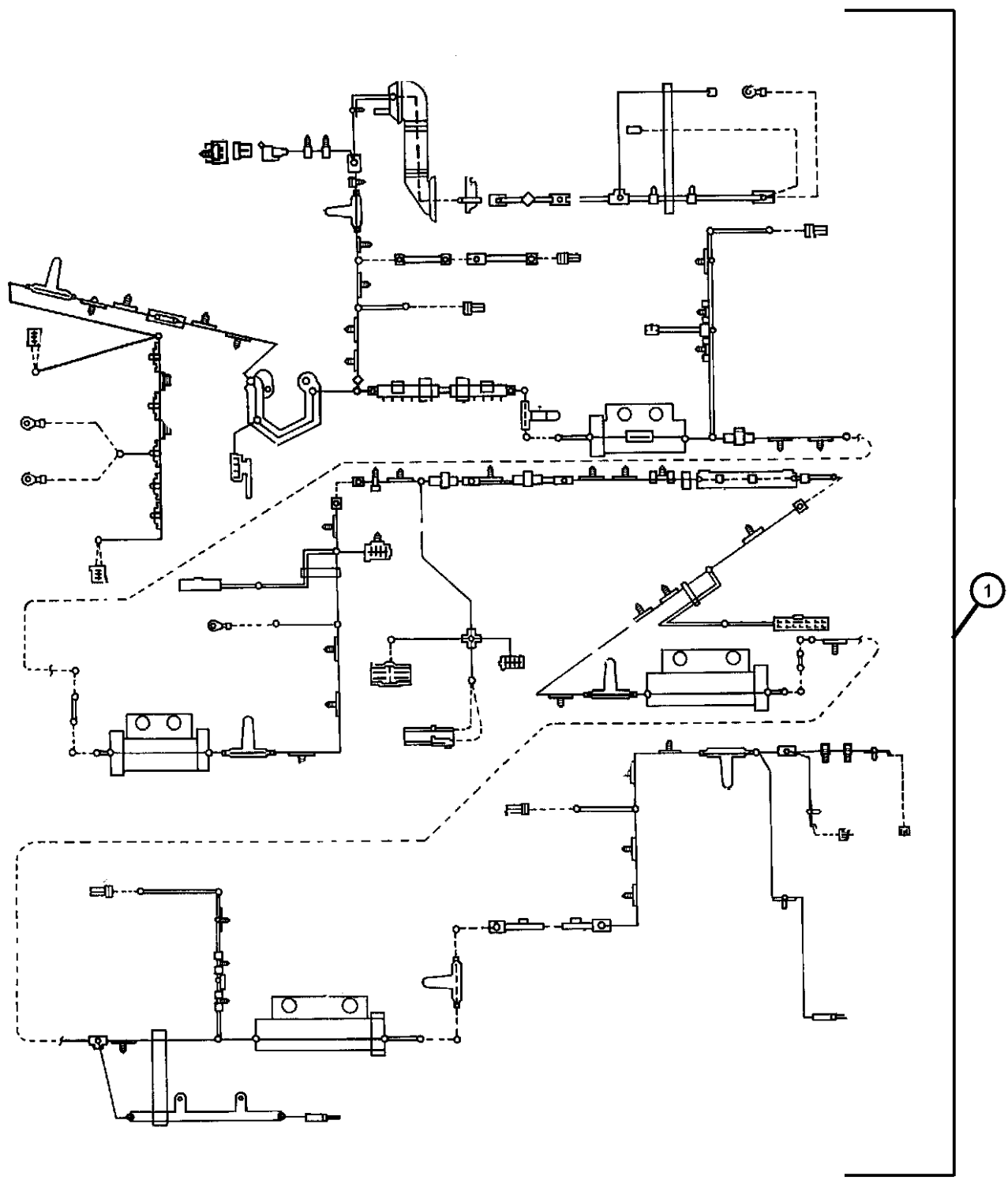
BODY
 41 = 4 Door Sedan

ENGINE
 ECB = 2.0L 4 Cyl SOHC 16V SMPI Engine
 EDZ = 2.4L 4 Cyl DOHC 16V SMPI Engine
 EEB = 2.5L V6 SOHC 24V SMPI Engine

TRANSMISSION
 DD5 = TRANSMISSION - 5-SPEED MANUAL
 DGL = TRANSMISSION - 4-SPD. AUTOMATIC,41TE
 DD4 = TRANSMISSION - 5-SPEED PERF. MANUAL

AR = use ase required - = Non illustrated part

Wiring-Body and Accessories
Figure 8-1520



ITEM	PART NUMBER	QTY	LINE	SERIES	BODY	ENGINE	TRANS	TRIM	DESCRIPTION
	04604418	1	D						Power Locks & Windows, Power Mirror, w/o Security, Right, Front
		1	C						Power Locks & Windows, Power Mirror, w/o Security, Right, Front
		1	P						Power Locks & Windows, Power Mirror, w/o Security, Right, Front
	04604419	1	D						Power Locks & Windows, Power Mirror, w/o Security, Left Front
		1	C						Power Locks & Windows, Power Mirror, w/o Security, Left Front
		1	P						Power Lock & Windows, Power Mirrors, Left Front
	04604420	2							Rear Door
-8									WIRING, Tail Lamp
	04602056	1							Right
	04602057	1							Left
-9	04602170	1							WIRING, Electric Back Light
-10	04604414	1	D, P						WIRING, Dome and Reading Lamp, w/o Illuminated Sunvisor & Mirror
-11	04274258	1							TAPE, Radio Connector, Foam
-12									WIRING, Radiator Fan
	04602111	1	C						
		1	D	H					
-13									WIRING, Transmission Sensor
	05093968AA	1				EDZ	DGL		
		1				EEB			
		1				ECB	DGL		

CIRRUS,BREEZE,STRATUS (JA)

SERIES LINE
H = HIGHLINE C = CHRYSLER
P = PREMIUM D = DODGE
 P = PLYMOUTH

BODY
41 = 4 Door Sedan

ENGINE
ECB = 2.0L 4 Cyl SOHC 16V SMPI Engine
EDZ = 2.4L 4 Cyl DOHC 16V SMPI Engine
EEB = 2.5L V6 SOHC 24V SMPI Engine

TRANSMISSION
DD5 = TRANSMISSION - 5-SPEED MANUAL
DGL = TRANSMISSION - 4-SPD. AUTOMATIC, 41TE
DD4 = TRANSMISSION - 5-SPEED PERF. MANUAL

AR = use ase required - = Non illustrated part

1999 JA

**Wiring Harness Repair Crimp Package-Fusible Link Package-Heat Shrink Tube
Figure 8-1610**

ITEM	PART NUMBER	QTY	LINE	SERIES	BODY	ENGINE	TRANS	TRIM	DESCRIPTION
-1	05013930AA	1							WIRING PACKAGE, Underhood Connector Repair, For Electrical Connector Repair Information visit the World Wide Web at http://dto.vftis.com/mopar/disclaimer.asp
-2	04641780	1							STRAP, Tie
-3	04397808	1							TUBE, Convoluted Air Conditioning
-4	04897266AA	1							INSULATOR PACKAGE
-5									STRAP, Ground
	04608376	1							Muffler to Muffler Bracket
	04608389	1				EEB			Shock Tower to Engine
	04608390	1				EEB			Transmission to Engine
	04671170	1				EDZ			Radio Noise
	04760996AA	1				ECB			Radio Noise
-6	06101976	1				ECB, EDZ			SCREW, Hex Flange Head, M6.3x1.81x16, Ground Strap to Muffler Bracket attaching
-7									SCREW, M6X1.00X17.00
	06503522	1				ECB			Ground Strap to Engine attaching
		1				EDZ			Ground Strap to Engine attaching
-8	04778570	1							TUBE, Heat Shrink

For Electrical Connector Repair Information visit the World Wide Web at

<http://dto.vftis.com/mopar/disclaimer.asp>

CIRRUS,BREEZE,STRATUS (JA)

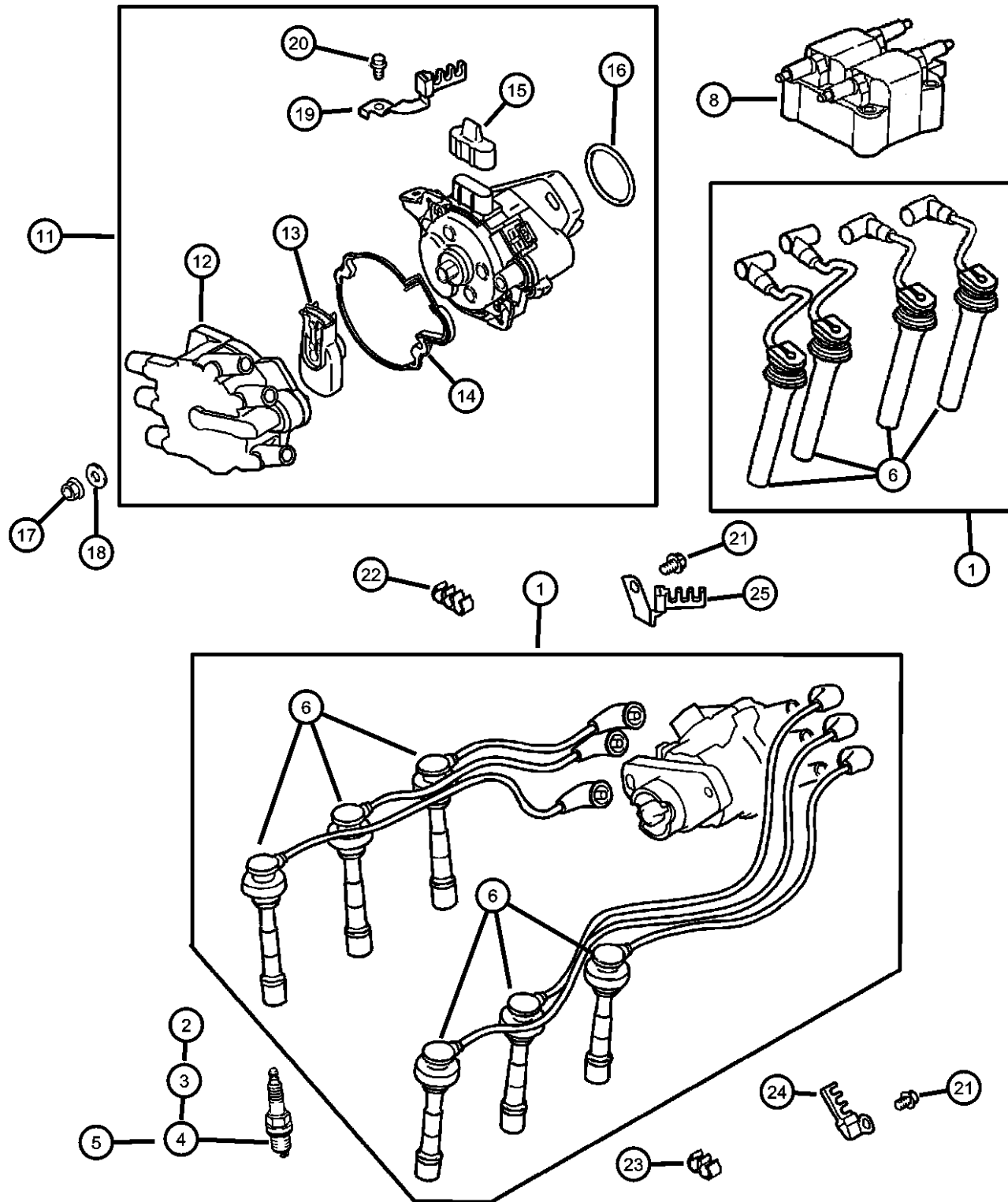
SERIES	LINE
H = HIGHLINE	C = CHRYSLER
P = PREMIUM	D = DODGE
	P = PLYMOUTH

BODY
41 = 4 Door Sedan

ENGINE
ECB = 2.0L 4 Cyl SOHC 16V SMPI Engine
EDZ = 2.4L 4 Cyl DOHC 16V SMPI Engine
EEB = 2.5L V6 SOHC 24V SMPI Engine

TRANSMISSION
DD5 = TRANSMISSION - 5-SPEED MANUAL
DGL = TRANSMISSION - 4-SPD. AUTOMATIC, 41TE
DD4 = TRANSMISSION - 5-SPEED PERF. MANUAL

Spark Plugs - Cables - Coils
Figure 8-1902



ITEM	PART NUMBER	QTY	LINE	SERIES	BODY	ENGINE	TRANS	TRIM	DESCRIPTION
------	-------------	-----	------	--------	------	--------	-------	------	-------------

ECB = 2.0L 4 CYL SOHC 16V SMPI
EDZ = 2.4L 4 CYL DOHC 16V SMPI
EEB = 2.5L V6 SOHC 24V SMPI

1									CABLE PACKAGE, Ignition
	04773841	2				ED0			
		2				EDZ			
	04883233	1				ECB			
	SPW03893AA								Mopar V-Line Alternative Part
	MD331092	1				EEB			
	SPW31092AA								Mopar V-Line Alternative Part
	SPC25603AA								Mopar Tune Up Kit (Contains Cap Rotor and Spark Plug Wires)
2	05269897	4				ECB			SPARK PLUG, RC-9-YC
3	04609079	4				EDZ			SPARK PLUG, RC-12-YC5
	OSP00446								Canadian Aftermarket Part
4	04796779	6				EEB			SPARK PLUG, RC-10-PYP4
	OSP00464								Canadian Aftermarket Part
5	SP00RC9YC5	1				ECC			SPARK PLUG
6									CABLE, Ignition
	04672113	2				EDZ			# 2 & 3
	04672114	2				EDZ			# 1 & 4
	05269577	1				ECB			# 1
	05269578	2				ECB			# 2 & 3
	05269667	1				ECB			# 4
	MD303401	1				EEB			# 1
	MD303403	1				EEB			# 3
	MD303405	1				EEB			# 5
	MD303406	1				EEB			# 6
	MD329163	1				EEB			# 2
	MD329164	1				EEB			# 4
-7									RETAINER, Ignition Cable
	05269579	1				ECB			
	05269580	1				ECB			to PVC Hose
8									COIL, Ignition
	05269670	1				ECB			

CIRRUS,BREEZE,STRATUS (JA)
SERIES LINE
H = HIGHLINE C = CHRYSLER
P = PREMIUM D = DODGE
P = PLYMOUTH

BODY
41 = 4 Door Sedan

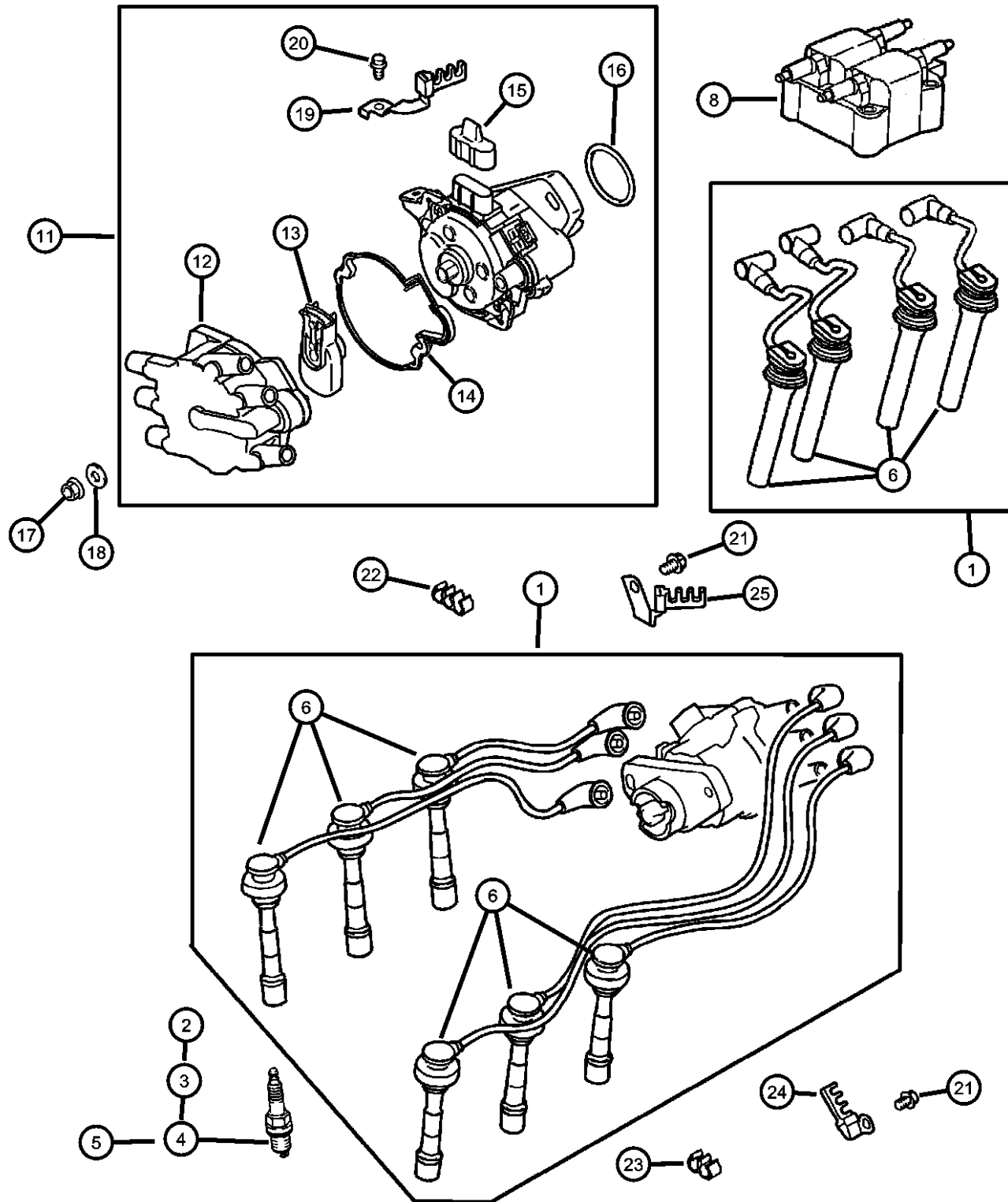
ENGINE
ECB = 2.0L 4 Cyl SOHC 16V SMPI Engine
EDZ = 2.4L 4 Cyl DOHC 16V SMPI Engine
EEB = 2.5L V6 SOHC 24V SMPI Engine

TRANSMISSION
DD5 = TRANSMISSION - 5-SPEED MANUAL
DGL = TRANSMISSION - 4-SPD. AUTOMATIC, 41TE
DD4 = TRANSMISSION - 5-SPEED PERF. MANUAL

AR = use ase required - = Non illustrated part

1999 JA

Spark Plugs - Cables - Coils
Figure 8-1902



ITEM	PART NUMBER	QTY	LINE	SERIES	BODY	ENGINE	TRANS	TRIM	DESCRIPTION
		1				EDZ			
-9	06502921	4				ECB			SCREW, Ignition Coil
-10	06501803	4				EDZ			SCREW AND WASHER, M6x1x40
		4				ECB			Coil mounting
11	MD343019	1				EEB			DISTRIBUTOR, Engine
12	MD619050	1				EEB			CAP, Distributor
13	MD619276	1				EEB			ROTOR, Distributor
14	MD618662	1				EEB			GASKET, Distributor Cap
15	MD619496	1				EEB			HOUSING, Distributor
16	MD618665	1				EEB			O RING, Distributor
17	MF434114	2				EEB			NUT, Hex Flange
18	MD102178	2				EEB			WASHER, Distributor
19	MD326146	1				EEB			SEPERATOR, Ignition Cable
20	MD618316	1				EEB			SCREW, Adjusting
21	MF140641	2				EEB			BOLT, Hex Flange Head, M8x12, Separator Spark Plug Cable
22	MD120819	1				EEB			CLIP, Ignition Wire
23	MD120818	2				EEB			CLIP, Wiring
24	MD303864	1				EEB			SEPERATOR, Ignition Cable
25	MD302268	1				EEB			SEPERATOR, Ignition Cable
-26	04604735	1				ECB			CLIP, Wiring

CIRRUS,BREEZE,STRATUS (JA)
 SERIES LINE
 H = HIGHLINE C = CHRYSLER
 P = PREMIUM D = DODGE
 P = PLYMOUTH

BODY
 41 = 4 Door Sedan

ENGINE
 ECB = 2.0L 4 Cyl SOHC 16V SMPI Engine
 EDZ = 2.4L 4 Cyl DOHC 16V SMPI Engine
 EEB = 2.5L V6 SOHC 24V SMPI Engine

TRANSMISSION
 DD5 = TRANSMISSION - 5-SPEED MANUAL
 DGL = TRANSMISSION - 4-SPD. AUTOMATIC,41TE
 DD4 = TRANSMISSION - 5-SPEED PERF. MANUAL

AR = use ase required - = Non illustrated part

1999 JA

Group - 08A

Instrument Panel and Radios and Consoles

Group - 08A Instrument Panel and Radios and Consoles

Group-Fig. No.

Illustration Title

Instrument Panel

Instrument Panel Fig. 08A - 122

Instrument Panel Cluster

Cluster - Instrument Panel Fig. 08A - 221

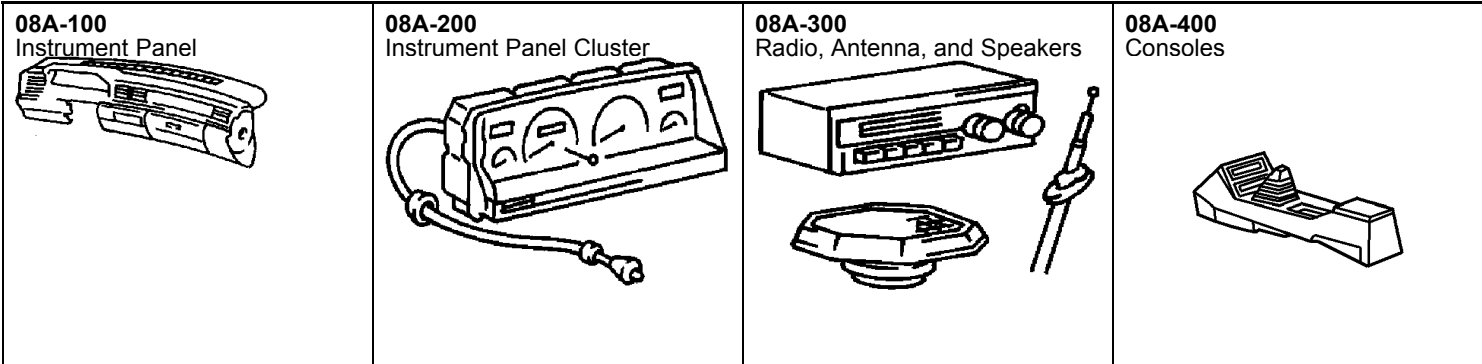
Radio, Antenna, and Speakers

Radios Fig. 08A - 310

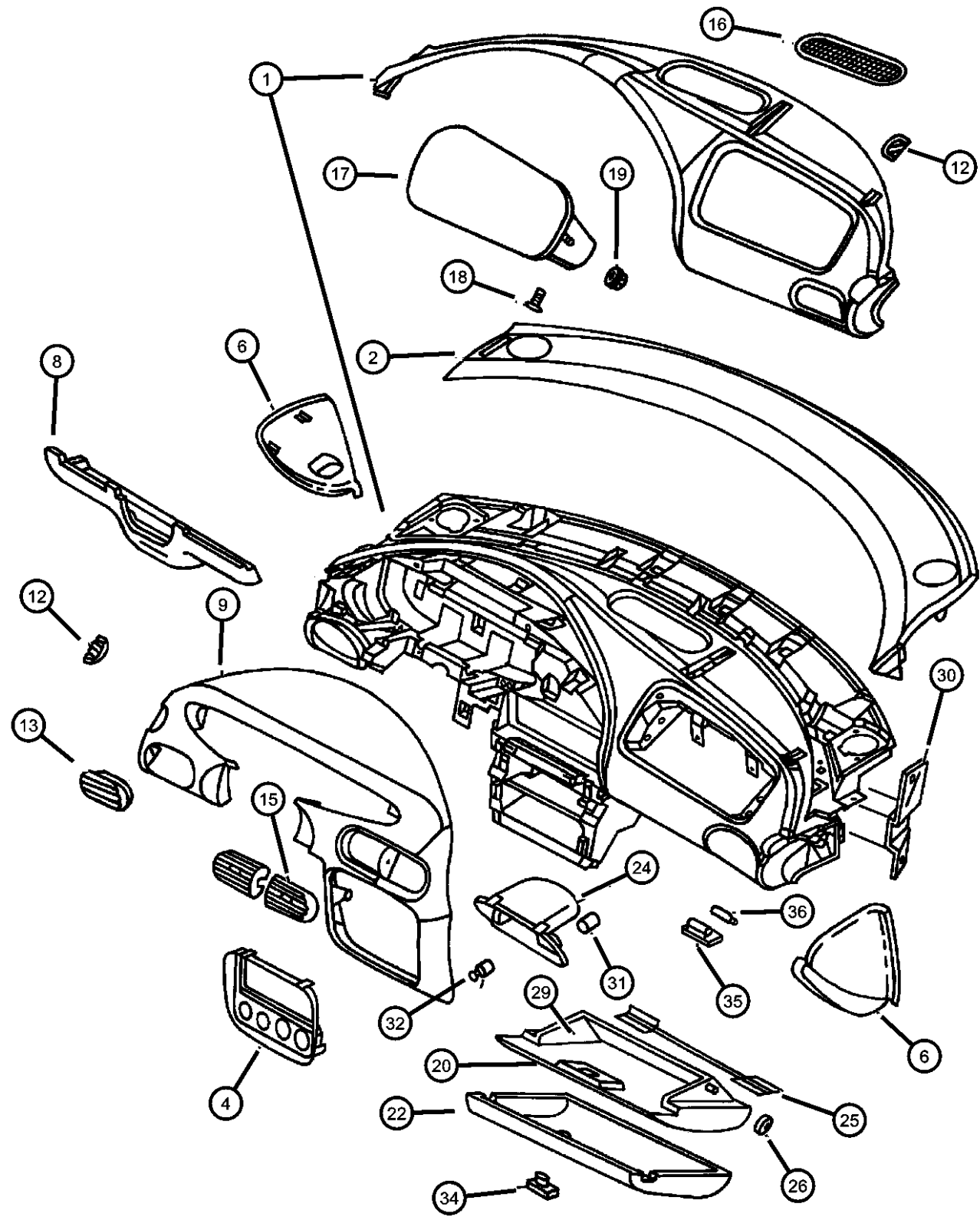
Speakers and Antenna Fig. 08A - 320

Consoles

Console Floor Fig. 08A - 420



Instrument Panel
Figure 08A-122



ITEM	PART NUMBER	QTY	LINE	SERIES	BODY	ENGINE	TRANS	TRIM	DESCRIPTION
1	0PK74SJL	1							PANEL, Instrument Silverfern
	0PK74TAZ	1							Agate
	0PK74VK9	1							Dark Suede
2	04595363AB	1							COVER, Instrument Panel
-3	04678102	5							CLIP, Instrument Panel, Top Cover attaching
4									BEZEL, Instrument Panel, Center
	04595352	1		P					Woodgrain
	04595683	1		C					Micro Weave
	04595806AA	1		D					
-5	06503869	3							CLIP, Instrument Panel, M6.90x4.10
6									CAP, Instrument Panel End
	0PW76LAZAB	1							Agate, Right, Export
	0PW76VK9AB	1							Dark Suede, Right, Export
	0QT62LAZAA	1							Agate, Left
	0QT62SJLAA	1							Silverfern, Left
	0QT62VK9AA	1							Dark Suede, Left
-7	06034319	3							CLIP, .453Wx.528LGx.017THKEnd Cap
8									COVER, Instrument Panel
	0PH22LAZ	1							Agate, Steering Column
	0PH22RJL	1							Silverfern, Steering Column
	0PH22VK9	1							Dark Suede, Steering Column
9									HOOD AND BEZEL, Instrument Cluster
	0PM141JK	1							Silverfern
	0PM141K5	1							Agate
	0PM141K9	1							Dark Suede
-10	0FH66RX9	1							BEZEL, Cluster
-11	06504067	8							CLIP, Hood
12									GRILLE, Side Demister
	0KL93RJL	AR							Silverfern, Right
	0KL93TAZ	AR							Agate, Right
	0KL93VK9	1							Dark Suede, Right

CIRRUS,BREEZE,STRATUS (JA)
 SERIES LINE
 H = HIGHLINE C = CHRYSLER
 P = PREMIUM D = DODGE
 P = PLYMOUTH

BODY
 41 = 4 Door Sedan

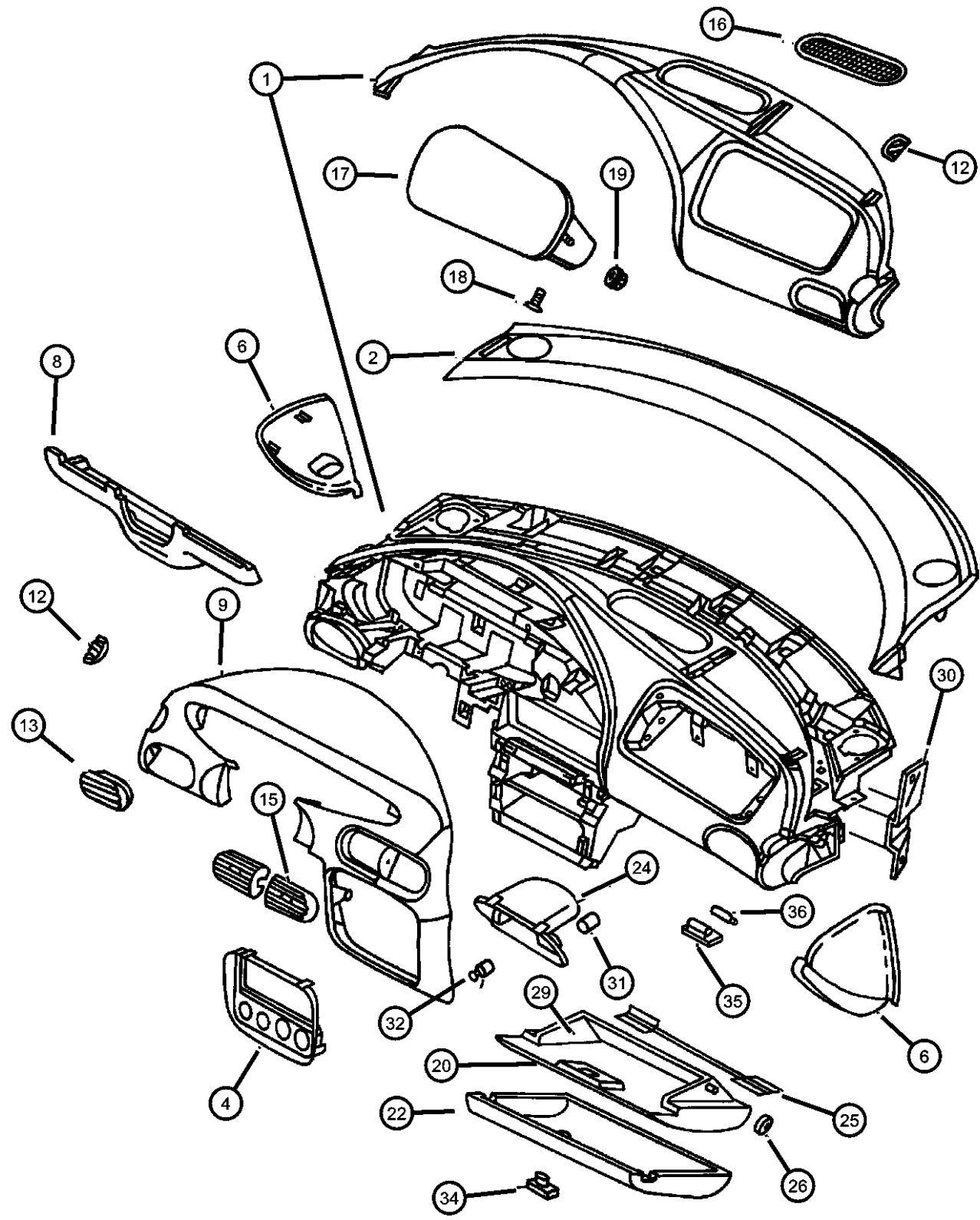
ENGINE
 ECB = 2.0L 4 Cyl SOHC 16V
 SMPI Engine
 EDZ = 2.4L 4 Cyl DOHC 16V
 SMPI Engine
 EEB = 2.5L V6 SOHC 24V
 SMPI Engine

TRANSMISSION
 DD5 = TRANSMISSION - 5-SPEED
 MANUAL
 DGL = TRANSMISSION - 4-SPD.
 AUTOMATIC,41TE
 DD4 = TRANSMISSION - 5-SPEED
 PERF. MANUAL

AR = use ase required - = Non illustrated part

1999 JA

Instrument Panel
Figure 08A-122



ITEM	PART NUMBER	QTY	LINE	SERIES	BODY	ENGINE	TRANS	TRIM	DESCRIPTION
	0KM18RJL	1							Silverfern, Left
	0KM18TAZ	1							Agate, Left
	0KM18VK9	1							Dark Suede, Left
13	0HR94RX9	1							OUTLET, Air Conditioning & Heater, Black, Left
-14	04595443	1							SEAL, Air Outlet
15	0HR94RX9	1							OUTLET, Air Conditioning & Heater
	0HR96RX9	2							Black, Center
16	0GL65RJL	AR							GRILLE, Defroster
	0GL65TAZ	AR							Silverfern
	0GL65VK9	AR							Agate
17	0FL98LAZAC	1							AIR BAG, Passenger
	0FL98RJLAC	1							Agate
	0FL98VK9AC	1							Silverfern
	0MN25LAZAC	1							Dark Suede
	0MN25VK9AC	1							Agate, Export
18	06032723	4							SCREW, Self Tapping, M4.2x1.69x19.05Passenger Air Bag
19	06500284	4							NUT, Hex, M6x1.00Passenger Airbag
20	04595373	1							BIN, Storage
-21	04595591	1							NETTING, Glove Box
22	0KM61LAZ	1							DOOR, Glove Box
	0KM61RJL	1							Agate
	0KM61VK9	1							Silverfern
-23	04565022	1							Dark Suede
24	04595795AA	1							SWITCH AND LAMP, Glove Box
25	04595531	1							BIN, Instrument Panel
26	04359182	2							HINGE, Glovebox
									BUMPER, Glove Box Door
									Close Stop

CIRRUS,BREEZE,STRATUS (JA)
 SERIES LINE
 H = HIGHLINE C = CHRYSLER
 P = PREMIUM D = DODGE
 P = PLYMOUTH

BODY
 41 = 4 Door Sedan

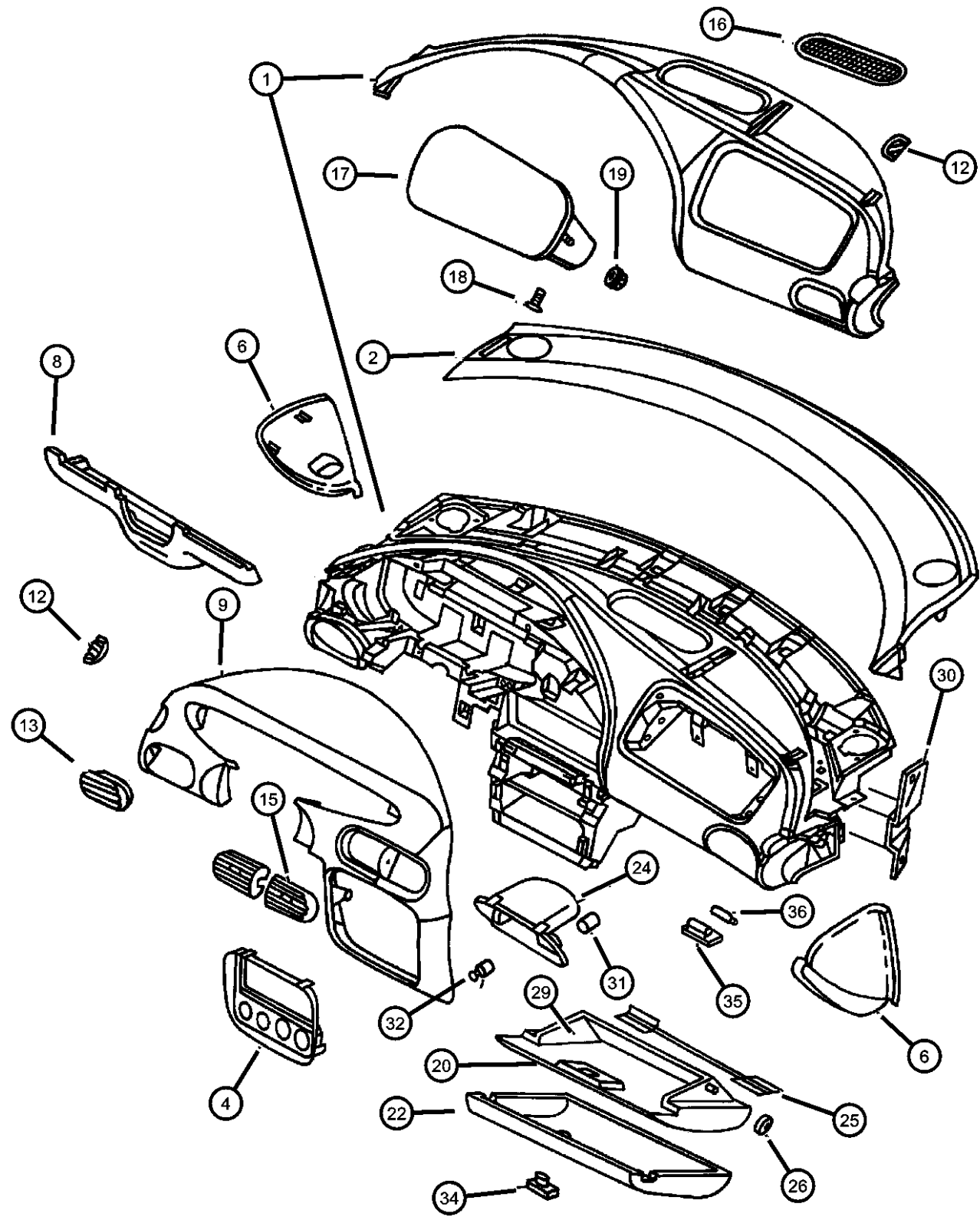
ENGINE
 ECB = 2.0L 4 Cyl SOHC 16V SMPI Engine
 EDZ = 2.4L 4 Cyl DOHC 16V SMPI Engine
 EEB = 2.5L V6 SOHC 24V SMPI Engine

TRANSMISSION
 DD5 = TRANSMISSION - 5-SPEED MANUAL
 DGL = TRANSMISSION - 4-SPD. AUTOMATIC, 41TE
 DD4 = TRANSMISSION - 5-SPEED PERF. MANUAL

AR = use ase required - = Non illustrated part

1999 JA

Instrument Panel
Figure 08A-122



ITEM	PART NUMBER	QTY	LINE	SERIES	BODY	ENGINE	TRANS	TRIM	DESCRIPTION
	04595520	2							Open Stop
-27	04595560	AR							BUMPER, Glove Box Door
-28	04595559	1							SILENCER, Door, Felt Adhesive, Black (1'x1.5')
29	04595470	1							LINER, Glove Box
30	04595639AC	1							REINFORCEMENT, Instrument Panel
31									SHELL, Cigar Lighter
	03747633	1							With Clamp
	03747634	1							
32	04685536	1							KNOB AND ELEMENT, Cigar Lighter
-33	04595522	1							PLUG, Power Outlet
34									LATCH, Glovebox
	0GL62LAZ	1							Agate
	0GL62RJL	1							Silverfern
	0GL62VK9	1							Dark Suede
35	04608507AA	1							LAMP, Ash Receiver, Assembly w/Amber Filter
36	L0000037	1							BULB, 37Ash Receiver
-37	04595823AA	1							SMOKERS KIT, Ash Receiver With Lighter
-38	06035013	3							SCREW, Hex Flange Head, .25-14x.625, Glove Box assy attaching
-39	04595429	1							REINFORCEMENT, Instrument Panel

CIRRUS,BREEZE,STRATUS (JA)
 SERIES LINE
 H = HIGHLINE C = CHRYSLER
 P = PREMIUM D = DODGE
 P = PLYMOUTH

BODY
 41 = 4 Door Sedan

ENGINE
 ECB = 2.0L 4 Cyl SOHC 16V SMPI Engine
 EDZ = 2.4L 4 Cyl DOHC 16V SMPI Engine
 EEB = 2.5L V6 SOHC 24V SMPI Engine

TRANSMISSION
 DD5 = TRANSMISSION - 5-SPEED MANUAL
 DGL = TRANSMISSION - 4-SPD. AUTOMATIC,41TE
 DD4 = TRANSMISSION - 5-SPEED PERF. MANUAL

AR = use ase required - = Non illustrated part

**Cluster - Instrument Panel
Figure 08A-221**

ITEM	PART NUMBER	QTY	LINE	SERIES	BODY	ENGINE	TRANS	TRIM	DESCRIPTION
1									BOARD, Circuit
	04886444AA	1	P						MPH, w/o Autostick
		1	D						MPH, w/o Autostick
		1	C						MPH, w/o Autostick
	04886445AA	1							KPH, w/o Autostick
	04886446AB	1	D						MPH, w/Autostick
	04886447AA	1							KPH, w/ Autostick
2	04778740	1							HOUSING, Cluster
3									MASK AND LENS, Instrument Cluster
	04231737AA	1	P						MPH, w/ or w/o Autostick
		1	D						MPH, w/ or w/o Autostick
	05010336AA	1	C						MPH,w/o Autostick
	05011601AA	1							KPH, w/Autostick
4	04728384	1							COVER, Instrument Cluster
5									GAUGE, Speedometer And Tach
	05010328AA	1	D						MPH, w/o Autostick
	05010329AA	1	D						MPH, wAutostick
	05010331AA	1	C						MPH, w/o Autostick
	05011522AA	1	P						MPH, w/o Autostick
	05011523AA	1							KPH, w/o Autostick
	05011524AA	1							KPH,w/ Autostick
6									GAUGE, Odometer
	04728208	1	D						[JCB]
		1	C						[JCB]
		1	P						[JCB]
	04773251	1							W/o Autostick [JDJ]
	04886448AA	1							W/Autostick [JDJ]
7	L00PC194	19							LAMP, Bulb And Socket
8									GAUGE, Fuel And Temperature
	05010330AA	1	D						MPH
	05010333AA	1	C						MPH
	05011525AA	1	P						MPH

CIRRUS,BREEZE,STRATUS (JA)

SERIES LINE
H = HIGHLINE C = CHRYSLER
P = PREMIUM D = DODGE
 P = PLYMOUTH

BODY
41 = 4 Door Sedan

ENGINE
ECB = 2.0L 4 Cyl SOHC 16V SMPI Engine
EDZ = 2.4L 4 Cyl DOHC 16V SMPI Engine
EEB = 2.5L V6 SOHC 24V SMPI Engine

TRANSMISSION
DD5 = TRANSMISSION - 5-SPEED MANUAL
DGL = TRANSMISSION - 4-SPD. AUTOMATIC,41TE
DD4 = TRANSMISSION - 5-SPEED PERF. MANUAL

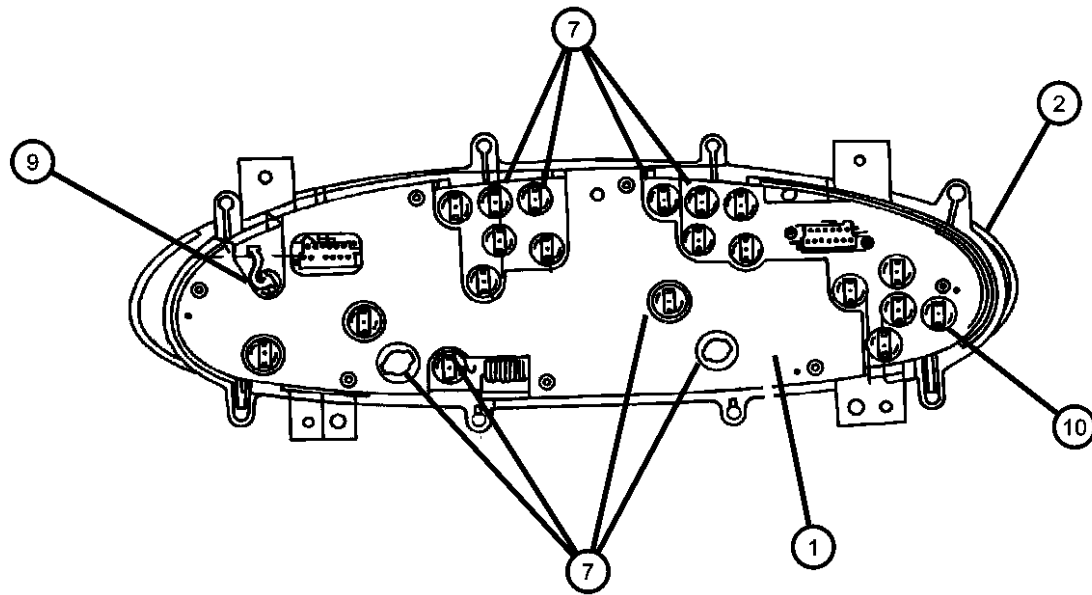
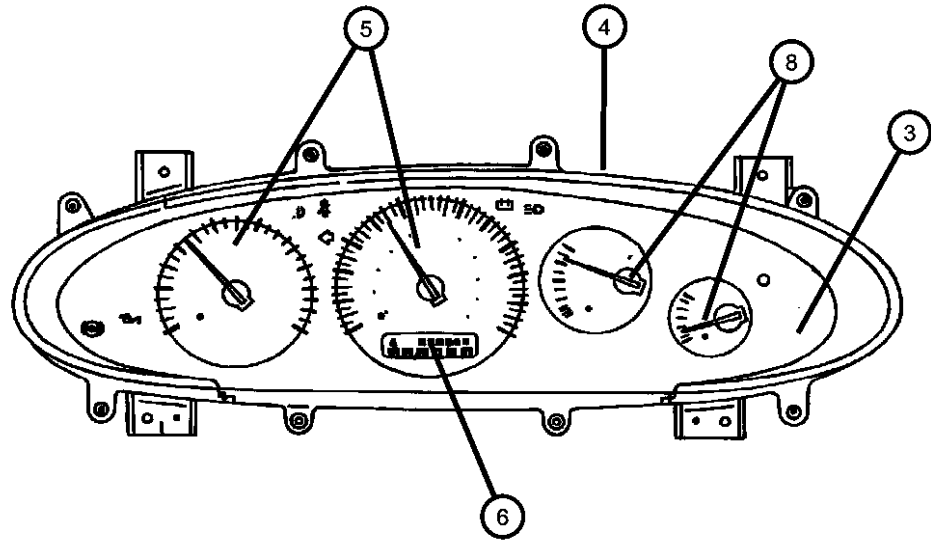
AR = use ase required - = Non illustrated part

1999 JA

Cluster - Instrument Panel
Figure 08A-221

ITEM	PART NUMBER	QTY	LINE	SERIES	BODY	ENGINE	TRANS	TRIM	DESCRIPTION
------	-------------	-----	------	--------	------	--------	-------	------	-------------

9	04608419	1							SOCKET, Security Alarm
10	04608304	1							LAMP, Bulb And Socket, ABS Indicator



CIRRUS,BREEZE,STRATUS (JA)
 SERIES LINE
 H = HIGHLINE C = CHRYSLER
 P = PREMIUM D = DODGE
 P = PLYMOUTH

BODY
 41 = 4 Door Sedan

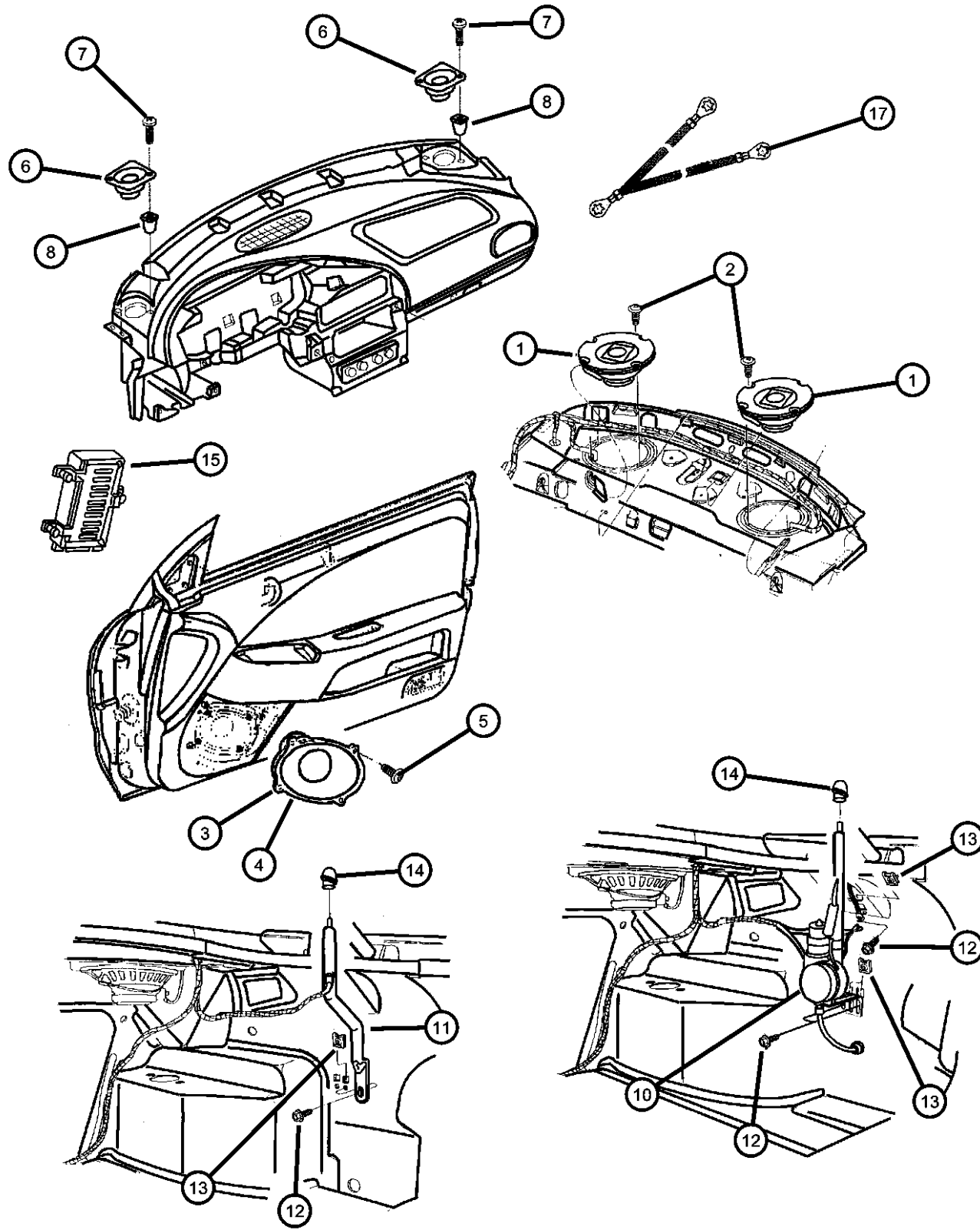
ENGINE
 ECB = 2.0L 4 Cyl SOHC 16V SMPI Engine
 EDZ = 2.4L 4 Cyl DOHC 16V SMPI Engine
 EEB = 2.5L V6 SOHC 24V SMPI Engine

TRANSMISSION
 DD5 = TRANSMISSION - 5-SPEED MANUAL
 DGL = TRANSMISSION - 4-SPD. AUTOMATIC,41TE
 DD4 = TRANSMISSION - 5-SPEED PERF. MANUAL

AR = use ase required - = Non illustrated part

1999 JA

**Speakers and Antenna
Figure 08A-320**



ITEM	PART NUMBER	QTY	LINE	SERIES	BODY	ENGINE	TRANS	TRIM	DESCRIPTION
------	-------------	-----	------	--------	------	--------	-------	------	-------------

ECB = 2.0L 4 CYL SOHC 16V SMPI
 EDZ = 2.4L 4 CYL DOHC 16V SMPI
 EEB = 2.5L V6 SOHC 24V SMPI

1									SPEAKER, Rear, 6x9 Amplified System
	04608243	2							4 - 6 Speaker System
	04760916AA	2							SCREW, .190-16 X .750, Rear Speaker, (NOT SERVICED), SPEAKER, Door, Amplified System
2	04760916AA	2							SPEAKER, Front Door, 4 - 6 Speaker System
3	04608242	2							SCREW, Hex Head, .164-15x.625, Speaker Attaching
4	04760917AA	2							SPEAKER, 3.5" - I/P - Midline Audio System
5	06032859	6							Amplified System, 8-Speakers
6									Midline, 6-Speakers
	04608241	2							SCREW, Self Tapping, M4.2x1.69x19.05, Front Speaker
	04760481	2							CLIP, Push, .164-7.5I/P Speaker
7	06032723	2							MAST, Antenna, Black
8	06034833	AR							ANTENNA, Power
-9	04760854	1							BODY AND CABLE, Antenna
10	04608308	1							SCREW, Hex Flange Head Tapping, M6x1.00x20.00
11	04608217	1							NUT, U Multi Thread, M6 x 1.00Antenna Mounting
12	06101777	2							GROMMET, Antenna
13	06502604	2							AMPLIFIER, Radio
14	04608218	1							NUT, Amplifier Mounting M5, (NOT SERVICED)
15	04608313	1							STRAP, Ground
-16	04608313	1							Muffler to Bracket
17									Shock Tower
	04608376	1							Transmission to Engine
	04608389	1							Radio Ground
	04608390	1							SCREW, .190-16x1.00, (NOT SERVICED)
	04608391	1							CAPACITOR, Radio Noise Suppression
-18	04608391	1							
-19	04608359	1							

CIRRUS,BREEZE,STRATUS (JA)
 SERIES LINE
 H = HIGHLINE C = CHRYSLER
 P = PREMIUM D = DODGE
 P = PLYMOUTH

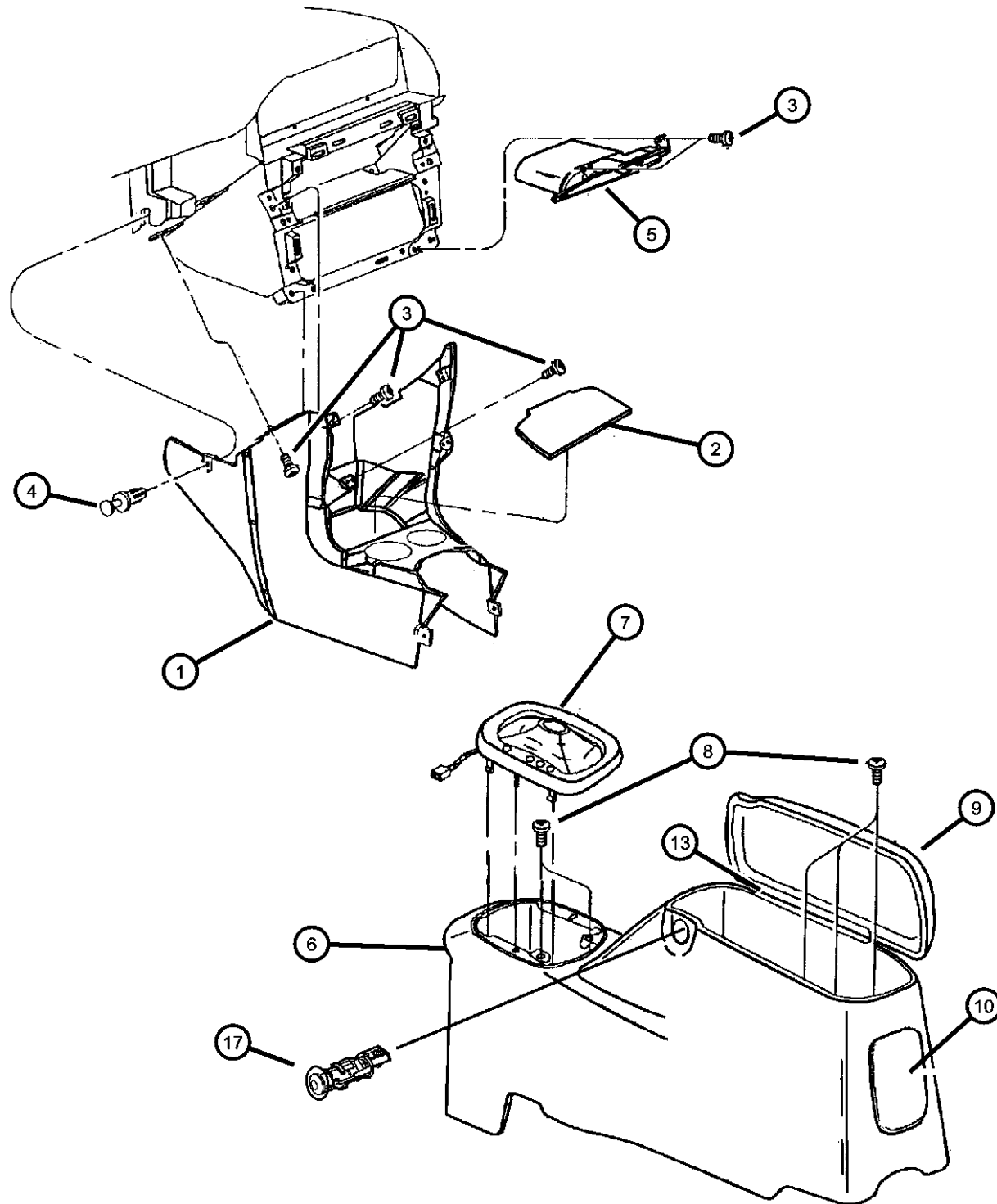
BODY
 41 = 4 Door Sedan

ENGINE
 ECB = 2.0L 4 Cyl SOHC 16V
 SMPI Engine
 EDZ = 2.4L 4 Cyl DOHC 16V
 SMPI Engine
 EEB = 2.5L V6 SOHC 24V
 SMPI Engine

TRANSMISSION
 DD5 = TRANSMISSION - 5-SPEED
 MANUAL
 DGL = TRANSMISSION - 4-SPD.
 AUTOMATIC,41TE
 DD4 = TRANSMISSION - 5-SPEED
 PERF. MANUAL

AR = use ase required - = Non illustrated part

Console Floor
Figure 08A-420



ITEM	PART NUMBER	QTY	LINE	SERIES	BODY	ENGINE	TRANS	TRIM	DESCRIPTION
1	0QC70LAZ	1							CONSOLE, Forward Agate
	0QC70RJL	1							Silverfern
	0QC70VK9	1							Dark Suede
2	04595563	1							MAT, FloorForward Console
3	06032723	2							SCREW, Self Tapping, M4.2x1.69x19.05
4	06032723	2							PIN, Retainer, (NOT SERVICED)
5	04595795AA	1							BIN, Instrument Panel
6	0PP56LAZ	1							CONSOLE, Floor Agate
	0PP56RJL	1							Silverfern
	0PP56VK9	1							Dark Suede
7	0QF241X9AB	1							BEZEL AND LAMP, PRNDL [DHD]
	0QF251X9AB	1							
8	06032452	2							SCREW, Self Piercing, .164-15x.625, Console Attaching PAD, Armrest
9	0JV71LAZ	1							Agate
	0JV71SJL	1							Silverfern
	0JV71VK9	1							Dark Suede
10	0QC73LAZ	1							CUPHOLDER, Console Agate
	0QC73RJL	1							Silverfern
	0QC73VK9	1							Dark Suede
-11	05017292AA	1							CLIP, ConsoleCup Holder
-12	04787409AA	1							MAT, Rear Floor Console, Rubber
13	04665784	1							HINGE, Armrest Pad
-14	04665361	1							BUMPER, Armrest Lid
-15	04665837	1							PLATE, Armrest
-16	04665912	1							STRIKER, Console Lid Catch
17	04787286	1							LATCH, Console Lock
-18	04453741	1							HOLDER, Coin

CIRRUS,BREEZE,STRATUS (JA)
SERIES LINE
H = HIGHLINE C = CHRYSLER
P = PREMIUM D = DODGE
P = PLYMOUTH

BODY
41 = 4 Door Sedan

ENGINE
ECB = 2.0L 4 Cyl SOHC 16V SMPI Engine
EDZ = 2.4L 4 Cyl DOHC 16V SMPI Engine
EEB = 2.5L V6 SOHC 24V SMPI Engine

TRANSMISSION
DD5 = TRANSMISSION - 5-SPEED MANUAL
DGL = TRANSMISSION - 4-SPD. AUTOMATIC,41TE
DD4 = TRANSMISSION - 5-SPEED PERF. MANUAL

AR = use ase required - = Non illustrated part

1999 JA

Group - 9

Engine Mounting

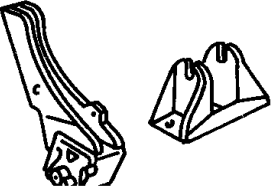
Group - 9 Engine Mounting

Illustration Title

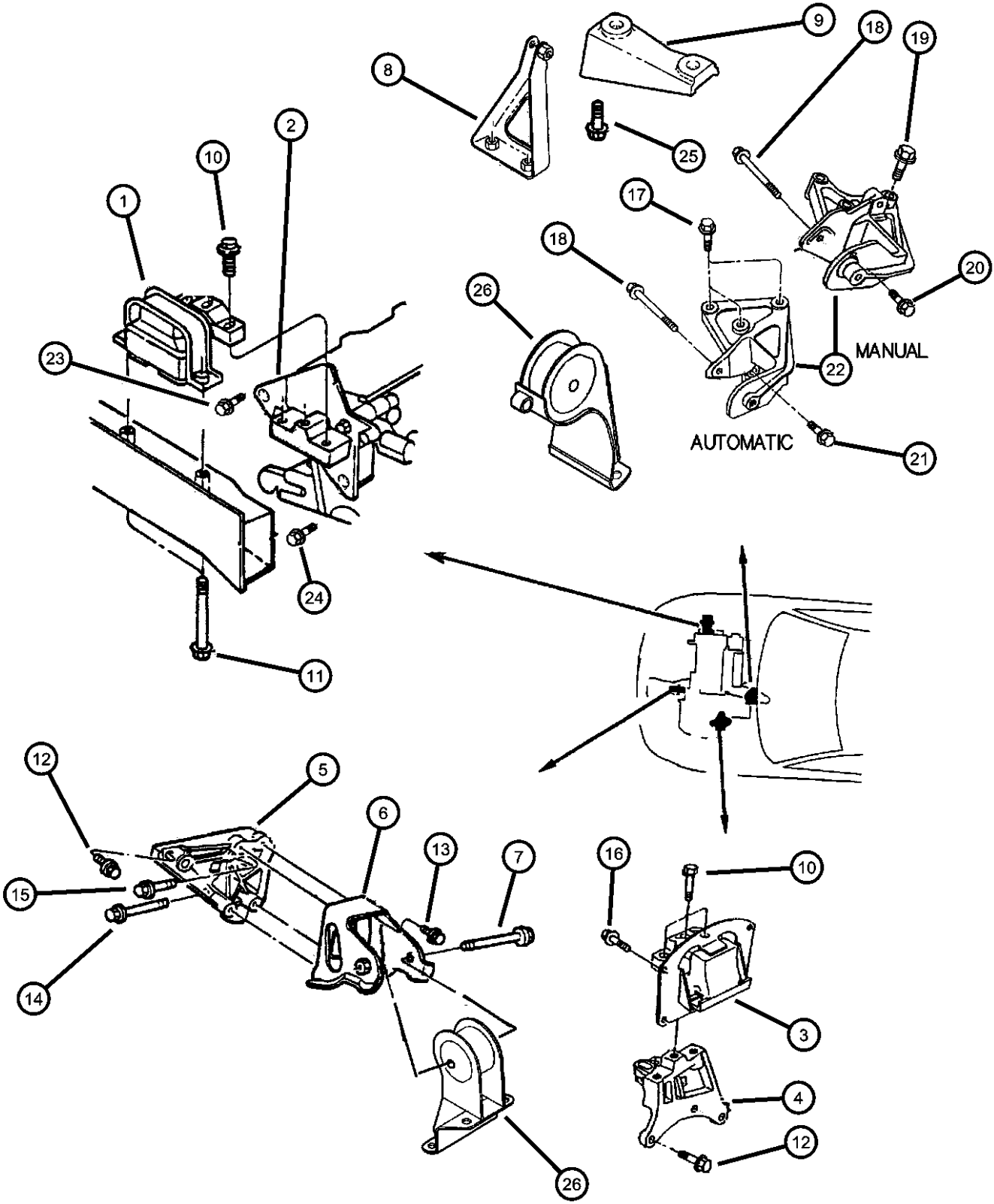
Group-Fig. No.

Engine Mounting

Engine Mounts 2.0L SOHC (ECB)..... Fig. 9 - 110
 Engine Mounts 2.4L DOHC (EDZ)..... Fig. 9 - 130
 Engine Mounts 2.5L MMC V-6 (EEB)..... Fig. 9 - 140

<p>009-100 Engine Mounting</p> 			
--	--	--	--

**Engine Mounts 2.0L SOHC (ECB)
Figure 9-110**



ITEM	PART NUMBER	QTY	LINE	SERIES	BODY	ENGINE	TRANS	TRIM	DESCRIPTION
------	-------------	-----	------	--------	------	--------	-------	------	-------------

NOTE: Sales Codes
 [DD5]=Manual Trans.
 [DGL]=Automatic 4 spd Trans.
 [ECB]=2.0L Engine.

1	04573773	1							SUPPORT, Engine Mount, Right
2	04593455AA	1				ECB			BRACKET, Engine Mount
3	04573775	1							SUPPORT, Engine Mount, Left
4	04573777	1				ECB	DD5		BRACKET, Transmission Mount
5									STRUT, Engine Mount
	04593246	1				ECB			Front Right
	04593336	1				ECB, EDZ			Front
6	04573761	1				ECB, EDZ			BRACKET, Torque ReactionFront
7	06505475AA	2							SCREW AND WASHER, Hex Head
8	04593191	1							STRUT, Engine, to Crossmember
9									STRUT, Engine Mount
	04593246	1				ECB			Lower
	04593251	1				ECB	DD5		Upper
10	06504712	6							SCREW AND WASHER, Hex Head, M10x1.5x55
11	06504210	1							BOLT AND WASHER, Hex Head, M10x1.50x120
12	06101524	3				ECB, EDZ			BOLT AND WASHER, Hex Head, M10x1.5x30
13	06100306	1				EEB			BOLT AND CONED WASHER, Hex Head, M8x35x20
14	06502874	1				ECB, EDZ			BOLT, Hex Head, M12x1.75x120, PBB Strut to Trans
15	06100344	1					DGL		BOLT AND CONED WASHER, Hex Head, M12x40x24
16	06100591	4							BOLT AND CONED WASHER, Hex Head, M8x25x24
17	06101554	3					DGL		SCREW AND WASHER, Hex Head, M12x1.75x55
18	06504210	1							BOLT, Hex Head, M10x1.50x125
19	06101227	3				ECB			SCREW AND WASHER, Hex Head, M10x1.5x55
20									BOLT AND WASHER, Hex Head, M10x1.5x35
	06101514	2				ECB	DD5		
		3					DGL		

CIRRUS,BREEZE,STRATUS (JA)
 SERIES LINE
 H = HIGHLINE C = CHRYSLER
 P = PREMIUM D = DODGE
 P = PLYMOUTH

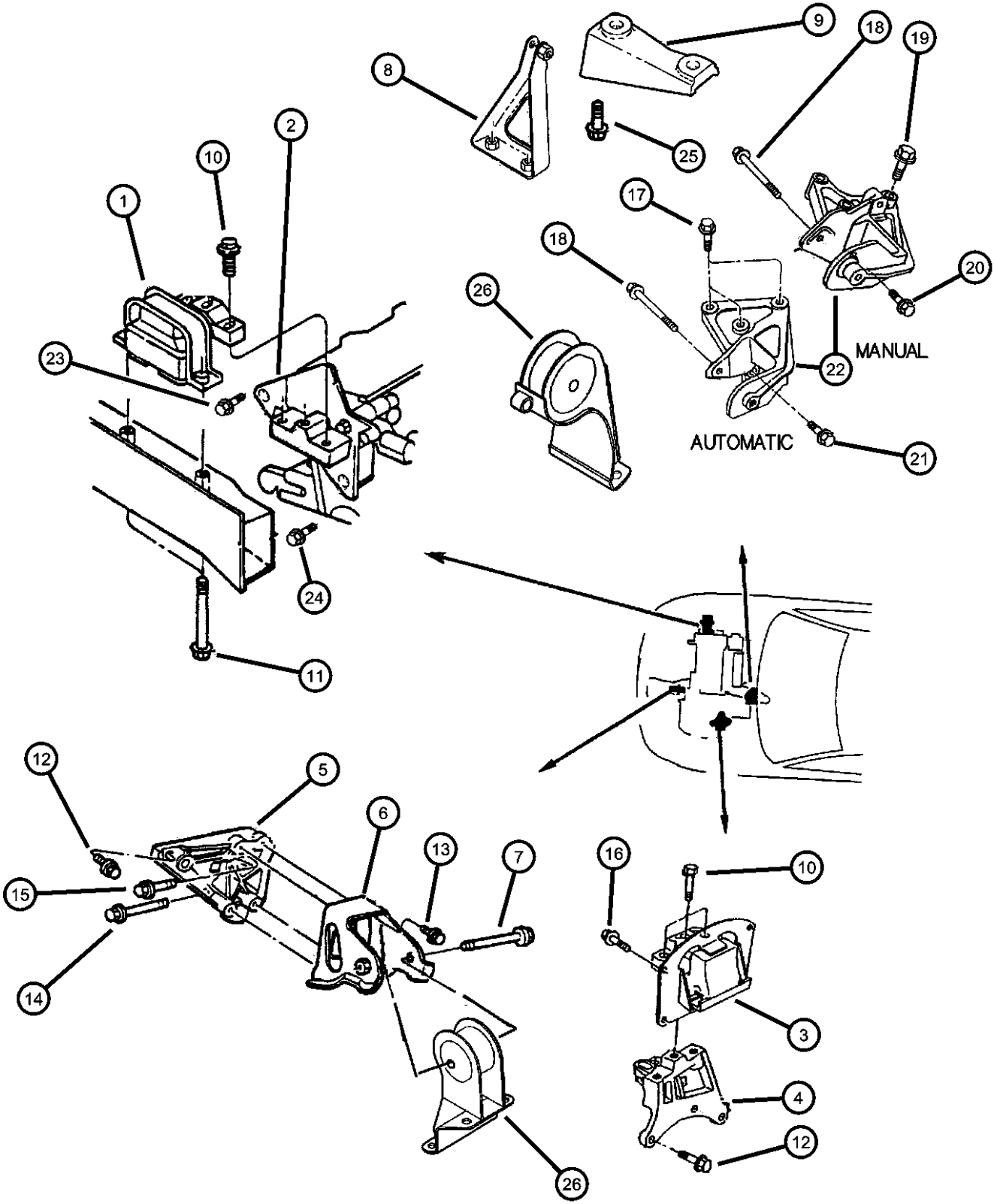
BODY
 41 = 4 Door Sedan

ENGINE
 ECB = 2.0L 4 Cyl SOHC 16V SMPI Engine
 EDZ = 2.4L 4 Cyl DOHC 16V SMPI Engine
 EEB = 2.5L V6 SOHC 24V SMPI Engine

TRANSMISSION
 DD5 = TRANSMISSION - 5-SPEED MANUAL
 DGL = TRANSMISSION - 4-SPD. AUTOMATIC, 41TE
 DD4 = TRANSMISSION - 5-SPEED PERF. MANUAL

AR = use ase required - = Non illustrated part

Engine Mounts 2.0L SOHC (ECB)
Figure 9-110



ITEM	PART NUMBER	QTY	LINE	SERIES	BODY	ENGINE	TRANS	TRIM	DESCRIPTION
21	06100344	1					DGL		BOLT AND CONED WASHER, Hex Head, M12x40x24
22	04593253AB	1					DD5		BRACKET, Torque Reaction
	04593289	1				ECB, EDZ, EEB	DGL		
23	06101760	1				ECB			SCREW AND WASHER, Hex Head, M10x1.5x80
24	06503703	2				ECB			BOLT, Hex Head, M10x1.50x100
25	06503703	2							SCREW AND WASHER, Hex Head, M12x1.75x70, (NOT SERVICED)
26	04593338AD	1							MODULE, Engine Support
	04593445AA	1				ECB			Front Rear

CIRRUS,BREEZE,STRATUS (JA)
 SERIES LINE
 H = HIGHLINE C = CHRYSLER
 P = PREMIUM D = DODGE
 P = PLYMOUTH

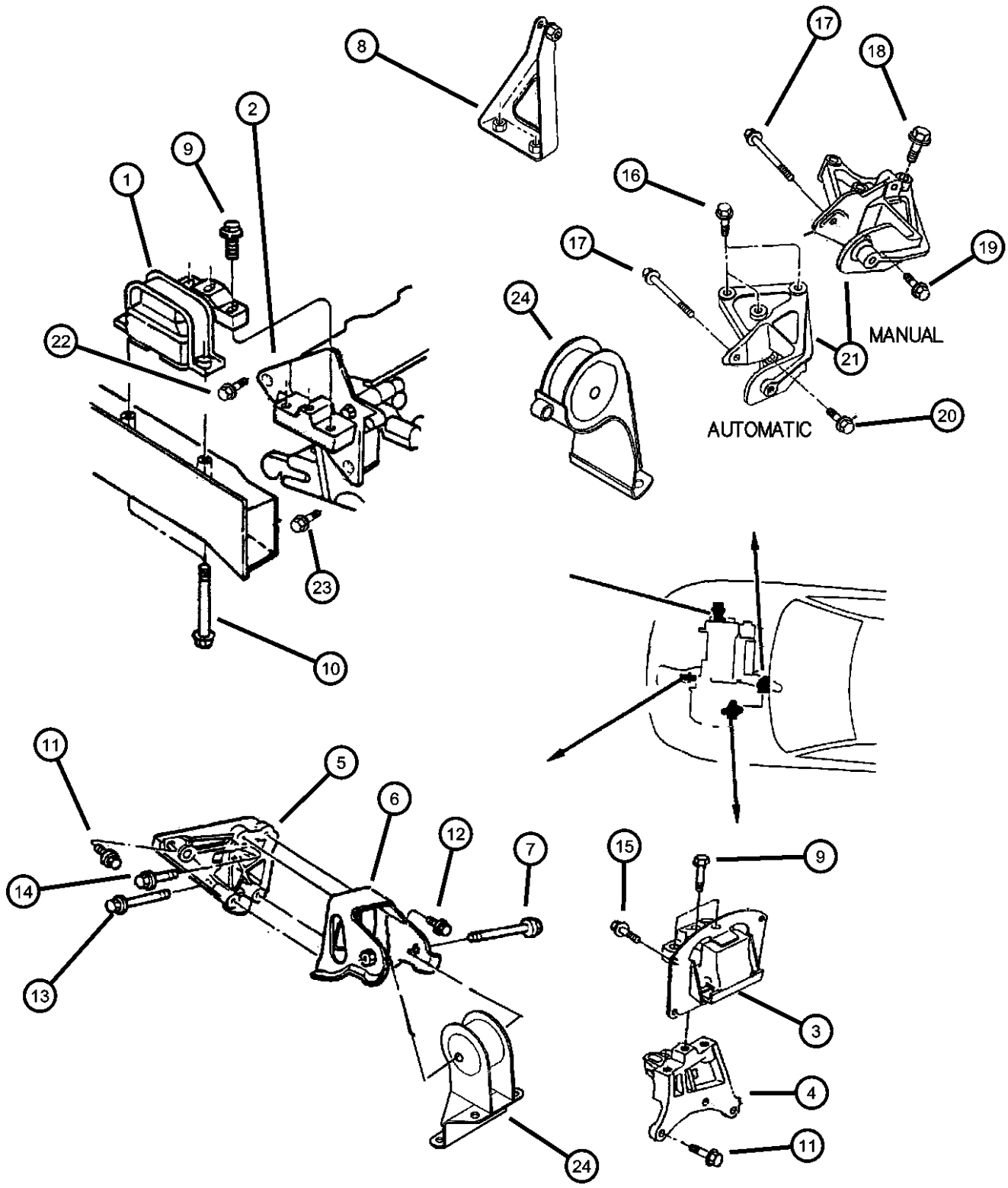
BODY
 41 = 4 Door Sedan

ENGINE
 ECB = 2.0L 4 Cyl SOHC 16V SMPI Engine
 EDZ = 2.4L 4 Cyl DOHC 16V SMPI Engine
 EEB = 2.5L V6 SOHC 24V SMPI Engine

TRANSMISSION
 DD5 = TRANSMISSION - 5-SPEED MANUAL
 DGL = TRANSMISSION - 4-SPD. AUTOMATIC,41TE
 DD4 = TRANSMISSION - 5-SPEED PERF. MANUAL

AR = use ase required - = Non illustrated part

Engine Mounts 2.4L DOHC (EDZ)
Figure 9-130



ITEM	PART NUMBER	QTY	LINE	SERIES	BODY	ENGINE	TRANS	TRIM	DESCRIPTION
NOTE: EDZ=2.4L Engine. DGL=Automatic 4 spd Trans. DD5=Manual Trans.									
1	04573773	1							SUPPORT, Engine Mount, Right
2	04593436AA	1				EDZ			BRACKET, Engine Mount
3	04573775	1							SUPPORT, Engine Mount, Left
4	04573776	1					DGL		BRACKET, Transmission Mount, Left
5	04593336	1				ECB, EDZ			STRUT, Engine Mount, PPB
6	04573761	1				ECB, EDZ			BRACKET, Torque Reaction, Front
7	06505475AA	1							SCREW AND WASHER, Hex Head
8	04593191	1							STRUT, Engine, to Crossmember
9	06504712	6							SCREW AND WASHER, Hex Head, M10x1.5x55
10	06504210	1							BOLT AND WASHER, Hex Head, M10x1.50x120
11	06101524	3				EDZ			BOLT AND WASHER, Hex Head, M10x1.5x30
12	06100306	1				EEB			BOLT AND CONED WASHER, Hex Head, M8x35x20
13	06502874	1				ECB, EDZ			BOLT, Hex Head, M12x1.75x120
14	06100344	1					DGL		BOLT AND CONED WASHER, Hex Head, M12x40x24
15	06100591	4							BOLT AND CONED WASHER, Hex Head, M8x25x24
16	06101554	3					DGL		SCREW AND WASHER, Hex Head, M12x1.75x55
17	06504210	1							BOLT AND WASHER, Hex Head, M10x1.50x120
18	06101227	3				ECB			SCREW AND WASHER, Hex Head, M10x1.5x55
19	06101514	3					DGL		BOLT AND WASHER, Hex Head, M10x1.5x35
20	06100344	1					DGL		BOLT AND CONED WASHER, Hex Head, M12x40x24
21									BRACKET, Torque Reaction
	04593253AB	1					DD5		
	04593289	1				ECB, EDZ, EEB	DGL		
22	06101760	1				EDZ			SCREW AND WASHER, Hex Head, M10x1.5x80
23	06503703	2				EDZ			BOLT, Hex Head, M10x1.50x100
24									MODULE, Engine Support

CIRRUS,BREEZE,STRATUS (JA)
 SERIES LINE
 H = HIGHLINE C = CHRYSLER
 P = PREMIUM D = DODGE
 P = PLYMOUTH

BODY
 41 = 4 Door Sedan

ENGINE
 ECB = 2.0L 4 Cyl SOHC 16V SMPI Engine
 EDZ = 2.4L 4 Cyl DOHC 16V SMPI Engine
 EEB = 2.5L V6 SOHC 24V SMPI Engine

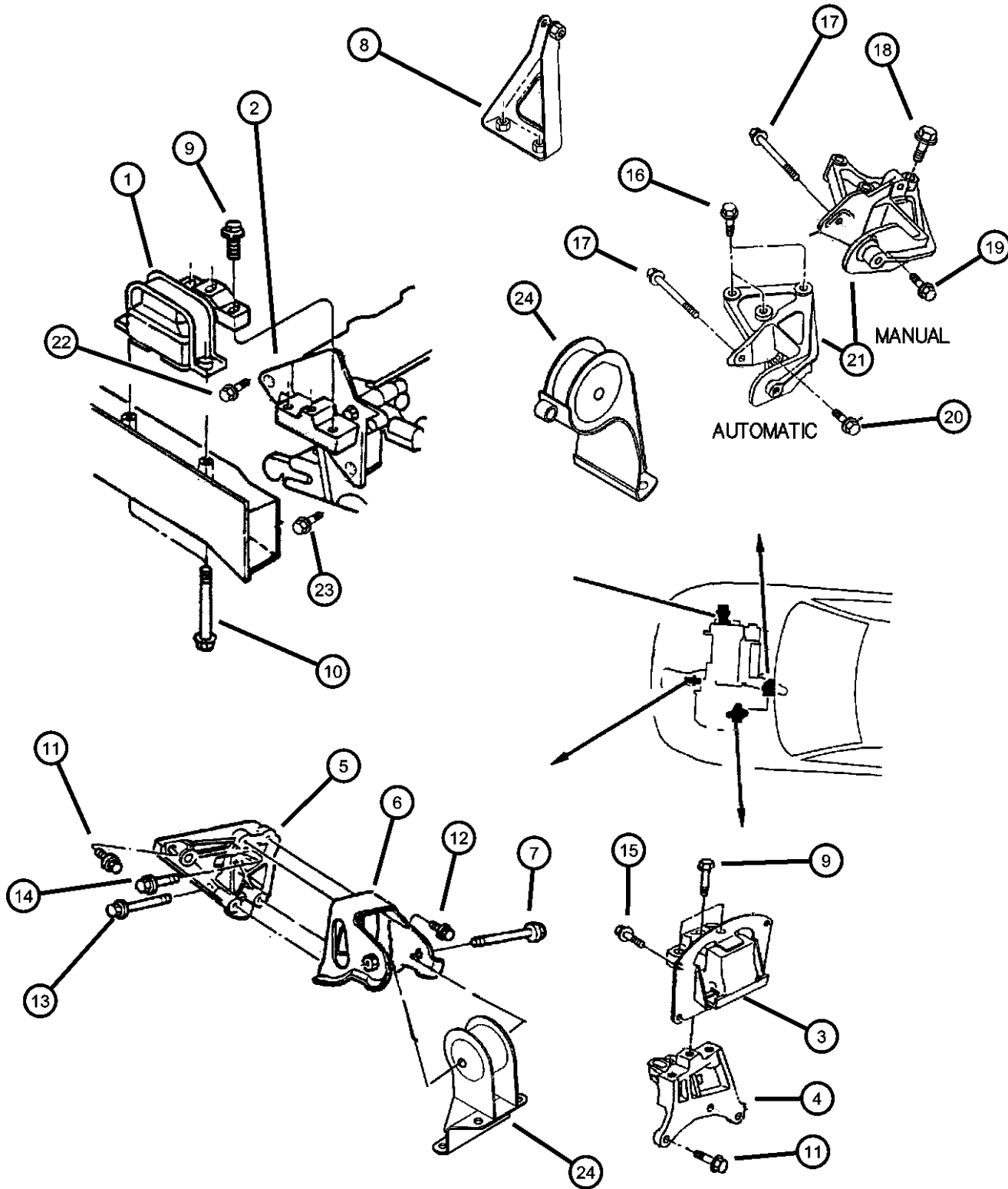
TRANSMISSION
 DD5 = TRANSMISSION - 5-SPEED MANUAL
 DGL = TRANSMISSION - 4-SPD. AUTOMATIC, 41TE
 DD4 = TRANSMISSION - 5-SPEED PERF. MANUAL

AR = use ase required - = Non illustrated part

Engine Mounts 2.4L DOHC (EDZ)
Figure 9-130

ITEM	PART NUMBER	QTY	LINE	SERIES	BODY	ENGINE	TRANS	TRIM	DESCRIPTION
------	-------------	-----	------	--------	------	--------	-------	------	-------------

	04593337AF	1				EDZ, EEB			Rear, Rear
	04593338AD	1							Front, Front



CIRRUS,BREEZE,STRATUS (JA)
 SERIES LINE
 H = HIGHLINE C = CHRYSLER
 P = PREMIUM D = DODGE
 P = PLYMOUTH

BODY
 41 = 4 Door Sedan

ENGINE
 ECB = 2.0L 4 Cyl SOHC 16V SMPI Engine
 EDZ = 2.4L 4 Cyl DOHC 16V SMPI Engine
 EEB = 2.5L V6 SOHC 24V SMPI Engine

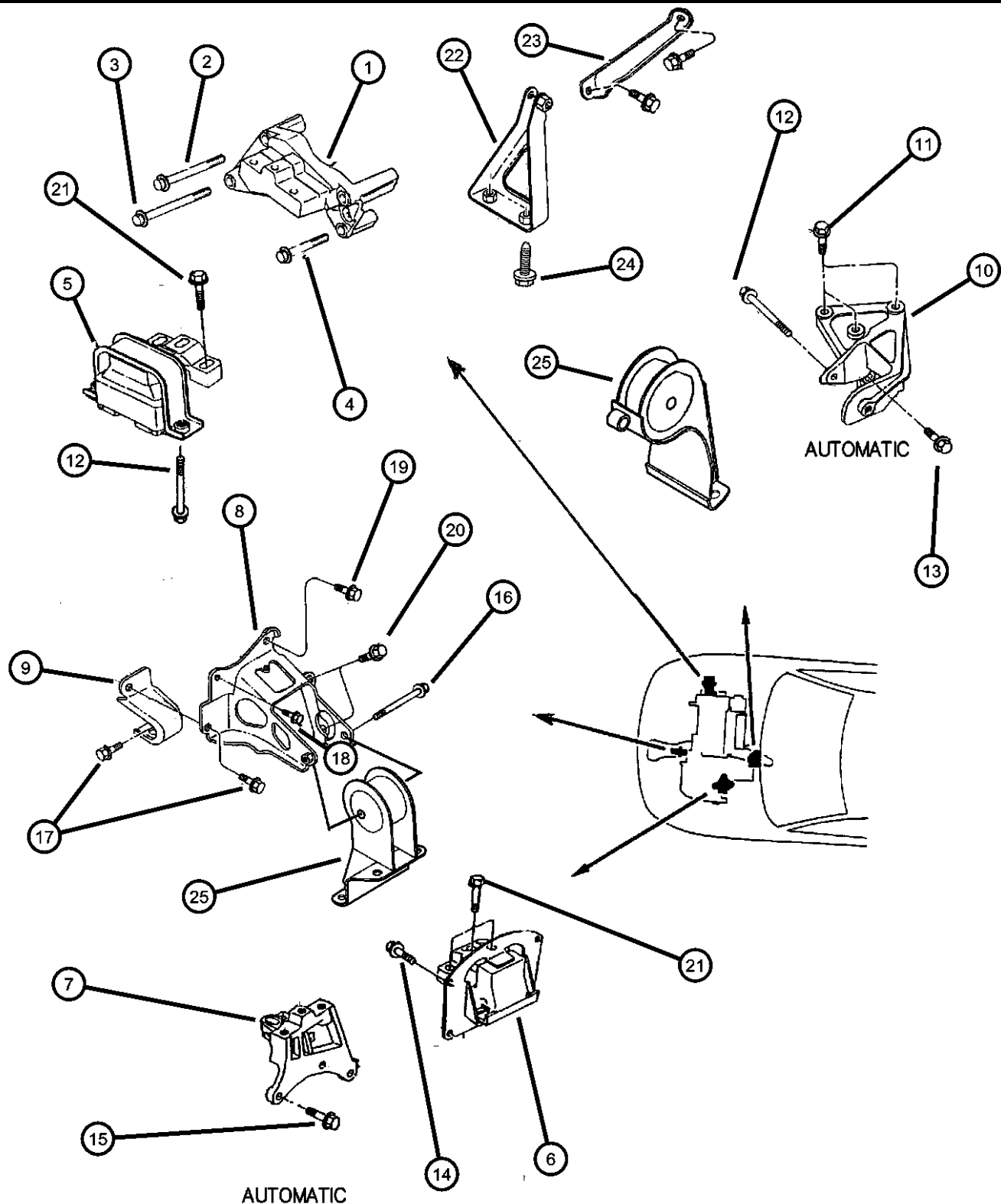
TRANSMISSION
 DD5 = TRANSMISSION - 5-SPEED MANUAL
 DGL = TRANSMISSION - 4-SPD. AUTOMATIC,41TE
 DD4 = TRANSMISSION - 5-SPEED PERF. MANUAL

AR = use ase required - = Non illustrated part

1999 JA

Engine Mounts 2.5L MMC V-6 (EEB)

Figure 9-140



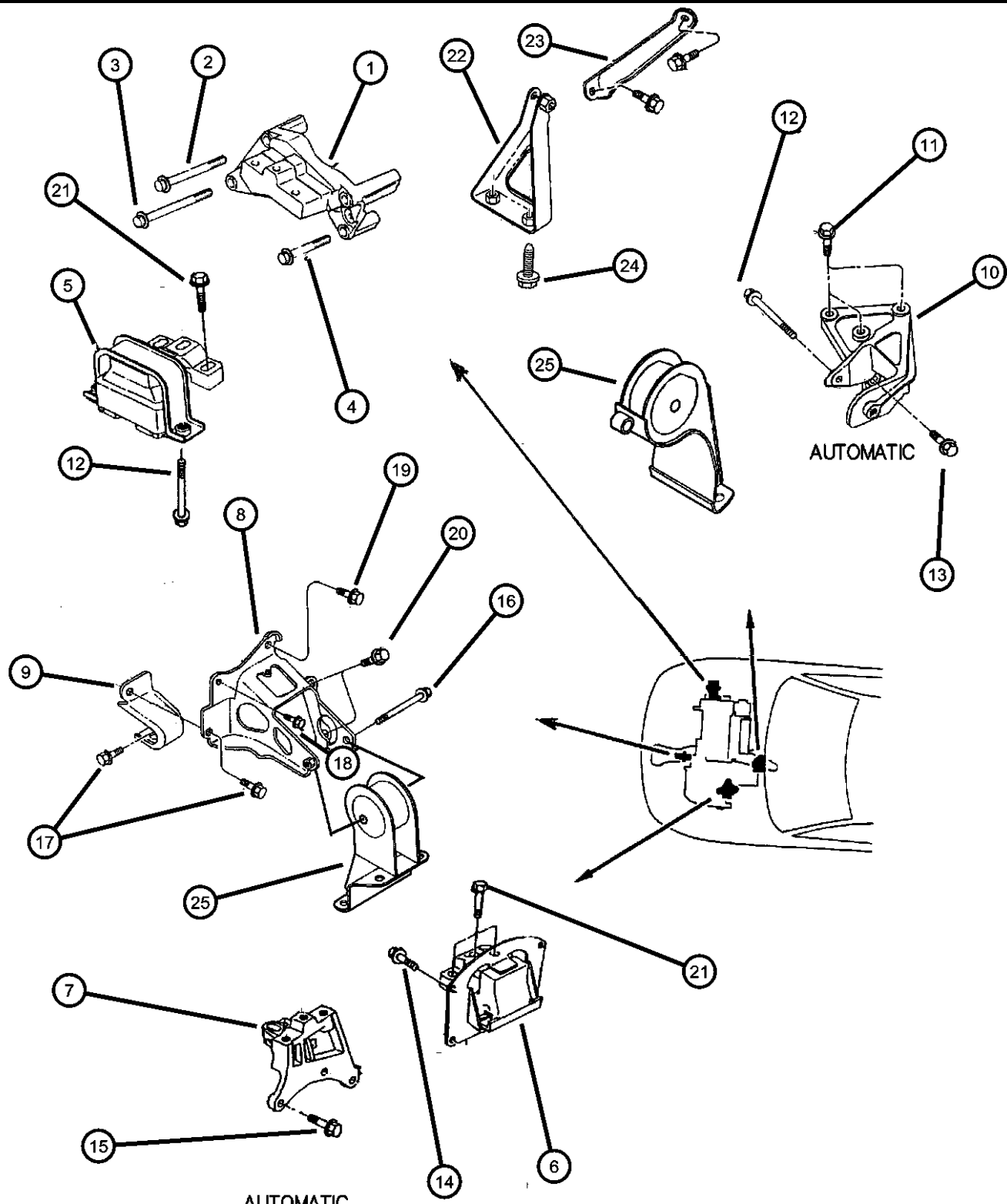
ITEM	PART NUMBER	QTY	LINE	SERIES	BODY	ENGINE	TRANS	TRIM	DESCRIPTION
NOTE: EEB=2.5L Engine. DGL=Automatic 4 spd Trans.									
1	MD314514	1				EEB			BRACKET, Engine Mount
2	MF303380	2				EEB			BOLT AND WASHER, Engine Mounting, M10x100
3	MD309571	1				EEB			BOLT, Engine Mount
4	MF303375	1				EEB			BOLT AND WASHER, M10x70
5	04573773	1							SUPPORT, Engine Mount, Right, Right
6	04573775	1							SUPPORT, Engine Mount, Left, Left
7	04573776	1					DGL		BRACKET, Transmission Mount
8	04573763	1				EEB			BRACKET, Torque ReactionFront
9									STRUT, Shock Absorber
	04573766	1				EEB			Left, Left
	04573770	1				EEB			Right, Right
10	04593289	1				ECB, EDZ, EEB	DGL		BRACKET, Torque ReactionRear
11	06101554	3					DGL		SCREW AND WASHER, Hex Head, M12x1.75x55
12	06504210	1							BOLT AND WASHER, Hex Head, M10x1.50x120
13	06100344	1					DGL		BOLT AND CONED WASHER, Hex Head, M12x40x24
14	06100591	4							BOLT AND CONED WASHER, Hex Head, M8x25x24
15	06101514	2				EEB			BOLT AND WASHER, Hex Head, M10x1.5x35
16	06505475AA	1							SCREW AND WASHER, Hex Head
17	06100343	1				EEB			BOLT AND CONED WASHER, Hex Head, M12x35x24
18	06100306	1				EEB			BOLT AND CONED WASHER, Hex Head, M8x35x20
19	06101524	1				EEB			BOLT AND WASHER, Hex Head, M10x1.5x30
20	06503297	2				EEB			BOLT AND CONED WASHER, Hex Head, M12x1.25x30
21	06504712	6							SCREW AND WASHER, Hex Head, M10x1.5x55
22	04593191	1							STRUT, Engine, to Crossmember
23	04573770	1				EEB			STRUT, Shock Absorber, PPB
24	06101671	2							SCREW AND WASHER, M10x1.50x45.00

CIRRUS,BREEZE,STRATUS (JA)

SERIES	LINE	BODY	ENGINE	TRANSMISSION
H = HIGHLINE	C = CHRYSLER	41 = 4 Door Sedan	ECB = 2.0L 4 Cyl SOHC 16V SMPI Engine	DD5 = TRANSMISSION - 5-SPEED MANUAL
P = PREMIUM	D = DODGE		EDZ = 2.4L 4 Cyl DOHC 16V SMPI Engine	DGL = TRANSMISSION - 4-SPD. AUTOMATIC,41TE
	P = PLYMOUTH		EEB = 2.5L V6 SOHC 24V SMPI Engine	DD4 = TRANSMISSION - 5-SPEED PERF. MANUAL

AR = use ase required - = Non illustrated part

Engine Mounts 2.5L MMC V-6 (EEB)
Figure 9-140



ITEM	PART NUMBER	QTY	LINE	SERIES	BODY	ENGINE	TRANS	TRIM	DESCRIPTION
------	-------------	-----	------	--------	------	--------	-------	------	-------------

25	04593337AF	1				EDZ, EEB			MODULE, Engine Support Rear, Rear
	04593338AD	1							Front, Front

CIRRUS,BREEZE,STRATUS (JA)
SERIES LINE
H = HIGHLINE C = CHRYSLER
P = PREMIUM D = DODGE
P = PLYMOUTH

BODY
41 = 4 Door Sedan

ENGINE
ECB = 2.0L 4 Cyl SOHC 16V
SMPI Engine
EDZ = 2.4L 4 Cyl DOHC 16V
SMPI Engine
EEB = 2.5L V6 SOHC 24V
SMPI Engine

TRANSMISSION
DD5 = TRANSMISSION - 5-SPEED
MANUAL
DGL = TRANSMISSION - 4-SPD.
AUTOMATIC,41TE
DD4 = TRANSMISSION - 5-SPEED
PERF. MANUAL

AR = use ase required - = Non illustrated part

Group - 2.0L

Engine 2.0L Four Cylinder

Group - 2.0L Engine 2.0L Four Cylinder

Illustration Title

Group-Fig. No.

Engine Identification

I.D. Location 2.0L 4 Cyl SOHC (ECB) Fig. 2.0L - 111

Cylinder Head

Cylinder Head 2.0L 4 Cyl SOHC (ECB) Fig. 2.0L - 211

Cylinder Block

Cylinder Block 2.0L 4 Cyl SOHC (ECB) Fig. 2.0L - 311

Crankshaft, Piston, and Drive Plate

Crankshaft, Piston, and Torque Converter 2.0L 4 Cyl SOHC (ECB) Fig. 2.0L - 411

Camshafts and Valves

Camshaft and Valves 2.0L 4 Cyl SOHC (ECB) Fig. 2.0L - 511

Timing Belt and Cover

Timing Belt and Cover 2.0L 4 Cyl SOHC (ECB) Fig. 2.0L - 611

Engine Oiling

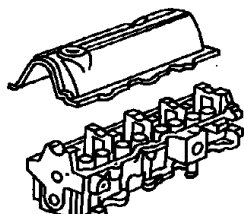
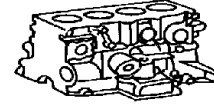
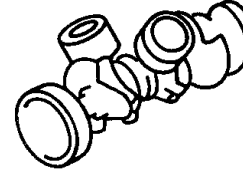
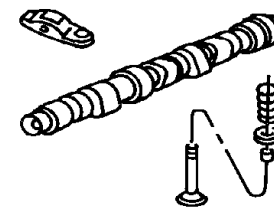
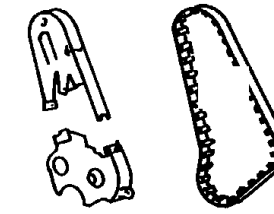
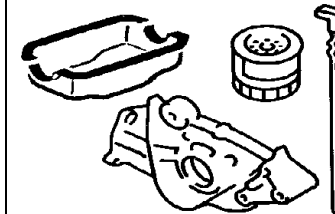
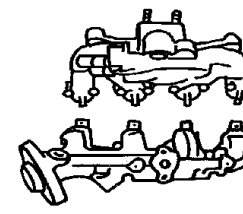
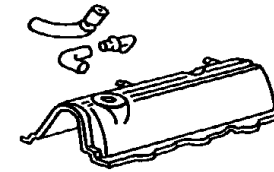
Engine Oiling 2.0L 4 Cyl SOHC (ECB) Fig. 2.0L - 711

Manifolds

Manifolds 2.0L 4 Cyl SOHC (ECB) Fig. 2.0L - 811

Crankcase Ventilation

Crankcase Ventilation 2.0L 4 Cyl SOHC (ECB) Fig. 2.0L - 911

<p>2.0L-100 Engine Identification</p> <table border="1"> <tr> <td>X Model Year</td> <td>X Manufacturing Plant</td> <td>XXXXX Component Code/Usage</td> <td>XXX Month/Day</td> <td>XXXXXXXX Serial Code</td> </tr> <tr> <td>Last digit of model year</td> <td>Schilo S Trenton T Tokyo K</td> <td>Engine 3.2L - 3.8L Usage Pass Car PC Truck T</td> <td></td> <td>Last 8 Digits of VIN</td> </tr> </table>	X Model Year	X Manufacturing Plant	XXXXX Component Code/Usage	XXX Month/Day	XXXXXXXX Serial Code	Last digit of model year	Schilo S Trenton T Tokyo K	Engine 3.2L - 3.8L Usage Pass Car PC Truck T		Last 8 Digits of VIN	<p>2.0L-200 Cylinder Head</p> 	<p>2.0L-300 Cylinder Block</p> 	<p>2.0L-400 Crankshaft, Piston, and Drive Plate</p> 
X Model Year	X Manufacturing Plant	XXXXX Component Code/Usage	XXX Month/Day	XXXXXXXX Serial Code									
Last digit of model year	Schilo S Trenton T Tokyo K	Engine 3.2L - 3.8L Usage Pass Car PC Truck T		Last 8 Digits of VIN									
<p>2.0L-500 Camshafts and Valves</p> 	<p>2.0L-600 Timing Belt and Cover</p> 	<p>2.0L-700 Engine Oiling</p> 	<p>2.0L-800 Manifolds</p> 										
<p>2.0L-900 Crankcase Ventilation</p> 													

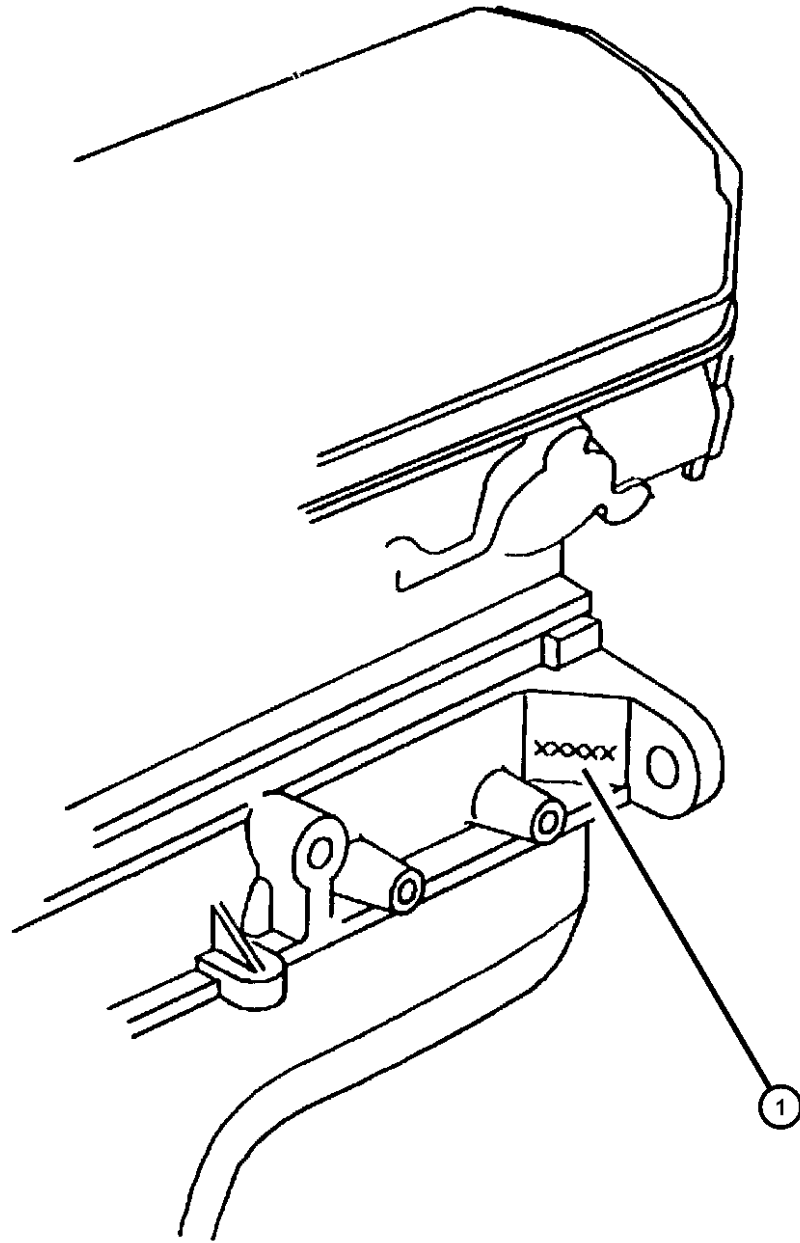
I.D. Location 2.0L 4 Cyl SOHC (ECB)
Figure 2.0L-111

ITEM	PART NUMBER	QTY	LINE	SERIES	BODY	ENGINE	TRANS	TRIM	DESCRIPTION
------	-------------	-----	------	--------	------	--------	-------	------	-------------

NOTE: ECB=2.0L Engine.

1	04593338AD	1							
---	------------	---	--	--	--	--	--	--	--

LABEL, Engine Identification, (NOT SERVICED),



CIRRUS,BREEZE,STRATUS (JA)

SERIES	LINE
H = HIGHLINE	C = CHRYSLER
P = PREMIUM	D = DODGE
	P = PLYMOUTH

BODY
41 = 4 Door Sedan

ENGINE
ECB = 2.0L 4 Cyl SOHC 16V SMPI Engine
EDZ = 2.4L 4 Cyl DOHC 16V SMPI Engine
EEB = 2.5L V6 SOHC 24V SMPI Engine

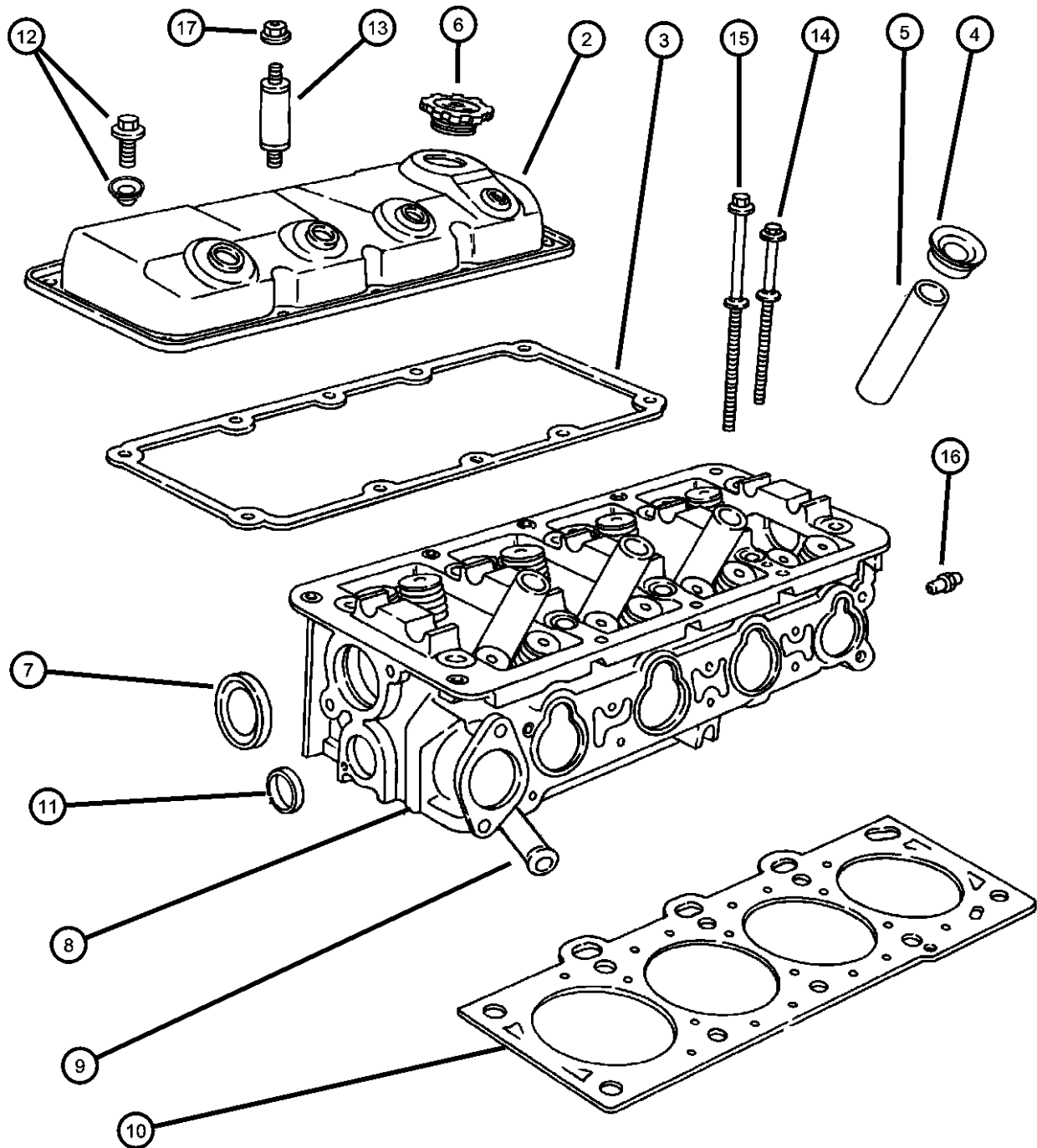
TRANSMISSION
DD5 = TRANSMISSION - 5-SPEED MANUAL
DGL = TRANSMISSION - 4-SPD. AUTOMATIC,41TE
DD4 = TRANSMISSION - 5-SPEED PERF. MANUAL

AR = use ase required - = Non illustrated part

1999 JA

Cylinder Head 2.0L 4 Cyl SOHC (ECB)

Figure 2.0L-211



ITEM	PART NUMBER	QTY	LINE	SERIES	BODY	ENGINE	TRANS	TRIM	DESCRIPTION
------	-------------	-----	------	--------	------	--------	-------	------	-------------

NOTE: Sales Codes
 [ECB]=2.0L Engine.
 [EDZ]=2.4L Engine

-1									GASKET PACKAGE, Engine Upper
	04798966AB	1				ECB			Use with Metal Valve Cover
	05014133AC	1				ECB			Use with Plastic Valve Cover
2									COVER, Cylinder Head
	04777248	1				ECB			Up to 4-8-99
	04777487AB	1				ECB			After 4-8-99, Plastic
3									GASKET, Cylinder Cover
	04667985	1				ECB			Up to 4-8-99
	04777626AA	1				ECB			After 4-8-99 Use with Plastic Valve Cover, Plastic
4									SEAL, Spark Plug Tube
	04777042	4				ECB			
	04777042AB	4				ECB			Use with Plastic Valve Cover
5	04648604	4				ECB			TUBE, Spark Plug
6	04777536	1				ECB			CAP, Oil Filler
7	04777086	1				ECB			SEAL, Camshaft
8	04667993	1				ECB			HEAD, Cylinder
9	04621653	1				ECB			NIPPLE, Heater Return
10	04777072AB	1				ECB			GASKET PACKAGE, Cylinder Head
11	04556020	2				ECB			PLUG, Core, 1.25 Diameter
12	04667982	10				ECB			ISOLATOR, Cylinder Head Cover, Grommet And Bolt
13	06503166	1				EDZ			STUD, Hexagon, M8x1.25x46
14	06503561	4				ECB			BOLT, Cylinder Head
15	06503562	6				ECB			BOLT, Cylinder Head
16	04323808	1				ECB			RESTRICTOR, Cylinder Head Oil
17	06101467	4							NUT, Hex Flange, M8x1.25

CIRRUS,BREEZE,STRATUS (JA)

SERIES LINE
 H = HIGHLINE C = CHRYSLER
 P = PREMIUM D = DODGE
 P = PLYMOUTH

BODY
 41 = 4 Door Sedan

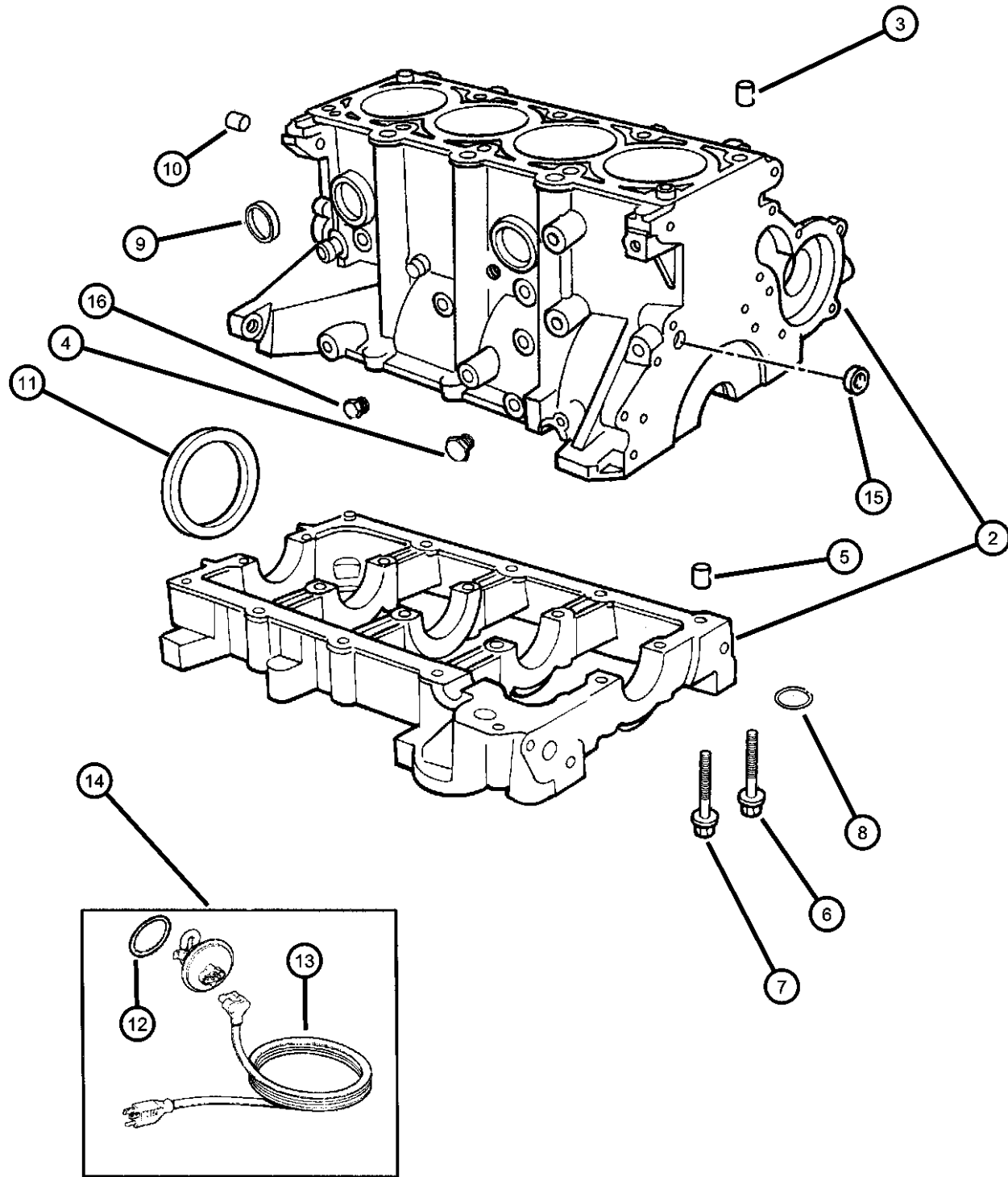
ENGINE
 ECB = 2.0L 4 Cyl SOHC 16V SMPI Engine
 EDZ = 2.4L 4 Cyl DOHC 16V SMPI Engine
 EEB = 2.5L V6 SOHC 24V SMPI Engine

TRANSMISSION
 DD5 = TRANSMISSION - 5-SPEED MANUAL
 DGL = TRANSMISSION - 4-SPD. AUTOMATIC, 41TE
 DD4 = TRANSMISSION - 5-SPEED PERF. MANUAL

AR = use ase required - = Non illustrated part

1999 JA

**Cylinder Block 2.0L 4 Cyl SOHC (ECB)
Figure 2.0L-311**



ITEM	PART NUMBER	QTY	LINE	SERIES	BODY	ENGINE	TRANS	TRIM	DESCRIPTION
NOTE: Sales Codes [ECB]=2.0L Engine. [EDZ]=2.4L Engine									
-1	04798967AB	1				ECB			GASKET PACKAGE, Engine Lower
2	04864260	1				ECB			BLOCK, Short
	R0420469AA								[NAA], Contains Block, Bed Plate, Crank, Rods, Pistons, Rings, Oil Pump, Oil Pan Mopar Reman Long Block Includes Heads
	04897720AA	1				ECB			[NAE], Contains Block, Bed Plate, Crank, Rods, Pistons, Rings, Oil Pump, Oil Pan
3	04448856	2				ECB			DOWEL, Block To Cylinder Head
4	06035743	1				ECB			PLUG, Timing Probe Hole
5	04694106	3				ECB			DOWEL, Engine Block To Bedplate
6	06503072	10				ECB			BOLT, Main Bearing Cap
7	06503074	10				ECB			BOLT, Main Bearing Cap
8	06034773	1				ECB			O RING, Bedplate To Engine Block
9	06034804	4				ECB			PLUG, Core, 1.39 Diameter
10	05240849	2				ECB			DOWEL, Block To Clutch Housing
11	04667904	1				ECB			SEAL, Rear Main Crankshaft
12	06503096	1				ECB, EDZ			O RING, Engine Block Heater
13	04609073	1							CORD, Engine Block Heater
14	04557686	1				ECB, EDZ			HEATER, Engine Block
15	04556018	2				ECB			PLUG, Cylinder Block Oil Hole
16	04556018	2							PLUG, (NOT SERVICED)

CIRRUS,BREEZE,STRATUS (JA)
 SERIES LINE
 H = HIGHLINE C = CHRYSLER
 P = PREMIUM D = DODGE
 P = PLYMOUTH

BODY
 41 = 4 Door Sedan

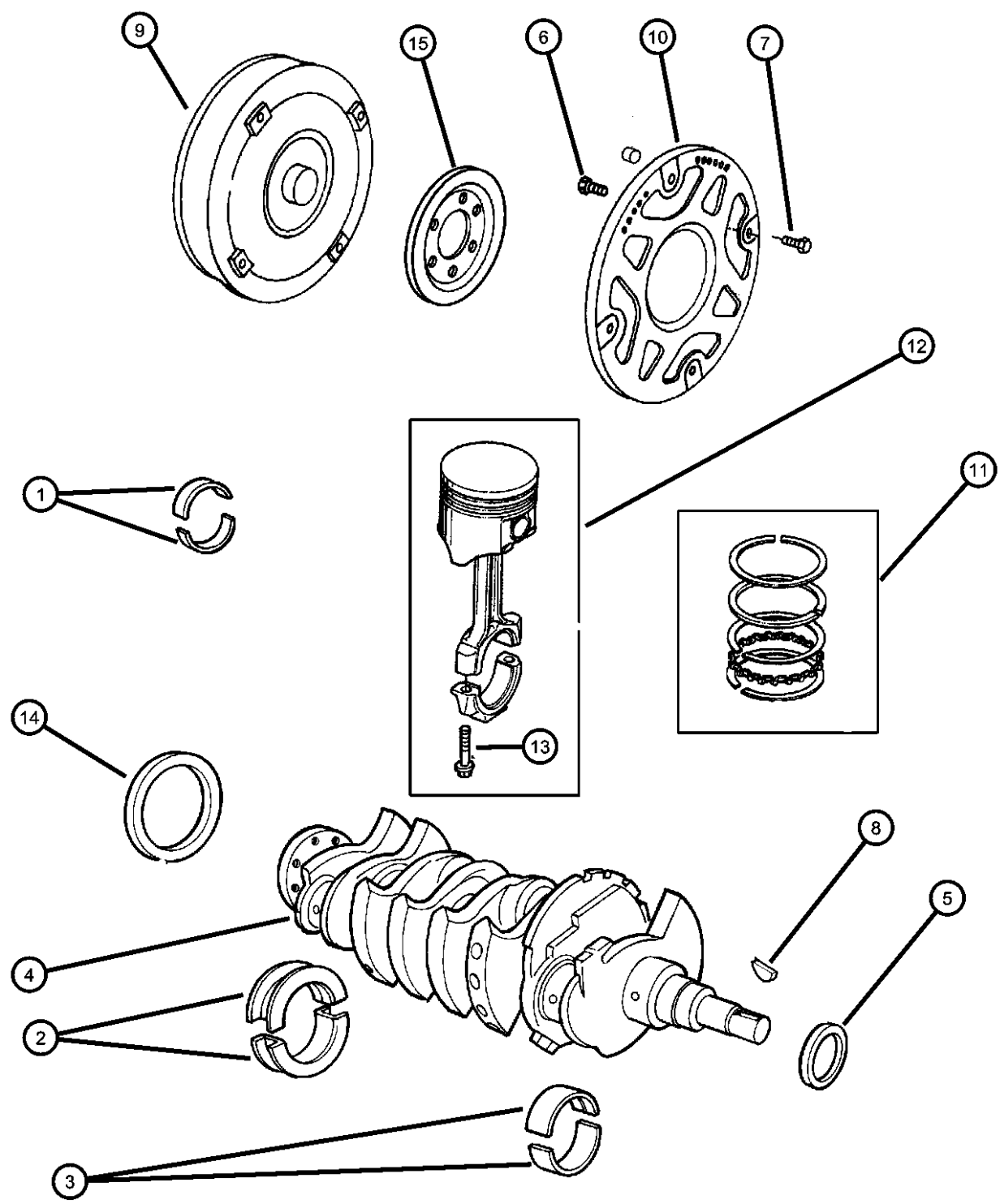
ENGINE
 ECB = 2.0L 4 Cyl SOHC 16V SMPI Engine
 EDZ = 2.4L 4 Cyl DOHC 16V SMPI Engine
 EEB = 2.5L V6 SOHC 24V SMPI Engine

TRANSMISSION
 DD5 = TRANSMISSION - 5-SPEED MANUAL
 DGL = TRANSMISSION - 4-SPD. AUTOMATIC,41TE
 DD4 = TRANSMISSION - 5-SPEED PERF. MANUAL

AR = use ase required - = Non illustrated part

1999 JA

**Crankshaft, Piston, and Torque Converter 2.0L 4 Cyl SOHC (ECB)
Figure 2.0L-411**



ITEM	PART NUMBER	QTY	LINE	SERIES	BODY	ENGINE	TRANS	TRIM	DESCRIPTION
NOTE: Sales Codes [DD5]=Manual Trans. [DGL]=Automatic 4 spd Trans [ECB]=2.0L Engine. [EDZ]=2.4L Engine [EEB]=2.5L Engine									
1	04728997	1				ECB			BEARING PACKAGE, Connecting Rod, Standard
2	04856734	1				ECB			BEARING PACKAGE, Crankshaft Thrust, STD.
3	04856733	4				ECB			BEARING PACKAGE, Crankshaft Main, Standard Size
4	04667754	1				ECB			CRANKSHAFT
5	04667198	1				ECB			SEAL, Front Main Crankshaft
6									BOLT, Drive Plate and Flywheel
	06503465	8					DD5		
		8					DGL		
7									BOLT, Hex Head, M10x1.50 x 13.20
	06501099	4					DD5		
		4					DGL		
8	06035473	1				ECB			KEY, Crankshaft Sprocket
9	04796384AB R4796384AB	1				ECB	DGL		CONVERTER PACKAGE, Torque Mopar Remanufactured Part
10	04567143	1				ECB	DGL		PLATE, Drive Plate
11	04741401	1				ECB			PISTON RING SET, COMPLETE ENGINE, STD.
12									PISTON PIN AND ROD
	04773975	4				ECB			NAA
	04897642AA	4				ECB			NAE
13	06503116	8				ECB			BOLT, Connecting Rod
14	04667904	1				ECB			SEAL, Rear Main Crankshaft
15									PLATE, Drive Plate Backing
	04471933	1					DD5		
		1					DGL		

CIRRUS,BREEZE,STRATUS (JA)
 SERIES LINE
 H = HIGHLINE C = CHRYSLER
 P = PREMIUM D = DODGE
 P = PLYMOUTH

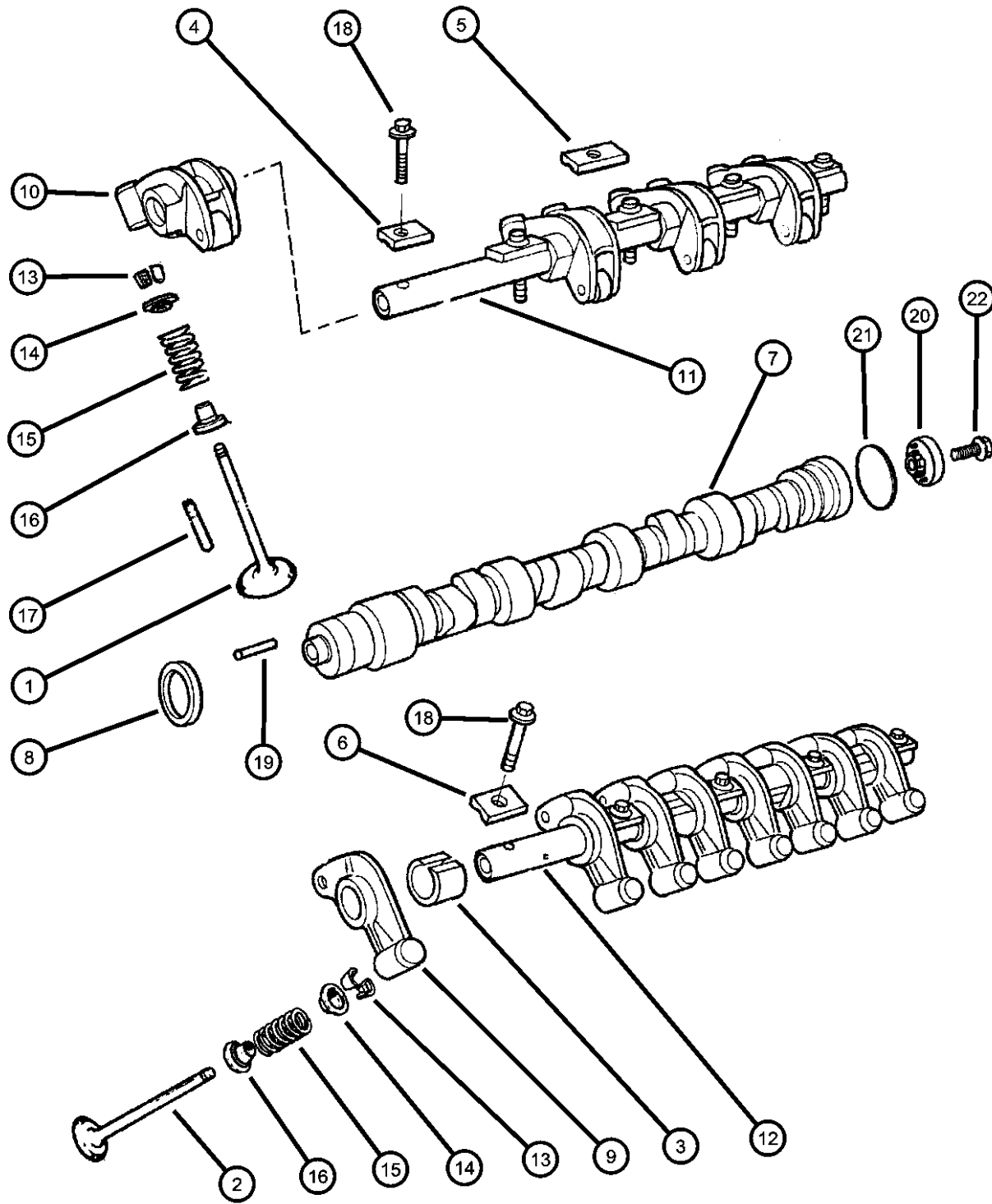
BODY
 41 = 4 Door Sedan

ENGINE
 ECB = 2.0L 4 Cyl SOHC 16V SMPI Engine
 EDZ = 2.4L 4 Cyl DOHC 16V SMPI Engine
 EEB = 2.5L V6 SOHC 24V SMPI Engine

TRANSMISSION
 DD5 = TRANSMISSION - 5-SPEED MANUAL
 DGL = TRANSMISSION - 4-SPD. AUTOMATIC, 41TE
 DD4 = TRANSMISSION - 5-SPEED PERF. MANUAL

AR = use ase required - = Non illustrated part

**Camshaft and Valves 2.0L 4 Cyl SOHC (ECB)
Figure 2.0L-511**



ITEM	PART NUMBER	QTY	LINE	SERIES	BODY	ENGINE	TRANS	TRIM	DESCRIPTION
------	-------------	-----	------	--------	------	--------	-------	------	-------------

NOTE: Sales Code
[ECB]=2.0L Engine.

1	04648613	8				ECB			VALVE, Exhaust, Standard
2	04648615	8				ECB			VALVE, Intake, Standard
3	04667370	4				ECB			SPACER, Rocker Shaft
4	04667256	2				ECB			RETAINER, Valve Rocker Shaft
5	04667257	3				ECB			RETAINER, Valve Rocker Shaft
6	04667259	5				ECB			RETAINER, Valve Rocker Shaft
7	04777128	1				ECB			CAMSHAFT
8	04777086	1				ECB			SEAL, Camshaft
9	04648701	8				ECB			ROCKER ARM, Intake
10	04648702	4				ECB			ROCKER ARM, Exhaust
11	04648693	1				ECB			SHAFT, Rocker Arm
12	04648691	1				ECB			SHAFT, Rocker Arm
13	04777050	32				ECB			LOCK, Valve Spring Retainer
14	04648682	16				ECB			RETAINER, Valve Spring
15	04777535	16				ECB			SPRING, Valve
16	04648619	16				ECB			SEAL, Valve Guide
17	04648635	AR				ECB			GUIDE, Intake/Exhaust Valve, 7mm Oversize
18	06505429AA	5				ECB			SCREW, Hex Flange Head, M8x1.25x40
19	06100997	1				ECB			PIN, Dowel
20	05269547	1				ECB			CAM MAGNET, Target
21	04777068	1				ECB			SEAL, Camshaft Sensor
22	06503688	1				ECB			BOLT, Hex Flange Head, M6x1.00x40

CIRRUS,BREEZE,STRATUS (JA)

SERIES	LINE
H = HIGHLINE	C = CHRYSLER
P = PREMIUM	D = DODGE
	P = PLYMOUTH

BODY
41 = 4 Door Sedan

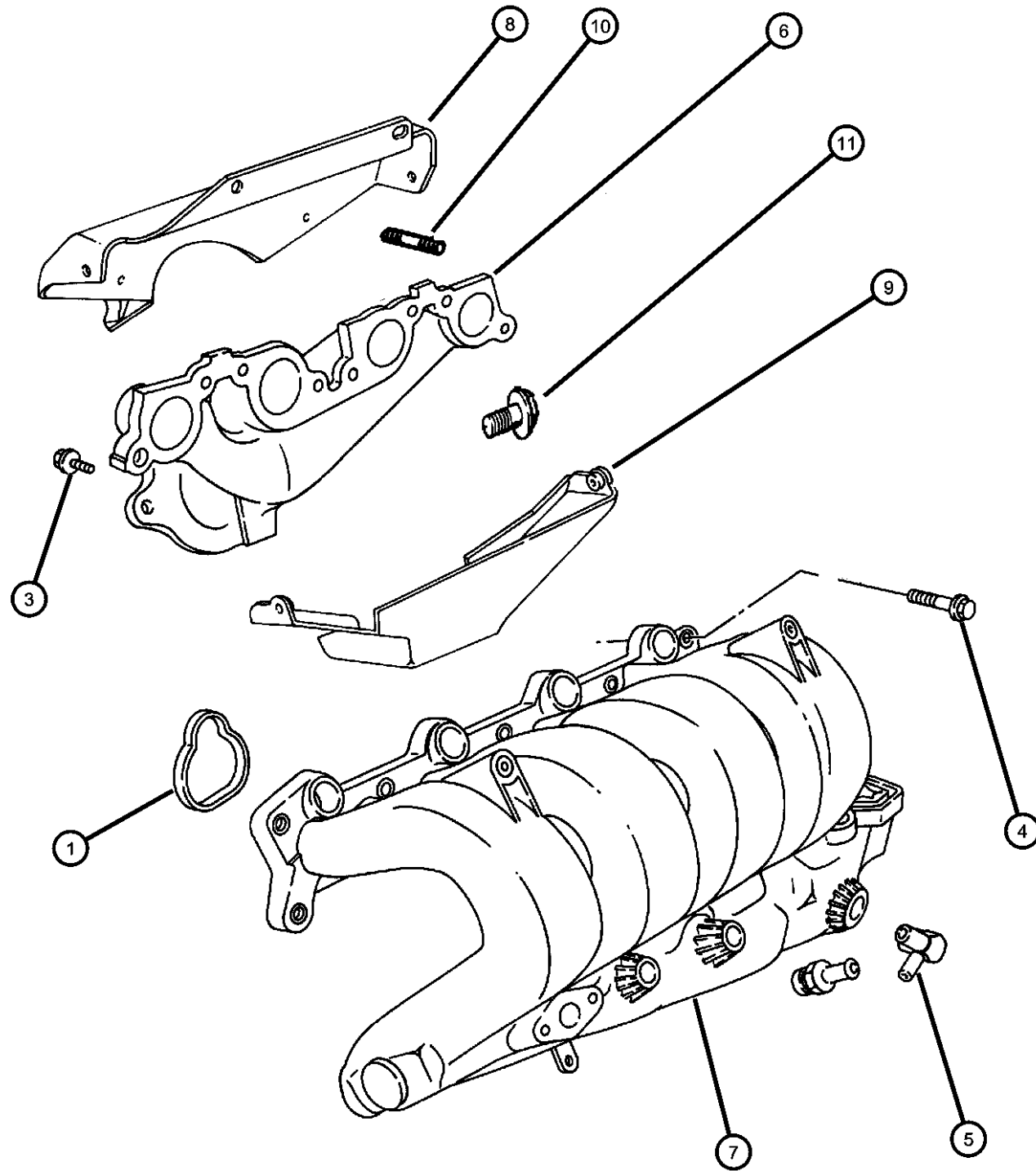
ENGINE
ECB = 2.0L 4 Cyl SOHC 16V SMPI Engine
EDZ = 2.4L 4 Cyl DOHC 16V SMPI Engine
EEB = 2.5L V6 SOHC 24V SMPI Engine

TRANSMISSION
DD5 = TRANSMISSION - 5-SPEED MANUAL
DGL = TRANSMISSION - 4-SPD. AUTOMATIC,41TE
DD4 = TRANSMISSION - 5-SPEED PERF. MANUAL

AR = use ase required - = Non illustrated part

1999 JA

**Manifolds 2.0L 4 Cyl SOHC (ECB)
Figure 2.0L-811**



ITEM	PART NUMBER	QTY	LINE	SERIES	BODY	ENGINE	TRANS	TRIM	DESCRIPTION
------	-------------	-----	------	--------	------	--------	-------	------	-------------

NOTE: Sales Code
[ECB]=2.0L Engine.

1	04777895AA	4				ECB			GASKET, Intake Manifold
-2	04667492	1				ECB			GASKET, Exhaust Manifold, Transitory Low Emission Vehicle
3	06503131	8				ECB			BOLT, Hex Flange Head, M8x1.25x30
4	06504020	10				ECB			BOLT, Hex Head Locking, M6x1.00x25
5	04306550	1				ECB			CONNECTOR, Brake Booster Vacuum
6	04777636AA	1				ECB			MANIFOLD, Exhaust
7	04856614	1				ECB			MANIFOLD PACKAGE, Intake
8	04792297	1				ECB			SHIELD, Heat
9	04792299	1				ECB			SHIELD, Heat
10	06504170	2				EDZ			STUD, M8x1.25x44.80
11	06503767	4				ECB			BOLT, Hex Head, M8x1.25x35

CIRRUS,BREEZE,STRATUS (JA)

SERIES	LINE
H = HIGHLINE	C = CHRYSLER
P = PREMIUM	D = DODGE
	P = PLYMOUTH

BODY
41 = 4 Door Sedan

ENGINE
ECB = 2.0L 4 Cyl SOHC 16V SMPI Engine
EDZ = 2.4L 4 Cyl DOHC 16V SMPI Engine
EEB = 2.5L V6 SOHC 24V SMPI Engine

TRANSMISSION
DD5 = TRANSMISSION - 5-SPEED MANUAL
DGL = TRANSMISSION - 4-SPD. AUTOMATIC, 41TE
DD4 = TRANSMISSION - 5-SPEED PERF. MANUAL

AR = use ase required - = Non illustrated part

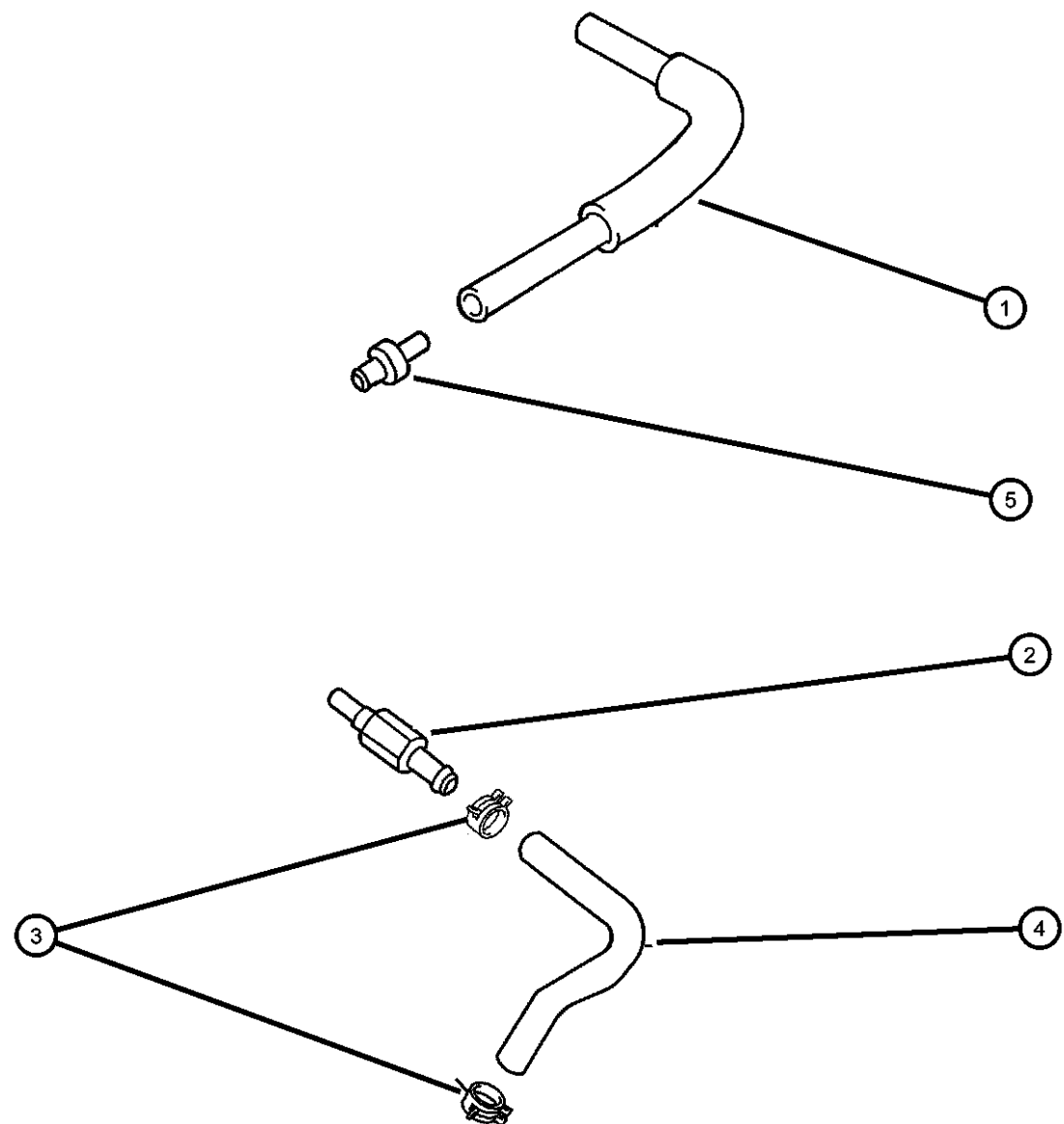
1999 JA

**Crankcase Ventilation 2.0L 4 Cyl SOHC (ECB)
Figure 2.0L-911**

ITEM	PART NUMBER	QTY	LINE	SERIES	BODY	ENGINE	TRANS	TRIM	DESCRIPTION
------	-------------	-----	------	--------	------	--------	-------	------	-------------

NOTE: ECB=2.0L Engine.

1	04667990	1				ECB			HOSE, Polution Control Valve
2	04777240AC	1				ECB			VALVE, PCV
3	06502017	2				ECB			CLAMP, Heater Hose
4	04667760	1				ECB			HOSE, Polution Control Valve
5	04667845	1				ECB			RESTRICTOR, PCV



CIRRUS,BREEZE,STRATUS (JA)

SERIES	LINE
H = HIGHLINE	C = CHRYSLER
P = PREMIUM	D = DODGE
	P = PLYMOUTH

BODY
41 = 4 Door Sedan

ENGINE	TRANSMISSION
ECB = 2.0L 4 Cyl SOHC 16V SMPI Engine	DD5 = TRANSMISSION - 5-SPEED MANUAL
EDZ = 2.4L 4 Cyl DOHC 16V SMPI Engine	DGL = TRANSMISSION - 4-SPD. AUTOMATIC,41TE
EEB = 2.5L V6 SOHC 24V SMPI Engine	DD4 = TRANSMISSION - 5-SPEED PERF. MANUAL

AR = use ase required - = Non illustrated part

1999 JA

Group - 2.4L

Engine 2.4L Four Cylinder

Group - 2.4L Engine 2.4L Four Cylinder

Illustration Title

Group-Fig. No.

Engine Identification

I.D. Location 2.4L 4 Cyl DOHC 16V (MPI, EDZ)..... Fig. 2.4L - 121

Cylinder Head

Cylinder Head 2.4L Cyl DOHC 16V (MPI, EDZ)..... Fig. 2.4L - 221

Cylinder Block

Cylinder Block 2.4L 4 Cyl DOHC 16V (MPI, EDZ)..... Fig. 2.4L - 321

Crankshaft, Piston, and Drive Plate

Crankshaft, Piston and Torque Converter 2.4L Cyl DOHC 16V (MPI, EDZ)..... Fig. 2.4L - 421

Camshafts and Valves

Camshaft and Valves 2.4L 4 Cyl DOHC 16V (MPI, EDZ)..... Fig. 2.4L - 521

Timing Belt and Cover

Timing Belt and Cover 2.4L 4 Cyl DOHC 16V (MPI, EDZ)..... Fig. 2.4L - 621

Balance Shafts 2.4L 4 Cyl DOHC 16V (MPI, EDZ)..... Fig. 2.4L - 625

Engine Oiling

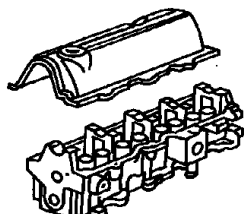
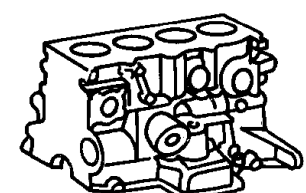
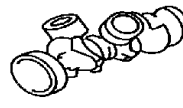
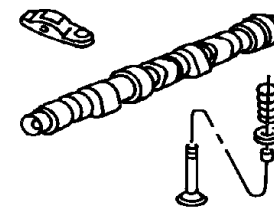
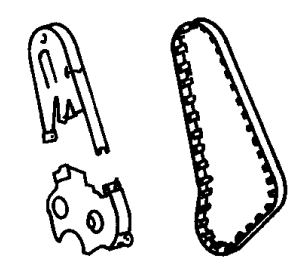
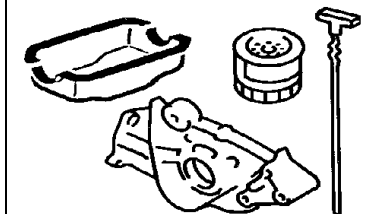
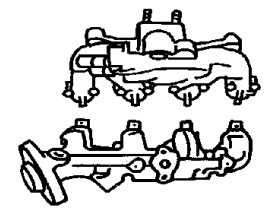
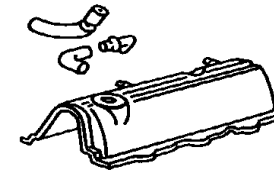
Engine Oiling 2.4L 4 Cyl DOHC 16V (MPI, EDZ)..... Fig. 2.4L - 721

Manifolds

Manifolds 2.4L 4 Cyl DOHC 16V (MPI, EDZ)..... Fig. 2.4L - 821

Crankcase Ventilation

Crankcase Ventilation 2.4L 4 Cyl DOHC 16V (MPI, EDZ)..... Fig. 2.4L - 921

<p>2.4L-100 Engine Identification</p> <table border="1"> <tr> <td>X Model Year</td> <td>X Manufacturing Plant</td> <td>XXXXX Component Code/Usage</td> <td>XXXX Month/Day</td> <td>XXXXXXXX Serial Code</td> </tr> <tr> <td>Last digit of model year</td> <td>Satellite S Trenton T Tokyo K</td> <td>Engine 3.2L - 3.8L Usage Pass Car PC Truck T</td> <td></td> <td>Last 8 Digits of VIN</td> </tr> </table>	X Model Year	X Manufacturing Plant	XXXXX Component Code/Usage	XXXX Month/Day	XXXXXXXX Serial Code	Last digit of model year	Satellite S Trenton T Tokyo K	Engine 3.2L - 3.8L Usage Pass Car PC Truck T		Last 8 Digits of VIN	<p>2.4L-200 Cylinder Head</p> 	<p>2.4L-300 Cylinder Block</p> 	<p>2.4L-400 Crankshaft, Piston, and Drive Plate</p> 
X Model Year	X Manufacturing Plant	XXXXX Component Code/Usage	XXXX Month/Day	XXXXXXXX Serial Code									
Last digit of model year	Satellite S Trenton T Tokyo K	Engine 3.2L - 3.8L Usage Pass Car PC Truck T		Last 8 Digits of VIN									
<p>2.4L-500 Camshafts and Valves</p> 	<p>2.4L-600 Timing Belt and Cover</p> 	<p>2.4L-700 Engine Oiling</p> 	<p>2.4L-800 Manifolds</p> 										
<p>2.4L-900 Crankcase Ventilation</p> 													

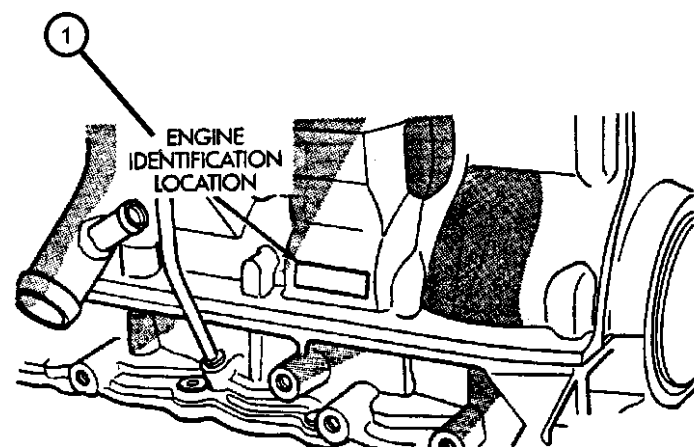
I.D. Location 2.4L 4 Cyl DOHC 16V (MPI, EDZ)
Figure 2.4L-121

ITEM	PART NUMBER	QTY	LINE	SERIES	BODY	ENGINE	TRANS	TRIM	DESCRIPTION
------	-------------	-----	------	--------	------	--------	-------	------	-------------

NOTE: Sales Code
[EDZ]=2.4L Engine.

1	04667845	1							
---	----------	---	--	--	--	--	--	--	--

LABEL, Engine Identification, (NOT SERVICED)



CIRRUS,BREEZE,STRATUS (JA)

SERIES	LINE
H = HIGHLINE	C = CHRYSLER
P = PREMIUM	D = DODGE
	P = PLYMOUTH

BODY
41 = 4 Door Sedan

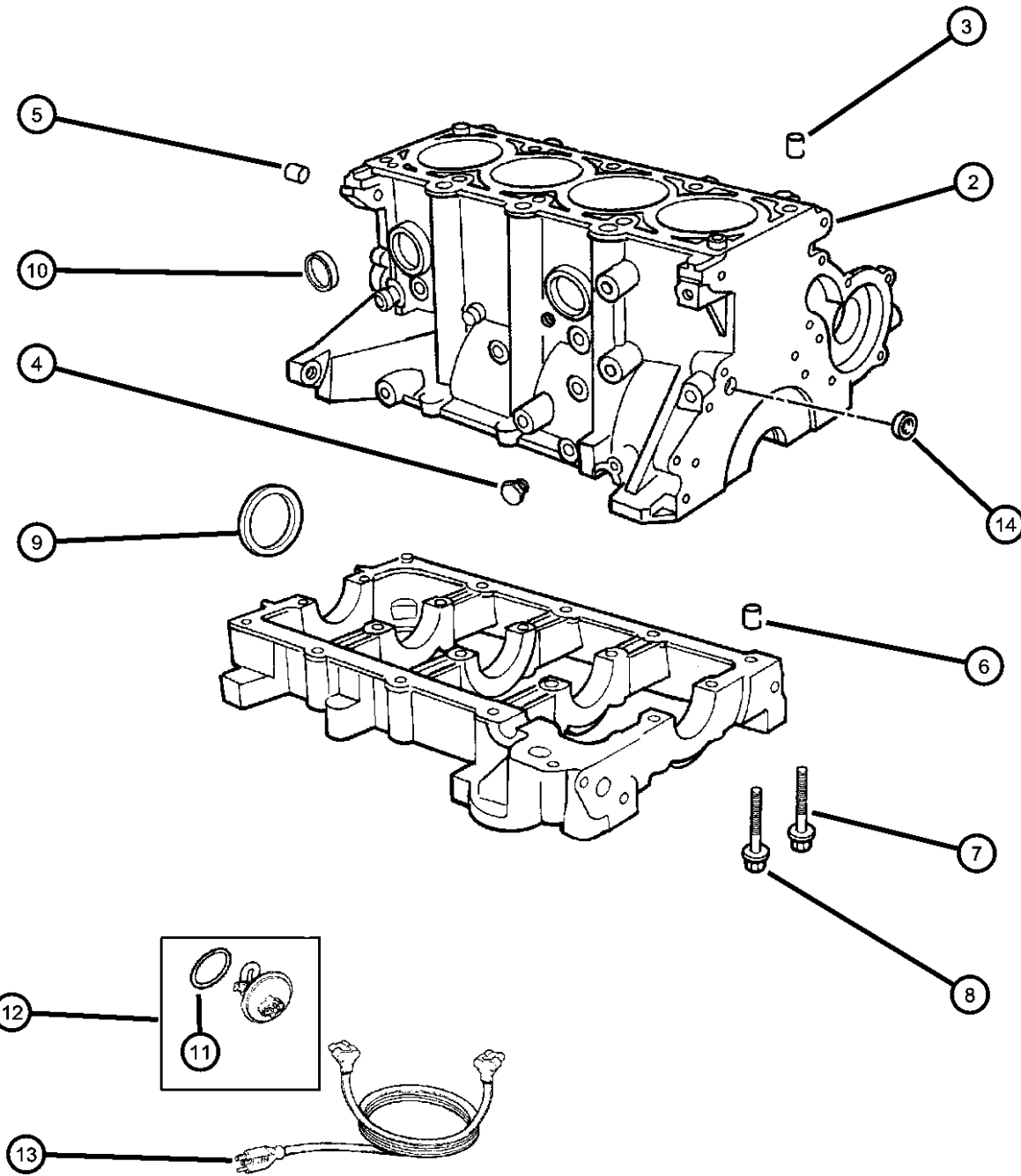
ENGINE
ECB = 2.0L 4 Cyl SOHC 16V SMPI Engine
EDZ = 2.4L 4 Cyl DOHC 16V SMPI Engine
EEB = 2.5L V6 SOHC 24V SMPI Engine

TRANSMISSION
DD5 = TRANSMISSION - 5-SPEED MANUAL
DGL = TRANSMISSION - 4-SPD. AUTOMATIC,41TE
DD4 = TRANSMISSION - 5-SPEED PERF. MANUAL

AR = use ase required - = Non illustrated part

1999 JA

**Cylinder Block 2.4L 4 Cyl DOHC 16V (MPI, EDZ)
Figure 2.4L-321**



ITEM	PART NUMBER	QTY	LINE	SERIES	BODY	ENGINE	TRANS	TRIM	DESCRIPTION
------	-------------	-----	------	--------	------	--------	-------	------	-------------

NOTE: EDZ=2.4L Engine.

-1	04773717	1				EDZ			GASKET PACKAGE, Engine
2	04897824AB	1				EDZ			BLOCK, Short, Contains: Block, Bed Plate, Crank, Rods, Pistons, Rings, Balance Shafts, Oil Pump, Oil Pan
	R0424880								Mopar Reman Long Block 1998-2000 JA, NS
3	04448856	2				EDZ			DOWEL, Block To Cylinder Head
4	04556018	1				EDZ			PLUG, Cylinder Block Oil Hole
5	05240849	2				EDZ			DOWEL, Block To Clutch Housing
6	04694106	2				EDZ			DOWEL, Engine Block To Bedplate
7	06503387	10				EDZ			BOLT, Main Bearing Cap
8	06504257	10				EDZ			BOLT, Hex Head, M8x1.25x70
9	04667904	1				EDZ			SEAL, Rear Main Crankshaft
10	00444668	1				EDZ			PLUG, Core
11	06503096	1				ECB, EDZ			O RING, Engine Block Heater
12	04557686	1				ECB, EDZ			HEATER, Engine Block
13	04609073	1							CORD, Engine Block Heater
14	04556018	1				EDZ			PLUG, Cylinder Block Oil Hole
-15	06034804	4				EDZ			PLUG, Core, 1.39 Diameter
-16	06036020AA	1				EDZ			PLUG, Pipe

CIRRUS,BREEZE,STRATUS (JA)

SERIES LINE
H = HIGHLINE C = CHRYSLER
P = PREMIUM D = DODGE
 P = PLYMOUTH

BODY
41 = 4 Door Sedan

ENGINE
ECB = 2.0L 4 Cyl SOHC 16V SMPI Engine
EDZ = 2.4L 4 Cyl DOHC 16V SMPI Engine
EEB = 2.5L V6 SOHC 24V SMPI Engine

TRANSMISSION
DD5 = TRANSMISSION - 5-SPEED MANUAL
DGL = TRANSMISSION - 4-SPD. AUTOMATIC, 41TE
DD4 = TRANSMISSION - 5-SPEED PERF. MANUAL

AR = use ase required - = Non illustrated part

1999 JA

**Crankshaft, Piston and Torque Converter 2.4L Cyl DOHC 16V (MPI, EDZ)
Figure 2.4L-421**

ITEM	PART NUMBER	QTY	LINE	SERIES	BODY	ENGINE	TRANS	TRIM	DESCRIPTION
------	-------------	-----	------	--------	------	--------	-------	------	-------------

NOTE: EDZ=2.4L Engine. DGL=Automatic 4 spd Trans. DD5=Manual Trans.

1	04740930	1				EDZ			BEARING PACKAGE, Connecting Rod, Standard
2	04740927	1				EDZ			BEARING PACKAGE, Crankshaft Thrust, Standard Size, 05012585aa
3	04740924	1				EDZ			BEARING PACKAGE, Crankshaft, Standard Size, 05012582aa
4	04621917	1				EDZ			CRANKSHAFT
5	06035473	1				ECB			KEY, Crankshaft Sprocket
6	04667904	1				EDZ			SEAL, Rear Main Crankshaft
7									BOLT, Drive Plate and Flywheel
	06503465	8					DD5		
		8					DGL		
8									BOLT, Hex Head, M10x1.50 x 13.20
	06501099	4					DD5		
		4					DGL		
9	04567143	1				EDZ			PLATE, Drive Plate
10	04778031AB R4778031AB	1				EDZ, EEB	DGL		CONVERTER PACKAGE, Torque Mopar Remanufactured Part
11									PLATE, Drive Plate Backing
	04471933	1					DD5		
		1					DGL		
12	04897024AA	1				EDZ			PISTON RING SET, COMPLETE ENGINE, STD., 04897024aa
13	04897660AA	4				EDZ			PISTON PIN AND ROD, 04897660aa
14	06503116	8				EDZ			BOLT, Connecting Rod

CIRRUS,BREEZE,STRATUS (JA)

SERIES LINE
H = HIGHLINE C = CHRYSLER
P = PREMIUM D = DODGE
 P = PLYMOUTH

BODY
41 = 4 Door Sedan

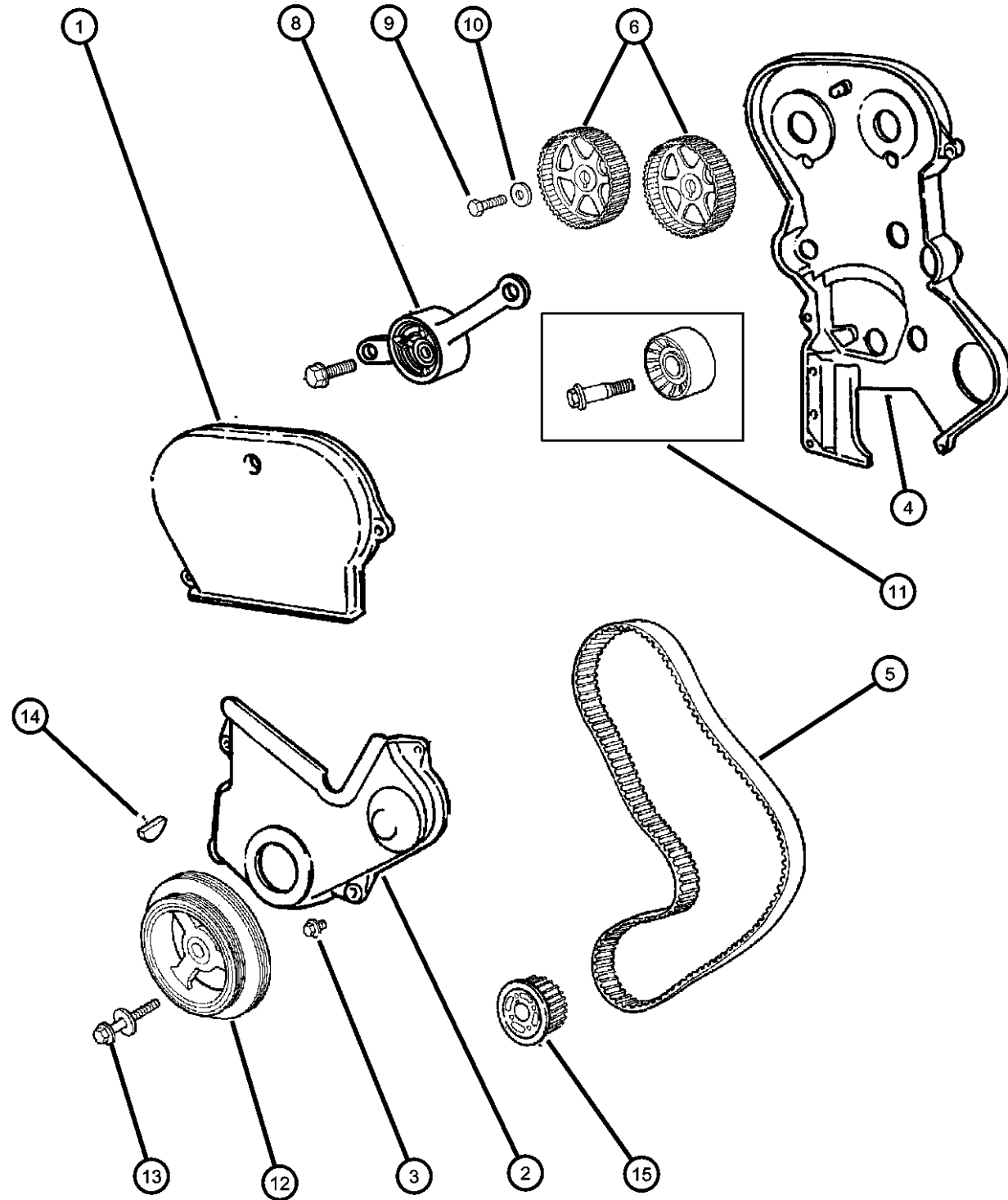
ENGINE
ECB = 2.0L 4 Cyl SOHC 16V SMPI Engine
EDZ = 2.4L 4 Cyl DOHC 16V SMPI Engine
EEB = 2.5L V6 SOHC 24V SMPI Engine

TRANSMISSION
DD5 = TRANSMISSION - 5-SPEED MANUAL
DGL = TRANSMISSION - 4-SPD. AUTOMATIC, 41TE
DD4 = TRANSMISSION - 5-SPEED PERF. MANUAL

AR = use ase required - = Non illustrated part

1999 JA

Timing Belt and Cover 2.4L 4 Cyl DOHC 16V (MPI, EDZ)
Figure 2.4L-621



ITEM	PART NUMBER	QTY	LINE	SERIES	BODY	ENGINE	TRANS	TRIM	DESCRIPTION
NOTE: EDZ=2.4L Engine.									
1	04663392	1				EDZ			COVER, Timing Belt
2	04663459	1				EDZ			COVER, Timing Belt
3	06102003	2				EDZ			BOLT AND CONED WASHER, Hex Head, M6x16x14
4	05012009AA	1				EDZ			COVER, Timing Belt
5	04621844	1				EDZ			BELT, Timing
	TB000265								Mopar V-Line Alternative Part
6	04667609	2				EDZ			GEAR, Camshaft
-7	06100997	1				EDZ			PIN, Dowel
8	05010371AA	1				EDZ			TENSIONER PACKAGE, Belt
9	06501405	2				EDZ			BOLT, Hex Head, M12x1.50x52
10	06503438	2				EDZ			WASHER, Flared, 13x35.00x4.70
11	05010372AA	1				EDZ			PULLEY PACKAGE, Idler
12	04694268	1				EDZ			DAMPER, Engine Vibration
13	06503553	1				EDZ			BOLT, Hex Flange Head, M12x1.75x87.50
14	06035473	1				EDZ			KEY, Crankshaft Sprocket
15	04621918	1				EDZ			GEAR, Crankshaft

CIRRUS,BREEZE,STRATUS (JA)
 SERIES LINE
 H = HIGHLINE C = CHRYSLER
 P = PREMIUM D = DODGE
 P = PLYMOUTH

BODY
 41 = 4 Door Sedan

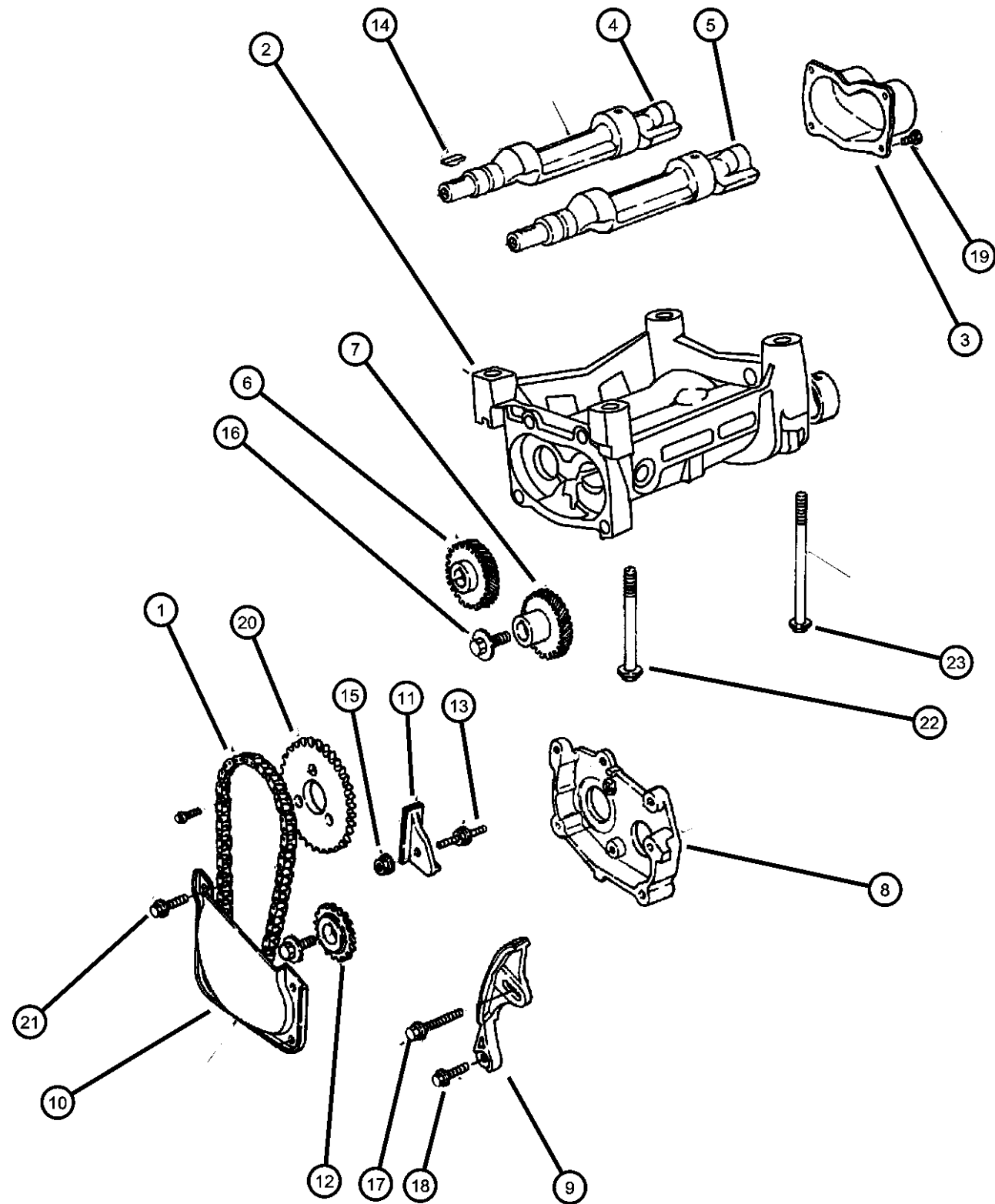
ENGINE
 ECB = 2.0L 4 Cyl SOHC 16V SMPI Engine
 EDZ = 2.4L 4 Cyl DOHC 16V SMPI Engine
 EEB = 2.5L V6 SOHC 24V SMPI Engine

TRANSMISSION
 DD5 = TRANSMISSION - 5-SPEED MANUAL
 DGL = TRANSMISSION - 4-SPD. AUTOMATIC,41TE
 DD4 = TRANSMISSION - 5-SPEED PERF. MANUAL

AR = use ase required - = Non illustrated part

1999 JA

**Balance Shafts 2.4L 4 Cyl DOHC 16V (MPI, EDZ)
Figure 2.4L-625**



ITEM	PART NUMBER	QTY	LINE	SERIES	BODY	ENGINE	TRANS	TRIM	DESCRIPTION
NOTE: Sales Codes [DD5]=Manual Trans [ECB]=2.0L Engine [EDZ]=2.4L Engine.									
1	04621996	1				EDZ			CHAIN, Balance
2	04621519AB	1				EDZ			CARRIER, Balance Shaft
3	04323043	1				EDZ			COVER, Balance Shaft Carrier
4	04621517	1				EDZ			SHAFT, Balance
5	04621518	1				EDZ			SHAFT, Balance
6	04621952	1				EDZ			GEAR, Balance Shaft Driver
7	04621951	1				EDZ			GEAR, Balance Shaft Driven
8	04323039	1				EDZ			COVER, Balance Shaft Gear
9	04343662	1				EDZ			TENSIONER, Chain
10	04323041	1				EDZ			TROUGH, Carrier Cover
11	04343660	1				EDZ			GUIDE, Balance Shaft Chain
12	04483485	1				EDZ			GEAR, Balance Shaft
13	06505188AA	1				EDZ			STUD, M6x1.00x40.00
14	06035473	1				EDZ			KEY, Crankshaft Sprocket
15	06100047	1				EDZ			NUT AND WASHER, Hex Nut-Coned Washer, M6 x 1.00
16	06501404	2				EDZ			SCREW AND WASHER, Hex Head, M8x1.25x25
17	06100279	1				EDZ			SCREW AND WASHER, Hex Head, M6x1x35
18	06100271	2				EDZ			BOLT AND CONED WASHER, Hex Head, M6x45x12.5
19	06501714	1				ECB	DD5		SCREW AND WASHER, Hex Head, M6x1x18
20	04621541	1				EDZ			GEAR, Crankshaft
21	06100271	2				EDZ			BOLT AND CONED WASHER, Hex Head, M6x45x12.5
22	06503389	2				EDZ			BOLT, Hex Flange Head, M10x1.50x108
23	06504878AA	2				EDZ			BOLT

CIRRUS,BREEZE,STRATUS (JA)
 SERIES LINE
 H = HIGHLINE C = CHRYSLER
 P = PREMIUM D = DODGE
 P = PLYMOUTH

BODY
 41 = 4 Door Sedan

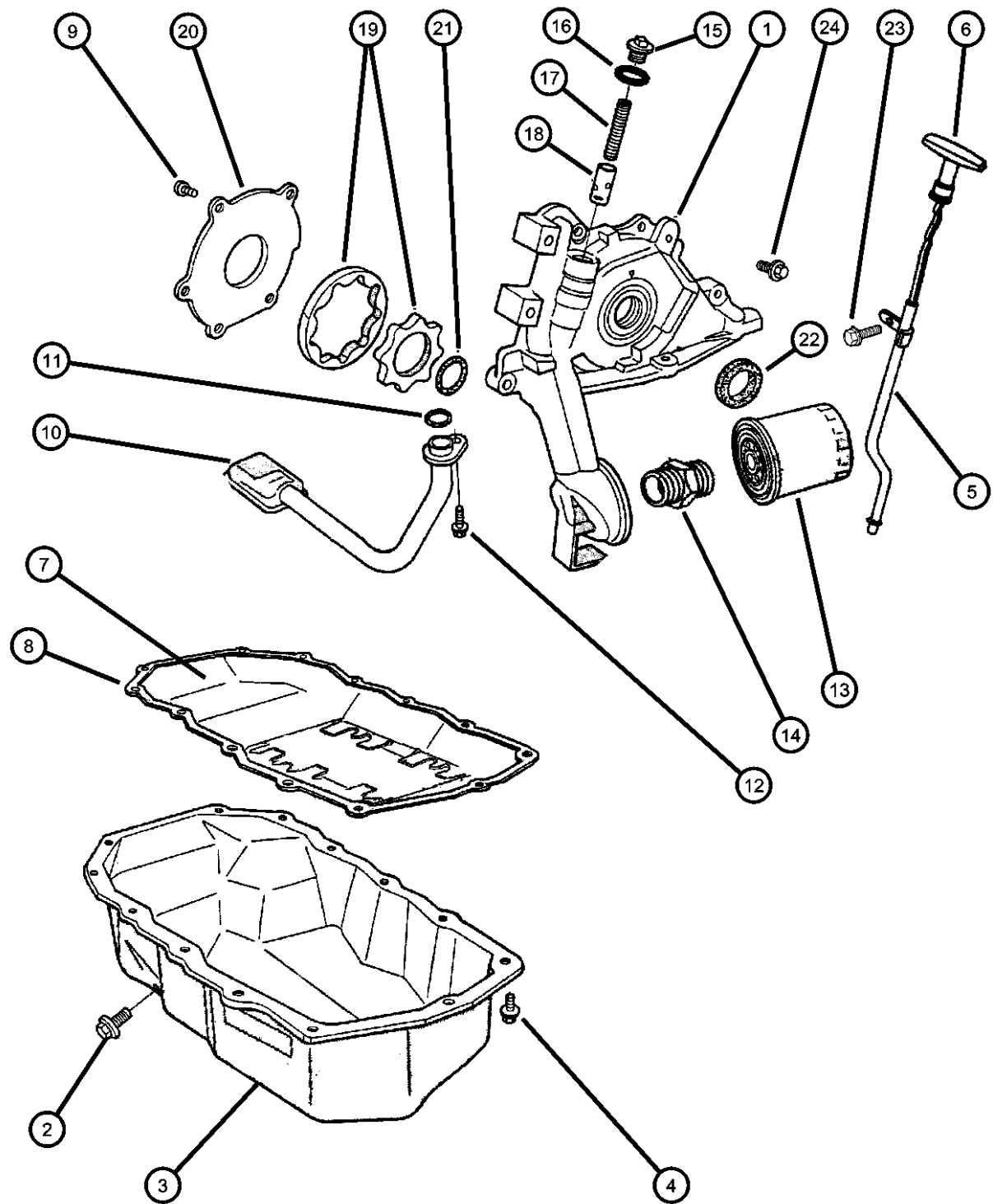
ENGINE
 ECB = 2.0L 4 Cyl SOHC 16V SMPI Engine
 EDZ = 2.4L 4 Cyl DOHC 16V SMPI Engine
 EEB = 2.5L V6 SOHC 24V SMPI Engine

TRANSMISSION
 DD5 = TRANSMISSION - 5-SPEED MANUAL
 DGL = TRANSMISSION - 4-SPD. AUTOMATIC, 41TE
 DD4 = TRANSMISSION - 5-SPEED PERF. MANUAL

AR = use ase required - = Non illustrated part

1999 JA

**Engine Oiling 2.4L 4 Cyl DOHC 16V (MPI, EDZ)
Figure 2.4L-721**



ITEM	PART NUMBER	QTY	LINE	SERIES	BODY	ENGINE	TRANS	TRIM	DESCRIPTION
NOTE: Sales Codes [DD5]=Manual Trans [ECB]=2.0L Engine [EDZ]=2.4L Engine.									
1	04694304	1				EDZ			PUMP, Engine Oil
2	06504018	1				EDZ			PLUG, Oil Drain
3	04792202	1				EDZ			PAN, Engine Oil
4	06101451	2				EDZ			SCREW AND WASHER, Hex Head, M6x1x25
5	04792315AB	1				EDZ			TUBE, Engine Oil Indicator
6	04792316AB	1				EDZ			INDICATOR, Engine Oil Level
7	04792316AB	1							TRAY, Windage, (NOT REQUIRED)
8	04621579	1				EDZ			GASKET, Oil Pan
9	06505388AA	5				EDZ			SCREW, Flange Head, M6x1x18
10	04792304	1				EDZ			TUBE, Oil Pickup
11	06032920	1				EDZ			SEAL, Oil Pick Up Tube
12	06500070	1				EDZ			SCREW AND WASHER, Hex Head, M8x1.25x25
13	04105409	1				EDZ			FILTER, Engine Oil
14	04694119	1				EDZ			CONNECTOR, Oil Filter Adapter
15	00618621	1				EDZ			CAP, Oil Pressure Relief Valve
16	04777062	1				EDZ			GASKET, Oil Pump Relief Valve
17	01737744	1				EDZ			SPRING, Oil Pressure Relief Valve
18	02843208	1				EDZ			PLUNGER, Oil Pressure Relief Valve
19	04773672	1				EDZ			ROTOR SET, Oil Pump
20	04621523	1				EDZ			COVER, Oil Pump Back
21	04483444AB	1				EDZ			O RING, Front Cover Oil Inlet
22	04667198	1				EDZ			SEAL, Front Main Crankshaft
23	06101452	1				ECB			SCREW AND WASHER, Hex Head, M8x1.25x20
24	06101232	2					DD5		BOLT, Hex Flange Head, M8x1.25x25

CIRRUS,BREEZE,STRATUS (JA)
 SERIES LINE
 H = HIGHLINE C = CHRYSLER
 P = PREMIUM D = DODGE
 P = PLYMOUTH

BODY
 41 = 4 Door Sedan

ENGINE
 ECB = 2.0L 4 Cyl SOHC 16V SMPI Engine
 EDZ = 2.4L 4 Cyl DOHC 16V SMPI Engine
 EEB = 2.5L V6 SOHC 24V SMPI Engine

TRANSMISSION
 DD5 = TRANSMISSION - 5-SPEED MANUAL
 DGL = TRANSMISSION - 4-SPD. AUTOMATIC, 41TE
 DD4 = TRANSMISSION - 5-SPEED PERF. MANUAL

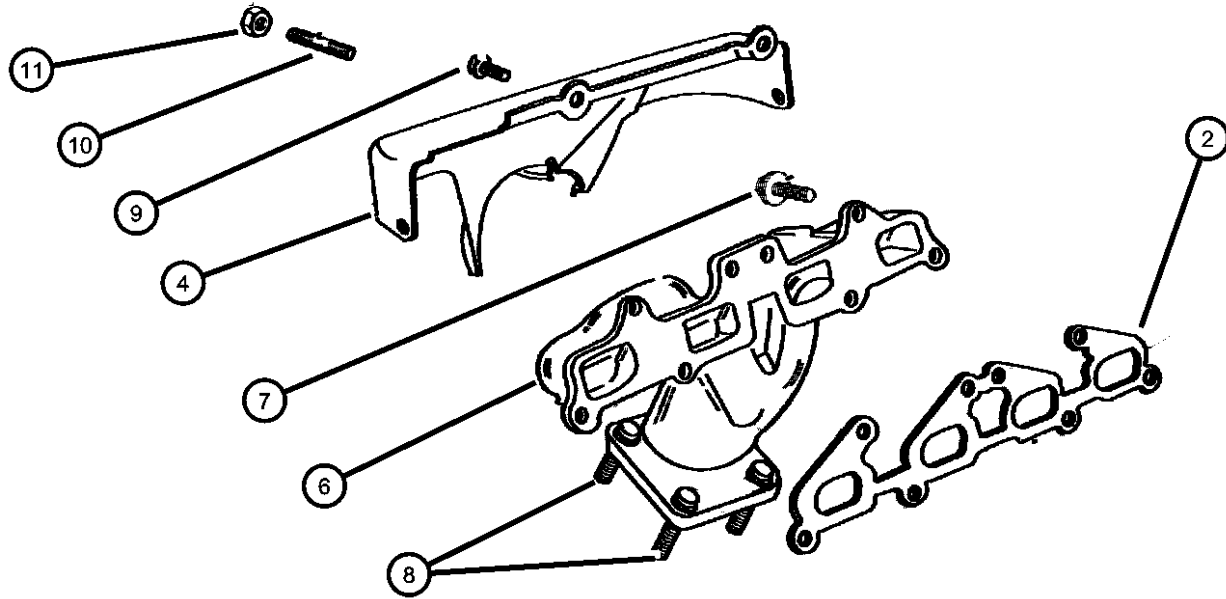
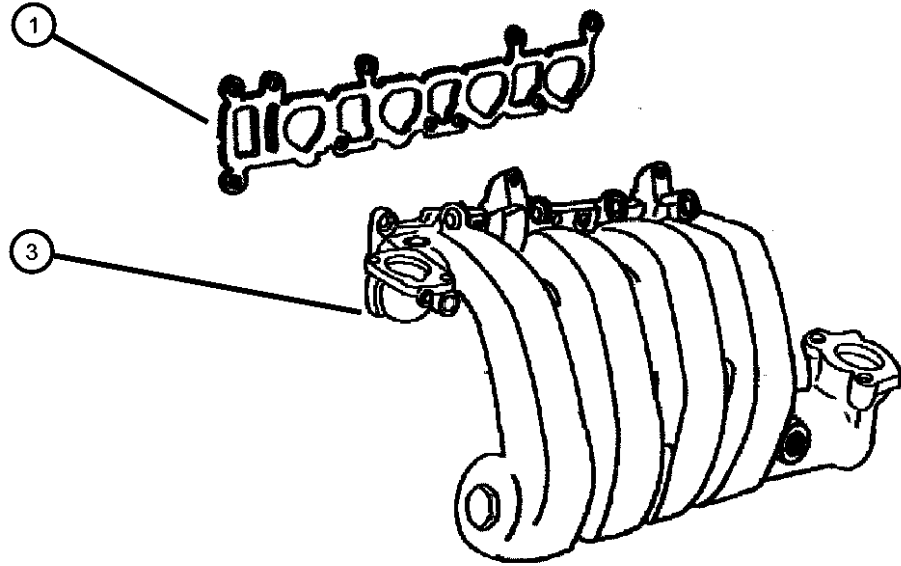
AR = use ase required - = Non illustrated part

**Manifolds 2.4L 4 Cyl DOHC 16V (MPI, EDZ)
Figure 2.4L-821**

ITEM	PART NUMBER	QTY	LINE	SERIES	BODY	ENGINE	TRANS	TRIM	DESCRIPTION
------	-------------	-----	------	--------	------	--------	-------	------	-------------

NOTE: Sales Code
[EDZ]=2.4L Engine.

1	04667539	1				EDZ			GASKET, Intake Manifold
2	04621833	1				EDZ			GASKET, Exhaust Manifold
3	04792209	1				EDZ			MANIFOLD, Intake
4	04663484	1				EDZ			SHIELD, Exhaust Manifold
-5	04663604	1				EDZ			SHIELD, Oil Sensor Switch
6	04663769	1				EDZ			MANIFOLD, Exhaust
7	06503131	6				EDZ			BOLT, Hex Flange Head, M8x1.25x30
8	06503767	4				EDZ			BOLT, Hex Head, M8x1.25x35
9	06100274	2				EDZ			BOLT AND CONED WASHER, Hex Head, M6x14x14
10	06504170	2				EDZ			STUD, M8x1.25x44.80
11	06500363	2				EDZ			NUT, Hex Flange Lock, M8x1.25
-12	06504171	8				EDZ			SCREW, Hex Flange Head, M8x1.25x32



CIRRUS,BREEZE,STRATUS (JA)

SERIES LINE
H = HIGHLINE C = CHRYSLER
P = PREMIUM D = DODGE
 P = PLYMOUTH

BODY
41 = 4 Door Sedan

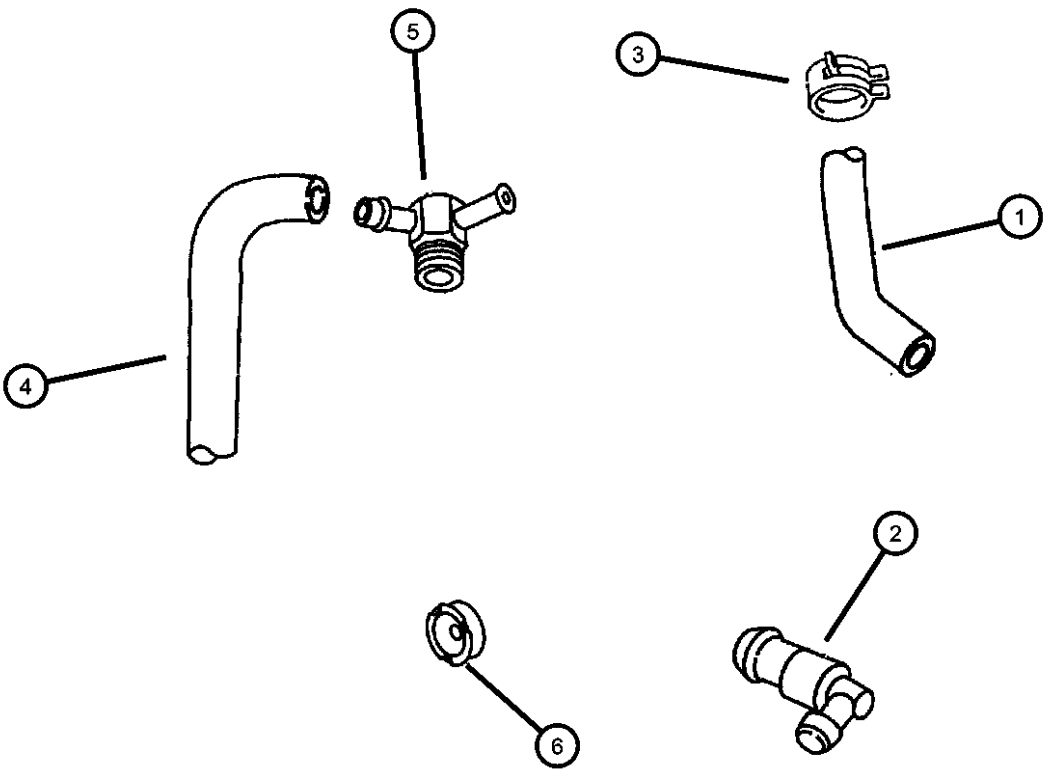
ENGINE
ECB = 2.0L 4 Cyl SOHC 16V SMPI Engine
EDZ = 2.4L 4 Cyl DOHC 16V SMPI Engine
EEB = 2.5L V6 SOHC 24V SMPI Engine

TRANSMISSION
DD5 = TRANSMISSION - 5-SPEED MANUAL
DGL = TRANSMISSION - 4-SPD. AUTOMATIC, 41TE
DD4 = TRANSMISSION - 5-SPEED PERF. MANUAL

AR = use ase required - = Non illustrated part

1999 JA

**Crankcase Ventilation 2.4L 4 Cyl DOHC 16V (MPI, EDZ)
Figure 2.4L-921**



ITEM	PART NUMBER	QTY	LINE	SERIES	BODY	ENGINE	TRANS	TRIM	DESCRIPTION
1	04663582	1				EDZ			HOSE, Polution Control Valve
2	04777240	1				EDZ			VALVE, PCV
3	06502017	4				EDZ			CLAMP, Heater Hose
4	04663583	1				EDZ			HOSE, Polution Control Valve
5	04343761	2				EDZ			NIPPLE, Crankcase Vent
6	04667303	1				EDZ			RESTRICTOR, PCV

NOTE: Sales Code
[EDZ]=2.4L Engine.

CIRRUS,BREEZE,STRATUS (JA)

SERIES LINE
H = HIGHLINE C = CHRYSLER
P = PREMIUM D = DODGE
 P = PLYMOUTH

BODY
41 = 4 Door Sedan

ENGINE
ECB = 2.0L 4 Cyl SOHC 16V SMPI Engine
EDZ = 2.4L 4 Cyl DOHC 16V SMPI Engine
EEB = 2.5L V6 SOHC 24V SMPI Engine

TRANSMISSION
DD5 = TRANSMISSION - 5-SPEED MANUAL
DGL = TRANSMISSION - 4-SPD. AUTOMATIC,41TE
DD4 = TRANSMISSION - 5-SPEED PERF. MANUAL

AR = use ase required - = Non illustrated part

Group - 2.5L6

Engine 2.5L Six Cylinder

Group - 2.5L6 Engine 2.5L Six Cylinder

Illustration Title

Group-Fig. No.

Engine Identification

I.D. Location 2.5L V-6 SOHC (EEB) Fig. 2.5L6 - 110

Cylinder Head

Cylinder Head 2.5L V-6 SOHC (EEB) Fig. 2.5L6 - 210

Cylinder Block

Cylinder Block 2.5L V-6 SOHC (EEB) Fig. 2.5L6 - 310

Crankshaft, Piston and Drive Plate

Crankshaft, Piston, and Torque Converter 2.5L V-6 SOHC (EEB) Fig. 2.5L6 - 410

Camshafts & Valves

Camshaft and Valves 2.5L V-6 SOHC (EEB) Fig. 2.5L6 - 510

Timing Belt and Cover

Timing Belt and Cover 2.5L V-6 SOHC (EEB) Fig. 2.5L6 - 610

Engine Oiling

Engine Oiling 2.5L V-6 SOHC (EEB) Fig. 2.5L6 - 710

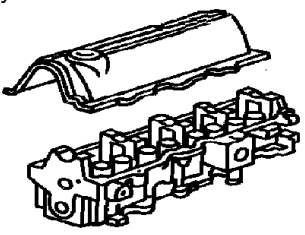
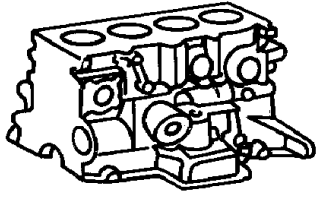
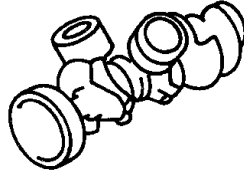
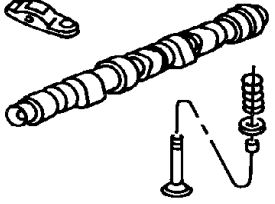
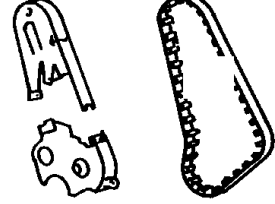
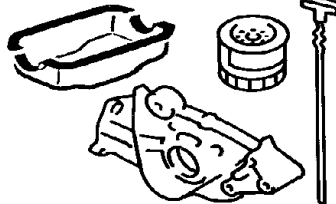
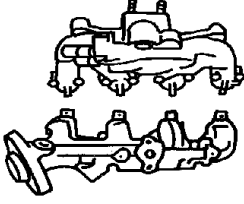
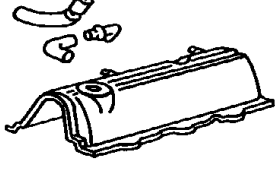
Manifolds

Manifold, Intake 2.5L V-6 SOHC (EEB) Fig. 2.5L6 - 810

Manifolds, Exhaust 2.5L V-6 SOHC (EEB) Fig. 2.5L6 - 820

Crankcase Ventilation

Crankcase Ventilation 2.5L V-6 SOHC (EEB) Fig. 2.5L6 - 910

<p>2.5L6-100 Engine Identification</p> <table border="1"> <tr> <td>X Model Year</td> <td>X Manufacturing Plant</td> <td>XXXXX Component Code/Usage</td> <td>XXXX Month/Day</td> <td>XXXXXXXX Serial Code</td> </tr> <tr> <td>Last digit of model year</td> <td>Satillo S Trenton T Tokyo K</td> <td>Engine 3.2L - 3.8L Usage Pass Car PC Truck T</td> <td></td> <td>Last 8 Digits of VIN</td> </tr> </table>	X Model Year	X Manufacturing Plant	XXXXX Component Code/Usage	XXXX Month/Day	XXXXXXXX Serial Code	Last digit of model year	Satillo S Trenton T Tokyo K	Engine 3.2L - 3.8L Usage Pass Car PC Truck T		Last 8 Digits of VIN	<p>2.5L6-200 Cylinder Head</p> 	<p>2.5L6-300 Cylinder Block</p> 	<p>2.5L6-400 Crankshaft, Piston and Drive Plate</p> 
X Model Year	X Manufacturing Plant	XXXXX Component Code/Usage	XXXX Month/Day	XXXXXXXX Serial Code									
Last digit of model year	Satillo S Trenton T Tokyo K	Engine 3.2L - 3.8L Usage Pass Car PC Truck T		Last 8 Digits of VIN									
<p>2.5L6-500 Camshafts & Valves</p> 	<p>2.5L6-600 Timing Belt and Cover</p> 	<p>2.5L6-700 Engine Oiling</p> 	<p>2.5L6-800 Manifolds</p> 										
<p>2.5L6-900 Crankcase Ventilation</p> 													

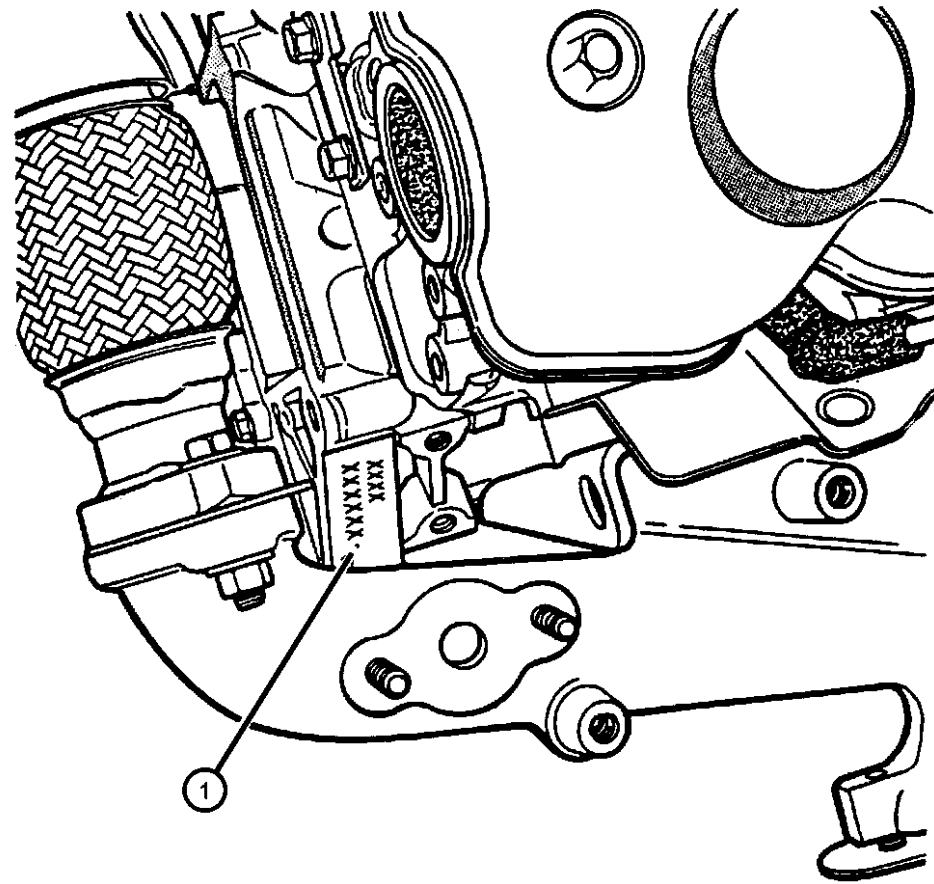
I.D. Location 2.5L V-6 SOHC (EEB)
Figure 2.5L6-110

ITEM	PART NUMBER	QTY	LINE	SERIES	BODY	ENGINE	TRANS	TRIM	DESCRIPTION
------	-------------	-----	------	--------	------	--------	-------	------	-------------

NOTE: Sales Code
[EEB]=2.5L Engine.

1	04667303	1							
---	----------	---	--	--	--	--	--	--	--

LABEL, Engine Identification,
REFERENCE Engine Identification
Location, (NOT SERVICED)



CIRRUS,BREEZE,STRATUS (JA)

SERIES	LINE
H = HIGHLINE	C = CHRYSLER
P = PREMIUM	D = DODGE
	P = PLYMOUTH

BODY
41 = 4 Door Sedan

ENGINE
ECB = 2.0L 4 Cyl SOHC 16V SMPI Engine
EDZ = 2.4L 4 Cyl DOHC 16V SMPI Engine
EEB = 2.5L V6 SOHC 24V SMPI Engine

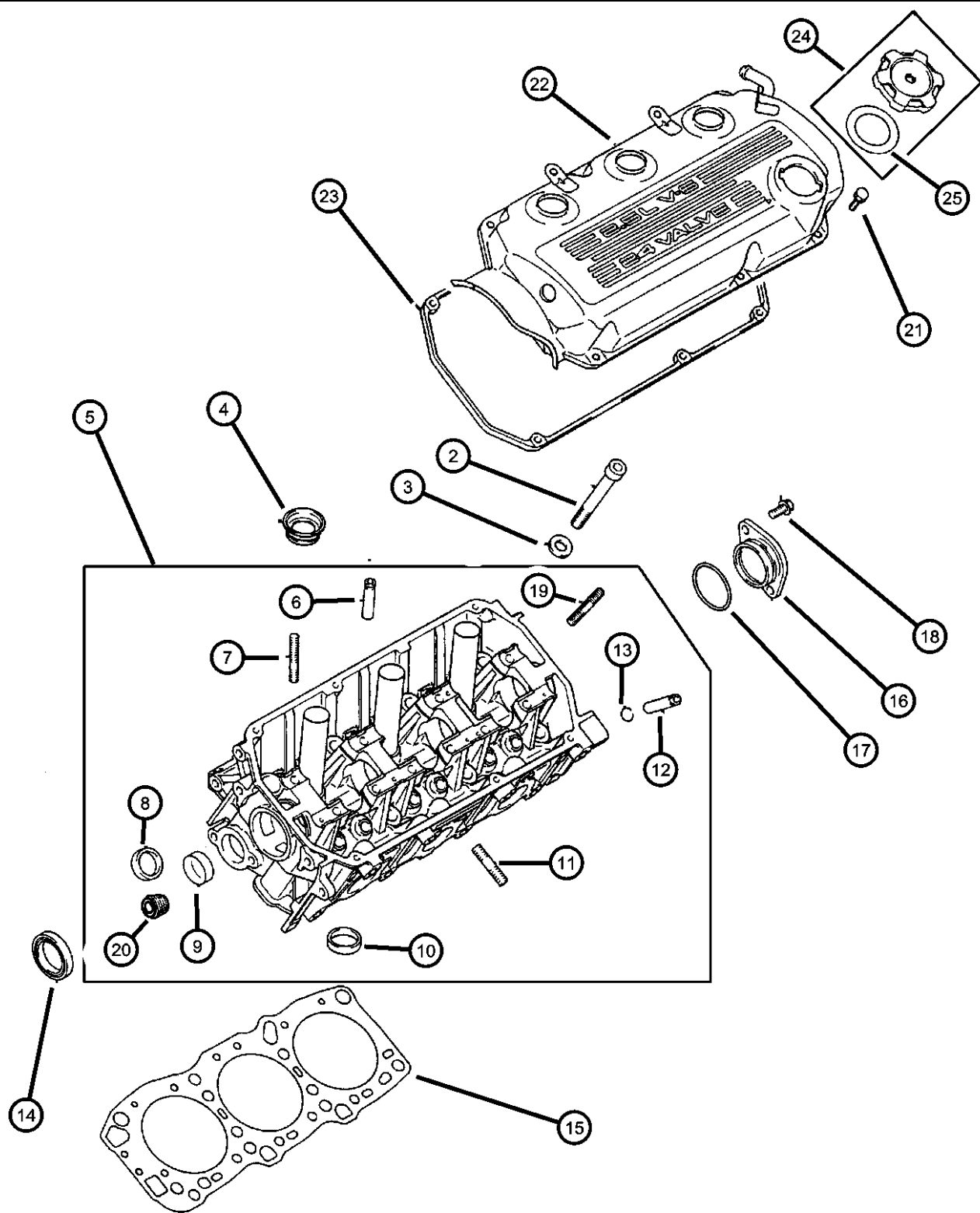
TRANSMISSION
DD5 = TRANSMISSION - 5-SPEED MANUAL
DGL = TRANSMISSION - 4-SPD. AUTOMATIC,41TE
DD4 = TRANSMISSION - 5-SPEED PERF. MANUAL

AR = use ase required - = Non illustrated part

1999 JA

Cylinder Head 2.5L V-6 SOHC (EEB)

Figure 2.5L6-210



ITEM	PART NUMBER	QTY	LINE	SERIES	BODY	ENGINE	TRANS	TRIM	DESCRIPTION
NOTE: Sales Code [EEB]=2.5L Engine.									
-1	MD976065	1				EEB			GASKET KIT, Engine Overhaul, Upper
2	MD065959	16				EEB			BOLT, Cylinder Head
3	MD020733	16				EEB			WASHER, Flat, M12.5
4	MD198128	6				EEB			SEAL, Spark Plug Tube
5									HEAD, Cylinder
	MD307675	1				EEB			Right
	MD311707	1				EEB			Left
6	MD300702	12				EEB			GUIDE, Intake Valve, 0.05mm Oversize
7	MS401436	8				EEB			STUD, M8x50
8	MD188579	12				EEB			SEAT, Exhaust Valve, 0.30mm Oversize
9	MD166517	2				EEB			PLUG, Expansion
10	MD191384	12				EEB			SEAT, Intake Valve, 0.30mm Oversize
11	MD122521	14				EEB			STUD, M10x32
12	MD307235	12				EEB			GUIDE, Exhaust Valve, 0.05mm Oversize
13	MD303856	12				EEB			SNAP RING, Cylinder Head
14	MD153103	2				EEB			SEAL, Camshaft
15	MD331582	2				EEB			GASKET, Cylinder Head
16	MD303738	1				EEB			BEARING, Camshaft Thrust
17	MF520031	1				EEB			O RING, Camshaft Thrust Case
18	MF140024	1				EEB			BOLT, Hex Flange Head, M8x18
19	MS401428	2				EEB			STUD, M8x28
20	MS661142	1				EEB			PLUG, Cylinder Block, 3/8NPT
21	MF245426	12				EEB			BOLT, Hex Head, M6x20
22									COVER, Cylinder Head
	MD312412	1				EEB			Left
	MD344869	1				EEB			Right
23	MD303148	2				EEB			GASKET, Valve Cover
24	MD314087	1				EEB			CAP, Oil Filler
25	MD311638	1				EEB			GASKET, Oil Filler Cap

CIRRUS,BREEZE,STRATUS (JA)

SERIES LINE
 H = HIGHLINE C = CHRYSLER
 P = PREMIUM D = DODGE
 P = PLYMOUTH

BODY
 41 = 4 Door Sedan

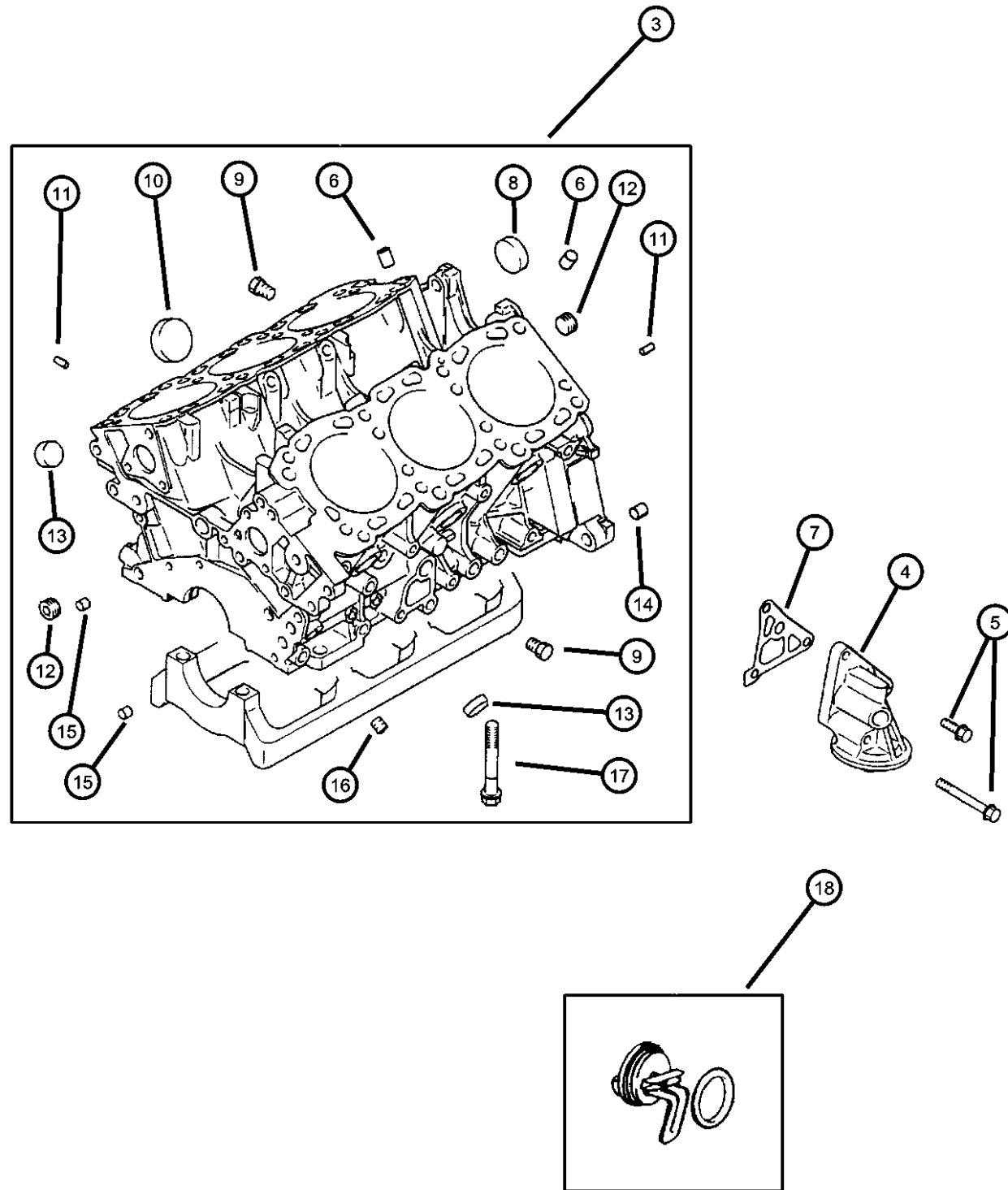
ENGINE
 ECB = 2.0L 4 Cyl SOHC 16V SMPI Engine
 EDZ = 2.4L 4 Cyl DOHC 16V SMPI Engine
 EEB = 2.5L V6 SOHC 24V SMPI Engine

TRANSMISSION
 DD5 = TRANSMISSION - 5-SPEED MANUAL
 DGL = TRANSMISSION - 4-SPD. AUTOMATIC,41TE
 DD4 = TRANSMISSION - 5-SPEED PERF. MANUAL

AR = use ase required - = Non illustrated part

1999 JA

**Cylinder Block 2.5L V-6 SOHC (EEB)
Figure 2.5L6-310**



ITEM	PART NUMBER	QTY	LINE	SERIES	BODY	ENGINE	TRANS	TRIM	DESCRIPTION
NOTE: Short Engine includes: Pistons, Bearings, Crankshaft and other related parts Sales Code [EEB] = 2.5L Engine.									
-1	MD976066	1				EEB			GASKET KIT, Engine Overhaul
-2	MD349152	1				EEB			ENGINE, Short, See Notes
	R0625480								Mopar Reman Long Block Includes Heads Mopar 10W30 Engine Oil Gallon
	04761845AC								
3	MD303560	1				EEB			BLOCK, Cylinder, Bare Block Mopar 10W30 Engine Oil Gallon
	04761845AC								
4	MD312892	1				EEB			BRACKET, Oil Filter Housing
5	MF140027	2				EEB			BOLT, Hex Flange Head, M8x25
6	MS471112	4				EEB			BUSHING, Cylinder Block
7	MD311261	1				EEB			GASKET, Oil Filter Bracket
8	MF665541	2				EEB			PLUG, Expansion
9	MD000269	2				EEB			PLUG, Instrument Panel Switch
10	MD096863	1				EEB			PLUG, Core
11	MF472403	4				EEB			PIN, Dowel, 6x14
12	MD040338	2				EEB			PLUG, Cylinder Block
13	MF665538	5				EEB			PLUG, Expansion
14	MS471111	2				EEB			BUSHING, Cylinder Block
15	MS471104	2				EEB			BUSHING, Cylinder Block
16	MS661142	1				EEB			PLUG, Cylinder Block, 3/8NPT
17	MD131349	8				EEB			BOLT, Main Bearing Cap
18	04609550	1				EEB			HEATER, Engine Block

CIRRUS,BREEZE,STRATUS (JA)
 SERIES LINE
 H = HIGHLINE C = CHRYSLER
 P = PREMIUM D = DODGE
 P = PLYMOUTH

BODY
 41 = 4 Door Sedan

ENGINE
 ECB = 2.0L 4 Cyl SOHC 16V
 SMPI Engine
 EDZ = 2.4L 4 Cyl DOHC 16V
 SMPI Engine
 EEB = 2.5L V6 SOHC 24V
 SMPI Engine

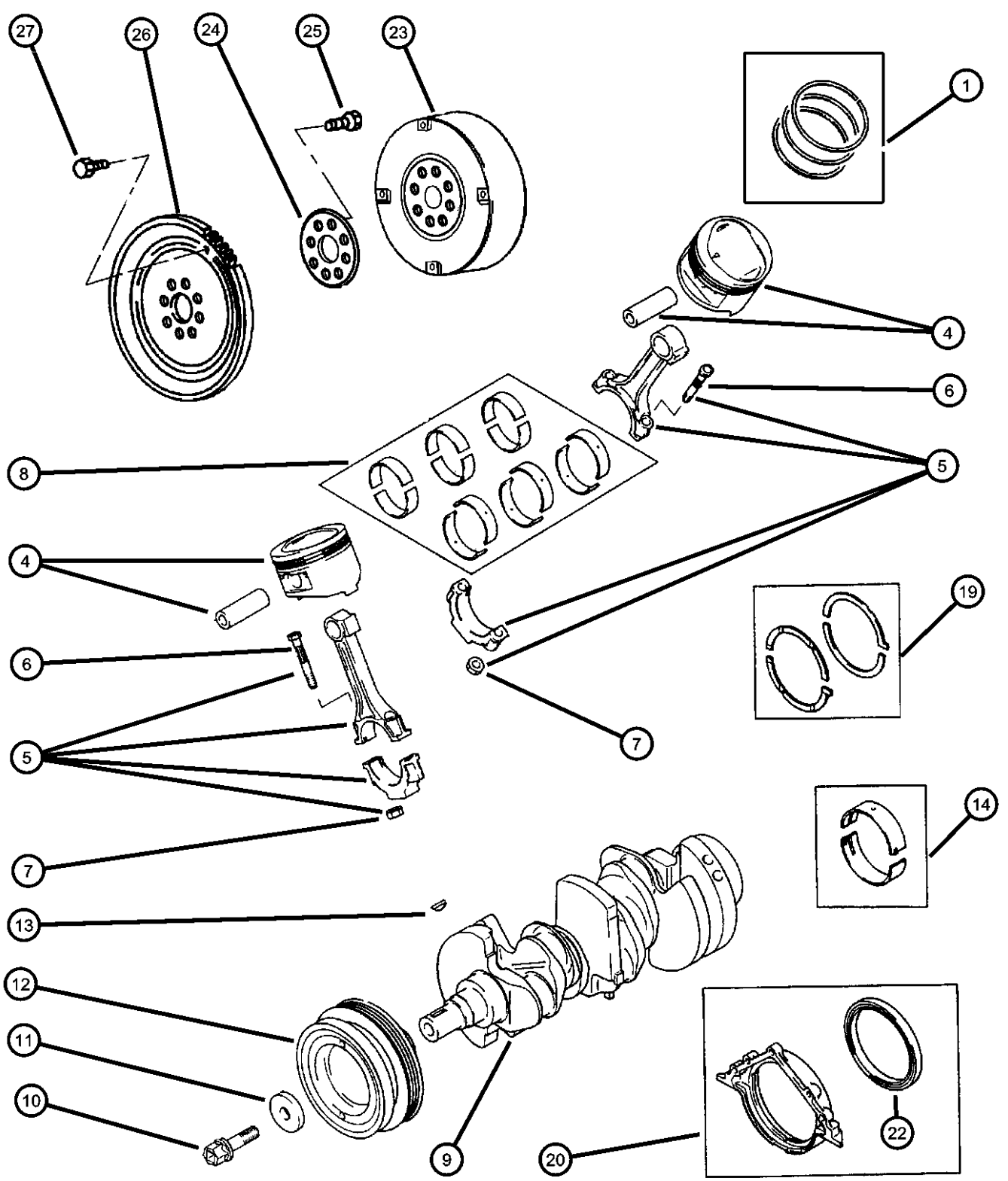
TRANSMISSION
 DD5 = TRANSMISSION - 5-SPEED
 MANUAL
 DGL = TRANSMISSION - 4-SPD.
 AUTOMATIC,41TE
 DD4 = TRANSMISSION - 5-SPEED
 PERF. MANUAL

AR = use ase required - = Non illustrated part

1999 JA

Crankshaft, Piston, and Torque Converter 2.5L V-6 SOHC (EEB)

Figure 2.5L6-410



ITEM	PART NUMBER	QTY	LINE	SERIES	BODY	ENGINE	TRANS	TRIM	DESCRIPTION
NOTE: Sales Codes [DD5]=Manual Trans. [DGL]=Autoamtic 4 spd Trans. [EDZ]=2.4L Engine. [EEB]=2.5L Engine.									
1	MD310258	1				EEB			RING PACKAGE, Piston, Standard Size Complete Engine
-2	MD319934	1				EEB			RING PACKAGE, Piston, 0.50mm Oversize Complete Engine
-3	MD319935	1				EEB			RING PACKAGE, Piston, 1.00mm Oversize Complete Engine
4									PISTON AND PIN
	MD344288	3				EEB			Standard Right
	MD344294	3				EEB			Standard Left
	MD352262	1				EEB			0.50mm O/S Right
	MD352263	1				EEB			1.00mm O/S Right
	MD352266	1				EEB			0.50mm O/S Left
	MD352267	1				EEB			1.00mm O/S Left
5	MD096043	6				EEB			ROD, Connecting
6	MD096144	12				EEB			BOLT, Connecting Rod
7	MD006704	12				EEB			NUT, Connecting Rod
8	MD105277	1				EEB			BEARING PACKAGE, Connecting Rod, Standard
9	MD184368	1				EEB			CRANKSHAFT
10	MD151793	1				EEB			BOLT, M14x40
11	MD096930	1				EEB			WASHER, Crankshaft Damper Pulley
12	MD324796	1				EEB			PULLEY, Crankshaft
13	MD008959	1				EEB			KEY, Crankshaft Sprocket
14	MD197608	4				EEB			BEARING, Crankshaft, S1, Pink
-15	MD197609	1				EEB			BEARING, Crankshaft, S2, Red
-16	MD197610	1				EEB			BEARING, Crankshaft, S3, Green
-17	MD197611	1				EEB			BEARING, Crankshaft, S4, Black
-18	MD197612	1				EEB			BEARING, Crankshaft, S5, Brown
19	MD116890	1				EEB			BEARING PACKAGE, Crankshaft Thrust, Standard Size
20	MD125544	1				EEB			COVER, Rear Crankshaft Oil Seal
-21	MF140207	3				EEB			BOLT, Hex Flange Head, M6x20

CIRRUS,BREEZE,STRATUS (JA)
 SERIES LINE
 H = HIGHLINE C = CHRYSLER
 P = PREMIUM D = DODGE
 P = PLYMOUTH

BODY
 41 = 4 Door Sedan

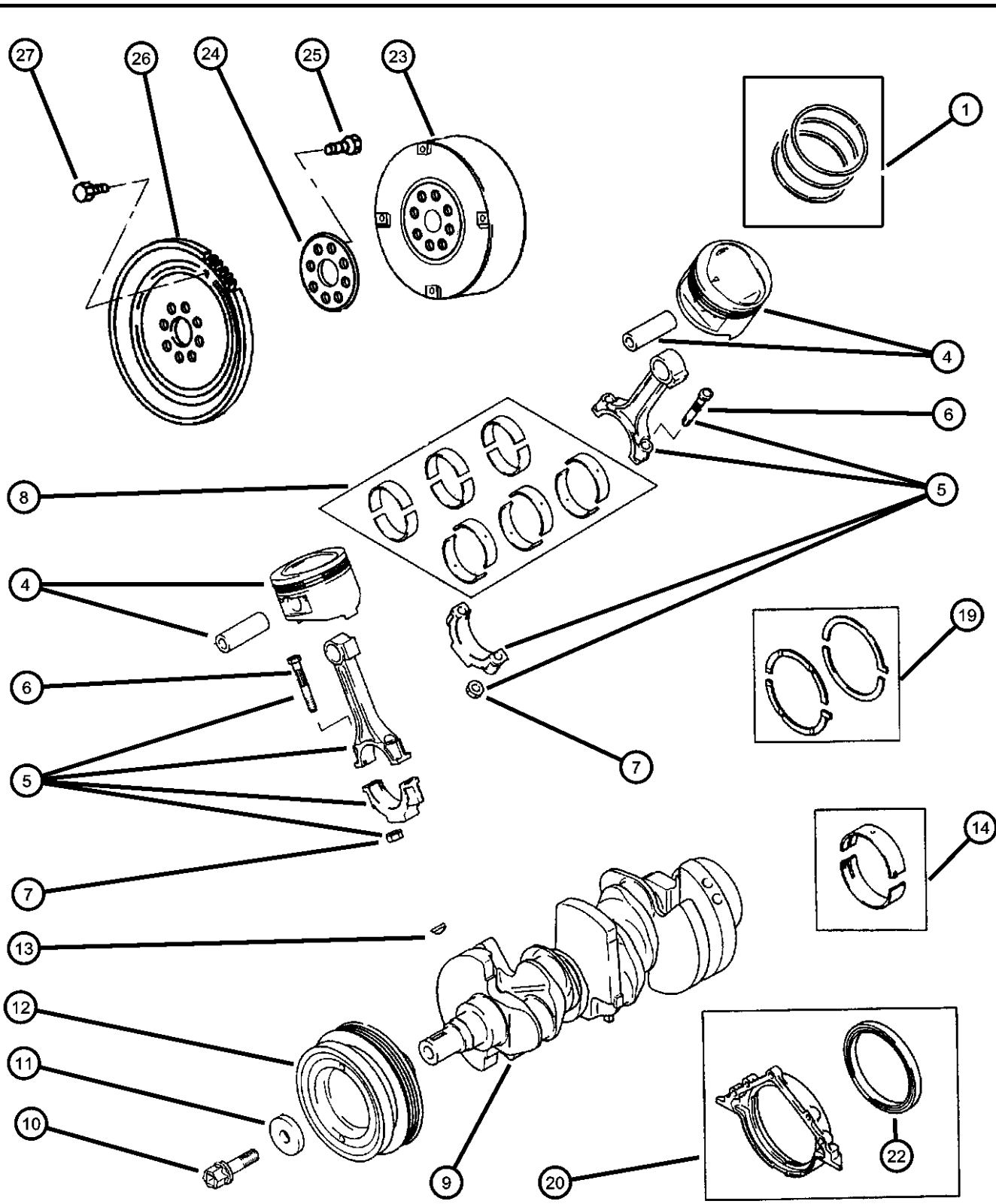
ENGINE
 ECB = 2.0L 4 Cyl SOHC 16V SMPI Engine
 EDZ = 2.4L 4 Cyl DOHC 16V SMPI Engine
 EEB = 2.5L V6 SOHC 24V SMPI Engine

TRANSMISSION
 DD5 = TRANSMISSION - 5-SPEED MANUAL
 DGL = TRANSMISSION - 4-SPD. AUTOMATIC, 41TE
 DD4 = TRANSMISSION - 5-SPEED PERF. MANUAL

AR = use ase required - = Non illustrated part

Crankshaft, Piston, and Torque Converter 2.5L V-6 SOHC (EEB)

Figure 2.5L6-410



ITEM	PART NUMBER	QTY	LINE	SERIES	BODY	ENGINE	TRANS	TRIM	DESCRIPTION
22	MD120699	1				EEB			OIL SEAL, Crankshaft
23	04778031AB R4778031AB	1				EDZ, EEB	DGL		CONVERTER PACKAGE, Torque Mopar Remanufactured Part
24	04471933	1					DD5		PLATE, Drive Plate Backing
		1					DGL		
25	06503465	8					DD5		BOLT, Drive Plate and Flywheel
		8					DGL		
26	04736016AB	1				EEB			PLATE, Torque Converter Drive
27	06501099	4					DD5		BOLT, Hex Head, M10x1.50 x 13.20
		4					DGL		

CIRRUS,BREEZE,STRATUS (JA)
 SERIES LINE
 H = HIGHLINE C = CHRYSLER
 P = PREMIUM D = DODGE
 P = PLYMOUTH

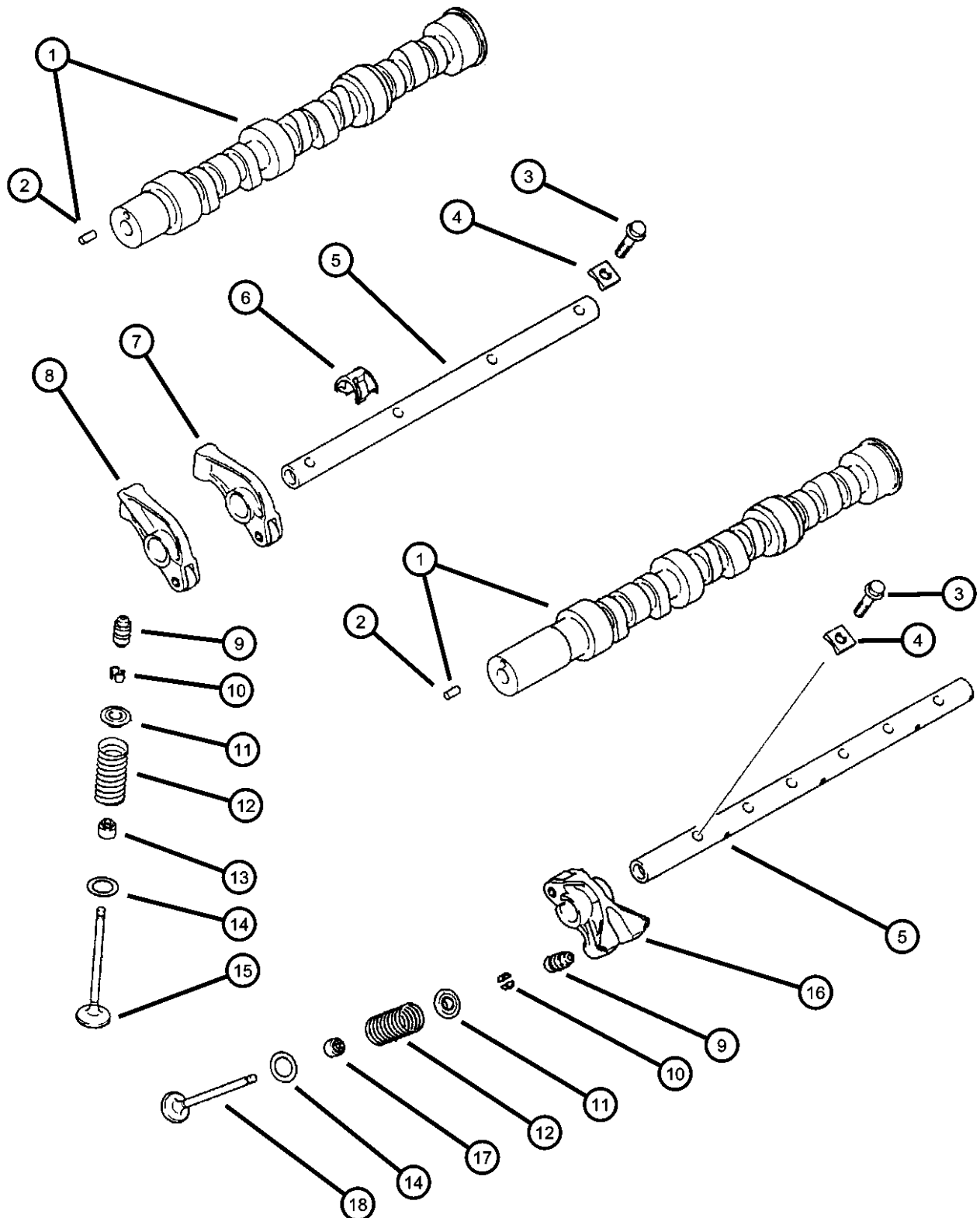
BODY
 41 = 4 Door Sedan

ENGINE
 ECB = 2.0L 4 Cyl SOHC 16V
 SMPI Engine
 EDZ = 2.4L 4 Cyl DOHC 16V
 SMPI Engine
 EEB = 2.5L V6 SOHC 24V
 SMPI Engine

TRANSMISSION
 DD5 = TRANSMISSION - 5-SPEED
 MANUAL
 DGL = TRANSMISSION - 4-SPD.
 AUTOMATIC,41TE
 DD4 = TRANSMISSION - 5-SPEED
 PERF. MANUAL

AR = use ase required - = Non illustrated part

**Camshaft and Valves 2.5L V-6 SOHC (EEB)
Figure 2.5L6-510**



ITEM	PART NUMBER	QTY	LINE	SERIES	BODY	ENGINE	TRANS	TRIM	DESCRIPTION
1									CAMSHAFT
	MD318241	1				EEB			Left
	MD321178	1				EEB			Right
2	MD158443	1				EEB			DOWEL, Camshaft Sprocket
3	MD162682	20				EEB			BOLT, Hex Flange Head, M8x35
4	MD169459	20				EEB			SPACER, Rocker Shaft Bolt
5									SHAFT, Rocker Arm
	MD181257	2				EEB			Exhaust
	MD184255	2				EEB			Intake
6	MD166768	6				EEB			SPRING, Rocker Shaft
7	MD167980	6				EEB			ROCKER ARM, Intake, Rear Valve
8	MD167981	6				EEB			ROCKER ARM, Intake, Front Valve
9	MD151382	24				EEB			ADJUSTER, Valve Lash
10	MD151369	48				EEB			LOCK, Valve Spring Retainer
11	MD159209	24				EEB			RETAINER, Valve Spring
12	MD163357	24				EEB			SPRING, Valve
13	MD184303	12				EEB			SEAL, Valve Guide
14	MD151527	24				EEB			SEAT, Valve Spring
15	MD301193	12				EEB			VALVE, Intake, Standard
16	MD178782	6				EEB			ROCKER ARM, Exhaust
17	MD307342	12				EEB			SEAL, Valve Guide
18	MD306183	12				EEB			VALVE, Exhaust, Standard

NOTE: Sales Code [EEB]=2.5L Engine.

CIRRUS,BREEZE,STRATUS (JA)
 SERIES LINE
 H = HIGHLINE C = CHRYSLER
 P = PREMIUM D = DODGE
 P = PLYMOUTH

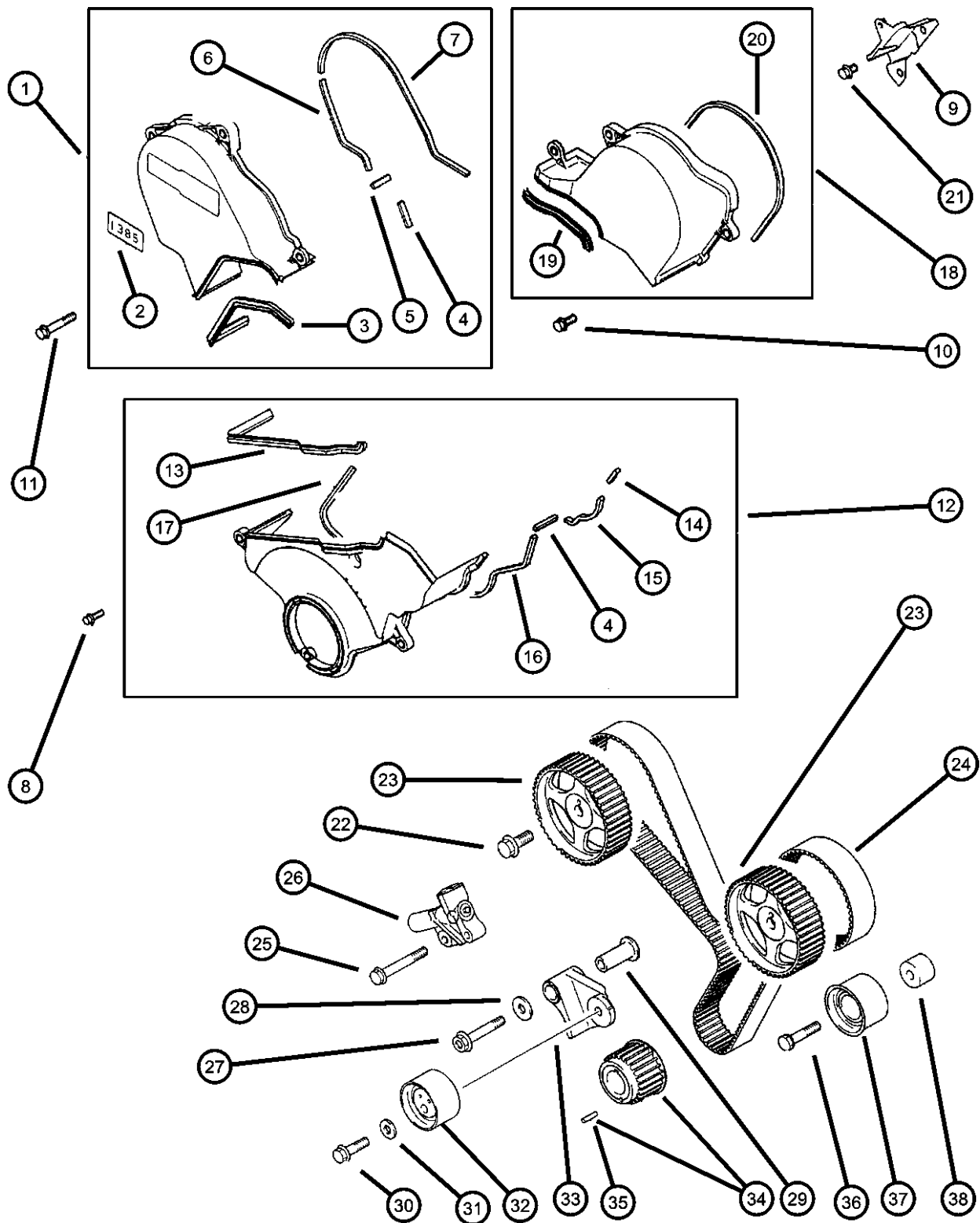
BODY
 41 = 4 Door Sedan

ENGINE
 ECB = 2.0L 4 Cyl SOHC 16V SMPI Engine
 EDZ = 2.4L 4 Cyl DOHC 16V SMPI Engine
 EEB = 2.5L V6 SOHC 24V SMPI Engine

TRANSMISSION
 DD5 = TRANSMISSION - 5-SPEED MANUAL
 DGL = TRANSMISSION - 4-SPD. AUTOMATIC,41TE
 DD4 = TRANSMISSION - 5-SPEED PERF. MANUAL

AR = use ase required - = Non illustrated part

**Timing Belt and Cover 2.5L V-6 SOHC (EEB)
Figure 2.5L6-610**



ITEM	PART NUMBER	QTY	LINE	SERIES	BODY	ENGINE	TRANS	TRIM	DESCRIPTION
NOTE: Sales Code [EEB]=2.5L Engine.									
1	MD356728	1				EEB			COVER, Timing Belt
2	MD355840	1				EEB			LABEL, Engine Identification
3	MD356732	1				EEB			GASKET, Timing Cover
4	MD198553	2				EEB			GASKET, Timing Cover
5	MD187645	1				EEB			GASKET, Timing Cover
6	MD303713	1				EEB			GASKET, Timing Cover
7	MD303714	1				EEB			GASKET, Timing Cover
8	MF140206	8				EEB			BOLT, Hex Flange Head, M6x18
9	MD311060	1				EEB			COVER, Timing Belt
10	MF140024	1				EEB			BOLT, Hex Flange Head, M8x18
11	MF140034	1				EEB			BOLT, Hex Flange Head, M8x45
12	MD303705	1				EEB			COVER, Timing Belt
13	MD303711	1				EEB			GASKET, Timing Cover
14	MD198705	1				EEB			GASKET, Timing Cover
15	MD191945	1				EEB			GASKET, Timing Cover
16	MD198549	1				EEB			GASKET, Timing Cover
17	MD198550	1				EEB			GASKET, Timing Cover
18	MD356729	1				EEB			COVER, Timing Belt
19	MD356733	1				EEB			GASKET, Timing Cover
20	MD198547	1				EEB			GASKET, Timing Cover
21	MF140021	2				EEB			BOLT, Hex Flange Head, M8 x 12
22	MF140285	2				EEB			BOLT, Hex Flange Head, M12x30
23	MD313741	2				EEB			GEAR, Camshaft
24	MD307487	1				EEB			BELT, Timing
	TBK10259								Mopar Alternative Part (Timing Belt Kit- Includes belt, roller(s), and/or an idler)
25	MD140072	2				EEB			BOLT, Hex Flange Head, M8x69
26	MD197622	1				EEB			ADJUSTER, Timing Belt Tensioner
27	MD145360	1				EEB			BOLT, Hex Flange Head, M10x60
28	MD145169	1				EEB			WASHER, Flat, M11
29	MD145168	1				EEB			SHAFT, Timing Belt Tensioner
30	MD190978	1				EEB			BOLT, Hex Flange Head, M10x35

CIRRUS,BREEZE,STRATUS (JA)
 SERIES LINE
 H = HIGHLINE C = CHRYSLER
 P = PREMIUM D = DODGE
 P = PLYMOUTH

BODY
 41 = 4 Door Sedan

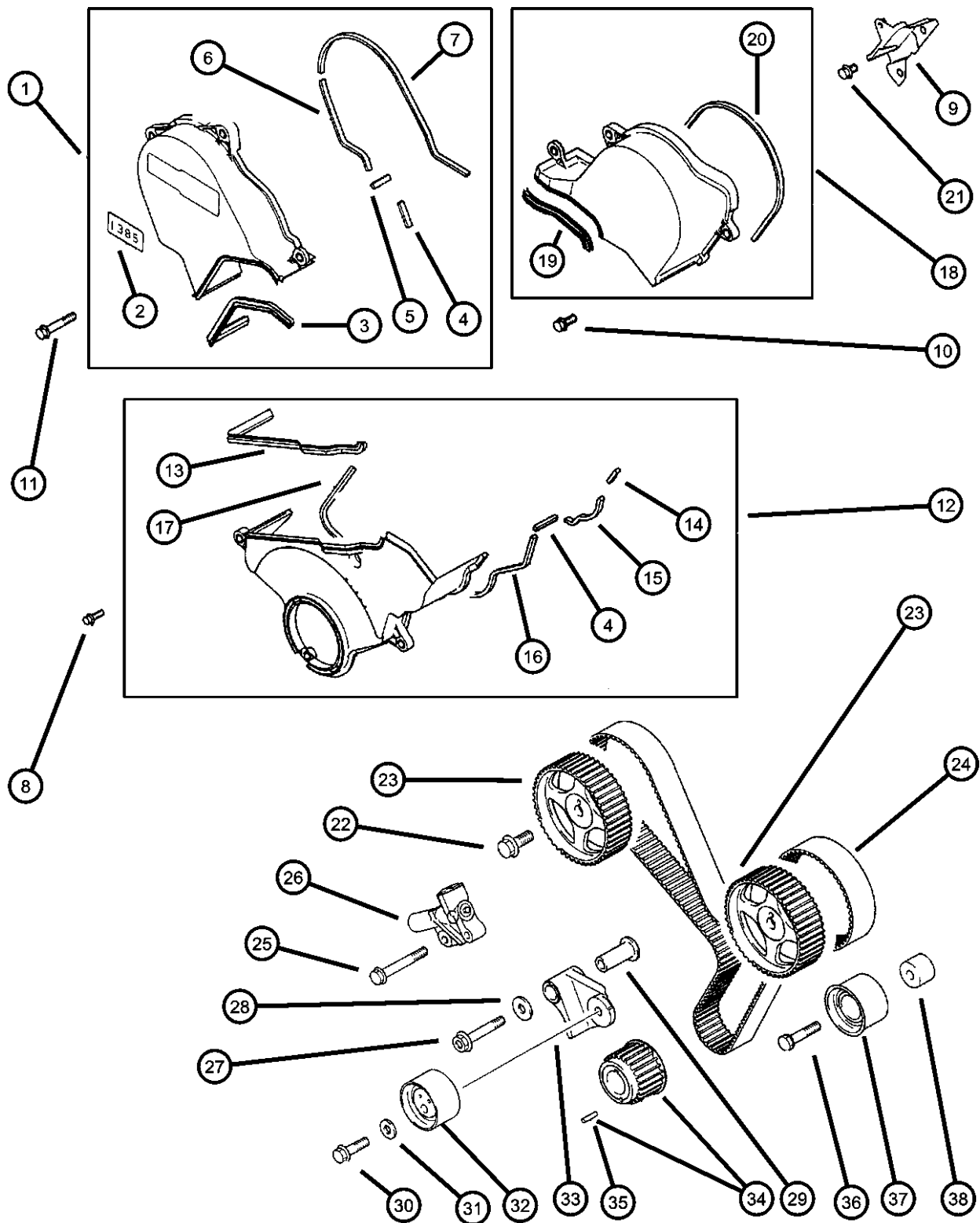
ENGINE
 ECB = 2.0L 4 Cyl SOHC 16V SMPI Engine
 EDZ = 2.4L 4 Cyl DOHC 16V SMPI Engine
 EEB = 2.5L V6 SOHC 24V SMPI Engine

TRANSMISSION
 DD5 = TRANSMISSION - 5-SPEED MANUAL
 DGL = TRANSMISSION - 4-SPD. AUTOMATIC,41TE
 DD4 = TRANSMISSION - 5-SPEED PERF. MANUAL

AR = use ase required - = Non illustrated part

1999 JA

Timing Belt and Cover 2.5L V-6 SOHC (EEB)
Figure 2.5L6-610



ITEM	PART NUMBER	QTY	LINE	SERIES	BODY	ENGINE	TRANS	TRIM	DESCRIPTION
31	MF450006	1				EEB			WASHER, Flat, M10
32	MD140071	1				EEB			PULLEY, Tensioner
33	MD309275	1				EEB			ARM, Tensioner
34	MD303045	1				EEB			GEAR, Crankshaft
35	MF472571	1				EEB			ROLL PIN, M5x20
36	MF241289	1				EEB			BOLT AND WASHER, M10x45
37	MD319022	1				EEB			PULLEY, Tensioner
38	MD184896	1				EEB			SPACER, Timing Belt Drive

CIRRUS,BREEZE,STRATUS (JA)
SERIES LINE
H = HIGHLINE C = CHRYSLER
P = PREMIUM D = DODGE
P = PLYMOUTH

BODY
41 = 4 Door Sedan

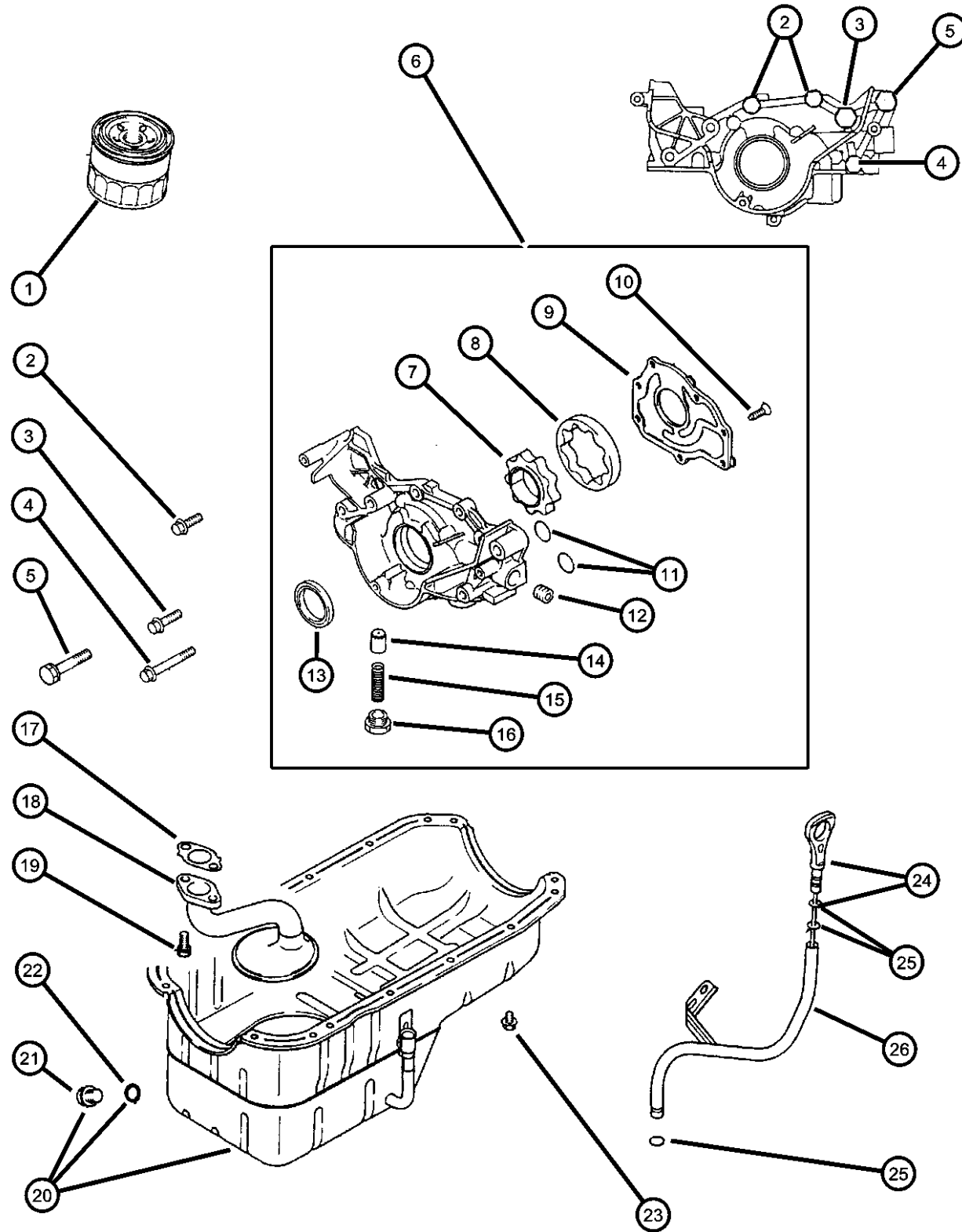
ENGINE
ECB = 2.0L 4 Cyl SOHC 16V SMPI Engine
EDZ = 2.4L 4 Cyl DOHC 16V SMPI Engine
EEB = 2.5L V6 SOHC 24V SMPI Engine

TRANSMISSION
DD5 = TRANSMISSION - 5-SPEED MANUAL
DGL = TRANSMISSION - 4-SPD. AUTOMATIC,41TE
DD4 = TRANSMISSION - 5-SPEED PERF. MANUAL

AR = use ase required - = Non illustrated part

1999 JA

**Engine Oiling 2.5L V-6 SOHC (EEB)
Figure 2.5L6-710**



ITEM	PART NUMBER	QTY	LINE	SERIES	BODY	ENGINE	TRANS	TRIM	DESCRIPTION
NOTE: Sales Code [EEB]=2.5L Engine.									
1	MD353795	1				EEB			FILTER, Engine Oil
2	MF140027	2				EEB			BOLT, Hex Flange Head, M8x25
3	MF140029	1				EEB			BOLT, Hex Flange Head, M8x30
4	MF140037	1				EEB			BOLT, Hex Flange Head, M8x60
5	MF303371	1				EEB			BOLT AND WASHER, Engine Front Case, M10x50
6	MD308627	1				EEB			CASE, Oil Pump
7	MD184887	1				EEB			GEAR, Oil Pump
8	MD184888	1				EEB			GEAR, Oil Pump Driven
9	MD184886	1				EEB			COVER, Engine Oil Pump
10	MD141302	7				EEB			SCREW, Hex Head
11	MD161631	2				EEB			O RING, Engine Front Case
12	MD145018	1				EEB			PLUG, Cylinder Block Oil Hole
13	MD120700	1				EEB			SEAL, Crankshaft Oil, Front
14	MD021563	1				EEB			PLUNGER, Oil Pressure Relief Valve
15	MD015988	1				EEB			SPRING, Oil Pressure Relief Valve
16	MD001404	1				EEB			PLUG, Cylinder Block Oil Hole
17	MD183239	1				EEB			GASKET, Oil Strainer
18	MD183271	1				EEB			PICKUP, Engine Oil
19	MS241071	2				EEB			BOLT, 8Mx20
20	MD310489	1				EEB			PAN, Engine Oil
21	MD050316	1				EEB			PLUG, Oil Drain
22	MD050317	1				EEB			GASKET, Oil Drain Plug
23	MD097012	16				EEB			BOLT, Hex Flange Head, M6x10
24	MD314917	1				EEB			GAUGE, Oil Level
25	MD075834	1				EEB			O RING, Engine Oil Level Tube
26	MD314916	1				EEB			TUBE, Engine Oil Indicator

CIRRUS,BREEZE,STRATUS (JA)
 SERIES LINE
 H = HIGHLINE C = CHRYSLER
 P = PREMIUM D = DODGE
 P = PLYMOUTH

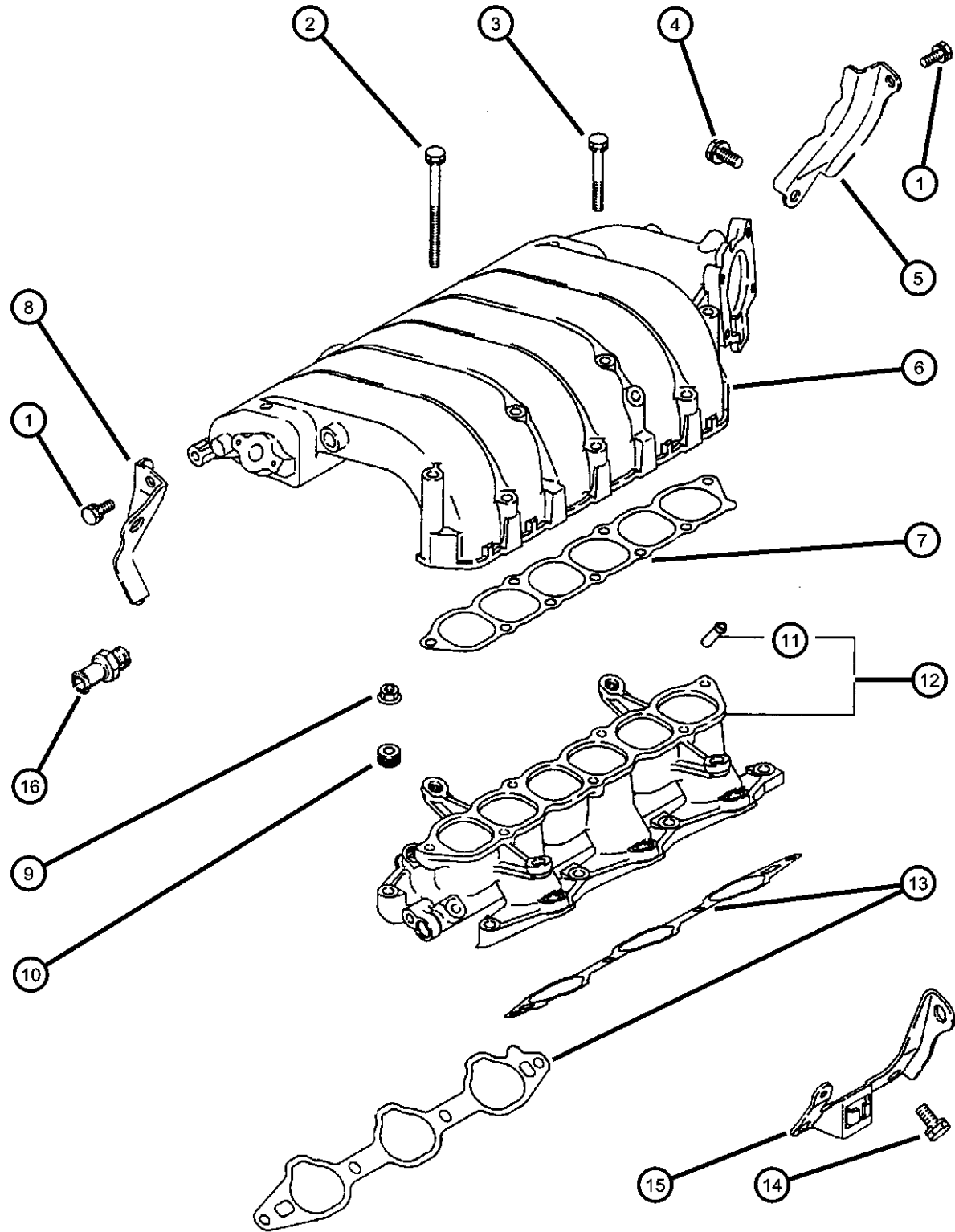
BODY
 41 = 4 Door Sedan

ENGINE
 ECB = 2.0L 4 Cyl SOHC 16V SMPI Engine
 EDZ = 2.4L 4 Cyl DOHC 16V SMPI Engine
 EEB = 2.5L V6 SOHC 24V SMPI Engine

TRANSMISSION
 DD5 = TRANSMISSION - 5-SPEED MANUAL
 DGL = TRANSMISSION - 4-SPD. AUTOMATIC, 41TE
 DD4 = TRANSMISSION - 5-SPEED PERF. MANUAL

AR = use ase required - = Non illustrated part

**Manifold, Intake 2.5L V-6 SOHC (EEB)
Figure 2.5L6-810**



ITEM	PART NUMBER	QTY	LINE	SERIES	BODY	ENGINE	TRANS	TRIM	DESCRIPTION
NOTE: Sales Code [EEB]=2.5L Engine.									
1	MF241251	3				EEB			BOLT AND WASHER, M8x16
2	MD025419	4				EEB			BOLT AND WASHER, Carburetor Mounting, M8x110
3	MF241266	3				EEB			BOLT AND WASHER, M8x65
4	MF241880	2				EEB			BOLT AND WASHER, M10x20
5	MD197425	1				EEB			BRACKET, Intake Manifold
6	MD317516	1				EEB			TANK, Air Intake Surge
7	MD199282	1				EEB			GASKET, Intake Plenum
8	MD308618	1				EEB			BRACKET, Intake Manifold
9	MD090676	8				EEB			NUT, Hex Flange, M8
10	MD307210	8				EEB			SPRING, Lock
11	MD088093	1				EEB			NIPPLE, Intake Manifold
12	MD333780	1				EEB			MANIFOLD, Intake
13	MD309720	2				EEB			GASKET, Intake Manifold
14	MF241880	2				EEB			BOLT AND WASHER, M10x20
15	MD323867	1				EEB			SUPPORT, Engine Mount
16	04591323	1				EEB			CONNECTOR, Vacuum

CIRRUS,BREEZE,STRATUS (JA)
 SERIES LINE
 H = HIGHLINE C = CHRYSLER
 P = PREMIUM D = DODGE
 P = PLYMOUTH

BODY
 41 = 4 Door Sedan

ENGINE
 ECB = 2.0L 4 Cyl SOHC 16V SMPI Engine
 EDZ = 2.4L 4 Cyl DOHC 16V SMPI Engine
 EEB = 2.5L V6 SOHC 24V SMPI Engine

TRANSMISSION
 DD5 = TRANSMISSION - 5-SPEED MANUAL
 DGL = TRANSMISSION - 4-SPD. AUTOMATIC,41TE
 DD4 = TRANSMISSION - 5-SPEED PERF. MANUAL

AR = use ase required - = Non illustrated part

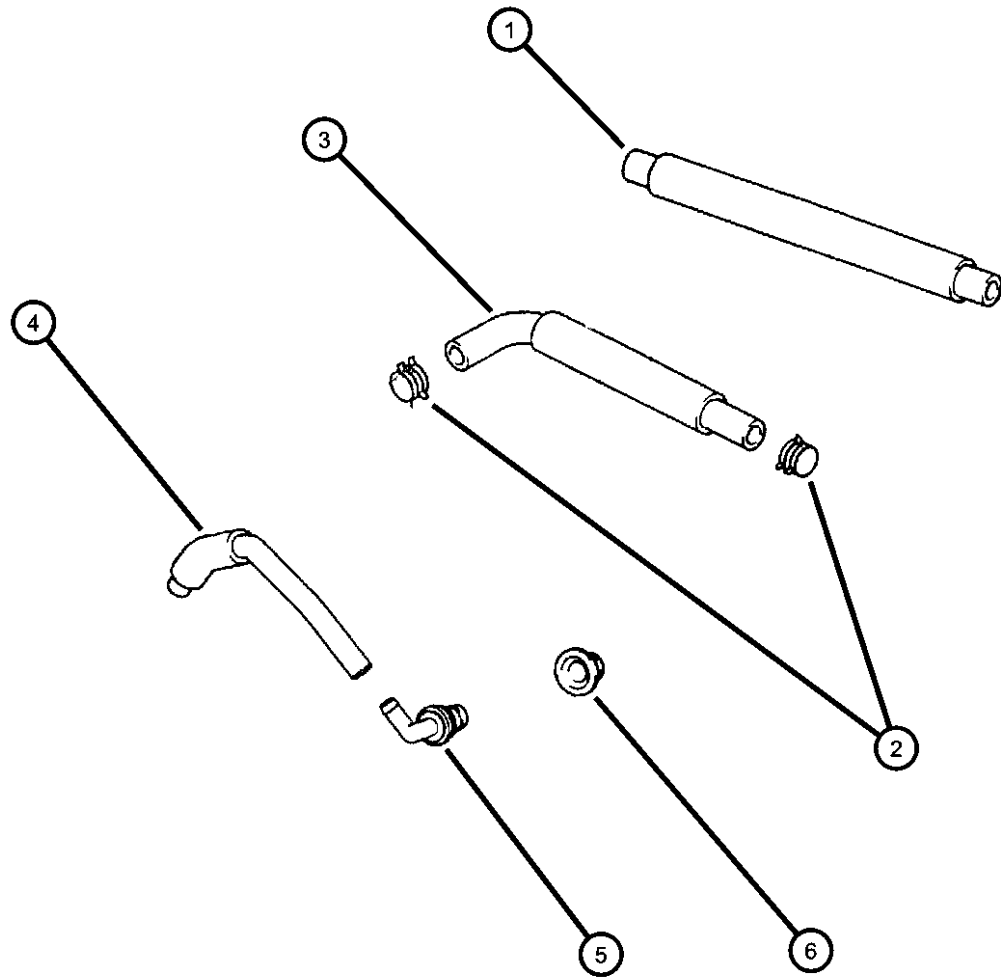
1999 JA

**Crankcase Ventilation 2.5L V-6 SOHC (EEB)
Figure 2.5L6-910**

ITEM	PART NUMBER	QTY	LINE	SERIES	BODY	ENGINE	TRANS	TRIM	DESCRIPTION
------	-------------	-----	------	--------	------	--------	-------	------	-------------

NOTE: Sales Code
[EEB]=2.5L Engine.

1	MD320650	1				EEB			HOSE, Valve Cover Vent
2	MS660220	2				EEB			CLIP, Rocker
3	MD306955	1				EEB			HOSE, Polution Control Valve
4	MD306956	1				EEB			HOSE, Polution Control Valve
5	MD183547	1				EEB			VALVE, PCV
6	MD179909	1				EEB			GASKET, PCV Valve



CIRRUS,BREEZE,STRATUS (JA)

SERIES LINE
H = HIGHLINE C = CHRYSLER
P = PREMIUM D = DODGE
 P = PLYMOUTH

BODY
41 = 4 Door Sedan

ENGINE
ECB = 2.0L 4 Cyl SOHC 16V SMPI Engine
EDZ = 2.4L 4 Cyl DOHC 16V SMPI Engine
EEB = 2.5L V6 SOHC 24V SMPI Engine

TRANSMISSION
DD5 = TRANSMISSION - 5-SPEED MANUAL
DGL = TRANSMISSION - 4-SPD. AUTOMATIC,41TE
DD4 = TRANSMISSION - 5-SPEED PERF. MANUAL

AR = use ase required - = Non illustrated part

1999 JA

Group - 11

Exhaust

Group - 11 Exhaust

Illustration Title

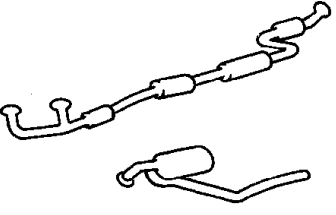
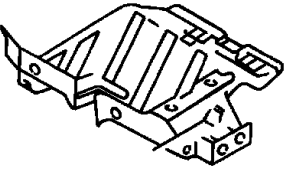
Group-Fig. No.

Exhaust System

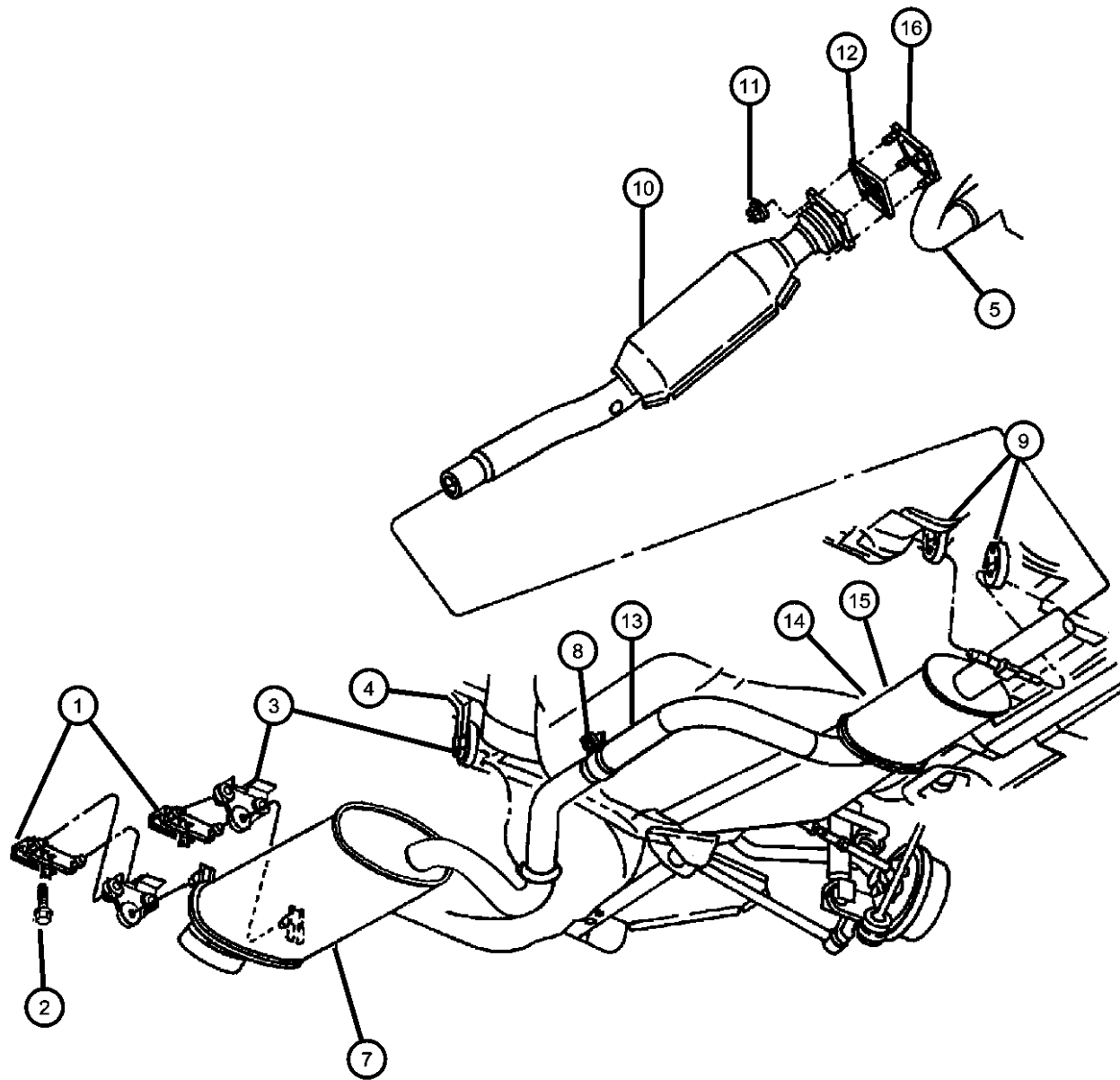
Exhaust System 2.0L-2.4L-2.5L Engine Fig. 11 - 170

Heat Shields

Heat Shields - Exhaust Fig. 11 - 240

<p>011-100 Exhaust System</p> 	<p>011-200 Heat Shields</p> 		
---	--	--	--

Exhaust System 2.0L-2.4L-2.5L Engine
Figure 11-170



ITEM	PART NUMBER	QTY	LINE	SERIES	BODY	ENGINE	TRANS	TRIM	DESCRIPTION
NOTE: Sales Code [DGL] = 41TE, 4 Speed Automatic Transmission [DD4] = 5 Speed Performance Manual Transmisssion [ECB] = 2.0L 4 Cylinder SOHC 16V SMPI Engine [EDZ] = 2.4L 4 Cylinder DOHC 16V SMPI Engine [EEB] = 2.5L V6 SOHC 24V SMPI Engine									
1	04616448	1							BRACKET, Muffler
2	04616448	1							SCREW, Tapping, M8x1.25x25, SCREW, Tapping (M8 x 1.25 x 25.00) (NOT SERVICED), (NOT SERVICED)
3	04695069	2							ISOLATOR, Exhaust Support
4	04616448	1							BRACKET, Muffler, Rear
5	04764390AA	1				EEB	DGL		PIPE, Exhaust
-6	04764200	2				EEB			GASKET, Crossover Pipe
7									MUFFLER AND TAILPIPE, Exhaust
	04764317AA	1				ECB			Mopar V-Line Alternative Part Muffler
	E0055153								
	04764319AA	1				EDZ			Mopar V-Line Alternative Part Muffler
	E0055153								
	04764331AB	1				EEB			Mopar V-Line Alternative Part Mopar V-Line Alternative Part Muffler
	E0055153								
	E0021307								
8									CLAMP, Exhaust
	04695220AB	1				ECB, EDZ			
		1				EEB			
9	04695069	2							ISOLATOR, Exhaust Support
10									CONVERTER, Catalytic
	04546254AC	1				EEB	DGL		NAE
	04546278AB	1				EDZ	DGL		NAE
	04764237AA	1				ECB			NAA , NAC or NAE
	04764361	1				ECB	DGL		NAE
	05278026AC	1				EEB	DGL		NAA or NAC
	05278491AB	1				EDZ	DGL		NAA or NAC
11	06101467	4							NUT, Hex Flange, M8x1.25

CIRRUS,BREEZE,STRATUS (JA)

SERIES LINE
 H = HIGHLINE C = CHRYSLER
 P = PREMIUM D = DODGE
 P = PLYMOUTH

BODY
 41 = 4 Door Sedan

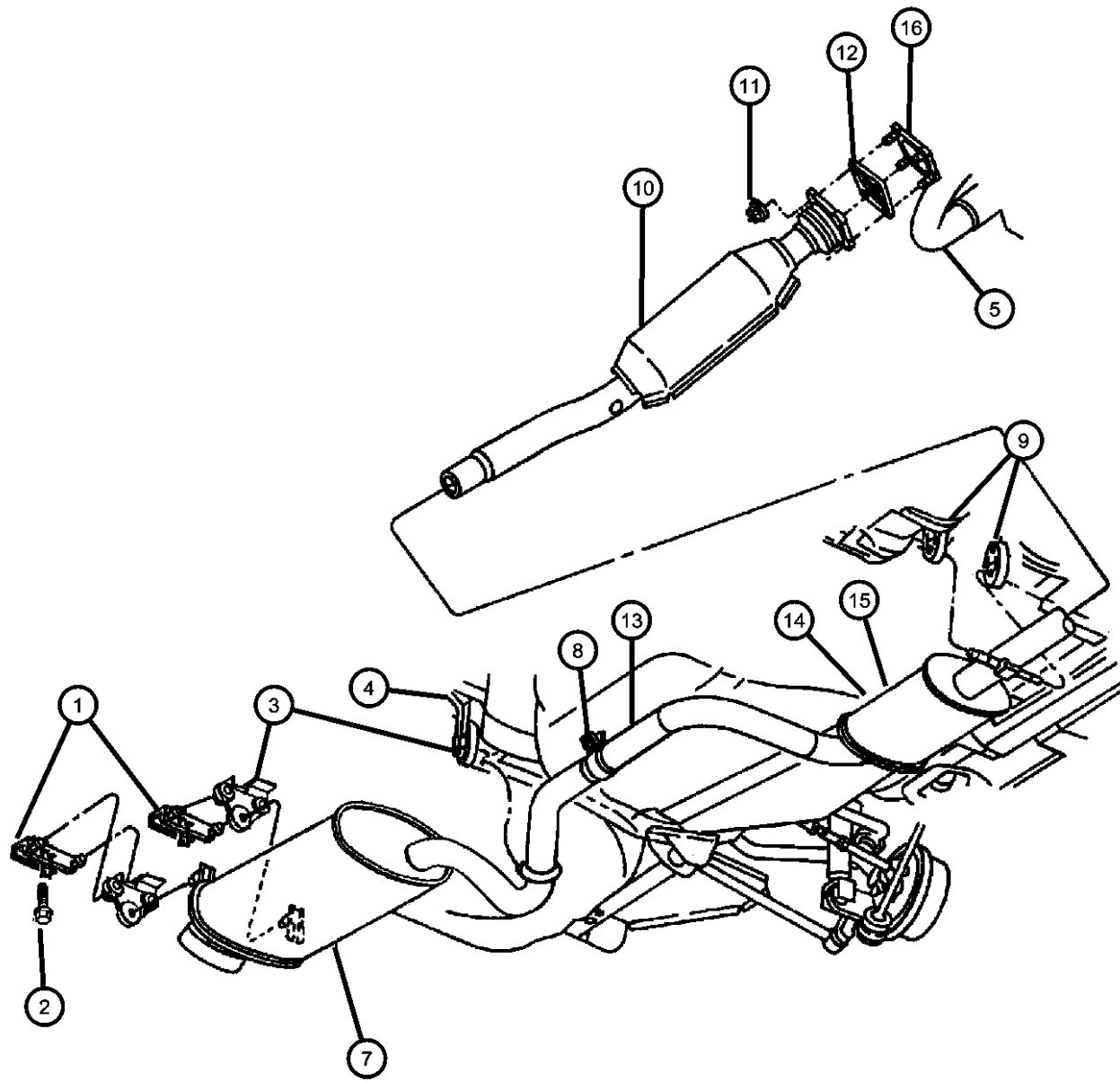
ENGINE
 ECB = 2.0L 4 Cyl SOHC 16V
 SMPI Engine
 EDZ = 2.4L 4 Cyl DOHC 16V
 SMPI Engine
 EEB = 2.5L V6 SOHC 24V
 SMPI Engine

TRANSMISSION
 DD5 = TRANSMISSION - 5-SPEED
 MANUAL
 DGL = TRANSMISSION - 4-SPD.
 AUTOMATIC, 41TE
 DD4 = TRANSMISSION - 5-SPEED
 PERF. MANUAL

AR = use ase required - = Non illustrated part

1999 JA

Exhaust System 2.0L-2.4L-2.5L Engine
Figure 11-170



ITEM	PART NUMBER	QTY	LINE	SERIES	BODY	ENGINE	TRANS	TRIM	DESCRIPTION
12	04616671 E0031597	1							GASKET, Manifold To Exhaust Pipe Mopar V-Line Alternative Part
13	04695220AB	1				ECB, EDZ			CLAMP, Exhaust
		1				EEB			
14	04764028AB	1				EEB			PIPE AND RESONATOR, Exhaust, NAB
15	04764336AB E0055152	1				ECB, EDZ			RESONATOR AND PIPE, Exhaust Mopar V-Line Alternative Part
	04764338AB	1				EEB			
16	MD041236	4				EEB			STUD, Exhaust Manifold
-17	06503767	4				ECB			BOLT, Hex Head, M8x1.25x35
		4				EDZ			

CIRRUS,BREEZE,STRATUS (JA)
 SERIES LINE
 H = HIGHLINE C = CHRYSLER
 P = PREMIUM D = DODGE
 P = PLYMOUTH

BODY
 41 = 4 Door Sedan

ENGINE
 ECB = 2.0L 4 Cyl SOHC 16V
 SMPI Engine
 EDZ = 2.4L 4 Cyl DOHC 16V
 SMPI Engine
 EEB = 2.5L V6 SOHC 24V
 SMPI Engine

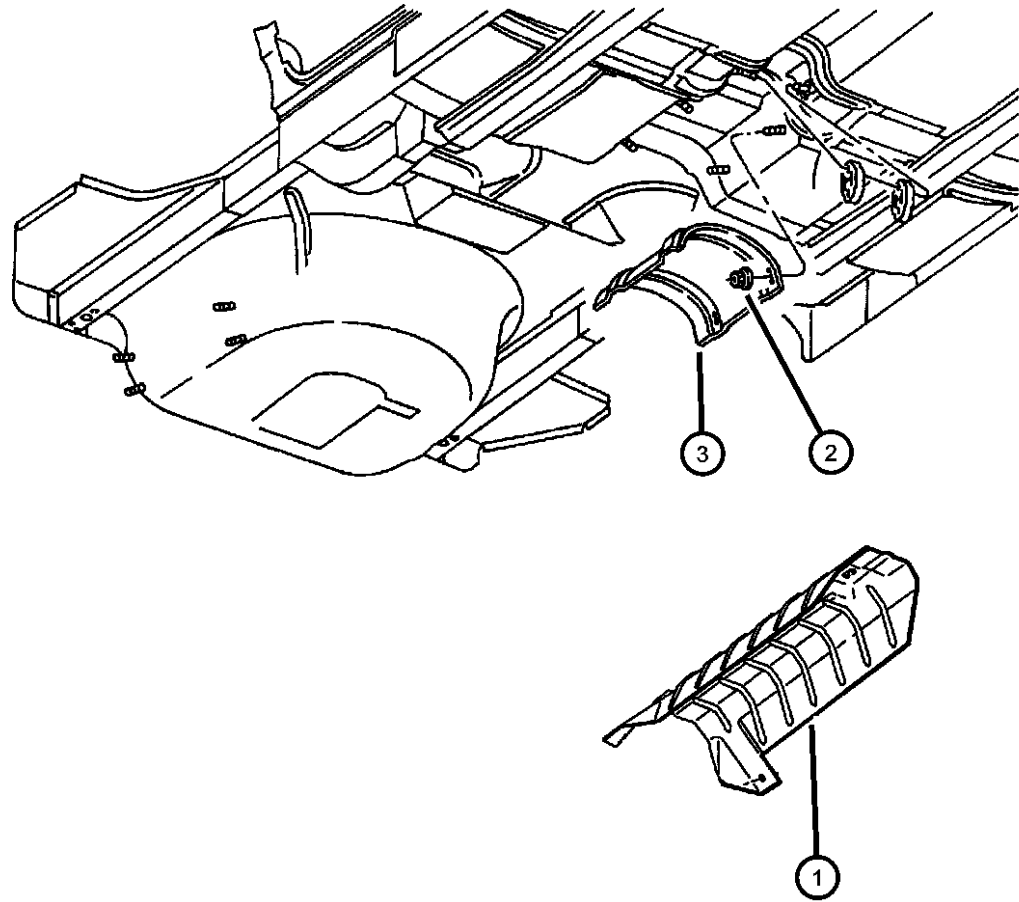
TRANSMISSION
 DD5 = TRANSMISSION - 5-SPEED
 MANUAL
 DGL = TRANSMISSION - 4-SPD.
 AUTOMATIC,41TE
 DD4 = TRANSMISSION - 5-SPEED
 PERF. MANUAL

AR = use ase required - = Non illustrated part

1999 JA

Heat Shields - Exhaust
Figure 11-240

ITEM	PART NUMBER	QTY	LINE	SERIES	BODY	ENGINE	TRANS	TRIM	DESCRIPTION
1	04696940	1							SHIELD, Heat
2	34202877	4							NUT, Hex Flange, M5-1.6
3	04792297	1				ECB			SHIELD, Heat



CIRRUS,BREEZE,STRATUS (JA)

SERIES	LINE
H = HIGHLINE	C = CHRYSLER
P = PREMIUM	D = DODGE
	P = PLYMOUTH

BODY
41 = 4 Door Sedan

ENGINE
ECB = 2.0L 4 Cyl SOHC 16V SMPI Engine
EDZ = 2.4L 4 Cyl DOHC 16V SMPI Engine
EEB = 2.5L V6 SOHC 24V SMPI Engine

TRANSMISSION
DD5 = TRANSMISSION - 5-SPEED MANUAL
DGL = TRANSMISSION - 4-SPD. AUTOMATIC,41TE
DD4 = TRANSMISSION - 5-SPEED PERF. MANUAL

AR = use ase required - = Non illustrated part

1999 JA

Group - 13

Frames and Bumpers

Group - 13 Frames and Bumpers

Group-Fig. No.

Illustration Title

Frames

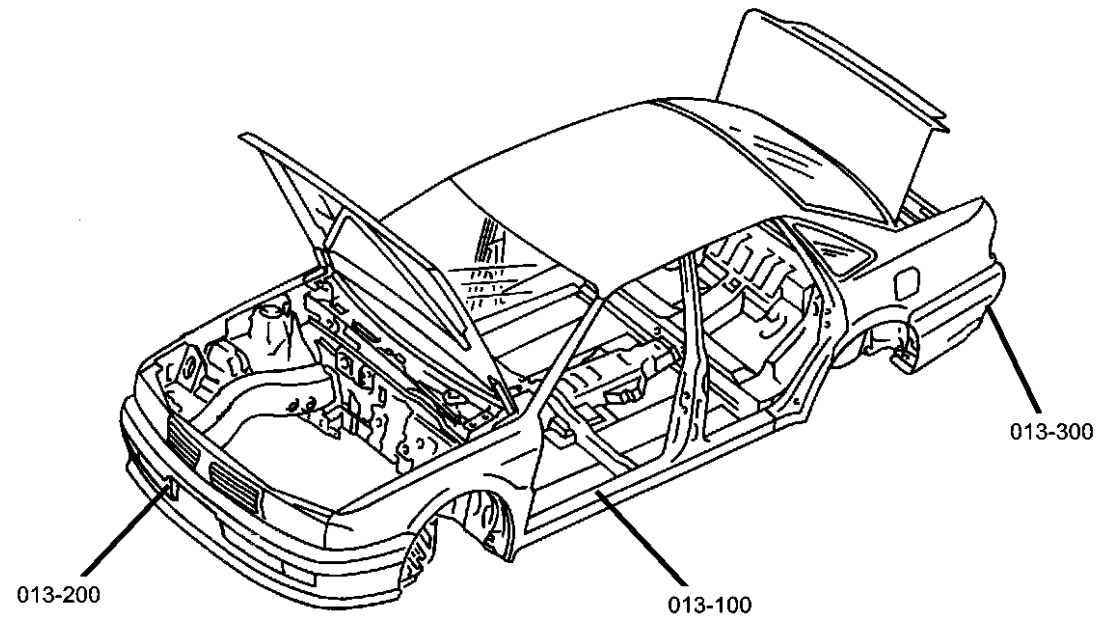
Frame Front Fig. 13 - 132
 Frame Rear Fig. 13 - 170

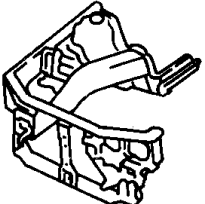
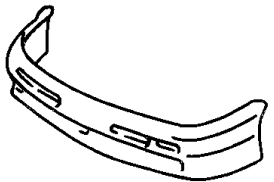
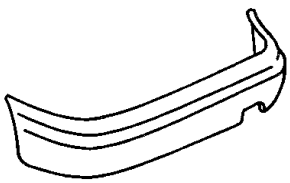
Front Bumper and Fascia

Fascia, Front Fig. 13 - 250

Rear Bumper and Fascia

Fascia, Rear Fig. 13 - 350



<p>013-100 Frames</p> 	<p>013-200 Front Bumper and Fascia</p> 	<p>013-300 Rear Bumper and Fascia</p> 	
--	---	---	--

Frame Front
Figure 13-132

ITEM	PART NUMBER	QTY	LINE	SERIES	BODY	ENGINE	TRANS	TRIM	DESCRIPTION
1	04696337	2							RAIL, Front Side Rail Rear
2	04696236	1							RAIL, Front Side Rail Rear Right
	04696237	1							Left
-3	06034818	8							SCREW, Hex Flange Head, .25-14x.875
4	04696280	1							CROSSMEMBER, Front Floor, Front Seat Mounting, Right Rear
5	04696281	1							CROSSMEMBER, Front Floor, Front Seat Mounting, Left Rear
-6	04814493	1							REINFORCEMENT, Seat
7	04696234	1							RAIL, Front Right, w/ Bumper Mounting Bracket Reinforcement
8	04696235	1							RAIL, Front Left, w/ Bumper Mounting Bracket Reinforcement
-9	04646939	1							BRACE, Front Side Rail
10	04646169AB	1							CROSSMEMBER, RadiatorUpper
-11	04696878	1							BRACKET, CrossmemberUpper Radiator Mounting
-12	04696879AB	1							BRACKET, CrossmemberUpper Radiator Mounting
13	04696342	1							PANEL, HeadlampRight
-14	06101283	2							U-NUT, M8x1.25Upper, Cross Member Attaching
15	04696343	1							PANEL, HeadlampLeft
-16	06101283	2							U-NUT, M8x1.25Upper, Cross Member Attaching
17	04696368	1							PANEL, Lower RadiatorRight
18	04696369	1							PANEL, Lower RadiatorLeft
19	04696238	1							BRACKET, Suspension CrossmemberRight
20	04696239	1							BRACKET, Suspension CrossmemberLeft
21									REINFORCEMENT, Front Side Rail
	04646137	1							Left
	04814142	1							Right
22	04646939	1							BRACE, Front Side Rail
23	04584369AD	1							CROSSMEMBER, Front Suspension

CIRRUS,BREEZE,STRATUS (JA)
SERIES LINE
H = HIGHLINE C = CHRYSLER
P = PREMIUM D = DODGE
P = PLYMOUTH

BODY
41 = 4 Door Sedan

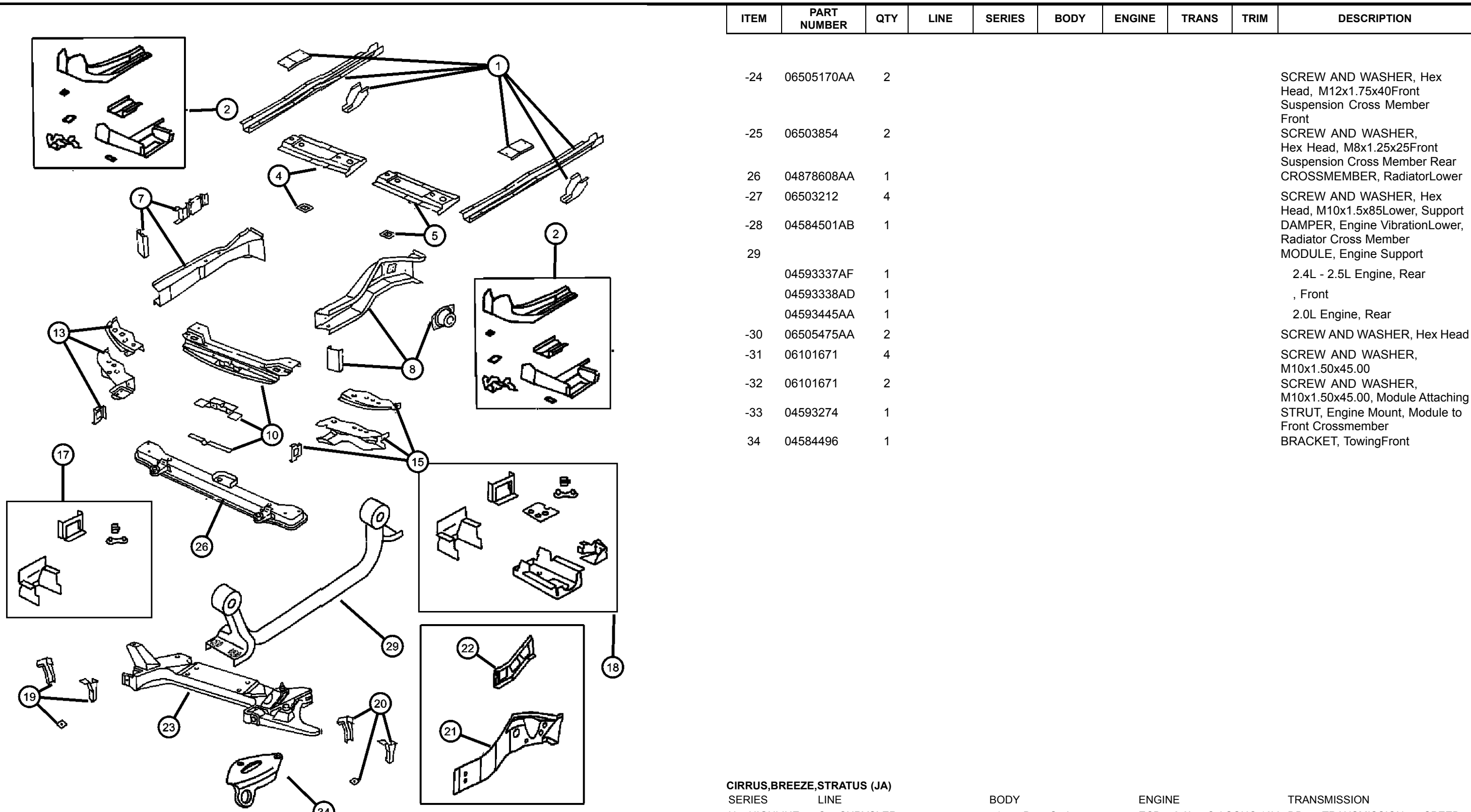
ENGINE
ECB = 2.0L 4 Cyl SOHC 16V
SMPI Engine
EDZ = 2.4L 4 Cyl DOHC 16V
SMPI Engine
EEB = 2.5L V6 SOHC 24V
SMPI Engine

TRANSMISSION
DD5 = TRANSMISSION - 5-SPEED
MANUAL
DGL = TRANSMISSION - 4-SPD.
AUTOMATIC,41TE
DD4 = TRANSMISSION - 5-SPEED
PERF. MANUAL

AR = use ase required - = Non illustrated part

1999 JA

Frame Front
Figure 13-132



ITEM	PART NUMBER	QTY	LINE	SERIES	BODY	ENGINE	TRANS	TRIM	DESCRIPTION
-24	06505170AA	2							SCREW AND WASHER, Hex Head, M12x1.75x40Front Suspension Cross Member Front
-25	06503854	2							SCREW AND WASHER, Hex Head, M8x1.25x25Front Suspension Cross Member Rear
26	04878608AA	1							CROSSMEMBER, RadiatorLower
-27	06503212	4							SCREW AND WASHER, Hex Head, M10x1.5x85Lower, Support
-28	04584501AB	1							DAMPER, Engine VibrationLower, Radiator Cross Member
29									MODULE, Engine Support
	04593337AF	1							2.4L - 2.5L Engine, Rear
	04593338AD	1							, Front
	04593445AA	1							2.0L Engine, Rear
-30	06505475AA	2							SCREW AND WASHER, Hex Head
-31	06101671	4							SCREW AND WASHER, M10x1.50x45.00
-32	06101671	2							SCREW AND WASHER, M10x1.50x45.00, Module Attaching
-33	04593274	1							STRUT, Engine Mount, Module to Front Crossmember
34	04584496	1							BRACKET, TowingFront

CIRRUS,BREEZE,STRATUS (JA)
 SERIES LINE
 H = HIGHLINE C = CHRYSLER
 P = PREMIUM D = DODGE
 P = PLYMOUTH

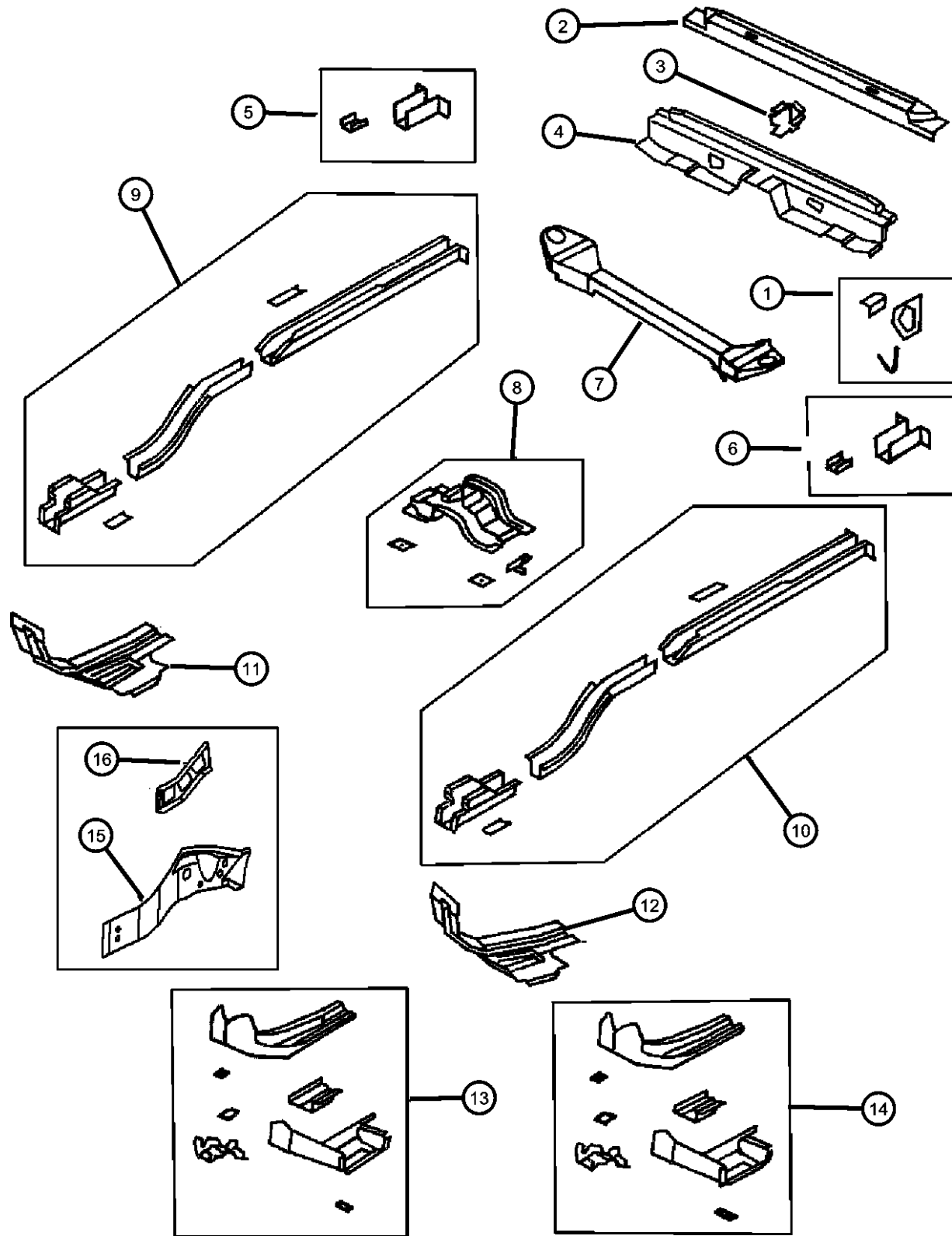
BODY
 41 = 4 Door Sedan

ENGINE
 ECB = 2.0L 4 Cyl SOHC 16V SMPI Engine
 EDZ = 2.4L 4 Cyl DOHC 16V SMPI Engine
 EEB = 2.5L V6 SOHC 24V SMPI Engine

TRANSMISSION
 DD5 = TRANSMISSION - 5-SPEED MANUAL
 DGL = TRANSMISSION - 4-SPD. AUTOMATIC,41TE
 DD4 = TRANSMISSION - 5-SPEED PERF. MANUAL

AR = use ase required - = Non illustrated part

Frame Rear
Figure 13-170



ITEM	PART NUMBER	QTY	LINE	SERIES	BODY	ENGINE	TRANS	TRIM	DESCRIPTION
1	04646909	1							BRACKET, Towing
2	04646551	1							REINFORCEMENT, Rear Seat
3	04696819	1							BRACKET ASSEMBLY, Rear Floor Pan
4	04646116	1							CROSSMEMBER, Rear Floor
5	04584504	1							BRACKET, Rear BumperRight
6	04584505	1							BRACKET, Rear BumperLeft
7	04584497	1							CROSSMEMBER, Rear Suspension
8	04814493	1							REINFORCEMENT, Seat
9	04696380	1							RAIL, Rear Floor Pan SideRight
10	04696381	1							RAIL, Rear Floor Pan SideLeft
11	04584506	1							CAP, Side RailRear Right
12	04584507	1							CAP, Side RailRear Left
13	04696236	1							RAIL, Front Side Rail RearRight
14	04696237	1							RAIL, Front Side Rail RearLeft
15									REINFORCEMENT, Front Side Rail
	04646137	1							Left
	04814142	1							Right
16	04646939	1							BRACE, Front Side Rail

CIRRUS,BREEZE,STRATUS (JA)
 SERIES LINE
 H = HIGHLINE C = CHRYSLER
 P = PREMIUM D = DODGE
 P = PLYMOUTH

BODY
 41 = 4 Door Sedan

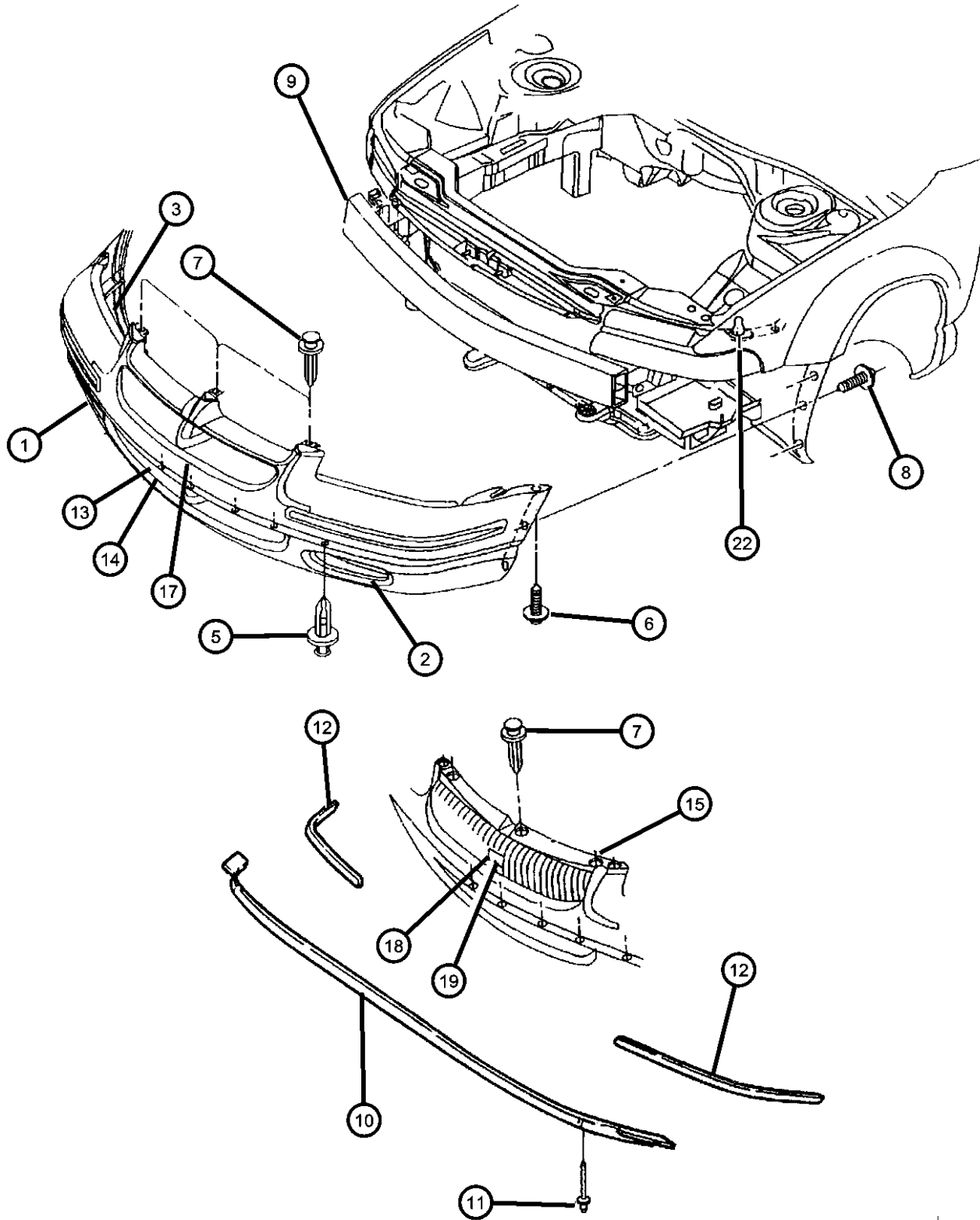
ENGINE
 ECB = 2.0L 4 Cyl SOHC 16V SMPI Engine
 EDZ = 2.4L 4 Cyl DOHC 16V SMPI Engine
 EEB = 2.5L V6 SOHC 24V SMPI Engine

TRANSMISSION
 DD5 = TRANSMISSION - 5-SPEED MANUAL
 DGL = TRANSMISSION - 4-SPD. AUTOMATIC,41TE
 DD4 = TRANSMISSION - 5-SPEED PERF. MANUAL

AR = use ase required - = Non illustrated part

1999 JA

Fascia, Front
Figure 13-250



ITEM	PART NUMBER	QTY	LINE	SERIES	BODY	ENGINE	TRANS	TRIM	DESCRIPTION
------	-------------	-----	------	--------	------	--------	-------	------	-------------

NOTE:Sales Codes:
 [MFJ] = GRILLE - DARK CHARCOAL
 [MFX] = GRILLE - BODY COLOR
 [MLA] = FASCIAS - BODY COLOR
 [MLP] =ACCENT STRIPE
 [MLS] = GOLD FASCIA ACCENTS

1									FASCIA, Front, Primed
	04805379AA	1	C						[MLA+MFJ]
		1	D	H					[MLA+MFJ]
		1	C						[MLS], Charcoal Grille
	04805381AA	1	D	H					[MLA+MFJ], Headlamp Washer EXPORT
		1	C						[MLA+MFJ], Headlamp Washer EXPORT
	04856126	1	P						[MLA]
	04883008	1	D	H					[MLA]
	04883009	1	D	P					[MLA], Fog Lamp
	05003342AA	1	D	H					[MLA+MFX], Chrysler Exterior Pkg.
	05003343AA	1	C						[MLA+MFX],Painted Nerf & Air Dam
2									BEZEL, Fog Lamp
	0LF16MS4	1	D	H					Bright Platinum, Right
		1	C	H					Bright Platinum, Right
	0LF16PR4	1	D	H					Red, Right
		1	C	H					Red, Right
	0LF16RX8	1	C	H					Black, Right
	0LF16SG8	1	D	H					Dark Green, Right
		1	C	H					Dark Green, Right
	0LF16SW1	1	D	H					White, Right
		1	C	H					White, Right
	0LF16TCN	1	D	H					Deep Amethyst Pearl Coat, Right
		1	C	H					Deep Amethyst Pearl Coat, Right
	0LF16TTK	1	C	H					Taupe Frost, Right
	0LF16VAW	1	D	H					Deep Slate, Right
		1	C	H					Deep Slate, Right
	0LF16VB3	1	D	H					Intense Blue, Right
	0LF16VMT	1	D	H					Deep Cranberry, Right

CIRRUS,BREEZE,STRATUS (JA)
 SERIES LINE
 H = HIGHLINE C = CHRYSLER
 P = PREMIUM D = DODGE
 P = PLYMOUTH

BODY
 41 = 4 Door Sedan

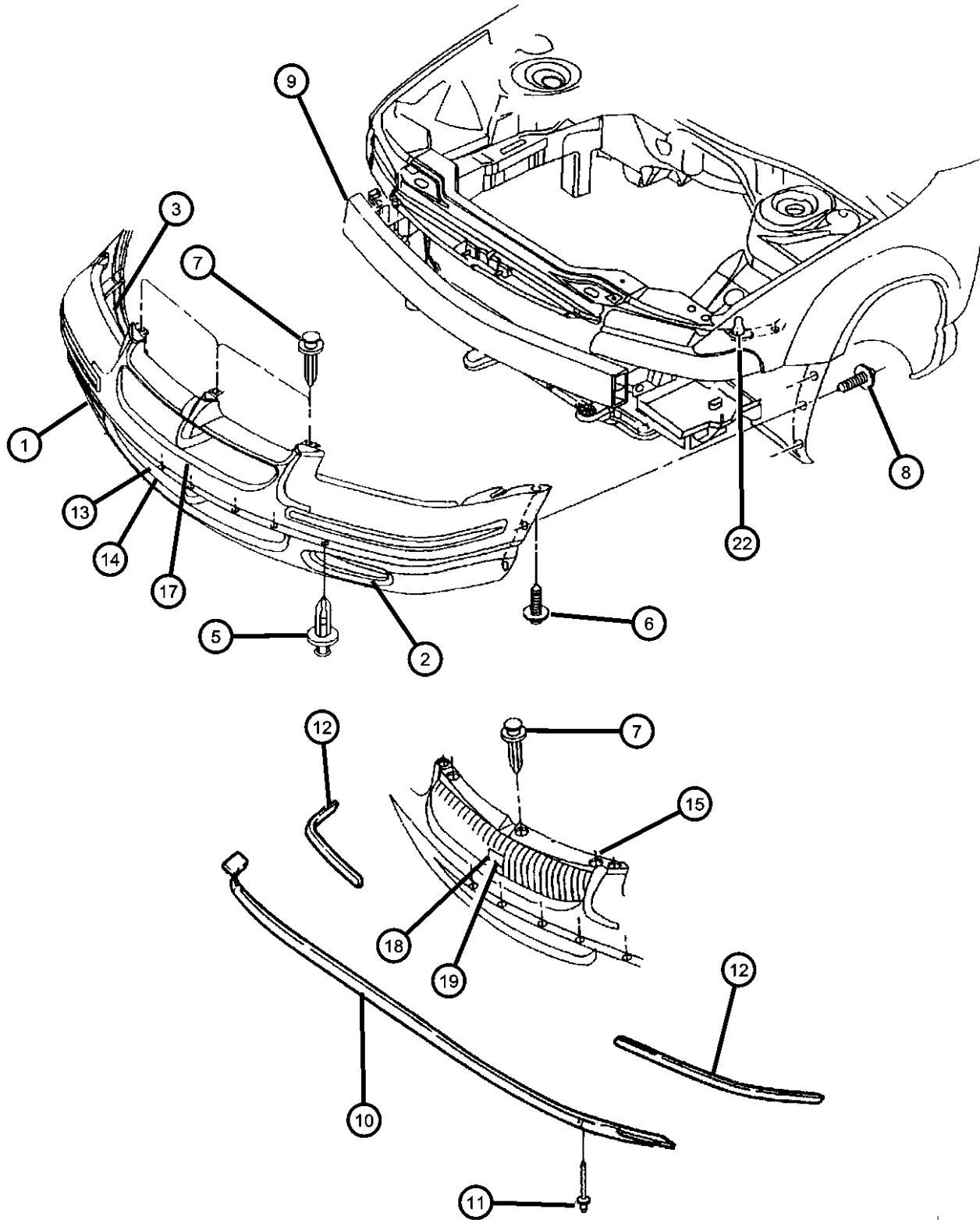
ENGINE
 ECB = 2.0L 4 Cyl SOHC 16V SMPI Engine
 EDZ = 2.4L 4 Cyl DOHC 16V SMPI Engine
 EEB = 2.5L V6 SOHC 24V SMPI Engine

TRANSMISSION
 DD5 = TRANSMISSION - 5-SPEED MANUAL
 DGL = TRANSMISSION - 4-SPD. AUTOMATIC,41TE
 DD4 = TRANSMISSION - 5-SPEED PERF. MANUAL

AR = use ase required - = Non illustrated part

1999 JA

Fascia, Front
Figure 13-250



ITEM	PART NUMBER	QTY	LINE	SERIES	BODY	ENGINE	TRANS	TRIM	DESCRIPTION
		1	C	H					Deep Cranberry, Right
	0LF16VTE	1	D	H					Champagne Pearl, Right
		1	C	H					Champagne Pearl, Right
	0LF16WEL	1	D	H					Inferno Red, Right
		1	C	H					Inferno Red, Right
	0LF16WG2	1	D	H					Cypress Green, Right
		1	C	H					Cypress Green, Right
	0LF16WS2	1	C	H					Bright Silver Met., Right
	0LF17MS4	1	D	H					Bright Platinum, Left
	0LF17PR4	1	D	H					Red, Left
	0LF17SG8	1	D	H					Dark Green, Left
	0LF17SW1	1	D	H					White, Left
	0LF17TCN	1	D	H					Deep Amethyst Pearl Coat, Left
	0LF17VAW	1	D	H					Deep Slate, Left
	0LF17VB3	1	D	H					Intense Blue, Left
	0LF17VMT	1	D	H					Deep Cranberry, Left
	0LF17VTE	1	D	H					Champagne Pearl, Left
	0LF17WEL	1	D	H					Inferno Red, Left
	0LF17WG2	1	D	H					Cypress Green, Left
3									ABSORBER, Front Energy
	04630236	1	D	H					
		1	D	P					
	04630283	1	C						
	04630654	1	P						
-4									SCREW, Special Head Plastic, M3.80x3.60x36.50
	06503819	2	P						
		2	D	P					
		2	D	H					
5	06502625	5							SCREW AND RETAINER, Round Head, M6.35x25.4, Foam to FasciaFascia To Crossmember Bracket
6	06502625	5							SCREW, .250-14x.875, (NOT SERVICED)
7	06503598	2							PIN, Push, M8x21

CIRRUS,BREEZE,STRATUS (JA)
 SERIES LINE
 H = HIGHLINE C = CHRYSLER
 P = PREMIUM D = DODGE
 P = PLYMOUTH

BODY
 41 = 4 Door Sedan

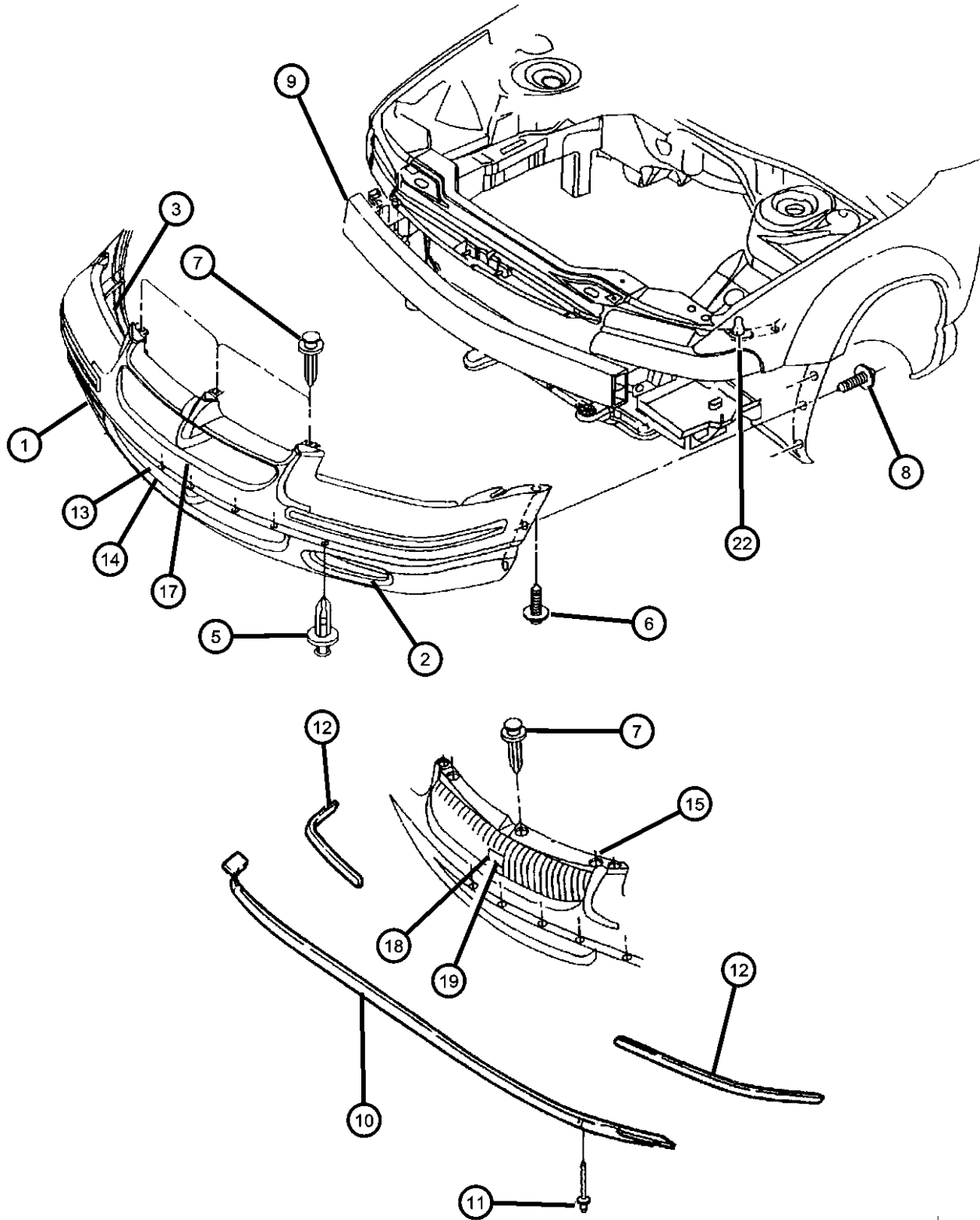
ENGINE
 ECB = 2.0L 4 Cyl SOHC 16V SMPI Engine
 EDZ = 2.4L 4 Cyl DOHC 16V SMPI Engine
 EEB = 2.5L V6 SOHC 24V SMPI Engine

TRANSMISSION
 DD5 = TRANSMISSION - 5-SPEED MANUAL
 DGL = TRANSMISSION - 4-SPD. AUTOMATIC,41TE
 DD4 = TRANSMISSION - 5-SPEED PERF. MANUAL

AR = use ase required - = Non illustrated part

1999 JA

Fascia, Front
Figure 13-250



ITEM	PART NUMBER	QTY	LINE	SERIES	BODY	ENGINE	TRANS	TRIM	DESCRIPTION
8	06035188	2							SCREW, Hex Flange Head, .25-14x.875
9	04630435	1							REINFORCEMENT, Front Bumper
10									AIR DAM
	04630426	1	D	H					
		1	C						
		1	P						
11									RIVET
	06035201	6	P						
		6	C						
		6	D	H					
12									STRIP, Front Fascia, Bright
	04630424	2	C						
		2	D	H					
	04814482	2	C						Gold
13									LICENSE PLATE PACKAGE
	04630142	1	C						
		1	D						
	04630504	1	C						EUROPE
		1	D						EUROPE
14	04630765	1	P						LICENSE PLATE KIT
15									GRILLE, Radiator
	04805288AA	1	C						
		1	D	H					
-16									U-CLIP, Grille To Fascia
	04805570AA	5	D	H					
		5	C						
17									MEDALLION, Fascia
	04630692	1	D	H					
		1	D	P					
	04630784	1	P						Dark Blue/Chrome (MLA)
	04805186AA	1	P						Purple/Silver (MLP)
	0RP121AZAA	1	P						Espresso
18									MEDALLION, Grille

CIRRUS,BREEZE,STRATUS (JA)

SERIES LINE
H = HIGHLINE C = CHRYSLER
P = PREMIUM D = DODGE
P = PLYMOUTH

BODY
41 = 4 Door Sedan

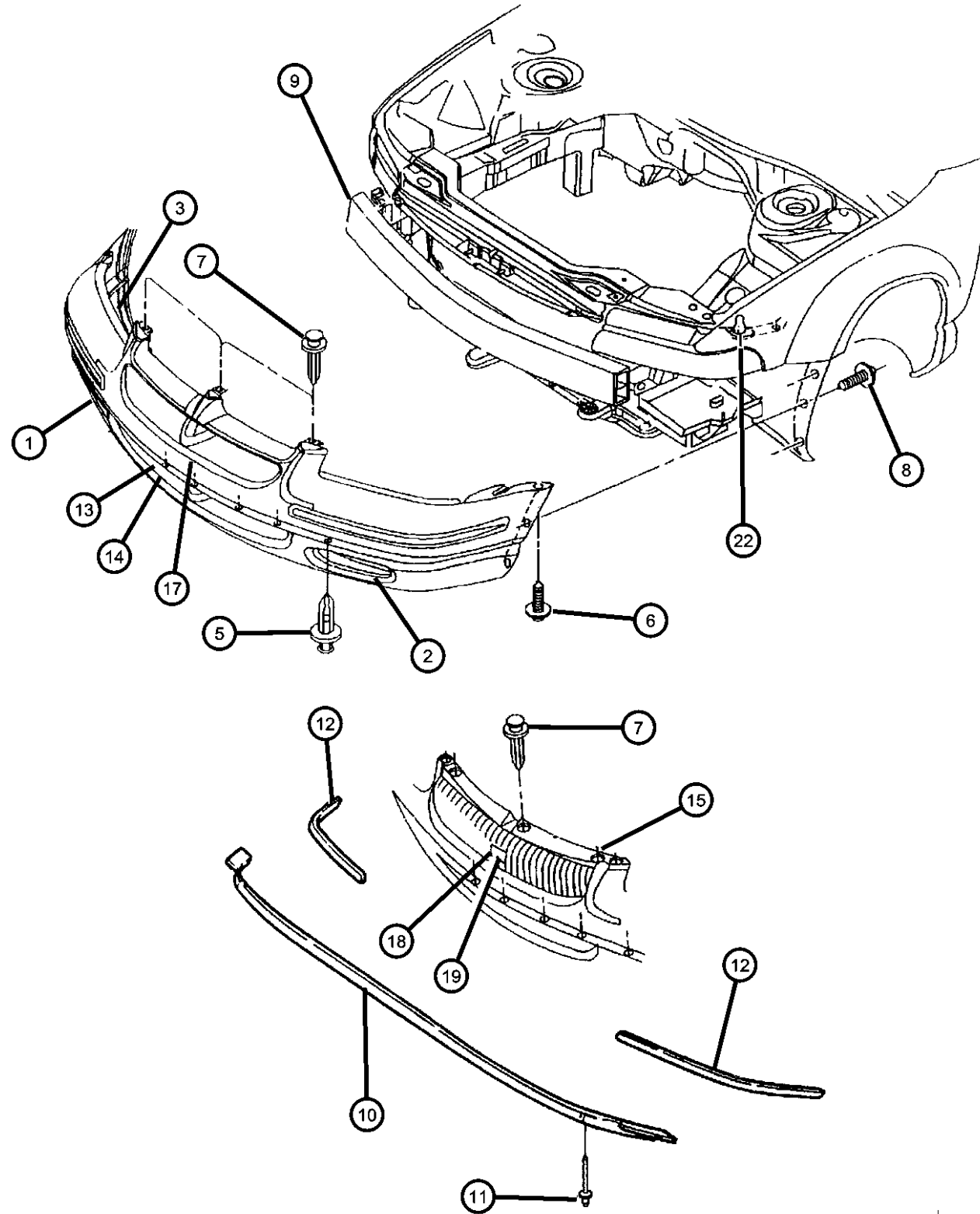
ENGINE
ECB = 2.0L 4 Cyl SOHC 16V SMPI Engine
EDZ = 2.4L 4 Cyl DOHC 16V SMPI Engine
EEB = 2.5L V6 SOHC 24V SMPI Engine

TRANSMISSION
DD5 = TRANSMISSION - 5-SPEED MANUAL
DGL = TRANSMISSION - 4-SPD. AUTOMATIC, 41TE
DD4 = TRANSMISSION - 5-SPEED PERF. MANUAL

AR = use ase required - = Non illustrated part

1999 JA

Fascia, Front
Figure 13-250



ITEM	PART NUMBER	QTY	LINE	SERIES	BODY	ENGINE	TRANS	TRIM	DESCRIPTION
	04805289AA	1	C						[MLA,MFJ,MLS]
		1	D	H					[MLA,MFJ,MLS]
19		1							MEDALLION, Radiator Grill, (NOT REQUIRED),
-20									NUT, Hex, M6
	06100814	1	D	P					Medallion to Fascia
		1	D	H					Medallion to Fascia
-21		1							RETAINER, MEDALLION, (NOT REQUIRED),
22	04630253	2							DRIVEPIN, Fascia
-23									CLIP, Nozzle Assembly, Fascia, Front
	04814452	2	D	H					
		2	C						

CIRRUS,BREEZE,STRATUS (JA)
 SERIES LINE
 H = HIGHLINE C = CHRYSLER
 P = PREMIUM D = DODGE
 P = PLYMOUTH

BODY
 41 = 4 Door Sedan

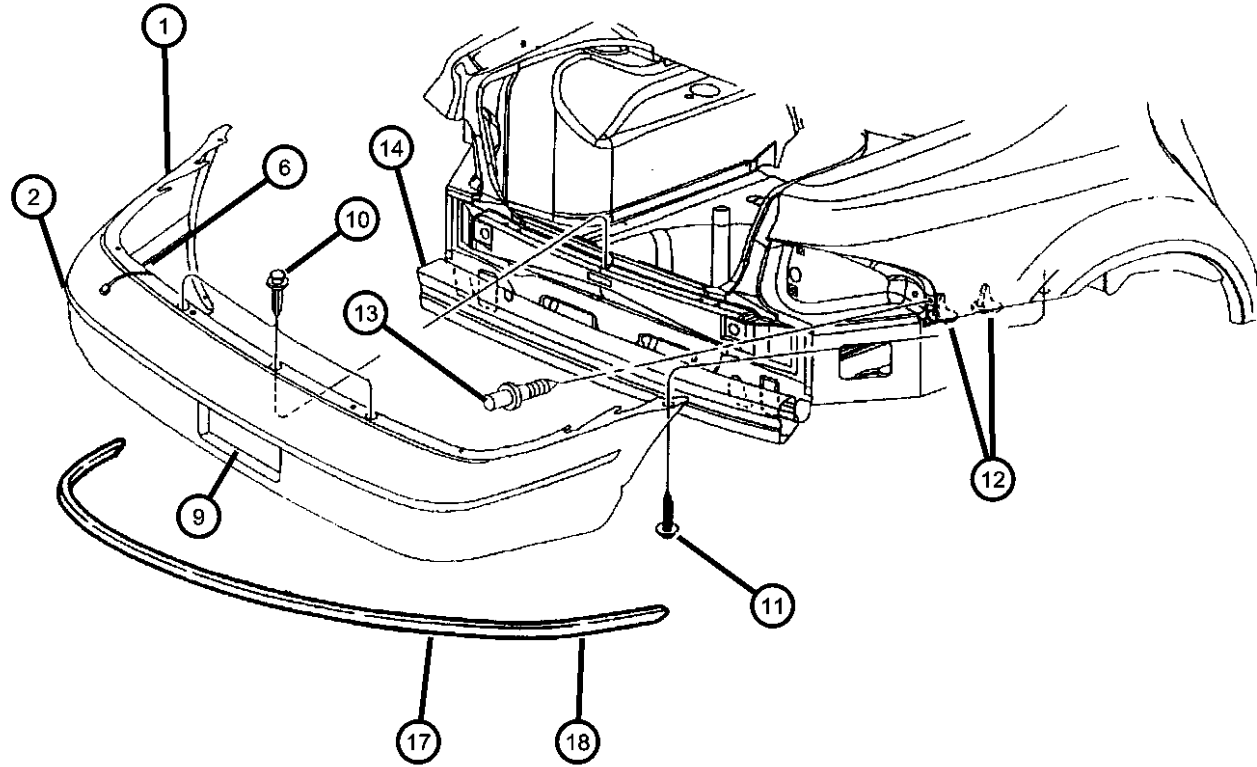
ENGINE
 ECB = 2.0L 4 Cyl SOHC 16V SMPI Engine
 EDZ = 2.4L 4 Cyl DOHC 16V SMPI Engine
 EEB = 2.5L V6 SOHC 24V SMPI Engine

TRANSMISSION
 DD5 = TRANSMISSION - 5-SPEED MANUAL
 DGL = TRANSMISSION - 4-SPD. AUTOMATIC,41TE
 DD4 = TRANSMISSION - 5-SPEED PERF. MANUAL

AR = use ase required - = Non illustrated part

1999 JA

Fascia, Rear
Figure 13-350



ITEM	PART NUMBER	QTY	LINE	SERIES	BODY	ENGINE	TRANS	TRIM	DESCRIPTION
------	-------------	-----	------	--------	------	--------	-------	------	-------------

NOTE: Sales Codes:

- [ABB] = EUROPEAN EQUIPMENT GROUP
- [AXD] = EXPORT CHRYSLER APPEARANCE GROUP
- [AXR] = REAR APPEARANCE GROUP
- [MLA] = FASCIAS - BODY COLOR
- [MLP] = REAR WIDE LICENSE POCKET
- [MLS] = GOLD ACCENT

1	04778380	1	D	H					FASCIA, Rear [MLA,AXD] without Rear Appearance Group [MLS,MLA]
	04798862	1	C						[MLA]
	04883010	1	D						[MLA,ABB]
	04886119AA	1	C						[MLA,ABB]
		1	D	H					[MLA,AXD,AXR]
2	0SA91CA1AA	2	P						TAPE KIT, Rear Light Quartz
	0SA91HC3AA	2	P						Iris Blue
-3	04814475	1							GUARD, Bumper Left
	04814474	1							Right
-4	04814474	1							FOAM, Rear Bumper Fascia, (NOT SERVICED)
-5	04630719	1	P						ABSORBER, Rear Fascia Guard
6	04630284	1	C						ABSORBER, Rear Energy
	04630388	1	D	H					EXPORT
		1	C						EXPORT
		1	D	H					EXPORT
-7	06503819	2	P						SCREW, Special Head Plastic, M3.80x3.60x36.50, Fascia to Foam
		2	D	H					
		2	D	P					
		2	C						

CIRRUS,BREEZE,STRATUS (JA)

SERIES LINE
H = HIGHLINE C = CHRYSLER
P = PREMIUM D = DODGE
 P = PLYMOUTH

BODY
41 = 4 Door Sedan

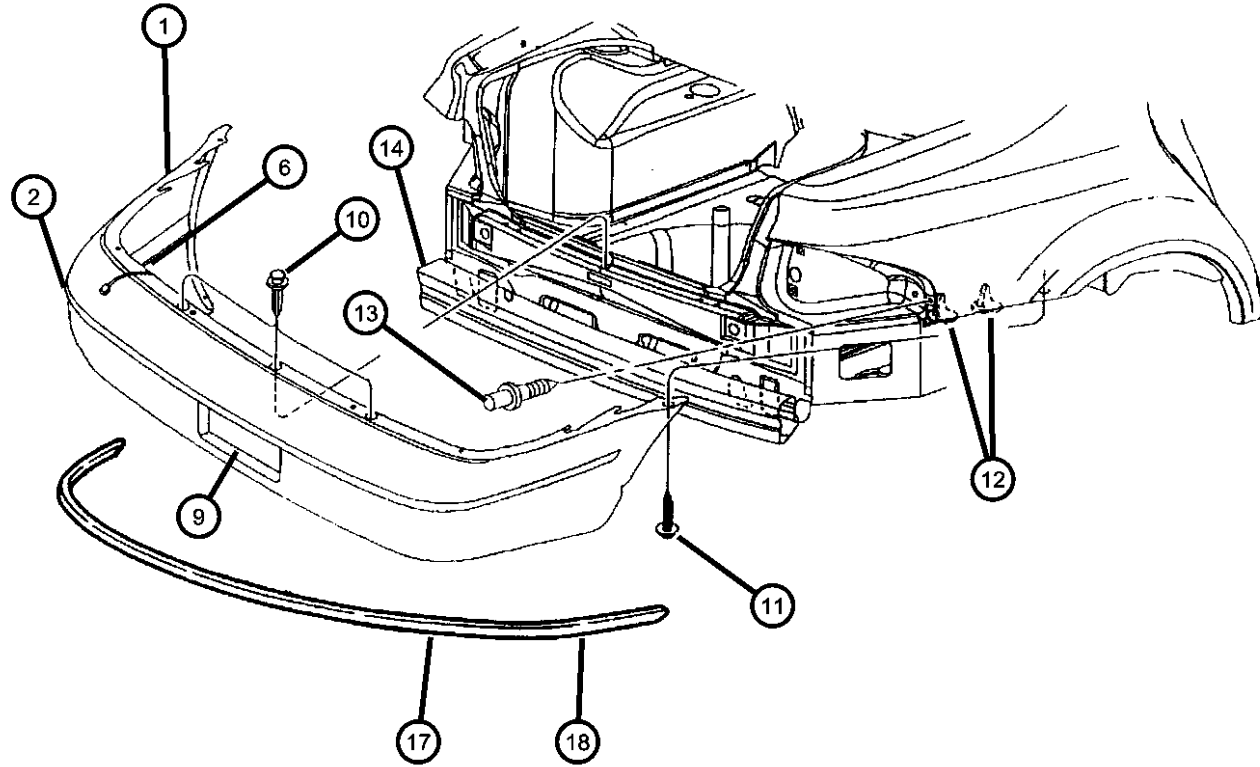
ENGINE
ECB = 2.0L 4 Cyl SOHC 16V
SMPI Engine
EDZ = 2.4L 4 Cyl DOHC 16V
SMPI Engine
EEB = 2.5L V6 SOHC 24V
SMPI Engine

TRANSMISSION
DD5 = TRANSMISSION - 5-SPEED
MANUAL
DGL = TRANSMISSION - 4-SPD.
AUTOMATIC,41TE
DD4 = TRANSMISSION - 5-SPEED
PERF. MANUAL

AR = use ase required - = Non illustrated part

1999 JA

Fascia, Rear
Figure 13-350



ITEM	PART NUMBER	QTY	LINE	SERIES	BODY	ENGINE	TRANS	TRIM	DESCRIPTION
-8	06502625	2							SCREW AND RETAINER, Round Head, M6.35x25.4, Decklid Overslam
9	04630364	1							LICENSE PLATE KIT
10									PIN, Push
	06502625	2							Fascia to Splash Shield
		5							Fascia to Lower Radiator Crossmember
		1							Fascia to Deck Opening Panel
11	06503598	2							PIN, Push, M8x21, Fascia to Quarter Panel
12	04630253	4							DRIVEPIN, Fascia, Fascia to Quarter Panel
13	06503163	4							BOLT AND RETAINER, Fascia To Quarter, M6-3
14	04630560	1							REINFORCEMENT, Rear Bumper
-15	06101446	4							NUT AND WASHER Reinforcement To Rail
-16	06501491	2							BOLT, Carriage, M8x1.25x20
17	04814483	1	C						STRIP, Rear Fascia, Bright, Gold
18									NERF, Fascia, Bright
	04630423	1	D	H					
		1	C						

CIRRUS,BREEZE,STRATUS (JA)

SERIES LINE
H = HIGHLINE C = CHRYSLER
P = PREMIUM D = DODGE
 P = PLYMOUTH

BODY
41 = 4 Door Sedan

ENGINE
ECB = 2.0L 4 Cyl SOHC 16V SMPI Engine
EDZ = 2.4L 4 Cyl DOHC 16V SMPI Engine
EEB = 2.5L V6 SOHC 24V SMPI Engine

TRANSMISSION
DD5 = TRANSMISSION - 5-SPEED MANUAL
DGL = TRANSMISSION - 4-SPD. AUTOMATIC, 41TE
DD4 = TRANSMISSION - 5-SPEED PERF. MANUAL

AR = use ase required - = Non illustrated part

1999 JA

Group - 14

Fuel

Group - 14 Fuel

Illustration Title

Group-Fig. No.

Tank, Fuel

Fuel Tank Fig. 14 - 155

Fuel Tank Filler Tube

Fuel Tank Filler Tube..... Fig. 14 - 230

Fuel Lines

Fuel Lines and Filter Fig. 14 - 350

Fuel Rail

Fuel Rail 2.0L-2.4L Engine Fig. 14 - 440

Fuel Rail 2.5L Engine..... Fig. 14 - 450

Fuel Pump and Sending Unit

Fuel Pump and Level Unit..... Fig. 14 - 540

Throttle Body

Throttle Body 2.0L-2.4L-2.5L Engine Fig. 14 - 640

Throttle Controls

Throttle Controls 2.0L-2.4L-2.5L Engine Fig. 14 - 760

Air Cleaner

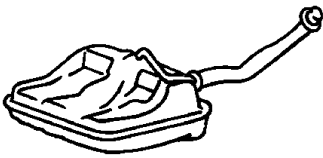
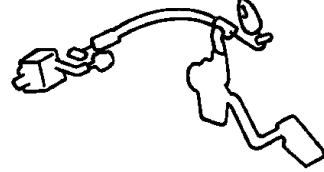

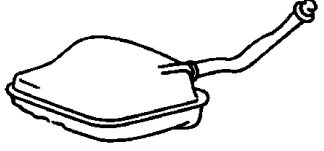
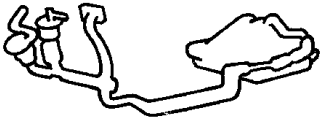
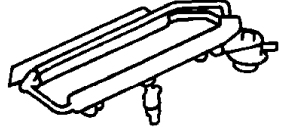
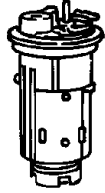

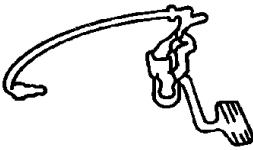
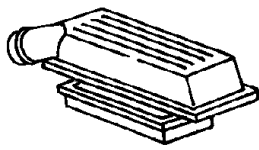
Air Cleaner 2.0L-2.4L-2.5L Engine..... Fig. 14 - 870

Speed Control

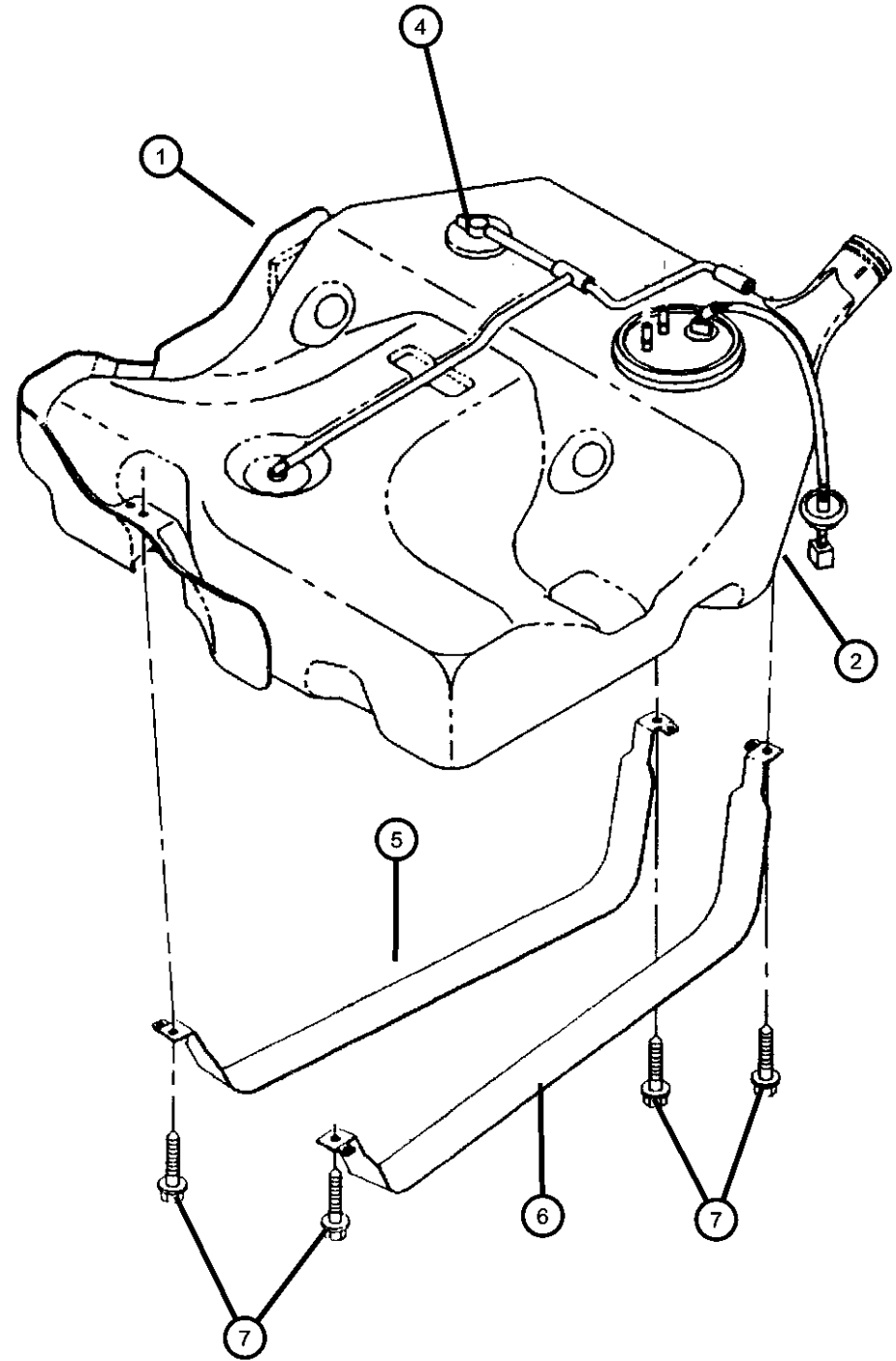
Speed Control 2.0L-2.4L-2.5L Engine Fig. 14 - 1050

Accelerator Pedal

Accelerator Pedal Fig. 14 - 1140

<p>014-100 Tank, Fuel</p> 	<p>014-1000 Speed Control</p> 	<p>014-1100 Accelerator Pedal</p> 	<p>014-200 Fuel Tank Filler Tube</p> 
<p>014-300 Fuel Lines</p> 	<p>014-400 Fuel Rail</p> 	<p>014-500 Fuel Pump and Sending Unit</p> 	<p>014-600 Throttle Body</p> 
<p>014-700 Throttle Controls</p> 	<p>014-800 Air Cleaner</p> 		

Fuel Tank
Figure 14-155



ITEM	PART NUMBER	QTY	LINE	SERIES	BODY	ENGINE	TRANS	TRIM	DESCRIPTION
1	04695993	1							SHIELD, Fuel Tank
2	05013445AA	1							TANK, Fuel
-3	04695659	1							PLUG, Fuel Tank Drain
4	05016387AA	1							VALVE KIT, Fuel Control
5	04616458AB	1							STRAP, Fuel TankRight
6	04764203	1							STRAP, Fuel TankLeft
7	04764203	1							SCREW, Hex Flange Head, M8-1.25x45, (NOT SERVICED)
-8	04764603AA	1							SEPARATOR, Fuel
-9	04764605AA	1							TRAP, Fuel
-10	04669865	1							VALVE, Vent

CIRRUS,BREEZE,STRATUS (JA)

SERIES LINE
H = HIGHLINE C = CHRYSLER
P = PREMIUM D = DODGE
P = PLYMOUTH

BODY
41 = 4 Door Sedan

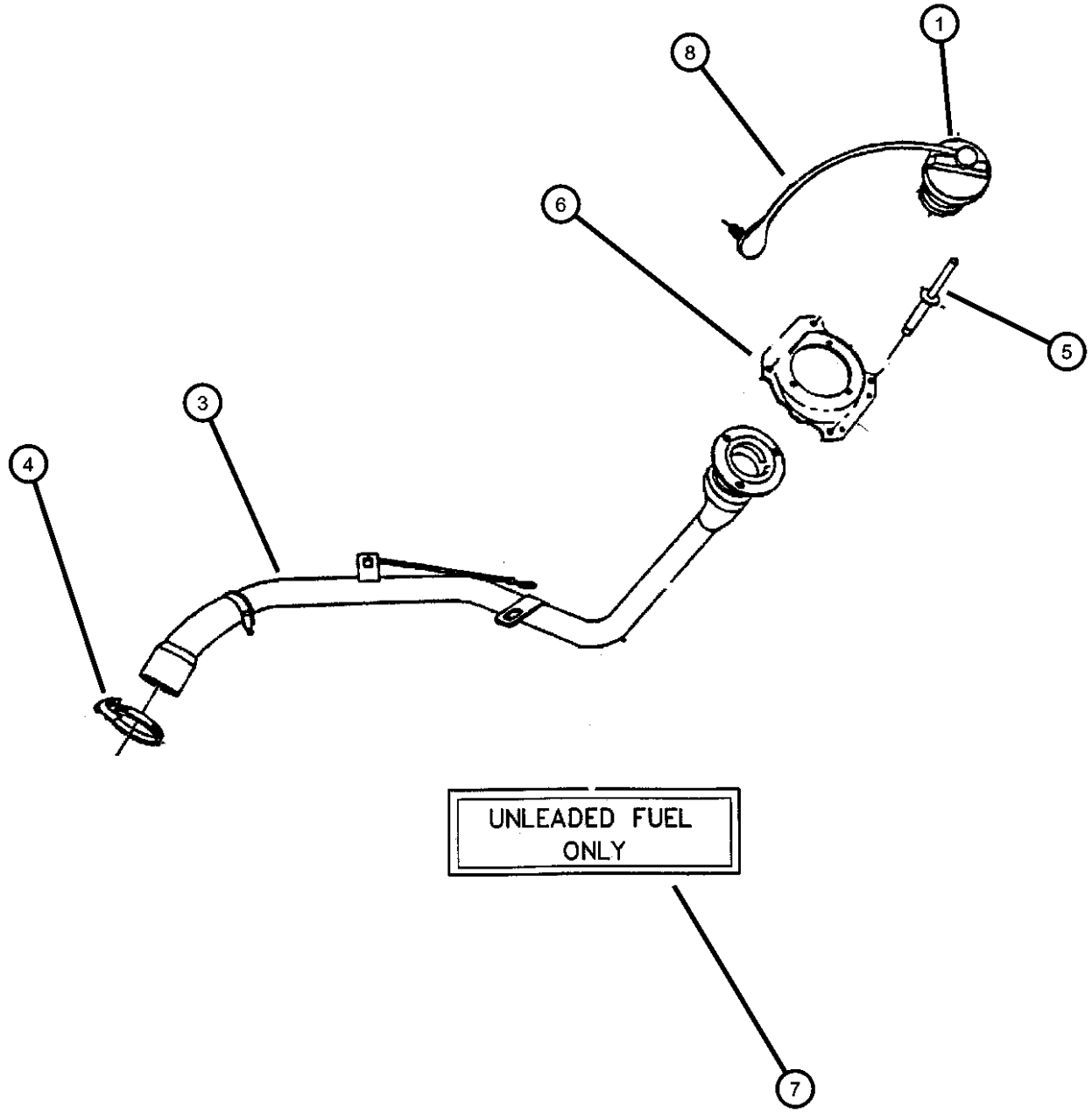
ENGINE
ECB = 2.0L 4 Cyl SOHC 16V SMPI Engine
EDZ = 2.4L 4 Cyl DOHC 16V SMPI Engine
EEB = 2.5L V6 SOHC 24V SMPI Engine

TRANSMISSION
DD5 = TRANSMISSION - 5-SPEED MANUAL
DGL = TRANSMISSION - 4-SPD. AUTOMATIC,41TE
DD4 = TRANSMISSION - 5-SPEED PERF. MANUAL

AR = use ase required - = Non illustrated part

1999 JA

**Fuel Tank Filler Tube
Figure 14-230**



ITEM	PART NUMBER	QTY	LINE	SERIES	BODY	ENGINE	TRANS	TRIM	DESCRIPTION
------	-------------	-----	------	--------	------	--------	-------	------	-------------

NOTE: NAA=Federal Emissions. NAE=California Emissions. NAB=Leaded Fuel. XJH=Locking Cap.

1									CAP, Fuel Filler
	04682674AB	1							Vented Non-Locking
	04764917AA	1							Locking
-2	06033803	3							SCREW, Pan Head, .164-18x1.00
3									TUBE, Fuel Filler
	04764757AA	1							NAC=NAA
	04764759AA	1							NAB
	04764760AA	1							NAE
4	06502450	1							CLAMP, HOSE CLAMP
5	06035073	4							RIVET, Blind, .190x.670
6	04695727AB	1							HOUSING, Fuel Filler
7	04696849	1							LABEL, Unleaded Fuel Only
8	04682676	1							TETHER, Fuel Filler Cap

CIRRUS,BREEZE,STRATUS (JA)

SERIES	LINE
H = HIGHLINE	C = CHRYSLER
P = PREMIUM	D = DODGE
	P = PLYMOUTH

BODY
41 = 4 Door Sedan

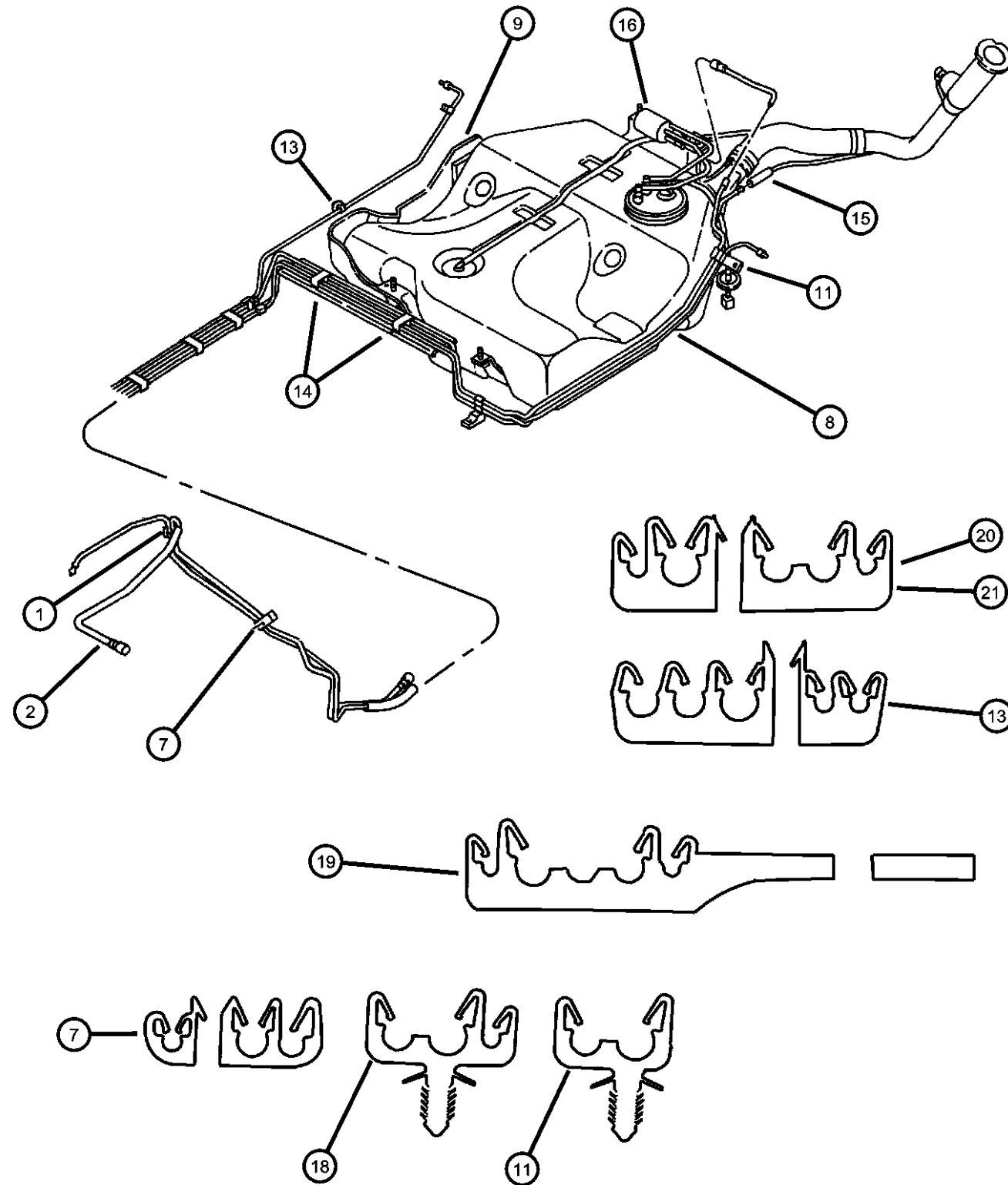
ENGINE
ECB = 2.0L 4 Cyl SOHC 16V SMPI Engine
EDZ = 2.4L 4 Cyl DOHC 16V SMPI Engine
EEB = 2.5L V6 SOHC 24V SMPI Engine

TRANSMISSION
DD5 = TRANSMISSION - 5-SPEED MANUAL
DGL = TRANSMISSION - 4-SPD. AUTOMATIC,41TE
DD4 = TRANSMISSION - 5-SPEED PERF. MANUAL

AR = use ase required - = Non illustrated part

1999 JA

Fuel Lines and Filter
Figure 14-350



ITEM	PART NUMBER	QTY	LINE	SERIES	BODY	ENGINE	TRANS	TRIM	DESCRIPTION
NOTE: ECB=2.0L Engine. EDZ=2.4L Engine. EEB=2.5L Engine.									
1	05012153AA	1							CLIP, Fuel Bundle
2	05010338AA	1				ECB, EDZ			TUBE, Fuel Supply
	05010345AA	1				EEB			
-3									HOSE, Fuel, .31 I.D. 50 Foot Roll
	04443176	1				ECB			
		1				EDZ			
		1				EEB			
-4	04764088	1							HOSE, Fuel Filler
-5									CLIP, Fuel Line
	04695614	1				ECB			
		1				EDZ			
-6	04582074	1							CLIP, Tube
7	04695555	2							CLIP, Fuel Bundle
8	05010349AA	1							TUBE, Fuel Supply
9	04695344	1							SHIELD, Heat
-10									CLIP, Fuel Bundle
	05010344AA	1				ECB, EDZ			
		1				EEB			
11	04695819	2							CLIP, Fuel Bundle
-12	05012153AA	1							CLIP, Fuel Bundle
13	05012153AA	1							CLIP, Fuel Bundle, (NOT REQUIRED)
14									CLIP, Fuel Bundle
	05010343AA	2				ECB, EDZ			
		2				EEB			
15									TUBE, Fuel Vapor
	05010339AA	1				ECB, EDZ			
		1				EEB			
	05010350AA	1							
16	04764210	1							FILTER, Fuel
-17									TUBE, Fuel Supply
	05010338AA	1				ECB, EDZ			

CIRRUS,BREEZE,STRATUS (JA)
 SERIES LINE
 H = HIGHLINE C = CHRYSLER
 P = PREMIUM D = DODGE
 P = PLYMOUTH

BODY
 41 = 4 Door Sedan

ENGINE
 ECB = 2.0L 4 Cyl SOHC 16V SMPI Engine
 EDZ = 2.4L 4 Cyl DOHC 16V SMPI Engine
 EEB = 2.5L V6 SOHC 24V SMPI Engine

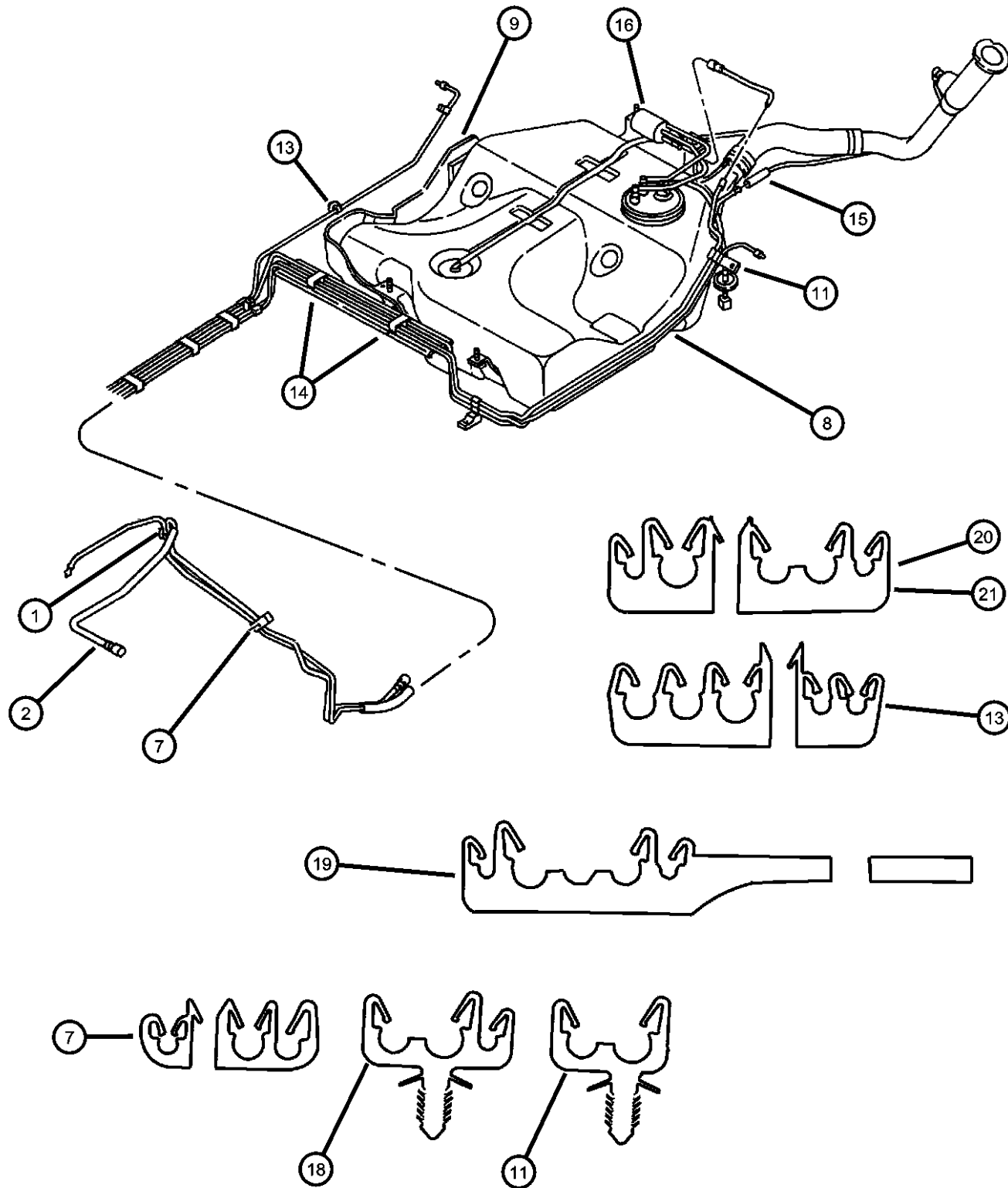
TRANSMISSION
 DD5 = TRANSMISSION - 5-SPEED MANUAL
 DGL = TRANSMISSION - 4-SPD. AUTOMATIC, 41TE
 DD4 = TRANSMISSION - 5-SPEED PERF. MANUAL

AR = use ase required - = Non illustrated part

1999 JA

Fuel Lines and Filter
Figure 14-350

ITEM	PART NUMBER	QTY	LINE	SERIES	BODY	ENGINE	TRANS	TRIM	DESCRIPTION
------	-------------	-----	------	--------	------	--------	-------	------	-------------



	05010345AA	1				EEB			
	05010349AA	1							
18	05010355AA	2							CLIP, Fuel Bundle
19	05010354AA	1							CLIP, Fuel Bundle
20	05010352AA	1							CLIP, Fuel Bundle
21	05010353AA	1							CLIP, Fuel Bundle

CIRRUS,BREEZE,STRATUS (JA)
 SERIES LINE
 H = HIGHLINE C = CHRYSLER
 P = PREMIUM D = DODGE
 P = PLYMOUTH

BODY
 41 = 4 Door Sedan

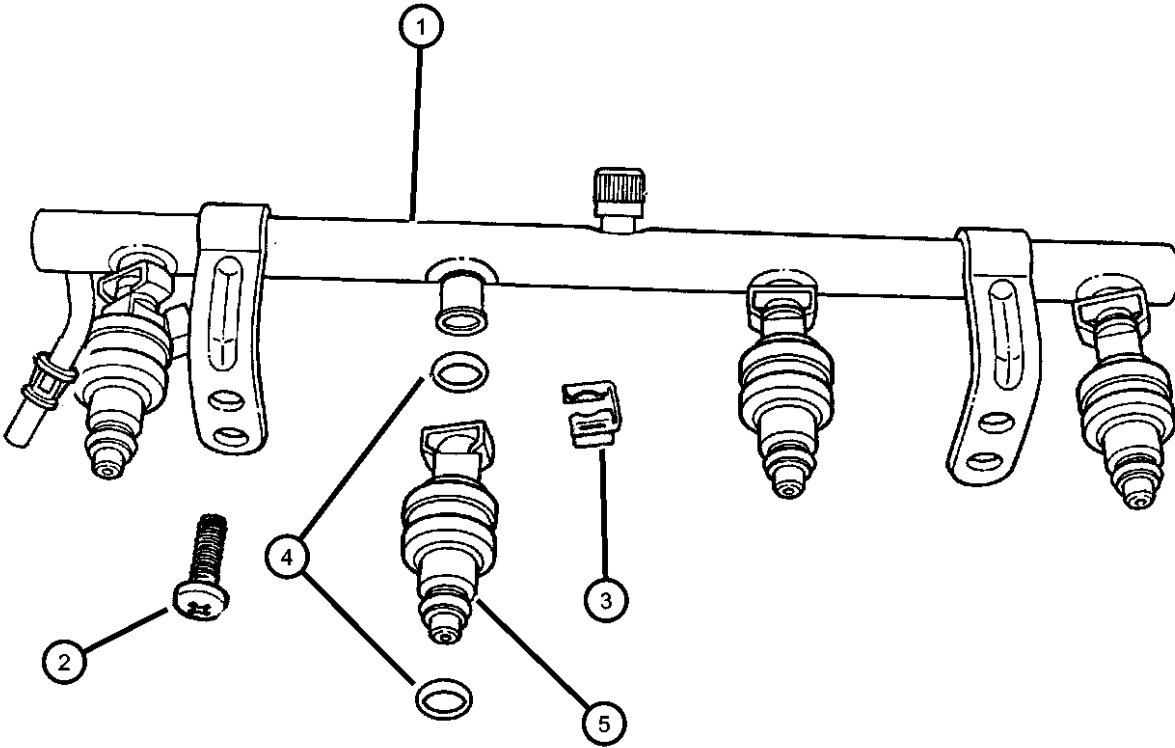
ENGINE
 ECB = 2.0L 4 Cyl SOHC 16V SMPI Engine
 EDZ = 2.4L 4 Cyl DOHC 16V SMPI Engine
 EEB = 2.5L V6 SOHC 24V SMPI Engine

TRANSMISSION
 DD5 = TRANSMISSION - 5-SPEED MANUAL
 DGL = TRANSMISSION - 4-SPD. AUTOMATIC,41TE
 DD4 = TRANSMISSION - 5-SPEED PERF. MANUAL

AR = use ase required - = Non illustrated part

1999 JA

Fuel Rail 2.0L-2.4L Engine
Figure 14-440



ITEM	PART NUMBER	QTY	LINE	SERIES	BODY	ENGINE	TRANS	TRIM	DESCRIPTION
------	-------------	-----	------	--------	------	--------	-------	------	-------------

NOTE: ECB=2.0L Engine. EDZ=2.4L Engine.

1									RAIL, Fuel
	04591622AA	1				EDZ			
	04669806AC	1				ECB			
2	06101506	1							BOLT AND CONED WASHER, M8x1.25x18
3									CLIP, Fuel Injector
	04418257	4				ECB			
		4				EDZ			
4									O RING KIT, Fuel Injector
	04897125AA	4				ECB			
		4				EDZ			
5									INJECTOR, Fuel
	04669772	4				ECB			
	68000877AA								Wholesale Bulk Injector Package - 70 pieces of 04669772
	04669938	4				EDZ			

96114 440

CIRRUS,BREEZE,STRATUS (JA)

SERIES LINE
H = HIGHLINE C = CHRYSLER
P = PREMIUM D = DODGE
P = PLYMOUTH

BODY
41 = 4 Door Sedan

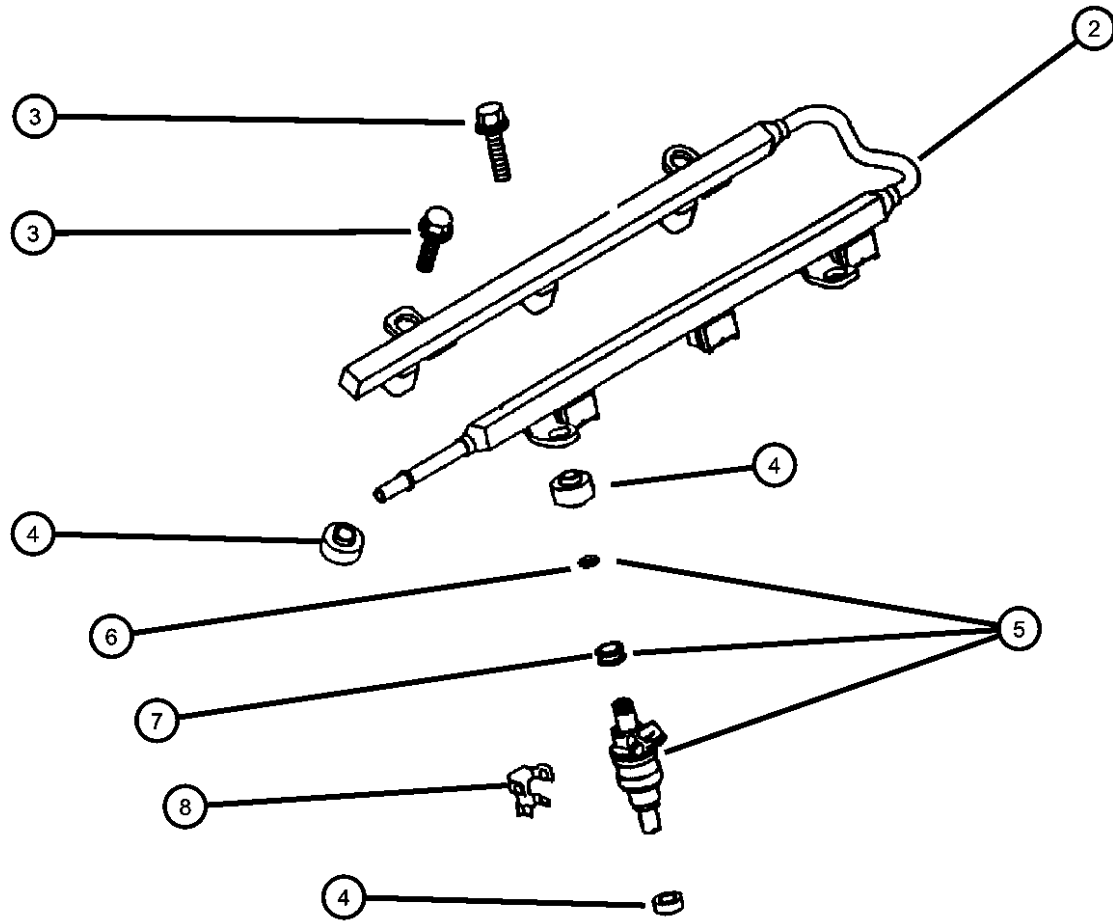
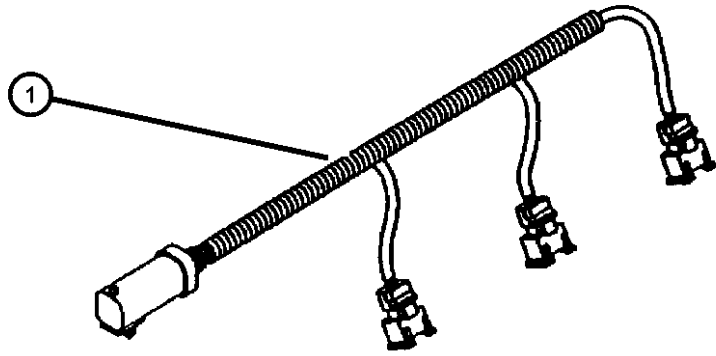
ENGINE TRANSMISSION
ECB = 2.0L 4 Cyl SOHC 16V DD5 = TRANSMISSION - 5-SPEED
SMPI Engine MANUAL
EDZ = 2.4L 4 Cyl DOHC 16V DGL = TRANSMISSION - 4-SPD.
SMPI Engine AUTOMATIC,41TE
EEB = 2.5L V6 SOHC 24V DD4 = TRANSMISSION - 5-SPEED
SMPI Engine PERF. MANUAL

AR = use ase required - = Non illustrated part

1999 JA

Fuel Rail 2.5L Engine
Figure 14-450

ITEM	PART NUMBER	QTY	LINE	SERIES	BODY	ENGINE	TRANS	TRIM	DESCRIPTION
NOTE: EEB=2.5L Engine.									
1	MD301422	1				EEB			WIRING, Fuel Rail
2	MD330478	1				EEB			PIPE, Fuel
3	MF244255	4				EEB			BOLT AND WASHER, Compressor Hose Mounting, M8x30
4									INSULATOR, Fuel Injector
	MD087060	6				EEB			
	MD095402	4				EEB			
5	MD162524	6				EEB			INJECTOR, Fuel
6	MD614813	6				EEB			O RING, Fuel Injector
7	MD614805	6				EEB			SEAT, Fuel Injector
8	MD329566	6				EEB			SUPPORT, Fuel Injector



CIRRUS,BREEZE,STRATUS (JA)
 SERIES LINE
 H = HIGHLINE C = CHRYSLER
 P = PREMIUM D = DODGE
 P = PLYMOUTH

BODY
 41 = 4 Door Sedan

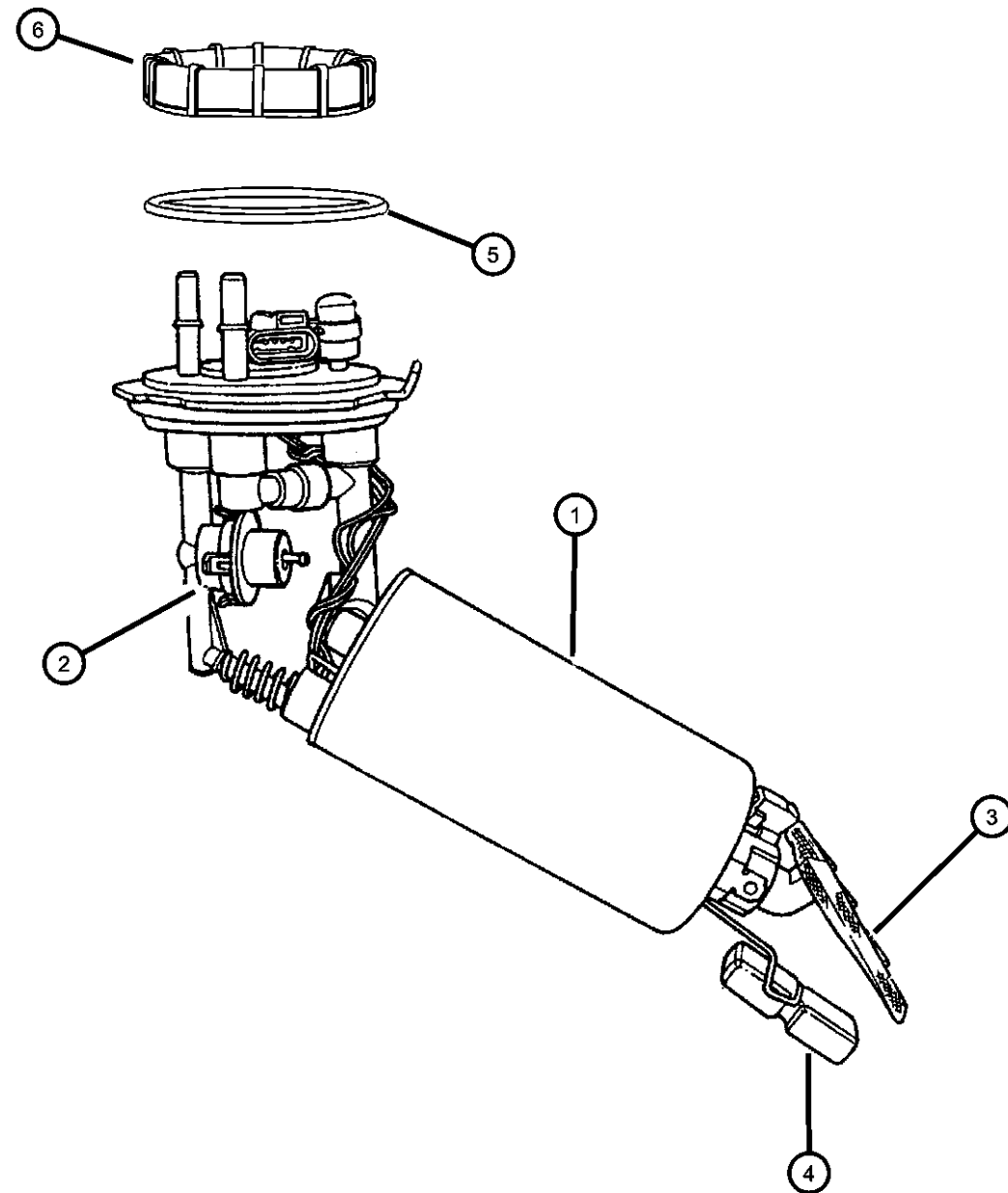
ENGINE
 ECB = 2.0L 4 Cyl SOHC 16V
 SMPI Engine
 EDZ = 2.4L 4 Cyl DOHC 16V
 SMPI Engine
 EEB = 2.5L V6 SOHC 24V
 SMPI Engine

TRANSMISSION
 DD5 = TRANSMISSION - 5-SPEED
 MANUAL
 DGL = TRANSMISSION - 4-SPD.
 AUTOMATIC,41TE
 DD4 = TRANSMISSION - 5-SPEED
 PERF. MANUAL

AR = use ase required - = Non illustrated part

1999 JA

Fuel Pump and Level Unit
Figure 14-540



ITEM	PART NUMBER	QTY	LINE	SERIES	BODY	ENGINE	TRANS	TRIM	DESCRIPTION
1	04897804AB	1							MODULE KIT, Fuel Pump/Level Unit
2	05003870AA	1							REGULATOR KIT, Fuel Pressure
3	04897866AA	1							FILTER KIT, Fuel
4	04897865AB	1							LEVEL UNIT KIT, Fuel
5	04581239	1							O RING, Fuel Pump and Level Unit
6	04695226	1							NUT, Fuel Pump Level Unit

CIRRUS,BREEZE,STRATUS (JA)

SERIES LINE
H = HIGHLINE C = CHRYSLER
P = PREMIUM D = DODGE
 P = PLYMOUTH

BODY
41 = 4 Door Sedan

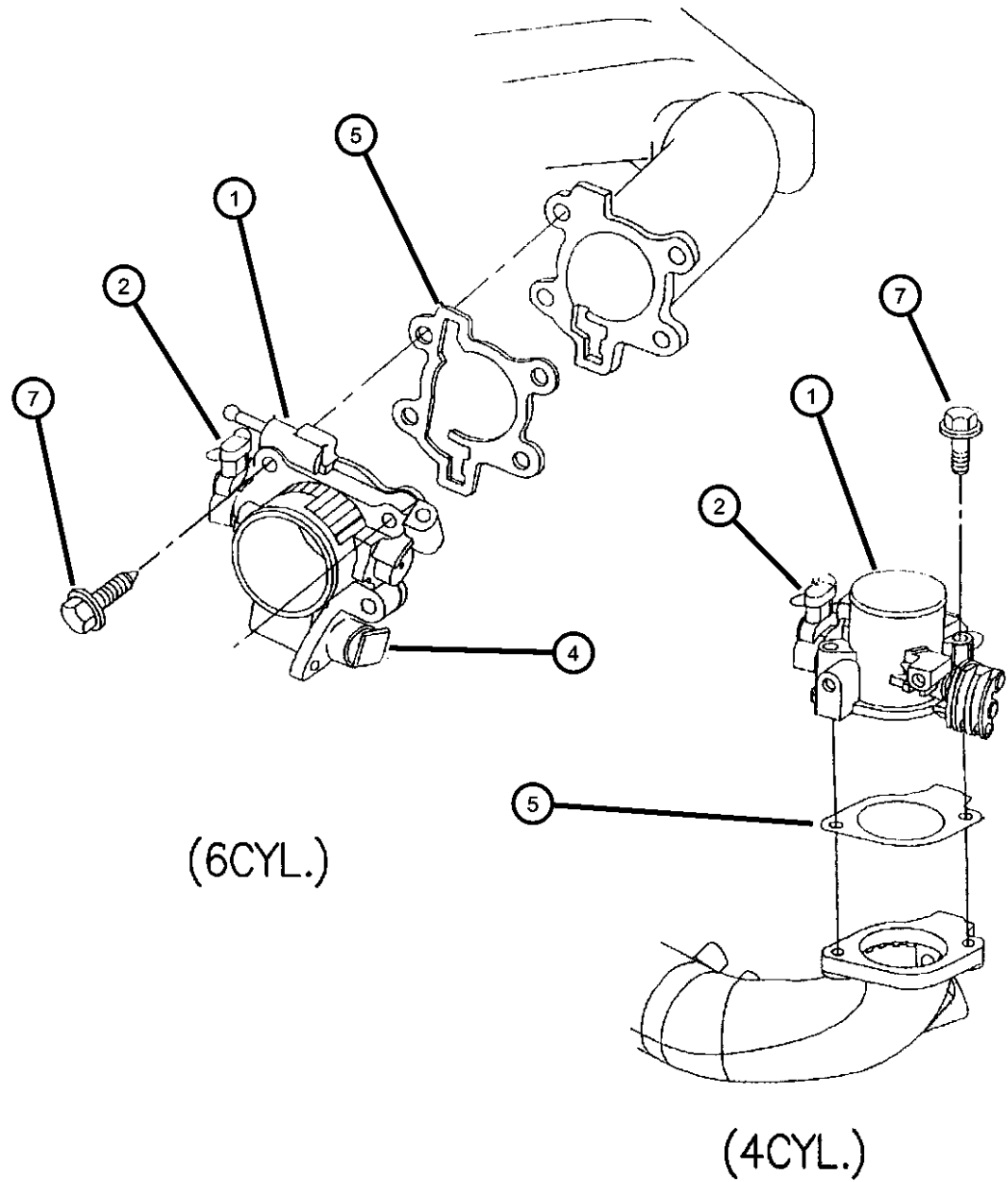
ENGINE
ECB = 2.0L 4 Cyl SOHC 16V SMPI Engine
EDZ = 2.4L 4 Cyl DOHC 16V SMPI Engine
EEB = 2.5L V6 SOHC 24V SMPI Engine

TRANSMISSION
DD5 = TRANSMISSION - 5-SPEED MANUAL
DGL = TRANSMISSION - 4-SPD. AUTOMATIC,41TE
DD4 = TRANSMISSION - 5-SPEED PERF. MANUAL

AR = use ase required - = Non illustrated part

1999 JA

**Throttle Body 2.0L-2.4L-2.5L Engine
Figure 14-640**



ITEM	PART NUMBER	QTY	LINE	SERIES	BODY	ENGINE	TRANS	TRIM	DESCRIPTION
NOTE: ECB=2.0L Engine. EDZ=2.4L Engine. EEB=2.5L Engine. DGL=Automatic 4 spd Trans. DD5=Manual Trans.									
1									THROTTLE BODY
	04591335	1				EDZ			
	04591340	1				EEB			
	04669803	1				ECB	DD5		
	04669853AB	1				ECB	DGL		
2									SENSOR, Throttle Position
	04606196	1				EDZ			
	04606197	1				EEB			
-3									SENSOR KIT, Throttle Position
	04874430	1				ECB	DGL		
		1				ECB	DD5		
4									MOTOR, A.I.S.
	04861083	1				EEB			
	04861164AA	1				EDZ			
	04874432	1				ECB	DGL		
		1				ECB	DD5		
5									GASKET, Throttle Body To Intake
	04300071	1				EDZ			
	04663093	1				EEB			
-6	04667360	1				ECB			GASKET, Throttle Body
7									SCREW AND WASHER, Hex Head, M8x1.25x55
	06101724	2				ECB			
		2				EDZ			
-8									SCREW, Throttle Position Sensor
	04778462	2				EDZ			
		2				EEB			
-9	05003467AA	2				EDZ			SCREW, A.I.S. Motor

CIRRUS,BREEZE,STRATUS (JA)
 SERIES LINE
 H = HIGHLINE C = CHRYSLER
 P = PREMIUM D = DODGE
 P = PLYMOUTH

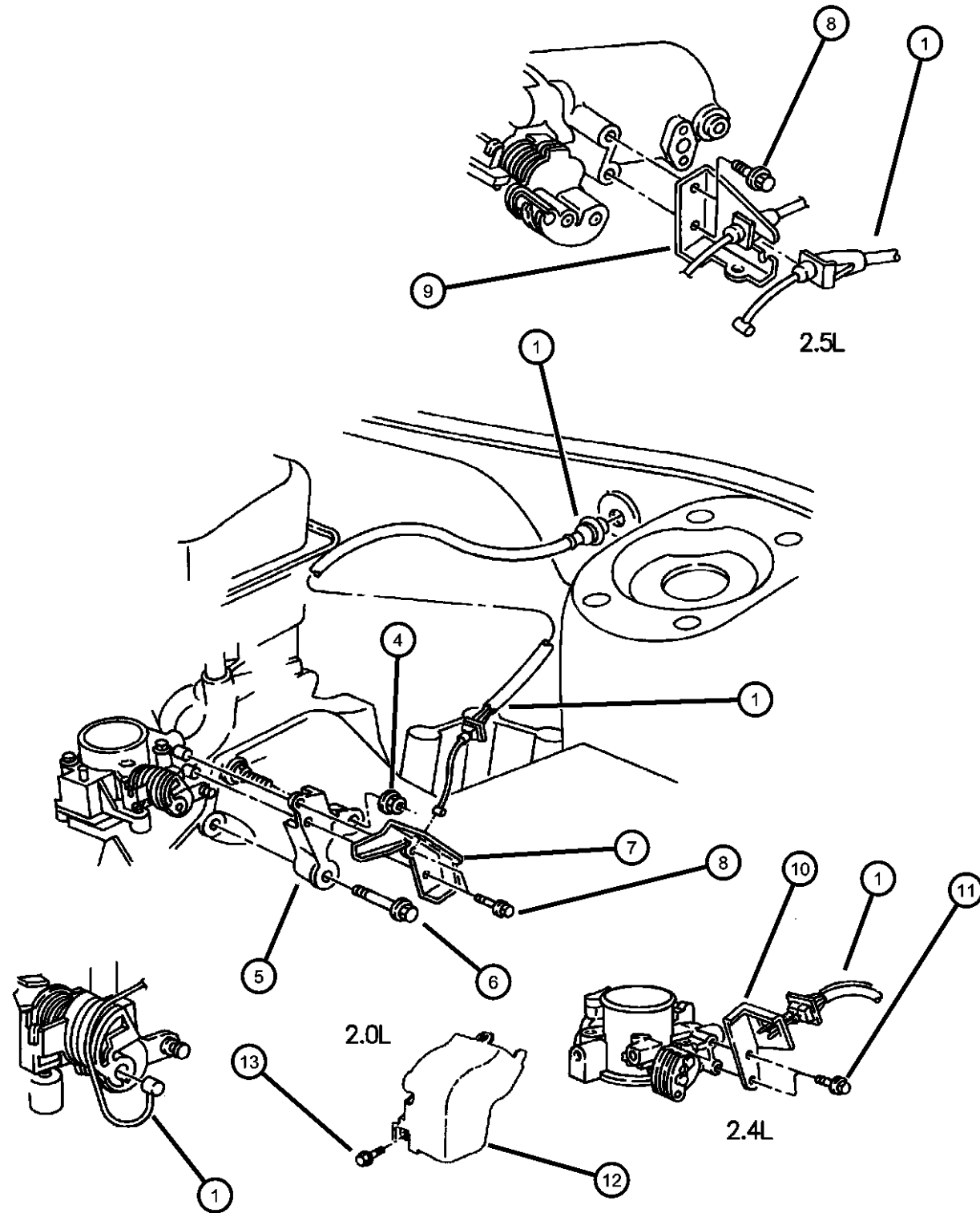
BODY
 41 = 4 Door Sedan

ENGINE
 ECB = 2.0L 4 Cyl SOHC 16V SMPI Engine
 EDZ = 2.4L 4 Cyl DOHC 16V SMPI Engine
 EEB = 2.5L V6 SOHC 24V SMPI Engine

TRANSMISSION
 DD5 = TRANSMISSION - 5-SPEED MANUAL
 DGL = TRANSMISSION - 4-SPD. AUTOMATIC, 41TE
 DD4 = TRANSMISSION - 5-SPEED PERF. MANUAL

AR = use ase required - = Non illustrated part

Throttle Controls 2.0L-2.4L-2.5L Engine
Figure 14-760



ITEM	PART NUMBER	QTY	LINE	SERIES	BODY	ENGINE	TRANS	TRIM	DESCRIPTION
------	-------------	-----	------	--------	------	--------	-------	------	-------------

NOTE: ECB=2.0L Engine. EDZ= 2.4L Engine. EEB=2.5L Engine. DGL=Automatic 4 spd Trans.

1									CABLE, Throttle Control
	04669914AD	1				EEB			
	04669916AD	1				ECB, EDZ			
-2	05214613	1							CLIP, Cable
-3									GROMMET, Throttle Control Cable
	04592019	1				ECB, EDZ			
		1				EEB			
4		1							NUT, M10x1.5, (NOT SERVICED)
5	04669266	1				ECB			BRACKET, Throttle Control Cable
6	04669266	1							SCREW, M6x1x20, (NOT SERVICED)
7									BRACKET, Cable
	04669785AC	1				ECB			
	04669884	1				EDZ			
	04669898	1				EEB			
8	06501755	1					DGL		SCREW AND WASHER, Hex Head, M6x1x16
9	04669898	1				EEB			BRACKET, Cable
10	04669884	1				EDZ			BRACKET, Cable
11	06501755	2				EDZ, EEB			SCREW AND WASHER, Hex Head, M6x1x16
12									SHIELD, Throttle Control
	04591384	1				ECB			
	04669697	1				EDZ			
13	04669697	1							SCREW, M6X1.00X16.00, 06504100, (NOT SERVICED)

CIRRUS,BREEZE,STRATUS (JA)
 SERIES LINE
 H = HIGHLINE C = CHRYSLER
 P = PREMIUM D = DODGE
 P = PLYMOUTH

BODY
 41 = 4 Door Sedan

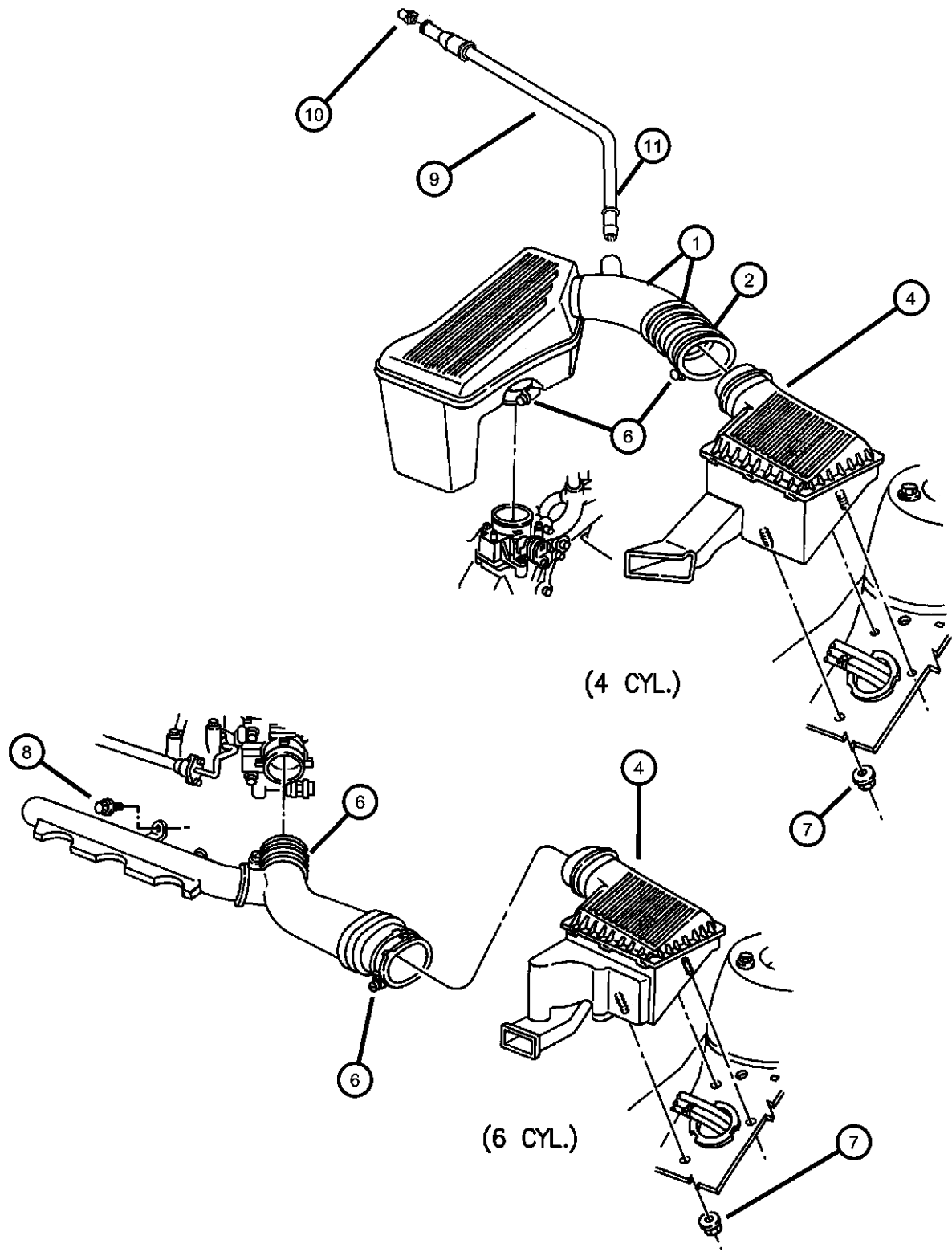
ENGINE
 ECB = 2.0L 4 Cyl SOHC 16V SMPI Engine
 EDZ = 2.4L 4 Cyl DOHC 16V SMPI Engine
 EEB = 2.5L V6 SOHC 24V SMPI Engine

TRANSMISSION
 DD5 = TRANSMISSION - 5-SPEED MANUAL
 DGL = TRANSMISSION - 4-SPD. AUTOMATIC, 41TE
 DD4 = TRANSMISSION - 5-SPEED PERF. MANUAL

AR = use ase required - = Non illustrated part

1999 JA

Air Cleaner 2.0L-2.4L-2.5L Engine
Figure 14-870



ITEM	PART NUMBER	QTY	LINE	SERIES	BODY	ENGINE	TRANS	TRIM	DESCRIPTION
NOTE: ECB=2.0L Engine. EDZ=2.4L Engine. EEB=2.5L Engine.									
1									HOSE, Air Cleaner to T/Body
	04591330	1				EDZ			
	04591630AA	1				ECB			
	04663327	1				EEB			
2									HOSE, Resonator Clean Air, Also Serviced in Item 1
	05015084AA	1				ECB			
	05015086AA	1				EDZ			
	05015089AA	1				EEB			
-3									ADAPTER, Resonator to Throttle Body, Also Serviced in Item 1
	05015083AA	1				ECB			
		1				EDZ			
4	04573622	1							AIR CLEANER
-5	04882141	1							ELEMENT, Air Cleaner
6	06503612	2				ECB			BOLT, Hex Flange Head, M6x10
7	06500284	3							NUT, Hex, M6x1.00
8	06101506	1							BOLT AND CONED WASHER, M8x1.25x18
9	04792273AB	1				ECB			HOSE, Make Up Air
10	04667845	1				ECB			RESTRICTOR, PCV
11									HOSE, PCV Tube
	05015085AA	1				ECB			
	05015087AA	1				EDZ			

CIRRUS,BREEZE,STRATUS (JA)
 SERIES LINE
 H = HIGHLINE C = CHRYSLER
 P = PREMIUM D = DODGE
 P = PLYMOUTH

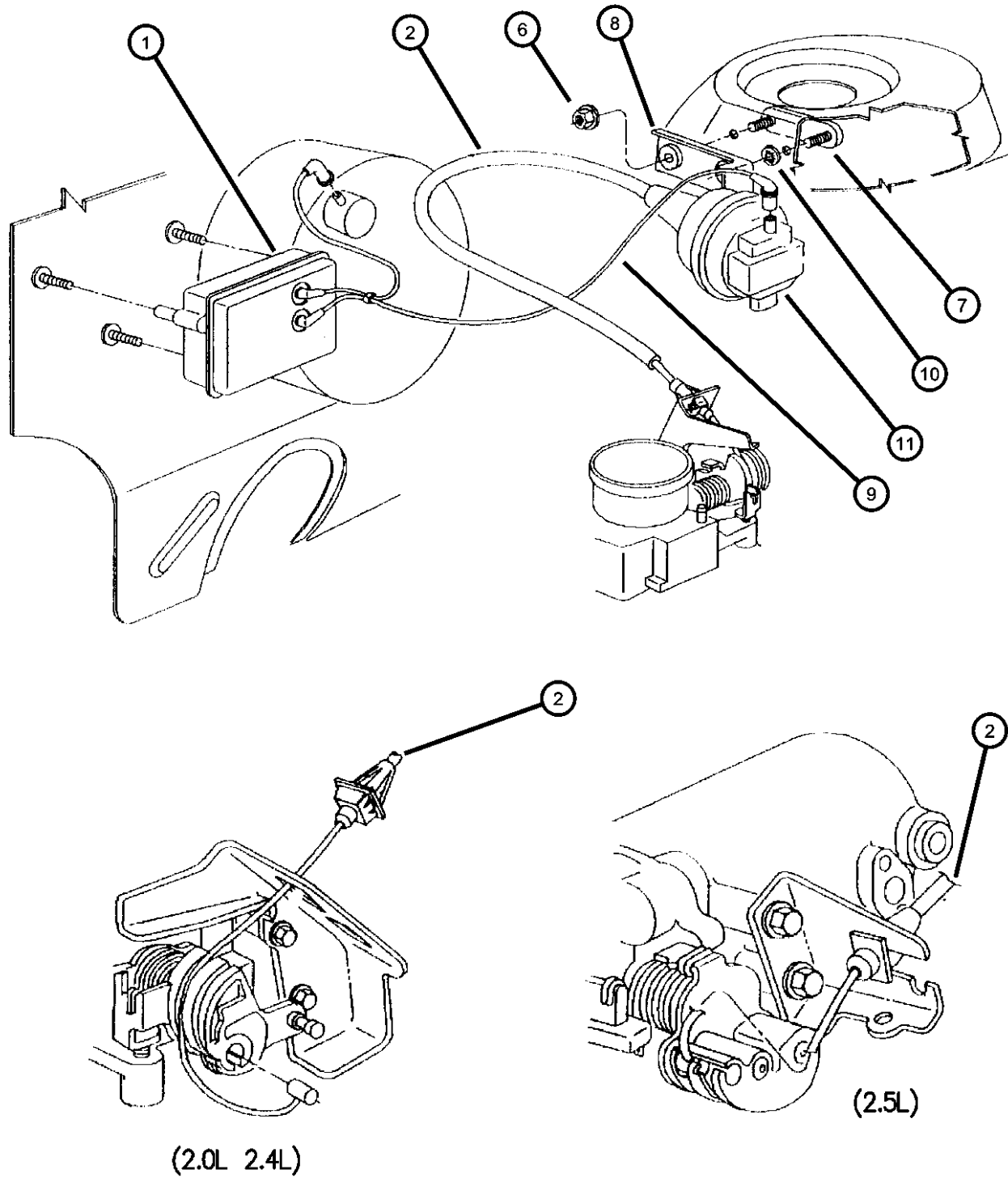
BODY
 41 = 4 Door Sedan

ENGINE
 ECB = 2.0L 4 Cyl SOHC 16V SMPI Engine
 EDZ = 2.4L 4 Cyl DOHC 16V SMPI Engine
 EEB = 2.5L V6 SOHC 24V SMPI Engine

TRANSMISSION
 DD5 = TRANSMISSION - 5-SPEED MANUAL
 DGL = TRANSMISSION - 4-SPD. AUTOMATIC, 41TE
 DD4 = TRANSMISSION - 5-SPEED PERF. MANUAL

AR = use ase required - = Non illustrated part

**Speed Control 2.0L-2.4L-2.5L Engine
Figure 14-1050**



ITEM	PART NUMBER	QTY	LINE	SERIES	BODY	ENGINE	TRANS	TRIM	DESCRIPTION
NOTE: ECB=2.0L Engine. EDZ=2.4L Engine. EEB=2.5L Engine.									
1	04663066	1							RESERVOIR, Speed Control Vacuum
2	04573693	1				ECB, EDZ			CABLE, Speed Control
	04669623AB	1				EEB			
-3	06025867	1				EEB			CLIP, Cable
		1				ECB, EDZ			
-4	06502493	2				EEB			NUT, Hex Flange Serration, M6x1
		2				ECB, EDZ			
-5	04641780	1							STRAP, Tie
6	06500274	2							LOCK NUT, M6x1.0x6
7	04591046	1							PLATE, Speed Control Servo
8	04669926	1				EEB			BRACKET, Speed Control Servo
		1				ECB, EDZ			
9	04663068	1							HARNESS, Vacuum
10	06100840	2							NUT, Spring
11	04669977	1				EEB			SERVO, Speed Control
		1				ECB, EDZ			
-12	05264283	2				EEB			GROMMET, A/C Condenser Mounting
		2				ECB, EDZ			
-13	03502916	2				EEB			SPACER, Speed Control Servo
		2				ECB, EDZ			

CIRRUS,BREEZE,STRATUS (JA)
 SERIES LINE
 H = HIGHLINE C = CHRYSLER
 P = PREMIUM D = DODGE
 P = PLYMOUTH

BODY
 41 = 4 Door Sedan

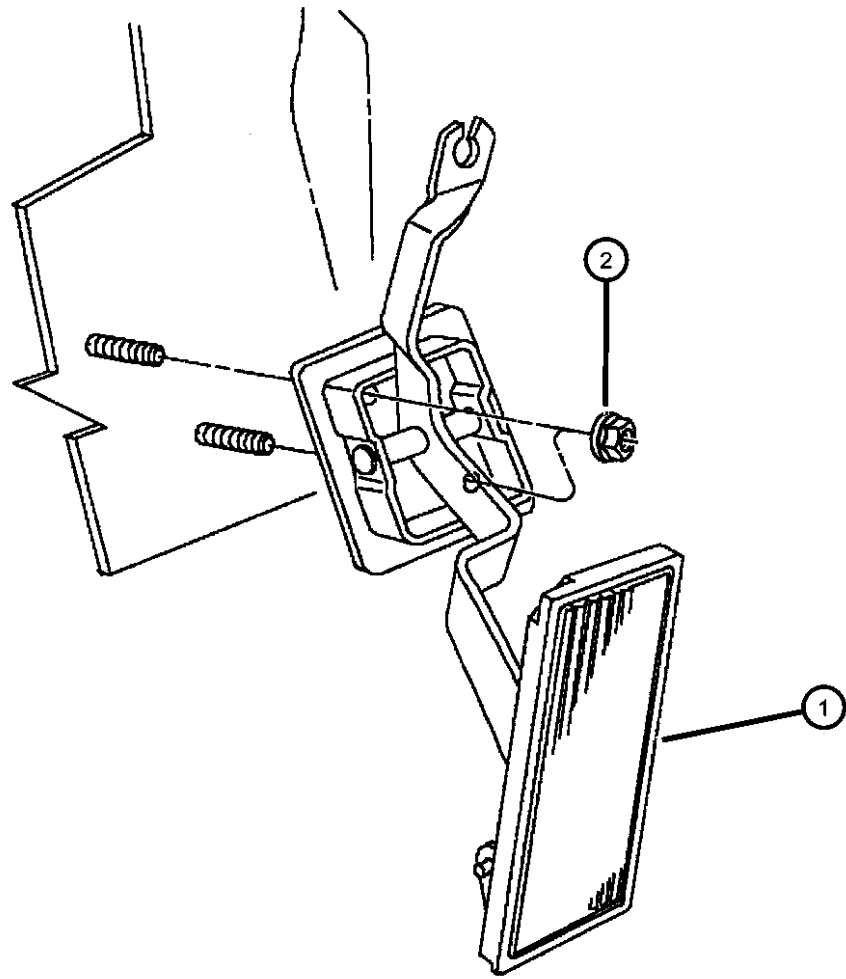
ENGINE
 ECB = 2.0L 4 Cyl SOHC 16V SMPI Engine
 EDZ = 2.4L 4 Cyl DOHC 16V SMPI Engine
 EEB = 2.5L V6 SOHC 24V SMPI Engine

TRANSMISSION
 DD5 = TRANSMISSION - 5-SPEED MANUAL
 DGL = TRANSMISSION - 4-SPD. AUTOMATIC, 41TE
 DD4 = TRANSMISSION - 5-SPEED PERF. MANUAL

AR = use ase required - = Non illustrated part

**Accelerator Pedal
Figure 14-1140**

ITEM	PART NUMBER	QTY	LINE	SERIES	BODY	ENGINE	TRANS	TRIM	DESCRIPTION
1	04591600	1							PEDAL AND BRACKET, Accelerator NUT AND WASHER, Hex Nut-Coned Washer, M6 x 1.00
2	06502843	2							



CIRRUS,BREEZE,STRATUS (JA)

SERIES	LINE
H = HIGHLINE	C = CHRYSLER
P = PREMIUM	D = DODGE
	P = PLYMOUTH

BODY
41 = 4 Door Sedan

ENGINE
ECB = 2.0L 4 Cyl SOHC 16V SMPI Engine
EDZ = 2.4L 4 Cyl DOHC 16V SMPI Engine
EEB = 2.5L V6 SOHC 24V SMPI Engine

TRANSMISSION
DD5 = TRANSMISSION - 5-SPEED MANUAL
DGL = TRANSMISSION - 4-SPD. AUTOMATIC,41TE
DD4 = TRANSMISSION - 5-SPEED PERF. MANUAL

AR = use ase required - = Non illustrated part

1999 JA

Group - 17

Rear Suspension

Group - 17 Rear Suspension

Group-Fig. No.

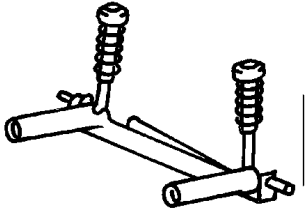
Illustration Title

Rear Suspension

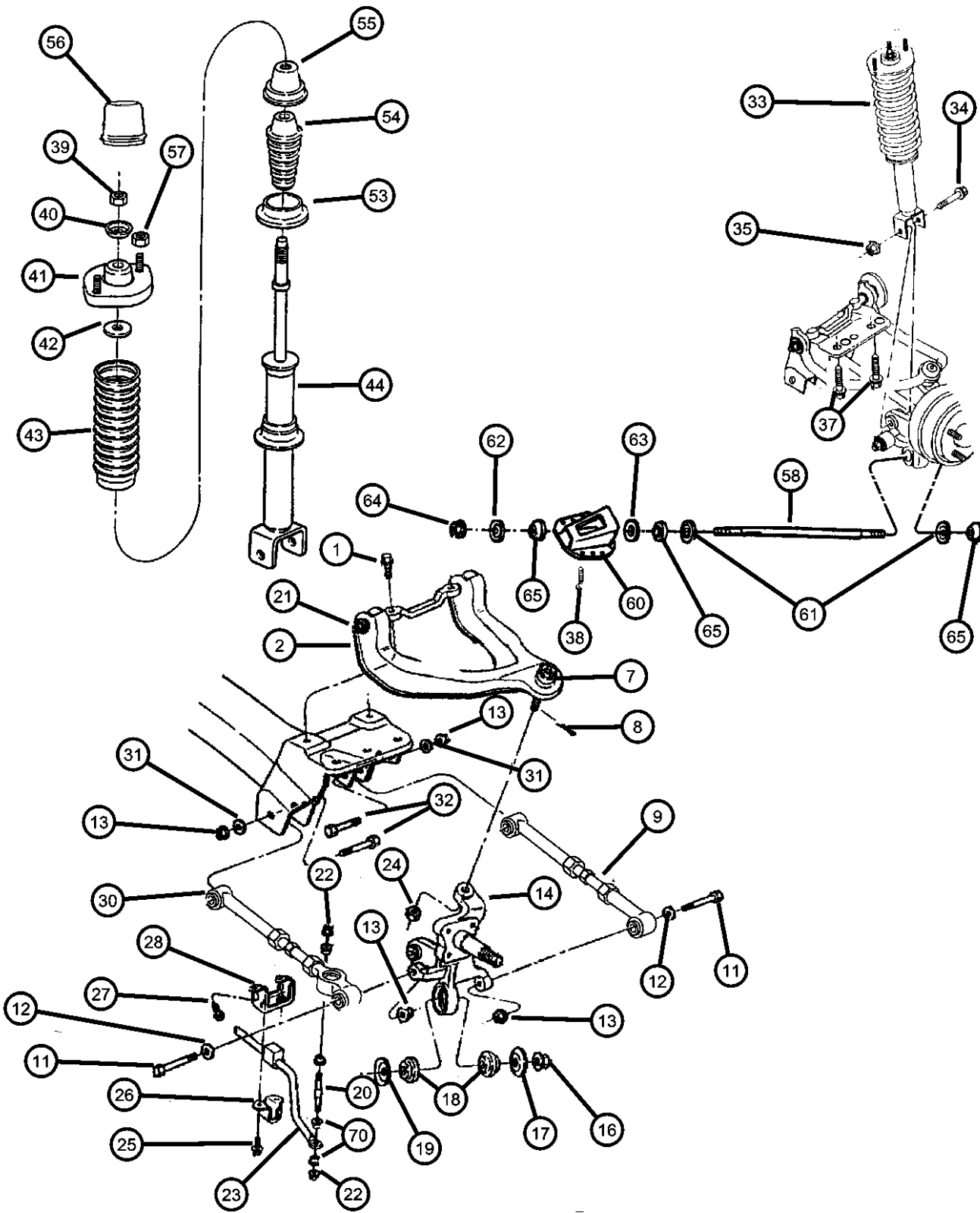
Suspension, RearFig. 17 - 120

017-100

Rear Suspension



Suspension, Rear
Figure 17-120



ITEM	PART NUMBER	QTY	LINE	SERIES	BODY	ENGINE	TRANS	TRIM	DESCRIPTION
------	-------------	-----	------	--------	------	--------	-------	------	-------------

NOTE: Sales Code SDA= Standard Suspension
 NOTE: Sales Code SDC= Firm Feel Suspension
 NOTE: Sales Code ZAS thru ZRU = Spring Group Types, Found on Individual Vehical Sales Code Listing.
 NOTE: Sales Code ECB= 2.0L 4 Cyl. SOHC 16 Valve
 NOTE: Sales Code ECC= 2.0L 4 Cyl. DOHC 16 Valve
 NOTE: Sales Code EDZ= 2.4L 4 Cyl. DOHC 16 Valve
 NOTE: Sales code EEB= 2.5L 6 Cyl. SOHC 24 Valve

1	06101779	4							BOLT, Hex Flange Head, M12-1.75x45, UCA Crossmember ARM, Control
2									Right
	04656240	1							Left
	04656241	1							
-3	04616430	2							BUSHING, Control Arm
-4	04695221	1							CAP, Pivot Bar
-5	04695243	1							RETAINER, Pivot Bar Cap
-6	06101776	2							NUT, Hex Lock, M12x1.75, Upper Control Arm Pivot Bar
7	04616570	1							BALL JOINT, Upper Control ArmRear
8	06100017	2							PIN, Cotter, M2.5x28.00, UCA Ball Joint Stud Nut
9	04695548	2							LINK, Lateral Control
-10	06101783	4							SCREW, Hex Flange Head, M12x1.75x65, Lateral Arm to C/member
11	06101749	4							SCREW, Hex Head, M8x1.25x20, Lateral Link to Knuckle
12	06503455	1							WASHER, Flat, 12mm ID, Lat Link/Knuckle ID= M12 OD= 35.00 THK= 2.5
13	06503711	4							NUT, Hex Flange Lock, M12x1.75, Lat Link/Knuckle and C/Member KNUCKLE, Rear
14									Right
	04764846AA	1							Left
	04764847AA	1							
-15	04616749	1							BUSHING, Shock Absorber, S/ABS to Knuckle
16	06502525	4							NUT, Hex Lock, M14 x 2.00, Trail Link Bracket and Knuckle
17	04616077	4							RETAINER, Link Bushing, Trail Link Outer
18	04616076	8							BUSHING, Trailing LinkOuter

CIRRUS,BREEZE,STRATUS (JA)
 SERIES LINE
 H = HIGHLINE C = CHRYSLER
 P = PREMIUM D = DODGE
 P = PLYMOUTH

BODY
 41 = 4 Door Sedan

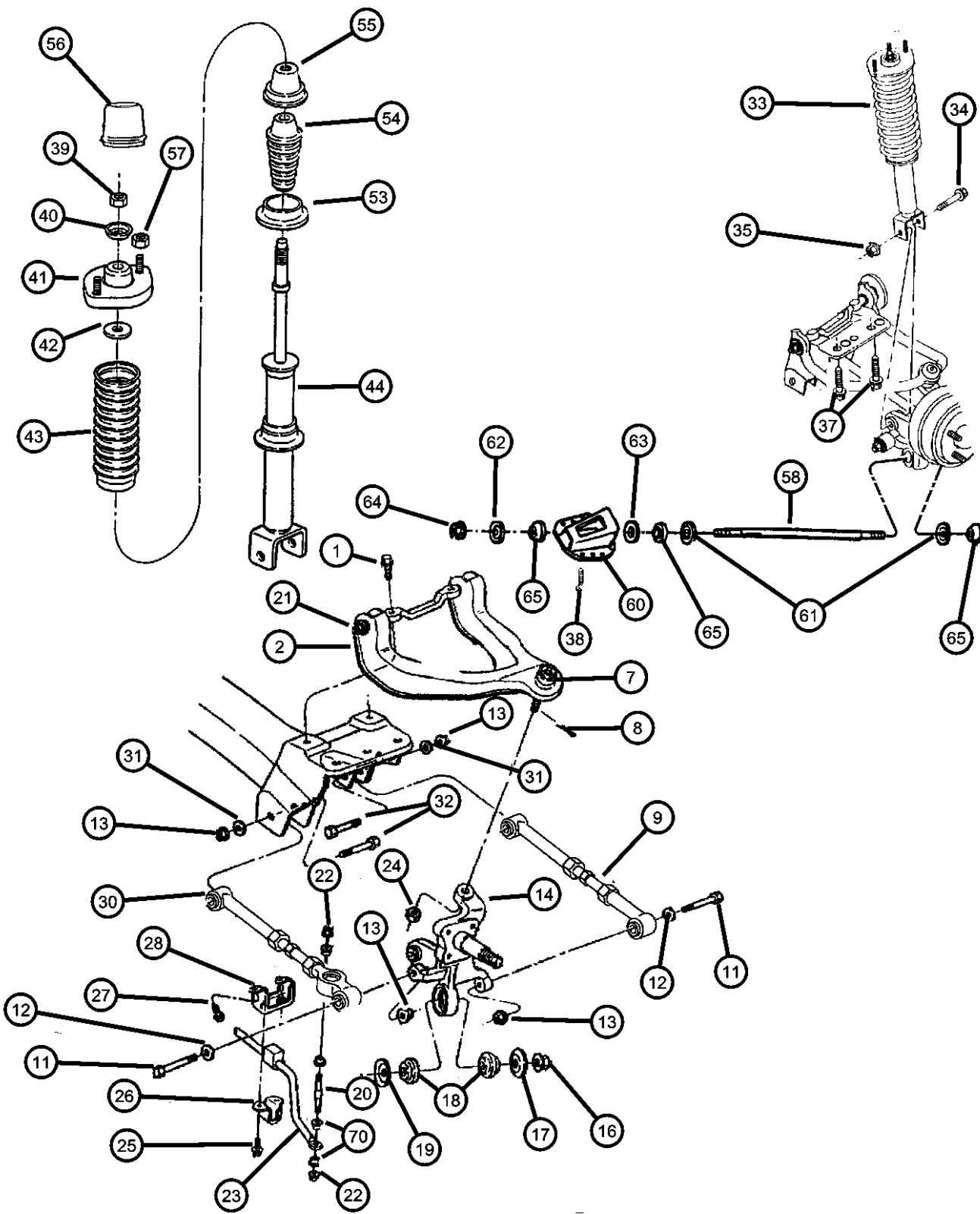
ENGINE
 ECB = 2.0L 4 Cyl SOHC 16V SMPI Engine
 EDZ = 2.4L 4 Cyl DOHC 16V SMPI Engine
 EEB = 2.5L V6 SOHC 24V SMPI Engine

TRANSMISSION
 DD5 = TRANSMISSION - 5-SPEED MANUAL
 DGL = TRANSMISSION - 4-SPD. AUTOMATIC,41TE
 DD4 = TRANSMISSION - 5-SPEED PERF. MANUAL

AR = use ase required - = Non illustrated part

1999 JA

Suspension, Rear
Figure 17-120



ITEM	PART NUMBER	QTY	LINE	SERIES	BODY	ENGINE	TRANS	TRIM	DESCRIPTION
19	04616783	4							RETAINER, Trailing Link BushingInner
20	04695831	2							LINK AND ISOLATOR, Sway Eliminator
21	04695626	2							BALL JOINT, Sway Bar, Link
22	04695626	2							NUT, Hex Lock Sway Link M10x1.50 (Service in Link), (NOT SERVICED)
23									BAR, Rear Sway
	04764861AA	1				EEB			(BRF)
	04764862AA	1							(BRB) European
		1							(BRA,BRJ)
		1				ECB			(BRF)
24	06502748	2							NUT, Hex, M12x1.75, Slotted B/Joint Knuckle
25									SCREW AND WASHER, Hex Head, M8x1.25x35
	06101759	1				ECB, EDZ			
		2				EEB			
26	04616088	2							CLAMP, Stabilizer Bar
27	06101758	4							SCREW, Hex Head, M8x1.25x20, Bracket
28									BRACKET, Stabilizer Bar
	04695076	1							Att, Right
	04695077	1							Att, Left
-29	06101283	4							U-NUT, M8x1.25, S/Bar Bracket to R/S C/Member
30	04695388	2							LINK, Lateral ControlFront
31	04695388	2							BUSHING, Trailing Link Inner, (NOT REQUIRED)
32	04695388	2							SCREW, And WASHER, Hex Hd M12x1.75x85.00 (Not Serviced), (NOT SERVICED)
33	04764572AA	1							SPRING, Rear Coil, (SDC) (ZCT,ZRT)
34	06503622	2							BOLT, Hex Flange Head, M12-1.75x80.0, S/ABS to Knuckle
35	06502697	2							NUT, Hex Flange Lock, M12x1.75, S/ABS Clevis to LCA Bolt
-36	06503889	2							SCREW, Flange Head, M12x1.75x98, S/ABS Clevis to LCA

CIRRUS,BREEZE,STRATUS (JA)
 SERIES LINE
 H = HIGHLINE C = CHRYSLER
 P = PREMIUM D = DODGE
 P = PLYMOUTH

BODY
 41 = 4 Door Sedan

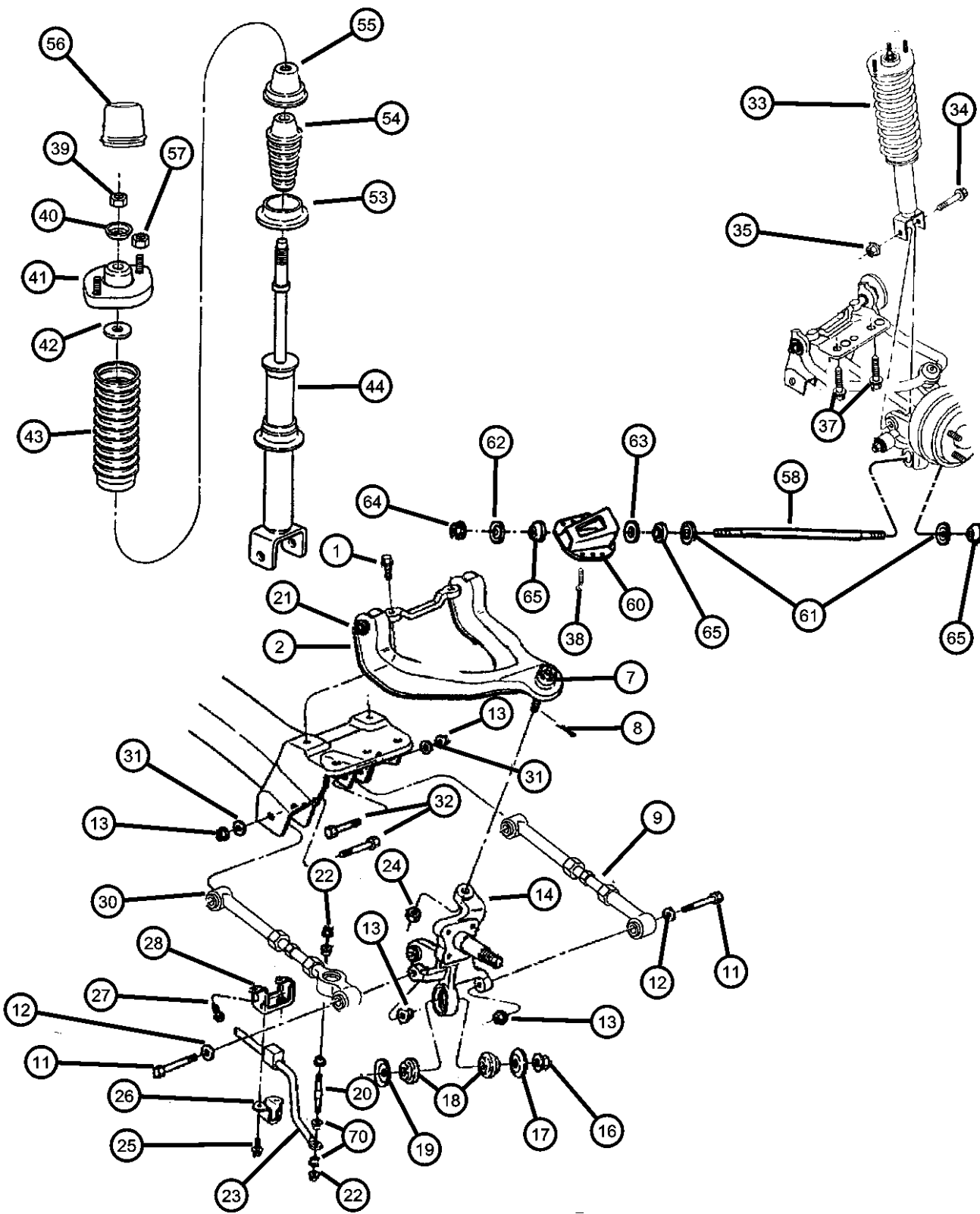
ENGINE
 ECB = 2.0L 4 Cyl SOHC 16V SMPI Engine
 EDZ = 2.4L 4 Cyl DOHC 16V SMPI Engine
 EEB = 2.5L V6 SOHC 24V SMPI Engine

TRANSMISSION
 DD5 = TRANSMISSION - 5-SPEED MANUAL
 DGL = TRANSMISSION - 4-SPD. AUTOMATIC,41TE
 DD4 = TRANSMISSION - 5-SPEED PERF. MANUAL

AR = use ase required - = Non illustrated part

1999 JA

Suspension, Rear
Figure 17-120



ITEM	PART NUMBER	QTY	LINE	SERIES	BODY	ENGINE	TRANS	TRIM	DESCRIPTION
37	06505170AA	4							SCREW AND WASHER, Hex Head, M12x1.75x40, Rear Suspension C/Member to Body Att
38	06503733	8							SCREW AND WASHER, Hex Head, M8x1.25x30, Trailing Link Bracket to Body
39	06503644	1							NUT, Hex Flange Lock, M14x1.50, S/ABS Rod Att
40	04616934	1							RETAINER, Shock Absorber, S/ABS Bush, Upper
41	04695766	1							MOUNT, Strut, Spring, Upper
42	04695030	1							RETAINER, Shock Absorber, S/ABS Bush, Lower
43	04695149	1							SHIELD, Shock Absorber Dust
44									SHOCK ABSORBER, Suspension w/o Bracket
	04764469AA	1							Mopar V-Line Alternative Part
	0SG81311								
	04764522AA	1							w/Bracket
-45	04695769	1							COLLAR, Shock Absorber Rod, Shock Rod
-46	04764483AA	2				ECC			BUSHING, Shock Absorber, ECB,EDZ,EEB, Lower
-47	04764483AA	2				ECC			BUSHING, Shock Absorber, ECB,EDZ,EEB, Upper
-48	04695766	1							MOUNT, Strut
-49	04695766	1							RETAINER, Shock Absorber, (NOT REQUIRED)
-50	04695768	1							ISOLATOR, SpringUpper
-51	04616934	1							RETAINER, Shock Absorber, Bush, Upper
-52	04764221	1							SLEEVE, Shock Absorber, Rod Attch.
53	04616201	1							ISOLATOR, SpringLower
54	04616701	1							BUMPER, Suspension Jounce
55	04695148	1							CUP, Shock Absorber Stop
56	04695361	2							CAP, Suspension Strut, Mount
57	06101761	4							NUT, Coned Washer, M10 x 1.50, Spring Seat
58	04695891	2							LINK, Trailing
-59	04798879	2							LINK, Trailing, Package
60									BRACKET, Trailing Link

CIRRUS,BREEZE,STRATUS (JA)
 SERIES LINE
 H = HIGHLINE C = CHRYSLER
 P = PREMIUM D = DODGE
 P = PLYMOUTH

BODY
 41 = 4 Door Sedan

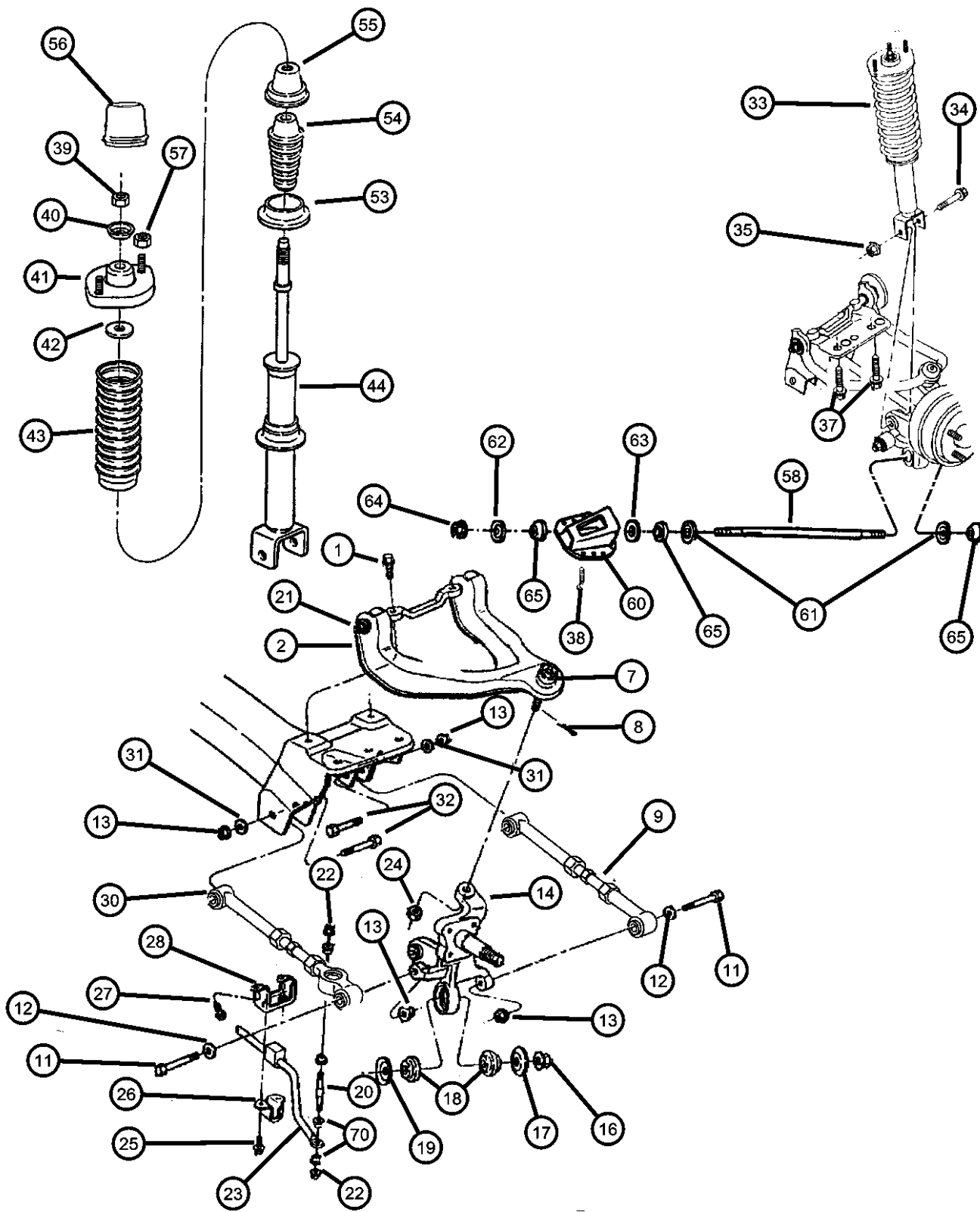
ENGINE
 ECB = 2.0L 4 Cyl SOHC 16V SMPI Engine
 EDZ = 2.4L 4 Cyl DOHC 16V SMPI Engine
 EEB = 2.5L V6 SOHC 24V SMPI Engine

TRANSMISSION
 DD5 = TRANSMISSION - 5-SPEED MANUAL
 DGL = TRANSMISSION - 4-SPD. AUTOMATIC,41TE
 DD4 = TRANSMISSION - 5-SPEED PERF. MANUAL

AR = use ase required - = Non illustrated part

1999 JA

Suspension, Rear
Figure 17-120



ITEM	PART NUMBER	QTY	LINE	SERIES	BODY	ENGINE	TRANS	TRIM	DESCRIPTION
	04695034	1							Right
	04695035	1							Left
61	04616783	4							RETAINER, Trailing Link Bushing, Bush Inner
62	04616077	4							RETAINER, Link Bushing, Trail Link Outer
63	04616077	4							SPACER, Trail Link Bushing, (NOT REQUIRED)
64	06502525	4							NUT, Hex Lock, M14 x 2.00
65	04616076	8							BUSHING, Trailing Link
-66	04616736	1							BUSHING, Control Arm, LCA Rear
-67	06030099	1							FITTING, Ball Joint, Zirc
-68	06503455	1							WASHER, Flat, 12mm ID, Upper control Arm
-69	06503890	2							NUT AND RETAINER, Hex Flange Locking, M12x1.75, Damper to Knuckle
70									BUSHING, Stabilizer Bar
	04764863AA	2				EEB			(BRF)
	04764864AA	2							(BRA,BRB,BRJ)
		2				ECB			(BRF)
-71	04695673	1							SEAL

CIRRUS,BREEZE,STRATUS (JA)
 SERIES LINE
 H = HIGHLINE C = CHRYSLER
 P = PREMIUM D = DODGE
 P = PLYMOUTH

BODY
 41 = 4 Door Sedan

ENGINE
 ECB = 2.0L 4 Cyl SOHC 16V SMPI Engine
 EDZ = 2.4L 4 Cyl DOHC 16V SMPI Engine
 EEB = 2.5L V6 SOHC 24V SMPI Engine

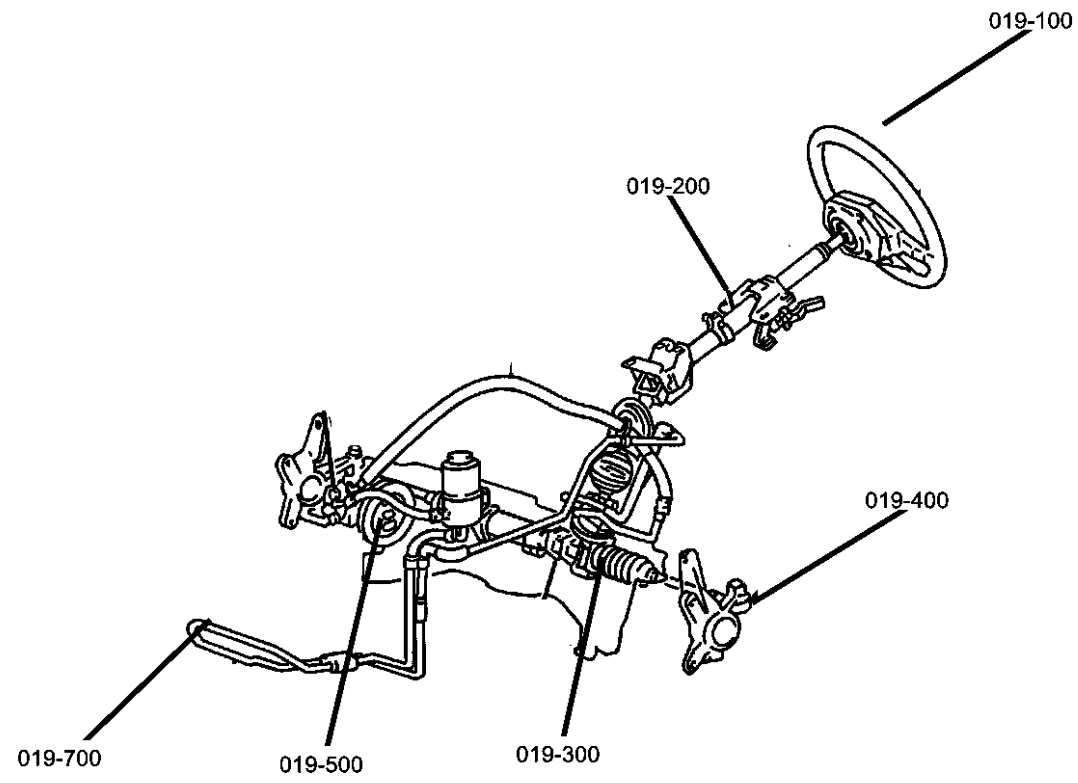
TRANSMISSION
 DD5 = TRANSMISSION - 5-SPEED MANUAL
 DGL = TRANSMISSION - 4-SPD. AUTOMATIC,41TE
 DD4 = TRANSMISSION - 5-SPEED PERF. MANUAL

AR = use ase required - = Non illustrated part

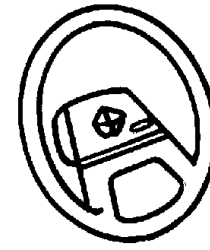
1999 JA

Group - 19

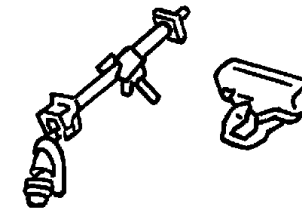
Steering



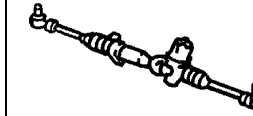
019-100
Steering Wheel



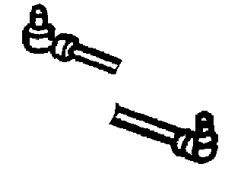
019-200
Steering Column



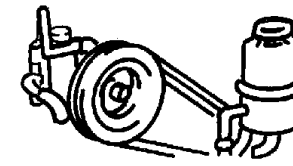
019-300
Steering Gear



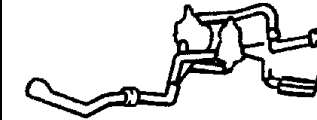
019-400
Steering Linkage



019-500
Power Steering Pump



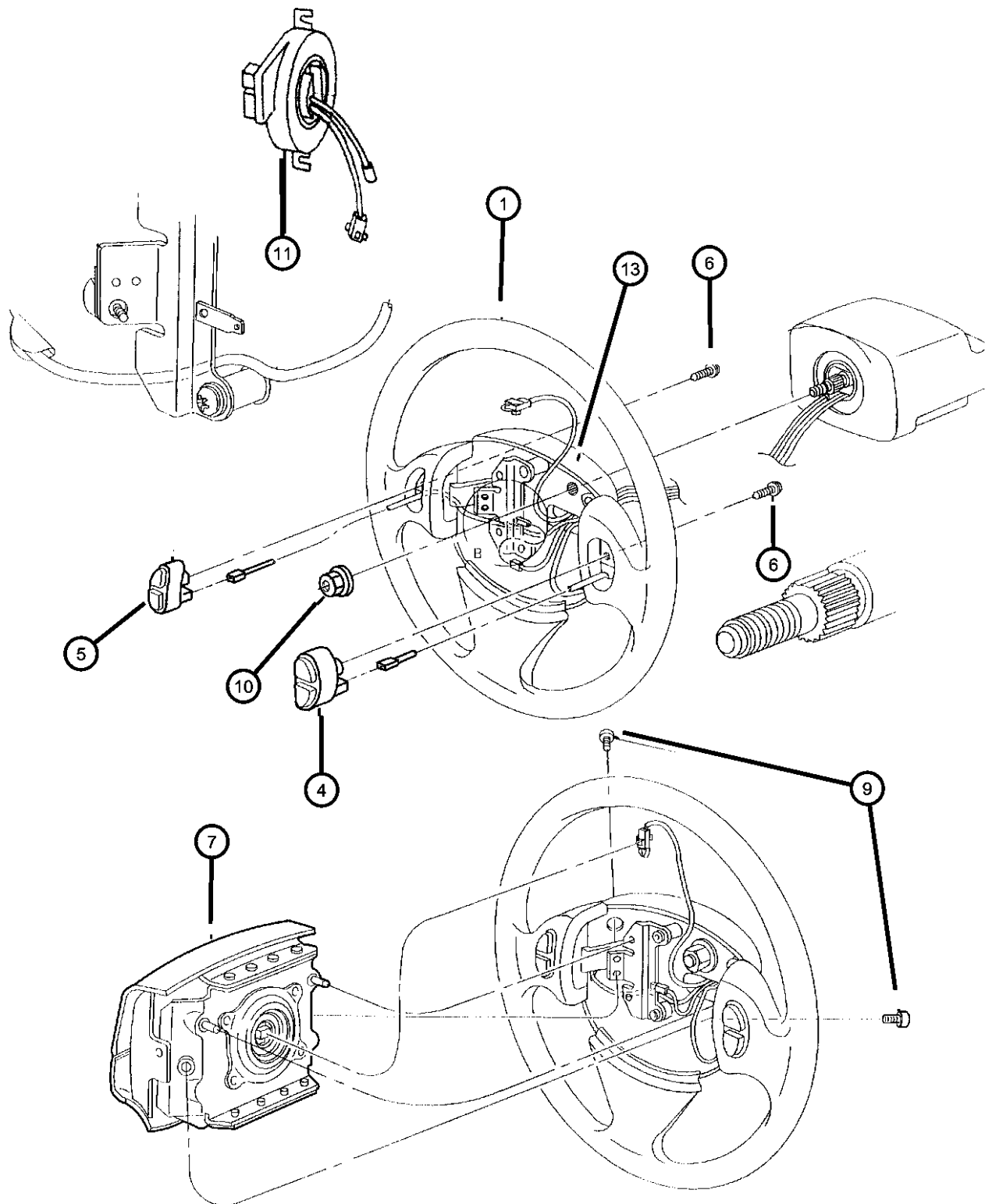
019-700
Power Steering Hoses



Group - 19 Steering

Illustration Title	Group-Fig. No.
Steering Wheel Wheel, Steering	Fig. 19 - 120
Steering Column Column, Steering, Upper And Lower	Fig. 19 - 220
Steering Gear Gear, Rack & Pinion, Power And Attaching Parts	Fig. 19 - 316
Steering Linkage Tie Rod Ends	Fig. 19 - 426
Power Steering Pump Pump Assembly And Mounting	Fig. 19 - 520
Power Steering Hoses Hoses, Power Steering	Fig. 19 - 716

Wheel, Steering
Figure 19-120



ITEM	PART NUMBER	QTY	LINE	SERIES	BODY	ENGINE	TRANS	TRIM	DESCRIPTION
------	-------------	-----	------	--------	------	--------	-------	------	-------------

Note: Sales Code ECB= 2.0L 4 C yl. SOHC 16 Valve
 Note: Sales Code EDZ= 2.4L 4 Cyl. DOHC 16 Valve
 Note: Sales Code DD5= 5 sp. Manual Trans.
 Note: Sales Code DGL= 4 Sp. Auto. Trans

1	0FG48LAZAB	1							WHEEL, Steering (Sport) w/Speed Control Agate
	0FG48RJLAB	1							(Sport) w/Speed control Dark Silverfern
	0FG48VK9AB	1							(Sport) w/Speed Control Dark Suede or Dark Tan
	0GW73LAZAB	1							(Sport) w/o Speed control Agate
	0GW73RJLAB	1							(Sport) w/o Speed Control Dark Silverfern
	0GW73VK9AB	1							(Sport) w/o Speed Control Dark Suede or Dark Tan
	0ME441JKAB	1							(Leather Wrap) Medium or Dark Silverfern
	0ME441K9AB	1							(Leather Wrap) Dark Suede or Dark Tan
	0ME44LAZAB	1							(leather Wrap) Agate
-2	04856741	1							SPACER, Foam Steering Wheel Spoke
-3	04649160AC	1				ECB, EDZ			DAMPER, Steering Wheel
4	04608582	1							SWITCH, Speed Control, On/Off
5	04608583	1							SWITCH, Speed Control, Set/Resume
6	06036011AA	2							SCREW, Pan Hd Speed Control Sw Mount .164-32x.945
7									AIR BAG, Driver
	0PH40LAZAD	1	C						Agate
	0PH40RJLAD	1	C						Dark Silverfern
	0PH40VK9AD	1	C						Dark Almond
	0PJ42LAZAD	1	D	H					Export Agate
		1	C						Export Agate
	0PJ42RJLAD	1	D	H					Export Dark Silverfern
		1	C						Export Dark Silverfern
	0PJ42VK9AD	1	D	H					Export Dark Almond
		1	C						Export Dark Almond
	0PK46LAZAD	1	D	H					Agate
		1	D	P					Agate

CIRRUS,BREEZE,STRATUS (JA)

SERIES LINE
 H = HIGHLINE C = CHRYSLER
 P = PREMIUM D = DODGE
 P = PLYMOUTH

BODY
 41 = 4 Door Sedan

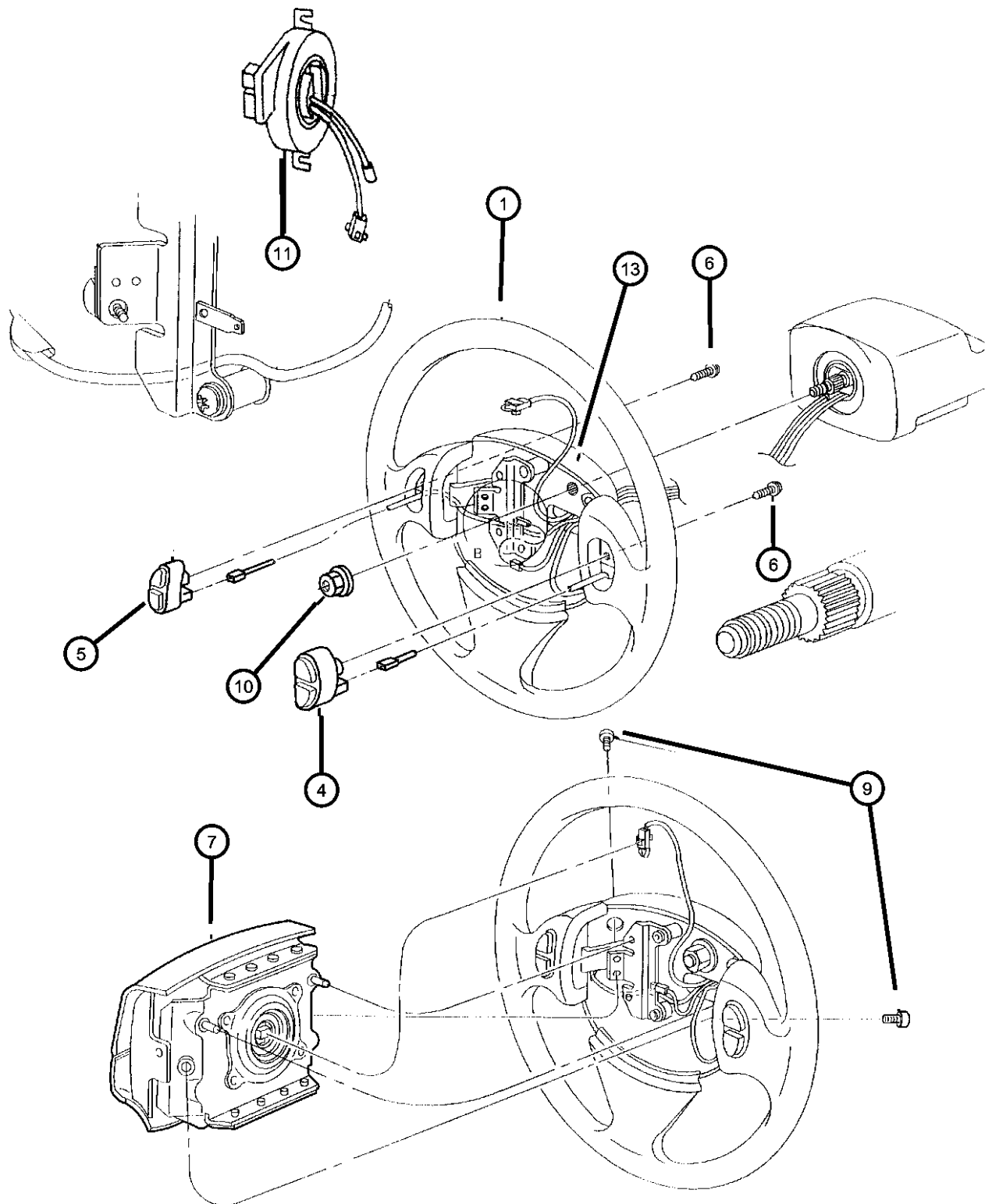
ENGINE
 ECB = 2.0L 4 Cyl SOHC 16V SMPI Engine
 EDZ = 2.4L 4 Cyl DOHC 16V SMPI Engine
 EEB = 2.5L V6 SOHC 24V SMPI Engine

TRANSMISSION
 DD5 = TRANSMISSION - 5-SPEED MANUAL
 DGL = TRANSMISSION - 4-SPD. AUTOMATIC, 41TE
 DD4 = TRANSMISSION - 5-SPEED PERF. MANUAL

AR = use ase required - = Non illustrated part

1999 JA

Wheel, Steering
Figure 19-120



ITEM	PART NUMBER	QTY	LINE	SERIES	BODY	ENGINE	TRANS	TRIM	DESCRIPTION
	0PK46RJLAD	1	D	H					Dark Silverfern
		1	D	P					Dark Silverfern
	0PK46VK9AD	1	D	H					Dark Almond
		1	D	P					Dark Almond
	0PL30LAZAD	1	P						Agate
	0PL30RJLAD	1	P						Dark Silverfern
	0PL30VK9AD	1	P						Dark Almond
-8									BRACKET, Air Bag
	04856742	1							Right
	04856743	1							Left
9	04778168	1							SCREW, Torx Head, M6x1.0x9.5, Air Bag Module
10									NUT, Hex Flange Lock
	06505248AA	1					DGL		Strg Col
		1					DD5		Strg Col
11									CLOCKSPRING
	04600161	1							w/o Speed Control
	04600163	1							w/Speed Control
-12	04798475	1							SPACER, Clock Spring
13	04798475	1							COVER, Steering Wheel, BACK Strg Wheel (Service in Steering Wheel), (NOT SERVICED)
-14	04596353AA	1							LABEL, Airbag, AC, Fan Belt ,Air Bag

CIRRUS,BREEZE,STRATUS (JA)

SERIES LINE
H = HIGHLINE C = CHRYSLER
P = PREMIUM D = DODGE
P = PLYMOUTH

BODY
41 = 4 Door Sedan

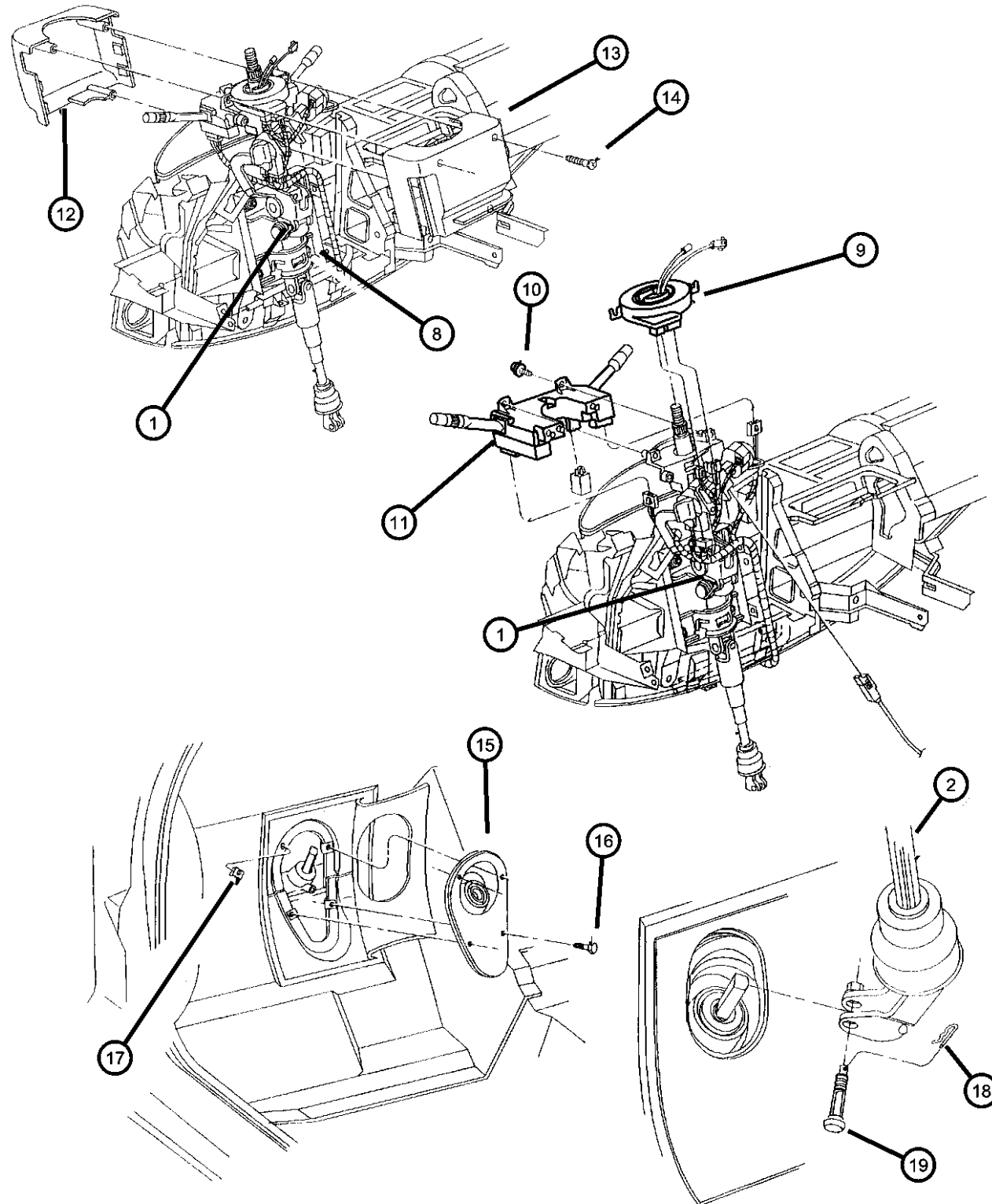
ENGINE
ECB = 2.0L 4 Cyl SOHC 16V
SMPI Engine
EDZ = 2.4L 4 Cyl DOHC 16V
SMPI Engine
EEB = 2.5L V6 SOHC 24V
SMPI Engine

TRANSMISSION
DD5 = TRANSMISSION - 5-SPEED
MANUAL
DGL = TRANSMISSION - 4-SPD.
AUTOMATIC,41TE
DD4 = TRANSMISSION - 5-SPEED
PERF. MANUAL

AR = use ase required - = Non illustrated part

1999 JA

**Column, Steering, Upper And Lower
Figure 19-220**



ITEM	PART NUMBER	QTY	LINE	SERIES	BODY	ENGINE	TRANS	TRIM	DESCRIPTION
------	-------------	-----	------	--------	------	--------	-------	------	-------------

Note: Sales Code DD5= 5 Sp. Manual Trans.
Note: Sales Code DGL= 4 Sp. Auto. Trans.

1									COLUMN, Steering, Tilt
	04690543AH	1					DGL		
	04690544AH	1					DD5		
	04690645AF	1					DGL		Export
	04690646AF	1					DD5		Export
2									COUPLING, Steering
	04664179AB	1					DGL		
		1					DD5		
-3									BEARING, Steering Column Shaft
	04147362	1					DGL		
		1					DD5		
-4									SHAFT, Steering Column, [Service in Item 1], (NOT REQUIRED)
-5									PIN, Spring, M8.4x30x1.60
	06503985	1					DGL		
		1					DD5		
-6									SCREW, Pan Head, .25-20x.62
	04690023	2					DGL		
		2					DD5		
-7									SHIM, Steering Column, (NOT REQUIRED)
8	06504788	4							NUT, and Washer Col Mount M6x1.00 Upper/Lower
9	06504788	4							CLOCKSPRING, Steering, Three circuit, [Reference], (NOT SERVICED)
10	06504788	4							SCREW, Tap/Lg Rd Wa Hd Multifunction Sw M4x0.7x14.00, (NOT SERVICED)
11									SWITCH, Multifunction
	04608382	1							Base w/o Fog Lp
	04608383	1							w/Fog Lp
	04671257	1							w/Frt and Rear Fog Lp (European)
	04671258	1							w/Rear Fog Lp (European)
12									SHROUD, Steering Column

CIRRUS,BREEZE,STRATUS (JA)
 SERIES LINE
 H = HIGHLINE C = CHRYSLER
 P = PREMIUM D = DODGE
 P = PLYMOUTH

BODY
 41 = 4 Door Sedan

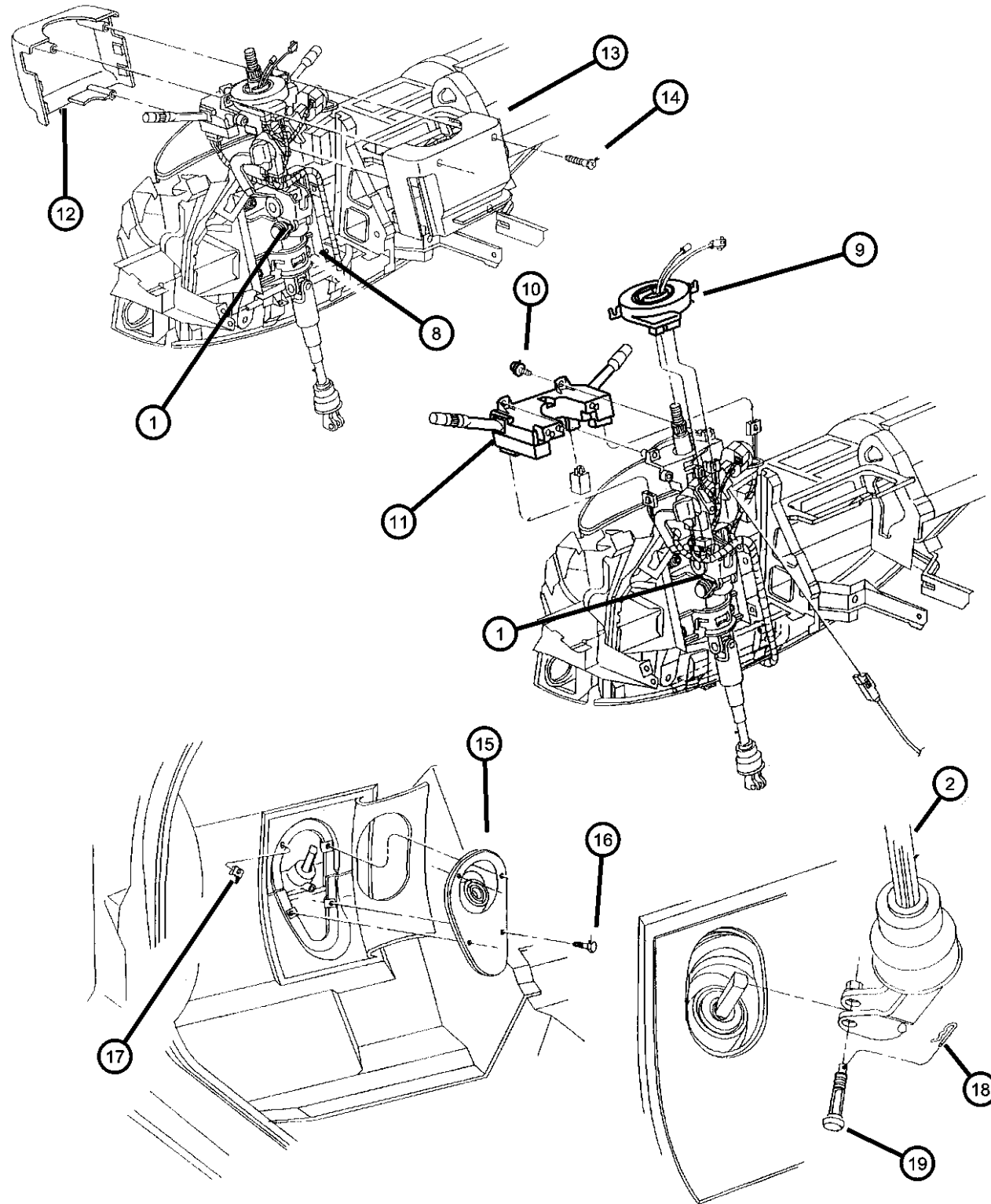
ENGINE
 ECB = 2.0L 4 Cyl SOHC 16V SMPI Engine
 EDZ = 2.4L 4 Cyl DOHC 16V SMPI Engine
 EEB = 2.5L V6 SOHC 24V SMPI Engine

TRANSMISSION
 DD5 = TRANSMISSION - 5-SPEED MANUAL
 DGL = TRANSMISSION - 4-SPD. AUTOMATIC, 41TE
 DD4 = TRANSMISSION - 5-SPEED PERF. MANUAL

AR = use ase required - = Non illustrated part

1999 JA

**Column, Steering, Upper And Lower
Figure 19-220**



ITEM	PART NUMBER	QTY	LINE	SERIES	BODY	ENGINE	TRANS	TRIM	DESCRIPTION
	0QH17LAZAB	1					DGL		(Agate)
		1					DD5		(Agate), Upper
	0QH17RJLAB	1					DGL		(Dark Silverfern)
		1					DD5		(Dark Silverfern), Upper
	0QH17VK9AB	1					DGL		(Dark Suede)
		1					DD5		(Dark Suede)
13									SHROUD, Steering Column
	0QH19LAZAB	1					DGL		(Agate), Lower
	0QH19RJLAB	1					DGL		(Dark Silverfern), Lower
	0QH19VK9AB	1					DGL		(Dark Suede or Dark Tan), Lower
	0QH24LAZAB	1					DD5		(Agate)
	0QH24RJLAB	1					DD5		(Dark Silverfern)
	0QH24VK9AB	1					DD5		(Dark Silverfern)
14	0QH24VK9AB	1							SCREW, PRC/PAN Hd Strg Col Shroud .164-15x1.00, (NOT SERVICED),
15	04600168	1							COVER, Steering Column
16	06035561	5							SCREW, Hex Flange Head Tapping, .19-16x1, Dash Cover Assy. to Strg Col
17	06032031	5							NUT, Spring, .19-16
18	06036212AA	1							CLIP, Steering coupling, Cplg Bolt Retainer .250x.766x.059 (also use 6506112AA Bolt)
19	06506112AA	1							BOLT, Upper Cplg M8x1.25x42.50 (Also use 6036212AA Clip)
-20									TRIM RING, Ignition Key Cylinder
	55314965AB	1					DGL		
		1					DD5		

CIRRUS,BREEZE,STRATUS (JA)
 SERIES LINE
 H = HIGHLINE C = CHRYSLER
 P = PREMIUM D = DODGE
 P = PLYMOUTH

BODY
 41 = 4 Door Sedan

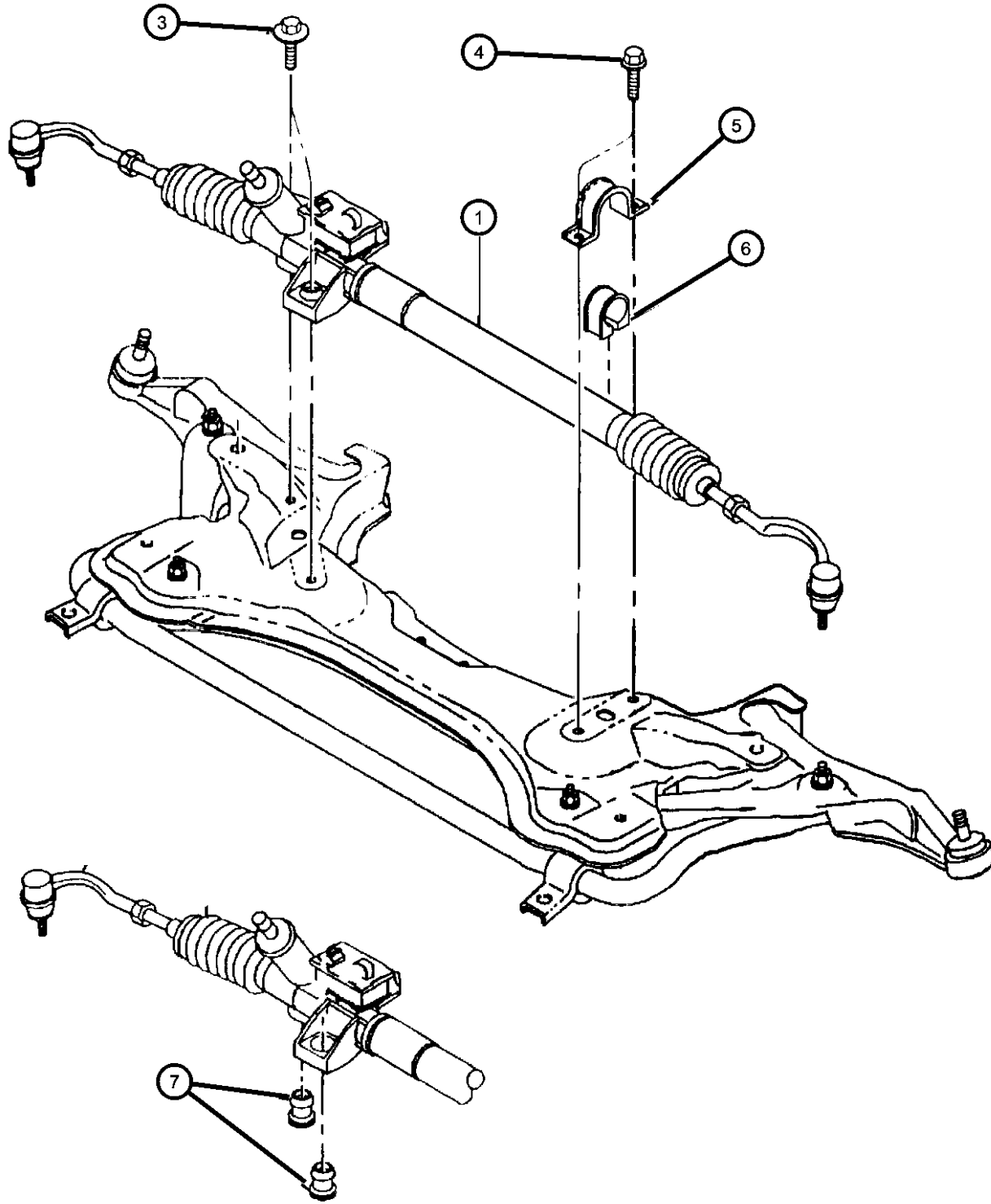
ENGINE
 ECB = 2.0L 4 Cyl SOHC 16V SMPI Engine
 EDZ = 2.4L 4 Cyl DOHC 16V SMPI Engine
 EEB = 2.5L V6 SOHC 24V SMPI Engine

TRANSMISSION
 DD5 = TRANSMISSION - 5-SPEED MANUAL
 DGL = TRANSMISSION - 4-SPD. AUTOMATIC,41TE
 DD4 = TRANSMISSION - 5-SPEED PERF. MANUAL

AR = use ase required - = Non illustrated part

1999 JA

Gear, Rack & Pinion, Power And Attaching Parts
Figure 19-316



ITEM	PART NUMBER	QTY	LINE	SERIES	BODY	ENGINE	TRANS	TRIM	DESCRIPTION
------	-------------	-----	------	--------	------	--------	-------	------	-------------

NOTE: Sales Code SBC= Speed Proportional Steering
 NOTE: Sales Code SBA= Power Steering
 NOTE: Sales Code SBB= Firm Feel Power Steering
 NOTE: Sales Code ECB= 2.0L 4 Cyl. SOHC 16 Valve
 NOTE: Sales Code EDZ= 2.4L 4 Cyl. DOHC 16 Valve
 NOTE: Sales code EEB= 2.5L 6 Cyl. SOHC 24 Valve

1	04897582AB	1				EEB			GEAR PACKAGE, Power Steering (SBC)
	R0400258								Mopar Remanufactured Part
	04897583AB	1				EEB			(SBC) European
	04897584AB	1				ECB, EDZ			(SBC) European
	04897585AB	1				ECB, EDZ			(SBA,SBC)
	R0400242								Mopar Remanufactured Part
-2	04606045	1				EEB			SWITCH, Power Steering Pressure
		1				ECB, EDZ			Pressure
3	06503581	2							SCREW AND WASHER, Hex Head, M10-1.5x65, Strg Gear to C/Member
4	06101670	7							SCREW AND WASHER, Hex Head, M10x1.50x35, Strg Gear CLAMP, Steering Gear, Mtg
5	04616917	1							BUSHING, Steering Gear, Mount, Right
6	04616918	1							BUSHING, Steering Gear
7	04616919	2				EEB			Mount, Left
		2				ECB, EDZ			Mount, Left
-8	06503046	2							NUT, Hex Lock, M12 x 1.25, Tie Rod Stud w/Nylon Ring
-9	06503046	2							SCREW, And WASHER, Strg Gear Clamp to C/Member M10x1.5x45, (NOT SERVICED)

CIRRUS,BREEZE,STRATUS (JA)

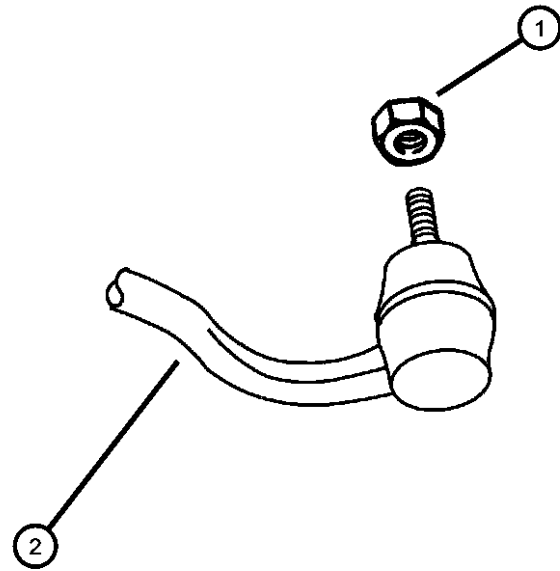
SERIES	LINE	BODY	ENGINE	TRANSMISSION
H = HIGHLINE	C = CHRYSLER	41 = 4 Door Sedan	ECB = 2.0L 4 Cyl SOHC 16V SMPI Engine	DD5 = TRANSMISSION - 5-SPEED MANUAL
P = PREMIUM	D = DODGE		EDZ = 2.4L 4 Cyl DOHC 16V SMPI Engine	DGL = TRANSMISSION - 4-SPD. AUTOMATIC,41TE
	P = PLYMOUTH		EEB = 2.5L V6 SOHC 24V SMPI Engine	DD4 = TRANSMISSION - 5-SPEED PERF. MANUAL

AR = use ase required - = Non illustrated part

1999 JA

**Tie Rod Ends
Figure 19-426**

ITEM	PART NUMBER	QTY	LINE	SERIES	BODY	ENGINE	TRANS	TRIM	DESCRIPTION
Note: Sales Code EEB= 2.5L 6 Cyl. SOHC 24 Valve									
1	06503046	2							NUT, Hex Lock, M12 x 1.25, Tie Rod Stud w/Nylon Ring END, Tie Rod
2	04796864	1				EEB			Right
						ECB, EDZ			Right
	04796865	1				EEB			Left
						ECB, EDZ			Left



CIRRUS,BREEZE,STRATUS (JA)

SERIES LINE
H = HIGHLINE C = CHRYSLER
P = PREMIUM D = DODGE
 P = PLYMOUTH

BODY
41 = 4 Door Sedan

ENGINE
ECB = 2.0L 4 Cyl SOHC 16V SMPI Engine
EDZ = 2.4L 4 Cyl DOHC 16V SMPI Engine
EEB = 2.5L V6 SOHC 24V SMPI Engine

TRANSMISSION
DD5 = TRANSMISSION - 5-SPEED MANUAL
DGL = TRANSMISSION - 4-SPD. AUTOMATIC, 41TE
DD4 = TRANSMISSION - 5-SPEED PERF. MANUAL

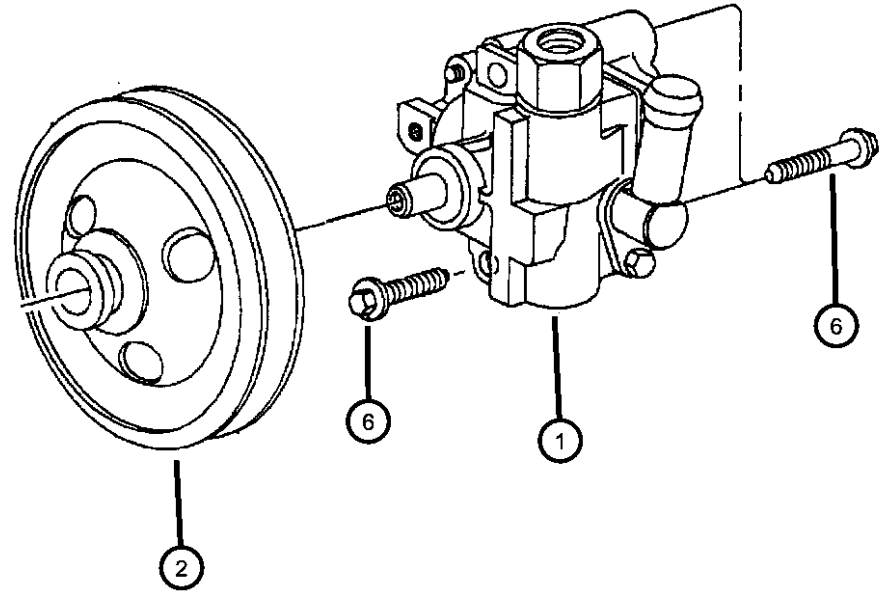
AR = use ase required - = Non illustrated part

1999 JA

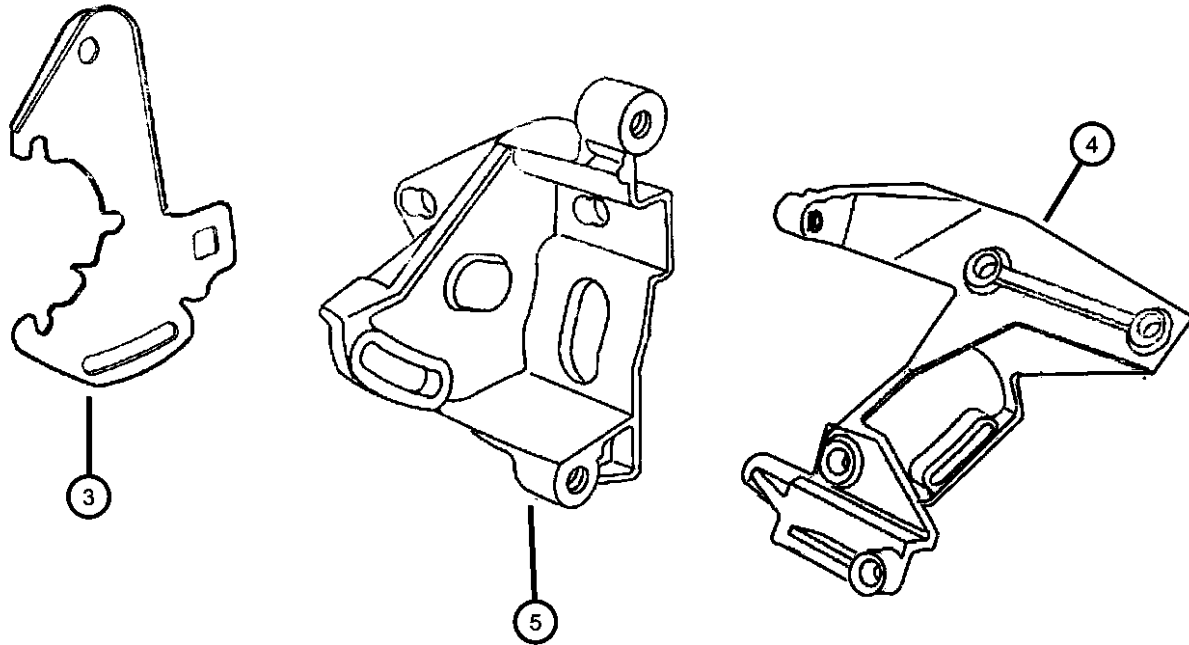
**Pump Assembly And Mounting
Figure 19-520**

ITEM	PART NUMBER	QTY	LINE	SERIES	BODY	ENGINE	TRANS	TRIM	DESCRIPTION
------	-------------	-----	------	--------	------	--------	-------	------	-------------

NOTE: Sales Code SBA= Power Steering
 NOTE: Sales code SBC= Proportional Steering
 NOTE: Sales Code ECB= 2.0L 4 Cyl. SOHC 16 Valve
 NOTE: Sales Code ECZ= 2.4L 4 Cyl. DOHC 16 Valve
 NOTE: Sales Code EEB= 2.5L 6 Cyl. SOHC 24 Valve



1	04656034	1				ECB, EDZ			PUMP, Power Steering (SBC)
	R4656034								Mopar Remanufactured Part
	04883077								Mopar Power Steering Fluid Quart
	04656062	1				EEB			(SBC)
	04874243	1				ECB, EDZ			(SBA)
	R4874243								Mopar Remanufactured Part
	04883077								Mopar Power Steering Fluid Quart
2	04573747	1							PULLEY, Power Steering Pump, Power Strg Pump Drive
3	04663050	1				ECB, EDZ			BRACKET, Power Steering, P/S Pump Pivot
4	04573744	1				EEB			BRACKET, Power Steering, P/S Adj.
5									BRACKET, Power Steering Pump
	04573743	1				EEB			
	04792075	1				ECB, EDZ			P/S Mount
6									BOLT AND WASHER, Hex Head, M10x1.5x35
	06101514	2				EEB			P/S Pivot Bracket Pump Bracket
		2				ECB, EDZ			P/S Pivot Bracket Pump Bracket
-7	06101504	2				ECB, EDZ			SCREW AND WASHER, Hex Head, M10x1.5x50, P/S Bracket to Block
-8	06101513	1				EEB			SCREW AND WASHER, Hex Head, M8x1.25x40, P/S Pump to Mtg Bracket
-9									BOLT AND WASHER, Hex Head, M10x1.5x30
	06101524	1				EEB			Bracket to Block
		1				ECB, EDZ			Bracket to Block
-10									SCREW AND WASHER, Hex Head, M8x1.25x35
	06101759	1				ECB, EDZ			



CIRRUS,BREEZE,STRATUS (JA)

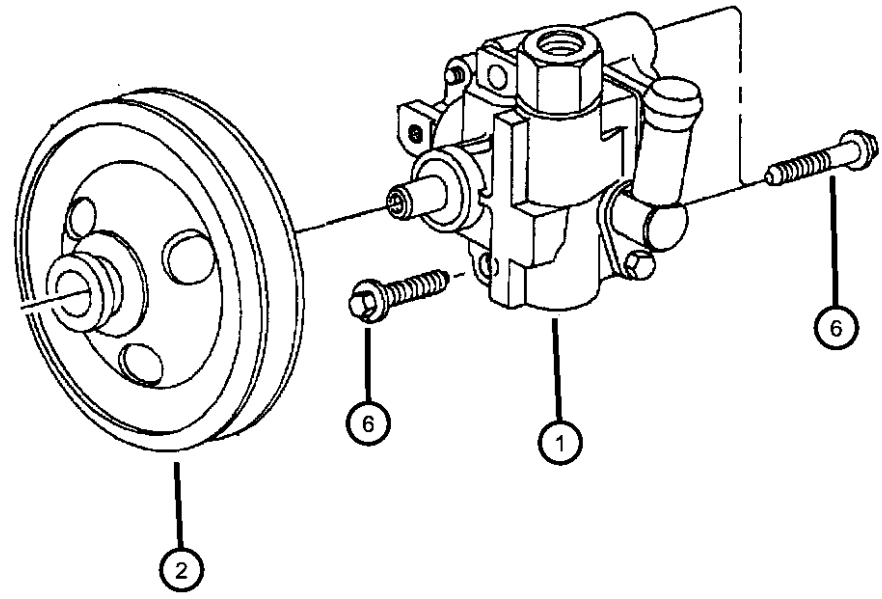
SERIES	LINE	BODY	ENGINE	TRANSMISSION
H = HIGHLINE	C = CHRYSLER	41 = 4 Door Sedan	ECB = 2.0L 4 Cyl SOHC 16V SMPI Engine	DD5 = TRANSMISSION - 5-SPEED MANUAL
P = PREMIUM	D = DODGE		EDZ = 2.4L 4 Cyl DOHC 16V SMPI Engine	DGL = TRANSMISSION - 4-SPD. AUTOMATIC,41TE
	P = PLYMOUTH		EEB = 2.5L V6 SOHC 24V SMPI Engine	DD4 = TRANSMISSION - 5-SPEED PERF. MANUAL

AR = use ase required - = Non illustrated part

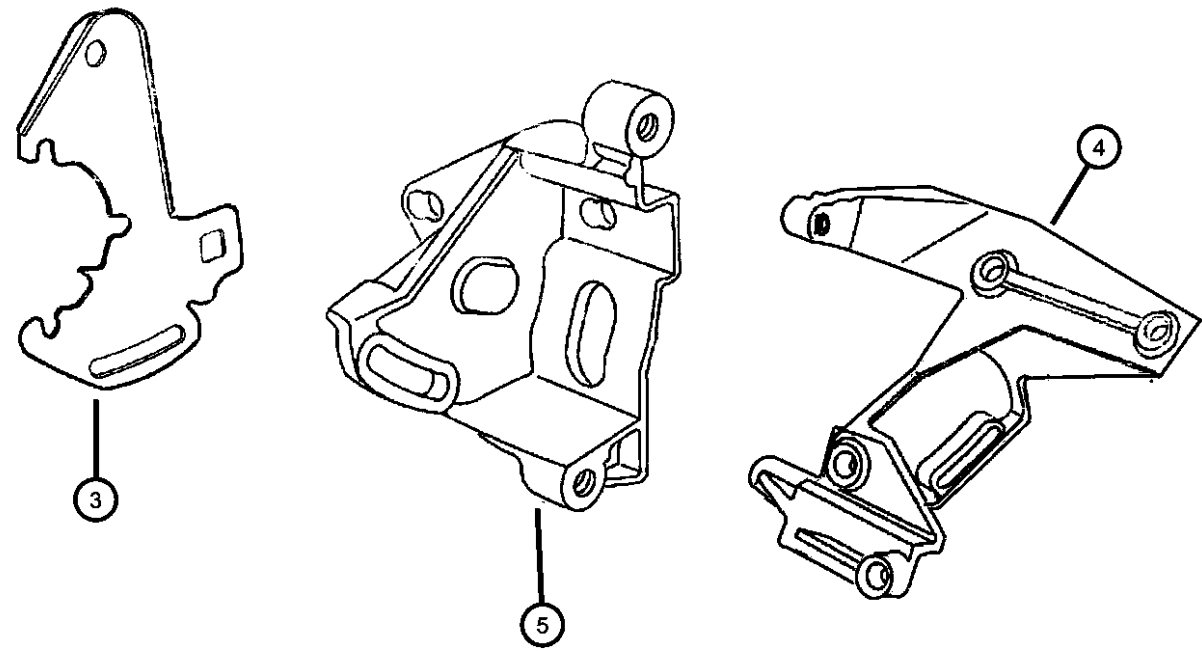
1999 JA

**Pump Assembly And Mounting
Figure 19-520**

ITEM	PART NUMBER	QTY	LINE	SERIES	BODY	ENGINE	TRANS	TRIM	DESCRIPTION
------	-------------	-----	------	--------	------	--------	-------	------	-------------



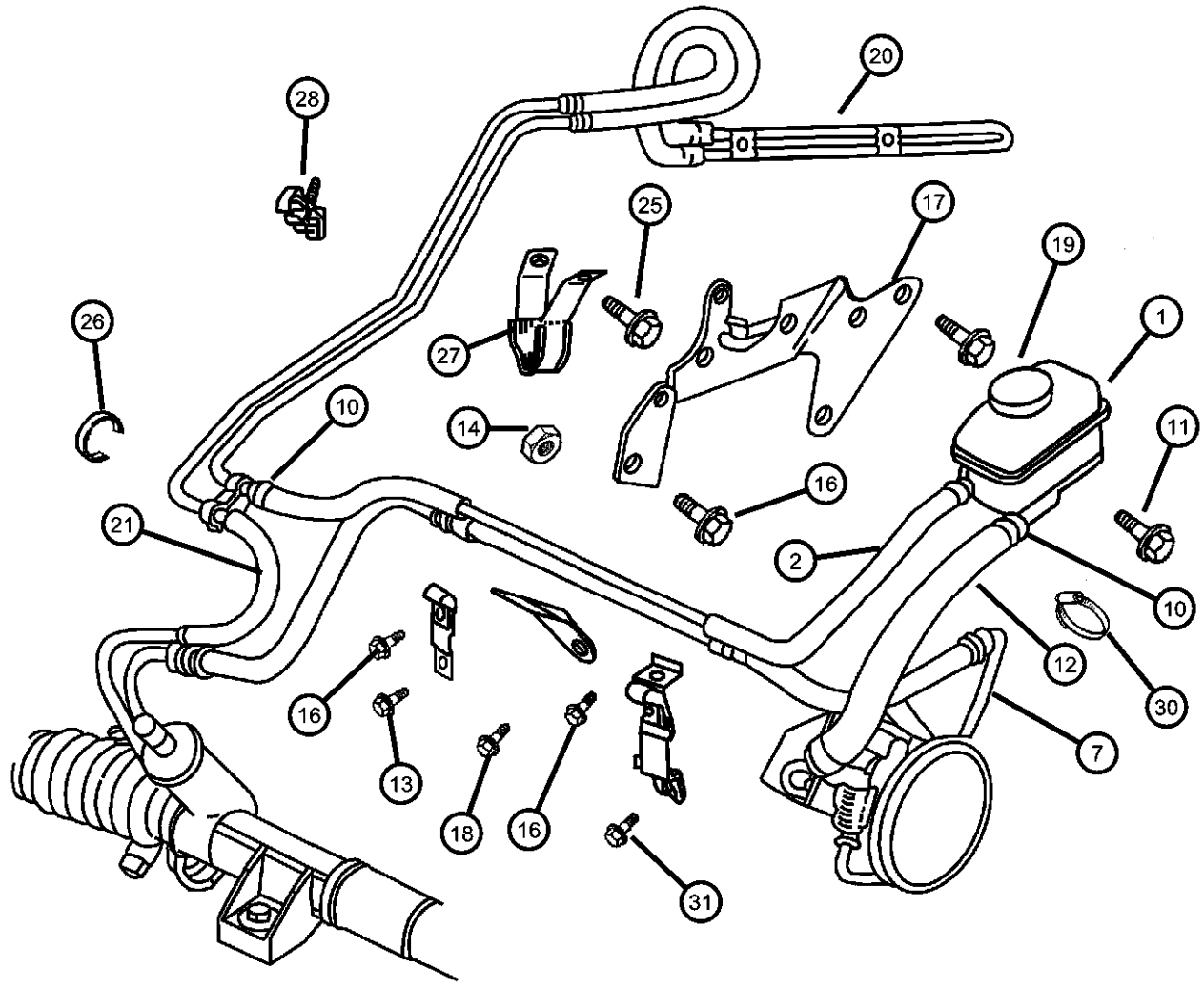
		2				EEB			
-11	06503034	1				EEB			BOLT, Hex Head, M10x1.25x65



CIRRUS,BREEZE,STRATUS (JA)				
SERIES	LINE	BODY	ENGINE	TRANSMISSION
H = HIGHLINE	C = CHRYSLER	41 = 4 Door Sedan	ECB = 2.0L 4 Cyl SOHC 16V SMPI Engine	DD5 = TRANSMISSION - 5-SPEED MANUAL
P = PREMIUM	D = DODGE		EDZ = 2.4L 4 Cyl DOHC 16V SMPI Engine	DGL = TRANSMISSION - 4-SPD. AUTOMATIC,41TE
	P = PLYMOUTH		EEB = 2.5L V6 SOHC 24V SMPI Engine	DD4 = TRANSMISSION - 5-SPEED PERF. MANUAL

AR = use ase required - = Non illustrated part

Hoses, Power Steering
Figure 19-716



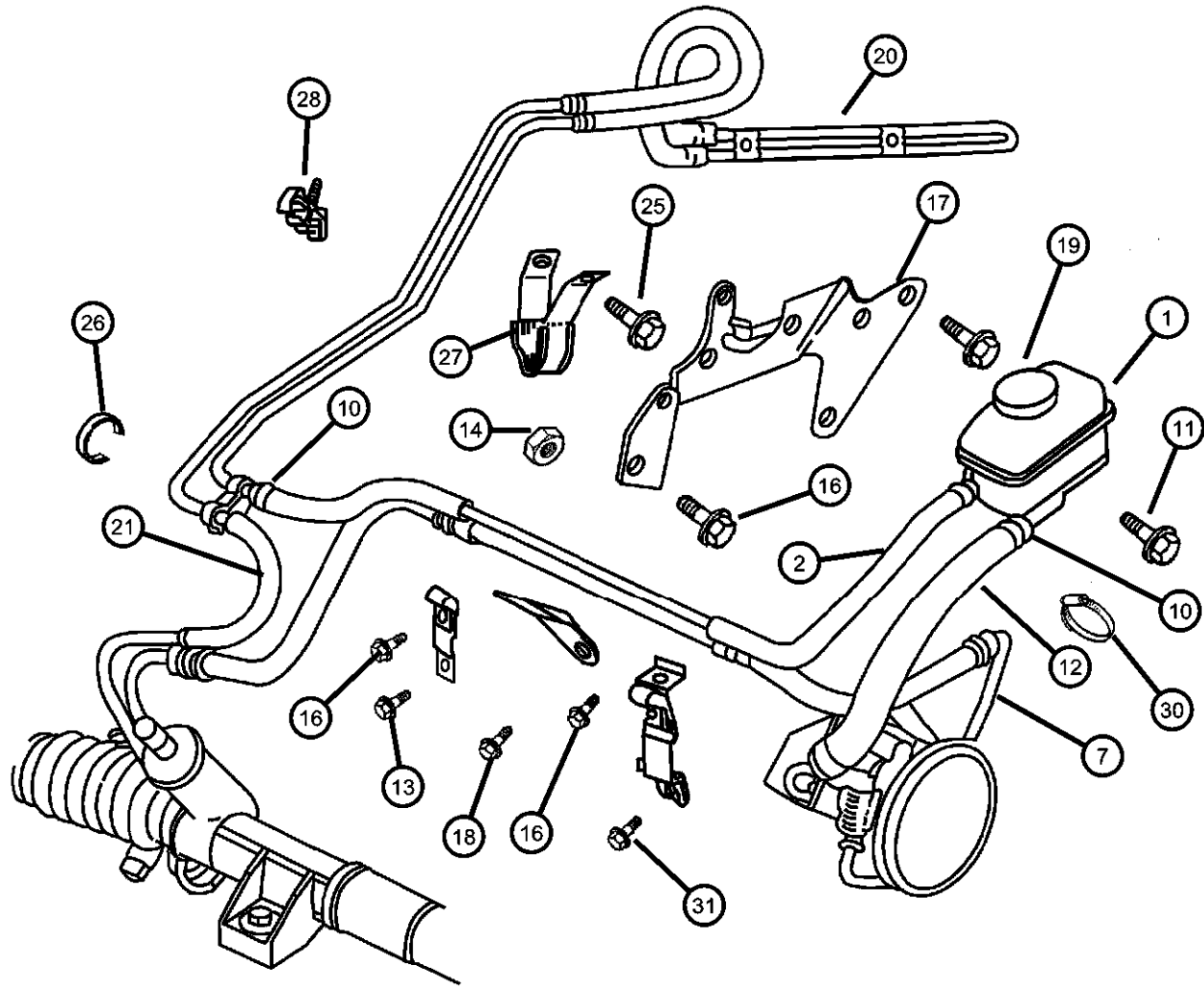
ITEM	PART NUMBER	QTY	LINE	SERIES	BODY	ENGINE	TRANS	TRIM	DESCRIPTION
NOTE: Sales Code ECB= 2.0L 4 Cyl. SOHC 16 Valve									
NOTE: Sales Code ECZ= 2.0L 4 Cyl. DOHC 16 Valve									
NOTE: Sales Code EEB= 2.5L 6 Cyl. SOHC 24 Valve									
NOTE: Sales Code SBA= Power Steering									
NOTE: Sales Code SBC= Speed Proportional Steering									
1	04764092	1							RESERVOIR, Power Steering Pump
2	04764445	1				ECB, EDZ			HOSE, Power Steering Reservoir, Return Strg Gear to Reservoir
-3	04695829	1				EEB			HOSE, Power Steering Return, Return Strg Gear to Reservoir
-4	04695829	1							NUT, M16x1.50, (NOT SERVICED)
-5	05205254	1				EEB			O RING, Power Steering Hose
-6	06504217	2				EEB			CLAMP, Hose, M18.5, P/S Return
7	04764347AA	1				ECB, EDZ			HOSE, Power Steering Pressure Pump to Gear
	04764393AB	1				EEB			HOSE, Power Steering Pressure Pump to Gear w/Speed Proportional Strg
-8	04764393AB	1							NUT, [Service in Assy.], (NOT SERVICED),
-9	05205254	1				EEB			O RING, Power Steering Hose Pressure
10	06503422	2				ECB, EDZ			CLAMP, Supply Hose, 26 mm Diameter
		2				EEB			
11	06502905	2							SCREW, Hex Flange Head, M8x1.25x23, Reservoir Mtg
12	04626885	1				ECB, EDZ			HOSE, Power Steering Reservoir To Pump
	04626886	1				EEB			HOSE, Power Steering Reservoir To Pump
13	00154726	2				EEB			BOLT, Hex Flange Head, .312-18x.50
		1				ECB, EDZ			P/S Pressure to Return Hose
14	06500274	2							LOCK NUT, M6x1.0x6, P/S Hose to Cylinder Head

CIRRUS,BREEZE,STRATUS (JA)

SERIES	LINE	BODY	ENGINE	TRANSMISSION
H = HIGHLINE	C = CHRYSLER	41 = 4 Door Sedan	ECB = 2.0L 4 Cyl SOHC 16V SMPI Engine	DD5 = TRANSMISSION - 5-SPEED MANUAL
P = PREMIUM	D = DODGE		EDZ = 2.4L 4 Cyl DOHC 16V SMPI Engine	DGL = TRANSMISSION - 4-SPD. AUTOMATIC, 41TE
	P = PLYMOUTH		EEB = 2.5L V6 SOHC 24V SMPI Engine	DD4 = TRANSMISSION - 5-SPEED PERF. MANUAL

AR = use ase required - = Non illustrated part

Hoses, Power Steering
Figure 19-716



ITEM	PART NUMBER	QTY	LINE	SERIES	BODY	ENGINE	TRANS	TRIM	DESCRIPTION
-15	06101467	4				EDZ, EEB			NUT, Hex Flange, M8x1.25, P/S Hose to Cylinder Head
16	06101506	1				EDZ			BOLT AND CONED WASHER, M8x1.25x18
17	04695145	1				EEB			BRACKET, Power Steering Reservoir, Mount
18	06503557	1				EEB			SCREW AND WASHER, Hex Head, M10-1.25x20, P/S Hose to Cylinder Head
19	04695775	1							CAP, Power Steering Reservoir
20	04764239AA	1							COOLER, Power Steering
21	04764348AA	1							TUBE, Power Steering Cooler, Return Gear
-22	04764354AA	1							TUBE, Power Steering Cooler, Return Cooler/Reservoir
-23	04764354AA	1							NUT, Tube Assembly Ret Gear Cooler or Reservoir M16x1.50, (NOT SERVICED)
-24	06504217	2				EEB			CLAMP, Hose, M18.5, Tube Assy Ret Cooler/Reservoir
25	06035614	2							SCREW, Hex Flange Head Tapping, .25-14x.75, Power Strg Bracket
26	04695734	1							CLIP, Power Steering Hose
27	05274438	1							BRACKET, Power Steering Hose, Isol
28	52002044	1							CLIP, Oil Tube, Oil Cooler
-29	04546098	1							CLIP, Cooler Line, Trans
30	04641780	1							STRAP, Tie, P/S Suction Hose to Pressure
31	04641780	1							SCREW, (NOT SERVICED)
-32	04764841AB	1				ECB, EDZ			BOLT, Banjo, Used with 4764393AB, 4764393AB
-33									WASHER, Banjo
	05012643AA	1				EEB			
		1				ECB, EDZ			

CIRRUS,BREEZE,STRATUS (JA)
 SERIES LINE
 H = HIGHLINE C = CHRYSLER
 P = PREMIUM D = DODGE
 P = PLYMOUTH

BODY
 41 = 4 Door Sedan

ENGINE
 ECB = 2.0L 4 Cyl SOHC 16V SMPI Engine
 EDZ = 2.4L 4 Cyl DOHC 16V SMPI Engine
 EEB = 2.5L V6 SOHC 24V SMPI Engine

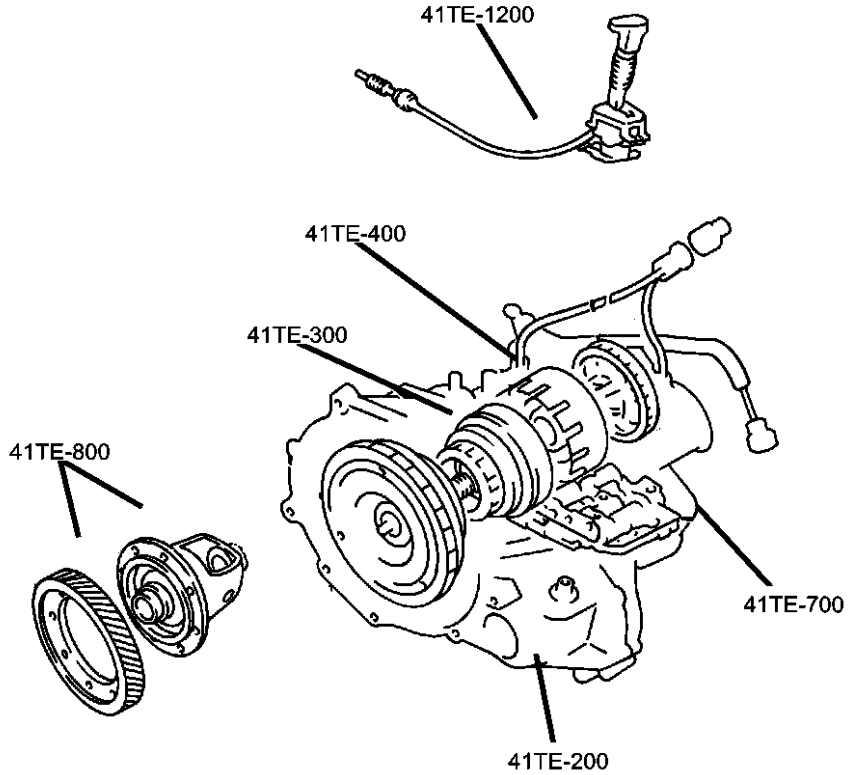
TRANSMISSION
 DD5 = TRANSMISSION - 5-SPEED MANUAL
 DGL = TRANSMISSION - 4-SPD. AUTOMATIC,41TE
 DD4 = TRANSMISSION - 5-SPEED PERF. MANUAL

AR = use ase required - = Non illustrated part

1999 JA

Group - 41TE-AE

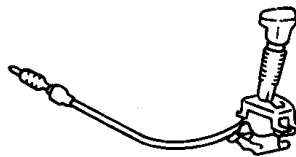
Automatic Transaxle 4 Speed



41TE-AE-100
Transaxle Assembly



41TE-AE-1200
Gearshift Controls



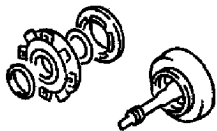
41TE-AE-200
Case and Extension



41TE-AE-300
Oil Pump



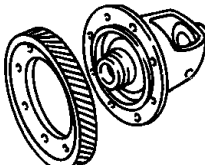
41TE-AE-400
Gear Train



41TE-AE-700
Valve Body



41TE-AE-800
Differential



Group - 41TE-AE Automatic Transaxle 4 Speed

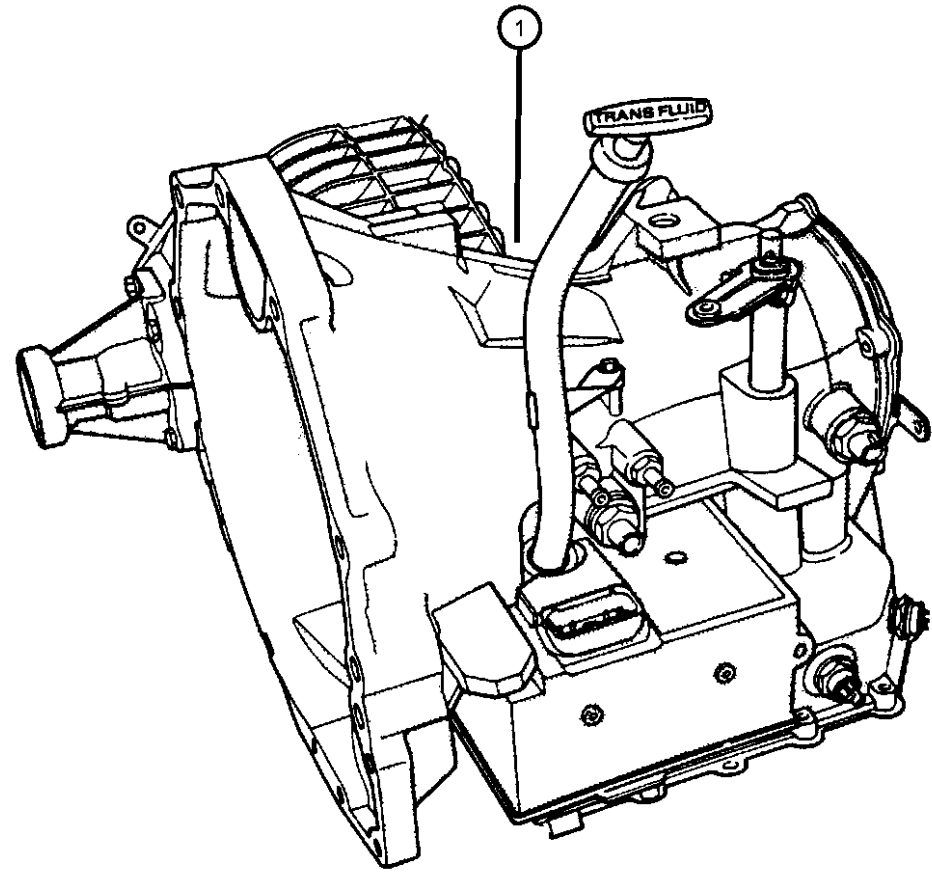
Illustration Title	Group-Fig. No.
Transaxle Assembly	
Transaxle Assembly, (DGL)	Fig. 41TE-AE - 120
Case and Extension	
Transaxle Mounting And Misc. Parts Automatic Transaxle, (DGL).....	Fig. 41TE-AE - 205
Case, Extension And Solenoid Automatic Transaxle, (DGL)	Fig. 41TE-AE - 240
Oil Pump	
Pump, Oil with Reaction Shaft Automatic Transaxle, (DGL).....	Fig. 41TE-AE - 320
Gear Train	
Shaft Transfer Automatic Transaxle, (DGL).....	Fig. 41TE-AE - 415
Clutch, Input Shaft Automatic Transaxle, (DGL).....	Fig. 41TE-AE - 425
Gear Train Automatic Transaxle, (DGL).....	Fig. 41TE-AE - 440
Valve Body	
Valve Body Automatic Transaxle, (DGL)	Fig. 41TE-AE - 715
Accumulator Piston And Springs Automatic Transaxle,(DGL).....	Fig. 41TE-AE - 725
Parking Sprag Automatic Transaxle, (DGL).....	Fig. 41TE-AE - 740
Differential	
Differential Automatic Transaxle, (DGL).....	Fig. 41TE-AE - 820
Gearshift Controls	
Controls, Gearshift, Floor Shaft Automatic Transaxle (DGL)	Fig. 41TE-AE - 1210

**Transaxle Assembly, (DGL)
Figure 41TE-AE-120**

ITEM	PART NUMBER	QTY	LINE	SERIES	BODY	ENGINE	TRANS	TRIM	DESCRIPTION
------	-------------	-----	------	--------	------	--------	-------	------	-------------

NOTE: SALES CODES; DGL = 4 Spd Auto Trans 41TE - FWD
ECB = 2.0L 4 Cyl - SOHC

EDZ = 2.4L 4 Cyl - DOHC
EEB = 2.5L V6 Gas - SOHC



1									TRANSAXLE PACKAGE, WITH TORQUE CONVERTER Production No. 4799915AA
	05013915AA R5013915AA	1				EDZ	DGL		Mopar Reman Transaxle with blade type TRS connector, see page 155 Reman Catalog Production No. 4799916AA
	05013916AA R5013916AA 05010124AA 05010125AC	1				EEB			Mopar Remanufactured Part Mopar Automatic Transmission Fluid Quart Mopar Automatic Transmission Fluid Gallon Mopar Remanufactured Part
	RX013916AB 05013917AA R5013917AA RX013917AB	1				ECB	DGL		Production No. 4799917AA Mopar Remanufactured Part Mopar Remanufactured Part
-2									CONVERTER PACKAGE, Torque
	04778031AB R4778031AB	1				EDZ, EEB	DGL		Mopar Remanufactured Part
	04796384AB R4796384AB	1				ECB	DGL		Mopar Remanufactured Part

CIRRUS,BREEZE,STRATUS (JA)

SERIES LINE
H = HIGHLINE C = CHRYSLER
P = PREMIUM D = DODGE
 P = PLYMOUTH

BODY
41 = 4 Door Sedan

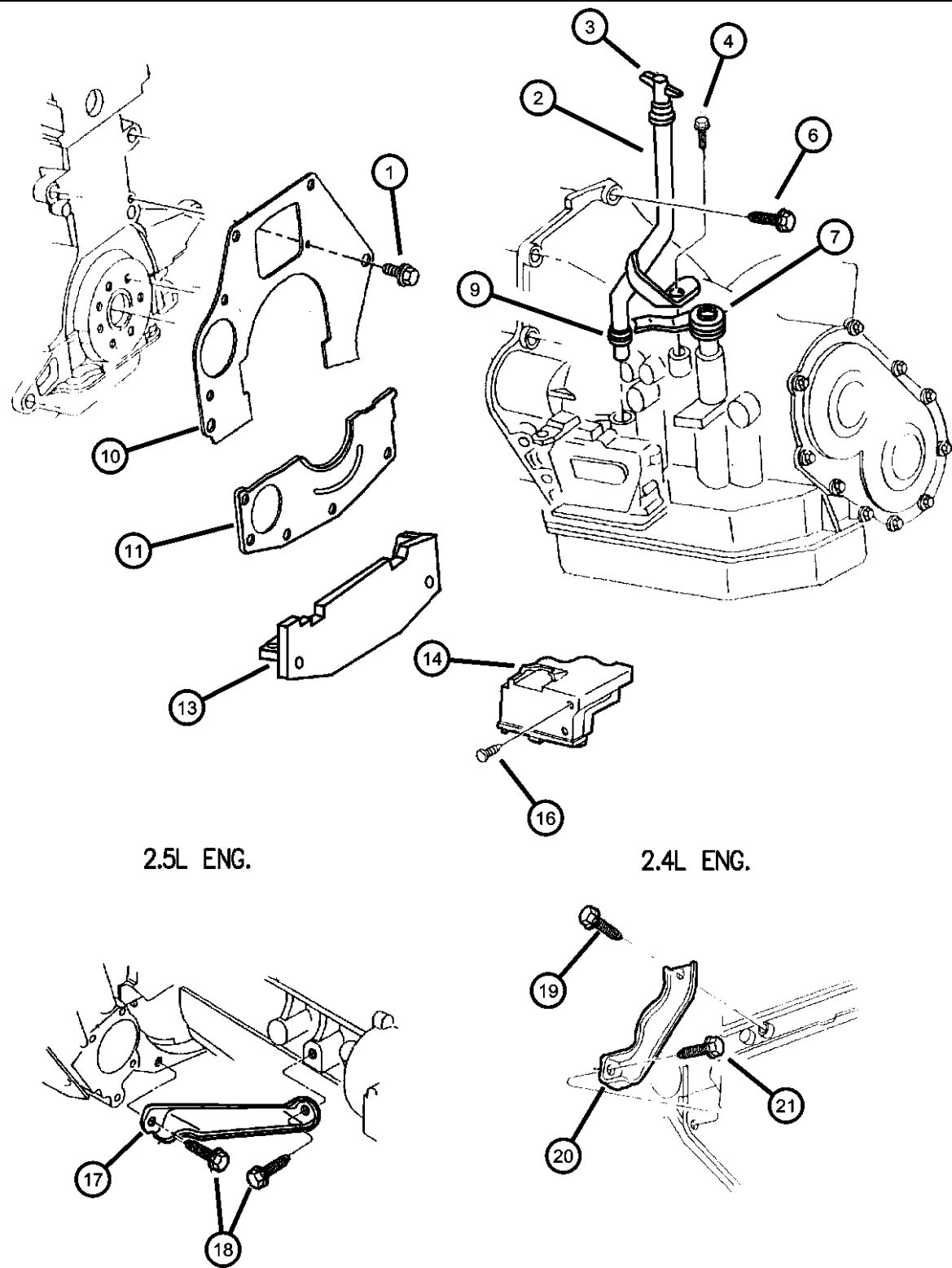
ENGINE
ECB = 2.0L 4 Cyl SOHC 16V SMPI Engine
EDZ = 2.4L 4 Cyl DOHC 16V SMPI Engine
EEB = 2.5L V6 SOHC 24V SMPI Engine

TRANSMISSION
DD5 = TRANSMISSION - 5-SPEED MANUAL
DGL = TRANSMISSION - 4-SPD. AUTOMATIC, 41TE
DD4 = TRANSMISSION - 5-SPEED PERF. MANUAL

AR = use ase required - = Non illustrated part

1999 JA

**Transaxle Mounting And Misc. Parts Automatic Transaxle, (DGL)
Figure 41TE-AE-205**



ITEM	PART NUMBER	QTY	LINE	SERIES	BODY	ENGINE	TRANS	TRIM	DESCRIPTION
NOTE; SALES CODES; DGL = 4 Spd Auto Trans 41TE - FWD ECB = 2.0L 4 Cyl - SOHC EDZ = 2.4L 4 Cyl - DOHC EEB = 2.5L V6 Gas - SOHC									
1	06500136	1				ECB	DGL		SCREW AND WASHER, Hex Head, M6x1x14
		1				EDZ			
2	04593064	1					DGL		TUBE, Filler
3	04593273	1					DGL		INDICATOR, Transmission Fluid Level
4	04593273	1							SCREW, Indicator Tube Mtg., M6x1.0x12, (NOT SERVICED)
-5	04593273	1							BOLT, Hex Head, M8x1.25x16, M12x1.75x60, (NOT SERVICED)
6	06501742	4				EEB			SCREW, Hex Head, M12x1.75x50
7	04670321	1				EDZ, EEB	DGL		LEVER, Manual Control
-8	06101978	2							SCREW AND WASHER, Hex Head, M8-1.25x40
9	06030608	1					DGL		SEAL, Oil Filler Tube
10	04593175	1				EDZ			COVER, Transmission Dust
11	04593417AA	1				ECB	DGL		COVER, Transaxle Dust
		1				EDZ			
-12	04505678	1				EEB			COVER, Transaxle Converter
13	04668270AB	1				ECB			COLLAR, Structural, Oil Pan To Transmission
14	04659041	1					DGL		SHIELD, Transmission Solenoid
-15	06100344	1					DGL		BOLT AND CONED WASHER, Hex Head, M12x40x24
16	06033840	2					DGL		PIN, Push, .30x1.16
17	04573766	1				EEB			STRUT, Shock Absorber Left
	04573770	1				EEB			Right
18	06503797	2				EDZ			SCREW AND WASHER, Hex Head, M12x1.75x45
19	06503797	2							SCREW AND WASHER, Hex Head, M12x1.75x30, w/Washer, Strut M12x1.75x30, (NOT SERVICED)
20									STRUT, Engine Mount

CIRRUS,BREEZE,STRATUS (JA)

SERIES	LINE
H = HIGHLINE	C = CHRYSLER
P = PREMIUM	D = DODGE
	P = PLYMOUTH

BODY
41 = 4 Door Sedan

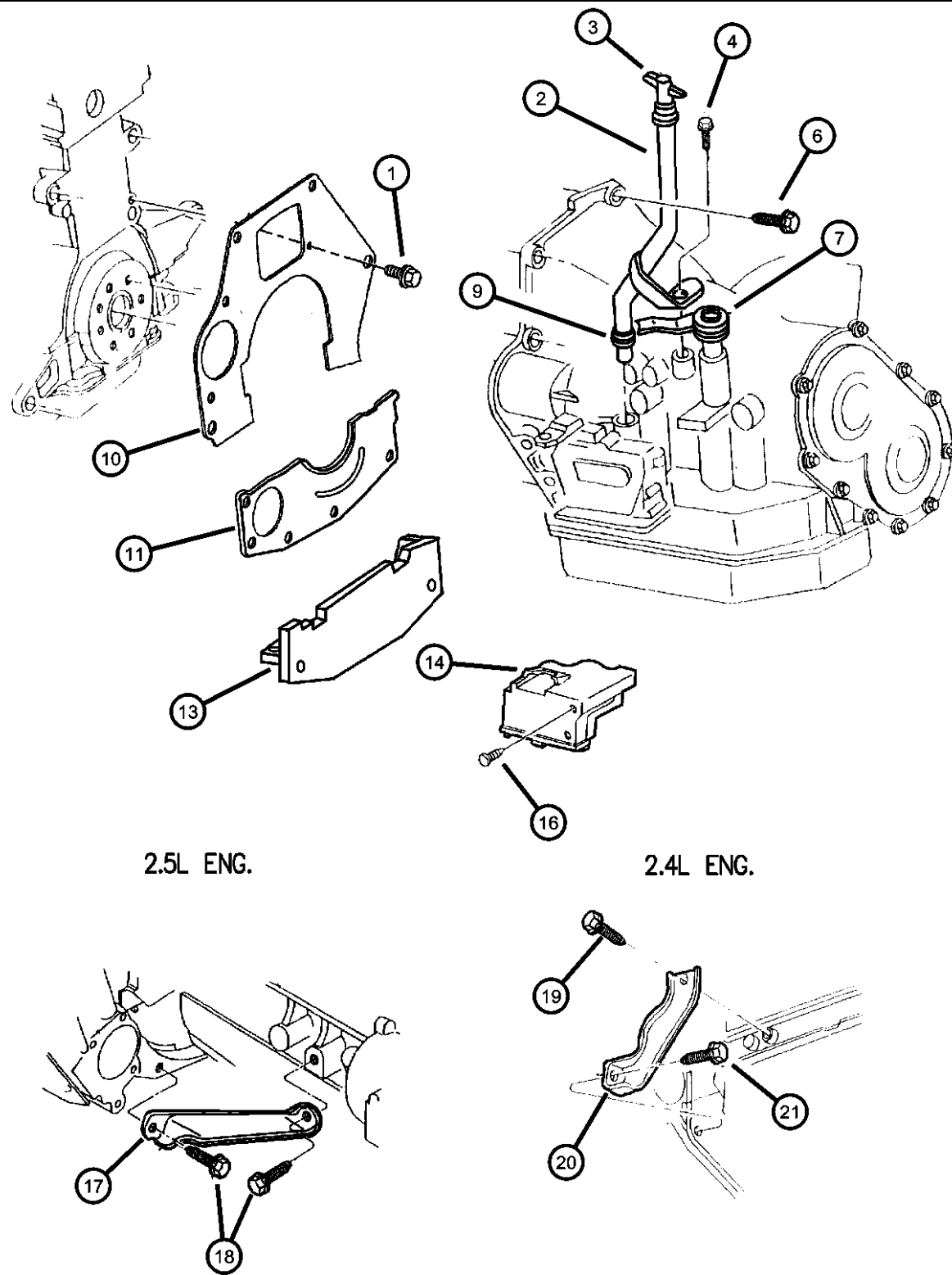
ENGINE
ECB = 2.0L 4 Cyl SOHC 16V SMPI Engine
EDZ = 2.4L 4 Cyl DOHC 16V SMPI Engine
EEB = 2.5L V6 SOHC 24V SMPI Engine

TRANSMISSION
DD5 = TRANSMISSION - 5-SPEED MANUAL
DGL = TRANSMISSION - 4-SPD. AUTOMATIC, 41TE
DD4 = TRANSMISSION - 5-SPEED PERF. MANUAL

AR = use ase required - = Non illustrated part

1999 JA

**Transaxle Mounting And Misc. Parts Automatic Transaxle, (DGL)
Figure 41TE-AE-205**



ITEM	PART NUMBER	QTY	LINE	SERIES	BODY	ENGINE	TRANS	TRIM	DESCRIPTION
	04593274	1				ECB, EDZ			Rear
	04593336	1				ECB, EDZ			Front
21	06101978	2							SCREW AND WASHER, Hex Head, M8-1.25x40

2.5L ENG.

2.4L ENG.

CIRRUS,BREEZE,STRATUS (JA)

SERIES	LINE
H = HIGHLINE	C = CHRYSLER
P = PREMIUM	D = DODGE
	P = PLYMOUTH

BODY
41 = 4 Door Sedan

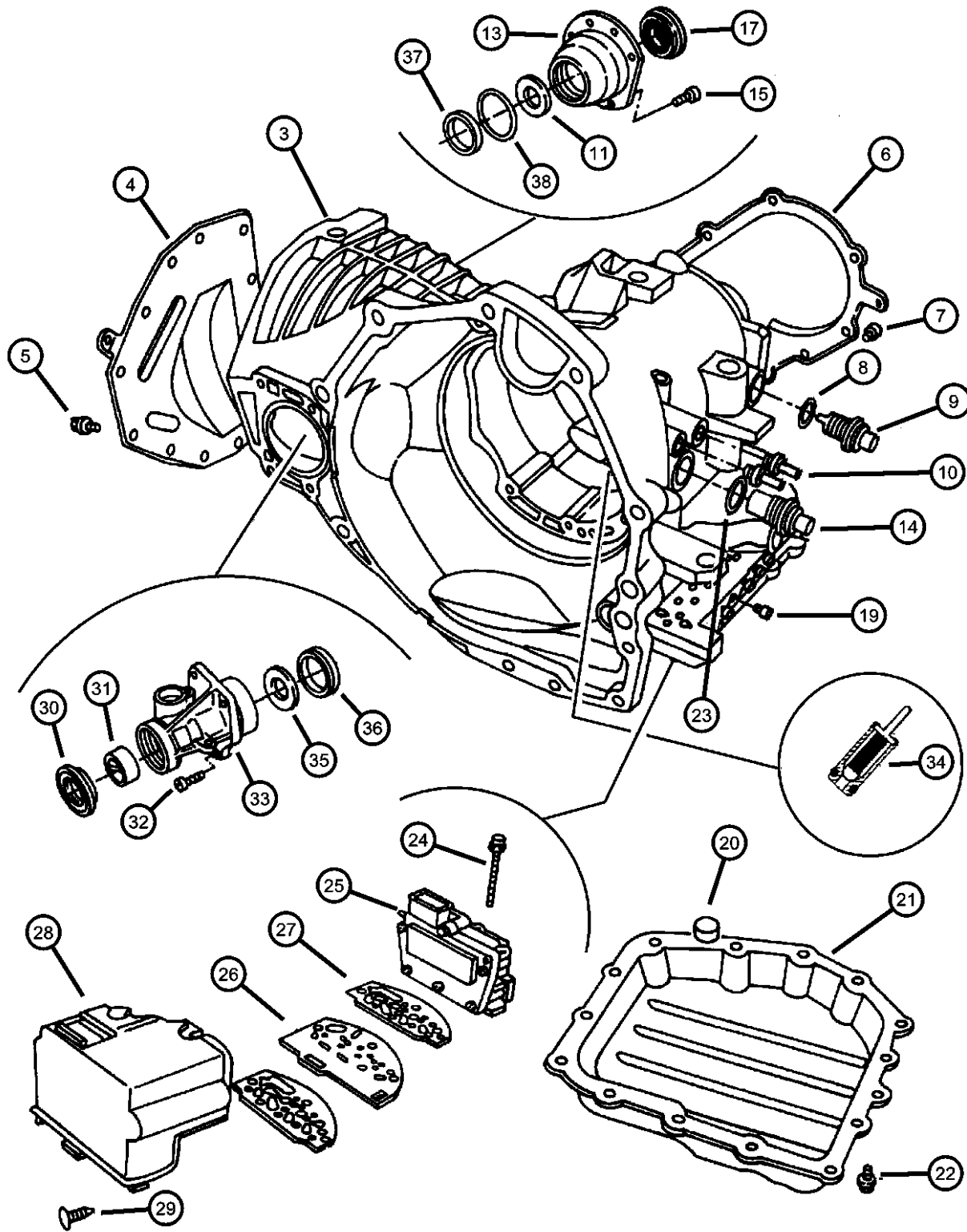
ENGINE
ECB = 2.0L 4 Cyl SOHC 16V SMPI Engine
EDZ = 2.4L 4 Cyl DOHC 16V SMPI Engine
EEB = 2.5L V6 SOHC 24V SMPI Engine

TRANSMISSION
DD5 = TRANSMISSION - 5-SPEED MANUAL
DGL = TRANSMISSION - 4-SPD. AUTOMATIC, 41TE
DD4 = TRANSMISSION - 5-SPEED PERF. MANUAL

AR = use ase required - = Non illustrated part

1999 JA

**Case, Extension And Solenoid Automatic Transaxle, (DGL)
Figure 41TE-AE-240**



ITEM	PART NUMBER	QTY	LINE	SERIES	BODY	ENGINE	TRANS	TRIM	DESCRIPTION
------	-------------	-----	------	--------	------	--------	-------	------	-------------

NOTE; DGL = 4 Spd Auto Trans 41TE - FWD
 ECB = 2.0L 4 Cyl - SOHC
 EDZ = 2.4L 4 Cyl - DOHC
 EEB = 2.5L V6 Gas - SOHC

-1	04897991AB	1				EDZ	DGL		SEAL AND GASKET PACKAGE, Transmission
		1				EEB	DGL		
		1				ECB	DGL		
-2	04897862AB	1				EDZ	DGL		OVERHAUL PACKAGE, Transaxle
		1				EEB	DGL		
		1				ECB	DGL		
3	04798304	1				EDZ	DGL		CASE, Transaxle
		1				ECB	DGL		up to 9-28-98 - Production No. 04659550
	04883522AA	1				EDZ	DGL		up to 9-28-98 - Production No. 04659550
		1				ECB	DGL		after 9-28-98 - Production No. 4659550AC
		1				EEB	DGL		after 9-28-98 - Production No. 4659550AC
4	04659520	1				EDZ	DGL		PAN, Transaxle Differential Oil
		1				EEB	DGL		
		1				ECB	DGL		
5	06501474	2				ECB			BOLT, Hex Head, M8x1.25x16
		12				EDZ	DGL		
		12				EEB	DGL		
6	04659636	1				EDZ	DGL		COVER, Transaxle Rear
		1				EEB	DGL		
		1				ECB	DGL		
7	06501474	2				ECB			BOLT, Hex Head, M8x1.25x16
		12				EDZ	DGL		
		12				EEB	DGL		

CIRRUS,BREEZE,STRATUS (JA)
 SERIES LINE
 H = HIGHLINE C = CHRYSLER
 P = PREMIUM D = DODGE
 P = PLYMOUTH

BODY
 41 = 4 Door Sedan

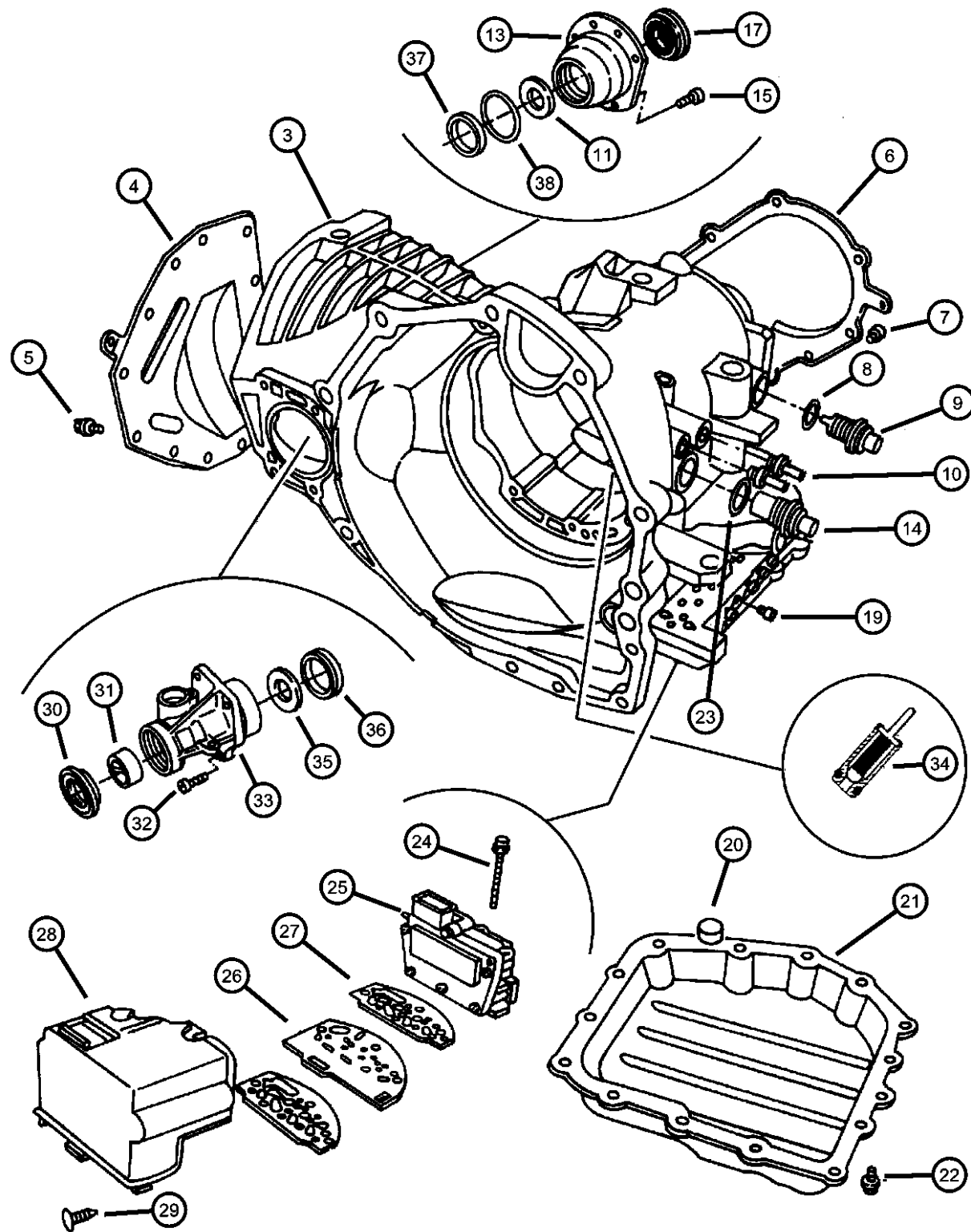
ENGINE
 ECB = 2.0L 4 Cyl SOHC 16V SMPI Engine
 EDZ = 2.4L 4 Cyl DOHC 16V SMPI Engine
 EEB = 2.5L V6 SOHC 24V SMPI Engine

TRANSMISSION
 DD5 = TRANSMISSION - 5-SPEED MANUAL
 DGL = TRANSMISSION - 4-SPD. AUTOMATIC, 41TE
 DD4 = TRANSMISSION - 5-SPEED PERF. MANUAL

AR = use ase required - = Non illustrated part

1999 JA

**Case, Extension And Solenoid Automatic Transaxle, (DGL)
Figure 41TE-AE-240**



ITEM	PART NUMBER	QTY	LINE	SERIES	BODY	ENGINE	TRANS	TRIM	DESCRIPTION
8	06501657AB	1				EDZ	DGL		O RING, Trans Speed Sensor
		1				EEB	DGL		
		1				ECB	DGL		
9	04800879	1				EDZ	DGL		SENSOR, Transmission Output Speed
		1				EEB	DGL		
		1				ECB	DGL		
10	04531202	2				EDZ	DGL		CONNECTOR, Oil Cooler Hose
		2				EEB	DGL		
		2				ECB	DGL		
11	04659290	1				EDZ	DGL		DAM, Differential Extension Oil
		1				EEB	DGL		
		1				ECB	DGL		
-12	04567494	1				EDZ	DGL		RETAINER, Transmission Extension Oil
		1				EEB	DGL		
		1				ECB	DGL		
13	04659736	1				EDZ	DGL		RETAINER, Differential Bearing
		1				EEB	DGL		
		1				ECB	DGL		
14	04800878	1				EDZ	DGL		SENSOR, Transmission Input Speed
		1				EEB	DGL		
		1				ECB	DGL		
15	06501106	5				EDZ	DGL		SCREW AND WASHER, Hex Flange Head, M8x1.25x25
		5				EEB	DGL		

CIRRUS,BREEZE,STRATUS (JA)

SERIES LINE
H = HIGHLINE C = CHRYSLER
P = PREMIUM D = DODGE
 P = PLYMOUTH

BODY
41 = 4 Door Sedan

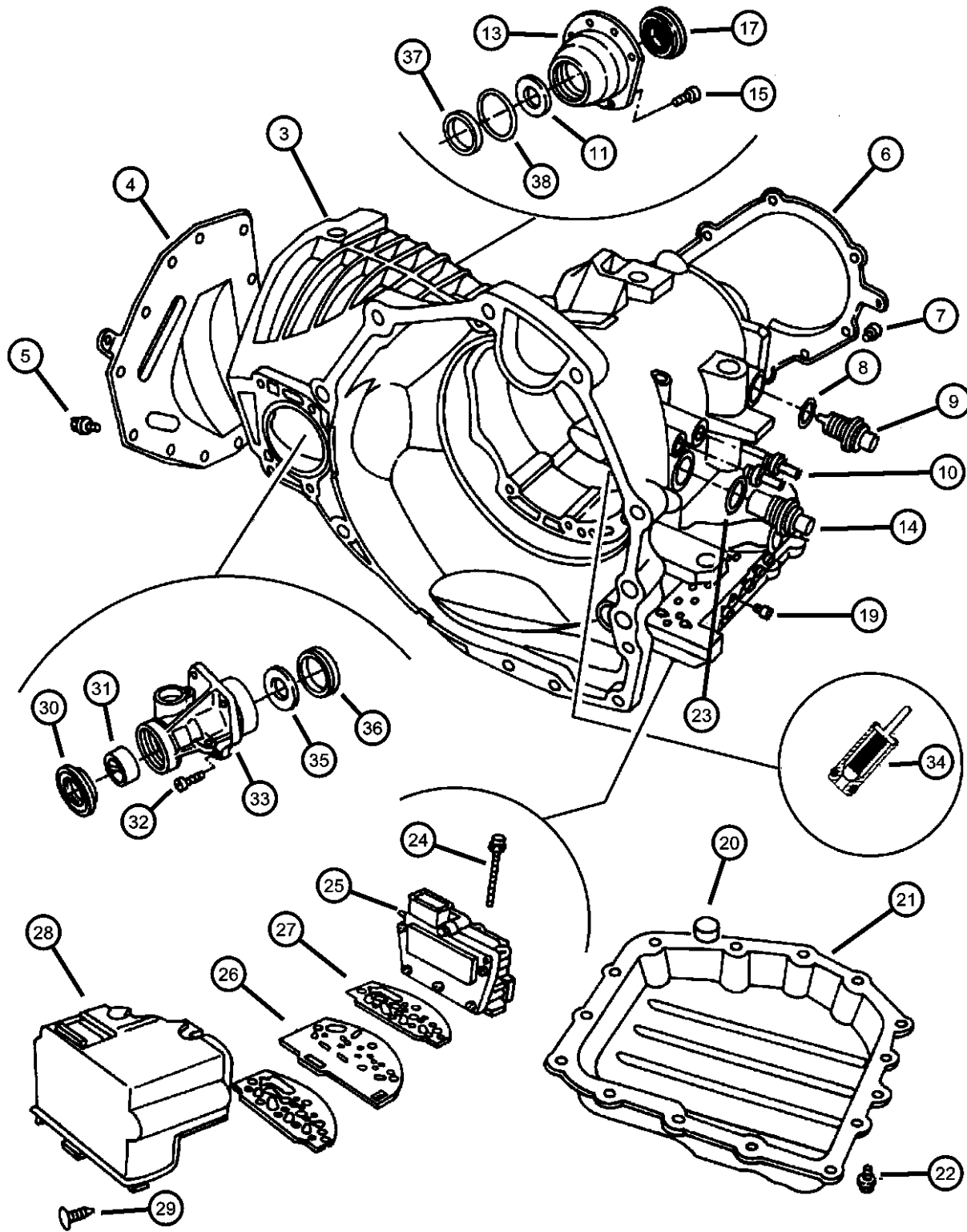
ENGINE
ECB = 2.0L 4 Cyl SOHC 16V SMPI Engine
EDZ = 2.4L 4 Cyl DOHC 16V SMPI Engine
EEB = 2.5L V6 SOHC 24V SMPI Engine

TRANSMISSION
DD5 = TRANSMISSION - 5-SPEED MANUAL
DGL = TRANSMISSION - 4-SPD. AUTOMATIC, 41TE
DD4 = TRANSMISSION - 5-SPEED PERF. MANUAL

AR = use ase required - = Non illustrated part

1999 JA

**Case, Extension And Solenoid Automatic Transaxle, (DGL)
Figure 41TE-AE-240**



ITEM	PART NUMBER	QTY	LINE	SERIES	BODY	ENGINE	TRANS	TRIM	DESCRIPTION
-16		5				ECB	DGL		SCREW, Hex Flange Head, M8x1.25x33.00
	06504256	6				EDZ	DGL		
		6				EEB	DGL		
		6				ECB	DGL		
17		1				EDZ	DGL		SEAL
	04412522AB	1				EEB	DGL		
		1				ECB	DGL		
-18		1					DGL		SEAL, Differential Case
	04762418AB	1				EDZ	DGL		
		1				EEB	DGL		
		1				ECB	DGL		
19		1							PLUG, Pressure Check
	06036053AA	6				EDZ	DGL		
		6				EEB	DGL		
		6				ECB	DGL		
20		1					DGL		MAGNET, Transmission
	04446728	1				EDZ	DGL		
		1				EEB	DGL		
		1				ECB	DGL		
21		1							PAN, Transmission Oil
	04431997	1				EDZ	DGL		
		1				EEB	DGL		
		1				ECB	DGL		
22		14					DGL		BOLT, Hex Head, M8x1.25x16
	06501474	14				EDZ	DGL		
		14				EEB	DGL		
		14				ECB	DGL		
23		1							O RING, Trans Speed Sensor
	06501657AB	1				EDZ	DGL		
		1				EEB			22mm
		1				ECB	DGL		

CIRRUS,BREEZE,STRATUS (JA)

SERIES LINE
H = HIGHLINE C = CHRYSLER
P = PREMIUM D = DODGE
 P = PLYMOUTH

BODY
41 = 4 Door Sedan

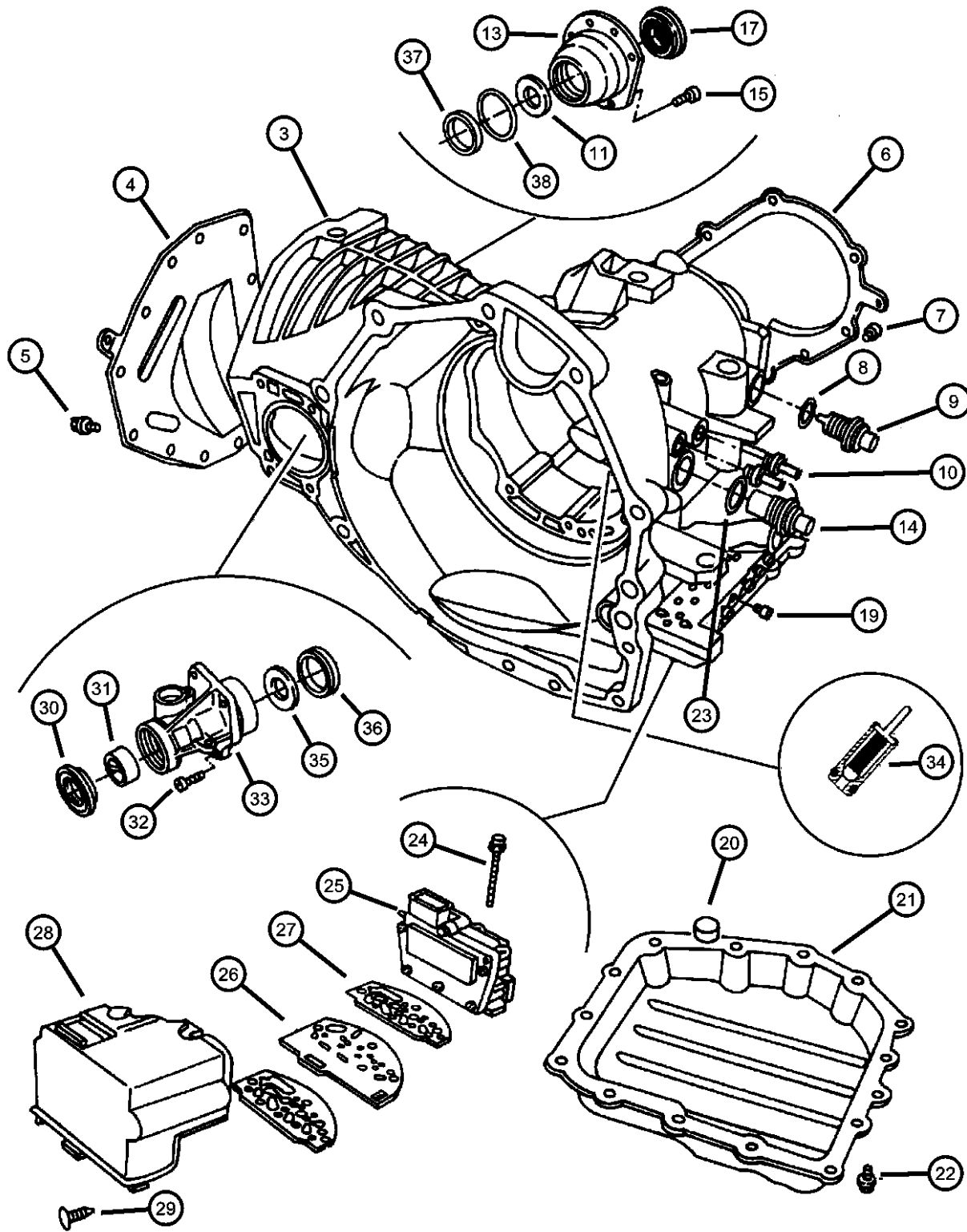
ENGINE
ECB = 2.0L 4 Cyl SOHC 16V SMPI Engine
EDZ = 2.4L 4 Cyl DOHC 16V SMPI Engine
EEB = 2.5L V6 SOHC 24V SMPI Engine

TRANSMISSION
DD5 = TRANSMISSION - 5-SPEED MANUAL
DGL = TRANSMISSION - 4-SPD. AUTOMATIC, 41TE
DD4 = TRANSMISSION - 5-SPEED PERF. MANUAL

AR = use ase required - = Non illustrated part

1999 JA

**Case, Extension And Solenoid Automatic Transaxle, (DGL)
Figure 41TE-AE-240**



ITEM	PART NUMBER	QTY	LINE	SERIES	BODY	ENGINE	TRANS	TRIM	DESCRIPTION
24	06503546	3				EDZ	DGL		SCREW AND WASHER, Hex Head, M6x1x93.5
		3				EEB	DGL		
		3				ECB	DGL		
25	04504570	1				EDZ	DGL		SOLENOID PACKAGE, Valve Body With PK # [04799915AA]
		1				EEB	DGL		With PK # [04799916AA]
		1				ECB	DGL		With PK# [04799917AA]
	05015646AB	1				EDZ			
		1				EEB			
		1				ECB			
26	04761338	2				EDZ	DGL		GASKET PACKAGE, Transmission Solenoid
		2				EEB	DGL		
		2				ECB	DGL		
27	04659982	1				EDZ			GASKET, Transmission Solenoid use w/4800448AA
		1				EEB			use w/4800449AA
		1				ECB			use w/4800450AA
	04799844AA	2				EDZ	DGL		
		2				EEB	DGL		
		2				ECB	DGL		
28	04659041	1					DGL		SHIELD, Transmission Solenoid
29	06033840	2					DGL		PIN, Push, .30x1.16
30	04412522AB	1				EDZ	DGL		SEAL Trans.Extension,Rubber and Metal Rt.
		1				EEB	DGL		
		1				ECB	DGL		
31		1							BUSHING, Trans Extension(Ser- viced in Ext.), (NOT SERVICED)
32	06500511	4				EDZ	DGL		SCREW, Flange Head, M8x1.25x33

CIRRUS,BREEZE,STRATUS (JA)
 SERIES LINE
 H = HIGHLINE C = CHRYSLER
 P = PREMIUM D = DODGE
 P = PLYMOUTH

BODY
 41 = 4 Door Sedan

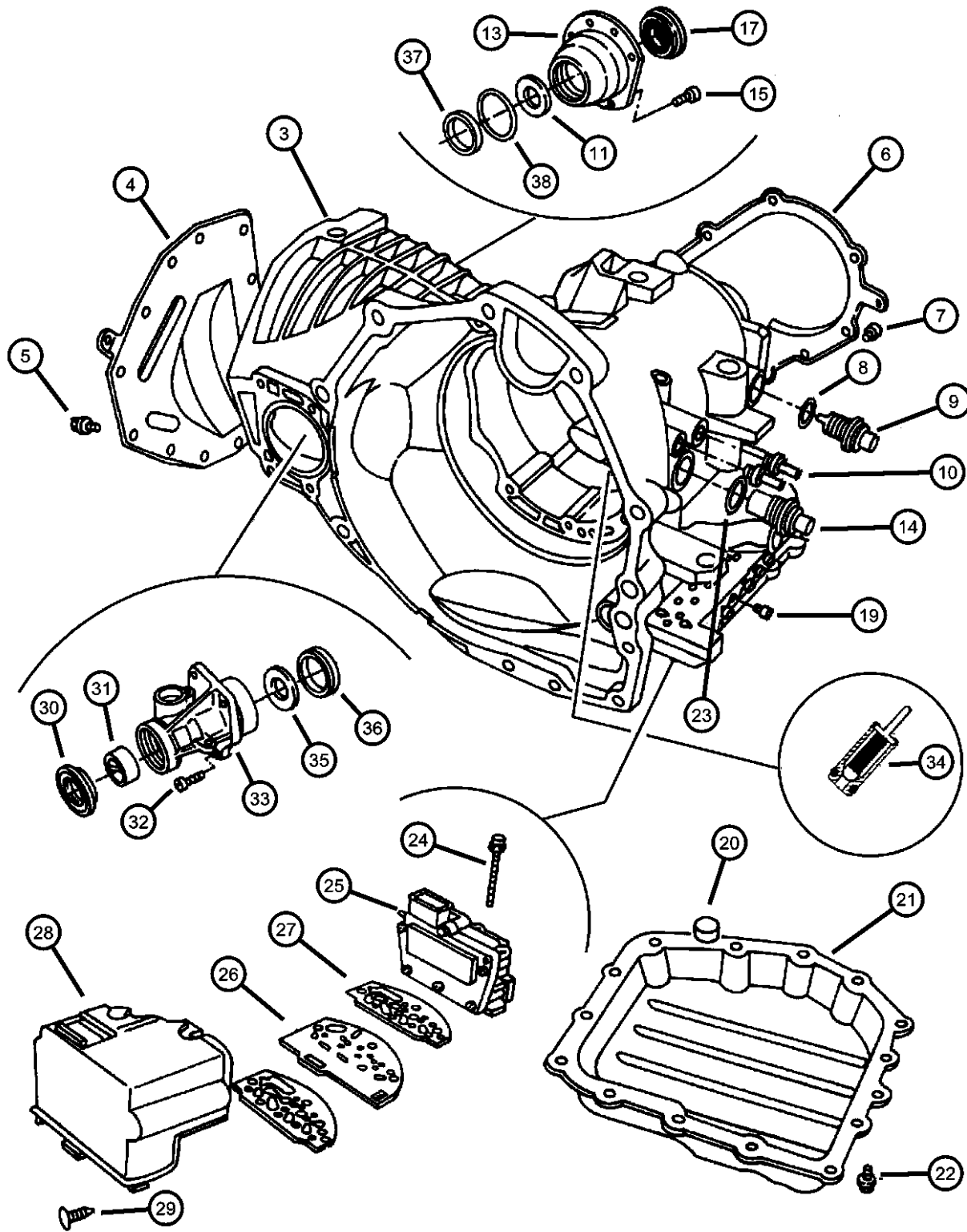
ENGINE
 ECB = 2.0L 4 Cyl SOHC 16V
 SMPI Engine
 EDZ = 2.4L 4 Cyl DOHC 16V
 SMPI Engine
 EEB = 2.5L V6 SOHC 24V
 SMPI Engine

TRANSMISSION
 DD5 = TRANSMISSION - 5-SPEED
 MANUAL
 DGL = TRANSMISSION - 4-SPD.
 AUTOMATIC,41TE
 DD4 = TRANSMISSION - 5-SPEED
 PERF. MANUAL

AR = use ase required - = Non illustrated part

1999 JA

**Case, Extension And Solenoid Automatic Transaxle, (DGL)
Figure 41TE-AE-240**



ITEM	PART NUMBER	QTY	LINE	SERIES	BODY	ENGINE	TRANS	TRIM	DESCRIPTION
		4				EEB			
		4				ECB	DGL		Extension to Case (M8x1.25x33)
33						EDZ	DGL		CASE, Transaxle Rear
	04567506	1				EDZ	DGL		
		1				EEB			Use w/4883034,035,036 Trans
		1				ECB	DGL		
34						EDZ	DGL		VALVE, Cooler Bypass
	04659946	1				EDZ	DGL		
		1				EEB			
		1				ECB	DGL		
35						EDZ	DGL		RETAINER, Transmission Extension Oil
	04567494	1				EDZ	DGL		Trans.Extension, Oil
		1				EEB			
		1				ECB	DGL		
36						EDZ	DGL		BEARING CUP, Differential
	04567022	1				EDZ	DGL		
		1				EEB			Extension Bearing
		1				ECB	DGL		
37						EDZ	DGL		CUP, Differential Side
	04659237	1				EDZ	DGL		
		1				EEB			
		1				ECB	DGL		
38						EDZ	DGL		SPACER, Final Drive, 0.98mm
	04659257	AR				EDZ	DGL		
		AR				EEB			
		AR				ECB	DGL		
-39						EDZ	DGL		SPACER, Final Drive, 1.02mm
	04659258	1				EDZ	DGL		
		1				EEB			
		1				ECB	DGL		
-40						EDZ	DGL		SPACER, Final Drive, 1.06mm
	04659259	AR				EDZ	DGL		
		AR				EEB			

CIRRUS,BREEZE,STRATUS (JA)

SERIES LINE
H = HIGHLINE C = CHRYSLER
P = PREMIUM D = DODGE
 P = PLYMOUTH

BODY
41 = 4 Door Sedan

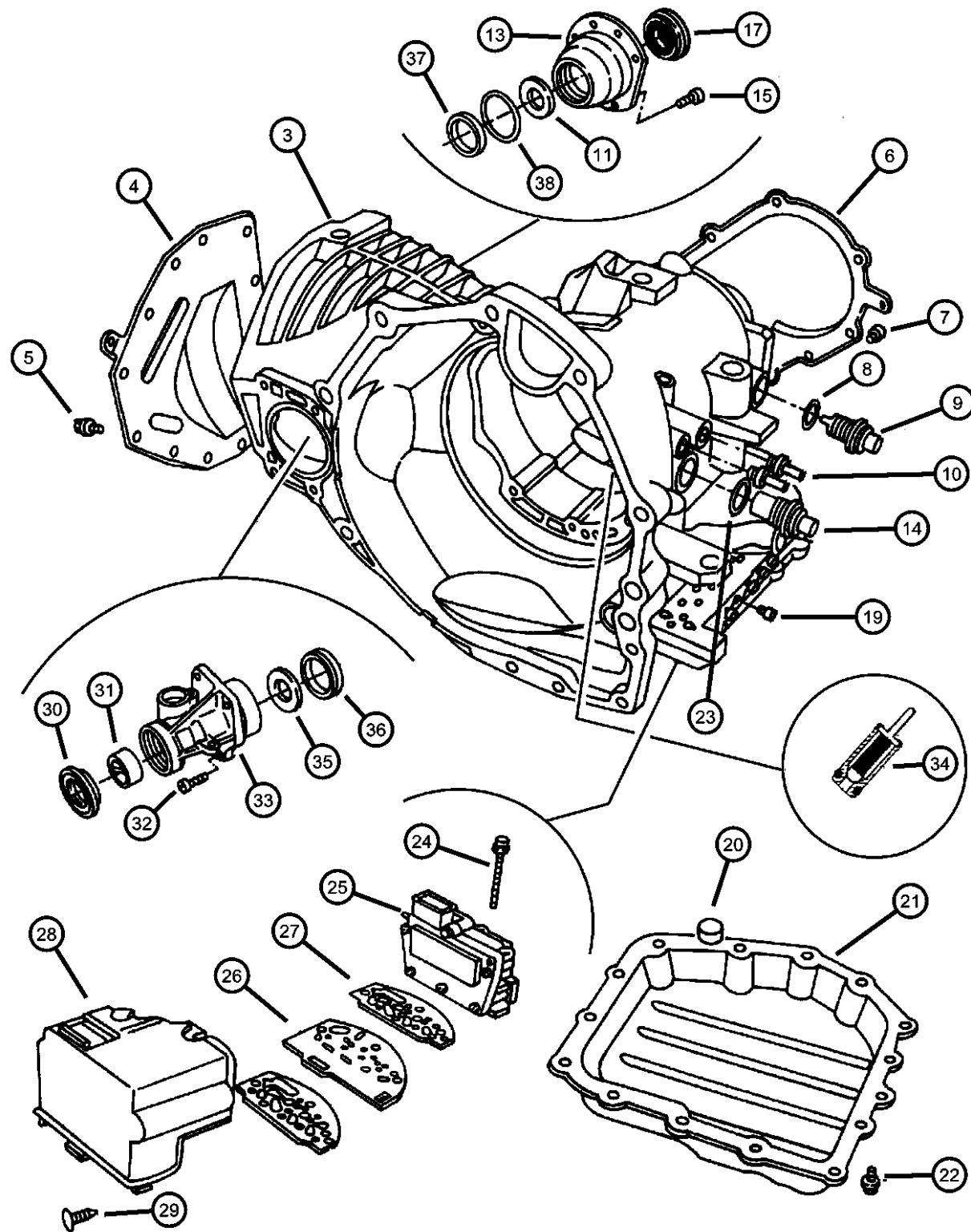
ENGINE
ECB = 2.0L 4 Cyl SOHC 16V SMPI Engine
EDZ = 2.4L 4 Cyl DOHC 16V SMPI Engine
EEB = 2.5L V6 SOHC 24V SMPI Engine

TRANSMISSION
DD5 = TRANSMISSION - 5-SPEED MANUAL
DGL = TRANSMISSION - 4-SPD. AUTOMATIC, 41TE
DD4 = TRANSMISSION - 5-SPEED PERF. MANUAL

AR = use ase required - = Non illustrated part

1999 JA

**Case, Extension And Solenoid Automatic Transaxle, (DGL)
Figure 41TE-AE-240**



ITEM	PART NUMBER	QTY	LINE	SERIES	BODY	ENGINE	TRANS	TRIM	DESCRIPTION
-41		AR				ECB	DGL		SPACER, Final Drive, 1.10mm
	04659260	AR				EDZ	DGL		
		AR				EEB			
		AR				ECB	DGL		
-42									SPACER, Final Drive, 1.14mm
	04659261	AR				EDZ	DGL		
		AR				EEB			
		AR				ECB	DGL		
-43									SPACER, Final Drive, 1.18mm
	04659262	AR				EDZ	DGL		
		AR				EEB			
		AR				ECB	DGL		
-44									SPACER, Final Drive, 1.22mm
	04659263	AR				EDZ	DGL		
		AR				EEB			
		AR				ECB	DGL		
-45									SPACER, Final Drive, 1.26mm
	04659264	AR				EDZ	DGL		
		AR				EEB			
		AR				ECB	DGL		
-46									SPACER, Final Drive, 1.30mm
	04659265	AR				EDZ	DGL		
		AR				EEB			
		AR				ECB	DGL		
-47									SPACER, Final Drive, 1.34mm
	04659266	AR				EDZ	DGL		
		AR				EEB			
		AR				ECB	DGL		
-48									SPACER, Final Drive, 1.38mm
	04659267	AR				EDZ	DGL		
		AR				EEB			
		AR				ECB	DGL		

CIRRUS,BREEZE,STRATUS (JA)
 SERIES LINE
 H = HIGHLINE C = CHRYSLER
 P = PREMIUM D = DODGE
 P = PLYMOUTH

BODY
 41 = 4 Door Sedan

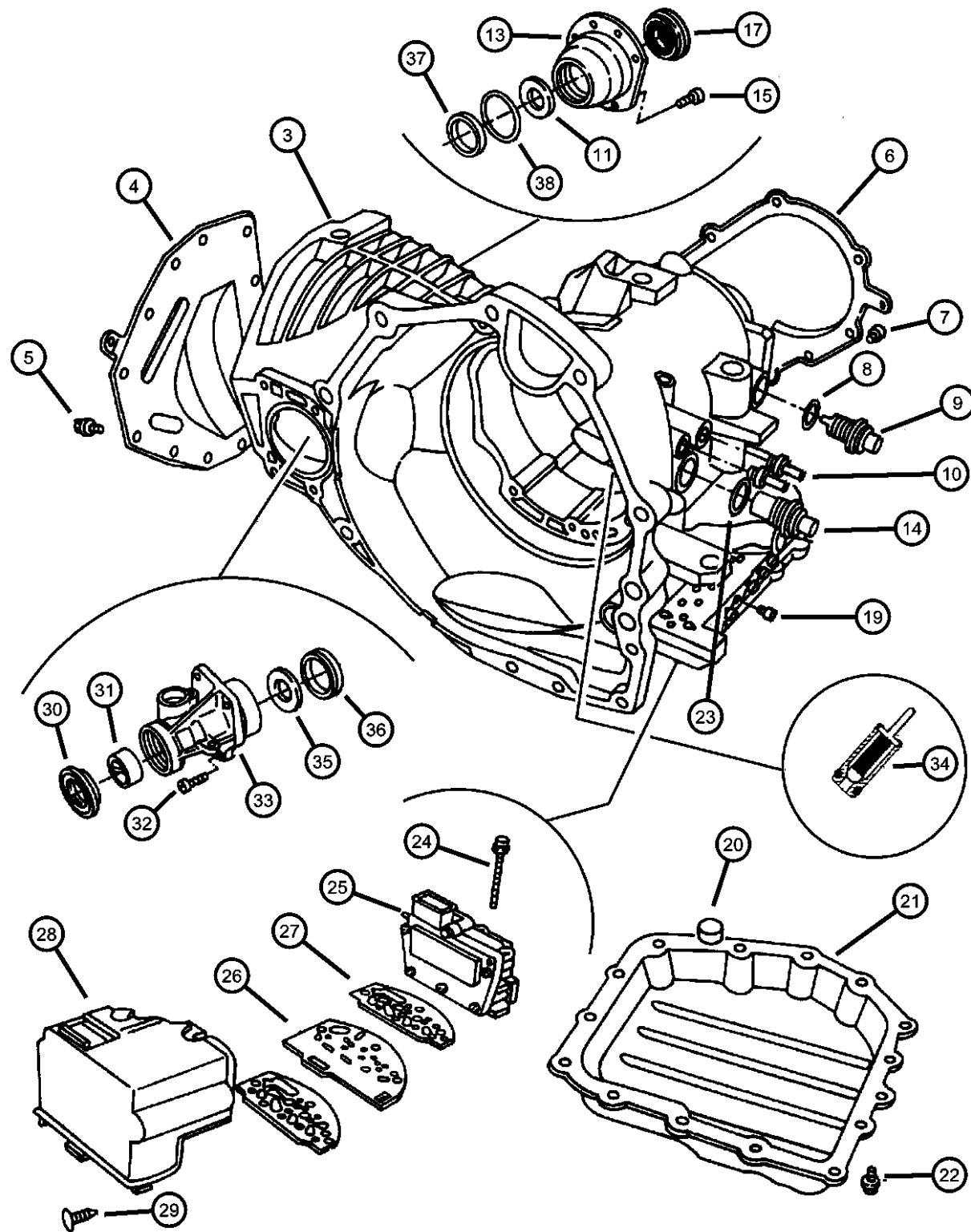
ENGINE
 ECB = 2.0L 4 Cyl SOHC 16V
 SMPI Engine
 EDZ = 2.4L 4 Cyl DOHC 16V
 SMPI Engine
 EEB = 2.5L V6 SOHC 24V
 SMPI Engine

TRANSMISSION
 DD5 = TRANSMISSION - 5-SPEED
 MANUAL
 DGL = TRANSMISSION - 4-SPD.
 AUTOMATIC,41TE
 DD4 = TRANSMISSION - 5-SPEED
 PERF. MANUAL

AR = use ase required - = Non illustrated part

1999 JA

**Case, Extension And Solenoid Automatic Transaxle, (DGL)
Figure 41TE-AE-240**



ITEM	PART NUMBER	QTY	LINE	SERIES	BODY	ENGINE	TRANS	TRIM	DESCRIPTION
-49	04659268	AR				EDZ	DGL		SPACER, Final Drive, 1.42mm
		AR				EEB	DGL		
		AR				ECB	DGL		
-50	04659269	AR				EDZ	DGL		SPACER, Final Drive, 1.46mm
		AR				EEB	DGL		
		AR				ECB	DGL		
-51	04659270	AR				EDZ	DGL		SPACER, Final Drive, 1.50mm
		AR				EEB	DGL		
		AR				ECB	DGL		
-52	04659271	AR				EDZ	DGL		SPACER, Final Drive, 1.54mm
		AR				EEB	DGL		
		AR				ECB	DGL		
-53	04659272	AR				EDZ	DGL		SPACER, Final Drive, 1.58mm
		AR				EEB	DGL		
		AR				ECB	DGL		
-54	04659273	AR				EDZ	DGL		SPACER, Final Drive, 1.62mm
		AR				EEB	DGL		
		AR				ECB	DGL		
-55	04659274	AR				EDZ	DGL		SPACER, Final Drive, 1.66mm
		AR				EEB	DGL		
		AR				ECB	DGL		
-56	04659275	AR				EDZ	DGL		SPACER, Final Drive, 1.70mm
		AR				EEB	DGL		
		AR				ECB	DGL		
-57									SPACER, Final Drive, 2.02mm

CIRRUS,BREEZE,STRATUS (JA)

SERIES LINE
H = HIGHLINE C = CHRYSLER
P = PREMIUM D = DODGE
 P = PLYMOUTH

BODY
41 = 4 Door Sedan

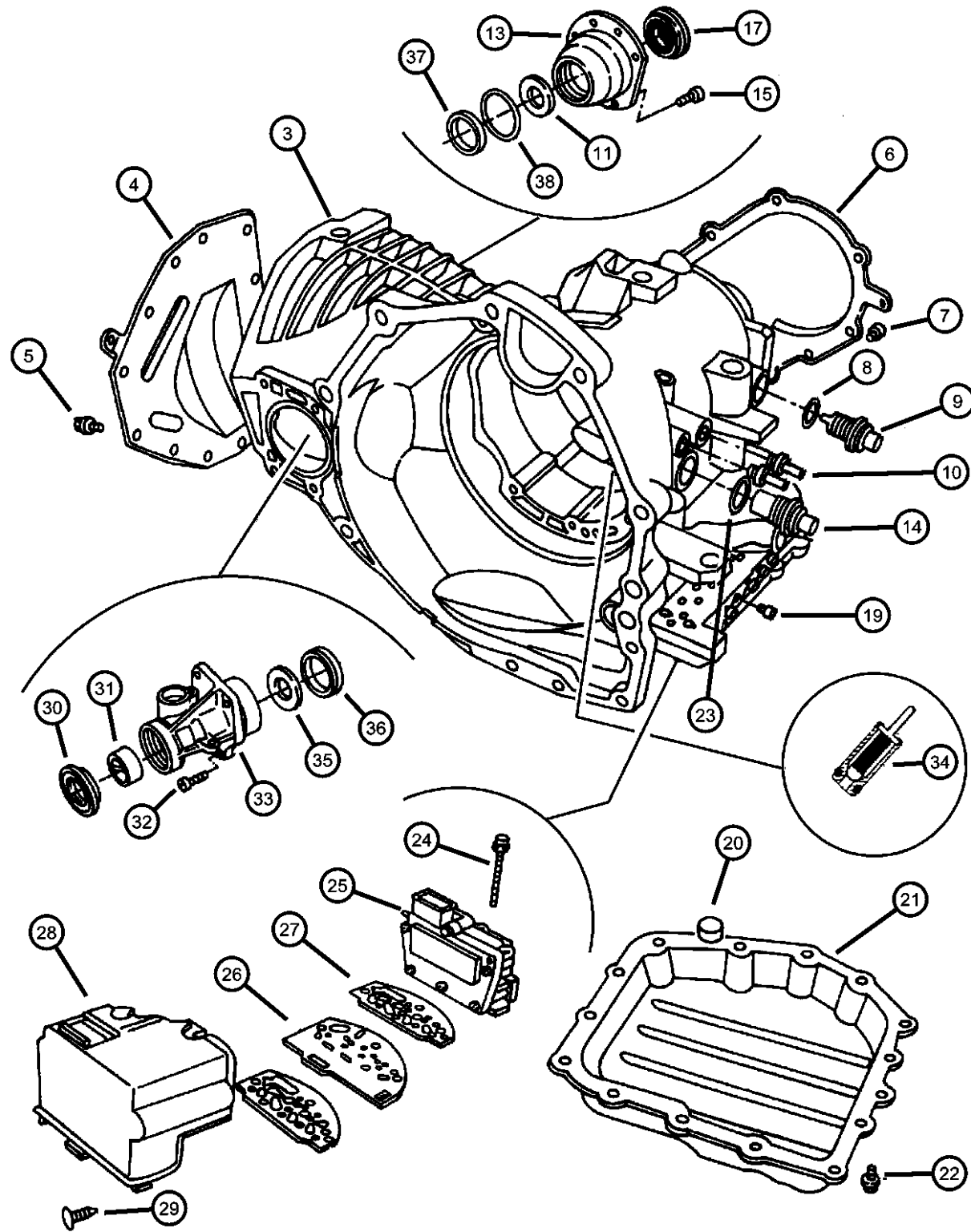
ENGINE
ECB = 2.0L 4 Cyl SOHC 16V SMPI Engine
EDZ = 2.4L 4 Cyl DOHC 16V SMPI Engine
EEB = 2.5L V6 SOHC 24V SMPI Engine

TRANSMISSION
DD5 = TRANSMISSION - 5-SPEED MANUAL
DGL = TRANSMISSION - 4-SPD. AUTOMATIC, 41TE
DD4 = TRANSMISSION - 5-SPEED PERF. MANUAL

AR = use ase required - = Non illustrated part

1999 JA

Case, Extension And Solenoid Automatic Transaxle, (DGL)
Figure 41TE-AE-240



ITEM	PART NUMBER	QTY	LINE	SERIES	BODY	ENGINE	TRANS	TRIM	DESCRIPTION
	04659283	AR				EDZ	DGL		
		AR				EEB			
		AR				ECB	DGL		
-58									SPACER, Final Drive, 2.06mm
	04659284	AR				EDZ	DGL		
		AR				EEB			
		AR				ECB	DGL		

CIRRUS,BREEZE,STRATUS (JA)
 SERIES LINE
 H = HIGHLINE C = CHRYSLER
 P = PREMIUM D = DODGE
 P = PLYMOUTH

BODY
 41 = 4 Door Sedan

ENGINE
 ECB = 2.0L 4 Cyl SOHC 16V
 SMPI Engine
 EDZ = 2.4L 4 Cyl DOHC 16V
 SMPI Engine
 EEB = 2.5L V6 SOHC 24V
 SMPI Engine

TRANSMISSION
 DD5 = TRANSMISSION - 5-SPEED
 MANUAL
 DGL = TRANSMISSION - 4-SPD.
 AUTOMATIC,41TE
 DD4 = TRANSMISSION - 5-SPEED
 PERF. MANUAL

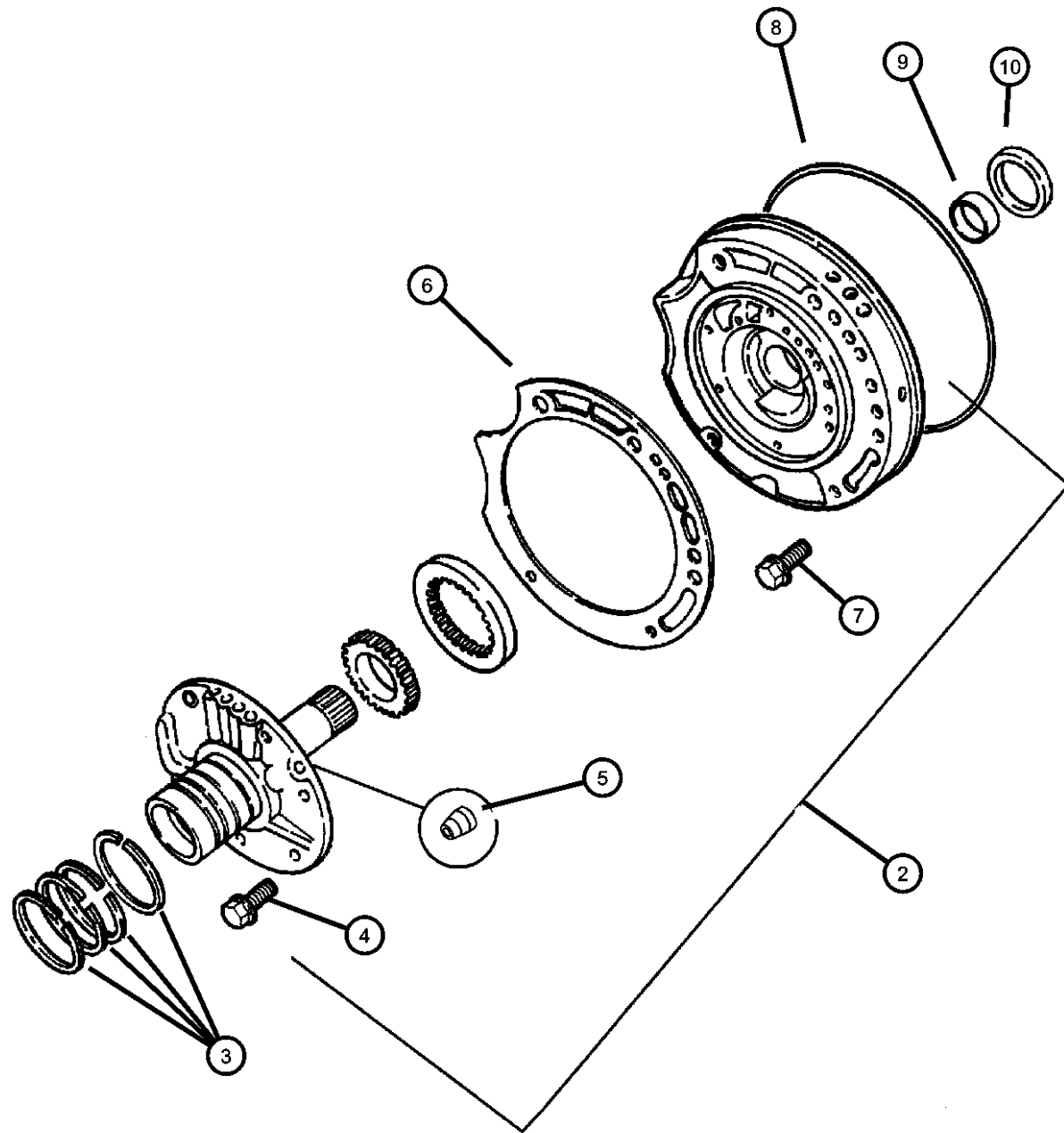
AR = use ase required - = Non illustrated part

1999 JA

**Pump, Oil with Reaction Shaft Automatic Transaxle, (DGL)
Figure 41TE-AE-320**

ITEM	PART NUMBER	QTY	LINE	SERIES	BODY	ENGINE	TRANS	TRIM	DESCRIPTION
------	-------------	-----	------	--------	------	--------	-------	------	-------------

NOTE; SALES CODES: DGL = 4 Spd Auto Trans 41TE - FWD
EDZ = 2.4L 4 Cyl - DOHC
EEB = 2.5L V6 Gas SOHC



-1									SEAL AND GASKET PACKAGE, Transmission Oil Pump
	04883260	1				EDZ	DGL		
		1				EEB			
2									PUMP, Transmission Oil w/o Seals
	04567869AB	1				EDZ	DGL		Mopar Remanufactured Part
	R4567869AB								
		1				EEB			Mopar Remanufactured Part
	R4567869AB								
3									SEAL, Ring Reaction Support, 2 1/16 O.D.
	04471874	4				EDZ	DGL		
		4				EEB			
4									BOLT, Hex Head, M8x1.25x19
	06500211	6				EDZ	DGL		
		6				EEB			
5									BALL, Check
	04446616	2				EDZ	DGL		
		2				EEB			
6									GASKET, Transmission Oil Pump
	04412844	1				EDZ	DGL		
		1				EEB			
7									SCREW AND WASHER, Hex Flange Head, M8x1.25x25
	06501106	5				EDZ	DGL		
		5				EEB			
8									SEAL, Oil Pump Rubber
	04659945	1				EDZ	DGL		
		1				EEB			
9									BUSHING, Front Pump
	02466796	1				EDZ	DGL		
		1				EEB			
10									SEAL, Impeller Hub, 57.25mm OD

CIRRUS,BREEZE,STRATUS (JA)
SERIES LINE
H = HIGHLINE C = CHRYSLER
P = PREMIUM D = DODGE
P = PLYMOUTH

BODY
41 = 4 Door Sedan

ENGINE
ECB = 2.0L 4 Cyl SOHC 16V
SMPI Engine
EDZ = 2.4L 4 Cyl DOHC 16V
SMPI Engine
EEB = 2.5L V6 SOHC 24V
SMPI Engine

TRANSMISSION
DD5 = TRANSMISSION - 5-SPEED
MANUAL
DGL = TRANSMISSION - 4-SPD.
AUTOMATIC,41TE
DD4 = TRANSMISSION - 5-SPEED
PERF. MANUAL

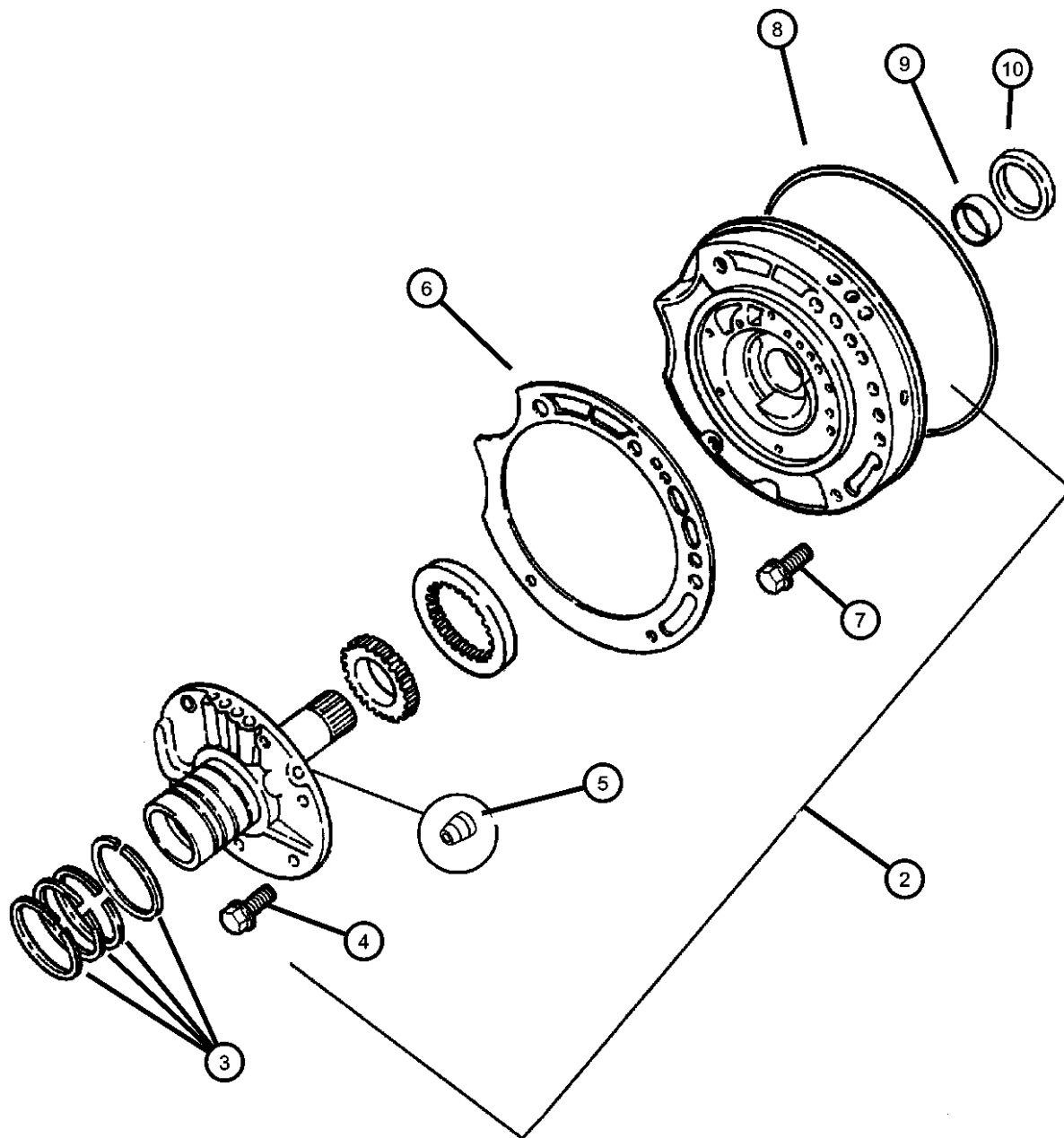
AR = use ase required - = Non illustrated part

1999 JA

**Pump, Oil with Reaction Shaft Automatic Transaxle, (DGL)
Figure 41TE-AE-320**

ITEM	PART NUMBER	QTY	LINE	SERIES	BODY	ENGINE	TRANS	TRIM	DESCRIPTION
------	-------------	-----	------	--------	------	--------	-------	------	-------------

	04412475	1				EDZ	DGL		
		1				EEB			



CIRRUS,BREEZE,STRATUS (JA)
 SERIES LINE
 H = HIGHLINE C = CHRYSLER
 P = PREMIUM D = DODGE
 P = PLYMOUTH

BODY
 41 = 4 Door Sedan

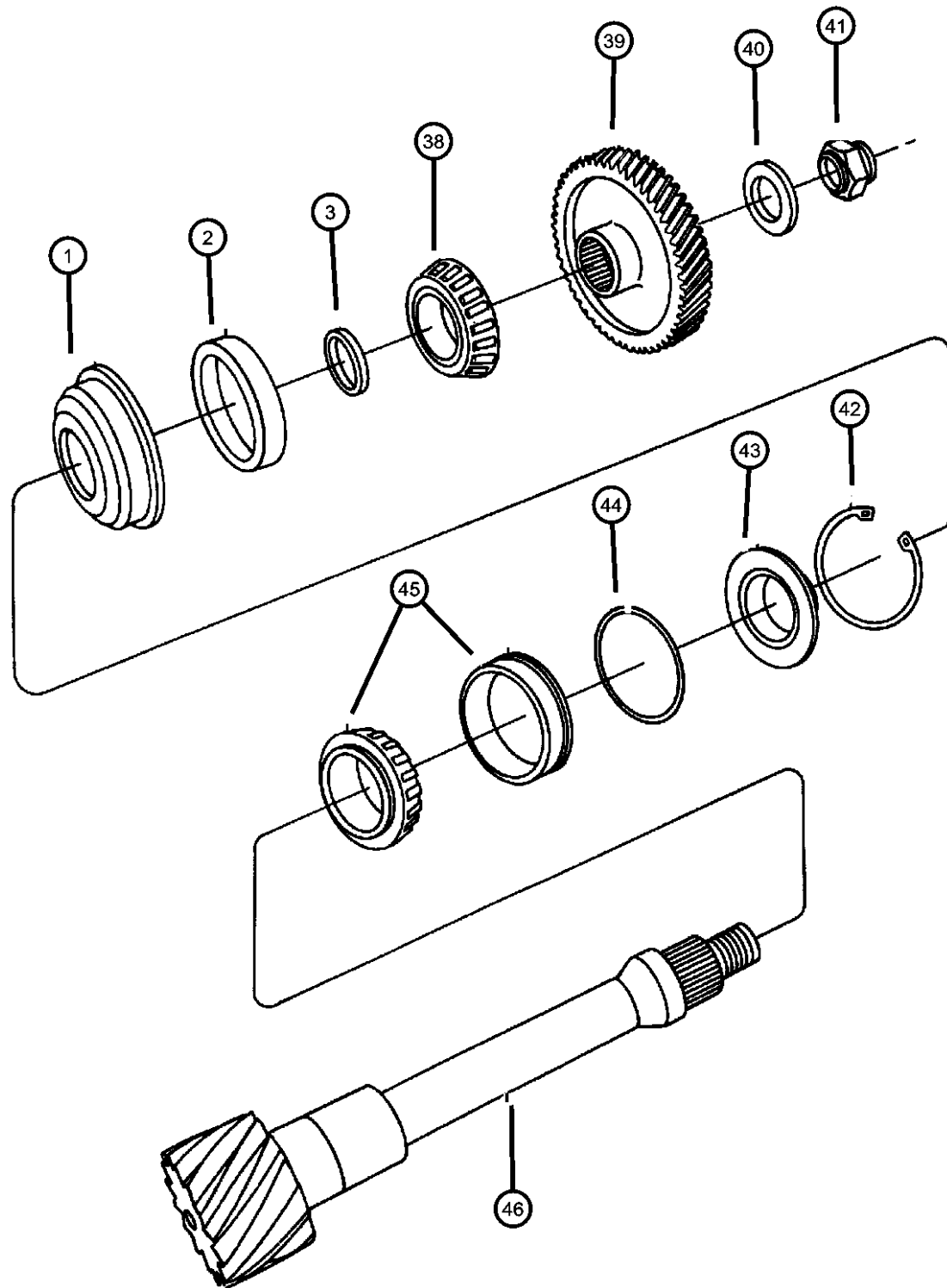
ENGINE
 ECB = 2.0L 4 Cyl SOHC 16V SMPI Engine
 EDZ = 2.4L 4 Cyl DOHC 16V SMPI Engine
 EEB = 2.5L V6 SOHC 24V SMPI Engine

TRANSMISSION
 DD5 = TRANSMISSION - 5-SPEED MANUAL
 DGL = TRANSMISSION - 4-SPD. AUTOMATIC,41TE
 DD4 = TRANSMISSION - 5-SPEED PERF. MANUAL

AR = use ase required - = Non illustrated part

1999 JA

**Shaft Transfer Automatic Transaxle, (DGL)
Figure 41TE-AE-415**



ITEM	PART NUMBER	QTY	LINE	SERIES	BODY	ENGINE	TRANS	TRIM	DESCRIPTION
-9		1				ECB	DGL		SPACER, Output Shaft, 3.50mm
	04412807	1				EDZ	DGL		
		1				EEB	DGL		
		1				ECB	DGL		
-10		1				EDZ	DGL		SPACER, Output Shaft, 3.54mm
	04412808	1				EEB	DGL		
		1				ECB	DGL		
-11		1				EDZ	DGL		SPACER, Output Shaft, 3.58mm
	04412809	1				EEB	DGL		
		1				ECB	DGL		
-12		1				EDZ	DGL		SPACER, Output Shaft, 3.58mm
	04412809	1				EEB	DGL		
		1				ECB	DGL		
-13		1				EDZ	DGL		SPACER, Output Shaft, 3.62mm
	04412810	1				EEB	DGL		
		1				ECB	DGL		
-14		1				EDZ	DGL		SPACER, Output Shaft, 3.70mm
	04412812	1				EEB	DGL		
		1				ECB	DGL		
-15		1				EDZ	DGL		SPACER, Output Shaft, 3.74mm
	04412813	1				EEB	DGL		
		1				ECB	DGL		
-16		1				EDZ	DGL		SPACER, Output Shaft, 3.78mm
	04412814	1				EEB	DGL		
		1				ECB	DGL		

CIRRUS,BREEZE,STRATUS (JA)
 SERIES LINE
 H = HIGHLINE C = CHRYSLER
 P = PREMIUM D = DODGE
 P = PLYMOUTH

BODY
 41 = 4 Door Sedan

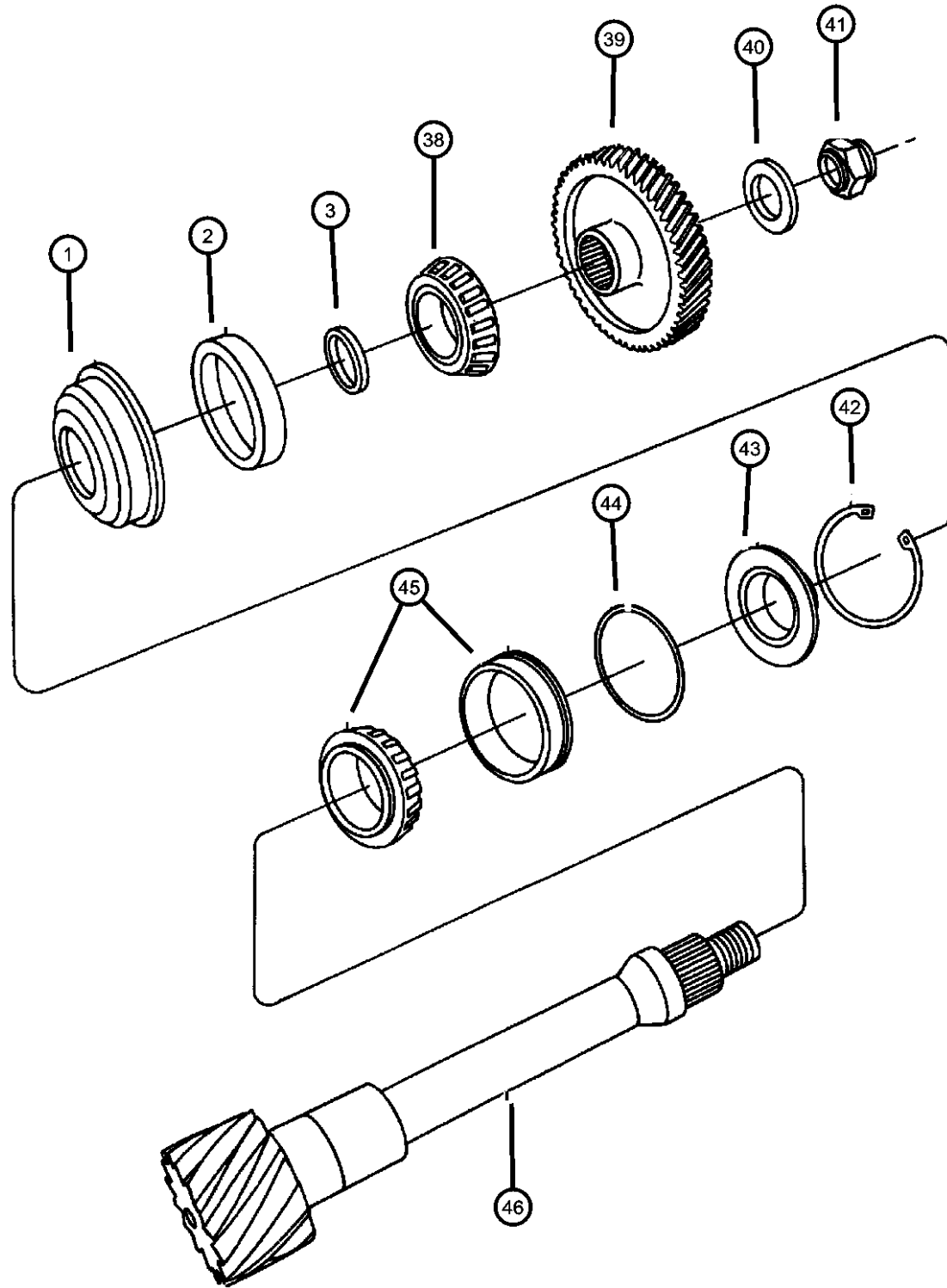
ENGINE
 ECB = 2.0L 4 Cyl SOHC 16V SMPI Engine
 EDZ = 2.4L 4 Cyl DOHC 16V SMPI Engine
 EEB = 2.5L V6 SOHC 24V SMPI Engine

TRANSMISSION
 DD5 = TRANSMISSION - 5-SPEED MANUAL
 DGL = TRANSMISSION - 4-SPD. AUTOMATIC, 41TE
 DD4 = TRANSMISSION - 5-SPEED PERF. MANUAL

AR = use ase required - = Non illustrated part

1999 JA

**Shaft Transfer Automatic Transaxle, (DGL)
Figure 41TE-AE-415**



ITEM	PART NUMBER	QTY	LINE	SERIES	BODY	ENGINE	TRANS	TRIM	DESCRIPTION
-17	04412815	1				EDZ	DGL		SPACER, Output Shaft, 3.82mm
		1				EEB	DGL		
		1				ECB	DGL		
-18	04412816	1				EDZ	DGL		SPACER, Output Shaft, 3.86mm
		1				EEB	DGL		
		1				ECB	DGL		
-19	04412817	1				EDZ	DGL		SPACER, Output Shaft, 3.90mm
		1				EEB	DGL		
		1				ECB	DGL		
-20	04412818	1				EDZ	DGL		SPACER, Output Shaft, 3.94mm
		1				EEB	DGL		
		1				ECB	DGL		
-21	04412819	1				EDZ	DGL		SPACER, Output Shaft, 3.98mm
		1				EEB	DGL		
		1				ECB	DGL		
-22	04412820	1				EDZ	DGL		SPACER, Output Shaft, 4.02mm
		1				EEB	DGL		
		1				ECB	DGL		
-23	04412821	1				EDZ	DGL		SPACER, Output Shaft, 4.06mm
		1				EEB	DGL		
		1				ECB	DGL		
-24	04412822	1				EDZ	DGL		SPACER, Output Shaft, 4.10mm
		1				EEB	DGL		
		1				ECB	DGL		
-25									SPACER, Output Shaft, 4.14mm

CIRRUS,BREEZE,STRATUS (JA)

SERIES LINE
H = HIGHLINE C = CHRYSLER
P = PREMIUM D = DODGE
 P = PLYMOUTH

BODY
41 = 4 Door Sedan

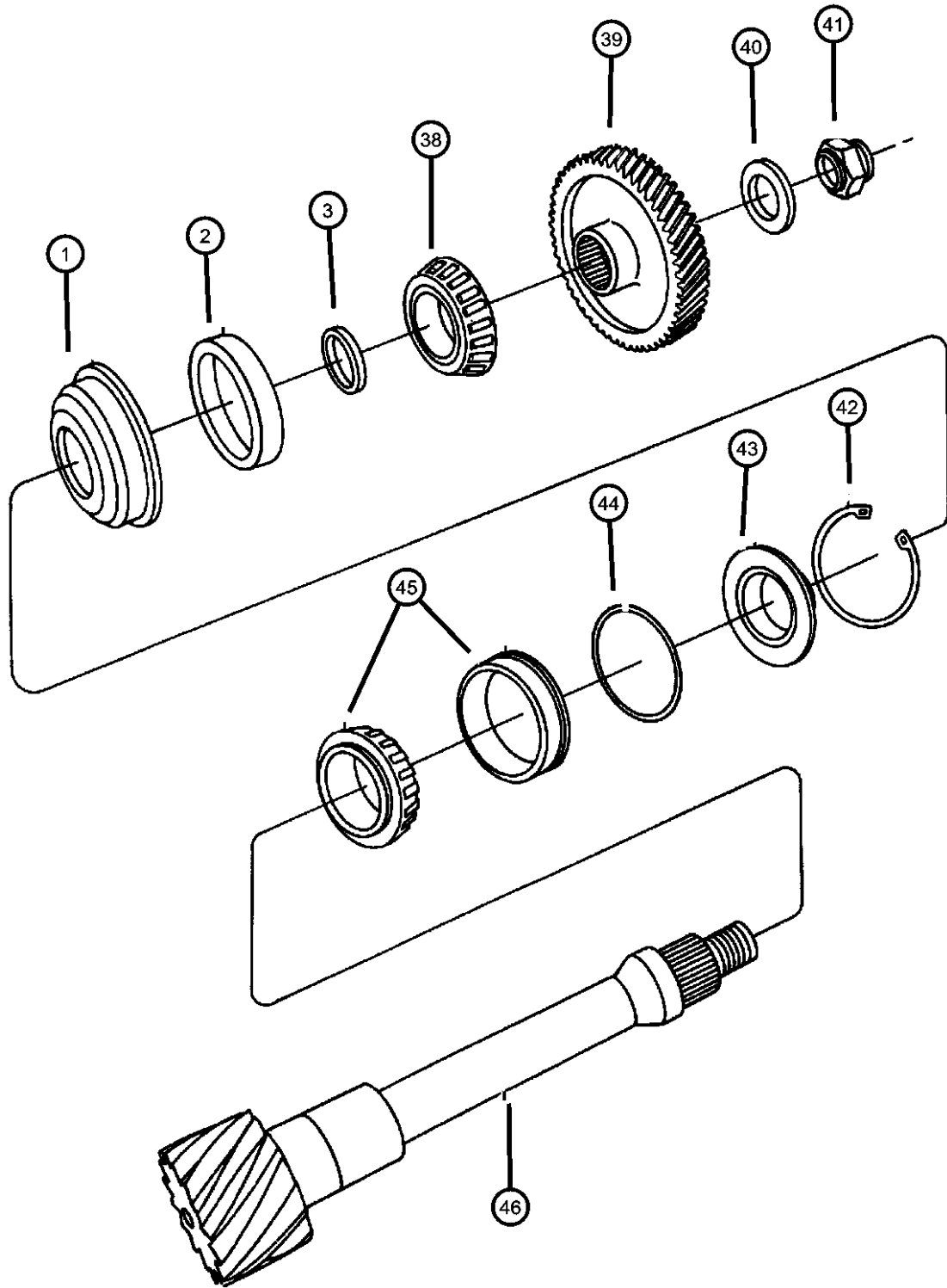
ENGINE
ECB = 2.0L 4 Cyl SOHC 16V SMPI Engine
EDZ = 2.4L 4 Cyl DOHC 16V SMPI Engine
EEB = 2.5L V6 SOHC 24V SMPI Engine

TRANSMISSION
DD5 = TRANSMISSION - 5-SPEED MANUAL
DGL = TRANSMISSION - 4-SPD. AUTOMATIC, 41TE
DD4 = TRANSMISSION - 5-SPEED PERF. MANUAL

AR = use ase required - = Non illustrated part

1999 JA

**Shaft Transfer Automatic Transaxle, (DGL)
Figure 41TE-AE-415**



ITEM	PART NUMBER	QTY	LINE	SERIES	BODY	ENGINE	TRANS	TRIM	DESCRIPTION
	04412823	1				EDZ	DGL		
		1				EEB			
		1				ECB	DGL		
-26	04412824	1				EDZ	DGL		SPACER, Output Shaft, 4.18mm
		1				EEB			
		1				ECB	DGL		
-27	04412825	1				EDZ	DGL		SPACER, Output Shaft, 4.22mm
		1				EEB			
		1				ECB	DGL		
-28	04412826	1				EDZ	DGL		SPACER, Output Shaft, 4.26mm
		1				EEB			
		1				ECB	DGL		
-29	04412827	1				EDZ	DGL		SPACER, Output Shaft, 4.30mm
		1				EEB			
		1				ECB	DGL		
-30	04412828	1				EDZ	DGL		SPACER, Output Shaft, 4.34mm
		1				EEB			
		1				ECB	DGL		
-31	04412829	1				EDZ	DGL		SPACER, Output Shaft, 4.38mm
		1				EEB			
		1				ECB	DGL		
-32	04412830	1				EDZ	DGL		SPACER, Output Shaft, 4.42mm
		1				EEB			
		1				ECB	DGL		
-33	04412831	1				EDZ	DGL		SPACER, Transfer Shaft, 4.46mm

CIRRUS,BREEZE,STRATUS (JA)
 SERIES LINE
 H = HIGHLINE C = CHRYSLER
 P = PREMIUM D = DODGE
 P = PLYMOUTH

BODY
 41 = 4 Door Sedan

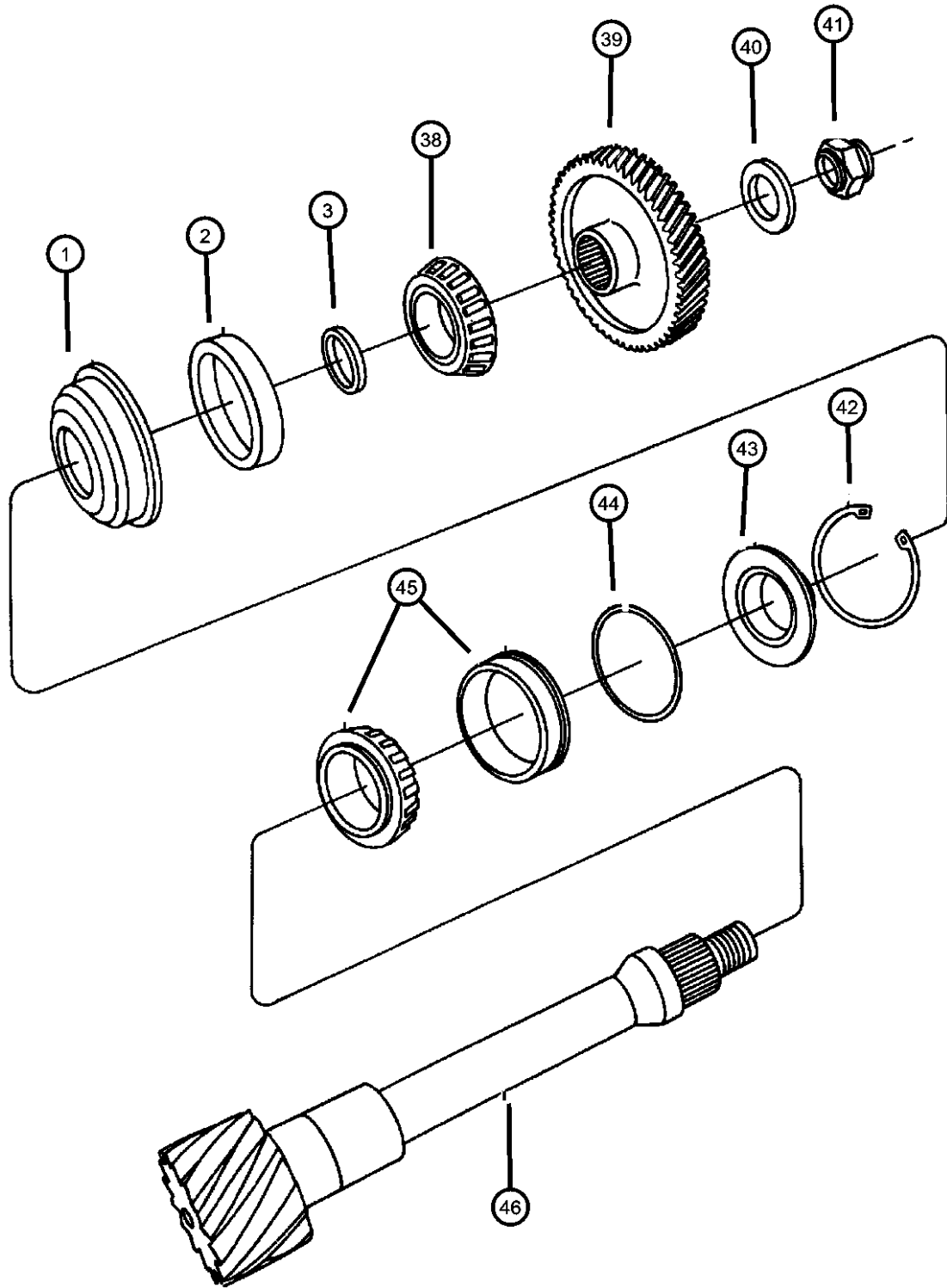
ENGINE
 ECB = 2.0L 4 Cyl SOHC 16V SMPI Engine
 EDZ = 2.4L 4 Cyl DOHC 16V SMPI Engine
 EEB = 2.5L V6 SOHC 24V SMPI Engine

TRANSMISSION
 DD5 = TRANSMISSION - 5-SPEED MANUAL
 DGL = TRANSMISSION - 4-SPD. AUTOMATIC, 41TE
 DD4 = TRANSMISSION - 5-SPEED PERF. MANUAL

AR = use ase required - = Non illustrated part

1999 JA

**Shaft Transfer Automatic Transaxle, (DGL)
Figure 41TE-AE-415**



ITEM	PART NUMBER	QTY	LINE	SERIES	BODY	ENGINE	TRANS	TRIM	DESCRIPTION
		1				EEB			
		1				ECB	DGL		
-34	04412832	1		EDZ		DGL			SPACER, Transfer Shaft, 4.50mm
		1		EEB					
		1		ECB		DGL			
-35	04412833	1		EDZ		DGL			SPACER, Transfer Shaft, 4.54mm
		1		EEB					
		1		ECB		DGL			
-36	04412835	1		EDZ		DGL			SPACER, Transfer Shaft, 4.62mm
		1		EEB					
		1		ECB		DGL			
-37	04505588	1		EDZ		DGL			SPACER, Transfer Shaft, 4.66mm
		1		EEB					
		1		ECB		DGL			
38	04504042	1		EDZ		DGL			BEARING PACKAGE, Transfer Shaft
		1		EEB					
		1		ECB		DGL			
39	04713444	1		EDZ		DGL			GEAR PACKAGE, Output And Transfer Shaft Gear Transfet Shaft 49T and Gear Output Shaft 47Tk Use w/4883030,031,034,035 Trans
		1		EEB					
	04773275	1		ECB		DGL			Gear Transfer Shaft 46Tand Gear OutputShaft 50T, Use w/4883036 Trans
40	06501833	1		EDZ		DGL			WASHER, Coned, M22.6x45x3.42 T/Shaft Coned
		1		EEB					
		1		ECB		DGL			

CIRRUS,BREEZE,STRATUS (JA)
 SERIES LINE
 H = HIGHLINE C = CHRYSLER
 P = PREMIUM D = DODGE
 P = PLYMOUTH

BODY
 41 = 4 Door Sedan

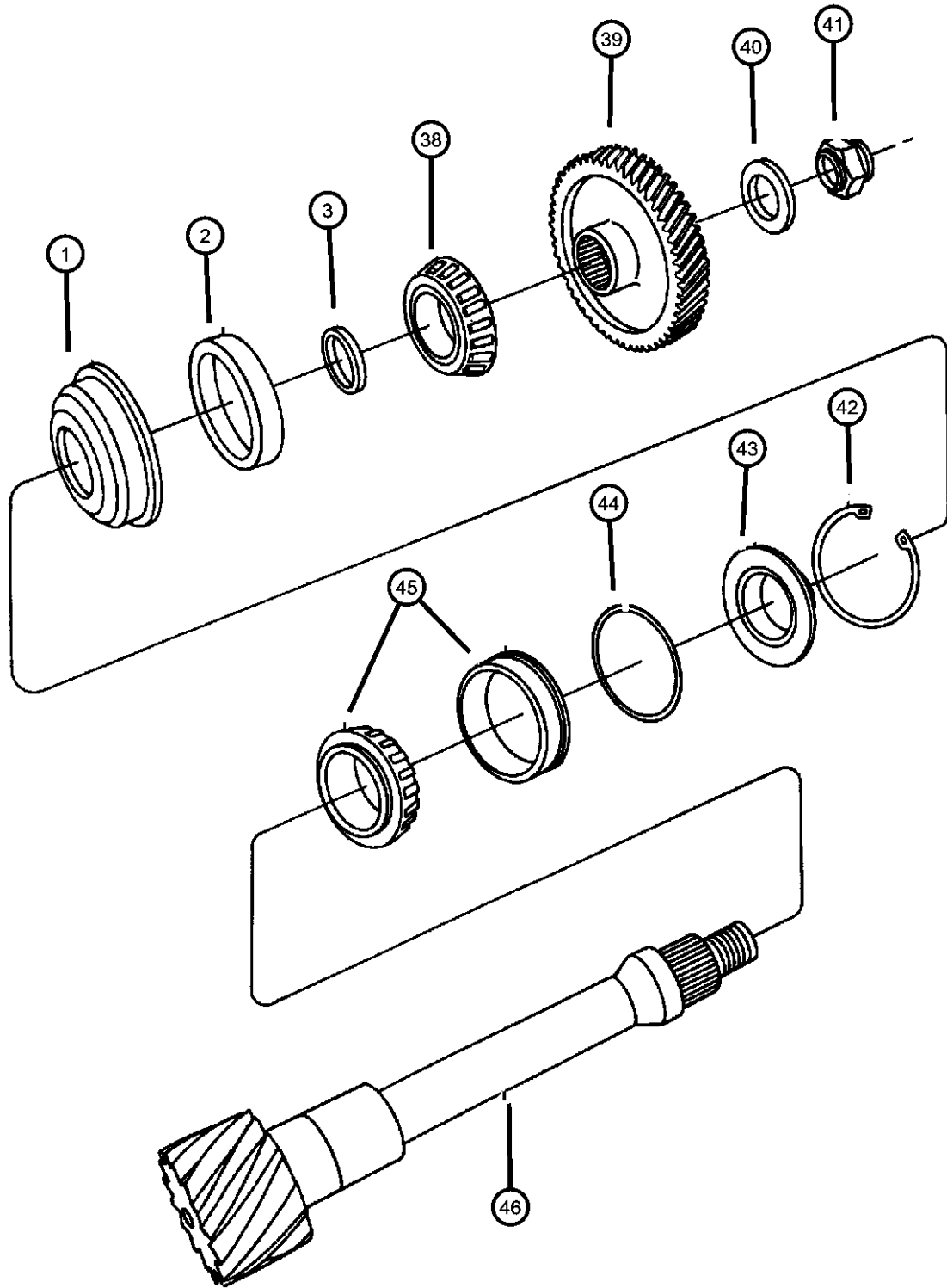
ENGINE
 ECB = 2.0L 4 Cyl SOHC 16V SMPI Engine
 EDZ = 2.4L 4 Cyl DOHC 16V SMPI Engine
 EEB = 2.5L V6 SOHC 24V SMPI Engine

TRANSMISSION
 DD5 = TRANSMISSION - 5-SPEED MANUAL
 DGL = TRANSMISSION - 4-SPD. AUTOMATIC,41TE
 DD4 = TRANSMISSION - 5-SPEED PERF. MANUAL

AR = use ase required - = Non illustrated part

1999 JA

**Shaft Transfer Automatic Transaxle, (DGL)
Figure 41TE-AE-415**



ITEM	PART NUMBER	QTY	LINE	SERIES	BODY	ENGINE	TRANS	TRIM	DESCRIPTION
41	06502611	1				EDZ	DGL		LOCK NUT, M22x1.50
		1				EEB			
		1				ECB	DGL		
42	06501936	1				EDZ	DGL		SNAP RING T/Shaft Bearing
		1				EEB			
		1				ECB	DGL		
43	04471869	1				EDZ	DGL		BAFFLE, Transfer Shaft
		1				EEB			
		1				ECB	DGL		
44	06501768	1				EDZ	DGL		O RING, Transfer Shaft Bearing Retainer, ATX
		1				EEB			
		1				ECB	DGL		
45	04856911	1				EDZ	DGL		BEARING PACKAGE, Transfer Shaft
		1				EEB			Cup & Cone,T/Shaft Bearing, Cup 69mm O.D.
		1				ECB	DGL		Cup & Cone,T/Shaft Bearing, Cup 69mm O.D.
		1							Cup & Cone,T/Shaft Bearing, Cup 69mm O.D.
46	04531976	1				EDZ	DGL		SHAFT, Transfer Gear
		1				EEB			
		1				ECB	DGL		

CIRRUS,BREEZE,STRATUS (JA)
 SERIES LINE
 H = HIGHLINE C = CHRYSLER
 P = PREMIUM D = DODGE
 P = PLYMOUTH

BODY
 41 = 4 Door Sedan

ENGINE
 ECB = 2.0L 4 Cyl SOHC 16V
 SMPI Engine
 EDZ = 2.4L 4 Cyl DOHC 16V
 SMPI Engine
 EEB = 2.5L V6 SOHC 24V
 SMPI Engine

TRANSMISSION
 DD5 = TRANSMISSION - 5-SPEED
 MANUAL
 DGL = TRANSMISSION - 4-SPD.
 AUTOMATIC,41TE
 DD4 = TRANSMISSION - 5-SPEED
 PERF. MANUAL

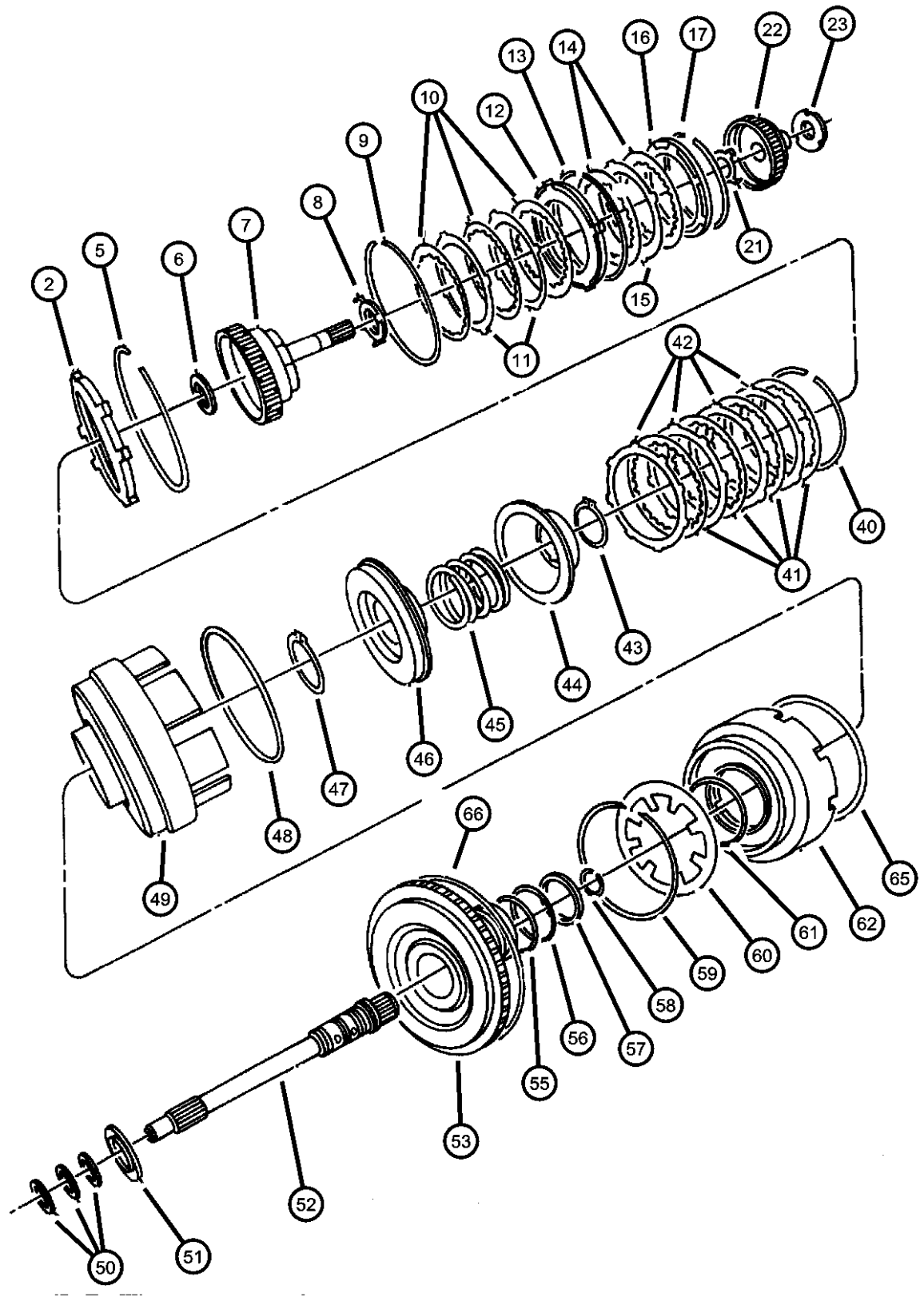
AR = use ase required - = Non illustrated part

1999 JA

**Clutch, Input Shaft Automatic Transaxle, (DGL)
Figure 41TE-AE-425**

ITEM	PART NUMBER	QTY	LINE	SERIES	BODY	ENGINE	TRANS	TRIM	DESCRIPTION
------	-------------	-----	------	--------	------	--------	-------	------	-------------

NOTE; SALES CODES; DGL = 4 Spd Auto Trans 41TE - FWD
 ECB = 2.0L 4 Cyl - SOHC
 EDZ = 2.4L 4 Cyl - DOHC
 EEB = 2.5L V6 Gas - SOHC



-1	04883240	1				EEB			SEAL AND GASKET PACKAGE, Transmission
		1				EDZ	DGL		
		1				ECB	DGL		
2	04883013AB	1				EDZ	DGL		PLATE PACKAGE, Underdrive Reaction, 5.72/5.82
		1				EEB			
		1				ECB	DGL		
-3	04883014AB	1				EDZ	DGL		PLATE PACKAGE, Underdrive Reaction, 6.21/6.31
		1				EEB			
		1				ECB	DGL		
-4	04883015AB	1				EDZ	DGL		PLATE PACKAGE, Underdrive Reaction, 6.70/6.80
		1				EEB			
		1				ECB	DGL		
5	04659934	1				EDZ	DGL		SNAP RING, Underdrive Clutch, Tapered
		1				EEB			
		1				ECB	DGL		
6	04567262	1				EDZ	DGL		THRUST BEARING
		1				EEB			
		1				ECB	DGL		
7	04864936	1				EDZ	DGL		HUB AND SHAFT PACKAGE, Underdrive Clutch
		1				EEB			
		1				ECB	DGL		

CIRRUS,BREEZE,STRATUS (JA)

SERIES LINE
 H = HIGHLINE C = CHRYSLER
 P = PREMIUM D = DODGE
 P = PLYMOUTH

BODY
 41 = 4 Door Sedan

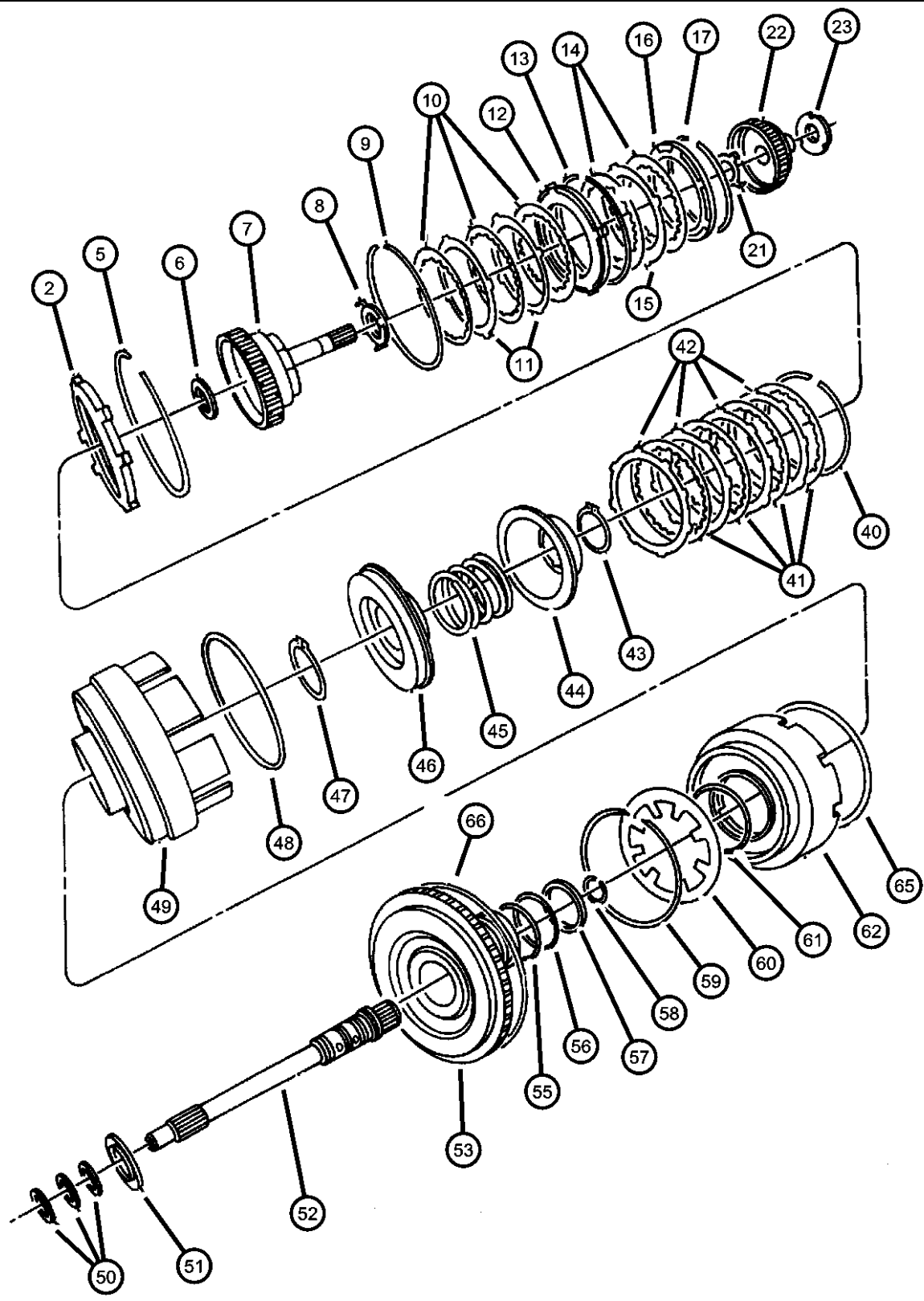
ENGINE
 ECB = 2.0L 4 Cyl SOHC 16V SMPI Engine
 EDZ = 2.4L 4 Cyl DOHC 16V SMPI Engine
 EEB = 2.5L V6 SOHC 24V SMPI Engine

TRANSMISSION
 DD5 = TRANSMISSION - 5-SPEED MANUAL
 DGL = TRANSMISSION - 4-SPD. AUTOMATIC, 41TE
 DD4 = TRANSMISSION - 5-SPEED PERF. MANUAL

AR = use ase required - = Non illustrated part

1999 JA

**Clutch, Input Shaft Automatic Transaxle, (DGL)
Figure 41TE-AE-425**



ITEM	PART NUMBER	QTY	LINE	SERIES	BODY	ENGINE	TRANS	TRIM	DESCRIPTION
8	04659883	1				EDZ	DGL		THRUST WASHER, U/Drive Clutch
		1				EEB			
		1				ECB	DGL		
9	04505621	1				EDZ	DGL		SNAP RING
		1				EEB			
		1				ECB	DGL		
10	04531678	4				EDZ	DGL		DISC, Clutch
		4				EEB			
		4				ECB	DGL		
11	04659053	3				EDZ	DGL		PLATE, Transmission O/Drive Clutch
		3				EEB			
		3				ECB	DGL		
12	04531556AB	1				EDZ	DGL		PLATE, Transmission O/Drive Clutch
		1				EEB			
		1				ECB	DGL		
13	04505622	1				EDZ	DGL		SNAP RING
		1				EEB			
		1				ECB	DGL		
14	04531678	2				EDZ	DGL		DISC, Clutch
		2				EEB			
		2				ECB	DGL		
15	04659053	1				EDZ	DGL		PLATE, Transmission O/Drive Clutch
		1				EEB			
		1				ECB	DGL		

CIRRUS,BREEZE,STRATUS (JA)
 SERIES LINE
 H = HIGHLINE C = CHRYSLER
 P = PREMIUM D = DODGE
 P = PLYMOUTH

BODY
 41 = 4 Door Sedan

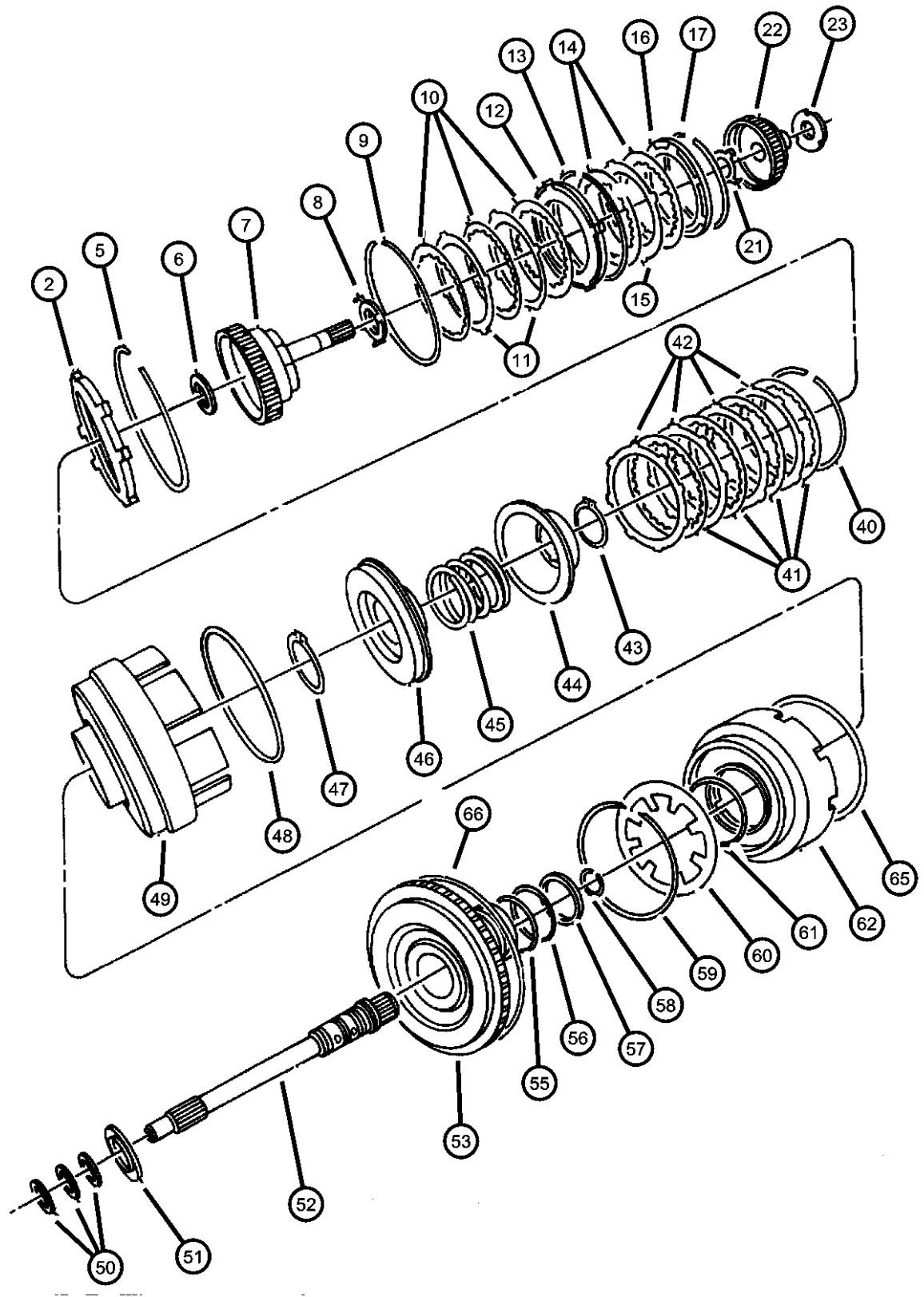
ENGINE
 ECB = 2.0L 4 Cyl SOHC 16V SMPI Engine
 EDZ = 2.4L 4 Cyl DOHC 16V SMPI Engine
 EEB = 2.5L V6 SOHC 24V SMPI Engine

TRANSMISSION
 DD5 = TRANSMISSION - 5-SPEED MANUAL
 DGL = TRANSMISSION - 4-SPD. AUTOMATIC, 41TE
 DD4 = TRANSMISSION - 5-SPEED PERF. MANUAL

AR = use ase required - = Non illustrated part

1999 JA

**Clutch, Input Shaft Automatic Transaxle, (DGL)
Figure 41TE-AE-425**



ITEM	PART NUMBER	QTY	LINE	SERIES	BODY	ENGINE	TRANS	TRIM	DESCRIPTION
16		1				EDZ	DGL		PLATE, Transmission Clutch Reaction
	04377194	1				EEB	DGL		
		1				ECB	DGL		
17		1				EDZ	DGL		SNAP RING
	04377195	1				EEB	DGL		1.53-1.58mm Thk.
		1				ECB	DGL		
-18		1				EDZ	DGL		SNAP RING, Reverse Clutch,
	04412871	1				EEB	DGL		1.77-1.83mm
		1				ECB	DGL		
-19		1				EDZ	DGL		SNAP RING, Reverse Clutch,
	04412872	1				EEB	DGL		2.02-2.07mm
		1				ECB	DGL		
-20		1				EDZ	DGL		SNAP RING, Reverse Clutch,
	04412873	1				EEB	DGL		2.27-2.32mm
		1				ECB	DGL		
21		1				EDZ	DGL		PLATE, Transmission O/Drive Clutch
	04431973	1				EEB	DGL		
		1				ECB	DGL		
22		1				EDZ	DGL		HUB AND SHAFT, Overdrive Clutch
	04659994	1				EEB	DGL		
		1				ECB	DGL		
23		1				EDZ	DGL		PLATE, Transmission O/Drive Clutch
	04431662	1					DGL		0.81-1.03mm Thk

CIRRUS,BREEZE,STRATUS (JA)
 SERIES LINE
 H = HIGHLINE C = CHRYSLER
 P = PREMIUM D = DODGE
 P = PLYMOUTH

BODY
 41 = 4 Door Sedan

ENGINE
 ECB = 2.0L 4 Cyl SOHC 16V SMPI Engine
 EDZ = 2.4L 4 Cyl DOHC 16V SMPI Engine
 EEB = 2.5L V6 SOHC 24V SMPI Engine

TRANSMISSION
 DD5 = TRANSMISSION - 5-SPEED MANUAL
 DGL = TRANSMISSION - 4-SPD. AUTOMATIC,41TE
 DD4 = TRANSMISSION - 5-SPEED PERF. MANUAL

AR = use ase required - = Non illustrated part

1999 JA

**Clutch, Input Shaft Automatic Transaxle, (DGL)
Figure 41TE-AE-425**

ITEM	PART NUMBER	QTY	LINE	SERIES	BODY	ENGINE	TRANS	TRIM	DESCRIPTION
		1				EEB			
		1				ECB	DGL		
-24									PLATE, Transmission O/Drive Clutch
	04431663	1				EDZ	DGL		1.03-1.25mm Thk
		1				EEB			
		1				ECB	DGL		
-25									PLATE, Transmission O/Drive Clutch
	04431664	1				EDZ	DGL		1.25-1.47mm Thk
		1				EEB			
		1				ECB	DGL		
-26									PLATE, Transmission O/Drive Clutch
	04431665	1				EDZ	DGL		1.47-1.69mm Thk
		1				EEB			
		1				ECB	DGL		
-27									PLATE, Transmission O/Drive Clutch
	04431666	1				EDZ	DGL		1.69-1.91mm Thk
		1				EEB			
		1				ECB	DGL		
-28									PLATE, Transmission O/Drive Clutch
	03836237	1				EDZ	DGL		1.70-1.77mm Thk
		1				EEB			1.70-1.77mm Thk
		1				ECB	DGL		1.70-1.77mm Thk
	04431667	1				EDZ	DGL		1.91-2.13mm Thk
		1				EEB			1.91-2.13mm Thk
		1				ECB	DGL		1.91-2.13mm Thk
-29									PLATE, Transmission O/Drive Clutch
	04431667	1				EDZ	DGL		1.91-2.13mm Thk
		1				EEB			
		1				ECB	DGL		
-30									PLATE, Transmission O/Drive Clutch

CIRRUS,BREEZE,STRATUS (JA)

SERIES LINE
H = HIGHLINE C = CHRYSLER
P = PREMIUM D = DODGE
 P = PLYMOUTH

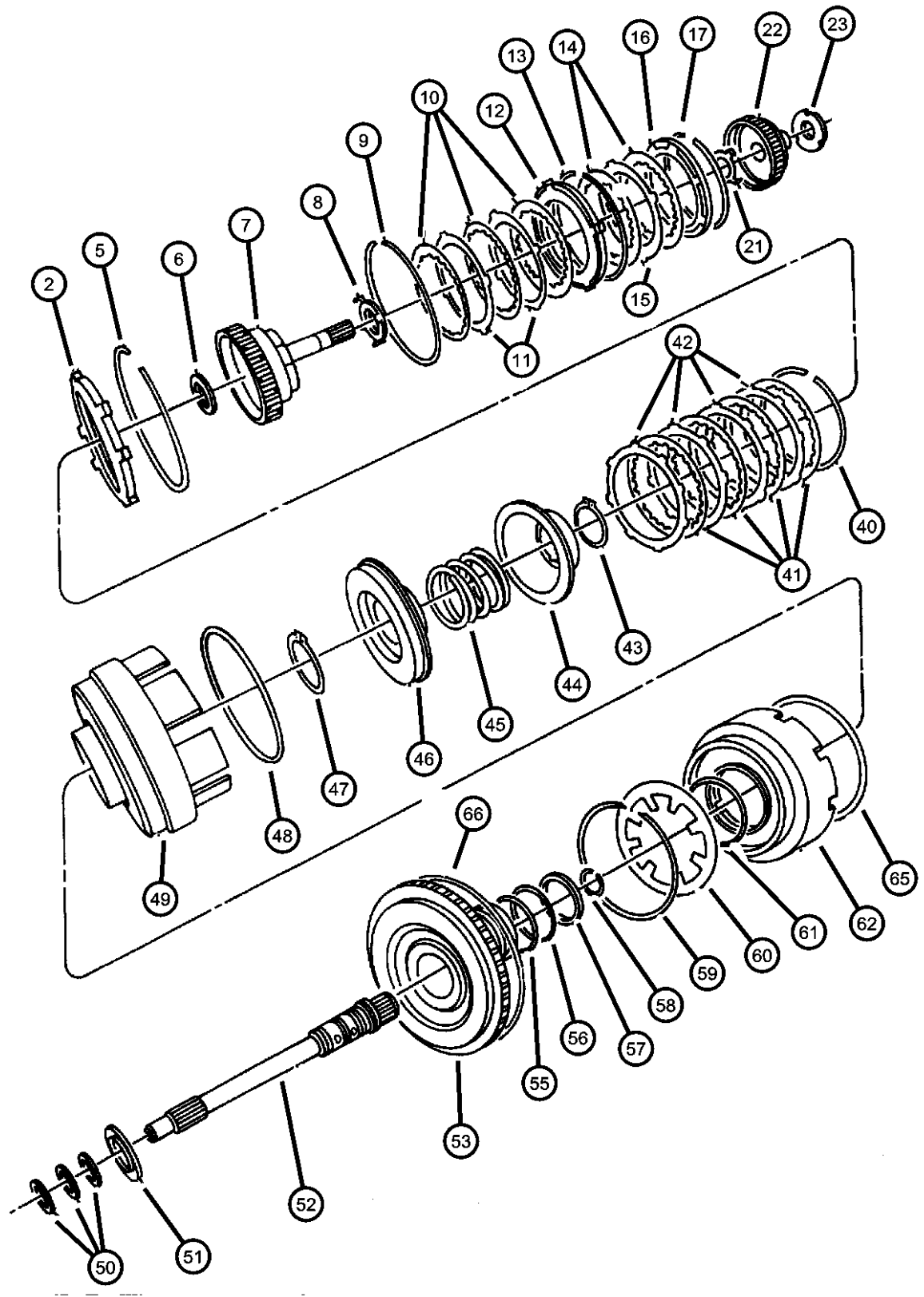
BODY
41 = 4 Door Sedan

ENGINE
ECB = 2.0L 4 Cyl SOHC 16V SMPI Engine
EDZ = 2.4L 4 Cyl DOHC 16V SMPI Engine
EEB = 2.5L V6 SOHC 24V SMPI Engine

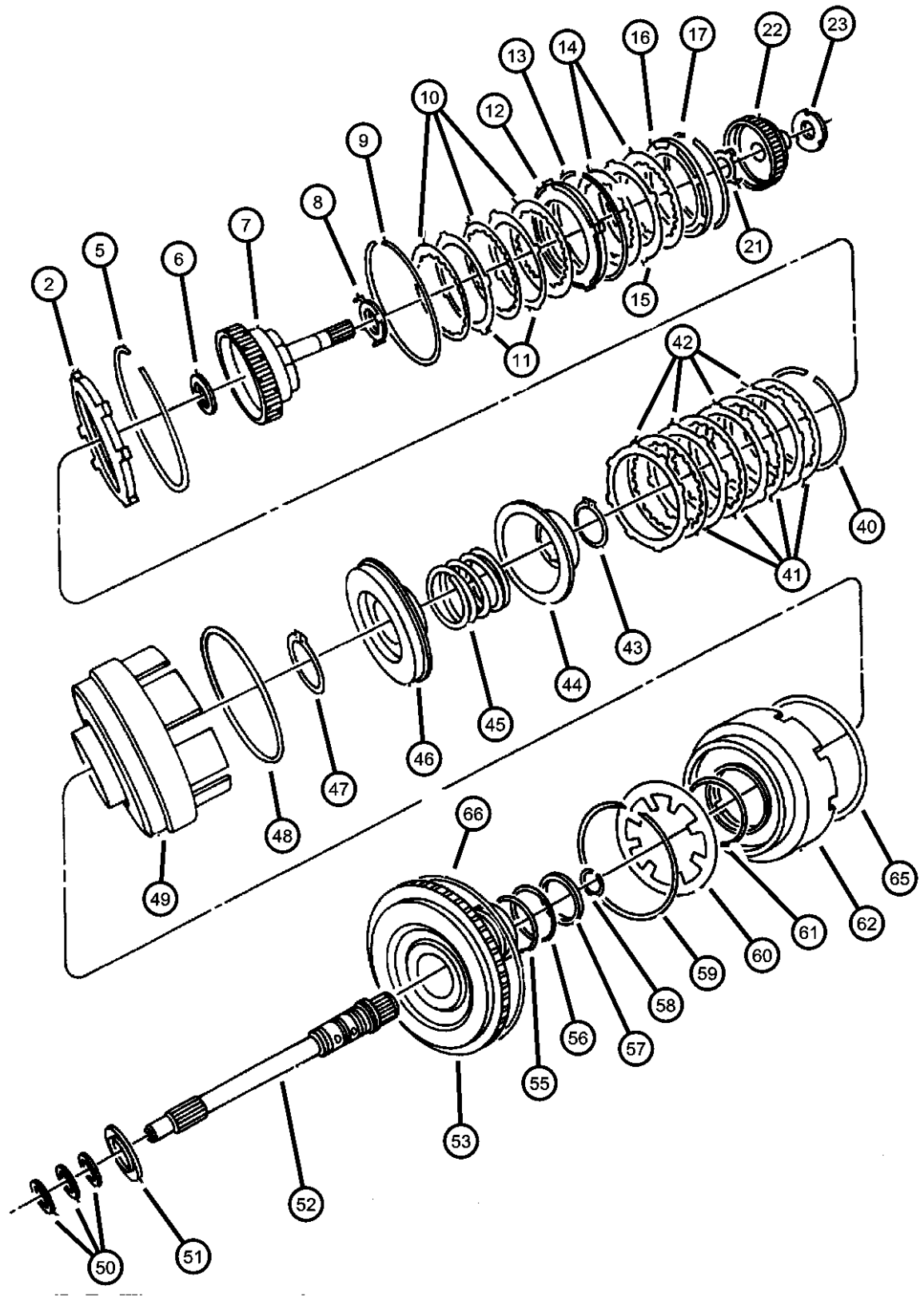
TRANSMISSION
DD5 = TRANSMISSION - 5-SPEED MANUAL
DGL = TRANSMISSION - 4-SPD. AUTOMATIC, 41TE
DD4 = TRANSMISSION - 5-SPEED PERF. MANUAL

AR = use ase required - = Non illustrated part

1999 JA



**Clutch, Input Shaft Automatic Transaxle, (DGL)
Figure 41TE-AE-425**



ITEM	PART NUMBER	QTY	LINE	SERIES	BODY	ENGINE	TRANS	TRIM	DESCRIPTION
	03836238	AR				EDZ	DGL		1.92-1.99mm Thk
		AR				EEB			
		AR				ECB	DGL		
-31									PLATE, Transmission O/Drive Clutch
	04431668	1				EDZ	DGL		2.13-2.35mm Thk
		1				EEB			
		1				ECB	DGL		
-32									PLATE, Transmission O/Drive Clutch
	03836239	AR				EDZ	DGL		
		AR				EEB			
		AR				ECB	DGL		2.14-2.21mm Thk
-33									PLATE, Transmission O/Drive Clutch
	04431669	1				EDZ	DGL		2.35-2.57mm Thk
		1				EEB			
		1				ECB	DGL		
-34									PLATE, Transmission O/Drive Clutch
	03836240	AR				EDZ	DGL		2.36-2.43mm Thk
		AR				EEB			
		AR				ECB	DGL		
-35									PLATE, Transmission O/Drive Clutch
	04446670	1				EDZ	DGL		2.57-2.79mm Thk
		1				EEB			
		1				ECB	DGL		
-36									PLATE, Transmission O/Drive Clutch
	03836241	1				EDZ	DGL		2.58-2.65mm Thk
		1				EEB			
		1				ECB	DGL		
-37									PLATE, Transmission O/Drive Clutch
	04446671	1				EDZ	DGL		2.79-3.01mm Thk
		1				EEB			

CIRRUS,BREEZE,STRATUS (JA)

SERIES LINE
H = HIGHLINE C = CHRYSLER
P = PREMIUM D = DODGE
P = PLYMOUTH

BODY
41 = 4 Door Sedan

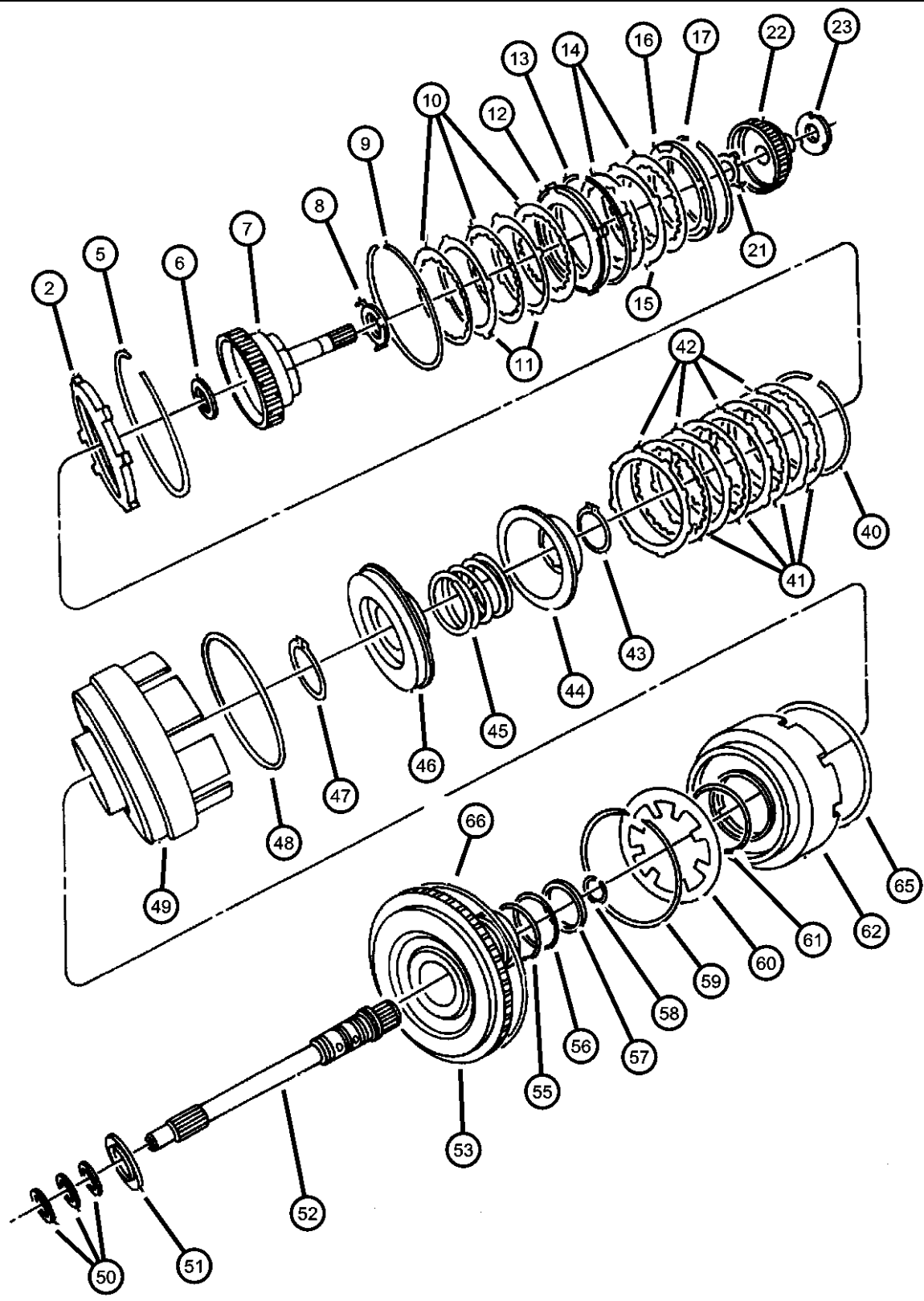
ENGINE
ECB = 2.0L 4 Cyl SOHC 16V SMPI Engine
EDZ = 2.4L 4 Cyl DOHC 16V SMPI Engine
EEB = 2.5L V6 SOHC 24V SMPI Engine

TRANSMISSION
DD5 = TRANSMISSION - 5-SPEED MANUAL
DGL = TRANSMISSION - 4-SPD. AUTOMATIC, 41TE
DD4 = TRANSMISSION - 5-SPEED PERF. MANUAL

AR = use ase required - = Non illustrated part

1999 JA

**Clutch, Input Shaft Automatic Transaxle, (DGL)
Figure 41TE-AE-425**



ITEM	PART NUMBER	QTY	LINE	SERIES	BODY	ENGINE	TRANS	TRIM	DESCRIPTION
-38		1				ECB	DGL		PLATE, Transmission O/Drive Clutch
	04446672	1				EDZ	DGL		3.01-2.23mm Thk
		1				EEB			
		1				ECB	DGL		
-39		1				ECB	DGL		PLATE, Transmission O/Drive Clutch
	04446601	1				EDZ	DGL		3.23-3.45mm Thk
		1				EEB			
		1				ECB	DGL		
40		1				EDZ	DGL		SNAP RING, Underdrive Clutch, Flat
	04659980	1				EDZ	DGL		1.53-1.58mm Thk
		1				EEB			
		1				ECB	DGL		
41		4				EDZ	DGL		DISC, Clutch
	04531678	4				EDZ	DGL		
		4				EEB			
		4				ECB	DGL		
42		1				EDZ	DGL		PLATE, Transmission O/Drive Clutch
	04659053	1				EDZ	DGL		
		1				EEB			
		1				ECB	DGL		
43		1				EDZ	DGL		SNAP RING
	06501715	1				EDZ	DGL		
		1				EEB			
		1				ECB	DGL		
44		1				EDZ	DGL		RETAINER AND SEAL, Transmission U/Drive Spring
	04431612	1				EDZ	DGL		
		1				EEB			
		1				ECB	DGL		
45		1				EDZ	DGL		SPRING, Drive Lower Case
	04377177	1				EDZ	DGL		

CIRRUS,BREEZE,STRATUS (JA)
 SERIES LINE
 H = HIGHLINE C = CHRYSLER
 P = PREMIUM D = DODGE
 P = PLYMOUTH

BODY
 41 = 4 Door Sedan

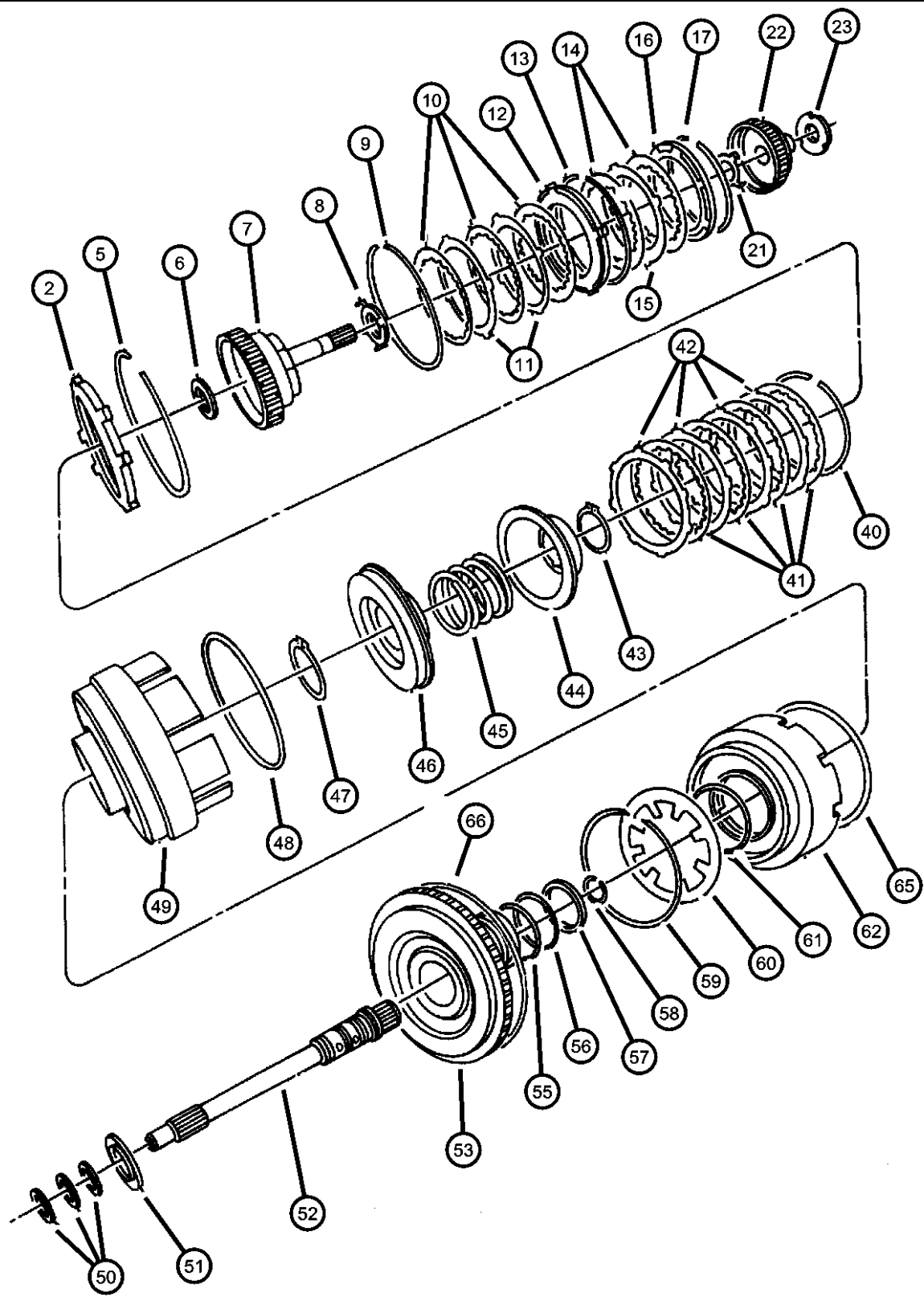
ENGINE
 ECB = 2.0L 4 Cyl SOHC 16V SMPI Engine
 EDZ = 2.4L 4 Cyl DOHC 16V SMPI Engine
 EEB = 2.5L V6 SOHC 24V SMPI Engine

TRANSMISSION
 DD5 = TRANSMISSION - 5-SPEED MANUAL
 DGL = TRANSMISSION - 4-SPD. AUTOMATIC,41TE
 DD4 = TRANSMISSION - 5-SPEED PERF. MANUAL

AR = use ase required - = Non illustrated part

1999 JA

**Clutch, Input Shaft Automatic Transaxle, (DGL)
Figure 41TE-AE-425**



ITEM	PART NUMBER	QTY	LINE	SERIES	BODY	ENGINE	TRANS	TRIM	DESCRIPTION
		1				EEB			
		1				ECB	DGL		
46		1				EDZ	DGL		PISTON, Underdrive
	04431610	1				EEB			
		1				ECB	DGL		
47		1				EDZ	DGL		SNAP RING
	06501812	1				EEB			
		1				ECB	DGL		
48		1				EDZ	DGL		SEAL, Piston Outer, 140mm OD
	04659871	1				EEB			
		1				ECB	DGL		
49		1				EDZ	DGL		RETAINER, Transmission Input Clutch
	04659935	1				EEB			
		1				ECB	DGL		
50		3				EDZ	DGL		SEAL, Input Shaft tEFLON
	04446543	3				EEB			
		3				ECB	DGL		
51		1				EDZ	DGL		THRUST BEARING Suppt to Input Cl Hub, Needle Thrust
	04412209	1				EEB			
		1				ECB	DGL		
52		1				EDZ	DGL		INPUT SHAFT PACKAGE, Transaxle 22T
	04549223	1				EEB			
		1				ECB	DGL		
53		1				EDZ	DGL		HUB PACKAGE, Input Clutch
	05241064	1							

CIRRUS,BREEZE,STRATUS (JA)

SERIES LINE
H = HIGHLINE C = CHRYSLER
P = PREMIUM D = DODGE
 P = PLYMOUTH

BODY
41 = 4 Door Sedan

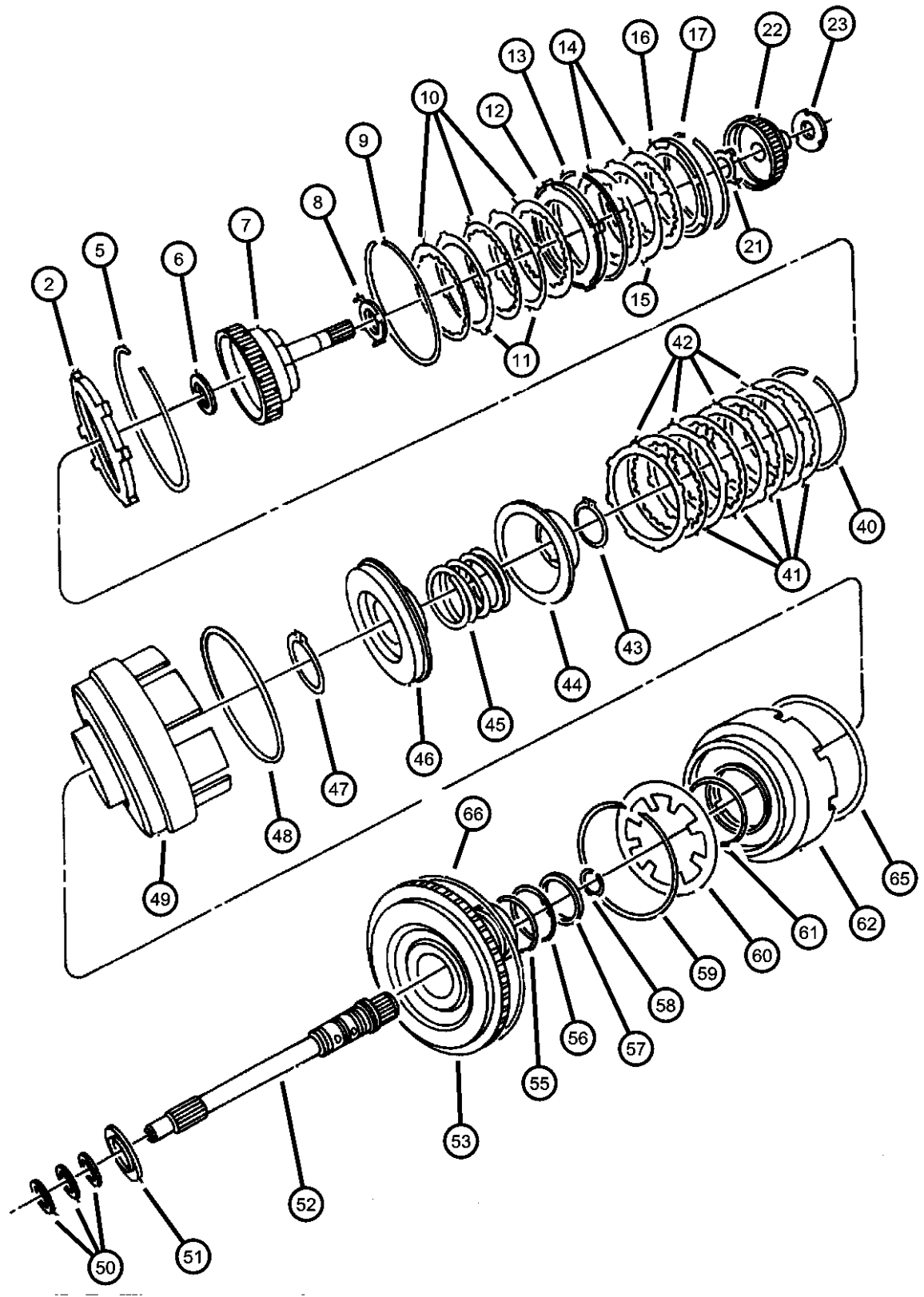
ENGINE
ECB = 2.0L 4 Cyl SOHC 16V SMPI Engine
EDZ = 2.4L 4 Cyl DOHC 16V SMPI Engine
EEB = 2.5L V6 SOHC 24V SMPI Engine

TRANSMISSION
DD5 = TRANSMISSION - 5-SPEED MANUAL
DGL = TRANSMISSION - 4-SPD. AUTOMATIC, 41TE
DD4 = TRANSMISSION - 5-SPEED PERF. MANUAL

AR = use ase required - = Non illustrated part

1999 JA

**Clutch, Input Shaft Automatic Transaxle, (DGL)
Figure 41TE-AE-425**



ITEM	PART NUMBER	QTY	LINE	SERIES	BODY	ENGINE	TRANS	TRIM	DESCRIPTION
-54		1				EEB			HUB PACKAGE, Input Clutch
	05241064	1				ECB	DGL		w/6502269,271 O-Rings, Input Clutch
55		1				EDZ	DGL		O RING, Transmission Clutch
	06502271	1				EEB			Input Cl.Hub. Large, Front Blue .103' Thk
56		1				ECB	DGL		O RING, Transmission Clutch
	06502269	1				EDZ	DGL		Input Cl. Hub, Small, Rear Red .103' Thk
57		1				EEB			SEAL, Under Drive
	04659391	1				ECB	DGL		
58		1				EDZ	DGL		SNAP RING
	06501702	1				EEB			Input Shaft
59		1				ECB	DGL		SNAP RING
	04412203	1				EDZ	DGL		Rev. & O/Drive Piston Return Spring
60		1				EEB			SPRING, Overdrive Piston
	04412202	1				ECB	DGL		Rev.& O/Drive Piston Return
61		1				EEB			O RING, Reverse & O/Drive Clutch Piston, Transmission
		1				ECB	DGL		

CIRRUS,BREEZE,STRATUS (JA)
 SERIES LINE
 H = HIGHLINE C = CHRYSLER
 P = PREMIUM D = DODGE
 P = PLYMOUTH

BODY
 41 = 4 Door Sedan

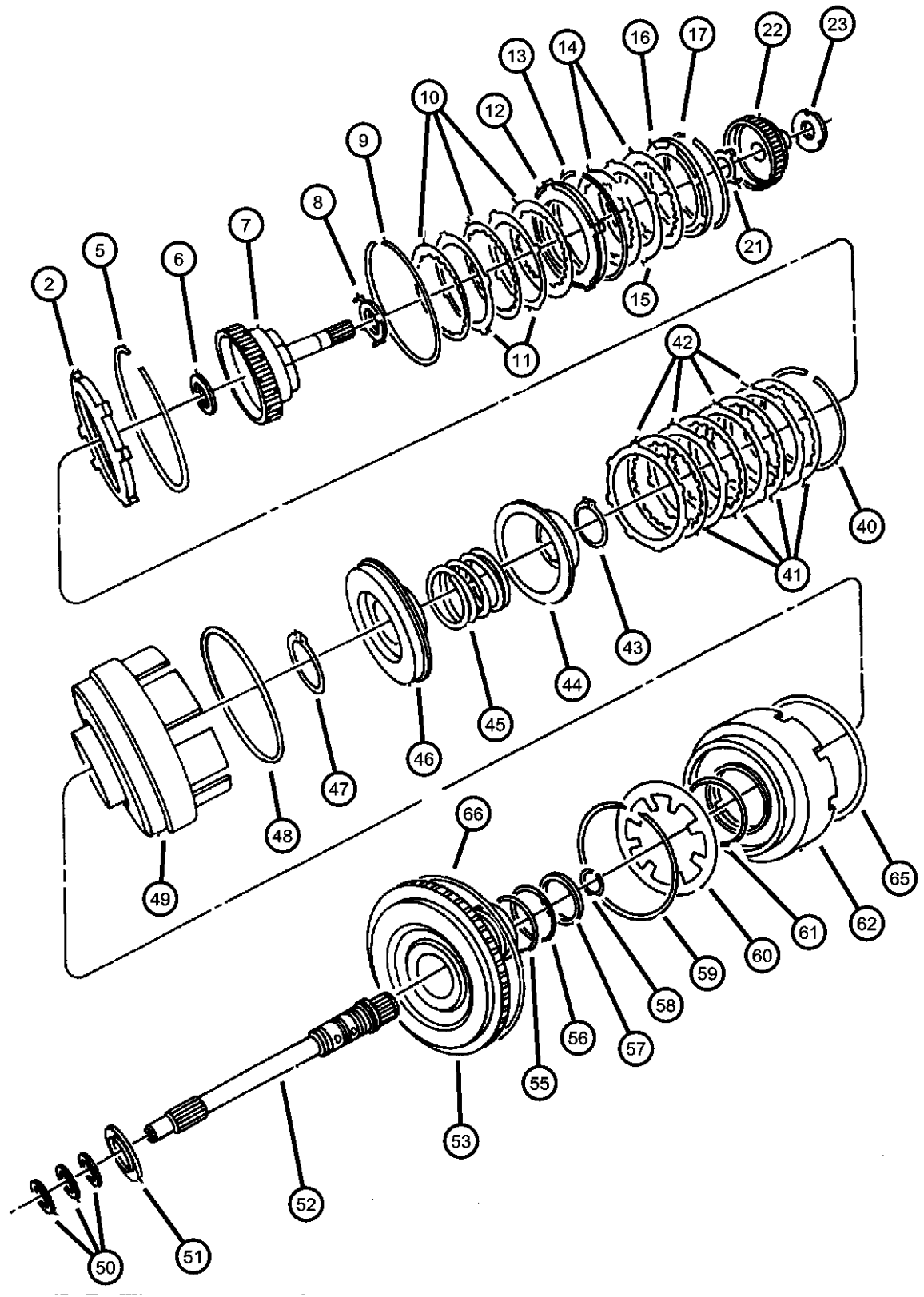
ENGINE
 ECB = 2.0L 4 Cyl SOHC 16V SMPI Engine
 EDZ = 2.4L 4 Cyl DOHC 16V SMPI Engine
 EEB = 2.5L V6 SOHC 24V SMPI Engine

TRANSMISSION
 DD5 = TRANSMISSION - 5-SPEED MANUAL
 DGL = TRANSMISSION - 4-SPD. AUTOMATIC,41TE
 DD4 = TRANSMISSION - 5-SPEED PERF. MANUAL

AR = use ase required - = Non illustrated part

1999 JA

**Clutch, Input Shaft Automatic Transaxle, (DGL)
Figure 41TE-AE-425**



ITEM	PART NUMBER	QTY	LINE	SERIES	BODY	ENGINE	TRANS	TRIM	DESCRIPTION
	06033158	1				EDZ	DGL		Inner
		1				EEB			
		1				ECB	DGL		
62									PISTON, Reverse and Overdrive
	04531910AB	1				EDZ	DGL		w/Screen Filter, Rev. & O/Drive Clutch, 4 Lug
		1				EEB			
		1				ECB	DGL		
-63									PISTON AND PLATE, Reverse and Overdrive Clutch
	05013476AA	1				EDZ	DGL		
		1				EEB			
		1				ECB	DGL		
-64									FILTER, Reverse And O/D Clutch
	04531903	1				EDZ	DGL		
		1				EEB			
		1				ECB	DGL		
65									SEAL, Reverse Servo Piston
	04659056	1				EDZ	DGL		Outer 160mm O.D.
		1				EEB			
		1				ECB	DGL		
66									SEAL, Reverse Servo Piston
	04659056	1				EDZ	DGL		Input Clutch
		1				EEB			
		1				ECB	DGL		

CIRRUS,BREEZE,STRATUS (JA)
 SERIES LINE
 H = HIGHLINE C = CHRYSLER
 P = PREMIUM D = DODGE
 P = PLYMOUTH

BODY
 41 = 4 Door Sedan

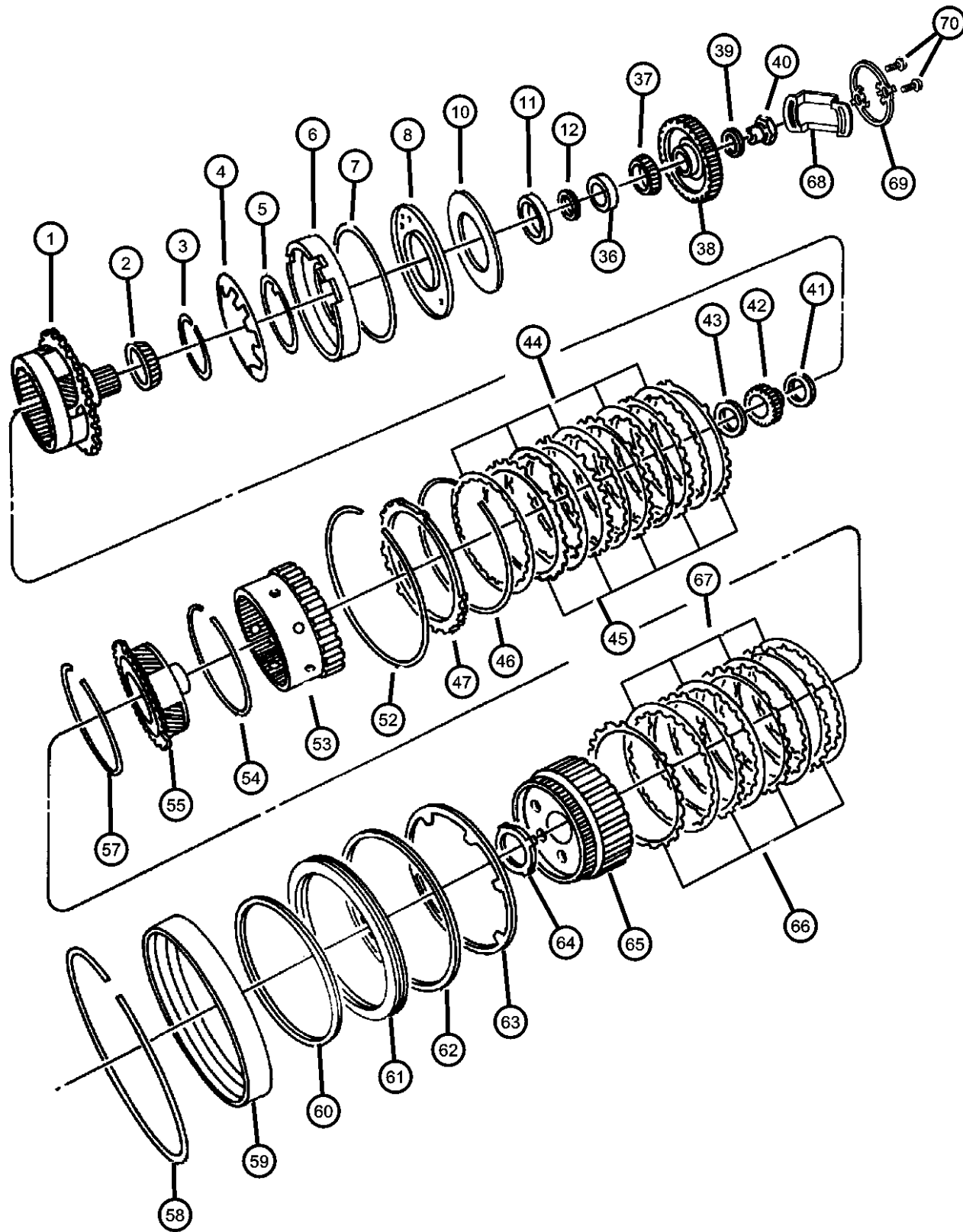
ENGINE
 ECB = 2.0L 4 Cyl SOHC 16V SMPI Engine
 EDZ = 2.4L 4 Cyl DOHC 16V SMPI Engine
 EEB = 2.5L V6 SOHC 24V SMPI Engine

TRANSMISSION
 DD5 = TRANSMISSION - 5-SPEED MANUAL
 DGL = TRANSMISSION - 4-SPD. AUTOMATIC, 41TE
 DD4 = TRANSMISSION - 5-SPEED PERF. MANUAL

AR = use ase required - = Non illustrated part

1999 JA

**Gear Train Automatic Transaxle, (DGL)
Figure 41TE-AE-440**



ITEM	PART NUMBER	QTY	LINE	SERIES	BODY	ENGINE	TRANS	TRIM	DESCRIPTION
------	-------------	-----	------	--------	------	--------	-------	------	-------------

NOTE; SALES CODES; DGL = 4 Spd Auto Trans 41TE - FWD
 ECB = 2.0L 4 Cyl - SOHC
 EDZ = 2.4L 4 Cyl - DOHC

1	04897329AA	1				EDZ	DGL		CARRIER AND BEARING, Planet Pinion
		1				EEB			
		1				ECB	DGL		
2	04659238	1				EDZ	DGL		BEARING CONE, Differential
		1				EEB			
		1				ECB	DGL		
3	06501853	1				EDZ	DGL		SNAP RING Low & Rev.Clutch Piston
		1				EEB			
		1				ECB	DGL		
4	04412261	1				EDZ	DGL		SPRING, Low/Reverse Clutch Piston
		1				EEB			
		1				ECB	DGL		
5	04882917	1				EDZ	DGL		SEAL PACKAGE, Transmission Clutch
		1				EEB			
		1				ECB	DGL		
6	04431672	1				EDZ	DGL		PISTON, Low and Reverse Clutch
		1				EEB			
		1				ECB	DGL		
7	04882917	1				EDZ	DGL		SEAL PACKAGE, Transmission Clutch
		1				EEB			
		1				ECB	DGL		
8									RETAINER, Transmission Low and Reverse Clutch Piston

CIRRUS,BREEZE,STRATUS (JA)

SERIES LINE
 H = HIGHLINE C = CHRYSLER
 P = PREMIUM D = DODGE
 P = PLYMOUTH

BODY
 41 = 4 Door Sedan

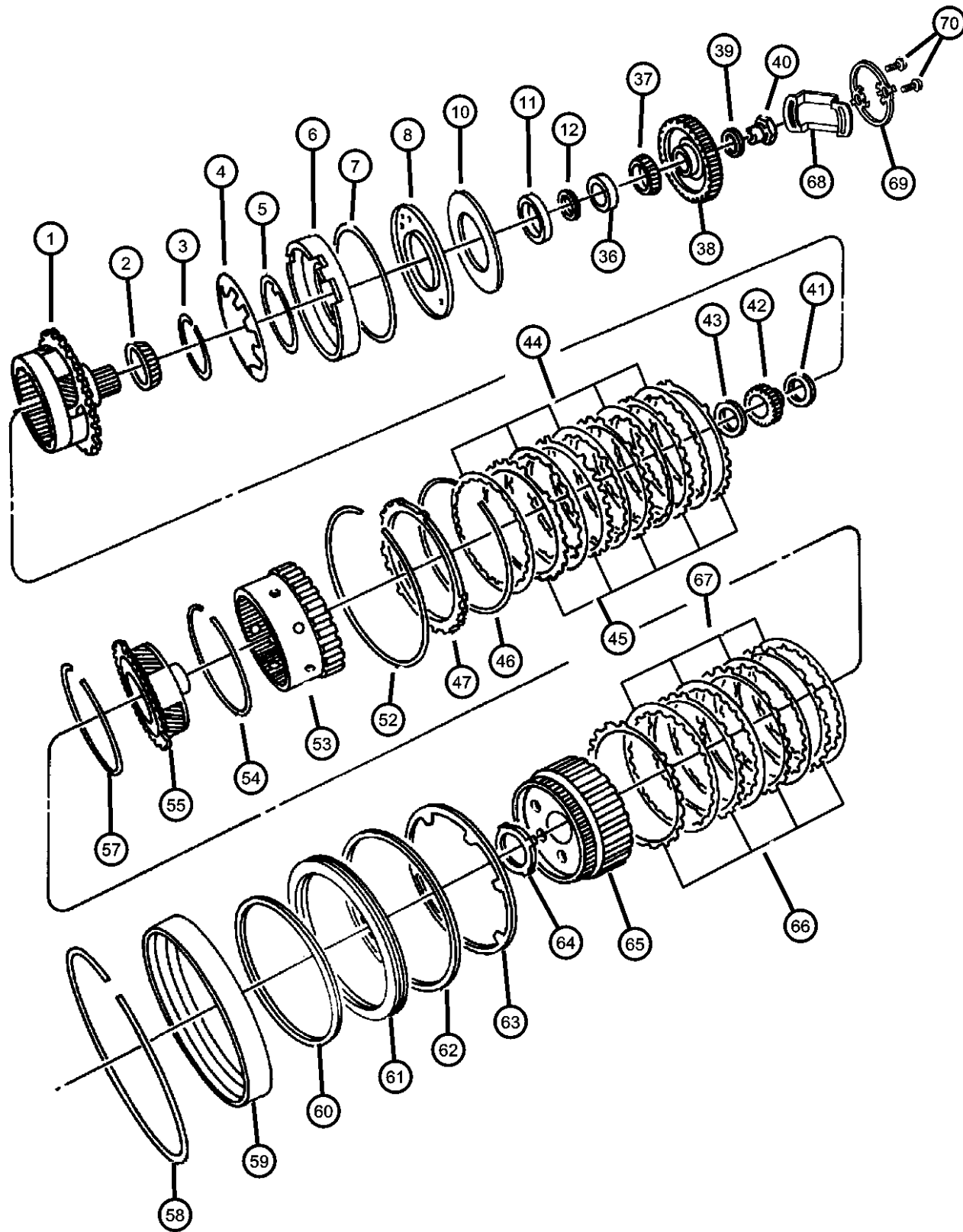
ENGINE
 ECB = 2.0L 4 Cyl SOHC 16V SMPI Engine
 EDZ = 2.4L 4 Cyl DOHC 16V SMPI Engine
 EEB = 2.5L V6 SOHC 24V SMPI Engine

TRANSMISSION
 DD5 = TRANSMISSION - 5-SPEED MANUAL
 DGL = TRANSMISSION - 4-SPD. AUTOMATIC, 41TE
 DD4 = TRANSMISSION - 5-SPEED PERF. MANUAL

AR = use ase required - = Non illustrated part

1999 JA

**Gear Train Automatic Transaxle, (DGL)
Figure 41TE-AE-440**



ITEM	PART NUMBER	QTY	LINE	SERIES	BODY	ENGINE	TRANS	TRIM	DESCRIPTION
	04431648	1				EDZ	DGL		
		1				EEB	DGL		
		1				ECB	DGL		
-9									SCREW AND WASHER, Pan Head, M5x0.8x11.00
	06501819	2				EDZ	DGL		
		2				EEB	DGL		
		2				ECB	DGL		
10									GASKET, Clutch Retainer
	04431649	1				EDZ	DGL		
		1				EEB	DGL		
		1				ECB	DGL		
11									BEARING CUP, Differential
	04567022	1				EDZ	DGL		
		1				EEB	DGL		
		1				ECB	DGL		
12									SPACER, Output Shaft, 3.46mm
	04412806	1				EDZ	DGL		
		1				EEB	DGL		
		1				ECB	DGL		
-13									SPACER, Output Shaft, 3.50mm
	04412807	1				EDZ	DGL		
		1				EEB	DGL		
		1				ECB	DGL		
-14									SPACER, Output Shaft, 3.54mm
	04412808	1				EDZ	DGL		
		1				EEB	DGL		
		1				ECB	DGL		
-15									SPACER, Output Shaft, 3.58mm
	04412809	1				EDZ	DGL		
		1				EEB	DGL		
		1				ECB	DGL		
-16									SPACER, Output Shaft, 3.66mm
	04412811	1				EDZ	DGL		

CIRRUS,BREEZE,STRATUS (JA)
 SERIES LINE
 H = HIGHLINE C = CHRYSLER
 P = PREMIUM D = DODGE
 P = PLYMOUTH

BODY
 41 = 4 Door Sedan

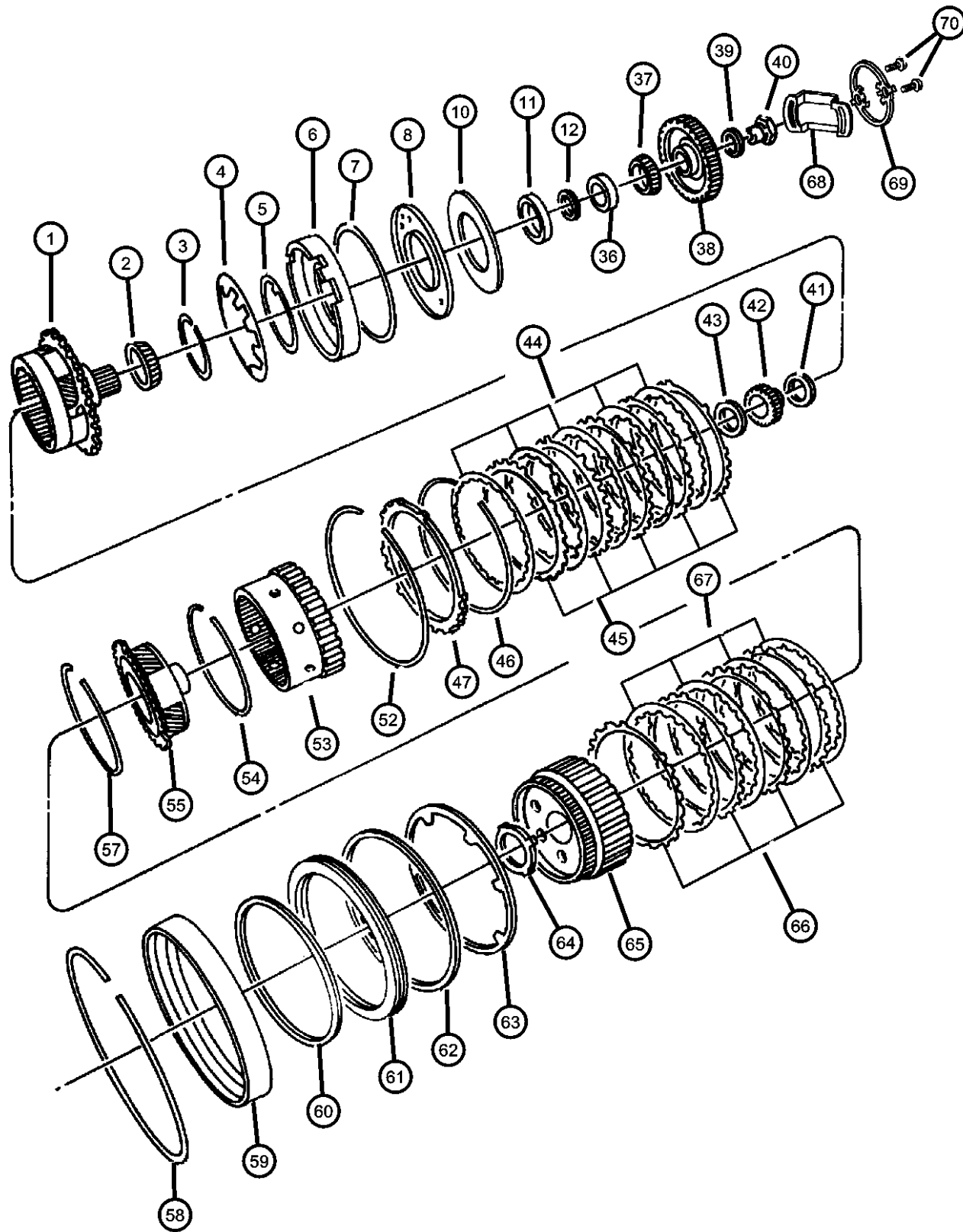
ENGINE
 ECB = 2.0L 4 Cyl SOHC 16V SMPI Engine
 EDZ = 2.4L 4 Cyl DOHC 16V SMPI Engine
 EEB = 2.5L V6 SOHC 24V SMPI Engine

TRANSMISSION
 DD5 = TRANSMISSION - 5-SPEED MANUAL
 DGL = TRANSMISSION - 4-SPD. AUTOMATIC, 41TE
 DD4 = TRANSMISSION - 5-SPEED PERF. MANUAL

AR = use ase required - = Non illustrated part

1999 JA

**Gear Train Automatic Transaxle, (DGL)
Figure 41TE-AE-440**



ITEM	PART NUMBER	QTY	LINE	SERIES	BODY	ENGINE	TRANS	TRIM	DESCRIPTION
		1				EEB			
		1				ECB	DGL		
-17	04412812	1				EDZ	DGL		SPACER, Output Shaft, 3.70mm
		1				EEB			
		1				ECB	DGL		
-18	04412813	1				EDZ	DGL		SPACER, Output Shaft, 3.74mm
		1				EEB			
		1				ECB	DGL		
-19	04412814	1				EDZ	DGL		SPACER, Output Shaft, 3.78mm
		1				EEB			
		1				ECB	DGL		
-20	04412815	1				EDZ	DGL		SPACER, Output Shaft, 3.82mm
		1				EEB			
		1				ECB	DGL		
-21	04412816	1				EDZ	DGL		SPACER, Output Shaft, 3.86mm
		1				EEB			
		1				ECB	DGL		
-22	04412817	1				EDZ	DGL		SPACER, Output Shaft, 3.90mm
		1				EEB			
		1				ECB	DGL		
-23	04412818	1				EDZ	DGL		SPACER, Output Shaft, 3.94mm
		1				EEB			
		1				ECB	DGL		
-24	04412819	1				EDZ	DGL		SPACER, Output Shaft, 3.98mm
		1				EEB			

CIRRUS,BREEZE,STRATUS (JA)

SERIES LINE
H = HIGHLINE C = CHRYSLER
P = PREMIUM D = DODGE
 P = PLYMOUTH

BODY
41 = 4 Door Sedan

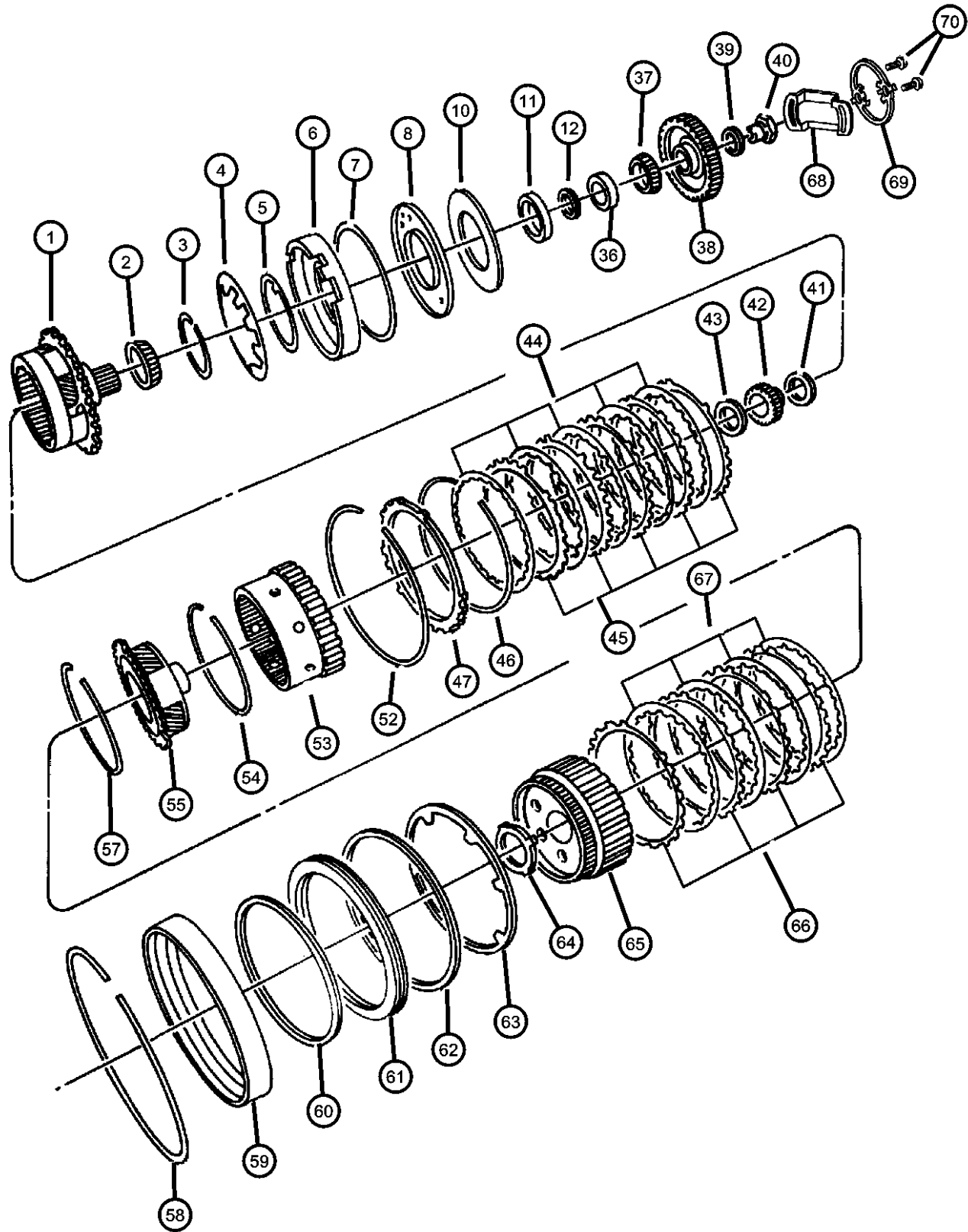
ENGINE
ECB = 2.0L 4 Cyl SOHC 16V SMPI Engine
EDZ = 2.4L 4 Cyl DOHC 16V SMPI Engine
EEB = 2.5L V6 SOHC 24V SMPI Engine

TRANSMISSION
DD5 = TRANSMISSION - 5-SPEED MANUAL
DGL = TRANSMISSION - 4-SPD. AUTOMATIC, 41TE
DD4 = TRANSMISSION - 5-SPEED PERF. MANUAL

AR = use ase required - = Non illustrated part

1999 JA

**Gear Train Automatic Transaxle, (DGL)
Figure 41TE-AE-440**



ITEM	PART NUMBER	QTY	LINE	SERIES	BODY	ENGINE	TRANS	TRIM	DESCRIPTION
-25		1				ECB	DGL		SPACER, Output Shaft, 4.02mm
	04412820	1				EDZ	DGL		
		1				EEB	DGL		
		1				ECB	DGL		
-26		1				EDZ	DGL		SPACER, Output Shaft, 4.06mm
	04412821	1				EEB	DGL		
		1				ECB	DGL		
-27		1				EDZ	DGL		SPACER, Output Shaft, 4.10mm
	04412822	1				EEB	DGL		
		1				ECB	DGL		
-28		1				EDZ	DGL		SPACER, Output Shaft, 4.14mm
	04412823	1				EEB	DGL		
		1				ECB	DGL		
-29		1				EDZ	DGL		SPACER, Output Shaft, 4.18mm
	04412824	1				EEB	DGL		
		1				ECB	DGL		
-30		1				EDZ	DGL		SPACER, Output Shaft, 4.22mm
	04412825	1				EEB	DGL		
		1				ECB	DGL		
-31		1				EDZ	DGL		SPACER, Output Shaft, 4.26mm
	04412826	1				EEB	DGL		
		1				ECB	DGL		
-32		1				EDZ	DGL		SPACER, Output Shaft, 4.30mm
	04412827	1				EEB	DGL		
		1				ECB	DGL		

CIRRUS,BREEZE,STRATUS (JA)
 SERIES LINE
 H = HIGHLINE C = CHRYSLER
 P = PREMIUM D = DODGE
 P = PLYMOUTH

BODY
 41 = 4 Door Sedan

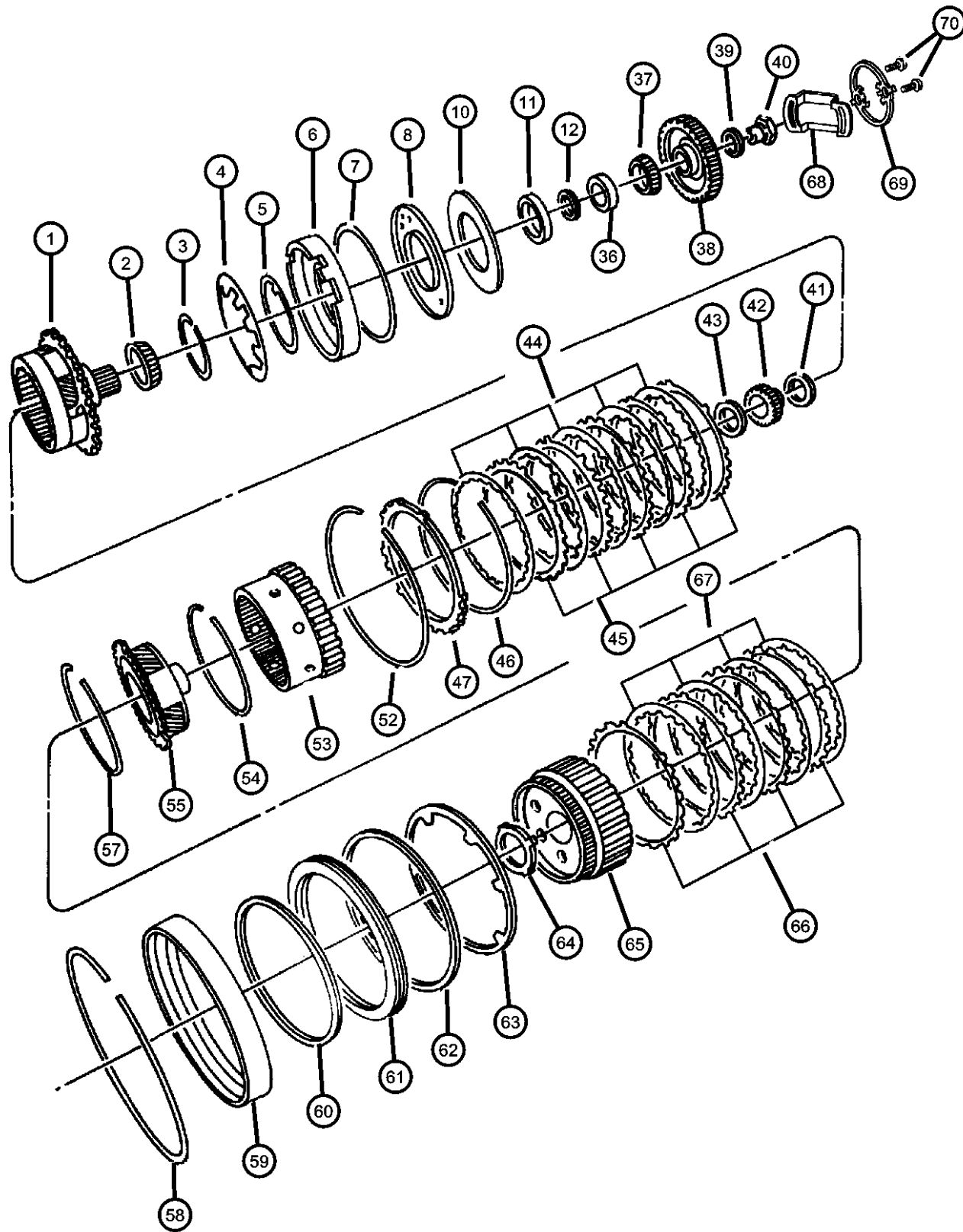
ENGINE
 ECB = 2.0L 4 Cyl SOHC 16V
 SMPI Engine
 EDZ = 2.4L 4 Cyl DOHC 16V
 SMPI Engine
 EEB = 2.5L V6 SOHC 24V
 SMPI Engine

TRANSMISSION
 DD5 = TRANSMISSION - 5-SPEED
 MANUAL
 DGL = TRANSMISSION - 4-SPD.
 AUTOMATIC,41TE
 DD4 = TRANSMISSION - 5-SPEED
 PERF. MANUAL

AR = use ase required - = Non illustrated part

1999 JA

**Gear Train Automatic Transaxle, (DGL)
Figure 41TE-AE-440**



ITEM	PART NUMBER	QTY	LINE	SERIES	BODY	ENGINE	TRANS	TRIM	DESCRIPTION
-33									SPACER, Output Shaft, 4.34mm
	04412828	1				EDZ	DGL		
		1				EEB	DGL		
		1				ECB	DGL		
-34									SPACER, Output Shaft, 4.38mm
	04412829	1				EDZ	DGL		
		1				EEB	DGL		
		1				ECB	DGL		
-35									SPACER, Output Shaft, 4.42mm
	04412830	1				EDZ	DGL		
		1				EEB	DGL		
		1				ECB	DGL		
36									BEARING CUP, Output Shaft
	04412234	1				EDZ	DGL		
		1				EEB	DGL		
		1				ECB	DGL		
37									BEARING CONE, Output Shaft
	04412235	1				EDZ	DGL		
		1				EEB	DGL		
		1				ECB	DGL		
38									GEAR PACKAGE, Output And Transfer Shaft
	04713444	1				EDZ	DGL		
		1				EEB	DGL		
	04773275	1				ECB	DGL		
39									WASHER, Output Shaft
	06501832	1				EDZ	DGL		
		1				EEB	DGL		
		1				ECB	DGL		
40									BOLT, Hex Head, M18x1.5x34
	06503548	1				EDZ	DGL		
		1				EEB	DGL		
		1				ECB	DGL		
41									THRUST BEARING

CIRRUS,BREEZE,STRATUS (JA)
 SERIES LINE
 H = HIGHLINE C = CHRYSLER
 P = PREMIUM D = DODGE
 P = PLYMOUTH

BODY
 41 = 4 Door Sedan

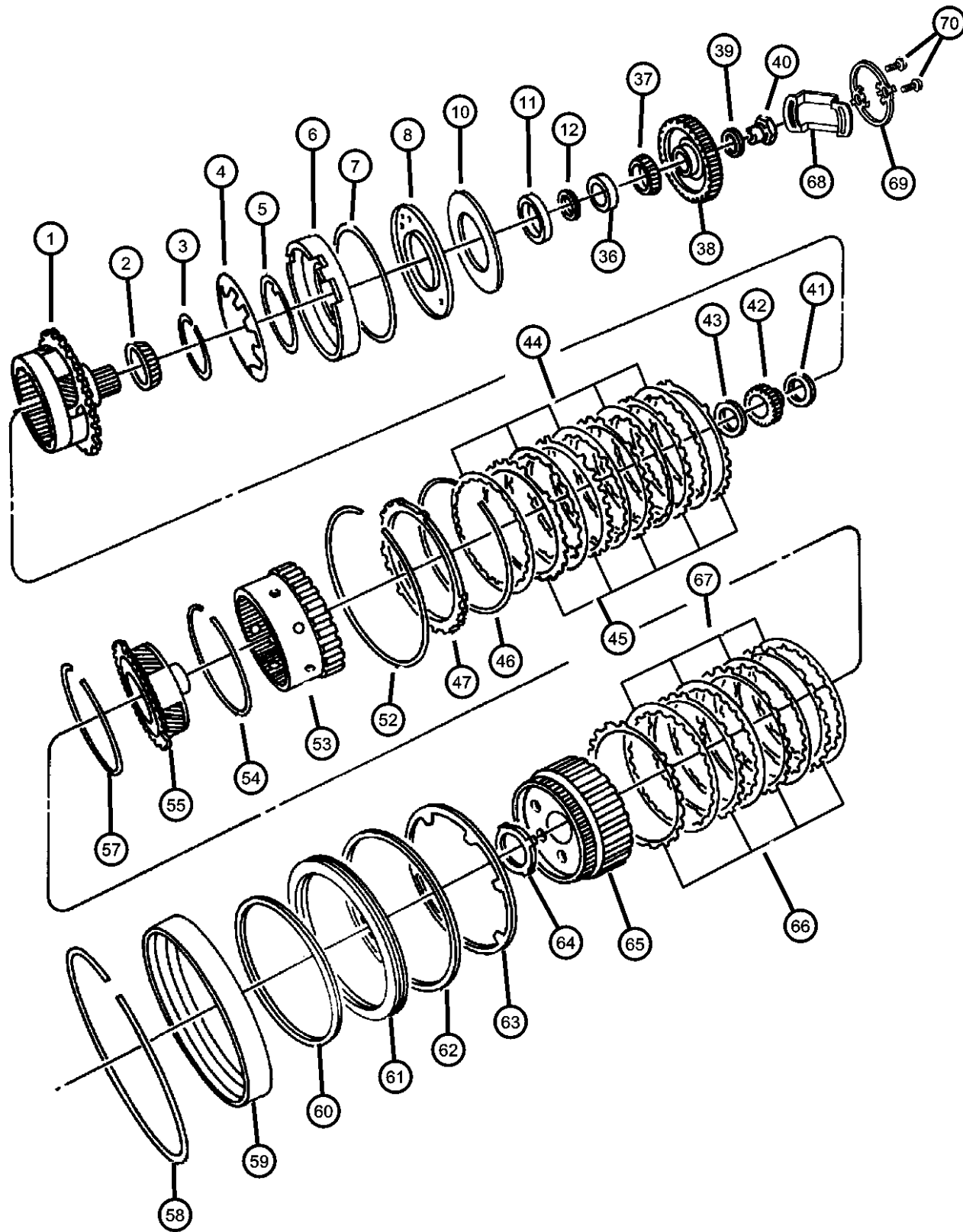
ENGINE
 ECB = 2.0L 4 Cyl SOHC 16V SMPI Engine
 EDZ = 2.4L 4 Cyl DOHC 16V SMPI Engine
 EEB = 2.5L V6 SOHC 24V SMPI Engine

TRANSMISSION
 DD5 = TRANSMISSION - 5-SPEED MANUAL
 DGL = TRANSMISSION - 4-SPD. AUTOMATIC, 41TE
 DD4 = TRANSMISSION - 5-SPEED PERF. MANUAL

AR = use ase required - = Non illustrated part

1999 JA

**Gear Train Automatic Transaxle, (DGL)
Figure 41TE-AE-440**



ITEM	PART NUMBER	QTY	LINE	SERIES	BODY	ENGINE	TRANS	TRIM	DESCRIPTION
	04567262	1				EDZ	DGL		
		1				EEB			
		1				ECB	DGL		
42									GEAR, Sun
	04377080	1				EDZ	DGL		
		1				EEB			
		1				ECB	DGL		
43									THRUST BEARING, Rear Sun Gear, Front
	04412229	1				EDZ	DGL		
		1				EEB			
		1				ECB	DGL		
44									DISC, Clutch
	04567573	5				EDZ	DGL		
		5				EEB			
		5				ECB	DGL		
45									PLATE, Transmission Clutch Reaction
	04659055	5				EDZ	DGL		
		5				EEB			
		5				ECB	DGL		
46									SNAP RING
	04412395	1				EDZ	DGL		
		1				EEB			
		1				ECB	DGL		
47									PLATE PACKAGE, Low/Reverse Clutch, 5.753/6.012
	04897452AA	1				EDZ	DGL		
		1				EEB			
		1				ECB	DGL		
-48									PLATE PACKAGE, Low/Reverse Clutch, 6.013/6.272
	04897453AA	1				EDZ	DGL		
		1				EEB			
		1				ECB	DGL		

CIRRUS,BREEZE,STRATUS (JA)

SERIES LINE
H = HIGHLINE C = CHRYSLER
P = PREMIUM D = DODGE
 P = PLYMOUTH

BODY
41 = 4 Door Sedan

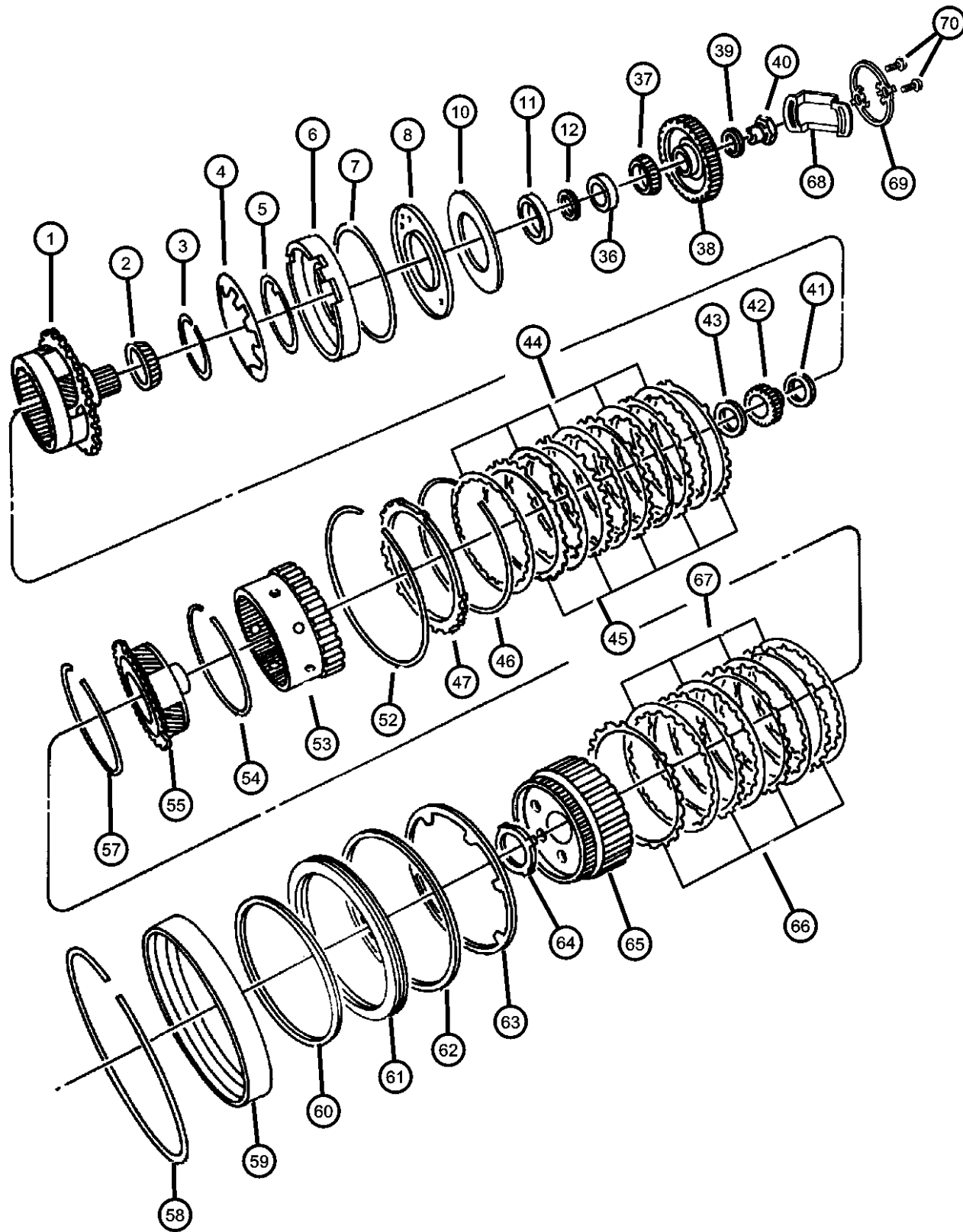
ENGINE
ECB = 2.0L 4 Cyl SOHC 16V SMPI Engine
EDZ = 2.4L 4 Cyl DOHC 16V SMPI Engine
EEB = 2.5L V6 SOHC 24V SMPI Engine

TRANSMISSION
DD5 = TRANSMISSION - 5-SPEED MANUAL
DGL = TRANSMISSION - 4-SPD. AUTOMATIC, 41TE
DD4 = TRANSMISSION - 5-SPEED PERF. MANUAL

AR = use ase required - = Non illustrated part

1999 JA

**Gear Train Automatic Transaxle, (DGL)
Figure 41TE-AE-440**



ITEM	PART NUMBER	QTY	LINE	SERIES	BODY	ENGINE	TRANS	TRIM	DESCRIPTION
-49	04897454AA	1				ECB	DGL		PLATE PACKAGE, Low/Reverse Clutch, 6.273/6.532
-50	04897455AA	1				ECB	DGL		PLATE PACKAGE, Low/Reverse Clutch, 6.533/6.792
-51	04897456AA	1				ECB	DGL		PLATE PACKAGE, Low/Reverse Clutch, 6.793/7.052
52	04897456AA	1							SNAP RING, (NOT SERVICED)
53									GEAR, Annulus
	04799794	1				EDZ	DGL		
		1				EEB			
		1				ECB	DGL		
54									SNAP RING
	06035238	2				EDZ	DGL		
		2				EEB			
		2				ECB	DGL		
55									CARRIER, Planetary Pinion
	04567539	1				EDZ	DGL		
		1				EEB			
		1				ECB	DGL		
-56									THRUST BEARING
	04567262	1				EDZ	DGL		
		1				EEB			
		1				ECB	DGL		
57									SNAP RING
	06035238	2				EDZ	DGL		
		2				EEB			
		2				ECB	DGL		
58									SNAP RING
	04505591	1				EDZ	DGL		
		1				EEB			
		1				ECB	DGL		
59									RETAINER PACKAGE, 2nd & 4th Clutch Piston
	04883078	1				EDZ	DGL		
		1				EEB			

CIRRUS,BREEZE,STRATUS (JA)

SERIES LINE
H = HIGHLINE C = CHRYSLER
P = PREMIUM D = DODGE
 P = PLYMOUTH

BODY
41 = 4 Door Sedan

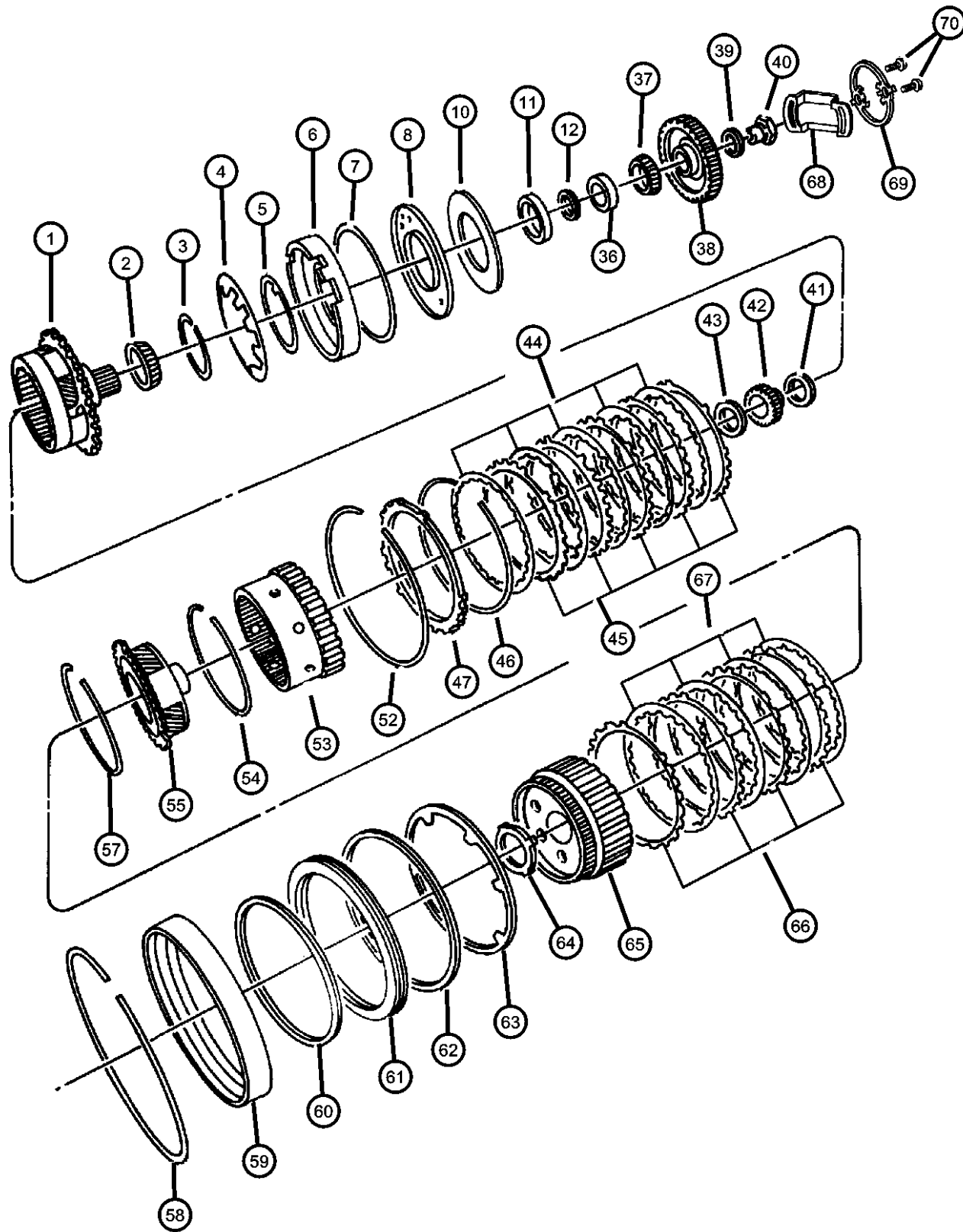
ENGINE
ECB = 2.0L 4 Cyl SOHC 16V SMPI Engine
EDZ = 2.4L 4 Cyl DOHC 16V SMPI Engine
EEB = 2.5L V6 SOHC 24V SMPI Engine

TRANSMISSION
DD5 = TRANSMISSION - 5-SPEED MANUAL
DGL = TRANSMISSION - 4-SPD. AUTOMATIC, 41TE
DD4 = TRANSMISSION - 5-SPEED PERF. MANUAL

AR = use ase required - = Non illustrated part

1999 JA

**Gear Train Automatic Transaxle, (DGL)
Figure 41TE-AE-440**



ITEM	PART NUMBER	QTY	LINE	SERIES	BODY	ENGINE	TRANS	TRIM	DESCRIPTION
60		1				ECB	DGL		SEAL PACKAGE, Transmission Clutch
	04856002	1				EDZ	DGL		
		1				EEB			
		1				ECB	DGL		
61									RETAINER PACKAGE, 2nd & 4th Clutch Piston
	04883078	1				EDZ	DGL		
		1				EEB			
		1				ECB	DGL		
62									SEAL PACKAGE, Transmission Clutch
	04856002	1				EDZ	DGL		
		1				EEB			
		1				ECB	DGL		
63									SPRING, 2nd And 4th Clutch Piston
	04412248	1				EDZ	DGL		
		1				EEB			
		1				ECB	DGL		
64									THRUST WASHER, Second and Fourth Clutch
	04412216	1				EDZ	DGL		
		1				EEB			
		1				ECB	DGL		
65									HUB AND GEAR, Second And Fourth Clutch
	04659618AB	1				EDZ	DGL		
		1				EEB			
		1				ECB	DGL		
66									PLATE, Transmission Clutch Reaction
	04659054	4				EDZ	DGL		
		4				EEB			
		4				ECB	DGL		
67									DISC, Clutch

CIRRUS,BREEZE,STRATUS (JA)
 SERIES LINE
 H = HIGHLINE C = CHRYSLER
 P = PREMIUM D = DODGE
 P = PLYMOUTH

BODY
 41 = 4 Door Sedan

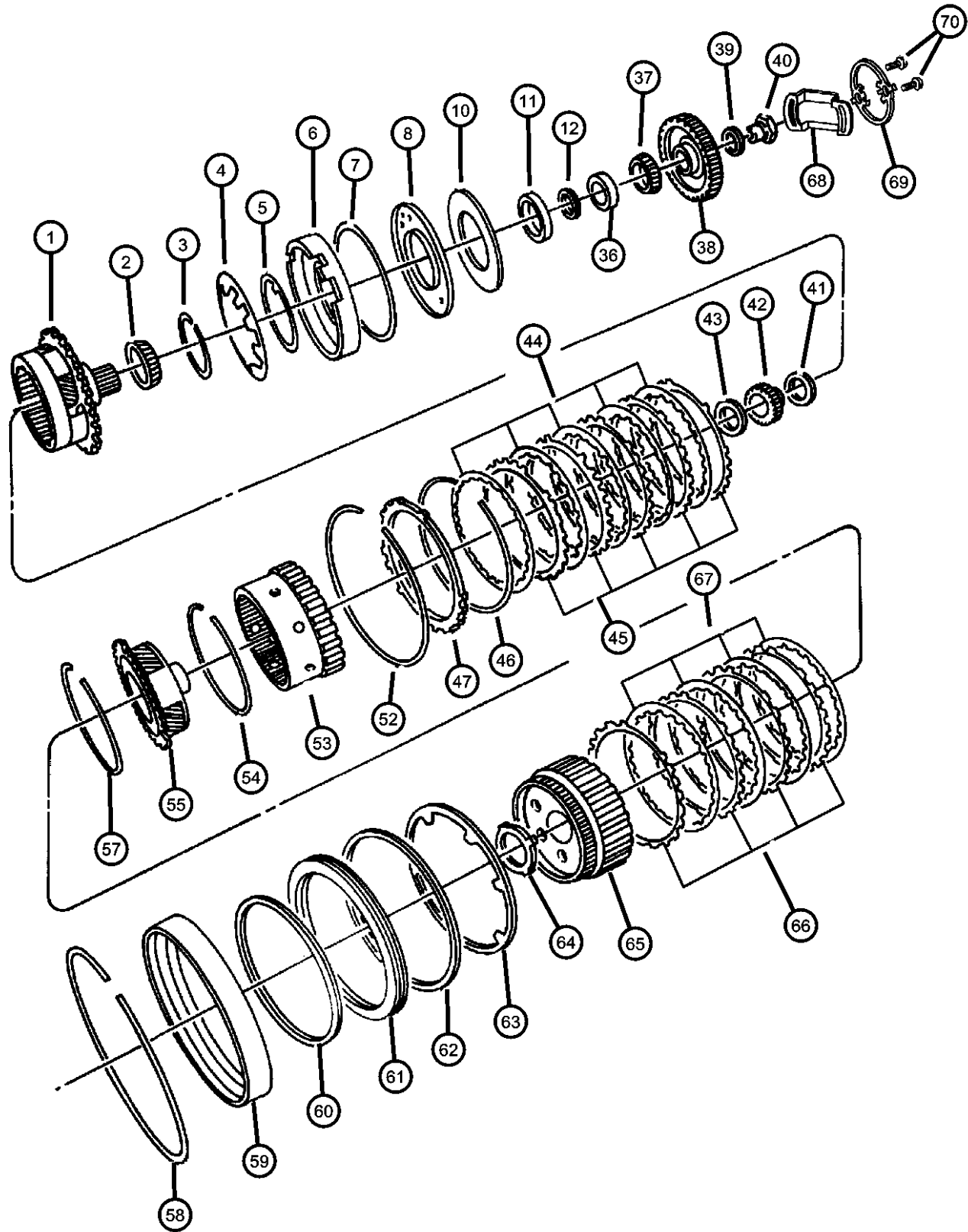
ENGINE
 ECB = 2.0L 4 Cyl SOHC 16V SMPI Engine
 EDZ = 2.4L 4 Cyl DOHC 16V SMPI Engine
 EEB = 2.5L V6 SOHC 24V SMPI Engine

TRANSMISSION
 DD5 = TRANSMISSION - 5-SPEED MANUAL
 DGL = TRANSMISSION - 4-SPD. AUTOMATIC, 41TE
 DD4 = TRANSMISSION - 5-SPEED PERF. MANUAL

AR = use ase required - = Non illustrated part

1999 JA

**Gear Train Automatic Transaxle, (DGL)
Figure 41TE-AE-440**



ITEM	PART NUMBER	QTY	LINE	SERIES	BODY	ENGINE	TRANS	TRIM	DESCRIPTION
	04799860AA	4				EDZ	DGL		
		4				EEB	DGL		
		4				ECB	DGL		
68									STIRRUP, Retaining Nut
	04567263	1				EDZ	DGL		
		1				EEB	DGL		
		1				ECB	DGL		
69									STRAP, Retaining
	04659134	1				EDZ	DGL		
		1				EEB	DGL		
		1				ECB	DGL		
70									BOLT, Hex Head, M8x1.25x10.00
	06503355	2				EDZ	DGL		
		2				EEB	DGL		
		2				ECB	DGL		

CIRRUS,BREEZE,STRATUS (JA)
 SERIES LINE
 H = HIGHLINE C = CHRYSLER
 P = PREMIUM D = DODGE
 P = PLYMOUTH

BODY
 41 = 4 Door Sedan

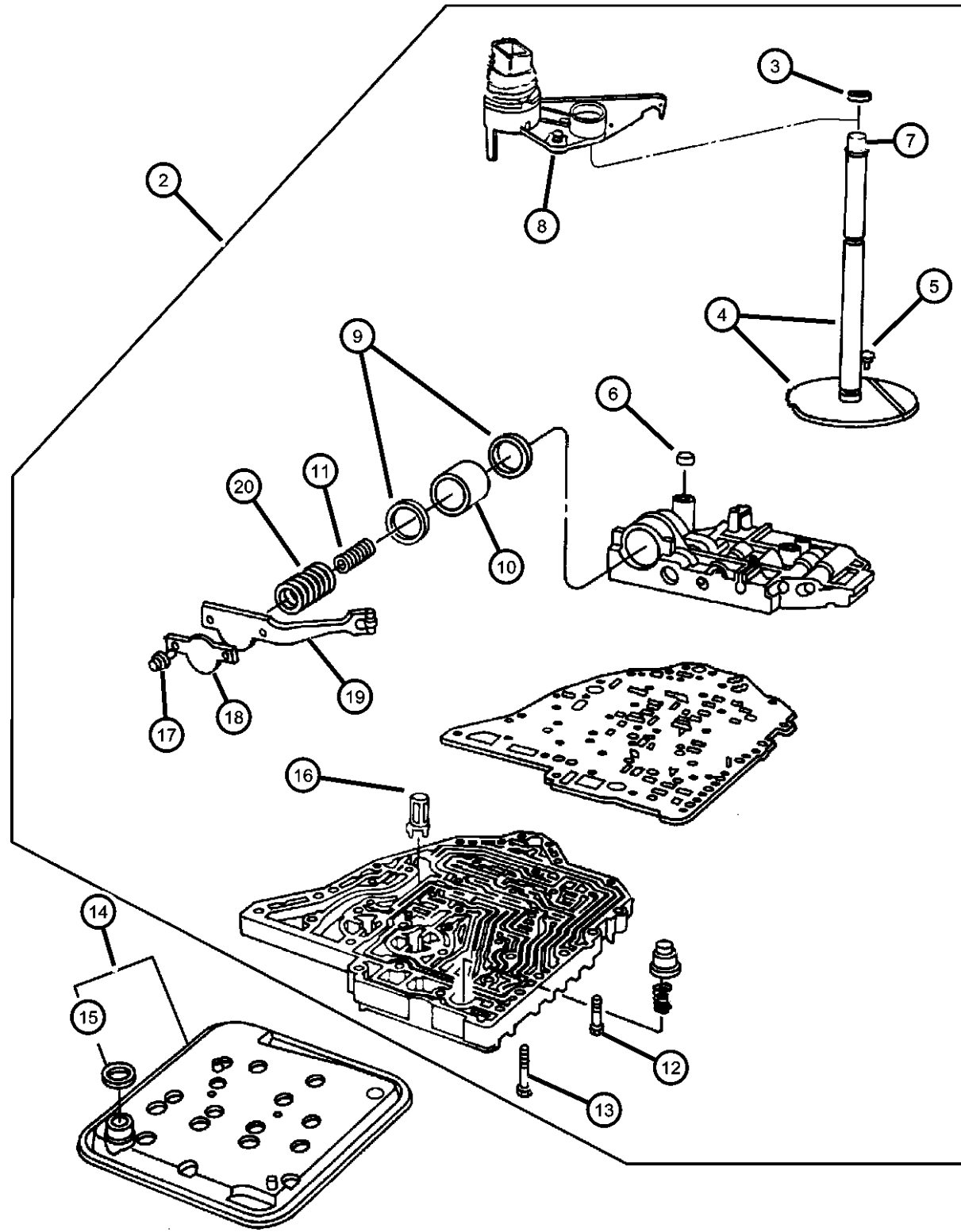
ENGINE
 ECB = 2.0L 4 Cyl SOHC 16V SMPI Engine
 EDZ = 2.4L 4 Cyl DOHC 16V SMPI Engine
 EEB = 2.5L V6 SOHC 24V SMPI Engine

TRANSMISSION
 DD5 = TRANSMISSION - 5-SPEED MANUAL
 DGL = TRANSMISSION - 4-SPD. AUTOMATIC, 41TE
 DD4 = TRANSMISSION - 5-SPEED PERF. MANUAL

AR = use ase required - = Non illustrated part

1999 JA

**Valve Body Automatic Transaxle, (DGL)
Figure 41TE-AE-715**



ITEM	PART NUMBER	QTY	LINE	SERIES	BODY	ENGINE	TRANS	TRIM	DESCRIPTION
------	-------------	-----	------	--------	------	--------	-------	------	-------------

NOTE; SALES CODES; DGL = 4 Spd Auto Trans 41TE - FWD
ECB = 2.0L 4 Cyl - SOHC
EDZ = 2.4L 4 Cyl - DOHC

-1	04864696	1				EDZ	DGL		GASKET PACKAGE, Valve Body
		1				EEB			
		1				ECB	DGL		
2	04864781	1				EDZ	DGL		VALVE BODY, Complete up to 10-20-98
	R4864781	1				EEB			Mopar Remanufactured Part up to 10-20-98
	R4864781	1				ECB	DGL		Mopar Remanufactured Part up to 10-20-98
	R4864781	1				EDZ	DGL		Mopar Remanufactured Part after 10-20-98
	04897890AA	1				EDZ	DGL		Mopar Remanufactured Part after 10-20-98
	R4897890AA	1				EEB			Mopar Remanufactured Part after 10-20-98
	R4897890AA	1				ECB	DGL		Mopar Remanufactured Part after 10-20-98
	R4897890AA	1				ECB	DGL		Mopar Remanufactured Part after 10-20-98
3	04412836	1				EDZ	DGL		SEAL, Manual Valve Lever
		1				EEB			
		1				ECB	DGL		
4	04883316	1				EDZ	DGL		LEVER, Manual Valve
		1				EEB			
		1				ECB	DGL		
5	06502434	1				EDZ	DGL		SCREW, Shoulder/Truss, M5x.8x21.5
		1				EEB			
		1				ECB	DGL		
6	04412291	1				EDZ	DGL		SEAL, Clutch Feed

CIRRUS,BREEZE,STRATUS (JA)

SERIES LINE
H = HIGHLINE C = CHRYSLER
P = PREMIUM D = DODGE
 P = PLYMOUTH

BODY
41 = 4 Door Sedan

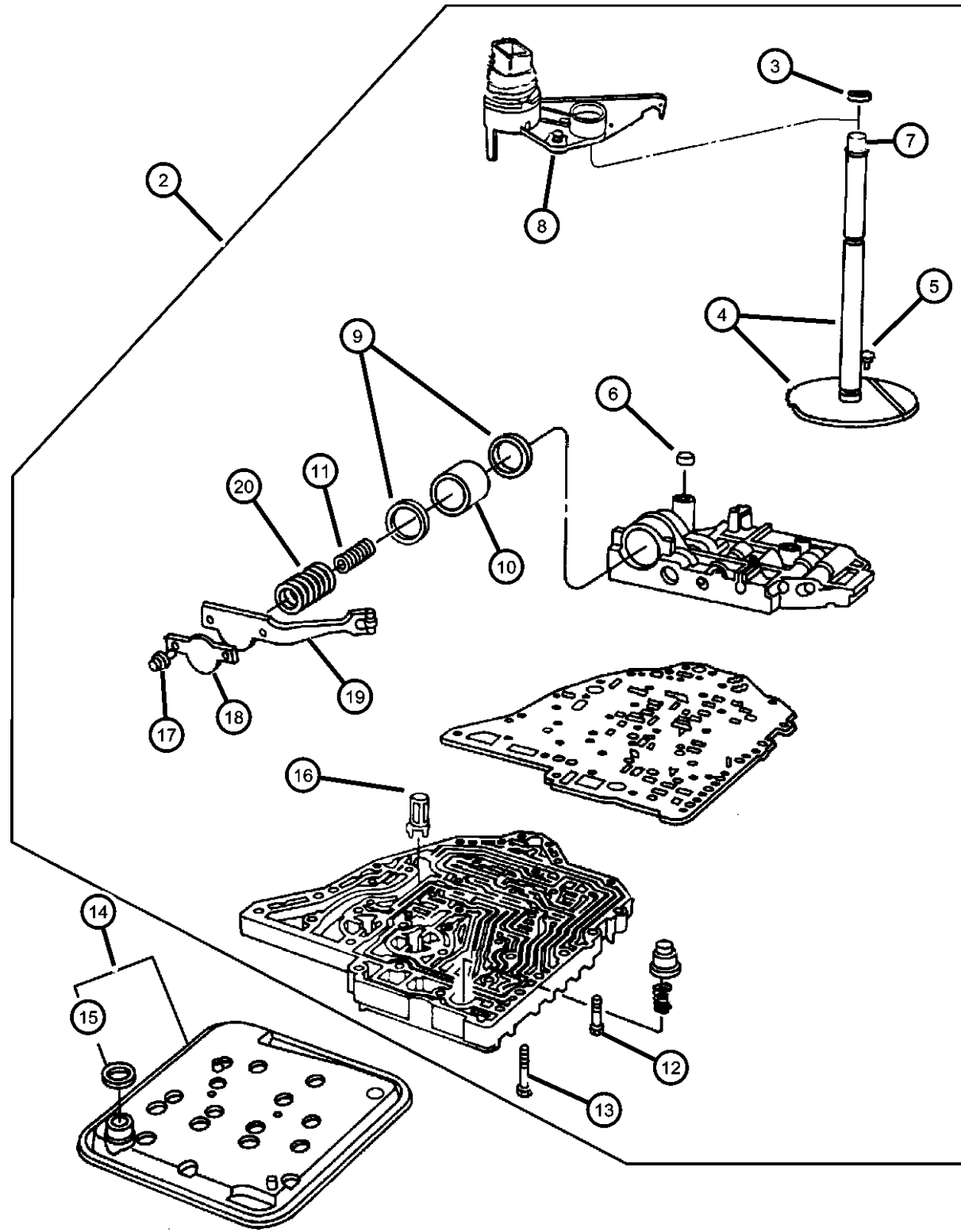
ENGINE
ECB = 2.0L 4 Cyl SOHC 16V
SMPI Engine
EDZ = 2.4L 4 Cyl DOHC 16V
SMPI Engine
EEB = 2.5L V6 SOHC 24V
SMPI Engine

TRANSMISSION
DD5 = TRANSMISSION - 5-SPEED
MANUAL
DGL = TRANSMISSION - 4-SPD.
AUTOMATIC,41TE
DD4 = TRANSMISSION - 5-SPEED
PERF. MANUAL

AR = use ase required - = Non illustrated part

1999 JA

**Valve Body Automatic Transaxle, (DGL)
Figure 41TE-AE-715**



ITEM	PART NUMBER	QTY	LINE	SERIES	BODY	ENGINE	TRANS	TRIM	DESCRIPTION
		1				EEB			
		1				ECB	DGL		
7	04505557	1				EDZ	DGL		VENT, Transmission
		1				EEB			
		1				ECB	DGL		
8	04659559AC	1				EDZ	DGL		SENSOR, Transmission Range
		1				EEB			up to 9-29-98
		1				ECB	DGL		up to 9-29-98
		1				EDZ	DGL		after 9-29-98
		1				EEB			after 9-29-98
		1				ECB	DGL		after 9-29-98
9	04446544	2				EDZ	DGL		SEAL, Accumulator
		2				EEB			
		2				ECB	DGL		
10	04446620	1				EDZ	DGL		PISTON, Accumulator
		1				EEB			
		1				ECB	DGL		
11	04567575	1				EDZ	DGL		SPRING, Accumulator
		1				EEB			
		1				ECB	DGL		
12	06500215	24				EDZ	DGL		SCREW AND WASHER, Pan Head, M5x.8x25
		24				EEB			
		24				ECB	DGL		
13	06100155	18				EDZ	DGL		BOLT, Hex Head, M8x30
		18				EEB			
		18				ECB	DGL		

CIRRUS,BREEZE,STRATUS (JA)
 SERIES LINE
 H = HIGHLINE C = CHRYSLER
 P = PREMIUM D = DODGE
 P = PLYMOUTH

BODY
 41 = 4 Door Sedan

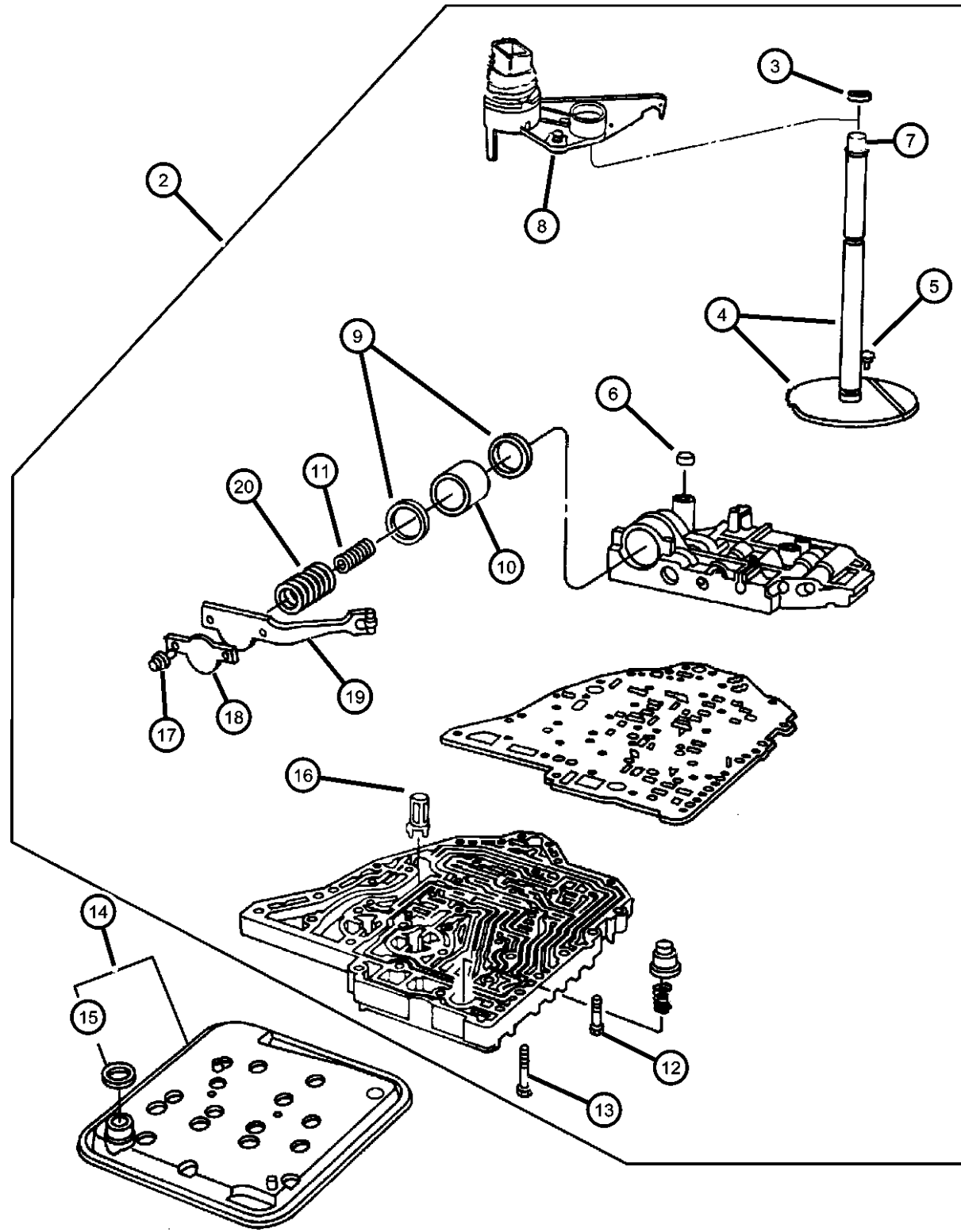
ENGINE
 ECB = 2.0L 4 Cyl SOHC 16V SMPI Engine
 EDZ = 2.4L 4 Cyl DOHC 16V SMPI Engine
 EEB = 2.5L V6 SOHC 24V SMPI Engine

TRANSMISSION
 DD5 = TRANSMISSION - 5-SPEED MANUAL
 DGL = TRANSMISSION - 4-SPD. AUTOMATIC, 41TE
 DD4 = TRANSMISSION - 5-SPEED PERF. MANUAL

AR = use ase required - = Non illustrated part

1999 JA

**Valve Body Automatic Transaxle, (DGL)
Figure 41TE-AE-715**



ITEM	PART NUMBER	QTY	LINE	SERIES	BODY	ENGINE	TRANS	TRIM	DESCRIPTION
14									FILTER PACKAGE, Transmission Oil
	04864505	1				EDZ	DGL		
		1				EEB	DGL		
		1				ECB	DGL		
15									O RING, Trans Oil Filter
	06032780	1				EDZ	DGL		
		1				EEB	DGL		
		1				ECB	DGL		
16									SCREEN, Transmission Regulator Valve
	03878313	1				EDZ	DGL		
		1				EEB	DGL		
		1				ECB	DGL		
17									SCREW, Pan Head, M5 x 0.8 x 12.60
	06503232	3				EDZ	DGL		
		3				EEB	DGL		
		3				ECB	DGL		
18									RETAINER, Transmission 2nd and 4th Accumulator Piston
	04431711	1				EDZ	DGL		
		1				EEB	DGL		
		1				ECB	DGL		
19									DETENT, Valve Body
	04431710	1				EDZ	DGL		
		1				EEB	DGL		
		1				ECB	DGL		
20									SPRING, Accumulator
	04471880	1				EDZ	DGL		
		1				EEB	DGL		
		1				ECB	DGL		

CIRRUS,BREEZE,STRATUS (JA)
 SERIES LINE
 H = HIGHLINE C = CHRYSLER
 P = PREMIUM D = DODGE
 P = PLYMOUTH

BODY
 41 = 4 Door Sedan

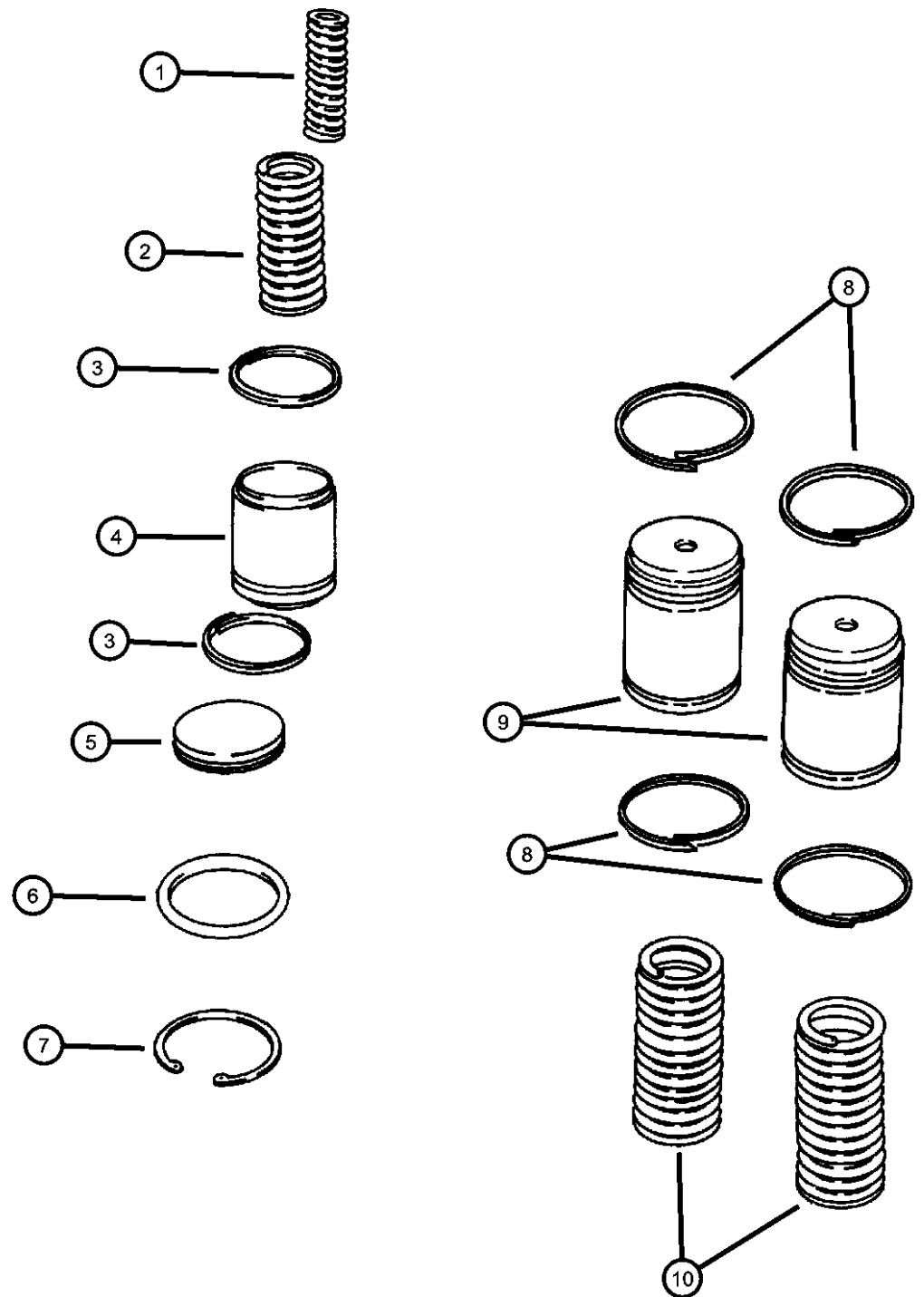
ENGINE
 ECB = 2.0L 4 Cyl SOHC 16V SMPI Engine
 EDZ = 2.4L 4 Cyl DOHC 16V SMPI Engine
 EEB = 2.5L V6 SOHC 24V SMPI Engine

TRANSMISSION
 DD5 = TRANSMISSION - 5-SPEED MANUAL
 DGL = TRANSMISSION - 4-SPD. AUTOMATIC, 41TE
 DD4 = TRANSMISSION - 5-SPEED PERF. MANUAL

AR = use ase required - = Non illustrated part

1999 JA

**Accumulator Piston And Springs Automatic Transaxle,(DGL)
Figure 41TE-AE-725**



ITEM	PART NUMBER	QTY	LINE	SERIES	BODY	ENGINE	TRANS	TRIM	DESCRIPTION
NOTE; SALES CODES; DGL = 4 Spd Auto Trans 41TE - FWD ECB = 2.0L 4 Cyl - SOHC EDZ = 2.4L 4 Cyl - DOHC EEB = 2.5L V6 Gas - SOHC									
1	04567575	1				EDZ	DGL		SPRING, Accumulator
		1				EEB			
		1				ECB	DGL		
2	04659124	1				EDZ	DGL		SPRING, Accumulator
		1				EEB			
		1				ECB	DGL		
3	04446544	2				EDZ	DGL		SEAL, Accumulator
		2				EEB			
		2				ECB	DGL		
4	04446620	1				EDZ	DGL		PISTON, Accumulator
		1				EEB			
		1				ECB	DGL		
5	04431617	1				EDZ	DGL		COVER, Accumulator
		1				EEB			
		1				ECB	DGL		
6	06501549	1				EDZ	DGL		O RING, Accumulator, Transmission
		1				EEB			
		1				ECB	DGL		
7	06501695	1				EDZ	DGL		SNAP RING
		1				EEB			
		1				ECB	DGL		
8	04446544	2				EDZ	DGL		SEAL, Accumulator

CIRRUS,BREEZE,STRATUS (JA)
 SERIES LINE
 H = HIGHLINE C = CHRYSLER
 P = PREMIUM D = DODGE
 P = PLYMOUTH

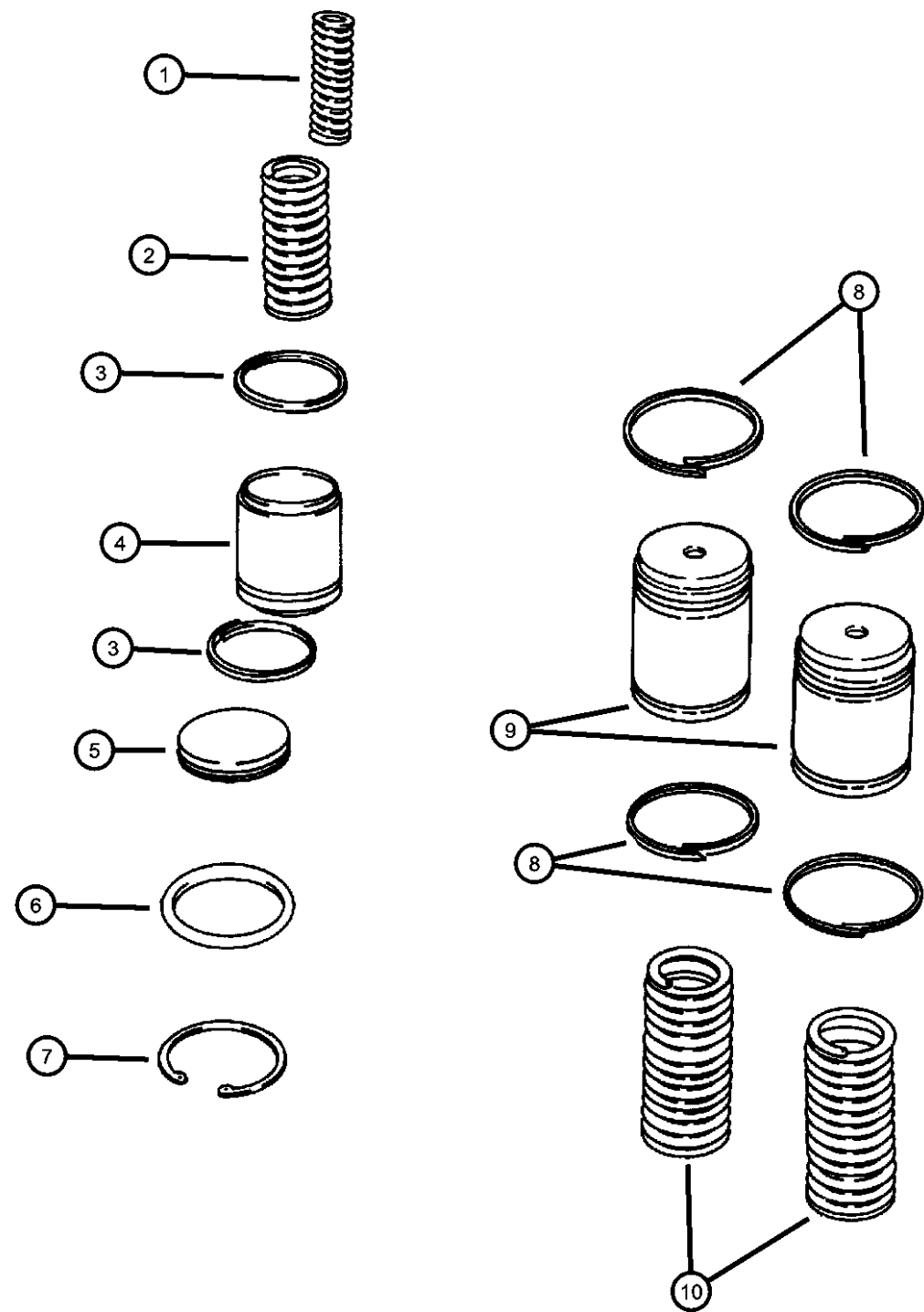
BODY
 41 = 4 Door Sedan

ENGINE
 ECB = 2.0L 4 Cyl SOHC 16V SMPI Engine
 EDZ = 2.4L 4 Cyl DOHC 16V SMPI Engine
 EEB = 2.5L V6 SOHC 24V SMPI Engine

TRANSMISSION
 DD5 = TRANSMISSION - 5-SPEED MANUAL
 DGL = TRANSMISSION - 4-SPD. AUTOMATIC,41TE
 DD4 = TRANSMISSION - 5-SPEED PERF. MANUAL

AR = use ase required - = Non illustrated part

**Accumulator Piston And Springs Automatic Transaxle,(DGL)
Figure 41TE-AE-725**



ITEM	PART NUMBER	QTY	LINE	SERIES	BODY	ENGINE	TRANS	TRIM	DESCRIPTION
		2				EEB			
		2				ECB	DGL		
9	04446620	1				EDZ	DGL		PISTON, Accumulator
		1				EEB			
		1				ECB	DGL		
10	04659124	1				EDZ	DGL		SPRING, Accumulator
		1				EEB			
		1				ECB	DGL		

CIRRUS,BREEZE,STRATUS (JA)
 SERIES LINE
 H = HIGHLINE C = CHRYSLER
 P = PREMIUM D = DODGE
 P = PLYMOUTH

BODY
 41 = 4 Door Sedan

ENGINE
 ECB = 2.0L 4 Cyl SOHC 16V SMPI Engine
 EDZ = 2.4L 4 Cyl DOHC 16V SMPI Engine
 EEB = 2.5L V6 SOHC 24V SMPI Engine

TRANSMISSION
 DD5 = TRANSMISSION - 5-SPEED MANUAL
 DGL = TRANSMISSION - 4-SPD. AUTOMATIC,41TE
 DD4 = TRANSMISSION - 5-SPEED PERF. MANUAL

AR = use ase required - = Non illustrated part

1999 JA

**Parking Sprag Automatic Transaxle, (DGL)
Figure 41TE-AE-740**

ITEM	PART NUMBER	QTY	LINE	SERIES	BODY	ENGINE	TRANS	TRIM	DESCRIPTION
------	-------------	-----	------	--------	------	--------	-------	------	-------------

NOTE; SALES CODES; DGL = 4 Spd Auto Trans 41TE - FWD

ECB = 2.0L 4 Cyl - SOHC

EDZ = 2.4L 4 Cyl - DOHC

EEB = 2.5L V6 Gas - SOHC

NOTE; PARTS NOT CALLED OUT IN BOX, ORDER #1.

NOTE: PARTS NOT CALLED OUT IN BOX ARE SERVICED IN ITEM 1.

1									GUIDE PACKAGE, Parking Sprag Pawl
	04883505AA	1				EDZ	DGL		
		1				EEB	DGL		
		1				ECB	DGL		
2									SPRING, Parking Sprag Return
	04431653	1				EDZ	DGL		
		1				EEB	DGL		
		1				ECB	DGL		
3									SHAFT, Parking Sprag
	04431999	1				EDZ	DGL		
		1				EEB	DGL		
		1				ECB	DGL		
4									SHAFT, Parking Sprag
	04412289	1				EDZ	DGL		
		1				EEB	DGL		
		1				ECB	DGL		
5									CUP, Parking Brake Sprag
	04446612	1				EDZ	DGL		
		1				EEB	DGL		
		1				ECB	DGL		
6									ROD, Parking Sprag
	04431634	1				EDZ	DGL		
		1				EEB	DGL		
		1				ECB	DGL		
7									SNAP RING, Rod
	06035256	1				EDZ	DGL		
		1				EEB	DGL		
		1				ECB	DGL		

CIRRUS,BREEZE,STRATUS (JA)

SERIES LINE
H = HIGHLINE C = CHRYSLER
P = PREMIUM D = DODGE
 P = PLYMOUTH

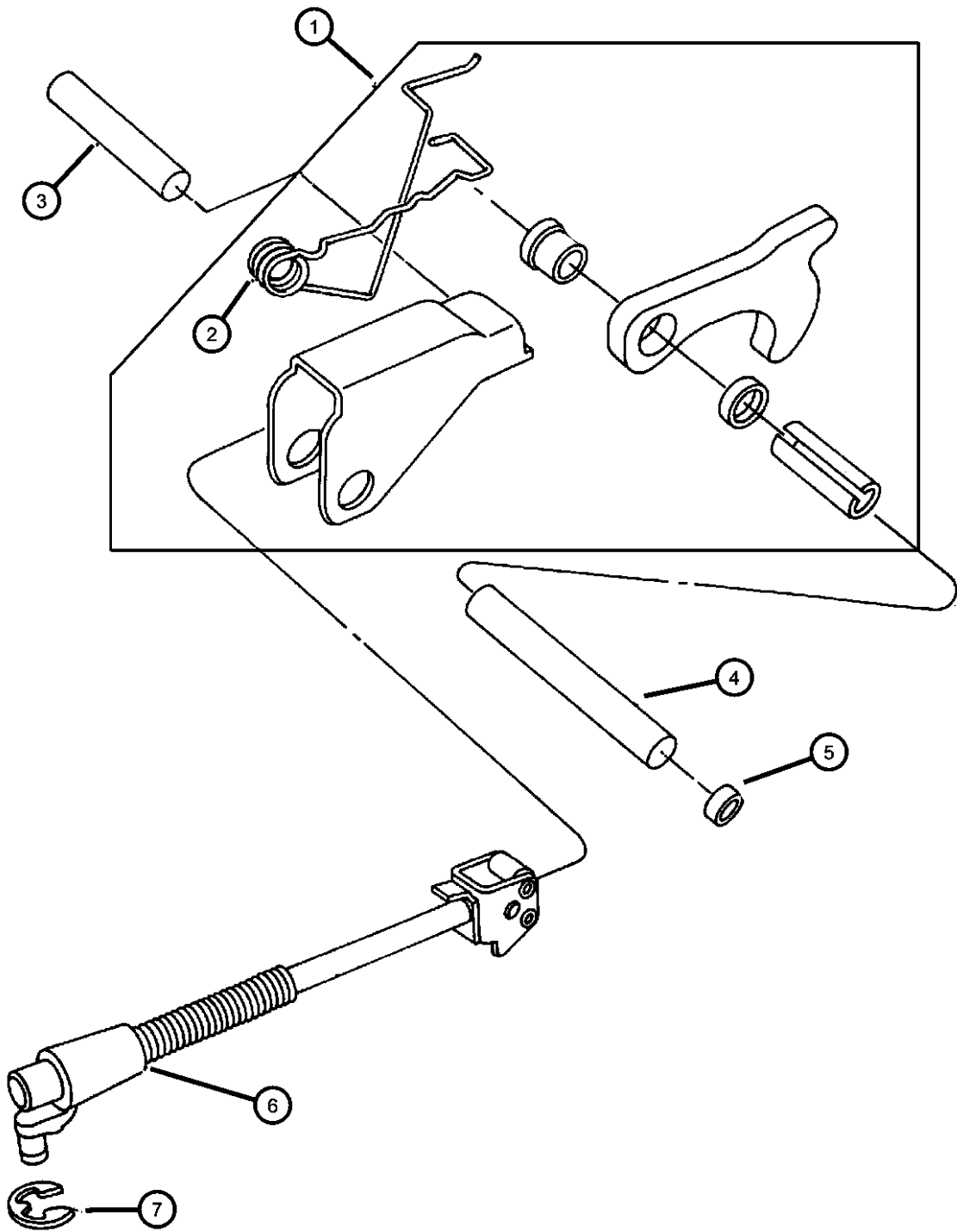
BODY
41 = 4 Door Sedan

ENGINE
ECB = 2.0L 4 Cyl SOHC 16V SMPI Engine
EDZ = 2.4L 4 Cyl DOHC 16V SMPI Engine
EEB = 2.5L V6 SOHC 24V SMPI Engine

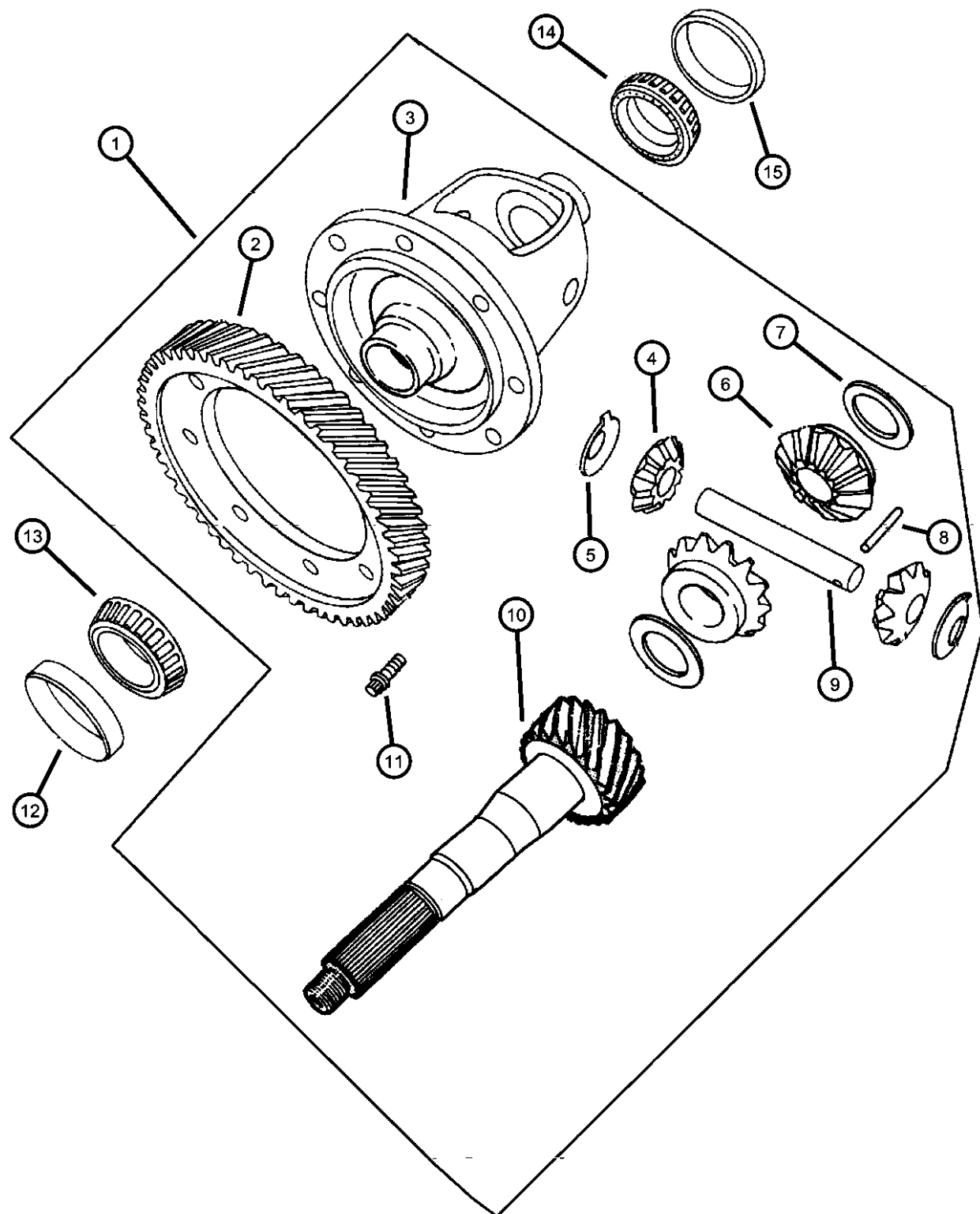
TRANSMISSION
DD5 = TRANSMISSION - 5-SPEED MANUAL
DGL = TRANSMISSION - 4-SPD. AUTOMATIC, 41TE
DD4 = TRANSMISSION - 5-SPEED PERF. MANUAL

AR = use ase required - = Non illustrated part

1999 JA



**Differential Automatic Transaxle, (DGL)
Figure 41TE-AE-820**



ITEM	PART NUMBER	QTY	LINE	SERIES	BODY	ENGINE	TRANS	TRIM	DESCRIPTION
------	-------------	-----	------	--------	------	--------	-------	------	-------------

NOTE; SALES CODES; DGL = 4 Spd Auto Trans 41TE - FWD
 ECB = 2.0L 4 Cyl - SOHC
 EDZ = 2.4L 4 Cyl - DOHC
 EEB = 2.5L V6 Gas - SOHC

1	04799865AA	1				EDZ	DGL		DIFFERENTIAL, Transaxle
		1				EEB			
		1				ECB	DGL		
2	04659175	1				EDZ	DGL		GEAR, Differential Ring, 60 Teeth
		1				EEB			
		1				ECB	DGL		
3	04659500	1				EDZ	DGL		CASE, Differential
		1				EEB			
		1				ECB	DGL		
4	04348679	2				EDZ	DGL		PINION, Differential
		2				EEB			
		2				ECB	DGL		
5	04412521	2				EDZ	DGL		WASHER, Thrust
		2				EEB			
		2				ECB	DGL		
6	04659502	2				EDZ	DGL		GEAR, Differential Side
		2				EEB			
		2				ECB	DGL		
7	04504568	1					DD5		WASHER PACKAGE, Side Gear Thrust
8	06503827	1				EDZ	DGL		PIN, Pinion Shaft
		1				EEB			
		1				ECB	DGL		
9									SHAFT, Pinion Gear

CIRRUS,BREEZE,STRATUS (JA)
 SERIES LINE
 H = HIGHLINE C = CHRYSLER
 P = PREMIUM D = DODGE
 P = PLYMOUTH

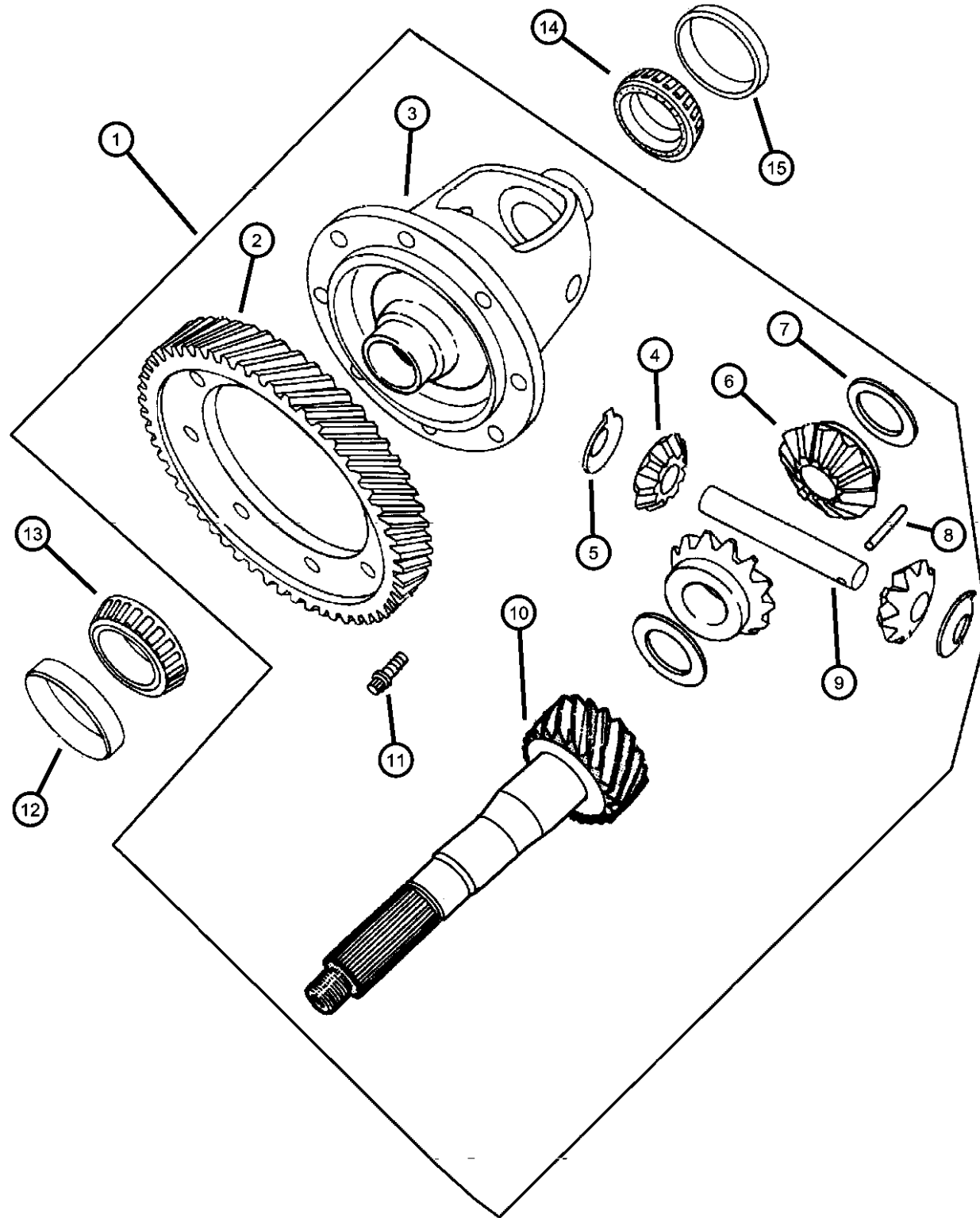
BODY
 41 = 4 Door Sedan

ENGINE
 ECB = 2.0L 4 Cyl SOHC 16V SMPI Engine
 EDZ = 2.4L 4 Cyl DOHC 16V SMPI Engine
 EEB = 2.5L V6 SOHC 24V SMPI Engine

TRANSMISSION
 DD5 = TRANSMISSION - 5-SPEED MANUAL
 DGL = TRANSMISSION - 4-SPD. AUTOMATIC, 41TE
 DD4 = TRANSMISSION - 5-SPEED PERF. MANUAL

AR = use ase required - = Non illustrated part

**Differential Automatic Transaxle, (DGL)
Figure 41TE-AE-820**



ITEM	PART NUMBER	QTY	LINE	SERIES	BODY	ENGINE	TRANS	TRIM	DESCRIPTION
	04659142	1				EDZ	DGL		
		1				EEB	DGL		
		1				ECB	DGL		
10									SHAFT, Transfer Gear
	04531976	1				EDZ	DGL		
		1				EEB	DGL		
		1				ECB	DGL		
11									BOLT, Hex Head, M10x1.00x25
	06501240	12				EDZ	DGL		
		12				EEB	DGL		
		12				ECB	DGL		
12									CUP, Differential Side
	04659237	1				EDZ	DGL		
		1				EEB	DGL		
		1				ECB	DGL		
13									BEARING CONE, Differential
	04659238	1				EDZ	DGL		
		1				EEB	DGL		
		1				ECB	DGL		
14									BEARING
	04567025AB	1				EDZ	DGL		
		1				EEB	DGL		
		1				ECB	DGL		
15									BEARING CUP, Differential
	04567022	1				EDZ	DGL		
		1				EEB	DGL		
		1				ECB	DGL		

CIRRUS,BREEZE,STRATUS (JA)

SERIES LINE
H = HIGHLINE C = CHRYSLER
P = PREMIUM D = DODGE
 P = PLYMOUTH

BODY
41 = 4 Door Sedan

ENGINE
ECB = 2.0L 4 Cyl SOHC 16V SMPI Engine
EDZ = 2.4L 4 Cyl DOHC 16V SMPI Engine
EEB = 2.5L V6 SOHC 24V SMPI Engine

TRANSMISSION
DD5 = TRANSMISSION - 5-SPEED MANUAL
DGL = TRANSMISSION - 4-SPD. AUTOMATIC, 41TE
DD4 = TRANSMISSION - 5-SPEED PERF. MANUAL

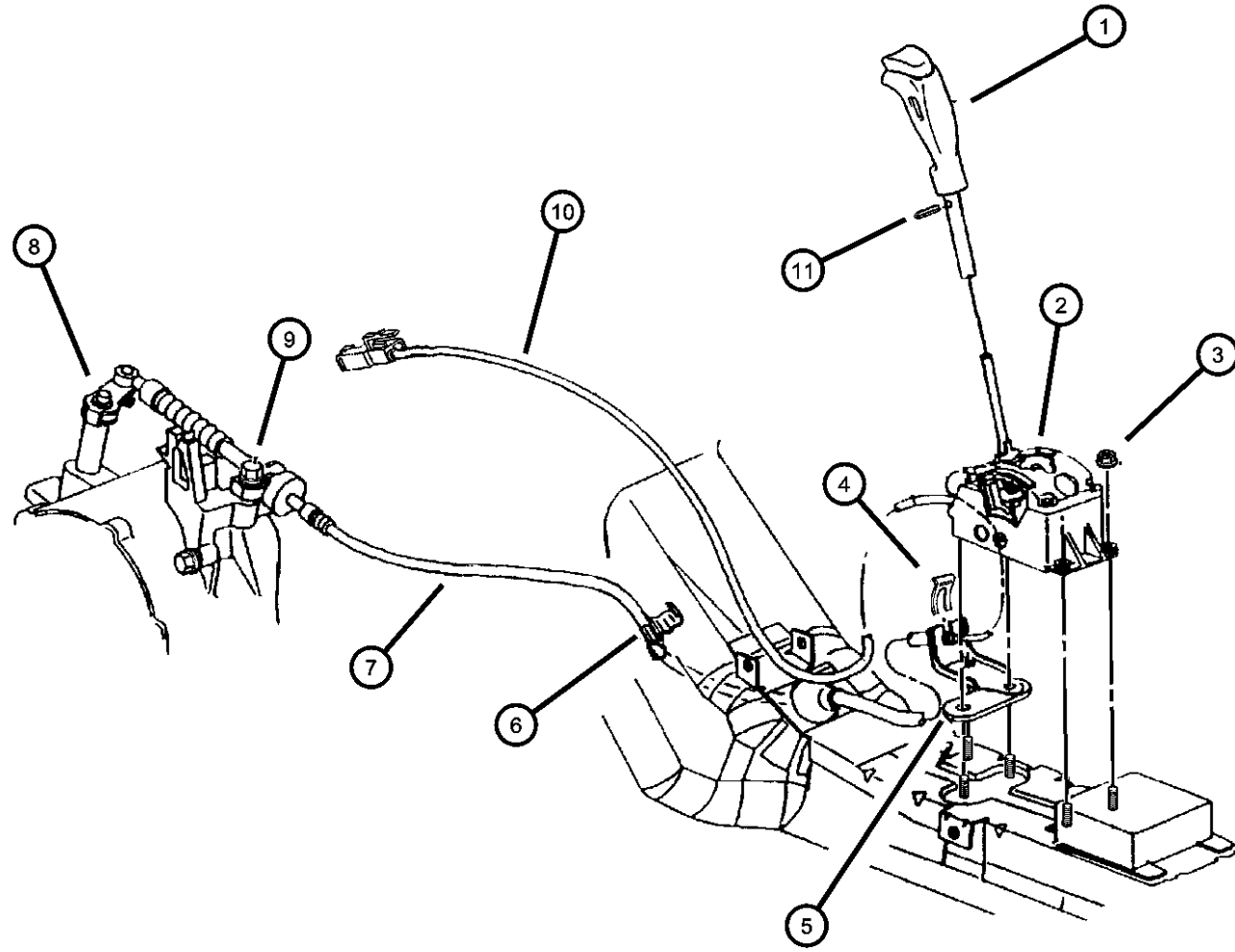
AR = use ase required - = Non illustrated part

1999 JA

**Controls, Gearshift, Floor Shaft Automatic Transaxle (DGL)
Figure 41TE-AE-1210**

ITEM	PART NUMBER	QTY	LINE	SERIES	BODY	ENGINE	TRANS	TRIM	DESCRIPTION
------	-------------	-----	------	--------	------	--------	-------	------	-------------

NOTE; SALES CODES; DGL = 4 Spd Auto Trans 412TE - FWD
EDZ = 2.4L 4 Cyl - DOHC
EEB = 2.5L V6 Gas - SOHC



1									KNOB, Gearshift
	04593219	1					DGL		Leather
	04593222	1					DGL		Vinyl
2									GEAR SHIFT PACKAGE
	04882524AC	1							w/Auto Stick
	04883137AD	1					DGL		w/o Auto Stick
3	04883137AD	1							NUT, M8x1.25 w/Locking Serrations, (NOT SERVICED),
4	06501326	1					DGL		CLIP, Moulding, Gearshift Cable Attaching
5	04593361AB	1					DGL		BRACKET, Transmission Control Cable
6	04670147	1							CLIP, Shift Cable, Shift Cable
7	04765019AB	1					DGL		CABLE, Gearshift Control
8	04670321	1				EDZ, EEB	DGL		LEVER, Manual Control
9	06502059	1					DGL		BOLT AND WASHER, Self Taping Flange Head, M8x1.25x40.00
10	04593318AB	1					DGL		CABLE, Ignition Interlock
11	04593318AB	1							SET SCREW, Rectangular Head, M5x0.8x9.20, Gearshift Knob, M5x0.8x9.20 (Serviced in Knob Assy.), (NOT SERVICED)

CIRRUS,BREEZE,STRATUS (JA)

SERIES	LINE
H = HIGHLINE	C = CHRYSLER
P = PREMIUM	D = DODGE
	P = PLYMOUTH

BODY
41 = 4 Door Sedan

ENGINE
ECB = 2.0L 4 Cyl SOHC 16V SMPI Engine
EDZ = 2.4L 4 Cyl DOHC 16V SMPI Engine
EEB = 2.5L V6 SOHC 24V SMPI Engine

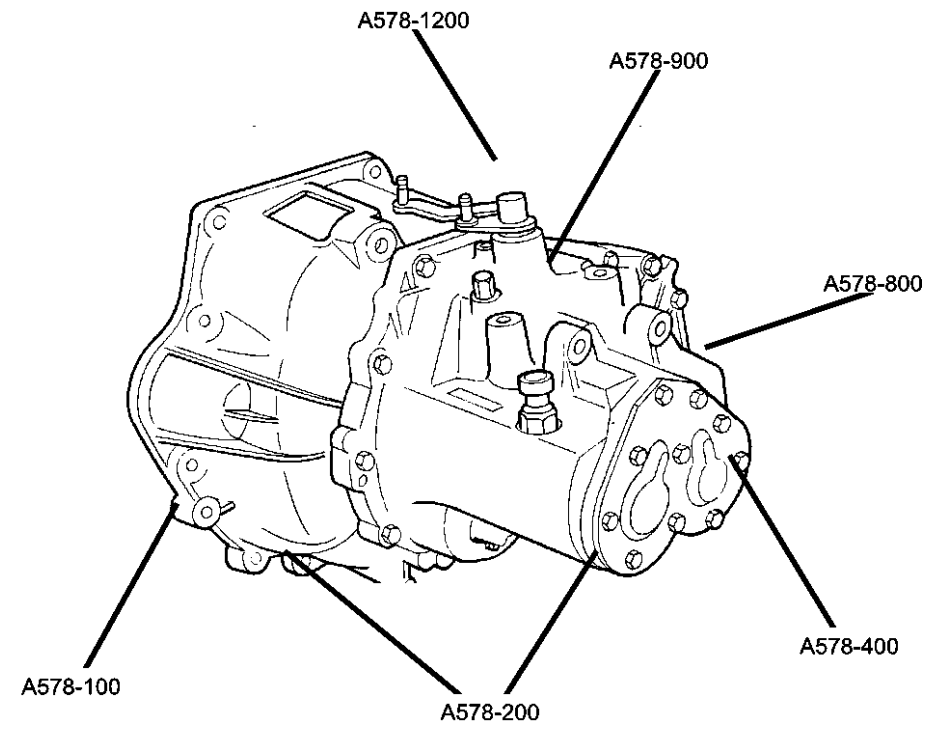
TRANSMISSION
DD5 = TRANSMISSION - 5-SPEED MANUAL
DGL = TRANSMISSION - 4-SPD. AUTOMATIC,41TE
DD4 = TRANSMISSION - 5-SPEED PERF. MANUAL

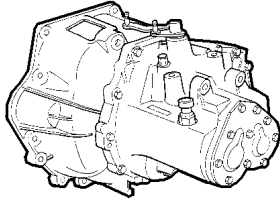
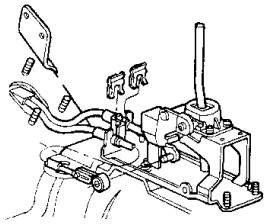
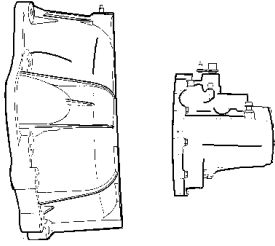
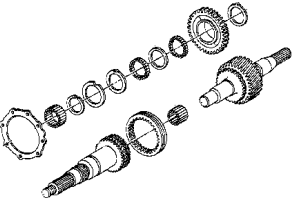
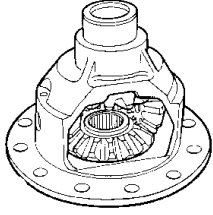
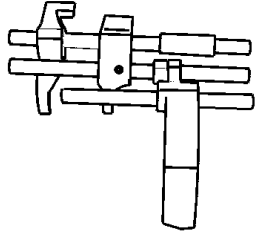
AR = use ase required - = Non illustrated part

1999 JA

Group - T350

NVG Manual Transaxle 5 Speed



<p>T350-100 Transaxle Assembly</p> 	<p>T350-1200 Gearshift Controls</p> 	<p>T350-200 Case and Extension</p> 	<p>T350-400 Gear Train</p> 
<p>T350-800 Differential</p> 	<p>T350-900 Fork and Rails</p> 		

Group - T350 NVG Manual Transaxle 5 Speed

Illustration Title

Group-Fig. No.

Transaxle Assembly

Transaxle Assemblies And Mounting, (DD5)..... Fig. T350 - 110

Case and Extension

Transaxle Assemblies And Mounting, (DD5)..... Fig. T350 - 210

Gear Train

Gear Train, (DD5) Fig. T350 - 410

Differential

Differential , (DD5) Fig. T350 - 810

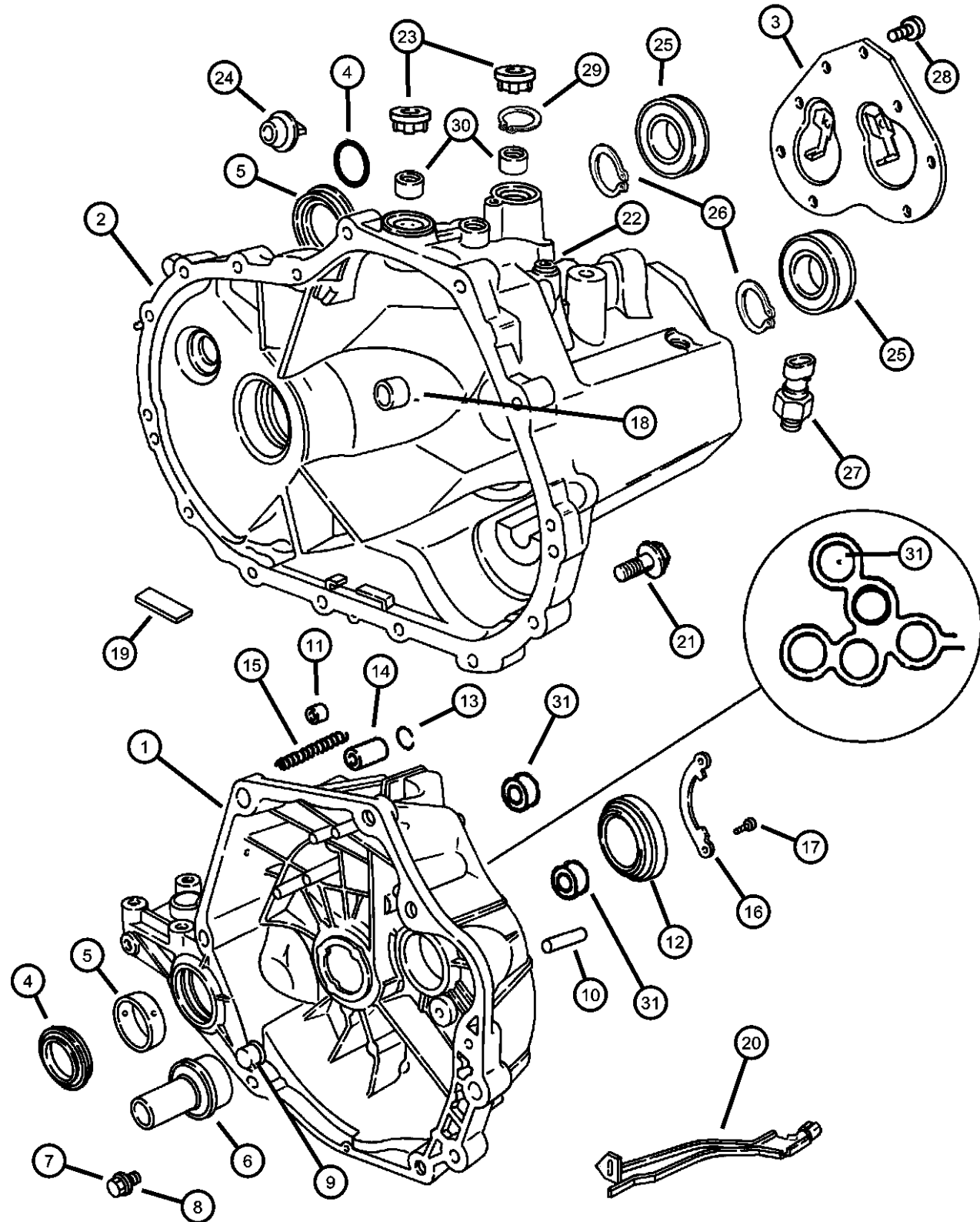
Fork and Rails

Fork And Rail, (DD5)..... Fig. T350 - 910

Gearshift Controls

Controls, Gearshift, (DD5)..... Fig. T350 - 1220

**Transaxle Assemblies And Mounting, (DD5)
Figure T350-210**



ITEM	PART NUMBER	QTY	LINE	SERIES	BODY	ENGINE	TRANS	TRIM	DESCRIPTION
------	-------------	-----	------	--------	------	--------	-------	------	-------------

NOTE: SALES CODES; DD5 = 5 Speed Manual Trans A578

1	05003474AA	1					DD5		HOUSING, Clutch
2	04761074	1					DD5		CASE, Transmission
3	04761081	1					DD5		PLATE, Transaxle Case Rear
4	04761107	1					DD5		SEAL, Axle Drive Shaft
5	04567022	1					DD5		BEARING CUP, Differential
6	04761090	1					DD5		BEARING, Input Shaft
7	04761101	1					DD5		SCREW, Drain
8	04761100	1					DD5		WASHER, Drain Plug
9	04670240	1					DD5		PIVOT, Clutch Release Lever
10	04761099	2					DD5		PIN, Locating
11	04761099	2							BUSHING, Detent, (NOT REQUIRED)
12	04761093	1					DD5		BEARING PACKAGE, Output Shaft
13	04761096	1					DD5		SNAP RING, Select Detent
14	04761094	1					DD5		DETENT, Valve Body
15	04761095	1					DD5		SPRING, Select Detent
16	04761097	1					DD5		RETAINER, Transmission Output Shaft Bearing, Clutch Hsg. Front Bearing
17	04761098	2					DD5		BOLT, Output Shaft Bearing
18									BUSHING, Shift Rail
	04740899	1					DD5		15mm I.D., 12mm Lg.
	04761076	1					DD5		15mm I.D., 25mm Lg.
	04762605	3					DD5		14mm I.D., 10mm Lg.
19	04761078	1					DD5		MAGNET, Transmission
20	04761087	1					DD5		TROUGH, Lubrication
21	06100299	15					DD5		BOLT AND CONED WASHER, Hex Head, M8x45x17
22	02124715	1					DD5		VENT, Cap, Jiggle
23	04761077	1					DD5		SEAL, Shift Lever
24	04348325	1					DD5		PLUG, Oil Fill
25	04761079	2					DD5		BEARING, Input Shaft
26	04761080	2					DD5		SNAP RING
27	04864775	1					DD5		SWITCH, Back Up Lamp
28	04761082	10					DD5		BOLT, Case Plate

CIRRUS, BREEZE, STRATUS (JA)
 SERIES LINE
 H = HIGHLINE C = CHRYSLER
 P = PREMIUM D = DODGE
 P = PLYMOUTH

BODY
 41 = 4 Door Sedan

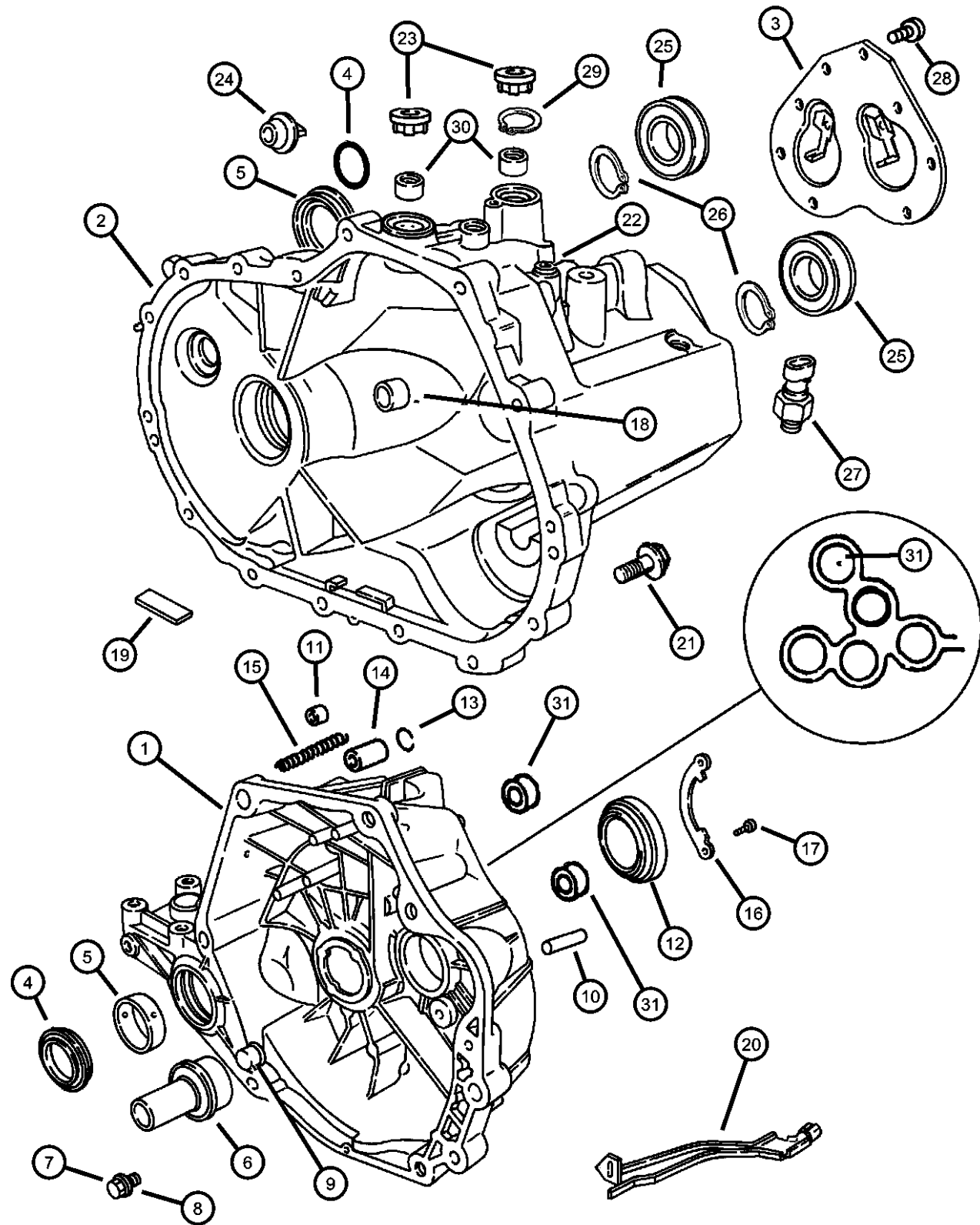
ENGINE
 ECB = 2.0L 4 Cyl SOHC 16V SMPI Engine
 EDZ = 2.4L 4 Cyl DOHC 16V SMPI Engine
 EEB = 2.5L V6 SOHC 24V SMPI Engine

TRANSMISSION
 DD5 = TRANSMISSION - 5-SPEED MANUAL
 DGL = TRANSMISSION - 4-SPD. AUTOMATIC, 41TE
 DD4 = TRANSMISSION - 5-SPEED PERF. MANUAL

AR = use ase required - = Non illustrated part

1999 JA

**Transaxle Assemblies And Mounting, (DD5)
Figure T350-210**



ITEM	PART NUMBER	QTY	LINE	SERIES	BODY	ENGINE	TRANS	TRIM	DESCRIPTION
29	04762606	1					DD5		RETAINER, Shaft, Crossover Shaft Retention, 14mm I.D.
30	04762602	1					DD5		BUSHING, Crossover Shaft, Crossover Shaft, 15mm I.D., 20mm Lg.
31									BUSHING, Shift Rail
	04740899	1					DD5		15mm I.D., 12mm Lg.
	04761076	1					DD5		15mm I.D., 25mm Lg.
	04762605	3					DD5		14mm I.D., 10mm Lg.

CIRRUS,BREEZE,STRATUS (JA)
 SERIES LINE
 H = HIGHLINE C = CHRYSLER
 P = PREMIUM D = DODGE
 P = PLYMOUTH

BODY
 41 = 4 Door Sedan

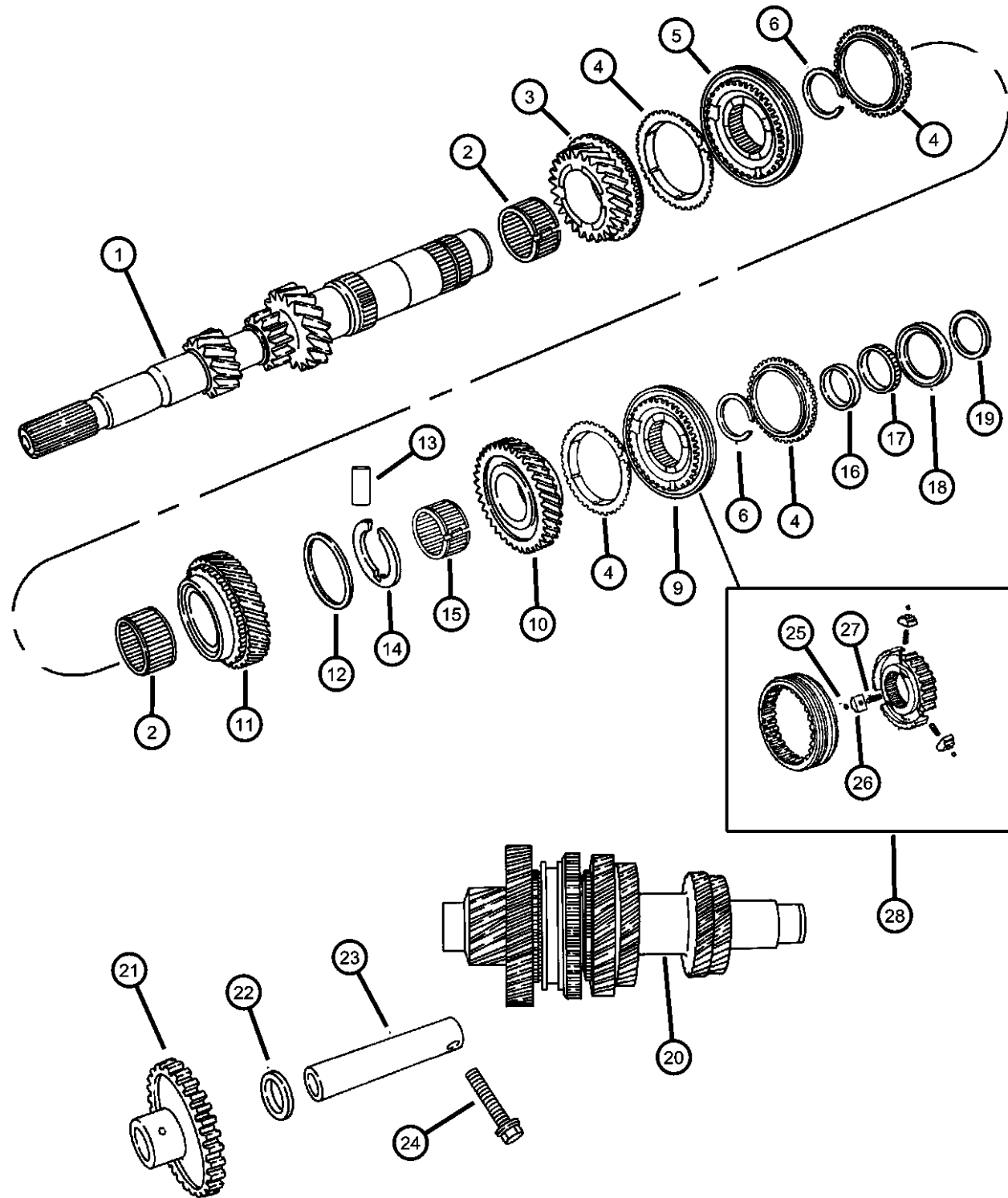
ENGINE
 ECB = 2.0L 4 Cyl SOHC 16V SMPI Engine
 EDZ = 2.4L 4 Cyl DOHC 16V SMPI Engine
 EEB = 2.5L V6 SOHC 24V SMPI Engine

TRANSMISSION
 DD5 = TRANSMISSION - 5-SPEED MANUAL
 DGL = TRANSMISSION - 4-SPD. AUTOMATIC, 41TE
 DD4 = TRANSMISSION - 5-SPEED PERF. MANUAL

AR = use ase required - = Non illustrated part

1999 JA

Gear Train, (DD5)
Figure T350-410



ITEM	PART NUMBER	QTY	LINE	SERIES	BODY	ENGINE	TRANS	TRIM	DESCRIPTION
NOTE: SALES CODES; DD5 - 5 Spd Manual Trans A578									
1	04886484AA	1					DD5		INPUT SHAFT PACKAGE, Transaxle
2	04762612	2					DD5		NEEDLE BEARING
3	04761132	1					DD5		GEAR, Third
4	04874135	2					DD5		STOP RING, Synchronizer
5	04761133	1					DD5		SYNCHRONIZER, Third and Fourth
6	04761134	1					DD5		RING, Synchronizer Hub, White
-7	04761135	1					DD5		RING, Synchronizer Hub, Blue
-8	04761136	1					DD5		RING, Synchronizer Hub, Yellow
9	04874136	1					DD5		SYNCHRONIZER, Fifth
10	04761142	1					DD5		GEAR, Fifth
11	04761139	1					DD5		GEAR, Fourth
12	04761138	1					DD5		RING, 4th Gear, Retaining
13	04761140	1					DD5		PIN, Mainshaft
14	04761137	2					DD5		WASHER, Fourth Gear, Split (2 Piece),4th & 5th
15	04762612	2					DD5		NEEDLE BEARING, 3rd & 4th
16	04761120	1					DD5		BEARING CUP, Reverse Brake, Brake Bearing (w/2.8 Ratio)
17	04761119	1					DD5		NEEDLE BEARING, Reverse Brake (w/2.8 Ratio)
18	04761121	1					DD5		BEARING CONE, Reverse Brake
19	04761118	1					DD5		SPACER, Reverse Brake
20	04762613	1					DD5		OUTPUT SHAFT, Transaxle
21	04886482AA	1					DD5		GEAR, Reverse Idler
22	04761127	1					DD5		SPACER, Reverse Idler
23	04761126	1					DD5		IDLER SHAFT, Transmission
24	06100299	15					DD5		BOLT AND CONED WASHER, Hex Head, M8x45x17
25	06100299	15					DD5		BALL STUD, Synchronizer (Serviced in Assy.), (NOT SERVICED)
26	04863720	3					DD5		KEY, Synchronizer, 3rd, 4th & 5th
27	04761113	3					DD5		SPRING, Synchronizer
28	04761113	3							SYNCHRONIZER, Third and Fourth, Refer to Items 5 & 7, (NOT SERVICED)

CIRRUS,BREEZE,STRATUS (JA)
 SERIES LINE
 H = HIGHLINE C = CHRYSLER
 P = PREMIUM D = DODGE
 P = PLYMOUTH

BODY
 41 = 4 Door Sedan

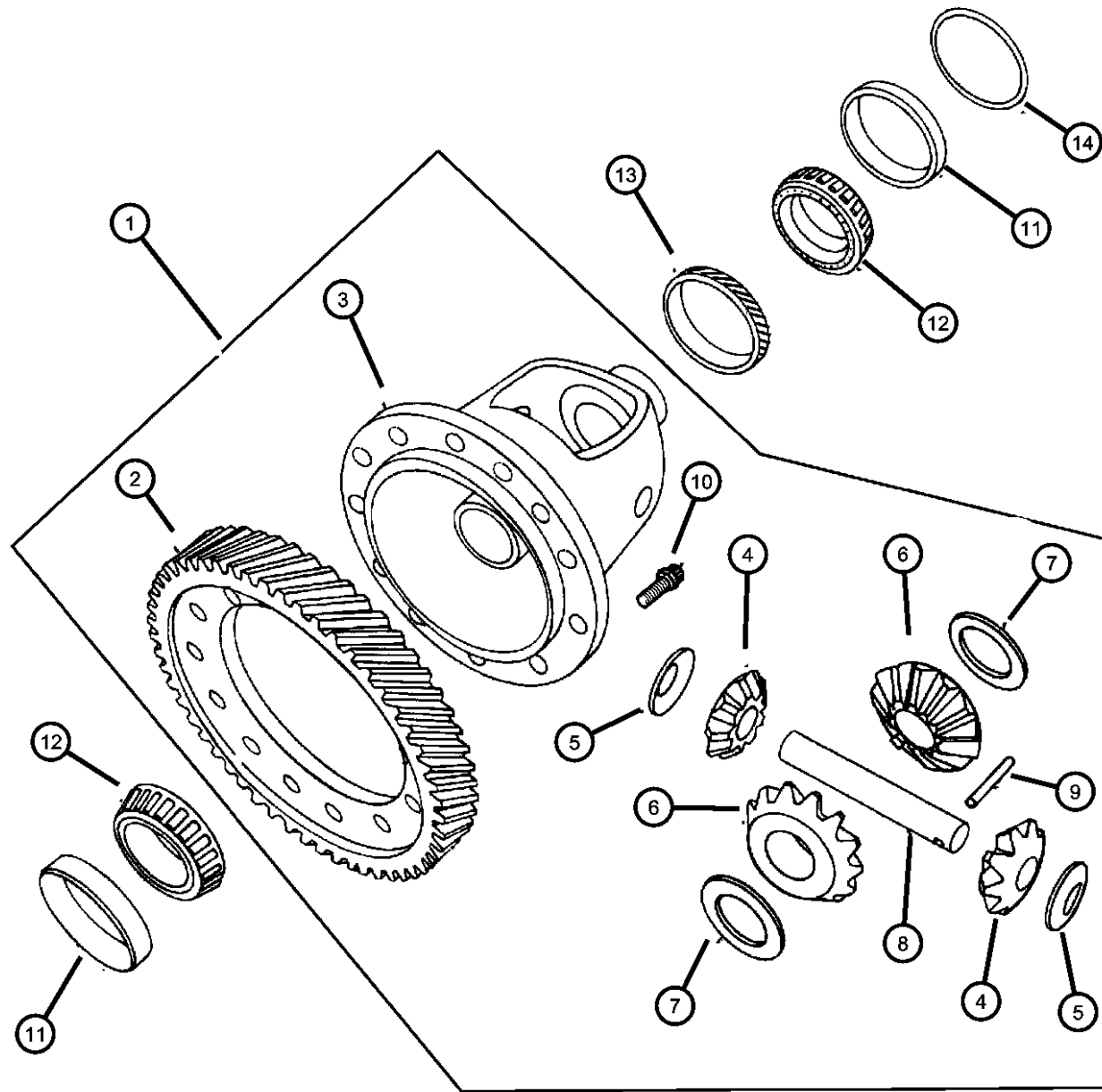
ENGINE
 ECB = 2.0L 4 Cyl SOHC 16V SMPI Engine
 EDZ = 2.4L 4 Cyl DOHC 16V SMPI Engine
 EEB = 2.5L V6 SOHC 24V SMPI Engine

TRANSMISSION
 DD5 = TRANSMISSION - 5-SPEED MANUAL
 DGL = TRANSMISSION - 4-SPD. AUTOMATIC,41TE
 DD4 = TRANSMISSION - 5-SPEED PERF. MANUAL

AR = use ase required - = Non illustrated part

1999 JA

Differential , (DD5)
Figure T350-810



ITEM	PART NUMBER	QTY	LINE	SERIES	BODY	ENGINE	TRANS	TRIM	DESCRIPTION
------	-------------	-----	------	--------	------	--------	-------	------	-------------

NOTE: SALES CODES; DD5 - 5 Spd Manual Trans A578

1	04856349	1					DD5		DIFFERENTIAL, Transaxle
2	04761103	1					DD5		GEAR, Differential Ring
3	04761102	1					DD5		CASE, Differential
4	04348679	2					DD5		PINION, Differential
5	04137024	2					DD5		WASHER, Pinion Thrust
6	04659502	2					DD5		GEAR, Differential Side
7	04504568	1					DD5		WASHER PACKAGE, Side Gear Thrust
8	04659142	1					DD5		SHAFT, Pinion Gear
9	06503827	1					DD5		PIN, Pinion Shaft
10	04761105	12					DD5		BOLT, Differential Ring Gear
11	04567022	1					DD5		BEARING CUP, Differential
12	04567025AB	2					DD5		BEARING
13	04797316	1					DD5		GEAR, Speedometer Drive
14	04883546AA	1					DD5		SHIM, Final Drive, .42mm
-15	04883545AA	1					DD5		SHIM, Final Drive, .46mm
-16	05222345	1					DD5		SHIM, Final Drive, .50mm
-17	05222346	1					DD5		SHIM, Final Drive, .54mm
-18	05222347	1					DD5		SHIM, Final Drive, .58mm
-19	05222348	1					DD5		SHIM, Final Drive, .62mm
-20	05222349	1					DD5		SHIM, Final Drive, .66mm
-21	05222350	1					DD5		SHIM, Final Drive, .70mm
-22	05222351	1					DD5		SHIM, Final Drive, .74mm
-23	05222352	1					DD5		SHIM, Final Drive, .78mm
-24	05222353	1					DD5		SHIM, Final Drive, .82mm
-25	05222354	1					DD5		SHIM, Final Drive, .86mm
-26	05222355	1					DD5		SHIM, Final Drive, .90mm
-27	05222356	1					DD5		SHIM, Final Drive, .94mm
-28	05222357	1					DD5		SHIM, Final Drive, .98mm
-29	05222358	1					DD5		SHIM, Final Drive, 1.02mm
-30	05222359	1					DD5		SHIM, Final Drive, 1.06mm
-31	05222362	1					DD5		SHIM, Final Drive, 1.18mm
-32	05222363	1					DD5		SHIM, Final Drive, 1.22mm

CIRRUS,BREEZE,STRATUS (JA)

SERIES LINE
H = HIGHLINE C = CHRYSLER
P = PREMIUM D = DODGE
P = PLYMOUTH

BODY
41 = 4 Door Sedan

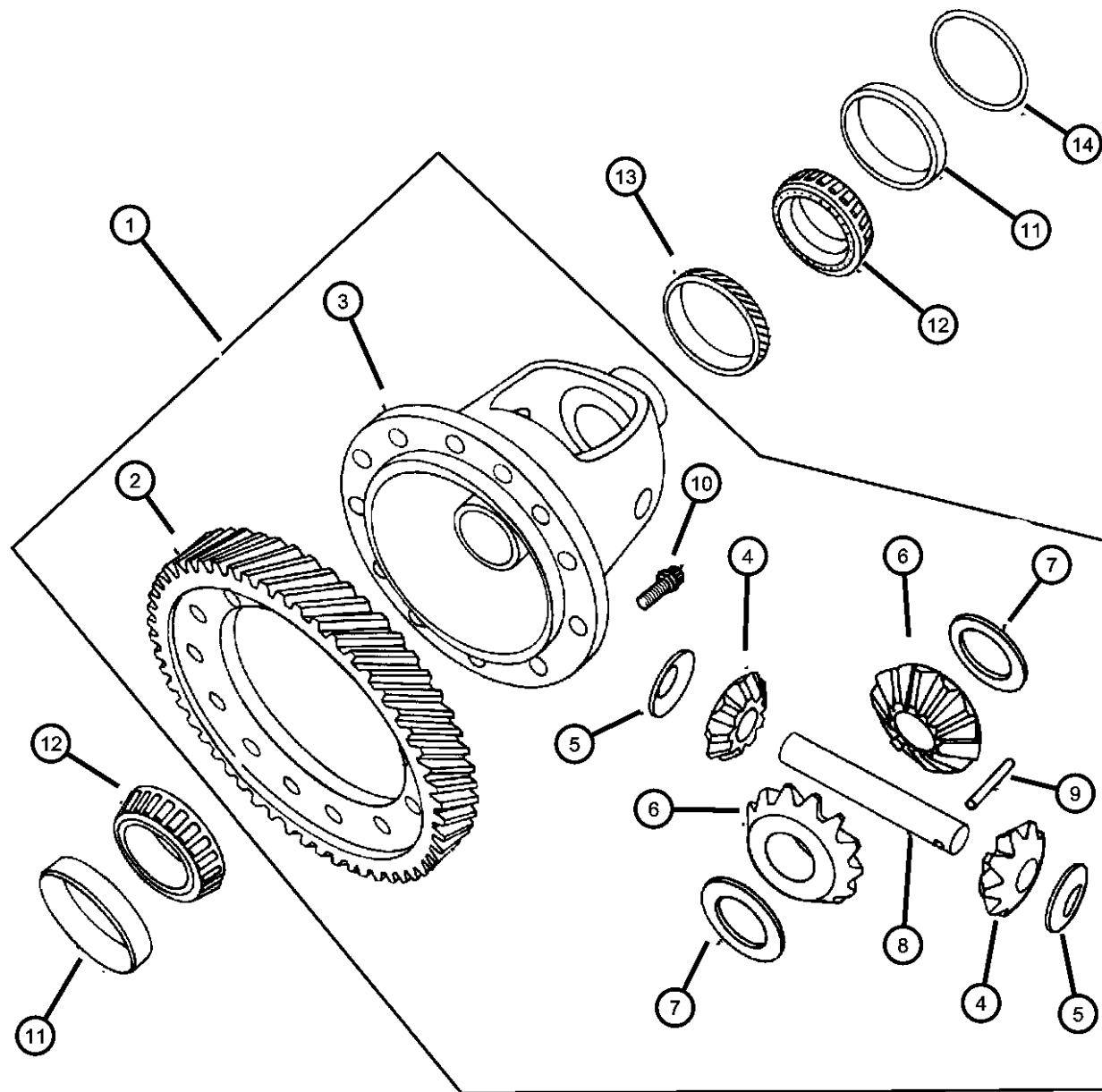
ENGINE
ECB = 2.0L 4 Cyl SOHC 16V SMPI Engine
EDZ = 2.4L 4 Cyl DOHC 16V SMPI Engine
EEB = 2.5L V6 SOHC 24V SMPI Engine

TRANSMISSION
DD5 = TRANSMISSION - 5-SPEED MANUAL
DGL = TRANSMISSION - 4-SPD. AUTOMATIC,41TE
DD4 = TRANSMISSION - 5-SPEED PERF. MANUAL

AR = use ase required - = Non illustrated part

1999 JA

Differential , (DD5)
Figure T350-810



ITEM	PART NUMBER	QTY	LINE	SERIES	BODY	ENGINE	TRANS	TRIM	DESCRIPTION
-33	05222364	1					DD5		SHIM, Final Drive, 1.26mm
-34	05222365	1					DD5		SHIM, Final Drive, 1.30mm
-35	05222366	1					DD5		SHIM, Final Drive, 1.34mm
-36	05222367	1					DD5		SHIM, Final Drive, 1.38mm
-37	05222368	1					DD5		SHIM, Final Drive, 1.42mm
-38	05222369	1					DD5		SHIM, Final Drive, 1.46mm

CIRRUS,BREEZE,STRATUS (JA)
 SERIES LINE
 H = HIGHLINE C = CHRYSLER
 P = PREMIUM D = DODGE
 P = PLYMOUTH

BODY
 41 = 4 Door Sedan

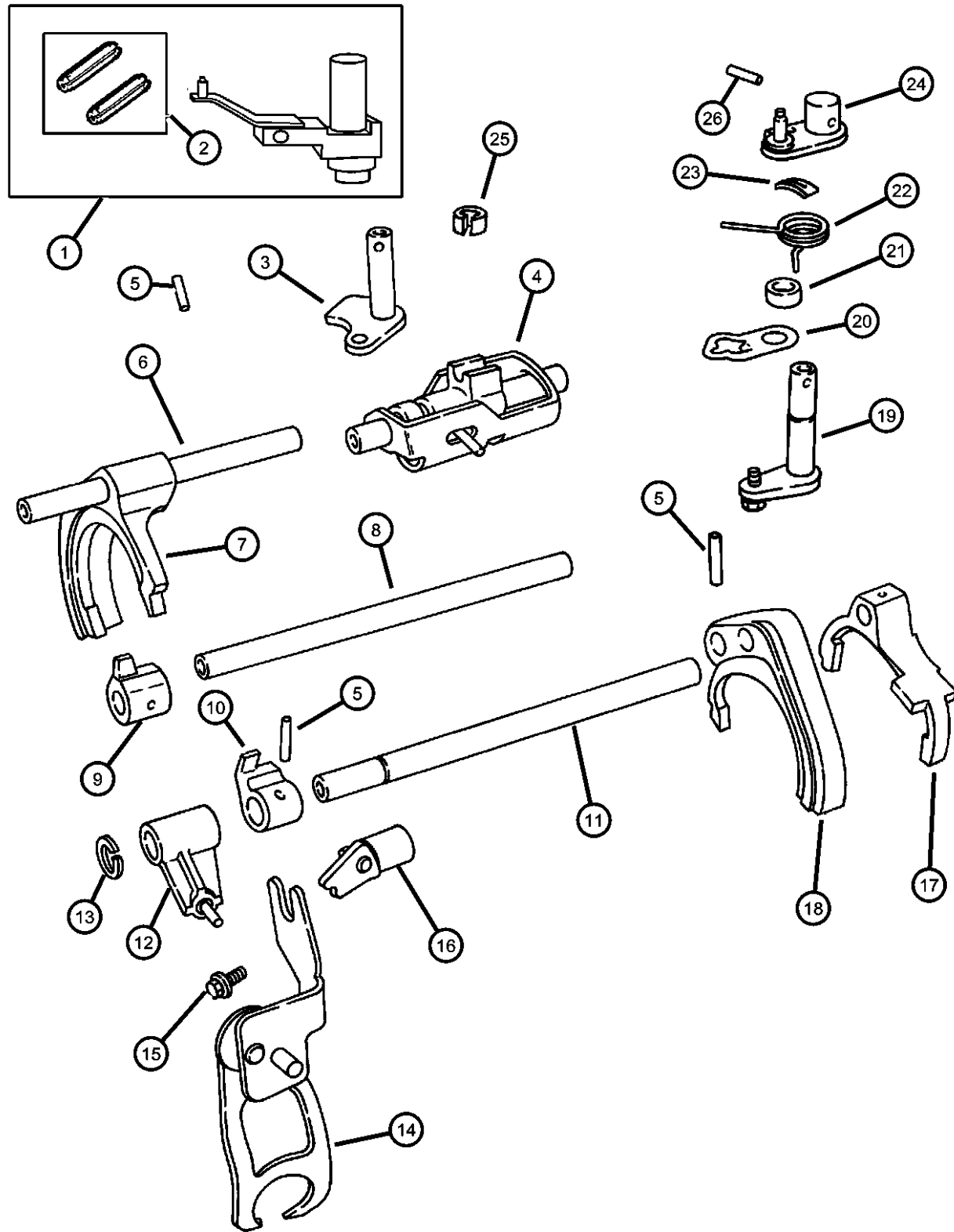
ENGINE
 ECB = 2.0L 4 Cyl SOHC 16V SMPI Engine
 EDZ = 2.4L 4 Cyl DOHC 16V SMPI Engine
 EEB = 2.5L V6 SOHC 24V SMPI Engine

TRANSMISSION
 DD5 = TRANSMISSION - 5-SPEED MANUAL
 DGL = TRANSMISSION - 4-SPD. AUTOMATIC,41TE
 DD4 = TRANSMISSION - 5-SPEED PERF. MANUAL

AR = use ase required - = Non illustrated part

1999 JA

Fork And Rail, (DD5)
Figure T350-910



ITEM	PART NUMBER	QTY	LINE	SERIES	BODY	ENGINE	TRANS	TRIM	DESCRIPTION
NOTE; SALES CODES; DD5 - 5 Spd Manual Trans A578									
1	04856841	1					DD5		LEVER PACKAGE, Gearshift
2	04761145	1					DD5		PIN, Shift Shaft
3	04773411	1					DD5		SHAFT, Detent
4	04761146	1					DD5		BLOCKER, Shift
5	06101475	1					DD5		PIN
6	04761176	1					DD5		RAIL, First and Second Shift
7	04796649	1					DD5		FORK, Transmission
8	04761178	1					DD5		RAIL, Third and Fourth Shift
9	04761179	1					DD5		LUG, Third and Fourth Shift
10	04761181	1					DD5		LUG, Fifth and Reverse
11	04761180	1					DD5		RAIL, Fifth and Reverse Shift
12	04761182	1					DD5		ARM, Reverse Lever
13	06501862	1					DD5		SNAP RING
14	04761152	1					DD5		BRACKET, Reverse Shift Rod
15	04761153	2					DD5		SCREW, Reverse Bracket
16	04761154	1					DD5		CAM, Reverse Block
17	04874137	1					DD5		FORK, Transmission
18	04796650	1					DD5		FORK, Transmission
19	04761147	1					DD5		LEVER, Crossover
20	04761148	1					DD5		PLATE, Crossover Stop
21	04761151	1					DD5		SPACER, Inner Crossover Lever
22	04761149	1					DD5		SPRING, Crossover Lever
23	04761150	1					DD5		RETAINER, Spring
24	04761143	1					DD5		LEVER, Crossover
25	04761158	1					DD5		CLIP, Detent Shaft
26	04762603	1					DD5		PIN, Shift Shaft

CIRRUS,BREEZE,STRATUS (JA)

SERIES LINE
H = HIGHLINE C = CHRYSLER
P = PREMIUM D = DODGE
 P = PLYMOUTH

BODY
41 = 4 Door Sedan

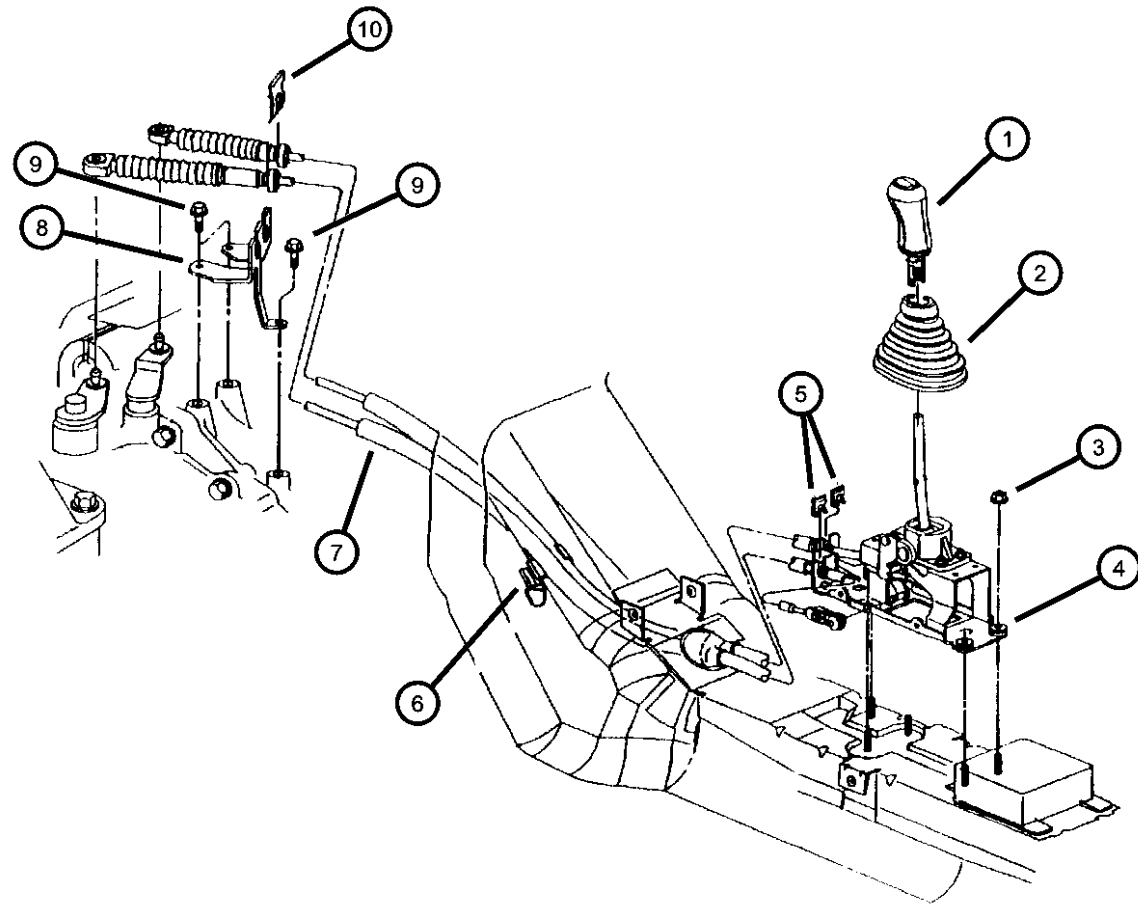
ENGINE
ECB = 2.0L 4 Cyl SOHC 16V SMPI Engine
EDZ = 2.4L 4 Cyl DOHC 16V SMPI Engine
EEB = 2.5L V6 SOHC 24V SMPI Engine

TRANSMISSION
DD5 = TRANSMISSION - 5-SPEED MANUAL
DGL = TRANSMISSION - 4-SPD. AUTOMATIC, 41TE
DD4 = TRANSMISSION - 5-SPEED PERF. MANUAL

AR = use ase required - = Non illustrated part

1999 JA

**Controls, Gearshift, (DD5)
Figure T350-1220**



ITEM	PART NUMBER	QTY	LINE	SERIES	BODY	ENGINE	TRANS	TRIM	DESCRIPTION
NOTE; SALES CODES; DD5 - 5 Spd Manual Trans A578									
1	04593296	1					DD5		KNOB, Gearshift
2	04593311	1					DD5		BOOT, Gear Shift Lever
3	04593311	1							NUT, M8-1.25, (NOT SERVICED)
4	04593297	1					DD5		SHIFTER, Transmission
5	06501326	2					DD5		CLIP, Moulding
6	04670147	1							CLIP, Shift Cable
7	04593293	1					DD5		CABLE, Gearshift Control
8	04641134	1					DD5		BRACKET, Transmission Control Cable
9	06100296	3					DD5		BOLT, Hex Head
10	04269830	2					DD5		CLIP, Cable

CIRRUS,BREEZE,STRATUS (JA)

SERIES	LINE
H = HIGHLINE	C = CHRYSLER
P = PREMIUM	D = DODGE
	P = PLYMOUTH

BODY
41 = 4 Door Sedan

ENGINE
ECB = 2.0L 4 Cyl SOHC 16V SMPI Engine
EDZ = 2.4L 4 Cyl DOHC 16V SMPI Engine
EEB = 2.5L V6 SOHC 24V SMPI Engine

TRANSMISSION
DD5 = TRANSMISSION - 5-SPEED MANUAL
DGL = TRANSMISSION - 4-SPD. AUTOMATIC,41TE
DD4 = TRANSMISSION - 5-SPEED PERF. MANUAL

AR = use ase required - = Non illustrated part

1999 JA

Group - 21P

Speedometer Pinions

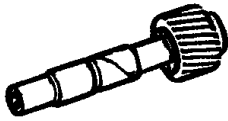
Group - 21P Speedometer Pinions

Group-Fig. No.

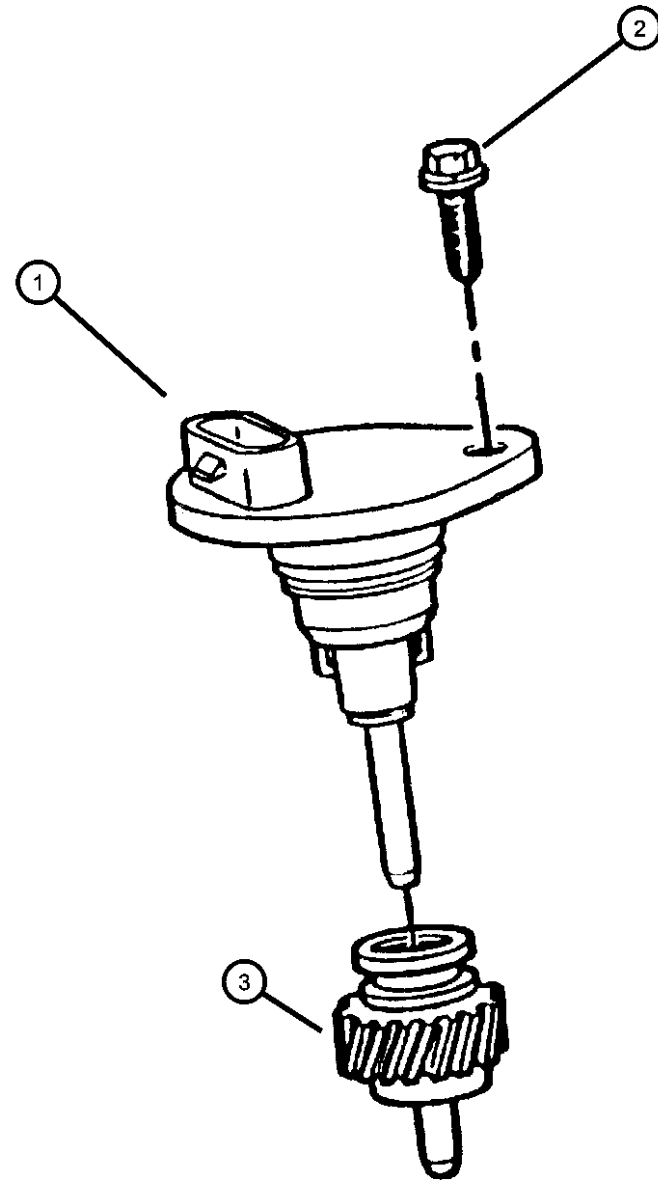
Illustration Title

Speedometer Pinions

Pinion, Speedometer Manual Transaxles, (DD5).....Fig. 21P - 120

<p>21P-100 Speedometer Pinions</p> 			
--	--	--	--

**Pinion, Speedometer Manual Transaxles, (DD5)
Figure 21P-120**



ITEM	PART NUMBER	QTY	LINE	SERIES	BODY	ENGINE	TRANS	TRIM	DESCRIPTION
------	-------------	-----	------	--------	------	--------	-------	------	-------------

NOTE; SALES CODES; DD5 = 5 Spd Manual Trans A578
ECB = 2.0L 4 Cyl - SOHC

1	04707839AA	1					DD5		SENSOR, Vehicle Speed
2	06501714	1				ECB	DD5		SCREW AND WASHER, Hex Head, M6x1x18, Sensor Mtg., M6x1.00x18.00 ***
3	04593107	1				ECB	DD5		PINION, Speedometer Drive, Blue, w/2.0L Eng.
-4	04670082	1				ECB	DD5		PINION, Speedometer Drive, Red, w/A578 5-Speed, w/2.0L Eng., (DSM), BUX , 29 Teeth

CIRRUS,BREEZE,STRATUS (JA)

SERIES	LINE
H = HIGHLINE	C = CHRYSLER
P = PREMIUM	D = DODGE
	P = PLYMOUTH

BODY
41 = 4 Door Sedan

ENGINE
ECB = 2.0L 4 Cyl SOHC 16V SMPI Engine
EDZ = 2.4L 4 Cyl DOHC 16V SMPI Engine
EEB = 2.5L V6 SOHC 24V SMPI Engine

TRANSMISSION
DD5 = TRANSMISSION - 5-SPEED MANUAL
DGL = TRANSMISSION - 4-SPD. AUTOMATIC,41TE
DD4 = TRANSMISSION - 5-SPEED PERF. MANUAL

AR = use ase required - = Non illustrated part

1999 JA

Group - 22

Wheels, Covers and Jacks

Group - 22 Wheels, Covers and Jacks

Group-Fig. No.

Illustration Title

Wheels and Hardware

Wheels And Hardware.....Fig. 22 - 150

Wheel Covers and Center Caps


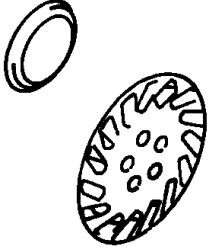
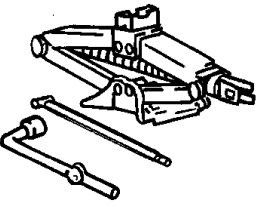
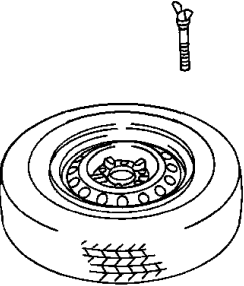
Caps And Covers, Wheel.....Fig. 22 - 250

Jack Stowage

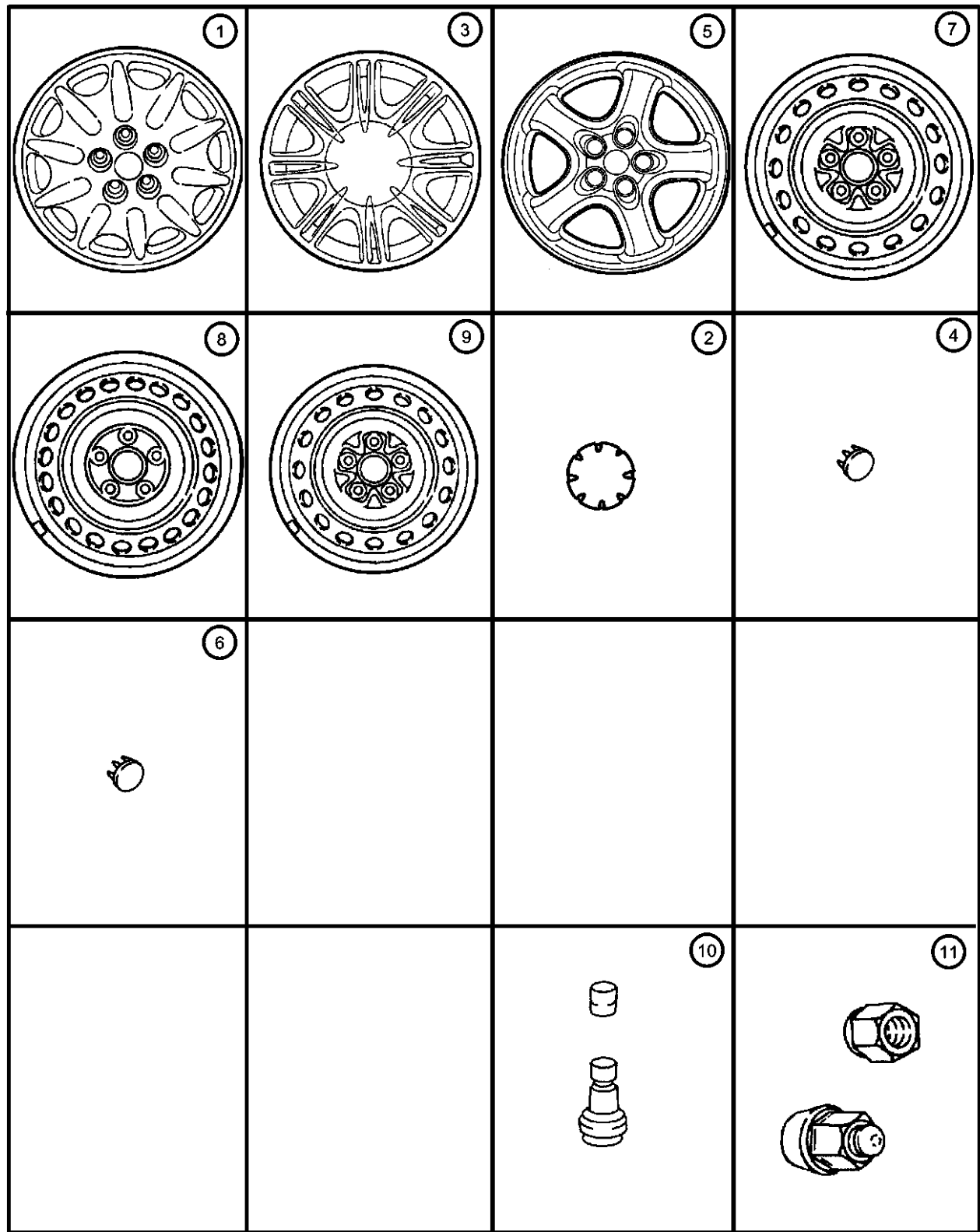
Jack Stowage.....Fig. 22 - 350

Spare Tire Stowage

Wheel Spare.....Fig. 22 - 450

<p>022-100 Wheels and Hardware</p> 	<p>022-200 Wheel Covers and Center Caps</p> 	<p>022-300 Jack Stowage</p> 	<p>022-400 Spare Tire Stowage</p> 
---	--	---	--

Wheels And Hardware
Figure 22-150



ITEM	PART NUMBER	QTY	LINE	SERIES	BODY	ENGINE	TRANS	TRIM	DESCRIPTION
------	-------------	-----	------	--------	------	--------	-------	------	-------------

NOTE: Sales Codes:
 [TBB] = SPARE TIRE - FULL SIZE
 [TBC] = SPARE TIRE - COMPACT
 [WBC] = WHEELS - 14 X 6.0 BLACK
 [WCF] = WHEELS - 15 X 6.0 BLACK
 [WJJ] = WHEELS - 15 ALUMINUM
 [WJK] = WHEELS - 15 CAST ALUMINUM
 [WJ2] = WHEELS - 15 CHROME W/GOLD ACCENTS

1	0JY01PAK	4							WHEEL, Aluminum, 15 x 6.0 (WJJ) Sparkle Silver
2	0JB31PAK	4							CAP, Wheel Center, ST Silver/Red, Dark Green, (WJJ) Sparkle Silver
3	0KP86TY5	4							WHEEL, Aluminum, 15 x 6.0 (WJ2)
4	0KP82TY5	4							CAP, Wheel Center, Chrome, (WJ2)
5	0RN43PAKAA	4							WHEEL, Aluminum, 15 x 6.5 (WJK)
6	0SE30PAKAA	4							CAP, Wheel Center, Machine Finish Aluminum, (WJK)
7	04616295	5							WHEEL, Steel, 15 x 6.0 (WCF,WJ2,WJK,TBB)
8	04764967AB	4							WHEEL, Steel, WBC, TBC
9	04695345	1							WHEEL, Spare, Mini 15 x 4.0 Steel
10	02073355	5							STEM, Wheel Valve, 1.25" Rubber
11	06500092	20							NUT, Wheel, M12 x 1.5
-12	06502738	20							NUT, Wheel Chrome, M12x1.5
-13	06500526	20							NUT, Wheel, M12x1.5

CIRRUS,BREEZE,STRATUS (JA)

SERIES LINE
 H = HIGHLINE C = CHRYSLER
 P = PREMIUM D = DODGE
 P = PLYMOUTH

BODY
 41 = 4 Door Sedan

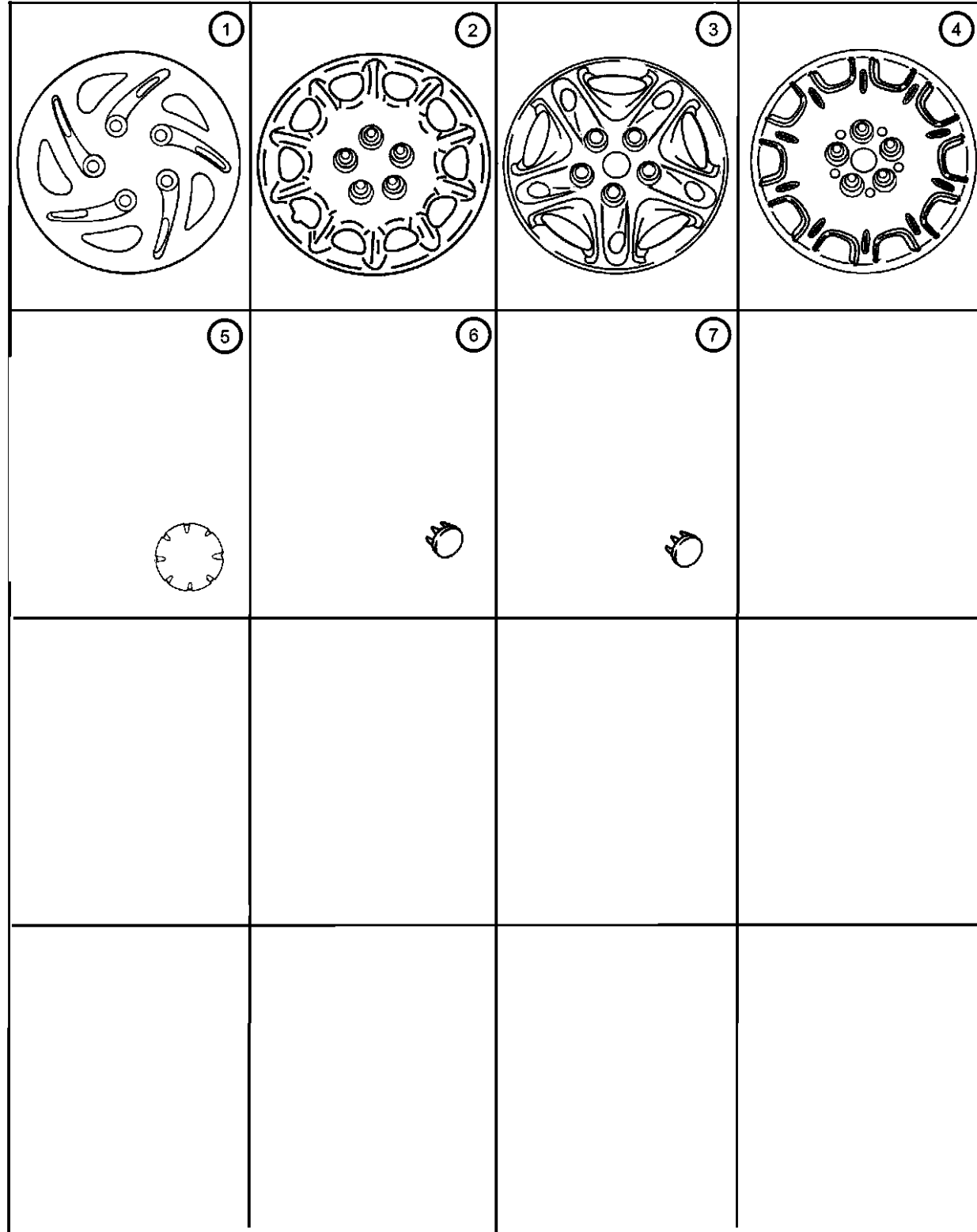
ENGINE
 ECB = 2.0L 4 Cyl SOHC 16V SMPI Engine
 EDZ = 2.4L 4 Cyl DOHC 16V SMPI Engine
 EEB = 2.5L V6 SOHC 24V SMPI Engine

TRANSMISSION
 DD5 = TRANSMISSION - 5-SPEED MANUAL
 DGL = TRANSMISSION - 4-SPD. AUTOMATIC, 41TE
 DD4 = TRANSMISSION - 5-SPEED PERF. MANUAL

AR = use ase required - = Non illustrated part

1999 JA

**Caps And Covers, Wheel
Figure 22-250**



ITEM	PART NUMBER	QTY	LINE	SERIES	BODY	ENGINE	TRANS	TRIM	DESCRIPTION
------	-------------	-----	------	--------	------	--------	-------	------	-------------

NOTE: Sales Codes:
 [WJJ] = WHEELS - 15 ALUMINUM
 [WJK] = WHEELS - 15 CAST ALUMINUM
 [WJ2] = WHEELS - 15 CHROME W/GOLD ACCENTS
 [W4N] = WHEEL COVERS - UNIQUE 14 NITRO
 [W4W] = WHEEL COVERS - 14 WHITE
 [W41] = WHEEL COVERS - 14
 [W47] = WHEEL COVERS - 14
 [W5R] = WHEEL COVERS - 15, CHROME
 [W5T] = WHEEL COVERS - 15

1									COVER, Wheel, 14 inch W4N - Nitro
	0RG20PAKAA	4							W4W - Nitro
	0RG20SW1AA	4							
2									COVER, Wheel, 15 inch W5R - Rallye (Chrome)
	04764913AA	4							W5T - Rallye
	0RN32PAKAA	4							
3	0RN33PAKAA	4							COVER, Wheel, W47 - Havoc
4	0RN37PAKAA	4							COVER, Wheel, W41 - Carlson
5	0SE30PAKAA	4							CAP, Wheel Center, Machine Finish Aluminum, WJK
6	0JB31PAK	4							CAP, Wheel Center, ST Silver/Red, Dark Green, WJJ - 15 x 6.0 Wheel
7	0KP82TY5	4							CAP, Wheel Center, Chrome, WJ2 - Bright Gold Metallic

CIRRUS,BREEZE,STRATUS (JA)

SERIES LINE
 H = HIGHLINE C = CHRYSLER
 P = PREMIUM D = DODGE
 P = PLYMOUTH

BODY
 41 = 4 Door Sedan

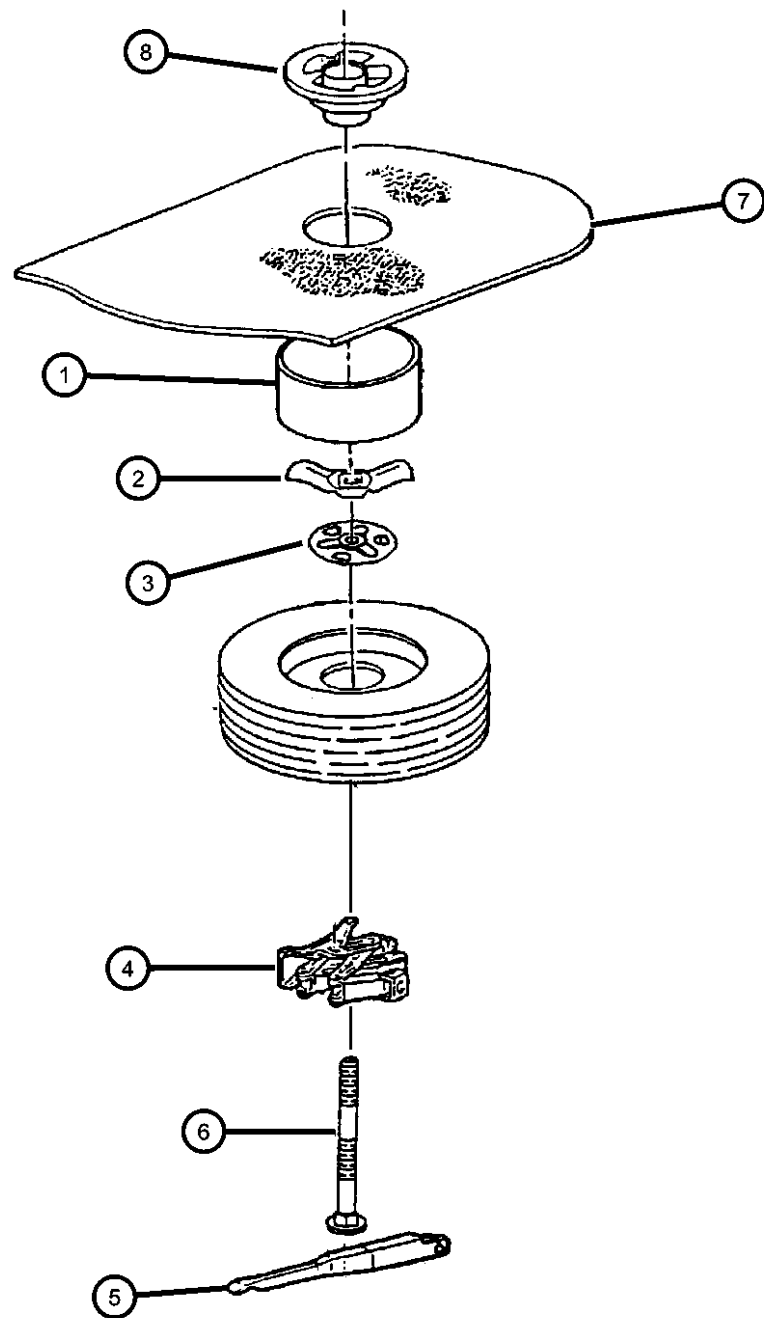
ENGINE
 ECB = 2.0L 4 Cyl SOHC 16V
 SMPI Engine
 EDZ = 2.4L 4 Cyl DOHC 16V
 SMPI Engine
 EEB = 2.5L V6 SOHC 24V
 SMPI Engine

TRANSMISSION
 DD5 = TRANSMISSION - 5-SPEED
 MANUAL
 DGL = TRANSMISSION - 4-SPD.
 AUTOMATIC,41TE
 DD4 = TRANSMISSION - 5-SPEED
 PERF. MANUAL

AR = use ase required - = Non illustrated part

1999 JA

Jack Stowage
Figure 22-350



ITEM	PART NUMBER	QTY	LINE	SERIES	BODY	ENGINE	TRANS	TRIM	DESCRIPTION
1	04696566	1							SUPPORT, Cover
2	06032619	1							WINGNUT, Jack and Tire Hold Down
3	04371895	1							PLATE, Spare Tire Cover
4	04695774	1							JACK, Scissors
5	04764663AA	1							HANDLE, Jack
6	06032744	1							BOLT, Round Head, .375-16x8.50 Spare Tire Mounting
7	04646985	1							COVER, Spare Tire
8	04371785	1							PLATE, Spare Tire Cover

CIRRUS,BREEZE,STRATUS (JA)

SERIES LINE
H = HIGHLINE C = CHRYSLER
P = PREMIUM D = DODGE
P = PLYMOUTH

BODY
41 = 4 Door Sedan

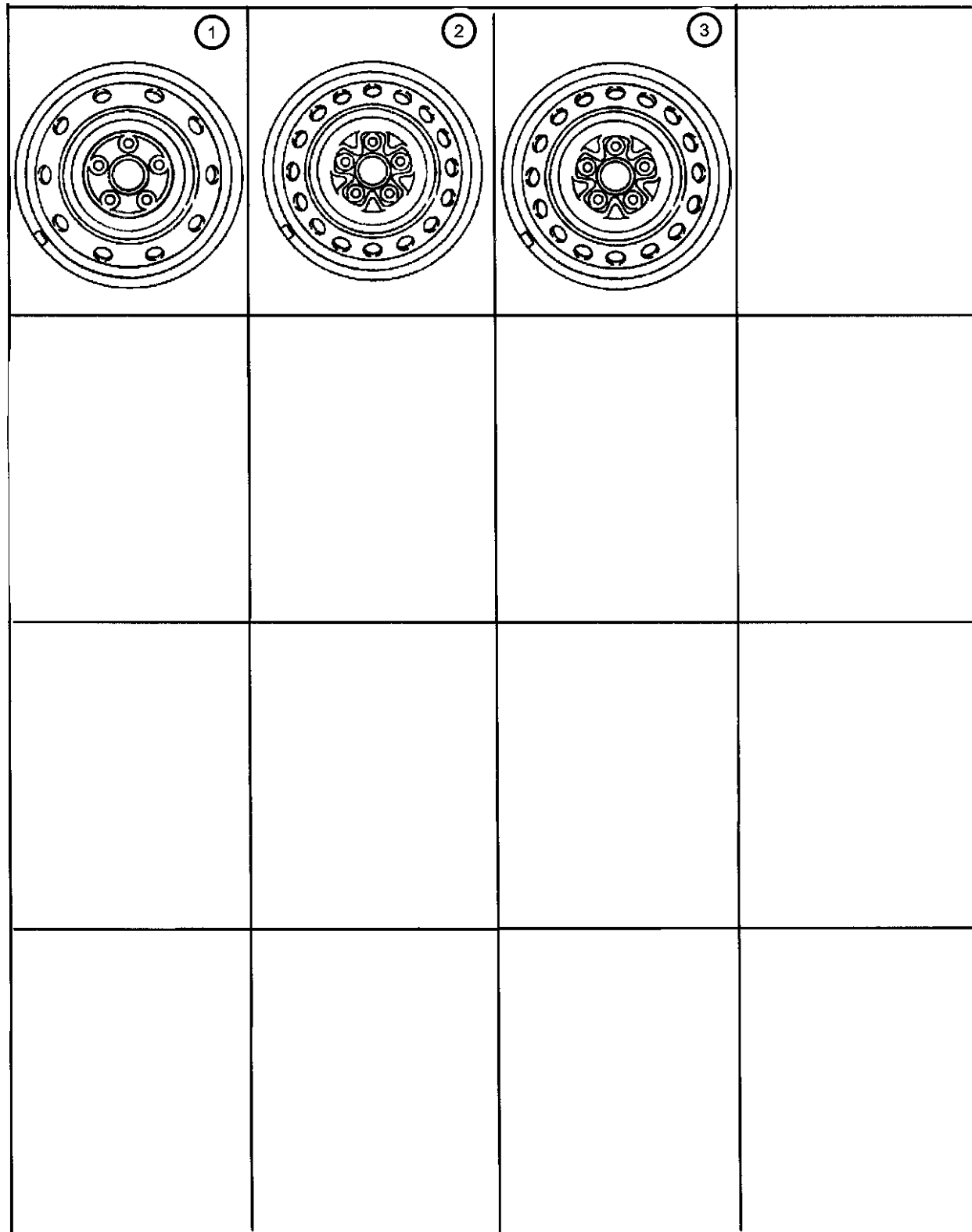
ENGINE
ECB = 2.0L 4 Cyl SOHC 16V SMPI Engine
EDZ = 2.4L 4 Cyl DOHC 16V SMPI Engine
EEB = 2.5L V6 SOHC 24V SMPI Engine

TRANSMISSION
DD5 = TRANSMISSION - 5-SPEED MANUAL
DGL = TRANSMISSION - 4-SPD. AUTOMATIC, 41TE
DD4 = TRANSMISSION - 5-SPEED PERF. MANUAL

AR = use ase required - = Non illustrated part

1999 JA

Wheel Spare
Figure 22-450



ITEM	PART NUMBER	QTY	LINE	SERIES	BODY	ENGINE	TRANS	TRIM	DESCRIPTION
1	04764968AA	4							WHEEL, Steel, 14 x 6.0
2	04695345	1							WHEEL, Spare, 15 X 4.0 Steel
3	04616295	1							WHEEL, Steel, 15 X 6.0 Full Size
-4	04284105	1							LABEL, Spare Tire Storage Compact Spare
-5	04616150	1							LABEL, Jack And Tire Stowage
-6									LABEL, Tire Pressure
	04695675AB	1							English
	04695685	1							French
	04764344AA	1							Europe, Japan

CIRRUS,BREEZE,STRATUS (JA)

SERIES LINE
H = HIGHLINE C = CHRYSLER
P = PREMIUM D = DODGE
P = PLYMOUTH

BODY
41 = 4 Door Sedan

ENGINE
ECB = 2.0L 4 Cyl SOHC 16V SMPI Engine
EDZ = 2.4L 4 Cyl DOHC 16V SMPI Engine
EEB = 2.5L V6 SOHC 24V SMPI Engine

TRANSMISSION
DD5 = TRANSMISSION - 5-SPEED MANUAL
DGL = TRANSMISSION - 4-SPD. AUTOMATIC, 41TE
DD4 = TRANSMISSION - 5-SPEED PERF. MANUAL

AR = use ase required - = Non illustrated part

1999 JA

Group - 23D

Wiper/Lock Cylinder and Keys

Group - 23D Wiper/Lock Cylinder and Keys

Group-Fig. No.

Illustration Title

Lock Cylinders and Keys

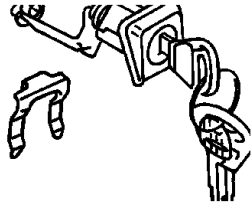
Lock Cylinder and Double Bitted Lock Cylinder Repair Components Fig. 23D - 110

Windshield Wiper and Washer Systems

Windshield Washer and Wiper System Fig. 23D - 210

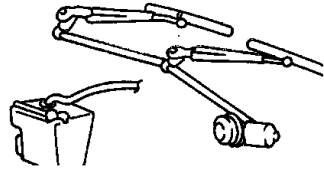
23D-100

Lock Cylinders and Keys

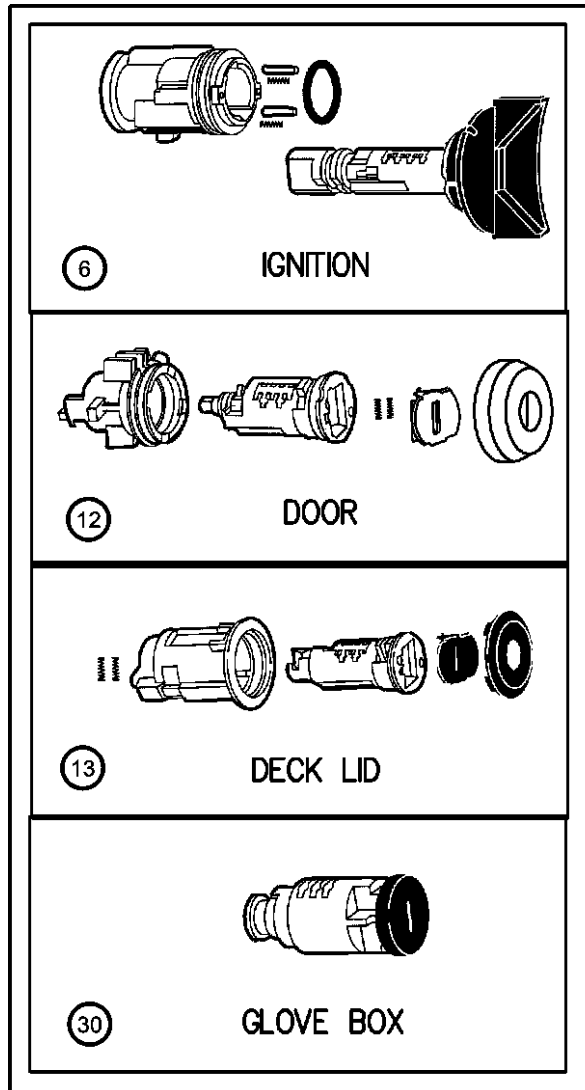
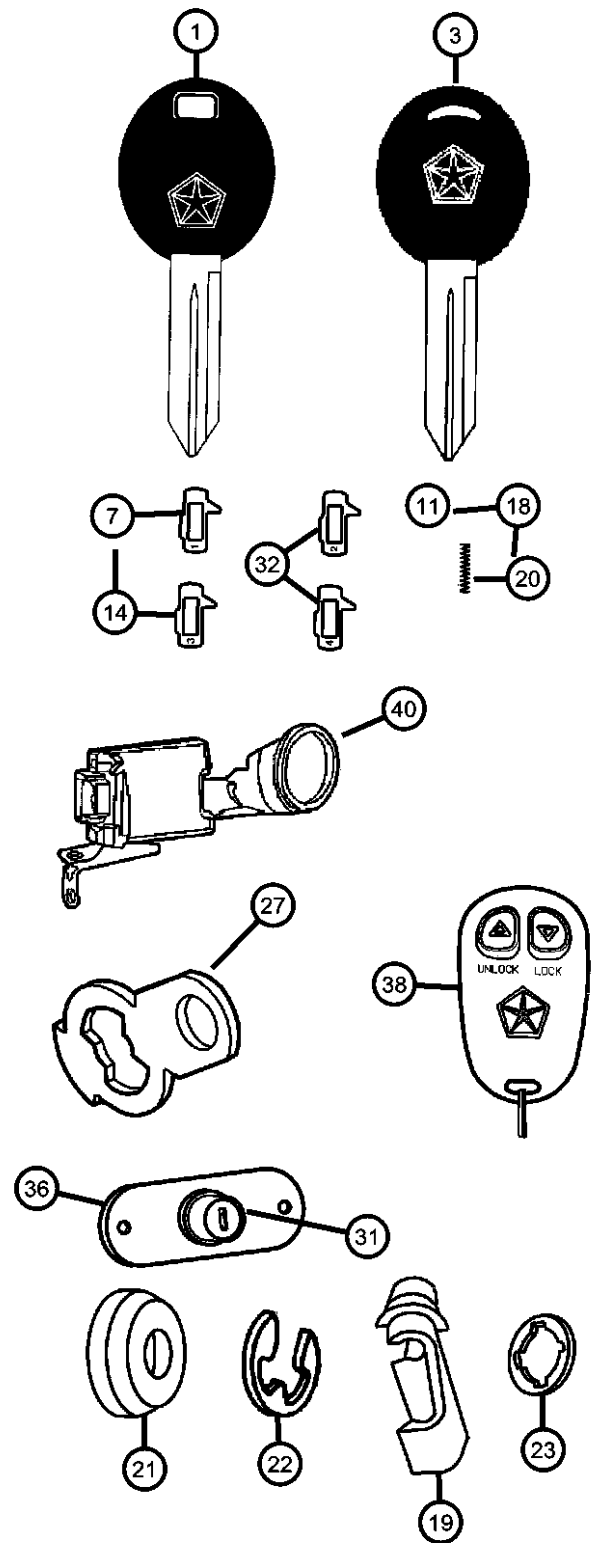


23D-200

Windshield Wiper and Washer Systems



Lock Cylinder and Double Bitted Lock Cylinder Repair Components
Figure 23D-110

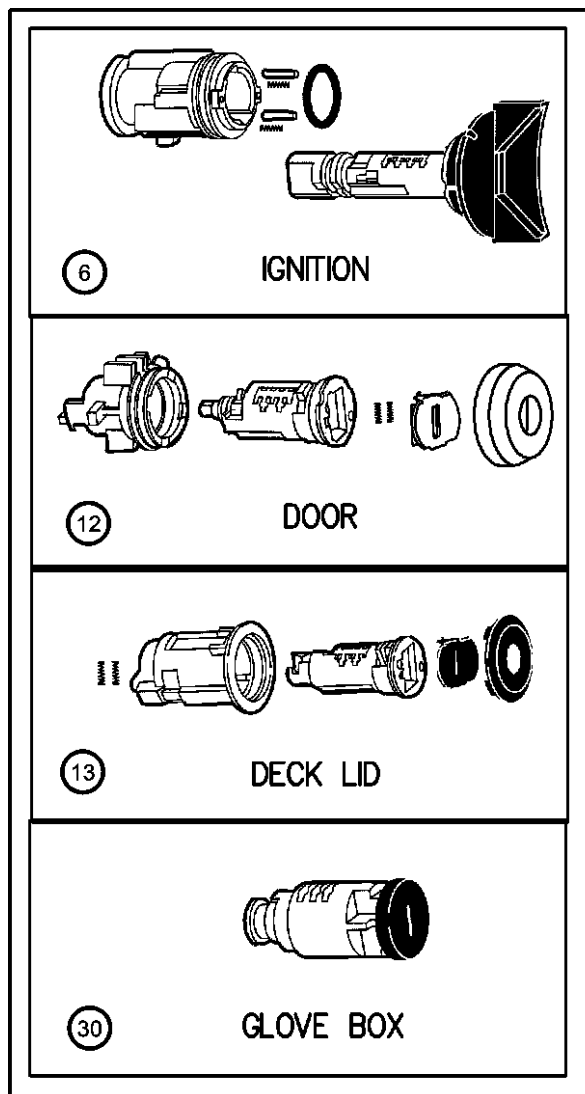
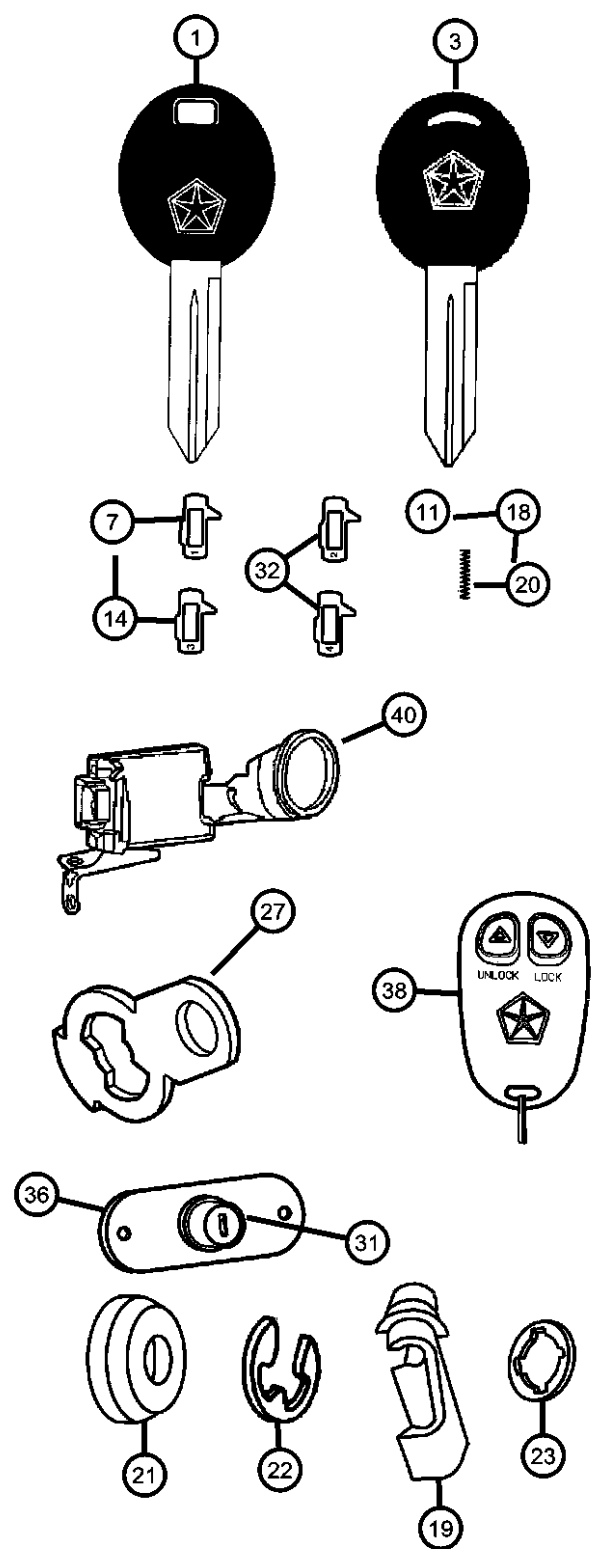


ITEM	PART NUMBER	QTY	LINE	SERIES	BODY	ENGINE	TRANS	TRIM	DESCRIPTION
1	05010365AA	1							KEY, Valet With Sentry Key Theft Deterrent System, Gray
	55075488	1							Without Sentry Key Theft Deterrent System, Gray
-2	04696590	1							KEY, Master
	05010366AA	1							Without Sentry Key Theft Deterrent System, Gray
	05010366AA	1							With Sentry Key Theft Deterrent System, Gray
3	04778116	1							KEY, Valet, Black
-4	04778115	1							KEY, Blank, 84 Groove, Silver
-5	55075487	1							KEY, Blank
6	05003843AA	1							CYLINDER, Ignition Lock
7	05010879AA	1							TUMBLER, Ignition Number 1, Sidebar
-8	05010880AA	1							TUMBLER, Ignition Number 2, Sidebar
-9	05010881AA	1							TUMBLER, Ignition Number 3, Sidebar
-10	05010882AA	1							TUMBLER, Ignition Number 4, Sidebar
11	05010883AA	1							SPRING, Ignition Tumbler, Sidebar
12	04778123	2							CYLINDER, Door Lock
13	04778145	1							CYLINDER, Deck Lid Lock
14	04778117	1							TUMBLER, Door and Deck Number 1, Wide
-15	04778118	1							TUMBLER, Door and Deck Number 2, Wide
-16	04778119	1							TUMBLER, Door and Deck Number 3, Wide
-17	04778120	1							TUMBLER, Door and Deck Number 4, Wide
18	04778121	1							SPRING, Door and Deck Tumbler
19									CLIP, Latch
	04658444	1							Purple
	04658445	1							Orange
20	04746873	1							SPRING, Lock Cylinder Tumbler, Also Rear Seat Latch Tumbler
21	05257152	1							CAP, Door Lock Cylinder, Bright
22	06026125	1							CLIP, Retainer

CIRRUS,BREEZE,STRATUS (JA)				
SERIES	LINE	BODY	ENGINE	TRANSMISSION
H = HIGHLINE	C = CHRYSLER	41 = 4 Door Sedan	ECB = 2.0L 4 Cyl SOHC 16V SMPI Engine	DD5 = TRANSMISSION - 5-SPEED MANUAL
P = PREMIUM	D = DODGE		EDZ = 2.4L 4 Cyl DOHC 16V SMPI Engine	DGL = TRANSMISSION - 4-SPD. AUTOMATIC, 41TE
	P = PLYMOUTH		EEB = 2.5L V6 SOHC 24V SMPI Engine	DD4 = TRANSMISSION - 5-SPEED PERF. MANUAL

AR = use ase required - = Non illustrated part

Lock Cylinder and Double Bitted Lock Cylinder Repair Components
Figure 23D-110



ITEM	PART NUMBER	QTY	LINE	SERIES	BODY	ENGINE	TRANS	TRIM	DESCRIPTION
23	55074799	2							GASKET, Door Lock Cylinder, Black
24	02583377	3							RETAINER, Door Lock Cylinder
25	04778150	1							SHUTTER, Door, Deck and Liftgate, Bright
26	04378798AB	1							SPRING, Lock Cylinder Return
27	55075824	2							LEVER, Door Lock Cylinder
-28	04717288	1							LEVER, Front Door Cylinder, After 11/02/88
29	04696891	1							LEVER, Deck Lid Lock Cylinder
30	04778448	1							CYLINDER, Glove Box Lock
31	04778177	1							CYLINDER, Seat Back Latch
32	05257132	1							TUMBLER, Ignition Number 1, Not Ignition, Glove Box or Rear Seat Latch Tumbler
-33	05257133	1							TUMBLER, Ignition Number 2, Not Ignition, Glove Box or Rear Seat Latch Tumbler
-34	05257134	1							TUMBLER, Ignition Number 3, Not Ignition Tumbler, But a Glove Box or Rear Seat Latch Tumbler
-35	05257135	1							TUMBLER, Ignition Number 4, Not Ignition Tumbler, But a Glove Box or Rear Seat Latch Tumbler
36	04778178	1							HOUSING, Rear Seat Back Latch
-37	04814299	1							BEZEL, Seat Latch
38	04606378AA	2							TRANSMITTER, Keyless Entry (European)
-39	04608229AB	2							LABEL, Transmitter (European)
	04606488AA	2							w/Sentry Key Theft Deterrent System, (European)
	56010119AC	1							MODULE, Immobilizer
40	04671243AC	1							BATTERY, Transmitter
-41	83504802	1							SPRING, Cylinder Return
-42	04378793	1							CAP, Door Lock Cylinder, Black
-43	05257148	2							

CIRRUS,BREEZE,STRATUS (JA)
 SERIES LINE
 H = HIGHLINE C = CHRYSLER
 P = PREMIUM D = DODGE
 P = PLYMOUTH

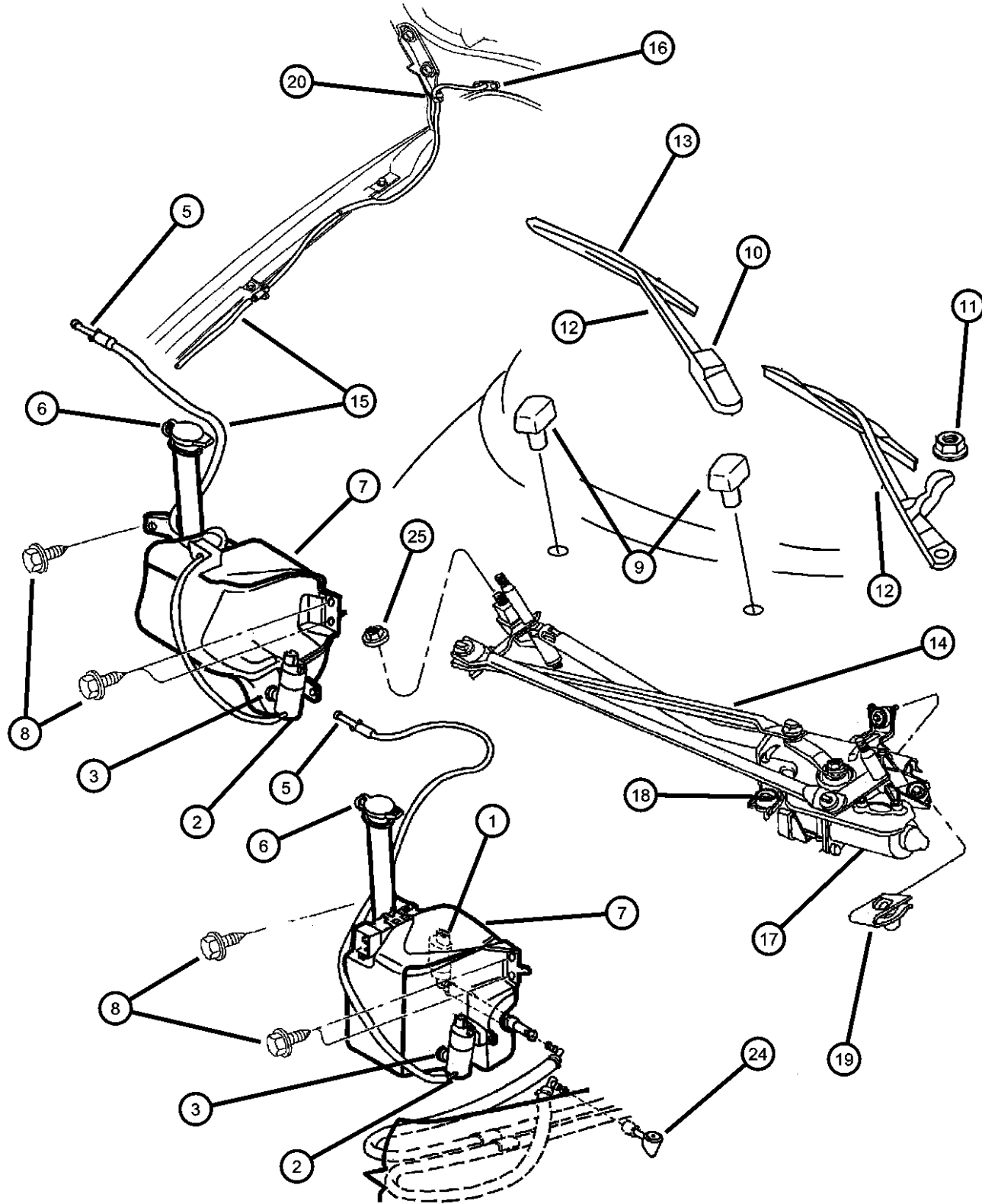
BODY
 41 = 4 Door Sedan

ENGINE
 ECB = 2.0L 4 Cyl SOHC 16V SMPI Engine
 EDZ = 2.4L 4 Cyl DOHC 16V SMPI Engine
 EEB = 2.5L V6 SOHC 24V SMPI Engine

TRANSMISSION
 DD5 = TRANSMISSION - 5-SPEED MANUAL
 DGL = TRANSMISSION - 4-SPD. AUTOMATIC, 41TE
 DD4 = TRANSMISSION - 5-SPEED PERF. MANUAL

AR = use ase required - = Non illustrated part

**Windshield Washer and Wiper System
Figure 23D-210**



ITEM	PART NUMBER	QTY	LINE	SERIES	BODY	ENGINE	TRANS	TRIM	DESCRIPTION
1	05011821AA	1							PUMP, Washer, Headlamp
2	05011807AA	1							PUMP, Washer, Windshield [JHT]
	05015938AA	1							
3	05011809AA	1							GROMMET, Windshield Washer Pump
-4	05011822AA	1							GROMMET, Headlamp Washer Pump
5	04778224	1							CONNECTOR, Washer Hose, In Line
6	04756656	1							CAP, Washer Reservoir
	05012475AA	1							w/Headlamp Washer
7	05012357AA	1							RESERVOIR, Washer
	05012358AA	1							w/Headlamp Washer
8	06101777	3							SCREW, Hex Flange Head Tapping, M6x1.00x20.00
	04805241AA	2							Export
9	04805241AA	2							NOZZLE, Washer, Windshield
10	04778094	1							CAP, Wiper Arm Right
	04797040	1							Left
11	06504805	2							NUT HEXAGON, Hex lock, M10x1.25
12	04814157AB	1							ARM, Wiper Left
	05288500AB	1							Right
13	04630658AC	1							BLADE, Wiper Right
	WBFLAT09AA								Mopar Alternative Flat Blade Set
	WBW00022AD								Mopar Alternative Winter Wiper Blades
	WB000022AE								Mopar V-Line Alternative Part
	WB-BLU022AA								Mopar Alternative Color Wiper Blade (Blue)

CIRRUS,BREEZE,STRATUS (JA)
 SERIES LINE
 H = HIGHLINE C = CHRYSLER
 P = PREMIUM D = DODGE
 P = PLYMOUTH

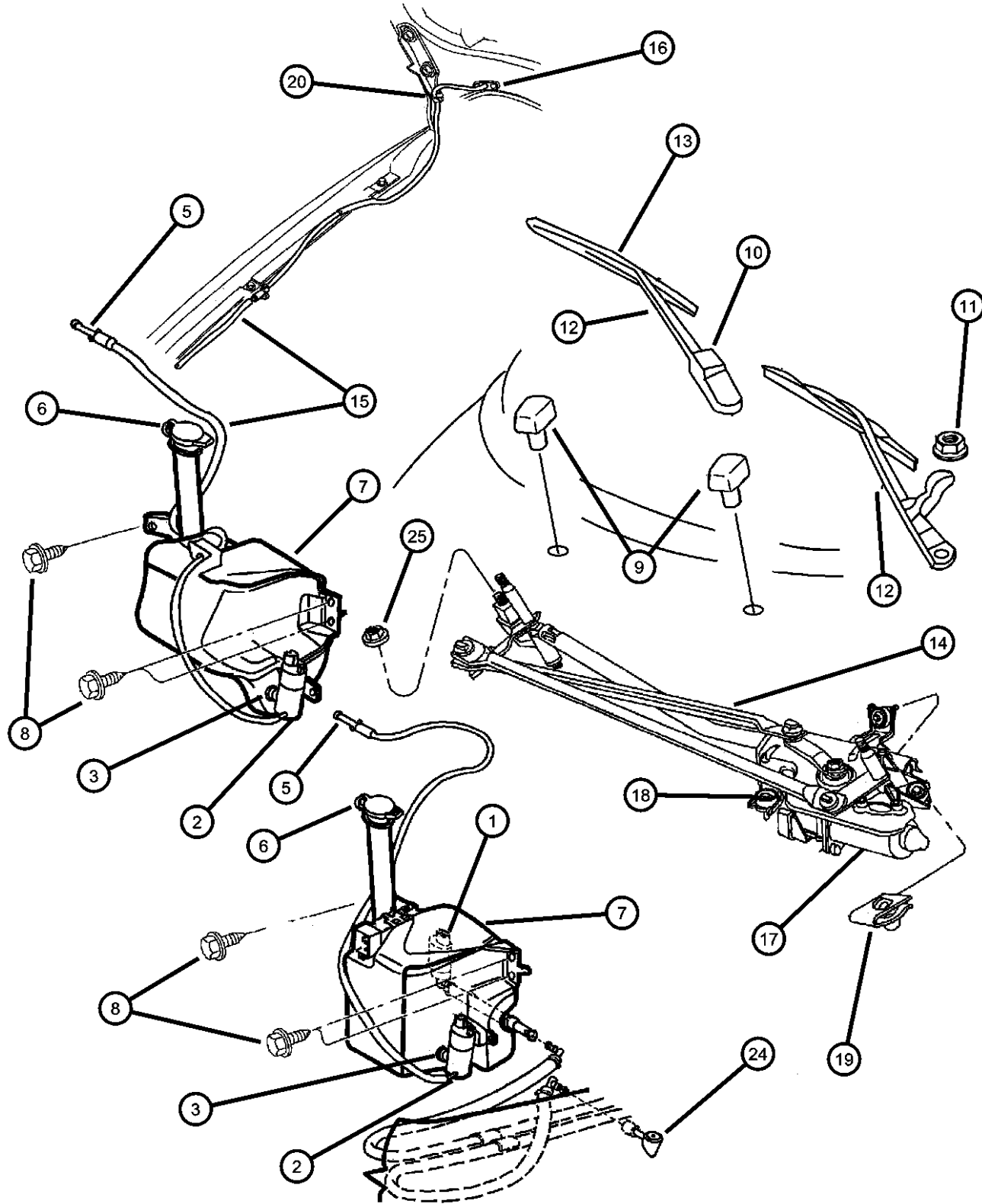
BODY
 41 = 4 Door Sedan

ENGINE
 ECB = 2.0L 4 Cyl SOHC 16V SMPI Engine
 EDZ = 2.4L 4 Cyl DOHC 16V SMPI Engine
 EEB = 2.5L V6 SOHC 24V SMPI Engine

TRANSMISSION
 DD5 = TRANSMISSION - 5-SPEED MANUAL
 DGL = TRANSMISSION - 4-SPD. AUTOMATIC,41TE
 DD4 = TRANSMISSION - 5-SPEED PERF. MANUAL

AR = use ase required - = Non illustrated part

**Windshield Washer and Wiper System
Figure 23D-210**



ITEM	PART NUMBER	QTY	LINE	SERIES	BODY	ENGINE	TRANS	TRIM	DESCRIPTION
	WBRED022AA								Mopar Alternative Color Wiper Blade (Red)
	WBYEL022AA								Mopar Alternative Color Wiper Blade (Yellow)
	WB-WHI022AA								Mopar Alternative Color Wiper Blade (White)
	WB-CAR022AA								Mopar Alternative Color Wiper Blade (Carbon Fiber)
	04630659	1							w/Airfoil, Left, Export
	04630753	1							Left
	WB000022AE								Mopar V-Line Alternative Part
	WBFLAT09AA								Mopar Alternative Flat Blade Set
	WBW00022AD								Mopar Alternative Winter Wiper Blades
	WB-BLU022AA								Mopar Alternative Color Wiper Blade (Blue)
	WBRED022AA								Mopar Alternative Color Wiper Blade (Red)
	WBYEL022AA								Mopar Alternative Color Wiper Blade (Yellow)
	WB-WHI022AA								Mopar Alternative Color Wiper Blade (White)
	WB-CAR022AA								Mopar Alternative Color Wiper Blade (Carbon Fiber)
14	05012171AA	1							FRAME, Wiper Pivot
15	04805408AB	1							HOSE, Windshield Washer
16	04646527	2							PLUG, Deck Lid
17	05012170AA	1							MOTOR, Wiper
18	05012172AA	1							GROMMET, WIPER FRAME
19	06101712	1							NUT, U, M6x1, Wiper Module Attaching
20	04805464AA	2							CLIP
-21	05012474AA	1							SENSOR, Washer Fluid Level, w/Headlamp Washer
-22	05012483AA	1							RELAY, Timer, w/Headlamp Washer
-23	06030441	1							PIN, Retainer, w/Headlamp Washer
24	04814451	2							NOZZLE, Washer, Headlamp
		2			D				
		2			C				

CIRRUS,BREEZE,STRATUS (JA)
 SERIES LINE
 H = HIGHLINE C = CHRYSLER
 P = PREMIUM D = DODGE
 P = PLYMOUTH

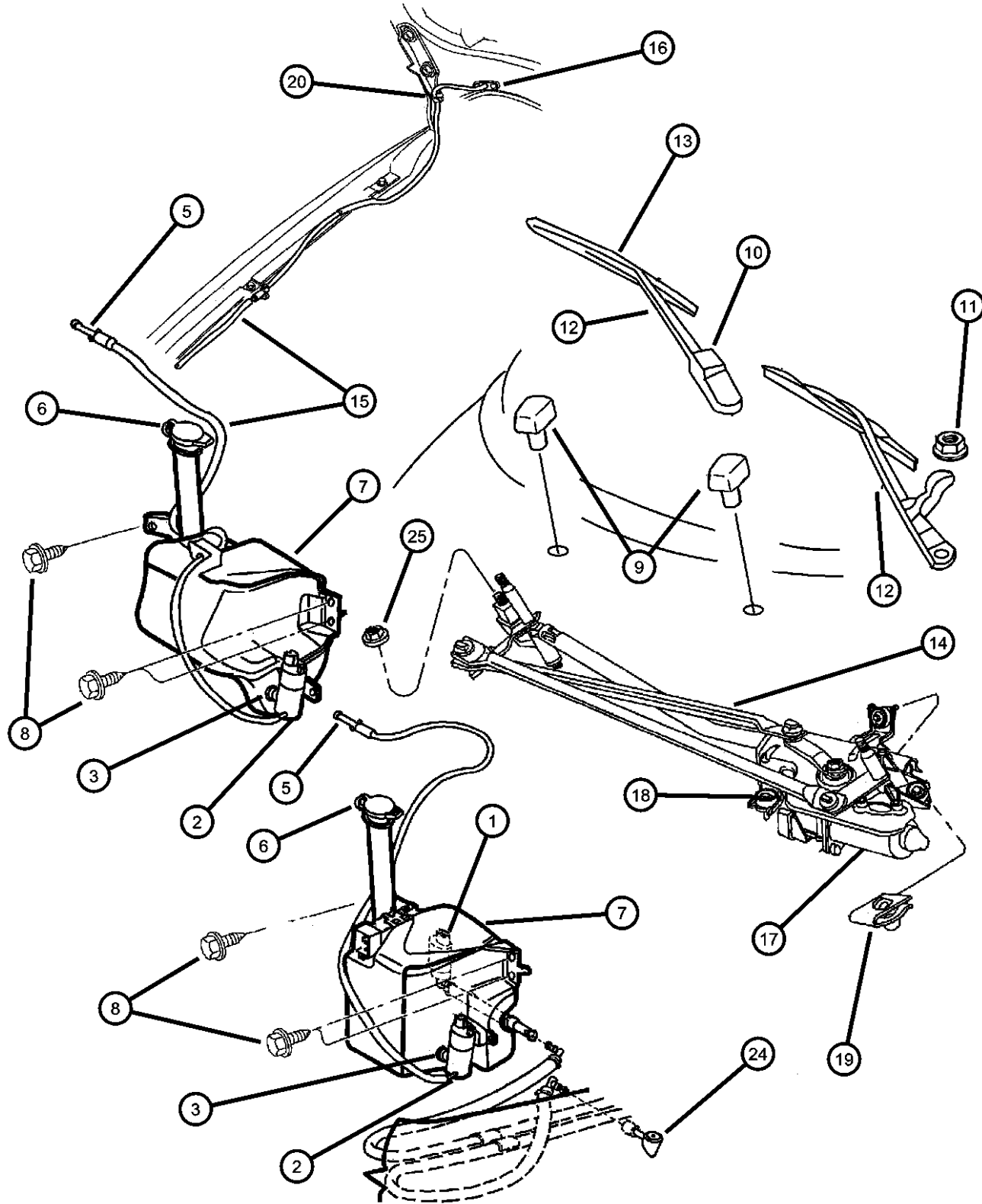
BODY
 41 = 4 Door Sedan

ENGINE
 ECB = 2.0L 4 Cyl SOHC 16V SMPI Engine
 EDZ = 2.4L 4 Cyl DOHC 16V SMPI Engine
 EEB = 2.5L V6 SOHC 24V SMPI Engine

TRANSMISSION
 DD5 = TRANSMISSION - 5-SPEED MANUAL
 DGL = TRANSMISSION - 4-SPD. AUTOMATIC, 41TE
 DD4 = TRANSMISSION - 5-SPEED PERF. MANUAL

AR = use ase required - = Non illustrated part

**Windshield Washer and Wiper System
Figure 23D-210**



ITEM	PART NUMBER	QTY	LINE	SERIES	BODY	ENGINE	TRANS	TRIM	DESCRIPTION
25	06500284	1							NUT, Hex, M6x1.00, Wiper Module Attaching
-26	04814453	1	D						HOSE, Washer, Headlamp
		1	C						
-27	04805239AA	1							COVER, Washer Hose, Protective

CIRRUS,BREEZE,STRATUS (JA)
 SERIES LINE
 H = HIGHLINE C = CHRYSLER
 P = PREMIUM D = DODGE
 P = PLYMOUTH

BODY
 41 = 4 Door Sedan

ENGINE
 ECB = 2.0L 4 Cyl SOHC 16V SMPI Engine
 EDZ = 2.4L 4 Cyl DOHC 16V SMPI Engine
 EEB = 2.5L V6 SOHC 24V SMPI Engine

TRANSMISSION
 DD5 = TRANSMISSION - 5-SPEED MANUAL
 DGL = TRANSMISSION - 4-SPD. AUTOMATIC,41TE
 DD4 = TRANSMISSION - 5-SPEED PERF. MANUAL

AR = use ase required - = Non illustrated part

1999 JA

Group - 24

Air Conditioning & Heater

Group - 24 Air Conditioning & Heater

Illustration Title

Group-Fig. No.

Air Conditioner and Heater Units

Air Conditioning And Heater UnitFig. 24 - 160

Air Conditioner and Heater Plumbing

Plumbing, Heater & Air ConditioningFig. 24 - 297

Air Conditioner and Heater Controls

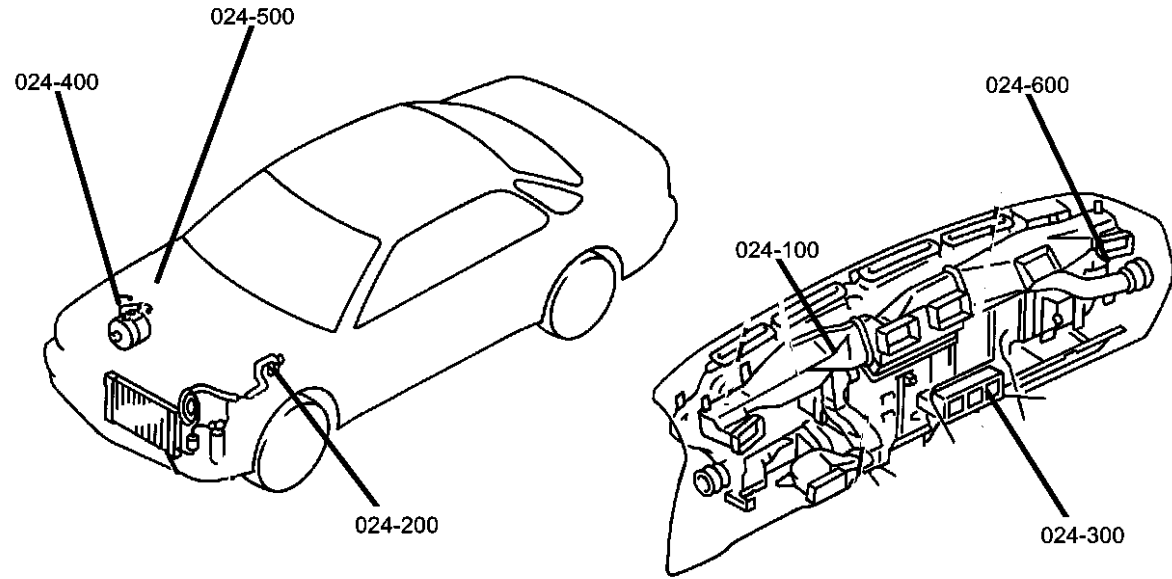
Controls, A/C and HeaterFig. 24 - 350

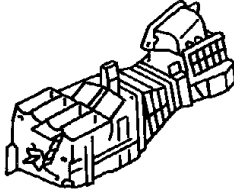
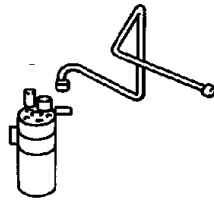
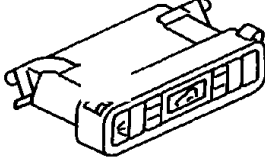
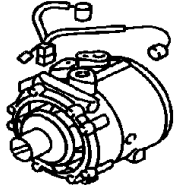
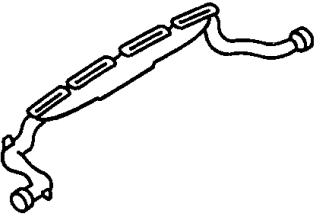
Air Conditioning Compressor

Compressor and MountingFig. 24 - 430

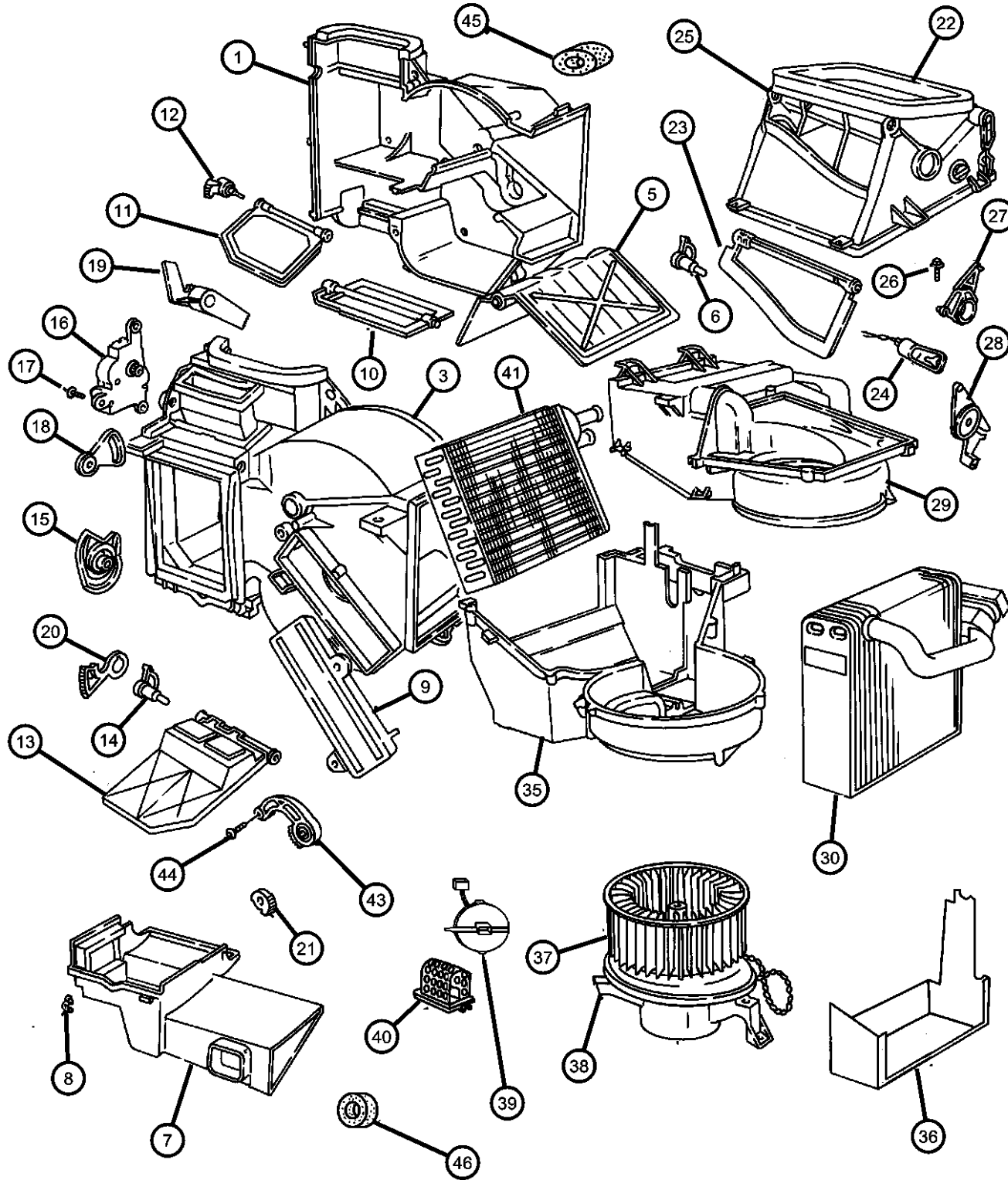
Air Ducts and Outlets

Air Distribution Ducts, Outlets, LouverFig. 24 - 670



<p>024-100 Air Conditioner and Heater Units</p> 	<p>024-200 Air Conditioner and Heater Plumbing</p> 	<p>024-300 Air Conditioner and Heater Controls</p> 	<p>024-400 Air Conditioning Compressor</p> 
<p>024-600 Air Ducts and Outlets</p> 			

**Air Conditioning And Heater Unit
Figure 24-160**



ITEM	PART NUMBER	QTY	LINE	SERIES	BODY	ENGINE	TRANS	TRIM	DESCRIPTION
1	04644816	1							HOUSING, Distribution Front
-2	04644830	1							GASKET, Panel Opening
3	04644817	1							HOUSING, Distribution
-4	04734418	5							BOLT, A/C and Heater Unit Mounting
5	04644822	1							DOOR, Blend Air
6	04644823	1							LEVER, Mode Door
7	04596118	1							DUCT, Heat Distribution
8	04644917	1							CLIP, A/C Heater Housing
9	04644836	1							COVER, Heater Core
10	04644824	1							DOOR, Defroster
11	04644826	1							DOOR, Floor Defroster Duct
12	04644827	1							LEVER, Floor Door Gear
13	04644821	1							DOOR, Distribution Duct
14	04644819	1							LEVER, Panel Door
15	04644818	1							CAM, Mode
16	04644834AB	1							ACTUATOR, A/C and Heater
17	04644834AB	1							SCREW, (NOT SERVICED)
18	04644915	1							LINK, Heater and Defroster
19	04644828	1							LINK, Floor Door Gear
20	04644820	1							PIN, Door Panel Link
21	04644823	1							LEVER, Mode Door
22	04644792	1							GASKET, Air Inlet
23	04644803	2							DOOR, Air Inlet
24	04644802	1							LEVER, Y Cam Actuator
25	04644798	1							HOUSING, Air Inlet
26	04644798	1							SCREW, (NOT SERVICED)
27	04644801	1							PIN, Y-Cam
28									LEVER, Y Cam Actuator
	04644800	1							Rear
	04644825	1							Front
29	04797315	1							HOUSING, Blower Motor, (Contains Upper and Lower Housings)
30	05013064AA	1							EVAPORATOR, Air Conditioning

CIRRUS,BREEZE,STRATUS (JA)
 SERIES LINE
 H = HIGHLINE C = CHRYSLER
 P = PREMIUM D = DODGE
 P = PLYMOUTH

BODY
 41 = 4 Door Sedan

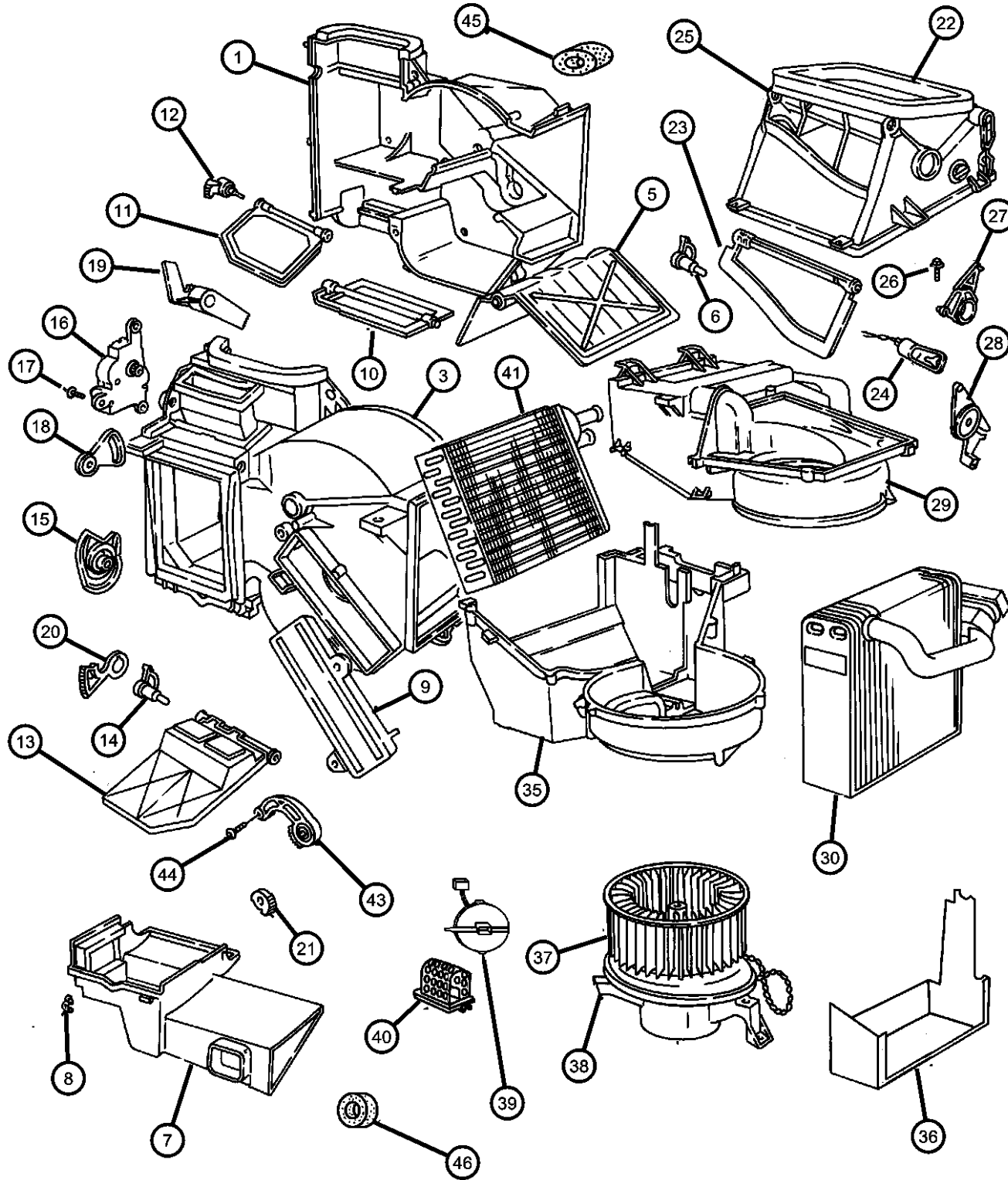
ENGINE
 ECB = 2.0L 4 Cyl SOHC 16V SMPI Engine
 EDZ = 2.4L 4 Cyl DOHC 16V SMPI Engine
 EEB = 2.5L V6 SOHC 24V SMPI Engine

TRANSMISSION
 DD5 = TRANSMISSION - 5-SPEED MANUAL
 DGL = TRANSMISSION - 4-SPD. AUTOMATIC, 41TE
 DD4 = TRANSMISSION - 5-SPEED PERF. MANUAL

AR = use ase required - = Non illustrated part

1999 JA

Air Conditioning And Heater Unit
Figure 24-160



ITEM	PART NUMBER	QTY	LINE	SERIES	BODY	ENGINE	TRANS	TRIM	DESCRIPTION
	V9900004								Mopar V-Line Alternative Part
-31									SEAL, Evaporator
	04734173	1							Upper
	04734174	1							Lower
-32	04734177	1							SEAL, Heater CoreRear
-33	04644794	1							GASKET, Evaporator to Dash
-34	04644795	1							PLUG, Evaporator/Dash Gasket
35	04797315	1							HOUSING, Blower Motor, (Contains Upper and Lower Housings)
36									LINER, Evaporator
	04644804	1							Upper
	04644807	1							Lower
37	04797372	1							MOTOR, Blower with Wheel
38	04644809	1							HOUSING, Blower Motor
39	04644919	1							PROBE, Air Conditioning
40	04644833	1							RESISTOR, Blower Motor
41	04644829	1							CORE, Heater
-42	04644835	1							GASKET, Heater Core to Housing
43	04644916	1							LEVER, A/C Floor Door Duct, Blend Door Gear Primary
44	04644916	1							SCREW, Blend Door Lever, (NOT SERVICED)
45	04644832	1							GASKET, Dash Panel Reinforcement
46	04644793	1							GASKET, Drain Tube
-47	04596140AB	1							LABEL, Three In One

CIRRUS,BREEZE,STRATUS (JA)
 SERIES LINE
 H = HIGHLINE C = CHRYSLER
 P = PREMIUM D = DODGE
 P = PLYMOUTH

BODY
 41 = 4 Door Sedan

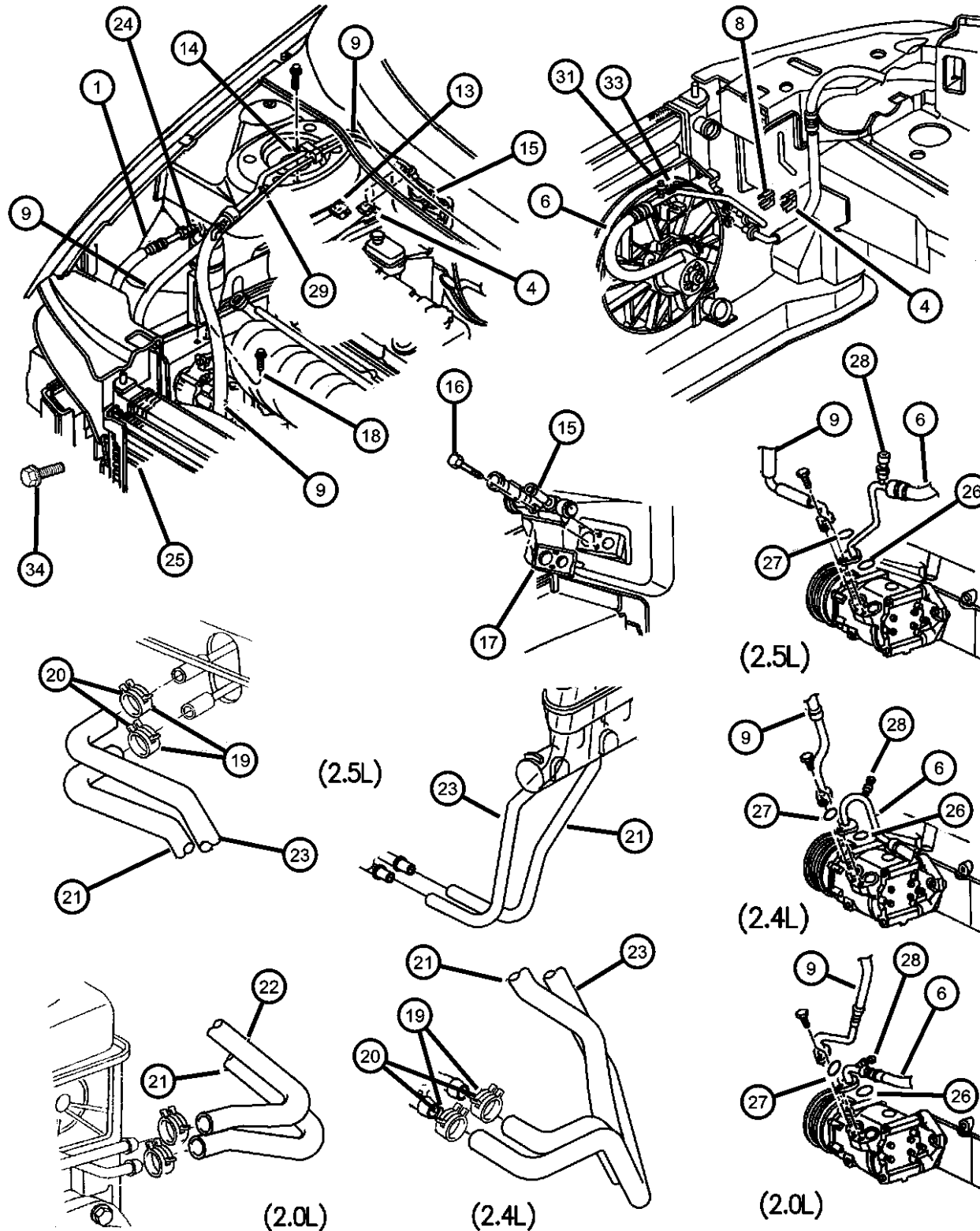
ENGINE
 ECB = 2.0L 4 Cyl SOHC 16V
 SMPI Engine
 EDZ = 2.4L 4 Cyl DOHC 16V
 SMPI Engine
 EEB = 2.5L V6 SOHC 24V
 SMPI Engine

TRANSMISSION
 DD5 = TRANSMISSION - 5-SPEED
 MANUAL
 DGL = TRANSMISSION - 4-SPD.
 AUTOMATIC,41TE
 DD4 = TRANSMISSION - 5-SPEED
 PERF. MANUAL

AR = use ase required - = Non illustrated part

1999 JA

Plumbing, Heater & Air Conditioning
Figure 24-297



ITEM	PART NUMBER	QTY	LINE	SERIES	BODY	ENGINE	TRANS	TRIM	DESCRIPTION
		1				EEB			
		1				EDZ			
-12									O RING KIT, Quick Connect, Suction Line
	04796294	1				ECB			5/8 inch (Contains: 2 O-Rings, 1 Spring, 1 Indicator Ring)
		1				EEB			5/8 inch (Contains: 2 O-Rings, 1 Spring, 1 Indicator Ring)
		1				EDZ			5/8 inch (Contains: 2 O-Rings, 1 Spring, 1 Indicator Ring)
13	04596153	1							CLIP, A/C Quick Disconnect, Suction Line
14	04796300AB	1							CLIP, Air Conditioning Line, Shock Tower Bracket, Suction Line
15	04596192	1							VALVE, A/C Expansion, w/Gasket
16	06032572	2							SCREW, Cap, .25-20x2.00, Expansion Valve Mounting CAP, (NOT SERVICED)
17	06032572	2							SCREW, (NOT SERVICED)
18	06032572	2							CLAMP, Heater Hose, M26
19									
	06502017	4				EDZ			
		1				EEB			
		2				ECB			
20									CLAMP, Hose, M28.9 x 1.60
	06502018	1				EEB			
		1				EDZ			
		1				ECB			
21									HOSE, Heater Core
	04595720AB	1				EDZ			Inlet
	04662181	1				EEB			Inlet
	04662215	1				ECB			Inlet
22	04662175	1				ECB			HOSE, Heater ReturnOutlet
23									HOSE, Heater Core
	04595721	1				EDZ			Outlet
	04662182	1				EEB			Outlet
24	04596172	1							RECEIVER DRIER, w/Bracket
25									CONDENSER KIT, Air Conditioning

CIRRUS,BREEZE,STRATUS (JA)
 SERIES LINE
 H = HIGHLINE C = CHRYSLER
 P = PREMIUM D = DODGE
 P = PLYMOUTH

BODY
 41 = 4 Door Sedan

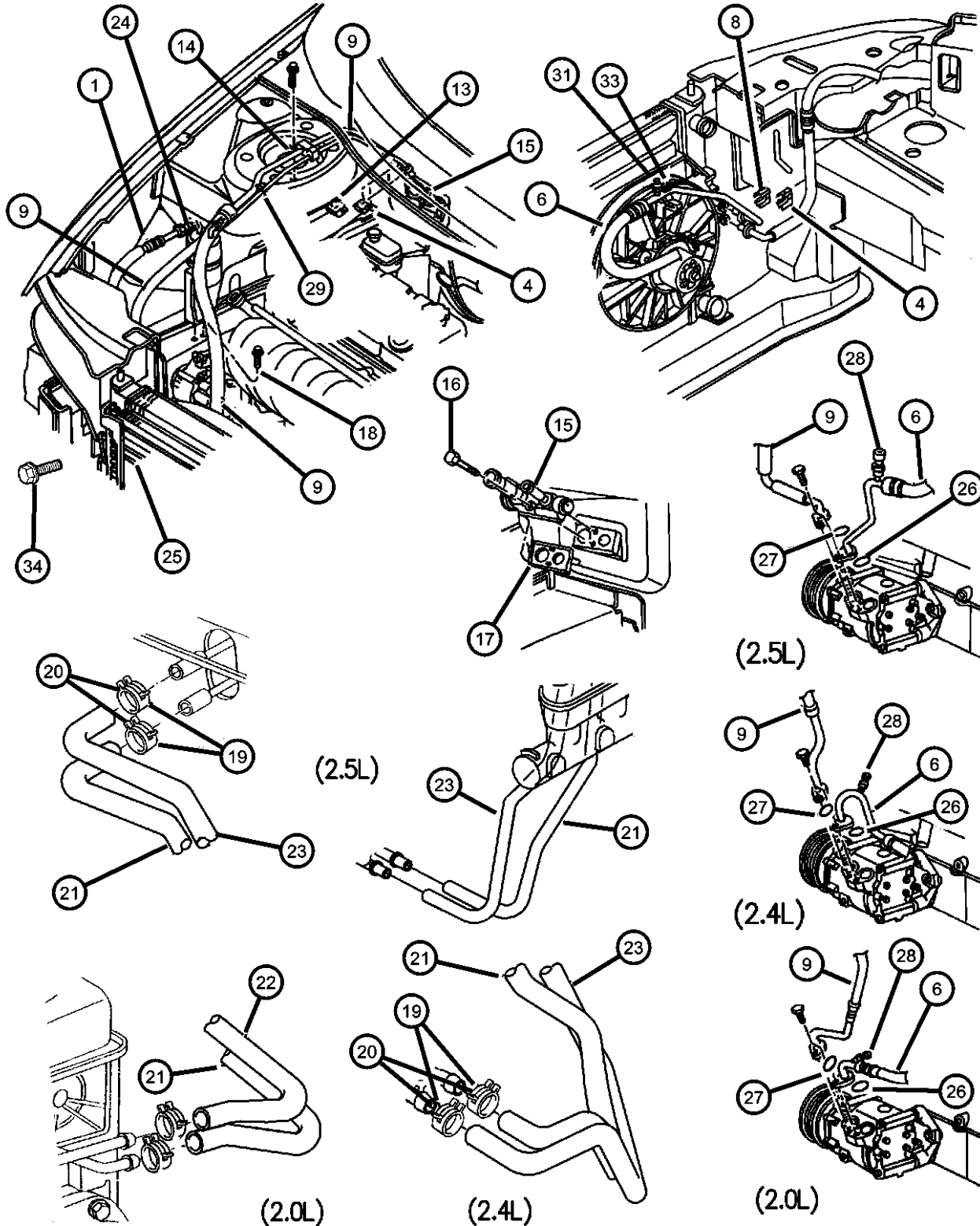
ENGINE
 ECB = 2.0L 4 Cyl SOHC 16V SMPI Engine
 EDZ = 2.4L 4 Cyl DOHC 16V SMPI Engine
 EEB = 2.5L V6 SOHC 24V SMPI Engine

TRANSMISSION
 DD5 = TRANSMISSION - 5-SPEED MANUAL
 DGL = TRANSMISSION - 4-SPD. AUTOMATIC, 41TE
 DD4 = TRANSMISSION - 5-SPEED PERF. MANUAL

AR = use ase required - = Non illustrated part

1999 JA

Plumbing, Heater & Air Conditioning
Figure 24-297



ITEM	PART NUMBER	QTY	LINE	SERIES	BODY	ENGINE	TRANS	TRIM	DESCRIPTION
	05011395AA	1				ECB, EDZ			
		1				EEB			
26	04796565	1				EEB			O RING, A/C Discharge Line 1/2" to Compressor
		1				EDZ			1/2" to Compressor
		1				ECB			1/2" to Compressor
27	04796564	1				ECB			O RING, A/C Suction Line 5/8" to Compressor
		1				EEB			5/8" to Compressor
		1				EDZ			5/8" to Compressor
28	04883903AA	1				EEB			TRANSDUCER PACKAGE, A/C Pressure
		1				EDZ			Discharge
		1				ECB			Discharge
29	04762788	1				ECB			VALVE CORE, Service Port Suction Line
		1				EEB			Suction Line
		1				EDZ			Suction Line
-30	05264642	1				ECB			CAP, A/C Check Valve Suction Line
		1				EEB			Suction Line
		1				EDZ			Suction Line
31	04882138	1				EEB			VALVE, Charging High-Side (w/o Ring & Cap), Discharge
		1				EDZ			High-Side (w/o Ring & Cap), Discharge
		1				ECB			High-Side (w/o Ring & Cap), Discharge
-32	05264642	1				ECB			CAP, A/C Check Valve Suction Line
		1				EEB			Suction Line
		1				EDZ			Suction Line
33									CLIP, Fan Shroud

CIRRUS,BREEZE,STRATUS (JA)
 SERIES LINE
 H = HIGHLINE C = CHRYSLER
 P = PREMIUM D = DODGE
 P = PLYMOUTH

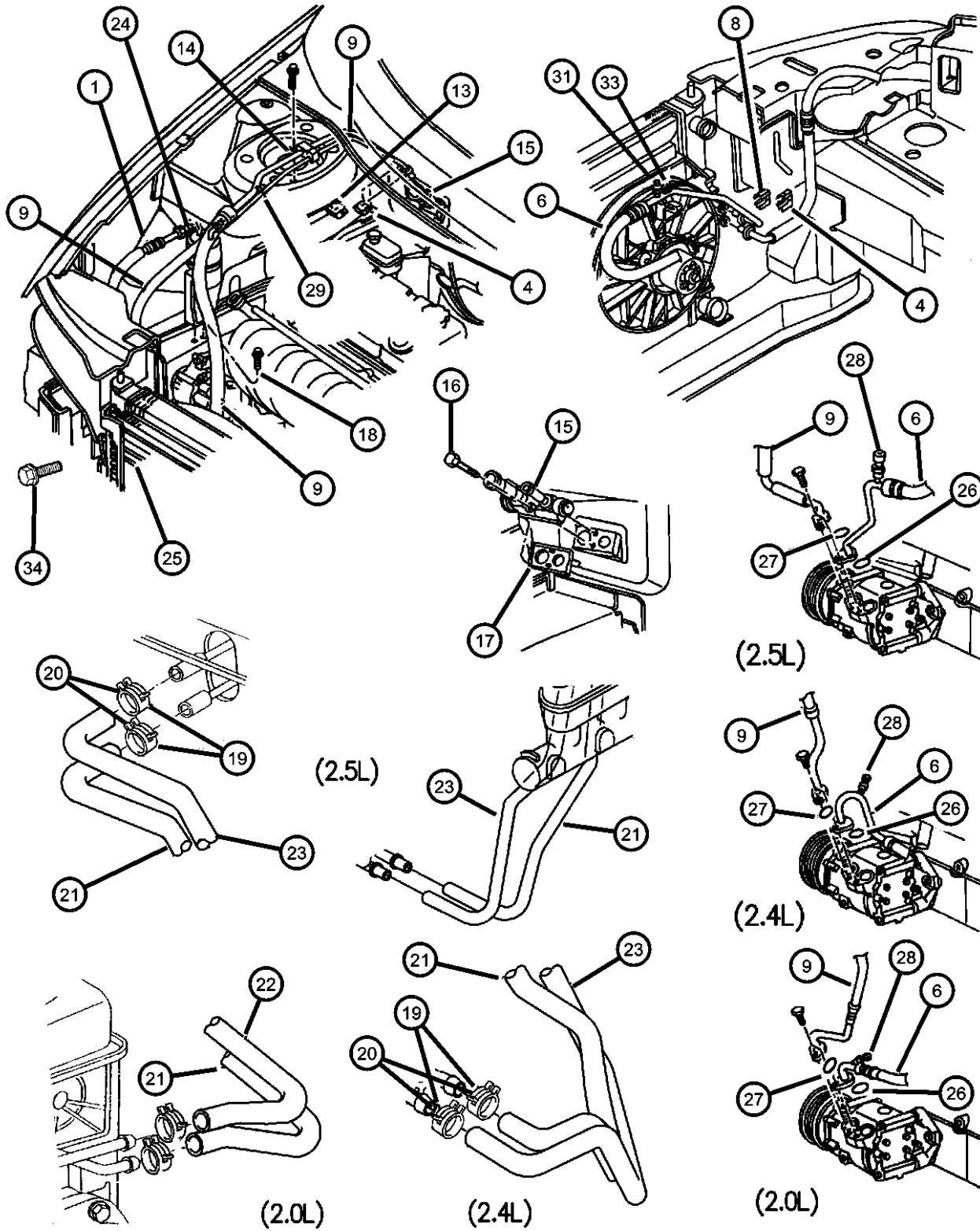
BODY
 41 = 4 Door Sedan

ENGINE
 ECB = 2.0L 4 Cyl SOHC 16V
 SMPI Engine
 EDZ = 2.4L 4 Cyl DOHC 16V
 SMPI Engine
 EEB = 2.5L V6 SOHC 24V
 SMPI Engine

TRANSMISSION
 DD5 = TRANSMISSION - 5-SPEED
 MANUAL
 DGL = TRANSMISSION - 4-SPD.
 AUTOMATIC,41TE
 DD4 = TRANSMISSION - 5-SPEED
 PERF. MANUAL

AR = use ase required - = Non illustrated part

Plumbing, Heater & Air Conditioning
Figure 24-297



ITEM	PART NUMBER	QTY	LINE	SERIES	BODY	ENGINE	TRANS	TRIM	DESCRIPTION
	04796299	1				ECB			
		1				ECB, EDZ			
34									BOLT AND CONED WASHER, Hex Head, M6x16x14
	06102003	4				ECB, EDZ			Condenser to Radiator
		4				EEB			Condenser to Radiator
-35									SCREW, Condenser Tube Bracket, Plastic
	04761512	1				ECB, EDZ			
		1				EEB			
-36	05264692	1				ECB			BRACKET, Heater Tube To Block
-37	04596261AA	1				EDZ			TUBE, Heater, Contains:Inlet-Outlet Tube, Water Pump Hose, T/Stat Hose, Tube Bracket, Clamps
-38	05264651	1				ECB			TUBE, Heater Hose
-39	06100312	1				EDZ			BOLT AND CONED WASHER, Hex Head, M8x20x24, Heater Tube Attaching

CIRRUS,BREEZE,STRATUS (JA)
 SERIES LINE
 H = HIGHLINE C = CHRYSLER
 P = PREMIUM D = DODGE
 P = PLYMOUTH

BODY
 41 = 4 Door Sedan

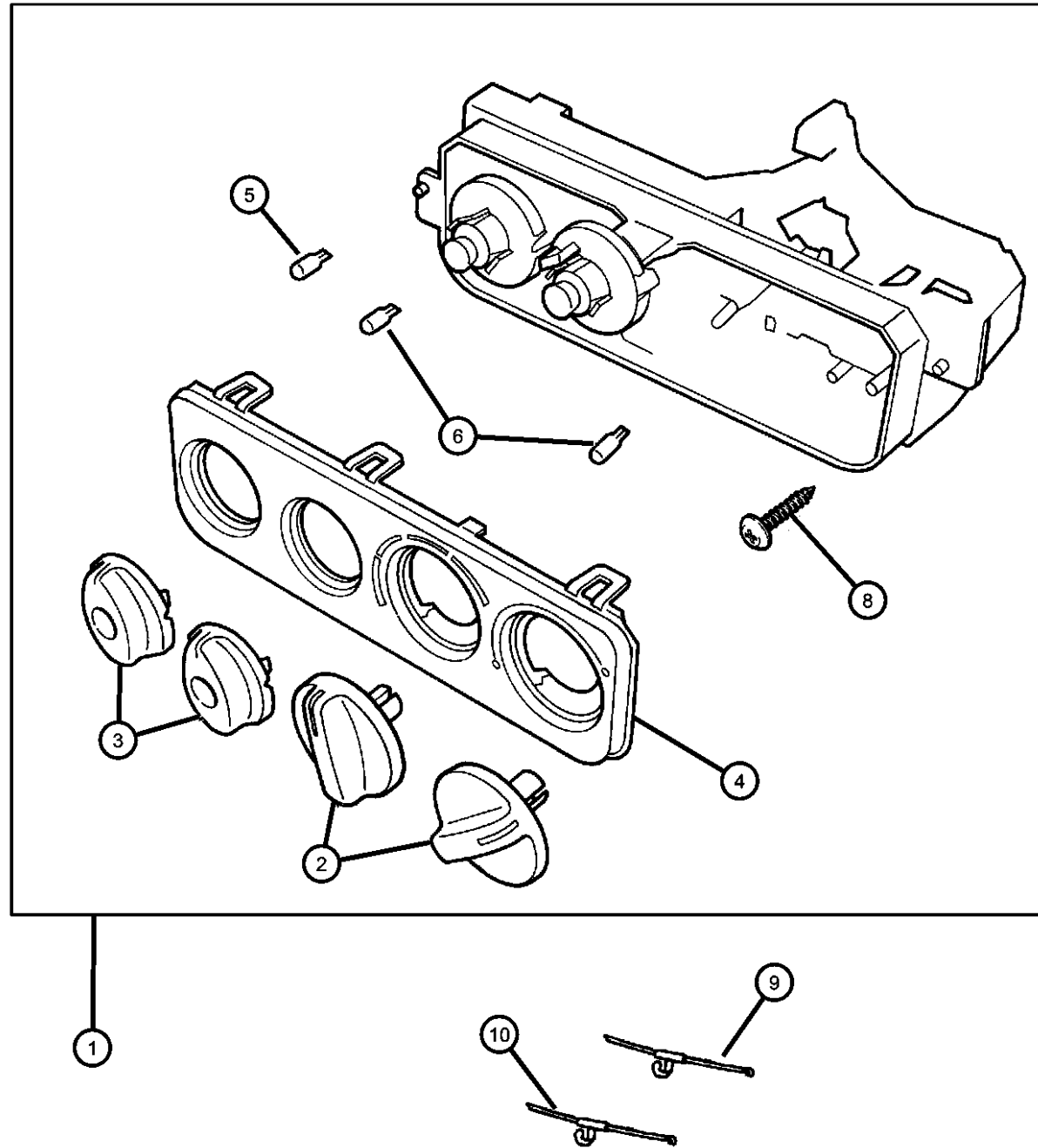
ENGINE
 ECB = 2.0L 4 Cyl SOHC 16V SMPI Engine
 EDZ = 2.4L 4 Cyl DOHC 16V SMPI Engine
 EEB = 2.5L V6 SOHC 24V SMPI Engine

TRANSMISSION
 DD5 = TRANSMISSION - 5-SPEED MANUAL
 DGL = TRANSMISSION - 4-SPD. AUTOMATIC, 41TE
 DD4 = TRANSMISSION - 5-SPEED PERF. MANUAL

AR = use ase required - = Non illustrated part

1999 JA

**Controls, A/C and Heater
Figure 24-350**



ITEM	PART NUMBER	QTY	LINE	SERIES	BODY	ENGINE	TRANS	TRIM	DESCRIPTION
1	04610073AB	1							CONTROL, A/C And Heater
2	04897714AA	2							KNOB, A/C And Heater Control - RotaryLarge
3	04897713AA	2							KNOB, A/C And Heater Control - RotarySmall
4	04897721AA	1							BEZEL, Heater and A/C Control
5	04897725AA	2							LIGHT PIPE, A/C and Heater Control
6	05003937AA	2							BULB, Heater and A/C Control
-7	05012034AA	2							SOCKET, A/C and Heater Control Bulb
8	06032723	6							SCREW, Self Tapping, M4.2x1.69x19.05
9	04644785	1							CABLE, Recirculation Door
10	04644786	1							CABLE, Temperature Control
-11	04644499	3							CLIP, Air Conditioning Cable

CIRRUS,BREEZE,STRATUS (JA)
 SERIES LINE
 H = HIGHLINE C = CHRYSLER
 P = PREMIUM D = DODGE
 P = PLYMOUTH

BODY
 41 = 4 Door Sedan

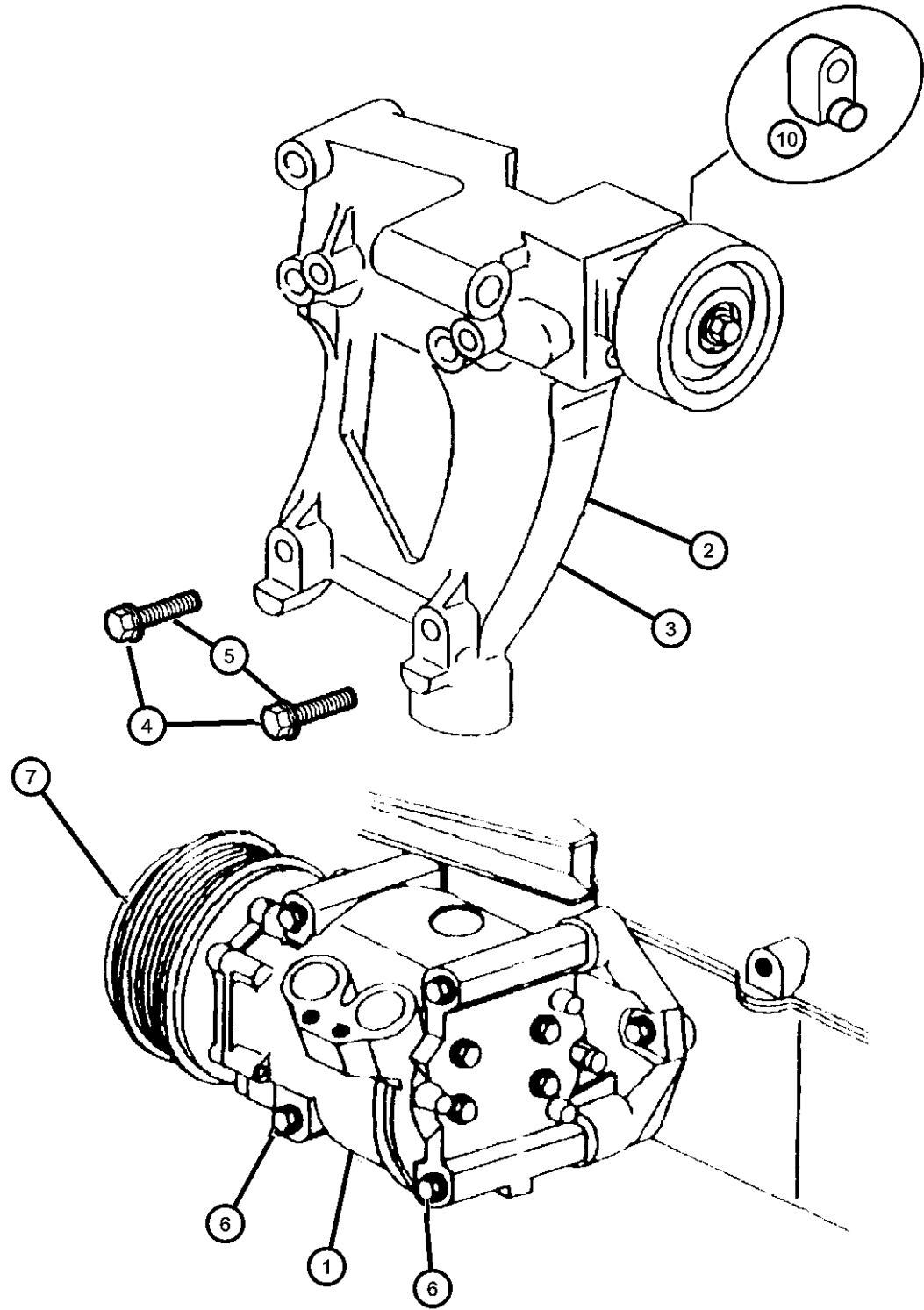
ENGINE
 ECB = 2.0L 4 Cyl SOHC 16V SMPI Engine
 EDZ = 2.4L 4 Cyl DOHC 16V SMPI Engine
 EEB = 2.5L V6 SOHC 24V SMPI Engine

TRANSMISSION
 DD5 = TRANSMISSION - 5-SPEED MANUAL
 DGL = TRANSMISSION - 4-SPD. AUTOMATIC,41TE
 DD4 = TRANSMISSION - 5-SPEED PERF. MANUAL

AR = use ase required - = Non illustrated part

1999 JA

Compressor and Mounting
Figure 24-430



ITEM	PART NUMBER	QTY	LINE	SERIES	BODY	ENGINE	TRANS	TRIM	DESCRIPTION
NOTE: Sales Codes: [ECB] = 2.0L SOHC 16V [EDZ] = 2.4L 4 CYL DOHC 16V [EEB] = 2.5L V6 SOHC 24V									
1	04595666	1							COMPRESSOR, Air Conditioning, With Clutch
2									BRACKET, A/C Compressor
	04663189	1				EDZ			
	04792077	1				ECB			
3	04663132	1				EEB			BRACKET, Alternator And Compressor
4	06101864	1				EDZ			SCREW, M10x1.5x35
5	06101702	3				EEB			BOLT, M10x1.50x70
6	06503760	4							BOLT, A/C Compressor
7	04762849	1							CLUTCH, A/C Compressor
-8									STRUT, Alternator Bracket
	04663800	1				ECB			
	04663925	1				EDZ			
-9	06502038	1				EDZ			BOLT, Alternator Bracket
10	04792139	1				EEB			COLLAR, Adjusting

CIRRUS,BREEZE,STRATUS (JA)
 SERIES LINE
 H = HIGHLINE C = CHRYSLER
 P = PREMIUM D = DODGE
 P = PLYMOUTH

BODY
 41 = 4 Door Sedan

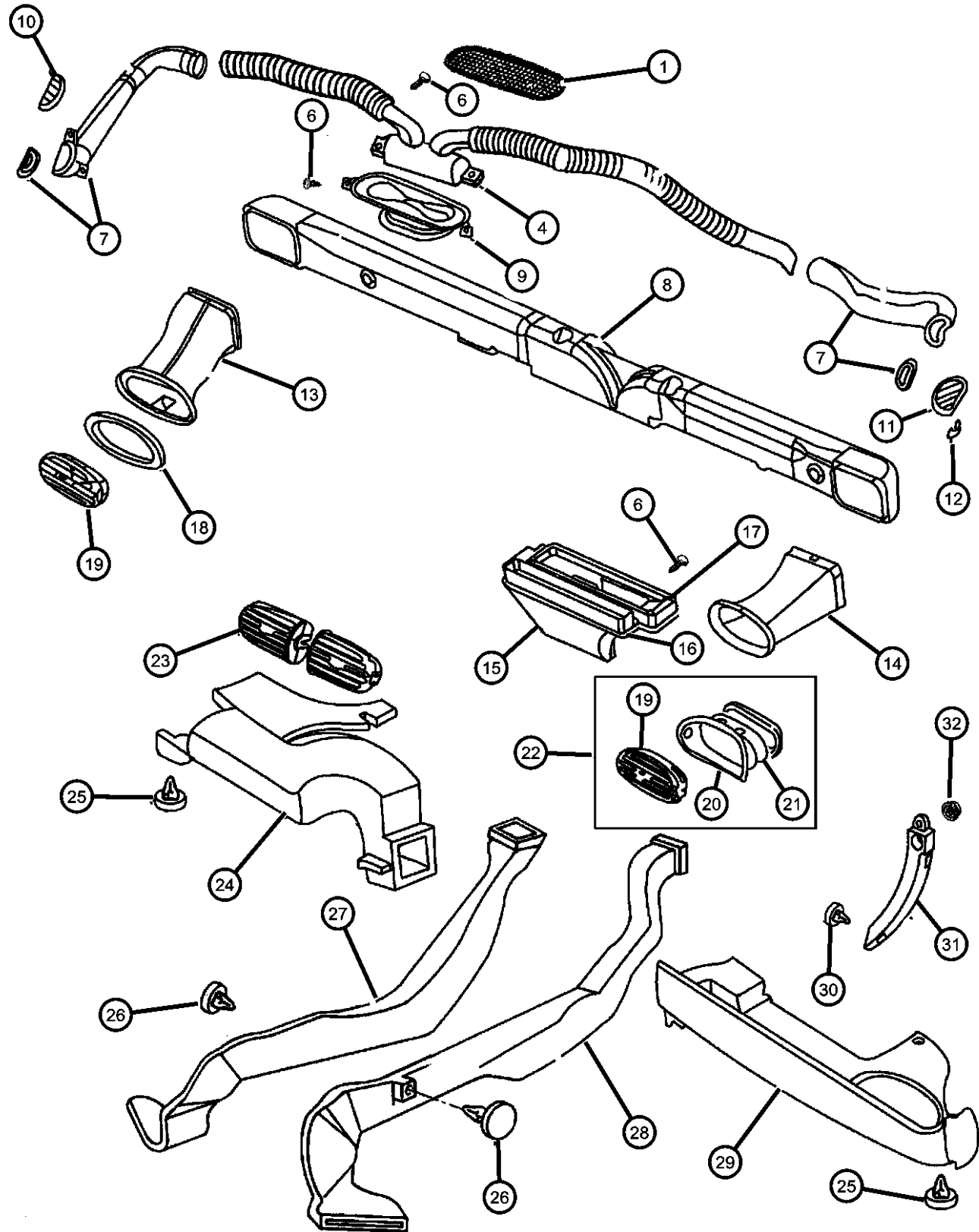
ENGINE
 ECB = 2.0L 4 Cyl SOHC 16V SMPI Engine
 EDZ = 2.4L 4 Cyl DOHC 16V SMPI Engine
 EEB = 2.5L V6 SOHC 24V SMPI Engine

TRANSMISSION
 DD5 = TRANSMISSION - 5-SPEED MANUAL
 DGL = TRANSMISSION - 4-SPD. AUTOMATIC, 41TE
 DD4 = TRANSMISSION - 5-SPEED PERF. MANUAL

AR = use ase required - = Non illustrated part

1999 JA

Air Distribution Ducts, Outlets, Louver
Figure 24-670



ITEM	PART NUMBER	QTY	LINE	SERIES	BODY	ENGINE	TRANS	TRIM	DESCRIPTION
1	0GL65RJL	1							GRILLE, Defroster Dark Silverfern
	0GL65TAZ	1							Agate
	0GL65VK9	1							Dark Suede
-2	04734169	1							SCREEN, Cowl
-3	04644831	1							GASKET, Defrost Opening
4	04595555	1							ADAPTER, Demister
-5	04610063	1							DUCT, Demister
6	06032723	6							SCREW, Self Tapping, M4.2x1.69x19.05
7									ADAPTER, Side Demister
	04595436	1							Right
	04595437	1							Left
8	04595639AC	1							REINFORCEMENT, Instrument Panel
9	04595433	1							DUCT, Defroster
10									GRILLE, Side Demister
	0KM18RJL	1							Dark Silverfern
	0KM18TAZ	1							Agate
	0KM18VK9	1							Dark Suede
11									GRILLE, Side Demister
	0KL93RJL	1							Dark Silverfern
	0KL93TAZ	1							Agate
	0KL93VK9	1							Dark Suede
12	06503541	1							CLIP, Demister Grille
13	04595482	1							DUCT, Instrument PanelRight
14	04595483	1							DUCT, Air OutletLeft
15	04595431	1							DUCT, Air Outlet, Air Distribution, Lower, Center
16	04595580	1							SEAL, Air Outlet, Center Duct, Lower to Upper
17	04595552	1							SEAL, Air Outlet, Air Distribution, Lower, Center
18	04595443	1							SEAL, Air Outlet, I/P to Left Spot Cooler
19	0HR94RX9	1							OUTLET, Air Conditioning & Heater
20	0JF60DX9	1							HOUSING, Instrument Panel Spot Cooler

CIRRUS,BREEZE,STRATUS (JA)
 SERIES LINE
 H = HIGHLINE C = CHRYSLER
 P = PREMIUM D = DODGE
 P = PLYMOUTH

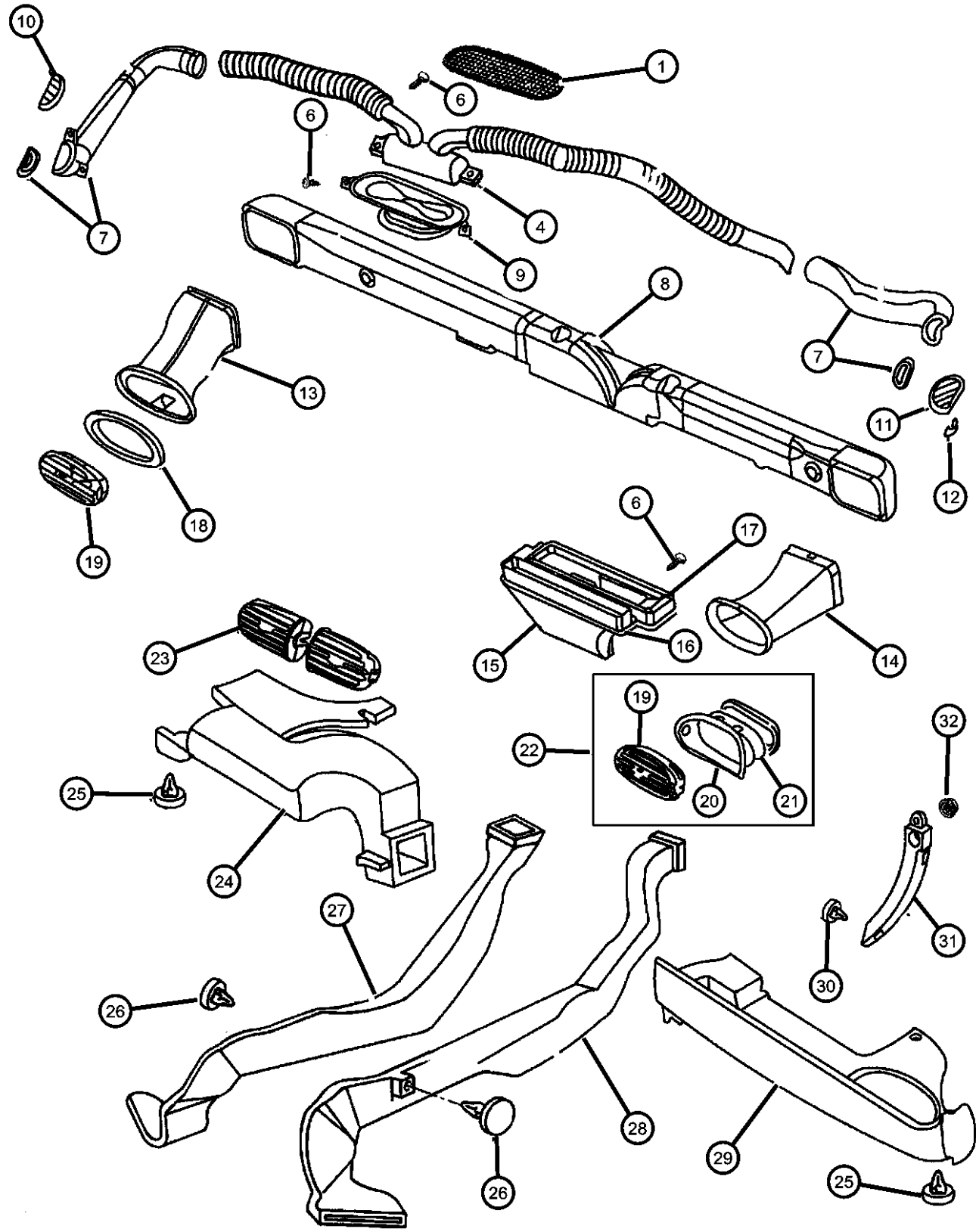
BODY
 41 = 4 Door Sedan

ENGINE
 ECB = 2.0L 4 Cyl SOHC 16V
 SMPI Engine
 EDZ = 2.4L 4 Cyl DOHC 16V
 SMPI Engine
 EEB = 2.5L V6 SOHC 24V
 SMPI Engine

TRANSMISSION
 DD5 = TRANSMISSION - 5-SPEED
 MANUAL
 DGL = TRANSMISSION - 4-SPD.
 AUTOMATIC,41TE
 DD4 = TRANSMISSION - 5-SPEED
 PERF. MANUAL

AR = use ase required - = Non illustrated part

Air Distribution Ducts, Outlets, Louver
Figure 24-670



ITEM	PART NUMBER	QTY	LINE	SERIES	BODY	ENGINE	TRANS	TRIM	DESCRIPTION
21	04595442	1							SEAL, Housing To Duct
22	0HR94RX9	1							OUTLET, Air Conditioning & Heater, Black
23	0HR96RX9	2							OUTLET, Air Conditioning & Heater
24	04596201	1							DUCT, Heat DistributionFront, Left
25	04596201	1							RIVET, M6.3x37.40, (NOT SERVICED)
26	06030441	2							PIN, Retainer, .25x.9
27	04595616	1							DUCT, Heat DistributionRear, Left
28	04595611AB	1							DUCT, Heat DistributionRear, Right
29	04596120	1							DUCT, Heat DistributionFront, Right
30	06503683	1							PLUG, A/C Evaporator, Push Type, HVAC Drain m5x18
31	04596166	1							DRAIN, Heater and A/C
32	06503684	1							NUT, Hex Flange, M5x.8

CIRRUS,BREEZE,STRATUS (JA)
 SERIES LINE
 H = HIGHLINE C = CHRYSLER
 P = PREMIUM D = DODGE
 P = PLYMOUTH

BODY
 41 = 4 Door Sedan

ENGINE
 ECB = 2.0L 4 Cyl SOHC 16V SMPI Engine
 EDZ = 2.4L 4 Cyl DOHC 16V SMPI Engine
 EEB = 2.5L V6 SOHC 24V SMPI Engine

TRANSMISSION
 DD5 = TRANSMISSION - 5-SPEED MANUAL
 DGL = TRANSMISSION - 4-SPD. AUTOMATIC, 41TE
 DD4 = TRANSMISSION - 5-SPEED PERF. MANUAL

AR = use ase required - = Non illustrated part

Group - 25

Emission Systems

Group - 25 Emission Systems

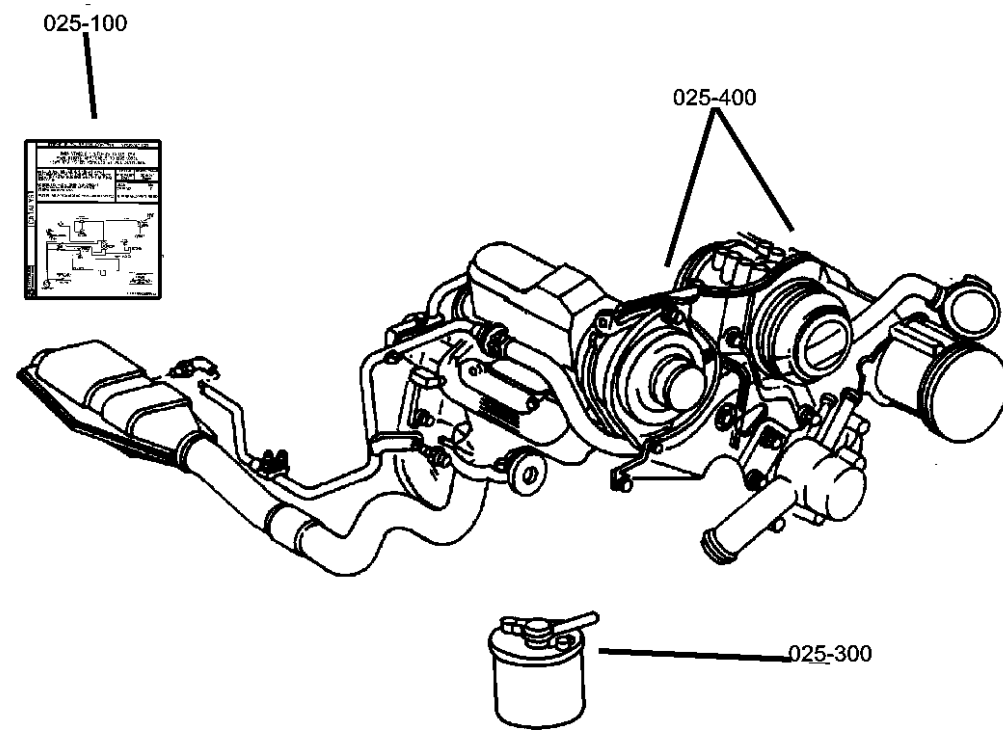


Illustration Title

Group-Fig. No.

Emission Labels

Emission LabelsFig. 25 - 120

EGR System

EGR System 2.0L EngineFig. 25 - 201

EGR System 2.4L EngineFig. 25 - 250

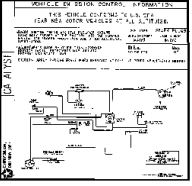
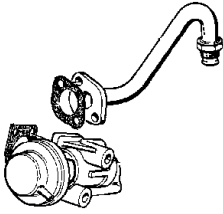

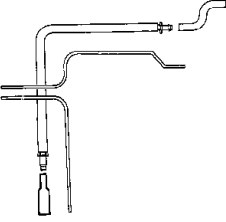
EGR System 2.5L EngineFig. 25 - 260

Vacuum Canister

Vacuum Canister and Leak Detection Pump.....Fig. 25 - 320

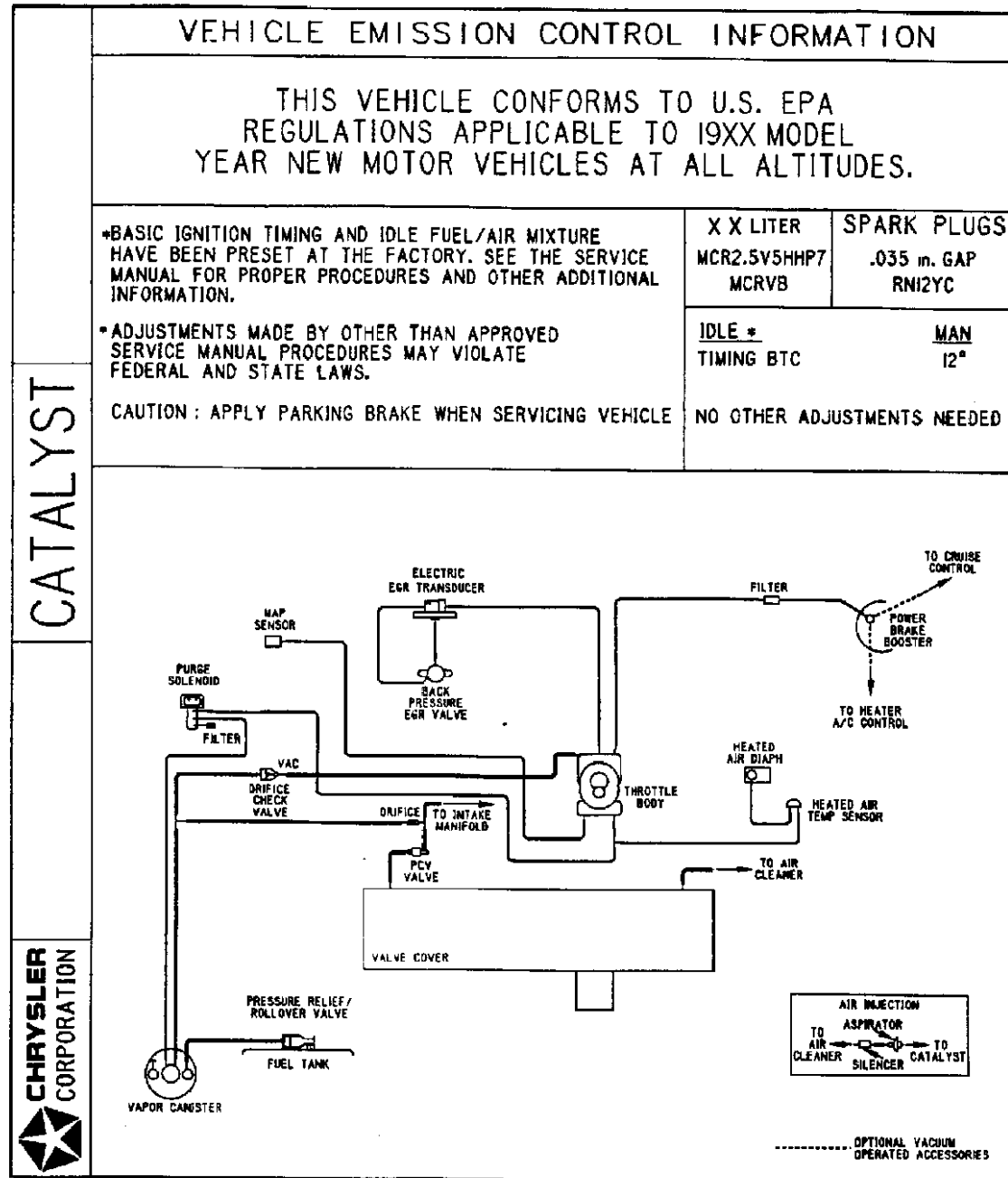
Emission Harness

Emission Control Vacuum HarnessFig. 25 - 450

<p>025-100 Emission Labels</p> 	<p>025-200 EGR System</p> 	<p>025-300 Vacuum Canister</p> 	<p>025-400 Emission Harness</p> 
--	--	---	--

Emission Labels
Figure 25-120

1



NOTE: Sales Codes
[ABB]=Europe.
[ABD]=Middle East.
[NAA]=Federal Emissions
[NAB]=Leaded Fuel.
[NAC]=Europe
[NAE]=California Emissions
[NBN]=Northeastern States.

ITEM	PART NUMBER	QTY	LINE	SERIES	BODY	ENGINE	TRANS	TRIM	DESCRIPTION
1	04591492AA	1				ECB			LABEL, Emission Domestic/International [NAA] Federal 2.0L
	04591493AA	1				ECB			Canada [NAA] Federal 2.0L
	04591494AA	1				ECB	DGL		All [NAE] California 2.0L
	04591495AA	1				EDZ			Domestic/International [NAA] Federal 2.4L
	04591496AA	1				EDZ			Canada [NAA] Federal 2.4L
	04591497AA	1				EDZ			All [NAE] California 2.4L
	04591498AA	1				EEB			Domestic/International [NAA] Federal 2.5L
	04591499AA	1				EEB			Canada [NAA] Federal 2.5L
	04591510AA	1				EEB			All [NAE] California 2.5L
	04591623AA	1				EEB			All [NAB] Leaded Fuel 2.5L
	04591624AA	1				EEB			All [NAC] European II 2.5L
	04591634AA	1				ECB	DD5		All [NAE] California 2.0L
	04591635AA	1				ECB			All [NAC] European II 2.0L

CIRRUS,BREEZE,STRATUS (JA)
SERIES LINE BODY
H = HIGHLINE C = CHRYSLER 41 = 4 Door Sedan
P = PREMIUM D = DODGE
P = PLYMOUTH

ENGINE TRANSMISSION
ECB = 2.0L 4 Cyl SOHC 16V DD5 = TRANSMISSION - 5-SPEED
SMPI Engine MANUAL
EDZ = 2.4L 4 Cyl DOHC 16V DGL = TRANSMISSION - 4-SPD.
SMPI Engine AUTOMATIC,41TE
EEB = 2.5L V6 SOHC 24V DD4 = TRANSMISSION - 5-SPEED
SMPI Engine PERF. MANUAL

AR = use ase required - = Non illustrated part

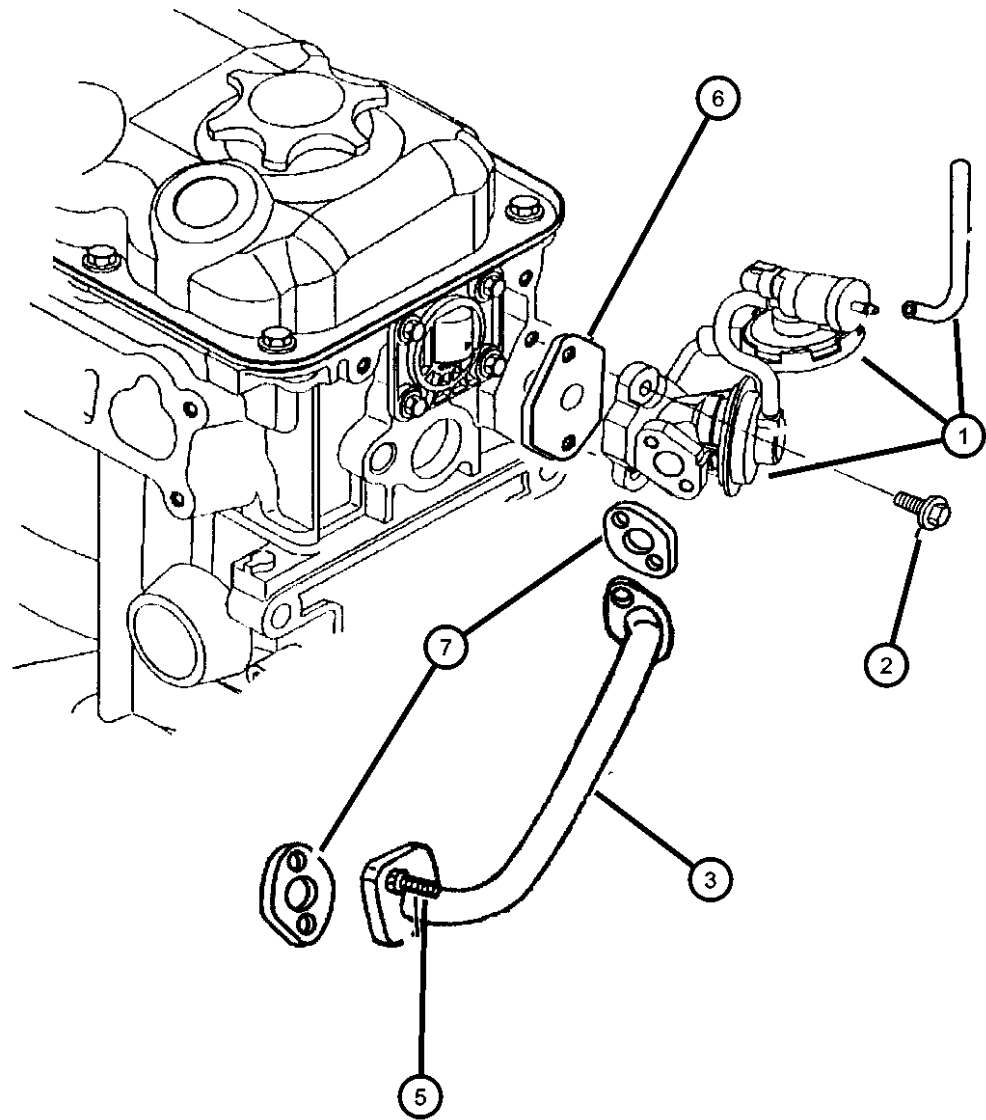
1999 JA

**EGR System 2.0L Engine
Figure 25-201**

ITEM	PART NUMBER	QTY	LINE	SERIES	BODY	ENGINE	TRANS	TRIM	DESCRIPTION
------	-------------	-----	------	--------	------	--------	-------	------	-------------

NOTE: ECB=2.0L Engine.

1	04287827AA	1				ECB			VALVE, EGR
2	04287827AA	1							BOLT, (DNS) M8x1.25x35.00, (NOT SERVICED)
3	04669228	1				ECB			TUBE, EGR
-4	04667431	1				ECB			SEAL, EGR Tube
5	06500464	4				ECB			BOLT, EGR Tube
6	04663247	1				ECB			GASKET, EGR Valve
7	05277928	1				ECB			GASKET, EGR Tube Flange



CIRRUS,BREEZE,STRATUS (JA)

SERIES	LINE
H = HIGHLINE	C = CHRYSLER
P = PREMIUM	D = DODGE
	P = PLYMOUTH

BODY
41 = 4 Door Sedan

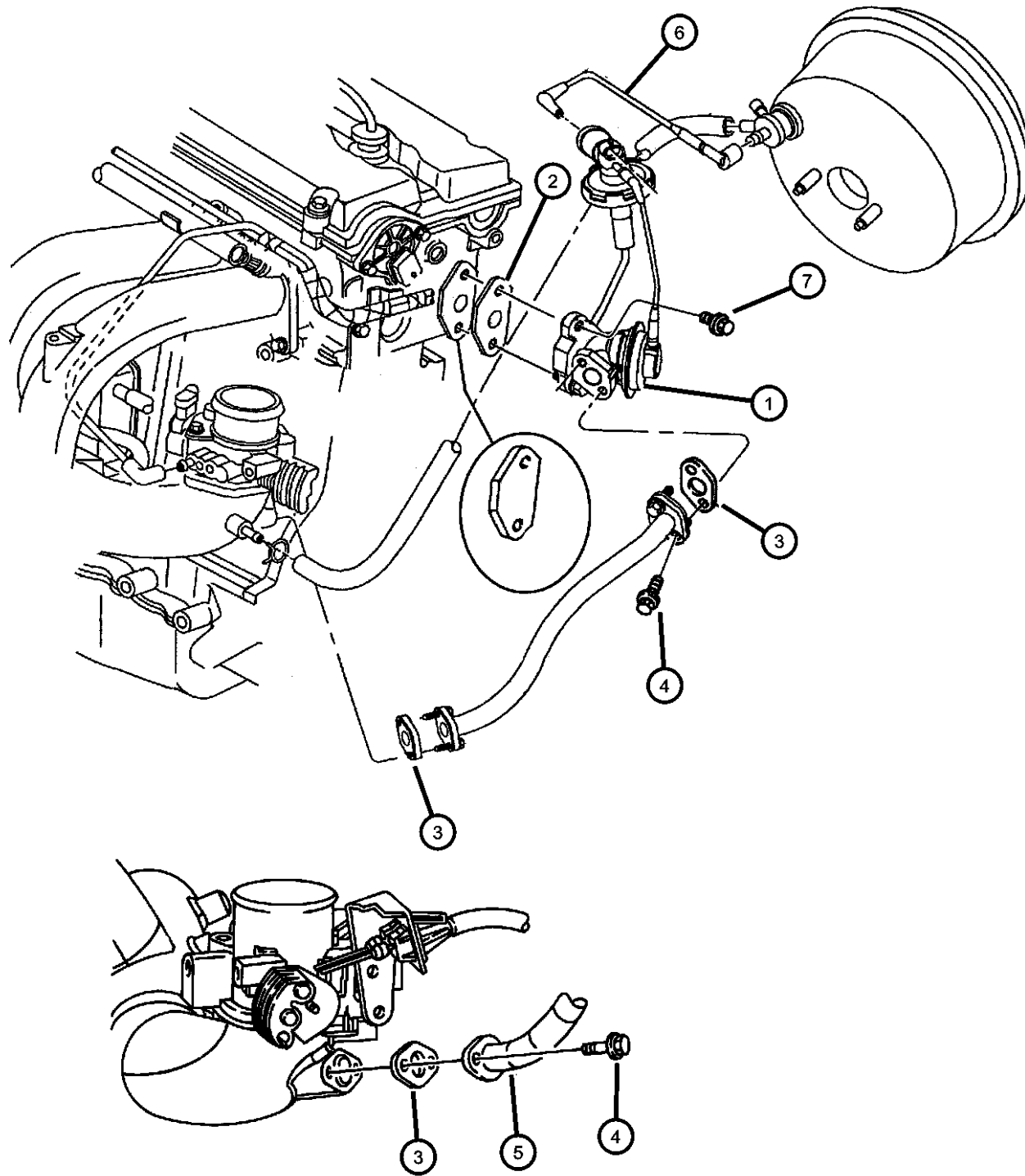
ENGINE
ECB = 2.0L 4 Cyl SOHC 16V SMPI Engine
EDZ = 2.4L 4 Cyl DOHC 16V SMPI Engine
EEB = 2.5L V6 SOHC 24V SMPI Engine

TRANSMISSION
DD5 = TRANSMISSION - 5-SPEED MANUAL
DGL = TRANSMISSION - 4-SPD. AUTOMATIC, 41TE
DD4 = TRANSMISSION - 5-SPEED PERF. MANUAL

AR = use ase required - = Non illustrated part

1999 JA

**EGR System 2.4L Engine
Figure 25-250**



ITEM	PART NUMBER	QTY	LINE	SERIES	BODY	ENGINE	TRANS	TRIM	DESCRIPTION
------	-------------	-----	------	--------	------	--------	-------	------	-------------

NOTE: EDZ=2.4L Engine.

1	04287825AB	1				EDZ			VALVE, EGR
2	04663247	1				EDZ			GASKET, EGR Valve
3	05277928	2				EDZ			GASKET, EGR Tube Flange
4	06500464	4				ECB			BOLT, EGR Tube
5	04591246	1				EDZ			TUBE, EGR
6	04669943AB	1				ECB, EDZ			HARNESS, Emission Control, Vacuum
7	06504878AA	2				EDZ			BOLT

CIRRUS,BREEZE,STRATUS (JA)

SERIES	LINE
H = HIGHLINE	C = CHRYSLER
P = PREMIUM	D = DODGE
	P = PLYMOUTH

BODY
41 = 4 Door Sedan

ENGINE
ECB = 2.0L 4 Cyl SOHC 16V SMPI Engine
EDZ = 2.4L 4 Cyl DOHC 16V SMPI Engine
EEB = 2.5L V6 SOHC 24V SMPI Engine

TRANSMISSION
DD5 = TRANSMISSION - 5-SPEED MANUAL
DGL = TRANSMISSION - 4-SPD. AUTOMATIC, 41TE
DD4 = TRANSMISSION - 5-SPEED PERF. MANUAL

AR = use ase required - = Non illustrated part

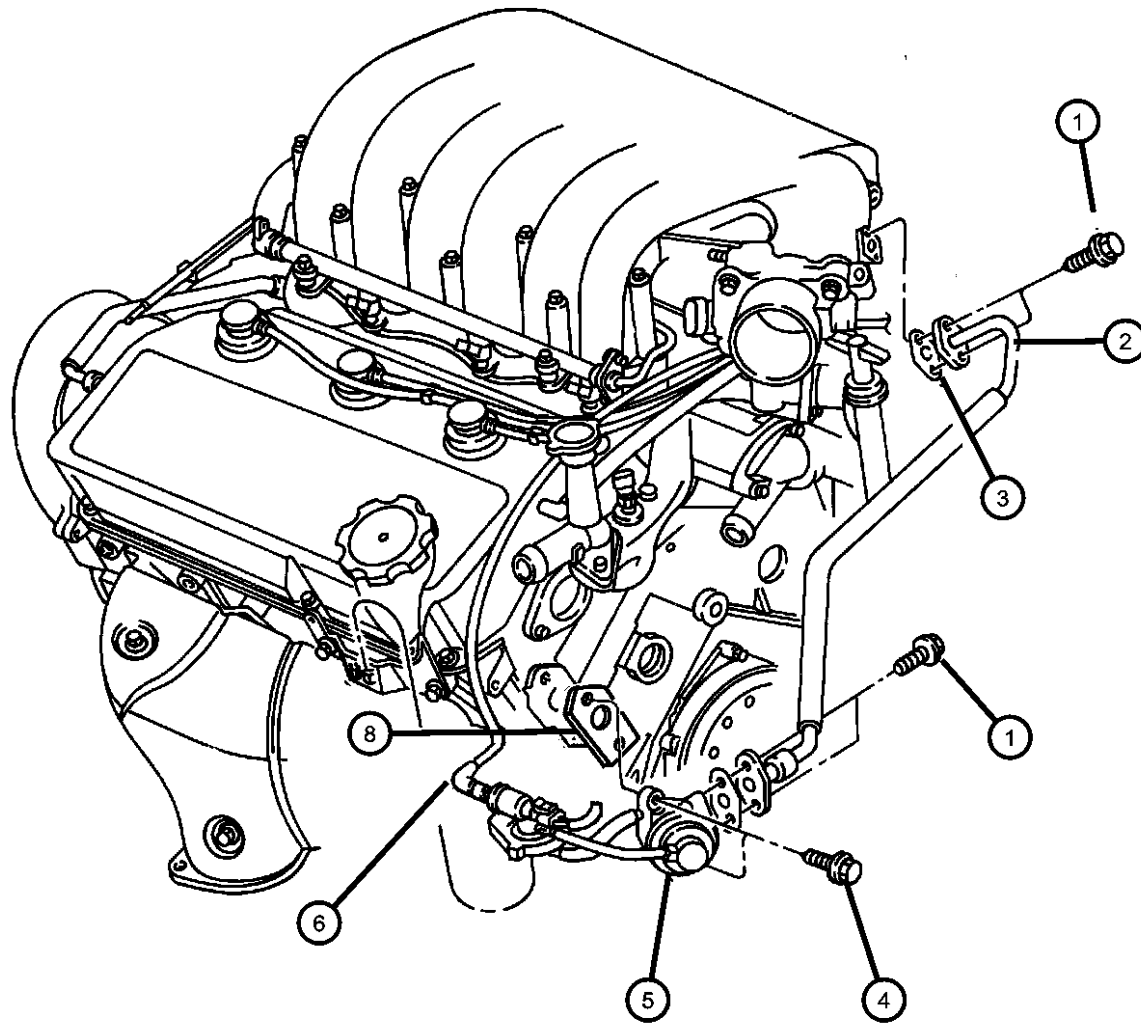
1999 JA

EGR System 2.5L Engine
Figure 25-260

ITEM	PART NUMBER	QTY	LINE	SERIES	BODY	ENGINE	TRANS	TRIM	DESCRIPTION
------	-------------	-----	------	--------	------	--------	-------	------	-------------

NOTE: EEB=2.5L Engine.

1	06500464	2				EEB			BOLT, EGR Tube
2	04591231	1				EEB			TUBE, EGR
3	05277928	2				EEB			GASKET, EGR Tube Flange
4	MF244849	2				EEB			BOLT, (M8 x 1.25 x 35)
5	04287646	1				EEB			VALVE, EGR
6	04591374	1				EEB			HARNASS, Emission Control Vacumn
-7	04458178	1				EEB			CLIP, Transducer
8	04663247	1				EEB			GASKET, EGR Valve



CIRRUS,BREEZE,STRATUS (JA)

SERIES	LINE
H = HIGHLINE	C = CHRYSLER
P = PREMIUM	D = DODGE
	P = PLYMOUTH

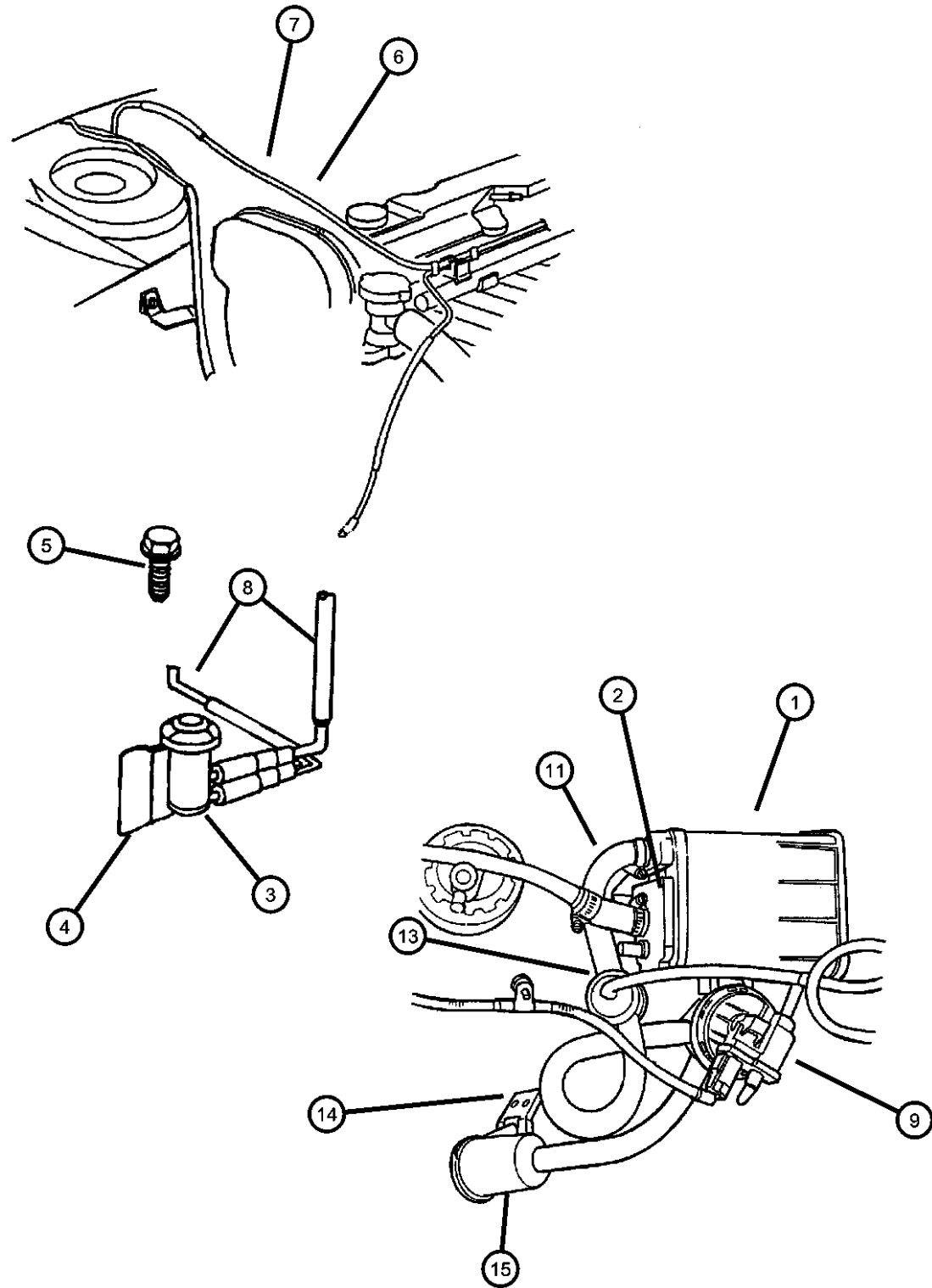
BODY
41 = 4 Door Sedan

ENGINE	TRANSMISSION
ECB = 2.0L 4 Cyl SOHC 16V SMPI Engine	DD5 = TRANSMISSION - 5-SPEED MANUAL
EDZ = 2.4L 4 Cyl DOHC 16V SMPI Engine	DGL = TRANSMISSION - 4-SPD. AUTOMATIC,41TE
EEB = 2.5L V6 SOHC 24V SMPI Engine	DD4 = TRANSMISSION - 5-SPEED PERF. MANUAL

AR = use ase required - = Non illustrated part

1999 JA

**Vacuum Canister and Leak Detection Pump
Figure 25-320**



ITEM	PART NUMBER	QTY	LINE	SERIES	BODY	ENGINE	TRANS	TRIM	DESCRIPTION
------	-------------	-----	------	--------	------	--------	-------	------	-------------

NOTE: ECB=2.0L Engine. EDZ=2.4L Engine. EEB=2.5L Engine.

1	04764060	1							CANISTER, Vapor
2	04885573AA	1							BRACKET, Vapor Canister
3	04669569	1							SOLENOID, Proportional Purge
4									BRACKET, Proportional Purge Solenoid
	04591344AB	1							Export
	04591619AA	1							Export
5	06035614	2							SCREW, Hex Flange Head Tapping, .25-14x.75
6									HARNES, Engine Vapor
	04591379AB	1				ECB			
	04591381	1				EEB			
7	04591377AB	1				EDZ			HARNES, Vapor Purge
8	04591378AC	1							HARNES, Engine to Chassis
9	04591643AA	1							PUMP, Leak Detection
-10	04591380	1				EEB			HARNES, Leak Detection Pump
11	04764198	1							HOSE, Vent Valve to Canister
-12	04764064	1							HOSE, Leak Detection Pump to Canister
13	04669865	1							VALVE, Vent
14	04581242AA	1							BRACKET, Air Filter
15									FILTER, Fuel Tank Air
	04764202	1							
	04764204	1							California

CIRRUS,BREEZE,STRATUS (JA)

SERIES LINE
H = HIGHLINE C = CHRYSLER
P = PREMIUM D = DODGE
 P = PLYMOUTH

BODY
41 = 4 Door Sedan

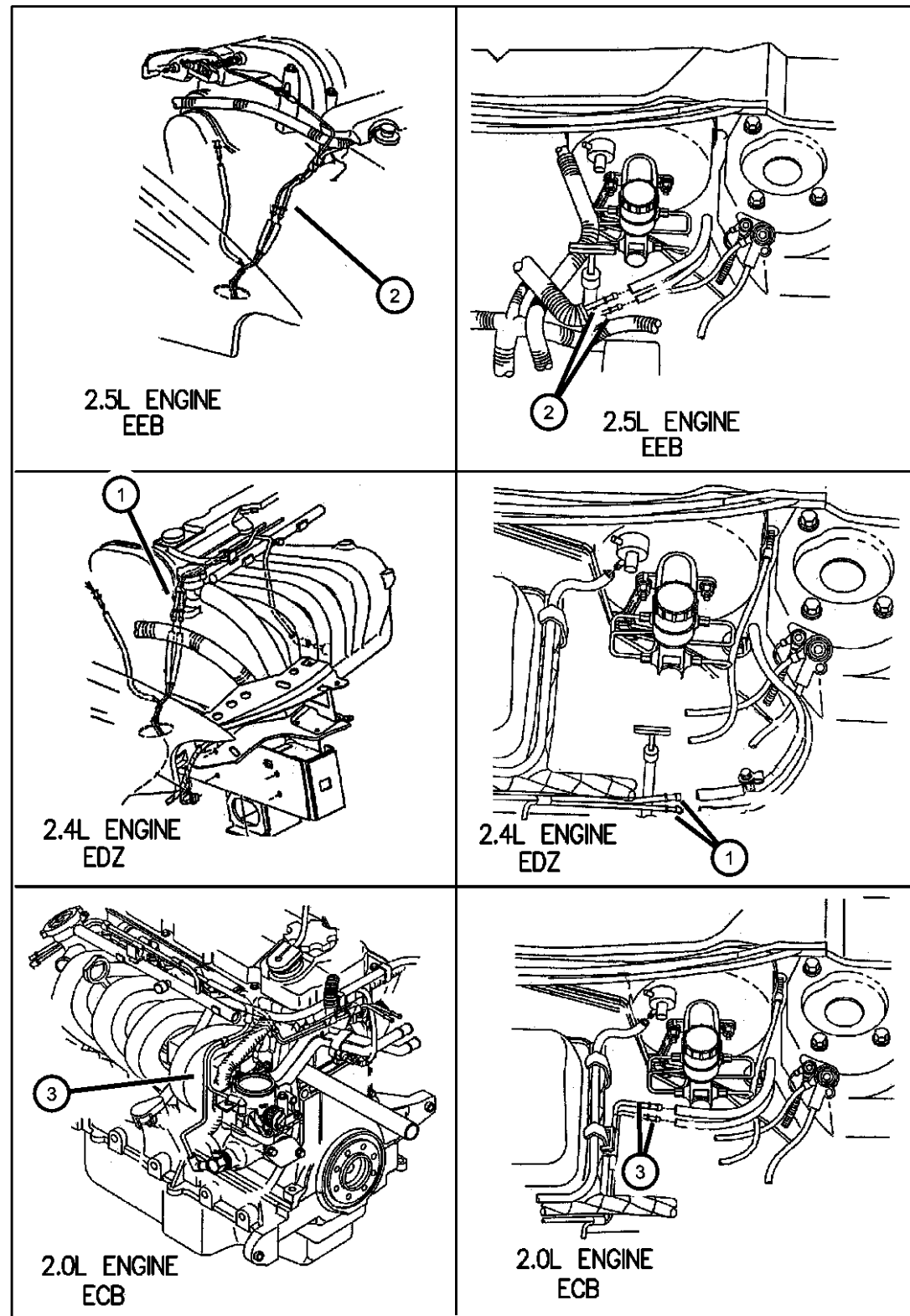
ENGINE
ECB = 2.0L 4 Cyl SOHC 16V SMPI Engine
EDZ = 2.4L 4 Cyl DOHC 16V SMPI Engine
EEB = 2.5L V6 SOHC 24V SMPI Engine

TRANSMISSION
DD5 = TRANSMISSION - 5-SPEED MANUAL
DGL = TRANSMISSION - 4-SPD. AUTOMATIC,41TE
DD4 = TRANSMISSION - 5-SPEED PERF. MANUAL

AR = use ase required - = Non illustrated part

1999 JA

**Emission Control Vacuum Harness
Figure 25-450**



ITEM	PART NUMBER	QTY	LINE	SERIES	BODY	ENGINE	TRANS	TRIM	DESCRIPTION
------	-------------	-----	------	--------	------	--------	-------	------	-------------

NOTE: ECB=2.0L Engine. EDZ=2.4L Engine. EEB=2.5L Engine.

1	04591377AB	1				EDZ			HARNESS, Vapor Purge
2	04591381	1				EEB			HARNESS, Engine Vapor
3	04591379AB	1				ECB			HARNESS, Engine Vapor
-4	04591374	1				EEB			HARNESS, Emission Control Vacuum
-5	04669943AB	1				ECB, EDZ			HARNESS, Emission Control, Vacuum
-6	04663068	1							HARNESS, Vacuum

CIRRUS,BREEZE,STRATUS (JA)

SERIES	LINE
H = HIGHLINE	C = CHRYSLER
P = PREMIUM	D = DODGE
	P = PLYMOUTH

BODY
41 = 4 Door Sedan

ENGINE	TRANSMISSION
ECB = 2.0L 4 Cyl SOHC 16V SMPI Engine	DD5 = TRANSMISSION - 5-SPEED MANUAL
EDZ = 2.4L 4 Cyl DOHC 16V SMPI Engine	DGL = TRANSMISSION - 4-SPD. AUTOMATIC, 41TE
EEB = 2.5L V6 SOHC 24V SMPI Engine	DD4 = TRANSMISSION - 5-SPEED PERF. MANUAL

AR = use ase required - = Non illustrated part

1999 JA

Group - DJA

Doors and Related Parts

Group - DJA Doors and Related Parts

Illustration Title

Group-Fig. No.

Front Door

Door, Front Hinge, Shell, Glass And RegulatorFig. DJA - 105
 Door, Front Handle, Latch, SpeakersFig. DJA - 107

Rear Door

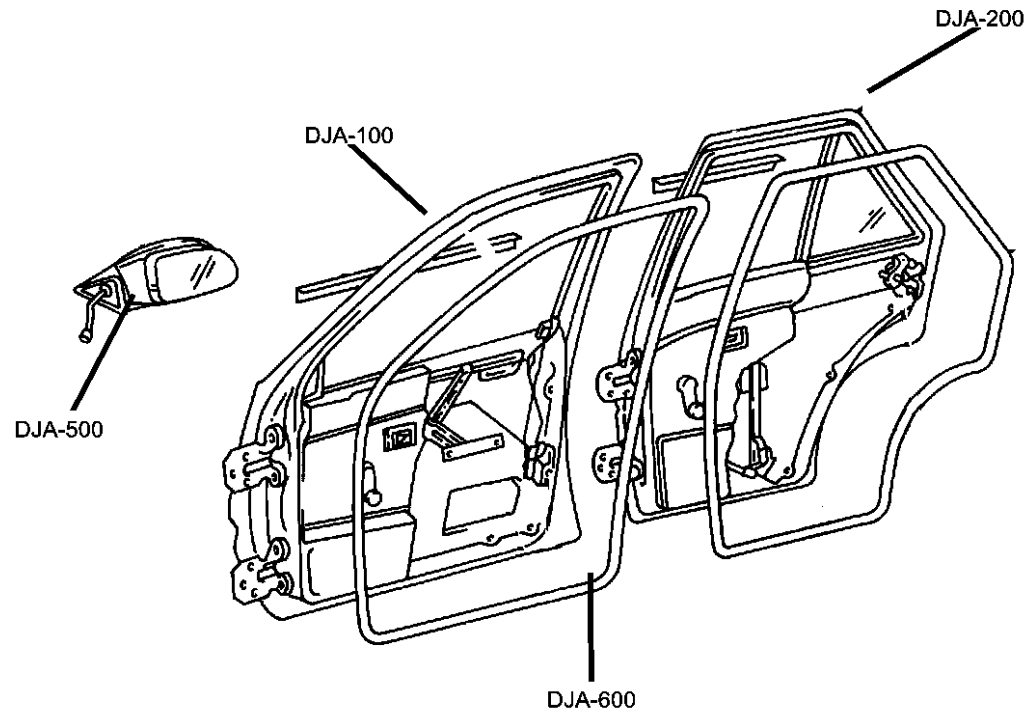
Door, Rear Shell, Hinge, Glass And RegulatorFig. DJA - 205
 Door, Rear Handle And LatchFig. DJA - 207

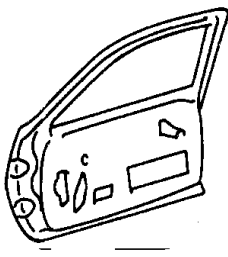
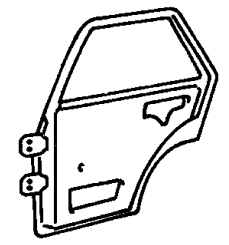
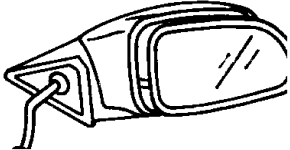
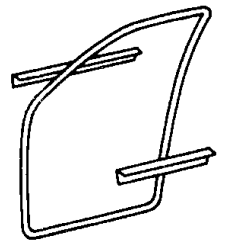
Exterior Mirror

Mirror, ExteriorFig. DJA - 505

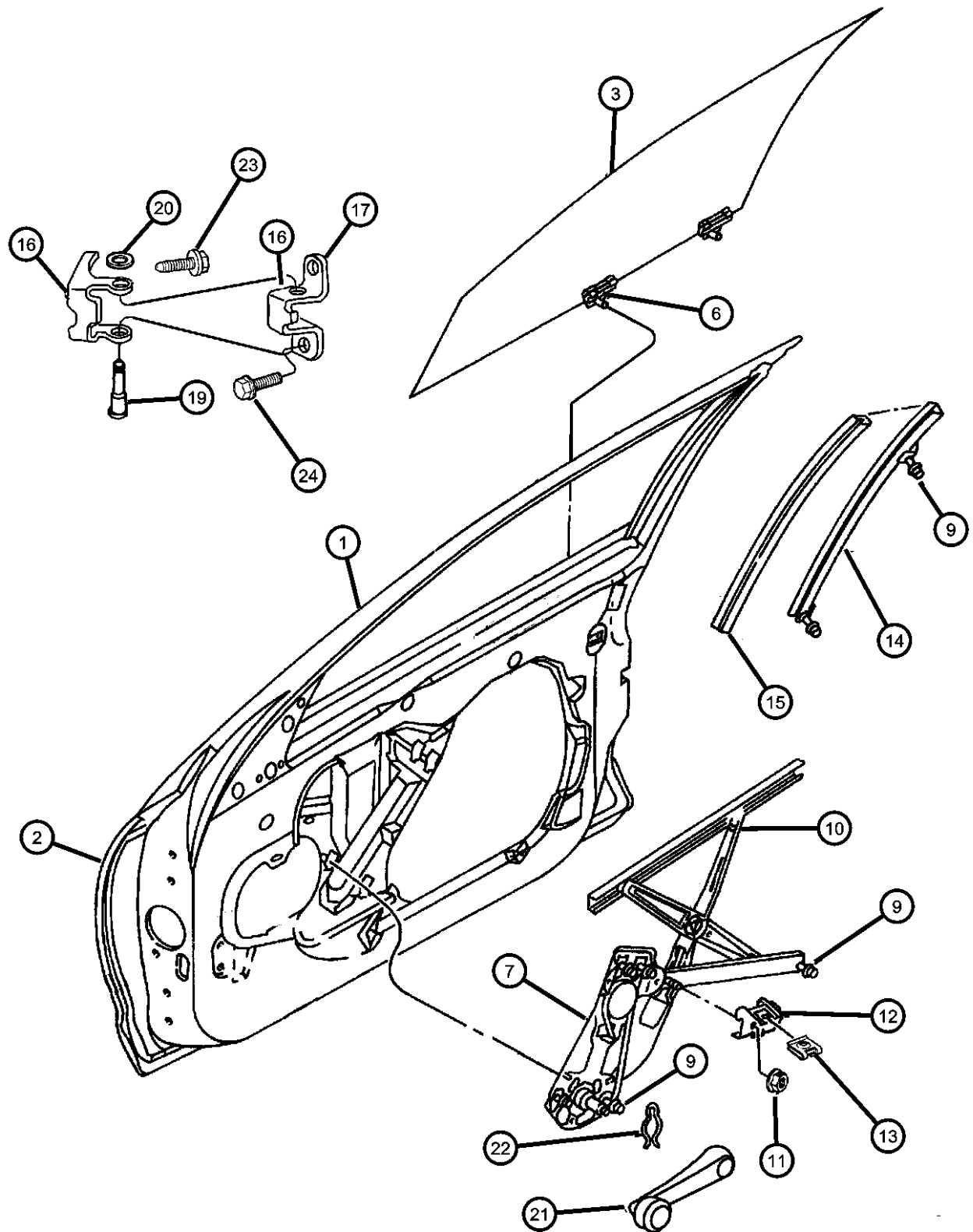
Weatherstrips and Seals

Door, Front and Rear Weatherstrips and SealFig. DJA - 605



<p>DJA-100 Front Door</p> 	<p>DJA-200 Rear Door</p> 	<p>DJA-500 Exterior Mirror</p> 	<p>DJA-600 Weatherstrips and Seals</p> 
---	---	--	---

**Door, Front Hinge, Shell, Glass And Regulator
Figure DJA-105**



ITEM	PART NUMBER	QTY	LINE	SERIES	BODY	ENGINE	TRANS	TRIM	DESCRIPTION
------	-------------	-----	------	--------	------	--------	-------	------	-------------

NOTE: A small percentage of vehicles were built with the 4814119 Motor on the right side and 4814118 on the left. Check stamping number on Motor

1									DOOR, Front
	04814850AB	1							Right
	04814851AB	1							Left
2									PANEL, Front Door Outer Repair
	04646468	1							Right
	04646469	1							Left
3									GLASS, Front Door
	04814336AB	1							Right
	04814337AB	1							Left
-4	04814337AB	1							LIFT PLATE, Door Glass, Serviced in Glass Assy., (NOT SERVICED)
-5									SHIELD, Water
	04814056AB	1							Right
	04814057AB	1							Left
6	04814057AB	1							SCREW, M6x1.00x11.00, Serviced in Liftplate Assembly, (NOT SERVICED)
7									REGULATOR, Front Door Window
	04696998	1							Manual, Right
	04696999	1							Manual, Left
	05012478AA	1							Without Motor, Power Window, Right
	05012479AA	1							Without Motor, Power Window, Left
-8									MOTOR, Window Regulator
	04814118	1							See Note, Right
	04814119	1							See Note, Left
9	04814119	1							SCREW, M6X1.00X16.00, (NOT SERVICED),
10	04339301	3							SLIDER PACKAGE, Window Glass
11	06100047	2							NUT AND WASHER, Hex Nut-Coned Washer, M6 x 1.00
12									BRACKET, Door Pull Cup
	04647810	1							Right
	04647811	1							Left
13	06035638	2							NUT/SPRING, "U"1THD, For .164-15 Screw

CIRRUS,BREEZE,STRATUS (JA)
 SERIES LINE
 H = HIGHLINE C = CHRYSLER
 P = PREMIUM D = DODGE
 P = PLYMOUTH

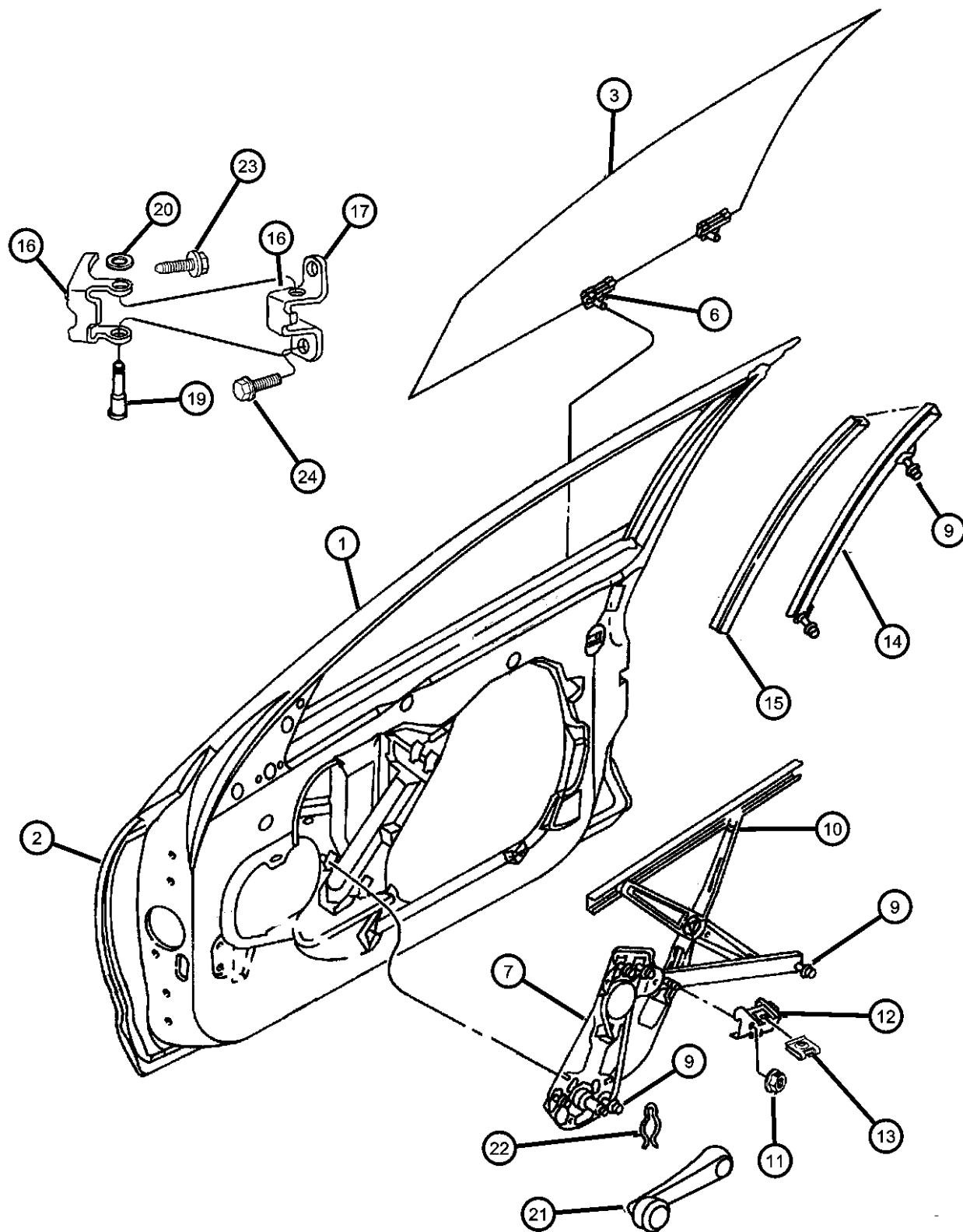
BODY
 41 = 4 Door Sedan

ENGINE
 ECB = 2.0L 4 Cyl SOHC 16V SMPI Engine
 EDZ = 2.4L 4 Cyl DOHC 16V SMPI Engine
 EEB = 2.5L V6 SOHC 24V SMPI Engine

TRANSMISSION
 DD5 = TRANSMISSION - 5-SPEED MANUAL
 DGL = TRANSMISSION - 4-SPD. AUTOMATIC, 41TE
 DD4 = TRANSMISSION - 5-SPEED PERF. MANUAL

AR = use ase required - = Non illustrated part

**Door, Front Hinge, Shell, Glass And Regulator
Figure DJA-105**



ITEM	PART NUMBER	QTY	LINE	SERIES	BODY	ENGINE	TRANS	TRIM	DESCRIPTION
14									CHANNEL, Front Door Glass
	04646406	1							Right, Rear
	04646407	1							Left, Rear
15	04646964	2							WEATHERSTRIP, Door Glass Run, Below Belt
16									HINGE, Front Door Upper
	04814460	1							Right
	04814461	1							Left
17									HINGE, Front Door Lower
	04814462	1							Right
	04814463	1							Left
-18									CHECK, Front Door
	04814308	1							Right
	04814309	1							Left
19	04814309	1							PIN, Door Hinge, Serviced in Hinge Assembly, (NOT SERVICED)
20	06035208	4							SNAP RINGHinge
21	0FE86DX9AB	2							HANDLE, Window Regulator
22	04778735	2							CLIP, Handle to Regulator
23	06503924	12							SCREW, Hex Flange Head, M8x1.25x56.00Hinge To Body
24	06505035AA	8							SCREW, Hinge to Door

CIRRUS,BREEZE,STRATUS (JA)
 SERIES LINE
 H = HIGHLINE C = CHRYSLER
 P = PREMIUM D = DODGE
 P = PLYMOUTH

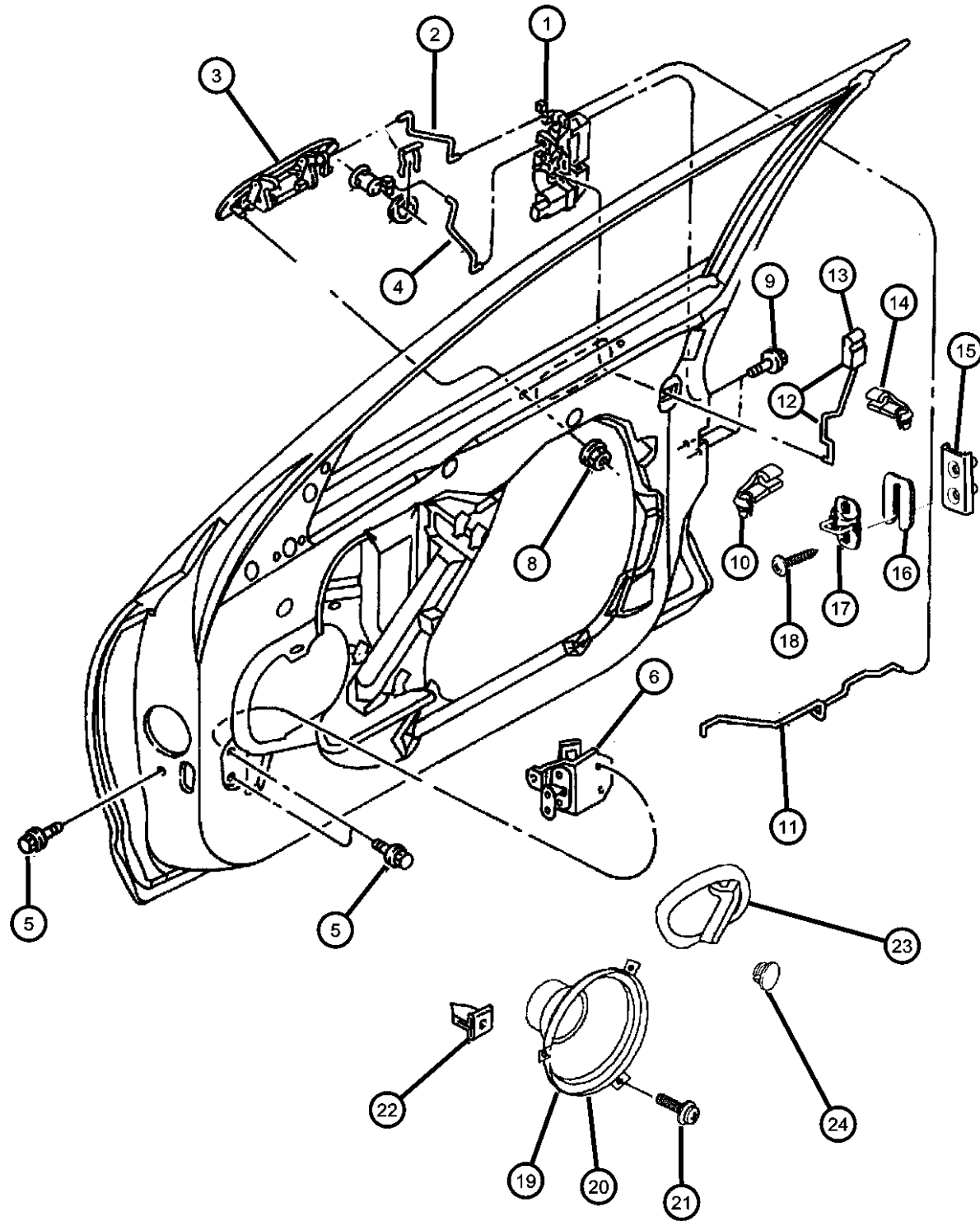
BODY
 41 = 4 Door Sedan

ENGINE
 ECB = 2.0L 4 Cyl SOHC 16V SMPI Engine
 EDZ = 2.4L 4 Cyl DOHC 16V SMPI Engine
 EEB = 2.5L V6 SOHC 24V SMPI Engine

TRANSMISSION
 DD5 = TRANSMISSION - 5-SPEED MANUAL
 DGL = TRANSMISSION - 4-SPD. AUTOMATIC, 41TE
 DD4 = TRANSMISSION - 5-SPEED PERF. MANUAL

AR = use ase required - = Non illustrated part

Door, Front Handle, Latch, Speakers
Figure DJA-107



ITEM	PART NUMBER	QTY	LINE	SERIES	BODY	ENGINE	TRANS	TRIM	DESCRIPTION
------	-------------	-----	------	--------	------	--------	-------	------	-------------

NOTE:

Sales Codes:

RCG = SPEAKERS - SIX

RCL = 8 SPEAKERS, 100 WATTS W/EXTERNAL AMP

1									LATCH, Front Door
	04814166AB	1							Power, Right
	04814167AB	1							Power, Left
	04814172AB	1							Manual, Right
	04814173AB	1							Manual, Left
2									LINK, Exterior Door Handle
	04646264	1							Latch Actuator, Right
	04646265	1							Latch Actuator, Left
3									HANDLE, Front Door Exterior
	04696882	1		P					Black, w/Stipple Texture, Right
	04696883	1		P					Black, w/Stipple Texture, Left
	0FJ90SG8	1		C, D					Forest Green, Right
	0FJ90SW1	1		C, D					White, Right
	0FJ90TCN	1		C, D					Amethyst Pearl Coat, Right
	0FJ90VAW	1		C, D					Deep Slate, Right
	0FJ90VB3	1		C, D					Intense Blue, Right
	0FJ90VMT	1		C, D					Deep Cranberry, Right
	0FJ90VS4	1		C, D					Bright Silver Met., Right
	0FJ90VTE	1		C, D					Champagne Pearl Coat, Right
	0FJ90WEL	1		C, D					Inferno Red, Right
	0FJ90WG2	1		C, D					Light Forest Green, Right
	0FJ91SG8	1		C, D					Forest Green, Left
	0FJ91TCN	1		C, D					Amethyst Pearl Coat, Left
	0FJ91VAW	1		C, D					Deep Slate, Left
	0FJ91VB3	1		C, D					Intense Blue, Left
	0FJ91VMT	1		C, D					Deep Cranberry, Left
	0FJ91VS4	1		C, D					Bright Silver Met., Left
	0FJ91VTE	1		C, D					Champagne Pearl Coat, Left
	0FJ91WEL	1		C, D					Inferno Red, Left
	0FJ91WG2	1		C, D					Light Forest Green, Left
4									LINK, Key Cylinder To Latch

CIRRUS,BREEZE,STRATUS (JA)

SERIES	LINE
H = HIGHLINE	C = CHRYSLER
P = PREMIUM	D = DODGE
	P = PLYMOUTH

BODY
 41 = 4 Door Sedan

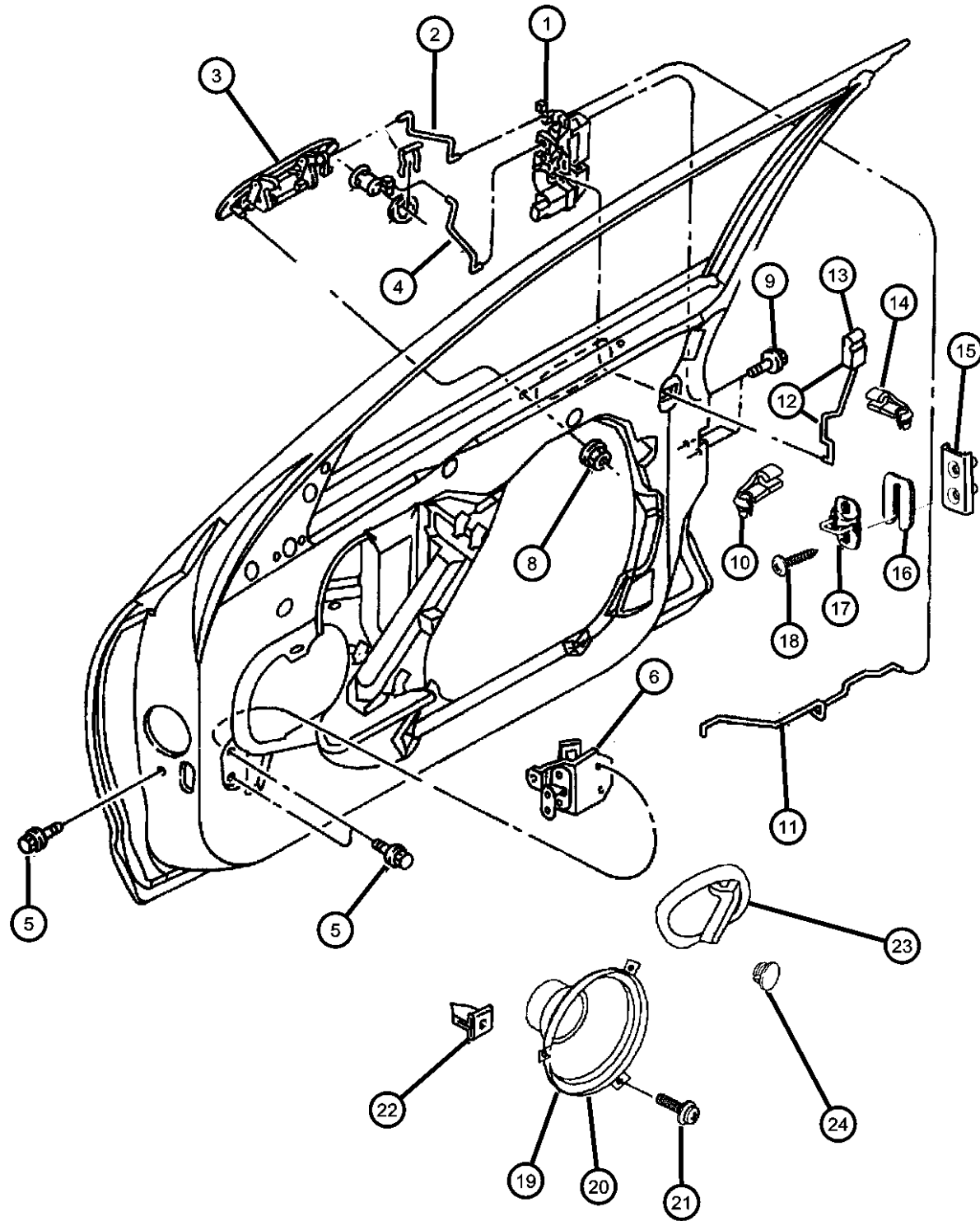
ENGINE
 ECB = 2.0L 4 Cyl SOHC 16V SMPI Engine
 EDZ = 2.4L 4 Cyl DOHC 16V SMPI Engine
 EEB = 2.5L V6 SOHC 24V SMPI Engine

TRANSMISSION
 DD5 = TRANSMISSION - 5-SPEED MANUAL
 DGL = TRANSMISSION - 4-SPD. AUTOMATIC, 41TE
 DD4 = TRANSMISSION - 5-SPEED PERF. MANUAL

AR = use ase required - = Non illustrated part

1999 JA

Door, Front Handle, Latch, Speakers
Figure DJA-107



ITEM	PART NUMBER	QTY	LINE	SERIES	BODY	ENGINE	TRANS	TRIM	DESCRIPTION
	04646262	1							Right
	04646263	1							Left
5	06504055	2							SCREW, Hex Head, M6x1x16, Tapping Front Door Check Assembly, Door Check Assembly To Door
6									CHECK, Front Door
	04814308	1							Right
	04814309	1							Left
-7	06503909	4							SCREW, Dryer, M6-1.0x20, Check Strap to Body
8	06100045	6							NUT AND WASHER, Hex, M5x.80Handle
9	06033876	6							SCREW, Tapping, M6.3x1.8x38.1Latch Attaching
10									CLIP, Latch Link
	04658674	1							Right
	04658675	1							Left
11									LINK, Remote Handle to Latch
	04646266	1							Right
	04646267	1							Left
12									KNOB AND LINK, Door Latch
	0FJ94LAZ	1							Agate, Right
	0FJ94RJK	1							Medium Silverfern, Right
	0FJ94SK5	1							Camel Tan, Right
	0FJ95LAZ	1							Agate, Left
	0FJ95RJK	1							Medium Silverfern, Left
	0FJ95SK5	1							Camel Tan, Left
13									KNOB, Door
	0JS24MAZ	1							Agate
	0JS24SK5	1							Camel Tan
14									CLIP, Latch
	04658444	1							Right
	04658445	1							Left
15	55256000	1							PLATE, Front Door Striker

CIRRUS,BREEZE,STRATUS (JA)
 SERIES LINE
 H = HIGHLINE C = CHRYSLER
 P = PREMIUM D = DODGE
 P = PLYMOUTH

BODY
 41 = 4 Door Sedan

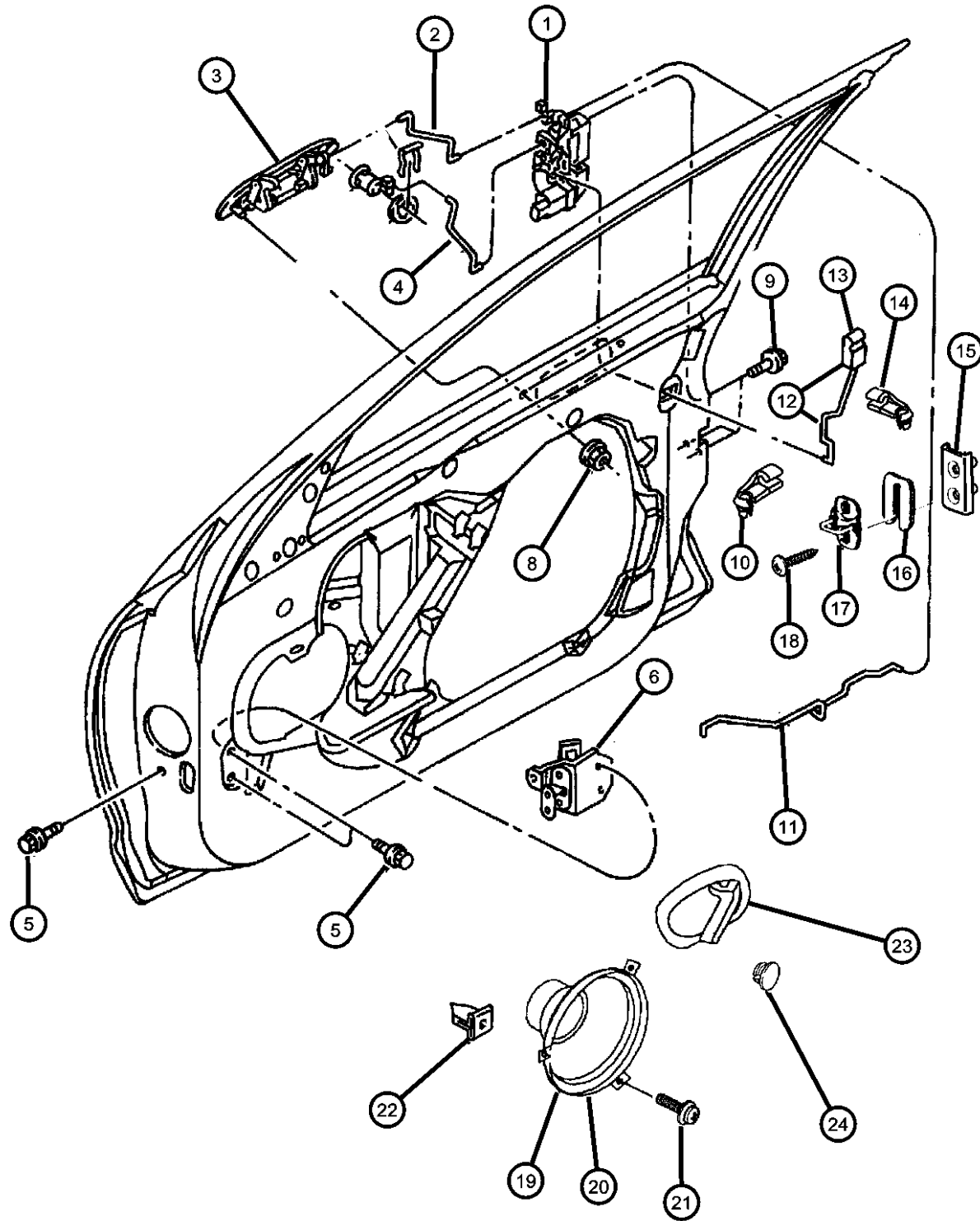
ENGINE
 ECB = 2.0L 4 Cyl SOHC 16V SMPI Engine
 EDZ = 2.4L 4 Cyl DOHC 16V SMPI Engine
 EEB = 2.5L V6 SOHC 24V SMPI Engine

TRANSMISSION
 DD5 = TRANSMISSION - 5-SPEED MANUAL
 DGL = TRANSMISSION - 4-SPD. AUTOMATIC, 41TE
 DD4 = TRANSMISSION - 5-SPEED PERF. MANUAL

AR = use ase required - = Non illustrated part

1999 JA

Door, Front Handle, Latch, Speakers
Figure DJA-107



ITEM	PART NUMBER	QTY	LINE	SERIES	BODY	ENGINE	TRANS	TRIM	DESCRIPTION
16	55075483	AR							SPACER, Door Latch Striker
17	04780259	2							STRIKER, Door
18	06503120	4							SCREW AND WASHER, Button Head TorxStriker Attaching
19	04608242	2							SPEAKER, Door, w/Amplified Six Speaker System (RCL)
20	04760917AA	2							SPEAKER, Front Door, w/Six Speaker System (RCG)
21	06032859	6							SCREW, Hex Head, .164-15x.625
22									CLIP, Speaker
	06035859	3	D						Speaker To Door Trim Panel
		3	C						Speaker To Door Trim Panel
		3	P						Speaker To Door Trim Panel
23									HANDLE, Door Interior
	0LE681AZ	1	C						Agate - Chrome Handle, Right
	0LE681JK	1	C						Silverfern - Chrome Handle, Right
	0LE681K5	1	C						Camel Tan - Chrome Handle, Right
	0LE691AZ	1	C						Agate - Chrome Handle, Left
	0LE691JK	1	C						Silverfern - Chrome Handle, Left
	0LE691K5	1	C						Camel Tan - Chrome Handle, Left
	0LE721AZ	1	P						Agate - Black Handle, Right
	0LE721JK	1	P						Silverfern - Black Handle, Right
	0LE722K5	1	P						Tan - Black Handle, Right
		1	D						Right
	0LE72LAZ	1	D						Agate - Black Handle, Right
	0LE72RJK	1	D						Silverfern - Black Handle, Right
	0LE731AZ	1	P						Agate - Black Handle, Left
	0LE731JK	1	P						Silverfern - Black Handle, Left
	0LE732K5	1	P						Tan - Black Handle, Left
	0LE73LAZ	1	D						Agate - Black Handle, Left
	0LE73RJK	1	D						Silverfern - Black Handle, Left
	0LE73RK5	1	D						Tan - Black Handle, Left
24									CAP, Handle Screw Cover
	0PB461AZ	1	C						Agate

CIRRUS,BREEZE,STRATUS (JA)
 SERIES LINE
 H = HIGHLINE C = CHRYSLER
 P = PREMIUM D = DODGE
 P = PLYMOUTH

BODY
 41 = 4 Door Sedan

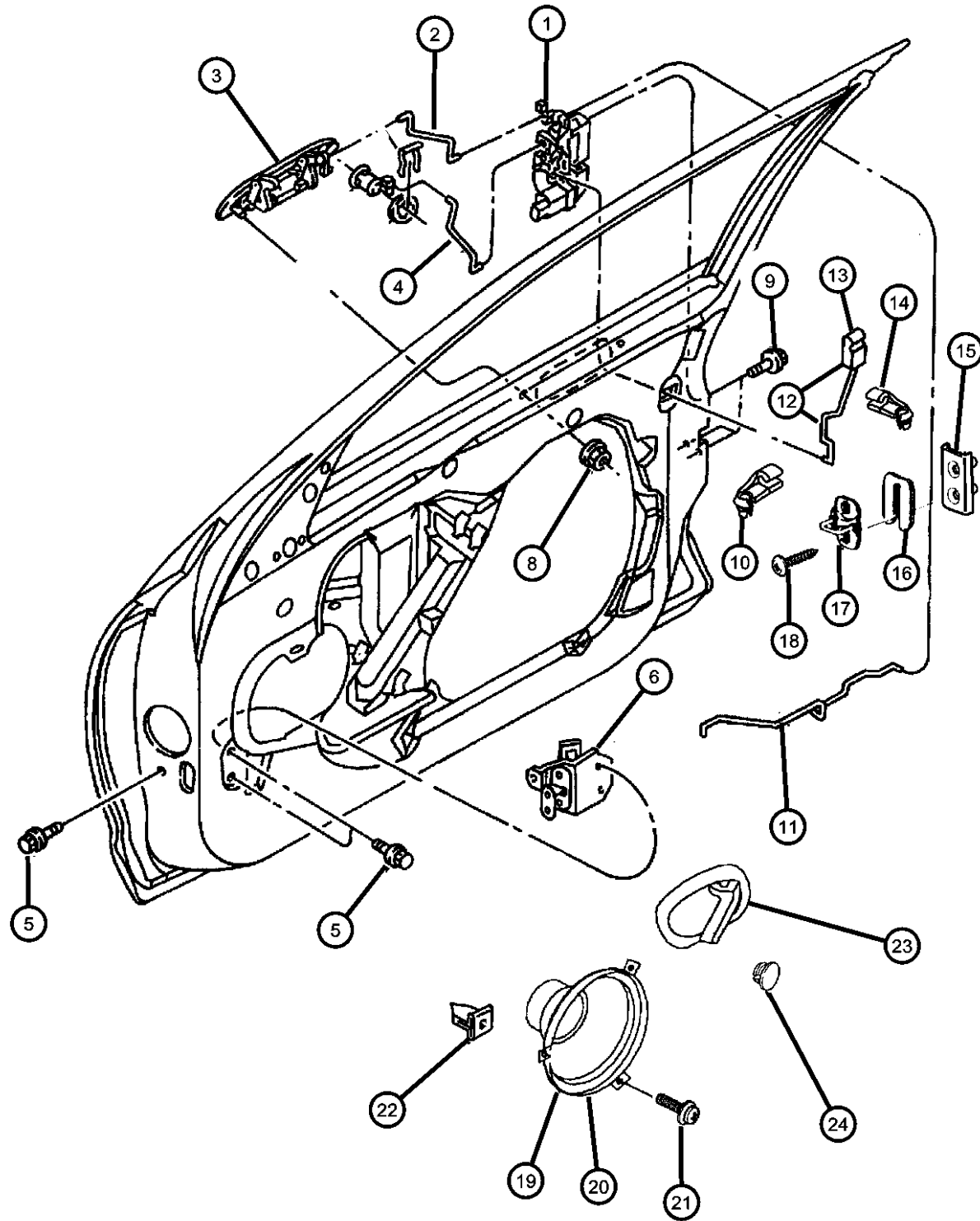
ENGINE
 ECB = 2.0L 4 Cyl SOHC 16V SMPI Engine
 EDZ = 2.4L 4 Cyl DOHC 16V SMPI Engine
 EEB = 2.5L V6 SOHC 24V SMPI Engine

TRANSMISSION
 DD5 = TRANSMISSION - 5-SPEED MANUAL
 DGL = TRANSMISSION - 4-SPD. AUTOMATIC, 41TE
 DD4 = TRANSMISSION - 5-SPEED PERF. MANUAL

AR = use ase required - = Non illustrated part

1999 JA

**Door, Front Handle, Latch, Speakers
Figure DJA-107**



ITEM	PART NUMBER	QTY	LINE	SERIES	BODY	ENGINE	TRANS	TRIM	DESCRIPTION
	0PB46LAZ	1	D						Agate
	0PB46RJK	1	D						Dark Silverfern
	0PB46RK5	1	D						Camel Tan
		1	C						Camel Tan
-25	04814399	1							DECAL, Theft Protection

CIRRUS,BREEZE,STRATUS (JA)

SERIES LINE
H = HIGHLINE C = CHRYSLER
P = PREMIUM D = DODGE
 P = PLYMOUTH

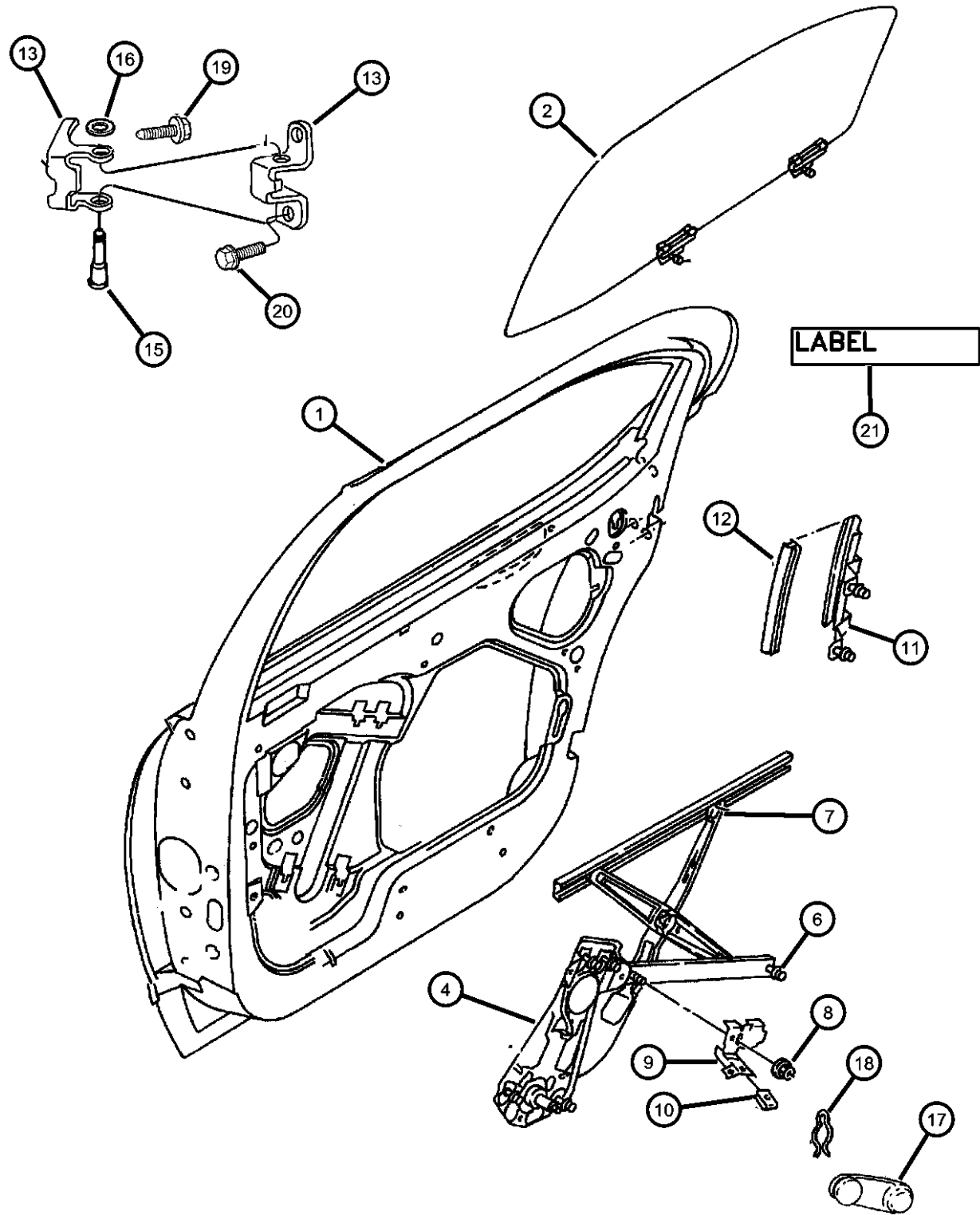
BODY
41 = 4 Door Sedan

ENGINE
ECB = 2.0L 4 Cyl SOHC 16V SMPI Engine
EDZ = 2.4L 4 Cyl DOHC 16V SMPI Engine
EEB = 2.5L V6 SOHC 24V SMPI Engine

TRANSMISSION
DD5 = TRANSMISSION - 5-SPEED MANUAL
DGL = TRANSMISSION - 4-SPD. AUTOMATIC, 41TE
DD4 = TRANSMISSION - 5-SPEED PERF. MANUAL

AR = use ase required - = Non illustrated part

**Door, Rear Shell, Hinge, Glass And Regulator
Figure DJA-205**



ITEM	PART NUMBER	QTY	LINE	SERIES	BODY	ENGINE	TRANS	TRIM	DESCRIPTION
------	-------------	-----	------	--------	------	--------	-------	------	-------------

NOTE: A small percentage of vehicles were built with the 4814119 Motor on the right side and 4814118 on the left. Check stamping number on Motor

1									DOOR, Rear
	04646440	1							Repair Panel, Right
	04646441	1							Repair Panel, Left
	04814826AC	1							Right
	04814827AC	1							Left
2									GLASS, Rear Door, with Lift Plate
	04814334AB	1							Right
	04814335AB	1							Left
-3									WATERDAM, Rear Door
	04878560AB	1							Right
	04878561AB	1							Left
4									REGULATOR, Rear Door Window
	04646296	1							Right, Manual
	04646297	1							Left, Manual
	04856112	1							Right, Power
	04856113	1							Left, Power
-5									MOTOR, Window Regulator, See Note
	04814118	1							Right
	04814119	1							Left
6	04814119	1							SCREW, M6X1.00X16.00, (NOT SERVICED)
7	04339301	3							SLIDER PACKAGE, Window Glass
8	06100047	2							NUT AND WASHER, Hex Nut-Coned Washer, M6 x 1.00
9									BRACKET, Door Pull Cup
	04647812	1							Right
	04647813	1							Left
10	06100047	2							NUT AND WASHER, Hex Nut-Coned Washer, M6 x 1.00
11									CHANNEL, Rear Door Glass
	04646418	1							Right
	04646419	1							Left
12	04646509	2							WEATHERSTRIP, Door Glass Run
13									HINGE, Rear Door Upper

CIRRUS,BREEZE,STRATUS (JA)

SERIES LINE
H = HIGHLINE C = CHRYSLER
P = PREMIUM D = DODGE
 P = PLYMOUTH

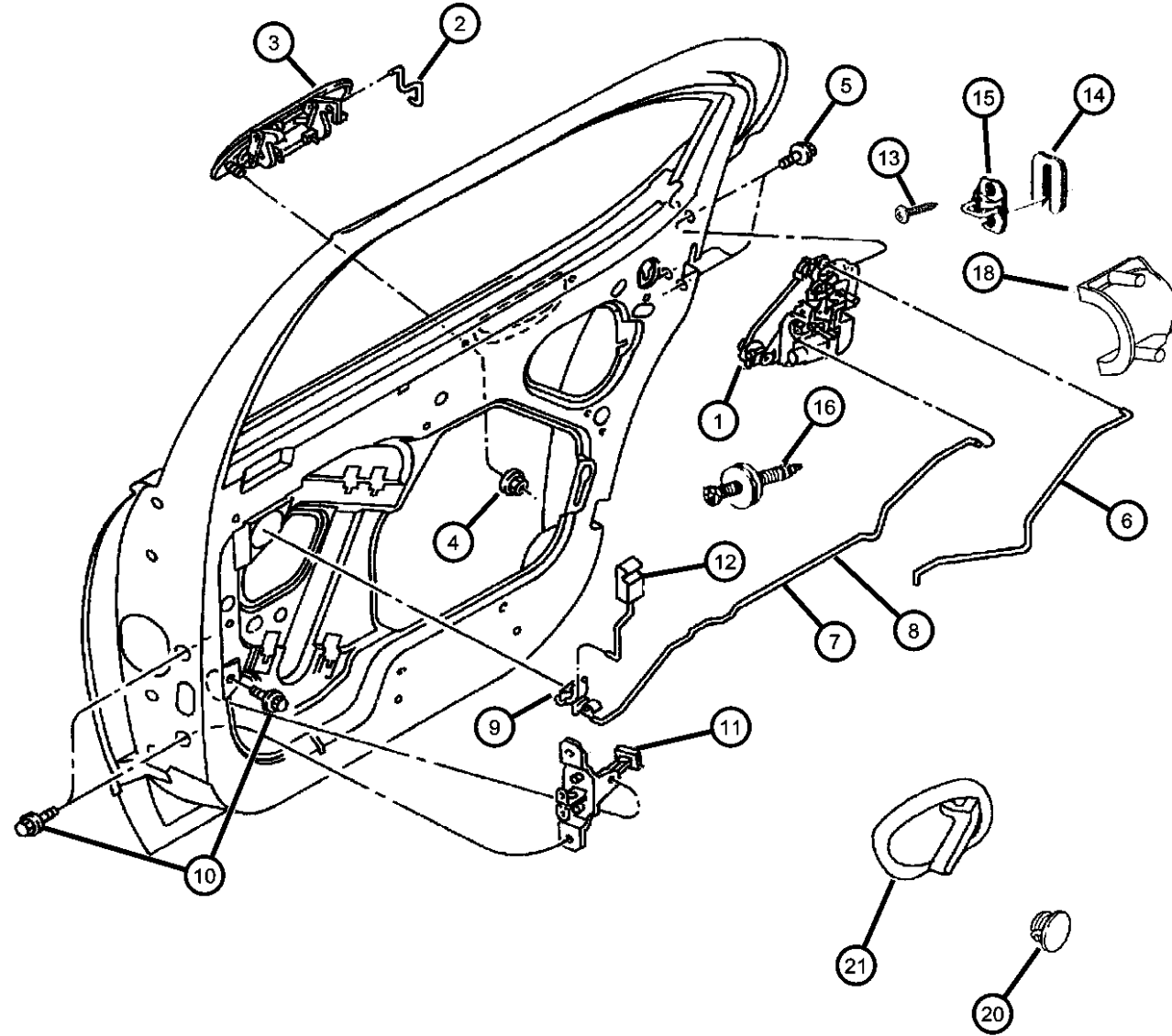
BODY
41 = 4 Door Sedan

ENGINE TRANSMISSION
ECB = 2.0L 4 Cyl SOHC 16V SMPI Engine DD5 = TRANSMISSION - 5-SPEED MANUAL
EDZ = 2.4L 4 Cyl DOHC 16V SMPI Engine DGL = TRANSMISSION - 4-SPD. AUTOMATIC, 41TE
EEB = 2.5L V6 SOHC 24V SMPI Engine DD4 = TRANSMISSION - 5-SPEED PERF. MANUAL

AR = use ase required - = Non illustrated part

1999 JA

**Door, Rear Handle And Latch
Figure DJA-207**



ITEM	PART NUMBER	QTY	LINE	SERIES	BODY	ENGINE	TRANS	TRIM	DESCRIPTION
1									LATCH, Rear Door
	04814177AB	1							Manual, Left
	04814174AB	1							Power, Right
	04814175AB	1							Power, Left
	04814176AB	1							Manual, Right
2									LINK, Exterior Door Handle
	04646274	1							Right
	04646275	1							Left
3									HANDLE, Rear Door Exterior
	04696884	1		P					Black, w/Stipple Texture, Right
	04696885	1		P					Black, w/Stipple Texture, Left
	0FJ92MS4	1			C, D				S4, Right
	0FJ92WEL	1			C, D				EL, Right
	0FJ92WG2	1			C, D				G2, Right
	0FJ93MS4	1			C, D				S4, Left
	0FJ93SG8	1			C, D				G8, Left
	0FJ93SW1	1			C, D				W1, Left
	0FJ93TCN	1			C, D				CN, Left
	0FJ92SG8	1			C, D				G8, Right
	0FJ92SW1	1			C, D				W1, Right
	0FJ92TCN	1			C, D				CN, Right
	0FJ92VAW	1			C, D				AW, Right
	0FJ92VB3	1			C, D				B3, Right
	0FJ92VMT	1			C, D				MT, Right
	0FJ92VTE	1			C, D				TE, Right
	0FJ93VAW	1			C, D				AW, Left
	0FJ93VB3	1			C, D				B3, Left
	0FJ93VMT	1			C, D				MT, Left
	0FJ93VTE	1			C, D				TE, Left
	0FJ93WEL	1			C, D				EL, Left
	0FJ93WG2	1			C, D				G2, Left
4	06100045	4							NUT AND WASHER, Hex, M5x.80
5	06033876	6							SCREW, Tapping, M6.3x1.8x38.1
6									LINK, Remote Handle to Latch

CIRRUS,BREEZE,STRATUS (JA)

SERIES	LINE
H = HIGHLINE	C = CHRYSLER
P = PREMIUM	D = DODGE
	P = PLYMOUTH

BODY
41 = 4 Door Sedan

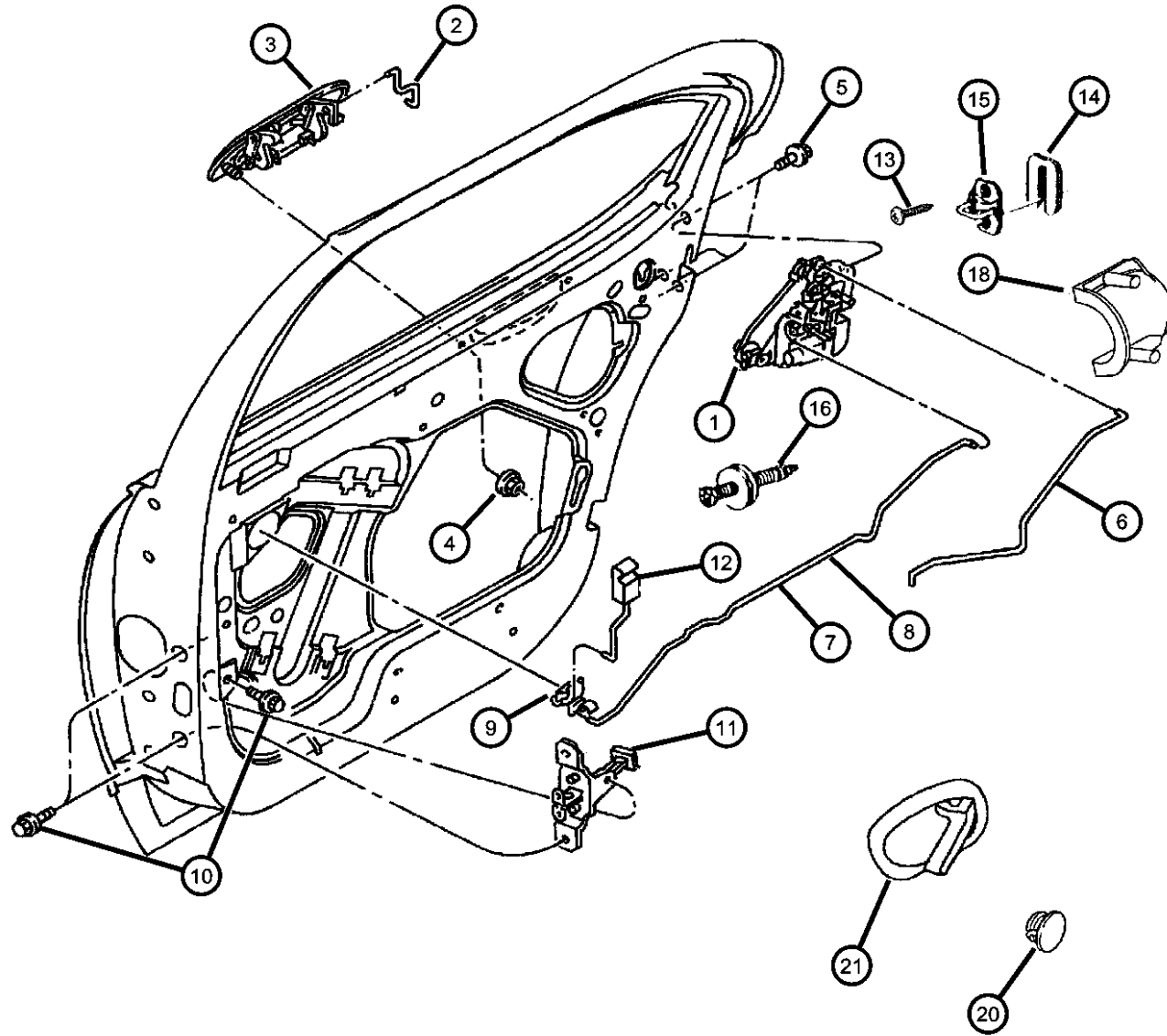
ENGINE
ECB = 2.0L 4 Cyl SOHC 16V SMPI Engine
EDZ = 2.4L 4 Cyl DOHC 16V SMPI Engine
EEB = 2.5L V6 SOHC 24V SMPI Engine

TRANSMISSION
DD5 = TRANSMISSION - 5-SPEED MANUAL
DGL = TRANSMISSION - 4-SPD. AUTOMATIC, 41TE
DD4 = TRANSMISSION - 5-SPEED PERF. MANUAL

AR = use ase required - = Non illustrated part

1999 JA

**Door, Rear Handle And Latch
Figure DJA-207**



ITEM	PART NUMBER	QTY	LINE	SERIES	BODY	ENGINE	TRANS	TRIM	DESCRIPTION
	04646304	1							Right
	04646305	1							Left
7	04646302	1							LINK, Door Lock ControlRight
8	04646303	1							ROD, Inside Lock to LatchLeft
9									LEVER
	04624630	1							Right
	04624631	1							Left
10	06504055	6							SCREW, Hex Head, M6x1x16
11									CHECK, Rear Door
	04814310	1							Right
	04814311	1							Left
12									KNOB AND LINK, Door Latch
	0FK00LAZ	1							Agate, Right
	0FK00RJK	1							Medium Silverfern, Right
	0FK00SK5	1							Camel Tan, Right
	0FK01LAZ	1							Agate, Left
	0FK01RJK	1							Medium Silverfern, Left
	0FK01SK5	1							Camel Tan, Left
13	06503120	4							SCREW AND WASHER, Button Head Torx
14	55075483	AR							SPACER, Door Latch Striker
15	04780259	2							STRIKER, Door
16	04814406	2							STRIKER, Door Interlock
-17	04814404	1							PLATE, Door Latch Striker
18	04696871	2							SHIELD, Door
-19	06101960	4							SCREW, Hex Flange Head Tapping, M4.2x1.7x25
20									CAP, Handle Screw Cover
	0PB461AZ	1			C				Agate
	0PB46LAZ	1			D				Agate
	0PB46RJK	1			D				Light Silverfern
	0PB46RK5	1			D				Camel Tan
		1			C				Camel Tan
21									HANDLE, Door Interior

CIRRUS,BREEZE,STRATUS (JA)

SERIES LINE
H = HIGHLINE C = CHRYSLER
P = PREMIUM D = DODGE
 P = PLYMOUTH

BODY
41 = 4 Door Sedan

ENGINE
ECB = 2.0L 4 Cyl SOHC 16V SMPI Engine
EDZ = 2.4L 4 Cyl DOHC 16V SMPI Engine
EEB = 2.5L V6 SOHC 24V SMPI Engine

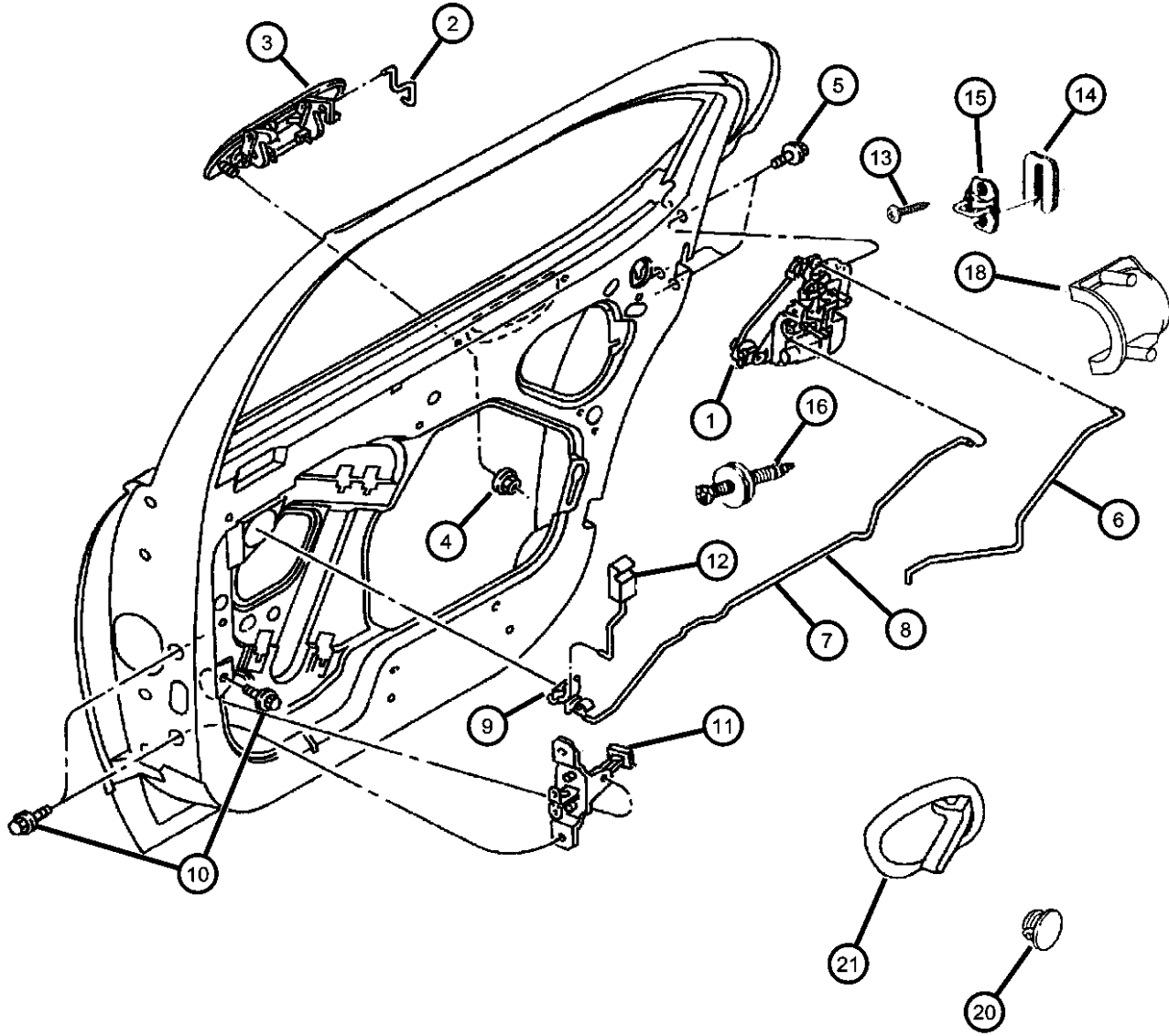
TRANSMISSION
DD5 = TRANSMISSION - 5-SPEED MANUAL
DGL = TRANSMISSION - 4-SPD. AUTOMATIC,41TE
DD4 = TRANSMISSION - 5-SPEED PERF. MANUAL

AR = use ase required - = Non illustrated part

1999 JA

**Door, Rear Handle And Latch
Figure DJA-207**

ITEM	PART NUMBER	QTY	LINE	SERIES	BODY	ENGINE	TRANS	TRIM	DESCRIPTION
	0LE681K5	1	C						Camel Tan, Right
	0LE681AZ	1	C						Agate, Right
	0LE681JK	1	C						Silverfern, Right
	0LE691AZ	1	C						Agate, Left
	0LE691JK	1	C						Silverfern, Left
	0LE691K5	1	C						Camel Tan, Left
	0LE72LAZ	1	D						Agate, Right
	0LE72RJK	1	D						Silverfern, Right
	0LE72RK5	1	D						Tan, Right
	0LE73LAZ	1	D						Agate, Left
	0LE73RJK	1	D						Silverfern, Left
	0LE73RK5	1	D						Tan, Left



CIRRUS,BREEZE,STRATUS (JA)

SERIES LINE
H = HIGHLINE C = CHRYSLER
P = PREMIUM D = DODGE
 P = PLYMOUTH

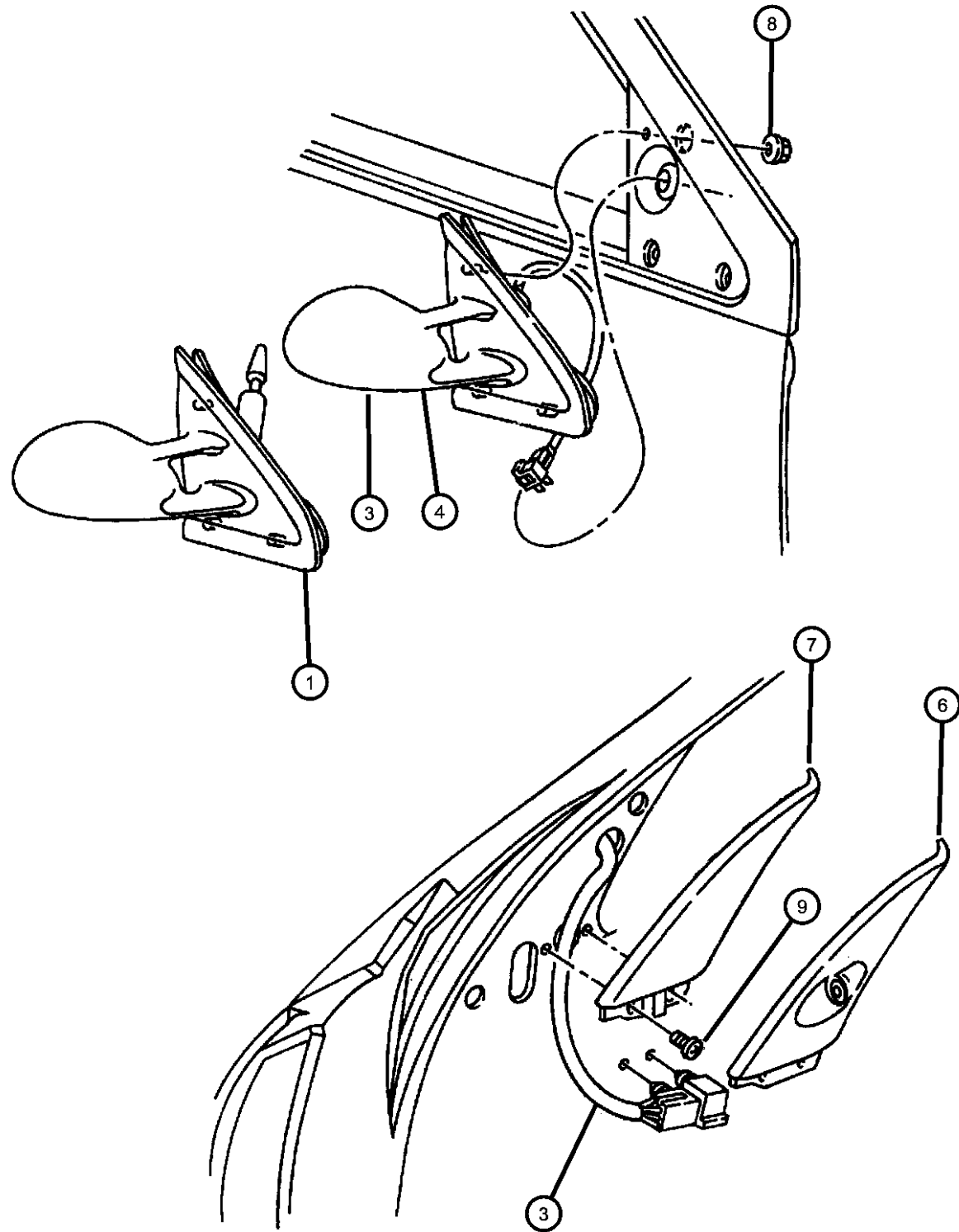
BODY
41 = 4 Door Sedan

ENGINE
ECB = 2.0L 4 Cyl SOHC 16V SMPI Engine
EDZ = 2.4L 4 Cyl DOHC 16V SMPI Engine
EEB = 2.5L V6 SOHC 24V SMPI Engine

TRANSMISSION
DD5 = TRANSMISSION - 5-SPEED MANUAL
DGL = TRANSMISSION - 4-SPD. AUTOMATIC,41TE
DD4 = TRANSMISSION - 5-SPEED PERF. MANUAL

AR = use ase required - = Non illustrated part

**Mirror, Exterior
Figure DJA-505**



ITEM	PART NUMBER	QTY	LINE	SERIES	BODY	ENGINE	TRANS	TRIM	DESCRIPTION
NOTE: Sales Codes: [GT8] = MIRRORS - POWER									
1									MIRROR, Outside Rearview
	04646802	1							Manual, Right
	04646803	1							Manual, Left
-2									GLASS AND CASE, Mirror Replacement
	04778080	1							Manual, Right
	04778081	1							Manual, Left
3									MIRROR, Outside Rearview
	04646308	1							Power, Heated, Fixed, Black (GUR), Right
	04646309	1							Power, Heated, Fixed, Black (GUR), Left
	04646336	1							Japan, Taiwan, Right
	04646337	1							Japan, Taiwan, Left
4									MIRROR, Outside Rearview Electric Foldaway
	04805224AA	1							Middle East Package, Right
	04805225AA	1							Middle East Package, Left
-5									GLASS AND CASE, Mirror Replacement
	04778078	1							Right
	04778079	1							Left
6									BEZEL, Remote Control Mirror
	04630404	1							Manual, Inner, Right
	04630405	1							Manual, Inner, Left
7									BEZEL, Power Mirror
	04630402	1							Inner, Right
	04630403	1							Inner, Left
8	06100045	6							NUT AND WASHER, Hex, M5x.80
9	06032723	4							SCREW, Self Tapping, M4.2x1.69x19.05Bezel To Inner Panel

CIRRUS,BREEZE,STRATUS (JA)
 SERIES LINE
 H = HIGHLINE C = CHRYSLER
 P = PREMIUM D = DODGE
 P = PLYMOUTH

BODY
 41 = 4 Door Sedan

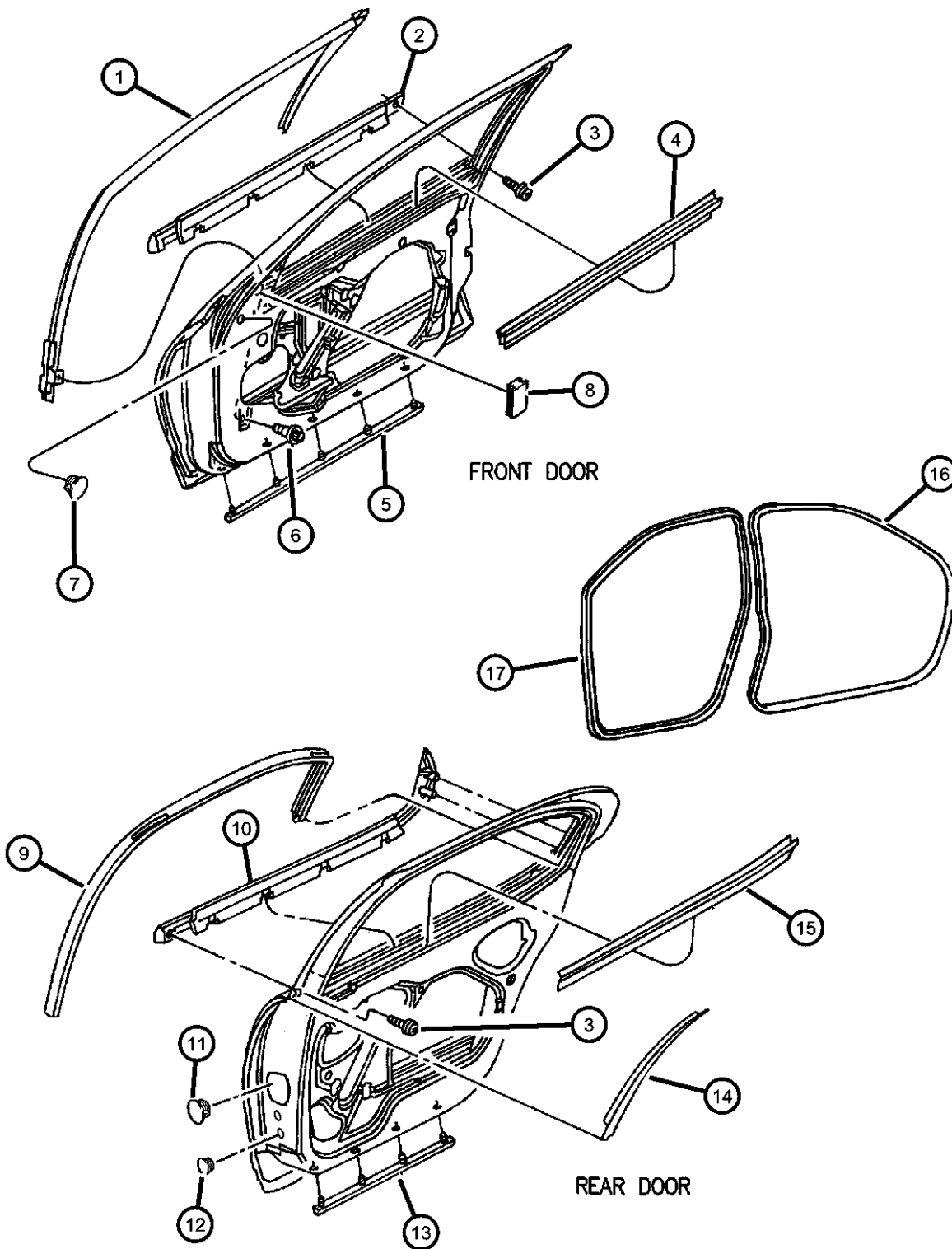
ENGINE
 ECB = 2.0L 4 Cyl SOHC 16V SMPI Engine
 EDZ = 2.4L 4 Cyl DOHC 16V SMPI Engine
 EEB = 2.5L V6 SOHC 24V SMPI Engine

TRANSMISSION
 DD5 = TRANSMISSION - 5-SPEED MANUAL
 DGL = TRANSMISSION - 4-SPD. AUTOMATIC,41TE
 DD4 = TRANSMISSION - 5-SPEED PERF. MANUAL

AR = use ase required - = Non illustrated part

1999 JA

**Door, Front and Rear Weatherstrips and Seal
Figure DJA-605**



ITEM	PART NUMBER	QTY	LINE	SERIES	BODY	ENGINE	TRANS	TRIM	DESCRIPTION
1									WEATHERSTRIP, Front Door Glass, Glass Run
	04646826AB	1							Right
	04646827AB	1							Left
2									MOLDING, Front Door Belt
	04630792	1							Right
	04630793	1							Left
3	04630793	1							SCREW, .164-15x.500, (NOT SERVICED)
4									WEATHERSTRIP, Front Door Belt
	04646504	1							Right
	04646505	1							Left
5	04646966	2							WEATHERSTRIP, Front Door Sill Secondary
6	06504055	2							SCREW, Hex Head, M6x1x16Front Door Glass Run Assembly Attaching
7	04696670	4							PLUG, Mirror Access, Plastic
8	04696845	2							PLUG, Door
9									WEATHERSTRIP, Rear Door Flush Glass
	04646828	1							Right
	04646829	1							Left
10									MOLDING, Rear Door Outside Belt
	04630790	1							Right
	04630791	1							Left
11	04696846	2							PLUG, Door, RubberRear Door
12	04696844	4							PLUG, Door, PlasticRear Door, Inner
13	04646968	2							WEATHERSTRIP, Rear Door Sill Secondary
14									WEATHERSTRIP, B Pillar Secondary
	04646884	1							Right
	04646885	1							Left
15									WEATHERSTRIP, Rear Door Belt
	04646506	1							Right
	04646507	1							Left

CIRRUS,BREEZE,STRATUS (JA)
 SERIES LINE
 H = HIGHLINE C = CHRYSLER
 P = PREMIUM D = DODGE
 P = PLYMOUTH

BODY
 41 = 4 Door Sedan

ENGINE
 ECB = 2.0L 4 Cyl SOHC 16V SMPI Engine
 EDZ = 2.4L 4 Cyl DOHC 16V SMPI Engine
 EEB = 2.5L V6 SOHC 24V SMPI Engine

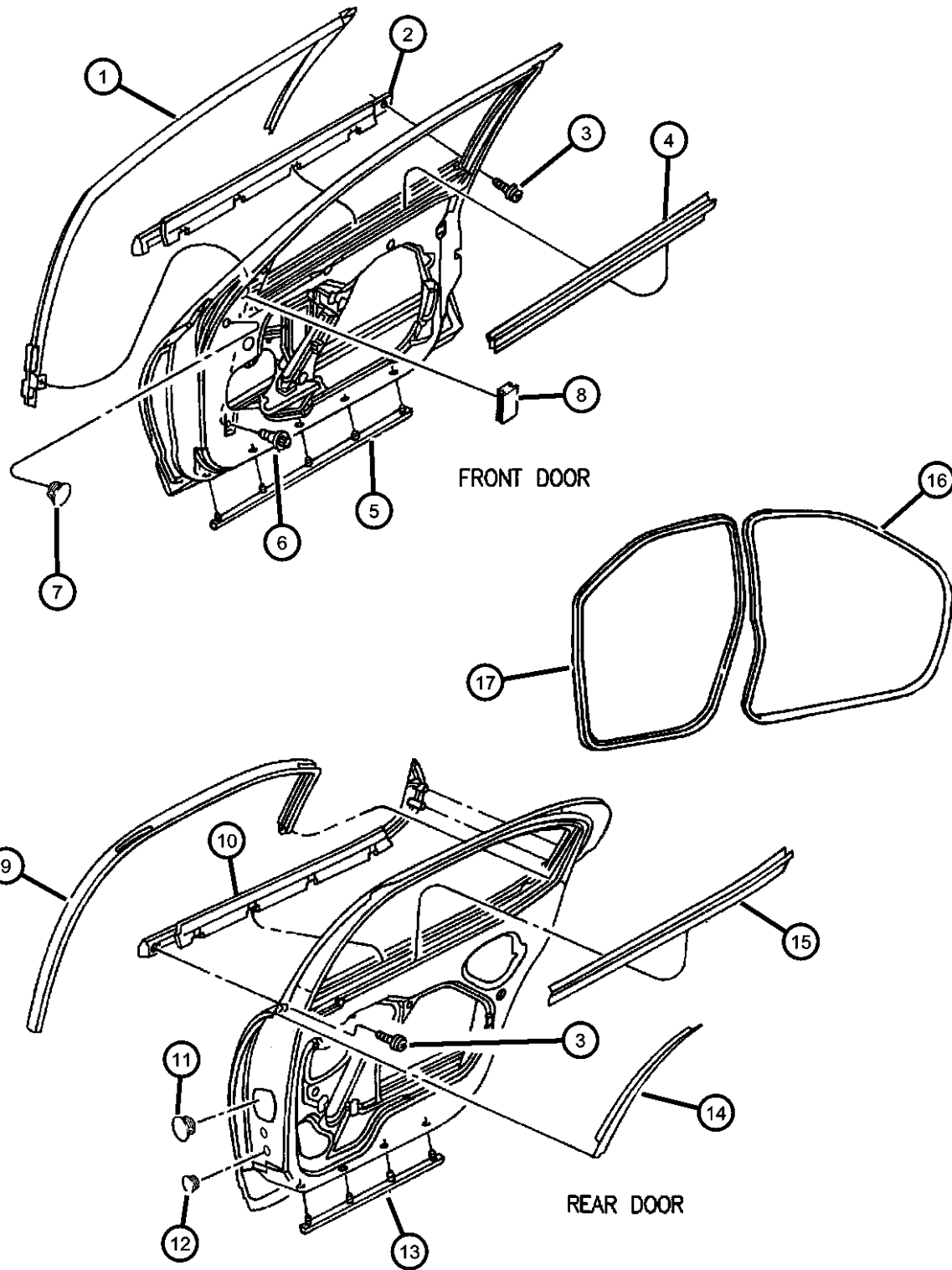
TRANSMISSION
 DD5 = TRANSMISSION - 5-SPEED MANUAL
 DGL = TRANSMISSION - 4-SPD. AUTOMATIC, 41TE
 DD4 = TRANSMISSION - 5-SPEED PERF. MANUAL

AR = use ase required - = Non illustrated part

1999 JA

**Door, Front and Rear Weatherstrips and Seal
Figure DJA-605**

ITEM	PART NUMBER	QTY	LINE	SERIES	BODY	ENGINE	TRANS	TRIM	DESCRIPTION
------	-------------	-----	------	--------	------	--------	-------	------	-------------



16									WEATHERSTRIP, Front Door Opening Right
	04814778AB	1							
	04814779AB	1							Left
17									WEATHERSTRIP, Rear Door Opening Right
	04814780AB	1							
	04814781AB	1							Left

CIRRUS,BREEZE,STRATUS (JA)
 SERIES LINE
 H = HIGHLINE C = CHRYSLER
 P = PREMIUM D = DODGE
 P = PLYMOUTH

BODY
 41 = 4 Door Sedan

ENGINE
 ECB = 2.0L 4 Cyl SOHC 16V SMPI Engine
 EDZ = 2.4L 4 Cyl DOHC 16V SMPI Engine
 EEB = 2.5L V6 SOHC 24V SMPI Engine

TRANSMISSION
 DD5 = TRANSMISSION - 5-SPEED MANUAL
 DGL = TRANSMISSION - 4-SPD. AUTOMATIC, 41TE
 DD4 = TRANSMISSION - 5-SPEED PERF. MANUAL

AR = use ase required - = Non illustrated part

1999 JA

Group - EJA

Exterior Ornamentation

Group - EJA Exterior Ornamentation

Illustration Title

Group-Fig. No.

Nameplates

Nameplates Fig. EJA - 110

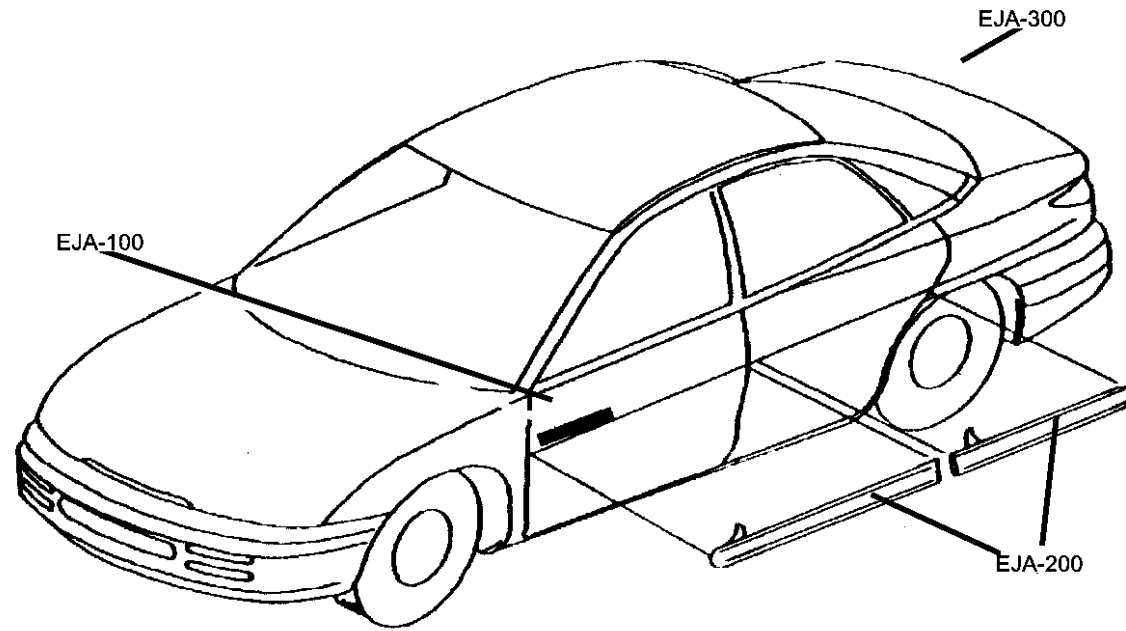
Moldings and Ornamentation

Moulding And Ornamentation Fig. EJA - 210

Applique Fig. EJA - 220

Decals and Tapestripes

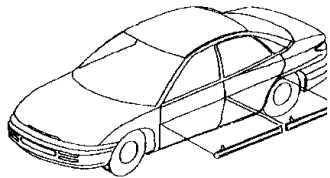
Tape Anti-chip Fig. EJA - 310



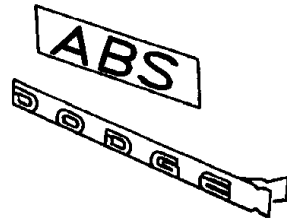
EJA-100
Nameplates

CHRYSLER
CIRRUS
STRATUS

EJA-200
Moldings and Ornamentation



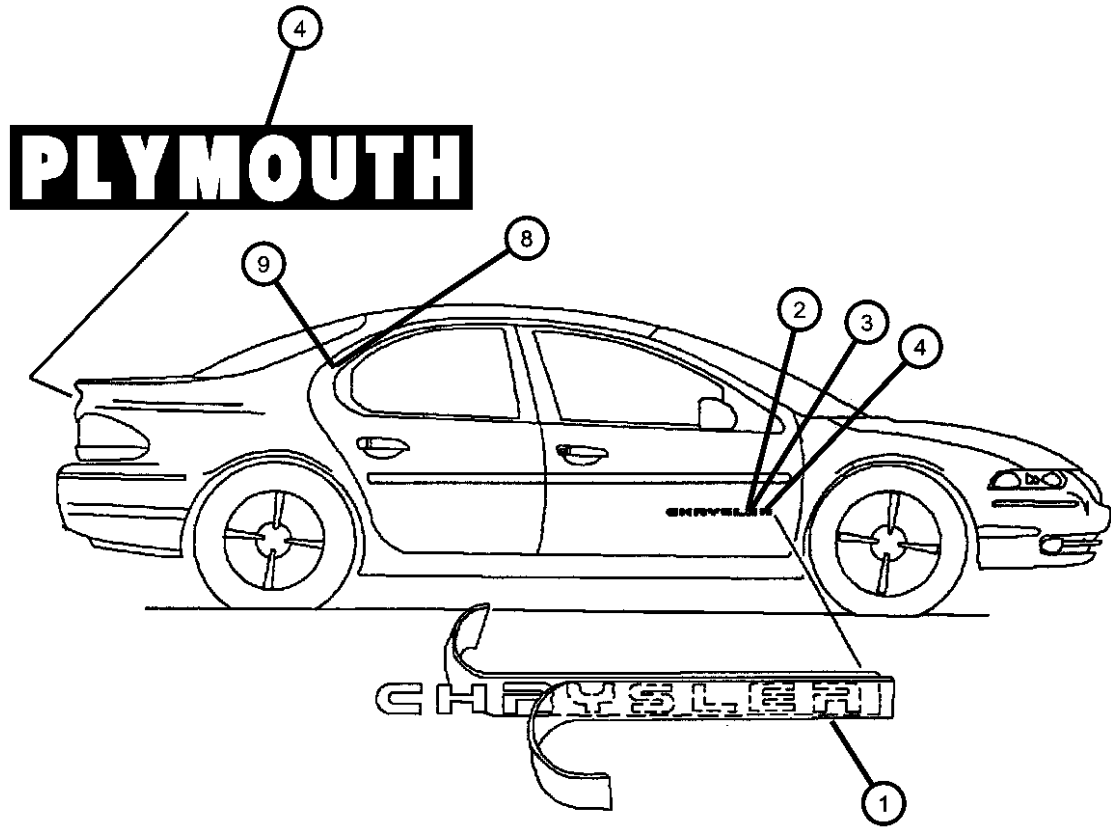
EJA-300
Decals and Tapestripes



**Nameplates
Figure EJA-110**

ITEM	PART NUMBER	QTY	LINE	SERIES	BODY	ENGINE	TRANS	TRIM	DESCRIPTION
------	-------------	-----	------	--------	------	--------	-------	------	-------------

NOTE: Sales Codes:
 [MG1] = BADGE - LXI, BRIGHT
 [MU1] = BADGE - LXI
 [MVL] = BADGE - BREEZE, DECKLID
 [MVY] = BADGE - DECKLID, BRIGHT



1									NAMEPLATE, Chrysler
	04805060	2							Chrome
	04805159AA	2							Gold
2	04805292AA	2							NAMEPLATE, Front Door, Dodge, Chrome
3									NAMEPLATE, Espresso, Front Door
	0RF44CA1AA	2	P						Silver
	0RF44HC3AA	2	P						Iris Blue
4									NAMEPLATE, Plymouth
	04805368AA	1	P						KBQ (MVL,MVY)
	0RF43CA1AA	1	P						Silver Met.
	0RF43HC3AA	1	P						Iris Blue
-5									NAMEPLATE, Decklid, Breeze
	04805347AA	1	P						Chrome (MVL)
	0RF45CA1AA	1	P						[KMV]
	0RF45HC3AA	1	P						[KMJ]
-6	04814951	1							NAMEPLATE, Decklid, Stratus
-7	04769144	2							NAMEPLATE, Deck Lid, LX
8									NAMEPLATE, Rear Door
	04805402AA	2	C						LXI - Gold (MU1)
	04814973AA	2							ES
	05288414	2							LE
9	04805401AA	2							NAMEPLATE, Rear Door, LXI, Chrome
-10	05288415	2							NAMEPLATE, LX, Rear Door

CIRRUS,BREEZE,STRATUS (JA)

SERIES LINE
 H = HIGHLINE C = CHRYSLER
 P = PREMIUM D = DODGE
 P = PLYMOUTH

BODY
 41 = 4 Door Sedan

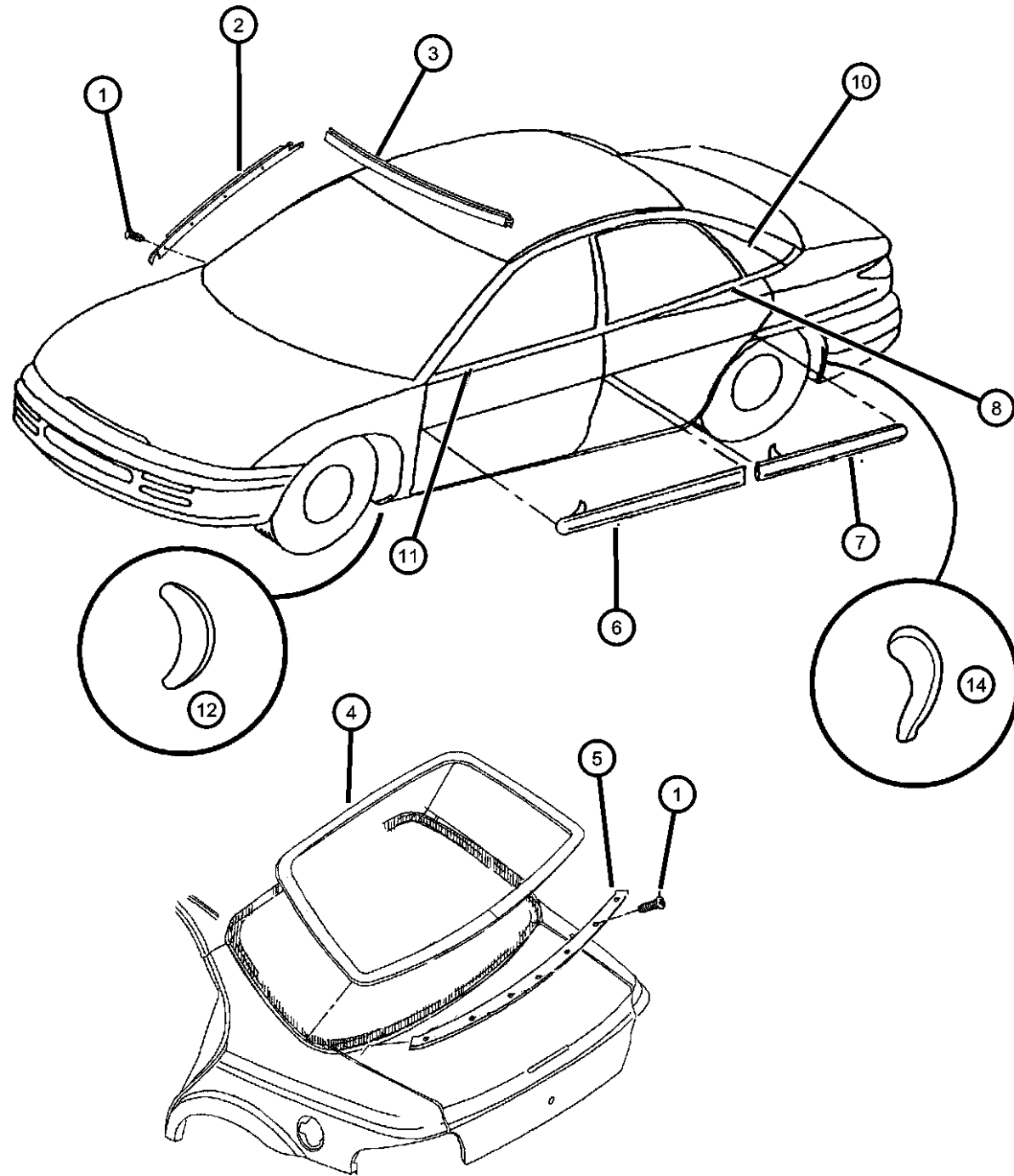
ENGINE
 ECB = 2.0L 4 Cyl SOHC 16V SMPI Engine
 EDZ = 2.4L 4 Cyl DOHC 16V SMPI Engine
 EEB = 2.5L V6 SOHC 24V SMPI Engine

TRANSMISSION
 DD5 = TRANSMISSION - 5-SPEED MANUAL
 DGL = TRANSMISSION - 4-SPD. AUTOMATIC,41TE
 DD4 = TRANSMISSION - 5-SPEED PERF. MANUAL

AR = use ase required - = Non illustrated part

1999 JA

**Moulding And Ornamentation
Figure EJA-210**



ITEM	PART NUMBER	QTY	LINE	SERIES	BODY	ENGINE	TRANS	TRIM	DESCRIPTION
------	-------------	-----	------	--------	------	--------	-------	------	-------------

NOTE: Sales Codes:

[K10] = MOLDING - BODYSIDE, BODY COLOR

1	00154228	4							SCREW, Tapping, .19-16x.625
2									MOLDING, Windshield
	04805148	1							Right
	04805149	1							Left
3	04805346AA	1							MOLDING, Windshield Reveal
4	04805337AA	1							MOLDING, Backlite
5	04630627	1							MOLDING, BackliteLower
6									MOLDING, Front Door, 1/2 inch Wide (K10)
	0FG14MS4	2							[K1P]
	0FG14PR4	2							[K1M]
	0FG14RX8	2							[K1X]
	0FG14SG8	2							[K1G]
	0FG14SW1	2							[K1W]
	0FG14TCN	2							[K1A]
	0FG14TTK	2							[K1D]
	0FG14VAW	2							[K1Z]
	0FG14VMT	2							[K1B]
	0FG14VTE	2							[K1N]
	0FG14WEL	2							[K1C]
	0FG14WG2	2							[K1K]
	0FG14WS2	2							[K1S]
7									MOLDING, Rear Door, 1/2 inch Wide (K10)
	0FJ28MS4	2							[K1P]
	0FJ28PR4	2							[K1M]
	0FJ28RX8	2							[K1X]
	0FJ28SG8	2							[K1G]
	0FJ28SW1	2							[K1W]
	0FJ28TCN	2							[K1A]
	0FJ28TTK	2							[K1D]
	0FJ28VAW	2							[K1Z]
	0FJ28VMT	2							[K1B]

CIRRUS,BREEZE,STRATUS (JA)

SERIES LINE
H = HIGHLINE C = CHRYSLER
P = PREMIUM D = DODGE
 P = PLYMOUTH

BODY
41 = 4 Door Sedan

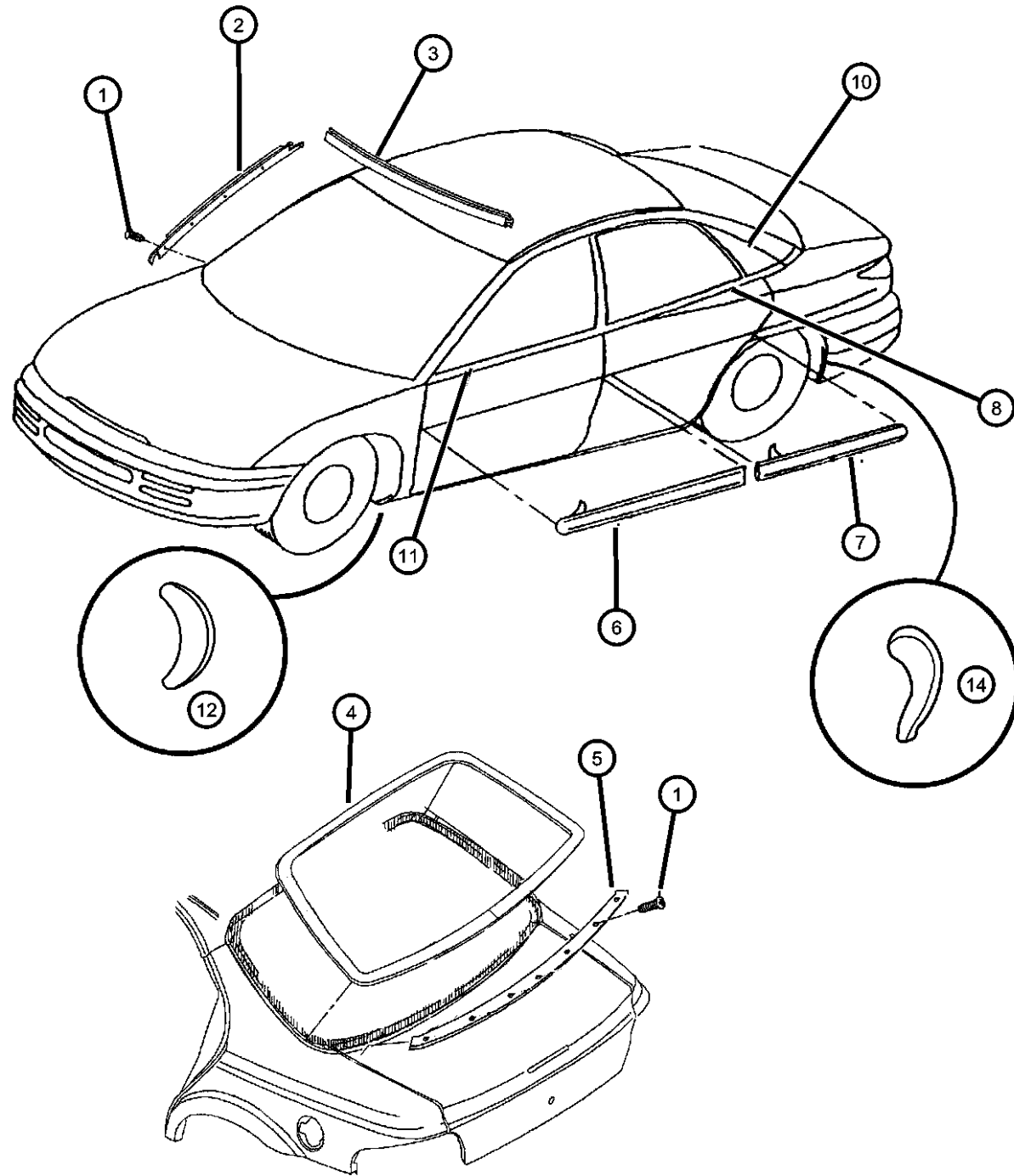
ENGINE
ECB = 2.0L 4 Cyl SOHC 16V SMPI Engine
EDZ = 2.4L 4 Cyl DOHC 16V SMPI Engine
EEB = 2.5L V6 SOHC 24V SMPI Engine

TRANSMISSION
DD5 = TRANSMISSION - 5-SPEED MANUAL
DGL = TRANSMISSION - 4-SPD. AUTOMATIC, 41TE
DD4 = TRANSMISSION - 5-SPEED PERF. MANUAL

AR = use ase required - = Non illustrated part

1999 JA

**Moulding And Ornamentation
Figure EJA-210**



ITEM	PART NUMBER	QTY	LINE	SERIES	BODY	ENGINE	TRANS	TRIM	DESCRIPTION
	0FJ28VTE	2							[K1N]
	0FJ28WEL	2							[K1C]
	0FJ28WG2	2							[K1K]
	0FJ28WS2	2							[K1S]
8									MOLDING, Rear Door Outside Belt
	04630790	1							Rear, Right
	04630791	1							Rear, Left
-9	06000258	4							NUT, Spring, .25-20, Moulding Attaching
10									TAPE, C Pillar, Blackout
	04630772	1							Right
	04630773	1							Left
11									MOLDING, Front Door Belt
	04630792	1							Right
	04630793	1							Left
12									GUARD, Fender, Lower
	04814048	1							Right
	04814049	1							Left
-13	06504550	6							NUT, Snap In, .164
14									GUARD, Bumper
	04814474	1							Right
	04814475	1							Left
-15	04814475	1							SCREW, .164-18x.625, (NOT SERVICED)

CIRRUS,BREEZE,STRATUS (JA)

SERIES LINE
H = HIGHLINE C = CHRYSLER
P = PREMIUM D = DODGE
 P = PLYMOUTH

BODY
41 = 4 Door Sedan

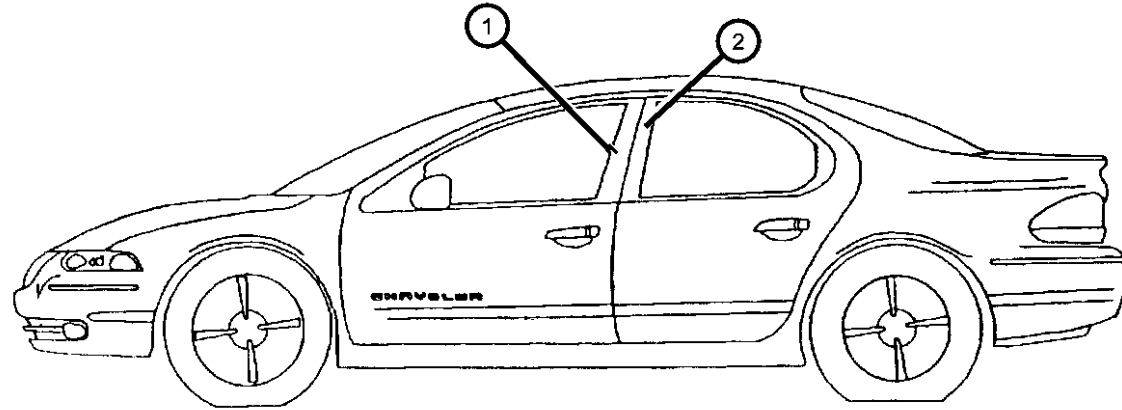
ENGINE
ECB = 2.0L 4 Cyl SOHC 16V SMPI Engine
EDZ = 2.4L 4 Cyl DOHC 16V SMPI Engine
EEB = 2.5L V6 SOHC 24V SMPI Engine

TRANSMISSION
DD5 = TRANSMISSION - 5-SPEED MANUAL
DGL = TRANSMISSION - 4-SPD. AUTOMATIC,41TE
DD4 = TRANSMISSION - 5-SPEED PERF. MANUAL

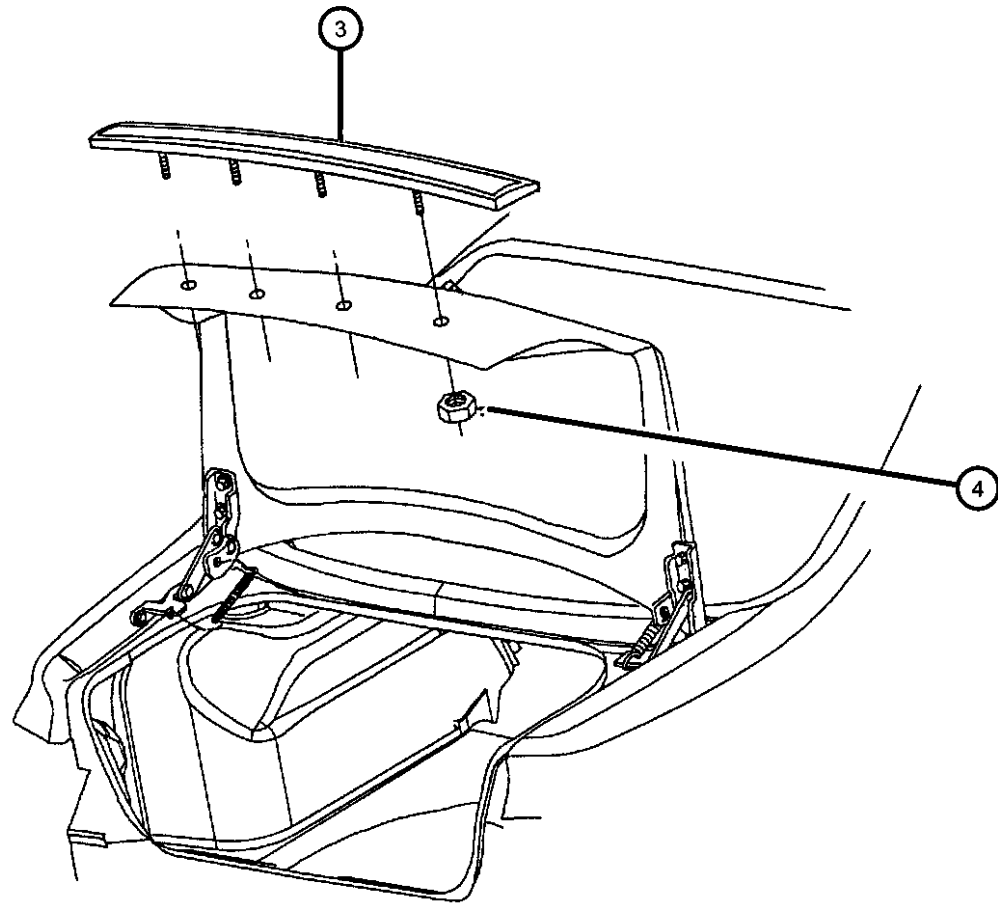
AR = use ase required - = Non illustrated part

1999 JA

**Applique
Figure EJA-220**



ITEM	PART NUMBER	QTY	LINE	SERIES	BODY	ENGINE	TRANS	TRIM	DESCRIPTION
1	04630800	1							TAPE B-PILLAR Right
	04630801	1							Left
2	04630798	1							TAPE B-PILLAR Right
	04630799	1							Left
3	04630768	1							APPLIQUE, Deck Lid Chrysler Stratus LX EXPORT
	04805496AA	1							Chrysler Cirrus LXI
4	04630461	4	C						CAP NUT, Decklid Applique



CIRRUS,BREEZE,STRATUS (JA)
 SERIES LINE
 H = HIGHLINE C = CHRYSLER
 P = PREMIUM D = DODGE
 P = PLYMOUTH

BODY
 41 = 4 Door Sedan

ENGINE
 ECB = 2.0L 4 Cyl SOHC 16V SMPI Engine
 EDZ = 2.4L 4 Cyl DOHC 16V SMPI Engine
 EEB = 2.5L V6 SOHC 24V SMPI Engine

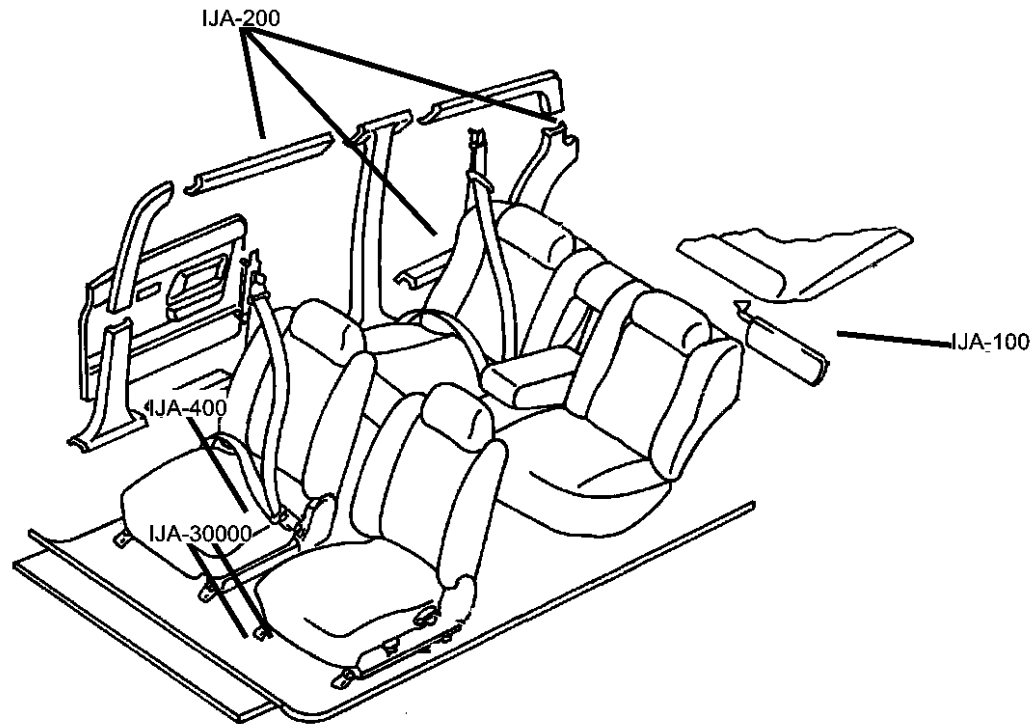
TRANSMISSION
 DD5 = TRANSMISSION - 5-SPEED MANUAL
 DGL = TRANSMISSION - 4-SPD. AUTOMATIC, 41TE
 DD4 = TRANSMISSION - 5-SPEED PERF. MANUAL

AR = use ase required - = Non illustrated part

1999 JA

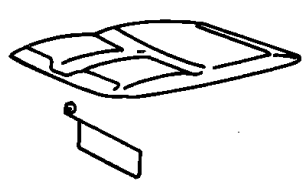
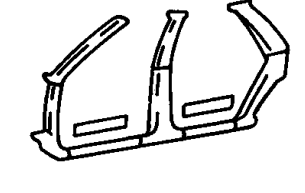
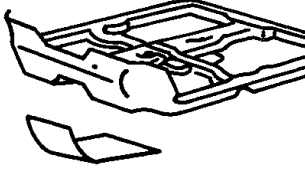
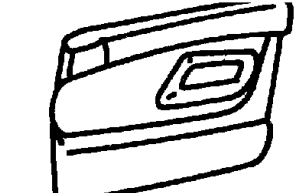
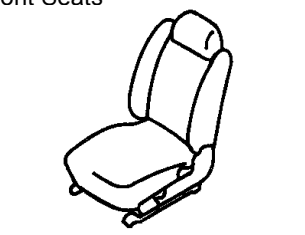
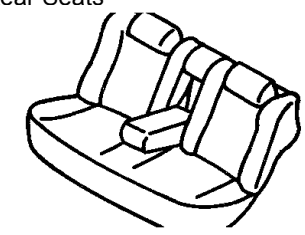
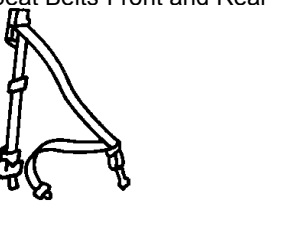
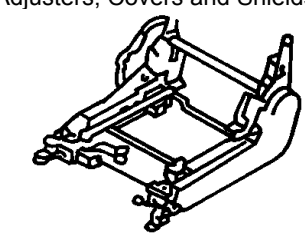
Group - IJA

Interior Trim

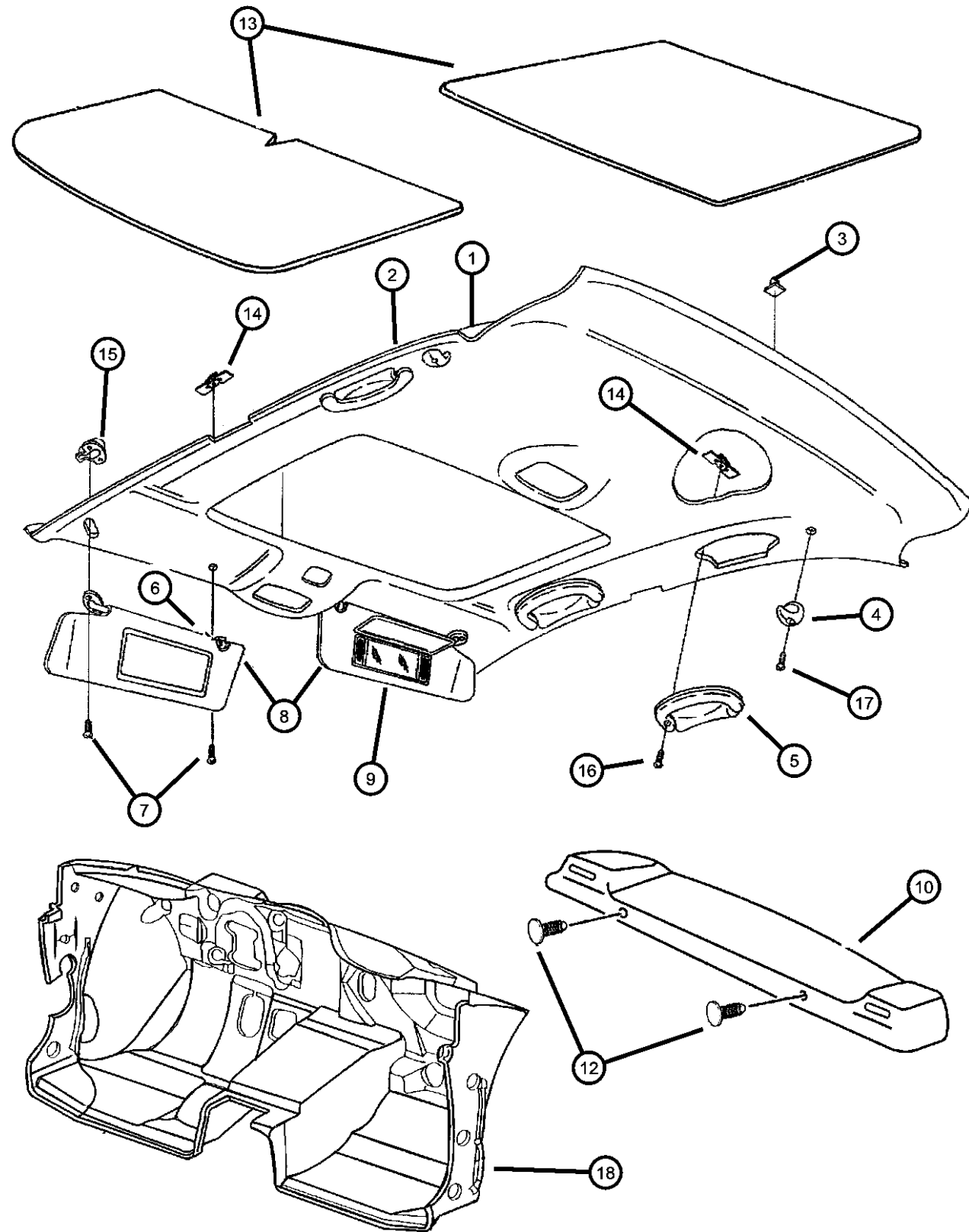


Group - IJA Interior Trim

Illustration Title	Group-Fig. No.
Headliner, Visors, and Rear Shelf Panel	
Headliner And Visor.....	Fig. IJA - 110
Panels-Mouldings, Scuff Plates	
Panels, Mouldings and Scuff Plates.....	Fig. IJA - 210
Carpet, Mats, and Silencers	
Carpet And Mats.....	Fig. IJA - 310
Luggage Compartment Dress Up.....	Fig. IJA - 315
Door Trim Panels, Front and Rear	
Door Panels - Front.....	Fig. IJA - 410
Door Panels - Rear.....	Fig. IJA - 420
Front Seats	
Seat Front - Trim Code Q7.....	Fig. IJA - 506
Seat Front - Trim Code C7,X7.....	Fig. IJA - 511
Seat Front - Trim Code E7.....	Fig. IJA - 516
Seat Front - Trim Code B7,B9,V7.....	Fig. IJA - 521
Seat Front - Trim Code LL.....	Fig. IJA - 526
Seat Front - Trim Code XL.....	Fig. IJA - 531
Seat Front - Trim Code NL.....	Fig. IJA - 536
Seat Front - Trim Code K6,P6.....	Fig. IJA - 541
Rear Seats	
Seat Rear - Trim Code Q7.....	Fig. IJA - 606
Seat Rear - C7,X7.....	Fig. IJA - 611
Seat Rear - Trim Code E7.....	Fig. IJA - 616
Seat Rear - Trim Code B7,B9,V7.....	Fig. IJA - 621
Seat Rear - Trim Code LL.....	Fig. IJA - 626
Seat Rear - Trim Code XL.....	Fig. IJA - 631
Seat Rear - Trim Code NL.....	Fig. IJA - 637
Seat Rear - Trim Code K6,P6.....	Fig. IJA - 641
Seat Belts-Front and Rear	
Front Seat Belts.....	Fig. IJA - 710
Rear Seat Belts.....	Fig. IJA - 720
Adjusters, Covers and Shields	
Front Seat Adjuster, Recliner And Side Shield.....	Fig. IJA - 810
Rear Seat Attaching Parts.....	Fig. IJA - 815

IJA-100 Headliner, Visors, and Rear Shelf Panel 	IJA-200 Panels-Mouldings, Scuff Plates 	IJA-300 Carpet, Mats, and Silencers 	IJA-400 Door Trim Panels, Front and Rear 
IJA-500 Front Seats 	IJA-600 Rear Seats 	IJA-700 Seat Belts-Front and Rear 	IJA-800 Adjusters, Covers and Shields 

Headliner And Visor
Figure IJA-110



ITEM	PART NUMBER	QTY	LINE	SERIES	BODY	ENGINE	TRANS	TRIM	DESCRIPTION
1	0JJ66SK4	1	D, P					*00	HEADLINER Tan, (K5) Without Reading Lamp and Grab Handles
	0JJ66TL2	1	D, P					*00	Beige, (AZ) Without Reading Lamp and Grab Handles
	0SL82RK4AA	1						*00	Tan, (K5) w/Sunroof and Illuminated Visors w/, or w/o Garage Door Opener
	0SL82TL2AA	1						*00	Beige, (AZ) w/Sunroof and Illuminated Visors w/, or w/o Garage Door Opener
2	0SL81RK4AA	1						*00	PANEL, Headliner Camel, (K5) w/Illuminated Visor And /Or Garage Door Opener
	0SL81TL2AA	1						*00	Beige, (AZ) w/Illuminated Visor And /Or Garage Door Opener
3	0SL81TL2AA	1							CLIP, Rear Headliner, (NOT SERVICED),
4	0GT09SK4	2						*00	HOOK, Coat Tan, (K5)
	0GT09TL2	2						*00	Beige, (AZ)
5	0RE54RK4AA	3						*00	HANDLE Tan, (K5)
	0RE54TL2AA	3						*00	Beige, (AZ)
6	0MH08SK4	2						*00	CLIP, Visor Tan, (K5)
	0MH08TL2	2						*00	Beige, (AZ)
7	0MH08TL2	2							SCREW, (8-15x3/4) Torx Head, (NOT SERVICED),
8	0PS34RK4AC	1						*00	VISOR, Illuminated Tan, (K5) w/Sunroof, Right
	0PS34TL2AC	1						*00	Beige, (AZ) w/Sunroof, Right
	0PS35RK4AC	1						*00	Tan, (K5) w/Sunroof, Left
	0PS35TL2AC	1						*00	Beige, (AZ) w/Sunroof, Left
	0QX42RK4AB	1						*00	Tan, (K5) w/Garage Door Opener, w/o Sunroof, Left
	0QX42TL2AB	1						*00	Beige, (AZ) w/Garage Door Opener, w/o Sunroof, Left
	0QX43RK4AC	1						*00	Tan, (K5) w/Garage Door Opener and Sunroof, Left

CIRRUS,BREEZE,STRATUS (JA)
 SERIES LINE
 H = HIGHLINE C = CHRYSLER
 P = PREMIUM D = DODGE
 P = PLYMOUTH

BODY
 41 = 4 Door Sedan

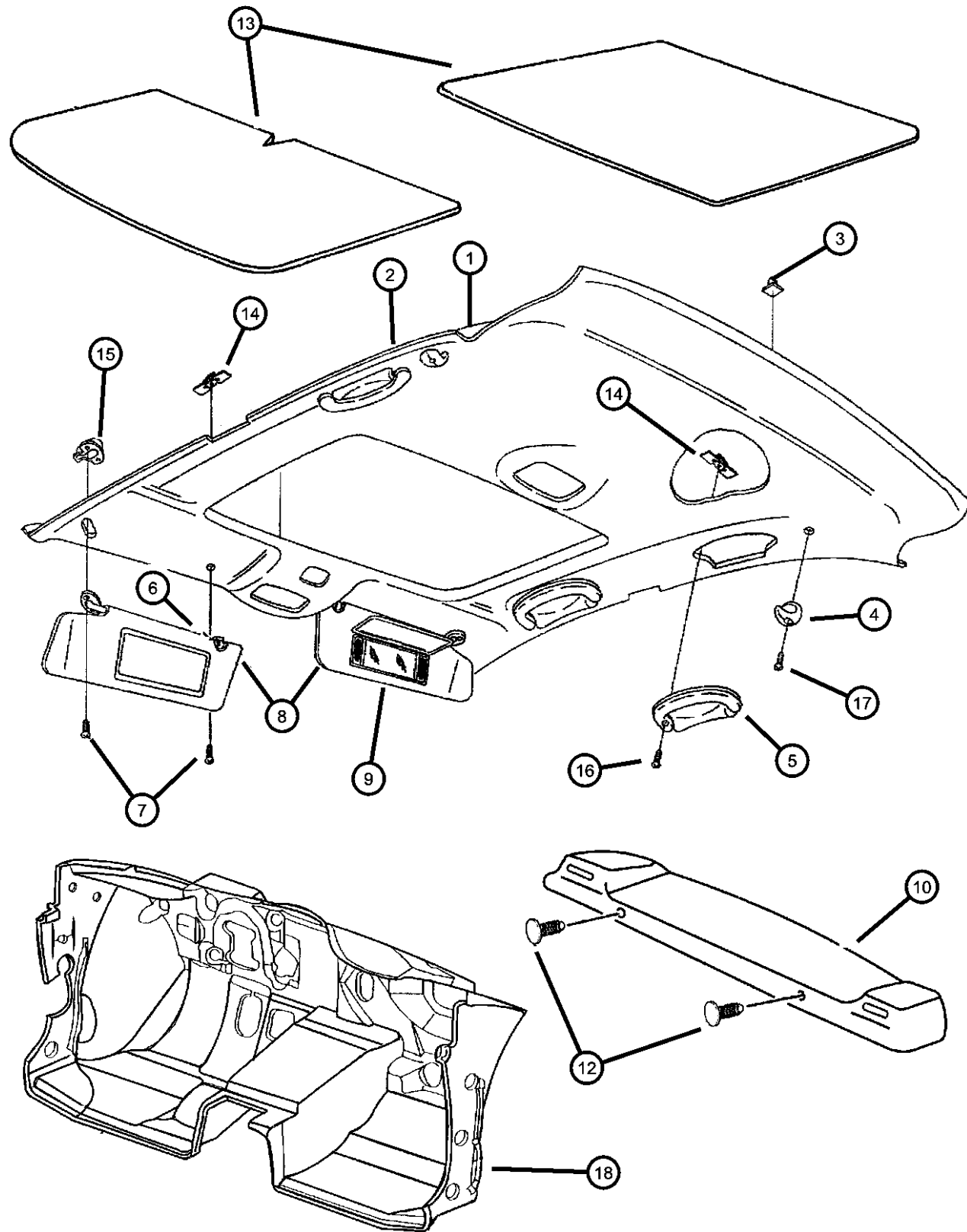
ENGINE
 ECB = 2.0L 4 Cyl SOHC 16V SMPI Engine
 EDZ = 2.4L 4 Cyl DOHC 16V SMPI Engine
 EEB = 2.5L V6 SOHC 24V SMPI Engine

TRANSMISSION
 DD5 = TRANSMISSION - 5-SPEED MANUAL
 DGL = TRANSMISSION - 4-SPD. AUTOMATIC,41TE
 DD4 = TRANSMISSION - 5-SPEED PERF. MANUAL

AR = use ase required - = Non illustrated part

1999 JA

Headliner And Visor
Figure IJA-110



ITEM	PART NUMBER	QTY	LINE	SERIES	BODY	ENGINE	TRANS	TRIM	DESCRIPTION
	0QX43TL2AC	1						*00	Beige, (AZ) w/Garage Door Opener and Sunroof, Left VISOR
9	0PB16RK4AB	1	D, P					*00	Tan, w/Uncovered Mirror (K5), Right
	0PB16TL2AB	1	D, P					*00	Biege, w/Uncovered Mirror (AZ), Right
	0PB17RK4AB	1	D, P					*00	Tan, w/Uncovered Mirror (K5), Left
	0PB17TL2AB	1	D, P					*00	Biege, w/Uncovered Mirror (AZ), Left
	0PB18RK4AB	1						*00	Tan, (K5), Right, Illuminated Visor
	0PB18TL2AB	1						*00	Beige, (AZ,JK), Right, Illuminated Visor
	0PB19RK4AB	1						*00	Tan, (K5), Left, Illuminated Visor
	0PB19TL2AB	1						*00	Beige, (AZ,JK), Left, Illuminated Visor
10									PANEL, Shelf
	0FF24LAZ	1						*00	Agate, w/Fixed Seat
	0FF24RJK	1						*00	Silverfern, w/Fixed Seat
	0FF24VK9	1						*00	Suede, w/Fixed Seat
	0GP46LAZ	1						*00	Agate, w/Folding Seat
	0GP46RJK	1						*00	Silverfern, w/Folding Seat
	0GP46VK9	1						*00	Suede, w/Folding Seat
-11									PIN, Splash Shield
	06501925	1							Push In, Shelf Panel
		2							CLIP, Rear Shelf (Serv. w/Panel), (NOT SERVICED),
12		2							SILENCER, Roof Head/Liner, Cut to Fit
13	04713203	1							CLIP, Pinch Top
14									Sunvisor Receptacle
	04647896	8						*00	Grab Handle
		2						*00	RETAINER, SunvisorBracket
15	04647895	2							SCREW, Come With Item 4, (NOT SERVICED)
16	04647895	2							SCREW, SCREW, (Not Serv.), (NOT SERVICED)
17	04647895	2							

CIRRUS,BREEZE,STRATUS (JA)
 SERIES LINE
 H = HIGHLINE C = CHRYSLER
 P = PREMIUM D = DODGE
 P = PLYMOUTH

BODY
 41 = 4 Door Sedan

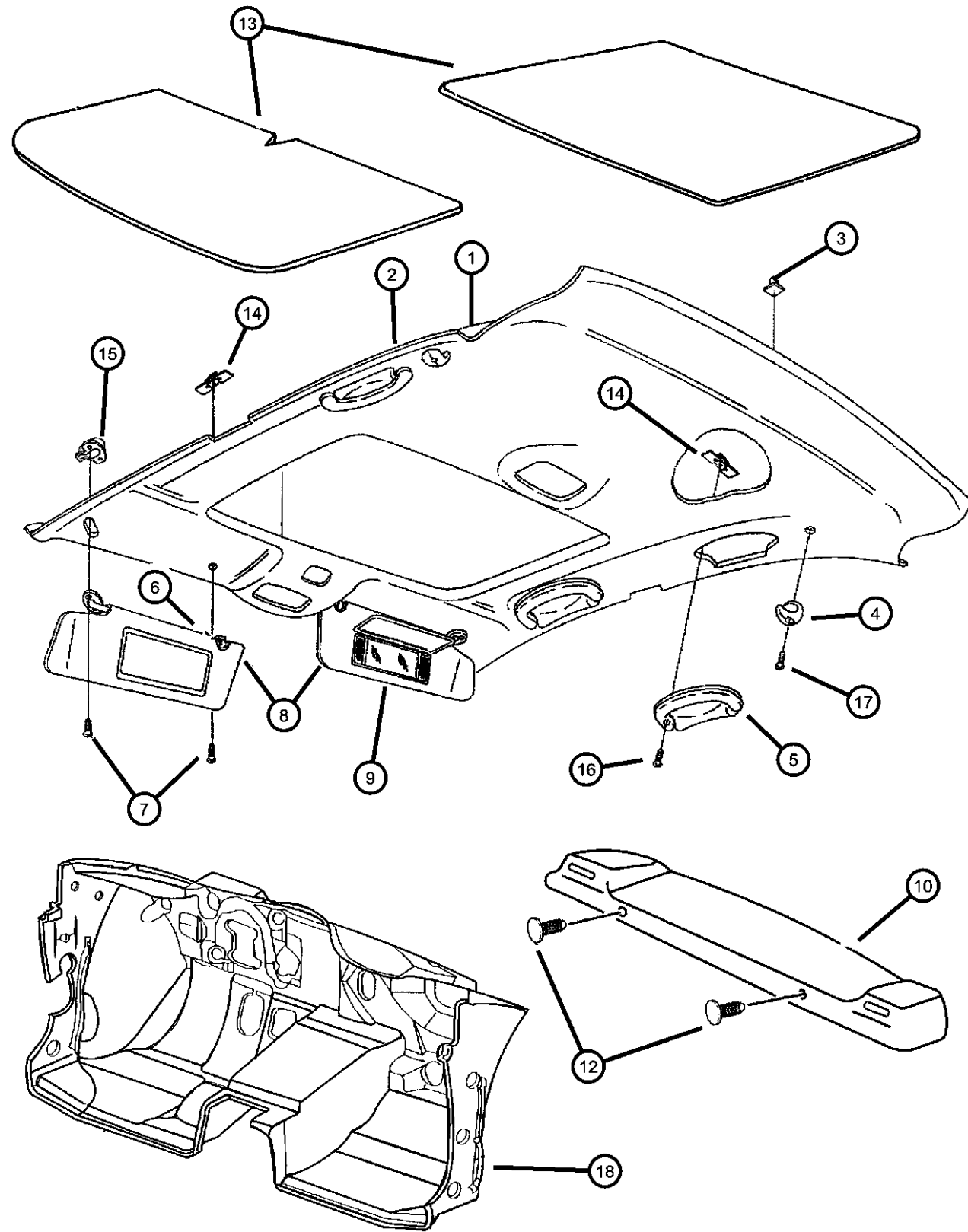
ENGINE
 ECB = 2.0L 4 Cyl SOHC 16V SMPI Engine
 EDZ = 2.4L 4 Cyl DOHC 16V SMPI Engine
 EEB = 2.5L V6 SOHC 24V SMPI Engine

TRANSMISSION
 DD5 = TRANSMISSION - 5-SPEED MANUAL
 DGL = TRANSMISSION - 4-SPD. AUTOMATIC,41TE
 DD4 = TRANSMISSION - 5-SPEED PERF. MANUAL

AR = use ase required - = Non illustrated part

1999 JA

Headliner And Visor
Figure IJA-110



ITEM	PART NUMBER	QTY	LINE	SERIES	BODY	ENGINE	TRANS	TRIM	DESCRIPTION
18	04647194	1							SILENCER, Dash Panel, Dash
-19									LABEL, Air Bag Warning
	04595746AA	1						*00	End Cap Warning, Right
	04595748AA	1							Removable Dash Warning,
	04595749AA	1							(Canada) Bilingual Removable
	04787437AA	2							Dash Warning (Canada) Visor English/French 5 Points

CIRRUS,BREEZE,STRATUS (JA)
 SERIES LINE
 H = HIGHLINE C = CHRYSLER
 P = PREMIUM D = DODGE
 P = PLYMOUTH

BODY
 41 = 4 Door Sedan

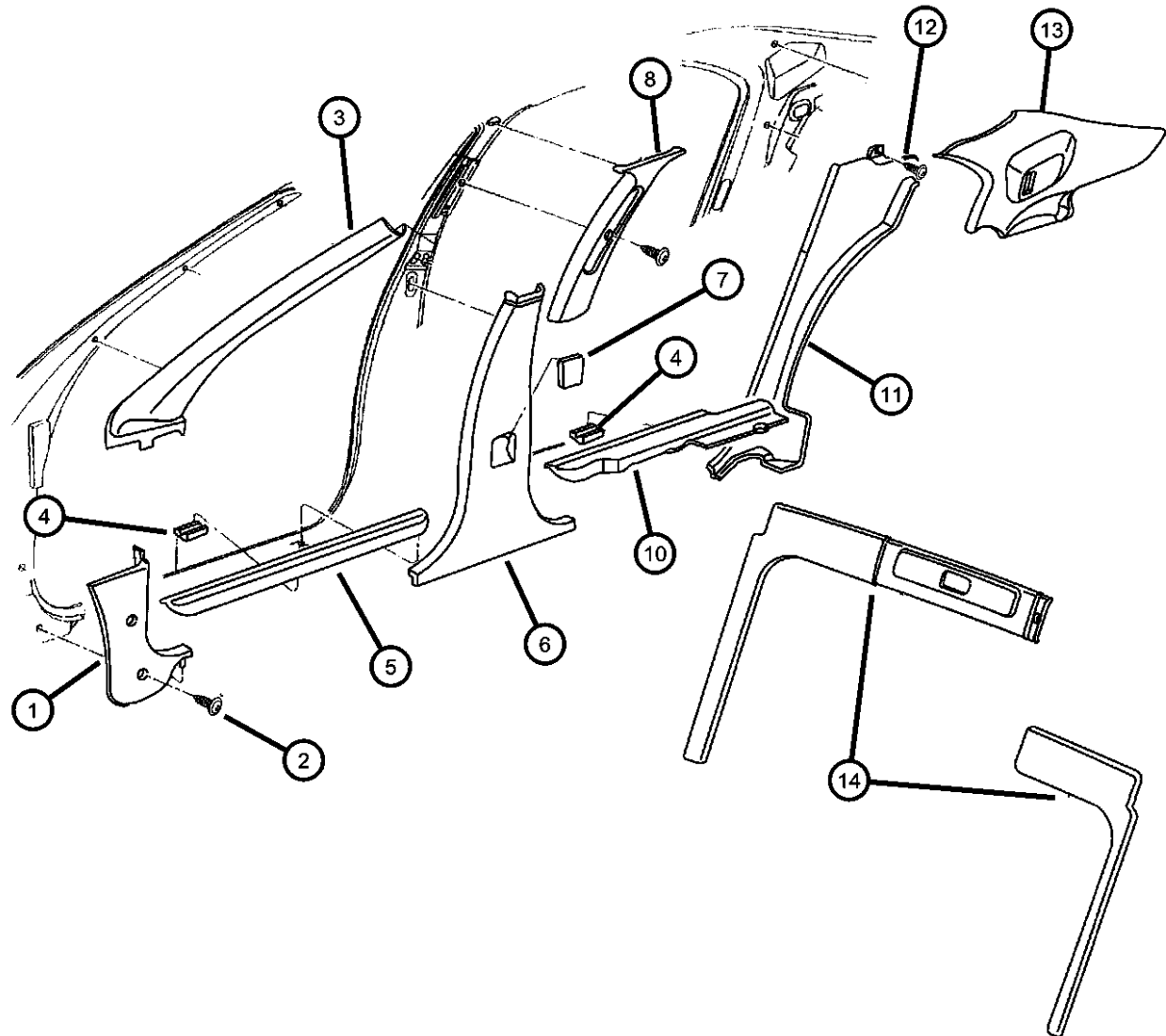
ENGINE
 ECB = 2.0L 4 Cyl SOHC 16V
 SMPI Engine
 EDZ = 2.4L 4 Cyl DOHC 16V
 SMPI Engine
 EEB = 2.5L V6 SOHC 24V
 SMPI Engine

TRANSMISSION
 DD5 = TRANSMISSION - 5-SPEED
 MANUAL
 DGL = TRANSMISSION - 4-SPD.
 AUTOMATIC,41TE
 DD4 = TRANSMISSION - 5-SPEED
 PERF. MANUAL

AR = use ase required - = Non illustrated part

1999 JA

Panels, Mouldings and Scuff Plates
Figure IJA-210



ITEM	PART NUMBER	QTY	LINE	SERIES	BODY	ENGINE	TRANS	TRIM	DESCRIPTION
1									PANEL, Cowl Side
	0FF14LAZ	1						*00	Agate, Right
	0FF14RJK	1						*00	Silverfern, Right
	0FF14RK5	1						*00	Tan, Right
	0FF15LAZ	1						*00	Agate, Left
	0FF15RJK	1						*00	Silverfern, Left
	0FF15RK5	1						*00	Tan, Left
2	0FF15RK5	1							SCREW, (.190-16x2.00), (NOT SERVICED),
3									MOLDING, Windshield Garnish
	0FF00RX9	1						*00	Black, Right
	0FF01RX9	1						*00	Black, Left
4	04647926AB	10							CLIP, Scuff Plate
5									PLATE, Scuff, Front
	0FF12LAZ	1						*00	Agate, Right
	0FF12RJK	1						*00	Silverfern, Right
	0FF12SK5	1						*00	Tan, Right
	0FF13LAZ	1						*00	Agate, Left
	0FF13RJK	1						*00	Silverfern, Left
	0FF13SK5	1						*00	Tan, Left
6									PANEL, B Pillar, Lower
	0FF06LAZ	1						*00	Agate, Right
	0FF06RJK	1						*00	Silverfern, Right
	0FF06SK5	1						*00	Tan, Right
	0FF07LAZ	1						*00	Agate, Left
	0FF07RJK	1						*00	Silverfern, Left
	0FF07SK5	1						*00	Tan, Left
7									COVER, B Pillar Trim Panel, Bezel, (Seat Belt)
	0FF08LAZ	1						*00	Agate, Right
	0FF08RJK	1						*00	Silverfern, Right
	0FF08SK5	1						*00	Tan, Right
	0FF09LAZ	1						*00	Agate, Left
	0FF09RJK	1						*00	Silverfern, Left
	0FF09SK5	1						*00	Tan, Left

CIRRUS,BREEZE,STRATUS (JA)
 SERIES LINE
 H = HIGHLINE C = CHRYSLER
 P = PREMIUM D = DODGE
 P = PLYMOUTH

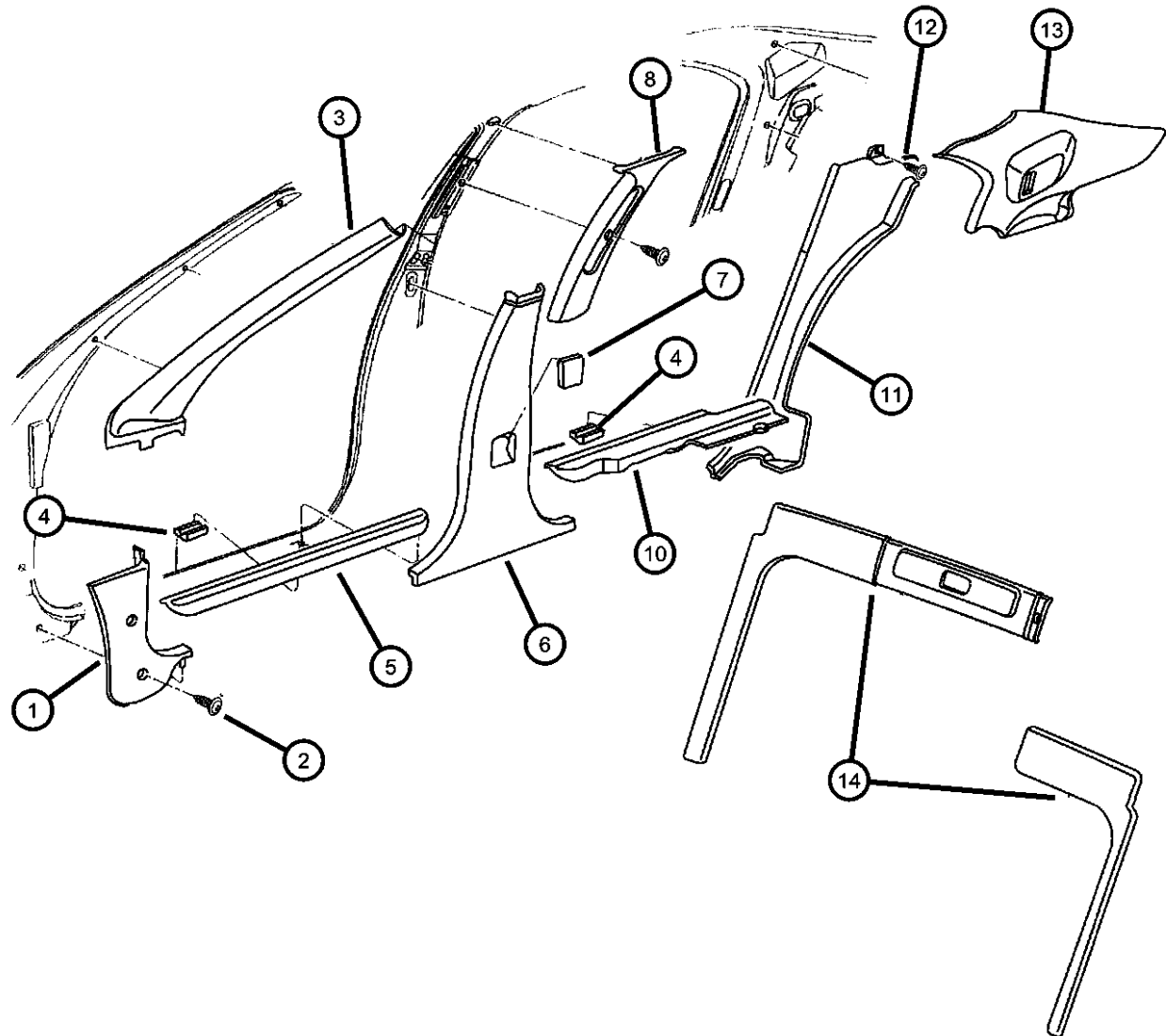
BODY
 41 = 4 Door Sedan

ENGINE
 ECB = 2.0L 4 Cyl SOHC 16V SMPI Engine
 EDZ = 2.4L 4 Cyl DOHC 16V SMPI Engine
 EEB = 2.5L V6 SOHC 24V SMPI Engine

TRANSMISSION
 DD5 = TRANSMISSION - 5-SPEED MANUAL
 DGL = TRANSMISSION - 4-SPD. AUTOMATIC,41TE
 DD4 = TRANSMISSION - 5-SPEED PERF. MANUAL

AR = use ase required - = Non illustrated part

Panels, Mouldings and Scuff Plates
Figure IJA-210



ITEM	PART NUMBER	QTY	LINE	SERIES	BODY	ENGINE	TRANS	TRIM	DESCRIPTION
8									PANEL, B Pillar Trim, Upper
	0FF04SK4	1						*00	Tan, (K5), Right
	0FF04TL2	1						*00	Beige, (AZ), Right
	0FF05SK4	1						*00	Tan, (K5), Left
	0FF05TL2	1						*00	Beige, (AZ), Left
-9	04599648	4						*00	CLIP, B-Pillar, .53 Diameter
10									PLATE, Scuff, Rear
	0MW10LAZ	1						*00	Agate, Right
	0MW10RJK	1						*00	Silverfern, Right
	0MW10SK5	1						*00	Tan, Right
	0MW11LAZ	1						*00	Agate, Left
	0MW11RJK	1						*00	Silverfern, Left
	0MW11SK5	1						*00	Tan, Left
11									PANEL, Quarter Trim, Lower
	0FF20LAZ	1						*00	Agate, Right
	0FF20RJK	1						*00	Silverfern, Right
	0FF20SK5	1						*00	Tab, Right
	0FF21LAZ	1						*00	Agate, Left
	0FF21RJK	1						*00	Silverfern, Left
	0FF21SK5	1						*00	Tan, Left
12	06032452	2							SCREW, Self Piercing, .164-15x.625, Attaching, Quarter Panel
13									PANEL, Quarter Trim, Upper
	0FF16RK4AB	1						*00	Tan, (K5), Right
	0FF16TL2AB	1						*00	Beige, (AZ), Right
	0FF17RK4AB	1						*00	Tan, (K5), Left
	0FF17TL2AB	1						*00	Beige, (AZ), Left
14									PANEL, Quarter Trim, Side Extension
	0GS20LAZ	1						*00	Agate, Right
	0GS20RJK	1						*00	Silverfern, Right
	0GS20SK5	1						*00	Tan, Right
	0GS21LAZ	1						*00	Agate, Left

CIRRUS,BREEZE,STRATUS (JA)
 SERIES LINE
 H = HIGHLINE C = CHRYSLER
 P = PREMIUM D = DODGE
 P = PLYMOUTH

BODY
 41 = 4 Door Sedan

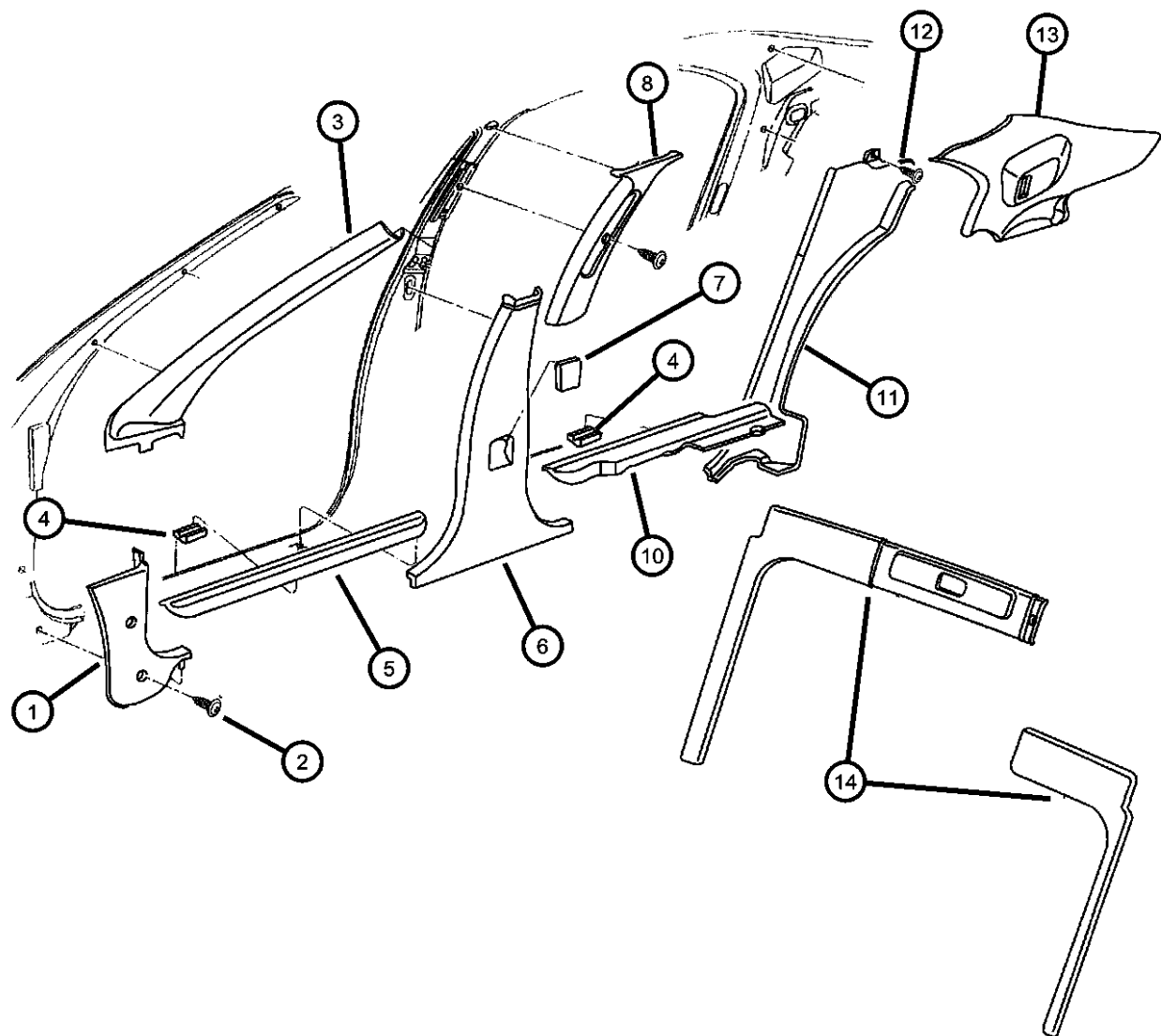
ENGINE
 ECB = 2.0L 4 Cyl SOHC 16V SMPI Engine
 EDZ = 2.4L 4 Cyl DOHC 16V SMPI Engine
 EEB = 2.5L V6 SOHC 24V SMPI Engine

TRANSMISSION
 DD5 = TRANSMISSION - 5-SPEED MANUAL
 DGL = TRANSMISSION - 4-SPD. AUTOMATIC, 41TE
 DD4 = TRANSMISSION - 5-SPEED PERF. MANUAL

AR = use ase required - = Non illustrated part

Panels, Mouldings and Scuff Plates
Figure IJA-210

ITEM	PART NUMBER	QTY	LINE	SERIES	BODY	ENGINE	TRANS	TRIM	DESCRIPTION
	0GS21RJK	1						*00	Silverfern, Left
	0GS21SK5	1						*00	Tan, Left



CIRRUS,BREEZE,STRATUS (JA)
 SERIES LINE
 H = HIGHLINE C = CHRYSLER
 P = PREMIUM D = DODGE
 P = PLYMOUTH

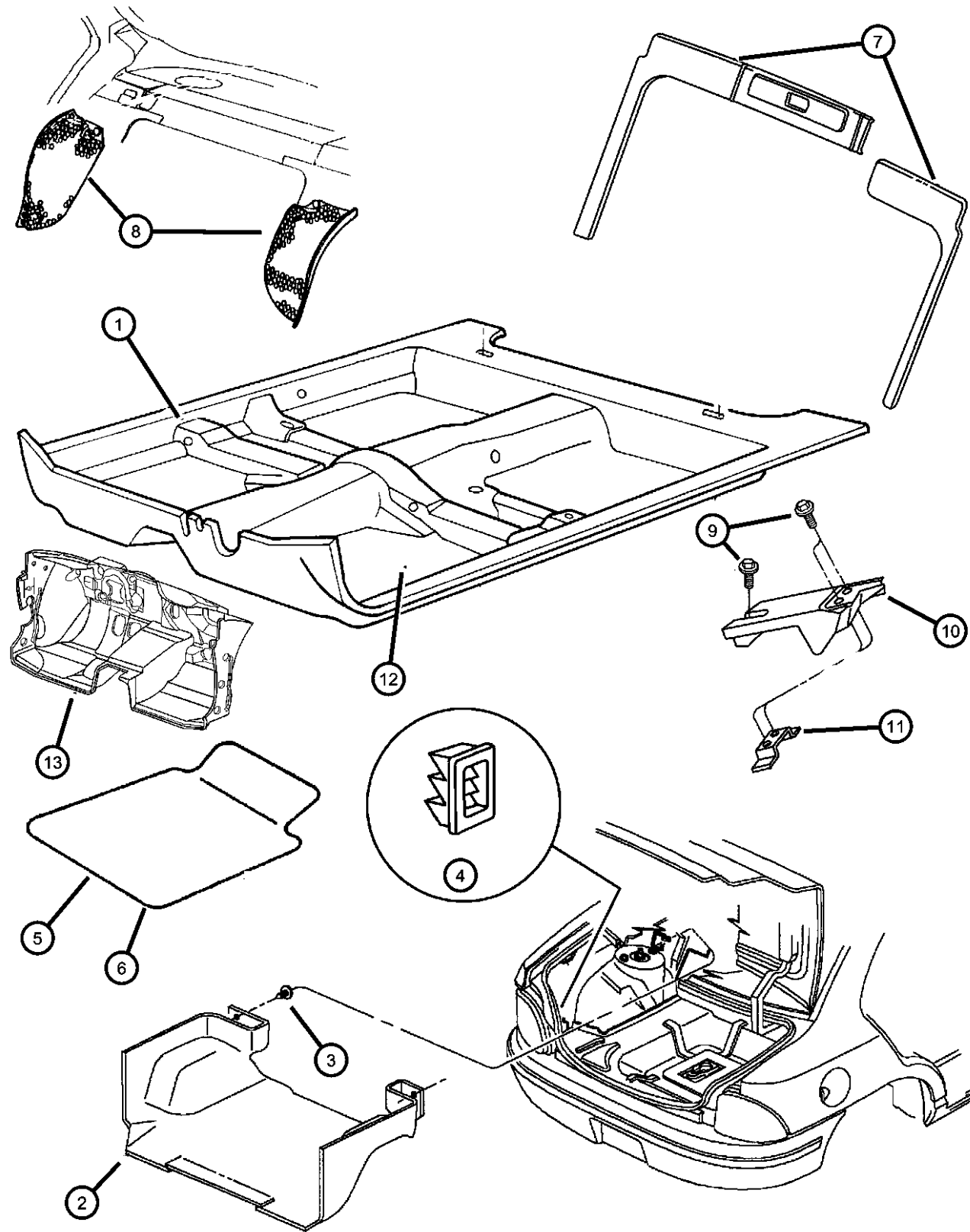
BODY
 41 = 4 Door Sedan

ENGINE
 ECB = 2.0L 4 Cyl SOHC 16V SMPI Engine
 EDZ = 2.4L 4 Cyl DOHC 16V SMPI Engine
 EEB = 2.5L V6 SOHC 24V SMPI Engine

TRANSMISSION
 DD5 = TRANSMISSION - 5-SPEED MANUAL
 DGL = TRANSMISSION - 4-SPD. AUTOMATIC,41TE
 DD4 = TRANSMISSION - 5-SPEED PERF. MANUAL

AR = use ase required - = Non illustrated part

Carpet And Mats
Figure IJA-310



ITEM	PART NUMBER	QTY	LINE	SERIES	BODY	ENGINE	TRANS	TRIM	DESCRIPTION
1	0FF39LAZAE	1						*00	CARPET, Full Floor Agate
	0FF39RJKA	1						*00	Silverfern
	0FF39VK9AE	1						*00	Suede
2	0MN90RSB	1						*00	CARPET, Luggage Compartment Charcoal, w/Power Antenna
	0MN92RSB	1						*00	Charcoal, w/Fixed Antenna
3	06030441	3							PIN, Retainer, If Needed
4	04624179	2							EXHAUSTER, Interior Trim Panel, Quarter Inner Panel
5	82205351	1							MAT KIT, Floor - Front Agate
	82205356	1							Silverfern
	82205357	1							Dark Camel Tan
6	82203851	1							MAT KIT, Floor - Rear Camel
	82203853	1							Agate
	82203855	1							Silverfern
7	0GS21RJK	1						*00	PANEL, Quarter Trim, Side Extension Silverfern, Left
	0GS21SK5	1						*00	Tan, Left
	0GS20LAZ	1						*00	Agate, Right
	0GS20RJK	1						*00	Silverfern, Right
	0GS20SK5	1						*00	Tan, Right
	0GS21LAZ	1						*00	Agate, Left
8	04647196	1							SILENCER, Wheelhouse Molded, Rear Wheelhouse, Right
	04647197	1							Molded, Rear Wheelhouse, Left
9	04647197	1							SCREW, [.250-14x.750], (NOT SERVICED),
10	04628219	1							SUPPORT, Footrest
11	04628219	1							BRACKET, Footrest Serviced With Item 9, (NOT SERVICED)

CIRRUS,BREEZE,STRATUS (JA)
 SERIES LINE
 H = HIGHLINE C = CHRYSLER
 P = PREMIUM D = DODGE
 P = PLYMOUTH

BODY
 41 = 4 Door Sedan

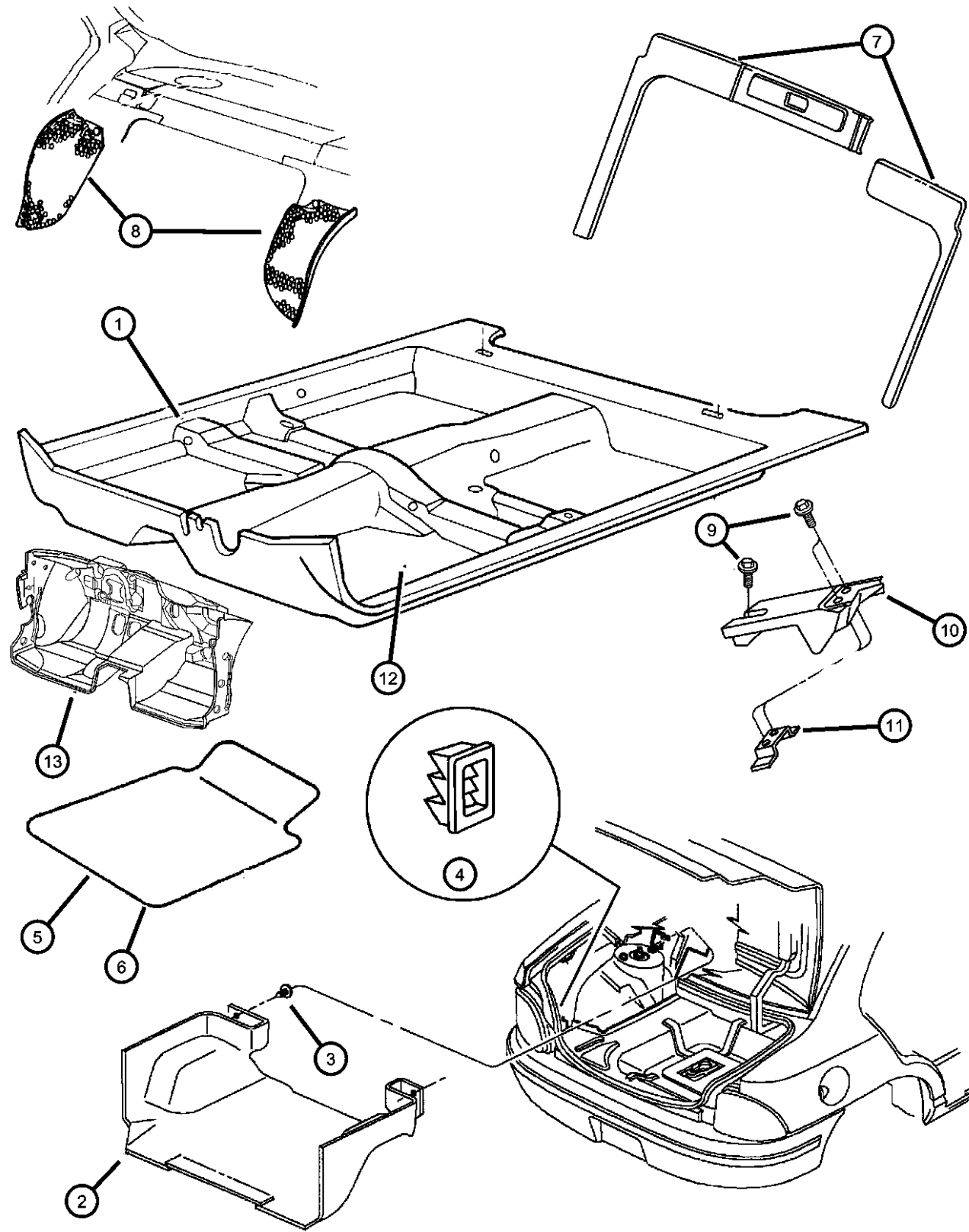
ENGINE
 ECB = 2.0L 4 Cyl SOHC 16V
 SMPI Engine
 EDZ = 2.4L 4 Cyl DOHC 16V
 SMPI Engine
 EEB = 2.5L V6 SOHC 24V
 SMPI Engine

TRANSMISSION
 DD5 = TRANSMISSION - 5-SPEED
 MANUAL
 DGL = TRANSMISSION - 4-SPD.
 AUTOMATIC,41TE
 DD4 = TRANSMISSION - 5-SPEED
 PERF. MANUAL

AR = use ase required - = Non illustrated part

1999 JA

Carpet And Mats
Figure IJA-310



ITEM	PART NUMBER	QTY	LINE	SERIES	BODY	ENGINE	TRANS	TRIM	DESCRIPTION
------	-------------	-----	------	--------	------	--------	-------	------	-------------

12	04628873AA	1							FOAM, Carpet To Park Brake, Support - Floor Carpet To Parking Brake
13	04647194	1							SILENCER, Dash PanelCowl Side

CIRRUS,BREEZE,STRATUS (JA)

SERIES	LINE
H = HIGHLINE	C = CHRYSLER
P = PREMIUM	D = DODGE
	P = PLYMOUTH

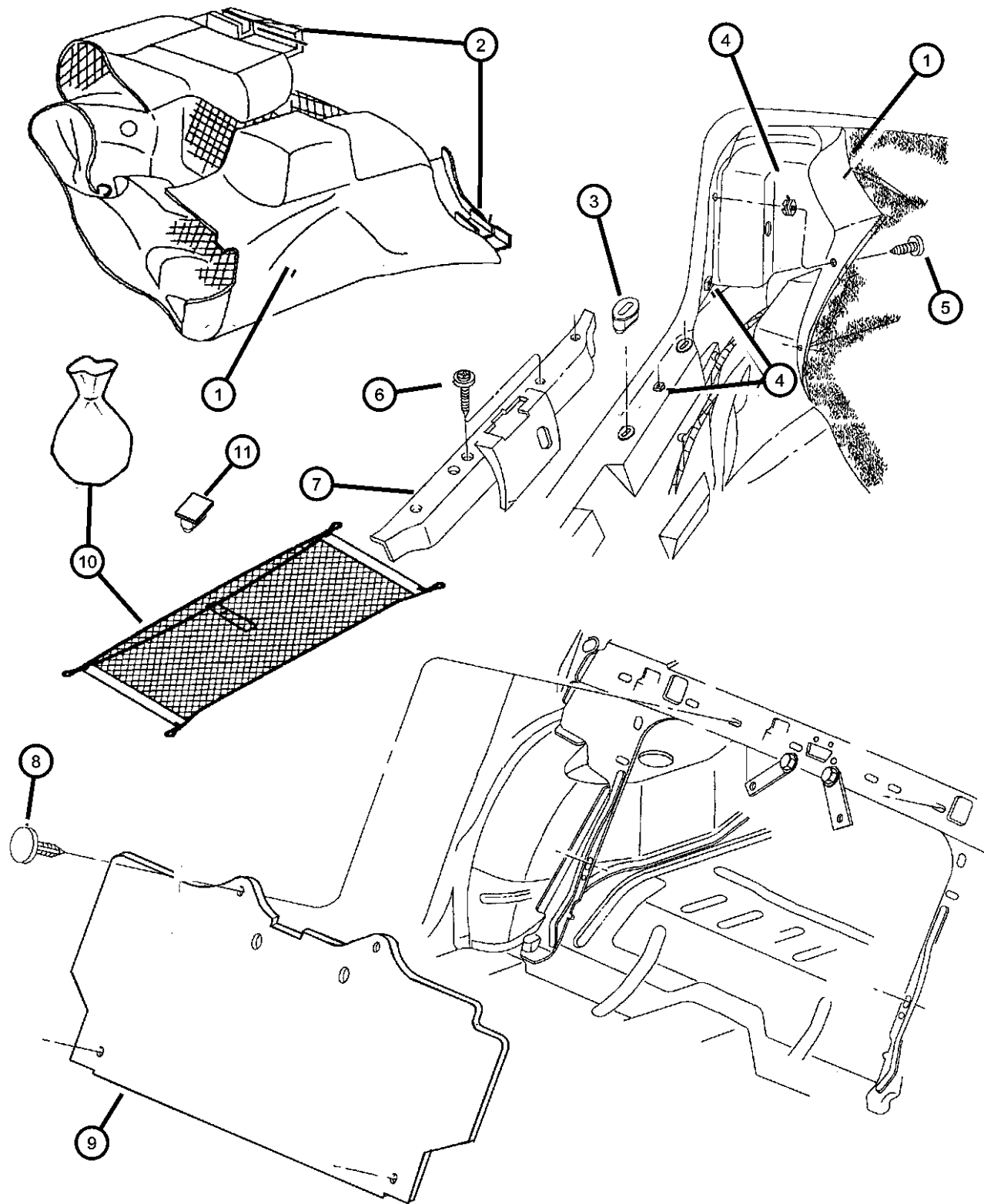
BODY
41 = 4 Door Sedan

ENGINE	TRANSMISSION
ECB = 2.0L 4 Cyl SOHC 16V SMPI Engine	DD5 = TRANSMISSION - 5-SPEED MANUAL
EDZ = 2.4L 4 Cyl DOHC 16V SMPI Engine	DGL = TRANSMISSION - 4-SPD. AUTOMATIC,41TE
EEB = 2.5L V6 SOHC 24V SMPI Engine	DD4 = TRANSMISSION - 5-SPEED PERF. MANUAL

AR = use ase required - = Non illustrated part

1999 JA

Luggage Compartment Dress Up
Figure IJA-315



ITEM	PART NUMBER	QTY	LINE	SERIES	BODY	ENGINE	TRANS	TRIM	DESCRIPTION
1	OMN90RSB	1						*00	CARPET, Luggage Compartment Charcoal, w/Power Antenna
	OMN92RSB	1						*00	Charcoal, w/o Power Antenna
2	OMN92RSB	1							RETAINER, Luggage Carpet Attaching, (Serv. With Item 1), (NOT SERVICED),
3	06035274	4							NUT, Push, Snap In, Plastic
4	06035274	4							NUT, Plastic Snap-in, Luggage Compartment Trunk Trim Attaching, (NOT SERVICED)
5	06033167	4							SCREW, Tapping, .164-15x.75
6	06033167	4							SCREW, SCREW, Tapping (.164-18x.875), (NOT SERVICED)
7	0JX00RC8	1						*00	PANEL, Lower Deck Opening Trim, Gray
8	06030441	3							PIN, Retainer
9	OMN89RSB	1						*00	PANEL, Seat Back, Child Seat, Charcoal, (Use Only With Child Seat
10	04698120	1							NET PACKAGE, Cargo
11	06503828	2							GROMMET, Net, Convenience Net Attaching
-12	05016812AA	1							LATCH PACKAGE, Decklid, Emergency Kit Trunk Release

CIRRUS,BREEZE,STRATUS (JA)
 SERIES LINE
 H = HIGHLINE C = CHRYSLER
 P = PREMIUM D = DODGE
 P = PLYMOUTH

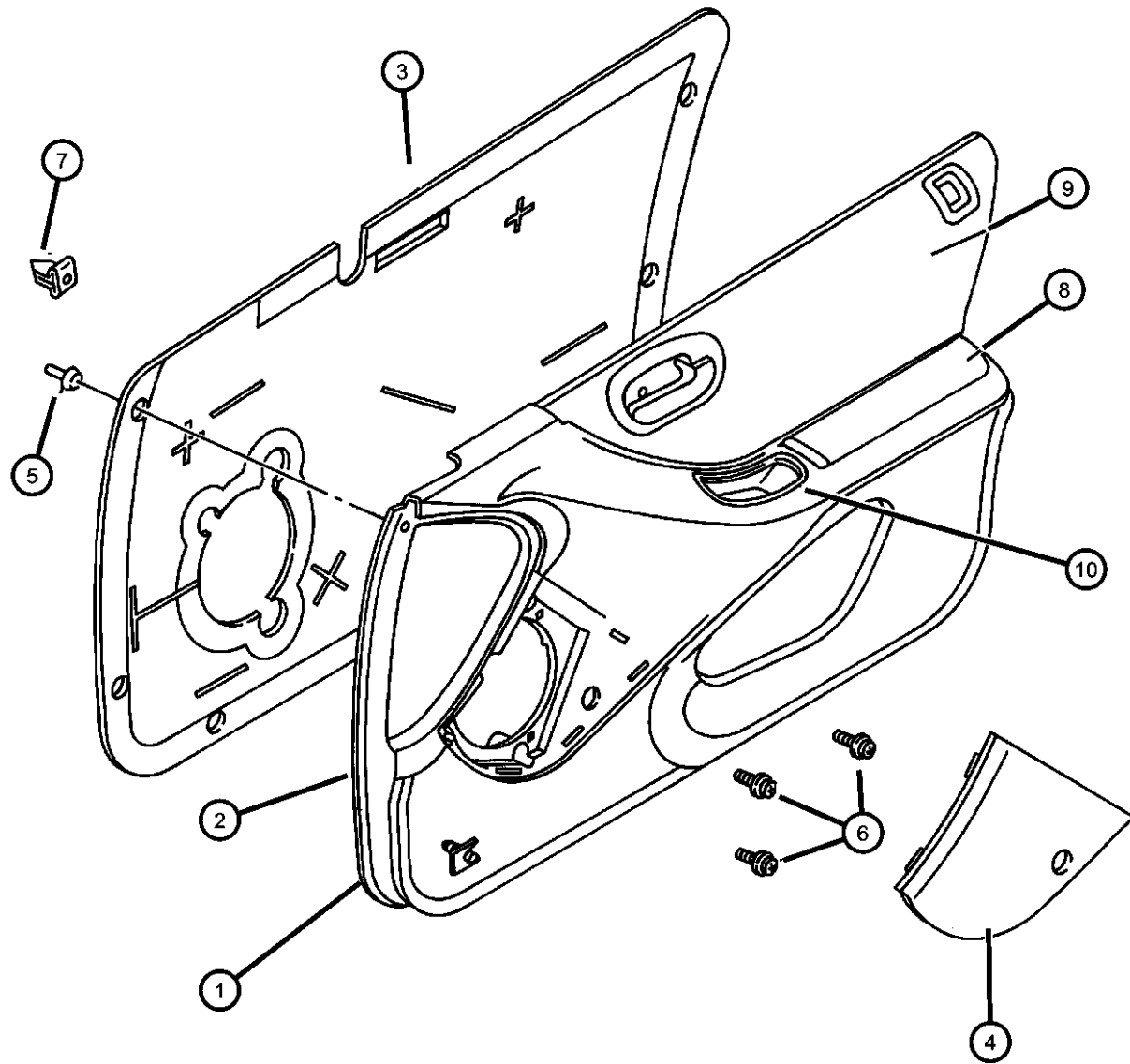
BODY
 41 = 4 Door Sedan

ENGINE
 ECB = 2.0L 4 Cyl SOHC 16V
 SMPI Engine
 EDZ = 2.4L 4 Cyl DOHC 16V
 SMPI Engine
 EEB = 2.5L V6 SOHC 24V
 SMPI Engine

TRANSMISSION
 DD5 = TRANSMISSION - 5-SPEED
 MANUAL
 DGL = TRANSMISSION - 4-SPD.
 AUTOMATIC,41TE
 DD4 = TRANSMISSION - 5-SPEED
 PERF. MANUAL

AR = use ase required - = Non illustrated part

Door Panels - Front
Figure IJA-410



ITEM	PART NUMBER	QTY	LINE	SERIES	BODY	ENGINE	TRANS	TRIM	DESCRIPTION
1									PANEL, Door Trim
	0GS461AZAC	1	D					*K6	Agate, w/o Security Alarm, Right
	0GS461JKAC	1	D					*K6	Silverfern, w/o Security Alarm, Right
	0GS462K5AC	1	D					*K6	Tan, w/o Security Alarm, Right
	0GS471AZAC	1	D					*K6	Agate, w/o Security Alarm, Left
	0GS471JKAC	1	D					*K6	Silverfern, w/o Security Alarm, Left
	0GS472K5AC	1	D					*K6	Tan, w/o Security Alarm, Left
	0HW641AZAC	1	D					*K6	Agate, w/Security Alarm, Right
	0HW642K5AC	1	D					*K6	Tan, w/Security Alarm, Right
	0HW651AZAC	1	D					*K6	Agate, w/Security Alarm, Left
	0HW651JKAC	1	D					*K6	Silverfern, w/Security Alarm, Left
	0HW652K5AC	1	D					*K6	Tan, w/Security Alarm, Left
	0HW661AZAC	1	C					*X7	Agate, w/o Power Locking Central and Security Alarm, Right
		1	C					*C7	Agate, w/o Power Locking Central and Security Alarm, Right
	0HW661K5AC	1	C					*X7	Tan, w/o Power Locking Central and Security Alarm, Right
		1	C					*C7	Tan, w/o Power Locking Central and Security Alarm, Right
	0HW671AZAC	1	C					*X7	Agate, w/o Power Locking Central and Security Alarm, Left
		1	C					*C7	Agate, w/o Power Locking Central and Security Alarm, Left
	0HW671K5AC	1	C					*X7	Tan, w/o Power Locking Central and Security Alarm, Left
		1	C					*C7	Tan, w/o Power Locking Central and Security Alarm, Left
	0HW681AZAC	1	C					*X7	Agate, w/Security Alarm or Power Locking Central, Right
		1	C					*C7	Agate, w/Security Alarm or Power Locking Central, Right
	0HW681K5AC	1	C					*X7	Tan, w/Security Alarm or Power Locking Central, Right
		1	C					*C7	Tan, w/Security Alarm or Power Locking Central, Right
	0HW691AZAC	1	C					*X7	Agate, w/Security Alarm or Power Locking Central, Left
		1	C					*C7	Agate, w/Security Alarm or Power Locking Central, Left

96144 410

CIRRUS,BREEZE,STRATUS (JA)
 SERIES LINE
 H = HIGHLINE C = CHRYSLER
 P = PREMIUM D = DODGE
 P = PLYMOUTH

BODY
 41 = 4 Door Sedan

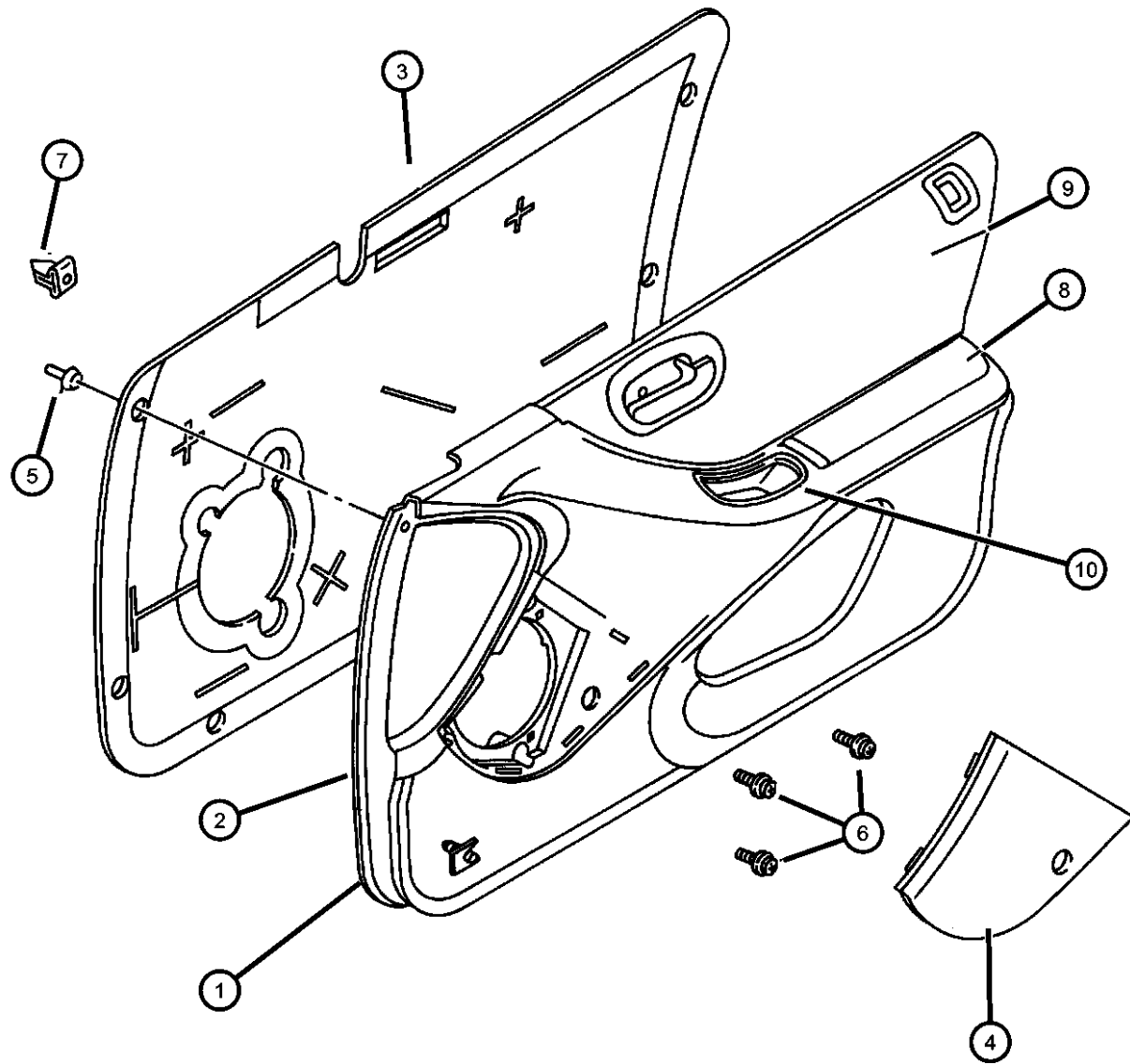
ENGINE
 ECB = 2.0L 4 Cyl SOHC 16V SMPI Engine
 EDZ = 2.4L 4 Cyl DOHC 16V SMPI Engine
 EEB = 2.5L V6 SOHC 24V SMPI Engine

TRANSMISSION
 DD5 = TRANSMISSION - 5-SPEED MANUAL
 DGL = TRANSMISSION - 4-SPD. AUTOMATIC,41TE
 DD4 = TRANSMISSION - 5-SPEED PERF. MANUAL

AR = use ase required - = Non illustrated part

1999 JA

Door Panels - Front
Figure IJA-410



ITEM	PART NUMBER	QTY	LINE	SERIES	BODY	ENGINE	TRANS	TRIM	DESCRIPTION
	0HW691K5AC	1	C					*X7	Tan, w/Security Alarm or Power Locking Central, Left
		1	C					*C7	Tan, w/Security Alarm or Power Locking Central, Left
	0HW701JKAC	1	C					*XL	Silverfern, w/Power Windows One Touch, Door Locks Power Mirrors and Security Alarm, Right
	0HW701K5AC	1	C					*XL	Tan, w/Power Windows One Touch, Door Locks Power Mirrors and Security Alarm, Right
		1	C					*NL	Tan, w/Power Windows One Touch, Door Locks or Power Locking Central and Power Mirrors, Right
	0HW70LAZAC	1	C					*XL	Agate, w/Power Windows One Touch, Door Locks Power Mirrors and Security Alarm, Right
		1	C					*NL	Agate, w/Power Windows One Touch, Door Locks or Power Locking Central and Power Mirrors, Right
	0HW711JKAC	1	C					*XL	Silverfern, w/Power Windows One Touch, Door Locks Power Mirrors and Security Alarm, Left
	0HW711K5AC	1	C					*XL	Tan, w/Power Windows One Touch, Door Locks Power Mirrors and Security Alarm, Left
		1	C					*NL	Tan, w/Power Windows One Touch, Door Locks or Power Locking Central and Power Mirrors, Left
	0HW71LAZAC	1	C					*XL	Agate, w/Power Windows One Touch, Door Locks Power Mirrors and Security Alarm, Left
		1	C					*NL	Agate, w/Power Windows One Touch, Door Locks or Power Locking Central and Power Mirrors, Left
	0SN721JKAA	1	C					*XL	Silverfern, w/Power Windows One Touch, Door Locks and Power Mirrors, w/o Security Alarm, Right
	0SN721K5AA	1	C					*XL	Tan, w/Power Windows One Touch, Door Locks and Power Mirrors, w/o Security Alarm, Right

96144 410

CIRRUS,BREEZE,STRATUS (JA)
 SERIES LINE
 H = HIGHLINE C = CHRYSLER
 P = PREMIUM D = DODGE
 P = PLYMOUTH

BODY
 41 = 4 Door Sedan

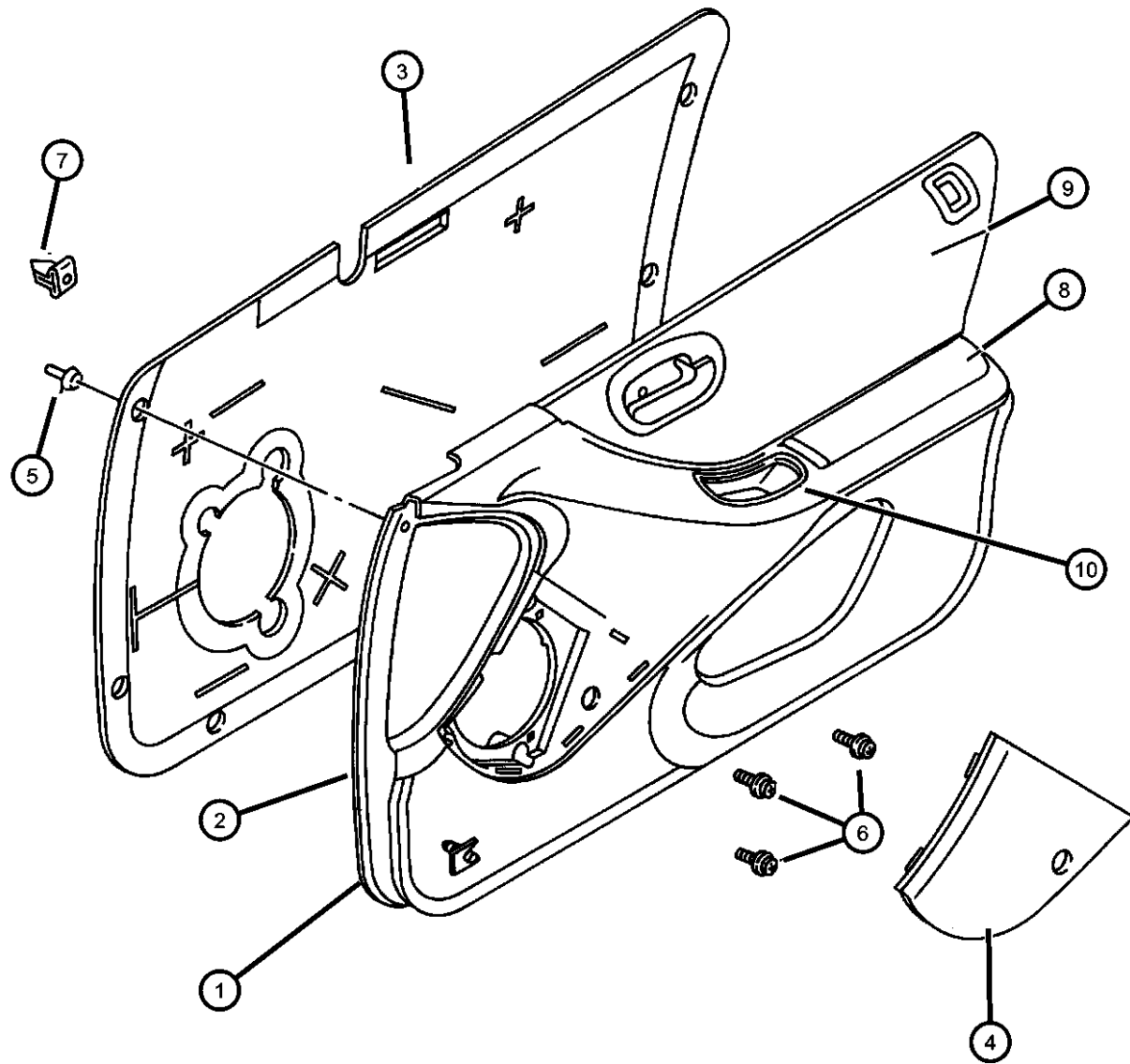
ENGINE
 ECB = 2.0L 4 Cyl SOHC 16V SMPI Engine
 EDZ = 2.4L 4 Cyl DOHC 16V SMPI Engine
 EEB = 2.5L V6 SOHC 24V SMPI Engine

TRANSMISSION
 DD5 = TRANSMISSION - 5-SPEED MANUAL
 DGL = TRANSMISSION - 4-SPD. AUTOMATIC,41TE
 DD4 = TRANSMISSION - 5-SPEED PERF. MANUAL

AR = use ase required - = Non illustrated part

1999 JA

Door Panels - Front
Figure IJA-410



ITEM	PART NUMBER	QTY	LINE	SERIES	BODY	ENGINE	TRANS	TRIM	DESCRIPTION
	0SN72LAZAA	1	C					*XL	Agate, w/Power Windows One Touch, Door Locks and Power Mirrors, w/o Security Alarm, Right
	0SN731JKAA	1	C					*XL	Silverfern, w/Power Windows One Touch, Door Locks and Power Mirrors, w/o Security Alarm, Left
	0SN731K5AA	1	C					*XL	Tan, w/Power Windows One Touch, Door Locks and Power Mirrors, w/o Security Alarm, Left
	0SN73LAZAA	1	C					*XL	Agate, w/Power Windows One Touch, Door Locks and Power Mirrors, w/o Security Alarm, Left
	0SN741AZAA	1	D					*LL	Agate, w/Power Windows One Touch, Door Locks and Power Mirrors, w/o Security Alarm, Right
	0SN751AZAA	1	D					*LL	Agate, w/Power Windows One Touch, Door Locks and Power Mirrors, w/o Security Alarm, Left
	0ST001AZAA	1	D					*B7	Agate, w/o Power Windows, Door Locks, Power Locking System and Mirrors, Right
		1	D					*V7	Agate, w/o Power Windows, Door Locks, Power Locking System and Mirrors, Right
		1	D					*B9	Agate, w/o Power Windows, Door Locks, Power Locking System and Mirrors, Right
	0ST001JKAA	1	D					*B7	Silverfern, w/o Power Windows, Door Locks, Power Locking System and Mirrors, Right
	0ST001K5AA	1	D					*B7	Tan, w/o Power Windows, Door Locks, Power Locking System and Mirrors, Right
		1	D					*V7	Tan, w/o Power Windows, Door Locks, Power Locking System and Mirrors, Right
		1	D					*B9	Tan, w/o Power Windows, Door Locks, Power Locking System and Mirrors, Right
	0ST011AZAA	1	D					*B7	Agate, w/o Power Windows, Door Locks, Power Locking System and Mirrors, Left

96144 410

CIRRUS,BREEZE,STRATUS (JA)
 SERIES LINE
 H = HIGHLINE C = CHRYSLER
 P = PREMIUM D = DODGE
 P = PLYMOUTH

BODY
 41 = 4 Door Sedan

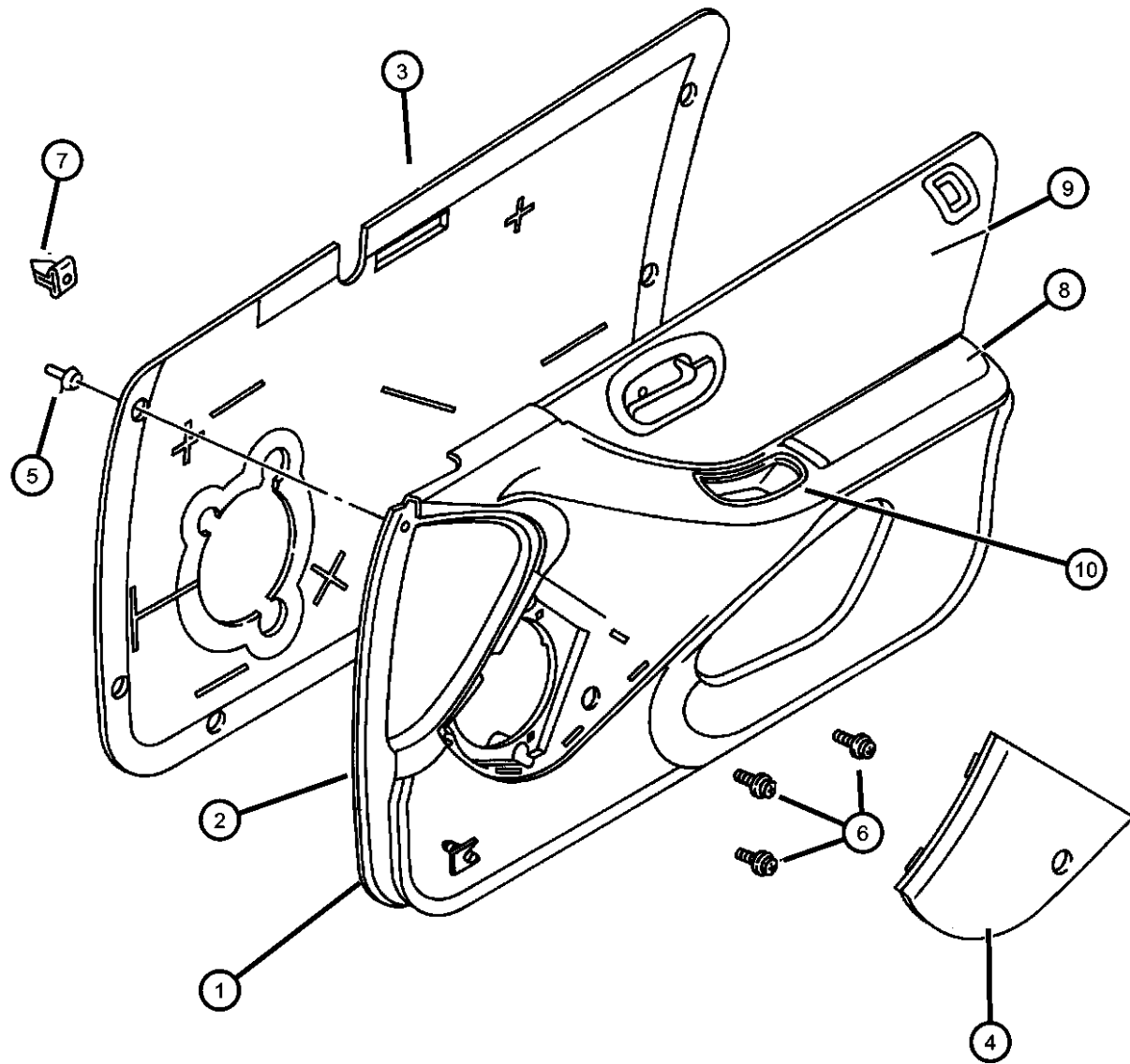
ENGINE
 ECB = 2.0L 4 Cyl SOHC 16V SMPI Engine
 EDZ = 2.4L 4 Cyl DOHC 16V SMPI Engine
 EEB = 2.5L V6 SOHC 24V SMPI Engine

TRANSMISSION
 DD5 = TRANSMISSION - 5-SPEED MANUAL
 DGL = TRANSMISSION - 4-SPD. AUTOMATIC,41TE
 DD4 = TRANSMISSION - 5-SPEED PERF. MANUAL

AR = use ase required - = Non illustrated part

1999 JA

Door Panels - Front
Figure IJA-410



ITEM	PART NUMBER	QTY	LINE	SERIES	BODY	ENGINE	TRANS	TRIM	DESCRIPTION
		1	D					*V7	Agate, w/o Power Windows, Door Locks, Power Locking System and Mirrors, Left
	0ST011JKAA	1	D					*B7	Silverfern, w/o Power Windows, Door Locks, Power Locking System and Mirrors, Left
	0ST011K5AA	1	D					*B7	Tan, w/o Power Windows, Door Locks, Power Locking System and Mirrors, Left
		1	D					*V7	Tan, w/o Power Windows, Door Locks, Power Locking System and Mirrors, Left
	0ST021AZAA	1	D					*B7	Agate, w/Power Windows One Touch, Door Locks and Power Mirrors, Right
		1	D					*V7	Agate, w/Power Windows One Touch, Door Locks and Power Mirrors, Right
	0ST021JKAA	1	D					*B7	Silverfern, w/Power Windows One Touch, Door Locks and Power Mirrors, Right
	0ST021K5AA	1	D					*B7	Tan, w/Power Windows One Touch, Door Locks and Power Mirrors, Right
		1	D					*V7	Tan, w/Power Windows One Touch, Door Locks and Power Mirrors, Right
	0ST031AZAA	1	D					*B7	Agate, w/Power Windows One Touch, Door Locks and Power Mirrors, Left
		1	D					*V7	Agate, w/Power Windows One Touch, Door Locks and Power Mirrors, Left
	0ST031JKAA	1	D					*B7	Silverfern, w/Power Windows One Touch, Door Locks and Power Mirrors, Left
	0ST031K5AA	1	D					*B7	Tan, w/Power Windows One Touch, Door Locks and Power Mirrors, Left
		1	D					*V7	Tan, w/Power Windows One Touch, Door Locks and Power Mirrors, Left
	0SV041AZAA	1	D					*V7	Agate, w/Power Windows One Touch, Power Locking System and Power Mirror, Right

96144 410

CIRRUS,BREEZE,STRATUS (JA)
 SERIES LINE
 H = HIGHLINE C = CHRYSLER
 P = PREMIUM D = DODGE
 P = PLYMOUTH

BODY
 41 = 4 Door Sedan

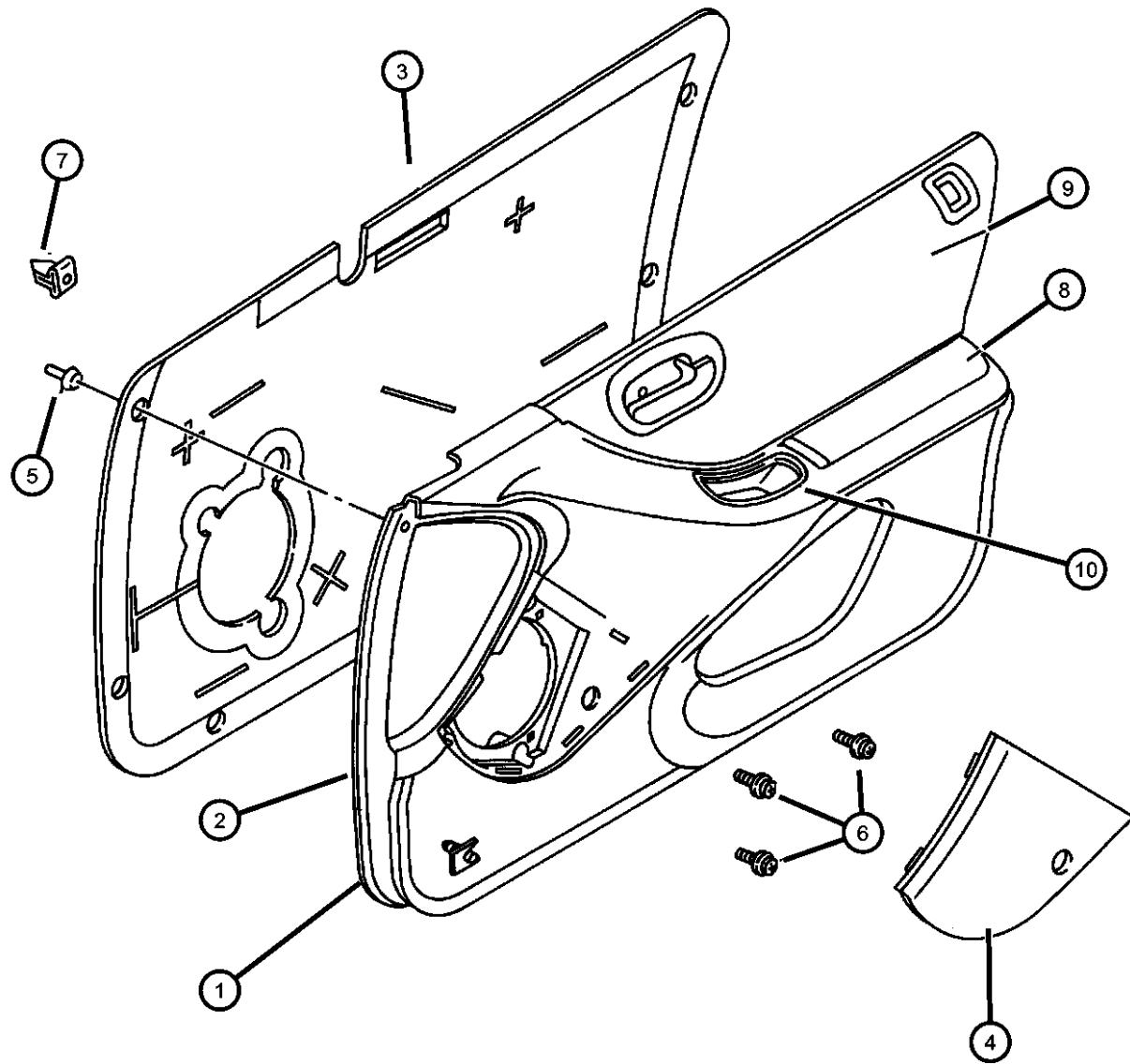
ENGINE
 ECB = 2.0L 4 Cyl SOHC 16V SMPI Engine
 EDZ = 2.4L 4 Cyl DOHC 16V SMPI Engine
 EEB = 2.5L V6 SOHC 24V SMPI Engine

TRANSMISSION
 DD5 = TRANSMISSION - 5-SPEED MANUAL
 DGL = TRANSMISSION - 4-SPD. AUTOMATIC,41TE
 DD4 = TRANSMISSION - 5-SPEED PERF. MANUAL

AR = use ase required - = Non illustrated part

1999 JA

Door Panels - Front
Figure IJA-410



ITEM	PART NUMBER	QTY	LINE	SERIES	BODY	ENGINE	TRANS	TRIM	DESCRIPTION
	0SV041K5AA	1	D					*V7	Tan, w/Power Windows One Touch, Power Locking System and Power Mirrors, Right
	0SV051AZAA	1	D					*V7	Agate, w/Power Windows One Touch, Power Locking System and Power Mirror, Left
	0SV051K5AA	1	D					*V7	Tan, w/Power Windows One Touch, Power Locking System and Power Mirror, Left
2									PANEL, Front Door Trim
	0KM821AZAC	1	D					*LL	Agate, w/Power Windows - One Touch, Door Locks, Power Mirrors and Security Alarm, Right
	0KM831AZAC	1	D					*LL	Agate, w/Power Windows - One Touch, Door Locks Power Mirrors and Security Alarm, Left
	0PB501AZAB	1	P					*Q7	Agate, w/Power Windows - One Touch, Door Locks and Power Mirrors, Right
	0PB501JKAB	1	P					*Q7	Silverfern, w/Power Windows - One Touch, Door Locks and Power Mirrors, Right
	0PB502K5AB	1	P					*Q7	Tan, w/Power Windows - One Touch, Door Locks and Power Mirrors, Right
	0PB511AZAB	1	P					*Q7	Agate, w/Power Windows - One Touch, Door Locks and Power Mirrors, Left
	0PB511JKAB	1	P					*Q7	Silverfern, w/Power Windows - One Touch, Door Locks and Power Mirrors, Left
	0PB512K5AB	1	P					*Q7	Tan, w/Power Windows - One Touch, Door Locks and Power Mirrors, Left
	0PB521AZAB	1	P					*Q7	Agate, w/o, Power Windows - One Touch, Door Locks and Power Mirrors, Right
	0PB521JKAB	1	P					*Q7	Silverfern, w/o, Power Windows - One Touch, Door Locks and Power Mirrors, Right
	0PB522K5AB	1	P					*Q7	Tan, w/o, Power Windows - One Touch, Door Locks and Power Mirrors, Right
	0PB531AZAB	1	P					*Q7	Agate, w/o, Power Windows - One Touch, Door Locks and Power Mirrors, Left

96144 410

CIRRUS,BREEZE,STRATUS (JA)
 SERIES LINE
 H = HIGHLINE C = CHRYSLER
 P = PREMIUM D = DODGE
 P = PLYMOUTH

BODY
 41 = 4 Door Sedan

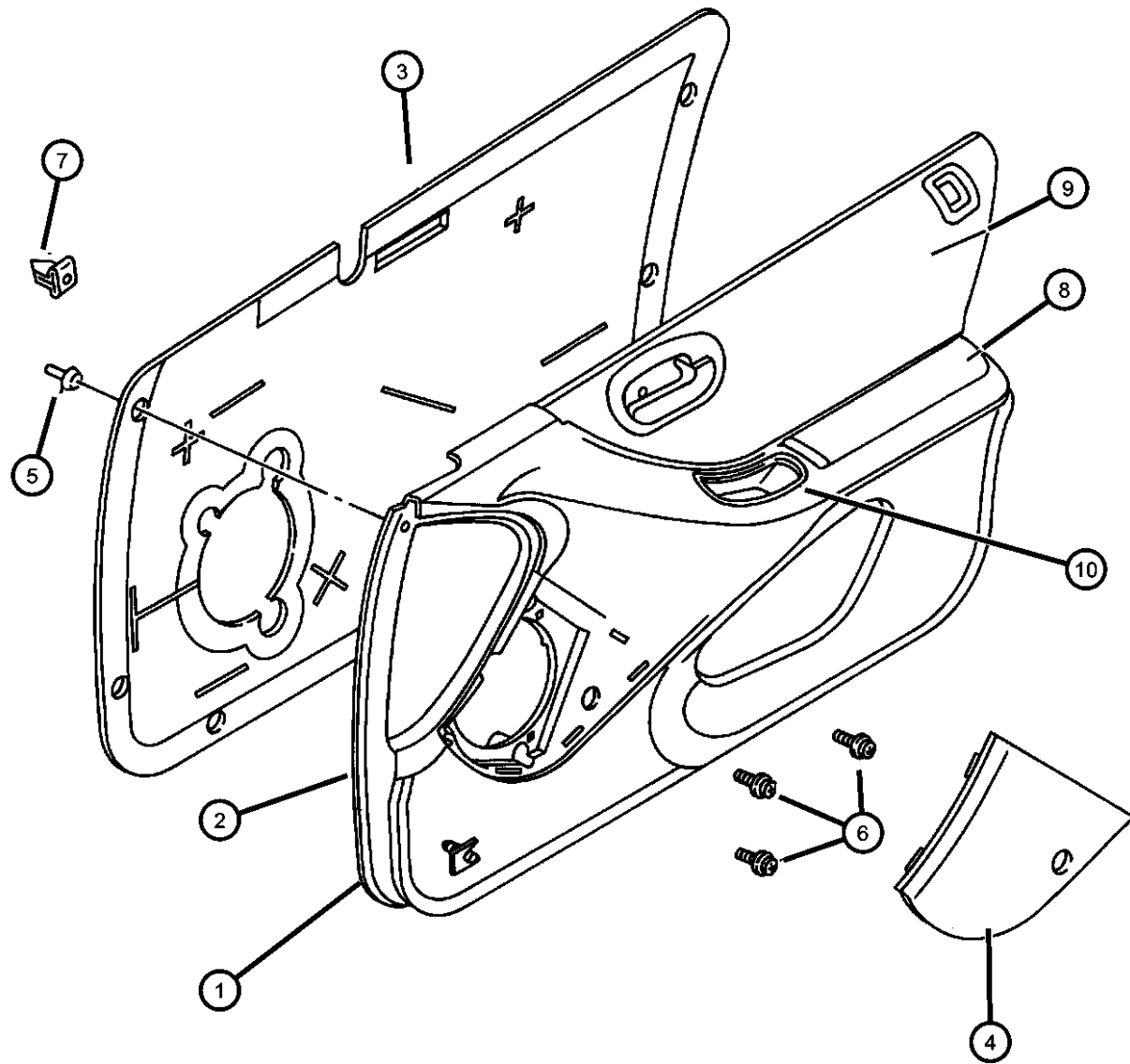
ENGINE
 ECB = 2.0L 4 Cyl SOHC 16V SMPI Engine
 EDZ = 2.4L 4 Cyl DOHC 16V SMPI Engine
 EEB = 2.5L V6 SOHC 24V SMPI Engine

TRANSMISSION
 DD5 = TRANSMISSION - 5-SPEED MANUAL
 DGL = TRANSMISSION - 4-SPD. AUTOMATIC,41TE
 DD4 = TRANSMISSION - 5-SPEED PERF. MANUAL

AR = use ase required - = Non illustrated part

1999 JA

Door Panels - Front
Figure IJA-410



ITEM	PART NUMBER	QTY	LINE	SERIES	BODY	ENGINE	TRANS	TRIM	DESCRIPTION
	0PB531JKAB	1	P					*Q7	Silverfern, w/o, Power Windows - One Touch, Door Locks and Power Mirrors, Left
	0PB532K5AB	1	P					*Q7	Tan, w/o, Power Windows - One Touch, Door Locks and Power Mirrors, Left
	0RH541AZAA	1	P					*E7	Agate, w/Power Windows - One Touch, Door Locks and Power Mirrors, Right
	0RH551AZAA	1	P					*E7	Agate, w/Power Windows - One Touch, Door Locks and Power Mirrors, Left
3	04647806	1	D					*L7	Right
		1	D					*M7	Right
		1	D					*K6	Right
		1	C					*X7	Right
		1	C					*C7	Right
		1	D					*LL	Right
		1	C					*XL	Right
		1	C					*NL	Right
		1	P					*E7	Right
	04647807	1	P					*G7	Right
		1	D					*L7	Left
		1	D					*M7	Left
		1	D					*K6	Left
		1	C					*X7	Left
		1	C					*C7	Left
		1	D					*LL	Left
		1	C					*NL	Left
		1	P					*E7	Left
		1	P					*G7	Left
4									GRILLE, Speaker
	0JD46LAZ	1						*O0	Agate, w/Power Windows, Right
	0JD46R JL	1						*O0	Silverfern w/Power Windows, Right
	0JD46VK9	1						*O0	Suede, w/Power Windows, Right

96144 410

CIRRUS,BREEZE,STRATUS (JA)
 SERIES LINE
 H = HIGHLINE C = CHRYSLER
 P = PREMIUM D = DODGE
 P = PLYMOUTH

BODY
 41 = 4 Door Sedan

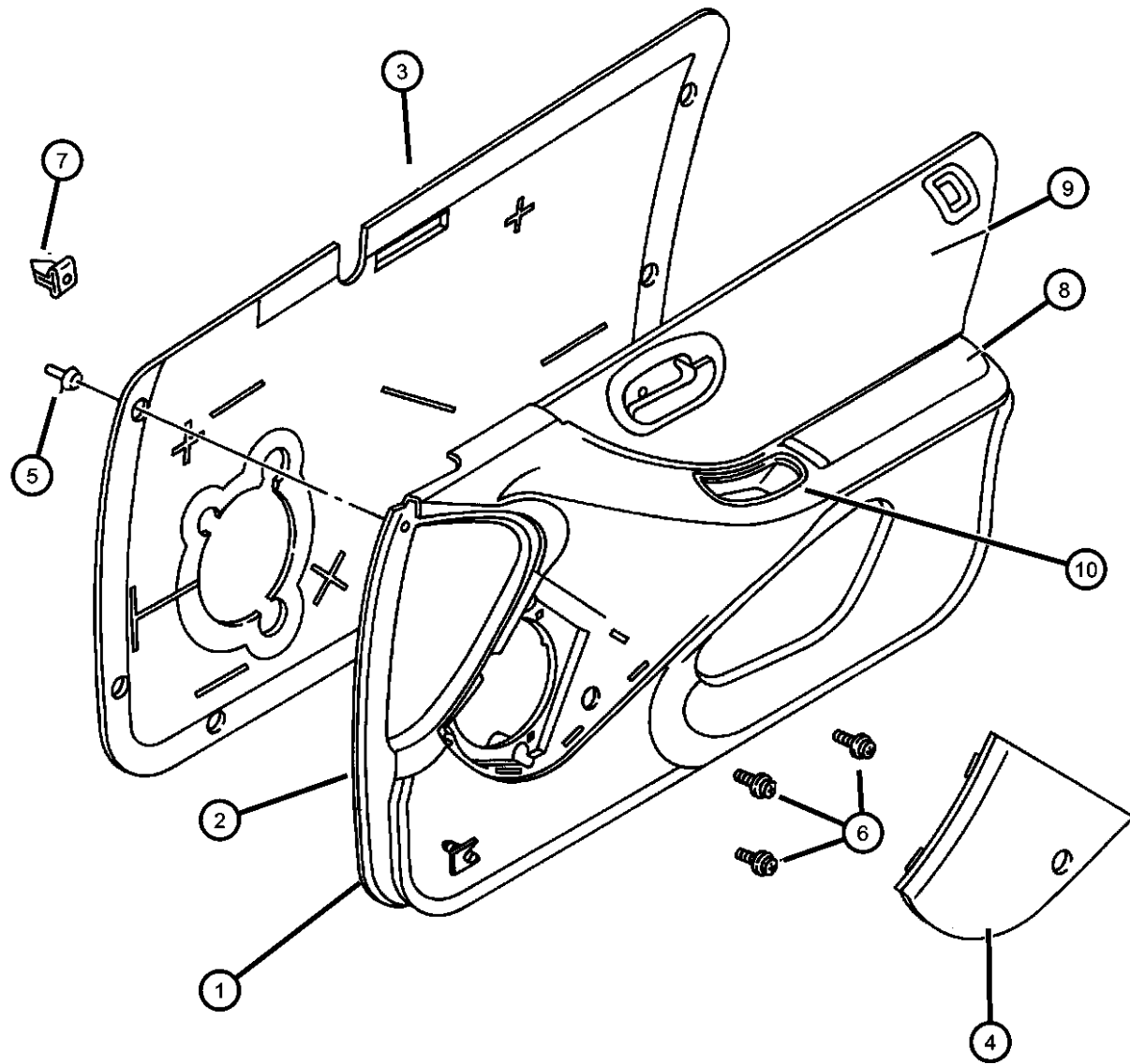
ENGINE
 ECB = 2.0L 4 Cyl SOHC 16V SMPI Engine
 EDZ = 2.4L 4 Cyl DOHC 16V SMPI Engine
 EEB = 2.5L V6 SOHC 24V SMPI Engine

TRANSMISSION
 DD5 = TRANSMISSION - 5-SPEED MANUAL
 DGL = TRANSMISSION - 4-SPD. AUTOMATIC, 41TE
 DD4 = TRANSMISSION - 5-SPEED PERF. MANUAL

AR = use ase required - = Non illustrated part

1999 JA

Door Panels - Front
Figure IJA-410



ITEM	PART NUMBER	QTY	LINE	SERIES	BODY	ENGINE	TRANS	TRIM	DESCRIPTION
	0JD47LAZ	1						*O0	Agate, w/Power Windows, Left
	0JD47RJL	1						*O0	Silverfern, w/Power Windows, Left
	0JD47VK9	1						*O0	Suede, w/Power Windows, Left
	0MR02LAZ	1	D, P	H				*O0	Agate, Right, Without Power Windows
	0MR02RJL	1	D, P	H				*O0	Silverfern, Right, Without Power Windows
	0MR02VK9	1	D, P	H				*O0	Suede, Right, Without Power Windows
	0MR03LAZ	1	D, P	H				*O0	Agate, Left, Without Power Windows
	0MR03RJL	1	D, P	H				*O0	Silverfern, Left, Without Power Windows
	0MR03VK9	1	D, P	H				*O0	Suede, Left, Without Power Windows
5									FASTENER, Door Trim Panel
	06504014	10	D					*L7	
		10	D					*M7	
		10	D					*K6	
		10	C					*X7	
		10	C					*C7	
		10	D					*LL	
		10	C					*XL	
		10	C					*NL	
		10	P					*E7	
		10	P					*G7	
6	06032723	2							SCREW, Self Tapping, M4.2x1.69x19.05
7	06035807	1							CLIP, Door TrimDoor Panel Assembly
8	06035807	1							ARMREST, Door, (Serv. In Door Panel Only), (NOT SERVICED)
9	06035807	1							BOLSTER, Door, (Serv. In Door Panel Only), (NOT SERVICED)
10									CAP, Pull Cup Screw Cover
	0LE82LAZ	2						*O0	Agate
	0LE82RJK	2						*O0	Silverfern
	0LE82SK5	2						*O0	Tan
	0LE82VK9	2	D	P				*O0	Beige

96144 410

CIRRUS,BREEZE,STRATUS (JA)
SERIES LINE
H = HIGHLINE C = CHRYSLER
P = PREMIUM D = DODGE
P = PLYMOUTH

BODY
41 = 4 Door Sedan

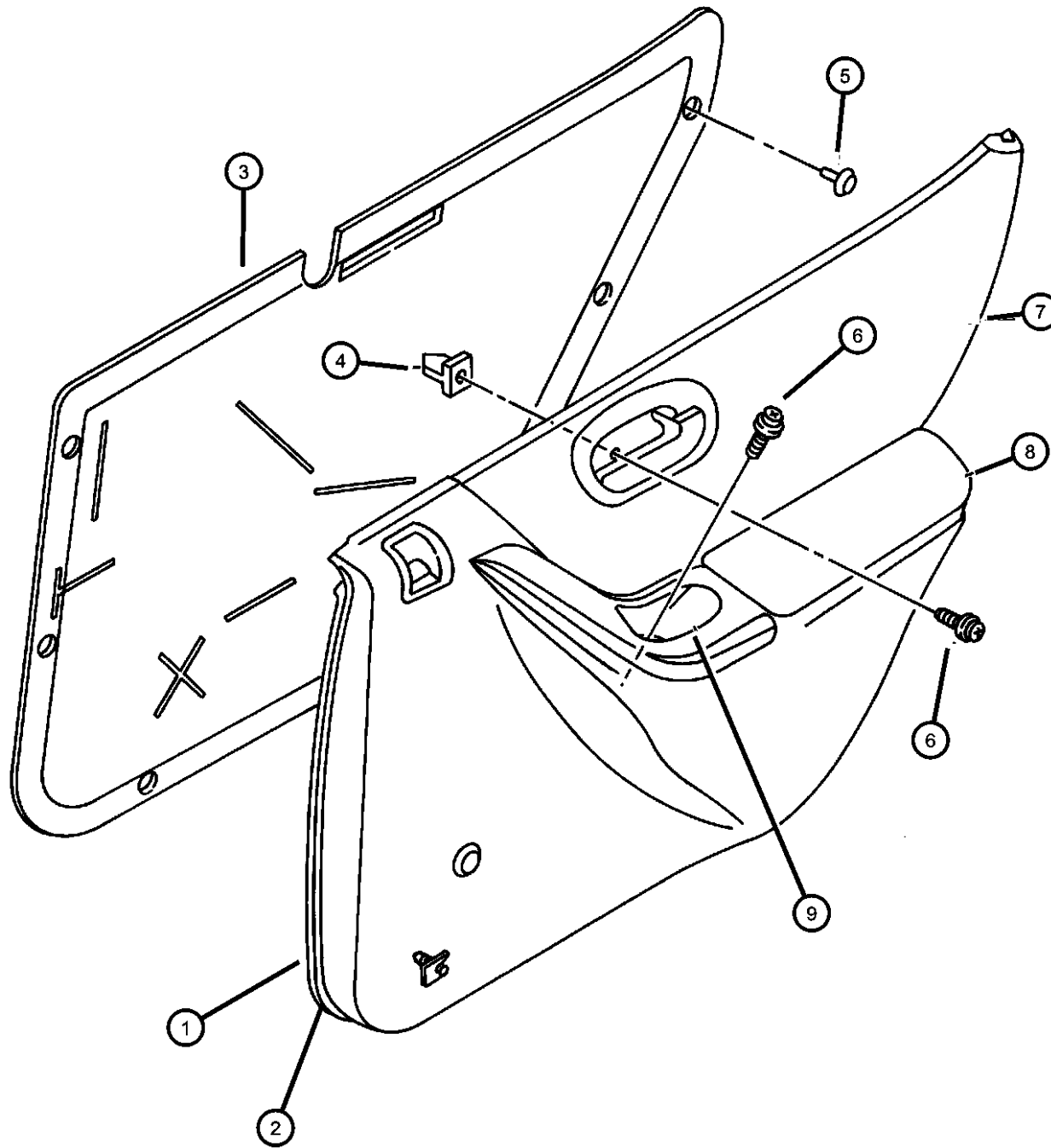
ENGINE
ECB = 2.0L 4 Cyl SOHC 16V SMPI Engine
EDZ = 2.4L 4 Cyl DOHC 16V SMPI Engine
EEB = 2.5L V6 SOHC 24V SMPI Engine

TRANSMISSION
DD5 = TRANSMISSION - 5-SPEED MANUAL
DGL = TRANSMISSION - 4-SPD. AUTOMATIC, 41TE
DD4 = TRANSMISSION - 5-SPEED PERF. MANUAL

AR = use ase required - = Non illustrated part

1999 JA

Door Panels - Rear
Figure IJA-420



ITEM	PART NUMBER	QTY	LINE	SERIES	BODY	ENGINE	TRANS	TRIM	DESCRIPTION
1									PANEL, Door Trim
	0GS481AZAC	1	C					*X7	Agate, w/Power Windows, Right
		1	C					*C7	Agate, w/Power Windows, Right
	0GS48RK5AC	1	C					*X7	Tan, w/Power Windows, Right
		1	C					*C7	Tan, w/Power Windows, Right
	0GS491AZAC	1	C					*X7	Agate, w/Power Windows, Left
		1	C					*C7	Agate, w/Power Windows, Left
	0GS49RK5AC	1	C					*X7	Tan, w/Power Windows, Left
		1	C					*C7	Tan, w/Power Windows, Left
	0HW741K5AB	1	D					*K6	Tan, w/Power Windows, Right
	0HW74LAZAB	1	D					*K6	Agate, w/Power Windows, Right
	0HW74RJKAB	1	D					*K6	Silverfern, w/Power Windows, Right
	0HW751K5AB	1	D					*K6	Tan, w/Power Windows, Left
	0HW75LAZAB	1	D					*K6	Agate, w/Power Windows, Left
	0HW75RJKAB	1	D					*K6	Silverfern, w/Power Windows, Left
	0ST14LAZAA	1	D					*B7	Agate, w/o Power Windows, Right
		1	D					*V7	Agate, w/o Power Windows, Right
	0ST14RJKAA	1	D					*B7	Silverfern, w/o Power Windows, Right
	0ST14RK5AA	1	D					*B7	Tan, w/o Power Windows, Right
		1	D					*V7	Tan, w/o Power Windows, Right
	0ST15LAZAA	1	D					*B7	Agate, w/o Power Windows, Left
		1	D					*V7	Agate, w/o Power Windows, Left
	0ST15RJKAA	1	D					*B7	Silverfern, w/o Power Windows, Left
	0ST15RK5AA	1	D					*B7	Tan, w/o Power Windows, Left
		1	D					*V7	Tan, w/o Power Windows, Left
	0ST16LAZAA	1	D					*B7	Agate, w/Power Windows, Right
		1	D					*V7	Agate, w/Power Windows, Right
	0ST16RJKAA	1	D					*B7	Silverfern, w/Power Windows, Right
	0ST16RK5AA	1	D					*B7	Tan, w/Power Windows, Right
		1	D					*V7	Tan, w/Power Windows, Right
	0ST17LAZAA	1	D					*B7	Agate, w/Power Windows, Left

CIRRUS,BREEZE,STRATUS (JA)

SERIES LINE
H = HIGHLINE C = CHRYSLER
P = PREMIUM D = DODGE
 P = PLYMOUTH

BODY
41 = 4 Door Sedan

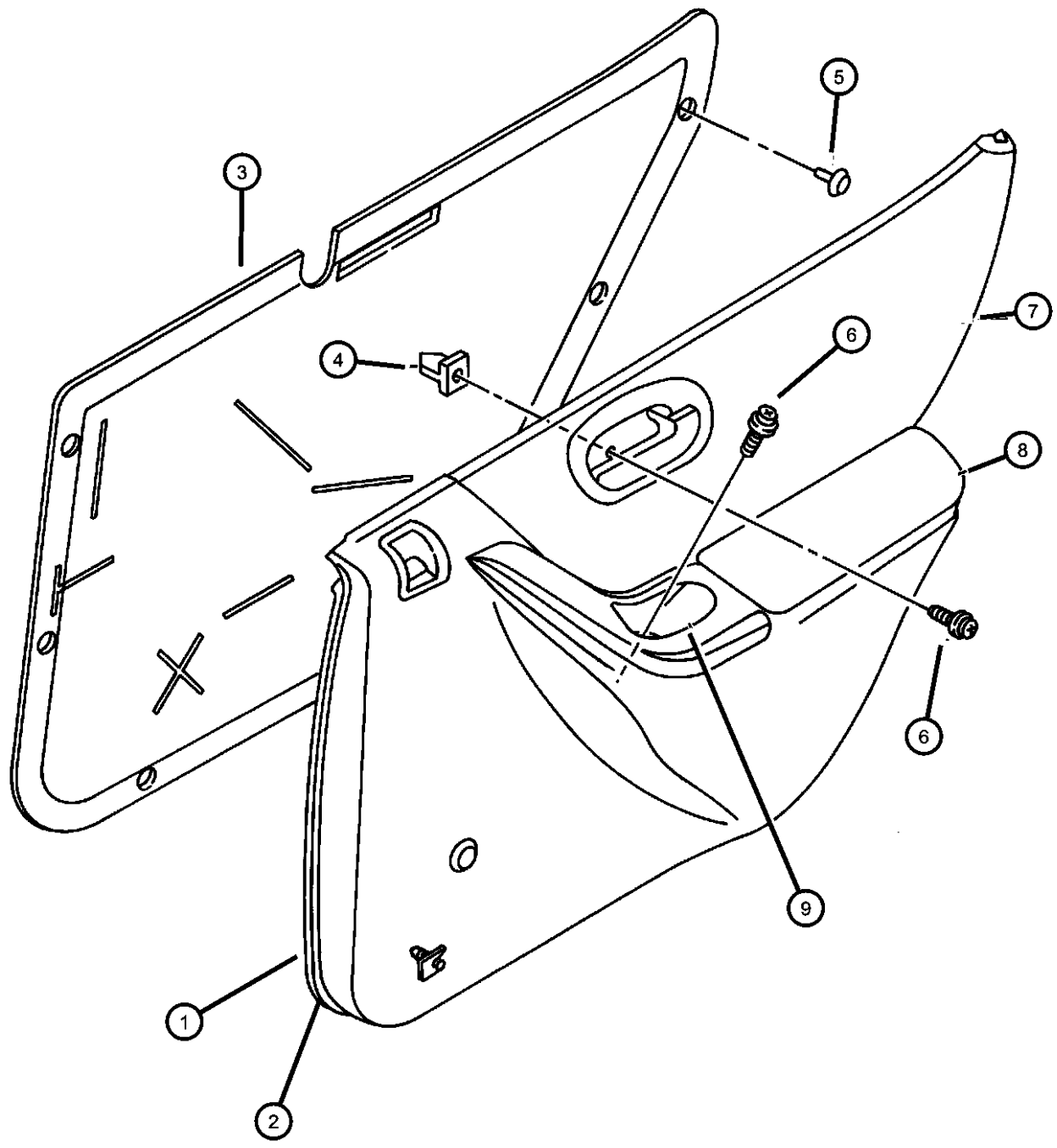
ENGINE
ECB = 2.0L 4 Cyl SOHC 16V SMPI Engine
EDZ = 2.4L 4 Cyl DOHC 16V SMPI Engine
EEB = 2.5L V6 SOHC 24V SMPI Engine

TRANSMISSION
DD5 = TRANSMISSION - 5-SPEED MANUAL
DGL = TRANSMISSION - 4-SPD. AUTOMATIC,41TE
DD4 = TRANSMISSION - 5-SPEED PERF. MANUAL

AR = use ase required - = Non illustrated part

1999 JA

Door Panels - Rear
Figure IJA-420



ITEM	PART NUMBER	QTY	LINE	SERIES	BODY	ENGINE	TRANS	TRIM	DESCRIPTION
		1	D					*V7	Agate, w/Power Windows, Left
	0ST17RJKAA	1	D					*B7	Silverfern, w/Power Windows, Left
	0ST17RK5AA	1	D					*B7	Tan, w/Power Windows, Left
		1	D					*V7	Tan, w/Power Windows, Left
2									PANEL, Rear Door Trim
	0HW761JKAC	1	C					*XL	Silverfern, w/Power Windows, Right
	0HW76LAZAC	1	C					*XL	Agate, w/Power Windows, Right
		1	C					*NL	Agate, w/Power Windows, Right
	0HW76RK5AC	1	C					*XL	Tan, w/Power Windows, Right
		1	C					*NL	Tan, w/Power Windows, Right
	0HW771JKAC	1	C					*XL	Silverfern, w/Power Windows, Left
	0HW77LAZAC	1	C					*XL	Agate, w/Power Windows, Left
		1	C					*NL	Agate, w/Power Windows, Left
	0HW77RK5AC	1	C					*XL	Tan, w/Power Windows, Left
		1	C					*NL	Tan, w/Power Windows, Left
	0KM241AZAB	1	D					*LL	Agate, w/Power Windows, Right
	0KM251AZAB	1	D					*LL	Agate, w/Power Windows, Left
	0PB54LAZ	1	P					*Q7	Agate, w/Power Windows, Right
		1	P					*K7	Agate, w/Power Windows, Right
	0PB54SJK	1	P					*Q7	Silverfern, w/Power Windows, Right
		1	P					*K7	Silverfern, w/Power Windows, Right
	0PB54SK5	1	P					*Q7	Tan, w/Power Windows, Right
		1	P					*K7	Tan, w/Power Windows, Right
	0PB55LAZ	1	P					*Q7	Agate, w/Power Windows, Left
		1	P					*K7	Agate, w/Power Windows, Left
	0PB55SJK	1	P					*Q7	Silverfern, w/Power Windows, Left
		1	P					*K7	Silverfern, w/Power Windows, Left
	0PB55SK5	1	P					*Q7	Tan, w/Power Windows, Left
		1	P					*K7	Tan, w/Power Windows, Left
	0PB56LAZ	1	P					*Q7	Agate, w/o Power Windows, Right

CIRRUS,BREEZE,STRATUS (JA)
 SERIES LINE
 H = HIGHLINE C = CHRYSLER
 P = PREMIUM D = DODGE
 P = PLYMOUTH

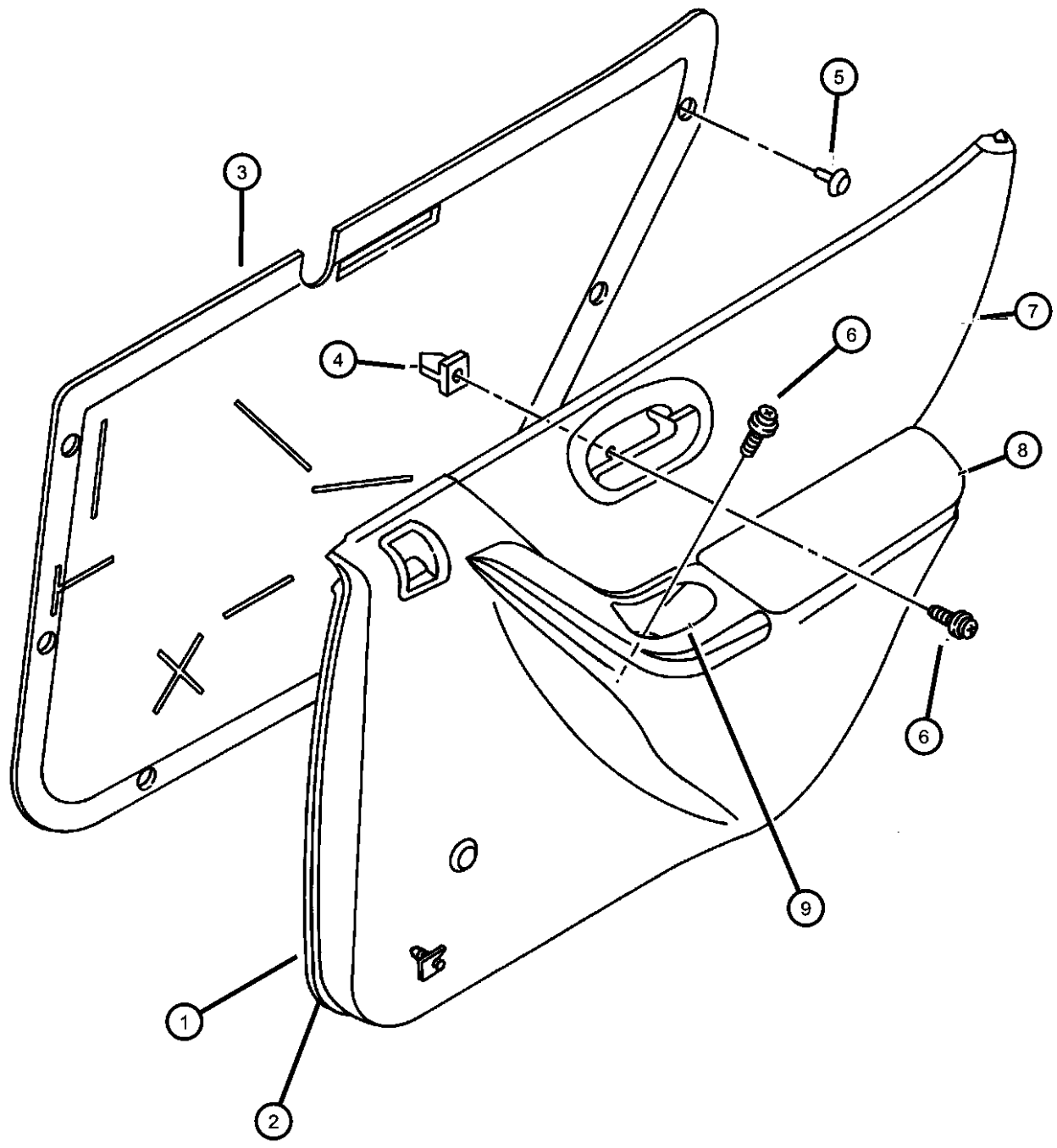
BODY
 41 = 4 Door Sedan

ENGINE
 ECB = 2.0L 4 Cyl SOHC 16V SMPI Engine
 EDZ = 2.4L 4 Cyl DOHC 16V SMPI Engine
 EEB = 2.5L V6 SOHC 24V SMPI Engine

TRANSMISSION
 DD5 = TRANSMISSION - 5-SPEED MANUAL
 DGL = TRANSMISSION - 4-SPD. AUTOMATIC,41TE
 DD4 = TRANSMISSION - 5-SPEED PERF. MANUAL

AR = use ase required - = Non illustrated part

Door Panels - Rear
Figure IJA-420



ITEM	PART NUMBER	QTY	LINE	SERIES	BODY	ENGINE	TRANS	TRIM	DESCRIPTION
		1	P					*K7	Agate, w/o Power Windows, Right
	0PB56SJK	1	P					*Q7	Silverfern, w/o Power Windows, Right
		1	P					*K7	Silverfern, w/o Power Windows, Right
	0PB56SK5	1	P					*Q7	Tan, w/o Power Windows, Right
		1	P					*K7	Tan, w/o Power Windows, Right
	0PB57LAZ	1	P					*Q7	Agate, w/o Power Windows, Left
		1	P					*K7	Agate, w/o Power Windows, Left
	0PB57SJK	1	P					*Q7	Silverfern, w/o Power Windows, Left
		1	P					*K7	Silverfern, w/o Power Windows, Left
	0PB57SK5	1	P					*Q7	Tan, w/o Power Windows, Left
		1	P					*K7	Tan, w/o Power Windows, Left
	0RG58LAZAA	1	P					*E7	Agate, w/Power Windows, Right
	0RG59LAZAA	1	P					*E7	Agate, w/Power Windows, Left
3									SILENCER, Door
	04647808	1	D					*L7	Right
		1	D					*M7	Right
		1	C					*X7	Right
		1	C					*C7	Right
		1	D					*K6	Right
		1	D					*LL	Right
		1	C					*XL	Right
		1	C					*NL	Right
		1	P					*E7	Right
		1	P					*G7	Right
	04647809	1	D					*L7	Left
		1	D					*M7	Left
		1	C					*X7	Left
		1	C					*C7	Left
		1	D					*K6	Left
		1	D					*LL	Left
		1	C					*XL	Left

CIRRUS,BREEZE,STRATUS (JA)
 SERIES LINE
 H = HIGHLINE C = CHRYSLER
 P = PREMIUM D = DODGE
 P = PLYMOUTH

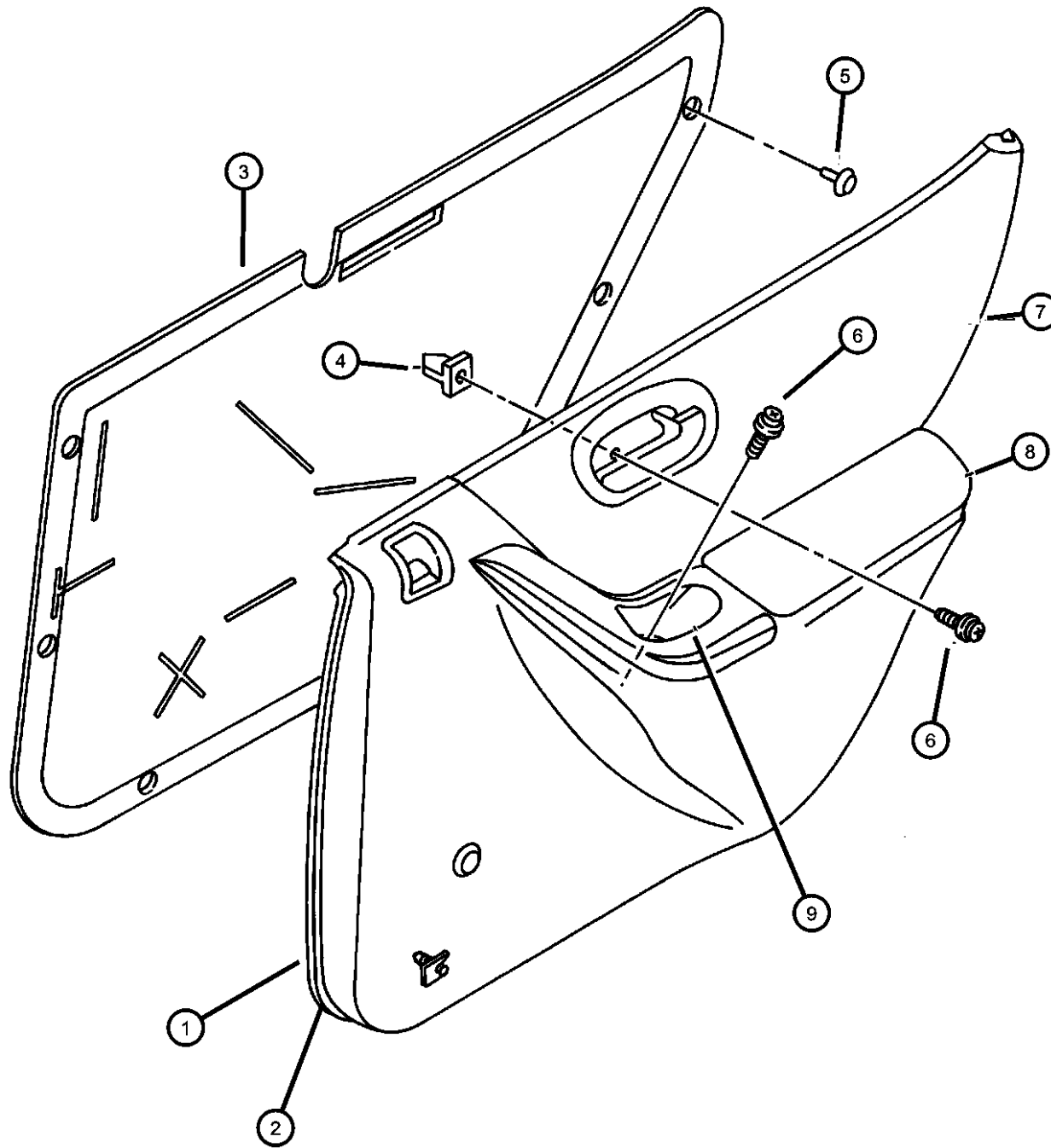
BODY
 41 = 4 Door Sedan

ENGINE
 ECB = 2.0L 4 Cyl SOHC 16V SMPI Engine
 EDZ = 2.4L 4 Cyl DOHC 16V SMPI Engine
 EEB = 2.5L V6 SOHC 24V SMPI Engine

TRANSMISSION
 DD5 = TRANSMISSION - 5-SPEED MANUAL
 DGL = TRANSMISSION - 4-SPD. AUTOMATIC, 41TE
 DD4 = TRANSMISSION - 5-SPEED PERF. MANUAL

AR = use ase required - = Non illustrated part

Door Panels - Rear
Figure IJA-420



ITEM	PART NUMBER	QTY	LINE	SERIES	BODY	ENGINE	TRANS	TRIM	DESCRIPTION
		1	C					*NL	Left
		1	P					*E7	Left
		1	P					*G7	Left
4	06035807	1							CLIP, Door Trim
5	06504014	10	D					*L7	FASTENER, Door Trim Panel
		10	D					*M7	
		10	D					*K6	
		10	C					*X7	
		10	C					*C7	
		10	D					*LL	
		10	C					*NL	
		10	C					*XL	
		10	P					*E7	
6	06032723	2							SCREW, Self Tapping, M4.2x1.69x19.05
7	06032723	2							BOLSTER, Door, (Serv. In Door Panel Only), (NOT SERVICED)
8	06032723	2							ARMREST, Door, (Serv. In Door Panel Only), (NOT SERVICED)
9									CAP, Pull Cup Screw Cover
	OLE82LAZ	2						*O0	Agate
	OLE82RJK	2						*O0	Silverfern
	OLE82SK5	2						*O0	Tan
	OLE82VK9	2	D	P				*O0	Suede

CIRRUS,BREEZE,STRATUS (JA)

SERIES LINE
H = HIGHLINE C = CHRYSLER
P = PREMIUM D = DODGE
P = PLYMOUTH

BODY
41 = 4 Door Sedan

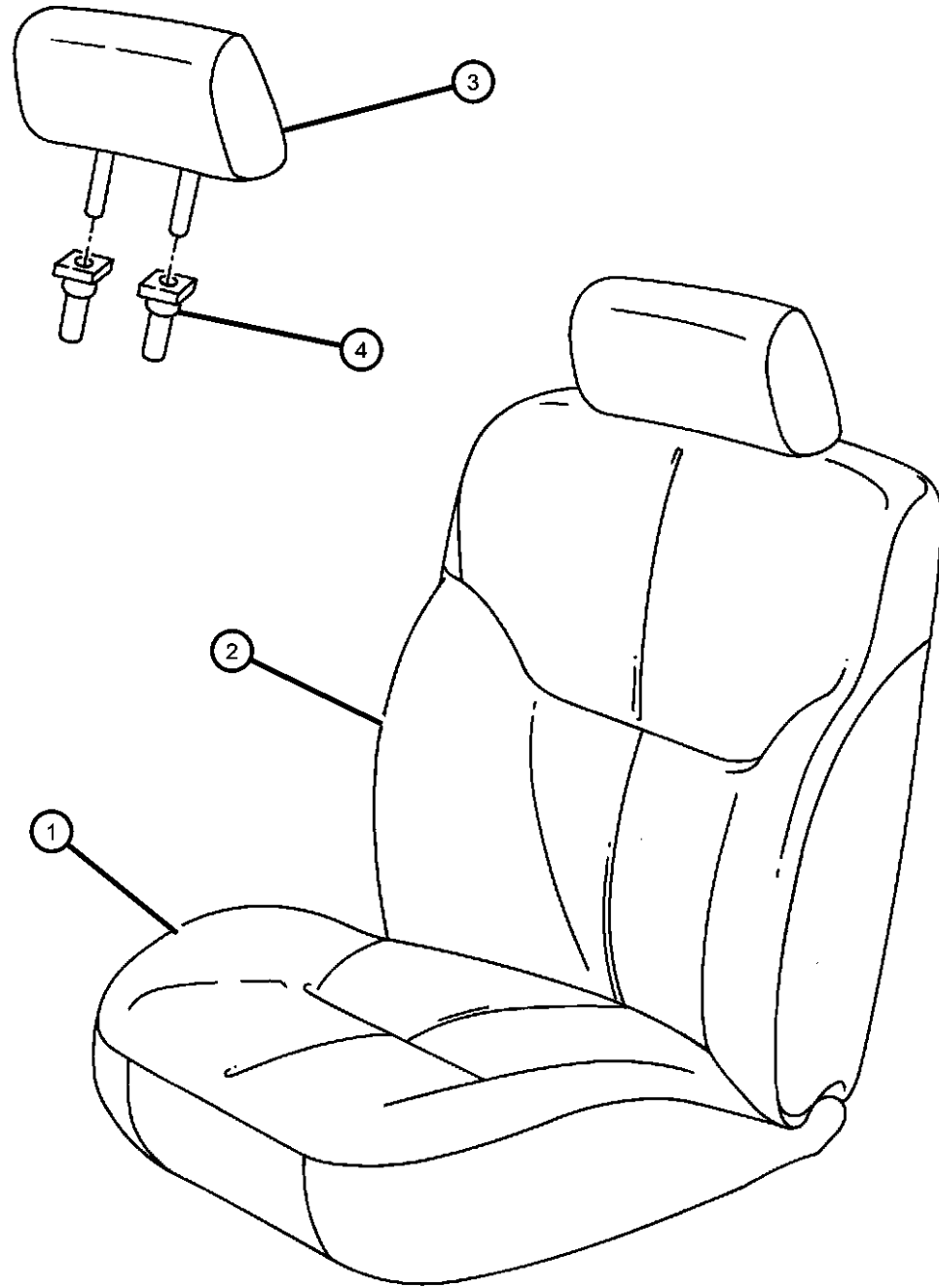
ENGINE
ECB = 2.0L 4 Cyl SOHC 16V
SMPI Engine
EDZ = 2.4L 4 Cyl DOHC 16V
SMPI Engine
EEB = 2.5L V6 SOHC 24V
SMPI Engine

TRANSMISSION
DD5 = TRANSMISSION - 5-SPEED
MANUAL
DGL = TRANSMISSION - 4-SPD.
AUTOMATIC,41TE
DD4 = TRANSMISSION - 5-SPEED
PERF. MANUAL

AR = use ase required - = Non illustrated part

1999 JA

Seat Front - Trim Code Q7
Figure IJA-506



ITEM	PART NUMBER	QTY	LINE	SERIES	BODY	ENGINE	TRANS	TRIM	DESCRIPTION
------	-------------	-----	------	--------	------	--------	-------	------	-------------

* No Covers Are Serviced With These Trim Codes

1	0ST611AZAA	2	P					*Q7	CUSHION, Front Seat Agate, Right & Left
	0ST611JKAA	2	P					*Q7	Silverfern, Right & Left
	0ST611K5AA	2	P					*Q7	Tan, Right & Left
2	0ST621AZAA	2	P					*Q7	SEAT BACK, Front Agate, Right & Left
	0ST621JKAA	2	P					*Q7	Silverfern, Right & Left
	0ST621K5AA	2	P					*Q7	Tan, Right & Left
3	0ST631AZAA	2	P					*Q7	HEADREST Agate, Right & Left
	0ST631JKAA	2	P					*Q7	Silverfern, Right & Left
	0ST631K5AA	2	P					*Q7	Tan, Right & Left
4	0QX111AZAA	1	P					*Q7	SLEEVE, Headrest Agate, w/Release Button
	0QX111JKAA	1	P					*Q7	Silverfern, w/Release Button
	0QX111K5AA	1	P					*Q7	Tan, w/Release Button
	0QX121AZAA	1	P					*Q7	Agate, w/o Release Button
	0QX121JKAA	1	P					*Q7	Silverfern, w/o Release Button
	0QX121K5AA	1	P					*Q7	Tan, w/o Release Button

CIRRUS,BREEZE,STRATUS (JA)

SERIES LINE
H = HIGHLINE C = CHRYSLER
P = PREMIUM D = DODGE
P = PLYMOUTH

BODY
41 = 4 Door Sedan

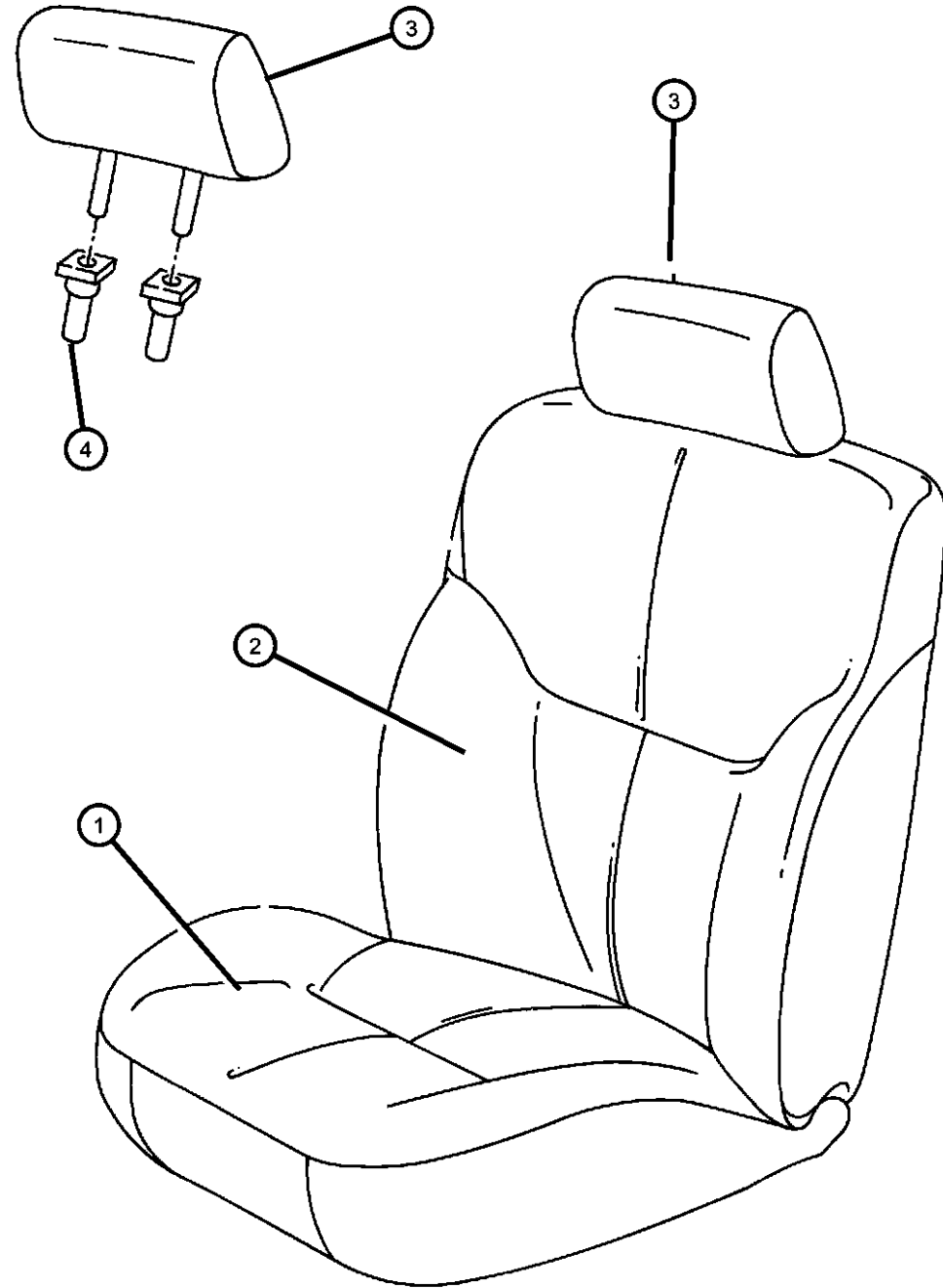
ENGINE
ECB = 2.0L 4 Cyl SOHC 16V SMPI Engine
EDZ = 2.4L 4 Cyl DOHC 16V SMPI Engine
EEB = 2.5L V6 SOHC 24V SMPI Engine

TRANSMISSION
DD5 = TRANSMISSION - 5-SPEED MANUAL
DGL = TRANSMISSION - 4-SPD. AUTOMATIC, 41TE
DD4 = TRANSMISSION - 5-SPEED PERF. MANUAL

AR = use ase required - = Non illustrated part

1999 JA

Seat Front - Trim Code C7,X7
Figure IJA-511



ITEM	PART NUMBER	QTY	LINE	SERIES	BODY	ENGINE	TRANS	TRIM	DESCRIPTION
* No Covers Are Serviced With These Trim Codes									
1									CUSHION, Front Seat
	0ST491AZAA	2						*X7	Agate, Right & Left
		2						*C7	Agate, Right & Left
	0ST491K5AA	2						*X7	Tan, Right & Left
		2						*C7	Tan, Right & Left
2									SEAT BACK, Front
	0ST501AZAA	1						*C7	Agate, Right
	0ST501K5AA	1						*C7	Tan, Right
	0ST511AZAA	1						*C7	Agate, Left
	0ST511K5AA	1						*C7	Tan, Left
	0ST521AZAA	1						*X7	Agate, Right
	0ST521K5AA	1						*X7	Tan, Right
	0ST531AZAA	1						*X7	Agate, Left
	0ST531K5AA	1						*X7	Tan, Left
3									HEADREST, Front
	0ST541AZAA	2						*X7	Agate, Right & Left
		2						*C7	Agate, Right & Left
	0ST541K5AA	2						*X7	Tan, Right & Left
		2						*C7	Tan, Right & Left
4									SLEEVE, Headrest
	0QX111AZAA	1						*C7	Agate, w/Release Button
		1						*X7	Agate, w/Release Button
	0QX111JKAA	1						*C7	Silverfern, w/Release Button
		1						*X7	Silverfern, w/Release Button
	0QX121AZAA	1						*C7	Agate, w/o Release Button
		1						*X7	Agate, w/o Release Button
	0QX121JKAA	1						*C7	Silverfern, w/o Release Button
		1						*X7	Silverfern, w/o Release Button

CIRRUS,BREEZE,STRATUS (JA)

SERIES LINE
H = HIGHLINE C = CHRYSLER
P = PREMIUM D = DODGE
P = PLYMOUTH

BODY
41 = 4 Door Sedan

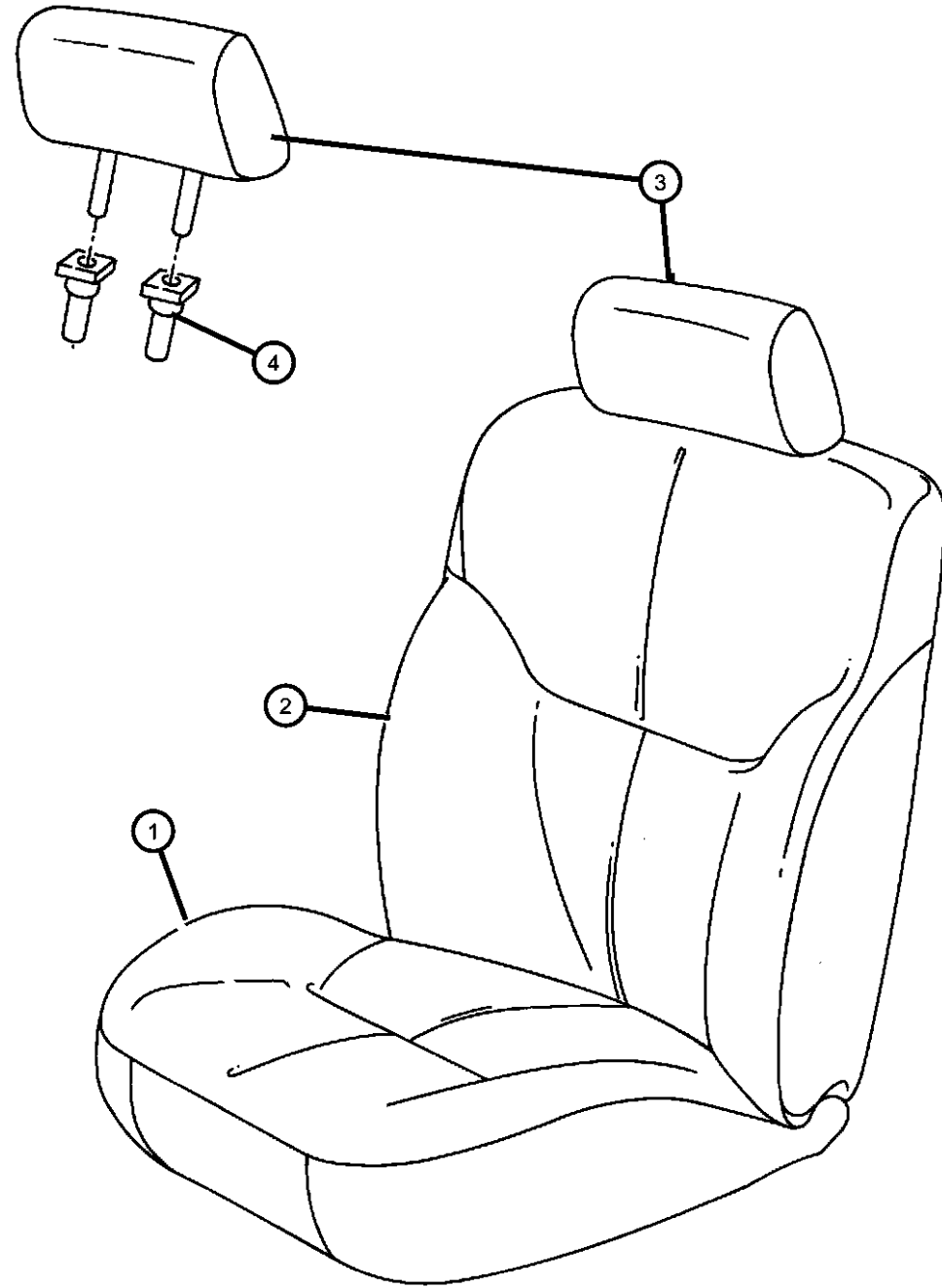
ENGINE
ECB = 2.0L 4 Cyl SOHC 16V SMPI Engine
EDZ = 2.4L 4 Cyl DOHC 16V SMPI Engine
EEB = 2.5L V6 SOHC 24V SMPI Engine

TRANSMISSION
DD5 = TRANSMISSION - 5-SPEED MANUAL
DGL = TRANSMISSION - 4-SPD. AUTOMATIC,41TE
DD4 = TRANSMISSION - 5-SPEED PERF. MANUAL

AR = use ase required - = Non illustrated part

1999 JA

Seat Front - Trim Code E7
Figure IJA-516



ITEM	PART NUMBER	QTY	LINE	SERIES	BODY	ENGINE	TRANS	TRIM	DESCRIPTION
------	-------------	-----	------	--------	------	--------	-------	------	-------------

* No Covers Are Serviced With These Trim Codes

1	0ST761AZAA	1	P					*E7	CUSHION, Front Seat, Agate
2	0ST771AZAA	1	P					*E7	SEAT BACK, Front, Agate
3	0ST781AZAA	1	P					*E7	HEADREST, Front, Agate
4									SLEEVE, Headrest
	0QX111AZAA	1	P					*E7	Agate, w/Release Button
	0QX121AZAA	1	P					*E7	Agate, w/o Release Button
	0QX121K5AA	1						*C7	Tan, w/o Release Button

CIRRUS,BREEZE,STRATUS (JA)

SERIES LINE
H = HIGHLINE C = CHRYSLER
P = PREMIUM D = DODGE
 P = PLYMOUTH

BODY
41 = 4 Door Sedan

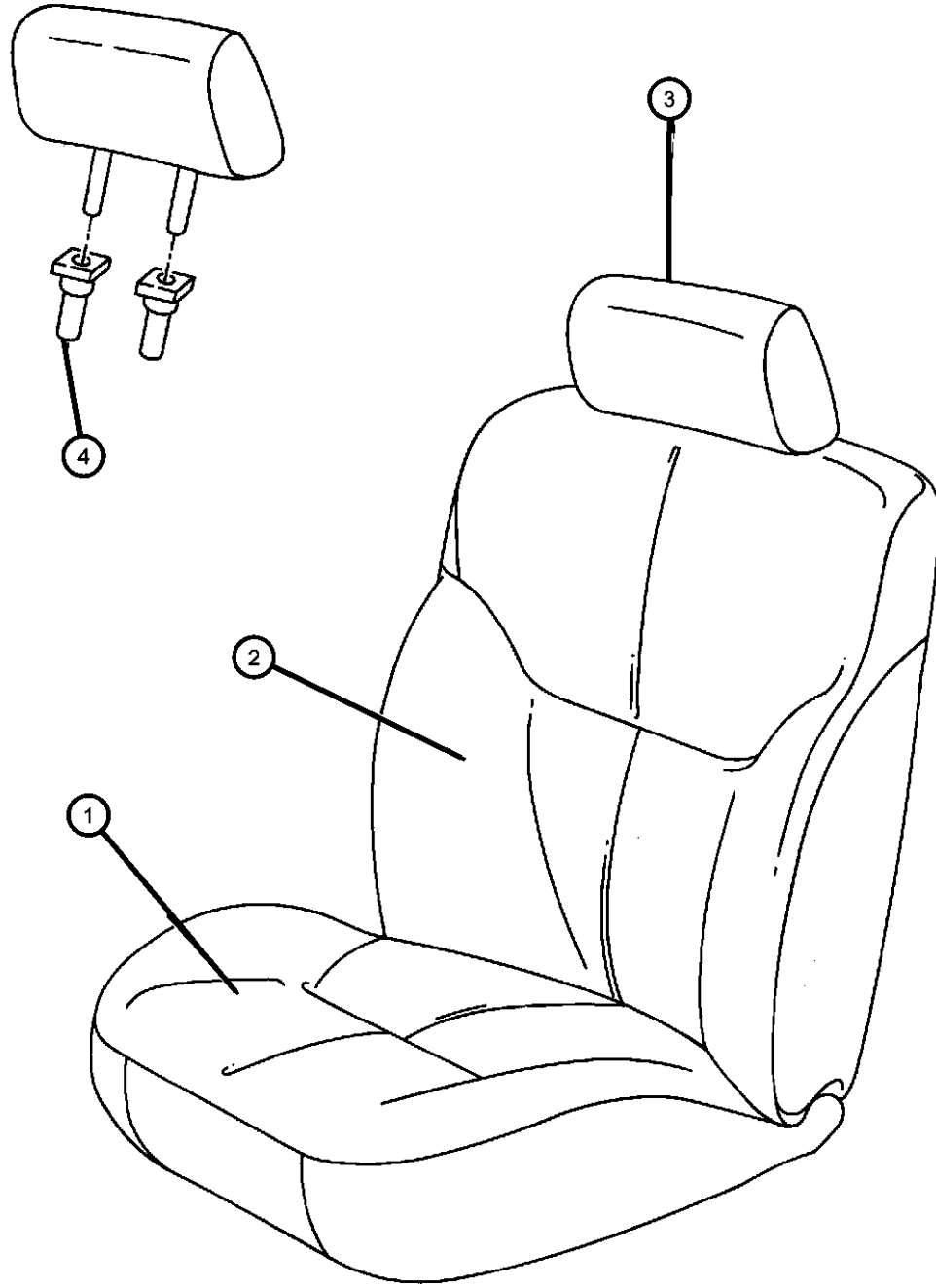
ENGINE TRANSMISSION
ECB = 2.0L 4 Cyl SOHC 16V SMPI Engine DD5 = TRANSMISSION - 5-SPEED MANUAL
EDZ = 2.4L 4 Cyl DOHC 16V SMPI Engine DGL = TRANSMISSION - 4-SPD. AUTOMATIC, 41TE
EEB = 2.5L V6 SOHC 24V SMPI Engine DD4 = TRANSMISSION - 5-SPEED PERF. MANUAL

AR = use ase required - = Non illustrated part

1999 JA

Seat Front - Trim Code B7,B9,V7
Figure IJA-521

ITEM	PART NUMBER	QTY	LINE	SERIES	BODY	ENGINE	TRANS	TRIM	DESCRIPTION
* No Covers Are Serviced With These Trim Codes									
1									CUSHION, Front Seat
	0ST341AZAA	1						*B7	Agate, Right & Left
		1	D	H				*V7	Agate, Right & Left
		1						*B9	Agate, Right & Left
	0ST341JKAA	1						*B7	Silverfern, Right & Left
	0ST341K5AA	1						*B7	Tan, Right & Left
		1	D	H				*V7	Tan, Right & Left
		1						*B9	Tan, Right & Left
2									SEAT BACK, Front
	0ST351AZAA	1	D	H				*V7	Agate, Right & Left
	0ST351K5AA	1	D	H				*V7	Tan, Right & Left
	0ST361AZAA	1						*B7	Agate, Right & Left
		1						*B9	Agate, Right & Left
	0ST361JKAA	1						*B7	Silverfern, Right & Left
	0ST361K5AA	1						*B7	Tan, Right & Left
		1						*B9	Tan, Right & Left
3									HEADREST, Front
	0ST371AZAA	1	D	H				*V7	Agate, Right & Left
	0ST371K5AA	1	D	H				*V7	Tan, Right & Left
	0ST381AZAA	1						*B7	Agate, Right & Left
	0ST381JKAA	1						*B7	Silverfern, Right & Left
	0ST381K5AA	1						*B7	Tan, Right & Left
	0SV891AZAA	1						*B9	Agate, Right & Left
	0SV891K5AA	1						*B9	Tan, Right & Left
4									SLEEVE, Headrest
	0QX111AZAA	1	P					*B7	Agate, w/Release Button
		1	D	H				*V7	Agate, w/Release Button
		1						*B9	Agate, w/Release Button
	0QX111JKAA	1	P					*B7	Silverfern, w/Release Button
	0QX111K5AA	1	P					*B7	Tan, w/Release Button
		1	D	H				*V7	Tan, w/Release Button
		1						*B9	Tan, w/Release Button
	0QX121AZAA	1	P					*B7	Agate, w/o Release Button



CIRRUS,BREEZE,STRATUS (JA)

SERIES LINE
H = HIGHLINE C = CHRYSLER
P = PREMIUM D = DODGE
P = PLYMOUTH

BODY
41 = 4 Door Sedan

ENGINE
ECB = 2.0L 4 Cyl SOHC 16V SMPI Engine
EDZ = 2.4L 4 Cyl DOHC 16V SMPI Engine
EEB = 2.5L V6 SOHC 24V SMPI Engine

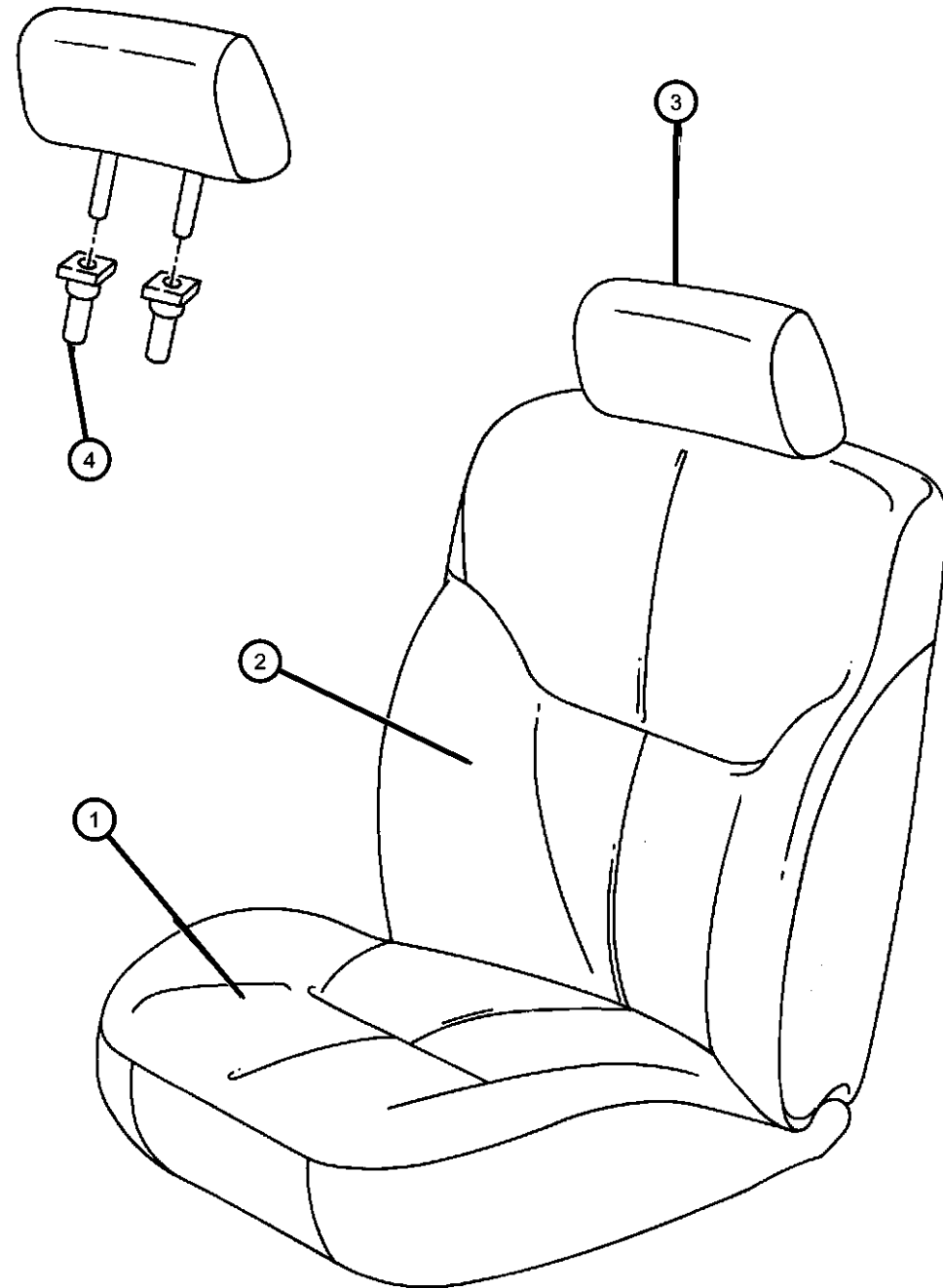
TRANSMISSION
DD5 = TRANSMISSION - 5-SPEED MANUAL
DGL = TRANSMISSION - 4-SPD. AUTOMATIC,41TE
DD4 = TRANSMISSION - 5-SPEED PERF. MANUAL

AR = use ase required - = Non illustrated part

1999 JA

Seat Front - Trim Code B7,B9,V7
Figure IJA-521

ITEM	PART NUMBER	QTY	LINE	SERIES	BODY	ENGINE	TRANS	TRIM	DESCRIPTION
		1	P					*E7	Agate, w/o Release Button
		1	D	H				*V7	Agate, w/o Release Button
		1						*B9	Agate, w/o Release Button
	0QX121JKAA	1	P					*B7	Silverfern, w/o Release Button
	0QX121K5AA	1	P					*B7	Tan, w/o Release Button
		1	D	H				*V7	Tan, w/o Release Button
		1						*B9	Tan, w/o Release Button



CIRRUS,BREEZE,STRATUS (JA)

SERIES LINE
H = HIGHLINE C = CHRYSLER
P = PREMIUM D = DODGE
P = PLYMOUTH

BODY
41 = 4 Door Sedan

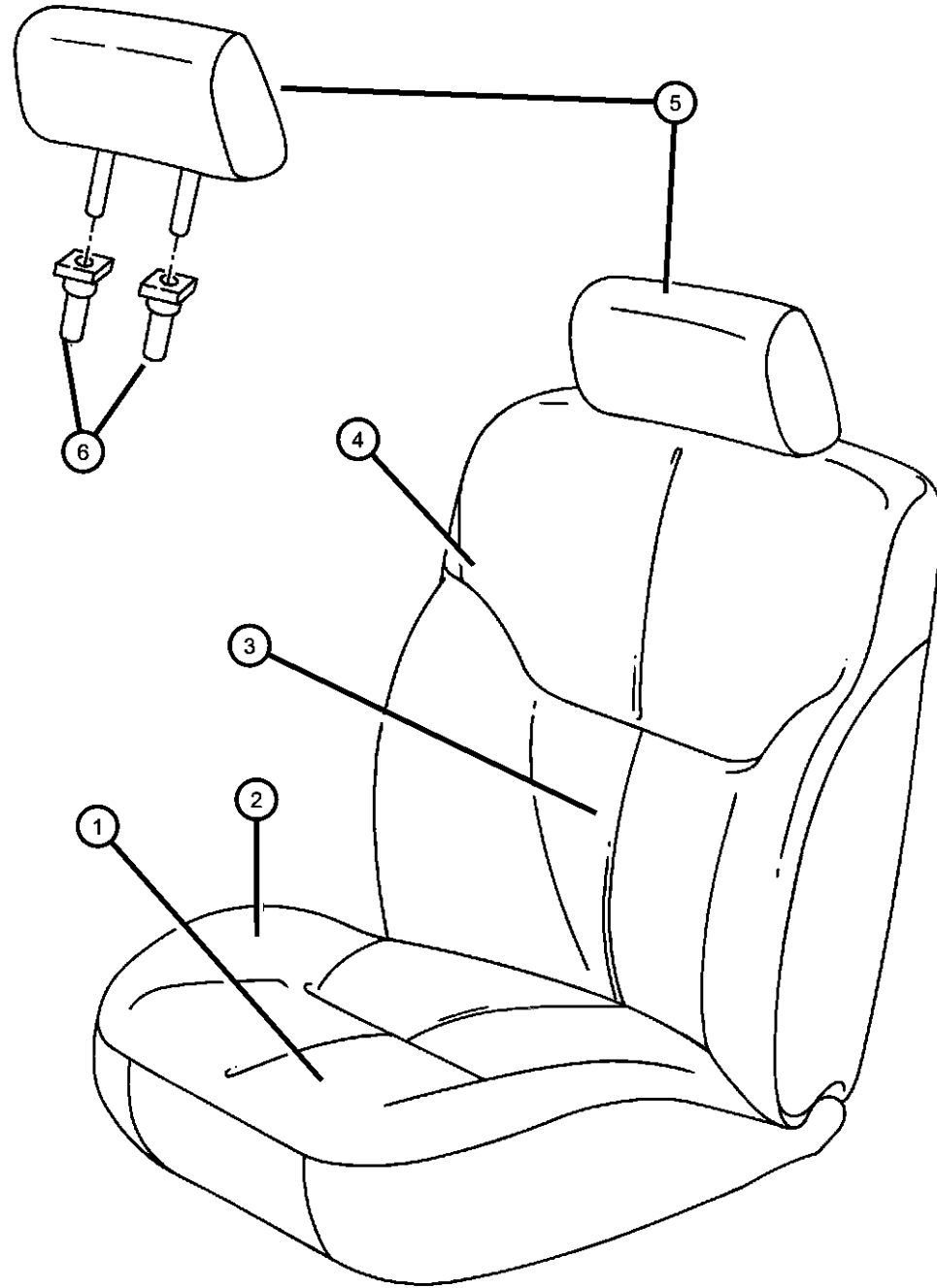
ENGINE
ECB = 2.0L 4 Cyl SOHC 16V SMPI Engine
EDZ = 2.4L 4 Cyl DOHC 16V SMPI Engine
EEB = 2.5L V6 SOHC 24V SMPI Engine

TRANSMISSION
DD5 = TRANSMISSION - 5-SPEED MANUAL
DGL = TRANSMISSION - 4-SPD. AUTOMATIC,41TE
DD4 = TRANSMISSION - 5-SPEED PERF. MANUAL

AR = use ase required - = Non illustrated part

1999 JA

Seat Front - Trim Code LL
Figure IJA-526



ITEM	PART NUMBER	QTY	LINE	SERIES	BODY	ENGINE	TRANS	TRIM	DESCRIPTION
1	0JJ931AZ	1						*LL	CUSHION, Front Seat, Agate, Right & Left
2	0JK061AZ	1						*LL	COVER, Front Seat Cushion, Agate
3									SEAT BACK, Front
	0RE861AZAA	1						*LL	Agate, Right
	0RE871AZAA	1						*LL	Agate, Left
4									COVER, Front Seat Back
	0RE881AZAA	1						*LL	Agate, Right
	0RE891AZAA	1						*LL	Agate, Left
5	0RB941AZAA	1						*LL	HEADREST, Front, Agate, Right & Left
6									SLEEVE, Headrest
	0QX111AZAA	1						*LL	Agate, w/Release Button
	0QX121AZAA	1						*LL	Agate, w/o Release Button

CIRRUS,BREEZE,STRATUS (JA)

SERIES LINE
H = HIGHLINE C = CHRYSLER
P = PREMIUM D = DODGE
P = PLYMOUTH

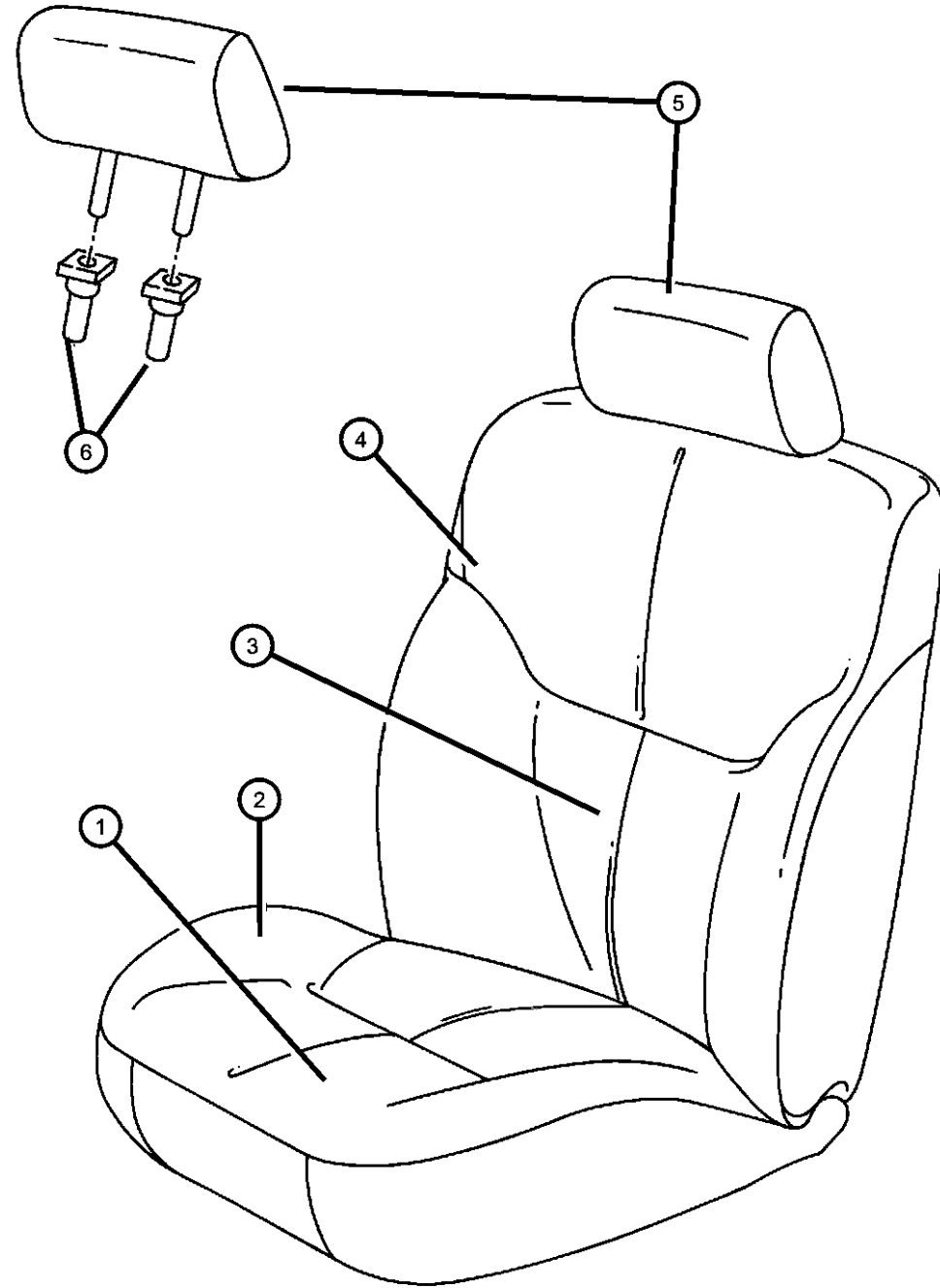
BODY
41 = 4 Door Sedan

ENGINE TRANSMISSION
ECB = 2.0L 4 Cyl SOHC 16V DD5 = TRANSMISSION - 5-SPEED
SMPI Engine MANUAL
EDZ = 2.4L 4 Cyl DOHC 16V DGL = TRANSMISSION - 4-SPD.
SMPI Engine AUTOMATIC,41TE
EEB = 2.5L V6 SOHC 24V DD4 = TRANSMISSION - 5-SPEED
SMPI Engine PERF. MANUAL

AR = use ase required - = Non illustrated part

1999 JA

Seat Front - Trim Code XL
Figure IJA-531



ITEM	PART NUMBER	QTY	LINE	SERIES	BODY	ENGINE	TRANS	TRIM	DESCRIPTION
1	0RE601AZAA	1						*XL	CUSHION, Front Seat Agate, Right & Left
	0RE601JKAA	1						*XL	Silverfern, Right & Left
	0RE601K5AA	1						*XL	Tan, Right & Left
2	0RE621AZAA	1						*XL	COVER, Front Seat Cushion Agate, Right & Left
	0RE621JKAA	1						*XL	Silverfern, Right & Left
	0RE621K5AA	1						*XL	Tan, Right & Left
3	0RD721AZAA	1						*XL	SEAT BACK, Front Agate, Right
	0RD721JKAA	1						*XL	Silverfern, Right
	0RD721K5AA	1						*XL	Tan, Right
	0RD731AZAA	1						*XL	Agate, Left
	0RD731JKAA	1						*XL	Silverfern, Left
	0RD731K5AA	1						*XL	Tan, Left
4	0RD761AZAA	1						*XL	COVER, Front Seat Back Agate, Right
	0RD761JKAA	1						*XL	Silverfern, Right
	0RD761K5AA	1						*XL	Tan, Right
	0RD771AZAA	1						*XL	Agate, Left
	0RD771JKAA	1						*XL	Silverfern, Left
	0RD771K5AA	1						*XL	Tan, Left
5	0RF811AZAA	1						*XL	HEADREST, Front Agate, Right & Left
	0RF811JKAA	1						*XL	Silverfern, Right & Left
	0RF811K5AA	1						*XL	Tan, Right & Left
6	0QX111AZAA	1						*XL	SLEEVE, Headrest Agate, w/Release Button
	0QX111JKAA	1						*XL	Silverfern, w/Release Button
	0QX111K5AA	1						*XL	Tan, w/Release Button
	0QX121AZAA	1						*XL	Agate, w/o Release Button
		1						*LL	
	0QX121JKAA	1						*XL	Silverfern, w/o Release Button
	0QX121K5AA	1					*XL	Tan, w/o Release Button	

CIRRUS,BREEZE,STRATUS (JA)
 SERIES LINE
 H = HIGHLINE C = CHRYSLER
 P = PREMIUM D = DODGE
 P = PLYMOUTH

BODY
 41 = 4 Door Sedan

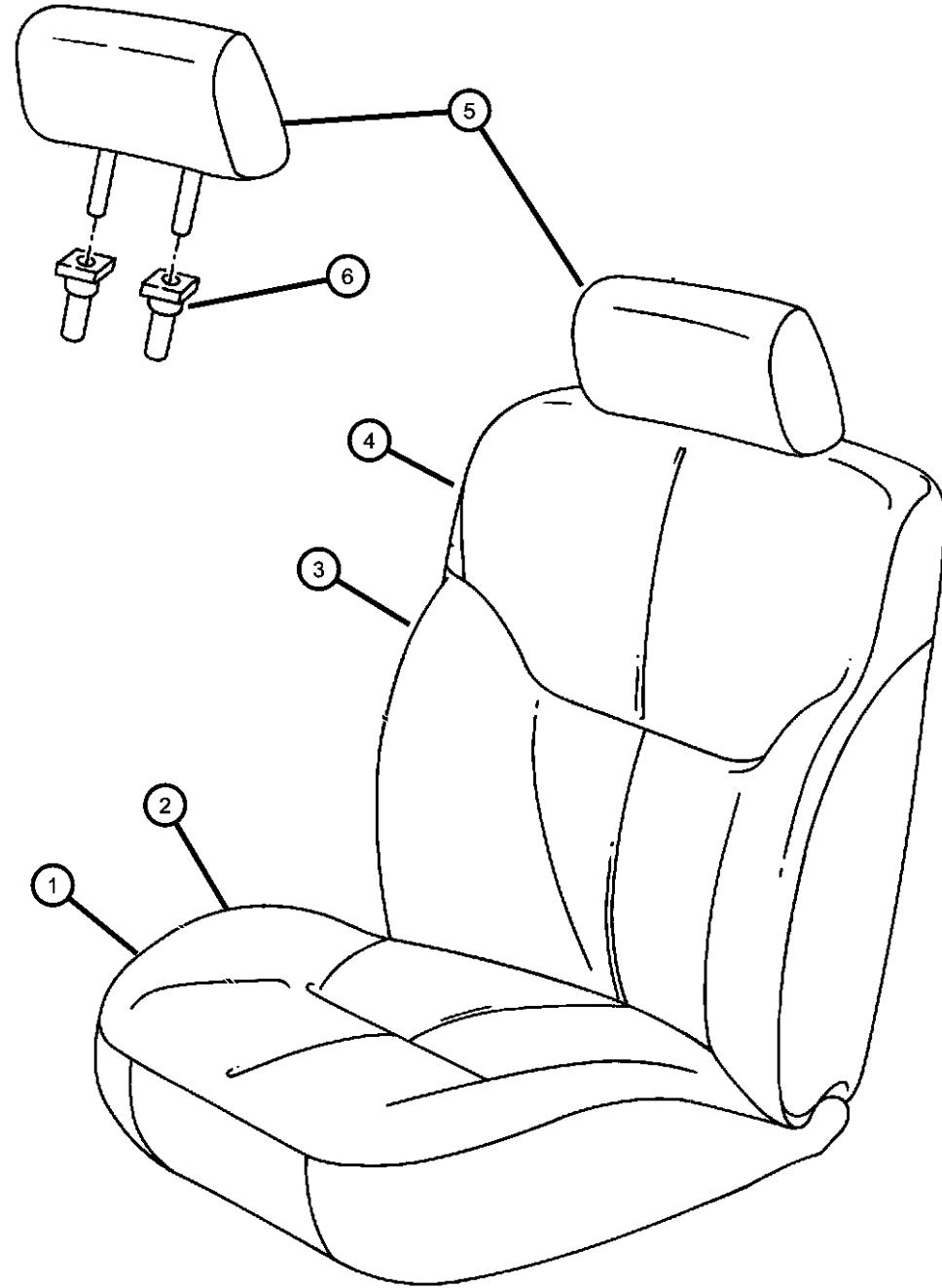
ENGINE
 ECB = 2.0L 4 Cyl SOHC 16V SMPI Engine
 EDZ = 2.4L 4 Cyl DOHC 16V SMPI Engine
 EEB = 2.5L V6 SOHC 24V SMPI Engine

TRANSMISSION
 DD5 = TRANSMISSION - 5-SPEED MANUAL
 DGL = TRANSMISSION - 4-SPD. AUTOMATIC,41TE
 DD4 = TRANSMISSION - 5-SPEED PERF. MANUAL

AR = use ase required - = Non illustrated part

1999 JA

Seat Front - Trim Code NL
Figure IJA-536



ITEM	PART NUMBER	QTY	LINE	SERIES	BODY	ENGINE	TRANS	TRIM	DESCRIPTION
1	0JJ931AZ	1	C					*NL	CUSHION, Front Seat Agate, Right & Left
	0JJ931K5	1	C					*NL	Tan, Right & Left
	0QL511AZ	1	C					*NL	Agate, Heated, Right & Left
	0QL511K5	1	C					*NL	Tan, Heated, Right & Left
2	0JK061AZ	1	C					*NL	COVER, Front Seat Cushion Agate, Right & Left
	0JK06SK5	1	C					*NL	Tan, Right & Left
	0QL501AZ	1	C					*NL	Agate, Heated, Right & Left
	0QL501K5	1	C					*NL	Tan, Heated, Right & Left
3	0QL441AZ	1	C					*NL	SEAT BACK, Front Agate, Heated, Right
	0QL441K5	1	C					*NL	Tan, Heated, Right
	0QL521AZ	1	C					*NL	Agate, Heated, Left
	0QL521K5	1	C					*NL	Tan, Heated, Left
	0RE611AZAA	1	C					*NL	Agate, Left
	0RE611K5AA	1	C					*NL	Tan, Left
	0RF161AZAA	1	C					*NL	Agate, Right
	0RF161K5AA	1	C					*NL	Tan, Right
4	0QY541AZAA	1	C					*NL	COVER, Front Seat Back Agate, Heated, Right
	0QY541K5AA	1	C					*NL	Tan, Heated, Right
	0QY551AZAA	1	C					*NL	Agate, Heated, Left
	0QY551K5AA	1	C					*NL	Tan, Heated, Left
	0RE881AZAA	1	C					*NL	Agate, Right
	0RE881K5AA	1	C					*NL	Tan, Right
	0RE891AZAA	1	C					*NL	Agate, Left
	0RE891K5AA	1	C					*NL	Tan, Left
5	0RC021AZAA	1	C					*NL	HEADREST, Front Agate
	0RC021K5AA	1	C					*NL	Tan
6	0QX111AZAA	1	C					*NL	SLEEVE, Headrest Agate, w/Release Button
	0QX111K5AA	1	C					*NL	Tan, w/Release Button

CIRRUS,BREEZE,STRATUS (JA)

SERIES LINE
H = HIGHLINE C = CHRYSLER
P = PREMIUM D = DODGE
P = PLYMOUTH

BODY
41 = 4 Door Sedan

ENGINE
ECB = 2.0L 4 Cyl SOHC 16V SMPI Engine
EDZ = 2.4L 4 Cyl DOHC 16V SMPI Engine
EEB = 2.5L V6 SOHC 24V SMPI Engine

TRANSMISSION
DD5 = TRANSMISSION - 5-SPEED MANUAL
DGL = TRANSMISSION - 4-SPD. AUTOMATIC,41TE
DD4 = TRANSMISSION - 5-SPEED PERF. MANUAL

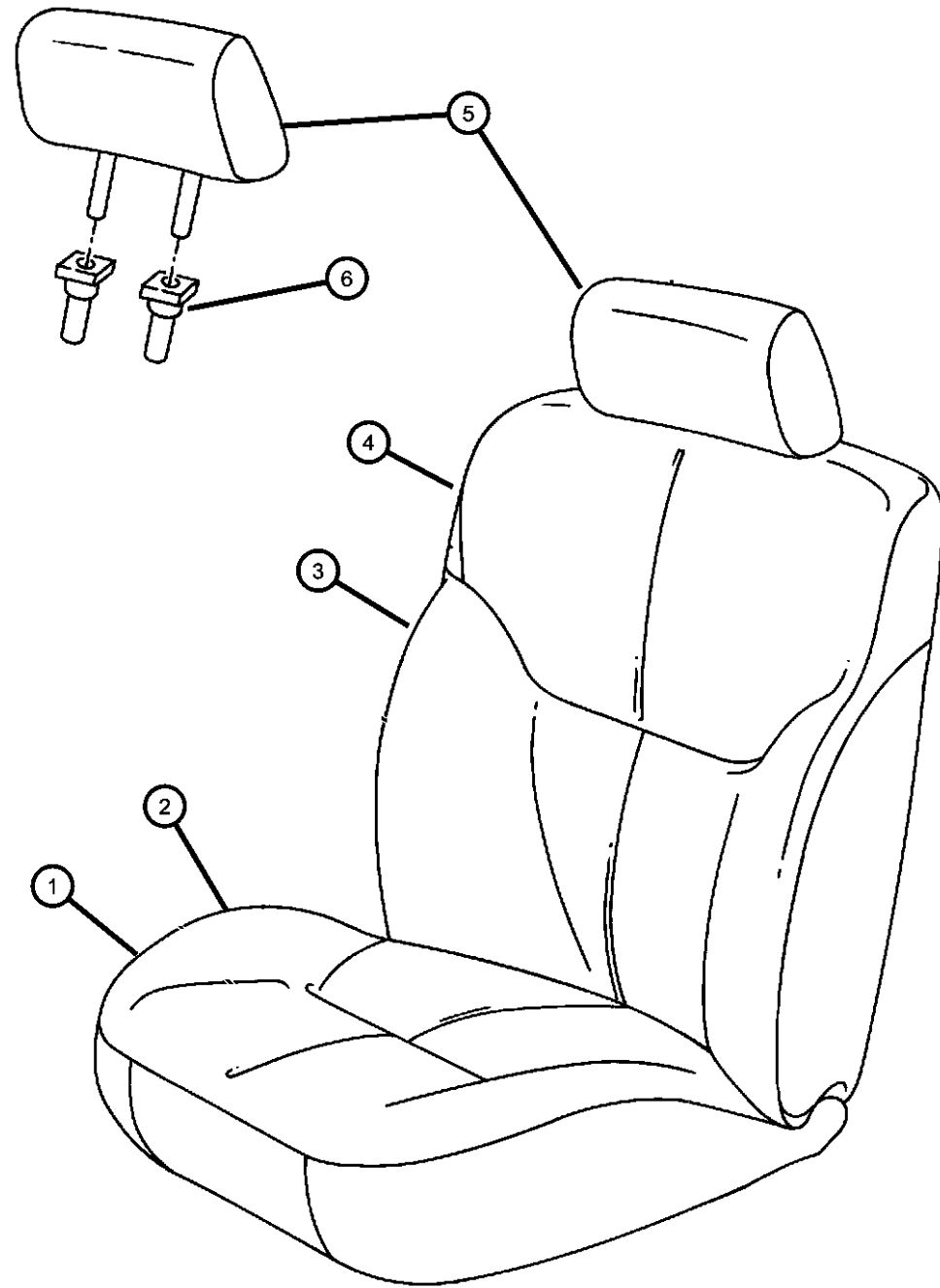
AR = use ase required - = Non illustrated part

1999 JA

Seat Front - Trim Code NL
Figure IJA-536

ITEM	PART NUMBER	QTY	LINE	SERIES	BODY	ENGINE	TRANS	TRIM	DESCRIPTION
------	-------------	-----	------	--------	------	--------	-------	------	-------------

	0QX121AZAA	1	C					*NL	Agate, w/o Release Button
	0QX121K5AA	1	C					*NL	Tan, w/o Release Button



CIRRUS,BREEZE,STRATUS (JA)

SERIES	LINE
H = HIGHLINE	C = CHRYSLER
P = PREMIUM	D = DODGE
	P = PLYMOUTH

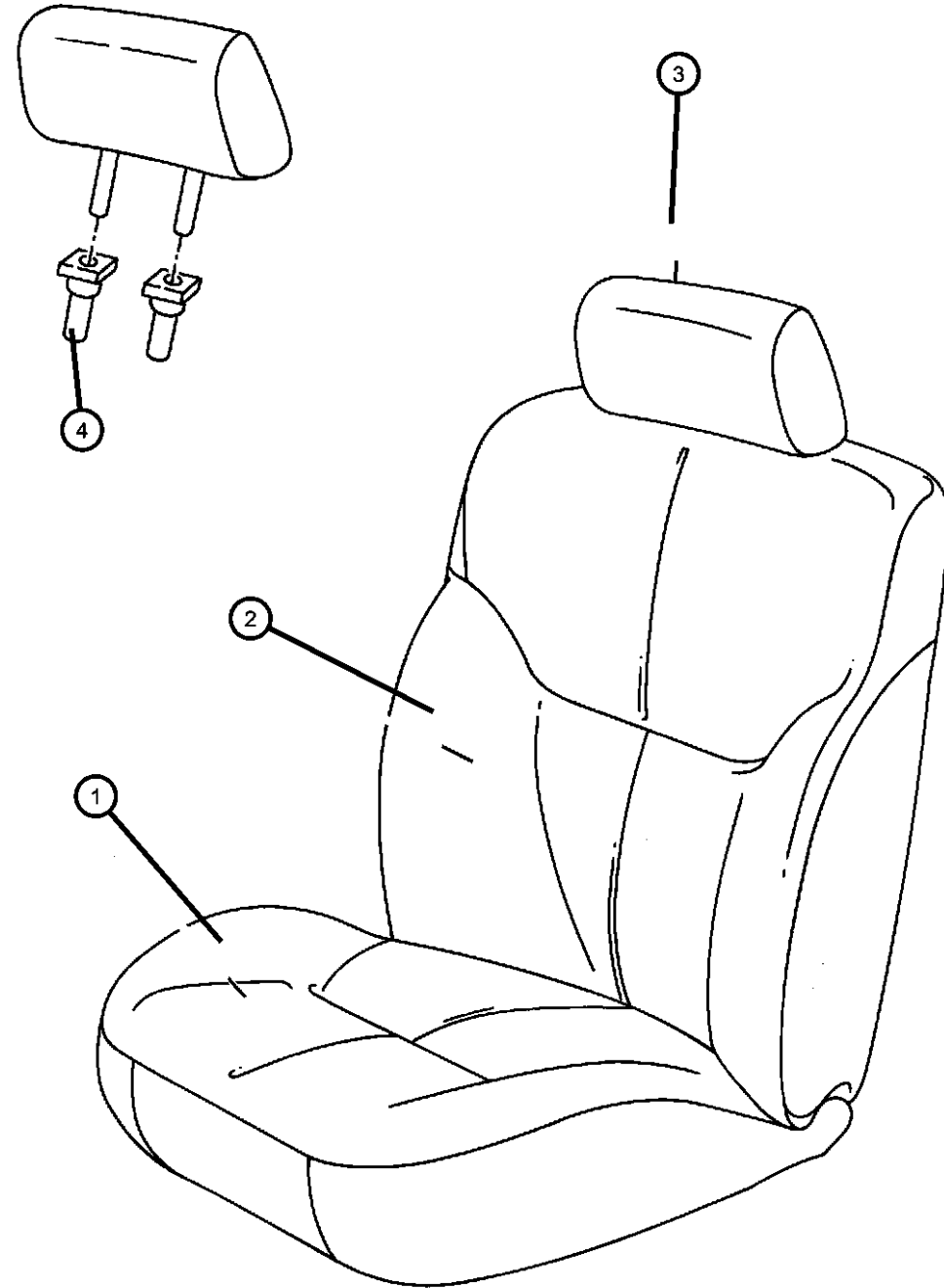
BODY
41 = 4 Door Sedan

ENGINE	TRANSMISSION
ECB = 2.0L 4 Cyl SOHC 16V SMPI Engine	DD5 = TRANSMISSION - 5-SPEED MANUAL
EDZ = 2.4L 4 Cyl DOHC 16V SMPI Engine	DGL = TRANSMISSION - 4-SPD. AUTOMATIC,41TE
EEB = 2.5L V6 SOHC 24V SMPI Engine	DD4 = TRANSMISSION - 5-SPEED PERF. MANUAL

AR = use ase required - = Non illustrated part

1999 JA

Seat Front - Trim Code K6,P6
Figure IJA-541



ITEM	PART NUMBER	QTY	LINE	SERIES	BODY	ENGINE	TRANS	TRIM	DESCRIPTION
* No Covers Are Serviced With These Trim Codes									
1									CUSHION, Front Seat
	0ST681AZAA	1						*K6	Agate
		1						*P6	Agate
	0ST681JKAA	1						*K6	Silverfern
	0ST681K5AA	1						*K6	Tan
		1						*P6	Tan
2									SEAT BACK, Front
	0ST701AZAA	1						*K6	Agate, Right
		1						*P6	Agate, Right
	0ST701JKAA	1						*K6	Silverfern, Right
	0ST701K5AA	1						*K6	Tan, Right
		1						*P6	Tan, Right
	0ST711AZAA	1						*K6	Agate, Left
		1						*P6	Agate, Left
	0ST711JKAA	1						*K6	Silverfern, Left
	0ST711K5AA	1						*K6	Tan, Left
		1						*P6	Tan, Left
3									HEADREST, Front
	0ST691AZAA	1						*K6	Agate
	0ST691JKAA	1						*K6	Silverfern
	0ST691K5AA	1						*K6	Tan
	0SV881AZAA	1						*P6	Agate
	0SV881K5AA	1						*P6	Tan
4									SLEEVE, Headrest
	0QX111AZAA	1						*K6	Agate, w/Release Button
		1						*P6	Agate, w/Release Button
	0QX111JKAA	1						*K6	Silverfern, w/Release Button
	0QX111K5AA	1						*K6	Tan, w/Release Button
		1						*P6	Tan, w/Release Button
	0QX121AZAA	1						*K6	Agate, w/o Release Button
		1						*P6	Agate, w/o Release Button
	0QX121JKAA	1						*K6	Silverfern, w/o Release Button

CIRRUS,BREEZE,STRATUS (JA)

SERIES LINE
H = HIGHLINE C = CHRYSLER
P = PREMIUM D = DODGE
P = PLYMOUTH

BODY
41 = 4 Door Sedan

ENGINE
ECB = 2.0L 4 Cyl SOHC 16V SMPI Engine
EDZ = 2.4L 4 Cyl DOHC 16V SMPI Engine
EEB = 2.5L V6 SOHC 24V SMPI Engine

TRANSMISSION
DD5 = TRANSMISSION - 5-SPEED MANUAL
DGL = TRANSMISSION - 4-SPD. AUTOMATIC,41TE
DD4 = TRANSMISSION - 5-SPEED PERF. MANUAL

AR = use ase required - = Non illustrated part

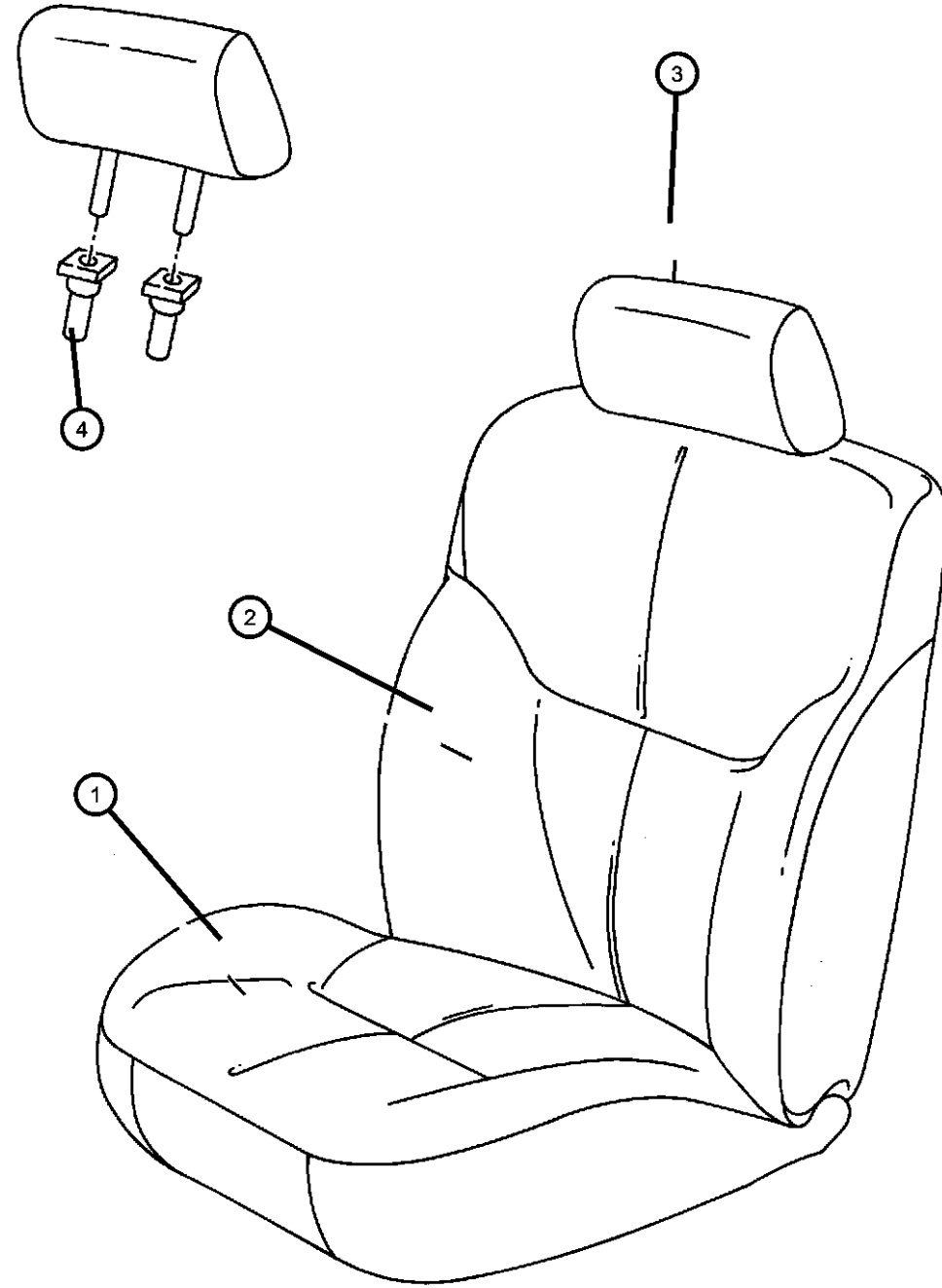
1999 JA

Seat Front - Trim Code K6,P6
Figure IJA-541

ITEM	PART NUMBER	QTY	LINE	SERIES	BODY	ENGINE	TRANS	TRIM	DESCRIPTION
------	-------------	-----	------	--------	------	--------	-------	------	-------------

0QX121K5AA 1
1

*K6 Tan, w/o Release Button
*P6 Tan, w/o Release Button



CIRRUS,BREEZE,STRATUS (JA)
 SERIES LINE
 H = HIGHLINE C = CHRYSLER
 P = PREMIUM D = DODGE
 P = PLYMOUTH

BODY
 41 = 4 Door Sedan

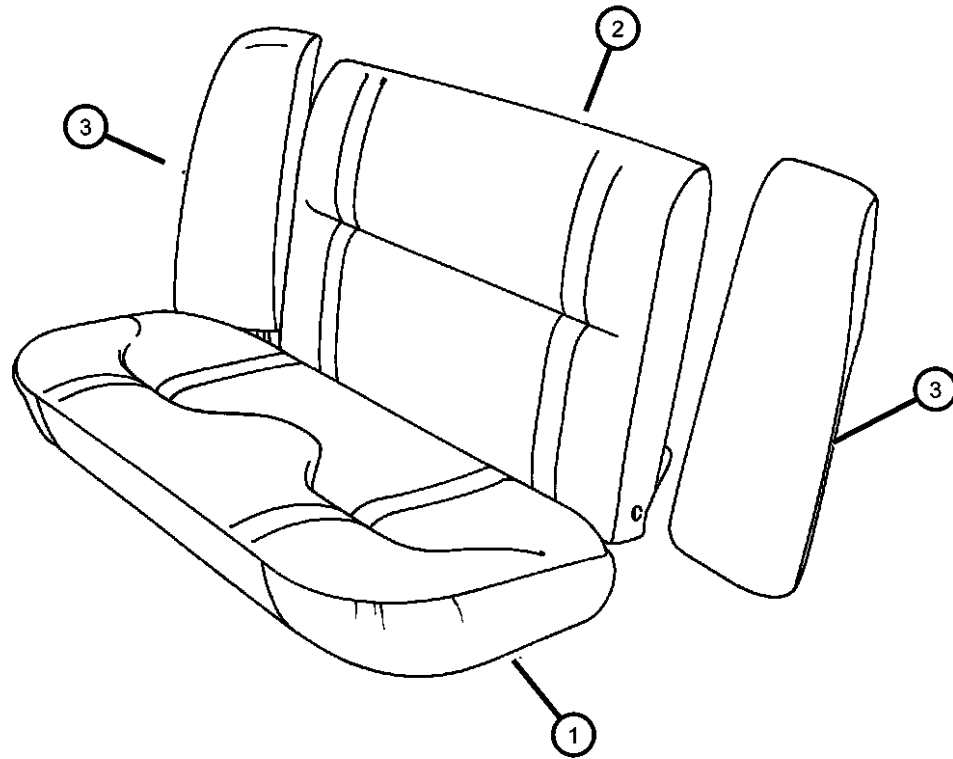
ENGINE
 ECB = 2.0L 4 Cyl SOHC 16V SMPI Engine
 EDZ = 2.4L 4 Cyl DOHC 16V SMPI Engine
 EEB = 2.5L V6 SOHC 24V SMPI Engine

TRANSMISSION
 DD5 = TRANSMISSION - 5-SPEED MANUAL
 DGL = TRANSMISSION - 4-SPD. AUTOMATIC,41TE
 DD4 = TRANSMISSION - 5-SPEED PERF. MANUAL

AR = use ase required - = Non illustrated part

1999 JA

Seat Rear - Trim Code Q7
Figure IJA-606



ITEM	PART NUMBER	QTY	LINE	SERIES	BODY	ENGINE	TRANS	TRIM	DESCRIPTION
*See 23D For Seat Back Locks									
*NOTE - Headrest Serviced In Seat Back Only									
1									CUSHION, Rear Seat
	0ST641AZAA	1	P					*Q7	Agate
	0ST641JKAA	1	P					*Q7	Silverfern
	0ST641K5AA	1	P					*Q7	Tan
2									SEAT BACK, Rear
	0ST651AZAA	1	P					*Q7	Agate
	0ST651JKAA	1	P					*Q7	Silverfern
	0ST651K5AA	1	P					*Q7	Tan
3									BOLSTER, Seat
	0MN221AZ	1						*Q7	Agate, Right
	0MN221JK	1						*Q7	Silverfern, Right
	0MN221K5	1						*Q7	Tan, Right
	0MN231AZ	1						*Q7	Agate, Left
	0MN231JK	1						*Q7	Silverfern, Left
	0MN231K5	1						*Q7	Tan, Left
	0ST661AZAA	1	P					*Q7	Agate, Right
	0ST661JKAA	1	P					*Q7	Silverfren, Right
	0ST661K5AA	1	P					*Q7	Tan, Right
	0ST671AZAA	1	P					*Q7	Agate, Left
	0ST671JKAA	1	P					*Q7	Silverfern, Left
	0ST671K5AA	1	P					*Q7	Tan, Left

CIRRUS,BREEZE,STRATUS (JA)

SERIES LINE
H = HIGHLINE C = CHRYSLER
P = PREMIUM D = DODGE
 P = PLYMOUTH

BODY
41 = 4 Door Sedan

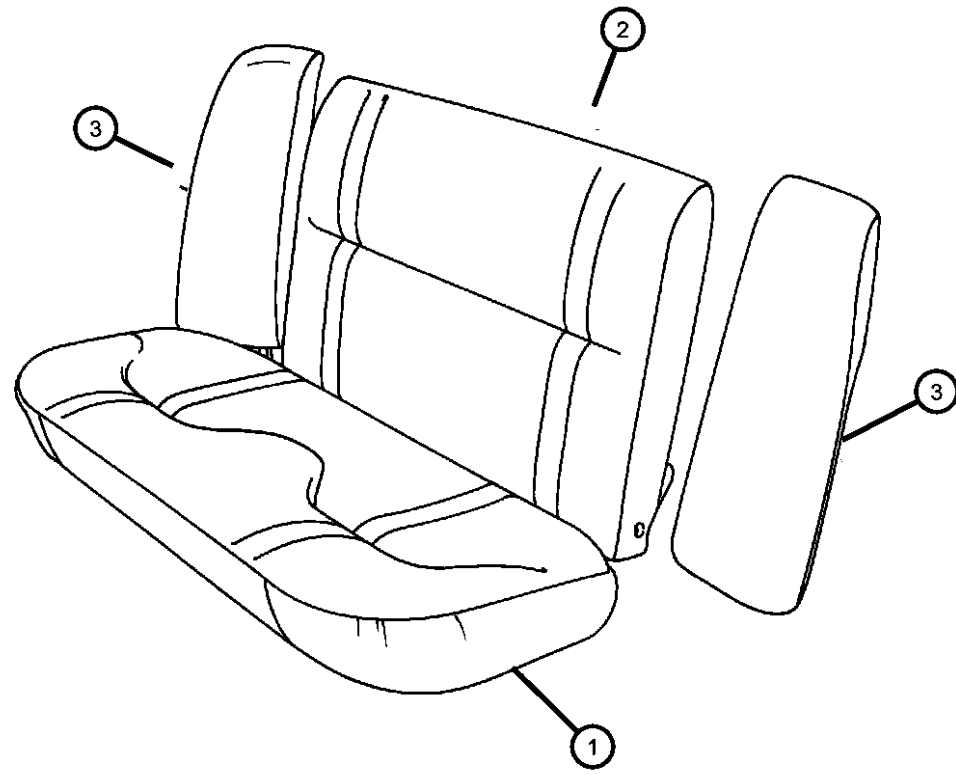
ENGINE
ECB = 2.0L 4 Cyl SOHC 16V SMPI Engine
EDZ = 2.4L 4 Cyl DOHC 16V SMPI Engine
EEB = 2.5L V6 SOHC 24V SMPI Engine

TRANSMISSION
DD5 = TRANSMISSION - 5-SPEED MANUAL
DGL = TRANSMISSION - 4-SPD. AUTOMATIC, 41TE
DD4 = TRANSMISSION - 5-SPEED PERF. MANUAL

AR = use ase required - = Non illustrated part

1999 JA

Seat Rear - C7,X7
Figure IJA-611



ITEM	PART NUMBER	QTY	LINE	SERIES	BODY	ENGINE	TRANS	TRIM	DESCRIPTION
*See 23D For Seat Back Locks									
*NOTE - Headrest Serviced In Seat Back Only									
1									CUSHION, Rear Seat
	0ST551AZAA	1						*X7	Agate
		1						*C7	Agate
	0ST551K5AA	1						*X7	Tan
		1						*C7	Tan
2									SEAT BACK, Rear
	0ST561AZAA	1						*C7	Agate
	0ST561K5AA	1						*C7	Tan
	0ST571AZAA	1						*X7	Agate
	0ST571K5AA	1						*X7	Tan
3									BOLSTER, Seat
	0RD101AZAA	1						*X7	Agate, Right
		1						*C7	Agate, Right
	0RD101K5AA	1						*X7	Tan, Right
		1						*C7	Tan, Right
	0RD111AZAA	1						*C7	Agate, Left
		1						*X7	Agate, Left
	0RD111K5AA	1						*X7	Tan, Left
		1						*C7	Tan, Left

CIRRUS,BREEZE,STRATUS (JA)

SERIES LINE
H = HIGHLINE C = CHRYSLER
P = PREMIUM D = DODGE
P = PLYMOUTH

BODY
41 = 4 Door Sedan

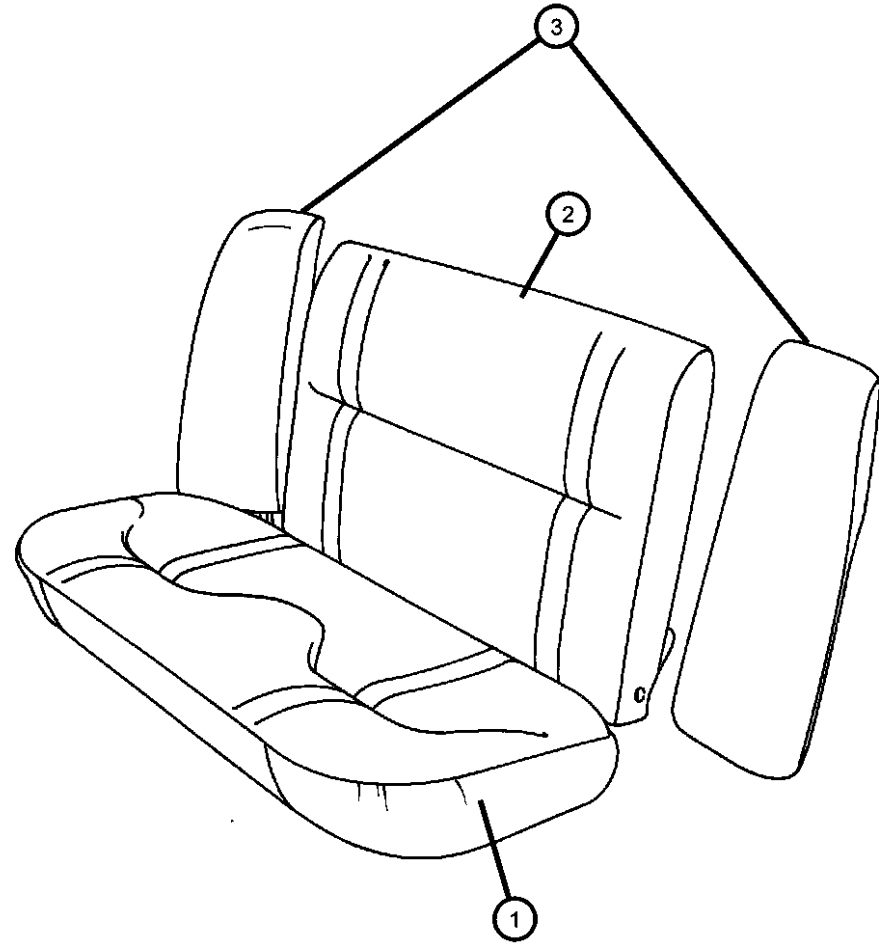
ENGINE
ECB = 2.0L 4 Cyl SOHC 16V SMPI Engine
EDZ = 2.4L 4 Cyl DOHC 16V SMPI Engine
EEB = 2.5L V6 SOHC 24V SMPI Engine

TRANSMISSION
DD5 = TRANSMISSION - 5-SPEED MANUAL
DGL = TRANSMISSION - 4-SPD. AUTOMATIC, 41TE
DD4 = TRANSMISSION - 5-SPEED PERF. MANUAL

AR = use ase required - = Non illustrated part

1999 JA

Seat Rear _ Trim Code E7
Figure IJA-616



ITEM	PART NUMBER	QTY	LINE	SERIES	BODY	ENGINE	TRANS	TRIM	DESCRIPTION
*See 23D For Seat Back Locks									
1	0ST791AZAA	1	P					*E7	CUSHION, Rear Seat, Agate
2	0ST801AZAA	1	P					*E7	SEAT BACK, Rear, Agate
3									BOLSTER, Seat
	0RH561AZAA	1						*E7	Agate, Right
	0RH571AZAA	1						*E7	Agate, Left

CIRRUS,BREEZE,STRATUS (JA)

SERIES LINE
H = HIGHLINE C = CHRYSLER
P = PREMIUM D = DODGE
 P = PLYMOUTH

BODY
41 = 4 Door Sedan

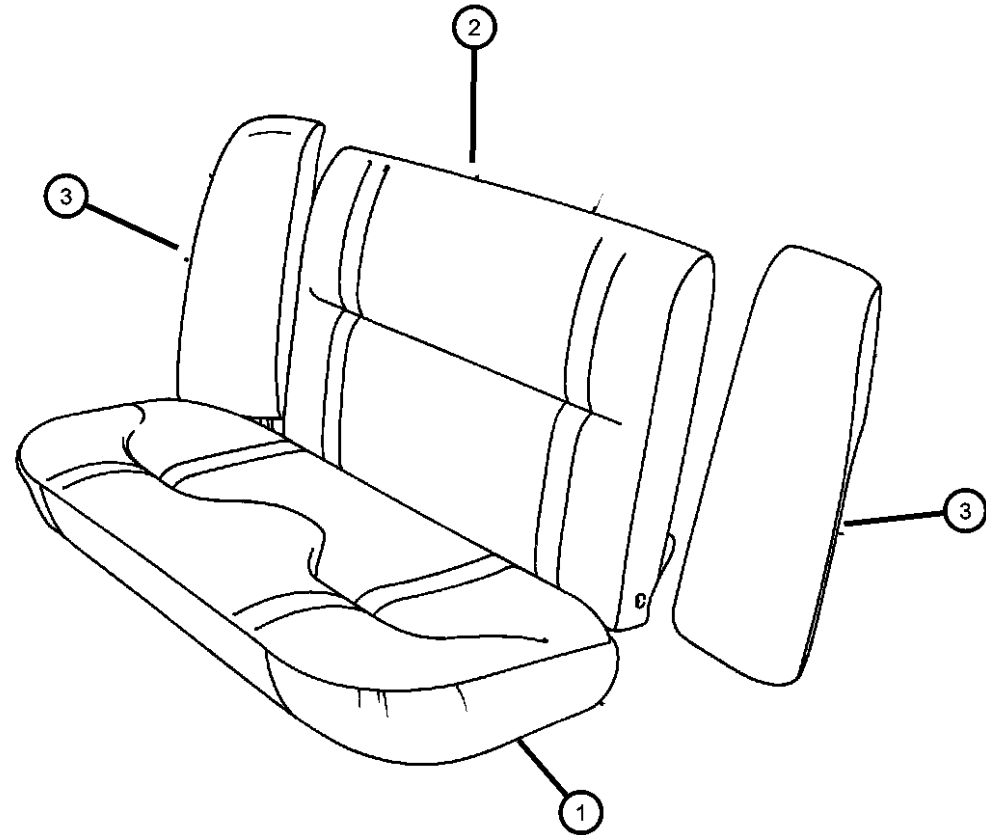
ENGINE
ECB = 2.0L 4 Cyl SOHC 16V SMPI Engine
EDZ = 2.4L 4 Cyl DOHC 16V SMPI Engine
EEB = 2.5L V6 SOHC 24V SMPI Engine

TRANSMISSION
DD5 = TRANSMISSION - 5-SPEED MANUAL
DGL = TRANSMISSION - 4-SPD. AUTOMATIC, 41TE
DD4 = TRANSMISSION - 5-SPEED PERF. MANUAL

AR = use ase required - = Non illustrated part

1999 JA

Seat Rear - Trim Code B7,B9,V7
Figure IJA-621



ITEM	PART NUMBER	QTY	LINE	SERIES	BODY	ENGINE	TRANS	TRIM	DESCRIPTION
*See 23D For Seat Back Locks									
*NOTE - Headrest Serviced In Seat Back Only									
1									CUSHION, Rear Seat
	0ST391AZAA	1						*B7	Agate
		1	D	H				*V7	Agate
		1						*B9	Agate
	0ST391JKAA	1						*B7	Silverfern
	0ST391K5AA	1						*B7	Tan
		1	D	H				*V7	Tan
		1						*B9	Tan
2									SEAT BACK, Rear
	0ST421AZAA	1						*B7	Agate
		1						*B9	Agate
	0ST421JKAA	1						*B7	Silverfern
	0ST421K5AA	1						*B7	Tan
		1						*B9	Tan
	0ST431AZAA	1	D	H				*V7	Agate
	0ST431K5AA	1	D	H				*V7	Tan
3									BOLSTER, Seat
	0ST441AZAA	1						*B7	Agate, Right
		1	D	H				*V7	Agate, Right
		1						*B9	Agate, Right
	0ST441JKAA	1						*B7	Silverfern, Right
	0ST441K5AA	1						*B7	Tan, Right
		1	D	H				*V7	Tan, Right
		1						*B9	Tan, Right
	0ST451AZAA	1						*B7	Agate, Left
		1	D	H				*V7	Agate, Left
		1						*B9	Agate, Left
	0ST451JKAA	1						*B7	Silverfern, Left
	0ST451K5AA	1						*B7	Tan, Left
		1	D	H				*V7	Tan, Left
		1						*B9	Tan, Left

CIRRUS,BREEZE,STRATUS (JA)

SERIES LINE
H = HIGHLINE C = CHRYSLER
P = PREMIUM D = DODGE
P = PLYMOUTH

BODY
41 = 4 Door Sedan

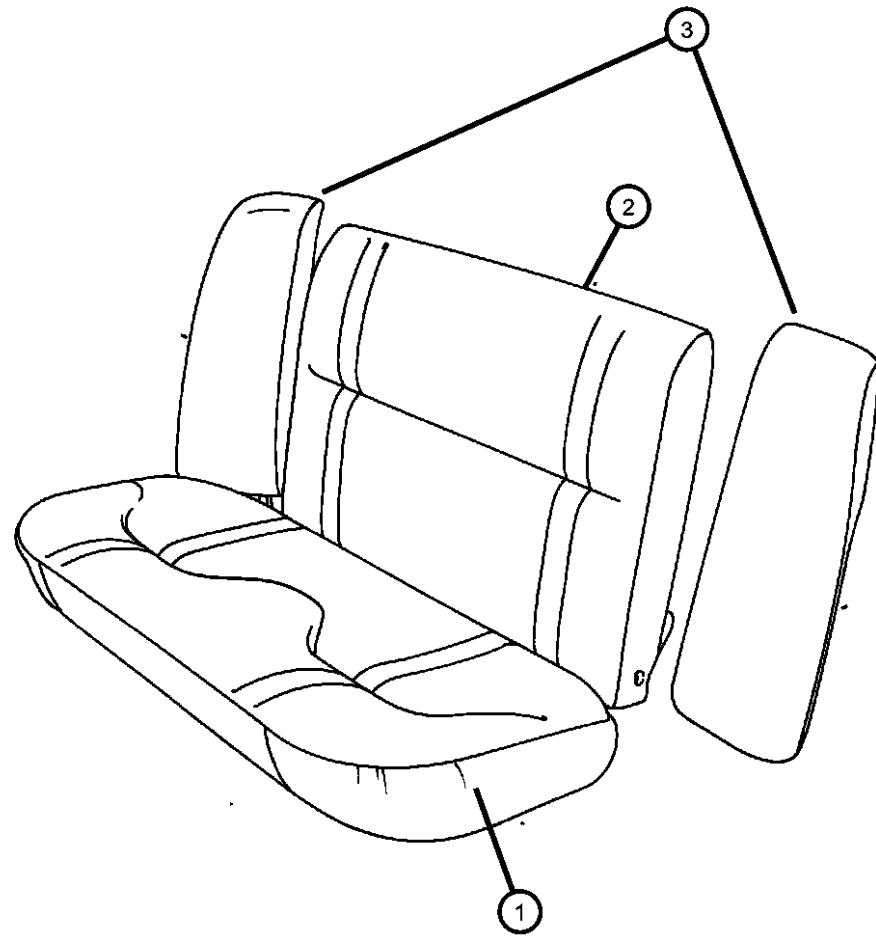
ENGINE
ECB = 2.0L 4 Cyl SOHC 16V SMPI Engine
EDZ = 2.4L 4 Cyl DOHC 16V SMPI Engine
EEB = 2.5L V6 SOHC 24V SMPI Engine

TRANSMISSION
DD5 = TRANSMISSION - 5-SPEED MANUAL
DGL = TRANSMISSION - 4-SPD. AUTOMATIC,41TE
DD4 = TRANSMISSION - 5-SPEED PERF. MANUAL

AR = use ase required - = Non illustrated part

1999 JA

Seat Rear - Trim Code LL
Figure IJA-626



ITEM	PART NUMBER	QTY	LINE	SERIES	BODY	ENGINE	TRANS	TRIM	DESCRIPTION
*See 23D For Seat Back Locks									
1	0HJ341AZ	1						*LL	CUSHION, Rear Seat, Agate
2	0HJ381AZ	1						*LL	SEAT BACK, Rear, Agate
3									BOLSTER, Seat
	0HJ361AZ	1						*LL	Agate, Right
	0HJ391AZ	1						*LL	Agate, Left

CIRRUS,BREEZE,STRATUS (JA)

SERIES LINE
H = HIGHLINE C = CHRYSLER
P = PREMIUM D = DODGE
 P = PLYMOUTH

BODY
41 = 4 Door Sedan

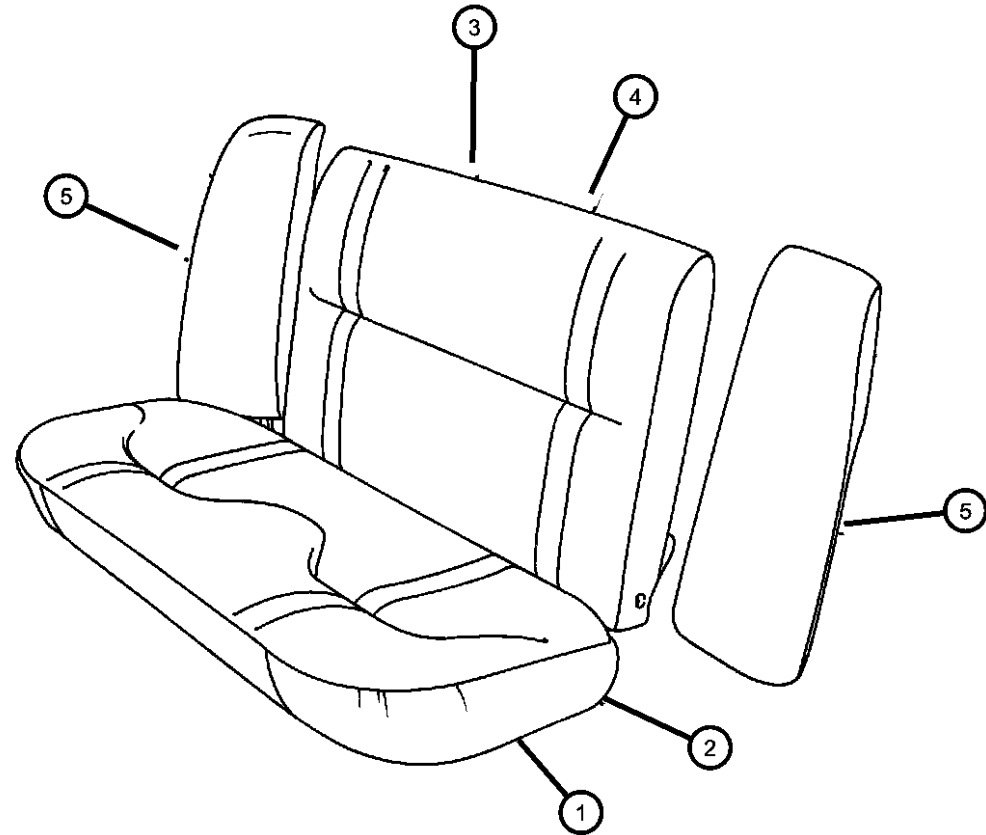
ENGINE
ECB = 2.0L 4 Cyl SOHC 16V SMPI Engine
EDZ = 2.4L 4 Cyl DOHC 16V SMPI Engine
EEB = 2.5L V6 SOHC 24V SMPI Engine

TRANSMISSION
DD5 = TRANSMISSION - 5-SPEED MANUAL
DGL = TRANSMISSION - 4-SPD. AUTOMATIC,41TE
DD4 = TRANSMISSION - 5-SPEED PERF. MANUAL

AR = use ase required - = Non illustrated part

1999 JA

Seat Rear - Trim Code XL
Figure IJA-631



ITEM	PART NUMBER	QTY	LINE	SERIES	BODY	ENGINE	TRANS	TRIM	DESCRIPTION
*See 23D For Seat Back Locks									
*NOTE - Headrest Serviced In Seat Back Only									
1									CUSHION, Rear Seat
	0RE641AZAA	1						*XL	Agate
	0RE641JKAA	1						*XL	Silverfern
	0RE641K5AA	1						*XL	Tan
2									COVER, Rear Seat Cushion
	0RE661AZAA	1						*XL	Agate
	0RE661JKAA	1						*XL	Silverfern
	0RE661K5AA	1						*XL	Tan
3									SEAT BACK, Rear
	0RE651AZAA	1						*XL	Agate
	0RE651JKAA	1						*XL	Silverfern
	0RE651K5AA	1						*XL	Tan
4									COVER, Rear Seat Back
	0RE671AZAA	1						*XL	Agate
	0RE671JKAA	1						*XL	Silverfern
	0RE671K5AA	1						*XL	Tan
5									BOLSTER, Seat
	0RF881AZAA	1						*XL	Agate, Right
	0RF881JKAA	1						*XL	Silverfern, Right
	0RF881K5AA	1						*XL	Tan, Right
	0RF891AZAA	1						*XL	Agate, Left
	0RF891JKAA	1						*XL	Silverfern, Left
	0RF891K5AA	1						*XL	Tan, Left

CIRRUS,BREEZE,STRATUS (JA)

SERIES LINE
H = HIGHLINE C = CHRYSLER
P = PREMIUM D = DODGE
 P = PLYMOUTH

BODY
41 = 4 Door Sedan

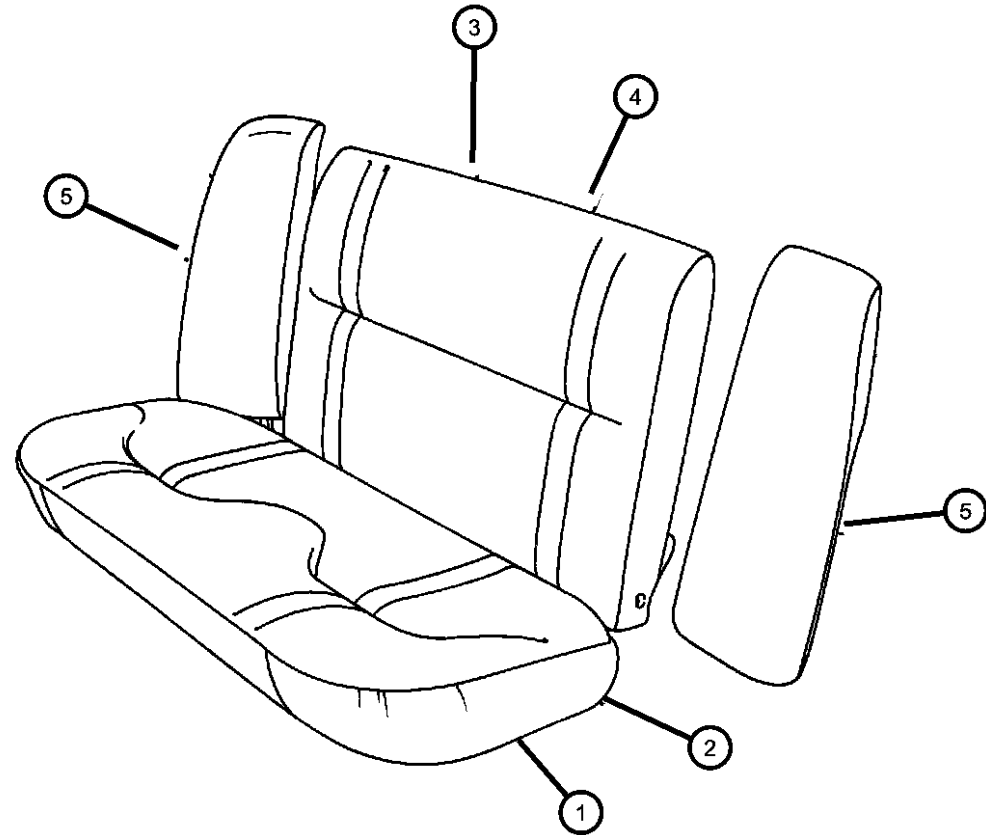
ENGINE
ECB = 2.0L 4 Cyl SOHC 16V SMPI Engine
EDZ = 2.4L 4 Cyl DOHC 16V SMPI Engine
EEB = 2.5L V6 SOHC 24V SMPI Engine

TRANSMISSION
DD5 = TRANSMISSION - 5-SPEED MANUAL
DGL = TRANSMISSION - 4-SPD. AUTOMATIC, 41TE
DD4 = TRANSMISSION - 5-SPEED PERF. MANUAL

AR = use ase required - = Non illustrated part

1999 JA

Seat Rear - Trim Code NL
Figure IJA-637



ITEM	PART NUMBER	QTY	LINE	SERIES	BODY	ENGINE	TRANS	TRIM	DESCRIPTION
------	-------------	-----	------	--------	------	--------	-------	------	-------------

*See 23D For Seat Back Locks

*NOTE - Headrest Serviced In Seat Back Only

1									CUSHION, Rear Seat
	0HJ341AZ	1	C					*NL	Agate
	0HJ34SK5	1	C					*NL	Tan
2									COVER, Rear Seat Cushion
	0JK121AZ	1	C					*NL	Agate
	0JK12SK5	1	C					*NL	Tan
3									SEAT BACK, Rear
	0HJ401AZ	1	C					*NL	Agate
	0HJ40SK5	1	C					*NL	Tan
4									COVER, Rear Seat Back
	0JK081AZ	1	C					*NL	Agate
	0JK08SK5	1	C					*NL	Tan
5									BOLSTER, Seat
	0HJ361AZ	1	C					*NL	Agate, Right
	0HJ36SK5	1	C					*NL	Tan, Right
	0HJ391AZ	1	C					*NL	Agate, Left
	0HJ39SK5	1	C					*NL	Tan, Left

CIRRUS,BREEZE,STRATUS (JA)

SERIES LINE
H = HIGHLINE C = CHRYSLER
P = PREMIUM D = DODGE
 P = PLYMOUTH

BODY
41 = 4 Door Sedan

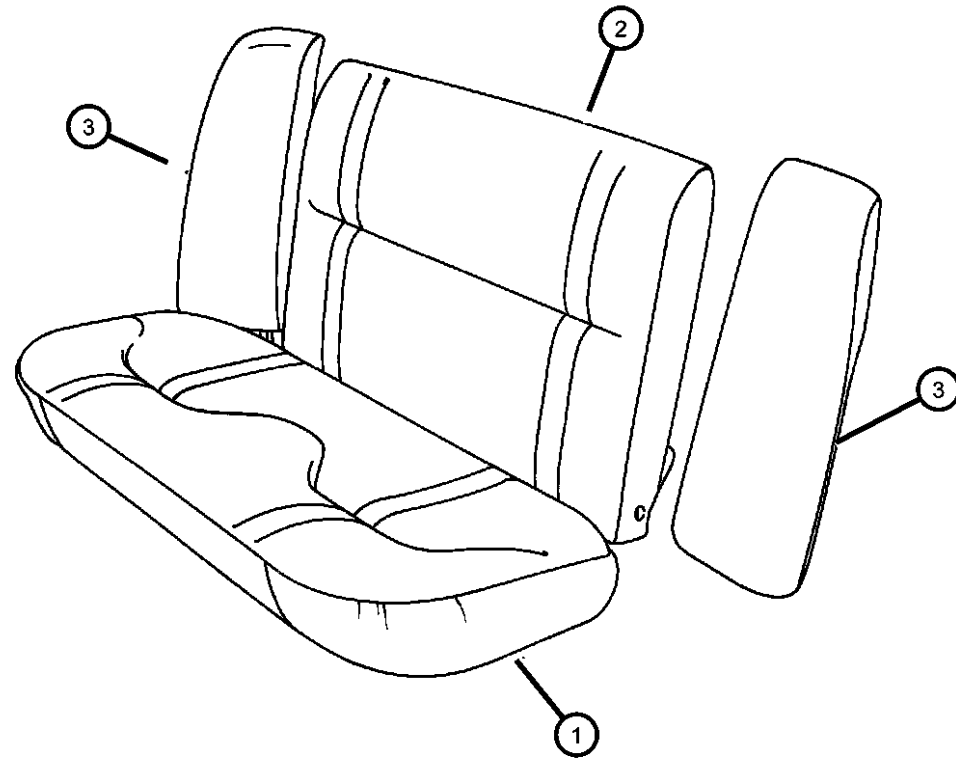
ENGINE
ECB = 2.0L 4 Cyl SOHC 16V SMPI Engine
EDZ = 2.4L 4 Cyl DOHC 16V SMPI Engine
EEB = 2.5L V6 SOHC 24V SMPI Engine

TRANSMISSION
DD5 = TRANSMISSION - 5-SPEED MANUAL
DGL = TRANSMISSION - 4-SPD. AUTOMATIC, 41TE
DD4 = TRANSMISSION - 5-SPEED PERF. MANUAL

AR = use ase required - = Non illustrated part

1999 JA

**Seat Rear - Trim Code K6,P6
Figure IJA-641**



ITEM	PART NUMBER	QTY	LINE	SERIES	BODY	ENGINE	TRANS	TRIM	DESCRIPTION
*See 23D For Seat Back Locks									
*NOTE - Headrest Serviced In Seat Back Only									
1									CUSHION, Rear Seat
	0ST721AZAA	1						*K6	Agate
		1						*P6	Agate
	0ST721JKAA	1						*K6	Silverfern
	0ST721K5AA	1						*K6	Tan
		1						*P6	Tan
2									SEAT BACK, Rear
	0ST731AZAA	1						*K6	Agate
		1						*P6	Agate
	0ST731JKAA	1						*K6	Silverfern
	0ST731K5AA	1						*K6	Tan
		1						*P6	Tan
3									BOLSTER, Seat
	0ST741AZAA	1						*K6	Agate, Right
		1						*P6	Agate, Right
	0ST741JKAA	1						*K6	Silverfern, Right
	0ST741K5AA	1						*K6	Tan, Right
		1						*P6	Tan, Right
	0ST751AZAA	1						*K6	Agate, Left
		1						*P6	Agate, Left
	0ST751JKAA	1						*K6	Silverfern, Left
	0ST751K5AA	1						*K6	Tan, Left
		1						*P6	Tan, Left

CIRRUS,BREEZE,STRATUS (JA)

SERIES LINE
H = HIGHLINE C = CHRYSLER
P = PREMIUM D = DODGE
 P = PLYMOUTH

BODY
41 = 4 Door Sedan

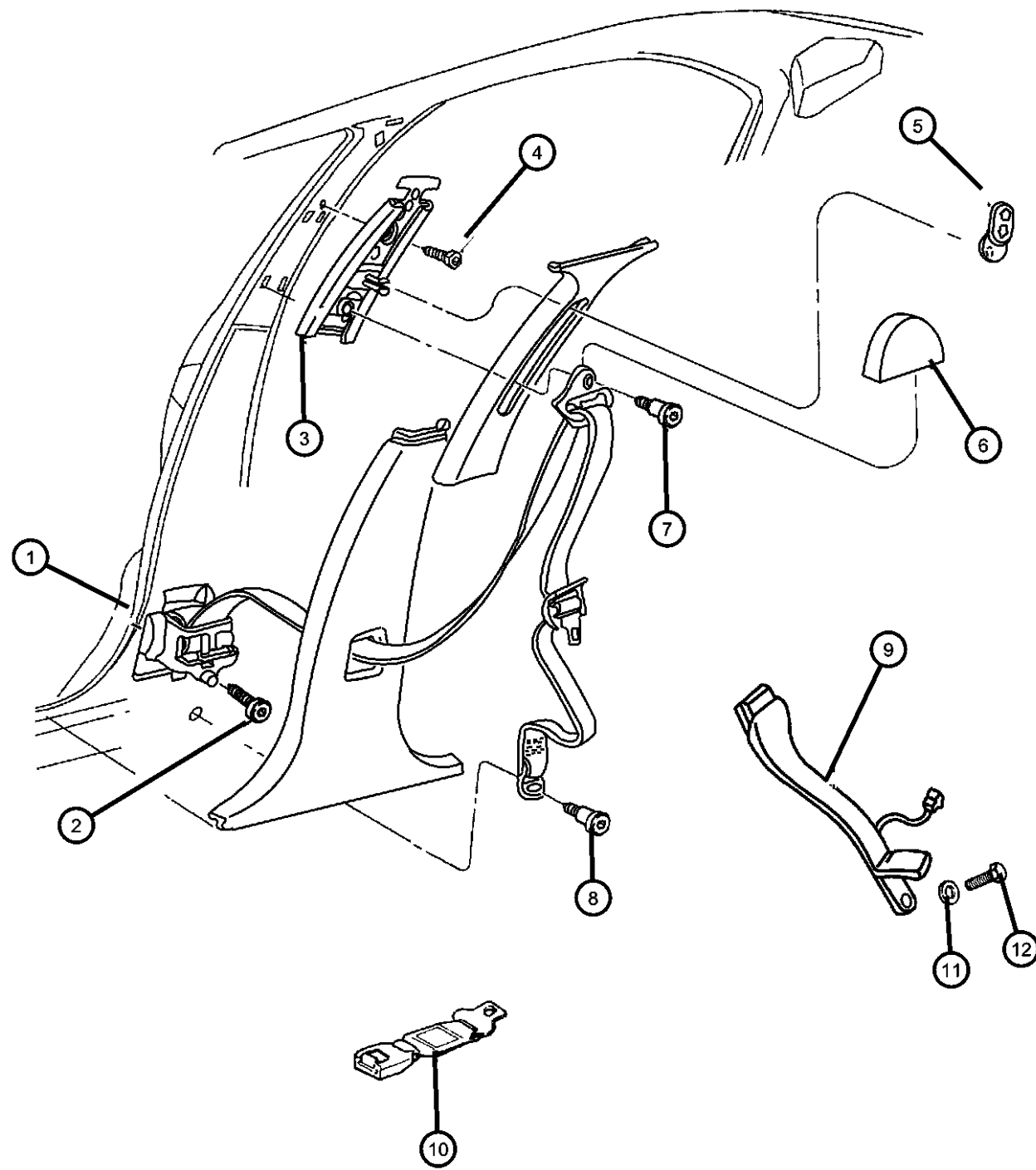
ENGINE
ECB = 2.0L 4 Cyl SOHC 16V SMPI Engine
EDZ = 2.4L 4 Cyl DOHC 16V SMPI Engine
EEB = 2.5L V6 SOHC 24V SMPI Engine

TRANSMISSION
DD5 = TRANSMISSION - 5-SPEED MANUAL
DGL = TRANSMISSION - 4-SPD. AUTOMATIC, 41TE
DD4 = TRANSMISSION - 5-SPEED PERF. MANUAL

AR = use ase required - = Non illustrated part

1999 JA

Front Seat Belts
Figure IJA-710



ITEM	PART NUMBER	QTY	LINE	SERIES	BODY	ENGINE	TRANS	TRIM	DESCRIPTION
1									SEAT BELT, Front
	0QQ86LAZAD	1						*O0	Black, European, Right
	0QQ87LAZAD	1						*O0	Black, European, Left
	0RR981JKAC	1						*O0	Silverfern, Right
	0RR98LAZAC	1						*O0	Agate, Right
	0RR98RK5AC	1						*O0	Tan, Right
	0RR991JKAD	1						*O0	Silverfern, Left
	0RR99LAZAD	1						*O0	Agate, Left
	0RR99RK5AD	1						*O0	Tan, Left
2	06035771	2							SCREW
3	04649003AB	2							ADJUSTER, Seat Belt Turning Loop
4	04649003AB	2							SCREW, (Serv. With Item 3), (NOT SERVICED)
5	04645780	2							KNOB, Seat Belt Adjuster, Adjuster
6	0JV77LAZ	2						*O0	COVER, Adjustable Turning Loop, Black
7	04664039	2							SCREW, Pan Head, .437-20x1.244, Seat Belt To T/Loop
8	06035916	2							SCREW, Pan Head, .437-20x1.375
9									SEAT BELT, Front Inner
	0SH481AZAA	2						*C7	Agate
		2	P					*E7	Agate
		2						*K6	Agate
		2						*L7	Agate
		2						*LL	Agate
		2	D		H			*M7	Agate
		2	C					*NL	Agate
		2						*X7	Agate
		2						*XL	Agate
		2	P					*Q7	Agate
	0SH481JKAA	2						*K6	Silverfern
		2						*L7	Silverfern
		2						*XL	Silverfern
		2	P					*Q7	Silverfern
	0SH481K5AA	2						*C7	Tan

CIRRUS,BREEZE,STRATUS (JA)
 SERIES LINE
 H = HIGHLINE C = CHRYSLER
 P = PREMIUM D = DODGE
 P = PLYMOUTH

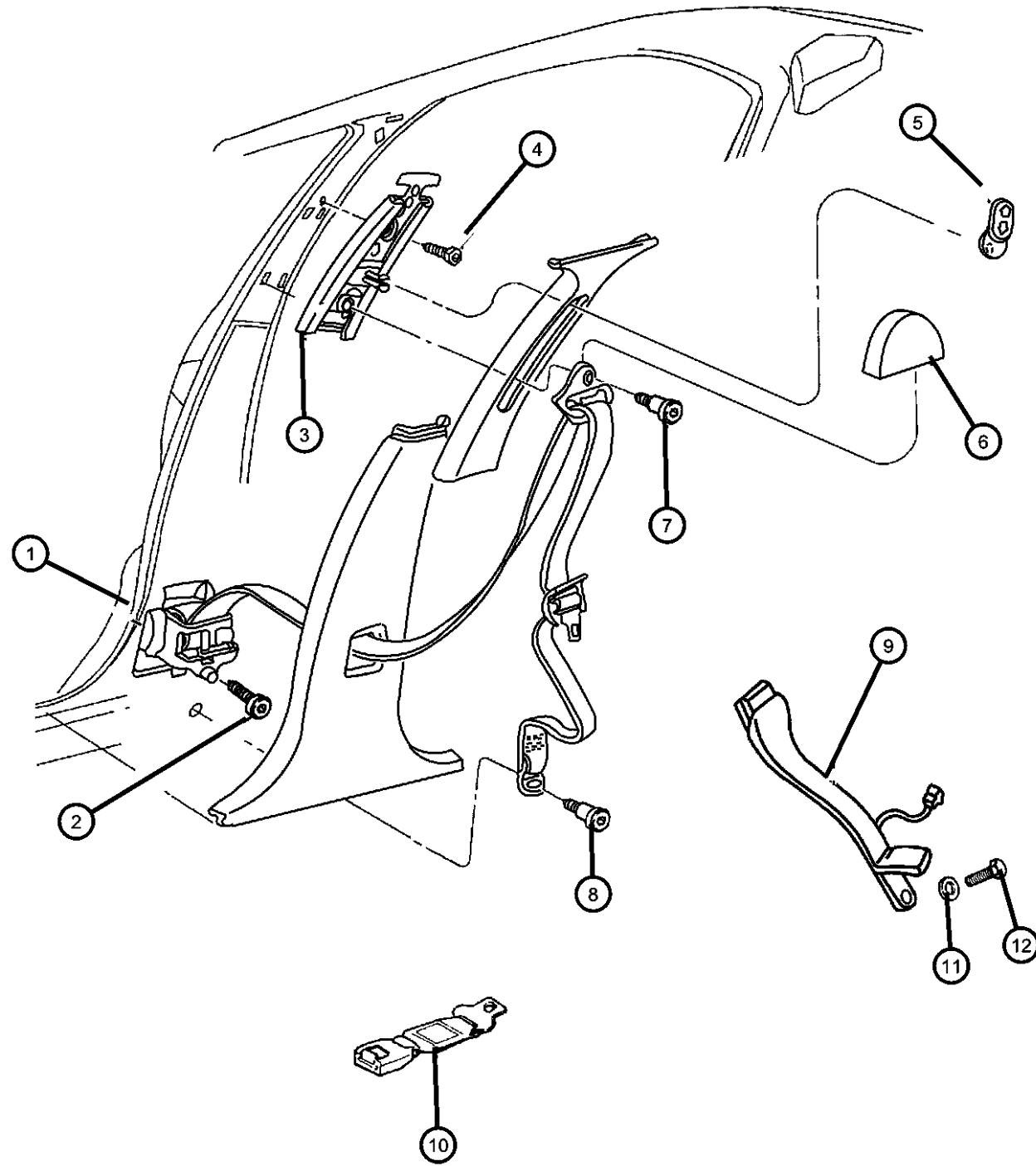
BODY
 41 = 4 Door Sedan

ENGINE
 ECB = 2.0L 4 Cyl SOHC 16V SMPI Engine
 EDZ = 2.4L 4 Cyl DOHC 16V SMPI Engine
 EEB = 2.5L V6 SOHC 24V SMPI Engine

TRANSMISSION
 DD5 = TRANSMISSION - 5-SPEED MANUAL
 DGL = TRANSMISSION - 4-SPD. AUTOMATIC,41TE
 DD4 = TRANSMISSION - 5-SPEED PERF. MANUAL

AR = use ase required - = Non illustrated part

Front Seat Belts
Figure IJA-710



ITEM	PART NUMBER	QTY	LINE	SERIES	BODY	ENGINE	TRANS	TRIM	DESCRIPTION
		2						*K6	Tan
		2						*L7	Tan
		2						*XL	Tan
		2	P					*Q7	Tan
10	04856560	1	P						EXTENDER, Seat Belt
		1	P					*A7	
		1						*B7	
		1						*C7	
		1						*D7	
		1	P					*E7	
		1						*K6	
		1						*L7	
		1	D	H				*M7	
		1						*X7	
		1						*LL	
		1						*XL	
		1	C					*NL	
11		1							SPACER, Seatbelt, (NOT REQUIRED)
12		1							BOLT, (NOT SERVICED)

CIRRUS,BREEZE,STRATUS (JA)
 SERIES LINE
 H = HIGHLINE C = CHRYSLER
 P = PREMIUM D = DODGE
 P = PLYMOUTH

BODY
 41 = 4 Door Sedan

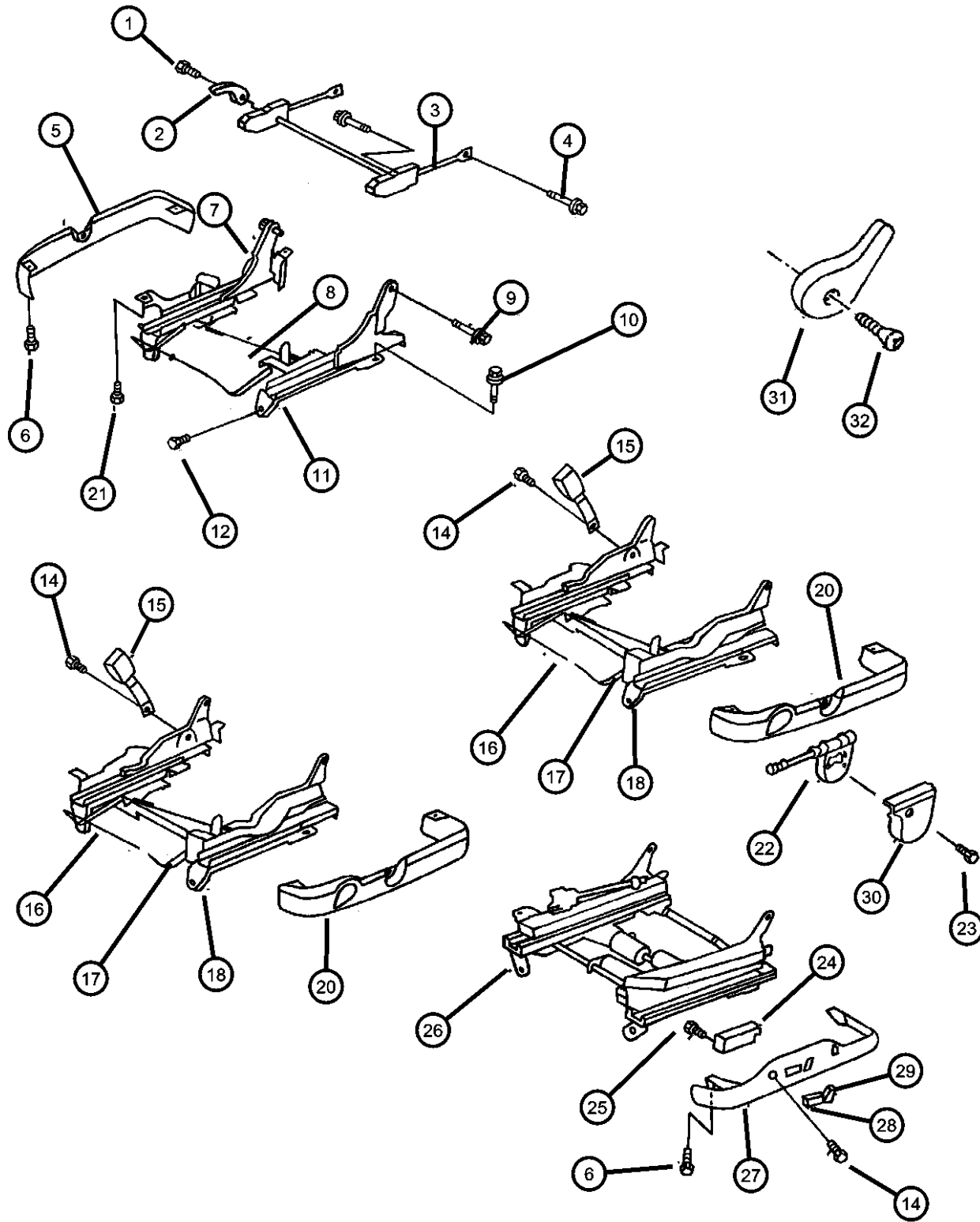
ENGINE
 ECB = 2.0L 4 Cyl SOHC 16V SMPI Engine
 EDZ = 2.4L 4 Cyl DOHC 16V SMPI Engine
 EEB = 2.5L V6 SOHC 24V SMPI Engine

TRANSMISSION
 DD5 = TRANSMISSION - 5-SPEED MANUAL
 DGL = TRANSMISSION - 4-SPD. AUTOMATIC,41TE
 DD4 = TRANSMISSION - 5-SPEED PERF. MANUAL

AR = use ase required - = Non illustrated part

1999 JA

Front Seat Adjuster, Recliner And Side Shield
Figure IJA-810



ITEM	PART NUMBER	QTY	LINE	SERIES	BODY	ENGINE	TRANS	TRIM	DESCRIPTION
1	04519077AB	1							SCREW, Recliner Handle Attaching (8-18x.75), (NOT SERVICED)
2	04761004	1							HANDLE, Seat Recliner
		1	C					*LL	Right
		1						*NL	Right
		1						*XL	Right
		1						*L7	Right
		1	P					*B7	Right
		1	P					*A7	Right
		1						*C7	Right
		1						*X7	Right
		1						*K6	Right
		1	D		H			*M7	Right
		1	P					*E7	Right
		1	P					*Q7	Right
		1						*B9	Right
	04761005	1							
		1						*LL	Left
		1	C					*NL	Left
		1						*XL	Left
		1						*L7	Left
		1	P					*B7	Left
		1	P					*A7	Left
		1						*C7	Left
		1						*X7	Left
		1						*K6	Left
		1	D		H			*M7	Left
		1	P					*E7	Left
		1	P					*Q7	Left
		1						*B9	Left
3	04741196	1							RECLINER, Seat Back
		1	C					*LL	Right
		1						*NL	Right
		1						*XL	Right
		1						*L7	Right

CIRRUS,BREEZE,STRATUS (JA)
 SERIES LINE
 H = HIGHLINE C = CHRYSLER
 P = PREMIUM D = DODGE
 P = PLYMOUTH

BODY
 41 = 4 Door Sedan

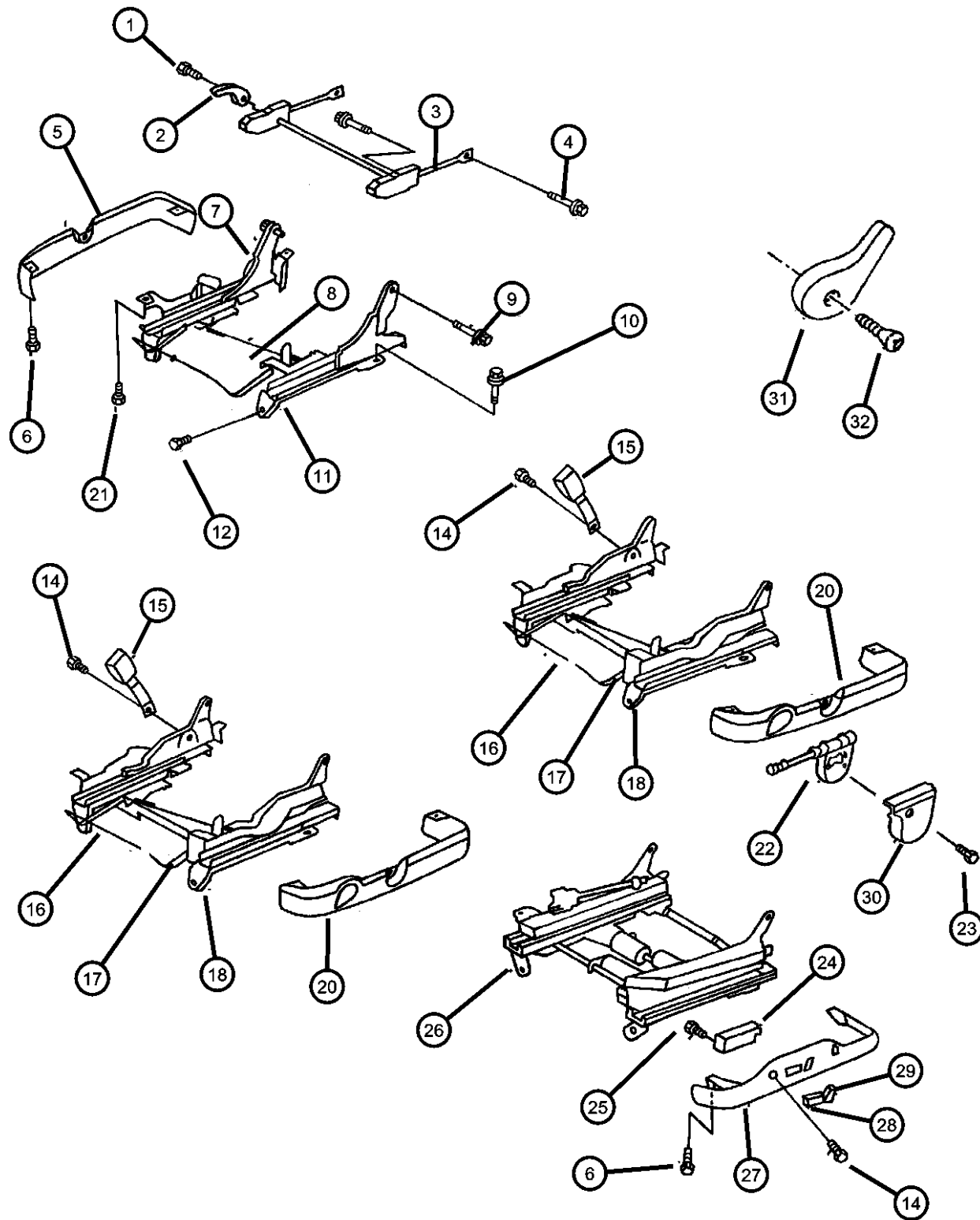
ENGINE
 ECB = 2.0L 4 Cyl SOHC 16V SMPI Engine
 EDZ = 2.4L 4 Cyl DOHC 16V SMPI Engine
 EEB = 2.5L V6 SOHC 24V SMPI Engine

TRANSMISSION
 DD5 = TRANSMISSION - 5-SPEED MANUAL
 DGL = TRANSMISSION - 4-SPD. AUTOMATIC, 41TE
 DD4 = TRANSMISSION - 5-SPEED PERF. MANUAL

AR = use ase required - = Non illustrated part

1999 JA

Front Seat Adjuster, Recliner And Side Shield
Figure IJA-810



ITEM	PART NUMBER	QTY	LINE	SERIES	BODY	ENGINE	TRANS	TRIM	DESCRIPTION
		1	P					*B7	Right
		1	P					*A7	Right
		1						*C7	Right
		1						*X7	Right
		1						*K6	Right
		1	D	H				*M7	Right
		1	P					*E7	Right
		1	P					*Q7	Right
		1						*P6	Right
		1						*B9	Right
	04741197	1						*LL	Left
		1	C					*NL	Left
		1						*XL	Left
		1						*L7	Left
		1	P					*B7	Left
		1	P					*A7	Left
		1						*C7	Left
		1						*X7	Left
		1						*K6	Left
		1	D	H				*M7	Left
		1	P					*E7	Left
		1						*P6	Left
		1						*B9	Left
4		1							SCREW, Recliner Attaching (M6-1.00x20.0), (NOT SERVICED)
5									SHIELD, Seat Cushion
	0JK211AZ	1	D	H				*V7	Agate, Left
		1						*B7	Agate, Left
		1	P					*Q7	Agate, Left
		1						*B9	Agate, Left
		1						*C7	Agate, Left
		1						*E7	Agate, Left
		1						*K6	Agate, Left
	0JK211JK	1						*B7	Silverfern, Left

CIRRUS,BREEZE,STRATUS (JA)
 SERIES LINE
 H = HIGHLINE C = CHRYSLER
 P = PREMIUM D = DODGE
 P = PLYMOUTH

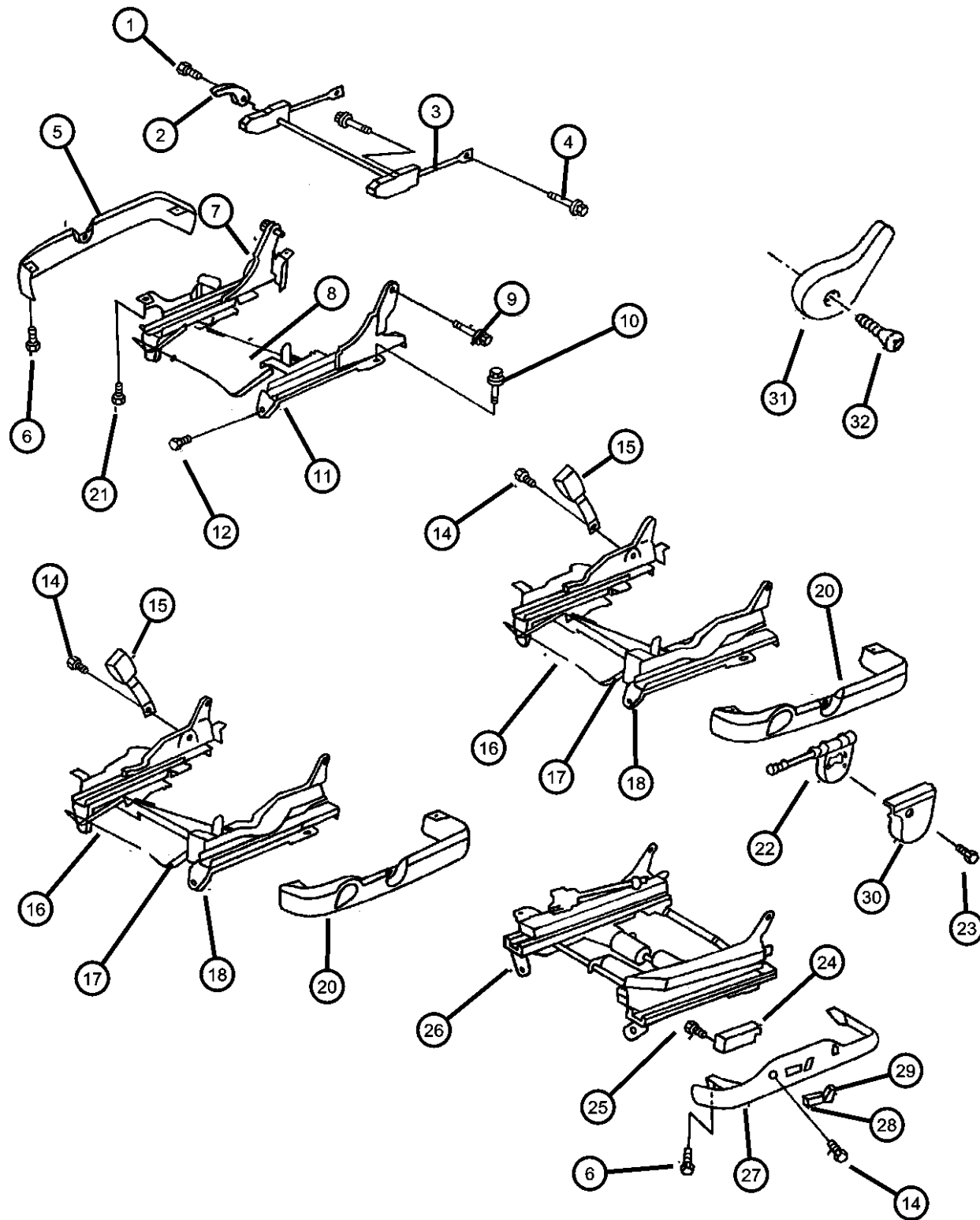
BODY
 41 = 4 Door Sedan

ENGINE
 ECB = 2.0L 4 Cyl SOHC 16V SMPI Engine
 EDZ = 2.4L 4 Cyl DOHC 16V SMPI Engine
 EEB = 2.5L V6 SOHC 24V SMPI Engine

TRANSMISSION
 DD5 = TRANSMISSION - 5-SPEED MANUAL
 DGL = TRANSMISSION - 4-SPD. AUTOMATIC, 41TE
 DD4 = TRANSMISSION - 5-SPEED PERF. MANUAL

AR = use ase required - = Non illustrated part

Front Seat Adjuster, Recliner And Side Shield
Figure IJA-810



ITEM	PART NUMBER	QTY	LINE	SERIES	BODY	ENGINE	TRANS	TRIM	DESCRIPTION
		1	P					*Q7	Silverfern, Left
		1						*K6	Silverfern, Left
	0JK211K5	1	D	H				*V7	Tan, Left
		1						*B7	Tan, Left
		1	P					*Q7	Tan, Left
		1						*B9	Tan, Left
		1						*C7	Tan, Left
	0JK221AZ	1	D	H				*K6	Tan, Left
		1						*V7	Agate, (4-way), Left, Outer
	0JK221K5	1	D	H				*B9	Agate, (4-way), Left, Outer
		1						*V7	Tan, (4-way), Left, Outer
		1						*B9	Tan, (4-way), Left, Outer
	0RY571AZAA	1						*C7	Agate, Used w/Sunroof, Right
		1	P					*Q7	Agate, Used w/Sunroof, Right
		1	P					*E7	Agate, Used w/Sunroof, Right
		1						*K6	Agate, Used w/Sunroof, Right
		1						*L7	Agate, Used w/Sunroof, Right
		1						*LL	Agate, Used w/Sunroof, Right
		1						*XL	Agate, Used w/Sunroof, Right
		1						*B7	Agate, Used w/Sunroof, Right
		1	D	H				*V7	Agate, Used w/Sunroof, Right
		1						*P6	Agate, Right
		1						*B9	Agate, Right
	0RY571JKAA	1						*C7	Silverfern, Used w/Sunroof, Right
		1	P					*Q7	Silverfern, Used w/Sunroof, Right
		1						*K6	Silverfern, Used w/Sunroof, Right
		1						*L7	Silverfern, Used w/Sunroof, Right
		1						*XL	Silverfern, Used w/Sunroof, Right
		1						*B7	Silverfern, Used w/Sunroof, Right
	0RY571K5AA	1						*C7	Tan, Used w/Sunroof, Right
		1	P					*Q7	Tan, Used w/Sunroof, Right

CIRRUS,BREEZE,STRATUS (JA)
 SERIES LINE
 H = HIGHLINE C = CHRYSLER
 P = PREMIUM D = DODGE
 P = PLYMOUTH

BODY
 41 = 4 Door Sedan

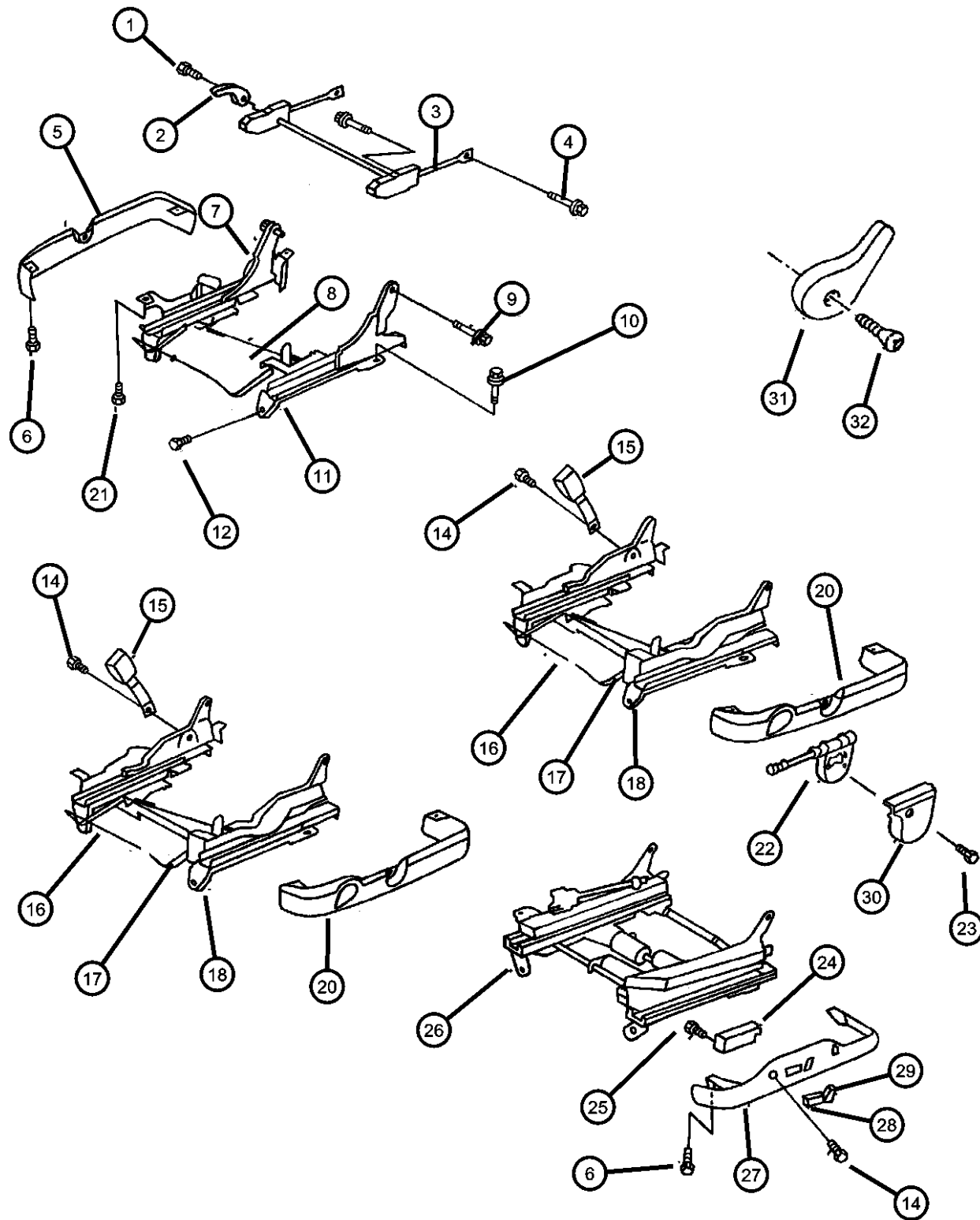
ENGINE
 ECB = 2.0L 4 Cyl SOHC 16V SMPI Engine
 EDZ = 2.4L 4 Cyl DOHC 16V SMPI Engine
 EEB = 2.5L V6 SOHC 24V SMPI Engine

TRANSMISSION
 DD5 = TRANSMISSION - 5-SPEED MANUAL
 DGL = TRANSMISSION - 4-SPD. AUTOMATIC, 41TE
 DD4 = TRANSMISSION - 5-SPEED PERF. MANUAL

AR = use ase required - = Non illustrated part

1999 JA

Front Seat Adjuster, Recliner And Side Shield
Figure IJA-810



ITEM	PART NUMBER	QTY	LINE	SERIES	BODY	ENGINE	TRANS	TRIM	DESCRIPTION
		1						*K6	Tan, Used w/Sunroof, Right
		1						*L7	Tan, Used w/Sunroof, Right
		1						*XL	Tan, Used w/Sunroof, Right
		1						*B7	Tan, Used w/Sunroof, Right
		1	D	H				*V7	Tan, Used w/Sunroof, Right
		1						*P6	Tan, Right
		1						*B9	Tan, Right
6		1							SCREW, Tapping, .164-18x.75, (NOT SERVICED), ADJUSTER, Manual Seat
7	04741166	1						*P6	Right, Inboard
		1						*B9	Right, Inboard
		1						*Q7	Right, Outboard
	04741167	1						*B9	Left, Inboard
		1	P					*Q7	Left, Outboard
	04741168	1						*LL	Passenger Side, Outer
		1						*XL	Passenger Side, Outer
		1	C					*NL	Passenger Side, Outer
		1						*D7	Passenger Side, Outer
		1						*L7	Passenger Side, Outer
		1	P					*B7	Passenger Side, Outer
		1	P					*A7	Passenger Side, Outer
		1						*C7	Passenger Side, Outer
		1						*X7	Passenger Side, Outer
		1						*K6	Passenger Side, Outer
		1	D	H				*M7	Passenger Side, Outer
		1	P					*E7	Passenger Side, Outer
		1	P					*G7	Passenger Side, Outer
		1	D	H				*V7	Passenger Side, Outer
		1						*P6	Right, Outboard
		1						*B9	Right, Outboard
		1						*Q7	Right, Inboard
	04741169	1						*D7	Driver Side, Outer
		1						*L7	Driver Side, Outer

CIRRUS,BREEZE,STRATUS (JA)
 SERIES LINE
 H = HIGHLINE C = CHRYSLER
 P = PREMIUM D = DODGE
 P = PLYMOUTH

BODY
 41 = 4 Door Sedan

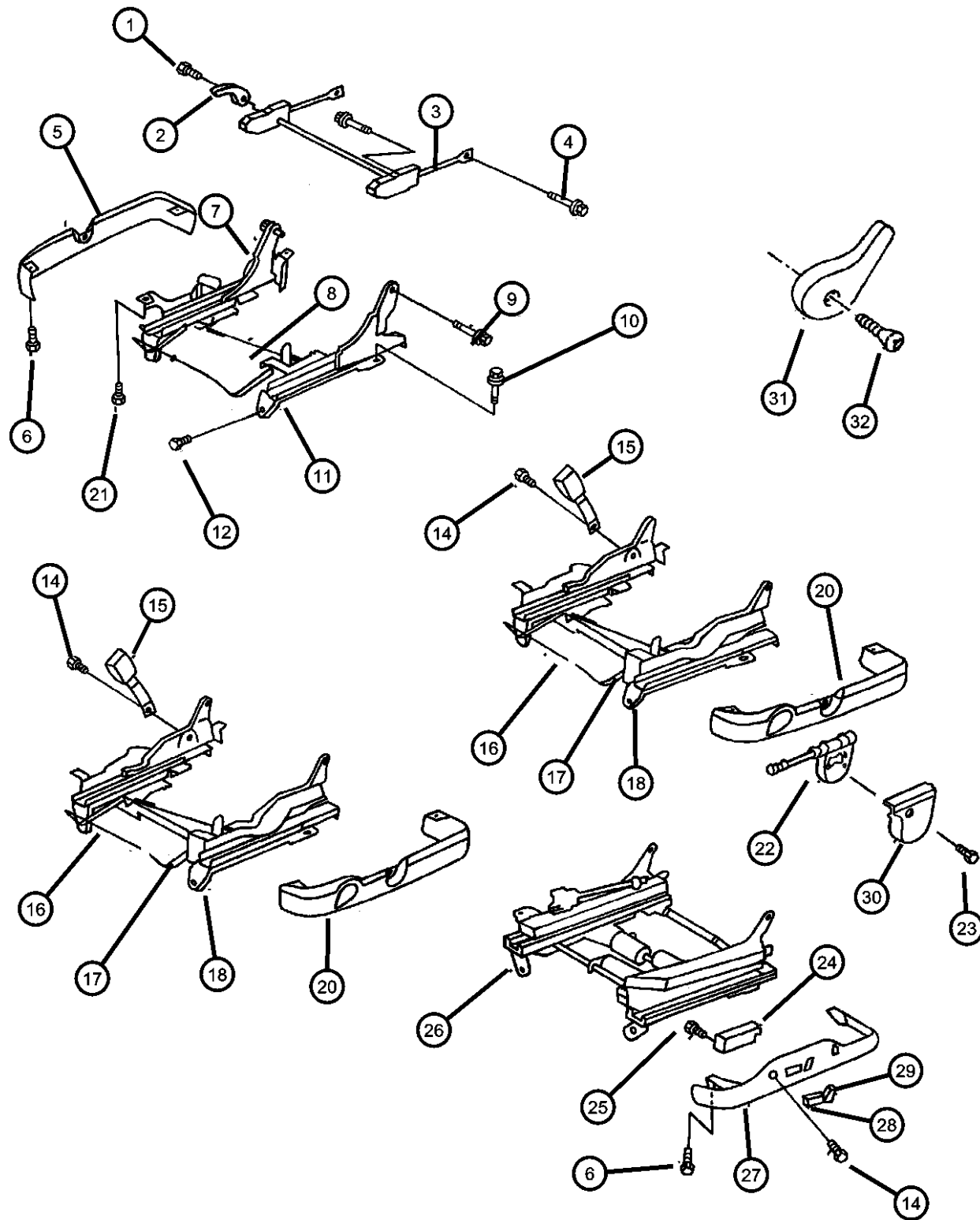
ENGINE
 ECB = 2.0L 4 Cyl SOHC 16V SMPI Engine
 EDZ = 2.4L 4 Cyl DOHC 16V SMPI Engine
 EEB = 2.5L V6 SOHC 24V SMPI Engine

TRANSMISSION
 DD5 = TRANSMISSION - 5-SPEED MANUAL
 DGL = TRANSMISSION - 4-SPD. AUTOMATIC, 41TE
 DD4 = TRANSMISSION - 5-SPEED PERF. MANUAL

AR = use ase required - = Non illustrated part

1999 JA

Front Seat Adjuster, Recliner And Side Shield
Figure IJA-810



ITEM	PART NUMBER	QTY	LINE	SERIES	BODY	ENGINE	TRANS	TRIM	DESCRIPTION
		1	P					*B7	Driver Side, Outer
		1	P					*A7	Driver Side, Outer
		1	D	H				*M7	Driver Side, Outer
		1	D	H				*V7	Driver Side, Outer
		1						*B9	Left, Outboard
		1	P					*Q7	Left, Inboard
	05011396AA	1	P					*Q7	Used With Sunroof Only, Outer, Right
		1						*C7	Used With Sunroof Only, Outer, Right
		1	P					*E7	Used With Sunroof Only, Outer, Right
		1						*K6	Used With Sunroof Only, Outer, Right
		1						*LL	Used With Sunroof Only, Outer, Right
		1						*XL	Used With Sunroof Only, Outer, Right
		1	P					*G7	Used With Sunroof Only, Outer, Right
		1						*B7	Used With Sunroof Only, Outer, Right
	05011397AA	1	P					*Q7	Used With Sunroof Only, Inner, Right
		1						*C7	Used With Sunroof Only, Inner, Right
		1	P					*E7	Used With Sunroof Only, Inner, Right
		1						*K6	Used With Sunroof Only, Inner, Right
		1						*LL	Used With Sunroof Only, Inner, Right
		1						*XL	Used With Sunroof Only, Inner, Right
		1	P					*G7	Used With Sunroof Only, Inner Right
		1						*B7	Used With Sunroof Only, Inner Right
8		1							WIRE, Front Seat, Adjuster Connector (Never Used, Towel Bar Used To Connect Adjusters), (NOT SERVICED),
9									BOLT, Hex Head, M10x1.5x24, (M10-1.50x24.0)

CIRRUS,BREEZE,STRATUS (JA)
 SERIES LINE
 H = HIGHLINE C = CHRYSLER
 P = PREMIUM D = DODGE
 P = PLYMOUTH

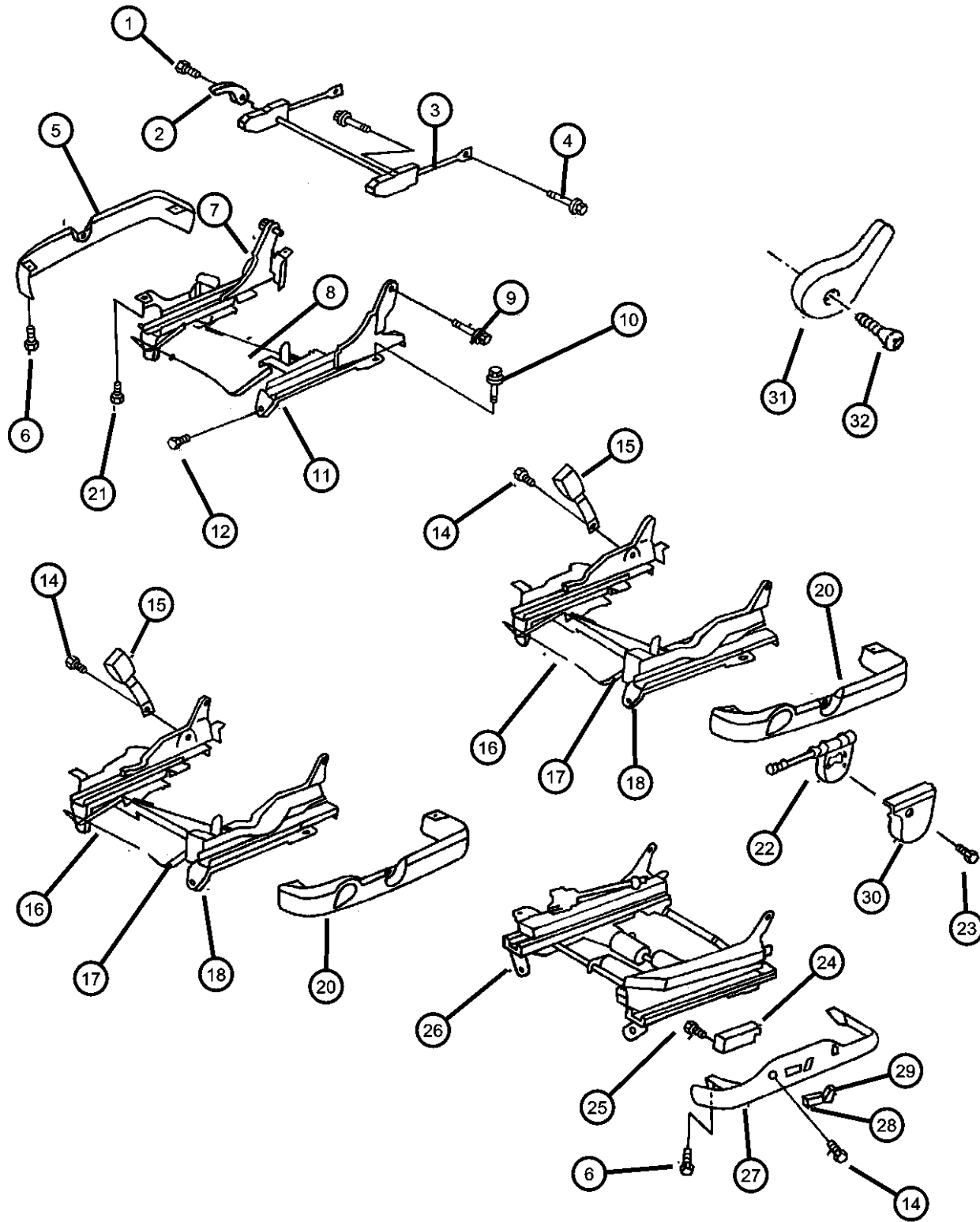
BODY
 41 = 4 Door Sedan

ENGINE
 ECB = 2.0L 4 Cyl SOHC 16V SMPI Engine
 EDZ = 2.4L 4 Cyl DOHC 16V SMPI Engine
 EEB = 2.5L V6 SOHC 24V SMPI Engine

TRANSMISSION
 DD5 = TRANSMISSION - 5-SPEED MANUAL
 DGL = TRANSMISSION - 4-SPD. AUTOMATIC, 41TE
 DD4 = TRANSMISSION - 5-SPEED PERF. MANUAL

AR = use ase required - = Non illustrated part

**Front Seat Adjuster, Recliner And Side Shield
Figure IJA-810**



ITEM	PART NUMBER	QTY	LINE	SERIES	BODY	ENGINE	TRANS	TRIM	DESCRIPTION
	04761225	1						*LL	
		1						*XL	
		1	C					*NL	
		1						*L7	
		1	P					*B7	
		1	P					*A7	
		1						*C7	
		1						*X7	
		1						*K6	
		1	D	H				*M7	
		1	P					*E7	
		1	D	H				*V7	
		1						*P6	
		1						*B9	
10		1							SCREW, (10-1.50x40), (NOT SERVICED)
11		1							ADJUSTER, Manual Seat, Inner
	04741166	1						*LL	Right
		1						*XL	Right
		1	C					*NL	Right
		1						*D7	Right
		1						*L7	Right
		1	P					*B7	Right
		1	P					*A7	Right
		1						*C7	Right
		1						*X7	Right
		1						*K6	Right
		1	D	H				*M7	Right
		1	P					*E7	Right
	04741167	1						*D7	Left
		1						*L7	Left
		1	P					*B7	Left
		1	P					*A7	Left
		1	D	H				*M7	Left

CIRRUS,BREEZE,STRATUS (JA)
 SERIES LINE
 H = HIGHLINE C = CHRYSLER
 P = PREMIUM D = DODGE
 P = PLYMOUTH

BODY
 41 = 4 Door Sedan

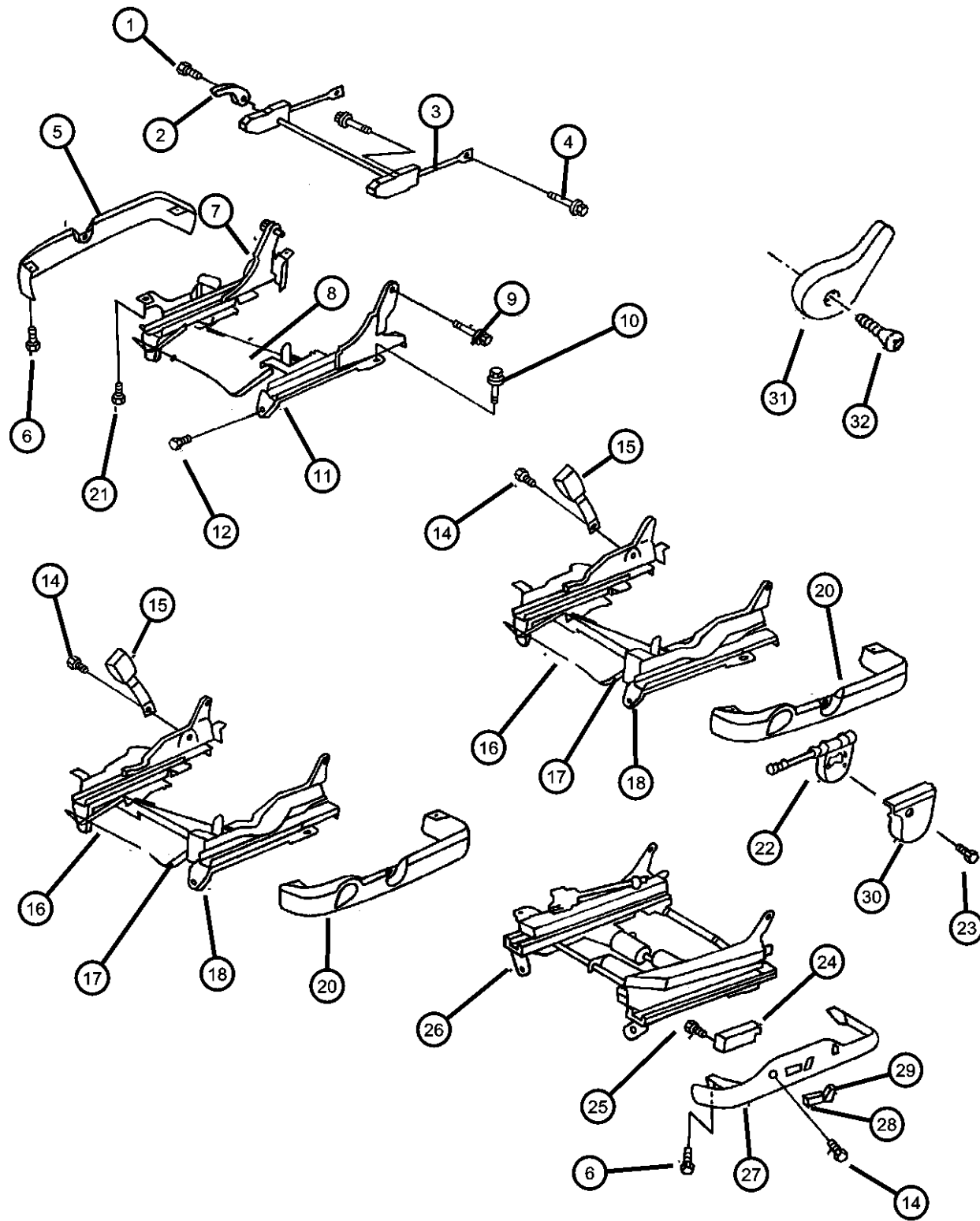
ENGINE
 ECB = 2.0L 4 Cyl SOHC 16V SMPI Engine
 EDZ = 2.4L 4 Cyl DOHC 16V SMPI Engine
 EEB = 2.5L V6 SOHC 24V SMPI Engine

TRANSMISSION
 DD5 = TRANSMISSION - 5-SPEED MANUAL
 DGL = TRANSMISSION - 4-SPD. AUTOMATIC, 41TE
 DD4 = TRANSMISSION - 5-SPEED PERF. MANUAL

AR = use ase required - = Non illustrated part

1999 JA

Front Seat Adjuster, Recliner And Side Shield
Figure IJA-810



ITEM	PART NUMBER	QTY	LINE	SERIES	BODY	ENGINE	TRANS	TRIM	DESCRIPTION
		1	D	H				*V7	Left
		1						*B7	Left
12	06503675	8							SCREW AND WASHER, Hex Head, M10x1.5x40
-13	06503679	4							NUT, M10x1.50, Seat Track Mounting, Floor Pan
14	06503679	4							SCREW, Inboard Belt Attaching, (3/8-24x.62), (NOT SERVICED)
15	06503679	4							SEAT BELT, Front, Reference Only, (NOT SERVICED)
16									HANDLE, Towel Bar
	04741194	1						*LL	
		1	C					*NL	
		1						*XL	
		1						*D7	
		1						*L7	
		1	P					*B7	
		1	P					*A7	
		1						*X7	
		1						*K6	
		1	D	H				*M7	
		1	P					*E7	
		1	P					*Q7	
		1						*C7	
		1	D	H				*V7	
		1						*P6	
		1						*B9	
17									CLIP, Handle to Latch Rod
	04882064	1						*LL	
		1	C					*NL	
		1						*XL	
		1						*D7	
		1						*L7	
		1	P					*B7	
		1	P					*A7	

CIRRUS,BREEZE,STRATUS (JA)
 SERIES LINE
 H = HIGHLINE C = CHRYSLER
 P = PREMIUM D = DODGE
 P = PLYMOUTH

BODY
 41 = 4 Door Sedan

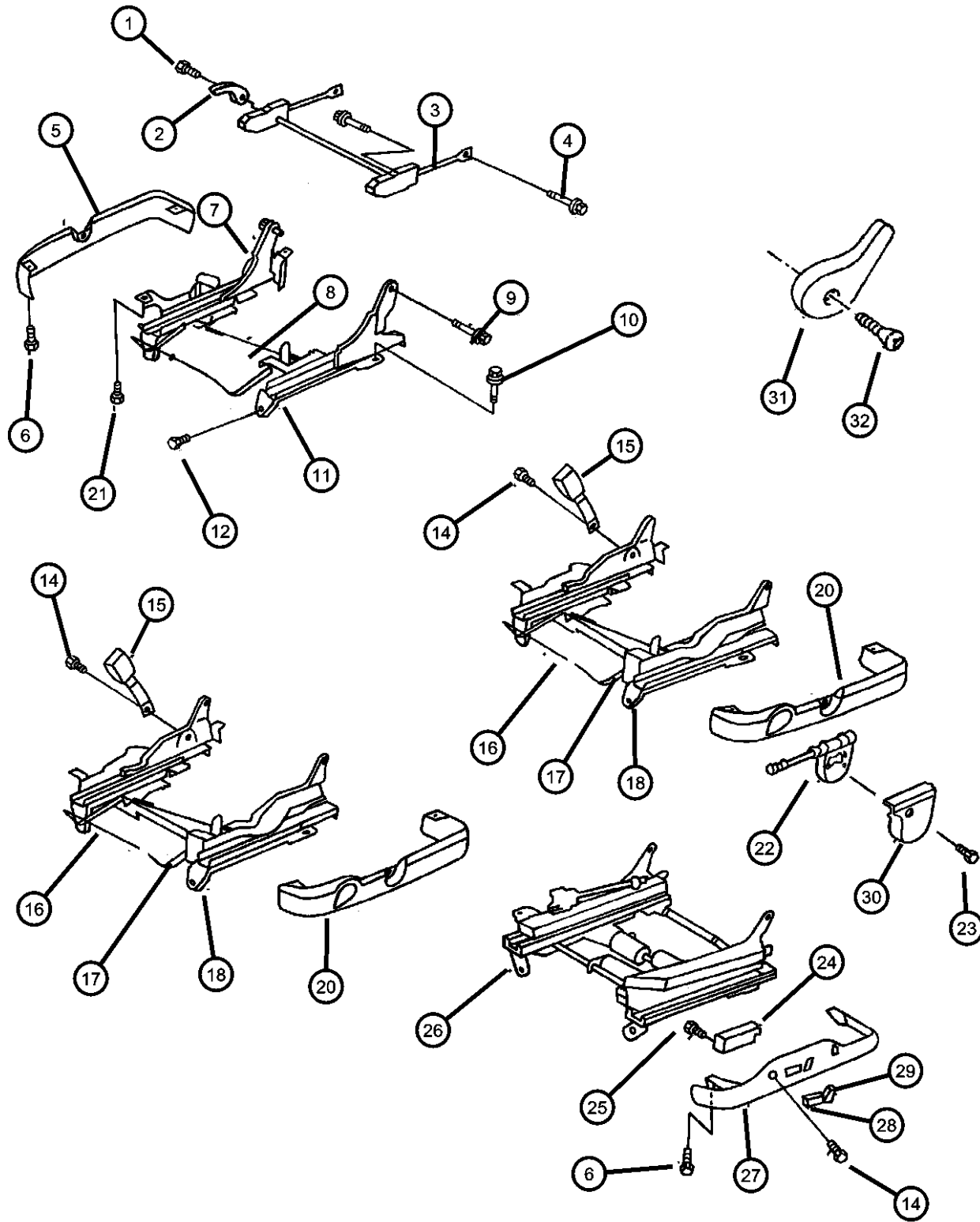
ENGINE
 ECB = 2.0L 4 Cyl SOHC 16V SMPI Engine
 EDZ = 2.4L 4 Cyl DOHC 16V SMPI Engine
 EEB = 2.5L V6 SOHC 24V SMPI Engine

TRANSMISSION
 DD5 = TRANSMISSION - 5-SPEED MANUAL
 DGL = TRANSMISSION - 4-SPD. AUTOMATIC, 41TE
 DD4 = TRANSMISSION - 5-SPEED PERF. MANUAL

AR = use ase required - = Non illustrated part

1999 JA

Front Seat Adjuster, Recliner And Side Shield
Figure IJA-810



ITEM	PART NUMBER	QTY	LINE	SERIES	BODY	ENGINE	TRANS	TRIM	DESCRIPTION
		1						*C7	
		1						*X7	
		1						*K6	
		1	D	H				*M7	
		1	P					*E7	
		1	D	H				*V7	
		1						*P6	
		1						*B9	
18	04897506AA	1							ADJUSTER, Manual Seat, 4-Way
		1						*D7	Outer, Left
		1						*L7	Outer, Left
		1	P					*B7	Outer, Left
		1	P					*A7	Outer, Left
		1						*C7	Outer, Left
		1						*X7	Outer, Left
		1						*K6	Outer, Left
		1	D	H				*M7	Outer, Left
		1	P					*E7	Outer, Left
		1	P					*G7	Outer, Left
		1	D	H				*V7	Outer, Left
		1						*P6	Left
		1						*B9	Left
-19	05012830AA	1							CLUTCH, Height Adjuster, Seat
		1						*D7	
		1						*L7	
		1	P					*B7	
		1	P					*A7	
		1						*C7	
		1						*X7	
		1						*K6	
		1	D	H				*M7	
		1	P					*E7	
		1	D	H				*V7	

CIRRUS,BREEZE,STRATUS (JA)
 SERIES LINE
 H = HIGHLINE C = CHRYSLER
 P = PREMIUM D = DODGE
 P = PLYMOUTH

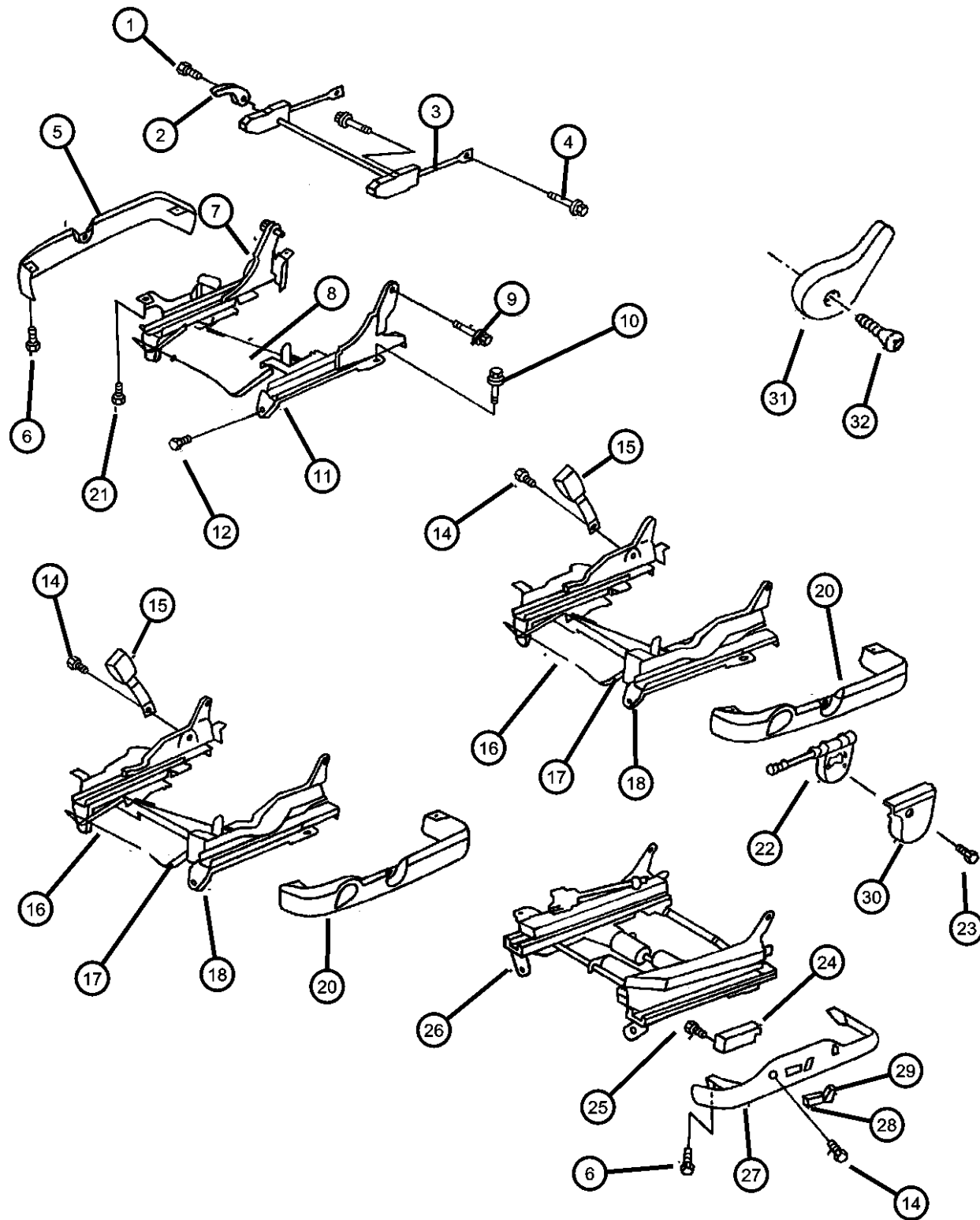
BODY
 41 = 4 Door Sedan

ENGINE
 ECB = 2.0L 4 Cyl SOHC 16V SMPI Engine
 EDZ = 2.4L 4 Cyl DOHC 16V SMPI Engine
 EEB = 2.5L V6 SOHC 24V SMPI Engine

TRANSMISSION
 DD5 = TRANSMISSION - 5-SPEED MANUAL
 DGL = TRANSMISSION - 4-SPD. AUTOMATIC, 41TE
 DD4 = TRANSMISSION - 5-SPEED PERF. MANUAL

AR = use ase required - = Non illustrated part

Front Seat Adjuster, Recliner And Side Shield
Figure IJA-810



ITEM	PART NUMBER	QTY	LINE	SERIES	BODY	ENGINE	TRANS	TRIM	DESCRIPTION
		1						*P6	
		1						*B9	
20	0JK221AZ	1	D	H				*V7	SHIELD, Seat Cushion, 4-Way
		1						*B7	4-Way, Agate, Left, Outer
		1						*C7	4-Way, Agate, Left, Outer
		1	P					*Q7	4-Way, Agate, Left, Outer
		1	P					*E7	4-Way Agate, Left, Outer
	0JK221JK	1						*K6	4-Way, Agate, Left, Outer
		1	P					*B7	4-Way, Silverfern, Left, Outer
		1						*Q7	4-Way, Silverfern, Left, Outer
	0JK221K5	1	D	H				*K6	4-Way, Silverfern, Left, Outer
		1						*V7	
		1						*B7	4-Way, Tan, Left, Outer
		1						*C7	4-Way, Tan, Left, Outer
		1	P					*Q7	4-Way, Tan, Left, Outer
		1						*K6	4-Way, Tan, Left, Outer
21	04761224	1							BOLT, Hex Head, M6x1.0x12.5
		1						*LL	
		1						*XL	
22	04897508AA	1							HANDLE, Seat Adjuster, 4-Way
		1						*D7	With Rod
		1						*L7	With Rod
		1	P					*B7	With Rod
		1	P					*A7	With Rod
		1						*C7	With Rod
		1						*X7	With Rod
		1						*K6	With Rod
		1	D	H				*M7	With Rod
		1	P					*E7	With Rod
		1	D	H				*V7	With Rod
23		1							SCREW, Lumbar Handle, Handle Attaching, (NOT SERVICED), SWITCH, Seat
24		1							

CIRRUS,BREEZE,STRATUS (JA)
 SERIES LINE
 H = HIGHLINE C = CHRYSLER
 P = PREMIUM D = DODGE
 P = PLYMOUTH

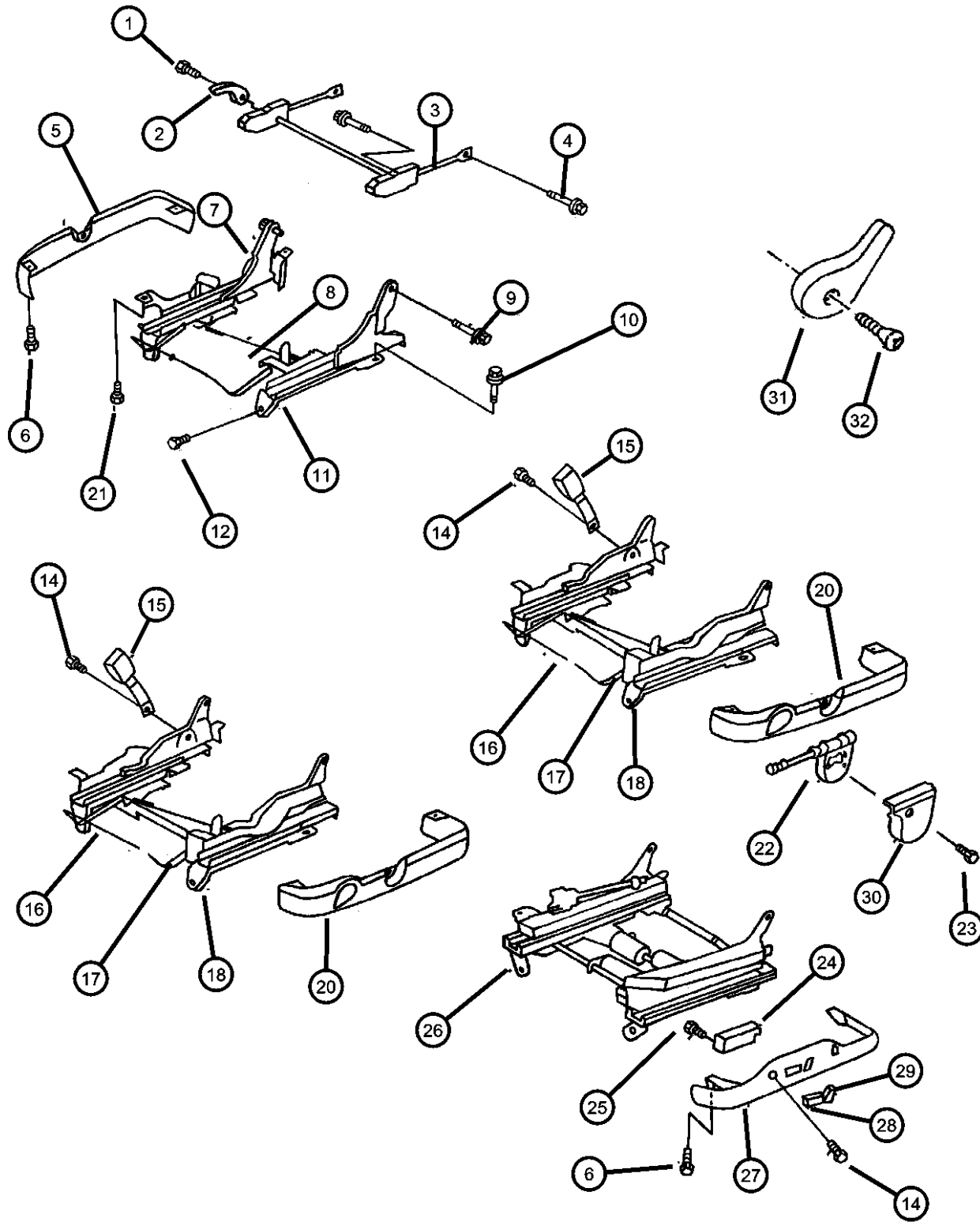
BODY
 41 = 4 Door Sedan

ENGINE
 ECB = 2.0L 4 Cyl SOHC 16V SMPI Engine
 EDZ = 2.4L 4 Cyl DOHC 16V SMPI Engine
 EEB = 2.5L V6 SOHC 24V SMPI Engine

TRANSMISSION
 DD5 = TRANSMISSION - 5-SPEED MANUAL
 DGL = TRANSMISSION - 4-SPD. AUTOMATIC, 41TE
 DD4 = TRANSMISSION - 5-SPEED PERF. MANUAL

AR = use ase required - = Non illustrated part

**Front Seat Adjuster, Recliner And Side Shield
Figure IJA-810**



ITEM	PART NUMBER	QTY	LINE	SERIES	BODY	ENGINE	TRANS	TRIM	DESCRIPTION
	04601757	1	C					*NL	
		1						*LL	
		1						*XL	
		1						*X7	
25		1							SCREW, Pan Head Tapping, .164-18x.500, (.164-18x.500), (NOT SERVICED)
26	04864075	1	C					*NL	ADJUSTER, Power Seat
		1						*LL	
		1						*XL	
		1						*C7	
27									SHIELD, Seat Cushion
	0JS451AZ	1						*X7	Agate
		1						*LL	Agate
		1						*XL	
	0JS45RJK	1						*XL	Silverfern
	0JS45SK5	1						*X7	Tan
28									KNOB, Power Seat Switch, Adjuster
	04607043	1	C					*NL	
		1						*X7	
		1						*LL	
		1						*XL	
29									KNOB, Power Seat Switch, Recliner
	04607045	1						*X7	
		1						*LL	
		1						*XL	
30		1	C					*NL	COVER, Seat Adjuster, 4-Way Handle
	04897509AA	1						*XL	
		1						*L7	
		1	P					*B7	
		1	P					*A7	

CIRRUS,BREEZE,STRATUS (JA)
 SERIES LINE
 H = HIGHLINE C = CHRYSLER
 P = PREMIUM D = DODGE
 P = PLYMOUTH

BODY
 41 = 4 Door Sedan

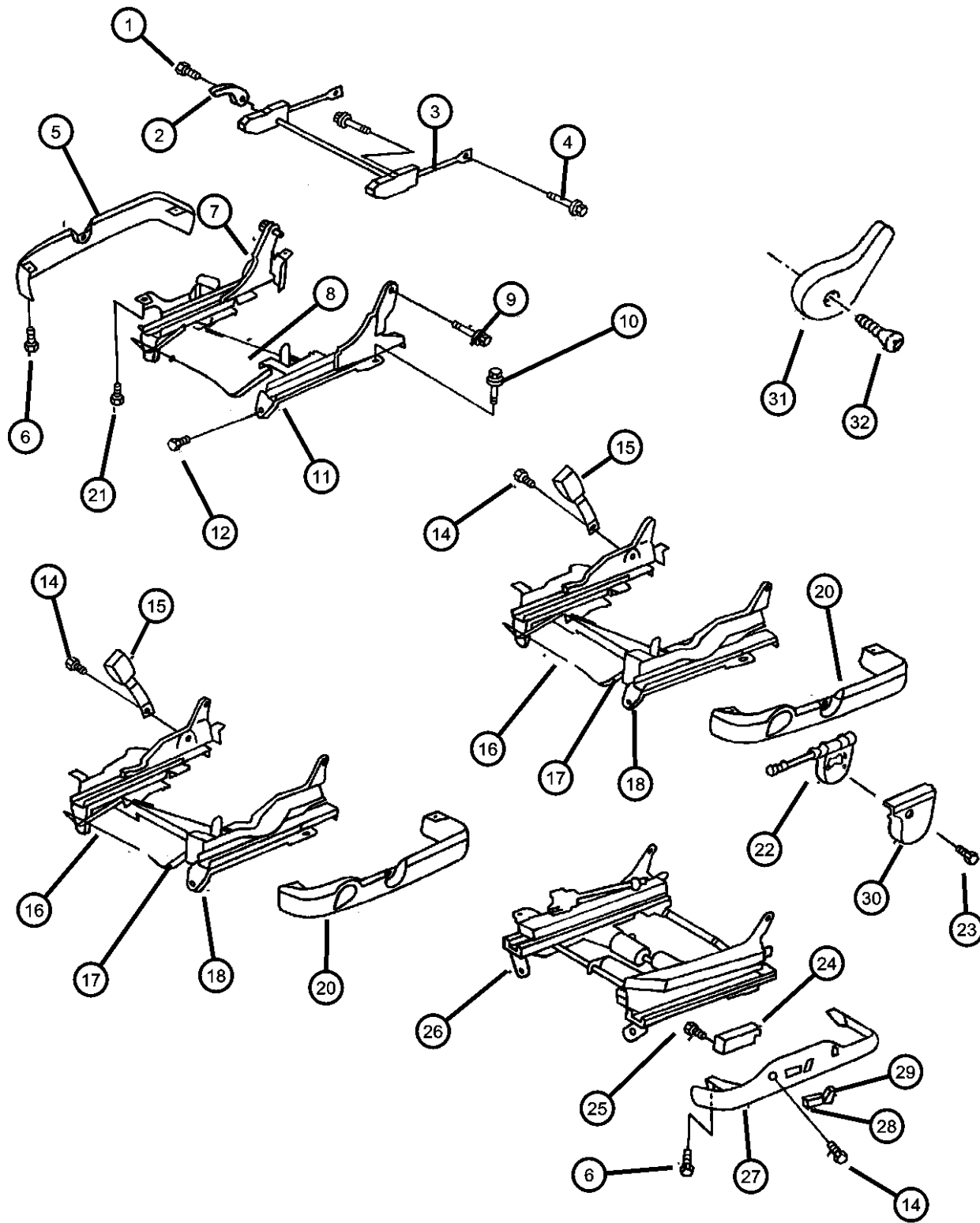
ENGINE
 ECB = 2.0L 4 Cyl SOHC 16V
 SMPI Engine
 EDZ = 2.4L 4 Cyl DOHC 16V
 SMPI Engine
 EEB = 2.5L V6 SOHC 24V
 SMPI Engine

TRANSMISSION
 DD5 = TRANSMISSION - 5-SPEED
 MANUAL
 DGL = TRANSMISSION - 4-SPD.
 AUTOMATIC,41TE
 DD4 = TRANSMISSION - 5-SPEED
 PERF. MANUAL

AR = use ase required - = Non illustrated part

1999 JA

Front Seat Adjuster, Recliner And Side Shield
Figure IJA-810



ITEM	PART NUMBER	QTY	LINE	SERIES	BODY	ENGINE	TRANS	TRIM	DESCRIPTION
		1						*C7	
		1						*X7	
		1						*K6	
		1	D	H				*M7	
		1	P					*E7	
		1						*D7	
		1	D	H				*V7	
		1						*P6	
31									HANDLE, Lumbar
	04420701	1						*X7	
		1						*C7	
		1						*K6	
		1						*P6	
32									SCREW, Lumbar Handle
	04761235	1						*X7	
		1						*C7	
		1						*P6	

CIRRUS,BREEZE,STRATUS (JA)
 SERIES LINE
 H = HIGHLINE C = CHRYSLER
 P = PREMIUM D = DODGE
 P = PLYMOUTH

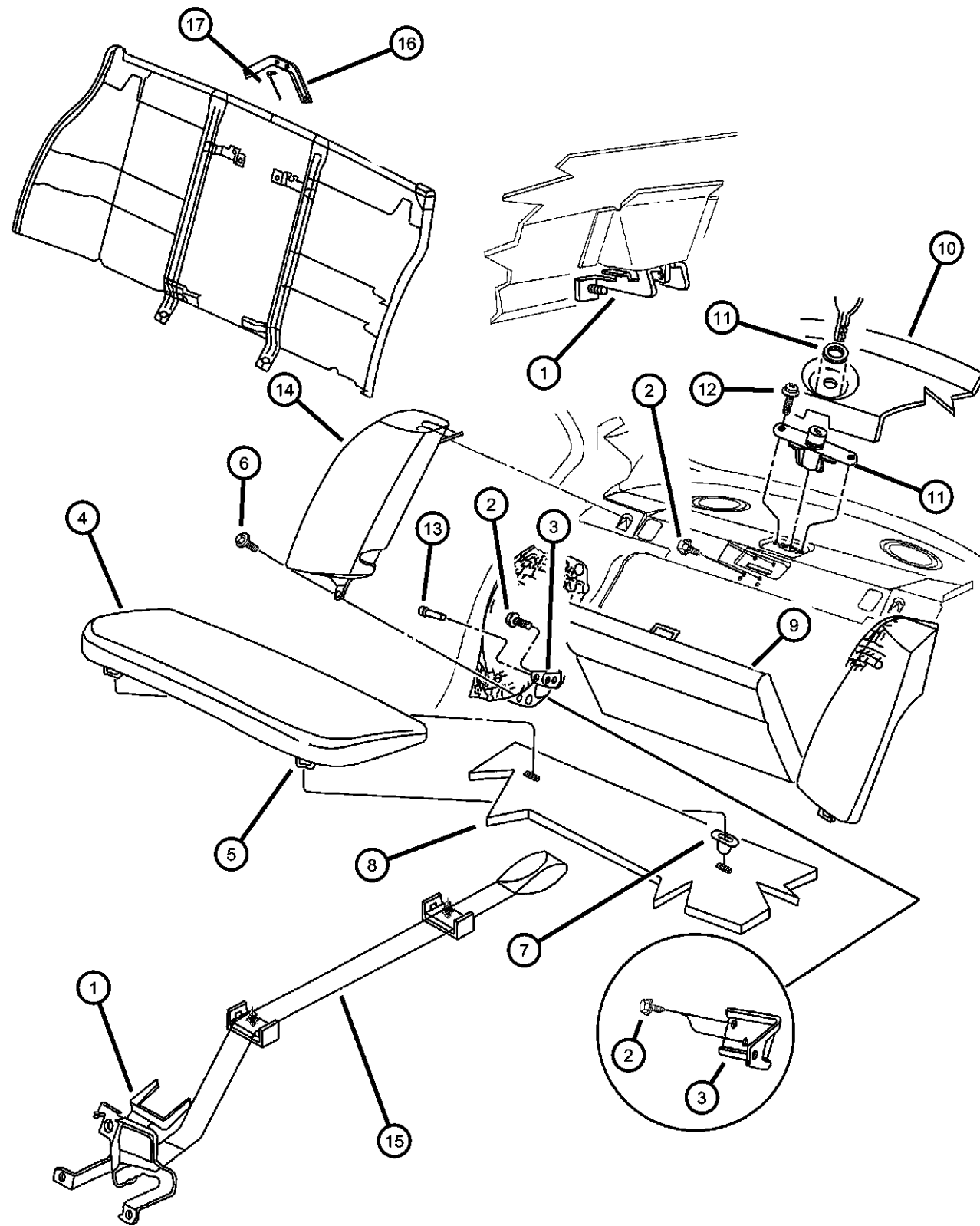
BODY
 41 = 4 Door Sedan

ENGINE
 ECB = 2.0L 4 Cyl SOHC 16V SMPI Engine
 EDZ = 2.4L 4 Cyl DOHC 16V SMPI Engine
 EEB = 2.5L V6 SOHC 24V SMPI Engine

TRANSMISSION
 DD5 = TRANSMISSION - 5-SPEED MANUAL
 DGL = TRANSMISSION - 4-SPD. AUTOMATIC, 41TE
 DD4 = TRANSMISSION - 5-SPEED PERF. MANUAL

AR = use ase required - = Non illustrated part

Rear Seat Attaching Parts
Figure IJA-815



ITEM	PART NUMBER	QTY	LINE	SERIES	BODY	ENGINE	TRANS	TRIM	DESCRIPTION
1	04628119AB	1							LATCH, Seat
2	06501476	4							SCREW, Tapping, Annular Ring, M6x1.00x15.00
3									BRACKET, Seat
	04628044	1						*LL	Rear Seat, Outboard
		1						*XL	, Outboard
4		1							CUSHION, Rear Seat, (Reference), (NOT SERVICED)
5		1							BRACKET, Seat Cushion, To Floor (Serv. With Seat Cushion Only), (NOT SERVICED)
6	00154552	2							SCREW, Hex Head, .190-16x.625, Attaching, Bolster
7	04645939AA	2							RETAINER, Seat Cushion
8	04645939AA	2							PAN, Floor, (Reference), (NOT SERVICED)
9	04645939AA	2							BACK, Seat, (Reference), (NOT SERVICED)
10	04645939AA	2							PANEL, Rear Shelf, (Reference), (NOT SERVICED)
11	04645939AA	2							CYLINDER, Deck Lid Lock, Reference, (NOT SERVICED)
12	04645939AA	2							SCREW, (.164-18x.625), (NOT SERVICED)
13	06504304	2							SCREW, Attaching, Seat Back
14	06504304	2							BOLSTER, Seat, (Reference), (NOT SERVICED)
15	06504304	2							STRAP, Back Latch Release (Serv. With Item 1 Good For 1997 Only), (NOT SERVICED)
16	06504304	2							TETHER, Child Seat, (NOT REQUIRED)
17	06504304	2							SCREW AND WASHER, (M6-1.00x25), (NOT SERVICED)

CIRRUS,BREEZE,STRATUS (JA)

SERIES LINE
H = HIGHLINE C = CHRYSLER
P = PREMIUM D = DODGE
P = PLYMOUTH

BODY
41 = 4 Door Sedan

ENGINE
ECB = 2.0L 4 Cyl SOHC 16V SMPI Engine
EDZ = 2.4L 4 Cyl DOHC 16V SMPI Engine
EEB = 2.5L V6 SOHC 24V SMPI Engine

TRANSMISSION
DD5 = TRANSMISSION - 5-SPEED MANUAL
DGL = TRANSMISSION - 4-SPD. AUTOMATIC, 41TE
DD4 = TRANSMISSION - 5-SPEED PERF. MANUAL

AR = use ase required - = Non illustrated part

1999 JA

Group - SJA

Body Sheet Metal Except Doors

Group - SJA Body Sheet Metal Except Doors

Illustration Title

Group-Fig. No.

Floor Pans

Floor PanFig. SJA - 210

Plugs

Plugs Floor PanFig. SJA - 310

Front Fender

Fender And ShieldFig. SJA - 410

Splash Shields.....Fig. SJA - 420

Hood & Hood Release

Hood And Hood ReleaseFig. SJA - 510

Cowl & Dash Panel

Cowl And Dash Panel.....Fig. SJA - 610

Windshield, Backglass and Inside Mirror (Glass and Rear View Mirror)

Windshield, Backglass And MirrorFig. SJA - 710

Aperture Panels

Aperture PanelsFig. SJA - 810

Quarter Panels

Quarter Panel.....Fig. SJA - 910

Splash Shields- Seals

Seals And WeatherstripsFig. SJA - 1010

Roof Panels

Roof Panel.....Fig. SJA - 1110

Sunroof

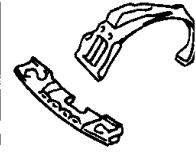
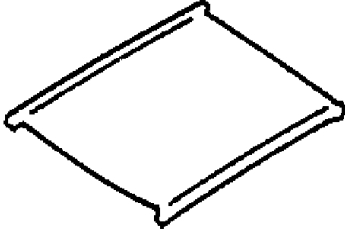

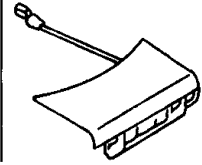
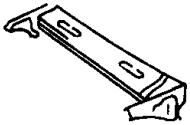
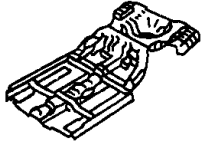

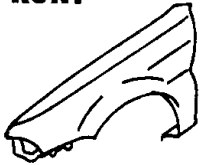
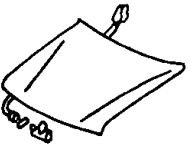
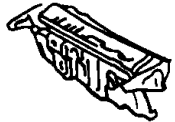
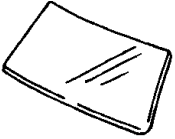
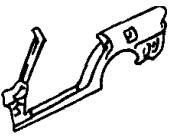

Sunroof.....Fig. SJA - 1210

Trunk Lid & Hatch

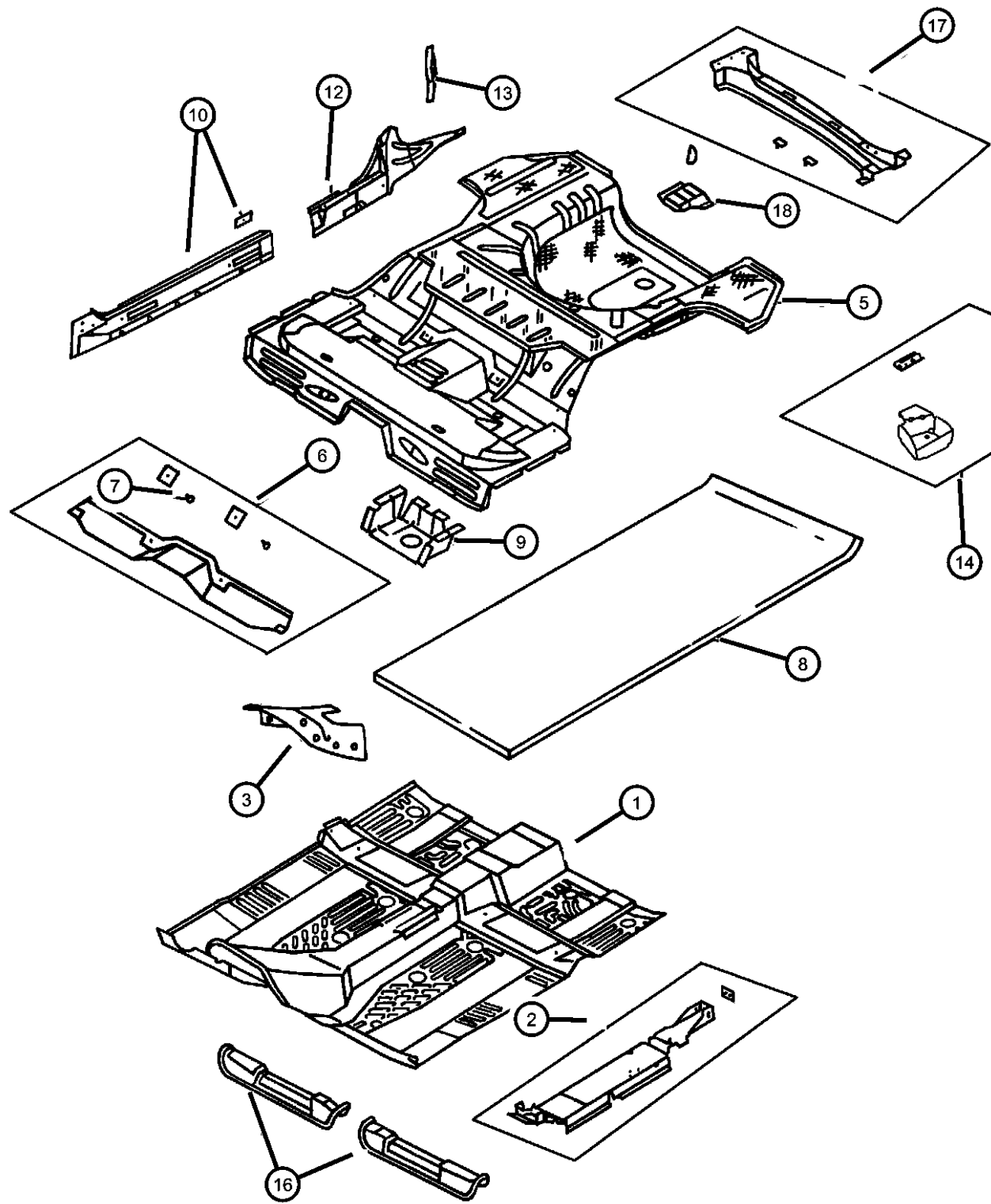
Deck Lid.....Fig. SJA - 1310

Rear Shelf Panel

Shelf PanelFig. SJA - 1410

<p>SJA-1000 Splash Shields- Seals</p> 	<p>SJA-1100 Roof Panels</p> 	<p>SJA-1200 Sunroof</p> 	<p>SJA-1300 Trunk Lid & Hatch</p> 
<p>SJA-1400 Rear Shelf Panel</p> 	<p>SJA-200 Floor Pans</p> 	<p>SJA-300 Plugs</p> 	<p>SJA-400 Front Fender</p> 
<p>SJA-500 Hood & Hood Release</p> 	<p>SJA-600 Cowl & Dash Panel</p> 	<p>SJA-700 Windshield, Backglass and Inside Mirror (Glass and Rear View Mirror)</p> 	<p>SJA-800 Aperture Panels</p> 
<p>SJA-900 Quarter Panels</p> 			

**Floor Pan
Figure SJA-210**



ITEM	PART NUMBER	QTY	LINE	SERIES	BODY	ENGINE	TRANS	TRIM	DESCRIPTION
1	04814349	1							PAN, Front Floor
2	04814123AB	1							BRACKET, ConsoleMounting
3	04814362	1							PANEL, Floor Pan, Large Tunnel, (Also Use 4798479 Pad Deadener)
-4	04798479	AR							PAD, Deadener, Tunnel, Floor Pan
5	04646557	1							PAN, FloorRear Floor Pan
6	04814121	1							REINFORCEMENT, Seat Belt AnchorRear Floor Pan
7	06034348	2							SCREW, Weld, .437-20x1.25
8	04740136	1							SILENCER, Floor Pan
9	04814494	1							SUPPORT, Fuel Tank
10									PANEL, Sill
	04696282	1							Inner, Right
	04696283	1							Inner, Left
-11	06033150	1							NUT PLATE, .25-20, Extruded
12									EXTENSION, Body Side Sill
	04646108	1							Inner, Right
	04646109	1							Inner, Left
13									BRACKET, Body Side Aperture
	04696174	1							To Sill Extension, Right
	04696175	1							To Sill Extension, Left
14									BRACKET, Torque Box
	04696246	1							Right, Rear
	04696247	1							Left, Rear
-15	04696940	1							SHIELD, Heat
16	04646682AB	2							CROSSMEMBER, Front Floorpan Tunnel
17	04696813AB	1							CROSSMEMBER, Rear Suspension
18	04646121	1							BRACKET, Spare Tire, Spare Wheel Anchor Bolt, Rear Floor Pan
-19	04696975	1							BRACKET, Spare Tire, Spare Wheel Anchor, Rear Floor Pan

CIRRUS,BREEZE,STRATUS (JA)
 SERIES LINE
 H = HIGHLINE C = CHRYSLER
 P = PREMIUM D = DODGE
 P = PLYMOUTH

BODY
 41 = 4 Door Sedan

ENGINE
 ECB = 2.0L 4 Cyl SOHC 16V
 SMPI Engine
 EDZ = 2.4L 4 Cyl DOHC 16V
 SMPI Engine
 EEB = 2.5L V6 SOHC 24V
 SMPI Engine

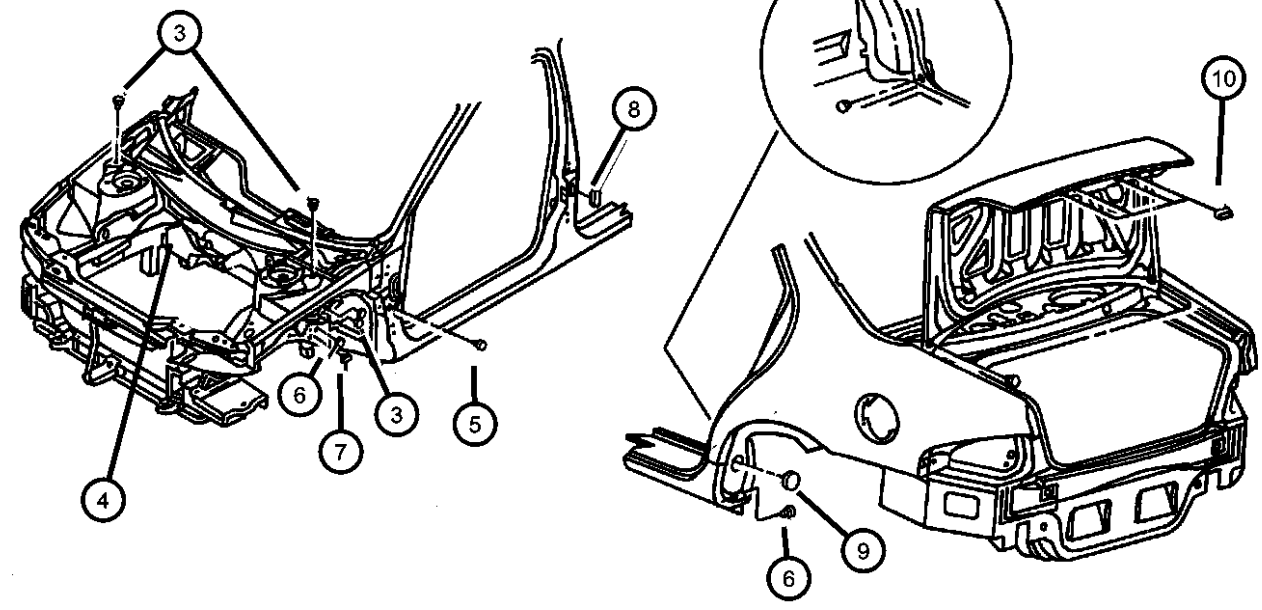
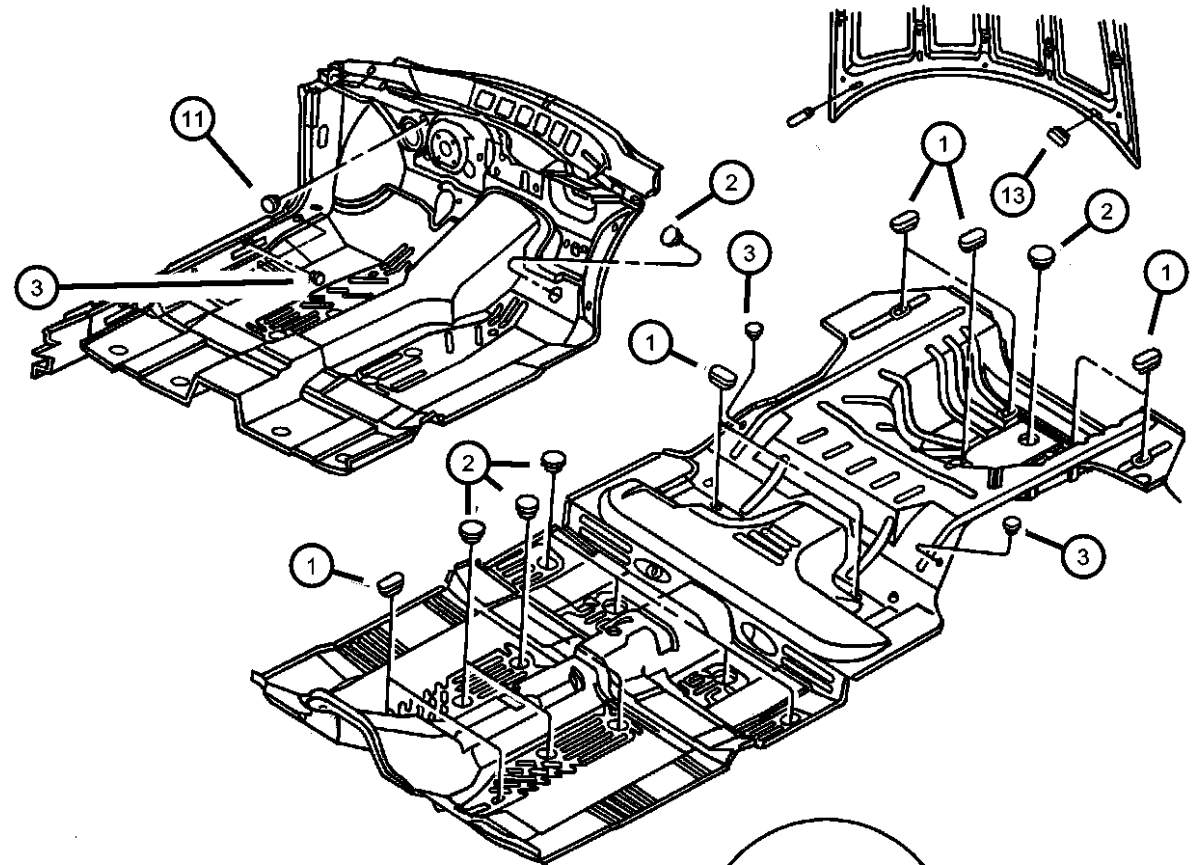
TRANSMISSION
 DD5 = TRANSMISSION - 5-SPEED
 MANUAL
 DGL = TRANSMISSION - 4-SPD.
 AUTOMATIC,41TE
 DD4 = TRANSMISSION - 5-SPEED
 PERF. MANUAL

AR = use ase required - = Non illustrated part

1999 JA

Plugs Floor Pan
Figure SJA-310

ITEM	PART NUMBER	QTY	LINE	SERIES	BODY	ENGINE	TRANS	TRIM	DESCRIPTION
1	04646971	2							PLUG, Floor Pan, Floor Pan
2	04696666	9							PLUG, Top Seal, Floor Pan
3	05255216	14							PLUG, Body, .875 Diameter, Floor Pan
4	35026595	2							PLUG, Front Suspension, .313 Diameter, Strut
5	04780194	2							PLUG, Body Side Aperture
6	04674441	1							PLUG, Body, .75 Diameter, .75 Diameter
7	04440294	2							PLUG, Rear Fascia, Fender Shield
8	04696467	2							PLUG, Body Side Aperture, Body Side Aperture
9	04696667	2							PLUG, Wheel Housing, Wheel Housing
10	04378659	4							PLUG, Deck Lid, Drain Hole Deck Lid
11	04670088	1							PLUG, Dash Panel, 35mm Diameter, Dash Panel Clutch Cable Hole
-12	04696947	2							PLUG, Front Side Rail, Reinforcement Front Side Rail
13	04646527	2							PLUG, Deck Lid, Inner Hood



CIRRUS,BREEZE,STRATUS (JA)
 SERIES LINE
 H = HIGHLINE C = CHRYSLER
 P = PREMIUM D = DODGE
 P = PLYMOUTH

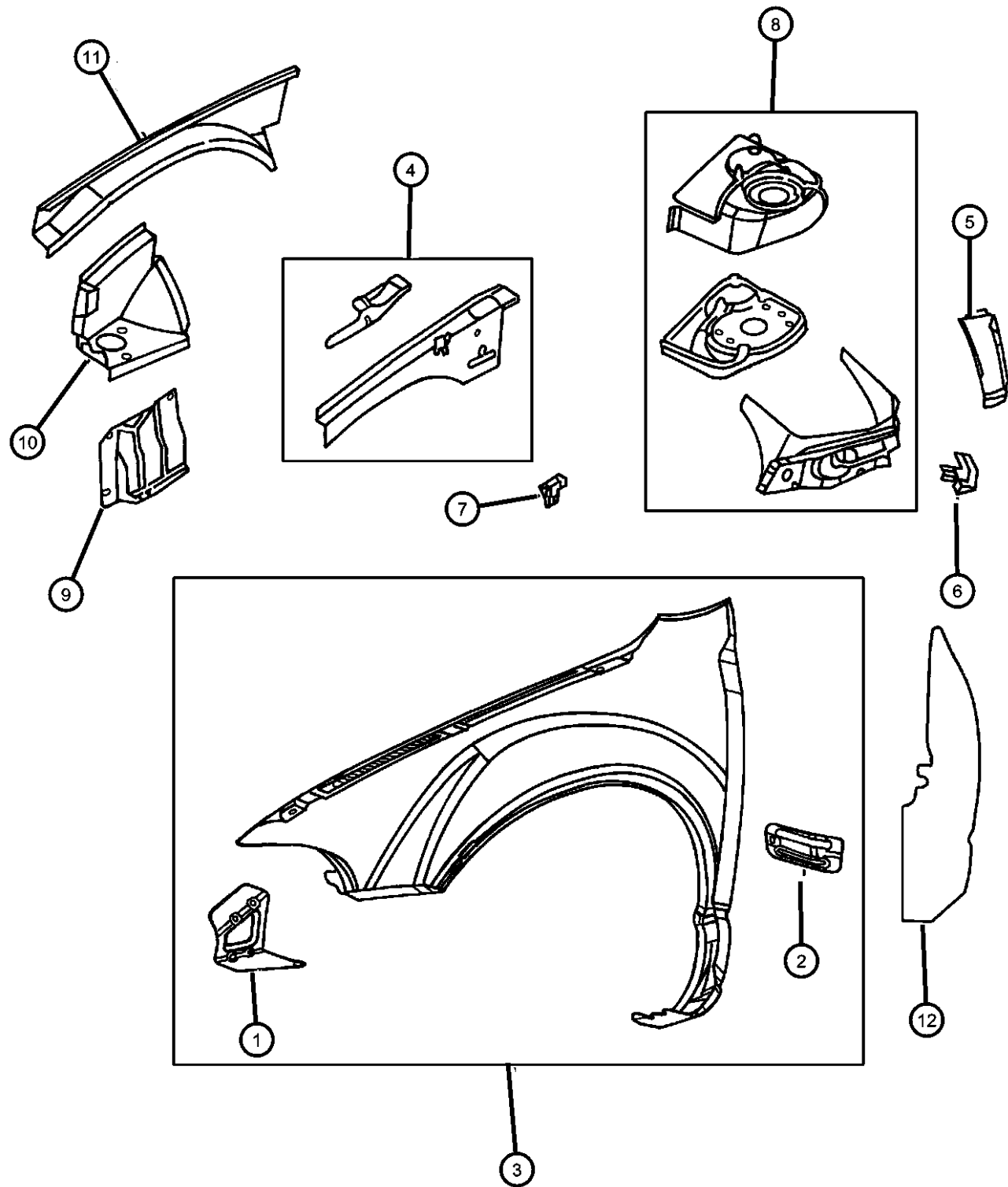
BODY
 41 = 4 Door Sedan

ENGINE
 ECB = 2.0L 4 Cyl SOHC 16V SMPI Engine
 EDZ = 2.4L 4 Cyl DOHC 16V SMPI Engine
 EEB = 2.5L V6 SOHC 24V SMPI Engine

TRANSMISSION
 DD5 = TRANSMISSION - 5-SPEED MANUAL
 DGL = TRANSMISSION - 4-SPD. AUTOMATIC,41TE
 DD4 = TRANSMISSION - 5-SPEED PERF. MANUAL

AR = use ase required - = Non illustrated part

Fender And Shield
Figure SJA-410



ITEM	PART NUMBER	QTY	LINE	SERIES	BODY	ENGINE	TRANS	TRIM	DESCRIPTION
1	04646228	1							REINFORCEMENT, Fender Front Fender Panel, Right
	04646229	1							, Left
2	04696362	1							BRACKET, Fender Attaching, Right
	04696363	1							, Left
3	04897084AA	1							FENDER, Front Right
	04897085AA	1							Left
4	04646698	1							BEAM, Upper Load Path Outer, Right
	04646699	1							Outer, Left
	04814150	1							Inner, Right
	04814151	1							Inner, Left
5	04646700	1							EXTENSION, Shock Tower To Dash Panel Right
	04646701	1							Left
6	04646844	1							SUPPORT, Head Lamp, Mounting, Right
7	04696414	1							SUPPORT, Head Lamp To Rail, Right
	04696415	1							To Rail, Left
8	04696232	1							TOWER, Front Suspension Right
	04696233	1							Left
9	04814041	1							SHIELD, Alternator
10	04646512AB	1							SHIELD, Wheelhouse Right
	04646513	1							Front Fender Shield, Left
11	04646698	1							BEAM, Upper Load Path Right
	04646699	1							Left
12									SHIELD, Fender

CIRRUS,BREEZE,STRATUS (JA)

SERIES LINE
H = HIGHLINE C = CHRYSLER
P = PREMIUM D = DODGE
P = PLYMOUTH

BODY
41 = 4 Door Sedan

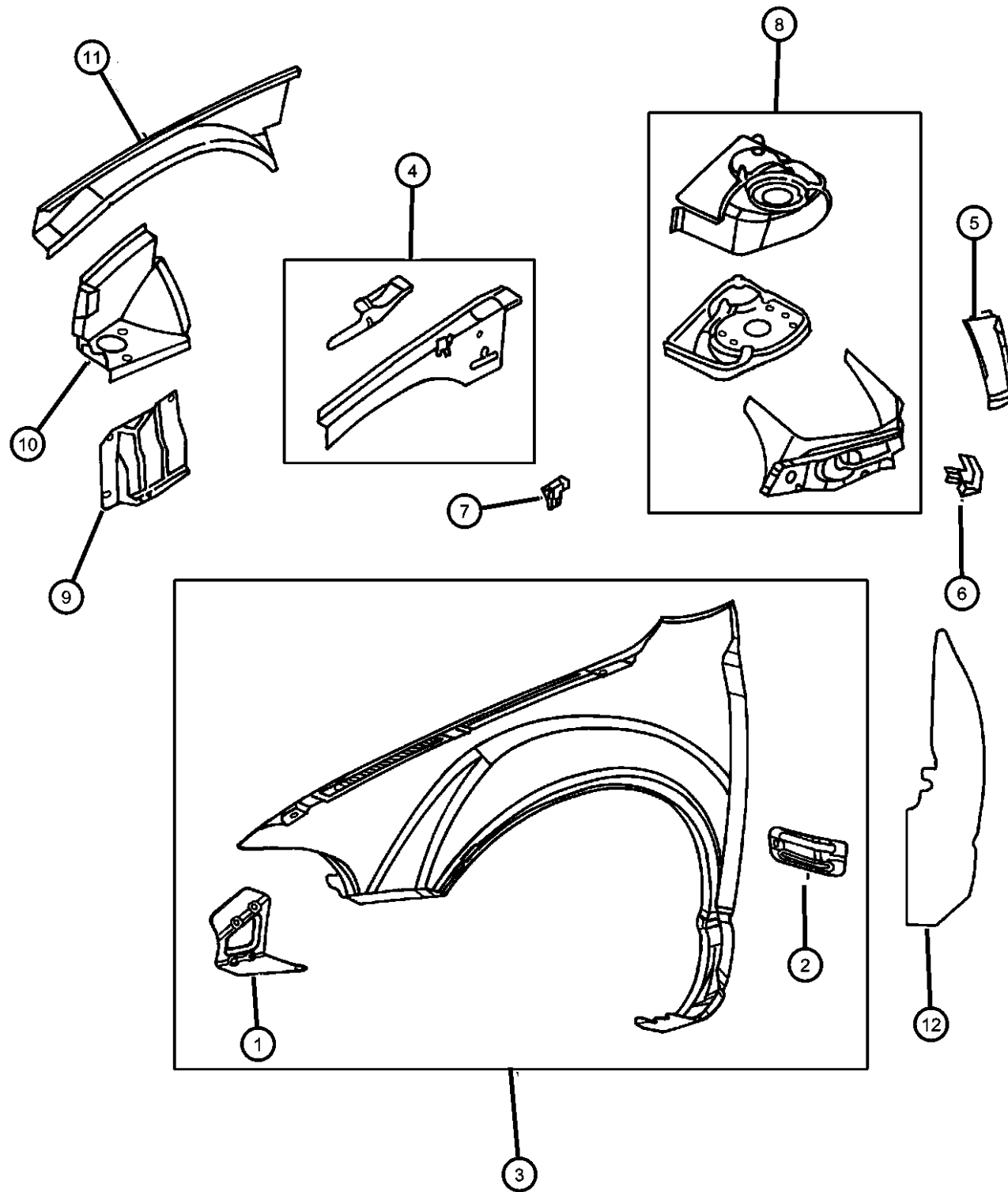
ENGINE
ECB = 2.0L 4 Cyl SOHC 16V
SMPI Engine
EDZ = 2.4L 4 Cyl DOHC 16V
SMPI Engine
EEB = 2.5L V6 SOHC 24V
SMPI Engine

TRANSMISSION
DD5 = TRANSMISSION - 5-SPEED
MANUAL
DGL = TRANSMISSION - 4-SPD.
AUTOMATIC,41TE
DD4 = TRANSMISSION - 5-SPEED
PERF. MANUAL

AR = use ase required - = Non illustrated part

1999 JA

Fender And Shield
Figure SJA-410



ITEM	PART NUMBER	QTY	LINE	SERIES	BODY	ENGINE	TRANS	TRIM	DESCRIPTION
------	-------------	-----	------	--------	------	--------	-------	------	-------------

04878734AB	1								Right
04878735AB	1								Left

CIRRUS,BREEZE,STRATUS (JA)
 SERIES LINE
 H = HIGHLINE C = CHRYSLER
 P = PREMIUM D = DODGE
 P = PLYMOUTH

BODY
 41 = 4 Door Sedan

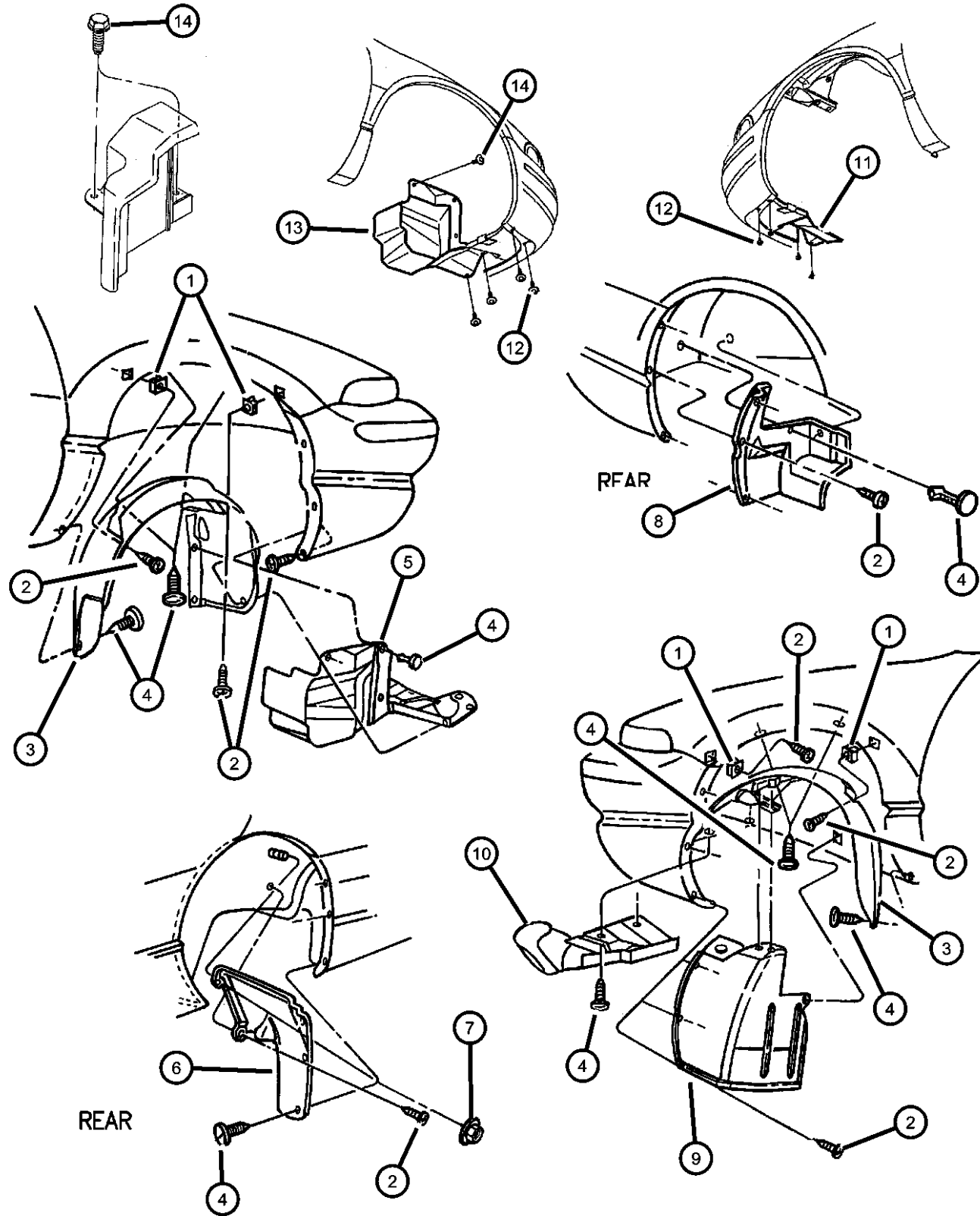
ENGINE
 ECB = 2.0L 4 Cyl SOHC 16V SMPI Engine
 EDZ = 2.4L 4 Cyl DOHC 16V SMPI Engine
 EEB = 2.5L V6 SOHC 24V SMPI Engine

TRANSMISSION
 DD5 = TRANSMISSION - 5-SPEED MANUAL
 DGL = TRANSMISSION - 4-SPD. AUTOMATIC,41TE
 DD4 = TRANSMISSION - 5-SPEED PERF. MANUAL

AR = use ase required - = Non illustrated part

1999 JA

**Splash Shields
Figure SJA-420**



ITEM	PART NUMBER	QTY	LINE	SERIES	BODY	ENGINE	TRANS	TRIM	DESCRIPTION
1	06504550	6							NUT, Snap In, .164, Fender Splash Shield Attaching
2	06035072	6							SCREW, Hex Flange Head Tapping, .164-15x.75
3									SHIELD, Wheelhouse
	04814060	1							Right
	04814061	1							Left
4	06030441	5							PIN, Retainer
5	04696924	1							SHIELD, Accessory Drive, Acc Pully Splash (Right) (Includes Plastic Nut, Shield 4646350 and Retainer) (2.0 and 2.5 Engine)
6	04696815	1							SHIELD, Wheelhouse, Rear Inner (Left)
7	06500284	3							NUT, Hex, M6x1.00
8	04696814	1							SHIELD, WheelhouseRight
9	04696823	1							SHIELD, Transmission
10									REINFORCEMENT, Fender
	04646228	1							Right
	04646229	1							Left
11	04696921	1							SHIELD, Splash, Engine Compartment Splash (Left)
12	06502625	2							SCREW AND RETAINER, Round Head, M6.35x25.4, Shield Attaching
13	04696938	1							SHIELD, Accessory Drive, w/2.4 Engine
14	06101777	4							SCREW, Hex Flange Head Tapping, M6x1.00x20.00, Hex Flange Tapping (M6x1.00x20.00)
-15									SHIELD, Fender
	04878734AA	1							Cowl To Fender, Right
	04878735AA	1							Cowl To Fender, Left

CIRRUS,BREEZE,STRATUS (JA)
 SERIES LINE
 H = HIGHLINE C = CHRYSLER
 P = PREMIUM D = DODGE
 P = PLYMOUTH

BODY
 41 = 4 Door Sedan

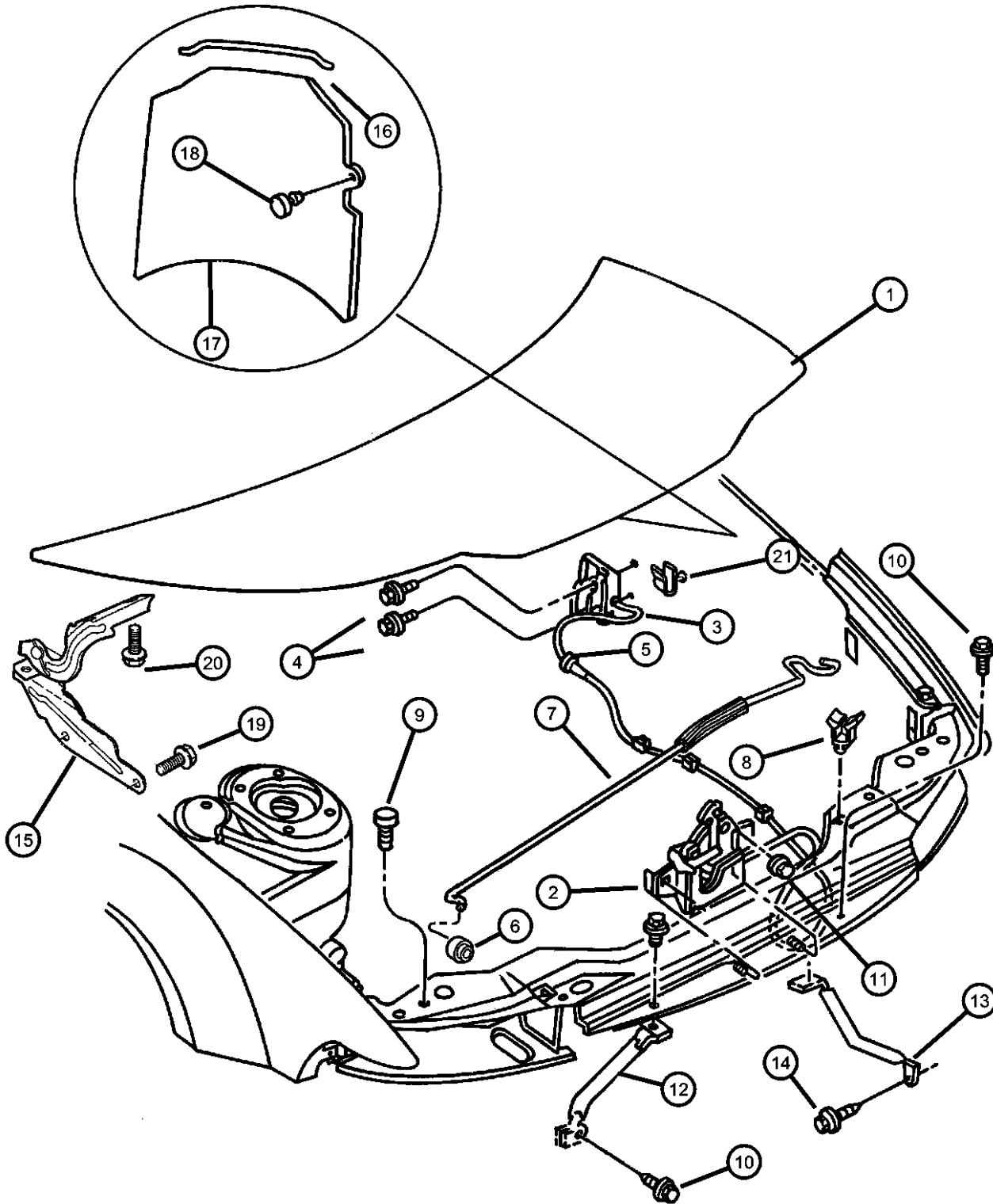
ENGINE
 ECB = 2.0L 4 Cyl SOHC 16V SMPI Engine
 EDZ = 2.4L 4 Cyl DOHC 16V SMPI Engine
 EEB = 2.5L V6 SOHC 24V SMPI Engine

TRANSMISSION
 DD5 = TRANSMISSION - 5-SPEED MANUAL
 DGL = TRANSMISSION - 4-SPD. AUTOMATIC,41TE
 DD4 = TRANSMISSION - 5-SPEED PERF. MANUAL

AR = use ase required - = Non illustrated part

1999 JA

**Hood And Hood Release
Figure SJA-510**



ITEM	PART NUMBER	QTY	LINE	SERIES	BODY	ENGINE	TRANS	TRIM	DESCRIPTION
1	04646849AD	1							HOOD
2	04814122AC	1							LATCH, Hood
3	04697000	1							LEVER, Remote Hood Release ReleaseInside, Hood Release
4	04697000	1							SCREW, (190-16x1.500), (NOT SERVICED)
5	04697000	1							GROMMET, Serv. With Item 3), (NOT SERVICED)
6	04716486	1							BUSHING, Hood Prop Rod Pivot
7	04696298	1							ROD, Hood PropSupport
8	06035253	1							CLIP, Prop RodHood
9	04696592	2							BUMPER, Hood, Adjuster
10	04696592	2							SCREW AND WASHER, (M6x1.00x25.00), (NOT SERVICED)
11	06101446	4							NUT AND WASHER, To Radiator, Hood Latch
12	04696878	1							BRACKET, CrossmemberUpper Radiator Mounting
13	04696879AB	1							BRACKET, Crossmember, To Front Rail
14	06501476	4							SCREW, Tapping, Annular Ring, M6x1.00x15.00
15									HINGE, Hood Right Left
16	04646236AC	1							04646237AC
17	04646498	1							SEAL, Hood To Radiator
18	04878178AB	1							SILENCER, Hood
19	06502842	12							PIN, Push, M6.35x12.60
20	06503847	4							SCREW AND WASHER, Hex Head, M8x1.25x30, Hood Hinge Body Half Attaching
21	06503757	4							SCREW AND WASHER, Hex Head, M8-1.25x22.00, To Decklid, Deck Lid Hinge
21	04814094	7							CLIP, Hood Latch ReleaseCable

CIRRUS,BREEZE,STRATUS (JA)
 SERIES LINE
 H = HIGHLINE C = CHRYSLER
 P = PREMIUM D = DODGE
 P = PLYMOUTH

BODY
 41 = 4 Door Sedan

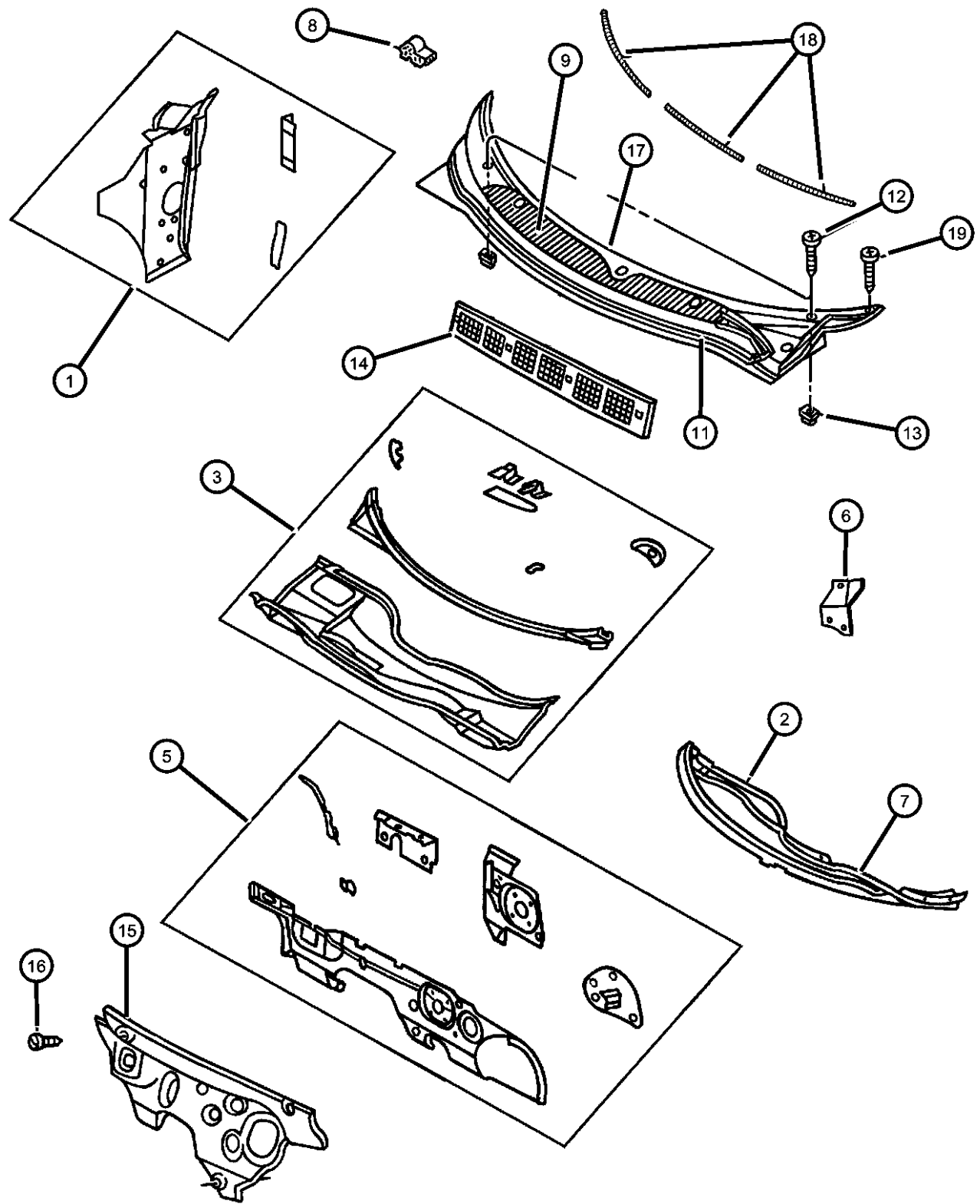
ENGINE
 ECB = 2.0L 4 Cyl SOHC 16V SMPI Engine
 EDZ = 2.4L 4 Cyl DOHC 16V SMPI Engine
 EEB = 2.5L V6 SOHC 24V SMPI Engine

TRANSMISSION
 DD5 = TRANSMISSION - 5-SPEED MANUAL
 DGL = TRANSMISSION - 4-SPD. AUTOMATIC, 41TE
 DD4 = TRANSMISSION - 5-SPEED PERF. MANUAL

AR = use ase required - = Non illustrated part

1999 JA

**Cowl And Dash Panel
Figure SJA-610**



ITEM	PART NUMBER	QTY	LINE	SERIES	BODY	ENGINE	TRANS	TRIM	DESCRIPTION
1	04696346	1							PANEL, Cowl Side Right
	04696347	1							Left
2	04646191AB	1							PANEL, Cowl Plenum Upper
3	04814407AB	1							PANEL, Cowl And Plenum
-4	06502842	5							PIN, Push, M6.35x12.60Upper Plenum Sill
5	04696372	1							PANEL, Dash, Dash
6	04646193	1							SUPPORT, Windshield Wiper Module, Attaching
7	04696016	1							SILENCER, Cowl Plenum Panel UpperUpper
8	04646500	2							SEAL, Hood To Fender
9	04805238AA	1							SCREEN, Cowl Top
-10	04805238AA	1							RIVET, M4.9x14.5, (NOT REQUIRED)
11	04805238AA	1							WEATHERSTRIP, Hood to Cowl, (NOT REQUIRED)
12	04630760	2							SCREW, Pan Head Tapping, .19-8x1.28
13	06503373	2							NUT, Snap In, M16x28Cowl Top Screen Attaching
14	04696349	1							SCREEN, Cowl, (P.A.R.)
15	04696015AB	1							SILENCER, Dash Panel-Engine Compartment
16	J3081054	3							CLIP, Silencer
17	J3081054	3							SEAL, Cowl, Screen To w/Shield (Serviced With Item 9 Only), (NOT SERVICED)
18									SEAL, Cowl Screen To Plenum
	04878113AA	1							Left
	04878114AA	1							Right
19	04630760	2							SCREW, Pan Head Tapping, .19-8x1.28

CIRRUS,BREEZE,STRATUS (JA)
 SERIES LINE
 H = HIGHLINE C = CHRYSLER
 P = PREMIUM D = DODGE
 P = PLYMOUTH

BODY
 41 = 4 Door Sedan

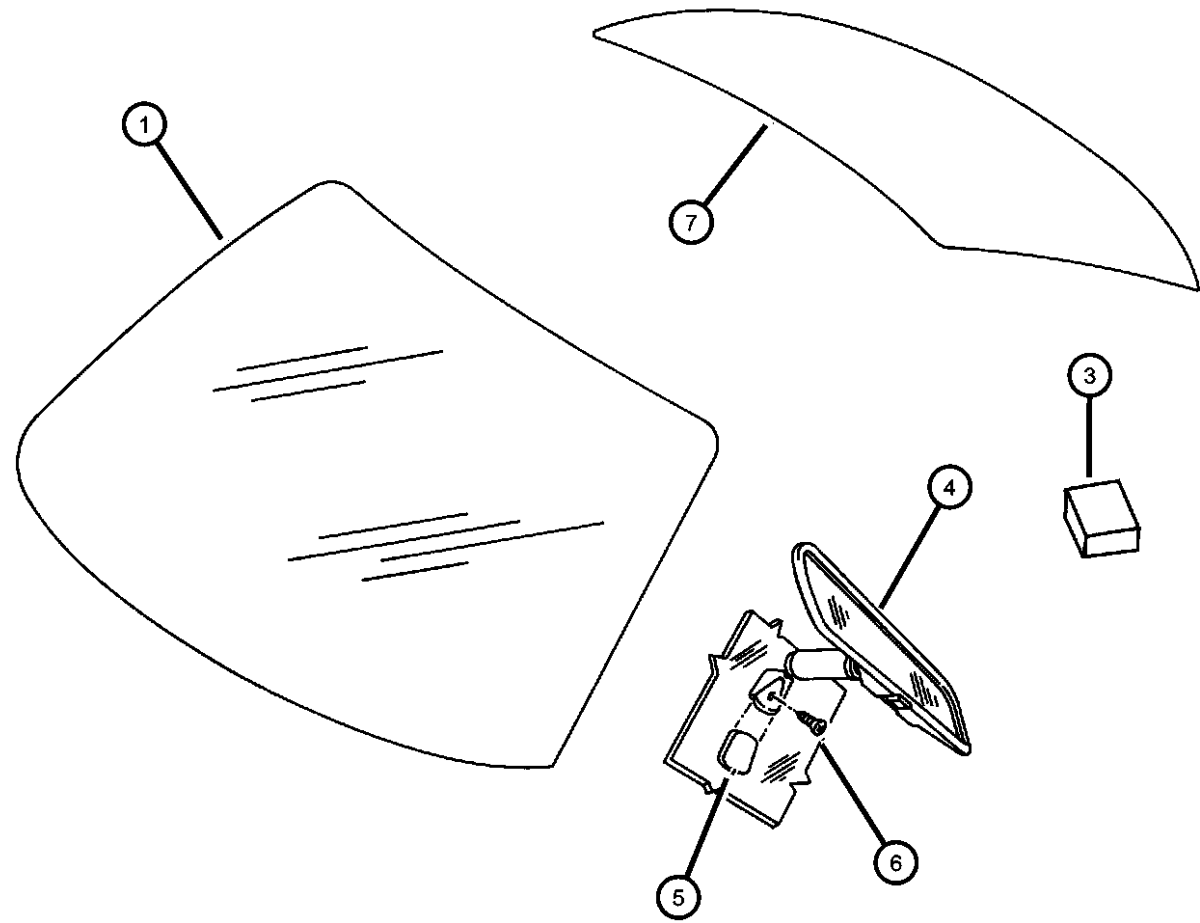
ENGINE
 ECB = 2.0L 4 Cyl SOHC 16V SMPI Engine
 EDZ = 2.4L 4 Cyl DOHC 16V SMPI Engine
 EEB = 2.5L V6 SOHC 24V SMPI Engine

TRANSMISSION
 DD5 = TRANSMISSION - 5-SPEED MANUAL
 DGL = TRANSMISSION - 4-SPD. AUTOMATIC,41TE
 DD4 = TRANSMISSION - 5-SPEED PERF. MANUAL

AR = use ase required - = Non illustrated part

1999 JA

**Windshield, Backglass And Mirror
Figure SJA-710**



ITEM	PART NUMBER	QTY	LINE	SERIES	BODY	ENGINE	TRANS	TRIM	DESCRIPTION
1									WINDSHIELD, Clear
	04814327	1							Solar
	04814328	1							Solar, E Marked (European)
-2	04805346AA	1							MOLDING, Windshield Reveal
3	04575699AA	AR							SPACER, Windshield Bottom Stop
4	04696545	1							MIRROR, Inside Rear View, Prismatic
5	04054098	1							BUTTON, Rear View Mirror
6	04054098	1							SCREW, Pan Head Tapping, .19-16x.375, (.19-16x.375), (NOT SERVICED)
7									BACKLITE
	04646361	1							Solar - Electric
	DB08742GTN								Collision Replacement Glass
	04696653	1							Solar (E - Marked) Electric

CIRRUS,BREEZE,STRATUS (JA)
 SERIES LINE
 H = HIGHLINE C = CHRYSLER
 P = PREMIUM D = DODGE
 P = PLYMOUTH

BODY
 41 = 4 Door Sedan

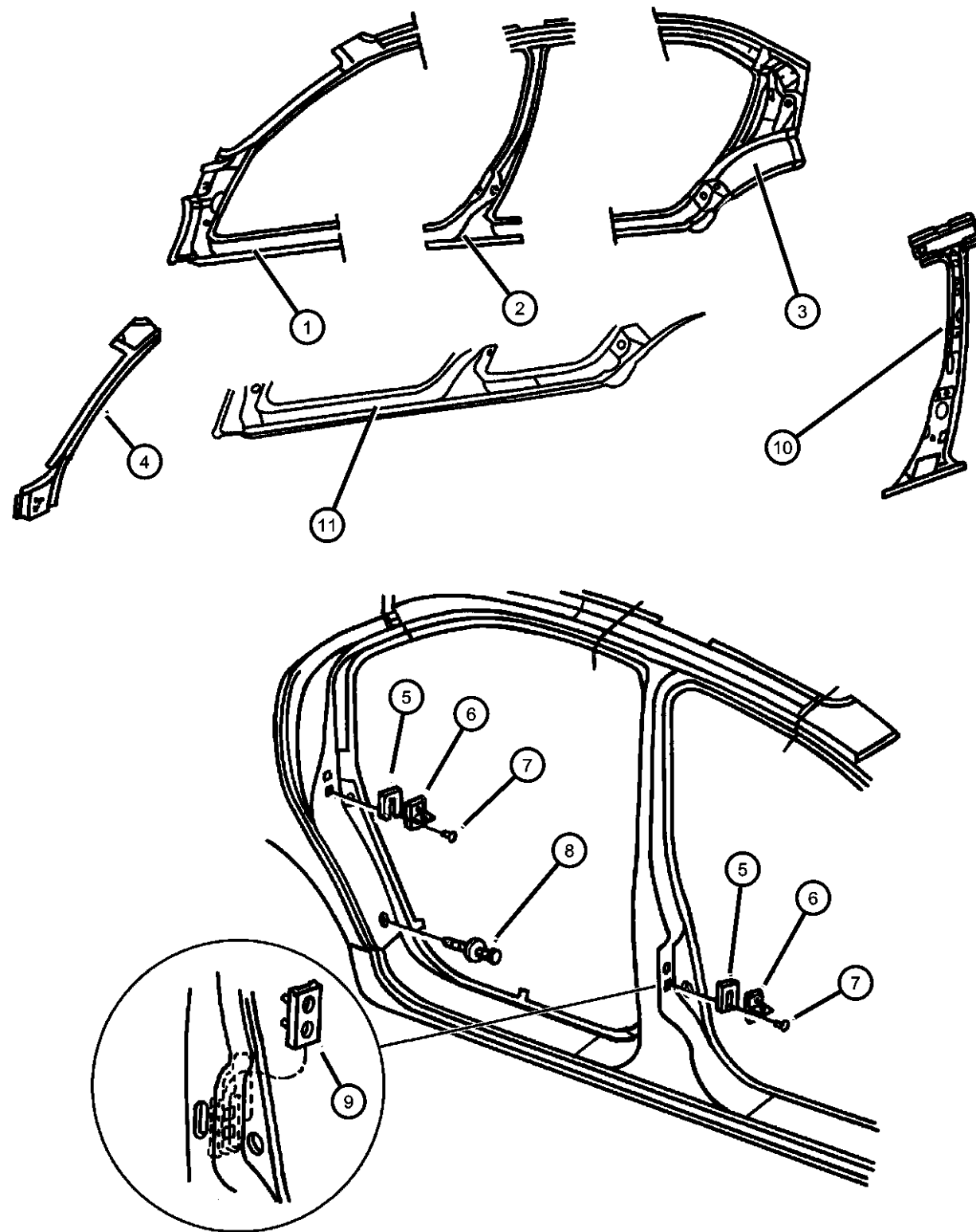
ENGINE
 ECB = 2.0L 4 Cyl SOHC 16V SMPI Engine
 EDZ = 2.4L 4 Cyl DOHC 16V SMPI Engine
 EEB = 2.5L V6 SOHC 24V SMPI Engine

TRANSMISSION
 DD5 = TRANSMISSION - 5-SPEED MANUAL
 DGL = TRANSMISSION - 4-SPD. AUTOMATIC,41TE
 DD4 = TRANSMISSION - 5-SPEED PERF. MANUAL

AR = use ase required - = Non illustrated part

1999 JA

Aperture Panels
Figure SJA-810



ITEM	PART NUMBER	QTY	LINE	SERIES	BODY	ENGINE	TRANS	TRIM	DESCRIPTION
1	04778330AA	1							PANEL, Body Side Aperture Front Right
	04778331AA	1							Left
2	04778332AA	1							PANEL, Body Side Aperture Center Right
	04778333AA	1							Left
3	04897518AB	1							PANEL, Body Side Aperture Rear Right
	04897519AB	1							Left
4	04646172	1							FRAME, Windshield Side Outer, Right
	04646173	1							Outer, Left
5	04646173	1							SPACER, Door Latch Striker (Cancelled Not Required), (NOT SERVICED)
6	04780259	2							STRIKER, Door
7	06033876	6							SCREW, Tapping, M6.3x1.8x38.1
8	04814406	2							STRIKER, Door Interlock
9	55256000	2							PLATE, Front Door Striker, Tapping
10	04778262	2							PANEL, B Pillar Inner Right
	04778263	1							Left
11	04897606AB	1							PANEL, Sill Right, Body Side Sill, Outer
	04897607AB	1							Left, Body Side Sill, Outer

CIRRUS,BREEZE,STRATUS (JA)
 SERIES LINE
 H = HIGHLINE C = CHRYSLER
 P = PREMIUM D = DODGE
 P = PLYMOUTH

BODY
 41 = 4 Door Sedan

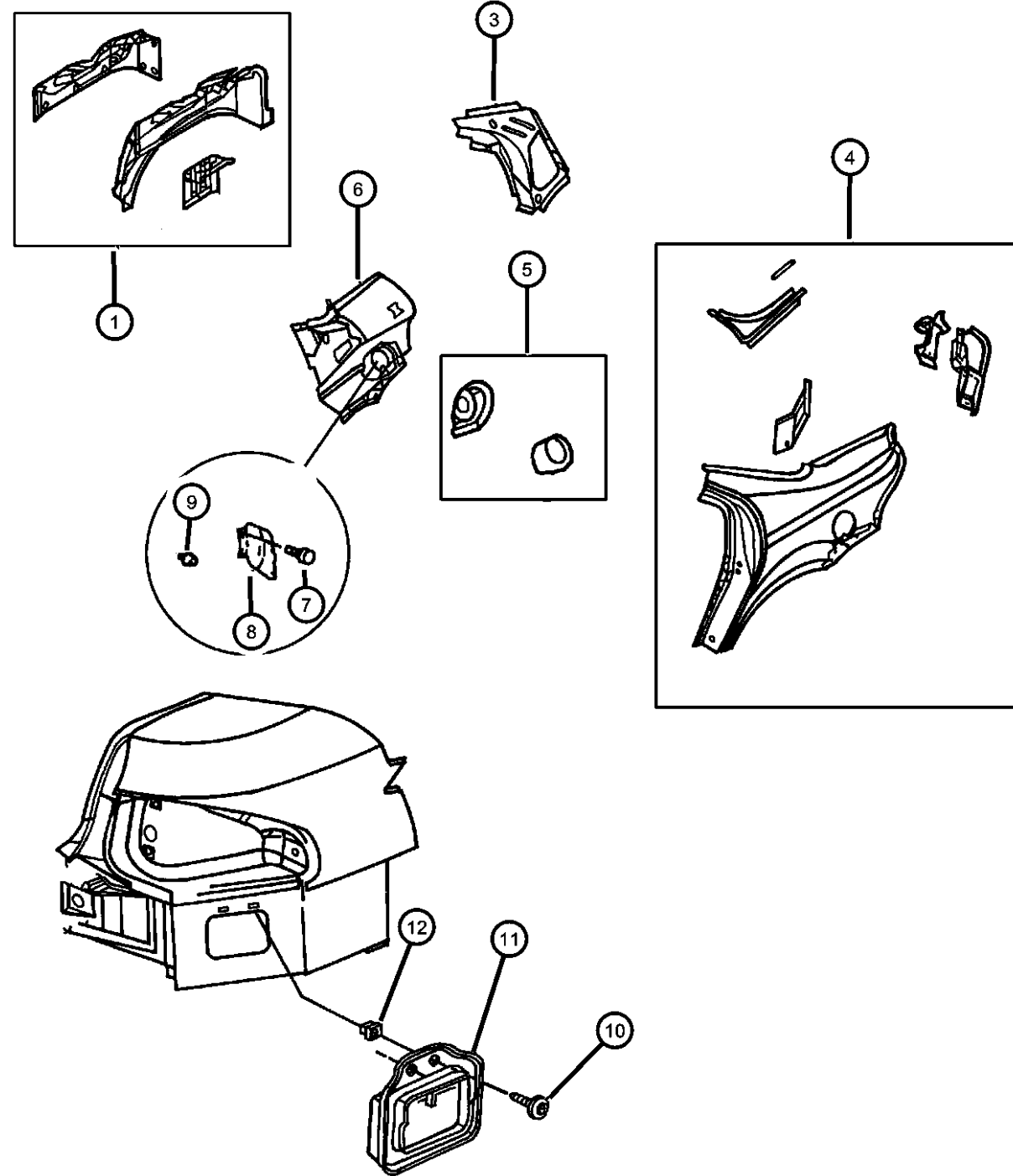
ENGINE
 ECB = 2.0L 4 Cyl SOHC 16V SMPI Engine
 EDZ = 2.4L 4 Cyl DOHC 16V SMPI Engine
 EEB = 2.5L V6 SOHC 24V SMPI Engine

TRANSMISSION
 DD5 = TRANSMISSION - 5-SPEED MANUAL
 DGL = TRANSMISSION - 4-SPD. AUTOMATIC, 41TE
 DD4 = TRANSMISSION - 5-SPEED PERF. MANUAL

AR = use ase required - = Non illustrated part

1999 JA

Quarter Panel
Figure SJA-910



ITEM	PART NUMBER	QTY	LINE	SERIES	BODY	ENGINE	TRANS	TRIM	DESCRIPTION
1	04778266	1							WHEELHOUSE, Rear Inner, Panel Right
	04778267	1							Left
-2	04586074	1							WASHER, Rear Wheelhouse, PCL, Left, Rear Wheel/House
3									REINFORCEMENT, Quarter Panel To Wheelhouse
	04646594	1							Upper Right
	04646595	1							Upper Left
4									PANEL, Quarter
	04864940AA	1							Outer, Right
	04864941AA	1							Outer, Left
5	04646201	1							REINFORCEMENT, Fuel Filler Door
6									WHEELHOUSE, Rear Outer
	04646514	1							Right
	04646515	1							Left
7	06504946AA	2							SCREW, Hex Flange Head, M6x1.0x16.0
8	04646202	1							DOOR, Fuel Fill
9	04015682	1							BUMPER, Fuel Door
10	06033167	4							SCREW, Tapping, .164-15x.75
11	04624179	2							EXHAUSTER, Interior Trim Panel Quarter Panel, Inner
12	04624179	2							NUT, Snap, (NOT SERVICED)
-13	04780548AA	1							LABEL, Fuel, "DO NOT TOP OFF", Canada
-14	04780553AA	1							LABEL, Fuel, Federal DO NOT TOP OFF

CIRRUS,BREEZE,STRATUS (JA)

SERIES LINE
H = HIGHLINE C = CHRYSLER
P = PREMIUM D = DODGE
P = PLYMOUTH

BODY
41 = 4 Door Sedan

ENGINE
ECB = 2.0L 4 Cyl SOHC 16V SMPI Engine
EDZ = 2.4L 4 Cyl DOHC 16V SMPI Engine
EEB = 2.5L V6 SOHC 24V SMPI Engine

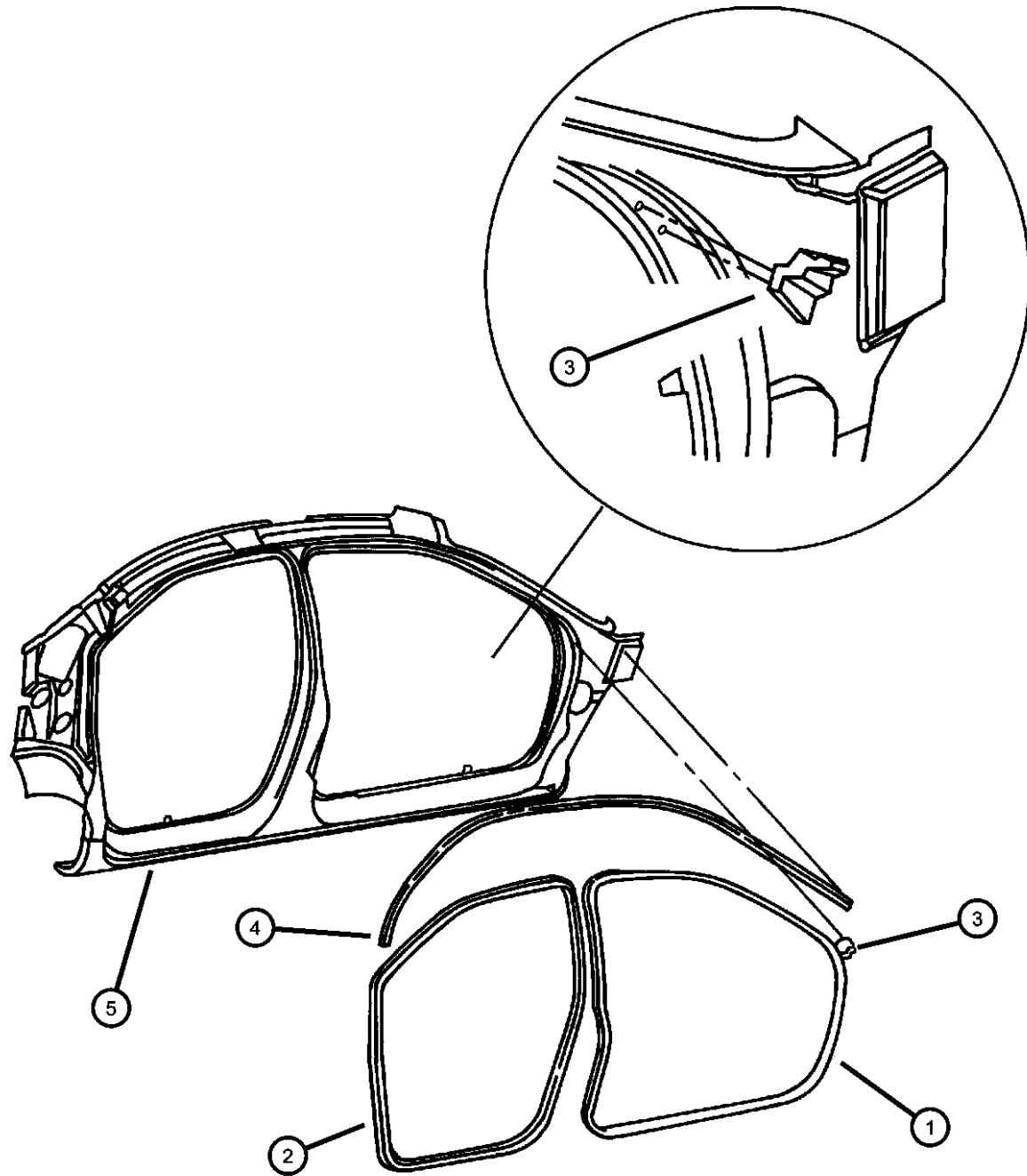
TRANSMISSION
DD5 = TRANSMISSION - 5-SPEED MANUAL
DGL = TRANSMISSION - 4-SPD. AUTOMATIC, 41TE
DD4 = TRANSMISSION - 5-SPEED PERF. MANUAL

AR = use ase required - = Non illustrated part

1999 JA

**Seals And Weatherstrips
Figure SJA-1010**

ITEM	PART NUMBER	QTY	LINE	SERIES	BODY	ENGINE	TRANS	TRIM	DESCRIPTION
1									WEATHERSTRIP, Front Door Opening
	04814778AB	1							Body Mounting, Right
	04814779AB	1							Body Mounting, Left
2									WEATHERSTRIP, Rear Door Opening
	04814780AB	1							Right
	04814781AB	1							Left
3									SEAL, A-Pillar Base
	04646882	1							End Of Drip Rail, Right
	04646883	1							End Of Drip Rail, Left
4									WEATHERSTRIP, Drip Rail Secondary
	04646880	1							Right
	04646881	1							Left
5	04646881	1							PANEL, Aperture, Reference Only, (NOT SERVICED)



CIRRUS,BREEZE,STRATUS (JA)
 SERIES LINE
 H = HIGHLINE C = CHRYSLER
 P = PREMIUM D = DODGE
 P = PLYMOUTH

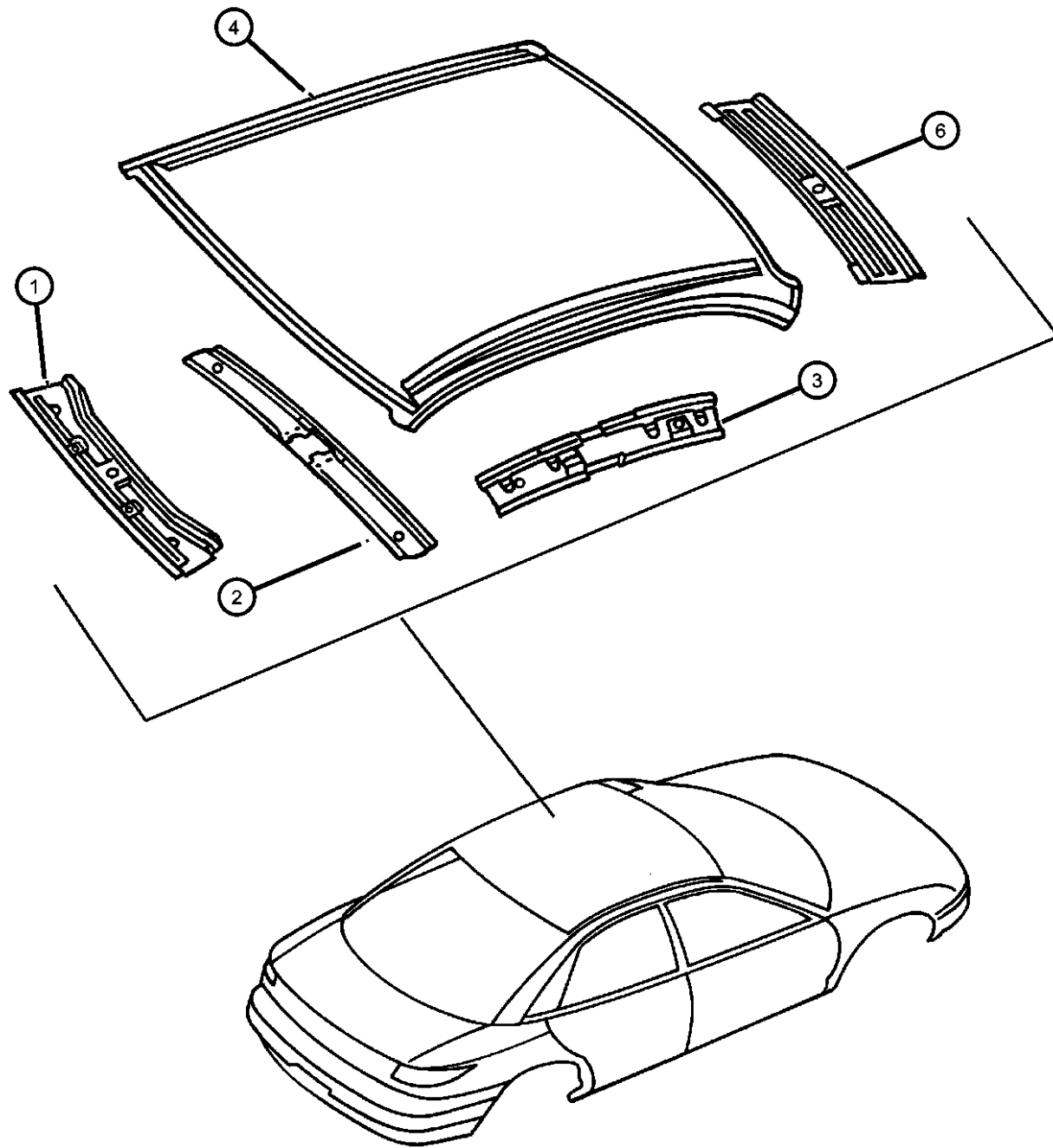
BODY
 41 = 4 Door Sedan

ENGINE
 ECB = 2.0L 4 Cyl SOHC 16V SMPI Engine
 EDZ = 2.4L 4 Cyl DOHC 16V SMPI Engine
 EEB = 2.5L V6 SOHC 24V SMPI Engine

TRANSMISSION
 DD5 = TRANSMISSION - 5-SPEED MANUAL
 DGL = TRANSMISSION - 4-SPD. AUTOMATIC,41TE
 DD4 = TRANSMISSION - 5-SPEED PERF. MANUAL

AR = use ase required - = Non illustrated part

Roof Panel
Figure SJA-1110



ITEM	PART NUMBER	QTY	LINE	SERIES	BODY	ENGINE	TRANS	TRIM	DESCRIPTION
1	04646174	1							FRAME, Windshield, Opening
2	04646314	1							BOW, Roof
3									RAIL, Roof Side
	04646316	1							Inner Right
	04646317	1							Inner Left
4	04646301AC	1							PANEL, Roof
-5	04805228AB	1							ROOF, Sunroof
6	04646315	1							HEADER, Backlite Frame, Window, Rear

CIRRUS,BREEZE,STRATUS (JA)

SERIES LINE
H = HIGHLINE C = CHRYSLER
P = PREMIUM D = DODGE
 P = PLYMOUTH

BODY
41 = 4 Door Sedan

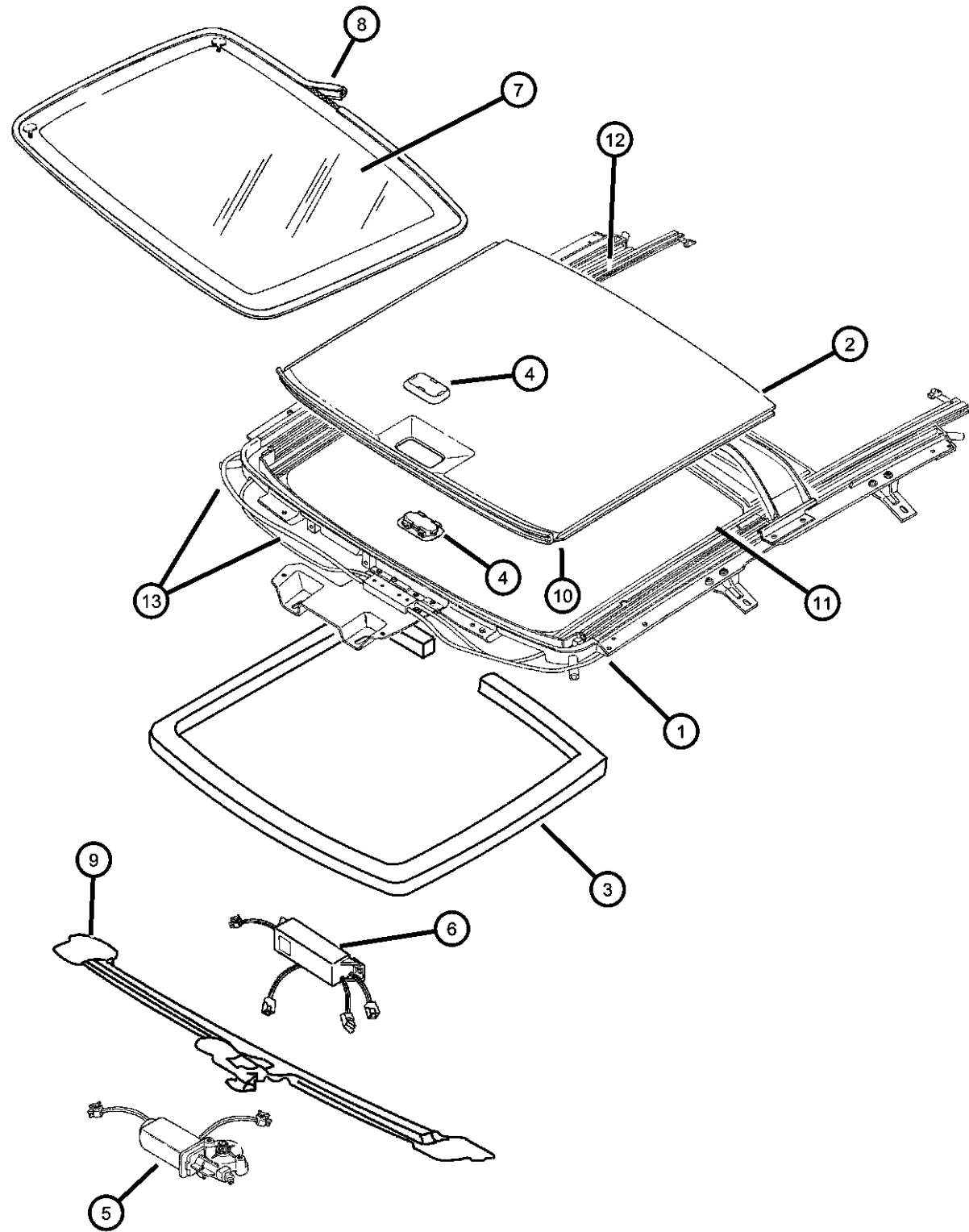
ENGINE
ECB = 2.0L 4 Cyl SOHC 16V SMPI Engine
EDZ = 2.4L 4 Cyl DOHC 16V SMPI Engine
EEB = 2.5L V6 SOHC 24V SMPI Engine

TRANSMISSION
DD5 = TRANSMISSION - 5-SPEED MANUAL
DGL = TRANSMISSION - 4-SPD. AUTOMATIC, 41TE
DD4 = TRANSMISSION - 5-SPEED PERF. MANUAL

AR = use ase required - = Non illustrated part

1999 JA

**Sunroof
Figure SJA-1210**



ITEM	PART NUMBER	QTY	LINE	SERIES	BODY	ENGINE	TRANS	TRIM	DESCRIPTION
1	0QX03RK4AA	1							SUNROOF, Complete Tan, (K5)
	0QX03TL2AA	1							Beige, (AZ)
2	0RP61RK4AA	1							SUNSHADE, Sunroof Tan, (K5)
	0RP61TL2AA	1							Beige, (AZ)
3	0RP62RK4AA	1							TRIM LACE, Sunroof Tan, (K5)
	0RP62TL2AA	1							Beige, (AZ)
4	0RP65RK4AA	1							BEZEL, Sunshade Handle Tan, (K5)
	0RP65TL2AA	1							Beige, (AZ)
5	05003877AA	1							MOTOR, Sunroof
6	05003878AA	1							CONTROL UNIT, Sunroof
7	05003879AA	1							GLASS, Sunroof, (Includes Glass, Molding and Seal)
8	05003880AA	1							SEAL, Sunroof Glass
9	05003881AA	1							DEFLECTOR, Sunroof Wind
10	05003904AA	1							GUIDE, Sunshade, (Comes With Spring)
11	05003904AA	1							HOUSING, Sunroof, (Serviced With Item 1 Only), (NOT SERVICED)
12	05003904AA	1							TRACK, Sunroof, (Serviced With Item 1 Only), (NOT SERVICED)
13	05003904AA	1							TUBE, Tube Assembly, (Serviced With Item 1 Only), (NOT SERVICED)
-14	04805302AB	1							DEADENER, Sun Roof
-15	04805221AA	2							TUBE, Sunroof Drain
-16	05014707AA	1							CLIP, Sunroof, Power Sunroof

CIRRUS,BREEZE,STRATUS (JA)
 SERIES LINE
 H = HIGHLINE C = CHRYSLER
 P = PREMIUM D = DODGE
 P = PLYMOUTH

BODY
 41 = 4 Door Sedan

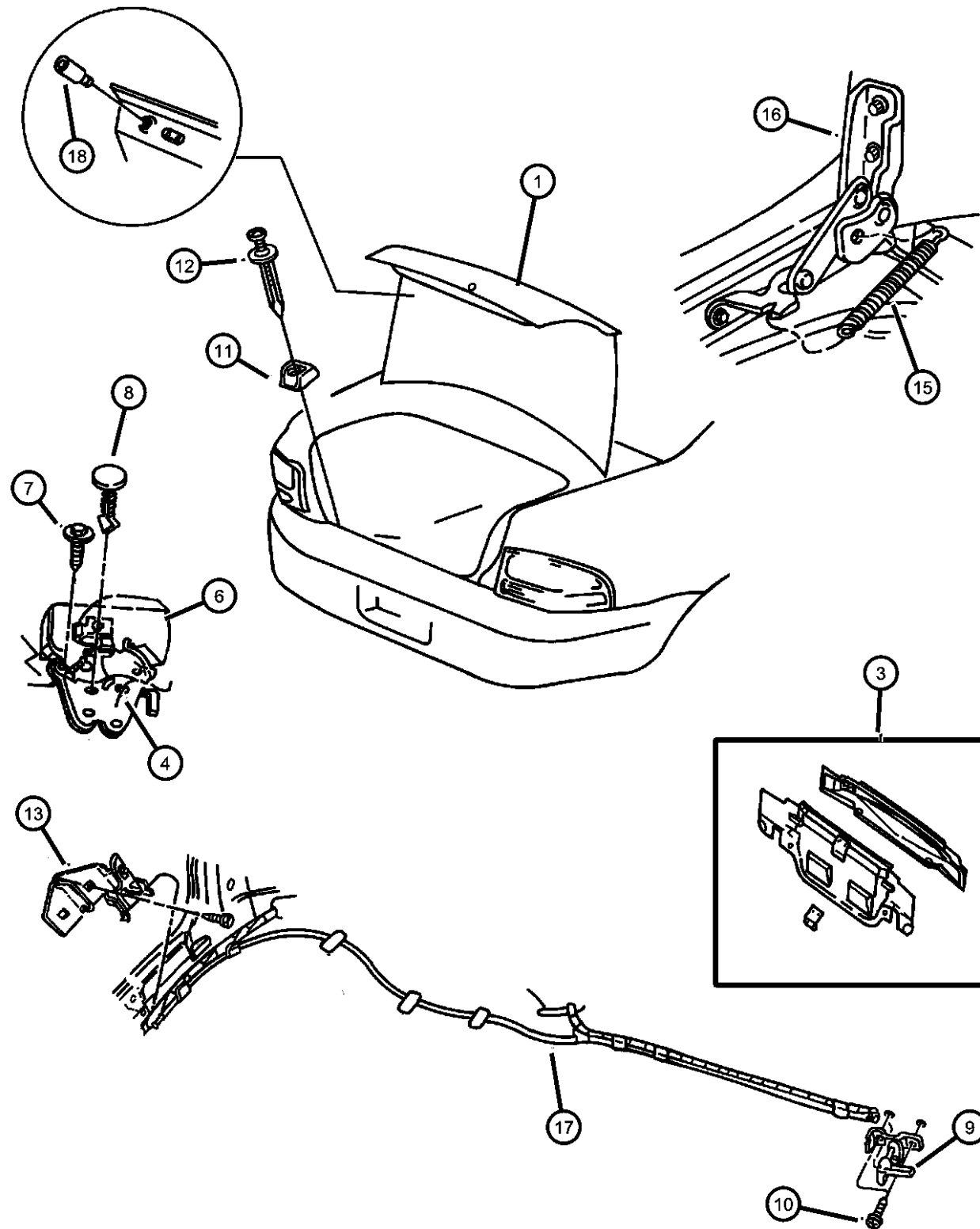
ENGINE
 ECB = 2.0L 4 Cyl SOHC 16V
 SMPI Engine
 EDZ = 2.4L 4 Cyl DOHC 16V
 SMPI Engine
 EEB = 2.5L V6 SOHC 24V
 SMPI Engine

TRANSMISSION
 DD5 = TRANSMISSION - 5-SPEED
 MANUAL
 DGL = TRANSMISSION - 4-SPD.
 AUTOMATIC,41TE
 DD4 = TRANSMISSION - 5-SPEED
 PERF. MANUAL

AR = use ase required - = Non illustrated part

1999 JA

**Deck Lid
Figure SJA-1310**



ITEM	PART NUMBER	QTY	LINE	SERIES	BODY	ENGINE	TRANS	TRIM	DESCRIPTION
1									DECKLID
	04814112AE	1	C						With Holes
		1	D						With Holes
	04814967AC	1							Without Holes
-2	04646501	1							WEATHERSTRIP, Liftgate OpeningDeck Lid
3	04886149AA	1							PANEL, Decklid OpeningLower
4									LATCH, Decklid
	04814033AB	1							w/Cable Release
	04814034AB	1							w/Cable Release and Security Alarm
-5	06504043	1							PIN, Push, M8.6x19Latch Attach
6	04696102	1							COVER, Deck Lid Latch
7	06101777	2							SCREW, Hex Flange Head Tapping, M6x1.00x20.00
8	06030441	5							PIN, RetainerDeck Lid Latch Mtg
9									HANDLE, Deck Lid Release
	04814055	1							Handle Only
	04814414AC	1							Pivot Point For Handle and Cable
10	00154550	2							SCREW, Tapping, .19-16x.625
11	05255216	1							PLUG, Body, .875 DiameterDeck Lid, Lower
12	06502625	2							SCREW AND RETAINER, Round Head, M6.35x25.4, Overslam, Body Half Lower, Deck Lid
13	04814385AB	1							STRIKER, Door LatchDeck Lid, Latch
-14	06501782	AR							SCREW AND WASHER
15	04814137	2							SPRING, Deck Lid Hinge
16									HINGE, Deck Lid
	04814382	1							Right
	04814383	1							Left
17	04814448AB	1							CABLE, Deck Lid Release, Deck Lid Remote Release
18	04814448AB	1							BUMPER, Deck Lid, (NOT REQUIRED)
-19	04814200	2							PROP, Deck Lid, Prop/Gas

CIRRUS,BREEZE,STRATUS (JA)
 SERIES LINE
 H = HIGHLINE C = CHRYSLER
 P = PREMIUM D = DODGE
 P = PLYMOUTH

BODY
 41 = 4 Door Sedan

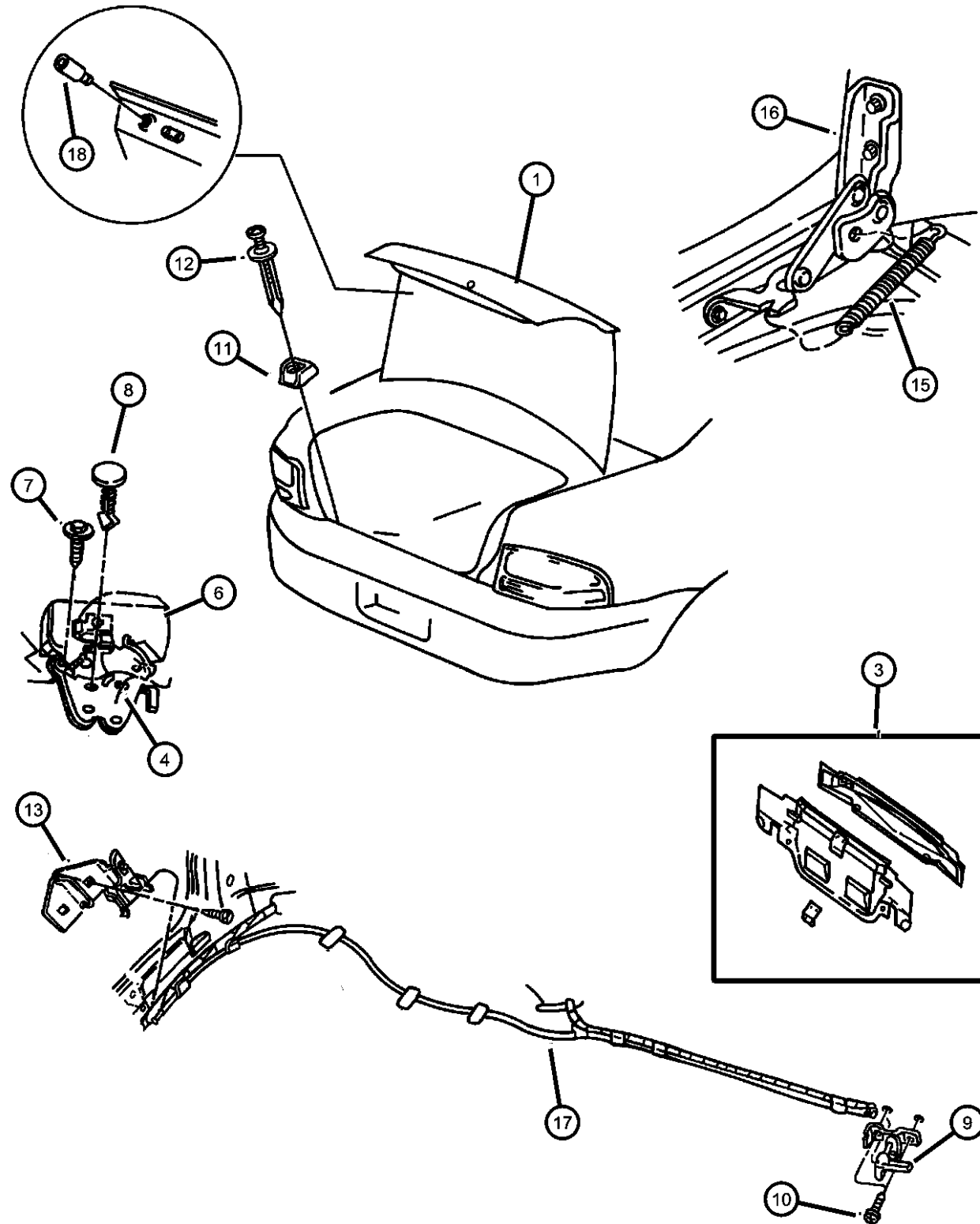
ENGINE
 ECB = 2.0L 4 Cyl SOHC 16V SMPI Engine
 EDZ = 2.4L 4 Cyl DOHC 16V SMPI Engine
 EEB = 2.5L V6 SOHC 24V SMPI Engine

TRANSMISSION
 DD5 = TRANSMISSION - 5-SPEED MANUAL
 DGL = TRANSMISSION - 4-SPD. AUTOMATIC,41TE
 DD4 = TRANSMISSION - 5-SPEED PERF. MANUAL

AR = use ase required - = Non illustrated part

1999 JA

Deck Lid
Figure SJA-1310



ITEM	PART NUMBER	QTY	LINE	SERIES	BODY	ENGINE	TRANS	TRIM	DESCRIPTION
------	-------------	-----	------	--------	------	--------	-------	------	-------------

G0004477AB
-20 06503847 4

Mopar V-Line Alternative Part
SCREW AND WASHER, Hex
Head, M8x1.25x30, To Body, Deck
Lid Hinge

CIRRUS,BREEZE,STRATUS (JA)
SERIES LINE
H = HIGHLINE C = CHRYSLER
P = PREMIUM D = DODGE
P = PLYMOUTH

BODY
41 = 4 Door Sedan

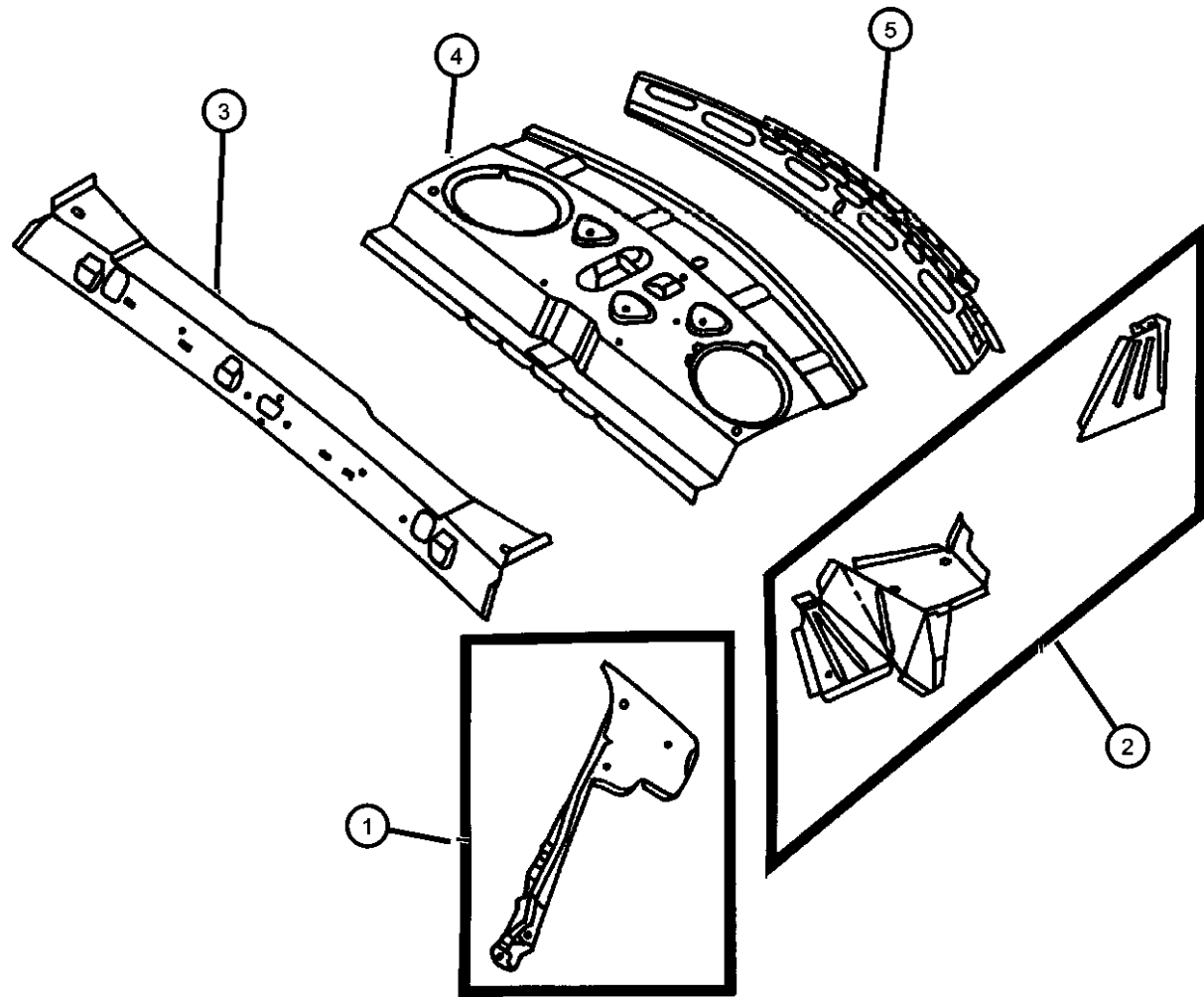
ENGINE
ECB = 2.0L 4 Cyl SOHC 16V
SMPI Engine
EDZ = 2.4L 4 Cyl DOHC 16V
SMPI Engine
EEB = 2.5L V6 SOHC 24V
SMPI Engine

TRANSMISSION
DD5 = TRANSMISSION - 5-SPEED
MANUAL
DGL = TRANSMISSION - 4-SPD.
AUTOMATIC,41TE
DD4 = TRANSMISSION - 5-SPEED
PERF. MANUAL

AR = use ase required - = Non illustrated part

1999 JA

**Shelf Panel
Figure SJA-1410**



ITEM	PART NUMBER	QTY	LINE	SERIES	BODY	ENGINE	TRANS	TRIM	DESCRIPTION
1									REINFORCEMENT, Shelf to Floor Pan
	04646694	1							Right
	04646695	1							Left
2									SUPPORT, Rear Shelf Panel
	04778264	1							Right
	04778265	1							Left
3	04646334	1							REINFORCEMENT, Rear Shelf PanelFront
4	04646321AB	1							PANEL, ShelfRear
5	04646322	1							REINFORCEMENT, Rear Shelf Panel

CIRRUS,BREEZE,STRATUS (JA)

SERIES	LINE
H = HIGHLINE	C = CHRYSLER
P = PREMIUM	D = DODGE
	P = PLYMOUTH

BODY
41 = 4 Door Sedan

ENGINE
ECB = 2.0L 4 Cyl SOHC 16V SMPI Engine
EDZ = 2.4L 4 Cyl DOHC 16V SMPI Engine
EEB = 2.5L V6 SOHC 24V SMPI Engine

TRANSMISSION
DD5 = TRANSMISSION - 5-SPEED MANUAL
DGL = TRANSMISSION - 4-SPD. AUTOMATIC,41TE
DD4 = TRANSMISSION - 5-SPEED PERF. MANUAL

AR = use ase required - = Non illustrated part