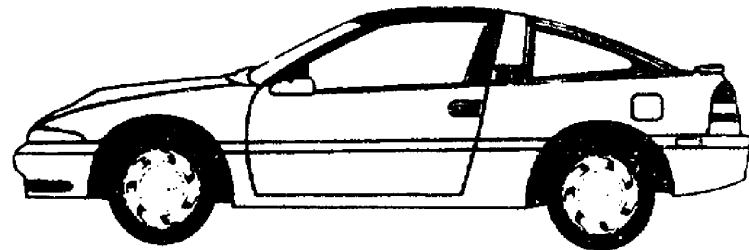


# 1990-1994 LASER/EAGLE TALON PARTS CATALOG

## ILLUSTRATIONS AND TEXT CHASSIS-BODY-ELECTRICAL AND TRIM



 **CHRYSLER  
CORPORATION**  
Mopar Parts Division

This publication contains Parts Information for all 1990-94 model year PLYMOUTH LASER  
AND EAGLE TALON PASS. CAR product of Diamond-Star Motors. The joint venture between  
Chrysler and Mitsubishi.

The use of this Parts Catalog and the arrangement of information herein is explained in the General  
Information Section as indexed below.

### INDEX TO INFORMATION PAGES

● ABBREVIATIONS .....	INF-9-13
● ALPHABETICAL INDEX .....	INF- 6
● BODY NUMBER .....	INF- 7
● CALIF. ARB .....	INF-14 - 26
● COLOR CODES .....	INF- 5
● CONTENTS .....	INF- 3
● DIMENSIONS .....	INF- 7
● ENGINE MODEL AND SERIAL NUMBER .....	INF- 7
● ENGINE MODEL STAMPING .....	INF- 5
● GROUP 23 INDEX-DEFINITION .....	INF- 27
● HOW TO LOCATE PARTS .....	INF- 2
● ILLUSTRATION INDEX .....	INF- 6
● KEY NUMBERS .....	INF- 7
● METRIC CONVERSION TABLE .....	INF- 8
● NEWPART INDEX .....	INF- 6
● NUMERICAL INDEX .....	INF- 6
● PAGE NUMBERING .....	INF- 6
● PARTS CATALOG REVISION SERVICE .....	INF- 7
● PARTS NUMBER PREFIX .....	INF- 7
● PRODUCT BULLETINS .....	INF- 7
● SYMBOLS USED IN THIS CATALOG .....	INF- 6
● TRANSMISSION MODEL & SERIAL NUMBER .....	INF- 7
● VEHICLE CERTIFICATION LABEL .....	INF- 5
● VEHICLE IDENTIFICATION PLATE .....	INF- 4

## HOW TO USE THIS CATALOG AND LOCATE PARTS

This Catalog is divided into Part Groups in which illustrations for parts of a similar function and/or location are published. The Group Contents listing on the next page shows the type of parts contained in each group. Tabs are provided or available to separate each group.

**Option 1:** From the Group Contents listing, select the group which would most logically contain the part to be found. Or open the catalog to Group 1, Master Group Illustration Index. Select the illustration group most likely to contain the parts associated. Turn to the Illustration Index in front of that group to select illustration and locate the parts item numbers and associated text information.

**Option 2:** If the "noun" name of the part you seek is known, an alphabetical index of nouns and illustration titles is provided to assist in finding the part. Several keys may be found in this index.

RESERVOIR Power Strng. Oil Pump . . . . .	Group 19	Group Reference						
ALTERNATOR, Engine . . . . .	8-200	Illustration Reference						
STARTER . . . . .	08 105 4	Illustration/Item Reference						
	<table border="0" style="margin-left: 20px;"> <tr> <td>Group</td> <td>_____</td> </tr> <tr> <td>Illustration No.</td> <td>_____</td> </tr> <tr> <td>Item</td> <td>_____</td> </tr> </table>	Group	_____	Illustration No.	_____	Item	_____	
Group	_____							
Illustration No.	_____							
Item	_____							

**Option 3:** If the part number is known but the applications need to be determined, refer to the numerical index. This index shows the group, illustration number and item for each part listed in the catalog. Multiple references mean the part is listed more than once.

## PART GROUP - TITLES & CONTENT

GROUP	CONTENTS
HW	Information Section
AL	Alphabetical Index
NE	Newpart Index
NL	Illustration Index (All Groups)
1	Master Illustration Index
2	Front Suspension & Drive Front Suspension Components Steering Knuckles Front Drive Shafts Axles Locking Hubs Front Differential
3	Rear Axle Rear Axle and Component Parts Rear Axle Mountings
4	Parking Brake Controls
5	Service Brakes Brake Controls and Mechanism Brake Warning Switch Park Brake Components within the Wheel Wheel Hardware Bearings and Seals
6	Clutch Clutch Unit and Components Clutch Pedal Controls
7	Cooling Front Grille Grille Support Radiator Supports Headlamp Supports Radiators Fans and Fan Motors Hoses Thermostats Transmission Cooling Water Pumps Drive Belts and Pulleys Turbocharger Cooling
8	Electrical Switches Relays Solenoids Sensors Battery Trays Engine Electrical Starters Alternators Distributors Front Rear Interior Lamps Body Wiring Horn
8A	Instrument Panel and Console Instrument Panel and Console Electrical Parts Clusters Switches Wiring All Hard and Soft Trim Parts Radio Speakers and Antenna
9E	Engine (By Engine Type) Engine Components Engine Oil System Flywheels Torque Converters Engine Mounting
11	Exhaust Exhaust System Components Heat Shields
13	Frame Bumper & Fascia Frame Components Group Members Bumper and Fascia Components Snow Plow Parts
14	Fuel Accelerator Pedal Linkage Throttle Control Air Cleaner Carburetors Throttle Body and Injection Components Fuel Lines Fuel Tank Fuel Pump Turbocharger Components Speed Control

GROUP	CONTENTS
16	Prop. Shaft and Universal Joint
17	Rear Suspension Rear Suspension Components
18	Service Bulletin Parts
19	Steering Steering Wheels Column Power Steering Pump Steering Gear Steering Linkage Tie Rods
21M	Manual Transmission and Transfer Cases Manual Transmission Transaxle and Components Gearshift Controls Transfer Case Controls Mountings Speedometer Pinion and Cable
21A	Automatic Transmission Automatic Transmission Transaxle and Components Gearshift Controls Speedometer Pinion and Cable
22	Wheels Wheel Rims Wheel Covers Hubcaps Jack and Spare Tire Storage
23	Exterior Ornamentation Exterior Ornamentation Tape Stripes Decals Exterior Moldings Vinyl Roof and Trim Ground Effects Pigs
23A	Body Sheet Metal Except Doors Body Metal Stationary Glass Sunroof Convertible Top Hood and Deck Release
23C	Body Doors and Related Parts Door Metal Door Hardware Door Glass and Regulator Door Mirrors Weatherstrips
23D	Body Miscellaneous Lock Cylinders and Keys Windshield Washer Wiper System
	Interior Trim (By Body Code) All Interior Trim Except Dash and Console Seats and Seat Belts Seat Adjusters Manual and Power Carpet Interior Panels and Moldings Security/Tonneau Covers
24	Heater and Air Heater Air Conditioning System and Controls
25	Emission Systems Air Pump EGR System Vapor Canister
NU	Numerical Index

VIN PLATE IDENTIFICATION											
1	2	3	4	5	6	7	8	9	10	11	12 thru 17
Country	Make	Vehicle Type	Other	Line	Series	Body Style	Engine	Check Digit	Model Year	Assy. Plant	Sequence No

- 1 COUNTRY**  
4 = USA
- 2 MAKE**  
P = Plymouth  
E = Eagle
- 3 VEHICLE TYPE**  
3 = Passenger Car
- 4 OTHER**  
C = Automatic Seat Belt  
B = Manual
- 5 LINE PASSENGER CAR**  
S = Laser Talon FWD  
T = Laser Talon AWD  
F = Laser Talon FWD  
G = Laser Talon AWD
- 6 SERIES**  
3 = Medium  
4 = High  
5 = Premium  
6 = Special/Sport
- 7 BODY STYLE**  
4 = 3 Door Hatchback

- 8 ENGINE**  
T = 1.8L (110 CID) (SOHC - MPI) - P ENG  
R = 2.0L (122CID) (DOHC - MPI) - A ENG  
U = 2.0L (122CID) (DOHC - MPI Turbo) - A ENG  
B = 1.8L (SOHC - MFI) - P ENG  
E = 2.0L (DOHC MFI) - A ENG  
F = 2.0L (DOHC MFI) - TURBO
- 9 CHECK DIGIT**  
0, 1, 2, 3, 4, 5, 6, 7, 8, 9, X
- 10 MODEL YEAR**  
L = 1990  
M = 1991  
N = 1992  
P = 1993  
R = 1994
- 11 ASSEMBLY PLANT**  
E = DSM  
Bloomington

**12 thru 17**  
**SEQUENCE NO.**  
Six Digit Number

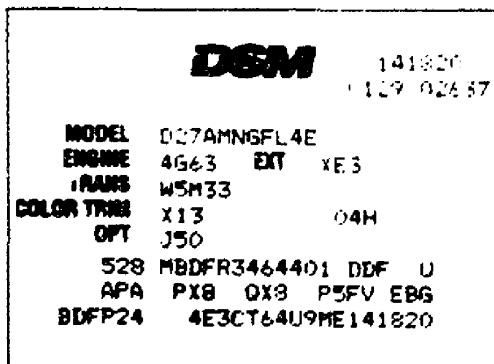
### VEHICLE IDENTIFICATION

**Vehicle Identification Number Location**  
The vehicle identification number (V.I.N.) is located on a plate attached to the left top side of the instrument panel.

### VEHICLE IDENTIFICATION CODE PLATE

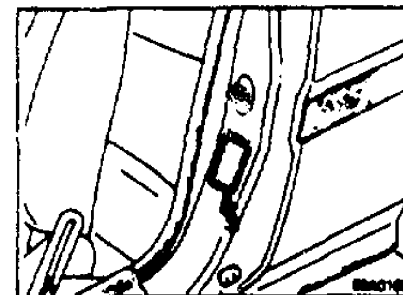
**VEHICLE IDENTIFICATION CODE PLATE**  
Vehicle information code plate is on the bulkhead in the engine compartment.  
The plate shows model code, engine model, transaxle model, and body color code.

1. MODEL **D22AMH HML4<sup>P</sup>**  
Model series  
Vehicle model
2. ENGINE **4G63**  
Engine model
3. TRANSAXLE **KM215**  
Transaxle model
4. COLOR, TRIM OPT. **B14**  
Monotone exterior color code



### VEHICLE SAFETY CERTIFICATION LABEL

- The vehicle safety certification label is attached to the face of left door pillar.
- This label indicates the month and year of manufacture, Gross Vehicle Weight Rating (G.V.W.R.) front and rear, and Vehicle Identification Number (V.I.N.).



### ENGINE MODEL STAMPING

- The engine model number is stamped at the front side on the top edge of the cylinder block as shown in the following:

Engine model	Engine displacement
4G63	2.0 liter (122 CID) (DOHC-MPI) or (DOHC-MPI-Turbo)
A588	2.0 liter (Non-Turbo)
6G73	2.5L (24VALVE) V6

- The engine serial number is stamped near the engine model number, and the serial number cycles, as shown below.

Engine serial number	Number cycling
AA0201 to YY9999	AA0201 ..... AA9999
	AB0001 ..... AY9999
	BA0001 ..... YY9999

## PAGE NUMBERING

Two-part page numbers are used throughout this catalog. The first part of the page number identifies the group and the second part of the sequence within the group. For example: 2-3 indicates Group 2, Front Suspension, Page 3.

In the maintenance of the Loose Leaf Parts Catalog it may be necessary to add information beyond the capacity of the page. If this should occur, an "A" page may be provided; e.g.: 2-3A should be filed immediately following page 2-3.

## ILLUSTRATIONS

Two part illustration numbers are used to locate the graphic in its proper sequence. The first part is the group number and the second part the sequence within the group. (Note: Illustrations will always be on the left hand page and will be an even numbered page).

A master index of all illustrations follows the INF Section. In addition, each group fly page includes a listing of the graphic illustrations contained within the group.

## ALPHABETICAL INDEX

To locate a part by name refer to the Alphabetical Index (located at the back of the catalog with page numbers prefixed "AL"). If the name of the particular item sought is not listed, or is unknown, look for the assembly in which it is contained or to which it is attached. The index refers to the graphic illustration which depicts the part.

## NEWPART INDEX

A listing of new part numbers contained in the catalog. The numbers are in group sequence with reference to the illustration and item number where the part is located.

## NUMERICAL INDEX

To locate a part by number refer to the Numerical Index (located at the back of the catalog with page number prefixed "NU"). This section contains a listing of all part numbers contained in the catalog with reference to their location.

## SYMBOLS USED IN THIS PARTS CATALOG

The following symbols are commonly used with Part Number and quantity information in this Catalog:

# - Precedes a new part number to the catalog and remains in subsequent issues until stock is available for shipment.

AR - Indicates the quantity required may vary or is to be determined by the user.

( ) around a part number following the item being specified indicates interchange with the new number for the part. Prior to ordering, check the current Master Parts List for the bracketed number and, if listed, order that number. Doing so will preclude delay in obtaining the part since the new number may not yet be available when the order is submitted.

## SPECIFYING INFORMATION

The following information is included in this Parts Catalog:

1. Part Name.
2. Part Number.
3. Quantity use per Vehicle.
4. Model Application.
5. Description and/or dimensions, colors, etc. for proper identification.
6. Effective points for changes.

## PRODUCT BULLETINS

Product Bulletins may be issued when important changes are made in production or when changes are to be made in a catalog between issues. It is important that catalogs be updated in accordance with information contained in Product Bulletins to insure accurate specifying.

## PARTS CATALOG REVISION SERVICE

Subscribers to the catalog service will be periodically provided with revision copy incorporating the latest information. Revision may be by Page, Group, or by complete book.

Proper interfiling of the revision copy will assure the subscriber of a complete up-to-date catalog.

## PART NUMBER PREFIX

Most Part numbers listed in the catalog are eight characters long and consist of two alpha followed by six numeric characters. Always use both alphas when submitting your parts order.

## KEY NUMBERS

Parts are listed in the text by the "key number" which identifies the item as depicted in the illustration.

When the "key number" is a combination; i.e.: "2-5," the part number is assembly consisting of the referenced "key numbers" 2, 3, 4, and 5. If the "key number" appears as 2-5, 9 or 2-5 & 9, the part number contains 2, 3, 4, 5 and 9.

## DIMENSIONS

Dimensions listed in this publication are expressed in millimeters. To convert to inches multiply the value shown by .03937. (See Metric Conversion Table)

## BODY NUMBER

The Body Number of the Model 24, Passenger Car is stamped on the right top of the fire wall in the engine compartment.

## ENGINE MODEL AND SERIAL NUMBER

The Engine Serial Number is stamped on top of the cylinder block at the right front corner.

## TRANSMISSION MODEL AND SERIAL NUMBER

Mitsubishi transaxle and manual transmission serial numbers are stamped on the clutch housing. Chrysler built Automatic Transmission Identification numbers are stamped on the left oil pan side rail as follows:

TRANS. ASSY. NUMBER	CHANGE CODE	DATE CODE	SERIAL NUMBER
7 Digits 1234567	1 Digit A (Factory use only of no significance to the field)	4 Digits 8577	4 Digits 0001 (A sequential number for each days' production)

## METRIC CONVERSION TABLE

### LINEAR MEASUREMENT

1 foot (ft.) = 12 inches (in.)  
 1 yard (yd.) = 3 ft. = 36 in.  
 1 mile (statute) = 5,280 ft.

1 centimeter (cm) = 10 millimeters (mm)  
 1 meter (m) = 100 cm = 1000 mm  
 1 kilometer (km) = 1000 meters

To convert	Into	Multiply by	To convert	Into	Multiply by
inches	centimeters	2.5400	centimeters	inches	0.3937
inches	millimeters	25.4000	millimeters	inches	0.0394
feet	meters	0.3048	meters	feet	3.2808
feet	millimeters	304.8000	millimeters	feet	0.0033
yards	meters	0.9144	meters	yards	1.0936
miles	kilometers	1.6093	kilometers	miles	0.6214

### AREA MEASUREMENT

1 square foot (sq. ft.) = 144 square inches (sq. in.)  
 1 square yard (sq. yd.) = 9 square feet  
 1 acre = 4,840 sq. ft.  
 1 square mile = 640 acres

1 sq. centimeter (cm<sup>2</sup>) = 100 sq. millimeters (mm<sup>2</sup>)  
 1 sq. meter (m<sup>2</sup>) = 10,000 cm<sup>2</sup>  
 1 are (a) = 100 m<sup>2</sup>  
 1 sq. kilometer (km<sup>2</sup>) = 1,000,000 m<sup>2</sup>

To convert	Into	Multiply by	To convert	Into	Multiply by
square inches	sq. centimeters	6.4516	sq. centimeters	sq. inches	0.1550
square feet	sq. meters	0.0929	sq. meters	sq. feet	10.7639
square yards	sq. meters	0.8361	sq. meters	sq. yards	1.1960
acres	sq. meters	4.0470	sq. meters	acres	0.0002
square miles	sq. kilometers	2.5900	sq. kilometers	sq. miles	0.3861

### CUBIC MEASUREMENT (VOLUME)

1 cubic foot (cu. ft.) = 1.728 cubic inches (cu. in.)  
 1 cubic yard (cu. yd.) = 27 cubic feet

1 cu. centimeter (cm<sup>3</sup>) = 1000 cu. millimeters (mm<sup>3</sup>)  
 1 cubic meter (m<sup>3</sup>) = 1,000,000 cm<sup>3</sup>

To convert	Into	Multiply by	To convert	Into	Multiply by
cubic inches	cu. centimeters	16.3872	cu. centimeters	cubic inches	0.0610
cubic feet	cu. meters	0.0283	cubic meters	cubic feet	35.3145
cubic yards	cubic meters	0.7646	cubic meters	cubic yards	1.3079

### LIQUID MEASUREMENT (CAPACITY)

1 pint (pt.) = 28.875 cubic inches  
 1 quart (qt.) = 2 pints = 57.75 cu. in.  
 1 gallon (gal.) = 4 qts. = 231 cu. in.

1 centimeter (cl.) = 10 milliliters (ml.)  
 1 liter (l.) = 100 cl. = 1000 ml.  
 1 kiloliter (kl.) = 1000 liters

To convert	Into	Multiply by	To convert	Into	Multiply by
cubic inches	liters	0.0164	liters	cubic inches	61.0250
pints	liters	2.1132	liters	pints	0.4732
quarts	liters	0.9463	liters	quarts	1.0566
gallons	liters	3.7853	liters	gallons	0.2642
cubic feet	liters	28.3162	liters	cubic feet	0.0353

### WEIGHT MEASUREMENT

1 ounce (oz.) = 16 drams  
 1 pound (lb.) = 16 ounces  
 1 short ton = 2000 pounds  
 1 long ton = 2240 pounds

1 centigram (cg.) = 10 milligrams (mg.)  
 1 gram (g.) = 100 cg. = 1000 mg.  
 1 kilogram (kg.) = 1000 grams  
 1 metric ton (t.) = 1000 kg.

To convert	Into	Multiply by	To convert	Into	Multiply by
drams	grams	1.7718	grams	drams	0.5644
ounces	grams	28.3495	grams	ounces	0.0353
pounds	kilograms	0.4536	kilograms	pounds	2.2046
tons (short)	tons (metric)	0.9072	tons (metric)	tons (short)	1.1023

### POWER MEASUREMENT

1 horsepower (hp) = 746 watts = 745.7 kilowatts (kw)  
 1 horsepower (ps) = 736 watts = 735.5 kw

To convert	Into	Multiply by	To convert	Into	Multiply by
horsepower (U.S.)	horsepower (met.)	1.0139	horsepower (met.)	horsepower (U.S.)	0.9863
horsepower (U.S.)	kilowatts	0.7457	kilowatts	horsepower (met.)	0.7355
kilowatts	horsepower (U.S.)	1.3405	horsepower (met.)	kilowatts	1.2596

## ABBREVIATIONS

Abbreviations as used throughout this catalog are interpreted as follows:

A	AMPERE	BRK	BRAKE
A B S	ANTI-SKID BRAKE CTRL SYS	BRKR	BREAKER
AC	ALTERNATING CURRENT	BRKT	BRACKET
A/C	AIR CONDITIONER, ING	BRN	BROWN
ACC	ACCESSORY	BRT	BRIGHT
ACCEL	ACCELERATOR	BRZ	BRONZE
ACCUM	ACCUMULATOR	BSTR	BOOSTER
ACF	ALL COATED FABRIC	BTL	BOTTLE
A/CLNR	AIR CLEANER	BTM	BOTTOM
ACTR	ACTUATOR	BTN	BUTTON
ACV	AIR CONTROL VALVE	B/UP	BACK UP
ADJ	ADJUST. ADJ., ER	BUSH	BUSHING
ADJG	ADJUSTING	C	CLEAR
ADPTR	ADAPTOR	CAB	CABIN
AFCV	AIR FUEL CONTROL VALVE	CAP	CAPACITY
A/IN	AIR INLET	CAP/UP	CAPACITY UP
AIR SPLR	AIR SPOILER	CARB	CARBURETOR
AL	ALUMINUM	CARP	CARPET
ALT	ALTITUDE	CARR	CARRIER
ALTR	ALTERNATOR	CAS	CASSETTE
AL/WHL	ALUMINUM WHEEL	CBL	CABLE
AM	AMPLITUDE MODULATION	C/BRKR	CIRCUIT BREAKER
AMP	AMPERE	C/CASE	CRANKCASE
AMTR	AMMETER	CCF	CLOTH & COATED FABRIC
ANCH	ANCHOR	C/CONV	CATALYTIC CONVERTER
ANT	ANTENNA	C/FAN	COOLING FAN
ANTI-POLL	ANTI-POLLUTION	CHAS	CHASSIS
A/OUT	AIR OUTLET	CHG	CHANGE, ING
AR	AS REQUIRED	CHMBR	CHAMBER
A/REST	ARMREST	CHNL	CHANNEL
ARG	ARGENT	CHR	CHROME
A/RTL	ANTI-RATTLER	CK/SHAFT	CRANKSHAFT
ASC	AUTO SPEED CONTROL	CLINO	CLINO METER
A/SQK	ANTISQUEAK	CLNC	CLEARANCE
ASST	ASSIST. ING/ANT	CLNR	CLEANER
ASSY	ASSEMBLY	CLO	CLOTH
A/SUSP	AIR SUSPENSION	C/LP	COURTESY LAMP
AUD	AUDIO	CLR	COOLER
AUTO	AUTOMATIC	C/LTR	CIGAR OR CIGARETTE LIGHTER
AUTO. LOCK	AUTO DR LOCKING SYSTEM	C/MBR	CROSSMEMBER
AUTO T/A	AUTOMATIC TRANSAXLE	CMPTR	COMPUTER
AUTO T/M	AUTOMATIC TRANSMISSION	CNSL	CONSOLE
B	BRIGHT	COL	COLUMN
BATT	BATTERY	COMB	COMBINATION
BAV	BLEED AIR VALVE	COMP	COMPONENT
B/CRK	BELLCRANK	COMPL	COMPLETE
B/DISC	BRAKE DISC	COMPR	COMPRESSION/OR
B/DR	BACK DOOR	COND	CONDENSER
BGE	BEIGE	CONN	CONNECTOR
BJ	BIRFIELD UNIVERSAL JOINT	CONNG	CONNECTING
B/JNT	BALL JOINT	CONT	CONTROL
BK	BACK	CONV	CONVERTER
BKL	BUCKLE	COR	CORNER
BKT	BUCKET	CO/SHAFT	COUNTERSHAFT
BLA	BLACK	CPLG	COUPLING
BLK	BLACK	C/PLR	CENTER PILLAR
BLU	BLUE	C/ROD	CONNECTING ROD
BLWR	BLOWER	CRTG	CARTRIDGE
BMPR	BUMPER	CRU/CONT	CRUISE CONTROL
BRD	BOARD	CSTR	CLUSTER
BRG	BEARING	CTR	CENTER

**ABBREVIATIONS (Cont'd.)**

C/VAL	CONTROL VALVE	EVAP	EVAPORATION OR
CVR	COVER	EXC	EXCEPT
CYL	CYLINDER	EXCL	EXCLUDE
C/ZONE	COLD ZONE	EXH	EXHAUST
D	DARK	EXPN	EXPANSION
DBL	DOUBLE	EXT	EXTERIOR
DC	DIRECT CURRENT	EXTN	EXTENSION
D/CON	DIRECT CONTROL	FAB	FABRIC
D/CVR	DUST COVER	F/AXLE	FRONT AXLE
DECAL	DECALCOMANIA	FBC	FEED BACK CARBURETOR
DECOMP	DECOMPRESSION	F/CAP	FUEL CAP
DEFOG	DEFOGGER	FCL	FAN CLUTCH
DEFR	DEFROSTER	F/CPLG	FLUID COUPLING
DIA	DIAMETER	F/DR	FRONT DOOR
DIAPH	DIAPHRAGM	F/FIL	FUEL FILTER
DIE	DIESEL	F/FLR	FRONT FLOOR
DIFF	DIFFERENTIAL	F/GA	FUEL GAUGE
DIR	DIRECT	FIL	FILTER
DIS	DISTRIBUTOR	F/INJ	FUEL INJECTION
DISCH	DISCHARGE	FLEX	FLEXIBLE
D/LINK	DRAGLINK	FLG	FLANGE
DLX	DELUXE	FLR	FLOOR
DMPR	DAMPER	FM	FREQUENCY MODULATION
DOMC	DBL OVERHEAD CAMSHAFT	F/MLDG	FINISH MOULDING
DOJ	DOUBLE OFFSET JOINT	FNDR	FENDER
D/PINION	DRIVE PINION	F/PAN	FLOOR PAN
D/PROOF	DUST PROOF	F/PLR	FRONT PILLAR
DR	DOOR	F/PUMP	FUEL PUMP
DRL	DAY TIME RUNNING LIGHT	FR	FRONT
DRV	DRIVE	FRICT	FRICTION
D/SEAL	DUST SEAL	FRM	FRAME
D/SEAT	DRIVER SEAT	F/RST	FOOT REST
D/SHLD	DUST SHIELD	F/SEAT	FRONT SEAT
DSV	DECEL SOLENOID VALVE	FSTNR	FASTENER
D/SW	DIMMER SWITCH	FT	FOOT
ECI	ELECTRONIC CONTROL INJ	F/TANK	FUEL TANK
ECM	ELECTRONIC CONTROL ENGINE MOUNTING	FTG	FITTING
E/CON	ELECTRIC CONTROL	F/TOP	FOLDING TOP
ECS	ELECTRONIC CONTROL SUSPENSION	F/WHL	FLYWHEEL
EGR	EXHAUST GAS RECIRCULATION	GCC	GULF CORPORATED COUNCIL
E/HZ	EXTRA HOT ZONE	GA	GAUGE
ELC	ELECT CONTROL TRANS	GAL	GALLON
ELEC	ELECTRIC	GARN	GARNISH
ELEM	ELEMENT	GAS	GASOLINE
ELL	ELBOW	G/BOX	GLOVEBOX
ELP	EMERGENCY LOCKING RETRACTOR	GDE	GUIDE
ELTRC	ELECTRONIC	GEN	GENERATOR
EMERG	EMERGENCY	GLA	GLASS
EMIS	EMISSION	GLD	GOLD
ENG	ENGINE	GOV	GOVERNOR
EPS	ELECTRONIC CONTROL POWER STEERING	GR	GEAR
ESC	ESCUTCHEON	G/RATIO	GEAR RATIO
ESV	ENRICHMENT SOLENOID VALVE	GRD	GROUND
ETACS	ELECTRONIC TIME & ALARM CONTROL SYSTEM	GRL	GRILLE
ETR	ELECTRONIC TUNER	GRN	GREEN
		GROM	CROMMET
		GRY	GRAY
		G/SHIFT	GEARSHIFT
		GT	GRAND TOURING
		HAC	HIGH ALTITUDE COMPENSATOR
		HARN	HARNES

**ABBREVIATIONS (Cont'd.)**

H/BACK	HATCH BACK	LK/WA	LOCK WASHER
HOLE	HANDLE	LP	LAMP
H/DUTY	HEAVY DUTY	LPG	LIQUID PROPANE GAS
HGE	HINGE	LRG	LARGE
HGT	HEIGHT	LSD	LIMITED SLIP DIFFERENTIAL
HI	HIGH	LT	LEFT
HI/ALTI	HIGH ALTITUDE	LTR	LIGHTER
HLG	HALOGEN	LUGG	LUGGAGE
H/LIN	HEADLINING	LVL	LEVEL
H/LP	HEADLAMP	LVR	LEVER
H/LP WSHR	HEADLAMP WASHER	LW	LONG WAVE
HNGR	HANGER	LW/MW	LONG WAVE & MEDIUM WAVE
H/REST	HEAD RESTRAINT	LWR	LOWER
HSG	HOUSING	M	METALLIC
H/T	HIGH TENSION	M	MEDIUM
HTR	HEATER	MAN T/A	MANUAL TRANSAXLE
HVY	HEAVY	MAN T/M	MANUAL TRANSMISSION
HYD	HYDRAULIC	MAN	MANUAL
I/ZONE	HOT ZONE	MANF	MANIFOLD
I/ARM	IDLER ARM	MBR	MEMBER
IC	INTEGRATED CIRCUIT	MCV	MIXTURE CONTROL VALVE
I/CLR	INTER COOLER	M/CYL	MASTER CYLINDER
I/GEAR	IDLER GEAR	MED	MEDIUM
IGN	IGNITION	MIL	MILITARY
I/LP	INDICATOR LAMP	MIR	MIRROR
IN	INCH	MLDG	MOULDING
INCR/TANK	INCREASED TANK	MOD	MODEL
IND	INDICATOR	MODUL	MODULATOR
INJ	INJECTION, OR	MPH	MILES PER HOUR
INL	INLET	MPI	MULTI POINT INJECTION
INR	INNER	MPX	MULTIPLEX
INSP	INSPECTION	MRN	MAROON
INST	INSTRUMENT	MSS	MUSIC SELECT SENSOR
INSUL	INSULATION, OR	MT	MOUNT
INT	INTERIOR	MTG	MOUNTING
INTK	INTAKE	MTR	MOTOR
INTMT	INTERMITTENT	MUFF	MUFFLER
I/PNL	INSTRUMENT PANEL	M/V	MASTER VAC
I/PULL	IDLER PULLEY	MW	MEDIUM WAVE
I/PUMP	INJECTION PUMP	N	NATURAL
I/S	INSIDE	NA	NOT APPLICABLE
ISC	IDLE SPEED CONTROL	NIP	NIPPLE
IYO	IVORY	NO	NUMBER
JNT	JOINT	NORM	NORMAL
JSV	JET MIXTURE SOLENOID VALVE	NOZ	NOZZLE
(KUW)	KUWAIT	NS	NOT SERVICED
KM/H	KILOMETERS PER HOUR	NY	NYLON
L	LIGHT	O	OFF
LAV	LAVENDER	O/C	OIL COOLER
L/C	LOW COMPRESSION	O/D	OVER DRIVE
LCD	LIQUID CRYSTAL DISPLAY METER	O/GA	OIL GAUGE
LEA	LEATHER	O/H	OVERHAUL
L/F	LESS FINISH	OMC	OVERHEAD CAMSHAFT
LG	LENGTH	OHV	OVERHEAD VALVE
L/GLS	LESS GLASS	OLI	OLIVE
LH	LEFT HAND	OP	OPTION, AL
LHD	LEFT HAND DRIVE	OPNG	OPENING
LIC	LICENSE	OPT	OPTION, AL
LIN	LINING	O/PUMP	OIL PUMP
LK	LOCK	ORN	ORANGE
LKG	LOCKING	O/S	OUTSIDE

### ABBREVIATIONS (Cont'd.)

O/SIZE	OVERSIZE	REPL	REPLACEABILITY
O/T	OVER TOP	RES	RESISTOR
OTR	OUTER	RET	RETAINER
OUTL	OUTLET	RETN	RETURN
PAR	PARCH	REV	REVERSE
PARTL	PARTIAL	RF	ROOF
PARTN	PARTITION	R/FLR	REAR FLOOR
PASS	PASSENGER	RH	RIGHT HAND
P/BTN	PUSH BUTTON	RHD	RIGHT HAND DRIVE
PCV	PURGE CONTROL VALVE	RHED	RHEOSTAT
PED	PEDAL	RJ	RZEPPA/UNIVERSAL JOINT
PK/BRK	PARKING BRAKE	RLY	RELAY
PKG	PACKAGE	R PART	REPLACEMENT PART
PKT	POCKET	R/PLR	REAR PILLAR
PLC	PLACE	RPM	REVOLUTIONS PER MINUTE
P/LP	PARKING LAMP	RPS	REVOLUTIONS PER SECOND
PLR	PILLAR	R/QTR	REAR QUARTER
PLSTC	PLASTIC	RR	REAR
PLT	PLATE	R/R	REFLEX REFLECTOR
PLTD	PLATED	R/SEAT	REAR SEAT
PLUNG	PLUNGER	R/SHAFT	REAR SHAFT
PNL	PANEL	R/SUSP	REAR SUSPENSION
PNT	PAINT	RSVR	RESERVOIR
PNTD	PAINTED	RT	RIGHT
POL	POINT ON LINE	R/WDO	REAR WINDOW
POLY	POLYESTER	R/WPR	REAR WIPER
PRESS	PRESSURE	S	SUM REQUIRED
P/ROD	PUSH ROD	S/	SOFT
PROP	PROPELLER	S/ABS	SHOCK ABSORBER
PROT	PROTECTOR	SAF	SAFETY
P R. PART	PERIODIC REPLACEMENT PART	S/BACK	SEAT BACK
PRPG/VAL	PROPORTIONING VALVE	S/BELT	SEAT BELT
P/S	POWER STEERING	S/CUSH	SEAT CUSHION
P/SEAT	PASSENGER SEAT	SD	SAND
PT	POINT	SEC. PART	SECURITY PART
PTO	POWER TAKE OFF	SECDY	SECONDARY
PUL	PULLEY	SEMI-M	SEMIMETALLIC
PUR	POLYURETHANE	SEP	SEPARATE
P/W	POWER WINDOW	S/GR	STEERING GEAR
PWR	POWER	SHFT	SHIFT
PTC	PAINT TO COLOR	SHLD	SHIELD
Q/GLOW	QUICK GLOW	SHLF	SHELF
Q/PNL	QUARTER PANEL	SHT	SHORT
QTP	QUARTER	SIA	SERVICED IN ASSY
Q/TRIM	QUARTER TRIM	SIG	SIGNAL
QTY	QUANTITY	S/K	SERVICED IN KIT
Q/WDO	QUARTER WINDOW	SIL	SILVER
RAD	RADIATOR	SIR	SERVICED IN ROLL
R/AXLE	REAR AXLE	SIS	SERVICED IN SET
R/CONT	REMOTE CONTROL	SK	SKIRT
R/DEFOG	REAR DEFOGGER	S/KNU	STEERING KNUCKLE
RDO	RADIO	SLDG	SLIDING
R/DR	REAR DOOR	S/LP	STOP LAMP
RE	RED	SM	SMALL
REC	RECEIVER	S/MKR	SIDE MARKER
RECL	RECLINING	S/METER	SPEEDOMETER
RED	REDUCTION	S/MRK	SIDE MARKER
REFL	REFLECTOR	SNSR	SENSOR
REG	REGULATOR	SOC	SOCKET
REINF	REINFORCEMENT	SOL	SOLENOID
REM	REMOTE	SPA	SPARE

### ABBREVIATIONS (Cont'd.)

SPCR	SPACER	U.C.C.	UNDER CATALYTIC CONVERTER
SPD	SPEED	U/JNT	UNIVERSAL JOINT
SPG	SPRING	UND	UNDER
SPKR	SPEAKER	UPR	UPPER
SPL	SPECIAL	URP	UNIFIED REPAIR PANEL
SPLR	SPOILER	U/SIZE	UNDERSIZE
S/PNL	SIDE PANEL	UNIV	UNIVERSAL
SPRKT	SPROCKET	V	VOLT
SP/SHLD	SPLASH SHIELD	VAC	VACUUM
SQ	SQUARE	VAL	VALVE
S/R	SUNROOF	VENT	VENTILATION, OR
S/RAIL	SIDE RAIL	VL	VINYL LEATHER
S/S	SUNSHADE	VIO	VIOLET
S/SHLD	SIDE SHIELD	VOL	VOLUME
S/SILL	SIDE SILL	VNL	VINYL
S/STL	STAINLESS STEEL	VNTY	VANITY
ST	SEAT	V/REG	VOLTAGE REGULATOR
STA	STATION	VSS	VEHICLE SPEED SENSOR
STAB	STABILIZER	V/WING	VENT WING
STAT	STATIONARY	W	WATT
STD	STANDARD	W-	WARM
STL	STEEL	W/	WITH
STN	STONE	WA	WASHER
STRG	STEERING	WAT	WATER
STRKR	STRIKER	WB	WHEELBASE
STRNR	STRAINER	W/BRG	WHEEL BEARING
STRTR	STARTER	W-CAB	DOUBLE CABIN
STRUC	STRUCTURE	WD	WHEEL DRIVE
SUPT	SUPPORT	WDO	WINDOW
SUSP	SUSPENSION	WHL	WHEEL
SW	SWITCH	W/HSE	WHEELHOUSE
SW/MW	SHORT WAVE & MEDIUM WAVE	WHT	WHITE
SYNCH	SYNCHRONIZER	W/O	WITHOUT
SYS	SYSTEM	WPR	WIPER
T	THICKNESS	W/PUMP	WATER PUMP
TA	TAN	W/REG	WINDOW REGULATOR
T/A	TRANSAXLE	WRG	WRING
T/BAR	TORSION BAR	WRNG	WARNING
T/BELT	TIMING BELT	W/SHLD	WINDSHIELD
T/BS	TUBELESS	WSHR	WASHER
T/C	TURBOCHARGER	W/STRIP	WEATHERSTRIP
T/CONV	TORQUE CONVERTER	WT	WEIGHT
TEL	TELEPHONE	W/WPR	WINDSHIELD WIPER
TEMP	TEMPERATURE	W/WSHR	WINDSHIELD WASHER
TERM	TERMINAL	YEL	YELLOW
T/F	TRANSFER	YEL/HLG	YELLOW HALOGEN
T/GA	TEMPERATURE GAUGE	YR	YEAR
T/GATE	TAILGATE	ZN	ZINC
THERMO	THERMOSTAT	&	AND
THROT	THROTTLE	1ST	FIRST
TJ	TRIPOD UNIVERSAL JOINT	2ND	SECOND
TK	TANK	3RD	THIRD
T/LP	TAIL LAMP	4TH	FOURTH
T/M	TRANSMISSION	4WD	4 WHEEL DRIVE
T/METER	TACHOMETER	5TH	FIFTH
TORQ	TORQUE	6TH	SIXTH
T/PNL	TRIM PANEL	7TH	SEVENTH
TRLR	TRAILER	8TH	EIGHTH
T/SIG	TURN SIGNAL	9TH	NINTH
TSTR	TRANSISTOR	10TH	TENTH
T/THROUGH	TRUNK THROUGH		

---

**GROUP 2 - FRONT SUSPENSION & DRIVE**

<b>ILLUSTRATION TITLE</b>	<b>GROUP-FIG. NO.</b>
SUSPENSION, FRONT LASER-TALON .....	Fig. 2-100
ARM, LOWER, FRONT SUSPENSION LASER-TALON .....	Fig. 2-200
AXLE, FRONT FWD LASER-TALON .....	Fig. 2-300
AXLE, FRONT AWD LASER-TALON .....	Fig. 2-350

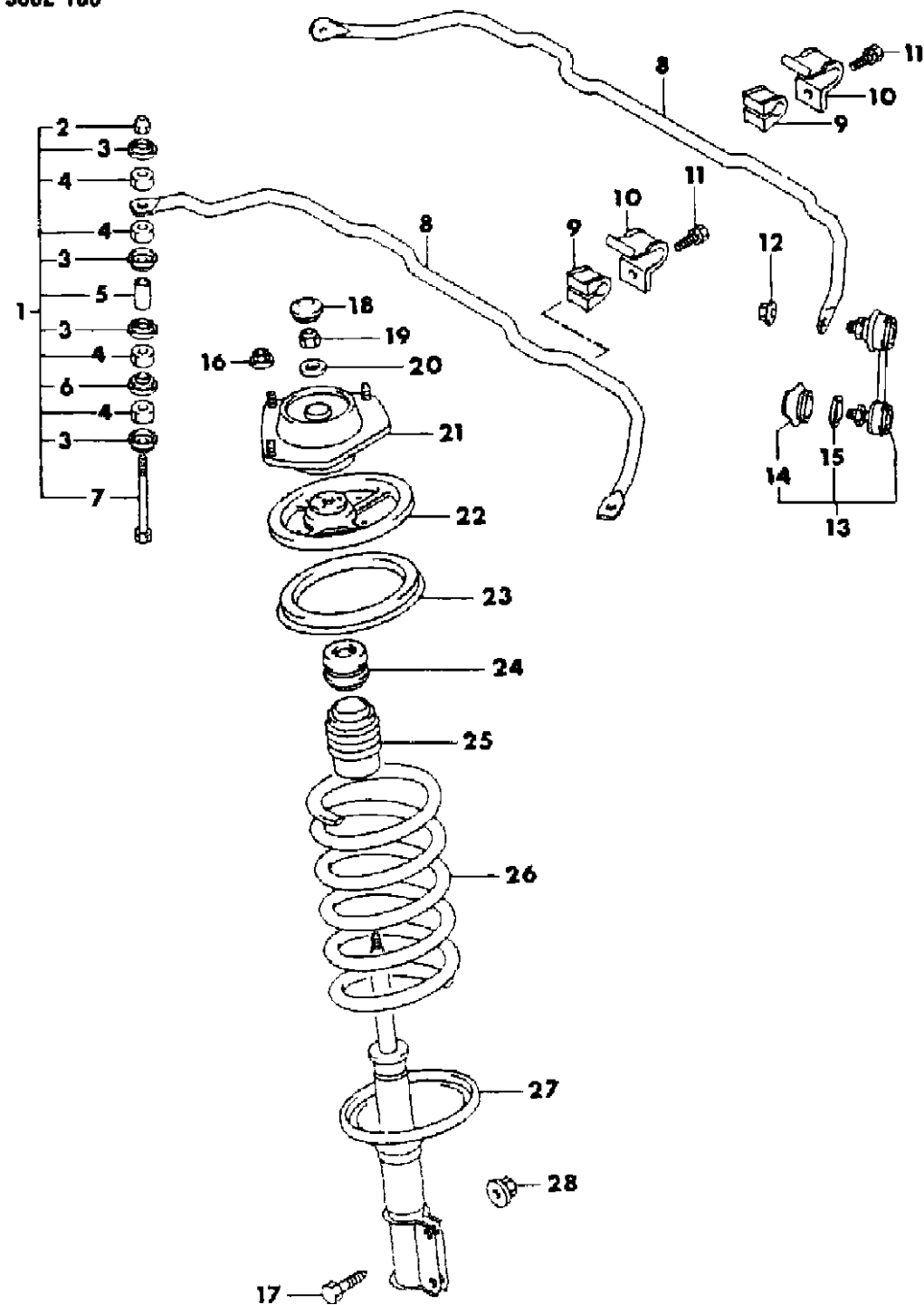
ILLUSTRATION NOT AVAILABLE AT TIME OF PUBLICATION

---



**SUSPENSION, FRONT LASER-TALON**  
Figure 2-100

9602 100



ITEM	PART NUMBER	QTY	BODY	MODEL	DESCRIPTION
1	MB24 1908	2			LINK PACKAGE, w/1.8L Eng.
2		2			NUT, (Serv. Pkg.), (10)
3		8			CUP, (Serv. Pkg.)
4		8			BUSHING, (Serv. Pkg.)
5		2			COLLAR, (Serv. Pkg.), (40)
6		2			CUP, (Serv. Pkg.)
7		2			BOLT, (Serv. Pkg.), (10x130)
8					BAR, Stabilizer
	MB51 8163	1			1.8L Eng., 1990-91, (17.3)
	MB57 3329	1			1.8L Eng., 1992-94, (16)
	MB51 8890	1			2.0L Eng., (19)
	MB57 3384	1		AWD	2.0L Eng., (20)
9					BUSHING, Stabilizer
	MB57 3207	2			1.8L Eng., 1990-91, (17.3)
	MB57 3327	2			1.8L Eng., 1992-94, (16)
	MB57 3054	2			2.0L Eng., (19)
	MB57 3385	2		AWD	2.0L Eng., (20)
10					BRACKET, Stabilizer
	MB57 3053	2			FWD
	MB57 3328	2			AWD
11	MF24 1278	2			BOLT, w/Washer, (10X16)
12					NUT, w/Washer
	MF44 5005	4			1.8L Eng. 1990-91
	MS44 0504	4			1.8L Eng. 1992-93
	MS44 0504	4			2.0L Eng. (10)
13	MB51 8892	2			LINK PACKAGE, w/2.0L Eng.
14	MB51 8785	4			COVER, Dust, w/2.0L Eng.
15	MB63 3060	4			RING, Dust Cover, w/2.0L Eng.
16	MF43 4105	6			NUT, (10)
17	MB51 8761	4			BOLT, (12X55)
18	MB57 3180	2			CAP, Strut Upper, (31.5)
19	MS44 0003	2			NUT, (12)
20	MA15 0669	2			WASHER, (12.5)
21	MB51 8141	2			INSULATOR, Strut
22	MB51 8147	2			SEAT, Upper Spring
23	MB51 8149	2			PAD, Upper Spring
24	MB34 9347	2			DAMPER, Strut
25	MB34 9346	2			COVER, Strut
26					SPRING, Front Suspension

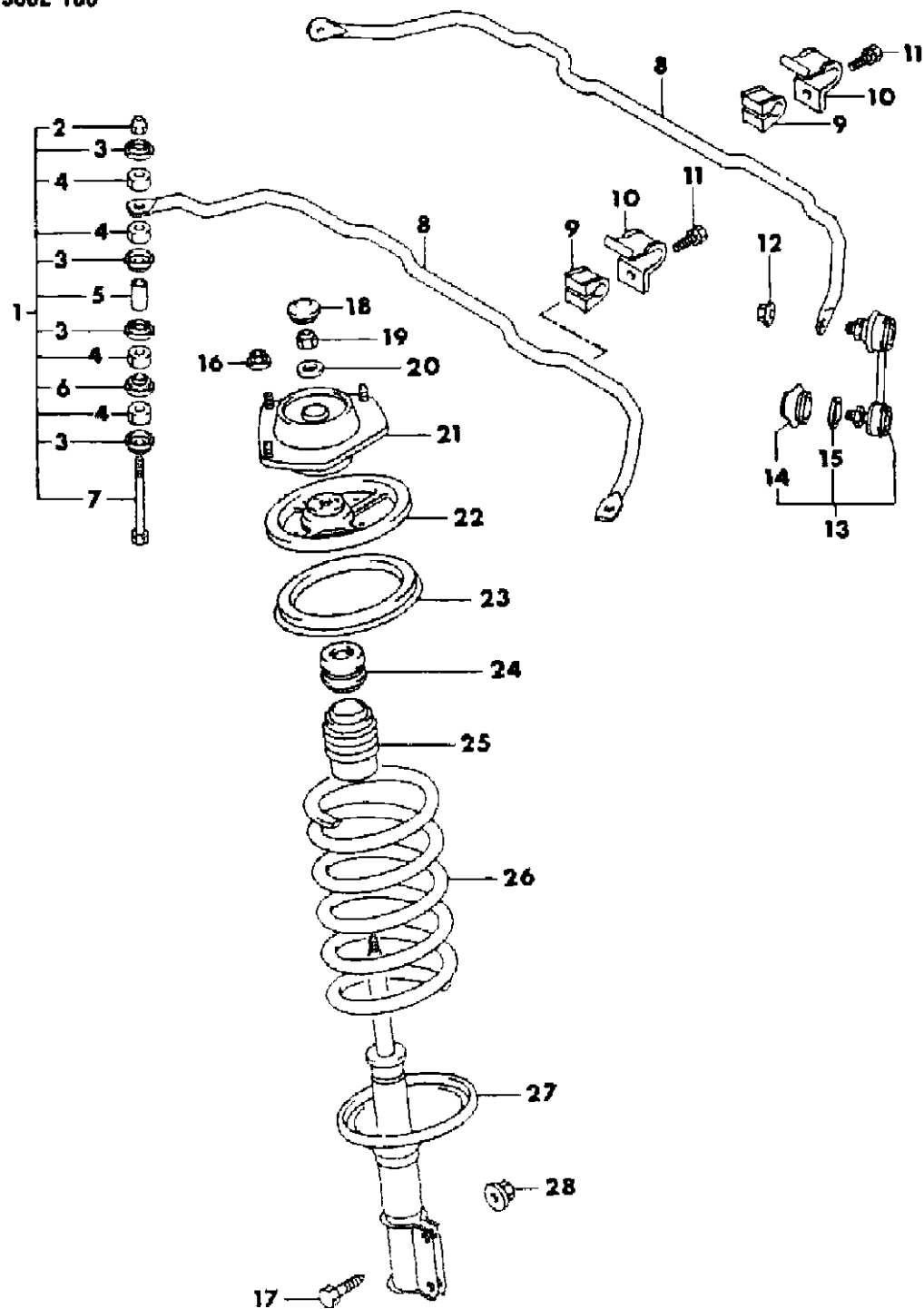
ENGINE: P = 1800cc (1.8L) A = 2000cc (2.0L) Blank = All  
 TRANS: A = Automatic M = Manual Blank = All  
 SERIES: H = High M = Medium P = Premium S = Special

MODELS:  
 24 FWD = 2Dr Hatchback (Laser)  
 24 FWD = 2-Dr Hatchback (Talon)  
 4WD = (4 Wheel Drive)  
 2WD = (2 Wheel Drive)

AR = Use as Required - = Non Illustrated Part P.A.R. = Paint as Required

**SUSPENSION, FRONT LASER-TALON**  
Figure 2-100

9602 100



ITEM	PART NUMBER	QTY	BODY	MODEL	DESCRIPTION
	MB51 8294	2			1.8L Eng., w/Man. Trans.
	MB51 8295	2			1.8L Eng., w/Auto Trans.
	MB51 8296	2			2.0L Eng., w/Man. Trans., w/o Turbo
	MB51 8297	2			2.0L Eng., w/Auto Trans., w/o Turbo
	MB51 8297	2			2.0L Eng., w/Man. Trans., w/Turbo
	MB63 3260	2			2.0L Eng., w/Auto Trans., w/Turbo
	MB51 8677	2	AWD		2.0L Eng., w/Man. Trans. 1991-94
	MB51 8678	2	AWD		2.0L Eng., w/Auto Trans. 1991-94
27					STRUT, Front Suspension
	MB51 8290	2			1990
	MB67 2066	2			1991
	MB67 2057	2			1992-94, w/o Turbo
	MB67 2066	2			1992-94, w/o Turbo, w/ABS
	MB89 2683	2			1992-94, w/Turbo
	MB89 2685	2			1993-94, w/Turbo, w/ABS
	MB51 8292	2	AWD		1990
	MB67 2067	2	AWD		1991
	MB67 2058	2	AWD		1992
	MB67 2067	2	AWD		1992, w/ABS
	MB89 2684	2	AWD		1993
	MB89 2686	2	AWD		1993, w/ABS
	MR13 0020	2	AWD		1994, w/Turbo
28	MB57 3720	4			NUT

ENGINE: P = 1800cc (1.8L) A = 2000cc (2.0L) Blank = All  
 TRANS: A = Automatic M = Manual Blank = All  
 SERIES: H = High M = Medium P = Premium S = Special

MODELS:  
 24 FWD = 2Dr Hatchback (Laser)  
 24 FWD = 2-Dr Hatchback (Talon)  
 4WD = (4 Wheel Drive)  
 2WD = (2 Wheel Drive)

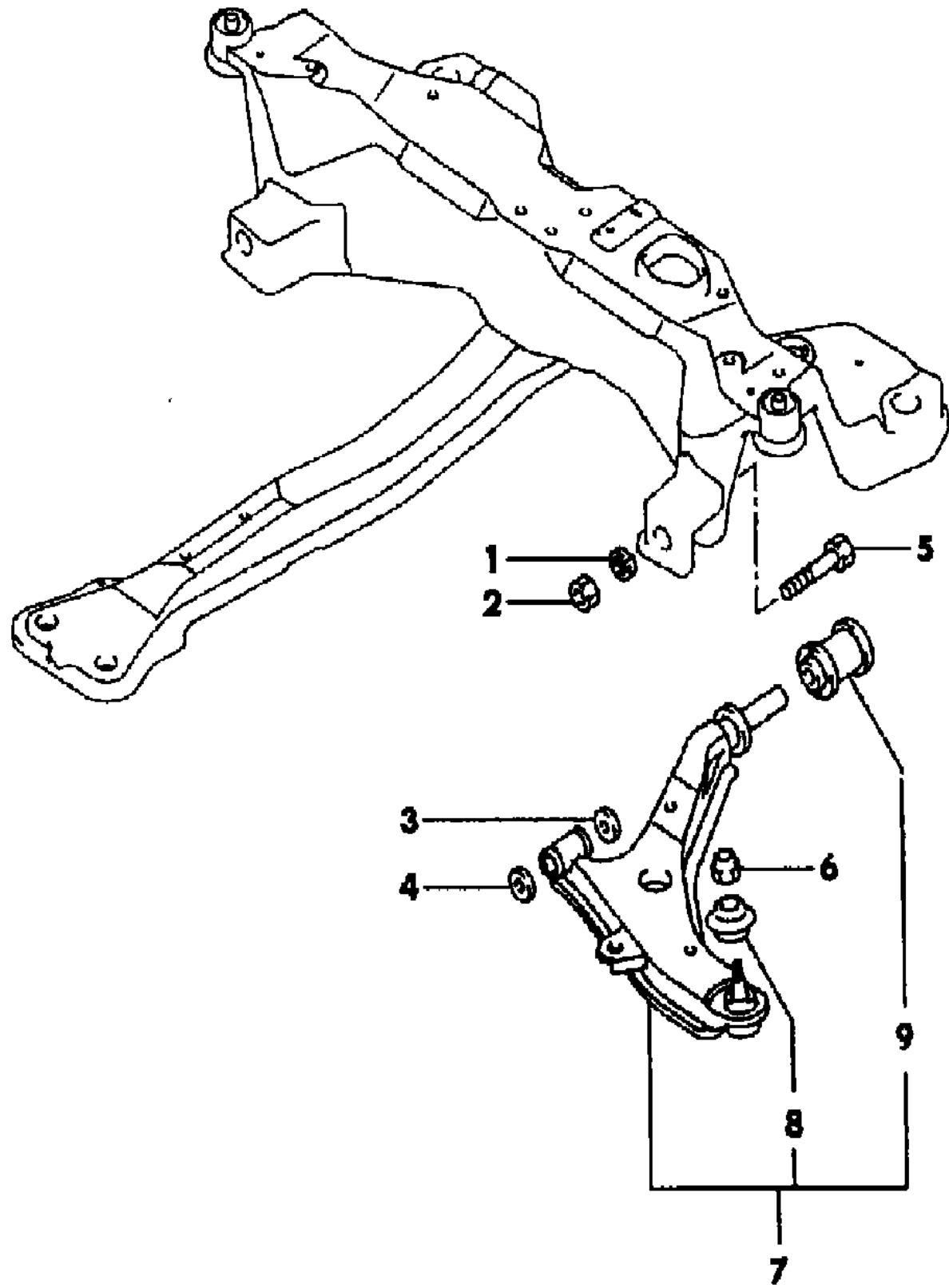
AR = Use as Required - = Non Illustrated Part P.A.R. = Paint as Required

ARM, LOWER, FRONT SUSPENSION LASER-TALON

Figure 2-200

9602 200A

ITEM	PART NUMBER	QTY	BODY	MODEL	DESCRIPTION
1	MS45 0044	2			WASHER, (12)
2	MU43 0003	2			NUT, (12)
3	MB30 3751	2			STOPPER, Lower Arm Bolt
4	MB51 8018	2			STOPPER, Lower Arm Bolt
5	MB24 2334	2			BOLT, (12X135)
6	MS44 0003	2			NUT, (12)
7					ARM, Lower
	MB51 8205	1			Lt. w/1.8L Eng.
	MB51 8206	1			Rt. w/1.8L Eng.
	MB57 3095	1			Lt. w/2.0L Eng.
	MB57 3096	1			Rt. w/2.0L Eng.
8	MB17 6047	2			COVER, Dust
9					BUSHING, Lower Arm
	MB51 8220	1			1.8L Eng. (52)
	MB51 8221	2			2.0L Eng. (60)



ENGINE: P = 1800cc (1.8L) A = 2000cc (2.0L) Blank = All  
 TRANS: A = Automatic M = Manual Blank = All  
 SERIES: H = High M = Medium P = Premium S = Special

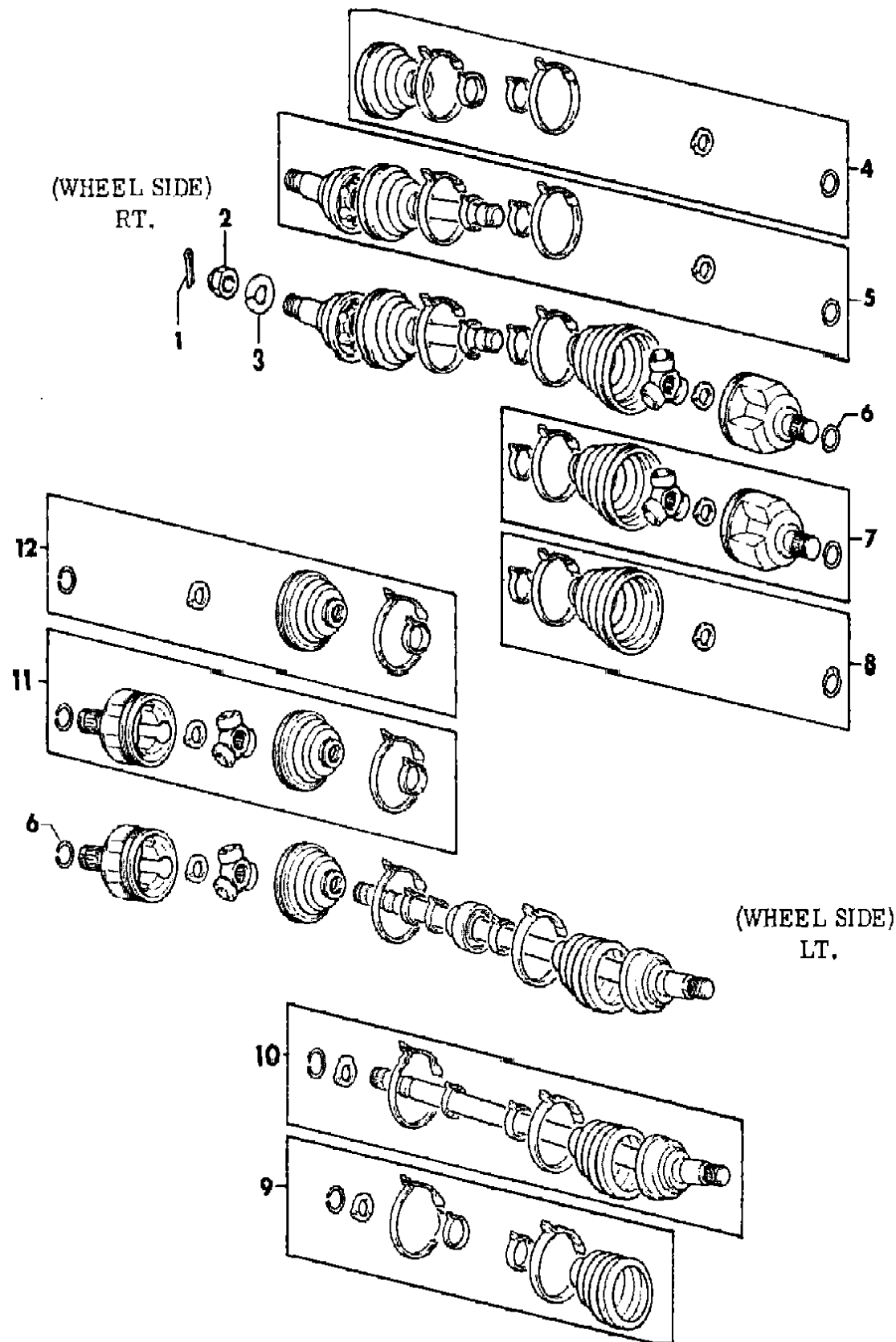
MODELS:  
 24 FWD = 2Dr Hatchback (Laser)  
 24 FWD = 2-Dr Hatchback (Talon)  
 4WD = (4 Wheel Drive)  
 2WD = (2 Wheel Drive)

AR = Use as Required - = Non Illustrated Part P.A.R. = Paint as Required

AXLE, FRONT FWD LASER-TALON

Figure 2-300

9602 300A



ITEM	PART NUMBER	QTY	BODY	MODEL	DESCRIPTION
1-12					AXLE SHAFT, Assy. ***
					LEFT ***
	MB29 7987	1			1.8L Eng. 1990-91
	MB29 7991	1	LASER		1.8L Eng. 1992
	MB29 7987	1			1.8L Eng. (BJ),(TJ) 1993-94
	MB29 7991	1			1.8L Eng. (RJ),(TJ) 1993-94
					RIGHT ***
	MB52 6438	1			1.8L Eng. 1990-91
	MB29 7992	1	LASER		1.8L Eng. 1992
	MB52 6438	1			1.8L Eng. (BJ),(TJ) 1993-94
	MB29 7992	1			1.8L Eng. (RJ),(TJ) 1993-94
					LEFT ***
	MB52 6101	1			2.0L Eng. w/o Turbo 1990-92
	MB29 7871	1			2.0L Eng. w/Man. Trans w/Turbo 1990-92
	MB62 0611	1			2.0L Eng. w/Auto Trans w/Turbo 1990-92
	MB29 7871	1			2.0L Eng. w/o Turbo 1993-94
	MB88 6799	1			2.0L Eng. w/Man. Trans w/Turbo 1993-94
	MB88 6801	1			2.0L Eng. w/Auto Trans w/Turbo 1993-94
					RIGHT ***
	MB29 7872	1			2.0L Eng. w/Man. Trans w/o Turbo 1990-92
	MB62 0612	1			2.0L Eng. w/Auto Trans w/o Turbo 1990-92
	MB29 7872	1			2.0L Eng. w/Turbo 1990-92
	MB29 7872	1			2.0L Eng. w/o Turbo 1993-94
	MB88 6798	1			2.0L Eng. w/Man. Trans w/Turbo 1993-94
	MB88 6800	1			2.0L Eng. w/Auto Trans w/Turbo 1993-94
1	MF47 2087	2			PIN, (4X40)
2	MB10 9029	2			NUT, Front Axle
3	MB10 9025	2			WASHER
4					BOOT PACKAGE, Outer Rt.
	MB62 0240	1			1.8L Eng. 1990-91
	MB62 0168	1	LASER		1.8L Eng. 1992
	MB62 0240	1			1.8L Eng. (BJ) 1993-94
	MB62 0168	1			1.8L Eng. (RJ) 1993-94
	MB52 6905	1			2.0L Eng. (BJ) 1990-91
	MB52 6905	1			2.0L Eng. w/o Turbo (BJ) 1993-94
	MR11 0011	1			2.0L Eng. w/Turbo (BJ) 1993-94
	MB62 0168	1			2.0L Eng. w/Turbo (RJ) 1993
5					JOINT and SHAFT PKG, Outer, Rt. ***
	MB52 6914	1			1.8L Eng., 1990-91

ENGINE: P = 1800cc (1.8L) A = 2000cc (2.0L) Blank = All  
 TRANS: A = Automatic M = Manual Blank = All  
 SERIES: H = High M = Medium P = Premium S = Special

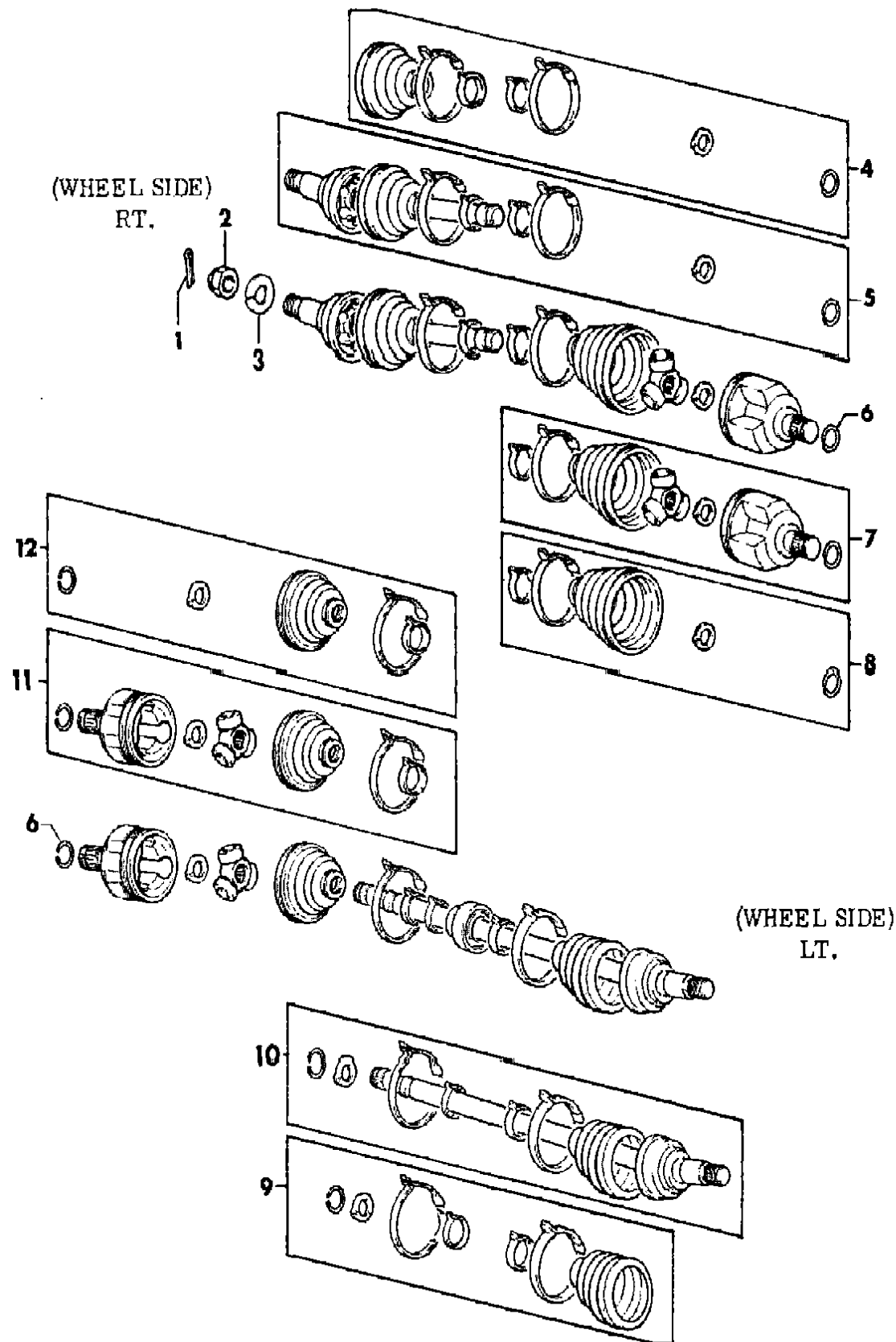
MODELS:  
 24 FWD = 2Dr Hatchback (Laser)  
 24 FWD = 2-Dr Hatchback (Talon)  
 4WD = (4 Wheel Drive)  
 2WD = (2 Wheel Drive)

AR = Use as Required - = Non Illustrated Part P.A.R. = Paint as Required

AXLE, FRONT FWD LASER-TALON

Figure 2-300

9602 300A



ITEM	PART NUMBER	QTY	BODY	MODEL	DESCRIPTION
	MB52 6974	1			1.8L Eng., 1992, (BJ)
	MB52 6973	1			1.8L Eng., 1992, (RJ)
	MB52 6914	1			1.8L Eng., 1993-94, (BJ)
	MB52 6973	1			1.8L Eng., 1993-94, (RJ)
	MB52 6909	1			2.0L Eng., w/Turbo, 1990
	MB52 6909	1			2.0L Eng., w/o Turbo, 1991-92
	MB52 6909	1	H,P		2.0L Eng., w/Turbo, w/Man. Trans., 1991-92
	MB83 7374	1	H,P		2.0L Eng., w/Turbo, w/Auto Trans., 1991-92
	MB52 6909	1			2.0L Eng., w/o Turbo, 1993
	MB52 6914	1			2.0L Eng., w/Turbo, w/Man. Trans., 1993
	MB83 7164	1			2.0L Eng., w/Turbo, w/Auto Trans., 1993
	MB52 6909	1			2.0L Eng., w/FWD, w/o Turbo, 1994
	MR11 0007	1			2.0L Eng., w/FWD, w/Turbo, w/Man. Trans., 1994
	MR11 0009	1			2.0L Eng., w/FWD, w/Turbo, w/Auto Trans., 1994
	MB52 6914	1	H,S		2.0L Eng., w/AWD, w/Man. Trans., (BJ), 1994
	MB52 6973	1	S		2.0L Eng., w/AWD, w/Man. Trans., (RJ), 1994
	MB83 7164	1	H,S		2.0L Eng., w/AWD, w/Auto Trans., 1994
6					CLIP
	MB16 0387	2			1990-92
	MB29 7844	2	LASER		1.8L Eng. 1992
	MB29 7844	2			1.8L Eng. (BJ) 1993-94
	MB16 0387	2			1.8L Eng. (RJ) 1993-94
	MB16 0387	2			2.0L Eng. w/o Turbo 1993-94
	MB62 0144	2			2.0L Eng. w/Turbo 1993-94
7					JOINT PACKAGE, Inner Rt.
	MB52 6892	1			1.8L Eng. 1990-91
	MB52 6975	1	LASER		1.8L Eng. 1992
	MB52 6892	1			1.8L Eng. (BJ),(TJ) 1993-94
	MB52 6975	1			1.8L Eng. (RJ),(TJ) 1993-94
	MB52 6919	1			2.0L Eng. w/Man. Trans 1990-92
	MB83 7375	1			2.0L Eng. w/Auto Trans 1990-92
	MR11 0012	1			2.0L Eng. w/o Turbo 1993
	MB52 6919	1			2.0L Eng. w/o Turbo 1994
	MB52 6975	1			2.0L Eng. w/Turbo w/Man. Trans (TJ) 1993
	MB52 6892	1			2.0L Eng. w/Turbo w/Man. Trans (TJ) 1993
	MB83 7166	1			2.0L Eng. w/Turbo w/Auto Trans 1993
	MR11 0012	1			2.0L Eng. w/Turbo (TJ) 1994
8					BOOT PACKAGE, Inner Rt.
	MB52 6894	1			1.8L Eng. 1990-91

ENGINE: P = 1800cc (1.8L) A = 2000cc (2.0L) Blank = All  
 TRANS: A = Automatic M = Manual Blank = All  
 SERIES: H = High M = Medium P = Premium S = Special

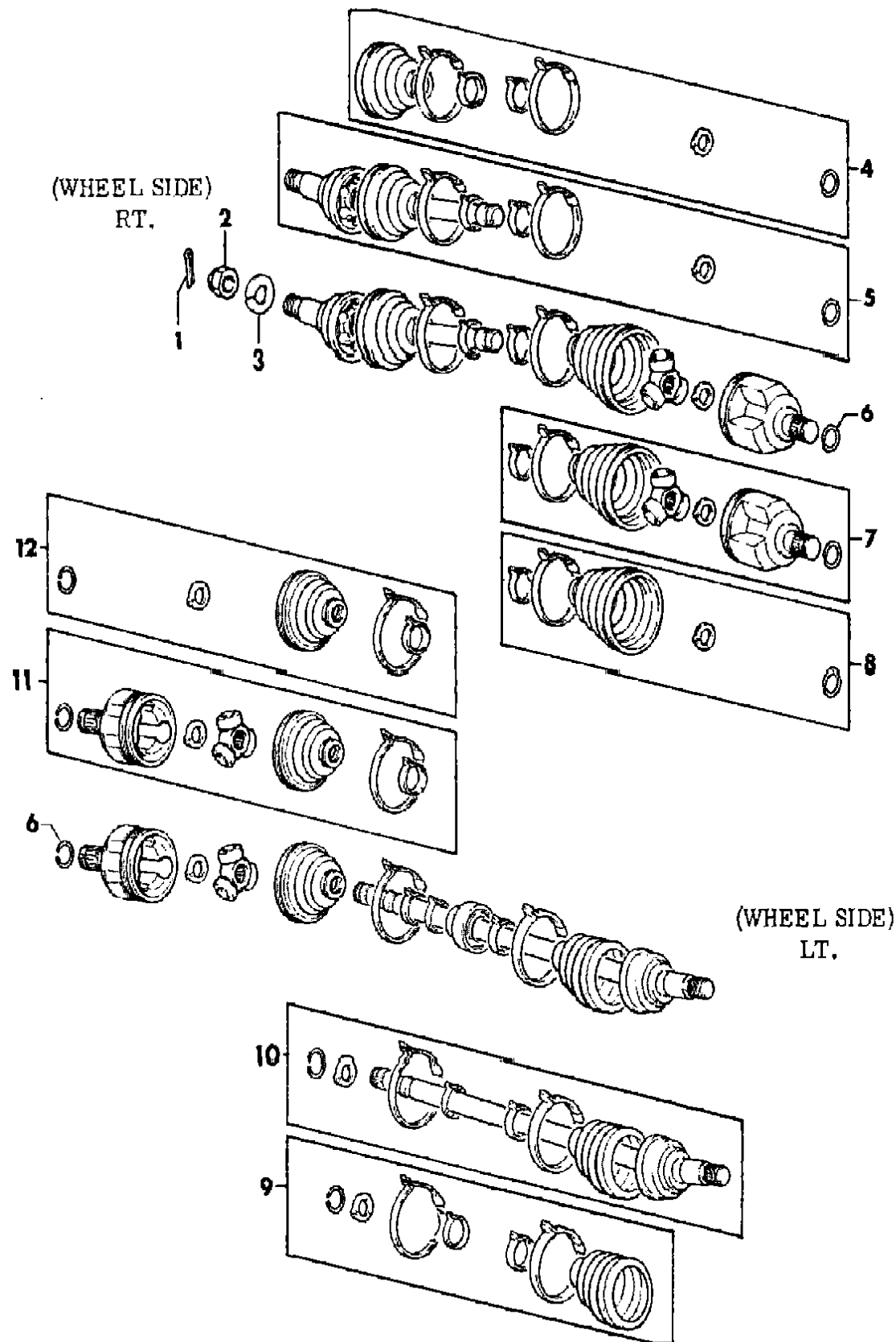
MODELS:  
 24 FWD = 2Dr Hatchback (Laser)  
 24 FWD = 2-Dr Hatchback (Talon)  
 4WD = (4 Wheel Drive)  
 2WD = (2 Wheel Drive)

AR = Use as Required - = Non Illustrated Part P.A.R. = Paint as Required

AXLE, FRONT FWD LASER-TALON

Figure 2-300

9602 300A



ITEM	PART NUMBER	QTY	BODY	MODEL	DESCRIPTION
	MB52 6977	1		LASER	1.8L Eng. 1992
	MB52 6894	1			1.8L Eng. (TJ) 1993-94
	MB52 6977	1			1.8L Eng. (TJ) 1993-94
	MB52 6907	1			2.0L Eng. 1990-92
	MB52 6907	1			2.0L Eng. w/o Turbo 1993-94
	MB52 6894	1			2.0L Eng. w/Turbo (BJ) 1993
9	MR11 0013	1			2.0L Eng. w/Turbo (RJ) 1993-94
					BOOT PACKAGE, Outer Lt.
	MB62 0240	1			1.8L Eng. 1990-91
	MB62 0168	1		LASER	1.8L Eng. 1992
	MB62 0240	1			1.8L Eng. (BJ) 1993-94
	MB62 0168	1			1.8L Eng. (RJ) 1993-94
	MB52 6905	1			2.0L Eng. 1990-92
	MR11 0011	1			2.0L Eng. 1993
	MB52 6905	1			2.0L Eng. w/o Turbo (BJ) 1994
	MR11 0011	1			2.0L Eng. w/Turbo (BJ) 1994
10					JOINT And SHAFT PACKAGE, Outer Lt. ***
	MB62 0363	1			1.8L Eng. 1990-91
	MB52 6972	1		LASER	1.8L Eng. 1992
	MB62 0363	1			1.8L Eng. (BJ) 1993-94
	MB52 6972	1			1.8L Eng. (RJ) 1993-94
	MB52 6908	1			2.0L w/o Turbo Eng. 1990-94
	MB62 0362	1			2.0L w/Turbo Eng. w/Man. Trans 1990-92
	MB83 7373	1			2.0L w/Turbo Eng. w/Auto Trans 1990-92
	MR11 0008	1			2.0L w/Turbo Eng. w/Man. Trans (BJ) 1993-94
	MB52 6972	1			2.0L w/Turbo Eng. w/Man. Trans (RJ) 1993
	MR11 0010	1			2.0L w/Turbo Eng. w/Auto Trans 1993-94
11					JOINT PACKAGE, Inner Lt.
	MB52 6892	1			1.8L Eng. 1990-91
	MB52 6975	1		LASER	1.8L Eng. 1992
	MB52 6892	1			1.8L Eng. (TJ) 1993-94
	MB52 6975	1			1.8L Eng. (TJ) 1993-94
	MB52 6919	1			2.0L Eng. 1990-93
	MR11 0012	1			2.0L Eng. w/o Turbo 1993
	MB52 6919	1			2.0L Eng. w/o Turbo (TJ) 1994
	MB52 6915	1			2.0L Eng. w/Turbo w/Man. Trans (BJ) 1993
	MB52 6975	1			2.0L Eng. w/Turbo w/Man. Trans (RJ) 1993
	MB83 7165	1			2.0L Eng. w/Turbo w/Auto Trans 1993
	MR11 0012	1			2.0L Eng. w/Turbo (TJ) 1994

ENGINE: P = 1800cc (1.8L) A = 2000cc (2.0L) Blank = All  
 TRANS: A = Automatic M = Manual Blank = All  
 SERIES: H = High M = Medium P = Premium S = Special

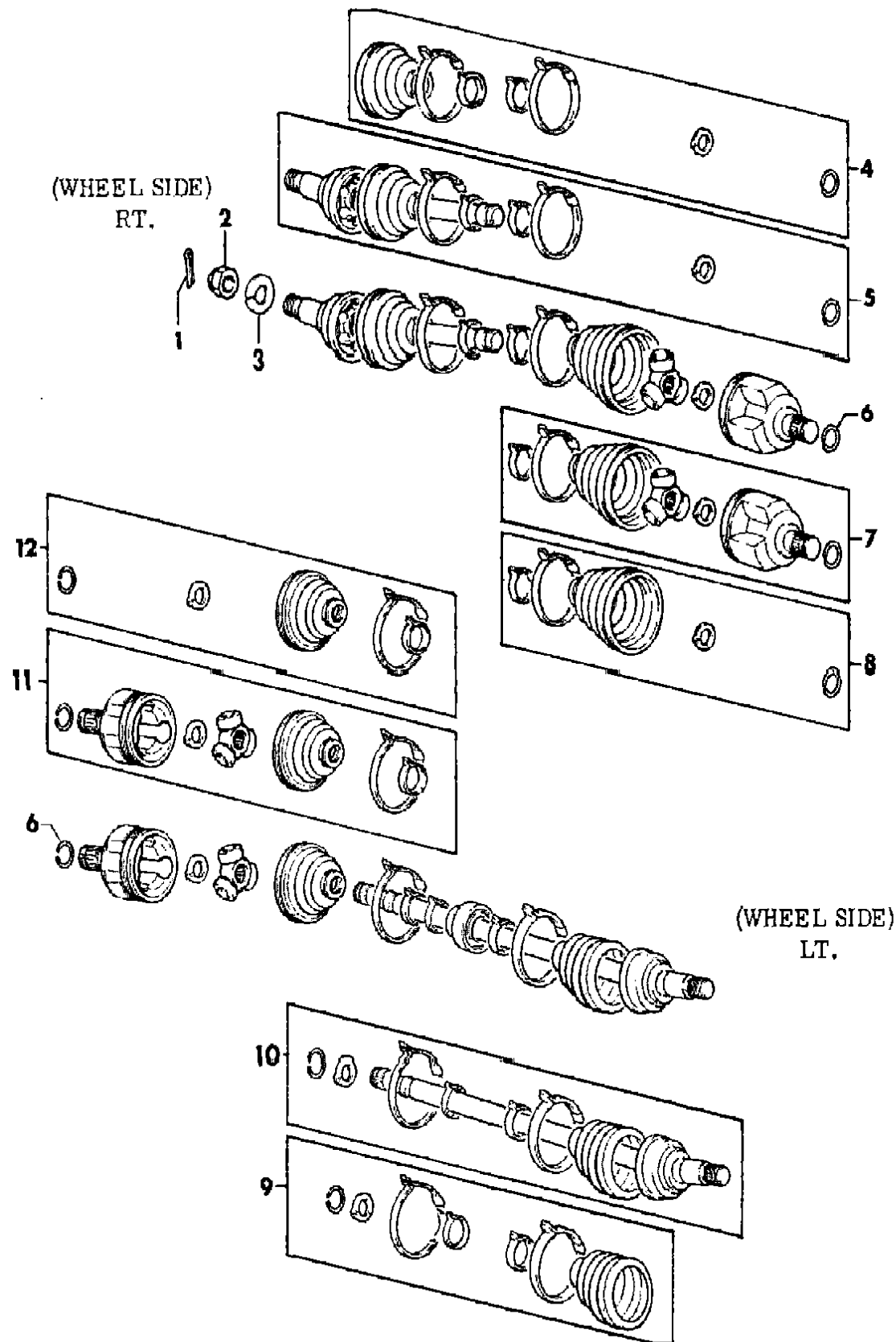
MODELS:  
 24 FWD = 2Dr Hatchback (Laser)  
 24 FWD = 2-Dr Hatchback (Talon)  
 4WD = (4 Wheel Drive)  
 2WD = (2 Wheel Drive)

AR = Use as Required - = Non Illustrated Part P.A.R. = Paint as Required

AXLE, FRONT FWD LASER-TALON

Figure 2-300

9602 300A



ITEM	PART NUMBER	QTY	BODY	MODEL	DESCRIPTION
12					BOOT PACKAGE, Inner Lt.
	MB52 6894	1			1.8L Eng. 1990-91
	MB52 6977	1	LASER		1.8L Eng. 1992
	MB52 6894	1			1.8L Eng. (TJ) 1993-94
	MB52 6977	1			1.8L Eng. (TJ) 1993-94
	MB52 6907	1			2.0L Eng. 1990-92
	MB52 6977	1			2.0L Eng. w/o Turbo 1993
	MB52 6907	1			2.0L Eng. w/o Turbo (TJ) 1994
	MR11 0013	1			2.0L Eng. w/Turbo 1993-94

ENGINE: P = 1800cc (1.8L) A = 2000cc (2.0L) Blank = All  
 TRANS: A = Automatic M = Manual Blank = All  
 SERIES: H = High M = Medium P = Premium S = Special

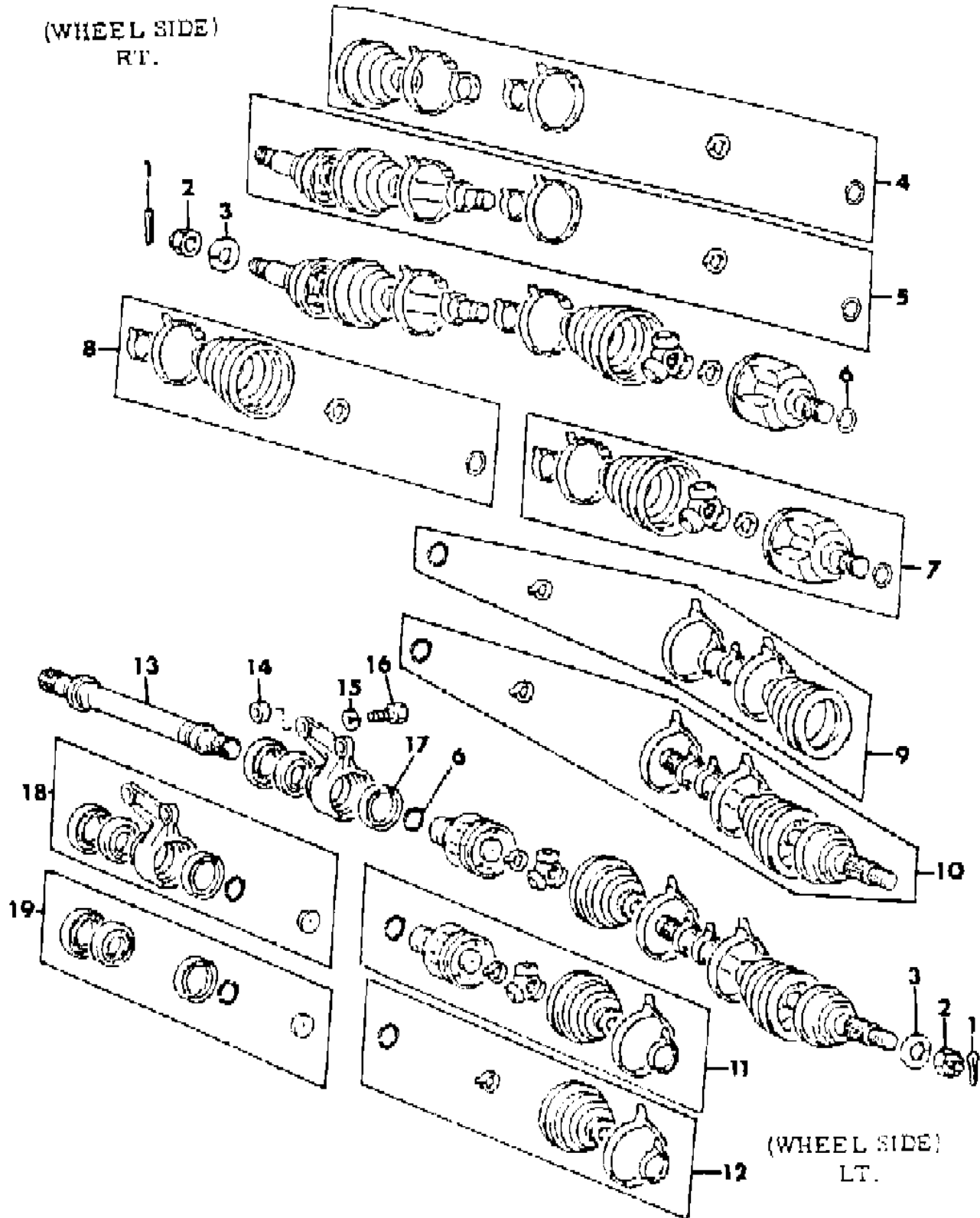
MODELS:  
 24 FWD = 2Dr Hatchback (Laser)  
 24 FWD = 2-Dr Hatchback (Talon)  
 4WD = (4 Wheel Drive)  
 2WD = (2 Wheel Drive)

AR = Use as Required - = Non Illustrated Part P.A.R. = Paint as Required

AXLE, FRONT AWD LASER-TALON

Figure 2-350

9602 350



ITEM	PART NUMBER	QTY	BODY	MODEL	DESCRIPTION
1-12					AXLE SHAFT, Assy. ***
	MB29 7992	1			Rt. w/Man. Trans. (RJ), 1992-93
	MB29 7992	1	TALON		Rt. (RJ), 1994
	MB52 6438	1			Rt. w/Man. Trans. (BJ)
	MB62 0314	1			Rt. w/Auto Trans. (BJ),(TJ)
	MB52 6437	1			Lt. w/Man. Trans. (BJ),(TJ)
	MB29 7991	1			Lt. w/Man. Trans. (RJ),(TJ) 1992-93
	MB62 0313	1			Lt. w/Auto Trans. (BJ),<TJ)
1	MF47 2087	AR			PIN, (4X40)
2	MB10 9029	2			NUT, (22)
3	MB10 9025	2			WASHER, (22.4)
4					BOOT PACKAGE, Rt.
	MB62 0240	1			(BJ)
	MB62 0168	1			(RJ), 1992-93
	MB62 0168	1	TALON		(RJ), 1994
5					JOINT and SHAFT PACKAGE, Rt.
	MB52 6914	1			w/Man. Trans. (BJ)
	MB52 6973	1			w/Man. Trans. (RJ), 1992-93
	MB52 6973	1	TALON		(RJ), 1994
	MB83 7164	1			w/Auto Trans. (BJ)
6					CLIP
	MB16 0387	2			(27)
	MB29 7844	2			w/Auto Trans., 1992-93, (27.2)
	MB29 7844	1	TALON		(RJ), 1994, (27.2)
	MB52 6340	1			(BJ), 1994, (27)
7					JOINT PACKAGE, Rt.
	MB52 6892	1			w/Man. Trans. (TJ)
	MB52 6975	1			w/Man. Trans. (tJ), 1992-93
	MB52 6975	1	TALON		(RJ), 1994
	MB83 7166	1			Auto Trans. <TJ)
8					BOOT PACKAGE, Rt.
	MB52 6894	1			(TJ)
	MB52 6977	1	TALON		(RJ), 1994
9					BOOT PACKAGE, Lt.
	MB62 0240	1			(BJ) ***
10					JOINT and SHAFT PACKAGE, Lt.
	MB52 6914	1			w/Man. Trans. (BJ)
	MB83 7163	1			w/Auto Trans. <BJ)
11					JOINT PACKAGE, Lt.

ENGINE: P = 1800cc (1.8L) A = 2000cc (2.0L) Blank = All  
 TRANS: A = Automatic M = Manual Blank = All  
 SERIES: H = High M = Medium P = Premium S = Special

MODELS:  
 24 FWD = 2Dr Hatchback (Laser)  
 24 FWD = 2-Dr Hatchback (Talon)  
 4WD = (4 Wheel Drive)  
 2WD = (2 Wheel Drive)

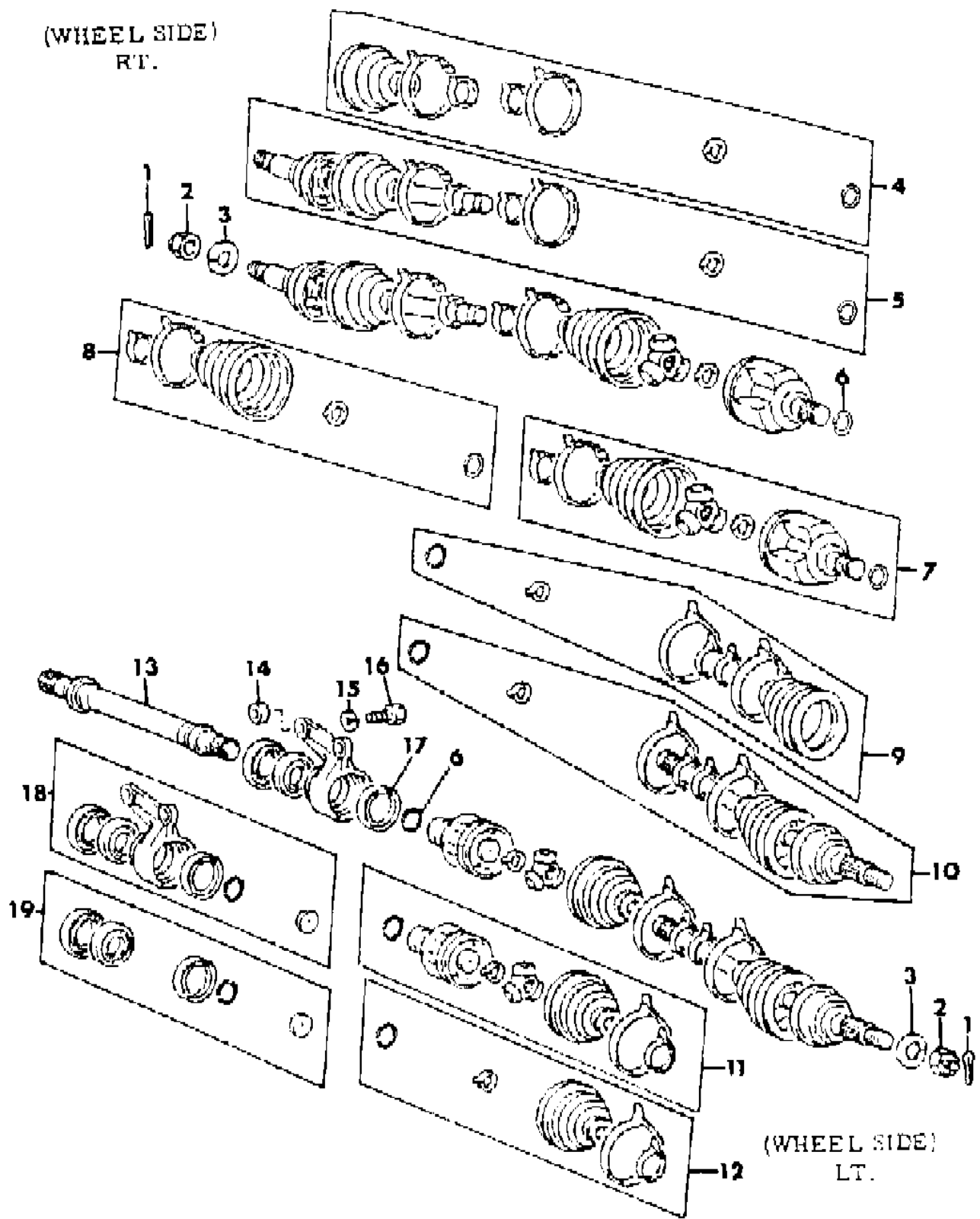
AR = Use as Required - = Non Illustrated Part P.A.R. = Paint as Required



AXLE, FRONT AWD LASER-TALON

Figure 2-350

9602 350



ITEM	PART NUMBER	QTY	BODY	MODEL	DESCRIPTION
	MB52 6915	1			w/Man. Trans. (TJ)
	MB83 7165	1			w/Auto Trans. (TJ)
12	MB52 6894	1			BOOT PACKAGE, Lt.
13	MB52 6845	1			SHAFT, Inner
14	MB29 7732	1			SPACER, (13)
15	MF45 0406	2			WASHER, (10)
16	MB29 7860	2			BOLT, (10X41.5)
17	MB52 6535	1			SEAL, Dust
18					BRACKET PACKAGE
	MB52 6981	1			w/Man. Trans.
	MB62 0417	1			w/Auto Trans.
19	MB52 6956	1			BEARING PACKAGE

ENGINE: P = 1800cc (1.8L) A = 2000cc (2.0L) Blank = All  
 TRANS: A = Automatic M = Manual Blank = All  
 SERIES: H = High M = Medium P = Premium S = Special

MODELS:  
 24 FWD = 2Dr Hatchback (Laser)  
 24 FWD = 2-Dr Hatchback (Talon)  
 4WD = (4 Wheel Drive)  
 2WD = (2 Wheel Drive)

AR = Use as Required - = Non Illustrated Part P.A.R. = Paint as Required

---

**GROUP 3 - REAR AXLE**

<b>ILLUSTRATION TITLE</b>	<b>GROUP-FIG. NO.</b>
REAR AXLE HOUSING AND SHAFT LASER-TALON .....	Fig. 3-100
REAR AXLE DIFFERENTIAL W/O LIMITED SLIP TALON .....	Fig. 3-200
REAR AXLE DIFFERENTIAL W/LIMITED SLIP LASER-TALON .....	Fig. 3-250
REAR AXLE DRIVE SHAFT LASER-TALON .....	Fig. 3-300

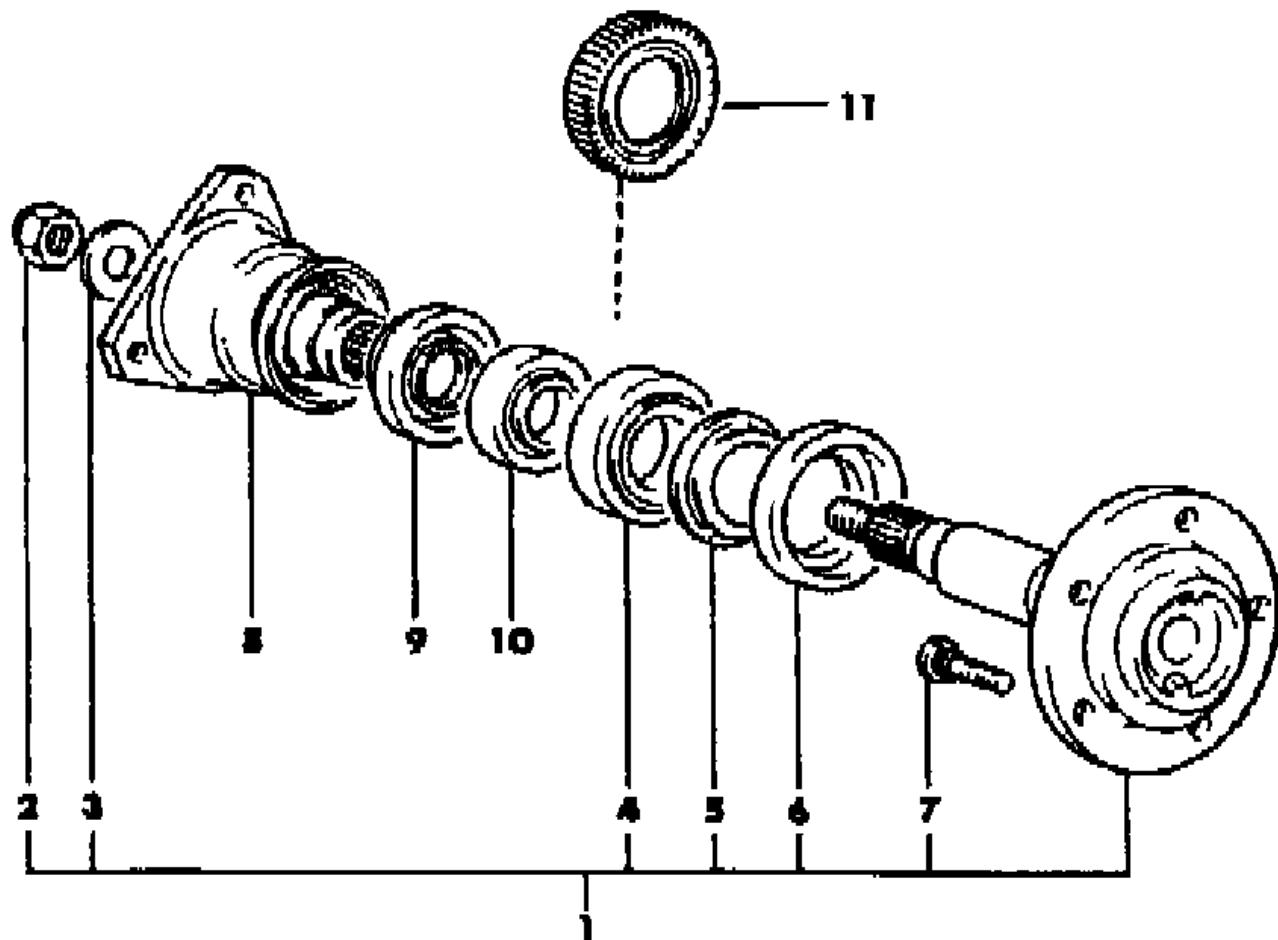
**ILLUSTRATION NOT AVAILABLE AT TIME OF PUBLICATION**

---

REAR AXLE HOUSING AND SHAFT LASER-TALON

Figure 3-100

9603 100 A



ITEM	PART NUMBER	QTY	BODY	MODEL	DESCRIPTION
1					SHAFT ASSY, Rear Axle ***
	MB56 9255	1			w/o ABS
	MB66 4332	1			w/ABS
2	MA14 3517	2			NUT
3	MT20 3641	2			WASHER, (18.5)
4	MB56 9972	2			BEARING, Outer
5	MB29 0428	2			COVER, Dust
6	MB39 3803	2			COVER, Dust
7	MA12 3234	10			BOLT, (12x41)
8					FLANGE, Rear Differential Companion
	MB39 3808	2			1990-91
	MB56 9618	2			1992-94
9	MB39 3807	2			SEAL, Dust, Inner Bearing
10	MT19 1613	2			BEARING, (Ball)
11	MB66 8573	2			ROTOR, w/ABS ***

ENGINE: P = 1800cc (1.8L) A = 2000cc (2.0L) Blank = All  
 TRANS: A = Automatic M = Manual Blank = All  
 SERIES: H = High M = Medium P = Premium S = Special

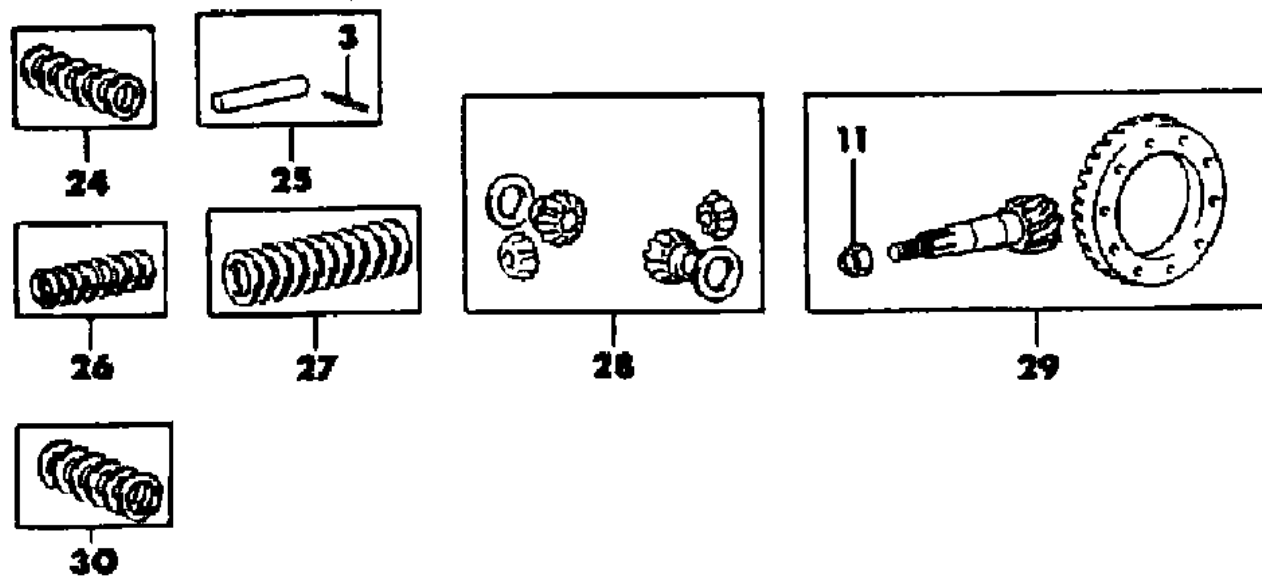
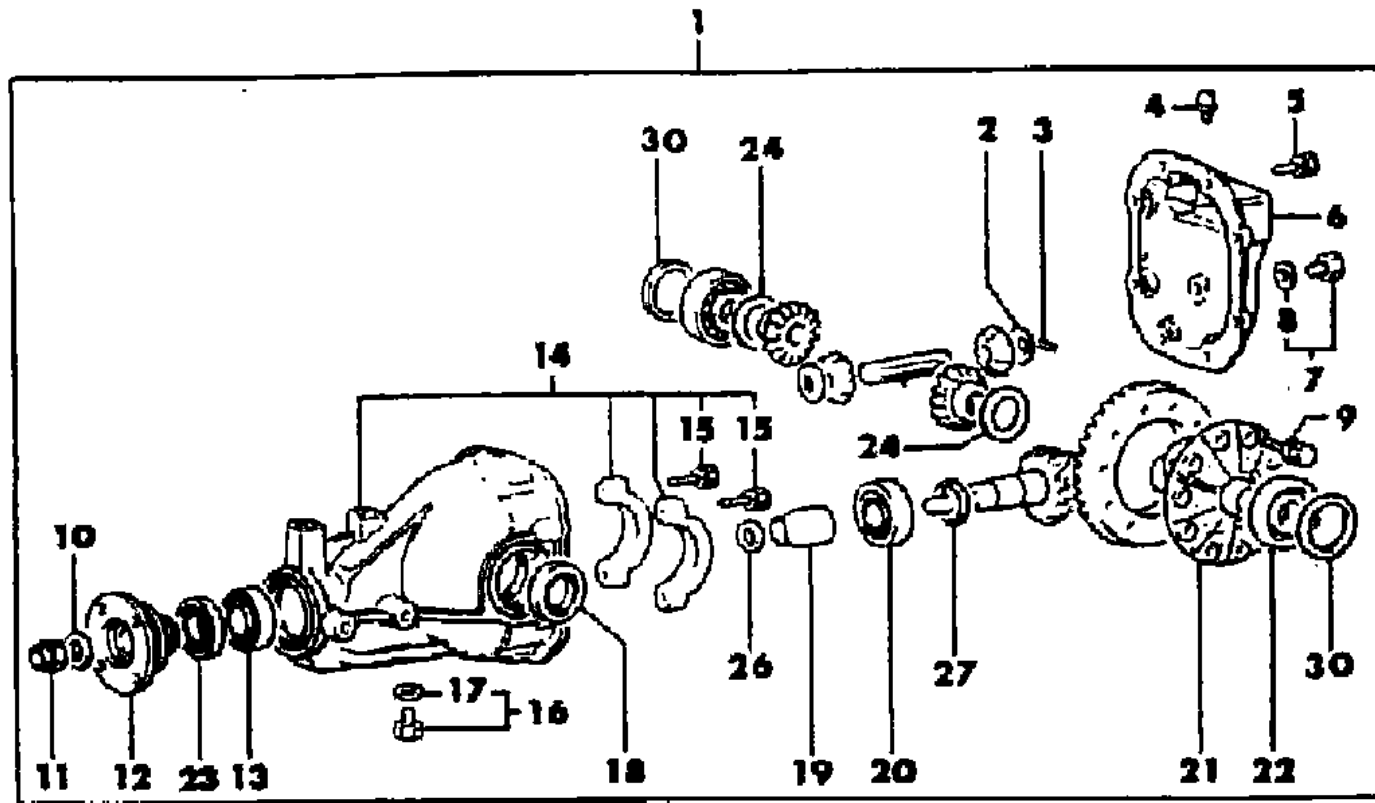
MODELS:  
 24 FWD = 2Dr Hatchback (Laser)  
 24 FWD = 2-Dr Hatchback (Talon)  
 4WD = (4 Wheel Drive)  
 2WD = (2 Wheel Drive)

AR = Use as Required - = Non Illustrated Part P.A.R. = Paint as Required

REAR AXLE DIFFERENTIAL W/O LIMITED SLIP TALON

Figure 3-200

9603 200A



ITEM	PART NUMBER	QTY	BODY	MODEL	DESCRIPTION
1					CARRIER ASSY, Rear Differential ***
	MB59 7591	1			3.54, w/Man. Trans.
	MB69 8803	1			3.30, w/Auto Trans.
2	MA14 5188	2			WASHER, (Spring 17.3)
3	MD70 6557	1			PIN, (Lock 5x54)
4	MB39 3530	1			PLUG
5	MF24 4881	8			BOLT, w/Washer, (10x30)
6	MB56 9153	1			COVER
7	MB00 1261	1			PLUG
8	MF66 0066	1			GASKET
9	MB09 2220	8			BOLT, (10x17.5)
10	MT20 3641	1			WASHER, (18.5)
11	MA14 3517	1			NUT, (18)
12	MB39 3977	1			FLANGE, Companion
13	MB39 3955	1			BEARING, Drive Pinion, Front
14	MB56 9042	1			CARRIER, Rear Differential
15	MS24 0915	4			BOLT, (10x50)
16	MB56 9390	1			PLUG
17	MB00 1294	1			GASKET
18	MB39 3932	1			SEAL, Oil, Drive Pinion
19					SPACER, Pinion Bearing
	MB04 4434	1			57.08
	MA18 0841	1			57.72
20	MB39 3956	1			BEARING, Drive Pinion, Rear
21	MB39 3864	1			CASE, Rear Differential
22	MB39 3957	2			BEARING, Side
23	MB39 3929	1			SEAL, Oil, Side Bearing
24	MB18 5340	2			SPACER SET
25	MB28 3146	1			SHAFT KIT, Pinion ***
26	MB18 5360	1			SHIM SET, Drive Pinion, Front
27	MB18 5350	1			SHIM SET, Drive Pinion, Rear
28	MB28 3556	1			GEAR SET
29					GEAR KIT, Final Drive ***
	MB18 5307	1			3.54
	MB18 5312	1			3.30
30	MB24 1903	2			SPACER SET

ENGINE: P = 1800cc (1.8L) A = 2000cc (2.0L) Blank = All  
 TRANS: A = Automatic M = Manual Blank = All  
 SERIES: H = High M = Medium P = Premium S = Special

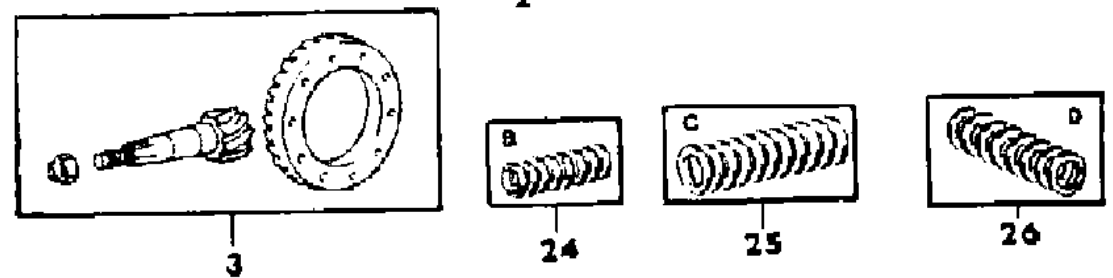
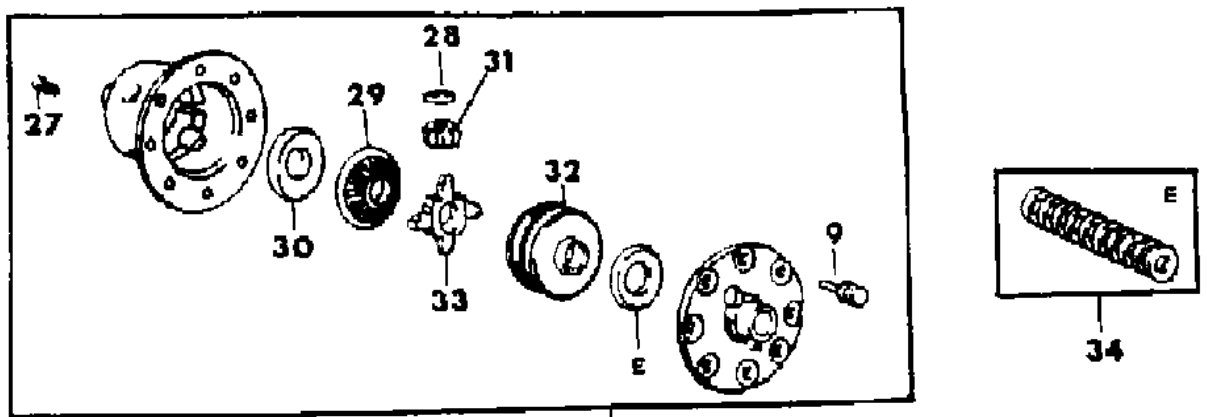
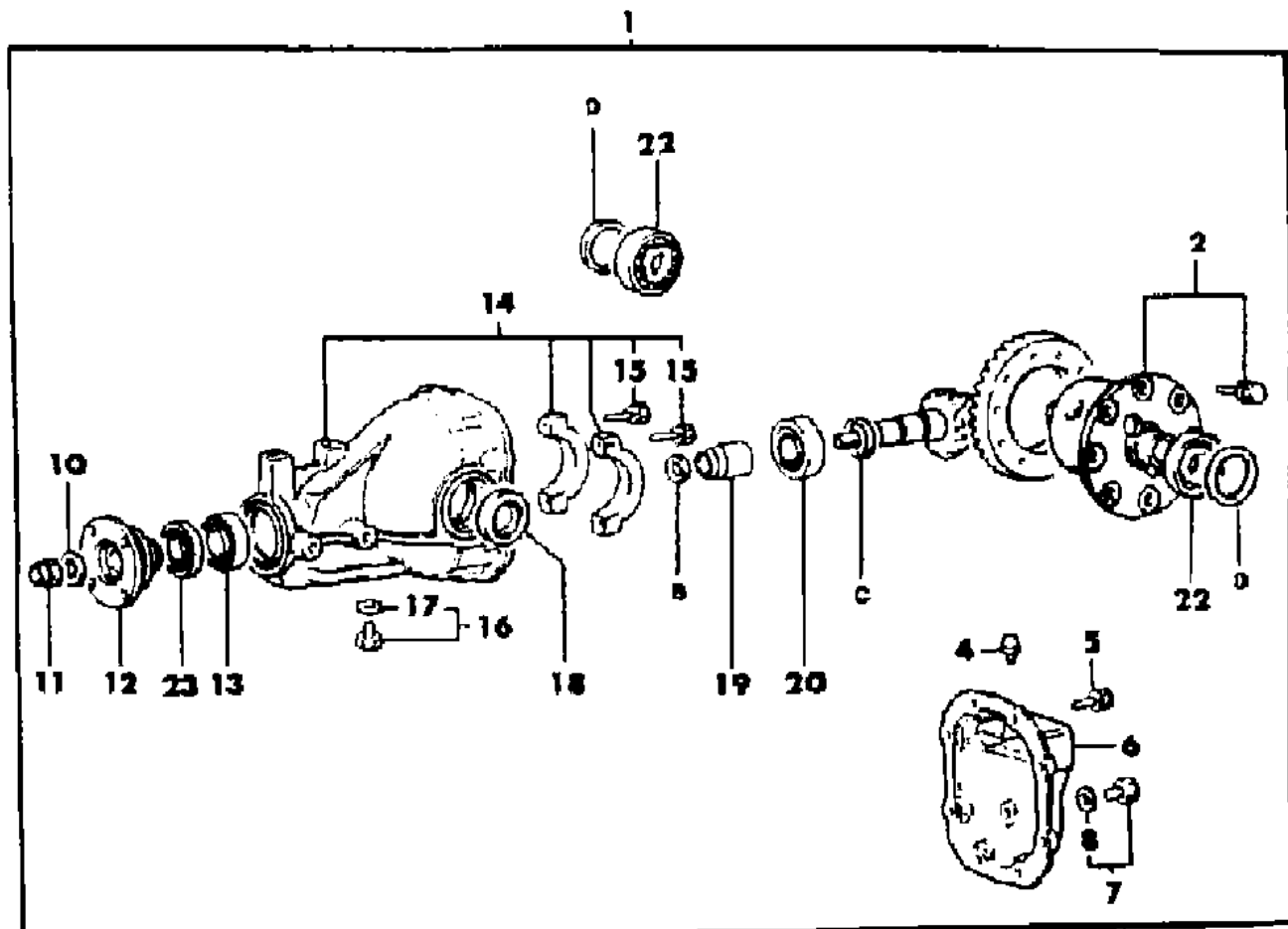
MODELS:  
 24 FWD = 2Dr Hatchback (Laser)  
 24 FWD = 2-Dr Hatchback (Talon)  
 4WD = (4 Wheel Drive)  
 2WD = (2 Wheel Drive)

AR = Use as Required - = Non Illustrated Part P.A.R. = Paint as Required

REAR AXLE DIFFERENTIAL W/LIMITED SLIP LASER-TALON

Figure 3-250

9603 250



ITEM	PART NUMBER	QTY	BODY	MODEL	DESCRIPTION
1					CARRIER ASSY, Rear Differential, Limited Slip ***
					1990-91
	MB59 7594	1			3.54, w/Man. Trans.
	MB69 8802	1			3.30, w/Auto Trans.
					1992-94
	MB86 1261	1			3.54
	MB86 1262	1			3.30
2					DIFFERENTIAL KIT, Limited Slip ***
					1990
	MB56 9296	1			1990
	MB66 4105	1			1991
	MB83 7570	1			1992-94
3					GEAR KIT, Final Drive ***
					3.54
	MB18 5307	1			3.54
	MB18 5312	1			3.30
4	MB39 3530	1			PLUG
5					BOLT, w/Washer
					1990-92, (10x30)
	MF24 4881	8			1990-92, (10x30)
	MF24 4882	8			1993-94
6	MB56 9153	1			COVER
7	MB00 1261	1			PLUG
8	MF66 0066	1			GASKET
9	MB09 2220	8			BOLT, (10x17.5)
10	MT20 3641	1			WASHER, (18.5)
11	MA14 3517	1			NUT, (18)
12	MB39 3977	1			FLANGE, Companion
13	MB39 3955	1			BEARING, Drive Pinion, Front
14	MB56 9042	1			CARRIER, Rear Differential
15	MS24 0915	4			BOLT, (10x50)
16	MB56 9390	1			PLUG
17	MB00 1294	1			GASKET
18	MB39 3932	1			SEAL, Oil, Pinion
19					SPACER, Pinion Bearing
					57.08
	MB04 4434	1			57.08
	MA18 0841	1			57.72
20	MB39 3956	1			BEARING, Drive Pinion, Rear
22	MB39 3957	2			BEARING, Side
23	MB39 3929	1			SEAL, Oil, Side Bearing
24	MB18 5360	1			SHIM SET, Drive Pinion, Front
25	MB18 5350	1			SHIM SET, Drive Pinion, Rear

ENGINE: P = 1800cc (1.8L) A = 2000cc (2.0L) Blank = All  
 TRANS: A = Automatic M = Manual Blank = All  
 SERIES: H = High M = Medium P = Premium S = Special

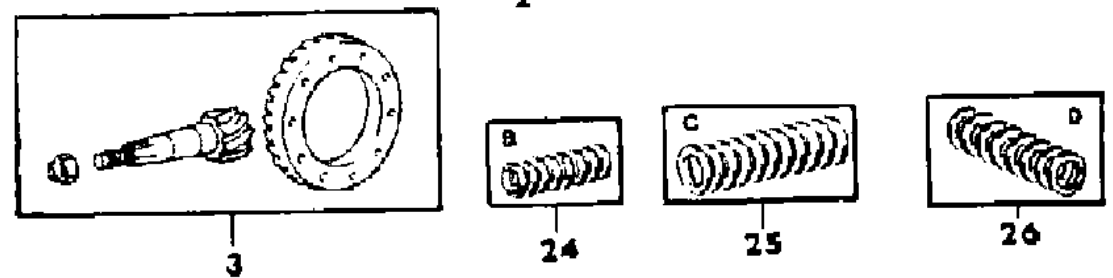
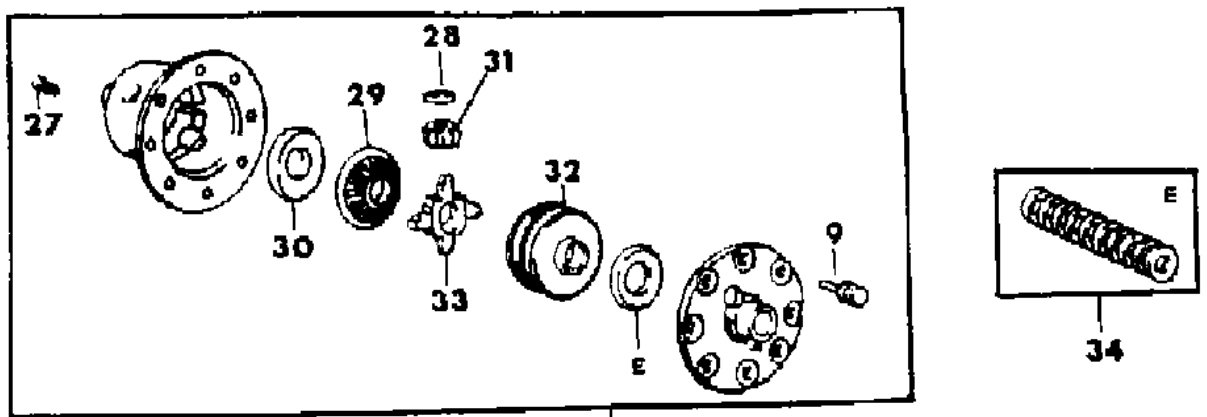
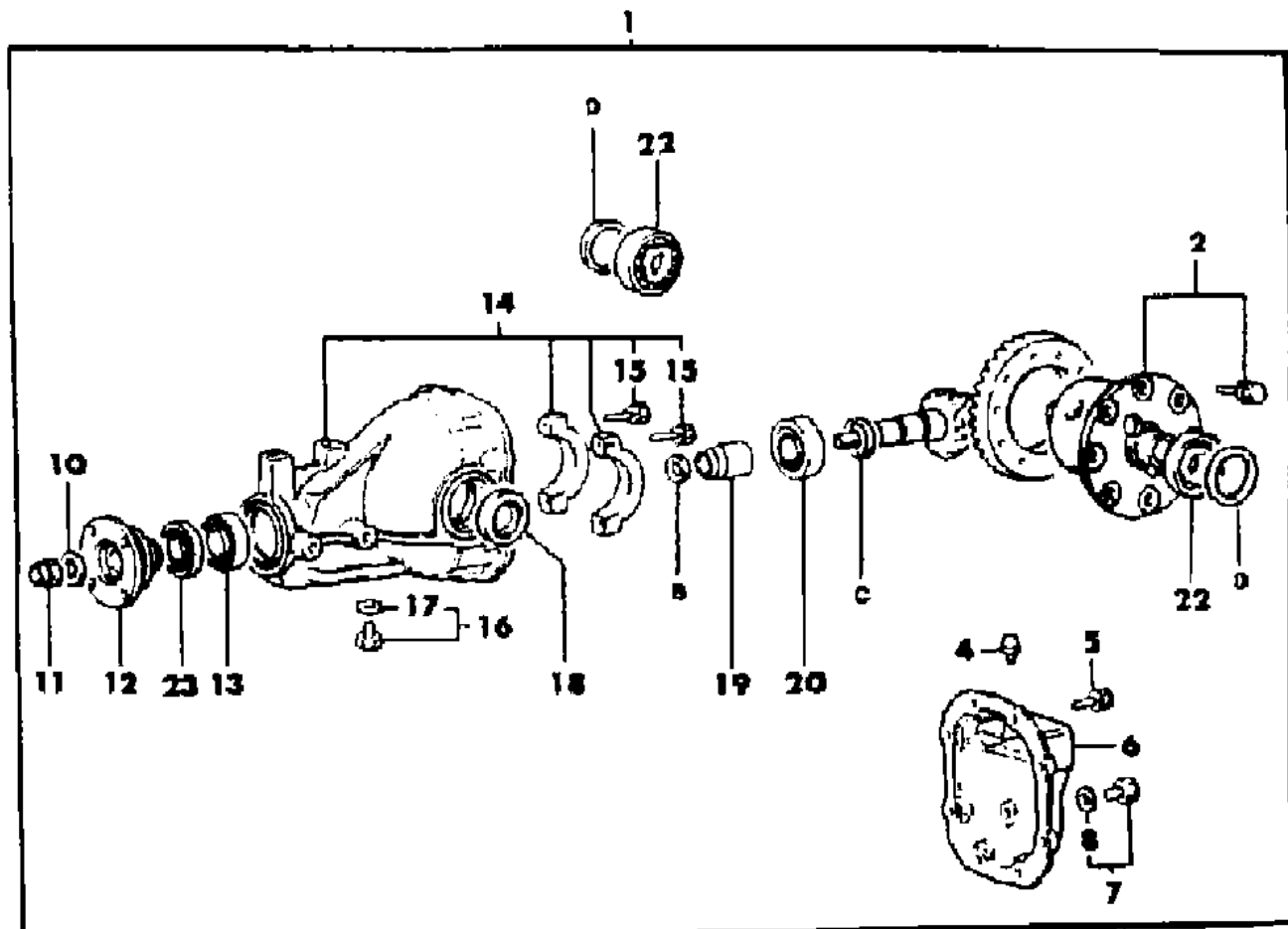
MODELS:  
 24 FWD = 2Dr Hatchback (Laser)  
 24 FWD = 2-Dr Hatchback (Talon)  
 4WD = (4 Wheel Drive)  
 2WD = (2 Wheel Drive)

AR = Use as Required - = Non Illustrated Part P.A.R. = Paint as Required

REAR AXLE DIFFERENTIAL W/LIMITED SLIP LASER-TALON

Figure 3-250

9603 250



ITEM	PART NUMBER	QTY	BODY	MODEL	DESCRIPTION
26	MB24 1903	2			SPACER SET
27					SCREW
	MF20 1548	2			91-92, (5x12)
	MB29 0419	2			1993-94
28	MB56 9244	4			WASHER
29					GEAR, Side, Rear Viscous
	MB56 9240	1			1991
	MB66 4512	1			1992-94
30	MB56 9528	1			SHIM, Rear Viscous Coupling
31	MB56 9242	4			PINION, Rear Viscous Coupling
32					COUPLING UNIT, Viscous, Rear ***
	MB56 9235	1			1991
	MB66 4511	1			1992-94
33	MB56 9241	1			SHAFT, Coupling, Rear
34	MB56 9243	AR			WASHER KIT, Rear Coupling ***

ENGINE: P = 1800cc (1.8L) A = 2000cc (2.0L) Blank = All  
 TRANS: A = Automatic M = Manual Blank = All  
 SERIES: H = High M = Medium P = Premium S = Special

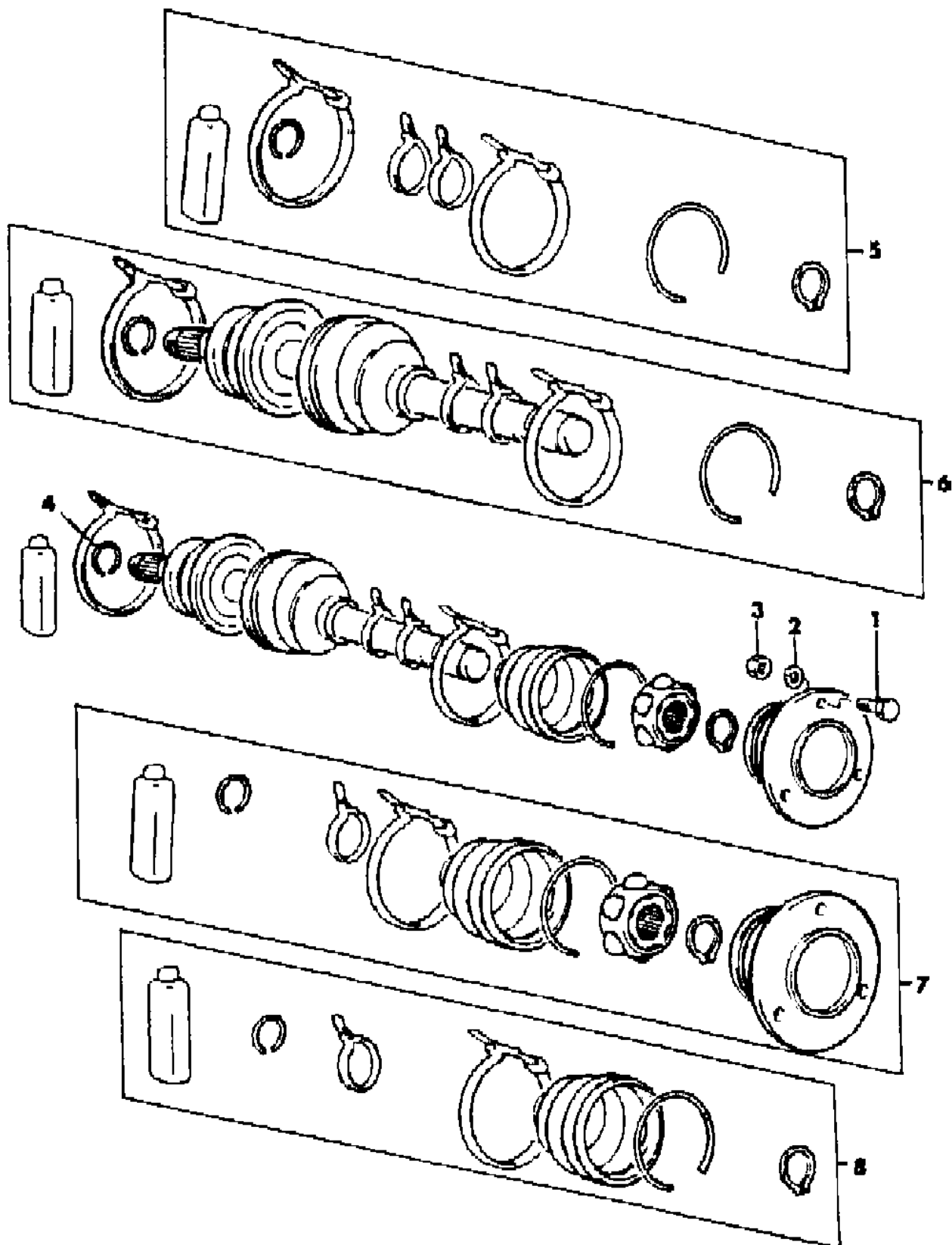
MODELS:  
 24 FWD = 2Dr Hatchback (Laser)  
 24 FWD = 2-Dr Hatchback (Talon)  
 4WD = (4 Wheel Drive)  
 2WD = (2 Wheel Drive)

AR = Use as Required - = Non Illustrated Part P.A.R. = Paint as Required

REAR AXLE DRIVE SHAFT LASER-TALON

Figure 3-300

9603 300



ITEM	PART NUMBER	QTY	BODY	MODEL	DESCRIPTION
1	MB16 0664	6			BOLT, Drive Shaft
2	MS45 0043	6			WASHER, Spring
3	MU43 0002	6			NUT, Drive Shaft 1990-93
	MF43 0122	8			1994, (10)
4					CLIP, Drive Shaft 1990 (22.2mm) 1991
	MB29 0118	2			
	MB29 0118	1			Left, (22.2mm)
	MB39 3859	1			Right, w/o ABS, (21.5mm)
	MB29 0118	1			Right, w/ABS, (22.2mm) 1992-94
	MB16 0387	1			Left, (27mm)
	MB39 3859	1			Right, (21.5mm)
5					BOOT PACKAGE 1990-91
	MB52 6961	2			
	MB52 6894	2			1992-94
6					JOINT PACKAGE *** w/o Limited Slip Right, w/Limited Slip
	MB52 6960	2			
	MB52 6965	1			1990-91
	MB83 7360	1			1992-94 Left, w/Limited Slip
	MB52 6964	1			1990-91
	MB83 7361	1			1992-94
7					JOINT and SHAFT PACKAGE, (DOJ) ***
	MB62 0364	2			1990-91
	MB62 0941	2			1992-94
8					BOOT PACKAGE, (DOJ)
	MB52 6962	2			1990-91
	MB62 0943	2			1992-94

ENGINE: P = 1800cc (1.8L)  
A = 2000cc (2.0L)  
Blank = All

TRANS: A = Automatic  
M = Manual  
Blank = All

SERIES: H = High  
M = Medium  
P = Premium  
S = Special

MODELS:  
24 FWD = 2Dr Hatchback (Laser)  
24 FWD = 2-Dr Hatchback (Talon)  
4WD = (4 Wheel Drive)  
2WD = (2 Wheel Drive)

AR = Use as Required - = Non Illustrated Part P.A.R. = Paint as Required

---

**GROUP 4 - BRAKE, PARKING**

<b>ILLUSTRATION TITLE</b>	<b>GROUP-FIG. NO.</b>
CONTROLS, PARKING BRAKE FWD LASER-TALON .....	Fig. 4-100
CONTROLS, PARKING BRAKE AWD LASER-TALON .....	Fig. 4-125

**ILLUSTRATION NOT AVAILABLE AT TIME OF PUBLICATION**

---



CONTROLS, PARKING BRAKE FWD LASER-TALON

Figure 4-100

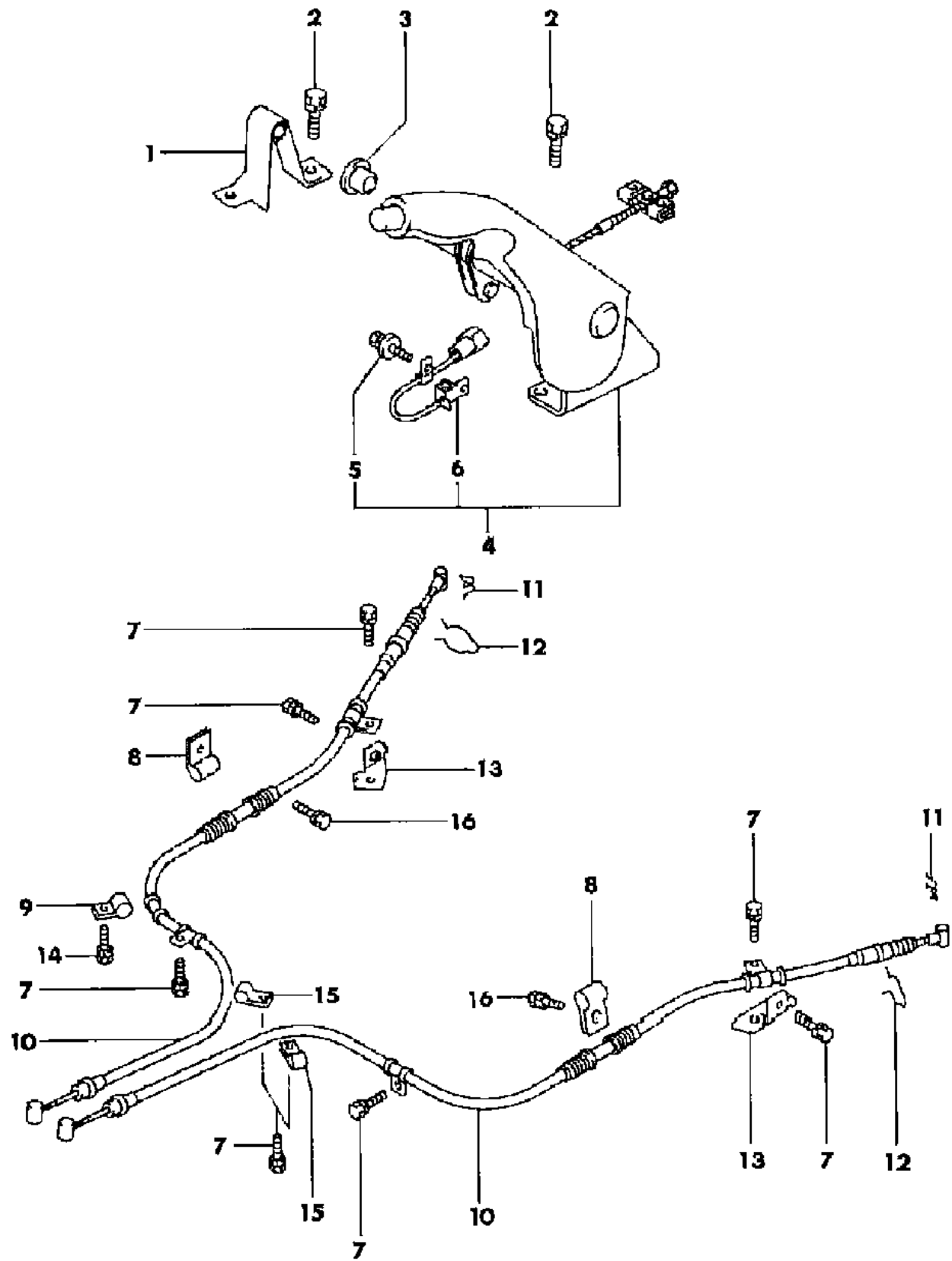
9604 100B

ITEM	PART NUMBER	QTY	BODY	MODEL	DESCRIPTION
1	MB52 0420	1			STAY, Lever
2	MF24 1252	4			BOLT, w/Washer (8x25 4T)
	MS24 0086	4			1994, (8x25)
3	MB14 0139	1			BUSHING, Lever
4	MB72 2532	1			LEVER ASSY, (Black) ***
5	MF24 0001	1			BOLT, w/Washer, (5x10 4T)
6	MB27 7887	1			SWITCH, Parking Brake
7	MF24 0050	10			BOLT, w/Washer, (8x14 4T)
8					CLAMP, Cable
	MB25 6379	1			Right
	MB25 6401	1			Left
9	MB25 6607	1			CLAMP, Cable
10					CABLE, Parking Brake
					Right
	MB52 0422	1			1990-91
	MB52 0811	1			1992-94
					Left
	MB52 0421	1			1990-91
	MB52 0810	1			1992-94
11	MB31 6189	2			SPRING, Cable
12	MB00 4655	2			CLIP, Cable
13					BRACKET, Cable
	MB25 6328	1			Right
	MB52 0637	1			Left
14	MF24 3649	1			BOLT, w/Washer, (8x16 4T)
15	MB25 6600	2			CLIP, Cable
16	MF24 0651	2			BOLT, w/Washer

ENGINE: P = 1800cc (1.8L) A = 2000cc (2.0L) Blank = All  
 TRANS: A = Automatic M = Manual Blank = All  
 SERIES: H = High M = Medium P = Premium S = Special

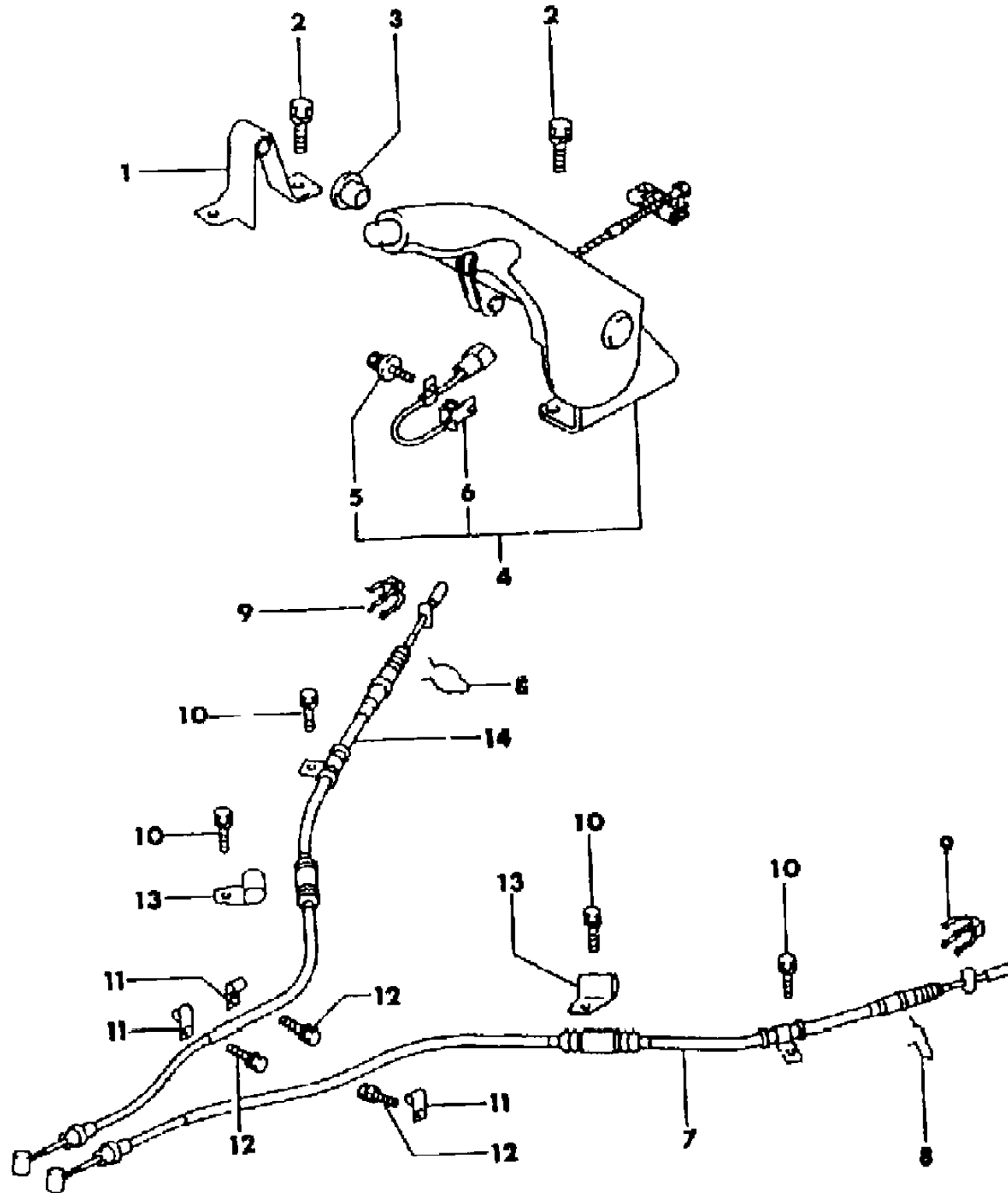
MODELS:  
 24 FWD = 2Dr Hatchback (Laser)  
 24 FWD = 2-Dr Hatchback (Talon)  
 4WD = (4 Wheel Drive)  
 2WD = (2 Wheel Drive)

AR = Use as Required - = Non Illustrated Part P.A.R. = Paint as Required



CONTROLS, PARKING BRAKE AWD LASER-TALON  
Figure 4-125

9604 125A



ITEM	PART NUMBER	QTY	BODY	MODEL	DESCRIPTION
1	MB52 0420	1			STAY, Lever
2	MF24 1252	4			BOLT, w/Washer 1990-93
	MS24 0086	4			1994, (8x25)
3	MB14 0139	1			BUSHING, Lever
4	MB72 2532	1			LEVER ASSY, Parking Brake ***
5	MF24 0001	1			BOLT, w/Washer
6	MB27 7887	1			SWITCH, Parking Brake
7	MB52 0483	1			CABLE, Rear, Lt.
8	MB00 4655	2			CLIP, Cable
9	MB52 0216	2			RETAINER, Cable
10	MF24 0651	4			BOLT, Cable 1990-93
	MF24 0051	4			1994, (8x16)
11	MB25 6589	3			CLIP, Cable
12	MF24 0049	3			BOLT, Cable
13	MB25 6204	2			CLAMP, Cable
14	MB52 0484	1			CABLE, Rear, Rt.

ENGINE: P = 1800cc (1.8L) A = 2000cc (2.0L) Blank = All  
 TRANS: A = Automatic M = Manual Blank = All  
 SERIES: H = High M = Medium P = Premium S = Special

MODELS:  
 24 FWD = 2Dr Hatchback (Laser)  
 24 FWD = 2-Dr Hatchback (Talon)  
 4WD = (4 Wheel Drive)  
 2WD = (2 Wheel Drive)

AR = Use as Required - = Non Illustrated Part P.A.R. = Paint as Required

---

**GROUP 5 - BRAKE, SERVICE**

<b>ILLUSTRATION TITLE</b>	<b>GROUP-FIG. NO.</b>
<b>PEDALS, BRAKE</b>	
PEDAL, BRAKE MANUAL TRANSMISSION LASER-TALON .....	Fig. 5-100
PEDAL, BRAKE AUTOMATIC TRANSMISSION LASER-TALON .....	Fig. 5-200
<b>BOOSTERS</b>	
BOOSTER, POWER BRAKE LASER-TALON .....	Fig. 5-300
<b>MASTER CYLINDERS</b>	
MASTER CYLINDER, BRAKE LASER-TALON .....	Fig. 5-400
MODULATOR W/ABS LASER-TALON .....	Fig. 5-450
<b>BRAKE LINES</b>	
LINES AND HOSES, FRONT W/O ABS LASER-TALON .....	Fig. 5-500
LINES AND HOSES, FRONT W/ABS LASER-TALON .....	Fig. 5-550
SENSOR W/ABS FWD LASER-TALON .....	Fig. 5-560
SENSOR W/ABS AWD LASER-TALON .....	Fig. 5-570
LINES AND HOSES REAR LASER-TALON .....	Fig. 5-600
<b>FRONT BRAKES</b>	
BRAKES, FRONT (UP TO 04-01-89) LASER .....	Fig. 5-700
BRAKES, FRONT (AFTER 04-01-89) LASER-TALON .....	Fig. 5-725
BRAKE DISC AND BEARINGS FRONT LASER-TALON .....	Fig. 5-800
<b>REAR BRAKES</b>	
BRAKES, REAR DISC 1990-91 LASER-TALON .....	Fig. 5-900
BRAKES REAR DISC 1992-94 LASER-TALON .....	Fig. 5-950
BRAKE DISC AND BEARINGS REAR LASER-TALON .....	Fig. 5-1000

**ILLUSTRATION NOT AVAILABLE AT TIME OF PUBLICATION**

---

PEDAL, BRAKE MANUAL TRANSMISSION LASER-TALON

Figure 5-100

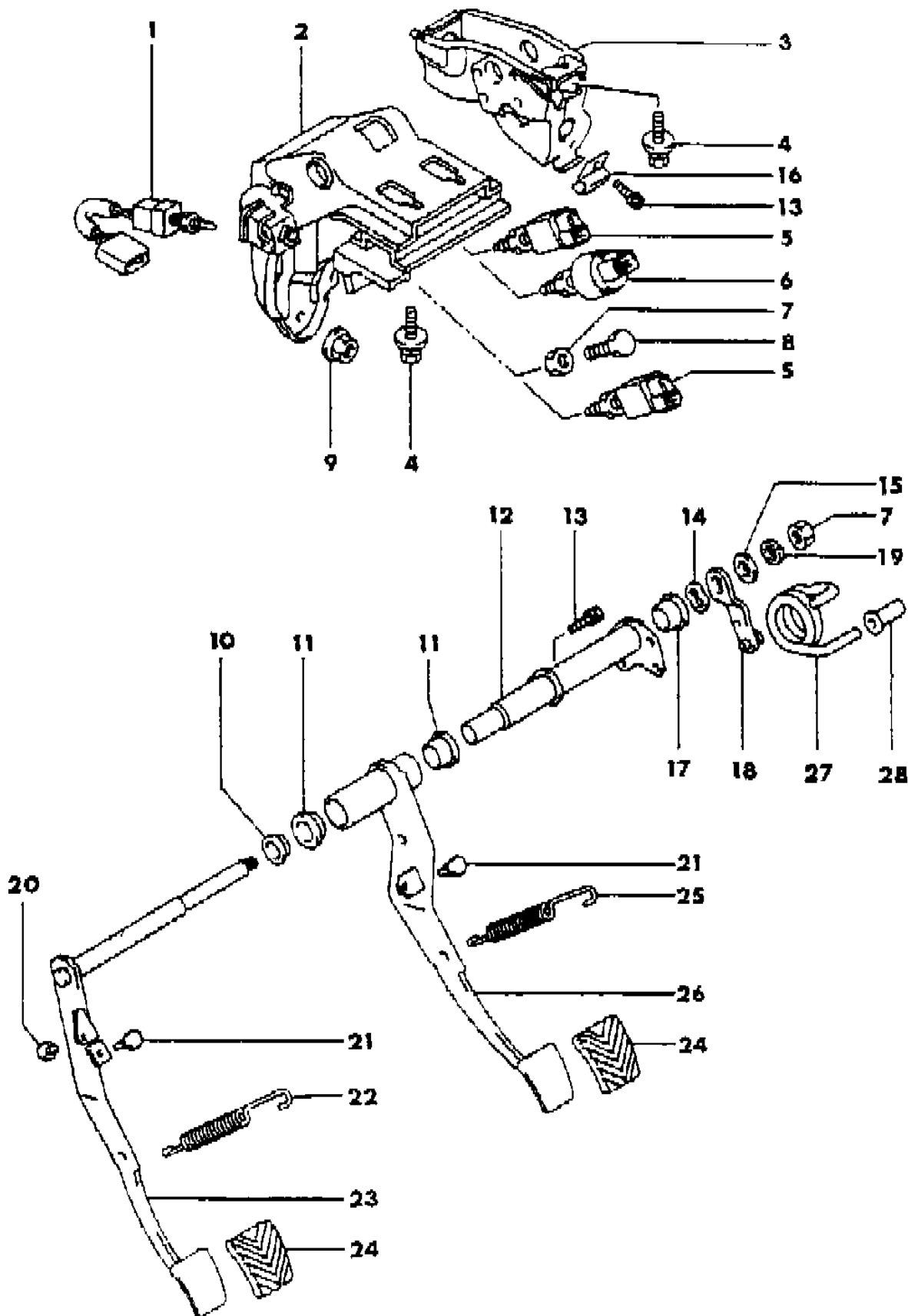
9605 100

ITEM	PART NUMBER	QTY	BODY	MODEL	DESCRIPTION
1					SWITCH, Clutch, (Refer to Group 6)
2	MB59 9207	1			SUPPORT
3					BRACKET, Clutch Pedal, (Refer to Group 6)
4					BOLT, w/Washer
	MS24 0085	2			1990-93, (8x20 4T)
	MS24 0125	1			1994, (8x20)
5	MB43 5457	1			SWITCH, Stop Lamp, w/o Cruise Control
6	MB59 6608	1			SWITCH, Stop Lamp, w/Cruise Control
7					NUT
	MU43 0002	2			1990-93, (10 4T)
	MF43 0006	1			1994, (10)
8	MS10 0135	1			BOLT, (10x35 4T)
9	MS44 0503	1			NUT, w/Washer
10	MB53 4211	1			BUSHING
11	MB53 4210	2			BUSHING
12					ROD
	MB59 9162	1			w/o Turbo
	MB53 4772	1			w/Turbo
13	MF24 1251	AR			BOLT, (8x16 7T)
14	MF45 1107	1			WASHER, (Wave 14)
15	MF45 0006	1			WASHER, (10)
16	MB53 4533	1			CLIP, w/Turbo
17	MB05 8634	1			BUSHING, (18.3x10)
18		1			LEVER, Clutch Oil, (Refer to Group 6)
19	MF45 0406	1			WASHER, (Spring 10)
20					STOPPER, Clutch Pedal, (Refer to Group 6)
21	MA30 6227	2			STOPPER
22					SPRING, Clutch Pedal Return, (Refer to Group 6)
23					PEDAL, Clutch, (Refer to Group 6)
24	MB19 3884	2			PAD, Brake Pedal
25	MB31 6046	1			SPRING, Return
26	MB59 9230	1			PEDAL, Brake
27					SPRING, Clutch Pedal Return, (Refer to Group 6)
28					BUSHING, Clutch Pedal, (Refer to Group 6)

ENGINE: P = 1800cc (1.8L) A = 2000cc (2.0L) Blank = All  
 TRANS: A = Automatic M = Manual Blank = All  
 SERIES: H = High M = Medium P = Premium S = Special

MODELS:  
 24 FWD = 2Dr Hatchback (Laser)  
 24 FWD = 2-Dr Hatchback (Talon)  
 4WD = (4 Wheel Drive)  
 2WD = (2 Wheel Drive)

AR = Use as Required - = Non Illustrated Part P.A.R. = Paint as Required



PEDAL, BRAKE AUTOMATIC TRANSMISSION LASER-TALON

Figure 5-200

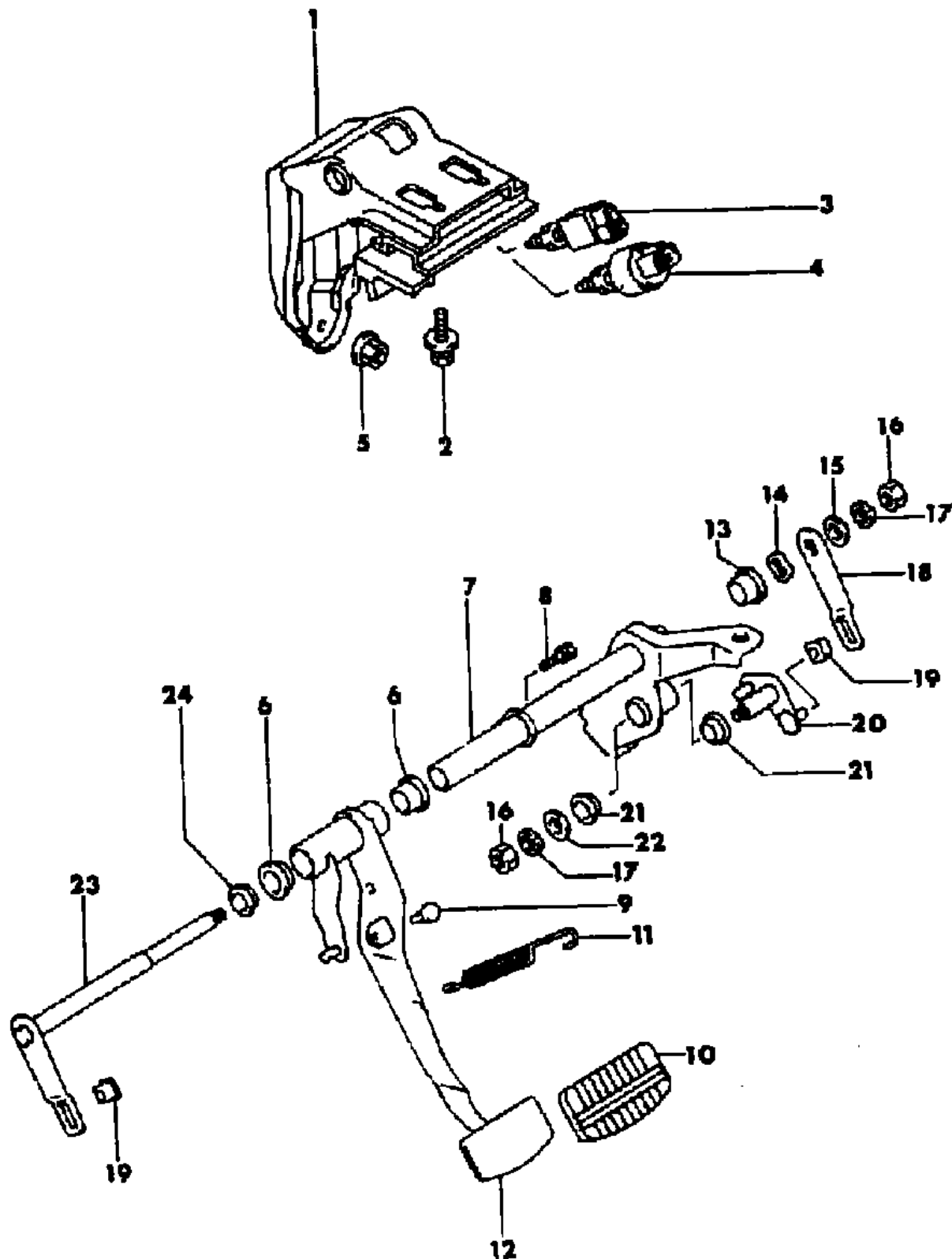
9605 200 B

ITEM	PART NUMBER	QTY	BODY	MODEL	DESCRIPTION
1	MB59 9206	1			BRACKET, Support
2	MS24 0085	3			BOLT, w/Washer 1990-93, (8x20 4T)
	MS24 0125	3			1994, (8x20)
3	MB43 5457	1			SWITCH, Stop Lamp, w/o Cruise Control
4	MB59 6608	1			SWITCH, Stop Lamp, w/Cruise Control
5	MS44 0503	1			NUT, w/Washer, (8)
6	MB53 4210	2			BUSHING
7	MB59 9393	1			ROD
8	MF24 1251	6			BOLT, (8x16 7T)
9	MA30 6227	1			STOPPER
10	MA15 2260	1			PAD, Brake Pedal
11	MB31 6046	1			SPRING, Return
12	MB59 9388	1			PEDAL, Brake
13	MB05 8634	1			BUSHING
14	MF45 1107	1			WASHER
15					WASHER
	MF45 0008	1			1990-93
	MF45 0155	1			1994
16	MU43 0002	2			NUT
17	MF45 0406	1			WASHER
18	MB59 9390	1			LEVER, Shift Lock
19	MB59 9399	2			BUSHING
20	MB59 9392	1			LEVER, Shift Lock
21	MB31 6047	2			BUSHING
22					WASHER
	MF45 0155	1			1990-93
	MF45 0008	1			1993
23	MB59 9396	1			LEVER, Shift Lock
24	MB53 4211	1			BUSHING

ENGINE: P = 1800cc (1.8L) A = 2000cc (2.0L) Blank = All  
 TRANS: A = Automatic M = Manual Blank = All  
 SERIES: H = High M = Medium P = Premium S = Special

MODELS:  
 24 FWD = 2Dr Hatchback (Laser)  
 24 FWD = 2-Dr Hatchback (Talon)  
 4WD = (4 Wheel Drive)  
 2WD = (2 Wheel Drive)

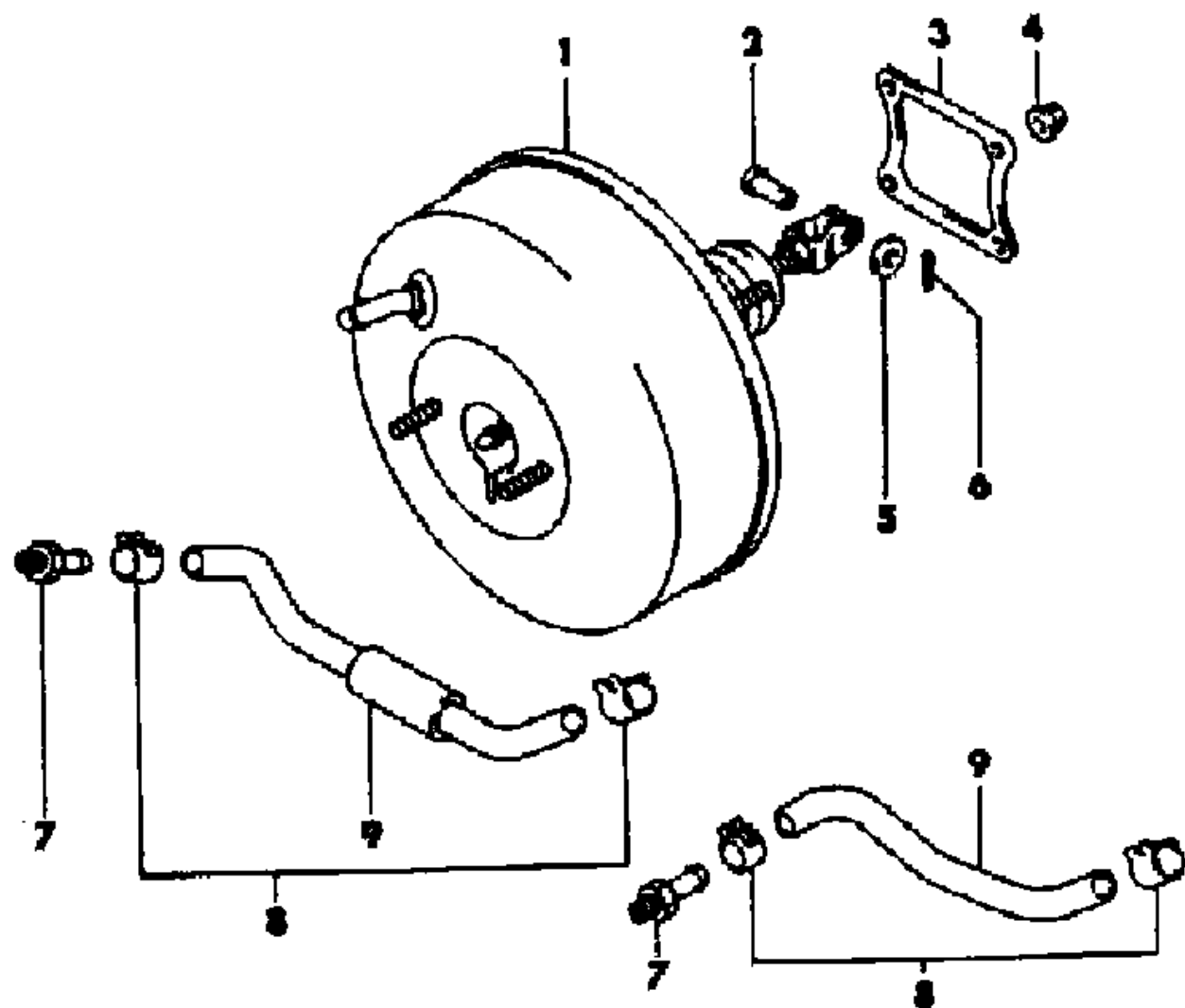
AR = Use as Required - = Non Illustrated Part P.A.R. = Paint as Required



BOOSTER, POWER BRAKE LASER-TALON

Figure 5-300

9605 300 B



ITEM	PART NUMBER	QTY	BODY	MODEL	DESCRIPTION
1					BOOSTER ASSY, Brake ***
					1990 ***
	MB61 8318	1		M,H	Up To 4-1-89
	MB66 8700	1		M,H	After 4-1-89
	MB61 8319	1		TALON	2.0L Eng., w/Man. Trans., Up To 4-1-89
	MB66 8702	1		TALON	2.0L Eng., w/Man. Trans., After 4-1-89
					1991-94 ***
					w/o ABS
	MB69 9343	1		M,H	1991
	MB66 8985	1		M,H	1992, (9")
	MB89 5253	1		M,H	1993-94, (9")
					2.0L Eng., w/o ABS
	MB69 9344	1		H,P,S	1991
	MB66 8986	1		H,P,S	1992
	MB89 5306	1		H,P,S	1993-94
					2.0L Eng., w/ABS
	MB69 9344	1		H	1991
	MB66 8986	1		H	1992
	MB89 5306	1		H	1993-94
2	MF47 3492	1			PIN, Clevis, (10x23)
3	MB23 8089	1			SEALER, Brake Booster
4	MS44 0503	4			NUT, w/Washer, (8)
5	MB15 1106	1			WASHER, Plastic, (10)
6	MF47 2042	1			PIN, Split, (2x30)
7	MA14 0192	1			FITTING, Vacuum Hose
8	MB05 8828	2			CLIP, Hose, (16)
9	MB66 8204	1		M,H	HOSE, Vacuum, w/1.8L Eng.
	MB66 8201	1		H,P,S	HOSE, Vacuum, w/2.0L Eng., w/Turbo

ENGINE: P = 1800cc (1.8L) A = 2000cc (2.0L) Blank = All  
 TRANS: A = Automatic M = Manual Blank = All  
 SERIES: H = High M = Medium P = Premium S = Special

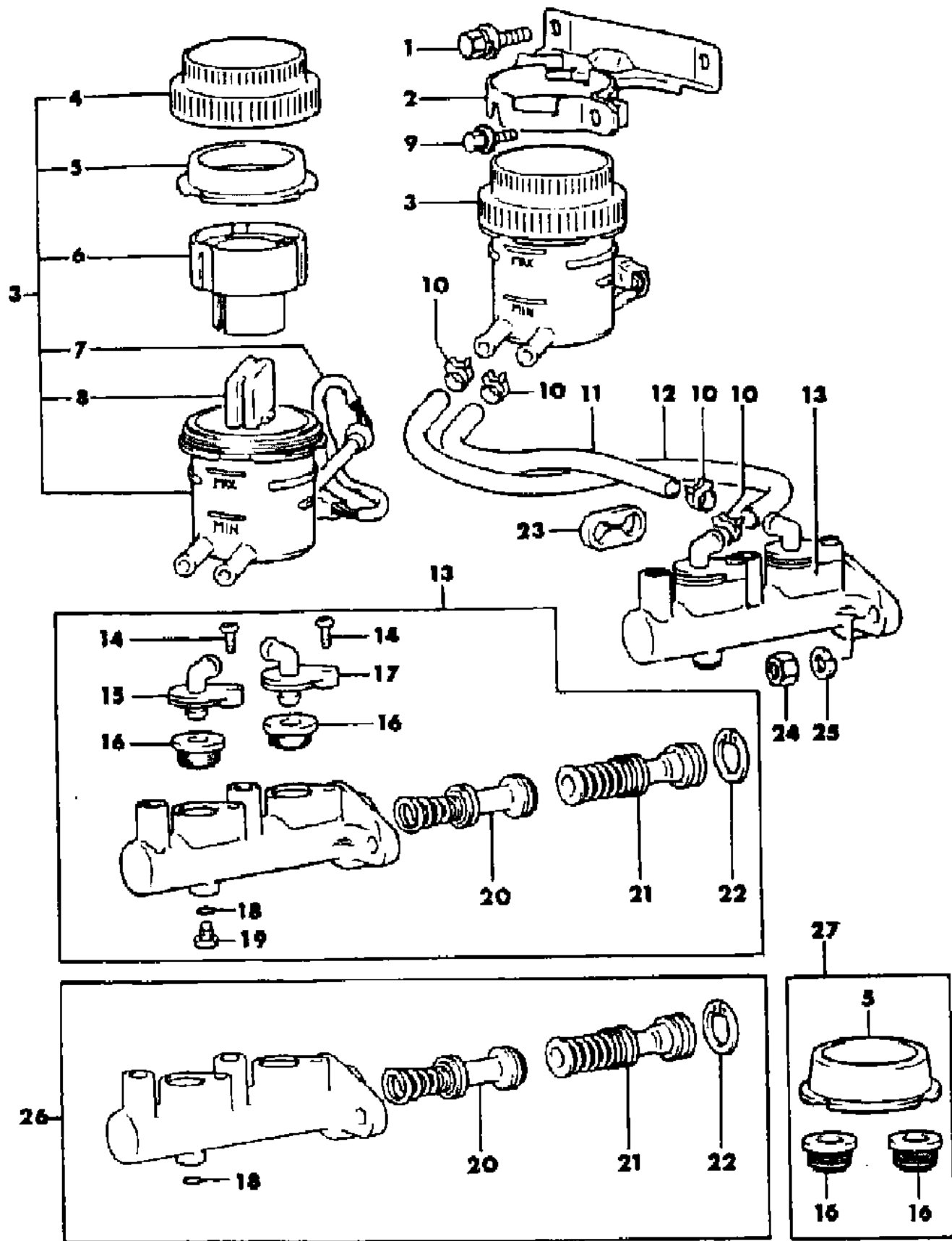
MODELS:  
 24 FWD = 2Dr Hatchback (Laser)  
 24 FWD = 2-Dr Hatchback (Talon)  
 4WD = (4 Wheel Drive)  
 2WD = (2 Wheel Drive)

AR = Use as Required - = Non Illustrated Part P.A.R. = Paint as Required

MASTER CYLINDER, BRAKE LASER-TALON

Figure 5-400

9605 400 A



ITEM	PART NUMBER	QTY	BODY	MODEL	DESCRIPTION
1					BOLT, w/Washer, (8x16 4T)
	MF24 3649	2			1990
	MF24 0651	2			1991-92
	MS24 0085	2			w/o ABS
					w/ABS
	MF24 0051	2			1993-94
	MF24 3649	2			w/o ABS
2	MB53 4537	1			w/ABS
					BRACKET, Oil Reservoir
3					RESERVOIR ASSY, Oil ***
	MB53 4534	1			1990
					1991-94
	MB53 4534	1			w/o ABS
	MB53 4535	1			w/ABS
4					CAP, Oil Reservoir Tank
	MB58 7550	1			1990-93
	MB89 5812	1			1994
5					DIAPHRAGM, Oil Reservoir
		1			1990, (Serv in Kit)
	MB53 4262	1			1991-92
	MB89 5813	1			1993-94
6	MB40 7397	1			FILTER, Oil Reservoir, w/ABS
7	MB61 8382	1			SWITCH, Oil Level Indicator
8	MB15 1326	1			FLOAT, Reservoir
9	MF24 3623	1			BOLT, (6x14)
10					CLIP, Hose
	MT18 7422	4			1990-93, (13.2)
	MB05 8362	4			1994, (13.2)
11	MB08 2024	1			HOSE, Oil Reservoir
12	MB08 2024	1			HOSE, Oil Reservoir
13					CYLINDER ASSY, Brake Master ***
					1990
	MB50 0404	1			w/o Turbo
	MB50 0405	1			w/Turbo
					1991-92
	MB50 0404	1	FWD		w/o ABS, w/o Turbo
	MB50 0405	1	FWD		w/o ABS, w/Turbo
	MB58 7022	1	AWD		w/o ABS
	MB66 8927	1	FWD		w/ABS

ENGINE:  
P = 1800cc (1.8L)  
A = 2000cc (2.0L)  
Blank = All

TRANS:  
A = Automatic  
M = Manual  
Blank = All

SERIES:  
H = High  
M = Medium  
P = Premium  
S = Special

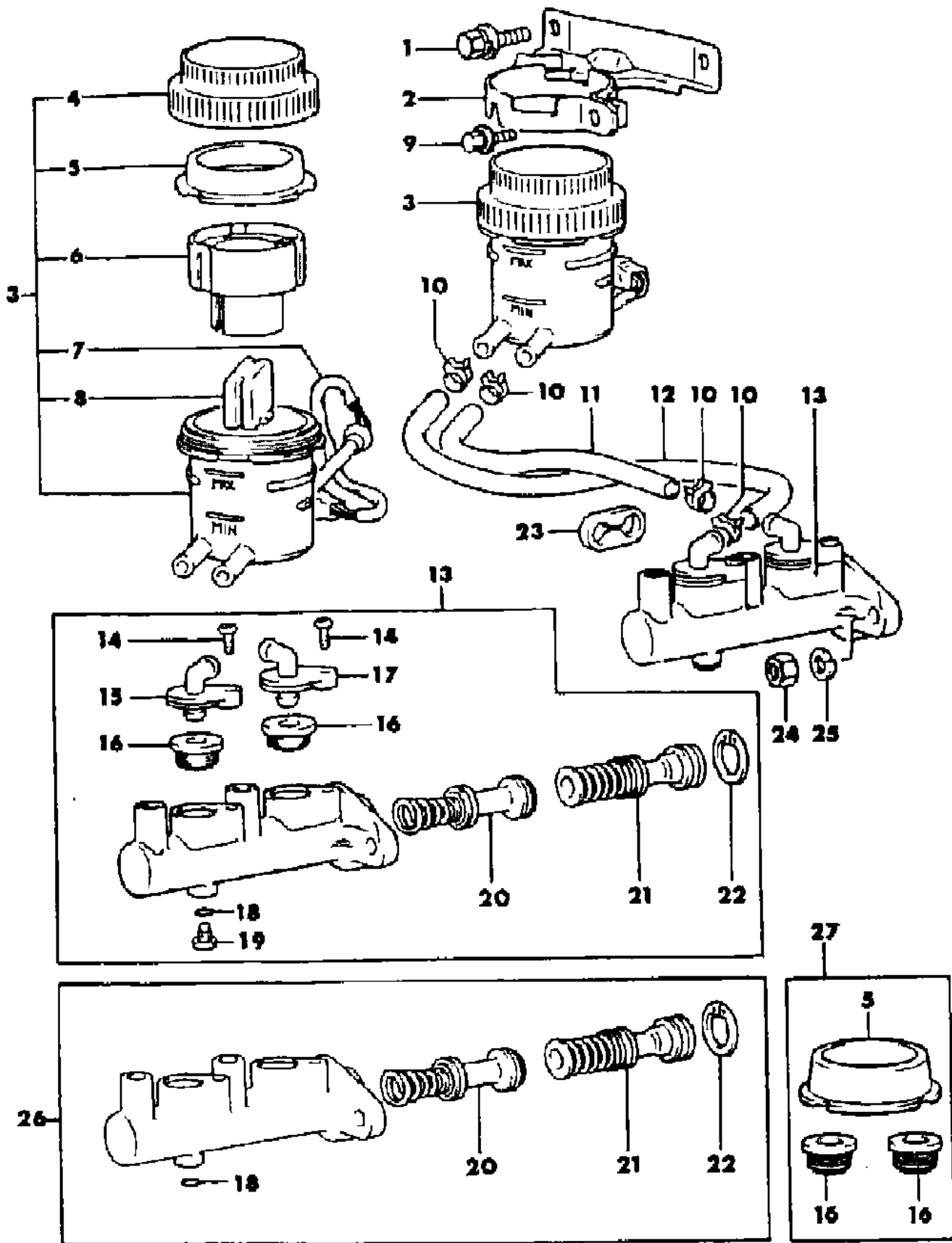
MODELS:  
24 FWD = 2Dr Hatchback (Laser)  
24 FWD = 2-Dr Hatchback (Talon)  
4WD = (4 Wheel Drive)  
2WD = (2 Wheel Drive)

AR = Use as Required - = Non Illustrated Part P.A.R. = Paint as Required

# MASTER CYLINDER, BRAKE LASER-TALON

## Figure 5-400

9605 400 A



ITEM	PART NUMBER	QTY	BODY	MODEL	DESCRIPTION
	MB69 9439	1		AWD	w/ABS
					1993-94
	MB50 0404	1		FWD	w/o ABS, w/o Turbo
	MB58 7022	1			w/o ABS, w/Turbo
	MB66 8927	1		FWD	w/ABS, w/o Turbo
	MB95 0148	1			w/ABS, w/Turbo
14	MB53 4289	2			BOLT, Inner
15	MB53 4288	1			NIPPLE
16					SEAL, Oil Reservoir
					1990, (Serv. in Kit)
	MB23 8309	2			1991-94
17	MB53 4349	1			NIPPLE
18		1			GASKET, (SBR 5.5), (Serv. in Kit)
19					STOPPER, Secondary Piston
	MB19 3323	1			1990
					1991-94
	MB19 3323	1			w/o ABS
	MB61 8496	1			w/ABS
20		1			PISTON, Secondary, (Serv. in Kit)
21		1			PISTON, Primary, (Serv. in Kit)
22		1			SNAP-RING, Inner, (Serv. in Kit), (26) ***
		1			SNAP-RING, Inner, (Serv. in Kit), (24) ***
23					PAD, Oil Reservoir Hose
	MB13 4773	1			1990
	MB34 4110	1			1991-92
					1993-94
	MB04 4859	1		FWD	w/o Turbo
	MB34 4110	1			w/Turbo
24	MF43 0005	2			NUT, (8)
25	MF45 0405	2			WASHER, Spring, (8)
26					CYLINDER KIT, Brake Master ***
					1990
	MB31 6785	1			w/o Turbo
	MB58 7569	1			w/Turbo
					1991-94
	MB31 6785	1		FWD	w/o ABS, w/o Turbo
	MB58 7569	1		FWD	w/o ABS, w/Turbo
	MB61 8579	1		AWD	w/o ABS
	MB69 9480	1		FWD	w/ABS

ENGINE: P = 1800cc (1.8L) A = 2000cc (2.0L) Blank = All  
 TRANS: A = Automatic M = Manual Blank = All  
 SERIES: H = High M = Medium P = Premium S = Special

MODELS:  
 24 FWD = 2Dr Hatchback (Laser)  
 24 FWD = 2-Dr Hatchback (Talon)  
 4WD = (4 Wheel Drive)  
 2WD = (2 Wheel Drive)

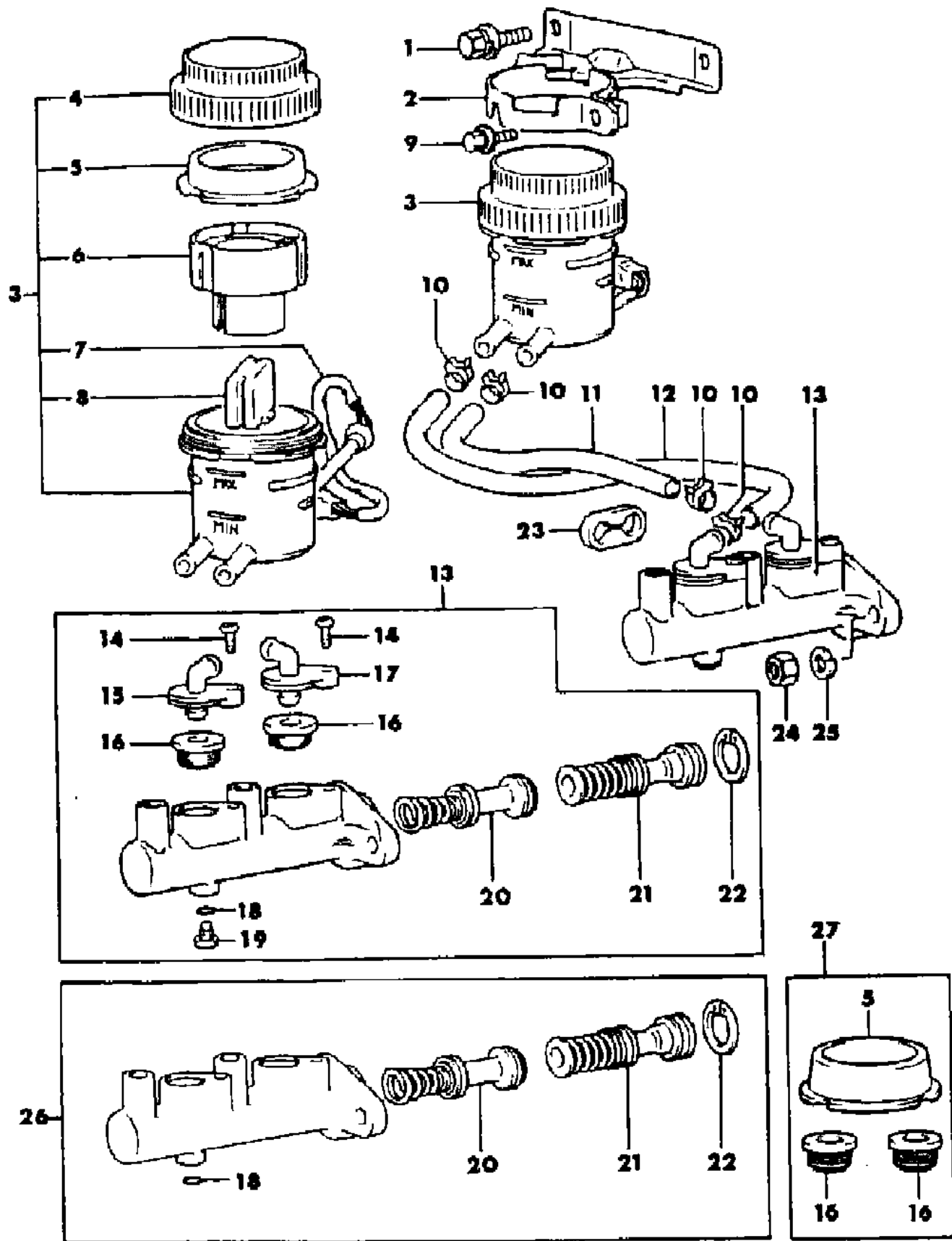
AR = Use as Required - = Non Illustrated Part P.A.R. = Paint as Required



MASTER CYLINDER, BRAKE LASER-TALON

Figure 5-400

9605 400 A



ITEM	PART NUMBER	QTY	BODY	MODEL	DESCRIPTION
------	-------------	-----	------	-------	-------------

	MB69 9481	1		AWD	w/ABS
27	MB53 4268	1			SEAL KIT, Master Cylinder ***

ENGINE:  
 P = 1800cc (1.8L)  
 A = 2000cc (2.0L)  
 Blank = All

TRANS:  
 A = Automatic  
 M = Manual  
 Blank = All

SERIES:  
 H = High  
 M = Medium  
 P = Premium  
 S = Special

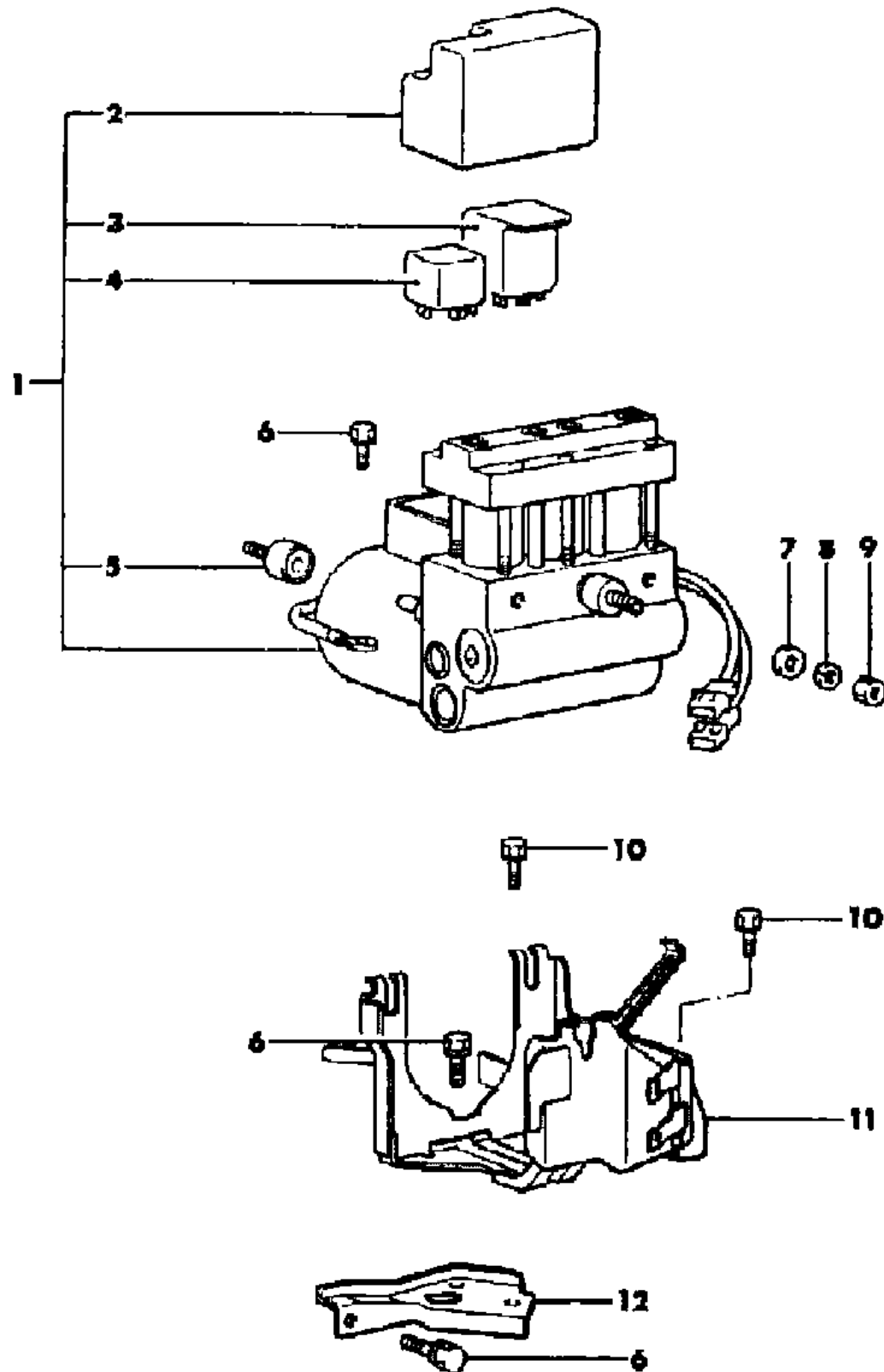
MODELS:  
 24 FWD = 2Dr Hatchback (Laser)  
 24 FWD = 2-Dr Hatchback (Talon)  
 4WD = (4 Wheel Drive)  
 2WD = (2 Wheel Drive)

AR = Use as Required - = Non Illustrated Part P.A.R. = Paint as Required

MODULATOR W/ABS LASER-TALON

Figure 5-450

9605 450



ITEM	PART NUMBER	QTY	BODY	MODEL	DESCRIPTION
1					MODULATOR, Hydraulic
					FWD
	MB66 8360	1			1990-91
	MB89 5364	1			1992-94
					AWD
	MB61 8990	1			1990-91
	MB89 5365	1			1992-94
2	MB85 7832	1			COVER, Relay Box
3	MB61 8039	1			RELAY, Motor ***
4					RELAY, Valve ***
	MB40 7392	1			1990-92
	MB85 8789	1			1993-94
5	MB85 7759	1			INSULATOR, Bracket
6	MB13 3472	3			BOLT, w/Washer, (8x20)
7	MF45 0005	3			WASHER, Plain, (8)
8	MF45 0405	3			WASHER, Spring, (8)
9	MF43 0005	3			NUT, (8)
10					BOLT, w/Washer
	MS24 0085	2			1990-92, (8x14)
	MS24 0125	2			1993-94, (8x20)
11	MB66 8928	1			BRACKET
12	MB66 8934	1			BRACKET

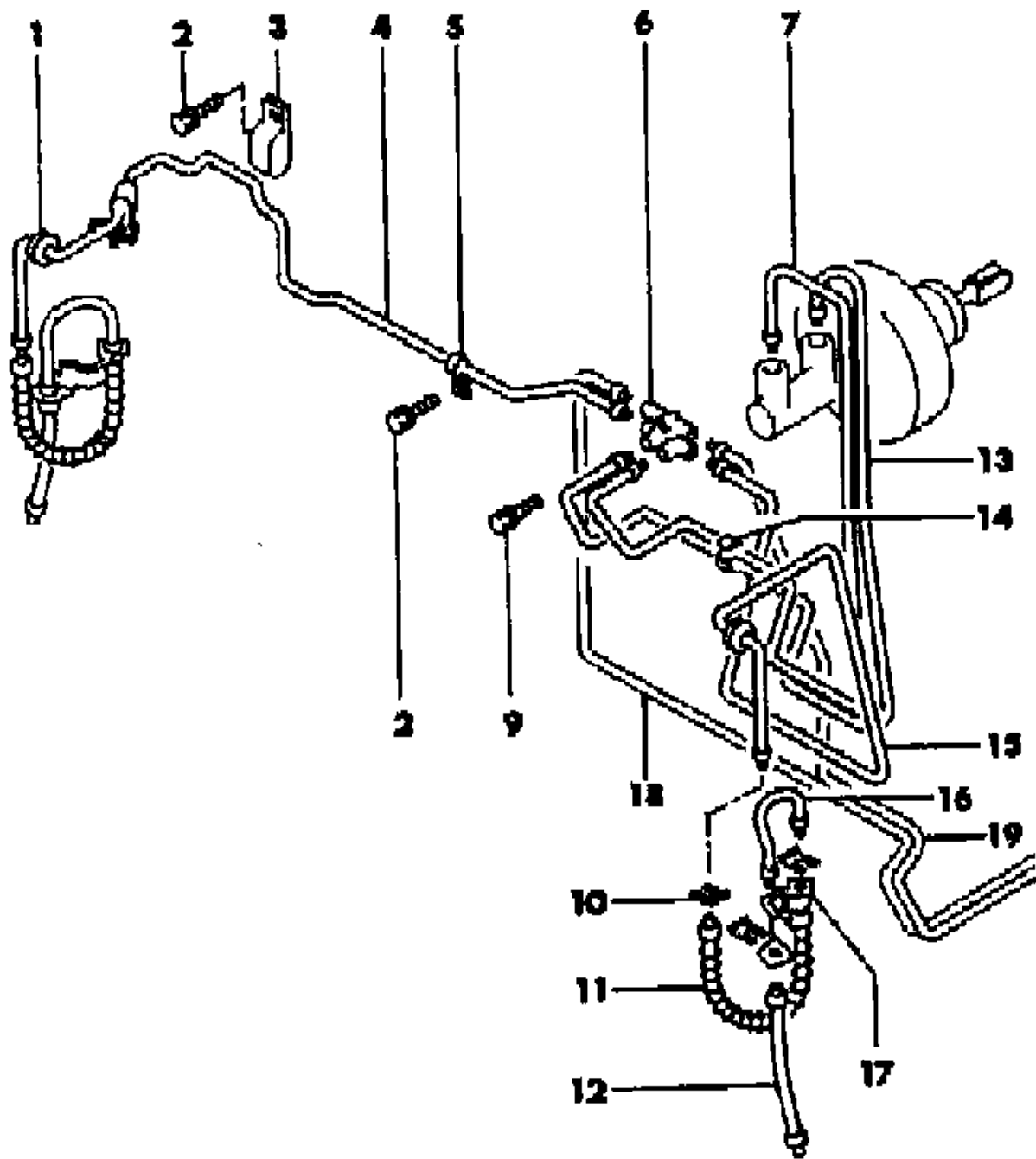
ENGINE: P = 1800cc (1.8L) A = 2000cc (2.0L) Blank = All  
 TRANS: A = Automatic M = Manual Blank = All  
 SERIES: H = High M = Medium P = Premium S = Special

MODELS:  
 24 FWD = 2Dr Hatchback (Laser)  
 24 FWD = 2-Dr Hatchback (Talon)  
 4WD = (4 Wheel Drive)  
 2WD = (2 Wheel Drive)

AR = Use as Required - = Non Illustrated Part P.A.R. = Paint as Required

LINES AND HOSES, FRONT W/O ABS LASER-TALON  
Figure 5-500

9605 500 A



ITEM	PART NUMBER	QTY	BODY	MODEL	DESCRIPTION
1	MS81 0053	2			GROMMET, (6)
2	MF24 0050	6			BOLT, w/Washer, (8x14 4T)
3	MB15 1280	2			CLAMP
4					TUBE, Brake Line
	MB50 0563	1			1990-91
	MB85 7176	1			1992-94
5	MB19 3006	2			CLIP
6					VALVE, Proportioning
					FWD
	MB40 7409	1			1990-91
	MB69 9645	1			1992-93
					1994
	MB69 9645	1			w/o Turbo
	MB69 9659	1			w/o Turbo, w/ABS
	MB69 9641	1			w/Turbo
					AWD
	MB40 7576	1			1990-91
	MB69 9646	1			1992-93
					1994
	MB89 5431	1			w/o ABS
	MB89 5352	1			w/ABS
7					TUBE, Master Cylinder Secondary
					w/o Turbo
	MB53 4426	1			1990-92
	MB89 5399	1			1993-94
					w/Turbo
	MB53 4856	1			1990-94
9	MF10 0061	1			BOLT, w/Washer, (8x35 4T)
10	MB61 8507	6			CLIP, Hose
11					HOSE, Brake
	MB85 7573	2			1990-91
	MB85 8847	2			1992-94
12					HOSE, Brake
					FWD
	MB85 7541	2			1990-91
	MB85 8845	2			1992-94
	MB85 7543	2			AWD
13					TUBE, Master Cylinder Primary
					w/o Turbo

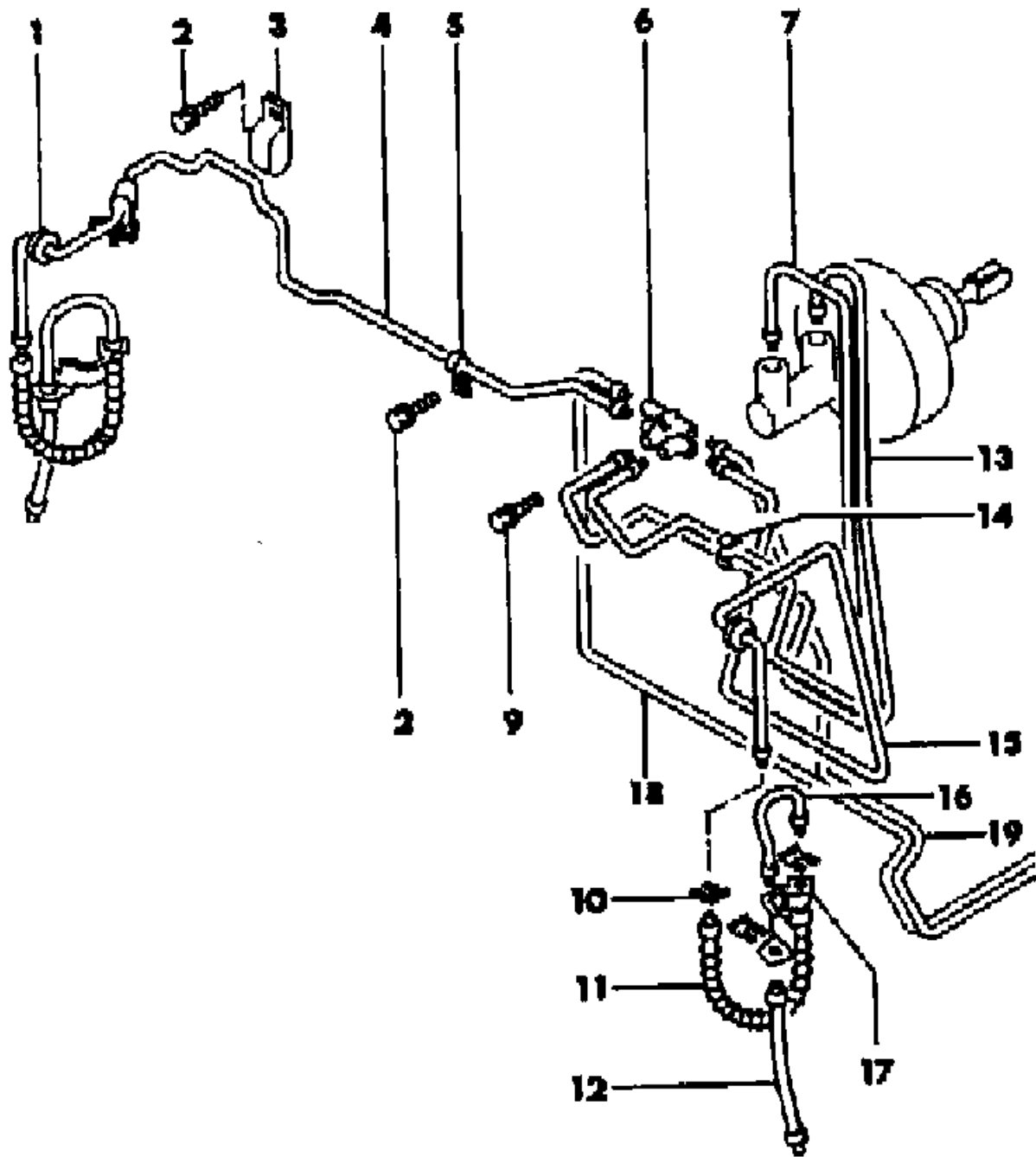
ENGINE: P = 1800cc (1.8L) A = 2000cc (2.0L) Blank = All  
 TRANS: A = Automatic M = Manual Blank = All  
 SERIES: H = High M = Medium P = Premium S = Special

MODELS:  
 24 FWD = 2Dr Hatchback (Laser)  
 24 FWD = 2-Dr Hatchback (Talon)  
 4WD = (4 Wheel Drive)  
 2WD = (2 Wheel Drive)

AR = Use as Required - = Non Illustrated Part P.A.R. = Paint as Required

LINES AND HOSES, FRONT W/O ABS LASER-TALON  
Figure 5-500

9605 500 A



ITEM	PART NUMBER	QTY	BODY	MODEL	DESCRIPTION
	MB50 0561	1			1990-92
	MB89 5400	1			1993-94
	MB53 4855	1			w/Turbo
					1990-94
14	MB08 2164	3			CLIP
15	MB53 4428	1			TUBE, Brake Line
16					TUBE, Front Brake
	MB36 6135	1			Lt.
	MB36 6136	1			Rt.
17					BRACKET, Brake Hose
	MB36 6133	1			Lt.
	MB36 6134	1			Rt.
18					TUBE, Brake Main Lt.
	MB53 4006	1			FWD
	MB53 4575	1			AWD
19					TUBE, Brake Main Rt.
	MB53 4005	1			FWD
	MB53 4576	1			AWD

ENGINE: P = 1800cc (1.8L) A = 2000cc (2.0L) Blank = All  
 TRANS: A = Automatic M = Manual Blank = All  
 SERIES: H = High M = Medium P = Premium S = Special

MODELS:  
 24 FWD = 2Dr Hatchback (Laser)  
 24 FWD = 2-Dr Hatchback (Talon)  
 4WD = (4 Wheel Drive)  
 2WD = (2 Wheel Drive)

AR = Use as Required - = Non Illustrated Part P.A.R. = Paint as Required

LINES AND HOSES, FRONT W/ABS LASER-TALON

Figure 5-550

9605 550

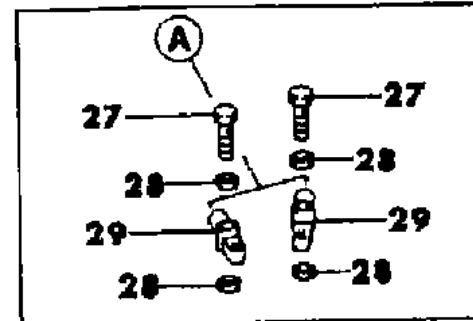
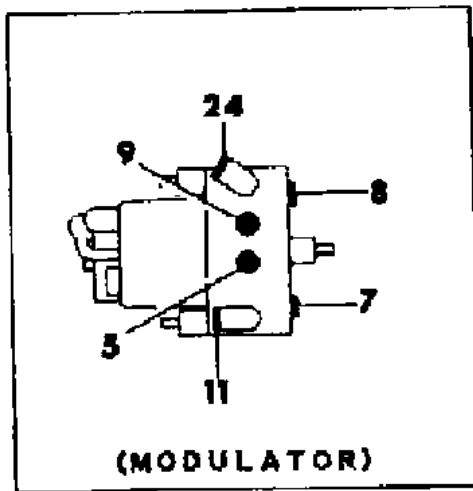
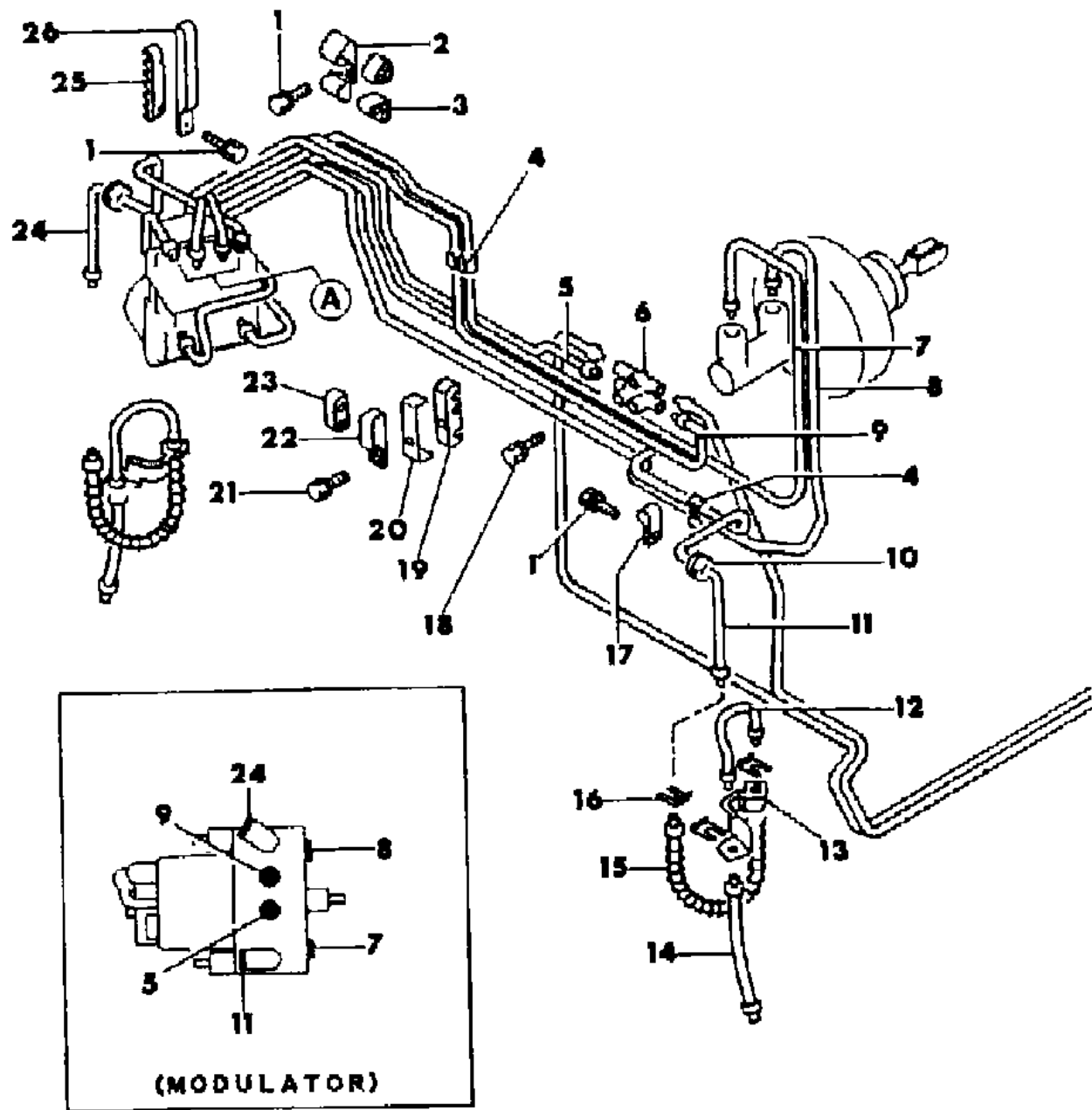
ITEM	PART NUMBER	QTY	BODY	MODEL	DESCRIPTION
1					BOLT, w/Washer
	MS24 0095	5			1990-92, (8x14)
	MF24 0050	5			1993-94, (8x14)
2	MB61 8998	2			CLIP, Brake Line
3	MB61 8999	2			CLIP, Brake Line
4	MB08 2164	1			CLIP, Brake Line
5	MB61 8989	1			TUBE, Brake Center
6					VALVE, Proportioning FWD
	MB66 8772	1			1990-91
	MB69 9659	1			1992
					1993-94
	MB69 9659	1			w/o Turbo
	MB69 9553	1			w/Turbo
					AWD
	MB69 9434	1			1990-91
	MB69 9663	1			1992
	MB89 5352	1			1993-94
7	MB61 8984	1			TUBE, Master Cylinder Secondary
8	MB61 8985	1			TUBE, Master Cylinder Primary
9	MB61 8988	1			TUBE, Brake Center
10	MS81 0053	2			GROMMET, Brake Line
11	MB61 8986	1			TUBE, Front Brake
12					TUBE, Front Brake
	MB36 6135	1			Lt.
	MB36 6136	1			Rt.
13					BRACKET, Brake Hose
	MB36 6133	1			Lt.
	MB36 6134	1			Rt.
14					HOSE, Front Brake Wheel Side
	MB85 7541	1			1990-91, FWD
	MB85 8845	1			1992-94
	MB85 7543	1			1990-93, AWD
	MB85 7528	1			1994, AWD
15					HOSE, Front Brake Body Side
	MB85 7573	2			1990-91
	MB85 8847	2			1992-94
16	MB61 8507	6			CLIP, Brake Line
17	MB19 3008	1			CLIP, Brake Line

ENGINE: P = 1800cc (1.8L)  
A = 2000cc (2.0L)  
Blank = All

TRANS: A = Automatic  
M = Manual  
Blank = All

SERIES: H = High  
M = Medium  
P = Premium  
S = Special

MODELS:  
24 FWD = 2Dr Hatchback (Laser)  
24 FWD = 2-Dr Hatchback (Talon)  
4WD = (4 Wheel Drive)  
2WD = (2 Wheel Drive)



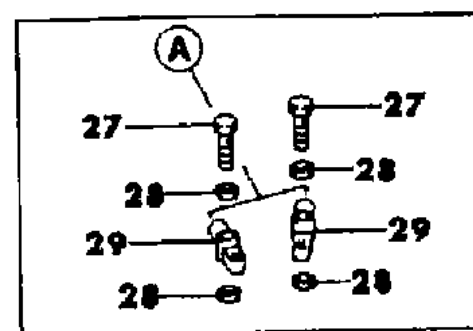
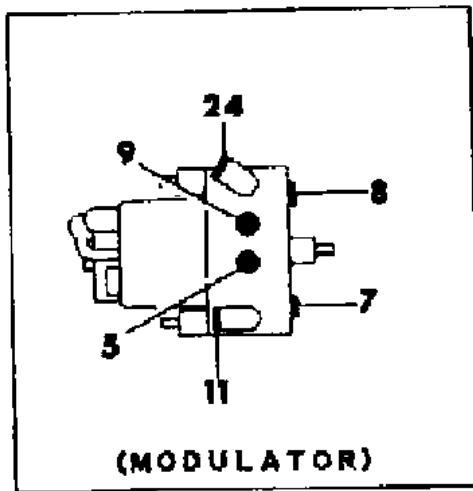
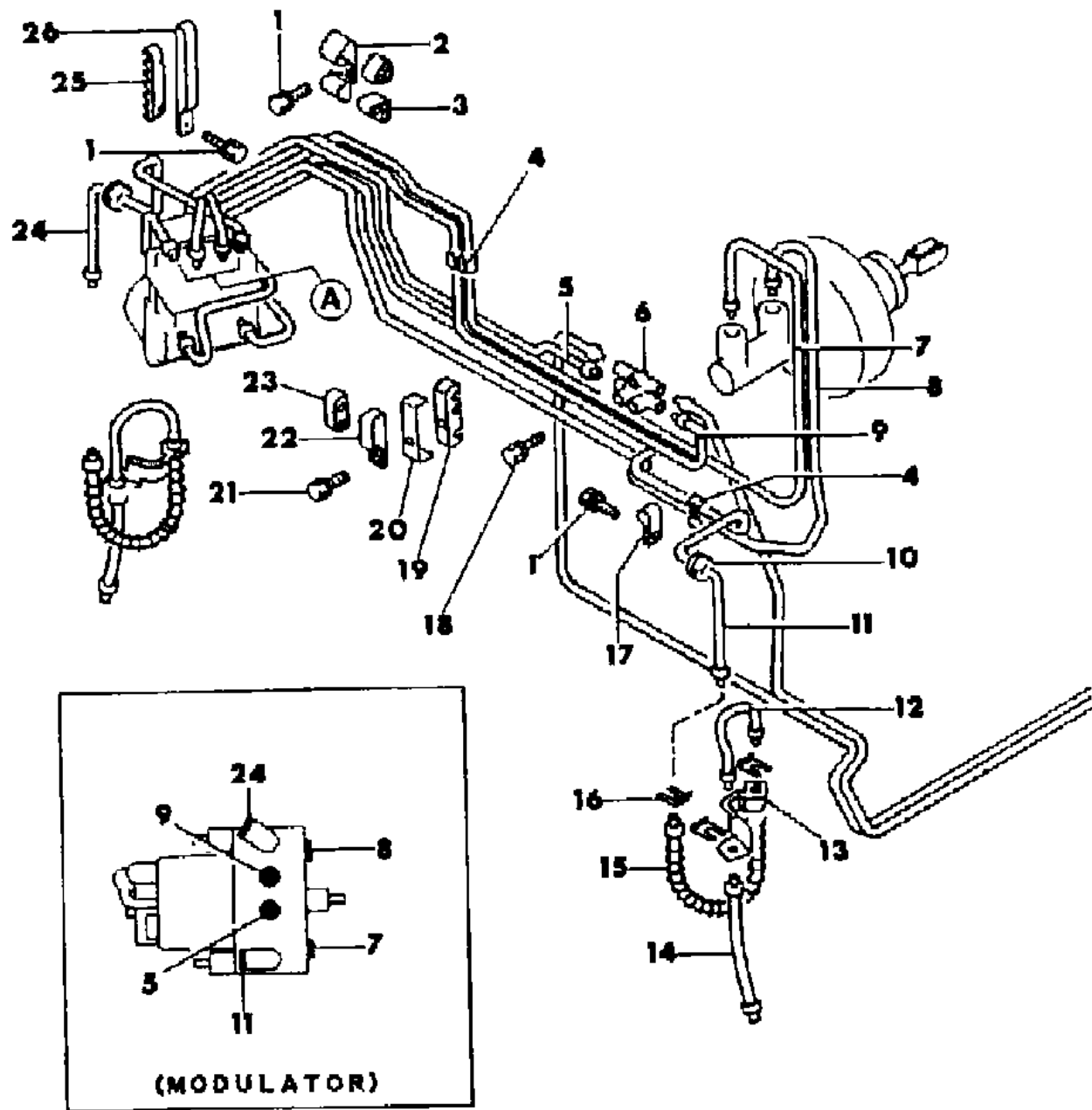
AR = Use as Required - = Non Illustrated Part P.A.R. = Paint as Required

LINES AND HOSES, FRONT W/ABS LASER-TALON

Figure 5-550

9605 550

ITEM	PART NUMBER	QTY	BODY	MODEL	DESCRIPTION
18					BOLT, w/Washer
	MF10 0061	1			1990-92, (8x35)
	MF24 0059	1			1993-94, (8x35)
19	MB08 1826	1			CLIP, Brake Line
20					HOLDER, Brake Line
	MB08 1827	1			1990-92
	MB23 8423	1			1993-94
21					BOLT, w/Washer
	MF24 1255	1			1990-92, (8x25)
	MF24 0055	1			1993-94, (8x25)
22	MB15 1280	1			CLIP, Brake Line
23	MB40 7207	1			CLIP, Brake Line
24	MB61 8987	1			TUBE, Front Brake
25	MB61 8997	1			CLIP, Brake Line
26	MB61 8996	1			CLIP, Brake Line
27	MB04 4861	2			EYEBOLT, Brake Line ***
28	MA11 1832	4			GASKET, Brake Line
29	MB85 7114	2			JOINT, Brake Line



ENGINE: P = 1800cc (1.8L) A = 2000cc (2.0L) Blank = All  
 TRANS: A = Automatic M = Manual Blank = All  
 SERIES: H = High M = Medium P = Premium S = Special

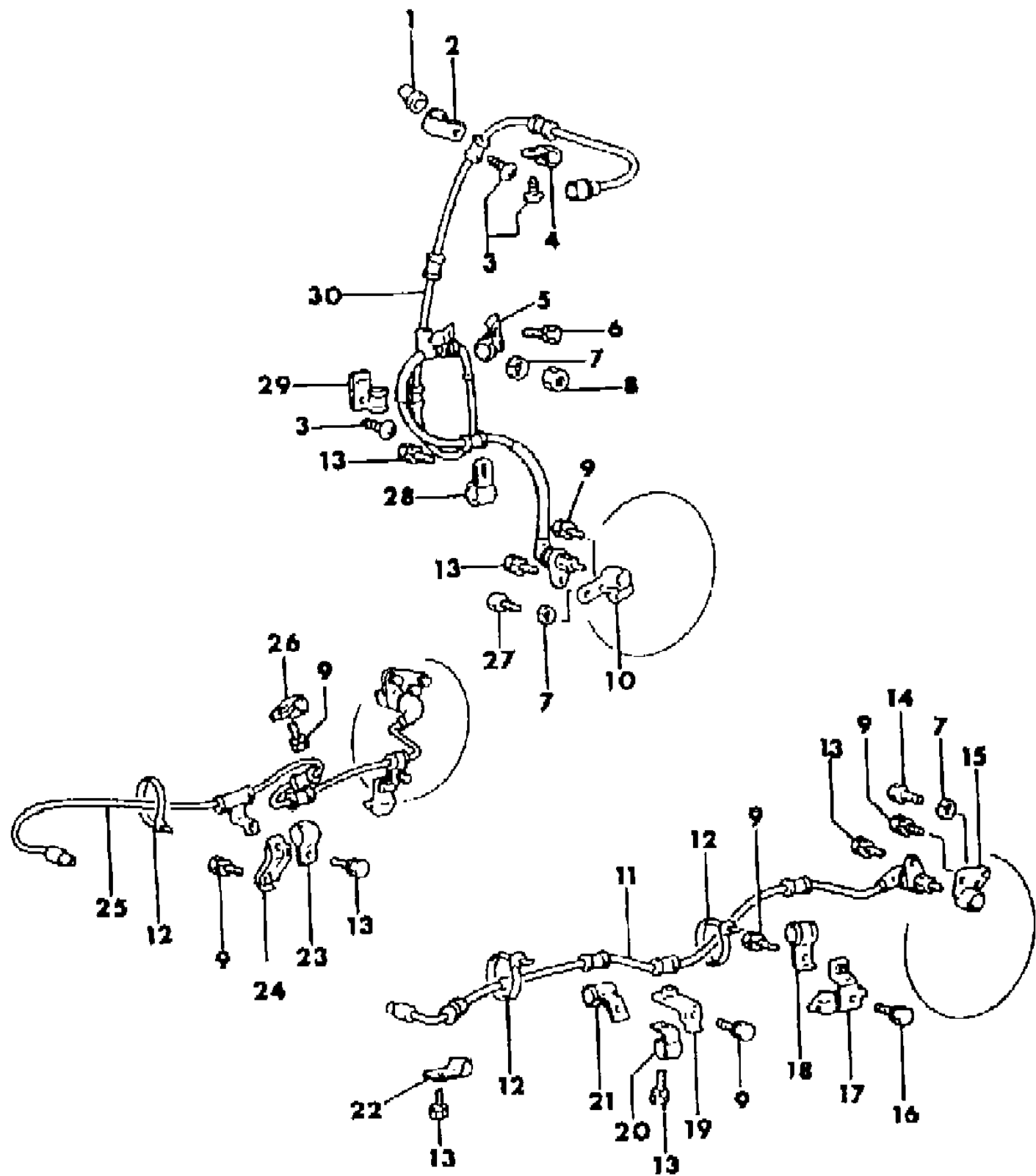
MODELS:  
 24 FWD = 2Dr Hatchback (Laser)  
 24 FWD = 2-Dr Hatchback (Talon)  
 4WD = (4 Wheel Drive)  
 2WD = (2 Wheel Drive)

AR = Use as Required - = Non Illustrated Part P.A.R. = Paint as Required

SENSOR W/ABS FWD LASER-TALON

Figure 5-560

9605 560A



ITEM	PART NUMBER	QTY	BODY	MODEL	DESCRIPTION
1					GROMMET
	MB18 4235	2			1990-92
	MU48 0009	1			1993-94
2	MB66 8936	2			CLAMP
3					SCREW
	MS45 0156	8			1990-92, (5x12)
	MF45 3031	8			1993-94, (5x12)
4					CLIP
	MA27 5755	2			1990-91, (10)
	MB85 7165	2			1992-94, (10)
5	MB69 9223	2			CLAMP, (10)
6	MF24 0049	2			BOLT, w/Washer, (8x12)
7	MF45 0405	6			WASHER, Spring, (8)
8	MF43 0725	2			NUT, Jam, (8)
9					BOLT, w/Washer
	MF24 0651	9			1990-92, (8x16)
	MF24 0051	9			1993-94, (8x16)
10					BRACKET, Front Sensor Point
	MB36 6420	1			Lt.
	MB36 6421	1			Rt.
11					SENSOR, Rear, Lt.
	MB69 9873	1			1990-92
	MB89 5368	1			1993-94
12	MB24 9338	1			BAND, (130)
13	MF24 0050	9			BOLT, w/Washer, (8x14)
14	MB24 2560	2			BOLT, (8x15.5)
15					BRACKET, Rear Sensor Point
	MB58 7445	1			Lt.
	MB58 7446	1			Rt.
16					BOLT, w/Washer
	MF24 1253	2			1990-92, (8x20)
	MF24 0053	2			1993-94, (8x20)
17					BRACKET, Rear Sensor
	MB36 6568	1			Lt.
	MB36 6569	1			Rt.
18	MB25 6256	2			CLIP, (12)
19	MB36 6575	1			BRACKET, Rear Sensor
20	MB28 5887	2			CLIP, (19)
21	MB36 6576	1			CLIP, (10)

ENGINE: P = 1800cc (1.8L) A = 2000cc (2.0L) Blank = All  
 TRANS: A = Automatic M = Manual Blank = All  
 SERIES: H = High M = Medium P = Premium S = Special

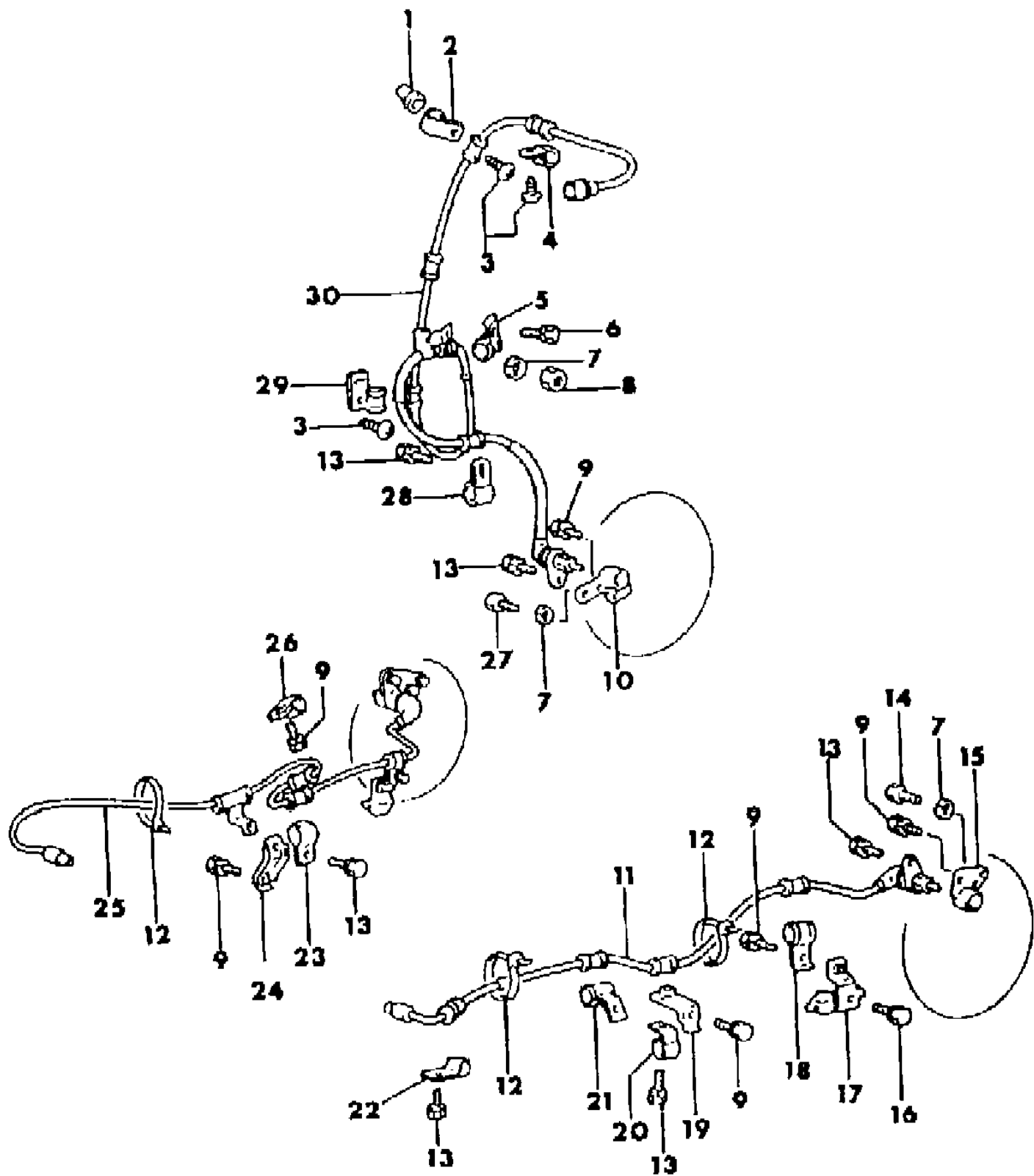
MODELS:  
 24 FWD = 2Dr Hatchback (Laser)  
 24 FWD = 2-Dr Hatchback (Talon)  
 4WD = (4 Wheel Drive)  
 2WD = (2 Wheel Drive)

AR = Use as Required - = Non Illustrated Part P.A.R. = Paint as Required

SENSOR W/ABS FWD LASER-TALON

Figure 5-560

9605 560A



ITEM	PART NUMBER	QTY	BODY	MODEL	DESCRIPTION
22	MB58 7695	1			CLIP, (10)
23	MB00 4800	1			CLAMP
24	MB36 6498	1			BRACKET, Rear Sensor
25					SENSOR, Rear, Rt.
	MB85 7277	1			1990-92
	MB89 5369	1			1993-94
26	MB14 0298	1			CLAMP
27	MB15 1331	2			BOLT, (8x18.5)
28	MB00 4984	2			CLIP, (9.5)
29					CLAMP
	MB36 6497	1			Lt.
	MB40 7572	1			Rt.
30					SENSOR, Front
					Lt.
	MB66 8924	1			1990-92
	MB89 5367	1			1993-94
					Rt.
	MB66 8925	1			1990-92
	MB89 5366	1			1993-94

ENGINE: P = 1800cc (1.8L) A = 2000cc (2.0L) Blank = All  
 TRANS: A = Automatic M = Manual Blank = All  
 SERIES: H = High M = Medium P = Premium S = Special

MODELS:  
 24 FWD = 2Dr Hatchback (Laser)  
 24 FWD = 2-Dr Hatchback (Talon)  
 4WD = (4 Wheel Drive)  
 2WD = (2 Wheel Drive)

AR = Use as Required - = Non Illustrated Part P.A.R. = Paint as Required





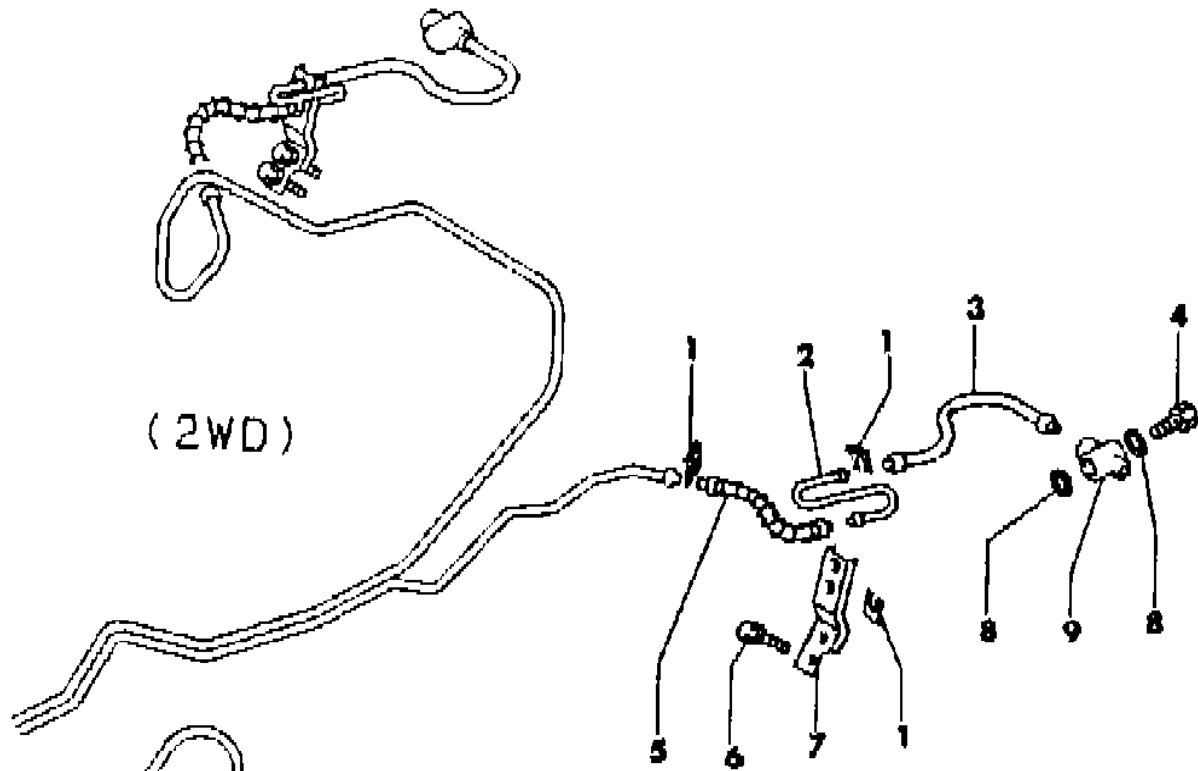


LINES AND HOSES REAR LASER-TALON

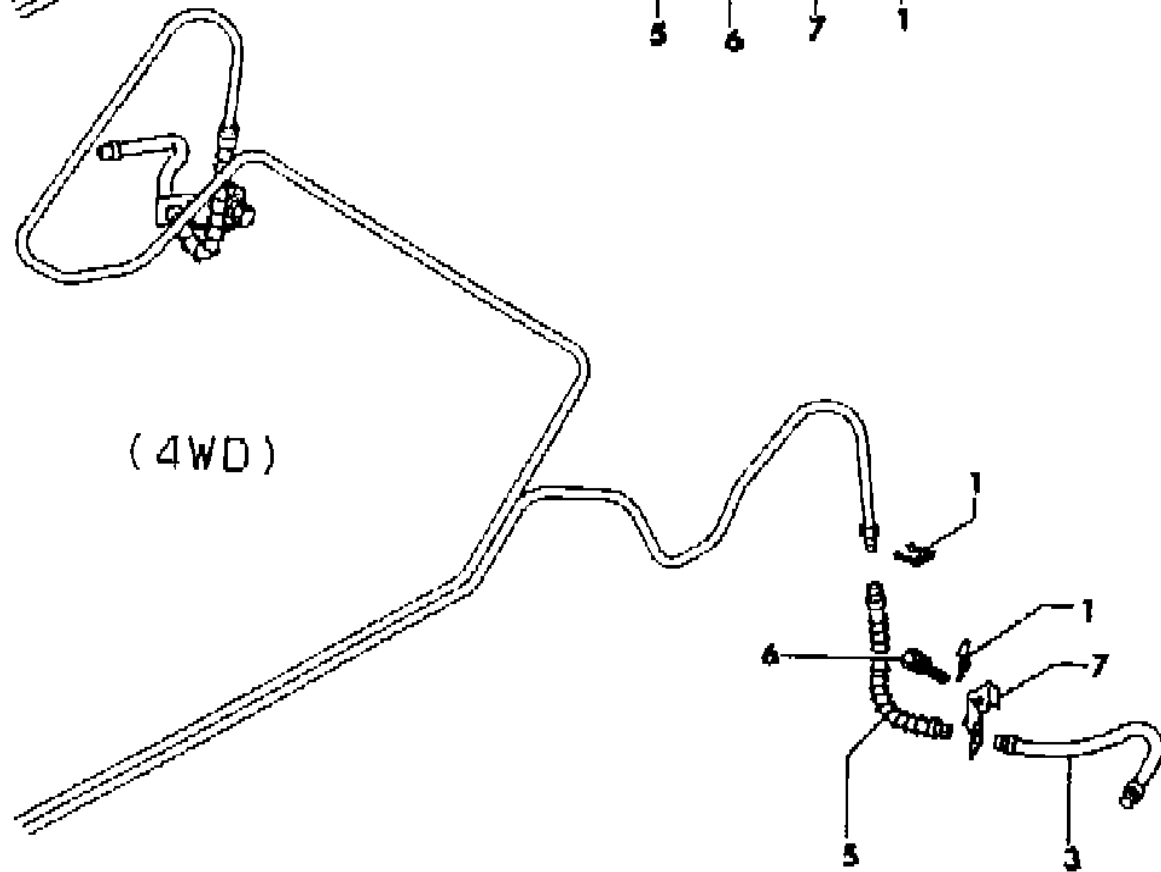
Figure 5-600

9605 600 A

ITEM	PART NUMBER	QTY	BODY	MODEL	DESCRIPTION
1	MB61 8507	AR			CLIP, Hose
2	MB50 0917	1			TUBE, Rear Brake Lt.
	MB50 0918	1			Rt.
3					HOSE, Brake
	MB58 7751	1			FWD, 1990-91
	MB85 7679	1			FWD, 1992
	MB92 8960	1			FWD, 1993-94
4	MB85 7544	1			AWD, 1990-94
	MB04 4861	2			EYEBOLT, (10x25) ***
	5				HOSE, Rear Axle Brake Tube
		MB58 7742	1		
6	MB85 8849	1			FWD, 1992-94
	MB58 7756	2			AWD, 1990-92
7	MB85 7534	2			AWD, 1993-94
	MF24 1249	AR			BOLT, w/Washer, (8x12 7T)
8					BRACKET, Rear Brake Hose
	MB53 4241	2			FWD
	MB53 4501	1			AWD, Lt.
	MB53 4502	1			AWD, Rt.
9	MA11 1832	4			GASKET, (10.5)
9	MB00 4539	2			JOINT, Rear Brake Tube



(2WD)



(4WD)

ENGINE: P = 1800cc (1.8L) A = 2000cc (2.0L) Blank = All  
 TRANS: A = Automatic M = Manual Blank = All  
 SERIES: H = High M = Medium P = Premium S = Special

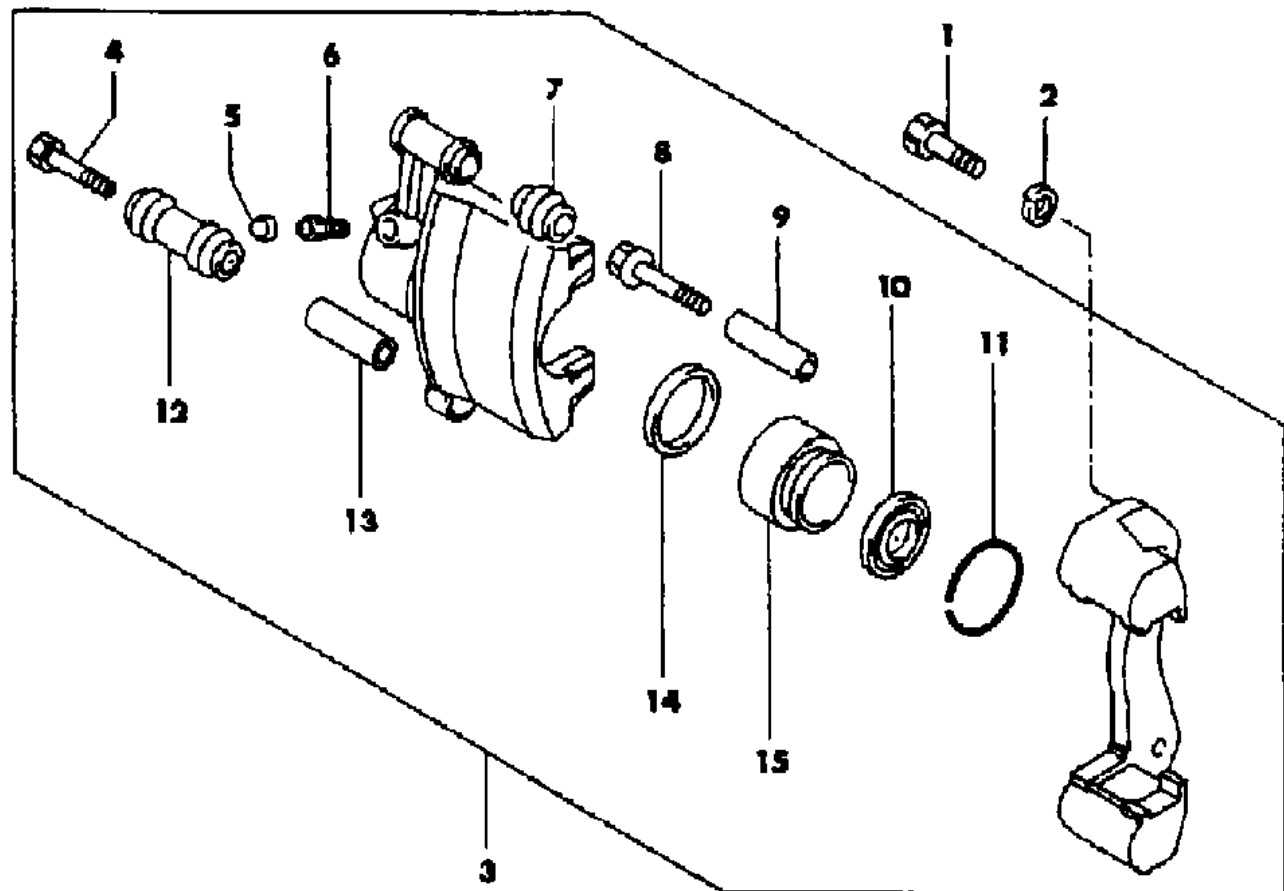
MODELS:  
 24 FWD = 2Dr Hatchback (Laser)  
 24 FWD = 2-Dr Hatchback (Talon)  
 4WD = (4 Wheel Drive)  
 2WD = (2 Wheel Drive)

AR = Use as Required - = Non Illustrated Part P.A.R. = Paint as Required

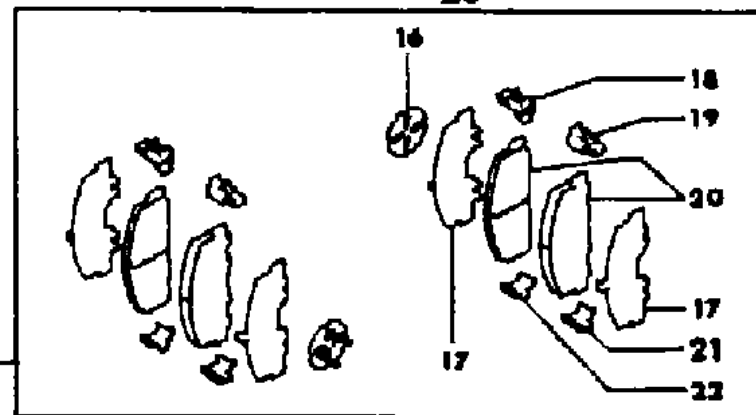
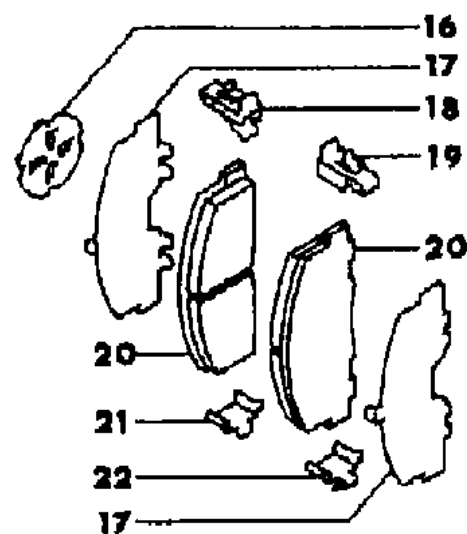
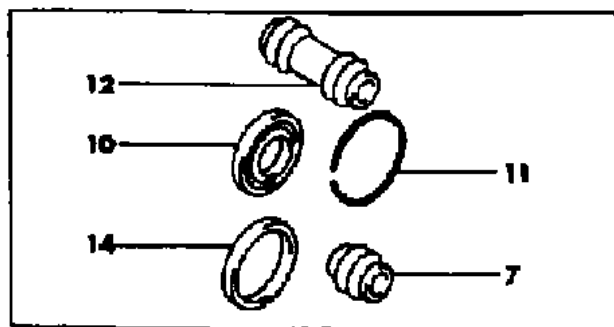
BRAKES, FRONT (UP TO 04-01-89) LASER

Figure 5-700

9605 700 A



ITEM	PART NUMBER	QTY	BODY	MODEL	DESCRIPTION
1	MB15 1403	4			BOLT, (12x28.5)
2	MS45 0044	4			WASHER, Spring, (12)
3		1			CALIPER KIT, Front Brake ***
	MB58 7025	1			Lt.
	MB58 7026	1			Rt.
4	MB53 4413	2			BOLT, Lock Pin
5	MV02 6287	2			CAP
6	MB36 6146	2			SCREW, Bleeder
7		2			BOOT, Guide Pin, (Serv. in Kit)
8	MB23 8735	2			BOLT, Guide Pin
9	MB23 8737	2			SLEEVE, Guide Pin
10		2			BOOT, Piston Dust, (Serv. in Kit)
11		2			RING, Piston Boot, (Serv. in Kit)
12		2			BOOT, Lock Pin, (Serv. in Kit)
13	MB23 8738	2			SLEEVE, Lock Pin
14		2			SEAL, Piston, (Serv. in Kit)
15	MB23 8726	2			PISTON, Caliper
16		2			HOLDER, Pad Shim, (Serv. in Kit)
17		4			SHIM, Disc Pad Anti-Squeek, Outer, (Serv. in Kit)
18	MB53 4991	2			CLIP
19	MB53 4992	2			CLIP
20		4			PAD, Brake Disc, (Serv. in Kit)
21	MB53 4993	2			CLIP
22	MB53 4994	2			CLIP
23	MB27 7191	2			SEAL KIT, Caliper Piston ***
24	MB66 8398	1			PAD KIT, Disc Brake ***



ENGINE: P = 1800cc (1.8L) A = 2000cc (2.0L) Blank = All  
 TRANS: A = Automatic M = Manual Blank = All  
 SERIES: H = High M = Medium P = Premium S = Special

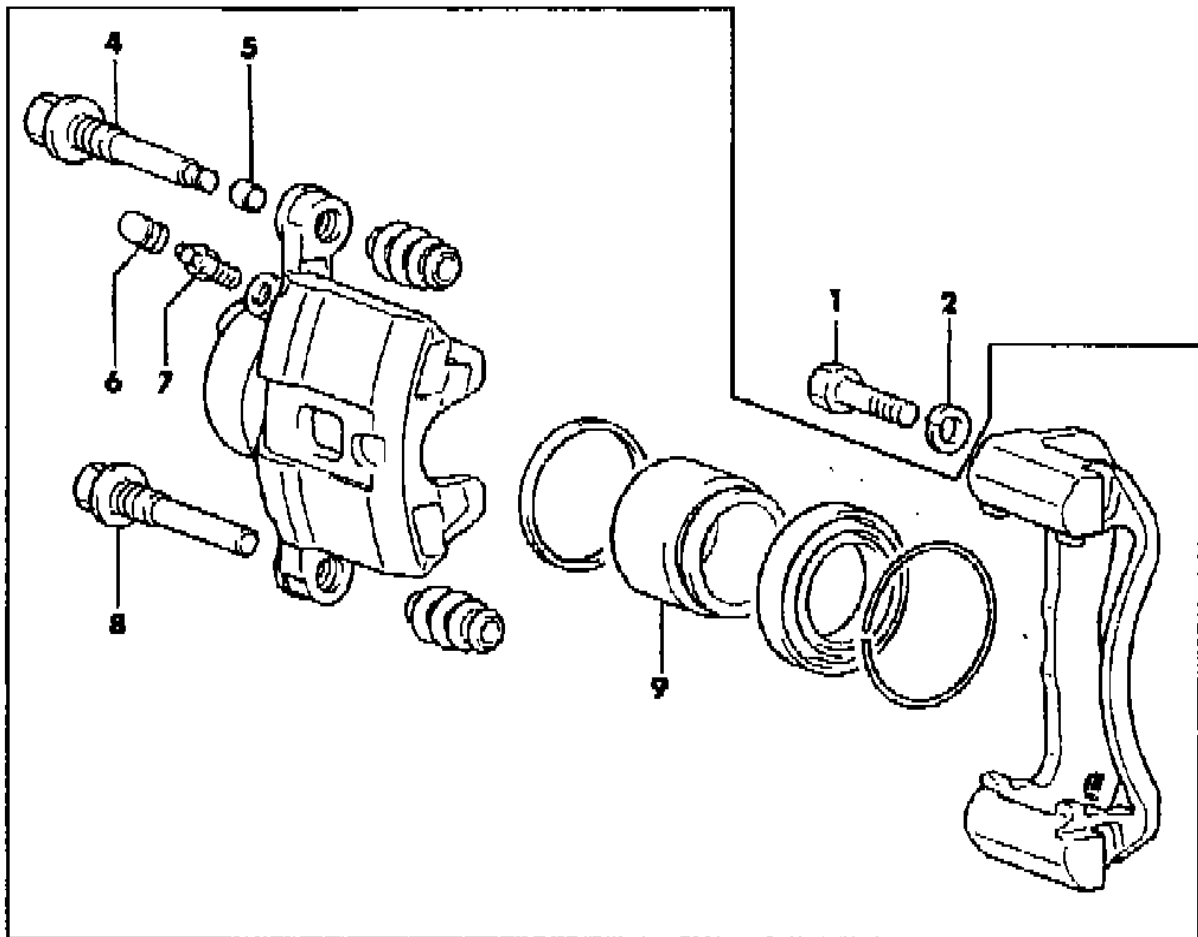
MODELS:  
 24 FWD = 2Dr Hatchback (Laser)  
 24 FWD = 2-Dr Hatchback (Talon)  
 4WD = (4 Wheel Drive)  
 2WD = (2 Wheel Drive)

AR = Use as Required - = Non Illustrated Part P.A.R. = Paint as Required



**BRAKES, FRONT (AFTER 04-01-89) LASER-TALON**  
**Figure 5-725**

9605 725B



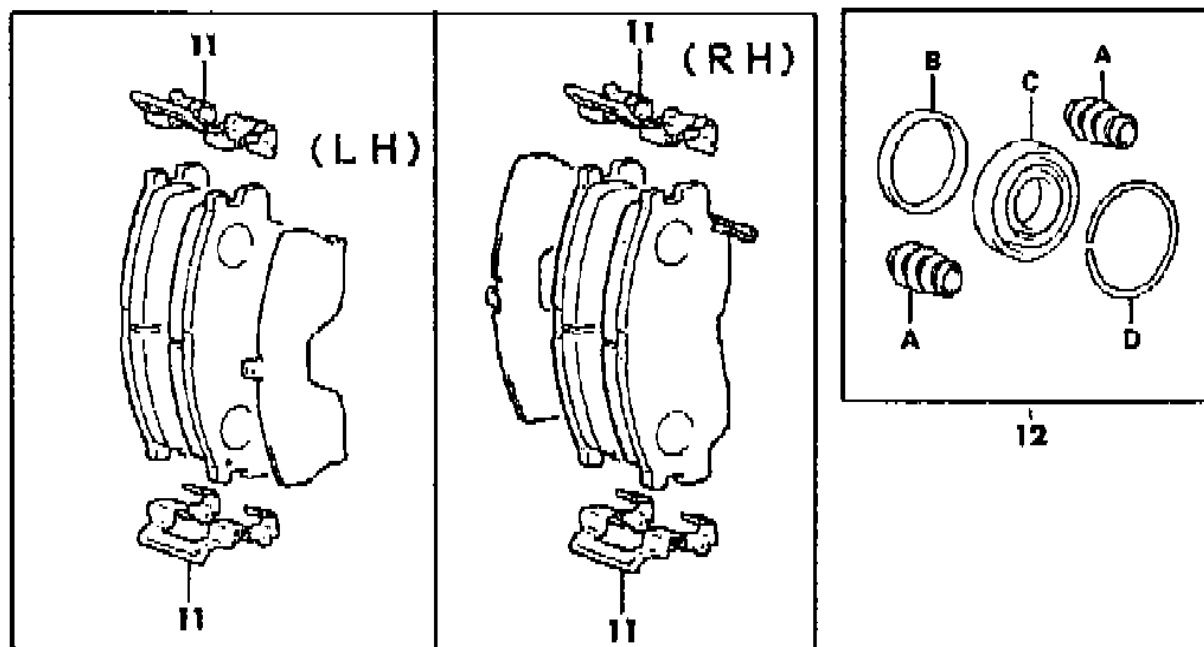
**3**

ITEM	PART NUMBER	QTY	BODY	MODEL	DESCRIPTION
	MB85 8865	2			FWD, w/o Turbo
	MB92 8290	2			FWD, w/Turbo
	MB92 8290	2			AWD
8					BOLT
	MB69 9166	2			1990
	MB69 9166	2			1991, FWD
	MB89 5029	2			1992, FWD
	MB61 8227	2			1991-92, AWD
					1993-94
	MB69 9166	2			FWD, w/o Turbo
	MB61 8227	2			FWD, w/Turbo
	MB61 8227	2			AWD
9					PISTON, Caliper
	MB69 9169	2			1990
	MB69 9169	2			1991, FWD
	MB85 8864	2			1992, FWD
	MB69 9692	2			1991-92, AWD
					1993-94
	MB85 8864	2			FWD, w/o Turbo
	MB95 0357	2			FWD, w/Turbo
	MB61 8229	2			AWD
10					PAD KIT, Brake Disc ***
	MB69 9174	1			1990-91
	MB89 5072	1			1992
					1993-94
	MB89 5072	1			FWD
	MB85 8584	1			AWD
11					CLIP
	MB69 9165	4			1990-92
					1993-94
	MB69 9165	4			FWD
	MB85 8398	4			AWD
12					SEAL KIT, Caliper ***
	MB69 9175	2			1990
	MB69 9175	2			1991-92, FWD
	MB69 9707	2			1991-92, AWD
					1993-94
	MB69 9175	2			FWD, w/o Turbo
	MB69 9707	2			FWD, w/Turbo

ENGINE: P = 1800cc (1.8L) A = 2000cc (2.0L) Blank = All  
 TRANS: A = Automatic M = Manual Blank = All  
 SERIES: H = High M = Medium P = Premium S = Special

MODELS:  
 24 FWD = 2Dr Hatchback (Laser)  
 24 FWD = 2-Dr Hatchback (Talon)  
 4WD = (4 Wheel Drive)  
 2WD = (2 Wheel Drive)

AR = Use as Required - = Non Illustrated Part P.A.R. = Paint as Required



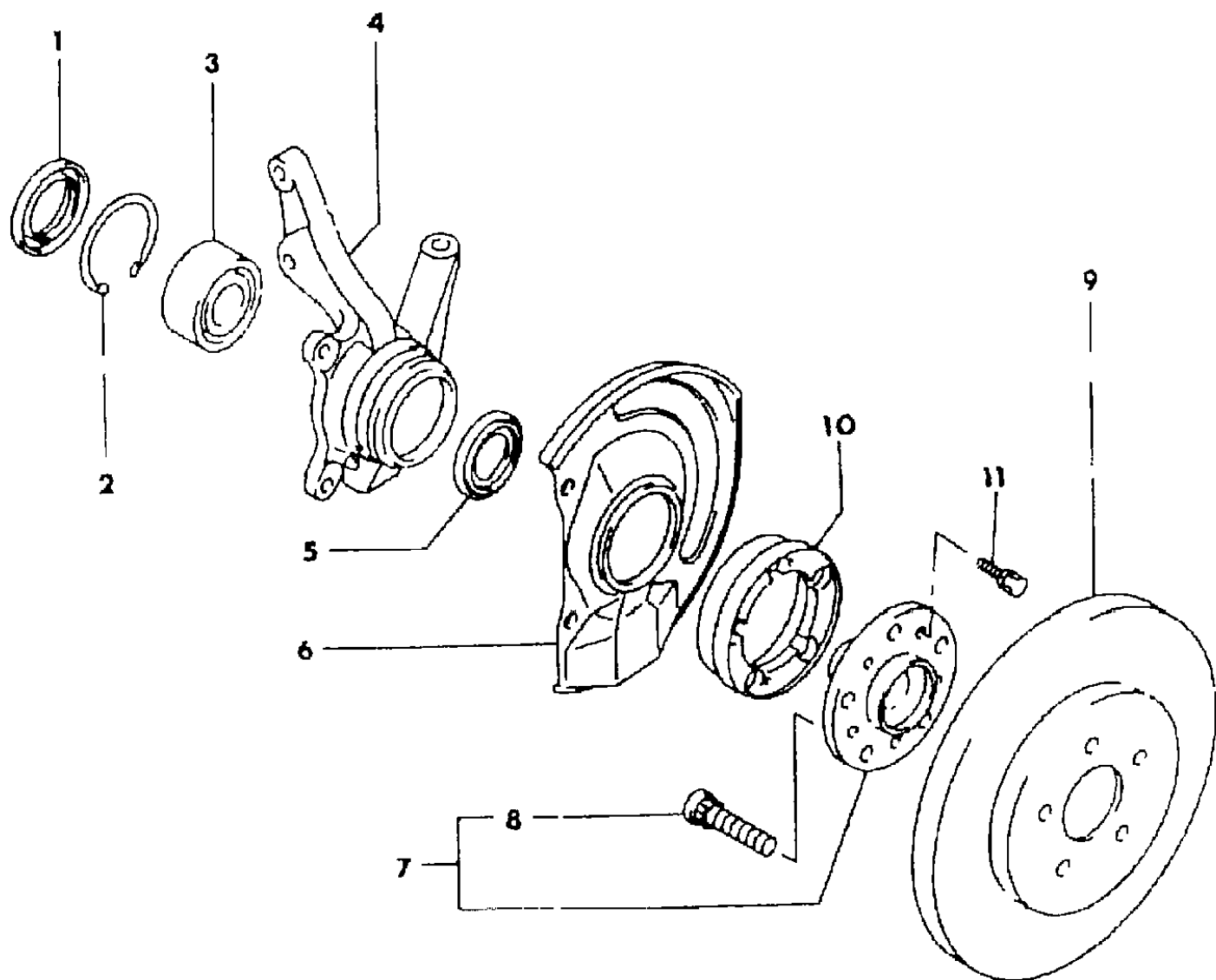
**10**

**12**



**BRAKE DISC AND BEARINGS FRONT LASER-TALON**  
Figure 5-800

9605 800B



ITEM	PART NUMBER	QTY	BODY	MODEL	DESCRIPTION
1	MB57 3309	2			OIL SEAL, Inner, (54)
2	MB30 3868	2			SNAP-RING, Hub ***
3	MB30 3865	2			BEARING, Hub
4					KNUCKLE, Steering 1990-93
	MB51 8139	1	FWD		Lt.
	MB51 8140	1	FWD		Rt.
	MB51 8225	1	AWD		w/o ABS, Lt.
	MB51 8226	1	AWD		w/o ABS, Rt.
	MB51 8227	1	AWD		w/ABS, Lt.
	MB51 8228	1	AWD		w/ABS, Rt. 1994
	MB51 8137	1	FWD		w/o ABS, Lt.
	MB51 8138	1	FWD		w/o ABS, Rt.
	MB51 8139	1	FWD		w/ABS, Lt.
	MB51 8140	1	FWD		w/ABS, Rt.
	MB51 8137	1	AWD		w/o ABS, Lt.
	MB51 8226	1	AWD		w/o ABS, Rt.
	MB51 8227	1	AWD		w/ABS, Lt.
	MB51 8228	1	AWD		w/ABS, Rt.
5	MB30 3875	2			OIL SEAL, Hub
6					DUST COVER, Frt. Brake Disc *** 1990-92
	MB58 7450	1			Lt.
	MB58 7451	1			Rt.
					1993-94
	MB58 7450	1	FWD		Lt.
	MB58 7451	1	FWD		Rt.
	MB66 8706	1	AWD		w/o ABS, Lt.
	MB66 8707	1	AWD		w/o ABS, Rt.
	MB66 8708	1	AWD		w/ABS, Lt.
	MB66 8709	1	AWD		w/ABS, Rt.
7					HUB ASSY, Front Wheel ***
	MB57 3319	2			w/o ABS
	MB84 4729	2			w/ABS
8	MB30 3869	10			BOLT, Wheel Hub
9					DISC, Front Brake 1990 Up To 4-01-89

ENGINE: P = 1800cc (1.8L) A = 2000cc (2.0L) Blank = All  
 TRANS: A = Automatic M = Manual Blank = All  
 SERIES: H = High M = Medium P = Premium S = Special

MODELS:  
 24 FWD = 2Dr Hatchback (Laser)  
 24 FWD = 2-Dr Hatchback (Talon)  
 4WD = (4 Wheel Drive)  
 2WD = (2 Wheel Drive)

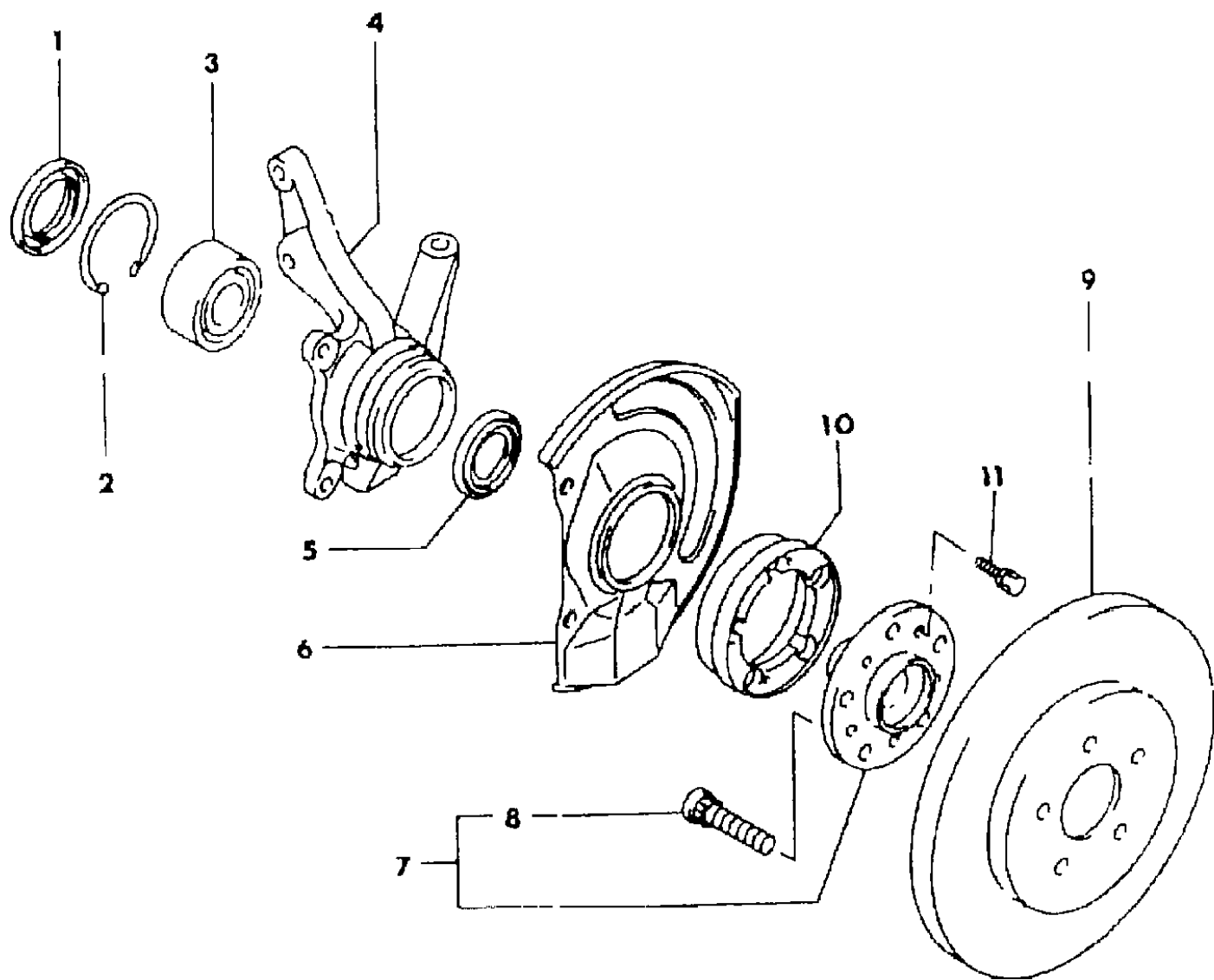
AR = Use as Required - = Non Illustrated Part P.A.R. = Paint as Required



BRAKE DISC AND BEARINGS FRONT LASER-TALON

Figure 5-800

9605 800B



ITEM	PART NUMBER	QTY	BODY	MODEL	DESCRIPTION
	MB66 8108	2			After 4-01-89
					1991-92
	MB66 8108	2			w/o ABS
	MB69 9761	2			w/ABS
					1993
	MB66 8108	2	FWD		w/o ABS Up to 9-30-92
	MB92 8996	2	FWD		w/o ABS After 9-30-92
	MB69 9761	2	FWD		w/ABS Up to 9-30-92
	MB95 0849	2	FWD		w/ABS After 9-30-92
	MB92 8319	2	AWD		w/o ABS
	MB92 8318	2	AWD		w/ABS
					1994
	MB92 8996	2	FWD		w/o ABS
	MB95 0849	2	FWD		w/ABS
	MB92 8319	2	AWD		w/o ABS
	MB92 8318	2	AWD		w/ABS
10	MB66 8570	2			ROTOR, Front Wheel Hub, w/ABS
11	MF24 1227	4			BOLT, w/Washer, w/ABS, (6x20)

ENGINE: P = 1800cc (1.8L) A = 2000cc (2.0L) Blank = All  
 TRANS: A = Automatic M = Manual Blank = All  
 SERIES: H = High M = Medium P = Premium S = Special

MODELS:  
 24 FWD = 2Dr Hatchback (Laser)  
 24 FWD = 2-Dr Hatchback (Talon)  
 4WD = (4 Wheel Drive)  
 2WD = (2 Wheel Drive)

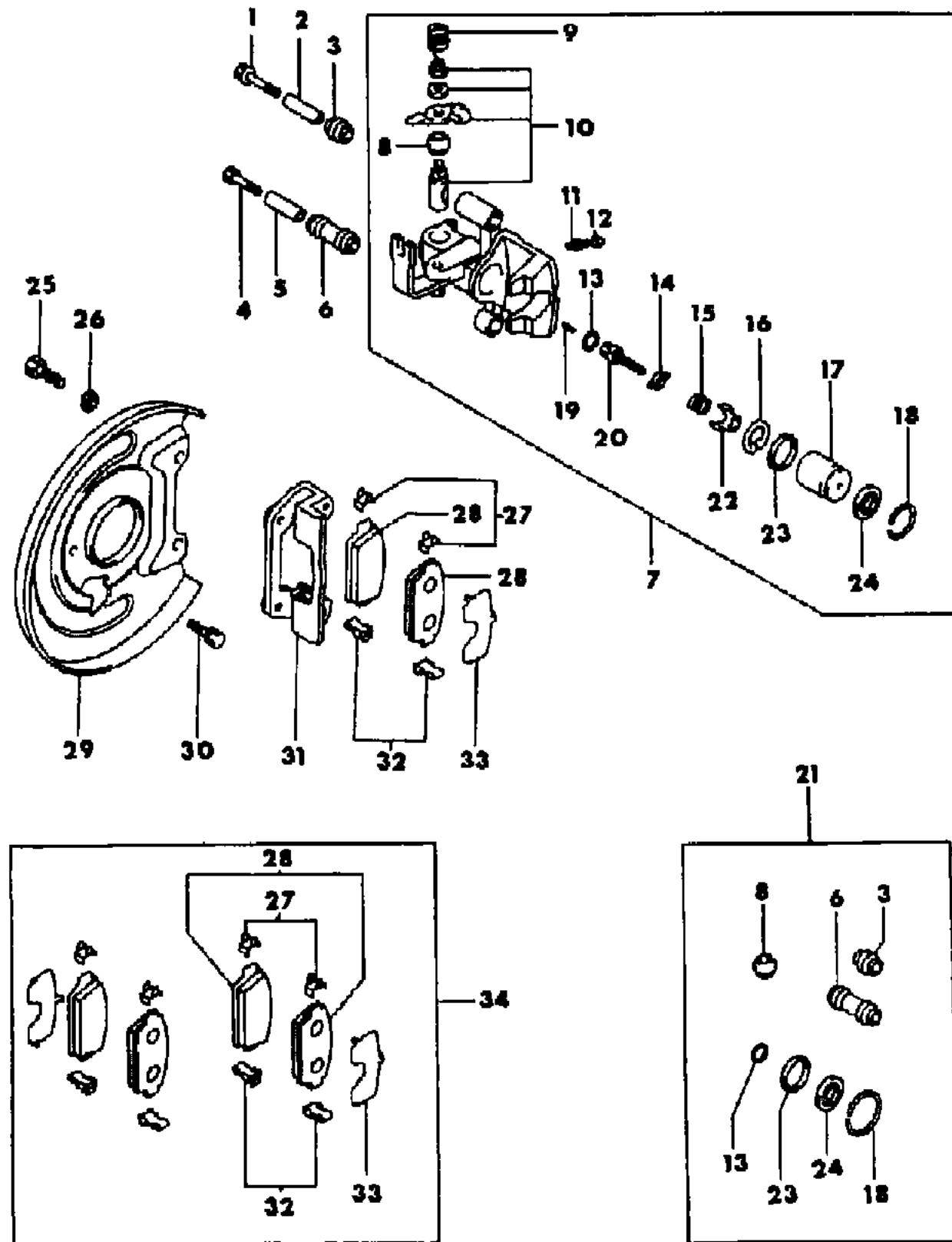
AR = Use as Required - = Non Illustrated Part P.A.R. = Paint as Required





**BRAKES REAR DISC 1992-94 LASER-TALON**  
**Figure 5-950**

9605 950



ITEM	PART NUMBER	QTY	BODY	MODEL	DESCRIPTION
1	MB23 8735	2			BOLT, Guide Pin
2					SLEEVE, Guide Pin
				1992	
	MB89 5006	2		FWD	
	MB23 8737	2		AWD	
				1993-94	
	MB89 5006	2		FWD, w/o Turbo	
	MB23 8737	2		FWD, w/Turbo	
	MB23 8737	2		AWD	
3		2			BOOT, Guide Pin, (Serv. in Kit)
4					BOLT, Lock Pin
				1992	
	MB89 5007	2		FWD	
	MB53 4413	2		AWD	
				1993	
	MB89 5007	2		FWD, w/o Turbo	
	MB53 4413	2		FWD, w/Turbo	
	MB53 4413	2		AWD	
	MB53 4413	2		1994	
5					SLEEVE, Lock Pin
				1992	
	MB89 5005	2		FWD	
	MB23 8738	2		AWD	
				1993-94	
	MB89 5005	2		FWD, w/o Turbo	
	MB23 8738	2		FWD, w/Turbo	
	MB23 8738	2		AWD	
6		2			BOOT, Lock Pin, (Serv. in Kit)
7					CALIPER ASSY, Rear Brake ***
				1992	
	MB89 5000	1		FWD, Lt.	
	MB89 5001	1		FWD, Rt.	
	MB69 9672	1		AWD, Lt.	
	MB69 9673	1		AWD, Rt.	
				1993-94	
	MB89 5000	1		FWD, w/o Turbo, Lt.	
	MB89 5001	1		FWD, w/o Turbo, Rt.	
	MB69 9670	1		FWD, w/Turbo, Lt.	
	MB69 9671	1		FWD, w/Turbo, Rt.	

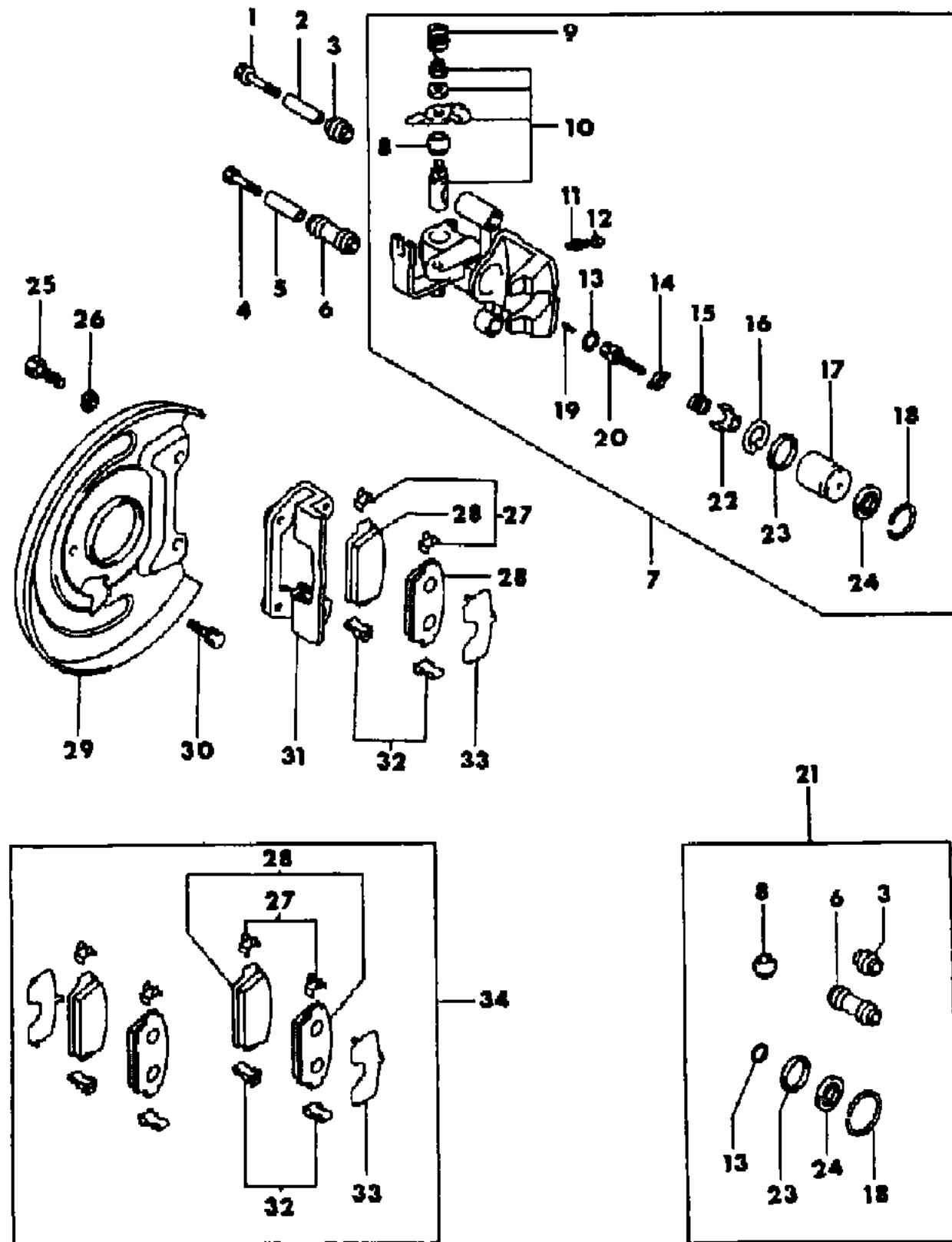
ENGINE: P = 1800cc (1.8L) A = 2000cc (2.0L) Blank = All  
 TRANS: A = Automatic M = Manual Blank = All  
 SERIES: H = High M = Medium P = Premium S = Special

MODELS:  
 24 FWD = 2Dr Hatchback (Laser)  
 24 FWD = 2-Dr Hatchback (Talon)  
 4WD = (4 Wheel Drive)  
 2WD = (2 Wheel Drive)

AR = Use as Required - = Non Illustrated Part P.A.R. = Paint as Required

**BRAKES REAR DISC 1992-94 LASER-TALON**  
Figure 5-950

9605 950



ITEM	PART NUMBER	QTY	BODY	MODEL	DESCRIPTION
	MB69 9672	1			AWD, Lt.
	MB69 9673	1			AWD, Rt.
8		2			BOOT, Lever Shaft, (Serv. in Kit)
9					SPRING, Lever Retainer
					1992
	MB89 5019	1			FWD, Lt.
	MB89 5018	1			FWD, Rt.
	MB58 7962	1			AWD, Lt.
	MB58 7963	1			AWD, Rt.
					1993-94
	MB89 5019	1			FWD, w/o Turbo, Lt.
	MB89 5018	1			FWD, w/o Turbo, Rt.
	MB53 4298	1			FWD, w/Turbo, Lt.
	MB53 4299	1			FWD, w/Turbo, Rt.
	MB58 7962	1			AWD, Lt.
	MB58 7963	1			AWD, Rt.
10					LEVER, Parking Brake
					1992
	MB89 5015	1			FWD, Lt.
	MB89 5016	1			FWD, Rt.
	MB58 7964	1			AWD, Lt.
	MB58 7965	1			AWD, Rt.
					1993-94
	MB89 5015	1			FWD, w/o Turbo, Lt.
	MB89 5016	1			FWD, w/o Turbo, Rt.
	MB53 4296	1			FWD, w/Turbo, Lt.
	MB53 4297	1			FWD, w/Turbo, Rt.
	MB58 7964	1			AWD, Lt.
	MB58 7965	1			AWD, Rt.
11					SCREW, Bleeder
					1992
	MB89 5021	2			FWD
	MB36 6146	2			AWD
					1993
	MB89 5021	2			FWD, w/o Turbo
	MB36 6146	2			FWD, w/Turbo
	MB36 6146	2			AWD
					1994
	MB89 5021	2			FWD, w/o Turbo

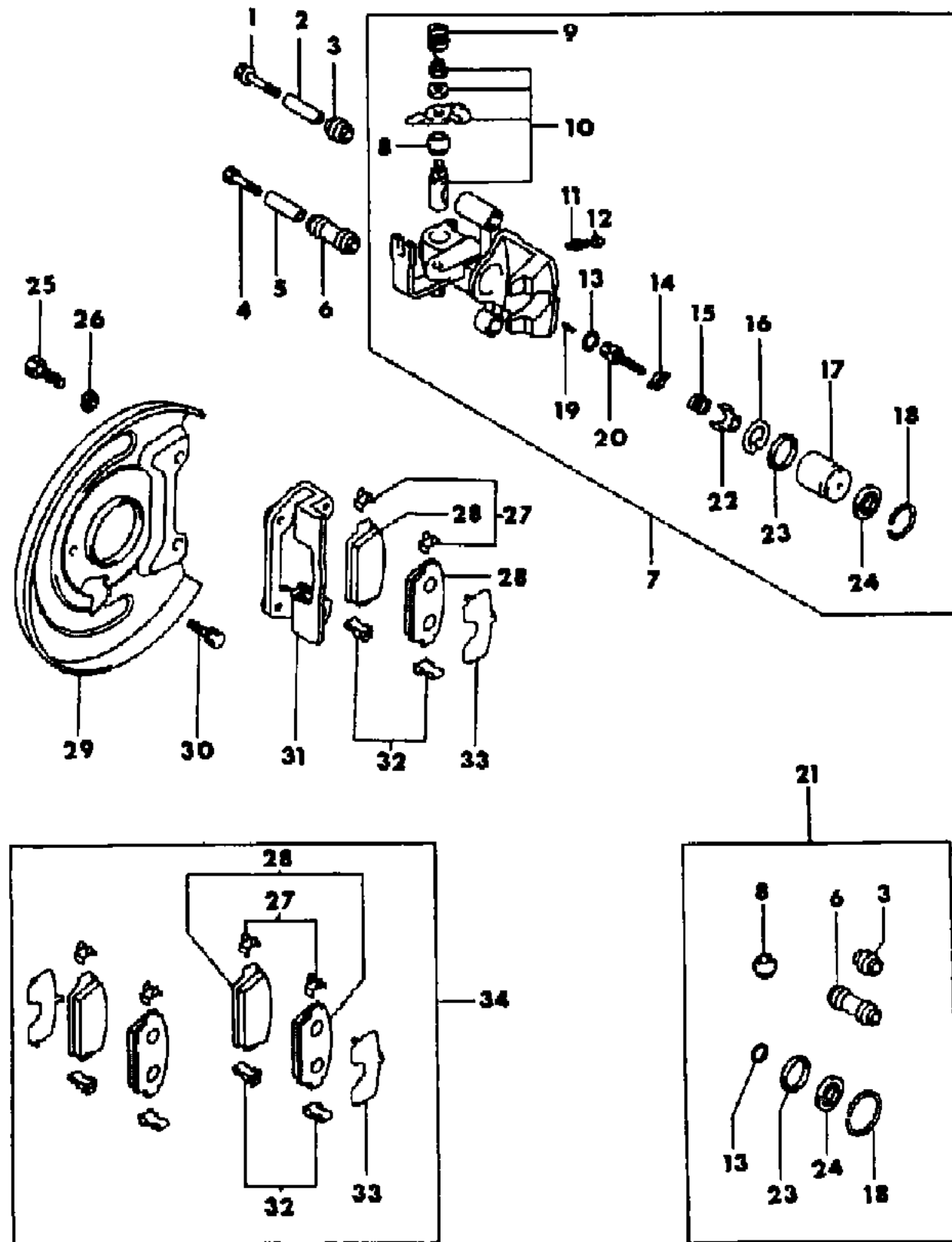
ENGINE: P = 1800cc (1.8L) A = 2000cc (2.0L) Blank = All  
 TRANS: A = Automatic M = Manual Blank = All  
 SERIES: H = High M = Medium P = Premium S = Special

MODELS:  
 24 FWD = 2Dr Hatchback (Laser)  
 24 FWD = 2-Dr Hatchback (Talon)  
 4WD = (4 Wheel Drive)  
 2WD = (2 Wheel Drive)

AR = Use as Required - = Non Illustrated Part P.A.R. = Paint as Required

BRAKES REAR DISC 1992-94 LASER-TALON  
Figure 5-950

9605 950



ITEM	PART NUMBER	QTY	BODY	MODEL	DESCRIPTION
	MB92 8290	2			FWD, w/Turbo
	MB92 8290	2			AWD
12	MV02 6287	2			CAP
13		2			O-RING, (9.8), (Serv. in Kit)
14	MB61 8500	2			STOPPER, Auto. Adjuster
15					SPRING, Disc Pad Auto. Adjuster
					1992
	MB89 5013	2			FWD
	MB61 8009	2			AWD
					1993-94
	MB89 5013	2			FWD, w/o Turbo
	MB61 8009	2			FWD, w/Turbo
	MB61 8009	2			AWD
16	MB31 6135	2			SNAP-RING, (27.8) ***
17					PISTON, Caliper
					1992
	MB89 5012	2			FWD
	MB61 8006	2			AWD
					1993-94
	MB89 5012	2			FWD, w/o Turbo
	MB61 8006	2			FWD, w/Turbo
	MB61 8006	2			AWD
18		2			RING, Piston Boot Retainer, (Serv.in Kit)
19					LINK, Connecting
					1992
	MB89 5014	2			FWD
	MB36 6294	2			AWD
					1993-94
	MB89 5014	2			FWD, w/o Turbo
	MB36 6294	2			FWD, w/Turbo
	MB36 6294	2			AWD
20	MB61 8008	2			SPINDLE, Auto. Adjuster
21					SEAL KIT, Brake Caliper ***
					1992
	MB89 5028	2			FWD
	MB85 7875	2			AWD
					1993-94
	MB89 5028	2			FWD, w/o Turbo
	MB85 7875	2			FWD, w/Turbo

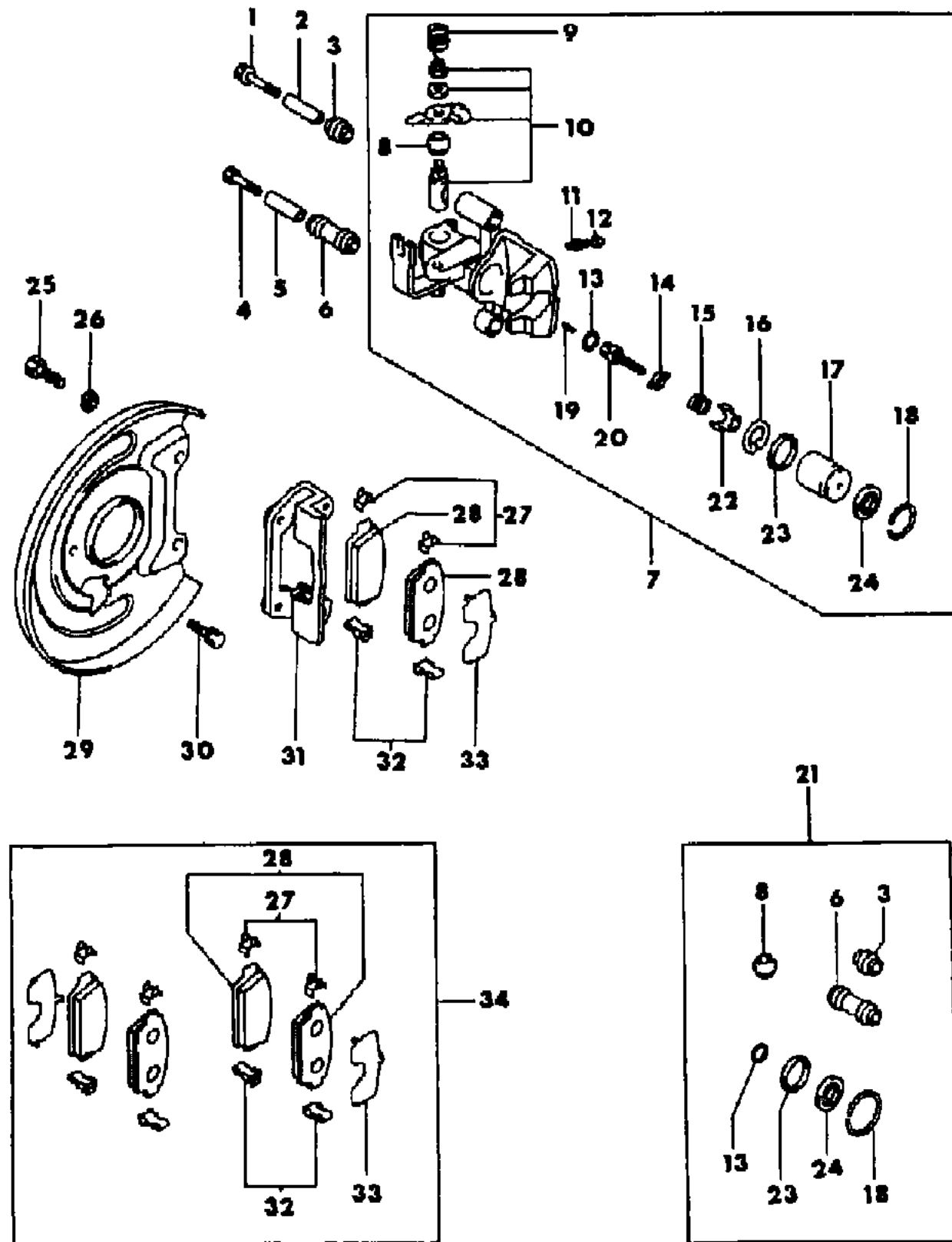
ENGINE: P = 1800cc (1.8L) A = 2000cc (2.0L) Blank = All  
 TRANS: A = Automatic M = Manual Blank = All  
 SERIES: H = High M = Medium P = Premium S = Special

MODELS:  
 24 FWD = 2Dr Hatchback (Laser)  
 24 FWD = 2-Dr Hatchback (Talon)  
 4WD = (4 Wheel Drive)  
 2WD = (2 Wheel Drive)

AR = Use as Required - = Non Illustrated Part P.A.R. = Paint as Required

BRAKES REAR DISC 1992-94 LASER-TALON  
Figure 5-950

9605 950



ITEM	PART NUMBER	QTY	BODY	MODEL	DESCRIPTION
	MB85 7875	2			AWD
22	MB61 8007	2			CASE, Auto. Adjuster Spring
23		2			SEAL, Caliper, (Serv. in Kit)
24		2			BOOT, Piston, (Serv. in Kit)
25					BOLT
	MB00 2402	4			FWD, (M10x22.5)
	MB05 8535	4			AWD, (M10x26.5)
26	MS45 0043	4			WASHER, Spring, (10)
27					CLIP, Disc Pad, Lower
					1992
	MB89 5004	4			FWD
	MB13 4728	4			AWD
					1993-94
	MB89 5004	4			FWD, w/o Turbo
	MB13 4728	4			FWD, w/Turbo
	MB13 4728	4			AWD
28		4			PAD, Brake Disc, (Serv. in Kit)
29					DUST COVER, Rear Brake ***
	MB53 4317	2			FWD, w/o ABS
	MB58 7208	1			FWD, w/ABS, Lt.
	MB58 7209	1			FWD, w/ABS, Rt.
	MB50 0765	2			AWD
30					BOLT, w/Washer
	MF24 0050	2			FWD, (8x14)
	MF24 0651	4			AWD, (8x16)
31					SUPPORT, Caliper
					1992
	MB89 5002	2			FWD
	MB58 7778	2			AWD
					1993-94
	MB89 5002	2			FWD, w/o Turbo
	MB58 7778	2			FWD, w/Turbo
	MB58 7778	2			AWD
32					CLIP, Disc Pad
	MB69 9592	2			Outer
	MB69 9593	2			Inner
33		2			SHIM, Disc Pad, Outer, (Serv. in Kit)
34					PAD KIT, Brake Disc ***
					1992

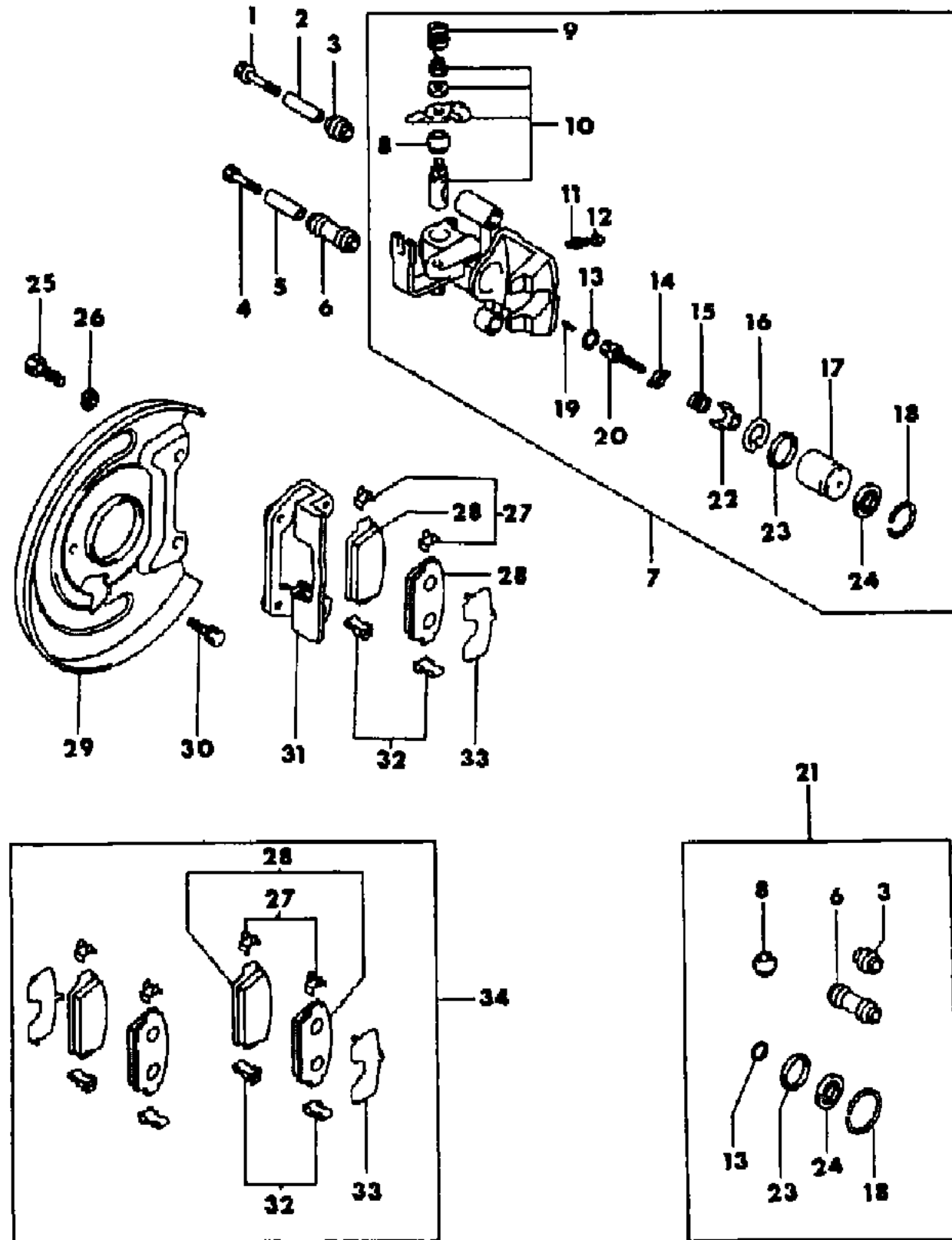
ENGINE: P = 1800cc (1.8L) A = 2000cc (2.0L) Blank = All  
 TRANS: A = Automatic M = Manual Blank = All  
 SERIES: H = High M = Medium P = Premium S = Special

MODELS:  
 24 FWD = 2Dr Hatchback (Laser)  
 24 FWD = 2-Dr Hatchback (Talon)  
 4WD = (4 Wheel Drive)  
 2WD = (2 Wheel Drive)

AR = Use as Required - = Non Illustrated Part P.A.R. = Paint as Required

BRAKES REAR DISC 1992-94 LASER-TALON  
Figure 5-950

9605 950



ITEM	PART NUMBER	QTY	BODY	MODEL	DESCRIPTION
	MB89 5026	1			FWD
	MB85 7729	1			AWD
					1993-94
	MB89 5026	1			FWD, w/o Turbo
	MB85 7732	1			FWD, w/Turbo
	MB85 7729	1			AWD

ENGINE: P = 1800cc (1.8L) A = 2000cc (2.0L) Blank = All  
 TRANS: A = Automatic M = Manual Blank = All  
 SERIES: H = High M = Medium P = Premium S = Special

MODELS:  
 24 FWD = 2Dr Hatchback (Laser)  
 24 FWD = 2-Dr Hatchback (Talon)  
 4WD = (4 Wheel Drive)  
 2WD = (2 Wheel Drive)

AR = Use as Required - = Non Illustrated Part P.A.R. = Paint as Required





---

**GROUP 6 - CLUTCH**

<b>ILLUSTRATION TITLE</b>	<b>GROUP-FIG. NO.</b>
CLUTCH LASER-TALON .....	Fig. 6-100
HOUSING, CLUTCH AND MOUNTING BOLTS LASER-TALON .....	Fig. 6-200
PEDAL, CLUTCH LASER-TALON .....	Fig. 6-300
CONTROLS, CLUTCH LASER-TALON .....	Fig. 6-400
MASTER CYLINDER, CLUTCH LASER-TALON .....	Fig. 6-500

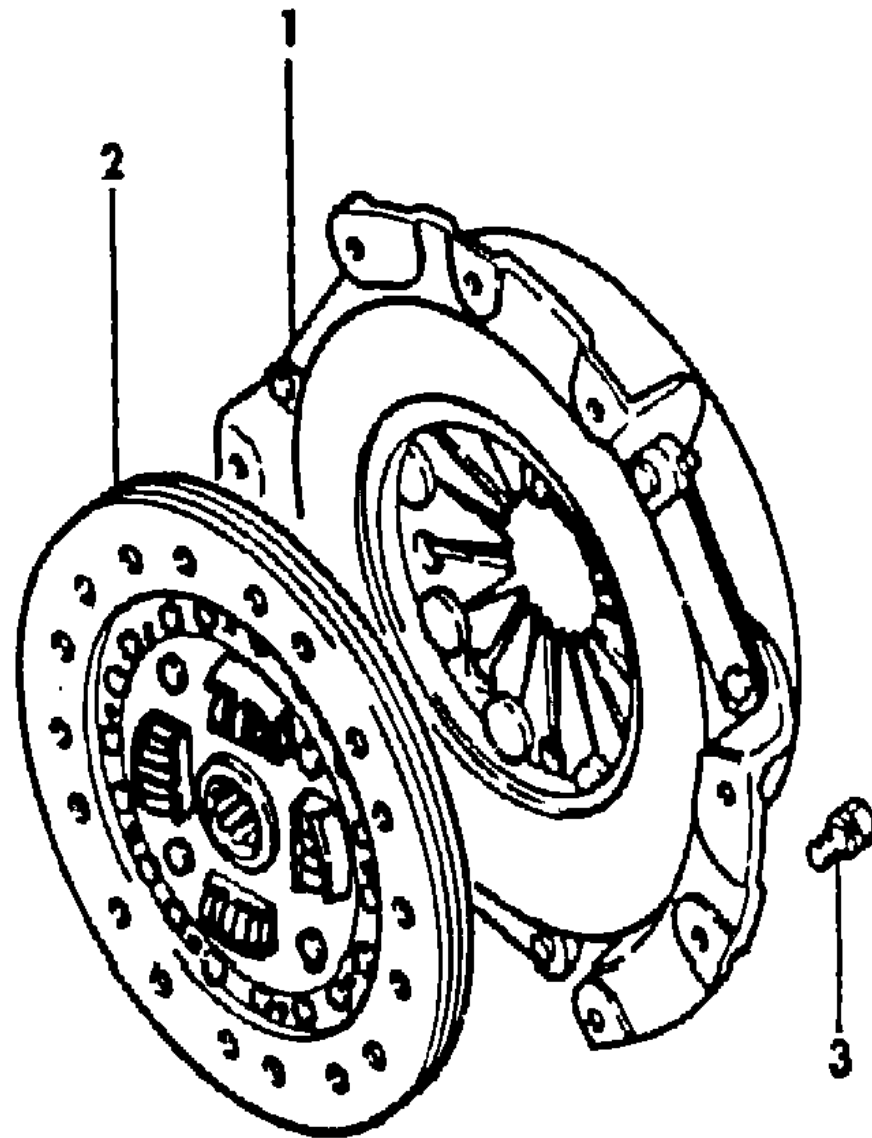
**ILLUSTRATION NOT AVAILABLE AT TIME OF PUBLICATION**

---

CLUTCH LASER-TALON  
Figure 6-100

9606 100A

ITEM	PART NUMBER	QTY	BODY	MODEL	DESCRIPTION
1					COVER and PLATE ASSY, Clutch Pressure ***
					1990-94 ***
	MD71 4709	1	FWD		1.8L Eng.
	MD73 5732	1	FWD		2.0L Eng., w/o Turbo
	MD73 4041	1	FWD		2.0L Eng., w/Turbo
					1991 ***
	MD73 4041	1	AWD		2.0L Eng., w/Turbo
					1992-94 ***
	MD73 7970	1	AWD		2.0L Eng., w/Turbo
2					DISC, Clutch
					1990-94 ***
	MD72 9960	1			1.8L Eng., (200)
	MD74 2681	1	FWD		2.0L Eng., w/o Turbo, (215)
	MD74 1736	1	FWD		2.0L Eng., w/Turbo, (225)
	MD74 1009	1	AWD		2.0L Eng., w/Turbo, (225)
3	MF24 1251	6			BOLT, w/Washer, (8x16)



ENGINE: P = 1800cc (1.8L) A = 2000cc (2.0L) Blank = All  
 TRANS: A = Automatic M = Manual Blank = All  
 SERIES: H = High M = Medium P = Premium S = Special

MODELS:  
 24 FWD = 2Dr Hatchback (Laser)  
 24 FWD = 2-Dr Hatchback (Talon)  
 4WD = (4 Wheel Drive)  
 2WD = (2 Wheel Drive)

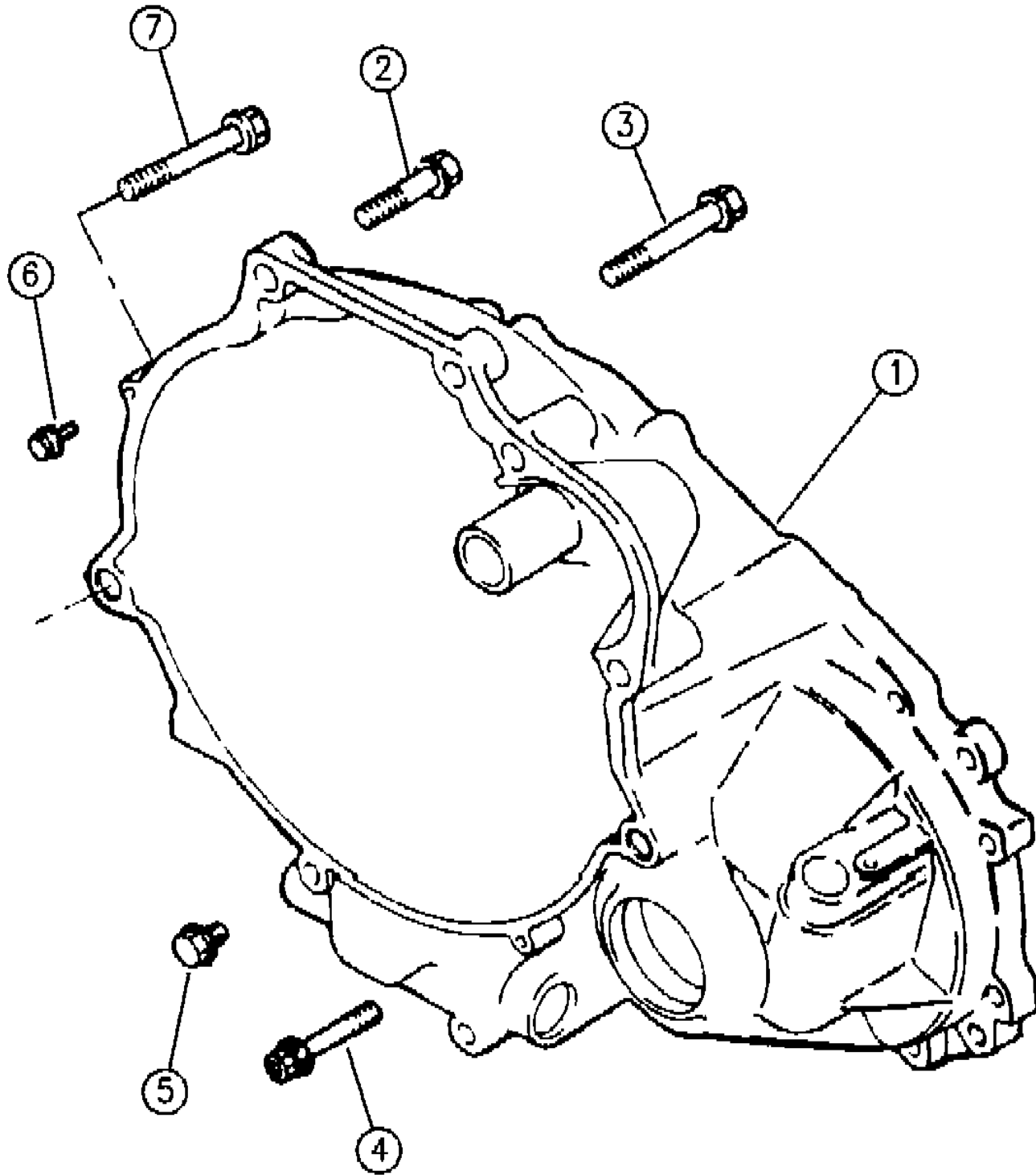
AR = Use as Required - = Non Illustrated Part P.A.R. = Paint as Required

HOUSING, CLUTCH AND MOUNTING BOLTS LASER-TALON

Figure 6-200

9606 200B

ITEM	PART NUMBER	QTY	BODY	MODEL	DESCRIPTION
1					HOUSING, Transaxle Clutch
	MD72 5280	1			1.8L Eng.
	MD73 3219	1			2.0L Eng., w/o Turbo
	MD72 6223	1	FWD		2.0L Eng., w/Turbo
	MD72 7855	1	AWD		2.0L Eng., w/Turbo
2	MD74 0892	1			BOLT, Flange, (10x43.5)
3	MF14 0266	1			BOLT, Flange, (10x40)
4	MD70 6012	1			BOLT, w/Washer, (8x60)
5	MF14 0021	2			BOLT, Flange, (8x12)
6	MF24 1223	1			BOLT, w/Washer, (6x12)
7	MF14 0471	1			BOLT, Flange, (10x65)



ENGINE: P = 1800cc (1.8L) A = 2000cc (2.0L) Blank = All  
 TRANS: A = Automatic M = Manual Blank = All  
 SERIES: H = High M = Medium P = Premium S = Special

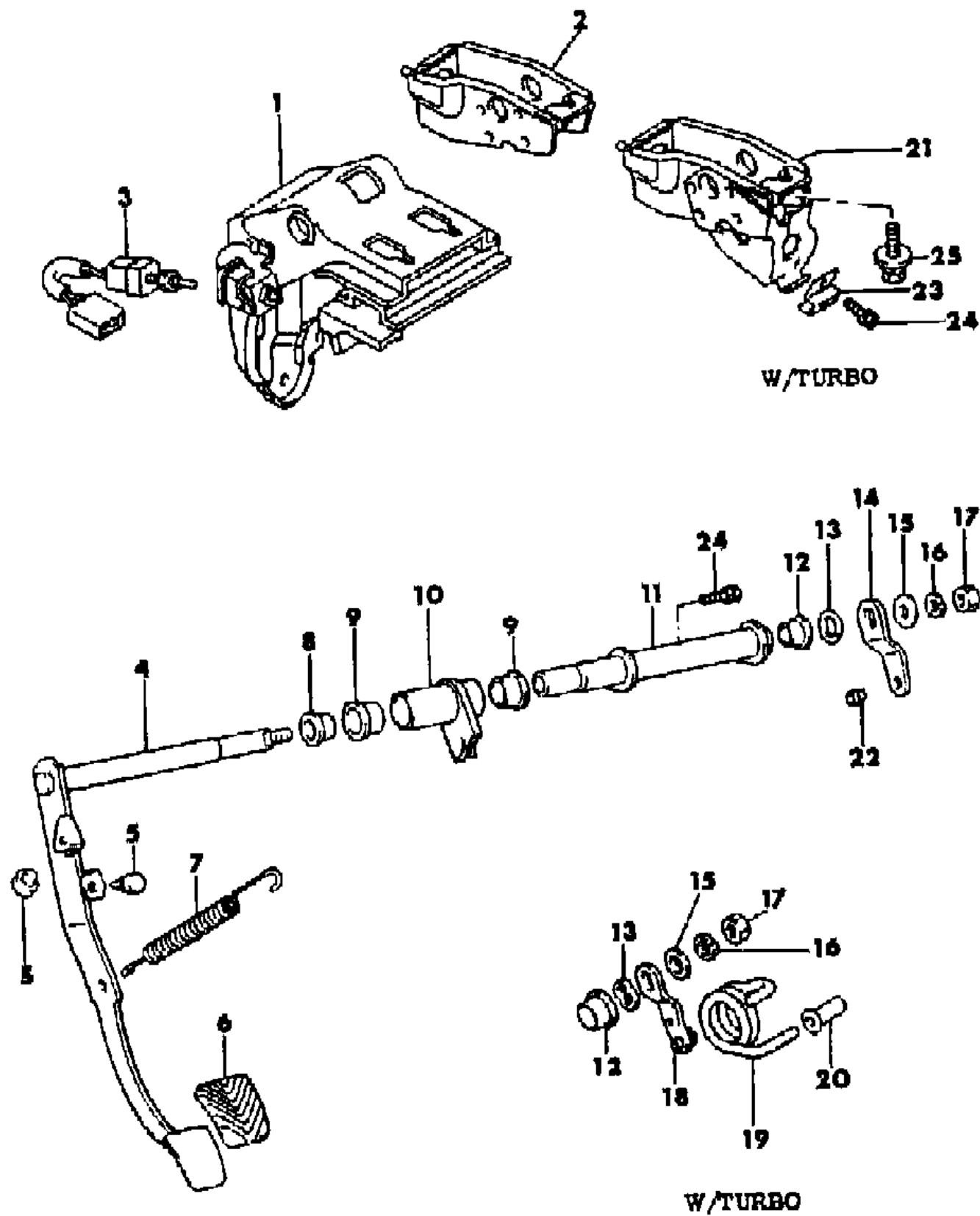
MODELS:  
 24 FWD = 2Dr Hatchback (Laser)  
 24 FWD = 2-Dr Hatchback (Talon)  
 4WD = (4 Wheel Drive)  
 2WD = (2 Wheel Drive)

AR = Use as Required - = Non Illustrated Part P.A.R. = Paint as Required

PEDAL, CLUTCH LASER-TALON

Figure 6-300

9606 300



ITEM	PART NUMBER	QTY	BODY	MODEL	DESCRIPTION
1		1			SUPPORT, Brake Pedal, (Refer to Group 5)
2	MB59 9167	1			BRACKET, w/o Turbo
3	MB60 5790	1			SWITCH, Clutch
4	MB59 9233	1			PEDAL, Clutch
5					STOPPER
	MA30 6227	1		1990-92	
	MB15 1298	1		1993-94	
6	MB19 3884	1			PAD, Pedal
7	MB01 2212	1			SPRING, Return, w/o Turbo
8	MB53 4211	1			BUSHING, Shaft
9	MB53 4210	2			BUSHING, Shaft
10					PEDAL, Brake, (Refer to Group 5)
11					ROD, Brake Pedal, (Refer to Group 5)
12	MB05 8634	1			BUSHING, (18.3x10)
13	MF45 1107	1			WASHER, Wave, (14)
14	MB59 9878	1			LEVER, Fluid, w/o Turbo
15	MF45 0006	1			WASHER, Plain, (10)
16	MF45 0406	1			WASHER, Spring, (10)
17	MU43 0002	1			NUT, (10)
18	MB59 9879	1			LEVER, Fluid, w/Turbo
19	MB53 4531	1			SPRING, Return, w/Turbo
20	MB01 2205	1			BUSHING, w/Turbo, (10.3x35)
21	MB53 4525	1			BRACKET, w/Turbo
22	MB55 5171	1			BUSHING
23	MB53 4533	1			CLIP, w/Turbo
24	MF24 1251	2			BOLT, w/Washer, (8x16)
25	MS24 0085	1			BOLT, w/Washer, (8x20)

ENGINE: P = 1800cc (1.8L) A = 2000cc (2.0L) Blank = All  
 TRANS: A = Automatic M = Manual Blank = All  
 SERIES: H = High M = Medium P = Premium S = Special

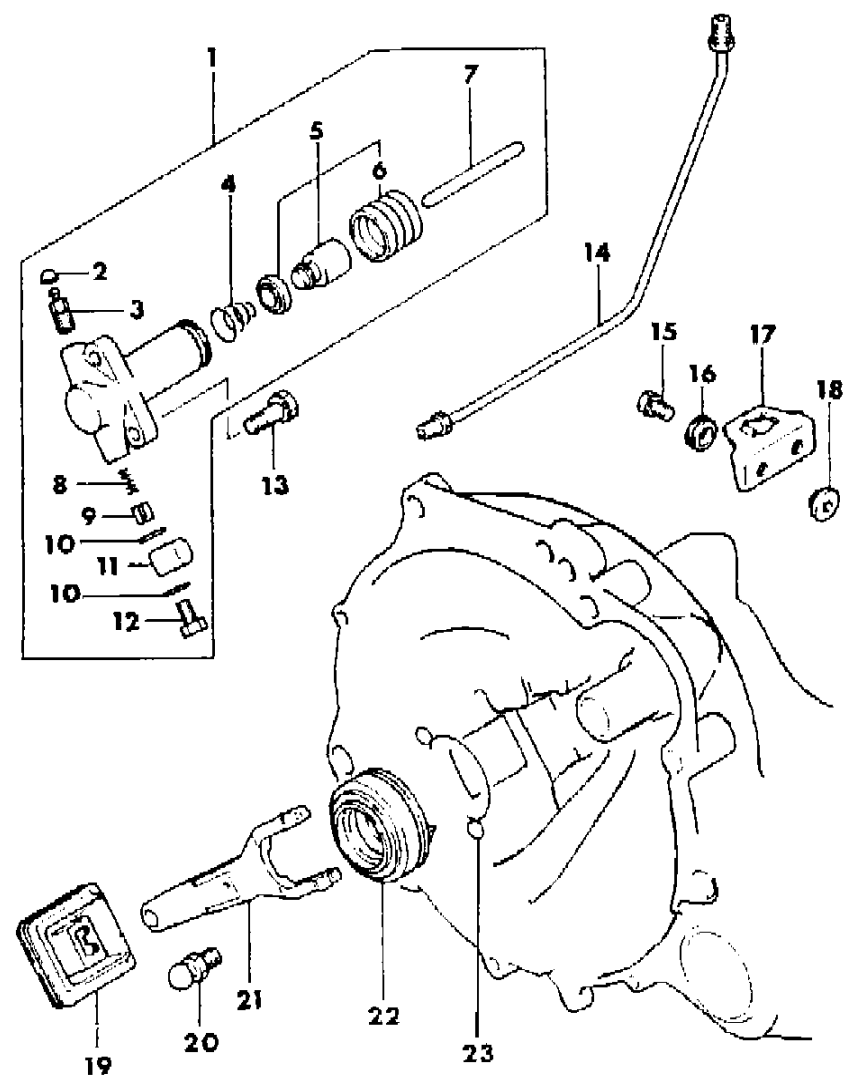
MODELS:  
 24 FWD = 2Dr Hatchback (Laser)  
 24 FWD = 2-Dr Hatchback (Talon)  
 4WD = (4 Wheel Drive)  
 2WD = (2 Wheel Drive)

AR = Use as Required - = Non Illustrated Part P.A.R. = Paint as Required



CONTROLS, CLUTCH LASER-TALON  
Figure 6-400

9606 400



ITEM	PART NUMBER	QTY	BODY	MODEL	DESCRIPTION
	MD72 2744	1			1990-92
	MD70 6180	1	FWD		1993-94
	MD71 9925	1	AWD		1991-94
23	MD70 6185	1			CLIP, Return

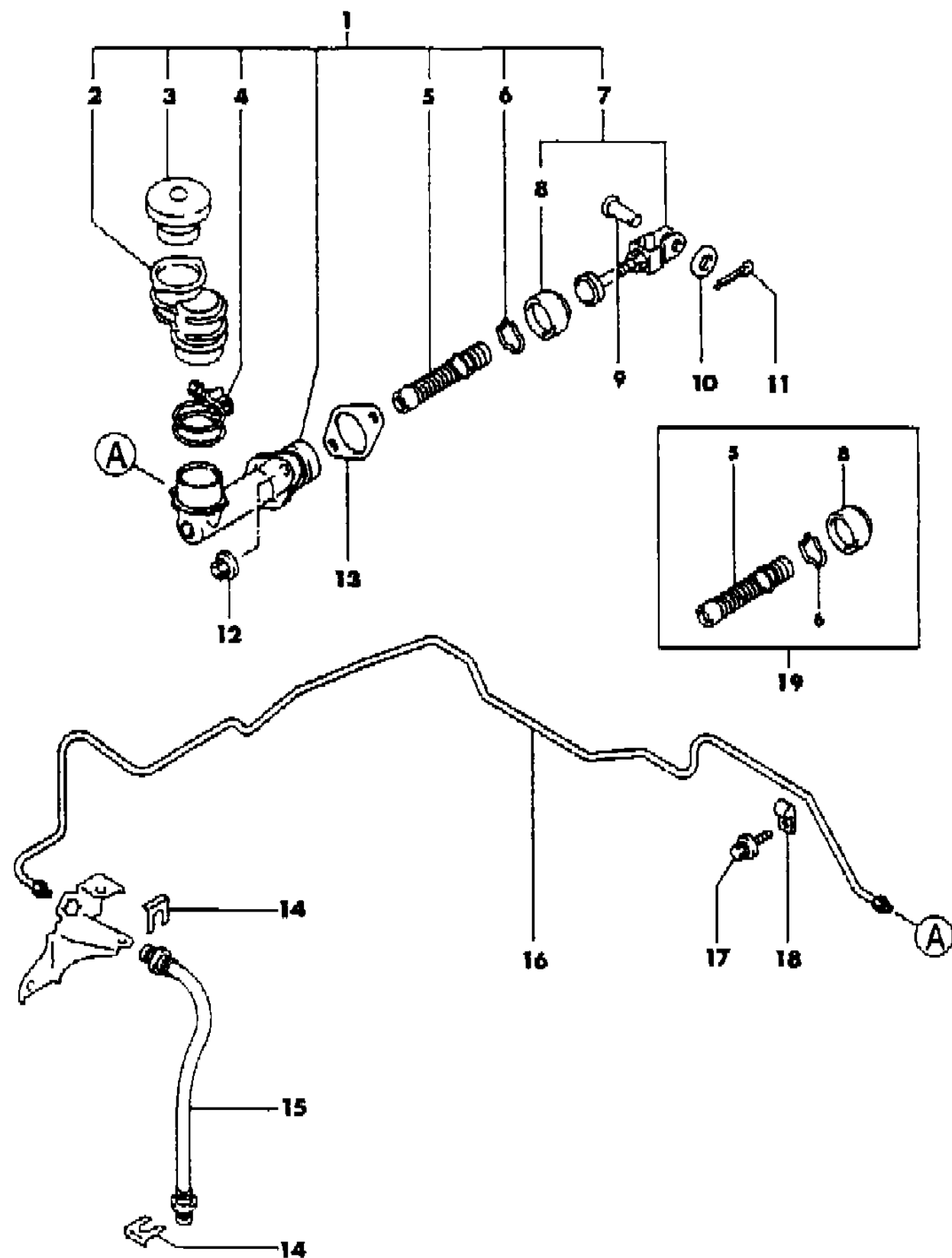
ENGINE: P = 1800cc (1.8L) A = 2000cc (2.0L) Blank = All  
 TRANS: A = Automatic M = Manual Blank = All  
 SERIES: H = High M = Medium P = Premium S = Special

MODELS:  
 24 FWD = 2Dr Hatchback (Laser)  
 24 FWD = 2-Dr Hatchback (Talon)  
 4WD = (4 Wheel Drive)  
 2WD = (2 Wheel Drive)

AR = Use as Required - = Non Illustrated Part P.A.R. = Paint as Required

**MASTER CYLINDER, CLUTCH LASER-TALON**  
Figure 6-500

9606 500



ITEM	PART NUMBER	QTY	BODY	MODEL	DESCRIPTION
1					CYLINDER ASSY, Clutch Master ***
					1990 ***
	MB01 2660	1			Up to 5-1-89
					1990-91 ***
	MB01 2660	1			After 5-1-89, w/o Speed Control
	MB55 5133	1			After 5-1-89, w/Speed Control
					1992 ***
	MB55 5133	1	FWD		1.8L Eng.
	MB55 5133	1	FWD		2.0L Eng.
	MB01 2660	1	FWD		2.0L Eng., w/Turbo, w/o Speed Control, Calif-Canada
	MB55 5133	1	FWD		2.0L Eng., w/Turbo, w/Speed Control, Calif-Canada
	MB01 2660	1	AWD		2.0L Eng., w/Turbo, Federal
	MB55 5133	1	AWD		2.0L Eng., w/Turbo, Calif-Canada
2					1993-94
					RESERVOIR, Clutch Oil
					1990 ***
	MB01 2574	1			Up to 5-1-89
					1990-91 ***
	MB01 2574	1			After 5-1-89, w/o Speed Control
	MB55 5136	1			After 5-1-89, w/Speed Control
					1992 ***
	MB55 5136	1	FWD		1.8L Eng.
	MB55 5136	1	FWD		2.0L Eng.
	MB01 2574	1	FWD		2.0L Eng., w/Turbo, w/o Speed Control, Calif-Canada
	MB55 5136	1	FWD		2.0L Eng., w/Turbo, w/Speed Control, Calif-Canada
	MB01 2574	1	AWD		2.0L Eng., w/Turbo, Federal
	MB55 5136	1	AWD		2.0L Eng., w/Turbo, Calif-Canada
	MB55 5136	1			1993-94 ***
3	MB55 5135	1			CAP, Reservoir Tank
4	MB01 2155	1			BAND, Fluid Reservoir
5		1			PISTON, (Serv. in Pkg)
6		1			RING, Piston Stopper, (Serv. in Pkg)
7	MB55 5210	1			ROD, Push
8		1			BOOT, (Serv. in Pkg)
9	MF47 3492	1			PIN, Clevis, (10x23)
10	MB15 1106	1			WASHER, (10)
11	MF47 2042	1			PIN, (2x30)
12	MS44 0503	2			NUT, w/Washer, (8)
13	MB55 5016	1			GASKET

ENGINE: P = 1800cc (1.8L)  
A = 2000cc (2.0L)  
Blank = All

TRANS: A = Automatic  
M = Manual  
Blank = All

SERIES: H = High  
M = Medium  
P = Premium  
S = Special

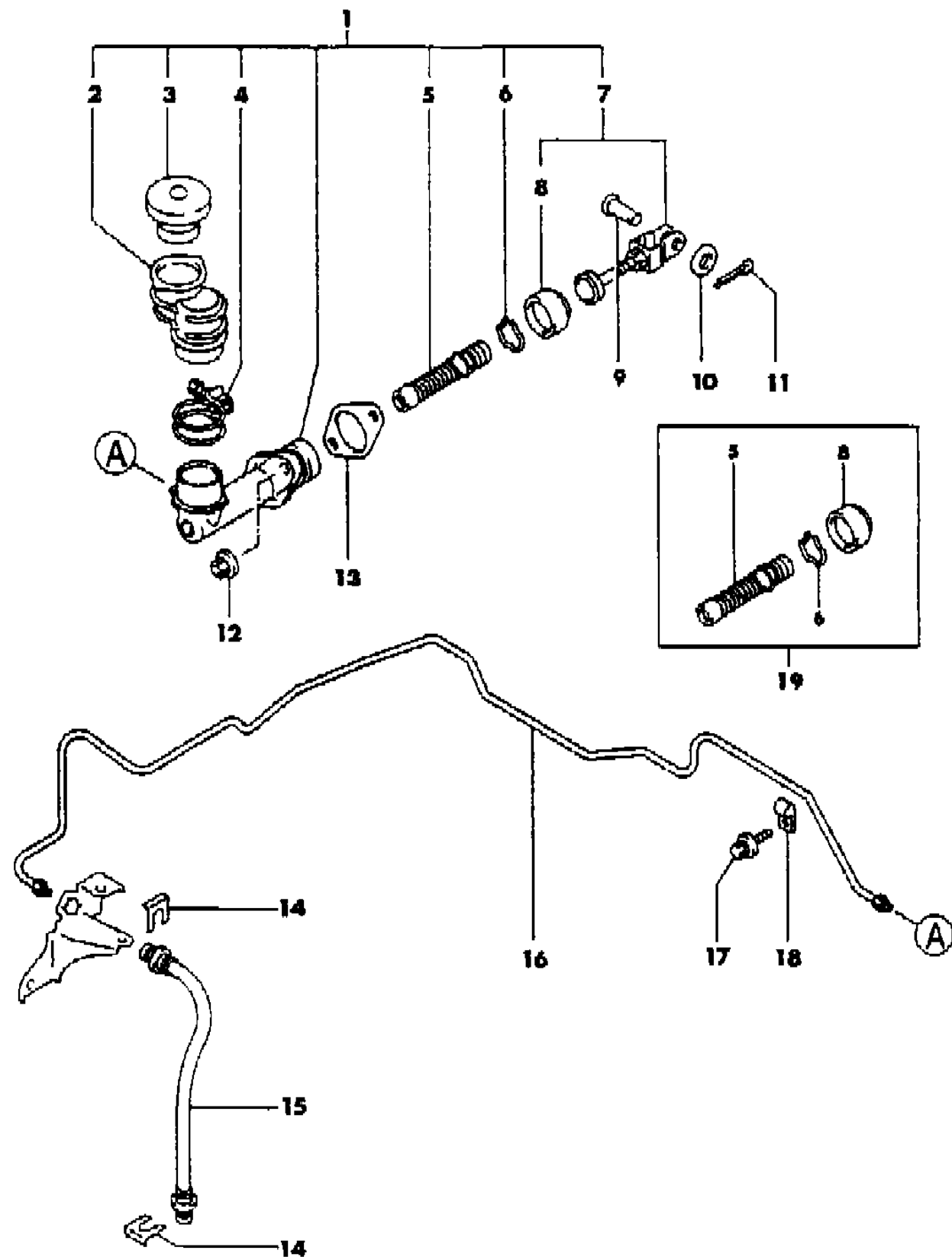
MODELS:  
24 FWD = 2Dr Hatchback (Laser)  
24 FWD = 2-Dr Hatchback (Talon)  
4WD = (4 Wheel Drive)  
2WD = (2 Wheel Drive)

AR = Use as Required - = Non Illustrated Part P.A.R. = Paint as Required



MASTER CYLINDER, CLUTCH LASER-TALON  
Figure 6-500

9606 500



ITEM	PART NUMBER	QTY	BODY	MODEL	DESCRIPTION
14	MB61 8507	2			CLIP, Hose
15					HOSE, Cylinder
	MB32 2636	1			1990 ***
	MB55 5236	1			1991-94 ***
16					TUBE
	MB01 2691	1			1990 ***
	MB55 5368	1			1991 ***
					1992-94 ***
	MB84 4045	1			1.8L Eng.
	MB84 4044	1			2.0L Eng. w/o ABS
	MB55 5368	1			2.0L Eng. w/ABS
17					BOLT, w/Washer
	MF24 3649	1			1990, (8x16) ***
	MF24 0050	1			1991, (8x14) ***
	MS24 0095	1			1992-93, (8x16) ***
18	MB19 3006	1			CLIP
19	MB01 2161	1			CYLINDER PKG, Clutch Master ***

ENGINE: P = 1800cc (1.8L) A = 2000cc (2.0L) Blank = All  
 TRANS: A = Automatic M = Manual Blank = All  
 SERIES: H = High M = Medium P = Premium S = Special

MODELS:  
 24 FWD = 2Dr Hatchback (Laser)  
 24 FWD = 2-Dr Hatchback (Talon)  
 4WD = (4 Wheel Drive)  
 2WD = (2 Wheel Drive)

AR = Use as Required - = Non Illustrated Part P.A.R. = Paint as Required

---

**GROUP 7 - COOLING**

<b>ILLUSTRATION TITLE</b>	<b>GROUP-FIG. NO.</b>
<b>GRILLE AND RELATED PARTS</b>	
GRILLE AND RELATED PARTS LASER-TALON .....	Fig. 7-100
<b>RADIATOR AND RELATED PARTS</b>	
RADIATOR AND RELATED PARTS LASER-TALON .....	Fig. 7-200
<b>CONDENSER TANK</b>	
CONDENSER TANK LASER-TALON .....	Fig. 7-300
<b>OIL COOLER LINES</b>	
OIL COOLER AND LINES LASER-TALON .....	Fig. 7-425
<b>INTERCOOLER</b>	
INTERCOOLER 1990 LASER-TALON .....	Fig. 7-500
INTERCOOLER 1991-94 LASER-TALON .....	Fig. 7-550
<b>DRIVE BELTS</b>	
DRIVE BELTS LASER-TALON .....	Fig. 7-600
<b>DRIVE PULLEYS</b>	
DRIVE PULLEYS LASER-TALON .....	Fig. 7-700
<b>WATER PUMPS</b>	
WATER PUMPS LASER-TALON .....	Fig. 7-800
<b>WATER HOSE AND PIPE</b>	
WATER HOSE AND PIPE 1.8L ENGINE LASER .....	Fig. 7-900
WATER HOSE AND PIPE 1990 - 2.0L ENGINE LASER-TALON .....	Fig. 7-1000
WATER HOSE AND PIPE 1991-94 - 2.0L ENGINE LASER-TALON .....	Fig. 7-1100

**ILLUSTRATION NOT AVAILABLE AT TIME OF PUBLICATION**

---

GRILLE AND RELATED PARTS LASER-TALON

Figure 7-100

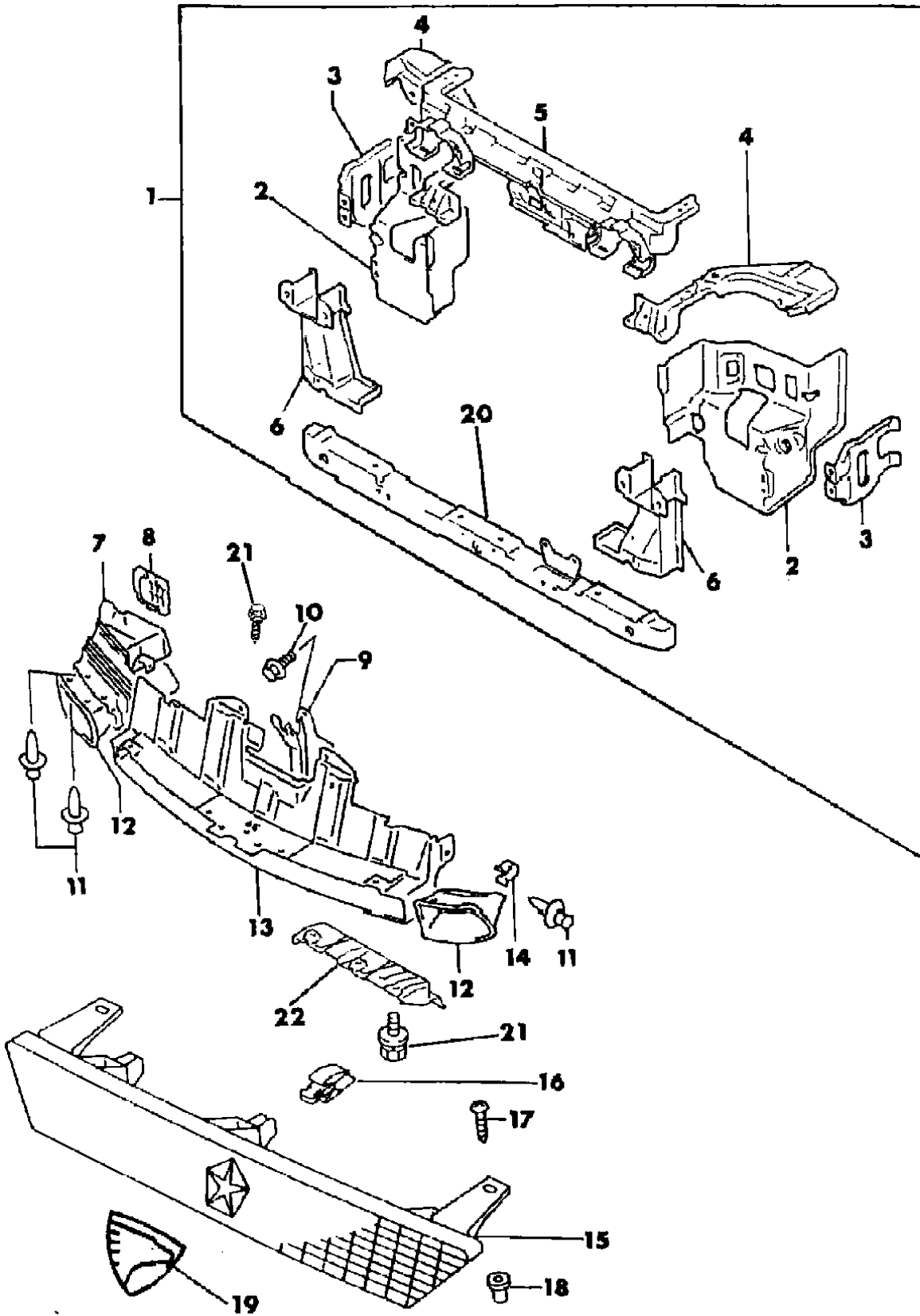
9607 100D

ITEM	PART NUMBER	QTY	BODY	MODEL	DESCRIPTION
1	MB54 9757	1			SUPPORT ASSY, Headlamp *** 1990-1, w/o Turbo
	MB54 9758	1			1990, w/Turbo
	MB83 5607	1			1991, w/Turbo
	MB83 5608	1			1992-94
2	MB54 9759	1			PANEL, Headlamp Support 1990-94, Lt.
	MB54 9760	1			1990-91, Rt., w/o Turbo
	MB54 9761	1			1990-91, Rt., w/Turbo
	MB54 9761	1			1992-94, Rt.
3	MB59 3341	1			PLATE, Front Fender Support 1990-91, Lt.
	MB59 3342	1			1990-91, Rt.
	MB83 5613	1			1992-94, Lt.
	MB83 5614	1			1992-94, Rt.
4	MB59 3343	1			REINFORCEMENT, Front End Panel, Upper 1990-91, Lt.
	MB59 3344	1			1990-91, Rt.
	MB83 5611	1			1992-94, Lt.
	MB83 5610	1			1992-94, Rt.
	MB83 5612	1			1992-94
5	MB54 9762	1			PANEL, Headlamp Support, Upper 1990-91
	MB83 5612	1			1992-94
6	MB54 9763	1			BRACE, Front Sidemember to Crossmember Lt.
	MB54 9764	1			Rt.
7	MB52 8295	1		LASER	DUCT, Front Bumper, Intake 1990-91
	MB57 4154	1		TALON	1990-91
	MB63 1299	1		LASER	1992-94, Lt., w/FWD
	MB84 2979	1		LASER	1992-93, Lt., w/AWD
	MB86 6539	1		LASER	1994, Lt., w/AWD
	MB84 2979	1		TALON	1992-94, Lt., w/AWD
	MB84 3890	1			1992-94, Rt.
8	MB57 4140	1			PLATE, Water Proof
9	MB52 8600	1			SUPPORT, Body Loose Panel 1990-91
	MB62 6829	1			1992-94
	MS10 0223	4			BOLT, Flange, (6x10)

ENGINE: P = 1800cc (1.8L) A = 2000cc (2.0L) Blank = All  
 TRANS: A = Automatic M = Manual Blank = All  
 SERIES: H = High M = Medium P = Premium S = Special

MODELS:  
 24 FWD = 2Dr Hatchback (Laser)  
 24 FWD = 2-Dr Hatchback (Talon)  
 4WD = (4 Wheel Drive)  
 2WD = (2 Wheel Drive)

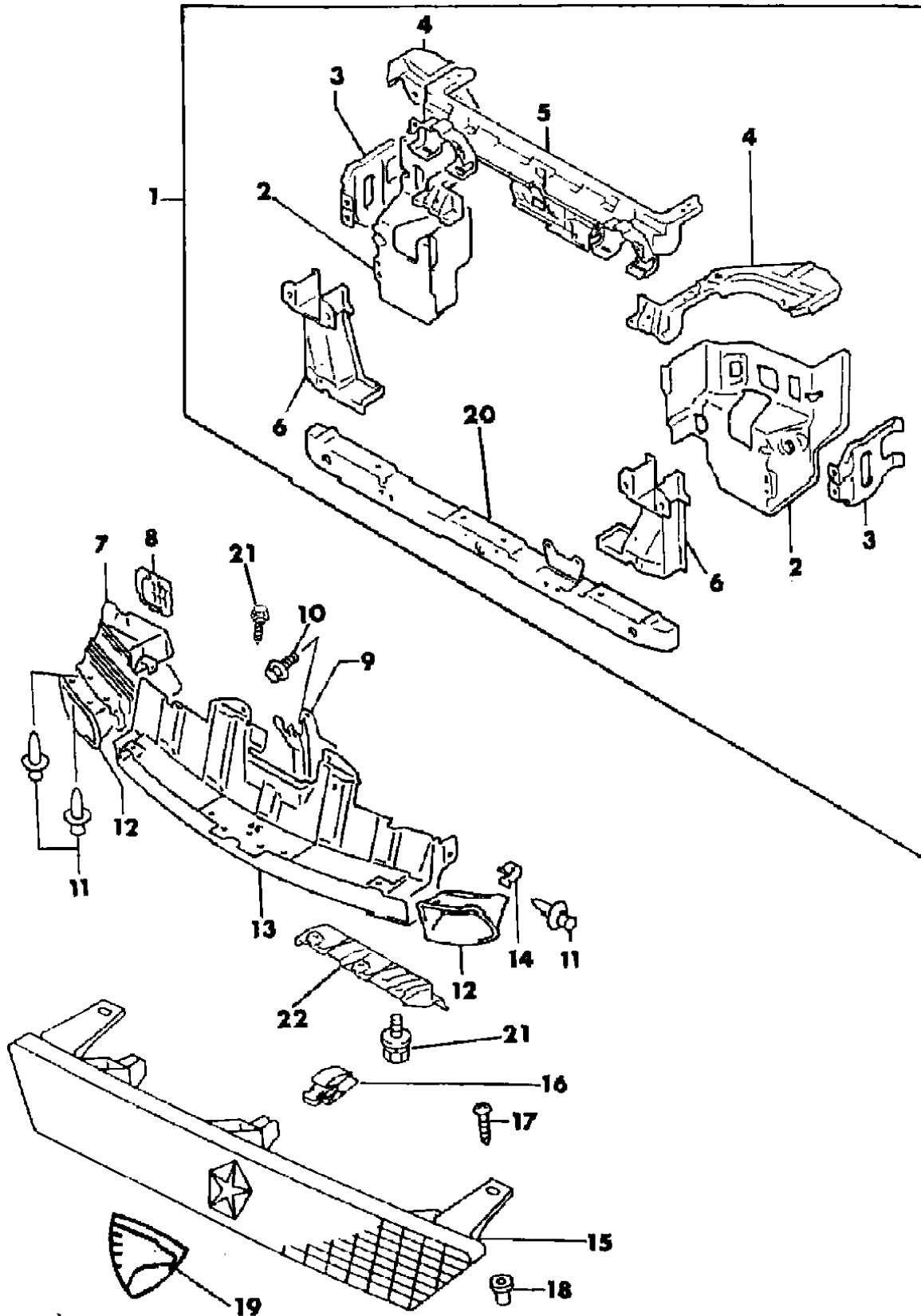
AR = Use as Required - = Non Illustrated Part P.A.R. = Paint as Required



GRILLE AND RELATED PARTS LASER-TALON

Figure 7-100

9607 100D



ITEM	PART NUMBER	QTY	BODY	MODEL	DESCRIPTION
11	MB40 6894	AR			CLIP
12	MB57 4043	1			COVER, Front Bumper Air Intake Lt. 1990-91
	MB57 4044	1			Rt. 1990-91
13	MB52 8607	1			DUCT, Front Bumper Air Guide, Center 1990-91
	MB63 1167	1		TALON	1992-94
	MB63 1267	1	M,H	LASER	1992-93
	MB63 1267	1		LASER	1994, w/FWD
	MB63 1167	1		LASER	1994, w/AWD
14	MB59 0093	2			CLIP, Body Loose Panel, 1990-91
15	MB66 2701	1		LASER	GARNISH, Front *** 1990-91
	MB69 6353	1		TALON	1990-91
16	MB15 3825	3			CLIP, Radiator Grille, 1990-91
17	MF45 3093	2			SCREW, 1990-91, (5x16)
18	MS48 0009	2			GROMMET, 1990-91, (5)
19	MB64 3131	1			MARK, (Eagle), 1990-91 ***
20	MB83 5603	1			PANEL, Headlamp Support Lower, 1992-94
21	MS24 0180	AR			BOLT, Body Loose Panel
22	MB54 5307	2		LASER	PANEL, Air Guide

ENGINE: P = 1800cc (1.8L) A = 2000cc (2.0L) Blank = All  
 TRANS: A = Automatic M = Manual Blank = All  
 SERIES: H = High M = Medium P = Premium S = Special

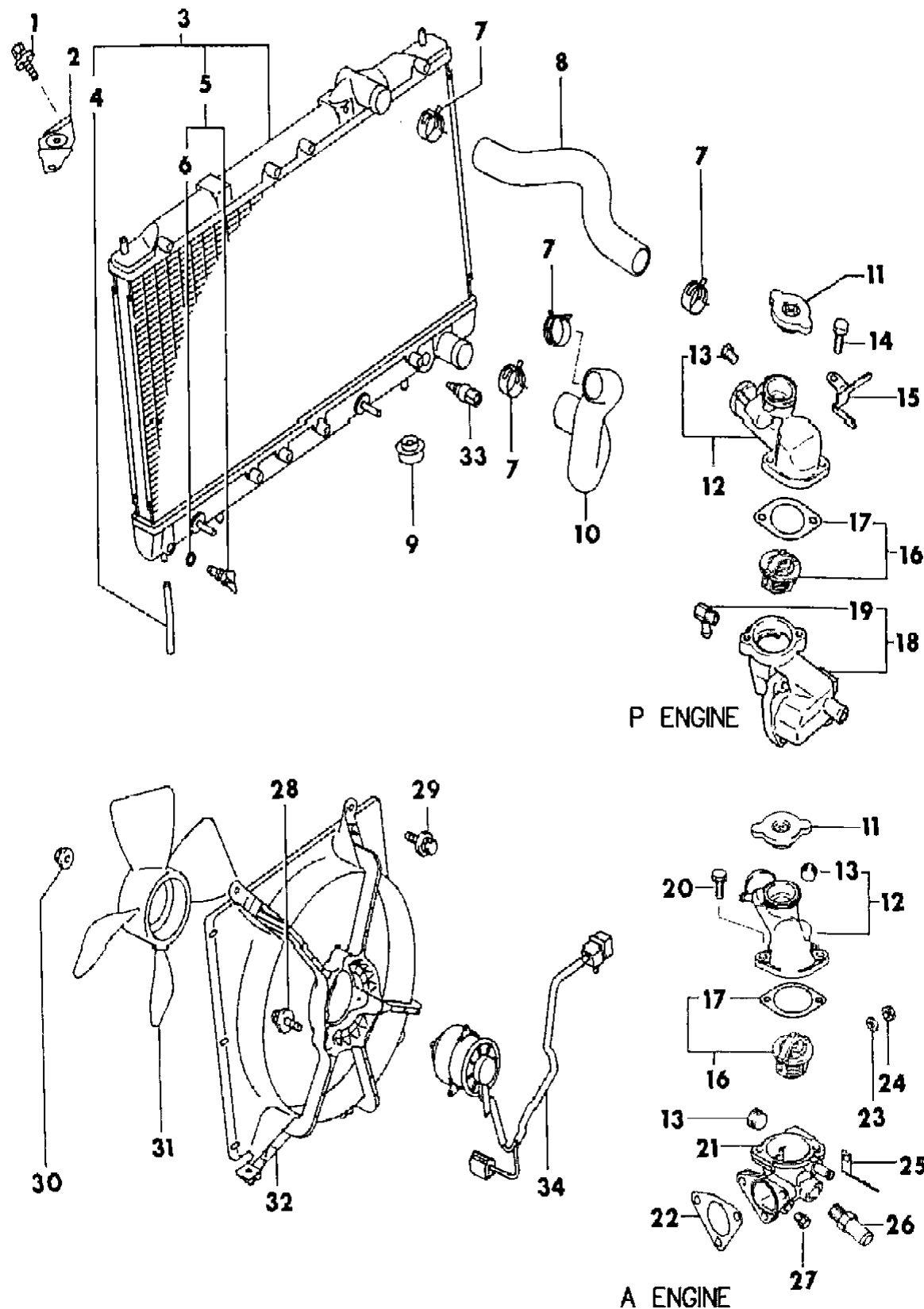
MODELS:  
 24 FWD = 2Dr Hatchback (Laser)  
 24 FWD = 2-Dr Hatchback (Talon)  
 4WD = (4 Wheel Drive)  
 2WD = (2 Wheel Drive)

AR = Use as Required - = Non Illustrated Part P.A.R. = Paint as Required

# RADIATOR AND RELATED PARTS LASER-TALON

## Figure 7-200

9607 200B



ITEM	PART NUMBER	QTY	BODY	MODEL	DESCRIPTION
1	MU24 1006	4			BOLT, (8x20)
2	MB53 8857	1			INSULATOR, Support, Upper Lt.
	MB53 8858	1			Rt.
3					RADIATOR ASSY ***
	MB53 8505	1			1.8L Eng., w/5 Speed, w/o Turbo
	MB53 8869	1			1.8L Eng., w/Auto. Trans, w/o Turbo
	MB53 8505	1			2.0L Eng., w/5 Speed, w/o Turbo
	MB53 8506	1			2.0L Eng., w/Auto. Trans, w/o Turbo
4	MB53 8507	1			2.0L Eng., w/Turbo
	MB60 5085	1			TUBE, Drain
5	MB59 7892	1			PLUG ASSY, Drain ***
6	MB00 7701	1			O-RING, Drain Plug
7					CLAMP, Piping
	MB35 6968	4			1990-91
8	MA60 9112	4			1992-94, (44)
					HOSE, Radiator Upper
9	MB35 6991	1			1.8L Eng.
	MB35 6992	1			2.0L Eng.
10	MB53 8927	2			INSULATOR, Support, Lower
11					HOSE, Radiator Lower
	MB35 6993	1			1.8L Eng.
	MB35 6993	1			2.0L Eng., w/o Turbo
12	MB60 5486	1			2.0L Eng., w/Turbo
					CAP, Radiator
13	MB60 5277	1			1990
	MB66 0735	1			1991-94
14					FITTING, Water Outlet Hose
	MD11 3164	1			1.8L Eng.
15	MD13 0457	1			2.0L Eng.
					PLUG, Taper
16	MD01 4929	1			1.8L Eng., (PT 1/8)
	MD14 5018	1			2.0L Eng., 1990, (PT 3/8)
17	MS66 1162	2			2.0L Eng., 1991-94, (PT 3/8)
					BOLT, w/Washer, (8x25)
18	MF24 1255	2			CLAMP, Inlet Manifold
19	MD13 8356	1			THERMOSTAT PKG ***
	MD99 7221	1			1.8L Eng. 1990-91
20	MD99 7604	1			1.8L Eng. 1992-94

ENGINE: P = 1800cc (1.8L) A = 2000cc (2.0L) Blank = All  
 TRANS: A = Automatic M = Manual Blank = All  
 SERIES: H = High M = Medium P = Premium S = Special

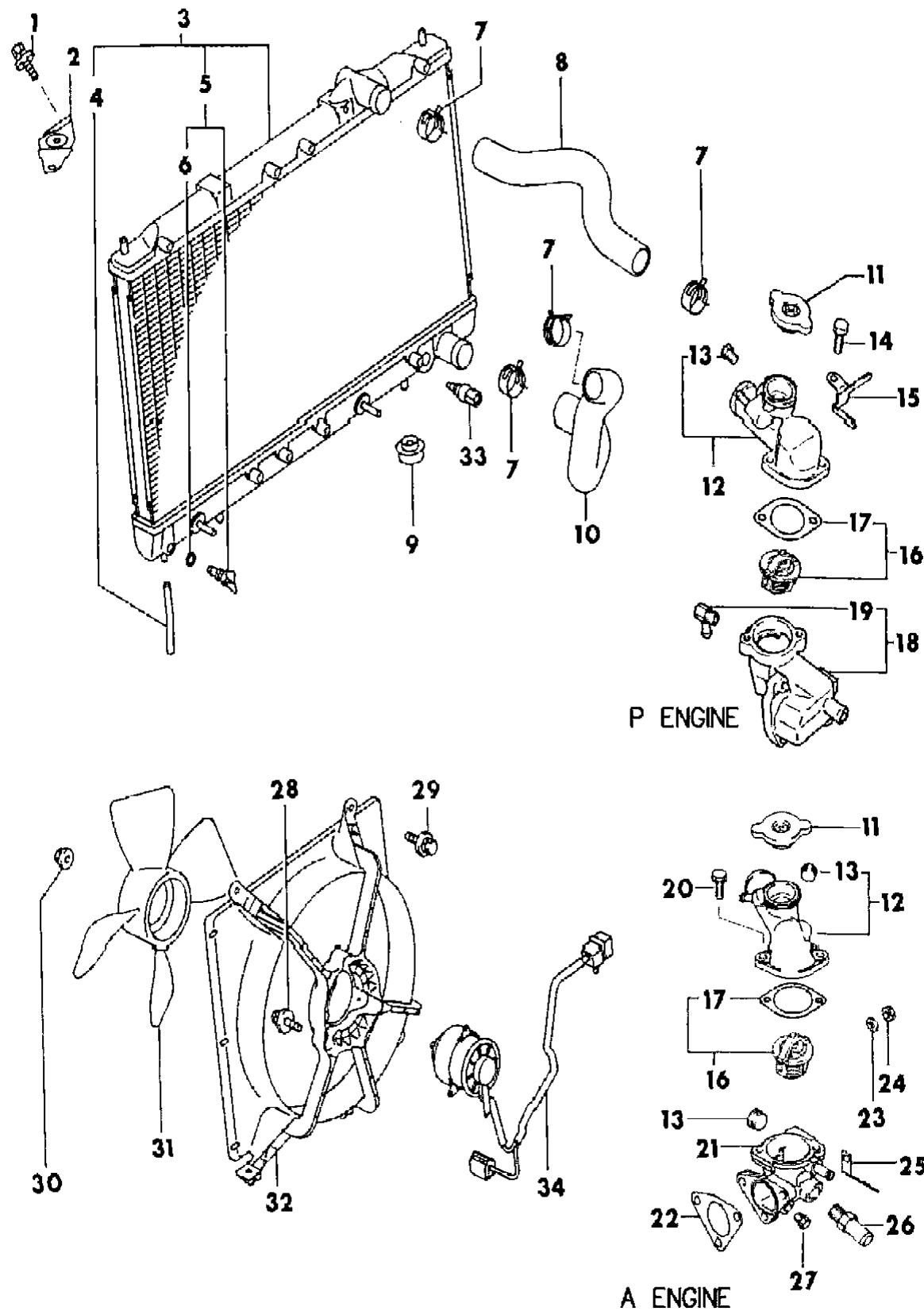
MODELS:  
 24 FWD = 2Dr Hatchback (Laser)  
 24 FWD = 2-Dr Hatchback (Talon)  
 4WD = (4 Wheel Drive)  
 2WD = (2 Wheel Drive)

AR = Use as Required - = Non Illustrated Part P.A.R. = Paint as Required

# RADIATOR AND RELATED PARTS LASER-TALON

## Figure 7-200

9607 200B



ITEM	PART NUMBER	QTY	BODY	MODEL	DESCRIPTION
	MD99 7461	1			2.0L Eng. 1990-91
	MD99 7608	1			2.0L Eng. 1992-94
17	MD18 4011	1			GASKET, Water Outlet Fitting
18	MD12 4285	1			CASE ASSY, Thermostat ***
19	MD08 1379	1			NIPPLE, Inlet Manifold
20	MF24 1855	2			BOLT, Housing, (8x25)
21					CASE, Thermostat 1990-92 ***
	MD13 0433	1			w/o Turbo, Federal
	MD13 0435	1			w/o Turbo, Calif.
	MD13 0434	1			w/Turbo, 1990, Federal
	MD13 0436	1			w/Turbo, 1990, Calif.
	MD16 8848	1			w/Turbo, 1991-92, Federal
	MD16 8847	1			w/Turbo, 1991-92, Calif. 1993 ***
	MD19 0337	1			w/o Turbo, Federal
	MD19 0340	1			w/o Turbo, Calif.
	MD19 0339	1			w/Turbo, Federal
	MD19 0342	1			w/Turbo, Calif.
	MD19 0338	1	LASER		w/Turbo, w/Auto. Trans., AWD, Federal
	MD19 0341	1	LASER		w/Turbo, w/Auto. Trans., AWD, Calif.
					1994 ***
	MD19 0337	1			w/o Turbo
	MD19 0339	1			w/Turbo
	MD19 0338	1	LASER		w/Turbo, w/Auto. Trans.
22					GASKET, Thermostat Case
	MD10 6471	1			1990
	MD14 5038	1			1991-93
23	MF45 0495	3			WASHER, (8)
24	MF43 0181	3			NUT, (8)
25	MS47 0058	1			CLIP, (60)
26	MD02 0631	1			JOINT
27	MD01 4929	1			PLUG, (PT 1/8)
28	MB53 8833	3			SCREW
29	MB60 5073	4			BOLT
30	MB53 6066	1			NUT
31					FAN, Radiator Cooling
	MB60 5118	1			1.8L Eng., w/5 Speed Trans.
	MB60 5002	1			1.8L Eng., w/Auto. Trans.

ENGINE: P = 1800cc (1.8L) A = 2000cc (2.0L) Blank = All  
 TRANS: A = Automatic M = Manual Blank = All  
 SERIES: H = High M = Medium P = Premium S = Special

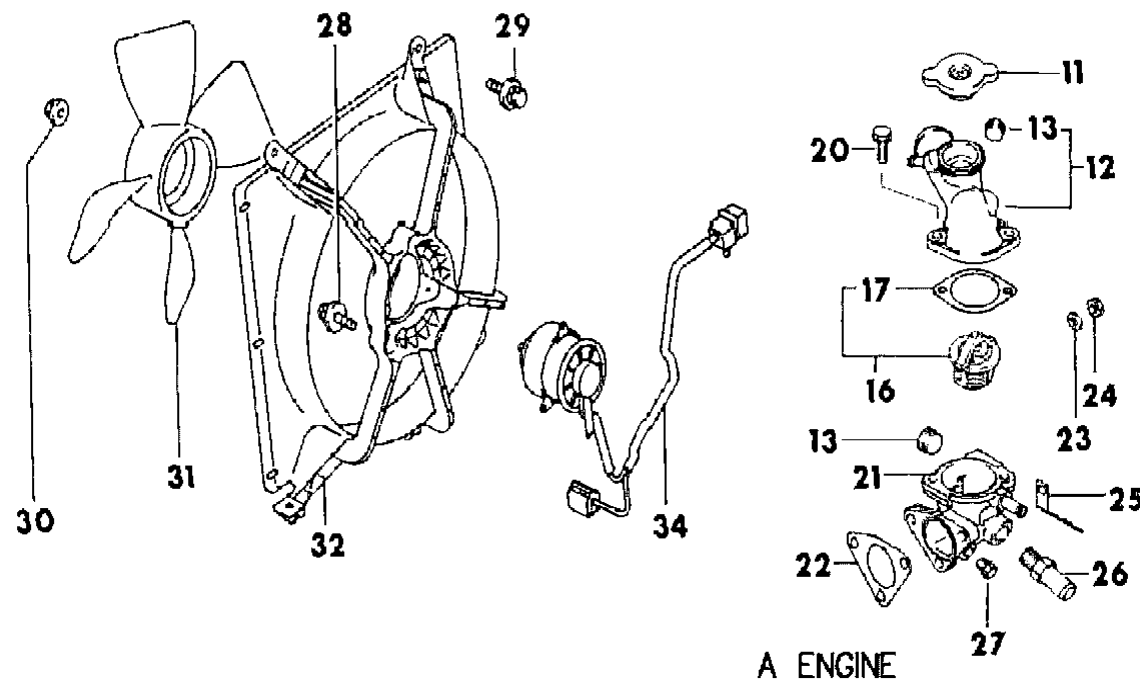
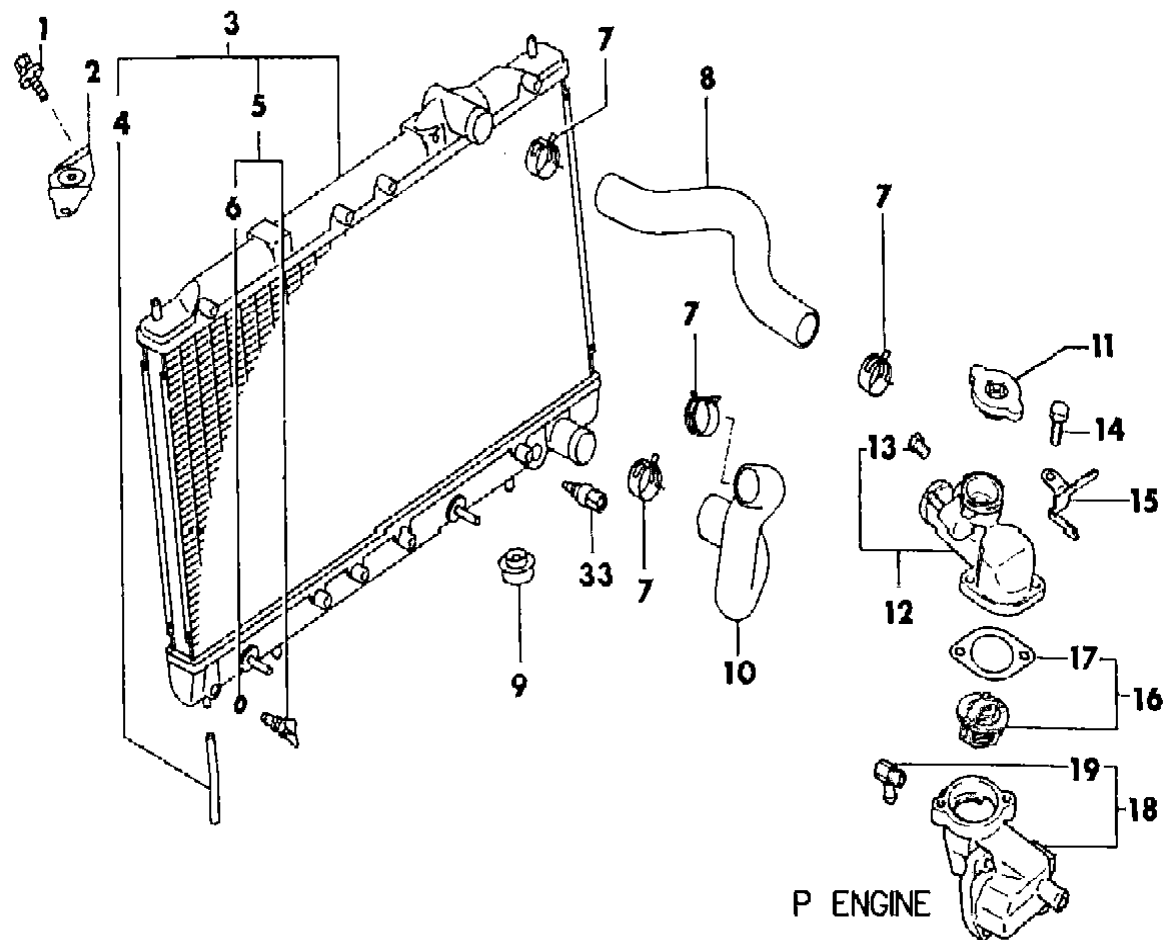
MODELS:  
 24 FWD = 2Dr Hatchback (Laser)  
 24 FWD = 2-Dr Hatchback (Talon)  
 4WD = (4 Wheel Drive)  
 2WD = (2 Wheel Drive)

AR = Use as Required - = Non Illustrated Part P.A.R. = Paint as Required

# RADIATOR AND RELATED PARTS LASER-TALON

Figure 7-200

9607 200B



ITEM	PART NUMBER	QTY	BODY	MODEL	DESCRIPTION
	MB60 5002	1			2.0L Eng., w/o Turbo
	MB60 5002	1			2.0L Eng., w/5 Speed, w/Turbo
	MB84 5010	1			2.0L Eng., w/Auto. Trans., w/Turbo
32					SHROUD, Radiator Fan
	MB60 5402	1			1.8L Eng., w/5 Speed Trans.
	MB60 5401	1			1.8L Eng., w/Auto. Trans.
	MB60 5401	1			2.0L Eng.
33	MB35 6704	1			SENSOR, Radiator Water Temperature
34					MOTOR, Radiator Fan
	MB60 5400	1			1.8L Eng., w/5 Speed Trans.
	MB60 5399	1			1.8L Eng., w/Auto. Trans.
	MB60 5399	1			2.0L Eng., w/o Turbo
	MB60 5399	1			2.0L Eng., w/5 Speed, w/Turbo
	MB84 5011	1			2.0L Eng., w/Auto. Trans, w/Turbo

ENGINE: P = 1800cc (1.8L) A = 2000cc (2.0L) Blank = All  
 TRANS: A = Automatic M = Manual Blank = All  
 SERIES: H = High M = Medium P = Premium S = Special

MODELS: 24 FWD = 2Dr Hatchback (Laser) 24 FWD = 2-Dr Hatchback (Talon) 4WD = (4 Wheel Drive) 2WD = (2 Wheel Drive)

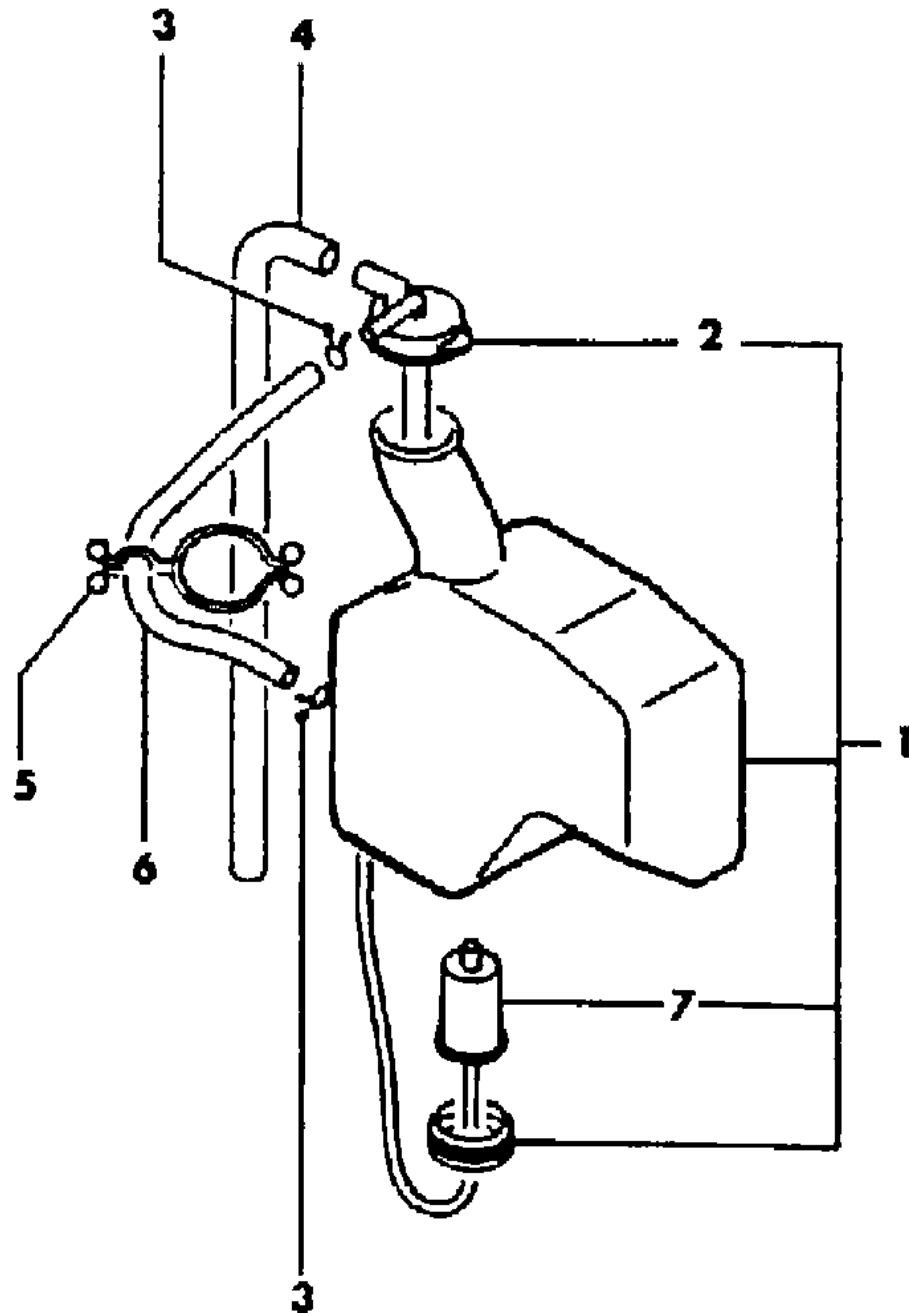
AR = Use as Required - = Non Illustrated Part P.A.R. = Paint as Required

CONDENSER TANK LASER-TALON

Figure 7-300

9607 300A

ITEM	PART NUMBER	QTY	BODY	MODEL	DESCRIPTION
1					TANK ASSY, Condenser ***
	MB35 6994	1			1990
	MB66 0286	1			1991-94
2	MB59 7537	1			CAP, Condenser Tank
3	MS66 0205	2			CLIP, Tank, (11.5)
4	MB60 5272	1			HOSE, Tank
5	MS47 0368	1			CLIP, (12-44)
6					HOSE, Rubber
	MS60 0699	1			1.8L Eng., (7x425)
	MS60 0536	1			2.0L Eng., Up to 4-1-89, (360)
	MS60 0699	1			2.0L Eng., After 4-1-89, (425)
	MS60 0699	1			2.0L Eng., 1991-94, (7x360)
7	MB60 5134	1			SWITCH, Level Warning



ENGINE: P = 1800cc (1.8L) A = 2000cc (2.0L) Blank = All  
 TRANS: A = Automatic M = Manual Blank = All  
 SERIES: H = High M = Medium P = Premium S = Special

MODELS:  
 24 FWD = 2Dr Hatchback (Laser)  
 24 FWD = 2-Dr Hatchback (Talon)  
 4WD = (4 Wheel Drive)  
 2WD = (2 Wheel Drive)

AR = Use as Required - = Non Illustrated Part P.A.R. = Paint as Required

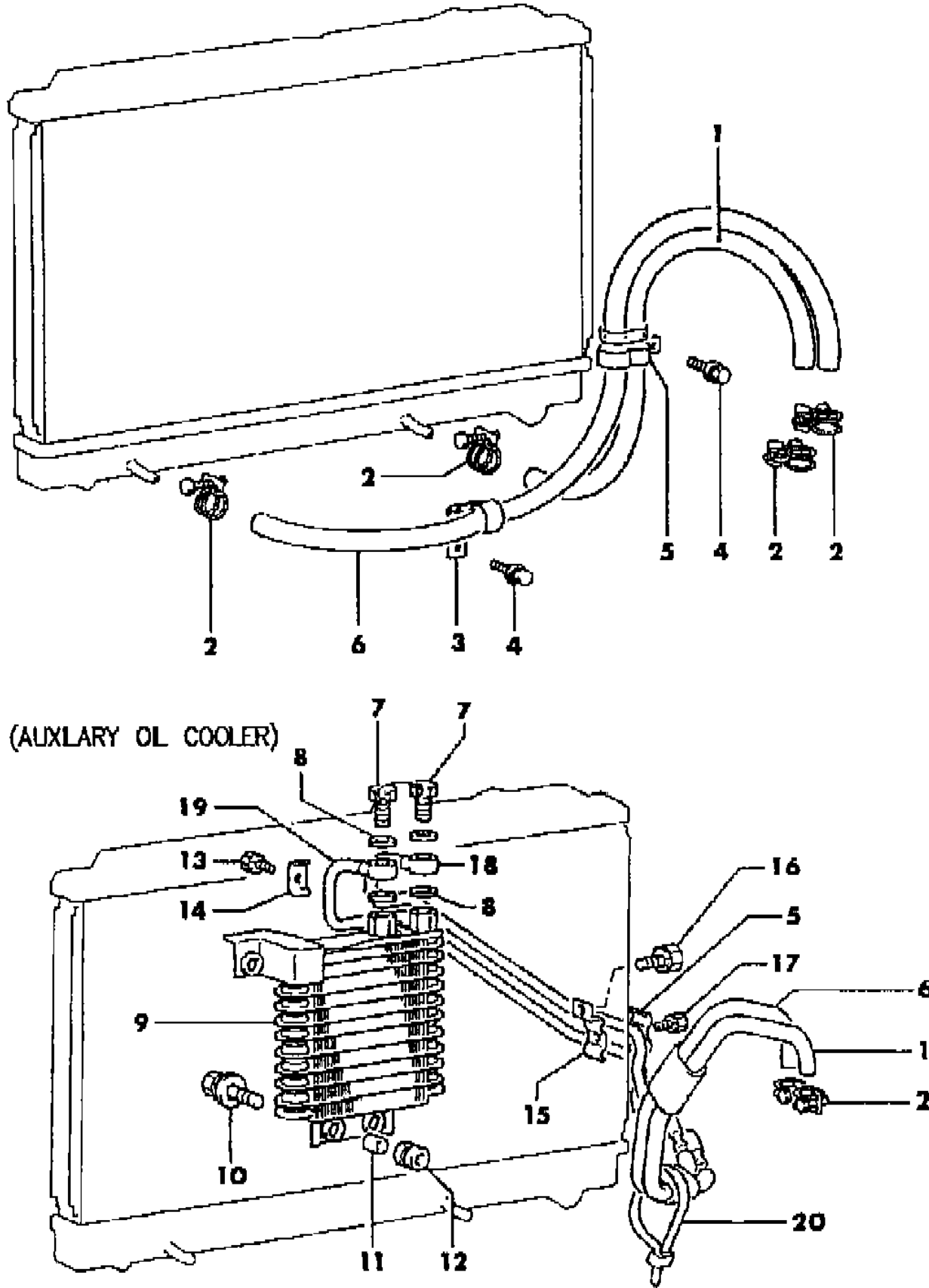


OIL COOLER AND LINES LASER-TALON

Figure 7-425

9607 425B

ITEM	PART NUMBER	QTY	BODY	MODEL	DESCRIPTION
1	MB01 0581	1		LASER	HOSE, Rubber, (8x660) Up To 4-1-89
	MB01 0471	1			After 4-1-89
	MB01 0471	1			1991-94, w/o Turbo
	MB01 1040	1			1991-94, w/Turbo
2	MF66 1007	4			CLAMP, (14)
3	MB01 0763	1			CLIP
4	MS24 0141	2			BOLT, (6x12)
5					CLAMP
6	MB53 8709	1			w/o Turbo
	MB01 0560	1			w/Turbo, 2.0L Eng., 1991-93
7-20	MB01 0582	1			HOSE w/o Turbo
	MB01 1039	1			w/Turbo, 2.0L Eng., 1991-94
7-20					AUXILIARY OIL COOLER, 1991-94 ***
7	MB03 3025	2			EYEBOLT, (16x33) ***
8	MB03 3054	4			GASKET
9	MB01 1035	1			COOLER, Auxiliary Oil
10	MS24 0127	3			BOLT, (8x30)
11	MB35 6105	3			COLLAR
12	MB35 6104	3			CUSHION, Mounting
13	MF24 0029	1			BOLT, (6x25)
14	MB01 1042	1			CLAMP
15	MB01 1041	1			BRACKET
16	MS24 0095	1			BOLT, (8x16)
17	MF24 0024	1			BOLT, (6x14)
18	MB01 1036	1			TUBE, Feed
19	MB01 1037	1			TUBE, Return
20		1			BAND, (Not Serviced)



ENGINE: P = 1800cc (1.8L) A = 2000cc (2.0L) Blank = All  
 TRANS: A = Automatic M = Manual Blank = All  
 SERIES: H = High M = Medium P = Premium S = Special

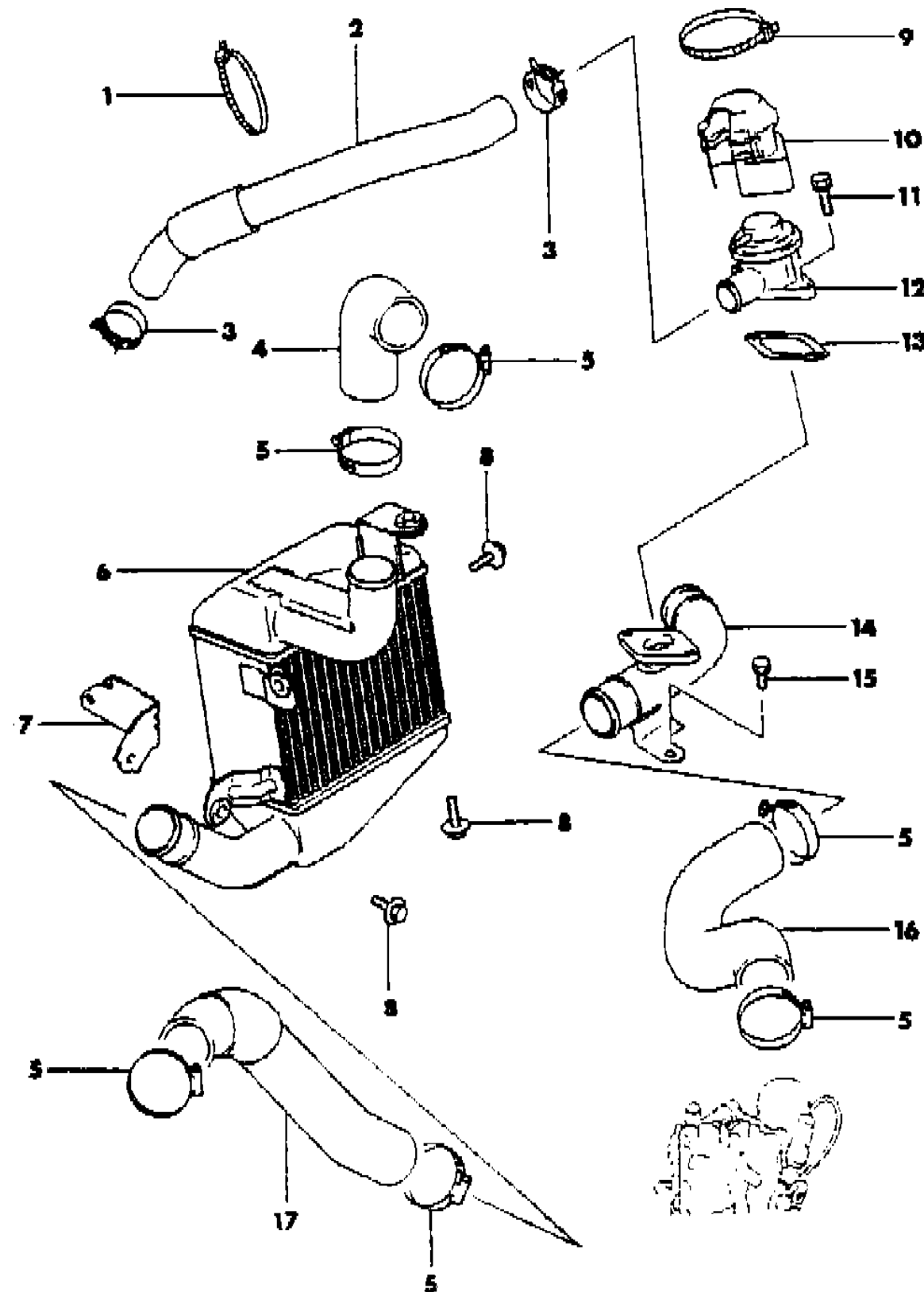
MODELS:  
 24 FWD = 2Dr Hatchback (Laser)  
 24 FWD = 2-Dr Hatchback (Talon)  
 4WD = (4 Wheel Drive)  
 2WD = (2 Wheel Drive)

AR = Use as Required - = Non Illustrated Part P.A.R. = Paint as Required

# INTERCOOLER 1990 LASER-TALON

Figure 7-500

9507 500



ITEM	PART NUMBER	QTY	BODY	MODEL	DESCRIPTION
1	MD01 7396	1			CLAMP, Hose, (215)
2	MD13 0020	1			HOSE, Air
3	MB22 2298	2			CLIP, Radiator Piping, (31)
4	MD11 9013	1			HOSE, Air
5	MD12 2524	6			CLAMP, Engine Air Intake Line, (58)
6	MD13 0718	1			INTERCOOLER ASSY ***
7	MD12 6455	1			BRACKET
8	MD13 1051	3			BOLT, Engine Air Intake Line
9	MD12 9688	1			CLAMP, Hose
10	MD13 9766	1			CAP, Air By-Pass Valve
11	MF24 5453	2			BOLT, Engine Air Intake Line, (8x25)
12	MD13 0343	1			VALVE, Air By-Pass
13	MD12 9768	1			GASKET, Air By-Pass Valve
14	MD13 0017	1			PIPE, Air
15	MS24 0139	2			BOLT, w/Washer, (8x20 4T)
16	MD13 0018	1			HOSE, Air
17	MD11 9012	1			HOSE, Air

ENGINE: P = 1800cc (1.8L) A = 2000cc (2.0L) Blank = All  
 TRANS: A = Automatic M = Manual Blank = All  
 SERIES: H = High M = Medium P = Premium S = Special

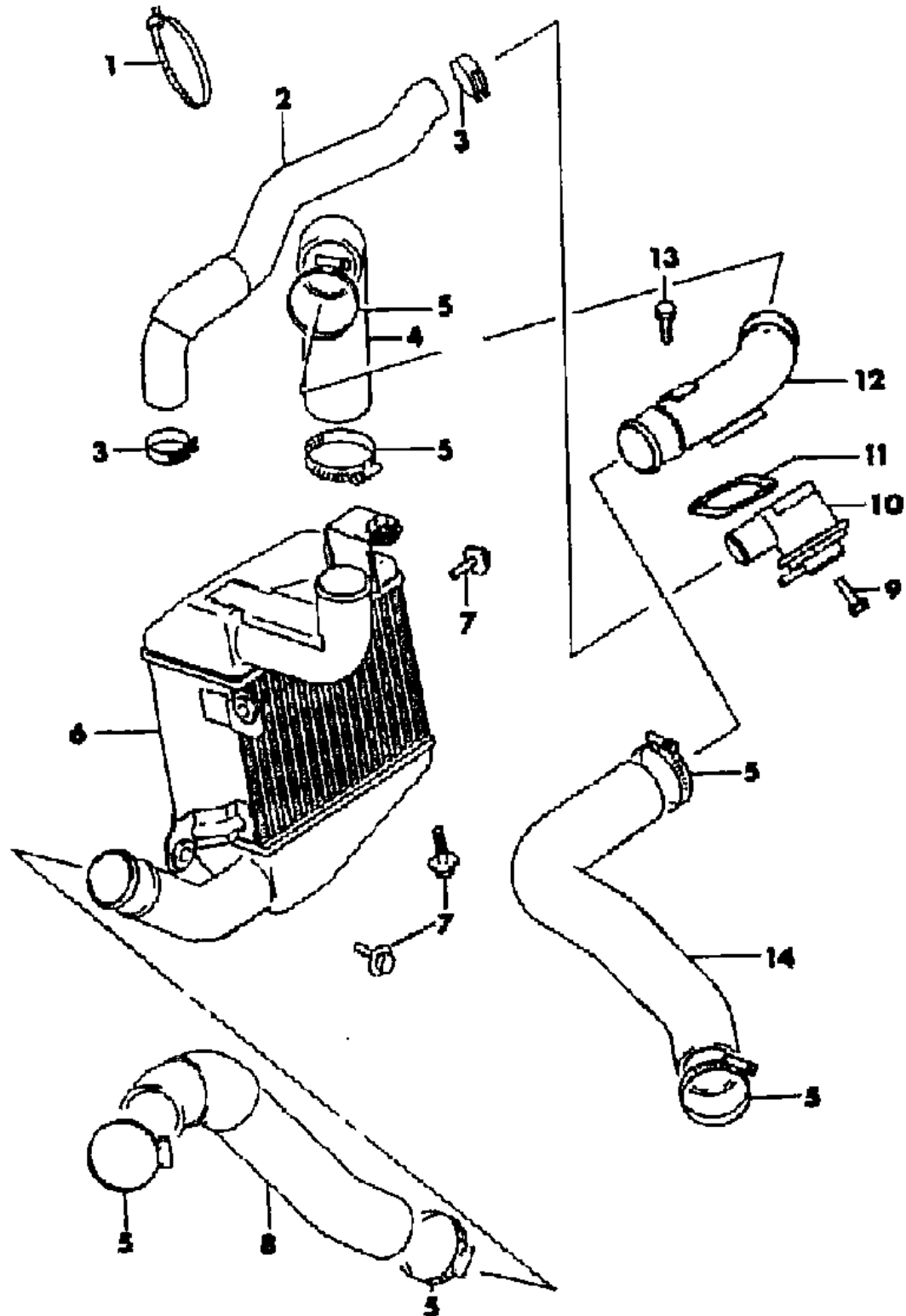
MODELS:  
 24 FWD = 2Dr Hatchback (Laser)  
 24 FWD = 2-Dr Hatchback (Talon)  
 4WD = (4 Wheel Drive)  
 2WD = (2 Wheel Drive)

AR = Use as Required - = Non Illustrated Part P.A.R. = Paint as Required

INTERCOOLER 1991-94 LASER-TALON

Figure 7-550

9607 550



ITEM	PART NUMBER	QTY	BODY	MODEL	DESCRIPTION
1	MD01 7396	1			BAND, Engine Air Intake Line
2	MD15 7358	1			HOSE, Outlet
3	MB22 2298	2			CLIP, Engine Air Intake Line
4	MD15 7356	1			HOSE, Outlet
5					CLAMP, Engine Air Intake Line
	MD12 2524	6		1991	
	MD17 2515	6		1992-94	
6	MD15 7361	1			INTERCOOLER ASSY ***
7	MD13 1051	3			BOLT, Engine Air Intake Line
8	MD15 7355	1			HOSE, Intake, Air
9	MF24 5453	2			BOLT, Engine Air Intake Line
10	MD16 0689	1			VALVE, Air By-Pass
11	MD12 9768	1			GASKET, Air By-Pass Valve
12	MD15 7359	1			PIPE, Outlet, Air
13					BOLT, Engine Air Intake Line
	MS24 0139	2		1990-93	
	MS24 0125	2		1994	
14	MD15 7357	1			HOSE, Outlet, Air

ENGINE: P = 1800cc (1.8L) A = 2000cc (2.0L) Blank = All  
 TRANS: A = Automatic M = Manual Blank = All  
 SERIES: H = High M = Medium P = Premium S = Special

MODELS:  
 24 FWD = 2Dr Hatchback (Laser)  
 24 FWD = 2-Dr Hatchback (Talon)  
 4WD = (4 Wheel Drive)  
 2WD = (2 Wheel Drive)

AR = Use as Required - = Non Illustrated Part P.A.R. = Paint as Required

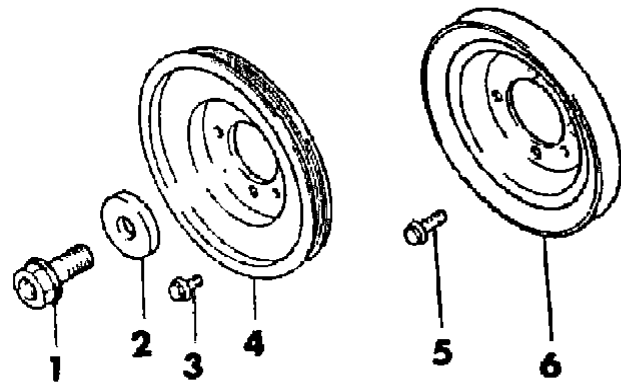


DRIVE PULLEYS LASER-TALON

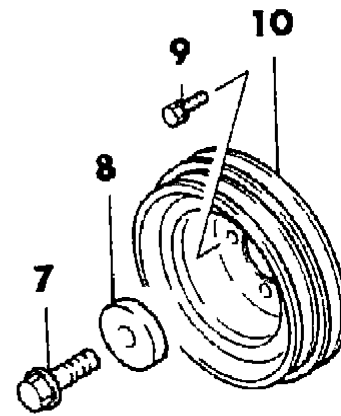
Figure 7-700

9607 700D

CRANKSHAFT PULLEYS

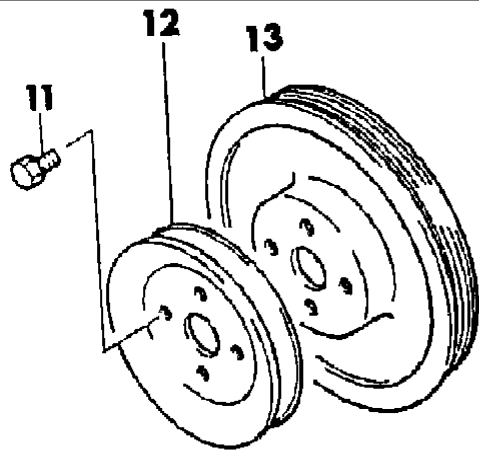


P ENGINE



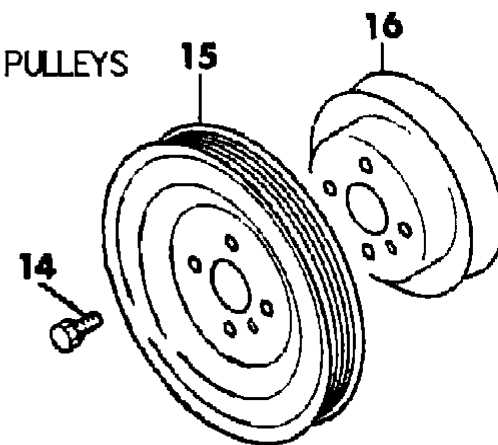
A ENGINE

WATER PUMP PULLEYS

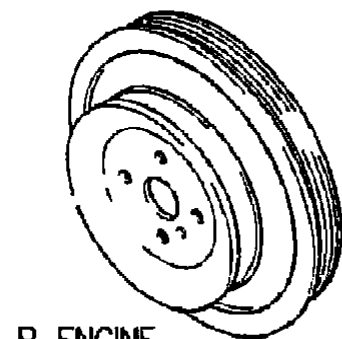


P ENGINE

1990



A ENGINE



P ENGINE

1991-94

17

ITEM	PART NUMBER	QTY	BODY	MODEL	DESCRIPTION
1	MD07 3440	1			BOLT
2	MD13 8150	1			WASHER
3	MD09 3793	4			BOLT
4	MD07 4243	1			PULLEY, Crankshaft, (Ribbed Type)
5	MD09 3792	4			BOLT, (M6-10T)
6	MD09 0767	1			PULLEY, Crankshaft Damper
7	MD07 4255	1			BOLT, (14x50)
8	MD01 2455	1			WASHER
9	MS24 0211	4			BOLT, (8x25)
10	MD13 0250	1			PULLEY, Crankshaft Damper
11					BOLT, w/Washer
	MF24 1224	4			1990-92, (6x14)
	MF24 1223	4			1993, 1.8L Eng., (6x12)
	MF24 1224	4			1993, 2.0L Eng., (6x14)
12	MD12 5424	1			PULLEY, Water Pump, 1990, (V-Type)
13	MD12 5425	1			PULLEY, Water Pump, (Ribbed Type)
14	MF24 1224	4			BOLT, w/Washer, (6x14)
15	MD12 4049	1			PULLEY, Water Pump, (Ribbed Type)
16	MD12 4050	1			PULLEY, Water Pump, (V-Type)
17	MD15 8218	1			PULLEY, Water Pump, 1991-94, (V-Type/Ribbed)

ENGINE: P = 1800cc (1.8L) A = 2000cc (2.0L) Blank = All  
 TRANS: A = Automatic M = Manual Blank = All  
 SERIES: H = High M = Medium P = Premium S = Special

MODELS:  
 24 FWD = 2Dr Hatchback (Laser)  
 24 FWD = 2-Dr Hatchback (Talon)  
 4WD = (4 Wheel Drive)  
 2WD = (2 Wheel Drive)

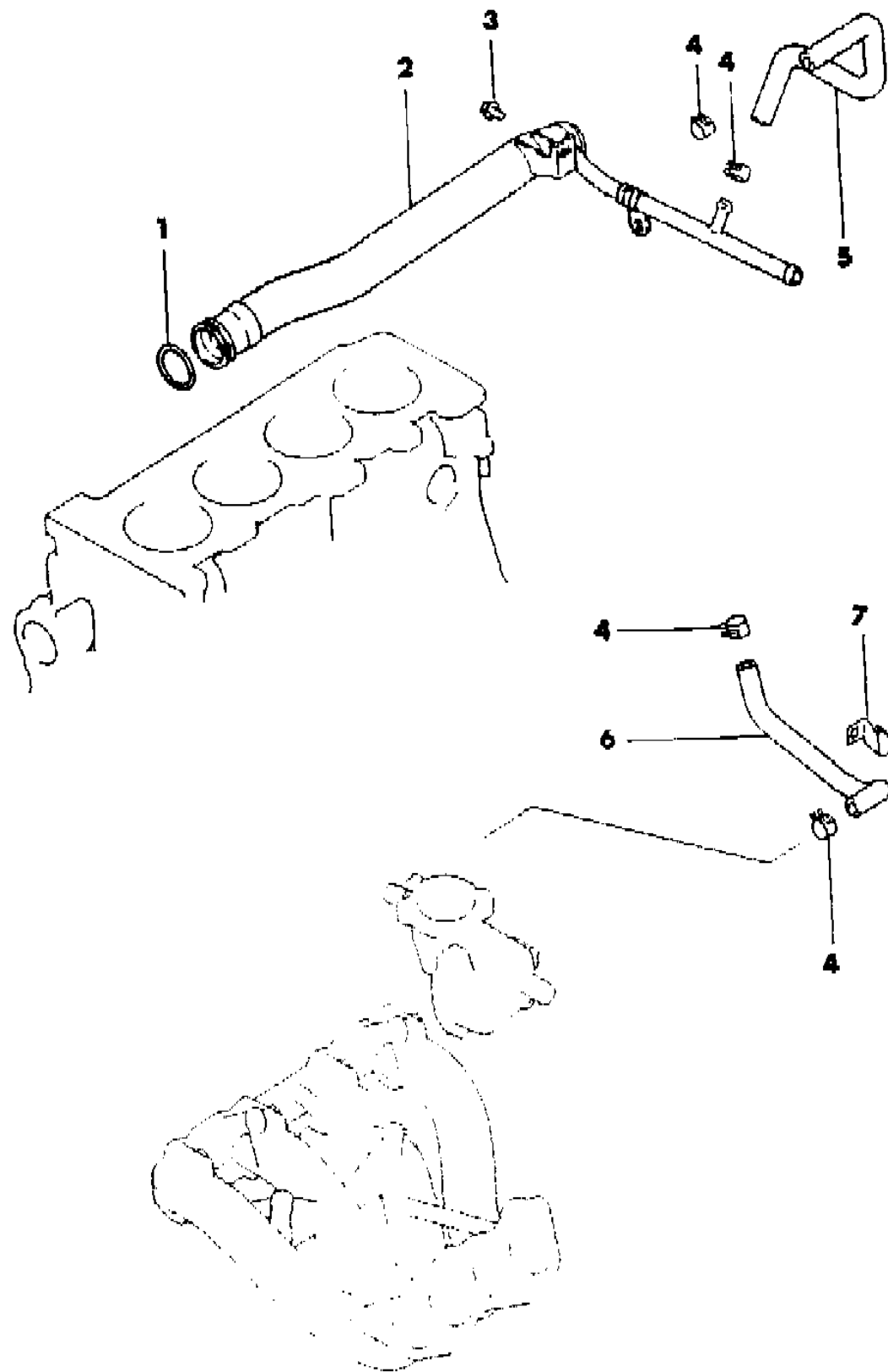
AR = Use as Required - = Non Illustrated Part P.A.R. = Paint as Required



WATER HOSE AND PIPE 1.8L ENGINE LASER

Figure 7-900

9607 900



ITEM	PART NUMBER	QTY	BODY	MODEL	DESCRIPTION
1	MD03 0764	1			O-RING, (33.4)
2					PIPE, Water Pump Inlet
					1990 ***
	MD13 9762	1			Exc. Calif.
	MD13 9763	1			Calif.
	MD13 9763	1			1991-94 ***
3	MF14 0202	1			BOLT, Flange, (6x10 7T)
4	MS66 0243	4			CLIP, Water Line, (15.5)
5	MD11 7210	1			HOSE, Water Line
6	MD11 7209	1			HOSE, Water Line
7	MD11 7086	1			CLAMP, Water Line

ENGINE: P = 1800cc (1.8L) A = 2000cc (2.0L) Blank = All  
 TRANS: A = Automatic M = Manual Blank = All  
 SERIES: H = High M = Medium P = Premium S = Special

MODELS:  
 24 FWD = 2Dr Hatchback (Laser)  
 24 FWD = 2-Dr Hatchback (Talon)  
 4WD = (4 Wheel Drive)  
 2WD = (2 Wheel Drive)

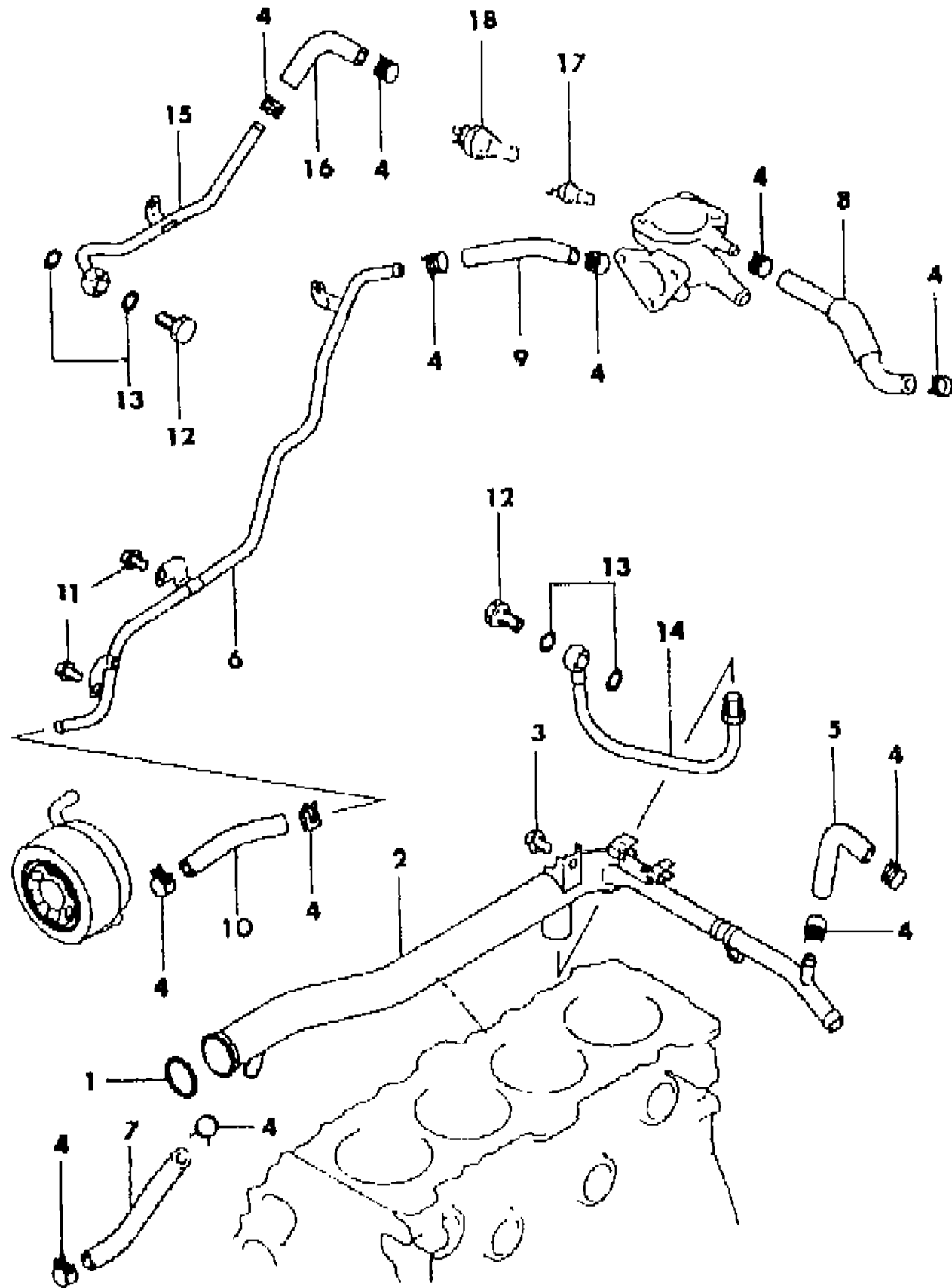
AR = Use as Required - = Non Illustrated Part P.A.R. = Paint as Required





**WATER HOSE AND PIPE 1991-94 - 2.0L ENGINE LASER-TALON**  
**Figure 7-1100**

9607 1100B



ITEM	PART NUMBER	QTY	BODY	MODEL	DESCRIPTION
1	MD03 0764	1			O-RING
2					PIPE, Water Pipe Inlet
					1991 ***
	MD13 6572	1			w/o Turbo
	MD16 3195	1			w/Turbo
					1992-94 ***
	MD17 1058	1			w/o Turbo
	MD17 1059	1			w/Turbo
	MD17 1060	1		LASER	w/Turbo, AWD, w/Auto. Trans.
3	MF14 0021	AR			BOLT, (8x12)
4	MS66 0243	AR			CLIP, (15.5)
5					HOSE, Throttle Body Water Return
	MD01 7335	1			1991-93
	MD30 1024	1			1994
6	MD16 8994	1			PIPE, Thermostat Case Oil Cooler Water Feed
7	MD16 3197	1			HOSE, Oil Cooler Water Return
8	MD14 6803	1			HOSE, Throttle Body Water Feed
9	MD16 9143	1			HOSE, Thermostat Case Side
10	MD16 7360	1			HOSE, Oil Cooler Water Feed
11	MF14 0203	2			BOLT
12					EYEBOLT, Cooling Water Line ***
					1990-93 ***
	MF65 0114	2			Man. Trans.
	MS65 0013	2			Auto Trans.
					1994 ***
	MF65 0114	2			Man. Trans.
	MD30 3393	2			Auto Trans.
13					GASKET, Cooling Water Line
	MF66 0065	4			Man. Trans.
	MF66 0064	4			Auto Trans.
14					PIPE, T/C Water Return
	MD11 7764	1			Man. Trans.
	MD15 3138	1			Auto Trans.
15					PIPE, T/C Water Feed
	MD14 0476	1			Man. Trans.
	MD15 3596	1			Auto Trans.
16					HOSE, T/C Water Feed
	MD14 0477	1			Man. Trans.
	MD11 7760	1			Auto Trans.

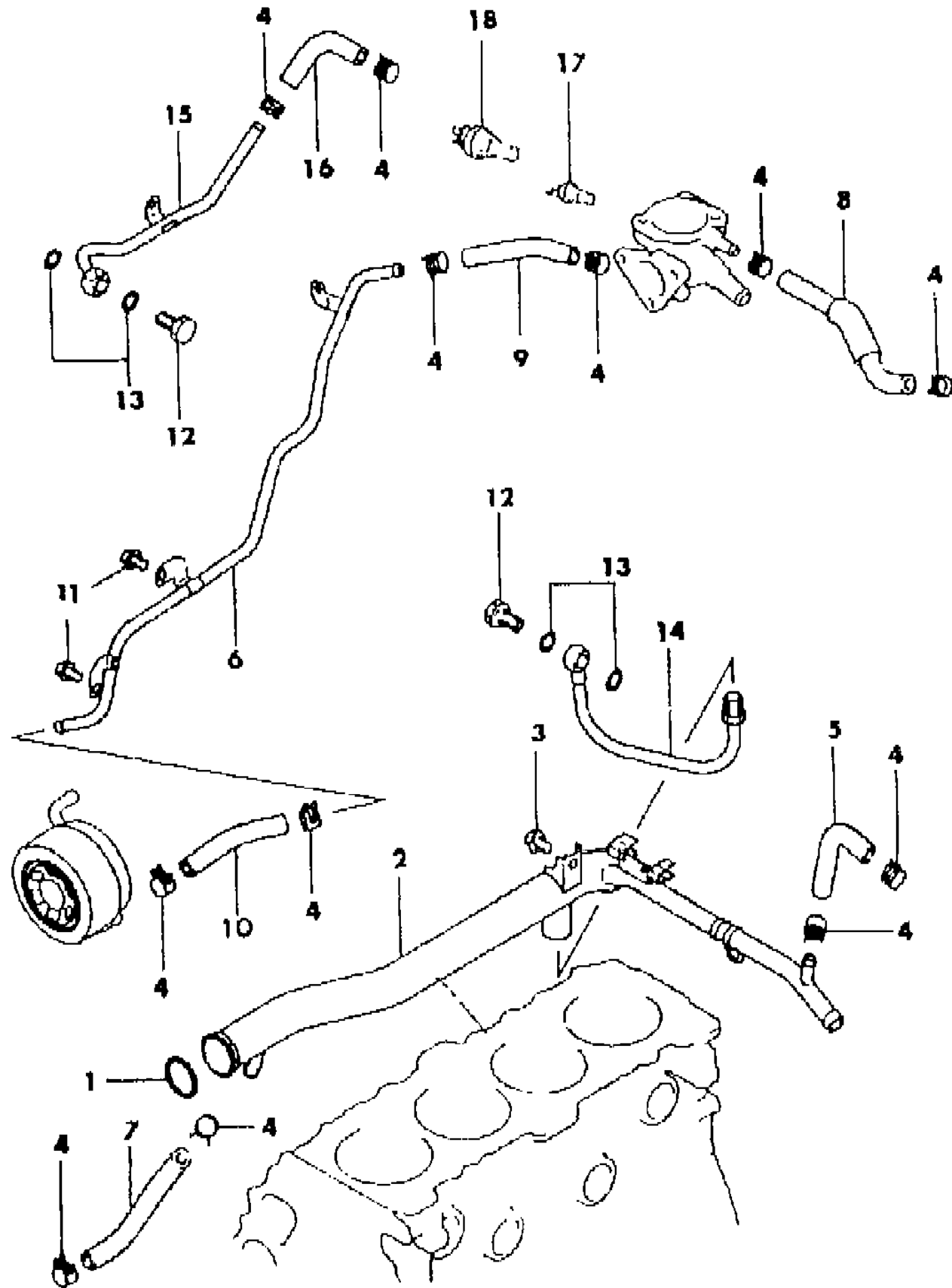
ENGINE: P = 1800cc (1.8L) A = 2000cc (2.0L) Blank = All  
 TRANS: A = Automatic M = Manual Blank = All  
 SERIES: H = High M = Medium P = Premium S = Special

MODELS:  
 24 FWD = 2Dr Hatchback (Laser)  
 24 FWD = 2-Dr Hatchback (Talon)  
 4WD = (4 Wheel Drive)  
 2WD = (2 Wheel Drive)

AR = Use as Required - = Non Illustrated Part P.A.R. = Paint as Required

WATER HOSE AND PIPE 1991-94 - 2.0L ENGINE LASER-TALON  
Figure 7-1100

9607 1100B



ITEM	PART NUMBER	QTY	BODY	MODEL	DESCRIPTION
17	MD09 1056	1			SENDING UNIT, Water Temp. Gauge ***
18	MD06 9879	1			SENSOR UNIT, Water Temp. ***

ENGINE: P = 1800cc (1.8L) A = 2000cc (2.0L) Blank = All  
 TRANS: A = Automatic M = Manual Blank = All  
 SERIES: H = High M = Medium P = Premium S = Special

MODELS:  
 24 FWD = 2Dr Hatchback (Laser)  
 24 FWD = 2-Dr Hatchback (Talon)  
 4WD = (4 Wheel Drive)  
 2WD = (2 Wheel Drive)

AR = Use as Required - = Non Illustrated Part P.A.R. = Paint as Required

---

**GROUP 8 - ELECTRICAL**

<b>ILLUSTRATION TITLE</b>	<b>GROUP-FIG. NO.</b>
<b>STARTERS</b>	
STARTER LASER-TALON .....	Fig. 8-105
<b>ALTERNATORS</b>	
ALTERNATOR LASER-TALON .....	Fig. 8-205
<b>DISTRIBUTORS</b>	
DISTRIBUTOR LASER-TALON .....	Fig. 8-305
<b>RELAYS--FLASHERS--TIMERS--HORNS</b>	
HORN--RELAY--FLASHER--TIMER 1990-93 LASER-TALON .....	Fig. 8-505
HORN--RELAY--FLASHER--TIMER 1994 LASER-TALON .....	Fig. 8-510
<b>SWITCHES--ELECTRICAL CONTROLS-SENSORS</b>	
SWITCHES & ELECTRICAL CONTROLS LASER-TALON .....	Fig. 8-805
SWITCHES-SENDING UNITS-SENSORS LASER-TALON .....	Fig. 8-810
<b>BATTERY TRAYS &amp; CABLES</b>	
BATTERY TRAY & CABLES LASER-TALON .....	Fig. 8-1005
<b>LAMPS</b>	
LAMPS--FRONT EXTERIOR 1990-91 LASER-TALON .....	Fig. 8-1105
LAMPS--FRONT EXTERIOR 1992-94 LASER-TALON .....	Fig. 8-1110
LAMPS--CONCEALED LASER-TALON .....	Fig. 8-1115
LAMPS--REAR EXTERIOR LASER-TALON .....	Fig. 8-1120
LAMPS--DOME & COURTESY LASER-TALON .....	Fig. 8-1125
<b>WIRING HARNESS &amp; ATTACHING PARTS</b>	
WIRING HARNESS LASER-TALON .....	Fig. 8-1205
ATTACHING PARTS--WIRING HARNESS LASER-TALON .....	Fig. 8-1210
<b>SPARK PLUGS--CABLES--COILS--CROSSOVER CHART</b>	
SPARK PLUGS--CABLES--COILS LASER-TALON .....	Fig. 8-1905
MITSUBISHI CROSSOVER LASER-TALON .....	Fig. 8-1910

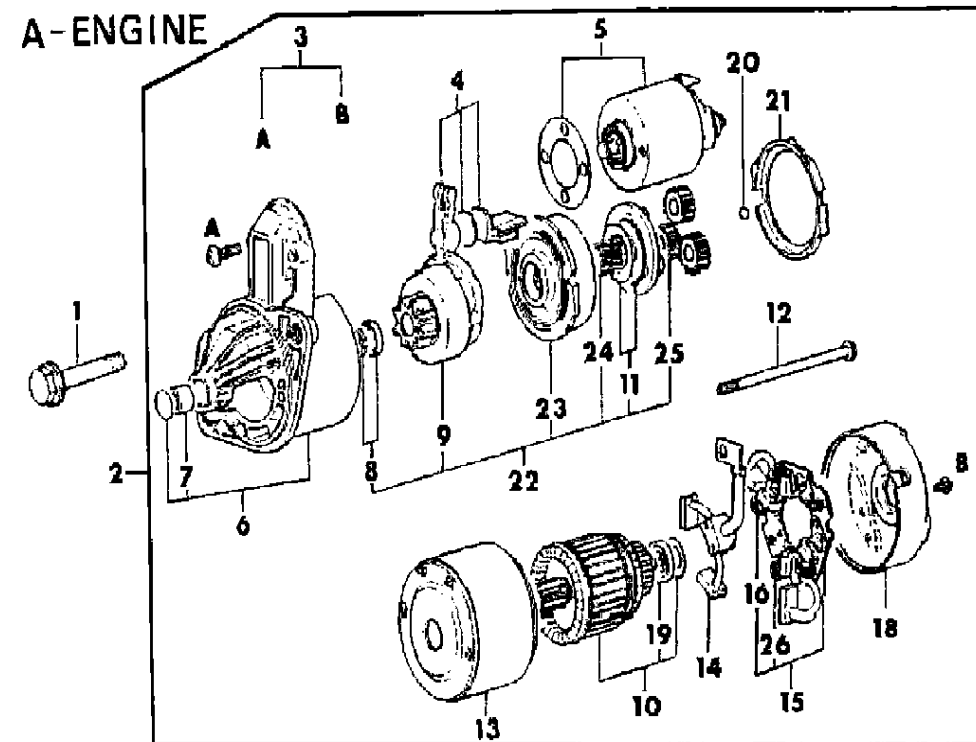
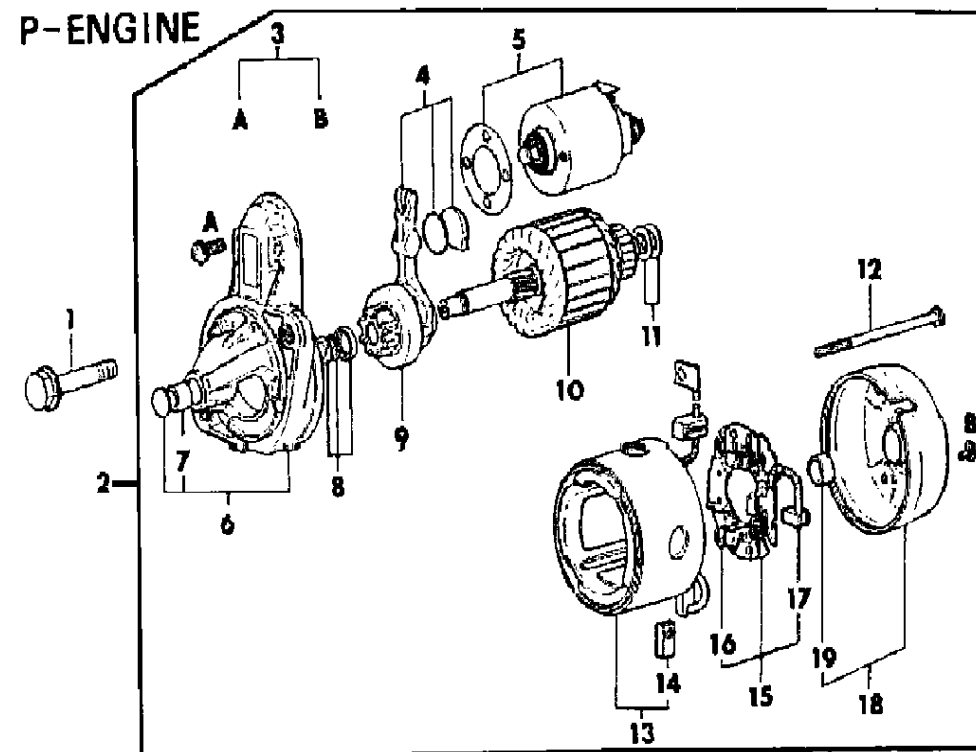
**ILLUSTRATION NOT AVAILABLE AT TIME OF PUBLICATION**

---

# STARTER LASER-TALON

Figure 8-105

9608 105



ITEM	PART NUMBER	QTY	BODY	MODEL	DESCRIPTION
1					BOLT, Flange
					1990 ***
		MF14 0270	2		Man. Trans., (10x60 7T)
		MF14 0269	2		Auto Trans., (10x55 7T)
2					1992-93 ***
					STARTER ASSY ***
					1990 ***
		MD10 0431	1		1.8L Eng.
		MD09 9667	1		2.0L Eng.
					1991 ***
		MD16 2837	1		1.8L Eng., w/Man. Trans.
		MD16 2838	1		1.8L Eng., w/Auto Trans.
		MD16 2839	1		2.0L Eng., w/Man. Trans., w/o Turbo
		MD16 2840	1		2.0L Eng., w/Auto Trans., w/o Turbo
		MD16 2839	1		2.0L Eng., w/Turbo
					1992-94 ***
		MD16 2837	1		1.8L Eng., w/Man. Trans.
		MD16 2838	1		1.8L Eng., w/Auto Trans.
		MD17 2860	1		2.0L Eng., w/Man. Trans., w/o Turbo
	MD17 2861	1		2.0L Eng., w/Auto Trans., w/o Turbo	
	MD17 2860	1		2.0L Eng., w/Turbo	
3	MD60 7887	1			SCREW, Starter Inner
4					LEVER KIT, Starter Pinion Shift ***
		MD60 7921	1		1.8L Eng.
		MD61 1223	1		2.0L Eng.
5	MD60 7997	1			SWITCH KIT, Magnetic ***
6					BRACKET, Front
					1990 ***
		MD61 1364	1		1.8L Eng.
		MD61 1221	1		2.0L Eng.
					1991 ***
		MD61 8444	1		1.8L Eng., w/Man. Trans.
		MD61 8294	1		1.8L Eng., w/Auto Trans.
		MD61 1221	1		2.0L Eng., w/Man. Trans., w/o Turbo
		MD61 8310	1		2.0L Eng., w/Auto Trans., w/o Turbo
		MD61 8310	1		2.0L Eng., w/Turbo
					1992-94 ***
		MD61 8444	1		1.8L Eng., w/Man. Trans.
	MD61 8294	1		1.8L Eng., w/Auto Trans.	

ENGINE: P = 1800cc (1.8L) A = 2000cc (2.0L) Blank = All  
 TRANS: A = Automatic M = Manual Blank = All  
 SERIES: H = High M = Medium P = Premium S = Special

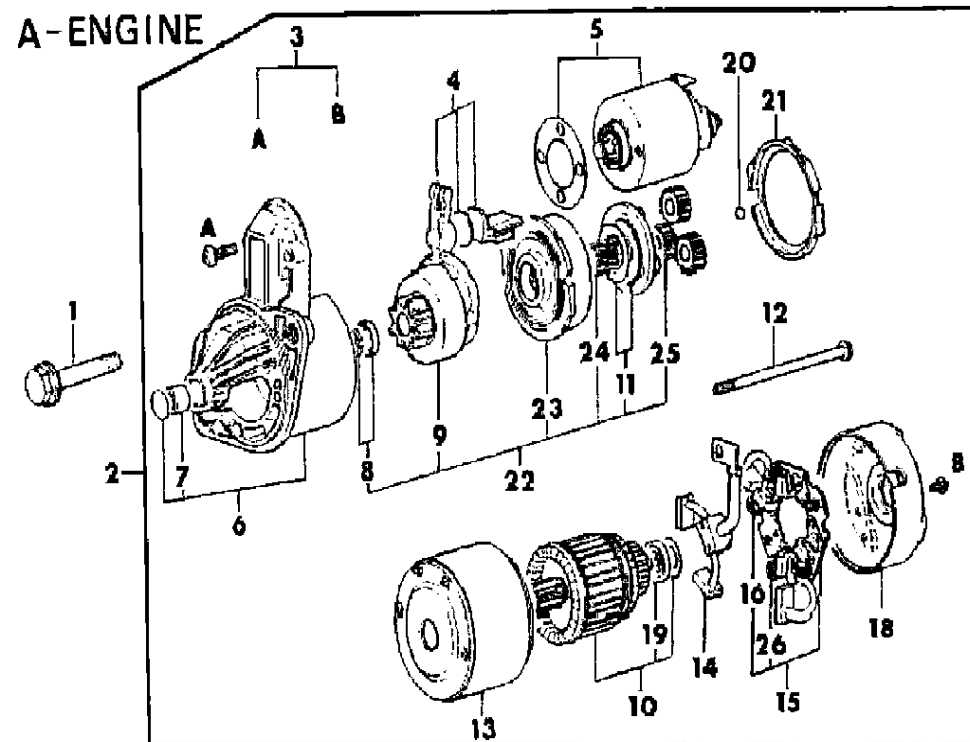
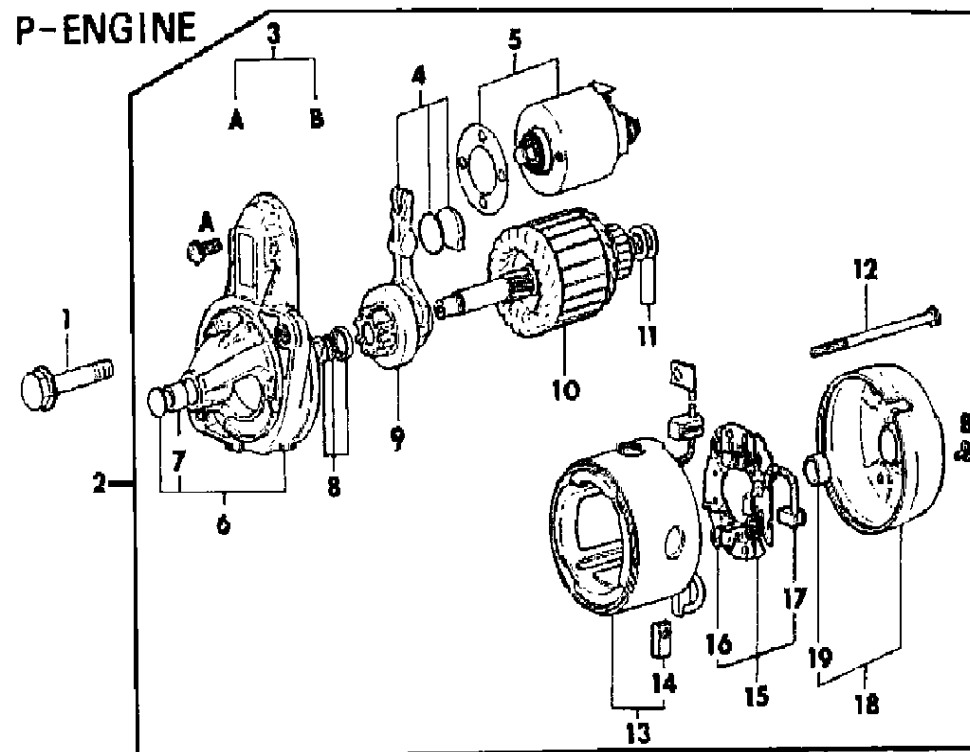
MODELS:  
 24 FWD = 2Dr Hatchback (Laser)  
 24 FWD = 2-Dr Hatchback (Talon)  
 4WD = (4 Wheel Drive)  
 2WD = (2 Wheel Drive)

AR = Use as Required - = Non Illustrated Part P.A.R. = Paint as Required

# STARTER LASER-TALON

Figure 8-105

9608 105



ITEM	PART NUMBER	QTY	BODY	MODEL	DESCRIPTION
	MD61 8335	1			2.0L Eng., w/Man. Trans., w/o Turbo
	MD61 8342	1			2.0L Eng., w/Auto Trans., w/o Turbo
	MD61 8335	1			2.0L Eng., w/Turbo
7	MD60 7892	1			BEARING, Armature Frt.
8					STOPPER KIT ***
	MD60 7893	1			1.8L Eng.
	MD60 7892	1			2.0L Eng.
9					CLUTCH, Overrunning
	MD61 1372	1			1.8L Eng.
	MD61 1211	1			2.0L Eng.
10					ARMATURE, Starter
	MD61 8445	1			1.8L Eng., w/Man. Trans. 1991-94
	MD61 1365	1			1.8L Eng., w/Auto Trans. 1991-94
	MD61 1204	1			2.0L Eng., w/Man. Trans., w/o Turbo 1990-91
	MD61 8453	1			1992-94
11					WASHER SET, Armature, Rear
	MD60 7896	1			1.8L Eng.
	MD61 1208	1			2.0L Eng.
12					BOLT, Starter
	MD60 7922	2			1.8L Eng.
	MD61 1222	2			2.0L Eng.
13					YOKE
	MD61 1366	1			1.8L Eng.
	MD61 1215	1			2.0L Eng.
14					BRUSH
	MD60 7554	2			1.8L Eng.
	MD61 1216	1			2.0L Eng.
15					HOLDER, Brush
	MD60 7926	1			1990-91, w/1.8L Eng.
	MD61 1217	1			1990-91, w/2.0L Eng.
	MD61 1918	1			1992-94
16					SPRING, Brush
	MD60 2210	3			1.8L Eng.
	MD60 7900	2			2.0L Eng.
17	MD60 7556	1			BRUSH, w/1.8L Eng.
18					BRACKET, Rear
	MD60 7927	1			1990-91, w/1.8L Eng.
	MD61 1220	1			1990-91, w/2.0L Eng.
	MD61 8508	1			1992-94

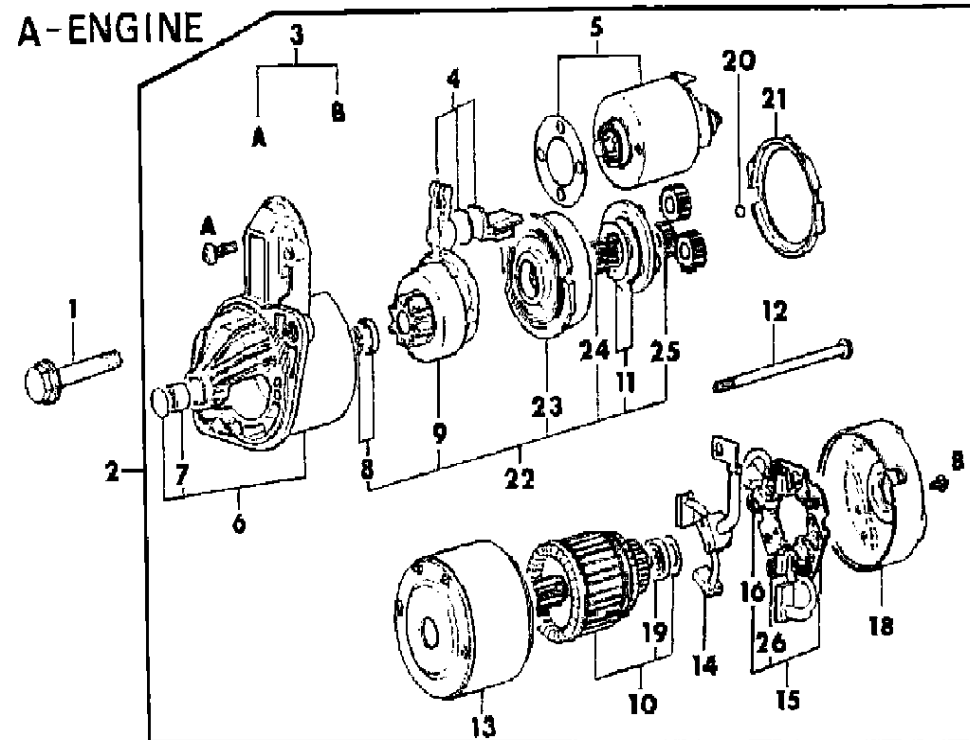
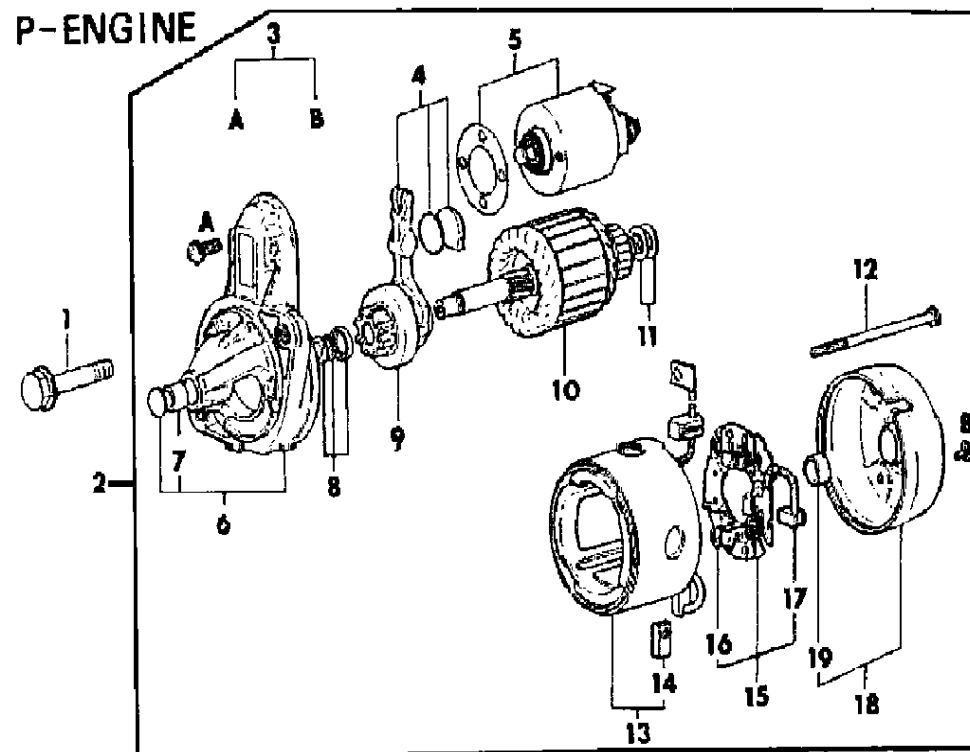
ENGINE: P = 1800cc (1.8L) A = 2000cc (2.0L) Blank = All  
 TRANS: A = Automatic M = Manual Blank = All  
 SERIES: H = High M = Medium P = Premium S = Special

MODELS:  
 24 FWD = 2Dr Hatchback (Laser)  
 24 FWD = 2-Dr Hatchback (Talon)  
 4WD = (4 Wheel Drive)  
 2WD = (2 Wheel Drive)

AR = Use as Required - = Non Illustrated Part P.A.R. = Paint as Required

STARTER LASER-TALON  
Figure 8-105

9608 105



ITEM	PART NUMBER	QTY	BODY	MODEL	DESCRIPTION
19					BEARING, Starter Armature, Rear
	MD60 7903	1			1990-91, w/1.8L Eng.
	MD61 1205	1			1990-91, w/2.0L Eng.
	MD61 8334	1			1992-94
20	MD61 1214	1			BALL, Starter Inner, w/2.0L Eng.
21	MD61 1213	1			GASKET, Starter Inner, w/2.0L Eng.
22	MD61 1206	1			CLUTCH KIT, w/2.0L Eng. ***
23	MD61 1209	1			GEAR, w/2.0L Eng.
24	MD61 1207	1			GEAR, Reduction
25	MD61 1210	1			GEAR
26	MD60 7901	2			SPRING

ENGINE: P = 1800cc (1.8L) A = 2000cc (2.0L) Blank = All  
 TRANS: A = Automatic M = Manual Blank = All  
 SERIES: H = High M = Medium P = Premium S = Special

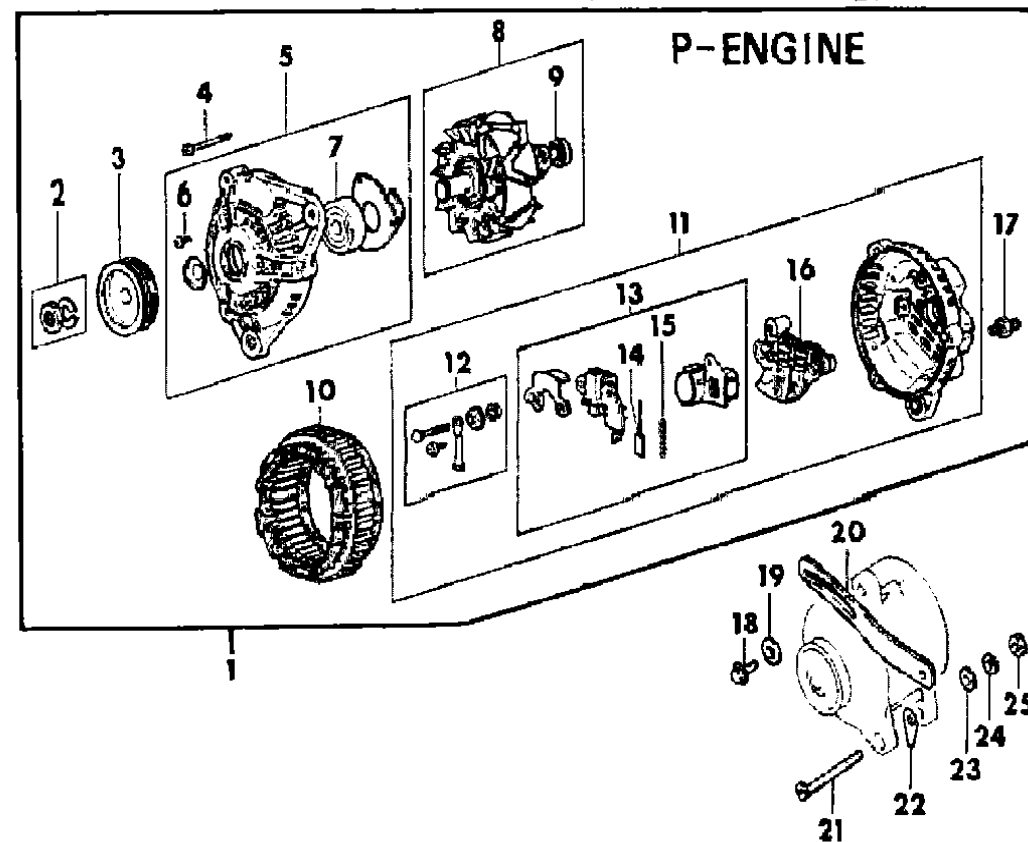
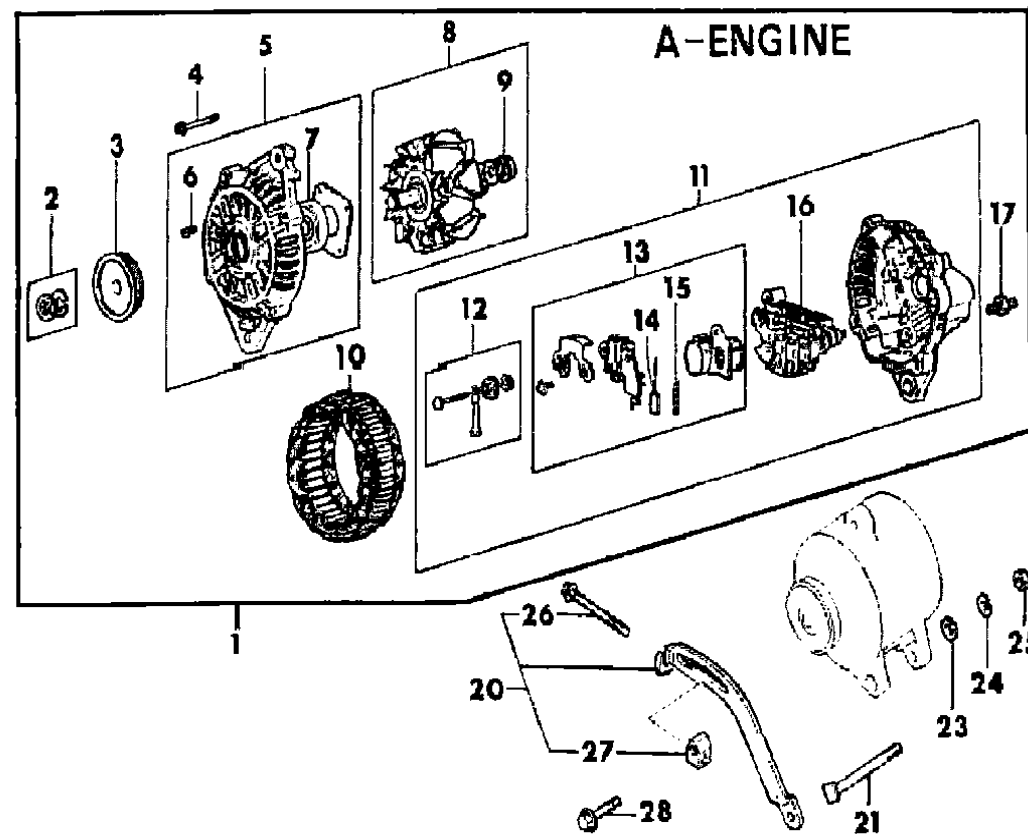
MODELS:  
 24 FWD = 2Dr Hatchback (Laser)  
 24 FWD = 2-Dr Hatchback (Talon)  
 4WD = (4 Wheel Drive)  
 2WD = (2 Wheel Drive)

AR = Use as Required - = Non Illustrated Part P.A.R. = Paint as Required

ALTERNATOR LASER-TALON

Figure 8-205

9608 205



ITEM	PART NUMBER	QTY	BODY	MODEL	DESCRIPTION
1					ALTERNATOR ASSY ***
	MD12 5096	1			1.8L Eng., w/Man. Trans., (65A)
	MD11 7156	1			1.8L Eng., w/Auto Trans., (75A)
	MD13 6838	1			2.0L Eng., w/Man. Trans., w/o Turbo, (65A)
	MD13 6839	1			2.0L Eng., w/Auto Trans., w/o Turbo, (75A)
	MD13 6839	1			2.0L Eng., w/Turbo, (75A)
	MD11 7156	1			1.8L Eng., (75A), CANADA
	MD13 6839	1			2.0L Eng., w/Man. Trans., w/o Turbo, (75A), CANADA
	MD14 9750	1			2.0L Eng., w/Auto Trans., w/o Turbo, (90A), CANAD A
	MD14 9750	1			2.0L Eng., w/Man. Trans., w/Turbo, (90A), CANADA
	MD15 3843	1			2.0L Eng., w/Auto Trans., w/Turbo, (90A),CANADA
2	MM50 2340	1			NUT KIT, Alternator ***
3					PULLEY
	MD61 1427	1			1.8L Eng., w/Man. Trans.
	MD61 1448	1			1.8L Eng., w/Auto Trans.
	MD61 1790	1			2.0L Eng.
	MD61 1792	1			1.8L Eng., CANADA
	MD61 8306	1			2.0L Eng., CANADA
4					SCREW
	MD60 7963	1			1.8L Eng.
	MD61 1556	1			2.0L Eng.
5					BRACKET ASSY, Front ***
	MD61 1230	1			1.8L Eng.
	MD61 1851	1			2.0L Eng.
6					SCREW
	MD61 1034	1			1.8L Eng.
	MD61 1558	1			2.0L Eng.
7					BEARING
	MD61 1343	1			1.8L Eng.
	MD61 1397	1			2.0L Eng.
8					ROTOR KIT, Alternator ***
	MD61 1228	1			1.8L Eng., w/Man. Trans.
	MD61 1273	1			1.8L Eng., w/Auto Trans.
	MD61 1765	1			2.0L Eng.
	MD61 8303	1			2.0L Eng., CANADA
9					BEARING
	MD61 1150	1			1.8L Eng.
	MD61 1928	1			2.0L Eng.
10					STATOR, Alternator

ENGINE: P = 1800cc (1.8L) A = 2000cc (2.0L) Blank = All  
 TRANS: A = Automatic M = Manual Blank = All  
 SERIES: H = High M = Medium P = Premium S = Special

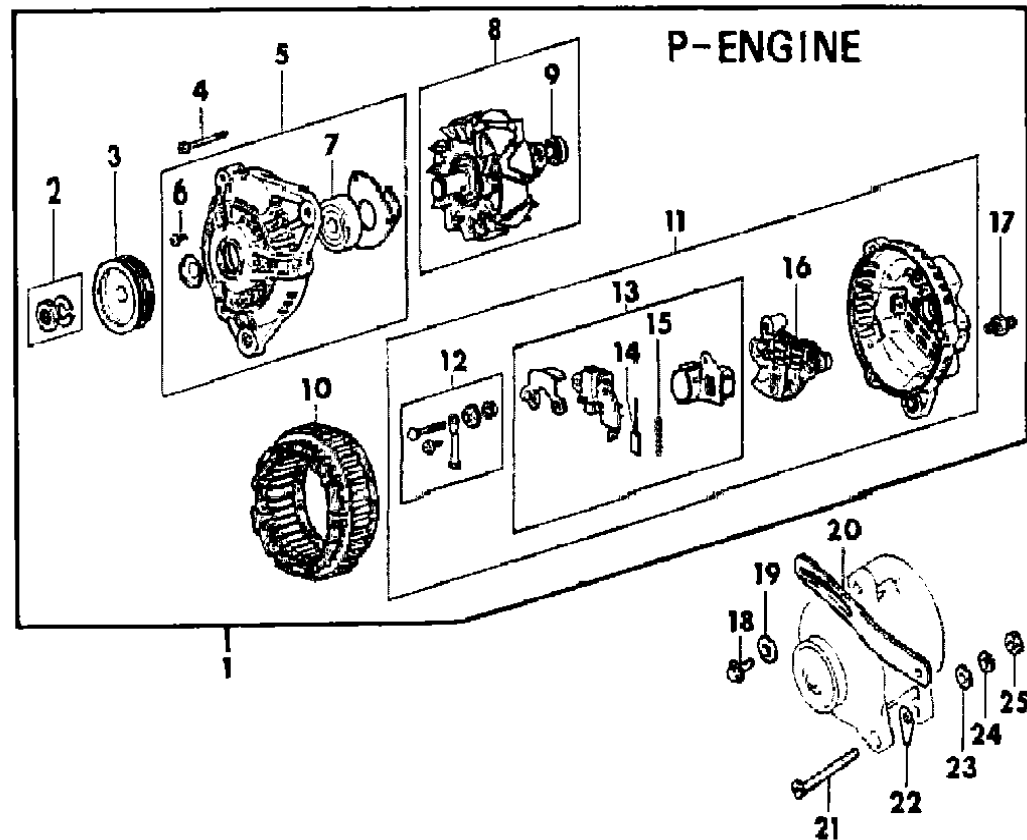
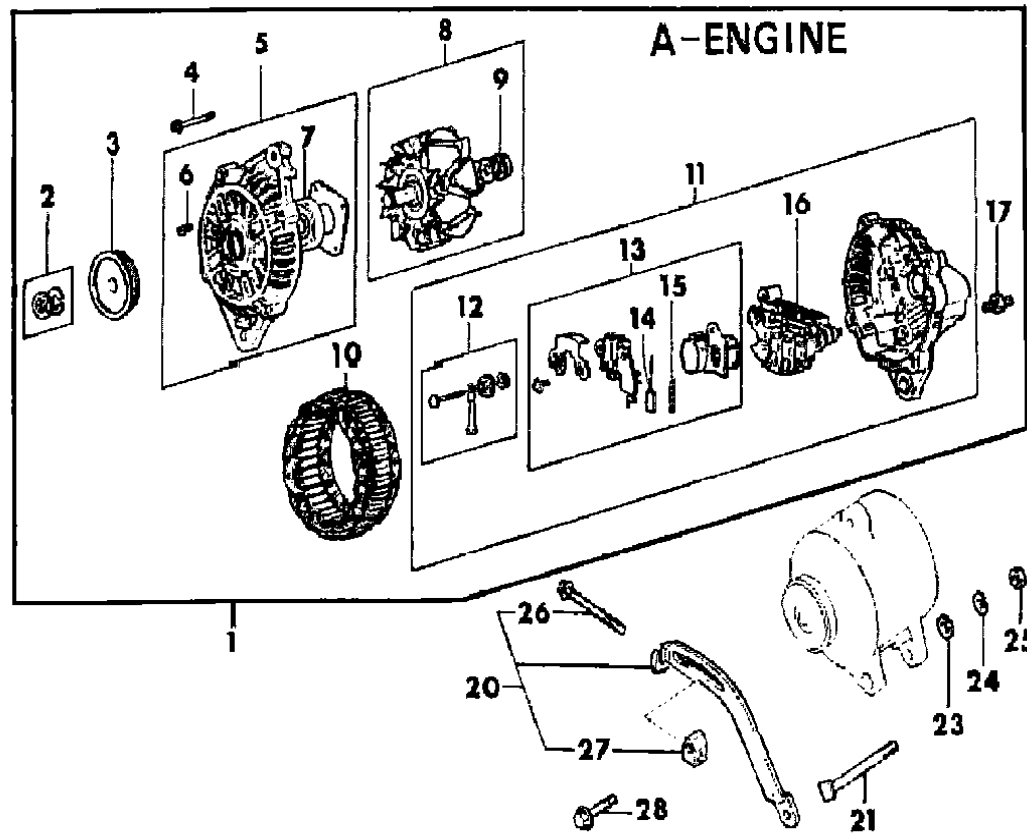
MODELS:  
 24 FWD = 2Dr Hatchback (Laser)  
 24 FWD = 2-Dr Hatchback (Talon)  
 4WD = (4 Wheel Drive)  
 2WD = (2 Wheel Drive)

AR = Use as Required - = Non Illustrated Part P.A.R. = Paint as Required

ALTERNATOR LASER-TALON

Figure 8-205

9608 205



ITEM	PART NUMBER	QTY	BODY	MODEL	DESCRIPTION
	MD61 1416	1			1.8L Eng., w/Man. Trans.
	MD61 1422	1			1.8L Eng., w/Auto Trans.
	MD61 1836	1			2.0L Eng., w/Man. Trans.
	MD61 1766	1			2.0L Eng., w/Auto Trans.
	MD61 8304	1			2.0L Eng., CANADA
11					BRACKET ASSY, Rear ***
	MD61 1430	1			1.8L Eng., w/Man. Trans.
	MD61 1690	1			1.8L Eng., w/Auto Trans.
	MD61 1839	1			2.0L Eng.
12	MD61 8305	1			2.0L Eng., CANADA
12	MD61 1431	1			TERMINAL KIT
13					REGULATOR, Alternator
	MD61 1432	1			1.8L Eng.
	MD61 1565	1			2.0L Eng.
14	MD61 1566	2			BRUSH
15	MD60 2227	2			SPRING, Brush
16					RECTIFIER
	MD61 1256	1			1.8L Eng., w/Man. Trans.
	MD61 1307	1			1.8L Eng., w/Auto Trans.
	MD61 1768	1			2.0L Eng.
	MD61 1564	1			2.0L Eng., CANADA
17	MD61 1861	1			BOLT
18	MD01 5025	1			BOLT, Flange, (8x20)
19	MD00 1521	1			WASHER, Plain, (8.5)
20					BRACE, Adjustment
	MD01 5024	1			1.8L Eng.
	MD13 3198	1			2.0L Eng., w/Man. Trans.
	MD13 3198	1	H		2.0L Eng., w/Auto Trans., w/o Turbo
	MD15 1484	1			2.0L Eng., w/Auto Trans., w/Turbo
21					BOLT
	MD10 2429	1			1990-94, w/1.8L Eng., (8x84)
	MD09 5695	1			1990-93, w/2.0L Eng., (8x116)
	MD16 2904	1			1994, w/2.0L Eng., (8x118)
22	MD00 1517	AR			SHIM, Alternator
23	MF45 0005	1			WASHER, Plain, (8)
24	MF45 0405	1			WASHER, Spring, (8)
25	MF43 0005	1			NUT, (8)
26	MD13 3180	1			BOLT, Flange, (8x20)
27					NUT

ENGINE: P = 1800cc (1.8L) A = 2000cc (2.0L) Blank = All  
 TRANS: A = Automatic M = Manual Blank = All  
 SERIES: H = High M = Medium P = Premium S = Special

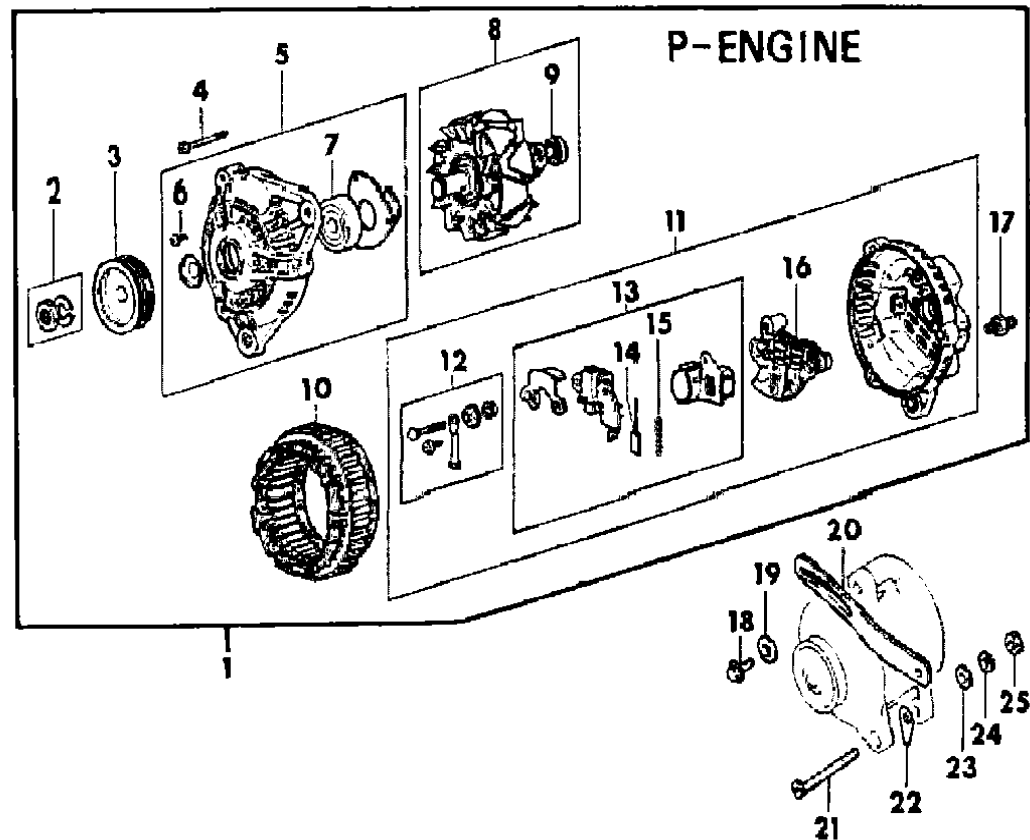
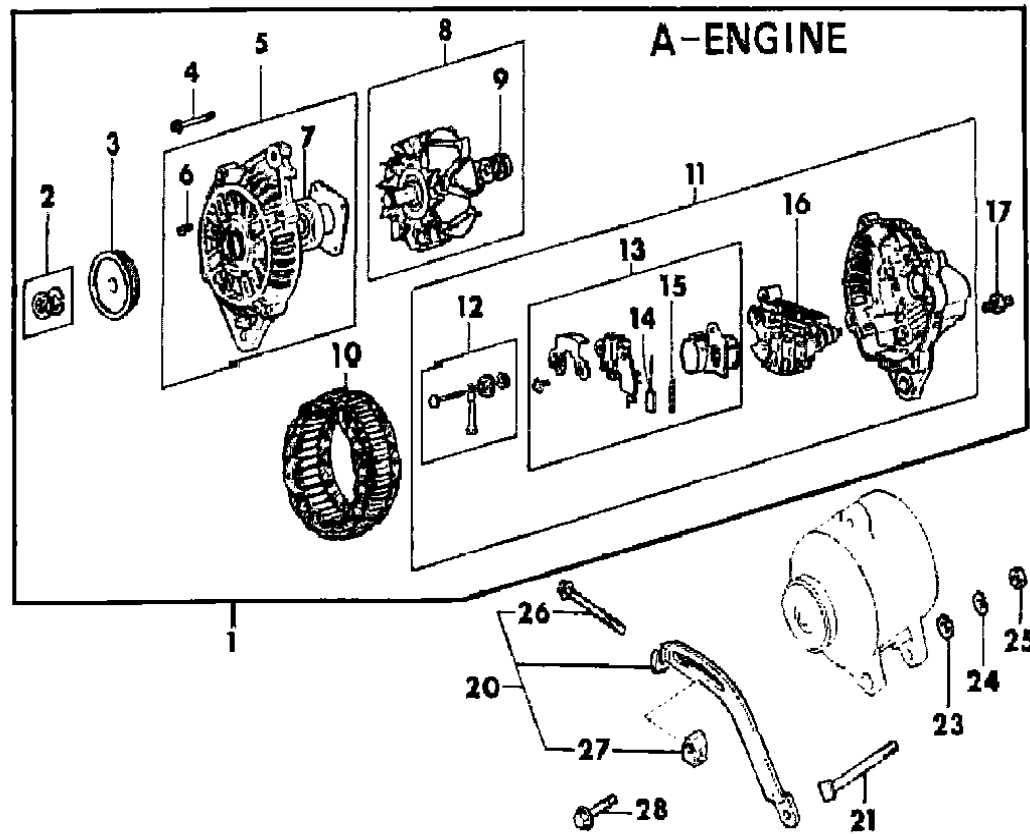
MODELS:  
 24 FWD = 2Dr Hatchback (Laser)  
 24 FWD = 2-Dr Hatchback (Talon)  
 4WD = (4 Wheel Drive)  
 2WD = (2 Wheel Drive)

AR = Use as Required - = Non Illustrated Part P.A.R. = Paint as Required



ALTERNATOR LASER-TALON  
Figure 8-205

9608 205



ITEM	PART NUMBER	QTY	BODY	MODEL	DESCRIPTION
	MD13 3152	1			w/o Turbo
	MD14 7195	1			w/Turbo
28	MF14 0033	1			BOLT, Flange 1990-93, (8x40 4T)
	MD14 7194	1			1994, (8x38)

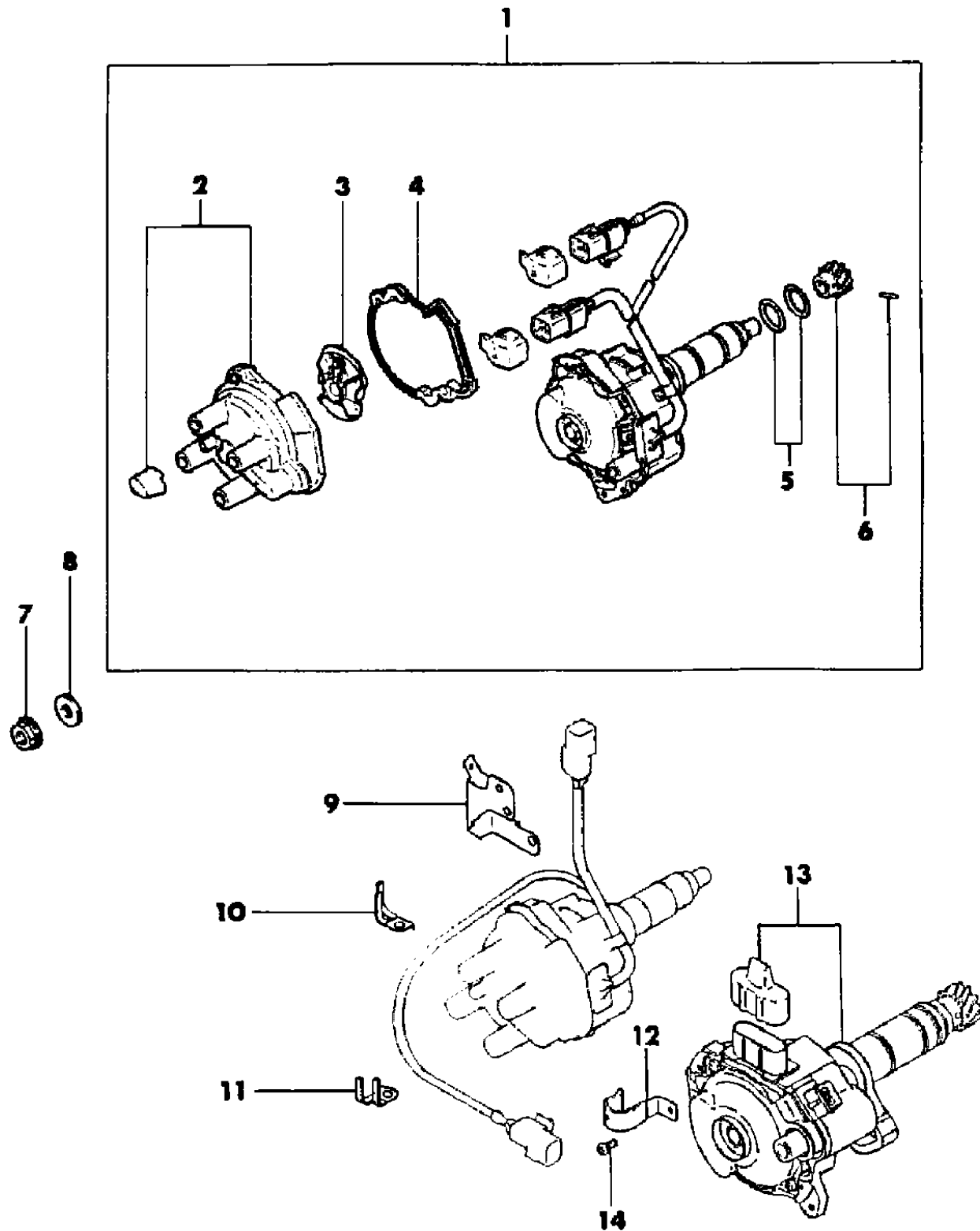
ENGINE: P = 1800cc (1.8L) A = 2000cc (2.0L) Blank = All  
 TRANS: A = Automatic M = Manual Blank = All  
 SERIES: H = High M = Medium P = Premium S = Special

MODELS:  
 24 FWD = 2Dr Hatchback (Laser)  
 24 FWD = 2-Dr Hatchback (Talon)  
 4WD = (4 Wheel Drive)  
 2WD = (2 Wheel Drive)

AR = Use as Required - = Non Illustrated Part P.A.R. = Paint as Required

DISTRIBUTOR LASER-TALON  
Figure 8-305

9608 305



ITEM	PART NUMBER	QTY	BODY	MODEL	DESCRIPTION
1					DISTRIBUTOR ASSY ***
	MD11 9306	1			1990
	MD15 5852	1			1991-94
2					CAP
	MD61 1787	1			1990
	MD61 8374	1			1991-94
3	MD61 1788	1			ROTOR
4					GASKET, Cap
	MD61 1789	1			1990
	MD61 8299	1			1991-94
5	MD60 2412	2			O-RING
6	MD60 7226	1			GEAR KIT ***
7	MF43 4104	1			NUT, Flange, (8 4T)
8	MD00 1521	1			WASHER, (8.5)
9	MD12 7874	1			BRACKET, Lead Cable Conn.
10	MD12 6248	1			CLIP, (A)
11	MD12 6249	1			CLIP, (B)
12	MD61 8375	1			CLAMP
13	MD61 8399	1			HOUSING
14	MD61 8398	1			SCREW SET

ENGINE: P = 1800cc (1.8L) A = 2000cc (2.0L) Blank = All  
 TRANS: A = Automatic M = Manual Blank = All  
 SERIES: H = High M = Medium P = Premium S = Special

MODELS:  
 24 FWD = 2Dr Hatchback (Laser)  
 24 FWD = 2-Dr Hatchback (Talon)  
 4WD = (4 Wheel Drive)  
 2WD = (2 Wheel Drive)

AR = Use as Required - = Non Illustrated Part P.A.R. = Paint as Required

HORN--RELAY--FLASHER--TIMER 1990-93 LASER-TALON

Figure 8-505

9608 505

ITEM	PART NUMBER	QTY	BODY	MODEL	DESCRIPTION
1	MB18 3865	AR			RELAY, (SSA521F011)
2	MS66 0152	1			PLUG
3					FLASHER UNIT, Turn Signal
	MB30 2373	1			1990-92
	MB64 9048	1			1993 (166500-0410)
	MB82 3881	1			1993 (5-066500-405)
4					CONTROL UNIT, Door
	MB54 2448	1			Pwr. Door locks
	MB54 2409	1			Pwr. Door Locks, w/Pwr. Wdos., w/Anti-Theft, (051500-1410)
5	MS45 0157	1			SCREW, Tapping, (5x16)
6	MB54 3647	1			RELAY, Door Lock Control, (G8R-27M)
7	MB51 0818	1			RELAY, (G2MB-1B45T-R-F58)
8					BOLT, w/Washer
	MS24 0391	1			1990-91
	MS24 0121	2			1992-93, (6x16)
9	MB54 3651	1			CONTROL UNIT, Seat Belt, (X2F01631)
10	MB53 0319	1			RELAY, Room Lamp, (G8D-70M)
11	MS45 0157	1			SCREW, Tapping, (5x16)
12	MB54 2449	1			PROTECTOR, Horn
13	MF45 0405	1			WASHER, Door Control Relay
14	MB17 1106	1			BOLT
15	MB54 2437	1			SWITCH, Hood Open Indicator
16	MB54 3230	1			TIMER, Seat Belt
17	MF35 0768	AR			SCREW, w/Washer, (5x12)
18	MU24 0060	1			SCREW
19	MB62 8024	1			BRACKET, Relay
20	MB62 7895	1			RELAY, ABS, (G8MS-1A24T-R-N20)
-	MB82 3327	1			NUT, ABS Control
21					CONTROL UNIT, Speed
	MB53 0266	1		M,H	
	MB53 0266	1		P,S	
22	MS24 0141	1			BOLT
23	MF24 0050	1			BOLT, (8x14)
24					HORN
	MB53 0844	1			Low Note
	MB53 0847	1			High Note
25					BUZZER, Electric
	MB54 2496	1			1990-91
	MB80 2356	1			1992-93

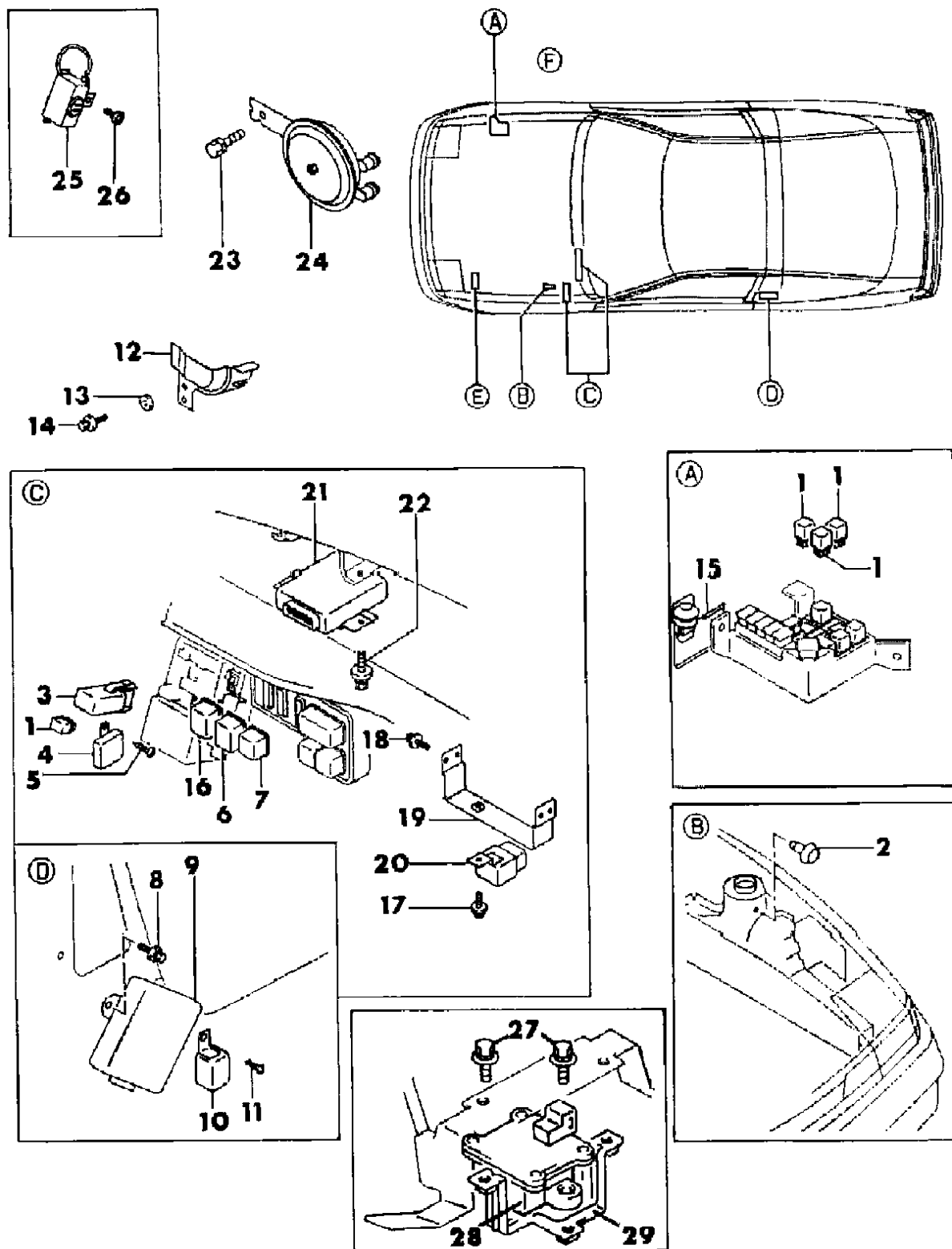
ENGINE:  
 P = 1800cc (1.8L)  
 A = 2000cc (2.0L)  
 Blank = All

TRANS:  
 A = Automatic  
 M = Manual  
 Blank = All

SERIES:  
 H = High  
 M = Medium  
 P = Premium  
 S = Special

MODELS:  
 24 FWD = 2Dr Hatchback (Laser)  
 24 FWD = 2-Dr Hatchback (Talon)  
 4WD = (4 Wheel Drive)  
 2WD = (2 Wheel Drive)

AR = Use as Required - = Non Illustrated Part P.A.R. = Paint as Required

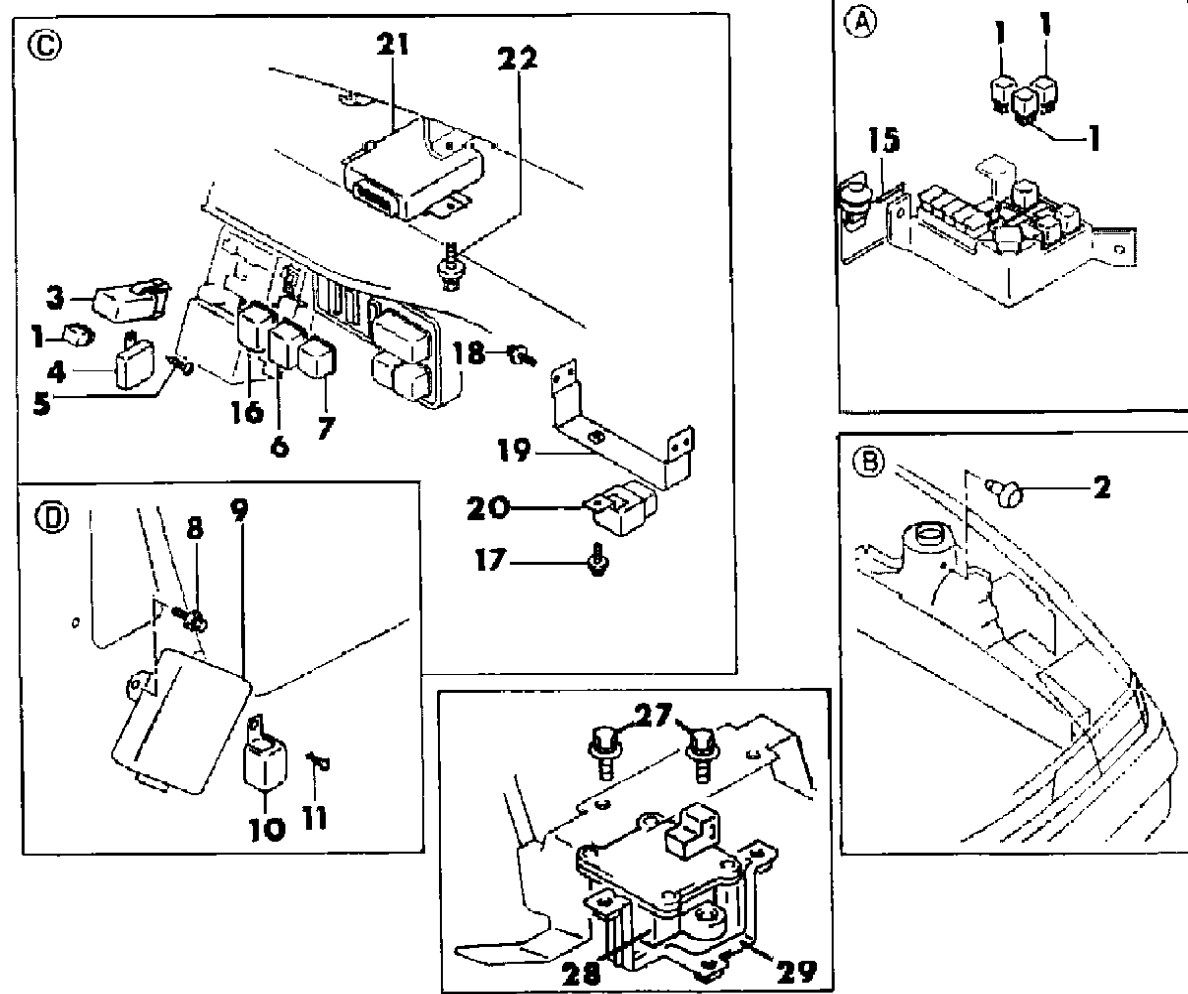
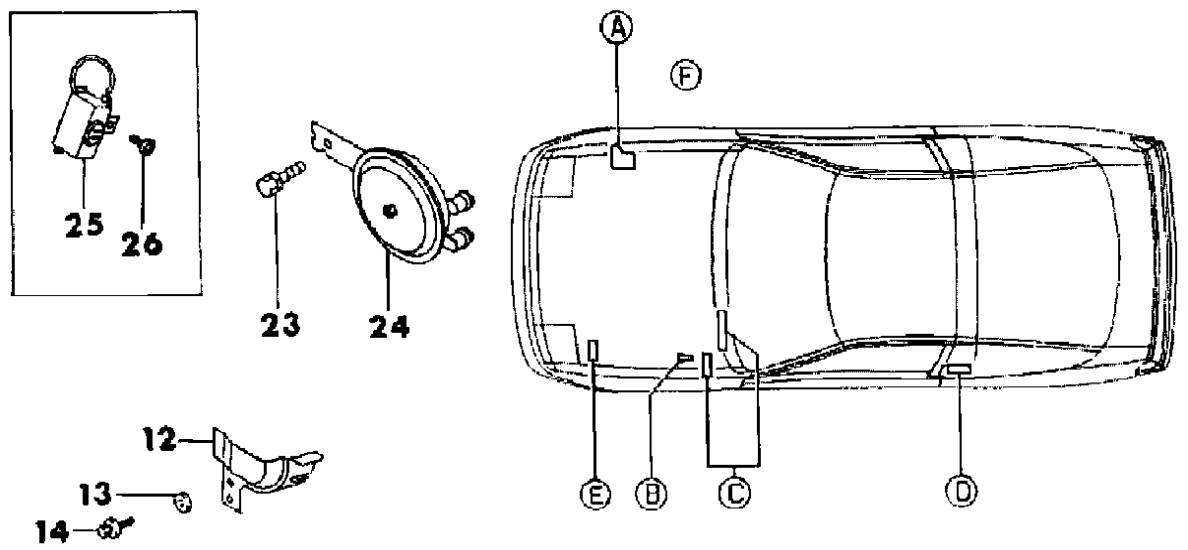


HORN-RELAY-FLASHER-TIMER 1990-93 LASER-TALON

Figure 8-505

9608 505

ITEM	PART NUMBER	QTY	BODY	MODEL	DESCRIPTION
	MB80 2358	1			1992-93, CANADA
26	MS45 0157	1			SCREW 1990-91, (5x16)
	MF35 0768	1			1992
27					BOLT or SCREW ***
	MS24 0121	AR			BOLT, (6x16)
	MF20 1573	2			SCREW, (6x18), 1993
28					G-SENSOR 1990-92
	MB53 4699	1			1990-92
	MB90 3853	1			1993
29	MB68 6469	1			BRACKET, G-Sensor



ENGINE: P = 1800cc (1.8L) A = 2000cc (2.0L) Blank = All  
 TRANS: A = Automatic M = Manual Blank = All  
 SERIES: H = High M = Medium P = Premium S = Special

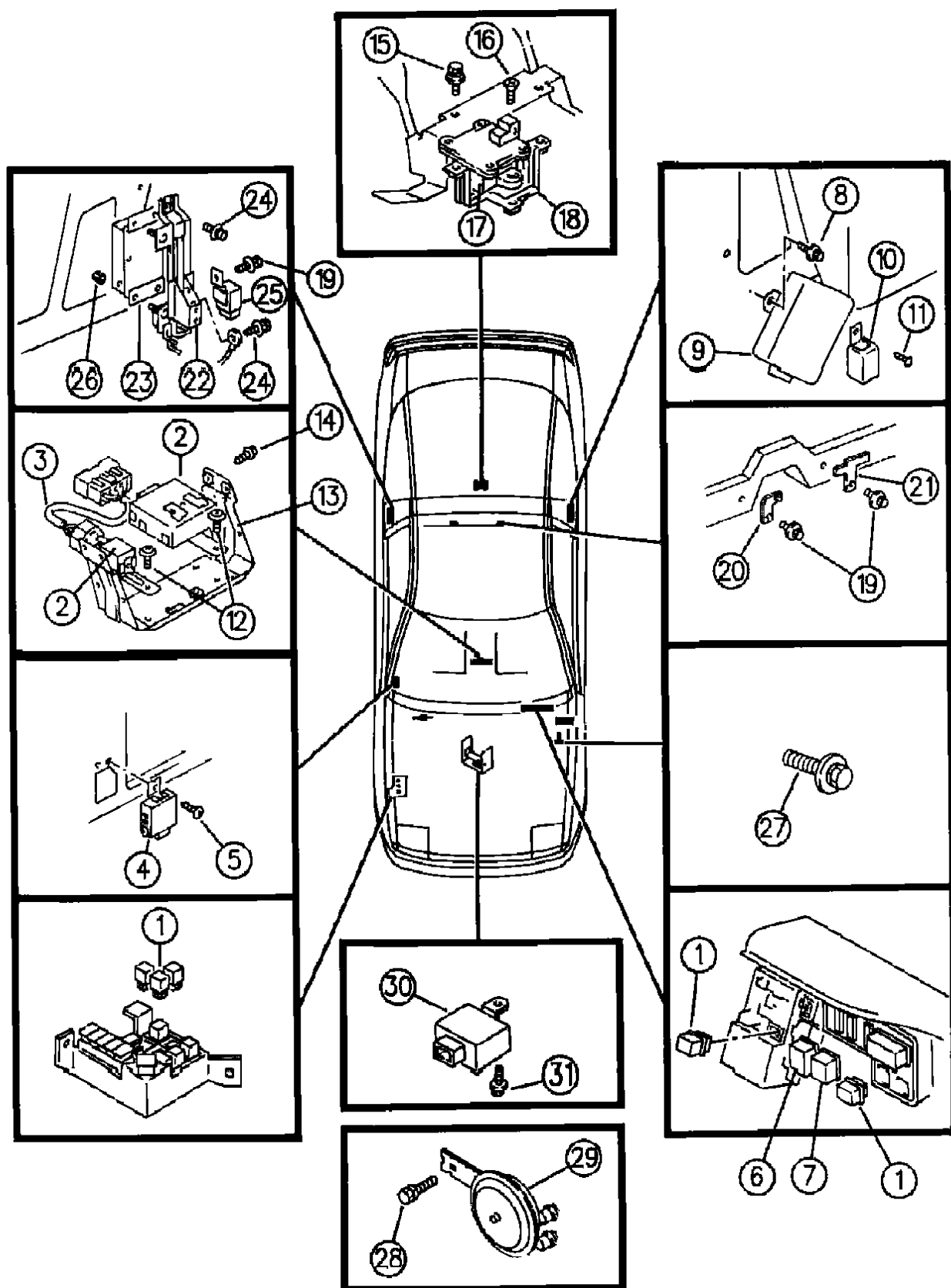
MODELS:  
 24 FWD = 2Dr Hatchback (Laser)  
 24 FWD = 2-Dr Hatchback (Talon)  
 4WD = (4 Wheel Drive)  
 2WD = (2 Wheel Drive)

AR = Use as Required - = Non Illustrated Part P.A.R. = Paint as Required

HORN--RELAY--FLASHER--TIMER 1994 LASER-TALON

Figure 8-510

9608 510



ITEM	PART NUMBER	QTY	BODY	MODEL	DESCRIPTION
1	MB18 3865	AR			RELAY, (SSA521F011)
2	MB64 9048	1	TALON		FLASHER UNIT, Hazard & Turn Signal (166500-0410)
	MB82 3881	1	LASER		(5-066500-405)
3	MB85 2325	1	TALON		HARNESS, Flasher Unit
4	MB54 2409	1			CONTROL UNIT, Door, (051500-1410)
5	MS45 0157	1			SCREW, (5x16)
6	MB54 3647	1			RELAY, Auto Door Lock Control, (G8R-27M)
7	MB51 0818	1			RELAY, (SSA521F010/G2MB-1B45T-R-F58)
8	MS24 0121	2			BOLT, w/Washer, (6x16)
9	MB54 3651	1			CONTROL UNIT, Auto Seat Belt, (X2F01631)
10	MB53 0319	1			RELAY, Room Lamp, (G8D-70M)
11	MS45 0157	1			SCREW, (5x16)
12	MF35 0768	AR			SCREW, w/Washer, (5X12)
13	MB64 9241	1			BRACKET, Relay
14	MF35 0767	4			SCREW, w/Washer, (5X10)
15	MS24 0122	2			BOLT, w/Washer, (6X20)
16	MF20 1573	2			SCREW, (6X18)
17	MB90 3853	1			G-SENSOR, w/AWD
18	MB68 6469	1			BRACKET, G-Sensor, w/AWD
19	MS24 0121	AR			BOLT, w/Washer, (6X16)
20	MB54 3058	1			BRACKET, Harness Connector, w/AWD
21	MB85 2260	1			BRACKET, Harness Connector, w/AWD
22	MB68 6467	1			BRACKET, ABS Control Unit
23					CONTROL UNIT, ABS
	MB90 3851	1			FWD, (120 000 D0011)
	MB90 3852	1			AWD, (120 000 F0011)
24	MB13 3273	3			BOLT, w/Washer, (6X16)
25	MB62 7895	1			RELAY, ABS, (G8MS-1A24T-R-N20)
26	MB82 3327	3			NUT, (6X11)
27	MS24 0121	1			BOLT, w/Washer, (6X16)
28	MS24 0085	AR			BOLT, w/Washer, (8X20)
29					HORN
	MB53 0844	1			Low Tone
	MB53 0847	1			High Tone
30					BUZZER, Electric
	MB80 2356	1			Federal-Calif.
	MB80 2358	1			CANADA
31	MF35 0768	1			SCREW, w/Washer, (5X12)

ENGINE: P = 1800cc (1.8L) A = 2000cc (2.0L) Blank = All  
 TRANS: A = Automatic M = Manual Blank = All  
 SERIES: H = High M = Medium P = Premium S = Special

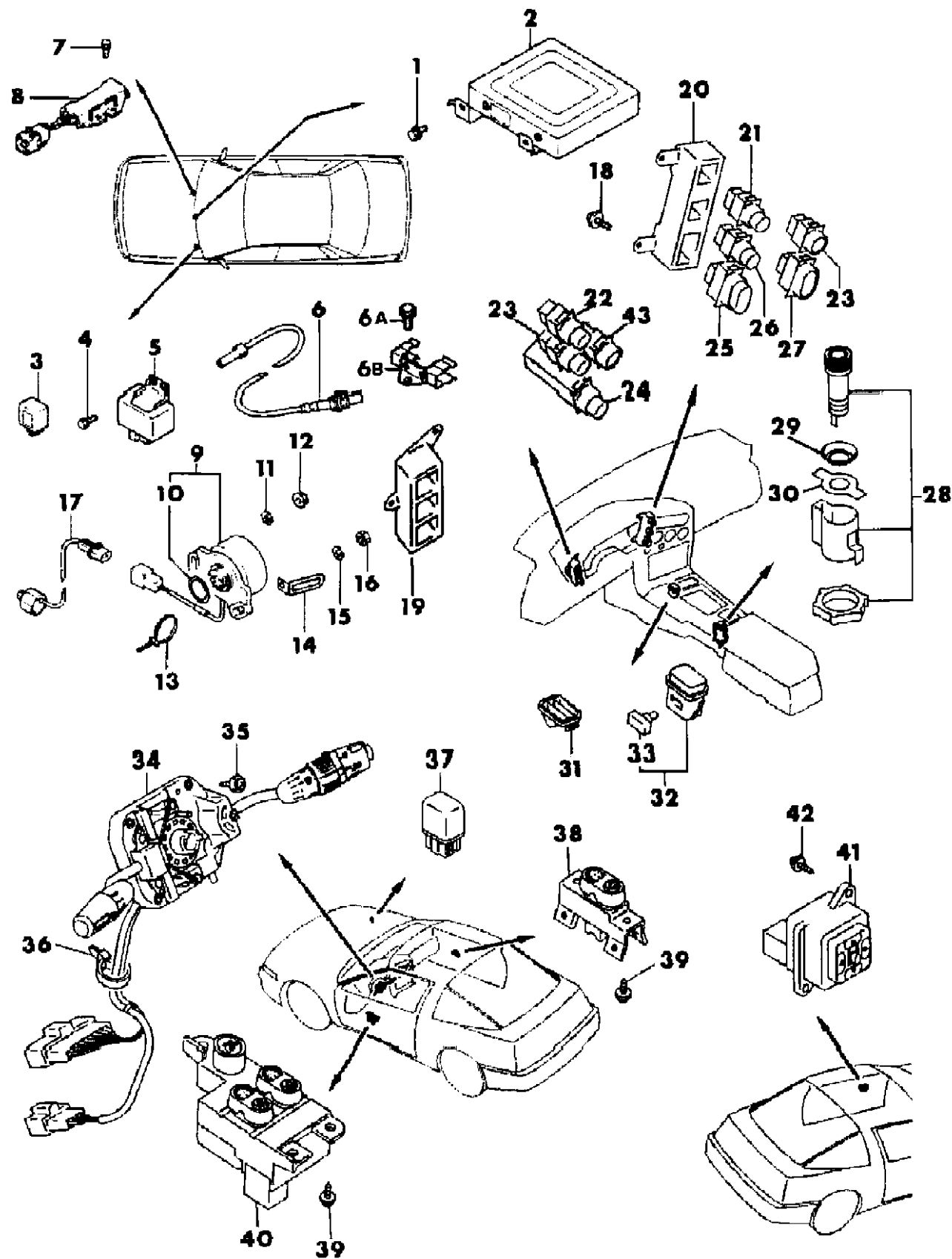
MODELS:  
 24 FWD = 2Dr Hatchback (Laser)  
 24 FWD = 2-Dr Hatchback (Talon)  
 4WD = (4 Wheel Drive)  
 2WD = (2 Wheel Drive)

AR = Use as Required - = Non Illustrated Part P.A.R. = Paint as Required

SWITCHES & ELECTRICAL CONTROLS LASER-TALON

Figure 8-805

9608 805



ITEM	PART NUMBER	QTY	BODY	MODEL	DESCRIPTION
1	MS24 0141	3			BOLT, w/Washer 1990-93, (6x16)
	MS24 0121	3			1994, (6x16)
2					CONTROL UNIT 1.8L Engine ***
	MD12 8658	1			1990, Federal-Canada
	MD12 0845	1			1990, Calif.
	MD15 9561	1			1991-94, Federal-Canada
	MD15 9562	1			1991-94, Calif.
					2.0L Engine ***
					1990 ***
	MD12 8624	1	FWD		w/o Turbo, Federal-Canada
	MD12 8622	1	FWD		w/o Turbo, Calif.
	MD12 8625	1	FWD		w/Turbo, Federal-Canada
	MD12 8623	1	FWD		w/Turbo, Calif.
	MD14 5903	1	AWD		Federal-Canada
	MD14 5902	1	AWD		Calif.
					1991 ***
	MD16 6255	1	FWD		w/o Turbo, Federal-Canada
	MD16 6256	1	FWD		w/o Turbo, Calif.
	MD16 6260	1	FWD		Man. Trans., w/Turbo, Federal-Canada
	MD16 6261	1	FWD		Man. Trans., w/Turbo, Calif.
	MD16 5529	1	FWD		Auto Trans., w/Turbo, Federal-Canada
	MD16 5530	1	FWD		Auto Trans., w/Turbo, Calif.
	MD16 6262	1	AWD		Man. Trans., Federal-Canada
	MD16 6263	1	AWD		Man. Trans., Calif.
	MD16 5531	1	AWD		Auto Trans., Federal-Canada
	MD16 5532	1	AWD		Auto Trans., Calif.
					1992 ***
	MD16 6255	1	FWD		w/o Turbo, Federal-Canada
	MD16 6256	1	FWD		w/o Turbo, Calif.
	MD16 6260	1	FWD		w/Turbo, Federal-Canada
	MD16 6261	1	FWD		w/Turbo, Calif.
	MD16 6262	1	AWD		w/Turbo, Federal-Canada
	MD16 6263	1	AWD		w/Turbo, Calif.
					1993 ***
	MD16 6255	1	FWD		w/o Turbo, Federal-Canada
	MD16 6256	1	FWD		w/o Turbo, Calif.
	MD19 3297	1	FWD		Man. Trans., w/Turbo, Federal-Canada

ENGINE:  
P = 1800cc (1.8L)  
A = 2000cc (2.0L)  
Blank = All

TRANS:  
A = Automatic  
M = Manual  
Blank = All

SERIES:  
H = High  
M = Medium  
P = Premium  
S = Special

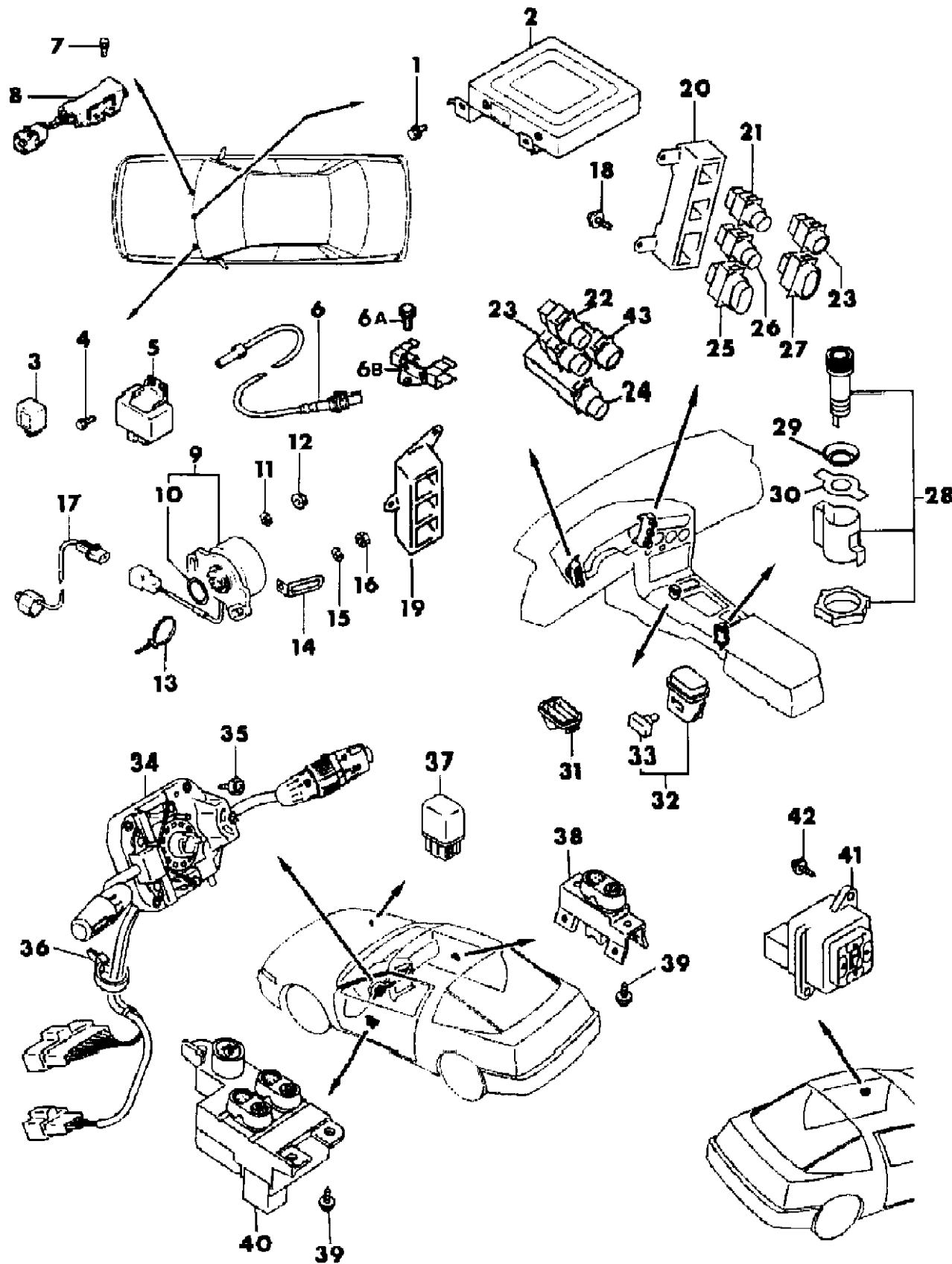
MODELS:  
24 FWD = 2Dr Hatchback (Laser)  
24 FWD = 2-Dr Hatchback (Talon)  
4WD = (4 Wheel Drive)  
2WD = (2 Wheel Drive)

AR = Use as Required - = Non Illustrated Part P.A.R. = Paint as Required

# SWITCHES & ELECTRICAL CONTROLS LASER-TALON

Figure 8-805

9608 805



ITEM	PART NUMBER	QTY	BODY	MODEL	DESCRIPTION
	MD19 3293	1	FWD		Man. Trans., w/Turbo, Calif.
	MD19 3298	1	FWD		Auto Trans., w/Turbo, Federal-Canada
	MD19 3294	1	FWD		Auto Trans., w/Turbo, Calif.
	MD19 3299	1	AWD		Man. Trans., Federal-Canada
	MD19 3295	1	AWD		Man. Trans., Calif.
	MD19 3300	1	AWD		Auto Trans., Federal-Calif.
	MD19 3296	1	AWD		Auto Trans., Calif.
		1			1994 ***
	MD30 4481	1	FWD		w/o Turbo, Federal
	MD16 6256	1	FWD		w/o Turbo, Calif.
	MD16 6255	1	FWD		w/o Turbo, CANADA
	MD30 4482	1	FWD		Man. Trans., w/Turbo, Federal
	MD19 3293	1	FWD		Man. Trans., w/Turbo, Calif.
	MD19 3297	1	FWD		Man. Trans., w/Turbo, CANADA
	MD30 4483	1	FWD		Auto Trans., w/Turbo, Federal
	MD19 3294	1	FWD		Auto Trans., w/Turbo, Calif.
	MD19 3298	1	FWD		Auto Trans., w/Turbo, CANADA
	MD30 4484	1	AWD		Man. Trans., Federal
	MD19 3295	1	AWD		Man. Trans., Calif.
	MD19 3299	1	AWD		Man. Trans., CANADA
	MD30 4485	1	AWD		Auto Trans., Federal
	MD19 3296	1	AWD		Auto Trans., Calif.
	MD19 3300	1	AWD		Auto Trans., CANADA
3	MD11 3566	1			RESISTOR, Battery Charge Control
4					BOLT, w/Washer
	MF10 0005	2			1990-92, (5x16)
	MS24 0027	2			1993-94, (5x16)
5					RELAY, Eng. Elec. Control, M.P.I.
	MD11 9202	1			(E8T-07071)
	MD14 5974	1			1.8L Eng., 1990-94, (E8T-06975)
6					SENSOR, Eng. Elec. Cont. Oxygen
	MD12 7062	1			1.8L Eng., Federal
	MD13 1446	1			1.8L Eng., Calif.
	MD15 0609				1.8L Eng., 1991-94
	MD13 6308	1			2.0L Eng.
	MD13 6310	1			2.0L Eng., w/Man. Trans., w/Turbo
	MD13 6493	1			2.0L Eng., 1991-92
	MD18 2793	1			1993
	MD18 8208	1			2.0L Eng., w/Turbo, 1994

ENGINE: P = 1800cc (1.8L) A = 2000cc (2.0L) Blank = All  
 TRANS: A = Automatic M = Manual Blank = All  
 SERIES: H = High M = Medium P = Premium S = Special

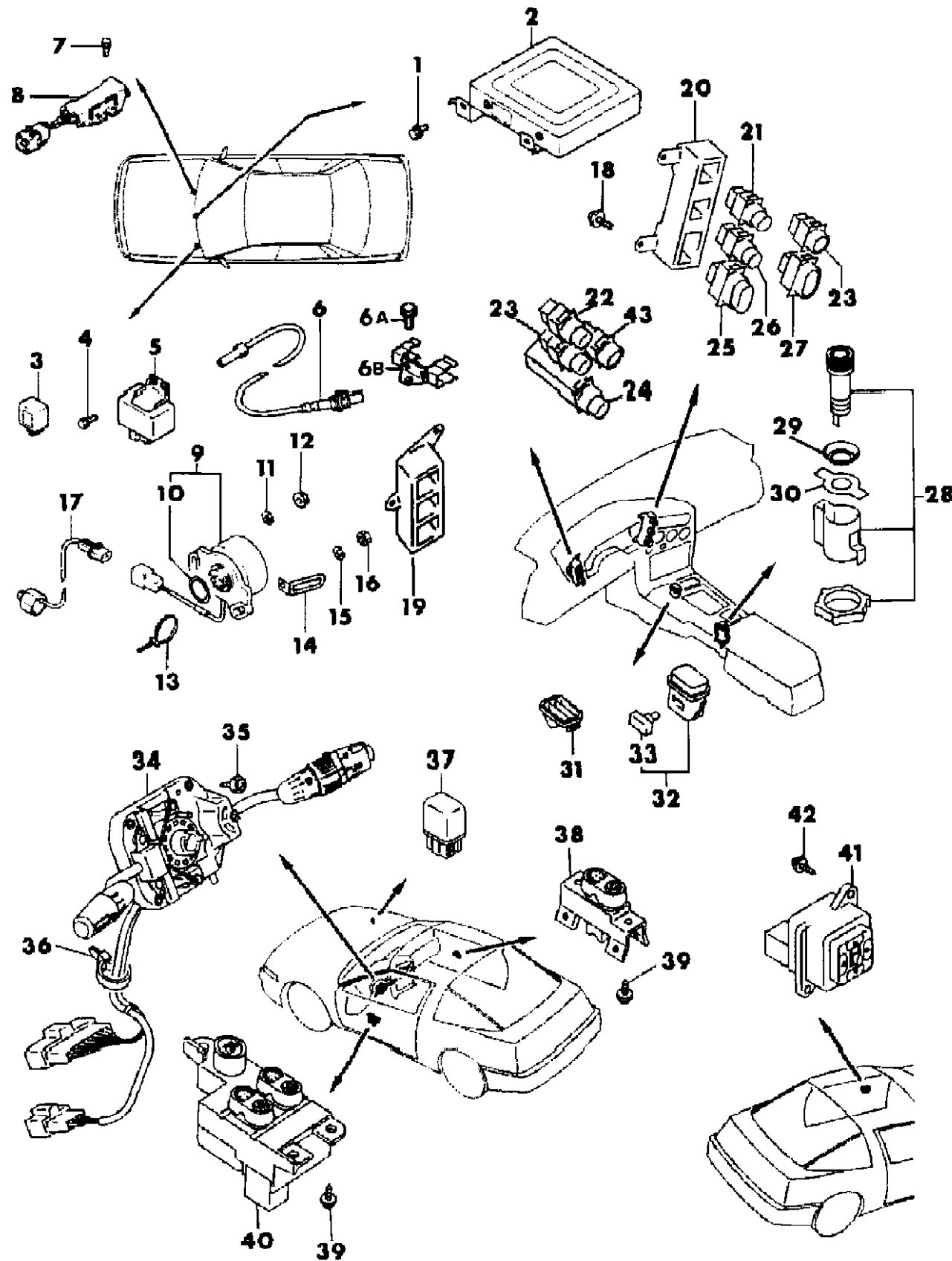
MODELS:  
 24 FWD = 2Dr Hatchback (Laser)  
 24 FWD = 2-Dr Hatchback (Talon)  
 4WD = (4 Wheel Drive)  
 2WD = (2 Wheel Drive)

AR = Use as Required - = Non Illustrated Part P.A.R. = Paint as Required

SWITCHES & ELECTRICAL CONTROLS LASER-TALON

Figure 8-805

9608 805



ITEM	PART NUMBER	QTY	BODY	MODEL	DESCRIPTION
6A		1			SCREW
	MF24 4224	1			1990-93
	MD09 7012	1			1994
6B					BRACKET, Oxygen Sensor
	MD17 4356	1			2.0L Eng., w/o Turbo
	MD17 2663	1			2.0L Eng., w/Turbo
7					BOLT, w/Washer
	MS24 0141	2			1990-93, (6x16)
	MS24 0121	2			1994, (6x16)
8	MD12 7666	1			RESISTOR, Eng. Elec. Control, w/2.0L Eng., w/Man. Trans.
9					SENSOR, Eng. Crank Angle
	MD12 1786	1			1990, 2.0L Eng.
	MD14 8855				1991-92, 2.0L Eng.
	MD18 4529				1993-94 2.0L Eng.
10	MD61 1831	1			O-RING, Crank Angle Sensor
11	MF45 0204	1			WASHER, (8)
12	MF43 4124	1			NUT, Flange (8)
13	MB24 9339	1			BAND, Cable, (L=169.5)
14	MS47 0058	1			CLIP, (60)
15	MF45 0495	1			WASHER, (8)
16	MF43 0181	1			NUT, (8)
17	MD14 1510	1			SENSOR, Eng. Elec. Cont. Knock
18	MB40 9438	6			SCREW, Tapping, (5x16)
19	MB52 2135	1			HOLDER, Switch, (A)
20	MB52 2136	1			HOLDER, Switch, (B)
21	MB52 2128	1			SWITCH, Hazard Warning Lamp
22					SWITCH, Headlamp Pop-Up
	MB52 2125	1			1990-93
	MB52 2133	1			1994
23	MB52 2133	2			PLUG, (A), (Fog Lamp Switch)
24	MB52 2127	1			RHEOSTAT ASSY ***
25	MB52 2131	1			SWITCH, R/Wdo. Wiper & Washer
26	MB52 2129	1			SWITCH, R/Wdo. Defogger
27	MB52 2134	1			PLUG, R/Wdo. Wiper Wiring, (B)
28	MB60 3034	1			CIGAR LIGHTER, Inst. Pnl. ***
29	MB52 2109	1			PROTECTOR, Cigar Lighter
30	MB30 2544	1			PLATE, Cigar Lighter
31	MB56 2252	1			PLUG/COIN HOLDER, T/M Control Switch ***
32	MB52 2935	1			SWITCH, Power & Economy

ENGINE: P = 1800cc (1.8L) A = 2000cc (2.0L) Blank = All  
 TRANS: A = Automatic M = Manual Blank = All  
 SERIES: H = High M = Medium P = Premium S = Special

MODELS:  
 24 FWD = 2Dr Hatchback (Laser)  
 24 FWD = 2-Dr Hatchback (Talon)  
 4WD = (4 Wheel Drive)  
 2WD = (2 Wheel Drive)

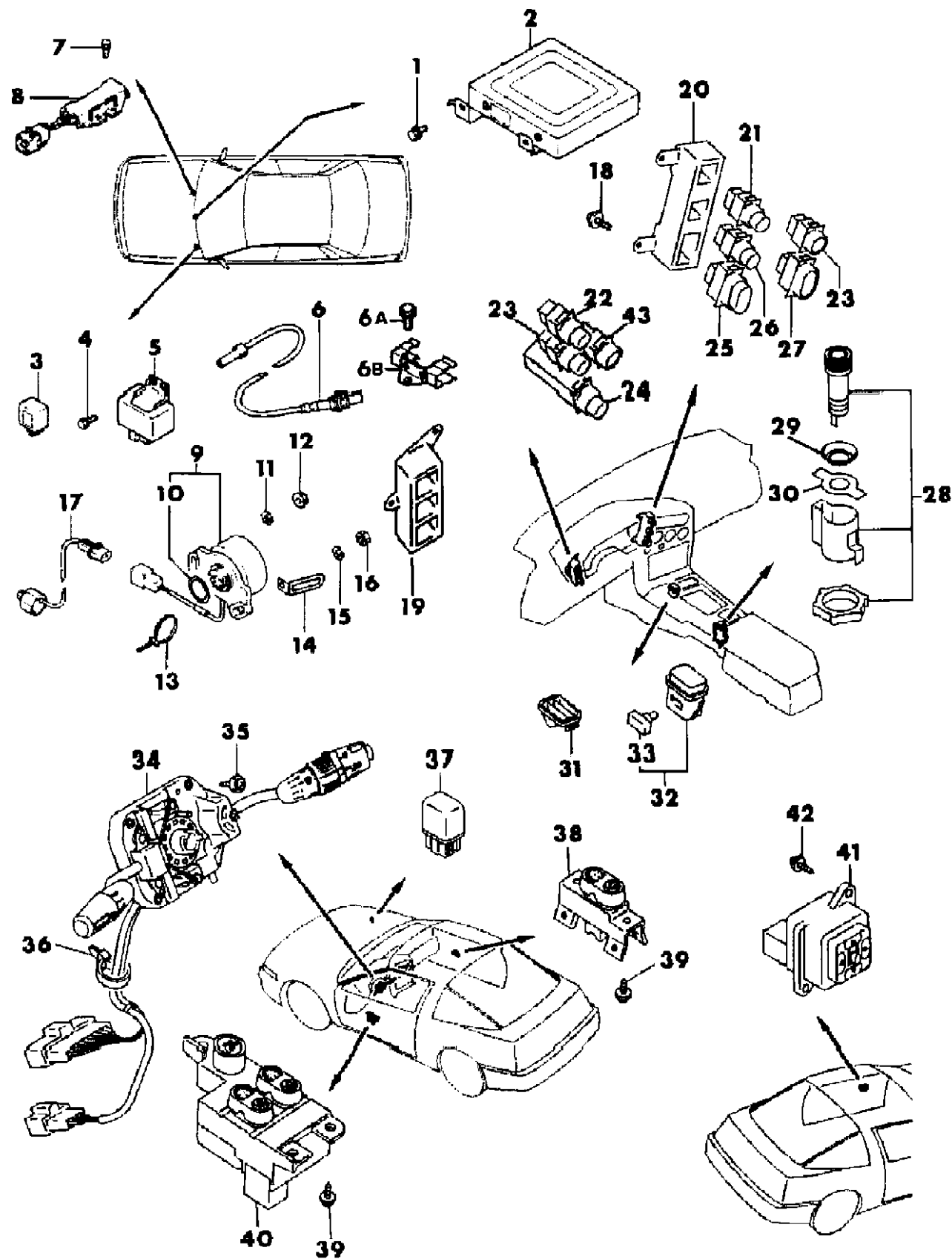
AR = Use as Required - = Non Illustrated Part P.A.R. = Paint as Required



SWITCHES & ELECTRICAL CONTROLS LASER-TALON

Figure 8-805

9608 805



ITEM	PART NUMBER	QTY	BODY	MODEL	DESCRIPTION
33	MB28 1998	1			BULB
34					SWITCH, Column
	MB53 0261	1			1990-94, w/o Cruise Control
	MB53 0262	1			1990, w/Cruise Control
	MB62 9724	1			1991-94, w/Cruise Control
35	MS35 0048	3			SCREW, w/Washer, (5x30)
36					BAND, Cable
	MB24 9340	2			(219.5)
	MB24 9338				(130)
	MB08 4080				(129.5)
37					RELAY, w/Pwr. Wdo's.
	MB14 1967	1			1990-91
	MB18 3865	1			1992-94, (SSA521F011)
38	MB53 0268	1			SWITCH, Frt. Door Pwr. Wdo. Sub.
39	MF45 3030	5			SCREW, Tapping, (5x10)
40	MB53 0267	1			SWITCH ASSY, Frt. Door Pwr. Wdo. Driver ***
41	MB56 1813	1			SWITCH, Remote Control Mirror
42	MB40 9438	2			SCREW, Tapping, (5x16)
43	MB52 2126				SWITCH, Fog Lamp
-	MB68 6562	1			MODULE, ABS, w/FWD
-	MB68 6563	1			MODULE, ABS, w/AWD
-	MB68 6467	1			BRACKET, ABS Module

ENGINE: P = 1800cc (1.8L) A = 2000cc (2.0L) Blank = All  
 TRANS: A = Automatic M = Manual Blank = All  
 SERIES: H = High M = Medium P = Premium S = Special

MODELS:  
 24 FWD = 2Dr Hatchback (Laser)  
 24 FWD = 2-Dr Hatchback (Talon)  
 4WD = (4 Wheel Drive)  
 2WD = (2 Wheel Drive)

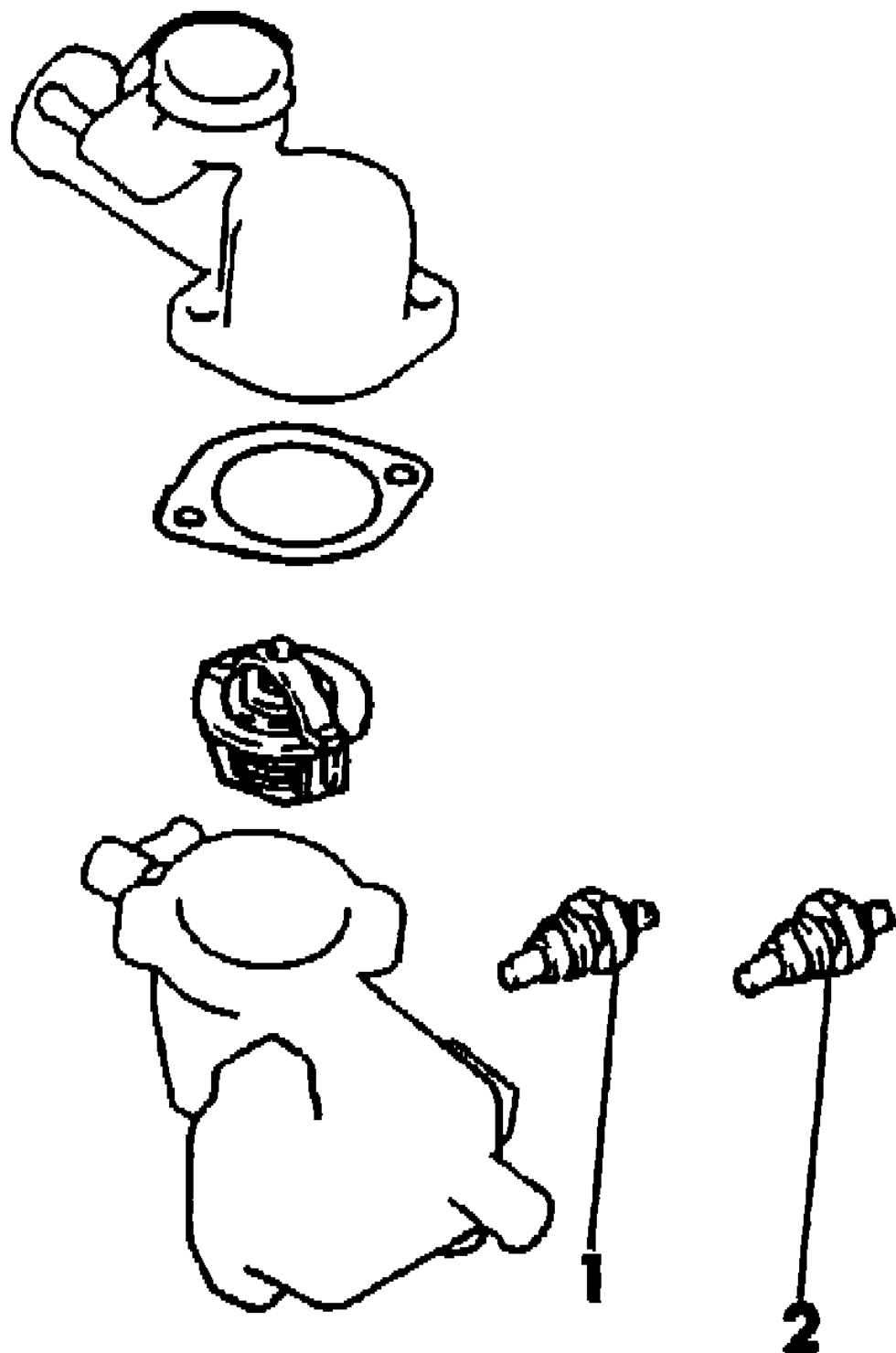
AR = Use as Required - = Non Illustrated Part P.A.R. = Paint as Required

SWITCHES-SENDING UNITS-SENSORS LASER-TALON

Figure 8-810

9608 810

ITEM	PART NUMBER	QTY	BODY	MODEL	DESCRIPTION
1	MD09 1056				SENDING UNIT, Water Temp. Gauge
2	MD06 9879				SENSOR UNIT, Water Temp. ***



ENGINE: P = 1800cc (1.8L)  
 A = 2000cc (2.0L)  
 Blank = All

TRANS: A = Automatic  
 M = Manual  
 Blank = All

SERIES: H = High  
 M = Medium  
 P = Premium  
 S = Special

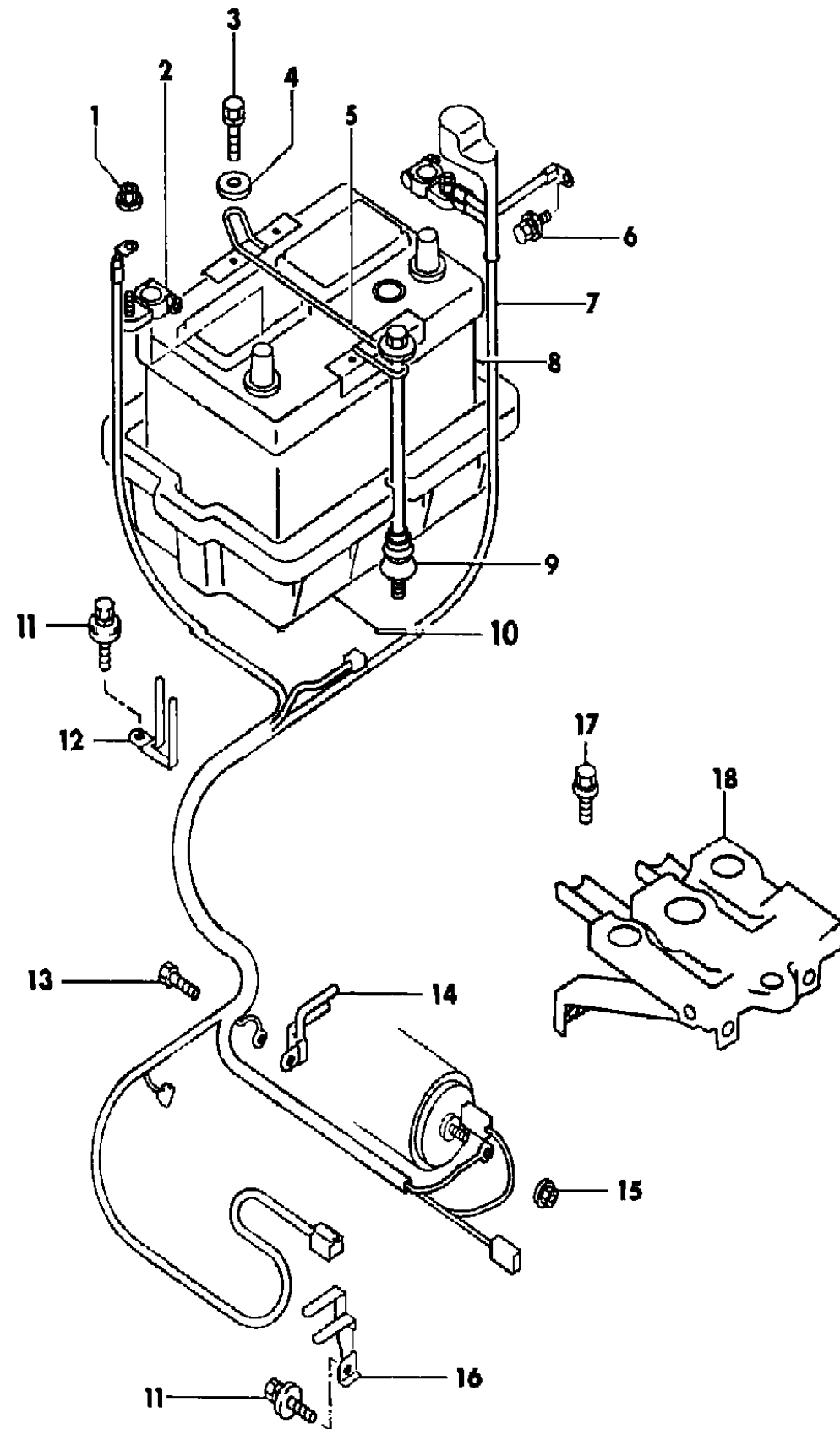
MODELS:  
 24 FWD = 2Dr Hatchback (Laser)  
 24 FWD = 2-Dr Hatchback (Talon)  
 4WD = (4 Wheel Drive)  
 2WD = (2 Wheel Drive)

AR = Use as Required - = Non Illustrated Part P.A.R. = Paint as Required

BATTERY TRAY & CABLES LASER-TALON

Figure 8-1005

9608 1005



ITEM	PART NUMBER	QTY	BODY	MODEL	DESCRIPTION
1	MU43 0010	1			NUT, Battery Wiring Spring, (8)
2	MU80 0993	1			TERMINAL, Battery
3	MS24 0083	1			BOLT, w/Washer, (6x25)
4	MF45 0271	1			WASHER, Plain, (6)
5	MB53 0255	1			HOLDER, Battery
6					BOLT, w/Washer
	MB33 0946	1			1990-93, (6x16 7T)
	MB24 9413	1			1994, (6x16)
7					CABLE ASSY, Battery Wiring ***
	MB53 0280	1			Man. Trans., w/o ABS
	MB53 0281	1			Auto Trans., w/o ABS
	MB85 2321	1			Man. Trans., w/ABS
	MB85 2322	1			Auto Trans., w/ABS
8		1			BATTERY, (90/525, RC/CCA),(See Mopar Battery Catalog)
9	MB54 2430	1			L-BOLT, Battery
10	MB53 0254	1			SEAT, Battery
11	MF24 0049	2			BOLT, w/Washer, (8x12 4T)
12	MB24 9369	1			CLIP
13	MF10 0080	1			BOLT, (10x14 4T)
14	MB26 1600	1			CLIP, Cable
15	MS44 0134	1			NUT, Flange, (8)
16	MB26 1622	1			CLIP, Cable
17	MS24 0125	6			BOLT, (8x20 4T)
18	MB54 9810	1			TRAY, Battery

ENGINE: P = 1800cc (1.8L) A = 2000cc (2.0L) Blank = All  
 TRANS: A = Automatic M = Manual Blank = All  
 SERIES: H = High M = Medium P = Premium S = Special

MODELS:  
 24 FWD = 2Dr Hatchback (Laser)  
 24 FWD = 2-Dr Hatchback (Talon)  
 4WD = (4 Wheel Drive)  
 2WD = (2 Wheel Drive)

AR = Use as Required - = Non Illustrated Part P.A.R. = Paint as Required

LAMPS--FRONT EXTERIOR 1990-91 LASER-TALON

Figure 8-1105

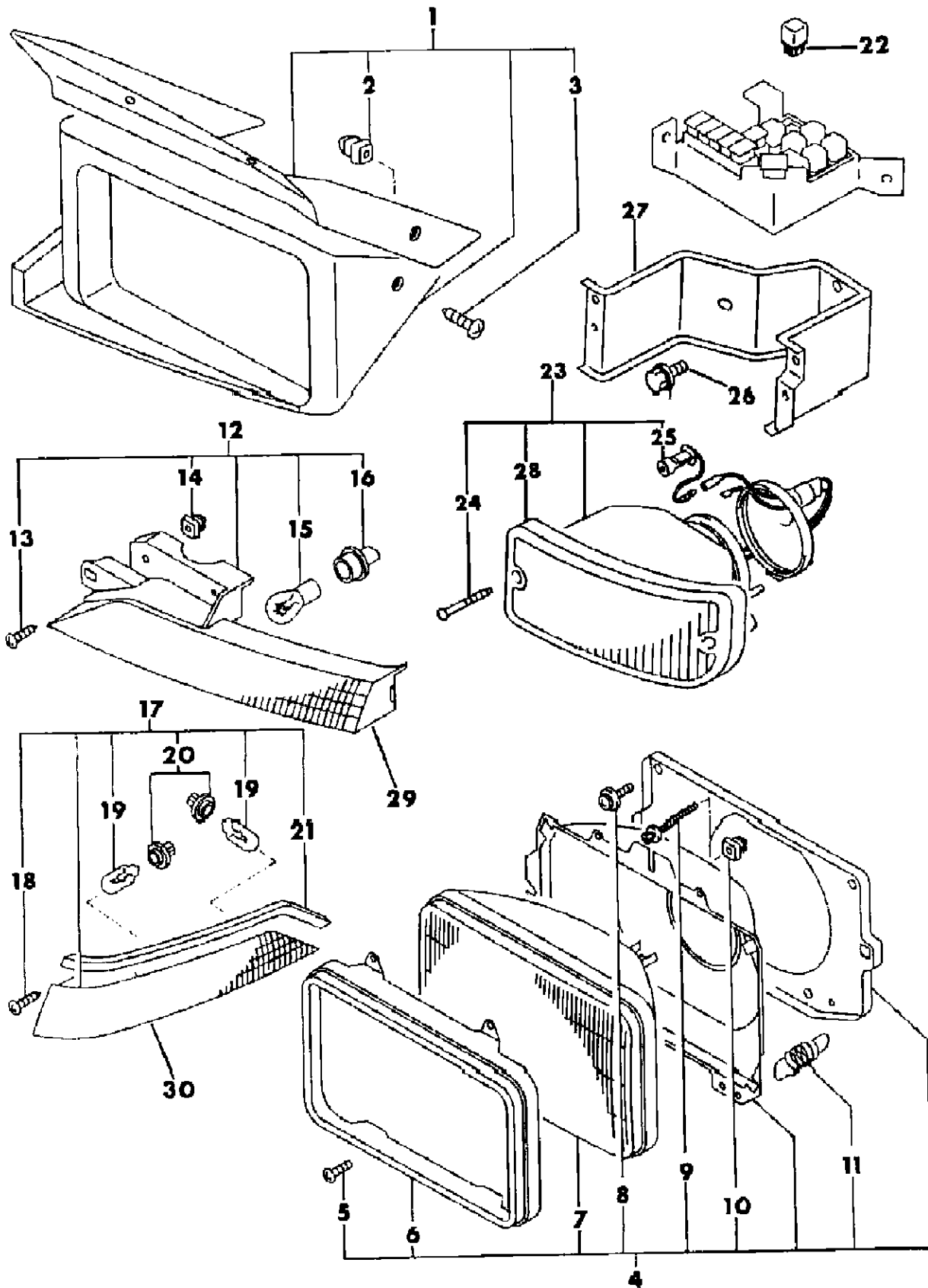
9608 1105

ITEM	PART NUMBER	QTY	BODY	MODEL	DESCRIPTION
1					BEZEL KIT, Headlamp ***
	MB59 7879	1			Lt.
	MB59 7880	1			Rt.
2	MS48 0009	12			GROMMET, Screw, (5)
3	MF45 3093	12			SCREW, Tapping, (5x16)
4					HEADLAMP KIT
	MB59 7878	1			Rt.
	MB59 7877				Lt.
5	MB08 4225	8			SCREW, Machine
6	MB59 6513	2			RING, Headlamp Retaining
7	MS82 0195	2			SEALED BEAM UNIT, (12V65/45W)
8	MS35 0129	8			SCREW, w/Washer, (6x16)
9	MB59 6514	4			SCREW, Headlamp
10	MB30 2665	4			GROMMET, Screw
11	MB59 6516	2			SPRING, Headlamp Setting
12					LAMP KIT, Turn Signal, Frt ***
	MB59 7764	1			Rt.
	MB59 7763	1			Lt.
13	MF45 3093	4			SCREW, Tapping, (5x16)
14	MS48 0009	4			GROMMET, Screw, (5)
15	MS82 0037	2			BULB, (12V-27/8W)
16	MU80 5823	2			SOCKET, Frt. Turn Signal
17					LAMP KIT, Combination, Frt. ***
	MB59 7766	1			Rt.
	MB59 7765	1			Lt.
18	MS20 0125	4			SCREW, Tapping, (5x12)
19	MS82 0080	4			BULB, (12V-5W)
20	MU80 5816	4			SOCKET, Frt. Lamp
21					SEAL, Lamp End
	MB59 6506	1			Rt.
	MB59 6505	1			Lt.
22	MB18 3865	1			RELAY
23					LAMP ASSY, Fog, (12V-35W) ***
	MB54 2457	1			Lt.
	MB54 2458	1			Rt.
24	MB59 6489	1			SCREW, (5x50)
25	MB38 1005	1			BULB, Fog Lamp, (12v-35w) ***
26	MS24 0125	1			BOLT, w/Washer
27					BRACKET, Fog Lamp

ENGINE: P = 1800cc (1.8L) A = 2000cc (2.0L) Blank = All  
 TRANS: A = Automatic M = Manual Blank = All  
 SERIES: H = High M = Medium P = Premium S = Special

MODELS:  
 24 FWD = 2Dr Hatchback (Laser)  
 24 FWD = 2-Dr Hatchback (Talon)  
 4WD = (4 Wheel Drive)  
 2WD = (2 Wheel Drive)

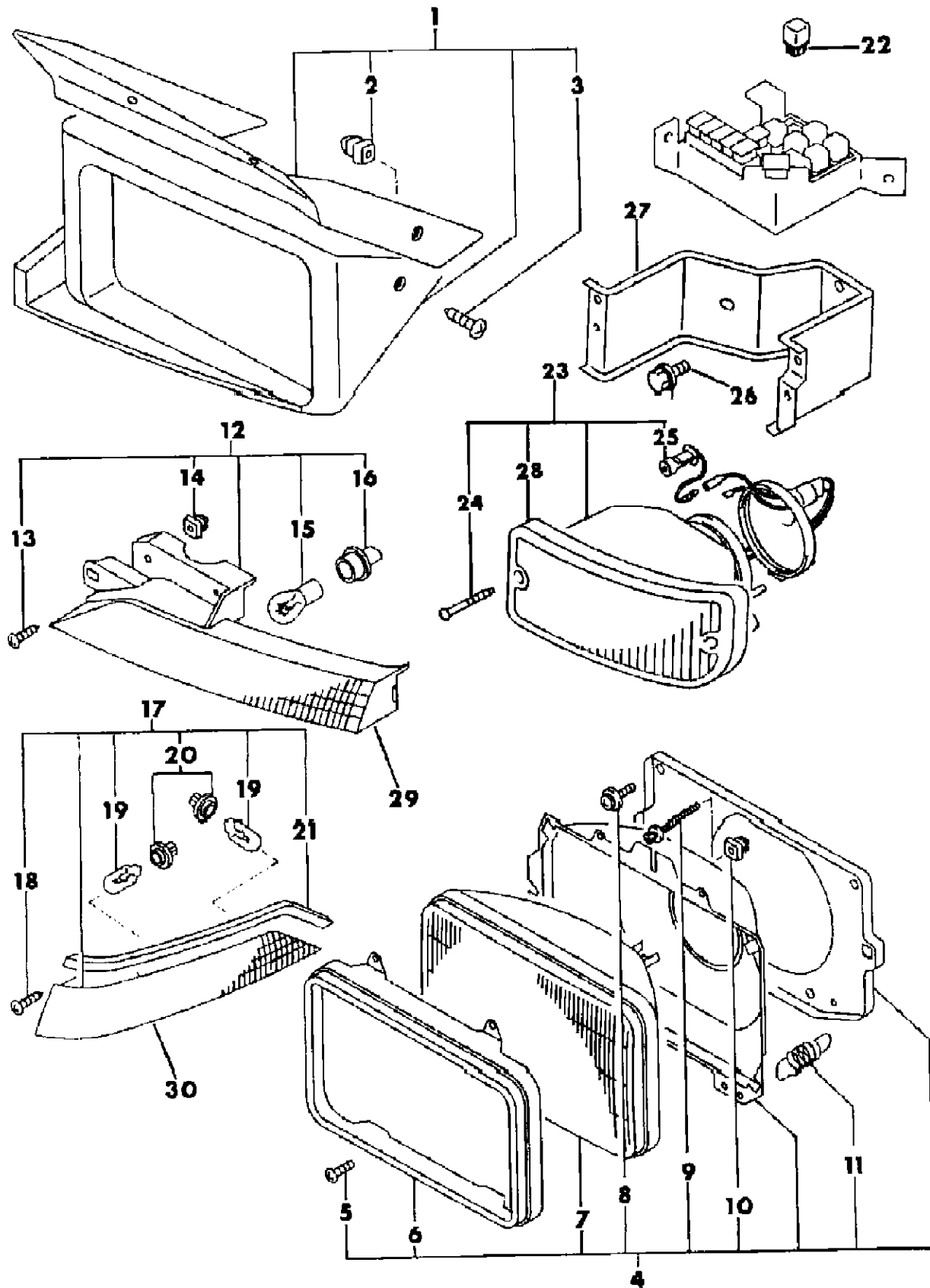
AR = Use as Required - = Non Illustrated Part P.A.R. = Paint as Required



LAMPS--FRONT EXTERIOR 1990-91 LASER-TALON  
Figure 8-1105

9608 1105

ITEM	PART NUMBER	QTY	BODY	MODEL	DESCRIPTION
	MB54 2459	1			Lt.
	MB54 2460	1			Rt.
28	MB60 6243	1			LENS, Fog Lamp
	MB60 6244	1			Lt.
					Rt.
29					LAMP UNIT, Turn Signal
	MB59 6547	1			Lt.
	MB59 6548	1			Rt.
30					LAMP UNIT, Frt. Combination
	MB59 6571	1			Lt.
	MB59 6572	1			Rt.



ENGINE: P = 1800cc (1.8L) A = 2000cc (2.0L) Blank = All  
 TRANS: A = Automatic M = Manual Blank = All  
 SERIES: H = High M = Medium P = Premium S = Special

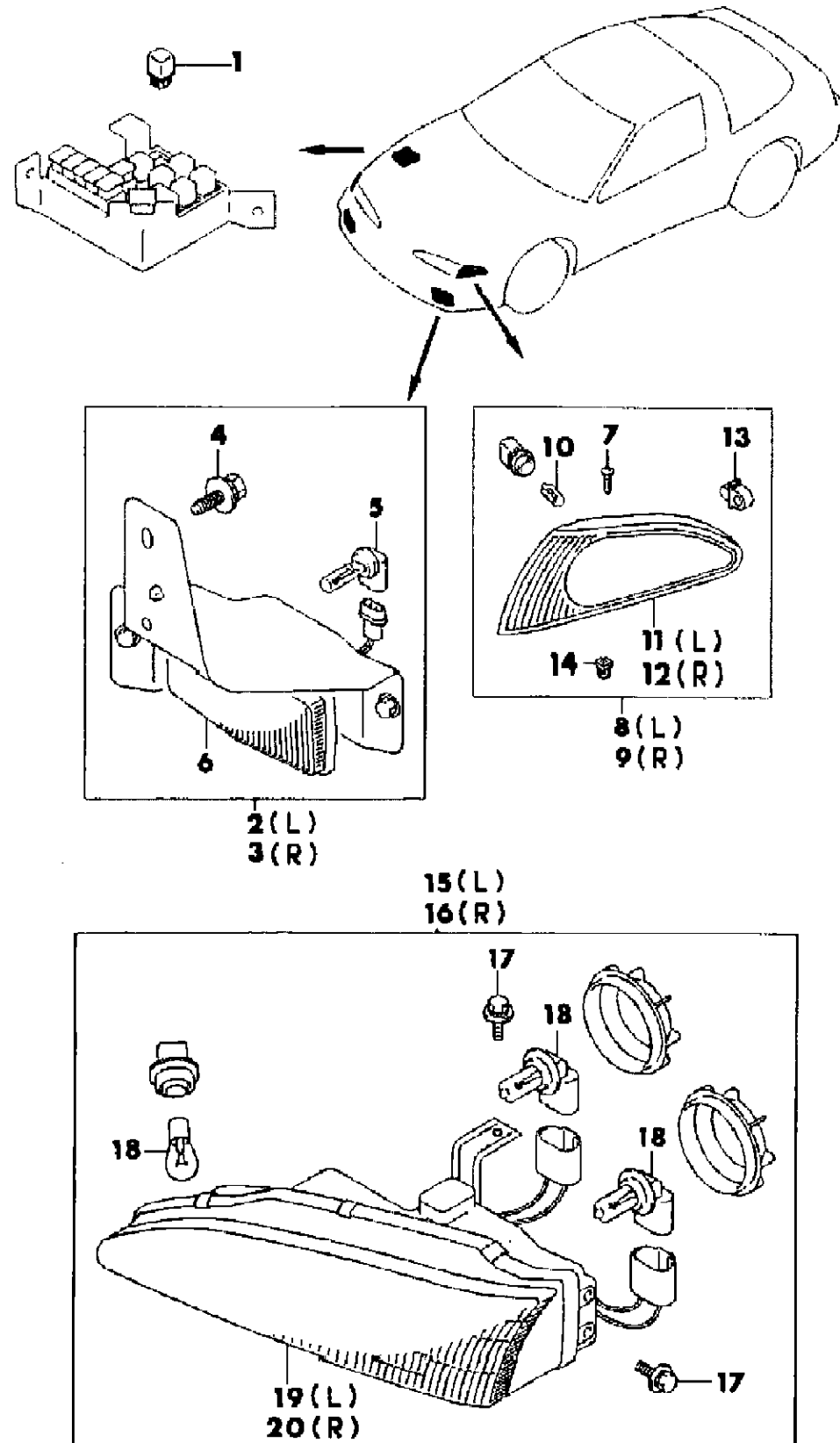
MODELS:  
 24 FWD = 2Dr Hatchback (Laser)  
 24 FWD = 2-Dr Hatchback (Talon)  
 4WD = (4 Wheel Drive)  
 2WD = (2 Wheel Drive)

AR = Use as Required - = Non Illustrated Part P.A.R. = Paint as Required

LAMPS--FRONT EXTERIOR 1992-94 LASER-TALON

Figure 8-1110

9608 1110



ITEM	PART NUMBER	QTY	BODY	MODEL	DESCRIPTION
1	MB18 3865	1			RELAY, (SSA521F011)
2					LAMP KIT, Fog ***
3	MB86 1289	1		LASER	Lt.
	MB86 1290	1		LASER	Rt.
	MB86 1291	1		TALON	Lt.
	MB86 1292	1		TALON	Rt.
4	MS24 0142	4			BOLT, Fog Lamp, (6x20)
5					BULB, Fog Lamp
	MB88 1777	2		LASER	
	MB88 1778	2		TALON	
	5263 606	2			(GE-880V)
6	MB88 1763	2			LAMP UNIT, Fog
7					SCREW, Lamp
	MF45 3079	2			1990-93, (4x16)
	MF45 3093	2			1994, (5x16)
8	MB86 1295	1			LAMP KIT, Lt. ***
9	MB86 1296	1			LAMP KIT, Rt. ***
10	MS82 0080	2			BULB, Frt. Lamp
11	MB88 1775	1			LAMP UNIT, Lt., Combination
12	MB88 1776	1			LAMP UNIT, Rt., Combination
13	MB59 6509	2			CLIP
14	MS48 0001	2			GROMMET
15	MB86 1293	1			HEADLAMP KIT, Lt.
16	MB86 1294	1			HEADLAMP KIT, Rt.
17	MS24 0206	8			BOLT
18					BLUB ***
	MS82 0037	2			(12V-27/8W)
	MS82 0960	2			(12V-55W)
	MS82 0959	2			(12V-65W)
19	MB88 1773	1			HEADLAMP, Lt., Body
20	MB88 1774	1			HEADLAMP, Rt., Body

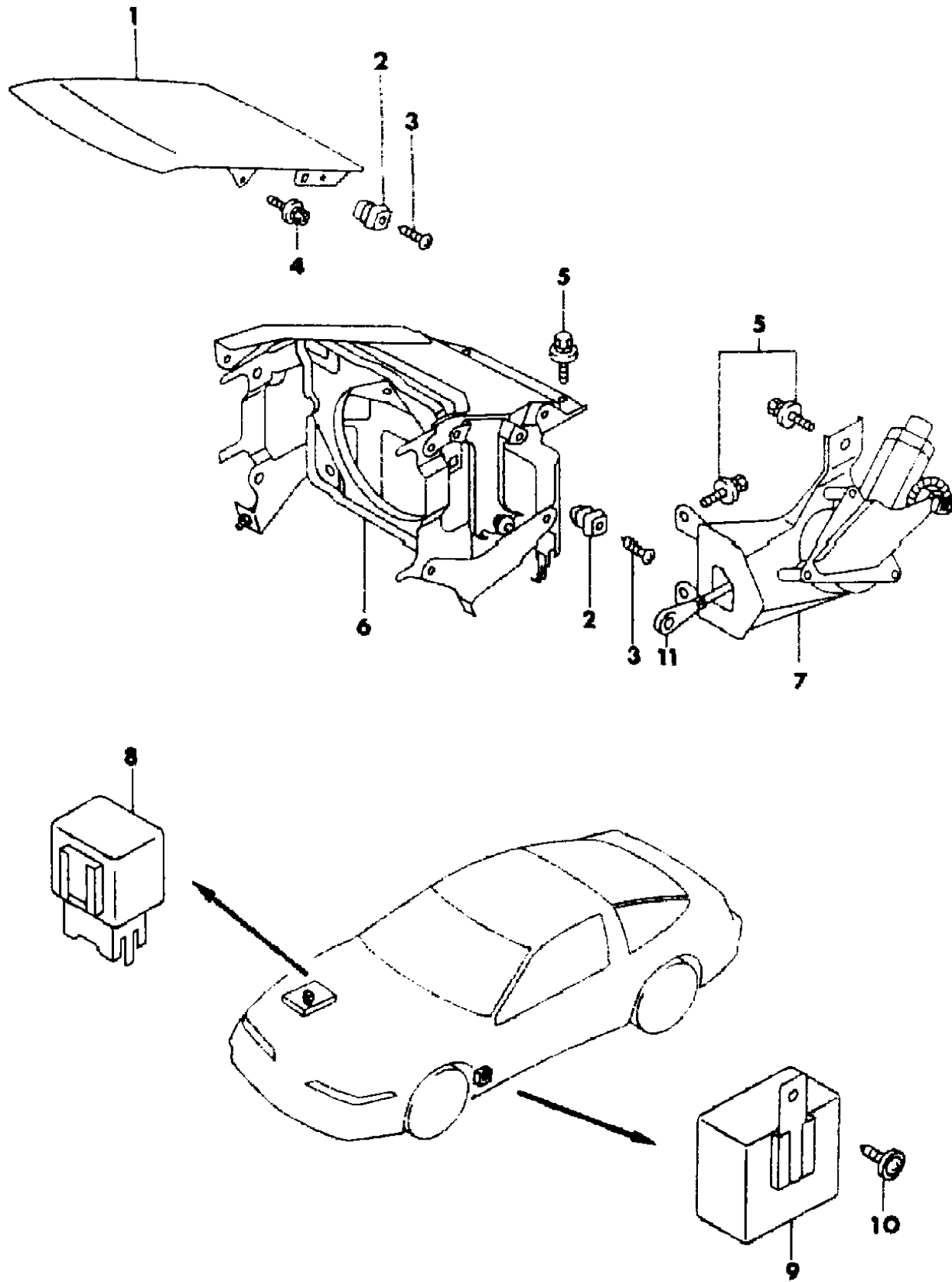
ENGINE: P = 1800cc (1.8L) A = 2000cc (2.0L) Blank = All  
 TRANS: A = Automatic M = Manual Blank = All  
 SERIES: H = High M = Medium P = Premium S = Special

MODELS:  
 24 FWD = 2Dr Hatchback (Laser)  
 24 FWD = 2-Dr Hatchback (Talon)  
 4WD = (4 Wheel Drive)  
 2WD = (2 Wheel Drive)

AR = Use as Required - = Non Illustrated Part P.A.R. = Paint as Required

LAMPS--CONCEALED LASER-TALON  
Figure 8-1115

9608 1115



ITEM	PART NUMBER	QTY	BODY	MODEL	DESCRIPTION
1					HOOD, Headlamp ***
	MB63 7031	1			Lt.
	MB63 7032	1			Rt.
2	MS48 0009	12			GROMMET, Screw, (5)
3	MF45 3093	12			SCREW, Tapping, (5x16)
4	MS24 0029	8			BOLT, w/Washer, (5x12)
5	MS24 0141	14			BOLT, w/Washer, (6x16 4T)
6					HINGE ASSY ***
	MB53 0235	1			Lt.
	MB53 0236	1			Rt.
7					MOTOR, w/Bracket
	MB54 2478	1			Rt.
	MB54 2477	1			Lt.
8	MB54 3647	1			RELAY, Headlamp
9	MB53 0227	1			RELAY, Passing Control
10	MS45 0157	1			SCREW, Tapping, (5x16)
11	MB60 6225	AR			LINK

ENGINE: P = 1800cc (1.8L) A = 2000cc (2.0L) Blank = All  
 TRANS: A = Automatic M = Manual Blank = All  
 SERIES: H = High M = Medium P = Premium S = Special

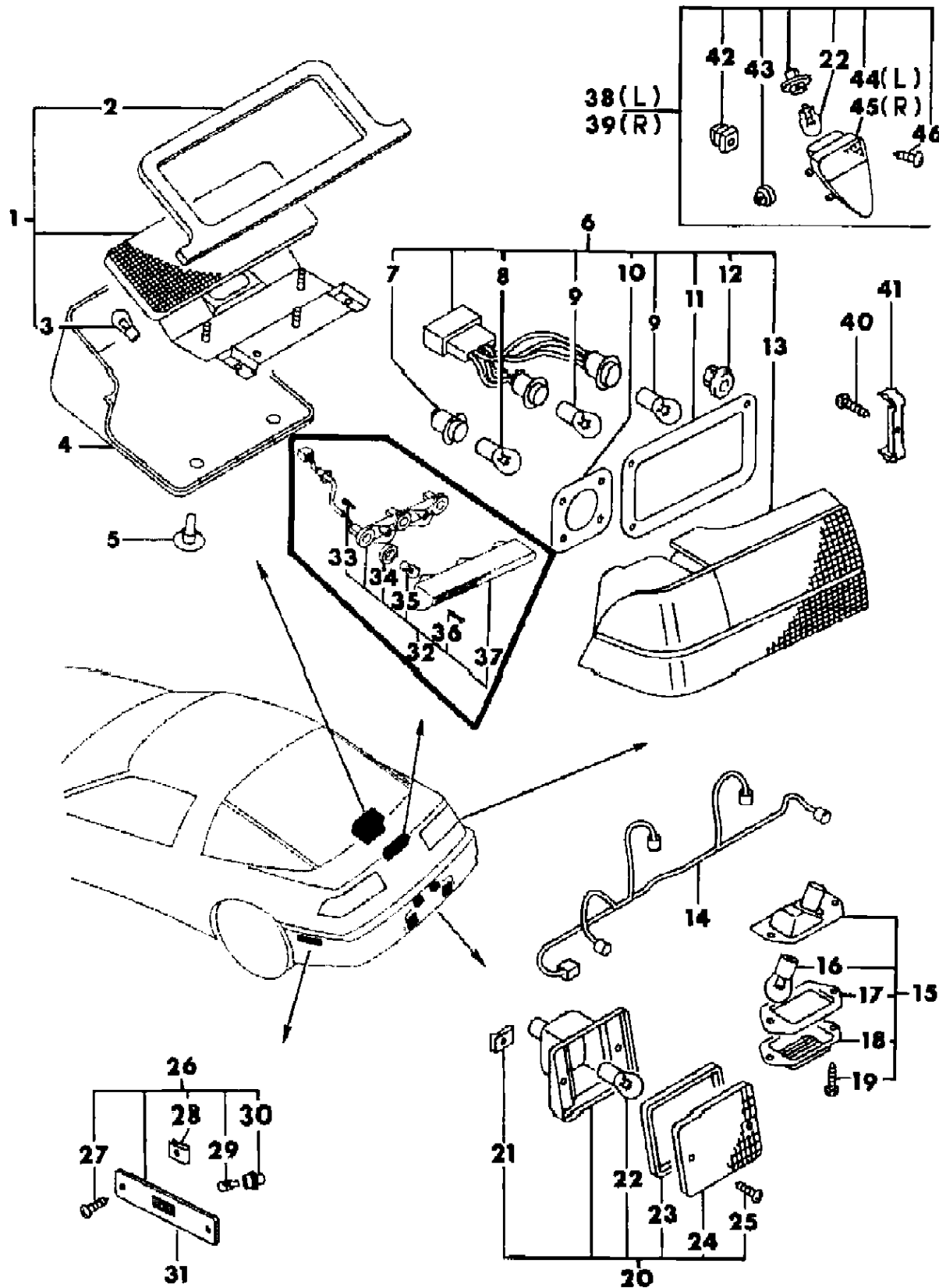
MODELS:  
 24 FWD = 2Dr Hatchback (Laser)  
 24 FWD = 2-Dr Hatchback (Talon)  
 4WD = (4 Wheel Drive)  
 2WD = (2 Wheel Drive)

AR = Use as Required - = Non Illustrated Part P.A.R. = Paint as Required

LAMPS--REAR EXTERIOR LASER-TALON

Figure 8-1120

9608 1120



ITEM	PART NUMBER	QTY	BODY	MODEL	DESCRIPTION
1	MB53 0286	1			LAMP ASSY, Hi-Mtd. Stop ***
2	MB59 6565	1			GASKET, Lamp
3	MS82 0043	1		LASER	BULB (12V-27W)
	MS82 0090	1		TALON	(12V-5W)
4	MB72 2057	1			COVER, Hi-Mtd. Stop Lamp Brown
	MB72 2056	1			Gray
	MB79 1424	1		LASER	1992-94
5	MB63 4386	4			CLIP, Trim Gray
	MB63 4387	4			Brown
	MB76 6473	1		LASER	1992-94
6	MB59 7927	1		LASER	LAMP KIT, Combination Rear *** 1990-91, Lt.
	MB59 7928	1		LASER	1990-91, Rt.
	MB86 1927	1		LASER	1992-94, Lt.
	MB86 1928	1		LASER	1992-94, Rt.
	MB59 7767	1		TALON	1990-91, Lt.
	MB59 7768	1		TALON	1990-91, Rt.
	MB86 1923	1		TALON	1992-94, Lt.
	MB86 1924	1		TALON	1992-94, Rt.
7	MU80 5819	2			SOCKET, Rear Comb. Bulb 1990-91
		2			1992-93 (Serviced in Lamp Kit)
8	MS82 0043	2			BULB, Turn Signal, (12V-27W)
9	MS82 0047	AR			BULB, Stop & Tail, (12V-27/7W)
10	MB59 6520	2			GASKET, Turn Signal, Comb. Lamp
11	MB59 6519	2			GASKET, Tail & Stop 1990-92
	MB92 9963	2			1993-94
12	MS44 0522	12			NUT, w/Washer, (6)
13	MB60 6236	1		LASER	LAMP UNIT, Rear Comb. 1990-91, Rt.
	MB60 6235	1		LASER	1990-91, Lt.
	MB88 1765	1		LASER	1992-94, Rt.
	MB88 1764	1		LASER	1992-94, Lt.
	MB59 6528	1		TALON	1990-91, Rt.
	MB59 6527	1		TALON	1990-91, Lt.

ENGINE: P = 1800cc (1.8L) A = 2000cc (2.0L) Blank = All  
 TRANS: A = Automatic M = Manual Blank = All  
 SERIES: H = High M = Medium P = Premium S = Special

MODELS:  
 24 FWD = 2Dr Hatchback (Laser)  
 24 FWD = 2-Dr Hatchback (Talon)  
 4WD = (4 Wheel Drive)  
 2WD = (2 Wheel Drive)

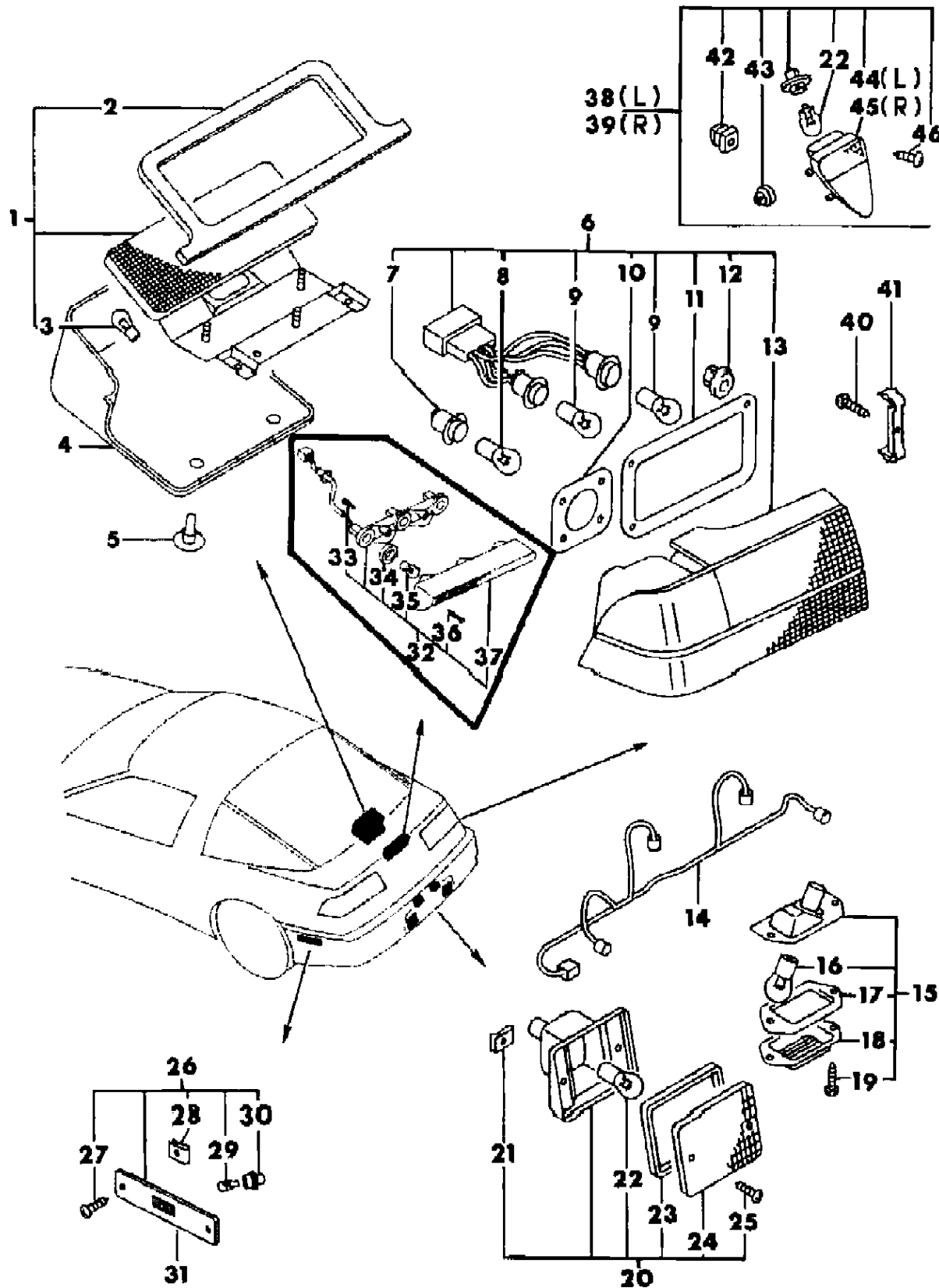
AR = Use as Required - = Non Illustrated Part P.A.R. = Paint as Required



LAMPS--REAR EXTERIOR LASER-TALON

Figure 8-1120

9608 1120



ITEM	PART NUMBER	QTY	BODY	MODEL	DESCRIPTION
	MB88 1756	1		TALON	1992-94, Rt.
	MB88 1755	1		TALON	1992-94, Lt.
14	MB53 0247	1			HARNESS, License Plate Lamp 1990-91
	MB82 3883	1		LASER	1992-94
	MB82 3884	1		TALON	1992-94
15	MB53 0248	2			LAMP ASSY, License Plate ***
16	MS82 0080	2			BULB, (12V-5W)
17	MB59 6502	2			GASKET, License Plate Lamp Lens
18	MB59 6500	2			LENS, License Plate Lamp
19	MS20 0335	4			SCREW, License Plate Lamp, (4x14)
20	MB59 7781	2			LAMP KIT, Backup
21	MB62 3817	4			NUT, Speed
22	MS82 0043	2			BULB, (12V-27W)
23	MB59 6493	2			GASKET, Backup Lamp
24	MB59 6492	2			LENS, Backup Lamp
25	MS45 0946	4			SCREW, Backup Lamp, (4x35)
26	MB59 7718	2			LAMP KIT, S/Marker & Reflector, Rear ***
27	MB59 6495	4			SCREW, Rear Lamp
28					NUT, Speed
	MB62 3817	4			1990-91
	MU48 0001	4			1992-94
29	MS82 0080	2			BULB, (12V-5W)
30	MU80 5818	2			SOCKET, Bulb
31	MB59 6494	2			LAMP UNIT, Side Marker
32					LAMP ASSY, High-Mtd. Stop ***
	MB53 0289	1			1990-91, (12V-5Wx3)
	MB62 3887	1			1992-94
33	MS45 0930	1			SCREW, Rear Lamp, (4x12)
34	MB57 2216	1			GASKET, High-Mtd. Stop Lamp
35	MS82 0090	1			BULB, Rear Lamp, (12V-5W)
36	MB59 6546	1			SCREW, Tapping
37	MB59 6540	1			LAMP UNIT, High-Mtd. Stop
38	MB86 1297	1		TALON	LAMP KIT, Lt., Back-Up ***
39	MB86 1298	1			LAMP KIT, Rt., Back-Up ***
40	MB88 1144	2			SCREW, Tail Lamp
41	MB67 7856	2			HOOK, Rear Lamp
42	MS48 0002	4			GROMMET, Back-Up Lamp
43	MU81 0518	4			GROMMET, Back-Up Lamp

ENGINE:  
P = 1800cc (1.8L)  
A = 2000cc (2.0L)  
Blank = All

TRANS:  
A = Automatic  
M = Manual  
Blank = All

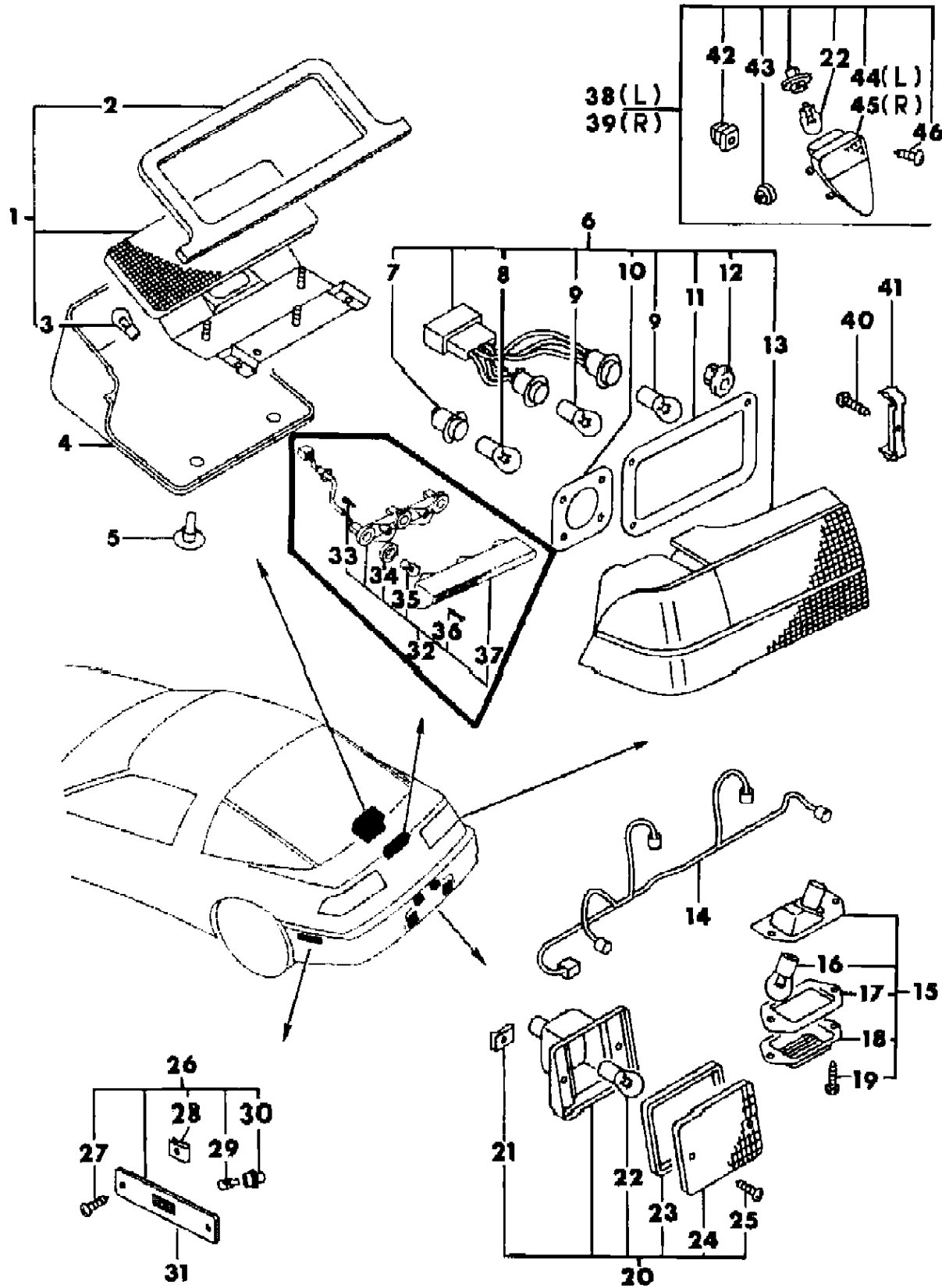
SERIES:  
H = High  
M = Medium  
P = Premium  
S = Special

MODELS:  
24 FWD = 2Dr Hatchback (Laser)  
24 FWD = 2-Dr Hatchback (Talon)  
4WD = (4 Wheel Drive)  
2WD = (2 Wheel Drive)

AR = Use as Required - = Non Illustrated Part P.A.R. = Paint as Required

LAMPS--REAR EXTERIOR LASER-TALON  
Figure 8-1120

9608 1120



ITEM	PART NUMBER	QTY	BODY	MODEL	DESCRIPTION
------	-------------	-----	------	-------	-------------

44	MB88 1361	1			LAMP UNIT, Lt., Back-Up
45	MB88 1362	1			LAMP UNIT, Rt., Back-Up
46	MS45 0158	4			SCREW, Back-Up Lamp

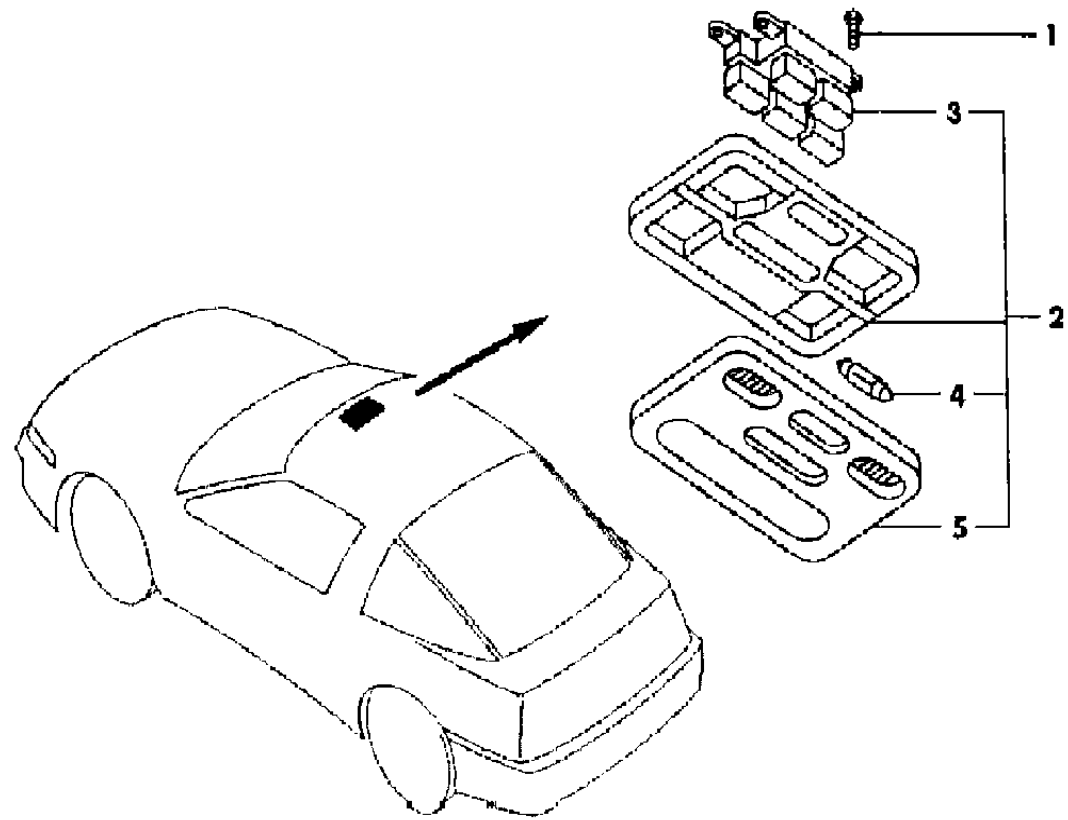
ENGINE: P = 1800cc (1.8L) A = 2000cc (2.0L) Blank = All  
 TRANS: A = Automatic M = Manual Blank = All  
 SERIES: H = High M = Medium P = Premium S = Special

MODELS:  
 24 FWD = 2Dr Hatchback (Laser)  
 24 FWD = 2-Dr Hatchback (Talon)  
 4WD = (4 Wheel Drive)  
 2WD = (2 Wheel Drive)

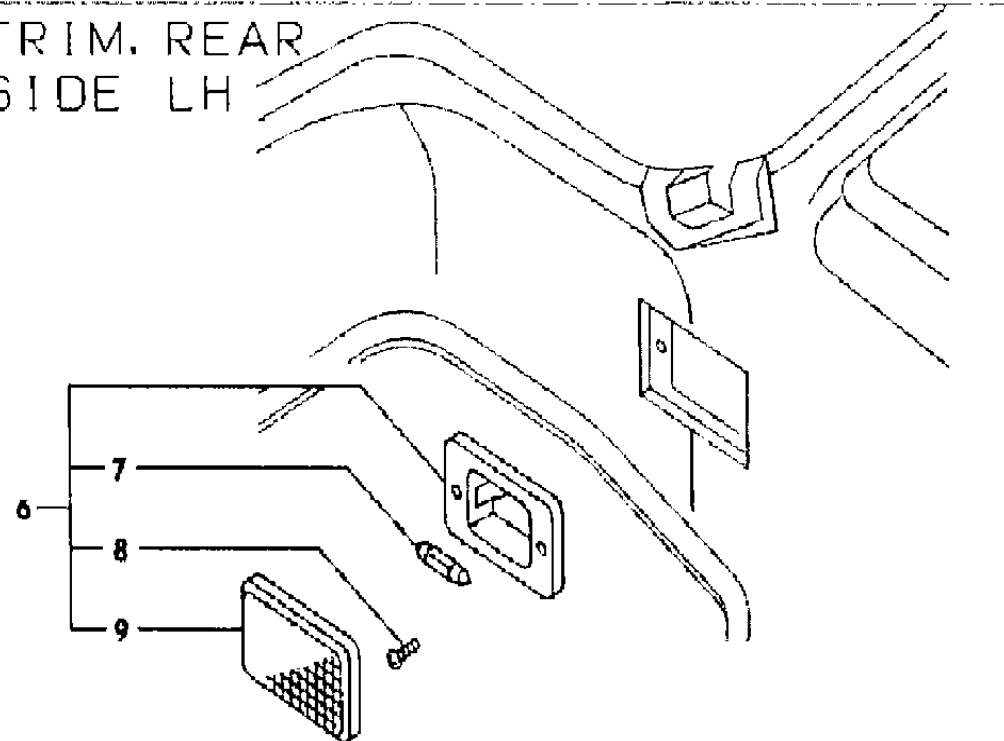
AR = Use as Required - = Non Illustrated Part P.A.R. = Paint as Required

LAMPS--DOME & COURTESY LASER-TALON  
Figure 8-1125

9608 1125



TRIM, REAR  
SIDE LH



ITEM	PART NUMBER	QTY	BODY	MODEL	DESCRIPTION
1	MF45 3332	2			SCREW, Tapping, (5x14)
2	MB53 0200	1			LAMP ASSEMBLY, Dome 1990-94
	MB68 0820				1991-94, w/Auto. Temp.
3	MB53 0315	1			SWITCH, Dome Lamp
4					BULB
	MF82 0513	4			1990-94
	MB84 9460				1991-94, (12V-1.4W)
5					LENS, Dome Lamp
	MB59 6497	1			1990-94
	MB84 9462	1			1991-94, w/Auto Temp.
6	MB30 5620	1			LAMP ASSY, Door ***
7	MS82 0071	1			BULB, (12V-5W)
8	MB50 9084	2			SCREW
9	MB33 7920	1			LENS, Door Lamp

ENGINE: P = 1800cc (1.8L) A = 2000cc (2.0L) Blank = All  
 TRANS: A = Automatic M = Manual Blank = All  
 SERIES: H = High M = Medium P = Premium S = Special

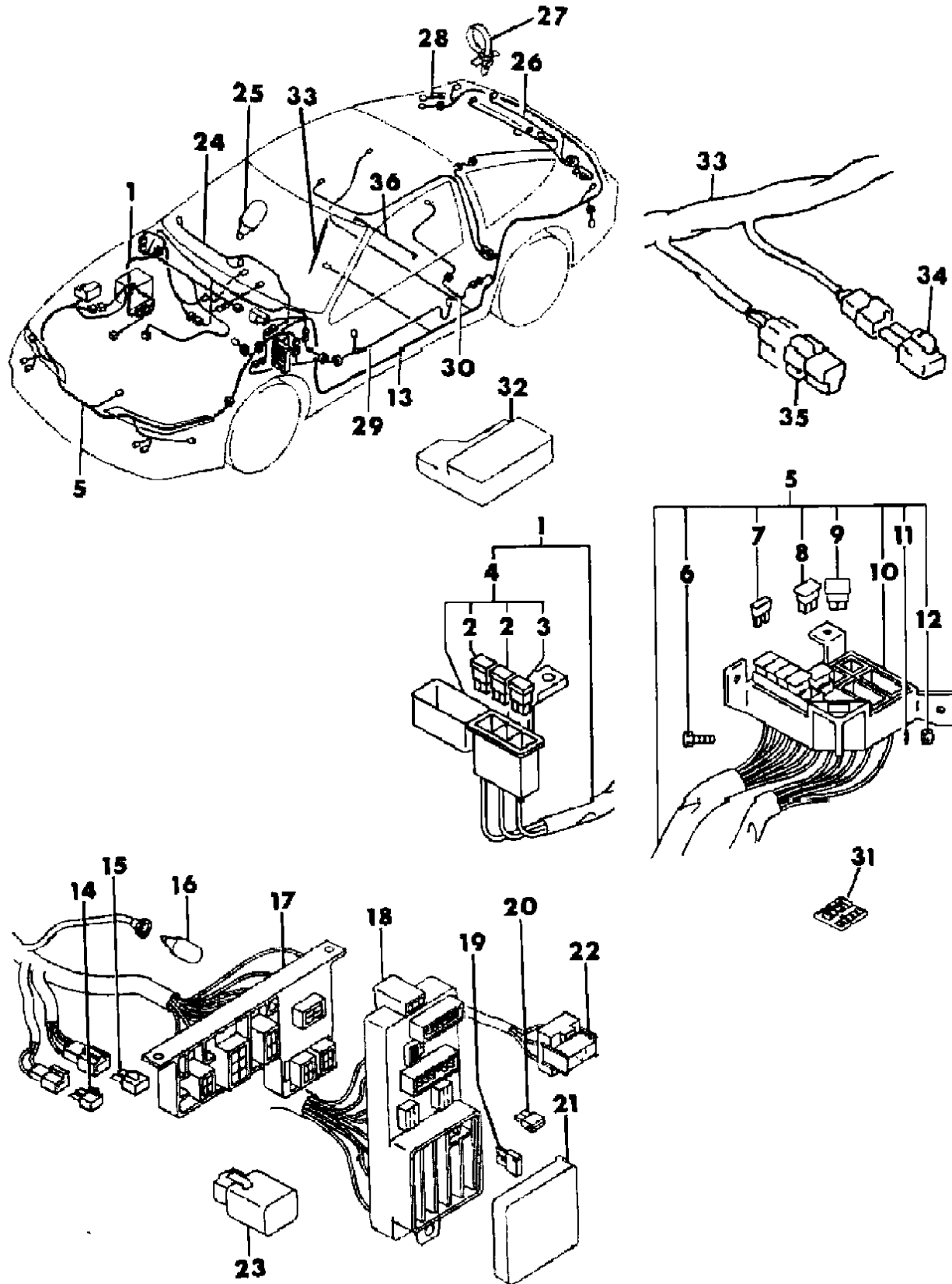
MODELS:  
 24 FWD = 2Dr Hatchback (Laser)  
 24 FWD = 2-Dr Hatchback (Talon)  
 4WD = (4 Wheel Drive)  
 2WD = (2 Wheel Drive)

AR = Use as Required - = Non Illustrated Part P.A.R. = Paint as Required

WIRING HARNESS LASER-TALON

Figure 8-1205

9608 1205



ITEM	PART NUMBER	QTY	BODY	MODEL	DESCRIPTION
1					HARNESS, Control, w/Injector Harness
					1.8L Engine ***
					1990 ***
	MB60 6230	1			Man. Trans., Federal-Canada
	MB60 6231	1			Auto Trans., Federal-Canada
	MB53 0350	1			Man. Trans., Calif.
	MB53 0351	1			Auto Trans., Calif.
					1991-92 ***
	MB68 6803	1			Man. Trans., Federal-Canada
	MB68 6804	1			Auto Trans., Federal-Canada
	MB68 6801	1			Man. Trans., Calif.
	MB68 6802	1			Auto Trans., Calif.
					1993-94 ***
	MB68 6803	1			Man. Trans., Federal-Canada
	MB94 2972	1			Auto Trans., Federal-Canada
	MB68 6801	1			Man. Trans., Calif.
	MB94 2971	1			Auto Trans., Calif.
					2.0L Engine ***
					1990 ***
	MB53 0358	1			Man. Trans., w/o Turbo
	MB53 0355	1			Auto Trans., w/o Turbo
	MB53 0354	1			Man. Trans., w/Turbo
					1991-92 ***
	MB68 6805	1			Man. Trans., w/o Turbo, w/o ABS
	MB68 6806	1			Auto Trans., w/o Turbo, w/o ABS
	MB68 6807	1			Man. Trans., w/o Turbo, w/ABS
	MB68 6808	1			Auto Trans., w/o Turbo, w/ABS
	MB68 6809	1			Man. Trans., w/Turbo, w/o ABS
	MB68 6810	1			Auto Trans., w/Turbo, w/o ABS
	MB68 6811	1			Man. Trans., w/Turbo, w/ABS
	MB68 6812	1			Auto Trans., w/Turbo, w/ABS
					1993-94 ***
	MB68 6805	1			Man. Trans., w/o Turbo, w/o ABS
	MB94 2973	1			Auto Trans., w/o Turbo, w/o ABS
	MB68 6807	1			Man. Trans., w/o Turbo, w/ABS
	MB92 4974	1			Auto Trans., w/o Turbo, w/ABS
	MB68 6809	1			Man. Trans., w/Turbo, w/o ABS
	MB94 2975	1			Auto Trans., w/Turbo, w/o ABS
	MB68 6811	1			Man. Trans., w/Turbo, w/ABS

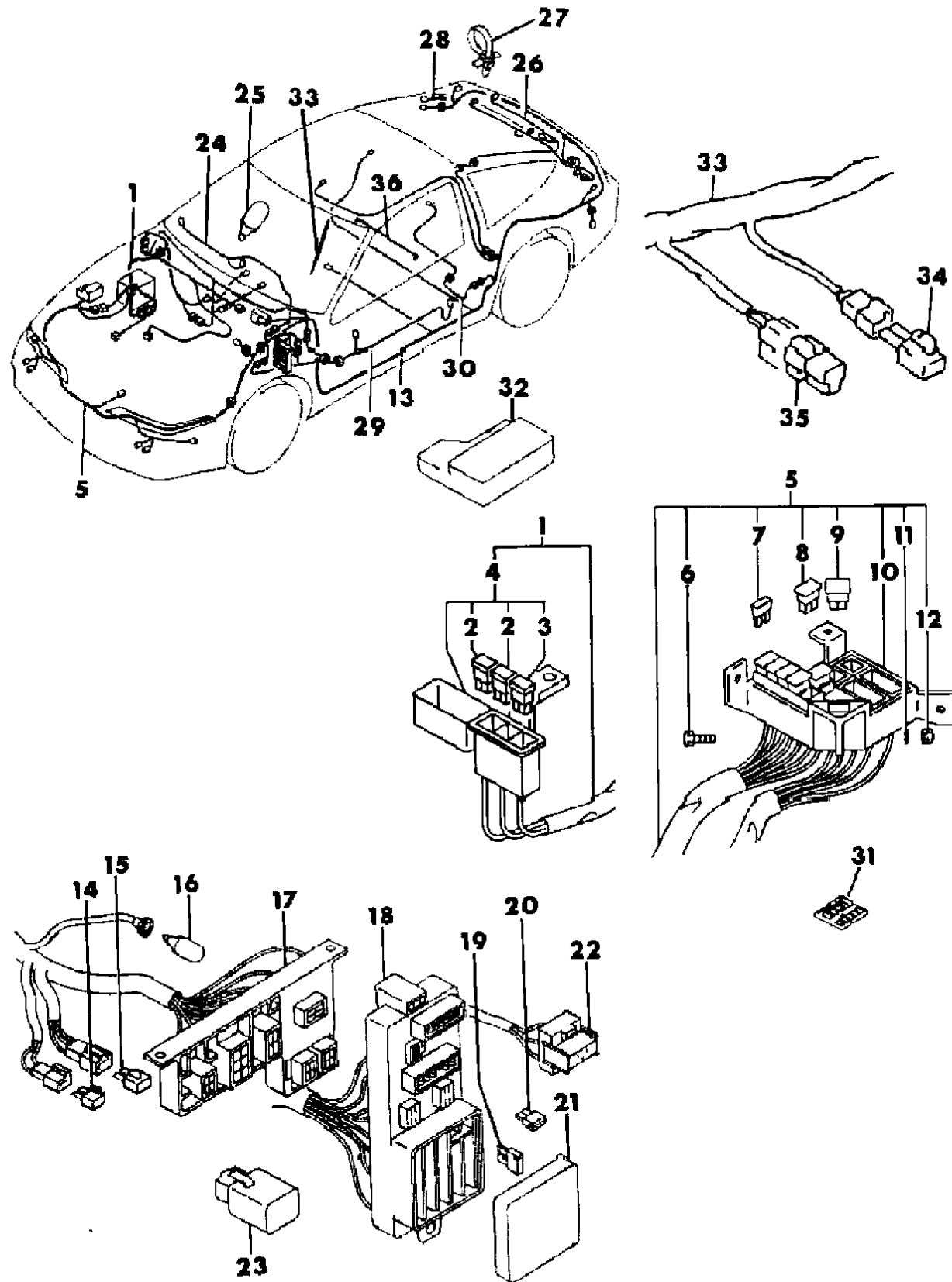
ENGINE: P = 1800cc (1.8L) A = 2000cc (2.0L) Blank = All  
 TRANS: A = Automatic M = Manual Blank = All  
 SERIES: H = High M = Medium P = Premium S = Special

MODELS:  
 24 FWD = 2Dr Hatchback (Laser)  
 24 FWD = 2-Dr Hatchback (Talon)  
 4WD = (4 Wheel Drive)  
 2WD = (2 Wheel Drive)

AR = Use as Required - = Non Illustrated Part P.A.R. = Paint as Required

**WIRING HARNESS LASER-TALON**  
Figure 8-1205

9608 1205



ITEM	PART NUMBER	QTY	BODY	MODEL	DESCRIPTION
	MB94 2976	1			Auto Trans., w/Turbo, w/ABS
2					FUSIBLE LINK
	MU84 0021	1			Black, 80A, Screw Type
	MU84 0020	1			Yellow, 60A, Screw Type
	MU84 0022	1			Blue, 100A, Screw Type
3	MU84 0016	3			Green, 40A, Connector Type
	MU84 0014	1			L-Blue, 20A, Connector Type
	MU84 0015	5			Pink, 30A, Connector Type
	MU84 0014	1			FUSIBLE LINK, (20A)
					BOX, Fusible Link
4	MB54 2389	1			w/o ABS
	MB82 2541	1			w/ABS
5					HARNESS, Engine Compartment
					1990 ***
	MB53 0360	1			
	MB53 0361	1			CANADA
	MB54 2455	1	S	TALON	w/Theft Protection
	MB54 2456	1	S	TALON	w/Theft Protection, CANADA
	MB59 6580	1		TALON	w/o Theft Protection
	MB59 6581	1		TALON	w/o Theft Protection, CANADA
					1991 ***
	MB80 2121	1			FWD, Federal-Calif.
	MB80 2127	1			FWD, w/ABS, Federal-Calif.
	MB81 8055	1			FWD, w/ABS & Theft Protection, Federal-Calif.
	MB80 2125	1	S	TALON	AWD, w/o ABS & Theft Protection, Federal-Calif.
	MB80 2123	1	S	TALON	AWD, w/ABS & Theft Protection, Federal-Calif.
	MB80 2122	1			FWD, CANADA
	MB80 2128	1			FWD, w/ABS, CANADA
	MB81 8056	1			FWD, w/ABS & Theft Protection, CANADA
	MB80 2126	1	S	TALON	AWD, w/o ABS & Theft Protection, CANADA
	MB80 2124	1	S	TALON	AWD, w/ABS & Theft Protection, CANADA
					1992-94 ***
	MB82 3861	1			w/o ABS, Federal-Calif.
	MB82 3867	1			w/ABS, Federal-Calif.
	MB82 3862	1			w/o ABS, CANADA
	MB82 3868	1			w/ABS, CANADA
6	MB53 0485	2			BOLT, (6x10)
7					FUSE, Blade Type
	MS81 0965	3			(10A-Red)

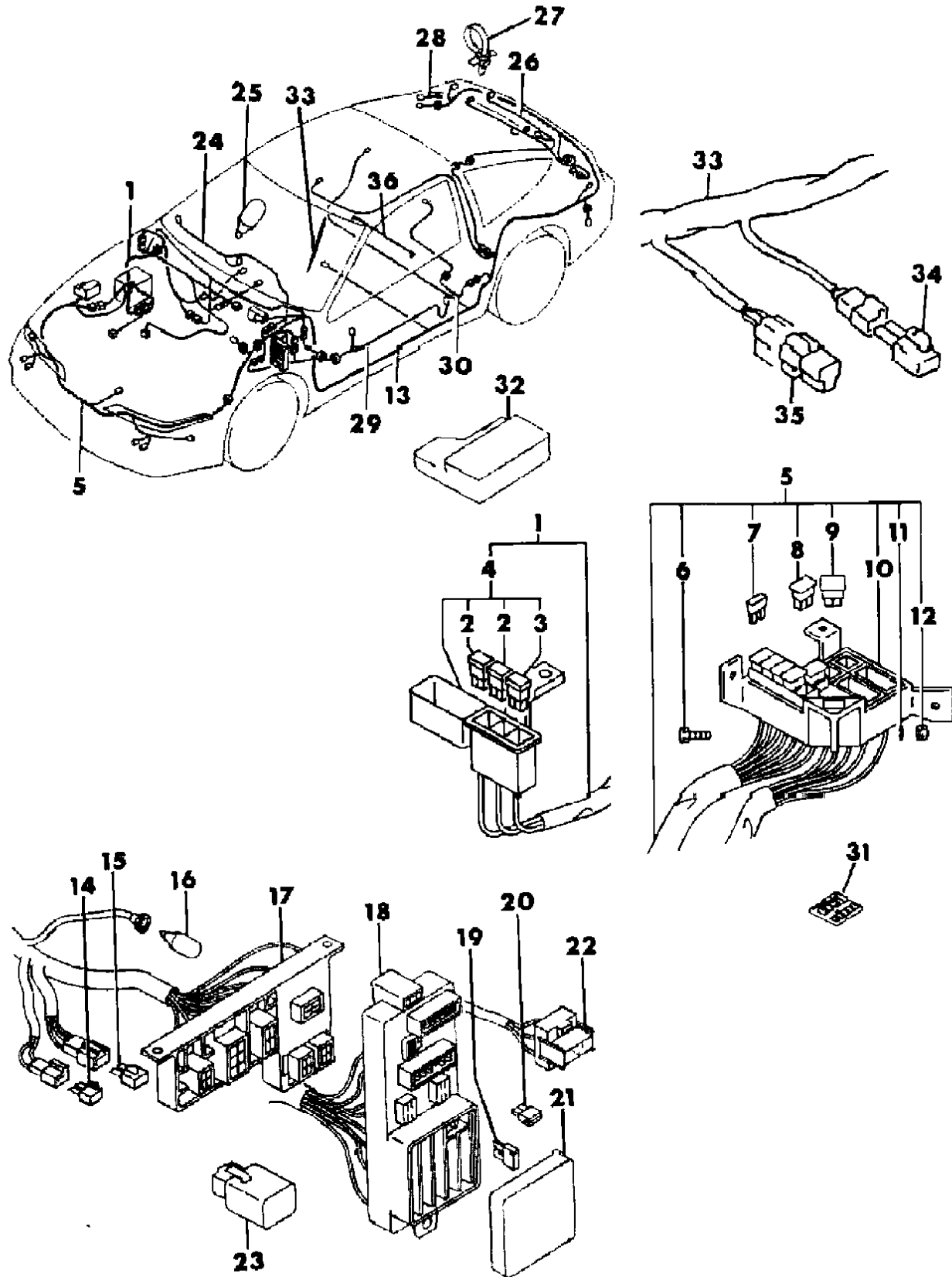
ENGINE: P = 1800cc (1.8L) A = 2000cc (2.0L) Blank = All  
 TRANS: A = Automatic M = Manual Blank = All  
 SERIES: H = High M = Medium P = Premium S = Special

MODELS:  
 24 FWD = 2Dr Hatchback (Laser)  
 24 FWD = 2-Dr Hatchback (Talon)  
 4WD = (4 Wheel Drive)  
 2WD = (2 Wheel Drive)

AR = Use as Required - = Non Illustrated Part P.A.R. = Paint as Required

**WIRING HARNESS LASER-TALON**  
Figure 8-1205

9608 1205



ITEM	PART NUMBER	QTY	BODY	MODEL	DESCRIPTION
	MS81 0986	1			1991-94
	MS81 0966	1			(15A-Blue)
	MS81 0987	1			1991-94
8					FUSIBLE LINK
	MU84 0015	3			(30A)
	MU84 0016	3			(40A)
9					FUSIBLE LINK
	MU84 0019	1			Pink, 30A, w/ABS, 1991-93
	MU84 0020	1			Yellow, 60A, w/ABS, 1991-93
	MU84 0021	1			Black, 80A, 1991-93
	MU84 0022	1			Blue, 100A, 1991-93
10	MB53 0257	1			BOX, Relay
11	MB53 0489	2			WASHER, Spring (6)
12	MB53 0487	2			NUT, (6)
13					HARNESS, Body, (Includes Radio Hook-Up)
					1990, FEDERAL-CALIF. ***
	MB53 0324	1			FWD, w/Man. Trans.
	MB53 0325	1			FWD, w/Auto Trans.
	MB53 0328	1			FWD, w/Man. Trans., Power Windows, Door Locks, Rear Wiper, Speed Control
	MB53 0329	1			FWD, w/Auto Trans., Power Windows, Door Locks, Rear Wiper, Speed Control
	MB53 0332	1	S	TALON	AWD, w/Man. Trans., w/o Theft Protection
	MB54 2451	1	S	TALON	AWD, w/Man. Trans., w/Theft Protection
					1990, CANADA ***
	MB53 0326	1	M,H,P		FWD, w/Man. Trans.
	MB53 0327	1	M,H		FWD, w/Auto Trans.
	MB53 0330	1	M,H,P		FWD, w/Man. Trans., Rear Wiper, Theft Protection
	MB53 0331	1	M,H		FWD, w/Auto Trans., Rear Wiper, Theft Protection
	MB53 0333	1	S	TALON	AWD, w/Man. Trans., w/o Theft Protection
	MB54 2452	1	S	TALON	AWD, w/Man. Trans., w/Theft Protection
					1991, FEDERAL-CALIF. ***
	MB80 2138	1	M,H,P		FWD, w/Man. Trans.
	MB80 2139	1	M,H		FWD, w/Auto Trans., w/o Turbo
	MB68 6823	1	H,P		FWD, w/Auto Trans., w/Turbo
	MB68 6831	1	H		FWD, w/Man. Trans., w/ABS
	MB68 6832	1	H		FWD, w/Auto Trans., w/ABS
	MB68 6835	1	H,P		FWD, w/Man. Trans., ABS, Speed Control, CD Player, Dual A/C, Theft Protection

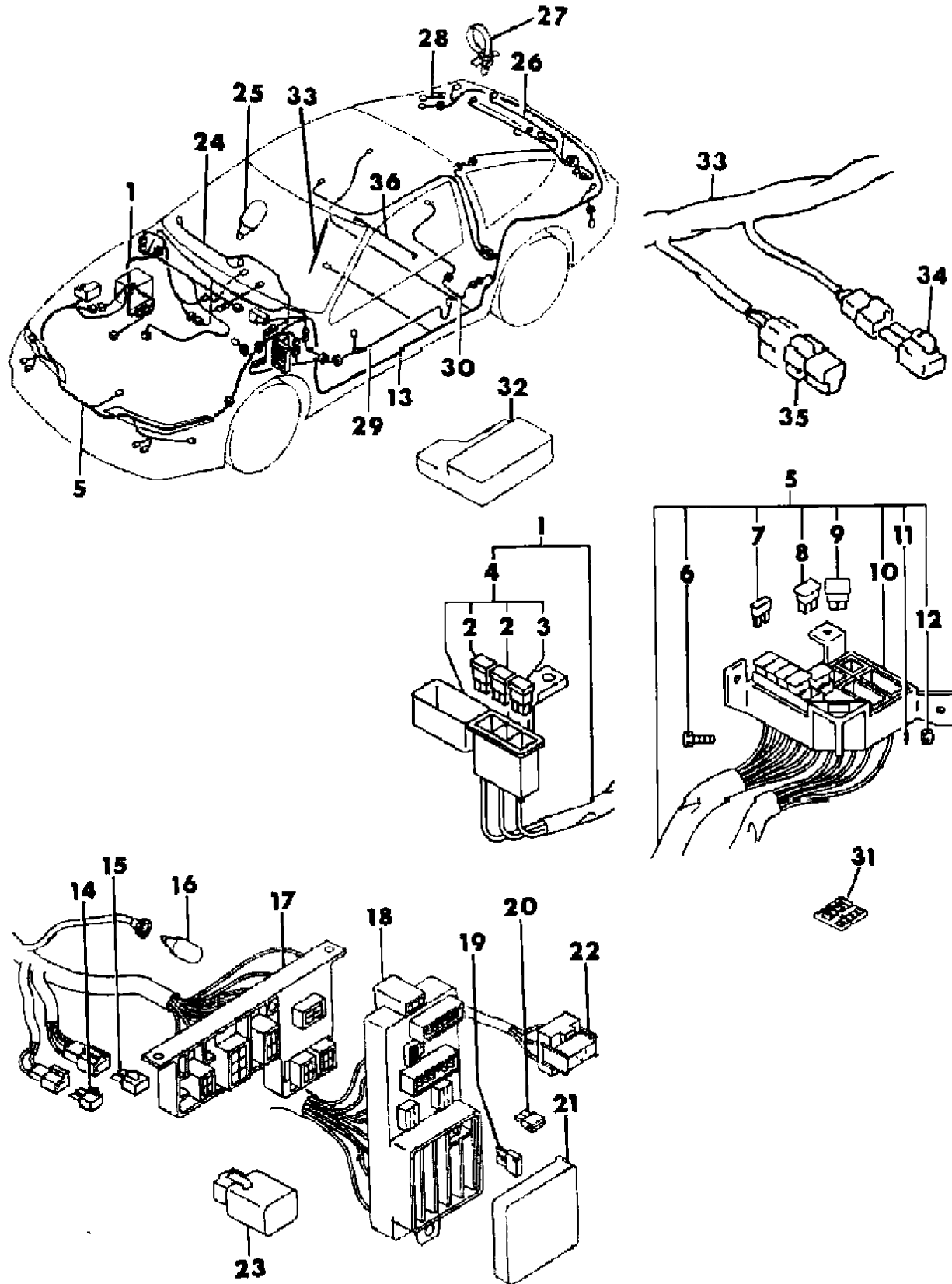
ENGINE: P = 1800cc (1.8L) A = 2000cc (2.0L) Blank = All  
 TRANS: A = Automatic M = Manual Blank = All  
 SERIES: H = High M = Medium P = Premium S = Special

MODELS:  
 24 FWD = 2Dr Hatchback (Laser)  
 24 FWD = 2-Dr Hatchback (Talon)  
 4WD = (4 Wheel Drive)  
 2WD = (2 Wheel Drive)

AR = Use as Required - = Non Illustrated Part P.A.R. = Paint as Required

**WIRING HARNESS LASER-TALON**  
Figure 8-1205

9608 1205



ITEM	PART NUMBER	QTY	BODY	MODEL	DESCRIPTION
	MB68 6836	1	H,P		FWD, w/Auto Trans., ABS, Theft Protection
	MB80 2144	1	M,H,P		FWD, w/Man. Trans., w/Speed Control
	MB80 2145	1	M,H		FWD, w/Auto Trans., w/Speed Control
	MB80 2148	1	S	TALON	AWD, w/Man. Trans.
	MB68 6821	1	S	TALON	AWD, w/Auto Trans.
	MB68 6839	1	S	TALON	AWD, w/Man. Trans., ABS, Theft Protection
	MB68 6840	1	S	TALON	AWD, w/Auto Trans., ABS, Theft Protection 1991 CANADA ***
	MB68 6833	1	H		FWD, w/Man. Trans., w/o Turbo, (TVY)
	MB68 6834	1	H		FWD, w/Auto Trans., w/o Turbo, (TVY)
	MB80 2140	1	M		FWD, w/Man. Trans., w/o Turbo
	MB80 2140	1	H		FWD, w/Man. Trans.
	MB80 2140	1	P		FWD, w/Man. Trans., w/Turbo
	MB80 2141	1	M,H		FWD, w/Auto Trans., w/o Turbo
	MD80 2142	1	H,P		FWD, w/Auto Trans., w/Turbo
	MB68 6837	1	H,P		FWD, w/Man. Trans., ABS, Theft Protection 1992-94, FEDERAL-CALIF. ***
	MB68 6838	1	H,P		FWD, w/Auto Trans., ABS, Theft Protection
	MB80 2146	1	M,H,P		FWD, w/Man. Trans., w/Rear Wiper & Washer
	MB80 2147	1	M,H		FWD, w/Auto Trans., w/Rear Wiper & Washer
	MB80 2149	1	S	TALON	AWD, w/Man. Trans.
	MB68 6822	1	S	TALON	AWD, w/Auto Trans.
	MB68 6841	1	S	TALON	AWD, w/Man. Trans., ABS, Theft Protection
	MB82 3905	1			FWD, w/Man. Trans.
	MB68 6842	1	S	TALON	AWD, w/Auto Trans., ABS, Theft Protection
	MB82 3906	1			FWD, w/Auto Trans.
	MB82 3909	1			FWD, w/Man. Trans., w/ABS
	MB82 3910	1			FWD, w/Auto Trans., w/ABS
	MB82 3920	1			FWD, w/Man. Trans., w/Speed Control
	MB82 3921	1			FWD, w/Auto Trans., w/Speed Control
	MB82 3924	1			AWD, w/Man. Trans., w/o ABS
	MB82 3914	1			AWD, w/Auto Trans., w/o ABS
	MB82 3926	1			AWD, w/Man. Trans., w/ABS
	MB82 3916	1			AWD, w/Auto Trans., w/ABS 1992-94, CANADA ***
	MB82 3907	1			FWD, w/Man. Trans.
	MB82 3908	1			FWD, w/Auto Trans.
	MB82 3911	1			FWD, w/Man. Trans., w/ABS
	MB82 3912	1			FWD, w/Auto Trans., w/ABS

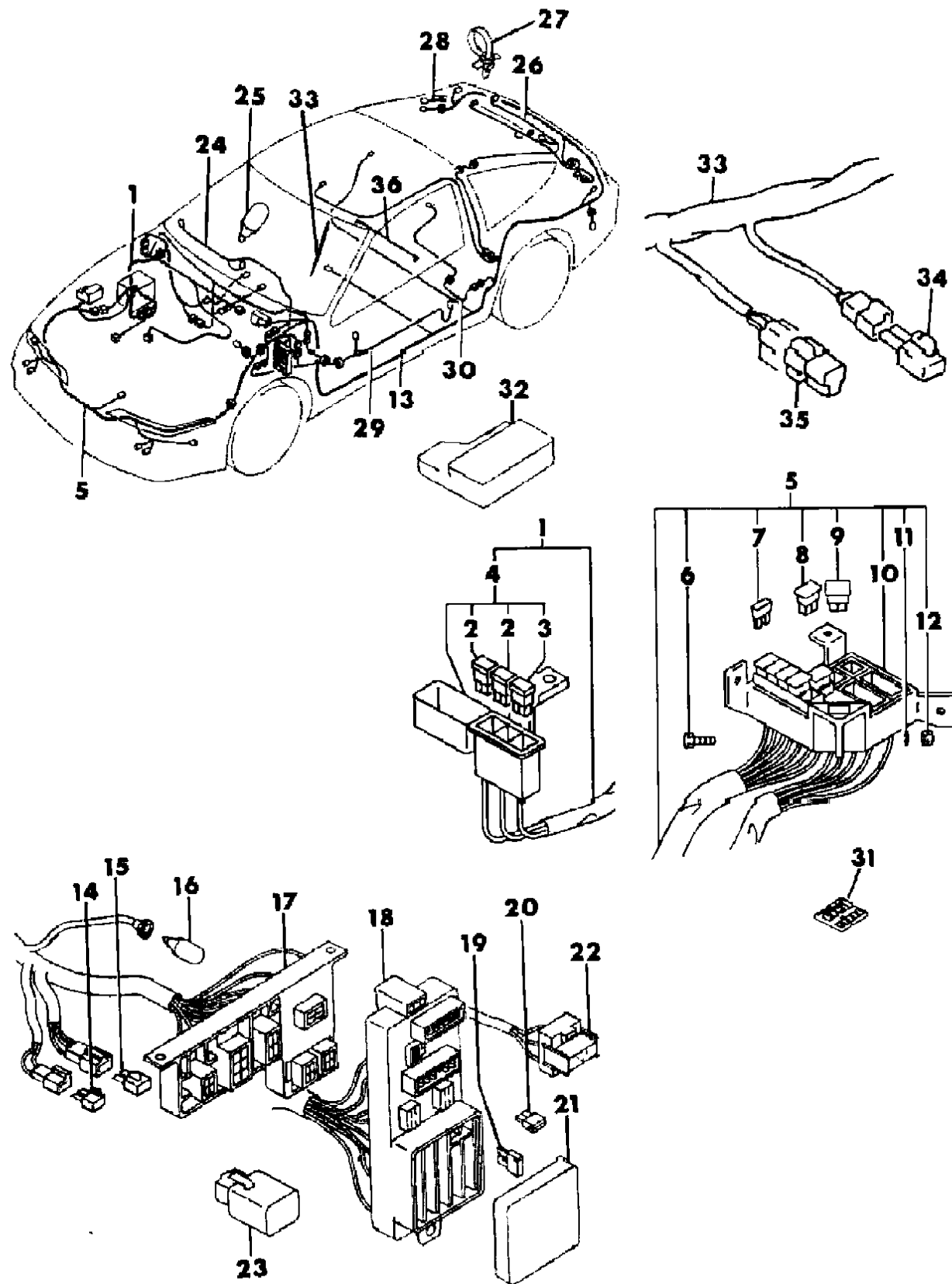
ENGINE: P = 1800cc (1.8L) A = 2000cc (2.0L) Blank = All  
 TRANS: A = Automatic M = Manual Blank = All  
 SERIES: H = High M = Medium P = Premium S = Special

MODELS:  
 24 FWD = 2Dr Hatchback (Laser)  
 24 FWD = 2-Dr Hatchback (Talon)  
 4WD = (4 Wheel Drive)  
 2WD = (2 Wheel Drive)

AR = Use as Required - = Non Illustrated Part P.A.R. = Paint as Required

**WIRING HARNESS LASER-TALON**  
Figure 8-1205

9608 1205



ITEM	PART NUMBER	QTY	BODY	MODEL	DESCRIPTION
	MB82 3922	1			FWD, w/Man. Trans., w/Rear Wiper & Washer
	MB82 3923	1			FWD, w/Auto Trans., w/Rear Wiper & Washer
	MB82 3925	1			AWD, w/Man. Trans., w/o ABS
	MB82 3915	1			AWD, w/Auto Trans., w/o ABS
	MB82 3927	1			AWD, w/Man. Trans., w/ABS
	MB82 3917	1			AWD, w/Auto Trans., w/ABS
14	MU80 4011	2			DIODE, (2P-Black)
15	MU80 4012	1			DIODE (3P-A)
	MU80 4013	1			(3P-B)
16	MB56 2350	2			BULB, Body Wiring
17	MB54 2472	1			BOX, Relay
18	MB52 9700	AR			w/Power Windows, Door Locks, Rear Wiper & Speed Control BLOCK, Chassis Harness Junction ***
	MB52 9454	1			1990
	MB54 2498	1			1991
	MB83 9031	1			1992-94
19	MS81 0965	20			FUSE, Blade Type (10A-Red)
	MS81 0969	2			(30A-Green)
	MS81 0966	8			(15A-Blue)
	MS81 0987	4			(15A Black), 1991-94
	MS81 0990	1			(30A Green), 1991-94
	MS81 0986	10			(10A Red), 1991-94
20	MB52 9459	1			PULLER, Fuse ***
21	MB54 2462	1			COVER, Fuse Box
22	MB52 9461	1			FLASHER UNIT, Hazard & Turn Signal
23	MB57 2253	1			1990-92
	MB69 7254	1			1993-94
24	MB52 2169	1			HARNESS, Inst. Panel, (Without Radio Hook-Up) 1990
	MB80 2120	1			1991
	MB82 3892	1			1992-94
25	MF82 0572	1			BULB, (12V-3.4W)
26	MB53 0370	1			HARNESS, Tailgate
	MB53 0369	1	M		1.8L Eng.

ENGINE: P = 1800cc (1.8L)  
A = 2000cc (2.0L)  
Blank = All

TRANS: A = Automatic  
M = Manual  
Blank = All

SERIES: H = High  
M = Medium  
P = Premium  
S = Special

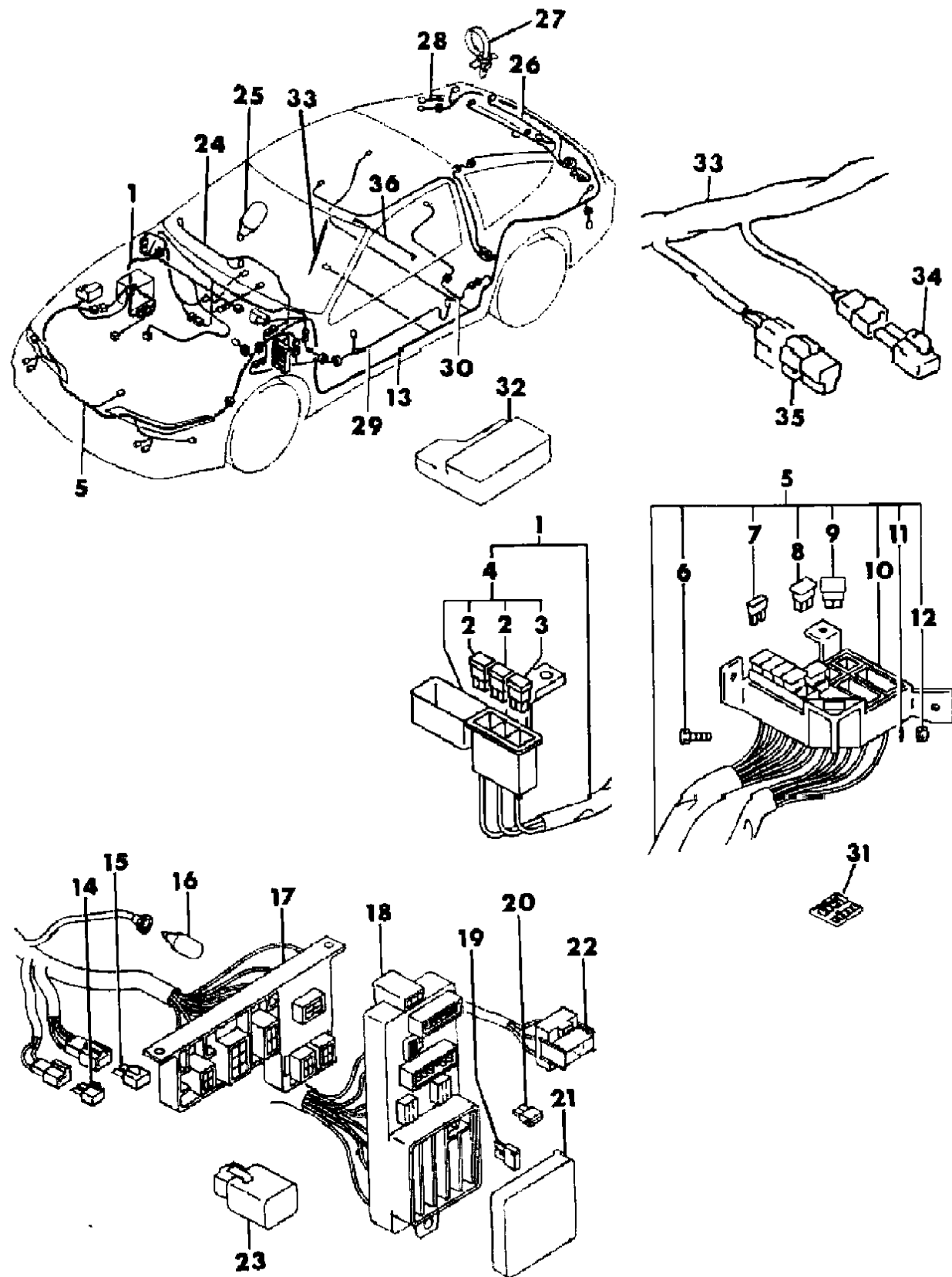
MODELS:  
24 FWD = 2Dr Hatchback (Laser)  
24 FWD = 2-Dr Hatchback (Talon)  
4WD = (4 Wheel Drive)  
2WD = (2 Wheel Drive)

AR = Use as Required - = Non Illustrated Part P.A.R. = Paint as Required



**WIRING HARNESS LASER-TALON**  
Figure 8-1205

9608 1205



ITEM	PART NUMBER	QTY	BODY	MODEL	DESCRIPTION
27					BAND, Cable
	MS47 0471	1			1990, (100)
	MU48 1133	1			1991-94
28	MB53 0374	1			CABLE, Negative, Body Wiring
29					HARNESS, Front Door
	MB53 0365	1	H		Lt.
	MB53 0363	1			Lt., w/1.8L Eng.
	MB53 0366	1	H		Rt.
	MB53 0368	1			Rt., w/Power Windows & Door Locks
	MB53 0364	1	M		Rt., w/1.8L Eng.
	MB53 0367	1			Lt., w/Power Windows & Door Locks
	MB54 2454	1	S	TALON	Rt., w/Man. Trans., Power Windows, Door Locks & Theft Protection
	MB54 2453	1		TALON	Lt.
30	MB54 2397	1			HARNESS, Fuel Gauge Inlet
31					RELAY
	MB59 6569	1	S	TALON	2.0L Eng., Federal, 1991
	MB59 6569	1			1990-94, CANADA
32					COVER
	MB53 0258	1			1990-93
	MB90 3860	1			1994
	MB66 5551	1			CANADA, 1990-93
	MB90 3861	1			CANADA, 1994
33					HARNESS
	MB68 6461	1			FWD, w/ABS, 1991-94
	MB68 6462	1			CANADA, 1991-94
	MB68 6463	1	S		1991-94
	MB68 6464	1			CANADA, 1991-94
34	MU80 4011	1			DIODE, (Black, 1.5A 2P)
35	MB60 6742	1			RESISTOR, ABS Wiring
36					WIRING, ABS Sensor
	MB85 2323	1	H,P		
	MB85 2324	1	S		

ENGINE: P = 1800cc (1.8L) A = 2000cc (2.0L) Blank = All  
 TRANS: A = Automatic M = Manual Blank = All  
 SERIES: H = High M = Medium P = Premium S = Special

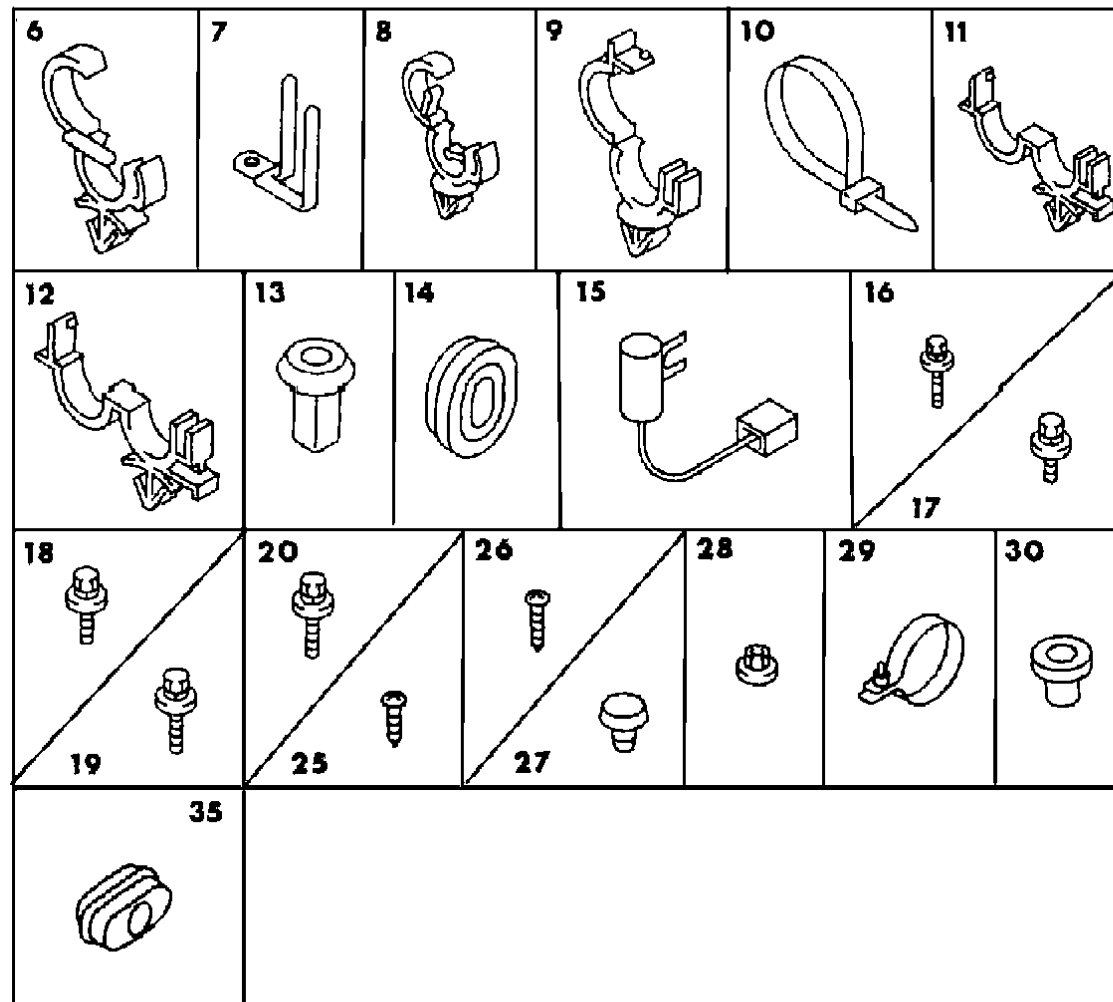
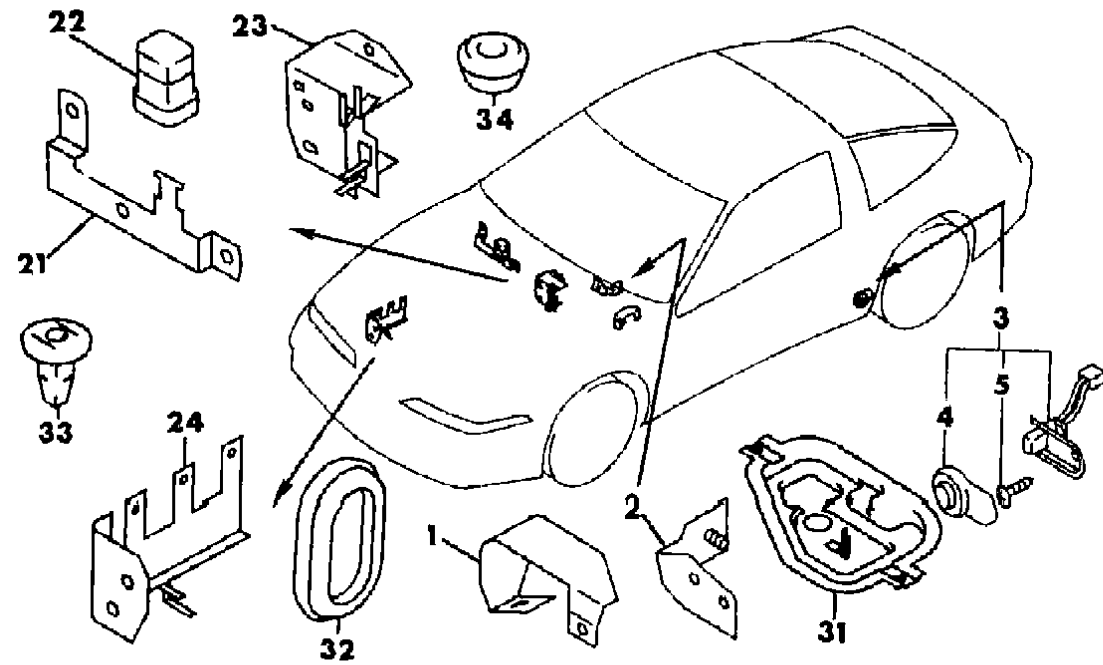
MODELS:  
 24 FWD = 2Dr Hatchback (Laser)  
 24 FWD = 2-Dr Hatchback (Talon)  
 4WD = (4 Wheel Drive)  
 2WD = (2 Wheel Drive)

AR = Use as Required - = Non Illustrated Part P.A.R. = Paint as Required

# ATTACHING PARTS--WIRING HARNESS LASER-TALON

Figure 8-1210

9608 1210



ITEM	PART NUMBER	QTY	BODY	MODEL	DESCRIPTION
1	MB53 0303	1			BRACKET, Junction Block
2	MB53 0304	1			BRACKET, Junction Block
3	MB59 8418	2			SWITCH KIT, Door Lamp, (2-Conn.) ***
4	MB07 0211	2			CAP, Door Lamp Switch
5					SCREW, Tapping
	MS45 0156	2			(5x12), 1990-93
	MF45 3031	2			(5x12), 1994
6	MB13 3455	2			CLIP, 1990-93
7					CLIP, Wiring
	MB11 3038	1			
	MB54 2393	1			
8	MU48 1081	1			CLIP, Chassis Wiring, 1990-93
9	MB60 6988	1			CLIP
10	MB08 4081	1			BAND, Cable, (169.5)
11	MB35 8172	2			CLIP, (28)
12	MB35 8171	1			CLIP, Harness, (36), 1990-93
13	MU48 0034	8			GROMMET, Screw
14					GROMMET, Door
	MB57 1390	2			1990-93
	MB90 4342	2			1994
15					CONDENSER, Noise ***
	MB43 5709	1			Quarter Panel
	MB54 2438	1			Instrument Panel
16	MS24 0030	1			BOLT, w/Washer, (5x10)
17	MS24 0141	1			BOLT, w/Washer, (6x20 4T), 1990-93
18	MS24 0028	1			BOLT, w/Washer, (6x12), 1990-93
19	MF24 3623	3			BOLT, (6x14), 1990-93
20					BOLT, w/Washer
	MS24 0141	10			(6x16 4T), 1990-93
	MB24 9413	1			(6x16), 1994
21	MB54 2436	1			BRACKET, Defog. Relay
22	MB62 7029	1			RELAY, Defogger, (058700-2150)
23	MB54 2404	1			BRACKET, Connector, (Engine)
24	MB54 2394	1			BRACKET, Connector, (T/M)
25	MS45 0156	8			SCREW, Tapping, (5x12), 1990-93
26	MS45 0157	16			SCREW, Tapping, (5x12)
27	MS66 0152	3			PLUG, (6), 1990-93
28	MS44 0502	1			NUT, w/Washer, (6)
29	MS47 0406	1			BAND, Cable, (85), 1990-93

ENGINE: P = 1800cc (1.8L) A = 2000cc (2.0L) Blank = All  
 TRANS: A = Automatic M = Manual Blank = All  
 SERIES: H = High M = Medium P = Premium S = Special

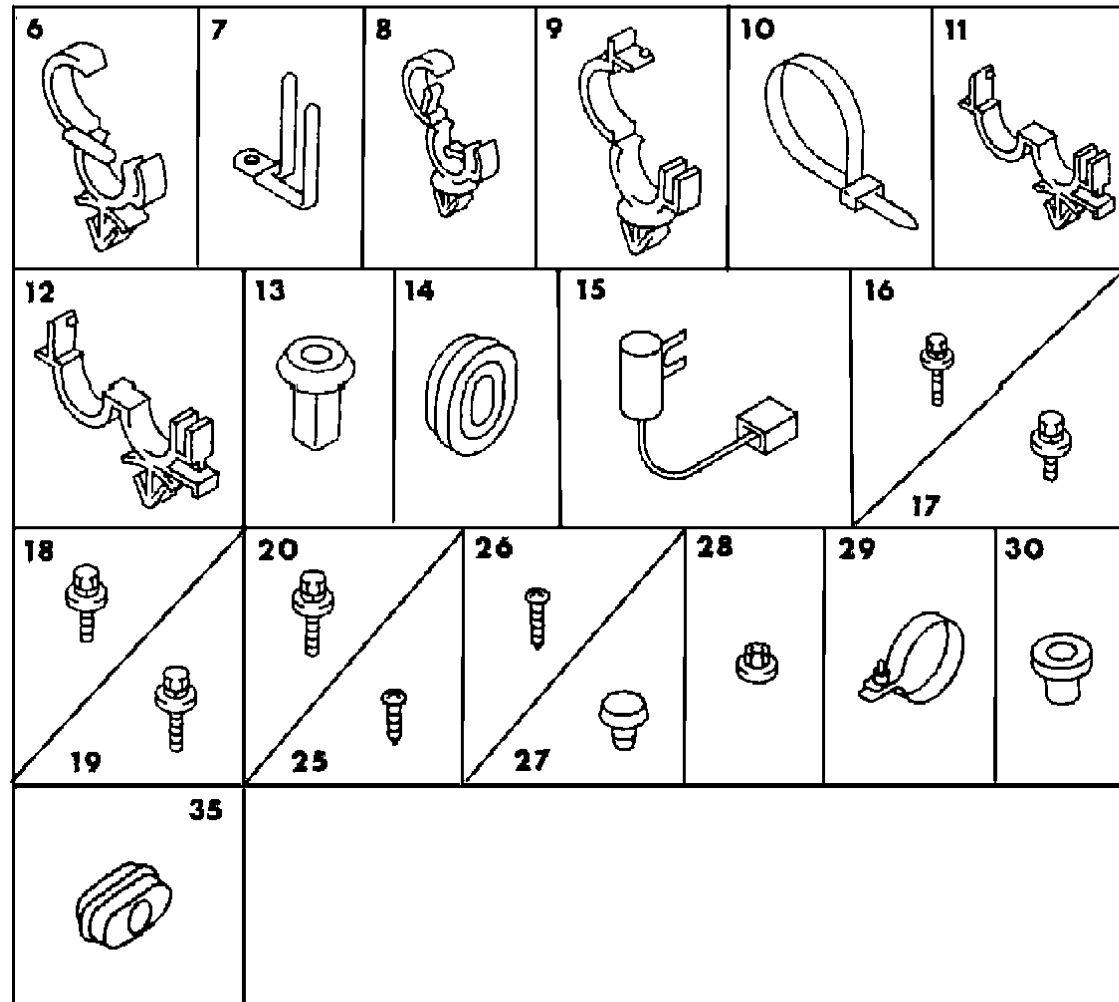
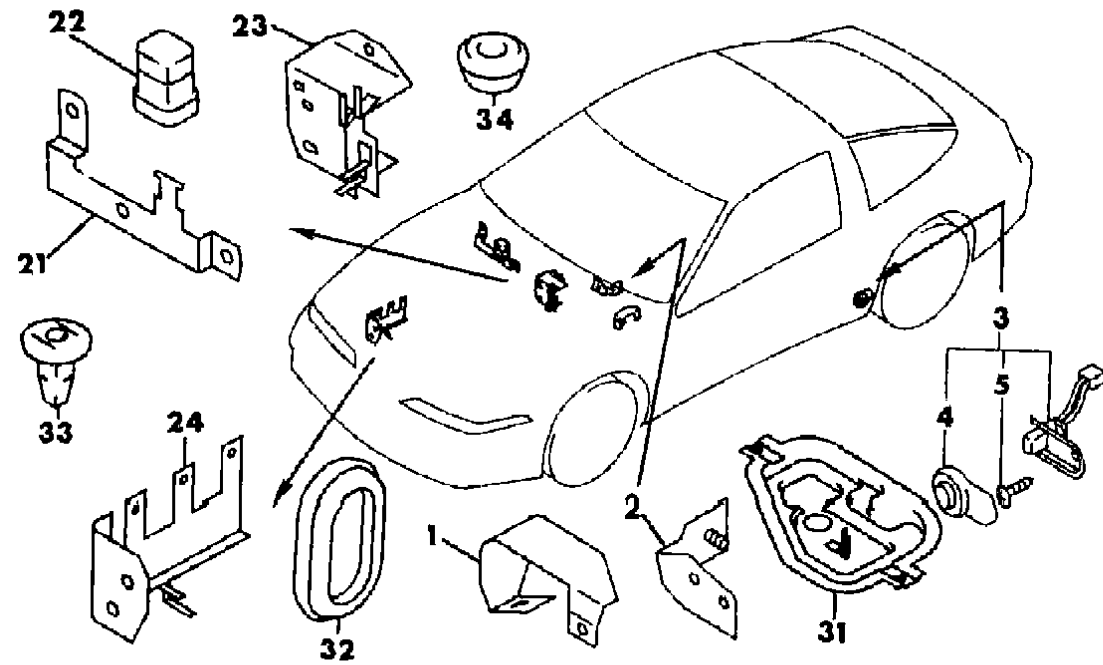
MODELS:  
 24 FWD = 2Dr Hatchback (Laser)  
 24 FWD = 2-Dr Hatchback (Talon)  
 4WD = (4 Wheel Drive)  
 2WD = (2 Wheel Drive)

AR = Use as Required - = Non Illustrated Part P.A.R. = Paint as Required

ATTACHING PARTS--WIRING HARNESS LASER-TALON

Figure 8-1210

9608 1210



ITEM	PART NUMBER	QTY	BODY	MODEL	DESCRIPTION
30	MB15 7530	3			CLIP, Dash Panel Pad, (6)
31	MB54 2392	1			PLUG, Fuel Gauge Wiring
32	MB54 3076	4		LASER	PLUG, Door Wiring, CANADA
33	MU48 0034	2		TALON	GROMMET, Fuel Gauge Wiring
34					PLUG, Fuel Gauge Wiring
	MU67 0025	1		TALON	(#30)
	MS66 0186	1			(#35)
	MS66 0185	1			1994
35	MB54 2427	2			GROMMET, Door Wiring

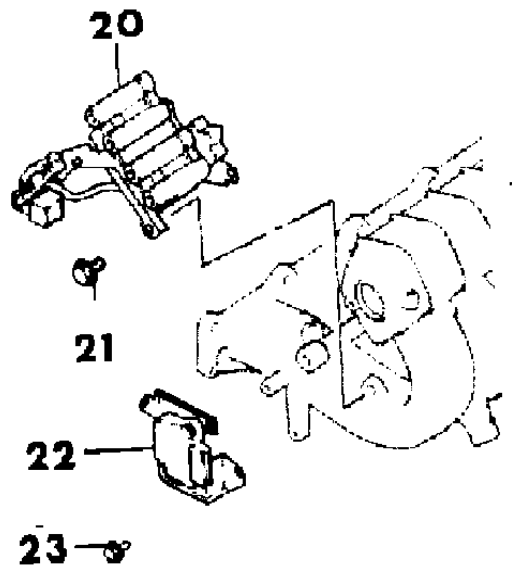
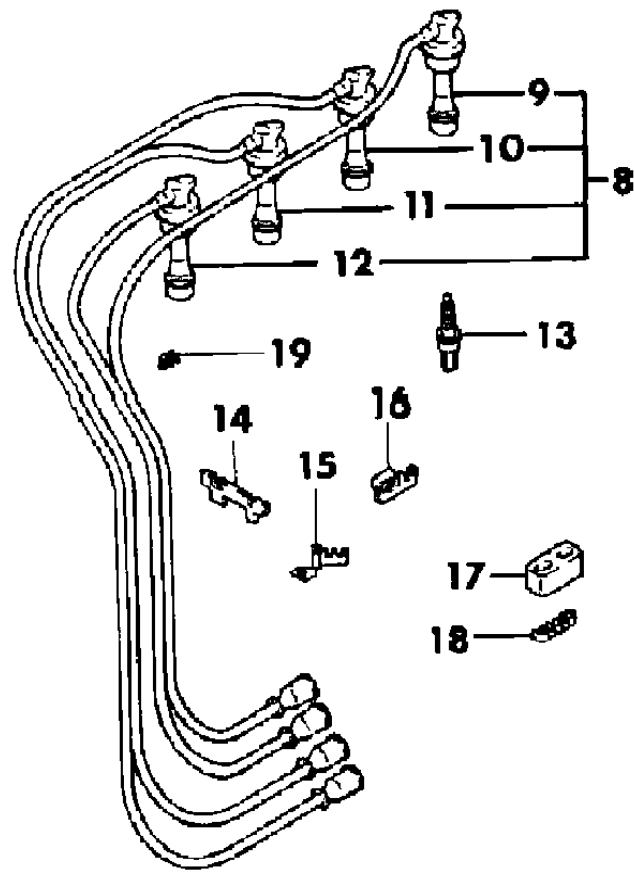
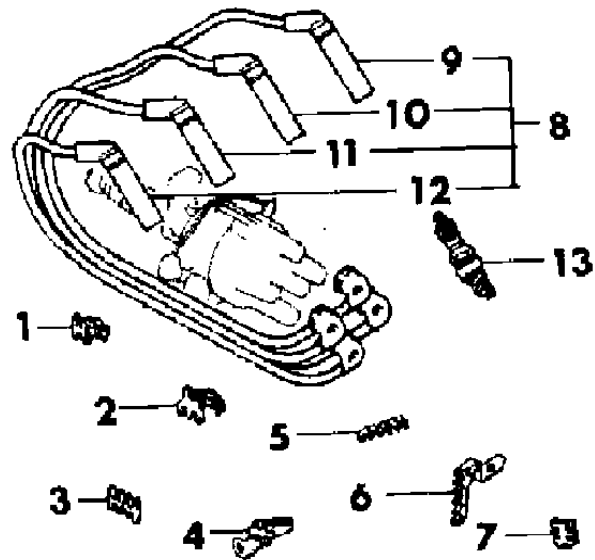
ENGINE: P = 1800cc (1.8L) A = 2000cc (2.0L) Blank = All  
 TRANS: A = Automatic M = Manual Blank = All  
 SERIES: H = High M = Medium P = Premium S = Special

MODELS:  
 24 FWD = 2Dr Hatchback (Laser)  
 24 FWD = 2-Dr Hatchback (Talon)  
 4WD = (4 Wheel Drive)  
 2WD = (2 Wheel Drive)

AR = Use as Required - = Non Illustrated Part P.A.R. = Paint as Required

**SPARK PLUGS--CABLES--COILS LASER-TALON**  
Figure 8-1905

9608 1905



ITEM	PART NUMBER	QTY	BODY	MODEL	DESCRIPTION
1	MD08 6598	1			SUPPORT, Cable
2	MD08 6599	1			SUPPORT, Cable
3	MD04 1676	1			SUPPORT, Cable
4	MD09 4543	1			SUPPORT, Cable
5	MD12 0821	1			CLAMP, Cable
6	MD08 1350	1			SUPPORT, Cable
7	MD00 1795	1			SUPPORT, Cable
8					CABLE SET, Spark Plug
	MD13 9120	1			1.8L Eng., 1990-92
	MD19 3010	1			1.8L Eng., 1993-94
	MD13 4754	1			2.0L Eng., 1990-92
	MD19 2995	1			2.0L Eng., 1993-94
9					CABLE, #4
	MD10 8189	1			1.8L Eng., 1990-92
	MD19 3014	1			1.8L Eng., 1993-94
	MD12 6466	1			2.0L Eng., 1990-92
	MD19 2999	1			2.0L Eng., 1993-94
10					CABLE, #3
	MD10 8188	1			1.8L Eng., 1990-92
	MD19 3013	1			1.8L Eng., 1993-94
	MD12 6465	1			2.0L Eng., 1990-92
	MD19 2998	1			2.0L Eng., 1993-94
11					CABLE, #2
	MD10 4221	1			1.8L Eng., 1990-92
	MD18 8867	1			1.8L Eng., 1993-94
	MD12 6464	1			2.0L Eng., 1990-92
	MD19 2997	1			2.0L Eng., 1993-94
12					CABLE, #1
	MD11 4036	1			1.8L Eng., 1990-92
	MD18 8866	1			1.8L Eng., 1993-94
	MD12 6463	1			2.0L Eng., 1990-92
	MD19 2996	1			2.0L Eng., 1993-94
13					SPARK PLUG
	4106 117	4			(RN-9-YC)
	MS85 1413	4			(W20EPR)
	MS85 1418	4			(W20EPR11)
	MS85 1555	4			(RN-9-YC)
	MS85 1551	4			(RN-9-YC4)
14	MD12 1633	3			CLAMP, Cable

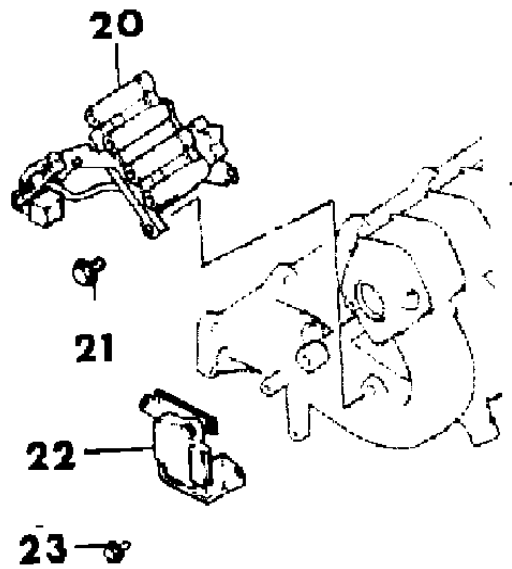
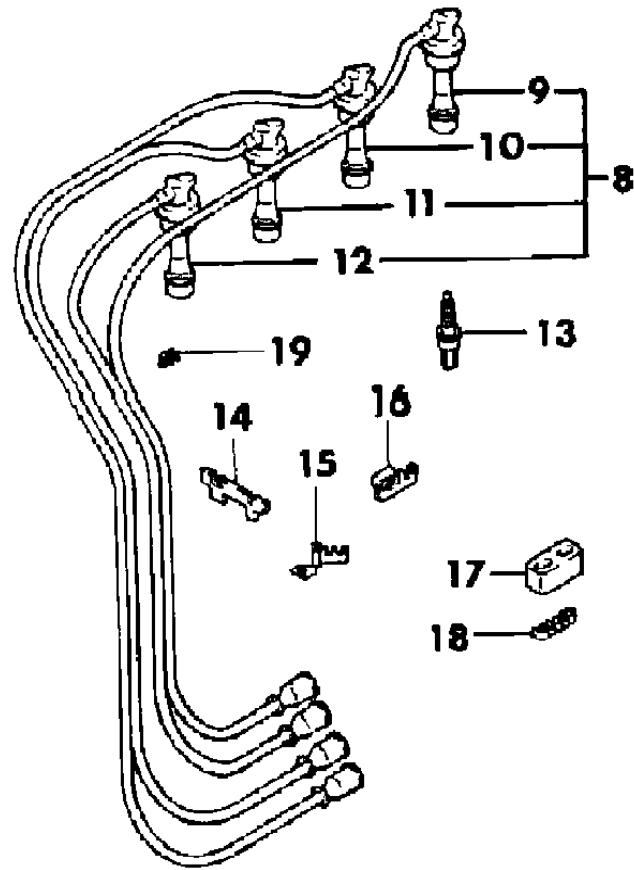
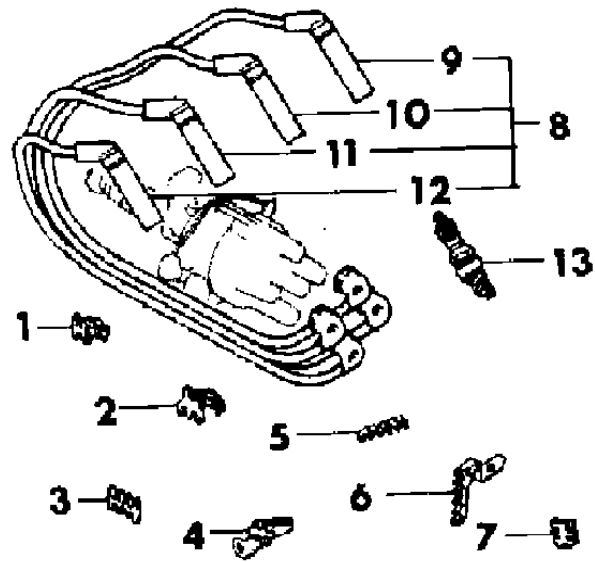
ENGINE: P = 1800cc (1.8L) A = 2000cc (2.0L) Blank = All  
 TRANS: A = Automatic M = Manual Blank = All  
 SERIES: H = High M = Medium P = Premium S = Special

MODELS:  
 24 FWD = 2Dr Hatchback (Laser)  
 24 FWD = 2-Dr Hatchback (Talon)  
 4WD = (4 Wheel Drive)  
 2WD = (2 Wheel Drive)

AR = Use as Required - = Non Illustrated Part P.A.R. = Paint as Required

**SPARK PLUGS--CABLES--COILS LASER-TALON**  
Figure 8-1905

9608 1905



ITEM	PART NUMBER	QTY	BODY	MODEL	DESCRIPTION
15	MD13 2096	1			CLAMP, Cable
16	MD13 2095	1			CLAMP, Cable
17	MD12 7206	1			PAD, Cable
18	MD12 0821	1			CLAMP, Cable
19	MD12 0818	1			CLAMP, Hose
20					COIL, Ignition
	MD12 6461	1			1990
	MD15 8956	1			1991-94
21	MF14 0753	4			BOLT, Ignition Coil, (8x16)
22					TRANSISTOR, Ignition Coil Power ***
	MD12 7742	1			1990
	MD14 9768	1			1991-94
23					BOLT
	MF14 0724	3			1990-93, (6x14)
	MF14 0203	3			1994, (6x12)

ENGINE: P = 1800cc (1.8L) A = 2000cc (2.0L) Blank = All  
 TRANS: A = Automatic M = Manual Blank = All  
 SERIES: H = High M = Medium P = Premium S = Special

MODELS:  
 24 FWD = 2Dr Hatchback (Laser)  
 24 FWD = 2-Dr Hatchback (Talon)  
 4WD = (4 Wheel Drive)  
 2WD = (2 Wheel Drive)

AR = Use as Required - = Non Illustrated Part P.A.R. = Paint as Required









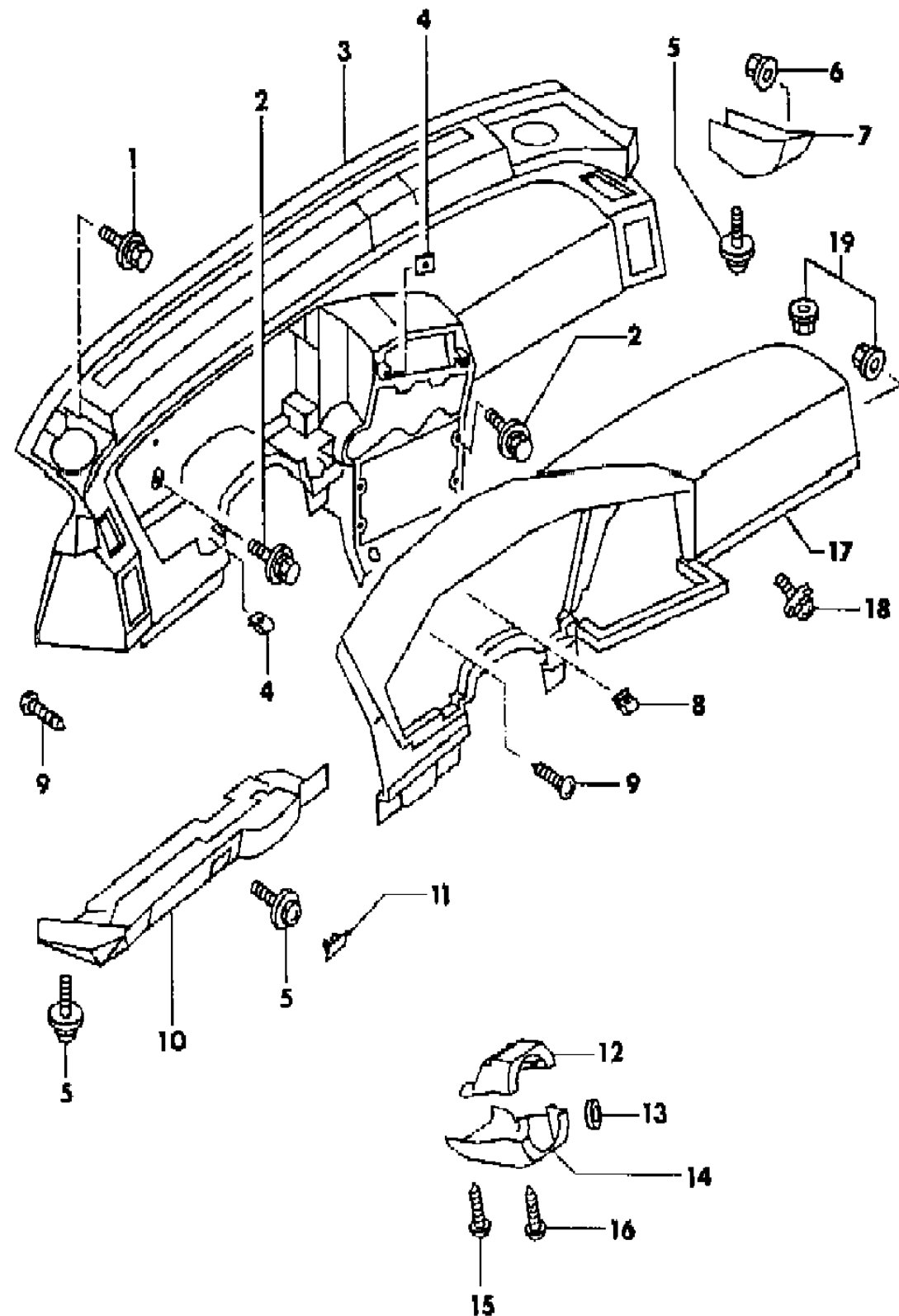
**GROUP 8A - ELECTRICAL - INSTRUMENT PANEL AND CONSOLES**

<b>ILLUSTRATION TITLE</b>	<b>GROUP-FIG. NO.</b>
<b>INSTRUMENT PANELS</b>	
INSTRUMENT PANEL (1 OF 3) LASER-TALON .....	Fig. 8A-105
INSTRUMENT PANEL (2 OF 3) LASER-TALON .....	Fig. 8A-110
INSTRUMENT PANEL (3 OF 3) LASER-TALON .....	Fig. 8A-115
<b>CLUSTERS--INSTRUMENT PANEL</b>	
CLUSTER--INSTRUMENT PANEL LASER-TALON .....	Fig. 8A-205
<b>RADIOS--SPEAKERS--ANTENNAS</b>	
RADIO AND DISC PLAYER LASER-TALON .....	Fig. 8A-305
SPEAKERS--RADIO LASER-TALON .....	Fig. 8A-310
ANTENNAS LASER-TALON .....	Fig. 8A-315
<b>CONSOLES</b>	
CONSOLE SMALL TYPE--W/O LID LASER-TALON .....	Fig. 8A-405
CONSOLE LARGE TYPE--W/LID LASER-TALON .....	Fig. 8A-410

**ILLUSTRATION NOT AVAILABLE AT TIME OF PUBLICATION**

**INSTRUMENT PANEL (1 OF 3) LASER-TALON**  
**Figure 8A-105**

9682 105



ITEM	PART NUMBER	QTY	BODY	MODEL	DESCRIPTION
1	MU24 0027	2			BOLT
2	MS24 0141	4			BOLT
3	MB72 1996	1			PANEL, Instrument Gray, 1990-91
	MB79 1456	1			Gray, 1992-94
	MB72 1997	1			Brown
4	MB13 5995	6			NUT
5	MS35 0180	6			SCREW
6	MS44 0521	1			NUT
7					PAD, Corner
	MB72 2024	1			Gray, 1990-91
	MB79 1481	1			Gray, 1992-94
	MB72 2025	1			Brown
8	MS44 0152	2			NUT
9	MB40 9438	3			SCREW
10					PROTECTOR, Knee
	MB72 2026	1	M,H,P		Gray, 1990-91
	MB84 9262	1	S		Gray, 1991
	MB79 1482	1	M,H,P		Gray, 1992-94
	MB79 1483	1	S		Gray, 1992-94
	MB72 2027	1	M,H,P		Brown, 1990-94
	MB84 9263	1	S		Brown, 1991
11					PLUG
	MB72 2028	2			Gray, 1990-91
	MB79 1484	2			Gray, 1992-94
	MB72 2029	2			Brown
12					COVER, Upper Column 5 Speed Trans.
	MB72 2033	1			5 Speed Trans.
	MB74 7244	1			Auto. Trans.
13	MB52 2123	1			GROMMET
14					COVER, Lower Column 5 Speed Trans.
	MB72 2034	1			5 Speed Trans.
	MB74 7245	1			Auto. Trans.
15	MF45 3094	2			SCREW
16	MB40 9440	2			SCREW
17					PAD, Instrument Panel
	MB72 1998	1			Gray, 1990-91
	MB79 1457	1			Gray, 1992-94
	MB72 1999	1			Brown

ENGINE: P = 1800cc (1.8L)  
A = 2000cc (2.0L)  
Blank = All

TRANS: A = Automatic  
M = Manual  
Blank = All

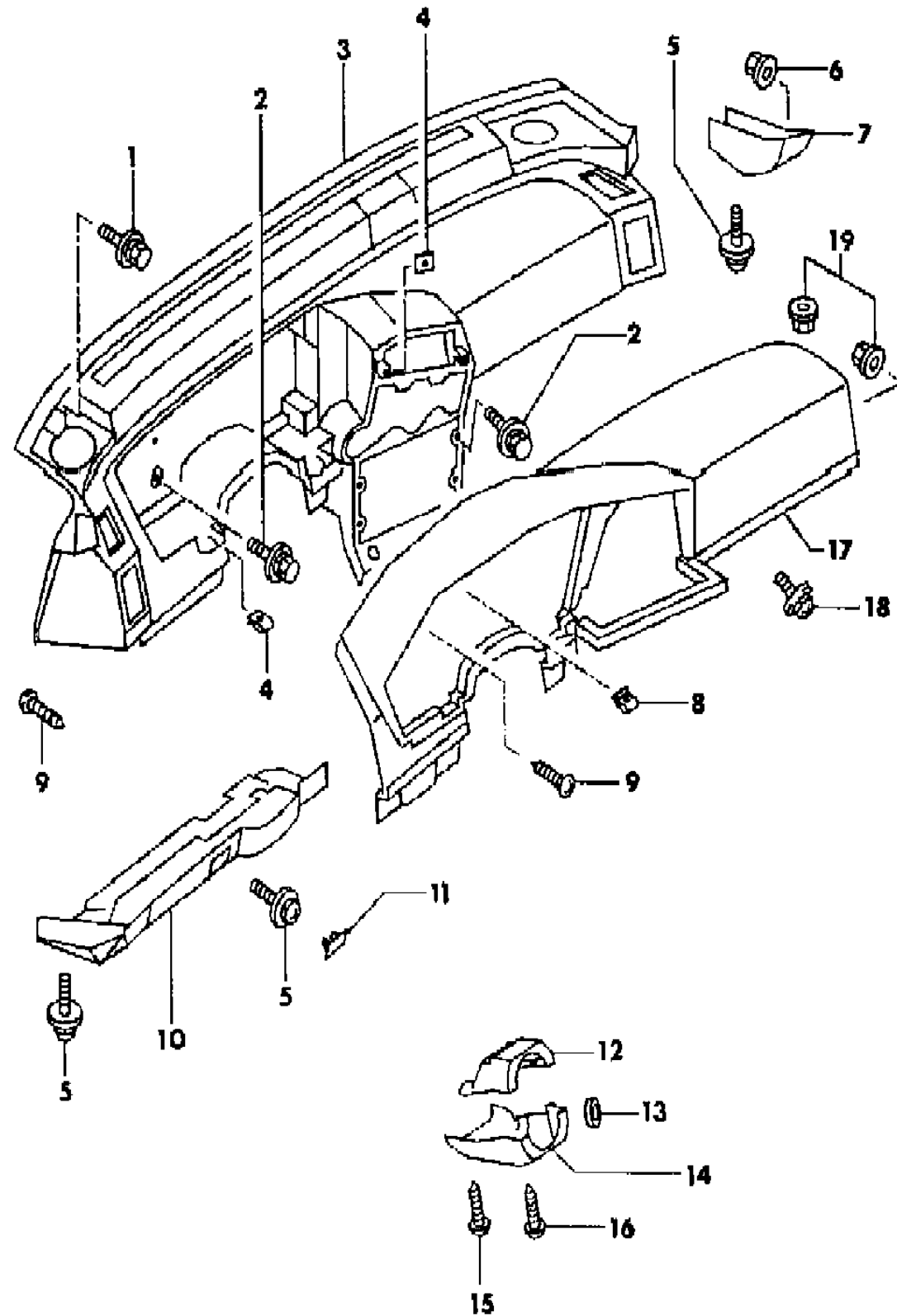
SERIES: H = High  
M = Medium  
P = Premium  
S = Special

MODELS:  
24 FWD = 2Dr Hatchback (Laser)  
24 FWD = 2-Dr Hatchback (Talon)  
4WD = (4 Wheel Drive)  
2WD = (2 Wheel Drive)

AR = Use as Required - = Non Illustrated Part P.A.R. = Paint as Required

INSTRUMENT PANEL (1 OF 3) LASER-TALON  
Figure 8A-105

9682 105



ITEM	PART NUMBER	QTY	BODY	MODEL	DESCRIPTION
18	MS35 0180	4			SCREW
19	MS44 0521	8			NUT

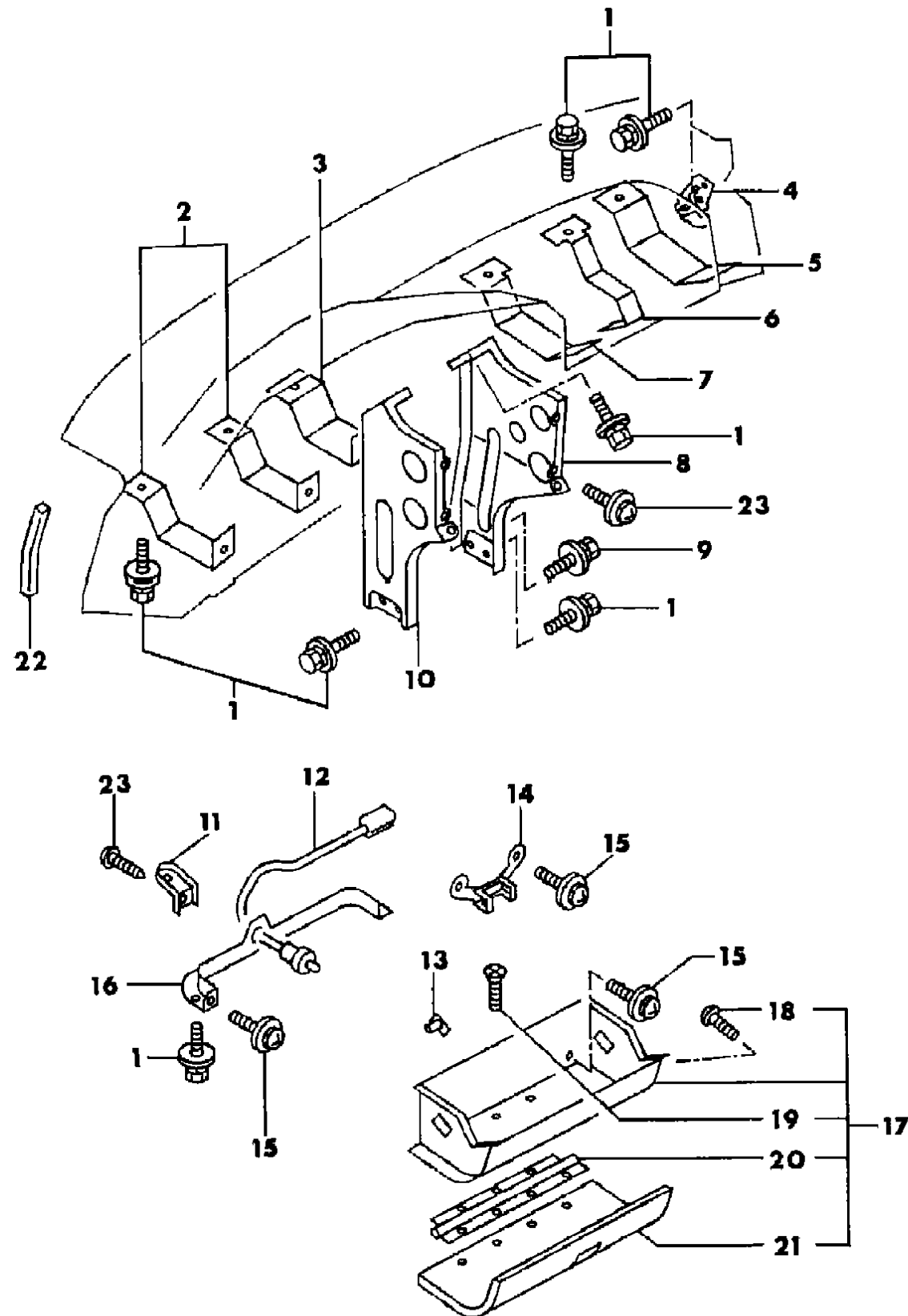
ENGINE: P = 1800cc (1.8L) A = 2000cc (2.0L) Blank = All  
 TRANS: A = Automatic M = Manual Blank = All  
 SERIES: H = High M = Medium P = Premium S = Special

MODELS:  
 24 FWD = 2Dr Hatchback (Laser)  
 24 FWD = 2-Dr Hatchback (Talon)  
 4WD = (4 Wheel Drive)  
 2WD = (2 Wheel Drive)

AR = Use as Required - = Non Illustrated Part P.A.R. = Paint as Required

**INSTRUMENT PANEL (2 OF 3) LASER-TALON**  
**Figure 8A-110**

9682 110



ITEM	PART NUMBER	QTY	BODY	MODEL	DESCRIPTION
1	MS24 0121	AR			BOLT
2	MB52 2093	2			STAY, Panel
3	MB52 2094	1			STAY, Panel
4	MB52 2026	1			BRACKET, Side
5	MB52 2097	1			STAY, Panel
6	MB52 2096	1			STAY, Panel
7	MB52 2095	1			STAY, Panel
8	MB52 2023	1			REINFORCEMENT, Panel
9					BOLT
	MB33 0946	1			1989-93
	MB24 9413	1			1994
10	MB52 2022	1			REINFORCEMENT, Panel
11	MB52 2046	1			BRACKET, Glove Box Lamp
12	MB56 2298	1			SWITCH, Glove Box Lamp
13	MB32 6033	2			STOPPER, Glove Box
14	MB52 2044	1			STRIKER, Glove Box
15	MS35 0177	5			SCREW
16	MB52 2024	1			FRAME, Lower
17					BOX, Glove
	MB72 2000	1			Gray, 1990-91
	MB79 1458	1			Gray, 1992-94
	MB72 2001	1			Brown
18	MF20 0286	2			SCREW
19	MF20 1044	6			SCREW
20	MB52 2043	1			HINGE, Glove Box
21					PAD, Glove Box
	MB72 2002	1			Gray, 1990-91
	MB79 1459	1			Gray, 1992-94
	MB72 2003	1			Brown
22	MB52 2098	2			GASKET, Panel
23	MB40 9438	2			SCREW

ENGINE: P = 1800cc (1.8L) A = 2000cc (2.0L) Blank = All  
 TRANS: A = Automatic M = Manual Blank = All  
 SERIES: H = High M = Medium P = Premium S = Special

MODELS:  
 24 FWD = 2Dr Hatchback (Laser)  
 24 FWD = 2-Dr Hatchback (Talon)  
 4WD = (4 Wheel Drive)  
 2WD = (2 Wheel Drive)

AR = Use as Required - = Non Illustrated Part P.A.R. = Paint as Required

**INSTRUMENT PANEL (3 OF 3) LASER-TALON**  
Figure 8A-115

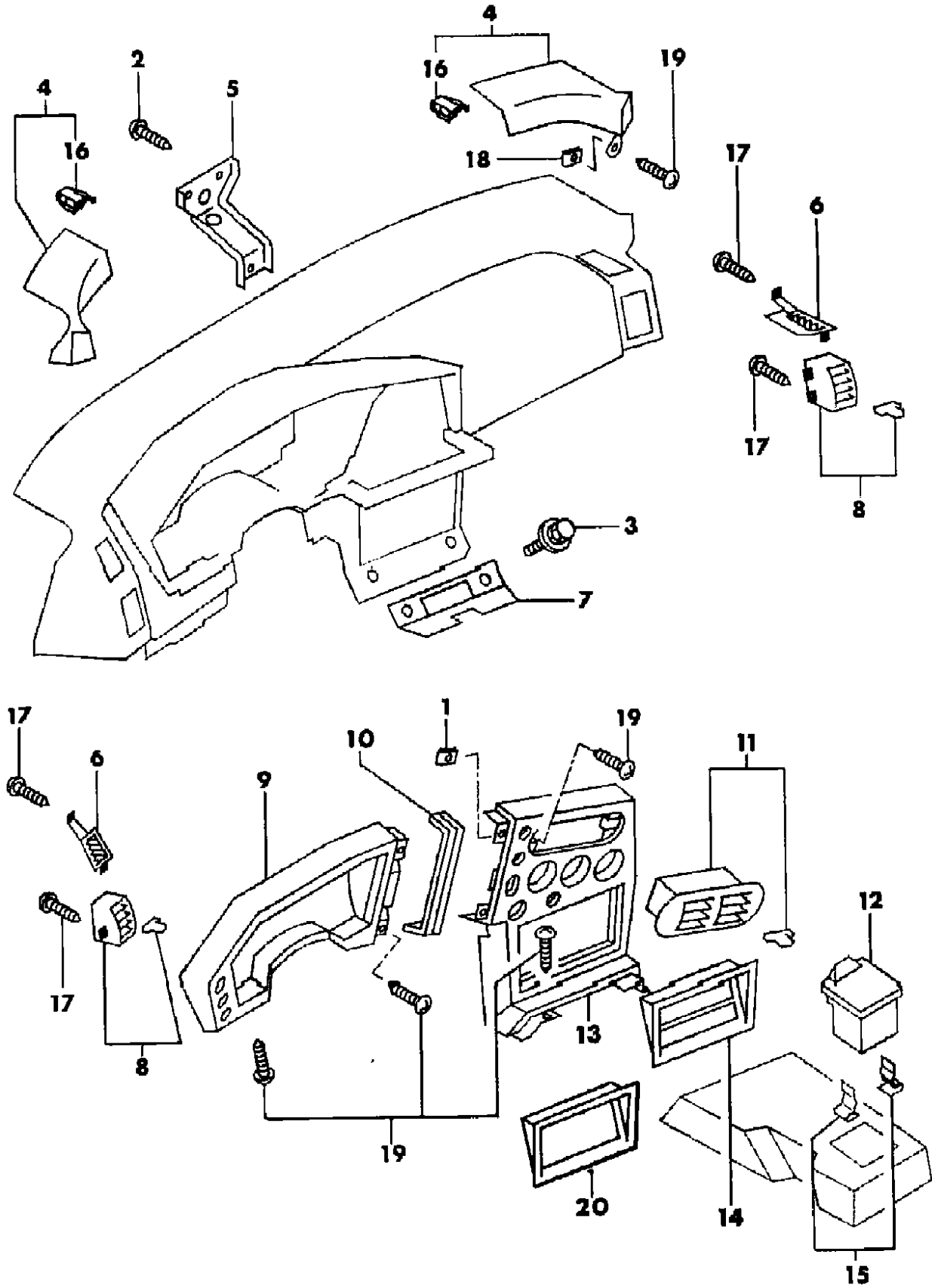
9682 115

ITEM	PART NUMBER	QTY	BODY	MODEL	DESCRIPTION
1	MB13 5995	6			NUT
2	MB40 9438	3			SCREW
3	MS24 0121	AR			BOLT
4					GRILLE, Speaker
	MB72 2004	1			Left, Gray, 1990-91
	MB79 1460	1			Left, Gray, 1992-94
	MB72 2005	1			Left, Brown
	MB72 2006	1			Right, Gray, 1990-91
	MB79 1461	1			Right, Gray, 1992-94
	MB72 2007	1			Right, Brown
5	MB52 2088	1			BRACKET, Panel
6					GRILLE, Defroster
	MB52 2113	1			Left
	MB52 2114	1			Right
7	MB52 2089	1			BRACKET, Panel
8					OUTLET, Air
	MB52 2111	1			Left
	MB52 2112	1			Right
9	MB72 2032	1			PANEL, Cluster
10	MB52 2103	1			COVER, Cluster Panel
11	MB52 2110	1			OUTLET, Air
12	MB52 2107	1			RECEIVER, Ash
13	MB72 2031	1			PANEL, Cluster
14	MB52 2080	1			PANEL, Radio
15	MB60 3254	2			SPRING, Ash Receiver
16	MB52 2052	6			SPRING, Speaker Grille
17	MB40 9438	AR			SCREW
18	MB13 5995	2			NUT
19	MF45 3094	2			SCREW
20	MB52 2081	1			PANEL, Radio

ENGINE: P = 1800cc (1.8L) A = 2000cc (2.0L) Blank = All  
 TRANS: A = Automatic M = Manual Blank = All  
 SERIES: H = High M = Medium P = Premium S = Special

MODELS:  
 24 FWD = 2Dr Hatchback (Laser)  
 24 FWD = 2-Dr Hatchback (Talon)  
 4WD = (4 Wheel Drive)  
 2WD = (2 Wheel Drive)

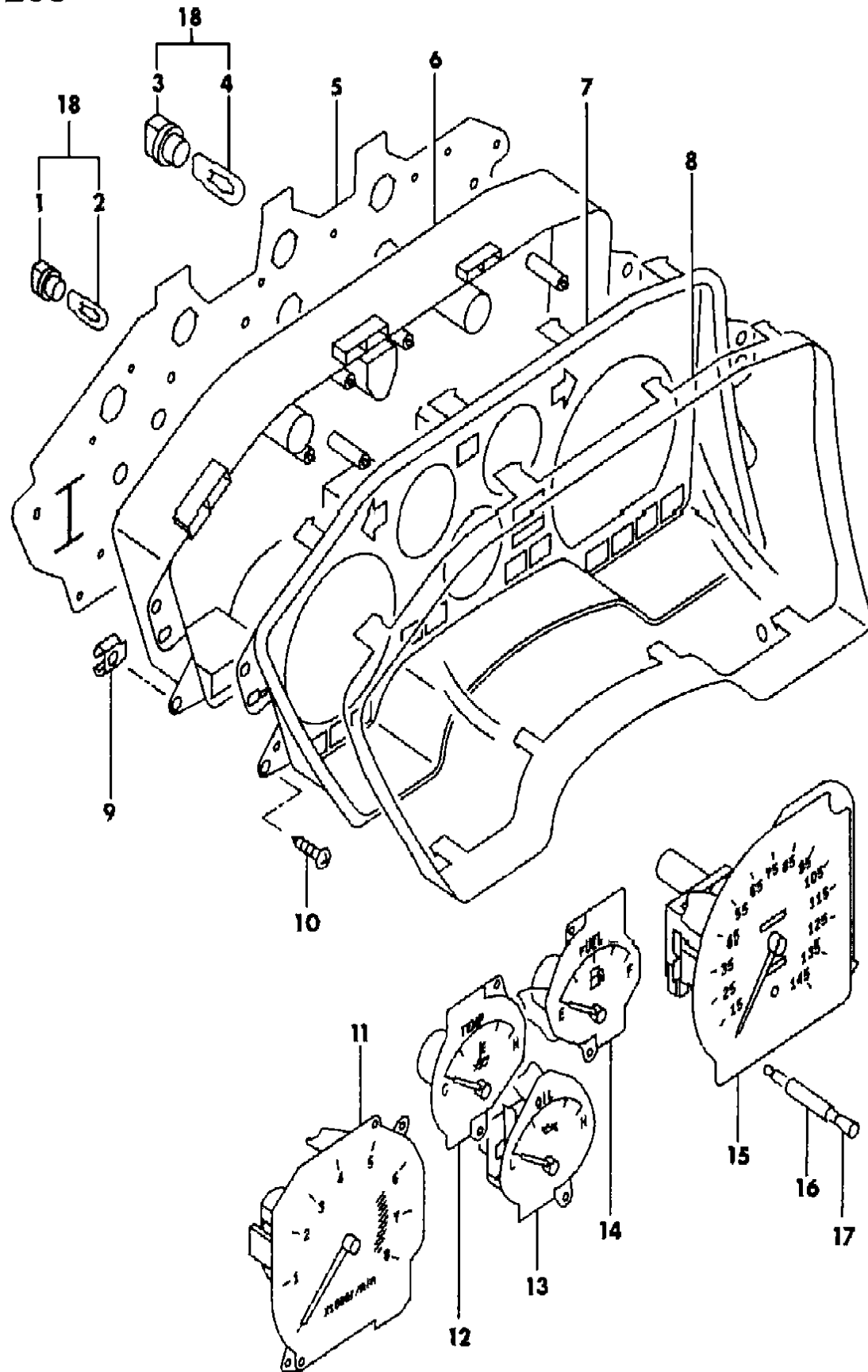
AR = Use as Required - = Non Illustrated Part P.A.R. = Paint as Required



CLUSTER--INSTRUMENT PANEL LASER-TALON

Figure 8A-205

9682 205



ITEM	PART NUMBER	QTY	BODY	MODEL	DESCRIPTION
1	MB06 6067	AR			SOCKET
2	MS82 0083	AR			BULB, (14V-1.4W)
3	MB04 5009	AR			SOCKET
4	MF82 0572	AR			BULB, (14V-3.78W)
5					BOARD, Circuit
					1990 ***
	MB56 2679	1			Man. Trans.
	MB56 2681	1			Auto Trans.
	MB56 2680	1			w/Turbo
					1991-94 ***
	MB83 2252	1			1.8L Eng., w/Man. Trans.
	MB83 2253	1			1.8L Eng., w/Auto Trans.
	MB83 2247	1			2.0L Eng., w/Man. Trans.
	MB83 2248	1			2.0L Eng., w/Auto Trans.
	MB83 2249	1			2.0L Eng., w/Man. Trans., w/Turbo
	MB83 2250	1			2.0L Eng., w/Auto Trans., w/Turbo
	MB83 2249	1			CANADA, 1993
	MB83 2250	1			CANADA, 1993
6					CASE, Meter
					1990 ***
	MB56 2673	1			Man. Trans.
	MB56 2675	1			Auto Trans.
	MB56 2674	1			w/Turbo
					1991-94 ***
	MB83 2238	1			1.8L Eng., w/Man. Trans.
	MB83 2239	1			1.8L Eng., w/Auto Trans.
	MB83 2240	1			2.0L Eng., w/Man. Trans.
	MB83 2241	1			2.0L Eng., w/Auto Trans.
	MB83 2242	1			2.0L Eng., w/Man. Trans., w/Turbo
	MB83 2243	1			2.0L Eng., w/Auto Trans., w/Turbo
					CANADA ***
	MB83 2271	1			1.8L Eng., w/Man. Trans., 1993-94
	MB83 2272	1	LASER		1.8L Eng., w/Auto Trans., 1993-94
	MB83 2271	1	LASER		2.0L Eng., w/Man. Trans., 1992
	MB83 2274	1			2.0L Eng., Auto Trans.
	MB83 2275	1			2.0L Eng., w/Man. Trans., w/Turbo
	MB83 2272	1			2.0L Eng., w/Auto Trans., w/Turbo., 1992
	MB83 2273	1			2.0L Eng., w/Man. Trans., 1993-94
	MB83 2276	1			2.0L Eng., w/Auto Trans., w/Turbo, 1993-94

ENGINE: P = 1800cc (1.8L) A = 2000cc (2.0L) Blank = All  
 TRANS: A = Automatic M = Manual Blank = All  
 SERIES: H = High M = Medium P = Premium S = Special

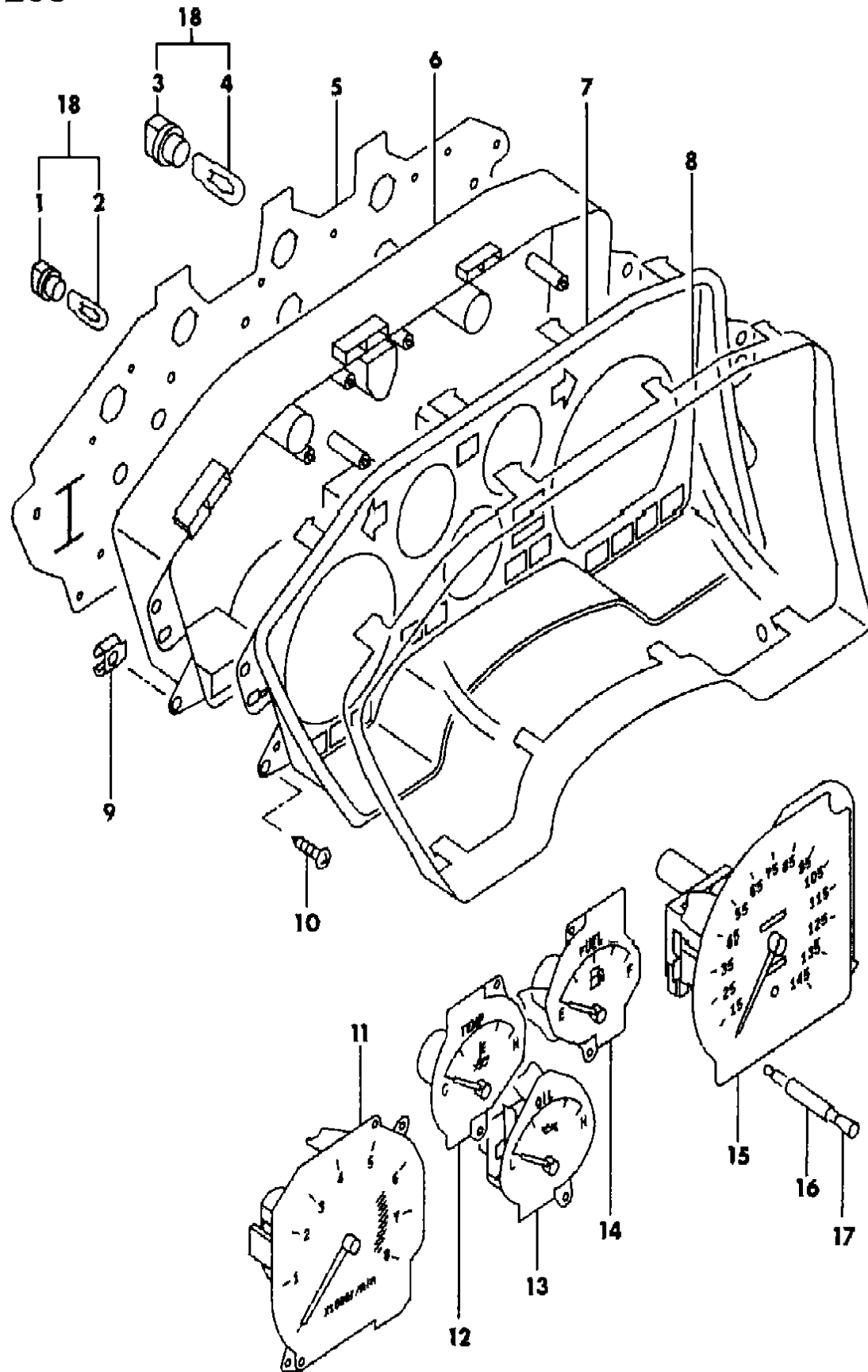
MODELS:  
 24 FWD = 2Dr Hatchback (Laser)  
 24 FWD = 2-Dr Hatchback (Talon)  
 4WD = (4 Wheel Drive)  
 2WD = (2 Wheel Drive)

AR = Use as Required - = Non Illustrated Part P.A.R. = Paint as Required

CLUSTER--INSTRUMENT PANEL LASER-TALON

Figure 8A-205

9682 205



ITEM	PART NUMBER	QTY	BODY	MODEL	DESCRIPTION
7					PLATE, Meter
					1990 ***
	MB56 2671	1			Man. Trans.
	MB56 2672	1			Auto Trans.
					1991-94 ***
	MB83 2234	1			1.8L Eng., w/Man. Trans.
	MB83 2235	1			1.8L Eng., w/Auto Trans.
	MB83 2236	1			2.0L Eng., w/Man. Trans.
	MB83 2237	1			2.0L Eng., w/Auto Trans.
8	MB56 2670	1			PANEL, Meter
9	MB32 6019	4			NUT
10	MF45 3094	4			SCREW
11					TACHOMETER
					1990 ***
	MB56 2685	1			1.8L Engine
	MB56 2686	1			2.0L Engine
	MB56 2687	1			w/Turbo
					1991-94 ***
	MB56 2685	1			1.8L Engine
	MB83 2259	1			2.0L Engine
	MB83 2260	1			2.0L Eng., w/Turbo, Federal-Calif.
	MB83 2261	1			2.0L Eng., CANADA
12	MB56 2690	1			GAUGE, Temperature
13					GAUGE, Oil
	MB80 3491	1			1990
	MB83 2264	1			1991-94
14					GAUGE, Fuel
	MB56 2689	1			1990-92
	MB56 2689	1			w/o Turbo, 1993-94
	MB94 6280	1			w/Turbo, 1993-94
15					SPEEDOMETER
	MB56 2683	1			1990
	MB83 2257	1			1991-92, Federal-Calif.
	MR11 4703	1			1993-94, Federal-Calif.
	MB83 2258	1			1991-94, CANADA
16	MB56 2693	1			INSULATOR, Meter
17	MB56 2692	1			KNOB, Trip Meter
18					SOCKET and BULB ***
	MB83 2266	AR			14V-1.4W

ENGINE: P = 1800cc (1.8L) A = 2000cc (2.0L) Blank = All  
 TRANS: A = Automatic M = Manual Blank = All  
 SERIES: H = High M = Medium P = Premium S = Special

MODELS:  
 24 FWD = 2Dr Hatchback (Laser)  
 24 FWD = 2-Dr Hatchback (Talon)  
 4WD = (4 Wheel Drive)  
 2WD = (2 Wheel Drive)

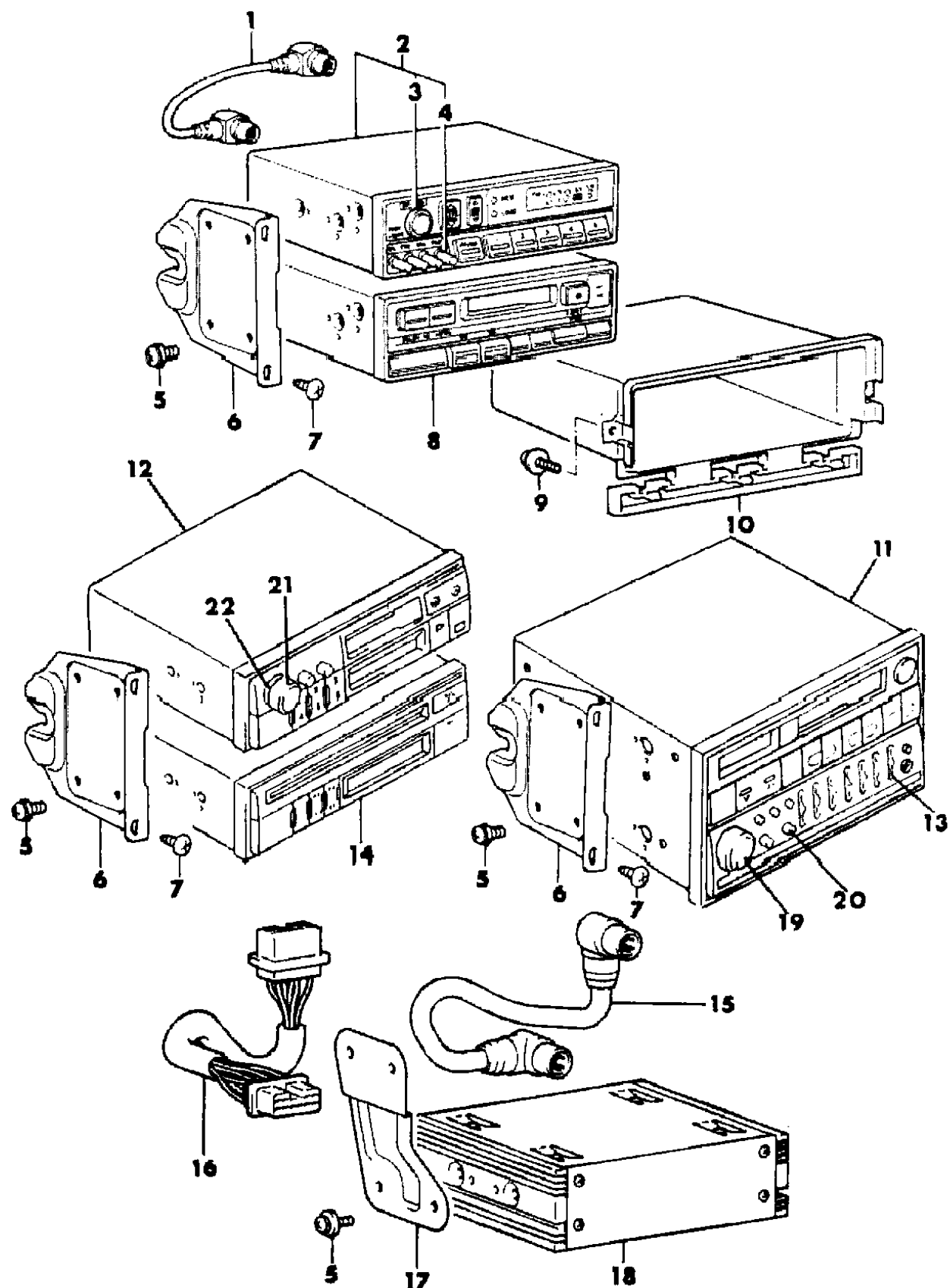
AR = Use as Required - = Non Illustrated Part P.A.R. = Paint as Required





RADIO AND DISC PLAYER LASER-TALON  
Figure 8A-305

9682 305



ITEM	PART NUMBER	QTY	BODY	MODEL	DESCRIPTION
1	MB54 1096	1			CABLE, Din, 1989-92
2	MB53 0310	1			RADIO, Am/Fm Stereo, (ETR)
3	MB54 1094	1			KNOB, Volume
4	MB54 1095	4			KNOB
5	MF35 0767	AR			SCREW
6	MB52 2054	2			BRACKET, Radio
7	MF45 3033	AR			SCREW
8					PLAYER, Stereo Tape, w/Dolby ***
	MB53 0312	1			1990-92
	MB87 6837	1			1993-94
9	MB40 9435	2			SCREW
10	MB52 2082	1			BOX, Accessory
11					RADIO, Am/Fm Stereo, w/Cassette, (ETR)
	MB53 0311	1			1990-91
	MB64 9793	1			1992-93, Premium
	MB94 3315	1			1994, Premium
12					RADIO, Am/Fm Stereo, w/Cassette, (ETR)
	MB54 1086	1			1990-91
	MB87 5632	1			1992-93
	MB94 3312	1			1994
13	MB54 1104	5			KNOB
	MB82 3832	7			1992-94
14	MB54 1087	1			PLAYER, Compact Disc ***
	MB82 3851	1			1992-94
15	MB54 1038	1			CABLE, Din, 1990-92
16	MB54 2432	1			HARNESS, Compact Disc Player
17					BRACKET, Amplifier Box
	MB54 2433	1			Left
	MB54 2434	1			Right
18	MB57 2650	1			AMPLIFIER, Radio
19	MB64 9819	1			KNOB, Volume
20	MB82 3831	2			KNOB, Fader-Balance
21	MB82 3854	1			KNOB, Volume
22	MB82 3855	1			KNOB, Ring
	MZ30 0506	1			WIRING REPAIR KIT, Radio, (For Stolen Radio) ***

ENGINE: P = 1800cc (1.8L) A = 2000cc (2.0L) Blank = All  
 TRANS: A = Automatic M = Manual Blank = All  
 SERIES: H = High M = Medium P = Premium S = Special

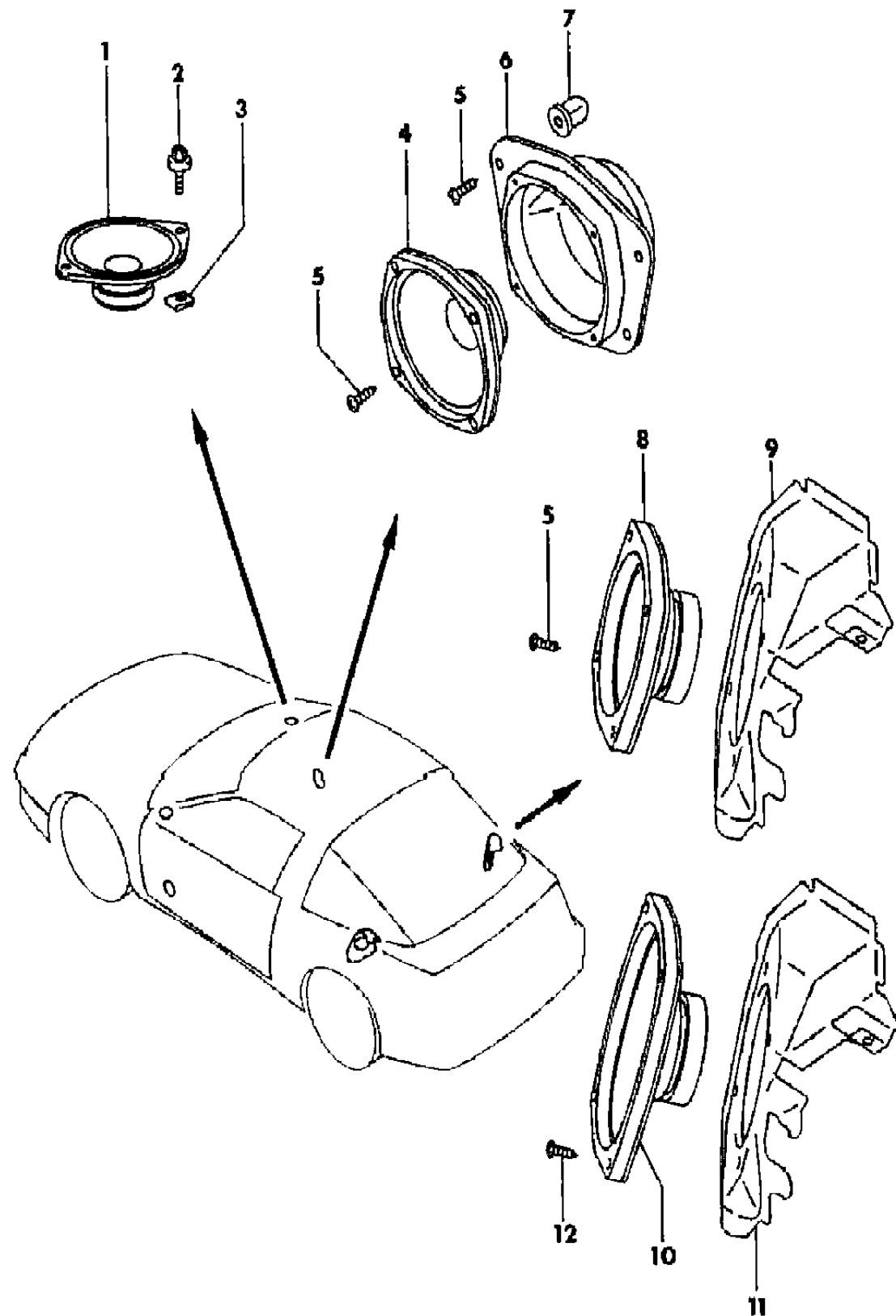
MODELS:  
 24 FWD = 2Dr Hatchback (Laser)  
 24 FWD = 2-Dr Hatchback (Talon)  
 4WD = (4 Wheel Drive)  
 2WD = (2 Wheel Drive)

AR = Use as Required - = Non Illustrated Part P.A.R. = Paint as Required

SPEAKERS--RADIO LASER-TALON

Figure 8A-310

9682 310



ITEM	PART NUMBER	QTY	BODY	MODEL	DESCRIPTION
1					SPEAKER, Front
	MB50 9519	2			Standard
	MB64 9761	2			1993
	MB92 0286	2			1994
2	MS45 2328	4			SCREW, w/Washer, (5x16)
3	MB13 5995	4			NUT
4					SPEAKER, Door
	MB94 2692	2			16 cm
	MB92 0298	2			15 cm, 1994
5	MB92 1330	2			16 cm, 1994
	MS45 0156	AR			SCREW, (5x12)
6					COVER, Door Speaker
	MB53 0302	2			13 cm
	MB92 1227	2			16 cm
7	MS48 0012	AR			GROMMET
8	MB50 9521	2			SPEAKER, Quarter Panel
9					BRACKET, Rear Speaker
	MB53 0317	1			Left
	MB53 0318	1			Right
10	MB50 9522	2			SPEAKER, Quarter Panel, Premium
11					BRACKET, Rear Premium Speaker
	MB54 2413	1			Left
	MB54 2414	1			Right
12	MS45 0157	AR			SCREW, (5x16)

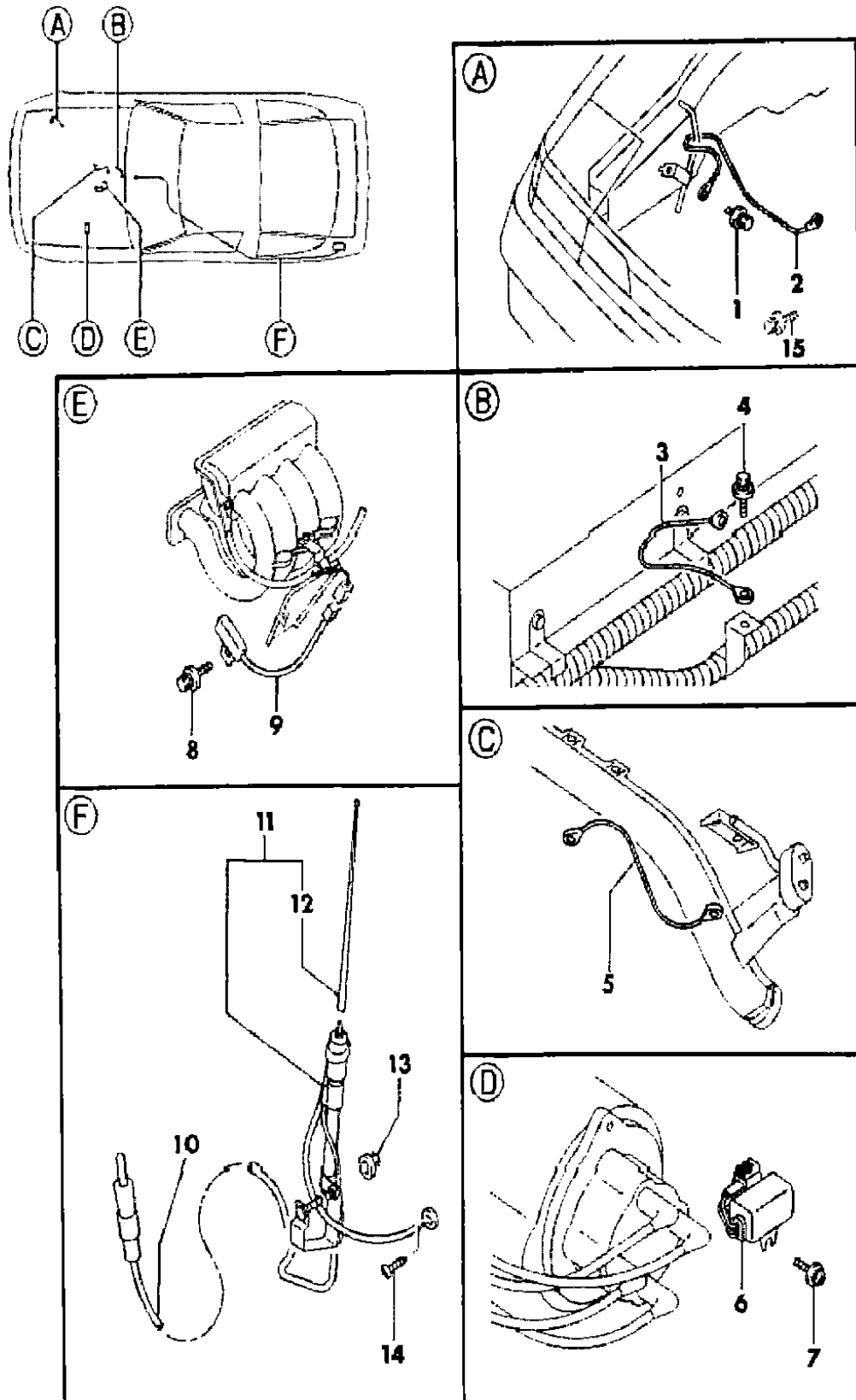
ENGINE: P = 1800cc (1.8L) A = 2000cc (2.0L) Blank = All  
 TRANS: A = Automatic M = Manual Blank = All  
 SERIES: H = High M = Medium P = Premium S = Special

MODELS:  
 24 FWD = 2Dr Hatchback (Laser)  
 24 FWD = 2-Dr Hatchback (Talon)  
 4WD = (4 Wheel Drive)  
 2WD = (2 Wheel Drive)

AR = Use as Required - = Non Illustrated Part P.A.R. = Paint as Required

ANTENNAS LASER-TALON  
Figure 8A-315

9682 315



ITEM	PART NUMBER	QTY	BODY	MODEL	DESCRIPTION
1	MB33 0946	1			BOLT, (6x16)
2	MB54 2439	1			CABLE, Ground L=230
	MB35 9155	1			L=345, 1994
3	MB26 2141	1			CABLE, Ground
4					BOLT, w/Washer
	MF24 3623	1			1990-91
	MU24 1011	1			1992-94, (6x16)
5					CABLE, Ground
	MB35 8616	1			L=180
	MB54 2439	1			L=250
6	MB54 2495	1			FILTER, Noise
7	MF35 0048	1			SCREW, (5x12)
8	MS24 0141	1			BOLT, 1990-92
9	MB54 2494	1			FILTER, Noise, 1990-92
10	MB53 0308	1			FEEDER, Antenna
11					ANTENNA
	MB53 0305	1	LASER		1990-93
	MB94 3828	1	LASER		1994
	MB54 2441	1	TALON		1990-91
	MB85 2992	1	TALON		1992-94
12	MB57 1553	1			MAST, Antenna
13	MS44 0502	1			NUT
14	MS45 0157	1			SCREW, (5x16)
15	MS24 0085	1			BOLT, (8x16)

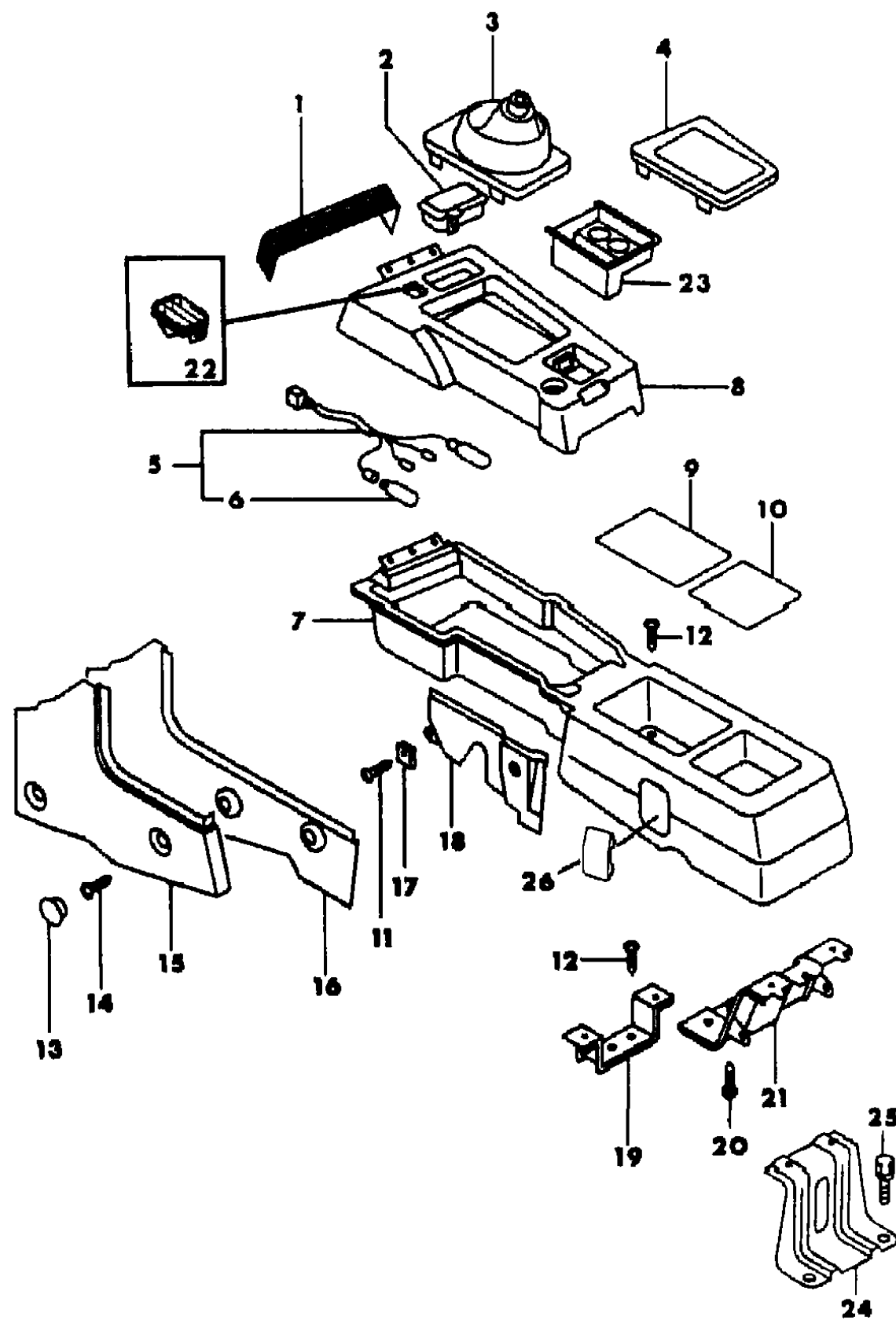
ENGINE: P = 1800cc (1.8L) A = 2000cc (2.0L) Blank = All  
 TRANS: A = Automatic M = Manual Blank = All  
 SERIES: H = High M = Medium P = Premium S = Special

MODELS:  
 24 FWD = 2Dr Hatchback (Laser)  
 24 FWD = 2-Dr Hatchback (Talon)  
 4WD = (4 Wheel Drive)  
 2WD = (2 Wheel Drive)

AR = Use as Required - = Non Illustrated Part P.A.R. = Paint as Required

CONSOLE SMALL TYPE--W/O LID LASER-TALON  
Figure 8A-405

9682 405



ITEM	PART NUMBER	QTY	BODY	MODEL	DESCRIPTION
1	MB52 2077	1			COVER, Front Box
2	MB52 2186	1			COIN BOX, Console
3	MB60 3590	1			COVER, Shift Lever
4	MB52 2057	1			PANEL, Shift Lever, w/Auto. Trans.
	MB58 0890	1			LABEL, Shift Lever Caution
5	MB52 2168	1			HARNESS
6	MS82 0083	2			BULB
7					CONSOLE
					1990-91 ***
	MB72 2016	1			Gray
					1992-93 ***
	MB79 1465	1		M	Gray
	MB72 2008	1		H	Gray
	MB72 5375	1			Beige
					1994 ***
	MB79 1465	1			Dk. Gray
	MB72 5374	1			Beige
8					BEZEL, Console
	MB72 2011	1		M	
	MB72 2010	1		H,P,S	
9	MB52 2073	1			CARPET, Inner
10					CARPET, Inner
	MB52 2164	1		M	
	MB52 2074	1		H,P,S	
11	MF45 3094	AR			SCREW
12	MF45 3094	AR			SCREW
13					PLUG
					1990-91 ***
	MB52 2198	AR			Gray
	MB52 2199	AR			Beige
					1992-94 ***
	MB79 1487	1			Gray
	MB79 5531	1			Beige
	MB79 5532	1			Red
14	MF45 3094	AR			SCREW
15					COVER, Side
					1990-91 ***
	MB72 2020	1			Gray, w/FWD
	MB74 6261	1			Gray, w/AWD

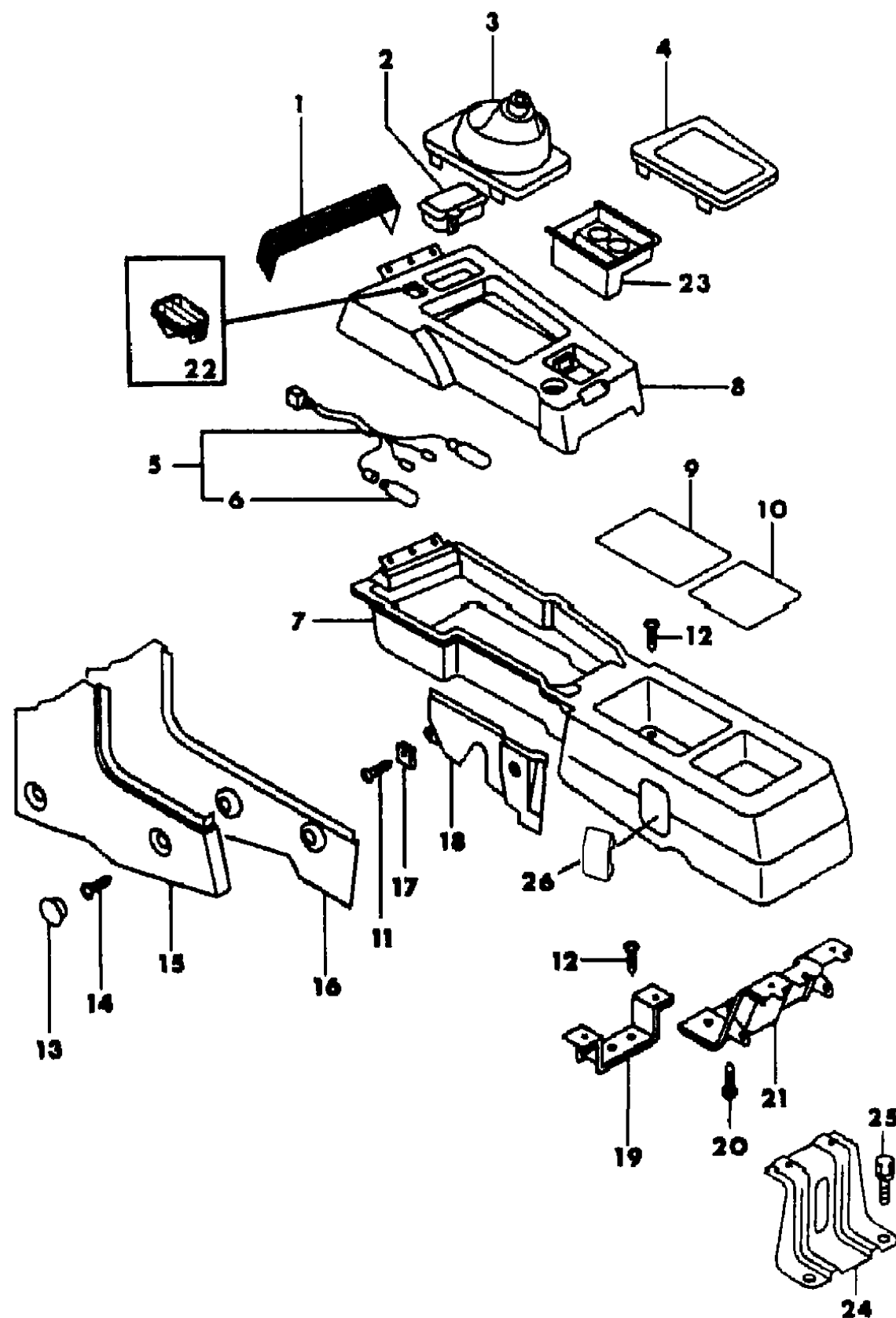
ENGINE: P = 1800cc (1.8L) A = 2000cc (2.0L) Blank = All  
 TRANS: A = Automatic M = Manual Blank = All  
 SERIES: H = High M = Medium P = Premium S = Special

MODELS:  
 24 FWD = 2Dr Hatchback (Laser)  
 24 FWD = 2-Dr Hatchback (Talon)  
 4WD = (4 Wheel Drive)  
 2WD = (2 Wheel Drive)

AR = Use as Required - = Non Illustrated Part P.A.R. = Paint as Required

CONSOLE SMALL TYPE--W/O LID LASER-TALON  
Figure 8A-405

9682 405



ITEM	PART NUMBER	QTY	BODY	MODEL	DESCRIPTION
	MB72 2021	1			Beige, w/FWD
	MB74 6262	1			Beige, w/AWD 1992-94 ***
	MB79 3546	1	TALON	P	Beige, w/FWD
	MB79 3547	1	TALON	S	Beige, w/AWD
	MB79 1473	1		H	Med. Gray, w/FWD
	MB79 7092	1		S	Med. Gray, w/AWD
	MB79 1471	1		M,H,P	Dk. Gray, w/FWD
	MB79 1475	1		S	Dk. Gray, w/AWD
	MB79 1472	1		M,H,P	Red, w/FWD
	MB79 1476	1		S	Red, w/AWD
16					COVER, Side
	MB72 2018	1			Gray
	MB72 2019	1			Beige
	MB79 3545	1			Beige
	MB79 1469	1			Med. Gray
	MB79 1467	1			Dk. Gray
	MB79 1468	1			Red
17	MB13 5995	AR			NUT
18					COVER, Side
	MB72 2022	1			Gray
	MB72 2023	1			Beige
	MB79 3548	1	TALON	P,S	Beige
	MB79 1478	1			Dk. Gray
	MB79 1480	1		H,S	Med. Gray, 1990-91
	MB79 1480	1		H	Med. Gray, 1993-94
	MB79 1479	1			Red
19	MB52 2075	1			BRACKET, Center
20	MF45 3091	1			SCREW
21	MB52 2076	1			BRACKET, Rear, 1990
22	MB56 2252	1			PLUG/COIN HOLDER, T/M Control Switch ***
23					HOLDER, Cup
	MB60 3021	1		H,P,S	1991-94
	MB60 3020	1	LASER	M	1990-92
	MB60 3020	1		M	1993-94
24	MB52 2165	1			BRACKET, Backbone, CANADA
25	MB26 8795	2			BOLT, CANADA
26					COVER
	MB72 2061	1			Gray, CANADA

ENGINE:  
P = 1800cc (1.8L)  
A = 2000cc (2.0L)  
Blank = All

TRANS:  
A = Automatic  
M = Manual  
Blank = All

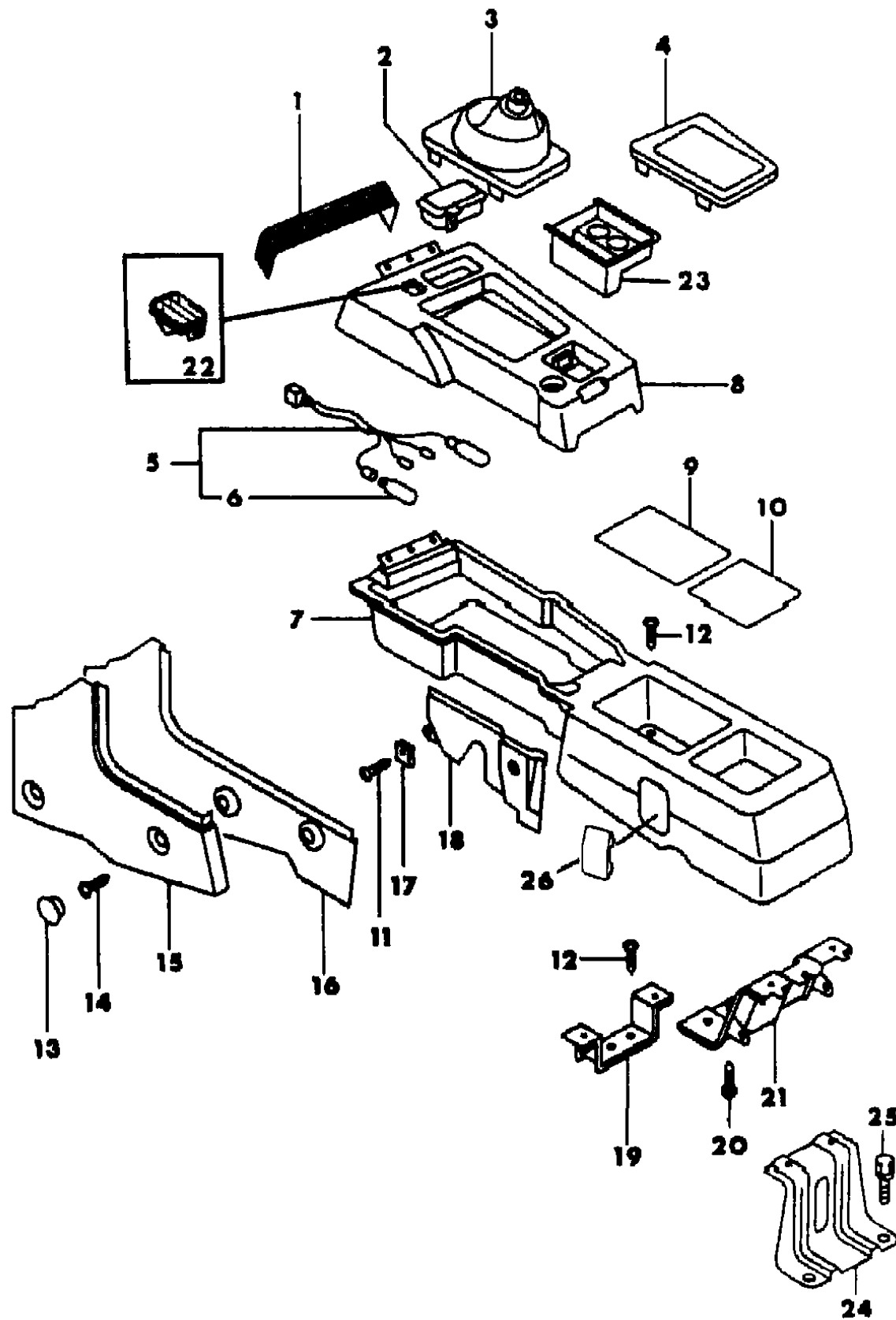
SERIES:  
H = High  
M = Medium  
P = Premium  
S = Special

MODELS:  
24 FWD = 2Dr Hatchback (Laser)  
24 FWD = 2-Dr Hatchback (Talon)  
4WD = (4 Wheel Drive)  
2WD = (2 Wheel Drive)

AR = Use as Required - = Non Illustrated Part P.A.R. = Paint as Required

CONSOLE SMALL TYPE--W/O LID LASER-TALON  
Figure 8A-405

9682 405



ITEM	PART NUMBER	QTY	BODY	MODEL	DESCRIPTION
------	-------------	-----	------	-------	-------------

	MB79 1488	1			Dk. Gray, CANADA
	MB72 5378	1			Beige, CANADA

ENGINE: P = 1800cc (1.8L) A = 2000cc (2.0L) Blank = All  
 TRANS: A = Automatic M = Manual Blank = All  
 SERIES: H = High M = Medium P = Premium S = Special

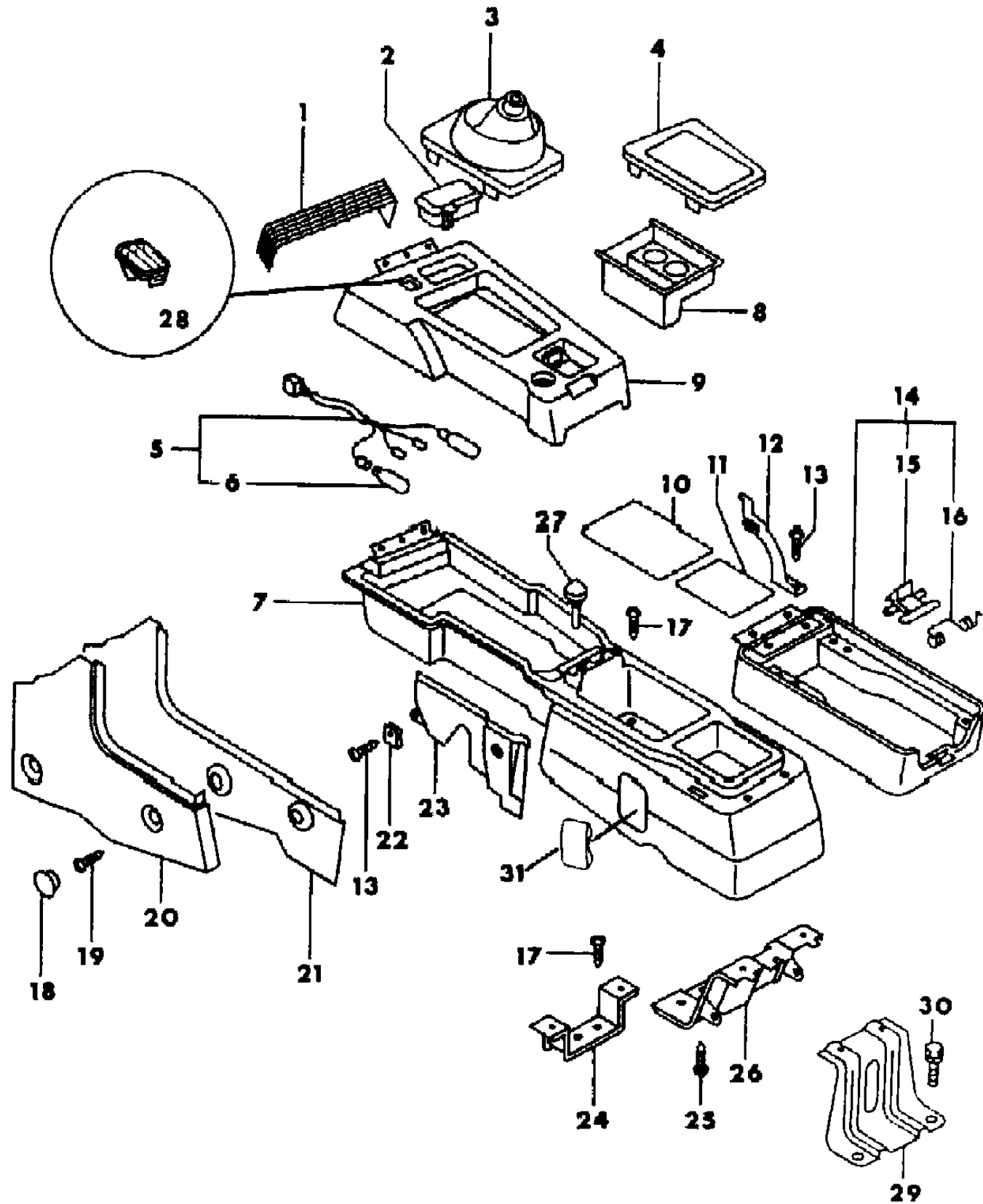
MODELS:  
 24 FWD = 2Dr Hatchback (Laser)  
 24 FWD = 2-Dr Hatchback (Talon)  
 4WD = (4 Wheel Drive)  
 2WD = (2 Wheel Drive)

AR = Use as Required - = Non Illustrated Part P.A.R. = Paint as Required

CONSOLE LARGE TYPE--W/LID LASER-TALON

Figure 8A-410

9682 410



ITEM	PART NUMBER	QTY	BODY	MODEL	DESCRIPTION
1	MB52 2077	1			COVER, Front Box
2	MB52 2186	1			COIN BOX, Floor Console
3	MB60 3590	1			COVER, Shift Lever
4	MB52 2057	1			PANEL, Shift Lever, w/Auto. Trans.
	MB58 0890	1			LABEL, Shift Lever Caution
5	MB52 2168	1			HARNESS
6	MS82 0083	2			BULB
7					CONSOLE
					1990-91 ***
	MB72 2008	1			Gray
	MB72 5374	1			Beige
					1992-93 ***
	MB79 1462	1			Gray
	MB72 5374	1			Beige
					1994 ***
	MB79 1462	1			Dk. Gray
	MB72 5374	1			Beige
8	MB60 3021	1			HOLDER, Cup
9					BEZEL, Console
	MB72 2011	1		M	
	MB72 2010	1		H,P,S	
10	MB52 2073	1			CARPET, Inner
11					CARPET, Inner
	MB52 2164	1		M	
	MB52 2074	1		H,P,S	
12					STOPPER, Lid
	MB52 2194	1			Left
	MB52 2195	1			Right
13	MF45 3094	AR			SCREW
14					LID, Box
	MB72 2012	1			Gray, 1990-91
	MB79 1463	1			Gray, 1992-94
	MB72 2013	1			Beige
15	MB52 2063	1			LEVER, Box
16	MB52 2180	1			SPRING, Lid
17	MF45 3094	AR			SCREW
18					PLUG
					1990-91 ***
	MB52 2198	AR			Gray

ENGINE:  
P = 1800cc (1.8L)  
A = 2000cc (2.0L)  
Blank = All

TRANS:  
A = Automatic  
M = Manual  
Blank = All

SERIES:  
H = High  
M = Medium  
P = Premium  
S = Special

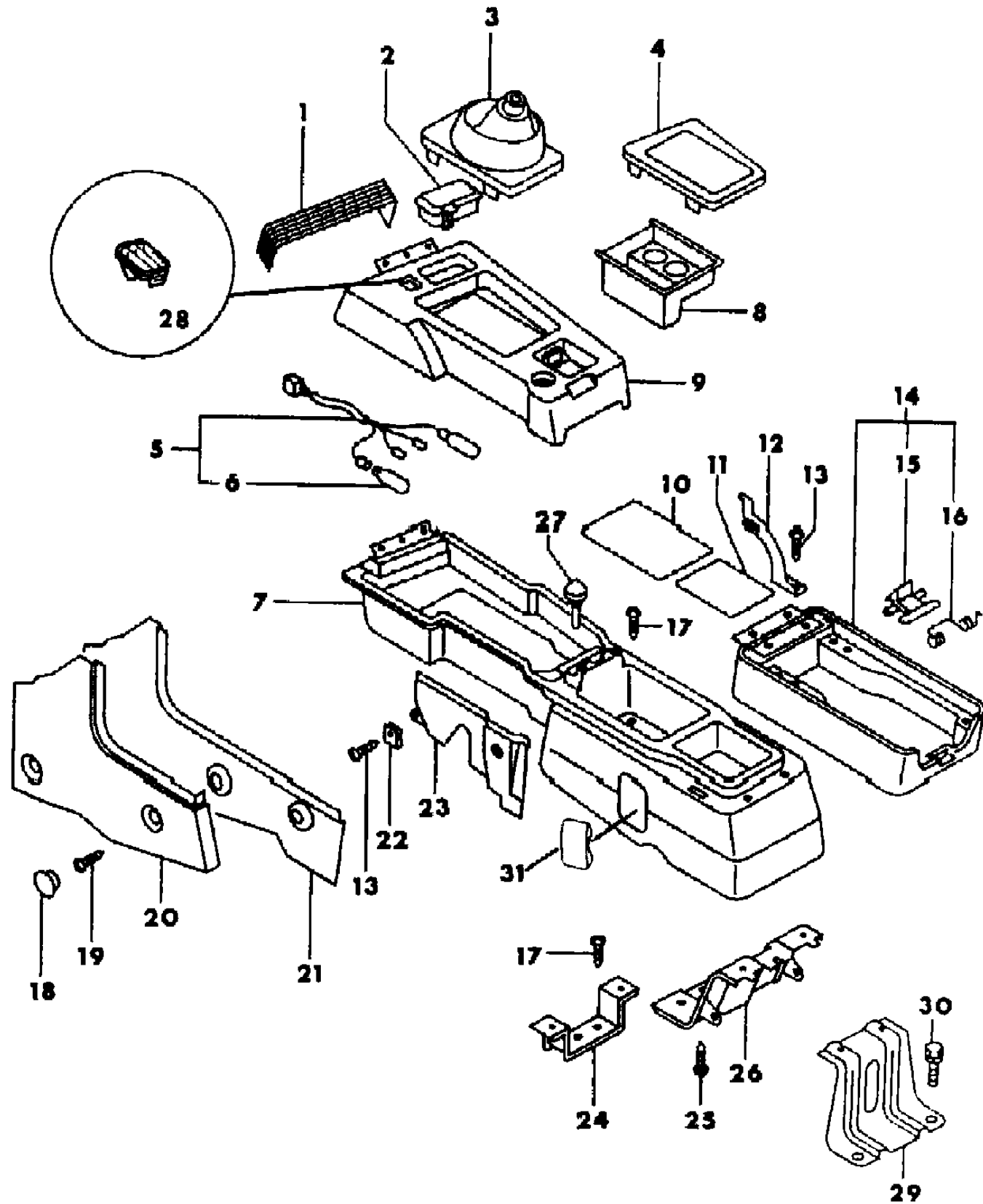
MODELS:  
24 FWD = 2Dr Hatchback (Laser)  
24 FWD = 2-Dr Hatchback (Talon)  
4WD = (4 Wheel Drive)  
2WD = (2 Wheel Drive)

AR = Use as Required - = Non Illustrated Part P.A.R. = Paint as Required

CONSOLE LARGE TYPE--W/LID LASER-TALON

Figure 8A-410

9682 410



ITEM	PART NUMBER	QTY	BODY	MODEL	DESCRIPTION
	MB52 2199	AR			Beige 1992-94 ***
	MB79 1487	6			Gray
	MB79 5531	6			Beige
	MB79 5532	6			Red
19	MF45 3095	AR			SCREW
20					COVER, Side 1990-91 ***
	MB72 2020	1			Gray, w/FWD
	MB74 6261	1			Gray, w/AWD
	MB72 2021	1			Beige, w/FWD
	MB74 6262	1			Beige, w/AWD 1992-94 ***
	MB79 1473	1			Med. Gray, w/FWD
	MB79 7092	1			Med. Gray, w/AWD
	MB79 1471	1			Dk. Gray, w/FWD
	MB79 1475	1			Dk. Gray, w/AWD
	MB79 3546	1			Beige, w/FWD
	MB79 3547	1			Beige, w/AWD
	MB79 1472	1			Red, w/FWD
	MB79 1476	1			Red, w/AWD
21					COVER, Side 1990-91 ***
	MB72 2018	1			Gray
	MB72 2019	1			Beige 1992-94 ***
	MB79 1469	1			Med. Gray
	MB79 1467	1			Dk. Gray
	MB79 3545	1			Beige
	MB79 1468	1			Red
22	MB13 5995	AR			NUT
23					COVER, Side 1990-92 ***
	MB72 2022	1			Gray
	MB72 2023	1			Beige 1993-94 ***
	MB79 1480	1			Med. Gray
	MB79 1478	1			Dk. Gray
	MB79 3548	1			Beige

ENGINE: P = 1800cc (1.8L) A = 2000cc (2.0L) Blank = All  
 TRANS: A = Automatic M = Manual Blank = All  
 SERIES: H = High M = Medium P = Premium S = Special

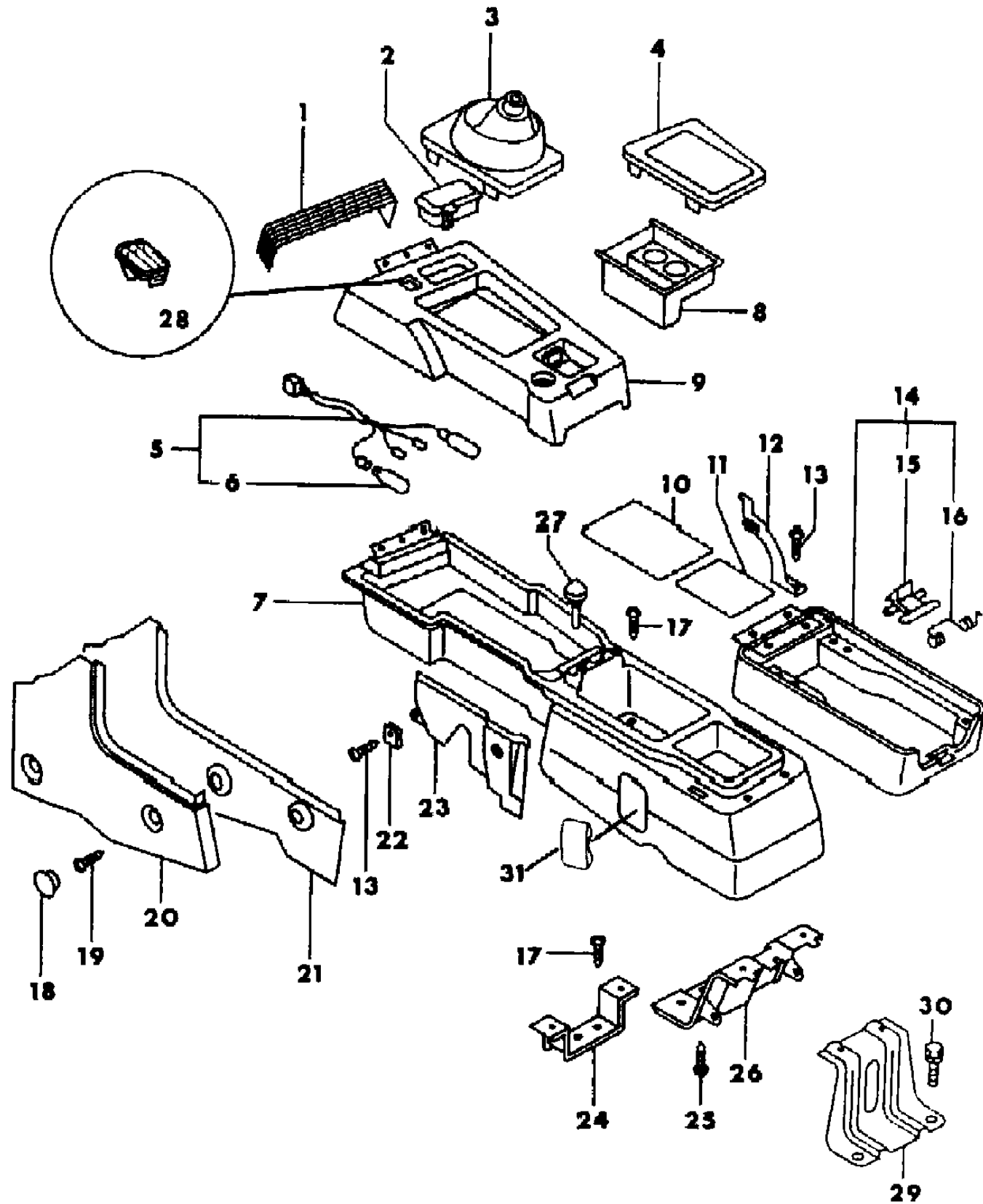
MODELS:  
 24 FWD = 2Dr Hatchback (Laser)  
 24 FWD = 2-Dr Hatchback (Talon)  
 4WD = (4 Wheel Drive)  
 2WD = (2 Wheel Drive)

AR = Use as Required - = Non Illustrated Part P.A.R. = Paint as Required



CONSOLE LARGE TYPE--W/LID LASER-TALON  
Figure 8A-410

9682 410



ITEM	PART NUMBER	QTY	BODY	MODEL	DESCRIPTION
	MB79 1479	1			Red
24	MB52 2075	1			BRACKET, Center
25	MF45 3091	1			SCREW
26	MB52 2076	1			BRACKET, Rear
27	MB65 2580	1			BUMPER
28	MB56 2252	1			PLUG/COIN HOLDER, T/M Control Switch ***
29	MB52 2165	1			BRACKET, Backbone, CANADA
30	MB26 8795	2			BOLT, CANADA
31					COVER
	MB72 2061	2			Gray, CANADA
	MB79 1488	1			Dk. Gray, CANADA
	MB72 5378	2			Beige, CANADA

ENGINE: P = 1800cc (1.8L) A = 2000cc (2.0L) Blank = All  
 TRANS: A = Automatic M = Manual Blank = All  
 SERIES: H = High M = Medium P = Premium S = Special

MODELS:  
 24 FWD = 2Dr Hatchback (Laser)  
 24 FWD = 2-Dr Hatchback (Talon)  
 4WD = (4 Wheel Drive)  
 2WD = (2 Wheel Drive)

AR = Use as Required - = Non Illustrated Part P.A.R. = Paint as Required

**GROUP 9A - ENGINE, 4 CYLINDER**

**ILLUSTRATION TITLE**

**GROUP-FIG. NO.**

**1.8 L = (P) ENGINE**

ENGINE SHORT, ANTI-THEFT LABEL 1.8L ENGINE LASER-TALON ..... Fig. 9A-100  
 GASKET SETS 1.8L ENGINE LASER-TALON ..... Fig. 9A-200  
 CYLINDER BLOCK 1.8L ENGINE LASER-TALON ..... Fig. 9A-300  
 CYLINDER HEAD 1.8L ENGINE LASER-TALON ..... Fig. 9A-400  
 CRANKSHAFT AND PISTONS 1.8L ENGINE LASER-TALON ..... Fig. 9A-500  
 BALANCE SHAFTS 1.8L ENGINE LASER-TALON ..... Fig. 9A-600  
 BALANCE SHAFTS 1.8L ENGINE LASER-TALON ..... Fig. 9A-700  
 OIL PAN & TIMING BELT COVER 1.8L ENGINE LASER-TALON ..... Fig. 9A-800  
 MANIFOLD, INTAKE & EXHAUST 1.8L ENGINE LASER-TALON ..... Fig. 9A-900  
 OIL PUMP AND OIL FILTER 1.8L ENGINE LASER-TALON ..... Fig. 9A-1000

**2.0 L = (A) ENGINE**

ENGINE SHORT, ANTI-THEFT LABEL 2.0L ENGINE LASER-TALON ..... Fig. 9A-1100  
 GASKET SETS 2.0L ENGINE, 1990-92, (UP TO ENGINE # NH0001) LASER-TALON ..... Fig. 9A-1200  
 GASKET SETS 2.0L ENGINE, 1992-94, (AFTER ENGINE # NH0001) LASER-TALON ..... Fig. 9A-1250  
 CYLINDER BLOCK 2.0L ENGINE, 1990-92, (UP TO ENGINE # NH0001) LASER-TALON ..... Fig. 9A-1300  
 CYLINDER BLOCK 2.0L ENGINE, 1992-94, (AFTER ENGINE # NH0001) LASER-TALON ..... Fig. 9A-1350  
 CYLINDER HEAD 2.0L ENGINE LASER-TALON ..... Fig. 9A-1400  
 CYLINDER HEAD COVER 2.0L ENGINE LASER-TALON ..... Fig. 9A-1500  
 CRANKSHAFT AND PISTONS 2.0L ENGINE, 1990-92, (UP TO ENGINE # NH0001) LASER-TALON ..... Fig. 9A-1600  
 CRANKSHAFT AND PISTONS 2.0L ENGINE, 1992-94, (AFTER ENGINE # NH0001) LASER-TALON ..... Fig. 9A-1650  
 BALANCE SHAFTS 2.0L ENGINE LASER-TALON ..... Fig. 9A-1700  
 CAMSHAFT AND VALVES 2.0L ENGINE LASER-TALON ..... Fig. 9A-1800  
 OIL PAN & TIMING BELT COVER 2.0L ENGINE LASER-TALON ..... Fig. 9A-1900  
 MANIFOLD, INTAKE & EXHAUST 2.0L ENGINE LASER-TALON ..... Fig. 9A-2000  
 OIL PUMP AND OIL FILTER 2.0L ENGINE, 1990-92, (UP TO ENGINE # NH0001) LASER-TALON ..... Fig. 9A-2100  
 OIL PUMP AND OIL FILTER 2.0L ENGINE, 1992-94, (AFTER ENGINE # NH0001) LASER-TALON ..... Fig. 9A-2150  
 ENGINE OIL COOLER 2.0L ENGINE, W/TURBO, 1990-92,(UP TO ENG # NH0001)LASER-TALON ..... Fig. 9A-2200  
 ENGINE OIL COOLER 2.0L ENGINE, W/TURBO, 1992-94,(AFTER ENG # NH0001)LASER-TALON ..... Fig. 9A-2250  
 OIL LINES, TURBO 2.0L ENGINE LASER-TALON ..... Fig. 9A-2300  
 ENGINE MOUNTING 1.8L-2.0L ENGINE,1990-92,(2.0L UP TO ENG # NH0001)LASER-TALON ..... Fig. 9A-2400  
 ENGINE MOUNTING 1.8L ENGINE, 1993-94 LASER-TALON ..... Fig. 9A-2450  
 ENGINE MOUNTING 2.0L ENGINE, 1992-94 (AFTER ENGINE # NH0001) LASER-TALON ..... Fig. 9A-2500

**ILLUSTRATION NOT AVAILABLE AT TIME OF PUBLICATION**







**CYLINDER BLOCK 1.8L ENGINE LASER-TALON**  
Figure 9A-300

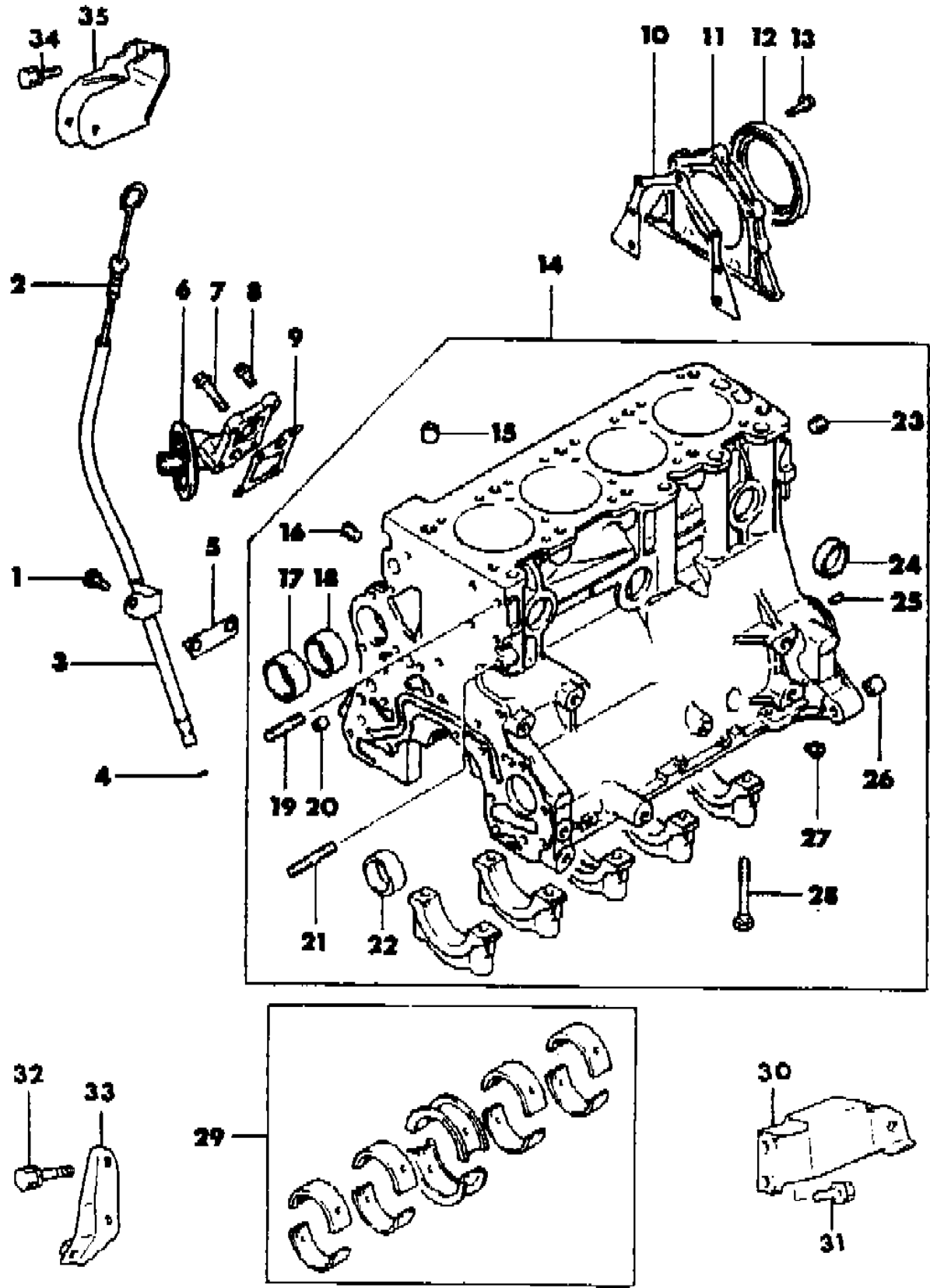
9658 300

ITEM	PART NUMBER	QTY	BODY	MODEL	DESCRIPTION
1					BOLT, w/Washer
	MF24 0651	1			1990-93, (8x16)
	MF14 0022	1			1994, (8x14)
2	MD13 1924	1			GAUGE, Oil Level ***
3	MD11 1512	1			GUIDE, Oil Level Gauge
4	MD07 5834	1			O-RING, Oil Filler, (8.8)
5	MD11 1513	1			BRACKET, Oil Level Gauge Guide
6	MD13 2867	1			BRACKET, Oil Filter
7	MF14 0034	2			BOLT, Flange, (8x45)
8	MF14 0023	2			BOLT, Flange, (8x16)
9					GASKET, Oil Filter Bracket
	MD00 8891	1			1990
	MD14 9371	1			1991-92
	MD19 1426	1			1993-94
10					GASKET, Rear Oil Seal Case
	MD00 8886	1			1990-93
	MD18 3242	1			1994
11	MD00 8884	1			CASE, Crankshaft Rear oil Seal
12					OIL SEAL, Crankshaft, Rear
	MD11 7643	1			1990-93
	MD01 6549	1			1994
13	MF14 0207	5			BOLT, Flange, (6x20)
14	MD12 5323	1			BLOCK, Cylinder
15	MS47 1109	2			BUSHING, Block, (10x16)
16	MD01 6239	1			PLUG, Taper, (PT 1/16)
17					BEARING, Balancer Shaft, Front Right
	MD00 8889	1			Standard
	MD08 2299	1			1.00mm O/S
18					BEARING, Balncer Shaft, Rear
	MD11 3464	1			Standard
	MD11 3465	1			1.00mm O/S
19	MD00 8879	1			STUD, (8x50)
20	MS47 1104	2			BUSHING, (8x9)
21	MS40 1452	2			STUD, (10x30)
22					BEARING, Balancer Shaft, Rear Left
	MD00 8888	1			Standard
	MD08 2300	1			1.00mm O/S
23					PLUG, Cylinder Block
	MD14 5018	1			1990-93, (PT 3/8)

ENGINE: P = 1800cc (1.8L) A = 2000cc (2.0L) Blank = All  
 TRANS: A = Automatic M = Manual Blank = All  
 SERIES: H = High M = Medium P = Premium S = Special

MODELS:  
 24 FWD = 2Dr Hatchback (Laser)  
 24 FWD = 2-Dr Hatchback (Talon)  
 4WD = (4 Wheel Drive)  
 2WD = (2 Wheel Drive)

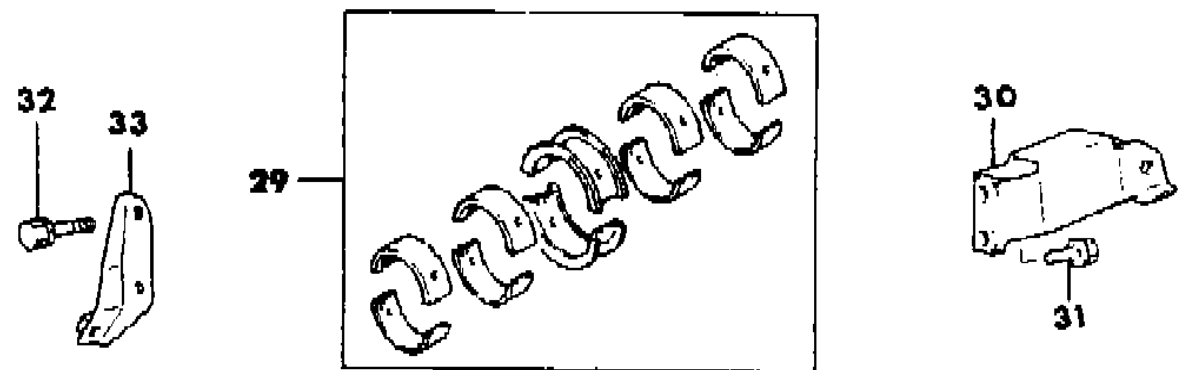
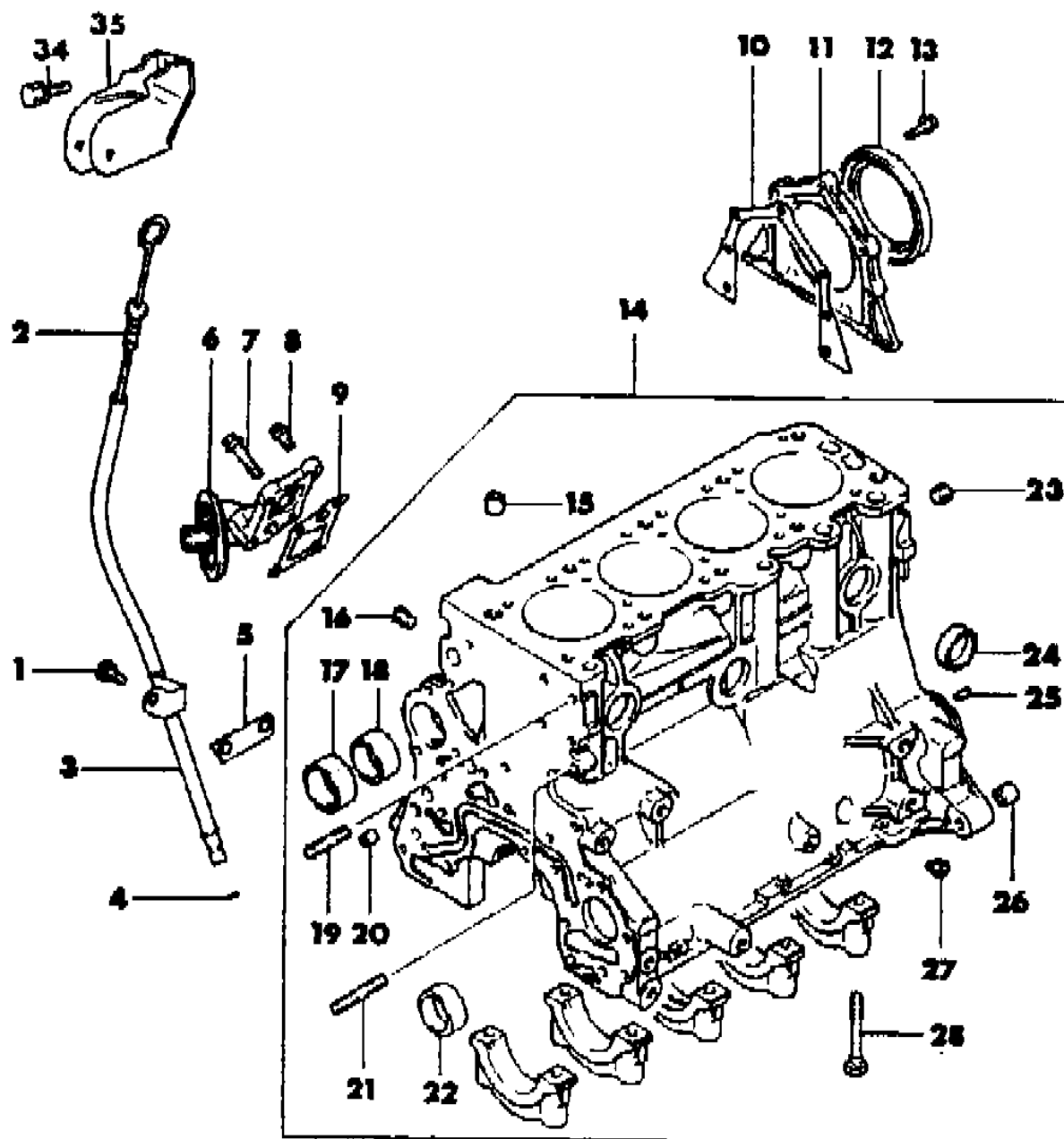
AR = Use as Required - = Non Illustrated Part P.A.R. = Paint as Required



**CYLINDER BLOCK 1.8L ENGINE LASER-TALON**  
**Figure 9A-300**

9658 300

ITEM	PART NUMBER	QTY	BODY	MODEL	DESCRIPTION
	MS66 1142	1			1994, (PT 3/8)
24	MF66 5541	7			CAP, Sealing, (35)
25	MF47 2403	2			PIN, Dowel, (6x14)
26	MD02 0260	2			BUSHING, (10.5x19.3)
27	MD01 4929	1			PLUG, (PT 1/8)
28	MD00 0235	10			BOLT, Cylinder Block, (10x69)
29					BEARING SET, Crankshaft
	MD09 1399	1			Standard
	MD13 0340	1			0.25mm U/S
	MD13 0341	1			0.50mm U/S
	MD13 0342	1			0.75mm U/S
30	MD11 2582	1			BRACKET, Cylinder Block Rear Support, Left
31	MD03 1605	2			BOLT, Flange, (12x26)
32	MF24 1279	2			BOLT, w/Washer, (10x18)
33	MD08 3605	1			BRACKET, Exhaust Pipe Support
34	MF24 1307	2			BOLT, w/Washer, (12x25)
35	MD13 3345	1			BRACKET, Cylinder Block Roll Stopper, Right



ENGINE: P = 1800cc (1.8L) A = 2000cc (2.0L) Blank = All  
 TRANS: A = Automatic M = Manual Blank = All  
 SERIES: H = High M = Medium P = Premium S = Special

MODELS:  
 24 FWD = 2Dr Hatchback (Laser)  
 24 FWD = 2-Dr Hatchback (Talon)  
 4WD = (4 Wheel Drive)  
 2WD = (2 Wheel Drive)

AR = Use as Required - = Non Illustrated Part P.A.R. = Paint as Required

**CYLINDER HEAD 1.8L ENGINE LASER-TALON**  
**Figure 9A-400**

9658 400 A

ITEM	PART NUMBER	QTY	BODY	MODEL	DESCRIPTION
1	MD13 2260	1			CAP, Oil Filler
2	MD10 3148	1			GASKET, Oil Filler Cap
3	MD12 6818	1			HEAD, Cylinder
4	MD14 5316	1		1990	COVER, Rocker
	MD15 4822	1		1991-94	
4A	MD00 7383	1			GASKET, Rocker Cover
5	MF10 3963	2			BOLT, Rocker Cover, (8x40 4T)
6	MD08 5089	2			WASHER, Rocker Cover Bolt
7	MD00 0523	2			SEAL, Rocker Cover Bolt
8	MD02 0718	1			SEAL, Cylinder Head Camshaft Rear End
9	MD12 7419	1			HOSE, Rocker Cover Breather
10	MD13 9508	2			CLAMP, Rocker Cover Accel. Cable
11					BOLT, Flange, (6x12)
	MF14 0722	2		Up to 5-1-89	
	MF14 0202	2		After 5-1-89	
12	MD02 4719	1			VALVE, Rocker Cover, PCV
13	MD12 6226	1			HOSE, Rocker Cover, PCV Valve
14	MD12 8143	1			BRACKET, Distributor
15					STUD
	MS40 1428	1		1990-93, (8x25)	
	MS40 1427	1		1994, (8x25)	
16	MF43 4104	1			NUT, Flange, (8)
17	MD00 8769	10			BOLT, Cylinder Head
18	MD00 0436	10			WASHER, Cylinder Head Bolt
19					GASKET, Fuel Pump
	MD00 8933	1		1990-93	
	MD19 0928	1		1994	
20	MD00 9350	10			BOLT, Flange, (8x65)
21	MF14 0207	2			BOLT, Flange, (6x20)
22	MD00 9347	10			BUSHING, (10x8)
23					STUD, Cylinder Head
	MD03 1537	8		1990-93, (8x28)	
	MD00 5317	8		1994, (8x28)	
24					GUIDE, Valve Exhaust
	MD00 0471	4		0.05mm O/S	
	MD00 0472	4		0.25mm O/S	
	MD00 0473	4		0.50mm O/S	
25	MD00 0429	1			PLUG, (PT 1/16)

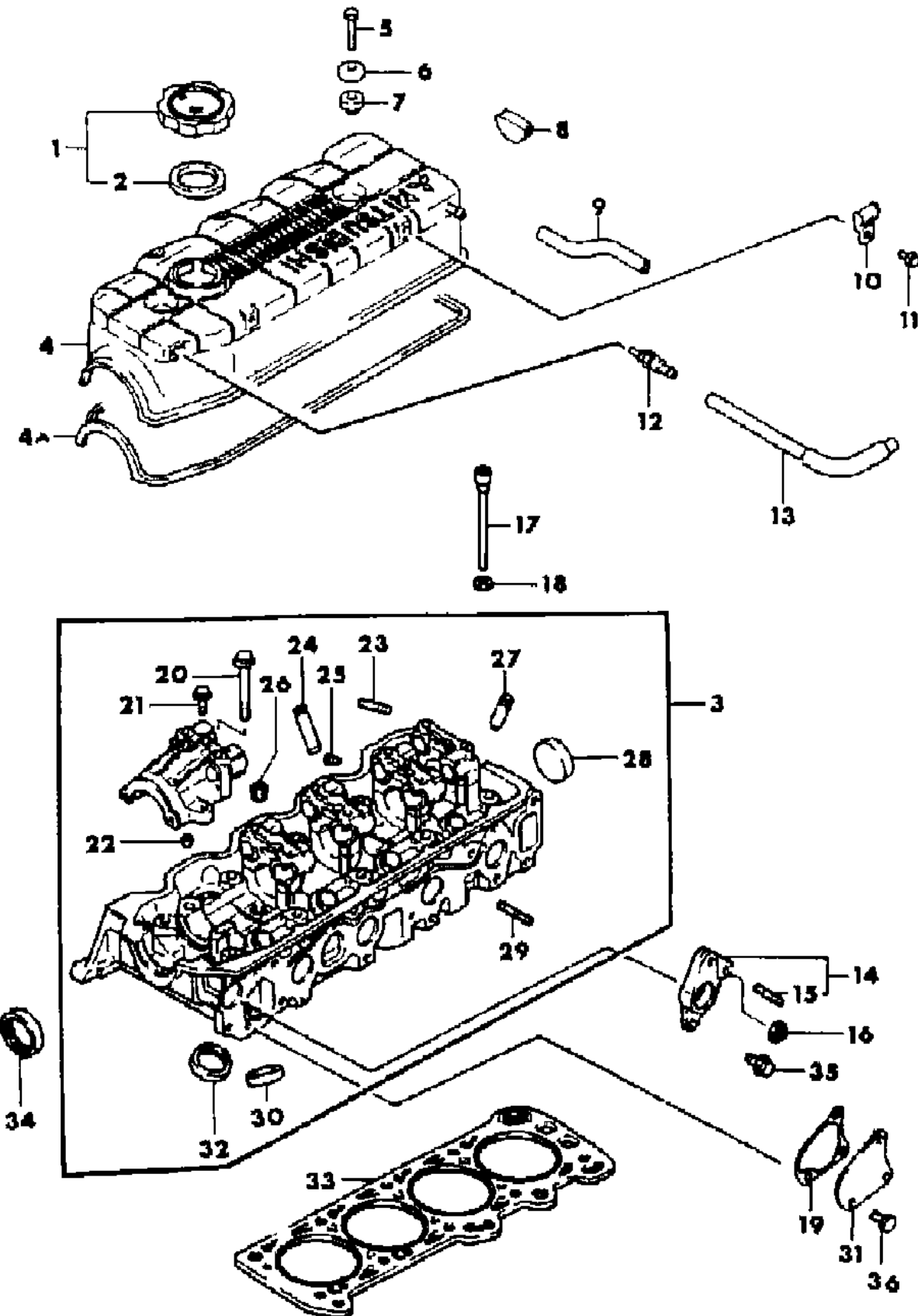
ENGINE: P = 1800cc (1.8L)  
A = 2000cc (2.0L)  
Blank = All

TRANS: A = Automatic  
M = Manual  
Blank = All

SERIES: H = High  
M = Medium  
P = Premium  
S = Special

MODELS:  
24 FWD = 2Dr Hatchback (Laser)  
24 FWD = 2-Dr Hatchback (Talon)  
4WD = (4 Wheel Drive)  
2WD = (2 Wheel Drive)

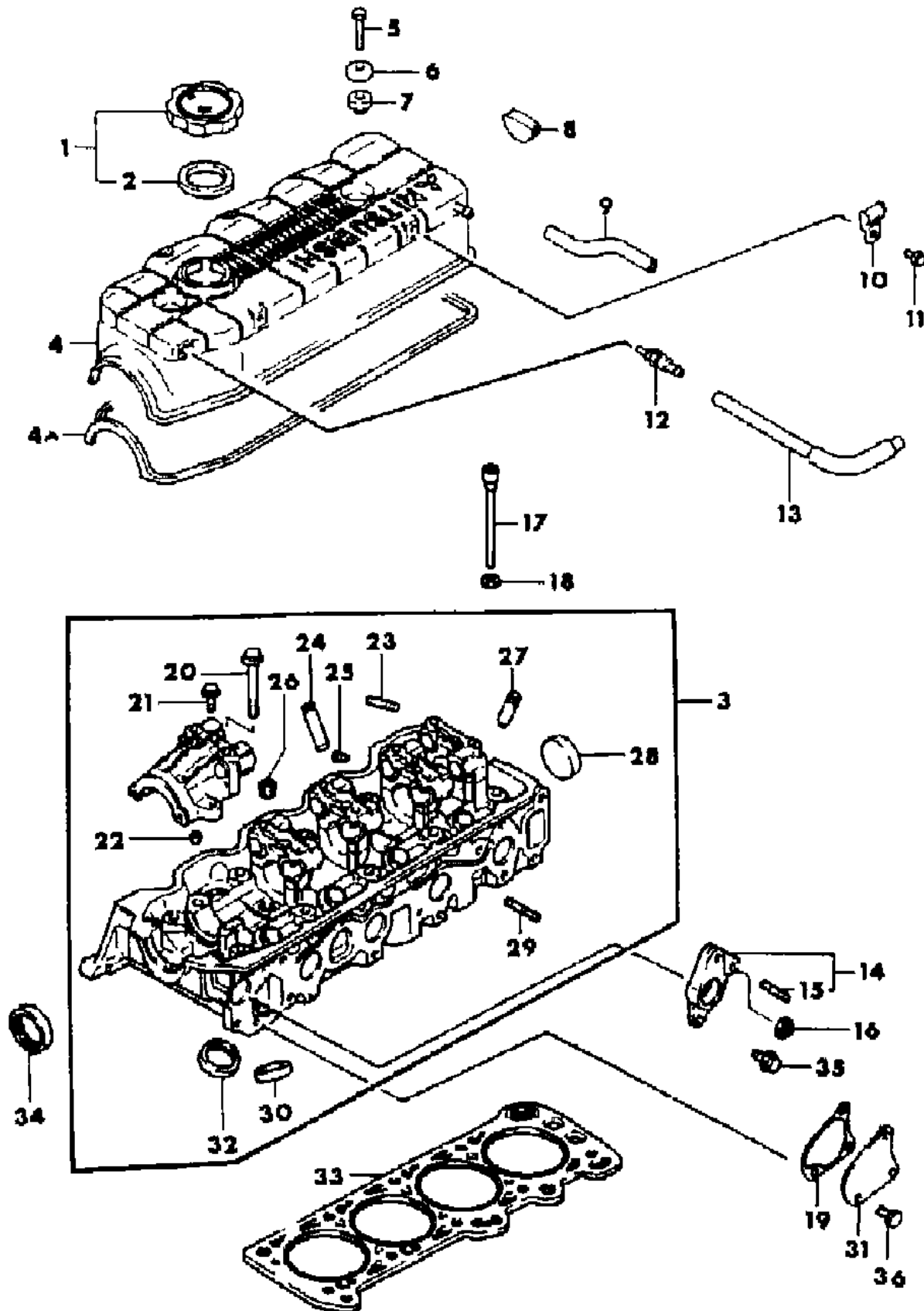
AR = Use as Required - = Non Illustrated Part P.A.R. = Paint as Required





**CYLINDER HEAD 1.8L ENGINE LASER-TALON**  
Figure 9A-400

9658 400 A



ITEM	PART NUMBER	QTY	BODY	MODEL	DESCRIPTION
26	MS66 1121	1			PLUG, (PT 1/4)
27	MD00 0461	4			GUIDE, Inlet Valve 0.05mm O/S
	MD00 0462	4			0.25mm O/S
	MD00 0463	4			0.50mm O/S
28	MF66 5542	1			PLUG 1990-93, (D=40)
	MD00 0427	1			1994, (D=40)
29					STUD
	MS40 1428	5			1990-93, (8x25)
	MS40 1427	5			1994, (8x25)
30					SEAT, Valve Exhaust
	MD10 8471	4			0.30mm O/S
	MD10 8472	4			0.60mm O/S
31	MD00 8435	1			COVER, Cylinder Head Fuel Pump Hole
32					SEAT, Inlet Valve
	MD08 3483	4			0.30mm O/S
	MD08 3484	4			0.60mm O/S
33					GASKET, Cylinder Head
	MD06 2144	1			1990-93
	MD15 1228	1			1994
34					OIL SEAL, Camshaft
	MD13 3317	1			1990
	MD15 3103	1			1991-94
35	MF14 0025	1			BOLT, Flange, (8x20)
36					BOLT, w/Washer
	MF24 0651	3			1990-93, (8x16)
	MF24 0051	3			1994, (8x16)

ENGINE: P = 1800cc (1.8L) A = 2000cc (2.0L) Blank = All  
 TRANS: A = Automatic M = Manual Blank = All  
 SERIES: H = High M = Medium P = Premium S = Special

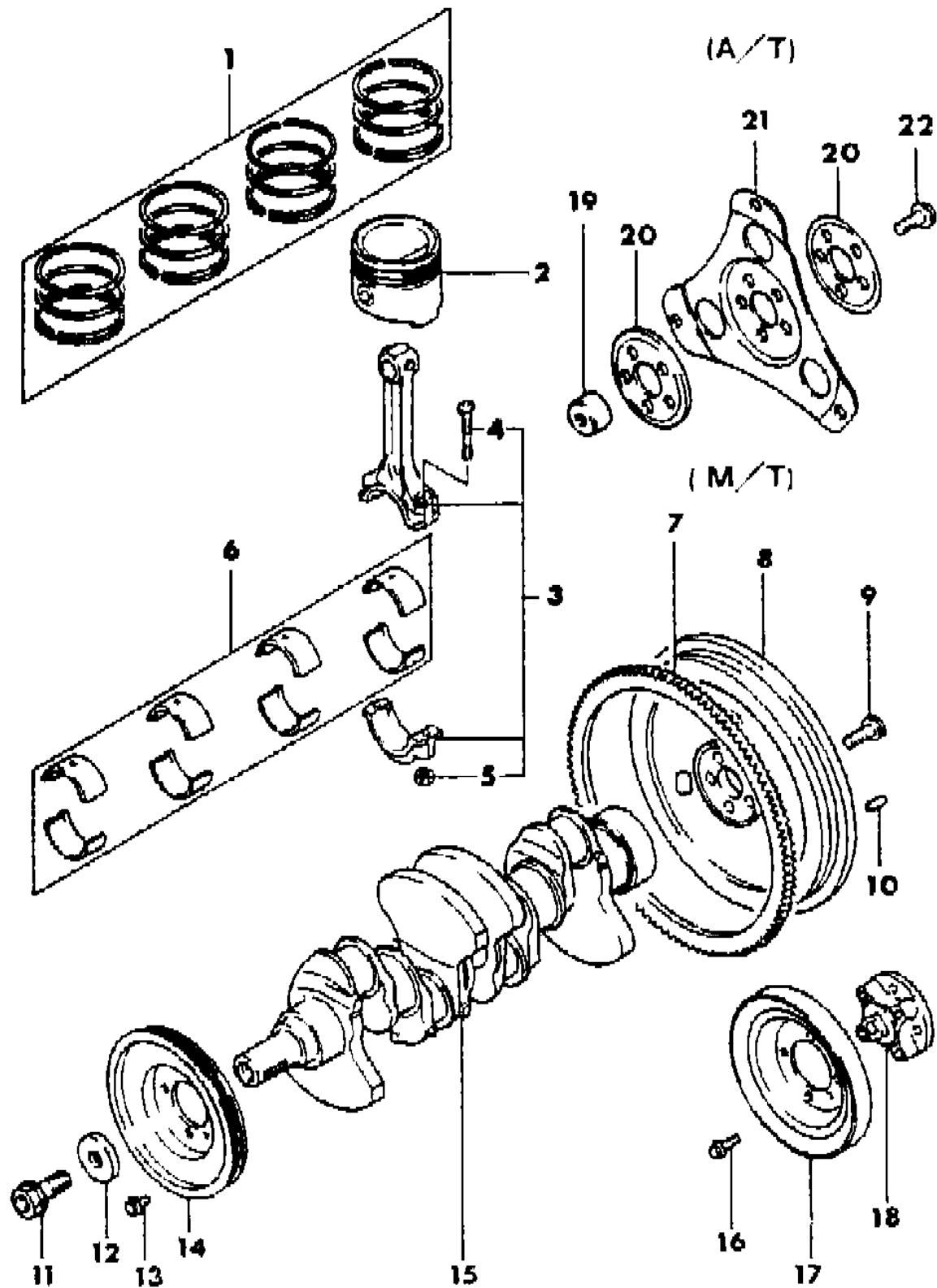
MODELS:  
 24 FWD = 2Dr Hatchback (Laser)  
 24 FWD = 2-Dr Hatchback (Talon)  
 4WD = (4 Wheel Drive)  
 2WD = (2 Wheel Drive)

AR = Use as Required - = Non Illustrated Part P.A.R. = Paint as Required

# CRANKSHAFT AND PISTONS 1.8L ENGINE LASER-TALON

Figure 9A-500

9658 500



ITEM	PART NUMBER	QTY	BODY	MODEL	DESCRIPTION
1					RING SET, Piston
	MD04 0465	1			Standard
	MD04 0466	1			0.25mm O/S
	MD04 0467	1			0.50mm O/S
	MD04 0468	1			0.75mm O/S
	MD04 0469	1			1.00mm O/S
2					PISTON and PIN
	MD10 0416	4			Standard
	MD10 0418	4			0.25mm O/S
	MD10 0419	4			0.50mm O/S
	MD10 0420	4			0.75mm O/S
	MD10 0421	4			1.00mm O/S
3	MD00 2700	4			ROD, Connecting
4	MD00 0705	8			BOLT, Connecting Rod
5	MD00 0704	8			NUT, Connecting Rod Bolt
6					BEARING SET, Connecting Rod
	MD07 1298	1			Standard
	MD07 1299	1			0.25mm O/S
	MD07 1300	1			0.50mm O/S
	MD07 1301	1			0.75mm O/S
7	MD03 0629	1			RING GEAR, Flywheel ***
8	MD01 2876	1			FLYWHEEL
9					BOLT, Flywheel
	MD03 1605	5			1990-93
	MD00 8839	5			1994, (12x26)
10	MF47 2404	3			PIN, Dowel, w/5 Speed, (8x18)
11	MD07 3440	1			BOLT, Center Crankshaft Sprocket
12	MD13 8150	1			WASHER, Crankshaft Center Bolt
13	MD09 3793	4			BOLT, Crankshaft Pulley
14	MD07 4243	1			PULLEY, Crankshaft, (Ribbed Type)
15					CRANKSHAFT
	MD00 0785	1			Man. Trans., 1990-93
	MD00 0784	1			Man. Trans., 1994
	MD00 0786	1			Auto Trans.
16	MD09 3792	4			BOLT, Crankshaft Pulley, (6x16)
17	MD09 0767	1			PULLEY, Crankshaft Damper
18	MD07 4252	1			ADAPTER, Crankshaft Pulley
19	MD01 1845	1			BUSHING, Crankshaft Automatic
20	MD95 2139	2			ADAPTER, Drive Plate

ENGINE: P = 1800cc (1.8L) A = 2000cc (2.0L) Blank = All  
 TRANS: A = Automatic M = Manual Blank = All  
 SERIES: H = High M = Medium P = Premium S = Special

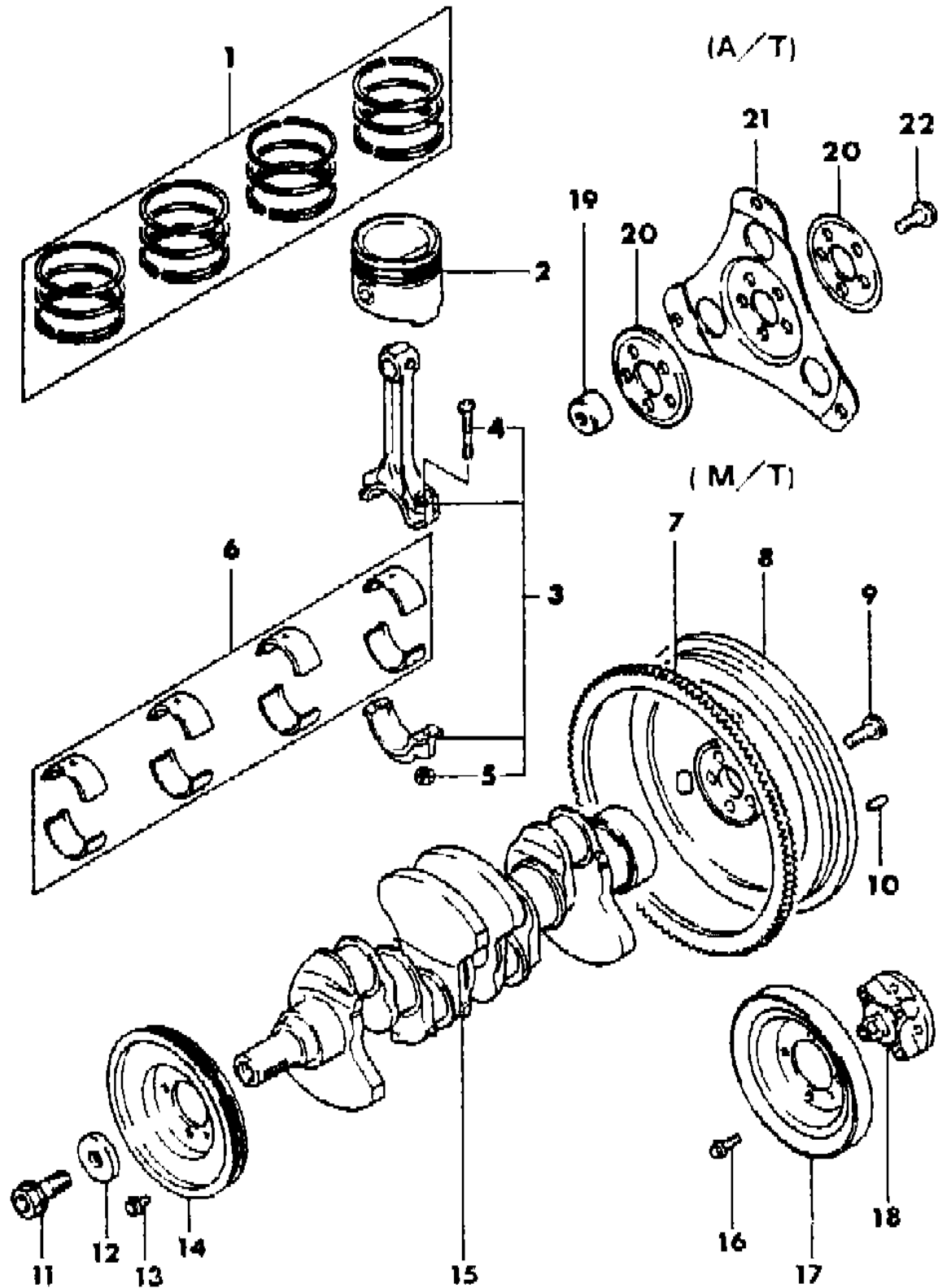
MODELS:  
 24 FWD = 2Dr Hatchback (Laser)  
 24 FWD = 2-Dr Hatchback (Talon)  
 4WD = (4 Wheel Drive)  
 2WD = (2 Wheel Drive)

AR = Use as Required - = Non Illustrated Part P.A.R. = Paint as Required

CRANKSHAFT AND PISTONS 1.8L ENGINE LASER-TALON

Figure 9A-500

9658 500



ITEM	PART NUMBER	QTY	BODY	MODEL	DESCRIPTION
------	-------------	-----	------	-------	-------------

21	MD71 5406	1			PLATE, Drive
22	MD95 2233	5			BOLT

ENGINE:  
 P = 1800cc (1.8L)  
 A = 2000cc (2.0L)  
 Blank = All

TRANS:  
 A = Automatic  
 M = Manual  
 Blank = All

SERIES:  
 H = High  
 M = Medium  
 P = Premium  
 S = Special

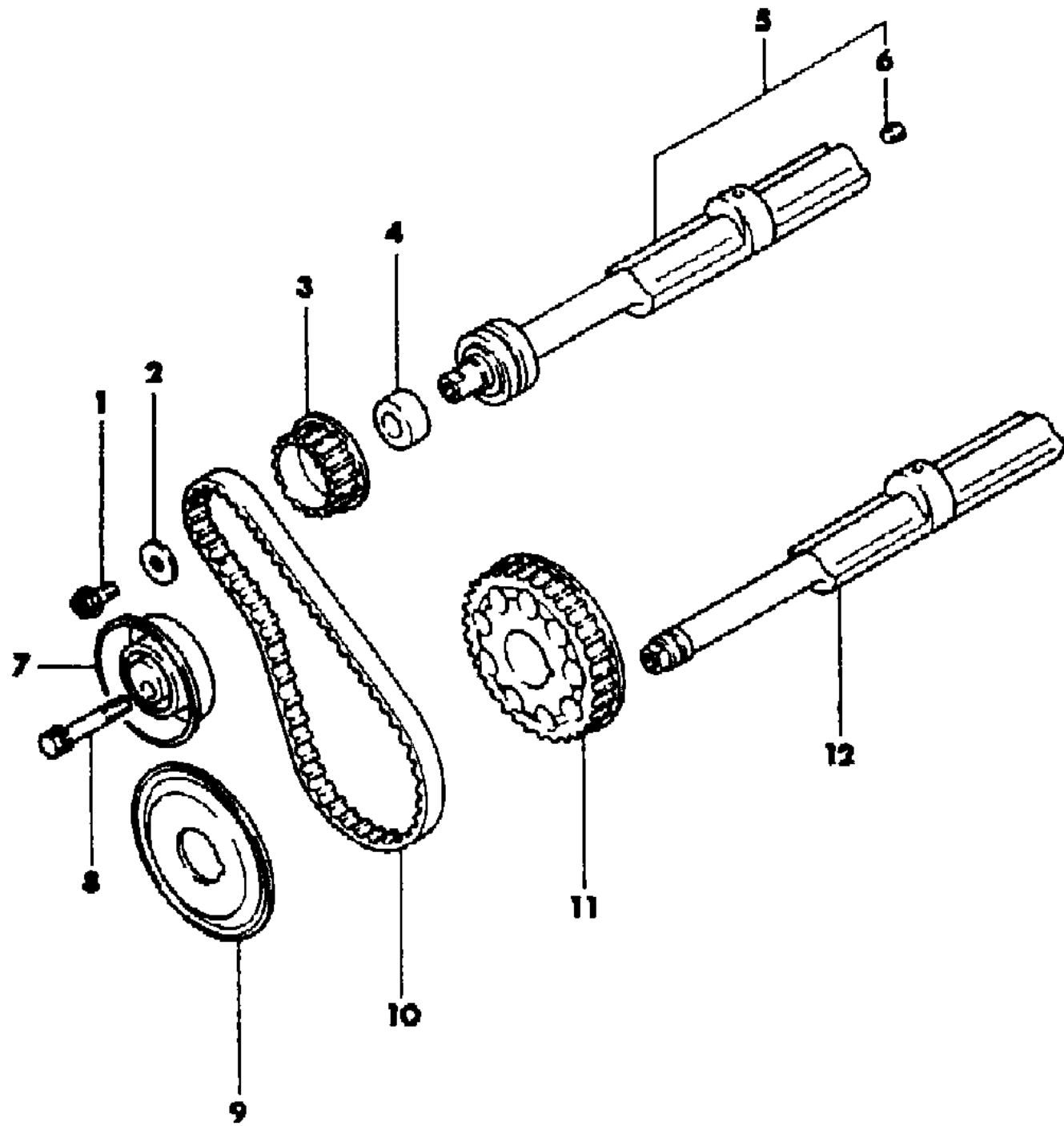
MODELS:  
 24 FWD = 2Dr Hatchback (Laser)  
 24 FWD = 2-Dr Hatchback (Talon)  
 4WD = (4 Wheel Drive)  
 2WD = (2 Wheel Drive)

AR = Use as Required - = Non Illustrated Part P.A.R. = Paint as Required

**BALANCE SHAFTS 1.8L ENGINE LASER-TALON**  
**Figure 9A-600**

**9658 600**

ITEM	PART NUMBER	QTY	BODY	MODEL	DESCRIPTION
1	MD04 0758	1			BOLT, (8x16)
2	MD00 1521	1			WASHER, (8.5)
3	MD04 1401	1			SPROCKET, Rt., Balancer Shaft
4	MD00 8990	1			SPACER, Balancer Belt Train
5	MD00 8842	1			SHAFT, Rt., Balancer
6	MD01 4241	1			PLUG, (PT 1/16)
7	MD00 9650	1			TENSIONER, Balancer Timing Belt
8	MF24 1263	1			BOLT, w/Washer, (8x50)
9	MD00 8956	1			FLANGE, Crankshaft Sprocket
10	MD01 5311	1			BELT, Balancer Timing
11	MD01 0661	1			SPROCKET, Crankshaft Balance Shaft Drive
12	MD00 8840	1			SHAFT, Lt., Balancer



ENGINE: P = 1800cc (1.8L) A = 2000cc (2.0L) Blank = All  
 TRANS: A = Automatic M = Manual Blank = All  
 SERIES: H = High M = Medium P = Premium S = Special

MODELS:  
 24 FWD = 2Dr Hatchback (Laser)  
 24 FWD = 2-Dr Hatchback (Talon)  
 4WD = (4 Wheel Drive)  
 2WD = (2 Wheel Drive)

AR = Use as Required - = Non Illustrated Part P.A.R. = Paint as Required

**BALANCE SHAFTS 1.8L ENGINE LASER-TALON**  
Figure 9A-600

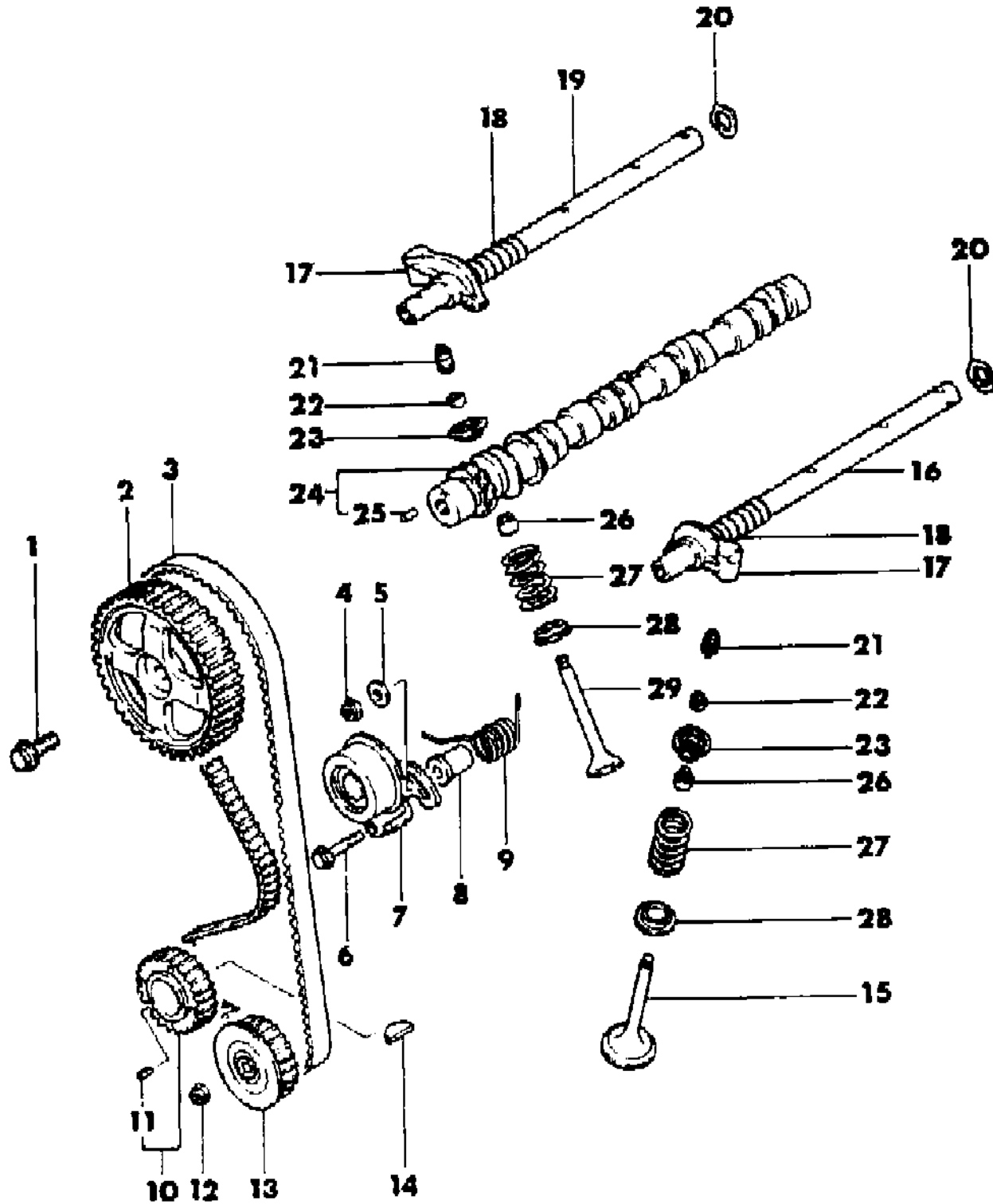
9658 700

ITEM	PART NUMBER	QTY	BODY	MODEL	DESCRIPTION
1	MF14 0285	1			BOLT, (12x30)
2					SPROCKET, Camshaft
	MD11 9330	1			1990-93
	MD01 1482	1			1994
3					BELT, Valve Timing
	MD14 0228	1			1990-93
	MD10 2249	1			1994
4	MF43 4104	1			NUT, (8 4T)
5	MD00 1521	1			WASHER, (8.5)
6	MF14 0225	1			BOLT, (8x20)
7	MD10 9958	1			TENSIONER, Valve Timing Belt
8	MD00 8967	1			SPACER, Valve T/Belt Tensioner
9	MD10 9959	1			SPRING, Valve T/Belt Tensioner
10	MD01 2791	1			SPROCKET, Crankshaft Camshaft Drive
11	MF47 2571	1			SPRING, Pin, (5x20)
12	MD09 0676	1			NUT, Timing Belt Train, (8)
13	MD13 2148	1			SPROCKET, Oil Pump
14	MD00 0606	1			KEY, (38x9.6)
15	MD06 9806	4			VALVE, Inlet
16	MD07 2946	1			SHAFT, Inlet Valve Rocker Arm
17	MD11 1641	8			ARM, Rocker Intake and Exhaust Valve
18					SPRING, Rocker Shaft
	MD12 5669	6			1990-93
	MD00 0962	6			1994
19	MD07 2941	1			SHAFT, Exhaust Valve Rocker Arm
20	MD00 0964	8			WASHER, Rocker Shaft, (Wave)
21	MD07 2177	8			ADJUSTER, Rocker Arm Lash
22	MD06 1895	16			LOCK, Valve Spring Retainer
23	MD06 6498	8			RETAINER, Valve Spring
24	MD12 6572	1			CAMSHAFT
25	MF47 2403	1			PIN, Dowel, (6x14)
26					SEAL, Inlet Valve Stem
	MD00 0508	8			1990-93 ***
	MD19 7467	8			1994 ***
27	MD08 4567	8			SPRING, Valve
28	MD00 0507	8			SEAT, Valve Spring
29	MD06 9807	4			VALVE, Exhaust

ENGINE: P = 1800cc (1.8L) A = 2000cc (2.0L) Blank = All  
 TRANS: A = Automatic M = Manual Blank = All  
 SERIES: H = High M = Medium P = Premium S = Special

MODELS:  
 24 FWD = 2Dr Hatchback (Laser)  
 24 FWD = 2-Dr Hatchback (Talon)  
 4WD = (4 Wheel Drive)  
 2WD = (2 Wheel Drive)

AR = Use as Required - = Non Illustrated Part P.A.R. = Paint as Required



**OIL PAN & TIMING BELT COVER 1.8L ENGINE LASER-TALON**  
**Figure 9A-800**

9658 800

ITEM	PART NUMBER	QTY	BODY	MODEL	DESCRIPTION
1	MF14 0207	6			BOLT, (6x20)
2	MD03 4171	1			COVER, Timing Belt
3	MD03 4177	1			GASKET, Timing Belt Cover
4	MD03 4175	1			GASKET, Timing Belt Cover
5	MD13 0185	1			COVER, Timing Belt Under
6	MF14 0202	2			BOLT, (6x10)
7					BOLT, Flange
	MF14 0217	1			6x50
	MF14 0214	1			6x38
8	MD11 0236	1			COVER, Timing Belt
9	MD03 4176	1			GASKET, Timing Belt Cover
10	MD00 6668	2			COVER, Timing Belt Access
11	MD00 6666	1			GASKET, Timing Belt Cover
12	MF14 0021	1			BOLT, (8x12)
13	MF14 0033	1			BOLT, (8x40)
14	MD03 4178	1			COVER, Timing Belt Under
15	MD03 0141	1			PLATE, Cylinder Block Rear
16	MF14 0202	2			BOLT, (6x10)
17	MD07 6175	1			COVER, Bellhousing
18					BOLT
	MD01 2109	2			1990-93, (6x12)
	MF14 0722	2			1994, (6x10)
19					GASKET, Oil Strainer
	MD00 8907	1			1990
	MD14 9369	1			1991-93
	MD18 3238	1			1994
20	MD09 0751	1			OIL STRAINER, Engine Oil Pan
21	MF45 0405	2			WASHER, Spring, (8)
22	MF43 0005	2			NUT, (8)
23	MD12 6175	1			PAN, Oil Engine
24	MD05 0316	1			PLUG, Drain, (14)
25	MD05 0317	1			GASKET, (14)
26	MF43 4103	2			NUT, (6)
27	MD01 2109	18			BOLT, (6x12)

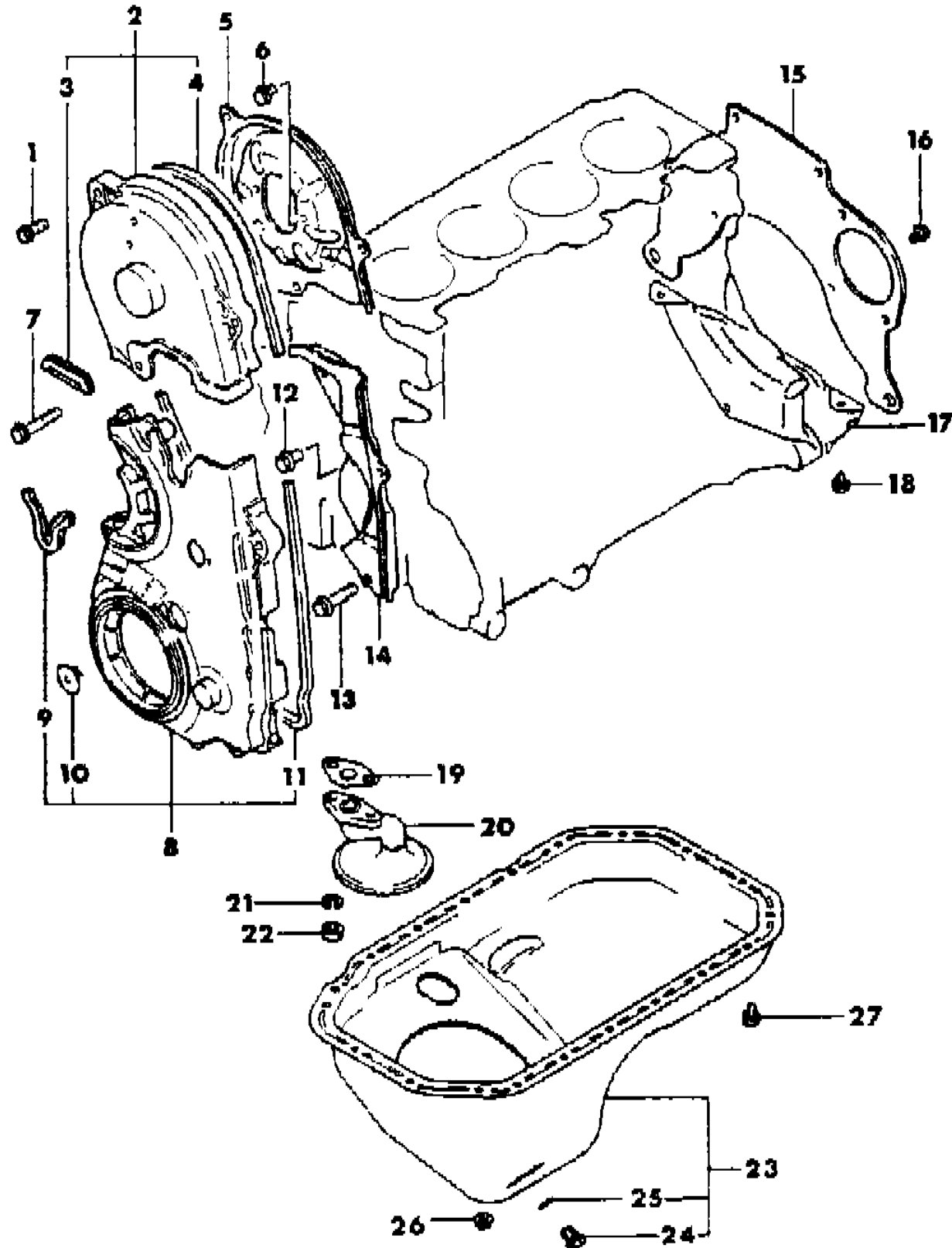
ENGINE: P = 1800cc (1.8L)  
A = 2000cc (2.0L)  
Blank = All

TRANS: A = Automatic  
M = Manual  
Blank = All

SERIES: H = High  
M = Medium  
P = Premium  
S = Special

MODELS:  
24 FWD = 2Dr Hatchback (Laser)  
24 FWD = 2-Dr Hatchback (Talon)  
4WD = (4 Wheel Drive)  
2WD = (2 Wheel Drive)

AR = Use as Required - = Non Illustrated Part P.A.R. = Paint as Required

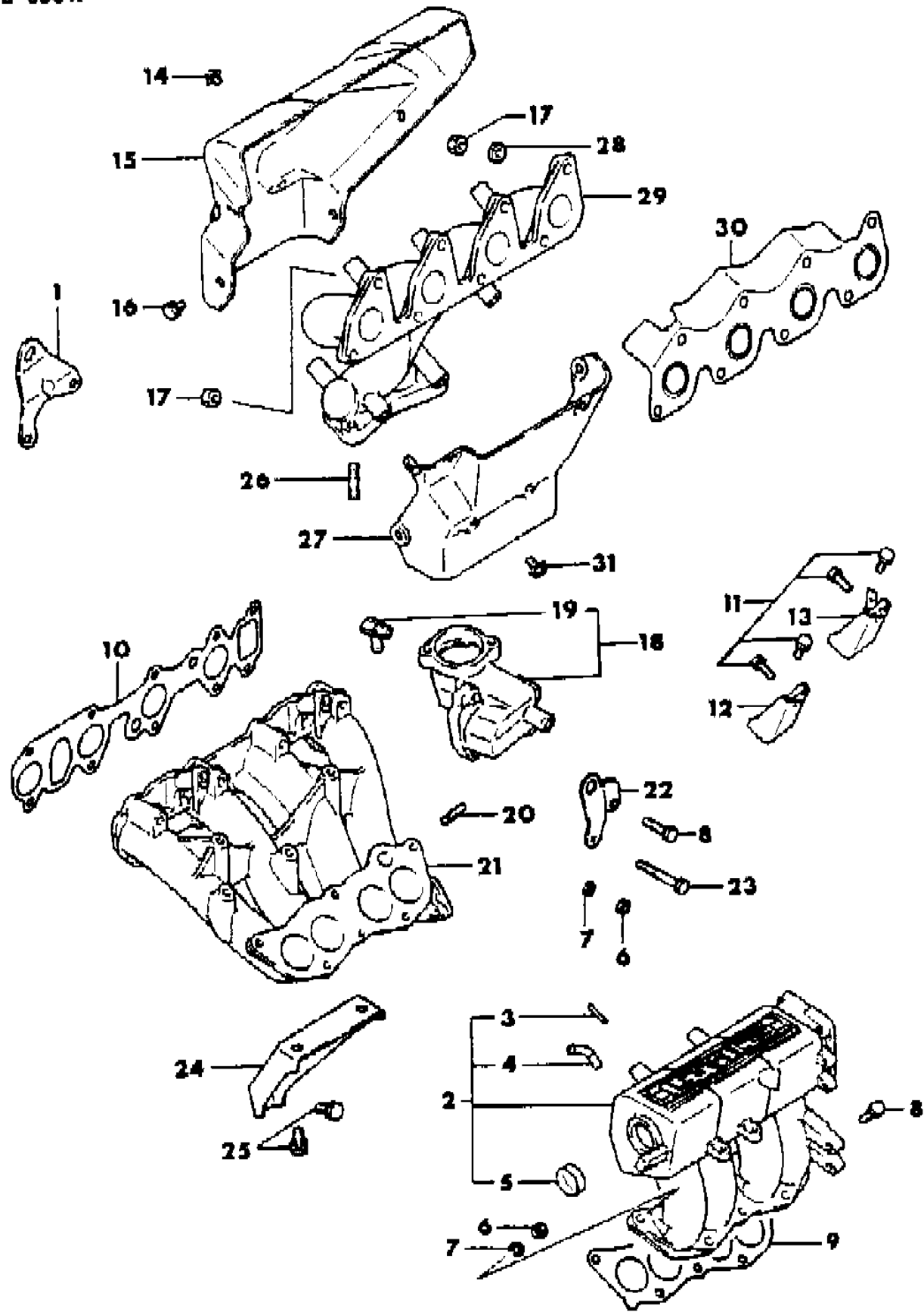




**MANIFOLD, INTAKE & EXHAUST 1.8L ENGINE LASER-TALON**  
**Figure 9A-900**

965B 900A

ITEM	PART NUMBER	QTY	BODY	MODEL	DESCRIPTION
27	MD10 1343	1			COVER, Exhaust Manifold
28	MS45 0035	7			WASHER, (8)
29	MD10 1341	1			MANIFOLD, Exhaust
30					GASKET, Exhaust Manifold
	MD01 5051	1			1990-93
	MD30 3396	1			1994
31	MF14 0221	4			BOLT, (8x12)



ENGINE: P = 1800cc (1.8L) A = 2000cc (2.0L) Blank = All  
 TRANS: A = Automatic M = Manual Blank = All  
 SERIES: H = High M = Medium P = Premium S = Special

MODELS:  
 24 FWD = 2Dr Hatchback (Laser)  
 24 FWD = 2-Dr Hatchback (Talon)  
 4WD = (4 Wheel Drive)  
 2WD = (2 Wheel Drive)

AR = Use as Required - = Non Illustrated Part P.A.R. = Paint as Required

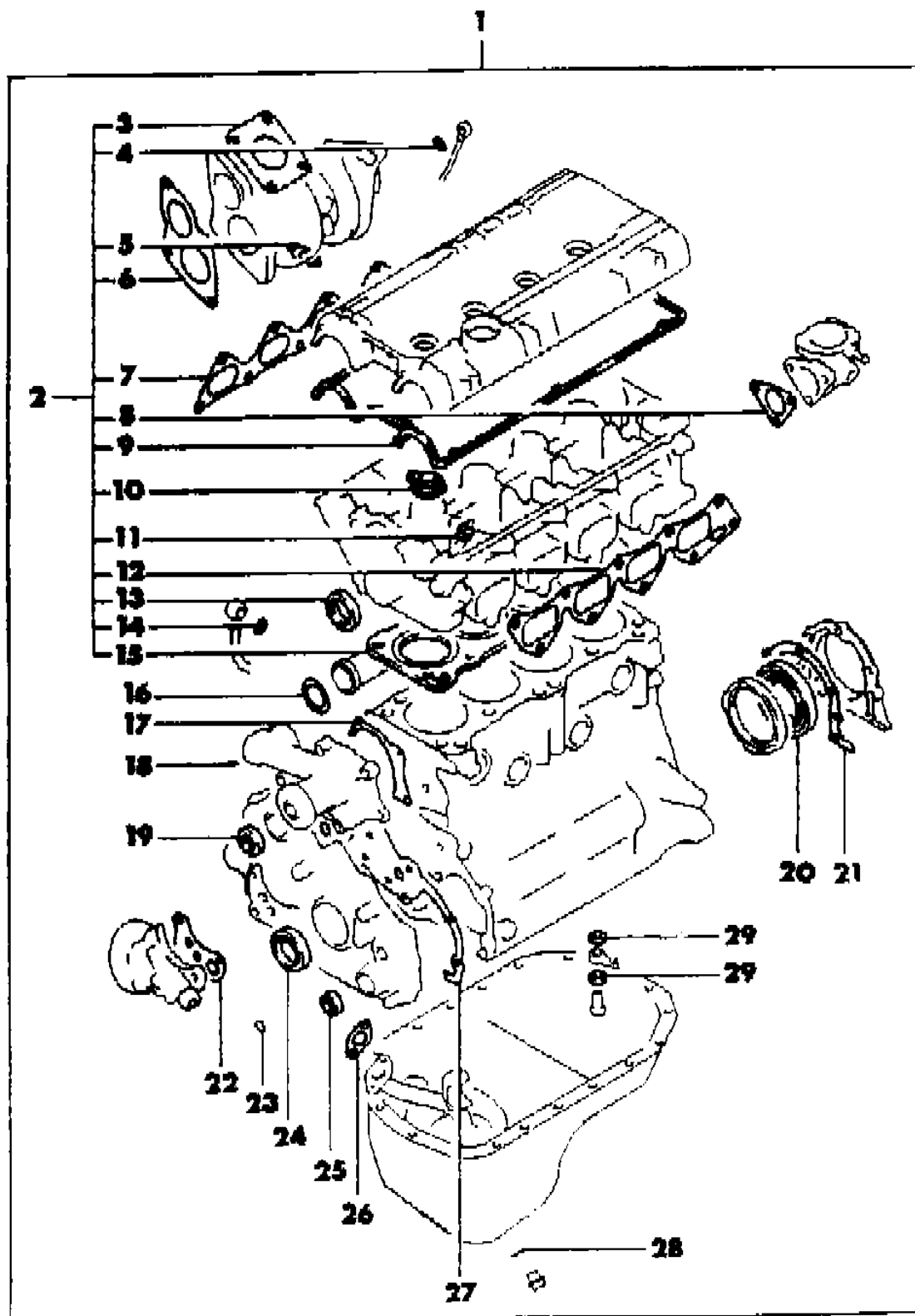






**GASKET SETS 2.0L ENGINE, 1990-92, (UP TO ENGINE # NH0001) LASER-TALON**  
**Figure 9A-1200**

**96581200**



ITEM	PART NUMBER	QTY	BODY	MODEL	DESCRIPTION
1					GASKET SET, Engine Overhaul
	MD99 7474	1			w/o Turbo
	MD99 7475	1			w/Turbo
2					GASKET SET, Engine Overhaul, Upper
	MD99 7470	1			w/o Turbo
	MD99 7471	1			w/Turbo
3					GASKET, Turbo Charger Exhaust Gas Inlet Hole
	MD12 8901	1			Man. Trans.
	MD12 8900	1			Auto Trans.
4	MF66 0064	2			GASKET
5					GASKET, Turbo Charger Oil Return Tube
	MD14 5171	2			1990-91, w/Man. Trans.
	MD05 0082	2			1990-91, w/Auto Tran.
	MD05 0082	2			1992
6	MD12 4675	1			GASKET, Turbo Charger Exhaust Fitting
7	MD12 4763	1			GASKET, Exhaust Manifold
8					GASKET, Thermostat Case
	MD10 6471	1			1990
	MD14 5038	1			1991-92
9	MD12 5939	1			GASKET, Rocker Cover
10	MD12 5940	4			GASKET, Rocker Cover, Spark Plug
11	MD11 5472	16			SEAL, Valve Stem
12					GASKET, Inlet Manifold
	MD11 7729	1			w/o Turbo
	MD11 7728	1			w/Turbo
13					OIL SEAL, Camshaft
	MD13 3317	2			1990
	MD15 3103	2			1991-92
14	MF66 0065	4			GASKET, w/Turbo, (14)
15	MD11 3173	1			GASKET, Cylinder Head
16	MD03 0764	1			O-RING, (33.4)
17	MD04 1052	1			GASKET, Water Pump
18	MD07 5834	1			O-RING, Engine Oil Filler, (8.8)
19	MD06 9950	1			OIL SEAL
20	MD06 9947	1			OIL SEAL, Crankshaft, Rear
21	MD04 0333	1			GASKET, Rear Oil Seal Case
22					GASKET, Oil Filter Bracket
	MD04 1018	1			1990
	MD14 9370	1			1991-92

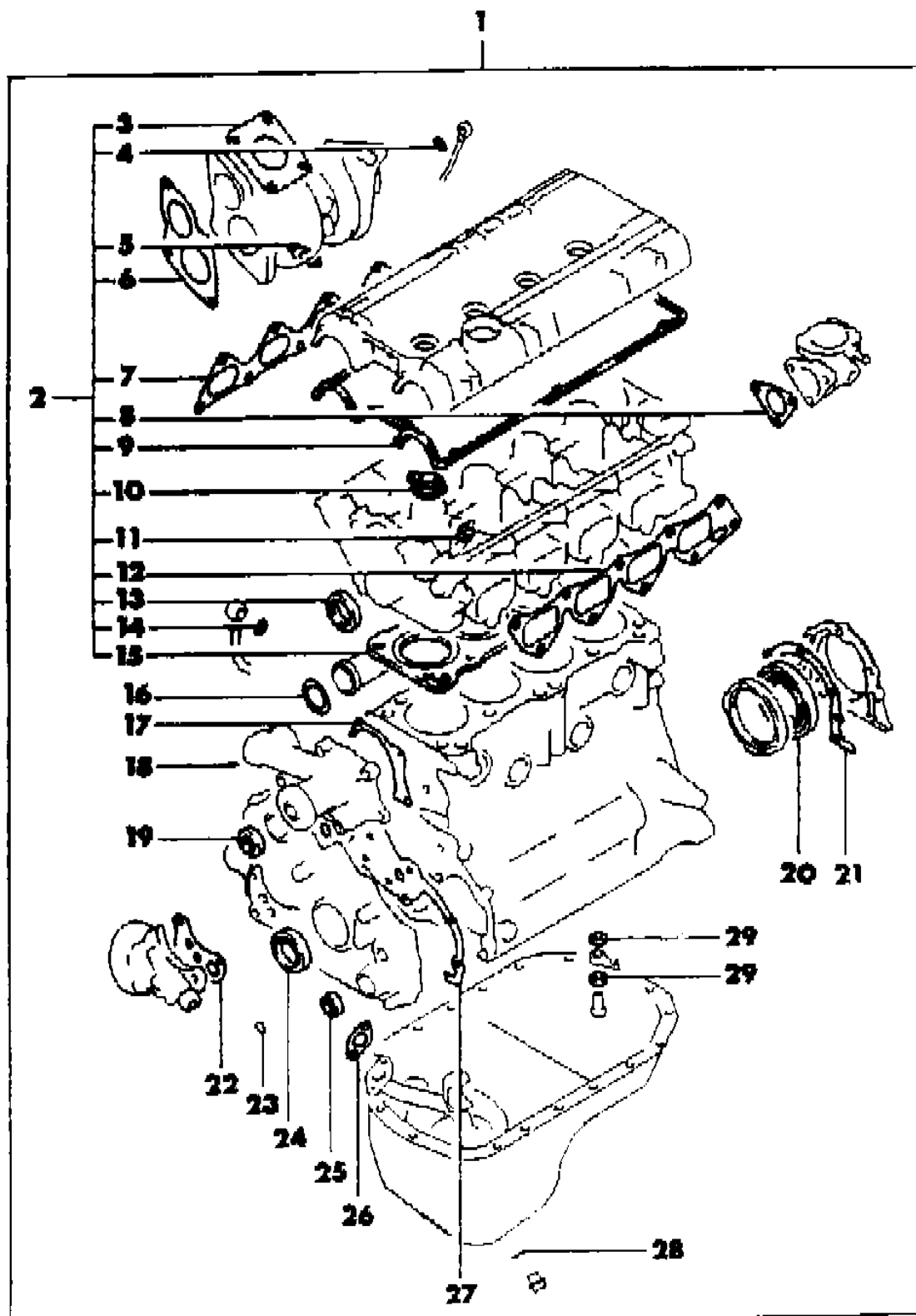
ENGINE: P = 1800cc (1.8L) A = 2000cc (2.0L) Blank = All  
 TRANS: A = Automatic M = Manual Blank = All  
 SERIES: H = High M = Medium P = Premium S = Special

MODELS:  
 24 FWD = 2Dr Hatchback (Laser)  
 24 FWD = 2-Dr Hatchback (Talon)  
 4WD = (4 Wheel Drive)  
 2WD = (2 Wheel Drive)

AR = Use as Required - = Non Illustrated Part P.A.R. = Paint as Required

GASKET SETS 2.0L ENGINE, 1990-92, (UP TO ENGINE # NH0001) LASER-TALON  
Figure 9A-1200

96581200



ITEM	PART NUMBER	QTY	BODY	MODEL	DESCRIPTION
23	MD04 1021	1			O-RING, Engine Front Case, (26.2)
24					OIL SEAL, Crankshaft, Front
	MD06 9949	1			1990-91
	MD17 4462	1			1992
25	MD09 5355	1			OIL SEAL, Oil Pump Rotor Shaft
26					GASKET, Oil Strainer
	MD14 9368	1			1990
	MD14 9368	1			1991-92
27	MD01 4194	1			GASKET, Engine Front Case
28	MD05 0317	1			GASKET, (14)
29	MF66 0034	8			GASKET, (12)

ENGINE: P = 1800cc (1.8L) A = 2000cc (2.0L) Blank = All  
 TRANS: A = Automatic M = Manual Blank = All  
 SERIES: H = High M = Medium P = Premium S = Special

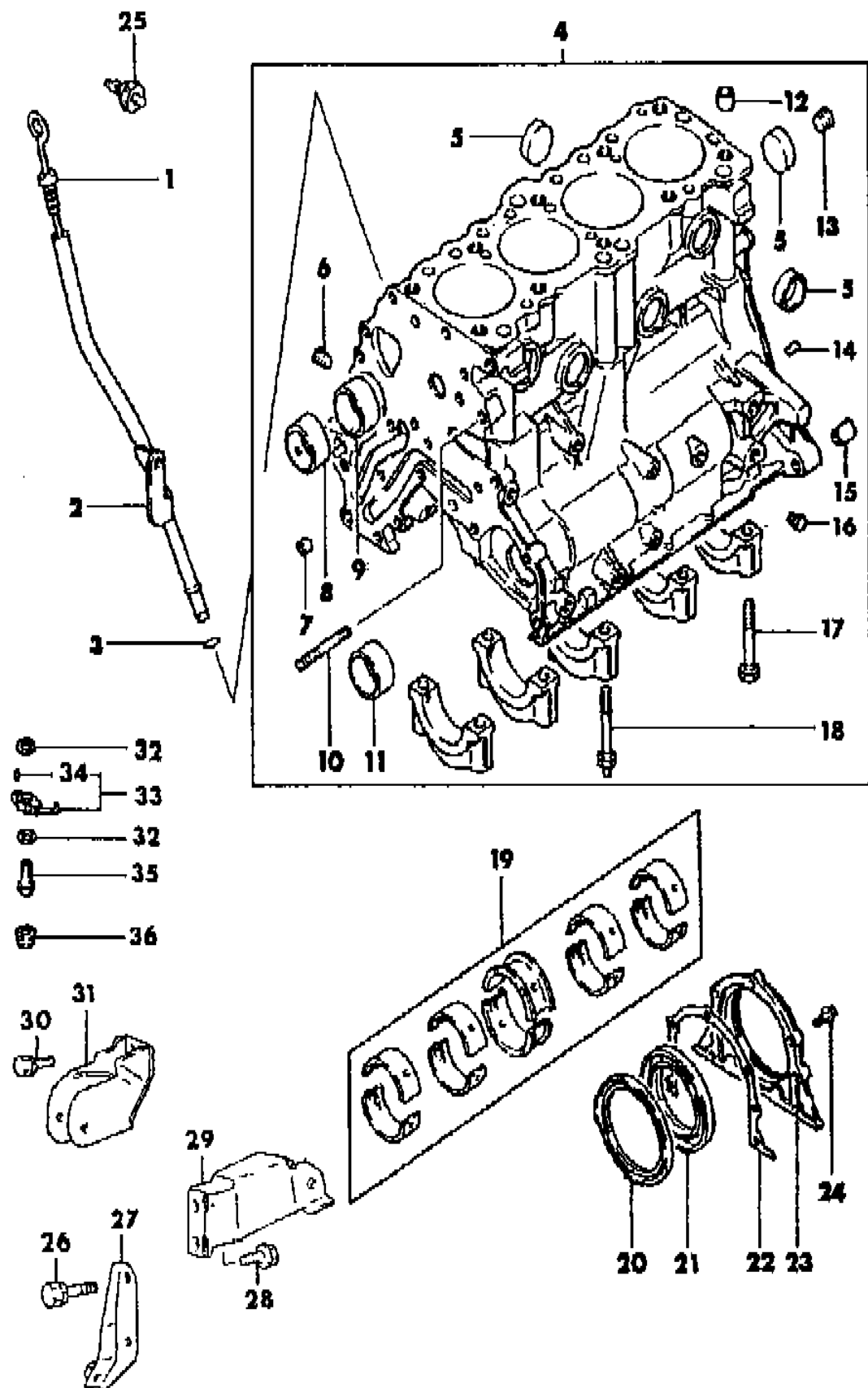
MODELS:  
 24 FWD = 2Dr Hatchback (Laser)  
 24 FWD = 2-Dr Hatchback (Talon)  
 4WD = (4 Wheel Drive)  
 2WD = (2 Wheel Drive)

AR = Use as Required - = Non Illustrated Part P.A.R. = Paint as Required



**CYLINDER BLOCK 2.0L ENGINE, 1990-92, (UP TO ENGINE # NH0001) LASER-TALON**  
**Figure 9A-1300**

9658 1300A



ITEM	PART NUMBER	QTY	BODY	MODEL	DESCRIPTION
1	MD12 7058	1			GAUGE, Oil Level ***
2	MD12 4782	1			GUIDE, Oil Level Gauge
3	MD07 5834	1			O-RING, Oil Filler, (8.8)
4	MD13 1395	1			BLOCK, Cylinder w/o Turbo
	MD12 6436	1			w/Turbo
5	MF66 5541	9			CAP, Sealing, (35)
6	MD01 6239	2			PLUG, (PT 1/16)
7	MS47 1104	2			BUSHING, (8x9)
8	MD04 0597	1			BEARING, Rt., Balancer Shaft Front Standard
	MD08 2301	1			1.00mm O/S
9	MD10 3722	1			BEARING, Rt., Balancer Shaft Rear Standard
	MD10 3723	1			1.00mm O/S
10	MS40 1451	1			STUD, (10x28 7T)
11	MD04 0598	1			BEARING, Lt., Balancer Shaft Rear Standard
	MD08 2302	1			1.00mm O/S
12	MS47 1111	2			BUSHING, Block, (12x13)
13	MD04 0338	1			PLUG, (PT 3/8)
14	MF47 2403	2			PIN, Dowel, (6x14)
15	MD02 0260	2			BUSHING, (10.5x19.3)
16	MD06 5945	1			PLUG, Cylinder Block, (10)
17	MD00 0235	9			BOLT, Crankshaft Bearing Cap
18	MD01 0037	1			BOLT, Crankshaft Bearing Cap and Bracket
19	MD09 1399	1			BEARING SET, Crankshaft, Standard
20	MD04 0332	1			SEPARATOR, Oil Crankshaft Rear
21	MD06 9947	1			OIL SEAL, Crankshaft Rear
22	MD04 0333	1			GASKET, Rear Oil Seal Case
23	MD04 0330	1			CASE, Crankshaft Rear Oil Seal
24	MF14 0205	5			BOLT, Flange (6x16 7T)
25	MD13 8993	1			SWITCH, Oil Pressure
26	MF24 1279	2			BOLT, w/Washer, (10x18)
27	MD12 4901	1			BRACKET, Exhaust Pipe Support w/o Turbo
	MD11 2825	1			w/Turbo, 1990
	MD15 0759	1			w/Turbo, 1991-92
28	MD07 7190	2			BOLT, (12x28.5)

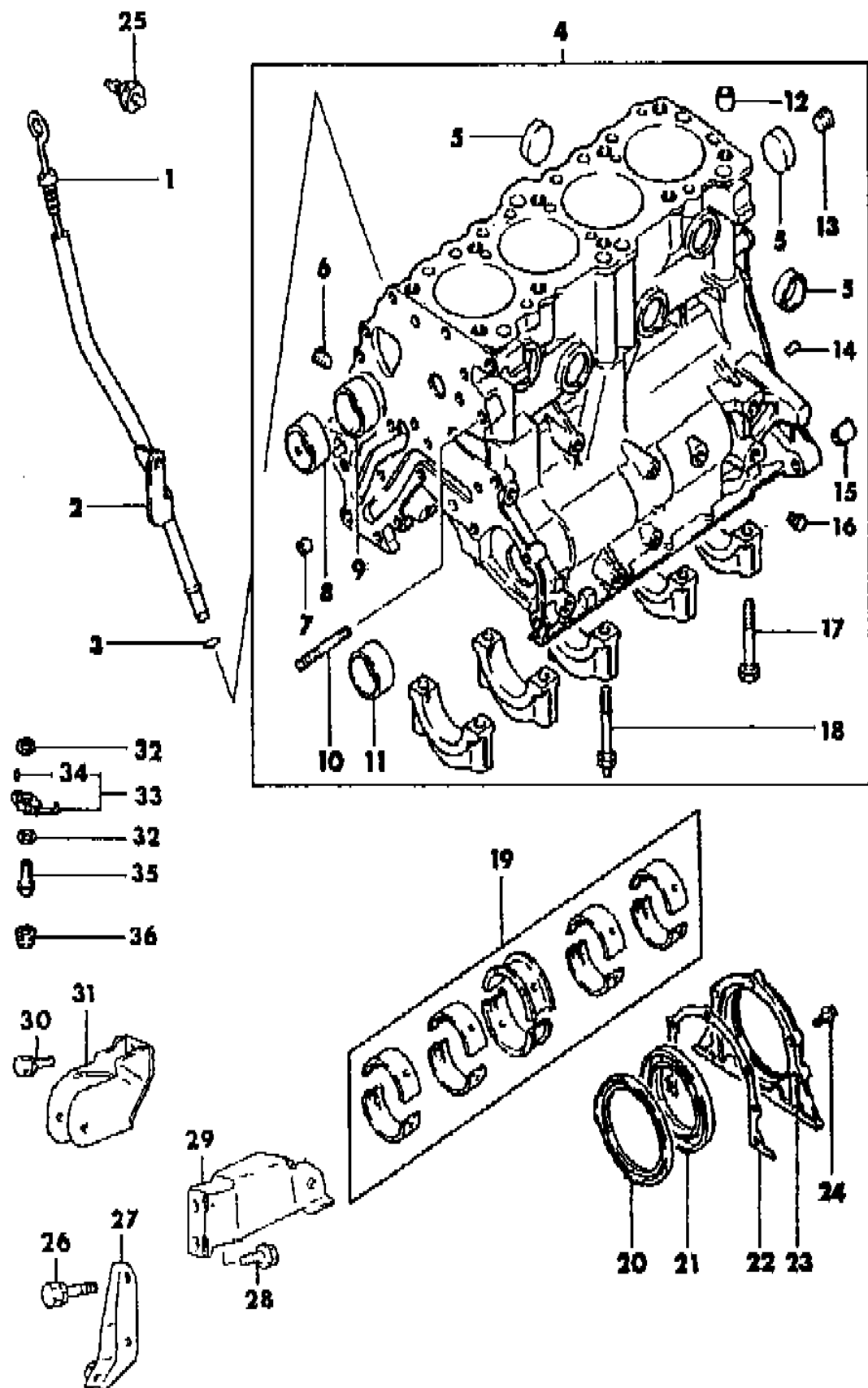
ENGINE: P = 1800cc (1.8L) A = 2000cc (2.0L) Blank = All  
 TRANS: A = Automatic M = Manual Blank = All  
 SERIES: H = High M = Medium P = Premium S = Special

MODELS:  
 24 FWD = 2Dr Hatchback (Laser)  
 24 FWD = 2-Dr Hatchback (Talon)  
 4WD = (4 Wheel Drive)  
 2WD = (2 Wheel Drive)

AR = Use as Required - = Non Illustrated Part P.A.R. = Paint as Required

**CYLINDER BLOCK 2.0L ENGINE, 1990-92, (UP TO ENGINE # NH0001) LASER-TALON**  
**Figure 9A-1300**

9658 1300A



ITEM	PART NUMBER	QTY	BODY	MODEL	DESCRIPTION
29					BRACKET, Lt., Cylinder Block Rear Support
	MD13 6193	1	FWD		w/o Turbo
			FWD		w/Turbo
	MD13 6194	1			Man. Trans.
	MD14 9648	1			Auto Trans.
			AWD		w/Turbo
	MD13 6195	1			Man. Trans.
	MD14 3793	1			Auto Trans.
30	MF24 1307	2			BOLT, w/Washer, (12x25)
31					BRACKET, Rt., Cylinder Block Rear Support
	MD13 3345	1	FWD		w/o Turbo
			FWD		w/Turbo
	MD13 3346	1			Man. Trans.
	MD14 9595	1			Auto Trans.
			AWD		w/Turbo
	MD13 3347	1			Man. Trans.
	MD15 2506	1			Auto Trans.
32	MF66 0034	8			GASKET, w/5 Speed, (12)
33	MD04 0400	4			OIL JET, Cylinder Block, w/Turbo ***
34	MF47 2549	4			SPRING, Pin, w/Turbo, (4x10)
35	MD05 0249	4			CHECK VALVE, Cylinder Block Piston Lubrication, w/Turbo ***
36	MD12 9838	4			PLUG, w/o Turbo

ENGINE: P = 1800cc (1.8L) A = 2000cc (2.0L) Blank = All  
 TRANS: A = Automatic M = Manual Blank = All  
 SERIES: H = High M = Medium P = Premium S = Special

MODELS:  
 24 FWD = 2Dr Hatchback (Laser)  
 24 FWD = 2-Dr Hatchback (Talon)  
 4WD = (4 Wheel Drive)  
 2WD = (2 Wheel Drive)

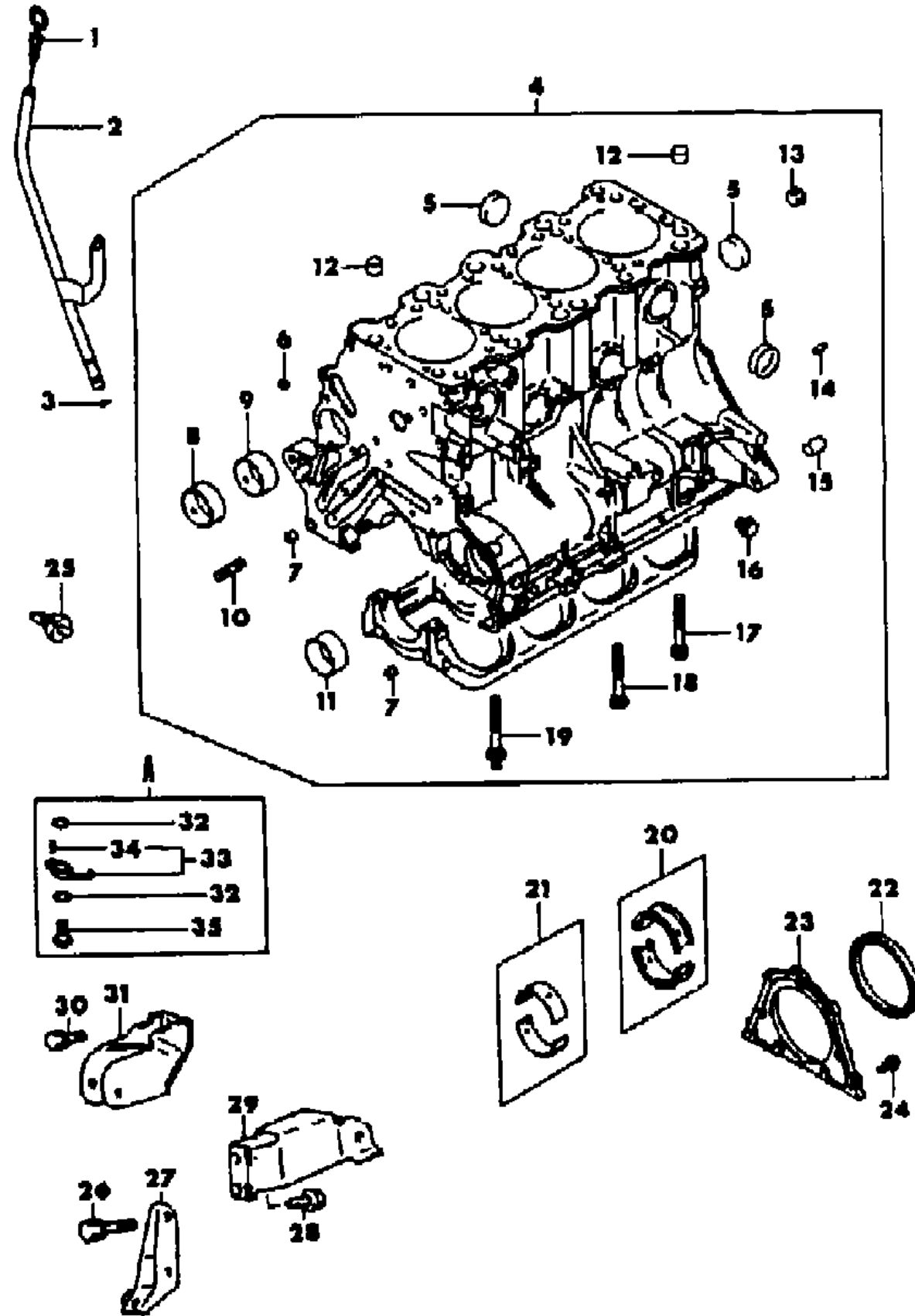
AR = Use as Required - = Non Illustrated Part P.A.R. = Paint as Required





**CYLINDER BLOCK 2.0L ENGINE, 1992-94, (AFTER ENGINE # NH0001) LASER-TALON**  
**Figure 9A-1350**

9658 1350



ITEM	PART NUMBER	QTY	BODY	MODEL	DESCRIPTION
	MD19 5924	1			Std. 4
	MD19 5925	1			Std. 5
21					BEARING, Crankshaft w/o Turbo
	MD19 5906	4			Std. 1
	MD19 5907	4			Std. 2
	MD19 5908	4			Std. 3
	MD19 5909	4			Std. 4
	MD19 5910	4			Std. 5
					w/Turbo
	MD19 5916	4			Std. 1
	MD19 5917	4			Std. 2
	MD19 5918	4			Std. 3
	MD19 5919	4			Std. 4
	MD19 5920	4			Std. 5
22	MD15 0161	1			OIL SEAL, Crankshaft Rear
23	MD17 2170	1			CASE, Crankshaft Rear Oil Seal
24					BOLT, Flange
	MF24 1825	5			1990-93, (6x14)
	MF14 0204	5			1994, (6x14)
25	MD13 8993	1			SWITCH, Oil Pressure
26	MF24 1280	2			BOLT, w/Washer, (10x20)
27					BRACKET, Exhaust Pipe Support
	MD12 4901	1			w/o Turbo
	MD15 0759	1			w/Turbo
28	MD07 7190	2			BOLT, (12x28.5)
29					BRACKET, Lt., Cylinder Block Rear Support
	MD13 6193	1		FWD	w/o Turbo
				FWD	w/Turbo
	MD13 6194	1			Man. Trans.
	MD14 9648	1			Auto Trans.
				AWD	w/Turbo
	MD13 6195	1			Man. Trans.
	MD14 3793	1			Auto Trans.
30	MF24 1307	2			BOLT, w/Washer, (12x25)
31					BRACKET, Rt., Cylinder Block Rear Support
	MD13 3345	1		FWD	w/o Turbo
				FWD	w/Turbo
	MD13 3346	1			Man. Trans.

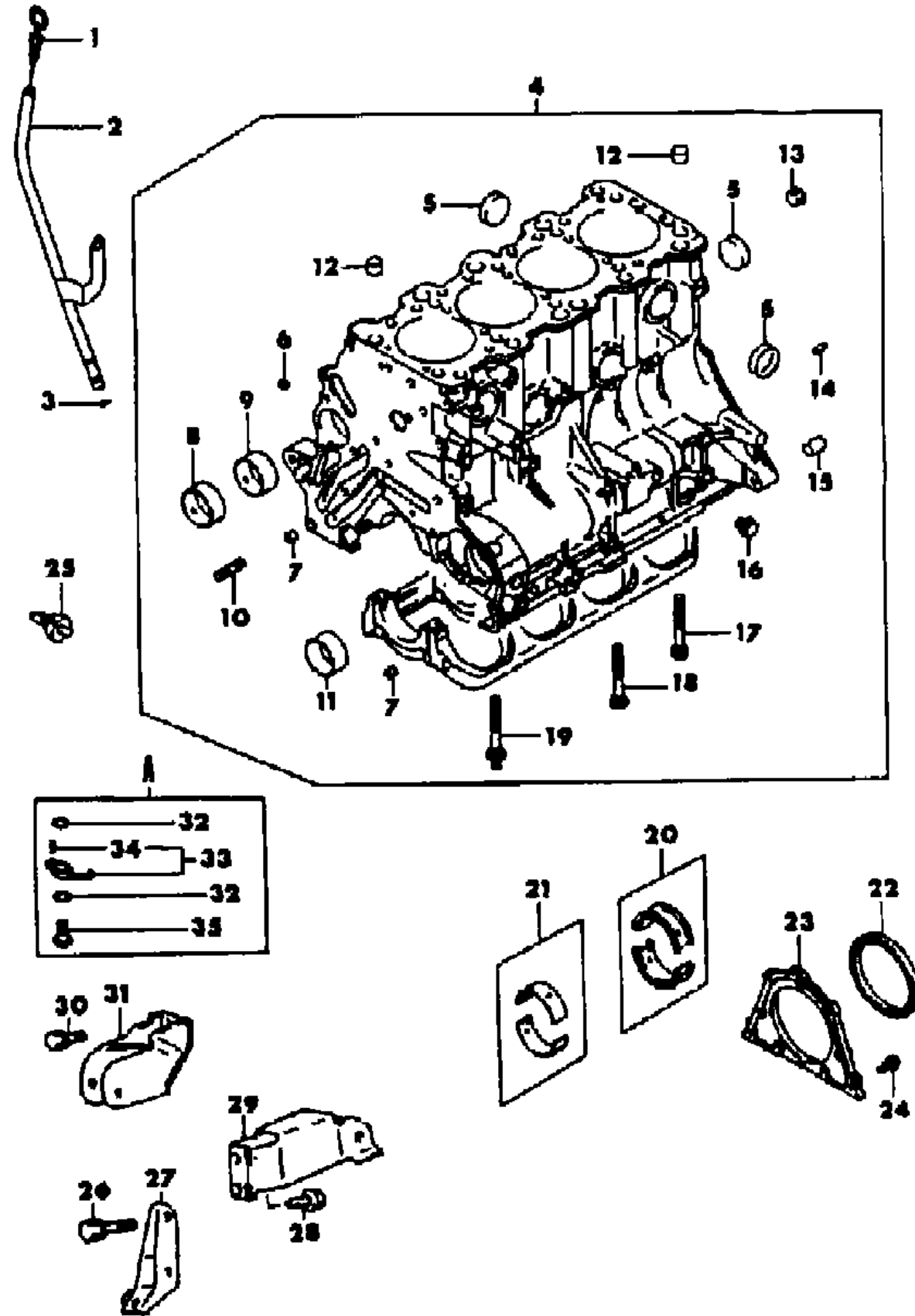
ENGINE: P = 1800cc (1.8L) A = 2000cc (2.0L) Blank = All  
 TRANS: A = Automatic M = Manual Blank = All  
 SERIES: H = High M = Medium P = Premium S = Special

MODELS:  
 24 FWD = 2Dr Hatchback (Laser)  
 24 FWD = 2-Dr Hatchback (Talon)  
 4WD = (4 Wheel Drive)  
 2WD = (2 Wheel Drive)

AR = Use as Required - = Non Illustrated Part P.A.R. = Paint as Required

**CYLINDER BLOCK 2.0L ENGINE, 1992-94, (AFTER ENGINE # NH0001) LASER-TALON**  
**Figure 9A-1350**

9658 1350



ITEM	PART NUMBER	QTY	BODY	MODEL	DESCRIPTION
	MD14 9595	1			Auto Trans.
				AWD	w/Turbo
	MD13 3347	1			Man. Trans.
	MD15 2506	1			Auto Trans.
32	MF66 0034	8			GASKET, w/5 Speed, w/Turbo, (12)
33					OIL JET, Cylinder Block, w/Turbo ***
	MD04 0400	4			1990-93
	MD19 5084	4			1994
34	MF47 2549	4			SPRING, Pin, w/Turbo, (4x10)
35	MD05 0249	4			CHECK VALVE, Cylinder Block Piston Lubrication, w/Turbo ***

ENGINE: P = 1800cc (1.8L) A = 2000cc (2.0L) Blank = All  
 TRANS: A = Automatic M = Manual Blank = All  
 SERIES: H = High M = Medium P = Premium S = Special

MODELS:  
 24 FWD = 2Dr Hatchback (Laser)  
 24 FWD = 2-Dr Hatchback (Talon)  
 4WD = (4 Wheel Drive)  
 2WD = (2 Wheel Drive)

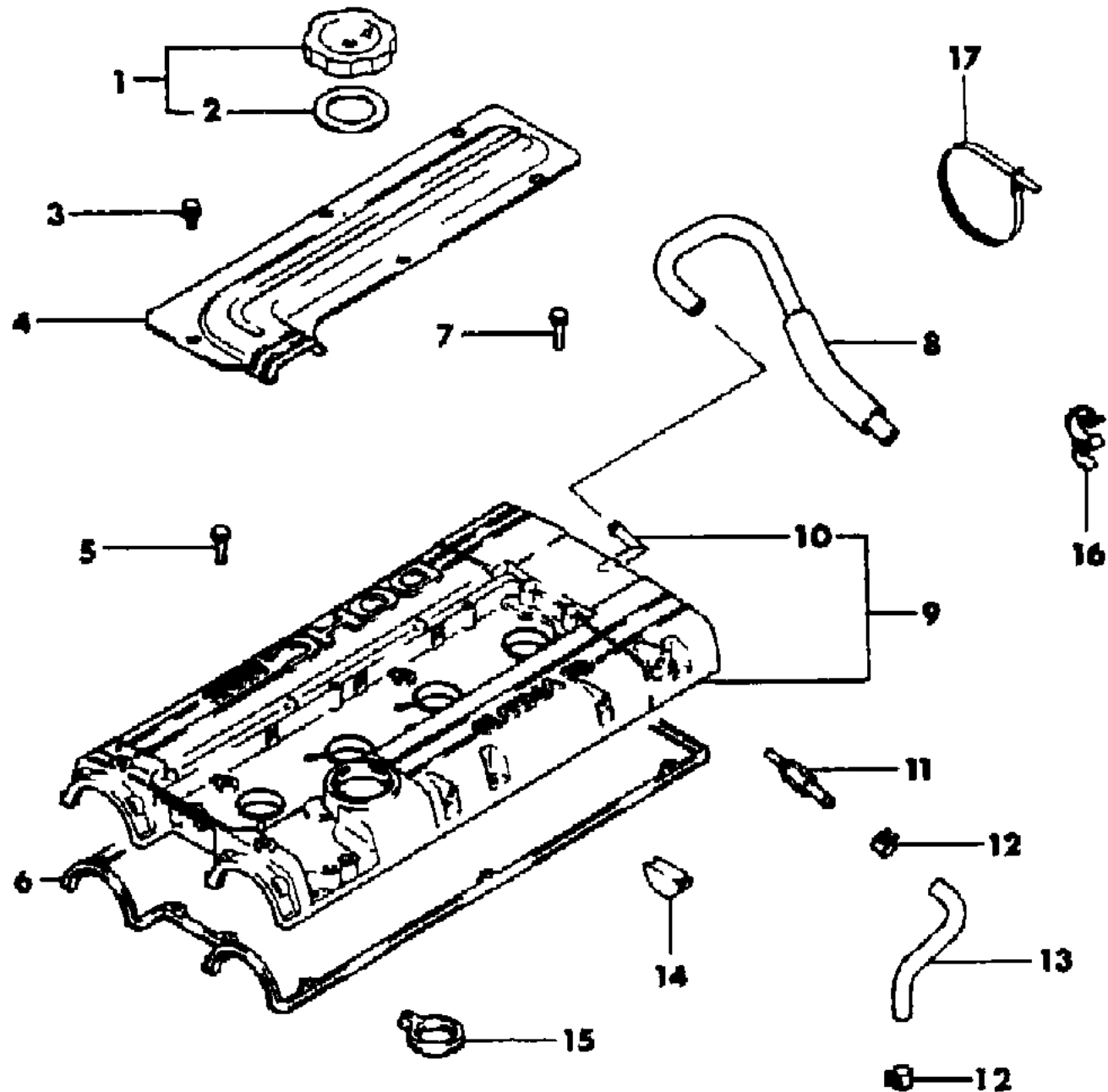
AR = Use as Required - = Non Illustrated Part P.A.R. = Paint as Required





**CYLINDER HEAD COVER 2.0L ENGINE LASER-TALON**  
**Figure 9A-1500**

**9658 1500**



ITEM	PART NUMBER	QTY	BODY	MODEL	DESCRIPTION
1	MD13 2260	1			CAP, Oil Filler
2	MD10 3148	1			GASKET, Oil Filler Cap
3	MD13 0704	5			BOLT, (6x15)
4	MD12 4766				COVER, Center
5					BOLT
	MF24 1827	6			1990-93, (6x20)
	MF24 1228	6			1994, (6x22)
6					GASKET, Rocker Cover
	MD12 5939	1			Up To Engine # NH0001
	MD18 6784	1			After Engine # NH0001
7	MD12 9023	8			BOLT
8					HOSE, Breather
	MD13 2752	1			1990, w/o Turbo
	MD16 6507	1			1991-94, w/o Turbo
	MD13 0727	1			w/Turbo
9					COVER, Rocker
	MD12 5932	1			1990, w/o Turbo
	MD12 5933	1			1990, w/Turbo
	MD12 5932	1			1991-94
10					NIPPLE
	MD10 2444	1			1990, w/o Turbo
	MD12 9864	1			1990, w/Turbo
	MD10 2444	1			1991-94
11	MD02 4719	1			VALVE, PCV
12	MS66 0240	2			CLIP, Hose, w/Turbo, (13.1)
13	MD12 5848	1			HOSE, PCV Valve
14	MD05 0536	1			SEAL, Cylinder Head Camshaft Rear End
15					GASKET, Spark Plug
	MD12 5940	4			Up To Engine # NH0001
	MD18 6785	4			After Engine # NH0001
16	MD14 0462	1			CLAMP, Engine Breather, w/Speed Control
17					CLAMP, Hose
	MD02 3836	1			(250)
	MB24 9339	1			(169.5)

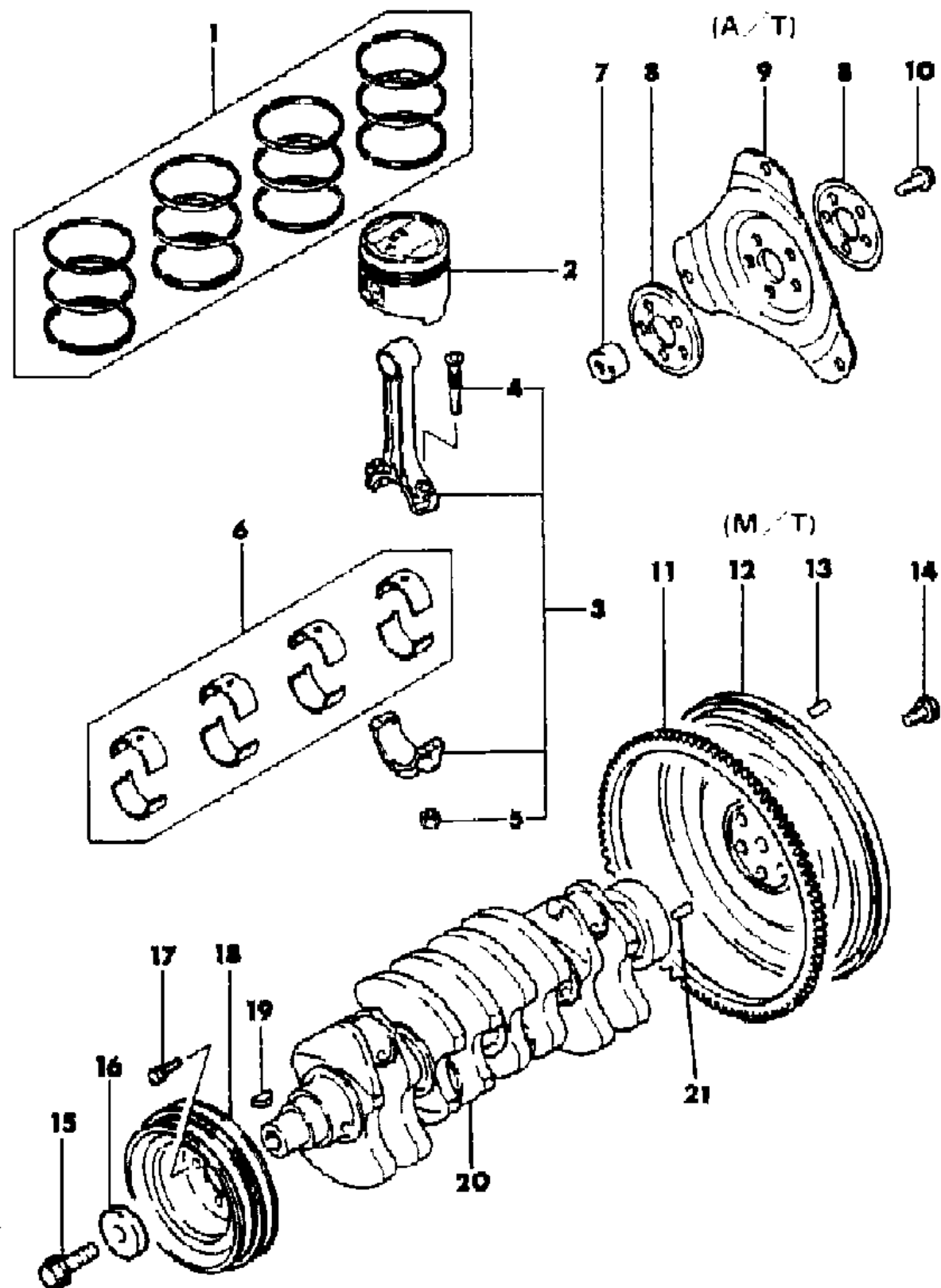
ENGINE: P = 1800cc (1.8L) A = 2000cc (2.0L) Blank = All  
 TRANS: A = Automatic M = Manual Blank = All  
 SERIES: H = High M = Medium P = Premium S = Special

MODELS:  
 24 FWD = 2Dr Hatchback (Laser)  
 24 FWD = 2-Dr Hatchback (Talon)  
 4WD = (4 Wheel Drive)  
 2WD = (2 Wheel Drive)

AR = Use as Required - = Non Illustrated Part P.A.R. = Paint as Required

**CRANKSHAFT AND PISTONS 2.0L ENGINE, 1990-92, (UP TO ENGINE # NH0001) LASER-TALON**  
**Figure 9A-1600**

9658 1600 A



ITEM	PART NUMBER	QTY	BODY	MODEL	DESCRIPTION
1					RING SET, Piston
					w/o Turbo ***
	MD14 4245	1			Standard
	MD14 4246	1			0.25mm O/S
	MD14 4247	1			0.50mm O/S
	MD14 4248	1			0.75mm O/S
	MD14 4249	1			1.00mm O/S
					w/Turbo ***
	MD14 0923	1			Standard
	MD14 0924	1			0.25mm O/S
	MD14 0925	1			0.50mm O/S
	MD14 0926	1			0.75mm O/S
	MD14 0927	1			1.00mm O/S
2					PISTON and PIN
					w/o Turbo ***
	MD12 9922	4			Standard
	MD13 3421	4			0.25mm O/S
	MD13 3422	4			0.50mm O/S
	MD13 3423	4			0.75mm O/S
	MD13 3424	4			1.00mm O/S
					w/Turbo ***
	MD12 9232	4			Standard
	MD13 3461	4			0.25mm O/S
	MD13 3462	4			0.50mm O/S
	MD13 3463	4			0.75mm O/S
	MD13 3464	4			1.00mm O/S
3	MD04 0550	4			ROD, Connecting
4	MD04 0553	8			BOLT, Connecting Rod
5	MD00 6704	8			NUT, Connecting Rod Bolt
6	MD12 9423	1			BEARING SET, Connecting Rod, Standard
7					BUSHING, Crankshaft Pilot, (w/Auto. Trans.)
	MD01 1848	1			w/o Turbo
	MD73 2972	1			w/Turbo
8					Adapter, Drive Plate ***
	MD95 2138	2	FWD		1990, w/o Turbo
	MD95 2138	2			1991-92
9					PLATE, Drive
	MD71 0902	1			w/o Turbo
	MD73 5674	1			w/Turbo

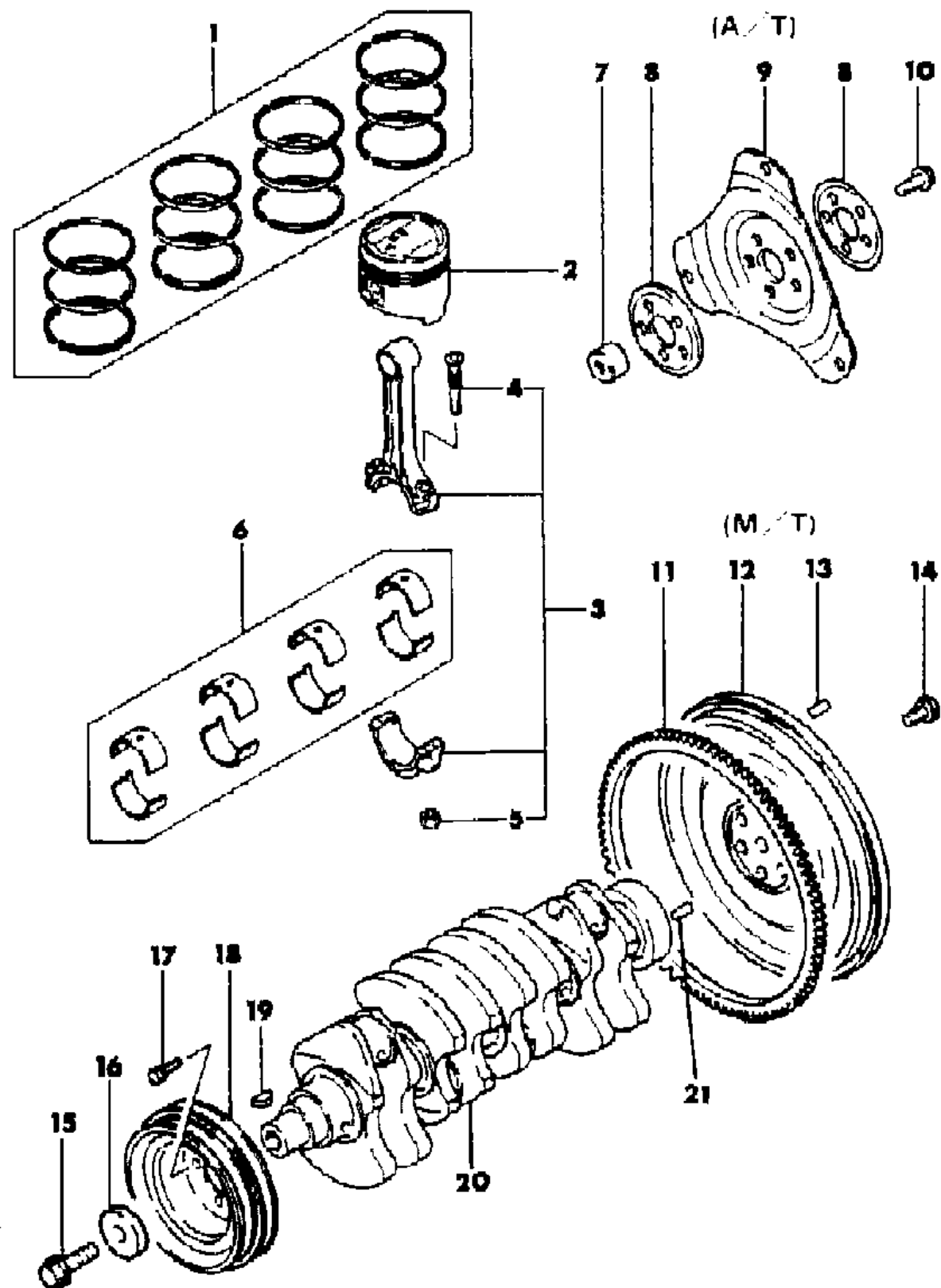
ENGINE: P = 1800cc (1.8L) A = 2000cc (2.0L) Blank = All  
 TRANS: A = Automatic M = Manual Blank = All  
 SERIES: H = High M = Medium P = Premium S = Special

MODELS:  
 24 FWD = 2Dr Hatchback (Laser)  
 24 FWD = 2-Dr Hatchback (Talon)  
 4WD = (4 Wheel Drive)  
 2WD = (2 Wheel Drive)

AR = Use as Required - = Non Illustrated Part P.A.R. = Paint as Required

**CRANKSHAFT AND PISTONS 2.0L ENGINE, 1990-92, (UP TO ENGINE # NH0001) LASER-TALON**  
**Figure 9A-1600**

9658 1600 A



ITEM	PART NUMBER	QTY	BODY	MODEL	DESCRIPTION
10	MD95 2233	6			BOLT, Drive Plate
11	MD03 0629	1	FWD		RING GEAR, Flywheel *** w/o Turbo
	MD04 0556	1	FWD		w/Turbo
	MD03 0629	1	AWD		w/Turbo
12	MD01 5947	1	FWD		FLYWHEEL, w/o Ring Gear w/o Turbo
	MD13 1801	1	FWD		w/Turbo
	MD11 9309	1	AWD		1990-91, w/Turbo
	MD17 3425	1	AWD		1992
13	MF47 2404	3			PIN, Dowel, w/Man. Trans., (8x18)
14	MD04 0557	6			BOLT, Flange, w/Man. Trans., (12x22.5)
15	MD07 4255	1			BOLT, Crankshaft, (14x50)
16	MD01 2455	1			WASHER, Crankshaft Center Bolt
17	MS24 0211	4			BOLT, (8x25 8T)
18	MD13 0250	1			PULLEY, Crankshaft, w/Damper
19	MD00 8959	1			KEY, Crankshaft, (5x22)
20	MD09 7470	1			CRANKSHAFT
21	MD00 5994	1			PIN, Crankshaft, w/Man. Trans., w/Turbo, (9x14)

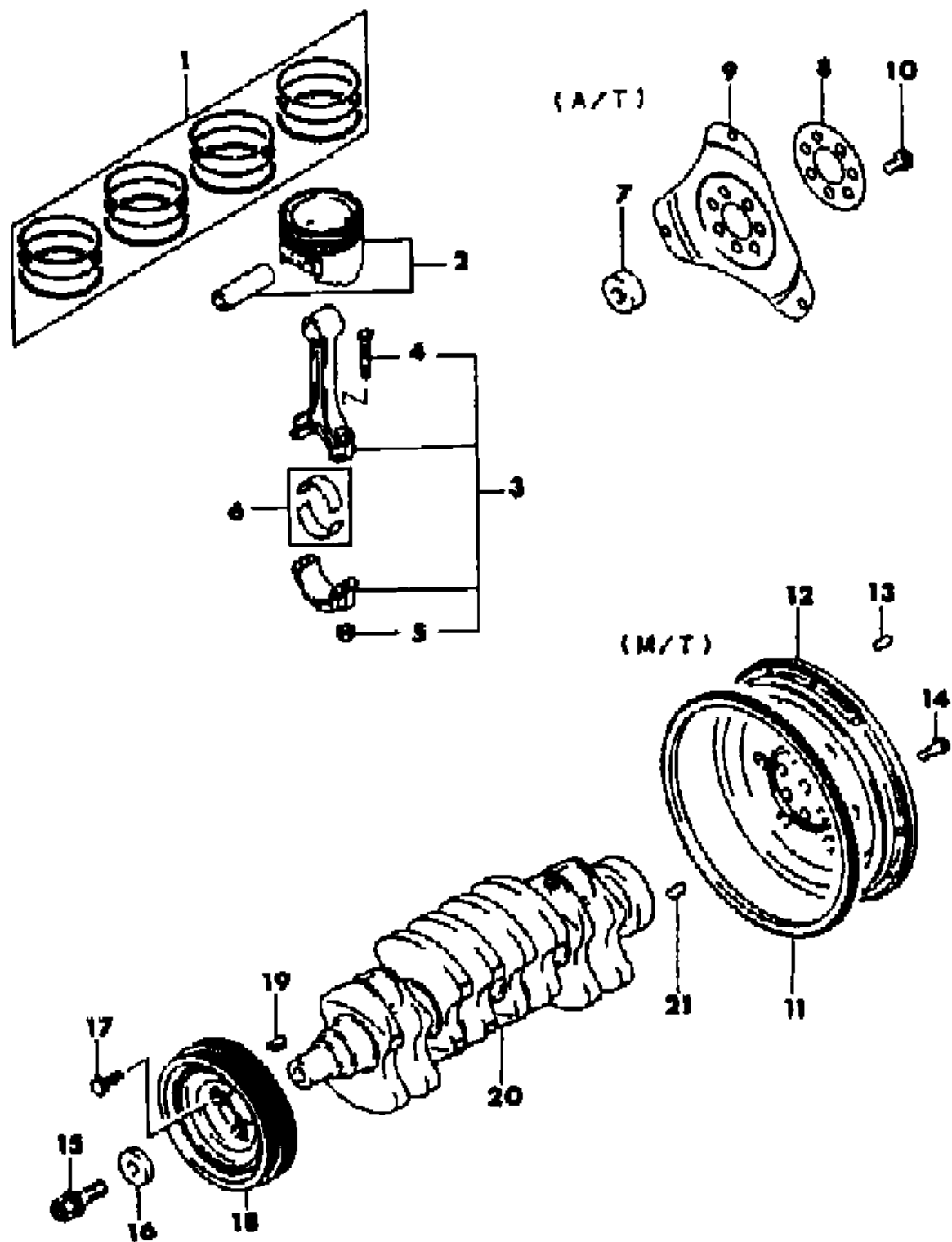
ENGINE: P = 1800cc (1.8L) A = 2000cc (2.0L) Blank = All  
 TRANS: A = Automatic M = Manual Blank = All  
 SERIES: H = High M = Medium P = Premium S = Special

MODELS:  
 24 FWD = 2Dr Hatchback (Laser)  
 24 FWD = 2-Dr Hatchback (Talon)  
 4WD = (4 Wheel Drive)  
 2WD = (2 Wheel Drive)

AR = Use as Required - = Non Illustrated Part P.A.R. = Paint as Required

CRANKSHAFT AND PISTONS 2.0L ENGINE, 1992-94, (AFTER ENGINE # NH0001) LASER-TALON  
Figure 9A-1650

9658 1650



ITEM	PART NUMBER	QTY	BODY	MODEL	DESCRIPTION
1					RING SET, Piston
					w/o Turbo ***
	MD19 5867	1			Standard
	MD19 5868	1			0.25mm O/S
	MD19 5869	1			0.50mm O/S
	MD19 5870	1			0.75mm O/S
	MD19 5871	1			1.00mm O/S
					w/Turbo ***
	MD17 6437	1			Standard
	MD17 6438				0.25mm O/S
	MD17 6439				0.50mm O/S
	MD17 6440				0.75mm O/S
	MD17 6441				1.00mm O/S
2					PISTON and PIN
					w/o Turbo ***
	MD19 0262	1			Standard
	MD19 0297	4			0.25mm O/S
	MD19 0298	4			0.50mm O/S
	MD19 0299	4			0.75mm O/S
	MD19 0300	4			1.00mm O/S
					w/Turbo ***
	MD19 0368	1			Standard
	MD19 0373				0.25mm O/S
	MD19 0374				0.50mm O/S
	MD19 0375				0.75mm O/S
	MD19 0376				1.00mm O/S
3	MD19 3027	4			ROD, Connecting
4	MD19 3029	8			BOLT, Connecting Rod, (8x55.1)
5	MD14 4215	8			NUT, Connecting Rod Bolt
6					BEARING SET, Connecting Rod
					Select Conn Rod Bearings by I.D. Markings on Face of Crankshaft Counterweight
	MD19 5939	4			Std. 1
	MD19 5940	4			Std. 2
	MD19 5941	4			Std. 3
7					BUSHING, Crankshaft Pilot, (w/Auto. Trans.)
	MD75 1688	1			w/o Turbo
	MD75 3995	1			w/Turbo
8	MD75 4228	1			Adapter, Drive Plate ***
9					PLATE, Drive

ENGINE: P = 1800cc (1.8L) A = 2000cc (2.0L) Blank = All  
 TRANS: A = Automatic M = Manual Blank = All  
 SERIES: H = High M = Medium P = Premium S = Special

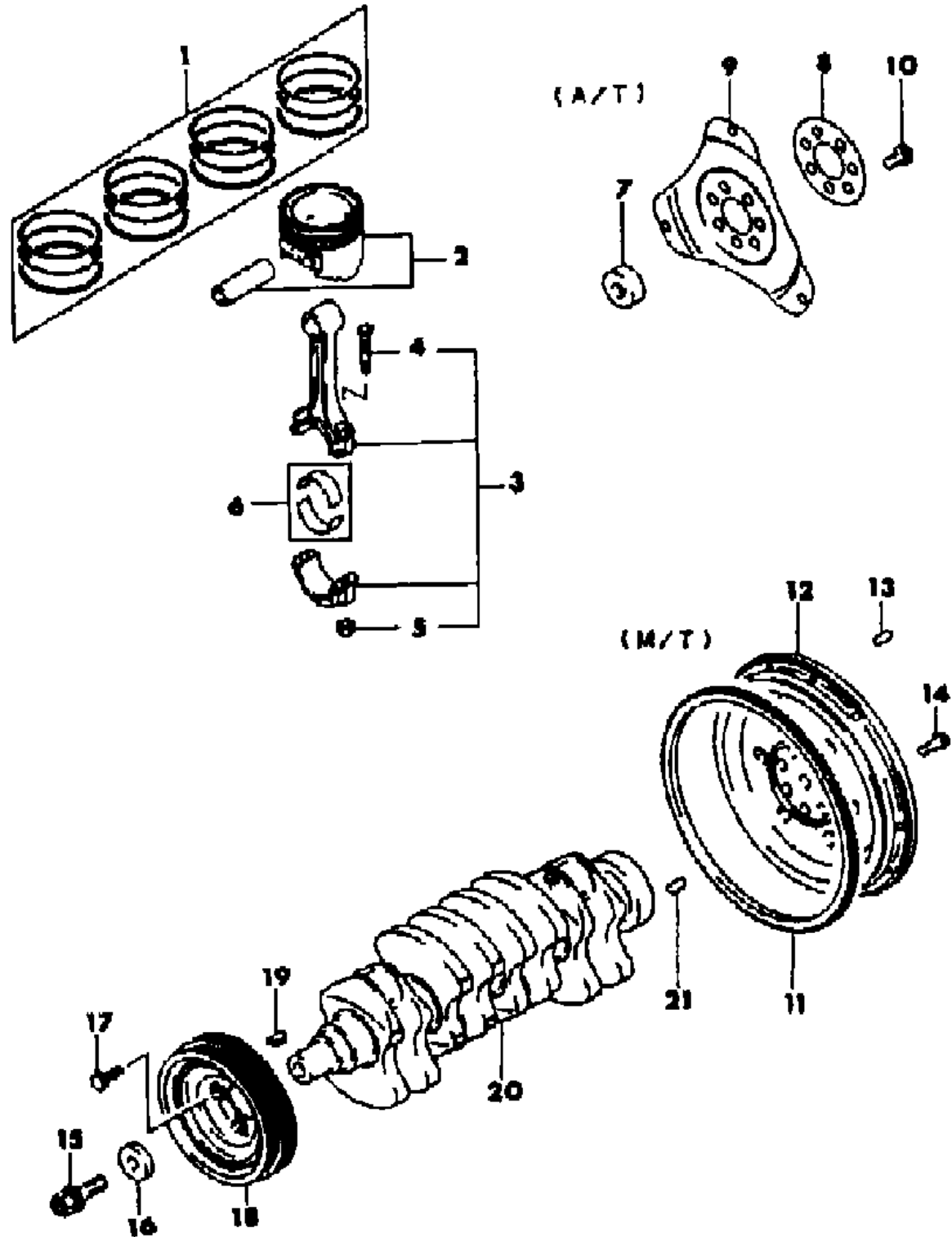
MODELS:  
 24 FWD = 2Dr Hatchback (Laser)  
 24 FWD = 2-Dr Hatchback (Talon)  
 4WD = (4 Wheel Drive)  
 2WD = (2 Wheel Drive)

AR = Use as Required - = Non Illustrated Part P.A.R. = Paint as Required



CRANKSHAFT AND PISTONS 2.0L ENGINE, 1992-94, (AFTER ENGINE # NH0001) LASER-TALON  
Figure 9A-1650

9658 1650



ITEM	PART NUMBER	QTY	BODY	MODEL	DESCRIPTION
	MD75 4224	1			w/o Turbo
	MD75 4226	1			w/Turbo
10	MD95 2233	6			BOLT, Drive Plate 1990-93
	MD75 2272	6			1994, (12x11.7)
11					RING GEAR, Flywheel ***
	MD03 0629	1	FWD		w/o Turbo
	MD04 0556	1	FWD		w/Turbo
	MD03 0629	1	AWD		w/Turbo
12					FLYWHEEL
	MD19 0912	1	FWD		w/o Turbo
	MD19 0916	1	FWD		w/Turbo
	MD19 0920	1	AWD		w/Turbo
13	MF47 2404	3			PIN, Dowel, w/Man. Trans., (8x18)
14					BOLT, Flange, w/Man. Trans.
	MD16 9913	7			1990-93, (12x21.2)
	MD30 2074	7			1994, (12x21.2)
15	MD07 4255	1			BOLT, Crankshaft, (14x40)
16	MD01 2455	1			WASHER, Crankshaft Center Bolt
17	MS24 0211	4			BOLT, (8x25)
18					PULLEY, Crankshaft Damper
	MD13 0250	1			1990-93
	MD30 0516	1			1994
19	MD00 8959	1			KEY, Crankshaft
20	MD18 7923	1			CRANKSHAFT
21	MD00 5994	1			PIN, Crankshaft, w/Man. Trans., w/Turbo, (9x14)

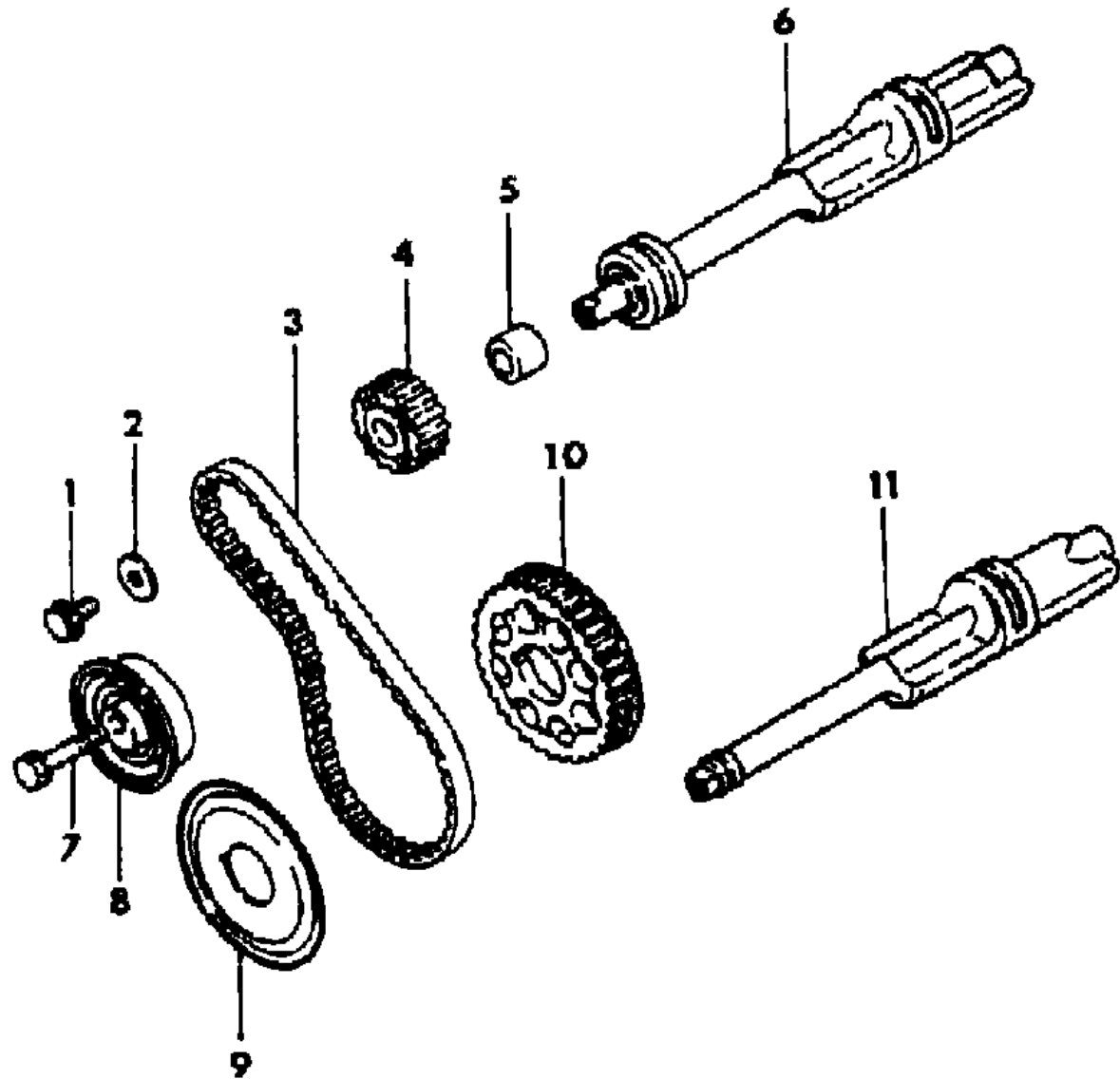
ENGINE: P = 1800cc (1.8L) A = 2000cc (2.0L) Blank = All  
 TRANS: A = Automatic M = Manual Blank = All  
 SERIES: H = High M = Medium P = Premium S = Special

MODELS:  
 24 FWD = 2Dr Hatchback (Laser)  
 24 FWD = 2-Dr Hatchback (Talon)  
 4WD = (4 Wheel Drive)  
 2WD = (2 Wheel Drive)

AR = Use as Required - = Non Illustrated Part P.A.R. = Paint as Required

**BALANCE SHAFTS 2.0L ENGINE LASER-TALON**  
**Figure 9A-1700**

**9658 1700**



ITEM	PART NUMBER	QTY	BODY	MODEL	DESCRIPTION
1	MD04 0758	1			BOLT, Flange (8x16 10T)
2	MD00 1521	1			WASHER, Plain, (8.5) Up to 5-1-89
	MD14 5401	1			After 5-1-89
3					BELT, Balance Shaft
	MD11 5977	1			Up To Engine # NH0001
	MD18 2295	1			After Engine # NH0001
4	MD13 1282	1			SPROCKET
5	MD04 0753	1			SPACER, Sprocket
6	MD10 2783	1			SHAFT, Rt., Balance
7	MF24 4860	1			BOLT, w/Washer, (8x45 7T)
8	MD11 5976	1			TENSIONER, Belt
9					FLANGE, Crankshaft Sprocket
	MD13 1241	1			Up To Engine # NH0001
	MD18 8501	1			After Engine # NH0001
10					SPROCKET, Crankshaft Belt
	MD13 1312	1			Up To Engine # NH0001
	MD18 7277	1			After Engine # NH0001
11	MD10 2782	1			SHAFT, Lt., Balance

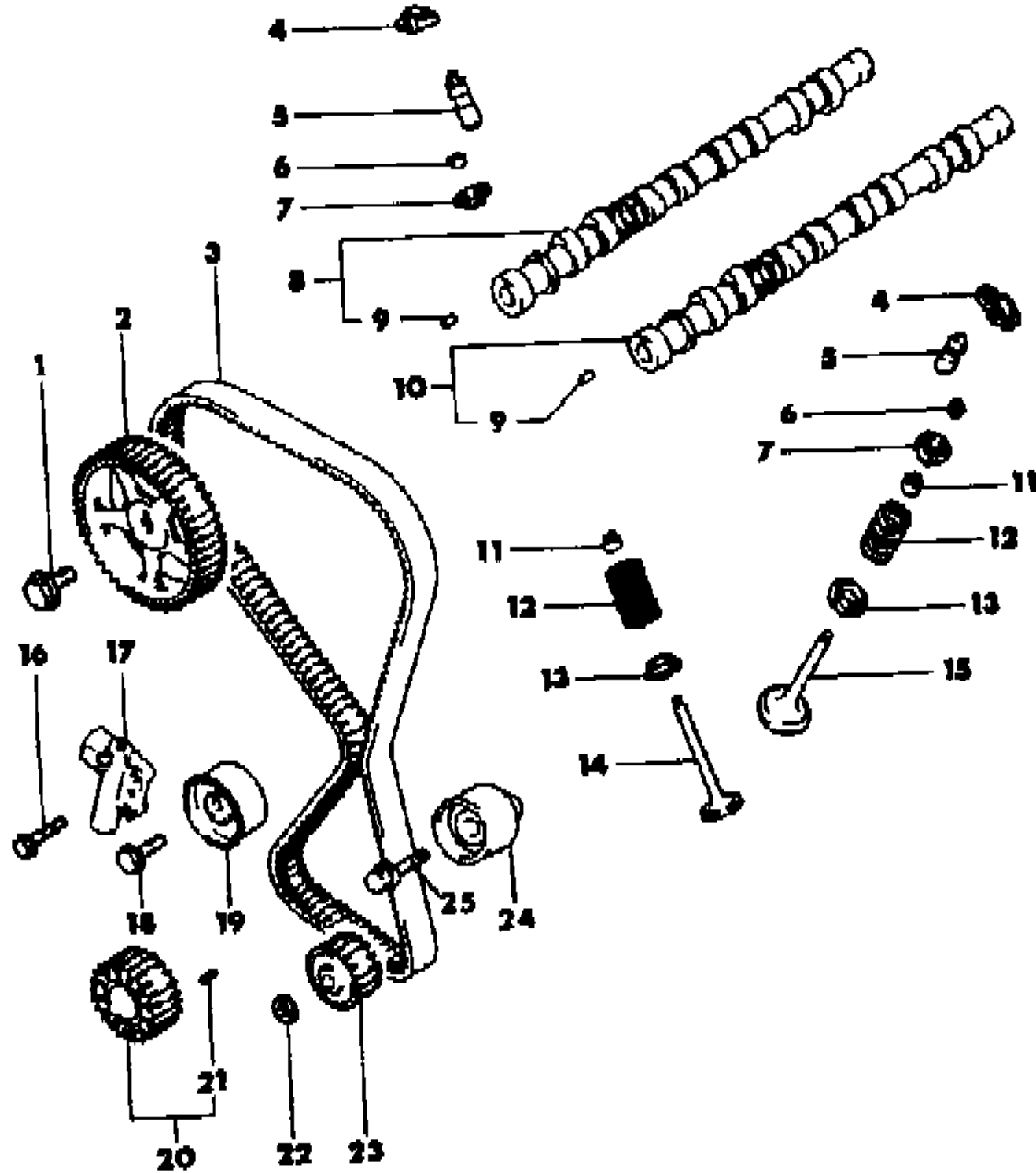
ENGINE: P = 1800cc (1.8L) A = 2000cc (2.0L) Blank = All  
 TRANS: A = Automatic M = Manual Blank = All  
 SERIES: H = High M = Medium P = Premium S = Special

MODELS:  
 24 FWD = 2Dr Hatchback (Laser)  
 24 FWD = 2-Dr Hatchback (Talon)  
 4WD = (4 Wheel Drive)  
 2WD = (2 Wheel Drive)

AR = Use as Required - = Non Illustrated Part P.A.R. = Paint as Required

**CAMSHAFT AND VALVES 2.0L ENGINE LASER-TALON**  
**Figure 9A-1800**

**9658 1800B**



ITEM	PART NUMBER	QTY	BODY	MODEL	DESCRIPTION
1	MF14 0285	2			BOLT, Flange, (12x30 7T)
2	MD12 9178	2			SPROCKET, Camshaft
3					BELT, Valve Timing
	MD13 3115	1			Up To Engine # NH0001
	MD18 2291	1			After Engine # NH0001
4	MD17 0500	16			ROCKER ARM, Intake and Exhaust Valve ***
5	MD14 9309	16			ADJUSTER, Rocker Arm Lash
6	MD01 6483	32			LOCK, Valve Spring Retainer
7	MD12 1000	16			RETAINER, Valve Spring
8					CAMSHAFT, Exhaust
	MD12 8969	1			1990
	MD12 8969	1			1991-94, w/o Turbo
	MD12 8973	1			1991-94, w/Turbo, w/Man. Trans.
	MD12 8969	1			1991-94, w/Turbo, w/Auto Trans.
9					PIN, Dowel
	MF47 2403	2			1990-91, (6x14)
	MD15 8443	2			1992-94, (6x14)
10					CAMSHAFT, Intake
	MD12 8968	1			w/o Turbo
	MD12 8974	1			w/Turbo, w/Man. Trans.
	MD15 3628	1			w/Turbo, w/Auto Trans.
11	MD11 5472	16			SEAL, Valve Stem
12	MD13 9243	16			SPRING, Engine Valve
13	MD11 3424	16			SEAT, Valve Spring
14	MD12 7841	8			VALVE, Exhaust
15	MD12 7840	8			VALVE, Inlet
16					BOLT, Flange
	MD12 9350	2			Up To Engine # NH0001
	MD19 0987	2			After Engine # NH0001
17					ADJUSTER, Timing Belt Tensioner
	MD16 4533	1			Up To 5-1-92
	MD19 0988	1			After 5-1-92
18	MD12 9354	1			BOLT, Flange, (10x33)
19	MD12 9355	1			PULLEY, Timing Belt Tensioner
20	MD14 1953	1			SPROCKET, Crankshaft Camshaft Drive
21	MF47 2571	1			SPRING, Pin, (5x20)
22	MD09 5237	1			NUT, Flange, (10)
23	MD13 5005	1			SPROCKET, Oil Pump
24	MD15 6604	1			PULLEY, Valve Timing Belt Idler, 1990-93

ENGINE: P = 1800cc (1.8L)  
A = 2000cc (2.0L)  
Blank = All

TRANS: A = Automatic  
M = Manual  
Blank = All

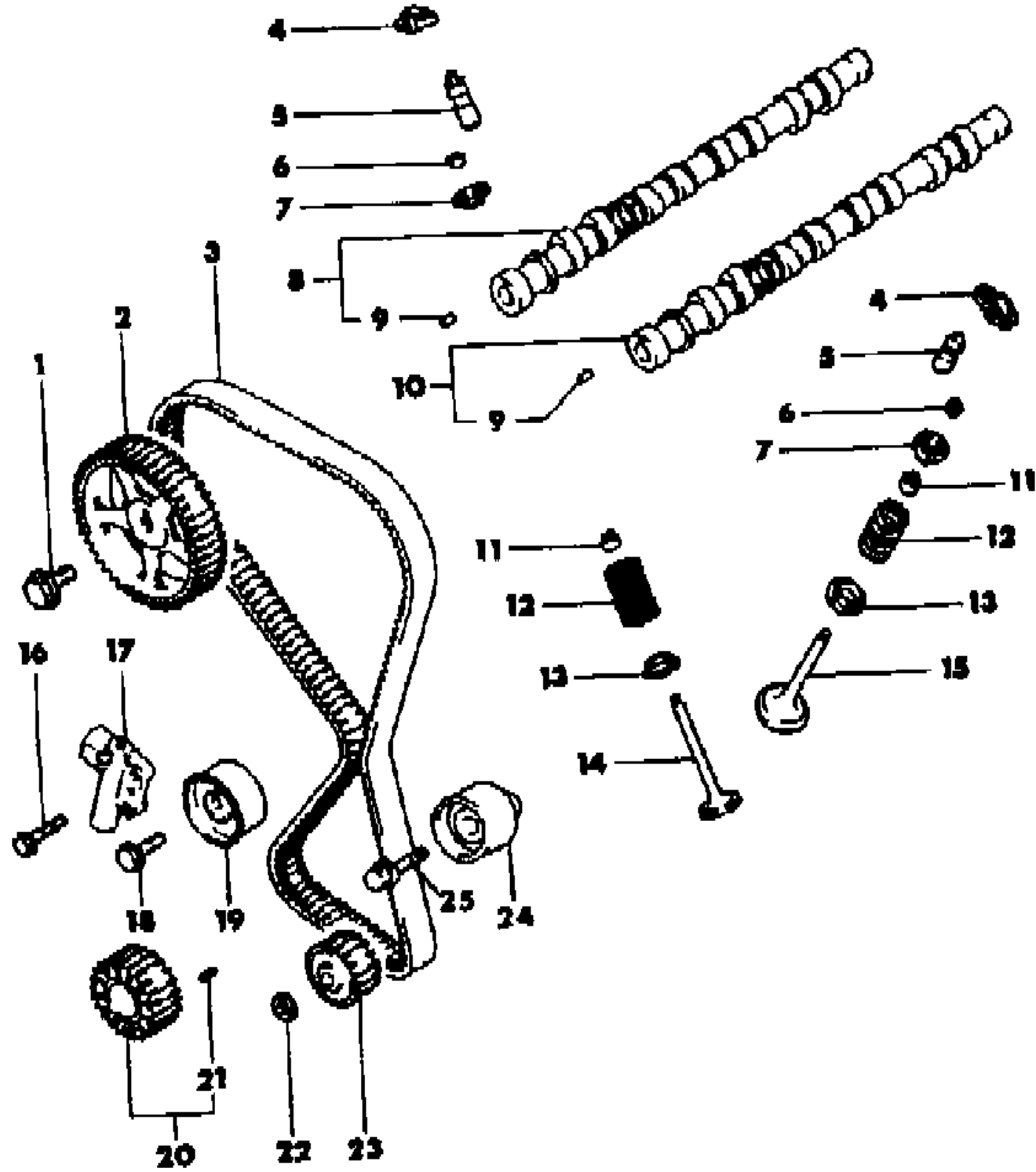
SERIES: H = High  
M = Medium  
P = Premium  
S = Special

MODELS:  
24 FWD = 2Dr Hatchback (Laser)  
24 FWD = 2-Dr Hatchback (Talon)  
4WD = (4 Wheel Drive)  
2WD = (2 Wheel Drive)

AR = Use as Required - = Non Illustrated Part P.A.R. = Paint as Required

**CAMSHAFT AND VALVES 2.0L ENGINE LASER-TALON**  
**Figure 9A-1800**

**9658 1800B**



ITEM	PART NUMBER	QTY	BODY	MODEL	DESCRIPTION
25	MF24 1281	1			BOLT, 1990-93, (10x22)

ENGINE: P = 1800cc (1.8L) A = 2000cc (2.0L) Blank = All  
 TRANS: A = Automatic M = Manual Blank = All  
 SERIES: H = High M = Medium P = Premium S = Special

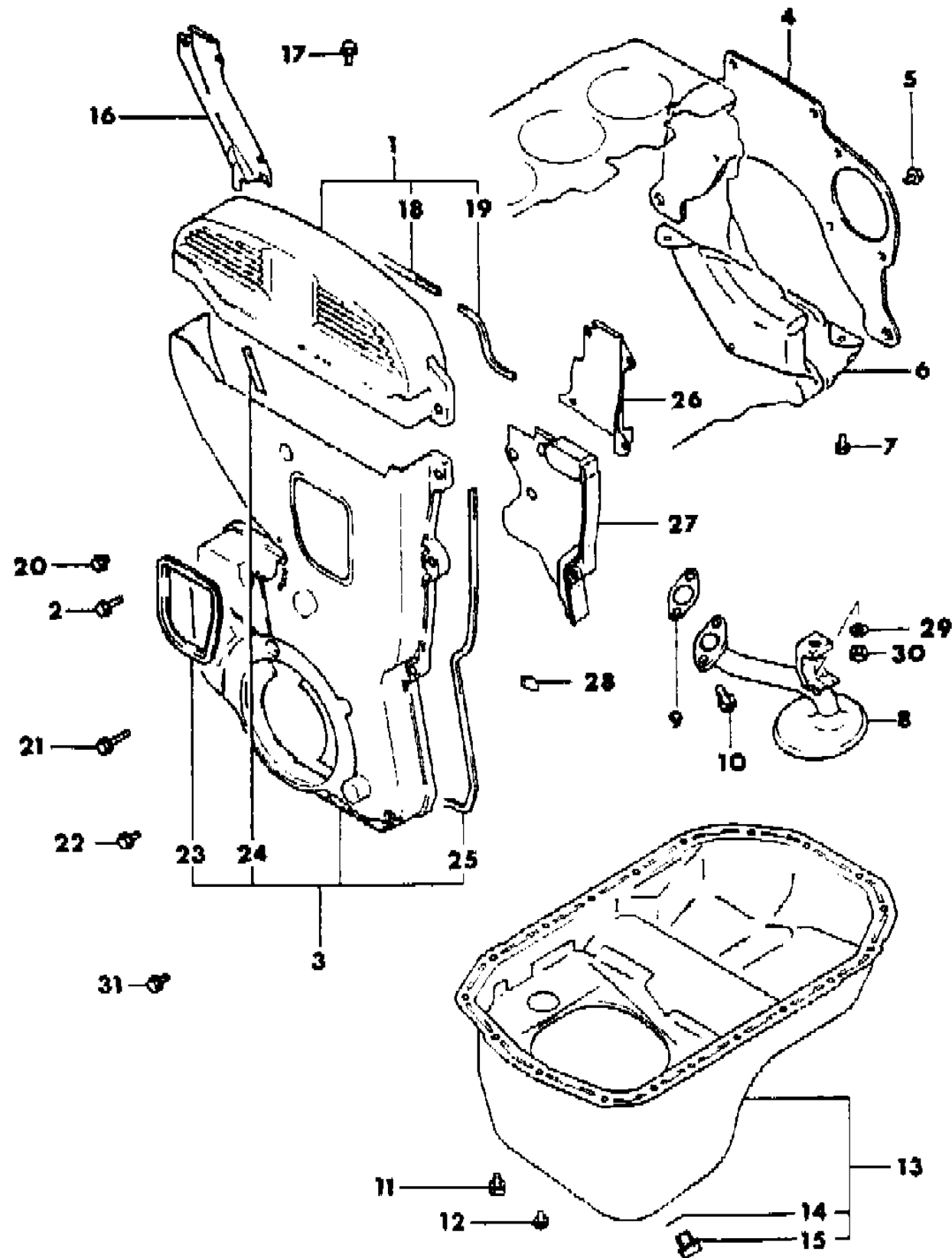
MODELS:  
 24 FWD = 2Dr Hatchback (Laser)  
 24 FWD = 2-Dr Hatchback (Talon)  
 4WD = (4 Wheel Drive)  
 2WD = (2 Wheel Drive)

AR = Use as Required - = Non Illustrated Part P.A.R. = Paint as Required

OIL PAN & TIMING BELT COVER 2.0L ENGINE LASER-TALON

Figure 9A-1900

9658 1900



ITEM	PART NUMBER	QTY	BODY	MODEL	DESCRIPTION
1	MD14 1457	1			COVER, Timing Belt Up To Engine # NH0001
	MD18 8127	1			After Engine # NH0001
2	MF14 0209	1			BOLT, Flange 1990-93, (6x25)
	MF14 0210	2			1994, (6x28)
3	MD14 1454	1			COVER, Timing Belt Up To Engine # NH0001
	MD19 3995	1			After Engine # NH0001
4	MD03 0141	1	FWD		PLATE, Cylinder Block Rear w/o Turbo
	MD00 8892	1	FWD		w/Turbo
			AWD		w/Turbo
5	MD03 0141	1			w/Man. Trans.
	MD00 8892	1			w/Auto Trans.
6	MF14 0202	AR			BOLT, Flange, (6x10)
					COVER, Bellhousing Up To Engine # NH0001 ***
7	MD07 6175	1	FWD		w/o Turbo
	MD08 9360	1	FWD		w/Turbo
8	MD09 5656	1			w/Turbo
	MD15 0760	1			Man. Trans. Auto Trans. After Engine # NH0001 ***
9	MD19 1169	1	FWD		w/o Turbo
	MD19 1170	1	FWD		w/Turbo
10	MD19 1171	1			Man. Trans.
	MD19 1173	1			Auto Trans.
11	MD19 1169	1	FWD		1994 ***
	MD19 1137	1	FWD		w/o Turbo
12	MD19 1171	1			w/Turbo
	MD19 5138	1			Man. Trans. Auto Trans.
13	MD01 2109	2			BOLT 1990-93, (6x12)
	MF14 0722	AR			1994, (6x10)
14	MD11 3024	1			STRAINER, Oil Pan

ENGINE: P = 1800cc (1.8L) A = 2000cc (2.0L) Blank = All  
 TRANS: A = Automatic M = Manual Blank = All  
 SERIES: H = High M = Medium P = Premium S = Special

MODELS:  
 24 FWD = 2Dr Hatchback (Laser)  
 24 FWD = 2-Dr Hatchback (Talon)  
 4WD = (4 Wheel Drive)  
 2WD = (2 Wheel Drive)

AR = Use as Required - = Non Illustrated Part P.A.R. = Paint as Required



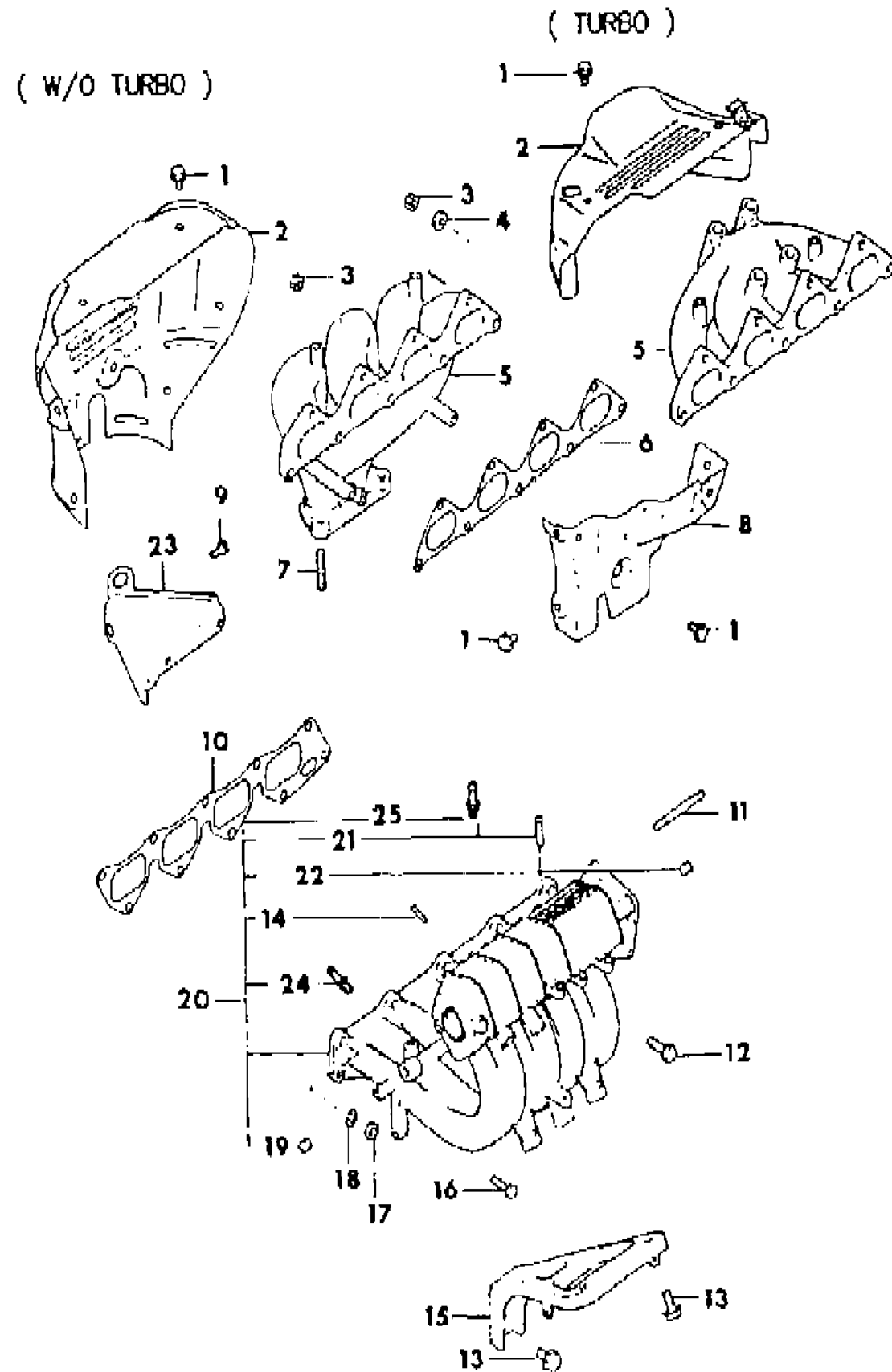






**MANIFOLD, INTAKE & EXHAUST 2.0L ENGINE LASER-TALON**  
**Figure 9A-2000**

9658 2000A



ITEM	PART NUMBER	QTY	BODY	MODEL	DESCRIPTION
	MD18 3531	1			w/o Turbo
	MD17 6459	1			w/Turbo
	MD18 8995	1			1994
11					STUD
	MD12 7824	2			w/o Turbo, (8x65)
	MD12 7825	2			1990, w/Turbo, (8x95)
	MD16 1757	2			1991-94, w/Turbo
12	MF24 1284	1			BOLT, w/Washer, (10x30)
13	MF14 0057	3			BOLT, Flange, (10x18)
14					NIPPLE, Inlet Manifold
	MD10 8999	1			1990-91, w/o Turbo
	MD04 0973	1			1990-91, w/Turbo
	MD10 8999	1			1992-94
15					STAY, Inlet Manifold
	MD13 8851	1			w/o Turbo
	MD12 7751	1			w/Turbo
16	MF24 1256	7			BOLT, w/Washer, (8x28)
17					NUT
	MU43 0002	2			1990-93, (10)
	MF43 0122	2			1994, (10)
18	MF45 0406	2			WASHER, Spring, (10)
19	MS66 1141	1			PLUG, (PT 1/4)
20					MANIFOLD, Inlet
	MD12 7641	1			w/o Turbo
	MD12 7642	1			w/Turbo
21	MD08 8093	1			NIPPLE, w/o Turbo
22	MS66 1141	1			PLUG, (PT 1/4)
23	MD13 0498	1			HANGER, Engine, 1990-93
24					NIPPLE, Inlet Manifold
	MD00 0579	1			w/Turbo, (4)
	MD04 0973	1			w/Turbo, (6)
25	MD00 0428	1			NIPPLE, w/Turbo

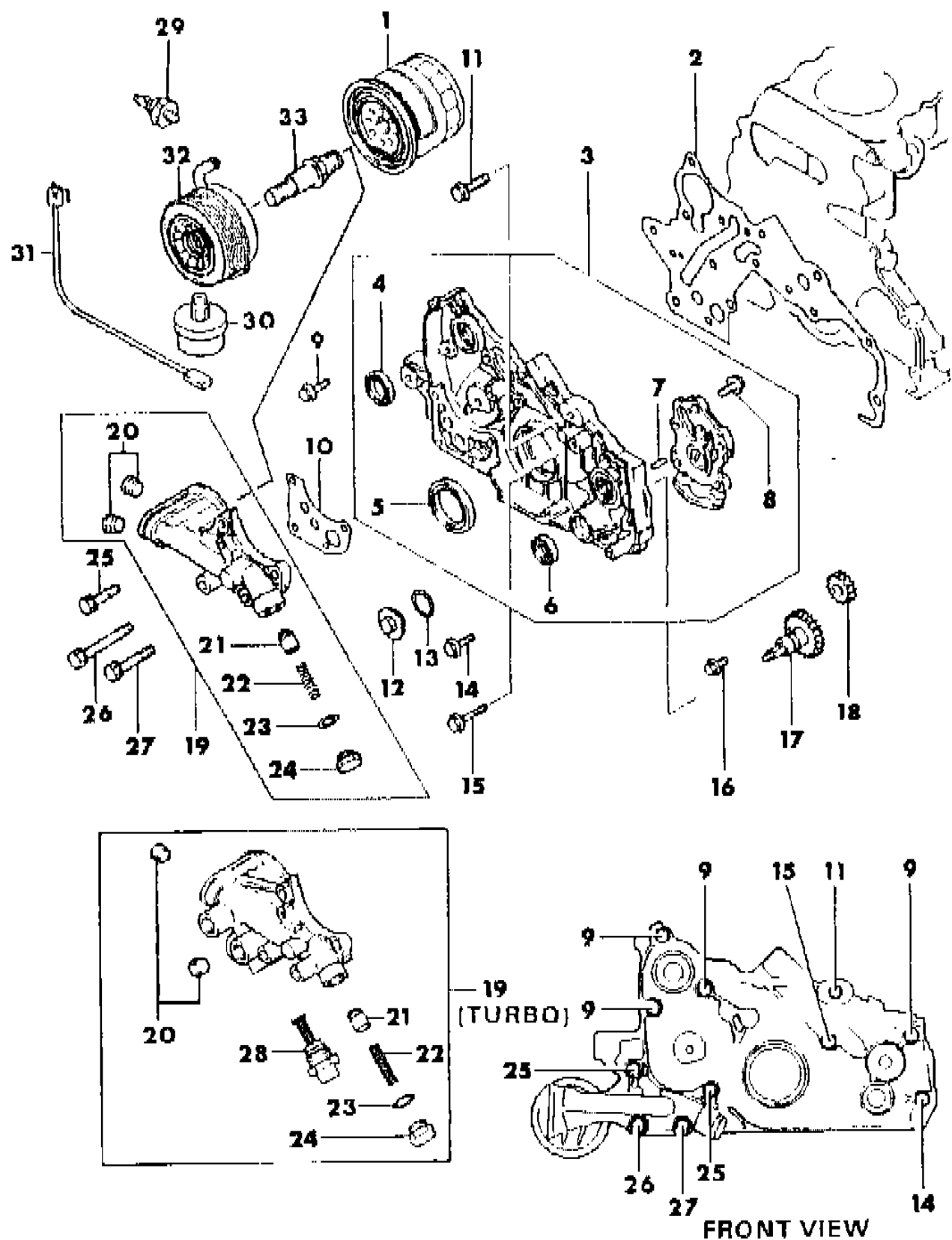
ENGINE: P = 1800cc (1.8L) A = 2000cc (2.0L) Blank = All  
 TRANS: A = Automatic M = Manual Blank = All  
 SERIES: H = High M = Medium P = Premium S = Special

MODELS:  
 24 FWD = 2Dr Hatchback (Laser)  
 24 FWD = 2-Dr Hatchback (Talon)  
 4WD = (4 Wheel Drive)  
 2WD = (2 Wheel Drive)

AR = Use as Required - = Non Illustrated Part P.A.R. = Paint as Required

**OIL PUMP AND OIL FILTER 2.0L ENGINE, 1990-92, (UP TO ENGINE # NH0001) LASER-TALON**  
**Figure 9A-2100**

9658 2100A



ITEM	PART NUMBER	QTY	BODY	MODEL	DESCRIPTION
1	MD03 1805	1			OIL FILTER
2	MD01 4194	1			GASKET, Engine Front Case
3					CASE, Cylinder Block, Front
	MD12 9347	1			1990-91
	MD17 5762	1			1992
4	MD06 9950	1			OIL SEAL
5					OIL SEAL, Crankshaft, Front
	MD06 9949	1			1990-91
	MD17 4462	1			1992
6	MD09 5355	1			OIL SEAL, Oil Pump Rotor Shaft
7	MF47 2403	2			PIN, Dowel, (6x14)
8	MF14 0025	5			BOLT, Flange, (8x20 4T)
9	MF14 0225	4			BOLT, Flange, (8x20 7T)
10					GASKET, Oil Filter Bracket
	MD04 1018	1			1990
	MD14 9370	1			1991-92
11	MF14 0062	1			BOLT, Flange, (10x30 4T)
12	MD12 5376	1			PLUG, Engine Front Case
13	MD04 1021	1			O-RING, Engine Front Case, (26.2)
14	MF14 0225	1			BOLT, Flange, (8x25)
15	MF14 0233	1			BOLT, Flange, (8x40 7T)
16	MD04 0758	1			BOLT, Flange, (8x16 10T)
17					GEAR, Oil Pump Drive
	MD12 1120	1			1990-91
	MD17 4581	1			1992
18					GEAR, Oil Pump Driven
	MD12 5361	1			1990-91
	MD17 4582	1			1992
19					BRACKET, Oil Filter
	MD13 2913	1			w/o Turbo
					w/Turbo
	MD13 2912	1			1990
	MD15 7670	1			1991-92
20	MD14 5018	AR			PLUG, Taper
21	MD00 1402	1			PLUNGER, Relief
22	MD05 0299	1			SPRING, Engine Oil Relief Plunger
23	MD00 0312	1			GASKET, (18.2)
24	MD00 1404	1			PLUG, (18)
25	MF10 1263	AR			BOLT, w/Washer, (8x40)

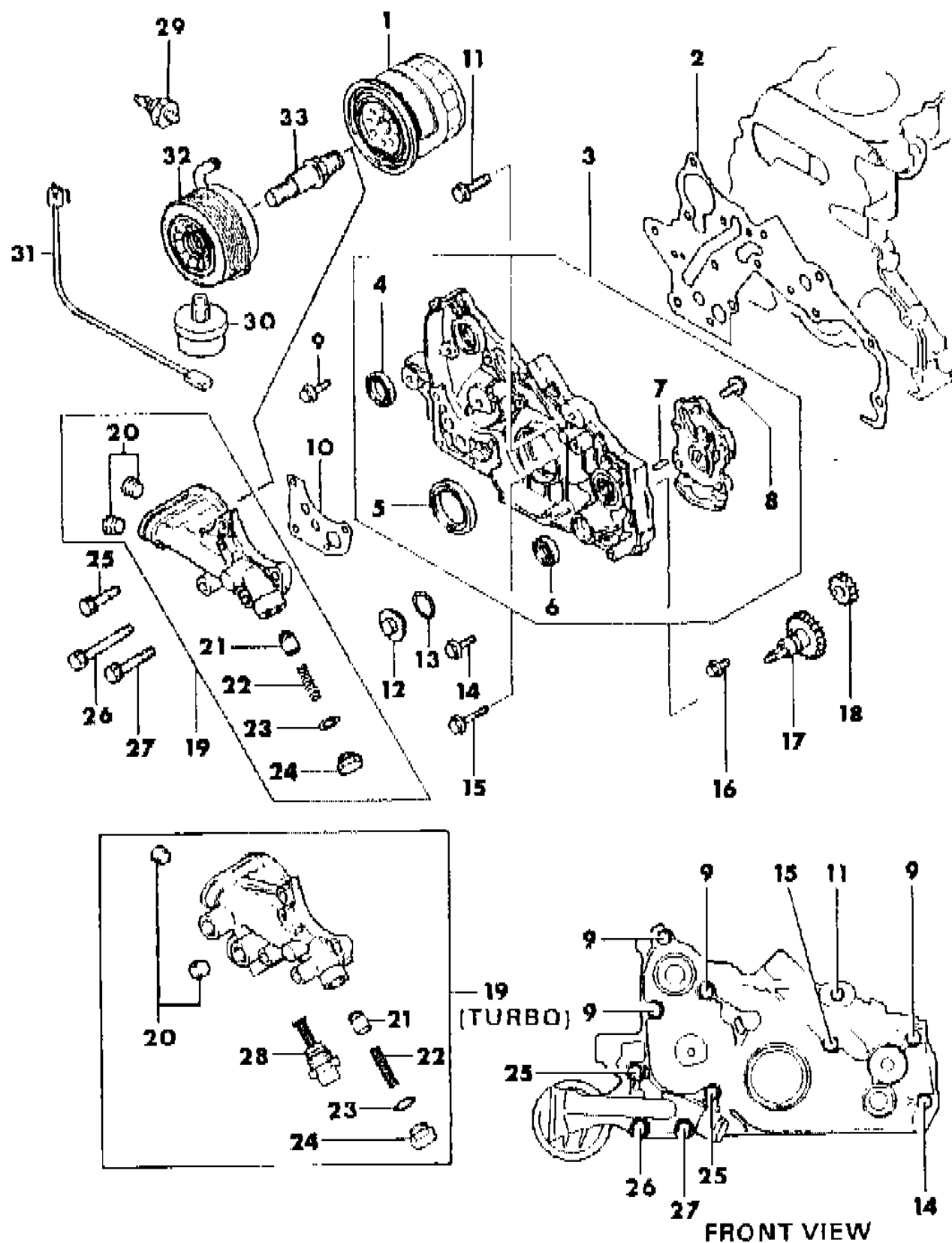
ENGINE: P = 1800cc (1.8L) A = 2000cc (2.0L) Blank = All  
 TRANS: A = Automatic M = Manual Blank = All  
 SERIES: H = High M = Medium P = Premium S = Special

MODELS:  
 24 FWD = 2Dr Hatchback (Laser)  
 24 FWD = 2-Dr Hatchback (Talon)  
 4WD = (4 Wheel Drive)  
 2WD = (2 Wheel Drive)

AR = Use as Required - = Non Illustrated Part P.A.R. = Paint as Required

OIL PUMP AND OIL FILTER 2.0L ENGINE, 1990-92, (UP TO ENGINE # NH0001) LASER-TALON  
Figure 9A-2100

9658 2100A



ITEM	PART NUMBER	QTY	BODY	MODEL	DESCRIPTION
26	MF24 1268	1			BOLT, w/Washer, (8x75 7T)
27					BOLT, w/Washer
	MF24 1264	1			(8x55)
	MF24 1266	1			(8x65)
28	MD04 1092	1			VALVE, Oil Cooler By-Pass, w/Turbo, 1990
29	MD13 8993				SWITCH, Oil Pressure
30	MD13 3273	1			GAUGE UNIT, Oil Pressure ***
31	MD13 7539	1			HARNES, Oil Pressure Gauge
32	MD16 7787	1			COOLER ASSY, Engine Oil, 1991-92 ***
33	MD14 3507	1			BOLT, Engine Oil Cooler, 1991-92

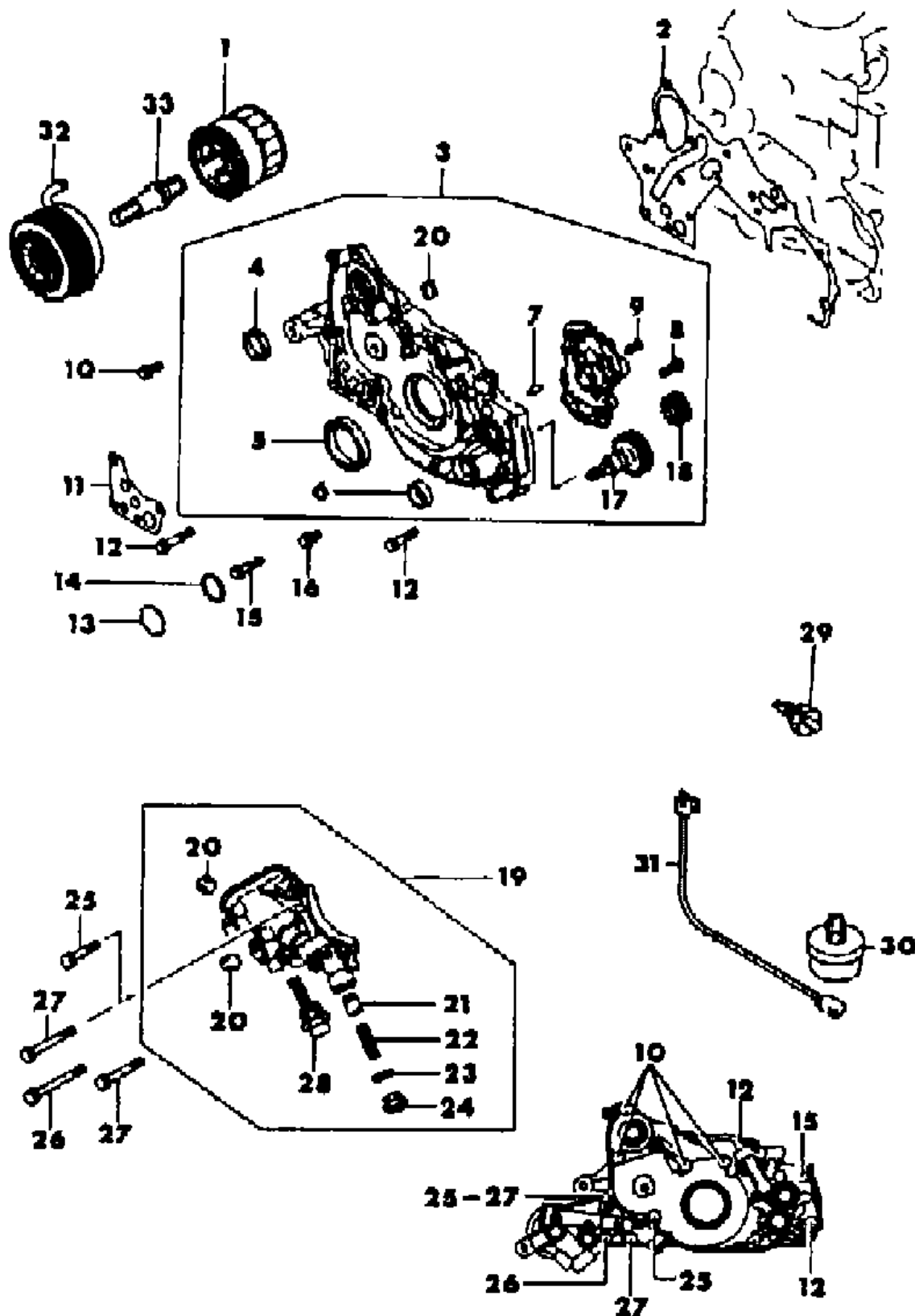
ENGINE: P = 1800cc (1.8L) A = 2000cc (2.0L) Blank = All  
 TRANS: A = Automatic M = Manual Blank = All  
 SERIES: H = High M = Medium P = Premium S = Special

MODELS:  
 24 FWD = 2Dr Hatchback (Laser)  
 24 FWD = 2-Dr Hatchback (Talon)  
 4WD = (4 Wheel Drive)  
 2WD = (2 Wheel Drive)

AR = Use as Required - = Non Illustrated Part P.A.R. = Paint as Required

OIL PUMP AND OIL FILTER 2.0L ENGINE, 1992-94, (AFTER ENGINE # NH0001) LASER-TALON  
Figure 9A-2150

9658 2150



ITEM	PART NUMBER	QTY	BODY	MODEL	DESCRIPTION
1	MD13 5737	1			OIL FILTER
2	MD18 7905	1			GASKET, Engine Front Case
3	MD19 3384	1			CASE, Cylinder Block, Front
4	MD06 9950	1			OIL SEAL
5	MD17 4462	1			OIL SEAL, Crankshaft, Front
6	MD09 5355	1			OIL SEAL, Oil Pump Rotor Shaft
7	MF47 2403	2			PIN, Dowel, (6x14)
8	MF14 0025	AR			BOLT, Flange, (8x20)
9	MD14 1302	1			SCREW, Engine Oil Pump Inner
10	MF14 0225	4			BOLT, Flange, (8x20)
11	MD18 5528	1			GASKET, Oil Filter Bracket
12	MF14 0223	1			BOLT, Engine Front Case (8x40)
	MF14 0230	1			(8x32)
13	MD12 5376	1			PLUG, Engine Front Case
14	MD04 1021	1			O-RING, Engine Front Case, (26.2)
15	MF14 0225	1			1990-93, (8x25)
	MF14 0227	1			1994, (8x25)
16	MD04 0758	1			BOLT, Flange, (8x16)
17	MD17 4581	1			GEAR, Oil Pump Drive
18	MD17 4582	1			GEAR, Oil Pump Driven
19	MD19 1753	1			BRACKET, Oil Filter w/o Turbo w/Turbo
	MD18 9931	1			FWD
	MD18 9931	1			AWD, w/Man. Trans.
	MD19 1712	1	LASER		AWD, w/Auto Trans.
	MD18 9931	1	TALON		AWD, w/Auto Trans.
20	MD14 5018	AR			PLUG, Taper
21	MD00 1402	1			PLUNGER, Relief
22	MD05 0299	1			SPRING, Engine Oil Relief Plunger
23	MD00 0312	1			GASKET, (18.2)
24	MD00 1404	1			PLUG, (18)
25	MF14 1261	AR			BOLT, w/Washer, (8x40)
26	MF24 1268	1			BOLT, w/Washer, (8x75)
27	MF24 1264	1			BOLT, w/Washer (8x55)
	MF24 1266	1			(8x65)

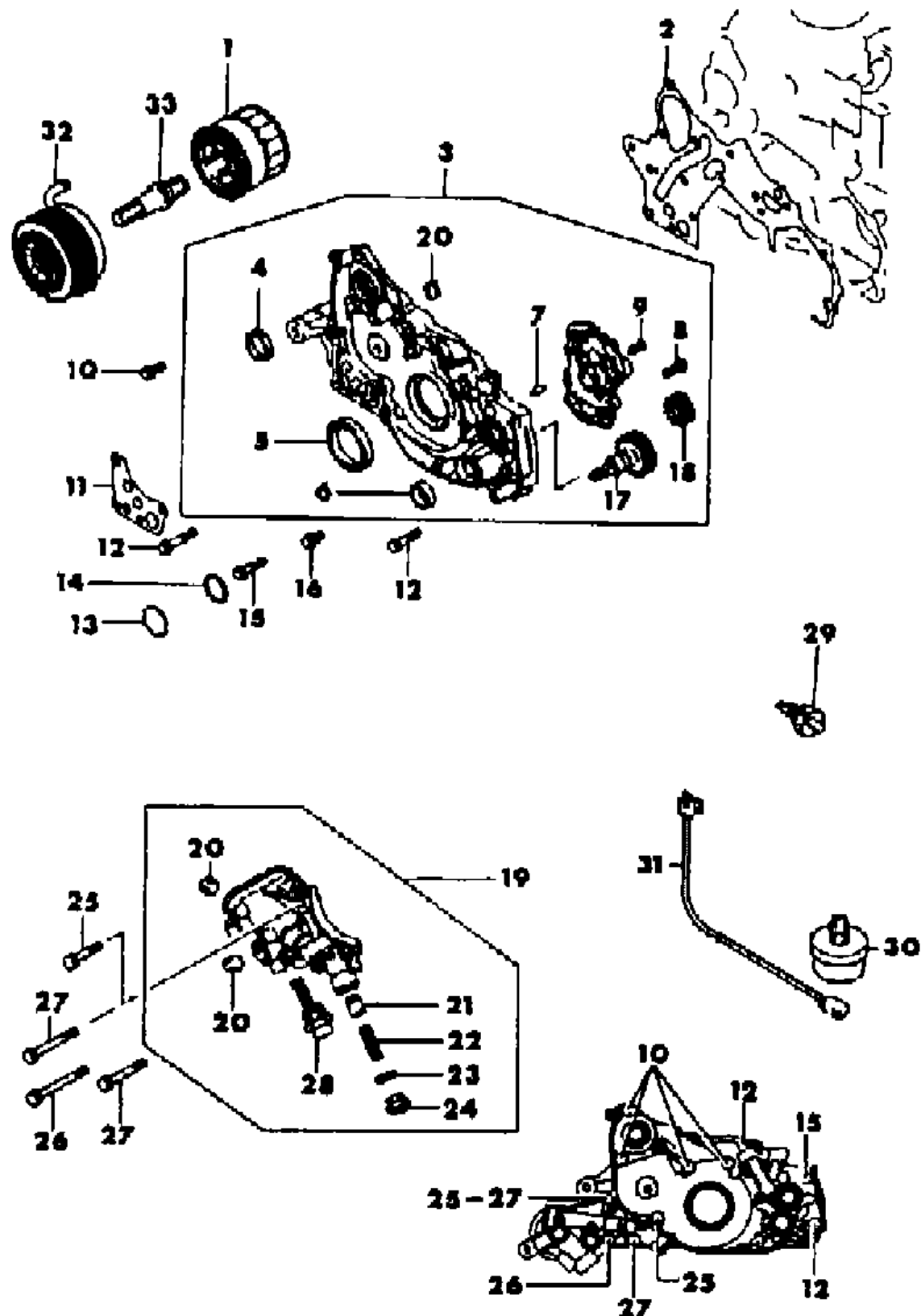
ENGINE: P = 1800cc (1.8L) A = 2000cc (2.0L) Blank = All  
 TRANS: A = Automatic M = Manual Blank = All  
 SERIES: H = High M = Medium P = Premium S = Special

MODELS:  
 24 FWD = 2Dr Hatchback (Laser)  
 24 FWD = 2-Dr Hatchback (Talon)  
 4WD = (4 Wheel Drive)  
 2WD = (2 Wheel Drive)

AR = Use as Required - = Non Illustrated Part P.A.R. = Paint as Required

OIL PUMP AND OIL FILTER 2.0L ENGINE, 1992-94, (AFTER ENGINE # NH0001) LASER-TALON  
Figure 9A-2150

9658 2150



ITEM	PART NUMBER	QTY	BODY	MODEL	DESCRIPTION
28	MD04 1092	1		LASER	VALVE, Oil Cooler By-Pass, w/AWD, w/Auto Trans.
29	MD13 8993				SWITCH, Oil Pressure
30	MD13 3273	1			GAUGE UNIT, Oil Pressure ***
31	MD13 7539	1			HARNESSE, Oil Pressure Gauge
32	MD16 7787	1			COOLER ASSY, Engine Oil, w/Turbo ***
33	MD14 3507	1			BOLT, Engine Oil Cooler, w/Turbo

ENGINE: P = 1800cc (1.8L) A = 2000cc (2.0L) Blank = All  
 TRANS: A = Automatic M = Manual Blank = All  
 SERIES: H = High M = Medium P = Premium S = Special

MODELS:  
 24 FWD = 2Dr Hatchback (Laser)  
 24 FWD = 2-Dr Hatchback (Talon)  
 4WD = (4 Wheel Drive)  
 2WD = (2 Wheel Drive)

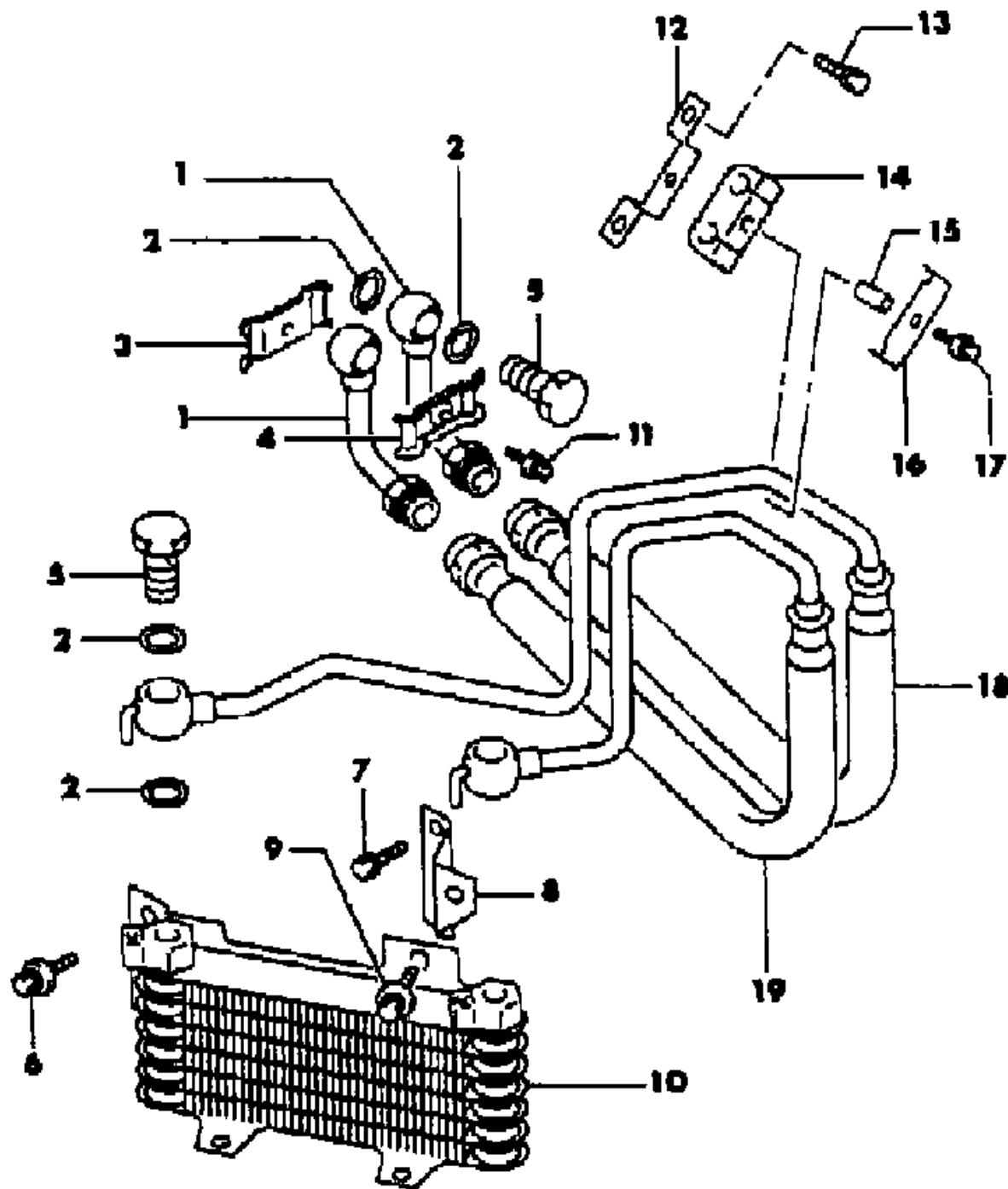
AR = Use as Required - = Non Illustrated Part P.A.R. = Paint as Required



ENGINE OIL COOLER 2.0L ENGINE, W/TURBO, 1992-94,(AFTER ENG # NH0001)LASER-TALON

Figure 9A-2250

9658 2250



ITEM	PART NUMBER	QTY	BODY	MODEL	DESCRIPTION
1	MB03 3658	2			TUBE
2	MB03 3054	8			GASKET, Tube
3	MB03 3661	1			CLAMP, Line
4	MB03 3660	1			CLAMP, Line
5	MB03 3025	4			EYEBOLT, Line, (16x33) ***
6	MS24 0085	2			BOLT, w/Washer, (8x20)
7	MS24 0095	2			BOLT, (8x16)
8	MB66 0274	1			BRACKET
9	MS24 0085	1			BOLT, w/Washer, (8x16)
10	MB66 0272	1			OIL COOLER, Engine ***
11	MF24 3624	1			BOLT, w/Washer, (6x16)
12	MB66 0275	1			CLAMP, Line
13	MS24 0095	1			BOLT, w/Washer, (8x16)
14	MB35 6089	1			CUSHION
15	MB35 6090	1			COLLAR, Line
16	MB35 6091	1			CLAMP, Line
17	MF24 7230	1			BOLT, w/Washer, (6x30)
18	MB66 0279	1			HOSE, Return
19	MB66 0278	1			HOSE, Supply

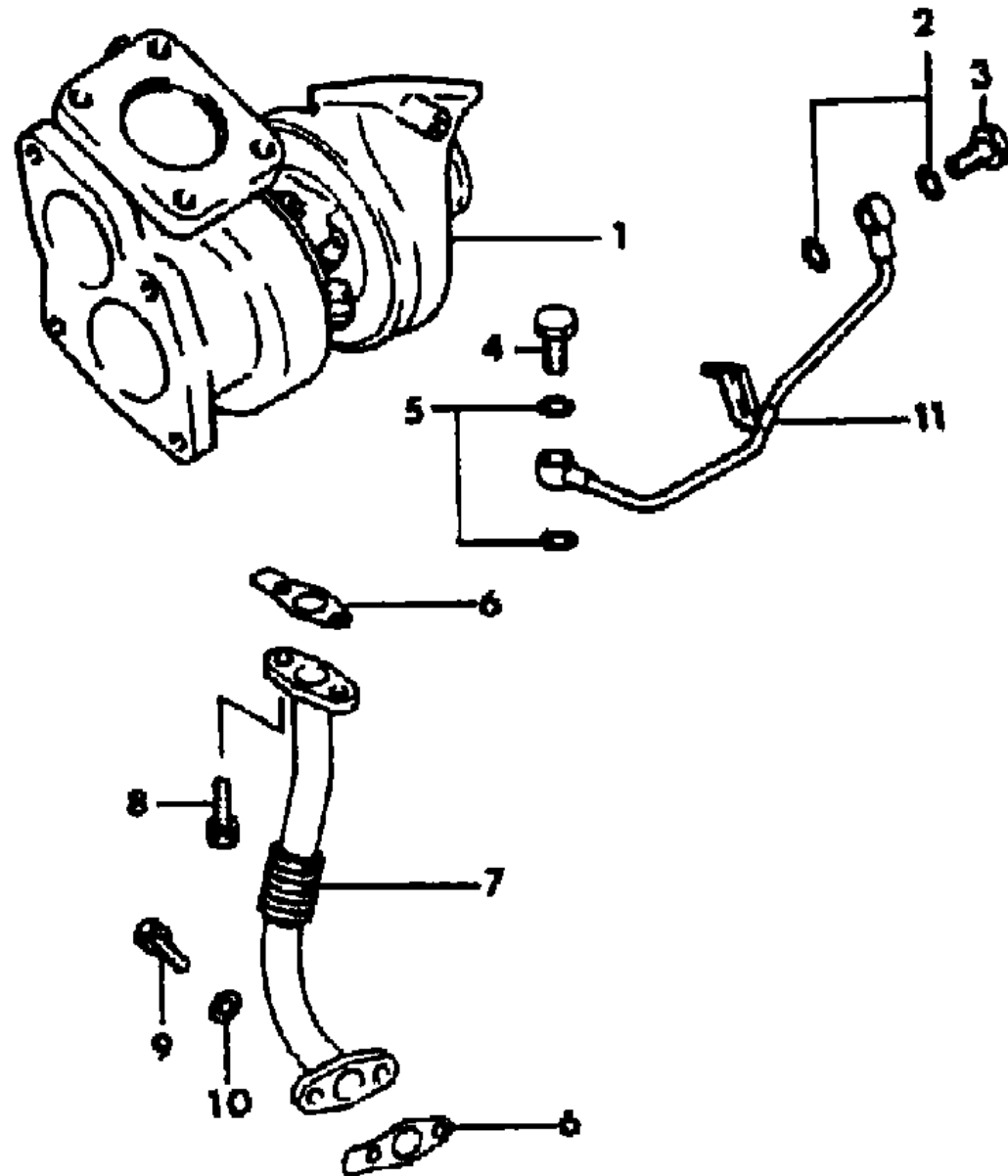
ENGINE: P = 1800cc (1.8L) A = 2000cc (2.0L) Blank = All  
 TRANS: A = Automatic M = Manual Blank = All  
 SERIES: H = High M = Medium P = Premium S = Special

MODELS:  
 24 FWD = 2Dr Hatchback (Laser)  
 24 FWD = 2-Dr Hatchback (Talon)  
 4WD = (4 Wheel Drive)  
 2WD = (2 Wheel Drive)

AR = Use as Required - = Non Illustrated Part P.A.R. = Paint as Required

OIL LINES, TURBO 2.0L ENGINE LASER-TALON  
Figure 9A-2300

9658 2300



ITEM	PART NUMBER	QTY	BODY	MODEL	DESCRIPTION
1		1			(Refer to Group 14) ***
2	MF66 0063	AR			GASKET, (10)
3	MF65 0102	AR			EYEBOLT, (10x20) ***
4	MS65 0013	1			EYEBOLT, (12x23) ***
5	MF66 0064	2			GASKET, (12)
6					GASKET, Turbo Charger Oil Return Tube
	MD05 0082	2			1990
	MD14 5171	2			1991-92, Up to Engine # NH0001 Man. Trans.
	MD05 0082	2			Auto Trans.
	MD14 5171	2			After Engine # NH0001
7					TUBE, Turbo Charger Return
	MD15 0523	1			1990
	MD15 0523	1			1991-92 (Up To Engine # NH0001) Man. Trans.
	MD16 2286	1			Auto Trans. After Engine # NH0001
	MD18 9313	1			Man. Trans.
	MD18 7295	1			Auto Trans.
8	MF24 1225	2			BOLT, w/Wahser, (6x16)
9	MF10 1229	2			BOLT, (6x20)
10	MF66 0031	2			GASKET, (6)
11					TUBE, Turbo Charger Feed
	MD14 0394	1			Man. Trans.
	MD16 3119	1			Auto Trans.

ENGINE: P = 1800cc (1.8L) A = 2000cc (2.0L) Blank = All  
 TRANS: A = Automatic M = Manual Blank = All  
 SERIES: H = High M = Medium P = Premium S = Special

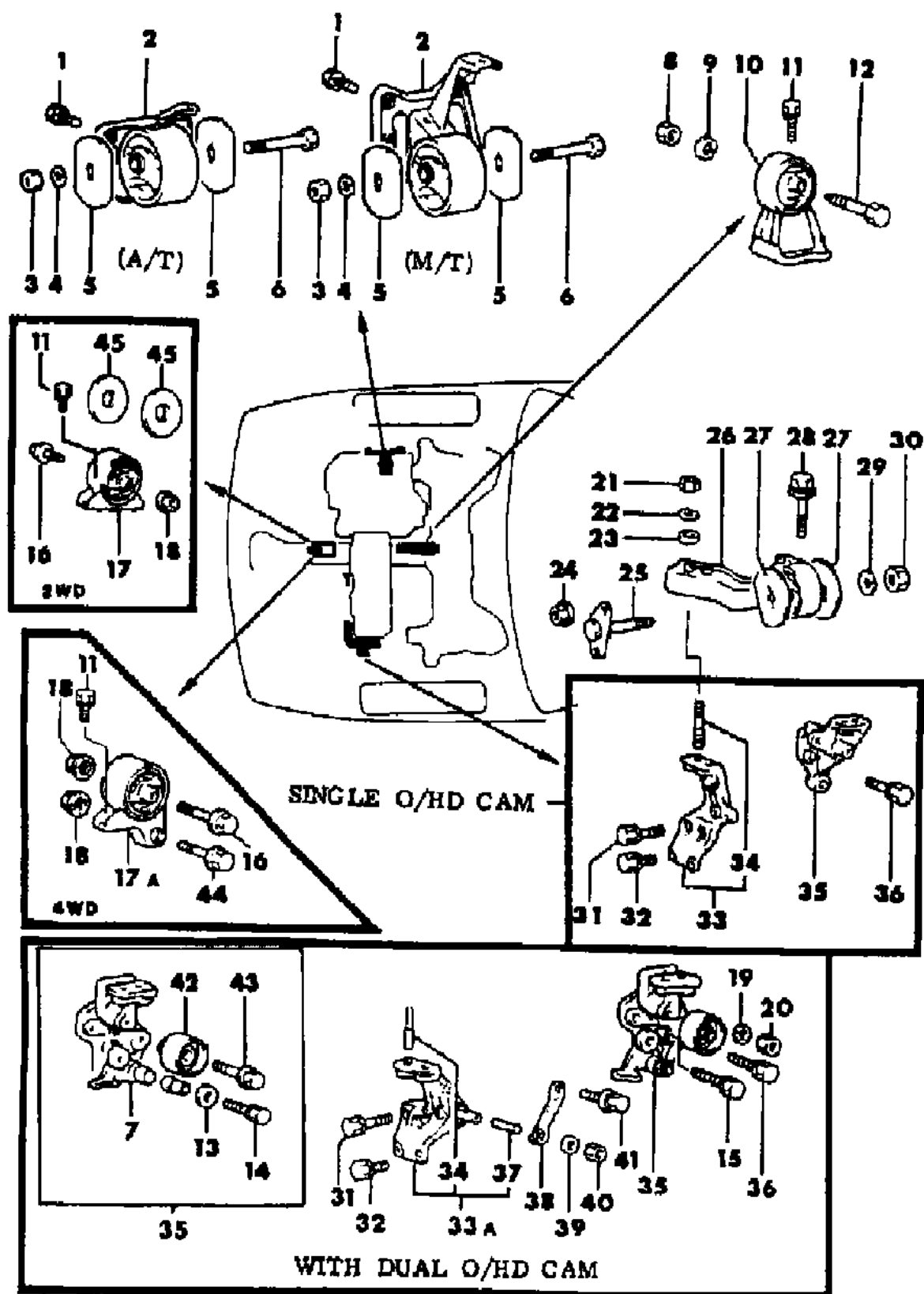
MODELS:  
 24 FWD = 2Dr Hatchback (Laser)  
 24 FWD = 2-Dr Hatchback (Talon)  
 4WD = (4 Wheel Drive)  
 2WD = (2 Wheel Drive)

AR = Use as Required - = Non Illustrated Part P.A.R. = Paint as Required



**ENGINE MOUNTING 1.8L-2.0L ENGINE,1990-92,(2.0L UP TO ENG # NH0001)LASER-TALON**  
**Figure 9A-2400**

96582400C



ITEM	PART NUMBER	QTY	BODY	MODEL	DESCRIPTION
1	MB00 7176	4			BOLT, w/Washer, (10x25)
2					BRACKET, Trans. Mounting
					1990 ***
					Man. Trans.
	MB43 6728	1	FWD		w/o Speed Control
	MB43 6729	1	FWD		w/Speed Control
					Auto Trans., w/o Turbo
	MB43 6744	1	FWD		w/o Speed Control
	MB43 6745	1	FWD		w/Speed Control
					Man. Trans., w/Turbo
	MB43 6728	1	AWD		w/o Speed Control
	MB43 6729	1	AWD		w/Speed Control
					1991-92 ***
					Man. Trans.
					w/o ABS
	MB43 6728	1			w/o ABS
	MB69 1005	1			w/ABS
					Auto Trans., w/o Turbo
	MB43 6744	1			w/o ABS
	MB69 1010	1			w/ABS
					Auto Trans. w/Turbo
	MB58 1830	1			w/o ABS
	MB58 1831	1			w/ABS
3	MF43 0123	1			NUT
4	MS45 0044	1			WASHER, Spring
5					STOPPER, Trans. Mounting
	MB30 9407	2			w/o Turbo
					w/Turbo
	MB43 6569	2			Man. Trans.
	MB30 9407	2			Auto Trans.
6	MF10 4927	1			BOLT, (12x100 7T)
7	MD13 0032	1			ARM, Timing Belt Tensioner, w/2.0L Engine
8	MU43 0002	1			NUT
9	MS45 0043	1			WASHER, Spring, (10)
10					BRACKET, Roll Stopper Rear
	MB30 9260	1	FWD		Man. Trans.
	MB58 1322	1	FWD		Auto Trans.
	MB43 6495	1	AWD		Man. Trans.
	MB58 1640	1	AWD		Auto Trans.
11	MB00 7176	AR			BOLT, w/Washer, (10x25)

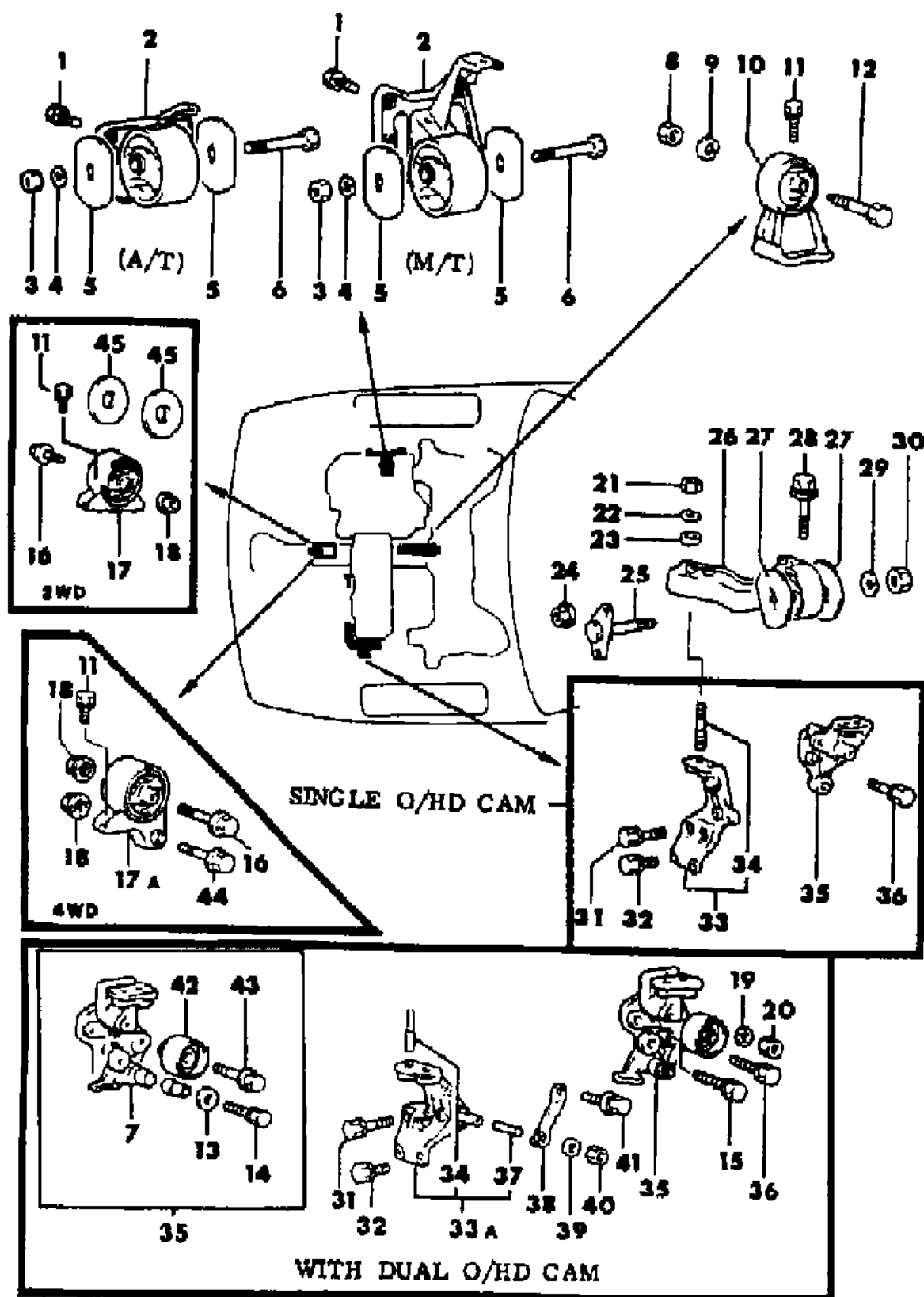
ENGINE: P = 1800cc (1.8L) A = 2000cc (2.0L) Blank = All  
 TRANS: A = Automatic M = Manual Blank = All  
 SERIES: H = High M = Medium P = Premium S = Special

MODELS:  
 24 FWD = 2Dr Hatchback (Laser)  
 24 FWD = 2-Dr Hatchback (Talon)  
 4WD = (4 Wheel Drive)  
 2WD = (2 Wheel Drive)

AR = Use as Required - = Non Illustrated Part P.A.R. = Paint as Required

**ENGINE MOUNTING 1.8L-2.0L ENGINE,1990-92,(2.0L UP TO ENG # NH0001)LASER-TALON**  
**Figure 9A-2400**

96582400C



ITEM	PART NUMBER	QTY	BODY	MODEL	DESCRIPTION
12	MU10 1017	1			BOLT, Engine Support Rod
13	MD12 9421	1			WASHER, Engine Support, w/2.0LEngine
14	MF24 1251	1			BOLT, w/2.0L Engine, (8x16 7T)
15	MF24 1281	1			BOLT, w/2.0L Engine, (10x22 7T)
16					BOLT, Flange
	MF14 0473	1			1990
					1991-92
	MF14 0473	1			1.8L Engine
	MF14 0474	1	FWD		2.0L Engine
	MU14 0014	1	AWD		2.0L Engine
	MF14 0473	1			2.0L Engine, w/Man. Trans.
17					BRACKET, Roll Stopper Front w/o Turbo ***
	MB30 9504	1	FWD		Man. Trans.
	MB30 9481		FWD		Auto Trans. w/Turbo ***
	MB30 9504	1	FWD		Man. Trans.
	MB69 1015	1	FWD		Auto Trans. 1991-94
17A					BRACKET, Front Roll Stopper 2.0L Engine, w/Turbo ***
	MB43 6490	1	AWD		Man. Trans.
	MB58 1635	1	AWD		Auto Trans.
18	MB28 8462	AR			NUT, Flange, (10)
19	MF45 0406	AR			WASHER, Spring, (10)
20	MU43 0002	1			NUT, (10)
21	MU43 0002	1			NUT, (10)
22	MS45 0043	2			WASHER, Spring, (10)
23	MB00 7174	2			WASHER, Plain, (10.5)
24	MS44 0504	2			NUT, w/Washer, (10)
25	MB17 5769	1			BOLT
26					BRACKET, Front Engine Mounting w/o Turbo
	MB43 6740	1	FWD		1.8L Engine
	MB43 6741	1	FWD		2.0L Engine
	MB43 6742	1	FWD		w/Turbo
					w/Turbo
	MB43 6741	1	AWD		Man. Trans.
	MB43 6742	1	AWD		Auto Trans.
27					STOPPER, Engine Rear Mount Cushion

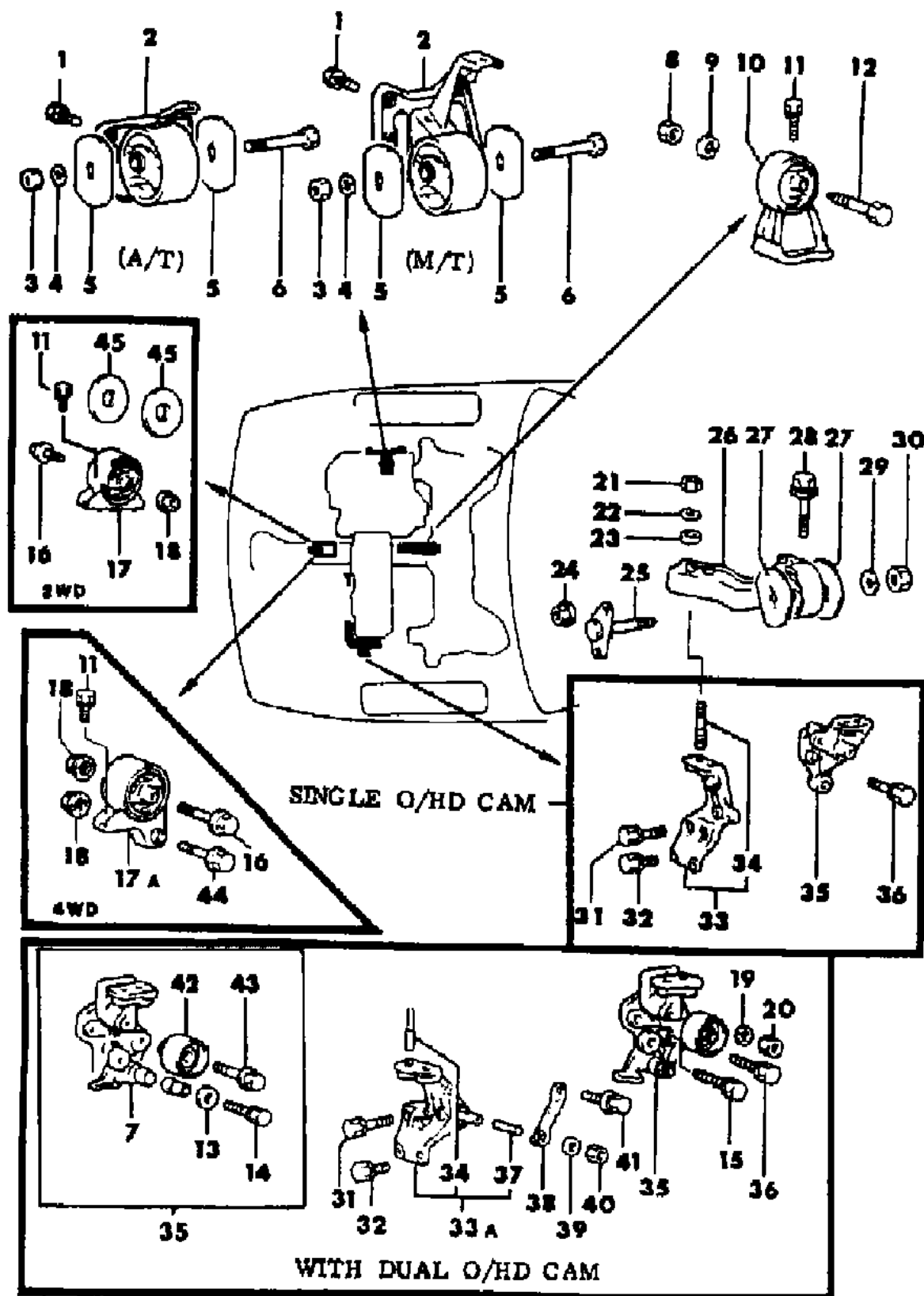
ENGINE: P = 1800cc (1.8L) A = 2000cc (2.0L) Blank = All  
 TRANS: A = Automatic M = Manual Blank = All  
 SERIES: H = High M = Medium P = Premium S = Special

MODELS:  
 24 FWD = 2Dr Hatchback (Laser)  
 24 FWD = 2-Dr Hatchback (Talon)  
 4WD = (4 Wheel Drive)  
 2WD = (2 Wheel Drive)

AR = Use as Required - = Non Illustrated Part P.A.R. = Paint as Required

**ENGINE MOUNTING 1.8L-2.0L ENGINE,1990-92,(2.0L UP TO ENG # NH0001)LASER-TALON**  
**Figure 9A-2400**

96582400C



ITEM	PART NUMBER	QTY	BODY	MODEL	DESCRIPTION
	MB30 9927	2			w/o Turbo
					w/Turbo
	MB43 6568	2			Man. Trans.
	MB30 9927	2			Auto Trans.
28					BOLT, w/Washer, (10x73)
	MB00 6929	2			1990
	MU24 0123	2			1991-92
29	MS45 0044	1			WASHER, Spring
30	MF43 0123	1			NUT
31					BOLT, w/Washer
	MS24 0218	3			1.8L Engine, (10x30)
	MS24 0221	2			2.0L Engine, (10x40)
32	MS24 0216	2			BOLT, w/Washer, (10x25)
33					BRACKET, Rt., Cylinder Block
	MD12 5358	1			1.8L Engine
33A					BRACKET, Rt., Cylinder Block
					2.0L Engine
	MD13 1585	1			w/o Turbo
	MD13 1586	1			w/Turbo
34	MB24 3093	2			STUD, (10x65)
35					BRACKET, Lt., Cylinder Block
	MD11 2262	1			1.8L Engine
	MD13 5826	1			2.0L Engine, w/o Turbo
	MD13 5827	1			2.0L Engine, w/Turbo
36					BOLT, w/Washer, (10x30)
	MF24 1284	2			1.8L Engine
	MF24 1282	1			2.0L Engine
37	MF40 2563	1			STUD, Engine Oil Pump Inner, w/2.0L Engine, (8x18 7T)
38	MD13 1332	1			STAY, Engine Support, w/2.0L Engine
39	MF45 0405	1			WASHER, Spring, w/2.0L Engine, (8)
40	MF43 0121	1			NUT, w/2.0L Engine, (8 6T)
41	MS24 0140	1			BOLT, w/Washer, w/2.0L Engine, (8x25 7T)
42	MD15 6604	1			PULLEY, Valve Timing Belt Idler
43	MF24 1281	1			BOLT, w/Washer
44	MF14 0470	1	4WD		BOLT, Engine Support Rod, (10x60)
45	MB58 1342	2	FWD		STOPPER, Front Mount Cushion, w/2.0L Engine, w/Man. Trans.

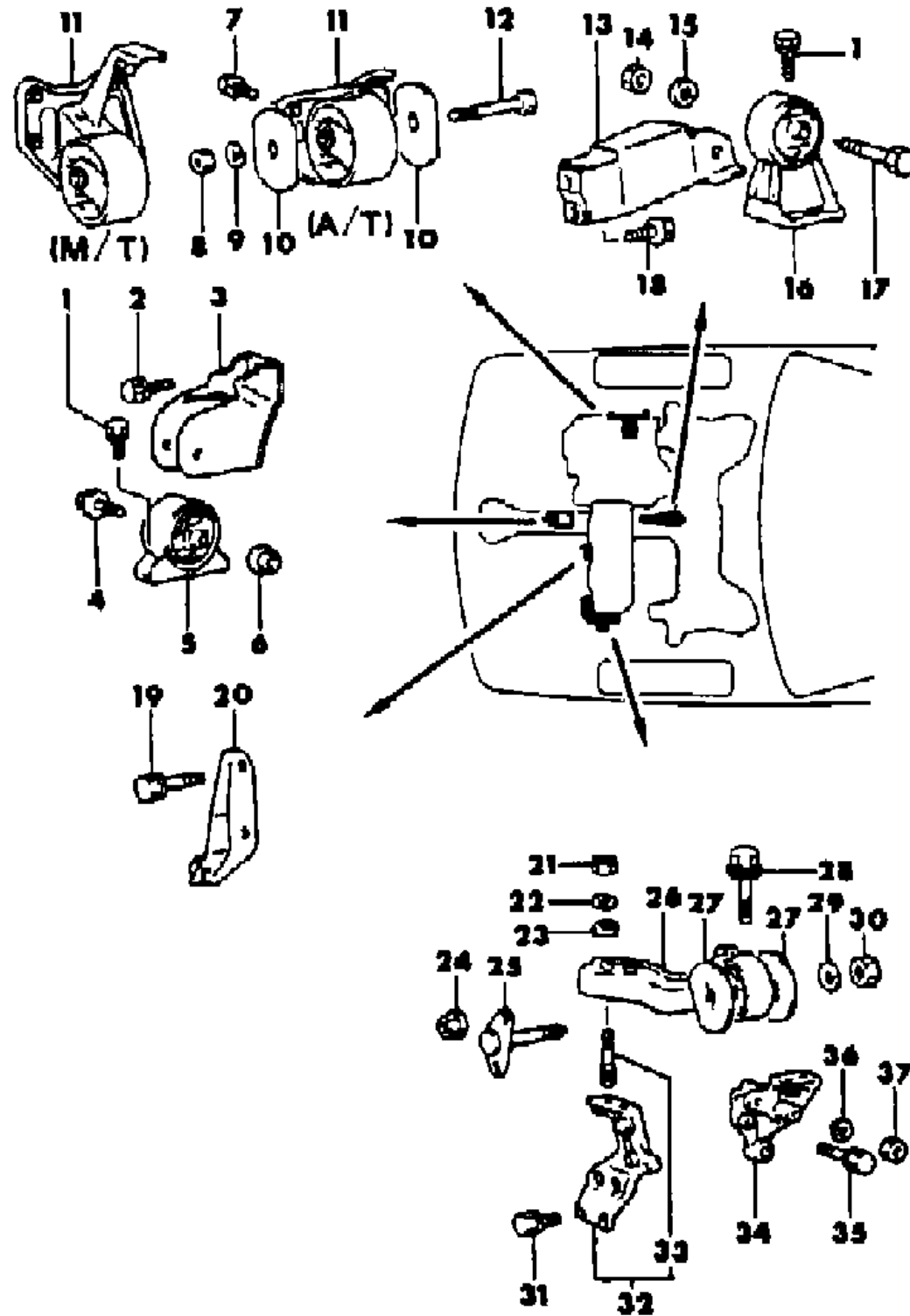
ENGINE: P = 1800cc (1.8L) A = 2000cc (2.0L) Blank = All  
 TRANS: A = Automatic M = Manual Blank = All  
 SERIES: H = High M = Medium P = Premium S = Special

MODELS:  
 24 FWD = 2Dr Hatchback (Laser)  
 24 FWD = 2-Dr Hatchback (Talon)  
 4WD = (4 Wheel Drive)  
 2WD = (2 Wheel Drive)

AR = Use as Required - = Non Illustrated Part P.A.R. = Paint as Required

**ENGINE MOUNTING 1.8L ENGINE, 1993-94 LASER-TALON**  
**Figure 9A-2450**

**9654 2450**



ITEM	PART NUMBER	QTY	BODY	MODEL	DESCRIPTION
1	MB00 7176	AR			BOLT, w/Washer, (10x25)
2	MF24 1307	2			BOLT, w/Washer, (12x25)
3	MD13 3345	1			BRACKET, Roll Stopper
4	MF14 0473	1			BOLT, Flange, (10x75)
5		1			BRACKET, Roll Stopper Front
	MB30 9504	1			Man. Trans., 1993
	MB30 9492	1			Man. Trans., 1994
	MB30 9481	1			Auto Trans.
6	MB28 8462	AR			NUT, Flange, (10)
7	MB00 7176	4			BOLT, w/WASHER, (10x25)
8					NUT
	MF43 0123	1			1993, (12)
	MF43 0007	1			1994, (12)
9					WASHER, Spring
	MS45 0044	1			1993, (12)
	MF45 0407	1			1994, (12)
10	MB30 9407	2			STOPPER, Trans. Mounting
11					BRACKET, Trans. Mounting
	MB43 6728	1			Man. Trans.
	MB43 6744	1			Auto Trans.
12	MF10 4927	1			BOLT, Trans. Mounting, (12x100)
13	MD11 2582	1			BRACKET, Roll Stopper
14					NUT
	MU43 0002	1			1993
	MF43 0122	1			1994, (10)
15	MS45 0043	1			WASHER, Spring, (10)
16					BRACKET, Roll Stopper Rear
	MB30 9260	1			Man. Trans.
	MB58 1322	1			Auto Trans.
17	MU10 1017	1			BOLT, Engine Support Rod
18	MD03 1605	1			BOLT, Engine Mounting, (12x26)
19	MF24 1279	1			BOLT, w/Washer, (10x18)
20	MD08 3605	1			BRACKET, Exhaust Pipe Support
21					NUT
	MU43 0002	1			1993, (10)
	MF43 0122	1			1994, (10)
22	MS45 0043	2			WASHER, Spring, (10)
23	MB00 7174	2			WASHER, Plain, (10.5)
24	MS44 0504	2			NUT, w/Washer, (10)

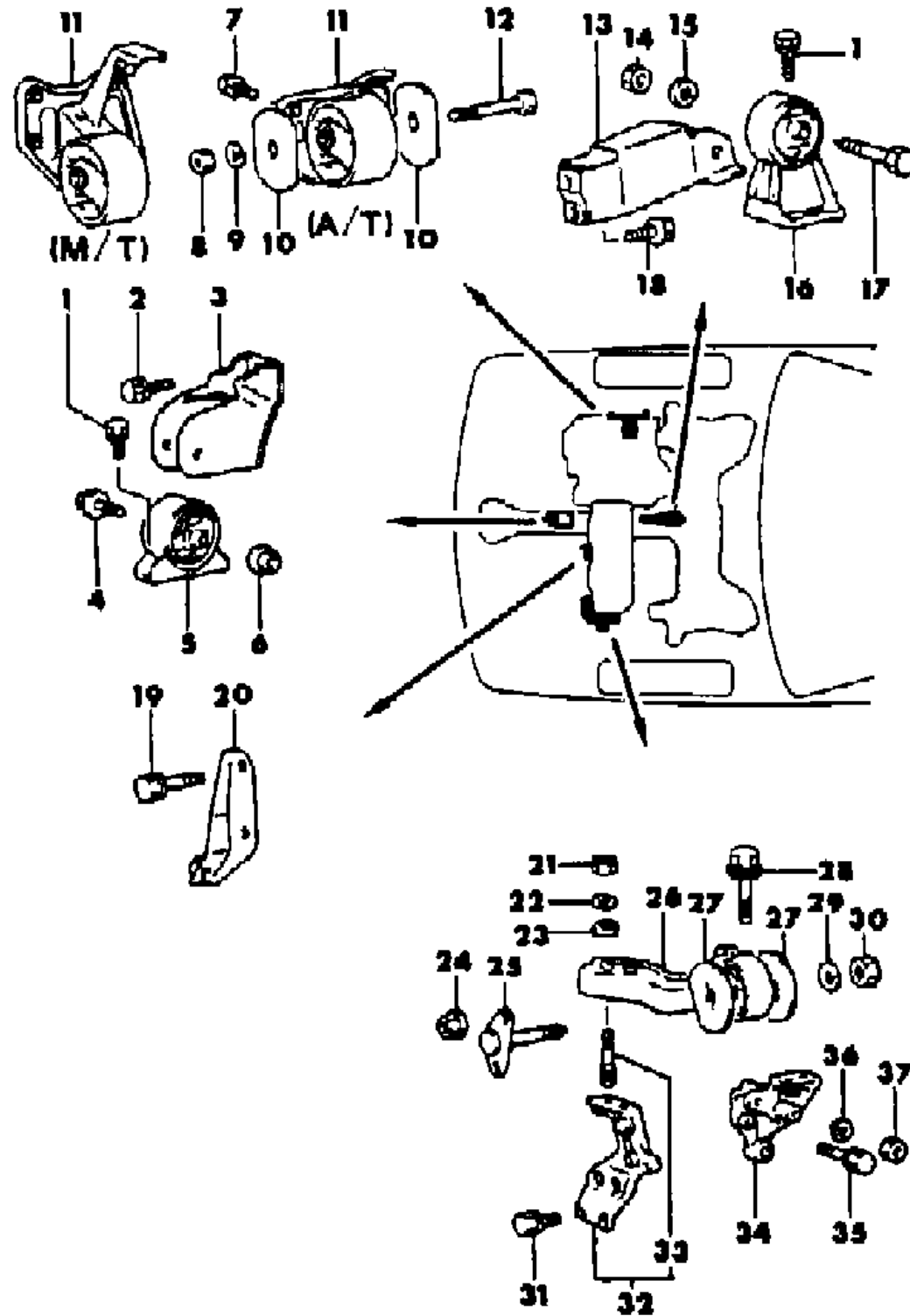
ENGINE: P = 1800cc (1.8L) A = 2000cc (2.0L) Blank = All  
 TRANS: A = Automatic M = Manual Blank = All  
 SERIES: H = High M = Medium P = Premium S = Special

MODELS:  
 24 FWD = 2Dr Hatchback (Laser)  
 24 FWD = 2-Dr Hatchback (Talon)  
 4WD = (4 Wheel Drive)  
 2WD = (2 Wheel Drive)

AR = Use as Required - = Non Illustrated Part P.A.R. = Paint as Required

**ENGINE MOUNTING 1.8L ENGINE, 1993-94 LASER-TALON**  
**Figure 9A-2450**

**9654 2450**



ITEM	PART NUMBER	QTY	BODY	MODEL	DESCRIPTION
25	MB17 5769	1			BOLT
26	MB43 6740	1			BRACKET, Front Engine Mounting
27	MB30 9927	2			STOPPER, Engine Rear Mount Cushion
28	MU24 0123	2			BOLT, w/Washer, (10x73)
29					WASHER, Spring
	MS45 0044	1			1993, (12)
	MF45 0407	1			1994, (12)
30					NUT, Engine Mounting
	MF43 0123	1			1993, (12)
	MF43 0007	1			1994, (12)
31	MS24 0218	2			BOLT, w/Washer, (10x30)
32	MD12 5358	1			BRACKET, Rt., Engine Mount
33	MB24 3093	2			STUD, Engine Mounting, (10x65)
34	MD11 2262	1			BRACKET, Lt., Engine Mount
35	MF24 1284	1			BOLT, w/Washer, (10x30)
36	MF45 0406	AR			WASHER, Spring, (10)
37	MU43 0002	1			NUT, (10)

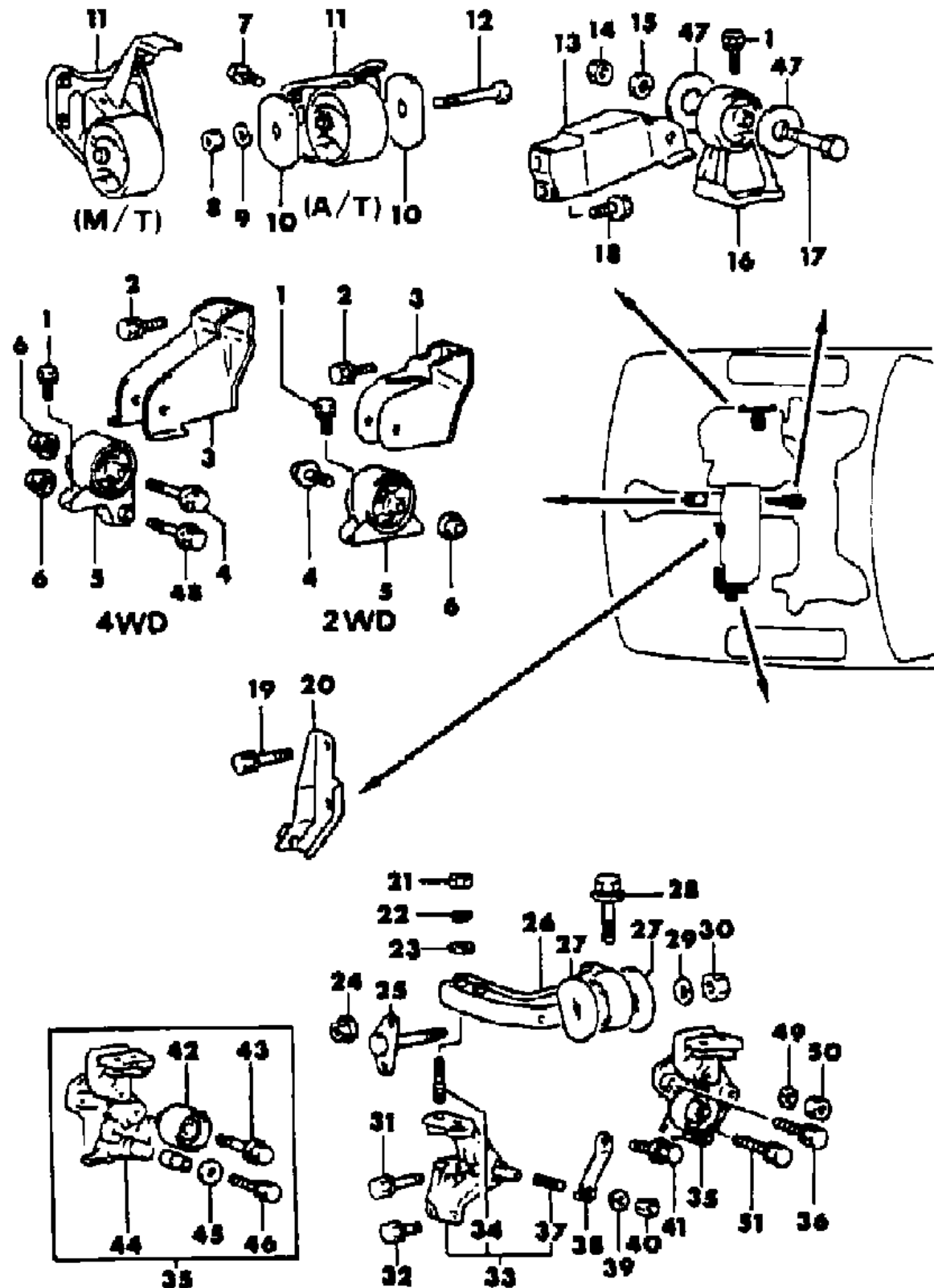
ENGINE: P = 1800cc (1.8L) A = 2000cc (2.0L) Blank = All  
 TRANS: A = Automatic M = Manual Blank = All  
 SERIES: H = High M = Medium P = Premium S = Special

MODELS:  
 24 FWD = 2Dr Hatchback (Laser)  
 24 FWD = 2-Dr Hatchback (Talon)  
 4WD = (4 Wheel Drive)  
 2WD = (2 Wheel Drive)

AR = Use as Required - = Non Illustrated Part P.A.R. = Paint as Required

**ENGINE MOUNTING 2.0L ENGINE, 1992-94 (AFTER ENGINE # NH0001) LASER-TALON**  
**Figure 9A-2500**

**9658 2500**



ITEM	PART NUMBER	QTY	BODY	MODEL	DESCRIPTION
1	MB00 7176	AR			BOLT, w/Washer, (10x25)
2	MF24 1307	2			BOLT, w/Washer, (12x25)
3	MD13 3345	1			BRACKET, Block Roll Stopper w/o Turbo w/Turbo
	MD13 3346	1	FWD		Man. Trans.
	MD13 3347	1	AWD		Man. Trans.
	MD14 9595	1	FWD		Auto Trans.
	MD15 2506	1	AWD		Auto Trans.
4	MF14 0473	1			BOLT, Engine Support w/o Turbo w/Turbo
	MF14 0473	1			Man. Trans.
	MF14 0474	1	FWD		Auto Trans., (10x80)
	MU14 0014	1	AWD		Auto Trans., (10x80)
5					BRACKET, Roll Stopper Front w/o Turbo
	MB30 9504	1			Man. Trans.
	MB30 9481	1			Auto Trans. w/Turbo
	MB30 9504	1	FWD		Man. Trans.
	MB43 6490	1	AWD		Man. Trans.
	MB69 1015	1	FWD		Auto Trans.
	MB58 1635	1	AWD		Auto Trans.
6	MB28 8462	AR			NUT, Flange, (10)
7	MB00 7176	4			BOLT, w/Washer, (10x25)
8	MF43 0123	1			NUT, Trans. Mounting 1992-93, (12)
	MF43 0007	1			1994, (12)
9	MS45 0044	1			WASHER, Spring, (12)
10	MB30 9407	2			STOPPER, Trans. Mounting w/o Turbo w/Turbo
	MB43 6569	2			Man. Trans.
	MB30 9407	2			Auto Trans.
11					BRACKET, Trans. Mounting Man. Trans.
	MB43 6728	1			w/o ABS
	MB69 1005	1			w/ABS

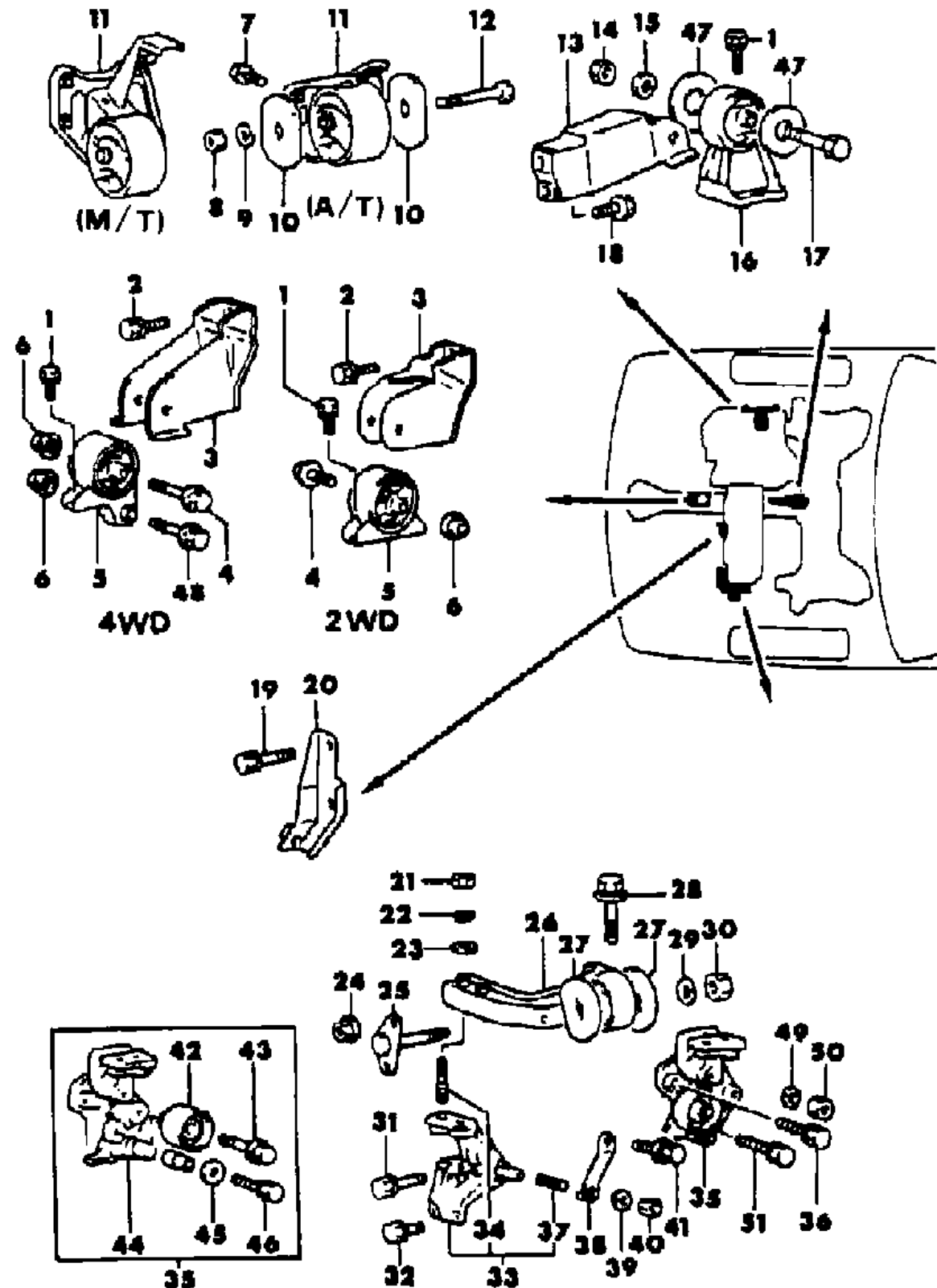
ENGINE: P = 1800cc (1.8L) A = 2000cc (2.0L) Blank = All  
 TRANS: A = Automatic M = Manual Blank = All  
 SERIES: H = High M = Medium P = Premium S = Special

MODELS:  
 24 FWD = 2Dr Hatchback (Laser)  
 24 FWD = 2-Dr Hatchback (Talon)  
 4WD = (4 Wheel Drive)  
 2WD = (2 Wheel Drive)

AR = Use as Required - = Non Illustrated Part P.A.R. = Paint as Required

**ENGINE MOUNTING 2.0L ENGINE, 1992-94 (AFTER ENGINE # NH0001) LASER-TALON**  
**Figure 9A-2500**

**9658 2500**



ITEM	PART NUMBER	QTY	BODY	MODEL	DESCRIPTION
					Auto Trans., w/o Turbo
	MB43 6744	1			w/o ABS
	MB69 1010	1			w/ABS
	MB58 1830	1			Auto Trans., w/Turbo
	MB58 1831	1			w/o ABS
12	MF10 4927	1			w/ABS
13	MD13 6193	1			BOLT, Trans. Mount, (12x100)
					BRACKET, Roll Stopper
					w/o Turbo
	MD13 6194	1	FWD		w/Turbo
	MD13 6195	1	AWD		Man. Trans.
					Man. Trans.
					w/Turbo
	MD14 9648		FWD		Auto Trans.
14	MD14 3793	1	AWD		Auto Trans.
					NUT
	MU43 0002	1			1992-93
	MF43 0122	1			1994, (10)
15	MS45 0043	1			WASHER, Spring, (10)
16					BRACKET, Roll Stopper Rear
	MB30 9260	1	FWD		Man. Trans.
	MB58 1322	1	FWD		Auto Trans.
	MB43 6495	1	AWD		Man. Trans.
	MB58 1640	1	AWD		Auto Trans.
17	MU10 1017	1			BOLT, Engine Support Rod
18	MD07 7190	2			Bolt, Engine Mounting, (12x28) ***
19	MF24 1280	2			BOLT, w/Washer, (10x20)
20					BRACKET, Exhaust Pipe Support
	MD12 4901	1			w/o Turbo
	MD15 0759	1			w/Turbo
21					NUT
	MU43 0002	1			1992-93, (10)
	MF43 0122	2			1994, (10)
22	MS45 0043	2			WASHER, Spring, (10)
23	MB00 7174	2			WASHER, Plain, (10.5)
24	MS44 0504	2			NUT, w/Washer, (10)
25	MB17 5769	1			BOLT
26					BRACKET, Front Engine Mounting
	MB43 6741	1			w/o Turbo

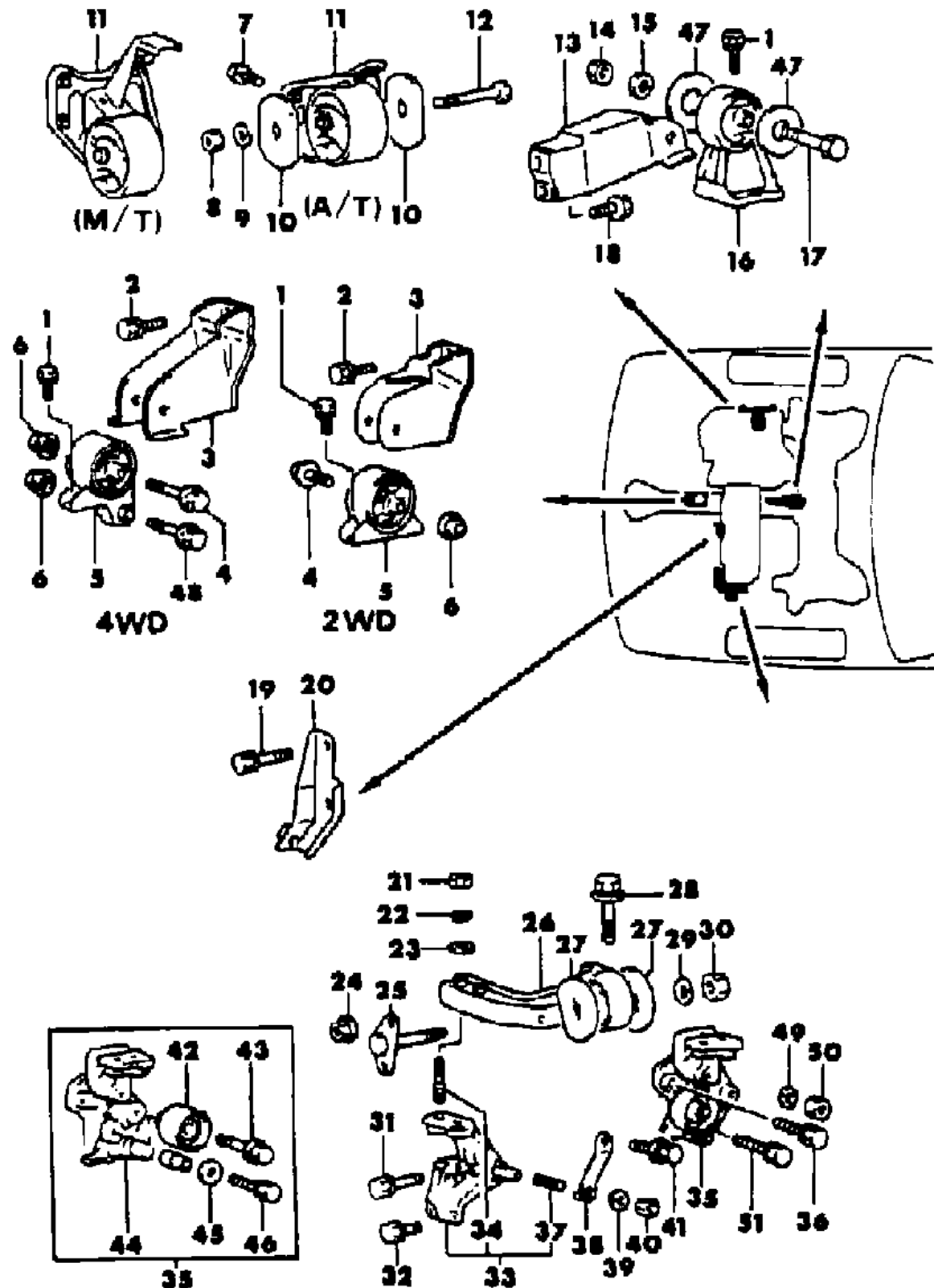
ENGINE: P = 1800cc (1.8L) A = 2000cc (2.0L) Blank = All  
 TRANS: A = Automatic M = Manual Blank = All  
 SERIES: H = High M = Medium P = Premium S = Special

MODELS:  
 24 FWD = 2Dr Hatchback (Laser)  
 24 FWD = 2-Dr Hatchback (Talon)  
 4WD = (4 Wheel Drive)  
 2WD = (2 Wheel Drive)

AR = Use as Required - = Non Illustrated Part P.A.R. = Paint as Required

**ENGINE MOUNTING 2.0L ENGINE, 1992-94 (AFTER ENGINE # NH0001) LASER-TALON**  
**Figure 9A-2500**

**9658 2500**



ITEM	PART NUMBER	QTY	BODY	MODEL	DESCRIPTION
	MB43 6742	1		FWD	w/Turbo
					w/Turbo
	MB43 6741	1		AWD	Man. Trans.
	MB43 6742	1		AWD	Auto Trans.
27					STOPPER, Rear Mount Cushion
	MB30 9927	2			w/o Turbo
					w/Turbo
	MB43 6568	2			Man. Trans.
	MB30 9927	2			Auto Trans.
28	MU24 0123	2			BOLT, Engine Mounting
29					WASHER, Spring
	MS45 0044	1			1992-93
	MF45 0407	1			1994, (12)
30					NUT
	MF43 0123	1			1992-93
	MF43 0007	1			1994, (12)
31	MS24 0221	2			BOLT, w/Washer, (10x40)
32	MS24 0216	2			BOLT, w/Washer, (10x25)
33					BRACKET, Rt., Engine Mount
	MD13 1585	1			w/o Turbo
	MD13 1586	1			w/Turbo
34	MB24 3093	2			STUD, Engine Mounting, (10x65)
35					BRACKET, Lt., Engine Mount
					1992-93
	MD13 5826	1			w/o Turbo
	MD13 5827	1			w/Turbo
					1994
	MD19 5093	1			w/o Turbo
	MD19 5094	1			w/Turbo
36	MF24 1282	1			BOLT, w/Washer, (10x25)
37	MF40 2563	1			STUD, Engine Mounting, (8x18)
38	MD13 1332	1			STAY, Engine Support
39	MF45 0405	1			WASHER, Spring, (8)
40	MF43 0121	1			NUT, (8)
41	MS24 0140	1			BOLT, w/Washer, (8x25)
42	MD15 6604	1			PULLEY, Valve Timing Belt Idler
43	MF24 1281	1			BOLT, w/Washer, (10x22)
44	MD13 0032	1			ARM, Timing Belt Tensioner
45	MD12 9421	1			WASHER, Engine Support

ENGINE: P = 1800cc (1.8L) A = 2000cc (2.0L) Blank = All  
 TRANS: A = Automatic M = Manual Blank = All  
 SERIES: H = High M = Medium P = Premium S = Special

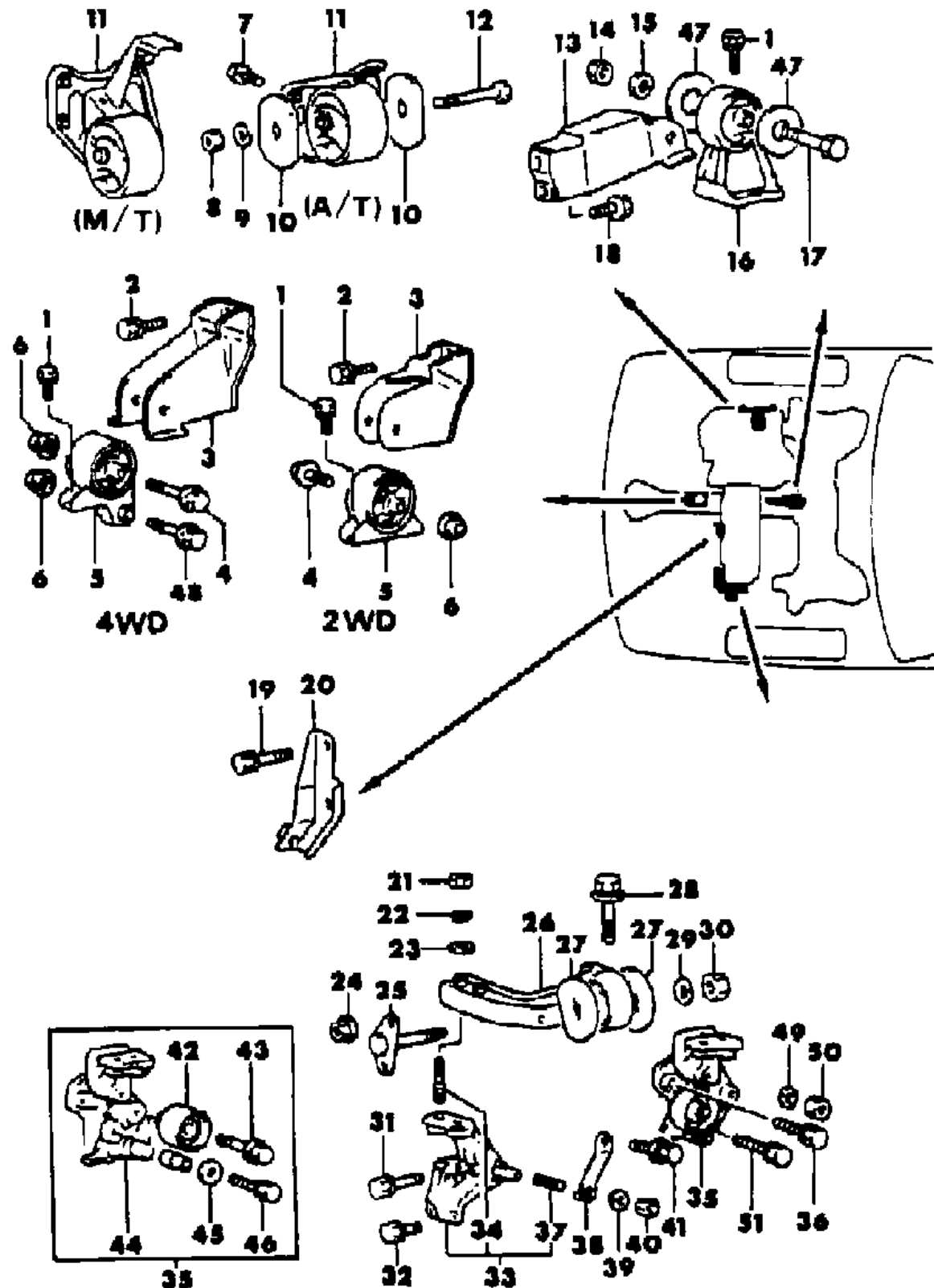
MODELS:  
 24 FWD = 2Dr Hatchback (Laser)  
 24 FWD = 2-Dr Hatchback (Talon)  
 4WD = (4 Wheel Drive)  
 2WD = (2 Wheel Drive)

AR = Use as Required - = Non Illustrated Part P.A.R. = Paint as Required



**ENGINE MOUNTING 2.0L ENGINE, 1992-94 (AFTER ENGINE # NH0001) LASER-TALON**  
**Figure 9A-2500**

**9658 2500**



ITEM	PART NUMBER	QTY	BODY	MODEL	DESCRIPTION
46	MF24 1251	1			BOLT, w/Washer, (8x16)
47	MB58 1342	2		FWD	STOPPER, Front Mount Cushion
48	MF14 0470	1		AWD	BOLT, Engine Support Rod, (10x60)
49	MF45 0406	AR			WASHER, Spring, (10)
50					NUT
	MU43 0002	1			1992-93, (10)
	MF43 0122	1			1994, (10)
51					BOLT, w/Washer
	MF24 1281	1			1992-93, (10x22)
	MD19 4109	1			1994, (10x22)

ENGINE: P = 1800cc (1.8L) A = 2000cc (2.0L) Blank = All  
 TRANS: A = Automatic M = Manual Blank = All  
 SERIES: H = High M = Medium P = Premium S = Special

MODELS:  
 24 FWD = 2Dr Hatchback (Laser)  
 24 FWD = 2-Dr Hatchback (Talon)  
 4WD = (4 Wheel Drive)  
 2WD = (2 Wheel Drive)

AR = Use as Required - = Non Illustrated Part P.A.R. = Paint as Required

---

**GROUP 11 - EXHAUST**

<b>ILLUSTRATION TITLE</b>	<b>GROUP-FIG. NO.</b>
<b>EXHAUST SYSTEMS</b>	
EXHAUST SYSTEM 1.8L ENGINE LASER-TALON .....	Fig. 11-100
EXHAUST SYSTEM 2.0L ENGINE, W/O TURBO LASER-TALON .....	Fig. 11-200
EXHAUST SYSTEM 2.0L ENGINE, W/TURBO, FWD LASER-TALON .....	Fig. 11-225
EXHAUST SYSTEM 2.0L ENGINE, W/TURBO, AWD LASER-TALON .....	Fig. 11-250
<b>HEAT SHIELDS</b>	
HEAT SHIELDS, EXHAUST LASER-TALON .....	Fig. 11-300

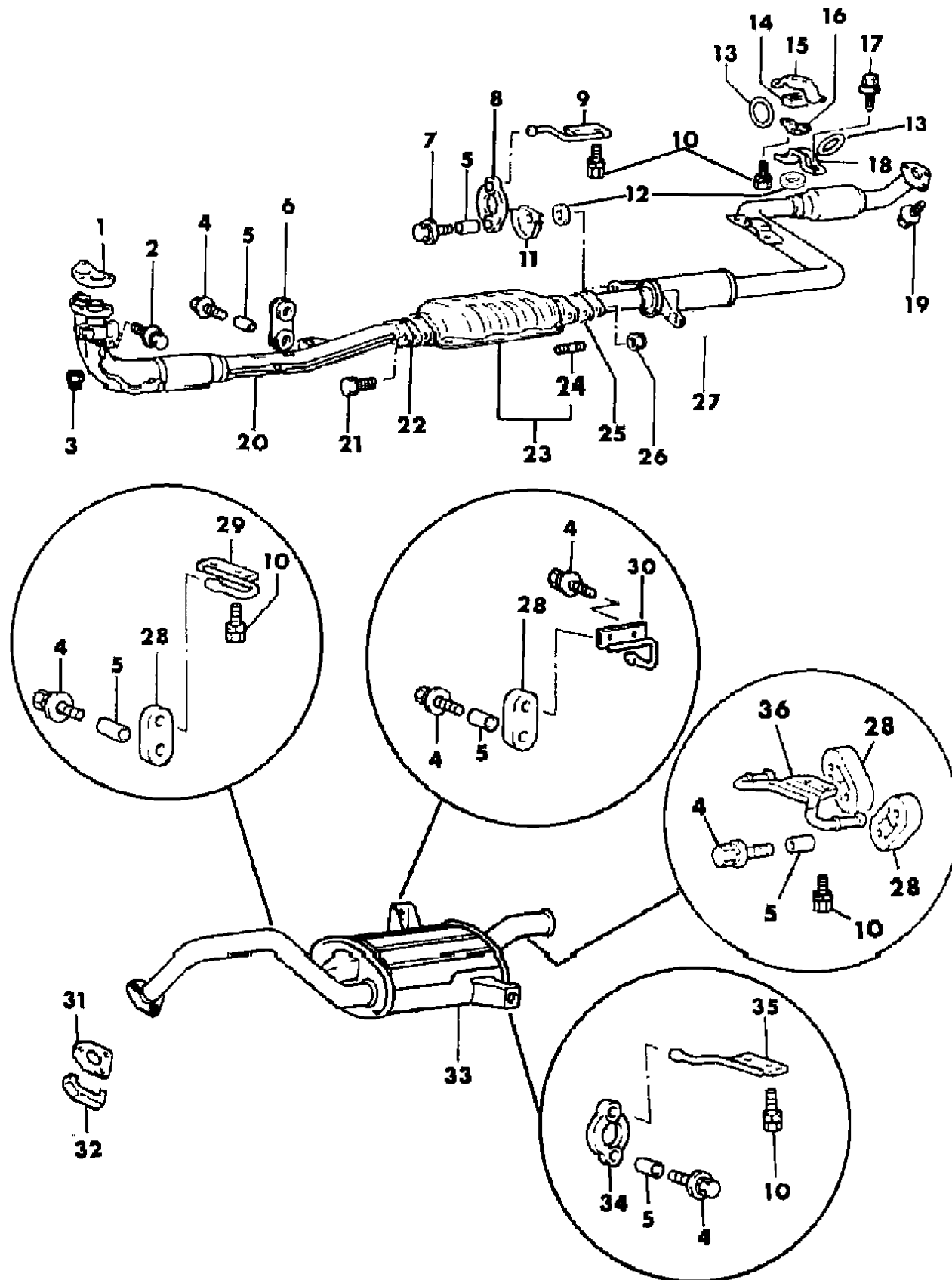
**ILLUSTRATION NOT AVAILABLE AT TIME OF PUBLICATION**

---

# EXHAUST SYSTEM 1.8L ENGINE LASER-TALON

Figure 11-100

9611 100C



ITEM	PART NUMBER	QTY	BODY	MODEL	DESCRIPTION
1	MB68 7021	1			GASKET, Exhaust Pipe
2	MF24 4884	1			BOLT, w/Washer, (10x35)
3	MB05 9333	3			NUT, (10)
4	MF24 4859	5			BOLT, w/Washer, (8x40)
5	MB51 4690	7			COLLAR, Exhaust Pipe
6	MB57 7740	1			HANGER, Muffler
7	MF24 3660	2			BOLT, w/Washer, (8x45)
8	MB57 7484	2			HANGER, Muffler
9	MB54 8657	2			HANGER, Center Pipe
10	MF24 0651	1			BOLT, w/Washer, (8x16)
11	MB54 9135	2			PROTECTOR, Muffler Hanger
12					SEAT, Muffler Hanger
	MF14 0022	12			1990
	MB65 1931	12			1991-94
13	MB31 3732	2			O-RING, Exhaust Pipe
14	MB11 1791	1			STOPPER, Muffler Hanger Bracket
15	MB54 8658	1			HANGER, Muffler
16	MB51 4746	1			BRACKET, Exhaust Pipe
17	MF24 3649	2			BOLT, w/Washer, (8x16)
18	MB54 8662	1			HOOK, Muffler Hanger O-Ring
19					BOLT, w/Washer
	MF24 1284	3			1990-91, (10x30)
	MF24 1286	3			1992-94, (10x35)
20	MB57 7625	1			PIPE, Exhaust Front
21	MF24 1309	2			BOLT, w/Washer, (12x30)
22	MB68 7002	1			GASKET, Exhaust Pipe
23					CONVERTER ASSY, Catalytic ***
	MD12 2120	1			1990, Exc. Calif.
	MD15 9544	1			1991-93, Exc. Calif.
	MD13 0465	1			1990-93, Calif.
	MR12 7624	1			1994, Exc. Calif.
	MB86 8849	1			1994, Calif.
24	MD01 4195	2			STUD, (12x32)
25	MB68 7001	1			GASKET, Exhaust Pipe
26	MB05 9359	2			NUT, (12)
27					PIPE, Exhaust Center
	MB51 4948	1			Up to 10-2-91
	MB90 6622	1			After 10-2-91
28	MB05 9936	2			HANGER, Muffler

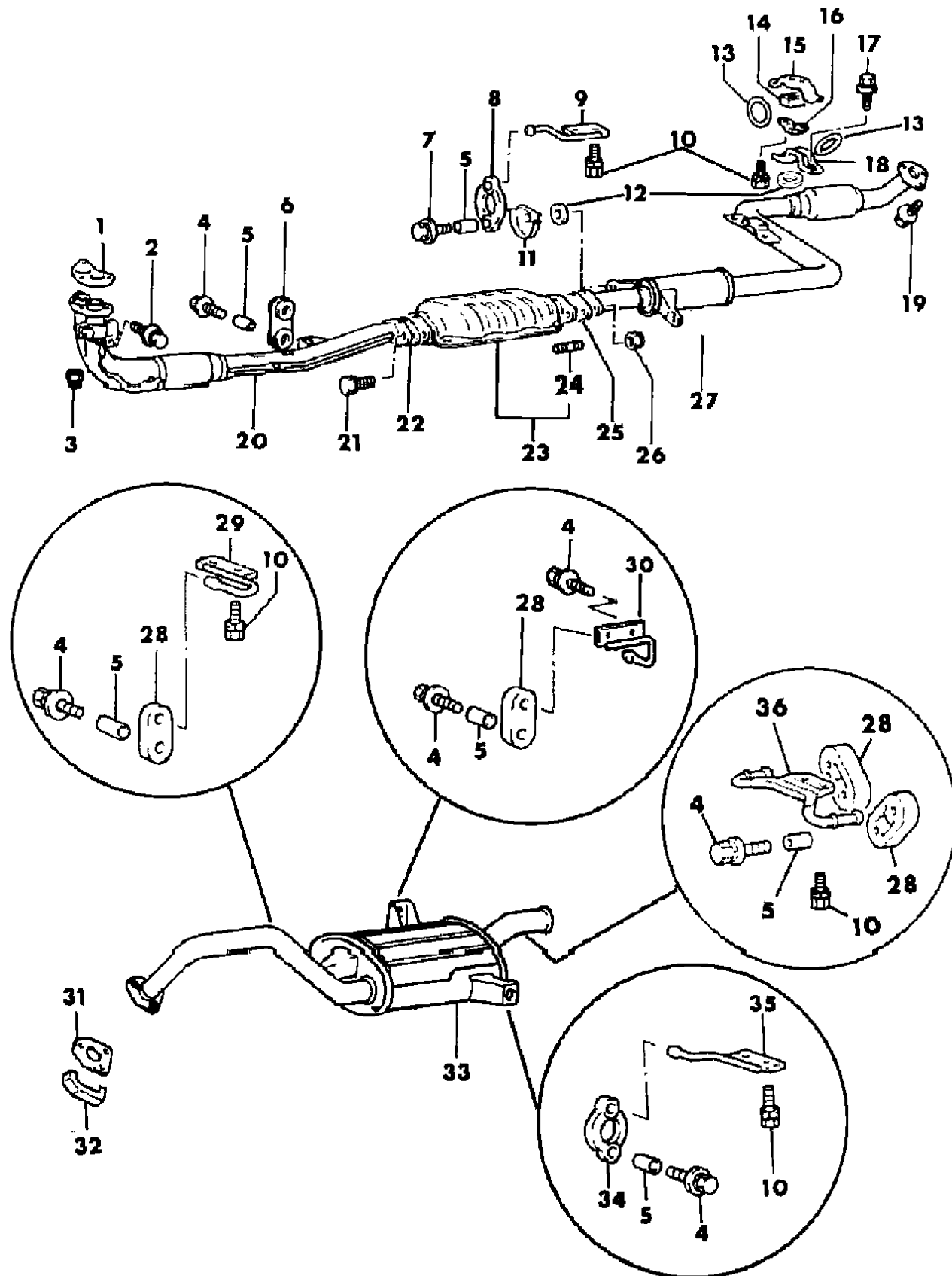
ENGINE: P = 1800cc (1.8L) A = 2000cc (2.0L) Blank = All  
 TRANS: A = Automatic M = Manual Blank = All  
 SERIES: H = High M = Medium P = Premium S = Special

MODELS:  
 24 FWD = 2Dr Hatchback (Laser)  
 24 FWD = 2-Dr Hatchback (Talon)  
 4WD = (4 Wheel Drive)  
 2WD = (2 Wheel Drive)

AR = Use as Required - = Non Illustrated Part P.A.R. = Paint as Required

**EXHAUST SYSTEM 1.8L ENGINE LASER-TALON**  
Figure 11-100

9611 100C



ITEM	PART NUMBER	QTY	BODY	MODEL	DESCRIPTION
29	MB54 8595	1			HANGER, Muffler Rear
30	MB54 8661	1			HANGER, Muffler Rear, 1990-91
31	MB68 7012	1			GASKET, Exhaust Pipe
32	MB57 7429	1			PROTECTOR, Muffler Heat
33					MUFFLER, Main
	MB54 8623	1		1990-91	
	MB81 0651	1		1992-94	
34	MB37 6954	1			HANGER, Muffler, 1990-91
35	MB54 8660	1			HANGER, Tail Pipe, 1990-91
36	MB81 0654	1			HANGER, Tail Pipe, 1992-94

ENGINE: P = 1800cc (1.8L) A = 2000cc (2.0L) Blank = All  
 TRANS: A = Automatic M = Manual Blank = All  
 SERIES: H = High M = Medium P = Premium S = Special

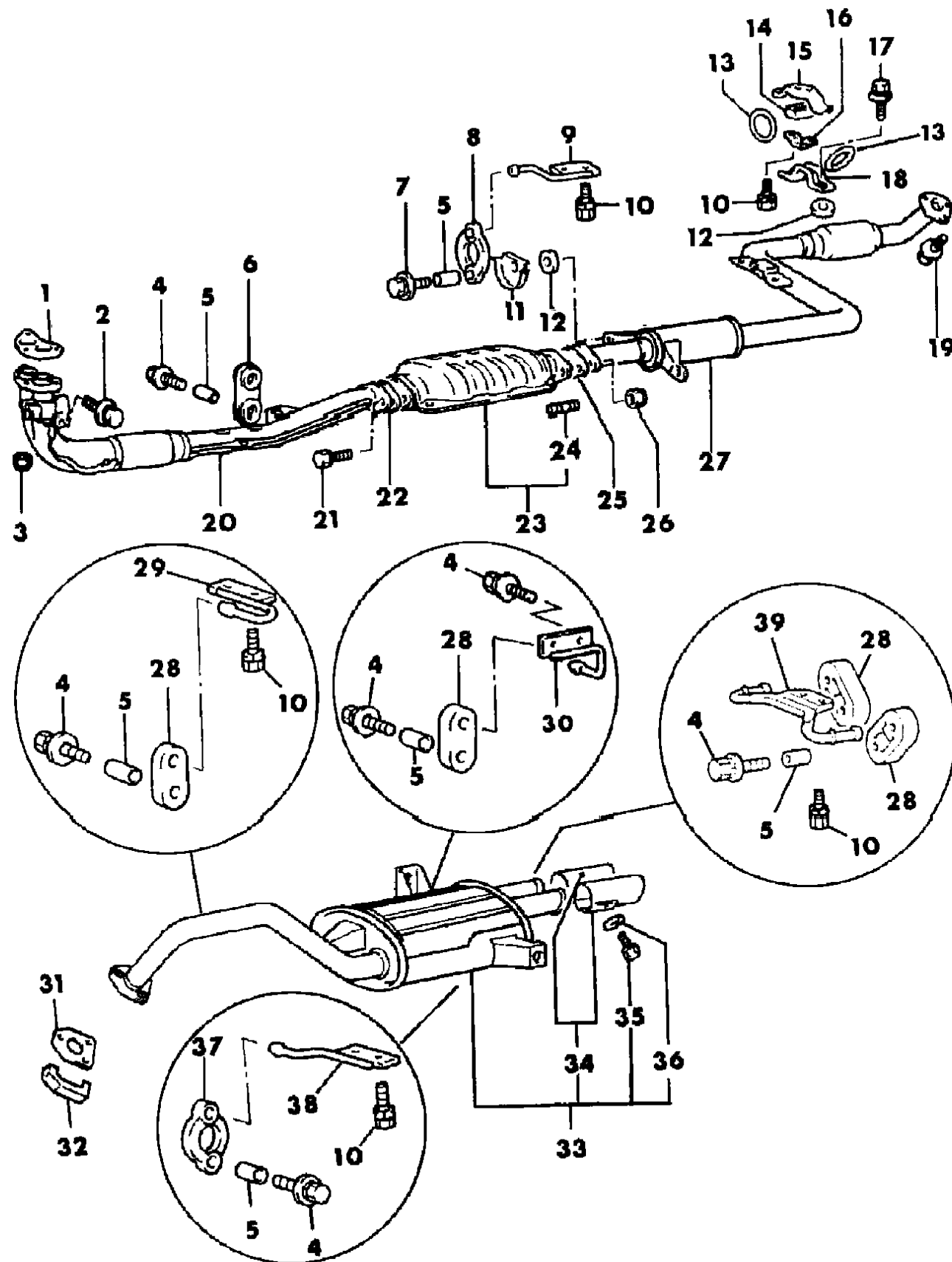
MODELS:  
 24 FWD = 2Dr Hatchback (Laser)  
 24 FWD = 2-Dr Hatchback (Talon)  
 4WD = (4 Wheel Drive)  
 2WD = (2 Wheel Drive)

AR = Use as Required - = Non Illustrated Part P.A.R. = Paint as Required

EXHAUST SYSTEM 2.0L ENGINE, W/O TURBO LASER-TALON

Figure 11-200

9611 200C



ITEM	PART NUMBER	QTY	BODY	MODEL	DESCRIPTION
1	MB68 7021	1			GASKET, Exhaust Pipe
2	MF24 4884	1			BOLT, w/Washer, (10x35)
3	MB05 9333	3			NUT
4	MF24 4859	5			BOLT, w/Washer, (8x40)
5	MB51 4690	7			COLLAR, Exhaust Pipe
6	MB57 7740	1			HANGER, Muffler
7	MF24 3660	2			BOLT, w/Washer, (8x45)
8	MB57 7484	2			HANGER, Muffler
9	MB54 8657	2			HANGER, Center Pipe
10	MF24 0651	12			BOLT, w/Washer, (8x16)
11	MB54 9135	2			PROTECTOR, Muffler Hanger
12	MB65 1931	4			SEAT, Muffler Hanger
13	MB31 3732	2			O-RING, Exhaust Pipe
14	MB11 1791	1			STOPPER, Muffler Hanger Bracket
15	MB54 8658	1			HANGER, Muffler
16	MB51 4746	1			BRACKET, Exhaust Pipe
17	MF24 3649	2			BOLT, w/Washer, (8x16)
18	MB54 8662	1			HOOK, Muffler Hanger O-Ring
19					BOLT, w/Washer
	MF24 1284	3			1990-91, (10x30)
	MF24 1286	3			1992-94, (10x35)
20	MB57 7626	1			PIPE, Exhaust Front
21	MF24 1309	2			BOLT, w/Washer, (12x30)
22	MB68 7002	1			GASKET, Exhaust Pipe
23					CONVERTER ASSY, Catalytic ***
	MD12 2120	1			1990-93, Exc. Calif.
	MD13 7271	1			1990-93, Calif.
	MB92 4074	1			1994, Exc. Calif.
	MR12 7625	1			1994, Calif.
24	MD01 4195	2			STUD, (12x32)
25	MB68 7001	1			GASKET, Exhaust Pipe
26	MB05 9359	2			NUT
27	MB54 9116	1			PIPE, Exhaust Center
28	MB05 9936	2			HANGER, Muffler
29	MB54 8595	1			HANGER, Muffler Rear
30	MB54 8661	1			HANGER, Muffler Rear, 1990-91
31	MB68 7013	1			GASKET, Exhaust Pipe
32	MB57 7184	1			PROTECTOR, Muffler Heat
33					MUFFLER, Main

ENGINE: P = 1800cc (1.8L) A = 2000cc (2.0L) Blank = All  
 TRANS: A = Automatic M = Manual Blank = All  
 SERIES: H = High M = Medium P = Premium S = Special

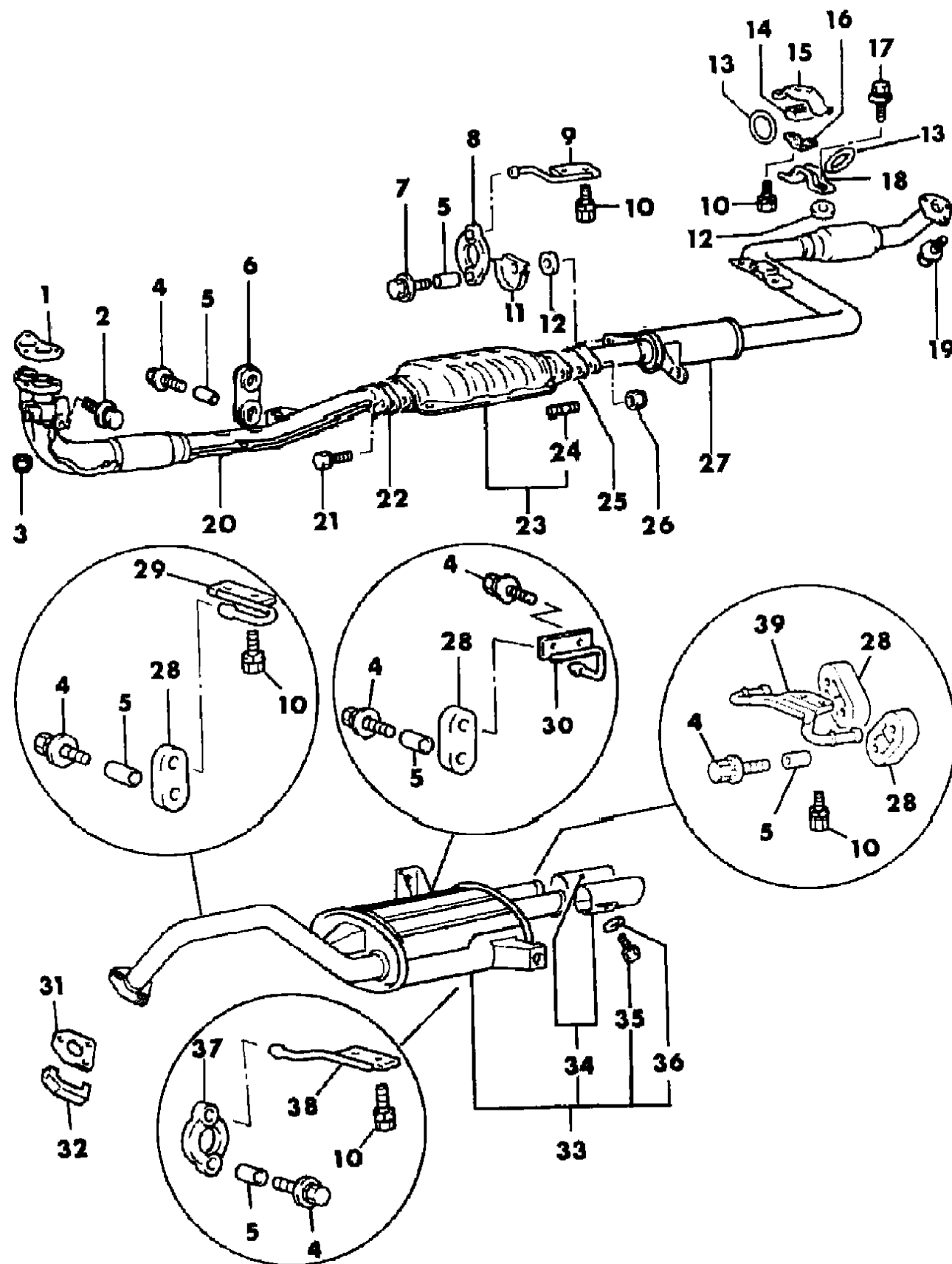
MODELS:  
 24 FWD = 2Dr Hatchback (Laser)  
 24 FWD = 2-Dr Hatchback (Talon)  
 4WD = (4 Wheel Drive)  
 2WD = (2 Wheel Drive)

AR = Use as Required - = Non Illustrated Part P.A.R. = Paint as Required

EXHAUST SYSTEM 2.0L ENGINE, W/O TURBO LASER-TALON

Figure 11-200

9611 200C



ITEM	PART NUMBER	QTY	BODY	MODEL	DESCRIPTION
	MB54 8624	1			1990-91
	MB81 0652	1			1992-94
34	MB51 4389	2			DIFFUSER, Tail Pipe
35					BOLT, w/Washer
	MF24 0022	4			1990
	MU24 0115	4			1991-94, (6x10)
36					WASHER, Plain
	MF45 0004	4			1990
	MS45 0024	4			1991-94, (6)
37	MB37 6954	1			HANGER, Muffler, 1990-91
38	MB54 8660	1			HANGER, Tail Pipe, 1990-91
39	MB81 0654	1			HANGER, Tail Pipe, 1992-94

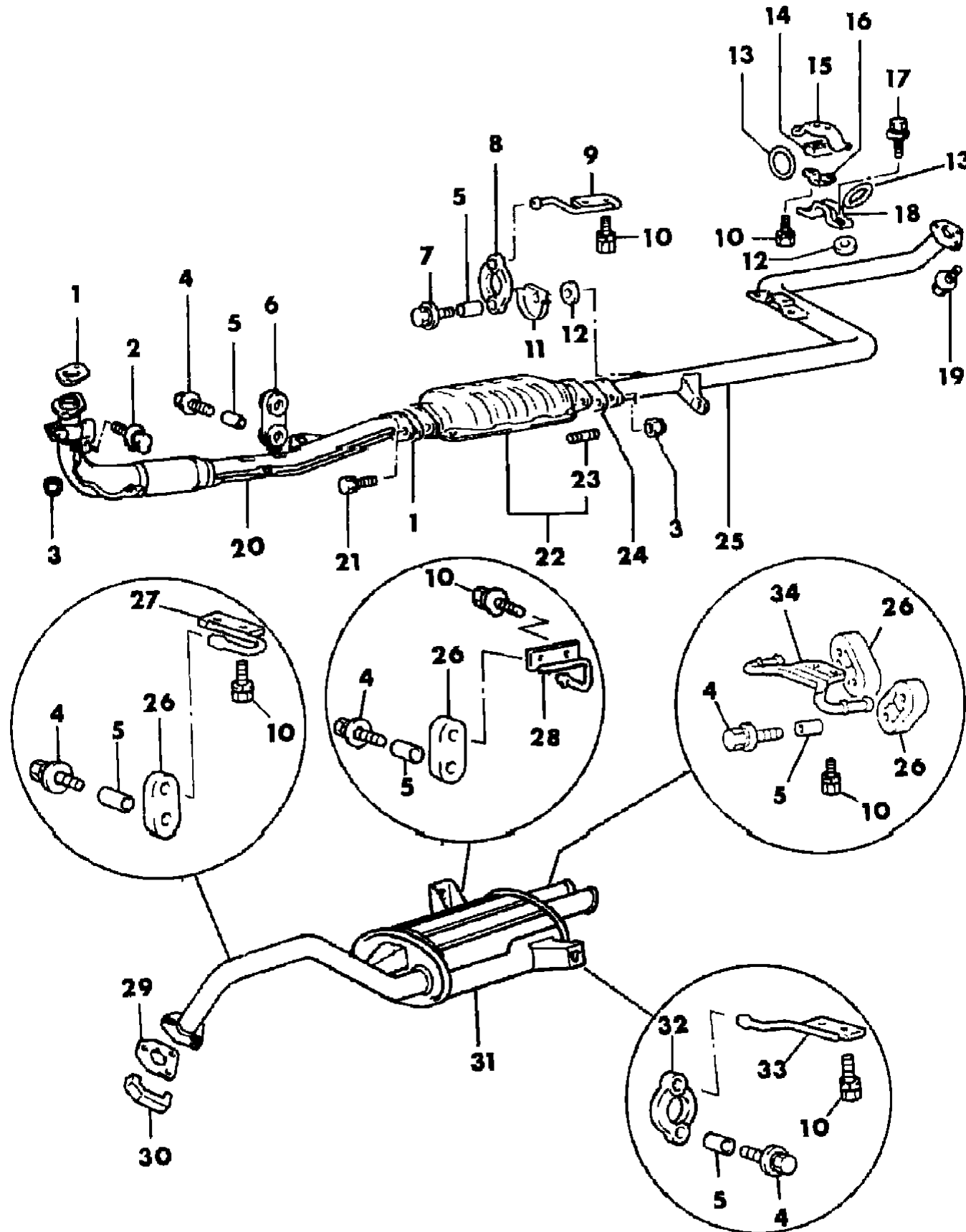
ENGINE: P = 1800cc (1.8L) A = 2000cc (2.0L) Blank = All  
 TRANS: A = Automatic M = Manual Blank = All  
 SERIES: H = High M = Medium P = Premium S = Special

MODELS:  
 24 FWD = 2Dr Hatchback (Laser)  
 24 FWD = 2-Dr Hatchback (Talon)  
 4WD = (4 Wheel Drive)  
 2WD = (2 Wheel Drive)

AR = Use as Required - = Non Illustrated Part P.A.R. = Paint as Required

EXHAUST SYSTEM 2.0L ENGINE, W/TURBO, FWD LASER-TALON  
Figure 11-225

9611 225B



ITEM	PART NUMBER	QTY	BODY	MODEL	DESCRIPTION
1	MB68 7002	2			GASKET, Exhaust Pipe
2	MF24 4884	1			BOLT, w/Washer, (10x35)
3	MB05 9359	4			NUT, (12)
4	MF24 4859	5			BOLT, w/Washer, (8x40)
5	MB51 4690	7			COLLAR, Exhaust Pipe
6	MB57 7740	1			HANGER, Muffler
7	MF24 3660	2			BOLT, w/Washer, (8x45)
8	MB57 7484	2			HANGER, Muffler
9	MB54 8657	2			HANGER, Center Pipe
10	MF24 0651	12			BOLT, w/Washer, (8x16)
11	MB54 9135	2			PROTECTOR, Muffler Hanger
12	MB65 1931	4			SEAT, Muffler Hanger
13	MB31 3732	2			O-RING, Exhaust Pipe, (34)
14	MB11 1791				STOPPER, Muffler Hanger Bracket
15	MB54 8658	1			HANGER, Muffler
16	MB51 4746	1			BRACKET, Exhaust Pipe
17	MF24 3649	2			BOLT, w/Washer, (8x16)
18	MB54 8662	1			HOOK, Muffler Hanger O-Ring
19	MF24 1284	3			BOLT, w/Washer 1990-91, (10x30)
	MF24 1286	3			1992-94, (10x35)
20					PIPE, Exhaust Front
	MB57 7240	1			1990
	MB57 7240	1			1991-94, w/Man. Trans.
	MB68 7380	1			1991-94, w/Auto Trans.
21	MF24 1309	2			BOLT, w/Washer, (12x30)
22					CONVERTER ASSY, Catalytic ***
	MD12 2120	1			1990-93, Exc. Calif.
	MD13 7271	1			1991-93, Calif.
	MB92 4074	1			1994, Exc. Calif.
	MR12 7625	1			1994, Calif.
23	MD01 4195	2			STUD, (12x32)
24	MB68 7001	1			GASKET, Exhaust Pipe
25	MB51 4947	1			PIPE, Exhaust Center
26	MB05 9936	2			HANGER, Muffler
27	MB54 8595	1			HANGER, Muffler Rear
28	MB54 8661	1			HANGER, Muffler Rear
29	MB68 7013	1			GASKET, Exhaust Pipe
30	MB57 7184	1			PROTECTOR, Muffler Heat

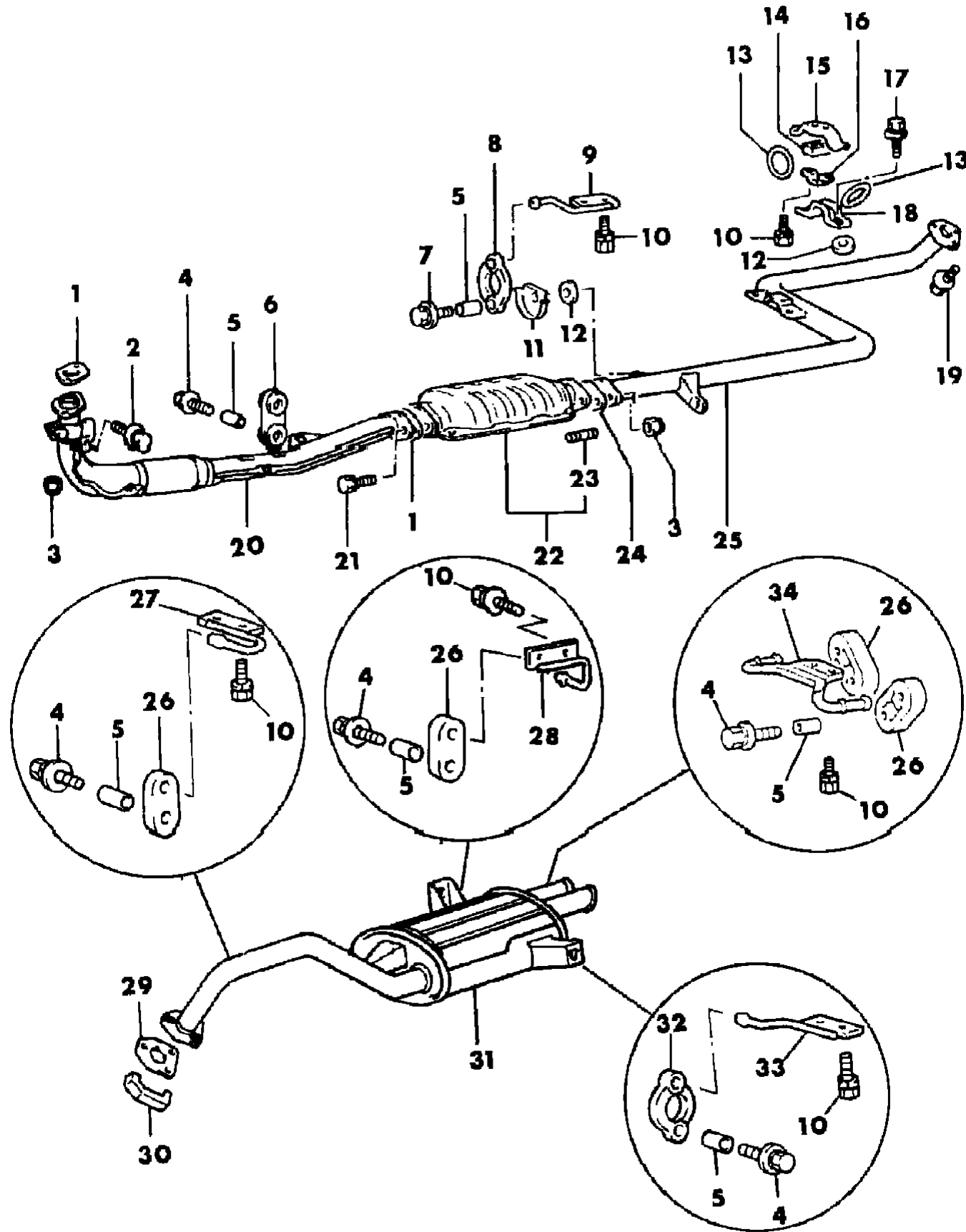
ENGINE: P = 1800cc (1.8L) A = 2000cc (2.0L) Blank = All  
 TRANS: A = Automatic M = Manual Blank = All  
 SERIES: H = High M = Medium P = Premium S = Special

MODELS:  
 24 FWD = 2Dr Hatchback (Laser)  
 24 FWD = 2-Dr Hatchback (Talon)  
 4WD = (4 Wheel Drive)  
 2WD = (2 Wheel Drive)

AR = Use as Required - = Non Illustrated Part P.A.R. = Paint as Required

EXHAUST SYSTEM 2.0L ENGINE, W/TURBO, FWD LASER-TALON  
Figure 11-225

9611 225B



ITEM	PART NUMBER	QTY	BODY	MODEL	DESCRIPTION
31					MUFFLER, Main
	MB57 7920	1			1990-91
	MB81 0653	1			1992-94
32	MB37 6954	1			HANGER, Muffler, 1990-91
33	MB54 8660	1			HANGER, Tail Pipe, 1990-91
34	MB81 0654	1			HANGER, Tail Pipe, 1992-94

ENGINE: P = 1800cc (1.8L) A = 2000cc (2.0L) Blank = All  
 TRANS: A = Automatic M = Manual Blank = All  
 SERIES: H = High M = Medium P = Premium S = Special

MODELS:  
 24 FWD = 2Dr Hatchback (Laser)  
 24 FWD = 2-Dr Hatchback (Talon)  
 4WD = (4 Wheel Drive)  
 2WD = (2 Wheel Drive)

AR = Use as Required - = Non Illustrated Part P.A.R. = Paint as Required







---

**GROUP 13 - FRAME & BUMPERS**

<b>ILLUSTRATION TITLE</b>	<b>GROUP-FIG. NO.</b>
FRAME AND CROSSMEMBER FWD LASER-TALON .....	Fig. 13-100
FRAME AND CROSSMEMBER, FRONT AWD TALON .....	Fig. 13-150
FRAME AND CROSSMEMBER, REAR AWD LASER-TALON .....	Fig. 13-170
FRONT FASCIA AND SUPPORT 1990-91 LASER-TALON .....	Fig. 13-200
FRONT FASCIA AND SUPPORT 1992-94 LASER-TALON .....	Fig. 13-250
REAR BUMPER AND SUPPORT 1990-91 LASER-TALON .....	Fig. 13-300
REAR BUMPER AND SUPPORT 1992-94 LASER .....	Fig. 13-400
REAR BUMPER AND SUPPORT 1992-94 TALON .....	Fig. 13-500

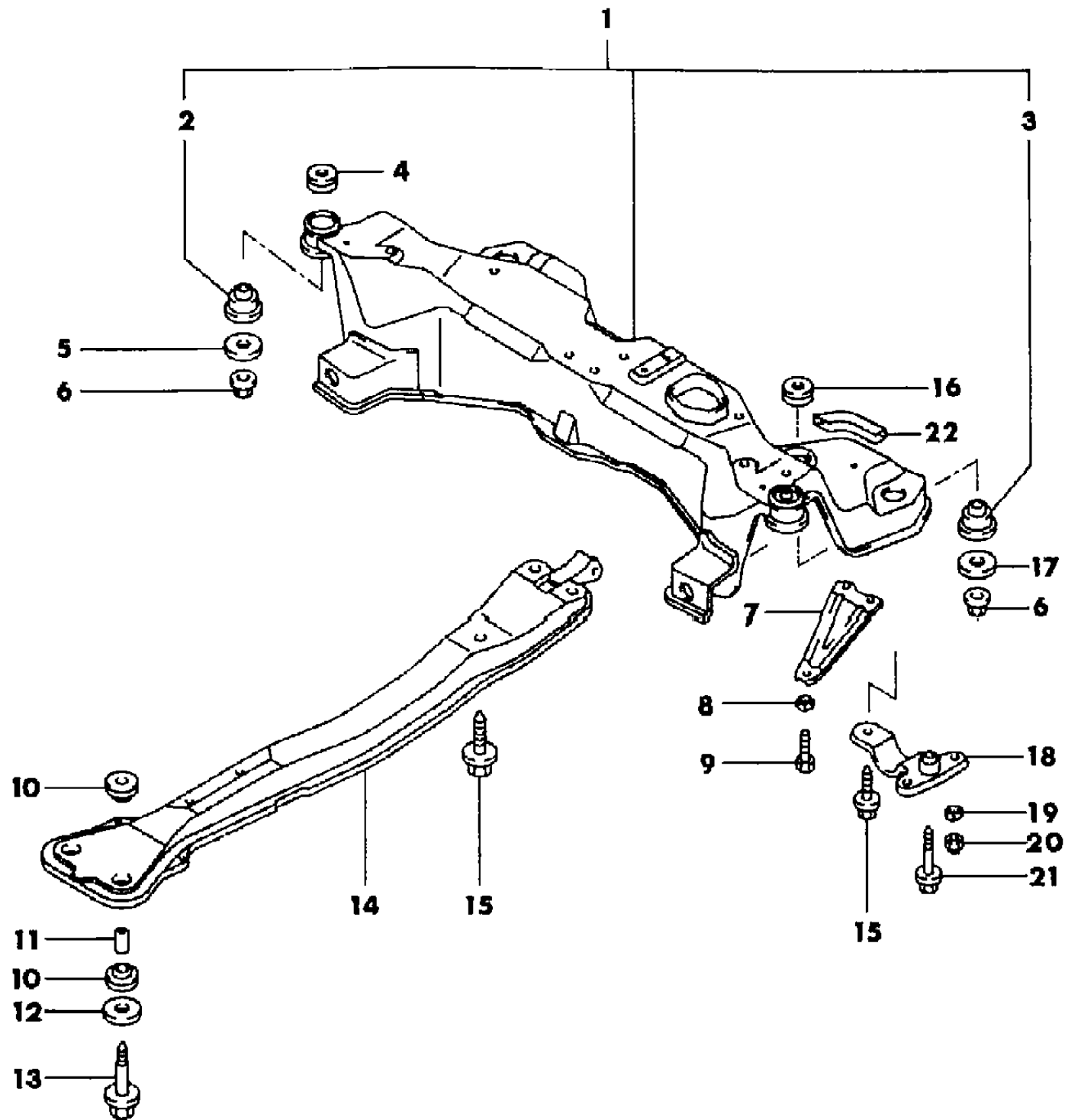
**ILLUSTRATION NOT AVAILABLE AT TIME OF PUBLICATION**

---

FRAME AND CROSSMEMBER FWD LASER-TALON

Figure 13-100

9613 100B



ITEM	PART NUMBER	QTY	BODY	MODEL	DESCRIPTION
1	MB51 8173	1			CROSSMEMBER, Front Axle
2	MB51 8168	2			BUSHING
3	MB51 8167	2			BUSHING
4	MB30 3629	2			STOPPER
5	MB30 3625	2			PLATE, Mounting
6	MB24 2260	4			NUT, Self-Locking, (12)
7					STAY
	MB51 8165	1			Left
	MB51 8166	1			Right
8	MS45 0043	6			WASHER, Spring, 1990-92, (10)
9					BOLT
	MB00 2402	6			1990-92, (10x22.5)
	MU24 0137	6			1993-94, (10x22)
10	MB30 3650	4			BUSHING
11	MB30 3651	2			COLLAR, Front
12	MB30 3652	2			STOPPER, Bolt
13	MB17 6901	2			BOLT, Flange, (12x90)
14		1			CROSSMEMBER, Front Axle, Center
	MB51 8300	1			Man. Trans.
	MB51 8300	1			Auto Trans., w/o Turbo
	MB67 2202	1			Auto Trans., w/Turbo
15	MB17 6900	5			BOLT, Flange, (12x28)
16	MB30 3627	2			STOPPER
17	MB30 3624	2			PLATE, Mounting
18					BRACKET, Front Axle Lower Arm
	MB51 8283	1			Left
	MB51 8284	1			Right
19	MF45 0406	4			WASHER, Spring, (10)
20	MF44 5005	4			NUT, Self-Locking, (10)
21	MB51 8942	2			BOLT, Flange, (12x90)
22	MB35 8435	1			PROTECTOR, Harness

ENGINE: P = 1800cc (1.8L) A = 2000cc (2.0L) Blank = All  
 TRANS: A = Automatic M = Manual Blank = All  
 SERIES: H = High M = Medium P = Premium S = Special

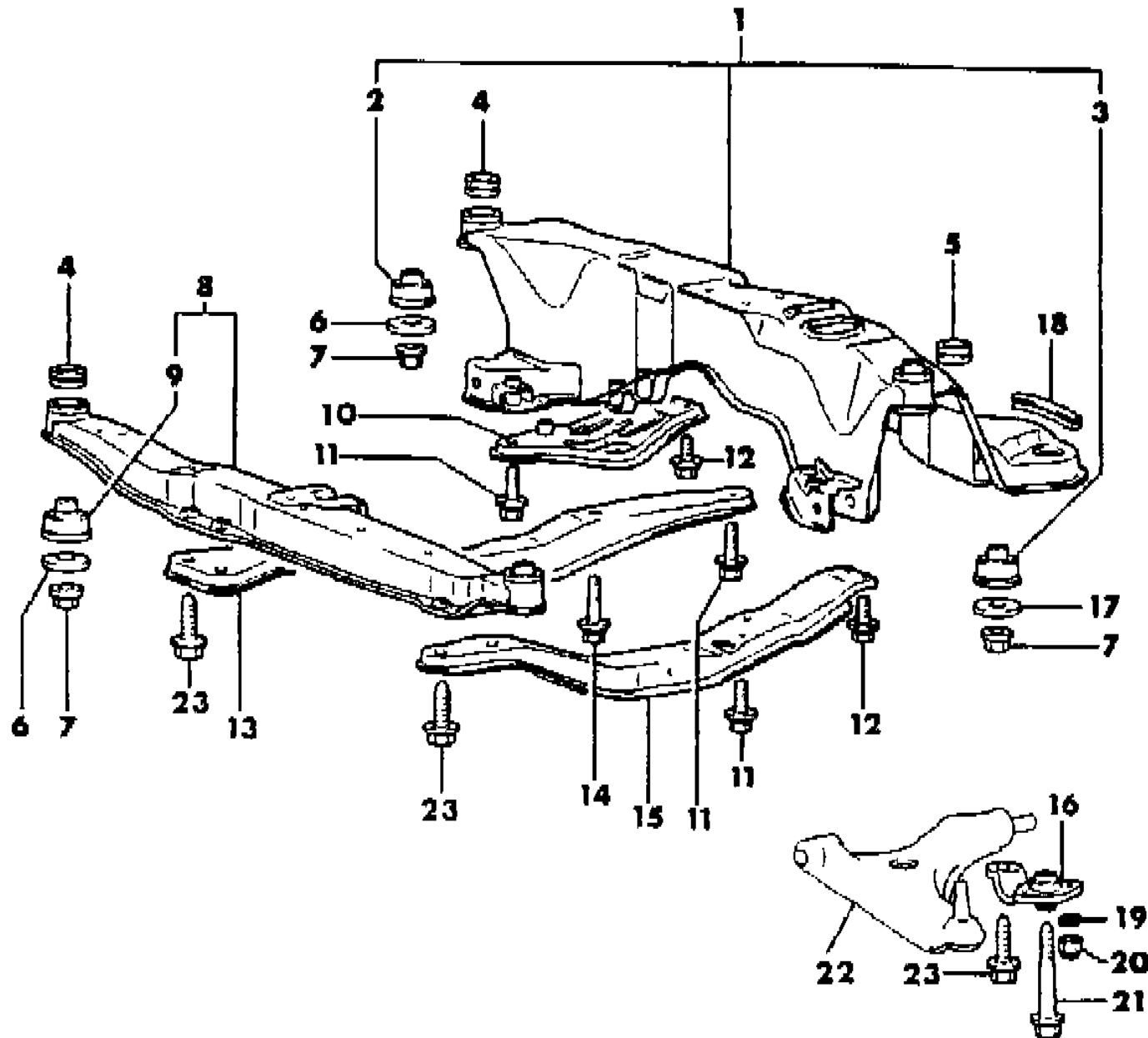
MODELS:  
 24 FWD = 2Dr Hatchback (Laser)  
 24 FWD = 2-Dr Hatchback (Talon)  
 4WD = (4 Wheel Drive)  
 2WD = (2 Wheel Drive)

AR = Use as Required - = Non Illustrated Part P.A.R. = Paint as Required

FRAME AND CROSSMEMBER, FRONT AWD TALON

Figure 13-150

9613 150



ITEM	PART NUMBER	QTY	BODY	MODEL	DESCRIPTION
1	MB51 8324	1			CROSSMEMBER, Front
2	MB51 8168	2			BUSHING, (48x60)
3	MB51 8167	2			BUSHING, (48x65)
4	MB30 3629	4			STOPPER
5	MB30 3627	2			STOPPER
6	MB30 3625	4			PLATE, Mounting
7	MB24 2260	6			NUT, Locking
8	MB51 8381	1			CROSSMEMBER, Front
9	MB51 8168	2			BUSHING, (48x60)
10	MB51 8356	1			GUSSET, Crossmember
11	MU24 0024	6			BOLT, (10x45)
12	MU24 0023	4			BOLT, (10x25)
13					MEMBER, Front, Center ***
	MB51 8372	1		1990-91	
	MB67 2054	1		1992-94	
14	MU24 0025	1			BOLT, (10x75)
15	MB51 8362	1			MEMBER, Front, Center ***
16					BRACKET, Front Lower Arm
	MB51 8343	1			Left
	MB51 8344	1			Right
17	MB30 3624	2			PLATE, Mounting
18	MB35 8435	1			PROTECTOR, Harness
19	MF45 0406	4			WASHER, Spring, (10)
20	MF44 5005	4			NUT, Locking, (10)
21	MB51 8942	2			BOLT, (12x90)
22					ARM, Lower, (Refer to Group 2)
23	MB17 6900	7			BOLT, Flange, (12x28)

ENGINE: P = 1800cc (1.8L) A = 2000cc (2.0L) Blank = All  
 TRANS: A = Automatic M = Manual Blank = All  
 SERIES: H = High M = Medium P = Premium S = Special

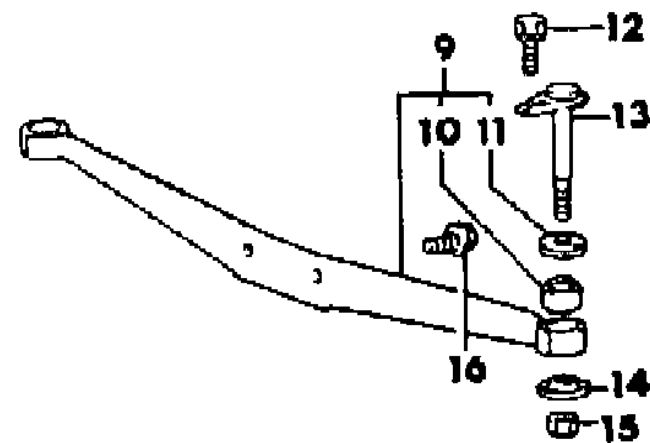
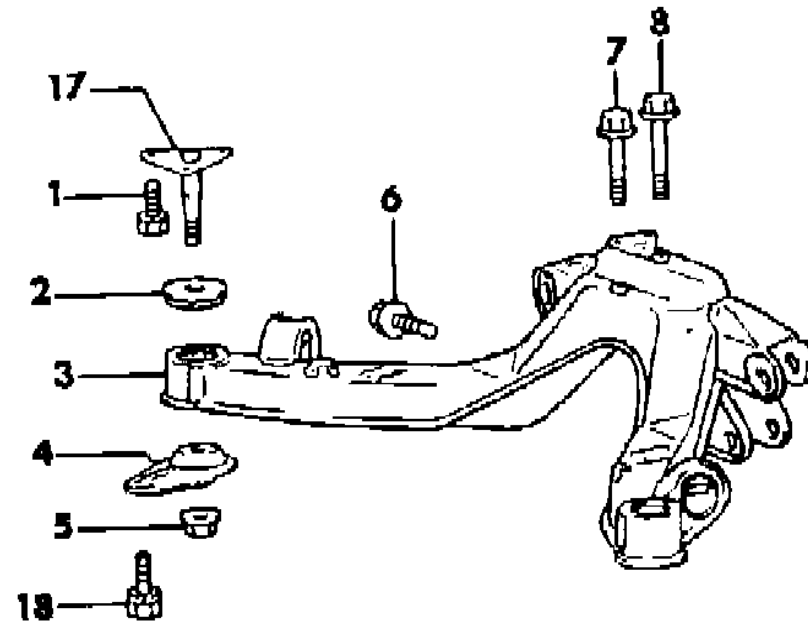
MODELS:  
 24 FWD = 2Dr Hatchback (Laser)  
 24 FWD = 2-Dr Hatchback (Talon)  
 4WD = (4 Wheel Drive)  
 2WD = (2 Wheel Drive)

AR = Use as Required - = Non Illustrated Part P.A.R. = Paint as Required

FRAME AND CROSSMEMBER, REAR AWD LASER-TALON

Figure 13-170

9613 170



ITEM	PART NUMBER	QTY	BODY	MODEL	DESCRIPTION
1					BOLT
	MF24 1307	6			1990-93, (12x25)
	MS24 0118	6			1994, (12x30)
2	MB58 4140	2			STOPPER, Upper
3	MB51 5381	1			CROSSMEMBER, Rear Suspension
4	MB58 4645	2			BRACKET
5	MB57 3244	2			NUT, Flange, (15.5)
6	MB51 5263	2			BOLT, Flange, (12x20)
7	MB51 5262	1			BOLT, Flange, (12x91)
8	MB51 5261	1			BOLT, (12x118)
9	MB51 5150	1			SUPPORT, Rear Differential, Rear
10	MB51 5634	2			BUSHING, Mounting
11	MB51 5154	2			STOPPER, Upper
12	MF24 0050	2			BOLT, (8x14)
13	MB51 5158	2			BOLT, (14x172)
14	MB51 5155	2			STOPPER, Lower
15	MF44 5244	2			NUT
16	MB51 5260	2			BOLT, (12x28)
17	MB58 4138	2			PIN, (14x116)
18	MU24 1009	2			BOLT, (12x30)

ENGINE: P = 1800cc (1.8L) A = 2000cc (2.0L) Blank = All  
 TRANS: A = Automatic M = Manual Blank = All  
 SERIES: H = High M = Medium P = Premium S = Special

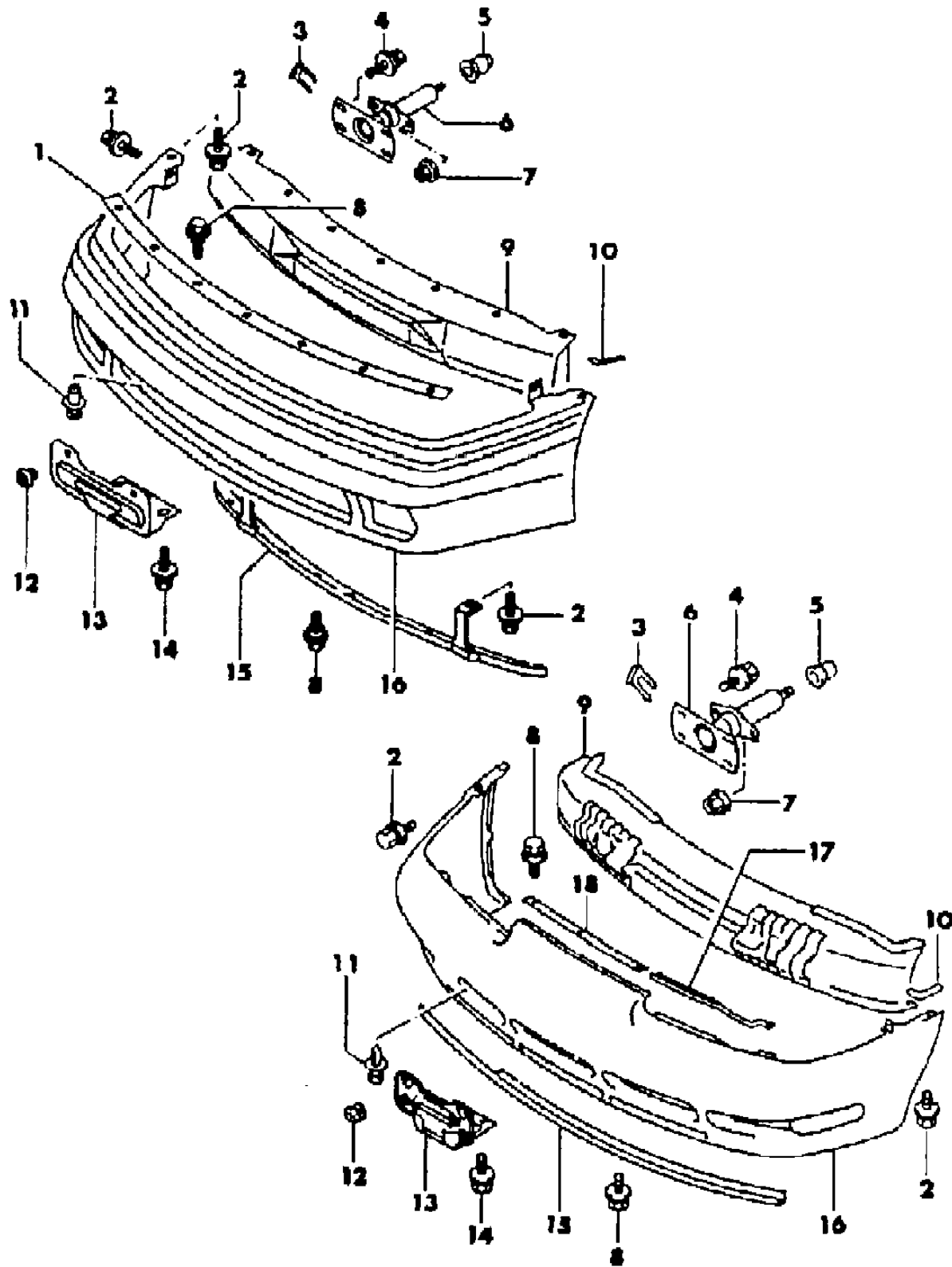
MODELS:  
 24 FWD = 2Dr Hatchback (Laser)  
 24 FWD = 2-Dr Hatchback (Talon)  
 4WD = (4 Wheel Drive)  
 2WD = (2 Wheel Drive)

AR = Use as Required - = Non Illustrated Part P.A.R. = Paint as Required

FRONT FASCIA AND SUPPORT 1990-91 LASER-TALON

Figure 13-200

9613 200 A



ITEM	PART NUMBER	QTY	BODY	MODEL	DESCRIPTION
1	MB52 8433	1			PLATE, Upper
2	MS24 0157	6			BOLT, w/Washer, (6x25 4T)
3	MB57 4119	AR			SPACER, Reinforcement
4	MF24 7893	8			BOLT, w/Washer, (8x25 7T)
5	MB55 2833	2			GROMMET
6	MB57 4120	2			ABSORBER ASSY, Front Bumper ***
7	MS44 0524	4			NUT, (10)
8	MU14 0009	16			BOLT, (6x20)
9					REINFORCEMENT, Bumper, Front
	MB52 8439	1	M,H	LASER,T	
	MB52 8707	1	P,S	TALON	
10	MB59 0090	2			PAD
11	MB25 3964	6			CLIP, Trim, (Black)
12	MU48 0007	2			GROMMET
13	MB52 8434	1			BRACKET, License Plate, Front
14	MS24 0155	3			BOLT, w/Washer, (6x16 4T)
15					PLATE, Lower
	MB52 8436	1	M,H	LASER,T	
	MB57 4143	1	P,S	TALON	
16					FACE, Bumper, Front, (P.A.R.)
	MB63 1110	1	M,H	LASER,T	
	MB63 1112	1	P,S	TALON	
17					PLATE, Upper
	MB63 1265	1			Left
	MB63 1266	1			Right

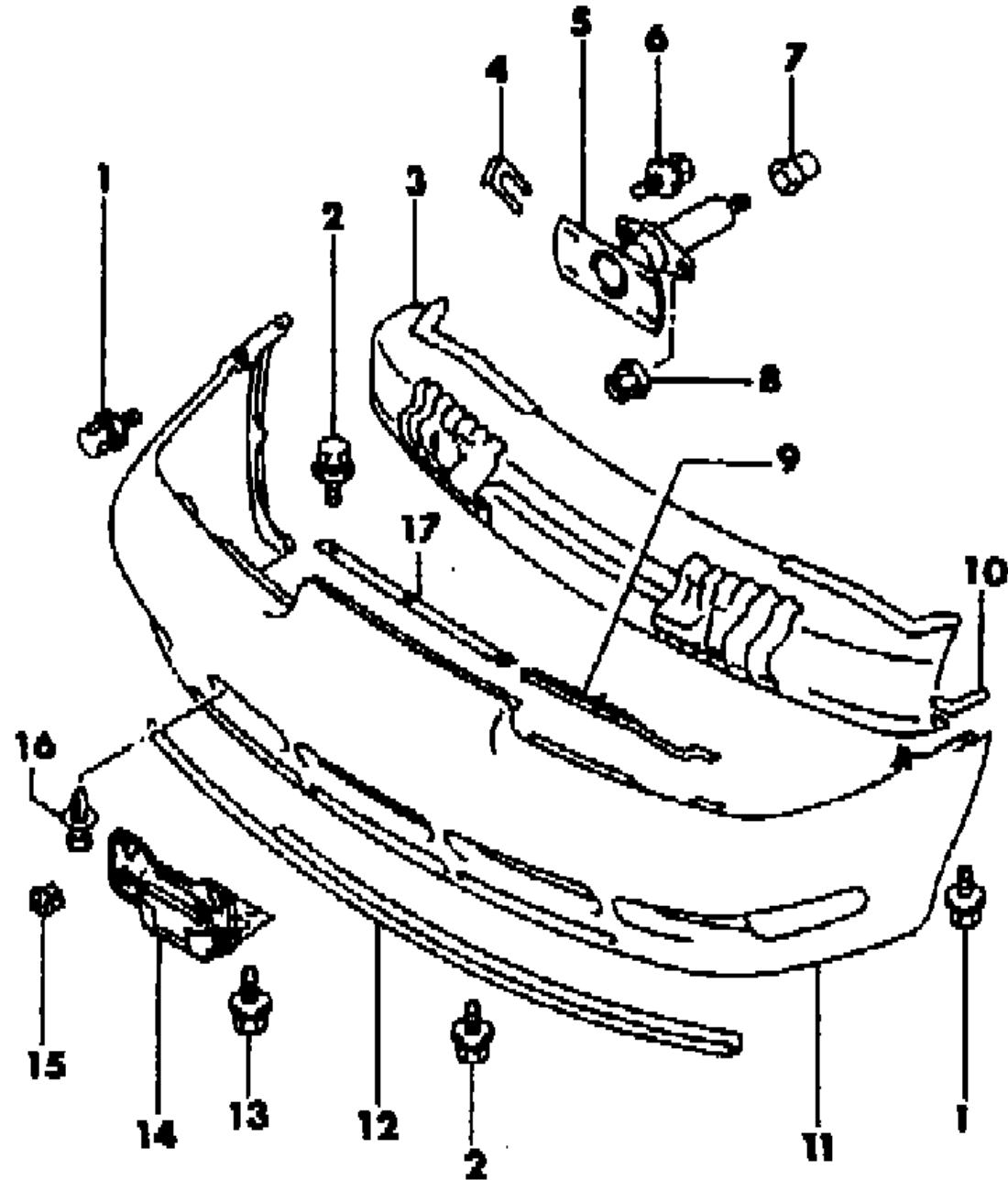
ENGINE: P = 1800cc (1.8L) A = 2000cc (2.0L) Blank = All  
 TRANS: A = Automatic M = Manual Blank = All  
 SERIES: H = High M = Medium P = Premium S = Special

MODELS:  
 24 FWD = 2Dr Hatchback (Laser)  
 24 FWD = 2-Dr Hatchback (Talon)  
 4WD = (4 Wheel Drive)  
 2WD = (2 Wheel Drive)

AR = Use as Required - = Non Illustrated Part P.A.R. = Paint as Required

FRONT FASCIA AND SUPPORT 1992-94 LASER-TALON  
Figure 13-250

9613 250



ITEM	PART NUMBER	QTY	BODY	MODEL	DESCRIPTION
1	MS24 0157	4			BOLT, w/Washer, Black, (6x25)
2	MU14 0009	16			BOLT, Flange, (6x20)
3	MB63 1286	1			REINFORCEMENT, Front Bumper
4	MB57 4119	AR			SPACER, (1.0)
5	MB57 4120	2			ABSORBER, Front Bumper
6	MF24 7893	8			BOLT, w/Washer, (8x25)
7	MB55 2833	2			GROMMET, (10)
8	MS44 0524	4			NUT, w/Washer, (10)
9					PLATE, Upper
	MB63 1265				Left
	MB63 1266	1			Right
10	MB59 0090	2			PAD, Face
11					FACE, Front Bumper
	MB86 1911	1		LASER	
	MB86 1909	1		TALON	
12					PLATE, Lower
	MB63 1244	1		LASER	
	MB63 1246	1		TALON	
13	MS24 0155	3			BOLT, w/Washer, (6x16)
14	MB63 1285	1			BRACKET, Front License Plate
15	MU48 0007	2			GROMMET, (6)
16	MB54 7806	6			CLIP, (8)
17	MB63 1264	1			PLATE, Upper

ENGINE: P = 1800cc (1.8L) A = 2000cc (2.0L) Blank = All  
 TRANS: A = Automatic M = Manual Blank = All  
 SERIES: H = High M = Medium P = Premium S = Special

MODELS:  
 24 FWD = 2Dr Hatchback (Laser)  
 24 FWD = 2-Dr Hatchback (Talon)  
 4WD = (4 Wheel Drive)  
 2WD = (2 Wheel Drive)

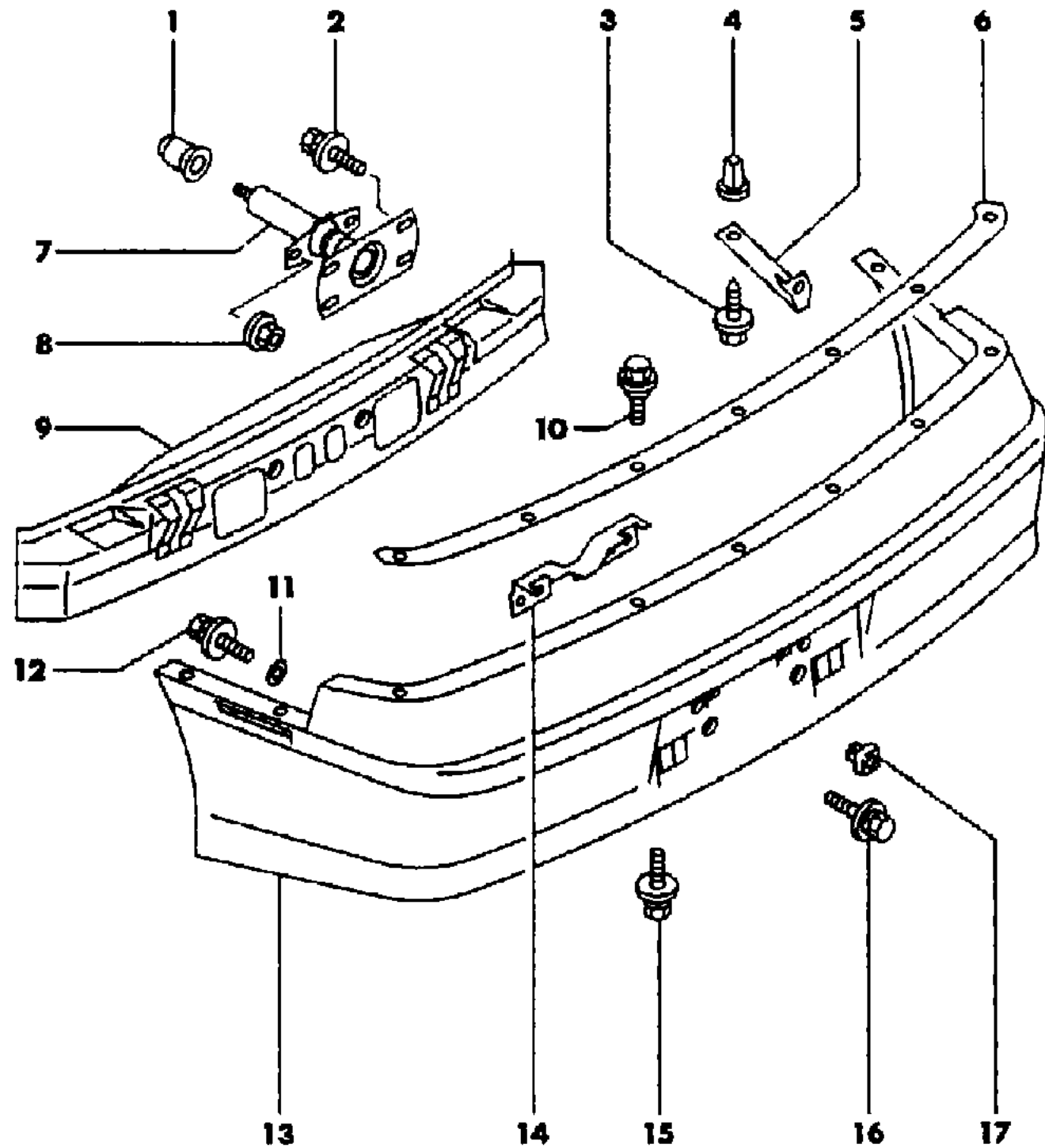
AR = Use as Required - = Non Illustrated Part P.A.R. = Paint as Required



REAR BUMPER AND SUPPORT 1990-91 LASER-TALON

Figure 13-300

9613 300



ITEM	PART NUMBER	QTY	BODY	MODEL	DESCRIPTION
1	MB55 2833	2			GROMMET
2	MF24 7893	8			BOLT, w/Washer, (8x25 7T)
3	MS45 2357	2			SCREW, (6x20)
4	MU48 0035	2			GROMMET
5					PLATE, Lower
	MB52 8467	1			Left
	MB52 8468	1			Right
6	MB52 8471	1			PLATE, Upper
7	MB57 4120	2			ABSORBER ASSY, Bumper ***
8	MS44 0524	4			NUT, (10)
9	MB52 8840	1			REINFORCEMENT, Bumper, Rear
10	MB36 9297	7			BOLT, (6x20)
11	MB40 6419	4			GASKET
12	MS24 0602	4			BOLT, w/Washer, (6x20 4T)
13					FACE, Bumper, Rear, (P.A.R)
	MB63 1111	1	M.H	LASER,T	
	MB63 1114	1	P	TALON	
	MB63 1113	1	S	TALON	
14	MB57 4027	1			BRACKET, License Plate Lamp
15	MU24 0076	5			BOLT, w/Washer
16	MS24 0141	5			BOLT, w/Washer, License Plate, (6x20 4T)
17	MU48 0007	2			GROMMET, License Plate

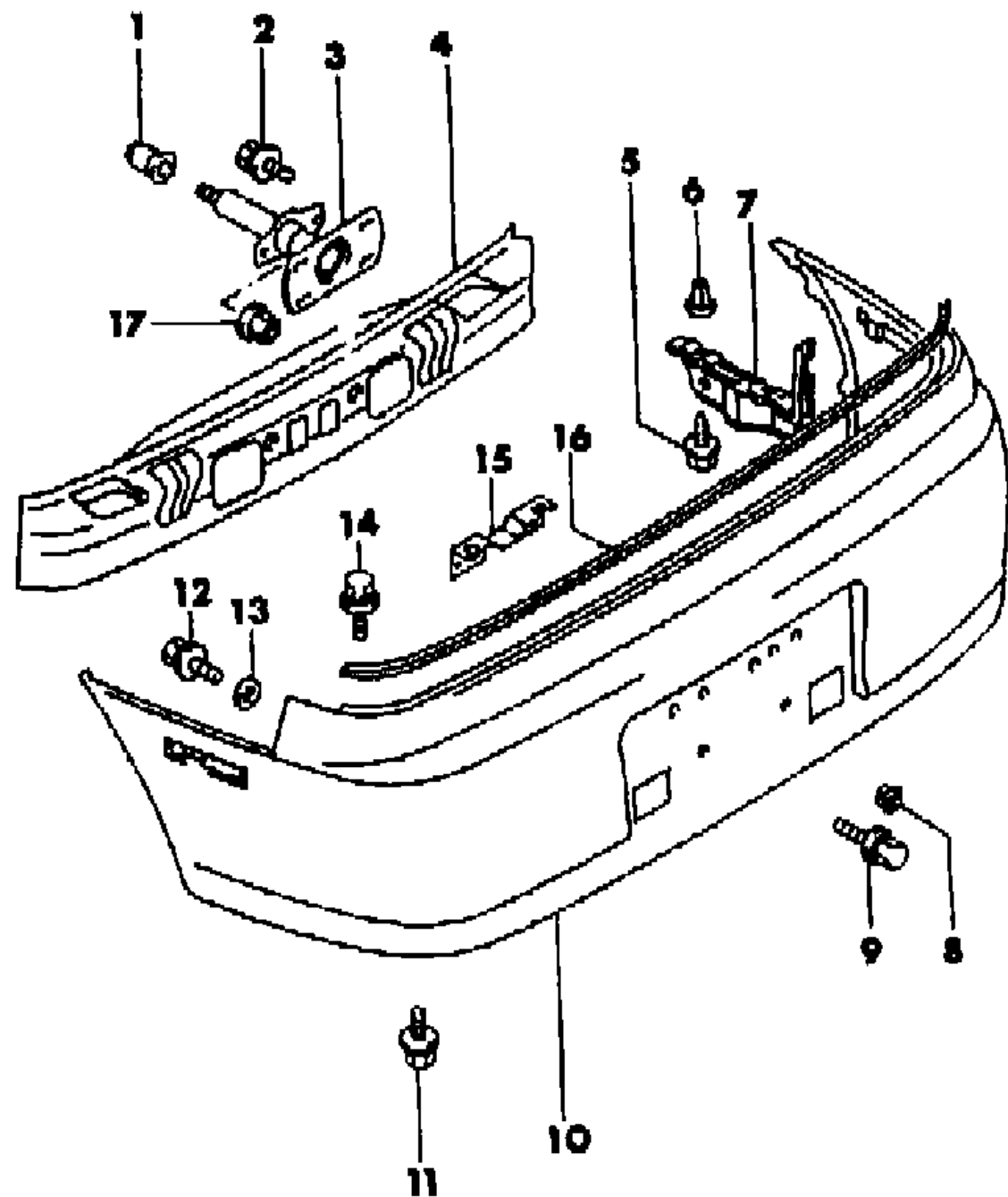
ENGINE: P = 1800cc (1.8L) A = 2000cc (2.0L) Blank = All  
 TRANS: A = Automatic M = Manual Blank = All  
 SERIES: H = High M = Medium P = Premium S = Special

MODELS:  
 24 FWD = 2Dr Hatchback (Laser)  
 24 FWD = 2-Dr Hatchback (Talon)  
 4WD = (4 Wheel Drive)  
 2WD = (2 Wheel Drive)

AR = Use as Required - = Non Illustrated Part P.A.R. = Paint as Required

REAR BUMPER AND SUPPORT 1992-94 LASER  
Figure 13-400

9613 400



ITEM	PART NUMBER	QTY	BODY	MODEL	DESCRIPTION
1	MB55 2833	2			GROMMET, (10)
2	MF24 7893	8			BOLT, w/Washer, (8x25)
3	MB57 4120	2			ABSORBER, Rear Bumper
4	MB52 8840	1			REINFORCEMENT
5	MS45 2348	2			SCREW, w/Washer, (6x20)
6	MU48 0035	2			GROMMET, (6)
7					BRACKET, Upper
	MB63 1255	1			Left
	MB63 1256	1			Right
8	MU48 0007	2			GROMMET, (6)
9	MS24 0122	7			BOLT, w/Washer, (6x20)
10	MB86 1914	1			FACE, Rear Bumper
11	MU24 0076	5			BOLT, w/Washer, (6x25)
12	MS24 0156	4			BOLT, w/Washer, (6x20)
13	MB40 6419	4			GASKET, Bumper Bracket
14	MB36 9297	7			BOLT, Flange, (6x20)
15	MB57 4027	1			BRACKET, License Plate Lamp
16	MB52 8471	1			PLATE, Upper
17	MS44 0524	4			NUT, w/Washer, (10)

ENGINE: P = 1800cc (1.8L)  
A = 2000cc (2.0L)  
Blank = All

TRANS: A = Automatic  
M = Manual  
Blank = All

SERIES: H = High  
M = Medium  
P = Premium  
S = Special

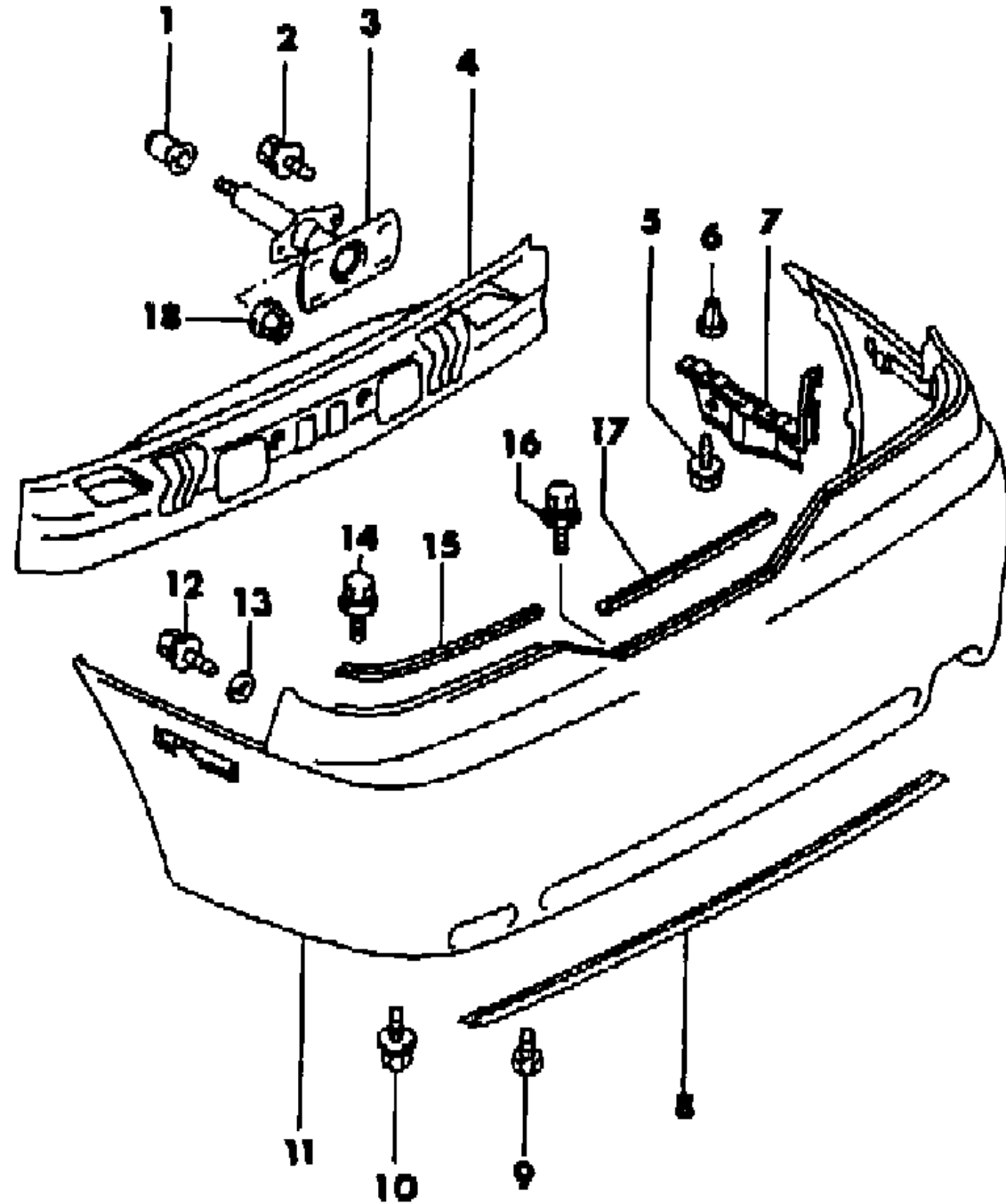
MODELS:  
24 FWD = 2Dr Hatchback (Laser)  
24 FWD = 2-Dr Hatchback (Talon)  
4WD = (4 Wheel Drive)  
2WD = (2 Wheel Drive)

AR = Use as Required - = Non Illustrated Part P.A.R. = Paint as Required

REAR BUMPER AND SUPPORT 1992-94 TALON

Figure 13-500

9613 500



ITEM	PART NUMBER	QTY	BODY	MODEL	DESCRIPTION
1	MB55 2833	2			GROMMET, (10)
2	MF24 7893	8			BOLT, w/Washer, (8x25)
3	MB57 4120	2			ABSORBER, Rear Bumper
4	MB63 1283	1			REINFORCEMENT
5	MS45 2348	2			SCREW, w/Washer, (6x29)
6	MU48 0035	2			GROMMET, (6)
7					BRACKET, Bumper Side, Upper
	MB63 1253	1			Left
	MB63 1254	1			Right
8	MB63 1263	1			PLATE, Lower
9	MU14 0009	8			BOLT, Flange, (6x20)
10	MU24 0076	5			BOLT, w/Washer, (6x25)
11	MB86 1912	1			FACE, Rear Bumper
12	MS24 0156	4			BOLT, w/Washer, (6x20)
13	MB40 6419	4			GASKET, Bumper Bracket
14	MB36 9297	7			BOLT, Flange, (6x20)
15					PLATE, Upper
	MB63 1261	1			Left
	MB63 1262	1			Right
16	MS24 0122	3			BOLT, w/Washer, (6x20)
17	MB63 1260	1			PLATE, Upper
18	MS44 0524	4			NUT, w/Washer, (10)

ENGINE: P = 1800cc (1.8L) A = 2000cc (2.0L) Blank = All  
 TRANS: A = Automatic M = Manual Blank = All  
 SERIES: H = High M = Medium P = Premium S = Special

MODELS:  
 24 FWD = 2Dr Hatchback (Laser)  
 24 FWD = 2-Dr Hatchback (Talon)  
 4WD = (4 Wheel Drive)  
 2WD = (2 Wheel Drive)

AR = Use as Required - = Non Illustrated Part P.A.R. = Paint as Required

**GROUP 14 - FUEL**

**ILLUSTRATION TITLE** **GROUP-FIG. NO.**

**AIR CLEANERS**

AIR CLEANER 1.8L,2.0L ENGINE, W/O TURBO LASER-TALON ..... Fig. 14-100  
AIR CLEANER 2.0L ENGINE, W/TURBO LASER-TALON ..... Fig. 14-200

**THROTTLE BODY AND TURBO CHARGER**

THROTTLE BODY 1.8L ENGINE, 1990 LASER-TALON ..... Fig. 14-300  
THROTTLE BODY 1.8L ENGINE, 1991-1994 LASER-TALON ..... Fig. 14-400  
THROTTLE BODY 2.0L ENGINE, 1990 LASER-TALON ..... Fig. 14-500  
THROTTLE BODY 2.0L ENGINE, 1991-94 LASER-TALON ..... Fig. 14-600  
TURBO CHARGER 2.0L ENGINE LASER-TALON ..... Fig. 14-700

**FUEL RAIL**

FUEL RAIL LASER-TALON ..... Fig. 14-800

**ACCELERATOR LINKAGE AND PEDAL**

ACCELERATOR LINKAGE AND PEDAL LASER-TALON ..... Fig. 14-900

**SPEED CONTROL**

SPEED CONTROL FACTORY INSTALLATION, 1990 LASER-TALON ..... Fig. 14-1000  
SPEED CONTROL FACTORY INSTALLATION, 1991-94 LASER-TALON ..... Fig. 14-1100

**FUEL FILTER**

FUEL FILTER LASER-TALON ..... Fig. 14-1200

**FUEL LINES**

FUEL LINES FWD LASER-TALON ..... Fig. 14-1300  
FUEL LINES AWD LASER-TALON ..... Fig. 14-1400

**FUEL PUMP AND SENDING UNIT**

FUEL PUMP AND SENDING UNIT LASER-TALON ..... Fig. 14-1500

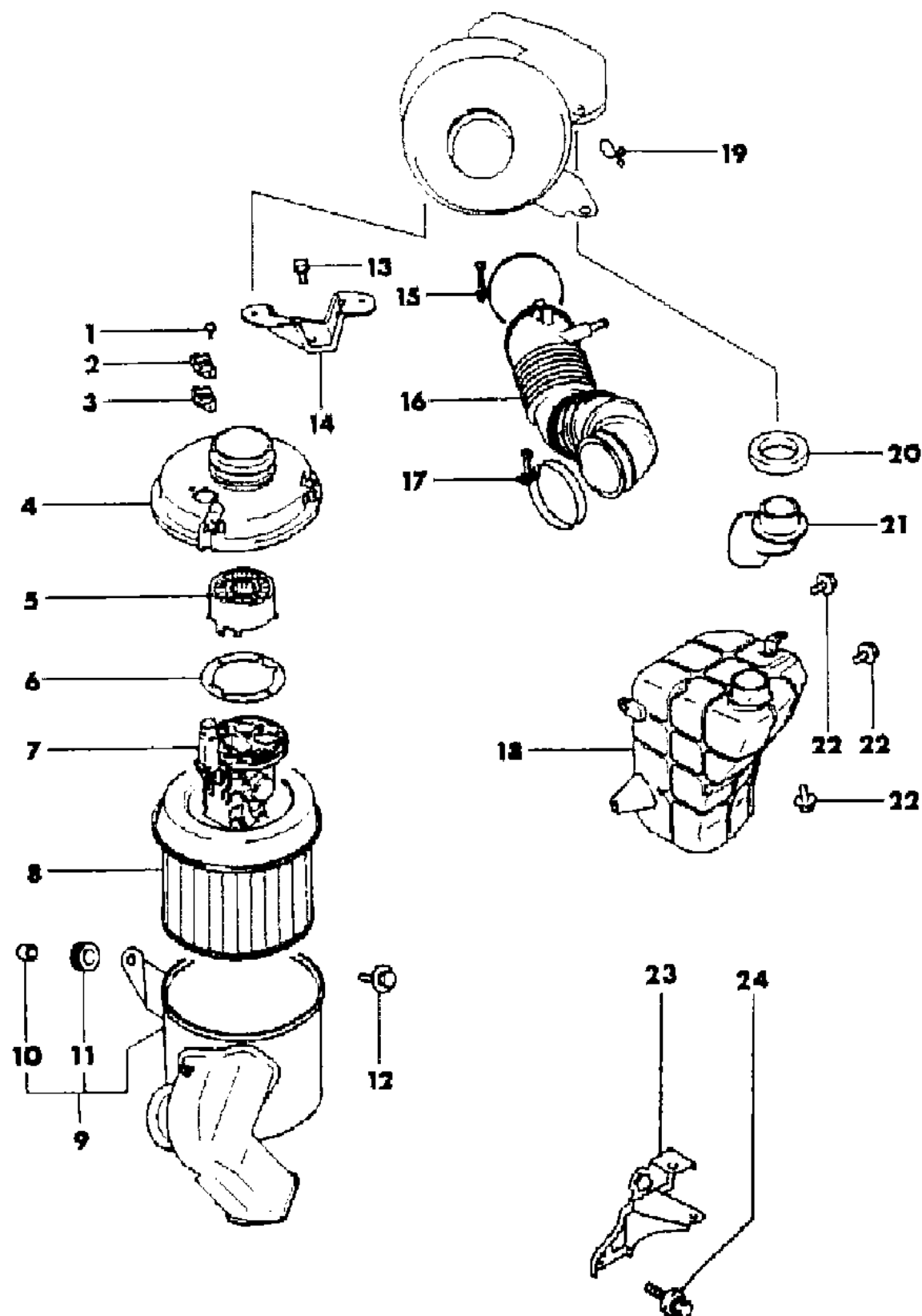
**FUEL TANK AND FILLER TUBE**

FUEL TANK FWD LASER-TALON ..... Fig. 14-1600  
FUEL TANK AWD LASER-TALON ..... Fig. 14-1700

**ILLUSTRATION NOT AVAILABLE AT TIME OF PUBLICATION**

**AIR CLEANER 1.8L,2.0L ENGINE, W/O TURBO LASER-TALON**  
**Figure 14-100**

9514 100



ITEM	PART NUMBER	QTY	BODY	MODEL	DESCRIPTION
1	MF35 1284	8			SCREW, Inner, (4x10)
2	MD62 0005	1			COVER, Flow Sensor Connector
3	MD62 0003	1			GROMMET
4	MD62 0419	1			COVER, Air Cleaner 1.8L Engine
	MD62 0353	1			2.0L Engine, 1990
	MD62 0549	1			1991-94
5	MD62 0090	1			FILTER, Noise Reduction 1.8L Engine
	MD62 0336	1			2.0L Engine
6	MD62 0340	1			GASKET, Air Flow Sensor
7	MD11 8126	1			SENSOR, Air Flow 1.8L Engine
	MD12 5922	1			2.0L Engine
8	MD60 3932	1			FILTER, Air Cleaner
9	MD62 0352	1			BODY, Air Cleaner 1.8L Engine
	MD62 0352	1			2.0L Engine, 1990
	MD62 0548	1			1991-94
10	MT20 6583	3			COLLAR, Support Insulator
11	MD04 0886	3			INSULATOR, Support
12	MD04 1968	3			BOLT, w/Washer, (6x25 7t)
13	MF24 0651	2			BOLT, (8x16) 1990-92
	MS24 0568	2			1993-94
14	MD13 5349	1			BRACKET, Air Cleaner 1.8L Engine
	MD13 5349	1			2.0L Engine, 1990
	MD16 2417	1			1991-94
15	MD12 2530	1			CLAMP, (90)
16	MD12 6123	1			HOSE, Air Intake 1.8L Engine
	MD13 0353	1			2.0L Engine, 1990
	MD16 2420	1			1991-94
17	MD12 4342	1			CLAMP 1.8L Engine, (75)
	MD12 2529	1			2.0L Engine, (83)
18	MD12 6450	1			RESONATOR, Air Cleaner
19	MS47 0359	1			CLIP, (16)

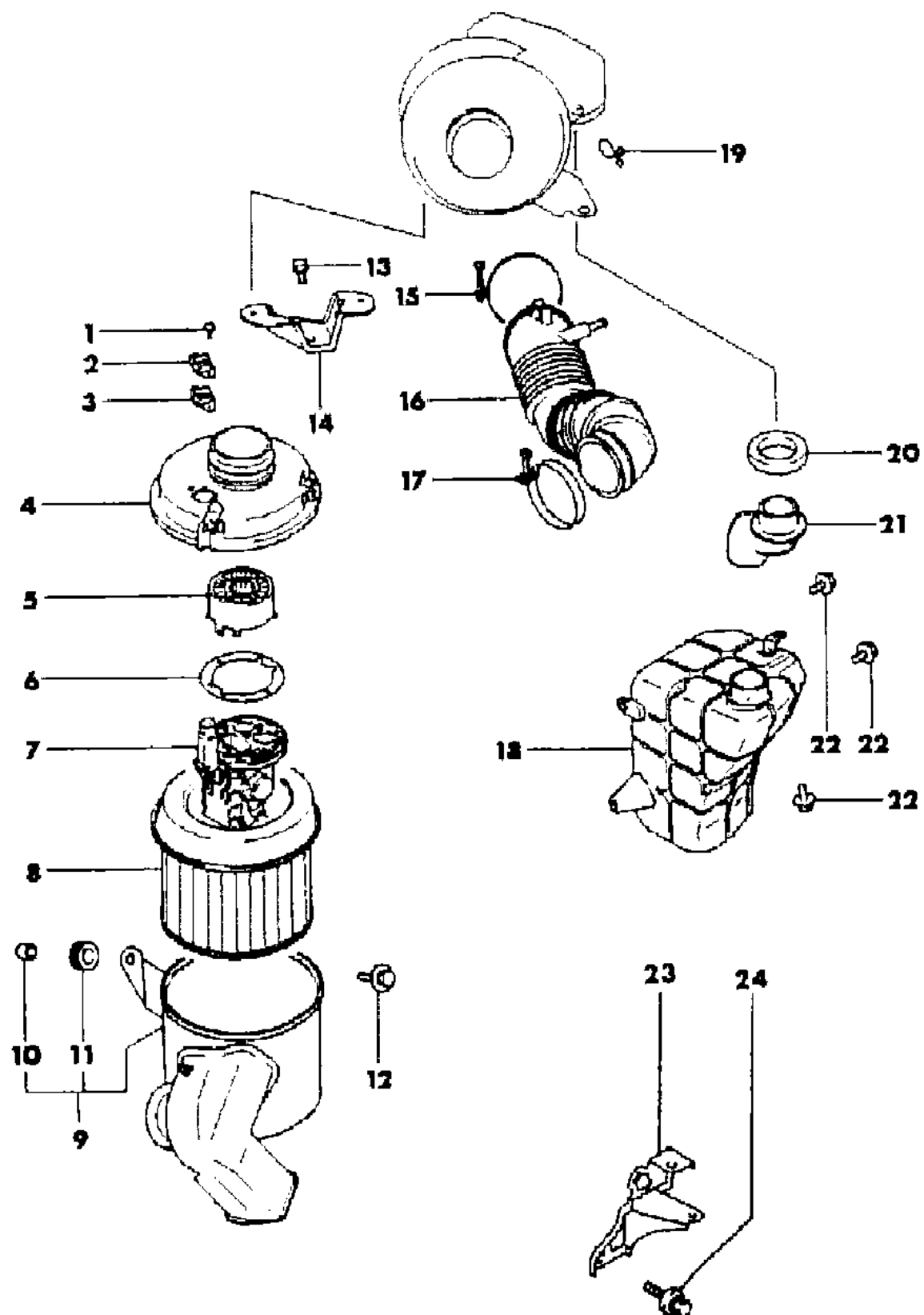
ENGINE: P = 1800cc (1.8L) A = 2000cc (2.0L) Blank = All  
 TRANS: A = Automatic M = Manual Blank = All  
 SERIES: H = High M = Medium P = Premium S = Special

MODELS:  
 24 FWD = 2Dr Hatchback (Laser)  
 24 FWD = 2-Dr Hatchback (Talon)  
 4WD = (4 Wheel Drive)  
 2WD = (2 Wheel Drive)

AR = Use as Required - = Non Illustrated Part P.A.R. = Paint as Required

**AIR CLEANER 1.8L,2.0L ENGINE, W/O TURBO LASER-TALON**  
**Figure 14-100**

9614 100



ITEM	PART NUMBER	QTY	BODY	MODEL	DESCRIPTION
20	MD13 6929	1			GASKET, Resonator Pipe
21	MD13 4627	1			PIPE, Resonator
22					BOLT, w/Washer
	MF24 3650	3			1990, (8x18 4T)
	MS24 0126	3			1991-94, (8x25)
23					BRACKET
	MB03 4148	1			1.8L Engine
	MB03 4148	1			2.0L Engine, 1990
	MB03 4170	1			1991-94
24					BOLT, w/Washer
	MF24 3649	2			1990, (8x16 4T)
	MF24 0050	2			1991, (8x14)
	MS24 0085	2			1992-94, (8x20)

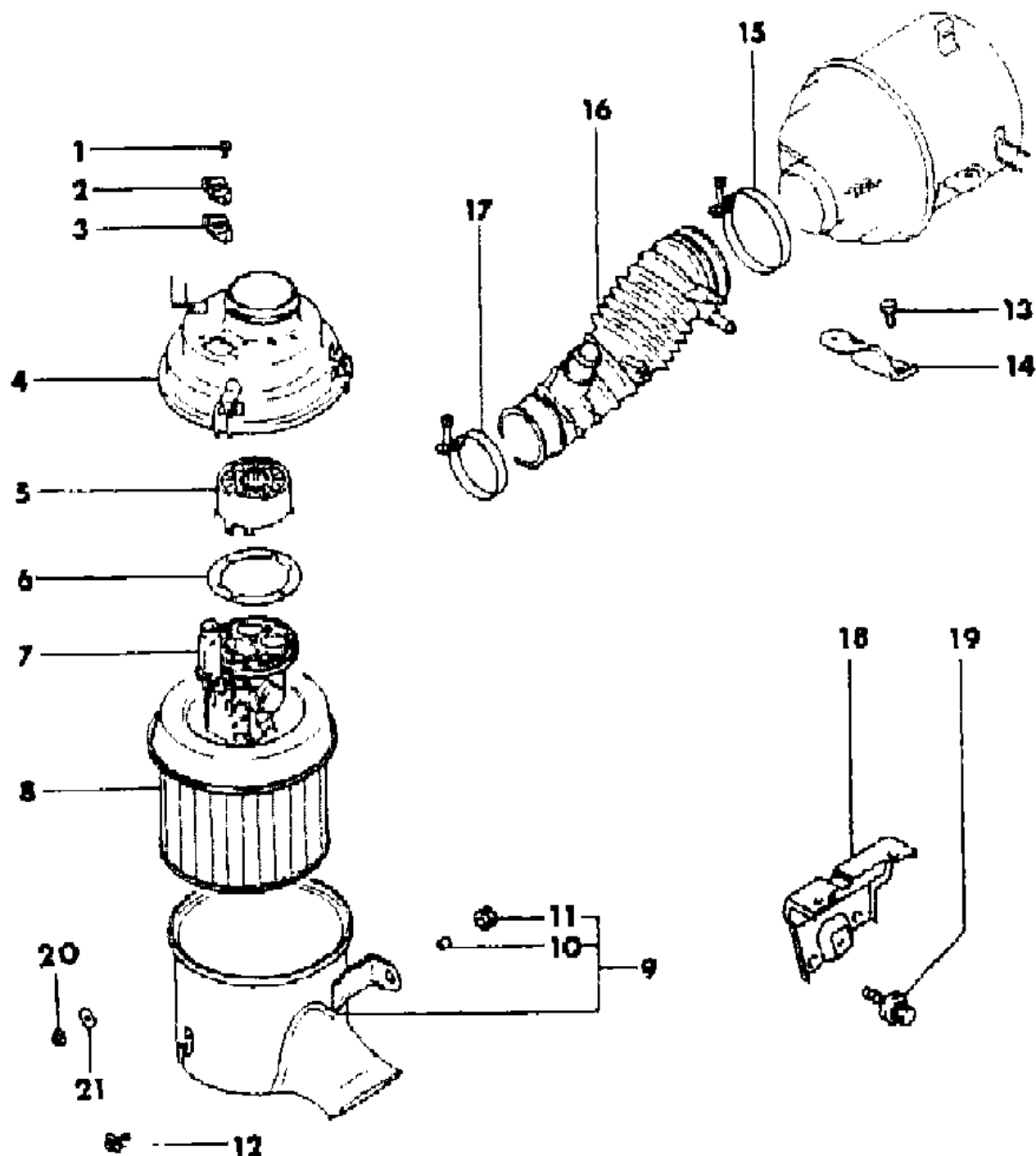
ENGINE: P = 1800cc (1.8L) A = 2000cc (2.0L) Blank = All  
 TRANS: A = Automatic M = Manual Blank = All  
 SERIES: H = High M = Medium P = Premium S = Special

MODELS:  
 24 FWD = 2Dr Hatchback (Laser)  
 24 FWD = 2-Dr Hatchback (Talon)  
 4WD = (4 Wheel Drive)  
 2WD = (2 Wheel Drive)

AR = Use as Required - = Non Illustrated Part P.A.R. = Paint as Required

**AIR CLEANER 2.0L ENGINE, W/TURBO LASER-TALON**  
**Figure 14-200**

9614 200



ITEM	PART NUMBER	QTY	BODY	MODEL	DESCRIPTION
1	MF35 1284	8			SCREW, Inner, (4x10)
2	MD62 0235	1			COVER, Flow Sensor Connector
3	MD62 0236	1			GROMMET
4	MD62 0343	1		1990	COVER, Air Cleaner
	MD62 0551	1		1991-94	
5	MD62 0336	1			FILTER, Noise Reduction
6	MD62 0238	1			GASKET, Air Flow Sensor
7	MD12 5924	1			SENSOR, Air Flow
8	MD60 3932	1			FILTER, Air Cleaner
9	MD62 0342	1		1990	BODY, Air Cleaner
	MD62 0552	1		1991-94	
10	MT20 6583	3			COLLAR, Support Insulator
11	MD04 0886	3			INSULATOR, Support
12	MD13 1587	3			BOLT, (6x25)
13		2			BOLT
	MF24 0651	2		1990-92, (8x16)	
	MS24 0568	2		1993-94, (8x20)	
14	MD13 0248	1			BRACKET, Air Cleaner
15	MD12 2530	1			CLAMP, (90)
16	MD13 0162	1			HOSE, Air Intake
17	MD12 2526	1			CLAMP, (71)
18	MB03 4141	1		1990	BRACKET
	MB03 4175	1		1991-94	
19					BOLT, w/Washer
	MF24 3649	2		1990-91, (8x16 4T)	
	MS24 0085	2		1992-94, (8x20)	
20	MS44 0542	1			NUT, w/Washer, (6)
21	MD13 2132	1			WASHER, Plain, (6)

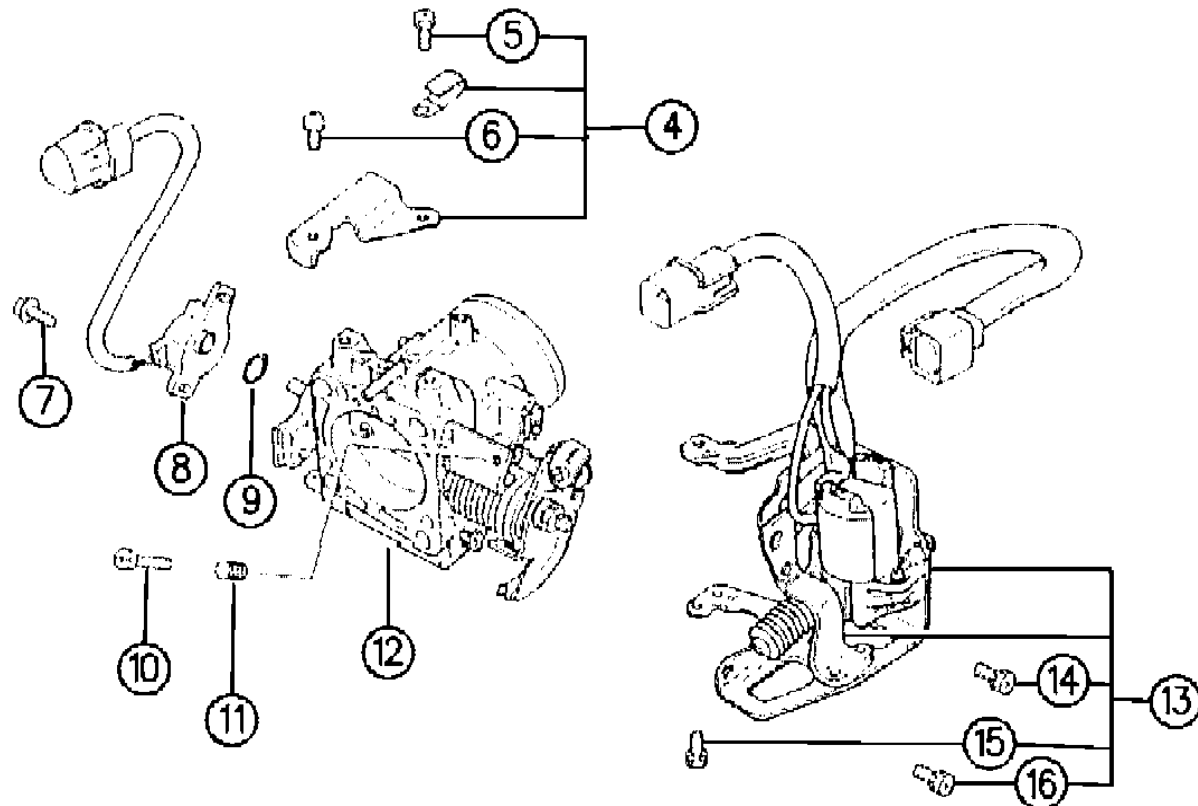
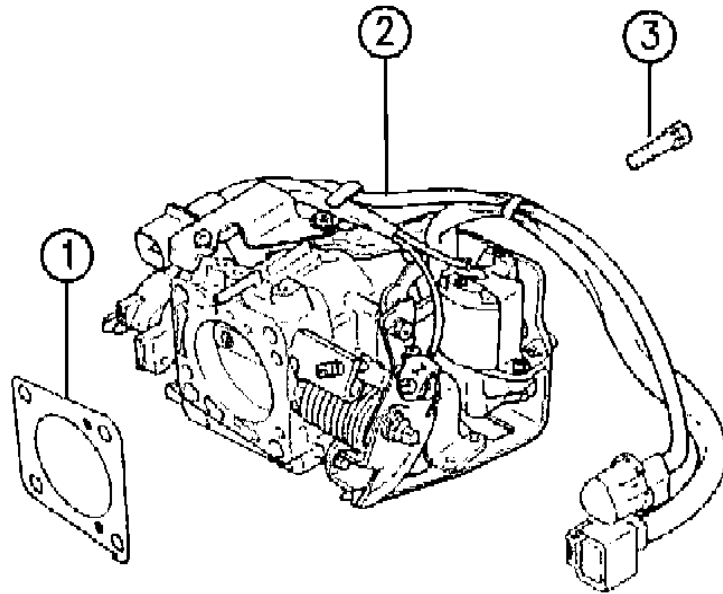
ENGINE: P = 1800cc (1.8L) A = 2000cc (2.0L) Blank = All  
 TRANS: A = Automatic M = Manual Blank = All  
 SERIES: H = High M = Medium P = Premium S = Special

MODELS:  
 24 FWD = 2Dr Hatchback (Laser)  
 24 FWD = 2-Dr Hatchback (Talon)  
 4WD = (4 Wheel Drive)  
 2WD = (2 Wheel Drive)

AR = Use as Required - = Non Illustrated Part P.A.R. = Paint as Required

THROTTLE BODY 1.8L ENGINE, 1990 LASER-TALON  
Figure 14-300

9614 300B



ITEM	PART NUMBER	QTY	BODY	MODEL	DESCRIPTION
1	MD09 5398	1			GASKET
2	MD11 8958	1			BODY, Throttle
3	MF24 0061	4			BOLT, w/Washer, (8x40 4t)
4	MD61 4226	1			BRACKET PKG, Harness Connector ***
5	MD61 4284	1			SCREW, Inner, (5x14)
6	MF35 0167	4			SCREW, w/Washer, (5x10)
7	MD61 4199	2			SCREW, Inner, (5x14)
8	MD61 4224	1			SENSOR, Throttle
9	MD61 4219	1			GASKET, Throttle Sensor
10	MD60 0056	4			SCREW, Speed Adjusting
11	MD60 0651	1			SPRING, Idle Speed
12	MD61 4307	1			BODY, Mixing
13	MD61 4227	1			SERVO PKG, ISC ***
14	MD61 4222	2			SCREW, w/Washer, (6x14)
15	MD61 4223	1			SCREW, w/Washer, (5x10)
16	MD61 4220	1			SCREW, w/Washer, (6x12)

ENGINE: P = 1800cc (1.8L) A = 2000cc (2.0L) Blank = All  
 TRANS: A = Automatic M = Manual Blank = All  
 SERIES: H = High M = Medium P = Premium S = Special

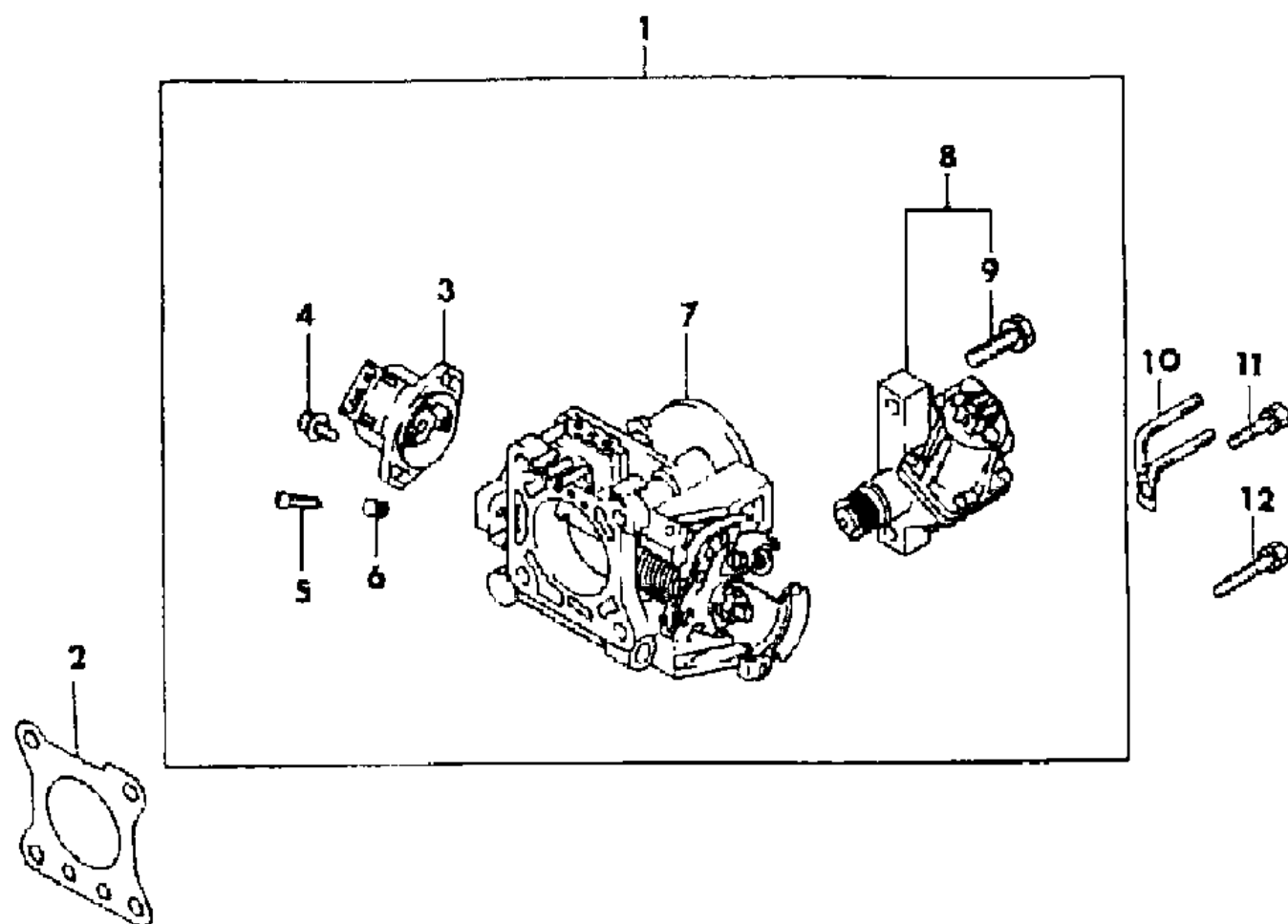
MODELS:  
 24 FWD = 2Dr Hatchback (Laser)  
 24 FWD = 2-Dr Hatchback (Talon)  
 4WD = (4 Wheel Drive)  
 2WD = (2 Wheel Drive)

AR = Use as Required - = Non Illustrated Part P.A.R. = Paint as Required



THROTTLE BODY 1.8L ENGINE, 1991-1994 LASER-TALON  
Figure 14-400

9614 400



ITEM	PART NUMBER	QTY	BODY	MODEL	DESCRIPTION
1					BODY, Throttle
					1991-93 ***
	MD16 0429	1			Federal-Canada
	MD14 6237	1			Calif.
					1994 ***
	MD19 4561	1			Federal-Canada
	MD19 4562	1			Calif.
2		1			GASKET
	MD16 4881	1			1991-1992
	MD18 4045	1			1993-94
3					SENSOR
	MD61 4327	1			1991-93
	MD61 4510	1			1994
4	MD61 4199	2			SCREW
5	MD60 0056	1			SCREW, Adjusting
6	MD60 0651	1			SPRING, Idle Speed
7					BODY, Mixing
					1991-93 ***
	MD61 4451	1			Federal-Canada
	MD61 4450	1			Calif.
					1994 ***
	MD61 4638	1			Federal-Canada
	MD61 4639	1			Calif.
8	MD61 4351	1			SERVO, Idle Speed Control
9	MD61 4352	2			SCREW
10	MD15 1877	1			CLIP
11	MF24 1264	2			BOLT, w/Washer, (8x55)
12	MF24 1267	2			BOLT, w/Washer, (8x70)

ENGINE: P = 1800cc (1.8L)  
A = 2000cc (2.0L)  
Blank = All

TRANS: A = Automatic  
M = Manual  
Blank = All

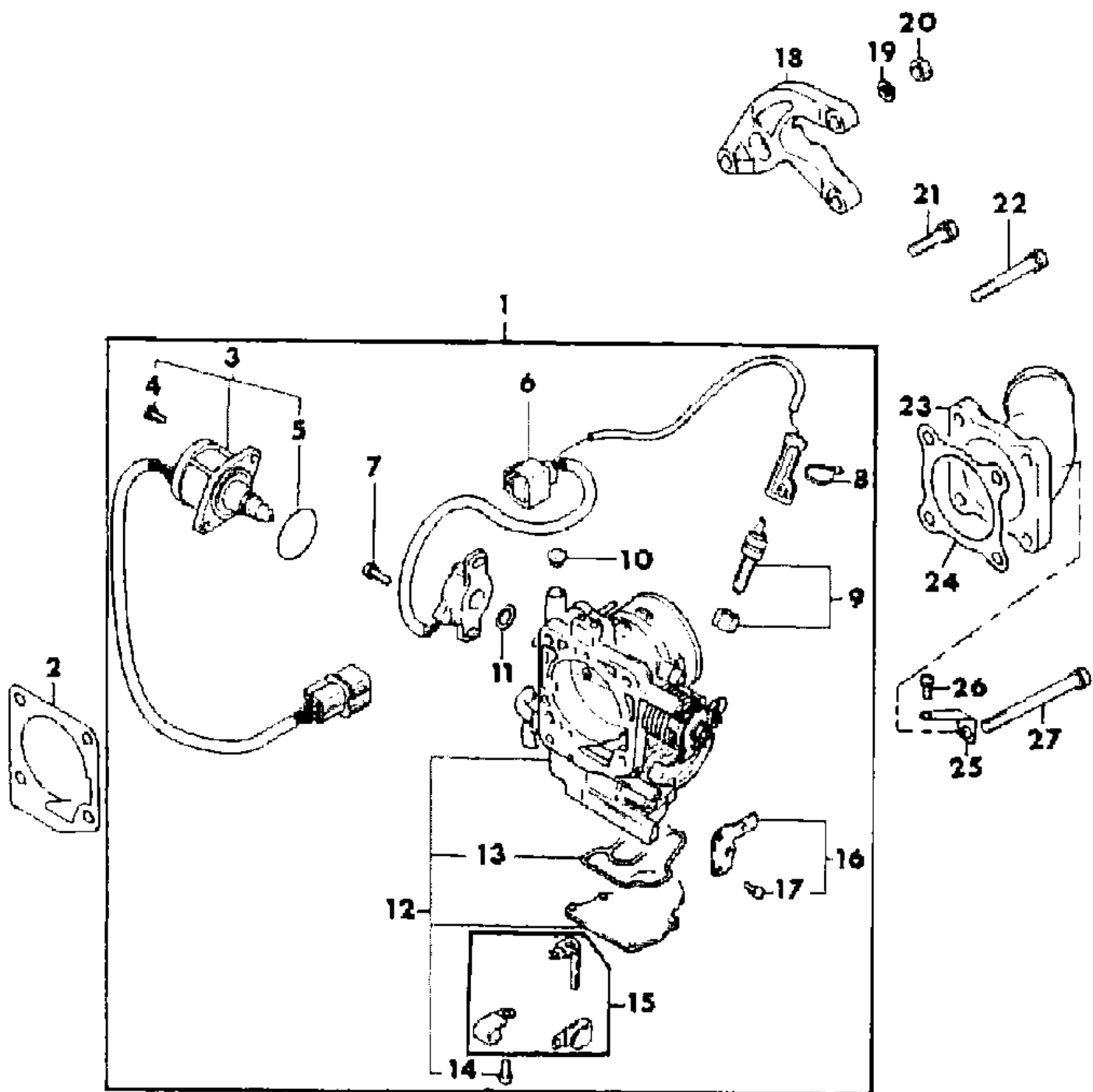
SERIES: H = High  
M = Medium  
P = Premium  
S = Special

MODELS:  
24 FWD = 2Dr Hatchback (Laser)  
24 FWD = 2-Dr Hatchback (Talon)  
4WD = (4 Wheel Drive)  
2WD = (2 Wheel Drive)

AR = Use as Required - = Non Illustrated Part P.A.R. = Paint as Required

THROTTLE BODY 2.0L ENGINE, 1990 LASER-TALON  
Figure 14-500

9614 500



ITEM	PART NUMBER	QTY	BODY	MODEL	DESCRIPTION
1					BODY, Throttle
	MD12 9140	1			w/o Turbo
	MD12 9143	1			w/Turbo
2					GASKET, (60)
	MD11 6866	1			w/o Turbo
	MD12 5822	1			w/Turbo
3	MD61 4264	1			SERVO PKG, ISC ***
4	MD61 4159	2			SCREW, Inner, (5x12)
5	MD61 4299	1			O-RING
6	MD61 4208	1			SENSOR
7	MD61 4221	2			SCREW, w/Washer, (5x14)
8	MD60 8632	1			CLAMP, Inner
9	MD61 4216	1			SWITCH PKG, Idle ***
10	MD61 4150	1			CAP, Inner
11	MD61 4219	1			GASKET, Sensor
12					BODY, Mixing
	MD61 4241	1			w/o Turbo
	MD61 4308	1			w/Turbo
13	MD61 4300	1			O-RING
14	MD61 4158	5			SCREW, Inner, (5x10)
15	MD61 4215	1			CLIP PKG ***
16	MD61 4214	1			BRACKET PKG, Harness Connector ***
17	MD61 4157	5			SCREW, Inner, (9x10)
18					STAY
	MD12 9145	1			w/o Turbo
	MD12 9146	1			w/Turbo
19					WASHER, Spring
	MF45 0495	2			(8)
	MF45 0435	2			(8)
20					NUT
	MF43 0181	2			(8)
	MF43 0121	2			(8)
21					BOLT
	MF24 1857	1			w/o Turbo, (8x30)
	MF14 0225	1			w/o Turbo, (8x30 7t)
22					BOLT
	MF24 1864	1			w/o Turbo, (8x55)
	MF24 1264	1			w/o Turbo, (8x55 7t)
23	MD11 8813	1			FITTING, Air Hose, w/Turbo

ENGINE: P = 1800cc (1.8L) A = 2000cc (2.0L) Blank = All  
 TRANS: A = Automatic M = Manual Blank = All  
 SERIES: H = High M = Medium P = Premium S = Special

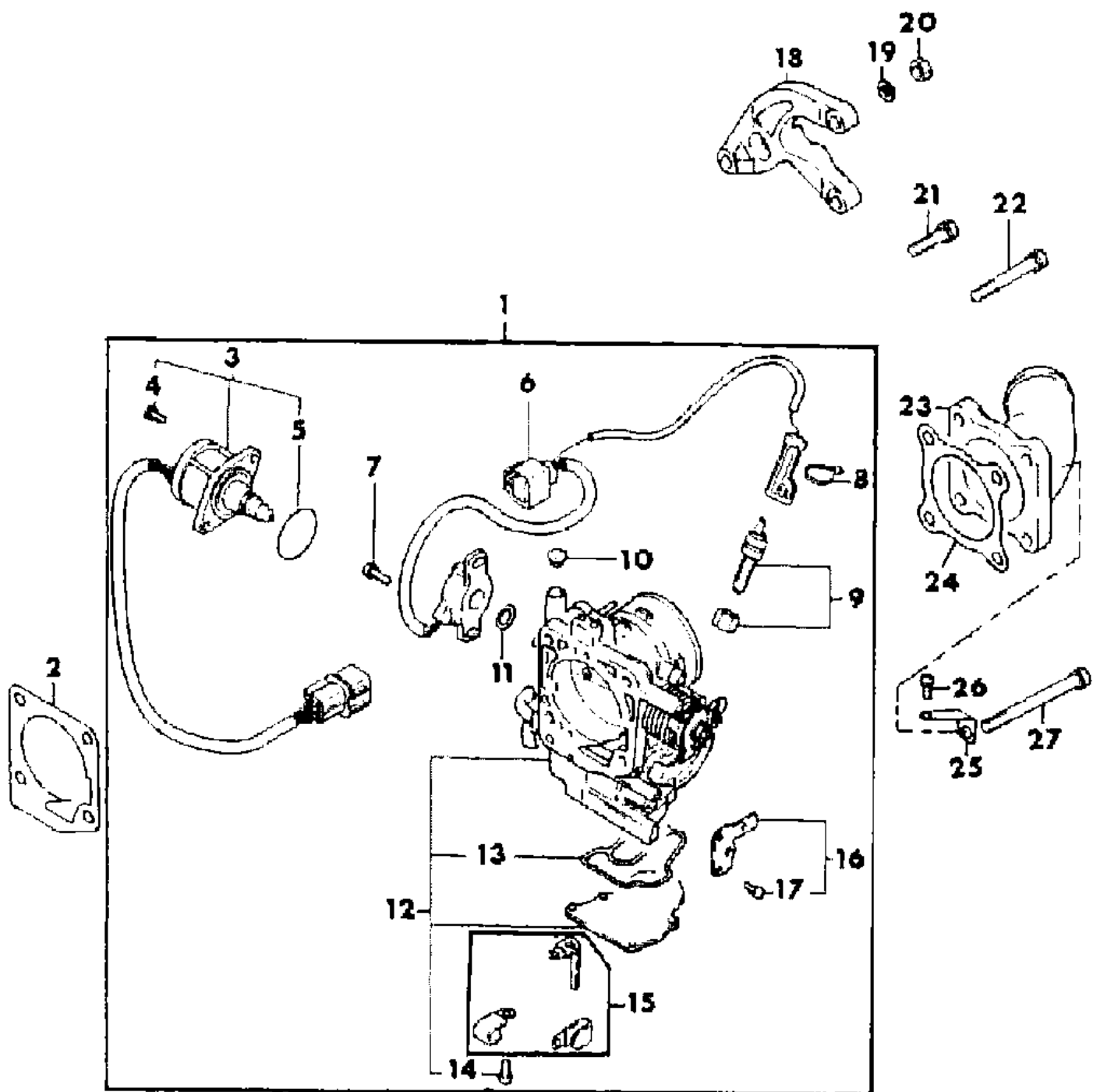
MODELS:  
 24 FWD = 2Dr Hatchback (Laser)  
 24 FWD = 2-Dr Hatchback (Talon)  
 4WD = (4 Wheel Drive)  
 2WD = (2 Wheel Drive)

AR = Use as Required - = Non Illustrated Part P.A.R. = Paint as Required

THROTTLE BODY 2.0L ENGINE, 1990 LASER-TALON  
Figure 14-500

9614 500

ITEM	PART NUMBER	QTY	BODY	MODEL	DESCRIPTION
24	MD11 7583	1			GASKET, Air Fitting, w/Turbo
25	MD12 5824	1			PLATE, Earth, w/Turbo
26	MF35 0047	1			SCREW, w/Washer w/Turbo, (5x10)
	MF35 0048	1			w/Turbo, (5x10)
27	MF24 1270	2			BOLT, w/Turbo, (8x85)



ENGINE: P = 1800cc (1.8L) A = 2000cc (2.0L) Blank = All  
 TRANS: A = Automatic M = Manual Blank = All  
 SERIES: H = High M = Medium P = Premium S = Special

MODELS:  
 24 FWD = 2Dr Hatchback (Laser)  
 24 FWD = 2-Dr Hatchback (Talon)  
 4WD = (4 Wheel Drive)  
 2WD = (2 Wheel Drive)

AR = Use as Required - = Non Illustrated Part P.A.R. = Paint as Required

THROTTLE BODY 2.0L ENGINE, 1991-94 LASER-TALON  
Figure 14-600

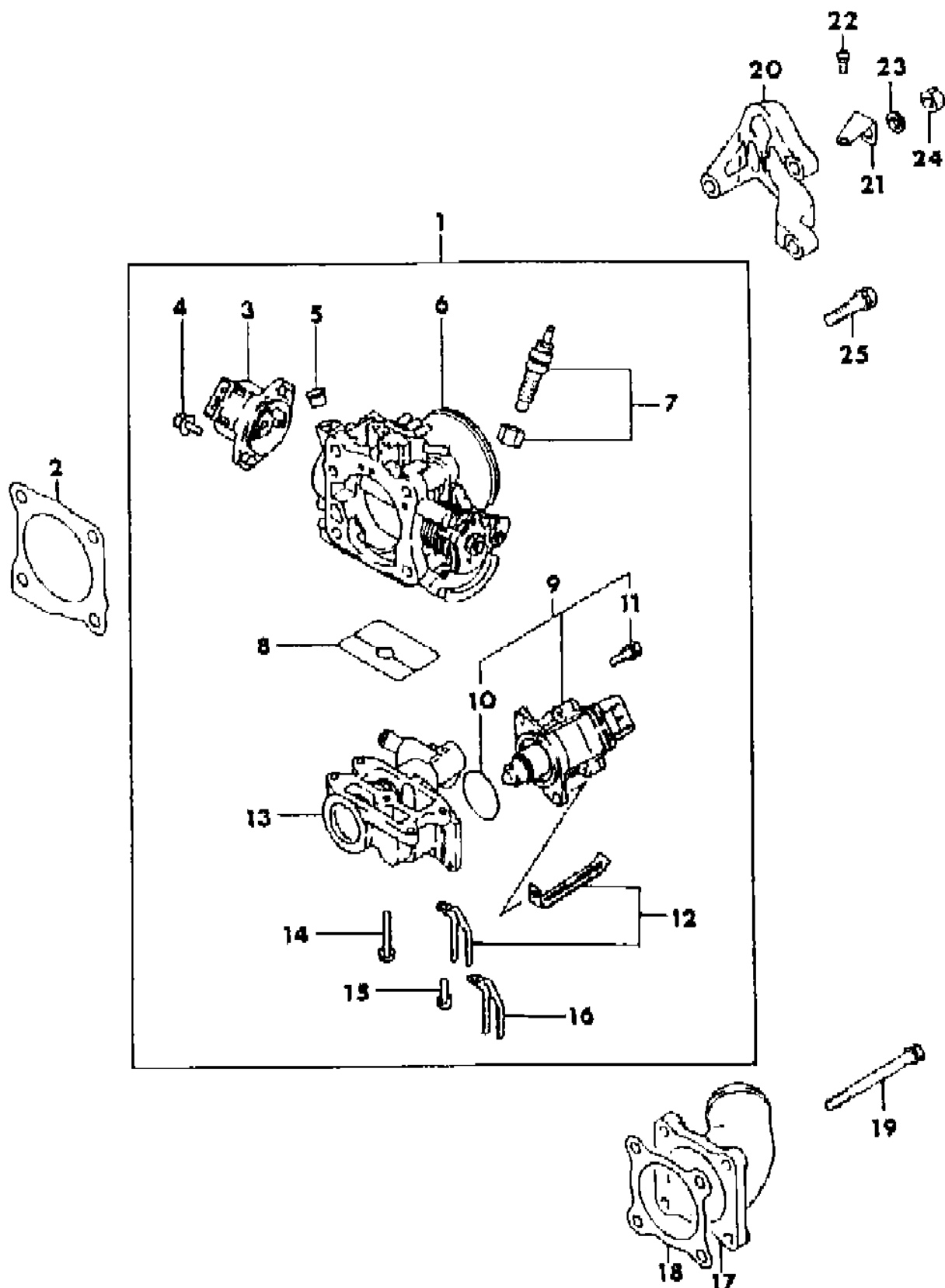
9614 600

ITEM	PART NUMBER	QTY	BODY	MODEL	DESCRIPTION
1					THROTTLE BODY ***
	MD14 6232	1			w/o Turbo, 1991-92
	MD17 6372	1			w/o Turbo, 1993-94
	MD16 6235	1			w/Turbo, 1991-92
	MD19 1206	1			w/Turbo, 1993-94
2					GASKET, Throttle Body
	MD16 4883	1			w/o Turbo, 1991-92
	MD19 2535	1			w/o Turbo, 1993-94
	MD14 6399	1			w/Turbo, 1991-93
	MD19 4578	1			w/Turbo, 1994
3					SENSOR, Throttle Body
	MD61 4327	1			1991-92
	MD61 4510	1			1993-94
4					SCREW
	MD61 4199	2			w/o Turbo
	MD61 4528	2			w/Turbo
5					CAP, Throttle Body
	MD61 4150	1			w/o Turbo
	MD61 4532	1			w/Turbo
6					BODY, Mixing
	MD61 4360	1			w/o Turbo, 1991-92
	MD17 6372	1			w/o Turbo, 1993
	MD61 4514	1			w/o Turbo, 1994
	MD61 4453	1			w/Turbo, 1991-92
	MD19 1206	1			w/Turbo, 1993
	MD61 4625	1			w/Turbo, 1994
7	MD61 4216	1			SWITCH PKG, Idle ***
8	MD61 4406	1			O-RING, 1st Idle Air Valve
9					SERVO PKG, Idle Speed Control ***
	MD61 4368	1			1991-92
	MD61 4367	1			w/o Turbo, 1993-94
	MD61 4368	1			w/Turbo, 1993-94
10	MD61 4417	1			O-RING, Idle Speed Control Servo
11	MD61 4285	2			SCREW
12	MD61 4383	1			CLIP SET, w/o Turbo ***
13					VALVE, Fast Idle Air
	MD61 4373	1			w/o Turbo
	MD61 4454	1			w/Turbo
14	MD61 4416	AR			SCREW

ENGINE: P = 1800cc (1.8L) A = 2000cc (2.0L) Blank = All  
 TRANS: A = Automatic M = Manual Blank = All  
 SERIES: H = High M = Medium P = Premium S = Special

MODELS:  
 24 FWD = 2Dr Hatchback (Laser)  
 24 FWD = 2-Dr Hatchback (Talon)  
 4WD = (4 Wheel Drive)  
 2WD = (2 Wheel Drive)

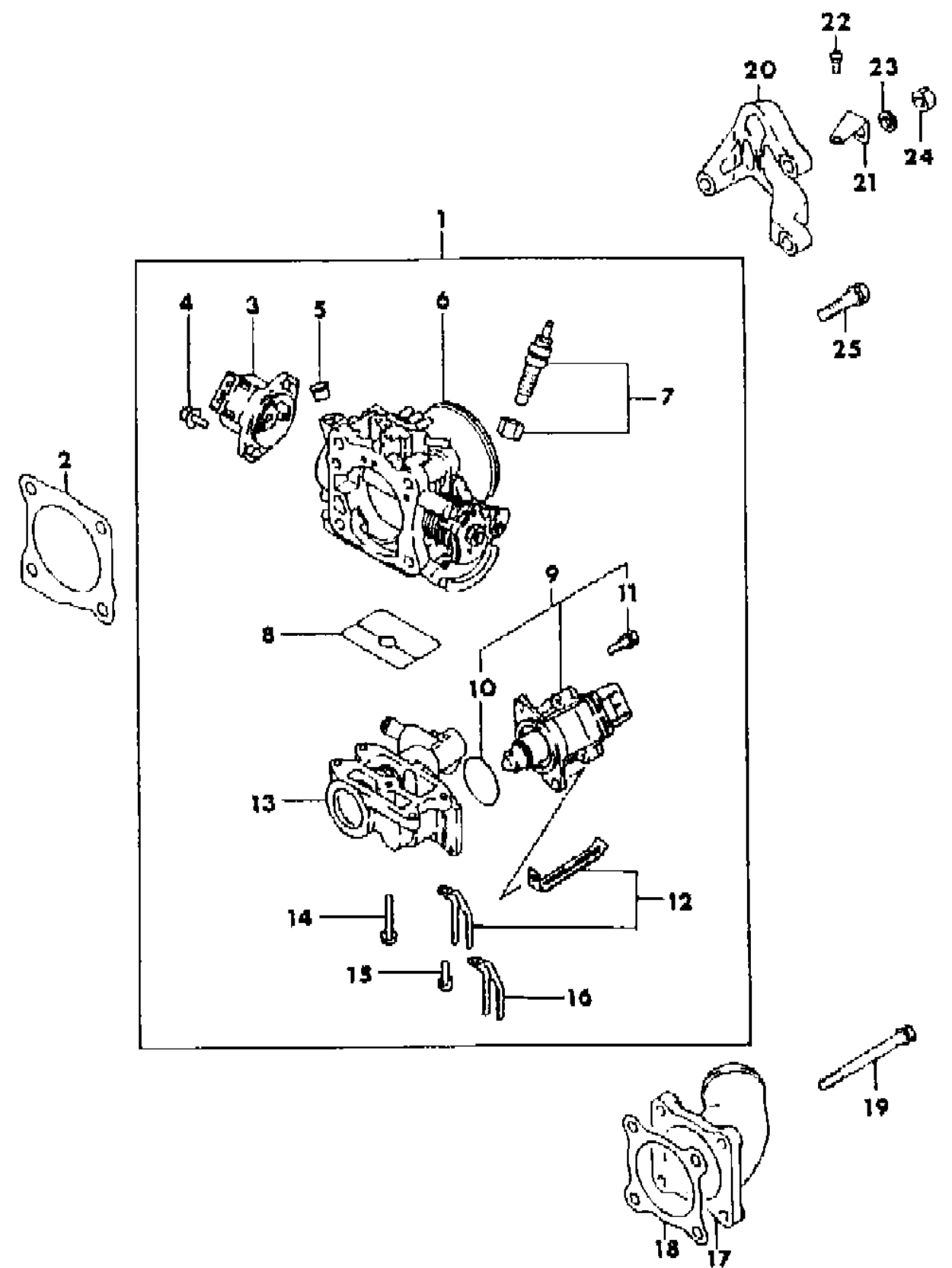
AR = Use as Required - = Non Illustrated Part P.A.R. = Paint as Required



THROTTLE BODY 2.0L ENGINE, 1991-94 LASER-TALON  
Figure 14-600

9614 600

ITEM	PART NUMBER	QTY	BODY	MODEL	DESCRIPTION
15	MF35 0051	AR			SCREW
16	MD61 4246	1			CLIP, w/Turbo
17	MD11 8813	1			FITTING, Air Hose, w/Turbo
18	MD11 7583	1			GASKET, Air Fitting w/Turbo, 1991-93
	MD19 4827	1			w/Turbo, 1994
19	MF24 1264	2			BOLT, w/Washer w/o Turbo, (8x55)
	MF24 1270	2			w/Turbo, (8x85)
20	MD14 7287	1			STAY, Throttle Body w/o Turbo
	MD14 7286	1			w/Turbo
21	MD15 0440	1			PLATE, Earth, w/Turbo
22	MF35 0047	1			SCREW, w/Washer, w/Turbo, (5x10)
23	MF45 0405	2			WASHER, Spring, (8)
24	MF43 0121	2			NUT, (8)
25	MF24 1270	2			BOLT, w/Washer, (8x85)



ENGINE: P = 1800cc (1.8L) A = 2000cc (2.0L) Blank = All  
 TRANS: A = Automatic M = Manual Blank = All  
 SERIES: H = High M = Medium P = Premium S = Special

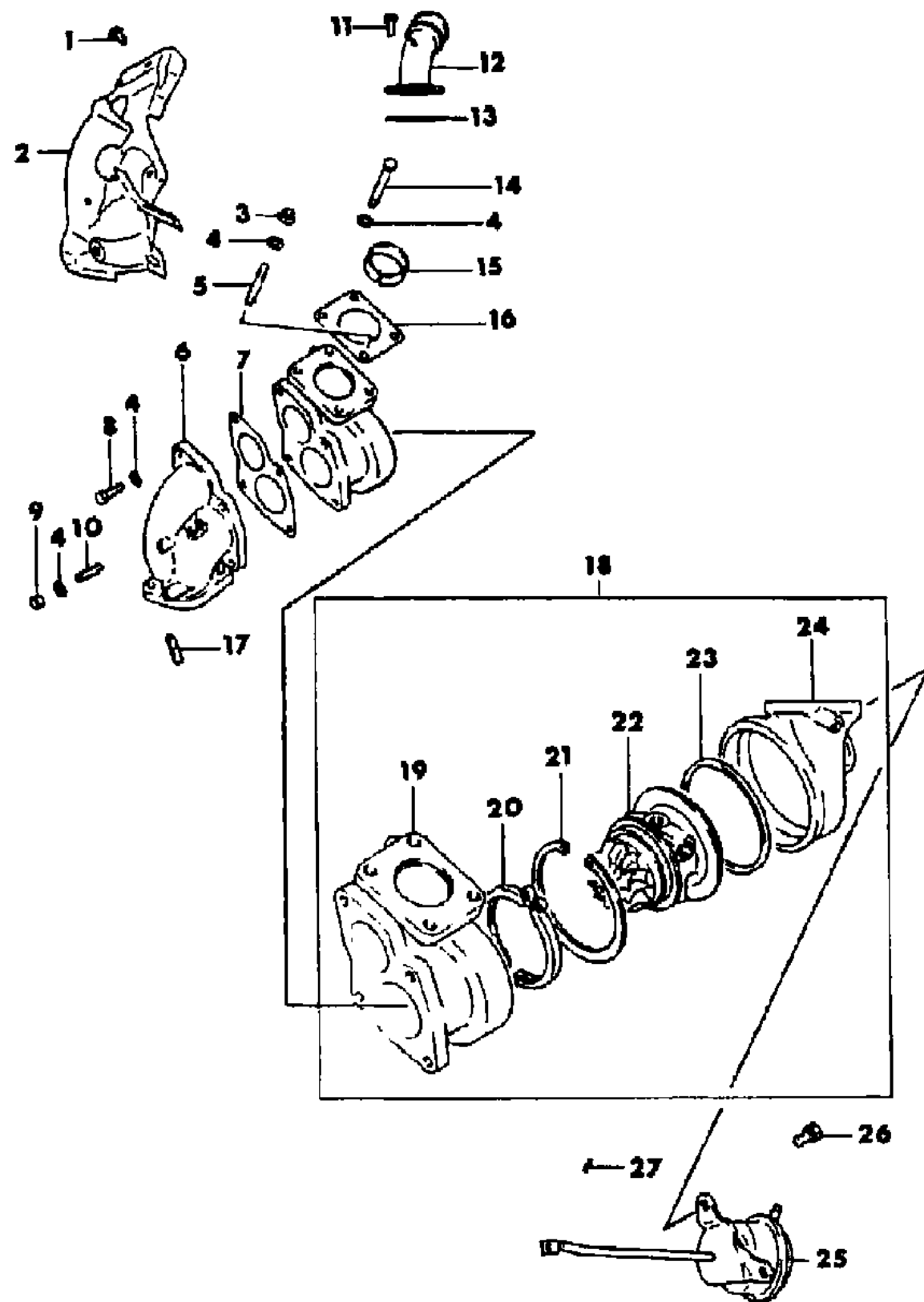
MODELS:  
 24 FWD = 2Dr Hatchback (Laser)  
 24 FWD = 2-Dr Hatchback (Talon)  
 4WD = (4 Wheel Drive)  
 2WD = (2 Wheel Drive)

AR = Use as Required - = Non Illustrated Part P.A.R. = Paint as Required



**TURBO CHARGER 2.0L ENGINE LASER-TALON**  
**Figure 14-700**

9614 700A



ITEM	PART NUMBER	QTY	BODY	MODEL	DESCRIPTION
	MD61 3425	1			1991-93, w/Auto Trans.
	MD61 3815	1			1994, w/Auto Trans.
20	MD61 3590	1			1990
	MD61 3590	1			1991-92, w/5 Speed Trans.
	MD61 3570	1			1993-94, w/5 Speed Trans.
	MD61 3491	1			1991-94, w/Auto Trans.
21	MD61 3591	1			1990
	MD61 3591	1			1991-94, w/5 Speed Trans.
	MD61 3331	1			1991-94, w/Auto Trans.
22	MD61 3681	1			1990
	MD61 3682	1			1991-94, w/5 Speed Trans.
	MD61 3403	1			1991-93, w/Auto Trans.
	MD61 3897	1			1994, w/Auto Trans.
23	MD61 3776	1			1990
	MD61 3776	1			1991-94, w/5 Speed Trans.
	MD61 3332	1			1991-94, w/Auto Trans.
24	MD61 3649	1			1990
	MD61 3652	1			1991-94, w/5 Speed Trans.
	MD61 3459	1			1991-93, w/Auto Trans.
	MD61 3860	1			1994, w/Auto Trans.
25	MD13 8227	1			1990
	MD13 8227	1			1991, w/5 Speed Trans.
	MD17 2934	1			1992-94, w/5 Speed Trans.
	MD13 4059	1			1991, w/Auto Trans.
	MD17 2937	1			1992-94, w/Auto Trans.
26	MF24 1251	2			BOLT, (8x16 7T)
27	MF47 2303	1			1990-93
	MD18 4569	1			1994

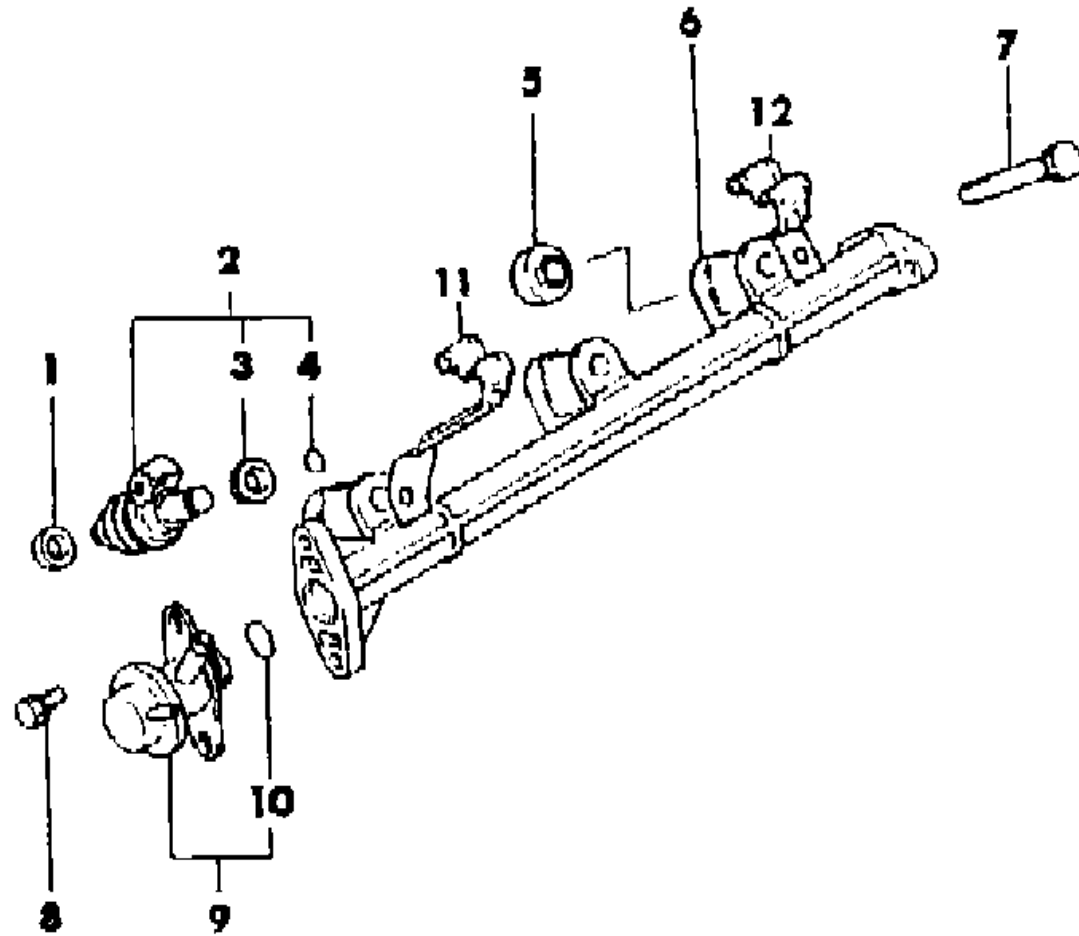
ENGINE: P = 1800cc (1.8L) A = 2000cc (2.0L) Blank = All  
 TRANS: A = Automatic M = Manual Blank = All  
 SERIES: H = High M = Medium P = Premium S = Special

MODELS:  
 24 FWD = 2Dr Hatchback (Laser)  
 24 FWD = 2-Dr Hatchback (Talon)  
 4WD = (4 Wheel Drive)  
 2WD = (2 Wheel Drive)

AR = Use as Required - = Non Illustrated Part P.A.R. = Paint as Required

FUEL RAIL LASER-TALON  
Figure 14-800

9614 800



ITEM	PART NUMBER	QTY	BODY	MODEL	DESCRIPTION
1	MD08 7060	4			INSULATOR, Injector
2					INJECTOR PACKAGE *** 1.8L Engine
	MD14 1263	4			1990
	MD15 6760	4			1991-94
					2.0L Engine
	MD12 7069	4			1990, w/o Turbo
	MD11 5076	4			1990, w/Turbo
	MD15 8850	4			1991-94, w/o Turbo
	MD11 5076	4			1991-94, w/Turbo, w/5 Speed Trans.
	MD11 6821	4			1991-94, w/Turbo, w/Auto Trans.
3	MD61 4805	4			SHEET, Injector
4	MD61 4813	4			O-RING
5	MD09 5402	AR			INSULATOR, Injector
6					PIPE, Fuel Delivery
	MD11 7059	1			1.8L Engine
					2.0L Engine
	MD12 4382	1			1989-90
	MD14 7142	1			1991-94
7	MF24 0666	AR			BOLT, Injector, (8x65)
8					BOLT, Injector
	MF24 1823	2			(6x12)
	MF24 1223	2			(6x12)
9					REGULATOR, Fuel Pressure
	MD11 6393	1			1.8L Engine
					2.0L Engine
	MD12 4334	1			1990-94, w/o Turbo
	MD12 4647	1			1990, w/Turbo
	MD12 4647	1			1991-94, w/Turbo, w/5 SpeedTrans.
	MD16 5859	1			1991-94, w/Turbo, w/Auto Trans.
10	MD60 4696	1			O-RING, Injector
11	MD12 4863	1			CLAMP, Engine Hanger, w/2.0L Engine, 1990-91
12	MD12 4864	1			CLAMP, Engine Hanger, w/2.0L Engine, 1990-91

ENGINE: P = 1800cc (1.8L)  
A = 2000cc (2.0L)  
Blank = All

TRANS: A = Automatic  
M = Manual  
Blank = All

SERIES: H = High  
M = Medium  
P = Premium  
S = Special

MODELS:  
24 FWD = 2Dr Hatchback (Laser)  
24 FWD = 2-Dr Hatchback (Talon)  
4WD = (4 Wheel Drive)  
2WD = (2 Wheel Drive)

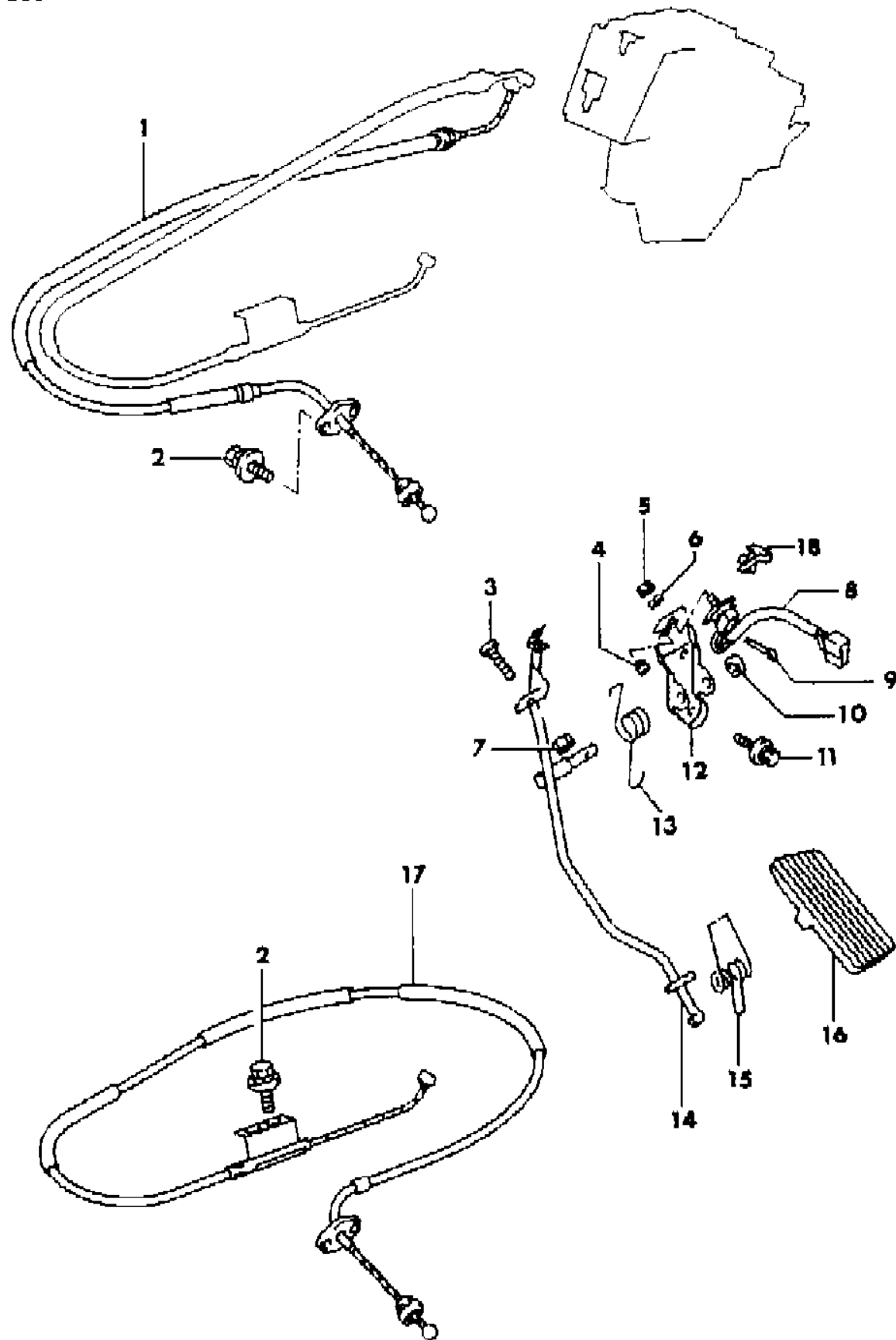
AR = Use as Required - = Non Illustrated Part P.A.R. = Paint as Required



# ACCELERATOR LINKAGE AND PEDAL LASER-TALON

Figure 14-900

9614 900



ITEM	PART NUMBER	QTY	BODY	MODEL	DESCRIPTION
1					CABLE, Accelerator, w/Speed Control
	MB53 9373	1			1990, w/1.8L Engine
	MB53 9374	1			1990, w/2.0L Engine
	MB68 6865	1			1991-93
	MB87 5208	1			1994
2	MF24 3623	4			BOLT, (6x14)
3	MF19 8036	1			BOLT, w/Auto Trans., (6x20 4T)
4	MA15 2079	1			STOPPER, Pedal Arm
5	MF43 0005	1			NUT, w/Auto Trans., (8)
6	MF45 0405	1			WASHER, Spring, w/Auto Trans., (8)
7	MF43 0004	1			NUT, w/Auto Trans., (6 4T)
8	MD72 3354	1			SWITCH, Pedal, w/Auto Trans.
9	MF47 2067	1			PIN, Split, (3x20)
10	MA15 2064	1			WASHER, (10.5)
11	MS24 0085	2			BOLT, w/Washer, (8x20 4t)
12	MB32 2370	1			BRACKET, Pedal Arm
13					SPRING, Pedal Arm Return
	MA15 2074	1			Man. Trans.
	MB32 2721	1			Auto Trans.
14					ARM, Pedal
	MB53 9004	1			Man. Trans.
	MB53 9005	1			Auto Trans.
15	MB01 1388	1			SPRING, Pedal Return
16	MB32 2294	1			PEDAL, Accelerator
17					CABLE, Accelerator
	MB53 9494	1			1.8L Engine
	MB53 9010	1			2.0L Engine
18	MB06 0291	1			CLIP, Control, w/Auto Trans.

ENGINE: P = 1800cc (1.8L) A = 2000cc (2.0L) Blank = All  
 TRANS: A = Automatic M = Manual Blank = All  
 SERIES: H = High M = Medium P = Premium S = Special

MODELS:  
 24 FWD = 2Dr Hatchback (Laser)  
 24 FWD = 2-Dr Hatchback (Talon)  
 4WD = (4 Wheel Drive)  
 2WD = (2 Wheel Drive)

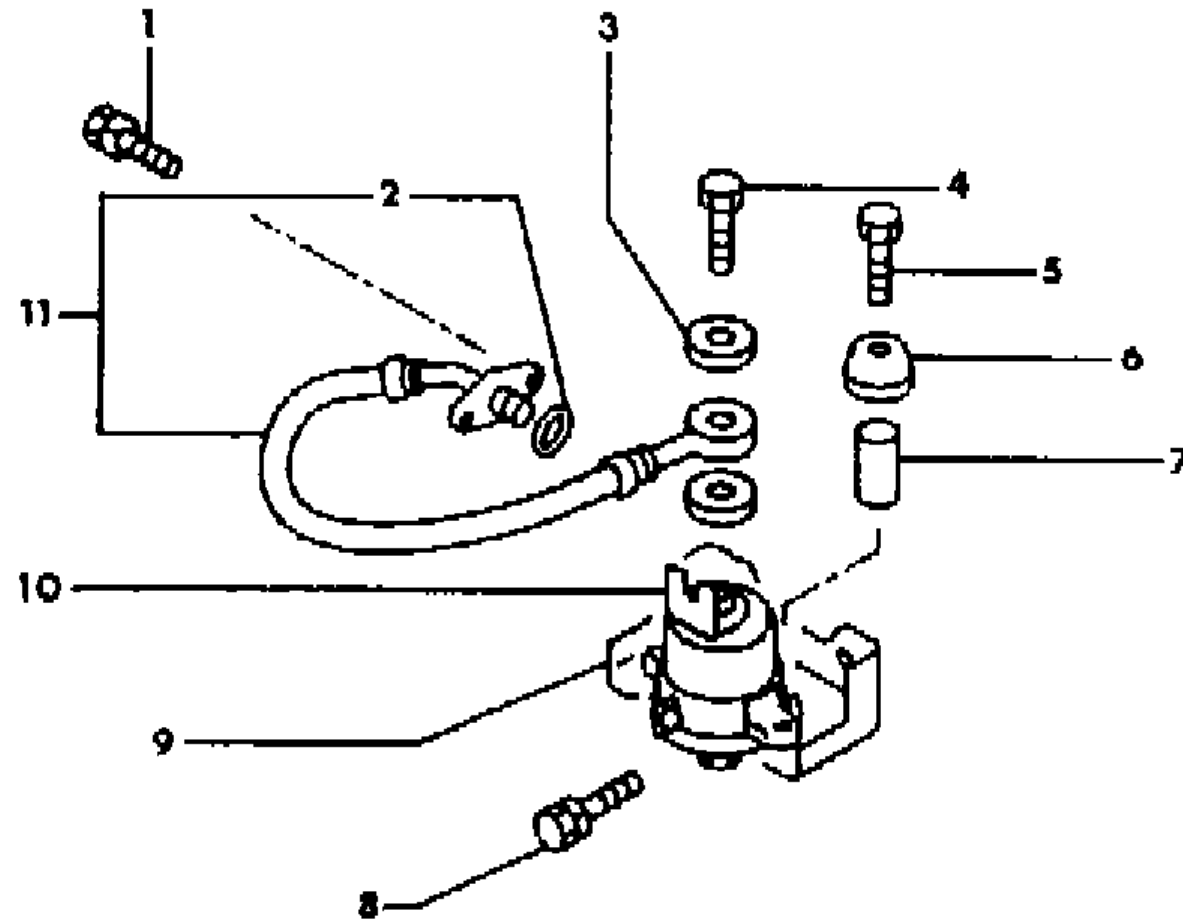
AR = Use as Required - = Non Illustrated Part P.A.R. = Paint as Required





FUEL FILTER LASER-TALON  
Figure 14-1200

9614 1200



ITEM	PART NUMBER	QTY	BODY	MODEL	DESCRIPTION
1	MS24 0038	2			BOLT, w/Washer, (6x16)
2	MB55 4317	1			O-RING, Fuel Line
3	MF66 0064	2			GASKET, (12)
4	MS65 0013	1			EYEBOLT, (12x23)
5	MF24 7253	2			BOLT, (8x25 4t)
6	MB22 1305	2			CUSHION, Fuel Line
7	MB22 1304	2			SPACER 1990-91, (10x8.5)
	MB84 5609	2			1992-94
8	MF24 0050	AR			BOLT, w/Washer, (8x14 4T)
9	MB50 4810	1			BRACKET
10					FILTER, Fuel
	MB50 4753	1			1990-91
	MB50 4761	1			1992-94
11					HOSE, High Pressure
	MB50 4771	1			1.8L Engine 2.0L Engine
	MB50 4772	1			1990
	MB65 8477	1			1991-94

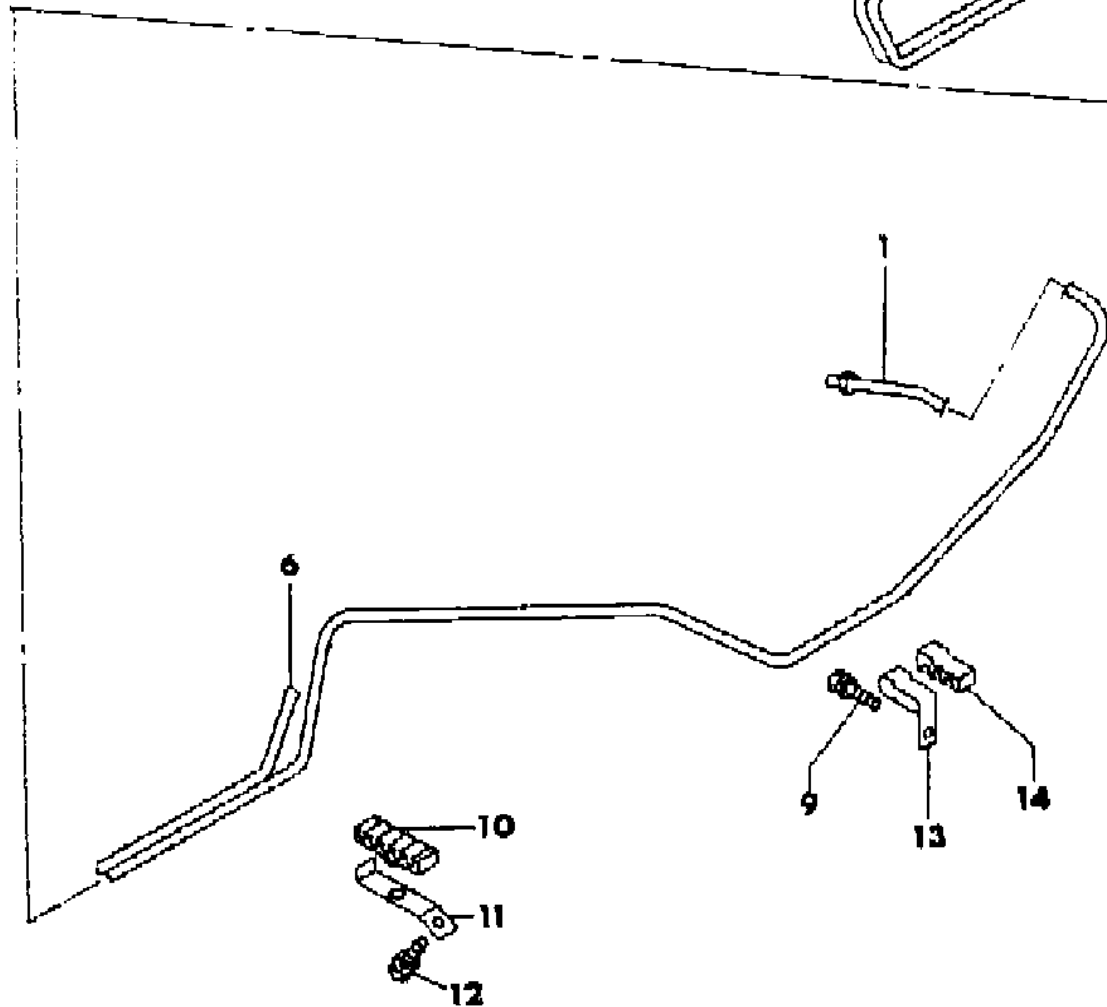
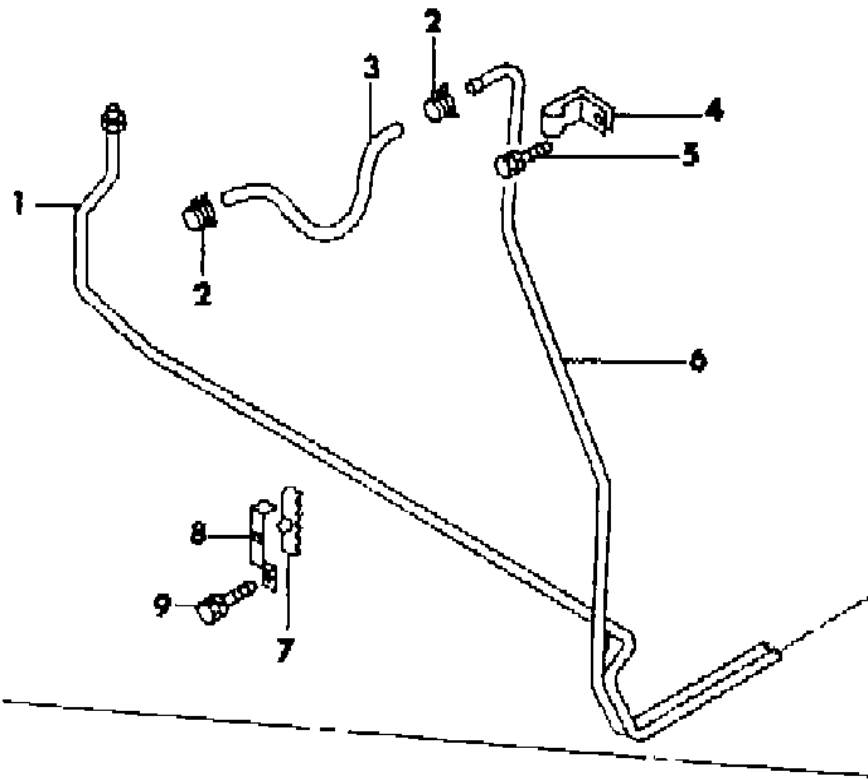
ENGINE: P = 1800cc (1.8L) A = 2000cc (2.0L) Blank = All  
 TRANS: A = Automatic M = Manual Blank = All  
 SERIES: H = High M = Medium P = Premium S = Special

MODELS:  
 24 FWD = 2Dr Hatchback (Laser)  
 24 FWD = 2-Dr Hatchback (Talon)  
 4WD = (4 Wheel Drive)  
 2WD = (2 Wheel Drive)

AR = Use as Required - = Non Illustrated Part P.A.R. = Paint as Required

FUEL LINES FWD LASER-TALON  
Figure 14-1300

9614 1300



ITEM	PART NUMBER	QTY	BODY	MODEL	DESCRIPTION
1	MB50 4700	1			TUBE, Fuel Main
2	MB50 3823	2			CLIP, Hose, (12)
3	MS60 5899	AR			HOSE, Return Line, (8x300)
4	MB50 4825	1			CLIP, Return Line
5	MF24 0050	1			BOLT, w/Washer, (8x14 4T)
6	MB50 4705	1			PIPE, Fuel Return
7	MB32 9980	1			CLIP, Fuel Line
8	MB32 9987	AR			CLAMP
9	MF24 0050	11			BOLT, w/Washer, (8x14 4T)
10	MB32 9981	5			CLIP
11	MB32 9986	3			CLAMP
12	MU24 1007	2			BOLT, Gimlet, (8x20 4T)
13	MB50 4895	1			CLAMP, Fuel Line
14	MB24 8782	1			CLIP, Fuel Line

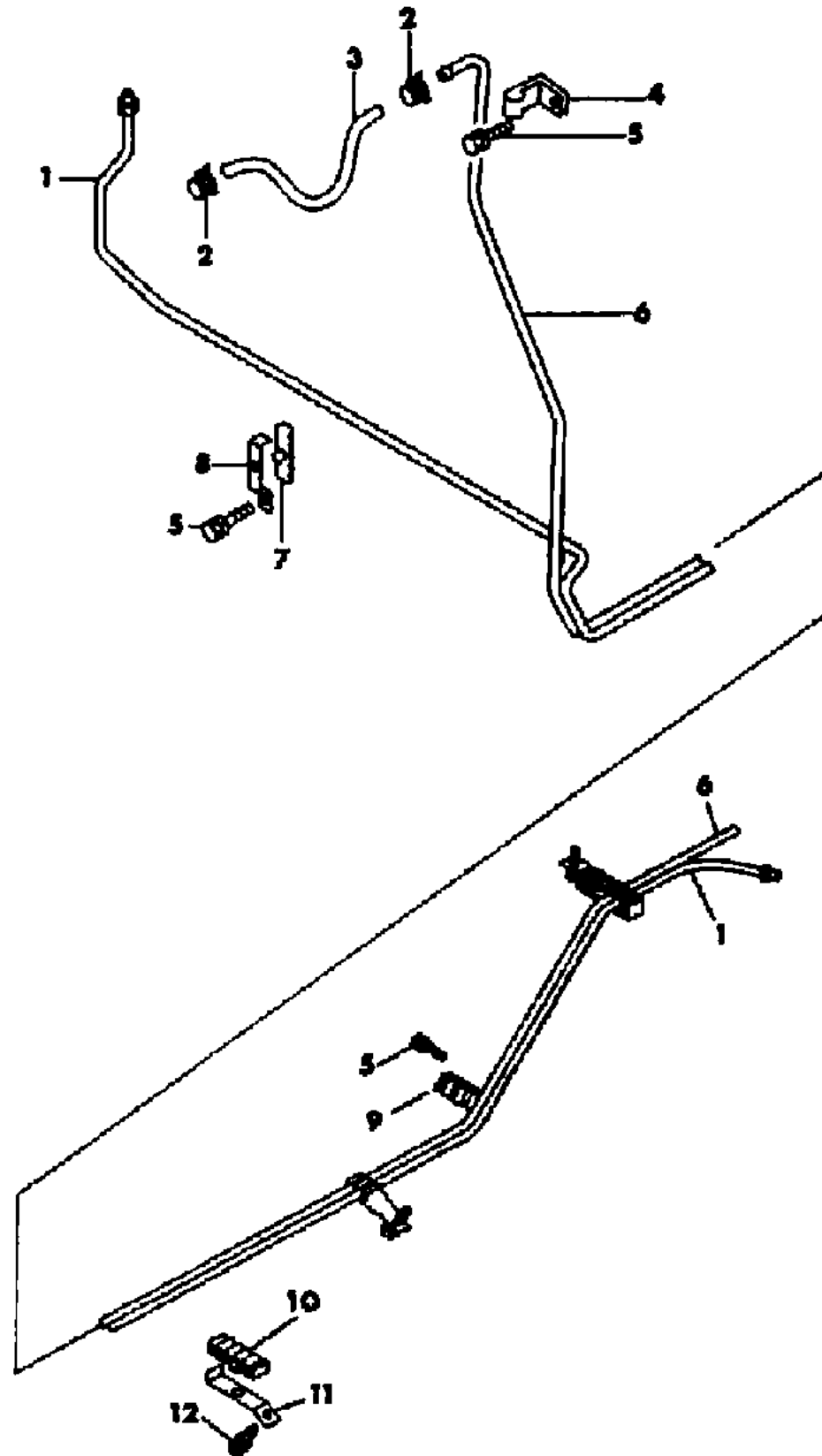
ENGINE: P = 1800cc (1.8L) A = 2000cc (2.0L) Blank = All  
 TRANS: A = Automatic M = Manual Blank = All  
 SERIES: H = High M = Medium P = Premium S = Special

MODELS:  
 24 FWD = 2Dr Hatchback (Laser)  
 24 FWD = 2-Dr Hatchback (Talon)  
 4WD = (4 Wheel Drive)  
 2WD = (2 Wheel Drive)

AR = Use as Required - = Non Illustrated Part P.A.R. = Paint as Required

FUEL LINES AWD LASER-TALON  
Figure 14-1400

9614 1400 A



ITEM	PART NUMBER	QTY	BODY	MODEL	DESCRIPTION
1	MB55 4435	1			TUBE, Fuel Main
2	MB50 3823	2			CLIP, Hose, (12)
3	MS60 5899	AR			HOSE, Return Line, (8x300)
4	MB50 4825	1			CLIP, Return Line
5	MF24 0050	AR			BOLT, w/Washer, (8x14)
6	MB55 4440	1			PIPE, Fuel Return
7	MB32 9987	4			CLAMP
8	MB32 9980	1			CLIP, Fuel Line
9	MB32 9983	1			CLIP, Fuel Line
10	MB32 9981	7			CLIP, Fuel Line
11	MB32 9986	4			CLAMP
12	MU24 1007	2			BOLT, Gimlet, (8x20)

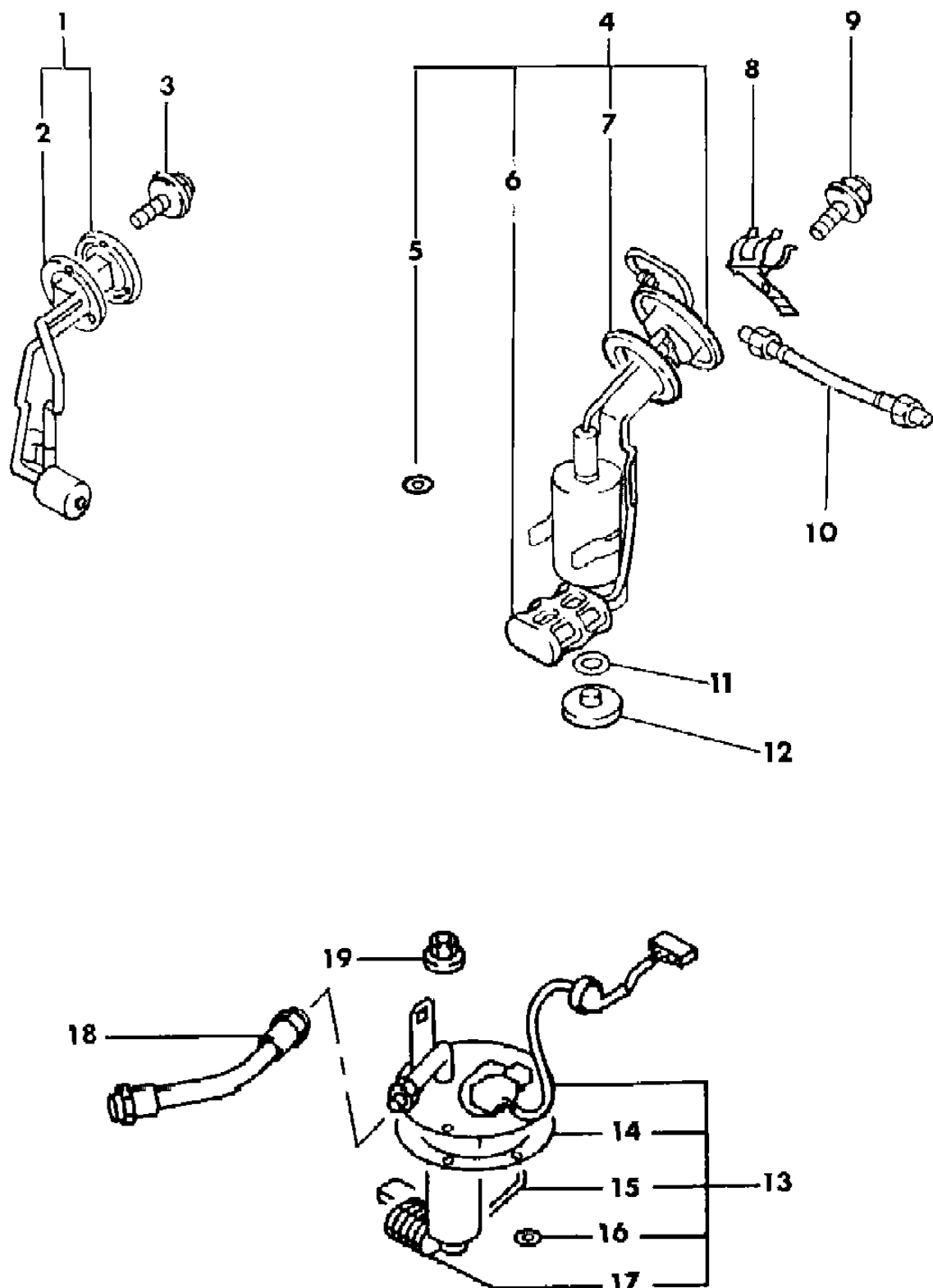
ENGINE: P = 1800cc (1.8L) A = 2000cc (2.0L) Blank = All  
 TRANS: A = Automatic M = Manual Blank = All  
 SERIES: H = High M = Medium P = Premium S = Special

MODELS:  
 24 FWD = 2Dr Hatchback (Laser)  
 24 FWD = 2-Dr Hatchback (Talon)  
 4WD = (4 Wheel Drive)  
 2WD = (2 Wheel Drive)

AR = Use as Required - = Non Illustrated Part P.A.R. = Paint as Required

FUEL PUMP AND SENDING UNIT LASER-TALON  
Figure 14-1500

9614 1500 B



ITEM	PART NUMBER	QTY	BODY	MODEL	DESCRIPTION
1					GAUGE, Fuel Tank ***
	MB48 7472	1		FWD	
	MB54 2395	1		AWD	
2	MB43 4790	1		FWD	GASKET
3	MF35 1007	9		FWD	SCREW, w/Washer, (5x10)
4					PUMP, Fuel
	MB40 0420	1		FWD	1990-91
					1992
	MB40 0420	1		FWD	w/o Turbo
	MB84 5502	1		FWD	w/Turbo
					1993
	MB92 3663	1			1.8L Eng.
	MB92 3663	1	LASER	FWD	2.0L Eng., w/Man. Trans., w/o Turbo
	MB40 0420	1	LASER	FWD	2.0L Eng., w/Auto Trans., w/o Turbo
	MB92 3663	1	TALON	FWD	2.0L Eng., w/o Turbo, Federal-Canada
	MB92 3663	1	TALON	FWD	2.0L Eng., w/Man. Trans., w/o Turbo, Calif.
	MB40 0420	1	TALON	FWD	2.0L Eng., w/Auto Trans., w/o Turbo, Calif.
	MB40 0420	1			2.0L Eng., w/Man. Trans., w/Turbo
	MB84 5502	1			2.0L Eng., w/Auto Trans., w/Turbo
					1994
	MB92 3663	1		FWD	w/o Turbo
	MB84 5502	1		FWD	2.0L Eng. w/Man. Trans., w/Turbo
	MB40 0420	1		FWD	2.0L Eng. w/Auto Trans., w/Turbo
5	MB59 5890	1		FWD	CLIP, Fuel Tank
6					FILTER, Pump
	MB55 4674	1		FWD	1990-93
					1994
	MB89 0617	1		FWD	w/o Turbo
	MB55 4674	1		FWD	w/Man. Trans., w/Turbo
	MB86 8437	1		FWD	w/Auto Trans., w/Turbo
7					GASKET, Tank
	MB40 0578	1		FWD	1990-93
					1994
	MB92 6625	1		FWD	w/o Turbo.
	MB40 0578	1		FWD	w/Turbo.
8	MB40 0952	1		FWD	CLAMP, Tank
9					SCREW, w/Washer
	MF35 1007	9		FWD	1990, (5x10)
	MF35 0768	1		FWD	1991-94, (5x12)

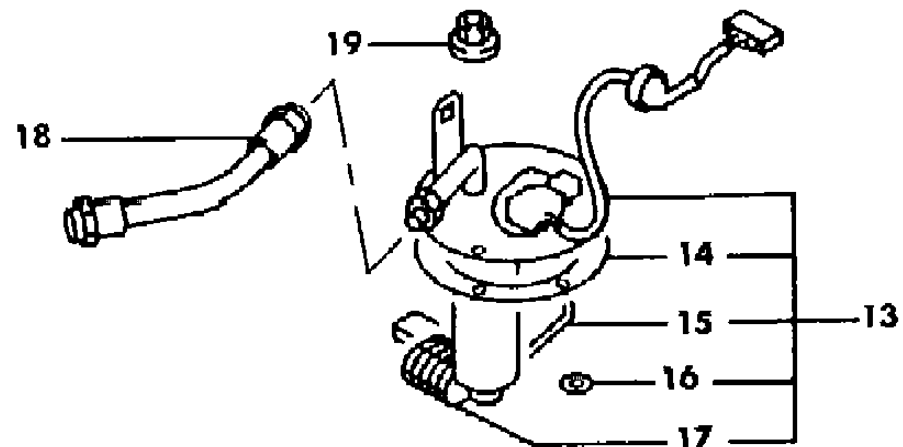
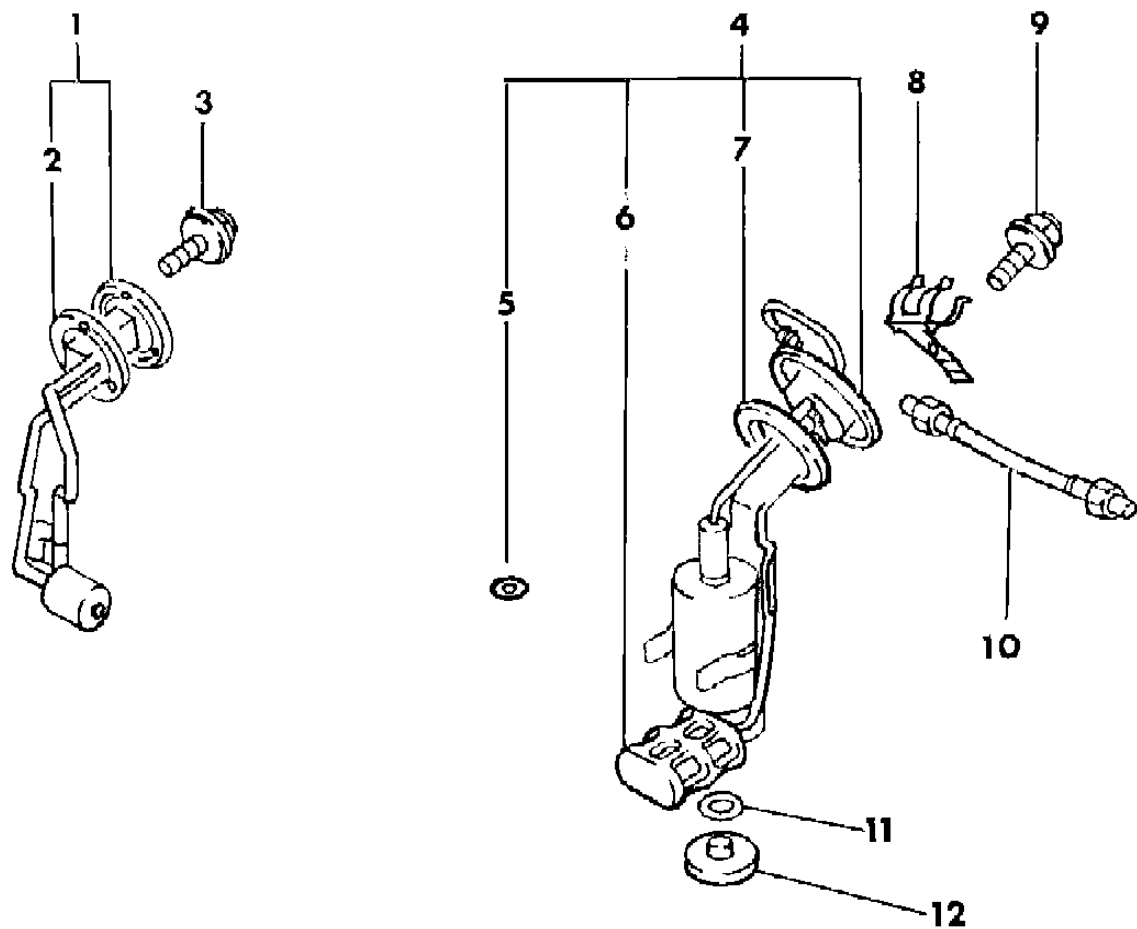
ENGINE: P = 1800cc (1.8L) A = 2000cc (2.0L) Blank = All  
 TRANS: A = Automatic M = Manual Blank = All  
 SERIES: H = High M = Medium P = Premium S = Special

MODELS:  
 24 FWD = 2Dr Hatchback (Laser)  
 24 FWD = 2-Dr Hatchback (Talon)  
 4WD = (4 Wheel Drive)  
 2WD = (2 Wheel Drive)

AR = Use as Required - = Non Illustrated Part P.A.R. = Paint as Required

FUEL PUMP AND SENDING UNIT LASER-TALON  
Figure 14-1500

9614 1500 B



ITEM	PART NUMBER	QTY	BODY	MODEL	DESCRIPTION
10	MB43 3985	1		FWD	HOSE, High Pressure
11	MB40 0208	1		FWD	O-RING, Tank, (15.8)
12	MB40 0209	1		FWD	BOLT, Tank, (8x5.5 4T)
13					PUMP AND GAUGE, Fuel Tank ***
	MB59 7728	1		AWD	1990-91
	MB59 7728	1		AWD	1992-94, w/5 Speed Trans.
	MB83 1742	1		AWD	1992-94, w/Auto Trans.
14	MB40 0461	1		AWD	GASKET, Fuel Tank
15	MB54 2395	1		AWD	GAUGE, Fuel Tank ***
16	MB59 5890	1		4WD	CLIP, Fuel Tank
17					FILTER, Fuel Pump
	MB40 0814	1		AWD	1990-91
	MB40 0814	1		AWD	1992-94, 5 Speed Trans.
	MB86 8437	1		AWD	1992-94, w/Auto Trans.
18	MB43 3988	1		AWD	HOSE, High Pressure
19	MS44 0501	6		AWD	NUT, Fuel Tank, (10)

ENGINE: P = 1800cc (1.8L) A = 2000cc (2.0L) Blank = All  
 TRANS: A = Automatic M = Manual Blank = All  
 SERIES: H = High M = Medium P = Premium S = Special

MODELS:  
 24 FWD = 2Dr Hatchback (Laser)  
 24 FWD = 2-Dr Hatchback (Talon)  
 4WD = (4 Wheel Drive)  
 2WD = (2 Wheel Drive)

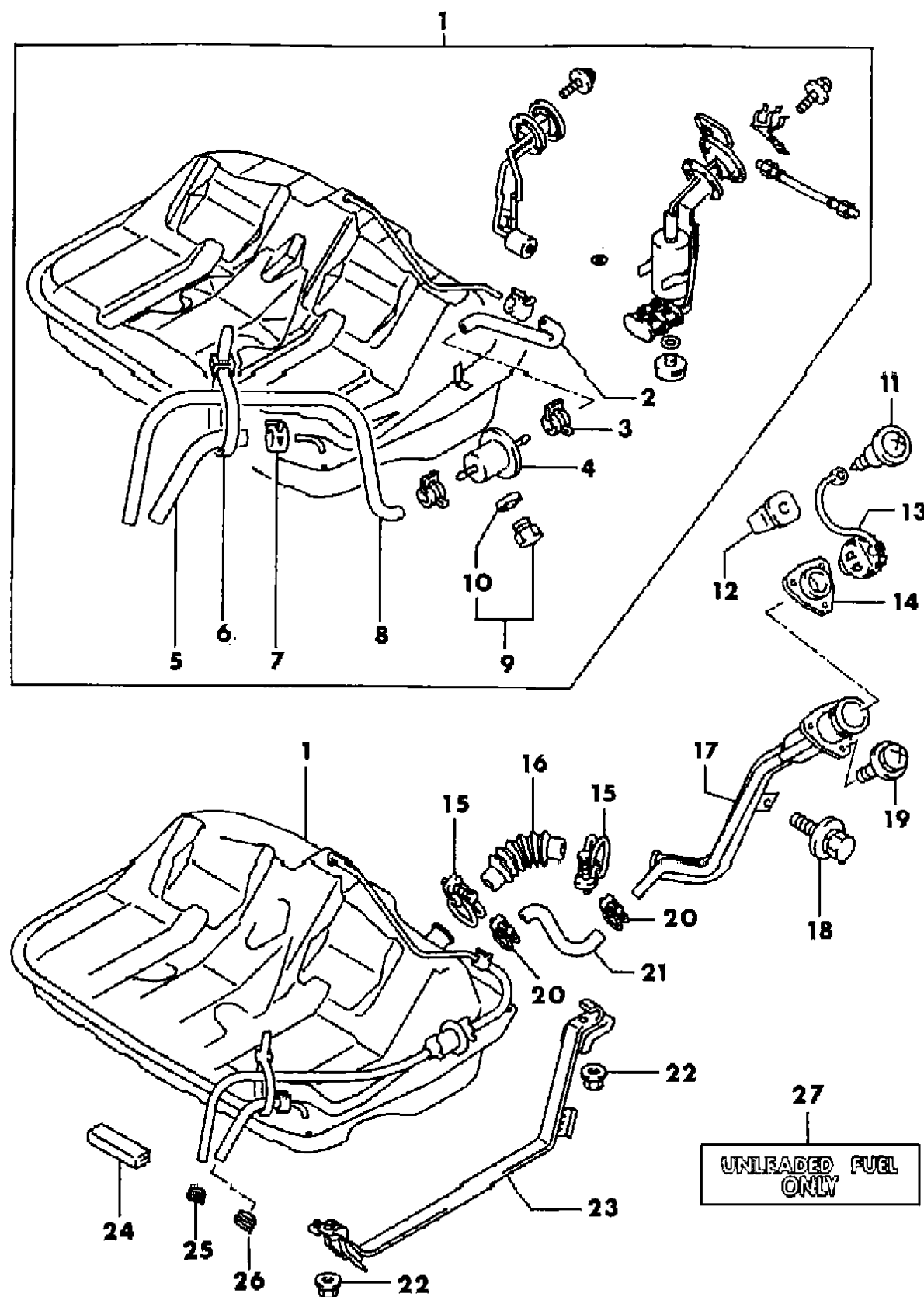
AR = Use as Required - = Non Illustrated Part P.A.R. = Paint as Required



FUEL TANK FWD LASER-TALON

Figure 14-1600

9614 1600A



ITEM	PART NUMBER	QTY	BODY	MODEL	DESCRIPTION
1					TANK, Fuel, w/Shield
	MB55 4805	1			1990-91
					1992-94
	MB55 4805	1			w/o Turbo
	MB84 5499	1			w/Turbo
2	MS64 2599	AR			HOSE, Vapor, (6x220)
3	MS66 0169	5			CLIP, Hose, (10)
4					VALVE, Vapor Hose, 2-Way
	MB84 5469	1			1990-93
	MB50 4075	1			1994
5					HOSE, Fuel Tank
	MS60 5899	1			1990-91, (8x200)
	MS64 2599	1			1992, (6x580)
6	MD00 5473	1			BAND, Cable
7	MS66 0175	3			CLIP, Hose, (12.5)
8	MS60 5899	AR			HOSE, Vapor, (8x200)
9	MB07 5290	1			PLUG, Fuel Tank
10	MT19 9415	1			GASKET, (16)
11	MU46 1020	1			SCREW, Tapping
12					GROMMET, Screw
	MS48 0012	1			1990-91, (5)
	MU48 0032	1			1992-94
13	MB50 4900	1			CAP, Tank
14	MB50 4238	1			GASKET, Filler Neck
15	MS66 0031	2			CLAMP, Hose, (52)
16	MB59 5390	1			HOSE, Filler
17	MB59 5393	1			NECK, Filler
18	MF24 3649	9			BOLT, w/Washer, (8x16)
19					SCREW, w/Washer
	MU34 0019	3			1990, (6x16)
	MU24 0097	3			1991-94
20	MF66 1011	2			CLAMP, Hose, (22)
21	MB55 4399	1			HOSE, Vapor
22	MB28 8653	4			NUT, Flange, (10)
23					BAND, Tank
	MB50 4659	1			Left
	MB50 4658	1			Right
24	MB24 8742	1			PROTECTOR, Tank
25	MS66 0169	1			CLIP, Fuel Tank

ENGINE: P = 1800cc (1.8L) A = 2000cc (2.0L) Blank = All  
 TRANS: A = Automatic M = Manual Blank = All  
 SERIES: H = High M = Medium P = Premium S = Special

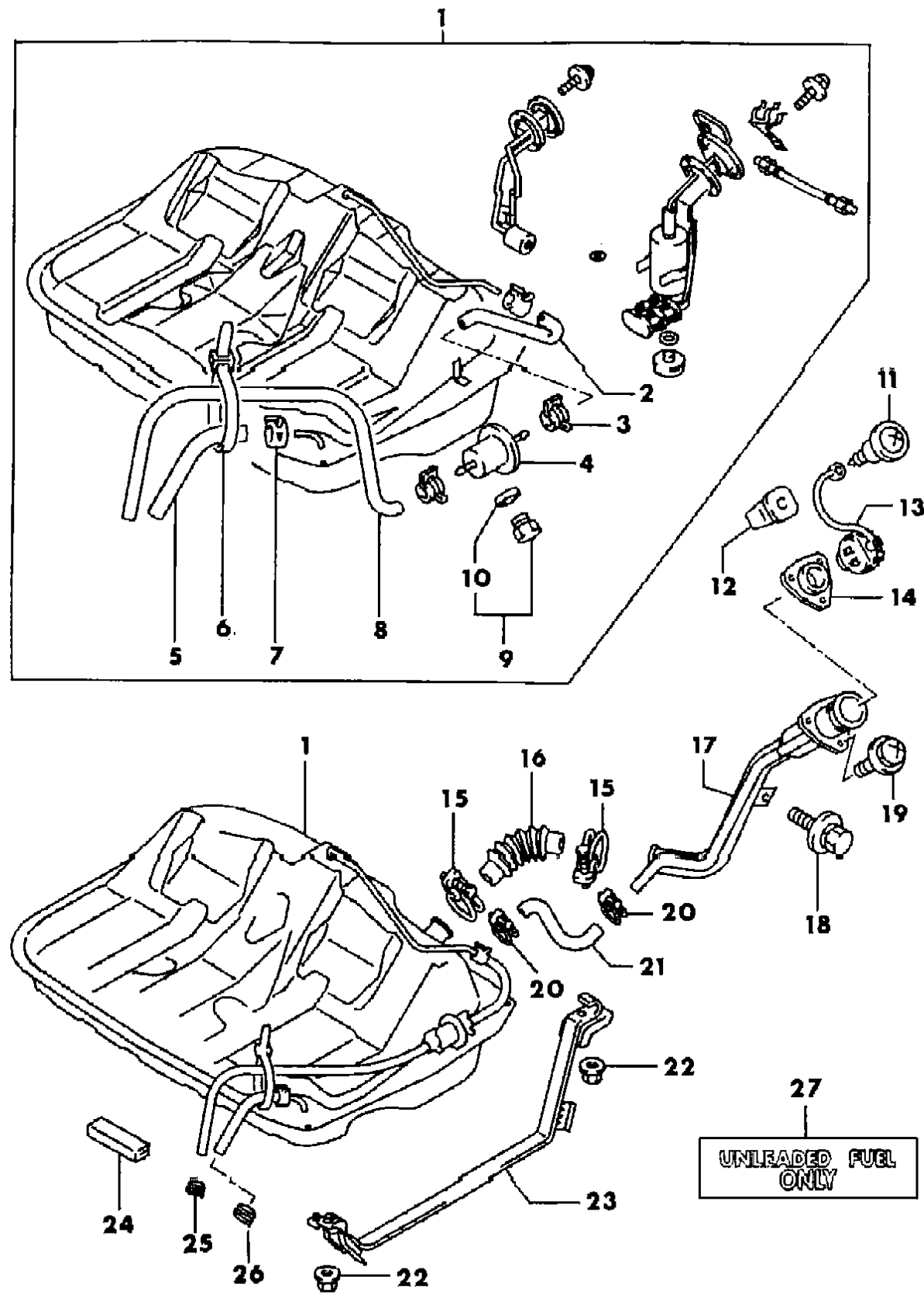
MODELS:  
 24 FWD = 2Dr Hatchback (Laser)  
 24 FWD = 2-Dr Hatchback (Talon)  
 4WD = (4 Wheel Drive)  
 2WD = (2 Wheel Drive)

AR = Use as Required - = Non Illustrated Part P.A.R. = Paint as Required

FUEL TANK FWD LASER-TALON

Figure 14-1600

9614 1600A



ITEM	PART NUMBER	QTY	BODY	MODEL	DESCRIPTION
------	-------------	-----	------	-------	-------------

26	MS66 0175	1			CLIP, Fuel Tank
27	4206 059	1			LABEL, Unleaded Fuel Only

ENGINE: P = 1800cc (1.8L) A = 2000cc (2.0L) Blank = All  
 TRANS: A = Automatic M = Manual Blank = All  
 SERIES: H = High M = Medium P = Premium S = Special

MODELS:  
 24 FWD = 2Dr Hatchback (Laser)  
 24 FWD = 2-Dr Hatchback (Talon)  
 4WD = (4 Wheel Drive)  
 2WD = (2 Wheel Drive)

AR = Use as Required - = Non Illustrated Part P.A.R. = Paint as Required

FUEL TANK AWD LASER-TALON

Figure 14-1700

9614 1700D

ITEM	PART NUMBER	QTY	BODY	MODEL	DESCRIPTION
1					TANK, Fuel, w/Shield
	MB55 4385	1			1990-91
					1992-94
	MB55 4385	1			Man. Trans.
	MB84 5500	1			Auto Trans.
2	MB43 3988	1			HOSE, High Pressure
3	MS44 0501	6			NUT, (5)
4					PUMP ASSY, Fuel, w/Gauge ***
	MB59 7728	1			Man. Trans.
	MB83 1742	1			Auto Trans.
5	MB40 0461	1			GASKET, Fuel Pump
6	MB54 2395	1			GAUGE, Fuel Tank ***
7	MB59 5890	1			CLIP
8					FILTER, Fuel Tank
	MB40 0814	1			Man. Trans.
	MB86 8437	1			Auto Trans.
9	MS66 0169	3			CLIP, (10)
10	MB50 4939	1			HOSE, (6)
11	MB50 4075	1			VALVE, Vapor Hose, 2 Way
12	MB07 5290	1			PLUG, (16)
13	MT19 9415	1			GASKET, (16)
14	MB62 1627	1			HOSE
15	MS66 0175	1			CLIP, (12.5)
16	MS60 5899	1			HOSE, (8x180)
17	MU46 1020	1			SCREW, (5x15)
18					GROMMET, Screw
	MS48 0012	1			1990-91, (5)
	MU48 0032	1			1992-94
19	MB62 1780	1			CAP, Fuel Tank
20	MB50 4238	1			GASKET, Filler Neck
21	MB55 4395	1			NECK, Filler
22					SCREW, w/Washer
	MU34 0019	3			1990, (6x16)
	MU24 0097	3			1991-94
23	MF24 3649	1			BOLT, w/Washer, (8x16)
24	MS66 0031	2			CLAMP, Hose, (52)
25	MB55 4399	1			HOSE, (14x220)
26	MF66 1011	2			CLAMP, Hose, (22)
27	MB55 4398	1			HOSE, (14x120)

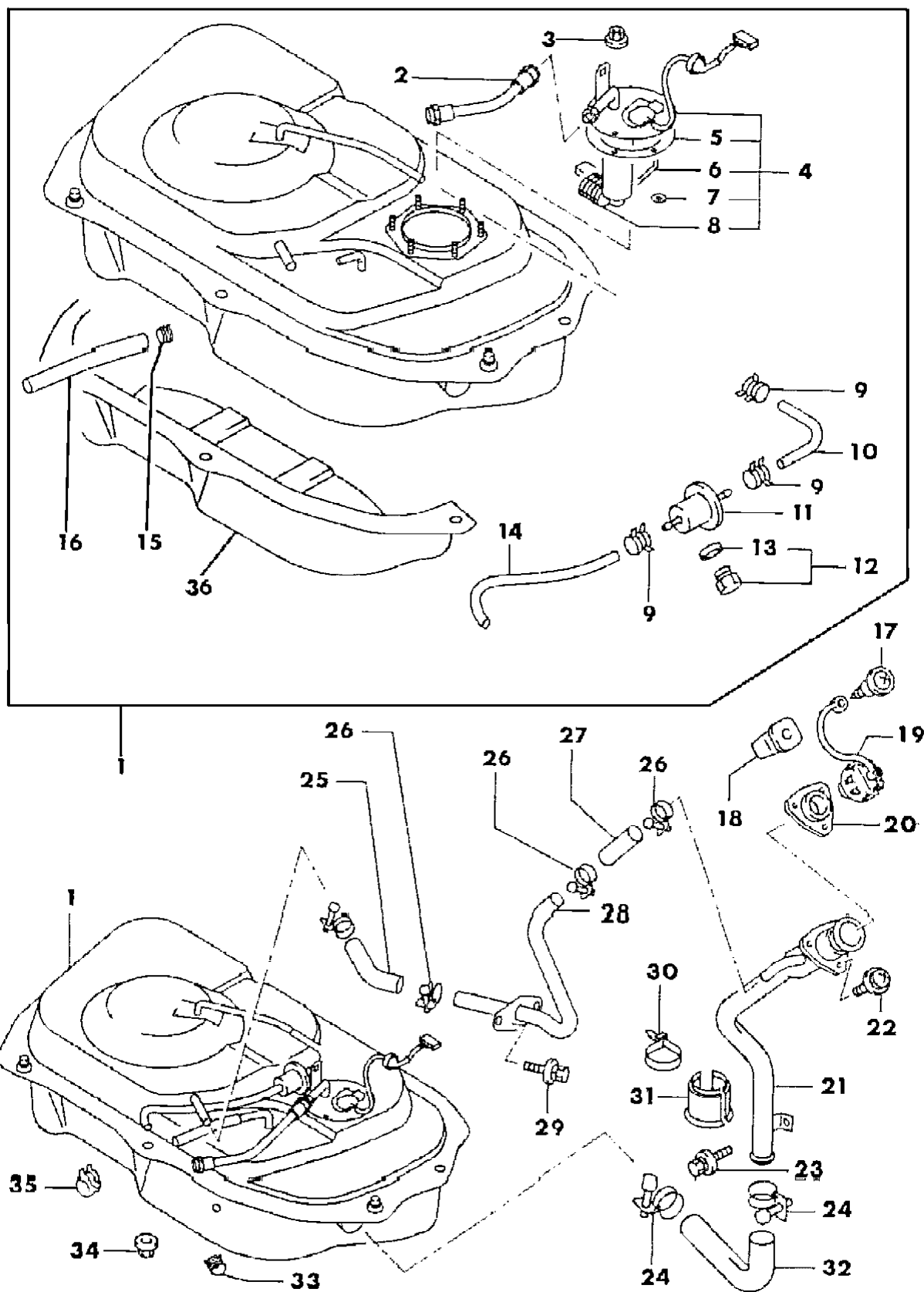
ENGINE:  
 P = 1800cc (1.8L)  
 A = 2000cc (2.0L)  
 Blank = All

TRANS:  
 A = Automatic  
 M = Manual  
 Blank = All

SERIES:  
 H = High  
 M = Medium  
 P = Premium  
 S = Special

MODELS:  
 24 FWD = 2Dr Hatchback (Laser)  
 24 FWD = 2-Dr Hatchback (Talon)  
 4WD = (4 Wheel Drive)  
 2WD = (2 Wheel Drive)

AR = Use as Required - = Non Illustrated Part P.A.R. = Paint as Required





---

**GROUP 16 - PROP. SHAFT & UNIV JT.**

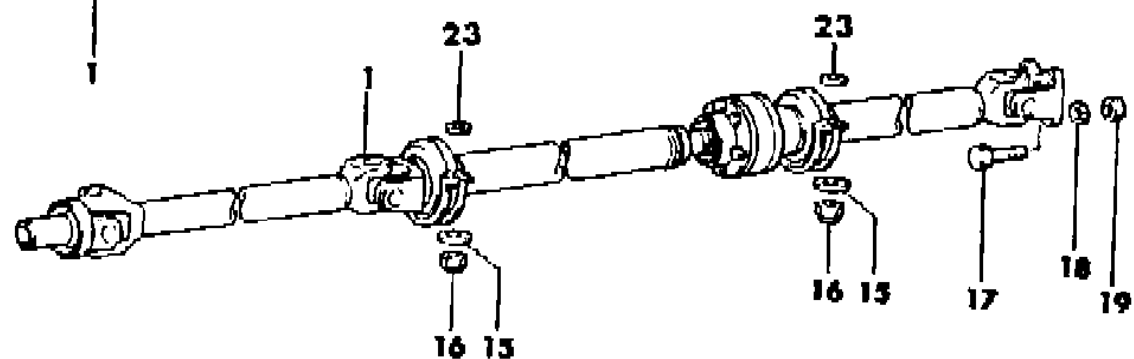
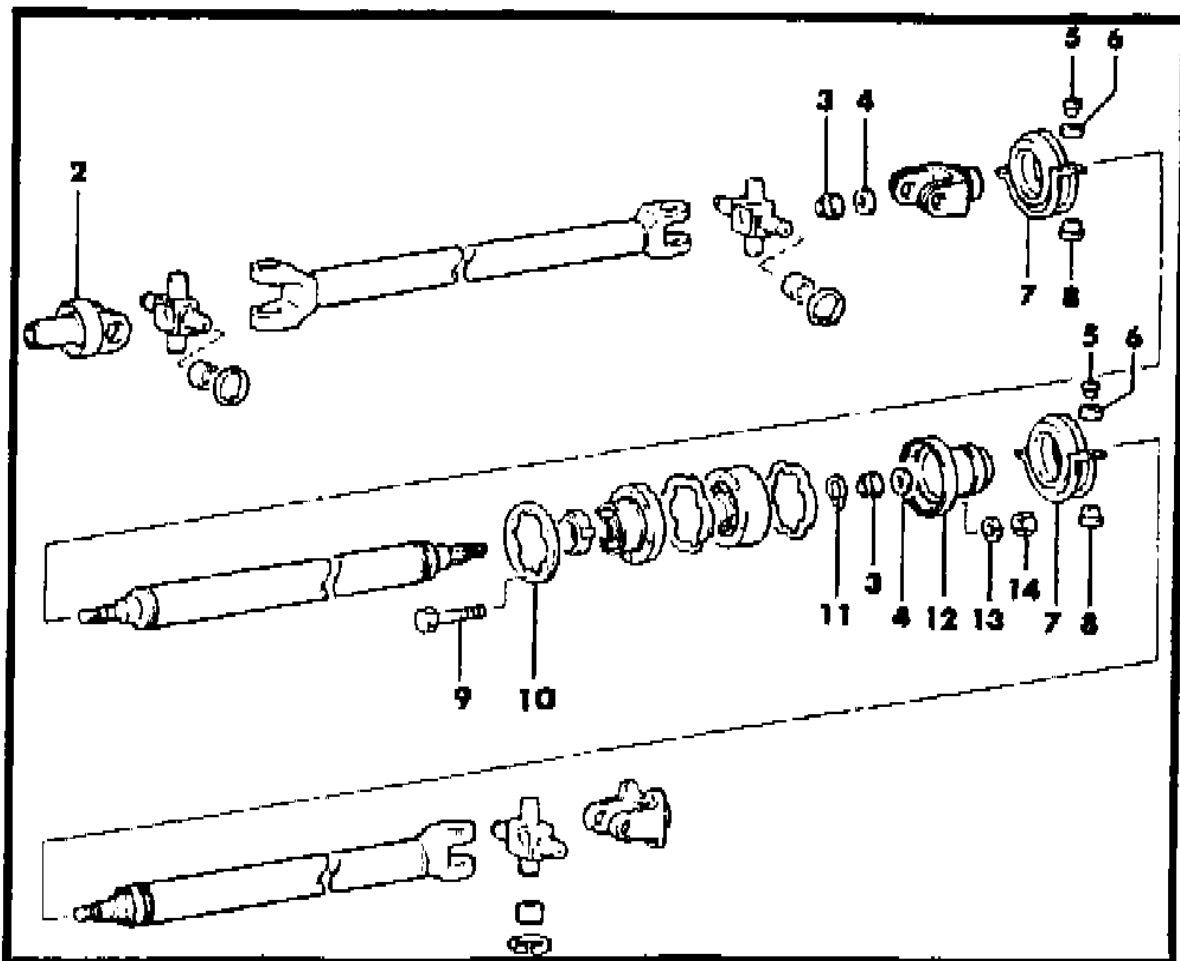
ILLUSTRATION TITLE	GROUP-FIG. NO.
PROPELLER SHAFT LASER-TALON .....	Fig. 16-100

**ILLUSTRATION NOT AVAILABLE AT TIME OF PUBLICATION**

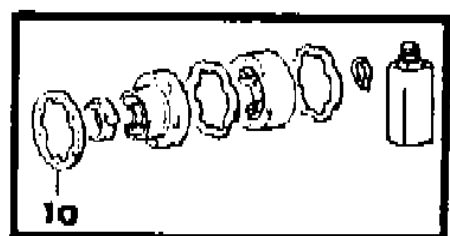
PROPELLER SHAFT LASER-TALON

Figure 16-100

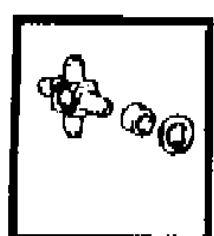
9616100



20



21



22



23

ITEM	PART NUMBER	QTY	BODY	MODEL	DESCRIPTION
1	MB50 5491	1			SHAFT ASSY, Propeller ***
2	MB00 0408	1			YOKE, Sleeve
3	MA14 3517	2			NUT, (18)
4	MT20 3641	2			WASHER, (18.5)
5	MB50 5658	4			SPACER
6	MB50 5284	4			INSULATOR, Center Bearing, Lower ***
7	MB50 5495	2			CENTER BEARING, Propeller Shaft ***
8	MB50 5283	4			INSULATOR, Center Bearing, Upper ***
9					BOLT
	MB50 5127	6			Up To 10-3-92
	MB83 7273	6			After 10-3-92
10	MB50 5112	1			WASHER
11	MB50 5107	1			SNAP RING
12	MB50 5213	1			FLANGE, Companion
13	MS45 0042	6			WASHER, (8)
14	MB15 4075	6			NUT, (8)
15	MF45 0006	4			WASHER, (10)
16	MF44 5005	4			NUT, (10)
17	MB00 0938	4			BOLT
18	MF45 0405	4			WASHER, Spring (8)
19	MB15 4075	4			NUT, (8)
20	MB50 5119	1			BOOT PACKAGE
21	MB50 5101	1			JOINT PACKAGE ***
22	MB15 4554	3			U-JOINT PACKAGE
23	MB24 1174	1			SPACER PACKAGE ***

ENGINE: P = 1800cc (1.8L) A = 2000cc (2.0L) Blank = All  
 TRANS: A = Automatic M = Manual Blank = All  
 SERIES: H = High M = Medium P = Premium S = Special

MODELS:  
 24 FWD = 2Dr Hatchback (Laser)  
 24 FWD = 2-Dr Hatchback (Talon)  
 4WD = (4 Wheel Drive)  
 2WD = (2 Wheel Drive)

AR = Use as Required - = Non Illustrated Part P.A.R. = Paint as Required

---

**GROUP 17 - REAR SUSPENSION**

<b>ILLUSTRATION TITLE</b>	<b>GROUP-FIG. NO.</b>
SUSPENSION, REAR FWD LASER-TALON .....	Fig. 17-100
SUSPENSION, REAR AWD TALON .....	Fig. 17-200

**ILLUSTRATION NOT AVAILABLE AT TIME OF PUBLICATION**

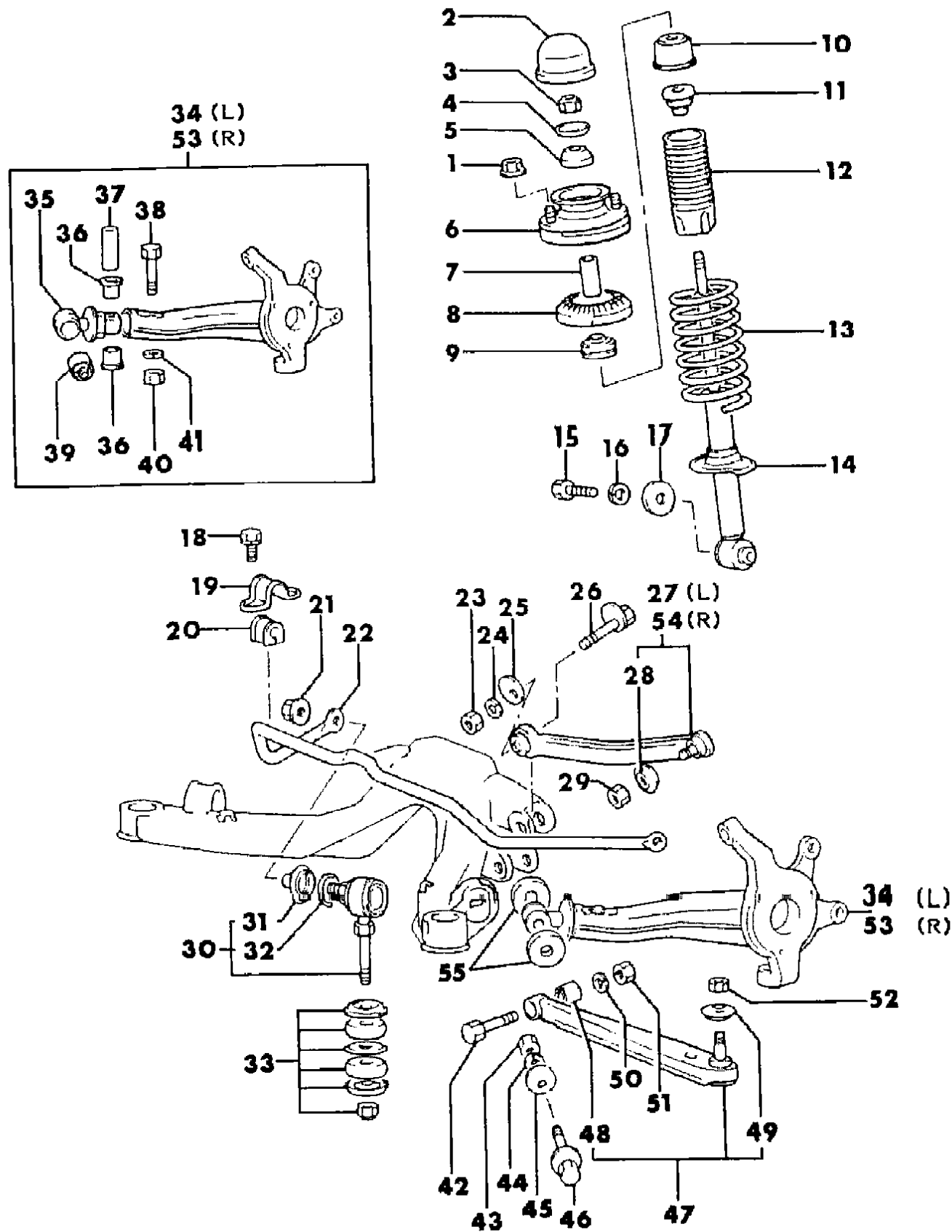
---





**SUSPENSION, REAR AWD TALON**  
Figure 17-200

9617 200A



ITEM	PART NUMBER	QTY	BODY	MODEL	DESCRIPTION
1	MF43 4105	4			NUT, (10)
2	MB51 5840	2			CAP, Rear Strut
3	MS44 0002	2			NUT, (10)
4	MB24 2360	2			WASHER, (10.2)
5	MB24 2358	2			BUSHING
6	MB33 8610	2			INSULATOR
7	MB33 8620	2			COLLAR ***
8	MB33 8613	2			PAD, Upper
9	MB33 8618	2			BUSHING
10	MB33 8614	2			CUP, Rear Shock
11	MB24 2352	2			DAMPER
12	MB51 8025	2			COVER, Dust
13	MB51 5238	2			SPRING, Rear Coil
14					SHOCK ABSORBER, Rear
	MB51 5703	2			1990-92
	MB89 2682	2			1993
	MR13 0021	2			1994
15					BOLT, Coil Spring
	MF10 6111	2			1990 (12X28)
	MB51 5620	2			1991-92 (12X28)
	MB51 5260	2			1993-94 (12X28)
16	MB17 6375	2			WASHER, (14)
17	MB51 5719	2			WASHER, (12.5)
18	MF24 0651	4			BOLT, w/Washer, (8X16)
19	MB51 5245	2			BRACKET
20	MB58 4398	2			BUSHING
21	MS44 0504	2			NUT, w/Washer, (10)
22	MB58 4397	1			BAR
23	MB30 3958	2			NUT, (14)
24	MS45 0045	2			WASHER, Upper Arm, (14)
25	MB11 1440	2			PLATE, Rear Arm
26	MB51 5167	2			BOLT, (14X80)
27	MB51 5161	1			ARM, Lt.
28	MB17 6047	2			COVER, Dust
29	MS44 0003	2			NUT, (12)
30	MB58 4467	2			LINK, Rear
31	MB51 8785	4			COVER, Dust
32	MB63 3060	2			RING, Dust Cover
33					LINK PKG, Rear ***

ENGINE: P = 1800cc (1.8L) A = 2000cc (2.0L) Blank = All  
 TRANS: A = Automatic M = Manual Blank = All  
 SERIES: H = High M = Medium P = Premium S = Special

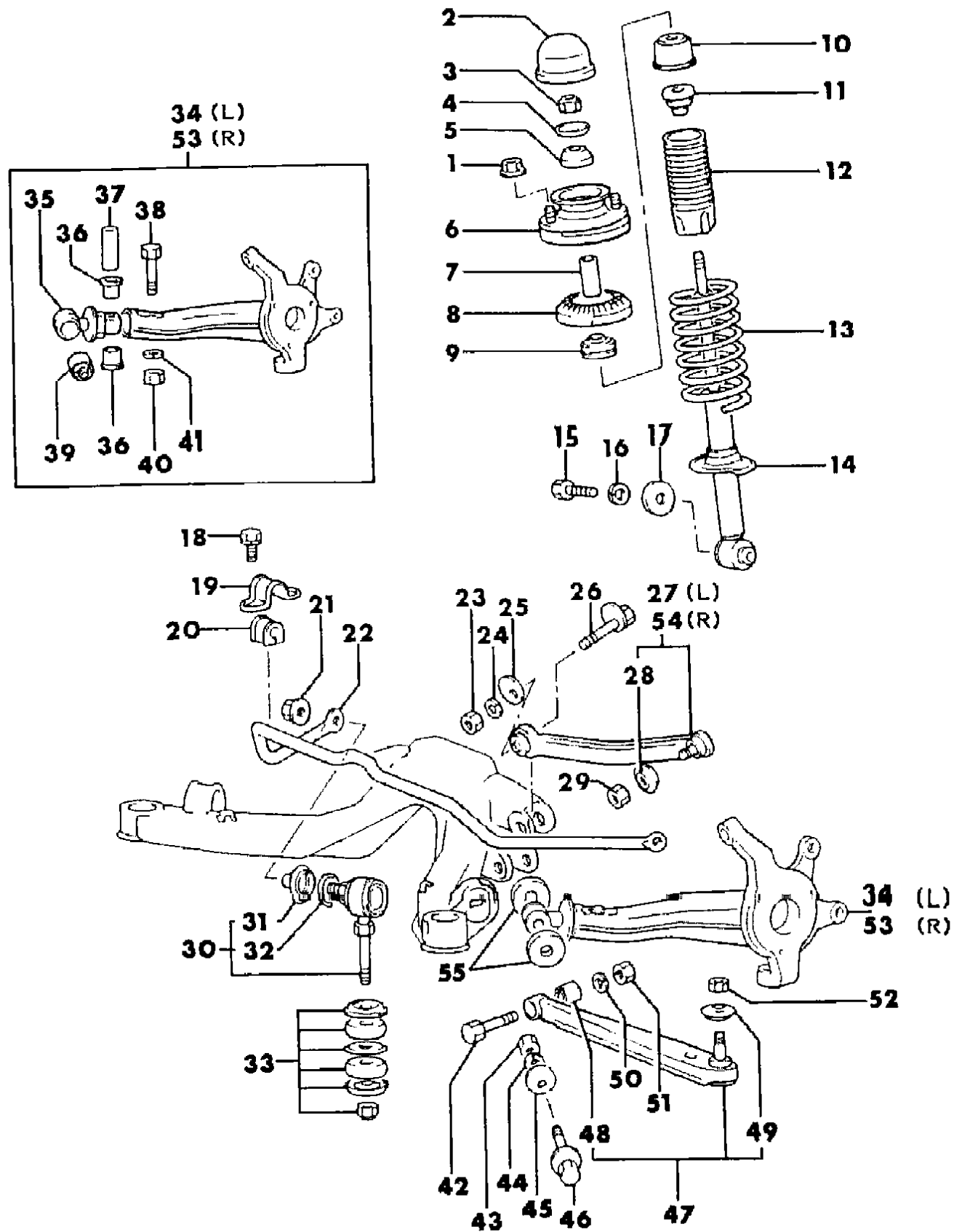
MODELS:  
 24 FWD = 2Dr Hatchback (Laser)  
 24 FWD = 2-Dr Hatchback (Talon)  
 4WD = (4 Wheel Drive)  
 2WD = (2 Wheel Drive)

AR = Use as Required - = Non Illustrated Part P.A.R. = Paint as Required

SUSPENSION, REAR AWD TALON

Figure 17-200

9617 200A



ITEM	PART NUMBER	QTY	BODY	MODEL	DESCRIPTION
	MB24 1881	2			1990
	MB69 8457	2			1991-94
34	MB51 5251	1			ARM, Lt., Rear Trailing w/o ABS
	MB58 4211	1			w/ABS
35	MB51 5194	2			ROD, Connecting
36	MB51 5259	4			BEARING
37	MB51 5258	2			COLLAR
38	MB58 4221	2			BOLT, (12X70)
39	MB51 5196	2			BUSHING
40	MF43 0123	2			NUT, (12)
41	MS45 0044	2			WASHER, (12)
42	MF10 6123	2			BOLT, (12X75)
43	MB30 3958	2			NUT, (14)
44					WASHER, Arm
	MS45 0994	2			1990-91, (14)
	MS45 0045	2			1992-94, (14)
45	MB11 1440	2			PLATE, Lower Arm
46	MB51 5167	2			BOLT, (14X80)
47	MB51 5171	2			ARM, Rear Susp.
48	MB51 5176	2			BUSHING
49	MB17 6047	2			COVER, Dust
50	MS45 0044	2			WASHER, (12)
51	MF43 0123	2			NUT, (12)
52	MS44 0003	2			NUT, (12)
53					ARM, Rt., Rear Trailing
	MB51 5252	1			w/o ABS
	MB58 4212	1			w/ABS
54	MB51 5162	1			ARM, Rt., Upper
55	MB91 1700	4			STOPPER, Trailing Arm Bushing

ENGINE: P = 1800cc (1.8L) A = 2000cc (2.0L) Blank = All  
 TRANS: A = Automatic M = Manual Blank = All  
 SERIES: H = High M = Medium P = Premium S = Special

MODELS:  
 24 FWD = 2Dr Hatchback (Laser)  
 24 FWD = 2-Dr Hatchback (Talon)  
 4WD = (4 Wheel Drive)  
 2WD = (2 Wheel Drive)

AR = Use as Required - = Non Illustrated Part P.A.R. = Paint as Required

---

**GROUP 19 - STEERING**

<b>ILLUSTRATION TITLE</b>	<b>GROUP-FIG. NO.</b>
WHEEL, STEERING LASER-TALON .....	Fig. 19-100
COLUMN, STEERING LASER-TALON .....	Fig. 19-200
GEAR, MANUAL STEERING LASER-TALON .....	Fig. 19-300
GEAR, POWER STEERING LASER-TALON .....	Fig. 19-400
PUMP, POWER STEERING OIL LASER-TALON .....	Fig. 19-500
HOSE AND ATTACHING PARTS, POWER STEERING LASER-TALON .....	Fig. 19-600

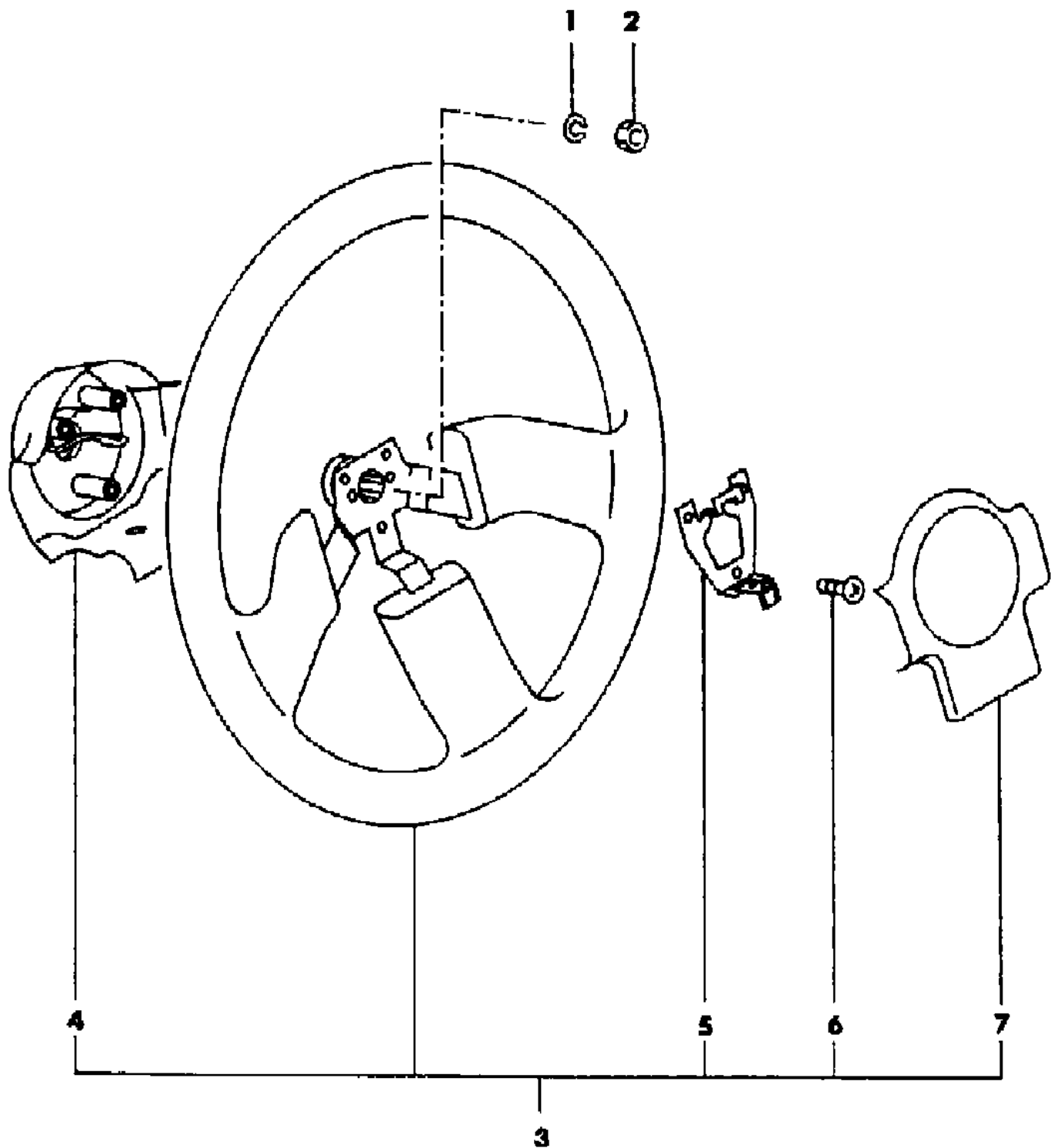
**ILLUSTRATION NOT AVAILABLE AT TIME OF PUBLICATION**

---

WHEEL, STEERING LASER-TALON

Figure 19-100

9619 100



ITEM	PART NUMBER	QTY	BODY	MODEL	DESCRIPTION
1	MS45 0044	1			WASHER, (12)
2	MF43 0123	1			NUT, (12)
3					WHEEL, Steering 1990-93 ***
	MB72 2509	1	LASER		w/o Turbo, (Black)
	MB73 2341	1	TALON		w/o Turbo, (Black)
	MB72 5373	1	LASER		w/Turbo, (Black)
	MB74 6260	1	TALON		w/Turbo, (Black) 1994 ***
	MR70 4876	1	TALON		w/o Turbo, (Black)
	MR70 4875	1	LASER		w/o Turbo, (Black)
	MR70 4878	1	LASER		w/Turbo, (Black)
	MR70 4879	1	TALON		w/Turbo, (Black)
4	MB73 0356	1			COVER, Lower, (Black)
5	MB56 4478	1			BRACKET, Horn Pad
6	MS45 0157	3			SCREW, (5X16)
7					PAD, Horn 1990-93 ***
	MB72 2547	1	LASER		(Black)
	MB73 2342	1	TALON		(Black) 1994 ***
	MR70 4881	1	LASER		(Black)
	MR70 4882	1	TALON		(Black)

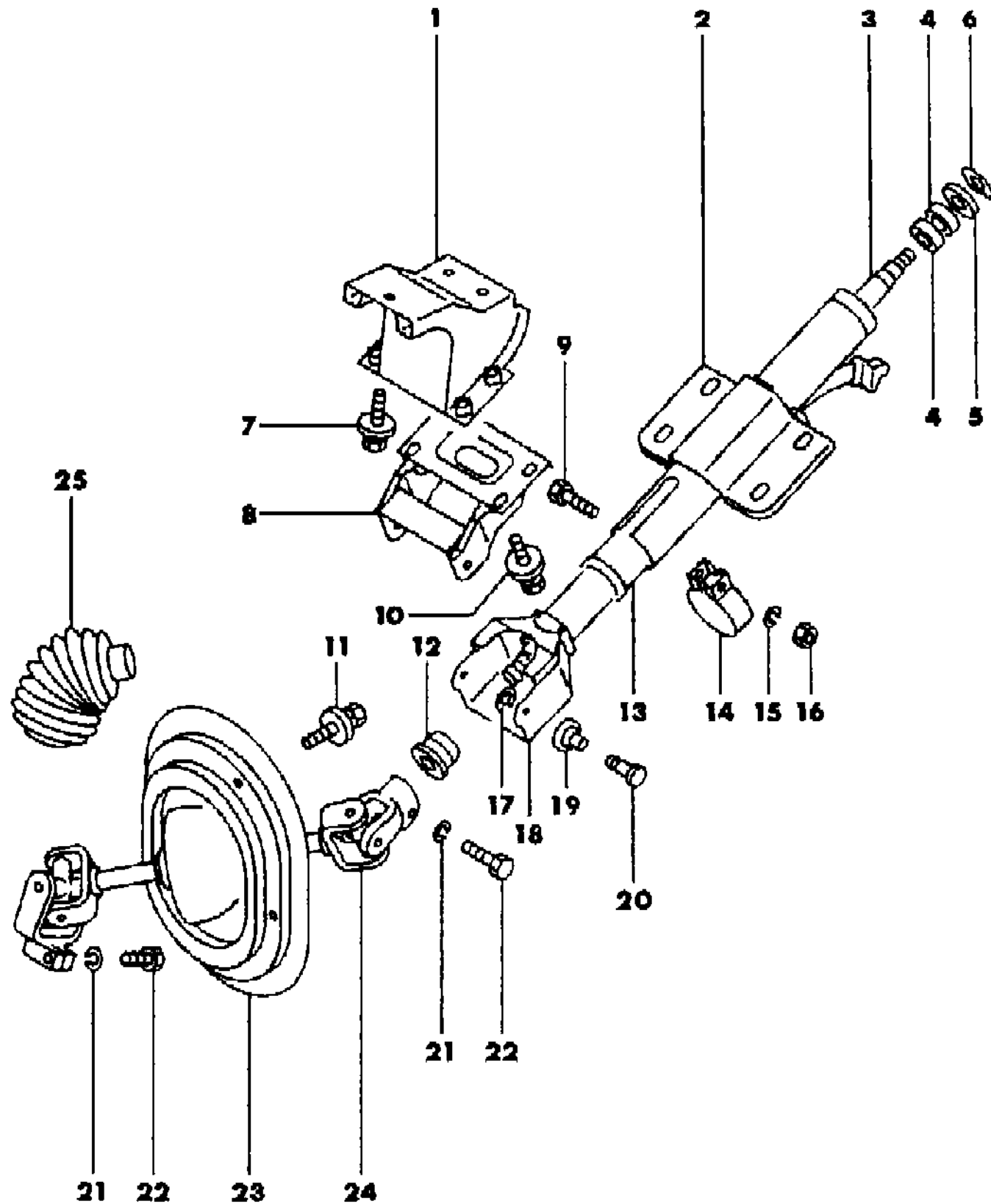
ENGINE: P = 1800cc (1.8L) A = 2000cc (2.0L) Blank = All  
 TRANS: A = Automatic M = Manual Blank = All  
 SERIES: H = High M = Medium P = Premium S = Special

MODELS:  
 24 FWD = 2Dr Hatchback (Laser)  
 24 FWD = 2-Dr Hatchback (Talon)  
 4WD = (4 Wheel Drive)  
 2WD = (2 Wheel Drive)

AR = Use as Required - = Non Illustrated Part P.A.R. = Paint as Required

**COLUMN, STEERING LASER-TALON**  
Figure 19-200

**9519 200**



ITEM	PART NUMBER	QTY	BODY	MODEL	DESCRIPTION
-	MB67 3307	1			COLUMN, Assy. Complete
1	MB56 4260	1			SUPPORT
2	MB61 6121	1			COLUMN, Upper
3	MB48 9930	1			SHAFT
4	MB12 2928	2			SPACER, (20.5X7)
5	MB12 2950	1			STOPPER, Bearing Spacer
6	MF52 2011	1			SNAP RING
7	MS24 0615	3			BOLT, w/Washer, (8X20)
8	MB48 9910	1			BRACKET, Lower
9	MF10 0063	1			BOLT, (8X40)
10	MS24 0146	8			BOLT, w/Washer, (8X25)
11	MS24 0141	4			BOLT, w/Washer, (6X25)
12	MB37 9249	1			BEARING, Shaft
13	MB24 3647	1			BUSHING, Inner
14	MB48 9372	1			CLAMP
15	MF45 0405	1			WASHER, (8)
16	MF43 0005	1			NUT, (8)
17	MF52 2403	2			SNAP RING, (5)
18	MB56 4256	1			COLUMN, Lower
19	MB19 2518	2			BUSHING, Inner
20	MB28 8480	2			PIN, (6X14)
21	MF45 0405	2			WASHER, (8)
22	MV02 7263	2			BOLT, (8X30)
23					COVER, Shaft Joint
	MB48 9833	1		FWD	
	MB48 9834	1		AWD	
24					JOINT, Steering Shaft
	MB61 6597	1		FWD	w/o 16" Wheels
	MB53 2678	1		FWD	w/16" Wheels
	MB61 6590	1		AWD	
25	MB24 3859	1			BOOT, Shaft U/Joint

ENGINE: P = 1800cc (1.8L) A = 2000cc (2.0L) Blank = All  
 TRANS: A = Automatic M = Manual Blank = All  
 SERIES: H = High M = Medium P = Premium S = Special

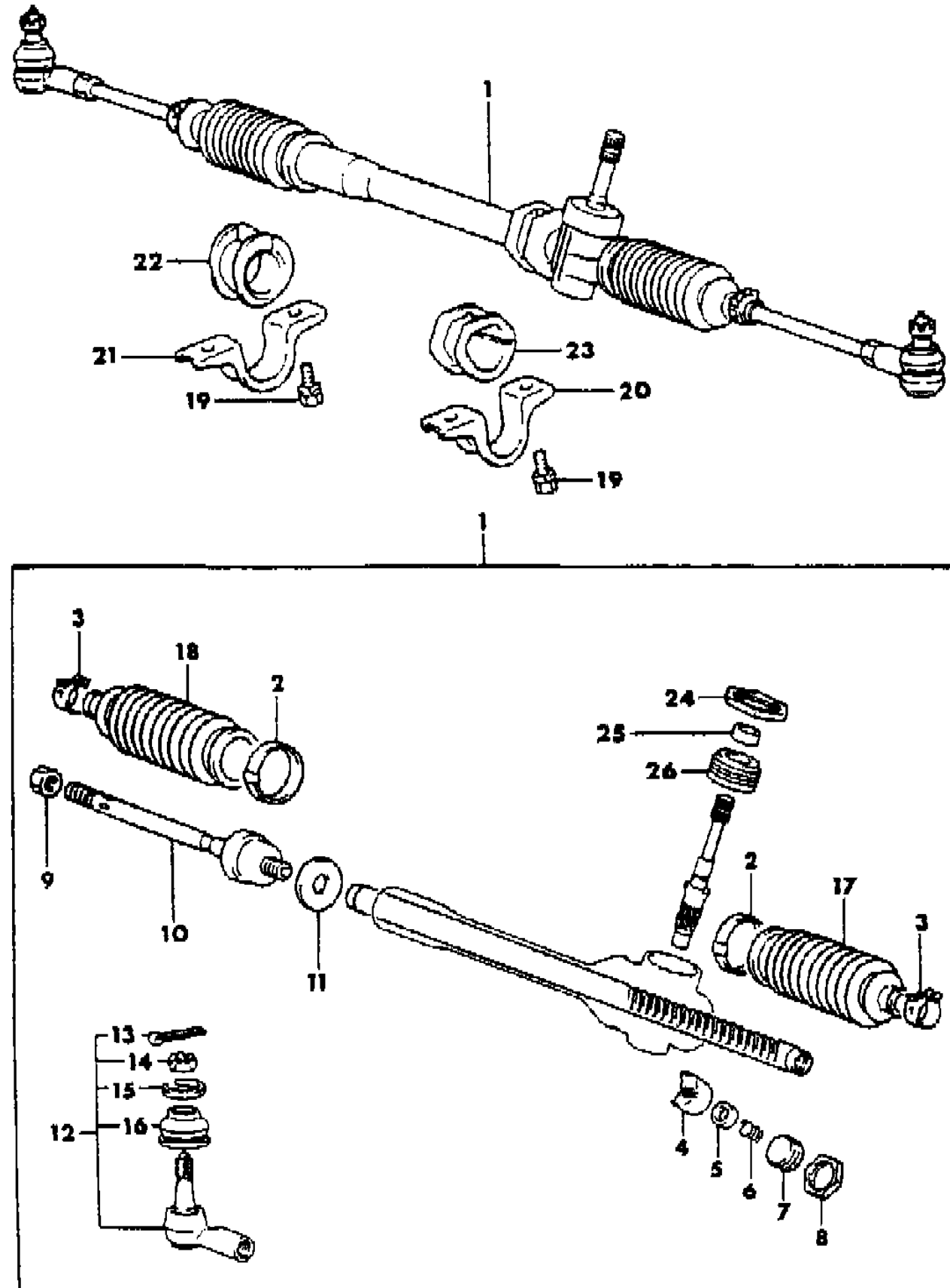
MODELS:  
 24 FWD = 2Dr Hatchback (Laser)  
 24 FWD = 2-Dr Hatchback (Talon)  
 4WD = (4 Wheel Drive)  
 2WD = (2 Wheel Drive)

AR = Use as Required - = Non Illustrated Part P.A.R. = Paint as Required

# GEAR, MANUAL STEERING LASER-TALON

Figure 19-300

9619 300



ITEM	PART NUMBER	QTY	BODY	MODEL	DESCRIPTION
1	MB53 2057	1			GEAR, w/Linkage
2	MB12 2139	2			BAND, (L=270)
3	MS66 0165	2			CLIP, Hose, (14.8)
4	MB50 1020	1			SUPPORT, Strg. Rack
5	MB41 2426	1			CUSHION
6	MB41 2309	1			SPRING
7	MB41 2310	1			COVER
8	MB41 2311	1			NUT
9	MB30 3958	2			NUT, (14)
10	MB53 2281	2			TIE ROD
11	MB26 6164	2			WASHER
12	MB56 4991	2			END PKG, Tie Rod ***
13	MF47 2054	2			PIN, (2.5X25)
14	MB12 2128	2			NUT, (10)
15		2			SNAP RING, (22), (Not Serviced)
16	MB61 6023	2			COVER, Dust
17	MB61 6026	1			BELLOWS
18	MB61 6027	1			BELLOWS
19	MU24 1009	4			BOLT, (12X30)
20	MB31 5227	1			BRACKET
21	MB31 5178	1			BRACKET
22	MB31 5179	1			CUSHION
23	MB31 5228	1			CUSHION
24	MB41 2314	1			NUT
25	MB41 2315	1			SEAL, Oil
26	MB41 2313	1			COVER

ENGINE: P = 1800cc (1.8L) A = 2000cc (2.0L) Blank = All  
 TRANS: A = Automatic M = Manual Blank = All  
 SERIES: H = High M = Medium P = Premium S = Special

MODELS:  
 24 FWD = 2Dr Hatchback (Laser)  
 24 FWD = 2-Dr Hatchback (Talon)  
 4WD = (4 Wheel Drive)  
 2WD = (2 Wheel Drive)

AR = Use as Required - = Non Illustrated Part P.A.R. = Paint as Required

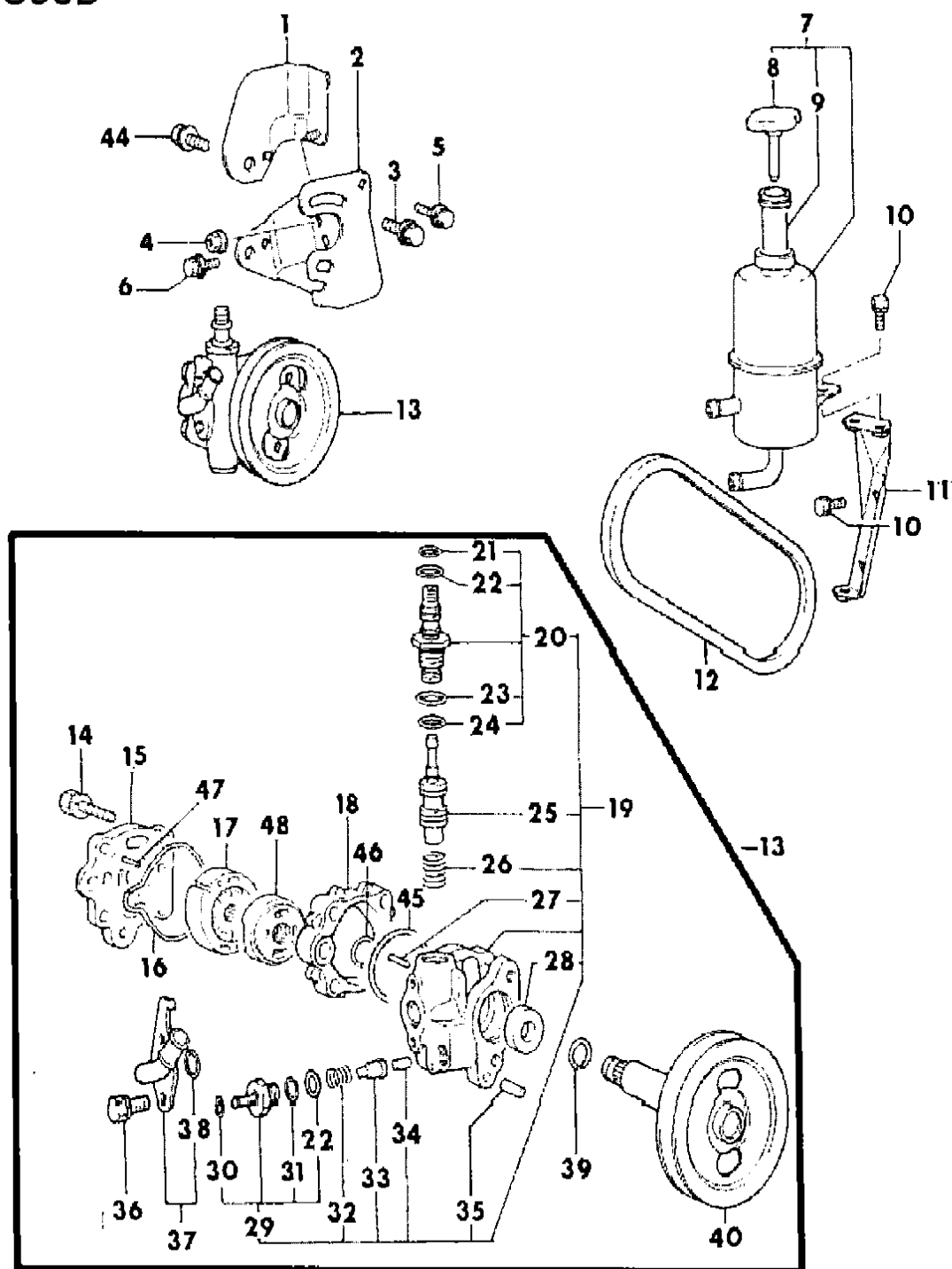




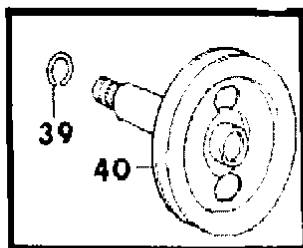


PUMP, POWER STEERING OIL LASER-TALON  
Figure 19-500

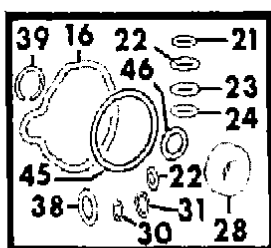
9619 500B



ITEM	PART NUMBER	QTY	BODY	MODEL	DESCRIPTION
1					PROTECTOR, Heat
	MB50 1177	1			2.0L Eng.
2					BRACKET, Pump
	MB55 3488	1			1.8L Eng.
	MB50 1134	1			2.0L Eng.
3					BOLT, w/Washer
	MF24 4880	3			1990, (10X25)
	MF24 4881	AR			1991-94, (10X30)
4					NUT, (6)
5	MB55 3187	AR			BOLT, Oil Pump
6					BOLT, w/Washer
	MF24 1280	AR			1.8L Eng., (10X20)
	MB55 3187	AR			2.0L Eng., (8x20)
7	MB50 1240	1			RESERVOIR
8	MB28 8989	1			CAP, Reservoir
9	MB35 0950	1			FILTER, Reservoir
10	MF24 0651	4			BOLT, w/Washer, (8X16)
11	MB50 1242	1			BRACKET, Reservoir
12					BELT, Oil Pump
	MB55 3429	1			1.8L Eng.
	MD17 8430	1			2.0L Eng.
13					PUMP, Oil
	MB55 3463	1			1990
	MB63 6380	1			1991-94
14					BOLT, Pump Cover
	MF24 1259	4			1990, (8x35)
	MF24 1256	4			1991-94
15					COVER, Pump
	MB55 3469	1			1990
	MB63 6429	1			1991-94
16		2			O-RING, (64.4), (Serv. Pkg.)
17		1			CARTRIDGE, Oil Pump, (Serv. Pkg.)
18	MB35 1254	1			CASE, Oil Pump, 1990
19					BODY, Oil Pump
	MB55 3467	1			1990
	MB63 6420	1			1991-94
20					JOINT PKG ***
	MB55 3032	1			1990
	MB63 6425	1			1991-94



41



42



43

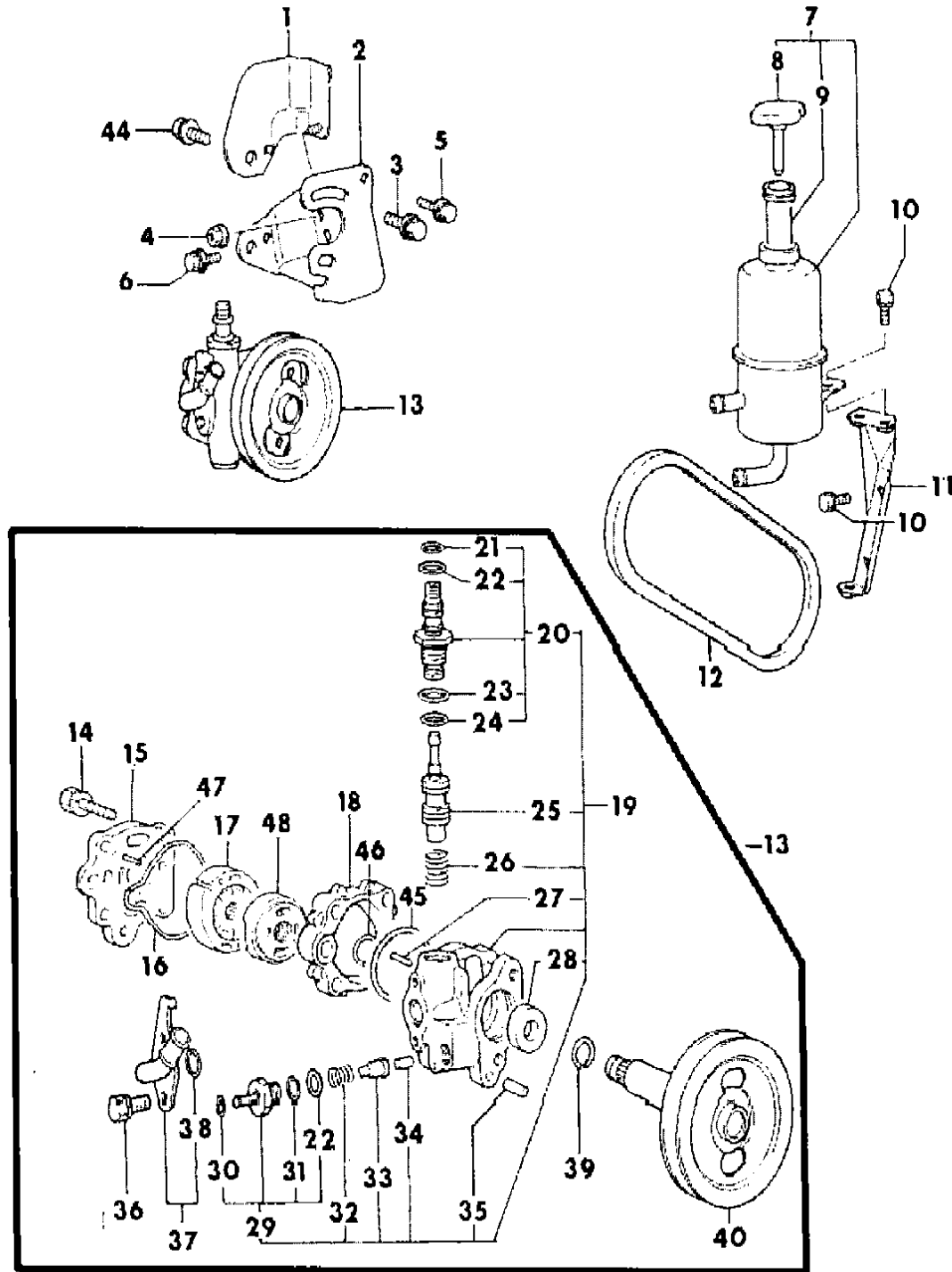
ENGINE: P = 1800cc (1.8L) A = 2000cc (2.0L) Blank = All  
 TRANS: A = Automatic M = Manual Blank = All  
 SERIES: H = High M = Medium P = Premium S = Special

MODELS:  
 24 FWD = 2Dr Hatchback (Laser)  
 24 FWD = 2-Dr Hatchback (Talon)  
 4WD = (4 Wheel Drive)  
 2WD = (2 Wheel Drive)

AR = Use as Required - = Non Illustrated Part P.A.R. = Paint as Required

PUMP, POWER STEERING OIL LASER-TALON  
Figure 19-500

9619 500B



ITEM	PART NUMBER	QTY	BODY	MODEL	DESCRIPTION
21		1			O-RING, (11), (Serv. Pkg.)
22		2			O-RING, (13), (Serv. Pkg.)
23		1			O-RING, (15.8), (Serv. Pkg.)
24		1			O-RING, (13.5), (Serv. Pkg.)
25					VALVE, Control
	MB35 1808	1			Stamped, (A), or No Markings
	MB35 1809	1			Stamped, (B)
	MB35 1810	1			Stamped, (C)
26	MB26 6662	1			SPRING
27					PIN
	MB26 6657	2			1990, (4X19.8)
	MB63 6424	2			1991-94
28	MB07 6351	1			SEAL, Oil
29					TERMINAL
	MB26 6455	1			1990
	MB63 6426	1			1991-94
30					O-RING
	MF52 2401	1			1990, (3)
	MB26 6693	1			1991-94
31	MB19 2820	1			O-RING, (3.8)
32	MB35 1249	1			SPRING
33	MB35 1269	1			PLUNGER
34	MB35 1259	1			ROD
35	MB35 0383	1			PIN, (6X20)
36	MF24 1223	2			BOLT, w/Washer, (6X12)
37					JOINT PKG ***
	MB55 3471	1			1990
	MB63 6431	1			1991-94
38	MB63 6435	1			O-RING, (11.8)
39	MB35 1258	1			SNAP RING
40		1			PULLEY and SHAFT, Oil Pump, (Serv. Pkg.)
41					PULLEY and SHAFT PKG ***
	MB55 3577	1			1990
	MB63 6432	1			1991-94
42					SEAL PKG, Oil Pump ***
	MB50 1695	1			1990
	MB63 6433	1			1991-94
43					CARTRIDGE PKG, Oil Pump ***
	MB35 1257	1			1990

ENGINE: P = 1800cc (1.8L)  
A = 2000cc (2.0L)  
Blank = All

TRANS: A = Automatic  
M = Manual  
Blank = All

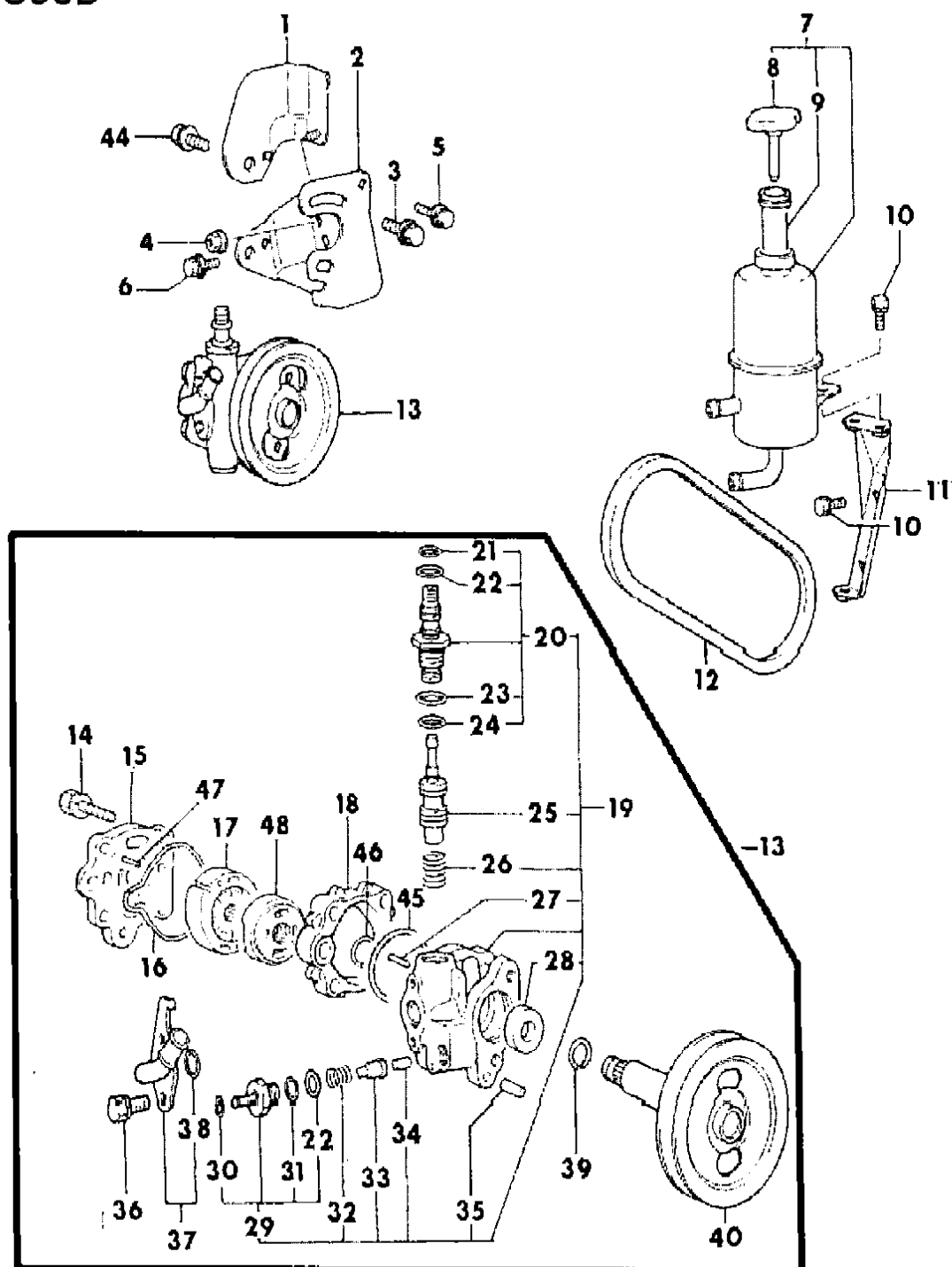
SERIES: H = High  
M = Medium  
P = Premium  
S = Special

MODELS:  
24 FWD = 2Dr Hatchback (Laser)  
24 FWD = 2-Dr Hatchback (Talon)  
4WD = (4 Wheel Drive)  
2WD = (2 Wheel Drive)

AR = Use as Required - = Non Illustrated Part P.A.R. = Paint as Required

PUMP, POWER STEERING OIL LASER-TALON  
Figure 19-500

9619 500B



ITEM	PART NUMBER	QTY	BODY	MODEL	DESCRIPTION
	MB63 6434	1			1991-94
44	MF24 4880	1			BOLT, (10x25)
45		1			O-RING, (Serv. Pkg.)
46		1			O-RING, (Serv. Pkg.)
47	MB26 6657	1			PIN, 1991-94
48	MB63 6428	1			PLATE, 1991-94

ENGINE: P = 1800cc (1.8L) A = 2000cc (2.0L) Blank = All  
 TRANS: A = Automatic M = Manual Blank = All  
 SERIES: H = High M = Medium P = Premium S = Special

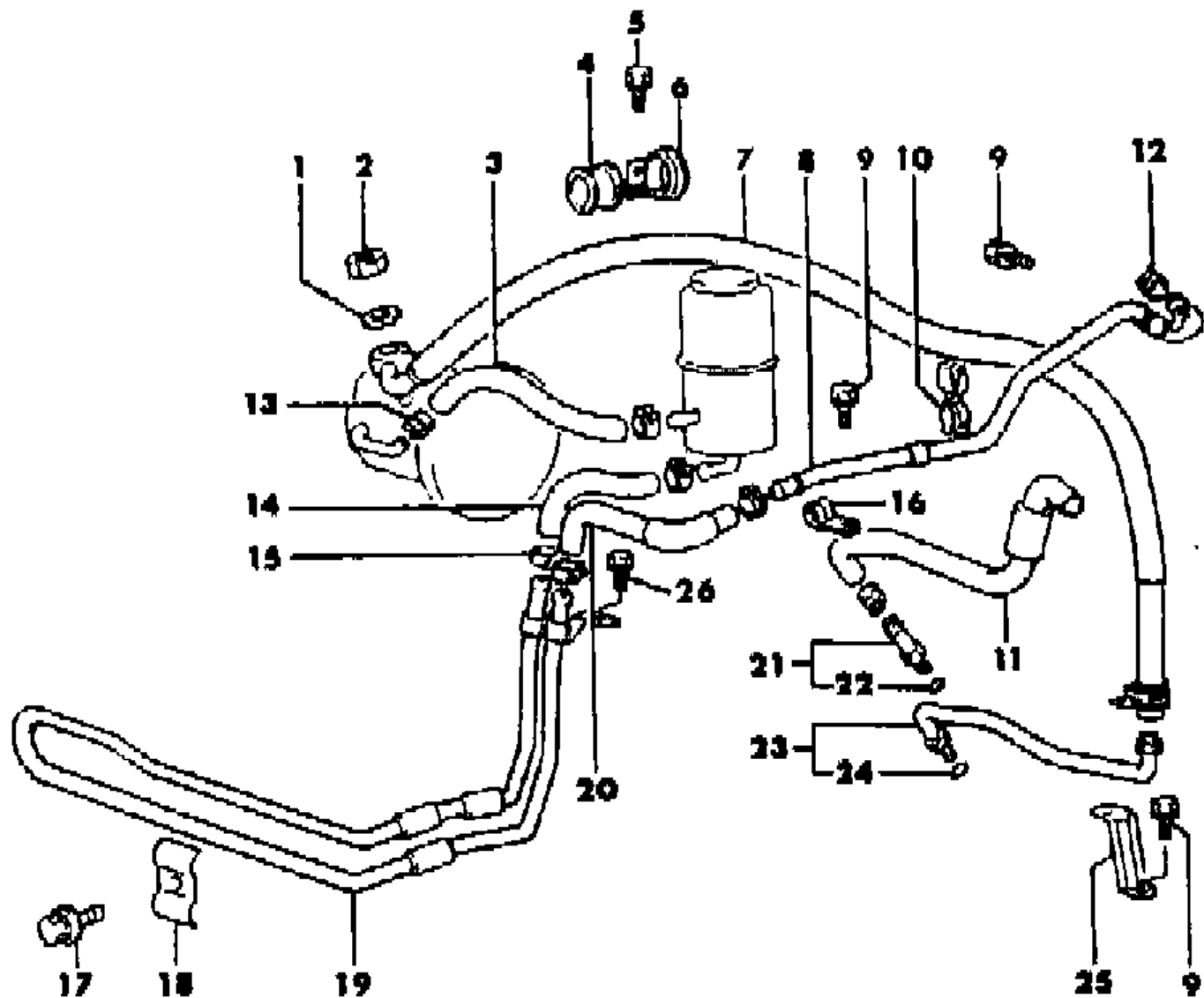
MODELS:  
 24 FWD = 2Dr Hatchback (Laser)  
 24 FWD = 2-Dr Hatchback (Talon)  
 4WD = (4 Wheel Drive)  
 2WD = (2 Wheel Drive)

AR = Use as Required - = Non Illustrated Part P.A.R. = Paint as Required

HOSE AND ATTACHING PARTS, POWER STEERING LASER-TALON

Figure 19-600

9619 600 A



ITEM	PART NUMBER	QTY	BODY	MODEL	DESCRIPTION
1	MS45 0044	1			WASHER, (12)
2	MF43 0123	1			NUT, (12)
3					HOSE, Suction
	MB50 1148	1			1.8L Eng.
	MB50 1149	1			2.0L Eng.
4	MB55 3162	1			HOLDER, Hose
5	MS24 0942	1			BOLT, w/Washer, (8X16)
6	MB55 3163	1			CLAMP, Oil Line
7					HOSE, Pressure
	MB55 3136	1			1.8L Eng.
	MB55 3134	1			2.0L Eng.
8	MB55 3104	1			TUBE, Return
9	MF24 0651	5			BOLT, w/Washer, (8X16)
10	MB55 3164	1			CLIP
11	MB55 3158	1			HOSE, Return
12	MS66 0166	4			CLIP, (15.5)
13	MS66 0168	2			CLIP, (17.8)
14	MB50 1788	1			HOSE, Return
15					CLIP
	MS66 0166	2			1990, (15.5)
	MB35 1510	2			1991-94
16	MB50 1809	1			CLIP
17	MS24 0192	1			BOLT, w/Washer, (6x16)
18	MB35 0678	1			CLAMP
19	MB50 1786	1			TUBE
20	MB50 1260	1			HOSE
21	MB50 1603	1			TUBE
22	MB16 6042	1			O-RING, (7.5)
23					TUBE
	MB55 3143	1		FWD	
	MB55 3145	1		AWD	
24	MB19 2717	1			O-RING, (6)
25	MB55 3141	1			BRACKET
26	MS24 0085	1			BOLT, (8X20)

ENGINE: P = 1800cc (1.8L) A = 2000cc (2.0L) Blank = All  
 TRANS: A = Automatic M = Manual Blank = All  
 SERIES: H = High M = Medium P = Premium S = Special

MODELS:  
 24 FWD = 2Dr Hatchback (Laser)  
 24 FWD = 2-Dr Hatchback (Talon)  
 4WD = (4 Wheel Drive)  
 2WD = (2 Wheel Drive)

AR = Use as Required - = Non Illustrated Part P.A.R. = Paint as Required

---

**GROUP 21M - TRANSMISSION, MANUAL**

<b>ILLUSTRATION TITLE</b>	<b>GROUP-FIG. NO.</b>
TRANSAXLE ASSEMBLIES MANUAL TRANSAXLE, 5 SPEED LASER-TALON .....	Fig. 21M-100
CASE AND MISCELLANEOUS PARTS 5 SPEED, W/1.8L, 2.0L ENG., W/O TURBO, FWD LASER-TALON ..	Fig. 21M-200
GEAR TRAIN 5 SPEED, W/1.8L, 2.0L ENG., W/O TURBO, FWD LASER-TALON .....	Fig. 21M-300
GEARS AND OUTPUT SHAFT 5 SPEED, W/1.8L, 2.0L ENG., W/O TURBO, FWD LASER-TALON .....	Fig. 21M-400
CONTROL, SHIFT 5 SPEED, W/1.8L, 2.0L ENG., W/O TURBO, FWD LASER-TALON .....	Fig. 21M-500
CASE AND MISCELLANEOUS PARTS 5 SPEED, W/2.0L ENG., W/TURBO, FWD LASER-TALON .....	Fig. 21M-600
GEAR TRAIN 5 SPEED, W/2.0L ENG., W/TURBO, FWD LASER-TALON .....	Fig. 21M-700
GEARS AND OUTPUT SHAFT 5 SPEED, W/2.0L ENG., W/TURBO, FWD LASER-TALON .....	Fig. 21M-800
CONTROL, SHIFT 5 SPEED, W/2.0L ENG., W/TURBO, FWD LASER-TALON .....	Fig. 21M-900
CASE AND MISCELLANEOUS PARTS 5 SPEED, W/AWD LASER-TALON .....	Fig. 21M-1000
SHAFT AND CENTER DIFFERENTIAL 5 SPEED, W/AWD LASER-TALON .....	Fig. 21M-1100
SHAFT AND CENTER DIFFERENTIAL 5 SPEED, W/AWD LASER-TALON .....	Fig. 21M-1200
DIFFERENTIAL 5 SPEED, W/AWD LASER-TALON .....	Fig. 21M-1300
TRANSFER HOUSING AND EXTENSION 5 SPEED, W/AWD LASER-TALON .....	Fig. 21M-1400
TRANSFER GEAR AND SHAFT MANUAL TRANSAXLE, 5 SPEED LASER - TALON, 4WD .....	Fig. 21M-1500
CONTROL, SHIFT 5 SPEED, W/AWD LASER-TALON .....	Fig. 21M-1600
CONTROLS, GEARSHIFT 5 SPEED LASER-TALON .....	Fig. 21M-1700

**ILLUSTRATION NOT AVAILABLE AT TIME OF PUBLICATION**

TRANSAXLE ASSEMBLIES MANUAL TRANSAXLE, 5 SPEED LASER-TALON  
Figure 21M-100

9621 100 C

ITEM	PART NUMBER	QTY	BODY	MODEL	DESCRIPTION
1					TRANSAXLE ASSY, 5 Speed ***
					1.8L Engine ***
	MD99 5366	1		FWD	1990, KM206-0-DKNS, Up To 5-1-89
	MD99 5521	1		FWD	1990, F5M22-1-VPKS, After 5-1-89
	MD99 5653	1		FWD	1991-94, F5M22-1-VPKV
					2.0L Engine, w/o Turbo ***
	MD99 5455	1		FWD	1990, KM206-0-DJNS, Up To 5-1-89
	MD99 5524	1		FWD	1990, F5M22-2-VPZS, After 5-1-89
	MD99 5654	1		FWD	1991-94, F5M22-2-VPZV
					2.0L Engine, w/Turbo ***
	MD99 5456			FWD	1990, KM215-0-ANS, Up To 5-1-89
	MD99 5526	1		FWD	1990, F5M33-2-SPZS, After 5-1-89
	MD99 5656	1		FWD	1991-92, F5M33-2-SPZV
	MD97 0884	1		FWD	1993-94, F5M33-2-SPQV
2					TRANSAXLE ASSY, w/Transfer Case ***
					2.0L Engine, w/Turbo ***
	MD99 5573	1	TALON	AWD	1990, W5M33-2-NPZS
	MD99 5651	1		AWD	1991-94, W5M33-2-NPXV
3					TRANSFER CASE ASSY ***
	MD73 9053	1			1990-91, (22 Spline)
	MD74 1285	1			1992, (23 Spline)
	MD75 8205	1			1993-94
A					LABEL, Anti-Theft, Transaxle (Production Part Number)
B					(Service Part Number)

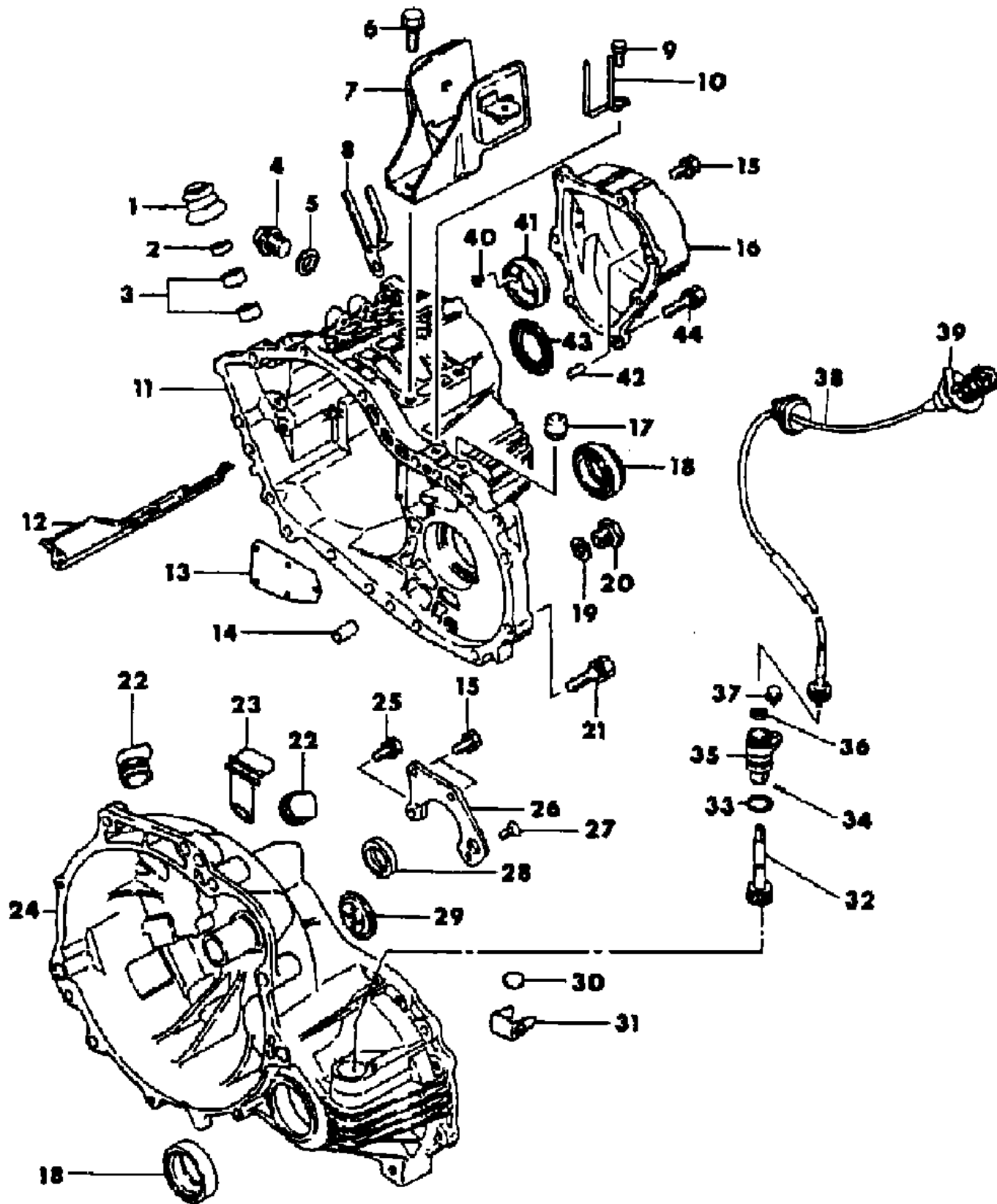
ENGINE: P = 1800cc (1.8L) A = 2000cc (2.0L) Blank = All  
 TRANS: A = Automatic M = Manual Blank = All  
 SERIES: H = High M = Medium P = Premium S = Special

MODELS:  
 24 FWD = 2Dr Hatchback (Laser)  
 24 FWD = 2-Dr Hatchback (Talon)  
 4WD = (4 Wheel Drive)  
 2WD = (2 Wheel Drive)

AR = Use as Required - = Non Illustrated Part P.A.R. = Paint as Required

CASE AND MISCELLANEOUS PARTS 5 SPEED, W/1.8L, 2.0L ENG., W/O TURBO, FWD LASER-TALON  
Figure 21M-200

9621 200C



ITEM	PART NUMBER	QTY	BODY	MODEL	DESCRIPTION
1	MD71 8557	1			BOOT, Gearshift Control Shaft
2	MD71 3758	1			OIL SEAL, Gearshift Control Shaft
	MD73 2405	1			1990-91
	MD71 2913	2			1992-94
3	MD71 2913	2			BEARING, Gearshift Control Shaft
4	MD70 1850	1			PLUG, Case, (16)
5	MF66 0036	1			GASKET, Case, (16)
6	MF24 1309	2			BOLT, w/Washer, (12x30)
7	MD73 1542	1			BRACKET, Case Mounting
8	MD71 4714	1			CLIP, Case
9	MF24 1251	1			BOLT, (8x16)
10	MB24 9369	1			CLIP
11					CASE, w/o Turbo
	MD72 3300	1			1990-93
	MD74 4765	1			1994
	4318 025	1			LIQUID GASKET ***
12		1			GUIDE, Oil, Case
	MD71 8953	1			1990-92
	MD74 1559	1			1993-94
13					COVER, Case, Breather Hole
	MD71 9091	1			1990-93
	MD74 1751	1			1994
14	MF47 2405	3			PIN, Dowel, (10x20)
15					BOLT, w/Washer
	MF24 1255	9			1990, Up To 5-1-89
	MF24 1255	7			1990, After 5-1-89
	MF24 1259	7			1991
	MF24 1555	5			1992, (8x25)
	MF24 1255	7			1993-94, (8x25)
16					COVER, Case, 5th Gear
	MD73 1013	1			1990, Up To 5-1-89
	MD73 5303	1			1990, After 5-1-89, w/1.8L Engine
	MD73 2462	1			1990, After 5-1-89, w/2.0L Engine
17	MD73 3296	1			BREATHER, Case
18	MD70 7184	2			OIL SEAL, Front Differential Case
19	MD00 0312	1			GASKET, (18.2)
20	MD72 8088	1			PLUG, Case
21	MF24 1288	13			BOLT, w/Washer, (10x40)
22	MD71 1443	2			COVER, Case, Breather Hole, w/2.0L Engine

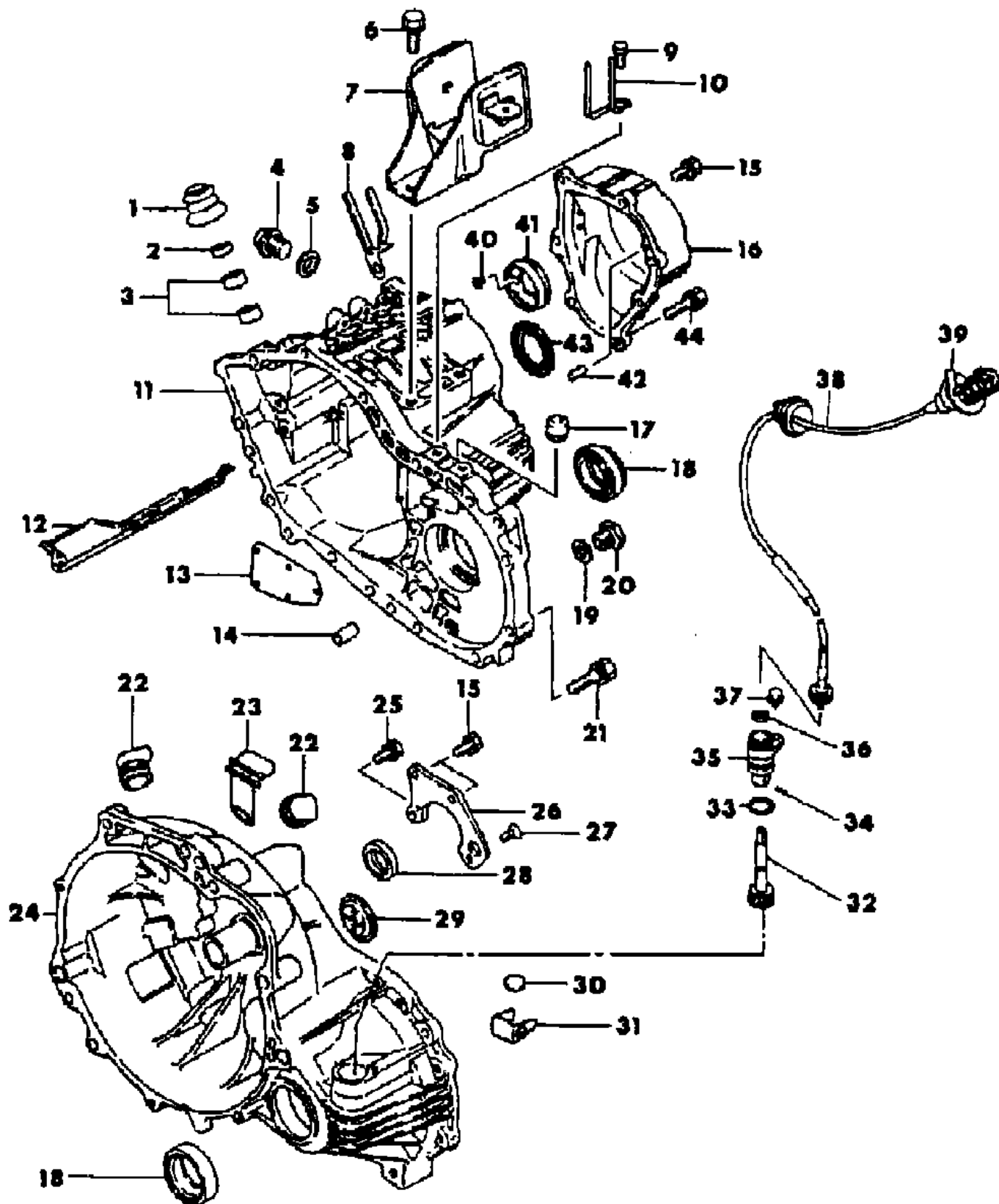
ENGINE: P = 1800cc (1.8L) A = 2000cc (2.0L) Blank = All  
 TRANS: A = Automatic M = Manual Blank = All  
 SERIES: H = High M = Medium P = Premium S = Special

MODELS:  
 24 FWD = 2Dr Hatchback (Laser)  
 24 FWD = 2-Dr Hatchback (Talon)  
 4WD = (4 Wheel Drive)  
 2WD = (2 Wheel Drive)

AR = Use as Required - = Non Illustrated Part P.A.R. = Paint as Required

CASE AND MISCELLANEOUS PARTS 5 SPEED, W/1.8L, 2.0L ENG., W/O TURBO, FWD LASER-TALON  
Figure 21M-200

9621 200C



ITEM	PART NUMBER	QTY	BODY	MODEL	DESCRIPTION
23	MD72 1764	1			COVER, Case Breather Hole, w/2.0L Engine
24	MD72 5280	1			HOUSING, Clutch 1.8L Engine
	MD73 3219	1			2.0L Engine
25	MF24 1253	1			BOLT, (8x20 7T)
26					RETAINER, Clutch Housing, Front Bearing
	MD71 9535	1			Up To 5-1-89
	MD73 5926	1			After 5-1-89
27	MD70 4449	1			BOLT, (8x20 7T)
28					OIL SEAL
	MD06 9950	1			1990, Up To 8-1-91
	MD74 1818	1			1990, After 8-1-91
29	MD72 3303	1			GUIDE, Oil, Case
30	MD95 5485	1			MAGNET
31	MD72 5064	1			HOLDER, Case Magnet
32	MD72 8826	1			GEAR, Speedometer Driven, Nylon (29T)
33	MF52 0016	1			O-RING, (22.1)
34	MF47 2535	1			PIN, Spring, (3x14)
35					SLEEVE, Speedometer Driven Gear
	MD72 8767	1			1990
	MD74 0081	1			1991-94
36					OIL SEAL, Speedometer Driven Gear
	MD73 0727	1			1990-92
	MD72 9925	1			1993-94
37	MF14 0004	1			BOLT, Flange, (6x14 4T)
38	MB52 1556	1			CABLE, Speedometer
39	MB32 6171	1			ADAPTER, Speedometer Cable
40					SCREW, Cone
	MD72 4319	3			1990-91, After 5-1-89
	MD73 6513	3			1992-94
41	MD72 5928	1			CONE, Reverse Brake, After 5-1-89
42	MF47 2402	2			PIN, Dowel, (5x12), After 5-1-89
43	MD73 5570	1			OIL FILTER, Transmission Case, 1991-94 ***
44	MD73 0558	2			BOLT, Case 5th Gear

ENGINE: P = 1800cc (1.8L)  
A = 2000cc (2.0L)  
Blank = All

TRANS: A = Automatic  
M = Manual  
Blank = All

SERIES: H = High  
M = Medium  
P = Premium  
S = Special

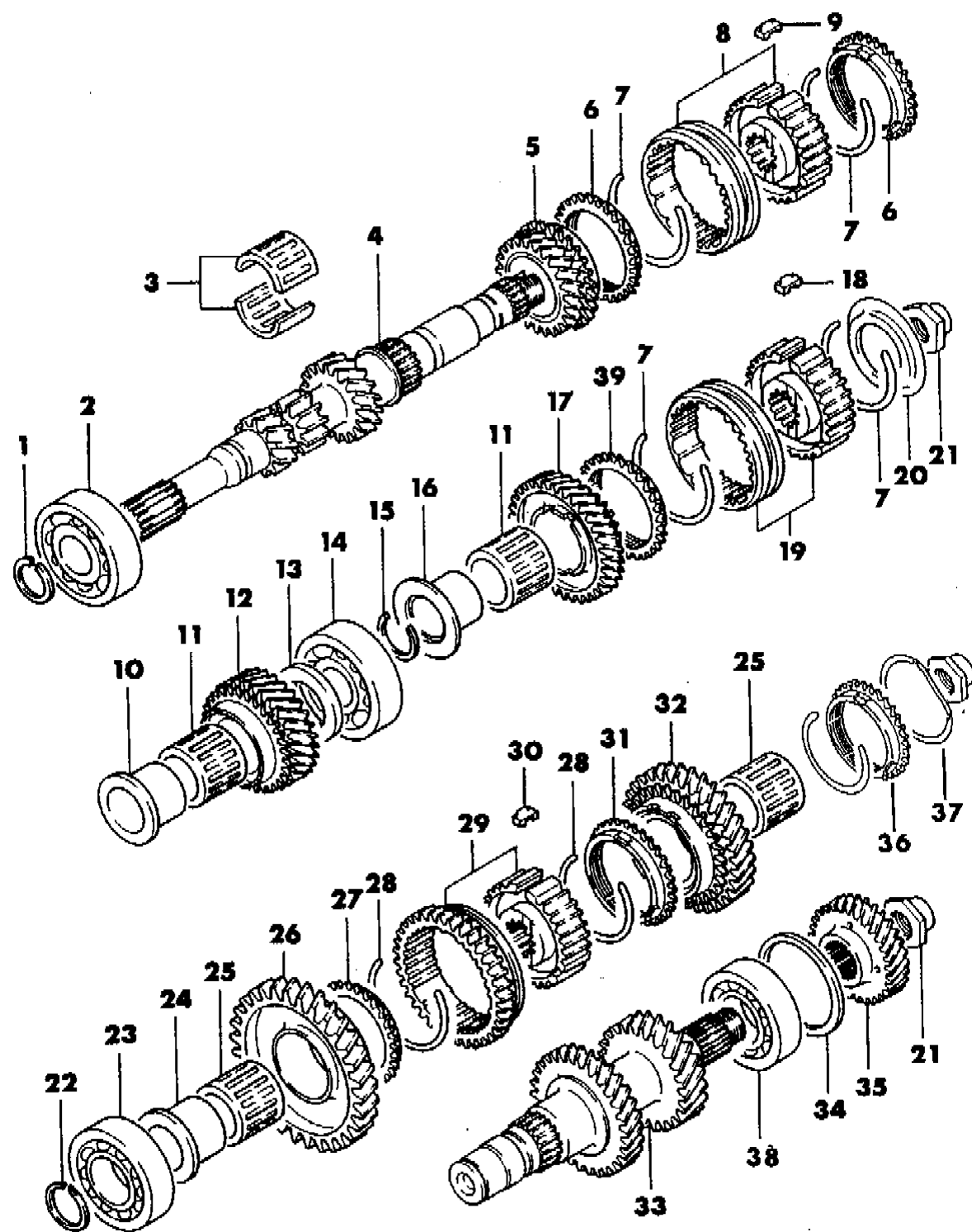
MODELS:  
24 FWD = 2Dr Hatchback (Laser)  
24 FWD = 2-Dr Hatchback (Talon)  
4WD = (4 Wheel Drive)  
2WD = (2 Wheel Drive)

AR = Use as Required - = Non Illustrated Part P.A.R. = Paint as Required



**GEAR TRAIN 5 SPEED, W/1.8L, 2.0L ENG., W/O TURBO, FWD LASER-TALON**  
**Figure 21M-300**

**9621 300C**



ITEM	PART NUMBER	QTY	BODY	MODEL	DESCRIPTION
1	MD70 6537	1			SNAP RING, Selective 22.3 x 2.24
	MD70 6538	1			22.3 x 2.31
	MD70 6539	1			22.3 x 2.38
2	MD70 6495	1			BEARING, Input Shaft, Ball 1990
	MD70 0207	1			1991-92
	MD70 6495	1			1993-94
	MD71 9136	1			BEARING, Needle Roller
4					SHAFT, Input 1990-93
	MD73 0507	1			1.8L Engine
	MD73 3160	1			2.0L Engine
					1994
	MD74 6117	1			1.8L Engine
5	MD74 6119	1			2.0L Engine
					GEAR, Input Shaft, 3rd Speed
	MD74 3234	1			1990-93, 1.8L Engine, (28)
	MD72 8991	1			1990-93, 2.0L Engine, (28), Up To 6-1-92
	MD74 3234	1			1993, w/2.0L Engine, After 6-1-92, (28)
6	MD74 3234	1			1994, (28)
					RING, Synchronizer
	MD72 7453	3			1990-92, 1.8L Engine
	MD72 8990	3			1990-92, 2.0L Engine
	MD74 2541	1			1993, 1.8L Engine
	MD73 8532	1			1993, 2.0L Engine, Up To 6-1-92
7	MD74 4782	1			1993, 2.0L Engine, After 6-1-92
	MD74 4782	2			1994
					SPRING, Synchronizer
	MD72 8908	4			1990-91
8	MD74 2441	1			1992-93, 1.8L Engine
	MD73 9066	4			1992-93, 2.0L Engine, Up To 6-1-92
	MD74 2441	4			1993, 2.0L Engine, After 6-1-92
	MD74 2441	2			1994
					HUB and SLEEVE, 3rd & 4th Synchronizer
	MD73 1731	1			Up To 5-1-89
8	MD73 5300	1			From 5-1-89 to 7-1-91
	MD74 1546	1			After 7-1-91
	MD74 4349	1			1993-94

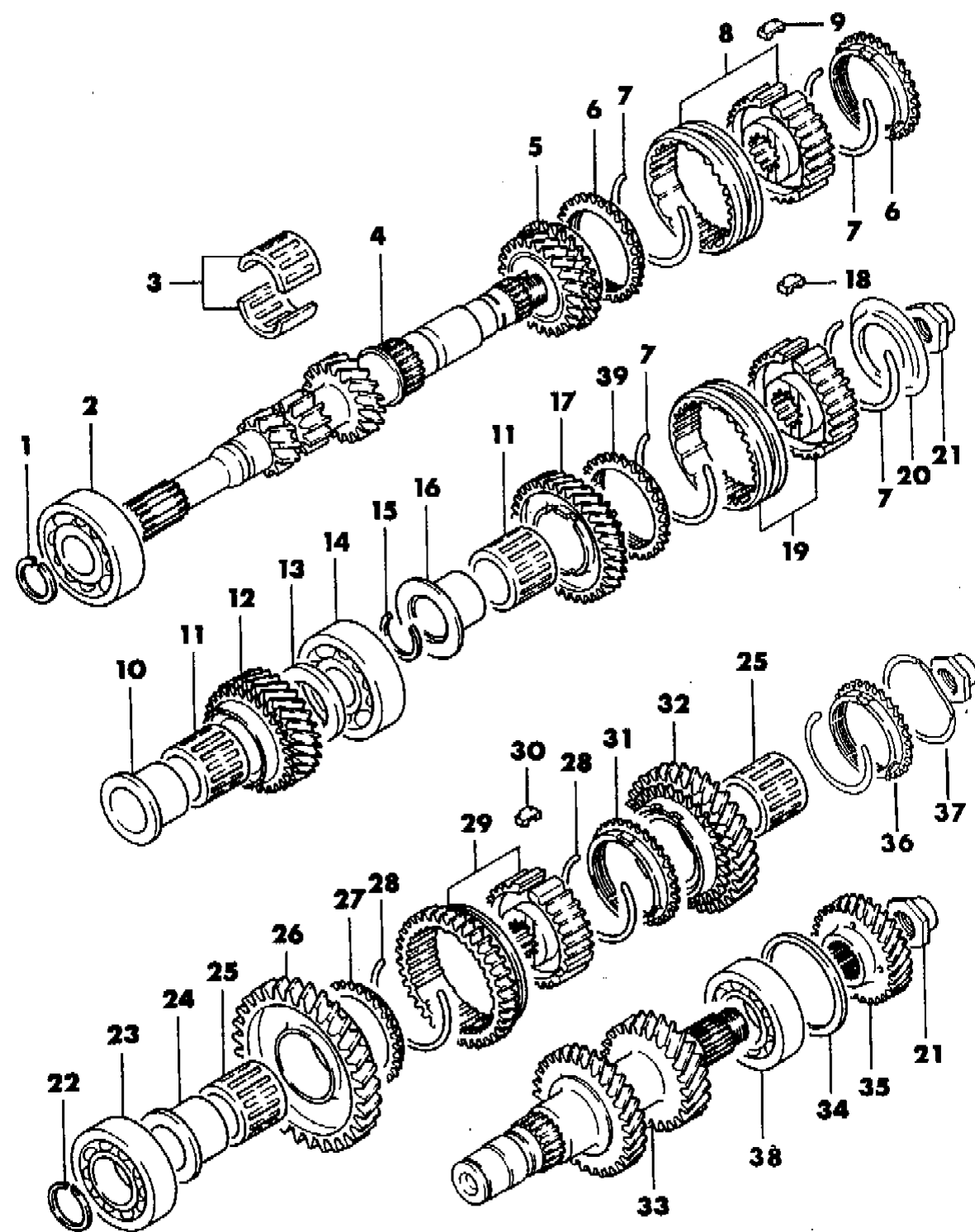
ENGINE: P = 1800cc (1.8L) A = 2000cc (2.0L) Blank = All  
 TRANS: A = Automatic M = Manual Blank = All  
 SERIES: H = High M = Medium P = Premium S = Special

MODELS:  
 24 FWD = 2Dr Hatchback (Laser)  
 24 FWD = 2-Dr Hatchback (Talon)  
 4WD = (4 Wheel Drive)  
 2WD = (2 Wheel Drive)

AR = Use as Required - = Non Illustrated Part P.A.R. = Paint as Required

**GEAR TRAIN 5 SPEED, W/1.8L, 2.0L ENG., W/O TURBO, FWD LASER-TALON  
Figure 21M-300**

**9621 300C**



ITEM	PART NUMBER	QTY	BODY	MODEL	DESCRIPTION
9					KEY, Synchronizer
	MD72 8904	3			Up To 5-1-89
	MD73 4268	3			From 5-1-89 to 1-1-92
	MD74 2777	6			After 1-1-92
10	MD71 9138	1			SLEEVE, Input Shaft, 4th Gear Bearing
11	MD71 9137	2			BEARING, Needle Roller
12					GEAR, Input Shaft, 4th Speed
	MD73 0100	1			1990-92, (33 Teeth)
	MD74 3237	1			1993-94
13	MD71 9308	1			SPACER, Power Train, 4th Gear
14	MD72 6368	1			BEARING, Intermediate Gear, Ball
15					SNAP RING, Selective
	MD73 0785	AR			1.80
	MD73 0786	AR			1.87
	MD73 0787	AR			1.94
	MD73 0788	AR			2.01
	MD73 0834	AR			2.08
	MD73 0835	AR			2.15
16	MD73 2108	1			SLEEVE, Input Shaft, 5th Gear Bearing
17					GEAR, Input Shaft, 5th Speed, (37 Teeth)
	MD73 1423	1			1990-91
	MD74 1737	1			1992-94
18					KEY, Synchronizer
	MD72 8905	3			Up To 5-1-89
	MD73 5288	3			1.8L Engine, From 5-1-89 To 7-1-91
	MD74 2778	3			1.8L Engine, After 7-1-92
	MD73 4268	3			2.0L Engine, From 5-1-89 To 7-1-91
	MD74 2777	2			2.0L Engine, After 7-1-92
19		1			HUB and SLEEVE, 5th Synchronizer
	MD73 5299	1			Up To 7-1-91
	MD74 1396	1			After 7-1-91
20	MD72 3919	1			PLATE, 5th Synchronizer, w/1.8L Engine
21	MD71 8035	2			NUT, Power Train
22					SNAP RING, Selective
	MD70 3779	1			25 x 1.4
	MD70 3780	1			25 x 1.5
	MD70 3781	1			25 x 1.6
23	MD72 3327	1			BEARING, Tapered Roller
24	MD71 9302	1			SLEEVE, Intermediate Shaft, 1st Gear Bearing

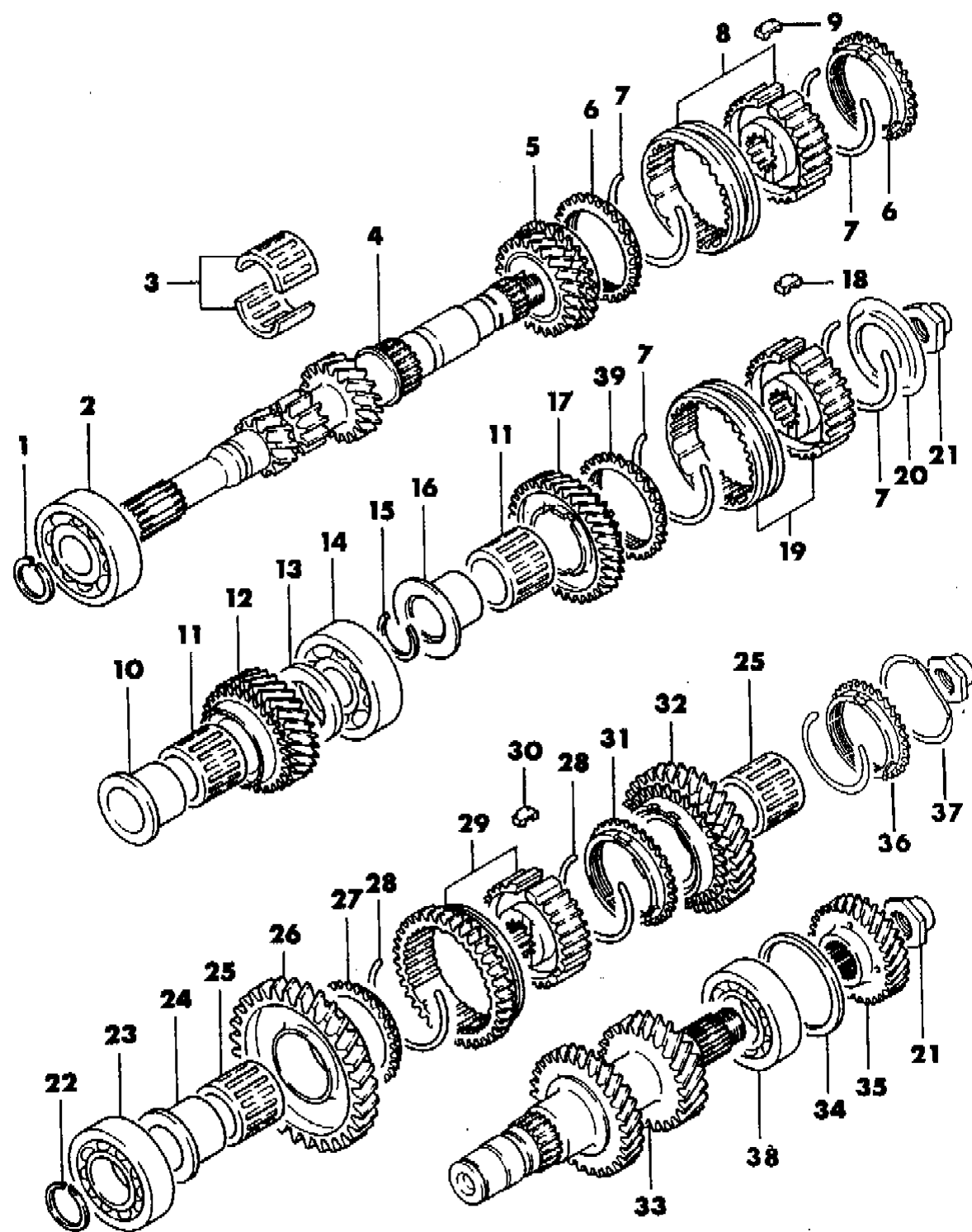
ENGINE: P = 1800cc (1.8L) A = 2000cc (2.0L) Blank = All  
 TRANS: A = Automatic M = Manual Blank = All  
 SERIES: H = High M = Medium P = Premium S = Special

MODELS:  
 24 FWD = 2Dr Hatchback (Laser)  
 24 FWD = 2-Dr Hatchback (Talon)  
 4WD = (4 Wheel Drive)  
 2WD = (2 Wheel Drive)

AR = Use as Required - = Non Illustrated Part P.A.R. = Paint as Required

**GEAR TRAIN 5 SPEED, W/1.8L, 2.0L ENG., W/O TURBO, FWD LASER-TALON**  
**Figure 21M-300**

**9621 300C**



ITEM	PART NUMBER	QTY	BODY	MODEL	DESCRIPTION
25	MD71 8033	2			BEARING, Intermediate Needle Roller
26	MD73 0091	1			GEAR, Intermediate Shaft, 1st Speed 1.8L Engine, (37 Teeth)
	MD73 3223	1			2.0L Engine, Up To 7-1-91
	MD74 2861	1			2.0L Engine, After 7-1-91
27	MD73 0084	1			RING, Synchronizer, 1st Gear 1.8L Engine, 1990-93
	MD73 0857	1			2.0L Engine, Up To 5-1-89
	MD73 4843	1			2.0L Engine, After 5-1-89
	MD73 8530	1			2.0L Engine, 1993
	MD74 4781	1			1994
28	MD73 8050	1			SPRING, Synchronizer Key 1990-91
	MD74 2441	1			1992
	MD74 2441	2			1993-94, w/1.8L Engine
	MD74 2441	4			1993-94, w/2.0L Engine
29	MD72 4633	1			HUB and SLEEVE, 1st & 2nd Synchronizer 1990-91
	MD74 2461	1			1992
	MD74 2466	1			1993
	MD74 6143	1			1994
	MD74 2776	3			1993-94
30	MD72 8903	3			KEY, Synchronizer 1990-92
	MD74 2776	3			1993-94
31	MD73 0086	1			RING, Synchronizer 1990-92, w/1.8L Engine
	MD73 0385	1			1990-92, w/2.0L Engine
	MD74 2541	1			1993
	MD74 4782	1			1994
	MD74 1734	1			1992-94, (37 Teeth)
32	MD73 0093	1			GEAR, Intermediate Shaft, 2nd Speed 1.8L Engine *** 1990-91, (37 Teeth)
	MD74 1734	1			1992-94, (37 Teeth)
	MD73 3225	1			2.0L Engine *** 1990-91, (37 Teeth)
	MD74 2827	1			1992-93, (37 Teeth)
	MD74 4309	1			1994, (37 Teeth)
33	MD73 0511	1			GEAR, Cluster, Intermediate Shaft
34					SPACER, Intermediate Shaft, Selective

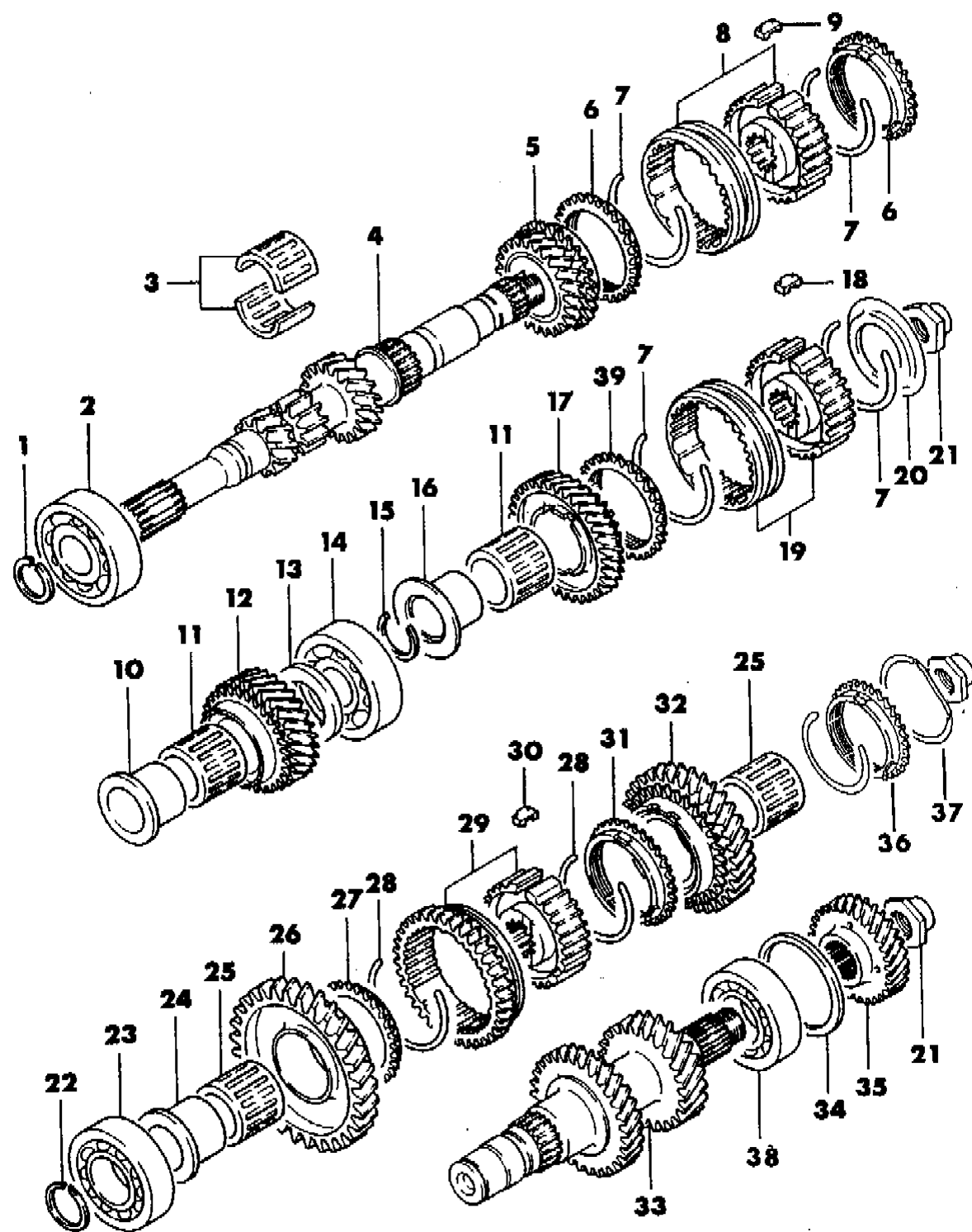
ENGINE: P = 1800cc (1.8L) A = 2000cc (2.0L) Blank = All  
 TRANS: A = Automatic M = Manual Blank = All  
 SERIES: H = High M = Medium P = Premium S = Special

MODELS:  
 24 FWD = 2Dr Hatchback (Laser)  
 24 FWD = 2-Dr Hatchback (Talon)  
 4WD = (4 Wheel Drive)  
 2WD = (2 Wheel Drive)

AR = Use as Required - = Non Illustrated Part P.A.R. = Paint as Required

**GEAR TRAIN 5 SPEED, W/1.8L, 2.0L ENG., W/O TURBO, FWD LASER-TALON**  
**Figure 21M-300**

**9621 300C**



ITEM	PART NUMBER	QTY	BODY	MODEL	DESCRIPTION
					1.8L and 2.0L Engine ***
	MD73 6752	AR			0.062
	MD73 6753	AR			0.65
	MD73 5663	AR			0.68
	MD73 5664	AR			0.71
	MD73 5665	AR			0.74
	MD73 5666	AR			0.77
	MD72 3307	AR			0.80
	MD72 3308	AR			0.83
	MD72 3309	AR			0.86
	MD72 3310	AR			0.89
	MD72 3311	AR			0.92
	MD72 3312	AR			0.95
	MD72 3313	AR			0.98
	MD72 3314	AR			1.01
	MD72 3315	AR			1.04
	MD72 3316	AR			1.07
	MD72 3317	AR			1.10
	MD72 3318	AR			1.13
	MD72 3319	AR			1.16
	MD72 3320	AR			1.19
	MD72 3321	AR			1.22
	MD72 3322	AR			1.25
	MD72 3323	AR			1.28
	MD72 3324	AR			1.31
	MD72 3325	AR			1.34
	MD72 3326	AR			1.37
35	MD73 0505	1			GEAR, Intermediate Shaft, 5th Speed, (28 Teeth)
36					RING, Reverse Brake
	MD72 4884	1			2.0L Engine, After 5-1-89
	MD73 6067	1			1993-94
37	MD73 7197	1			SPRING, Reverse Brake Wave
38	MD72 3327				BEARING, Intermediate Shaft

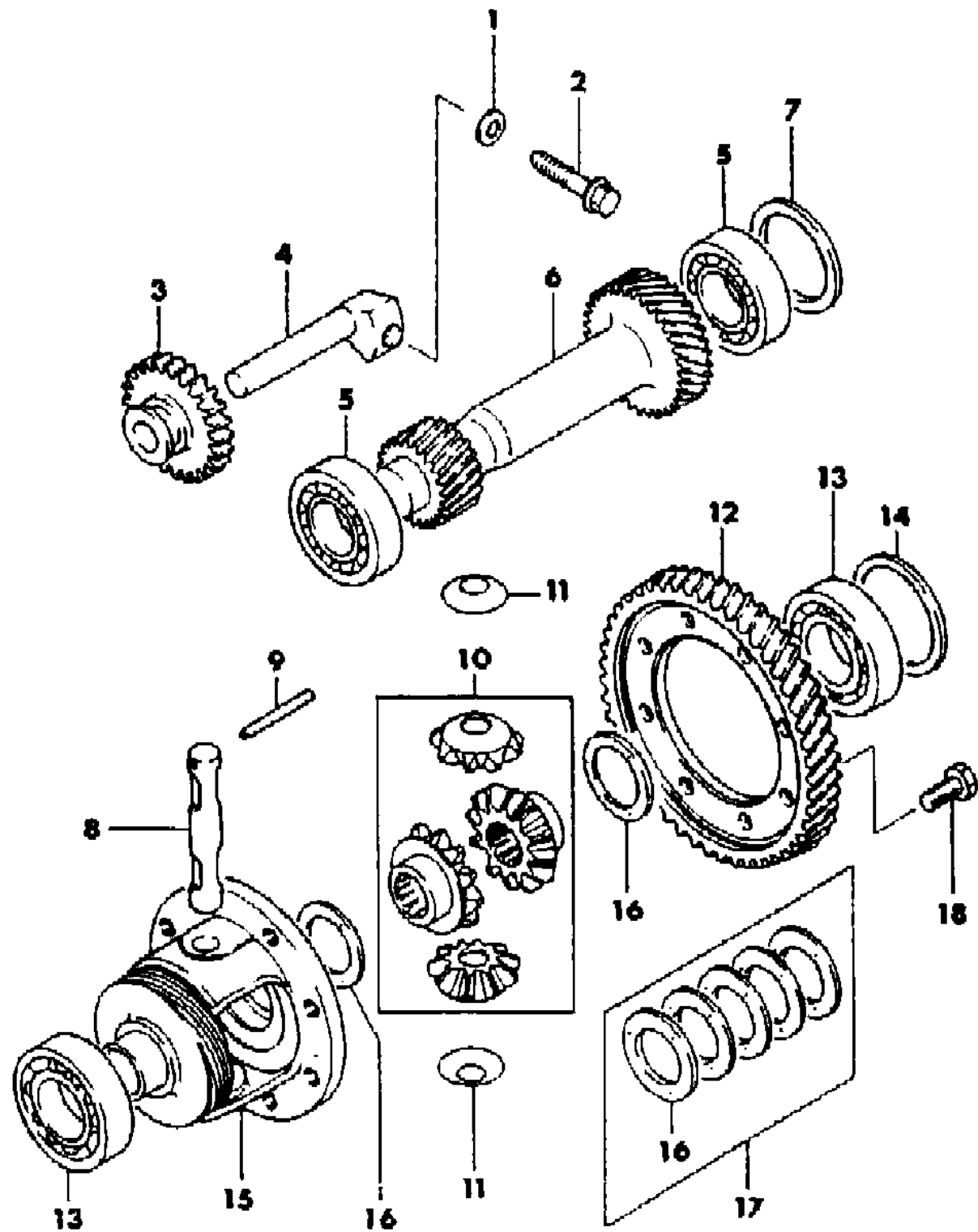
ENGINE: P = 1800cc (1.8L) A = 2000cc (2.0L) Blank = All  
 TRANS: A = Automatic M = Manual Blank = All  
 SERIES: H = High M = Medium P = Premium S = Special

MODELS:  
 24 FWD = 2Dr Hatchback (Laser)  
 24 FWD = 2-Dr Hatchback (Talon)  
 4WD = (4 Wheel Drive)  
 2WD = (2 Wheel Drive)

AR = Use as Required - = Non Illustrated Part P.A.R. = Paint as Required

**GEARS AND OUTPUT SHAFT 5 SPEED, W/1.8L, 2.0L ENG., W/O TURBO, FWD LASER-TALON**  
**Figure 21M-400**

**9621 400**



ITEM	PART NUMBER	QTY	BODY	MODEL	DESCRIPTION
1	MD72 0603	1			GASKET, (Aluminum)
2	MD71 7852	1			BOLT, Flange, (10x46)
3		1			GEAR, Reverse Idler
	MD73 3605	1			1990-93 1.8L Engine, (26T)
	MD73 4085	1			2.0L Engine, (26T) 1994
	MD74 5574	1			1.8L Engine, (26T)
	MD74 5576	1			2.0L Engine, (26T)
4	MD71 7851	1			SHAFT, Reverse Idler Gear
5	MD70 7506	2			BEARING, Tapered Roller
6					SHAFT, Output
	MD73 5132	1			1990-91
	MD72 2453	1			1992-94, w/1.8L Engine
	MD73 5132	1			1992-94, w/2.0L Engine
7					SPACER, Power Train, Selective
	MD72 0947	AR			0.74
	MD73 6756	AR			0.77
	MD72 0948	AR			0.80
	MD72 0949	AR			0.83
	MD72 0950	AR			0.86
	MD72 0951	AR			0.89
	MD72 0952	AR			0.92
	MD72 0953	AR			0.95
	MD72 0954	AR			0.98
	MD72 0955	AR			1.01
	MD72 0956	AR			1.04
	MD72 0957	AR			1.07
	MD72 0958	AR			1.10
	MD72 0959	AR			1.13
	MD72 0960	AR			1.16
	MD72 0961	AR			1.19
	MD72 0962	AR			1.22
	MD71 2346	AR			1.25
	MD71 2347	AR			1.28
	MD71 2348	AR			1.31
	MD71 2349	AR			1.34
8					SHAFT, Differential Pinion
	MB09 2834	1			1990-92

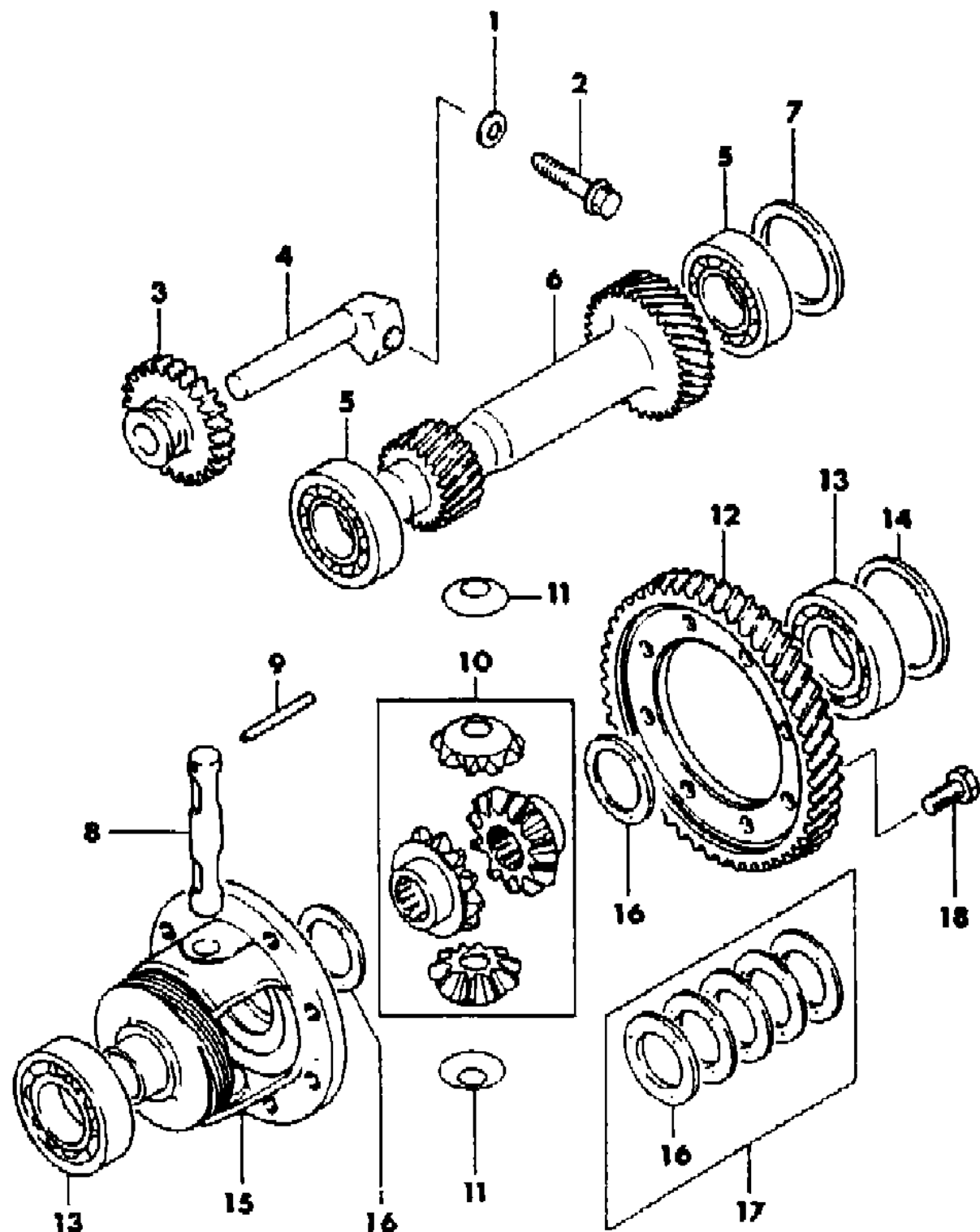
ENGINE: P = 1800cc (1.8L) A = 2000cc (2.0L) Blank = All  
 TRANS: A = Automatic M = Manual Blank = All  
 SERIES: H = High M = Medium P = Premium S = Special

MODELS:  
 24 FWD = 2Dr Hatchback (Laser)  
 24 FWD = 2-Dr Hatchback (Talon)  
 4WD = (4 Wheel Drive)  
 2WD = (2 Wheel Drive)

AR = Use as Required - = Non Illustrated Part P.A.R. = Paint as Required

**GEARS AND OUTPUT SHAFT 5 SPEED, W/1.8L, 2.0L ENG., W/O TURBO, FWD LASER-TALON  
Figure 21M-400**

**9621 400**



ITEM	PART NUMBER	QTY	BODY	MODEL	DESCRIPTION
	MB00 1106	1			1993-94
9	MD70 6557	1			PIN, Lock
10	MD72 2127	1			GEAR SET, Differential
11	MA14 5188	2			WASHER
12	MD72 2454	1			GEAR, Differential Drive, (67T)
13					BEARING, Tapered Roller
	MT20 2119	2			1990
	MB39 3957	2			1991-93
	MT20 2119	2			1994
14					SPACER, Selective
	MD72 7661	AR			0.80
	MD72 0937	AR			0.83
	MD72 0938	AR			0.86
	MD72 0939	AR			0.89
	MD72 0940	AR			0.92
	MD72 0941	AR			0.95
	MD72 0942	AR			0.98
	MD72 0943	AR			1.01
	MD72 0944	AR			1.04
	MD72 0945	AR			1.07
	MD71 0454	AR			1.10
	MD70 0270	AR			1.13
	MD71 0455	AR			1.16
	MD71 0456	AR			1.19
	MD70 0271	AR			1.22
	MD71 0457	AR			1.25
15	MD71 9462	1			CASE, Differential
16					SPACER, Side Gear
					Serviced in Item #17 ***
					0.75 - 0.82
					0.83 - 0.92
					0.93 - 1.00
					1.01 - 1.08
					1.09 - 1.16
17	MB18 5340	2			SPACER SET, Side Gear
18	MD04 0557	8			BOLT, Flange, (12x22.5)

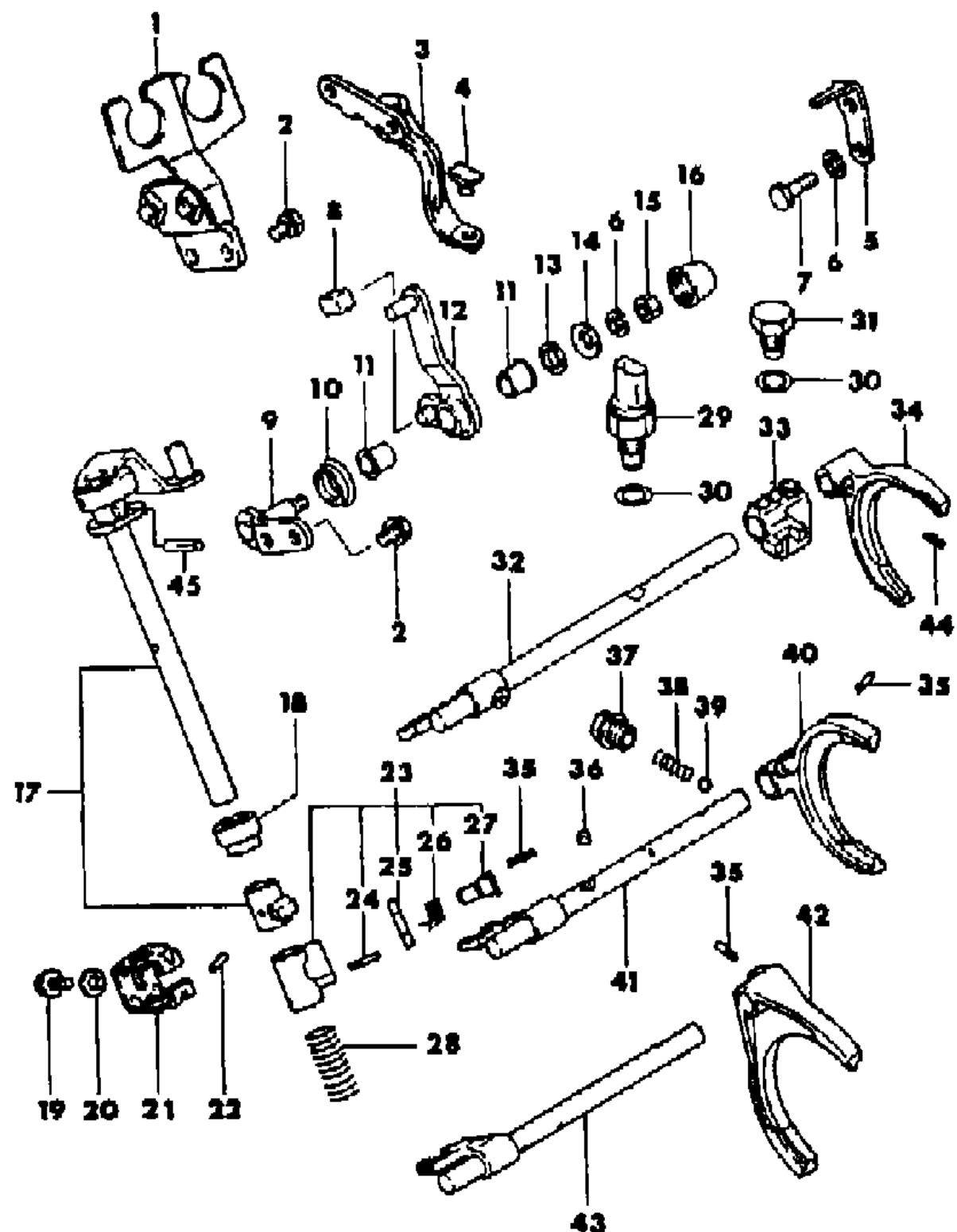
ENGINE: P = 1800cc (1.8L) A = 2000cc (2.0L) Blank = All  
 TRANS: A = Automatic M = Manual Blank = All  
 SERIES: H = High M = Medium P = Premium S = Special

MODELS:  
 24 FWD = 2Dr Hatchback (Laser)  
 24 FWD = 2-Dr Hatchback (Talon)  
 4WD = (4 Wheel Drive)  
 2WD = (2 Wheel Drive)

AR = Use as Required - = Non Illustrated Part P.A.R. = Paint as Required

CONTROL, SHIFT 5 SPEED, W/1.8L, 2.0L ENG., W/O TURBO, FWD LASER-TALON  
Figure 21M-500

9621 500C



ITEM	PART NUMBER	QTY	BODY	MODEL	DESCRIPTION
1					BRACKET, Gearshift Cable
	MD73 0758	1			1990
	MD73 8207	1			1991, Up To 7-1-91
	MD73 5585	1			After 7-1-91
2	MF24 1252	4			BOLT, (8x18 7T)
3					LEVER, Reverse
	MD73 3602	1			Up To 5-1-89
	MD73 5922	1			From 5-1-89 To 7-1-91
	MD73 8513	1			After 7-1-91
4					SHOE, Reverse Shift Lever
	MD71 9566	1			Up To 5-1-89
	MD73 5927	1			After 5-1-89
5	MD71 7881	1			BRACKET, Shift Control
6	MF45 0405	3			WASHER, Spring, (8)
7	MD71 7883	2			BOLT, Reamer, (8x22.5)
8	MD71 2919	1			SHOE, Select Lever
9	MD71 9188	1			SHAFT, Select Lever
10	MD72 3339	1			DUST COVER, Select Shaft ***
11	MD71 9165	2			BUSHING
12					LEVER, Select Shaft
	MD71 9962	1			Up To 7-1-91
	MD72 9750	1			After 7-1-91
13	MD71 3416	1			WASHER, Plain, (19.5)
14	MF45 0154	1			WASHER, Plain, (8)
15	MF43 0005	1			NUT, (8)
16	MD71 3757	1			COVER, Select Shaft Dust
17					SHAFT KIT, Gearshift Control ***
	MD72 3865	1			1990
	MD73 5587	1			1991, Up To 7-1-91
	MD73 8539	1			After 7-1-91
18	MD71 7899	1			SPRING, Neutral Return
19	MD71 7876	1			BOLT, Flange, (8x15.2)
20	MD72 0602	1			GASKET, (Aluminum)
21					PLATE, Interlock
	MD72 8574	1			1990
	MD74 0179	1			1991-94
22	MD70 5490	1			PIN, (5x22)
23	MD72 0248	1			STOPPER PKG, Shaft ***
24	MF47 2535	1			SPRING PIN, (3x14)

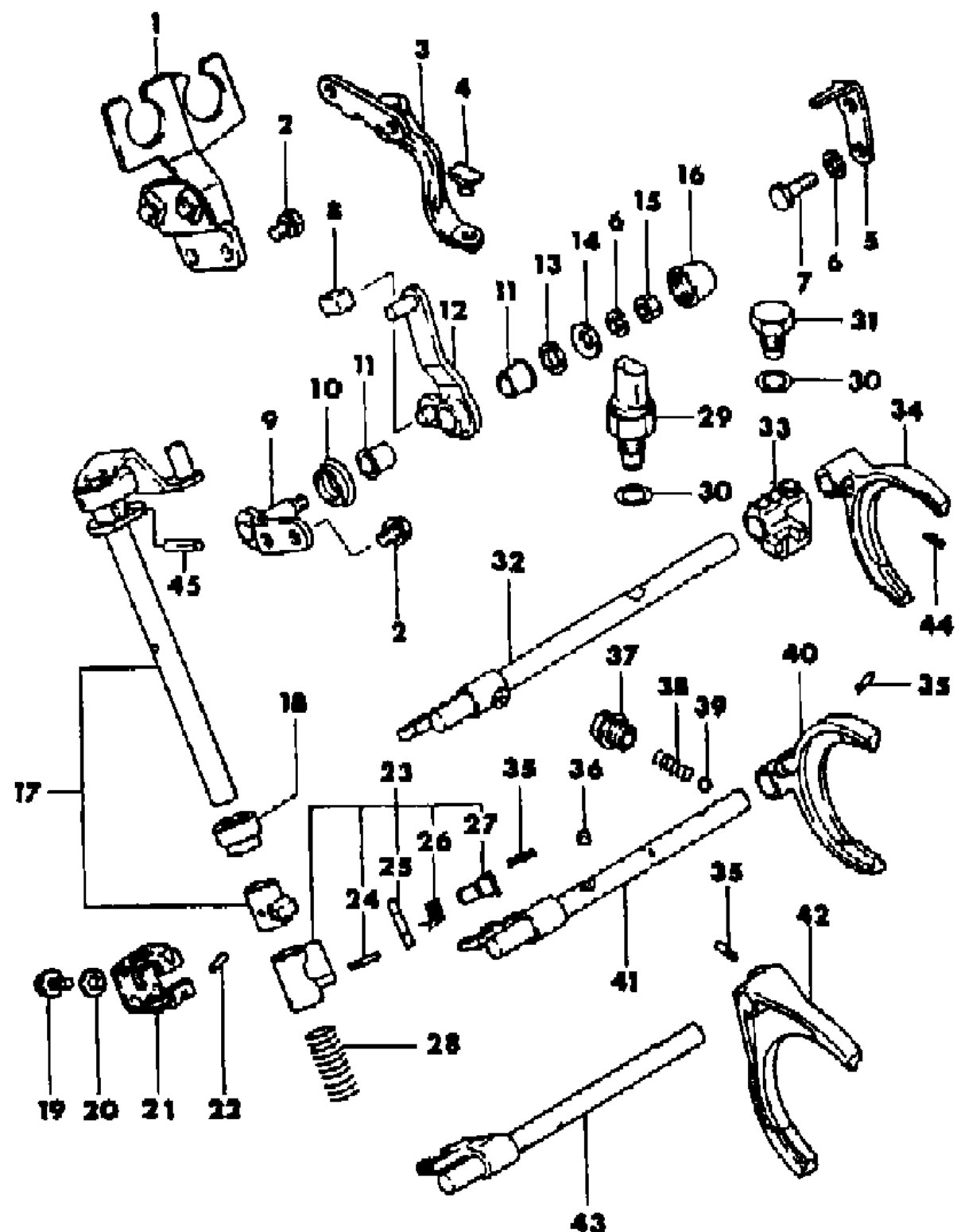
ENGINE: P = 1800cc (1.8L) A = 2000cc (2.0L) Blank = All  
 TRANS: A = Automatic M = Manual Blank = All  
 SERIES: H = High M = Medium P = Premium S = Special

MODELS:  
 24 FWD = 2Dr Hatchback (Laser)  
 24 FWD = 2-Dr Hatchback (Talon)  
 4WD = (4 Wheel Drive)  
 2WD = (2 Wheel Drive)

AR = Use as Required - = Non Illustrated Part P.A.R. = Paint as Required

CONTROL, SHIFT 5 SPEED, W/1.8L, 2.0L ENG., W/O TURBO, FWD LASER-TALON  
Figure 21M-500

9621 500C



ITEM	PART NUMBER	QTY	BODY	MODEL	DESCRIPTION
25	MD71 7882	1			PLATE, Shaft Stopper
26	MD71 7907	1			SPRING, Adjusting Arm, Return
27	MD71 7864	1			PIN
28	MD71 8370	1			SPRING, Neutral Return
29	MD73 0979	1			SWITCH, Back-Up Lamp
30	MF66 0035	2			GASKET, (14)
31	MD73 4488	1			BALL UNIT, Shaft ***
32	MD73 4638	1			RAIL, 5th & Reverse 1990-92
	MD73 8511	1			1993-94
33	MD72 0894	1			LUG, Reverse Rail 1990-92
	MD73 6074	1			1993-94
34	MD73 5237	1			FORK, Shift 5th
35	MD70 1722	1			SPRING, Pin, (5.2x26)
36	MD72 0908	1			PLUNGER, Rail, Interlock
37	MD72 3985	3			BOLT, Flange, (14x8)
38					SPRING
	MD72 3617	3			1990-92
	MD74 1337	3			1993-94
39	MF54 0011	3			BALL, Steel, (11/32)
40					FORK, Gearshift, 3rd & 4th
	MD72 0083	1			1990-92
	MD74 1558	1			1993-94
41					RAIL, Gearshift, 3rd & 4th
	MD73 4636	1			1990-92
	MD74 1568	1			1993-94
42	MD72 0082	1			FORK, Gearshift, 1st & 2nd
43					RAIL, Gearshift, 1st & 2nd
	MD72 0888	1			1990-92
	MD73 8507	1			1993-94
44	MF47 2572	1			PIN, Spring, (5x22)
45	MD74 2030	1			PIN, Lock, 1990-92

ENGINE: P = 1800cc (1.8L) A = 2000cc (2.0L) Blank = All  
 TRANS: A = Automatic M = Manual Blank = All  
 SERIES: H = High M = Medium P = Premium S = Special

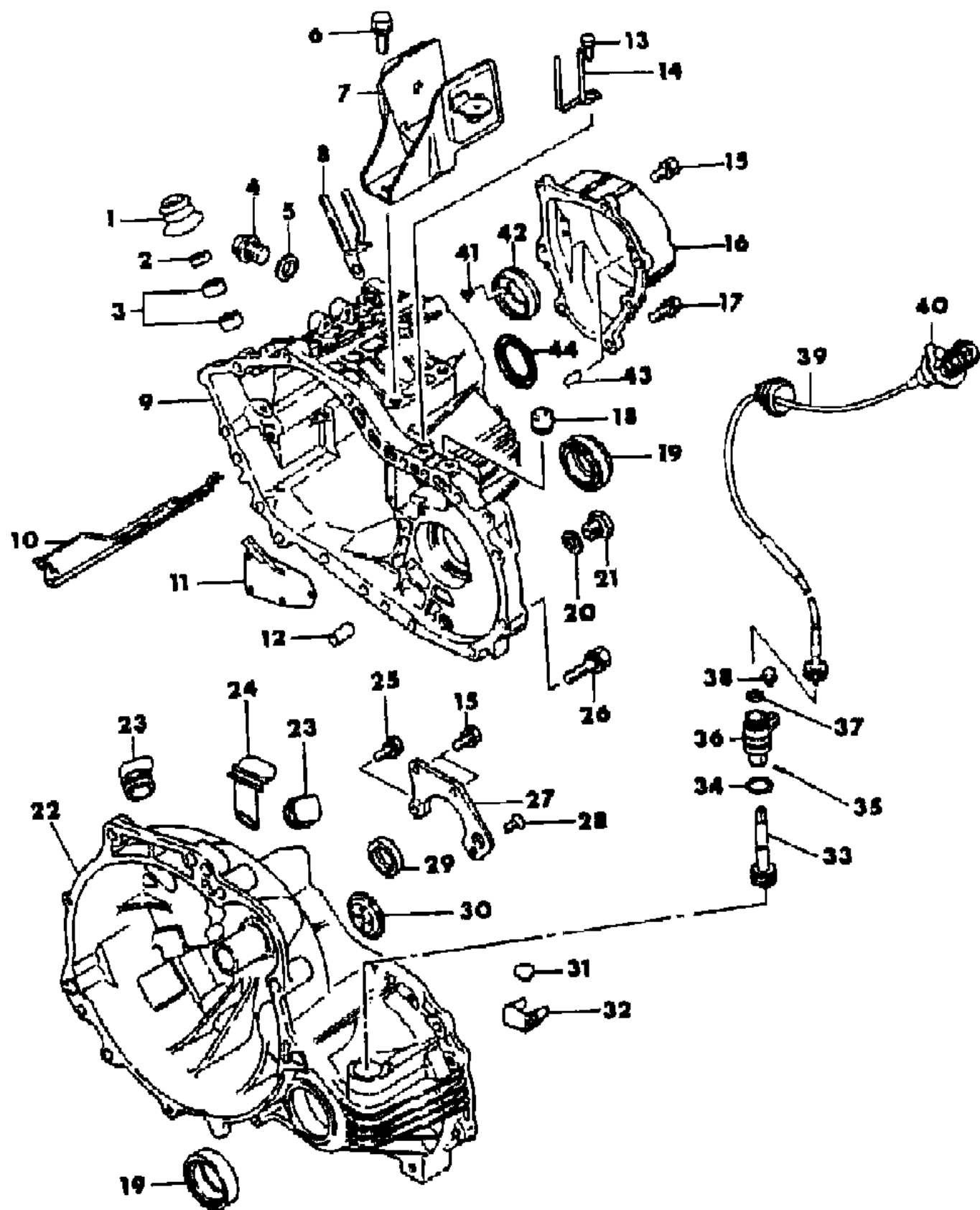
MODELS:  
 24 FWD = 2Dr Hatchback (Laser)  
 24 FWD = 2-Dr Hatchback (Talon)  
 4WD = (4 Wheel Drive)  
 2WD = (2 Wheel Drive)

AR = Use as Required - = Non Illustrated Part P.A.R. = Paint as Required



CASE AND MISCELLANEOUS PARTS 5 SPEED, W/2.0L ENG., W/TURBO, FWD LASER-TALON  
Figure 21M-600

9621 600 B



ITEM	PART NUMBER	QTY	BODY	MODEL	DESCRIPTION
1	MD71 8557	1			BOOT, Shift Control Shaft
2	MD71 3758	1			OIL SEAL, Shift Control Shaft
	MD73 2405	1			1990-91
	MD71 2913	2			1992-94
3	MD71 2913	2			BEARING, Shift Control Shaft
4	MD70 1850	1			PLUG, (16)
5	MF66 0036	1			GASKET, (16)
6	MF24 1309	2			BOLT, w/Washer, (12x30)
7	MD73 1545	1			BRACKET, Case Mounting
8	MD71 4714	1			CLIP, Case
9					CASE, Manual Trans.
	MD72 6222	1	H-P		1990
	MD73 7428	1	H-P		1991
	MD74 1847	1	H-P		1992-93
	MD74 4768	1			1994
	4318 025	1			LIQUID GASKET ***
10					GUIDE, Oil Case
	MD72 4766	1			1990-93
	MD74 1725	1			1994
11	MD72 0370	1			COVER, Case Breather Hole
12	MF47 2405	3			PIN, Dowel, (10x20)
13	MF24 1251	1			BOLT, (8x16)
14	MB24 9369	1			CLIP
15					BOLT, w/Washer
	MF24 1255	7			Up To 5-1-89, (8x25)
	MF24 1255	5			After 5-1-89, (8x25)
	MD73 6249	2			1992, (8x25)
	MF24 1255	5			1993-94, (8x25)
16					COVER, Case, 5th Gear
	MD72 9562	1			Up To 5-1-89
	MD73 4477	1			After 5-1-89
	MD74 2106	1			1994
17	MF24 1259	2			BOLT, w/Washer, (8x35)
18	MD73 3296	1			BREATHER, Case
19					OIL SEAL, Front Differential Case
	MD70 7184	2			1990-92
	MD74 2053	2			1993-94
20	MD00 0312	1			GASKET, (18.2)
21	MD72 8088	1			PLUG, Case

ENGINE: P = 1800cc (1.8L) A = 2000cc (2.0L) Blank = All  
 TRANS: A = Automatic M = Manual Blank = All  
 SERIES: H = High M = Medium P = Premium S = Special

MODELS:  
 24 FWD = 2Dr Hatchback (Laser)  
 24 FWD = 2-Dr Hatchback (Talon)  
 4WD = (4 Wheel Drive)  
 2WD = (2 Wheel Drive)

AR = Use as Required - = Non Illustrated Part P.A.R. = Paint as Required



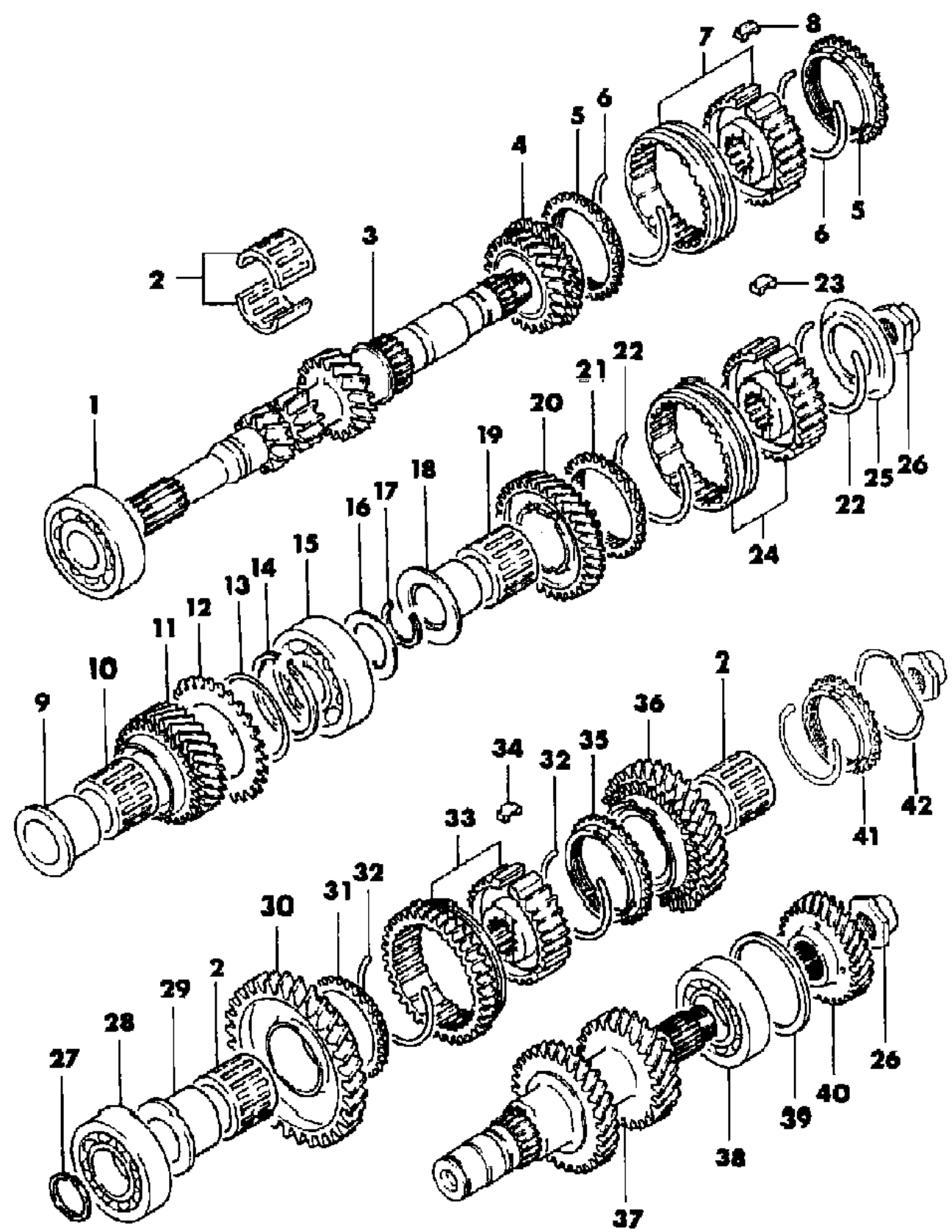
**GEAR TRAIN 5 SPEED, W/2.0L ENG., W/TURBO, FWD LASER-TALON**  
**Figure 21M-700**

**9621 700 B**

ITEM	PART NUMBER	QTY	BODY	MODEL	DESCRIPTION
1	MD73 2314	1			BEARING, Tapered Roller 1990-92
	MT37 2041	1			1993-94
2	MD71 8033	1			BEARING, Needle Roller
3					SHAFT, Input
	MD73 2009	1			1990
	MD73 9033	1			1991-93
	MD74 6123	1			1994
4					GEAR ASSEMBLY, 3rd Speed
	MD73 0231	1			1990
	MD74 0768	1			1991-93
5	MD74 1794	1			1994
					RING, 5th Gear Synchronizer
	MD73 0385	2			1990-92
6	MD74 2536	2			1993-94
					SPRING, Synchronizer Key
	MD73 8050	2			1990-91
	MD74 2441	2			1992-93
7	MD74 2445	2			1994
					HUB and SLEEVE, 3rd & 4th Synchronizer
	MD73 1732	1			Up To 5-1-89
8	MD73 5298	1			From 5-1-89 To 7-1-91
	MD74 1549	1			After 7-1-91
	MD74 4095	1			1994
					KEY, Synchronizer
9	MD72 8904	3			Up to 5-1-89
	MD73 4268	3			After 5-1-89
	MD74 2773	3			1993
	MD74 2777	3			1994
9	MD71 8026	1			SLEEVE, Input Shaft, 4th Gear Bearing
10	MD71 8031	1			BEARING, Input Shaft, Needle Roller
11					GEAR, Input Shaft, 4th Speed
	MD73 0232	1			1990, (27T)
	MD74 0769	1			1991, Up To 7-1-91
	MD74 2342	1			After 7-1-91
12	MD74 1795	1			1994
					GEAR, Sub, Input Shaft
12	MD72 7962	1			1990
	MD74 1160	1			1991-94

ENGINE: P = 1800cc (1.8L) A = 2000cc (2.0L) Blank = All  
 TRANS: A = Automatic M = Manual Blank = All  
 SERIES: H = High M = Medium P = Premium S = Special

MODELS:  
 24 FWD = 2Dr Hatchback (Laser)  
 24 FWD = 2-Dr Hatchback (Talon)  
 4WD = (4 Wheel Drive)  
 2WD = (2 Wheel Drive)



AR = Use as Required - = Non Illustrated Part P.A.R. = Paint as Required

**GEAR TRAIN 5 SPEED, W/2.0L ENG., W/TURBO, FWD LASER-TALON**  
**Figure 21M-700**

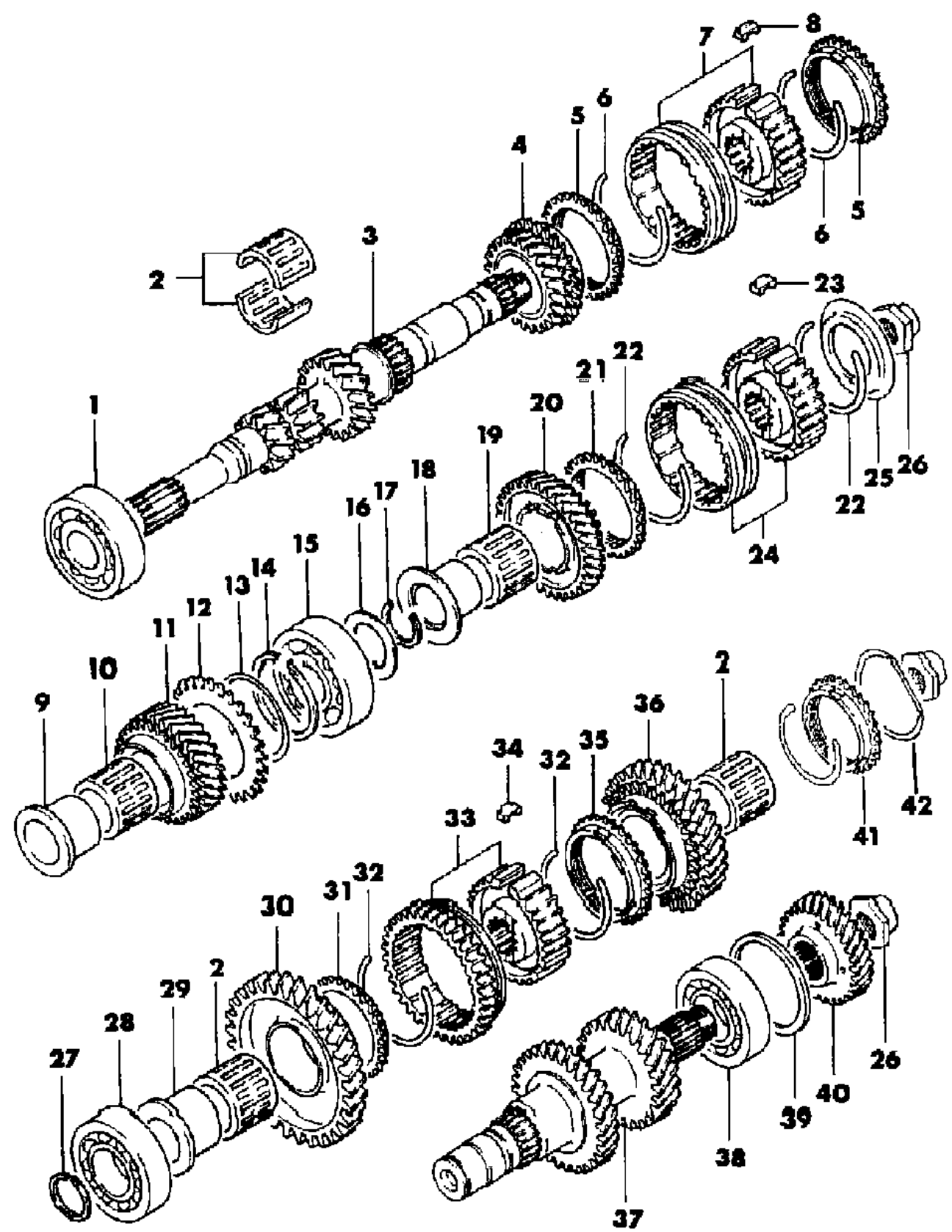
**9621 700 B**

ITEM	PART NUMBER	QTY	BODY	MODEL	DESCRIPTION
13	MD72 3535	1			SPRING, Cone
14	MD72 4392	1			SNAP RING, (46x1.75)
15	MD72 6235	1			BEARING, Input Shaft
16	MD72 7661	AR			SPACER, Power Train, Selective
	MD72 0937	AR			0.83
	MD72 0938	AR			0.86
	MD72 0939	AR			0.89
	MD72 0940	AR			0.92
	MD72 0941	AR			0.95
	MD72 0942	AR			0.98
	MD72 0943	AR			1.01
	MD72 0944	AR			1.04
	MD72 0945	AR			1.07
	MD71 0454	AR			1.10
	MD70 0270	AR			1.13
	MD71 0455	AR			1.16
	MD71 0456	AR			1.19
	MD70 0271	AR			1.22
	MD71 0457	AR			1.25
	MD71 0458	AR			1.28
	MD70 6574	AR			1.31
	MD71 0459	AR			1.34
	MD71 0460	AR			1.37
	MD70 6573	AR			1.40
	MD71 0461	AR			1.43
	MD71 0462	AR			1.46
17	MD72 3276	AR			SNAP RING, Selective
	MD73 0889	AR			1.45
	MD72 3277	AR			1.50
	MD73 0890	AR			1.55
	MD72 3278	AR			1.60
	MD73 0891	AR			1.65
	MD72 3279	AR			1.70
	MD73 0892	AR			1.75
18	MD73 0784	1			SLEEVE, Input Shaft, 5th Gear Bearing
19	MD71 9137	1			BEARING, Needle Roller
20					GEAR, Input Shaft, 5th Speed

ENGINE: P = 1800cc (1.8L) A = 2000cc (2.0L) Blank = All  
 TRANS: A = Automatic M = Manual Blank = All  
 SERIES: H = High M = Medium P = Premium S = Special

MODELS:  
 24 FWD = 2Dr Hatchback (Laser)  
 24 FWD = 2-Dr Hatchback (Talon)  
 4WD = (4 Wheel Drive)  
 2WD = (2 Wheel Drive)

AR = Use as Required - = Non Illustrated Part P.A.R. = Paint as Required



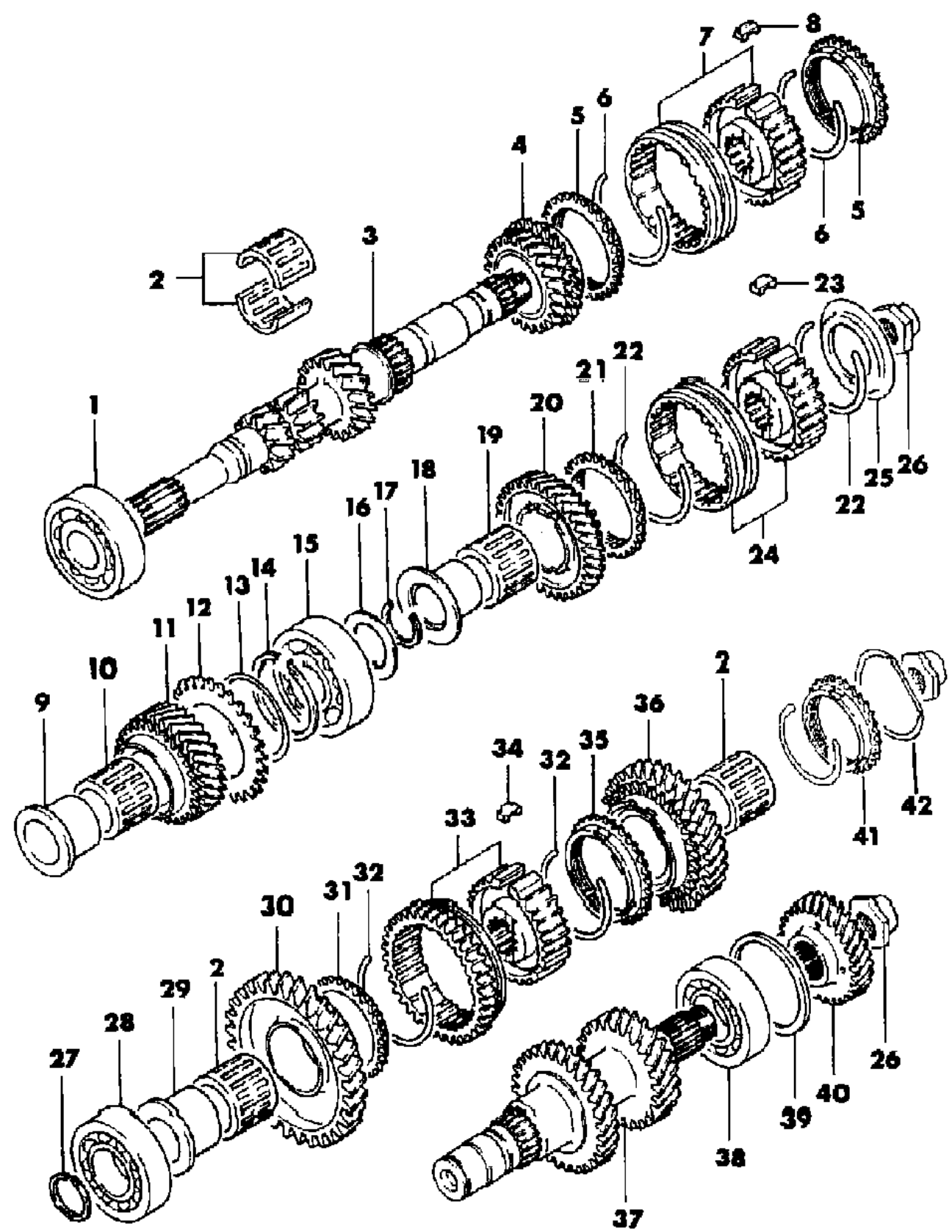
**GEAR TRAIN 5 SPEED, W/2.0L ENG., W/TURBO, FWD LASER-TALON**  
**Figure 21M-700**

**9621 700 B**

ITEM	PART NUMBER	QTY	BODY	MODEL	DESCRIPTION
	MD73 0233	1			1990, (31T)
	MD74 0770	1			1991-92
	MD74 3151	1			1993
	MD74 2040	1			1994
21					RING, Synchronizer
	MD72 8990	1			1990-93
	MD74 4782	1			1994
22					SPRING, Synchronizer
	MD72 8908	2			1990-91
	MD73 9066	2			1992-93
	MD74 2441	2			1994
23					KEY, Synchronizer
	MD72 8905	3			Up to 5-1-89
	MD73 4268	3			After 5-1-89
	MD74 2777	3			1993-94
24					HUB and SLEEVE, 5th Synchronizer
	MD73 5299	1			Up To 7-1-91
	MD74 1396	1			After 7-1-91
	MD74 4350	1			1994
25	MD74 4342	1			SPRING, Reverse Brake Wave
26	MD73 1948	2			NUT, Power Train
27					SNAP RING, Selective
	MD70 3779	1			25 x 1.4
	MD70 3780	1			25 x 1.5
	MD70 3781	1			25 x 1.6
	MD72 3276	1			27.2 x 1.4
	MD72 3277	1			27.2 x 1.5
	MD72 3278	1			27.2 x 1.6
	MD72 3279	1			27.2 x 1.7
28	MD72 6236	1			BEARING, Intermediate Gear
29					SLEEVE, Intermediate Shaft, 1st Gear Bearing
	MD72 6228	1			1990
	MD73 7651	1			1991-94
30					GEAR, Intermediate Shaft 1st Speed
	MD73 0229	1			1990
	MD73 8865	1			1991, Up To 7-1-91
	MD74 3180	1			1991, After 7-1-91
	MD74 3180	1			1992
	MD74 2861	1			1993-94

ENGINE: P = 1800cc (1.8L) A = 2000cc (2.0L) Blank = All  
 TRANS: A = Automatic M = Manual Blank = All  
 SERIES: H = High M = Medium P = Premium S = Special

MODELS:  
 24 FWD = 2Dr Hatchback (Laser)  
 24 FWD = 2-Dr Hatchback (Talon)  
 4WD = (4 Wheel Drive)  
 2WD = (2 Wheel Drive)



AR = Use as Required - = Non Illustrated Part P.A.R. = Paint as Required

**GEAR TRAIN 5 SPEED, W/2.0L ENG., W/TURBO, FWD LASER-TALON**  
**Figure 21M-700**

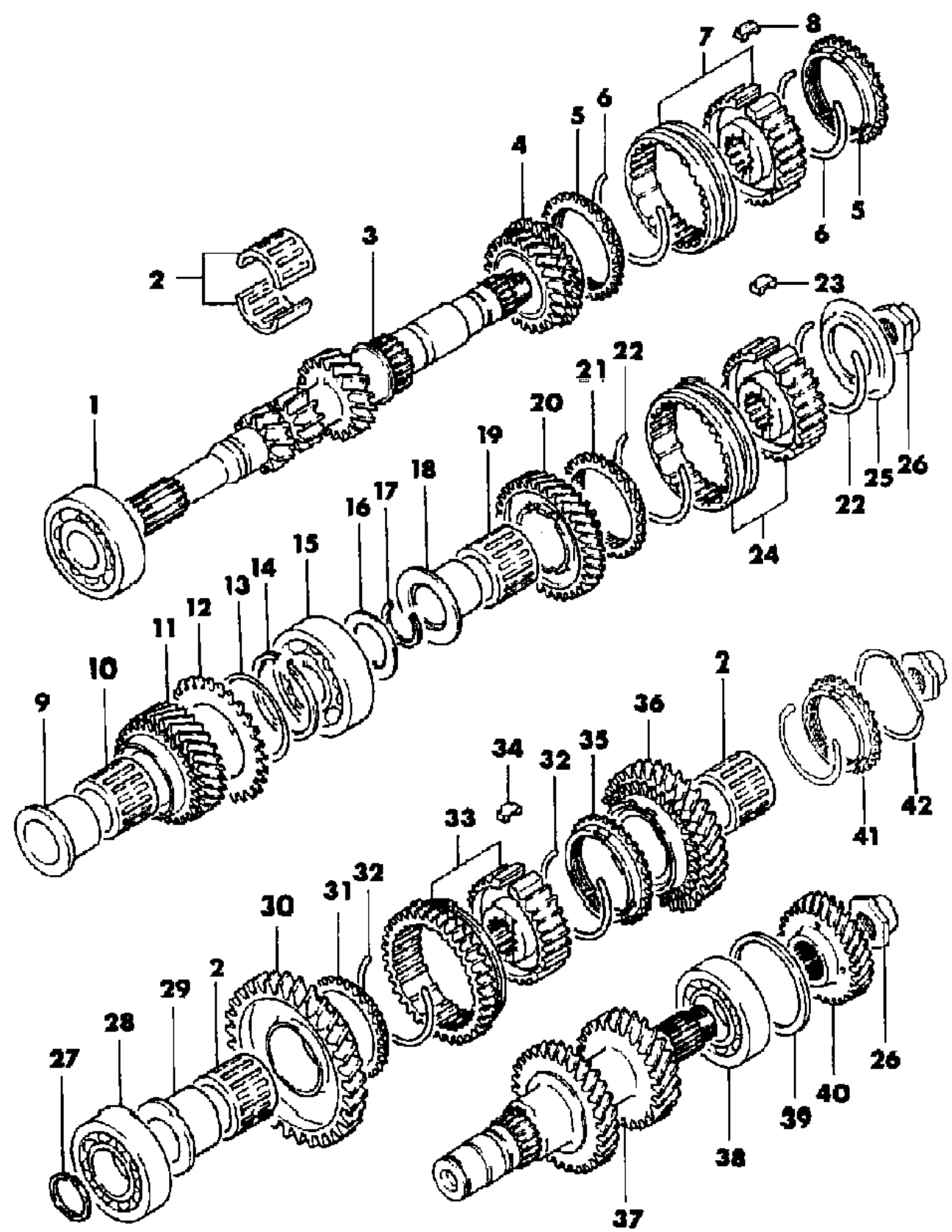
**9621 700 B**

ITEM	PART NUMBER	QTY	BODY	MODEL	DESCRIPTION
31	MD73 4841	1			RING, Synchronizer, 1st Intermediate Gear 1990-92
	MD74 1644	1			1993
	MD74 2419	1			1994
32	MD72 8906	2			SPRING, 1st and 2nd Synchronizer Key 1990-91
	MD74 2445	2			1992-94
33	MD72 4636	1			HUB and SLEEVE, 1st & 2nd Synchronizer 1990
	MD73 8868	1			1991
	MD74 2465	1			1992
	MD74 2468	1			1993
	MD74 6144	1			1994
34	MD72 8902	3			KEY, Synchronizer 1990-92
	MD74 2775	3			1993-94
35	MD73 4842	1			RING, 2nd Gear Synchronizer 1990-92
	MD74 1645	1			1993
	MD74 2614	1			1994
36	MD73 0230	1			GEAR, Intermediate Shaft 2nd Gear 1990
	MD73 8864	1			1991-92
	MD74 3191	1			1993
	MD74 3192	1			1994
37	MD72 9545	1			GEAR CLUSTER, Intermediate Shaft *** Up To 2-1-90
	MD73 8867	1			After 2-1-90
	MD74 0762	1			1991-93
	MD74 3217	1			1994
38	MD72 6237	1			BEARING, Tapered Roller
39	MD73 6754	AR			SPACER, Power Train 0.62
	MD73 6755	AR			0.65
	MD73 5659	AR			0.68
	MD73 5660	AR			0.71
	MD73 5661	AR			0.74
	MD73 5662	AR			0.77
	MD72 4142	AR			0.80

ENGINE: P = 1800cc (1.8L) A = 2000cc (2.0L) Blank = All  
 TRANS: A = Automatic M = Manual Blank = All  
 SERIES: H = High M = Medium P = Premium S = Special

MODELS:  
 24 FWD = 2Dr Hatchback (Laser)  
 24 FWD = 2-Dr Hatchback (Talon)  
 4WD = (4 Wheel Drive)  
 2WD = (2 Wheel Drive)

AR = Use as Required - = Non Illustrated Part P.A.R. = Paint as Required



**GEAR TRAIN 5 SPEED, W/2.0L ENG., W/TURBO, FWD LASER-TALON  
Figure 21M-700**

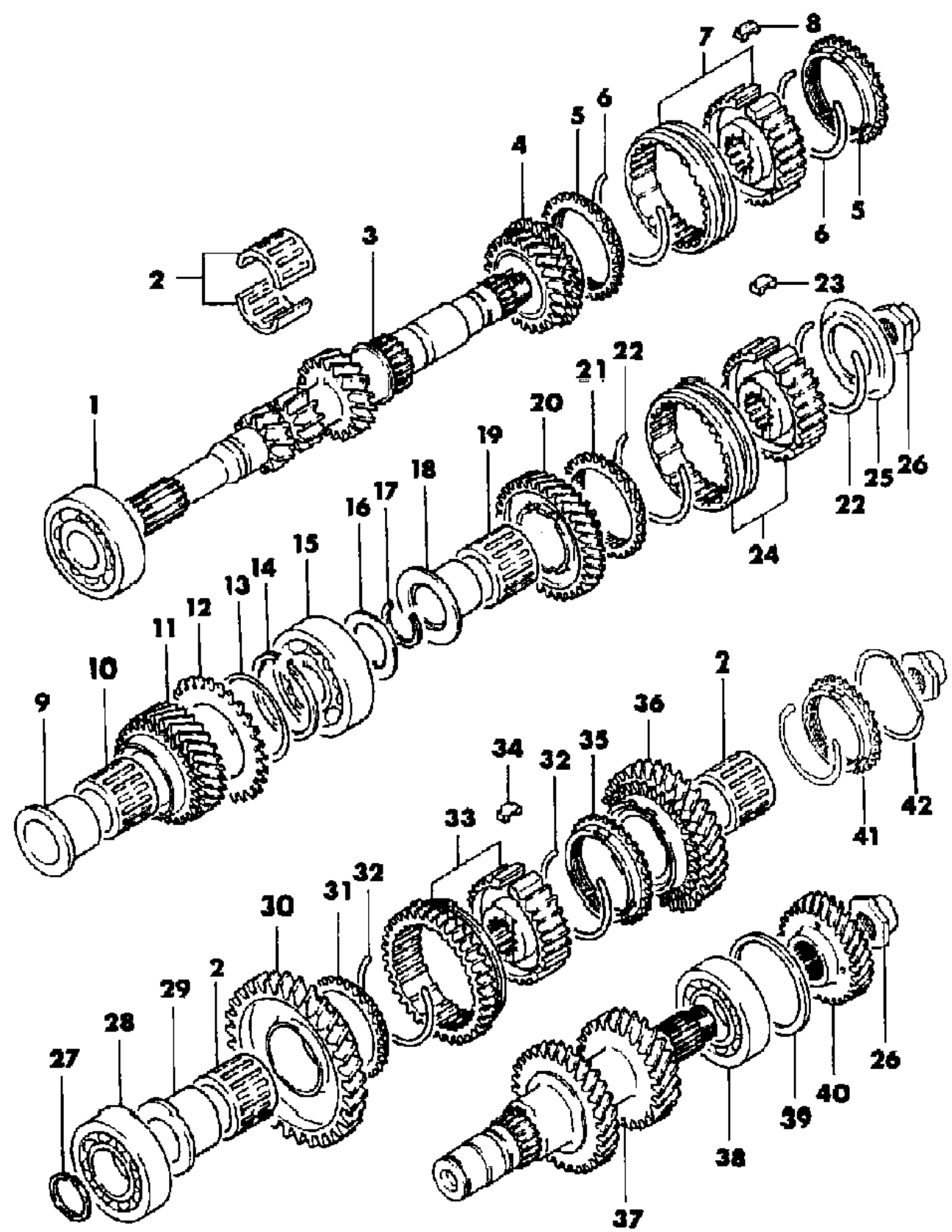
**9621 700 B**

ITEM	PART NUMBER	QTY	BODY	MODEL	DESCRIPTION
	MD72 4143	AR			0.83
	MD72 4144	AR			0.86
	MD72 4145	AR			0.89
	MD72 4146	AR			0.92
	MD72 4147	AR			0.95
	MD72 4148	AR			0.98
	MD72 4149	AR			1.01
	MD72 4150	AR			1.04
	MD72 4151	AR			1.07
	MD72 4152	AR			1.10
	MD72 4153	AR			1.13
	MD72 4154	AR			1.16
	MD72 4155	AR			1.19
	MD72 4156	AR			1.22
	MD72 4157	AR			1.25
	MD72 4158	AR			1.28
	MD72 4159	AR			1.31
	MD72 4160	AR			1.34
	MD72 4161	AR			1.37
40					GEAR, Intermediate Shaft, 5th Speed
	MD72 9549	1			1990
	MD74 0767	1			1991-94
41					RING, Reverse Brake
	MD72 4884	1			1990-92
	MD73 6067	1			1993
42					SPRING, Reverse Brake Wave, 1990-93
	MD73 7197	1			

ENGINE: P = 1800cc (1.8L) A = 2000cc (2.0L) Blank = All  
 TRANS: A = Automatic M = Manual Blank = All  
 SERIES: H = High M = Medium P = Premium S = Special

MODELS:  
 24 FWD = 2Dr Hatchback (Laser)  
 24 FWD = 2-Dr Hatchback (Talon)  
 4WD = (4 Wheel Drive)  
 2WD = (2 Wheel Drive)

AR = Use as Required - = Non Illustrated Part P.A.R. = Paint as Required



**GEARS AND OUTPUT SHAFT 5 SPEED, W/2.0L ENG., W/TURBO, FWD LASER-TALON**  
**Figure 21M-800**

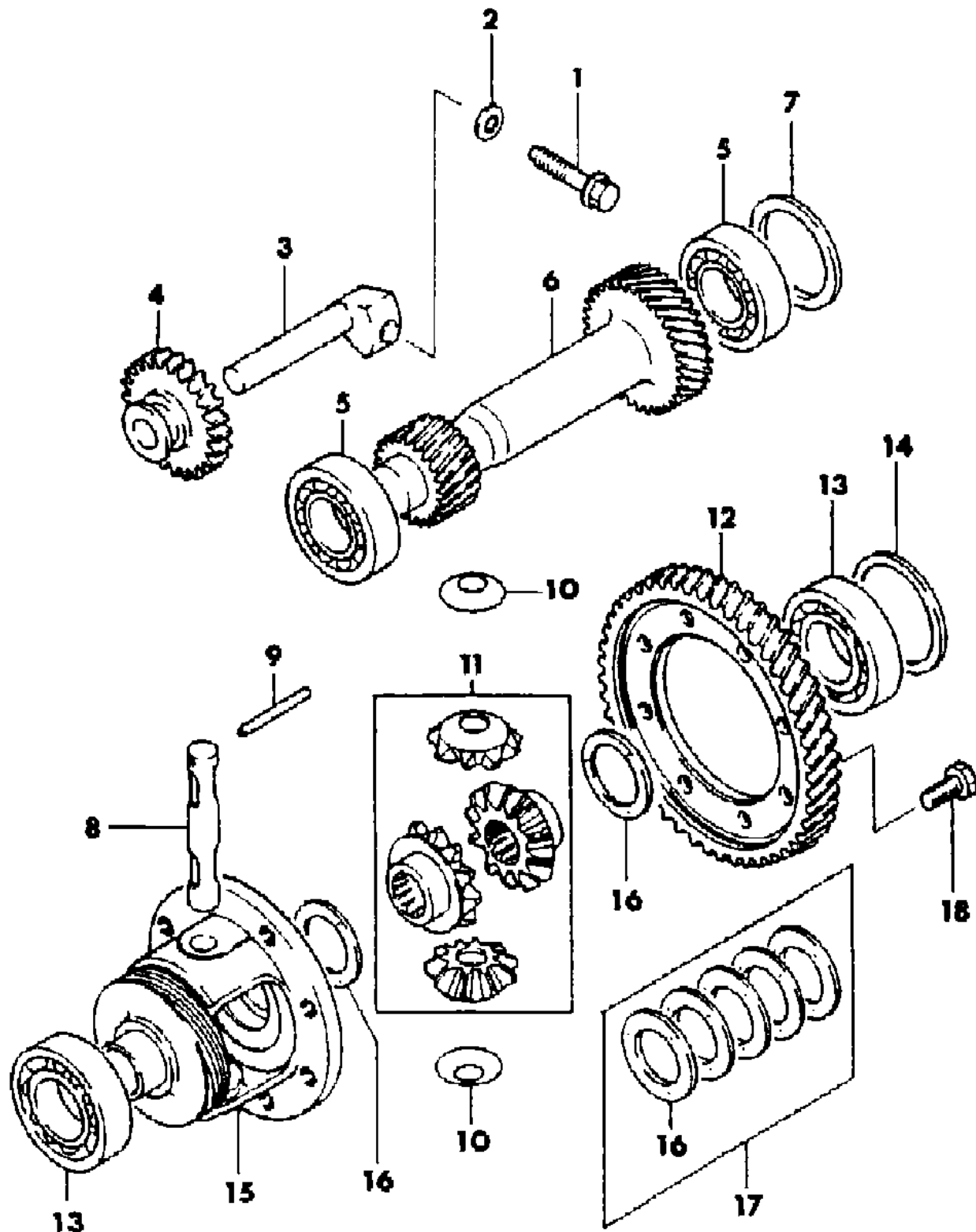
**9621 800**

ITEM	PART NUMBER	QTY	BODY	MODEL	DESCRIPTION
1	MD71 7852	1			BOLT, Flange, (10x46)
2	MD72 0603	1			GASKET, Aluminum, (10)
3	MD71 7851	1			SHAFT, Reverse Idler Gear 1990-93
	MD74 4091	1			1994
4	MD71 8018	1			GEAR, Reverse Idler Up to 5-1-89
	MD73 2964	1			After 5-1-89, (26T)
	MD74 5395	1			1994
5	MD71 8028	2			BEARING, Tapered Roller
6	MD73 0192	1			SHAFT, Output 1990
	MD74 1437	1			1991-94
7	MD72 0937	AR			SPACER, Power Train, Selective 0.83
	MD72 0938	AR			0.86
	MD72 0939	AR			0.89
	MD72 0940	AR			0.92
	MD72 0941	AR			0.95
	MD72 0942	AR			0.98
	MD72 0943	AR			1.01
	MD72 0944	AR			1.04
	MD72 0945	AR			1.07
	MD71 0454	AR			1.10
	MD70 0270	AR			1.13
	MD71 0455	AR			1.16
	MD71 0456	AR			1.19
	MD70 0271	AR			1.22
	MD71 0457	AR			1.25
	MD71 0458	AR			1.28
	MD70 6574	AR			1.31
	MD71 0459	AR			1.34
8	MB18 5334	1			SHAFT, Differential Pinion 1990-92
	MB00 3207	1			1993-94
9	MD71 2247	1			PIN, Lock
10	MT20 3629	2			WASHER, (18.3)
11	MD72 2129	1			GEAR SET, Differential 1990-92

ENGINE: P = 1800cc (1.8L) A = 2000cc (2.0L) Blank = All  
 TRANS: A = Automatic M = Manual Blank = All  
 SERIES: H = High M = Medium P = Premium S = Special

MODELS:  
 24 FWD = 2Dr Hatchback (Laser)  
 24 FWD = 2-Dr Hatchback (Talon)  
 4WD = (4 Wheel Drive)  
 2WD = (2 Wheel Drive)

AR = Use as Required - = Non Illustrated Part P.A.R. = Paint as Required





**GEARS AND OUTPUT SHAFT 5 SPEED, W/2.0L ENG., W/TURBO, FWD LASER-TALON**  
**Figure 21M-800**

**9621 800**

ITEM	PART NUMBER	QTY	BODY	MODEL	DESCRIPTION
	MD74 3334	1			1993-94
12	MD73 0191	1			GEAR, Differential Drive, (55T)
13	MD71 0663	2			BEARING, Tapered Roller
14					SPACER, Power Train, Selective
	MD72 7661	AR			0.80
	MD72 0937	AR			0.83
	MD72 0938	AR			0.86
	MD72 0939	AR			0.89
	MD72 0940	AR			0.92
	MD72 0941	AR			0.95
	MD72 0942	AR			0.98
	MD72 0943	AR			1.01
	MD72 0944	AR			1.04
	MD72 0945	AR			1.07
	MD71 0454	AR			1.10
	MD70 0270	AR			1.13
	MD71 0455	AR			1.16
	MD71 0456	AR			1.19
	MD70 0271	AR			1.22
	MD71 0457	AR			1.25
15					CASE, Differential
	MD73 4846	1			1990-92
	MD74 2054	1			1993-94
16					SPACER, Side Gear
					Serviced in Item #17 ***
					0.75 - 0.82
					0.83 - 0.92
					0.93 - 1.00
					1.01 - 1.08
					1.09 - 1.16
17	MB18 5340	2			SPACER SET, Side Gear
18	MD04 0557	8			BOLT, Flange, (12x22.5)

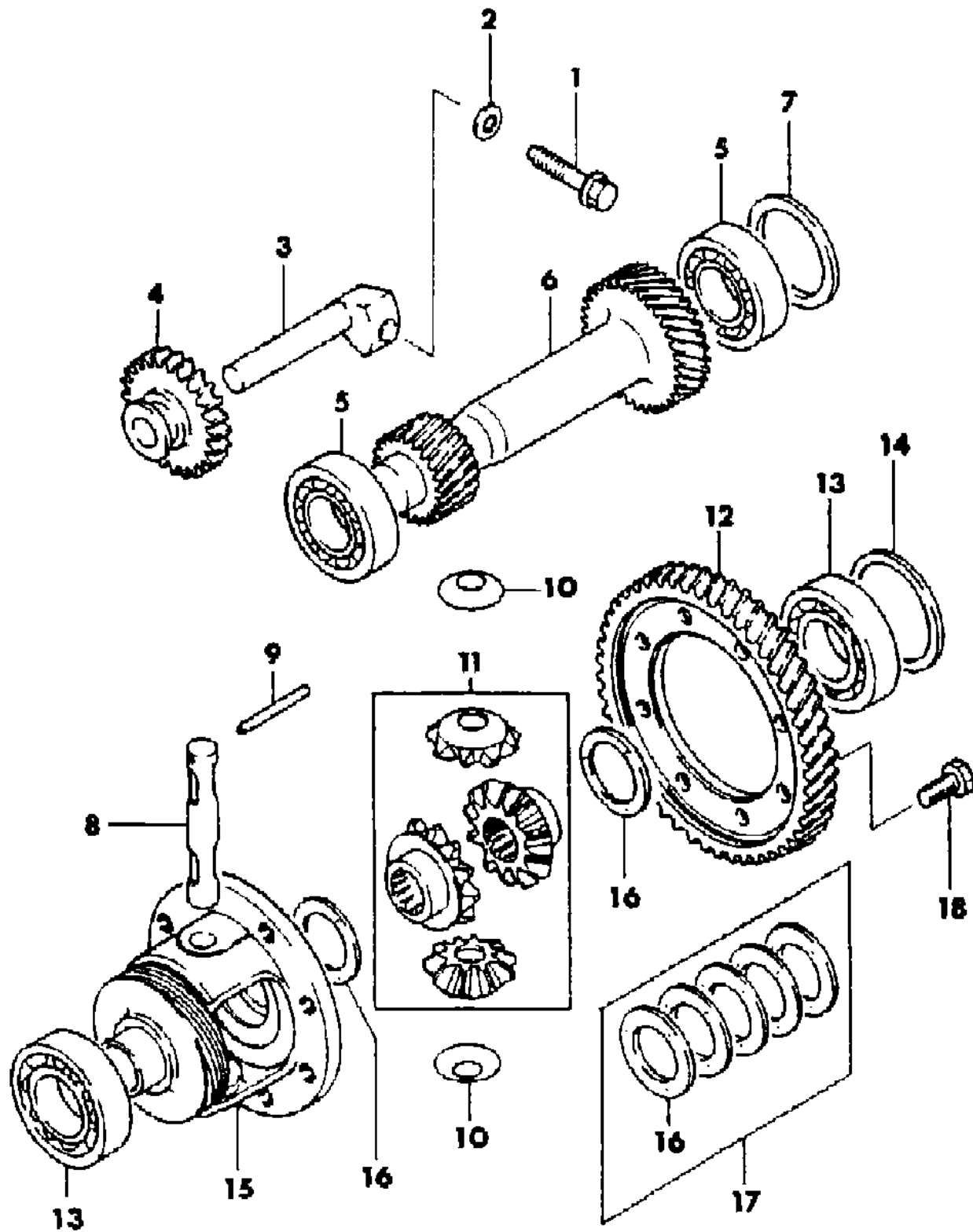
ENGINE: P = 1800cc (1.8L)  
A = 2000cc (2.0L)  
Blank = All

TRANS: A = Automatic  
M = Manual  
Blank = All

SERIES: H = High  
M = Medium  
P = Premium  
S = Special

MODELS:  
24 FWD = 2Dr Hatchback (Laser)  
24 FWD = 2-Dr Hatchback (Talon)  
4WD = (4 Wheel Drive)  
2WD = (2 Wheel Drive)

AR = Use as Required - = Non Illustrated Part P.A.R. = Paint as Required



CONTROL, SHIFT 5 SPEED, W/2.0L ENG., W/TURBO, FWD LASER-TALON  
Figure 21M-900

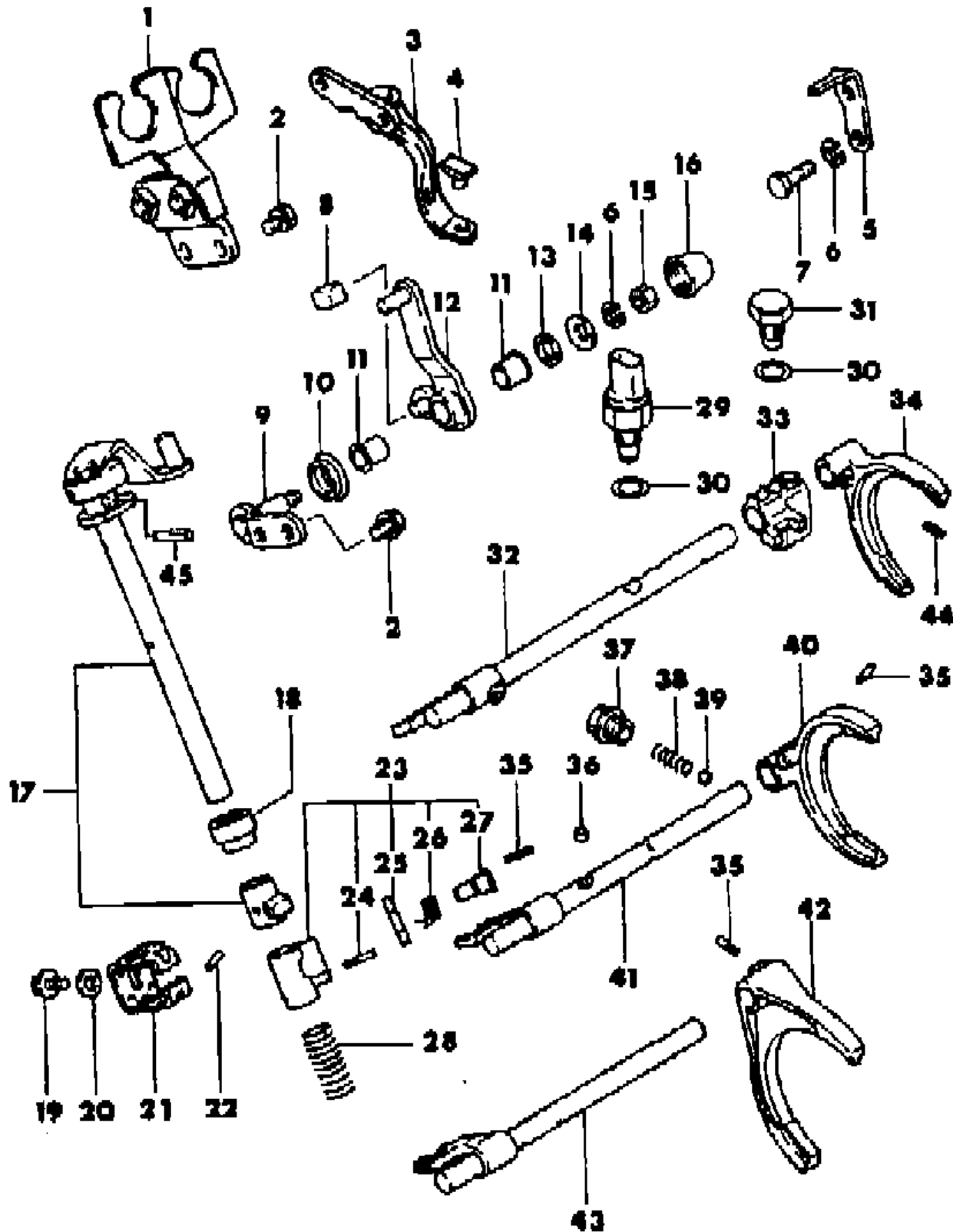
9621 900R

ITEM	PART NUMBER	QTY	BODY	MODEL	DESCRIPTION
1					BRACKET, Cable
	MD73 0758	1			1990
	MD73 8207	1			1991, Up To 7-1-91
	MD73 5585	1			After 7-1-91
2	MF24 1252	4			BOLT, (8x18 7T)
3					LEVER, Reverse
	MD71 9428	1			Up To 5-1-89
	MD73 5920	1			From 5-1-89 To 7-1-91
	MD73 6071	1			After 7-1-91
4					SHOE, Reverse Shift Lever
	MD71 9566	1			Up To 5-1-89
	MD73 5927	1			After 5-1-89
5	MD71 7881	1			BRACKET
6	MF45 0405	3			WASHER, Spring, (8)
7	MD71 7883	2			BOLT, Reamer, (8x22.5)
8	MD71 2919	1			SHOE
9	MD71 9188	1			SHAFT
10	MD72 3339	1			COVER, Dust
11	MD71 9165	2			BUSHING
12					LEVER, Select Shaft
	MD71 9962	1			Up To 7-1-91
	MD72 9750	1			After 7-1-91
13	MD71 3416	1			WASHER, Plain, (19.5)
14	MF45 0154	1			WASHER, Plain, (8)
15	MF43 0005	1			NUT, (8)
16	MD71 3757	1			COVER, Dust
17					SHAFT KIT, Shift Control ***
	MD72 3865	1			1990
	MD73 5587	1			1991, Up To 7-1-91
	MD73 8539	1			After 7-1-91
18	MD71 7899	1			SPRING, Neutral Return
19	MD71 7876	1			BOLT, Flange, (8x15.2)
20	MD72 0602	1			GASKET, (Aluminum)
21					PLATE, Interlock
	MD72 8574	1			1990
	MD74 0179	1			1991-94
22	MD70 5490	1			PIN, (5x22)
23	MD72 0248	1			STOPPER, Kit, Shaft
24	MF47 2535	1			SPRING PIN, (3x14)

ENGINE: P = 1800cc (1.8L) A = 2000cc (2.0L) Blank = All  
 TRANS: A = Automatic M = Manual Blank = All  
 SERIES: H = High M = Medium P = Premium S = Special

MODELS:  
 24 FWD = 2Dr Hatchback (Laser)  
 24 FWD = 2-Dr Hatchback (Talon)  
 4WD = (4 Wheel Drive)  
 2WD = (2 Wheel Drive)

AR = Use as Required - = Non Illustrated Part P.A.R. = Paint as Required



CONTROL, SHIFT 5 SPEED, W/2.0L ENG., W/TURBO, FWD LASER-TALON  
Figure 21M-900

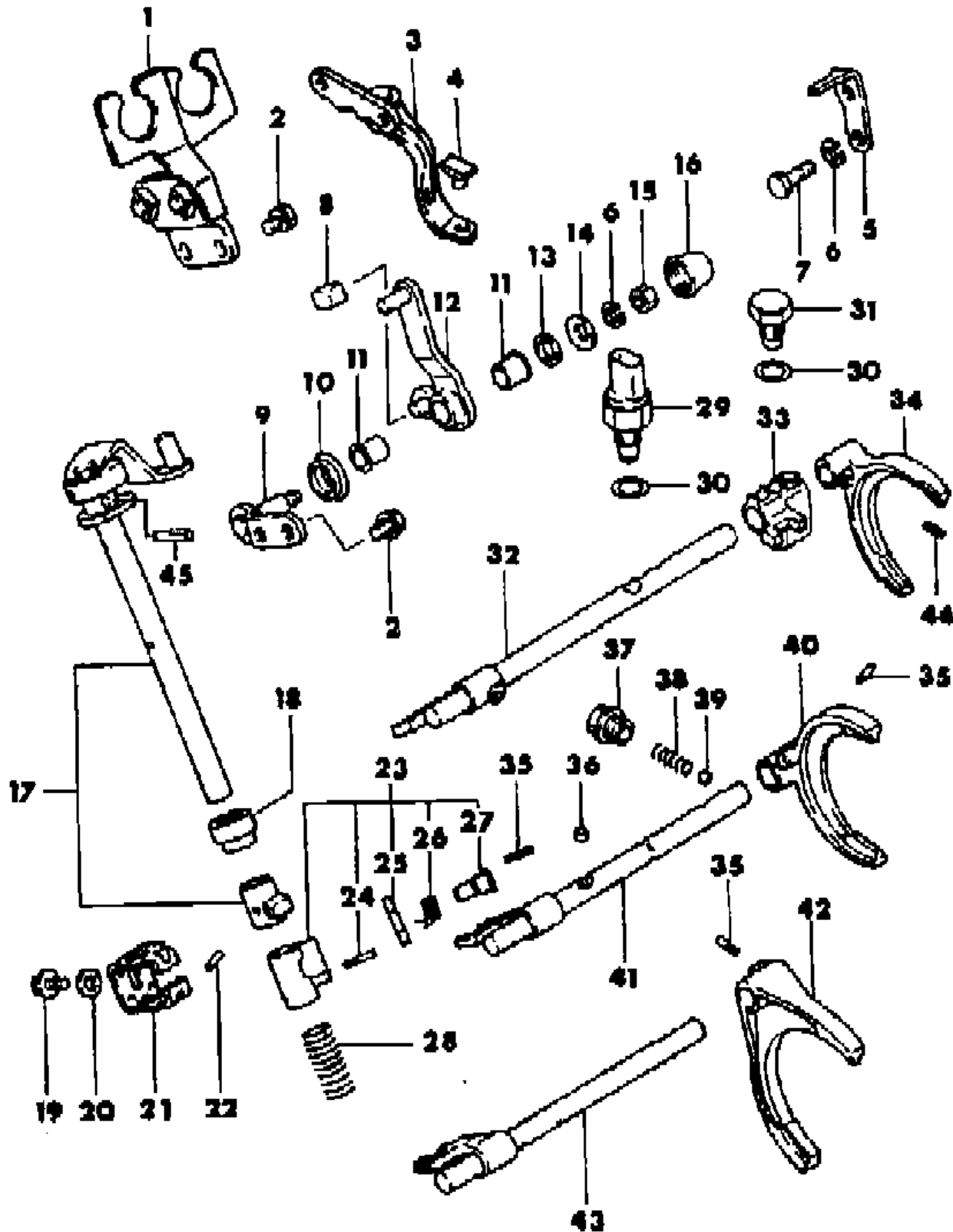
9621 900R

ITEM	PART NUMBER	QTY	BODY	MODEL	DESCRIPTION
25	MD71 7882	1			PLATE, Shaft
26	MD71 7907	1			SPRING, Adjusting Arm Return
27	MD71 7864	1			PIN
28	MD71 8370	1			SPRING, Neutral Return
29	MD73 0979	1			SWITCH, Back-up Lamp
30	MF66 0035	2			GASKET, (14)
31	MD73 4488	1			BALL Unit, Shaft ***
32	MD73 4642	1			RAIL, Gearshift 5th & Reverse 1990-92
	MD73 8522	1			1993-94
33	MD72 0894	1			LUG, Gearshift Reverse Rail 1990-92
	MD73 6074	1			1993-94
34	MD73 5237	1			FORK, Gearshift, 5th 1990-93
	MD74 1187	1			1994
35	MD70 1722	3			PIN, Spring, (5.2x26)
36	MD72 0908	1			PLUNGER, Rod Interlock
37	MD72 3985	3			BOLT, Flange, (14x8)
38	MD72 3617	3			SPRING 1990-92
	MD74 1337	3			1993-94
39	MF54 0011	3			BALL, Steel, (11/32")
40	MD72 0342	1			FORK, Gearshift, 3rd & 4th 1990-92
	MD74 1558	1			1993
	MD74 4932	1			1994
41	MD73 4636	1			RAIL, Gearshift, 3rd & 4th 1990-92
	MD73 8509	1			1993
	MD74 2478	1			1994
42	MD72 0341	1			FORK, Gearshift, 1st & 2nd
43	MD72 0888	1			RAIL, Gearshift, 1st & 2nd 1990-92
	MD73 8507	1			1993-94
44	MF47 2572	1			PIN, Spring, (5x22)
45	MD74 2030	1			PIN, Lock, 1990-92

ENGINE: P = 1800cc (1.8L) A = 2000cc (2.0L) Blank = All  
 TRANS: A = Automatic M = Manual Blank = All  
 SERIES: H = High M = Medium P = Premium S = Special

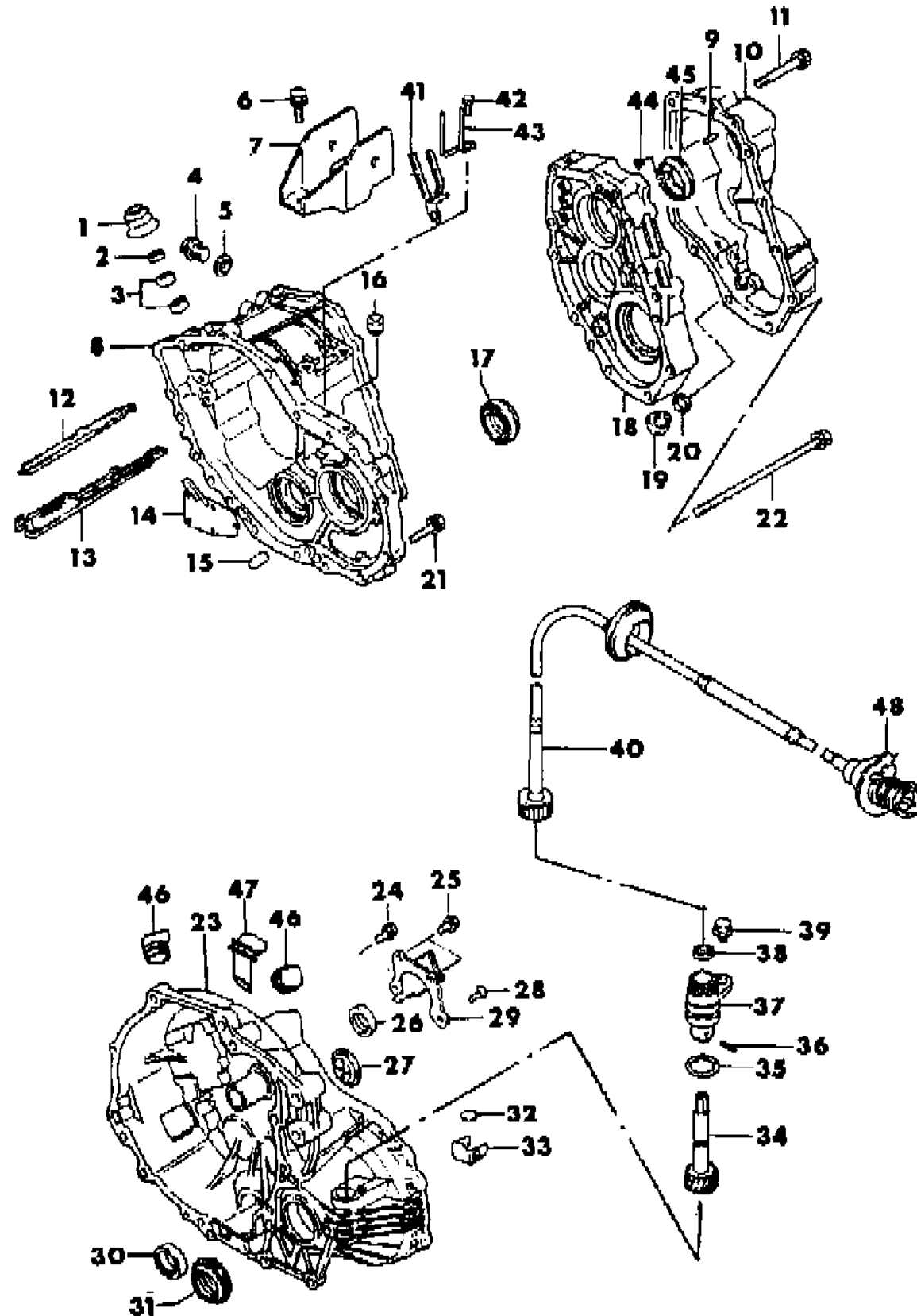
MODELS:  
 24 FWD = 2Dr Hatchback (Laser)  
 24 FWD = 2-Dr Hatchback (Talon)  
 4WD = (4 Wheel Drive)  
 2WD = (2 Wheel Drive)

AR = Use as Required - = Non Illustrated Part P.A.R. = Paint as Required



**CASE AND MISCELLANEOUS PARTS 5 SPEED, W/AWD LASER-TALON**  
**Figure 21M-1000**

9621 1000



ITEM	PART NUMBER	QTY	BODY	MODEL	DESCRIPTION
1	MD71 8557	1			BOOT, Gearshift Control Shaft
2	MD71 3758	1			OIL SEAL, Gearshift Control Shaft
	MD73 2405	1			1990-91
	MD73 2405	1			1992-94
3	MD71 2913	2			BEARING, Gearshift Control Shaft
4	MD70 1850	1			PLUG, (16)
5	MF66 0036	1			GASKET, (16)
6	MF24 1309	2			BOLT, w/Washer, (12x30)
7	MD73 1017	1			BRACKET, Case Mounting
8					CASE, Transmission
	MD72 6632	1	S		1990-92
	MD72 6632	1	H,S		1993
	MD74 4770	1	H,S		1994
	4318 025	1			LIQUID GASKET ***
9	MF47 2402	2			PIN, Dowel, (5x12)
10					COVER, Case 5th Gear
	MD73 5344	1			Up To 7-1-91
	MD74 1184	1			After 7-1-91
11	MD72 5251	9			BOLT, Case, (10x70)
12					OIL GUIDE, Case ***
	MD72 5085	1			1990-92
13					OIL GUIDE, Case ***
	MD72 4766	1			1990-92
	MD74 1188	1			1993
	MD74 1725	1			1994
14	MD72 0370	1			COVER, Case Breather Hole
15	MF47 2405	6			PIN, Dowel, (10x20)
16	MD73 3296	1			BREATHER, Case
17	MD70 7184	1			OIL SEAL, Front Differential Case
18					ADAPTER, Case to Rear Cover
	MD73 1413	1			1990-92
	MD74 3251	1			1993-94
19	MD72 8088	1			PLUG, Case
20	MD00 0312	1			GASKET, (18.2)
21	MF24 1288	12			BOLT, w/Washer, (10x40)
22	MD72 0558	2			BOLT, Case
23	MD72 7855	1			HOUSING, Clutch
24	MF24 1253	1			BOLT, (8x20 7T)
25	MD73 6249	2			BOLT, w/Washer

ENGINE: P = 1800cc (1.8L) A = 2000cc (2.0L) Blank = All  
 TRANS: A = Automatic M = Manual Blank = All  
 SERIES: H = High M = Medium P = Premium S = Special

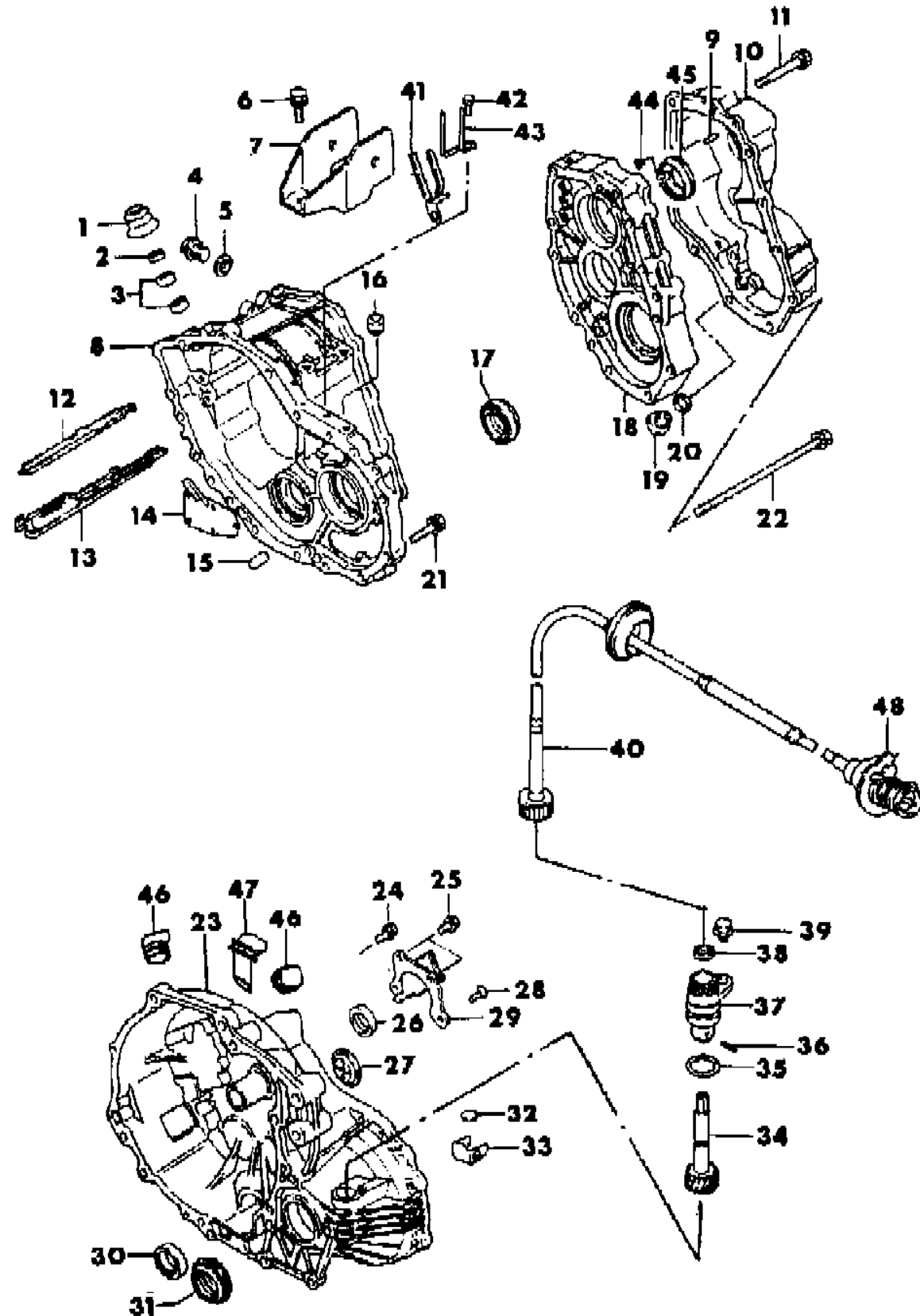
MODELS:  
 24 FWD = 2Dr Hatchback (Laser)  
 24 FWD = 2-Dr Hatchback (Talon)  
 4WD = (4 Wheel Drive)  
 2WD = (2 Wheel Drive)

AR = Use as Required - = Non Illustrated Part P.A.R. = Paint as Required

CASE AND MISCELLANEOUS PARTS 5 SPEED, W/AWD LASER-TALON

Figure 21M-1000

9621 1000



ITEM	PART NUMBER	QTY	BODY	MODEL	DESCRIPTION
26					OIL SEAL
	MD06 9950	1			Up To 8-1-91
	MD74 1818	1			After 8-1-91
27	MD72 6480	1			OIL GUIDE, Case ***
28	MD70 4449	1			BOLT, (8x20 7T)
29	MD73 5924	1			RETAINER, Clutch Housing Front Bearing
30	MD72 3202	1			OIL SEAL, Main Drive Pinion
31	MD71 9710	1			OIL SEAL, Lt., Front Axle Shaft Joint
32	MD95 5485	1			MAGNET, Case
33	MD72 7258	1			HOLDER, Case Magnet
34	MD72 8826	1			GEAR, Speedometer Drive, (29)
35	MF52 0016	1			O-RING, (22.1)
36	MF47 2535	1			PIN, Spring, (3x14)
37					SLEEVE, Speedometer Driven Gear
	MD72 8767	1			1990
	MD74 0081	1			1991-94
38					OIL SEAL, Speedometer Driven Gear
	MD73 0727	1			1990-93
	MD72 9925	1			1994
39	MF14 0004	1			BOLT, Flange, (6x14 4T)
40	MB52 1556	1			CABLE, Speedometer, (1120)
41	MD71 4714	1			CLIP, Case
42	MF24 1251	1			BOLT
43	MB24 9369	1			CLIP, Case, (10.5)
44					SCREW, Cone
	MD72 4319	3			1990-92
	MD73 6513	3			1993-94
45	MD72 5928	1			CONE, Rear Cover Reverse Brake
46	MD71 1443	2			COVER, Case Breather Hole
47	MD72 1764	1			COVER, Case Breather Hole
48	MB32 6171	1			ADAPTER, Speedometer Cable

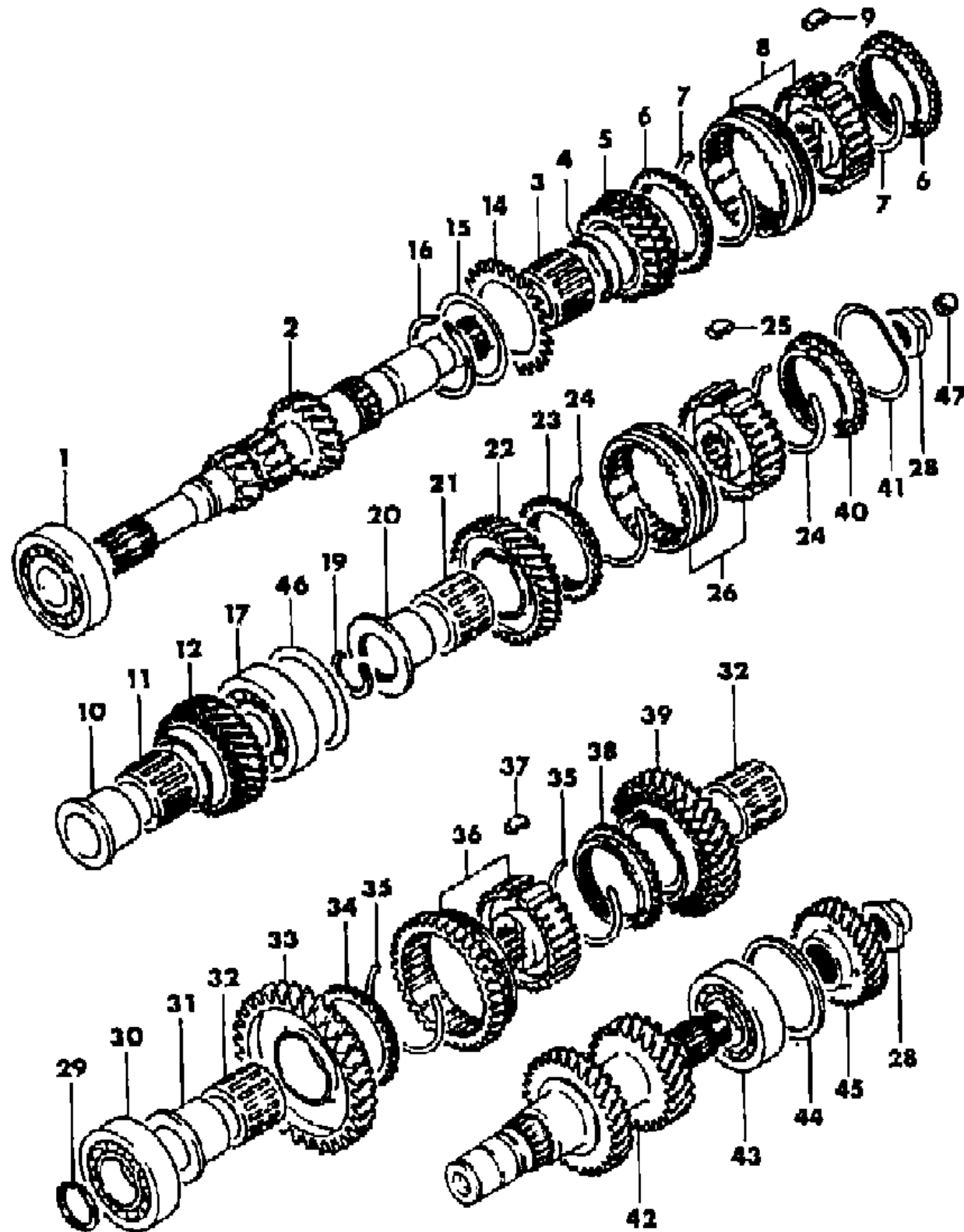
ENGINE: P = 1800cc (1.8L) A = 2000cc (2.0L) Blank = All  
 TRANS: A = Automatic M = Manual Blank = All  
 SERIES: H = High M = Medium P = Premium S = Special

MODELS:  
 24 FWD = 2Dr Hatchback (Laser)  
 24 FWD = 2-Dr Hatchback (Talon)  
 4WD = (4 Wheel Drive)  
 2WD = (2 Wheel Drive)

AR = Use as Required - = Non Illustrated Part P.A.R. = Paint as Required

SHAFT AND CENTER DIFFERENTIAL 5 SPEED, W/AWD LASER-TALON  
Figure 21M-1100

9621 11008



ITEM	PART NUMBER	QTY	BODY	MODEL	DESCRIPTION
1	MD72 5282	1			BEARING
2	MD73 1299	1			SHAFT, Input Up To 10-1-90
	MD74 1635	1			After 10-1-90
	MD74 6131	1			1994
3	MD71 8033	1			BEARING
4	MD72 3128	1			SPACER, Input Shaft, Up To 10-1-90
5	MD73 1026	1			GEAR, Input Shaft 3rd Speed 1990-92, (26T)
	MD74 2728	1			1993, (26T)
	MD74 1836	1			1994, (26T)
6	MD73 0385	2			RING, Synchronizer 1st 1990-91
	MD74 1198	2			1992
	MD74 2536	2			1993-94
7	MD73 8050	2			SPRING, Synchronizer 1990-91
	MD74 2441	2			1992-93
	MD74 2445	2			1994
8	MD73 5298	1			HUB and SLEEVE, 3rd and 4th Synchronizer 1990-91
	MD74 1549	1			1992
	MD74 4095				1993-94
9	MD73 4268	3			KEY, 3rd & 4th Synchronizer Up To 7-1-91
	MD74 2777	3			After 7-1-91
10	MD72 8102	1			SLEEVE, Input Shaft 4th Gear Bearing
11	MD71 8031	1			BEARING
12	MD73 0492	1			GEAR, Input Shaft 4th Speed 1990-92, (30T)
	MD74 2753	1			1993, (30T)
	MD74 1838	1			1994, (30T)
14	MD73 0051	1			GEAR, Sub 1990-92
	MD74 1925	1			1993-94
15	MD72 3535	1			SPRING, Sub Gear
16	MD72 4392	1			SNAP RING
17	MD72 6235	1			BEARING
19					SNAP RING, Selective

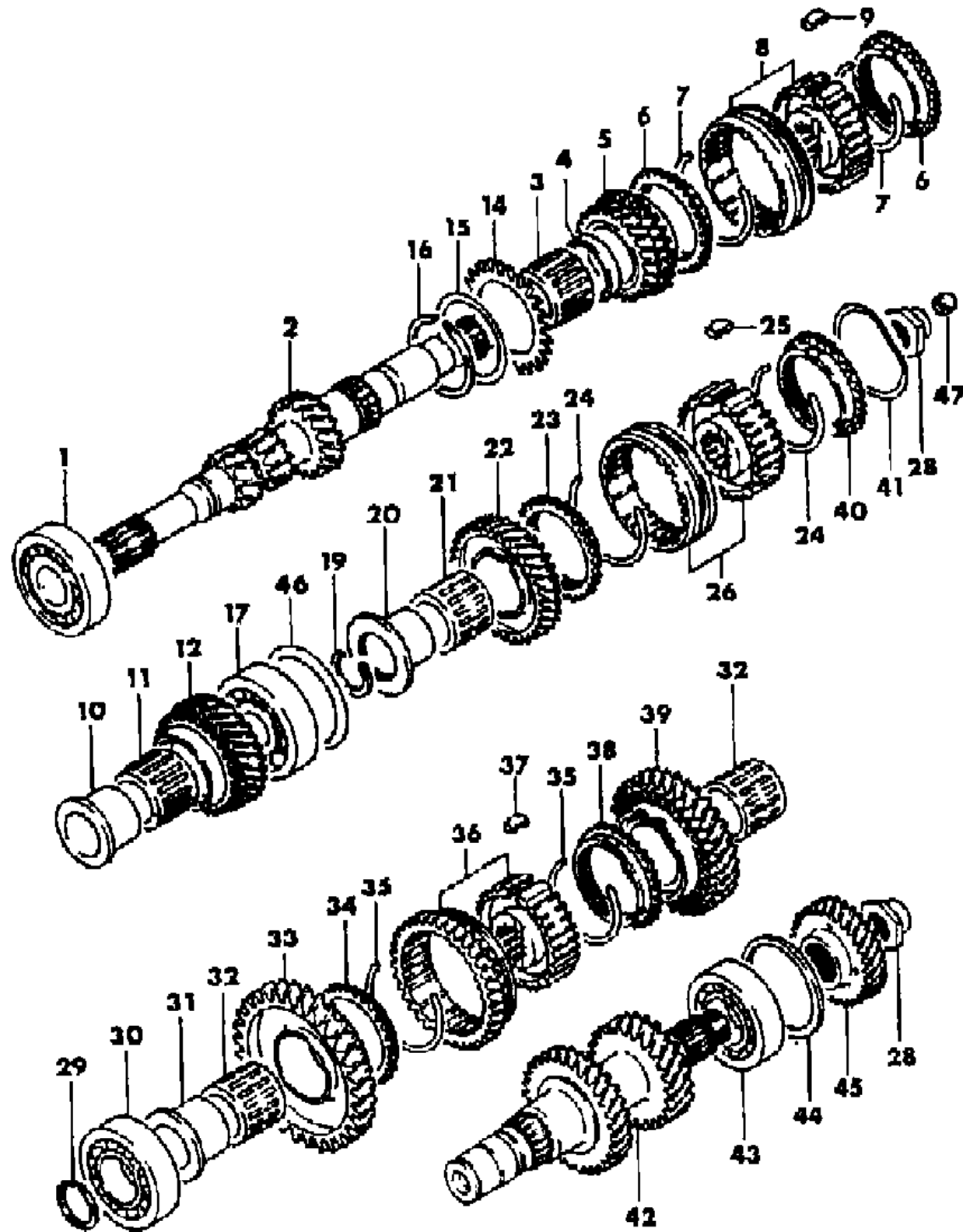
ENGINE: P = 1800cc (1.8L) A = 2000cc (2.0L) Blank = All  
 TRANS: A = Automatic M = Manual Blank = All  
 SERIES: H = High M = Medium P = Premium S = Special

MODELS:  
 24 FWD = 2Dr Hatchback (Laser)  
 24 FWD = 2-Dr Hatchback (Talon)  
 4WD = (4 Wheel Drive)  
 2WD = (2 Wheel Drive)

AR = Use as Required - = Non Illustrated Part P.A.R. = Paint as Required

SHAFT AND CENTER DIFFERENTIAL 5 SPEED, W/AWD LASER-TALON  
Figure 21M-1100

9621 11008



ITEM	PART NUMBER	QTY	BODY	MODEL	DESCRIPTION
	MD72 3276	AR			1.40
	MD73 0889	AR			1.45
	MD72 3277	AR			1.50
	MD73 0890	AR			1.55
	MD72 3278	AR			1.60
	MD73 0891	AR			1.65
	MD72 3279	AR			1.70
	MD73 0892	AR			1.75
20	MD73 0744	1			SLEEVE, Input Shaft, 5th Gear Bearing
21	MD71 9137	1			BEARING
22					GEAR, 5th Speed
	MD73 0496	1			1990-92, (33T)
	MD74 3162	1			1993-94, (33T)
23					RING, Synchronizer
	MD72 8990	1			1990-92
	MD73 8770	1			1993
	MD74 4782	1			1994
24					SPRING, Key
	MD72 8908	2			1990-92
	MD74 2441	2			1993-94
25					KEY, Synchronizer
	MD73 4268	3			1990-92
	MD74 2777	3			1993-94
26					HUB and SLEEVE, 5th Synchronizer
	MD73 5299	1			1990-92
	MD74 4350	1			1993-94
28	MD73 1948	1			NUT, Power Train
29					SNAP RING, Selective
	MD70 3779	AR			1.40
	MD70 3780	AR			1.50
	MD70 3781	AR			1.60
30	MD72 6236	1			BEARING, Intermediate, Tapered Roller
31					SLEEVE, 1st Gear
	MD72 6228	1			1990
	MD73 7651	1			1991-94
32					BEARING
	MD71 8033	2			1990
	MD73 7652	2			1991-94
33					GEAR, Intermediate Shaft 1st Speed

ENGINE: P = 1800cc (1.8L) A = 2000cc (2.0L) Blank = All  
 TRANS: A = Automatic M = Manual Blank = All  
 SERIES: H = High M = Medium P = Premium S = Special

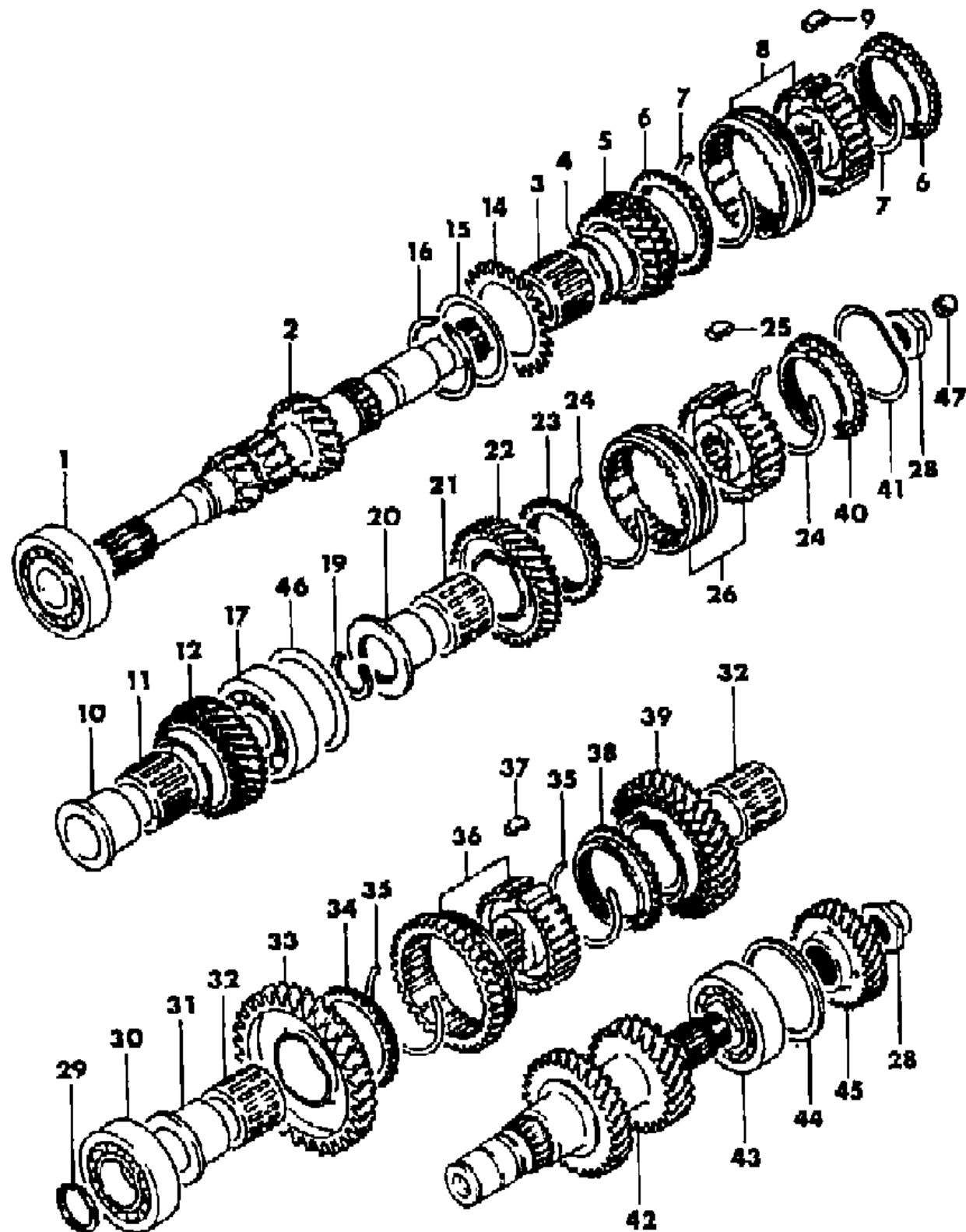
MODELS:  
 24 FWD = 2Dr Hatchback (Laser)  
 24 FWD = 2-Dr Hatchback (Talon)  
 4WD = (4 Wheel Drive)  
 2WD = (2 Wheel Drive)

AR = Use as Required - = Non Illustrated Part P.A.R. = Paint as Required

SHAFT AND CENTER DIFFERENTIAL 5 SPEED, W/AWD LASER-TALON

Figure 21M-1100

9621 11008



ITEM	PART NUMBER	QTY	BODY	MODEL	DESCRIPTION
	MD73 0229	1			1990
	MD74 0241	1			1991-92
	MD74 3179	1			1993-94
34					RING, Synchronizer
	MD73 4841	1			1990-92
	MD74 1644	1			1993
	MD74 2419	1			1994
35					SPRING, Key
	MD72 8906	1			1990-93
	MD74 2445	1			1994
36					HUB and SLEEVE, 1st and 2nd Synchronizer
	MD72 4636	1			1990, (30 Splines/38 Teeth)
	MD73 8868	1			1991, (34 Splines/38 Teeth)
	MD74 2465	1			1992
	MD74 2468	1			1993
	MD74 6144	1			1994
37					KEY, Synchronizer
	MD72 8902	3			1990-92
	MD74 2775	3			1993-94
38					RING, Synchronizer
	MD73 4842	1			1990-92
	MD74 2536	1			1993
	MD74 2614	1			1994
39					GEAR, Intermediate Shaft, 2nd Gear
	MD74 3184	1			1990, (32T)
	MD74 3190	1			1991-92
	MD74 3572	1			1993-94
40					RING, Input Shaft, Reverse Brake
	MD72 4884	1			1990-92
	MD74 2051	1			1993-94
41					SPRING, Reverse Brake Wave
	MD73 7197	1			1990-92
	MD74 4342	1			1993-94
42					GEAR, Cluster, Intermediate Shaft
	MD72 7990	1			1990
	MD74 0193	1			1991-92
	MD73 8952	1			1993-94
43					BEARING, Intermediate Gear
	MD72 4117	1			1990-91

ENGINE: P = 1800cc (1.8L) A = 2000cc (2.0L) Blank = All  
 TRANS: A = Automatic M = Manual Blank = All  
 SERIES: H = High M = Medium P = Premium S = Special

MODELS:  
 24 FWD = 2Dr Hatchback (Laser)  
 24 FWD = 2-Dr Hatchback (Talon)  
 4WD = (4 Wheel Drive)  
 2WD = (2 Wheel Drive)

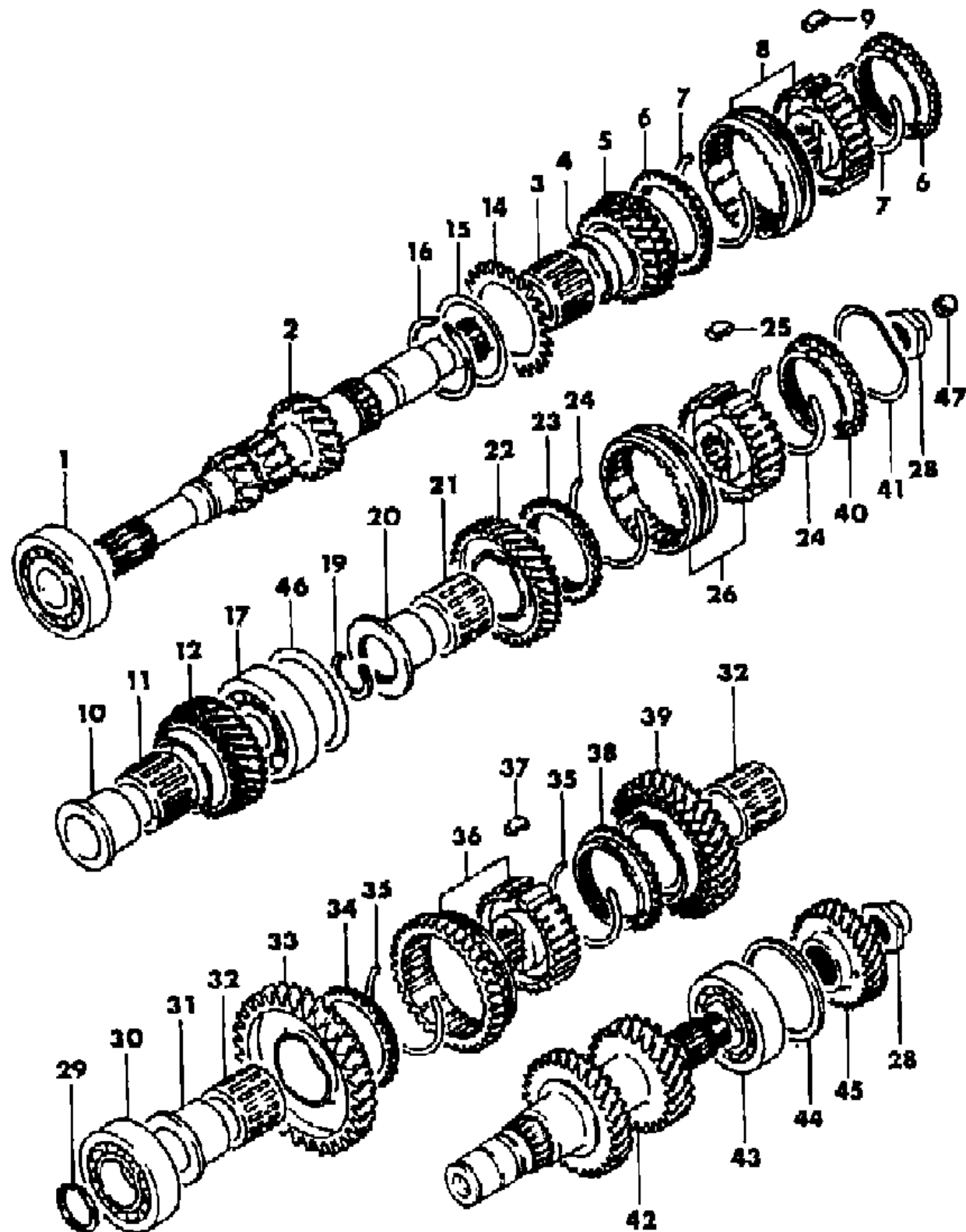
AR = Use as Required - = Non Illustrated Part P.A.R. = Paint as Required



SHAFT AND CENTER DIFFERENTIAL 5 SPEED, W/AWD LASER-TALON

Figure 21M-1100

9621 11008



ITEM	PART NUMBER	QTY	BODY	MODEL	DESCRIPTION
	MD73 6638	1			1992-94
44					SPACER, Intermediate Shaft, Selective
	MD72 0948	AR			0.80
	MD72 0949	AR			0.83
	MD72 0950	AR			0.86
	MD72 0951	AR			0.89
	MD72 0952	AR			0.92
	MD72 0953	AR			0.95
	MD72 0954	AR			0.98
	MD72 0955	AR			1.01
	MD72 0956	AR			1.04
	MD72 0957	AR			1.07
	MD72 0958	AR			1.10
	MD72 0959	AR			1.13
	MD72 0960	AR			1.16
	MD72 0961	AR			1.19
	MD72 0962	AR			1.22
	MD71 2346	AR			1.25
	MD71 2347	AR			1.28
	MD71 2348	AR			1.31
	MD71 2349	AR			1.34
	MD71 2329	AR			1.37
	MD71 2330	AR			1.40
	MD71 2331	AR			1.43
45					GEAR, 5th Speed
	MD72 7755	1			1990-92, (T=22)
	MD74 2581	1			1993-94, (T=22)
46					SPACER, Input Shaft, Selective
	MD72 7661	AR			0.80
	MD72 0937	AR			0.83
	MD72 0938	AR			0.86
	MD72 0939	AR			0.89
	MD72 0940	AR			0.92
	MD72 0941	AR			0.95
	MD72 0942	AR			0.98
	MD72 0943	AR			1.01
	MD72 0944	AR			1.04
	MD72 0945	AR			1.07
	MD71 0454	AR			1.10

ENGINE: P = 1800cc (1.8L) A = 2000cc (2.0L) Blank = All  
 TRANS: A = Automatic M = Manual Blank = All  
 SERIES: H = High M = Medium P = Premium S = Special

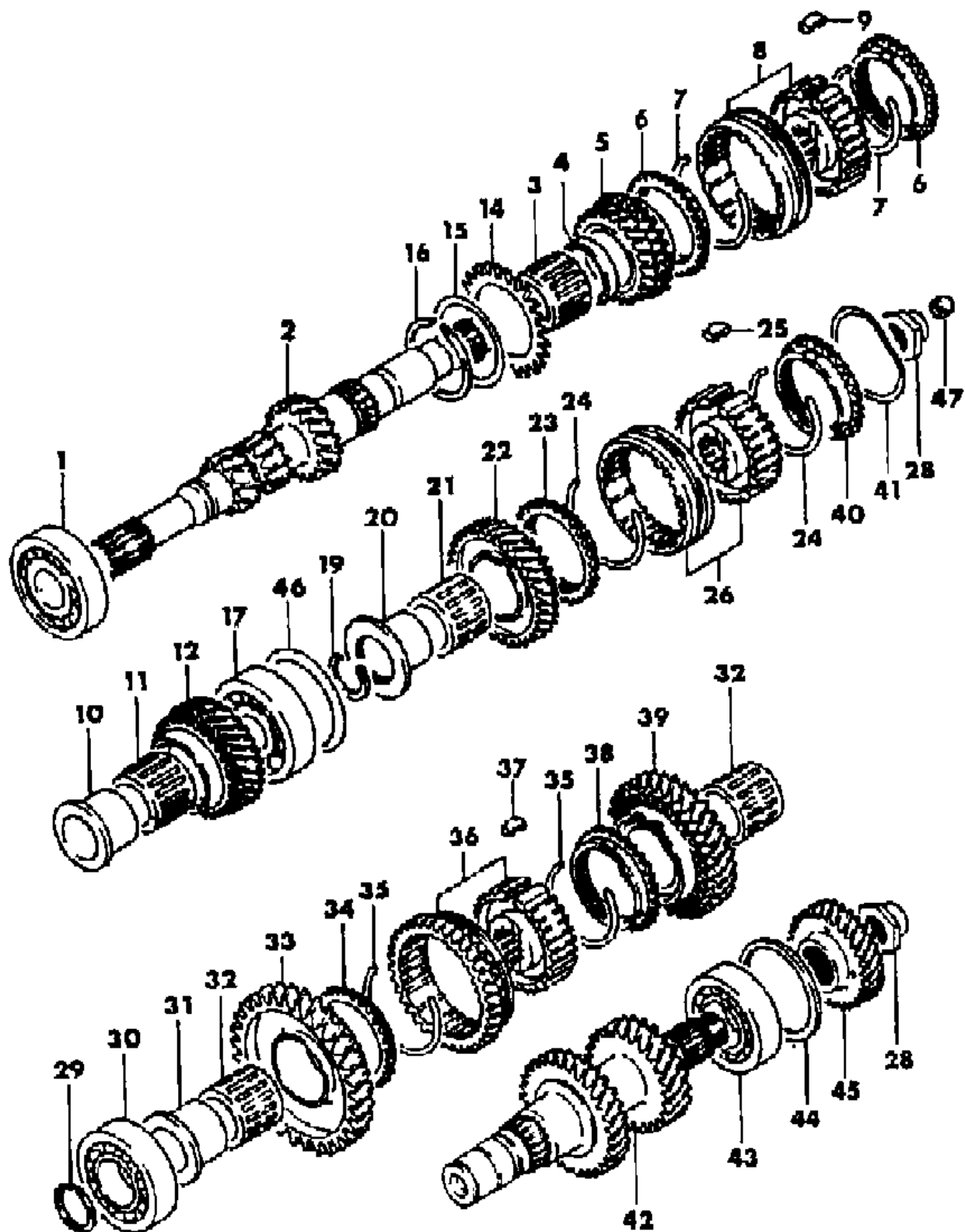
MODELS:  
 24 FWD = 2Dr Hatchback (Laser)  
 24 FWD = 2-Dr Hatchback (Talon)  
 4WD = (4 Wheel Drive)  
 2WD = (2 Wheel Drive)

AR = Use as Required - = Non Illustrated Part P.A.R. = Paint as Required

SHAFT AND CENTER DIFFERENTIAL 5 SPEED, W/AWD LASER-TALON

Figure 21M-1100

9621 11008



ITEM	PART NUMBER	QTY	BODY	MODEL	DESCRIPTION
	MD70 0270	AR			1.13
	MD71 0455	AR			1.16
	MD71 0456	AR			1.19
	MD70 0271	AR			1.22
	MD71 0457	AR			1.25
	MD71 0458	AR			1.28
	MD70 6574	AR			1.31
	MD71 0459	AR			1.34
	MD71 0460	AR			1.37
	MD70 6573	AR			1.40
	MD71 0461	AR			1.43
	MD71 0462	AR			1.46
47	MD73 9390	1			OIL SEAL, Input Shaft, Rear End

ENGINE: P = 1800cc (1.8L) A = 2000cc (2.0L) Blank = All  
 TRANS: A = Automatic M = Manual Blank = All  
 SERIES: H = High M = Medium P = Premium S = Special

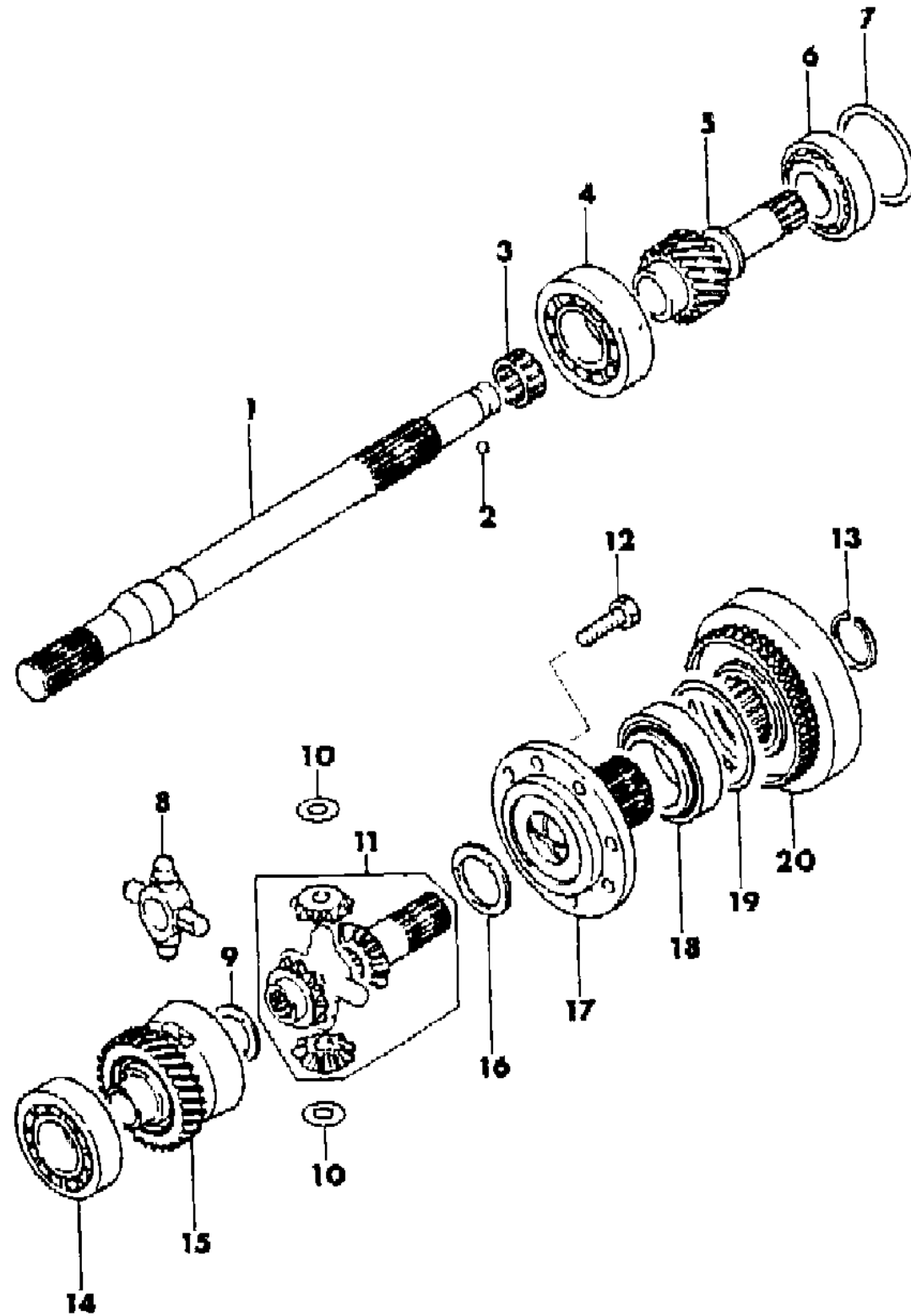
MODELS:  
 24 FWD = 2Dr Hatchback (Laser)  
 24 FWD = 2-Dr Hatchback (Talon)  
 4WD = (4 Wheel Drive)  
 2WD = (2 Wheel Drive)

AR = Use as Required - = Non Illustrated Part P.A.R. = Paint as Required



SHAFT AND CENTER DIFFERENTIAL 5 SPEED, W/AWD LASER-TALON  
Figure 21M-1100

9621 1200



ITEM	PART NUMBER	QTY	BODY	MODEL	DESCRIPTION
	MD73 0348	AR			2.25-2.32
	MD73 0347	AR			2.33-2.42
	MD73 0346	AR			2.43-2.50
	MD73 0345	AR			2.51-2.58
	MD73 0344	AR			2.59-2.66
	MD73 0343	AR			2.67-2.74
	MD73 0342	AR			2.75-2.82
					After 9-1-90
	MD74 1413	AR			2.09-2.16
	MD74 1412	AR			2.17-2.24
	MD74 1411	AR			2.25-2.32
	MD74 1410	AR			2.33-2.42
	MD74 1409	AR			2.43-2.50
	MD74 1408	AR			2.51-2.58
	MD74 1407	AR			2.59-2.66
	MD74 1406	AR			2.67-2.74
	MD74 1405	AR			2.75-2.82
10	MD71 8324	2			WASHER, Plain, (15.3)
11	MD73 3338	1			GEAR SET, Center Differential
12	MD72 7552	8			BOLT, Flange, (10x19.5)
13					SNAP RING, Power Train, Selective
	MD72 7650	AR			1.3
	MD72 0686	AR			1.4
	MD72 0687	AR			1.5
	MD72 0688	AR			1.6
	MD72 0689	AR			1.7
	MD72 0690	AR			1.8
	MD72 7651	AR			1.9
14	MD72 7860	1			BEARING, Center Differential Case
15					CASE, Center Differential
	MD73 0380	1			Up To 8-3-90
	MD73 8735	1			After 8-3-90
	MD74 1919	1			1993-94
16					SPACER, Differential Gear, Selective
	MD72 4974	AR			0.59-0.66
	MD72 4950	AR			0.67-0.74
	MD72 0680	AR			0.75-0.82
	MD72 0679	AR			0.83-0.92
	MD72 0677	AR			0.84-0.91

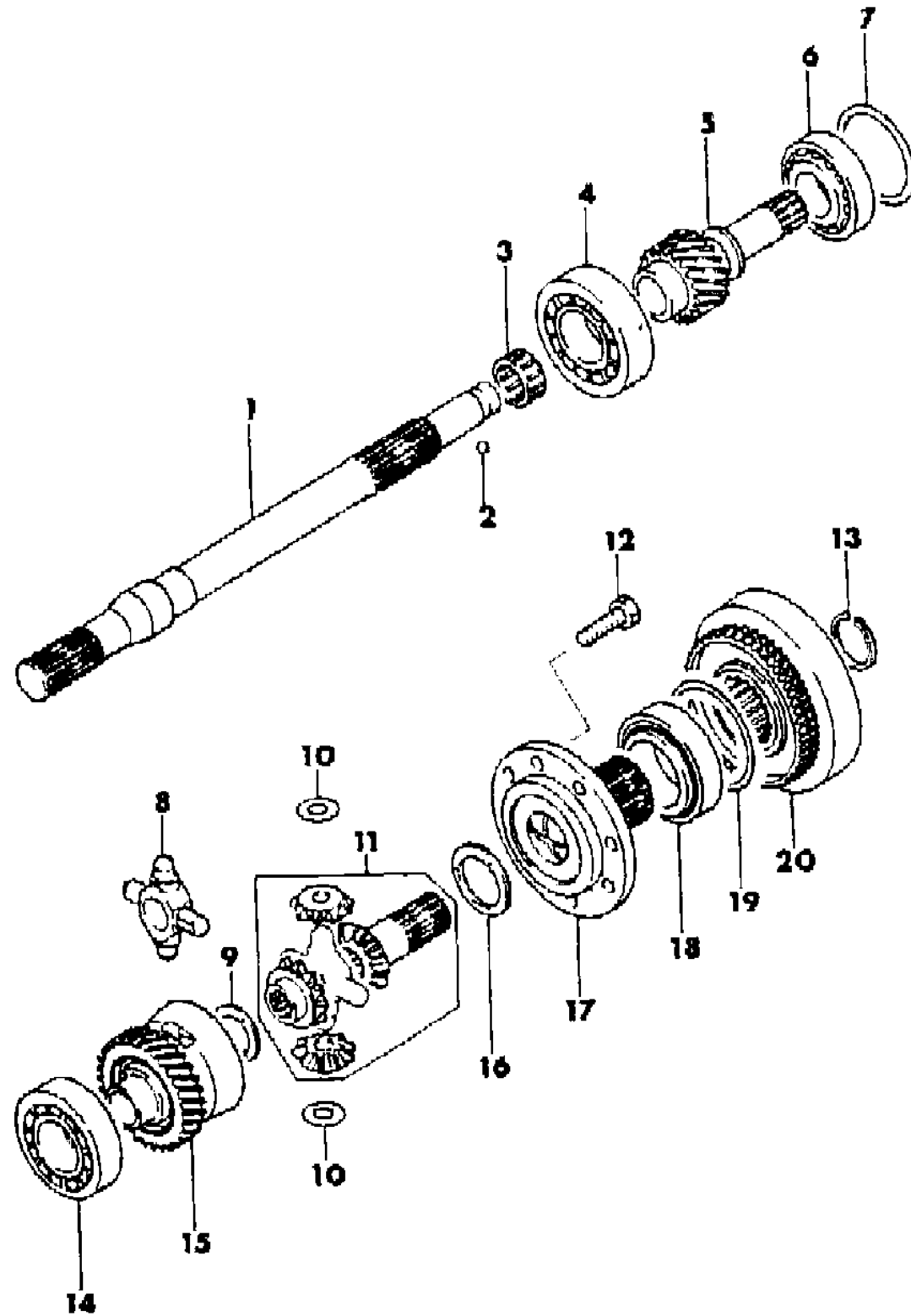
ENGINE: P = 1800cc (1.8L) A = 2000cc (2.0L) Blank = All  
 TRANS: A = Automatic M = Manual Blank = All  
 SERIES: H = High M = Medium P = Premium S = Special

MODELS:  
 24 FWD = 2Dr Hatchback (Laser)  
 24 FWD = 2-Dr Hatchback (Talon)  
 4WD = (4 Wheel Drive)  
 2WD = (2 Wheel Drive)

AR = Use as Required - = Non Illustrated Part P.A.R. = Paint as Required

**SHAFT AND CENTER DIFFERENTIAL 5 SPEED, W/AWD LASER-TALON**  
**Figure 21M-1100**

9621 1200



ITEM	PART NUMBER	QTY	BODY	MODEL	DESCRIPTION
	MD72 0678	AR			0.93-1.00
	MD72 0676	AR			1.01-1.08
	MD72 4949	AR			1.17-1.24
17	MD72 7551	1			GEAR, Center Differential Output
18	MD72 0623	1			BEARING, Center Diff. Case
19					SPACER, Power Train, Selective
	MD73 6928	AR			1.13
	MD73 6929	AR			1.16
	MD73 6751	AR			1.19
	MD73 6931	AR			1.22
	MD72 6166	AR			1.25
	MD71 8517	AR			1.28
	MD71 8518	AR			1.31
	MD71 8519	AR			1.34
	MD71 8520	AR			1.37
	MD71 8521	AR			1.40
	MD71 8522	AR			1.43
	MD71 8523	AR			1.46
	MD71 8524	AR			1.49
	MD71 8525	AR			1.52
	MD71 8526	AR			1.55
	MD71 8527	AR			1.58
	MD71 8528	AR			1.61
	MD71 8529	AR			1.64
	MD71 8530	AR			1.67
	MD71 8531	AR			1.70
	MD72 1959	AR			1.73
	MD72 1960	AR			1.76
	MD72 1961	AR			1.79
20	MD72 8248	1			COUPLING, Center Differential, Viscous ***

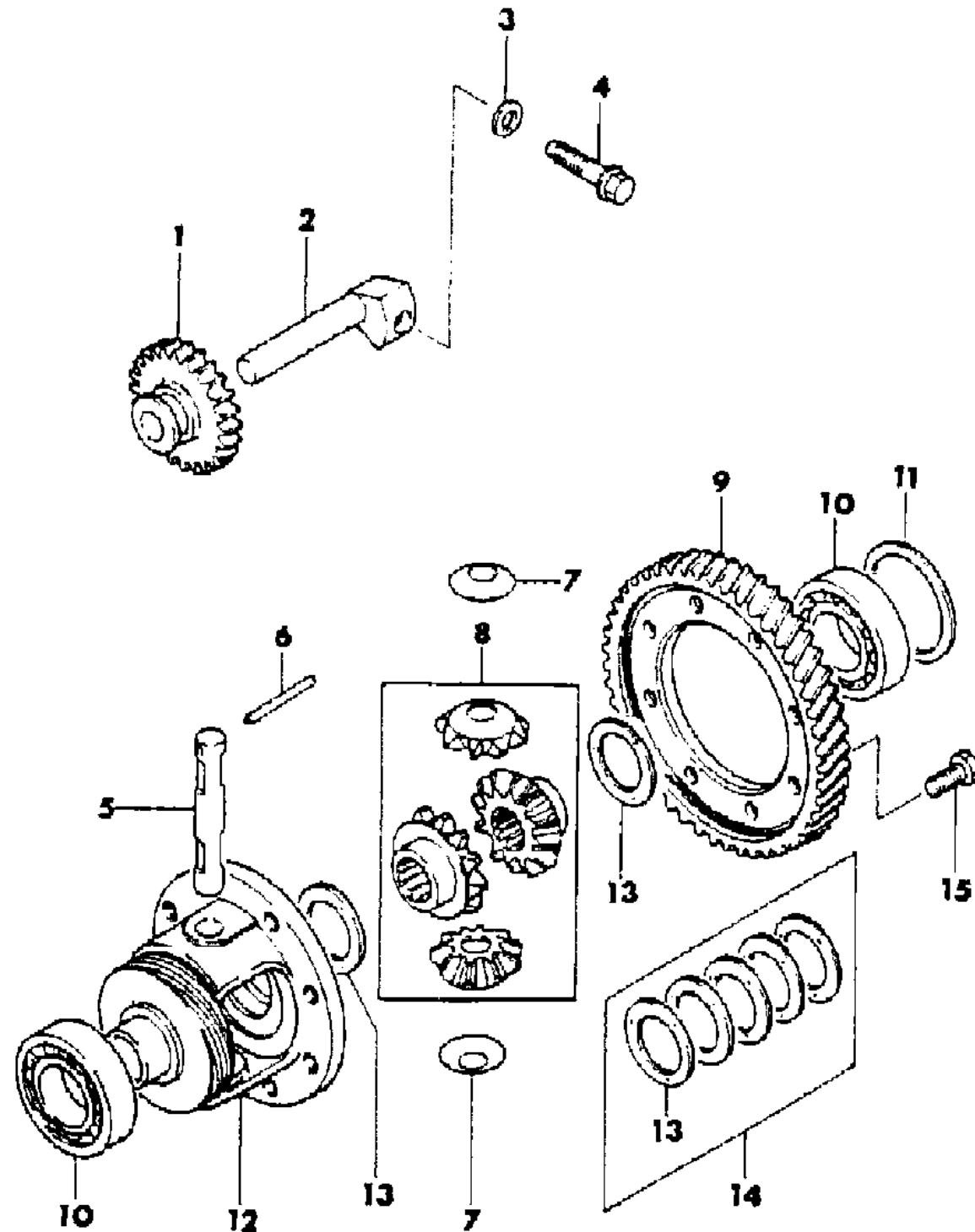
ENGINE: P = 1800cc (1.8L) A = 2000cc (2.0L) Blank = All  
 TRANS: A = Automatic M = Manual Blank = All  
 SERIES: H = High M = Medium P = Premium S = Special

MODELS:  
 24 FWD = 2Dr Hatchback (Laser)  
 24 FWD = 2-Dr Hatchback (Talon)  
 4WD = (4 Wheel Drive)  
 2WD = (2 Wheel Drive)

AR = Use as Required - = Non Illustrated Part P.A.R. = Paint as Required

**DIFFERENTIAL 5 SPEED, W/AWD LASER-TALON**  
**Figure 21M-1300**

**9621 1300**



ITEM	PART NUMBER	QTY	BODY	MODEL	DESCRIPTION
1					GEAR, Reverse Idler
	MD73 2964	1			1990-93, (26T)
	MD74 5395	1			1994, (26T)
2					SHAFT, Reverse Idler Gear
	MD71 7851	1			1990-93
	MD74 4091	1			1994
3	MD72 0603	1			GASKET, Aluminum, (10)
4	MD71 7852	1			BOLT, (10x46)
5					SHAFT, Differential Pinion
	MB09 2834	1			1990-92
	MB00 1106	1			1993-94
6	MD70 6557	1			PIN, Dowel, (5x50)
7	MA14 5188	2			WASHER, Spring, (17.3)
8	MD72 2127	1			GEAR SET, Differential
9					GEAR, Differential Drive
	MD72 6425	1			1990-92, (58T)
	MD74 2533	1			1993-94, (58T)
10	MD70 6566	2			BEARING, Ball
11					SPACER, Differential, Selective
	MD72 7658	AR			0.56
	MD72 7659	AR			0.65
	MD72 7660	AR			0.74
	MD72 0937	AR			0.83
	MD72 0940	AR			0.92
	MD72 0943	AR			1.01
	MD71 0454	AR			1.10
	MD71 0456	AR			1.19
	MD71 0458	AR			1.28
	MD71 0460	AR			1.37
12	MD71 9462	1			CASE, Differential
13					SPACER, Selective (Served in Item #14)
		AR			T=0.75 - 0.82
		AR			T=0.83 - 0.92
		AR			T=0.93 - 1.00
		AR			T=1.01 - 1.08
		AR			T=1.09 - 1.16
14	MB18 5340	2			SPACER SET, Side Gear
15	MD04 0557	8			BOLT, (12x22.5)

ENGINE: P = 1800cc (1.8L)  
A = 2000cc (2.0L)  
Blank = All

TRANS: A = Automatic  
M = Manual  
Blank = All

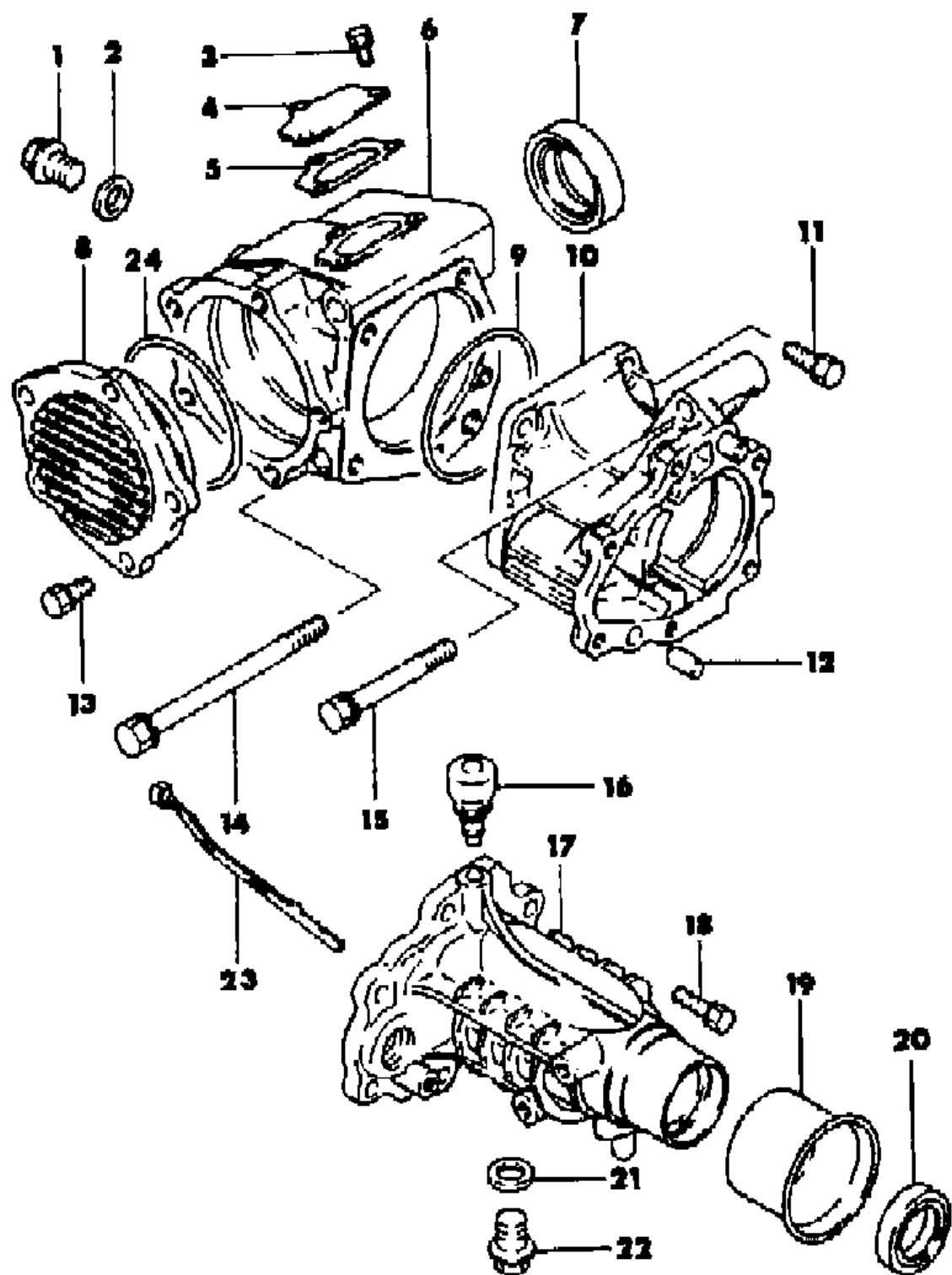
SERIES: H = High  
M = Medium  
P = Premium  
S = Special

MODELS:  
24 FWD = 2Dr Hatchback (Laser)  
24 FWD = 2-Dr Hatchback (Talon)  
4WD = (4 Wheel Drive)  
2WD = (2 Wheel Drive)

AR = Use as Required - = Non Illustrated Part P.A.R. = Paint as Required

TRANSFER HOUSING AND EXTENSION 5 SPEED, W/AWD LASER-TALON  
Figure 21M-1400

9621 1400A



ITEM	PART NUMBER	QTY	BODY	MODEL	DESCRIPTION
	MD75 8205	1			TRANSFER SUB ASSEMBLY, 1990-94 ***
1	MD70 1850	1			PLUG, (16x16)
2	MF66 0036	1			GASKET, (16)
3					BOLT
	MF24 1223	3			1990
	MD72 8060	3			1991-94
4					COVER, Case Upper
	MD72 0288	1			1990
	MD72 7884	1			1991-94
5					GASKET, Case Upper Cover
	MD72 0289	1			1990
	MD73 9240	1			1991-93
	MD75 2981	1			1994
6					CASE, Gear
	MD72 0283	1			1990
	MD73 8607	1			1991-94
7	MD72 3202	1			OIL SEAL, Main Drive Pinion
8					COVER, Case Drive Shaft Front
	MD72 5273	1			1990
	MD72 7950	1			1991-94
9	MF52 0414	1			O-RING, Gear Case Seal
10	MD72 7742	1			ADAPTER, Case To Extension Housing
11	MF24 1284	5			BOLT, (10x30)
12	MF47 2405	5			PIN, Dowel, (10x20)
13	MF24 1282	5			BOLT, (10x25)
14	MD71 8549	3			BOLT, Case, (12x130)
15	MF24 1319	2			BOLT, (12x70 7T)
16	MD72 7784	1			BREATHER, Case
17	MD73 1331	1			HOUSING, Extension
18	MF24 1255	6			BOLT, (8x25 7T)
19	MD72 4190	1			GUARD, Extension Housing Dust Seal
20	MD70 1430	1			OIL SEAL, Rear Output Shaft
21	MD00 0312	1			GASKET, (18.2)
22					PLUG, Magnet
	MB00 1265	1			1990-93
	MB00 1293	1			1994
23	MD72 8666	1			GUIDE, Oil Chain Case
24	MD72 7944	1			O-RING, Front Case Drive Shaft Cover

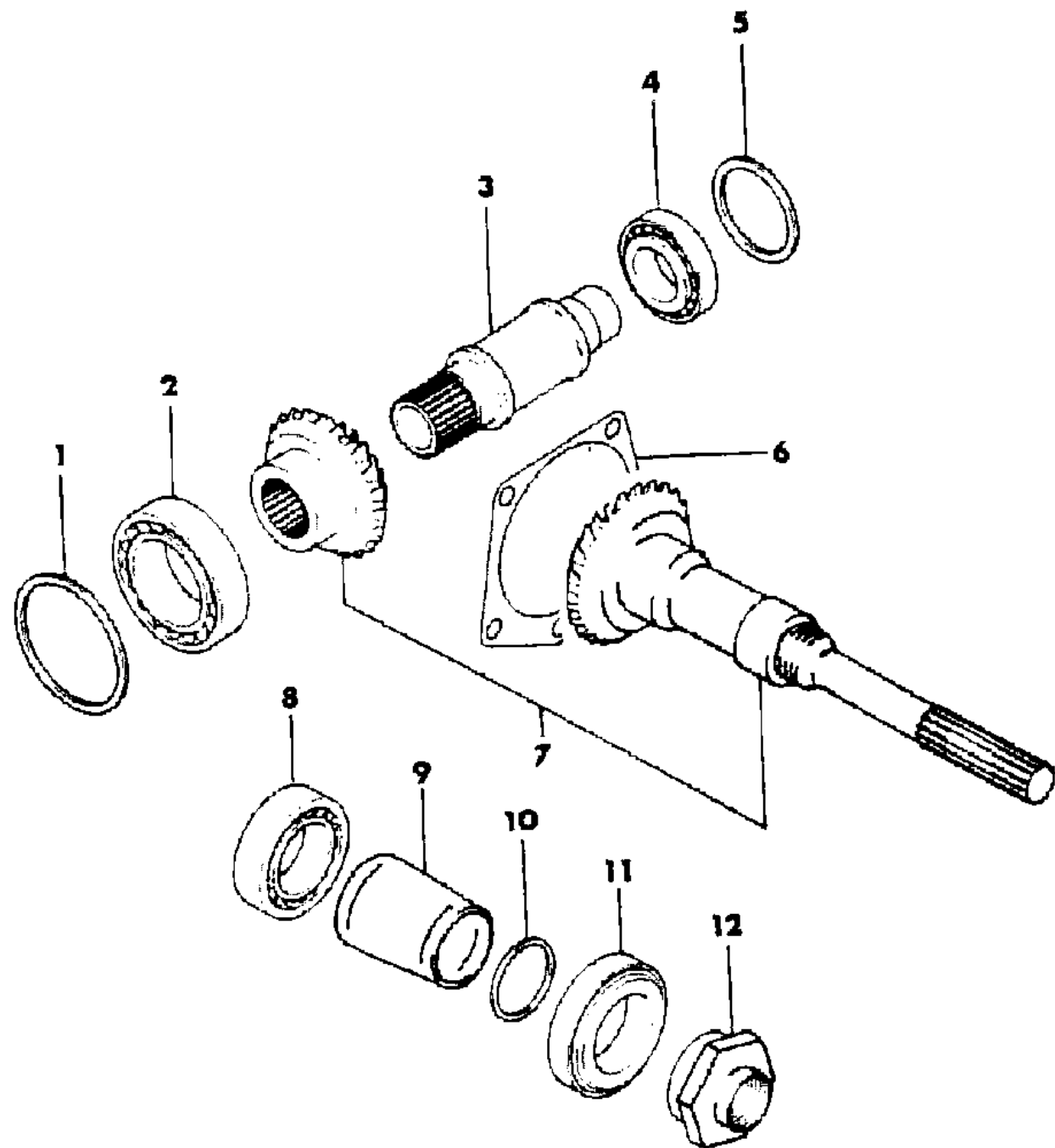
ENGINE: P = 1800cc (1.8L) A = 2000cc (2.0L) Blank = All  
 TRANS: A = Automatic M = Manual Blank = All  
 SERIES: H = High M = Medium P = Premium S = Special

MODELS:  
 24 FWD = 2Dr Hatchback (Laser)  
 24 FWD = 2-Dr Hatchback (Talon)  
 4WD = (4 Wheel Drive)  
 2WD = (2 Wheel Drive)

AR = Use as Required - = Non Illustrated Part P.A.R. = Paint as Required

**TRANSFER GEAR AND SHAFT MANUAL TRANSAXLE, 5 SPEED LASER - TALON, 4WD**  
**Figure 21M-1500**

**9621 1500**



ITEM	PART NUMBER	QTY	BODY	MODEL	DESCRIPTION
1					SPACER, Selective
	MD72 3600	AR			1.34
	MD72 3601	AR			1.37
	MD72 3602	AR			1.40
	MD72 3603	AR			1.43
	MD72 3604	AR			1.46
	MD72 3605	AR			1.49
	MD72 3606	AR			1.52
	MD72 3607	AR			1.55
	MD72 3608	AR			1.58
	MD72 3609	AR			1.61
	MD72 6170	AR			1.64
	MD72 6171	AR			1.67
	MD75 6760	AR			1.70
	MD75 6761	AR			1.73
	MD75 6762	AR			1.76
	MD75 6763	AR			1.79
	MD75 6764	AR			1.82
2	MD72 3636	1			BEARING, Drive Gear, Front
3					SHAFT, Drive Gear
	MD72 6967	1			Up To 6-1-90
	MD74 1189	1			After 6-1-90
4	MD71 7511	1			BEARING, Front Output Shaft, Rear
5					SPACER, Selective
	MD75 6755	AR			T=1.13
	MD75 6756	AR			T=1.16
	MD75 6757	AR			T=1.19
	MD75 6758	AR			T=1.22
	MD75 6759	AR			T=1.25
	MD72 6167	AR			T=1.28
	MD72 6168	AR			T=1.31
	MD72 6169	AR			T=1.34
	MD72 4326	AR			T=1.37
	MD72 4327	AR			T=1.40
	MD72 4328	AR			T=1.43
	MD72 4329	AR			T=1.46
	MD72 4330	AR			T=1.49
	MD72 4331	AR			T=1.52
	MD72 4332	AR			T=1.55

ENGINE: P = 1800cc (1.8L) A = 2000cc (2.0L) Blank = All  
 TRANS: A = Automatic M = Manual Blank = All  
 SERIES: H = High M = Medium P = Premium S = Special

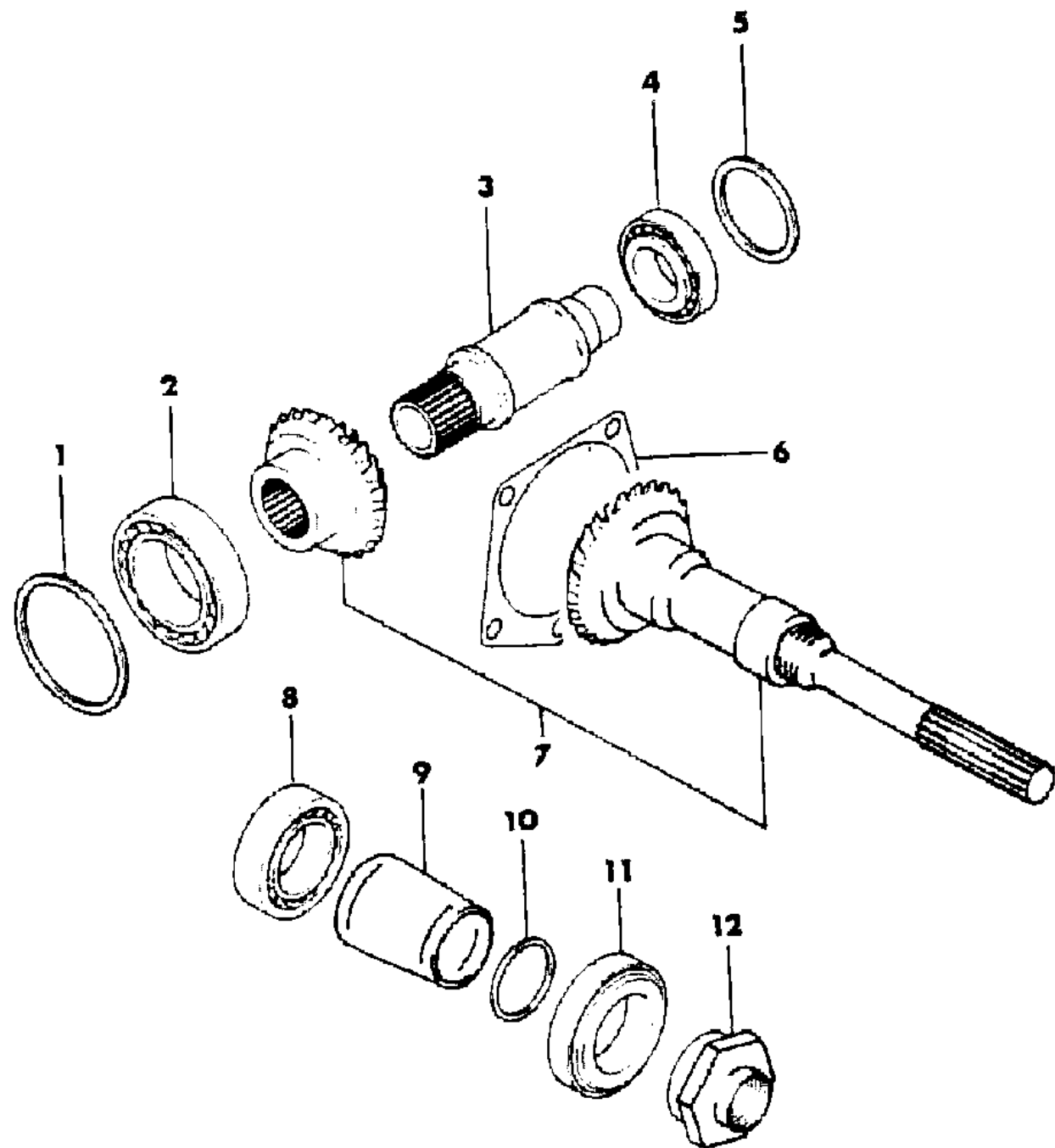
MODELS:  
 24 FWD = 2Dr Hatchback (Laser)  
 24 FWD = 2-Dr Hatchback (Talon)  
 4WD = (4 Wheel Drive)  
 2WD = (2 Wheel Drive)

AR = Use as Required - = Non Illustrated Part P.A.R. = Paint as Required



**TRANSFER GEAR AND SHAFT MANUAL TRANSAXLE, 5 SPEED LASER - TALON, 4WD**  
**Figure 21M-1500**

**9621 1500**



ITEM	PART NUMBER	QTY	BODY	MODEL	DESCRIPTION
	MD72 4333	AR			T=1.58
	MD72 4334	AR			T=1.61
	MD72 4335	AR			T=1.64
	MD72 4336	AR			T=1.67
	MD72 4337	AR			T=1.70
	MD72 4338	AR			T=1.73
	MD72 4339	AR			T=1.76
	MD72 4340	AR			T=1.79
	MD72 4341	AR			T=1.82
	MD72 4342	AR			T=1.85
6					SPACER, Selective
	MD72 0353	AR			0.13
	MD72 0354	AR			0.16
	MD72 0355	AR			0.19
	MD72 0356	AR			0.22
	MD72 0357	AR			0.25
	MD72 0358	AR			0.28
	MD72 0359	AR			0.31
	MD72 0360	AR			0.34
	MD72 0361	AR			0.37
	MD72 0362	AR			0.40
	MD72 0363	AR			0.43
	MD72 0364	AR			0.46
	MD72 0365	AR			0.49
	MD72 0366	AR			0.52
7					GEAR SET, Bevel
	MD72 8246	1			1990
	MD73 9870	1			1991-94
8	MD71 8322	1			BEARING, Driven Gear
9	MD72 7123	1			COLLAR, Driven Gear
10					SPACER, Selective
	MD72 6172	AR			1.19
	MD72 2081	AR			1.22
	MD72 2082	AR			1.25
	MD72 2083	AR			1.28
	MD72 2084	AR			1.31
	MD72 2085	AR			1.34
	MD72 2086	AR			1.37
	MD72 2087	AR			1.40

ENGINE: P = 1800cc (1.8L)  
A = 2000cc (2.0L)  
Blank = All

TRANS: A = Automatic  
M = Manual  
Blank = All

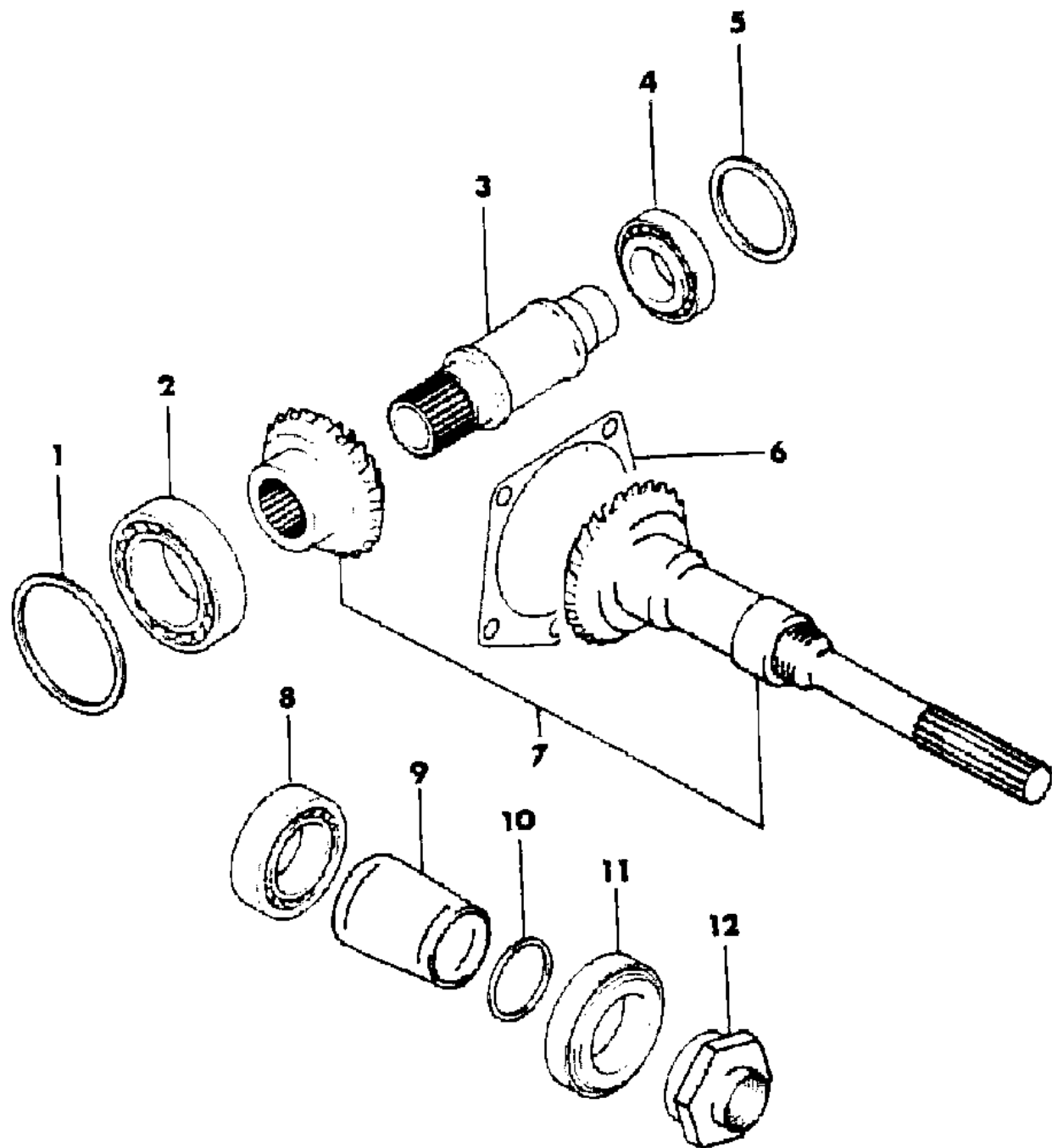
SERIES: H = High  
M = Medium  
P = Premium  
S = Special

MODELS:  
24 FWD = 2Dr Hatchback (Laser)  
24 FWD = 2-Dr Hatchback (Talon)  
4WD = (4 Wheel Drive)  
2WD = (2 Wheel Drive)

AR = Use as Required - = Non Illustrated Part P.A.R. = Paint as Required

TRANSFER GEAR AND SHAFT MANUAL TRANSAXLE, 5 SPEED LASER - TALON, 4WD  
Figure 21M-1500

9621 1500



ITEM	PART NUMBER	QTY	BODY	MODEL	DESCRIPTION
	MD72 2088	AR			1.43
	MD72 2089	AR			1.46
	MD72 2090	AR			1.49
	MD72 2091	AR			1.52
	MD72 2092	AR			1.55
	MD72 2093	AR			1.58
	MD72 2094	AR			1.61
	MD72 2095	AR			1.64
	MD72 2096	AR			1.67
	MD72 2097	AR			1.70
	MD72 2098	AR			1.73
	MD72 2099	AR			1.76
	MD72 2100	AR			1.79
	MD72 2101	AR			1.82
	MD72 2102	AR			1.85
	MD72 2103	AR			1.88
	MD72 2104	AR			1.91
	MD72 2105	AR			1.94
11	MD71 8323	1			BEARING, Driven Gear, Rear
12	MD72 8449	1			NUT, Rear Output Shaft Lock 1990-92
	MD74 3421	1			1993-94

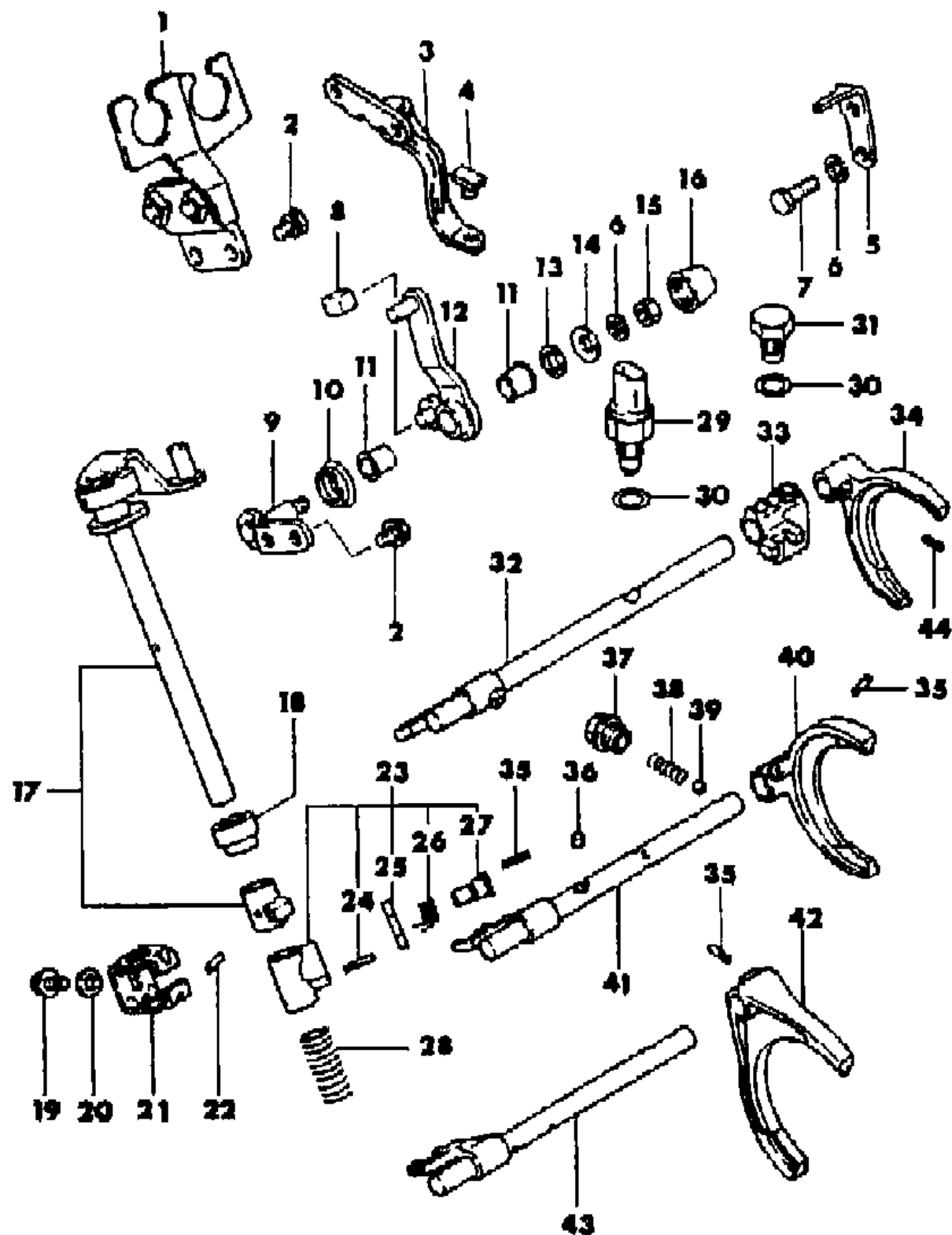
ENGINE: P = 1800cc (1.8L) A = 2000cc (2.0L) Blank = All  
 TRANS: A = Automatic M = Manual Blank = All  
 SERIES: H = High M = Medium P = Premium S = Special

MODELS:  
 24 FWD = 2Dr Hatchback (Laser)  
 24 FWD = 2-Dr Hatchback (Talon)  
 4WD = (4 Wheel Drive)  
 2WD = (2 Wheel Drive)

AR = Use as Required - = Non Illustrated Part P.A.R. = Paint as Required

CONTROL, SHIFT 5 SPEED, W/AWD LASER-TALON  
Figure 21M-1600

9621 1600 A



ITEM	PART NUMBER	QTY	BODY	MODEL	DESCRIPTION
1					BRACKET, Cable
	MD73 0758	1			1990
	MD73 8207	1			1991, Up To 7-1-91
	MD73 5585	1			After 7-1-91
2	MF24 1252	4			BOLT, w/Washer, (8x18)
3					LEVER, Reverse
	MD73 5918	1			Up To 7-1-91
	MD73 9799	1			After 7-1-91
4	MD73 5927	1			SHOE, Reverse Shift Lever
5	MD71 7881	1			BRACKET
6	MF45 0405	3			WASHER, Spring, (8)
7	MD71 7883	1			BOLT, (8x22.5)
8	MD71 2919	1			SHOE, Select Lever
9	MD71 9188	1			SHAFT, Select Lever
10	MD72 3339	1			DUST COVER ***
11	MD71 9165	2			BUSHING
12					LEVER, Select Shaft
	MD71 9962	1			Up To 7-1-91
	MD72 9750	1			After 7-1-91
13	MD71 3416	1			WASHER, Plain, (19.5)
14	MF45 0154	1			WASHER, Plain, (8)
15	MF43 0005	1			NUT, (8)
16	MD71 3757	1			DUST COVER ***
17					SHAFT PACKAGE, Gearshift Control
	MD72 3865	1			1990
	MD73 5587	1			1991, Up To 7-1-91
	MD73 8539	1			After 7-1-91
18	MD71 7899	1			SPRING, Shift Neutral Return
19	MD71 7876	1			BOLT, Flange, (8x15.2)
20	MD72 0602	1			GASKET, Aluminum, (8)
21					PLATE, Interlock
	MD72 8574	1			1990
	MD74 0179	1			1991-94
22	MD70 5490	1			PIN, (5x22)
23	MD72 0248	1			STOPPER KIT, Shaft ***
24	MF47 2535	1			SPRING PIN, (3x14)
25	MD71 7882	1			PLATE, Shaft Stopper
26	MD71 7907	1			SPRING, Adjusting Arm
27	MD71 7864	1			PIN

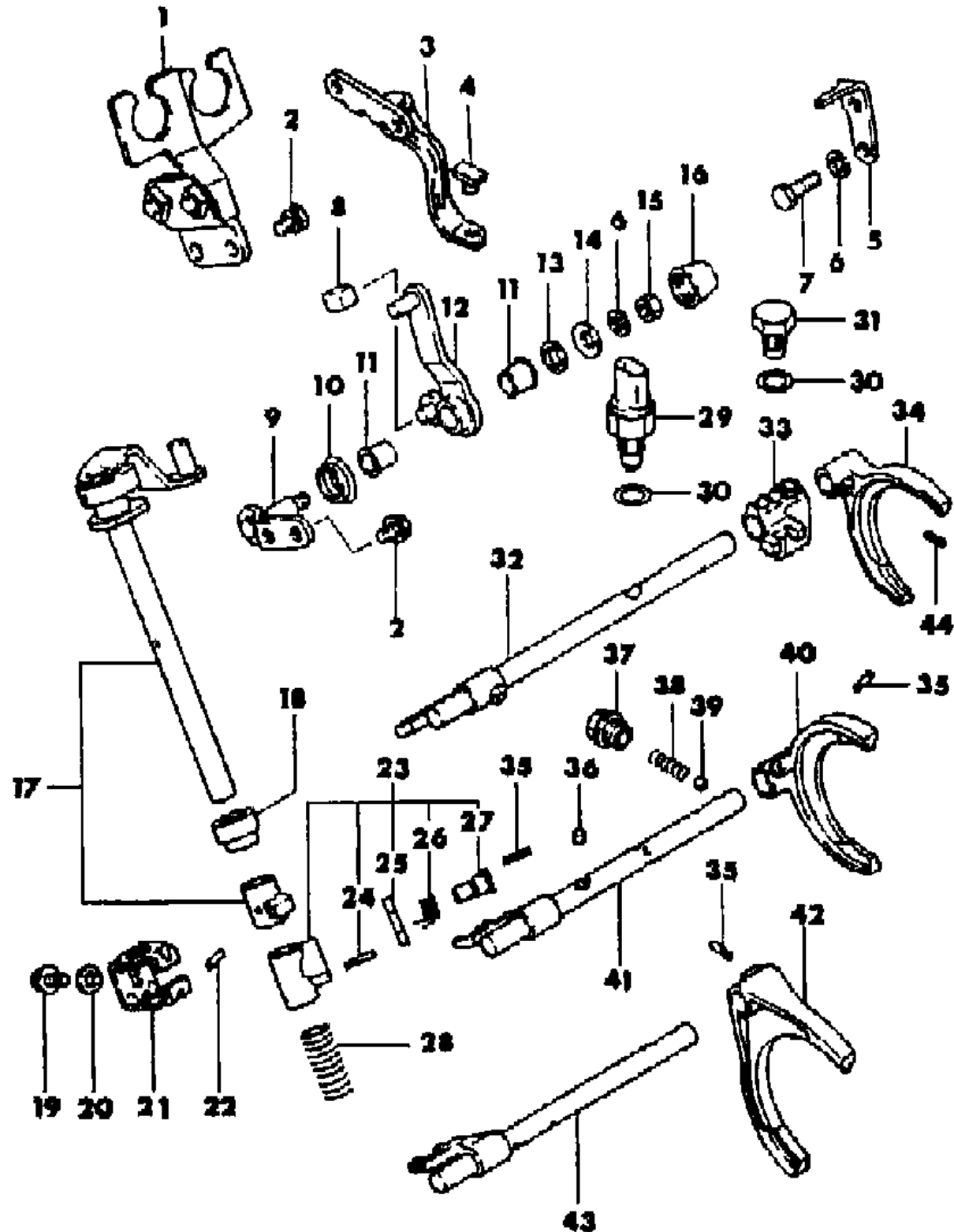
ENGINE: P = 1800cc (1.8L) A = 2000cc (2.0L) Blank = All  
 TRANS: A = Automatic M = Manual Blank = All  
 SERIES: H = High M = Medium P = Premium S = Special

MODELS:  
 24 FWD = 2Dr Hatchback (Laser)  
 24 FWD = 2-Dr Hatchback (Talon)  
 4WD = (4 Wheel Drive)  
 2WD = (2 Wheel Drive)

AR = Use as Required - = Non Illustrated Part P.A.R. = Paint as Required

CONTROL, SHIFT 5 SPEED, W/AWD LASER-TALON  
Figure 21M-1600

9621 1600 A



ITEM	PART NUMBER	QTY	BODY	MODEL	DESCRIPTION
28	MD71 8370	1			SPRING, Neutral Return
29	MD73 0979	1			SWITCH, Back-up Lamp
30	MF66 0035	2			GASKET, (14)
31	MD73 4488	1			BALL UNIT, Shaft ***
32					RAIL, Gearshift 5th and Reverse
	MD73 4650	1			1990-92
	MD73 9797	1			1993-94
33					LUG, Gearshift Reverse Shift Rail
	MD72 0894	1			1990-92
	MD73 6074	1			1993-94
34					FORK, Gearshift 5th Speed
	MD73 5237	1			1990-92
	MD74 1187	1			1993-94
35	MD70 1722	3			PIN, Spring, (5.2x26)
36	MD72 0908	1			PLUNGER, Rail Interlock
37	MD72 3985	3			BOLT, Flange, (14x8)
38					SPRING, Shift Control
	MD72 3617	3			1990-92
	MD74 1337	3			1993-94
39	MF54 0011	3			BALL, Steel, (11/32")
40					FORK, Gearshift 3rd & 4th
	MD72 0342	1			1990-92
	MD74 1558	1			1993
	MD74 4932	1			1994
41					RAIL, Gearshift 3rd and 4th
	MD73 4648	1			1990-92
	MD73 9795	1			1993
	MD74 1155	1			1994
42	MD72 3439	1			FORK, Gearshift 1st and 2nd
43					RAIL, Gearshift 1st and 2nd
	MD72 1051	1			1990-92
	MD73 9789	1			1993-94
44	MF47 2572	1			PIN, Spring, (5x22)

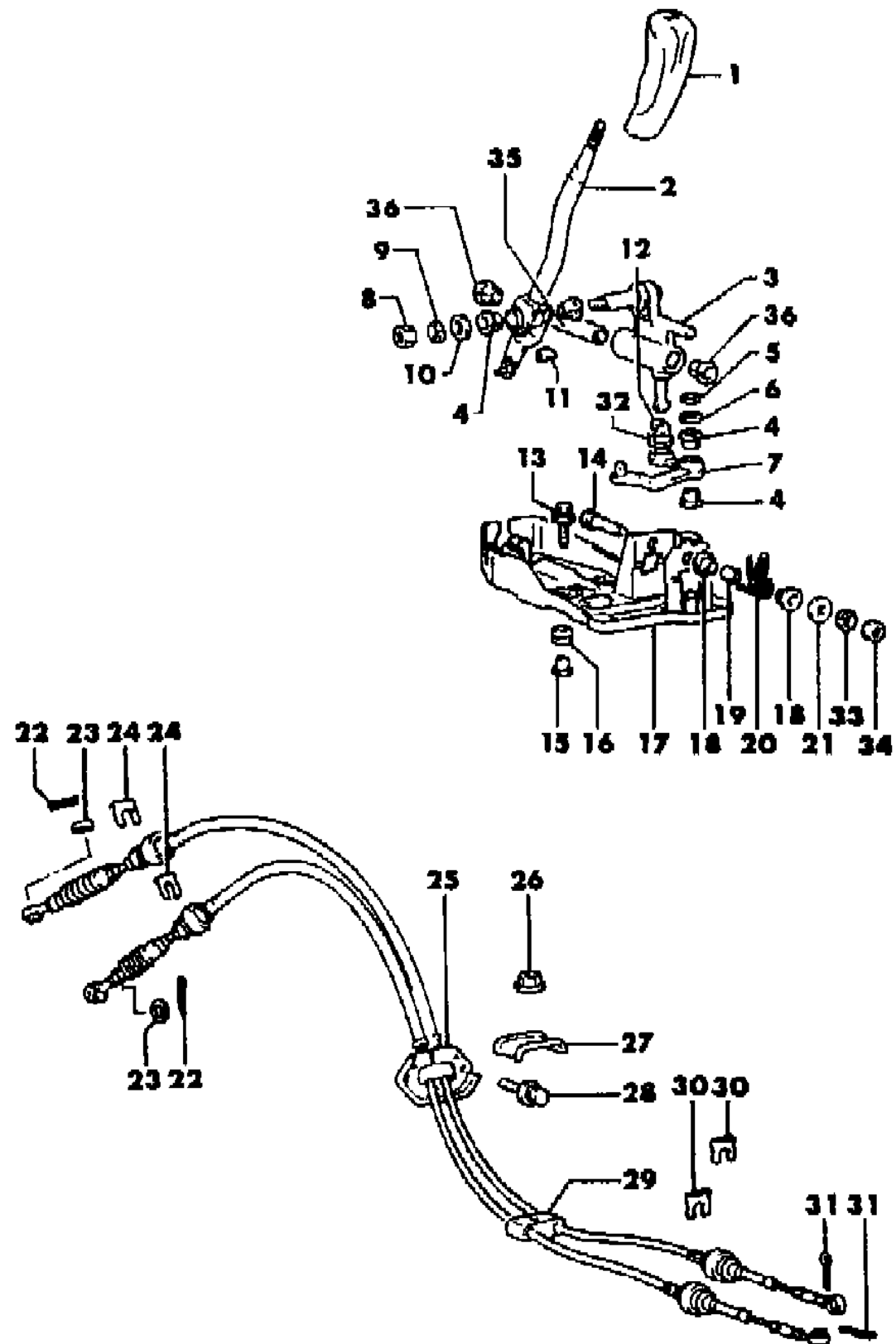
ENGINE: P = 1800cc (1.8L) A = 2000cc (2.0L) Blank = All  
 TRANS: A = Automatic M = Manual Blank = All  
 SERIES: H = High M = Medium P = Premium S = Special

MODELS:  
 24 FWD = 2Dr Hatchback (Laser)  
 24 FWD = 2-Dr Hatchback (Talon)  
 4WD = (4 Wheel Drive)  
 2WD = (2 Wheel Drive)

AR = Use as Required - = Non Illustrated Part P.A.R. = Paint as Required

**CONTROLS, GEARSHIFT 5 SPEED LASER-TALON**  
**Figure 21M-1700**

9621 1700B



ITEM	PART NUMBER	QTY	BODY	MODEL	DESCRIPTION
1					KNOB, Gearshift Lever (Black)
	MB72 2338	1			1990-92
	MB72 5361	1	FWD		w/o Turbo
	MB72 5361	1	AWD		w/Turbo
	MB96 5847	1			1993-94
	MB96 5846	1			w/o Turbo
2					LEVER, Gearshift Control
	MB48 4621	1			1990
	MB65 9831	1			1991-94
3					LEVER, Linkage, Upper
	MB58 0163	1			1990
	MB65 9290	1			1991-94
4					BUSHING, Link
	MB58 0253	6			1990-91
	MB58 0253	4			1992
	MB36 7320	4			1993-94
5	MF52 2004	1			SNAP RING, Link, (13)
6	MB18 0001	1			WASHER, Plain, (13.5)
7		1			LEVER, Linkage, Lower
	MB36 7317	1			1990
	MB65 9292	1			1991-94
8					NUT
	MU43 0002	2			1990-92, (10)
	MF43 0006	1			1993-94
9	MF45 0406	1			WASHER, Spring, (10)
10	MB36 7720	1			WASHER, Link
11					STOPPER, Control Lever
	MB48 4115	1			1990
	MB65 9302	1			1991-94
12	MB30 7949	1			BUSHING, Link
13					BOLT, Link
	MS24 0147	4			1990, (8x30)
	MS24 0421	4			1991-94
14					BOLT, Link
	MB36 7324	1			1990
	MF10 4874	1			1991-94
15					PIECE, Lever Bracket Distance

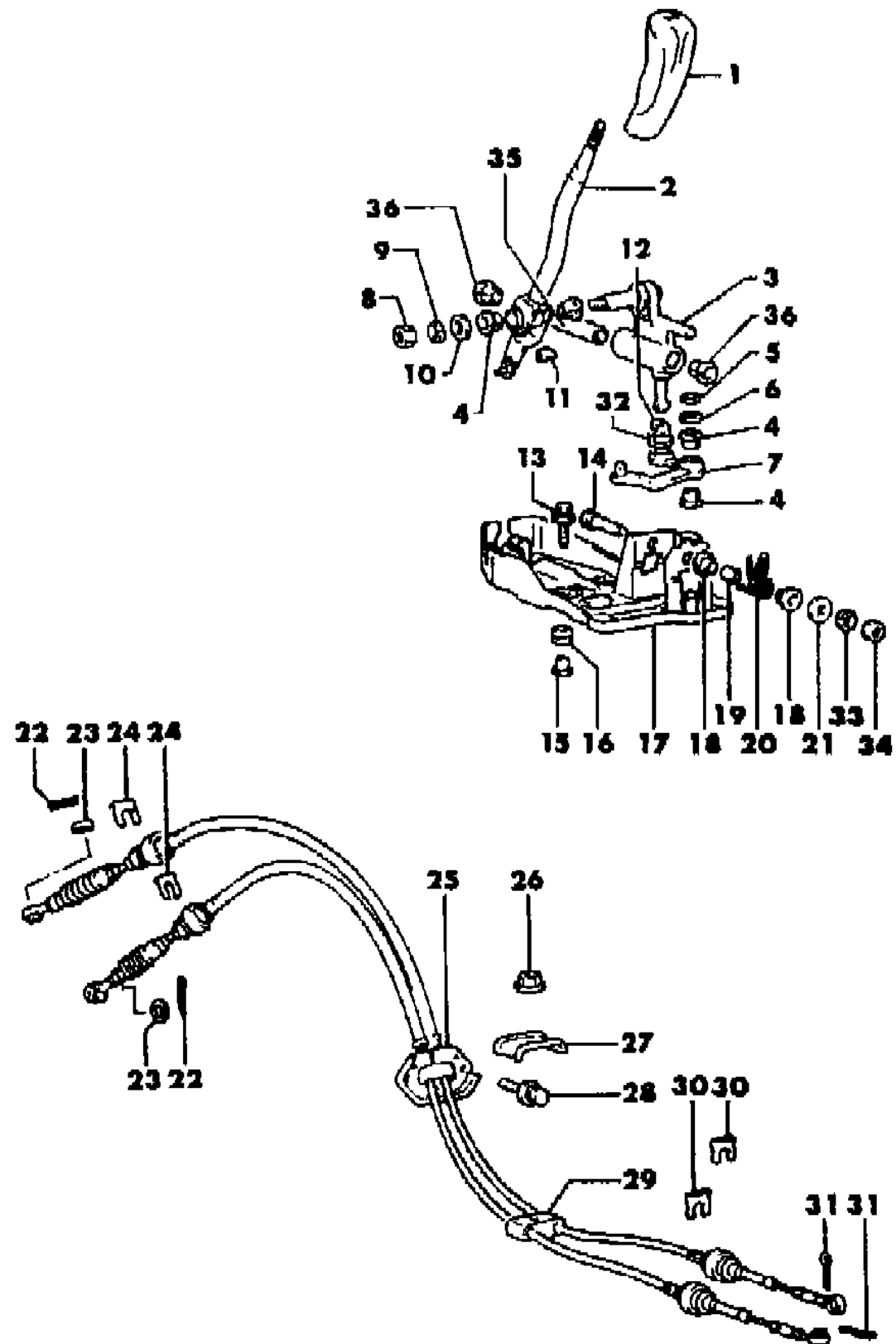
ENGINE: P = 1800cc (1.8L) A = 2000cc (2.0L) Blank = All  
 TRANS: A = Automatic M = Manual Blank = All  
 SERIES: H = High M = Medium P = Premium S = Special

MODELS:  
 24 FWD = 2Dr Hatchback (Laser)  
 24 FWD = 2-Dr Hatchback (Talon)  
 4WD = (4 Wheel Drive)  
 2WD = (2 Wheel Drive)

AR = Use as Required - = Non Illustrated Part P.A.R. = Paint as Required

**CONTROLS, GEARSHIFT 5 SPEED LASER-TALON**  
**Figure 21M-1700**

9621 1700B



ITEM	PART NUMBER	QTY	BODY	MODEL	DESCRIPTION
	MB58 0218	4			1990
	MB65 9625	4			1991-94
16	MB58 0217	4			1990
	MB65 9624	4			1991-94
17					BRACKET, Link
	MB48 4194	1			1990
	MB65 9296	1			1991-94
18	MB36 7323	2			SEAT, Lower Lever Return Spring
19					PIPE, Lever ***
	MB36 7322	1			1990
	MB65 9304	1			1991-94
20					SPRING, Link Lever
	MB36 7321	1			1990
	MB65 9300	1			1991-94
21					WASHER, Plain, Link
	MF45 0155	1			1990, (10)
	MB65 9305	1			1991-94
22	MF45 0154	2			WASHER, Link, (8)
23	MF47 2040	2			PIN, Split, Link, (2x25)
24	MB36 7526	AR			CLIP, Gearshift Cable
25					CABLE, Gearshift Control
	MB48 4624	1			1990
	MB65 9866	1			1991-94
26	MS44 0503	1			NUT, w/Washer, (8)
27	MB48 4542	1			RETAINER, Cable
28	MS24 0126	2			BOLT, w/Washer, (8x25 4T)
29	MB36 7326	1			CUSHION, Link
30	MB36 7526	AR			CLIP, Link
31					PIN, Split
	MF74 2382	2			1990-92, (2x20)
	MF47 2038	2			1993-94
32	MB65 9303	1			STOPPER, Lever
33	MF45 0405	1			WASHER, Link Spring, (8)
34	MF43 0121	1			NUT, Link Spring
35	MB65 9301	1			COLLAR, Link
36					BUSHING, Link
	MB58 0253	2			1990-92
	MB36 7320	2			1993-94

ENGINE: P = 1800cc (1.8L) A = 2000cc (2.0L) Blank = All  
 TRANS: A = Automatic M = Manual Blank = All  
 SERIES: H = High M = Medium P = Premium S = Special

MODELS:  
 24 FWD = 2Dr Hatchback (Laser)  
 24 FWD = 2-Dr Hatchback (Talon)  
 4WD = (4 Wheel Drive)  
 2WD = (2 Wheel Drive)

AR = Use as Required - = Non Illustrated Part P.A.R. = Paint as Required

---

**GROUP 21A - TRANSMISSION, AUTO.**

<b>ILLUSTRATION TITLE</b>	<b>GROUP-FIG. NO.</b>
TRANSAXLE ASSEMBLIES AUTOMATIC TRANSAXLE LASER-TALON .....	Fig. 21A-100
SEAL AND GASKET PACKAGE, REPAIR AUTOMATIC TRANSAXLE, W/O TURBO ENGINE LASER-TALON	Fig. 21A-200
SEAL AND GASKET PACKAGE, REPAIR AUTOMATIC TRANSAXLE, W/TURBO ENGINE LASER-TALON ..	Fig. 21A-250
CASE AND MISC. PARTS AUTOMATIC TRANSAXLE, W/O TURBO ENGINE LASER-TALON .....	Fig. 21A-300
CASE AND MISC. PARTS AUTOMATIC TRANSAXLE, W/TURBO ENGINE LASER-TALON .....	Fig. 21A-320
CASE AND MISC. PARTS AUTOMATIC TRANSAXLE, W/TURBO ENGINE LASER-TALON .....	Fig. 21A-340
OIL PUMP AUTOMATIC TRANSAXLE LASER-TALON .....	Fig. 21A-400
CLUTCH, FRONT, REAR AND END AUTOMATIC TRANSAXLE, W/O TURBO ENGINE LASER-TALON ....	Fig. 21A-500
CLUTCH, FRONT AUTOMATIC TRANSAXLE, W/TURBO ENGINE LASER-TALON .....	Fig. 21A-520
CLUTCH, REAR AUTOMATIC TRANSAXLE, W/TURBO ENGINE LASER-TALON .....	Fig. 21A-540
CLUTCH, END AUTOMATIC TRANSAXLE, W/TURBO ENGINE LASER-TALON .....	Fig. 21A-560
BRAKE, KICKDOWN, LOW AND REVERSE AUTOMATIC TRANSAXLE LASER-TALON .....	Fig. 21A-600
VALVE BODY AND COMPONENTS AUTOMATIC TRANSAXLE LASER-TALON .....	Fig. 21A-700
POWER TRAIN AUTOMATIC TRANSAXLE, W/O TURBO ENGINE, FWD LASER-TALON .....	Fig. 21A-800
POWER TRAIN AUTOMATIC TRANSAXLE, W/TURBO ENGINE, FWD LASER-TALON .....	Fig. 21A-820
POWER TRAIN AUTOMATIC TRANSAXLE, W/TURBO ENGINE, AWD LASER-TALON .....	Fig. 21A-840
DIFFERENTIAL AND GEARS AUTOMATIC TRANSAXLE, W/TURBO ENGINE, AWD LASER-TALON .....	Fig. 21A-860
TRANSFER HOUSING AND EXTENSION AUTOMATIC TRANSAXLE, W/TURBO ENGINE, AWD LASER- TALON .....	Fig. 21A-870
TRANSFER GEAR AND SHAFT AUTOMATIC TRANSAXLE, AWD LASER-TALON .....	Fig. 21A-880
CONTROLS, GEARSHIFT AUTOMATIC TRANSAXLE, UP TO 5-1-89 LASER .....	Fig. 21A-900
CONTROLS, GEARSHIFT AUTOMATIC TRANSAXLE, AFTER 5-1-89 LASER-TALON .....	Fig. 21A-1000

**ILLUSTRATION NOT AVAILABLE AT TIME OF PUBLICATION**

---

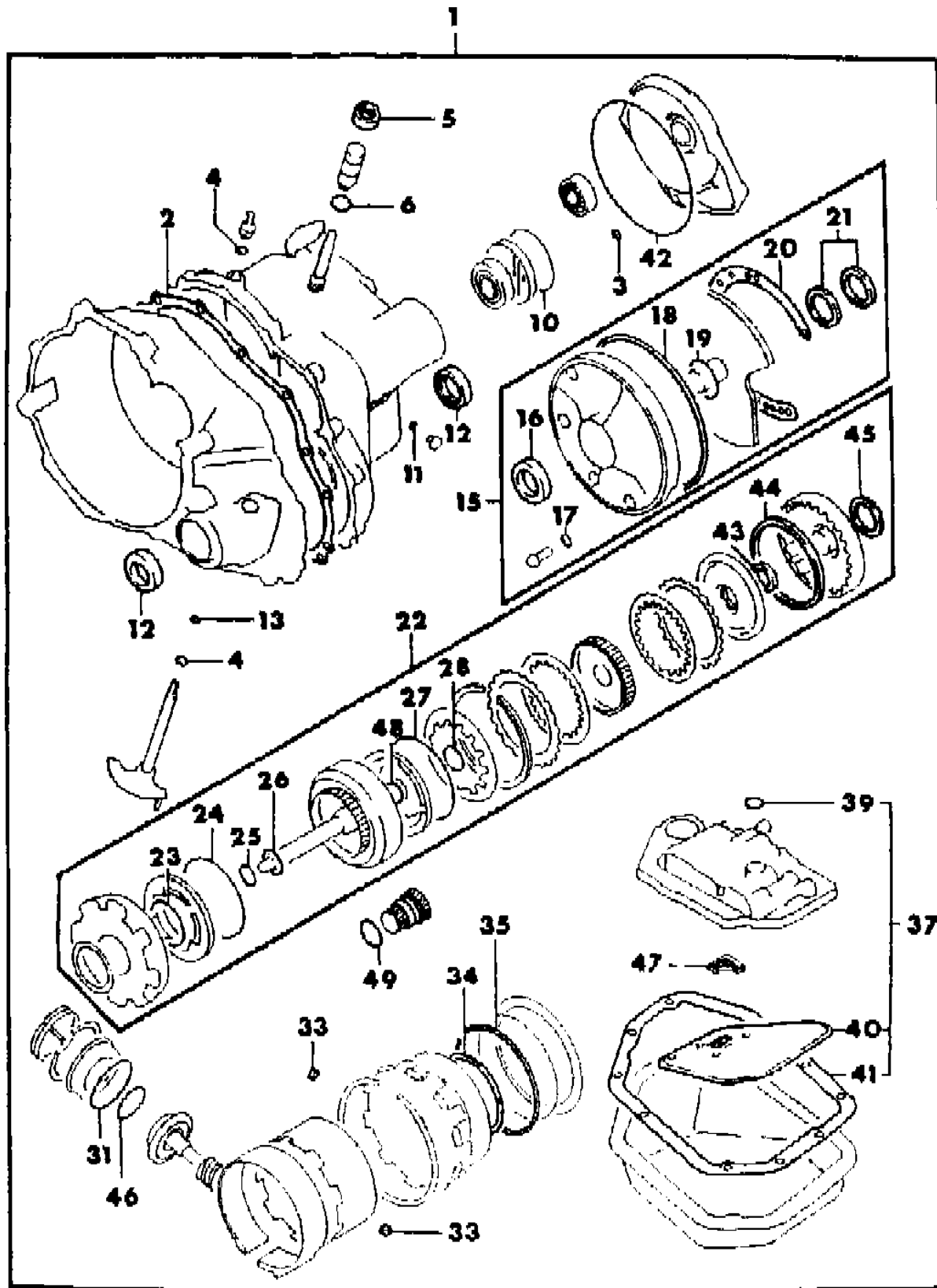




SEAL AND GASKET PACKAGE, REPAIR AUTOMATIC TRANSAXLE, W/O TURBO ENGINE LASER-TALON

Figure 21A-200

9651 200



ITEM	PART NUMBER	QTY	BODY	MODEL	DESCRIPTION
1					GASKET & SEAL PKG, Transaxle Major Repair ***
	MD99 7881	1			1990-92, w/1.8L, 2.0L Eng., (Also Order MD729729 O-Ring)
	MD97 1373	1			1993-94, w/1.8L, 2.0L Eng.
2	MD73 0804	1			GASKET, Case to Clutch Hsg.
3	MD70 7603	1			O-RING, (8)
4	MD70 7200	3			O-RING, (10)
5	MD73 0727	1			OIL SEAL, Speedo. Drive Gear
6	MD72 1865	1			O-RING, Speedo. Drive Gear, (21.7)
10	MD71 9815	1			D-RING, Cover
11	MD70 7187	9			O-RING, (6)
12	MD70 7184	2			OIL SEAL, F/Axle Diff. Case
13	MD72 6966	1			O-RING
15	MD99 7846	1			OIL PUMP PKG, Repair ***
16	MD70 7575	1			OIL SEAL, Oil Pump Body
17	MD70 7653	6			WASHER, Seal
18	MD70 7636	1			O-RING, (200)
19	MD72 9928	1			OIL SEAL, Oil Pump Support
20	MD72 2385	1			GASKET, Oil Pump
21	MD71 3991	2			SEAL RING, Oil Pump
22	MD99 7866	1			CLUTCH PKG, Repair, Frt. & Rr. and End Clutch ***
23	MD72 2577	1			D-RING
24	MD70 7282	1			D-RING, (109)
25	MD72 2551	1			SEAL RING, Input Shaft, Front
26	MD72 2639	1			SEAL RING
27	MD70 7247	1			D-RING, (114)
28	MD72 2586	1			D-RING
31	MD72 2769	1			O-RING, (72)
	MD72 2770	1			O-RING
33	MD72 7455	2			GASKET, Low and Rev. Brake Support
34	MD72 6483	1			D-RING
35	MD72 6482	1			D-RING
37					VALVE BODY PKG, Repair ***
	MD99 7760	1			1990-91
	MD97 1372	1			1992-93, w/1.8L Eng.
	MD99 7760	1			1992-93, w/2.0L Eng.
	MD97 1372	1			1994
39	MD70 7752	1			O-RING, (13)
40					OIL FILTER, Valve Body ***
	MD72 9954	1			1990-92

ENGINE:  
 P = 1800cc (1.8L)  
 A = 2000cc (2.0L)  
 Blank = All

TRANS:  
 A = Automatic  
 M = Manual  
 Blank = All

SERIES:  
 H = High  
 M = Medium  
 P = Premium  
 S = Special

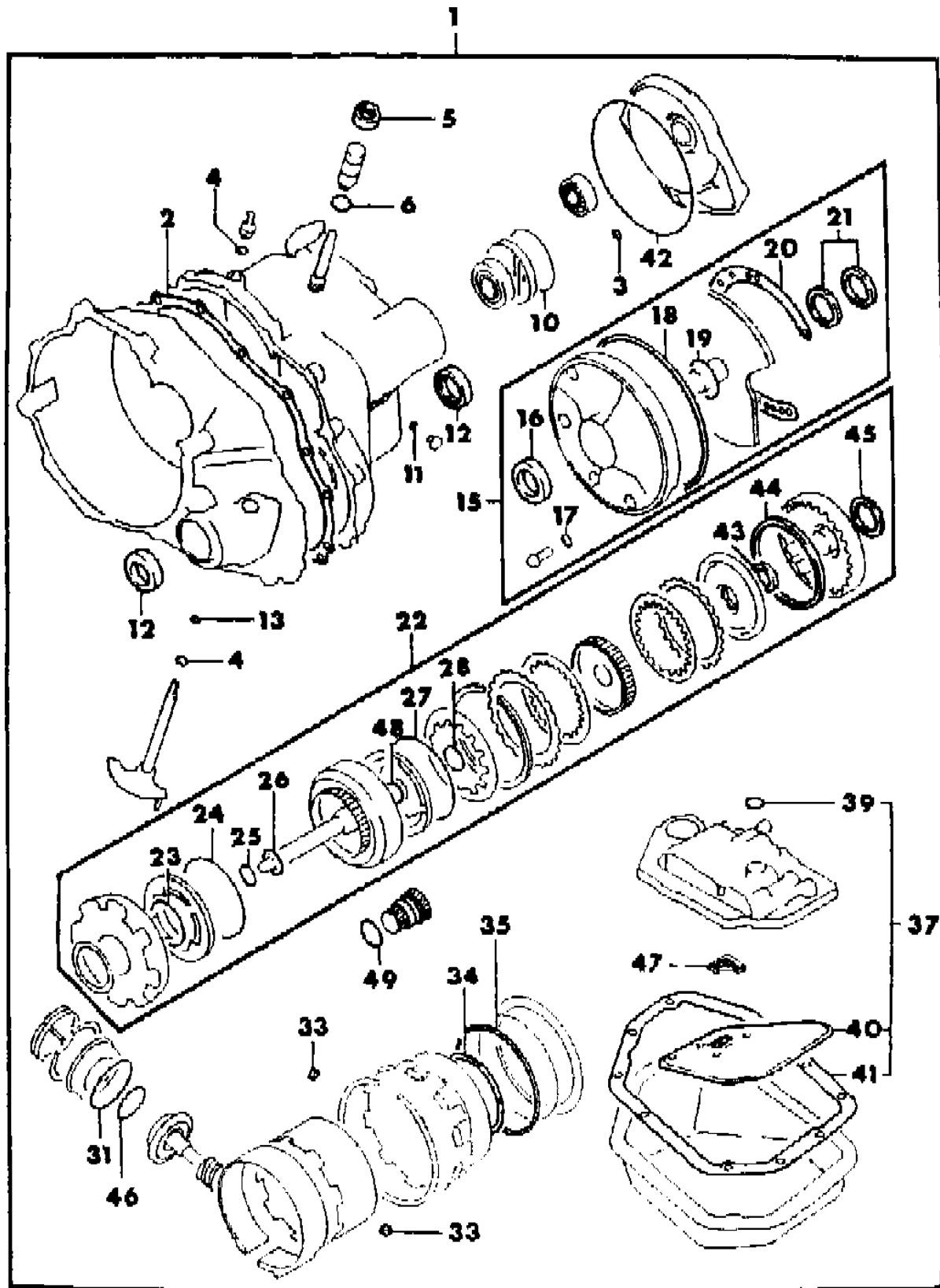
MODELS:  
 24 FWD = 2Dr Hatchback (Laser)  
 24 FWD = 2-Dr Hatchback (Talon)  
 4WD = (4 Wheel Drive)  
 2WD = (2 Wheel Drive)

AR = Use as Required - = Non Illustrated Part P.A.R. = Paint as Required

SEAL AND GASKET PACKAGE, REPAIR AUTOMATIC TRANSAXLE, W/O TURBO ENGINE LASER-TALON

Figure 21A-200

9651 200



ITEM	PART NUMBER	QTY	BODY	MODEL	DESCRIPTION
	MD73 5572	1			1993-94
41	MD70 7183	1			GASKET, Oil Pan
42					O-RING
	MD72 8040	1			Up To 8-1-88
	MD72 9729	1			After 8-1-88
43	MD71 1884	1			D-RING, (29)
44	MD71 1883	1			OIL SEAL, End Clutch
45	MD71 1875	1			SEAL RING
46	MD72 2771	1			D-RING
47	MD71 4223	1			FILTER, Oil
48	MD72 2651	1			D-RING
49	MD72 2278	1			SEAL RING, Power Train, w/2.0L Eng.

ENGINE: P = 1800cc (1.8L) A = 2000cc (2.0L) Blank = All  
 TRANS: A = Automatic M = Manual Blank = All  
 SERIES: H = High M = Medium P = Premium S = Special

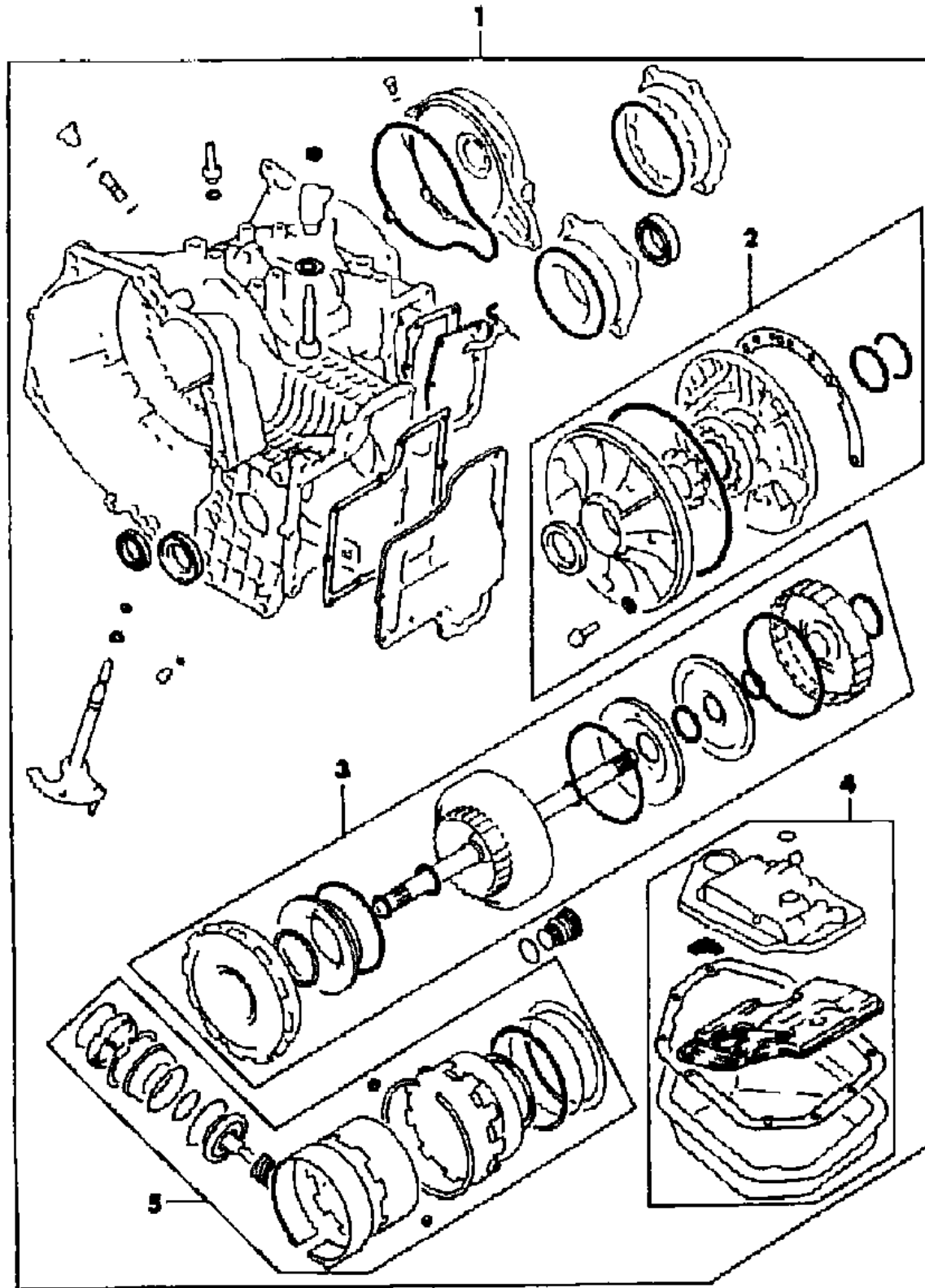
MODELS:  
 24 FWD = 2Dr Hatchback (Laser)  
 24 FWD = 2-Dr Hatchback (Talon)  
 4WD = (4 Wheel Drive)  
 2WD = (2 Wheel Drive)

AR = Use as Required - = Non Illustrated Part P.A.R. = Paint as Required

SEAL AND GASKET PACKAGE, REPAIR AUTOMATIC TRANSAXLE, W/TURBO ENGINE LASER-TALON

Figure 21A-250

9651 250



ITEM	PART NUMBER	QTY	BODY	MODEL	DESCRIPTION
1					GASKET and SEAL PKG, Transaxle Major Repair ***
	MD99 7965	1	FWD		1990-92
	MD97 1613	1	FWD		1993-94
	MD99 7962	1	AWD		1991-94
2	MD99 7955	1			OIL PUMP PKG, Repair ***
3	MD99 7964	1			CLUTCH PKG, Repair, Frt. & Rr. and End Clutch ***
4					VALVE BODY PKG, Repair ***
	MD99 7956	1			1990-92
	MD99 7987	1	FWD		1993-94
	MD99 7956	1	AWD		1993-94
5	MD99 7951	1			BRAKE PKG, Repair ***

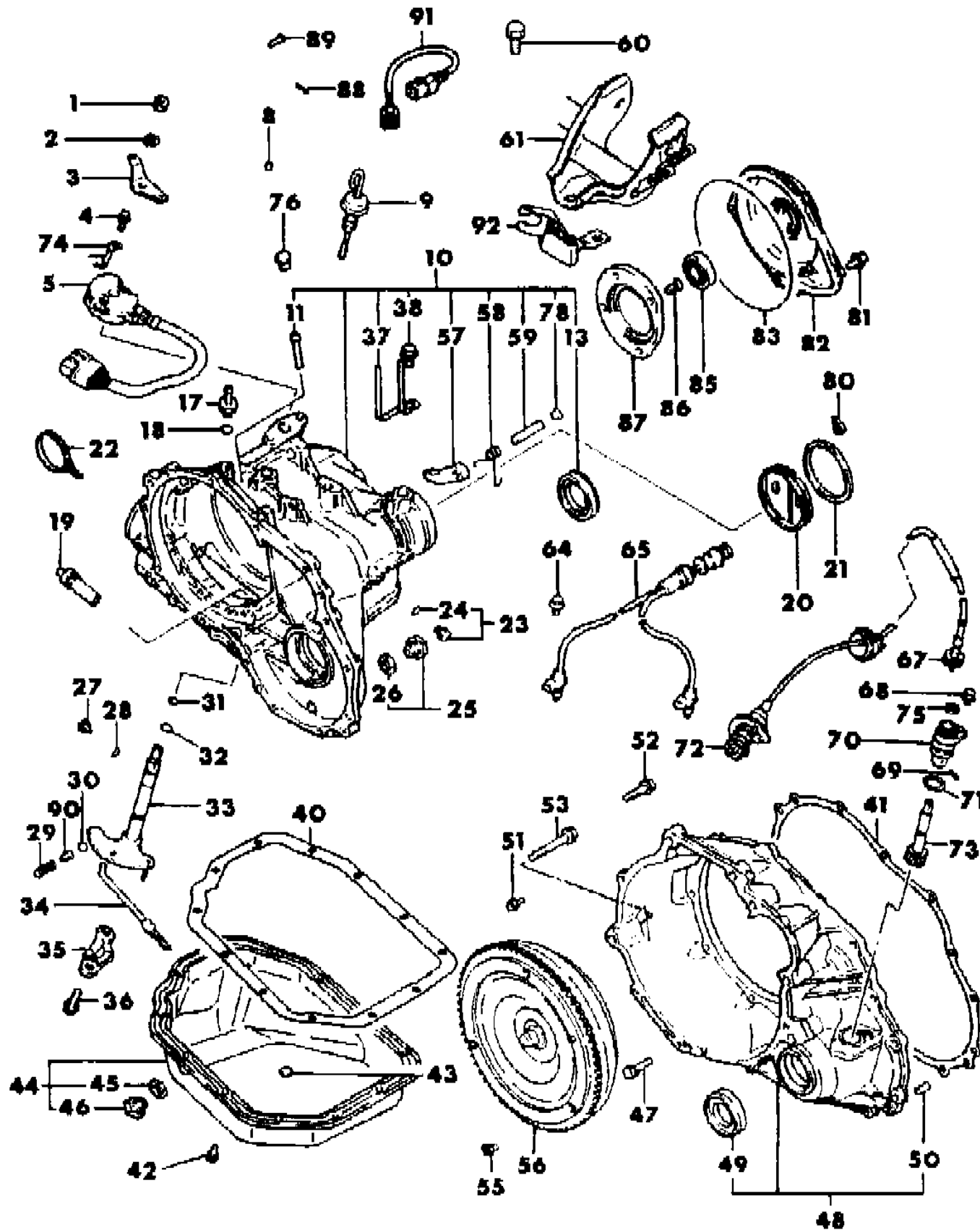
ENGINE: P = 1800cc (1.8L) A = 2000cc (2.0L) Blank = All  
 TRANS: A = Automatic M = Manual Blank = All  
 SERIES: H = High M = Medium P = Premium S = Special

MODELS:  
 24 FWD = 2Dr Hatchback (Laser)  
 24 FWD = 2-Dr Hatchback (Talon)  
 4WD = (4 Wheel Drive)  
 2WD = (2 Wheel Drive)

AR = Use as Required - = Non Illustrated Part P.A.R. = Paint as Required

CASE AND MISC. PARTS AUTOMATIC TRANSAXLE, W/O TURBO ENGINE LASER-TALON  
Figure 21A-300

9651 300



ITEM	PART NUMBER	QTY	BODY	MODEL	DESCRIPTION
1	MU43 0002	1			NUT, (10)
2	MF45 0406	1			WASHER, Spring, (10)
3	MD73 3344	1			LEVER, Manual Control
4	MF14 0205	2			BOLT, Flange, (M6x16)
5					SWITCH, Inhibitor
	MD73 4632	1		1990-92	
8	MD75 3631	1		1993-94	
9					GAUGE, Oil Level
	MD73 2520	1		Up To 12-3-90	
	MD73 8772	1		After 12-3-90	
	MD73 8772	1		1992-94	
10					CASE ASSY, Transaxle ***
	MD72 7997	1		1990-92	
	MD73 9900	1		1993	
	MD75 5611	1		1994	
11	MT20 9220	1			BREATHER, Ext. Housing
13	MD70 7184	1			OIL SEAL, Driveshaft
17	MD70 7199	2			CONNECTOR, Oil Cooler
18	MD70 7200	2			O-RING, (10)
19	MD71 4430	1			ROD, Anchor
20	MD72 3058	1			COVER, K/Down Sleeve
21	MD71 9815	1			D-RING, Cover
22	MD12 9756	1			CLAMP, 1990-93
23	MD70 7198	7			PLUG ASSY, Pressure Check ***
24	MD70 7187	7			O-RING, Pressure Check Plug, (6)
25	MD05 0316	1			PLUG, Drain
26	MF66 0035	1			GASKET, (14)
27	MD70 7601	1			SET SCREW, (8x11.3)
28	MF66 0032	1			GASKET, (8)
29	MD72 8177	1			SPRING, Poppet
30	MF54 0010	1			BALL, Steel, (5/16")
31	MD72 6966	1			O-RING, (8.2)
32	MD70 7200	1			O-RING, (10)
33					SHAFT ASSY, Manual Control ***
	MD72 8646	1		1990	
	MD73 8300	1		1991-94	
34	MD73 3430	1			ROD ASSY, Parking Sprag ***
35	MD70 7617	1			SUPPORT, Sprag Rod
36	MF14 0225	2			BOLT, Flange, (8x25)

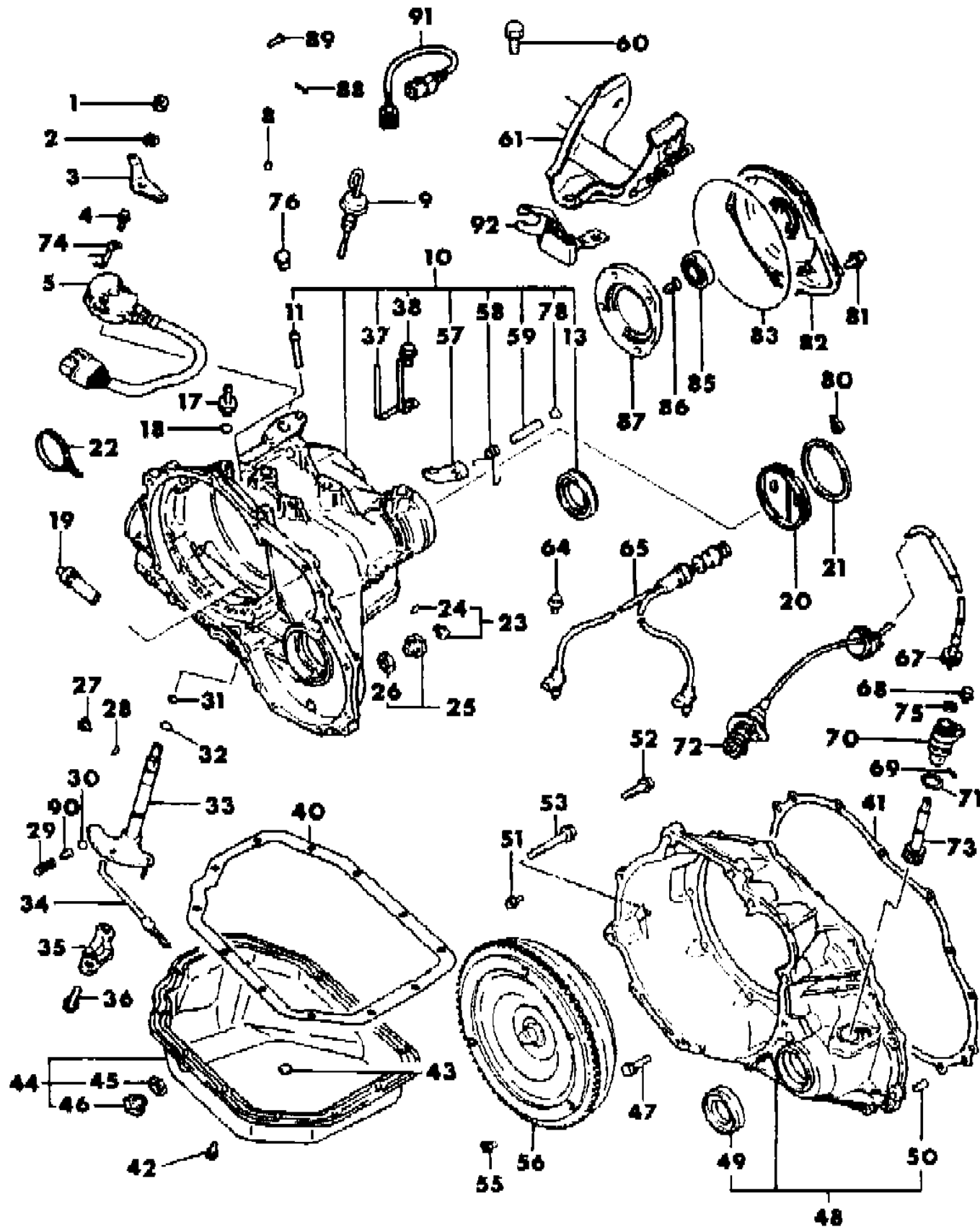
ENGINE: P = 1800cc (1.8L) A = 2000cc (2.0L) Blank = All  
 TRANS: A = Automatic M = Manual Blank = All  
 SERIES: H = High M = Medium P = Premium S = Special

MODELS:  
 24 FWD = 2Dr Hatchback (Laser)  
 24 FWD = 2-Dr Hatchback (Talon)  
 4WD = (4 Wheel Drive)  
 2WD = (2 Wheel Drive)

AR = Use as Required - = Non Illustrated Part P.A.R. = Paint as Required

CASE AND MISC. PARTS AUTOMATIC TRANSAXLE, W/O TURBO ENGINE LASER-TALON  
Figure 21A-300

9651 300



ITEM	PART NUMBER	QTY	BODY	MODEL	DESCRIPTION
37	MB62 7838	1			CLIP, Case
38	MF14 0021	1			BOLT, Flange, (8x12)
40					GASKET, Oil Pan
	MD70 7183	1			1990-92
	MD73 9235	1			1993-94
41	MD73 0804	1			GASKET, Case to Clutch Hsg.
42					BOLT, w/Washer
	MF24 1223	12			1990, (6x12)
	MF24 1823	12			1991-94
43	MD95 5485	1			MAGNET
44					PAN ASSY, Oil ***
	MD73 5338	1			1990-93
	MD75 4043	1			1994
45	MD05 0317	1			GASKET, Plug, (14)
46	MD05 0316	1			PLUG, Drain, (14)
47					BOLT, w/Washer
	MF24 1262	14			(8x45)
	MF14 0021	1			(8x12)
	MD70 6012	1			(8x60)
48	MD72 1830	1			HOUSING ASSY, Converter ***
49	MD70 7184	1			OIL SEAL, Drive Shaft
50	MF47 2405	4			PIN, Dowel, (10)
51	MF24 1223	2			BOLT, w/Washer, (6x12)
52	MF14 0266	2			BOLT, Flange, (10x40)
53					BOLT, Flange
	MF14 0271	1			1990-92, (10x65)
	MF14 0471	1			1993-94, (10x65)
55					BOLT, Special
	MD95 2169	3			1990-92
	MD71 3228	4			1993-94, (10x11)
56					CONVERTER, Torque, Auto Trans.
					1.8L Engine ***
	MD73 2465	1			1990
	MD73 6904	1			1991-92
	MD75 1516	1			1993-94
					2.0L Engine ***
	MD72 8278	1			1990
	MD73 6899	1			1991-92
	MD75 1365	1			1993-94

ENGINE:  
P = 1800cc (1.8L)  
A = 2000cc (2.0L)  
Blank = All

TRANS:  
A = Automatic  
M = Manual  
Blank = All

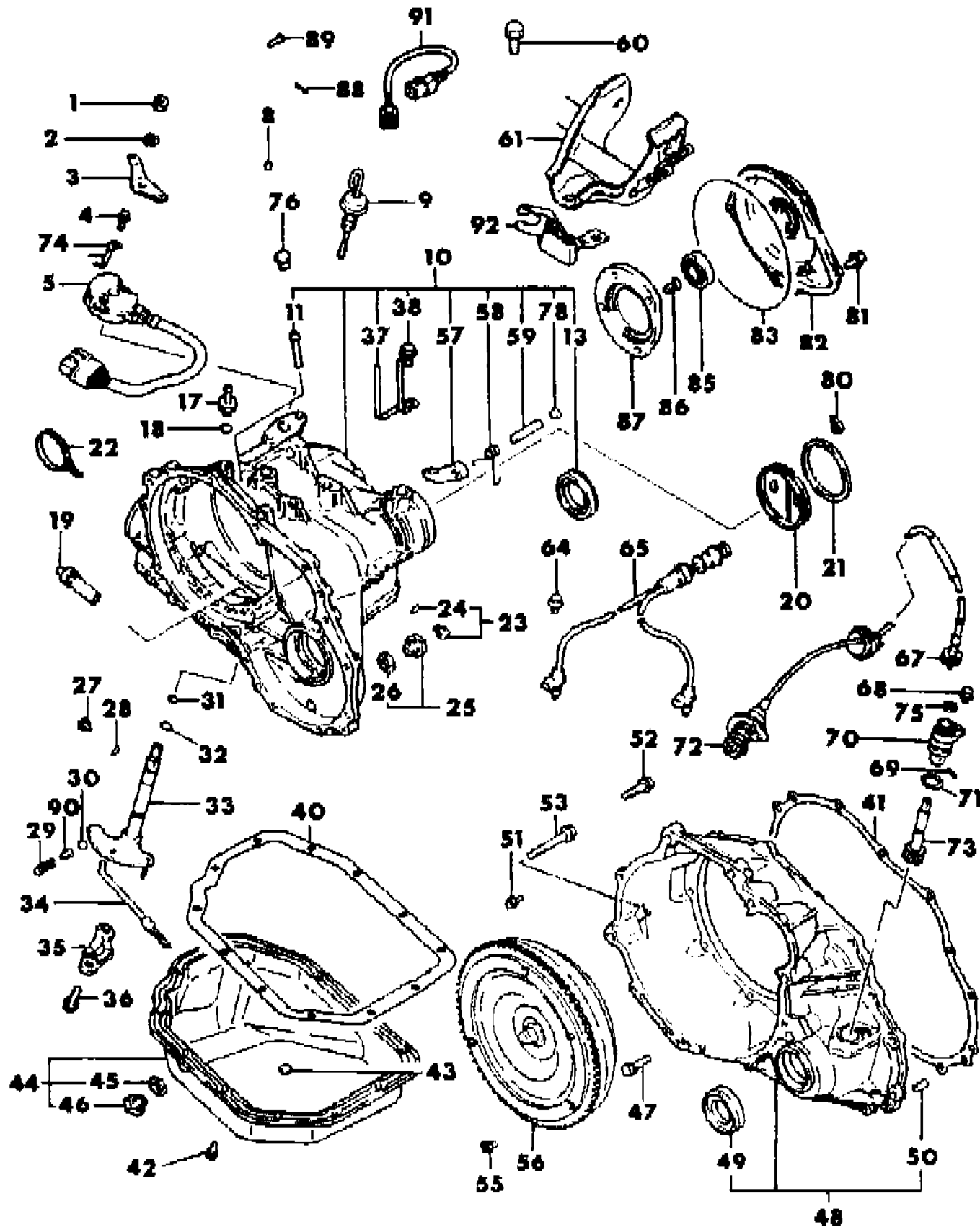
SERIES:  
H = High  
M = Medium  
P = Premium  
S = Special

MODELS:  
24 FWD = 2Dr Hatchback (Laser)  
24 FWD = 2-Dr Hatchback (Talon)  
4WD = (4 Wheel Drive)  
2WD = (2 Wheel Drive)

AR = Use as Required - = Non Illustrated Part P.A.R. = Paint as Required

CASE AND MISC. PARTS AUTOMATIC TRANSAXLE, W/O TURBO ENGINE LASER-TALON  
Figure 21A-300

9651 300



ITEM	PART NUMBER	QTY	BODY	MODEL	DESCRIPTION
57	MD72 4464	1			PAWL, Parking
58	MD71 9809	1			SPRING, Parking Pawl
59	MD70 7616	1			SHAFT, Parking Pawl
60	MF24 1309	4			BOLT, w/Washer, (12x30)
61					BRACKET, Trans. Mounting
	MD73 7085	1			1990-92
	MD75 4469	1			1993-94
64	MF24 1825	2			BOLT, Flange, (6x14)
65					PULSE GENERATOR ***
	MD73 2752	1			1990-92
	MD75 4150	1			1993-94
67	MB52 1556	1			CABLE, Speedometer, (1120)
68	MF14 0004	1			BOLT, w/Washer, (6x14)
69	MF47 2535	1			PIN, Spring, (3x14)
70					SLEEVE, Speedometer Driven Gear
	MD72 8767	1			1990-91
	MD74 0084	1			1992-94
71	MD72 1865	1			O-RING, Speedo. Gear Sleeve, (21.7)
72	MB32 6171	1			ADAPTER, Speedometer Cable
73					GEAR, Speedometer Driven
	MD72 8826	1			Nylon (29T)
	MD72 8830	1			Steel (29T)
74	MD73 3499	1			CLAMP
75	MD73 0727	1			OIL SEAL, Speedometer Cable
76	MD72 8103	1			CAP, Air Breather
78	MF66 5533	2			CAP, Sealing, (14)
80	MD73 1280	1			HOLDER, Driven Gear Cover
81	MF14 0205	4			BOLT, Flange, (6x16)
82					COVER, Bearing
	MD72 9730	1			1990-92
	MD75 4975	1			1993, 1.8L Eng.
	MD75 2341	1			1993, 2.0L Eng.
	MD75 4975	1			1994
83	MD72 9729	1			O-RING
85					BEARING, Input Shaft Rear
	MD73 0062	1			1990-93
	MD73 6846	1			1994
86					BOLT
	MD70 4449	4			1990-93, (8x20)

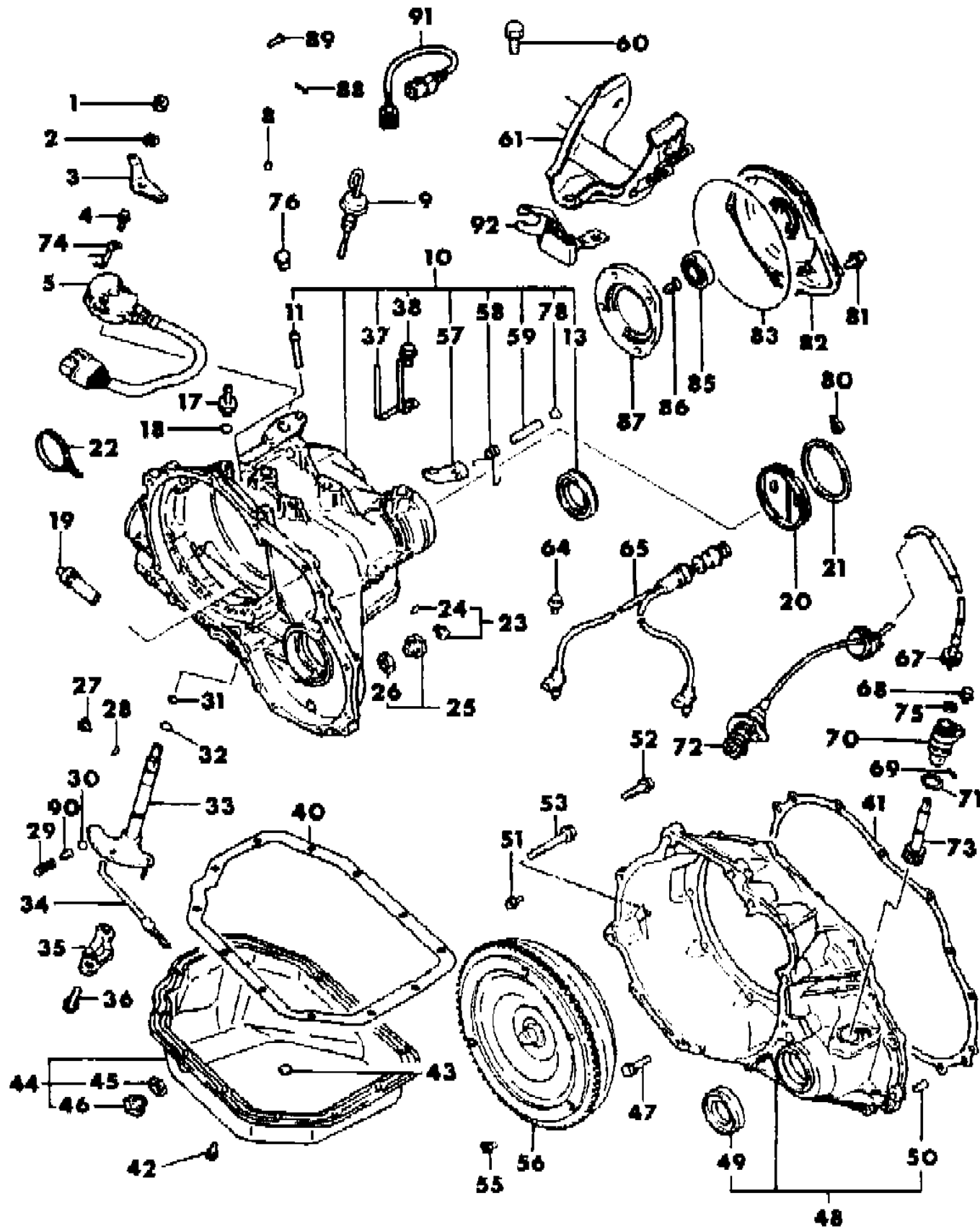
ENGINE: P = 1800cc (1.8L) A = 2000cc (2.0L) Blank = All  
 TRANS: A = Automatic M = Manual Blank = All  
 SERIES: H = High M = Medium P = Premium S = Special

MODELS:  
 24 FWD = 2Dr Hatchback (Laser)  
 24 FWD = 2-Dr Hatchback (Talon)  
 4WD = (4 Wheel Drive)  
 2WD = (2 Wheel Drive)

AR = Use as Required - = Non Illustrated Part P.A.R. = Paint as Required

CASE AND MISC. PARTS AUTOMATIC TRANSAXLE, W/O TURBO ENGINE LASER-TALON  
Figure 21A-300

9651 300



ITEM	PART NUMBER	QTY	BODY	MODEL	DESCRIPTION
	MD73 4702	4			1994
87	MD72 2543	1			RETAINER, Bearing
88	MF47 2302	1			PIN, (5), 1990-93
89	MD00 3071	1			PIN, (4.8x15), 1990-93
90	MD72 8554	1			SEAT, Spring Ball Detent
91	MD73 1991	1			HARNESSE, Case Solenoid Valve Connector, 1990-93
92	MD73 3165	1			PROTECTOR, Manual Control Cable Up To 5-1-89
	MD73 5479	1			After 5-1-89
	MD75 2333	1			1993-94

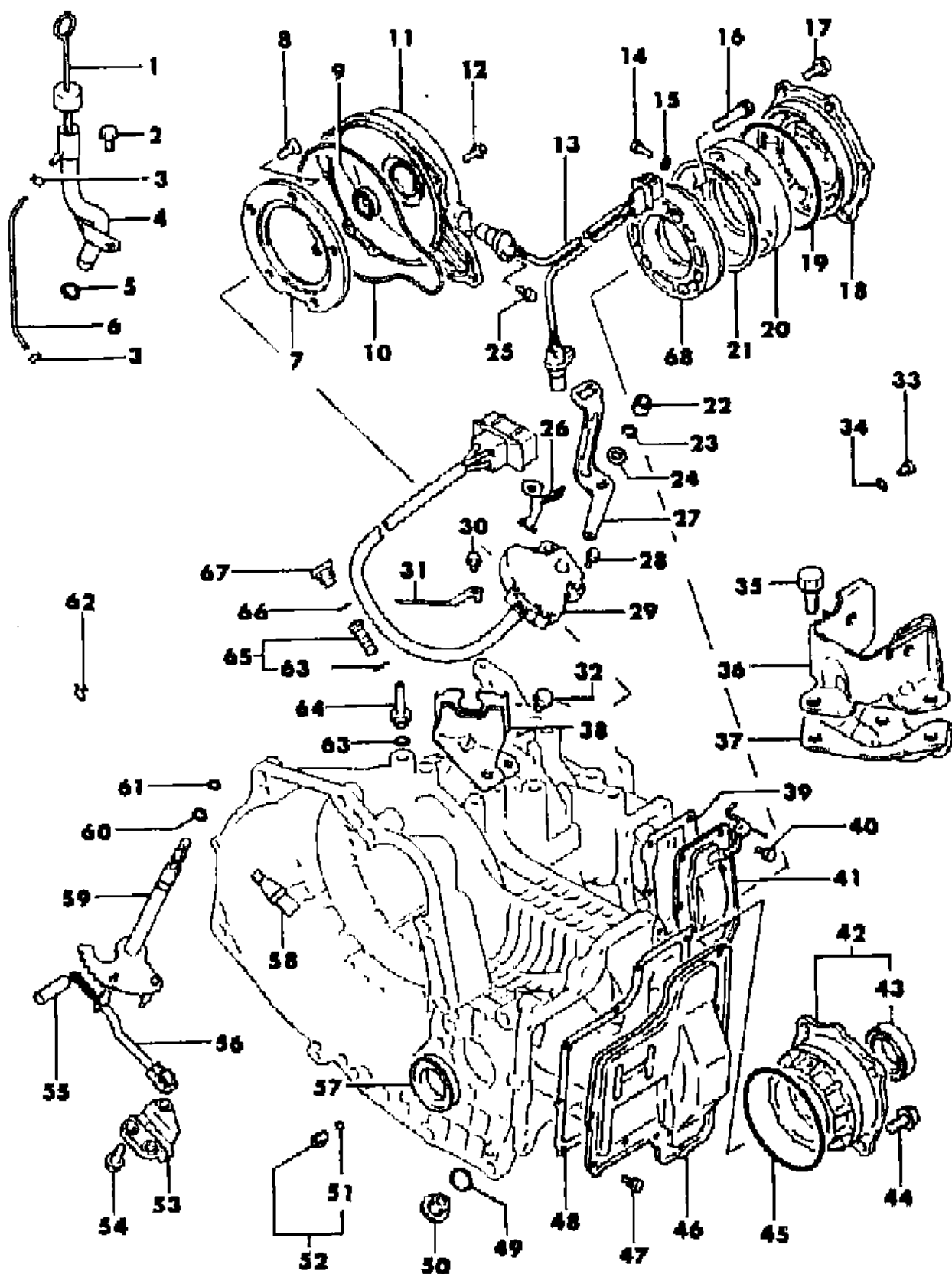
ENGINE: P = 1800cc (1.8L) A = 2000cc (2.0L) Blank = All  
 TRANS: A = Automatic M = Manual Blank = All  
 SERIES: H = High M = Medium P = Premium S = Special

MODELS:  
 24 FWD = 2Dr Hatchback (Laser)  
 24 FWD = 2-Dr Hatchback (Talon)  
 4WD = (4 Wheel Drive)  
 2WD = (2 Wheel Drive)

AR = Use as Required - = Non Illustrated Part P.A.R. = Paint as Required

CASE AND MISC. PARTS AUTOMATIC TRANSAXLE, W/TURBO ENGINE LASER-TALON  
Figure 21A-320

9651 3 20



ITEM	PART NUMBER	QTY	BODY	MODEL	DESCRIPTION
1					GUAGE, Oil Level ***
	MD73 9444	1	FWD		Up To 12-1-90
	MD75 1368	1	FWD		After 12-1-90
	MD73 9444	1	AWD		Up To 6-1-90
	MD75 1373	1	AWD		After 6-1-90
2	MF14 0223	1			BOLT, (8x16)
3	MS66 0158	2			CLIP, Oil Filler, (6.8)
4	MD73 9445	1			TUBE, Oil Filler
5	MD95 5612	1			O-RING, Oil Filler Tube, (12)
6	MD73 4506	1			HOSE, Air Breather
7	MD73 4102	1			RETAINER, Drive Shaft Bearing
8	MD73 4702	5			BOLT, Retainer, (8x20)
9					BEARING, Input Shaft Rear, Ball
	MD73 0062	1			1990-92
	MD73 6846	1			1993-94
10	MD73 3218	1			O-RING, Case, (146)
11					COVER, Case Rear
	MD73 4939	1			1990-92
	MD73 6902	1			1993-94
12	MF14 0206	4			BOLT, Flange Case Cover, (6x18)
13					PULSE GENERATOR, Case ***
	MD73 7682	1			1990-92
	MD75 1033	1			1993-94
14	MF19 4022	1	AWD		BOLT, (6x16)
15	MF45 0404	1	AWD		WASHER, Spring, (6)
16	MD72 7938	3	AWD		BOLT, Flange, (10x37)
17	MF14 0225	6			BOLT, Flange, (8x20)
18	MD73 3575	1	AWD		RETAINER, Center Diff. Rear Bearing
19	MD73 3483	1			O-RING, (109.6)
20	MD73 4343	1	AWD		RETAINER, Center Diff. Front Bearing
21	MD73 4350	1	AWD		RING, Case Stopper
22	MU43 0002	1			NUT, (10)
23	MF45 0406	1			WASHER, Spring, (10)
24	MF45 0006	1			WASHER, Plain, (10)
25	MF24 1825	2			BOLT, Flange, (6x14)
26	MD73 3499	1			CLAMP
27	MD73 4149	1			LEVER, Manual Control
28	MF14 0205	2			BOLT, Flange, (6x16)
29					SWITCH, Inhibitor

ENGINE: P = 1800cc (1.8L) A = 2000cc (2.0L) Blank = All  
 TRANS: A = Automatic M = Manual Blank = All  
 SERIES: H = High M = Medium P = Premium S = Special

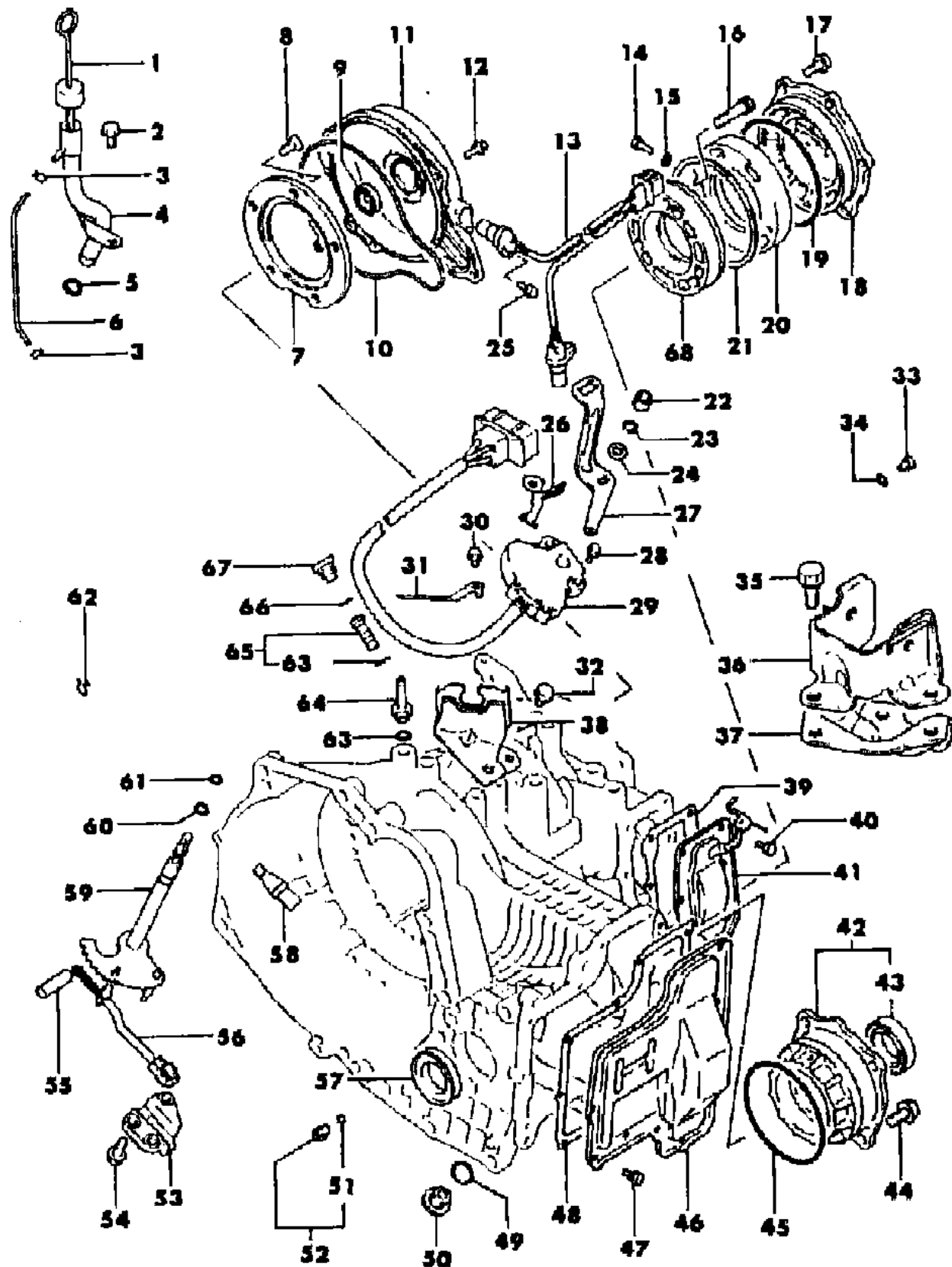
MODELS:  
 24 FWD = 2Dr Hatchback (Laser)  
 24 FWD = 2-Dr Hatchback (Talon)  
 4WD = (4 Wheel Drive)  
 2WD = (2 Wheel Drive)

AR = Use as Required - = Non Illustrated Part P.A.R. = Paint as Required



CASE AND MISC. PARTS AUTOMATIC TRANSAXLE, W/TURBO ENGINE LASER-TALON  
Figure 21A-320

9651 3 20



ITEM	PART NUMBER	QTY	BODY	MODEL	DESCRIPTION
	MD72 8372	1			1990-92
	MD75 3985	1			1993-94
30	MF14 0202	1			BOLT, Flange, (6x10)
31					CLAMP
	MD73 3589	1			1990-92
	MD75 4494	1			1993, w/1.8L Eng.
	MD75 5036	1			1993-94, w/2.0L Eng.
32	MF14 0223	2			BOLT, Flange, (8x16)
33	MD70 7601	1			SCREW, Set, (8x11.3)
34	MF66 0032	1			GASKET
35	MF24 1308	5			BOLT, w/Washer Bracket, (12x28)
36					BRACKET, Case Mounting, Upper
	MD73 8069	1			1990-93
	MD75 5608	1			1994
37	MD73 9454	1			BRACKET, Case Mounting, Lower
38	MD73 9377	1			BRACKET, Control Cable Support
39					GASKET, Idler Gear Cover
	MD73 3752	1			1990-91
	MD73 9242	1			1992-94
40	MF24 1824	6			BOLT, w/Washer, (6x14)
41	MD73 3751	1			COVER, Case Idler Gear
42					RETAINER, Case Diff. Bearing
	MD73 3650	1			1990-92
	MD75 3074	1	FWD		1993-94
	MD73 3650	1	AWD		1993-94
43					OIL SEAL, Front Diff. Case
	MD70 7184	2	FWD		1990-92
	MD74 2053	1	FWD		1993-94
	MD70 7184	1	AWD		1990-94
44	MF14 0259	4			BOLT, Flange Brg. Retainer
45	MD73 1179	1			O-RING, Brg. Retainer, (100.4)
46	MD73 9222	1	FWD		COVER, Diff. Drive Gear Case
	MD73 4917	1	AWD		
47	MF24 1824	12			BOLT, Diff. Cover, (6x14)
48					GASKET, Diff. Drive Gear Cover
	MD73 8079	1			1990-91
	MD73 9241	1			1992-94
49	MD00 0312	1			GASKET, Case Plug
50	MB56 9390	1			PLUG, w/Gasket, Case Magnet, (18)

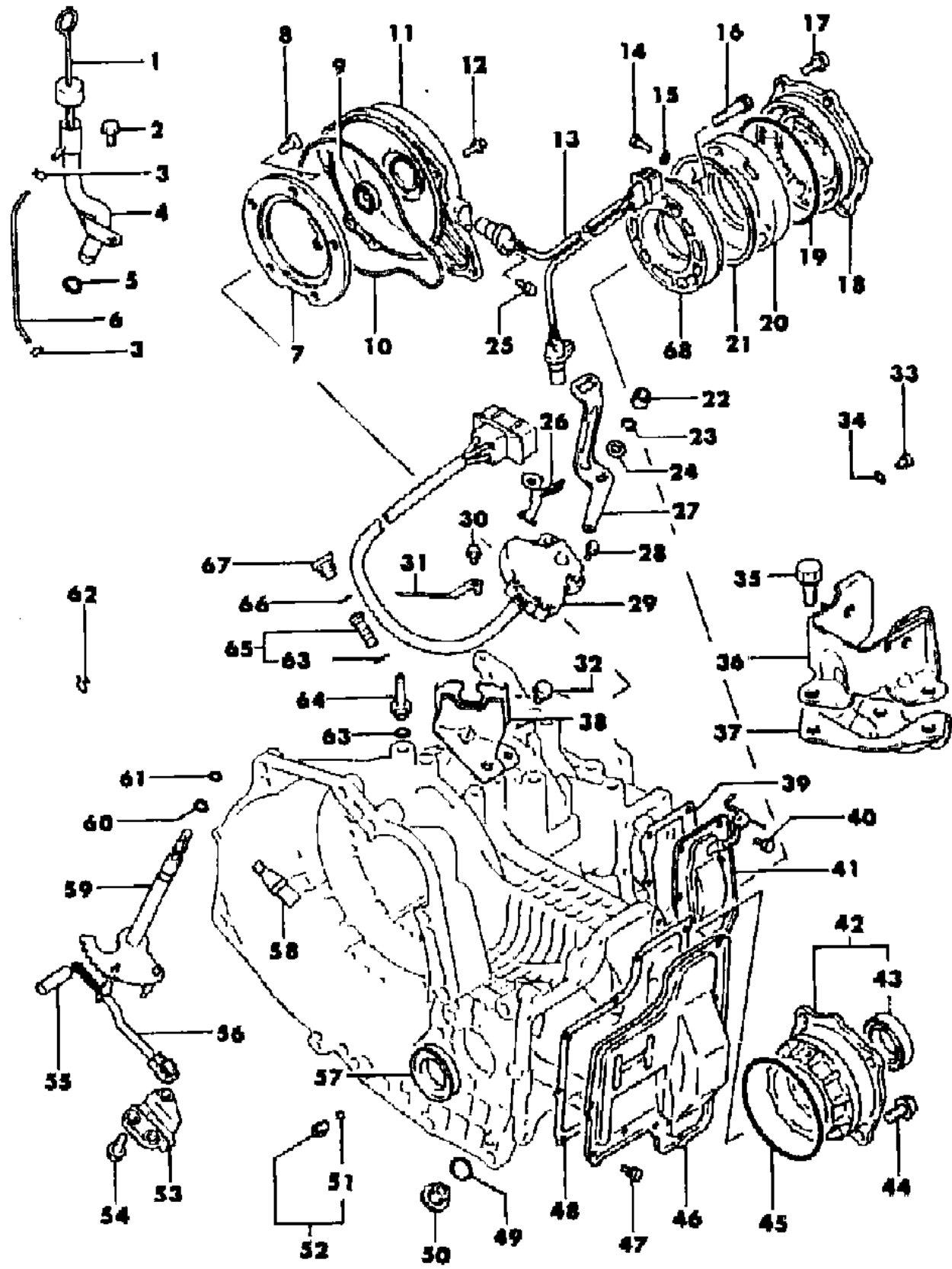
ENGINE: P = 1800cc (1.8L) A = 2000cc (2.0L) Blank = All  
 TRANS: A = Automatic M = Manual Blank = All  
 SERIES: H = High M = Medium P = Premium S = Special

MODELS:  
 24 FWD = 2Dr Hatchback (Laser)  
 24 FWD = 2-Dr Hatchback (Talon)  
 4WD = (4 Wheel Drive)  
 2WD = (2 Wheel Drive)

AR = Use as Required - = Non Illustrated Part P.A.R. = Paint as Required

CASE AND MISC. PARTS AUTOMATIC TRANSAXLE, W/TURBO ENGINE LASER-TALON  
Figure 21A-320

9651 3 20



ITEM	PART NUMBER	QTY	BODY	MODEL	DESCRIPTION
51	MD70 7187	9			O-RING, Case Plug, (6)
52	MD70 7198	9			PLUG, w/O-Ring Case
53	MD73 5117	1			SUPPORT, Parking Pawl Rod
54	MF14 0226	3			BOLT, Flange, (8x22)
55	MD73 7720	1			DETENT, Manual Control Lever ***
56	MD73 7058	1			ROD, Parking Pawl
57	MD71 9710	1		AWD	OIL SEAL, Front Diff. Case Front
58	MD73 3426	1			ROD, Case Anchor
59	MD73 7722	1			SHAFT, Manual Valve Lever
60	MD70 7200	1			O-RING, Lever Shaft, (9.8)
61	MD72 6966	1			O-RING, Lever Shaft, (8.2)
62	MS47 0361	1			CLIP, (11)
63	MD70 7200	3			O-RING, Case, (9.8)
64	MD70 7199	2			JOINT, Case
65	MD73 3740	1			PLUG, w/O-Ring, Case Air Exhaust
66	MD73 3676	1			O-RING, Case Plug, (13.5)
67	MD73 3766	1			PLUG, Case
68	MD73 3438	1		FWD	RETAINER, Output Shaft Bearing
	MD73 3663	1		AWD	

ENGINE: P = 1800cc (1.8L) A = 2000cc (2.0L) Blank = All  
 TRANS: A = Automatic M = Manual Blank = All  
 SERIES: H = High M = Medium P = Premium S = Special

MODELS:  
 24 FWD = 2Dr Hatchback (Laser)  
 24 FWD = 2-Dr Hatchback (Talon)  
 4WD = (4 Wheel Drive)  
 2WD = (2 Wheel Drive)

AR = Use as Required - = Non Illustrated Part P.A.R. = Paint as Required

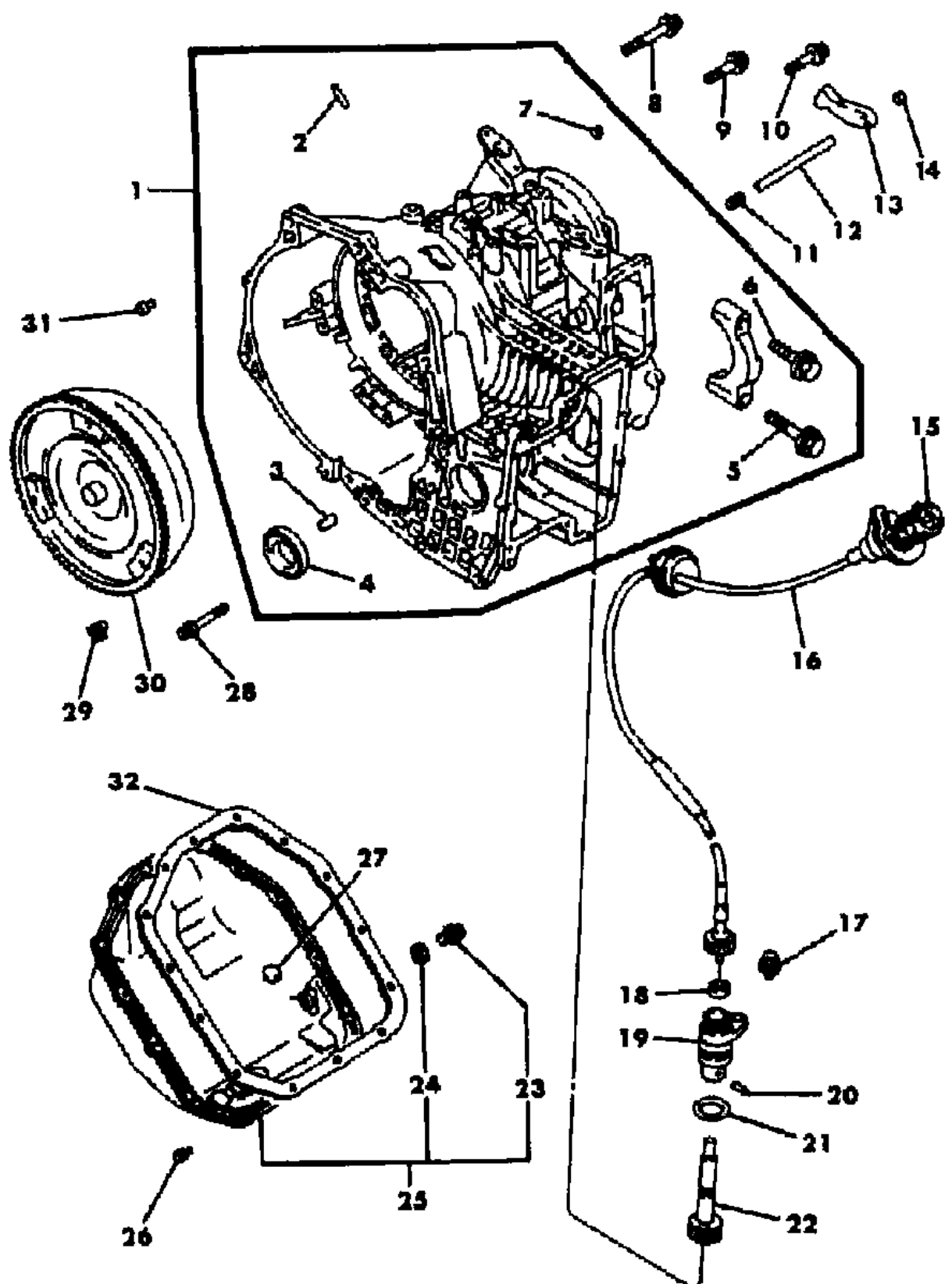
CASE AND MISC. PARTS AUTOMATIC TRANSAXLE, W/TURBO ENGINE LASER-TALON  
Figure 21A-320

9651 340

ITEM	PART NUMBER	QTY	BODY	MODEL	DESCRIPTION
1	MD73 5363	1		FWD	CASE, Transaxle
	MD73 5359	1		AWD	
2	MD73 6691	1			BREATHER, Case ***
3	MF47 2405	2		AWD	PIN, Case Dowel, (10x20)
4	MD73 1793	1		AWD	OIL SEAL, Center Diff. Shaft
5	MD73 4894	1			BOLT, Flange, (12x68)
6	MD72 5406	1			BOLT, Flange, (12x58)
7	MF66 5533	1			CAP, Case, (14), 1990-93
8					BOLT, w/Washer
	MD70 6012	1			1990-92, (8x60)
	MF14 0471	1			1993, (10x65)
9	MD74 0892	1			BOLT, Flange, (10x43.5)
10	MF14 0266	1			BOLT, Flange, (10x40)
11	MD73 4340	1			SPRING, Parking Pawl
12	MD73 4507	1			SHAFT, Parking Pawl
13	MD73 5119	1			PAWL, Case Parking
14	MF66 5532	1			CAP, Case, (12)
15	MB32 6171	1			ADAPTER, Speedometer Cable
16	MB52 1556	1			CABLE, Speedometer, (1120)
17	MF14 0004	1			BOLT, Flange, (6x14)
18	MD73 0727	1			OIL SEAL, Speedo. Driven Gear
19	MD73 0460	1			SLEEVE, Speedo. Driven Gear
20	MF47 2535	1			PIN, Spring, (3x14)
21	MD72 1865	1			O-RING, Speedo. Drive Gear Sleeve, (21.7)
22	MD73 0497	1			GEAR, Speedometer Driven, Nylon (29T)
23	MD05 0316	1			PLUG, Oil Pan Drain
24	MD05 0317	1			GASKET, Oil Pan Drain Plug
25	MD73 9073	1			PAN, Case Oil
26	MF24 1824	14			BOLT, w/Washer, Oil Pan, (6x14)
27	MD95 5485	3			MAGNET, Oil Pan
28	MF14 0471	1			BOLT, Flange, (10x65)
29					BOLT
	MD95 2169	4			1990-92
	MD71 3228	4			1993-94, (10x11)
30					CONVERTER, Torque Auto. Transaxle
	MD73 6841	1			1990-92
	MD75 3825	1			1993-94
31					BOLT, Flange
	MF14 0021	2			(8x12)

ENGINE: P = 1800cc (1.8L) A = 2000cc (2.0L) Blank = All  
 TRANS: A = Automatic M = Manual Blank = All  
 SERIES: H = High M = Medium P = Premium S = Special

MODELS:  
 24 FWD = 2Dr Hatchback (Laser)  
 24 FWD = 2-Dr Hatchback (Talon)  
 4WD = (4 Wheel Drive)  
 2WD = (2 Wheel Drive)



AR = Use as Required - = Non Illustrated Part P.A.R. = Paint as Required

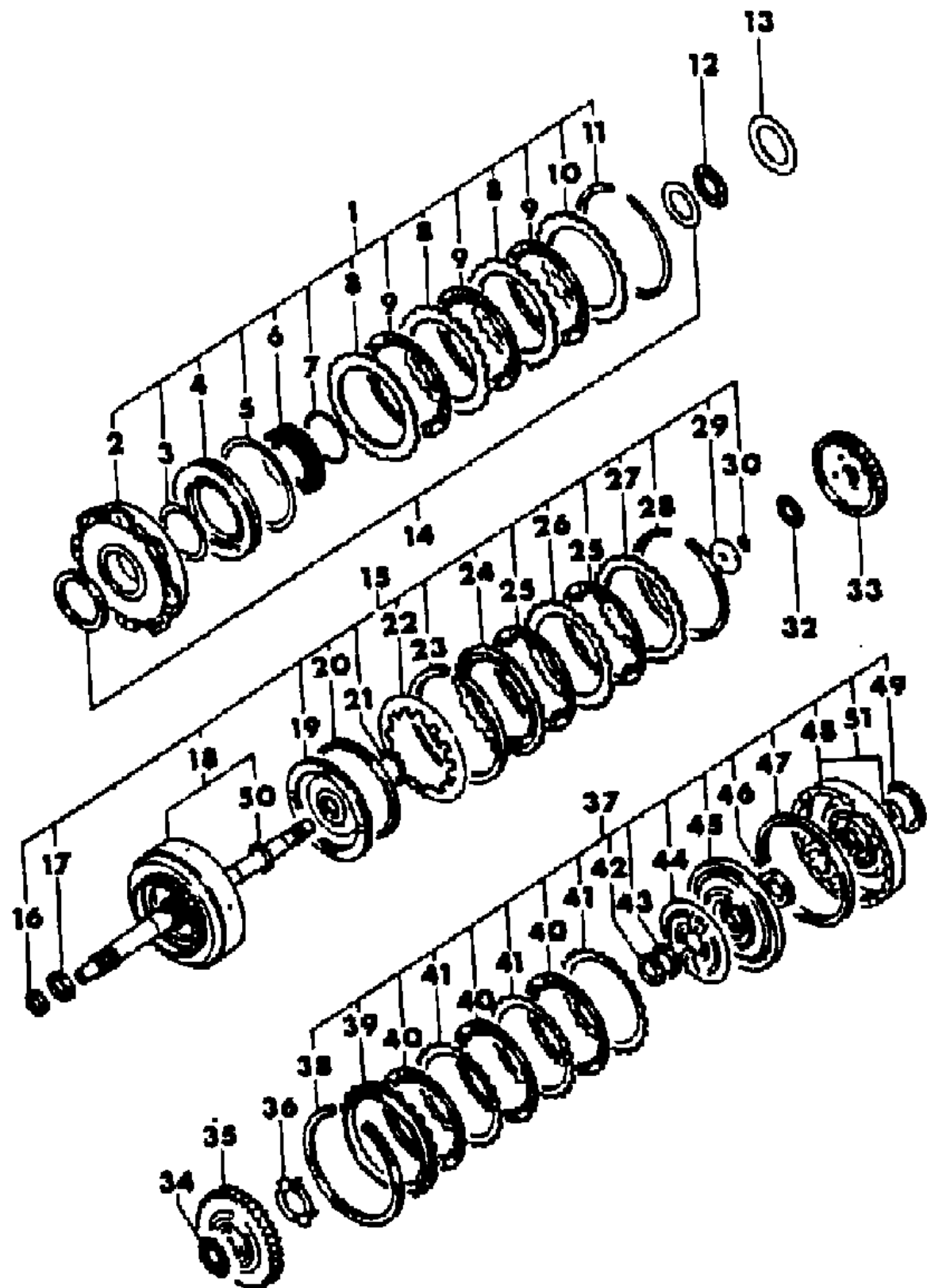




CLUTCH, FRONT, REAR AND END AUTOMATIC TRANSAXLE, W/O TURBO ENGINE LASER-TALON

Figure 21A-500

9651 500A



ITEM	PART NUMBER	QTY	BODY	MODEL	DESCRIPTION
1	MD73 9669	1			CLUTCH ASSY, Front ***
2	MD72 7523	1			RETAINER, Front Clutch
3	MD72 2577	1			O-RING
4	MD72 9802	1			PISTON, Clutch
5	MD70 7282	1			D-RING, (109)
6	MD72 9806	1			SPRING, Piston, Front Clutch
7	MD72 2581	1			SNAP RING
8	MD72 2559	3			PLATE, Reaction, Front Clutch
9	MD73 7892	3			DISC, Front Clutch
10	MD72 2557	1			PLATE, Reaction, Front Clutch
11					SNAP RING, Selective
	MD95 5630	AR			1.6
	MD73 0930	AR			1.7
	MD95 5631	AR			1.8
	MD73 0931	AR			1.9
	MD95 5632	AR			2.0
	MD73 0932	AR			2.1
	MD95 5633	AR			2.2
	MD73 0933	AR			2.3
	MD95 5634	AR			2.4
	MD73 0934	AR			2.5
	MD95 5635	AR			2.6
	MD73 0935	AR			2.7
	MD95 5636	AR			2.8
	MD73 0936	AR			2.9
	MD95 5637	AR			3.0
12	MD70 7271	1			BEARING, Thrust
13					WASHER SET, Thrust
	MD70 7901	1			1990, (1.8)
	MD72 9336	1			1991-94
14					WASHER SET, Thrust
	MD99 7854	AR			1.0-1.4
	MD99 7914	AR			1.0-1.4, 1.8L Eng., 1992-93
	MD99 7914	AR			1.0-1.4, 1.8L, 2.0L Eng., 1994
	MD99 7906	AR			1.0-1.8, 1.8L Eng., 1992-93
	MD99 7906	AR			1.0-1.8, 1.8L, 2.0L Eng., 1994
	MD99 7847	AR			1.2-1.4
	MD99 7915	AR			1.2-1.4, 1.8L Eng., 1992-93
	MD99 7915	AR			1.2-1.4, 1.8L, 2.0L Eng., 1994

ENGINE: P = 1800cc (1.8L) A = 2000cc (2.0L) Blank = All  
 TRANS: A = Automatic M = Manual Blank = All  
 SERIES: H = High M = Medium P = Premium S = Special

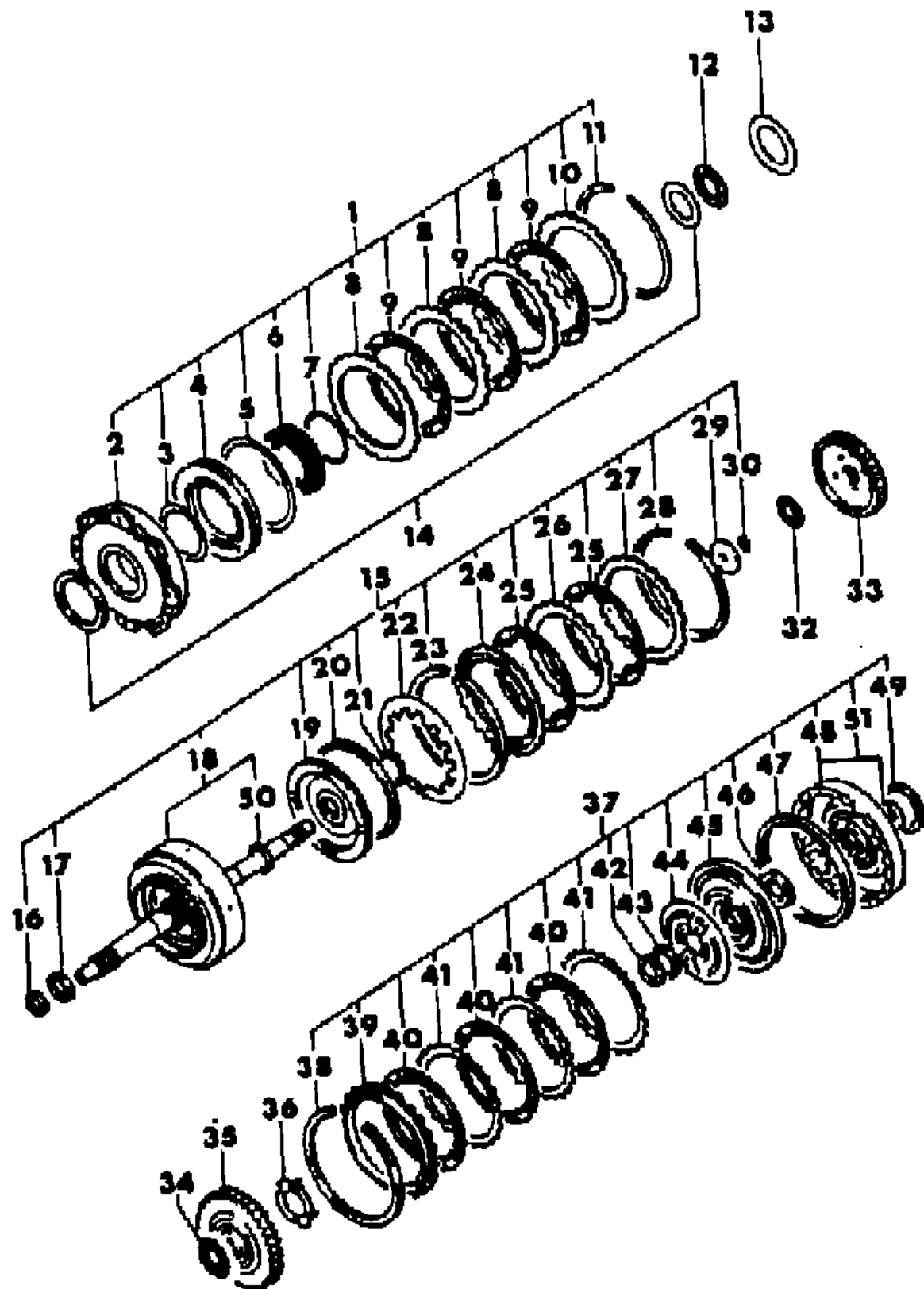
MODELS:  
 24 FWD = 2Dr Hatchback (Laser)  
 24 FWD = 2-Dr Hatchback (Talon)  
 4WD = (4 Wheel Drive)  
 2WD = (2 Wheel Drive)

AR = Use as Required - = Non Illustrated Part P.A.R. = Paint as Required

CLUTCH, FRONT, REAR AND END AUTOMATIC TRANSAXLE, W/O TURBO ENGINE LASER-TALON

Figure 21A-500

9651 500A



ITEM	PART NUMBER	QTY	BODY	MODEL	DESCRIPTION
	MD99 7907	AR			1.2-1.8, 1.8L Eng., 1992-93
	MD99 7907	AR			1.2-1.8, 1.8L, 2.0L Eng., 1994
	MD99 7969	AR			1.2-2.2, 1.8L Eng., 1992-93
	MD99 7848	AR			1.4-1.8
	MD99 7916	AR			1.4-1.8, 1.8L Eng., 1992-93
	MD99 7916	AR			1.4-1.8, 1.8L, 2.0L Eng., 1994
	MD99 7908	AR			1.4-2.2, 1.8L Eng., 1992-93
	MD99 7908	AR			1.4-2.2, 1.8L, 2.0L Eng., 1994
	MD99 7849	AR			1.6-1.8
	MD99 7917	AR			1.6-1.8, 1.8L Eng., 1992-93
	MD99 7917	AR			1.6-1.8, 1.8L, 2.0L Eng., 1994
	MD99 7909	AR			1.6-2.2, 1.8L Eng., 1992-93
	MD99 7909	AR			1.6-2.2, 1.8L, 2.0L Eng., 1994
	MD99 7970	AR			1.6-2.6, 1.8L Eng., 1992-93
	MD99 7850	AR			1.8-2.2
	MD99 7918	AR			1.8-2.2, 1.8L Eng., 1992-93
	MD99 7918	AR			1.8-2.2, 1.8L, 2.0L Eng., 1994
	MD99 7910	AR			1.8-2.6, 1.8L Eng., 1992-93
	MD99 7910	AR			1.8-2.6, 1.8L, 2.0L Eng., 1994
	MD99 7851	AR			2.0-2.2
	MD99 7919	AR			2.0-2.2, 1.8L Eng., 1992-93
	MD99 7919	AR			2.0-2.2, 1.8L, 2.0L Eng., 1994
	MD99 7911	AR			2.0-2.6, 1.8L Eng., 1992-93
	MD99 7911	AR			2.0-2.6, 1.8L, 2.0L Eng., 1994
	MD99 7971	AR			2.0-3.0, 1.8L Eng., 1992-93
	MD99 7852	AR			2.2-2.6
	MD99 7920	AR			2.2-2.6, 1.8L Eng., 1992-93
	MD99 7920	AR			2.2-2.6, 1.8L, 2.0L Eng., 1994
	MD99 7912	AR			2.2-3.0, 1.8L Eng., 1992-93
	MD99 7912	AR			2.2-3.0, 1.8L, 2.0L Eng., 1994
	MD99 7972	AR			2.2-1.8, 1.8L Eng., 1992-93
	MD99 7853	AR			2.4-2.6
	MD99 7921	AR			2.4-2.6, 1.8L Eng., 1992-93
	MD99 7921	AR			2.4-2.6, 1.8L, 2.0L Eng., 1994
	MD99 7913	AR			2.4-3.0, 1.8L Eng., 1992-93
	MD99 7913	AR			2.4-3.0, 1.8L, 2.0L Eng., 1994
15					CLUTCH ASSY, Rear ***
	MD72 7341	1			1990-92
	MD75 1912	1			1993-94

ENGINE: P = 1800cc (1.8L) A = 2000cc (2.0L) Blank = All  
 TRANS: A = Automatic M = Manual Blank = All  
 SERIES: H = High M = Medium P = Premium S = Special

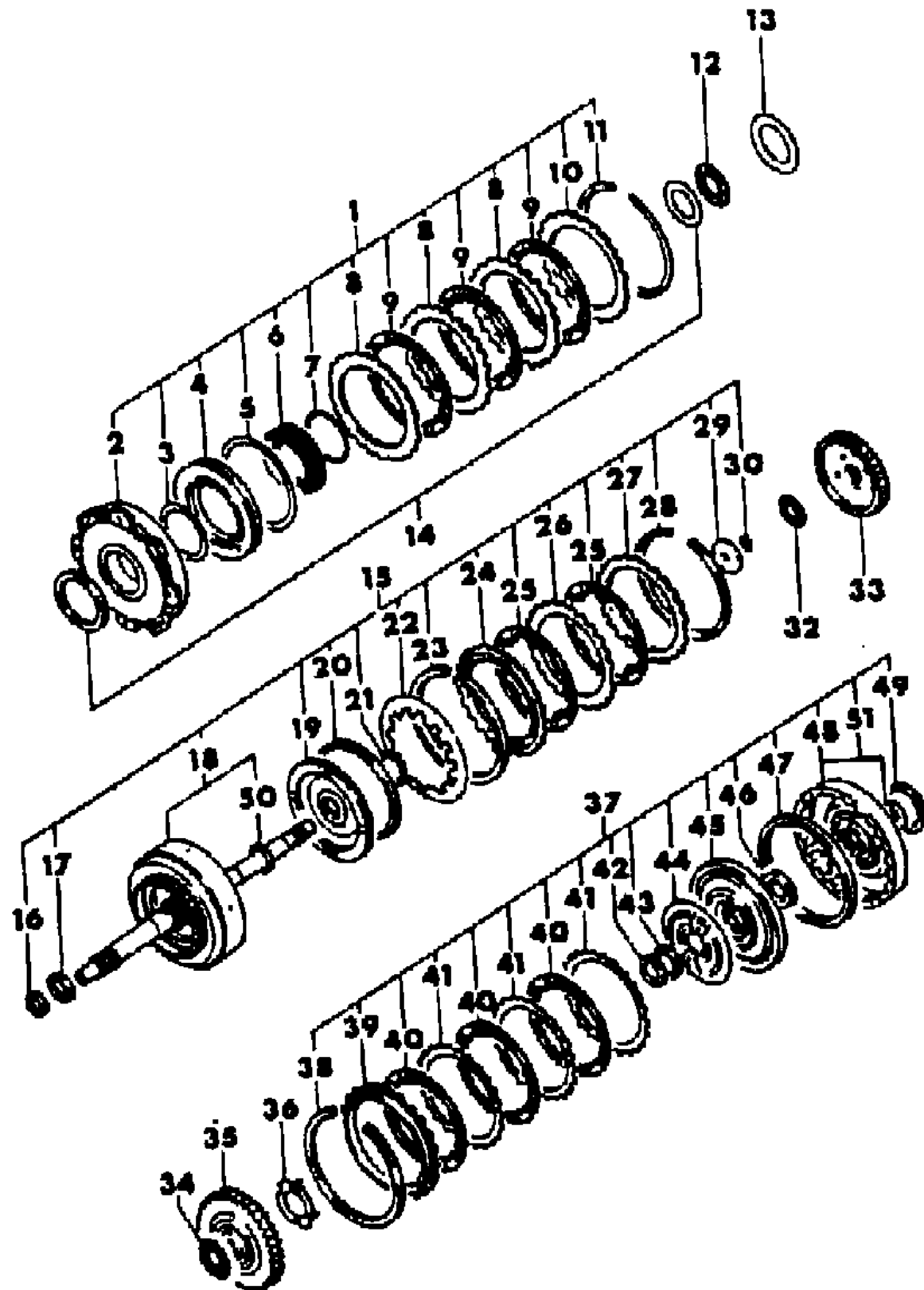
MODELS:  
 24 FWD = 2Dr Hatchback (Laser)  
 24 FWD = 2-Dr Hatchback (Talon)  
 4WD = (4 Wheel Drive)  
 2WD = (2 Wheel Drive)

AR = Use as Required - = Non Illustrated Part P.A.R. = Paint as Required

CLUTCH, FRONT, REAR AND END AUTOMATIC TRANSAXLE, W/O TURBO ENGINE LASER-TALON

Figure 21A-500

9651 500A



ITEM	PART NUMBER	QTY	BODY	MODEL	DESCRIPTION
16	MD72 2551	3			SEAL RING, Input Shaft, Front, (23)
17	MD72 2639	1			SEAL RING, (31)
18					RETAINER, Rear Clutch
	MD73 1440	1			1990-92
	MD75 1913	1			1993-94
19	MD72 3038	1			PISTON, Clutch
20	MD70 7247	1			D-RING, (114)
21	MD72 2586	1			D-RING, (36)
22	MD73 0691	1			SPRING, Piston, Rear Clutch
23	MD70 7253	1			SPRING, Wave
24	MD73 2408	1			PLATE, Pressure, Rear Clutch
25	MD73 7892	3			DISC ASSY, Rear Clutch ***
26	MD72 2556	2			PLATE, Pressure, Rear Clutch
27	MD72 2557	1			PLATE, Reaction, Rear Clutch
28					SNAP RING, Selective
	MD95 5630	AR			1.6
	MD73 0930	AR			1.7
	MD95 5631	AR			1.8
	MD73 0931	AR			1.9
	MD95 5632	AR			2.0
	MD73 0932	AR			2.1
	MD95 5633	AR			2.2
	MD73 0933	AR			2.3
	MD95 5634	AR			2.4
	MD73 0934	AR			2.5
	MD95 5635	AR			2.6
	MD73 0935	AR			2.7
	MD95 5636	AR			2.8
	MD73 0936	AR			2.9
29	MD95 5637	AR			3.0
29	MD72 2552	1			RACE, Clutch
30					SNAP RING
	MD72 0752	1			1990
	MD73 9501	1			1991-94, (19.4)
32	MD72 0753	1			BEARING, Thrust, Clutch
33	MD72 2562	1			HUB, Rear Clutch
34	MD72 4206	1			BEARING, Thrust, Clutch
35	MD72 4203	1			HUB, End Clutch
36	MD73 4101	1			PLATE, Thrust, End Clutch

ENGINE: P = 1800cc (1.8L) A = 2000cc (2.0L) Blank = All  
 TRANS: A = Automatic M = Manual Blank = All  
 SERIES: H = High M = Medium P = Premium S = Special

MODELS:  
 24 FWD = 2Dr Hatchback (Laser)  
 24 FWD = 2-Dr Hatchback (Talon)  
 4WD = (4 Wheel Drive)  
 2WD = (2 Wheel Drive)

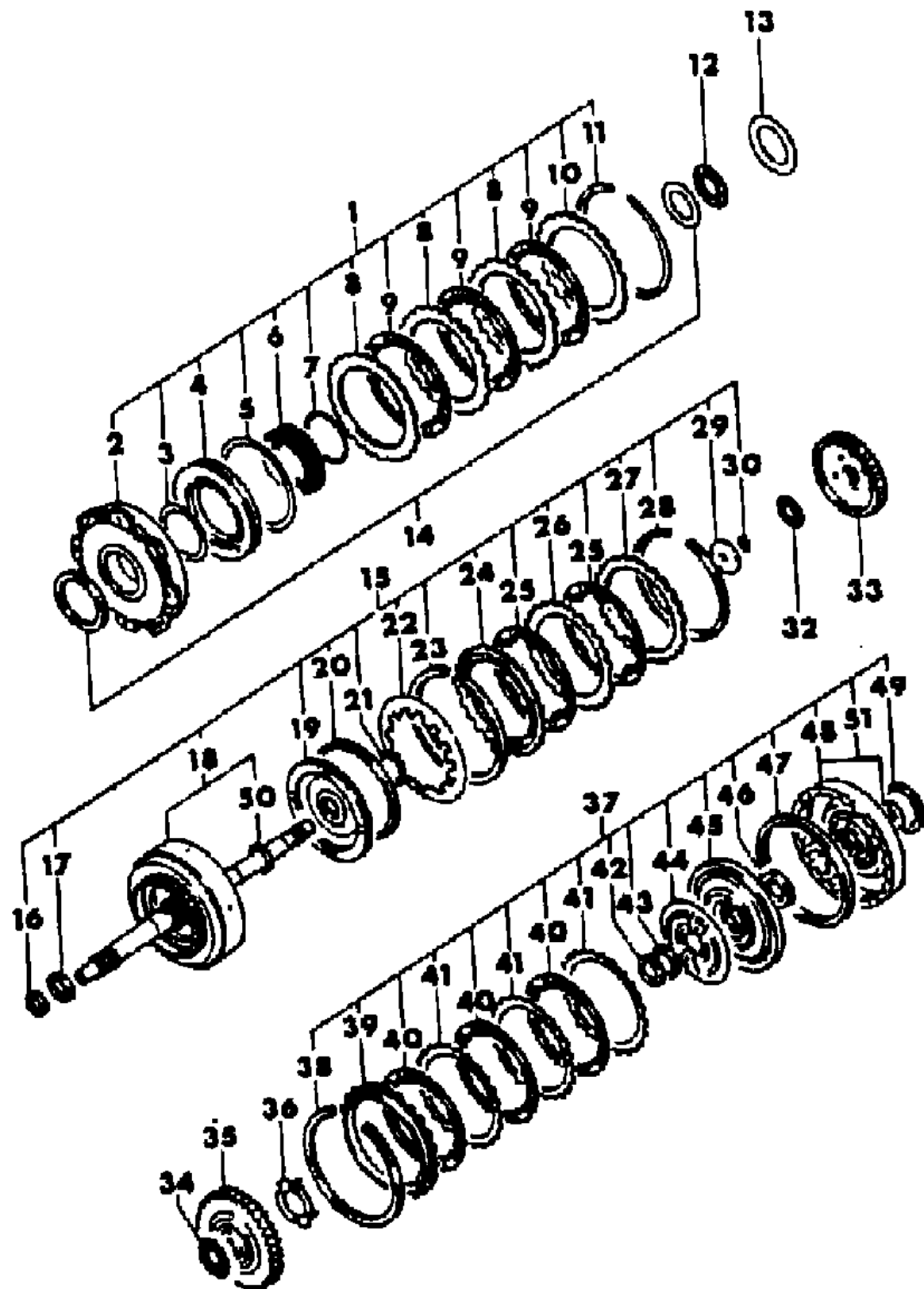
AR = Use as Required - = Non Illustrated Part P.A.R. = Paint as Required



CLUTCH, FRONT, REAR AND END AUTOMATIC TRANSAXLE, W/O TURBO ENGINE LASER-TALON

Figure 21A-500

9651 500A



ITEM	PART NUMBER	QTY	BODY	MODEL	DESCRIPTION
37					CLUTCH ASSY, End ***
	MD72 3508	1			1990-92
	MD75 1915	1			1993-94
38					SNAP RING, Selective
	MD71 5800	AR			1.05, 1990-93
	MD75 6033	AR			1.05, 1994
	MD75 7421	AR			1.20, After 11-1-93
	MD71 5801	AR			1.30, 1990-93
	MD75 6034	AR			1.30, 1994
	MD75 8167	AR			1.40, After 11-1-93
	MD71 5802	AR			1.55, 1990-93
	MD75 6035	AR			1.55, 1994
	MD75 7424	AR			1.65, After 11-1-93
	MD71 5803	AR			1.80, 1990-93
	MD75 6036	AR			1.80, 1994
	MD75 7544	AR			1.95, After 11-1-93
	MD72 0849	AR			2.05, 1990-93
	MD75 6037	AR			2.05, 1994
39	MD71 3149	1			PLATE, Reaction, End Clutch
40	MD72 9333	3			DISC, End Clutch
41	MD71 2528	3			PLATE, End Clutch
42	MD70 4422	1			SNAP RING, (24)
43	MD70 4318	1			WASHER, Spring, End Clutch
44	MD71 2830	1			SPRING, Piston, End Clutch
45	MD71 9934	1			PISTON, End Clutch
46	MD71 1884	1			D-RING, (29)
47					OIL SEAL, End Clutch
	MD71 1883	1			1990-92
	MD75 4365	1			1993-94
48					RETAINER, End Clutch
	MD72 3510	1			1990-92
	MD75 1917	1			1993-94
49	MD71 1875	1			SEAL RING, (46)
50					O-RING
	MD72 2651	1			1990, (25.5)
	MD73 2133	1			1991-94, (25.6)
51					OIL SEAL, End Clutch
	MD72 2531	1			1990-92
	MD73 6847	1			1993-94

ENGINE: P = 1800cc (1.8L) A = 2000cc (2.0L) Blank = All  
 TRANS: A = Automatic M = Manual Blank = All  
 SERIES: H = High M = Medium P = Premium S = Special

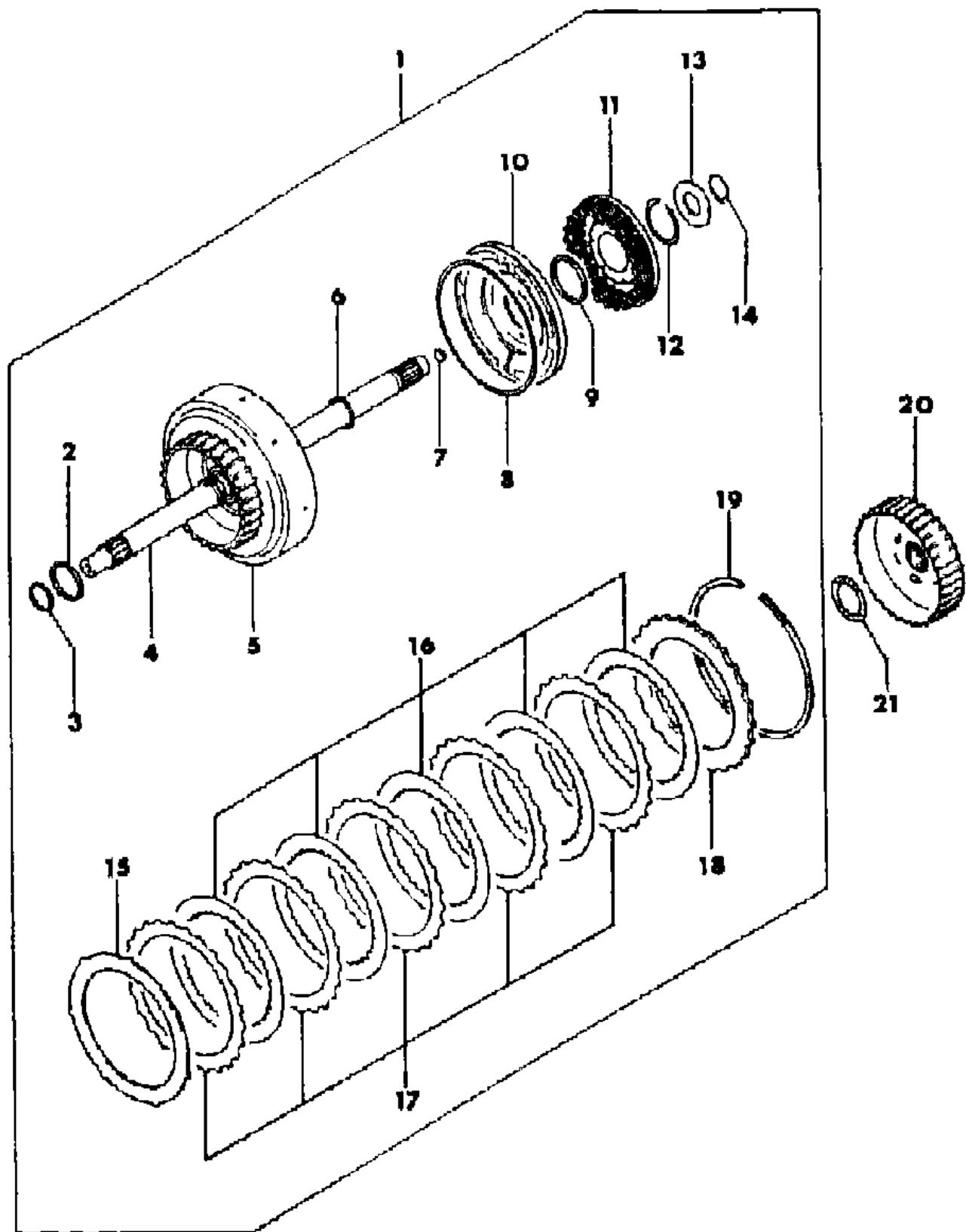
MODELS:  
 24 FWD = 2Dr Hatchback (Laser)  
 24 FWD = 2-Dr Hatchback (Talon)  
 4WD = (4 Wheel Drive)  
 2WD = (2 Wheel Drive)

AR = Use as Required - = Non Illustrated Part P.A.R. = Paint as Required



**CLUTCH, REAR AUTOMATIC TRANSAXLE, W/TURBO ENGINE LASER-TALON**  
**Figure 21A-540**

9651 540A



ITEM	PART NUMBER	QTY	BODY	MODEL	DESCRIPTION
1					CLUTCH ASSY, Rear ***
	MD73 5953	1			1990-92
	MD75 4352	1			1993-94
2	MD72 2639	1			SEAL RING, (31)
3	MD72 2551	1			SEAL RING, (23)
4					SHAFT, Input
	MD73 8993	1			1990-92
	MD75 2349	1			1993-94
5	MD73 6450	1			RETAINER
6	MD73 2133	1			O-RING, (25.6)
7					CAP
	MF66 5531	1			1990-92, (10)
	MD71 2132	1			1993-94, (8)
8	MD73 1136	1			D-RING, (114.8)
9	MD72 2586	1			D-RING, (36)
10	MD73 6449	1			PISTON, Clutch
11	MD73 1073	1			SPRING, Piston
12	MD73 1077	1			SNAP RING, (1.2)
13	MD72 2552	1			RACE, Clutch
14	MD73 9501	1			SNAP RING, (19.4)
15					SPRING, Clutch Plate
	MD73 1081	1			1990-93
	MD75 4826	1			1994
16	MD73 1582	5			DISC, Rear Clutch
17					PLATE, Pressure
	MD73 1604	5			1990-93
	MD73 1604	4			1994
	MD75 5524	1			1994
18	MD73 1585	1			PLATE, Reaction
19					SNAP RING, Selective
	MD73 1747	AR			1.3
	MD73 1748	AR			1.4
	MD73 1749	AR			1.5
	MD73 1750	AR			1.6
	MD73 1751	AR			1.7
	MD73 1752	AR			1.8
	MD73 1753	AR			1.9
	MD73 1754	AR			2.0
	MD73 1755	AR			2.1

ENGINE: P = 1800cc (1.8L) A = 2000cc (2.0L) Blank = All  
 TRANS: A = Automatic M = Manual Blank = All  
 SERIES: H = High M = Medium P = Premium S = Special

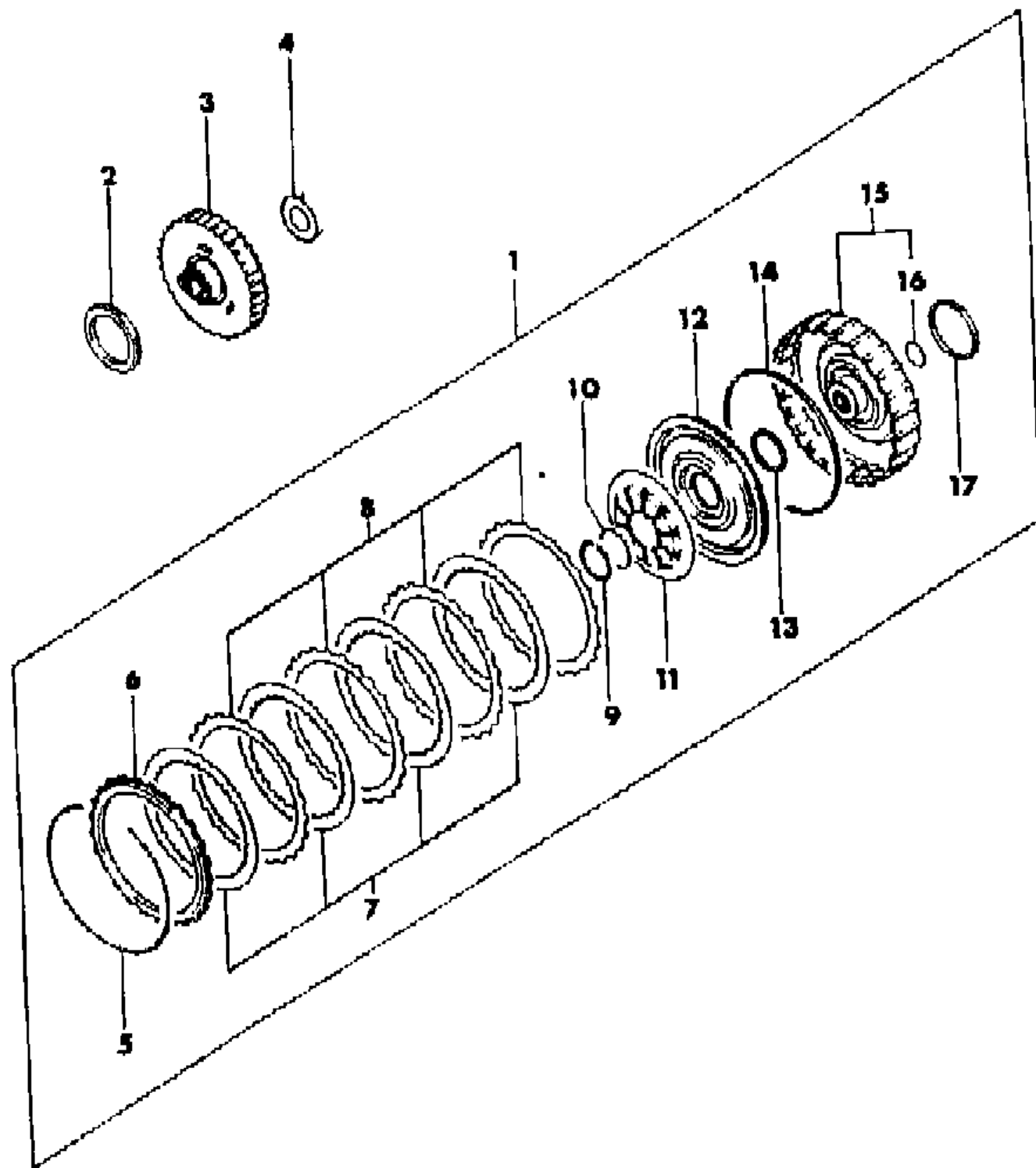
MODELS:  
 24 FWD = 2Dr Hatchback (Laser)  
 24 FWD = 2-Dr Hatchback (Talon)  
 4WD = (4 Wheel Drive)  
 2WD = (2 Wheel Drive)

AR = Use as Required - = Non Illustrated Part P.A.R. = Paint as Required



CLUTCH, END AUTOMATIC TRANSAXLE, W/TURBO ENGINE LASER-TALON  
Figure 21A-560

9651 550A



ITEM	PART NUMBER	QTY	BODY	MODEL	DESCRIPTION
1					CLUTCH ASSY, End ***
	MD73 2031	1			1990-92
	MD75 2908	1			1993-94
2	MD72 4206	1			WASHER, Thrust
3	MD73 1178	1			HUB, End Clutch
4	MD73 6491	1			PLATE, Thrust
5					SNAP RING, Selective
	MD71 5800	AR			1.05, 1990-93
	MD75 6033	AR			1.05, 1994
	MD71 5801	AR			1.30, 1990-93
	MD75 6034	AR			1.30, 1994
	MD71 5802	AR			1.55, 1990-93
	MD75 6035	AR			1.55, 1994
	MD71 5803	AR			1.80, 1990-93
	MD75 6036	AR			1.80, 1994
	MD72 0849	AR			2.05, 1990-93
	MD75 6037	AR			2.05, 1994
6	MD71 3149	1			PLATE, Reaction
7	MD73 9092	4			DISC, End Clutch
8	MD71 2528	4			PLATE, End Clutch
9	MD73 6490	1			SNAP RING, (1.0)
10	MD73 6489	1			WASHER, Spring, (34)
11	MD73 6488	1			SPRING, Piston
12	MD73 6485	1			PISTON, End Clutch
13					D-RING
	MD73 6487	1			1990-92, (31)
	MD75 4885	1			1993-94, (31)
14					OIL SEAL
	MD71 1883	1			1990-92
	MD75 4365	1			1993-94
15					RETAINER, End Clutch
	MD73 6483	1			1990-92
	MD75 1918	1			1993-94
16					OIL SEAL
	MD72 2531	1			1990-92
	MD73 6847	1			1993-94
17	MD71 1875	1			SEAL RING, (46)

ENGINE: P = 1800cc (1.8L)  
A = 2000cc (2.0L)  
Blank = All

TRANS: A = Automatic  
M = Manual  
Blank = All

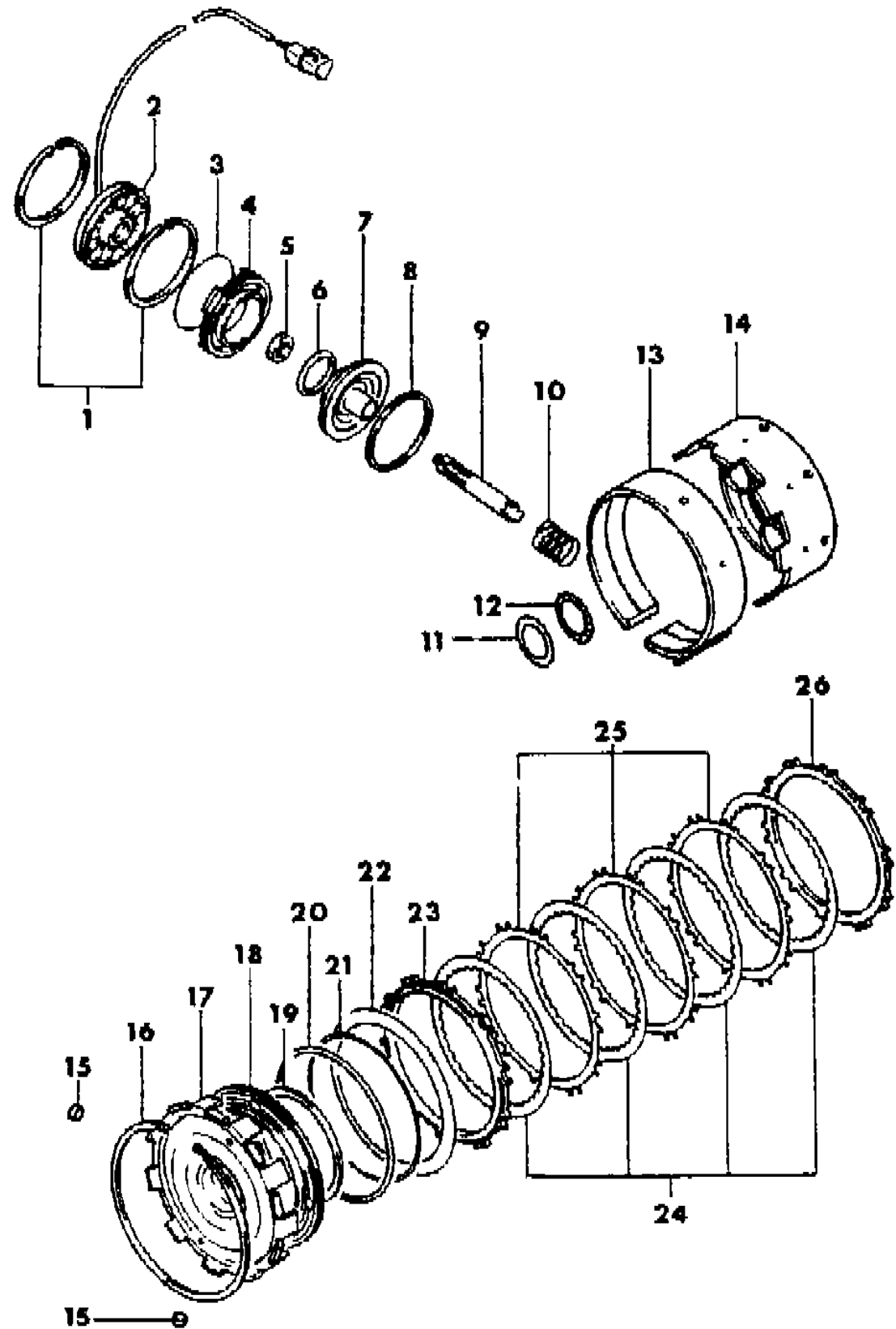
SERIES: H = High  
M = Medium  
P = Premium  
S = Special

MODELS:  
24 FWD = 2Dr Hatchback (Laser)  
24 FWD = 2-Dr Hatchback (Talon)  
4WD = (4 Wheel Drive)  
2WD = (2 Wheel Drive)

AR = Use as Required - = Non Illustrated Part P.A.R. = Paint as Required

**BRAKE, KICKDOWN, LOW AND REVERSE AUTOMATIC TRANSAXLE LASER-TALON**  
**Figure 21A-600**

9651 600



ITEM	PART NUMBER	QTY	BODY	MODEL	DESCRIPTION
1	MD72 2768	2			SNAP RING, Brake w/o Turbo, (85)
	MD73 2774	2			w/Turbo
2	MD73 3873	1			SWITCH, Kickdown Servo w/o Turbo, 1990
	MD73 8248	1			w/o Turbo, 1991-92
	MD75 2470	1			w/o Turbo, 1993-94
	MD73 6636	1			w/Turbo, 1991-92
	MD75 2472	1			w/Turbo, 1993-94
3	MD72 2770	1			O-RING w/o Turbo, (80)
	MD73 1135	1			w/Turbo, (93.7)
4	MD72 2766	1			SLEEVE, Kickdown Servo Piston w/o Turbo
	MD73 1127	1			w/Turbo
5	MD71 3574	1			NUT, Brake, (16)
6	MD72 2771	1			D-RING w/o Turbo, (43)
	MD73 1131	1			w/Turbo, (48.2)
7	MD72 2765	1			PISTON, Kickdown Brake Servo w/o Turbo
	MD73 1125	1			w/Turbo
8	MD72 2769	1			SEAL RING, Brake w/o Turbo, (77)
	MD73 1133	1			w/Turbo, (100)
9	MD73 3290	1			ROD, Kickdown Servo Piston
10	MD71 5773	1			SPRING, Coil, (35.6)
11	MD70 4936	1			RACE, Brake
12	MD72 0010	1			BEARING, Thrust
13	MD71 3179	1			BAND, Brake w/o Turbo
	MD73 6920	1			w/Turbo
14	MD72 7532	1			DRUM, Kickdown Brake w/o Turbo
	MD73 6921	1			w/Turbo
	MD72 7455	2			GASKET, L-R Brake Support
16	MD73 3748	1			SNAP RING, Brake w/o Turbo, (160)
	MD73 2987	1			w/Turbo, (167.5)

ENGINE: P = 1800cc (1.8L)  
A = 2000cc (2.0L)  
Blank = All

TRANS: A = Automatic  
M = Manual  
Blank = All

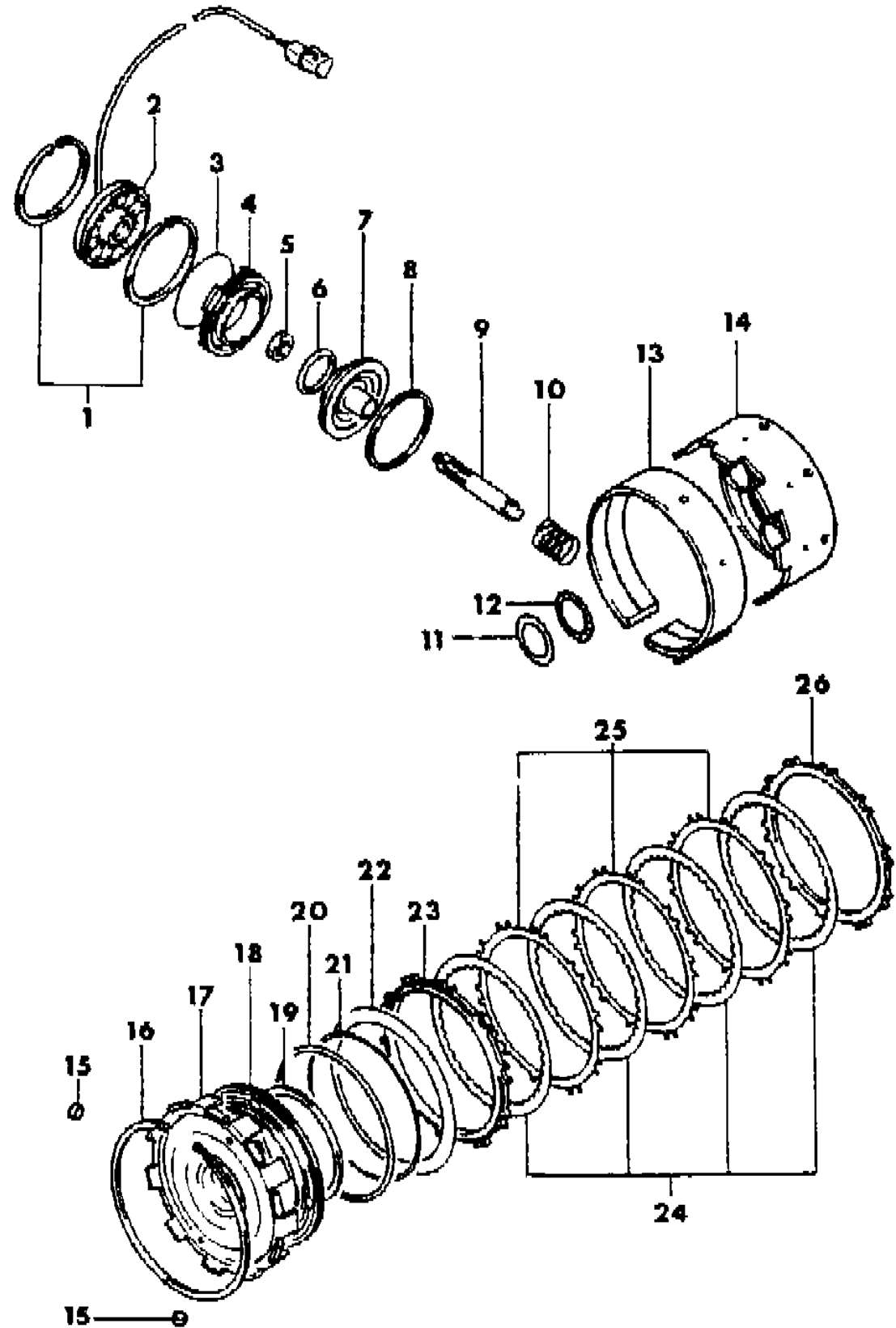
SERIES: H = High  
M = Medium  
P = Premium  
S = Special

MODELS:  
24 FWD = 2Dr Hatchback (Laser)  
24 FWD = 2-Dr Hatchback (Talon)  
4WD = (4 Wheel Drive)  
2WD = (2 Wheel Drive)

AR = Use as Required - = Non Illustrated Part P.A.R. = Paint as Required

**BRAKE, KICKDOWN, LOW AND REVERSE AUTOMATIC TRANSAXLE LASER-TALON**  
**Figure 21A-600**

9651 600



ITEM	PART NUMBER	QTY	BODY	MODEL	DESCRIPTION
17					SUPPORT, Low & Reverse Brake
	MD72 7678	1			w/o Turbo
	MD73 2474	1			w/Turbo
18					PISTON, Low & Reverse Brake
	MD72 6477	1			w/o Turbo
	MD73 1119	1			w/Turbo
19					D-RING, Brake
	MD72 6483	1			w/o Turbo, (106.6)
	MD73 1138	1			w/Turbo, (112.5)
20					D-RING, Brake
	MD72 6482	1			w/o Turbo, (144.4)
	MD73 1137	1			w/Turbo, (142)
21					SPRING, L-R Brake Wave
	MD71 9830	1			w/o Turbo
	MD73 1120	1			w/Turbo
22					SPRING, L-R Brake Piston
	MD72 2591	1			w/o Turbo
	MD73 1112	1			w/Turbo
23					PLATE, Brake Pressure, Selective
					w/o Turbo ***
	MD73 1720	AR			5.6
	MD73 1721	AR			5.7
	MD72 7801	AR			5.8
	MD73 1000	AR			5.9
	MD72 7802	AR			6.0
	MD73 1001	AR			6.1
	MD72 7803	AR			6.2
	MD73 1002	AR			6.3
	MD72 7804	AR			6.4
	MD73 1003	AR			6.5
	MD72 7805	AR			6.6
	MD73 1004	AR			6.7
	MD73 1005	AR			6.8
	MD73 4766	AR			6.9
	MD73 4767	AR			7.0
					w/Turbo ***
	MD73 1736	AR			5.9
	MD73 1737	AR			6.0
	MD73 1738	AR			6.1

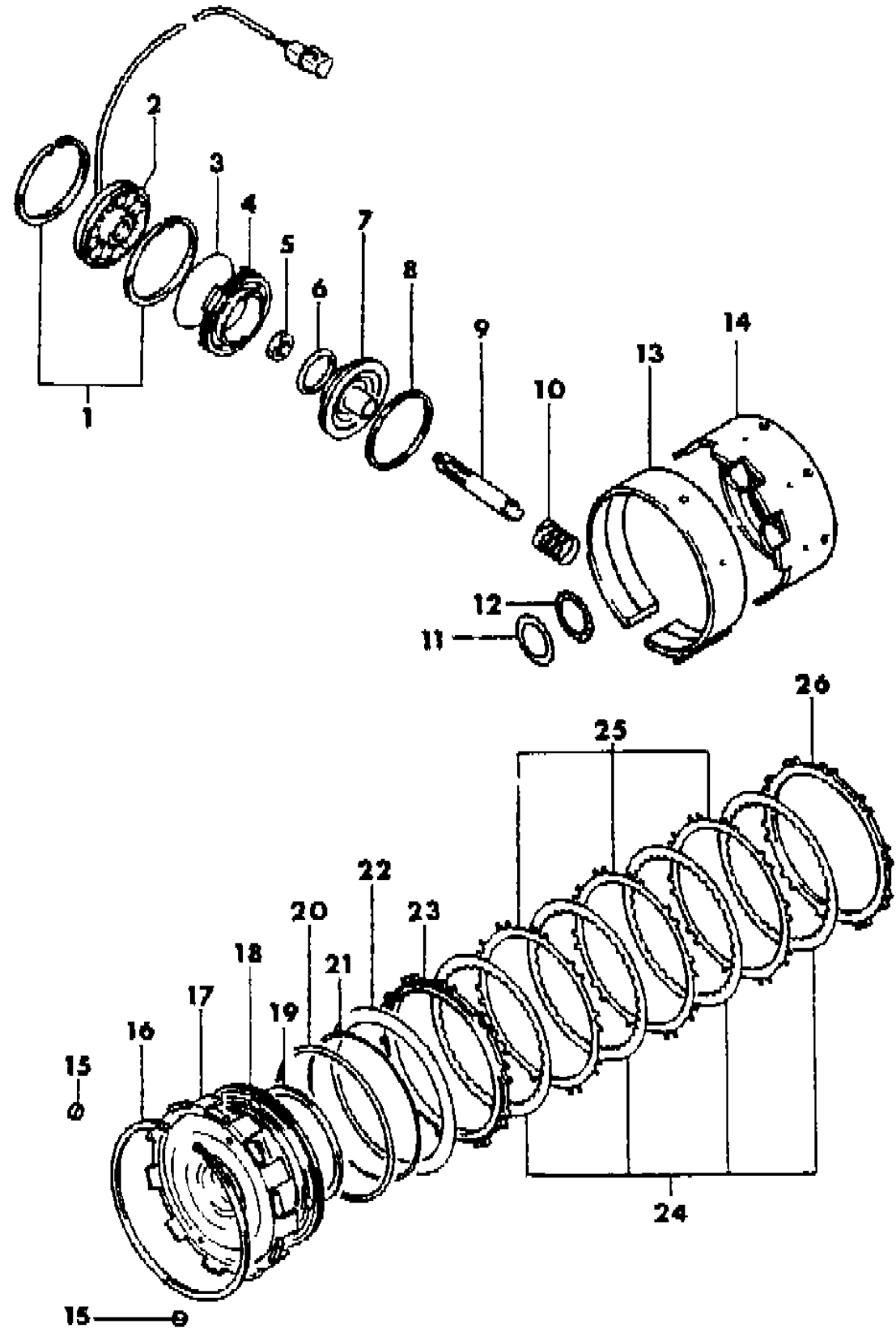
ENGINE: P = 1800cc (1.8L) A = 2000cc (2.0L) Blank = All  
 TRANS: A = Automatic M = Manual Blank = All  
 SERIES: H = High M = Medium P = Premium S = Special

MODELS:  
 24 FWD = 2Dr Hatchback (Laser)  
 24 FWD = 2-Dr Hatchback (Talon)  
 4WD = (4 Wheel Drive)  
 2WD = (2 Wheel Drive)

AR = Use as Required - = Non Illustrated Part P.A.R. = Paint as Required

**BRAKE, KICKDOWN, LOW AND REVERSE AUTOMATIC TRANSAXLE LASER-TALON**  
**Figure 21A-600**

9651 600



ITEM	PART NUMBER	QTY	BODY	MODEL	DESCRIPTION
	MD73 1739	AR			6.2
	MD73 1740	AR			6.3
	MD73 1588	AR			6.4
	MD73 1741	AR			6.5
	MD73 1742	AR			6.6
	MD73 1743	AR			6.7
	MD73 1744	AR			6.8
	MD73 1745	AR			6.9
24					DISC, Low & Reverse Brake
	MD71 9833	6			w/o Turbo
	MD73 1586	6			w/Turbo
25					PLATE, Low & Reverse Brake
	MD72 7798	5			w/o Turbo
	MD73 1587	5			w/Turbo
26					PLATE, Brake Reaction
	MD72 7800	1			w/o Turbo
	MD73 1589	1			w/Turbo

ENGINE: P = 1800cc (1.8L) A = 2000cc (2.0L) Blank = All  
 TRANS: A = Automatic M = Manual Blank = All  
 SERIES: H = High M = Medium P = Premium S = Special

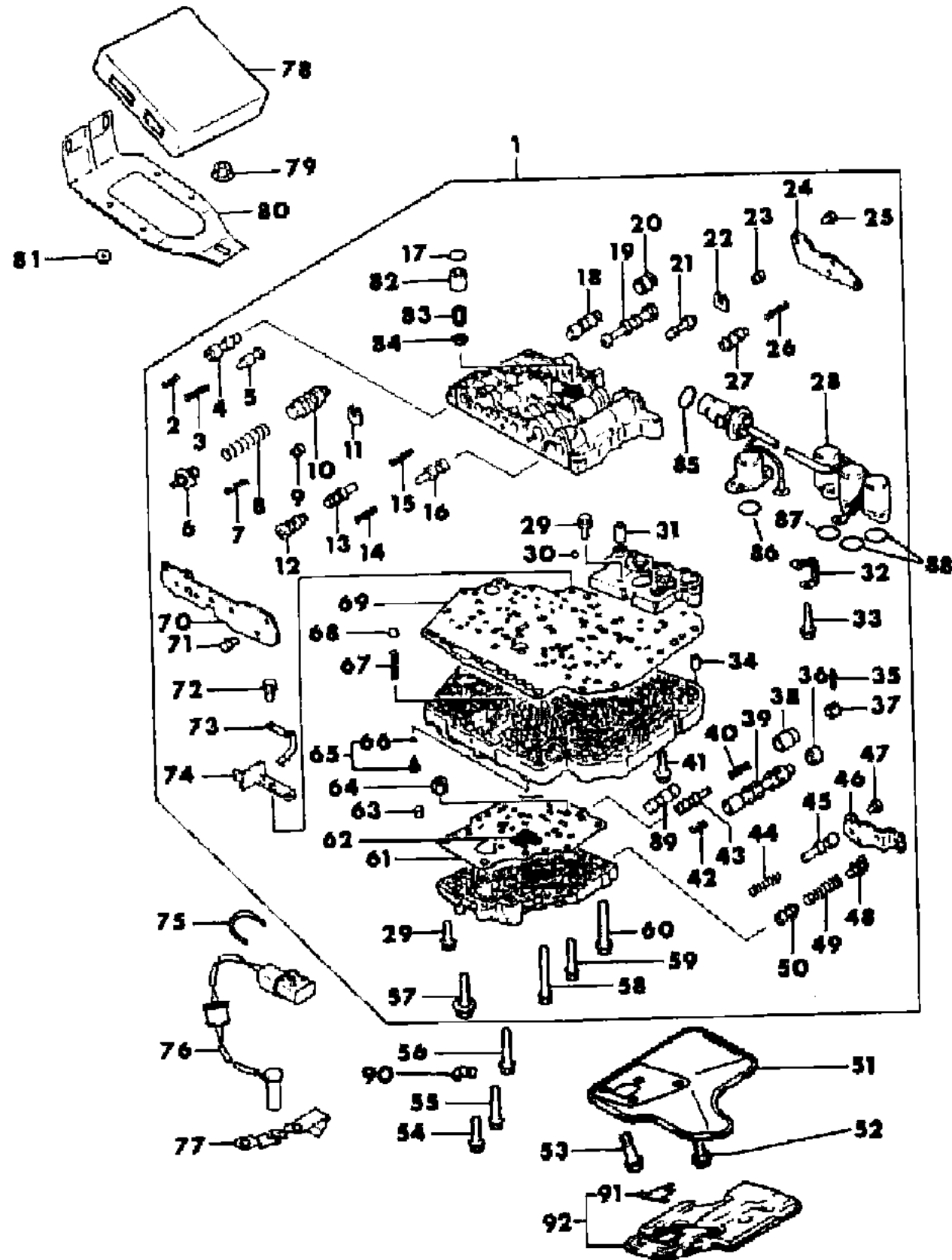
MODELS:  
 24 FWD = 2Dr Hatchback (Laser)  
 24 FWD = 2-Dr Hatchback (Talon)  
 4WD = (4 Wheel Drive)  
 2WD = (2 Wheel Drive)

AR = Use as Required - = Non Illustrated Part P.A.R. = Paint as Required



VALVE BODY AND COMPONENTS AUTOMATIC TRANSAXLE LASER-TALON  
Figure 21A-700

9651 700 C



ITEM	PART NUMBER	QTY	BODY	MODEL	DESCRIPTION
1					VALVE BODY ASSEMBLY
					w/o Turbo
	MD73 0161	1			1990
	MD73 9410	1			1991-92
	MD75 4348	1			1993
	MD75 5004	1			1994
					w/Turbo
	MD73 6936	1			1990-92
	MD75 2888	1			1993
	MD75 5000	1			1994
2	MD71 4398	1			SPRING, Coil
3					SPRING, Upper Valve
	MD72 6801	1			1990
	MD73 5979	1			1991-94
4	MD71 2823	1			VALVE, Upper Pressure Control
5	MD70 7705	1			VALVE, Upper
6	MD72 1392	1			SCREW, Regulator Valve Adj.
7	MD72 9599	1			SPRING, Upper 1st & 2nd Shift Plug
8	MD71 3189	1			SPRING, Coil
9	MD72 9588	1			PLUG, Upper Shift Control
10					VALVE, Upper Regulator
	MD71 3183	1			w/o Turbo
	MD73 3646	1			w/Turbo
11	MD70 4039	1			STOPPER, Inner
12	MD71 3539	1			VALVE, Upper
13	MD71 3540	1			VALVE, Upper
14	MD71 4487	1			SPRING, Coil
15	MD71 4486	1			SPRING, Coil
16	MD71 2098	1			VALVE, Upper 2nd & 3rd Shift
17	MD70 7752	1			O-RING, (13)
18					VALVE, Upper N-D Control
	MD71 6344	1			1990
	MD73 8043	1			1991-94
	MD73 8085	1			PLATE, Valve Body, 1991-94, (Not Shown)
19	MD71 6843	1			VALVE, Upper Manual
20					SLEEVE, Upper N-D Control Valve
	MD71 6345	1			1990
	MD73 5412	1			1991-94
21	MD70 3993	1			VALVE, Upper Shift Control

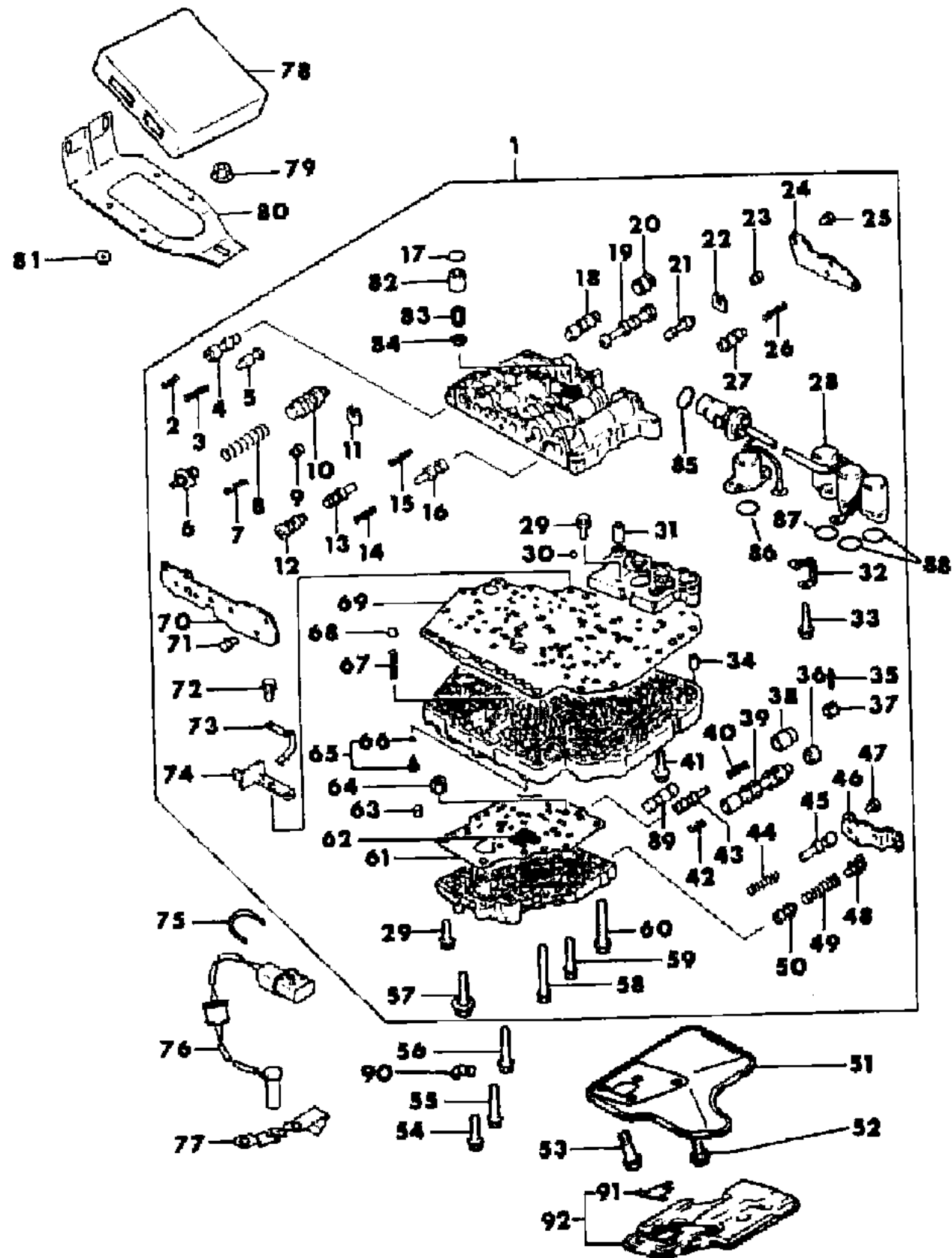
ENGINE: P = 1800cc (1.8L) A = 2000cc (2.0L) Blank = All  
 TRANS: A = Automatic M = Manual Blank = All  
 SERIES: H = High M = Medium P = Premium S = Special

MODELS:  
 24 FWD = 2Dr Hatchback (Laser)  
 24 FWD = 2-Dr Hatchback (Talon)  
 4WD = (4 Wheel Drive)  
 2WD = (2 Wheel Drive)

AR = Use as Required - = Non Illustrated Part P.A.R. = Paint as Required

VALVE BODY AND COMPONENTS AUTOMATIC TRANSAXLE LASER-TALON  
Figure 21A-700

9651 700 C



ITEM	PART NUMBER	QTY	BODY	MODEL	DESCRIPTION
22	MD70 4039	1			STOPPER, Inner
23	MD70 3994	1			PLUG, Upper Shift Control
24	MD70 0994	1			COVER Upper Valve Body
25	MS10 1202	2		1990, (5x12)	BOLT, Flange
	MF10 1202	2		1991-94, (5x10)	
26	MD71 3630	1			SPRING, Coil
27	MD71 3570	1			VALVE, Upper 1st & 2nd Shift
28	MD72 5037	1		1990	VALVE UNIT PACKAGE, Includes O-Rings ***
				1991	
	MD73 4187	1		w/o Turbo	
	MD73 4147	1		w/Turbo	
				1992-93	
	MD73 4187	1		w/o Turbo	
	MD73 4147	1		w/Turbo, (Stamped X4T41375), Up To 6-1-92	
	MD75 5008	1		w/Turbo, (Stamped X4T41395), After 6-1-92	
				1994	
	MD75 4841	1		w/o Turbo	
	MD75 5008	1		w/Turbo	
29	MD71 8286	6			BOLT, Flange, (5x19)
30	MD72 4184	1		1990-93	BALL, Valve Body, Inner
	MD75 5512	1		1994	
31	MD70 4094	1			PIPE, Upper Block
32	MD71 2879	1			CLAMP, Inner
33	MS10 1210	1			BOLT, Flange, (5x30)
34	MD70 4093	2			BUSHING, Dowel
35	MD70 0770	1			RETAINER
36					SLEEVE, Lower
	MD72 3456	1		w/o Turbo, 1990	
	MD72 5870	1		w/o Turbo, 1991-94	
37	MD71 2101	1			STOPPER, Lower End Clutch Valve
38	MD71 2102	1			PLUG, Lower End Clutch Valve
39					VALVE, Lower
	MD72 7246	1		w/o Turbo, 1990	
	MD72 5871	1		w/o Turbo, 1991-94	
40					SPRING, Coil

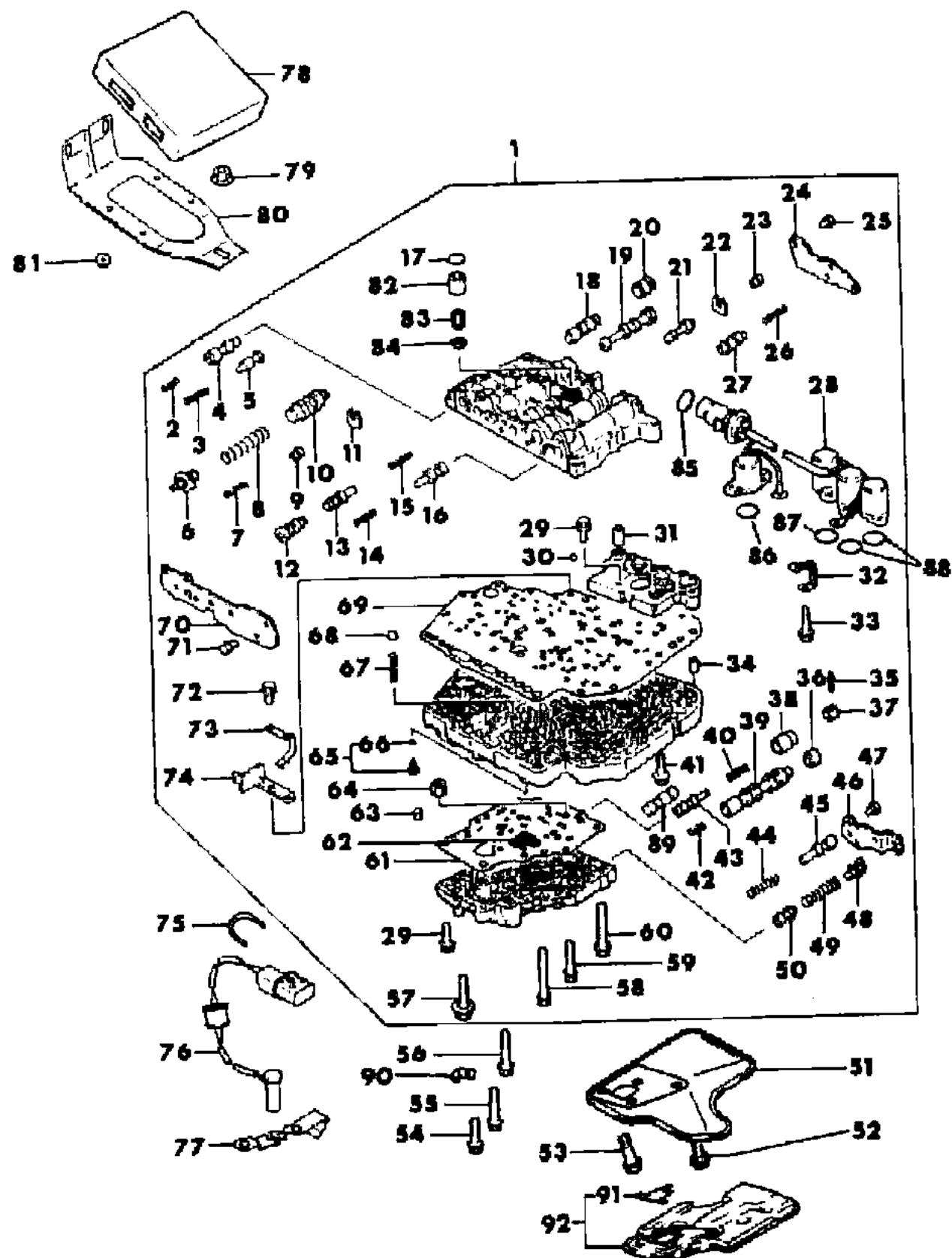
ENGINE: P = 1800cc (1.8L) A = 2000cc (2.0L) Blank = All  
 TRANS: A = Automatic M = Manual Blank = All  
 SERIES: H = High M = Medium P = Premium S = Special

MODELS:  
 24 FWD = 2Dr Hatchback (Laser)  
 24 FWD = 2-Dr Hatchback (Talon)  
 4WD = (4 Wheel Drive)  
 2WD = (2 Wheel Drive)

AR = Use as Required - = Non Illustrated Part P.A.R. = Paint as Required

VALVE BODY AND COMPONENTS AUTOMATIC TRANSAXLE LASER-TALON  
Figure 21A-700

9651 700 C



ITEM	PART NUMBER	QTY	BODY	MODEL	DESCRIPTION
	MD71 4486	1		1990	
	MD73 7370	1		1991-93	
	MD71 4487	1		1994	
41	MS10 1207	7			BOLT, Flange, (5x22)
42	MD72 5203	1			SPRING, Lower, w/o Turbo
43	MD71 3538	1			VALVE, Lower End Clutch
44					SPRING, Coil
	MD71 4842	1		1990-92	
	MD75 4016	1		1993-94	
45	MD70 5099	1			VALVE, Lower N-D Control
46					COVER, Valve Body
	MD71 4274	1		1990	
	MD73 6158	1		1991-94	
47	MF10 1202	2			BOLT, Flange, (5x10)
48					SCREW, Lower RDC Adjusting
	MD71 4266	1		1990	
	MD73 6026	1		1991-94	
49					SPRING, Lower Reducing Valve
	MD71 9177	1		1990	
	MD73 6185	1		1991-94	
50					VALVE, Lower Reducing
	MD71 4287	1		1990	
	MD73 6157	1		1991-94	
	MD72 1097	1			PLATE, Valve Body, w/Turbo, (Not Shown)
51					FILTER, Oil
	MD72 9954	1		w/o Turbo, 1990-92	
	MD73 5572	1		w/o Turbo, 1993-94	
52	MF14 0205	2			BOLT, Flange, (6x16)
53					BOLT, Flange
	MF14 0208	2		w/o Turbo, 1990-92, (6x22)	
	MF14 0204	4		1993-94, (6x14)	
54	MF14 0206	1			BOLT, Flange, (6x18)
55					BOLT, Flange
	MF14 0209	8		w/o Turbo, (6x25)	
	MF14 0209	12		w/Turbo, (6x25)	
56	MF14 0215	1			BOLT, Flange, (6x40)
57	MD72 1891	1			BOLT, w/Washer, (5x40)
58	MD71 8288	2			BOLT, Flange, (5x53)
59					BOLT, Flange

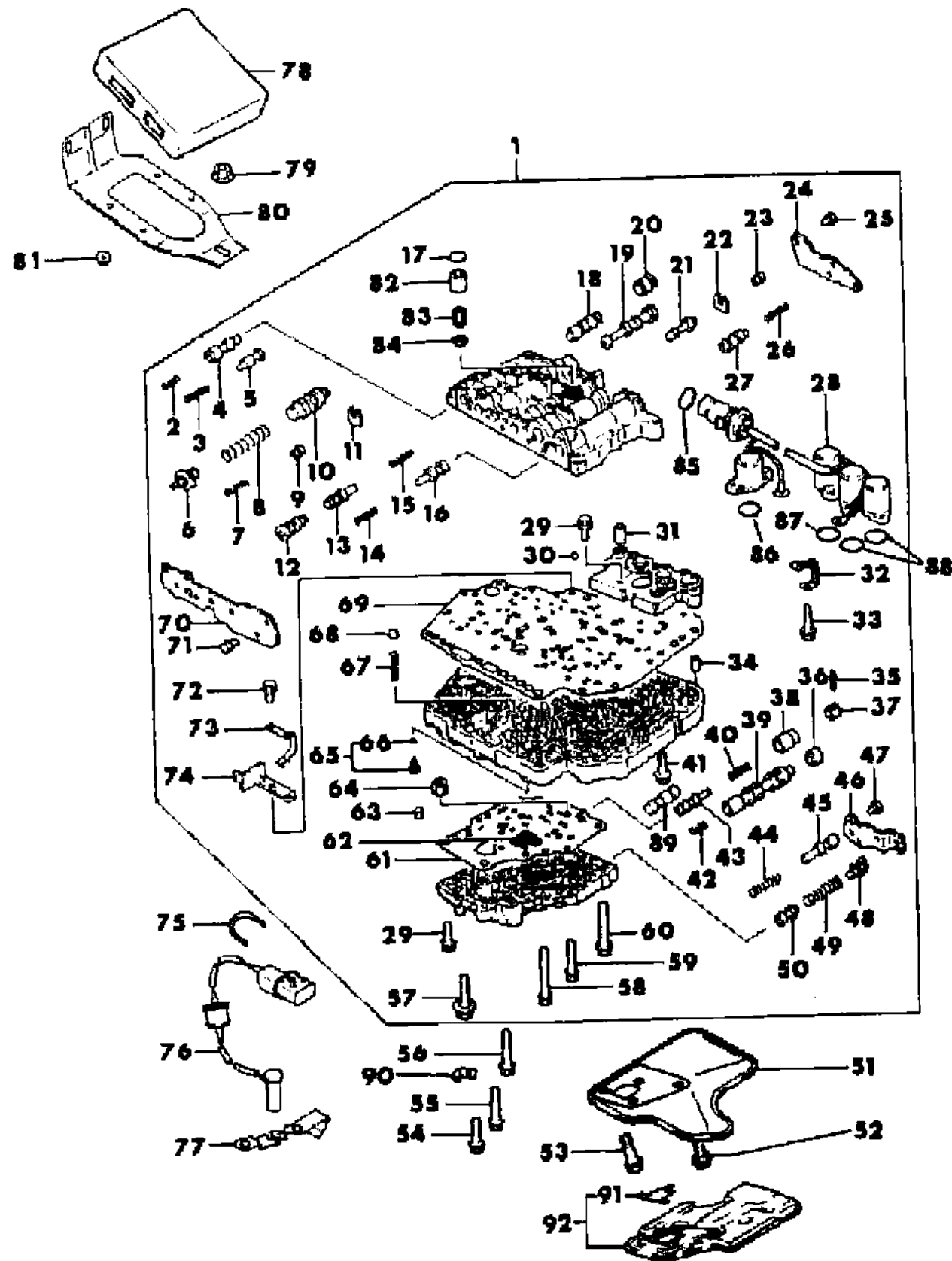
ENGINE: P = 1800cc (1.8L) A = 2000cc (2.0L) Blank = All  
 TRANS: A = Automatic M = Manual Blank = All  
 SERIES: H = High M = Medium P = Premium S = Special

MODELS:  
 24 FWD = 2Dr Hatchback (Laser)  
 24 FWD = 2-Dr Hatchback (Talon)  
 4WD = (4 Wheel Drive)  
 2WD = (2 Wheel Drive)

AR = Use as Required - = Non Illustrated Part P.A.R. = Paint as Required

VALVE BODY AND COMPONENTS AUTOMATIC TRANSAXLE LASER-TALON  
Figure 21A-700

9651 700 C



ITEM	PART NUMBER	QTY	BODY	MODEL	DESCRIPTION
	MD71 8287	10			Up To 5-1-92, (5x34)
	MD71 8287	6			After 5-1-92
60	MS10 1214	4			BOLT, Flange, (5x40)
61	MD71 3483	1			PLATE, Valve Body w/o Turbo, 1990
	MD73 5933	1			w/o Turbo, 1991-92
	MD73 7772	1			w/o Turbo, 1993-94
	MD73 5934	1			w/Turbo
62	MD71 4223	1			FILTER, Separator Plate Oil
63	MD72 2357	1			JET, Lower Valve Body
64	MF43 0003	1			NUT, (5)
65	MD72 9655	1			PLUG, Pressure Check
66	MD72 9657	1			O-RING, (3.8)
67	MD71 9332	1			SPRING, Coil
68	MF54 0008	5			BALL, Steel 1/4" Dia.
69	MD72 2420	1			PLATE, Valve Body w/o Turbo, 1990
	MD73 9345	1			w/o Turbo, 1991-94
	MD73 6926	1			w/Turbo, 1990-92
	MD73 5689	1			w/Turbo, 1993-94
70	MD71 3182	1			COVER
71	MF10 1202	14			BOLT, Flange, (5x10)
72	MF24 1202	2			BOLT, (5x12)
73	MD72 7955	1			CLAMP w/o Turbo, 1990
	MD73 7981	1			w/o Turbo, 1991-94
	MD73 7984	1			w/Turbo
74	MD71 6346	1			STOPPER, Upper N-D Control Valve
75	MD72 8163	1			PIN, 1990-91
76	MD73 2751	1			SENSOR, Oil Temperature w/o Turbo, 1990-92
	MD75 1587	1			w/o Turbo, 1993-94
	MD73 6495	1			w/Turbo, 1990-92
	MD75 4149	1			w/Turbo, 1993-94
77	MD72 8901	1			BRACKET, Oil Temp. Sensor w/o Turbo, 1990-92
	MD73 9124	1			w/o Turbo, 1993-94
	MD73 6675	1			w/Turbo, 1990-92
	MD75 3059	1			w/Turbo, 1993-94

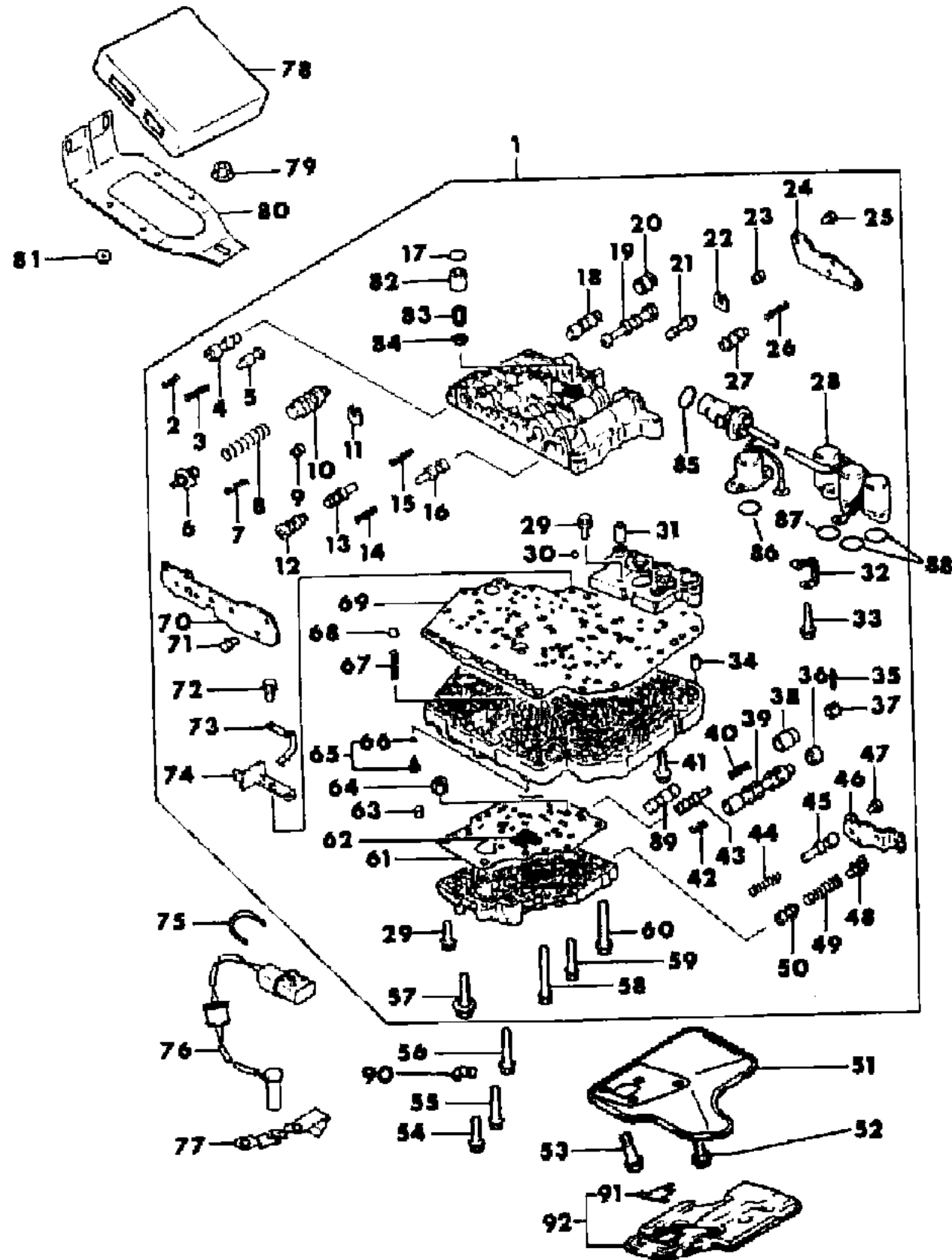
ENGINE: P = 1800cc (1.8L) A = 2000cc (2.0L) Blank = All  
 TRANS: A = Automatic M = Manual Blank = All  
 SERIES: H = High M = Medium P = Premium S = Special

MODELS:  
 24 FWD = 2Dr Hatchback (Laser)  
 24 FWD = 2-Dr Hatchback (Talon)  
 4WD = (4 Wheel Drive)  
 2WD = (2 Wheel Drive)

AR = Use as Required - = Non Illustrated Part P.A.R. = Paint as Required

VALVE BODY AND COMPONENTS AUTOMATIC TRANSAXLE LASER-TALON  
Figure 21A-700

9651 700 C



ITEM	PART NUMBER	QTY	BODY	MODEL	DESCRIPTION
78					CONTROL ASSY, Transaxle Electronic Module ***
					1.8L Engine
	MD73 1302				1990
	MD73 8998	1			1991-92
	MD75 4077	1			1993
	MD75 6916	1			1994
					2.0L Engine
	MD73 2004	1			1990
	MD73 7019	1			w/o Turbo, 1991
	MD75 0525	1			w/o Turbo, 1992
	MD75 4079	1			w/o Turbo, 1993
	MD75 6917	1			w/o Turbo, 1994
	MD75 0093	1	FWD		w/Turbo, 1991-92
	MD54 0075	1	FWD		w/Turbo, 1993-94
	MD75 0092	1	AWD		w/Turbo, 1991-92
	MD75 4076	1	AWD		w/Turbo, 1993-94
79	MS44 0503	3			NUT, (8)
80	MD72 6902	1			BRACKET, Electronic Control Unit
81	MS44 0501	4			NUT, (5)
82	MD71 6656	1			HOLDER, Valve, After 5-1-89
83					VALVE
	MD71 6657	1			1990-93
	MD75 2886	1			1994
84	MF45 0002	1			WASHER, Plain, After 5-1-89
85	MD61 1660	1			O-RING, Solenoid Valve Connector, (20.8)
86	MD61 1662	1			O-RING, Solenoid Valve, (PCSV)
87					O-RING, Solenoid Valve, (DCCSV)
	MD61 1663	1			1990-93
	MD61 8561	1			1994
88					O-RING, Solenoid Valve, (SCSV-A, -B)
	MD61 1659	2			1990-92, (15.8)
	MD62 2003	2			1993
	MD61 8561	2			1994
89	MD73 8178	1			PLUG, Servo Control, w/Turbo
90	MD73 4774	1			CLAMP, Valve Body, w/Turbo
91					GASKET, Oil Filter
	MD62 0524	1			w/Turbo
	MD62 2002	1			w/o Turbo, 1994
92					FILTER, Oil

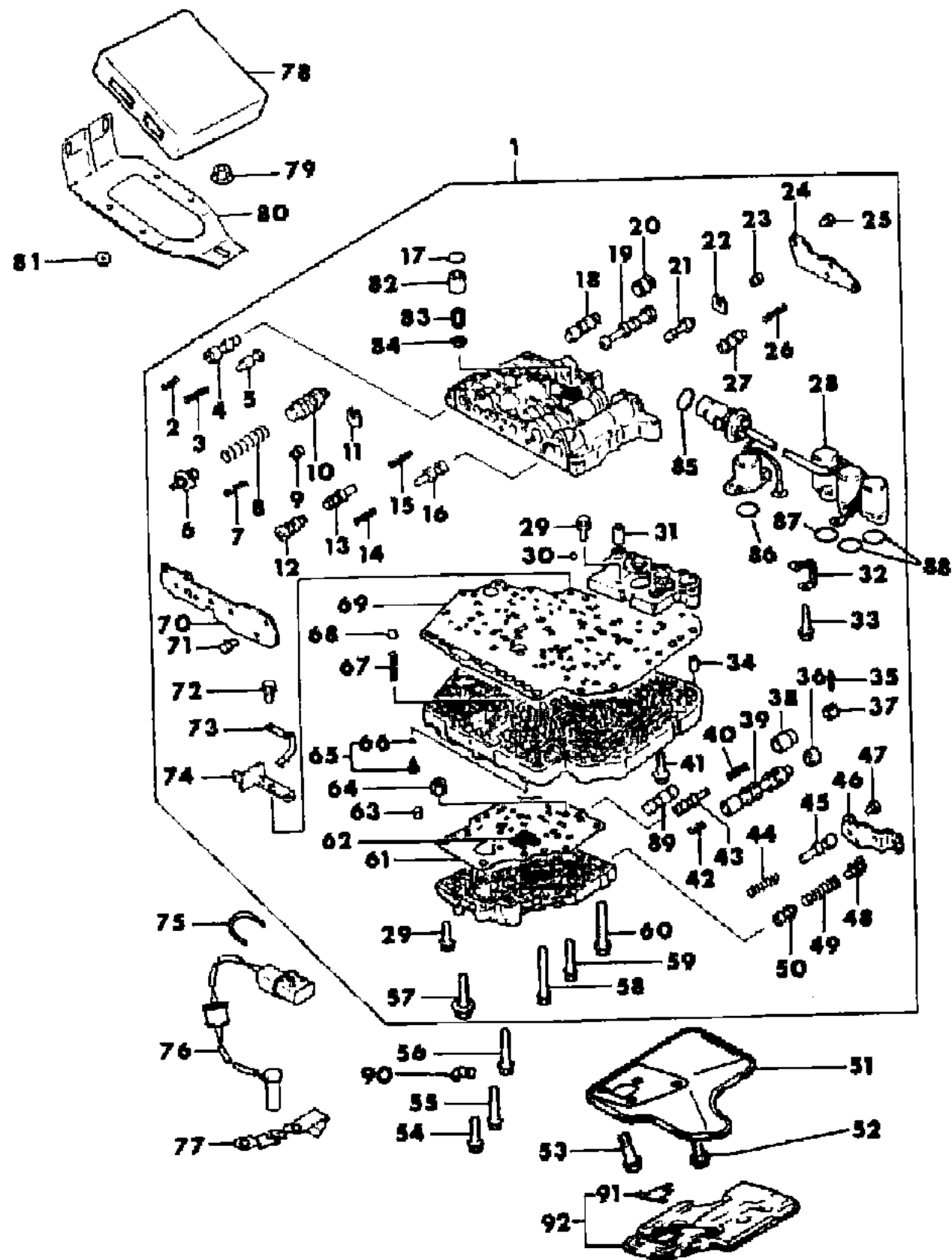
ENGINE: P = 1800cc (1.8L) A = 2000cc (2.0L) Blank = All  
 TRANS: A = Automatic M = Manual Blank = All  
 SERIES: H = High M = Medium P = Premium S = Special

MODELS:  
 24 FWD = 2Dr Hatchback (Laser)  
 24 FWD = 2-Dr Hatchback (Talon)  
 4WD = (4 Wheel Drive)  
 2WD = (2 Wheel Drive)

AR = Use as Required - = Non Illustrated Part P.A.R. = Paint as Required

VALVE BODY AND COMPONENTS AUTOMATIC TRANSAXLE LASER-TALON  
Figure 21A-700

9651 700 C



ITEM	PART NUMBER	QTY	BODY	MODEL	DESCRIPTION
	MD73 5572	1			w/Turbo, 1990-92
	MD73 7840	1			w/Turbo, 1993-94

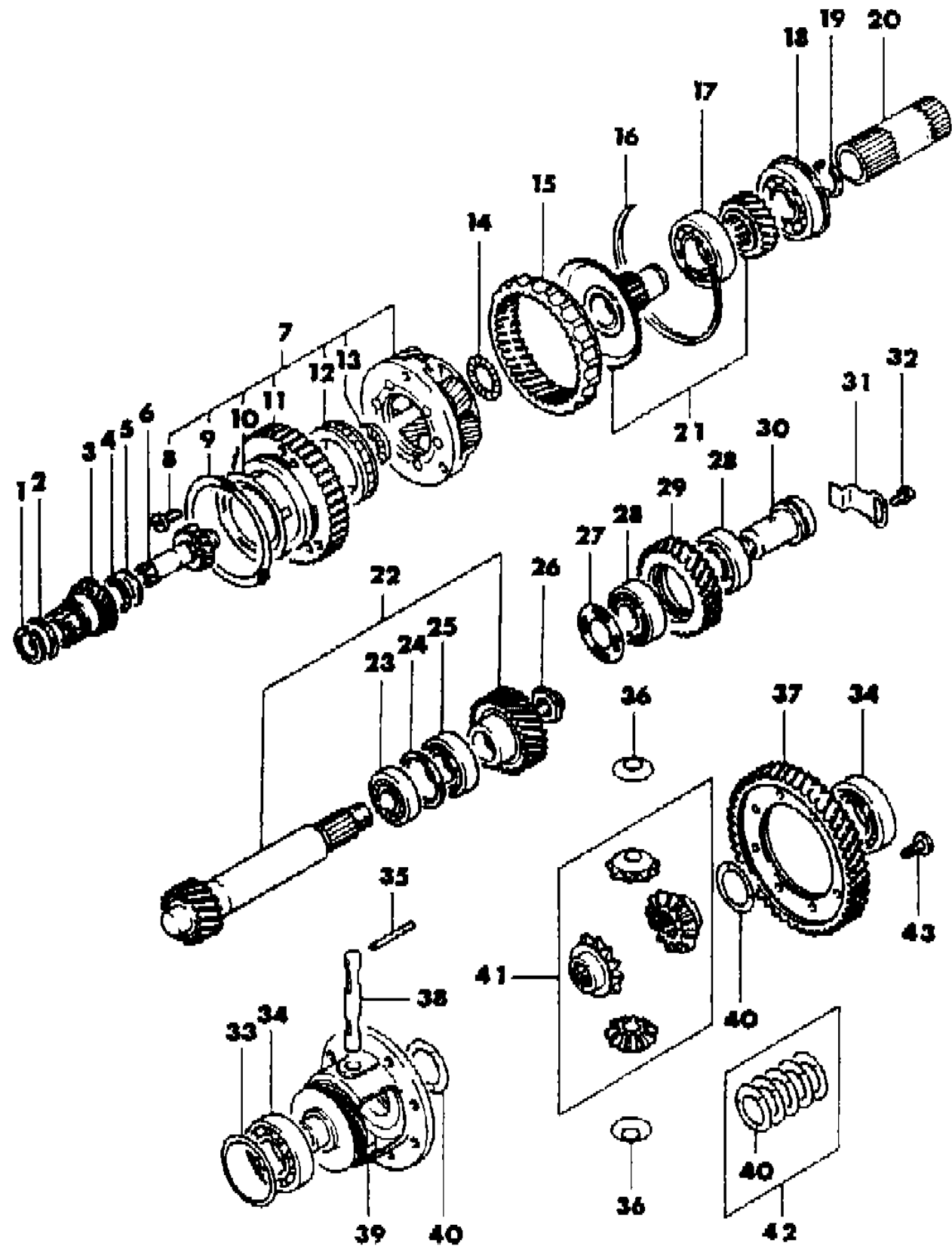
ENGINE: P = 1800cc (1.8L) A = 2000cc (2.0L) Blank = All  
 TRANS: A = Automatic M = Manual Blank = All  
 SERIES: H = High M = Medium P = Premium S = Special

MODELS:  
 24 FWD = 2Dr Hatchback (Laser)  
 24 FWD = 2-Dr Hatchback (Talon)  
 4WD = (4 Wheel Drive)  
 2WD = (2 Wheel Drive)

AR = Use as Required - = Non Illustrated Part P.A.R. = Paint as Required

POWER TRAIN AUTOMATIC TRANSAXLE, W/O TURBO ENGINE, FWD LASER-TALON  
Figure 21A-800

9651 800



ITEM	PART NUMBER	QTY	BODY	MODEL	DESCRIPTION
1	MD71 3375	1			SNAP RING, Power Train, (36)
2	MD72 2278	1			SEAL RING, (37)
3					GEAR, Planet Reverse Sun
	MD72 2007	1			1.8L Eng.
	MD72 2185	1			2.0L Eng.
4	MD72 8763	1			BEARING, Thrust
5	MD72 8764	1			RACE, Power Train
6					GEAR, Forward Sun
	MD72 1997	1			1.8L Eng.
	MD72 1998	1			2.0L Eng.
7					CARRIER ASSY, Planet Pinion ***
	MD72 7350	1			1.8L Eng.
	MD72 7351	1			2.0L Eng.
8					BOLT
	MD72 9598	3			Up To 5-1-89
	MD73 5453	3			After 5-1-89, (8x23.5)
9	MD71 9940	1			PLATE, Bolt Lock
10	MD72 7191	1			PLATE, Planet Stopper
11					RACE
	MD72 7029	1			1990
	MD74 0967	1			1991-94
12	MD72 6485	1			CLUTCH, One Way
13	MD72 7787	1			BEARING, Thrust Needle Roller
14	MD72 0010	1			BEARING, Thrust Needle Roller
15	MD72 3291	1			GEAR, Annulus Gear Support
16	MD70 7493	1			SNAP RING, (1.0)
17	MD72 2537	1			BEARING, Transfer Drive Gear, Front
18	MD72 4205	1			BEARING, Transfer Drive Gear, Rear
19					SNAP RING, Selective
	MD72 2538	AR			1.82
	MD72 1014	AR			1.88
	MD72 1015	AR			1.94
	MD72 1016	AR			2.00
	MD72 1017	AR			2.06
	MD72 2539	AR			2.12
20	MD73 1561	1			SHAFT, End Clutch
21					GEAR SET, Transfer Drive
	MD73 1815	1			1.8L Eng., 1990-91
	MD75 2304	1			1.8L Eng., 1992-94

ENGINE:  
P = 1800cc (1.8L)  
A = 2000cc (2.0L)  
Blank = All

TRANS:  
A = Automatic  
M = Manual  
Blank = All

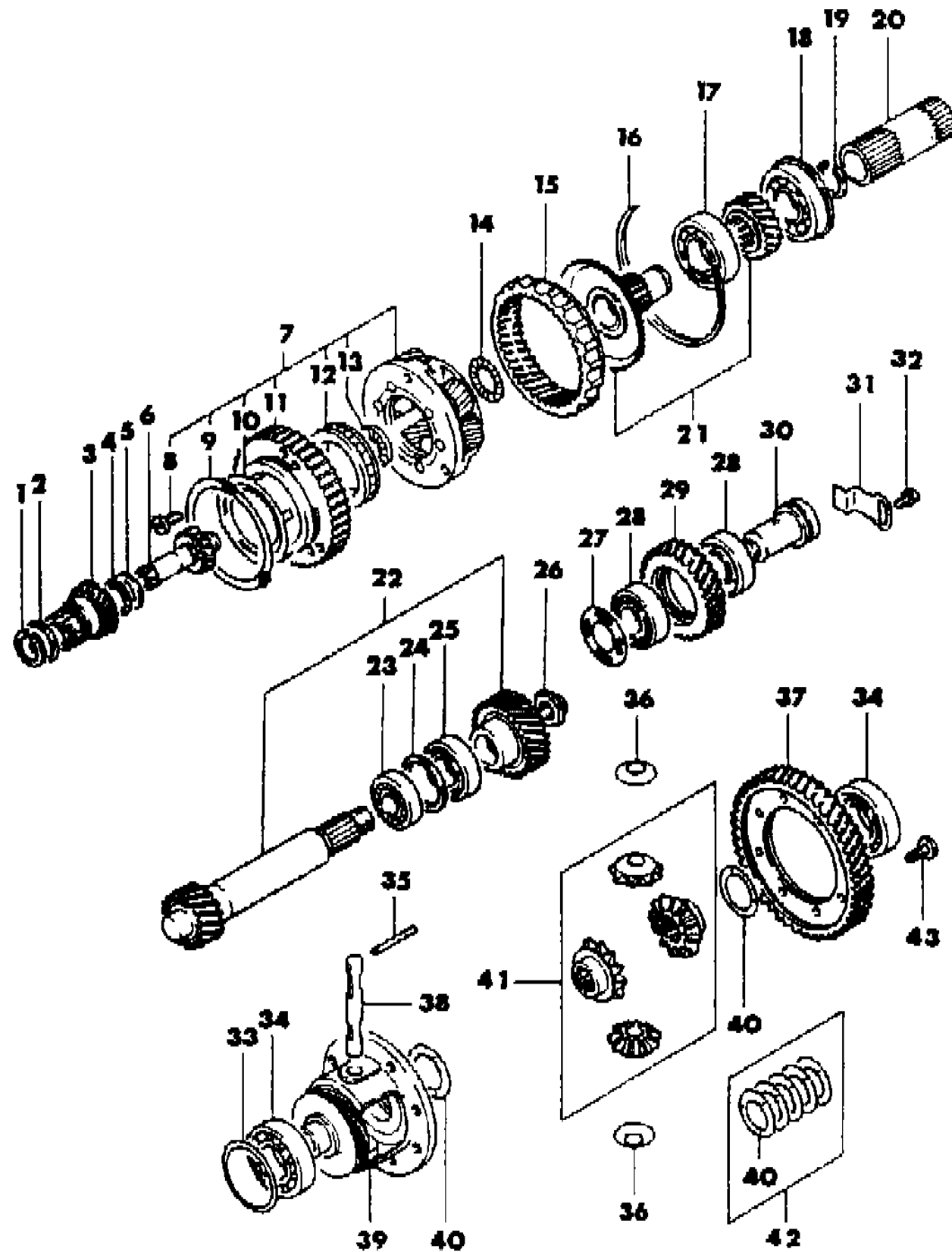
SERIES:  
H = High  
M = Medium  
P = Premium  
S = Special

MODELS:  
24 FWD = 2Dr Hatchback (Laser)  
24 FWD = 2-Dr Hatchback (Talon)  
4WD = (4 Wheel Drive)  
2WD = (2 Wheel Drive)

AR = Use as Required - = Non Illustrated Part P.A.R. = Paint as Required

POWER TRAIN AUTOMATIC TRANSAXLE, W/O TURBO ENGINE, FWD LASER-TALON  
Figure 21A-800

9651 800



ITEM	PART NUMBER	QTY	BODY	MODEL	DESCRIPTION
	MD73 1816	1			2.0L Eng., 1990-91
	MD75 2305	1			2.0L Eng., 1992-94
22					GEAR SET, Transfer Driven
	MD72 7017	1			1.8L Eng., 1990-91
	MD75 2296	1			1.8L Eng., 1992-94
	MD72 7018	1			2.0L Eng., 1990-91
	MD75 2297	1			2.0L Eng., 1992-94
23	MB39 3957	1			BEARING, Tapered Roller
24					SPACER, Transfer Driven Gear Brg., Selective
	MD72 3160	AR			1.20
	MD72 3161	AR			1.23
	MD72 3162	AR			1.26
	MD72 3163	AR			1.29
	MD72 3164	AR			1.32
	MD72 3165	AR			1.35
	MD72 3166	AR			1.38
	MD72 3167	AR			1.41
	MD72 3168	AR			1.44
	MD72 3169	AR			1.47
	MD72 3170	AR			1.50
	MD72 3171	AR			1.53
	MD72 3172	AR			1.56
	MD72 3173	AR			1.59
	MD72 3174	AR			1.62
	MD72 3175	AR			1.65
	MD72 3176	AR			1.68
	MD72 3177	AR			1.71
	MD72 3178	AR			1.74
	MD72 3179	AR			1.77
	MD72 3180	AR			1.80
25	MD71 8322	1			BEARING, Transfer Driven Gear, Rear
26	MD72 6736	1			NUT, Output Flange, (24)
27	MD71 6055	1			SPACER, (1.0)
28	MD72 7358	2			BEARING, Idler Gear Taper Roller
29					GEAR, Idler
	MD72 7026	1			1.8L Eng., 1990-91
	MD75 1494	1			1.8L Eng., 1992-94
	MD72 7027	1			2.0L Eng., 1990-91
	MD75 1573	1			2.0L Eng., 1992-94

ENGINE: P = 1800cc (1.8L) A = 2000cc (2.0L) Blank = All  
 TRANS: A = Automatic M = Manual Blank = All  
 SERIES: H = High M = Medium P = Premium S = Special

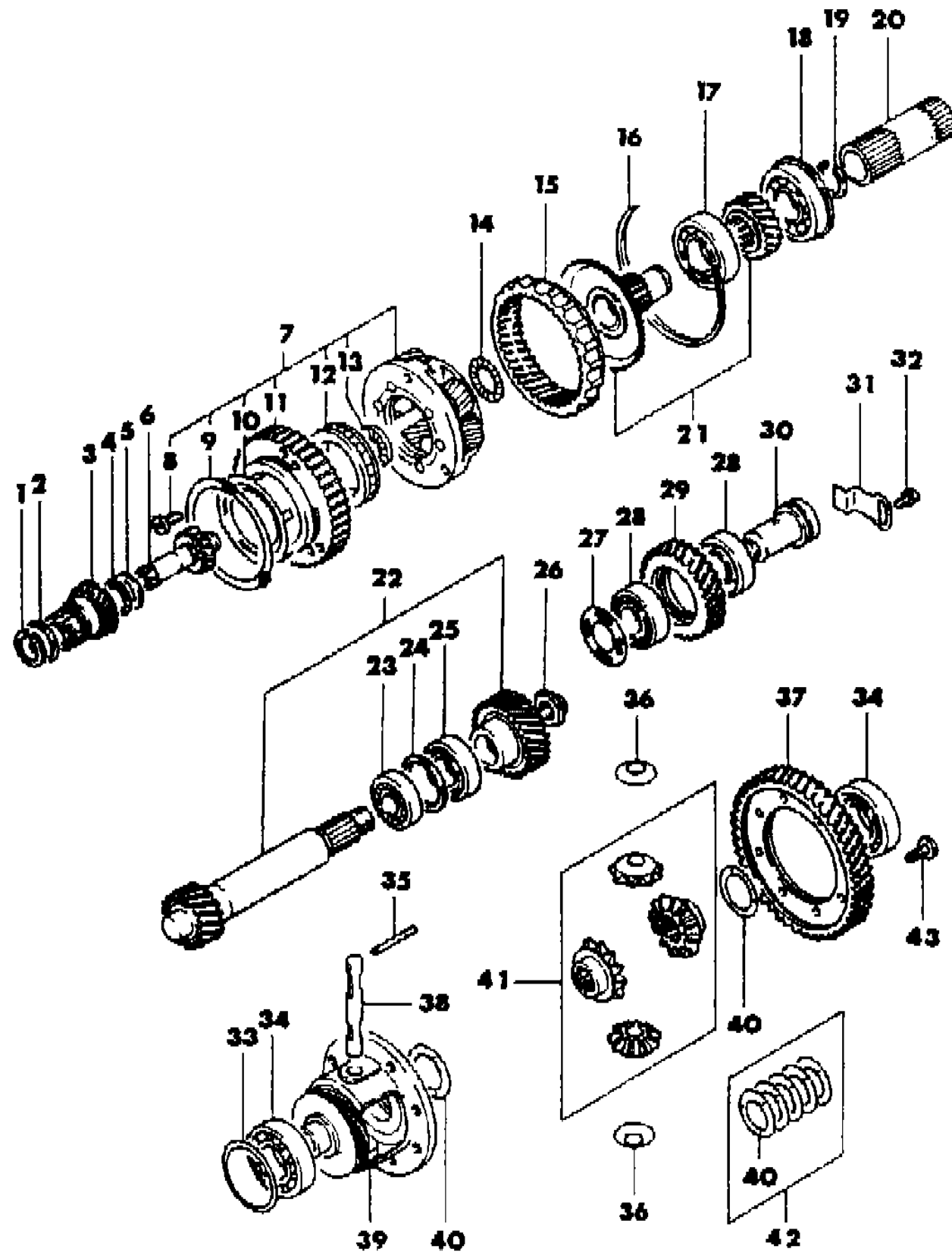
MODELS:  
 24 FWD = 2Dr Hatchback (Laser)  
 24 FWD = 2-Dr Hatchback (Talon)  
 4WD = (4 Wheel Drive)  
 2WD = (2 Wheel Drive)

AR = Use as Required - = Non Illustrated Part P.A.R. = Paint as Required



POWER TRAIN AUTOMATIC TRANSAXLE, W/O TURBO ENGINE, FWD LASER-TALON  
Figure 21A-800

9651 800



ITEM	PART NUMBER	QTY	BODY	MODEL	DESCRIPTION
30					SHAFT, Transfer Idler Gear
	MD72 2756	1			1990-93
	MD75 5127	1			1994
31	MD72 0796	1			PLATE, Idler Shaft Lock
32	MF14 0081	1			BOLT, Flange, (12x20)
33					SPACER, Selective
	MD70 0272	AR			1.85
	MD71 5956	AR			1.94
	MD71 5959	AR			2.03
	MD71 5962	AR			2.12
	MD71 5965	AR			2.21
	MD71 5968	AR			2.30
	MD71 5971	AR			2.39
	MD72 2736	AR			2.48
	MD73 1402	AR			2.57
34	MD72 3159	2			BEARING, Differential Case, Ball
35	MD70 6557	1			PIN, Lock, (5x50)
36	MA14 5188	2			WASHER, (17.3)
37					GEAR, Differential Drive
	MD72 2057	1			1990-91
	MD75 1497	1			1992-94
38	MD70 4947	1			SHAFT, Differential Pinion
39	MD71 9462	1			CASE, Differential
40					SPACER, Side Gear, (Serv. in Set, Refer to Item No. 42)
41	MD72 2127	1			GEAR SET, Differential
42	MD99 7795	2			SPACER PACKAGE, Differential Side Gear
43	MD04 0557	8			BOLT, Flange, (12x22.5)

ENGINE: P = 1800cc (1.8L) A = 2000cc (2.0L) Blank = All  
 TRANS: A = Automatic M = Manual Blank = All  
 SERIES: H = High M = Medium P = Premium S = Special

MODELS:  
 24 FWD = 2Dr Hatchback (Laser)  
 24 FWD = 2-Dr Hatchback (Talon)  
 4WD = (4 Wheel Drive)  
 2WD = (2 Wheel Drive)

AR = Use as Required - = Non Illustrated Part P.A.R. = Paint as Required

POWER TRAIN AUTOMATIC TRANSAXLE, W/TURBO ENGINE, FWD LASER-TALON  
Figure 21A-820

9651 820

ITEM	PART NUMBER	QTY	BODY	MODEL	DESCRIPTION
2					SEAL RING
	MD72 6258	1			1990-92, (37)
	MD75 2527	1			1993-94
3	MD73 5060	1			GEAR, Planet Reverse Sun
4	MD73 5062	1			BEARING, Thrust Needle Roller
5	MD73 5063	1			RACE, Power Train
6	MD73 1165	1			GEAR, Forward Sun
7	MD73 2754	1			CARRIER ASSY, Planet Pinion ***
8	MD73 2499	3			RIVET, (5x22.5)
9	MD73 9374	3			WASHER, Spring, (6.7)
10	MD73 4261	1			PLATE, Planet Stopper
11	MD73 6246	1			RACE
12	MD73 1785	1			CLUTCH, One Way
13	MD73 1170	1			BEARING, Thrust Needle Roller
14	MD71 9846	1			BEARING, Thrust Needle Roller
15	MD73 1153	1			GEAR, Annulus Gear Support
16	MD73 1164	1			SNAP RING, (1.6)
17	MD73 1160	1			BEARING, Transfer Drive Gear, Front Ball
18	MD73 1161	1			BEARING, Transfer Drive Gear, Rear Ball
19					SNAP RING, Selective
	MD73 3314	AR			1.76
	MD72 2538	AR			1.82
	MD72 1014	AR			1.88
	MD72 1015	AR			1.94
	MD72 1016	AR			2.00
	MD72 1017	AR			2.06
	MD72 2539	AR			2.12
	MD73 3315	AR			2.18
20	MD73 1176	1			SHAFT, End Clutch
21	MD73 4098	1			PLATE, Drive Gear Stopper
22					SHAFT, Output
	MD73 4432	1			1990-91
	MD75 0646	1			1992-94
23					BEARING, Tapered Roller
	MD71 8322	1			1990-91
	MD71 8323	1			1992-94
24					SPACER, Transfer Driven Gear Brg., Selective
	MD73 7444	AR			0.62
	MD73 7445	AR			0.65

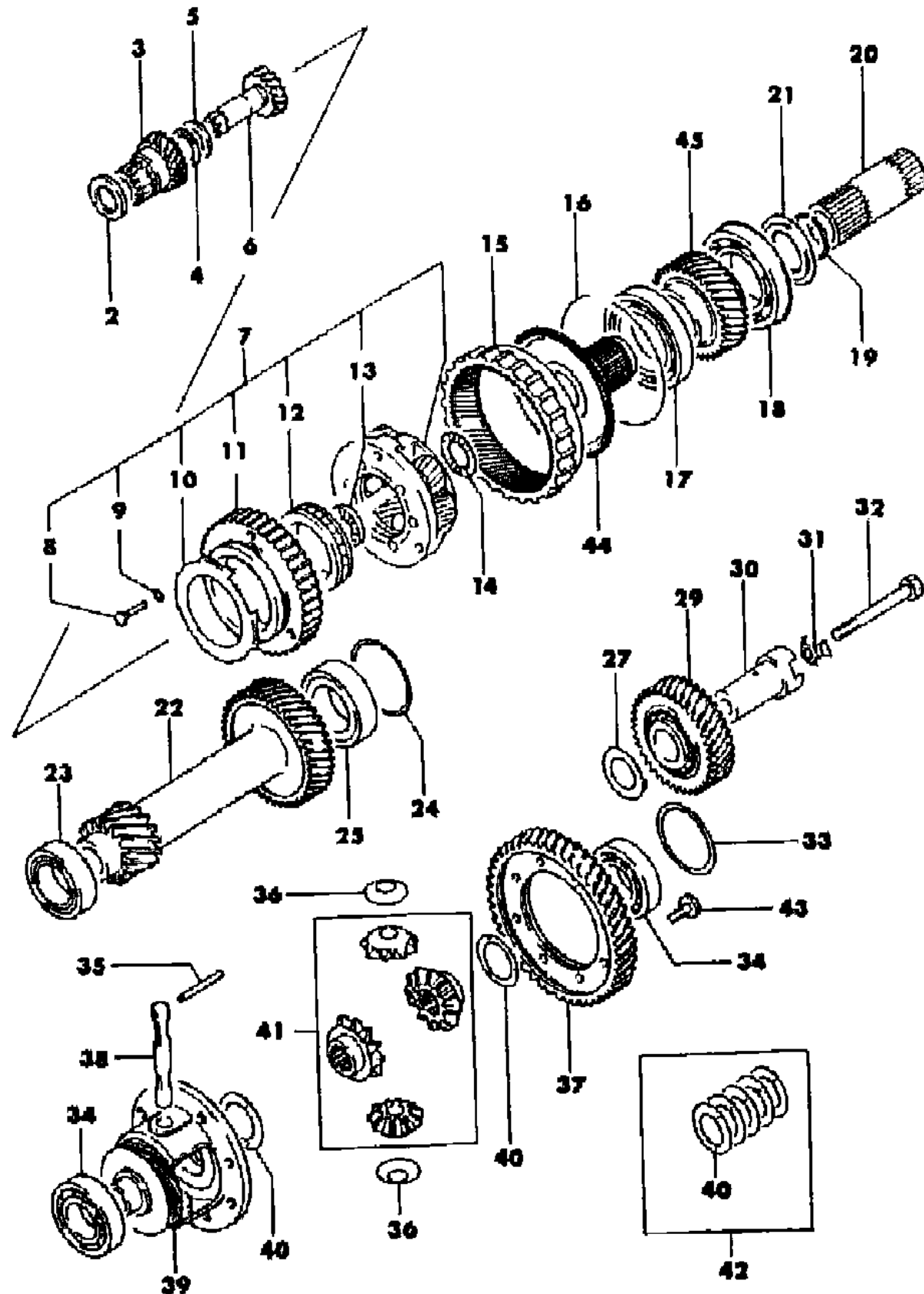
ENGINE: P = 1800cc (1.8L)  
A = 2000cc (2.0L)  
Blank = All

TRANS: A = Automatic  
M = Manual  
Blank = All

SERIES: H = High  
M = Medium  
P = Premium  
S = Special

MODELS:  
24 FWD = 2Dr Hatchback (Laser)  
24 FWD = 2-Dr Hatchback (Talon)  
4WD = (4 Wheel Drive)  
2WD = (2 Wheel Drive)

AR = Use as Required - = Non Illustrated Part P.A.R. = Paint as Required



POWER TRAIN AUTOMATIC TRANSAXLE, W/TURBO ENGINE, FWD LASER-TALON  
Figure 21A-820

9651 820

ITEM	PART NUMBER	QTY	BODY	MODEL	DESCRIPTION
	MD73 7446	AR			0.68
	MD73 7447	AR			0.71
	MD72 8802	AR			0.74
	MD72 8803	AR			0.77
	MD72 8804	AR			0.80
	MD72 8805	AR			0.83
	MD72 8806	AR			0.86
	MD72 8807	AR			0.89
	MD72 8808	AR			0.92
	MD72 8809	AR			0.95
	MD72 8810	AR			0.98
	MD72 8811	AR			1.01
	MD72 8812	AR			1.04
	MD72 8813	AR			1.07
	MD72 8814	AR			1.10
	MD72 8815	AR			1.13
	MD72 8816	AR			1.16
	MD72 8817	AR			1.19
	MD72 8818	AR			1.22
	MD72 8819	AR			1.25
	MD72 8820	AR			1.28
	MD72 8821	AR			1.31
25	MD71 8322	1			BEARING, Transfer Driven Gear, Rear
27	MD73 3638	1			SPACER, (1.0)
29					GEAR, Idler
	MD73 8891	1			1990-91
	MD75 0643	1			1992-94
30	MD73 3205	1			SHAFT, Transfer Idler Gear
31	MD73 4962	1			PLATE, Idler Shaft Lock
32	MD73 4354	1			BOLT, Flange, (10x90)
33					SPACER, Selective
	MD75 4475	AR			0.71, 1993-94
	MD72 7660	AR			0.74, 1993-94
	MD75 4476	AR			0.77, 1993-94
	MD72 7661	AR			0.80, 1993-94
	MD72 0937	AR			0.83
	MD72 0938	AR			0.86
	MD72 0939	AR			0.89
	MD72 0940	AR			0.92

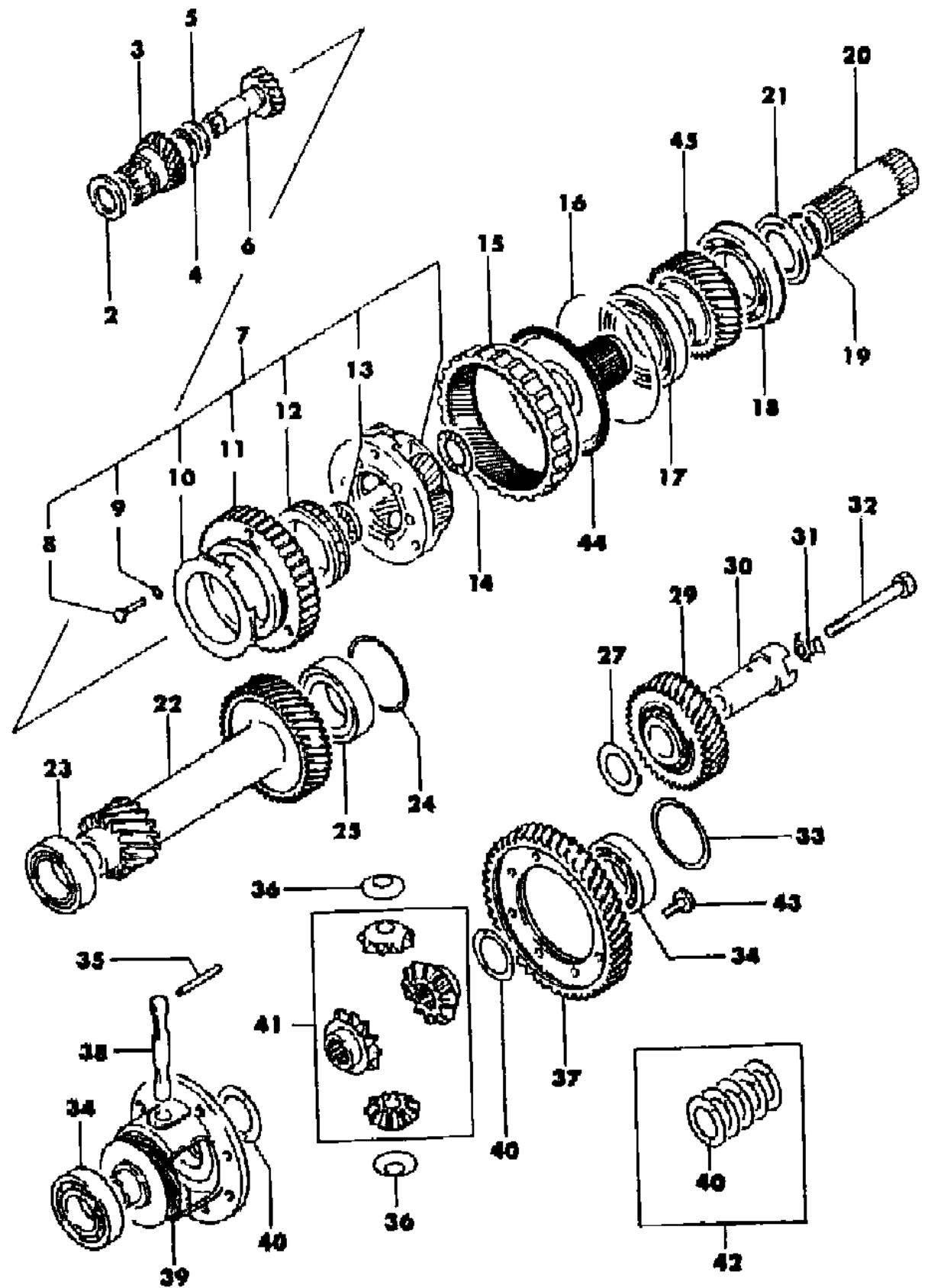
ENGINE: P = 1800cc (1.8L)  
A = 2000cc (2.0L)  
Blank = All

TRANS: A = Automatic  
M = Manual  
Blank = All

SERIES: H = High  
M = Medium  
P = Premium  
S = Special

MODELS:  
24 FWD = 2Dr Hatchback (Laser)  
24 FWD = 2-Dr Hatchback (Talon)  
4WD = (4 Wheel Drive)  
2WD = (2 Wheel Drive)

AR = Use as Required - = Non Illustrated Part P.A.R. = Paint as Required



POWER TRAIN AUTOMATIC TRANSAXLE, W/TURBO ENGINE, FWD LASER-TALON  
Figure 21A-820

9651 820

ITEM	PART NUMBER	QTY	BODY	MODEL	DESCRIPTION
	MD72 0941	AR			0.95
	MD72 0942	AR			0.98
	MD72 0943	AR			1.01
	MD72 0944	AR			1.04
	MD72 0945	AR			1.07
	MD71 0454	AR			1.10
	MD70 0270	AR			1.13
	MD71 0455	AR			1.16
	MD71 0456	AR			1.19
	MD70 0271	AR			1.22
	MD71 0457	AR			1.25
	MD71 0458	AR			1.28
	MD70 6574	AR			1.31
	MD71 0459	AR			1.34
	MD71 0460	AR			1.37
	MD70 0272	AR			1.85
	MD71 5956	AR			1.94
	MD71 5959	AR			2.03
	MD71 5962	AR			2.12
	MD71 5965	AR			2.21
	MD71 5968	AR			2.30
	MD71 5971	AR			2.39
34	MD71 0663	2			BEARING, Differential Case Tapered Roller
35	MD71 2247	1			PIN, Lock, (6x50.7)
36	MD72 2981	2			WASHER, (18)
37	MD73 4433	1			GEAR, Differential Drive
38	MD72 2632	1			SHAFT, Differential Pinion
39					CASE, Differential
	MD73 5034	1			1990-92
39	MD75 1507	1			1993-94
40					SPACER, Side Gear, (Serv. in Set, Refer to Item No. 42)
41					GEAR SET, Differential
	MD73 3840	1			1990-92
	MD75 2753	1			1993-94
42	MD99 7795	2			SPACER PACKAGE, Differential Side Gear
43	MD04 0557	8			BOLT, Flange, (12x22.5)
44	MD73 1168	1			FLANGE, Output ***
45					GEAR, Transfer Drive
	MD73 1157	1			1990-91

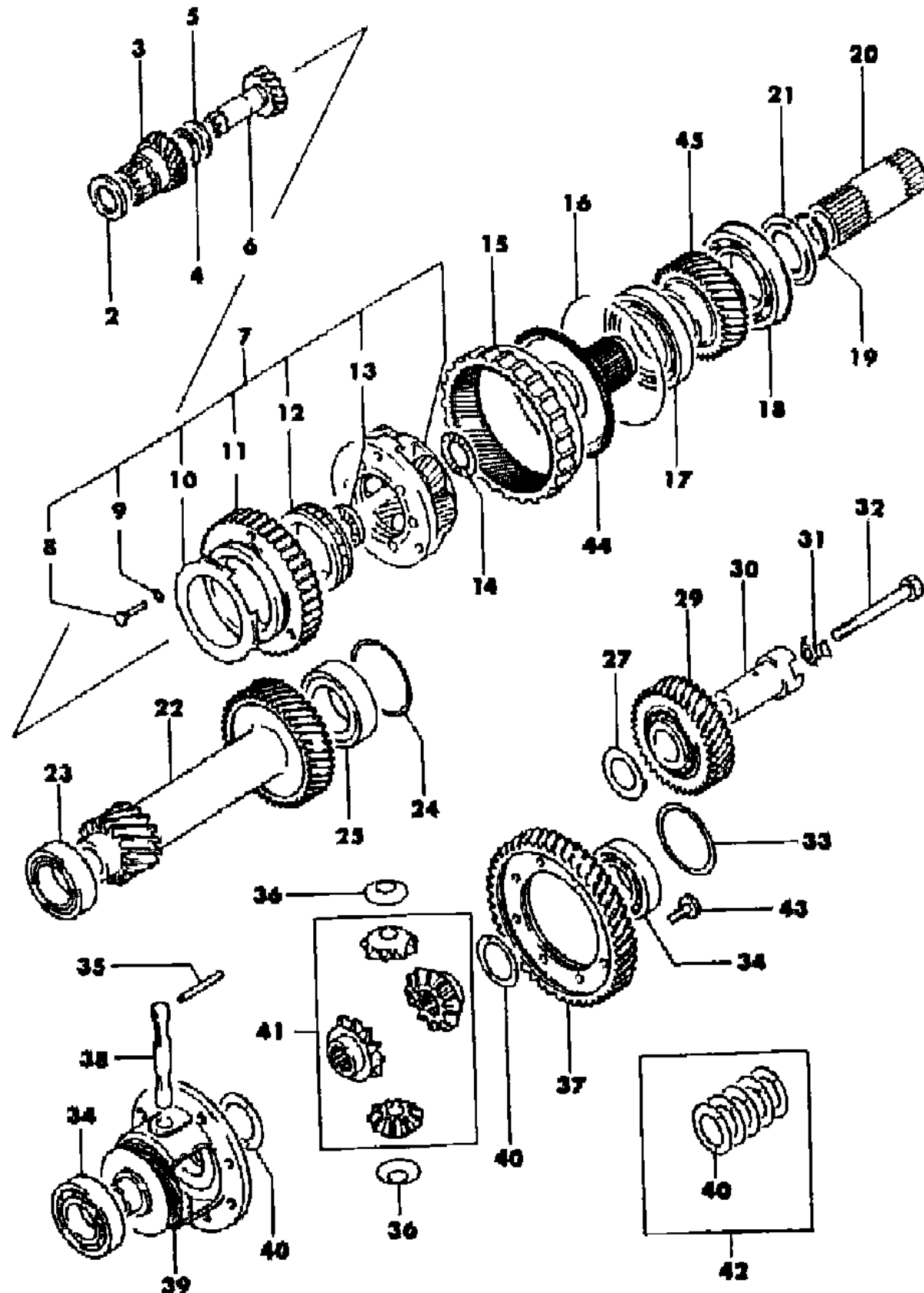
ENGINE: P = 1800cc (1.8L)  
A = 2000cc (2.0L)  
Blank = All

TRANS: A = Automatic  
M = Manual  
Blank = All

SERIES: H = High  
M = Medium  
P = Premium  
S = Special

MODELS:  
24 FWD = 2Dr Hatchback (Laser)  
24 FWD = 2-Dr Hatchback (Talon)  
4WD = (4 Wheel Drive)  
2WD = (2 Wheel Drive)

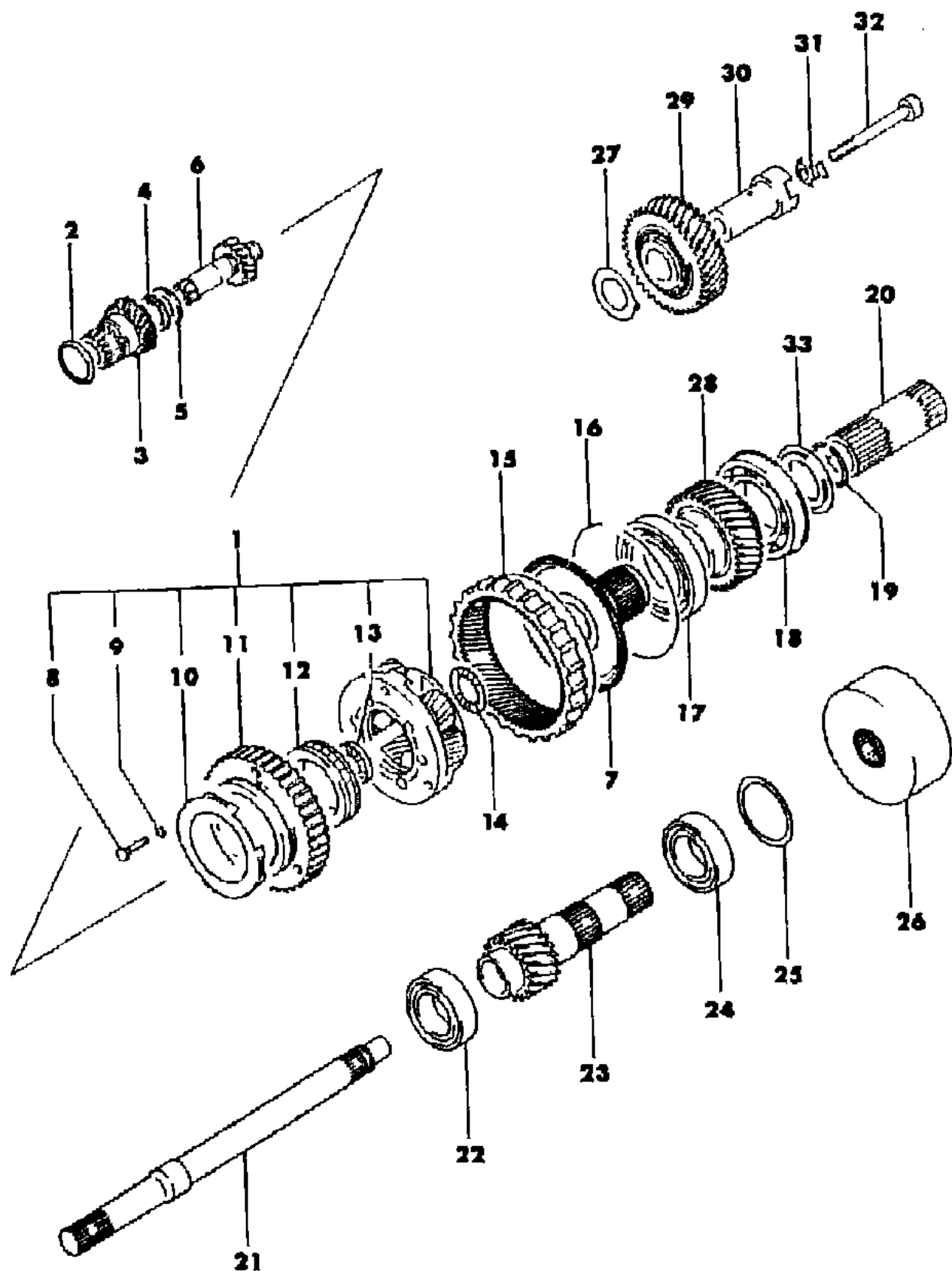
AR = Use as Required - = Non Illustrated Part P.A.R. = Paint as Required





POWER TRAIN AUTOMATIC TRANSAXLE, W/TURBO ENGINE, AWD LASER-TALON  
Figure 21A-840

9651 840



ITEM	PART NUMBER	QTY	BODY	MODEL	DESCRIPTION
1	MD73 2754	1			CARRIER ASSY, Planet Pinion ***
2					SEAL RING
	MD72 6258	1			1990-92, (37)
	MD75 2527	1			1993-94
3	MD73 5060	1			GEAR, Planet Reverse Sun
4	MD73 5062	1			BEARING, Thrust
5	MD73 5063	1			RACE, Power Train
6	MD73 1165	1			GEAR, Forward Sun
7	MD73 1168	1			FLANGE, Output ***
8	MD73 2499	3			RIVET, (5x22.5)
9					WASHER, Spring
	MD73 2268	3			1990-92, (7)
	MD73 9374	3			1993-94, (6.7)
10	MD73 4261	1			PLATE, Planet Stopper
11	MD73 6246	1			RACE
12	MD73 1785	1			CLUTCH, One Way
13	MD73 1170	1			BEARING, Thrust
14	MD71 9846	1			BEARING, Thrust
15	MD73 1153	1			GEAR, Annulus Gear Support
16	MD73 1164	1			SNAP RING, (1.6)
17	MD73 1160	1			BEARING, Transfer Drive Gear, Front Ball
18	MD73 1161	1			BEARING, Transfer Drive Gear, Rear Ball
19					SNAP RING, Selective
	MD73 3314	AR			1.76
	MD72 2538	AR			1.82
	MD72 1014	AR			1.88
	MD72 1015	AR			1.94
	MD72 1016	AR			2.00
	MD72 1017	AR			2.06
	MD72 2539	AR			2.12
	MD73 3315	AR			2.18
20	MD73 1176	1			SHAFT, End Clutch
21	MD73 3178	1			SHAFT, Center Differential
22	MD71 8323	1			BEARING, Output Shaft Taper Roller
23	MD73 8481	1			SHAFT, Front Output
24	MD71 8323	1			BEARING, Output Shaft Taper Roller
25					SPACER, Transfer Driven Gear Brg., Selective
	MD73 6929	AR			1.16
	MD73 6751	AR			1.19

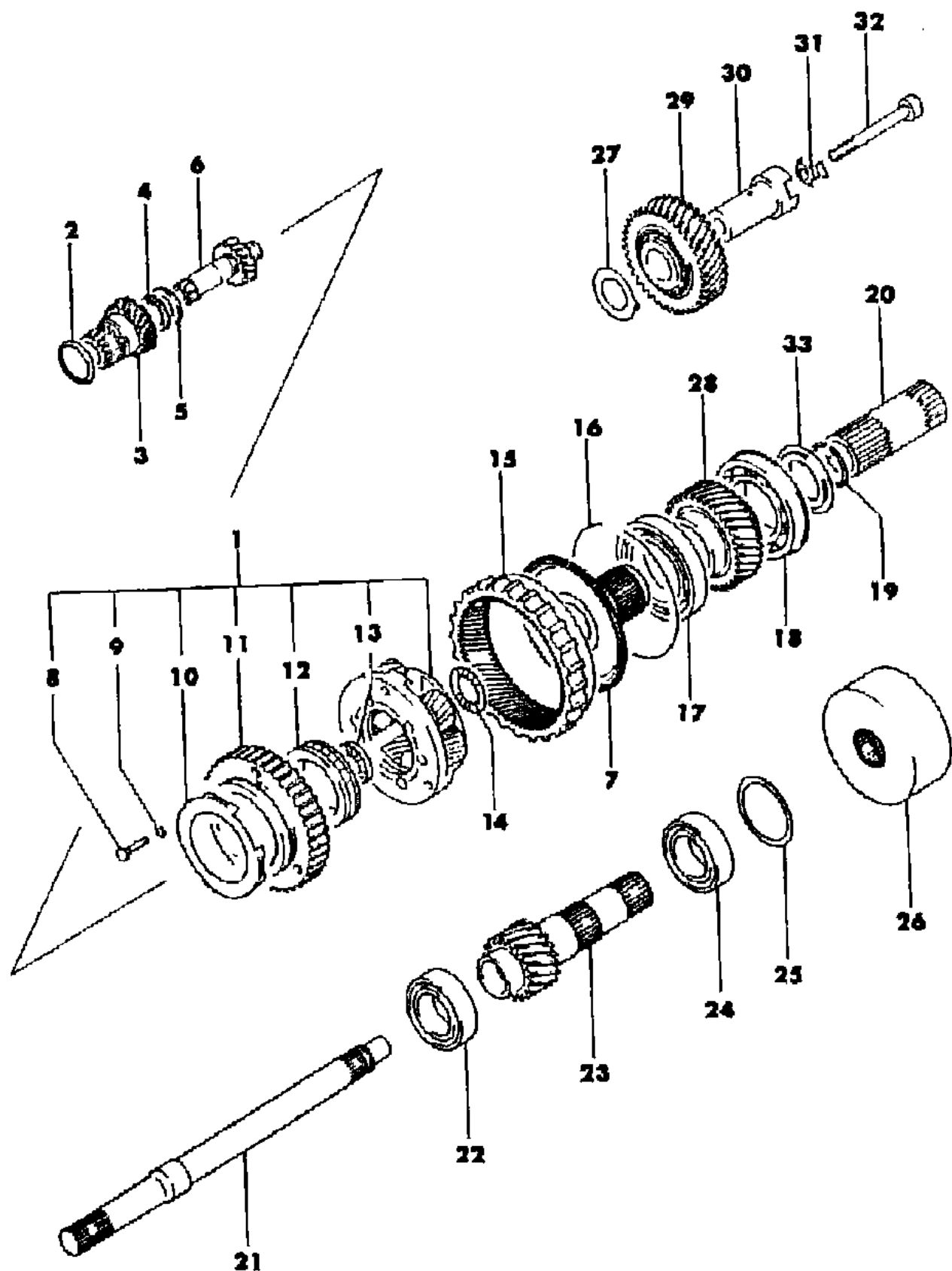
ENGINE: P = 1800cc (1.8L) A = 2000cc (2.0L) Blank = All  
 TRANS: A = Automatic M = Manual Blank = All  
 SERIES: H = High M = Medium P = Premium S = Special

MODELS:  
 24 FWD = 2Dr Hatchback (Laser)  
 24 FWD = 2-Dr Hatchback (Talon)  
 4WD = (4 Wheel Drive)  
 2WD = (2 Wheel Drive)

AR = Use as Required - = Non Illustrated Part P.A.R. = Paint as Required

POWER TRAIN AUTOMATIC TRANSAXLE, W/TURBO ENGINE, AWD LASER-TALON  
Figure 21A-840

9651 840



ITEM	PART NUMBER	QTY	BODY	MODEL	DESCRIPTION
	MD73 6931	AR			1.22
	MD72 6166	AR			1.25
	MD71 8517	AR			1.28
	MD71 8518	AR			1.31
	MD71 8519	AR			1.34
	MD71 8520	AR			1.37
	MD71 8521	AR			1.40
	MD71 8522	AR			1.43
	MD71 8523	AR			1.46
	MD71 8524	AR			1.49
	MD71 8525	AR			1.52
	MD71 8526	AR			1.55
	MD71 8527	AR			1.58
	MD71 8528	AR			1.61
	MD71 8529	AR			1.64
	MD71 8530	AR			1.67
	MD71 8531	AR			1.70
	MD72 1959	AR			1.73
	MD72 1960	AR			1.76
26	MD73 8734	1			COUPLING, Center Diff. Viscous ***
27	MD73 3638	1			SPACER, (1.0)
28					GEAR, Transfer Drive
	MD73 1157	1			1991
	MD74 0494	1			1992-94
29					GEAR, Idler
	MD73 8891	1			1991
	MD75 0643	1			1992-94
30	MD73 3205	1			SHAFT, Transfer Idler Gear
31	MD73 4962	1			PLATE, Idler Shaft Lock
32	MD73 4354	1			BOLT, Flange, (10x90)
33	MD73 4098	1			PLATE, Transfer Drive Gear Stopper

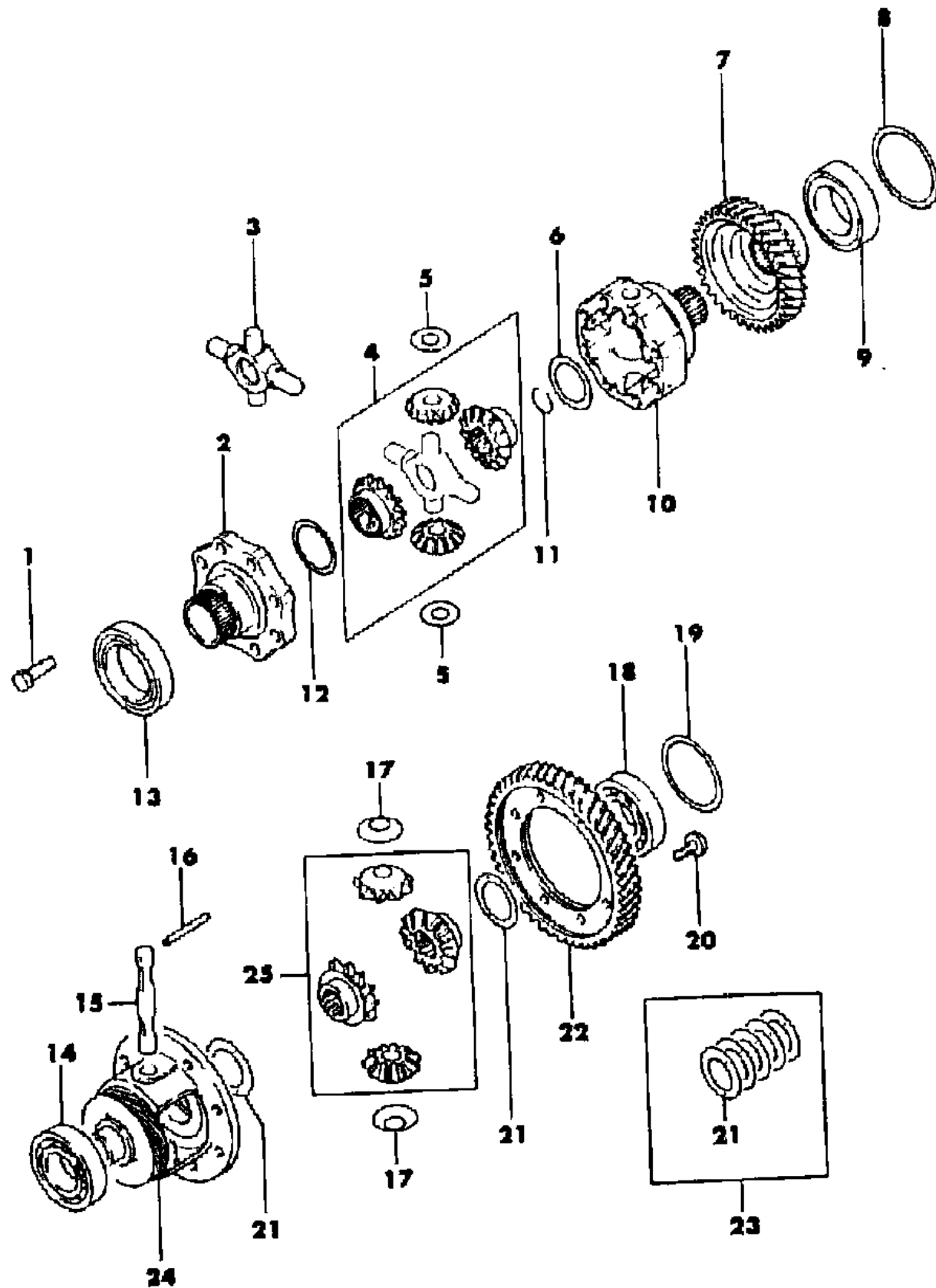
ENGINE: P = 1800cc (1.8L) A = 2000cc (2.0L) Blank = All  
 TRANS: A = Automatic M = Manual Blank = All  
 SERIES: H = High M = Medium P = Premium S = Special

MODELS:  
 24 FWD = 2Dr Hatchback (Laser)  
 24 FWD = 2-Dr Hatchback (Talon)  
 4WD = (4 Wheel Drive)  
 2WD = (2 Wheel Drive)

AR = Use as Required - = Non Illustrated Part P.A.R. = Paint as Required

**DIFFERENTIAL AND GEARS AUTOMATIC TRANSAXLE, W/TURBO ENGINE, AWD LASER-TALON**  
**Figure 21A-860**

9651 860



ITEM	PART NUMBER	QTY	BODY	MODEL	DESCRIPTION
1	MD73 1206	8			BOLT, (10x31)
2	MD73 1204	1			FLANGE, Center Diff. Case ***
3	MD73 2107	1			SHAFT, Center Diff. Pinion
4	MD73 9573	1			GEAR SET, Center Differential
5	MD71 8324	2			WASHER, Plain, (15.3)
6					SPACER, Power Train
	MD72 4973	AR			0.59 - 0.66
	MD72 4946	AR			0.75 - 0.82
	MD72 0681	AR			0.93 - 1.00
	MD72 4943	AR			1.09 - 1.16
	MD72 4972	AR			1.25 - 1.32
7					GEAR, Transfer Driven
	MD73 1159	1			1991
	MD74 0525	1			1992-94
8					SPACER, Power Train, Selective
	MD73 7444	AR			0.62
	MD73 7445	AR			0.65
	MD73 7446	AR			0.68
	MD73 7447	AR			0.71
	MD72 8802	AR			0.74
	MD72 8803	AR			0.77
	MD72 8804	AR			0.80
	MD72 8805	AR			0.83
	MD72 8806	AR			0.86
	MD72 8807	AR			0.89
	MD72 8808	AR			0.92
	MD72 8809	AR			0.95
	MD72 8810	AR			0.98
	MD72 8811	AR			1.01
	MD72 8812	AR			1.04
	MD72 8813	AR			1.07
	MD72 8814	AR			1.10
	MD72 8815	AR			1.13
	MD72 8816	AR			1.16
	MD72 8817	AR			1.19
	MD72 8818	AR			1.22
	MD72 8819	AR			1.25
	MD72 8820	AR			1.28
	MD72 8821	AR			1.31

ENGINE: P = 1800cc (1.8L) A = 2000cc (2.0L) Blank = All  
 TRANS: A = Automatic M = Manual Blank = All  
 SERIES: H = High M = Medium P = Premium S = Special

MODELS:  
 24 FWD = 2Dr Hatchback (Laser)  
 24 FWD = 2-Dr Hatchback (Talon)  
 4WD = (4 Wheel Drive)  
 2WD = (2 Wheel Drive)

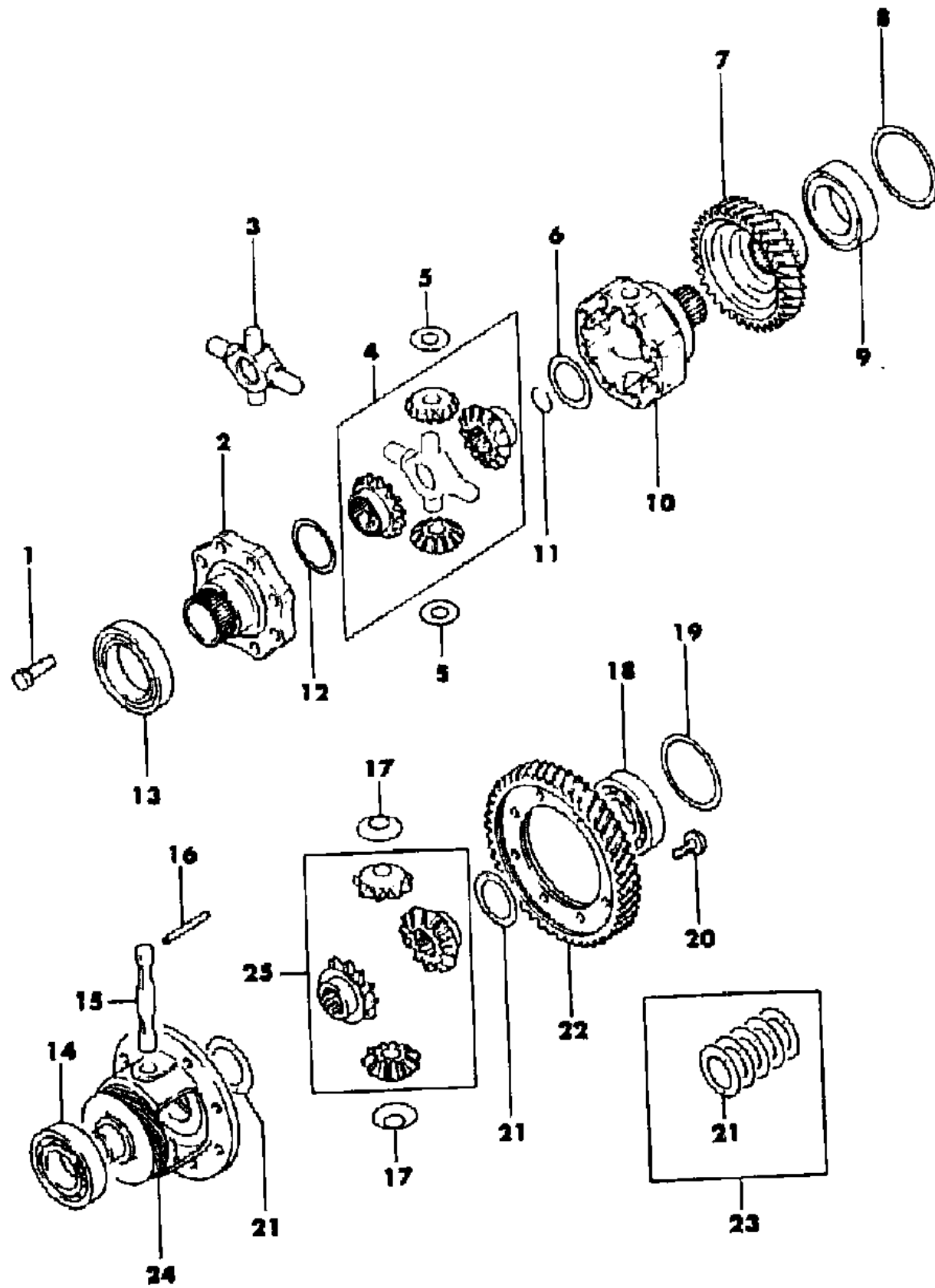
AR = Use as Required - = Non Illustrated Part P.A.R. = Paint as Required



**DIFFERENTIAL AND GEARS AUTOMATIC TRANSAXLE, W/TURBO ENGINE, AWD LASER-TALON**  
**Figure 21A-860**

9651 860

ITEM	PART NUMBER	QTY	BODY	MODEL	DESCRIPTION
9	MD71 8322	1			BEARING, Center Diff. Case, Rear Tapered Roller
10	MD73 1203	1			CASE, Center Differential
11	MD73 3868	1			CLIP
12					SPACER, Power Train, Selective
	MD72 7941	AR			0.53 - 0.60
	MD72 7934	AR			0.69 - 0.76
	MD72 7932	AR			0.85 - 0.92
	MD72 7930	AR			1.01 - 1.08
	MD72 7928	AR			1.17 - 1.24
13	MD72 8354	1			BEARING, Center Diff. Case, Front Tapered Roller
14	MD72 3159	1			BEARING, Diff. Case, Ball
15	MD70 4947	1			SHAFT, Diff. Pinion
16	MD70 6557	1			PIN, Dowel, (5x50)
17	MA14 5188	2			WASHER, Spring, (17.3)
18	MD72 3159	1			BEARING, Diff. Case, Ball
19					SPACER, Power Train, Selective
	MD72 0943	AR			1.01
	MD71 0454	AR			1.10
	MD71 0456	AR			1.19
	MD71 0458	AR			1.28
20	MD04 0557	8			BOLT, Flange, (12x22.5)
21					SPACER, Side Gear, (1.09-1.16), (Serv. in Set, Refer to Item No. 23)
22	MD73 1140	1			GEAR, Diff. Side
23	MD99 7795	2			SPACER PACKAGE, Differential Side Gear
24	MD71 9462	1			CASE, Differential
25	MD72 2127	1			GEAR SET, Differential



ENGINE: P = 1800cc (1.8L) A = 2000cc (2.0L) Blank = All  
 TRANS: A = Automatic M = Manual Blank = All  
 SERIES: H = High M = Medium P = Premium S = Special

MODELS:  
 24 FWD = 2Dr Hatchback (Laser)  
 24 FWD = 2-Dr Hatchback (Talon)  
 4WD = (4 Wheel Drive)  
 2WD = (2 Wheel Drive)

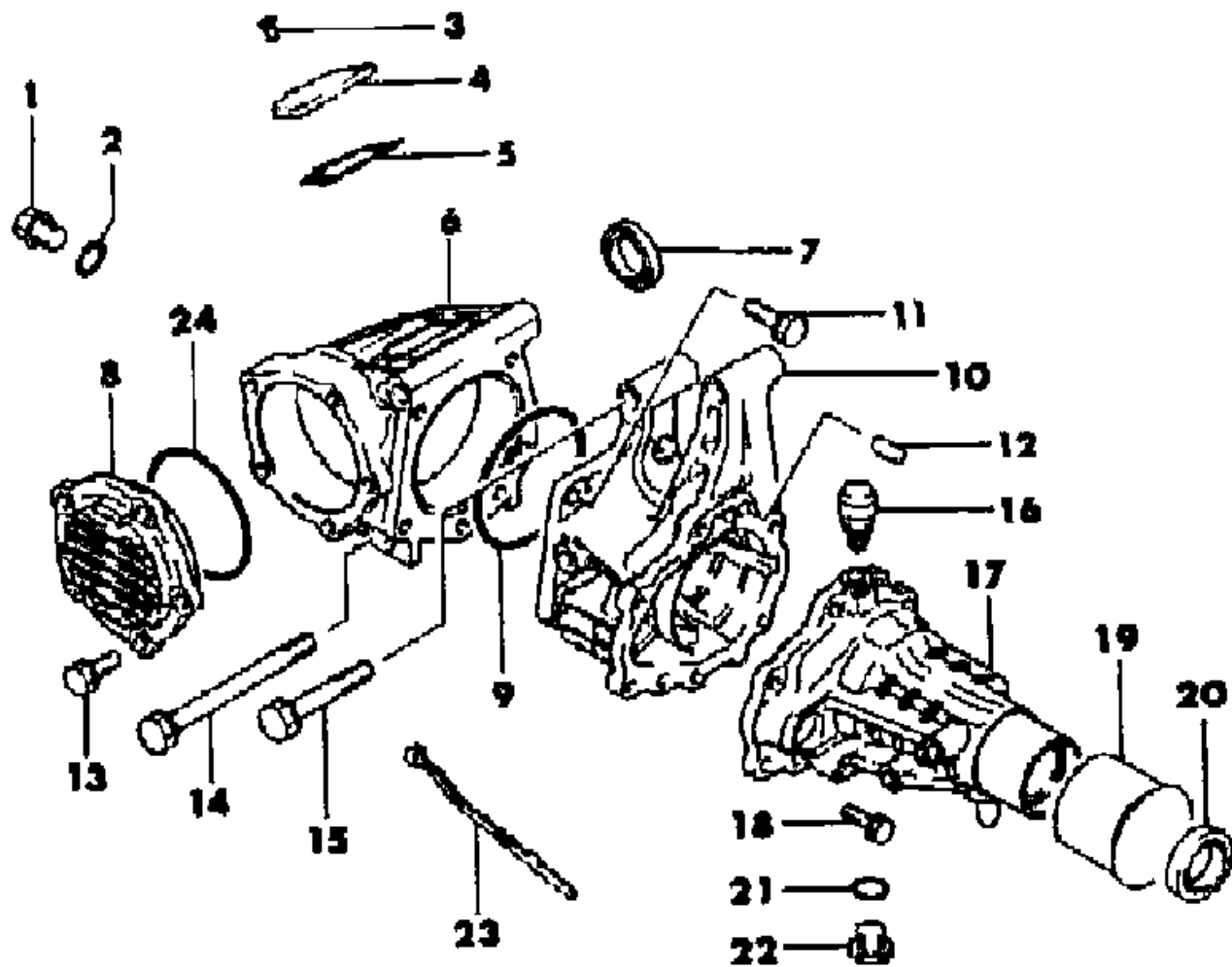
AR = Use as Required - = Non Illustrated Part P.A.R. = Paint as Required

TRANSFER HOUSING AND EXTENSION AUTOMATIC TRANSAXLE, W/TURBO ENGINE, AWD LASER-TALON

Figure 21A-870

9651 870

ITEM	PART NUMBER	QTY	BODY	MODEL	DESCRIPTION
	MD75 8203	1			TRANSFER ASSEMBLY, 1991-94 ***
1	MD70 1850	1			PLUG, Case, (16)
2	MF66 0036	1			GASKET, Case
3	MD72 8060	3			BOLT, Case, (M6x5.5)
4	MD72 7884	1			COVER, Case, Upper
5					GASKET, Case Upper Cover
	MD73 9240	1			1990-93
	MD75 2981	1			1994
6	MD73 9522	1			CASE, Transfer Gear
7	MD73 1793	1			OIL SEAL, Drive Shaft, Rear
8	MD72 7950	1			COVER, Drive Shaft, Front
9	MF52 0414	1			O-RING, Case, (90)
10	MD73 4738	1			ADAPTER, Case to Ext. Housing
11	MF24 1284	5			BOLT, w/Washer, Case, (10x30)
12	MF47 2405	3			PIN, Case Dowel, (10x20)
13	MF24 1282	5			BOLT, w/Washer, Case, (10x25)
14	MD71 8549	2			BOLT, w/Washer, Case, (12x130)
15	MF24 1319	4			BOLT, w/Washer, Case, (12x70)
16	MD72 7784	1			BREATHER, Ext. Housing ***
17	MD73 1331	1			HOUSING, Extension
18	MF24 1255	6			BOLT, w/Washer, Case, (8x25)
19	MD72 4190	1			GUARD, Ext. Hsg. Dust Seal
20	MD70 1430	1			OIL SEAL, Rear Output Shaft
21	MD00 0312	1			GASKET, Oil Drain Plug
22	MB56 9390	1			PLUG, Oil Drain
23	MD72 8666	1			GUIDE, Case Oil
24	MD72 7944	1			O-RING, Case, (82.7)



ENGINE: P = 1800cc (1.8L) A = 2000cc (2.0L) Blank = All  
 TRANS: A = Automatic M = Manual Blank = All  
 SERIES: H = High M = Medium P = Premium S = Special

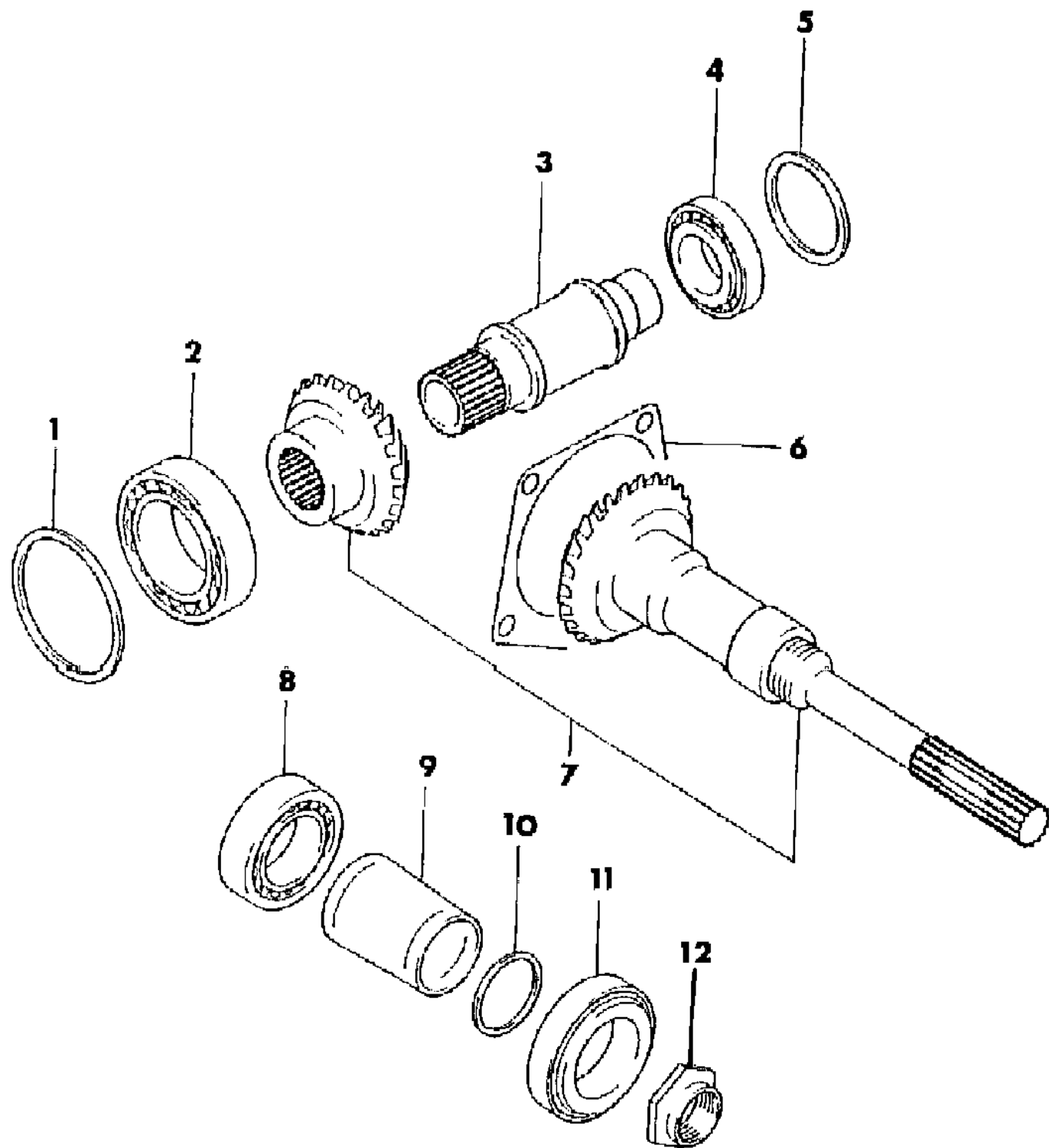
MODELS:  
 24 FWD = 2Dr Hatchback (Laser)  
 24 FWD = 2-Dr Hatchback (Talon)  
 4WD = (4 Wheel Drive)  
 2WD = (2 Wheel Drive)

AR = Use as Required - = Non Illustrated Part P.A.R. = Paint as Required



TRANSFER GEAR AND SHAFT AUTOMATIC TRANSAXLE, AWD LASER-TALON  
Figure 21A-880

9651 880A



ITEM	PART NUMBER	QTY	BODY	MODEL	DESCRIPTION
	MD72 4335	AR			1.64
	MD72 4336	AR			1.67
	MD72 4337	AR			1.70
	MD72 4338	AR			1.73
	MD72 4339	AR			1.76
	MD72 4340	AR			1.79
	MD72 4341	AR			1.82
	MD72 4342	AR			1.85
6					SPACER, Selective
	MD72 0353	AR			0.13
	MD72 0354	AR			0.16
	MD72 0355	AR			0.19
	MD72 0356	AR			0.22
	MD72 0357	AR			0.25
	MD72 0358	AR			0.28
	MD72 0359	AR			0.31
	MD72 0360	AR			0.34
	MD72 0361	AR			0.37
	MD72 0362	AR			0.40
	MD72 0363	AR			0.43
	MD72 0364	AR			0.46
	MD72 0365	AR			0.49
	MD72 0366	AR			0.52
7	MD73 9870	1			GEAR SET, Bevel
8	MD71 8322	1			BEARING, Driven Gear, Tapered Roller
9	MD72 7123	1			COLLAR, Driven Gear
10					SPACER, Selective
	MD72 6172	AR			1.19
	MD72 2081	AR			1.22
	MD72 2082	AR			1.25
	MD72 2083	AR			1.28
	MD72 2084	AR			1.31
	MD72 2085	AR			1.34
	MD72 2086	AR			1.37
	MD72 2087	AR			1.40
	MD72 2088	AR			1.43
	MD72 2089	AR			1.46
	MD72 2090	AR			1.49
	MD72 2091	AR			1.52

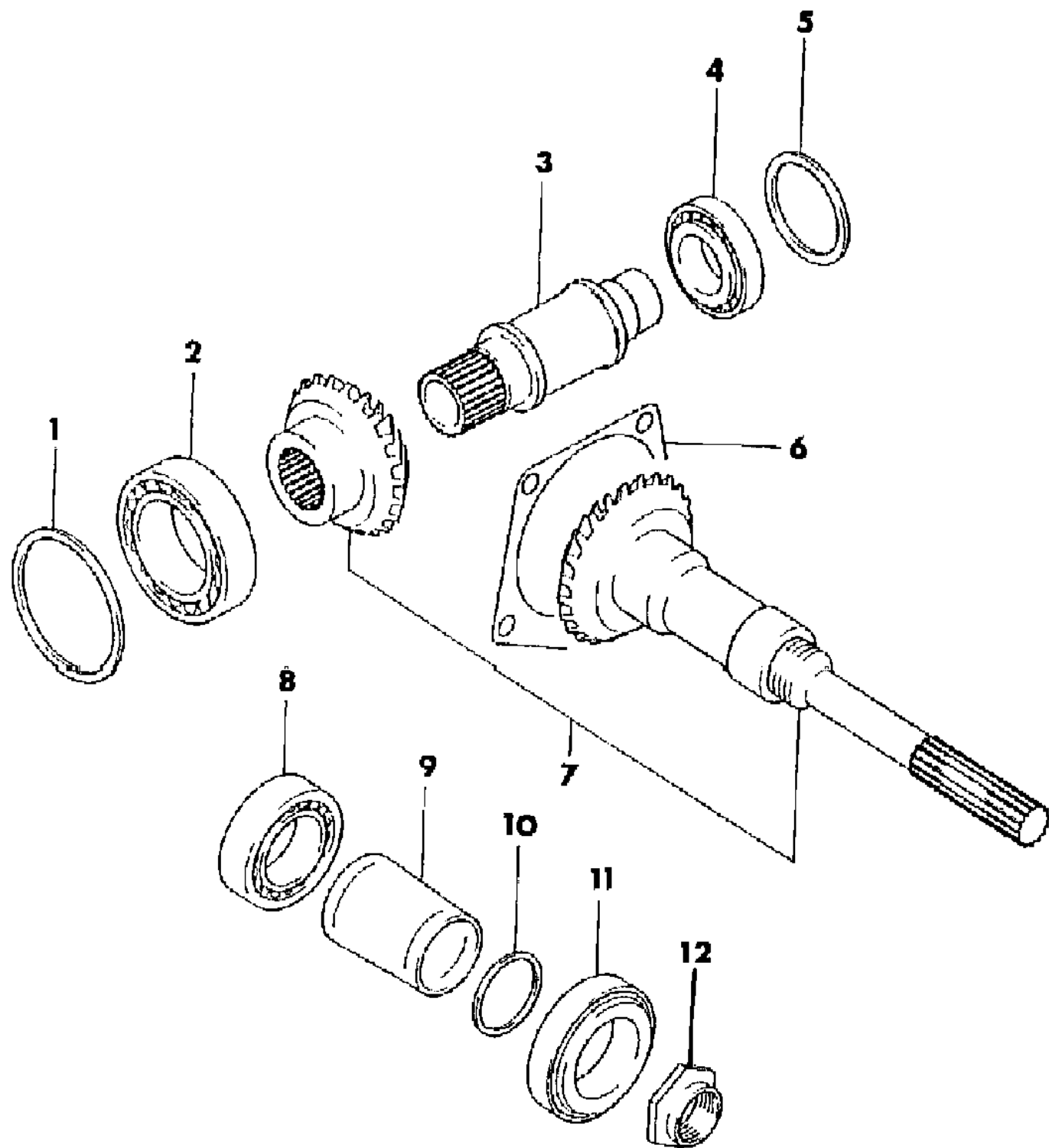
ENGINE: P = 1800cc (1.8L) A = 2000cc (2.0L) Blank = All  
 TRANS: A = Automatic M = Manual Blank = All  
 SERIES: H = High M = Medium P = Premium S = Special

MODELS:  
 24 FWD = 2Dr Hatchback (Laser)  
 24 FWD = 2-Dr Hatchback (Talon)  
 4WD = (4 Wheel Drive)  
 2WD = (2 Wheel Drive)

AR = Use as Required - = Non Illustrated Part P.A.R. = Paint as Required

TRANSFER GEAR AND SHAFT AUTOMATIC TRANSAXLE, AWD LASER-TALON  
Figure 21A-880

9651 880A



ITEM	PART NUMBER	QTY	BODY	MODEL	DESCRIPTION
	MD72 2092	AR			1.55
	MD72 2093	AR			1.58
	MD72 2094	AR			1.61
	MD72 2095	AR			1.64
	MD72 2096	AR			1.67
	MD72 2097	AR			1.70
	MD72 2098	AR			1.73
	MD72 2099	AR			1.76
	MD72 2100	AR			1.79
	MD72 2101	AR			1.82
	MD72 2102	AR			1.85
	MD72 2103	AR			1.88
	MD72 2104	AR			1.91
	MD72 2105	AR			1.94
11	MD71 8323	1			BEARING, Driven Gear, Rear, Tapered Roller
12					NUT, Rear Output Shaft Lock
	MD72 8449	1			1990-92, (30)
	MD74 3421	1			1993-94, (30)

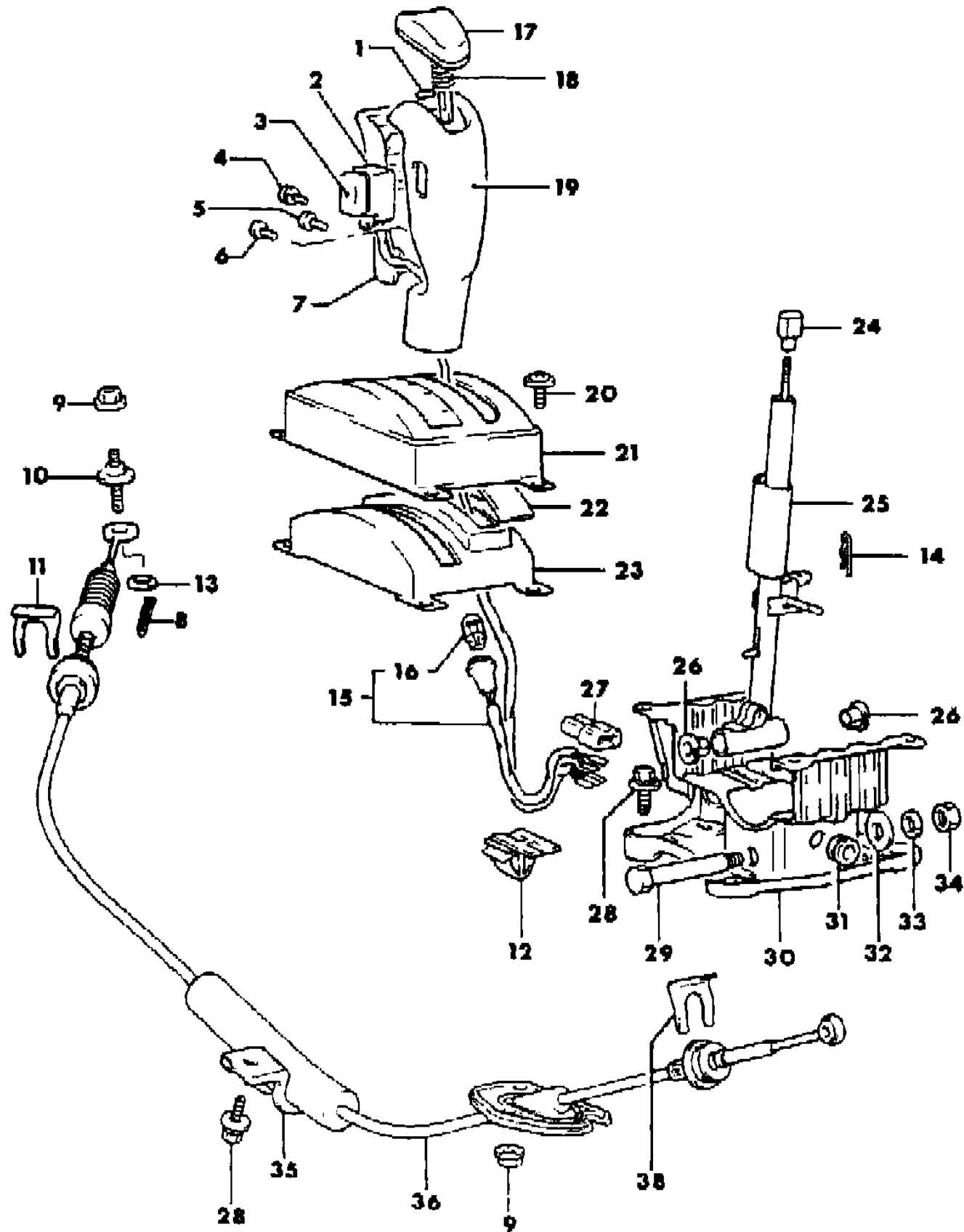
ENGINE: P = 1800cc (1.8L) A = 2000cc (2.0L) Blank = All  
 TRANS: A = Automatic M = Manual Blank = All  
 SERIES: H = High M = Medium P = Premium S = Special

MODELS:  
 24 FWD = 2Dr Hatchback (Laser)  
 24 FWD = 2-Dr Hatchback (Talon)  
 4WD = (4 Wheel Drive)  
 2WD = (2 Wheel Drive)

AR = Use as Required - = Non Illustrated Part P.A.R. = Paint as Required

**CONTROLS, GEARSHIFT AUTOMATIC TRANSAXLE, UP TO 5-1-89 LASER**  
**Figure 21A-900**

9651 900



ITEM	PART NUMBER	QTY	BODY	MODEL	DESCRIPTION
1	MB58 0148	1			PIN, Linkage
2	MB48 4966	1			SWITCH, Overdrive
3	MB48 4968	1			BUTTON
4	MS35 0201	1			SCREW, (4x12)
5	MF36 0265	1			SCREW, (4x12)
6	MF36 0023	1			SCREW, w/Washer, (4x8 4T)
7	MB58 0215	1			COVER, (Black)
8	MF47 2040	1			PIN, Split, (2x25)
9	MS44 0503	4			NUT, (8)
10	MB58 0579	1			ADJUSTER, Cable
11	MB36 7526	1			CLIP
12		1			CLIP, (Not Serviced)
13	MF45 0005	1			WASHER, Plain, (8)
14	MF47 2304	1			PIN, Snap, (8)
15	MB48 4874	1			SOCKET, Bulb
16		1			BULB, Light Socket, (Not Serviced)
17	MB48 4965	1			BUTTON, Push
18	MB48 4967	1			SPRING, Lever
19	MB73 2340	1			KNOB, (Black)
20	MF35 0769	4			SCREW, w/Washer, (5x14)
21	MB48 4634	1			PANEL ASSY, Shift Indicator ***
22	MB48 4638	1			SLIDER, Shift Indicator
23	MB48 4636	1			PANEL ASSY, Shift Ind. Lever, Lower ***
24	MB48 4578	1			SLEEVE, Lever
25	MB65 9194	1			LEVER, Linkage
26	MB58 0253	2			BUSHING, Link
27	MU80 1647	1			CONNECTOR, Harness
28	MS24 0085	5			BOLT, w/Washer, (8x20 4T)
29	MB48 4572	1			BOLT, Link
30	MB48 4631	1			BRACKET, Link
31	MS81 0013	1			GROMMET, (9)
32	MB36 7720	1			WASHER, Link
33	MF45 0406	1			WASHER, Spring, (10)
34	MU43 0002	1			NUT, (10)
35	MB48 4583	1			CLAMP, Link
36	MB58 0583	1			CABLE, G/Shift Control
38	MB36 7526	1			CLIP, Link

ENGINE: P = 1800cc (1.8L) A = 2000cc (2.0L) Blank = All  
 TRANS: A = Automatic M = Manual Blank = All  
 SERIES: H = High M = Medium P = Premium S = Special

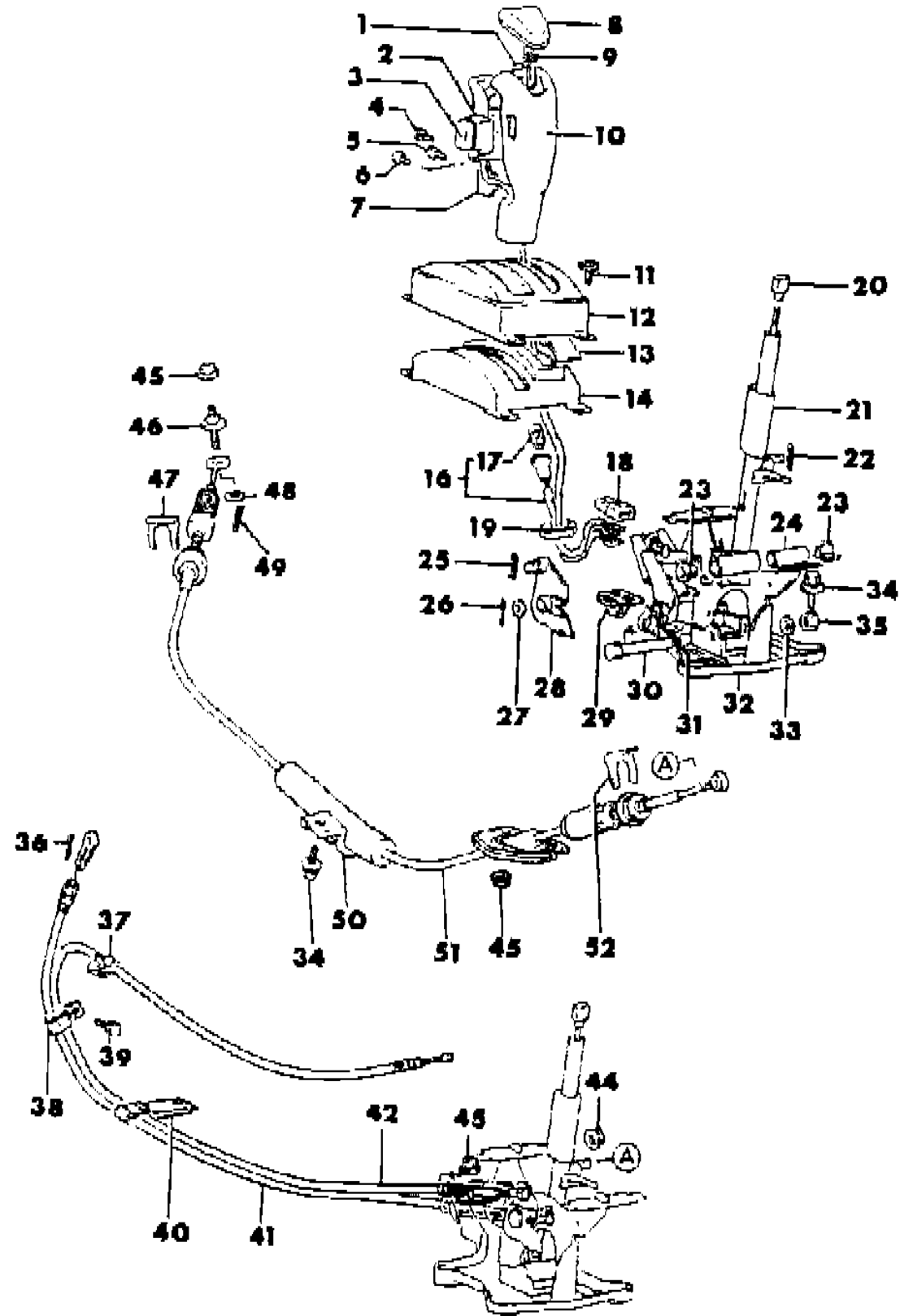
MODELS:  
 24 FWD = 2Dr Hatchback (Laser)  
 24 FWD = 2-Dr Hatchback (Talon)  
 4WD = (4 Wheel Drive)  
 2WD = (2 Wheel Drive)

AR = Use as Required - = Non Illustrated Part P.A.R. = Paint as Required



CONTROLS, GEARSHIFT AUTOMATIC TRANSAXLE, AFTER 5-1-89 LASER-TALON  
Figure 21A-1000

9651 1000



ITEM	PART NUMBER	QTY	BODY	MODEL	DESCRIPTION
41	MB58 0893	1			CABLE, Shift Lock
42	MB58 0894	1			CABLE, Key Lock
44	MS44 0522	1			NUT, (6)
45	MS44 0503	5			NUT, (8)
46					ADJUSTER, Cable
	MB58 0579	1		1990-92	
	MB89 2142	1		1993	
47	MB36 7526	1			CLIP
48	MF45 0005	1			WASHER, Plain, (8)
49	MF47 2040	1			PIN, Split, (2x25), 1990-92
	MB84 4379	1			PIN, SNAP, (8), 1993-94
50	MB48 4583	1			CLAMP, Link
51					CABLE ASSY ***
	MB58 0896	1			w/o Turbo
	MB65 9490	1			w/Turbo
52	MB36 7526	1			CLIP

ENGINE: P = 1800cc (1.8L) A = 2000cc (2.0L) Blank = All  
 TRANS: A = Automatic M = Manual Blank = All  
 SERIES: H = High M = Medium P = Premium S = Special

MODELS:  
 24 FWD = 2Dr Hatchback (Laser)  
 24 FWD = 2-Dr Hatchback (Talon)  
 4WD = (4 Wheel Drive)  
 2WD = (2 Wheel Drive)

AR = Use as Required - = Non Illustrated Part P.A.R. = Paint as Required



---

**GROUP 22 - WHEELS**

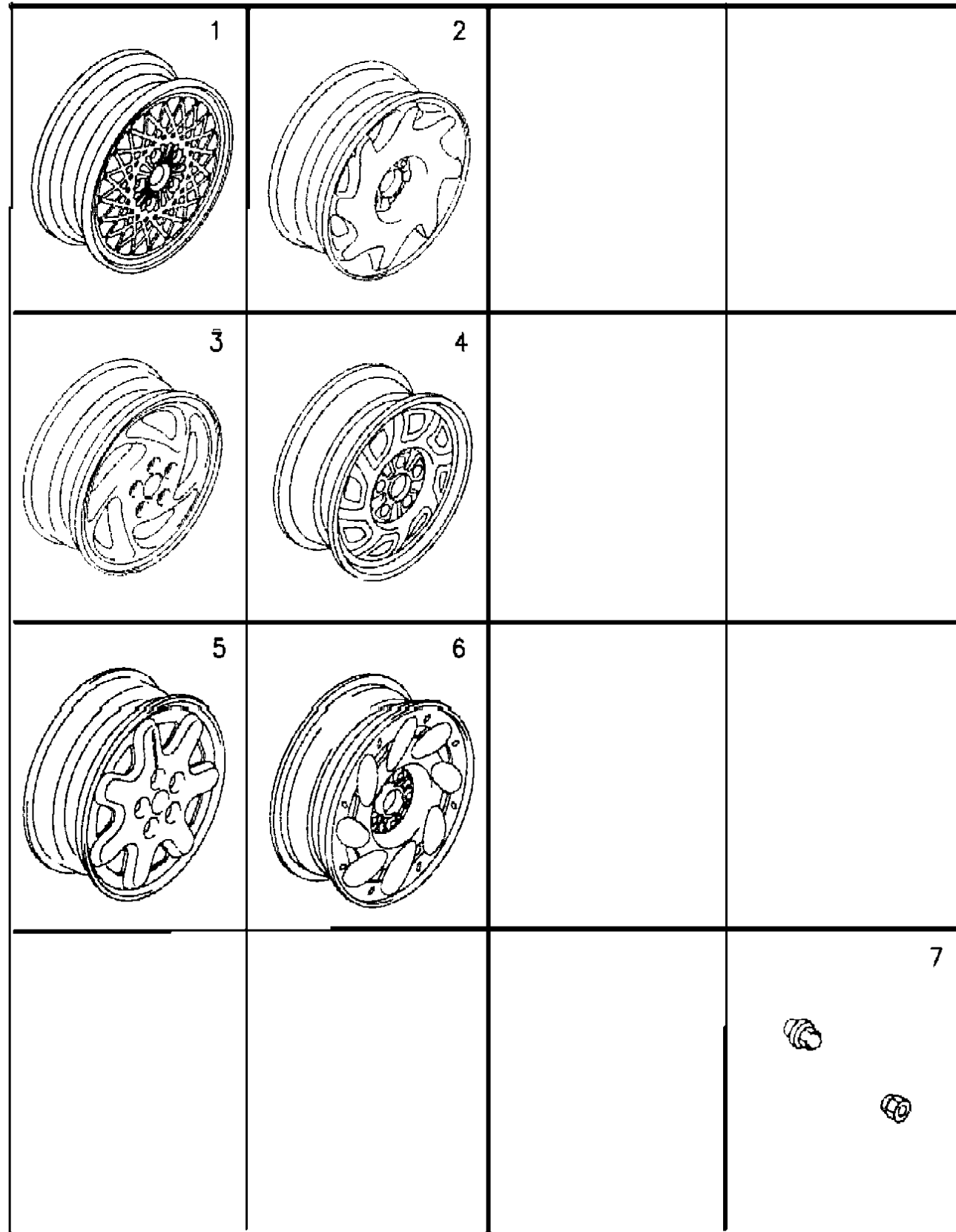
<b>ILLUSTRATION TITLE</b>	<b>GROUP-FIG. NO.</b>
<b>WHEELS AND HARDWARE</b>	
WHEELS AND HARDWARE LASER-TALON .....	Fig. 22-100
<b>COVERS AND CAPS, WHEEL</b>	
COVERS AND CAPS, WHEEL LASER-TALON .....	Fig. 22-200
<b>JACK AND SPARE TIRE STOWAGE</b>	
JACK AND SPARE TIRE STOWAGE LASER-TALON .....	Fig. 22-300

**ILLUSTRATION NOT AVAILABLE AT TIME OF PUBLICATION**

---

**WHEELS AND HARDWARE LASER-TALON**  
Figure 22-100

9622 100G



ITEM	PART NUMBER	QTY	BODY	MODEL	DESCRIPTION
1	MB57 9070	4		LASER	WHEEL, Disc, 16x6JJ, Aluminum
2	MB62 4545	4		TALON	WHEEL, Disc, 16x6JJ, Brt. Argent, (Rounded Spokes), 1992
3					WHEEL, Disc
	MB75 7558	4		TALON	16x6JJ, Brt. Argent Clear, Aluminum, Flat Spoke
	MB75 1724	4		TALON	16x6JJ, White, Aluminum, Flat Spoke
	MB79 1542	4		TALON	16x6JJ, White, Aluminum, Rounded Spoke, 1992
	MB79 1543	4		TALON	16x6JJ, Non Brt. Argent, Aluminum, Rounded Spoke, 1992-94
	MB97 5333	4		TALON	16x6JJ, Med. Quartz, Aluminum, 1993-94
4					WHEEL, Disc
	MB54 0172	4		LASER	14x5.5JJ, Argent, Steel
	MB62 4033	4			14x5.5JJ, Black, Steel
	MB54 0176	4		LASER	16x6JJ, Argent, Steel
5					WHEEL, Disc
	MB89 2621	4		LASER	16x6JJ, Brt. Argent Clear, 1993-94
	MB91 1959	4		LASER	16x6JJ, Med. Gold, 1993-94
6					WHEEL, Disc
	MB89 2666	4		TALON	16x6JJ, Bright Argent Clear, 1993-94
7					NUT, Wheel
	MB57 9234	20			Standard Type, (Black)
	MB57 9236	20			Standard Type, (Chrome)
	MB57 9290	20			Dome Type, w/Washer, (Chrome)

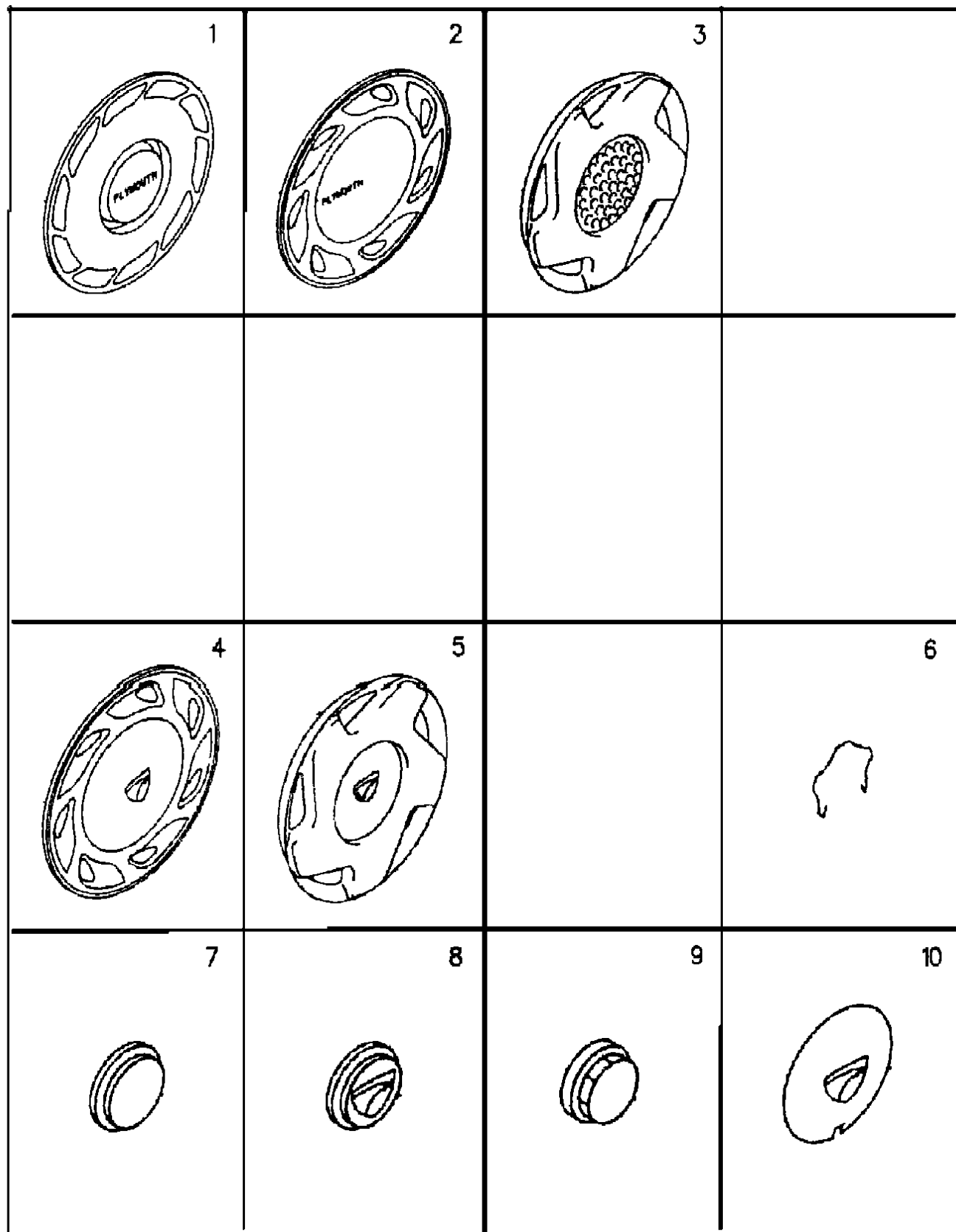
ENGINE: P = 1800cc (1.8L) A = 2000cc (2.0L) Blank = All  
 TRANS: A = Automatic M = Manual Blank = All  
 SERIES: H = High M = Medium P = Premium S = Special

MODELS:  
 24 FWD = 2Dr Hatchback (Laser)  
 24 FWD = 2-Dr Hatchback (Talon)  
 4WD = (4 Wheel Drive)  
 2WD = (2 Wheel Drive)

AR = Use as Required - = Non Illustrated Part P.A.R. = Paint as Required

**COVERS AND CAPS, WHEEL LASER-TALON**  
Figure 22-200

9622 200B



ITEM	PART NUMBER	QTY	BODY	MODEL	DESCRIPTION
1					COVER, Wheel
	MB75 7557	4		LASER	14" Brt. Argent Clear/D-Brn., 1990
	MB78 1870	4		LASER	14" Brt. Argent/D-Gray, 1990
2	MB62 4319	4		LASER	COVER, 16"
3	MB79 1541	4			COVER, 14" M-Quartz/M-Bright Argent, 1992-94
4	MB62 4358	4		TALON	COVER, Eagle Emblem
5	MB97 5334	4		TALON	COVER, 14" Brt. Argent/Clear, 1993-94
6	MB05 7268	4			SPRING, Disc Wheel Ctr. Cap
7					CAP, Disc Wheel Center
	MB05 7830	4		LASER	Clear
	MB68 1435	4		LASER	Brt. Argent Clear, 1993-94
	MB91 1960	4		LASER	Med. Gold, 1993-94
8					CAP, Disc Wheel Center, Eagle Emblem
	MB75 7559	4		TALON	Brt. Argent Clear, 2-1/4" Dia.
	MB75 1726	4		TALON	White, 2-1/4" Dia.
	MB97 5332	4		TALON	Med. Quartz, 2-1/4" Dia., 1993-94
9	MB54 0000	4		LASER	CAP, Disc Wheel Center, Black, 3-1/8" Dia.
10					CAP, Disc Wheel Center, Eagle Emblem
	MB68 1169	4		TALON	Brt. Argent Clear, 6-1/4" Dia.
	MB81 6346	4		TALON	Med. Quartz, 6-1/4" Dia.

ENGINE: P = 1800cc (1.8L) A = 2000cc (2.0L) Blank = All  
 TRANS: A = Automatic M = Manual Blank = All  
 SERIES: H = High M = Medium P = Premium S = Special

MODELS:  
 24 FWD = 2Dr Hatchback (Laser)  
 24 FWD = 2-Dr Hatchback (Talon)  
 4WD = (4 Wheel Drive)  
 2WD = (2 Wheel Drive)

AR = Use as Required - = Non Illustrated Part P.A.R. = Paint as Required



---

**GROUP 23 - BODY - EXTERIOR ORNAMENTATION**

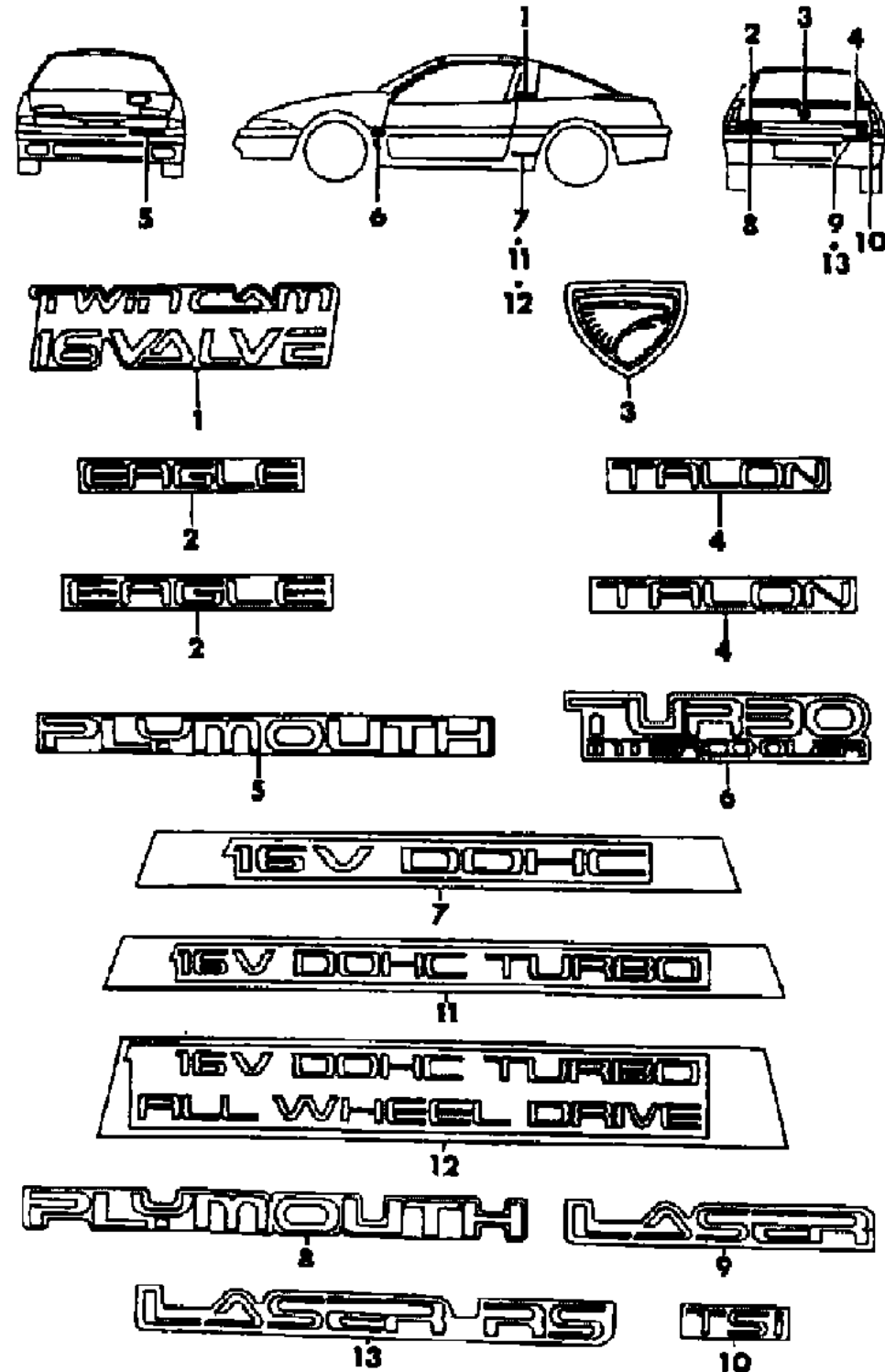
<b>ILLUSTRATION TITLE</b>	<b>GROUP-FIG. NO.</b>
NAMEPLATES 1990-91 LASER-TALON .....	Fig. 23-100
NAMEPLATES 1992-94 LASER-TALON .....	Fig. 23-125
MOULDINGS LASER-TALON .....	Fig. 23-200
GARNISH, REAR END PANEL LASER-TALON .....	Fig. 23-210
AIR DAM 1990-91 TALON .....	Fig. 23-225
AIR DAM 1992-94 LASER-TALON .....	Fig. 23-235
AIR SPOILER 1990-91 TALON .....	Fig. 23-250
AIR SPOILER 1992-94 LASER-TALON .....	Fig. 23-260
TAPE STRIPES 1990-91 LASER-TALON .....	Fig. 23-300
TAPE STRIPES 1992-94 LASER .....	Fig. 23-310

**ILLUSTRATION NOT AVAILABLE AT TIME OF PUBLICATION**

---

NAMEPLATES 1990-91 LASER-TALON  
Figure 23-100

9568 100C



ITEM	PART NUMBER	QTY	BODY	MODEL	DESCRIPTION
1					DECAL, "TWIN CAM 16 VALVE"
	MB74 5059	1			Black, Right
	MB74 5057	1			Black, Left
	MB74 5060	1			Medium Quartz, Right
	MB74 5058	1			Medium Quartz, Left
2					DECAL, "EAGLE"
	MB64 6681	1		H	
	MB64 6682	1		P,S	
3	MB64 3327	1			DECAL, "EAGLE"
4					DECAL, "TALON"
	MB64 6683	1		H	
	MB64 6684	1		P,S	
5					DECAL, "PLYMOUTH"
	MB63 4453	1			Silver, (Light Quartz)
	MB88 1599	1			Pink, (1991 1/2 Spring Special)
	MB88 1600	1			Green, (1991 1/2 Spring Special)
6					DECAL, "INTERCOOLER TURBO"
	MB74 5056	2			Medium Quartz
	MB74 5055	2			Black
7					DECAL, "16V DOHC"
	MB74 7278	1			Medium Quartz
	MB74 7277	1			Black
8					DECAL, "PLYMOUTH"
	MB64 3265	1			Black, 1990
	MB64 3266	1			Medium Quartz, 1990
	MB77 6015	1			Black, 1991
	MB77 6016	1			Quartz, 1991
9					DECAL, "LASER"
	MB64 3261	1			Black, 1990
	MB64 3262	1			Medium Quartz, 1990
	MB78 5447	1			Black, 1991
10					DECAL, "TSI"
	MB75 3189	1			Midnight Blue, w/Quartz Lettering, 1990
	MB74 8891	1			White, w/Quartz Lettering, 1990-91
	MB74 8892	1			Light Gray, w/Medium Quartz Lettering, 1990-91
	MB74 8893	1			Red, w/Quartz Lettering, 1990-91
	MB74 8894	1			Black, w/Quartz Lettering, 1990-91
	MB75 3190	1			Dark Red, w/Quartz Lettering, 1990-91
	MB76 7260	1			Dark Blue, w/Light Quartz Lettering, 1991

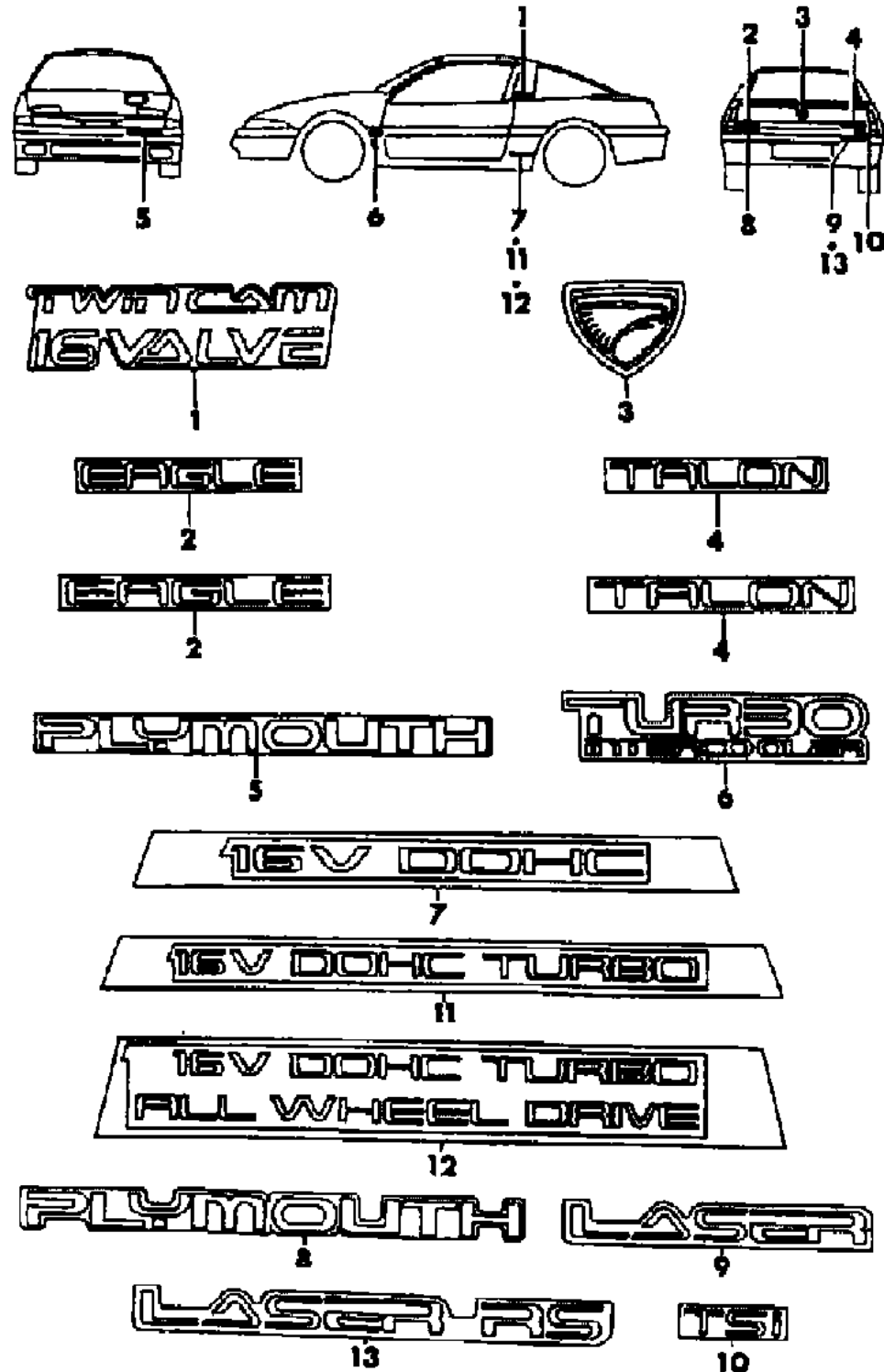
ENGINE: P = 1800cc (1.8L) A = 2000cc (2.0L) Blank = All  
 TRANS: A = Automatic M = Manual Blank = All  
 SERIES: H = High M = Medium P = Premium S = Special

MODELS:  
 24 FWD = 2Dr Hatchback (Laser)  
 24 FWD = 2-Dr Hatchback (Talon)  
 4WD = (4 Wheel Drive)  
 2WD = (2 Wheel Drive)

AR = Use as Required - = Non Illustrated Part P.A.R. = Paint as Required

NAMEPLATES 1990-91 LASER-TALON  
Figure 23-100

9558 100c



ITEM	PART NUMBER	QTY	BODY	MODEL	DESCRIPTION
	MB77 0701	1			Medium Quartz, w/Light Quartz Lettering, 1991
11					DECAL, "16V DOHC TURBO"
					For 1990, Red, w/Quartz Lettering Decal Must Be Serviced By 1991 Red, w/black letters Decal.
	MB74 7279	2			White, w/Quartz Lettering, 1990
	MB74 7280	2			Gray, w/Quartz Lettering, 1990
	MB74 7281	2			Dark Quartz, w/Light Quartz Lettering, 1990
	MB76 7252	2			Red, w/Black Lettering, 1991
	MB76 7253	2			White, w/Black Lettering, 1991
	MB76 7254	2			Medium Quartz, w/Black Lettering, 1991
	MB76 7255	2			Light Gray, w/Black Lettering, 1991
12					DECAL, "16V DOHC TURBO ALL WHEEL DRIVE"
					For 1990, Red, w/Quartz Lettering Decal Must Be Serviced By 1991 Red, w/black letters Decal.
	MB74 7282	2			White, w/Quartz Lettering, 1990
	MB74 7283	2			Gray, w/Quartz Lettering, 1990
	MB74 7284	2			Dark Quartz, w/Light Quartz Lettering, 1990
	MB76 7256	2			Red, w/Black Lettering, 1991
	MB76 7257	2			White, w/Black Lettering, 1991
	MB76 7258	2			Medium Quartz, w/Black Lettering, 1990-91
	MB76 7259	2			Light Gray, w/Black Lettering, 1991
13					DECAL, "LASER RS"
	MB64 3263	1			Black, 1990
	MB64 3264	1			Medium Quartz, 1990
	MB78 5448	1			Black, 1991
	MB78 5449	1			Medium Quartz, 1991

ENGINE: P = 1800cc (1.8L) A = 2000cc (2.0L) Blank = All  
 TRANS: A = Automatic M = Manual Blank = All  
 SERIES: H = High M = Medium P = Premium S = Special

MODELS:  
 24 FWD = 2Dr Hatchback (Laser)  
 24 FWD = 2-Dr Hatchback (Talon)  
 4WD = (4 Wheel Drive)  
 2WD = (2 Wheel Drive)

AR = Use as Required - = Non Illustrated Part P.A.R. = Paint as Required

NAMEPLATES 1992-94 LASER-TALON  
Figure 23-125

9668 125B

ITEM	PART NUMBER	QTY	BODY	MODEL	DESCRIPTION	
1	MB74 5057	1			DECAL, "TWIN CAM 16 VALVE" - Laser	
	MB74 5059	1			Black, Left	
	MB74 5058	1			Black, Right	
	MB74 5060	1			Medium Quartz, Left	
2	MR70 6243	1			Gold, Left	
	MR70 6244	1			Gold, Right	
	MB79 5438	1			DECAL, "EAGLE", (Logo and Lettering)	
	MB79 5443	1			Black Background, w/Quartz Letters	
3	MB79 5439	1			Quartz Background, w/Black Letters	
	MB79 5440	1			Blue Background, w/Quartz Letters	
	MB79 5444	1			Red Background, w/Black Letters	
	MB79 5442	1			Red Background, w/Quartz Letters	
	MB79 5441	1			Turquoise Background, w/Black Letters	
	MB97 9193	1			White Background, w/Black Letters	
	MR71 0163	1			Green Background, w/Quartz Letters	
	MR71 0163	1			Lt. Green Background, w/Black Letters, 1994	
	4	MB64 5570	1			MARK, (Eagle Medallion), Black ***
		MB79 5445	1			DECAL, "TALON"
		MB79 5450	1			Black Background, w/Quartz Letters
		MB79 5446	1			Quartz Background, w/Black Letters
MB79 5447		1			Blue Background, w/Quartz Letters	
MB79 5451		1			Red Background, w/Black Letters	
5	MB79 5449	1			Red Background, w/Medium Quartz Letters	
	MB79 5448	1			Turquoise Background, w/Black Letters	
	MB97 9194	1			White Background, w/Black Letters	
	MR71 0164	1			Green, w/Quartz Letters	
	MR71 0164	1			Lt. Green Background, w/Black Letters, 1994	
	MB88 2034	2			DECAL, "ALL WHEEL DRIVE" - Laser	
6	MB88 2035	2			Black	
	MB97 9195	2			Medium Quartz	
	MB74 5055	2			Gold	
	MB74 5056	2			DECAL, "TURBO INTERCOOLER" - Laser	
7	MB97 9185	1			Black	
	MB97 9185	2			Medium Quartz	
7					Gold	
					1990-93	
7					1994	
					DECAL, "16V DOHC" - Talon	

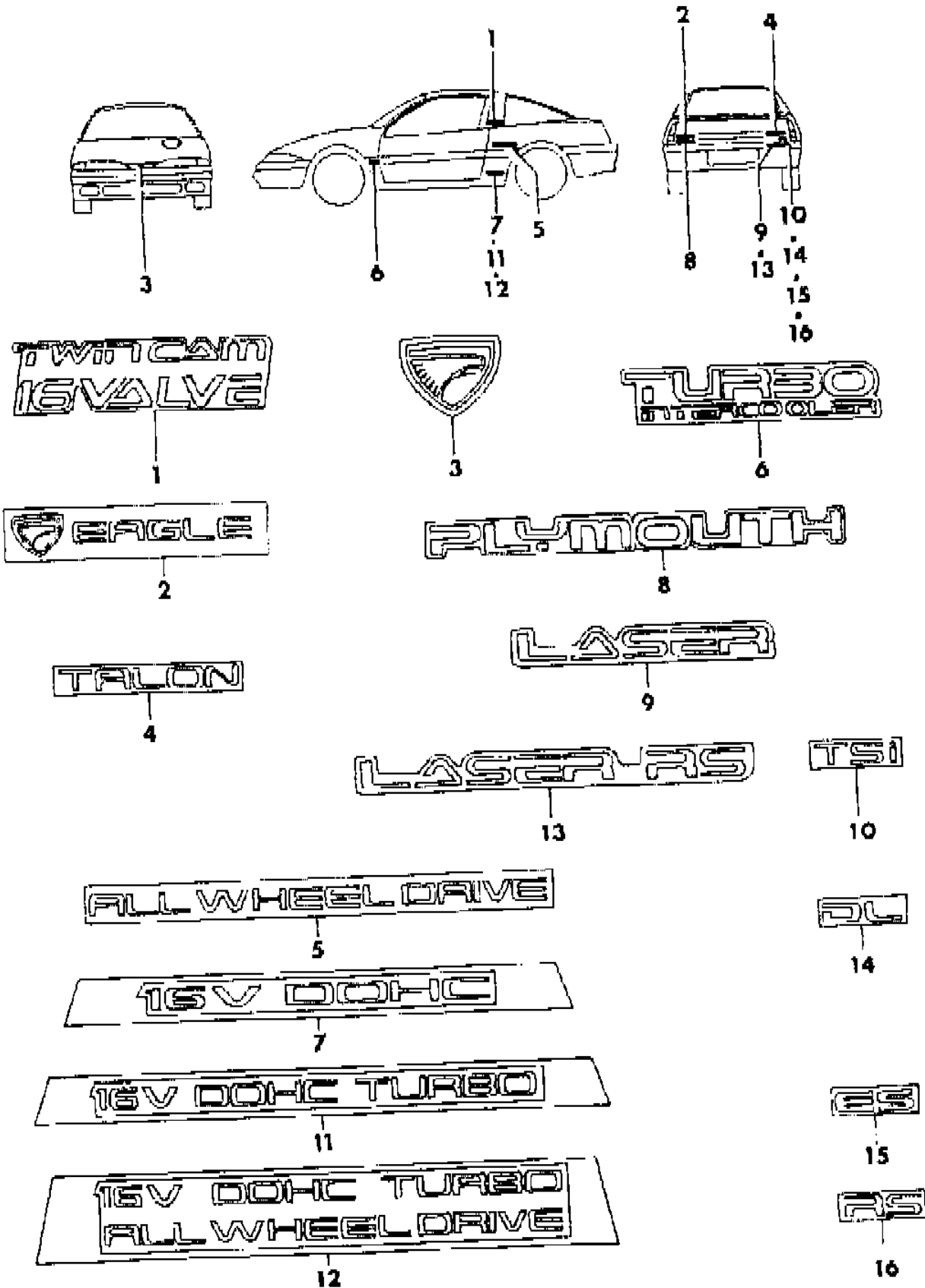
ENGINE: P = 1800cc (1.8L)  
A = 2000cc (2.0L)  
Blank = All

TRANS: A = Automatic  
M = Manual  
Blank = All

SERIES: H = High  
M = Medium  
P = Premium  
S = Special

MODELS:  
24 FWD = 2Dr Hatchback (Laser)  
24 FWD = 2-Dr Hatchback (Talon)  
4WD = (4 Wheel Drive)  
2WD = (2 Wheel Drive)

AR = Use as Required - = Non Illustrated Part P.A.R. = Paint as Required





NAMEPLATES 1992-94 LASER-TALON  
Figure 23-125

9668 125B

ITEM	PART NUMBER	QTY	BODY	MODEL	DESCRIPTION
	MB74 7277	2		H	Clear, w/Black Letters
	MB74 7278	2		H	Clear, w/Medium Quartz Letters
	MB79 0821	2		H	Medium Quartz, w/Black Letters
	MB88 2828	2		H	Black, w/Medium Quartz Letters
	MB88 2830	2		H	Blue, w/Medium Quartz Letters
	MB79 4576	2		H	Red, w/Black Lettering
	MB88 2829	2		H	Red, w/Medium Quartz Letters
	MB88 2827	2		H	Turquoise, w/Black Letters
	MB97 9191	2		H	Green, w/Quartz Letters
	MB79 0820	2		H	White
8	MR71 0160	2		H	Lt. Green Background, w/Black Letters, 1994 MARK, "PLYMOUTH" *** 1992-93
	MB88 1216	1			Black
	MB88 1217	1			Medium Quartz
	MB97 9190	1			Gold 1994
	MR72 6531	1			Red
	MR72 6532	1			Black
	MR72 6533	1			Dk. Green
	MR72 6534	1			Quartz
	MR72 6535	1			Bluish Red
	MR72 6536	1			Turquoise
	MR72 6537	1			Blue
	MR72 6538	1			Lt. Green
9					MARK, "LASER" ***
	MB79 5435	1		M	Black
	MB79 6426	1		M	Medium Quartz
10					DECAL, "TSI" - Talon
	MB79 3602	1		P,S	Black Background, w/Quartz Letters
	MB79 3607	1		P,S	Quartz Background, w/Black Letters
	MB79 3603	1		P,S	Blue Background, w/Quartz Letters
	MB79 3604	1		P,S	Red Background, w/Black Letters
	MB79 5420	1		P,S	Red Background, w/Medium Quartz Letters
	MB79 3606	1		P,S	Turquoise Background, w/Black Letters
	MB79 3605	1		P,S	White Background, w/Black Letters
	MB97 9189	1		P,S	Green Background, w/Quartz Letters
	MR71 0153	1		P,S	Lt. Green Background, w/Black Letters, 1994
11					DECAL, "16V DOHC TURBO" - Talon

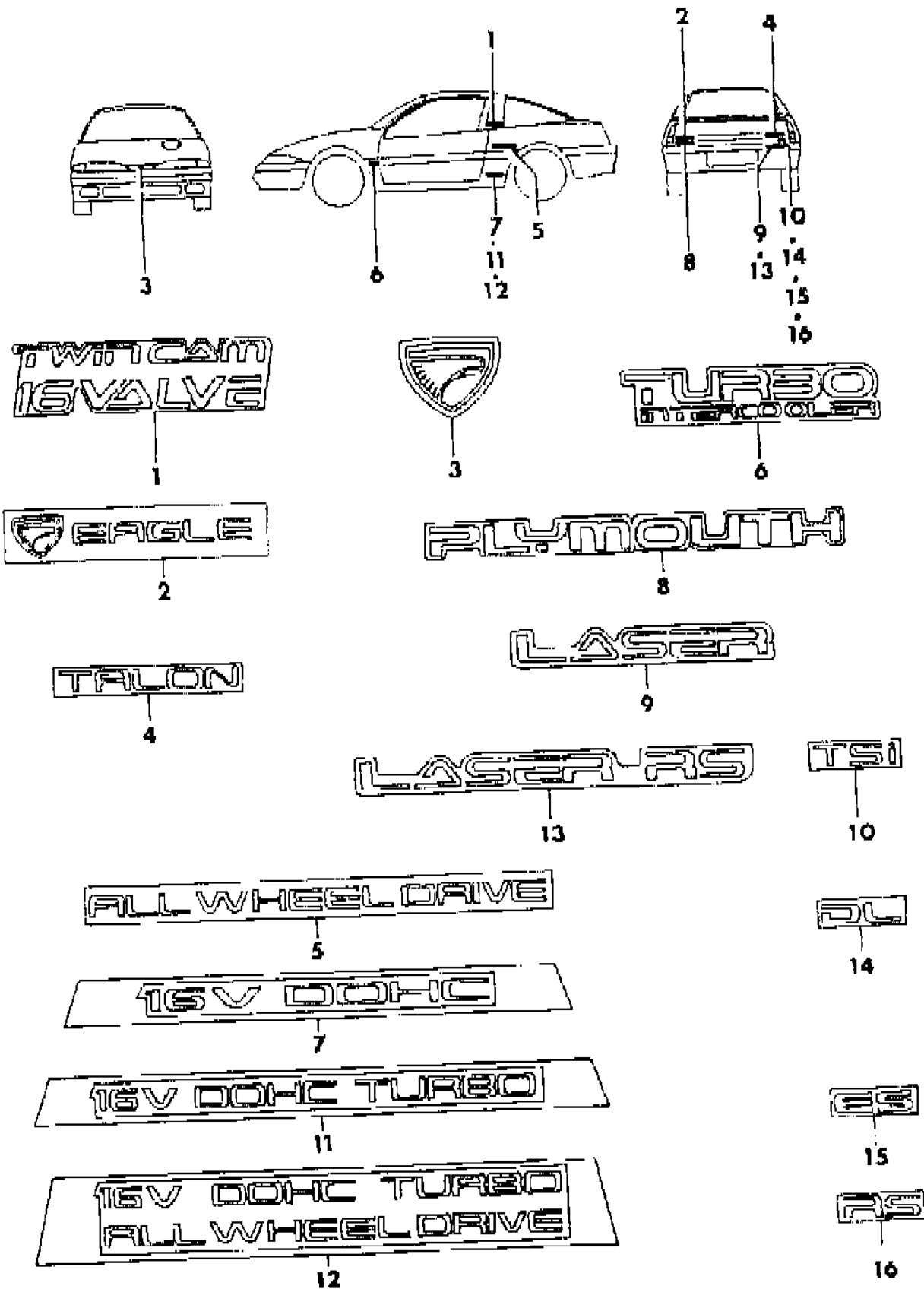
ENGINE: P = 1800cc (1.8L)  
A = 2000cc (2.0L)  
Blank = All

TRANS: A = Automatic  
M = Manual  
Blank = All

SERIES: H = High  
M = Medium  
P = Premium  
S = Special

MODELS:  
24 FWD = 2Dr Hatchback (Laser)  
24 FWD = 2-Dr Hatchback (Talon)  
4WD = (4 Wheel Drive)  
2WD = (2 Wheel Drive)

AR = Use as Required - = Non Illustrated Part P.A.R. = Paint as Required



NAMEPLATES 1992-94 LASER-TALON  
Figure 23-125

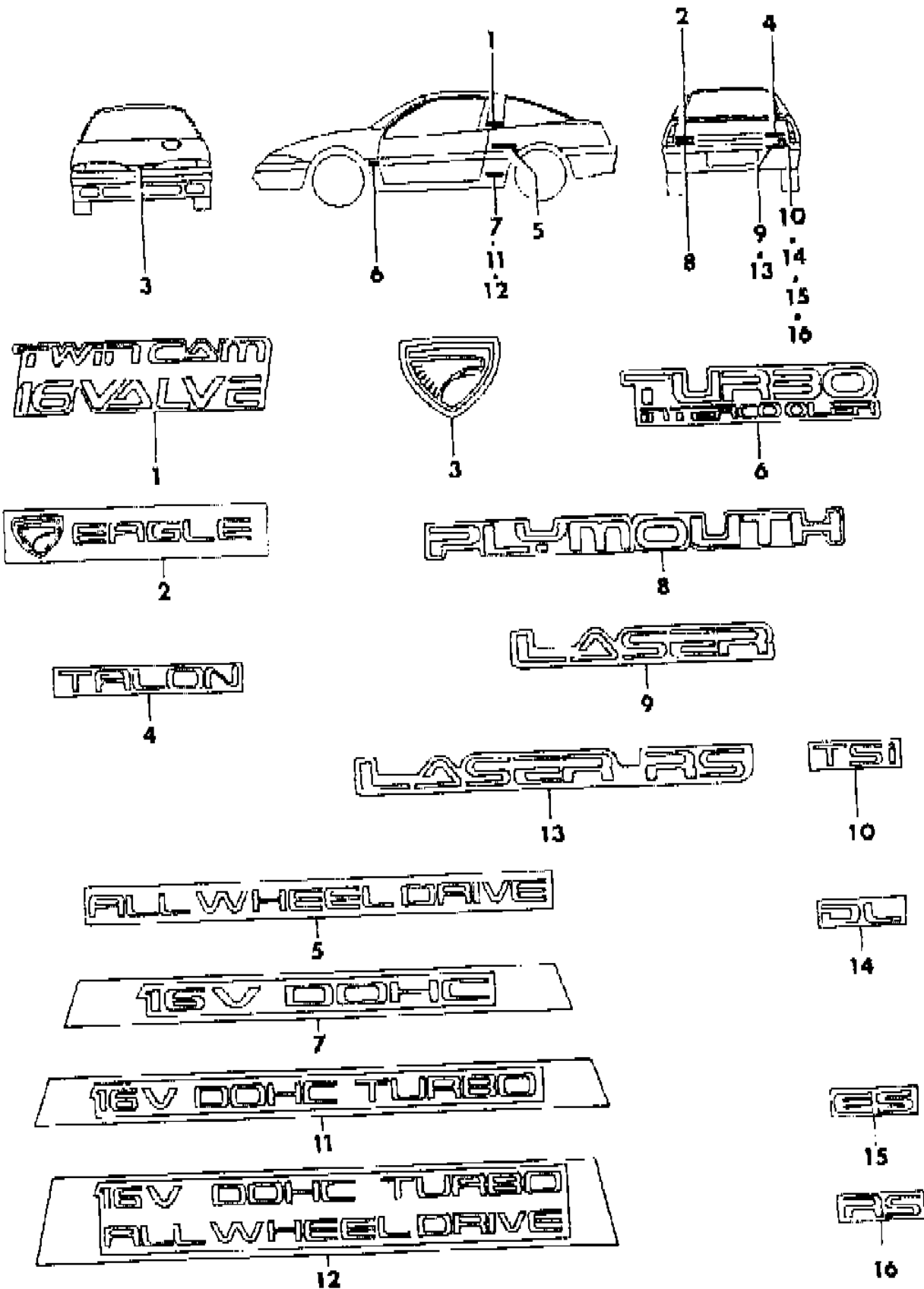
9668 125B

ITEM	PART NUMBER	QTY	BODY	MODEL	DESCRIPTION
	MB76 7254	2		P	Black Background, w/Quartz Letters
	MB79 3587	2		P	Quartz Background, w/Black Letters
	MB79 3583	2		P	Blue Background, w/Quartz Letters
	MB79 3584	2		P	Red Background, w/Black Letters
	MB79 5410	2		P	Red Background, w/Medium Quartz Letters
	MB79 3586	2		P	Turquoise Background, w/Black Letters
	MB79 3585	2		P	White Background, w/Black Letters, 1992
	MB76 7253	2		P	White, 1993
	MB97 9187	2		P	Green, w/Quartz Letters
	MR71 0130	2		P	Lt. Green Background, w/Black Letters, 1994
12					DECAL, "16V DOHC TURBO ALL WHEEL DRIVE" - Talon
	MB76 7258	2		S	Quartz Background, w/Black Letters
	MB79 3592	2		S	Black Background, w/Quartz Letters
	MB79 3588	2		S	Blue Background, w/Quartz Letters
	MB79 3589	2		S	Red Background, w/Black Letters
	MB79 5411	2		S	Red Background, w/Quartz Letters
	MB79 3591	2		S	Turquoise Background, w/Black Letters
	MB79 3590	2		S	White Background, w/Black Letters, 1992
	MB76 7257	2		S	White, 1993
	MB97 9188	2		S	Green, w/Quartz Letters
	MR71 0131	2		S	Lt. Green Background, w/Black Letters, 1994
13					MARK, "LASER RS" ***
	MB79 5436	1			Black
	MB79 5437	1			Medium Quartz
	MB97 9192	1			Gold
14					DECAL, "DL" - Talon, 1993-94
	MB95 2802	1		M	Black
	MB95 2803	1		M	Medium Quartz
15					DECAL, "ES" - Talon, 1993-94
	MB95 2800	1		H	Black
	MB95 2801	1		H	Medium Quartz
16					DECAL, "RS" - Laser, 1994
	MR72 6540	1			White
	MR72 6541	1			Red
	MR72 6542	1			Black
	MR72 6543	1			Dk. Green
	MR72 6544	1			Quartz
	MR72 6545	1			Bluish Red
	MR72 6546	1			Turquoise

ENGINE: P = 1800cc (1.8L) A = 2000cc (2.0L) Blank = All  
 TRANS: A = Automatic M = Manual Blank = All  
 SERIES: H = High M = Medium P = Premium S = Special

MODELS:  
 24 FWD = 2Dr Hatchback (Laser)  
 24 FWD = 2-Dr Hatchback (Talon)  
 4WD = (4 Wheel Drive)  
 2WD = (2 Wheel Drive)

AR = Use as Required - = Non Illustrated Part P.A.R. = Paint as Required





MOULDINGS LASER-TALON

Figure 23-200

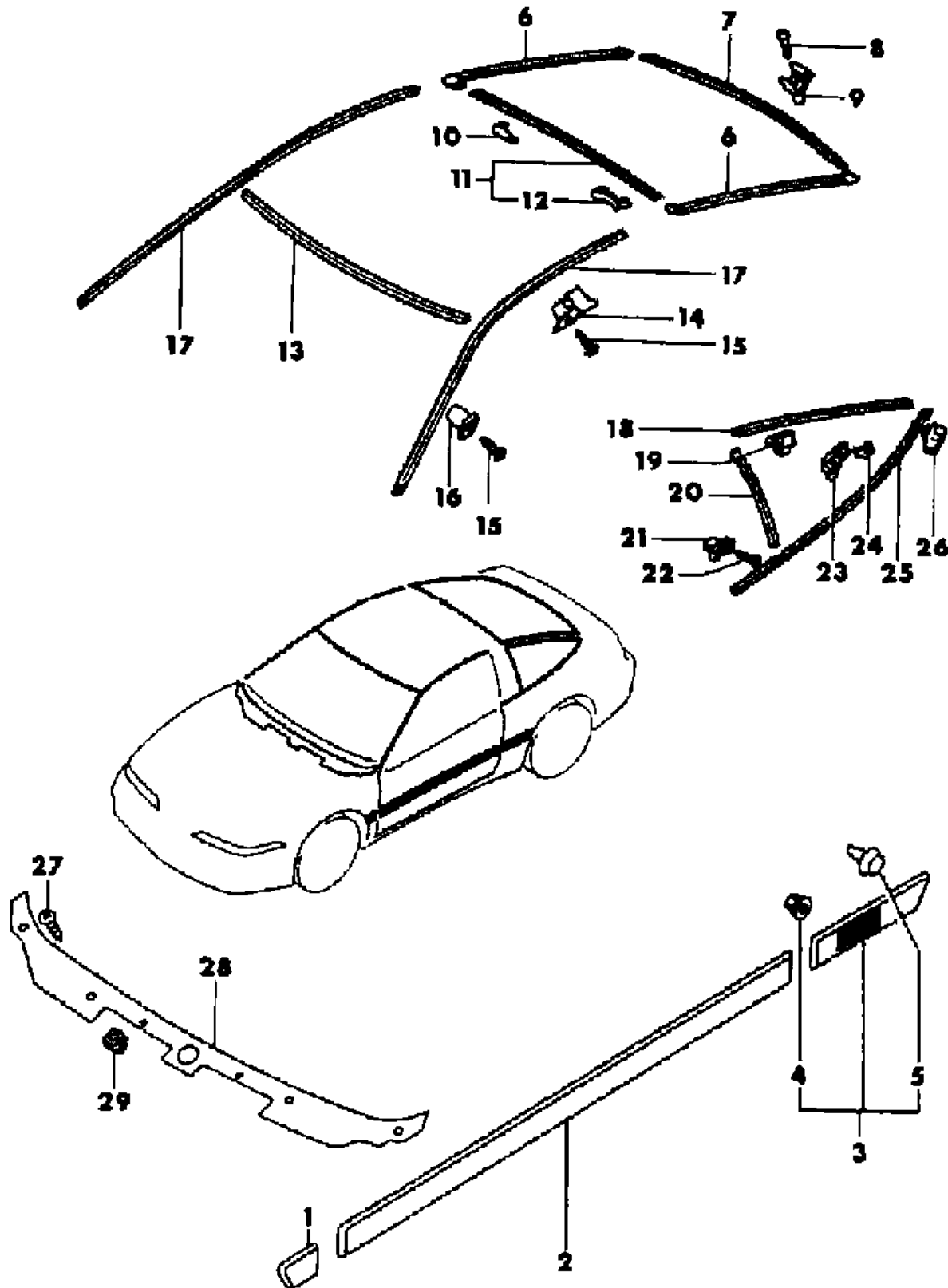
9658 2008

ITEM	PART NUMBER	QTY	BODY	MODEL	DESCRIPTION
1					MOULDING, Fender Protect
	MB47 9002	1	Laser		1990-91, Laser Black, Right
	MB47 9001	1	Laser		Black, Left
					1990, Talon
	MB72 7466	1	Talon		White, Right, P.A.R.
	MB72 7460	1	Talon		White, Left, P.A.R.
					1991, Talon
	MB72 7467	1	Talon		Black, Right
	MB72 7461	1	Talon		Black, Left
	MB76 6227	1	Talon		Dark Blue, Right
	MB76 6223	1	Talon		Dark Blue, Left
	MB75 3143	1	Talon		Dark Red, Right
	MB75 3140	1	Talon		Dark Red, Left
	MB72 7469	1	Talon		Light Gray, Right
	MB72 7463	1	Talon		Light Gray, Left
	MB77 0685	1	Talon		Medium Quartz, Right
	MB77 0684	1	Talon		Medium Quartz, Left
	MB72 7465	1	Talon		Red, Right
	MB72 7459	1	Talon		Red, Left
	As Stock Is Exhausted On Colored Talon Mouldings, Primed Parts Will Be Provided.				
	MB88 1502	1	Talon		Primed, Right, P.A.R.
	MB88 1501	1	Talon		Primed, Left, P.A.R.
	MB88 1508	1			1992-94, Laser and Talon P.A.R., Right, w/Clips
	MB88 1507	1			P.A.R., Left, w/Clips
	MB47 9472	AR			CLIP, Moulding, 1992-94
2					MOULDING, Door Side
					1990-91, Laser
	MB47 9004	1	Laser		Black, Right
	MB47 9003	1	Laser		Black, Left
					1990, Talon
	MB72 7478	1	Talon		White, Right, P.A.R.
	MB72 7472	1	Talon		White, Left, P.A.R.
					1991, Talon
	MB72 7479	1	Talon		Black, Right
	MB72 7473	1	Talon		Black, Left
	MB76 6235	1	Talon		Dark Blue, Right
	MB76 6231	1	Talon		Dark Blue, Left

ENGINE: P = 1800cc (1.8L) A = 2000cc (2.0L) Blank = All  
 TRANS: A = Automatic M = Manual Blank = All  
 SERIES: H = High M = Medium P = Premium S = Special

MODELS:  
 24 FWD = 2Dr Hatchback (Laser)  
 24 FWD = 2-Dr Hatchback (Talon)  
 4WD = (4 Wheel Drive)  
 2WD = (2 Wheel Drive)

AR = Use as Required - = Non Illustrated Part P.A.R. = Paint as Required



MOULDINGS LASER-TALON

Figure 23-200

9658 2008

ITEM	PART NUMBER	QTY	BODY	MODEL	DESCRIPTION
	MB75 3149	1		Talon	Dark Red, Right
	MB75 3146	1		Talon	Dark Red, Left
	MB72 7481	1		Talon	Light Gray, Right
	MB72 7475	1		Talon	Light Gray, Left
	MB77 0687	1		Talon	Medium Quartz, Right
	MB77 0686	1		Talon	Medium Quartz, Left
	MB72 7477	1		Talon	Red, Right
	MB72 7471	1		Talon	Red, Left
As Stock Is Exhausted On Colored Talon Mouldings, Primed Parts Will Be Provided.					
	MB88 1504	1		Talon	Primed, Right
	MB88 1503	1		Talon	Primed, Left
	MB88 1510	1			1992-94, Laser and Talon P.A.R., Right, w/Clips
	MB88 1509	1			P.A.R., Left, w/Clips
3	MB47 9472	AR			CLIP, Moulding, 1992-94 MOULDING PACKAGE, Quarter Panel 1990-91, Laser
	MB59 7798	1		Laser	Black, Right
	MB59 7797	1		Laser	Black, Left
	MB59 7866	1		Talon	1990, Talon White, Right, P.A.R.
	MB59 7865	1		Talon	White, Left, P.A.R. 1991, Talon
	MB59 7868	1		Talon	Black, Right
	MB59 7867	1		Talon	Black, Left
	MB69 8814	1		Talon	Dark Blue, Right
	MB69 8813	1		Talon	Dark Blue, Left
	MB69 8798	1		Talon	Dark Red, Right
	MB69 8797	1		Talon	Dark Red, Left
	MB59 7872	1		Talon	Light Gray, Right
	MB59 7871	1		Talon	Light Gray, Left
	MB83 1256	1		Talon	Medium Quartz, Right
	MB83 1255	1		Talon	Medium Quartz, Left
	MB59 7864	1		Talon	Red, Right
	MB59 7863	1		Talon	Red, Left
As Stock Is Exhausted On Colored Talon Mouldings, Primed Parts Will Be Provided.					
	MB86 1930	1		Talon	Primed, Right, P.A.R.
	MB86 1929	1		Talon	Primed, Left, P.A.R. 1992-94, Laser and Talon

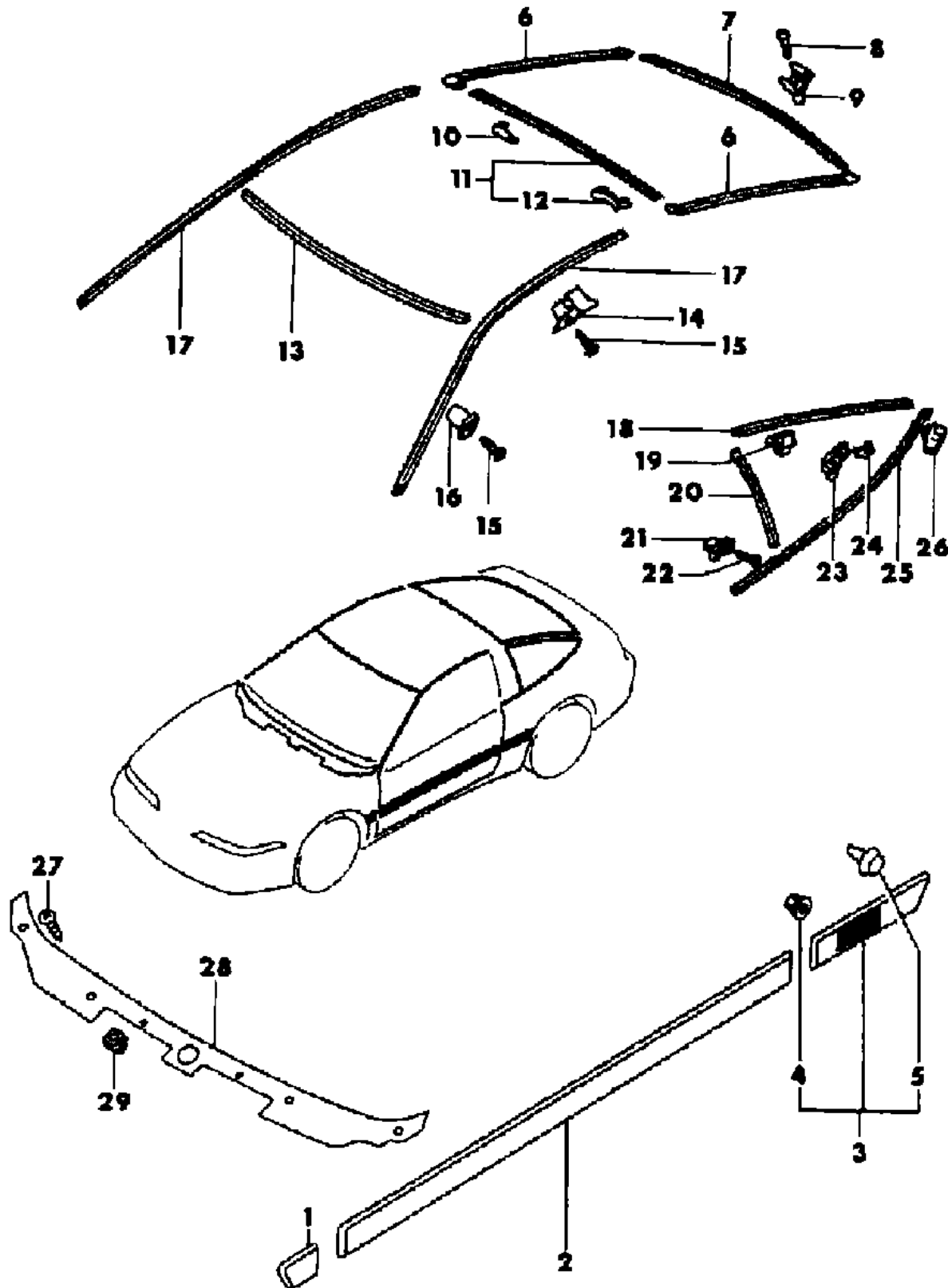
ENGINE: P = 1800cc (1.8L)  
A = 2000cc (2.0L)  
Blank = All

TRANS: A = Automatic  
M = Manual  
Blank = All

SERIES: H = High  
M = Medium  
P = Premium  
S = Special

MODELS:  
24 FWD = 2Dr Hatchback (Laser)  
24 FWD = 2-Dr Hatchback (Talon)  
4WD = (4 Wheel Drive)  
2WD = (2 Wheel Drive)

AR = Use as Required - = Non Illustrated Part P.A.R. = Paint as Required



MOULDINGS LASER-TALON

Figure 23-200

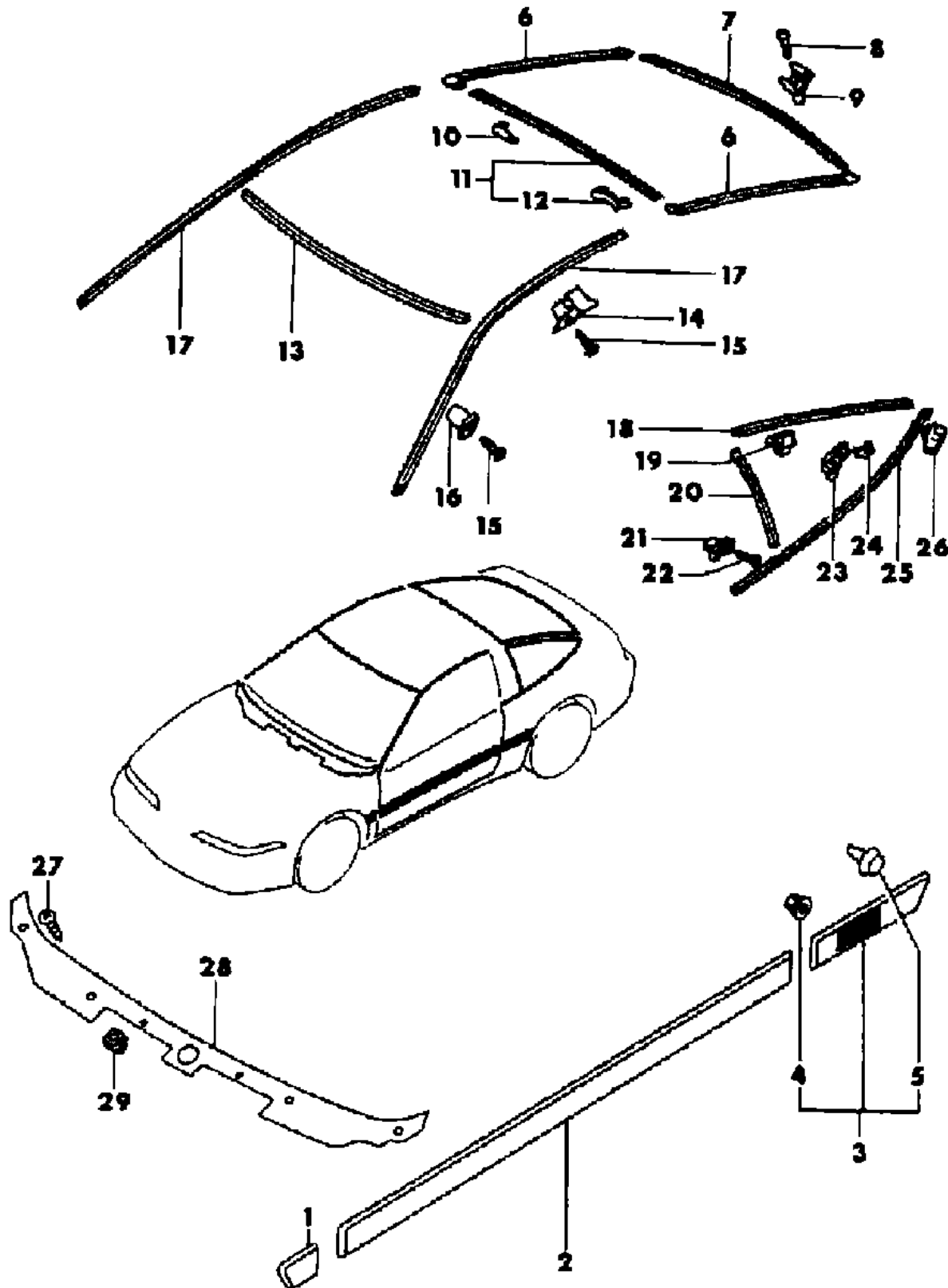
9658 2008

ITEM	PART NUMBER	QTY	BODY	MODEL	DESCRIPTION
	MB88 1512	1			Right, P.A.R.
	MB88 1511	1			Left, P.A.R.
	MB47 9472	AR			CLIP, Moulding
4	MS44 0522	4			NUT, w/Washer, 1990-91
5	MB47 9472	AR			CLIP, Side Moulding
6					MOULDING, Tailgate
	MB47 9092	1			Right
	MB47 9091	1			Left
7	MB47 9090	1			MOULDING, Tailgate, Lower
8	MS45 0052	7			SCREW
9	MB47 9268	7			CLIP, Moulding
10	MB47 9238	4			FASTENER, Tailgate Moulding, Upper
11	MB47 9149	1			MOULDING, Tailgate, Upper
12	MB47 9239	3			CLIP, Tailgate Moulding
13	MB47 9089	1			MOULDING, Windshield Upper
14	MB55 1717	6			GROMMET, Windshield Moulding
15	MS45 0225	12			SCREW
16	MB47 9533	6			GROMMET
17					MOULDING, Drip
	MB47 9088	1			Right
	MB47 9087	1			Left
18					MOULDING, Quarter Window, Upper
	MB47 9098	1			Right
	MB47 9097	1			Left
19	MB47 9101	8			CLIP, Quarter Window Moulding
20					MOULDING, Quarter Window, Front
	MB47 9146	1			Right
	MB47 9145	1			Left
21	MB47 9136	2			CLIP, Quarter Window Moulding
22	MS45 0052	10			SCREW
23	MB47 9100	6			CLIP, Quarter Window Moulding
24	MB47 9340	6			CLIP, Quarter Window Screw Cover
25					MOULDING, Quarter Window, Lower
	MB47 9096	1			Right
	MB47 9095	1			Left
26	MB47 9268	2			CLIP, Moulding
27	MU24 0040	6			SCREW
28	MB47 9158	1			GARNISH, Front Deck ***
29	MS48 0001	6			GROMMET

ENGINE: P = 1800cc (1.8L) A = 2000cc (2.0L) Blank = All  
 TRANS: A = Automatic M = Manual Blank = All  
 SERIES: H = High M = Medium P = Premium S = Special

MODELS:  
 24 FWD = 2Dr Hatchback (Laser)  
 24 FWD = 2-Dr Hatchback (Talon)  
 4WD = (4 Wheel Drive)  
 2WD = (2 Wheel Drive)

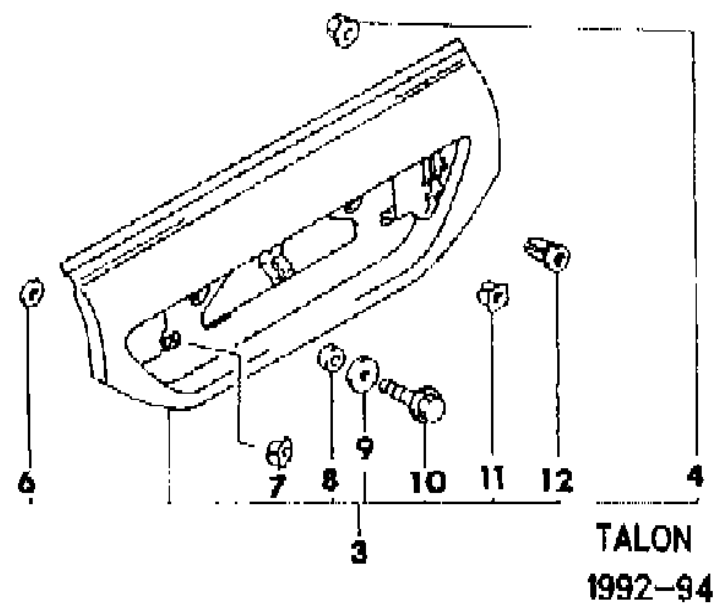
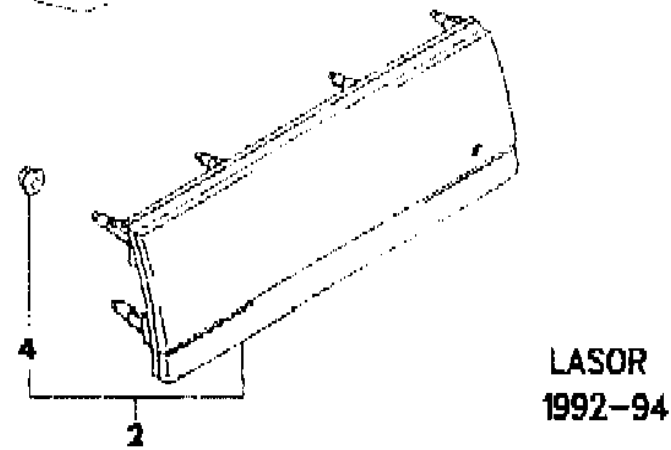
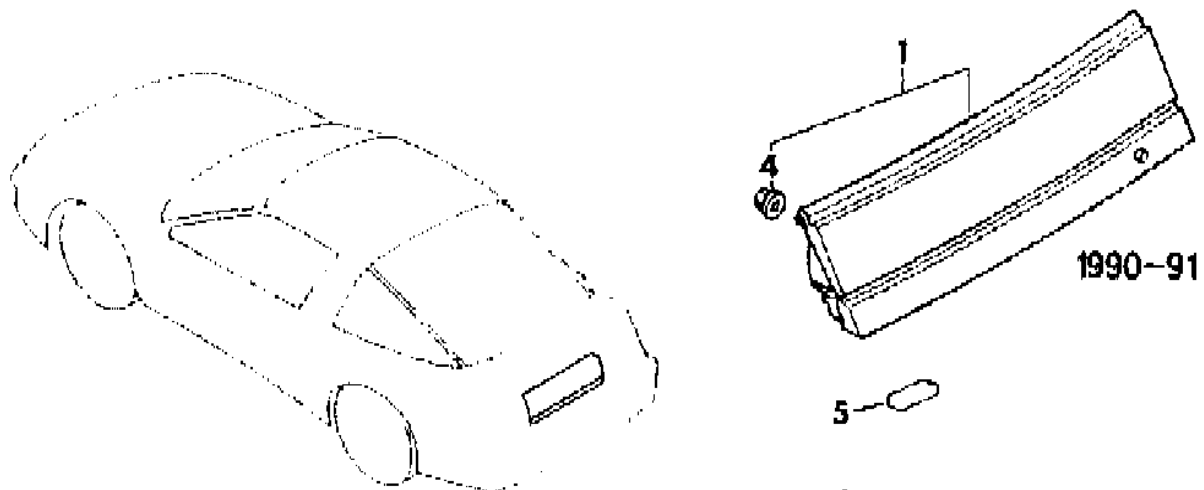
AR = Use as Required - = Non Illustrated Part P.A.R. = Paint as Required



**GARNISH, REAR END PANEL LASER-TALON**  
Figure 23-210

9668 210B

ITEM	PART NUMBER	QTY	BODY	MODEL	DESCRIPTION
1					GARNISH KIT, 1990-91 ***
	MB59 7790	1		LASER	
	MB59 7920	1		TALON	
2					GARNISH KIT, 1992-94 ***
	MB86 1274	1		LASER	Black
	MB86 1277	1		LASER	Light Blue
	MB86 1278	1		LASER	Medium Blue
	MB86 1275	1		LASER	Medium Quartz
	MB86 1279	1		LASER	Radiant Red
	MB86 1280	1		LASER	Medium Red Pearl Coat
	MB86 1276	1		LASER	Turquoise
	MB86 1273	1		LASER	White
	MB95 9660	1		LASER	Deep Green Pearlcoat
	MR12 4452	1		LASER	Light Green
3	MB90 7082	1		TALON	GARNISH KIT, 1992-94 ***
4	MS44 0502	AR			NUT, w/Washer
5	MB68 3492	2			SPACER, 1990-91
6	MU67 1001	7			GASKET
7					GROMMET
	MS48 0009	4			1990-93
	MS48 0002	4			1994
8	MB88 2198	1			SPACER
9	MB88 2199	1			WASHER
10	MF14 0003	2			BOLT
11	MU48 0007	2			GROMMET
12	MU81 0520	4			GROMMET



ENGINE: P = 1800cc (1.8L) A = 2000cc (2.0L) Blank = All  
 TRANS: A = Automatic M = Manual Blank = All  
 SERIES: H = High M = Medium P = Premium S = Special

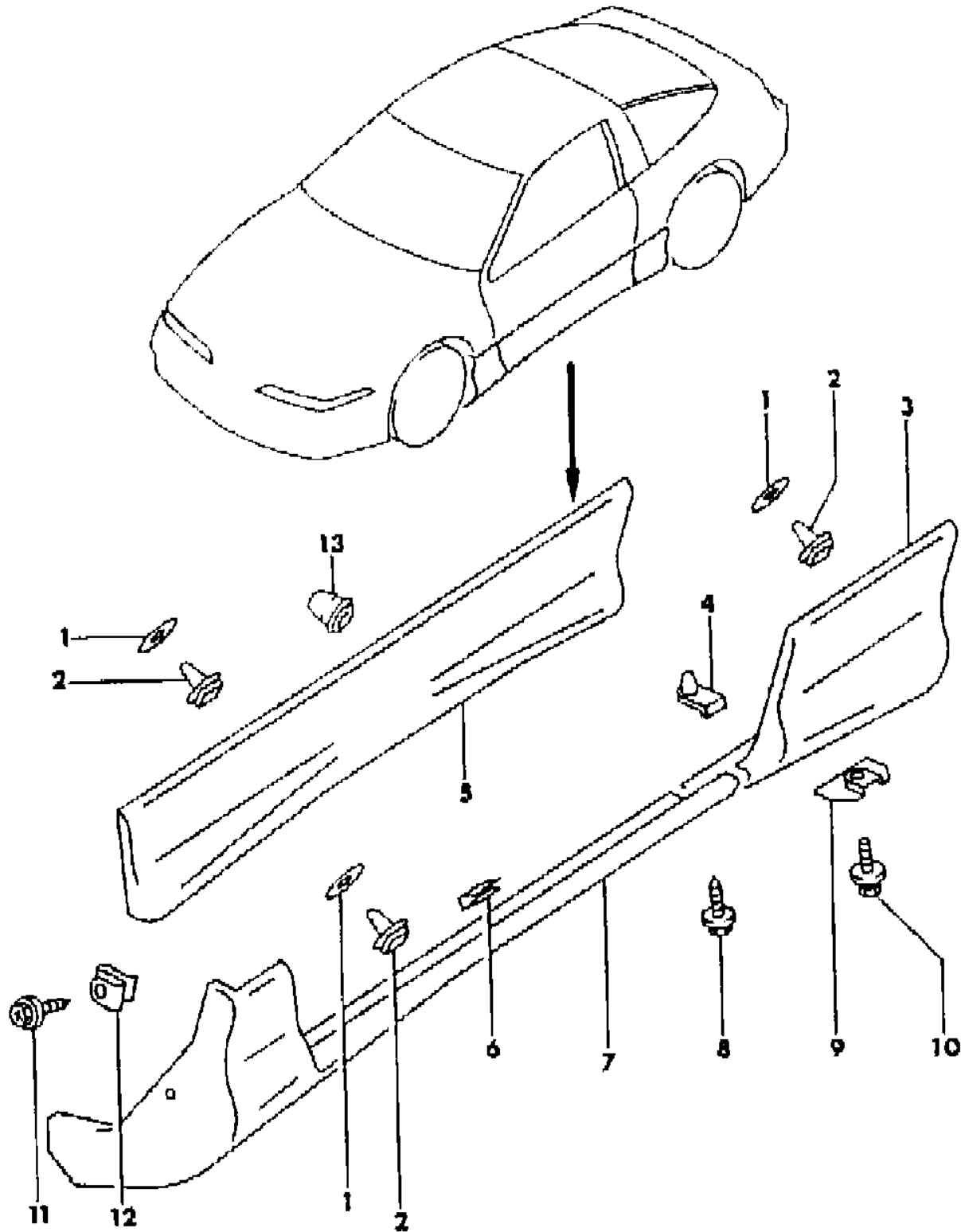
MODELS:  
 24 FWD = 2Dr Hatchback (Laser)  
 24 FWD = 2-Dr Hatchback (Talon)  
 4WD = (4 Wheel Drive)  
 2WD = (2 Wheel Drive)

AR = Use as Required - = Non Illustrated Part P.A.R. = Paint as Required

AIR DAM 1990-91 TALON  
Figure 23-225

9668 225A

ITEM	PART NUMBER	QTY	BODY	MODEL	DESCRIPTION
1	MB25 4533	28			GASKET
2	MB31 9754	28			CLIP
3					AIR DAM, Side Rear
	MB69 6347	1			Left
	MB69 6348	1			Right
4	MB36 1579	4			GROMMET
5					AIR DAM, Side Center
	MB69 6345	1			Left
	MB69 6346	1			Right
6	MB63 4425	2			CLIP
7					AIR DAM, Side Rear
	MB69 6343	1			Left
	MB69 6344	1			Right
8	MS45 2383	4			SCREW, w/Washer
9	MB47 9373	2			RETAINER
10	MS24 0141	2			BOLT, w/Washer
11	MS45 2357	2			SCREW, w/Washer
12	MB13 8567	2			GROMMET
13	MB34 4706	2			CLIP, Door, Center Air Dam



ENGINE: P = 1800cc (1.8L) A = 2000cc (2.0L) Blank = All  
 TRANS: A = Automatic M = Manual Blank = All  
 SERIES: H = High M = Medium P = Premium S = Special

MODELS:  
 24 FWD = 2Dr Hatchback (Laser)  
 24 FWD = 2-Dr Hatchback (Talon)  
 4WD = (4 Wheel Drive)  
 2WD = (2 Wheel Drive)

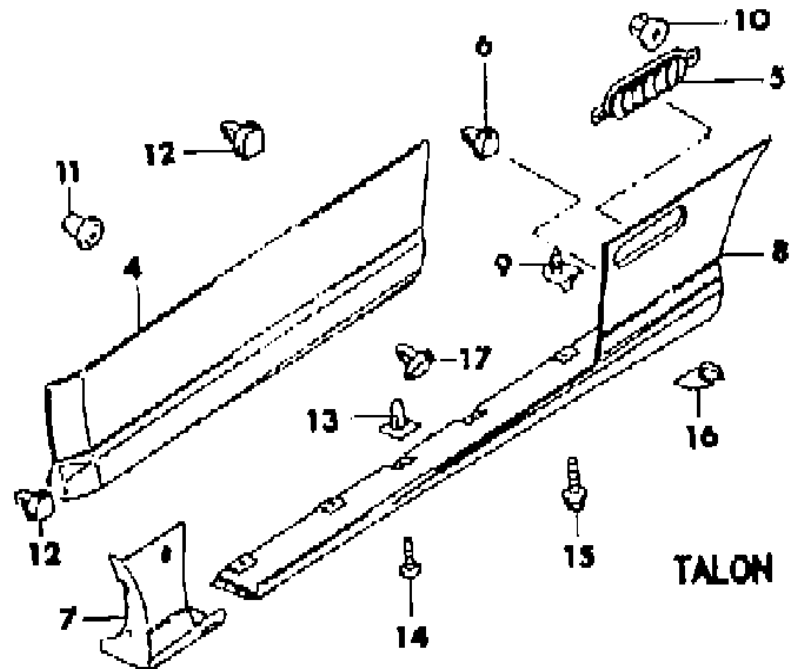
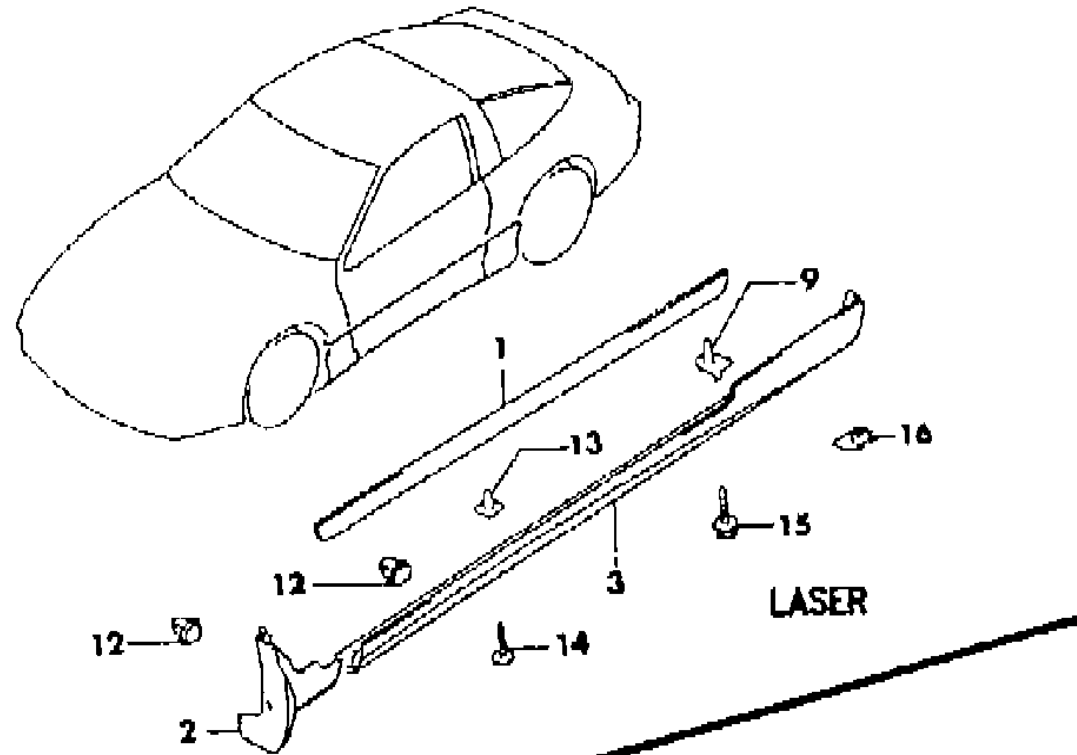
AR = Use as Required - = Non Illustrated Part P.A.R. = Paint as Required



AIR DAM 1992-94 LASER-TALON

Figure 23-235

9668 235A



ITEM	PART NUMBER	QTY	BODY	MODEL	DESCRIPTION
1					AIR DAM, Side, Center
	MB64 5576	1	Laser		Right
	MB64 5575	1	Laser		Left
2					AIR DAM, Side, Front
	MB64 5572	1	Laser		Right
	MB64 5571	1	Laser		Left
3					AIR DAM, Side, Rear
	MB64 5574	1	Laser		Right
	MB64 5573	1	Laser		Left
4					AIR DAM, Side, Center
	MB88 1290	1	Talon		Right
	MB88 1289	1	Talon		Left
5					GARNISH, Air Outlet ***
	MB92 9953	1	Talon		Primed, Left, P.A.R.
	MB92 9954	1	Talon		Primed, Right, P.A.R.
6	MB88 2135	36	Talon		CLIP
7					AIR DAM, Side, Front
	MB88 1286	1	Talon		Right
	MB88 1285	1	Talon		Left
8					AIR DAM, Side, Rear
	MB88 1288	1	Talon		Right
	MB88 1287	1	Talon		Left
9	MB36 1579	4			GROMMET
10	MS44 0522	4	Talon		NUT, w/Washer
11	MB34 4706	2	Talon		CLIP
12	MB88 2135	36	Talon		CLIP
		18	Laser		
13	MB36 1578	10			GROMMET
14	MU24 0050	8			SCREW, (4X16)
15	MS45 2383	4			SCREW, w/Washer, (5X16)
16	MB47 9373	2			RETAINER
17	MB88 2134	12	Talon		CLIP

ENGINE: P = 1800cc (1.8L) A = 2000cc (2.0L) Blank = All  
 TRANS: A = Automatic M = Manual Blank = All  
 SERIES: H = High M = Medium P = Premium S = Special

MODELS:  
 24 FWD = 2Dr Hatchback (Laser)  
 24 FWD = 2-Dr Hatchback (Talon)  
 4WD = (4 Wheel Drive)  
 2WD = (2 Wheel Drive)

AR = Use as Required - = Non Illustrated Part P.A.R. = Paint as Required

**AIR SPOILER 1990-91 TALON**  
Figure 23-250

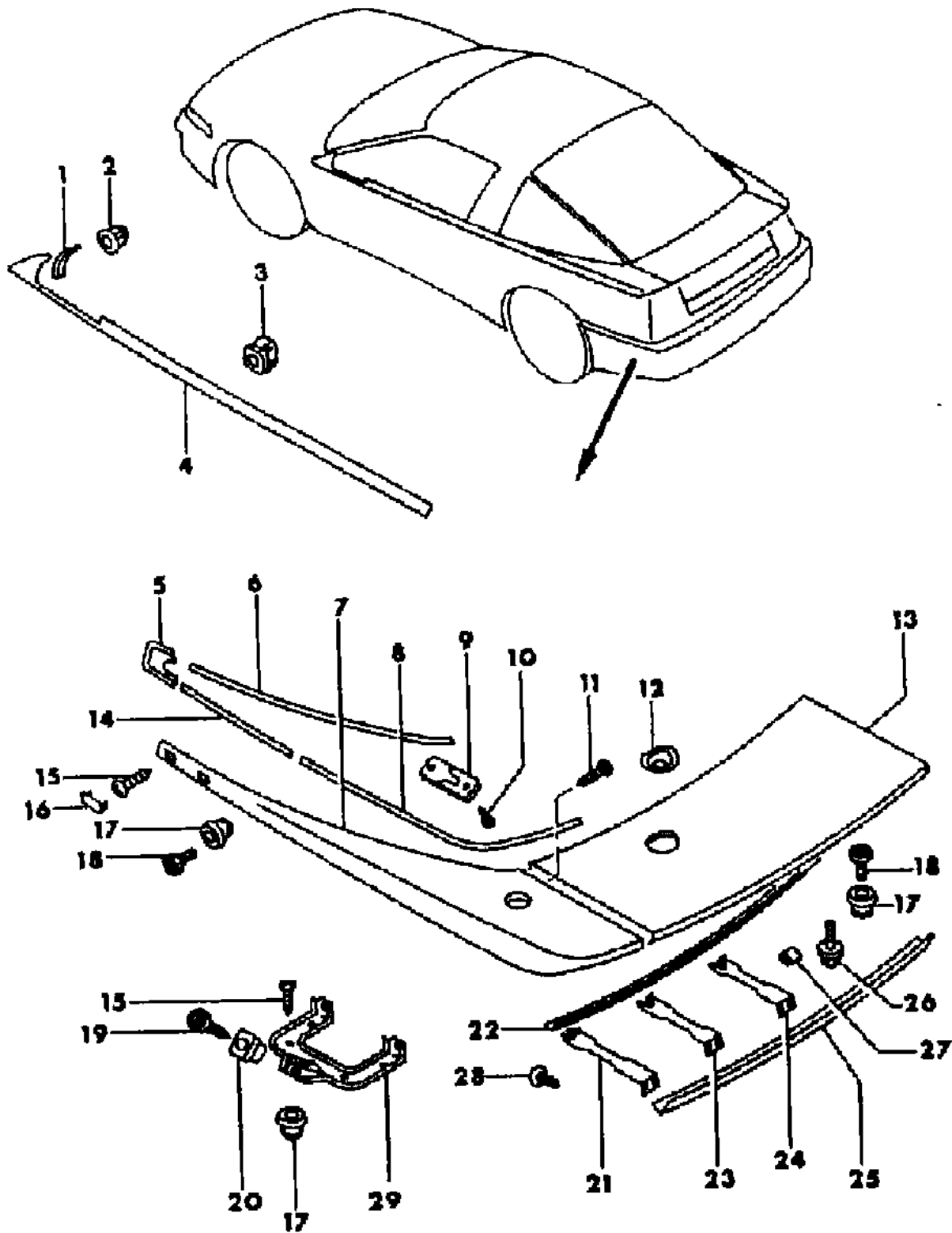
9668 250A

ITEM	PART NUMBER	QTY	BODY	MODEL	DESCRIPTION
1	MB63 1003	2			TAPE
2	MB15 3448	2			CLIP
3	MB57 4880	6			CLIP
4					AIR SPOILER, Door ***
	MB69 6351	1			Left
	MB69 6352	1			Right
5					EXTENSION, Rear Side
	MB59 0027	1			Left
	MB59 0028	1			Right
6	MB59 0017	2			PROTECTOR, Garnish
7					AIR SPOILER, Side ***
	MB69 6349	1			Left
	MB69 6350	1			Right
8	MB59 0019	2			PROTECTOR, Garnish
9	MB57 4172	6			CLIP
10	MB40 9436	12			SCREW
11	MU46 0072	4			SCREW
12	MB57 4107	1			GROMMET
13					AIR SPOILER, Center ***
	MB63 1122	1			w/o Rear Wiper
	MB63 1123	1			w/Rear Wiper
14	MB59 0018	2			PROTECTOR, Garnish
15	MB18 9330	10			SCREW
16	MB75 3183	2			COVER, Side
17	MB57 4173	22			GROMMET
18	MB57 4090	12			SCREW
19	MB57 4090	2			SCREW
20	MS48 0009	6			GROMMET
21					BRACKET, w/Retainers
	MB59 0047	1			Left
	MB59 0048	1			Right
22	MB59 0016	1			PROTECTOR, Garnish
23	MB59 0046	2			BRACKET, w/Retainers
24	MB59 0045	1			BRACKET, w/Retainers
25	MB59 0017	1			PROTECTOR, Garnish
26	MF14 0003	2			BOLT
27	MB19 6420	1			CLIP
28	MB18 9330	20			SCREW
29					BRACKET

ENGINE: P = 1800cc (1.8L) A = 2000cc (2.0L) Blank = All  
 TRANS: A = Automatic M = Manual Blank = All  
 SERIES: H = High M = Medium P = Premium S = Special

MODELS:  
 24 FWD = 2Dr Hatchback (Laser)  
 24 FWD = 2-Dr Hatchback (Talon)  
 4WD = (4 Wheel Drive)  
 2WD = (2 Wheel Drive)

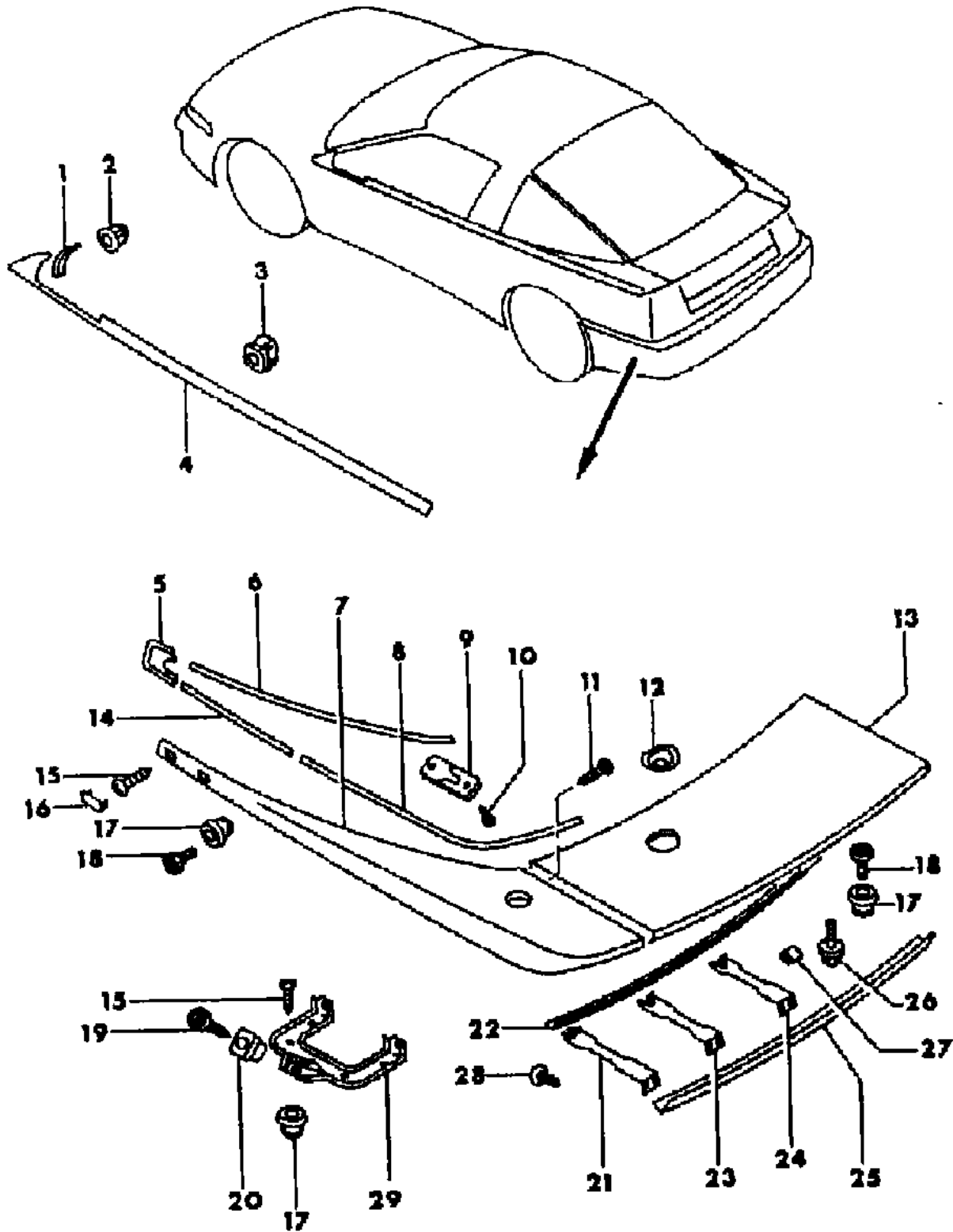
AR = Use as Required - = Non Illustrated Part P.A.R. = Paint as Required



AIR SPOILER 1990-91 TALON  
Figure 23-250

9668 250A

ITEM	PART NUMBER	QTY	BODY	MODEL	DESCRIPTION
	MB57 4101	1			Left
	MB57 4102	1			Right



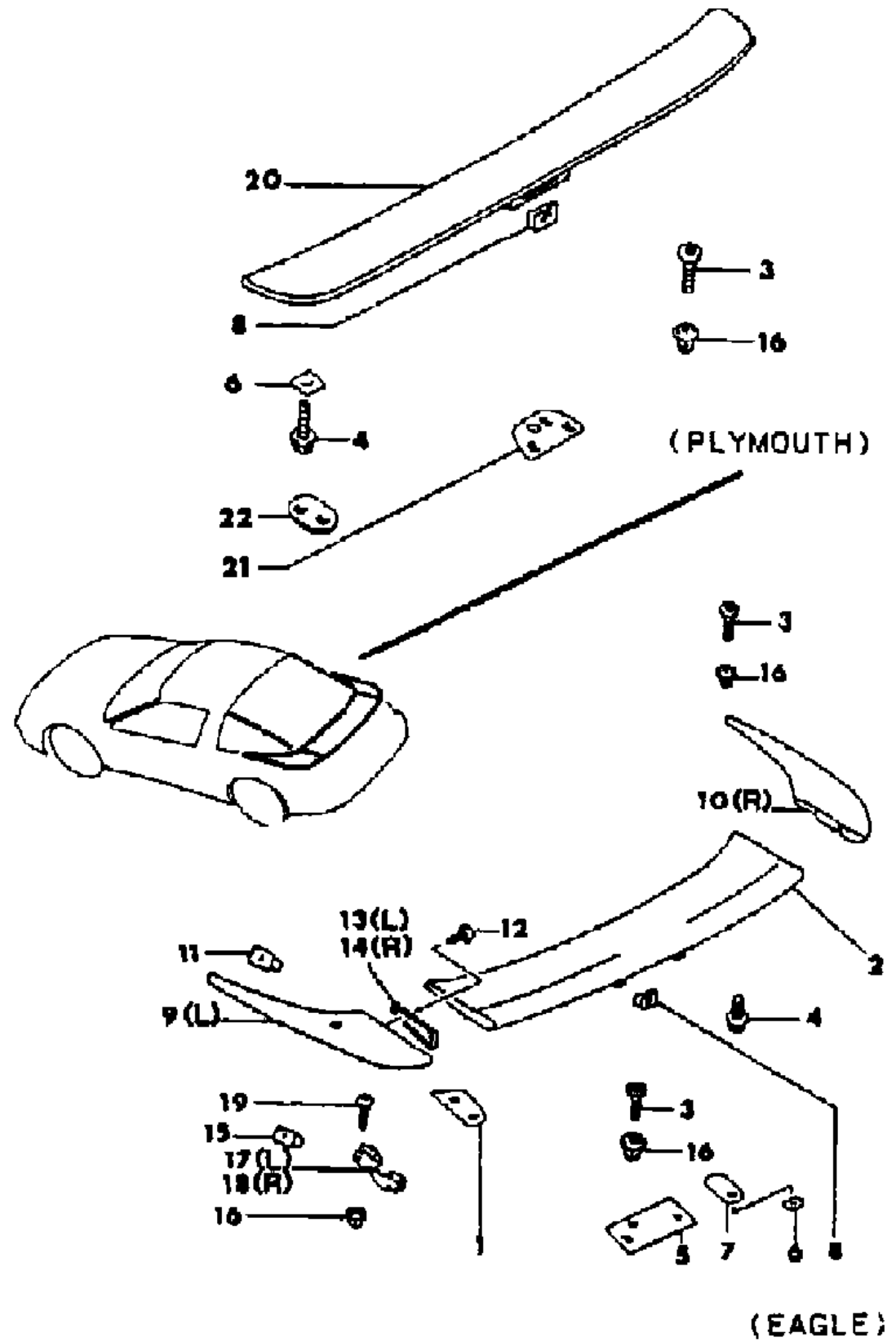
ENGINE: P = 1800cc (1.8L) A = 2000cc (2.0L) Blank = All  
 TRANS: A = Automatic M = Manual Blank = All  
 SERIES: H = High M = Medium P = Premium S = Special

MODELS:  
 24 FWD = 2Dr Hatchback (Laser)  
 24 FWD = 2-Dr Hatchback (Talon)  
 4WD = (4 Wheel Drive)  
 2WD = (2 Wheel Drive)

AR = Use as Required - = Non Illustrated Part P.A.R. = Paint as Required

**AIR SPOILER 1992-94 LASER-TALON**  
Figure 23-260

**9668 260C**



ITEM	PART NUMBER	QTY	BODY	MODEL	DESCRIPTION
1	MB88 2204	2			GASKET
2	MB88 1301	1			AIR SPOILER, Center ***
3	MB57 4090	6			SCREW, (5X12)
4	MF14 0003	2			BOLT, (6X12)
5	MB88 2203	1			GASKET, Center
6	MB57 4106	2			GASKET
7	MB88 2205	2			GASKET, Side
8	MB85 9671	2			NUT
9	MB88 1297	1			AIR SPOILER, Left ***
10	MB88 1298	1			AIR SPOILER, Right ***
11	MB85 9999	2			GROMMET
12					SCREW
	MF20 1547	4			1990-93, (5x10)
	MF20 1787	4			1994
13	MB88 1299	1			COVER, Left
14	MB88 1300	1			COVER, Right
15	MB64 5307	2			GROMMET
16	MB57 4173	AR			GROMMET
16	MB57 4173	AR			GROMMET
		5		Laser	
		14		Talon	
17	MB64 5535	1			BRACKET, Left
18	MB64 5536	1			BRACKET, Right
19					SCREW
	MB18 9330	8			1990-93, (5x14)
	MF45 3032	8			1994
20	MB88 2200	1			AIR SPOILER ***
21	MB88 2202	1			GASKET, Center
22	MB88 2201	1			GASKET, Side

ENGINE: P = 1800cc (1.8L) A = 2000cc (2.0L) Blank = All  
 TRANS: A = Automatic M = Manual Blank = All  
 SERIES: H = High M = Medium P = Premium S = Special

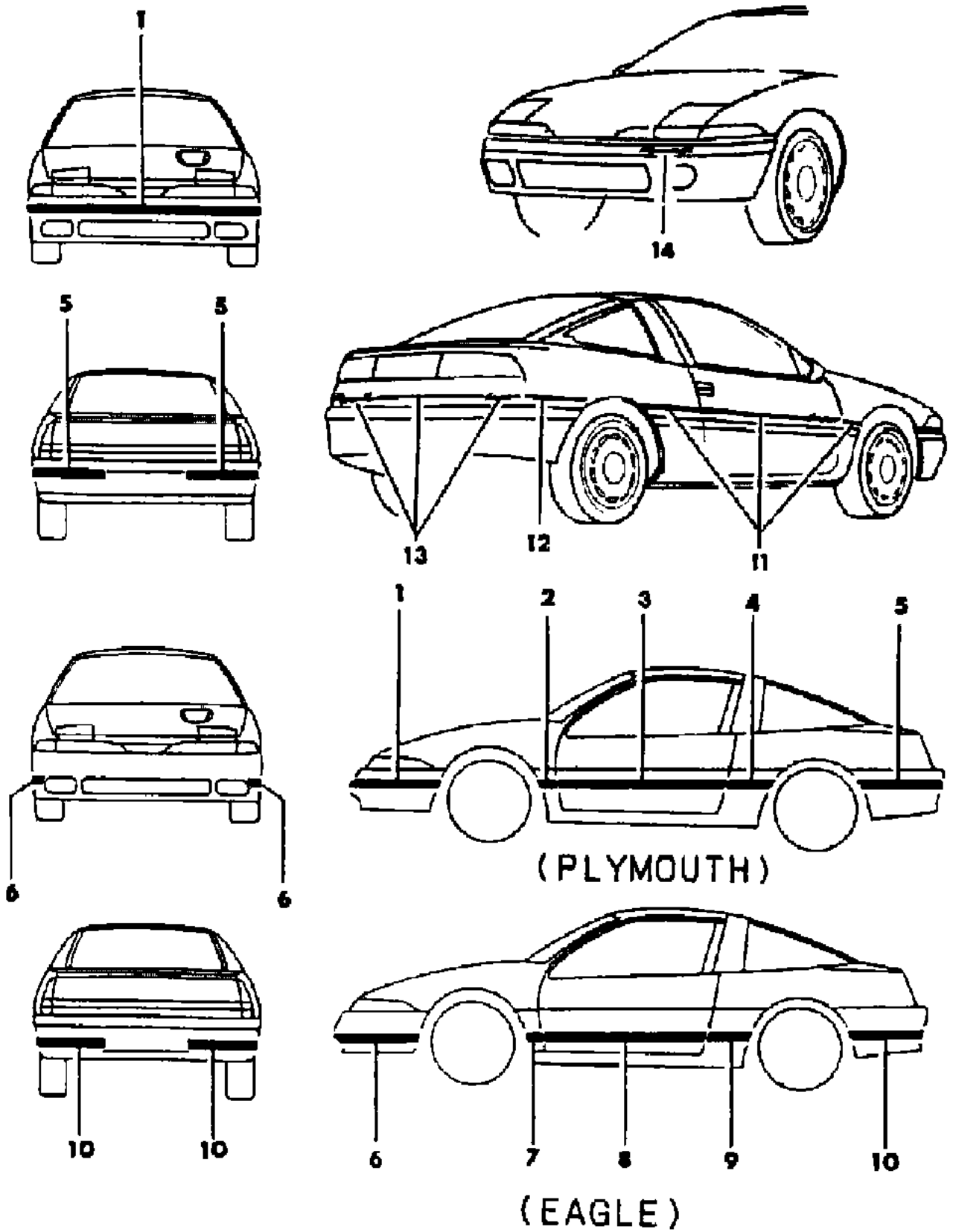
MODELS:  
 24 FWD = 2Dr Hatchback (Laser)  
 24 FWD = 2-Dr Hatchback (Talon)  
 4WD = (4 Wheel Drive)  
 2WD = (2 Wheel Drive)

AR = Use as Required - = Non Illustrated Part P.A.R. = Paint as Required

TAPE STRIPES 1990-91 LASER-TALON

Figure 23-300

9668 300 C



ITEM	PART NUMBER	QTY	BODY	MODEL	DESCRIPTION
1				Laser	TAPE STRIPE, Front Bumper
					1990 ***
	MB74 5066	1			Raspberry Background, w/4 Black Stripes
	MB74 5064	1			Blue Background, w/4 Black Stripes
					1990-91 ***
	MB74 5063	1			Black Background, w/4 Quartz Stripes
	MB74 5065	1			Light Gray Background, w/4 Black Stripes
	MB74 5062	1			White Background, w/4 Black Stripes
	MB74 5061	1			Red Background, w/4 Black Stripes
	MB75 3184	1			Turquoise Background, w/4 Black Stripes
					1991
	MB76 7244	1			Blue Background, w/4 Quartz Stripes
	MB84 8919	1			Quartz Background, w/4 Black Stripes
2				Laser	TAPE STRIPE, Fender Rear
	MB74 5069	1			Clear, Black, Right
	MB74 5067	1			Clear, Black, Left
	MB74 5070	1			Clear, Quartz, Right
	MB74 5068	1			Clear, Quartz, Left
3				Laser	TAPE STRIPE, Door
	MB74 5073	1			Clear, Black, Right
	MB74 5071	1			Clear, Black, Left
	MB74 5074	1			Clear, Quartz, Right
	MB74 5072	1			Clear, Quartz, Left
4				Laser	TAPE STRIPE, Quarter
	MB74 5077	1			Clear, Black, Right
	MB74 5075	1			Clear, Black, Left
	MB74 5078	1			Clear, Quartz, Right
	MB74 5076	1			Clear, Quartz, Left
5				Laser	TAPE STRIPE, Rear Bumper
					1990 ***
					Raspberry Background, w/4 Black Stripes
	MB74 5090	1			Right
	MB74 5084	1			Left
					Blue Background, w/4 Black Stripes
	MB74 5088	1			Right
	MB74 5082	1			Left
					1990-91 ***
					Black Background, w/4 Quartz Stripes
	MB74 5087	1			Right

ENGINE: P = 1800cc (1.8L) A = 2000cc (2.0L) Blank = All  
 TRANS: A = Automatic M = Manual Blank = All  
 SERIES: H = High M = Medium P = Premium S = Special

MODELS:  
 24 FWD = 2Dr Hatchback (Laser)  
 24 FWD = 2-Dr Hatchback (Talon)  
 4WD = (4 Wheel Drive)  
 2WD = (2 Wheel Drive)

AR = Use as Required - = Non Illustrated Part P.A.R. = Paint as Required

TAPE STRIPES 1990-91 LASER-TALON  
Figure 23-300

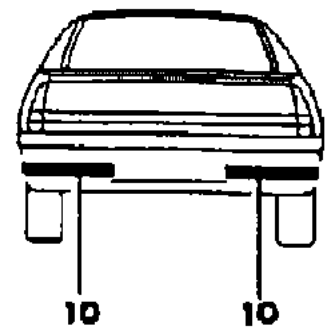
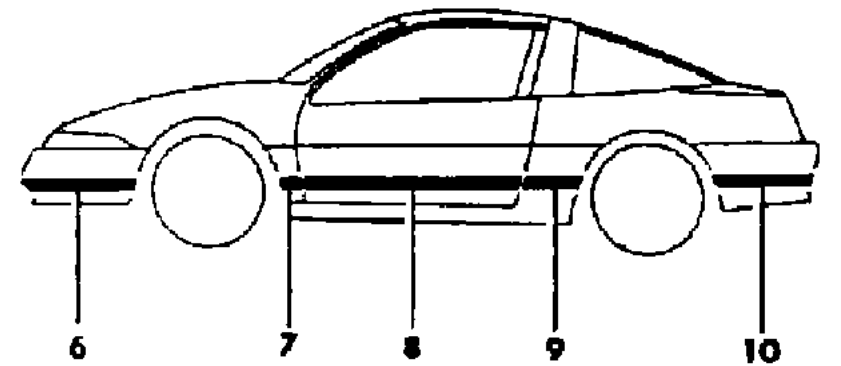
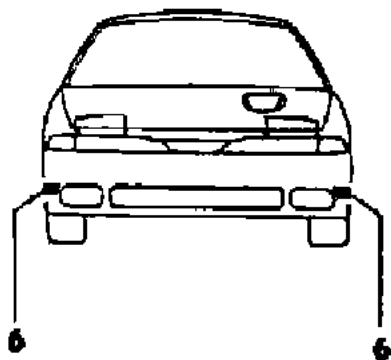
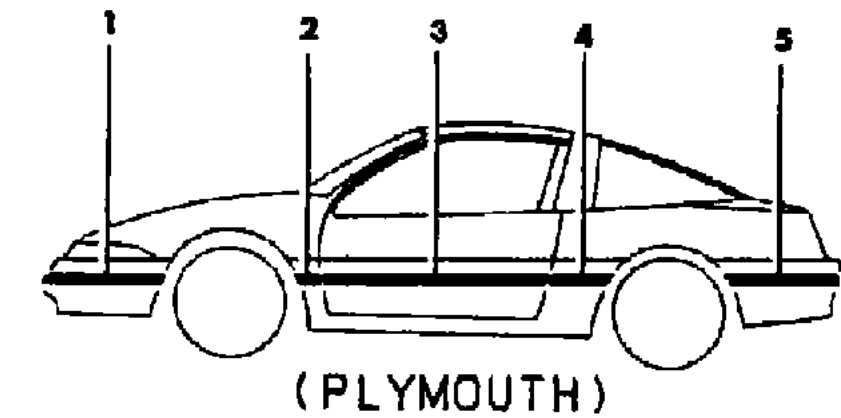
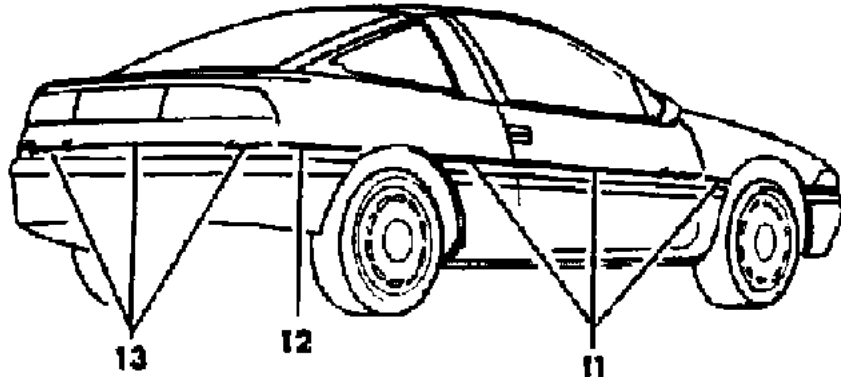
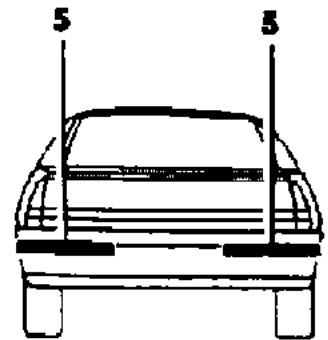
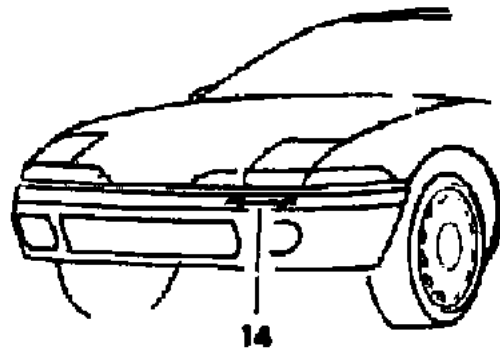
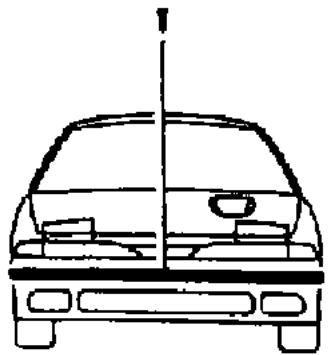
9668 300 C

ITEM	PART NUMBER	QTY	BODY	MODEL	DESCRIPTION
	MB74 5081	1			Left Light Gray Background, w/4 Black Stripes
	MB74 5089	1			Right
	MB74 5083	1			Left Turquoise Background, w/4 Black Stripes
	MB75 3186	1			Right
	MB75 3185	1			Left White Background, w/4 Black Stripes
	MB74 5086	1			Right
	MB74 5080	1			Left Red Background, w/4 Black Stripes
	MB74 5085	1			Right
	MB74 5079	1			Left
					1991 *** Blue Background, w/4 Quartz Stripes
	MB76 7250	1			Right
	MB76 7247	1			Left Quartz Background, w/4 Black Stripes
	MB84 8921	1			Right
	MB84 8920	1			Left
6			Talon		TAPE STRIPE, Front Bumper, (Perforated Look)
					1990 *** Quartz, Blue, Right
	MB75 3193	1			Quartz, Blue, Left
	MB75 3191	1			1990-91 *** Quartz, Black, Right
	MB74 8901	1			Quartz, Black, Left
	MB74 8897	1			Quartz, Dark Red, Right
	MB75 3194	1			Quartz, Dark Red, Left
	MB75 3192	1			1991 *** Quartz, Dark Blue, Right
	MB76 7262	1			Quartz, Dark Blue, Left
7			Talon		TAPE STRIPE, Fender Rear, (Perforated Look)
	MB66 2738	1			Quartz, Clear, Right
	MB66 2737	1			Quartz, Clear, Left
8			Talon		TAPE STRIPE, Door, (Perforated Look)
	MB66 2740	1			Quartz, Clear, Right
	MB66 2739	1			Quartz, Clear, Left
9			Talon		TAPE STRIPE, Quarter Panel, (Perforated Look)

ENGINE: P = 1800cc (1.8L) A = 2000cc (2.0L) Blank = All  
 TRANS: A = Automatic M = Manual Blank = All  
 SERIES: H = High M = Medium P = Premium S = Special

MODELS:  
 24 FWD = 2Dr Hatchback (Laser)  
 24 FWD = 2-Dr Hatchback (Talon)  
 4WD = (4 Wheel Drive)  
 2WD = (2 Wheel Drive)

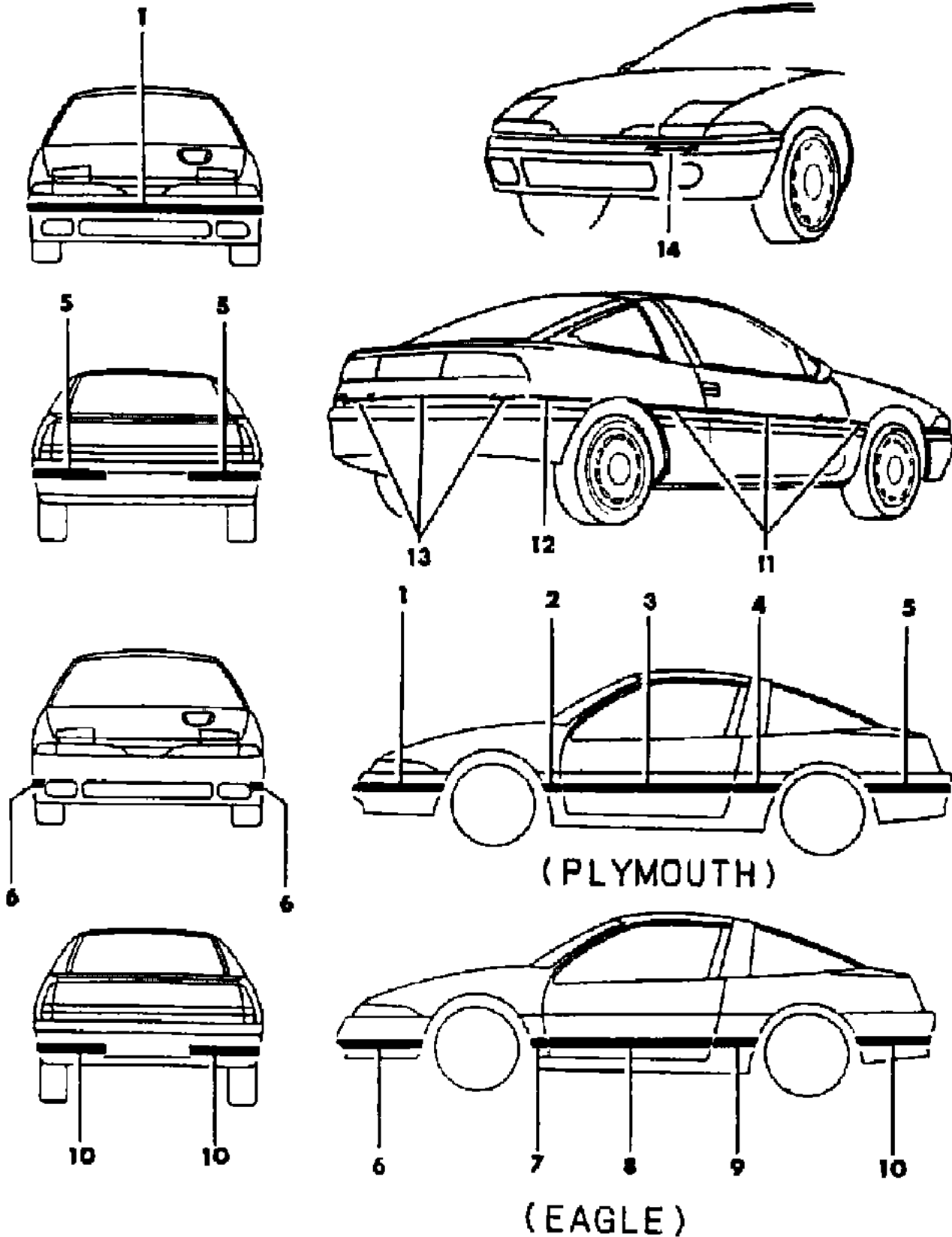
AR = Use as Required - = Non Illustrated Part P.A.R. = Paint as Required



TAPE STRIPES 1990-91 LASER-TALON

Figure 23-300

9668 300 C



ITEM	PART NUMBER	QTY	BODY	MODEL	DESCRIPTION
	MB66 2742	1			Quartz, Clear, Right
	MB66 2741	1			Quartz, Clear, Left
10				Talon	TAPE STRIPE, Rear Bumper, (Perforated Look) 1990 ***
	MB75 3197	1		S	Quartz, Blue, Right
	MB75 3195	1		S	Quartz, Blue, Left
	MB75 3201	1		P	Quartz, Blue, Right
	MB75 3199	1		P	Quartz, Blue, Left
					1990-91 ***
	MB74 8911	1		S	Quartz, Black, Right
	MB74 8907	1		S	Quartz, Black, Left
	MB74 8919	1		P	Quartz, Black, Right
	MB74 8915	1		P	Quartz, Black, Left
	MB75 3198	1		S	Quartz, Dark Red, Right
	CB75 3196	1		S	Quartz, Dark Red, Left
	MB75 3202	1		P	Quartz, Dark Red, Right
	MB75 3200	1		P	Quartz, Dark Red, Left
					1991 ***
	MB76 7264	1		S	Quartz, Blue, Right
	MB76 7263	1		S	Quartz, Blue, Left
	MB76 7266	1		P	Quartz, Blue, Right
	MB76 7265	1		P	Quartz, Blue, Left
Items 11 Thru 14 Are Unique To 1991 1/2 Laser Beam Graphics.					
11				Laser	TAPE, Fender Rear, Door and Quarter Panel Front
	MB88 1589	1			Pink Over Violet, Left
	MB88 1590	1			Green Over Violet, Left
	MB88 1591	1			Pink Over Violet, Right
	MB88 1592	1			Green Over Violet, Right
12				Laser	TAPE, Quarter Panel Rear
	MB88 1593	1			Pink Over Violet, Left
	MB88 1594	1			Green Over Violet, Left
	MB88 1595	1			Pink Over Violet, Right
	MB88 1596	1			Green Over Violet, Right
13				Laser	TAPE, Rear Facia
	MB88 1597	1			Pink Over Violet
	MB88 1598	1			Green Over Violet
14				Laser	TAPE, "Plymouth", Front Facia
	MB88 1599	1			Pink
	MB88 1600	1			Green

ENGINE: P = 1800cc (1.8L) A = 2000cc (2.0L) Blank = All  
 TRANS: A = Automatic M = Manual Blank = All  
 SERIES: H = High M = Medium P = Premium S = Special

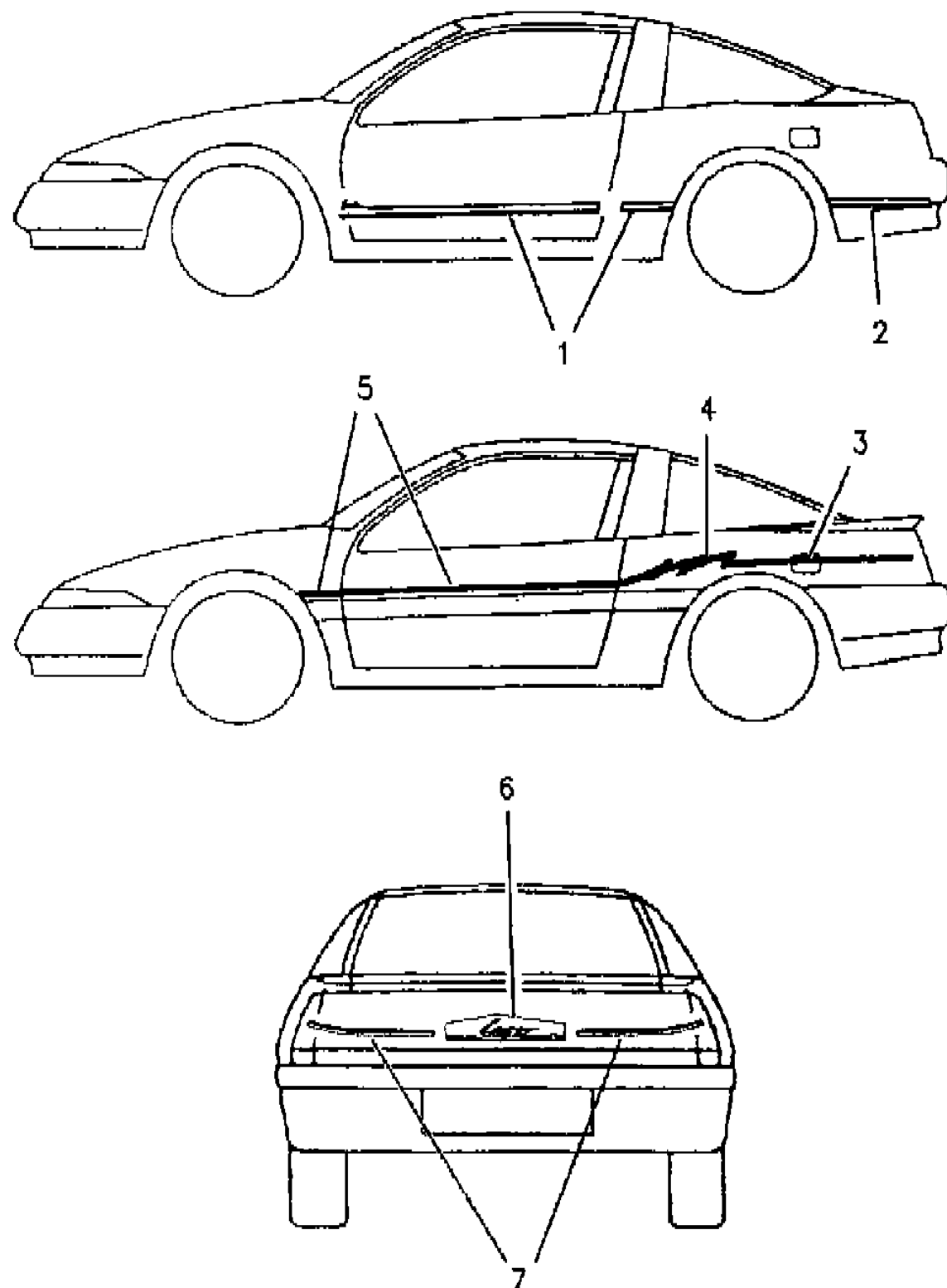
MODELS:  
 24 FWD = 2Dr Hatchback (Laser)  
 24 FWD = 2-Dr Hatchback (Talon)  
 4WD = (4 Wheel Drive)  
 2WD = (2 Wheel Drive)

AR = Use as Required - = Non Illustrated Part P.A.R. = Paint as Required

TAPE STRIPES 1992-94 LASER

Figure 23-310

9668 310A



ITEM	PART NUMBER	QTY	BODY	MODEL	DESCRIPTION
1					TAPE, Door and Quarter Front
					Left
	MB94 4031	1			Turquoise/Blue, 1992
	MB94 4027	1			Turquoise/Blue, 1993-94
	MB94 4032	1			Quartz/Silver, 1992
	MB94 4028	1			Quartz/Silver, 1993-94
	MB97 9197	1			Gold/Quartz, 1993-94
					Right
	MB94 4033	1			Turquoise/Blue, 1992
	MB94 4029	1			Turquoise/Blue, 1993-94
	MB94 4034	1			Quartz/Silver, 1992
	MB94 4030	1			Quartz/Silver, 1993-94
	MB97 9198	1			Gold/Quartz, 1993-94
2					TAPE, Rear Fascia, (side/rear)
					Left
	MB94 4035	1			Turquoise/Blue, 1992-94
	MB94 4036	1			Quartz/Silver, 1992-94
	MB97 9199	1			Gold/Quartz, 1993-94
					Right
	MB94 4037	1			Turquoise/Blue, 1992-94
	MB94 4038	1			Quartz/Silver, 1992-94
	MB97 9200	1			Gold/Quartz, 1993-94
3					TAPE, Fuel Filler Door
	MR72 6577	1			Gold/Quartz
	MR72 6578	1			Orange/Magenta
	MR72 6579	1			Blue/Green
	MR72 6580	1			Blue/Turquoise
4					TAPE, Quarter Panel
					Left
	MR72 6561	1			Gold/Quartz
	MR72 6562	1			Orange/Magenta
	MR72 6563	1			Blue/Green
	MR72 6564	1			Blue/Turquoise
					Right
	MR72 6565	1			Gold/Quartz
	MR72 6566	1			Orange/Magenta
	MR72 6567	1			Blue/Green
	MR72 6568	1			Blue/Turquoise
5					TAPE, Side

ENGINE: P = 1800cc (1.8L) A = 2000cc (2.0L) Blank = All  
 TRANS: A = Automatic M = Manual Blank = All  
 SERIES: H = High M = Medium P = Premium S = Special

MODELS:  
 24 FWD = 2Dr Hatchback (Laser)  
 24 FWD = 2-Dr Hatchback (Talon)  
 4WD = (4 Wheel Drive)  
 2WD = (2 Wheel Drive)

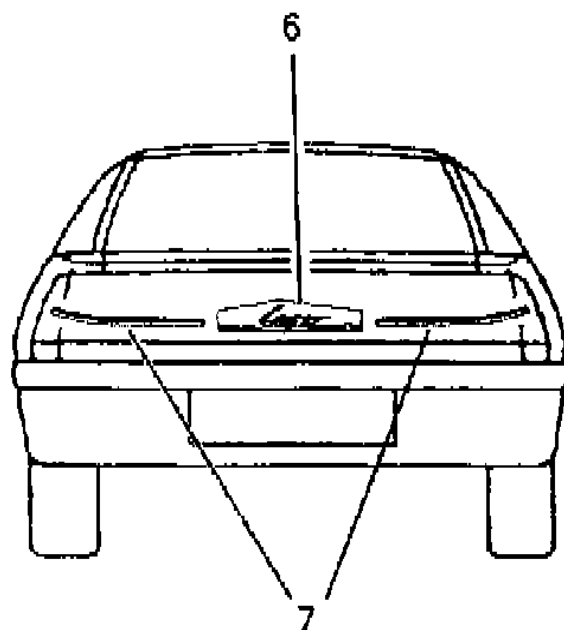
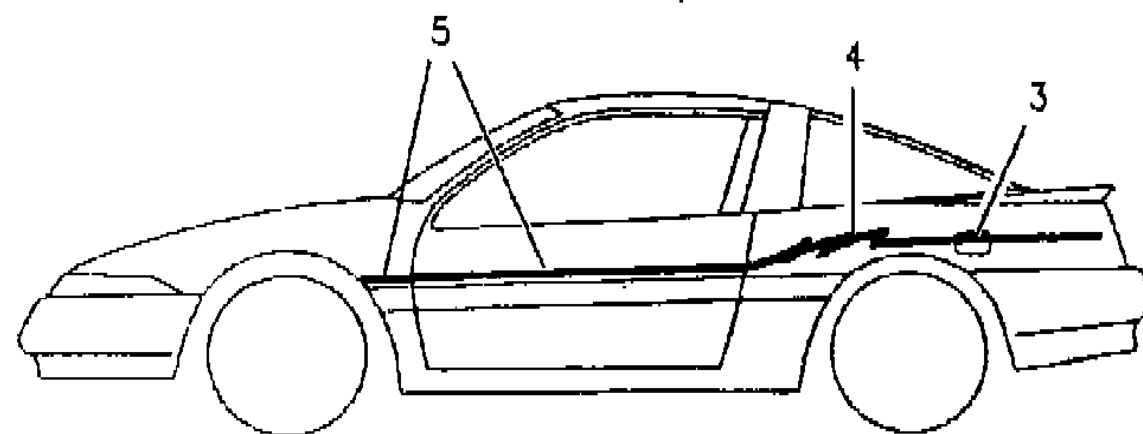
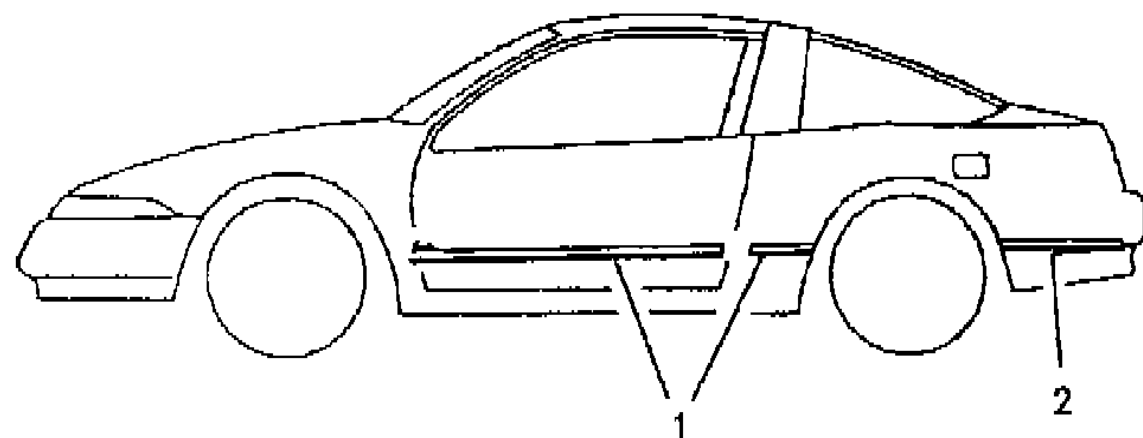
AR = Use as Required - = Non Illustrated Part P.A.R. = Paint as Required



TAPE STRIPES 1992-94 LASER

Figure 23-310

9668 310A



ITEM	PART NUMBER	QTY	BODY	MODEL	DESCRIPTION
					Left
	MR72 6569	1			Gold/Quartz
	MR72 6570	1			Orange/Magenta
	MR72 6571	1			Blue/Green
	MR72 6572	1			Blue/Turquoise
					Right
	MR72 6573	1			Gold/Quartz
	MR72 6574	1			Orange/Magenta
	MR72 6575	1			Blue/Green
	MR72 6576	1			Blue/Turquoise
6					TAPE, Rear End Panel
	MR72 6549	1			Gold/Quartz
	MR72 6550	1			Orange/Magenta
	MR72 6551	1			Blue/Green
	MR72 6552	1			Blue/Turquoise
7					TAPE, Rear End
					Left
	MR72 6557	1			Gold/Quartz
	MR72 6558	1			Orange/Magenta
	MR72 6559	1			Blue/Green
	MR72 6560	1			Blue/Turquoise
					Right
	MR72 6553	1			Gold/Quartz
	MR72 6554	1			Orange/Magenta
	MR72 6555	1			Blue/Green
	MR72 6556	1			Blue/Turquoise

ENGINE: P = 1800cc (1.8L) A = 2000cc (2.0L) Blank = All  
 TRANS: A = Automatic M = Manual Blank = All  
 SERIES: H = High M = Medium P = Premium S = Special

MODELS:  
 24 FWD = 2Dr Hatchback (Laser)  
 24 FWD = 2-Dr Hatchback (Talon)  
 4WD = (4 Wheel Drive)  
 2WD = (2 Wheel Drive)

AR = Use as Required - = Non Illustrated Part P.A.R. = Paint as Required

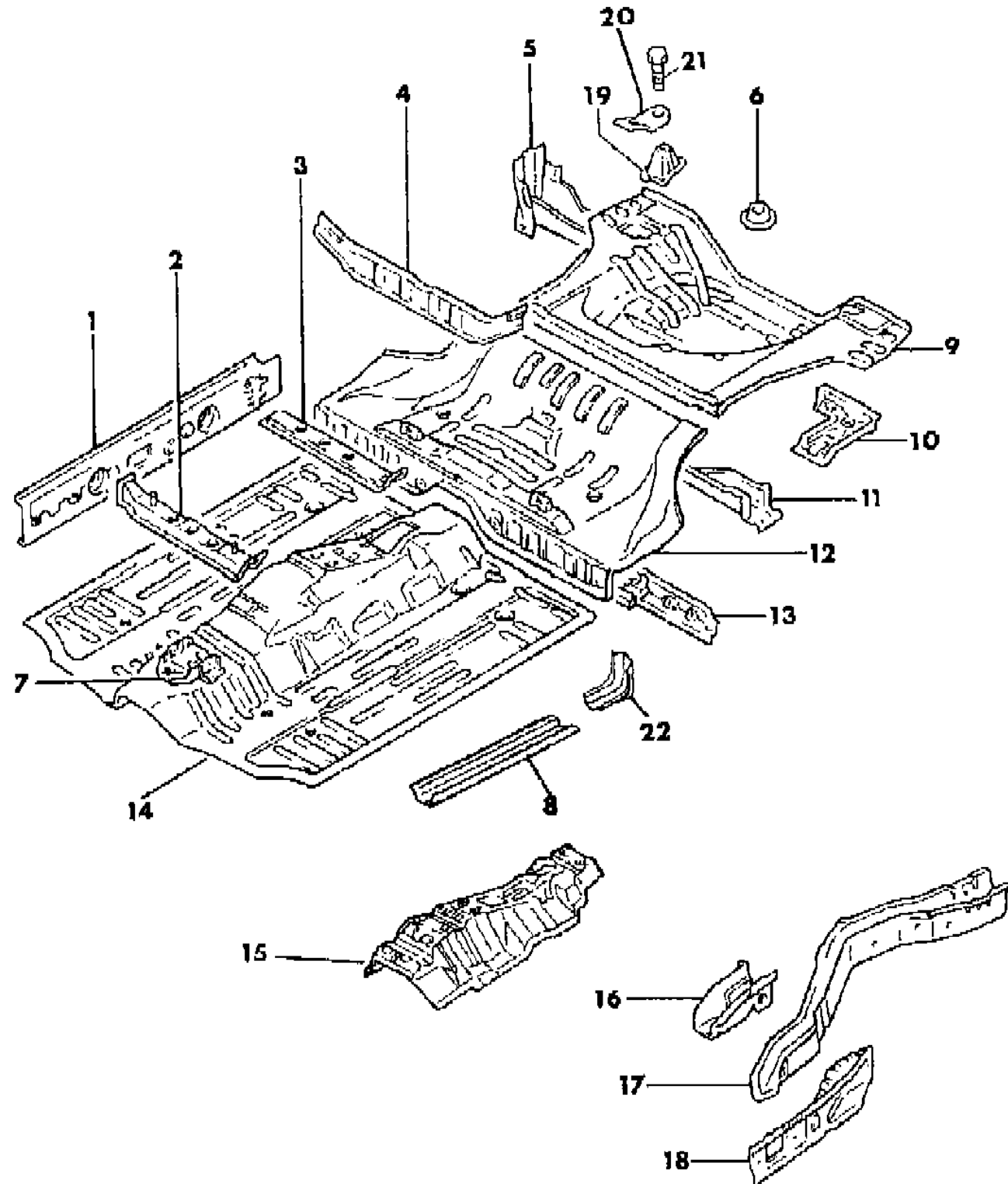
**GROUP 23A - BODY - SHEET METAL EXCEPT DOORS**

<b>ILLUSTRATION TITLE</b>	<b>GROUP-FIG. NO.</b>
<b>LASER AND TALON</b>	
FLOOR PAN FRONT AND REAR FWD LASER-TALON .....	Fig. 23A-100
LABELS, ANTI-THEFT FWD LASER-TALON .....	Fig. 23A-125
FLOOR PAN FRONT AND REAR AWD TALON .....	Fig. 23A-150
PANELS, FRONT 1990-91 LASER-TALON .....	Fig. 23A-200
PANELS, FRONT 1992-94 LASER-TALON .....	Fig. 23A-250
FENDER AND SHIELD LASER-TALON .....	Fig. 23A-300
SHIELD AND PLUGS LASER-TALON .....	Fig. 23A-400
HOOD AND LOCK 1990-91 LASER-TALON .....	Fig. 23A-500
HOOD AND LOCK 1992-94 LASER-TALON .....	Fig. 23A-550
DASH PANEL LASER-TALON .....	Fig. 23A-600
WINDSHIELD, MIRROR, QUARTER WINDOW LASER-TALON .....	Fig. 23A-700
APERTURE PANEL AND FRONT PILLAR LASER-TALON .....	Fig. 23A-800
ROOF PANEL LASER-TALON .....	Fig. 23A-900
SUN ROOF LASER-TALON .....	Fig. 23A-950
LIFTGATE, AND FUEL FILLER DOOR RELEASE LASER-TALON .....	Fig. 23A-1000
FUEL FILLER LID AND LOCK LASER-TALON .....	Fig. 23A-1100

**ILLUSTRATION NOT AVAILABLE AT TIME OF PUBLICATION**

FLOOR PAN FRONT AND REAR FWD LASER-TALON  
Figure 23A-100

9669 100C



ITEM	PART NUMBER	QTY	BODY	MODEL	DESCRIPTION
1					SILL, Side Front Floor Inner
	MB54 9720	1			Right, 1990-91
	MB83 5078	1			Right, 1992-94
	MB54 9719	1			Left, 1990-94
2					CROSSMEMBER, Front Floor Front
	MB59 3366	1			Right
	MB59 3365	1			Left
3	MB59 3367	2			CROSSMEMBER, Front Floor Rear
4	MB59 3352	1			CROSSMEMBER, Rear Floor Upper
5	MB54 9735	1			BRACKET, Rear Susp. Lateral Rod
6	MB31 2684	1			BRACKET, Spare Tire
7					REINFORCEMENT, Front Floor Backbone Front
	MB59 3363	1			1990-91
	MB63 7055	1			1992-94
8	MB59 3368	2			SIDEMEMBER, Front Floor
9	MB54 9723	1			FLOOR, Rear
10	MB59 3348	1			REINFORCEMENT, Rear Floor Jack Up Point
11	MB54 9736	1			CROSSMEMBER, Rear Floor
12	MB54 9724	1			FLOOR, Rear Seat Upper
13	MB59 3353	1			CROSSMEMBER, Rear Floor Rear Seat Under
14	MB54 9730	1			FLOOR, Front
15	MB59 3364	1			REINFORCEMENT, Front Floor Backbone Rear
16					BRACKET, Rear Floor Trailing Arm
	MB59 3358	1			Right
	MB59 3357	1			Left
17					SIDEMEMBER, Rear Floor
	MB54 9738	1			Right, 1990-91
	MB54 9737	1			Left, 1990-91
	MB83 5812	1			Right, 1992-94
	MB83 5811	1			Left, 1992-94
18					SILL, Side Rear Floor
	MB59 3356	1			Right
	MB59 3355	1			Left
19					BRACKET, Child Restraint
	MB59 3350	1			Right
	MB59 3349	1			Left
20	MB59 0094	1			BRACKET, Child Restraint
21	MF14 0225	1			BOLT, Flange, (8X25-7T)
22	MB90 7556	2			EXTENSION, Sidemember Frt. Floor, 1991

ENGINE: P = 1800cc (1.8L) A = 2000cc (2.0L) Blank = All  
 TRANS: A = Automatic M = Manual Blank = All  
 SERIES: H = High M = Medium P = Premium S = Special

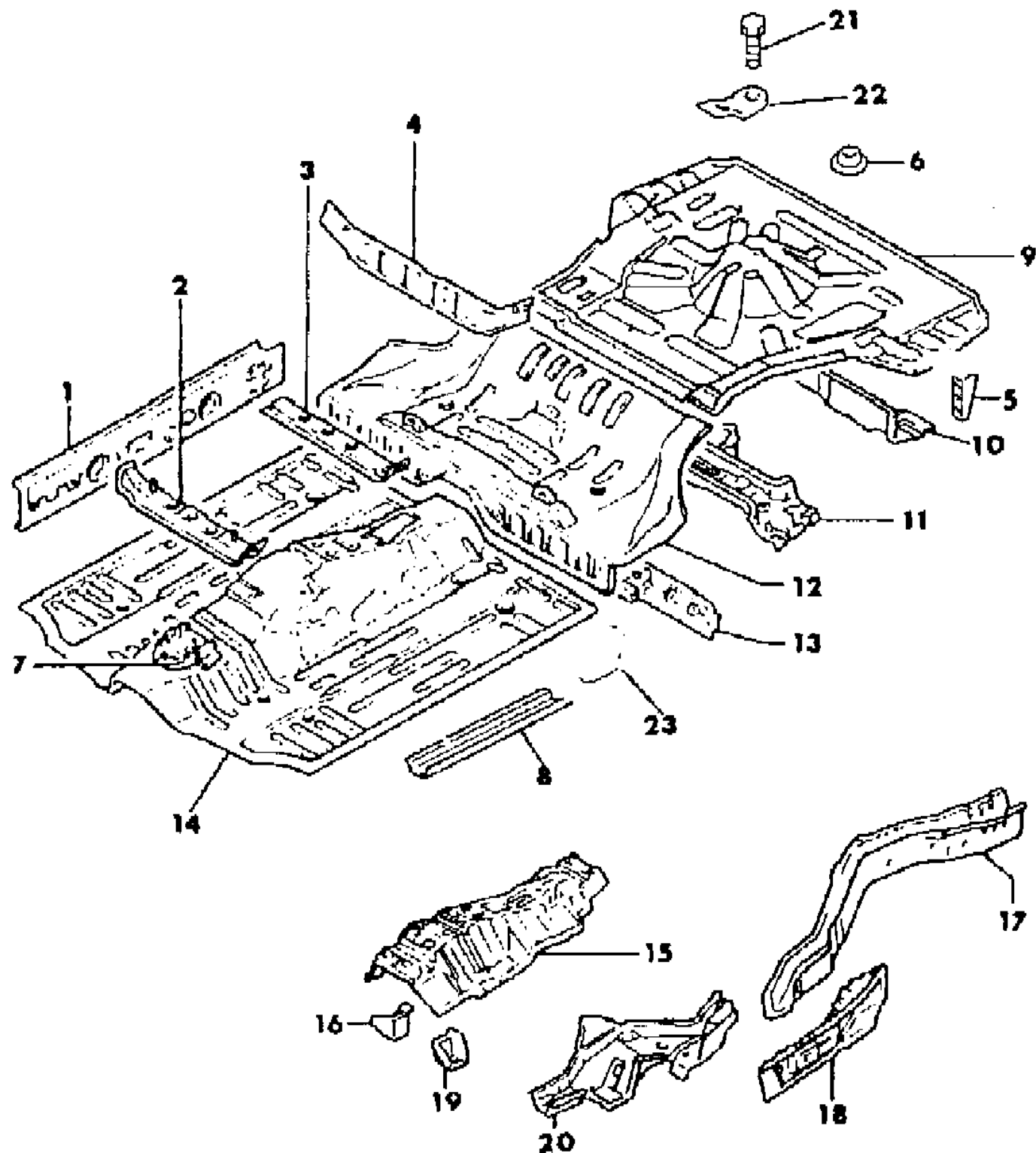
MODELS:  
 24 FWD = 2Dr Hatchback (Laser)  
 24 FWD = 2-Dr Hatchback (Talon)  
 4WD = (4 Wheel Drive)  
 2WD = (2 Wheel Drive)

AR = Use as Required - = Non Illustrated Part P.A.R. = Paint as Required



FLOOR PAN FRONT AND REAR AWD TALON  
Figure 23A-150

9669 150B



ITEM	PART NUMBER	QTY	BODY	MODEL	DESCRIPTION
1					SILL, Side Front Floor Inner
	MB54 9720	1			Right, 1990-91
	MB83 5078	1			Right, 1992-94
	MB54 9719	1			Left, 1990-94
2					CROSSMEMBER, Front Floor Front
	MB59 3366	1			Right
	MB59 3365	1			Left
3	MB59 3367	2			CROSSMEMBER, Front Floor Rear
4	MB59 3352	1			CROSSMEMBER, Rear Floor Upper
5	MB59 3398	1			REINFORCEMENT, Child Restraint
6	MB31 2684	1			BRACKET, Spare Tire
7					REINFORCEMENT, Front Floor Backbone Front
	MB59 3363	1			1990-91
	MB63 7055	1			1992-94
8	MB59 3368	2			SIDEMEMBER, Front Floor
9	MB59 3314	1			FLOOR, Rear
10	MB59 3316	1			CROSSMEMBER, Rear Floor Rear End Point
11	MB59 3315	1			CROSSMEMBER, Rear Floor
12	MB54 9724	1			FLOOR, Rear Seat Upper
13	MB59 3313	1			CROSSMEMBER, Rear Floor Rear Seat Under
14	MB54 9730	1			FLOOR, Front
15	MB59 3364	1			REINFORCEMENT, Front Floor Backbone Rear
16	MB59 3370	1			BRACKET, Front Floor Propeller Shaft
17					SIDEMEMBER, Rear Floor
	MB59 3318	1			Right
	MB59 3317	1			Left
18					SILL, Side Rear Floor
	MB59 3356	1			Right
	MB59 3355	1			Left
19	MB59 3369	1			BRACKET, Front Floor Propeller Shaft
20					EXTENSION, Rear Floor Side Member
	MB59 3372	1			Right
	MB59 3371	1			Left
21	MF14 0225	1			BOLT, Rear Floor, (8X20)
22	MB59 0094	1			FITTING, Child Restraint ***
23	MB90 7556	1			EXTENSION, Sidemember Frt. Floor

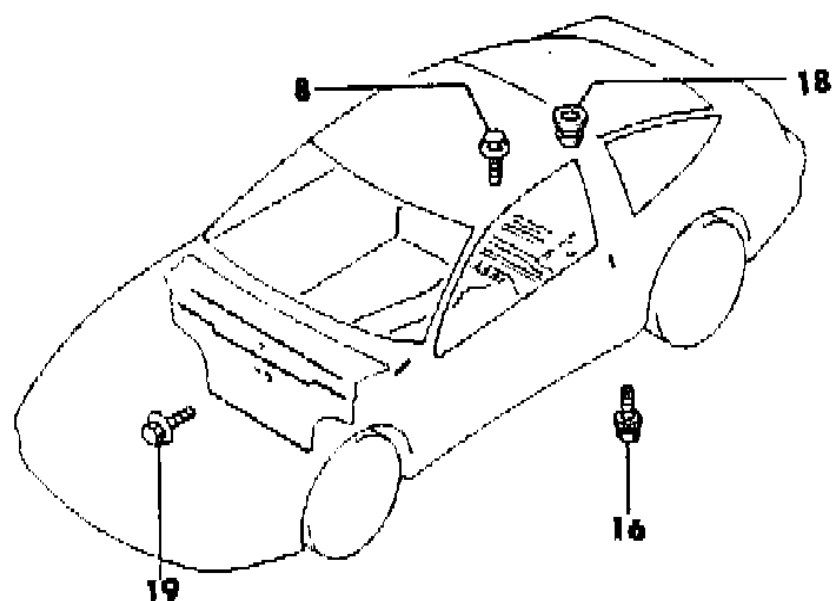
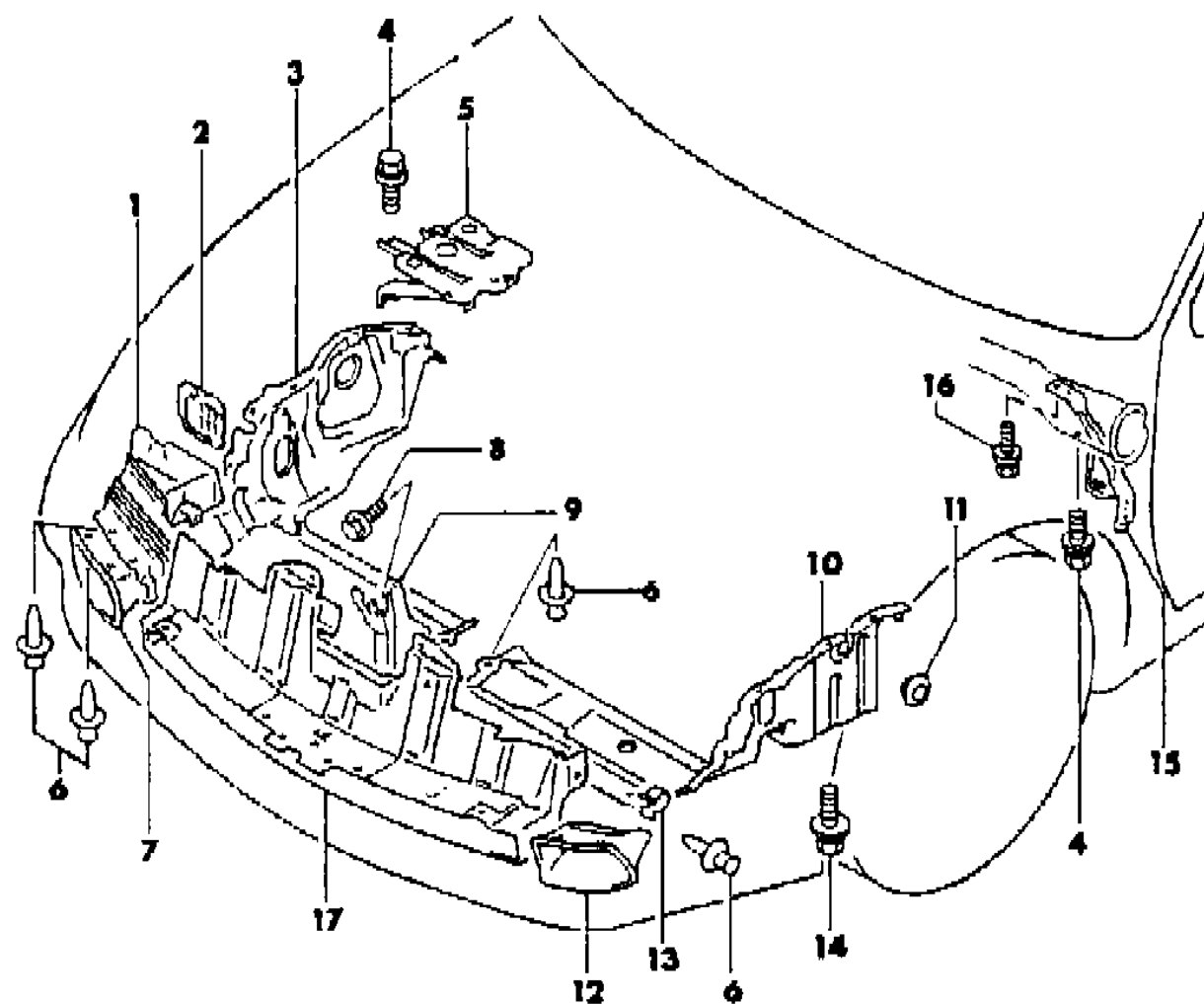
ENGINE: P = 1800cc (1.8L) A = 2000cc (2.0L) Blank = All  
 TRANS: A = Automatic M = Manual Blank = All  
 SERIES: H = High M = Medium P = Premium S = Special

MODELS:  
 24 FWD = 2Dr Hatchback (Laser)  
 24 FWD = 2-Dr Hatchback (Talon)  
 4WD = (4 Wheel Drive)  
 2WD = (2 Wheel Drive)

AR = Use as Required - = Non Illustrated Part P.A.R. = Paint as Required

PANELS, FRONT 1990-91 LASER-TALON  
Figure 23A-200

9669 200 A



ITEM	PART NUMBER	QTY	BODY	MODEL	DESCRIPTION
1					DUCT, Front Bumper Intercooler
	MB52 8295	1	H	LASER	
	MB57 4154	1	P,S	TALON	
2	MB57 4140	1			PLATE, Water Proof
3					COVER, Engine Room Under
	MB52 8624	1			Right, w/Man. Trans.
	MB52 8625	1			Right, w/Auto Trans.
	MB52 8626	1			Right, w/Intercooler
	MB52 8712	1	AWD		Right, w/Man. Trans.
	MB63 1171	1	AWD	TALON	Right, w/Auto Trans.
4	MS24 0125	6			BOLT, (8x20 4T)
5	MB54 9810	1			TRAY, Battery
6	MB40 6894	AR			CLIP
7	MB57 4044	1	M,H		COVER, Rt., Front Bumper Air Intake
8	MS10 0223	4			BOLT, (6x10 4T)
9	MB52 8600	1			SUPPORT, Hood Latch
10					COVER, Lt., Engine Room Under
	MB52 8623	1			
	MB52 8711	1	AWD	TALON	
11	MU67 0036	1			PLUG, (#35)
12	MB57 4043	1	M,H		COVER, LT., Front Bumper Air Intake
	MB57 4155	1	P,S	TALON	DUCT, Front Bumper Intercooler
13	MB59 0093	AR			CLIP, Body Panel
14	MS24 0615	AR			BOLT, (8x20 4T)
15	MB59 0077	1			STAY, Body Panel
16	MS24 0141	6			BOLT, (6x20 4T)
17	MB52 8607	1			DUCT, Front Bumper Air Guide Center
18	MU67 0025	1			PLUG, Body
19	MF14 0021	3			BOLT, (8x12)

ENGINE: P = 1800cc (1.8L) A = 2000cc (2.0L) Blank = All  
 TRANS: A = Automatic M = Manual Blank = All  
 SERIES: H = High M = Medium P = Premium S = Special

MODELS:  
 24 FWD = 2Dr Hatchback (Laser)  
 24 FWD = 2-Dr Hatchback (Talon)  
 4WD = (4 Wheel Drive)  
 2WD = (2 Wheel Drive)

AR = Use as Required - = Non Illustrated Part P.A.R. = Paint as Required

PANELS, FRONT 1992-94 LASER-TALON  
Figure 23A-250

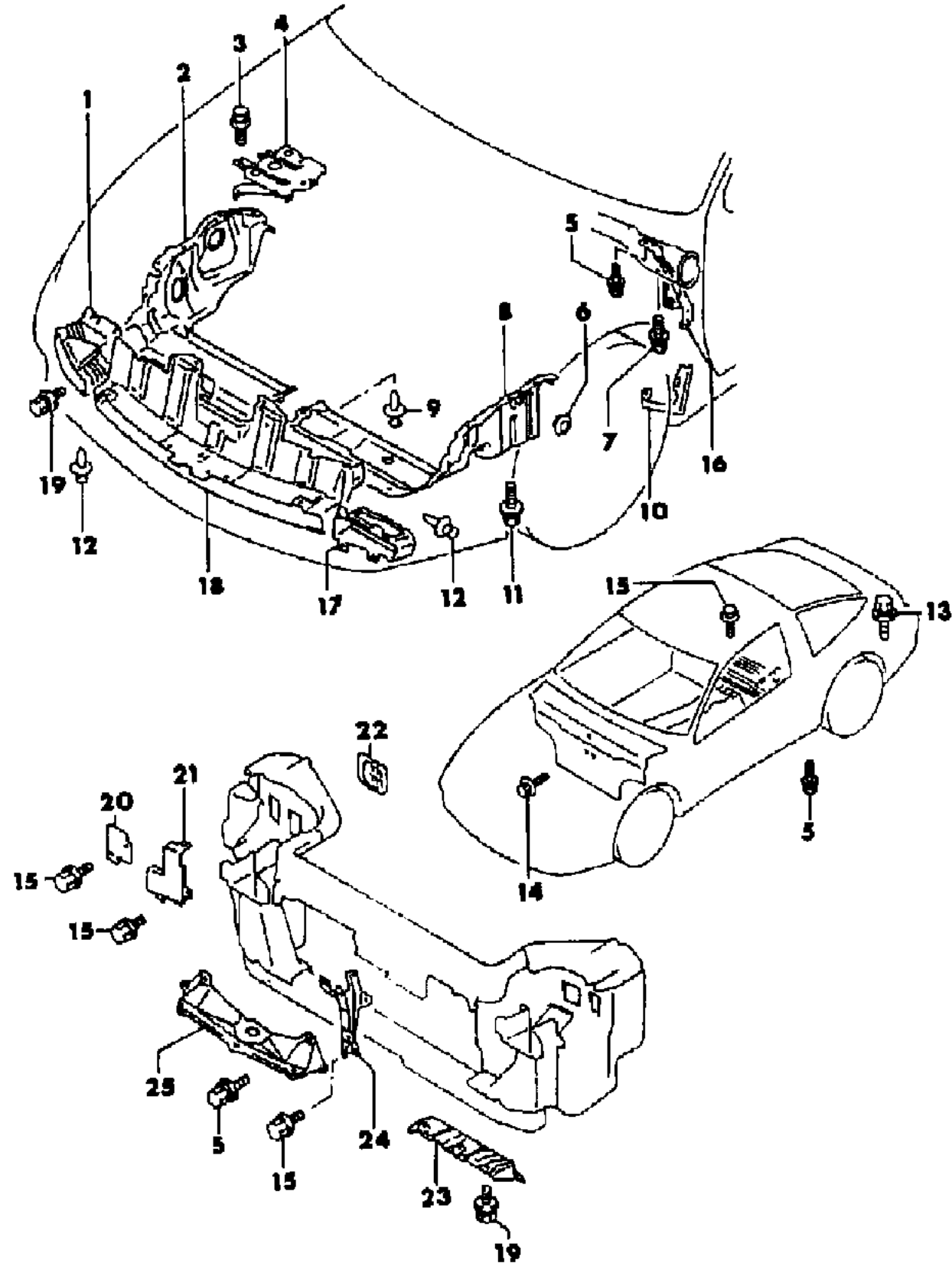
9669 250

ITEM	PART NUMBER	QTY	BODY	MODEL	DESCRIPTION
1	MB84 3890	1			DUCT, Front Bumper Intercooler
2	MB52 8624	1	H		COVER, Rt., Engine Room Under 1.8L, 2.0L Engine, w/FWD, w/Man. Trans.
	MB52 8625	1	H		1.8L, 2.0L Engine, w/FWD, w/Auto Trans.
	MB52 8626	1	H,P		2.0L Engine, w/FWD, w/Man. Trans.
	MB52 8713	1	M,H	LASER	1.8L Engine, w/FWD, w/Auto Trans.
	MB63 1170	1	P	TALON	2.0L Engine, w/FWD, w/Auto Trans.
	MB52 8712	1	H,S		2.0L Engine, w/AWD, w/Man. Trans., (1992-94)
	MB52 8712	1	M,H	LASER	1.8L Engine w/Man. Trans., (1993-94)
	MB52 8712	1	M,H,S		w/Auto Trans.
	MB63 1171	1	H,S		w/Auto Trans.
	MB93 5550	1	P	LASER	w/Auto Trans.
3	MS24 0125	4			BOLT, w/Washer, (8x20)
4	MB54 9810	1			TRAY, Battery
5	MS24 0122	6			BOLT, w/Washer, (6x20)
6	MS66 0186	1			PLUG, Engine Room
7	MS24 0125	6			BOLT, w/Washer, (8x20)
8	MB52 8623	1	H,P		COVER, LT., Engine Room Under w/FWD
	MB88 9564	1	M,H	LASER	w/FWD
	MB52 8711	1	S		w/AWD
9	MB40 6894	AR			CLIP, Engine Room, (8)
10	MB62 6776	1			PROTECTOR, Front Fender, Rear Right
	MB62 6775	1			Left
11	MS24 0615	AR			BOLT, w/Washer, (8x20)
12	MB40 6894	26			CLIP, (8)
13	MF14 0225	2			BOLT, Rear Floor, w/AWD, (8x20)
14	MF14 0021	3			1992-93, (8x12)
	MS24 0095	1			1994, (8x16)
15	MS10 0223	AR			BOLT, (6x10)
16	MB59 0077	1			STAY, Body Loose Panel
17	MB63 1299	1	M,H	LASER	COVER, Lt., Front Bumper Air Intake w/FWD
	MB84 2979	1	M,H,S	TALON	
	MB84 2979	1	S	LASER	w/AWD
18	MB63 1167	1		TALON	DUCT, Front Bumper Air Guide, Center

ENGINE: P = 1800cc (1.8L) A = 2000cc (2.0L) Blank = All  
 TRANS: A = Automatic M = Manual Blank = All  
 SERIES: H = High M = Medium P = Premium S = Special

MODELS:  
 24 FWD = 2Dr Hatchback (Laser)  
 24 FWD = 2-Dr Hatchback (Talon)  
 4WD = (4 Wheel Drive)  
 2WD = (2 Wheel Drive)

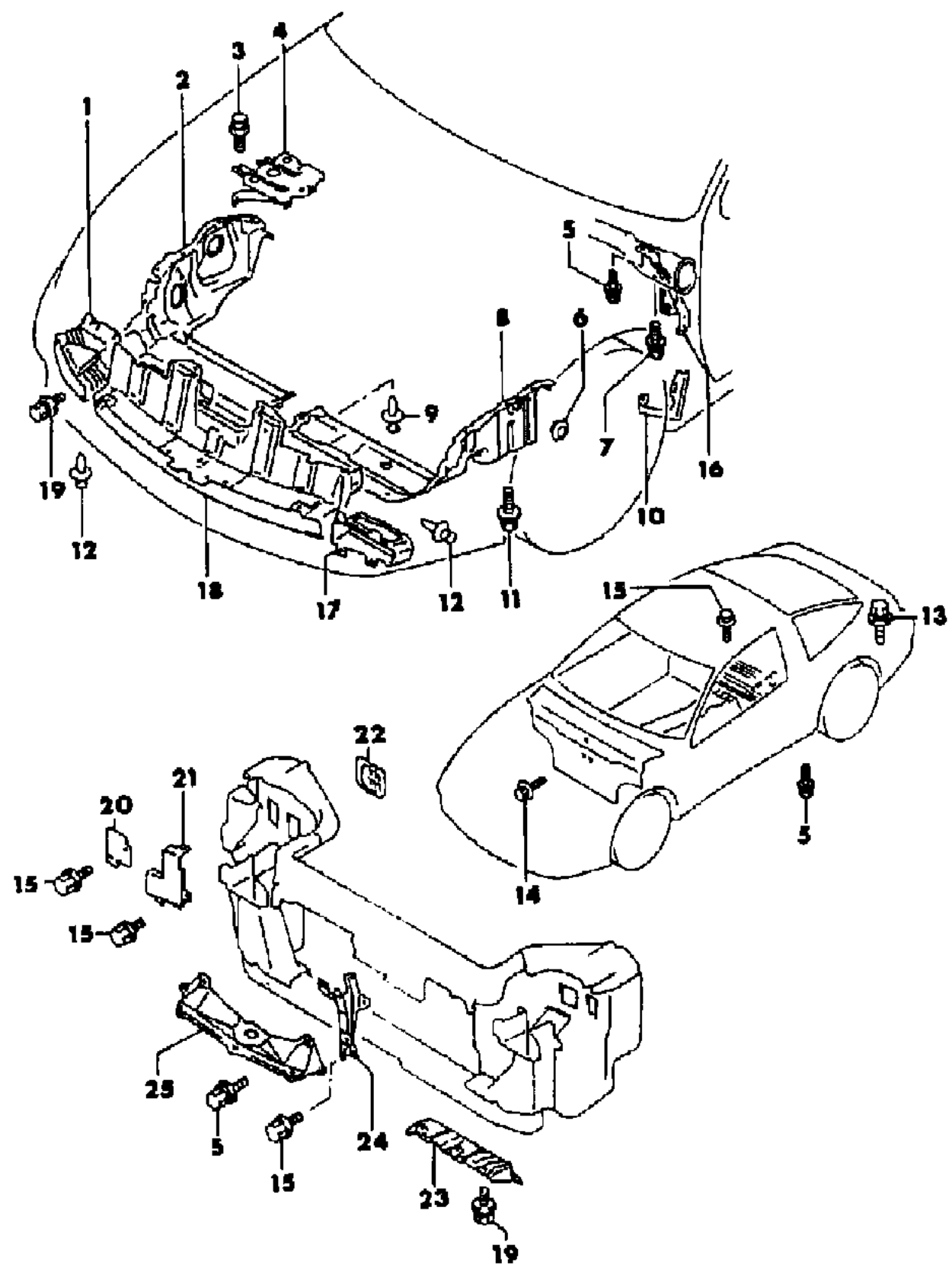
AR = Use as Required - = Non Illustrated Part P.A.R. = Paint as Required



PANELS, FRONT 1992-94 LASER-TALON  
Figure 23A-250

9669 250

ITEM	PART NUMBER	QTY	BODY	MODEL	DESCRIPTION
	MB63 1167	1		LASER	w/FWD
	MB63 1267	1		LASER	w/AWD
19	MS24 0180	AR			BOLT, w/Washer, (8x20)
20	MB90 7641	1			PLATE, Engine Room Front Under Cover
21	MB90 7642	1			PLATE, Engine Room Front Under Cover
22	MB57 4140	1			PLATE, Waterproof
23	MB54 5307	1		LASER	PANEL, Air Guide, w/FWD
24	MB62 6829	1			SUPPORT, Hood Latch
25	MB62 6837	1			BRACKET, Front Bumper, Center



ENGINE: P = 1800cc (1.8L) A = 2000cc (2.0L) Blank = All  
 TRANS: A = Automatic M = Manual Blank = All  
 SERIES: H = High M = Medium P = Premium S = Special

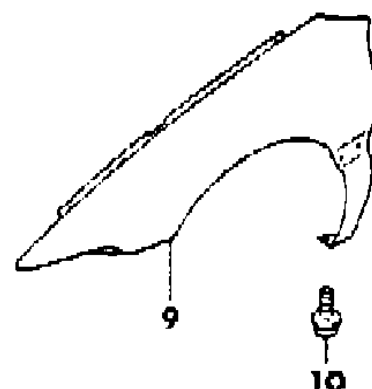
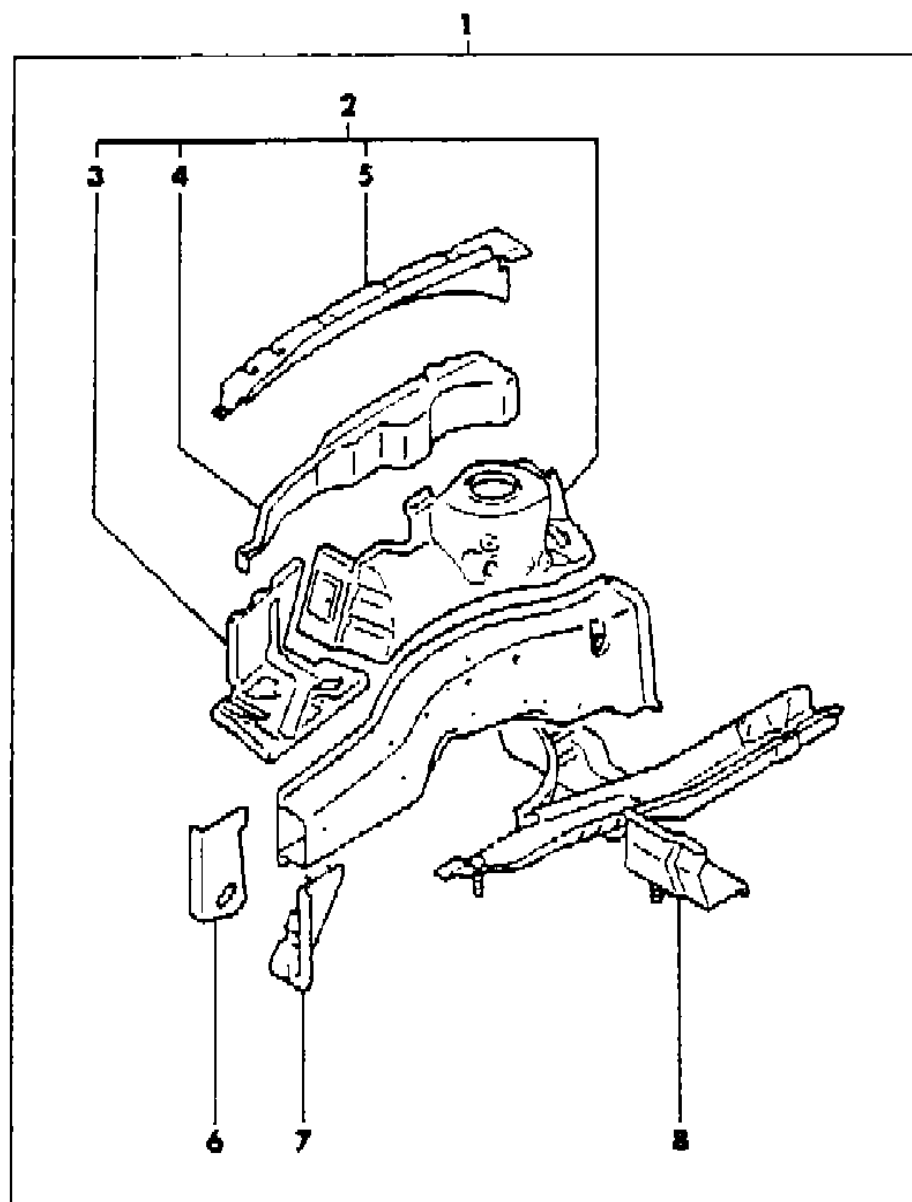
MODELS:  
 24 FWD = 2Dr Hatchback (Laser)  
 24 FWD = 2-Dr Hatchback (Talon)  
 4WD = (4 Wheel Drive)  
 2WD = (2 Wheel Drive)

AR = Use as Required - = Non Illustrated Part P.A.R. = Paint as Required



FENDER AND SHIELD LASER-TALON  
Figure 23A-300

9669 300



ITEM	PART NUMBER	QTY	BODY	MODEL	DESCRIPTION
1					SHIELD, Fender Front
					Right, w/FWD
	MB83 5086	1			1990-94
					Left, w/FWD
	MB54 9743	1			w/o Turbo
	MB54 9743	1			Man. Trans., w/Turbo
	MB83 5085	1			Auto Trans., w/Turbo
					Right, w/AWD
	MB83 5088	1			1990-94
					Left, w/AWD
	MB59 3319	1			Man. Trans.
	MB83 5087	1			Auto Trans.
2					WHEELHOUSE, Front Inner
					1990 ***
					Right
	MB59 3322	1			
	MB59 3321	1			Left
					1991 ***
					Right
	MB59 3322	1			All
					Left
	MB59 3321	1			w/o Turbo
	MB59 3321	1			Man. Trans., w/Turbo
	MB83 5090	1			Auto Trans., w/Turbo
					1992 ***
					Right
	MB59 3322	1			All
					Left
	MB59 3321	1			Man. Trans.
	MB59 3321	1			Auto Trans., w/o Turbo
	MB83 5090	1			Auto Trans., w/Turbo
					1993-94 ***
					Right
	MB59 3322	1			All
					Left
	MB59 3321	1			w/o Turbo
	MB59 3321	1			Man. Trans., w/Turbo
	MB83 5090	1			Auto Trans., w/Turbo
3					PLATE, Front Fender Shield
	MB54 9756	1			Right

ENGINE: P = 1800cc (1.8L)  
A = 2000cc (2.0L)  
Blank = All

TRANS: A = Automatic  
M = Manual  
Blank = All

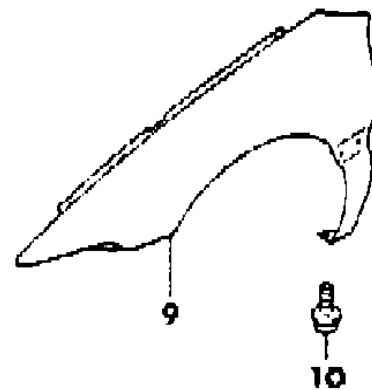
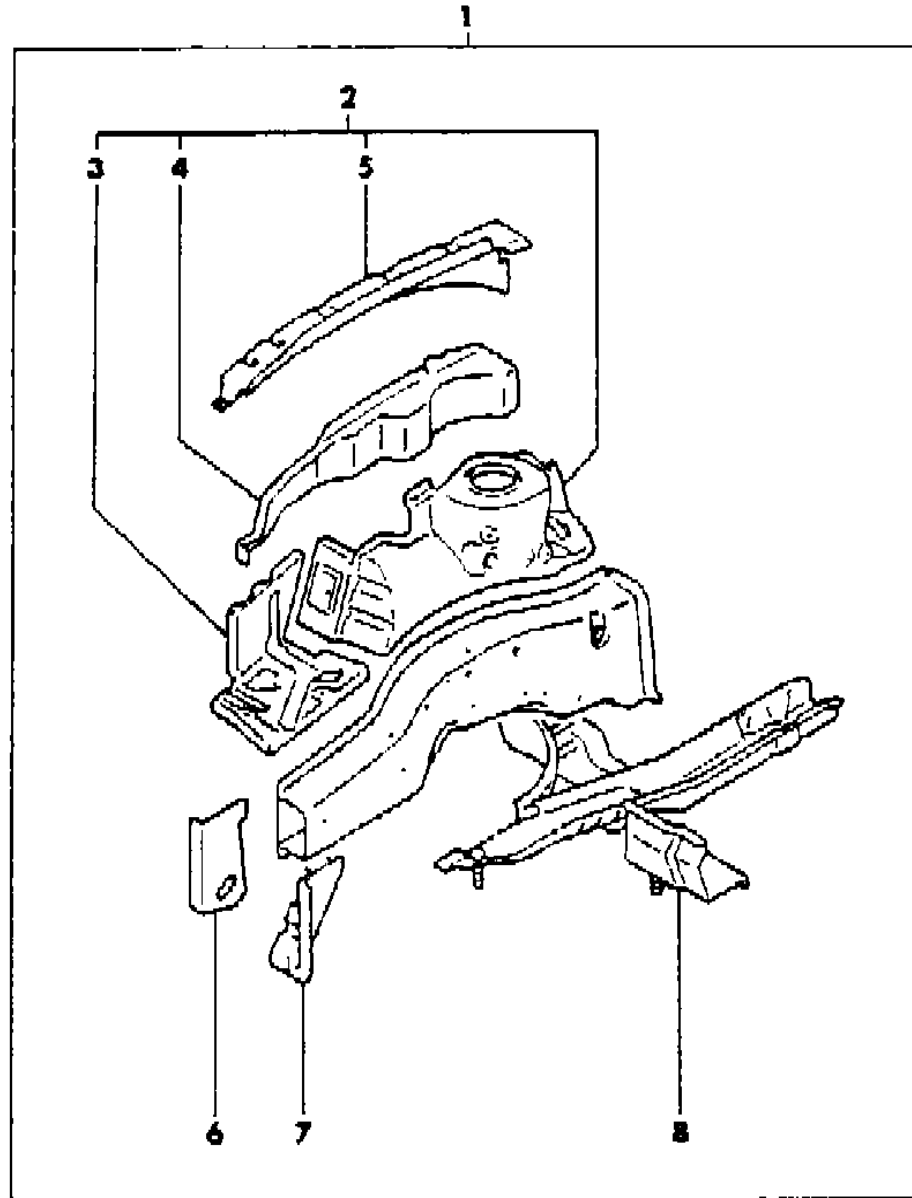
SERIES: H = High  
M = Medium  
P = Premium  
S = Special

MODELS:  
24 FWD = 2Dr Hatchback (Laser)  
24 FWD = 2-Dr Hatchback (Talon)  
4WD = (4 Wheel Drive)  
2WD = (2 Wheel Drive)

AR = Use as Required - = Non Illustrated Part P.A.R. = Paint as Required

FENDER AND SHIELD LASER-TALON  
Figure 23A-300

9669 300



ITEM	PART NUMBER	QTY	BODY	MODEL	DESCRIPTION
	MB54 9755	1			Left
4	MB54 9754	1			FRAME, Front Fender Shield Upper Inner
	MB54 9753	1			Right
					Left
5	MB54 9752	1			FRAME, Front Fender Shield Upper Outer
	MB54 9751	1			Right
					Left
6	MB59 3360	1			GUSSET, Front End Outer
	MB59 3359	1			Right
	MB59 3374	1			Left, w/AWD
	MB59 3373	1			Right, w/AWD
7	MB54 9750	1			GUSSET, Front End Inner
	MB54 9749	1			Right
	MB59 3330	1			Left
	MB59 3329	1			Right, w/AWD
8	MB54 9748	1			SIDEMEMBER, Front Floor Rear
	MB54 9747	1			Right
					Left
9	MB54 9818	1			FENDER, Front
	MB54 9817	1			Right, 1990-91
	MB83 5822	1			Left, 1990-91
	MB83 5821	1			Right, 1992-94
					Left, 1992-94
10	MF14 0003	20			BOLT, (6x12 4T)

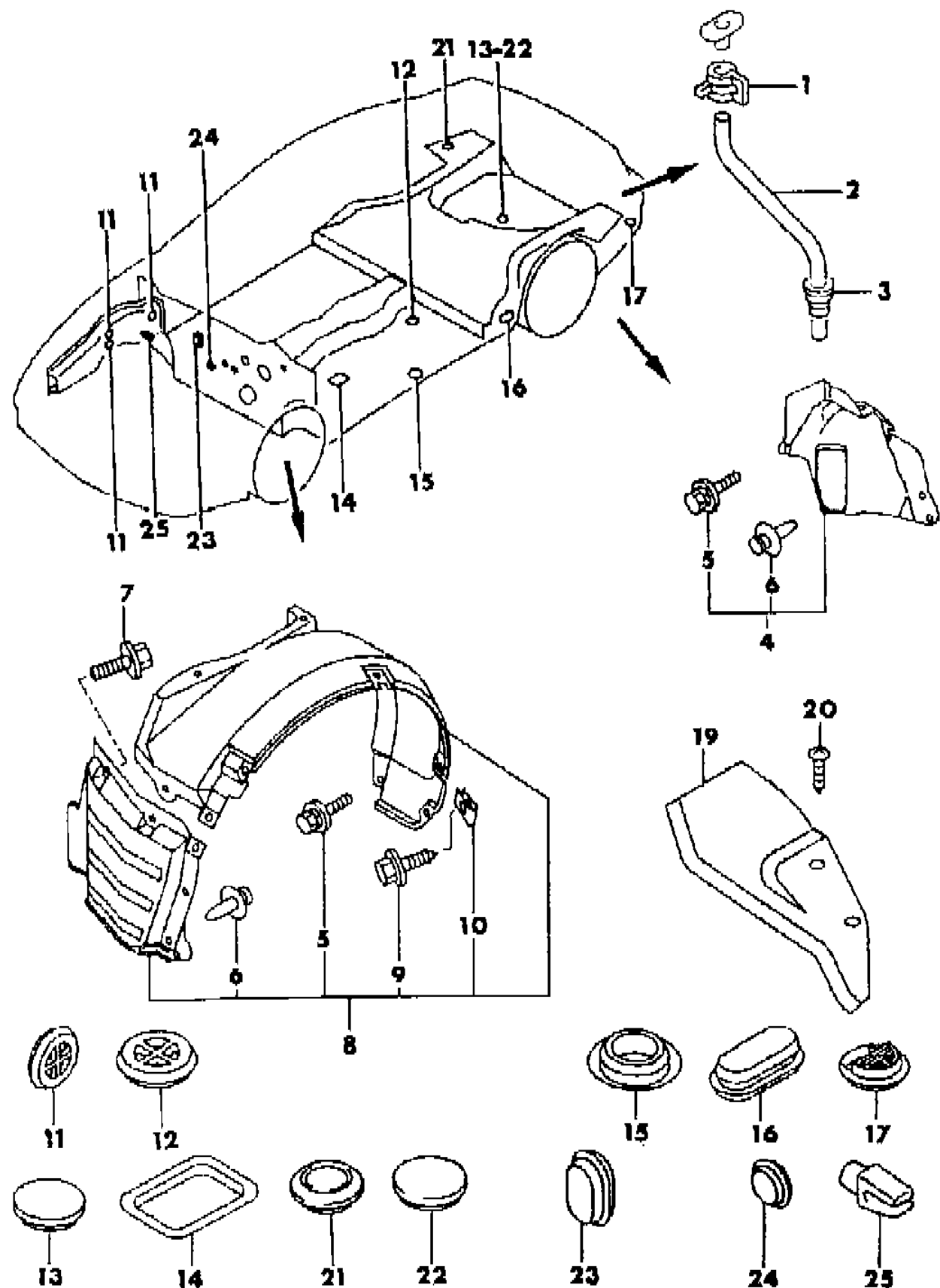
ENGINE: P = 1800cc (1.8L) A = 2000cc (2.0L) Blank = All  
 TRANS: A = Automatic M = Manual Blank = All  
 SERIES: H = High M = Medium P = Premium S = Special

MODELS:  
 24 FWD = 2Dr Hatchback (Laser)  
 24 FWD = 2-Dr Hatchback (Talon)  
 4WD = (4 Wheel Drive)  
 2WD = (2 Wheel Drive)

AR = Use as Required - = Non Illustrated Part P.A.R. = Paint as Required

**SHIELD AND PLUGS LASER-TALON**  
Figure 23A-400

9669 400D



ITEM	PART NUMBER	QTY	BODY	MODEL	DESCRIPTION
1	MS66 0167	2			CLIP, Hose, (13.8)
2	MS61 0799	1			TUBE, Lt., Body, (Soft Vinyl 12x600)
	MB59 0063	1			PIPE, Rt., Quarter Panel Drain
3	MU81 0509	2			GROMMET, Body
4					SHIELD KIT, Splash Rear ***
					1990-91
	MB59 7760	1	M,H		Right
	MB59 7759	1	M,H		Left
	MB59 7762	1	P,S	TALON	Right
	MB59 7761	1	S		Left
	MB59 8305	1	P	TALON	Left
					1992-94
	MB86 1268	1			Right
	MB86 1267	1			Left, w/FWD
	MB86 1269	1			Left, w/AWD
5					BOLT
	MS24 0602	AR			1990-92, (6x20)
	MS24 0156	AR			1993-94
6	MB40 6894	24			CLIP
7					BOLT
	MS10 0224	4			1990-91, (6x20)
	MS24 0156	4			1992-94, (6x20)
8					SHIELD KIT, Front Fender Splash ***
	MB59 7756	1	M,H		Right, 1990-91
	MB69 8804	1	H	LASER	Right, 1990-91, w/Auto Trans., w/Turbo
	MB59 7758	1	P,S	TALON	Right, 1990-91
	MB69 8806	1	P,S	TALON	Right, 1991, w/2.0L Engine, w/Auto Trans.
	MB59 7755	1	M,H		Left, 1990-91
	MB59 7757		P,S	TALON	Left, 1990-91
					1992-94
					Right
	MB86 1266	1	M,H,P		FWD, w/Man. Trans.
	MB86 1272	1	H,P,S		FWD, w/Auto Trans.
	MB86 1266	1	M,H		AWD, w/Auto Trans.
	MB86 1272	1	S		AWD
	MB86 1265	1	M,H,P,S		Left
9					SCREW
	MS45 2357	8			1990-92, (6x20)
	MS45 2388	8			1993-94, (6x25)

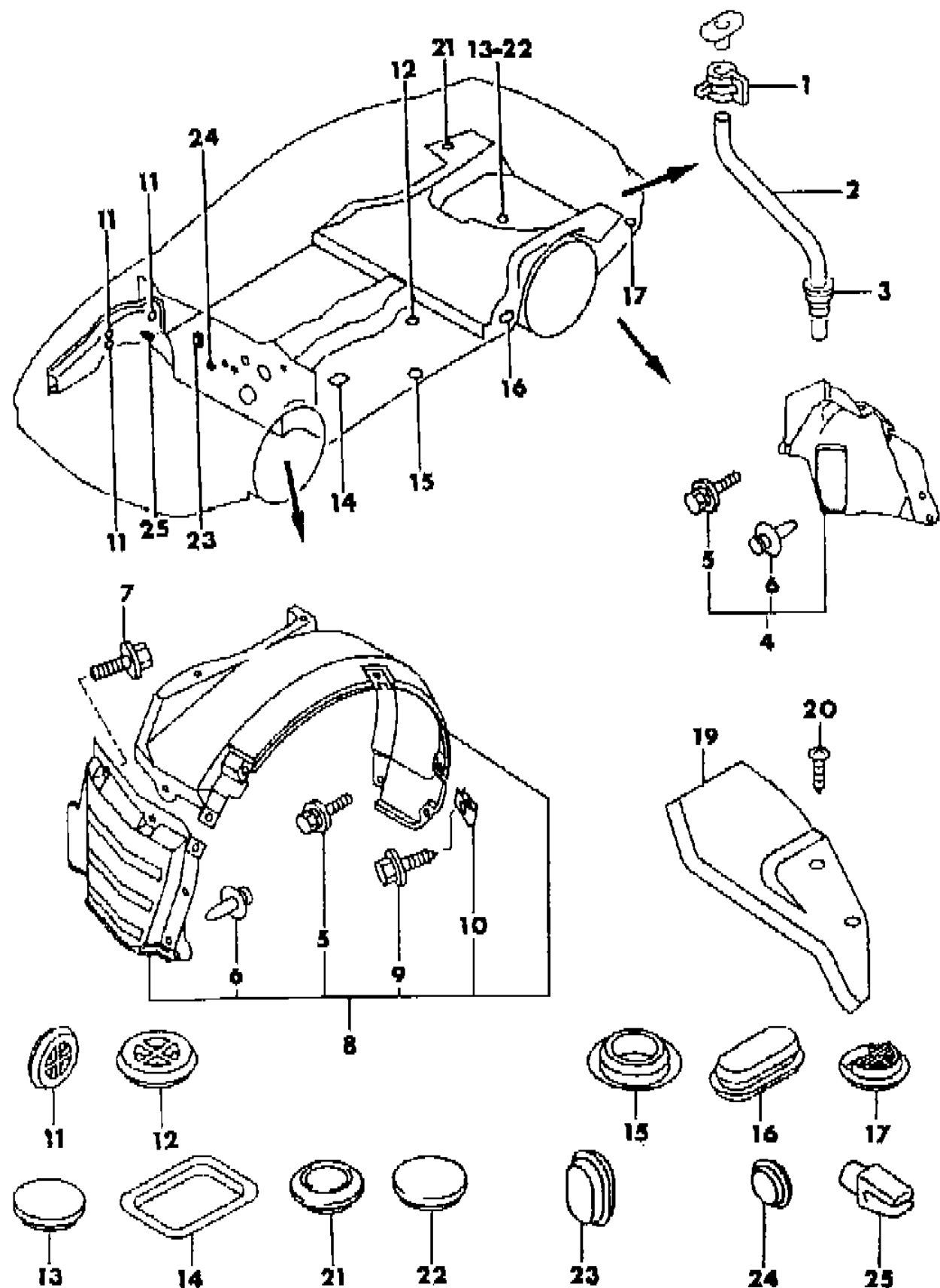
ENGINE: P = 1800cc (1.8L) A = 2000cc (2.0L) Blank = All  
 TRANS: A = Automatic M = Manual Blank = All  
 SERIES: H = High M = Medium P = Premium S = Special

MODELS:  
 24 FWD = 2Dr Hatchback (Laser)  
 24 FWD = 2-Dr Hatchback (Talon)  
 4WD = (4 Wheel Drive)  
 2WD = (2 Wheel Drive)

AR = Use as Required - = Non Illustrated Part P.A.R. = Paint as Required

SHIELD AND PLUGS LASER-TALON  
Figure 23A-400

9669 400D



ITEM	PART NUMBER	QTY	BODY	MODEL	DESCRIPTION
10	MB13 8567	8			CLIP
11	MU67 0024	AR			PLUG, (#25)
12	MU67 0025	AR			PLUG, (#30)
13	MU67 0027	2			PLUG, Floor, (50)
14	MB10 3117	2			PLUG, Floor
15	MU67 0035	4			PLUG, (#30)
16	MB59 0076	2			PLUG, Floor, (18x34)
17	MB40 6988	2			PLUG, Drain
19					SHIELD, Front Fender Splash
	MB51 8308	1			Right
	MB51 8307	1			Left
	MB51 8935	1	TALON		Right, w/AWD
	MB51 8934	1	TALON		Left, w/AWD
20	MF45 3045	4			SCREW, (6x12)
21	MS66 0181	2	TALON		PLUG, Floor, w/AWD, (12)
22	MS66 0182	1	TALON		PLUG, Floor, w/AWD, (16)
23					PLUG, A/C Piping
	MU67 0024	1			1990-91, (25)
	MS66 0184	1			1992-94
24	MB27 2166	1			PLUG, Piping, (5x65)
25	MU48 1044	1			CLIP, Piping, (8)

ENGINE: P = 1800cc (1.8L) A = 2000cc (2.0L) Blank = All  
 TRANS: A = Automatic M = Manual Blank = All  
 SERIES: H = High M = Medium P = Premium S = Special

MODELS:  
 24 FWD = 2Dr Hatchback (Laser)  
 24 FWD = 2-Dr Hatchback (Talon)  
 4WD = (4 Wheel Drive)  
 2WD = (2 Wheel Drive)

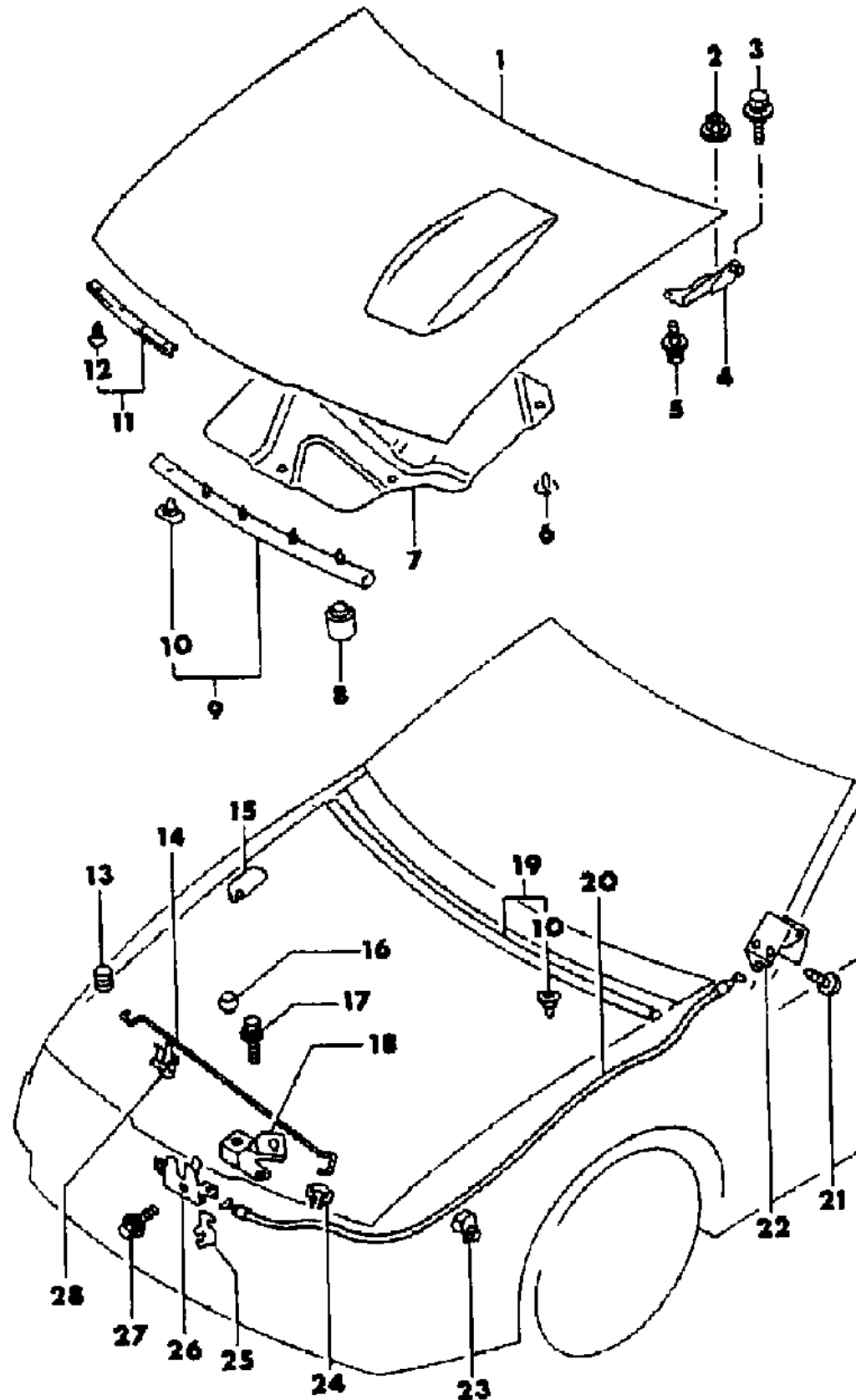
AR = Use as Required - = Non Illustrated Part P.A.R. = Paint as Required





**HOOD AND LOCK 1992-94 LASER-TALON**  
**Figure 23A-550**

**9669 550**



ITEM	PART NUMBER	QTY	BODY	MODEL	DESCRIPTION
1	MB83 5804				HOOD
	MB60 5100	1			LABEL, Serviced, (Under Hood)
2	MS44 0503	2			NUT, w/Washer, (8)
3	MU24 0141	2			BOLT, Hood Hinge
4					HINGE, Hood
	MB40 1306	1			Right
	MB40 1305	1			Left
5	MF24 3650	4			BOLT, w/Washer, (8x18)
6	MB27 0053	8			CLIP, Hood Insulator
7					INSULATOR
	MB40 1313	1		M,H	w/FWD
	MB40 1314	1		H,P,S	
8	MB40 1609	2			DAMPER, Hood
9	MB88 9466	1			WEATHERSTRIP, Hood
10	MU48 1027	17			CLIP, Hood, (5.3)
11	MB63 1294	2			WEATHERSTRIP, Hood Front
12	MB37 9579	8			CLIP, Hood, (5)
13	MB27 0408	2			DAMPER, Hood
14	MB40 1326	1			ROD, Hood Support
15	MB40 1338	2			DAMPER, Hood
16	MB13 3590	2			DAMPER, Hood
17	MU24 0097	1			BOLT, w/Washer, (6x16)
18	MB40 1607	1			BRACKET, Lt., Hood Damper
19	MB40 1327	1			WEATHERSTRIP, Hood Rear
20	MB40 1261	1			CABLE, Hood Lock Release
21	MF45 3033	2			SCREW, Tapping, (5x16)
22	MB76 6466	1			HANDLE, Hood Lock Release
23	MU48 1053	2			CLIP, (5)
24	MB40 1482	1			CLIP, (8.5)
25	MB40 1578	1			PROJECTOR, Hood Locking ***
26					LATCH, Hood
	MB40 1318	1			1990-92
	MB92 3657	1			1993-94
27	MU24 0093	3			BOLT, w/Washer, (6x16)
28	MB40 1481	1			CLIP, (8)

ENGINE: P = 1800cc (1.8L) A = 2000cc (2.0L) Blank = All  
 TRANS: A = Automatic M = Manual Blank = All  
 SERIES: H = High M = Medium P = Premium S = Special

MODELS:  
 24 FWD = 2Dr Hatchback (Laser)  
 24 FWD = 2-Dr Hatchback (Talon)  
 4WD = (4 Wheel Drive)  
 2WD = (2 Wheel Drive)

AR = Use as Required - = Non Illustrated Part P.A.R. = Paint as Required

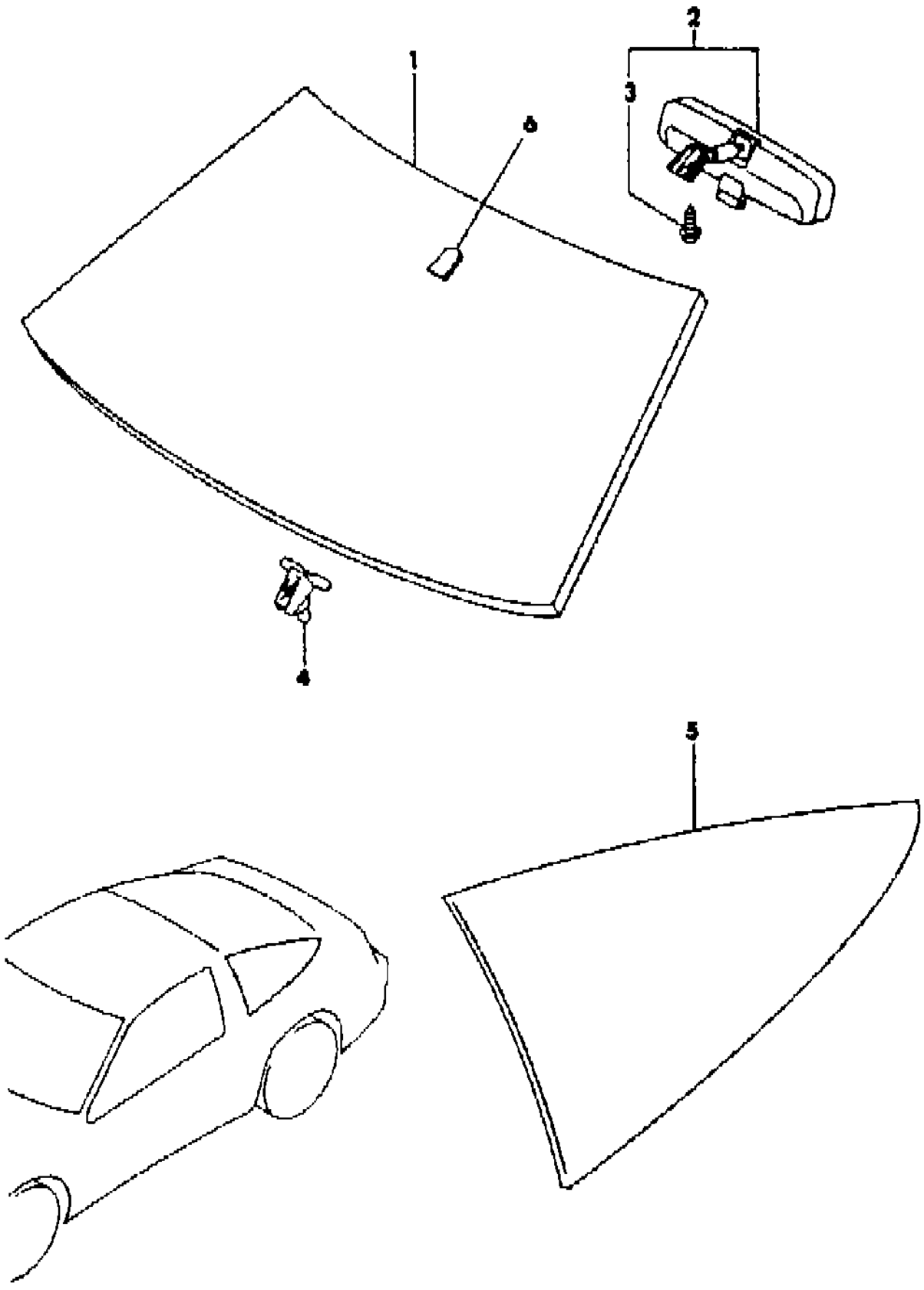




**WINDSHIELD, MIRROR, QUARTER WINDOW LASER-TALON**  
**Figure 23A-700**

9669 700 A

ITEM	PART NUMBER	QTY	BODY	MODEL	DESCRIPTION
1	MB47 9236	1			GLASS, W/Shield, (Green Sunshade)
	MB47 9234	1			1990-92 1993-94
2	MB47 9510	1			MIRROR
3					SCREW
	MB47 9828	1			1990
4	MB47 9282	1			1991-94
	MB47 9449	2			SPACER
5					GLASS, Quarter Window, (Green)
	MB47 9011	1			Right
6	MB47 9010	1			Left
					BUTTON, Mirror
	4054 098	1			1990-91
	MB47 9259	1			1992-94



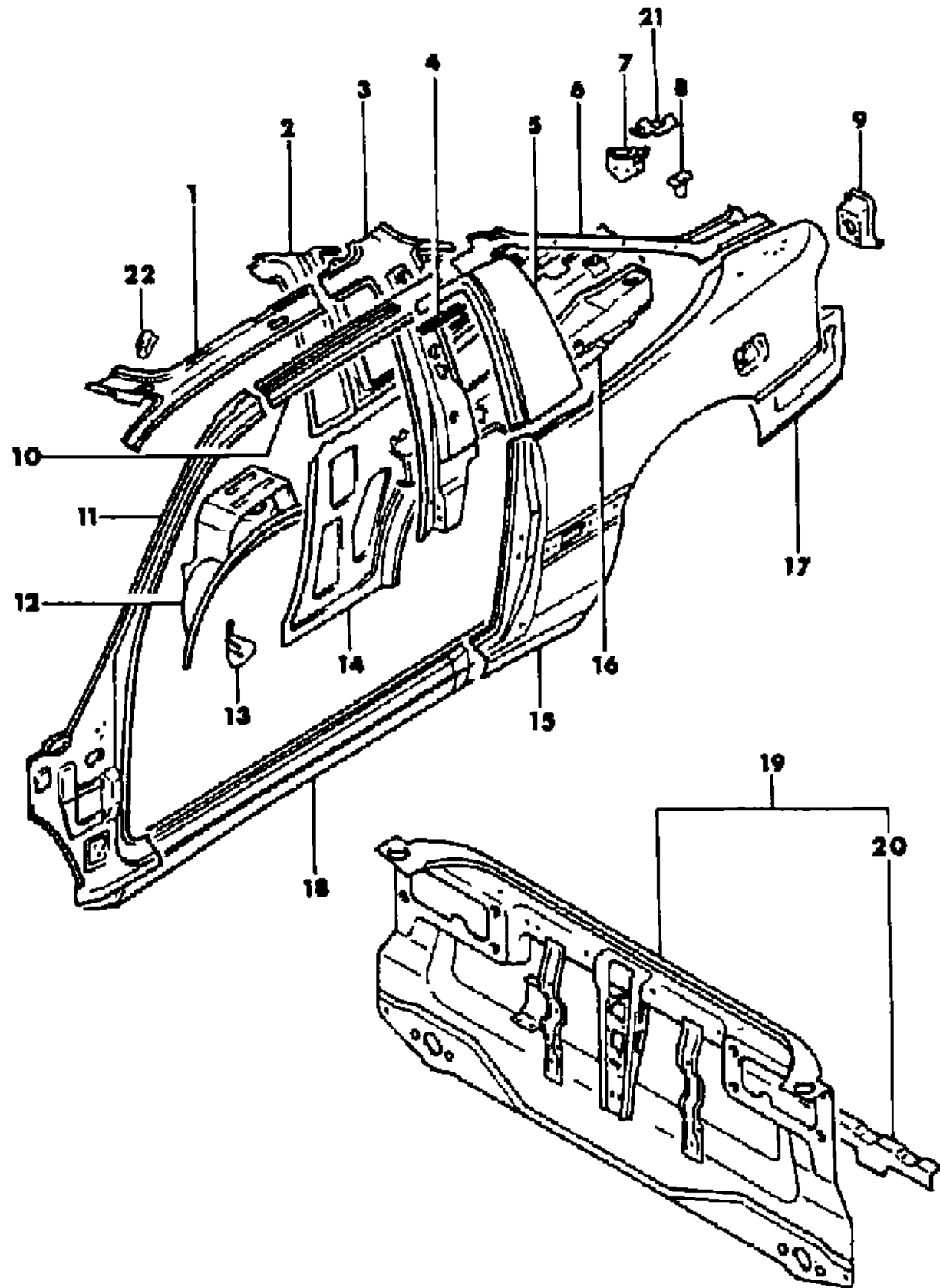
ENGINE: P = 1800cc (1.8L) A = 2000cc (2.0L) Blank = All  
 TRANS: A = Automatic M = Manual Blank = All  
 SERIES: H = High M = Medium P = Premium S = Special

MODELS:  
 24 FWD = 2Dr Hatchback (Laser)  
 24 FWD = 2-Dr Hatchback (Talon)  
 4WD = (4 Wheel Drive)  
 2WD = (2 Wheel Drive)

AR = Use as Required - = Non Illustrated Part P.A.R. = Paint as Required

**APERTURE PANEL AND FRONT PILLAR LASER-TALON**  
**Figure 23A-800**

9669 800B



ITEM	PART NUMBER	QTY	BODY	MODEL	DESCRIPTION
1					RAIL, Roof Side Inner
	MB54 9772	1			Right, w/o Sun Roof
	MB54 9771	1			Left, w/o Sun Roof
	MB63 7386	1			Right, w/Sun Roof
	MB63 7385	1			Left, w/Sun Roof
2					PANEL, Qtr. Upper Inner
	MB54 9794	1			Right
	MB54 9793	1			Left
3					REINFORCEMENT, Center Pillar
	MB54 9790	1			Right
	MB54 9789	1			Left
4					EXTENSION, Roof Drip Channel
	MB59 3362	1			Right
	MB59 3361	1			Left
5					PILLAR, Center Outer
	MB54 9782	1			Right
	MB54 9781	1			Left
6					PILLAR, Rear Outer
	MB54 9784	1			Right
	MB54 9783	1			Left
	MB53 0314	1			PLUG, Rear Outer Pillar
7					BRACKET, Tailgate Gas Spring
	MB54 9800	1			Right
	MB54 9799	1			Left
8	MB59 3354	2			PIPE, Qtr, Panel Drain Upper
9					HOUSING, Rear Lamp
	MB54 9788	1			Right
	MB54 9787	1			Left
10					RAIL, Roof Side Outer
	MB54 9770	1			Right
	MB54 9769	1			Left
11					PILLAR, Front
	MB54 9766	1			Right, w/o Sunroof
	MB54 9765	1			Left, w/o Sunroof
	MB83 5800	1			Right, w/Sunroof
	MB83 5799	1			Left, w/Sunroof
12					PANEL, Wheelhouse Inner
	MB59 3324	1	S	TALON	Right
	MB59 3323	1	S	TALON	Left

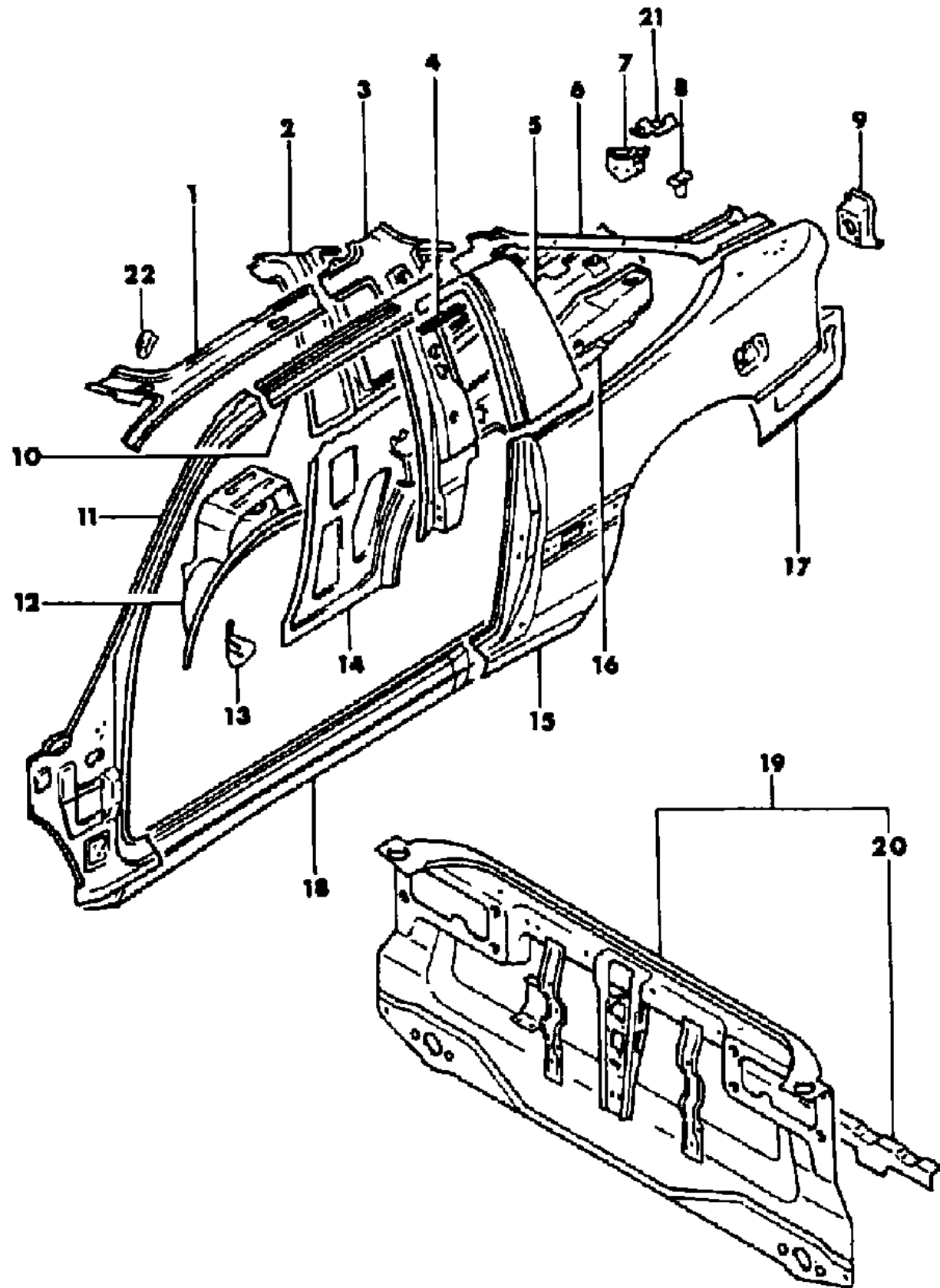
ENGINE: P = 1800cc (1.8L) A = 2000cc (2.0L) Blank = All  
 TRANS: A = Automatic M = Manual Blank = All  
 SERIES: H = High M = Medium P = Premium S = Special

MODELS:  
 24 FWD = 2Dr Hatchback (Laser)  
 24 FWD = 2-Dr Hatchback (Talon)  
 4WD = (4 Wheel Drive)  
 2WD = (2 Wheel Drive)

AR = Use as Required - = Non Illustrated Part P.A.R. = Paint as Required

**APERTURE PANEL AND FRONT PILLAR LASER-TALON**  
**Figure 23A-800**

9669 800B



ITEM	PART NUMBER	QTY	BODY	MODEL	DESCRIPTION
	MB54 9780	1			Right, w/FWD
	MB54 9779	1			Left, w/FWD
	MB59 3324	1			Right, w/AWD
	MB59 3323	1			Left, w/AWD
13					EXTENSION, Rear Wheelhouse Outer
	MB54 9798	1			Right
	MB54 9797	1			Left
14					PANEL, Qtr. Lower Inner
	MB54 9792	1			Right
	MB54 9791	1			Left
15					PANEL, Qtr. Outer
	MB54 9774	1		LASER	Right
	MB54 9773	1		LASER	Left
	MB54 9994	1		TALON	Right
	MB54 9993	1		TALON	Left
	MB83 5814	1		TALON	Right, 1993-94
	MB83 5813	1		TALON	Left, 1993-94
16					REINFORCEMENT, Qtr. Panel
	MB54 9796	1			Right
	MB54 9795	1			Left
17					EXTENSION, Qtr. Panel Lower Outer
	MB54 9786	1			Right
	MB54 9785	1			Left
18					SILL, Side Front Floor Outer
	MB54 9768	1			Right
	MB54 9767	1			Left
19					PANEL, Rear End
	MB54 9808	1			1990-91
	MB59 3326	1	S	TALON	1990-91, w/AWD
	MB83 5815	1		LASER	1992-94, w/FWD
	MB83 5816	1		TALON	1992-94, w/FWD
	MB59 3326	1		LASER	1992-94, w/AWD
	MB83 5817	1		TALON	1992-94, w/AWD
20					BRACKET, Rear Bumper Face Upper
	MB54 9809	1		LASER	
	MB83 5818	1		TALON	
21	MB59 3325	1			BRACKET, Mud Guard, Right Rear
22					PLATE, Sunroof Drain Hose Guide
	MB83 5802	1			Right

ENGINE: P = 1800cc (1.8L) A = 2000cc (2.0L) Blank = All  
 TRANS: A = Automatic M = Manual Blank = All  
 SERIES: H = High M = Medium P = Premium S = Special

MODELS:  
 24 FWD = 2Dr Hatchback (Laser)  
 24 FWD = 2-Dr Hatchback (Talon)  
 4WD = (4 Wheel Drive)  
 2WD = (2 Wheel Drive)

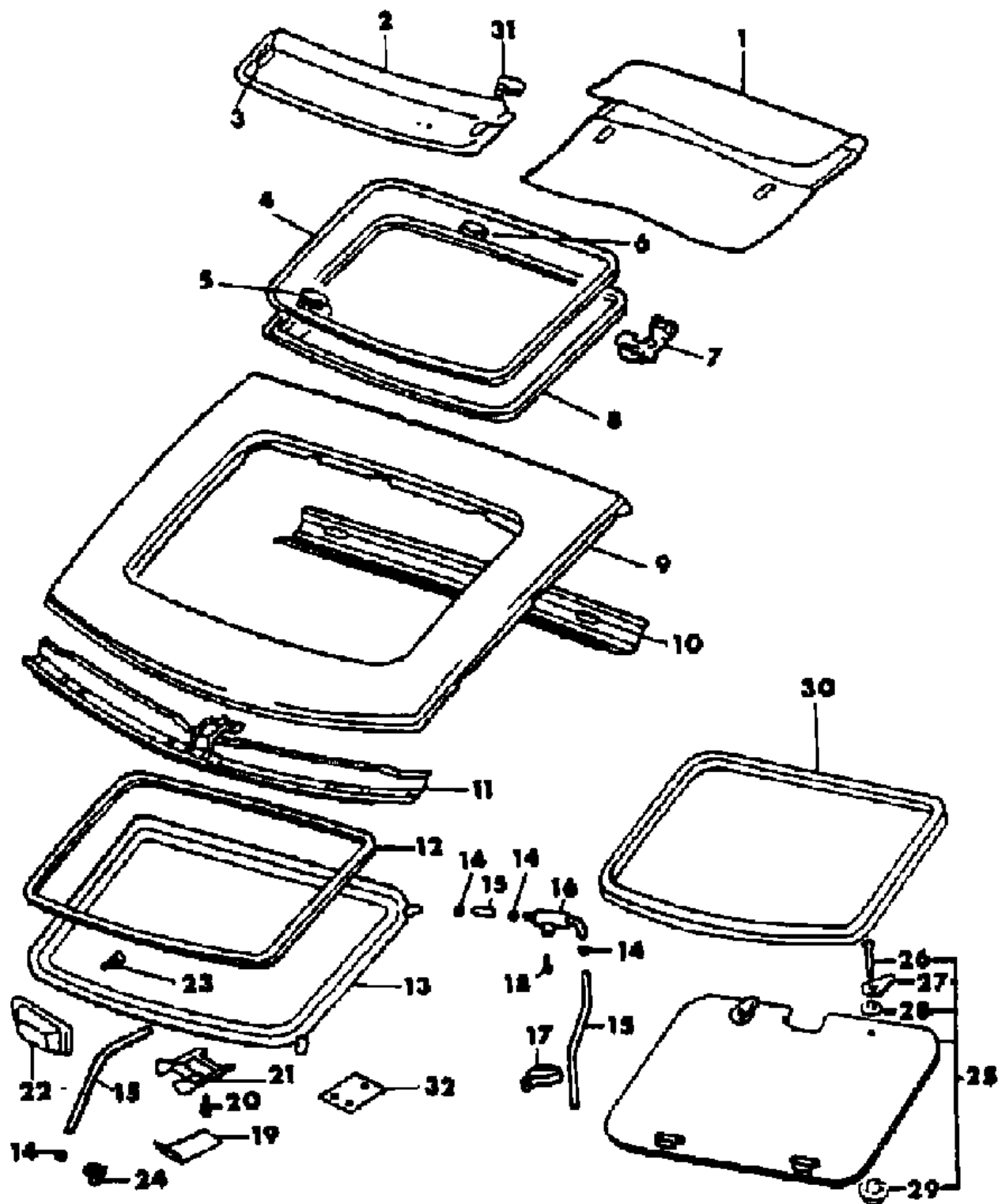
AR = Use as Required - = Non Illustrated Part P.A.R. = Paint as Required





SUN ROOF LASER-TALON  
Figure 23A-950

9669 950 c



ITEM	PART NUMBER	QTY	BODY	MODEL	DESCRIPTION
1	MB57 5865	1			CASE, Glass Storage
2	MB62 6791	1			DEFLECTOR, Sunroof
3	MB62 6792	1			LOCK, Deflector Left
	MB62 6793	1			Right
4	MB62 6795	1			GLASS ASSY, Sunroof *** 1990
	MB62 6876	1			1991-94
5					HINGE ASSY ***
	MB62 6790	2			1990
	MB62 6871	4			1991-94
6	MB62 6797	1			PLATE, Glass 1990-92
	MB86 6992	1			1993-94
7					LATCH ASSY ***
	MB62 6796	1			1990
	MB62 6867	1			1991-94
		1			CLIP, Anti-Rattle, (Serv. In Latch Assy)
8	MB62 6794	1			WEATHERSTRIP, Glass
9	MB63 7036	1			ROOF, Panel ***
10					RAIL, Roof Rear
	MB63 7037	1			1990
	MB83 5639	1			1991-94
11	MB54 9806	1			RAIL, Roof Front
	MB63 7385	1			RAIL, Lt., Roof Side Inner
	MB63 7386	1			RAIL, Rt., Roof Side Inner
12					WEATHERSTRIP, Roof Panel
	MB63 1097	1			1990-92
	MB86 6991	1			1993-94
13					HOUSING, Sunroof
	MB63 7038	1			1990
	MB83 5640	1			1991-94
14	MS66 0167	8			CLIP, Roof Lid, (13.8)
15	MB35 2791	4			PIPE, Drain
16					PIPE, Drain
	MB63 1077	1			Left
	MB63 1078	1			Right
17	MS47 0406	AR			BAND, Roof Lid
18	MS45 0156	2			SCREW, Roof Lid

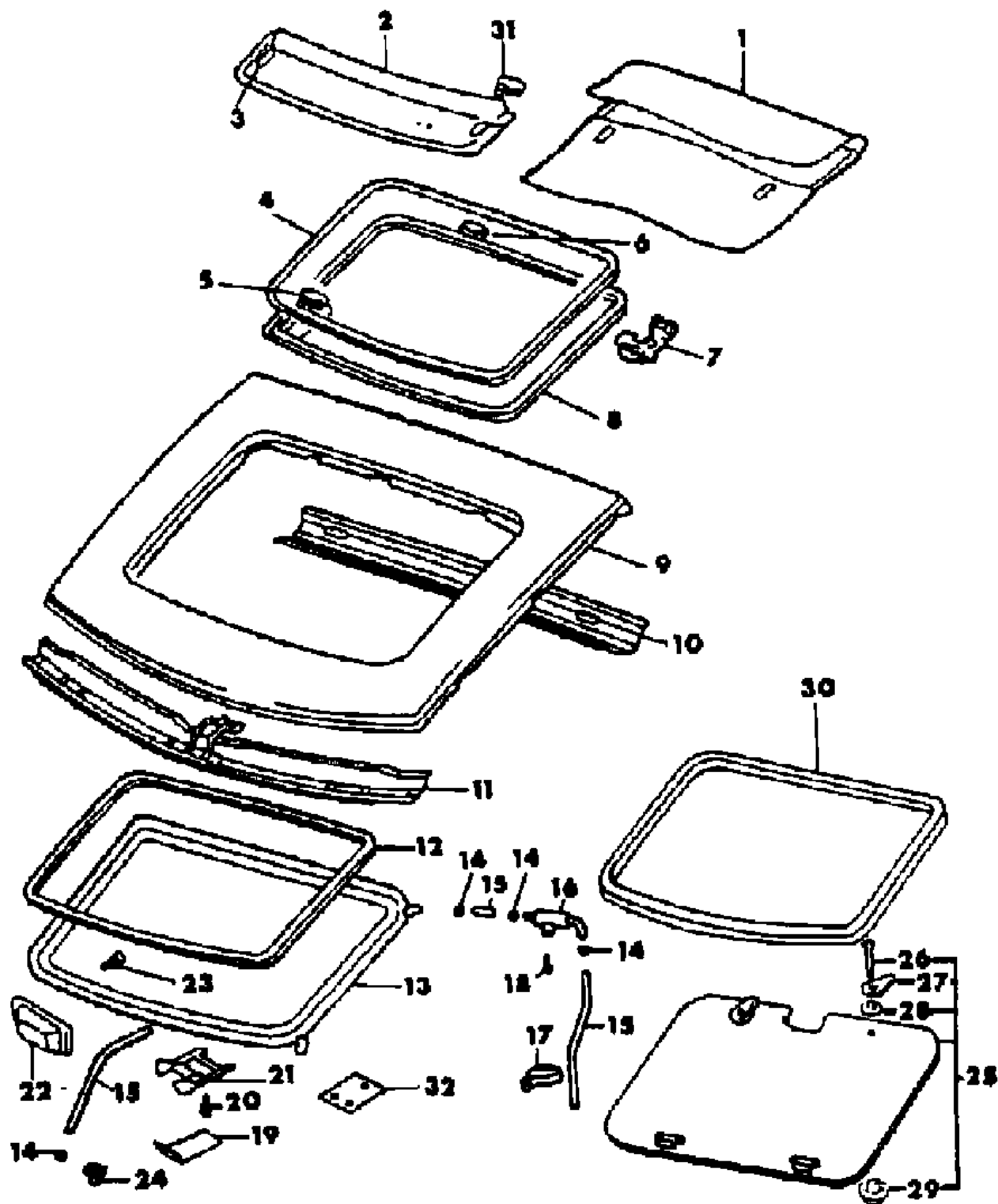
ENGINE: P = 1800cc (1.8L) A = 2000cc (2.0L) Blank = All  
 TRANS: A = Automatic M = Manual Blank = All  
 SERIES: H = High M = Medium P = Premium S = Special

MODELS:  
 24 FWD = 2Dr Hatchback (Laser)  
 24 FWD = 2-Dr Hatchback (Talon)  
 4WD = (4 Wheel Drive)  
 2WD = (2 Wheel Drive)

AR = Use as Required - = Non Illustrated Part P.A.R. = Paint as Required

SUN ROOF LASER-TALON  
Figure 23A-950

9669 950 c



ITEM	PART NUMBER	QTY	BODY	MODEL	DESCRIPTION
19					COVER, Tilt Roof Base
					1990
	MB63 1132	1			Gray
	MB63 1133	1			Beige
	MB63 1134	1			Lt. Gray
20					SCREW, Roof Lid
					1990-91
	MU20 0023	3			1990-91
	MU20 0024	3			1992-94
21					BASE, Tilt Roof Lock Handle
					1990
	MB63 1135	1			Gray
	MB63 1136	1			Beige
	MB63 1137	1			Lt. Gray
	MB62 6868	1			Black, w/Red, Release Button, P.A.R. (1991-93)
					1994
	MB92 3713	1			Gray
	MB92 3715	1			Beige
	MB92 3714	1			Red
22					HINGE, Sunroof Lid
					1990
	MB62 6847	1			Left
	MB62 6848	1			Right
					1991-94
	MB62 6869	1			Left
	MB62 6870	1			Right
23					SCREW, Hinge
					1990-91
	MU20 0024	4			1990-91
	MS24 0032	4			1992-94
24	MB13 8823	2			GROMMET, Roof Lid
25					SUNSHADE, Sunroof ***
					1990-91
	MB74 7359	1			Gray
	MB74 7360	1			Beige
	MB74 7361	1			Lt. Gray
					1992-94
	MB79 1452	1			Beige
	MB74 7361	1			Lt. Gray
	MB79 1451	1			Red
26	MF45 3077	AR			SCREW, Headlining

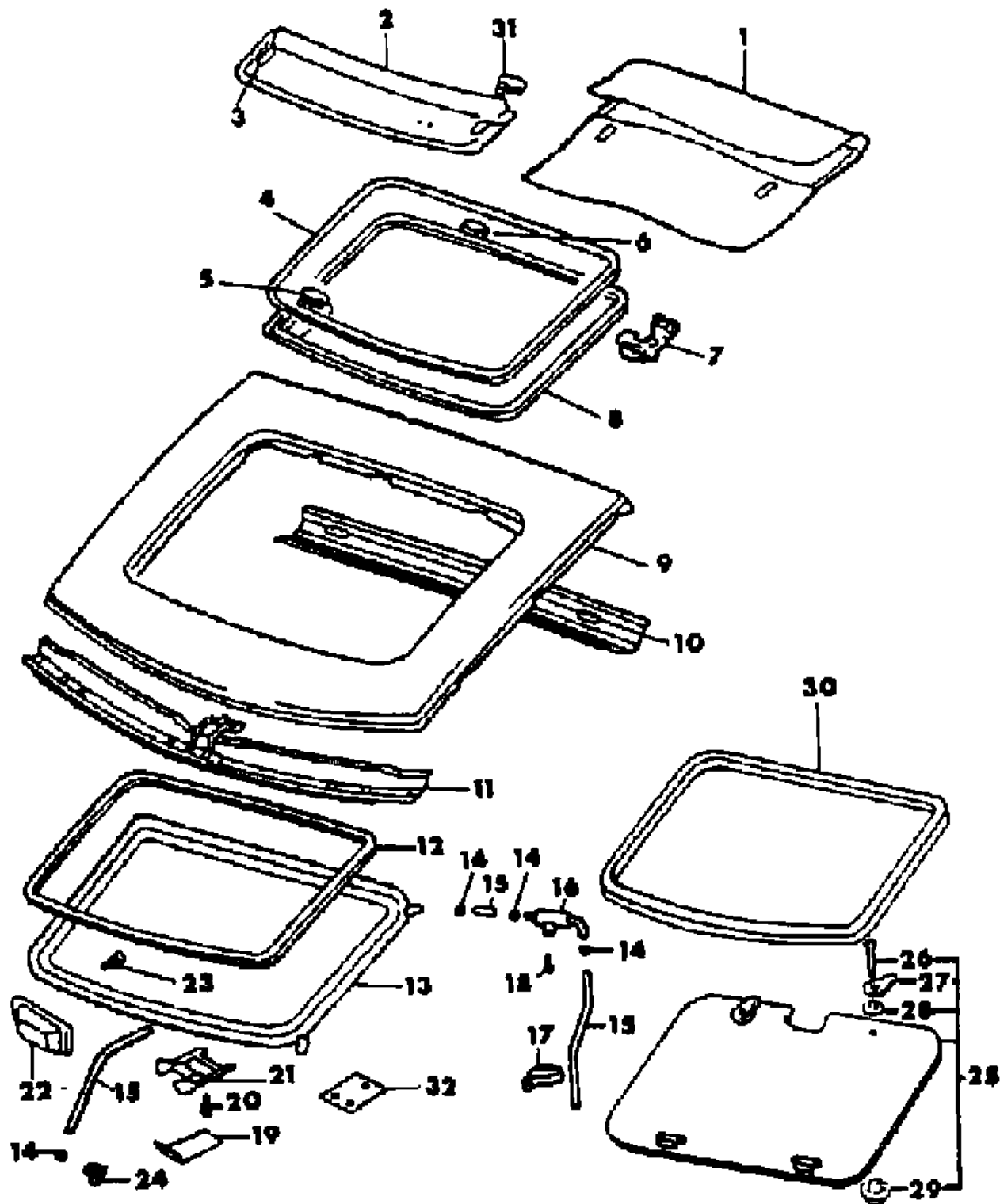
ENGINE: P = 1800cc (1.8L) A = 2000cc (2.0L) Blank = All  
 TRANS: A = Automatic M = Manual Blank = All  
 SERIES: H = High M = Medium P = Premium S = Special

MODELS:  
 24 FWD = 2Dr Hatchback (Laser)  
 24 FWD = 2-Dr Hatchback (Talon)  
 4WD = (4 Wheel Drive)  
 2WD = (2 Wheel Drive)

AR = Use as Required - = Non Illustrated Part P.A.R. = Paint as Required

SUN ROOF LASER-TALON  
Figure 23A-950

9669 950 c



ITEM	PART NUMBER	QTY	BODY	MODEL	DESCRIPTION
27	MB69 2060	AR			LOCK, Sunshade
28	MB59 4528	AR			SPACER, Headlining
29					KNOB, Sunshade
					1990-91
	MB75 9878	AR			Gray
	MB75 9879	AR			Beige
	MB75 9880	AR			Lt. Gray
					1992-94
	MB96 1887	2			Lt. Beige
	MB75 9880	2			Lt. Gray
	MB96 1888	2			Red
30					TRIM, Sunshade
					1990-91
	MB75 2808	1			Gray
	MB75 2809	1			Beige
	MB75 2810	1			Lt. Gray
					1992-94
	MB96 1885	1			Lt. Beige
	MB75 2810	1			Lt. Gray
	MB96 1886	1			Red
31					HINGE ASSY, Deflector ***
	MB62 6790	2			1990-91
	MB62 6871	2			1992-94
32	MB88 9804	1			SPACER, (Use After 2-1-91)

ENGINE: P = 1800cc (1.8L) A = 2000cc (2.0L) Blank = All  
 TRANS: A = Automatic M = Manual Blank = All  
 SERIES: H = High M = Medium P = Premium S = Special

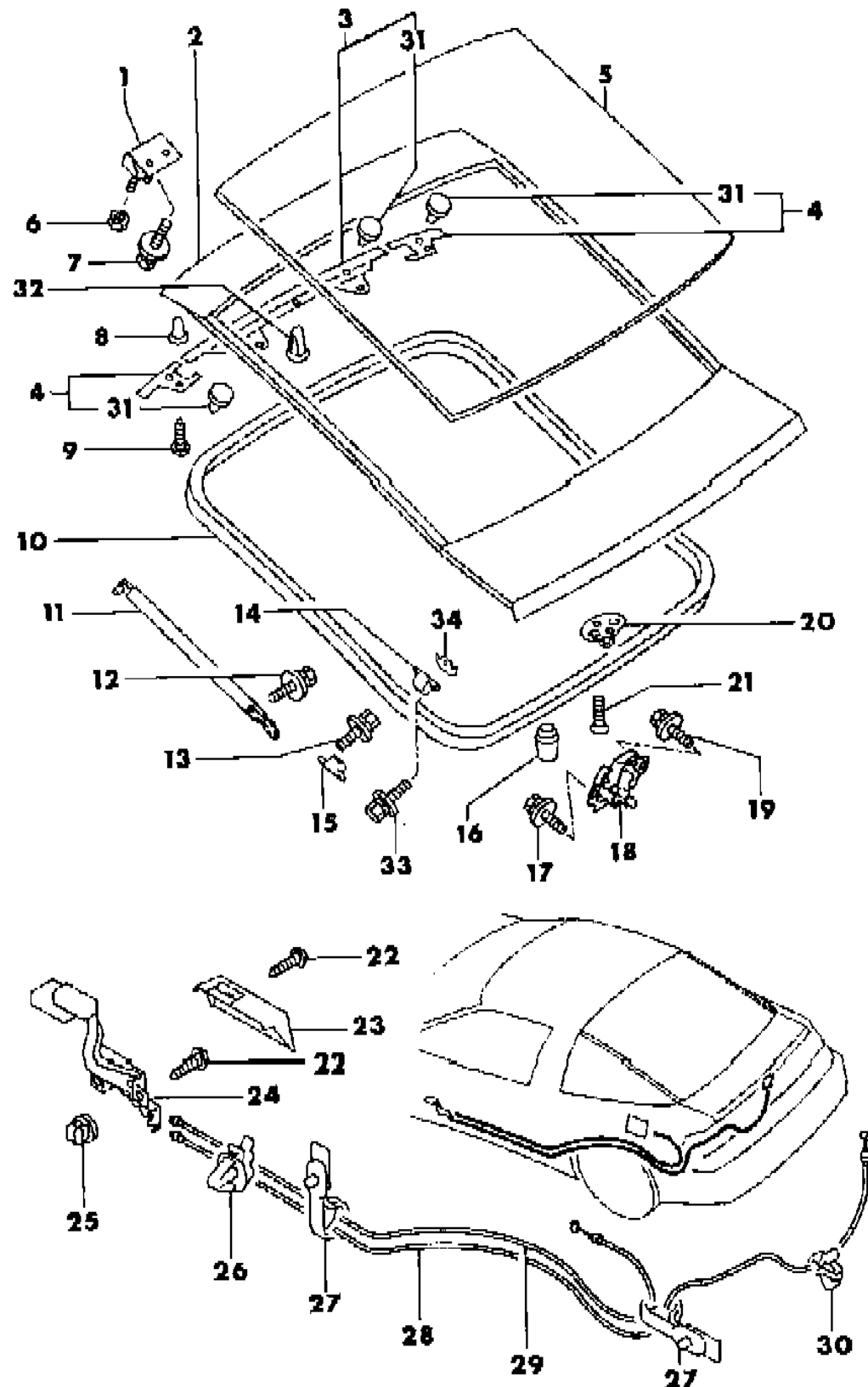
MODELS:  
 24 FWD = 2Dr Hatchback (Laser)  
 24 FWD = 2-Dr Hatchback (Talon)  
 4WD = (4 Wheel Drive)  
 2WD = (2 Wheel Drive)

AR = Use as Required - = Non Illustrated Part P.A.R. = Paint as Required



LIFTGATE, AND FUEL FILLER DOOR RELEASE LASER-TALON  
Figure 23A-1000

9669 1000C



ITEM	PART NUMBER	QTY	BODY	MODEL	DESCRIPTION
1	MB42 2887	2			HINGE, Liftgate
2					PANEL, Liftgate
	MB54 9813	1			1990-91, w/o Wiper
	MB54 9814	1			1990-91, w/Wiper
	MB54 9814	1	LASER		1992, w/Wiper and Washer
	MB54 9813	1	LASER		1992-94, w/o Wiper and Washer
	MB90 7565	1	LASER		1993-94, w/Rear Spoiler
	MB90 7566	1	LASER		1993-94, w/Rear Wiper and Washer and Rear Spoiler
	MB83 5819	1	TALON		1992-94, w/o Wiper and Washer
	MB83 5820	1	TALON		1992-94, w/Wiper and Washer
3	MB53 7450	1			WEATHERSTRIP, Liftgate Outer
4					WEATHERSTRIP, Liftgate Outer
	MB53 7452	1			Right
	MB53 7451	1			Left
5					GLASS, Liftgate
	MB47 9007	1			Green
	MB47 9264	1			Green, w/Defogger
6	MS44 0503	4			NUT, (#8)
7	MF24 3650	4			BOLT, (8x18 4T)
8	MB33 7264	4			GROMMET
9	MU46 1023	4			SCREW, (6x14)
10	MB42 2914	1			WEATHERSTRIP, Liftgate Opening
11					STRUT, Gas, Liftgate
					1990-92 ***
	MB42 2901	2	LASER		w/o Rear Wiper
	MB42 2902	2	TALON		w/o Rear Wiper
	MB42 2902	2	LASER		w/Rear Wiper
	MB42 2903	2	TALON		w/Rear Wiper
					1993-94 ***
	MB42 2901	2	LASER		w/o Rear Wiper, w/o Rear Spoiler
	MB42 2902	2	LASER		w/o Rear Wiper, w/Rear Spoiler
	MB42 2902	2	TALON		w/o Rear Wiper
	MB42 2903	2			w/Rear Wiper
12	MS24 0401	4			BOLT, (6x16)
13	MU24 0103	4			BOLT, (6x16)
14	MB42 2899	2			DAMPER, Liftgate Upper
15	MB42 2898	2			DAMPER, Liftgate Lower
16	MB02 2092	2			DAMPER, Rubber
17	MB33 7249	1			BOLT, (6x12 7T)

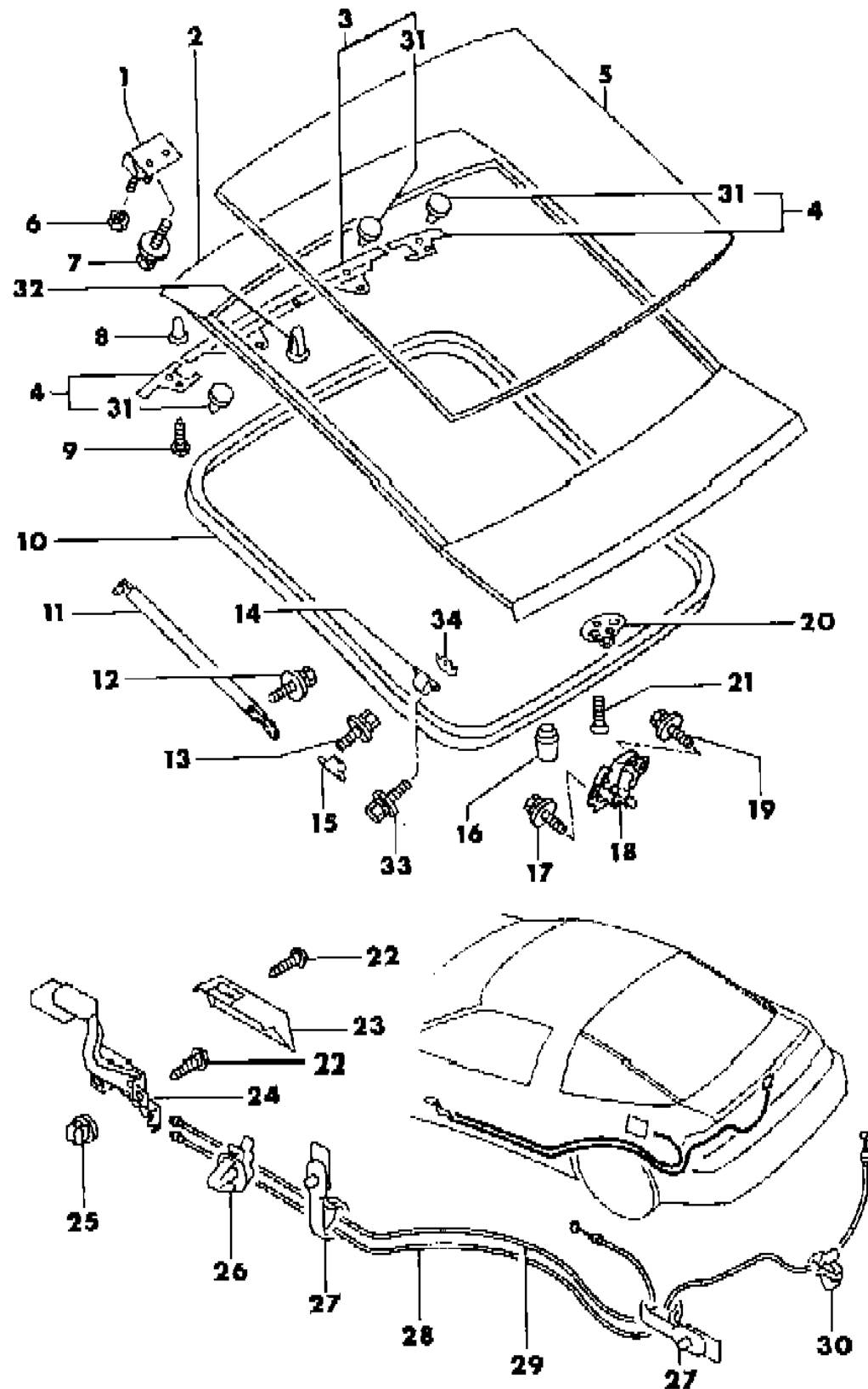
ENGINE: P = 1800cc (1.8L) A = 2000cc (2.0L) Blank = All  
 TRANS: A = Automatic M = Manual Blank = All  
 SERIES: H = High M = Medium P = Premium S = Special

MODELS:  
 24 FWD = 2Dr Hatchback (Laser)  
 24 FWD = 2-Dr Hatchback (Talon)  
 4WD = (4 Wheel Drive)  
 2WD = (2 Wheel Drive)

AR = Use as Required - = Non Illustrated Part P.A.R. = Paint as Required

LIFTGATE, AND FUEL FILLER DOOR RELEASE LASER-TALON  
Figure 23A-1000

9669 1000C



ITEM	PART NUMBER	QTY	BODY	MODEL	DESCRIPTION
18					LATCH, Liftgate
	MB42 2892	1			1990-91
	MB53 7193	1	TALON		1990-91, w/AWD
	MB88 9483	1			1991, w/Security System
	MB88 9482	1			1992-94
19	MB13 3272	1			BOLT, (6x12 7T)
20	MB42 2900	1			STRIKER, Liftgate Latch
21	MU35 2166	2			SCREW, (8x20)
22	MF45 3047	3			SCREW, (6x16)
23					COVER, Lock Release Handle
	MB72 2145	1			Gray, 1990-91
	MB72 2146	1			Beige, 1990-91
	MB79 1298	1			Gray, 1992-94
24					HANDLE, Liftgate and Fuel Filler Lid
	MB72 2143	1			Gray, 1990-91
	MB72 2144	1			Beige, 1990-91
	MB79 1297	1			Gray, 1992-94
25					GROMMET
	MS48 0013	2			1990-91
	MS48 0003	2			1992-94
26	MB19 7208	1			CLIP
27	MS47 0402	2			BAND, Cable, (55)
28	MB42 2912	1			CABLE, Liftgate Lock Release
29	MB02 3230	1			CABLE, Fuel Filler Lid Lock Release
30	MB01 1808	2			CLIP
31					CLIP, Liftgate, (Black)
	MB37 9579	6			1990-91
	MB22 3617	6			1992-94
32	MU48 1150	4			CLIP, Liftgate
33					BOLT
	MU24 0097	4			1990-91, (6x16)
	MS24 0402	4			1992-94, (6x20)
34	MB53 7498	AR			SHIM, Damper Stopper

ENGINE: P = 1800cc (1.8L) A = 2000cc (2.0L) Blank = All  
 TRANS: A = Automatic M = Manual Blank = All  
 SERIES: H = High M = Medium P = Premium S = Special

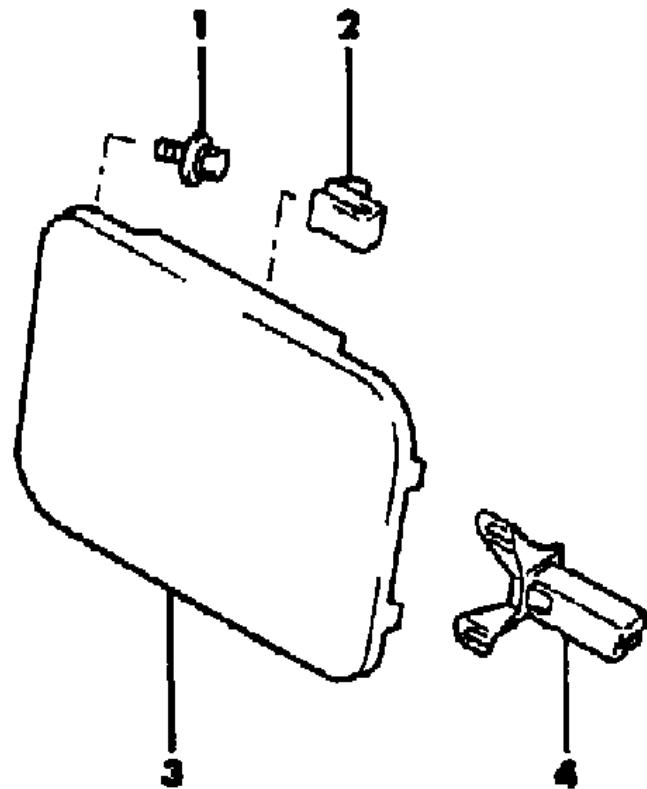
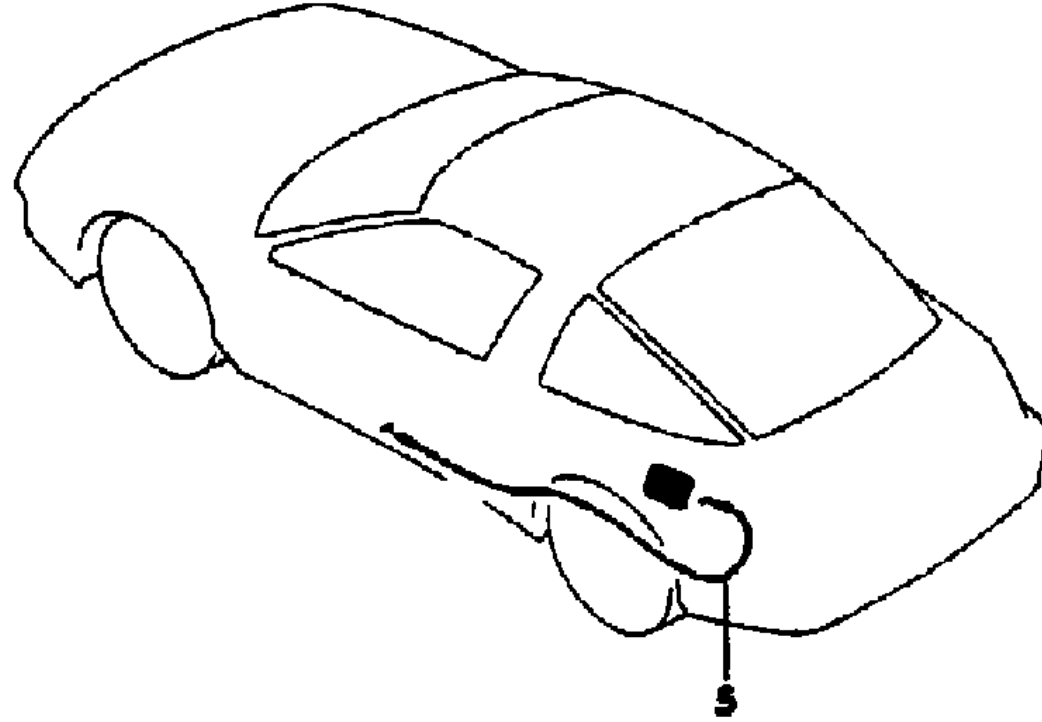
MODELS:  
 24 FWD = 2Dr Hatchback (Laser)  
 24 FWD = 2-Dr Hatchback (Talon)  
 4WD = (4 Wheel Drive)  
 2WD = (2 Wheel Drive)

AR = Use as Required - = Non Illustrated Part P.A.R. = Paint as Required

FUEL FILLER LID AND LOCK LASER-TALON  
Figure 23A-1100

9669 1100A

ITEM	PART NUMBER	QTY	BODY	MODEL	DESCRIPTION
1	MU24 0097	2			BOLT, (6x16)
2	MB02 3256	1			CLIP, Fuel Filler Lid Lock
3	MB02 3294	1			LID, Fuel Filler
4	MB02 3245	1			HOOK, Fuel Filler Lid
5	MB02 3230	1			CABLE, Fuel Filler Release



ENGINE: P = 1800cc (1.8L)  
A = 2000cc (2.0L)  
Blank = All

TRANS: A = Automatic  
M = Manual  
Blank = All

SERIES: H = High  
M = Medium  
P = Premium  
S = Special

MODELS:  
24 FWD = 2Dr Hatchback (Laser)  
24 FWD = 2-Dr Hatchback (Talon)  
4WD = (4 Wheel Drive)  
2WD = (2 Wheel Drive)

AR = Use as Required - = Non Illustrated Part P.A.R. = Paint as Required

---

**GROUP 23C - BODY - DOORS AND RELATED PARTS**

<b>ILLUSTRATION TITLE</b>	<b>GROUP-FIG. NO.</b>
DOOR, FRONT SHELL, GLASS AND WEATHERSTRIPS LASER-TALON .....	Fig. 23C-100
DOOR, FRONT HANDLES AND CONTROLS LASER-TALON .....	Fig. 23C-200
DOOR, FRONT REGULATOR LASER-TALON .....	Fig. 23C-300
MIRROR, EXTERIOR LASER-TALON .....	Fig. 23C-400

**ILLUSTRATION NOT AVAILABLE AT TIME OF PUBLICATION**

---

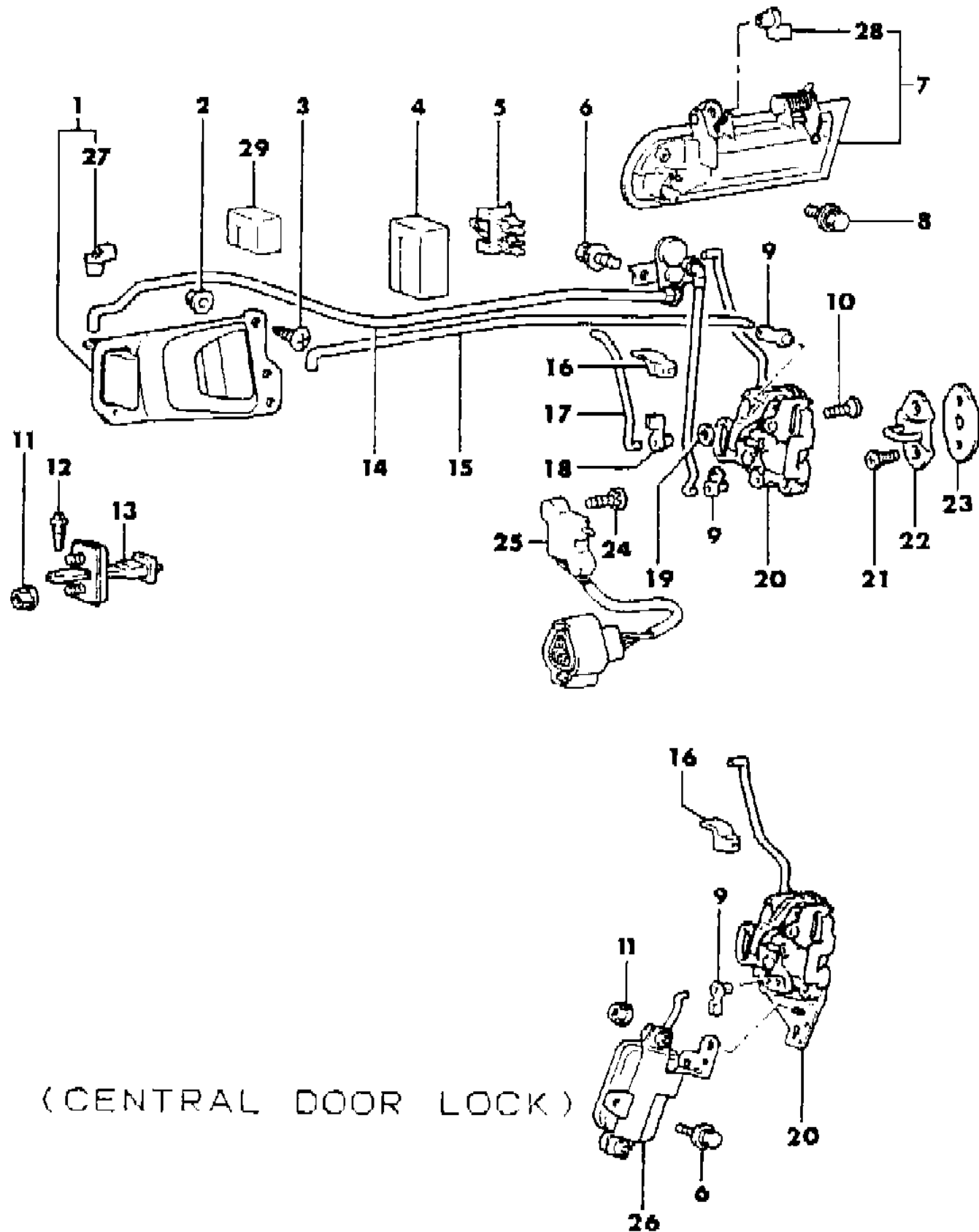




DOOR, FRONT HANDLES AND CONTROLS LASER-TALON

Figure 23C-200

9671 200 A



(CENTRAL DOOR LOCK)

ITEM	PART NUMBER	QTY	BODY	MODEL	DESCRIPTION
1					HANDLE, Inside
	MB51 7785	1			Left
	MB51 7786	1			Right
2	MS48 0013	AR			GROMMET
3	MU46 1022	AR			SCREW
4	MB59 0927	2			CUSHION, Locking
5	MB10 5260	2			HOLDER, Rod
6	MU24 0087	AR			BOLT
7					HANDLE, Exterior
	MB76 7213	1			Left, Quartz
	MB76 7215	1			Right, Quartz
	MB72 7457	1			Left, Raspberry, 1990-91
	MB72 7458	1			Right, Raspberry, 1990-91
	MB78 7394	1			Left, Raspberry, 1992-94
	MB78 7395	1			Right, Raspberry, 1992-94
	MB75 3109	1			Left, Turquoise
	MB75 3112	1			Right, Turquoise
	MB72 2514	1			Left, Gray
	MB72 2520	1			Right, Gray
	MB72 2512	1			Left, Black
	MB72 2518	1			Right, Black
	MB72 2511	1			Left, White (P.A.R)
	MB72 2517	1			Right, White (P.A.R.)
	MB72 2510	1			Left, Red, 1990-91
	MB72 2516	1			Right, Red, 1990-91
	MB79 3557	1			Left, Red, 1992-94
	MB79 3558	1			Right, Red, 1992-94
	MB76 7214	1			Left, Light Blue
	MB76 7216	1			Right, Light Blue
	MR71 0258	1			Right, Light Green
	MR71 0259	1			Left, Light Green
	MB76 6174	1			Left, Dark Blue
	MB76 6180	1			Right, Dark Blue
	MB76 6175	1	TALON		Left, Blue, 1990-91
	MB76 6181	1	TALON		Right, Blue, 1990-91
	MB75 3110	1	TALON		Left, Black Cherry, 1990-91
	MB75 3113	1	TALON		Right, Black Cherry, 1990-91
	MB97 5243	1			Left, Green, 1993-94
	MB97 5244	1			Right, Green, 1993-94

ENGINE: P = 1800cc (1.8L) A = 2000cc (2.0L) Blank = All  
 TRANS: A = Automatic M = Manual Blank = All  
 SERIES: H = High M = Medium P = Premium S = Special

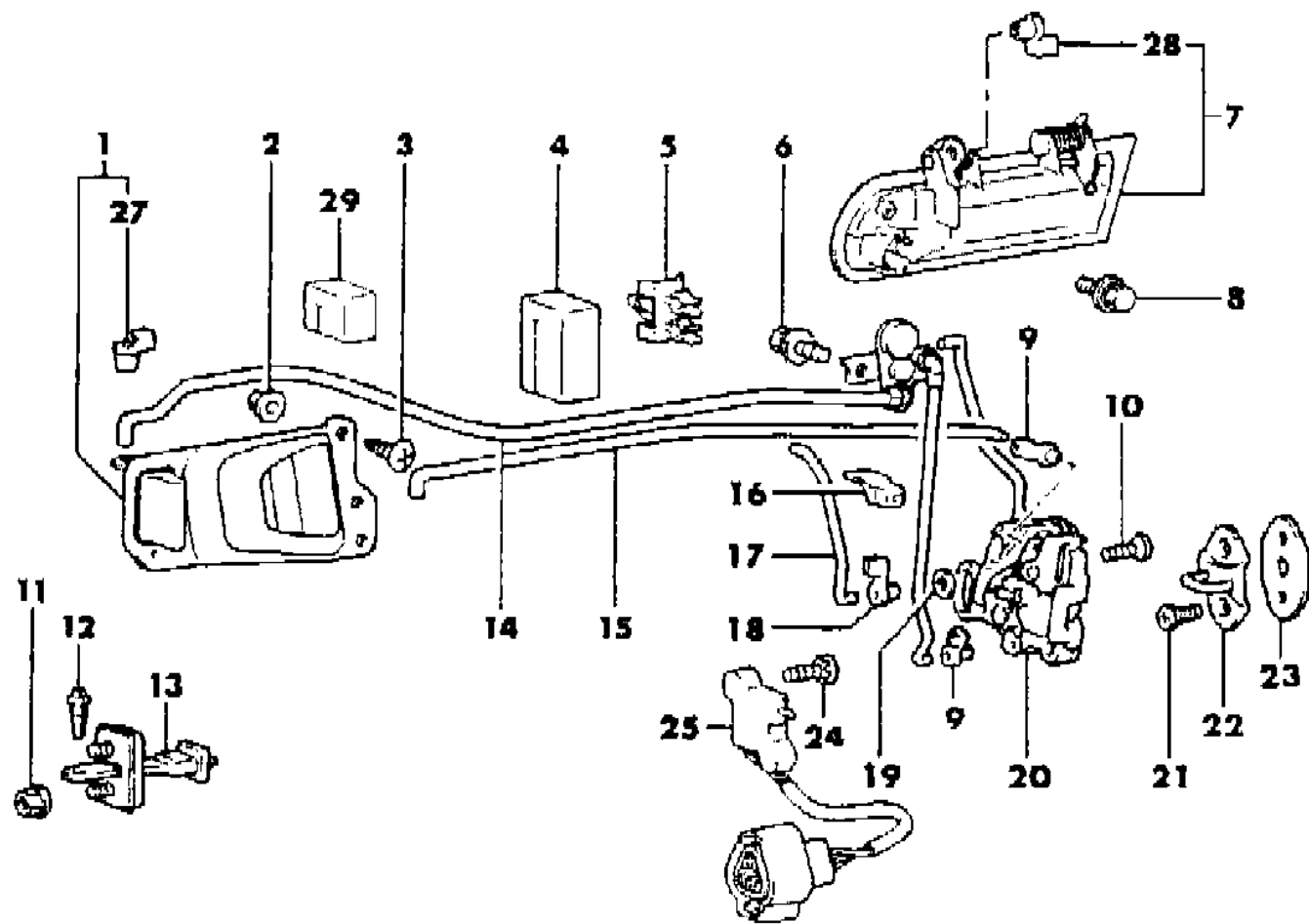
MODELS:  
 24 FWD = 2Dr Hatchback (Laser)  
 24 FWD = 2-Dr Hatchback (Talon)  
 4WD = (4 Wheel Drive)  
 2WD = (2 Wheel Drive)

AR = Use as Required - = Non Illustrated Part P.A.R. = Paint as Required

DOOR, FRONT HANDLES AND CONTROLS LASER-TALON

Figure 23C-200

9671 200 A



ITEM	PART NUMBER	QTY	BODY	MODEL	DESCRIPTION
8	MU24 0086	4			BOLT
9	MU48 1101	1			CLIP, Locking Left
	MU48 1102	1			Right
10	MU35 2122	AR			SCREW
11	MS44 0502	AR			NUT
12	MB63 2510	2			PIN, Check
13	MB51 7750	2			CHECK, Door
14					ROD, Inside Lock
	MB51 7739	1			Left
	MB51 7740	1			Right
15					ROD, Inside Handle
	MB51 7737	1			Left
	MB51 7738	1			Right
16	MB51 7925	2			CLIP, Locking
17					ROD, Outside Lock
	MB51 7735	1			Left
	MB51 7736	1			Right
18					CLIP, Locking
	MB51 7927	1			Left, 1990
	MB51 7928	1			Right, 1990
	MB59 0685	1			Left, 1991-94
	MB59 0686	1			Right, 1991-94
19	MB42 2729	2			WASHER
20					LATCH, Door
	MB51 7741	1			Left, 1990
	MB51 7742	1			Right, 1990
	MB63 1191	1			Left, 1991-94
	MB51 7742	1			Right, 1991-94
	MB51 7743	1			Left, w/Door Locks
	MB51 7744	1			Right, w/Door Locks
	MB63 1193	1			Left, 1994, CANADA
	MB63 2522	1			Right, 1994, CANADA
	MB62 3523	1			Left, w/Door Locks 1994, CANADA
	MB63 2524	1			Right, w/Door Locks 1994, CANADA
21	MU35 2176	4			SCREW
22	MB57 4967	2			STRIKER, Door
23	MB57 4974	2			SHIM, Striker
24	MF36 0745	4			SCREW

ENGINE: P = 1800cc (1.8L) A = 2000cc (2.0L) Blank = All  
 TRANS: A = Automatic M = Manual Blank = All  
 SERIES: H = High M = Medium P = Premium S = Special

MODELS:  
 24 FWD = 2Dr Hatchback (Laser)  
 24 FWD = 2-Dr Hatchback (Talon)  
 4WD = (4 Wheel Drive)  
 2WD = (2 Wheel Drive)

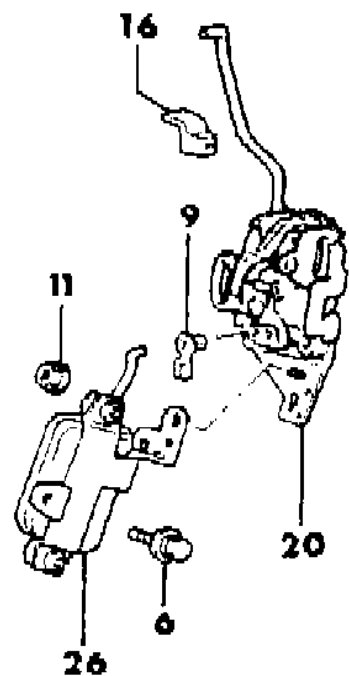
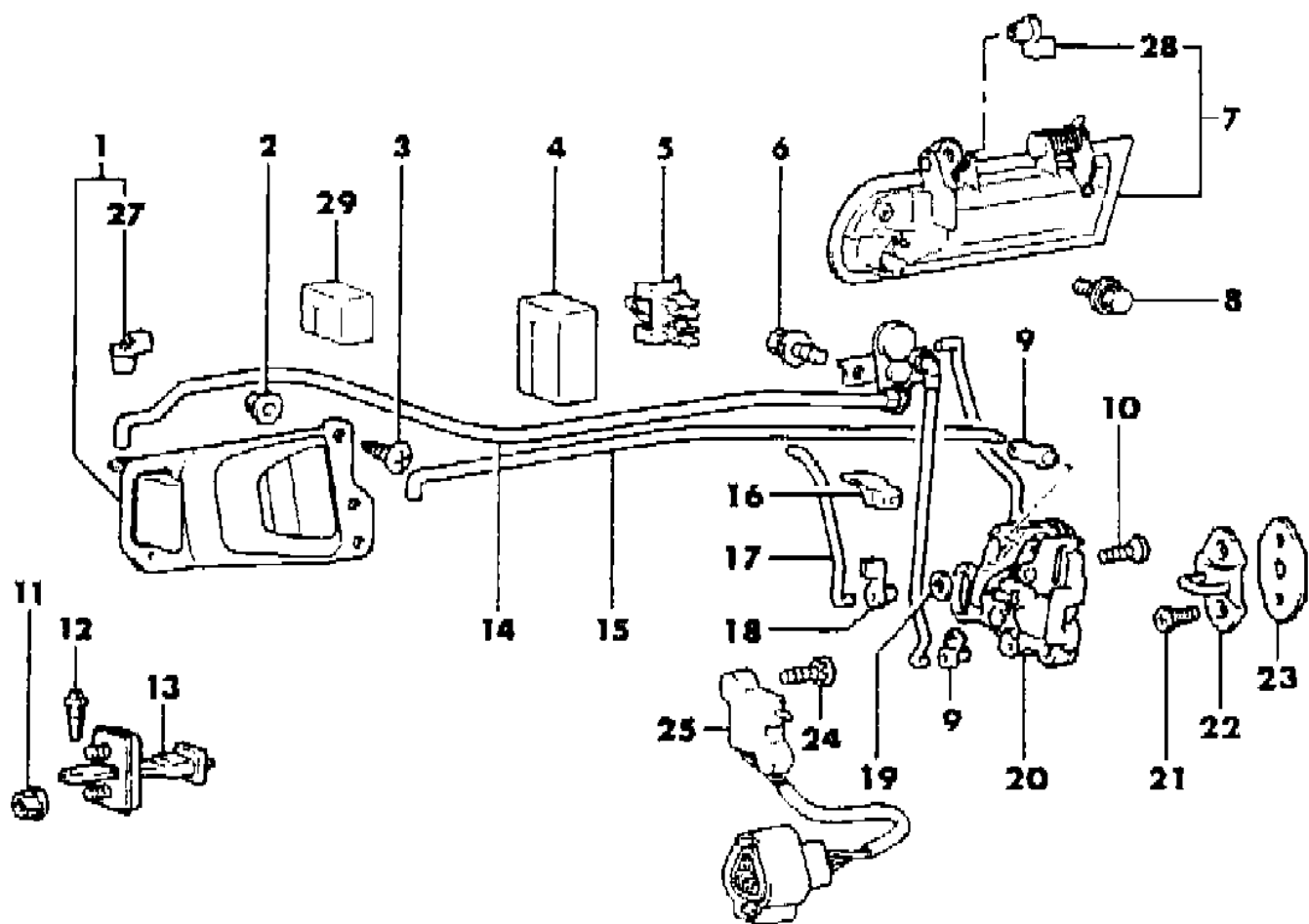
AR = Use as Required - = Non Illustrated Part P.A.R. = Paint as Required

(CENTRAL DOOR LOCK)



**DOOR, FRONT HANDLES AND CONTROLS LASER-TALON**  
**Figure 23C-200**

9671 200 A



(CENTRAL DOOR LOCK)

ITEM	PART NUMBER	QTY	BODY	MODEL	DESCRIPTION
25					SWITCH, Latch
	MB51 7945	1			Left, 1990-92
	MB51 7946	1			Right, 1990-92
	MB86 7461	1			Left, 1993-94
	MB86 7462	1			Right, 1993-94
26					ACTUATOR, Lock
	MB51 7611	1			Left
	MB51 7612	1			Right
27					CLIP, Rod
	MS47 0433	1			Left
	MS47 0434	1			Right
28					SNAP, Locking
	MU48 1091	1			Yellow
	MU48 1090	1			White
29	MB67 6038	2			CUSHION

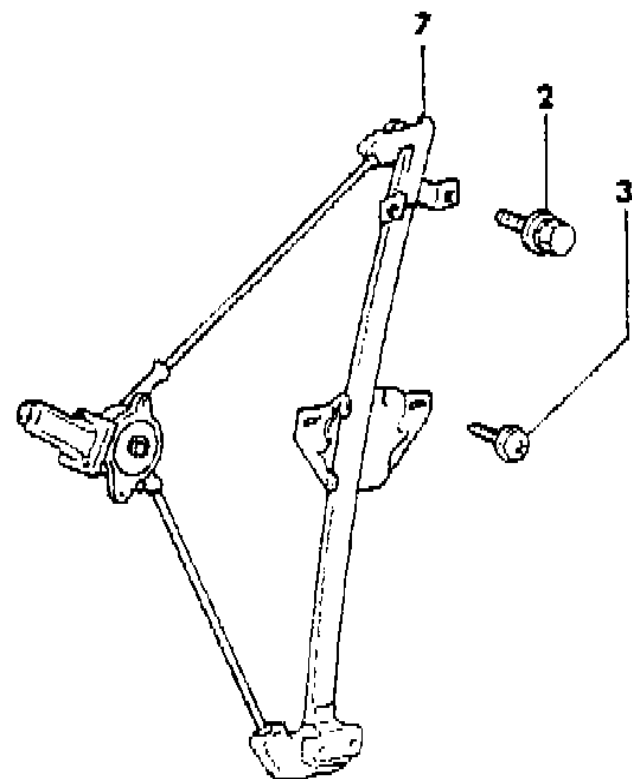
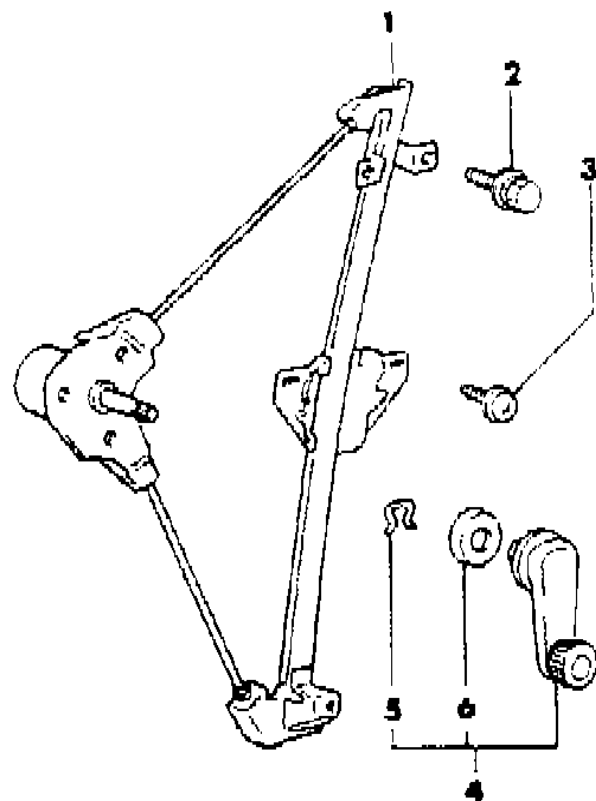
ENGINE: P = 1800cc (1.8L) A = 2000cc (2.0L) Blank = All  
 TRANS: A = Automatic M = Manual Blank = All  
 SERIES: H = High M = Medium P = Premium S = Special

MODELS:  
 24 FWD = 2Dr Hatchback (Laser)  
 24 FWD = 2-Dr Hatchback (Talon)  
 4WD = (4 Wheel Drive)  
 2WD = (2 Wheel Drive)

AR = Use as Required - = Non Illustrated Part P.A.R. = Paint as Required

DOOR, FRONT REGULATOR LASER-TALON  
Figure 23C-300

9671 300



ITEM	PART NUMBER	QTY	BODY	MODEL	DESCRIPTION
1	MB51 7771	1			REGULATOR, Manual Left
	MB51 7772	1			Right
2	MU24 0087	AR			BOLT
3	MU46 2010	AR			SCREW
4	MB72 2147	2			HANDLE, Regulator Gray, 1990-91
	MB78 4686	2			Gray, 1992-94
	MB72 2148	2			Brown
5	MA16 5425	2			CLIP, Handle
6	MB72 7421	2			ESCUTCHEON Gray, 1990-91
	MB78 4687	2			Gray, 1992-94
	MB72 7422	2			Brown
7	MB51 7773	1			REGULATOR, Electric w/Motor Left
	MB51 7774	1			Right

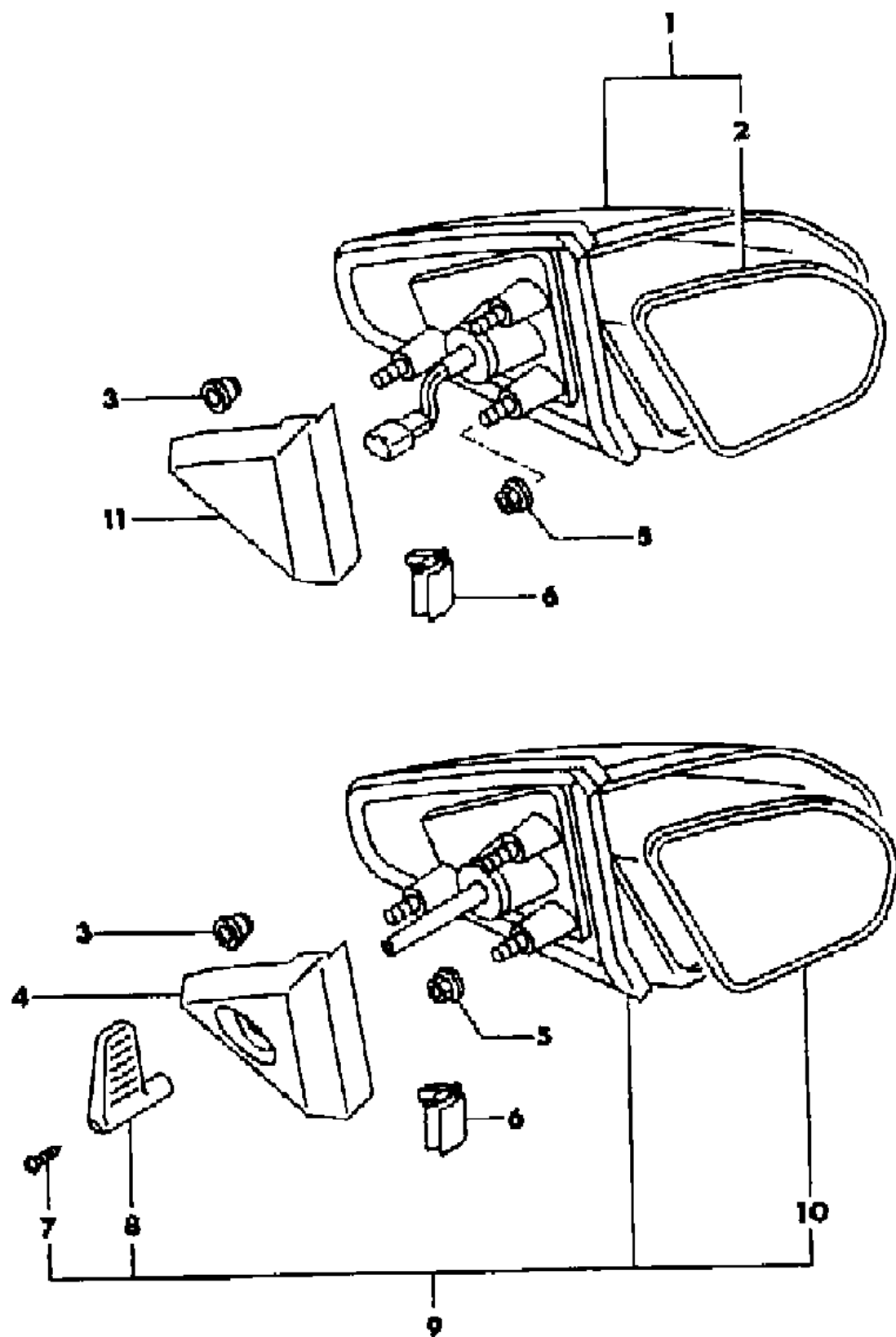
ENGINE: P = 1800cc (1.8L) A = 2000cc (2.0L) Blank = All  
 TRANS: A = Automatic M = Manual Blank = All  
 SERIES: H = High M = Medium P = Premium S = Special

MODELS:  
 24 FWD = 2Dr Hatchback (Laser)  
 24 FWD = 2-Dr Hatchback (Talon)  
 4WD = (4 Wheel Drive)  
 2WD = (2 Wheel Drive)

AR = Use as Required - = Non Illustrated Part P.A.R. = Paint as Required

MIRROR, EXTERIOR LASER-TALON  
Figure 23C-400

9671 400 A



ITEM	PART NUMBER	QTY	BODY	MODEL	DESCRIPTION
1					MIRROR, Electric
					1990-91 ***
	MB47 9153	1			Left
	MB47 9152	1			Right
					1992-94 ***
	MB79 3615	1			Left, Black
	MB79 3621	1			Right, Black
	MB79 3618	1			Left, Blue
	MB79 3624	1			Right, Blue
	MB79 3616	1			Left, Quartz
	MB79 3622	1			Right, Quartz
	MB79 5421	1			Left, Raspberry
	MB79 5422	1			Right, Raspberry
	MB79 3619	1			Left, Red
	MB79 3625	1			Right, Red
	MB79 3617	1			Left, Turquoise
	MB79 3623	1			Right, Turquoise
	MB79 3614	1			Left, White
	MB79 3620	1			Right, White
	MB97 4277	1			Left, Green
	MB97 4278	1			Right, Green
	MR71 0161	1			Left, Light Green
	MR71 0162	1			Right, Light Green
2					MIRROR, w/Holder, Electric
	MB47 9273	1			Left
	MB47 9272	1			Right
3	MB22 4370	2			CLIP
4					COVER, Inner, w/Remote Mirror
	MB47 9155	1			Left
	MB47 9154	1			Right
5	MS44 0502	AR			NUT
6	MB47 9370	2			CLIP
7	MB64 3335	2			SCREW
8	MB47 9356	2			KNOB, Mirror
9					MIRROR, Remote Control
	MB47 9151	1			Left
	MB47 9150	1			Right
10					MIRROR, w/Holder, Remote
	MB47 9271	1			Left

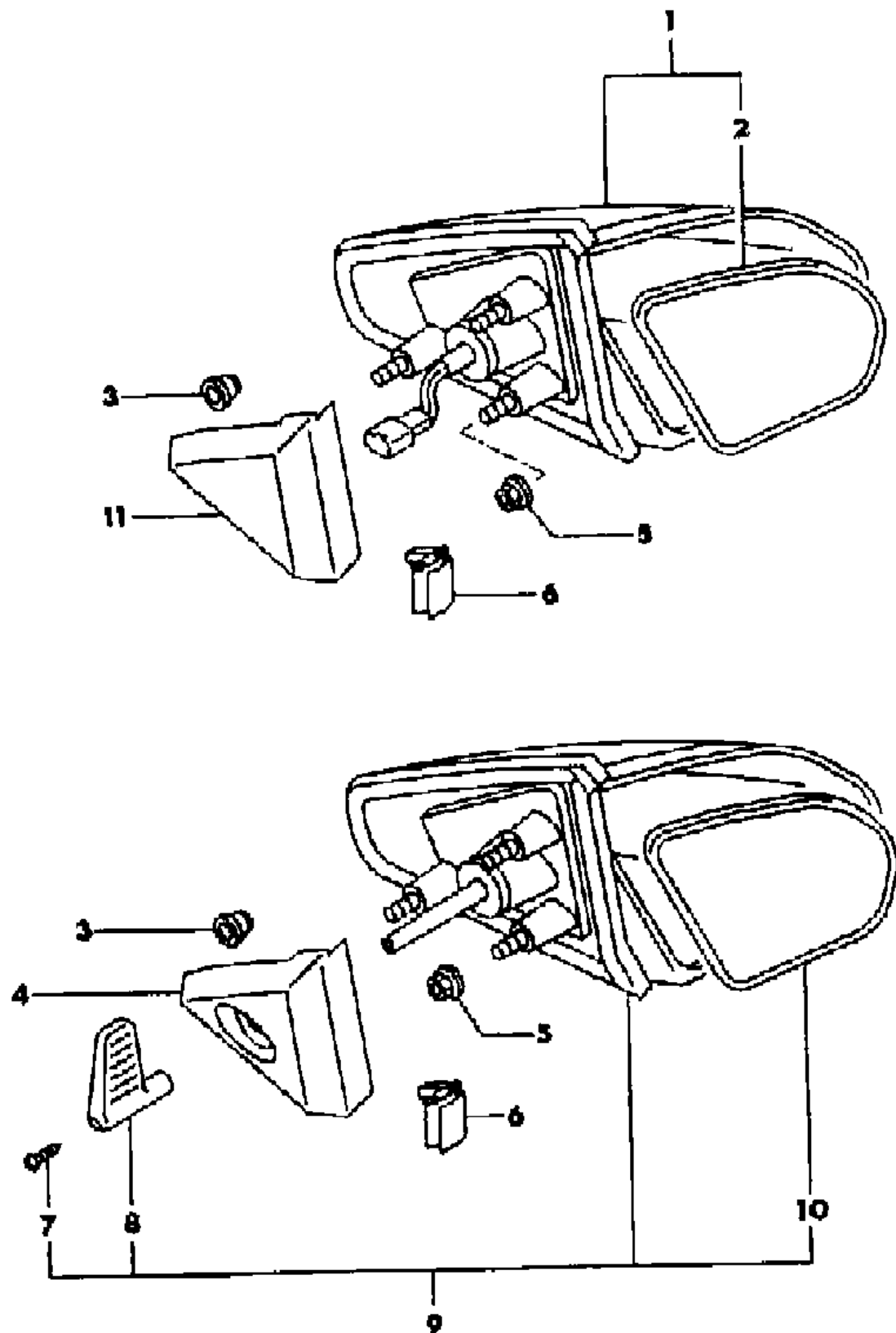
ENGINE: P = 1800cc (1.8L) A = 2000cc (2.0L) Blank = All  
 TRANS: A = Automatic M = Manual Blank = All  
 SERIES: H = High M = Medium P = Premium S = Special

MODELS:  
 24 FWD = 2Dr Hatchback (Laser)  
 24 FWD = 2-Dr Hatchback (Talon)  
 4WD = (4 Wheel Drive)  
 2WD = (2 Wheel Drive)

AR = Use as Required - = Non Illustrated Part P.A.R. = Paint as Required

MIRROR, EXTERIOR LASER-TALON  
Figure 23C-400

9671 400 A



ITEM	PART NUMBER	QTY	BODY	MODEL	DESCRIPTION
	MB47 9270	1			Right
11	MB47 9157	1			COVER, Inner
	MB47 9156	1			Left
					Right

ENGINE: P = 1800cc (1.8L) A = 2000cc (2.0L) Blank = All  
 TRANS: A = Automatic M = Manual Blank = All  
 SERIES: H = High M = Medium P = Premium S = Special

MODELS:  
 24 FWD = 2Dr Hatchback (Laser)  
 24 FWD = 2-Dr Hatchback (Talon)  
 4WD = (4 Wheel Drive)  
 2WD = (2 Wheel Drive)

AR = Use as Required - = Non Illustrated Part P.A.R. = Paint as Required

---

**GROUP 23D - BODY - MISCELLANEOUS**

<b>ILLUSTRATION TITLE</b>	<b>GROUP-FIG. NO.</b>
LOCK CYLINDER AND KEYS LASER-TALON .....	Fig. 23D-100
WINDSHIELD WIPER AND WASHER SYSTEM LASER-TALON .....	Fig. 23D-200
REAR WIPER AND WASHER SYSTEM LASER-TALON .....	Fig. 23D-300

**ILLUSTRATION NOT AVAILABLE AT TIME OF PUBLICATION**

---

**LOCK CYLINDER AND KEYS LASER-TALON**  
Figure 23D-100

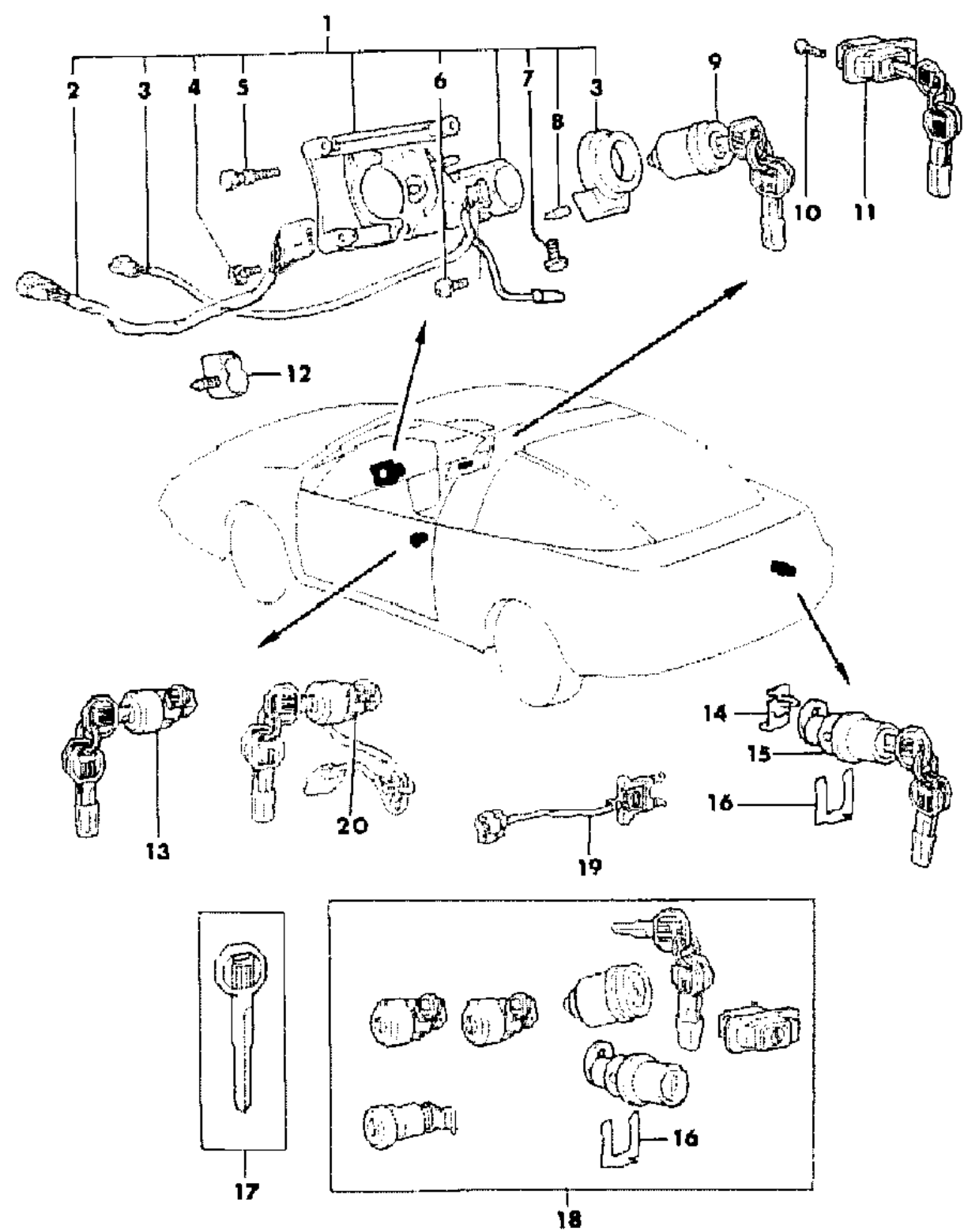
9672 100D

ITEM	PART NUMBER	QTY	BODY	MODEL	DESCRIPTION
1					SWITCH, Ignition
	MB54 2442	1			Man. Trans.
	MB60 6457	1			Auto Trans.
2	MB60 6048	1			SWITCH, Lock
3	MB68 6063	1			SWITCH, Key Warning
4	MF35 0004	1			SCREW
5	MB17 1106	2			BOLT
6	MF35 0002	2			SCREW
7	MS35 0266	2			SCREW
8	MB68 6064	1			BULB, Steering Lock
9					CYLINDER, Lock
	MB59 0873	1			Man. Trans.
	MB59 0990	1			Auto Trans.
10	MF20 1044	2			SCREW
11					LOCK, Glove Box
	MB63 2983	1			1990-91, Gray
	MB79 1490	1			1992-94, Gray
	MB63 2984	1			1990-94, Brown
12	MB53 0259	1			CLIP, Lock
13					CYLINDER, Door
	MB59 0868	1			Left
	MB59 0869	1			Right
14	MU48 1006	1			HOLDER, Rod
15	MB59 0872	1			CYLINDER, Liftgate Lock
16	MB40 2326	1			RETAINER, Door Cylinder
17	MB54 2412	1			BLANK, Key
18					KEY PACKAGE
					Man. Trans.
	MB63 2985	1			1990-91, Gray
	MB63 2987	1		TALON	1990-91, w/AWD, Gray
	MB79 1491	1			1992-94, Gray
	MB63 2986	1			1990-94, Brown
	MB63 2988	1		TALON	1990-91, w/AWD, Brown
					Auto Trans.
	MB63 2989	1			1990-91, Gray
	MB79 1493	1			1992-94, Gray
	MB63 2990	1			1990-94, Brown
19	MB53 7178	1		TALON	SWITCH, Liftgate Lock
20					CYLINDER, Door

ENGINE: P = 1800cc (1.8L) A = 2000cc (2.0L) Blank = All  
 TRANS: A = Automatic M = Manual Blank = All  
 SERIES: H = High M = Medium P = Premium S = Special

MODELS:  
 24 FWD = 2Dr Hatchback (Laser)  
 24 FWD = 2-Dr Hatchback (Talon)  
 4WD = (4 Wheel Drive)  
 2WD = (2 Wheel Drive)

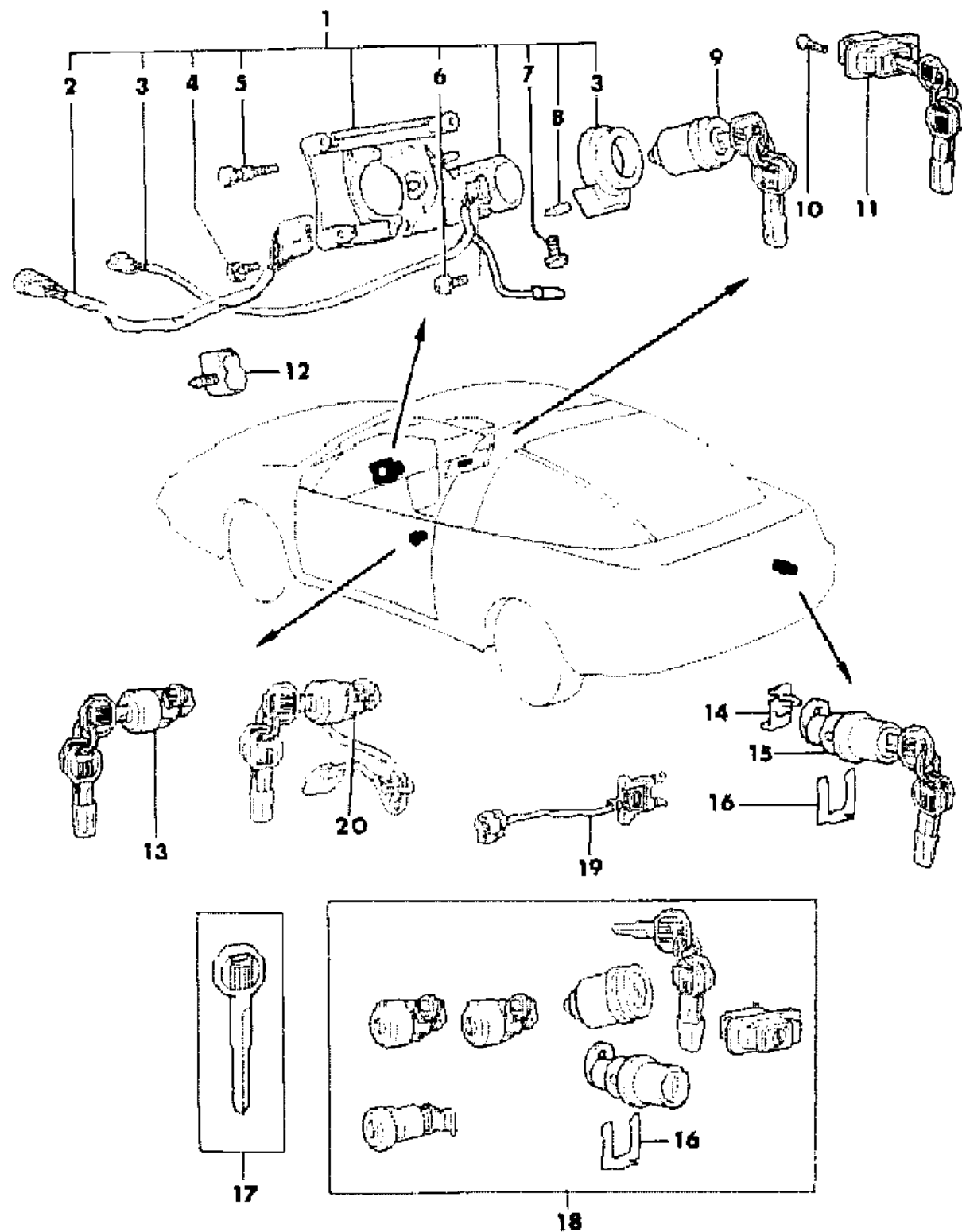
AR = Use as Required - = Non Illustrated Part P.A.R. = Paint as Required



LOCK CYLINDER AND KEYS LASER-TALON  
Figure 23D-100

9672 100D

ITEM	PART NUMBER	QTY	BODY	MODEL	DESCRIPTION
	MB59 0870	1			Left, w/Theft Protection
	MB59 0871	1			Right, w/Theft Protection



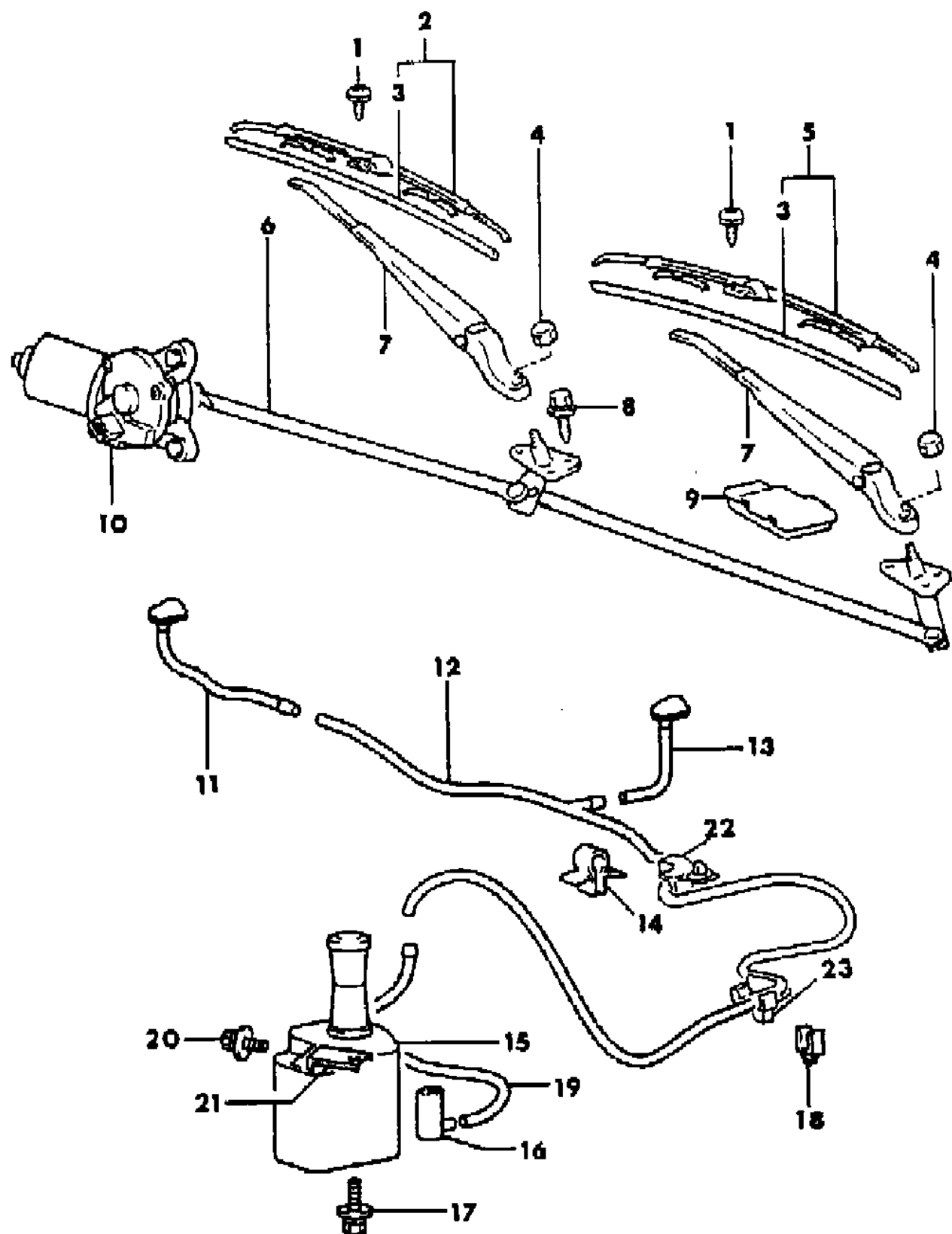
ENGINE: P = 1800cc (1.8L) A = 2000cc (2.0L) Blank = All  
 TRANS: A = Automatic M = Manual Blank = All  
 SERIES: H = High M = Medium P = Premium S = Special

MODELS:  
 24 FWD = 2Dr Hatchback (Laser)  
 24 FWD = 2-Dr Hatchback (Talon)  
 4WD = (4 Wheel Drive)  
 2WD = (2 Wheel Drive)

AR = Use as Required - = Non Illustrated Part P.A.R. = Paint as Required

**WINDSHIELD WIPER AND WASHER SYSTEM LASER-TALON**  
**Figure 23D-200**

9672 200 8



ITEM	PART NUMBER	QTY	BODY	MODEL	DESCRIPTION
1	MB08 3726	4			SCREW, 1990-91
2	MB54 2481	1			BLADE, Lt., Wiper 1990-91
	MB88 1565	1			1992-94
3					REFILL, Blade
	MB54 2487	2			1990-91
4	MB82 1509	2			1992-94
	MS44 0074	2			NUT
5					BLADE, Rt., Wiper
	MB54 2486	1			1990-91
6	MB88 1566	1			1992-94
	MB53 0212	1			LINK, Wiper
7					ARM, Wiper
	MB54 2482	1			Left 1990-91
8	MB88 1559	1			1992-94
					Right
9	MB54 2483	1			1990-91
	MB88 1560	1			1992-94
10					MOTOR, Wiper
	MB53 0210	1			
11					NOZZLE, Washer
	MB53 0234	1			1990
12	MB59 6567	1			1991-94
					TUBE, Washer
13	MB53 0232	1			1990
					NOZZLE, Washer
14	MB53 0233	1			1990
	MB59 6568	1			1991-94
15					RESERVOIR, w/Cap
	MU48 1009	3			
16	MB53 0230	1			1990-93
	MB62 3945	1			1994
17					MOTOR, Washer
	MB62 2609	1			
18	MS24 0141	3			BOLT
	MU48 1044	1			CLIP
19	MB62 3992	1			HOSE
	MB62 3993	1			BOLT
20	MB62 3994	1			BRACKET

ENGINE: P = 1800cc (1.8L) A = 2000cc (2.0L) Blank = All  
 TRANS: A = Automatic M = Manual Blank = All  
 SERIES: H = High M = Medium P = Premium S = Special

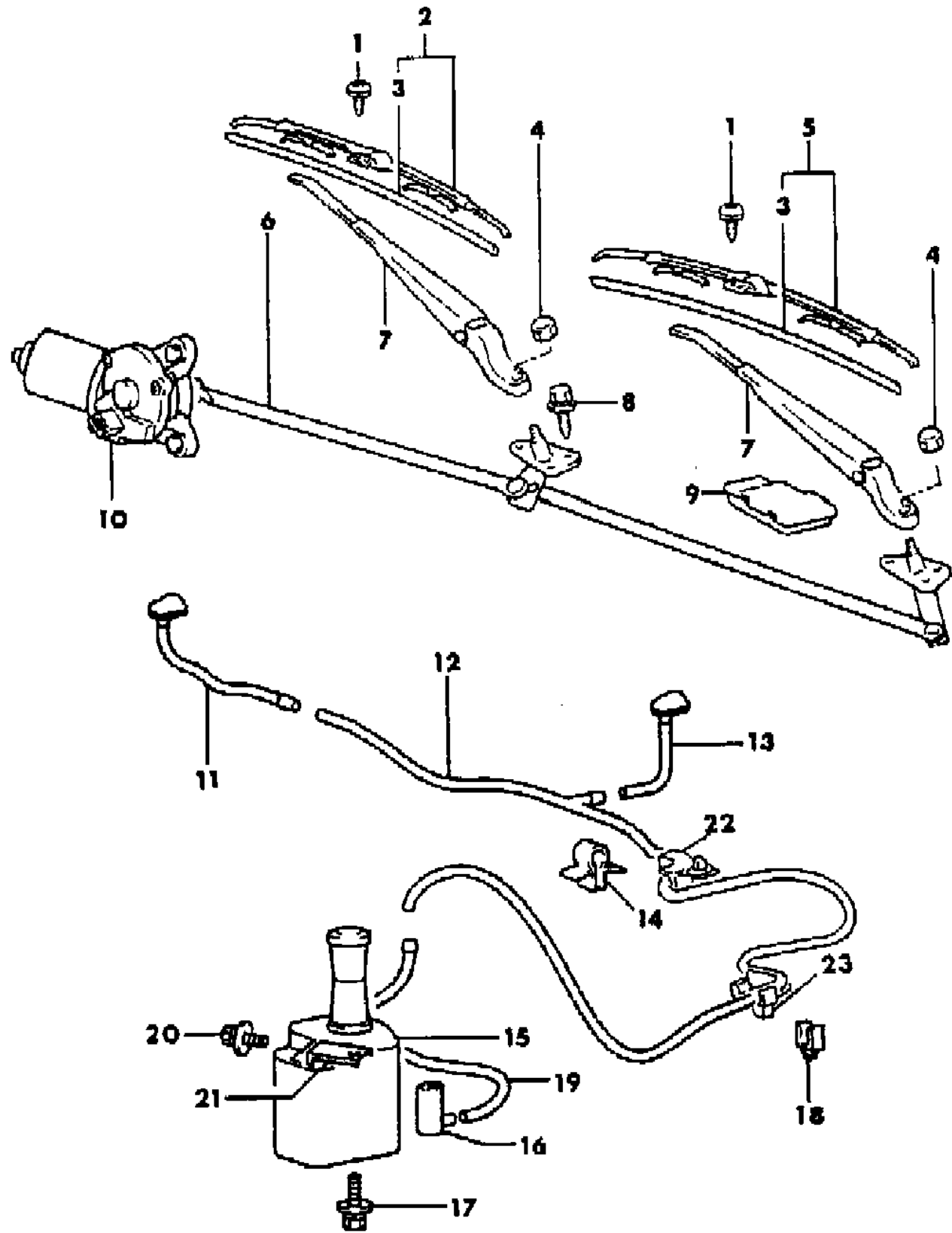
MODELS:  
 24 FWD = 2Dr Hatchback (Laser)  
 24 FWD = 2-Dr Hatchback (Talon)  
 4WD = (4 Wheel Drive)  
 2WD = (2 Wheel Drive)

AR = Use as Required - = Non Illustrated Part P.A.R. = Paint as Required



**WINDSHIELD WIPER AND WASHER SYSTEM LASER-TALON**  
**Figure 23D-200**

9672 200 8



ITEM	PART NUMBER	QTY	BODY	MODEL	DESCRIPTION
22	MB54 2474	1			CLIP
23	MU48 1046	1			CLIP

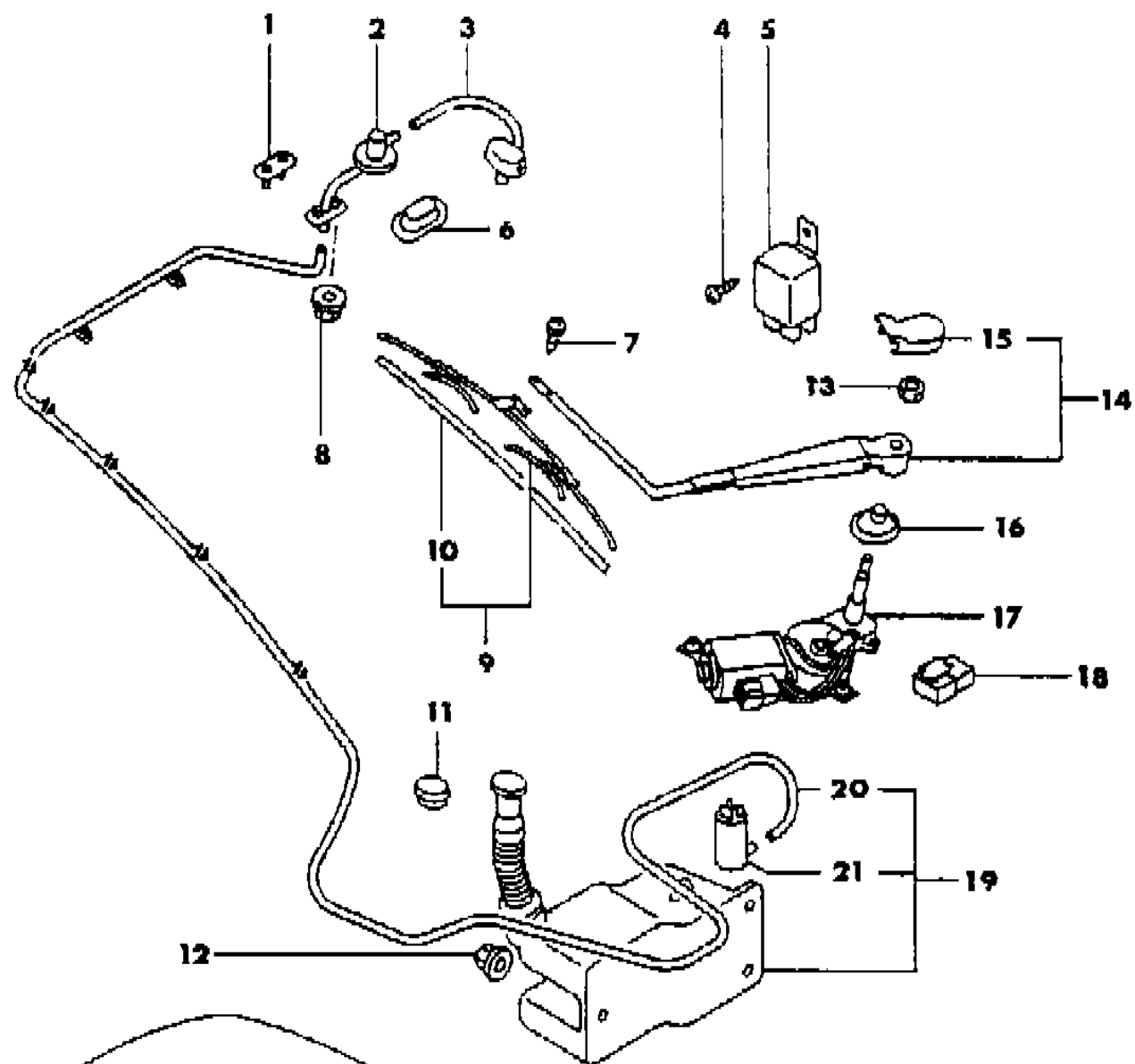
ENGINE: P = 1800cc (1.8L) A = 2000cc (2.0L) Blank = All  
 TRANS: A = Automatic M = Manual Blank = All  
 SERIES: H = High M = Medium P = Premium S = Special

MODELS:  
 24 FWD = 2Dr Hatchback (Laser)  
 24 FWD = 2-Dr Hatchback (Talon)  
 4WD = (4 Wheel Drive)  
 2WD = (2 Wheel Drive)

AR = Use as Required - = Non Illustrated Part P.A.R. = Paint as Required

REAR WIPER AND WASHER SYSTEM LASER-TALON  
Figure 23D-300

9672 300



ITEM	PART NUMBER	QTY	BODY	MODEL	DESCRIPTION
1	MB54 2386	1			PLUG, Washer
2	MB53 0296	1			JOINT, Washer
3	MB53 0294	1			NOZZLE, Washer
4	MS45 0157	1			SCREW
5	MB51 0925	1			RELAY, Intermittent Wiper ***
6	MB57 2170	1			PLUG, Washer
7	MB08 3726	2			SCREW
8	MS44 0501	2			NUT
9	MB53 0299	1			BLADE, Wiper
10	MB62 2610	1			REFILL, Blade
11	MB53 0314	1			PLUG, Washer
12	MS44 0502	3			NUT
13	MF43 0004	1			NUT
14	MB53 0298	1			ARM, Wiper
15	MB11 4656	1			COVER, Arm Head
16	MB53 0292	1			GROMMET
17	MB53 0290	1			MOTOR, Wiper
18	MB60 6220	1			CONNECTOR, Washer
19	MB53 0293	1			RESERVOIR, Washer
20	MB53 0295	1			TUBE, Washer
21	MB28 6961	1			MOTOR, Washer

ENGINE: P = 1800cc (1.8L) A = 2000cc (2.0L) Blank = All  
 TRANS: A = Automatic M = Manual Blank = All  
 SERIES: H = High M = Medium P = Premium S = Special

MODELS:  
 24 FWD = 2Dr Hatchback (Laser)  
 24 FWD = 2-Dr Hatchback (Talon)  
 4WD = (4 Wheel Drive)  
 2WD = (2 Wheel Drive)

AR = Use as Required - = Non Illustrated Part P.A.R. = Paint as Required

**GROUP 24 - HEATER AND AIR CONDITIONING**

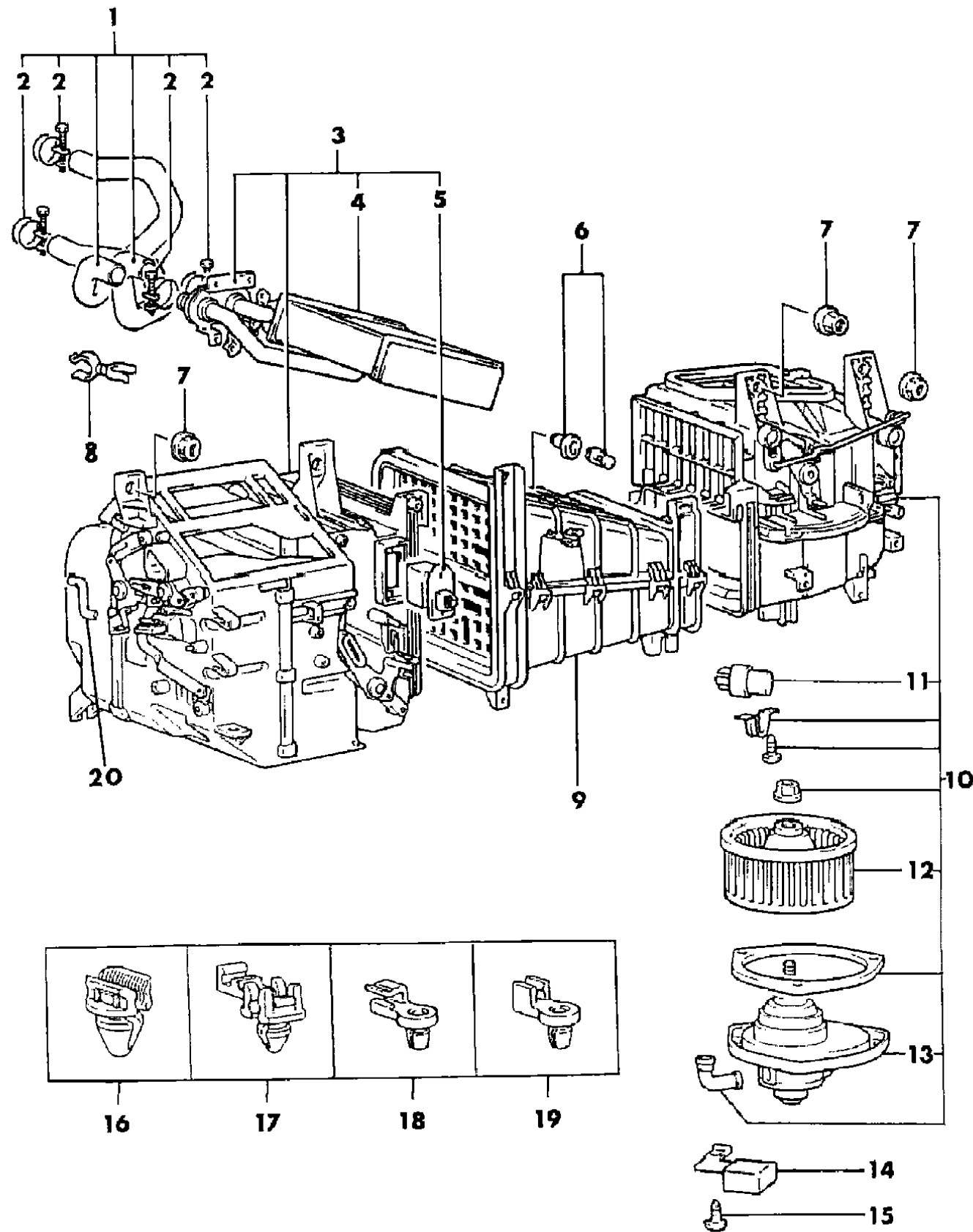
<b>ILLUSTRATION TITLE</b>	<b>GROUP-FIG. NO.</b>
<b>HEATER &amp; AIR CONDITIONING</b>	
HEATER UNIT AND HEATER PLUMBING LASER-TALON .....	Fig. 24-105
AIR CONDITIONER UNIT LASER-TALON .....	Fig. 24-110
<b>CONDENSER--AIR CONDITIONER</b>	
CONDENSER--AIR CONDITIONER 1990 LASER-TALON .....	Fig. 24-205
CONDENSER--AIR CONDITIONER 1991-94 LASER-TALON .....	Fig. 24-210
PLUMBING--AIR CONDITIONER 1990 LASER-TALON .....	Fig. 24-215
PLUMBING--AIR CONDITIONER 1991-94 LASER-TALON .....	Fig. 24-220
<b>CONTROLS--HEATER &amp; AIR CONDITIONER</b>	
CONTROL--HEATER AND AIR CONDITIONER LASER-TALON .....	Fig. 24-305
<b>COMPRESSOR--AIR CONDITIONER</b>	
COMPRESSOR--AIR CONDITIONER LASER-TALON .....	Fig. 24-405
<b>COMPRESSOR MOUNTING--AIR CONDITIONING</b>	
COMPRESSOR MOUNTING--AIR CONDITIONING LASER-TALON .....	Fig. 24-505
<b>VENTILATION DUCTS</b>	
VENTILATION DUCTS LASER-TALON .....	Fig. 24-605
REAR VENTILATION DUCT LASER-TALON .....	Fig. 24-610
AIR CONDITIONING PLUGS AND CLIPS LASER-TALON .....	Fig. 24-615

**ILLUSTRATION NOT AVAILABLE AT TIME OF PUBLICATION**

# HEATER UNIT AND HEATER PLUMBING LASER-TALON

Figure 24-105

9624 105



ITEM	PART NUMBER	QTY	BODY	MODEL	DESCRIPTION
1					HOSE KIT, Heater Water ***
	MB52 7993	1			1.8L Engine
	MB52 7995	1			2.0L Engine
2	MA60 9047	4			CLAMP, Hose (25)
3					HEATER ASSY ***
	MB43 8662	1			1990-91
	MB81 3613	1			1992-94
4	MB43 9468	1			CORE, Heater
5	MB43 9839	1			RESISTOR, Heater
6	MB47 6821	4			CLIP, Trim, (Black)
7	MS44 0523	7			NUT, w/Washer, (8)
8	MS47 0478	1			CLIP, Heater Piping
9	MB43 8677	1			DUCT, Heater Air Intake
10					BLOWER ASSY, Heater ***
	MB43 8674	1			w/o A/C
	MB56 8299	1			w/A/C
11	MB08 4670	1			RELAY
12					FAN, HEATER BLOWER
	MB08 0777	1			1990-92
	MB18 8930	1			1993
	MB08 0777	1			1994
13					MOTOR, Heater Blower
	MB56 8800	1			1990-92, w/o Fan
	MB43 9838	1			1993-94, w/Fan
14	MB60 9185	1			CONNECTOR, Heater
15	MS45 0959	1			SCREW, (5x12)
16	MU48 1006	1			CLAMP
17	MB36 5999	1			HOLDER, Rod
18	MB23 9132	1			HOLDER, Rod
19	MB18 8451	1			HOLDER, Rod
20	MB84 9123	1			HOSE, Heater Control, (5x25 Vinyl)

ENGINE: P = 1800cc (1.8L) A = 2000cc (2.0L) Blank = All  
 TRANS: A = Automatic M = Manual Blank = All  
 SERIES: H = High M = Medium P = Premium S = Special

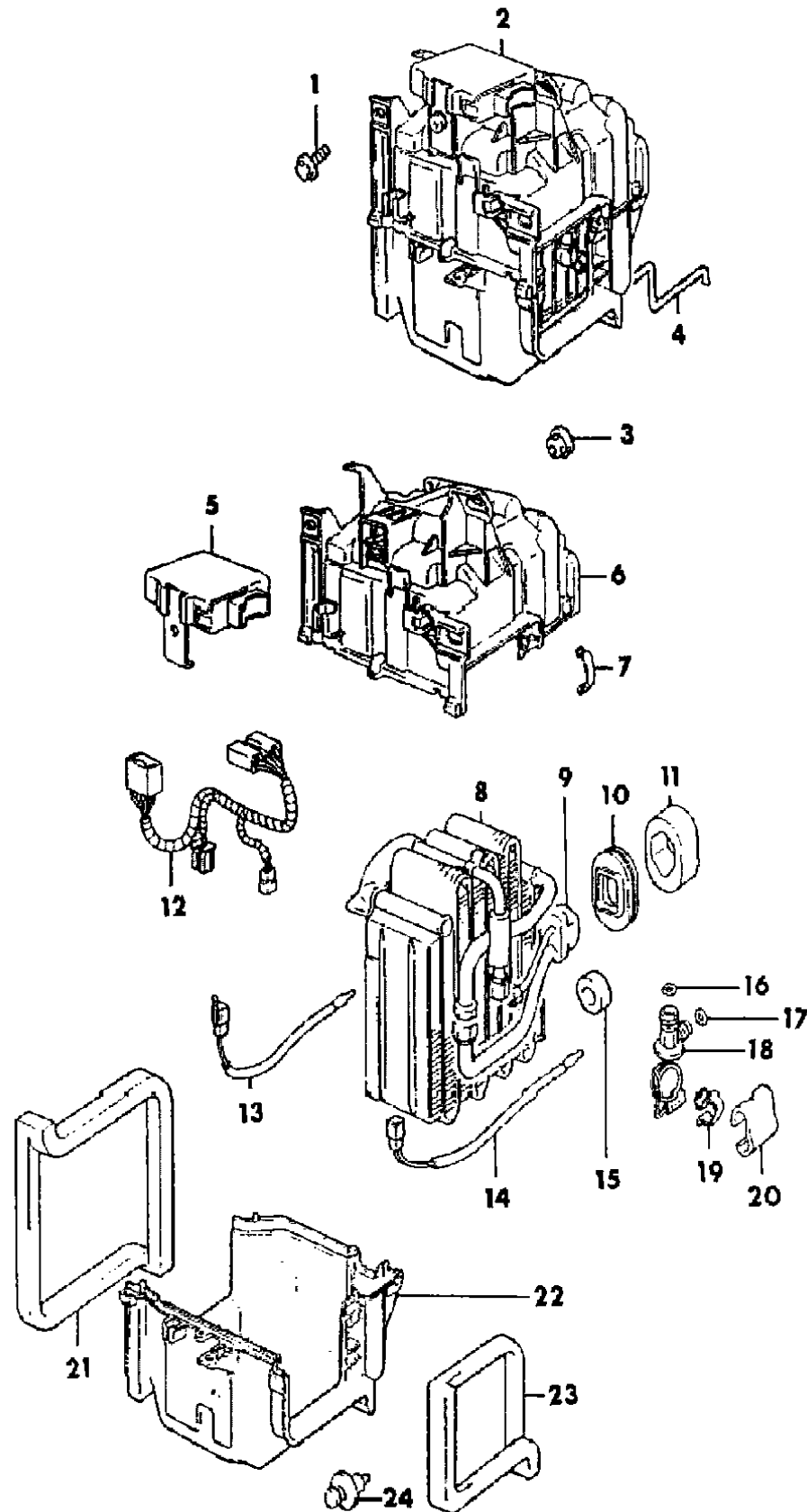
MODELS:  
 24 FWD = 2Dr Hatchback (Laser)  
 24 FWD = 2-Dr Hatchback (Talon)  
 4WD = (4 Wheel Drive)  
 2WD = (2 Wheel Drive)

AR = Use as Required - = Non Illustrated Part P.A.R. = Paint as Required

AIR CONDITIONER UNIT LASER-TALON

Figure 24-110

9624 110



ITEM	PART NUMBER	QTY	BODY	MODEL	DESCRIPTION
1	MS24 0146	2			BOLT, w/Washer, (8x25)
2	MB43 9938	1			CONDENSER ASSY, A/C, Up to 1-1-94 ***
	MR17 5981				Aft. 1-1-94
3	MS44 0523	1			NUT, w/Washer, (8)
4	MB43 9493	1			HOSE, Evaporator Drain
5	MB60 9268	1			CONTROL, Unit A/C
6	MB65 7124	1			CASE, Unit
7	MB08 1308	4			CLIP
8	MB65 7065	1			EVAPORATOR, A/C Unit, Up To 1-1-94
	MR20 1292				Aft. 1-1-94
9	MB65 7125	1			PIPE, Up To 1-1-94
	MR19 0829				Aft. 1-1-94
10	MB65 7064	1			GROMMET
11	MB65 7068	1			INSULATOR
12	MB60 9269	1			HARNESSE, Control
13	MB60 9267	1			THERMISTOR, Evaporator Air Outlet ***
14	MB60 9266	1			THERMISTOR, Evaporator Air Inlet ***
15	MB65 7130	1			GASKET
16	MB60 9179	1			O-RING, (1/2"), Up To 1-1-94
	MR11 7054				Aft. 1-1-94
17	MB27 6215	1			O-RING, (5/8"), Up To 1-1-94
	MR11 7055				Aft. 1-1-94
18	MB65 7066	1			VALVE, A/C Expansion, Up To 1-1-94
	MR20 1293				Aft. 1-1-94
19	MB65 7126	1			HOLDER, Inner
20	MB65 7127	1			GASKET
21	MB65 7129	1			GASKET
22	MB65 7063	1			CASE, Unit Lower
23	MB65 7128	1			GASKET
24	MB47 6821	1			CLIP, (Black)

ENGINE: P = 1800cc (1.8L) A = 2000cc (2.0L) Blank = All  
 TRANS: A = Automatic M = Manual Blank = All  
 SERIES: H = High M = Medium P = Premium S = Special

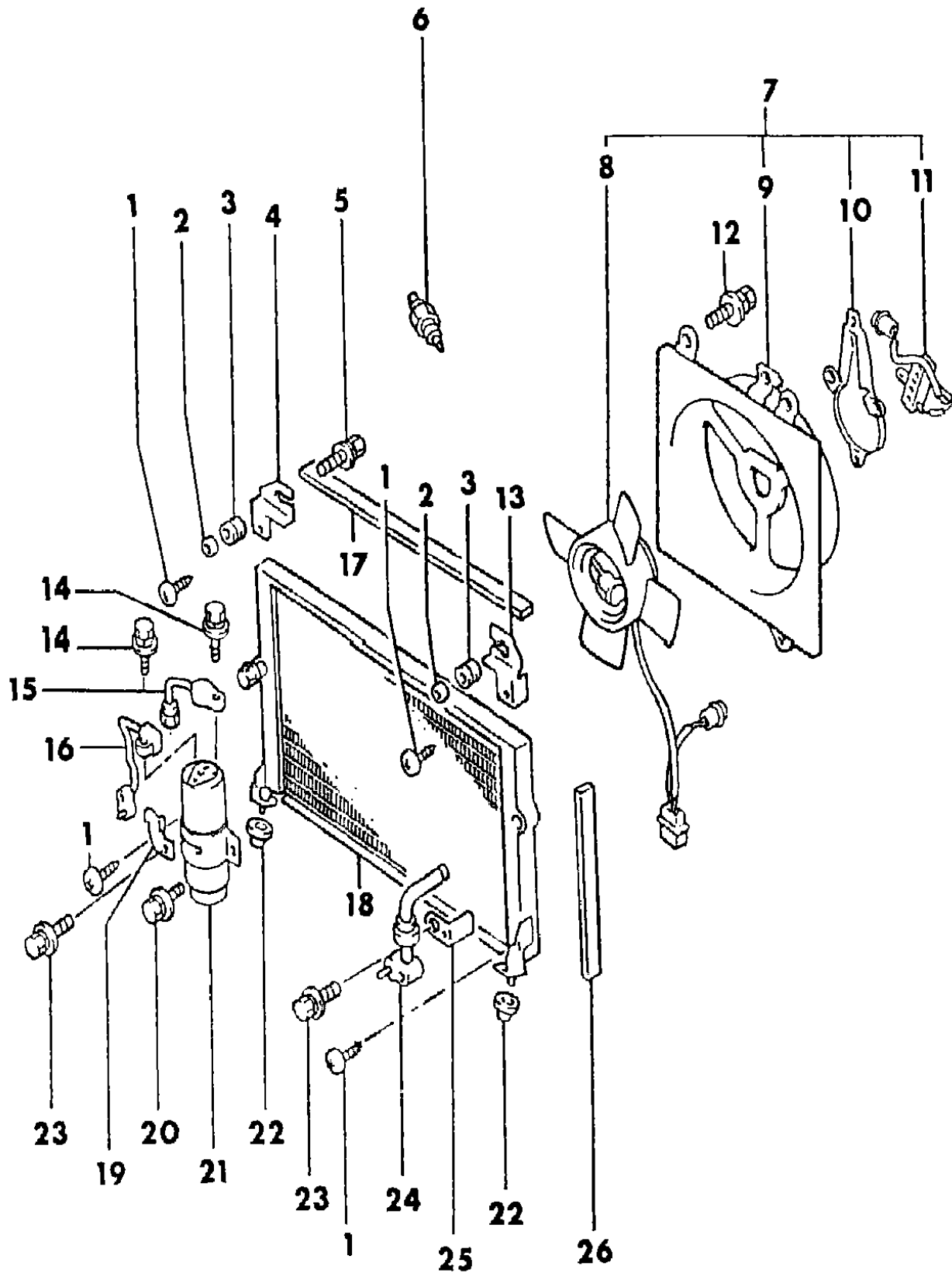
MODELS:  
 24 FWD = 2Dr Hatchback (Laser)  
 24 FWD = 2-Dr Hatchback (Talon)  
 4WD = (4 Wheel Drive)  
 2WD = (2 Wheel Drive)

AR = Use as Required - = Non Illustrated Part P.A.R. = Paint as Required

**CONDENSER--AIR CONDITIONER 1990 LASER-TALON**  
**Figure 24-205**

9624 205

ITEM	PART NUMBER	QTY	BODY	MODEL	DESCRIPTION
1	MB65 7081	5			SCREW, Tapping
2	MB65 7076	2			BUSHING
3	MB65 7075	2			GROMMET
4	MB65 7073	1			BRACKET, Condenser
5	MF24 3655	2			BOLT, w/Washer, (8x30 4T)
6	MB43 9576	1			SWITCH, Water Temperature
7	MB43 9892	1			MOTOR, w/Shroud and Fan
8	MB56 8210	1			MOTOR, w/Fan
9	MB65 7069	1			SHROUD, Fan
10	MB65 7070	1			COVER
11	MB56 8969	1			RESISTOR, Blower
12	MS24 0141	3			BOLT, (6x12 4T)
13	MB65 7072	1			BRACKET, Condenser
14	MB65 7082	1			BOLT
15	MB43 9835	1			TUBE, Liquid
16	MB43 9836	1			TUBE, Liquid
17	MB65 7080	1			PACKING
18	MB84 9060	1			CORE, A/C Condenser
19	MB65 7078	1			BRACKET
20	MB65 7083	1			BOLT
21	MB43 9834	1			TANK, Receiver
22	MB65 7074	2			BUSHING
23	MB65 7084	2			BOLT
24	MB43 9833	1			TUBE, Discharge
25	MB65 7077	1			BRACKET
26	MB65 7079	2			PACKING



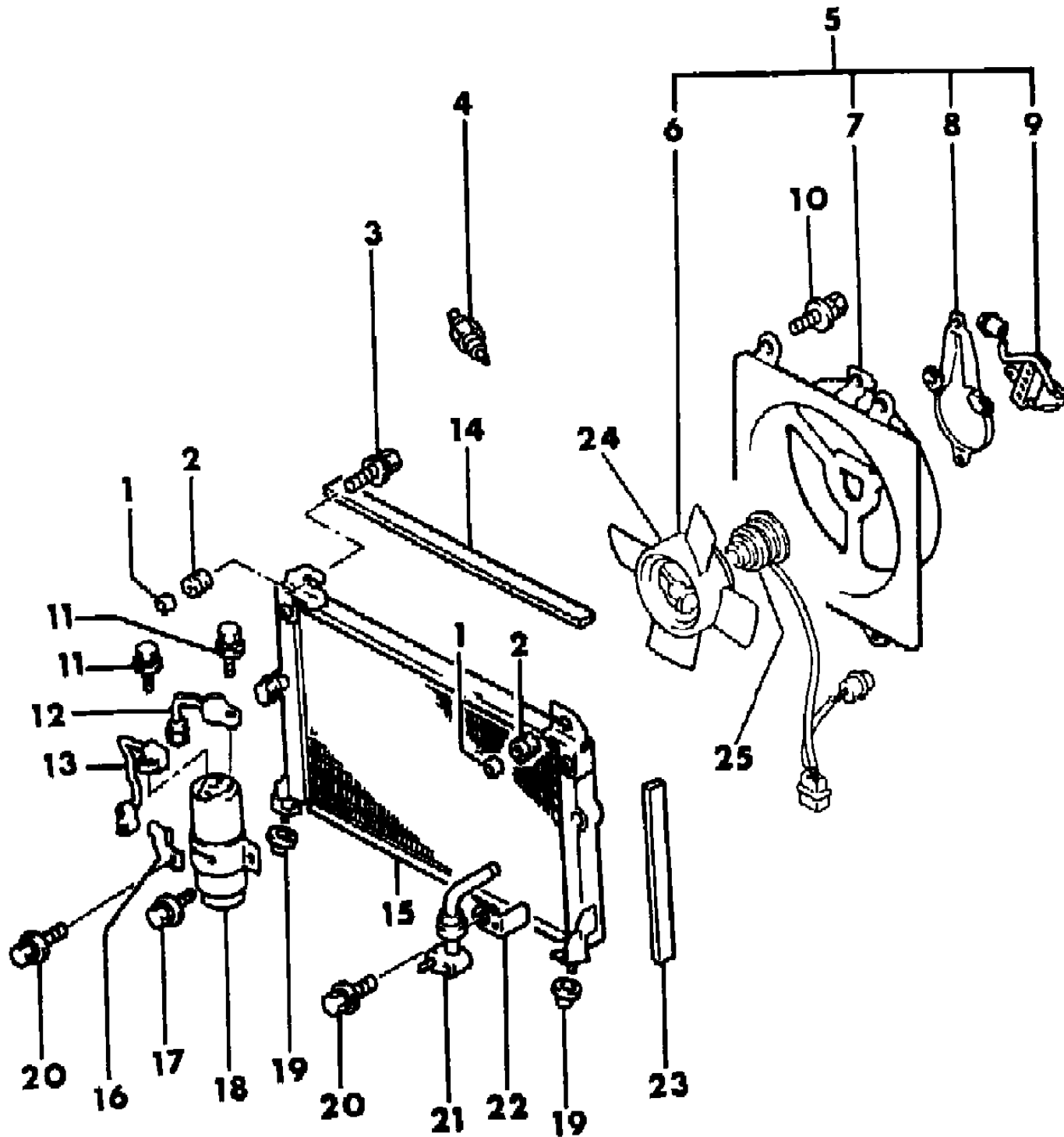
ENGINE: P = 1800cc (1.8L) A = 2000cc (2.0L) Blank = All  
 TRANS: A = Automatic M = Manual Blank = All  
 SERIES: H = High M = Medium P = Premium S = Special

MODELS:  
 24 FWD = 2Dr Hatchback (Laser)  
 24 FWD = 2-Dr Hatchback (Talon)  
 4WD = (4 Wheel Drive)  
 2WD = (2 Wheel Drive)

AR = Use as Required - = Non Illustrated Part P.A.R. = Paint as Required

CONDENSER--AIR CONDITIONER 1991-94 LASER-TALON  
Figure 24-210

9624 210



ITEM	PART NUMBER	QTY	BODY	MODEL	DESCRIPTION
1	MB65 7076	2			BUSHING, Condenser
2	MB65 7075	2			GROMMET
3					BOLT, w/Washer
	MF24 3655	2			1990-91, (8x30)
	MS24 0148	2			1992-94, (8x35)
4	MB43 9576	1			SWITCH, Water Temperature
5	MB43 9892	1			MOTOR, w/Shroud and Fan
6	MB56 8210	1			MOTOR, w/Fan
7	MB65 7069	1			SHROUD, Fan
8	MB65 7070	1			COVER, Fan
9	MB56 8969	1			RESISTOR, Fan
10	MS24 0141	3			BOLT, w/Washer, (6x12)
11	MB65 7082	1			BOLT, w/Washer, (6x25)
12	MB43 9835	1			TUBE, Liquid, Up To 1-1-94
	MR20 1677	1			Aft. 1-1-94
13	MB43 9836	1			TUBE, Liquid, Up To 1-1-94
	MR20 1678	1			Aft. 1-1-94
14	MB65 7080	1			GASKET
15	MB84 9060	1			CORE, A/C Condenser, Up To 1-1-94
	MR20 1681	1			R-134 After 1-1-94
16	MB65 7078	1			BRACKET, Up To 1-1-94
	MR20 1680	1			Aft. 1-1-94
17	MB65 7083	1			BOLT, w/Washer
18	MB43 9834	1			RECEIVER ASSY., Up To 1-1-94 ***
	MR17 5983	1			Aft. 1-1-94
19	MB65 7074	2			BUSHING
20	MB65 7084	2			BOLT, w/Washer
21	MB43 9833	1			TUBE, Discharge, Up To 1-1-94
	MR20 1679	1			Aft. 1-1-94
22	MB65 7077	1			BRACKET, Up To 1-1-94
	MB65 7078	1			Aft. 1-1-94
23	MB65 7079	2			GASKET
24	MB89 7463	1			FAN, Condenser
25	MB89 7464	1			MOTOR, Condenser

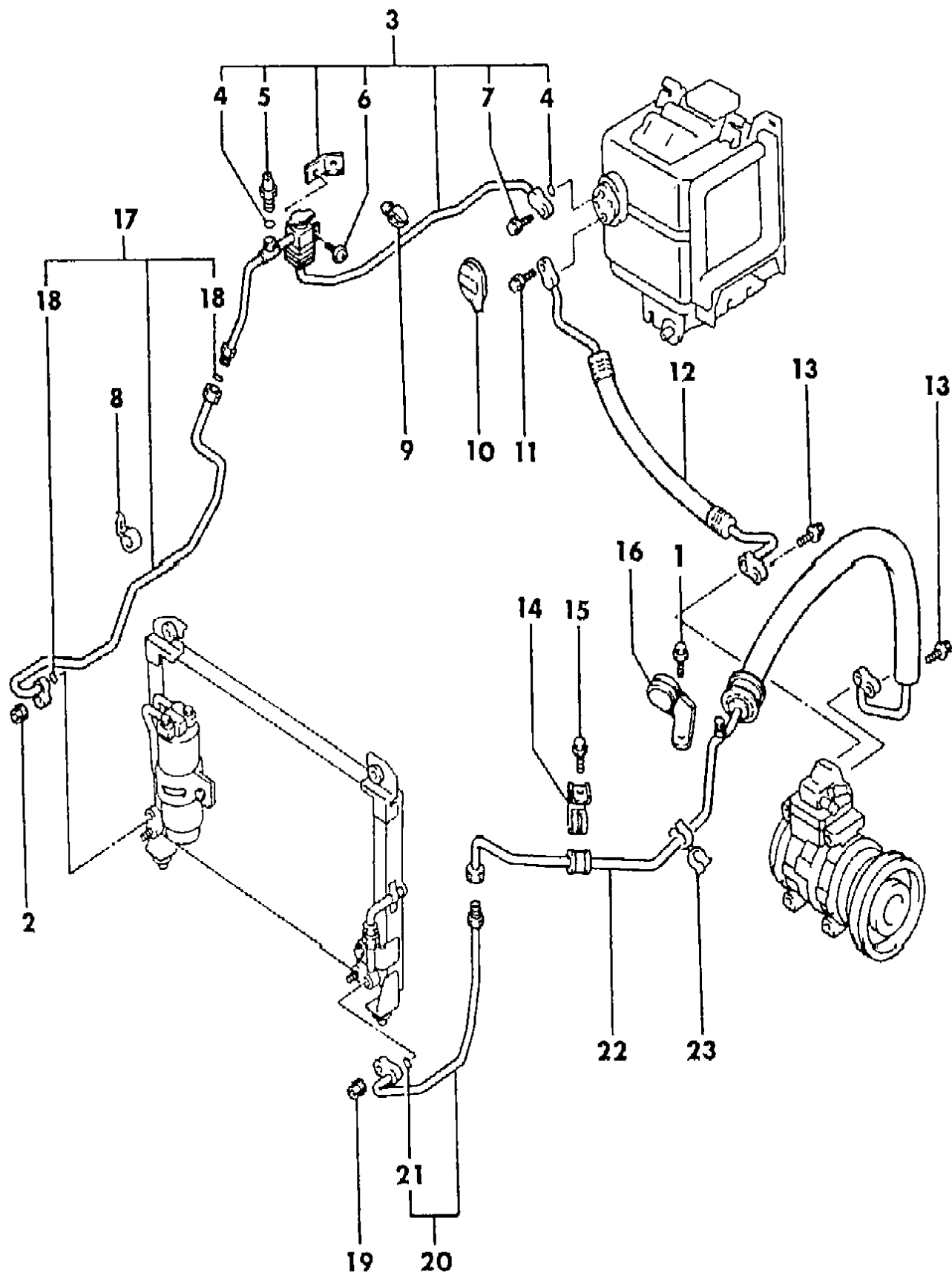
ENGINE: P = 1800cc (1.8L) A = 2000cc (2.0L) Blank = All  
 TRANS: A = Automatic M = Manual Blank = All  
 SERIES: H = High M = Medium P = Premium S = Special

MODELS:  
 24 FWD = 2Dr Hatchback (Laser)  
 24 FWD = 2-Dr Hatchback (Talon)  
 4WD = (4 Wheel Drive)  
 2WD = (2 Wheel Drive)

AR = Use as Required - = Non Illustrated Part P.A.R. = Paint as Required

PLUMBING--AIR CONDITIONER 1990 LASER-TALON  
Figure 24-215

9624 215



ITEM	PART NUMBER	QTY	BODY	MODEL	DESCRIPTION
1	MS24 0139	1			BOLT, w/Washer, (8x16)
2	MS44 0512	1			NUT, w/Washer, (Black)
3	MB60 9979	1			PIPE, Receiver Outlet
4	MB27 6213	2			O-Ring ***
5	MB56 8179	1			SWITCH, Fluid Pressure
6	MU24 0060	1			SCREW, w/Washer, (5x10)
7	MF24 4855	1			BOLT, w/Washer, (8x30)
8	MB56 8029	1			CLIP
9	MU48 1044	1			CLIP
10	MB43 9377	1			COVER, Suction Hose End
11	MF24 4830	1			BOLT, w/Washer, (6x30)
12	MB43 9367	1			HOSE, Suction
13	MF24 4855	2			BOLT, w/Washer, (8x30)
14	MB56 8161	1			CLIP
15	MS24 0141	1			BOLT, (6x12)
16	MB43 9376	1			CLIP
17	MB60 9980	1			TUBE
18	MB27 6213	2			O-RING
19	MS44 0513	1			NUT, w/Washer, (8)
20	MB43 9372	1			PIPE
21	MB60 9179	1			O-Ring ***
22	MB43 9365	1			HOSE, Discharge
23	MS47 0477	1			CLIP

ENGINE: P = 1800cc (1.8L)  
A = 2000cc (2.0L)  
Blank = All

TRANS: A = Automatic  
M = Manual  
Blank = All

SERIES: H = High  
M = Medium  
P = Premium  
S = Special

MODELS:  
24 FWD = 2Dr Hatchback (Laser)  
24 FWD = 2-Dr Hatchback (Talon)  
4WD = (4 Wheel Drive)  
2WD = (2 Wheel Drive)

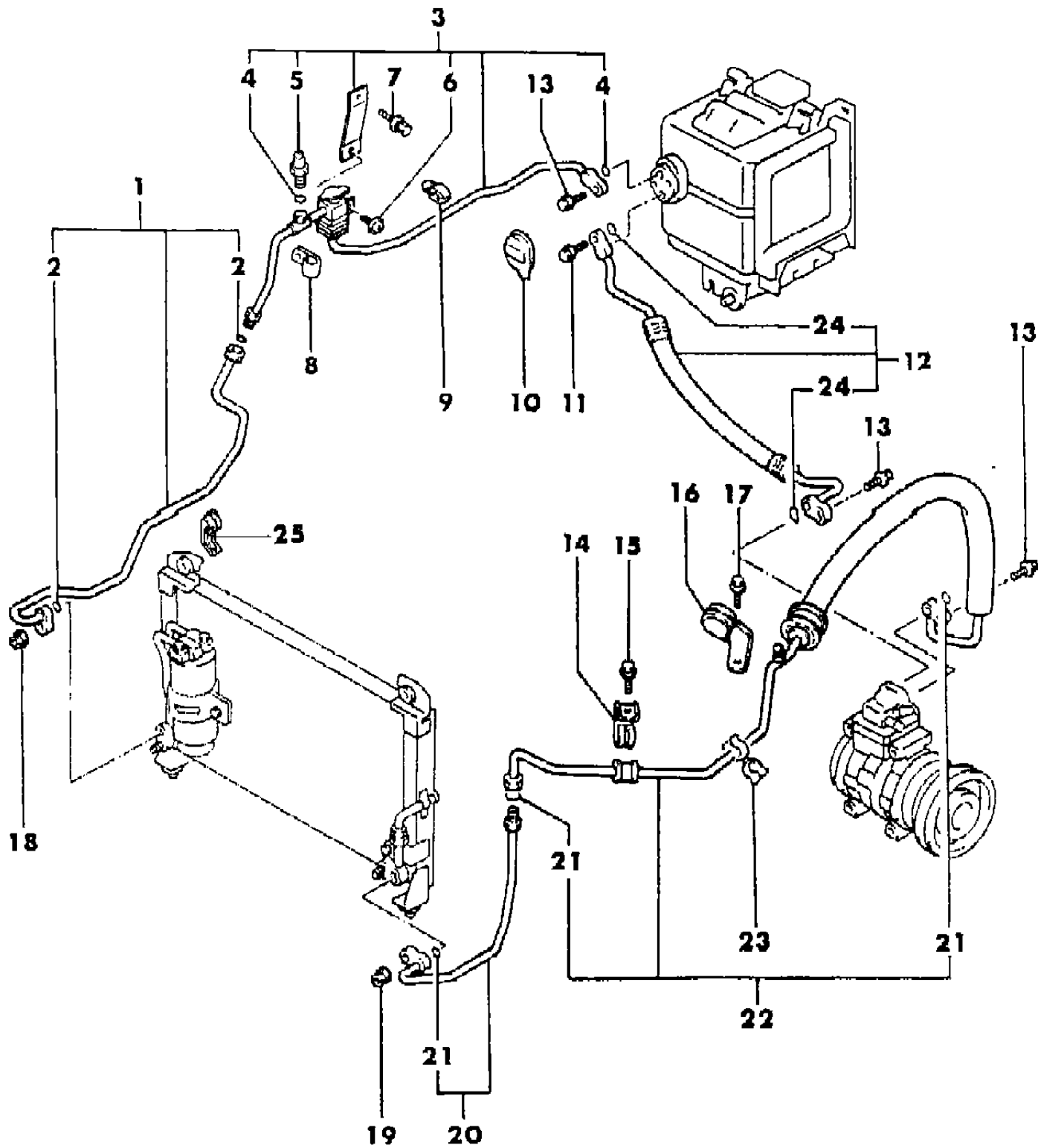
AR = Use as Required - = Non Illustrated Part P.A.R. = Paint as Required



PLUMBING--AIR CONDITIONER 1991-94 LASER-TALON

Figure 24-220

9624 220



ITEM	PART NUMBER	QTY	BODY	MODEL	DESCRIPTION
1	MB87 7708	1			PIPE, Receiver Outlet w/o ABS, Up To 1-1-94
	MR17 5977	1			Aft. 1-1-94
	MB65 7148	1			w/ABS, Up To 1-1-94
	MR17 5974	1			Aft. 1-1-94
2	MB27 6213	AR			O-RING, Up To 1-1-94
	MR11 7053	1			Aft. 1-1-94
3	MB60 9979	1			PIPE, Receiver Outlet w/o ABS, Up To 1-1-94
	MR17 5977	1			Aft. 1-1-94
	MB65 7149	1			w/ABS, Up To 1-1-94
	MR17 5978	1			Aft. 1-1-94
4	MB27 6213	2			O-RING, Up To 1-1-94
	MR11 7053	1			Aft. 1-1-94
5	MB56 8179	1			SWITCH, Liquid Pressure, Up To 1-1-94
	MR19 0232	1			Aft. 1-1-94
6	MU24 0085	1			SCREW, w/Washer, (5x10)
7	MS24 0141	1			BOLT, w/Washer, (6x16)
8	MF47 7023	1			CLIP, (8)
9	MU48 1044	1			CLIP, (8)
10	MB43 9377	1			COVER, Suction Hose End
11	MF24 4830	1			BOLT, w/Washer, (6x30)
12	MB43 9367	1			HOSE, Suction 1991
	MB87 7080	1			1992-94, Up To 1-1-94
	MR17 5973	1			Aft. 1-1-94
	13	MF24 4855	3		BOLT, w/Washer, (8x30)
14	MB81 3608	1			CLIP
15	MS24 0141	1			BOLT, w/Washer, (6x16)
16	MB43 9376	1			CLIP
17	MS24 0085	1			BOLT, w/Washer, (8x20)
18	MS44 0512	1			NUT, w/Washer, (6)
19	MS44 0513	1			NUT, w/Washer, (8)
20	MB43 9372	1			PIPE, Discharge, Up To 1-1-94
	MR17 5980	1			Aft. 1-1-94
21	MB60 9179	3			O-RING, (1/2") Up To 1-1-94
	MR11 7054	1			Aft. 1-1-94
22	MB43 9365	1			HOSE, Discharge 1991

ENGINE: P = 1800cc (1.8L) A = 2000cc (2.0L) Blank = All  
 TRANS: A = Automatic M = Manual Blank = All  
 SERIES: H = High M = Medium P = Premium S = Special

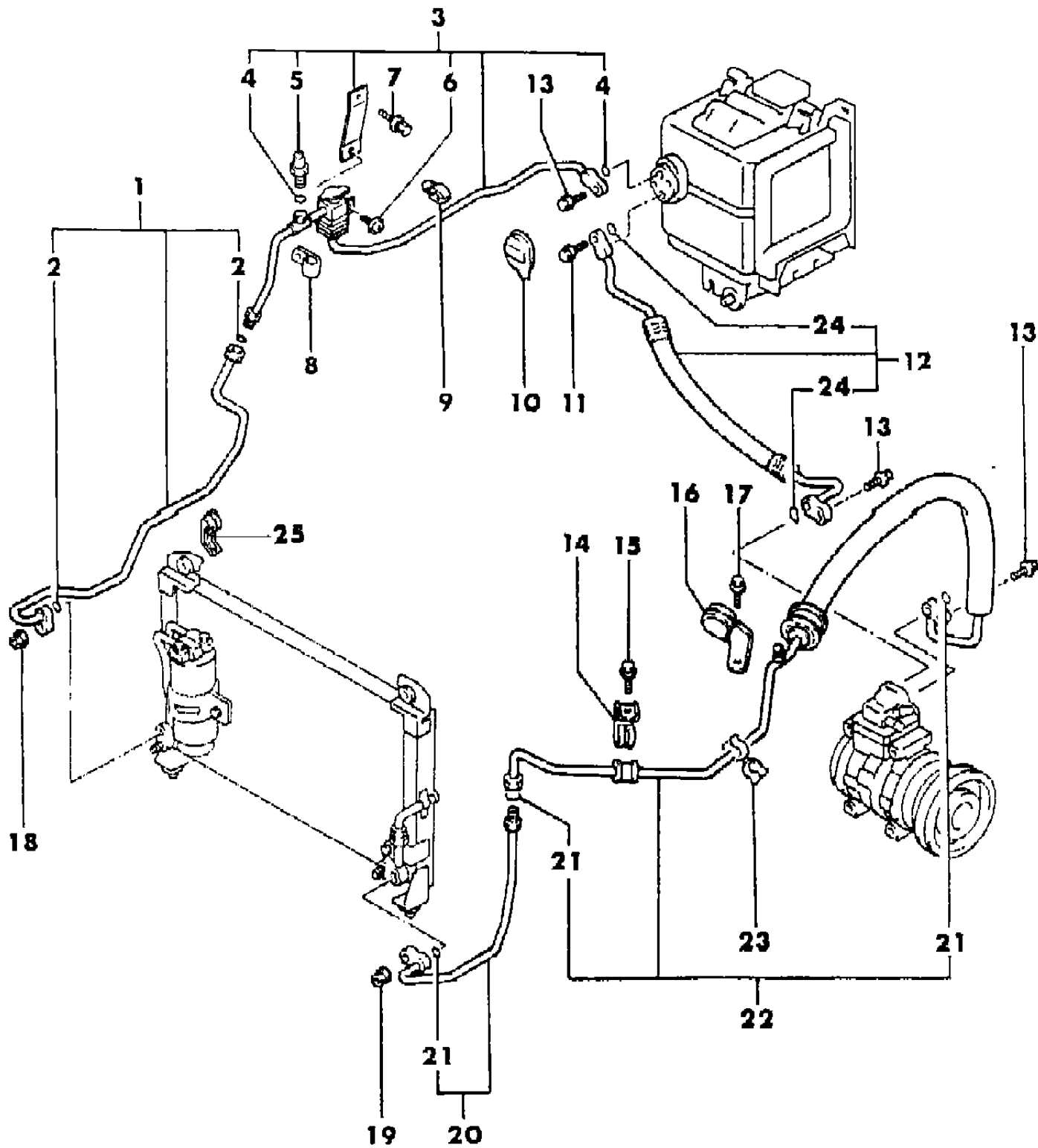
MODELS:  
 24 FWD = 2Dr Hatchback (Laser)  
 24 FWD = 2-Dr Hatchback (Talon)  
 4WD = (4 Wheel Drive)  
 2WD = (2 Wheel Drive)

AR = Use as Required - = Non Illustrated Part P.A.R. = Paint as Required

PLUMBING--AIR CONDITIONER 1991-94 LASER-TALON

Figure 24-220

9624 220



ITEM	PART NUMBER	QTY	BODY	MODEL	DESCRIPTION
	MB87 7079	1			1992-94, Up To 1-1-94
	MR17 5971	1			Aft. 1-1-94
23	MS47 0477	1			CLIP
24	MB27 6215	2			O-RING, (5/8")
25	MB65 7897	1			CLIP
26		1			LABEL, Air Conditioning Refrigerant
	MR18 9062	1			R134 USA
	MR19 0642	1			R134 Canada
	MB87 7009	1			R12

ENGINE: P = 1800cc (1.8L) A = 2000cc (2.0L) Blank = All  
 TRANS: A = Automatic M = Manual Blank = All  
 SERIES: H = High M = Medium P = Premium S = Special

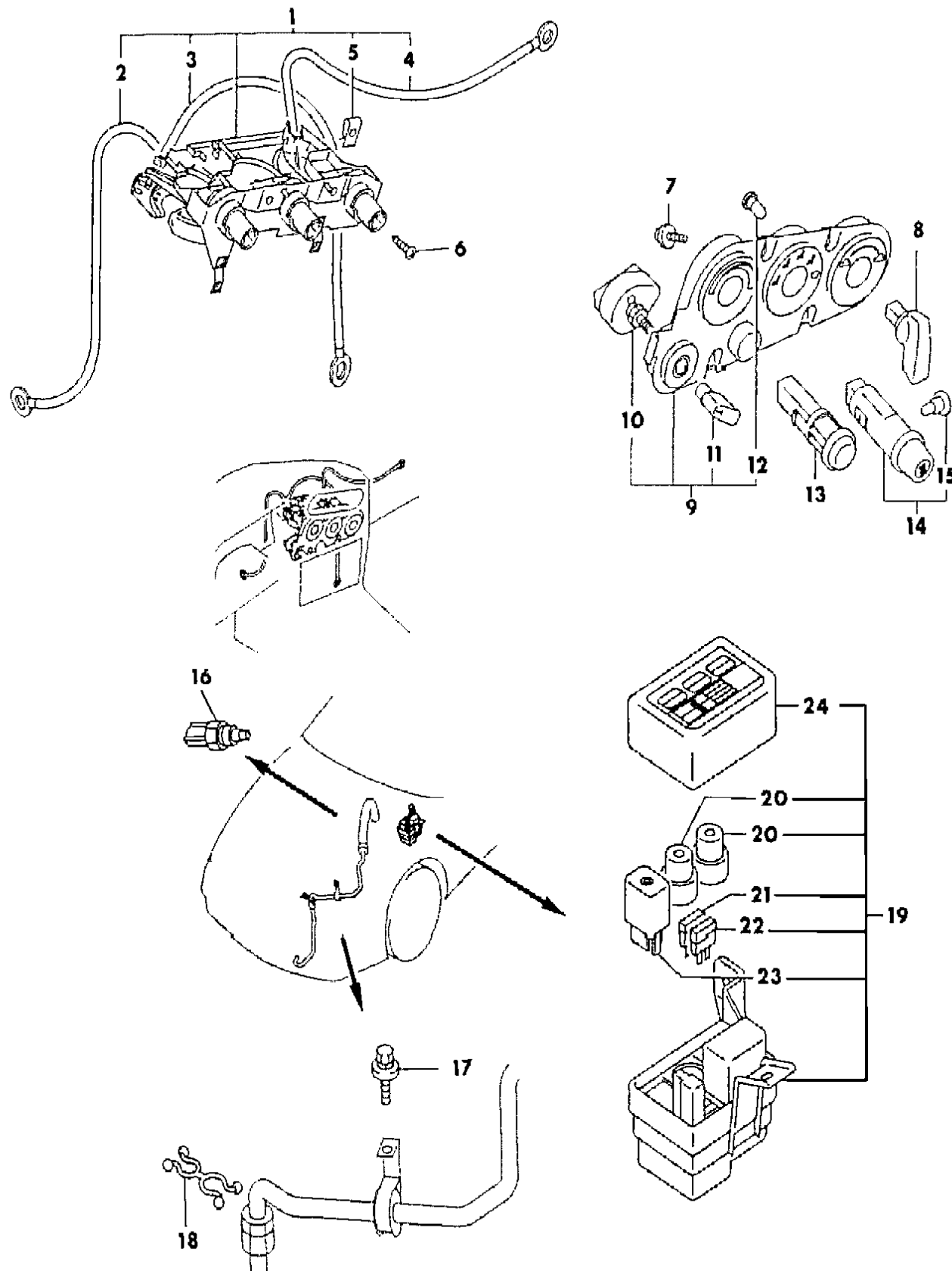
MODELS:  
 24 FWD = 2Dr Hatchback (Laser)  
 24 FWD = 2-Dr Hatchback (Talon)  
 4WD = (4 Wheel Drive)  
 2WD = (2 Wheel Drive)

AR = Use as Required - = Non Illustrated Part P.A.R. = Paint as Required

CONTROL--HEATER AND AIR CONDITIONER LASER-TALON

Figure 24-305

9624 305



ITEM	PART NUMBER	QTY	BODY	MODEL	DESCRIPTION
1					CONTROL ASSY, Heater ***
	MB43 9453	1			1990-93
	MR11 7247	1			1994
2					WIRE, Heater Control, (Mode)
	MB43 9491	1			1990-93
	MB89 9737	1			1994
3	MB43 9492	1			WIRE, Heater Control, (Temp)
4	MB43 9490	1			WIRE, Heater Control, (Air Selection)
5	MB13 5995	2			NUT, Spring
6	MS45 0157	4			SCREW, (5x16)
7	MB40 9438	4			SCREW, (5x16)
8	MB56 8113	3			KNOB, A/C Control
9					PANEL ASSY, A/C Control ***
	MB43 9454	1			1990-93
	MR11 6572	1			1994
10	MB43 9488	1			SWITCH, Heater Blower
11	MB60 9229	1			KNOB, Heater Switch
12	MB60 9167	2			BULB, Heater Cont Equip, (Orange)
13	MB43 9455	1			PLUG, Heater Cont Equip
14	MB43 9378	1			SWITCH, Auto A/C
15	MB56 8169	2			BULB, A/C Cont Equip
16	MB56 8959	1			SWITCH, Water Temperature
17	MS24 0141	1			BOLT, (6x16)
18	MS47 0377	1			CLIP
19	MB43 9379	1			RELAY BOX ASSY, A/C Cont Equip ***
20	MB08 4670	1			RELAY, A/C Cont Equip, (10A)
21					FUSE, Blade Type, (Red 10A)
	MS81 0965	1			1990-91
	MS81 0986	1			1992-94
22					FUSE, Blade Type, (Yellow 20A)
	MS81 0967	1			1990-91
	MS81 0988	1			1992-94
23	MB60 9014	1			RELAY, A/C Cont Equip
24	MR11 4600	1			COVER, Relay Box

ENGINE: P = 1800cc (1.8L) A = 2000cc (2.0L) Blank = All  
 TRANS: A = Automatic M = Manual Blank = All  
 SERIES: H = High M = Medium P = Premium S = Special

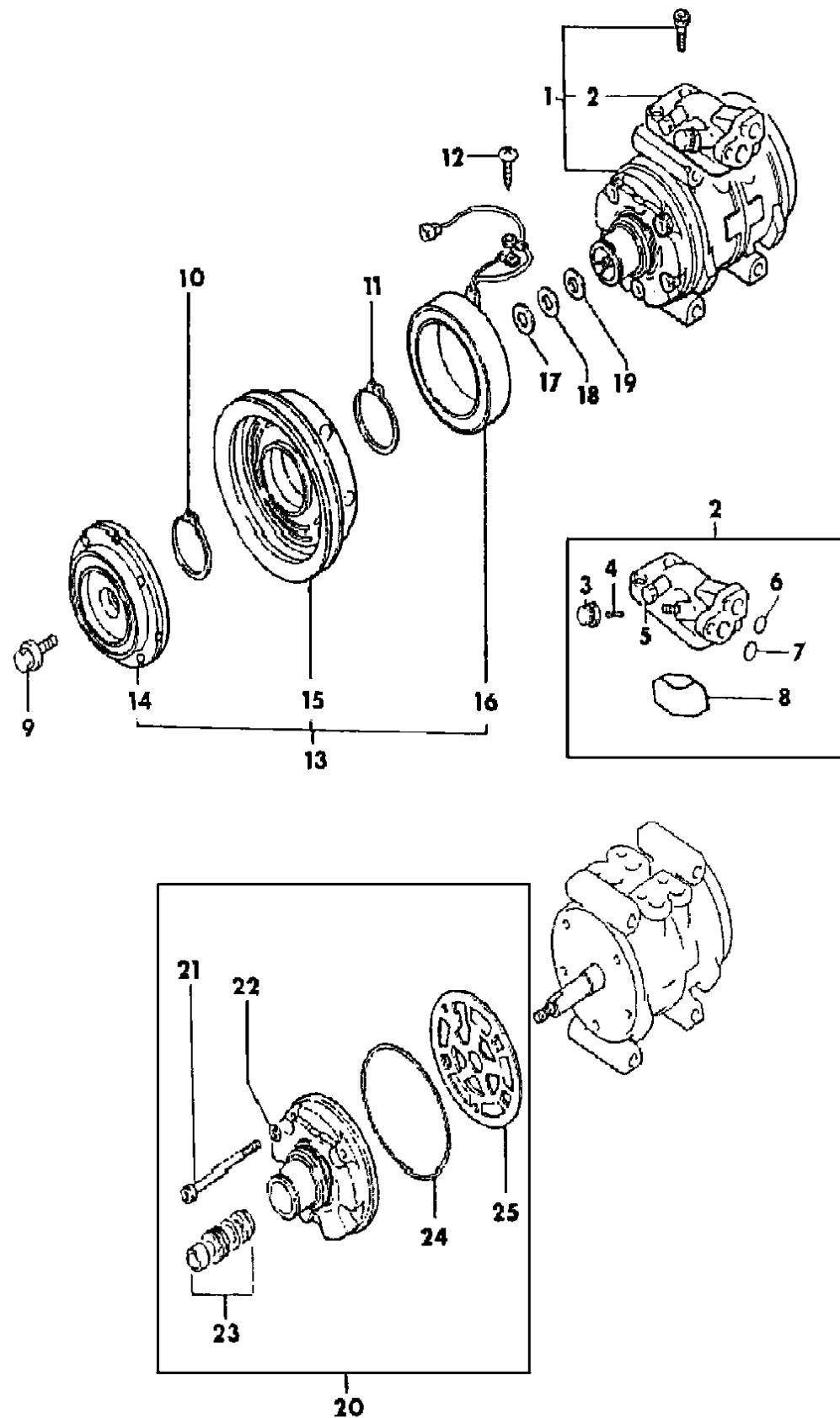
MODELS:  
 24 FWD = 2Dr Hatchback (Laser)  
 24 FWD = 2-Dr Hatchback (Talon)  
 4WD = (4 Wheel Drive)  
 2WD = (2 Wheel Drive)

AR = Use as Required - = Non Illustrated Part P.A.R. = Paint as Required

COMPRESSOR--AIR CONDITIONER LASER-TALON

Figure 24-405

9624 405



ITEM	PART NUMBER	QTY	BODY	MODEL	DESCRIPTION
1	MB60 9192	1			COMPRESSOR ASSY., A/C, Up To 1-1-94 ***
	MR20 1301	1			Aft. 1-1-94
2	MB65 7091	1			FITTING ASSY., Up To 1-1-94 ***
	MR20 1302	1			Aft. 1-1-94
3	MB65 7096	1			CAP, Fitting Valve
4	MB65 7095	2			VALVE, Service
5	MB63 0230	1			VALVE, High Pressure Relief
6	MB27 6215	1			O-RING, (5/8") Up To 1-1-94
	MR11 7055	1			Aft. 1-1-94
7	MB60 9179	1			O-RING, (1/2") Up To 1-1-94
	MR11 7054	1			Aft. 1-1-94
8	MB65 7094	1			O-RING
9	MB60 9777	1			BOLT, (6x16)
10	MB60 9773	1			SNAP RING
11	MB23 9621	1			SNAP RING
12	MB33 2584	1			SCREW, (5x8)
13					CLUTCH ASSY, Compressor ***
	MB60 9193	1			1.8L Engine, Up To 1-1-94
	MR20 1304	1			Aft. 1-1-94
	MB60 9194	1			2.0L Engine, Up To 1-1-94
	MR11 7258	1			Aft. 1-1-94
14	MB65 7090	1			HUB, Clutch, Up To 1-1-94
	MR20 1306	1			Aft. 1-1-94
15					ROTOR, Clutch
	MB65 7088	1			1.8L Engine, Up To 1-1-94
	MR20 1305	1			Aft. 1-1-94
	MB65 7089	1			2.0L Engine, Up To 1-1-94
	MR20 1312	1			Aft. 1-1-94
16	MB65 7087	1			STATOR, Clutch, Up To 1-1-94
	MR20 1307	1			Aft. 1-1-94
17	MB60 9776	1			WASHER, (0.5)
18	MB60 9775	1			WASHER, (0.3)
19	MB60 9774	1			WASHER, (0.1)
20	MB65 7097	1			HEAD KIT, w/Seal Compressor, Up To 1-1-94 ***
	MR20 1308	1			Aft. 1-1-94
21	MB65 7103	5			BOLT, Up To 1-1-94
	MR20 1311	5			Aft. 1-1-94
22	MB65 7102	1			GASKET, Cylinder Liner
23	MB65 7099	1			SEAL, Shaft

ENGINE: P = 1800cc (1.8L) A = 2000cc (2.0L) Blank = All  
 TRANS: A = Automatic M = Manual Blank = All  
 SERIES: H = High M = Medium P = Premium S = Special

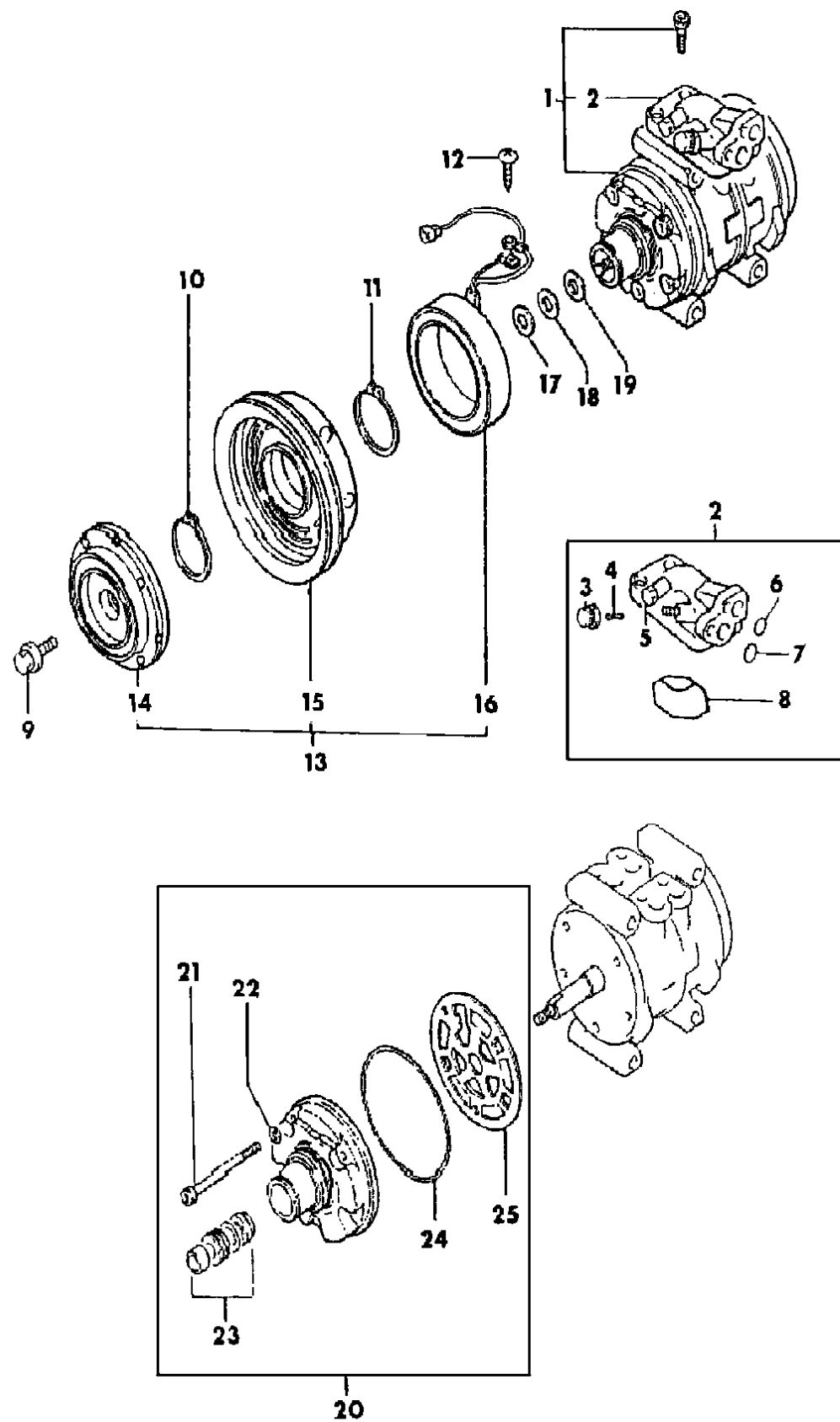
MODELS:  
 24 FWD = 2Dr Hatchback (Laser)  
 24 FWD = 2-Dr Hatchback (Talon)  
 4WD = (4 Wheel Drive)  
 2WD = (2 Wheel Drive)

AR = Use as Required - = Non Illustrated Part P.A.R. = Paint as Required

COMPRESSOR--AIR CONDITIONER LASER-TALON

Figure 24-405

9624 405



ITEM	PART NUMBER	QTY	BODY	MODEL	DESCRIPTION
24	MB65 7101	1			O-RING, Up To 1-1-94
	MR20 1309	1			Aft. 1-1-94
25	MB65 7105	1			GASKET, Up To 1-1-94
	MR20 1310	1			Aft. 1-1-94

ENGINE: P = 1800cc (1.8L) A = 2000cc (2.0L) Blank = All  
 TRANS: A = Automatic M = Manual Blank = All  
 SERIES: H = High M = Medium P = Premium S = Special

MODELS:  
 24 FWD = 2Dr Hatchback (Laser)  
 24 FWD = 2-Dr Hatchback (Talon)  
 4WD = (4 Wheel Drive)  
 2WD = (2 Wheel Drive)

AR = Use as Required - = Non Illustrated Part P.A.R. = Paint as Required



VENTILATION DUCTS LASER-TALON

Figure 24-605

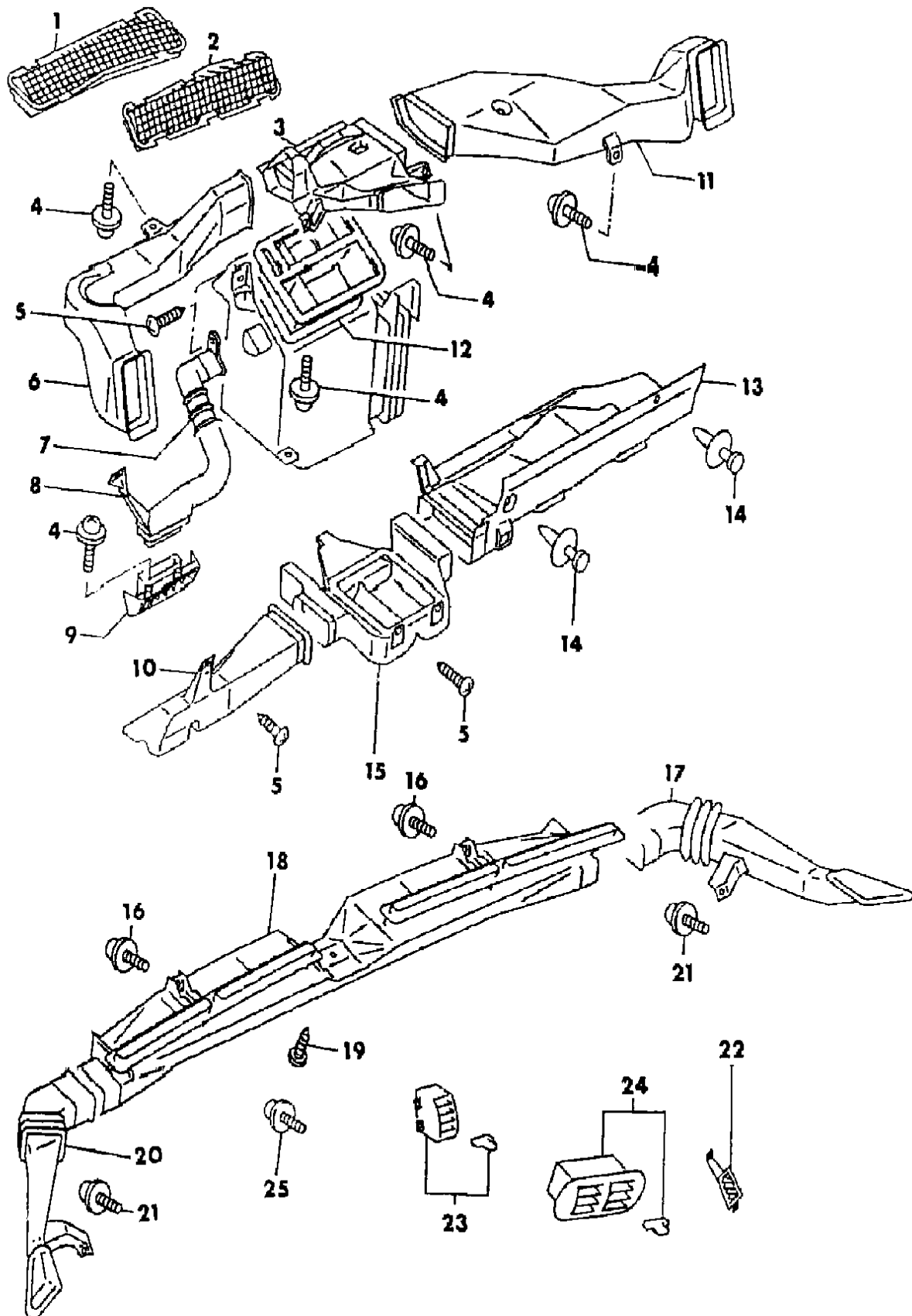
9624 605

ITEM	PART NUMBER	QTY	BODY	MODEL	DESCRIPTION
1	MB43 9444	1			GARNISH, Lt., Vent Air Inlet
2	MB43 9445	1			GARNISH, Rt., Vent Air Inlet
3	MB43 9448	1			DUCT, Ventilation Distribution
4	MB40 9438	AR			SCREW, (5x12)
5	MS45 0156	5			SCREW, (5x12)
6	MB43 9449	1			DUCT, Lt., Frt Side Ventilation
7	MB60 9200	1			DUCT, Lap Heater Center
8	MB43 9458	1			DUCT, Lap Heater
9	MB43 9459	1			GRILLE, Lap Heater Duct
10	MB43 9460	1			DUCT, Lt., Foot Heater
11	MB43 9450	1			DUCT, Rt., Frt Side Ventilation
12	MB43 9447	1			DUCT, Ventilation Air Ctr.
13	MB43 9461	1			DUCT, Rt., Foot Heater
14	MB47 6821	3			CLIP, Heater Duct, (Black)
15					DUCT, Foot Heater, Center
	MB43 9457	1			1.8L Engine
	MB43 9456	1			2.0L Engine
16	MB40 9438	2			SCREW, (5x12)
17	MB43 9452	1			DUCT, Rt., Side Defroster
18	MB43 9446	1			NOZZLE, Defroster
19	MS45 0157	1			SCREW, (5x16)
20	MB43 9451	1			DUCT, Lt., Side Defroster
21	MB40 9438	2			SCREW, (5x12)
22	MB52 2114	1			GRILLE, Rt., Side Defroster
	MB52 2113	1			GRILLE, Lt., Side Defroster
23	MB52 2112	1			AIR OUTLET, Rt., I/Pnl. Side
	MB52 2111	1			AIR OUTLET, Lt., I/Pnl. Side
24	MB52 2110	1			AIR OUTLET, Ctr. I/Pnl.
25	MB40 9438	2			SCREW, (5x12)

ENGINE: P = 1800cc (1.8L) A = 2000cc (2.0L) Blank = All  
 TRANS: A = Automatic M = Manual Blank = All  
 SERIES: H = High M = Medium P = Premium S = Special

MODELS:  
 24 FWD = 2Dr Hatchback (Laser)  
 24 FWD = 2-Dr Hatchback (Talon)  
 4WD = (4 Wheel Drive)  
 2WD = (2 Wheel Drive)

AR = Use as Required - = Non Illustrated Part P.A.R. = Paint as Required

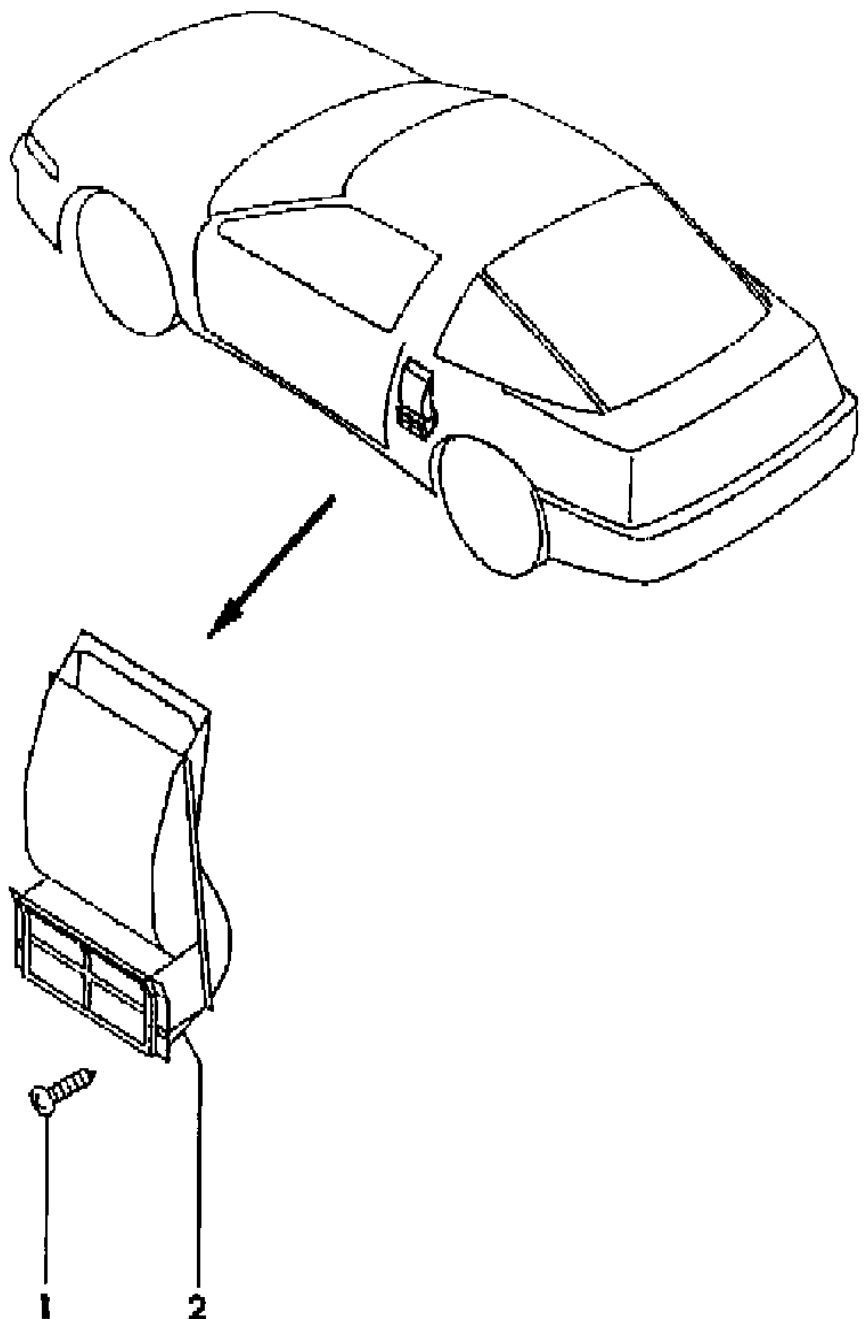


REAR VENTILATION DUCT LASER-TALON

Figure 24-610

9624 610

ITEM	PART NUMBER	QTY	BODY	MODEL	DESCRIPTION
1	MB87 7705	4			SCREW (5x20) ***
2	MB43 9357	2			DUCT, Rear Vent



ENGINE: P = 1800cc (1.8L) A = 2000cc (2.0L) Blank = All  
 TRANS: A = Automatic M = Manual Blank = All  
 SERIES: H = High M = Medium P = Premium S = Special

MODELS:  
 24 FWD = 2Dr Hatchback (Laser)  
 24 FWD = 2-Dr Hatchback (Talon)  
 4WD = (4 Wheel Drive)  
 2WD = (2 Wheel Drive)

AR = Use as Required - = Non Illustrated Part P.A.R. = Paint as Required





---

**GROUP 25 - EMISSION SYSTEMS**

<b>ILLUSTRATION TITLE</b>	<b>GROUP-FIG. NO.</b>
<b>EGR SYSTEMS</b>	
EGR SYSTEM 1.8L ENGINE FEDERAL-CANADA .....	Fig. 25-100
EGR SYSTEM 1.8L ENGINE CALIFORNIA .....	Fig. 25-200
EGR SYSTEM 2.0L ENGINE, W/O TURBO FEDERAL-CANADA .....	Fig. 25-300
EGR SYSTEM 2.0L ENGINE, W/O TURBO CALIFORNIA .....	Fig. 25-400
EGR SYSTEM 2.0L ENGINE, W/TURBO FEDERAL-CANADA .....	Fig. 25-500
EGR SYSTEM 2.0L ENGINE, W/TURBO CALIFORNIA .....	Fig. 25-600
<b>VAPOR CANISTER</b>	
VAPOR CANISTER LASER-TALON .....	Fig. 25-700
<b>EMISSION LABELS</b>	
LABELS LASER-TALON .....	Fig. 25-800

**ILLUSTRATION NOT AVAILABLE AT TIME OF PUBLICATION**

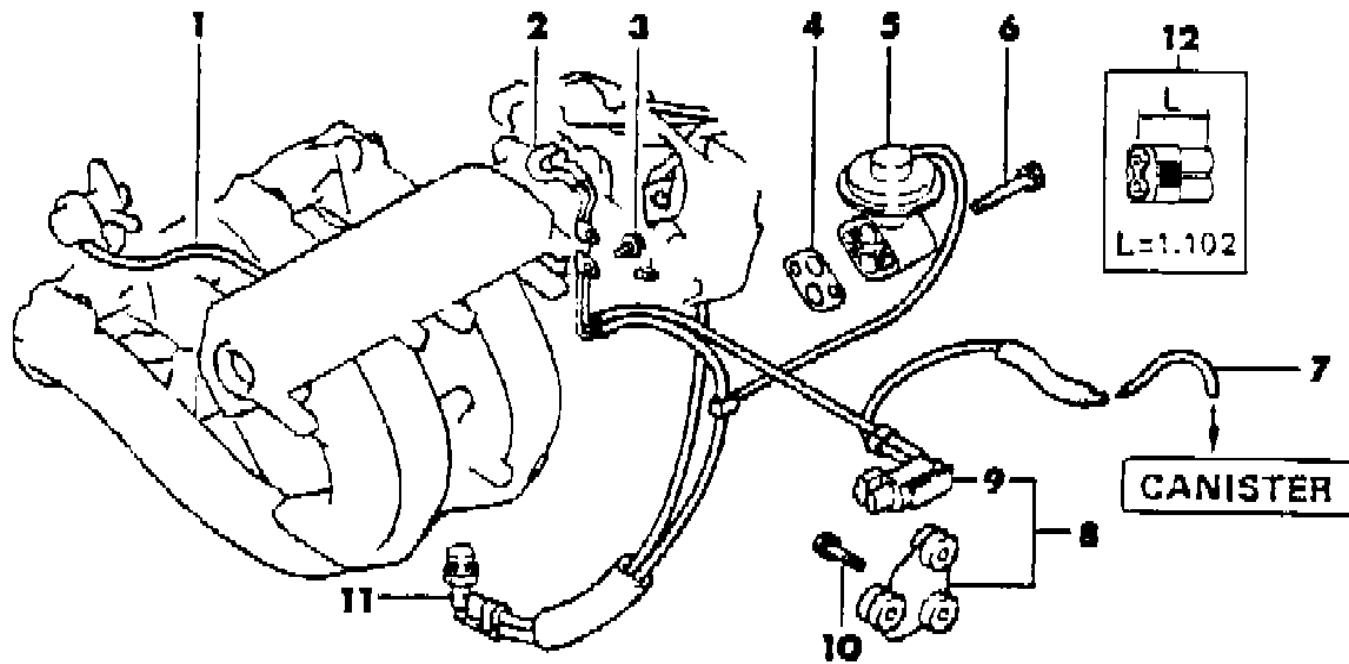
---

EGR SYSTEM 1.8L ENGINE FEDERAL-CANADA

Figure 25-100

ITEM	PART NUMBER	QTY	BODY	MODEL	DESCRIPTION
1	MS63 2399	1			HOSE, Vacuum, Light Blue, (3x100)
2					HOSE & PIPE ASSY, Vacuum ***
	MD12 7325	1			1990
	MD15 3144	1			1991-94
3	MF14 0202	2			BOLT, (6x10)
4	MD11 9127	1			GASKET, EGR Valve
5	MD10 9373	1			VALVE, EGR
6	MF24 1263	2			BOLT, w/Washer
7	MD14 5580	1			HOSE ASSY, Vacuum ***
8	MD11 3584	1			VALVE ASSY, Solenoid ***
9	MD11 2375	1			VALVE, Solenoid
10	MS24 0144	2			BOLT, w/Washer, (6x30)
11	MD10 3867	1			VALVE, Thermo
12	MD00 3155	1			JOINT, Emission Control Equip.

9625 100 A



ENGINE: P = 1800cc (1.8L) A = 2000cc (2.0L) Blank = All  
 TRANS: A = Automatic M = Manual Blank = All  
 SERIES: H = High M = Medium P = Premium S = Special

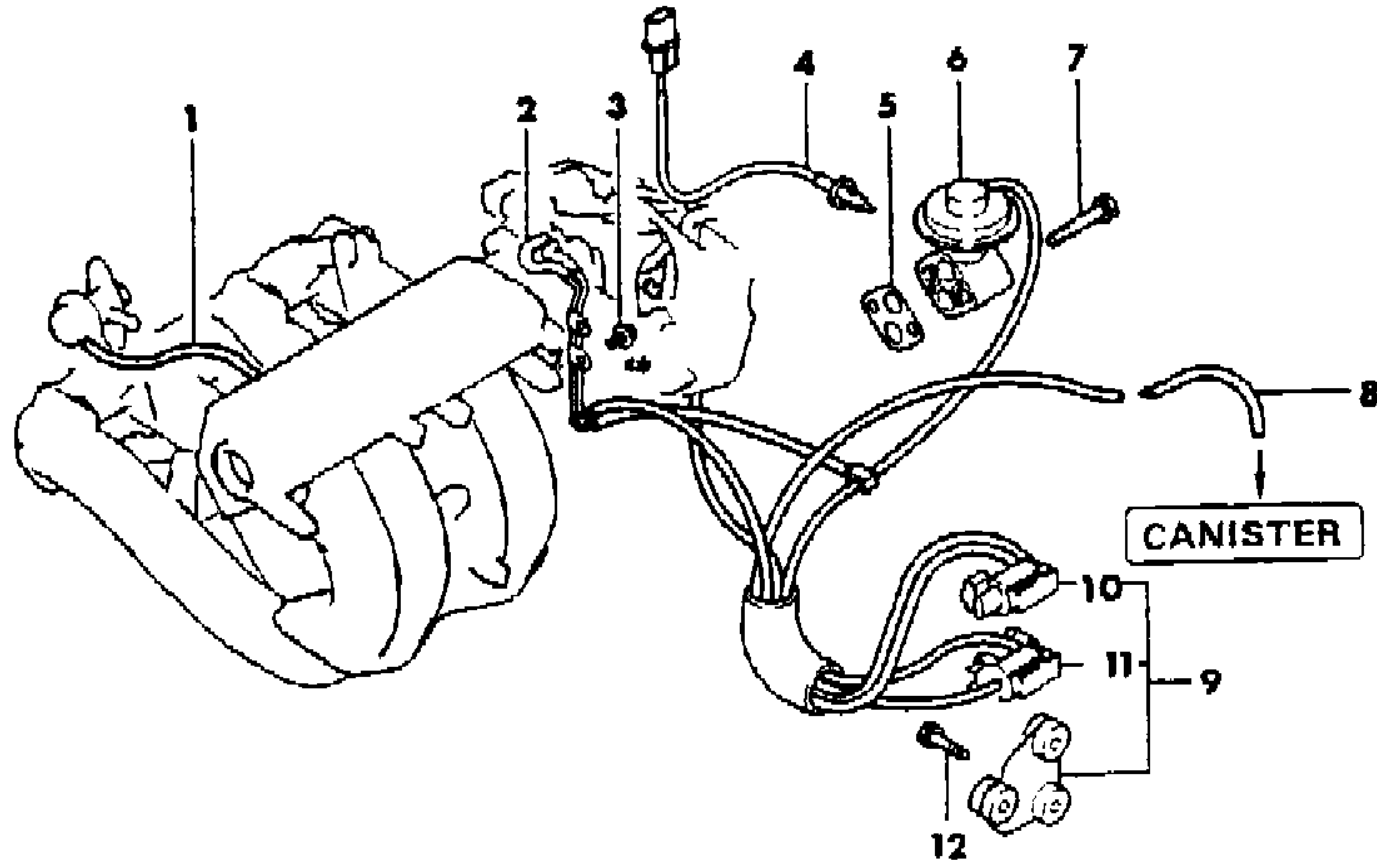
MODELS:  
 24 FWD = 2Dr Hatchback (Laser)  
 24 FWD = 2-Dr Hatchback (Talon)  
 4WD = (4 Wheel Drive)  
 2WD = (2 Wheel Drive)

AR = Use as Required - = Non Illustrated Part P.A.R. = Paint as Required

EGR SYSTEM 1.8L ENGINE CALIFORNIA

Figure 25-200

9625 200



ITEM	PART NUMBER	QTY	BODY	MODEL	DESCRIPTION
1	MS63 2399	1			HOSE, Vacuum, Light Blue, (3x100)
2					HOSE & PIPE ASSY, Vacuum ***
	MD12 7326	1			1990
	MD15 3145	1			1991-94
3	MF14 0202	2			BOLT, (6x10)
4	MD13 1905	1			SENSOR, Exhaust High Temp.
5	MD11 9127	1			GASKET, EGR Valve
6	MD13 0841	1			VALVE, EGR
7	MF24 1263	2			BOLT, w/Washer, (8x50)
8	MD14 5580	1			HOSE ASSY, Vacuum ***
9	MD11 3583	1			VALVE ASSY, Solenoid ***
10	MD11 2375	1			VALVE, Control Solenoid
11					VALVE, Control Solenoid
	MD11 0681	1			1990-93
	MD12 6812	1			1994
12	MS24 0144	2			BOLT, w/Washer, (6x30)

ENGINE: P = 1800cc (1.8L) A = 2000cc (2.0L) Blank = All  
 TRANS: A = Automatic M = Manual Blank = All  
 SERIES: H = High M = Medium P = Premium S = Special

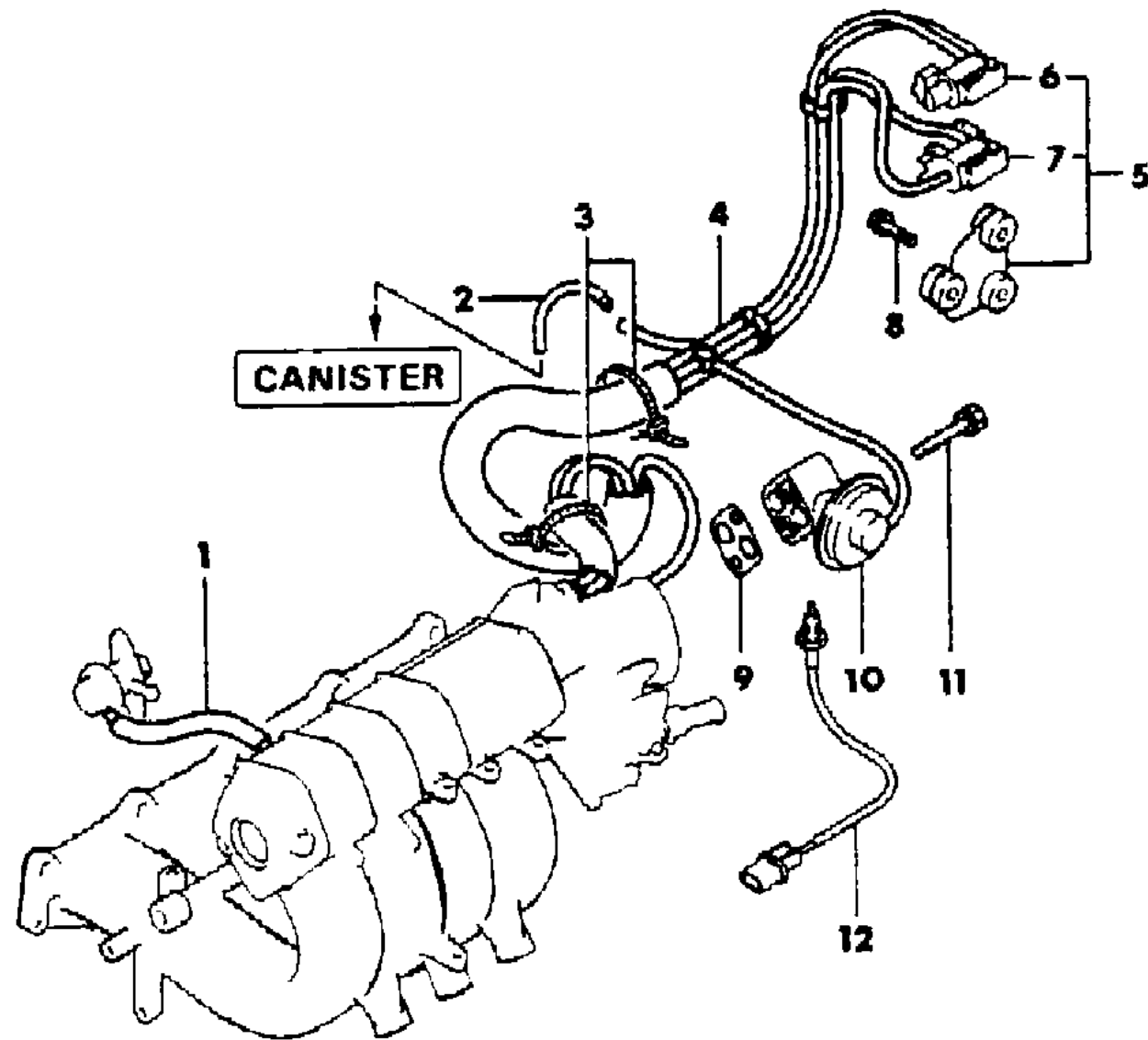
MODELS:  
 24 FWD = 2Dr Hatchback (Laser)  
 24 FWD = 2-Dr Hatchback (Talon)  
 4WD = (4 Wheel Drive)  
 2WD = (2 Wheel Drive)

AR = Use as Required - = Non Illustrated Part P.A.R. = Paint as Required



**EGR SYSTEM 2.0L ENGINE, W/O TURBO CALIFORNIA**  
**Figure 25-400**

**9625 400**



ITEM	PART NUMBER	QTY	BODY	MODEL	DESCRIPTION
1	MD13 3228	1			HOSE ASSY, Vacuum ***
2	MD14 5580	1			HOSE ASSY, Vacuum ***
3		2			BAND, Cable, (Not Serviced)
4					HOSE ASSY, Vacuum ***
	MD13 3236	1		1990	
	MD15 3147	1		1991-94	
5	MD11 3583	1			VALVE ASSY, Solenoid ***
6	MD11 2375	1			VALVE, Solenoid
7					VALVE, Solenoid
	MD11 0681	1		1990-93	
	MD12 6812	1		1994	
8	MS24 0144	2			BOLT, w/Washer, (6x30)
9	MD11 9127	1			GASKET, EGR Valve
10					VALVE, EGR
	MD13 6200	1		Man. Trans.	
	MD14 2991	1		Auto Trans.	
11	MF24 1263	2			BOLT, w/Washer, (8x50)
12	MD12 7984	1			SENSOR, Exhaust High Temp.

ENGINE: P = 1800cc (1.8L) A = 2000cc (2.0L) Blank = All  
 TRANS: A = Automatic M = Manual Blank = All  
 SERIES: H = High M = Medium P = Premium S = Special

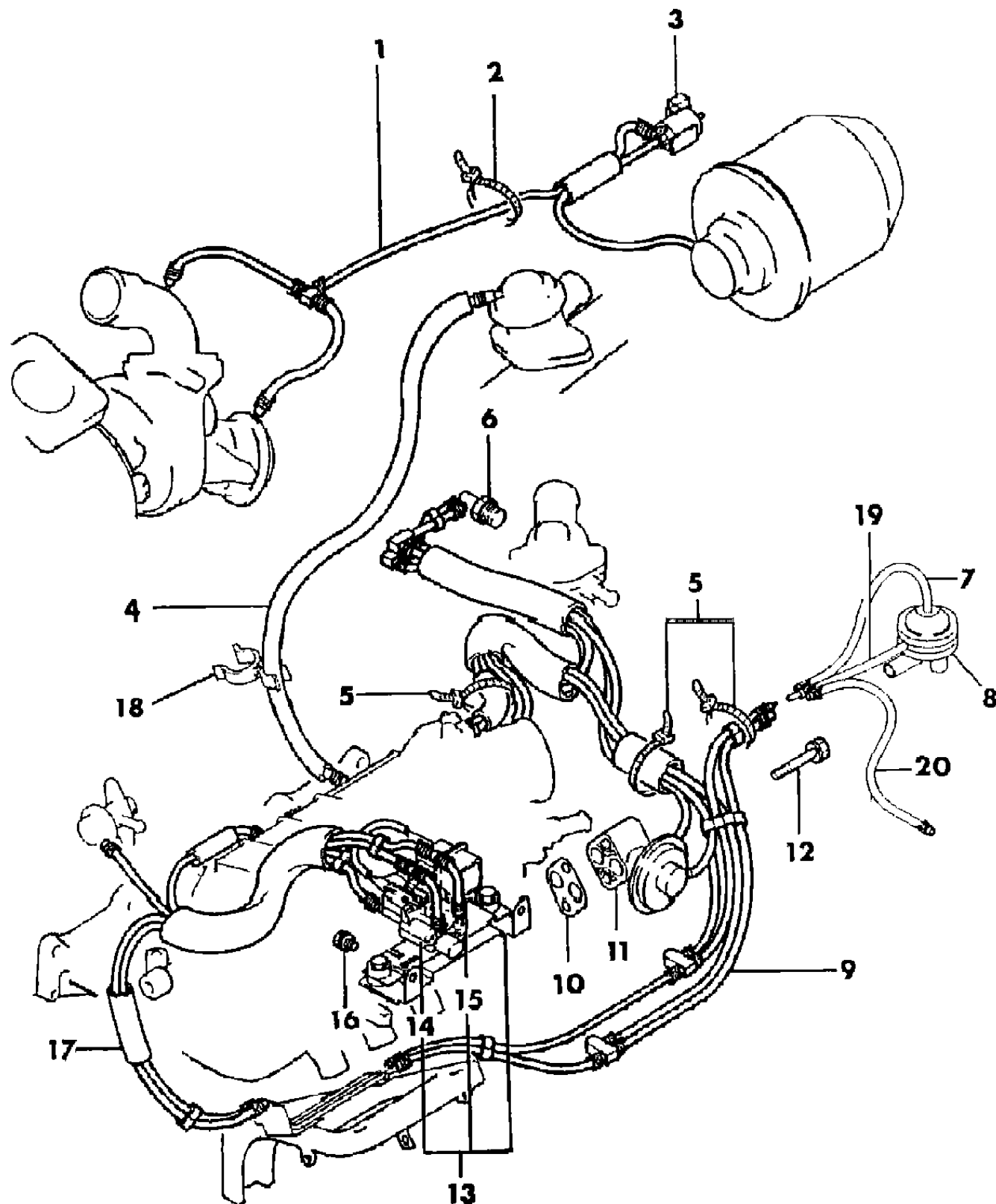
MODELS:  
 24 FWD = 2Dr Hatchback (Laser)  
 24 FWD = 2-Dr Hatchback (Talon)  
 4WD = (4 Wheel Drive)  
 2WD = (2 Wheel Drive)

AR = Use as Required - = Non Illustrated Part P.A.R. = Paint as Required

EGR SYSTEM 2.0L ENGINE, W/TURBO FEDERAL-CANADA

Figure 25-500

9625 500D



ITEM	PART NUMBER	QTY	BODY	MODEL	DESCRIPTION
1	MD13 9711	1			HOSE ASSY, Vacuum ***
2					CLAMP, Hose
	MD10 7115	1			1990-91, (320)
3	MD11 5466	1			VALVE, Solenoid
4	MD13 0550	1			HOSE, (5.4x720)
5		5			BAND, Cable, (Not Serviced)
6	MD10 3867	1			VALVE, Thermo
7					HOSE ASSY, Vacuum ***
	MD13 9047	1			Up To 4-1-89
	MD15 4218	1			After 4-1-89
8	MD01 1227	1			VALVE, Purge Control
9					HOSE ASSY, Vacuum ***
	MD13 3237	1			1990
	MD15 3148	1			1991-92
	MD19 3419	1			1993-94
10	MD11 9127	1			GASKET, EGR Valve
11					VALVE, EGR
	MD13 2987	1			1990-93
	MD30 0515	1			1994
	MD13 2987	1			1994, CANADA
12	MF24 1263	2			BOLT, w/Washer, (8x50)
13					VALVE ASSY, Solenoid ***
	MD13 2689	1			1990-92
	MB92 5994	1			1993-94
14	MD11 3721	1			VALVE, Solenoid
15					VALVE, Solenoid
	MD11 0681	1			1990-92
	MD11 2375	1			1993-94
16					BOLT, w/Washer
	MF24 3624	2			1990-91, (6x16)
	MS24 0141	2			1992-94, (6x20)
17					HOSE ASSY, Vacuum ***
	MD13 3243	1			1990-92
	MD19 3473	1			1993-94
18	MS47 0465	1			CLIP, Hose
19	MD15 4217	1			HOSE ASSY, Vacuum ***
20	MD19 3474	1			HOSE ASSY, Vacuum ***

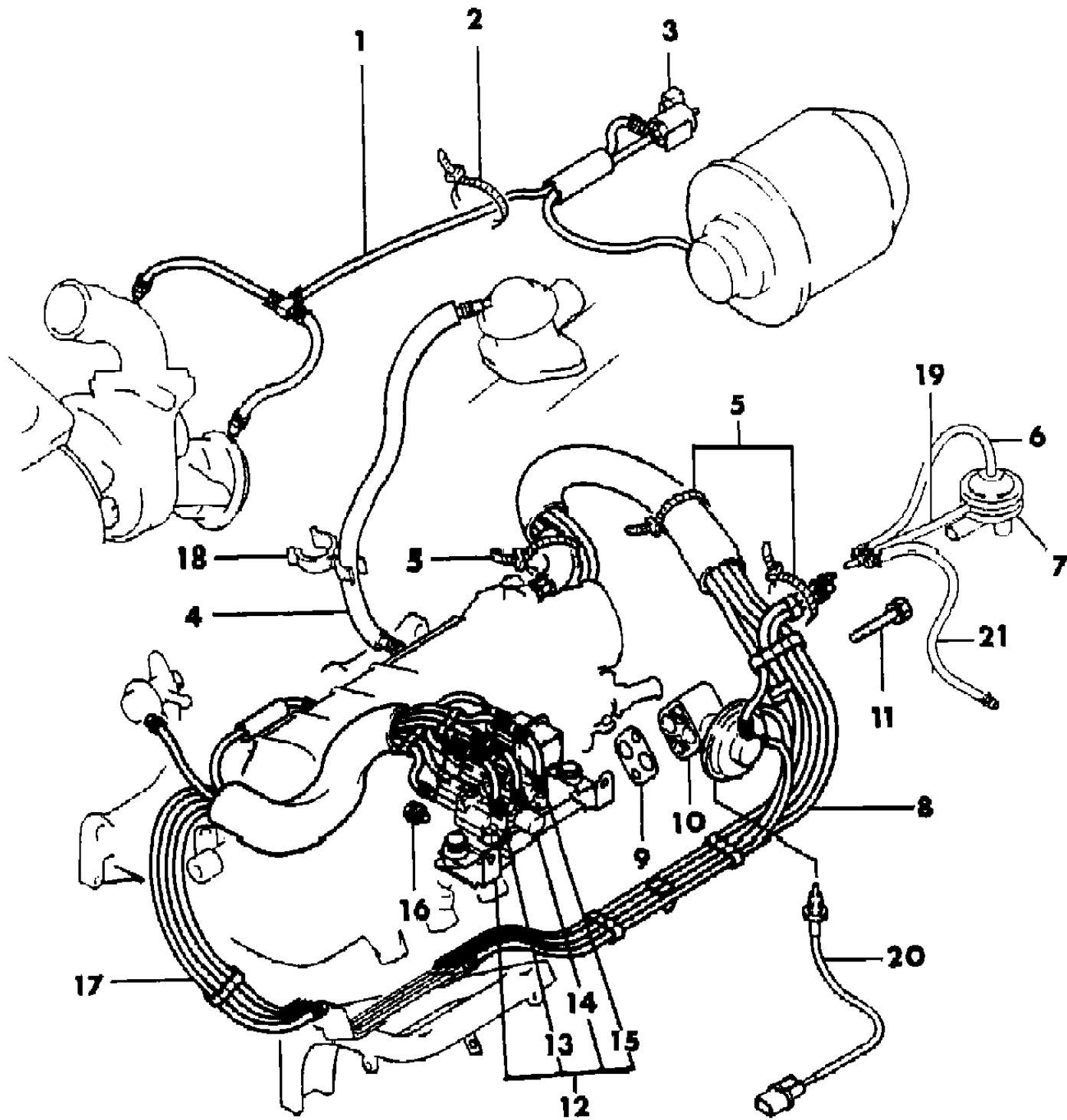
ENGINE: P = 1800cc (1.8L) A = 2000cc (2.0L) Blank = All  
 TRANS: A = Automatic M = Manual Blank = All  
 SERIES: H = High M = Medium P = Premium S = Special

MODELS:  
 24 FWD = 2Dr Hatchback (Laser)  
 24 FWD = 2-Dr Hatchback (Talon)  
 4WD = (4 Wheel Drive)  
 2WD = (2 Wheel Drive)

AR = Use as Required - = Non Illustrated Part P.A.R. = Paint as Required

**EGR SYSTEM 2.0L ENGINE, W/TURBO CALIFORNIA**  
**Figure 25-600**

9625 600E



ITEM	PART NUMBER	QTY	BODY	MODEL	DESCRIPTION
1	MD13 9711	1			HOSE ASSY, Vacuum ***
2					CLAMP, Hose
	MD10 7115	1			1990-91, (320)
3	MD11 5466	1			VALVE, Solenoid
4	MD13 0550	1			HOSE, (5.4x720)
5		5			BAND, Cable, (Not Serviced)
6					HOSE ASSY, Vacuum ***
	MD13 9047	1			Up To 4-1-89
	MD15 4218	1			After 4-1-89
7	MD01 1227	1			VALVE, Purge Control
8					HOSE ASSY, Vacuum ***
	MD13 3240	1			1990
	MD15 3149	1			1991-92
	MD19 3418	1			1993-94
9	MD11 9127	1			GASKET, EGR Valve
10	MD12 0440	1			VALVE, EGR
11	MF24 1263	2			BOLT, w/Washer, (8x50)
12					VALVE ASSY, Solenoid ***
	MD12 8601	1			1990-92
	MB92 5993	1			1993-94
13	MD12 6812	1			VALVE, Solenoid
14	MD11 3721	1			VALVE, Solenoid
15					VALVE, Solenoid
	MD11 0681	1			1990-92
	MD11 2375	1			1993-94
16					BOLT, w/Washer
	MF24 3624	2			1990-91, (6x16)
	MS24 0141	2			1992-94, (6x20)
17					HOSE ASSY, Vacuum ***
	MD13 3241	1			1990-92
	MD19 3472	1			1993-94
18	MS47 0465	1			CLIP, Hose
19	MD15 4217	1			HOSE ASSY, Vacuum ***
20	MD12 7984	1			SENSOR, Exhaust High Temp.
21	MD19 3474	1			HOSE ASSY, Vacuum ***

ENGINE: P = 1800cc (1.8L) A = 2000cc (2.0L) Blank = All  
 TRANS: A = Automatic M = Manual Blank = All  
 SERIES: H = High M = Medium P = Premium S = Special

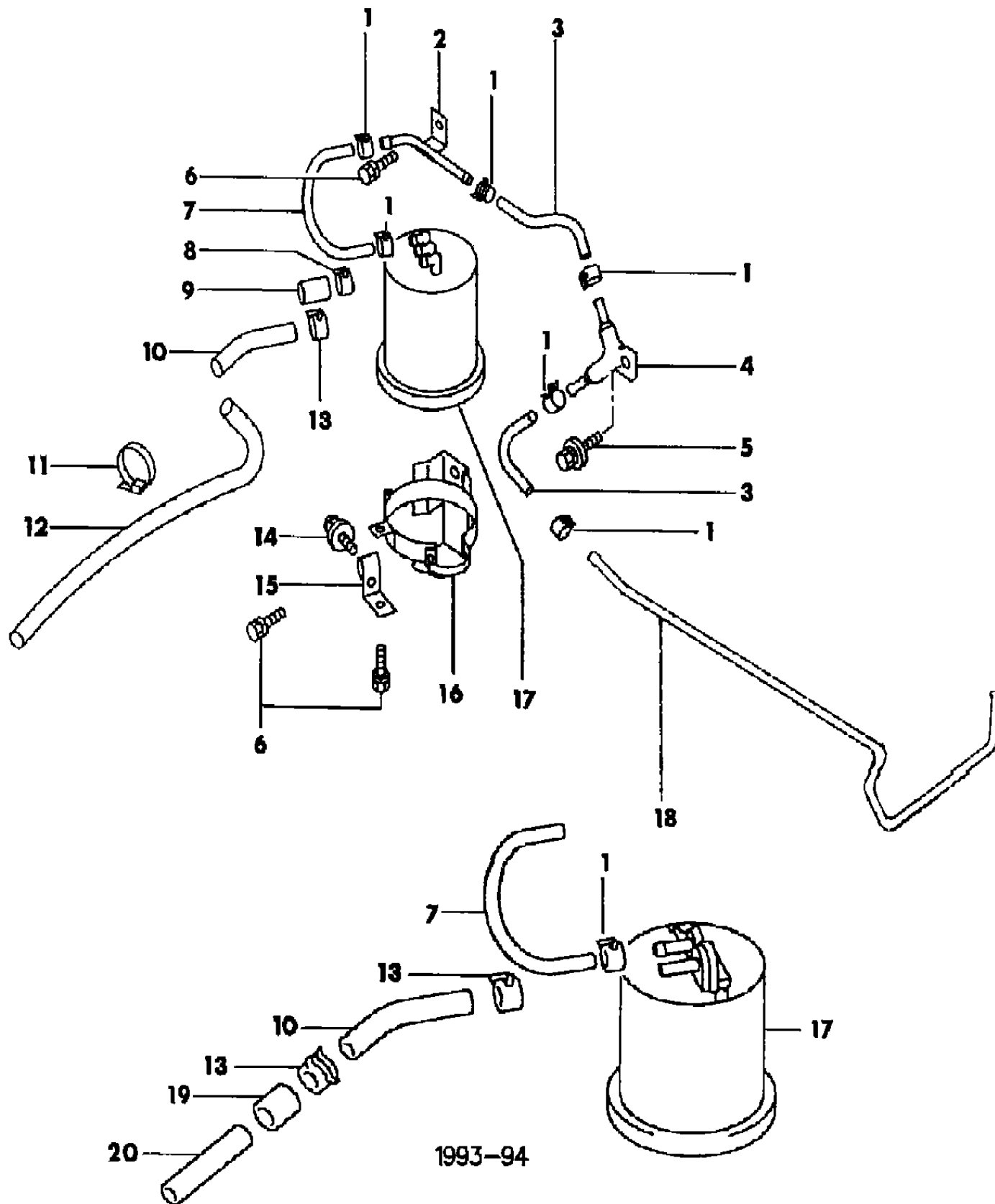
MODELS:  
 24 FWD = 2Dr Hatchback (Laser)  
 24 FWD = 2-Dr Hatchback (Talon)  
 4WD = (4 Wheel Drive)  
 2WD = (2 Wheel Drive)

AR = Use as Required - = Non Illustrated Part P.A.R. = Paint as Required



VAPOR CANISTER LASER-TALON  
Figure 25-700

9625 700B



ITEM	PART NUMBER	QTY	BODY	MODEL	DESCRIPTION
1	MS66 0169	4			CLAMP, Hose, (10)
2	MB55 4303	1			PIPE, Vapor 1990-91
	MB65 8669	1			1992-94
3	MS64 2599	2			HOSE, Vapor, (6x130)
4	MB40 0815	1			VALVE, Check
5	MF24 3630	1			BOLT, w/Washer, (6x30)
6	MF24 0050	3			BOLT, w/Washer, (8x14)
7	MB12 9835	1			HOSE, Vapor
8					CLIP, Hose
	MS66 0164	1			1990-92, (13.1)
9					CAP, Vapor Cont. Line
	MB12 9998	1			1990-92
10	MS60 5599	1			HOSE, Vapor, (11x80)
11		1			BAND, Cable, (Not Serviced), (169.5)
12					HOSE, Vapor Gas Purge
	MB62 1626	1			1990-92
	MB92 5897	1			1993-94
13	MS66 0166	1			CLAMP, Hose, (15.5)
14	MF35 0745	1			SCREW, w/Washer, (4x12)
15					CLIP, Vapor Cont. Line
	MB34 8476	1			1990-92
	MB92 5899	1			1993-94
16					BRACKET, Vapor Canister 1.8L Engine ***
	MB50 4890	1			1990-91
	MB65 8664	1			1992-94
					2.0L Engine ***
	MB50 4890	1			1990-91, w/o Turbo
	MB50 4942	1			1990-91, w/Turbo
	MB65 8664	1			1992-94, w/o Turbo
	MB65 8663	1			1992-94, w/Turbo
17					CANISTER, Vapor
					1.8L Engine ***
	MB50 4230	1			1990-91
	MB62 1696	1			1992
	MB92 5907	1			1993-94
					2.0L Engine ***
	MB50 4230	1			1990-91, w/o Turbo

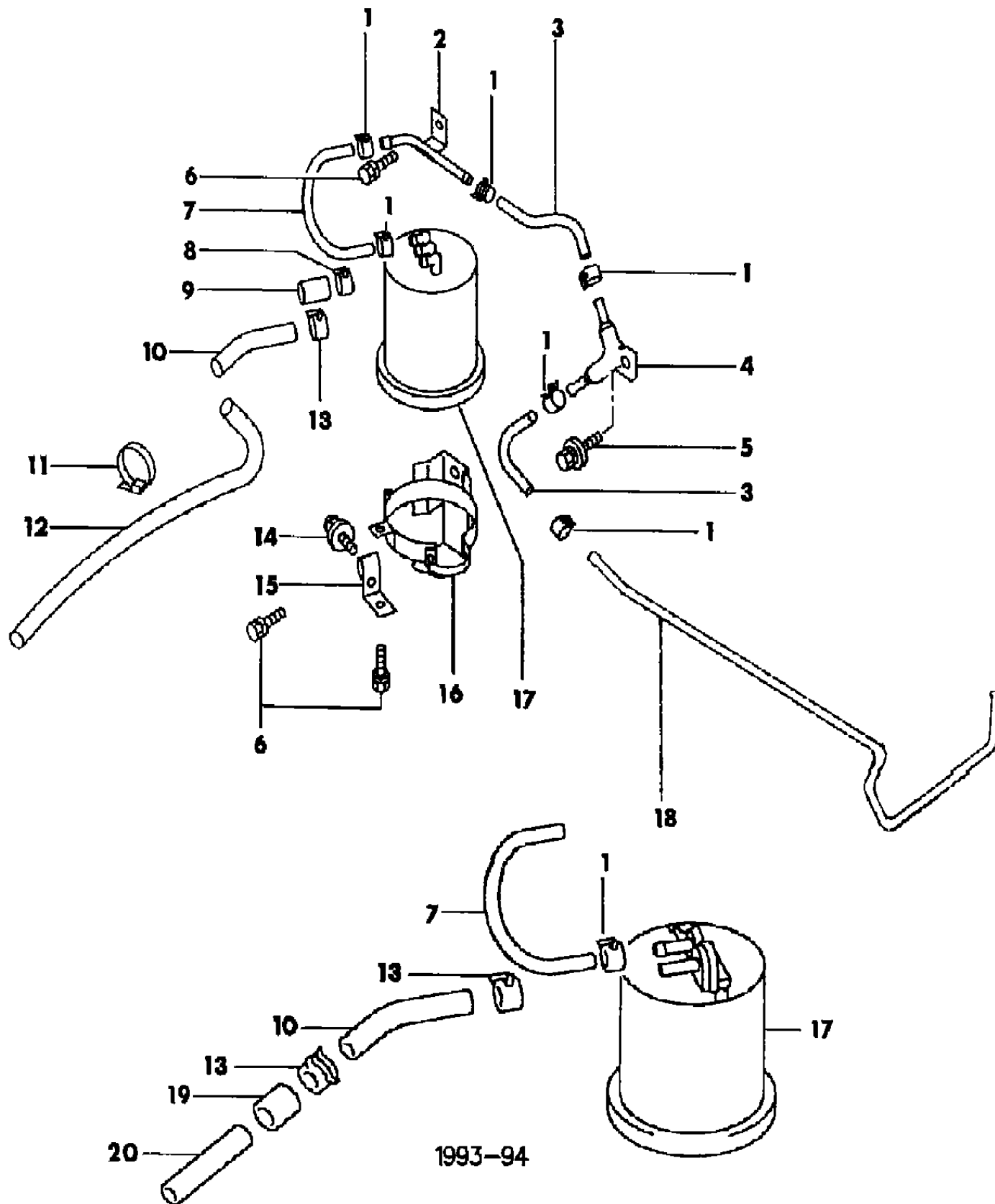
ENGINE: P = 1800cc (1.8L) A = 2000cc (2.0L) Blank = All  
 TRANS: A = Automatic M = Manual Blank = All  
 SERIES: H = High M = Medium P = Premium S = Special

MODELS:  
 24 FWD = 2Dr Hatchback (Laser)  
 24 FWD = 2-Dr Hatchback (Talon)  
 4WD = (4 Wheel Drive)  
 2WD = (2 Wheel Drive)

AR = Use as Required - = Non Illustrated Part P.A.R. = Paint as Required

VAPOR CANISTER LASER-TALON  
Figure 25-700

9625 700B



ITEM	PART NUMBER	QTY	BODY	MODEL	DESCRIPTION
	MB12 9500	1			1990-91, w/Turbo
	MB62 1696	1			1992, w/o Turbo
	MB62 1697	1			1992, w/Turbo
	MB92 5907	1			1993-94, w/o Turbo
	MB92 5908	1			1993-94, w/Turbo
18					PIPE, Vapor
	MB50 4710	1			FWD
	MB55 4445	1			AWD
19	MB92 5871	1			VALVE, Check
20	MS60 5599	1			HOSE, (11x40)

ENGINE: P = 1800cc (1.8L) A = 2000cc (2.0L) Blank = All  
 TRANS: A = Automatic M = Manual Blank = All  
 SERIES: H = High M = Medium P = Premium S = Special

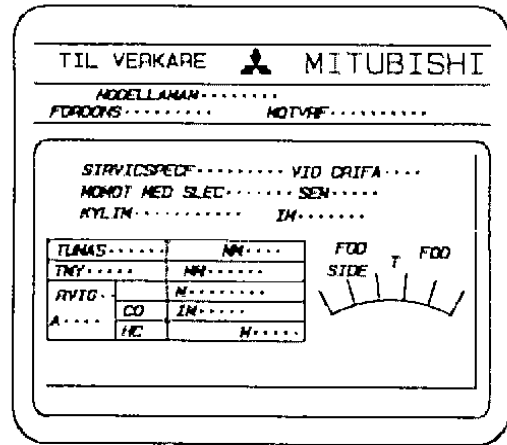
MODELS:  
 24 FWD = 2Dr Hatchback (Laser)  
 24 FWD = 2-Dr Hatchback (Talon)  
 4WD = (4 Wheel Drive)  
 2WD = (2 Wheel Drive)

AR = Use as Required - = Non Illustrated Part P.A.R. = Paint as Required

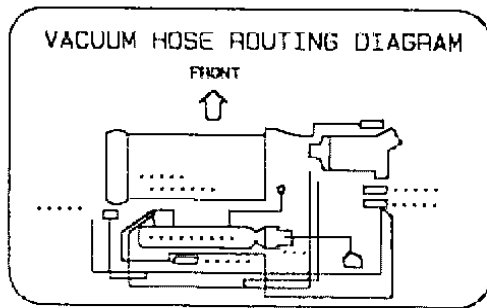
LABELS LASER-TALON

Figure 25-800

9625 800C



1



2

<CAUTION>  
THIS VEHICLE IS EQUIPPED WITH  
A VISCOUS COUPLING TYPE LIMITED  
SLIP DIFFERENTIAL IN REAR AXLE.  
"NEVER" START THE ENGINE OR ROTATE  
ANY RAISED WHEEL WHILE YOUR VEHICLE  
IS SUPPORTED BY A JACK. M9664881

3

UNLEADED  
FUEL ONLY  
ESSENCE  
SANS PLOMB  
SEULEMENT

PREMIUM  
UNLEADED  
FUEL ONLY  
04

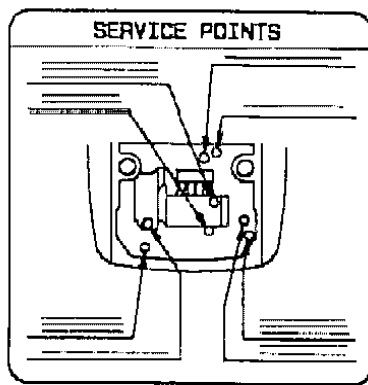
4

TIRE INFLATION  
PRESSURE (COLD)

STANDARD INFLATION  
PRESSURE FOR ALL LOAD

1ST. SEAT 2PASS.  
2ND SEAT 2PASS.  
TOTAL 4PASS.  
LUGGAGE \*Kg (\*lbs)  
TOTAL WEIGHT \*Kg (\*lbs)

TIRE SIZE	
FRONT	REAR
TIRE SIZE TEMPORARY USE ONLY	
PART NO.	MB



6

KEEP THE COOLANT LEVEL BETWEEN "FULL" LINE  
& "LOW" LINE. REFILL THE SPECIFIED COOLANT  
IF NECESSARY.  
USE THE "LONG-LIFE-COOLANT" (CONCENTRATION  
SHOULD BE 50% TO 50%)  
-CHANGE COOLANT EVERY 2 YEARS OR EVERY  
25000 MILES (40000KM) -

5

ITEM	PART NUMBER	QTY	BODY	MODEL	DESCRIPTION
1					LABEL, Emission
					1.8L Engine ***
					Federal ***
	MD12 6589	1			1990
	MD15 9511	1			1991
	MD17 7315	1			1992
	MD19 0098	1			1993
	MD30 3588	1			1994
					Calif. ***
	MD14 4582	1			1990
	MD15 9512	1			1991
	MD17 7320	1			1992
	MD19 0099	1			1993
	MD30 3589	1			1994
					Canada ***
	MD12 6591	1			1990
	MD15 9513	1			1991
	MD17 7323	1			1992
	MD19 0100	1			1993
	MD30 3590	1			1994
					2.0L Engine, w/o Turbo ***
					Federal ***
	MD13 8237	1			1990
	MD15 9489	1			1991
	MD17 7316	1			1992
	MD19 1737	1			1993
	MD30 4731	1			1994
					Calif. ***
	MD14 4583	1			1990
	MD15 9490	1			1991
	MD17 7321	1			1992
	MD19 1739	1			1993
	MD30 4733	1			1994
					Canada ***
	MD13 8239	1			1990
	MD15 9491	1			1991
	MD17 7324	1			1992
	MD19 1741	1			1993
	MD30 4735	1			1994

ENGINE: P = 1800cc (1.8L) A = 2000cc (2.0L) Blank = All  
 TRANS: A = Automatic M = Manual Blank = All  
 SERIES: H = High M = Medium P = Premium S = Special

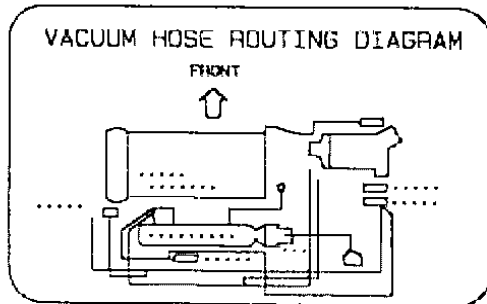
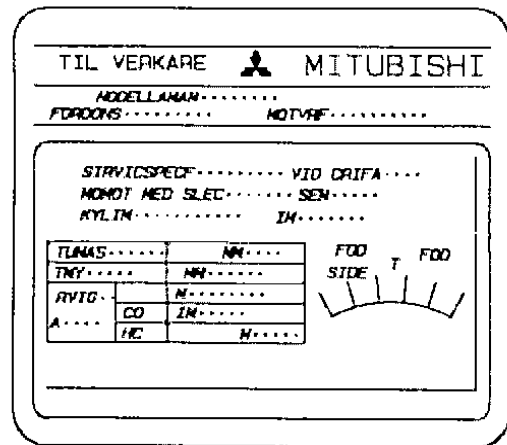
MODELS:  
 24 FWD = 2Dr Hatchback (Laser)  
 24 FWD = 2-Dr Hatchback (Talon)  
 4WD = (4 Wheel Drive)  
 2WD = (2 Wheel Drive)

AR = Use as Required - = Non Illustrated Part P.A.R. = Paint as Required

LABELS LASER-TALON

Figure 25-800

9625 800C



<CAUTION>  
THIS VEHICLE IS EQUIPPED WITH  
A VISCOUS COUPLING TYPE LIMITED  
SLIP DIFFERENTIAL IN REAR AXLE.  
"NEVER" START THE ENGINE OR ROTATE  
ANY RAISED WHEEL WHILE YOUR VEHICLE  
IS SUPPORTED BY A JACK. M9664681

UNLEADED  
FUEL ONLY  
ESSENCE  
SANS PLOMB  
SEULEMENT

PREMIUM  
UNLEADED  
FUEL ONLY  
04

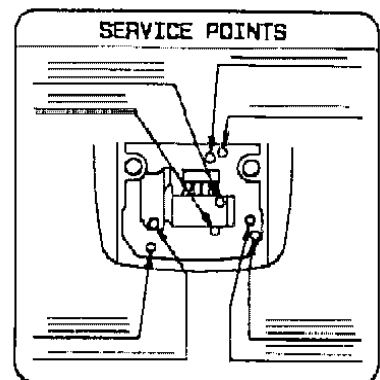
TIRE INFLATION PRESSURE (COLD)

STANDARD INFLATION PRESSURE FOR ALL LOAD

1ST. SEAT 2PASS.  
2ND SEAT 2PASS.  
TOTAL 4PASS.

LUGGAGE \*Kg (\*lbs)  
TOTAL WEIGHT \*Kg (\*lbs)

TIRE SIZE	
FRONT	REAR
TIRE SIZE TEMPORARY USE ONLY	
PART NO.	MB



KEEP THE COOLANT LEVEL BETWEEN "FULL" LINE  
& "LOW" LINE. REFILL THE SPECIFIED COOLANT  
IF NECESSARY.  
USE THE "LONG-LIFE-COOLANT" (CONCENTRATION  
SHOULD BE 50% TO 50%)  
-CHANGE COOLANT EVERY 2 YEARS OR EVERY  
25000 MILES (40000KM) -

ITEM	PART NUMBER	QTY	BODY	MODEL	DESCRIPTION
					2.0L Engine, w/Turbo ***
					Federal ***
	MD13 8240	1			1990
	MD15 9493	1			1991
	MD17 7317	1			1992
	MD19 1736	1			1993
	MD30 4730	1			1994
					Calif. ***
	MD14 4584	1			1990
	MD15 9494	1			1991
	MD17 7322	1			1992
	MD19 1738	1			1993
	MD30 4732	1			1994
					Canada ***
	MD13 8242	1			1990
	MD15 9495	1			1991
	MD17 7325	1			1992
	MD19 1740	1			1993
	MD30 4734	1			1994
2					LABEL, Service 1.8L Engine ***
					Federal ***
	MD12 6596	1			1990
	MD14 8819	1			1991-94
					Calif. ***
	MD12 8882	1			1990
	MD15 9668	1			1991-94
					Canada ***
	MD12 6596	1			1990
	MD14 8819	1			1991-94
					2.0L Engine, w/o Turbo ***
					Federal ***
	MD12 8411	1			1990
	MD16 5650	1			1991-94
					Calif. ***
	MD12 8886	1			1990
	MD16 5651	1			1991-94
					Canada ***
	MD12 8411	1			1990

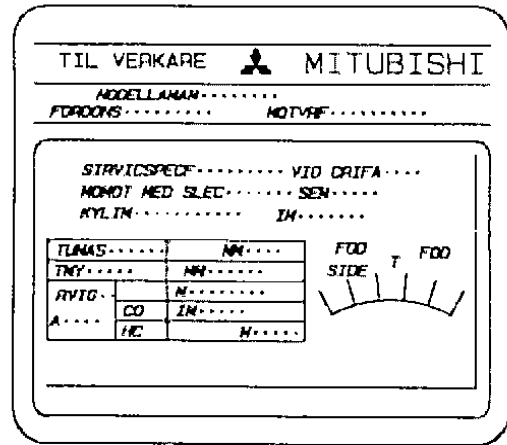
ENGINE: P = 1800cc (1.8L) A = 2000cc (2.0L) Blank = All  
 TRANS: A = Automatic M = Manual Blank = All  
 SERIES: H = High M = Medium P = Premium S = Special

MODELS:  
 24 FWD = 2Dr Hatchback (Laser)  
 24 FWD = 2-Dr Hatchback (Talon)  
 4WD = (4 Wheel Drive)  
 2WD = (2 Wheel Drive)

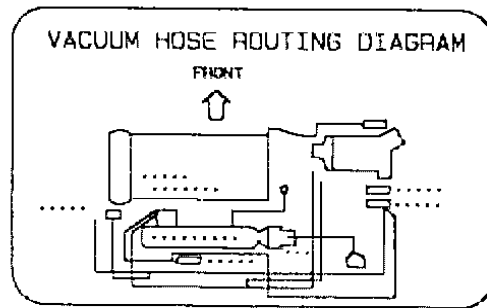
AR = Use as Required - = Non Illustrated Part P.A.R. = Paint as Required

LABELS LASER-TALON  
Figure 25-800

9625 800C



1



2

<CAUTION>  
THIS VEHICLE IS EQUIPPED WITH  
A VISCOUS COUPLING TYPE LIMITED  
SLIP DIFFERENTIAL IN REAR AXLE.  
"NEVER" START THE ENGINE OR ROTATE  
ANY RAISED WHEEL WHILE YOUR VEHICLE  
IS SUPPORTED BY A JACK. MB664681

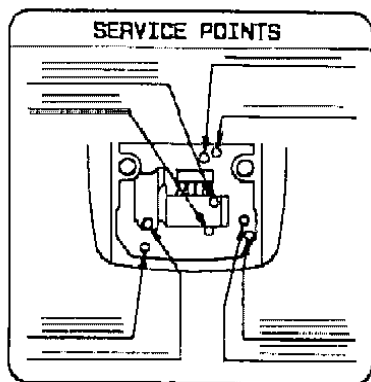
3

UNLEADED  
FUEL ONLY  
ESSENCE  
SANS PLOMB  
SEULEMENT

PREMIUM  
UNLEADED  
FUEL ONLY  
04

4

TIRE INFLATION PRESSURE (COLD)	
STANDARD INFLATION PRESSURE FOR ALL LOAD	
1ST. SEAT 2PASS.	
2ND SEAT 2PASS.	
TOTAL 4PASS.	
LUGGAGE	*Kg (*lbs)
TOTAL WEIGHT	*Kg (*lbs)
TIRE SIZE	
FRONT	REAR
TIRE SIZE TEMPORARY USE ONLY	
PART NO.	MB



6

KEEP THE COOLANT LEVEL BETWEEN "FULL" LINE & "LOW" LINE. REFILL THE SPECIFIED COOLANT IF NECESSARY.  
USE THE "LONG-LIFE-COOLANT" (CONCENTRATION SHOULD BE 50% TO 50%)  
-CHANGE COOLANT EVERY 2 YEARS OR EVERY 25000 MILES (40000KM) -

5

ITEM	PART NUMBER	QTY	BODY	MODEL	DESCRIPTION
	MD16 5650	1			1991-94 2.0L Engine, w/Turbo *** Federal ***
	MD13 6564	1			1990
	MD16 5652	1			1991-92
	MD19 4571	1			1993-94 Calif. ***
	MD13 6565	1			1990
	MD16 5653	1			1991-92
	MD19 4572	1			1993-94 Canada ***
	MD13 6564	1			1990
	MD16 5652	1			1991-92
	MD19 4571	1			1993-94
3	MB66 4681	1			LABEL, LSD, w/AWD
4					LABEL, Fuel 1.8L Engine *** Federal and Calif. *** 1993-94, "Unleaded Fuel Only" Canada *** 1993-94, "Unleaded Fuel Only"
	MD15 5922	1			2.0L Engine, w/o Turbo *** Federal and Calif. *** 1994, "Unleaded Fuel Only" Canada ***
	MD15 5914	1			1993-94, "Unleaded Fuel Only"
	MD15 5922	1			1994, "Unleaded Fuel Only" Canada ***
	MD15 5914	1			1994, "Unleaded Fuel Only" 2.0L Engine, w/Turbo *** Federal and Calif. ***
	MD18 4863	1			1994, "Premium Unleaded Fuel Only" Canada ***
	MD18 4864	1			1994, "Premium Unleaded Fuel Only"
5	MB00 7875	1			LABEL, Coolant Caution 1993-94
6	MB60 5100	1			LABEL, Service Points 1993-94
7	MB41 3905	1			LABEL, Tire Pressure 1.8L Engine *** 1994 2.0L Engine, w/o Turbo ***

ENGINE: P = 1800cc (1.8L) A = 2000cc (2.0L) Blank = All  
TRANS: A = Automatic M = Manual Blank = All  
SERIES: H = High M = Medium P = Premium S = Special

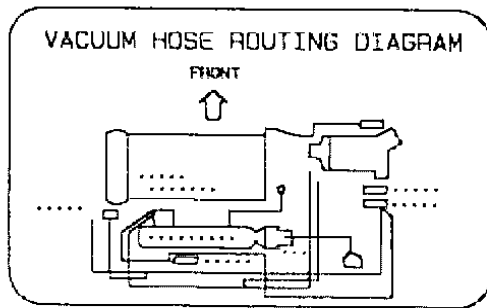
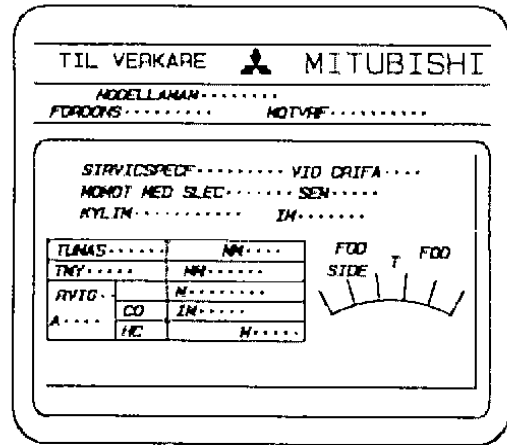
MODELS:  
24 FWD = 2Dr Hatchback (Laser)  
24 FWD = 2-Dr Hatchback (Talon)  
4WD = (4 Wheel Drive)  
2WD = (2 Wheel Drive)

AR = Use as Required - = Non Illustrated Part P.A.R. = Paint as Required

LABELS LASER-TALON

Figure 25-800

9625 800C



<CAUTION>  
 THIS VEHICLE IS EQUIPPED WITH  
 A VISCOUS COUPLING TYPE LIMITED  
 SLIP DIFFERENTIAL IN REAR AXLE.  
 "NEVER" START THE ENGINE OR ROTATE  
 ANY RAISED WHEEL WHILE YOUR VEHICLE  
 IS SUPPORTED BY A JACK. MB864881

UNLEADED  
 FUEL ONLY  
 ESSENCE  
 SANS PLOMB  
 SEULEMENT

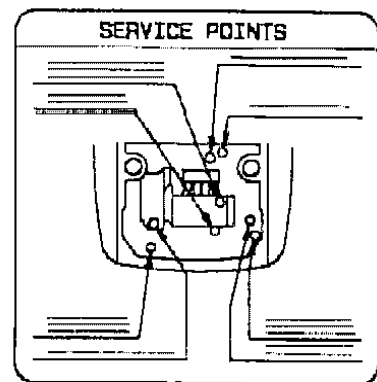
PREMIUM  
 UNLEADED  
 FUEL ONLY  
 04

TIRE INFLATION PRESSURE (COLD)

STANDARD INFLATION PRESSURE FOR ALL LOAD

1ST SEAT 2PASS.  
 2ND SEAT 2PASS.  
 TOTAL 4PASS.  
 LUGGAGE \*Kg (\*lbs)  
 TOTAL WEIGHT \*Kg (\*lbs)

TIRE SIZE	
FRONT	REAR
TIRE SIZE TEMPORARY USE ONLY	
PART NO.	MB



KEEP THE COOLANT LEVEL BETWEEN "FULL" LINE & "LOW" LINE. REFILL THE SPECIFIED COOLANT IF NECESSARY.  
 USE THE "LONG-LIFE-COOLANT" (CONCENTRATION SHOULD BE 50% TO 50%)  
 CHANGE COOLANT EVERY 2 YEARS OR EVERY 25000 MILES (40000KM)

ITEM	PART NUMBER	QTY	BODY	MODEL	DESCRIPTION
	MB81 6526	1			1994, w/o ABS
	MB68 1430	1			1994, w/ABS 2.0L Engine, w/Turbo ***
	MB81 6527	1			1994, w/o ABS
	MB68 1431	1			1994, w/ABS
	MB81 6528	1			1994, w/AWD

ENGINE: P = 1800cc (1.8L) A = 2000cc (2.0L) Blank = All  
 TRANS: A = Automatic M = Manual Blank = All  
 SERIES: H = High M = Medium P = Premium S = Special

MODELS:  
 24 FWD = 2Dr Hatchback (Laser)  
 24 FWD = 2-Dr Hatchback (Talon)  
 4WD = (4 Wheel Drive)  
 2WD = (2 Wheel Drive)

AR = Use as Required - = Non Illustrated Part P.A.R. = Paint as Required

---

**GROUP ITA - LASER**

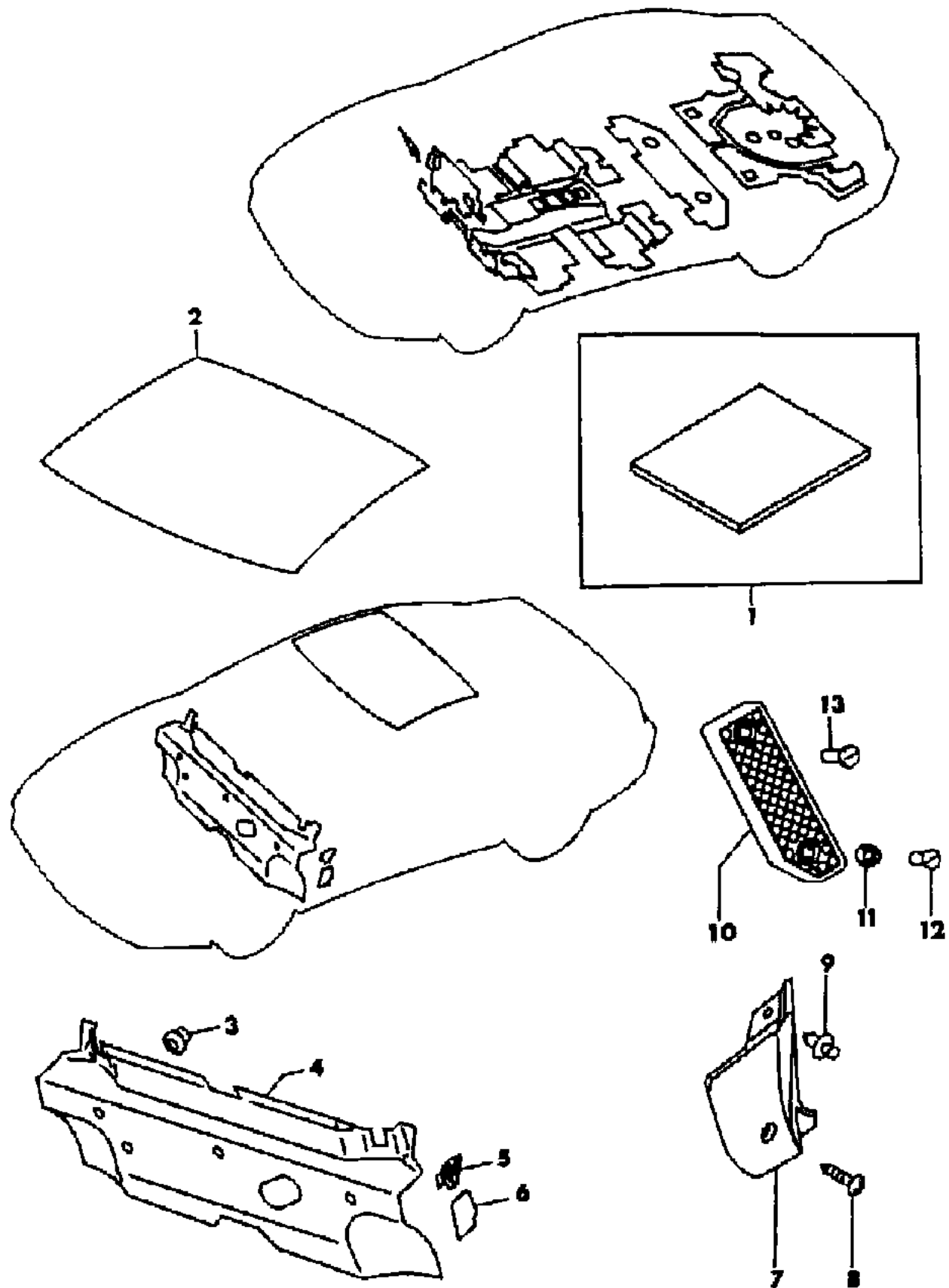
<b>ILLUSTRATION TITLE</b>	<b>GROUP-FIG. NO.</b>
COWL PANEL AND SILENCERS LASER .....	Fig. ITA-100
HEADLINING, SUNVISOR LASER .....	Fig. ITA-200
PANEL REAR SHELF LASER .....	Fig. ITA-300
PANEL QUARTER TRIM AND MOULDINGS LASER .....	Fig. ITA-400
TRUNK TRIM AND RELATED PARTS LASER .....	Fig. ITA-500
CARPETS, SCUFF PLATE AND ANCHOR STRAPS LASER .....	Fig. ITA-600
TRUNK RELATED PARTS 1992-94 LASER .....	Fig. ITA-650
DOOR TRIM PANEL LASER .....	Fig. ITA-700
SEAT FRONT, LEFT LASER .....	Fig. ITA-800
SEAT FRONT, RIGHT LASER .....	Fig. ITA-900
ADJUSTER HIGH BACK BUCKET LASER .....	Fig. ITA-1000
BELTS SEAT FRONT LASER .....	Fig. ITA-1100
BELTS SEAT FRONT CANADA ONLY LASER .....	Fig. ITA-1150
SEAT REAR LASER .....	Fig. ITA-1200
SEAT REAR SPLIT BACK 1991-94 LASER .....	Fig. ITA-1250
BELTS SEAT REAR LASER .....	Fig. ITA-1300

**ILLUSTRATION NOT AVAILABLE AT TIME OF PUBLICATION**

---

**COWL PANEL AND SILENCERS LASER**  
Figure ITA-100

9633 100 A



ITEM	PART NUMBER	QTY	BODY	MODEL	DESCRIPTION
1	MB10 4993	AR			PAD, Rough Stock, (500x500x1.6)
2	MB47 9059	1			PAD, Silencer
3	MU48 1004	4			CLIP, Dash Panel Pad, (6)
4					PAD, Dash Panel
	MB47 9210	1		M	
	MB56 6343	1		H,P,S	
5					PAD, Cowl Side
	MB47 9461	1			Left
	MB47 9462	1			Right
6					PAD, Cowl Side
	MB47 9465	1		H,P,S	Left
	MB47 9466	1		H,P,S	Right
7					COWL, Panel
					LEFT
	MB72 2381	1			Gray
	MB72 5366	1			Beige
	MB79 1307	1			Gray, 1992-94
					RIGHT
	MB72 2383	1			Gray
	MB72 5367	1			Beige
	MB79 1308	1			Gray, 1992-94
8	MF45 3093	2			SCREW, Tapping, (5x16)
	MF45 3033	2			SCREW, Tapping, (5x16), 1992-94
9					CLIP
	MB63 4386	1			Gray
	MB63 4387	1			Beige
	MB79 5534	1			Gray, 1992-94
10	MB47 9160	1			FOOTREST
11	MS44 0502	2			NUT, w/Washer, (6)
12	MB64 3881	2			CAP, Foot Rest
13	MB66 2196	1			CLIP, Footrest, (6)

ENGINE: P = 1800cc (1.8L) A = 2000cc (2.0L) Blank = All  
 TRANS: A = Automatic M = Manual Blank = All  
 SERIES: H = High M = Medium P = Premium S = Special

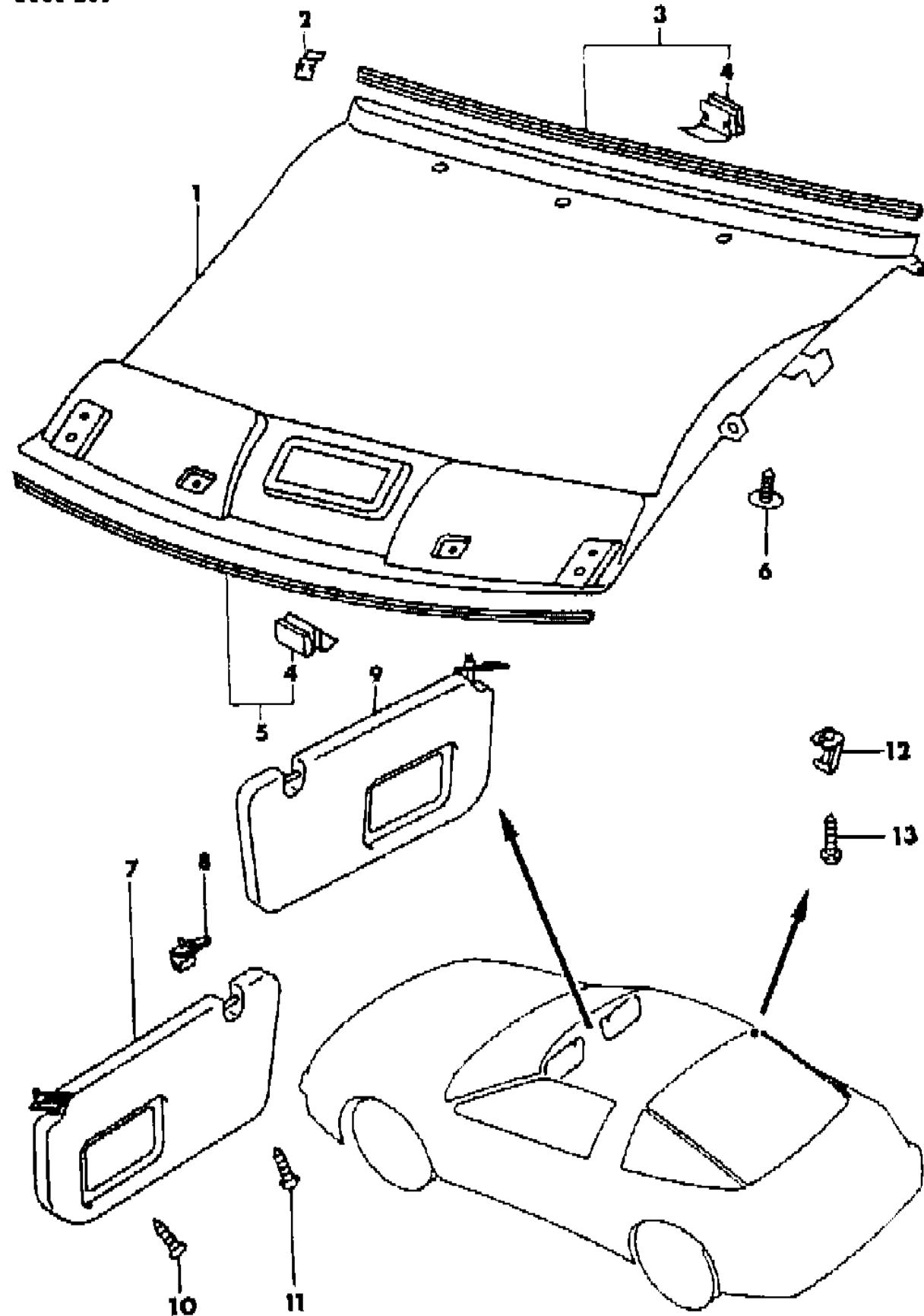
MODELS:  
 24 FWD = 2Dr Hatchback (Laser)  
 24 FWD = 2-Dr Hatchback (Talon)  
 4WD = (4 Wheel Drive)  
 2WD = (2 Wheel Drive)

AR = Use as Required - = Non Illustrated Part P.A.R. = Paint as Required



HEADLINING, SUNVISOR LASER  
Figure ITA-200

9533 200



ITEM	PART NUMBER	QTY	BODY	MODEL	DESCRIPTION
1					HEADLINING ***
					1990-91
	MB72 2397	1			Gray
	MB72 2398	1			Beige
					1992-93
	MB74 7366	1			Gray
	MB79 1319	1			Red
					1993-94, w/AWD
	MB76 6098	1	S		Gray
	MB79 1321	1	S		Red
					w/SUNROOF
					1990-91
	MB74 7473	1			Beige
	MB74 7472	1			Gray
					1992-94
	MB74 7474	1			Gray
	MB79 1447	1			Red
					1993-94, w/AWD
	MB77 2287	1	S		Gray
	MB79 1449	1	S		Red
2	MB47 9067	2			RETAINER, Headlining
3					HEADLINING, Trim ***
	MB72 2365	1			Gray
	MB72 2366	1			Beige
	MB79 1324	1			Gray, 1992-94
4	MB47 9545	10			CLIP
5					HEADLINING, Trim, (Front) ***
					1990
	MB82 8045	1			Gray
	MB72 2364	1			Beige
					1991
	MB82 8045	1			Gray
	MB82 8046	1			Beige
					1992-94
	MB79 1455	1			Gray
6					CLIP
					1990-91
	MB72 2371	9			Gray
	MB72 2372	9			Beige

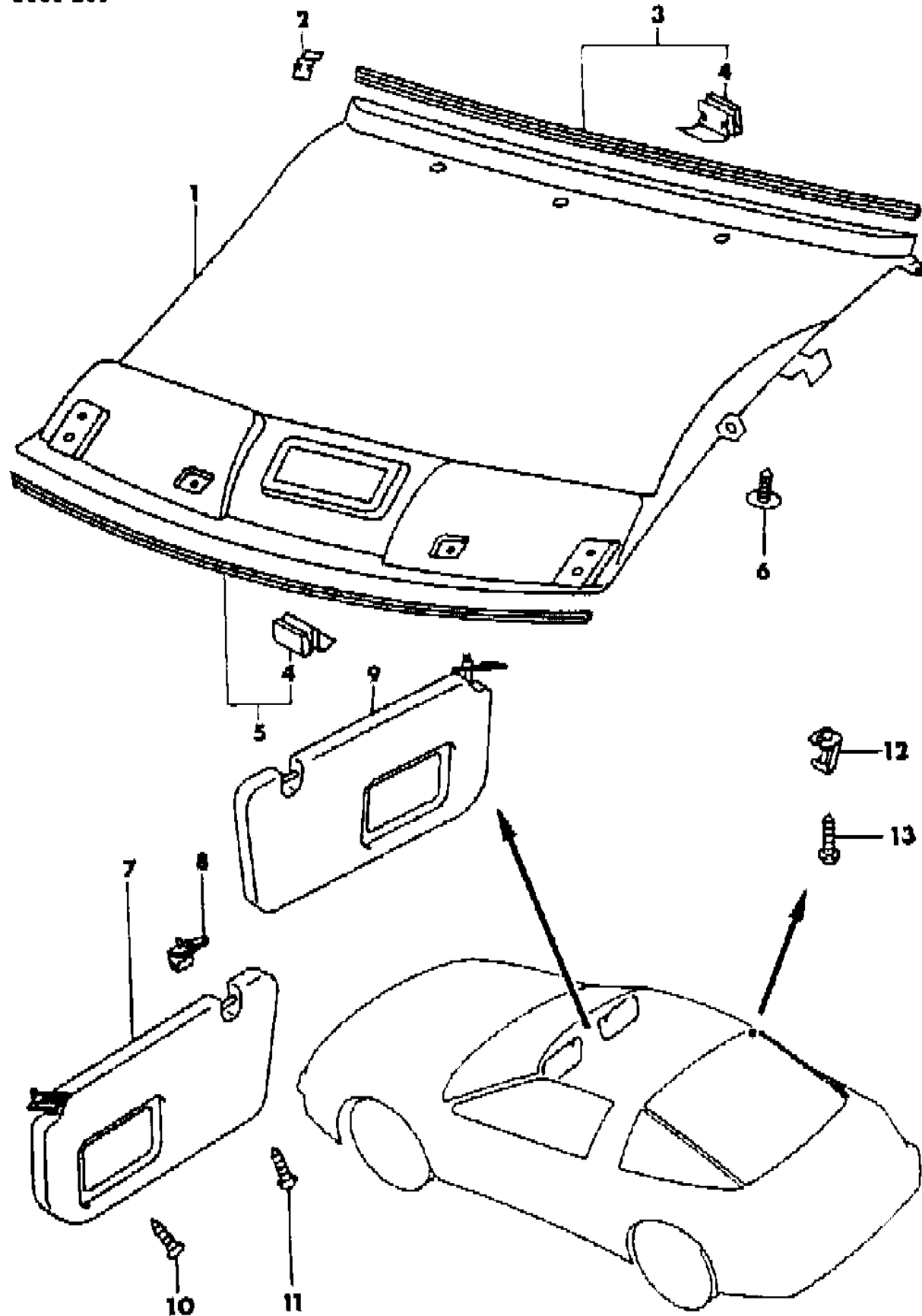
ENGINE: P = 1800cc (1.8L) A = 2000cc (2.0L) Blank = All  
 TRANS: A = Automatic M = Manual Blank = All  
 SERIES: H = High M = Medium P = Premium S = Special

MODELS:  
 24 FWD = 2Dr Hatchback (Laser)  
 24 FWD = 2-Dr Hatchback (Talon)  
 4WD = (4 Wheel Drive)  
 2WD = (2 Wheel Drive)

AR = Use as Required - = Non Illustrated Part P.A.R. = Paint as Required

HEADLINING, SUNVISOR LASER  
Figure ITA-200

9533 200



ITEM	PART NUMBER	QTY	BODY	MODEL	DESCRIPTION
					1992-94
	MB74 7363	9			Gray
	MB96 1659	9			Red
7					SUNVISOR ***
					1990
					LEFT
	MB72 2341	1			Gray
	MB72 2342	1			Beige
	MB72 5630	1			Beige, CANADA
	MB72 5630	1			Gray, CANADA
					w/Turbo
	MB72 2345	1			Gray
	MB72 2346	1			Beige
	MB72 5634	1			Beige, CANADA
	MB72 5633	1			Gray, CANADA
					1991
	MB76 6087	1		H	Beige
	MB84 9444	1		P,S	Beige
	MB76 6086	1		H	Gray
	MB84 9171	1		P,S	Gray
					1992-94
	MB96 1871	1		M,H	Gray
	MB84 9172	1		P,S	Gray
	MB96 1873	1		M,H	Red
	MB96 1883	1		P,S	Red
					1990-91
	MB76 6092	1		H	Beige, CANADA
	MB84 9443	1		P,S	Beige, CANADA
	MB76 6091	1		H	Gray, CANADA
	MB84 9169	1		P,S	Gray, CANADA
					1992-94
	MB78 6847	1		M	Gray, CANADA
	MB84 9170	1		P,S	Gray, CANADA
	MB96 1878	1		M	Red, CANADA
	MB96 1881	1		P,S	Red, CANADA
8					HOLDER, Sunvisor
					1990-91
	MB72 2357	2			Gray
	MB72 2358	2			Beige

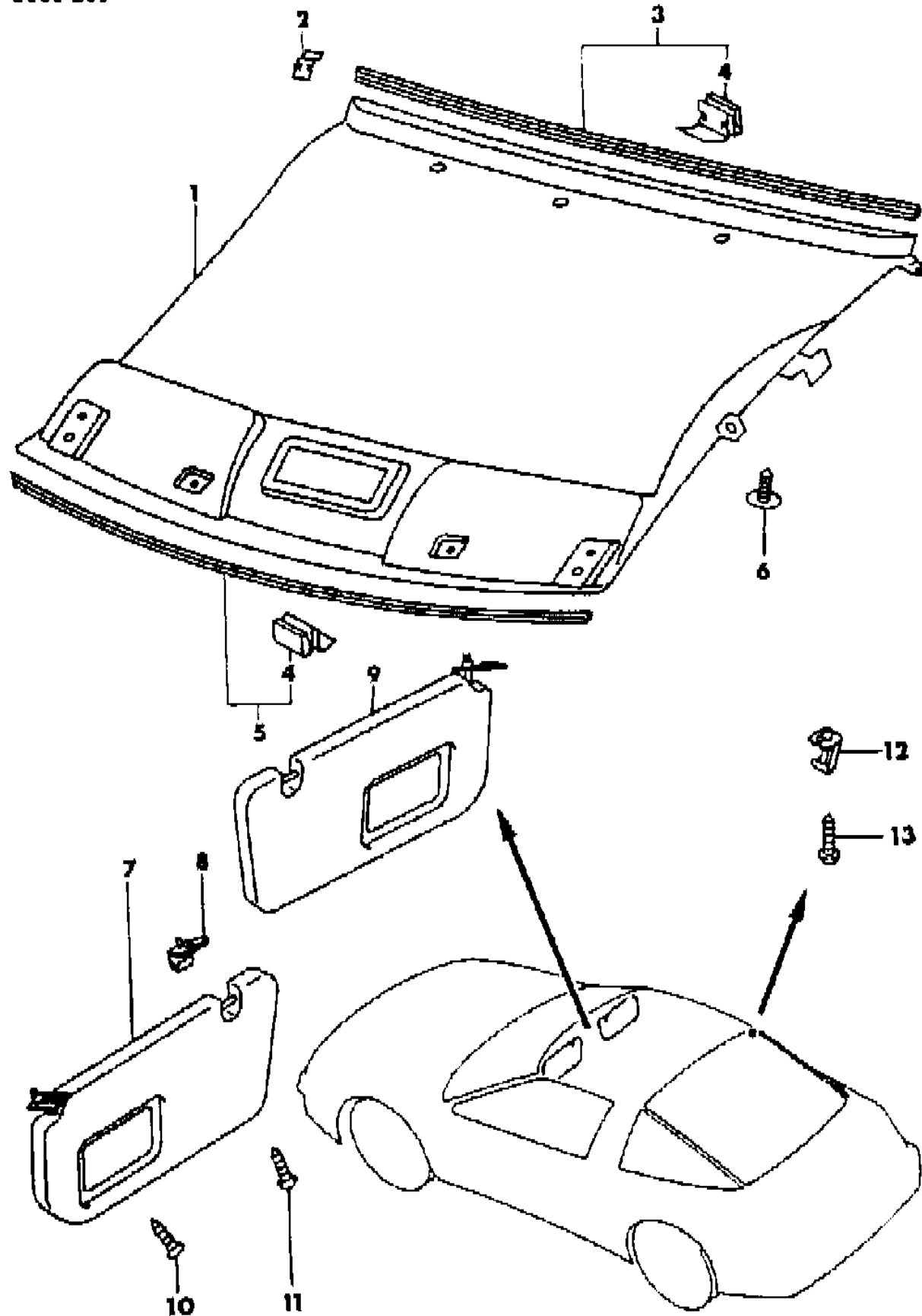
ENGINE: P = 1800cc (1.8L) A = 2000cc (2.0L) Blank = All  
 TRANS: A = Automatic M = Manual Blank = All  
 SERIES: H = High M = Medium P = Premium S = Special

MODELS:  
 24 FWD = 2Dr Hatchback (Laser)  
 24 FWD = 2-Dr Hatchback (Talon)  
 4WD = (4 Wheel Drive)  
 2WD = (2 Wheel Drive)

AR = Use as Required - = Non Illustrated Part P.A.R. = Paint as Required

HEADLINING, SUNVISOR LASER  
Figure ITA-200

9533 200



ITEM	PART NUMBER	QTY	BODY	MODEL	DESCRIPTION
					1992-94
	MB74 7362	2			Gray
	MB96 1884	2			Red
9					SUNVISOR *** RIGHT
	MB72 2343	1			1990-91 Gray
	MB72 2344	1			Beige
					1992-94
	MB96 1874	1			Gray
	MB96 1876	1			Red
					1990-91
	MB72 5632	1			Beige, CANADA
	MB72 5631	1			Gray, CANADA
					1992-94
	MB69 2092	1			Gray, CANADA
	MB96 1870	1			Red, CANADA
10	MF45 7308	4			SCREW, Tapping, (5x20)
11					SCREW, Tapping
	MF45 5155	2			Up To 5-1-89, (5x25)
	MF45 3095	2			From 5-1-89 to 10-2-89
	MF45 3094	2			After 10-2-89, (5x20)
	MF45 3094	2			SCREW, (5x20), 1991-94
12					HANGER, Coat
	MB72 2399	2			Gray
	MB72 2400	2			Beige
	MB79 1323	2			Gray, 1992-93
	MR70 5847	2			Dark Gray, 1994
13					SCREW, Tapping, (5x25)
	MF45 5155	2			Up To 5-1-89
	MF45 3095	2			After 5-1-89
	MF45 3095	2			SCREW, (5x25), 1991-94

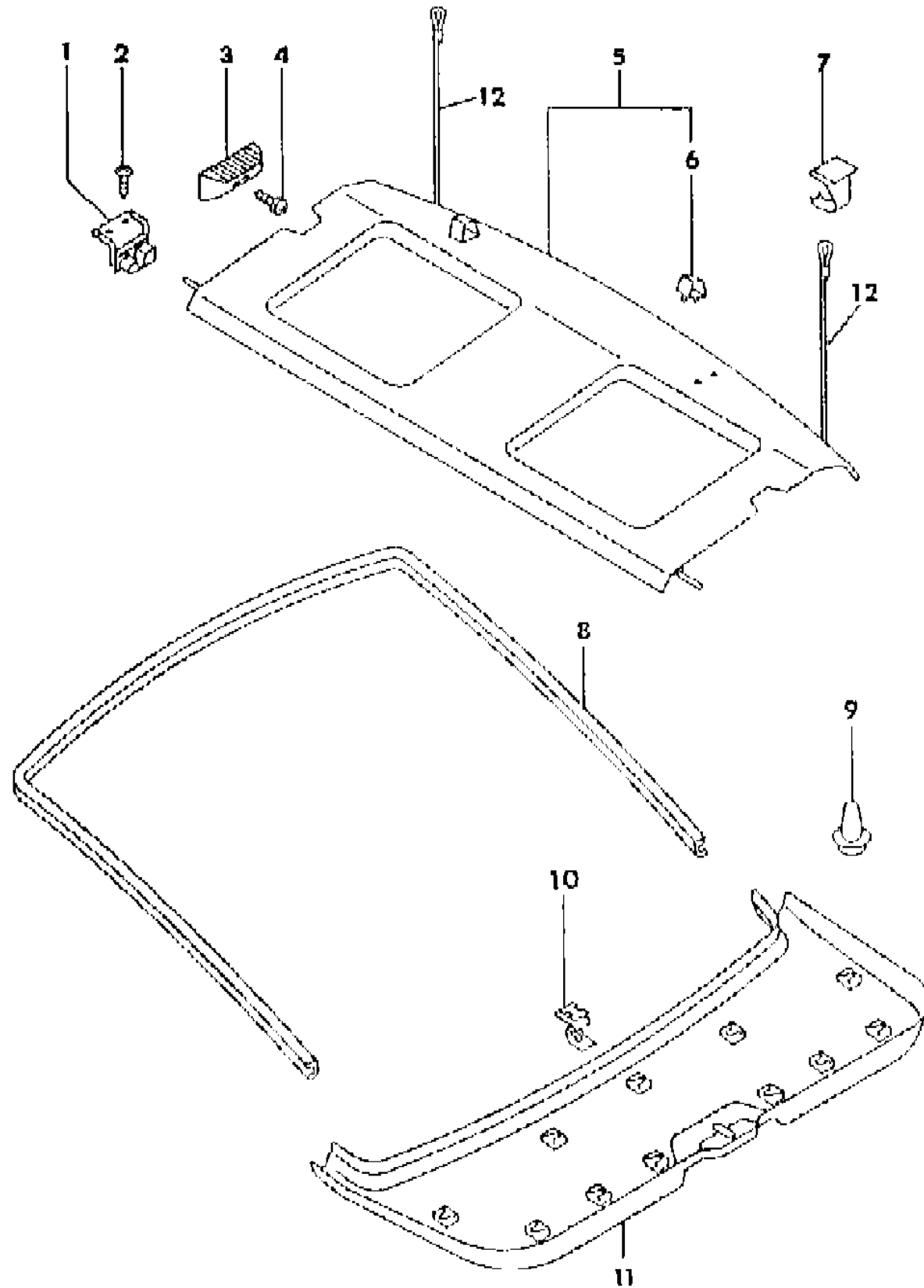
ENGINE: P = 1800cc (1.8L) A = 2000cc (2.0L) Blank = All  
 TRANS: A = Automatic M = Manual Blank = All  
 SERIES: H = High M = Medium P = Premium S = Special

MODELS:  
 24 FWD = 2Dr Hatchback (Laser)  
 24 FWD = 2-Dr Hatchback (Talon)  
 4WD = (4 Wheel Drive)  
 2WD = (2 Wheel Drive)

AR = Use as Required - = Non Illustrated Part P.A.R. = Paint as Required

PANEL REAR SHELF LASER  
Figure ITA-300

9533 300 A



ITEM	PART NUMBER	QTY	BODY	MODEL	DESCRIPTION	
1	MB47 9309	1			CATCH, Rear Shelf Left	
	MB47 9310	1			Right	
2	MS45 0156	4			SCREW, Tapping, (5x12)	
	MF45 3031	4			SCREW, Tapping, (5x12), 1992-94	
3					HOLDER, Shelf LEFT	
	MB72 2463	1			Gray	
	MB72 2464	1			Brown	
	MB79 1390	1			Gray, 1992-94 RIGHT	
	MB72 2465	1			Gray	
	MB72 2466	1			Brown	
	MB79 1391	1			Gray, 1992-94	
	MF35 1036	2			SCREW, w/Washer, (6x25)	
	5					SHELF, Center Up To 5-1-89
		MB72 2461	1			Gray
MB72 2462		1			Brown After 5-1-89	
MB73 1158		1			Gray	
MB73 1159		1			Brown 1991	
MB73 1158		1			Gray	
MB73 1159		1			Brown	
MB79 1388		1			Gray, 1992-94	
6	MB47 9377	2			DAMPER, Rear Shelf ***	
7	MB47 9320	2			HOOK, Shelf	
8	MB47 9285	1			TAILGATE, Trim, (Flange) ***	
9	MB56 6720	10			CLIP	
10	MB47 9546	6			CLIP	
11					TRIM, Tailgate	
	MB72 2407	1			Gray	
	MB72 2408	1			Brown	
	MB79 1328	1			Gray, 1992-94	
	MB79 1327	1			Gray, 1993-94, w/Rear Air Spoiler	
12					STRING, Rear Shelf ***	
	MB87 7854	1			Up To 6-1-92	
	MB89 8603	1			After 6-1-92	

ENGINE: P = 1800cc (1.8L) A = 2000cc (2.0L) Blank = All  
 TRANS: A = Automatic M = Manual Blank = All  
 SERIES: H = High M = Medium P = Premium S = Special

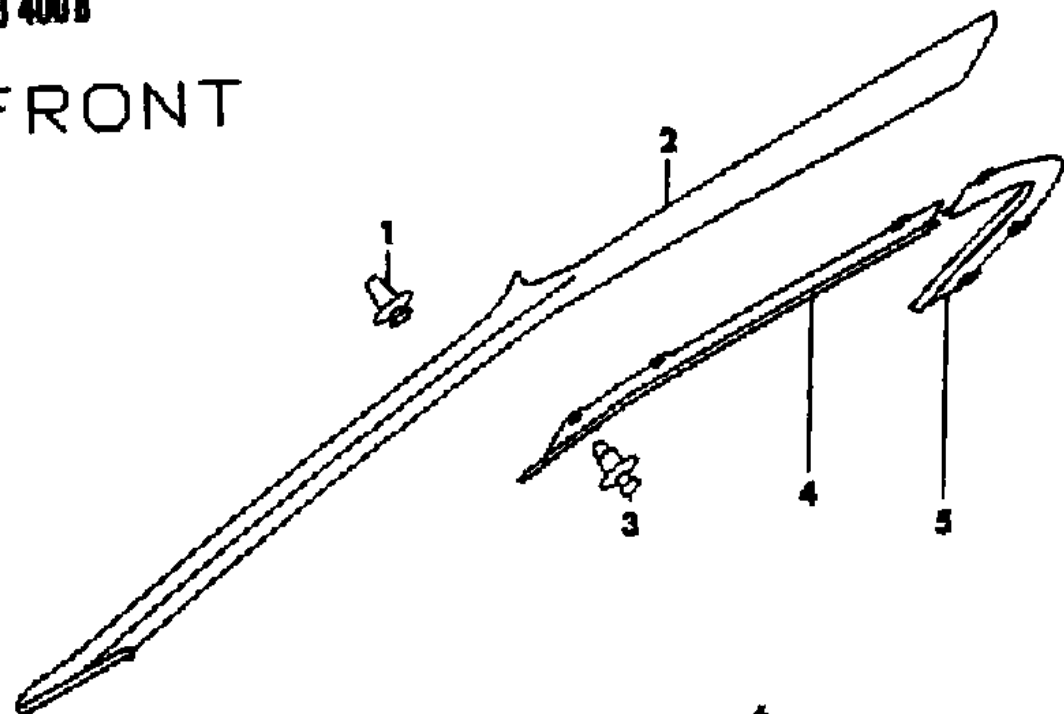
MODELS:  
 24 FWD = 2Dr Hatchback (Laser)  
 24 FWD = 2-Dr Hatchback (Talon)  
 4WD = (4 Wheel Drive)  
 2WD = (2 Wheel Drive)

AR = Use as Required - = Non Illustrated Part P.A.R. = Paint as Required

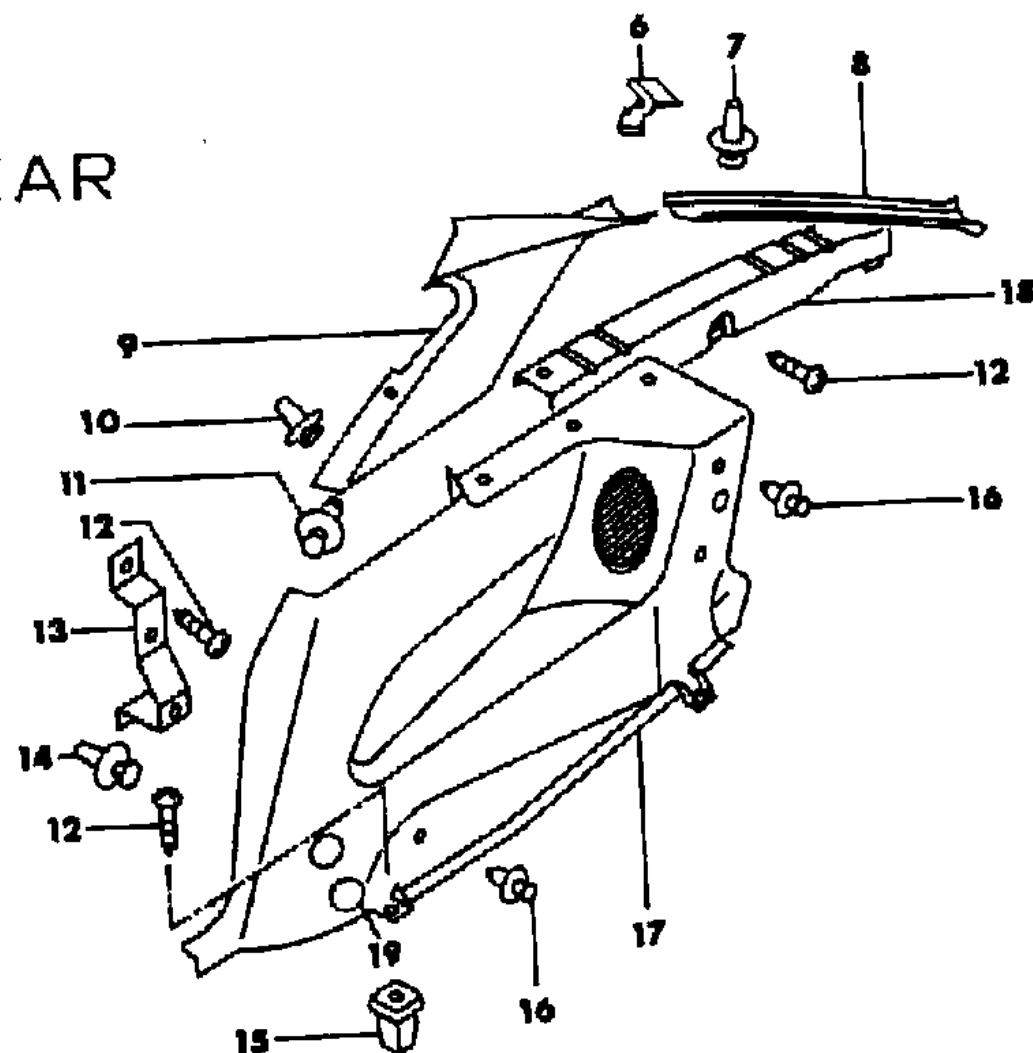
PANEL QUARTER TRIM AND MOULDINGS LASER  
Figure ITA-400

9633 400B

FRONT



REAR



ITEM	PART NUMBER	QTY	BODY	MODEL	DESCRIPTION
1	MB56 6720	8			CLIP
2					PILLAR, Front ***
					LEFT
	MB72 2483	1			Gray
	MB72 2484	1			Beige
	MB79 1407	1			Gray, 1992-94
	MB72 2500	1			Beige, CANADA
	MB72 2499	1			Gray, CANADA
	MB79 1415	1			Gray, 1992-94, CANADA
					RIGHT
	MB72 2485	1			Gray
	MB72 2486	1			Beige
	MB79 1408	1			Gray, 1992-94
	MB72 2502	1			Beige, CANADA
	MB72 2501	1			Gray, CANADA
	MB79 1416	1			Gray, 1992-94, CANADA
3					CLIP
	MB63 4386	14			Gray, Up To 1-1-91
	MB87 7737	14			Gray, After 1-1-91
	MB63 4381	14			Brown, Up To 1-1-91
	MB87 7736	14			Brown, After 1-1-91
	MB79 5534	14			Gray, 1992-94
4					RAIL, Belt, (Front)
					LEFT
	MB72 2491	1			Gray
	MB72 2492	1			Beige
	MB79 1411	1			Gray, 1992-94
					RIGHT
	MB72 2493	1			Gray
	MB72 2494	1			Beige
	MB79 1412	1			Gray, 1992-94
5					RAIL Belt, Rear ***
					LEFT
	MB72 2495	1			Gray
	MB72 2496	1			Beige
	MB79 1413	1			Gray, 1992-94
					RIGHT
	MB72 2497	1			Gray
	MB72 2498	1			Beige

ENGINE: P = 1800cc (1.8L) A = 2000cc (2.0L) Blank = All  
 TRANS: A = Automatic M = Manual Blank = All  
 SERIES: H = High M = Medium P = Premium S = Special

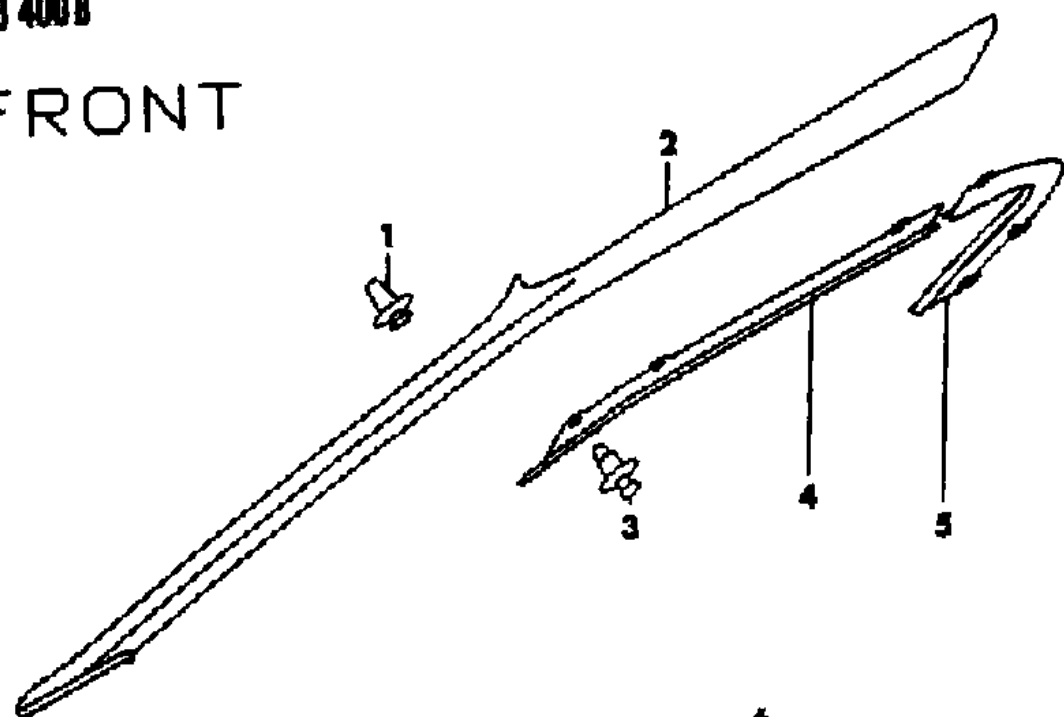
MODELS:  
 24 FWD = 2Dr Hatchback (Laser)  
 24 FWD = 2-Dr Hatchback (Talon)  
 4WD = (4 Wheel Drive)  
 2WD = (2 Wheel Drive)

AR = Use as Required - = Non Illustrated Part P.A.R. = Paint as Required

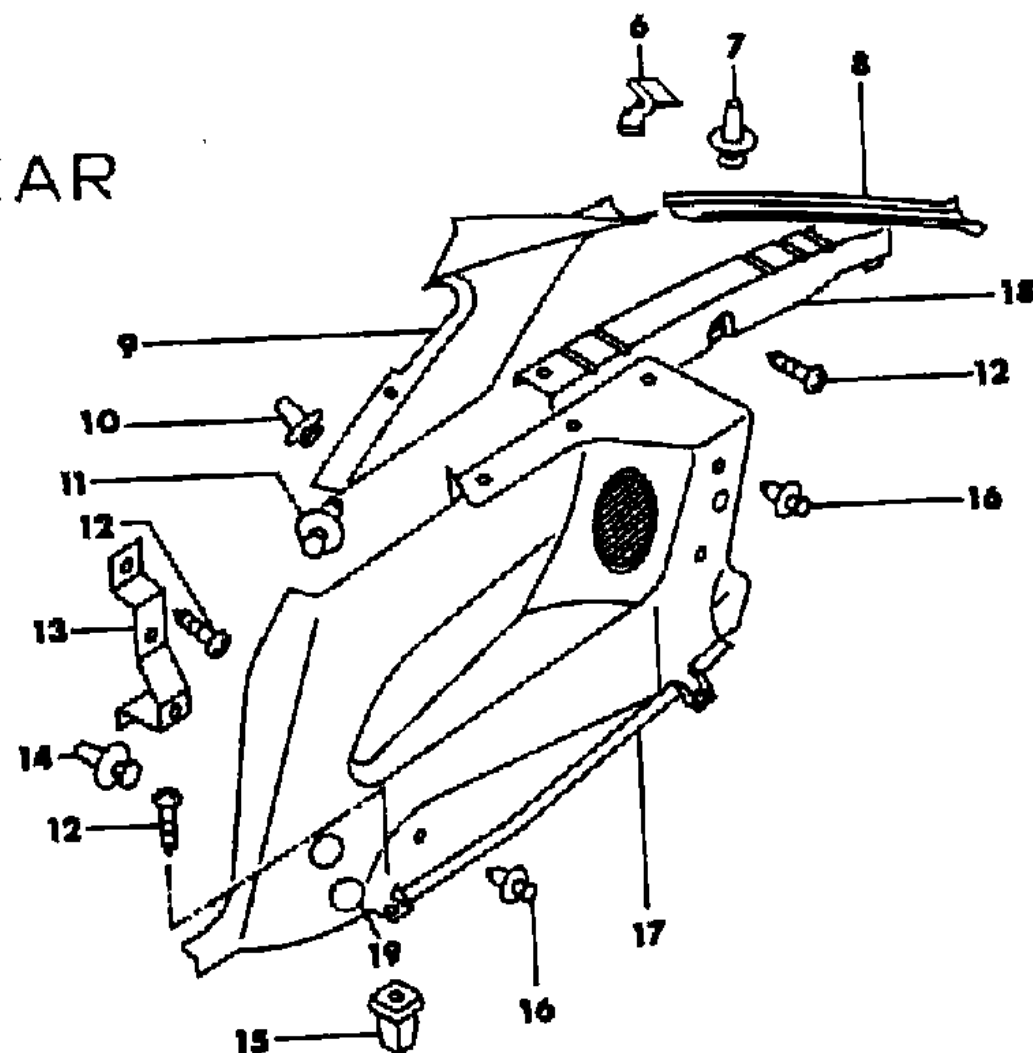
PANEL QUARTER TRIM AND MOULDINGS LASER  
Figure ITA-400

9633 400B

FRONT



REAR



ITEM	PART NUMBER	QTY	BODY	MODEL	DESCRIPTION
	MB79 1414	1			Gray, 1992-94
6	MB47 9110	6			CLIP, Rear Pillar
7	MB56 6720	6			CLIP
8					PILLAR, Rear *** LEFT
	MB72 2385	1			Gray
	MB72 2386	1			Beige
	MB79 1309	1			Gray, 1992-94 RIGHT
	MB72 2387	1			Gray
	MB72 2388	1			Beige
	MB79 1310	1			Gray, 1992-94
9					PILLAR, Center *** LEFT
	MB72 2487	1			Gray
	MB72 2488	1			Beige
	MB79 1409	1			Gray, 1992-94
	MB72 2504	1			Beige, CANADA
	MB72 2503	1			Gray, CANADA
	MB79 1417	1			Gray, 1992-94, CANADA RIGHT
	MB72 2489	1			Gray
	MB72 2490	1			Beige
	MB79 1410	1			Gray, 1992-94
	MB72 2506	1			Beige, CANADA
	MB72 2505	1			Gray, CANADA
	MB79 1418	1			Gray, 1992-94, CANADA
10	MB56 6720	8			CLIP
	MB31 7677	8			CLIP, 1993-94
11					CLIP
	MB63 4386	2			Gray
	MB63 4381	2			Beige
	MB79 5534	2			Gray, 1992-94
12					SCREW or BOLT ***
	MS45 0156	14			Up To 5-1-89, (5x12)
	MF24 3624	14			After 5-1-89, (6x16)
	MS45 0156	14			1991, (5x12)
	MF45 3031	14			1992-94, (5x12)
13	MB47 9083	2			BRACKET

ENGINE: P = 1800cc (1.8L) A = 2000cc (2.0L) Blank = All  
 TRANS: A = Automatic M = Manual Blank = All  
 SERIES: H = High M = Medium P = Premium S = Special

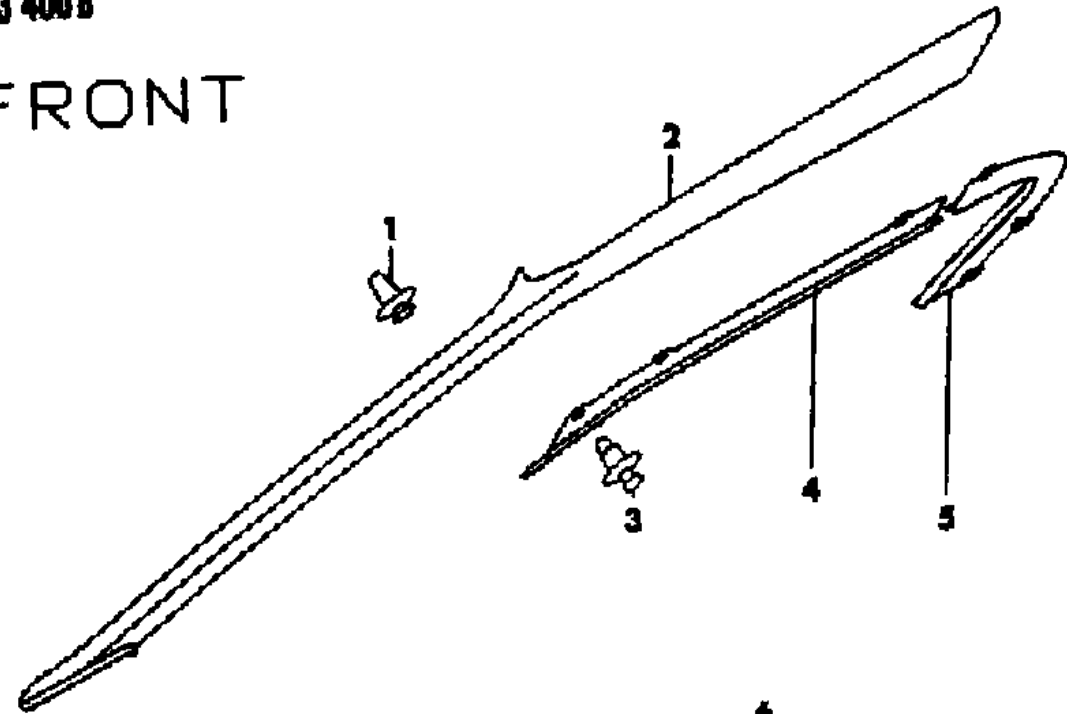
MODELS:  
 24 FWD = 2Dr Hatchback (Laser)  
 24 FWD = 2-Dr Hatchback (Talon)  
 4WD = (4 Wheel Drive)  
 2WD = (2 Wheel Drive)

AR = Use as Required - = Non Illustrated Part P.A.R. = Paint as Required

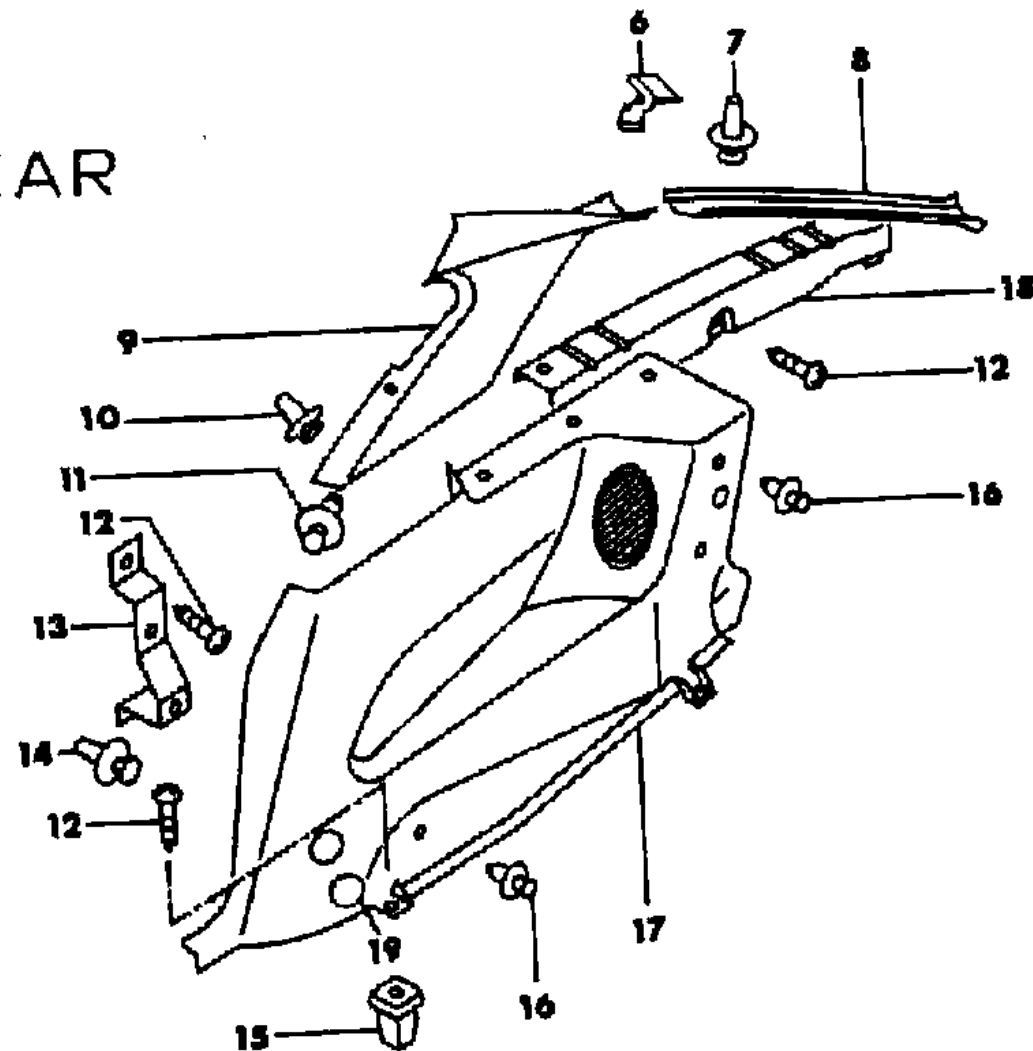
PANEL QUARTER TRIM AND MOULDINGS LASER  
Figure ITA-400

9633 400 B

FRONT



REAR



ITEM	PART NUMBER	QTY	BODY	MODEL	DESCRIPTION
14	MB31 7677	8			CLIP, Trim, (Natural)
15	MS48 0012	4			GROMMET, (5)
16					CLIP
	MB63 4386	12			Gray
	MB63 4387	12			Brown
17	MB79 5534	12			Gray, 1992-94
					TRIM, Quarter Panel
					W/O SPEAKER
					LEFT
	MB72 2409	1			Gray
	MB72 2410	1			Brown
	MB79 1329	1			Gray, 1992-94
					RIGHT
	MB72 2411	1			Gray
	MB72 2412	1			Brown
	MB79 1330	1			Gray, 1992-94
					W/SPEAKER
					LEFT
	MB72 5368	1			Gray
	MB72 5369	1			Brown
	MB79 1331	1			Gray, 1992-94
					RIGHT
	MB72 5370	1			Gray
	MB72 5371	1			Brown
	MB79 1332	1			Gray, 1992-94
18					BRACKET, Qtr. Trim Upper
	MB47 9081	1			Left
	MB47 9082	1			Right
19					PLUG
	MB72 4474	AR			Gray
	MB72 4475	AR			Brown
	MB79 1420	AR			Gray, 1992-94

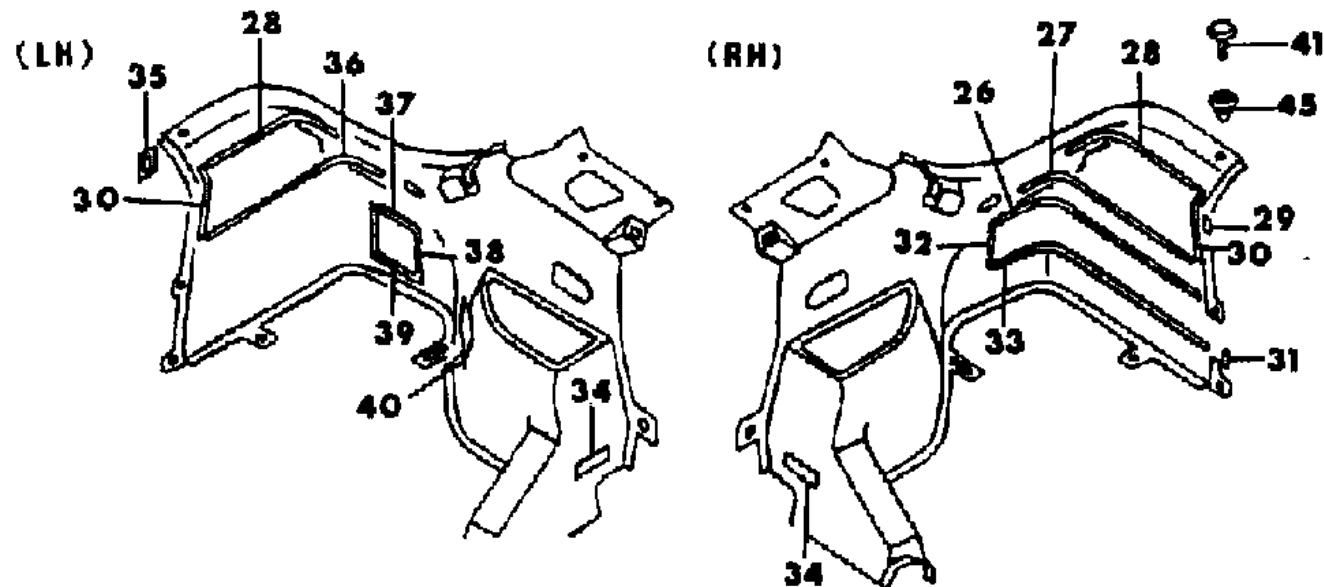
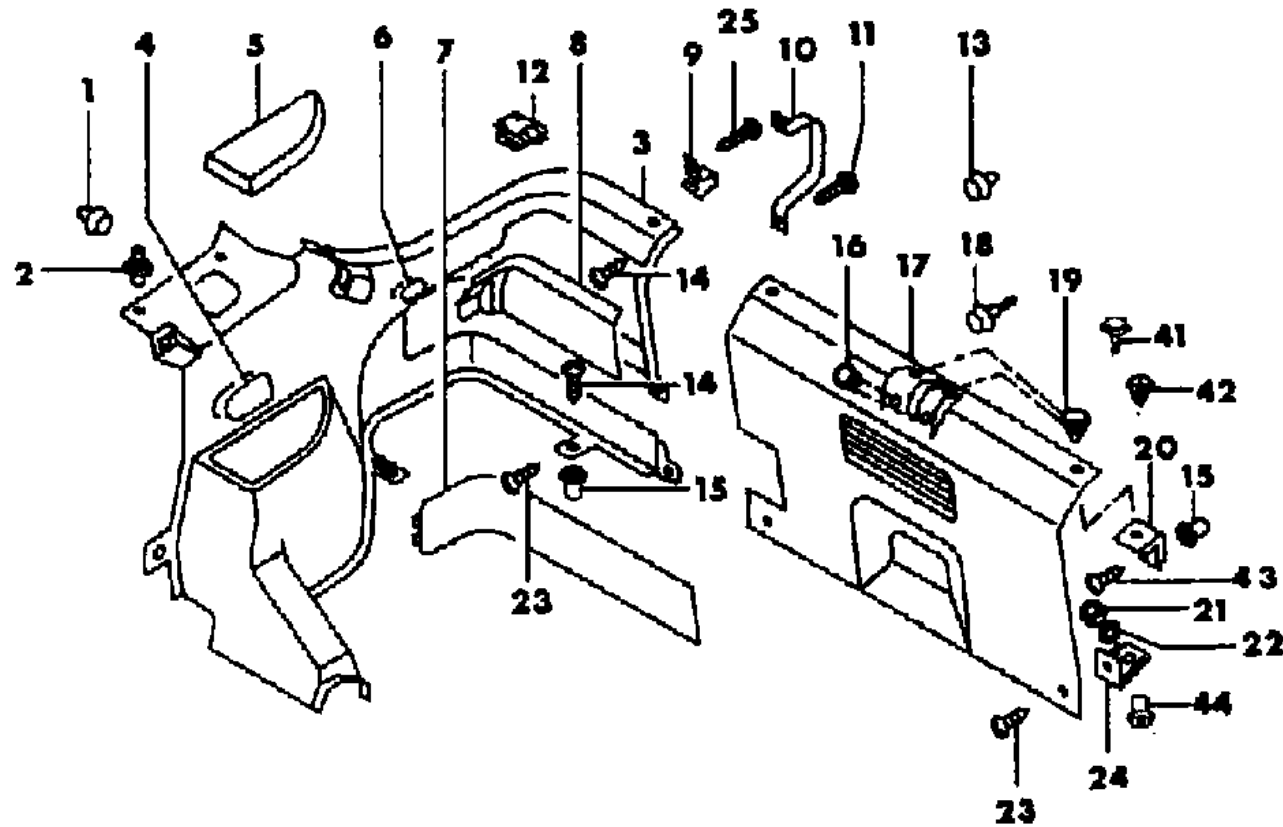
ENGINE: P = 1800cc (1.8L) A = 2000cc (2.0L) Blank = All  
 TRANS: A = Automatic M = Manual Blank = All  
 SERIES: H = High M = Medium P = Premium S = Special

MODELS:  
 24 FWD = 2Dr Hatchback (Laser)  
 24 FWD = 2-Dr Hatchback (Talon)  
 4WD = (4 Wheel Drive)  
 2WD = (2 Wheel Drive)

AR = Use as Required - = Non Illustrated Part P.A.R. = Paint as Required

TRUNK TRIM AND RELATED PARTS LASER  
Figure ITA-500

9633 500E



ITEM	PART NUMBER	QTY	BODY	MODEL	DESCRIPTION
1	MB56 6720	2			CLIP
2					CLIP
	MB63 4386	4			Gray, Up To 1-1-91
	MB87 7737	14			Gray, After 1-1-91
	MB63 4387	4			Brown, Up To 1-1-91
	MB87 7735	14			Brown, After 1-1-91
3	MB79 5534	4			Gray, 1992-94
					PANEL, Rear Side LEFT
					1990
					w/Shelf
	MB72 7415	1		M,H	Gray
	MB72 7416	1		M,H	Brown
					w/o Shelf
	MB72 7509	1		M	Gray
	MB72 7510	1		M	Brown
					1991-94
					w/Shelf
	MB72 7415	1		M,H	Gray 1991
	MB79 1402	1		M,H	Gray, 1992-94
	MB72 7416	1		M,H	Brown
					w/o Shelf
	MB72 7509	1		M	Gray 1991
	MB79 1400	1		M	Gray, 1992-94
	MB72 7510	1		M	Brown
	MB72 7415	1		H,P,S	Gray
	MB72 7416	1		H,P,S	Brown
					RIGHT
					1990
					w/Shelf
	MB72 7417	1		M,H	Gray
	MB72 7418	1		M,H	Brown
					w/o Shelf
	MB72 7511	1		M	Gray
	MB72 7512	1		M	Brown
					1991-94
					w/Shelf
	MB72 7417	1		M,H	Gray, 1991
	MB79 1403	1		M,H	Gray, 1992-94

ENGINE: P = 1800cc (1.8L) A = 2000cc (2.0L) Blank = All  
 TRANS: A = Automatic M = Manual Blank = All  
 SERIES: H = High M = Medium P = Premium S = Special

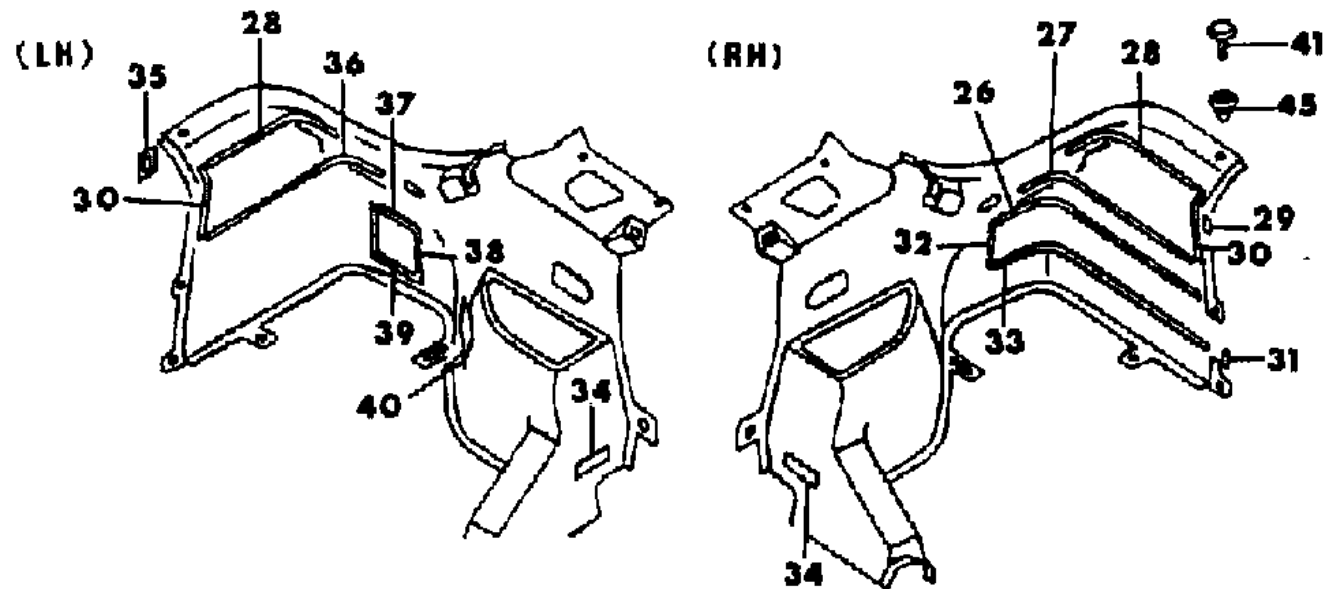
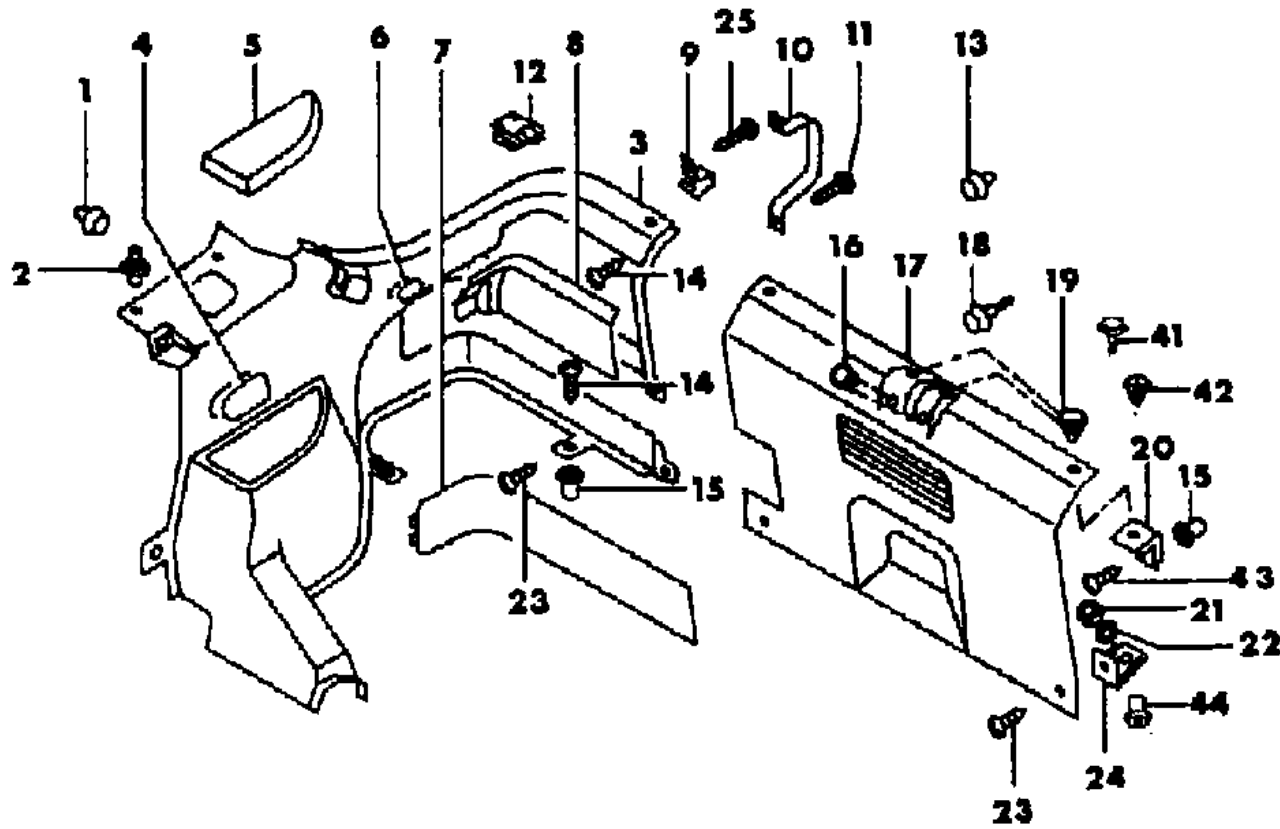
MODELS:  
 24 FWD = 2Dr Hatchback (Laser)  
 24 FWD = 2-Dr Hatchback (Talon)  
 4WD = (4 Wheel Drive)  
 2WD = (2 Wheel Drive)

AR = Use as Required - = Non Illustrated Part P.A.R. = Paint as Required



TRUNK TRIM AND RELATED PARTS LASER  
Figure ITA-500

9633 500E



ITEM	PART NUMBER	QTY	BODY	MODEL	DESCRIPTION
	MB72 7418	1		M,H	Brown
					w/o Shelf
	MB72 7511	1		M	Gray, 1991
	MB79 1401	1		M	Gray, 1992-94
	MB72 7512	1		M	Brown
	MB72 7417	1		H,P,S	Gray
	MB72 7418	1		H,P,S	Brown
4					CAP
	MB73 0360	2			Gray
	MB73 0361	2			Brown
5					COVER, Hole
	MB79 1434	2			Gray, 1992-94
					LEFT
	MB72 4117	1			Gray
	MB72 4118	1			Brown
	MB79 1421	1			Gray, 1992-94
					RIGHT
	MB72 4119	1			Gray
	MB72 4120	1			Brown
	MB79 1422	1			Gray, 1992-94
6					CAP
	MB73 0362	2			Gray
	MB73 0363	2			Brown
	MB79 1435	2			Gray, 1992-94
7					LID ***
					LEFT
	MB72 2475	1			Gray
	MB72 2476	1			Brown
	MB79 1396	1			Gray, 1992-94
					RIGHT
	MB72 2477	1			Gray
	MB72 2478	1			Brown
	MB79 1397	1			Gray, 1992-94
8					LID ***
					LEFT
	MB72 2479	1			Gray
	MB72 2480	1			Brown
	MB79 1398	1			Gray, 1992-94
					RIGHT

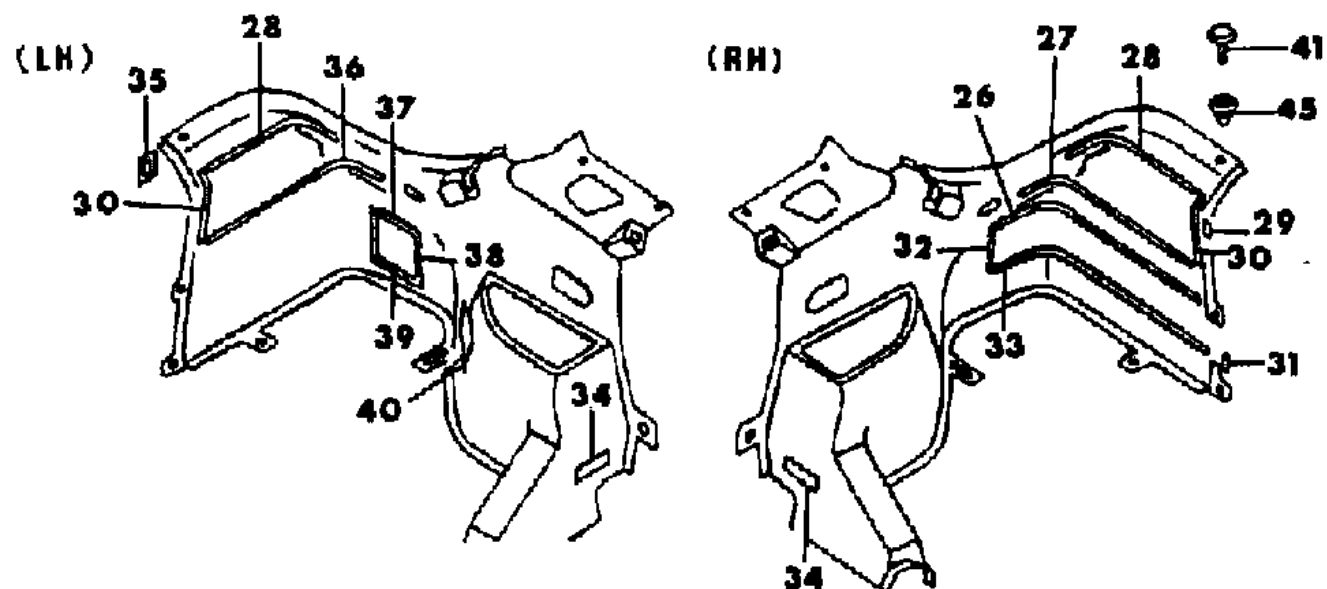
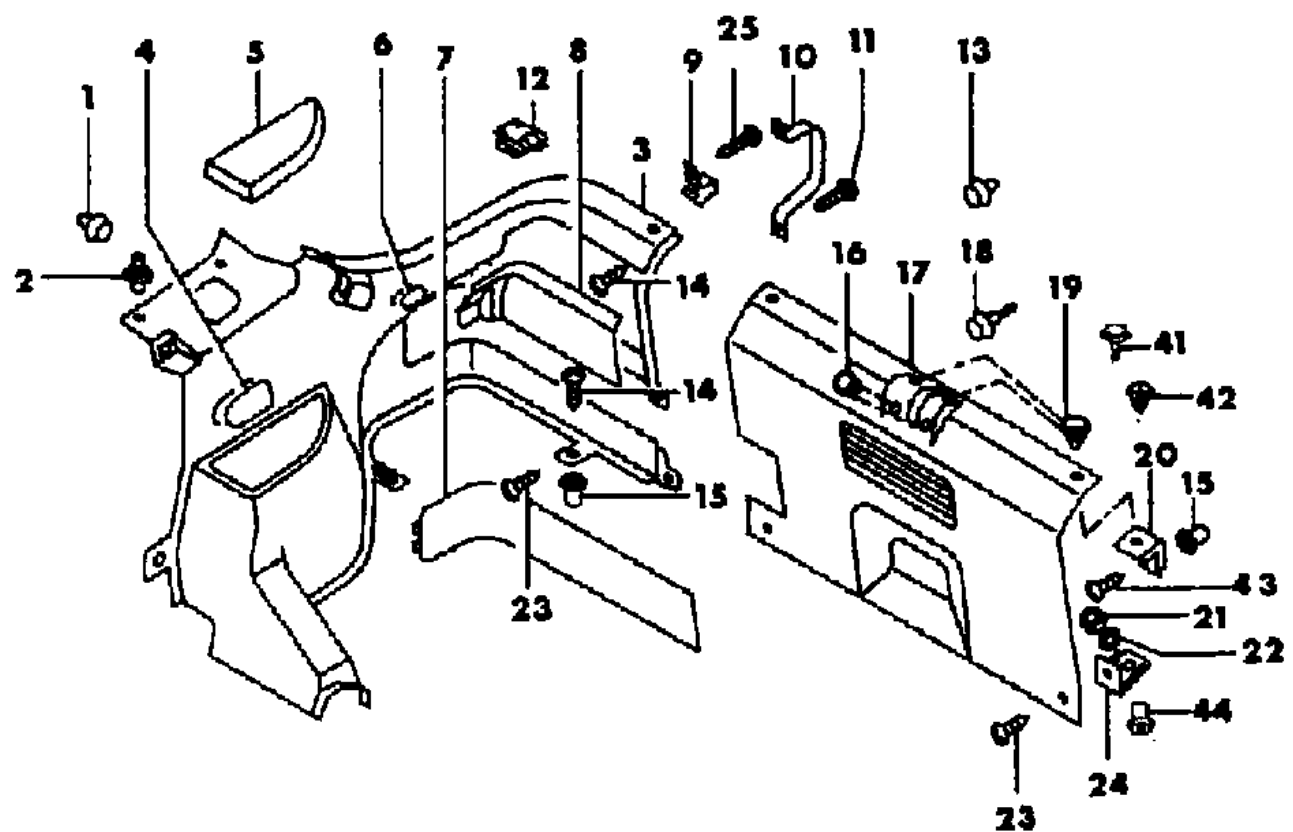
ENGINE: P = 1800cc (1.8L) A = 2000cc (2.0L) Blank = All  
 TRANS: A = Automatic M = Manual Blank = All  
 SERIES: H = High M = Medium P = Premium S = Special

MODELS:  
 24 FWD = 2Dr Hatchback (Laser)  
 24 FWD = 2-Dr Hatchback (Talon)  
 4WD = (4 Wheel Drive)  
 2WD = (2 Wheel Drive)

AR = Use as Required - = Non Illustrated Part P.A.R. = Paint as Required

TRUNK TRIM AND RELATED PARTS LASER  
Figure ITA-500

9633 500E



ITEM	PART NUMBER	QTY	BODY	MODEL	DESCRIPTION
	MB72 2481	1			Gray
	MB72 2482	1			Brown
	MB79 1399	1			Gray, 1992-94
9	MB47 9263	12			CLIP, Rear Side
10	MB47 9374	1			BRACKET, Rear Side
11	MF45 3030	2			SCREW, Tapping, (5x10)
12	MB34 5787	2			CLIP
13	MB56 6720	2			CLIP
14					SCREW, Tapping
	MS45 0156	11			1990-91, (5x12)
	MF45 3031	11			1992-94, (5x12)
15	MU48 0034	6			GROMMET, Screw
16					CAP
	MB72 2339	2			Gray
	MB72 2340	2			Brown
	MB79 1290	2			Gray, 1992-94
17					PANEL, Rear End
	MB74 2937	1			Gray
	MB74 2938	1			Brown
	MB79 1306	1			Gray, 1992-94 w/Strap
	MB72 2377	1			Gray
	MB72 2378	1			Brown
	MB79 1305	1			Gray, 1992-94
18	MB56 6719	3			CLIP
19	MB68 3200	4			CAP
20	MB47 9372	2			BRACKET
21	MF43 0004	2			NUT, (6 4T)
22	MF45 0404	2			WASHER
23	MF45 3093	2			SCREW, Tapping, (5x12)
24					BRACKET
	MB47 9501	2			FWD
	MB47 9503	2			AWD
25	MF45 3015	12			SCREW, (4x8)
26	MB47 9487	1			PAD
27	MB47 9413	1			PAD
28	MB47 9409	2			PAD
29	MB47 9529	1			PAD
30	MB47 9488	2			PAD

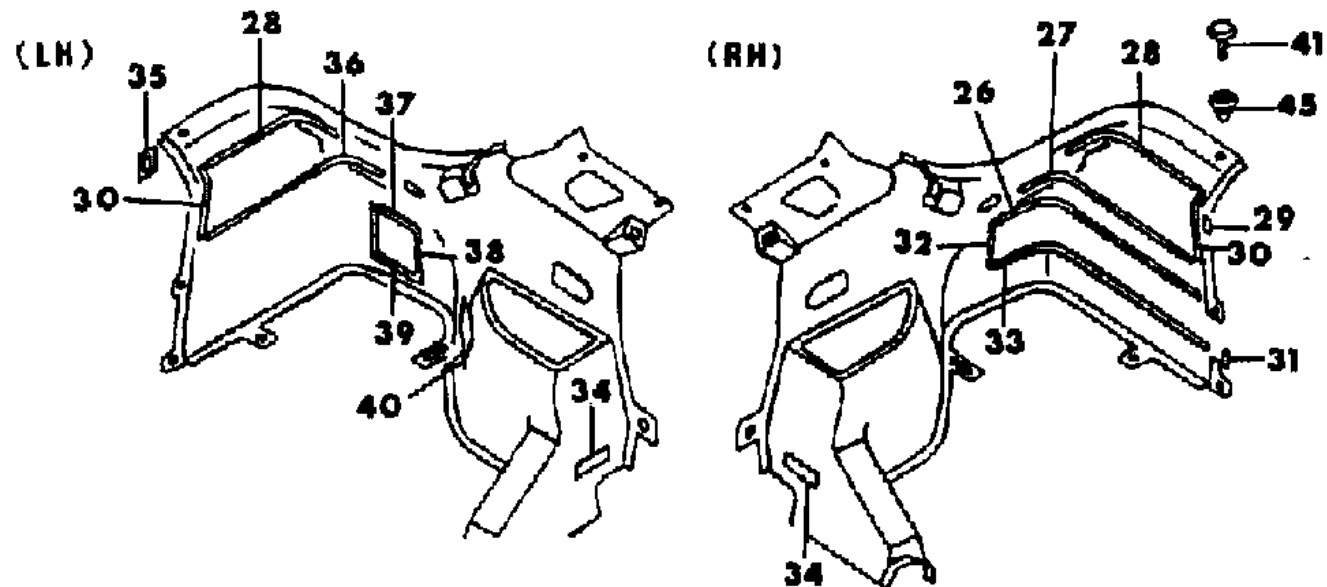
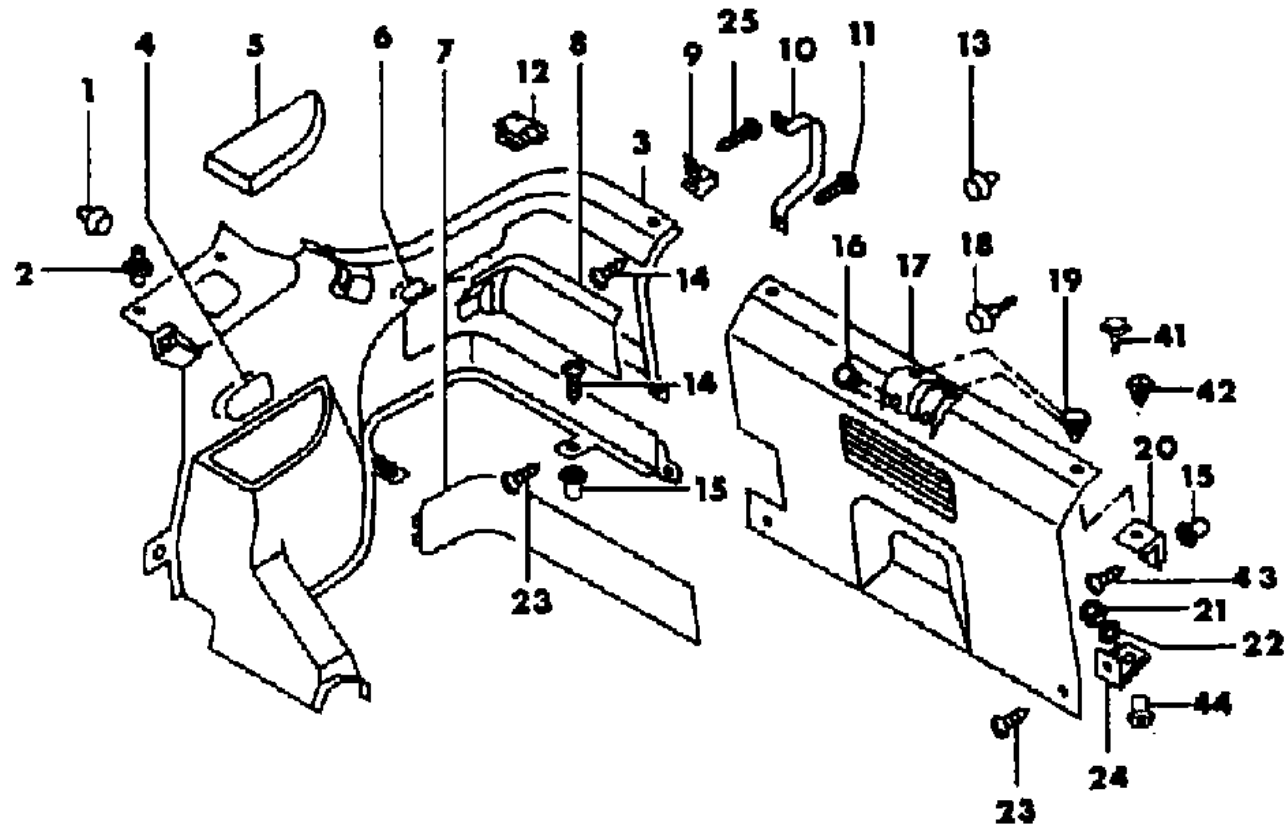
ENGINE: P = 1800cc (1.8L) A = 2000cc (2.0L) Blank = All  
 TRANS: A = Automatic M = Manual Blank = All  
 SERIES: H = High M = Medium P = Premium S = Special

MODELS:  
 24 FWD = 2Dr Hatchback (Laser)  
 24 FWD = 2-Dr Hatchback (Talon)  
 4WD = (4 Wheel Drive)  
 2WD = (2 Wheel Drive)

AR = Use as Required - = Non Illustrated Part P.A.R. = Paint as Required

TRUNK TRIM AND RELATED PARTS LASER  
Figure ITA-500

9633 500E



ITEM	PART NUMBER	QTY	BODY	MODEL	DESCRIPTION
31	MB60 7130	1			PAD
32	MB47 9408	1			PAD
33	MB47 9410	1			PAD
34	MB47 9527	2			PAD
35	MB47 9500	1			PAD
36	MB47 9411	1			PAD
37	MB47 9412	1			PAD
38	MB47 9496	1			PAD
39	MB47 9489	1			PAD
40	MB47 9528	1			PAD
41					PIN
	MB69 2035	6			Gray
	MB69 2036	6			Brown
42	MB79 1454	6			Gray, 1992-94
					CLIP
	MB72 6415	2			Gray
	MB72 6416	2			Brown
43					SCREW, Tapping
	MS45 0156	2			1990-91, (5x12)
	MF45 3031	2			1992-94, (5x12)
44	MU48 0034	2			GROMMET, Trunk Room Trim
45	MB68 3200	2			CAP, Rear Side Trim

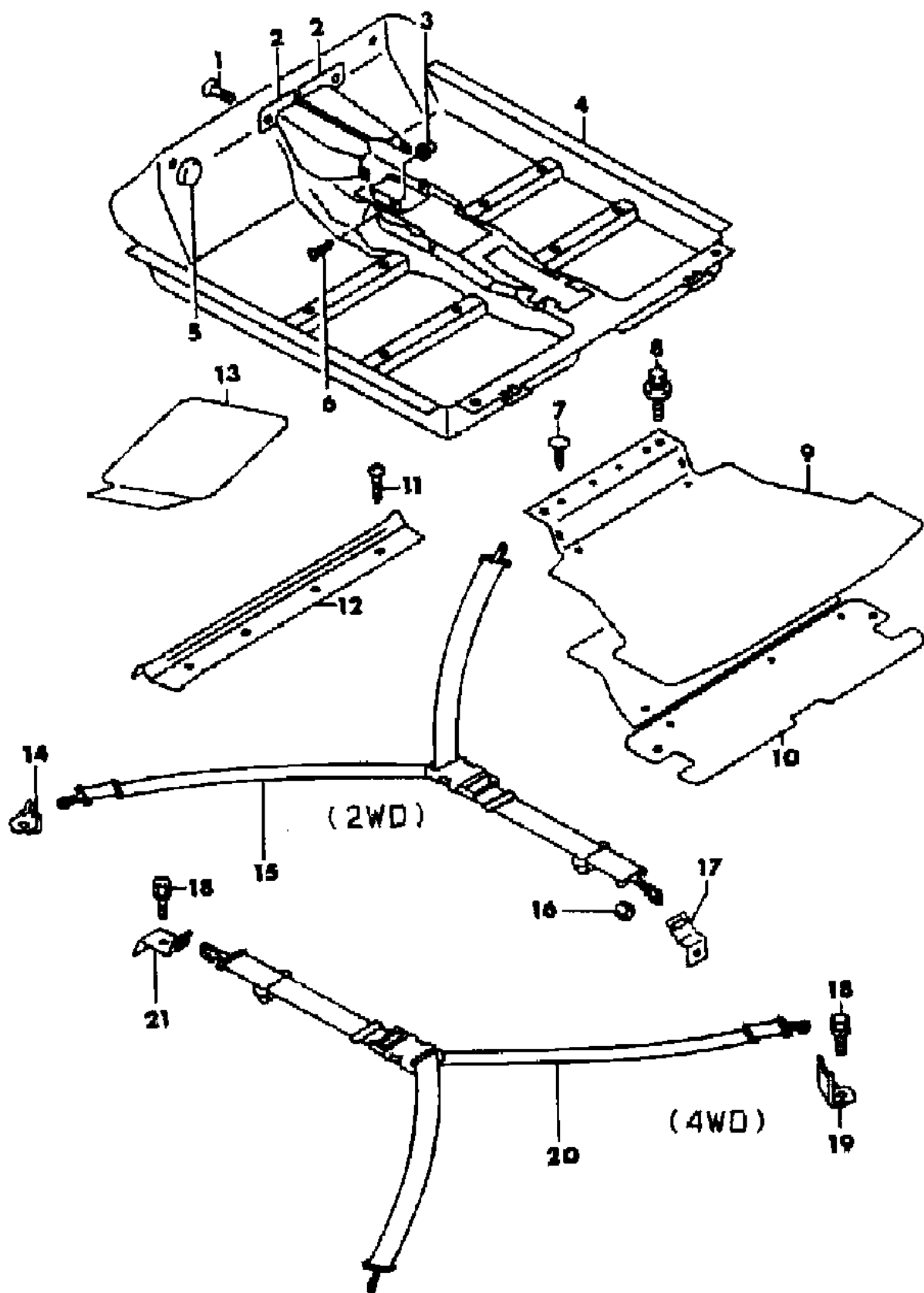
ENGINE: P = 1800cc (1.8L) A = 2000cc (2.0L) Blank = All  
 TRANS: A = Automatic M = Manual Blank = All  
 SERIES: H = High M = Medium P = Premium S = Special

MODELS:  
 24 FWD = 2Dr Hatchback (Laser)  
 24 FWD = 2-Dr Hatchback (Talon)  
 4WD = (4 Wheel Drive)  
 2WD = (2 Wheel Drive)

AR = Use as Required - = Non Illustrated Part P.A.R. = Paint as Required

**CARPETS, SCUFF PLATE AND ANCHOR STRAPS LASER**  
**Figure ITA-600**

**9633 600A**



ITEM	PART NUMBER	QTY	BODY	MODEL	DESCRIPTION
1	MB47 9552	2			CLIP, Front Floor Carpet
2					COVER, Backbone
					LEFT
					1990-91
	MB72 4231	1			Gray
	MB72 4232	1			Beige
					1992-94
	MB79 1426	1			Dark Gray
	MB79 1428	1			Medium Gray
	MB79 1427	1			Red
					RIGHT
					1990-91
	MB72 4233	1			Gray
	MB72 4234	1			Beige
					1992-94
	MB79 1430	1			Dark Gray
	MB79 1432	1			Medium Gray
	MB79 1431	1			Red
3	MS48 0011	2			GROMMET, Screw, (5A)
4					CARPET, Floor
					1990-91
	MB72 2395	1			Gray
	MB72 2396	1			Beige
					1992-94
	MB79 1316	1		M	Dark Gray
	MB79 1318	1		H,S	Medium Gray/Dark Gray
	MB79 1317	1			Red/Dark Gray
					1990-91
	MB72 2392	1			Beige, CANADA
	MB72 2391	1			Gray, CANADA
					1992-94
	MB79 1312	1			Dark Gray, CANADA
	MB79 1314	1			Medium Gray/Dark Gray, CANADA
	MB79 1313	1			Red/Dark Gray, CANADA
5	MU48 1004	1			CLIP, (Black)
6	MF45 3045	2			SCREW, Tapping, (6x12)
7					CLIP
	MB72 2361	6			Gray
	MB72 2362	6			Beige

ENGINE: P = 1800cc (1.8L)  
A = 2000cc (2.0L)  
Blank = All

TRANS: A = Automatic  
M = Manual  
Blank = All

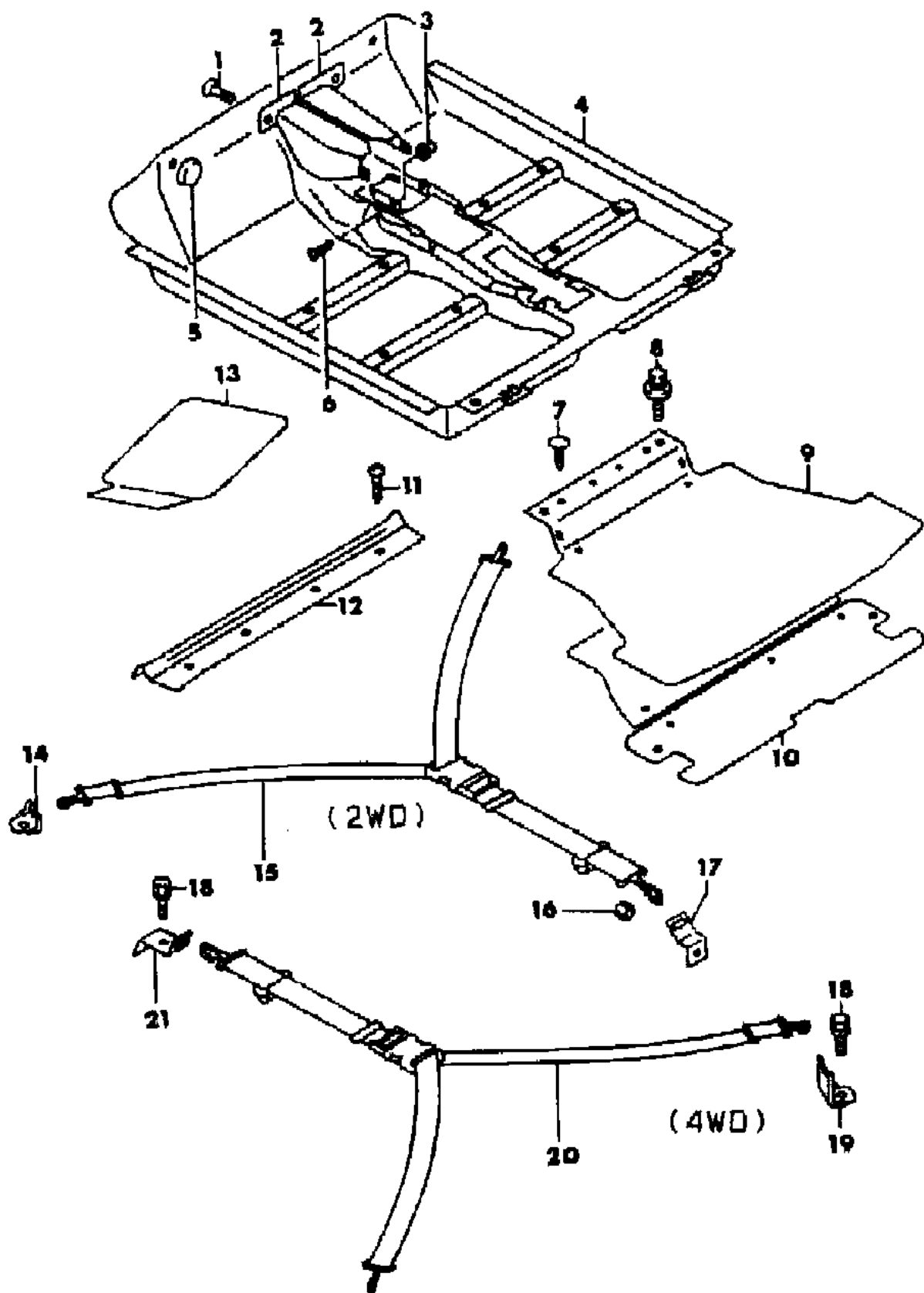
SERIES: H = High  
M = Medium  
P = Premium  
S = Special

MODELS:  
24 FWD = 2Dr Hatchback (Laser)  
24 FWD = 2-Dr Hatchback (Talon)  
4WD = (4 Wheel Drive)  
2WD = (2 Wheel Drive)

AR = Use as Required - = Non Illustrated Part P.A.R. = Paint as Required

**CARPETS, SCUFF PLATE AND ANCHOR STRAPS LASER**  
Figure ITA-600

9633 600A



ITEM	PART NUMBER	QTY	BODY	MODEL	DESCRIPTION
	MB82 8032	6			Gray, 1992-94
8	MS24 0108	2	M,H,P		BOLT, w/Washer, (8x20)
	MS24 0104	2	S		BOLT, w/Washer, (6x16)
9					CARPET, Trunk Up To 5-1-89
	MB72 2403	1	M		Gray
	MB72 2404	1	M		Beige
	MB72 2401	1	H		Gray
	MB72 2402	1	H		Beige
					After 5-1-89
	MB73 1154	1	M		Gray
	MB73 1155	1	M		Beige
	MB73 1152	1	H		Gray
	MB73 1153	1	H		Beige
					1991
	MB73 1154	1	M		Gray
	MB73 1155	1	M		Beige
	MB73 1152	1	H		Gray
	MB73 1153	1	H		Beige
					1992-94
	MB79 1325	1	H,P		Dark Gray, w/FWD
	MB79 1326	1	M		Gray, w/FWD
	MB79 1406	1	S		Gray, w/AWD
10	MB47 9047	1			BOARD, Trunk Floor
11	MS45 0925	8			SCREW, Tapping, (5x16)
12					SCUFF PLATE
					LEFT
	MB72 7334	1			Gray
	MB72 7335	1			Beige
	MB79 1301	1			Gray, 1992-94
					RIGHT
	MB72 7336	1			Gray
	MB72 7337	1			Beige
	MB79 1302	1			Gray, 1992-94
13					MAT, Front Floor
					LEFT
					1990-91
	MB75 2806	1			Black/Gray
	MB64 3206	1			Brown/Beige

ENGINE: P = 1800cc (1.8L)  
A = 2000cc (2.0L)  
Blank = All

TRANS: A = Automatic  
M = Manual  
Blank = All

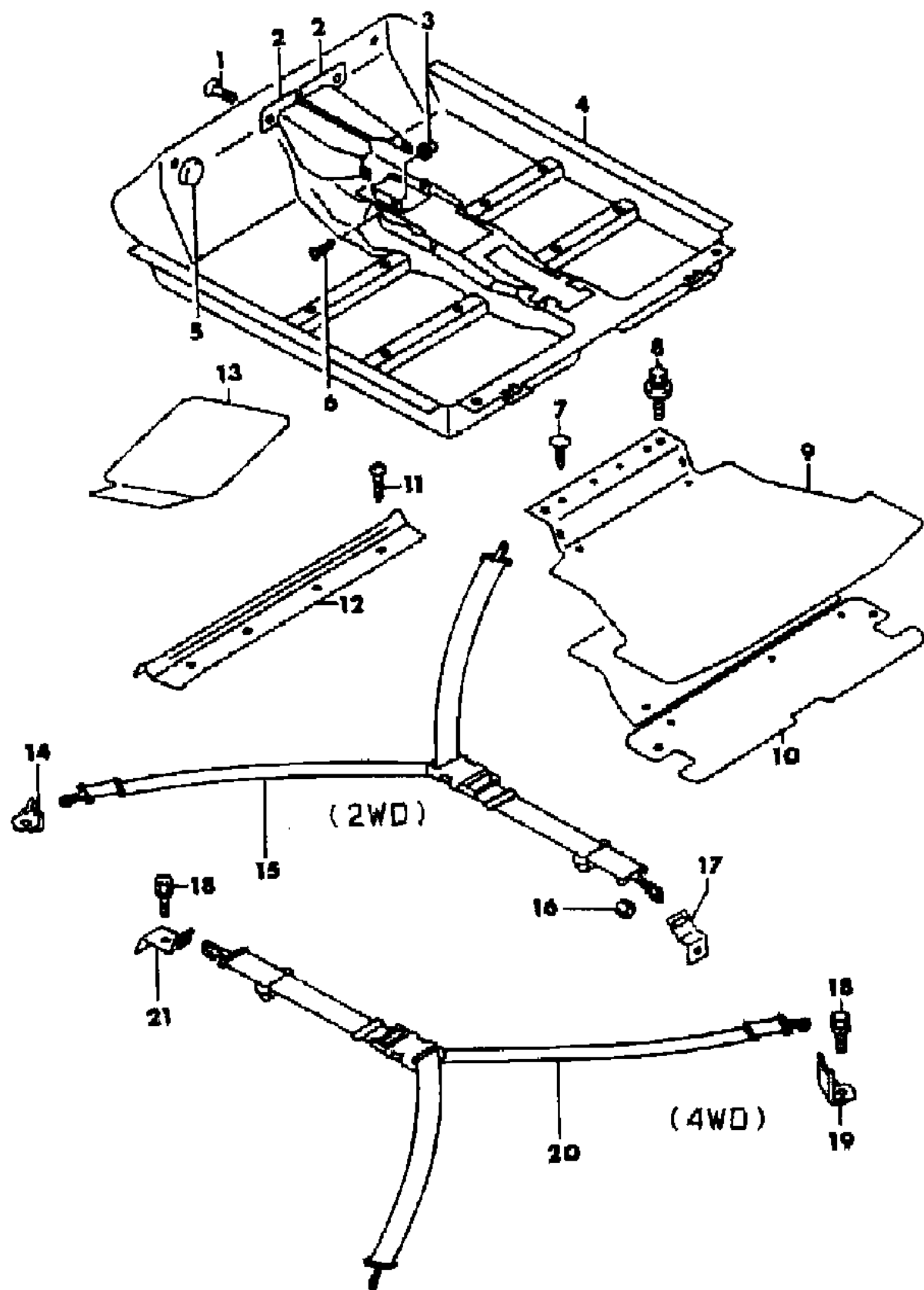
SERIES: H = High  
M = Medium  
P = Premium  
S = Special

MODELS:  
24 FWD = 2Dr Hatchback (Laser)  
24 FWD = 2-Dr Hatchback (Talon)  
4WD = (4 Wheel Drive)  
2WD = (2 Wheel Drive)

AR = Use as Required - = Non Illustrated Part P.A.R. = Paint as Required

**CARPETS, SCUFF PLATE AND ANCHOR STRAPS LASER**  
**Figure ITA-600**

**9633 600A**



ITEM	PART NUMBER	QTY	BODY	MODEL	DESCRIPTION
					1992-94
	MB79 1439	1			Dark Gray
	MB79 1440	1			Medium Gray
	MB79 1441	1			Red
					RIGHT
					1990-91
	MB75 2807	1			Black/Gray
	MB64 3208	1			Brown/Beige
					1992-94
	MB79 1443	1			Dark Gray
	MB79 1444	1			Medium Gray
	MB79 1445	1			Red
14	MB47 9303	2			ANCHOR, Parcel Strap
15	MB47 9301	1			STRAP, Trunk Room
16	MS44 0502	1			NUT
17	MB47 9304	1			ANCHOR, Parcel Strap
18	MS24 0108	1			BOLT, (8x20)
19	MB47 9364	1			ANCHOR, Parcel Strap
20	MB47 9301	1			STRAP, Trunk Room
21	MB47 9305	2			ANCHOR, Strap

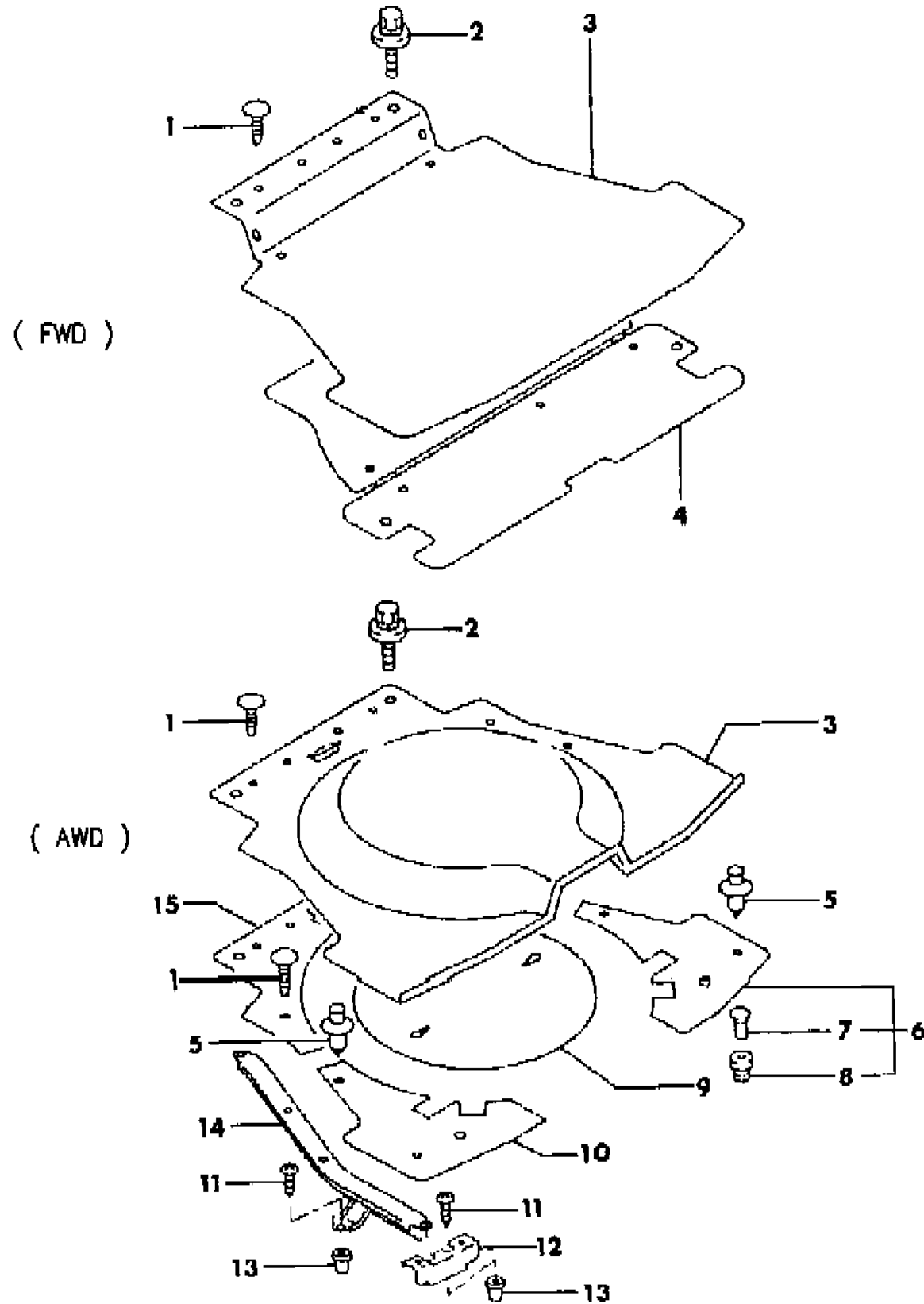
ENGINE: P = 1800cc (1.8L) A = 2000cc (2.0L) Blank = All  
 TRANS: A = Automatic M = Manual Blank = All  
 SERIES: H = High M = Medium P = Premium S = Special

MODELS:  
 24 FWD = 2Dr Hatchback (Laser)  
 24 FWD = 2-Dr Hatchback (Talon)  
 4WD = (4 Wheel Drive)  
 2WD = (2 Wheel Drive)

AR = Use as Required - = Non Illustrated Part P.A.R. = Paint as Required

TRUNK RELATED PARTS 1992-94 LASER  
Figure ITA-650

9633 650A



ITEM	PART NUMBER	QTY	BODY	MODEL	DESCRIPTION
1					CLIP
	MB82 8032	6			Gray
	MB72 2362	6			Beige
2	MS24 0108	2			BOLT, w/Washer, (8x20)
3					MAT, Cargo Floor
	MB79 1325	1	H,P		Gray, w/FWD
	MB79 1326	1	M		Gray, w/FWD
	MB79 1406	1	S		Gray, w/AWD
4	MB47 9047	1			BOARD, Cargo Floor
5	MB61 9582	3			CLIP, Carpet, (Black)
6	MB47 9334	1			BOARD, Rt., High Floor Side
7	MB47 9520	3			CLIP, Carpet (Male)
8	MB47 9521	3			CLIP, Carpet (Female)
9	MB47 9338	1			BOARD, High Floor, (Center)
10	MB47 9333	1			BOARD, Lt., High Floor Side
11	MF45 3031	10			SCREW, Tapping, (5x12)
12	MB47 9063	2			FRAME, High Floor, (Rear)
13	MU48 0034	6			GROMMET, Trunk Room Carpet
14					FRAME, High Floor Side
	MB47 9065	1			Left
	MB47 9066	1			Right
15	MB47 9335	1			BOARD, High Floor, (Front)

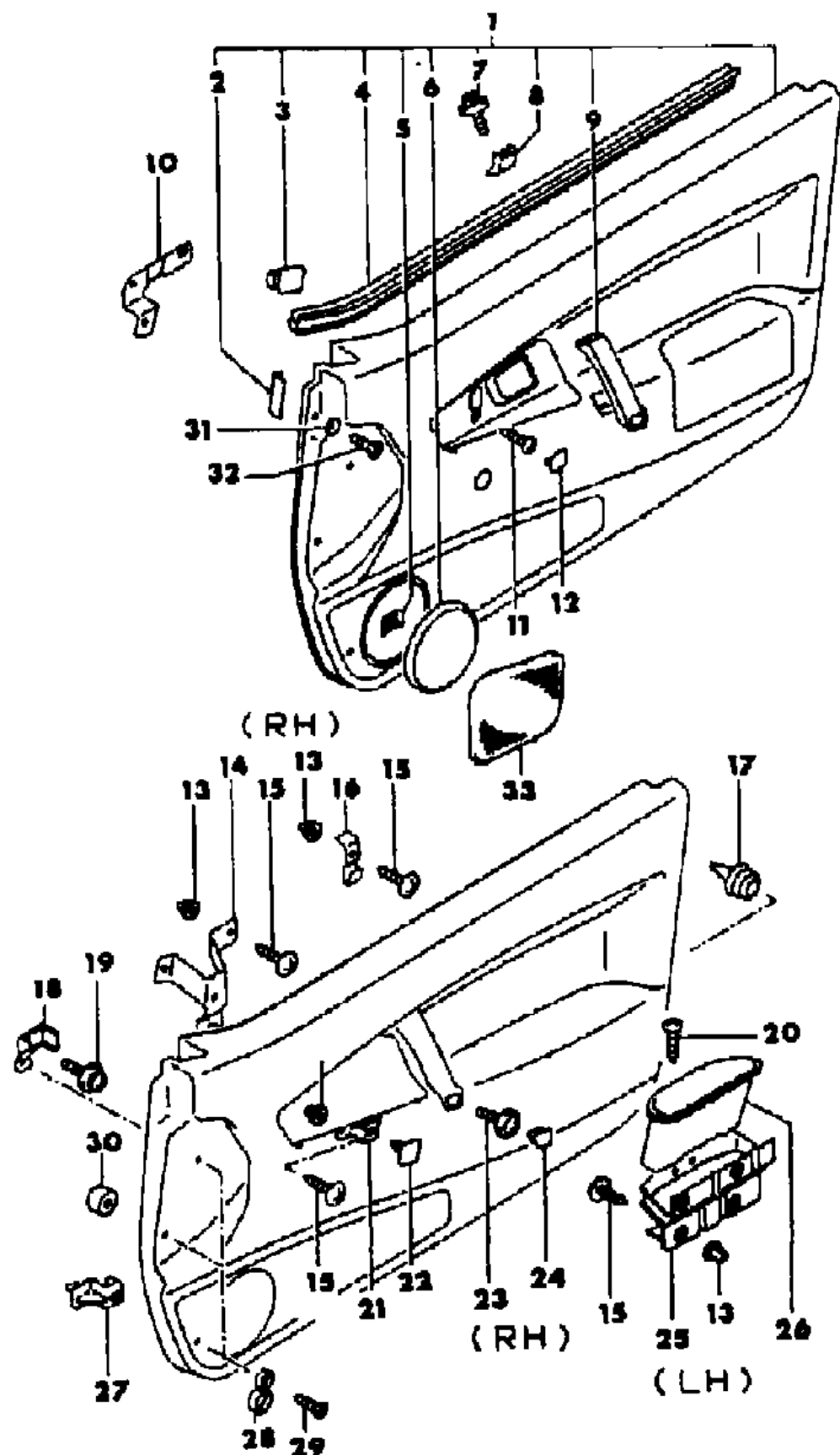
ENGINE: P = 1800cc (1.8L) A = 2000cc (2.0L) Blank = All  
 TRANS: A = Automatic M = Manual Blank = All  
 SERIES: H = High M = Medium P = Premium S = Special

MODELS:  
 24 FWD = 2Dr Hatchback (Laser)  
 24 FWD = 2-Dr Hatchback (Talon)  
 4WD = (4 Wheel Drive)  
 2WD = (2 Wheel Drive)

AR = Use as Required - = Non Illustrated Part P.A.R. = Paint as Required

DOOR TRIM PANEL LASER  
Figure ITA-700

9633 700A



ITEM	PART NUMBER	QTY	BODY	MODEL	DESCRIPTION
1					PANEL, Door Trim
					1990-91 ***
					LEFT, w/o Speakers, w/o Power Windows
	MB72 2437	1	M		Gray
	MB72 2438	1	M		Brown
	MB72 9541	1	H		Gray
	MB72 9543	1	H		Brown/Beige
					RIGHT, w/o Speakers, w/o Power Windows
	MB72 2439	1	M		Gray
	MB72 2440	1	M		Brown
	MB72 9545	1	H		Gray
	MB72 9547	1	H		Brown/Beige
					LEFT, w/Power Windows
	MB72 9565	1	H		Gray
	MB72 9567	1	H		Brown/Beige
					RIGHT, w/Power Windows
	MB72 9569	1	H		Gray
	MB72 9571	1	H		Brown/Beige
					LEFT, w/speakers, w/o Power Windows
	MB72 2441	1	M		Gray
	MB72 2442	1	M		Brown
	MB72 9550	1	H		Gray
	MB72 9554	1	H		Brown/Beige
					RIGHT, w/Speakers, w/o Power Windows
	MB72 2443	1	M		Gray
	MB72 2444	1	M		Brown
	MB72 9558	1	H		Gray
	MB72 9562	1	H		Brown/Beige
					LEFT, w/Speakers and Power Windows
	MB72 9574	1	H		Gray 1990
	MB72 9578	1	H		Brown/Beige 1990
	MB74 7399	1	H		Gray 1991
	MB74 7403	1	H		Brown/Beige 1991
					RIGHT, w/Speakers and Power Windows
	MB72 9582	1	H		Gray
	MB72 9586	1	H		Brown/Beige
					1992 ***
					LEFT, w/o Speakers, w/o Power Windows
	MB79 1333	1	M		Gray

ENGINE: P = 1800cc (1.8L) A = 2000cc (2.0L) Blank = All  
 TRANS: A = Automatic M = Manual Blank = All  
 SERIES: H = High M = Medium P = Premium S = Special

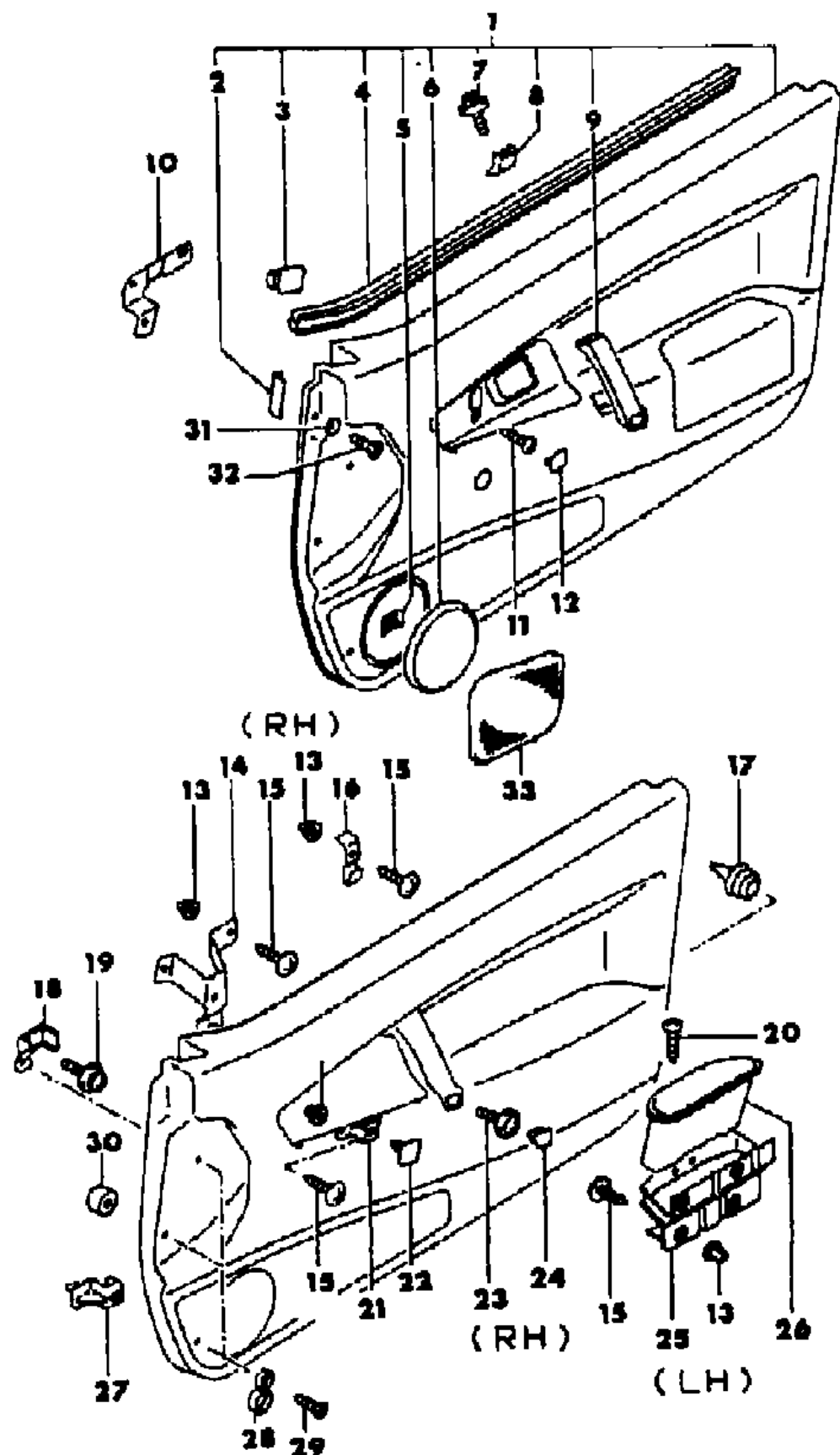
MODELS:  
 24 FWD = 2Dr Hatchback (Laser)  
 24 FWD = 2-Dr Hatchback (Talon)  
 4WD = (4 Wheel Drive)  
 2WD = (2 Wheel Drive)

AR = Use as Required - = Non Illustrated Part P.A.R. = Paint as Required



DOOR TRIM PANEL LASER  
Figure ITA-700

9633 700A



ITEM	PART NUMBER	QTY	BODY	MODEL	DESCRIPTION
					RIGHT, w/o Speakers, w/o Power Windows
	MB79 1334	1		M	Gray
	MB79 1335	1		M	Dark Gray
	MB79 1343	1		H-S	Gray
	MB79 1346	1		H-S	Med Gray/Dark Gray
	MB79 1348	1		H-S	Red/Gray
	MB79 1336	1		M	RIGHT, w/Speakers, w/o Power Windows Dark Gray
	MB79 1352	1		H-S	Gray
	MB79 1355	1		H-S	Med Gray/Dark Gray
	MB79 1357	1		H-S	Red/Gray LEFT, w/Speakers and Power Windows
	MB79 1371	1		H-S	Gray
	MB79 1374	1		H-S	Med Gray/Dark Gray
	MB79 1376	1		H-S	Red/Gray RIGHT, w/Speakers and Power Windows
	MB79 1361	1		H-S	Gray
	MB79 1364	1		H-S	Med Gray/Dark Gray
	MB79 1366	1		H-S	Red/Gray 1993-94 ***
	MB79 1333	1		M	LEFT, w/o Speakers, w/o Power Windows Gray (Vinyl)
	MB79 1334	1		M	RIGHT, w/o Speakers, w/o Power Windows Gray (Vinyl)
	MB79 1335	1		M	LEFT, w/Speakers, w/o Power Windows Dark Gray
	MB91 7585	1		H	Dark Gray
	MB97 3099	1		H	Dark Gray/Med Gray
	MB97 3100	1		H	Dark Gray/Med Red/Red RIGHT, w/Speakers, w/o Power Windows
	MB79 1336	1		M	Dark Gray
	MB91 7588	1		H	Dark Gray
	MB97 3105	1		H	Dark Gray/Med Gray
	MB97 3106	1		H	Dark Gray/Med Red/Red LEFT, w/Speakers and Power Windows
	MB91 7591	1		H	Dark Gray
	MB97 3115	1		H	Dark Gray/Med Gray
	MB97 3116	1		H	Dark Gray/Med Red/Red

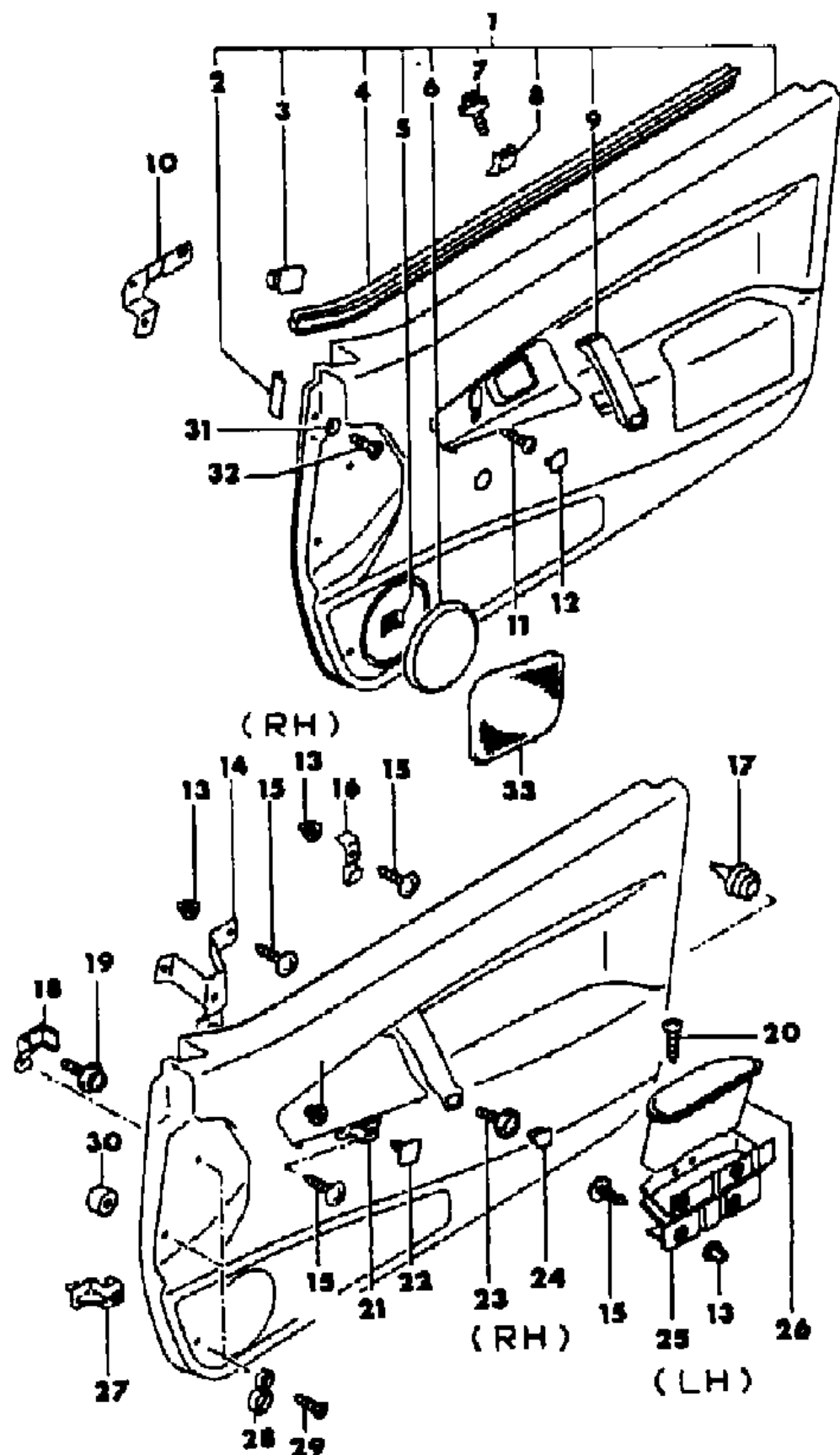
ENGINE: P = 1800cc (1.8L) A = 2000cc (2.0L) Blank = All  
 TRANS: A = Automatic M = Manual Blank = All  
 SERIES: H = High M = Medium P = Premium S = Special

MODELS:  
 24 FWD = 2Dr Hatchback (Laser)  
 24 FWD = 2-Dr Hatchback (Talon)  
 4WD = (4 Wheel Drive)  
 2WD = (2 Wheel Drive)

AR = Use as Required - = Non Illustrated Part P.A.R. = Paint as Required

DOOR TRIM PANEL LASER  
Figure ITA-700

9633 700A



ITEM	PART NUMBER	QTY	BODY	MODEL	DESCRIPTION
					RIGHT, w/Speakers and Power Windows
	MB91 7594	1	H		Dark Gray
	MB97 3121	1	H		Dark Gray/Med Gray
	MB97 3122	1	H		Dark Gray/Med Red/Red
2					EDGE, Front Door ***
	MB75 2811	2			Gray
	MB75 2812	2			Brown
	MB79 1387	2			Gray, 1992-94
3	MU48 1087	10			CLIP
4	MB51 7817	2			WEATHERSTRIP, Belt Inner
5	MF44 5802	8			NUT, Push-On Spring, (3)
6					COVER, Speaker 1990-91
	MB72 2058	2			Gray
	MB72 2060	2			Beige 1992-94
	MB79 2169	2			Gray, 1992-94
	MB64 9261	2			Beige, 1992
	MB64 9262	2			Red, 1992
7	MS35 0046	1			SCREW, w/Washer, (5x20)
8	MB47 9358	1			RETAINER
9					GRIP RIGHT Gray Brown
	MB72 2574	1			Gray
	MB72 2575	1			Brown
	MB79 1404	1			Gray, 1992-94
10					BRACKET, Front Door Left Right
	MB56 6391	1			Left
	MB56 6392	1			Right
11	MF45 3079	4			SCREW, Tapping, (4x16)
12	MB47 9474	2			CAP
13	MU48 0033	10			GROMMET, Screw, (6)
	MB22 3246	10			GROMMET, Screw, (6), 1992-93
14	MB47 9330	1			BRACKET
15	MF45 3047	10			SCREW, Tapping, (6x16)
16	MB47 9386	1			BRACKET
17	MB37 4270	12			CLIP
18	MB56 6393	2			BRACKET
19	MS35 0129	2			SCREW, w/Washer, (6x16)

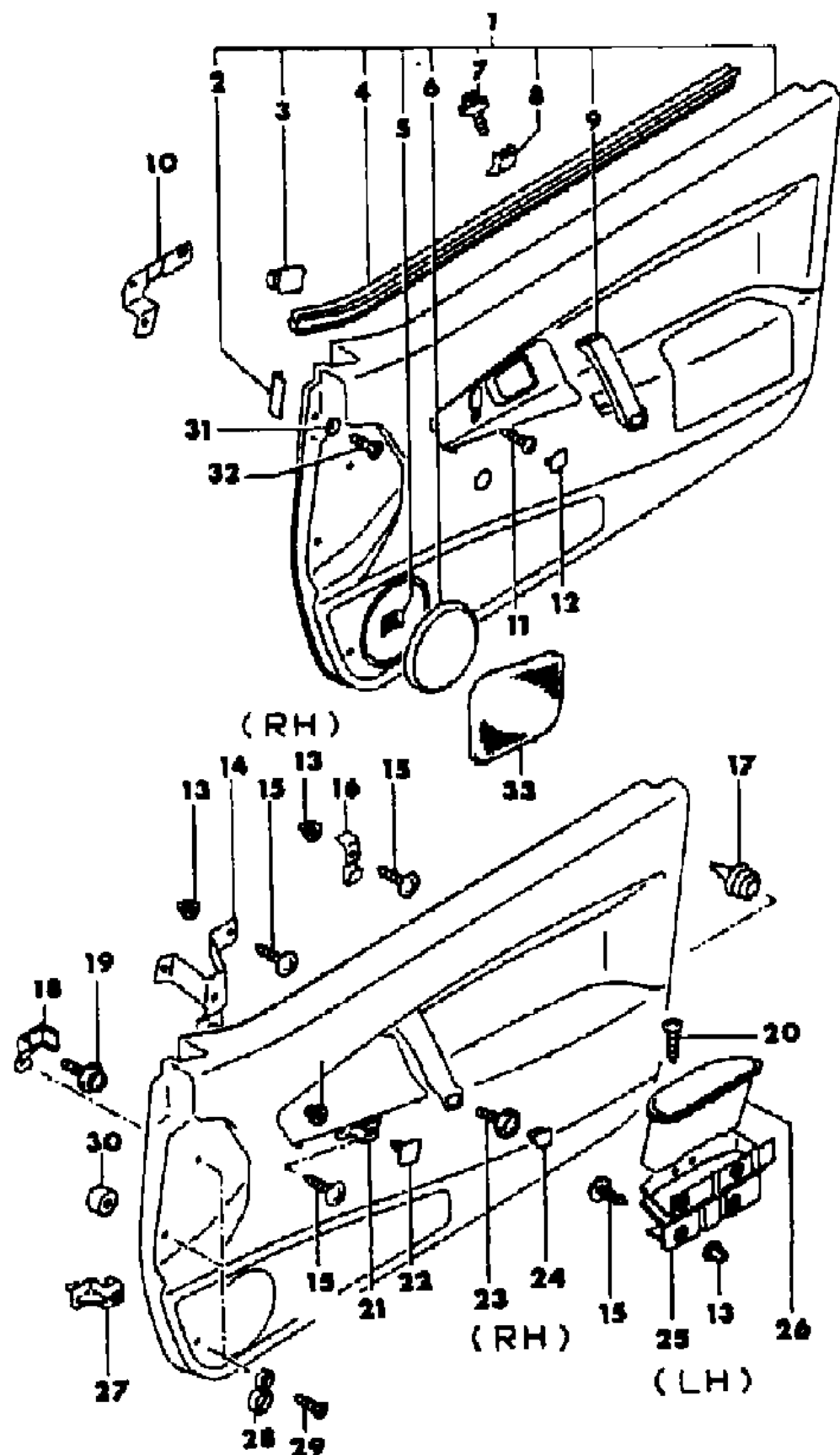
ENGINE: P = 1800cc (1.8L) A = 2000cc (2.0L) Blank = All  
 TRANS: A = Automatic M = Manual Blank = All  
 SERIES: H = High M = Medium P = Premium S = Special

MODELS:  
 24 FWD = 2Dr Hatchback (Laser)  
 24 FWD = 2-Dr Hatchback (Talon)  
 4WD = (4 Wheel Drive)  
 2WD = (2 Wheel Drive)

AR = Use as Required - = Non Illustrated Part P.A.R. = Paint as Required

DOOR TRIM PANEL LASER  
Figure ITA-700

9633 700A



ITEM	PART NUMBER	QTY	BODY	MODEL	DESCRIPTION
20	MF45 3093	2			SCREW, Tapping, (5x16)
21	MB56 6394	2			BRACKET
22	MB47 9486	2			CLIP
23	MS35 0085	1			SCREW, w/Washer, (5x16)
24					CAP
	MB72 4476	1			Gray
	MB72 4477	1			Brown
	MB79 1405	1			Gray, 1992-94
25	MB47 9209	1			BRACKET, Pull Handle
26					BOX, Front Door ***
	MB72 2572	1			Gray
	MB72 2573	1			Brown
	MB79 1389	1			Gray, 1992-94
27					GROMMET
	MB56 6395	1			Left
	MB56 6396	1			Right
28					CAP
	MB72 7413	6			Gray
	MB72 7414	6			Brown
	MB76 6468	6			Gray, 1992-94
29	MF45 3916	6			SCREW, Tapping, (4x20)
30	MB64 3129	2			GROMMET
31	MU45 1006	2			WASHER, 1990
	MU45 1009	2			GROMMET, 1991-94
32	MF45 3975	2			SCREW, Tapping, (4x16)
	MF45 3976	2			SCREW, Tapping, (4x20), 1992-94
33					GARNISH, Door Speaker, 1993-94 ***
					Left
	MB97 3133	1			Gray
	MB97 3134	1			Red
					Right
	MB97 3136	1			Gray
	MB97 3137	1			Red

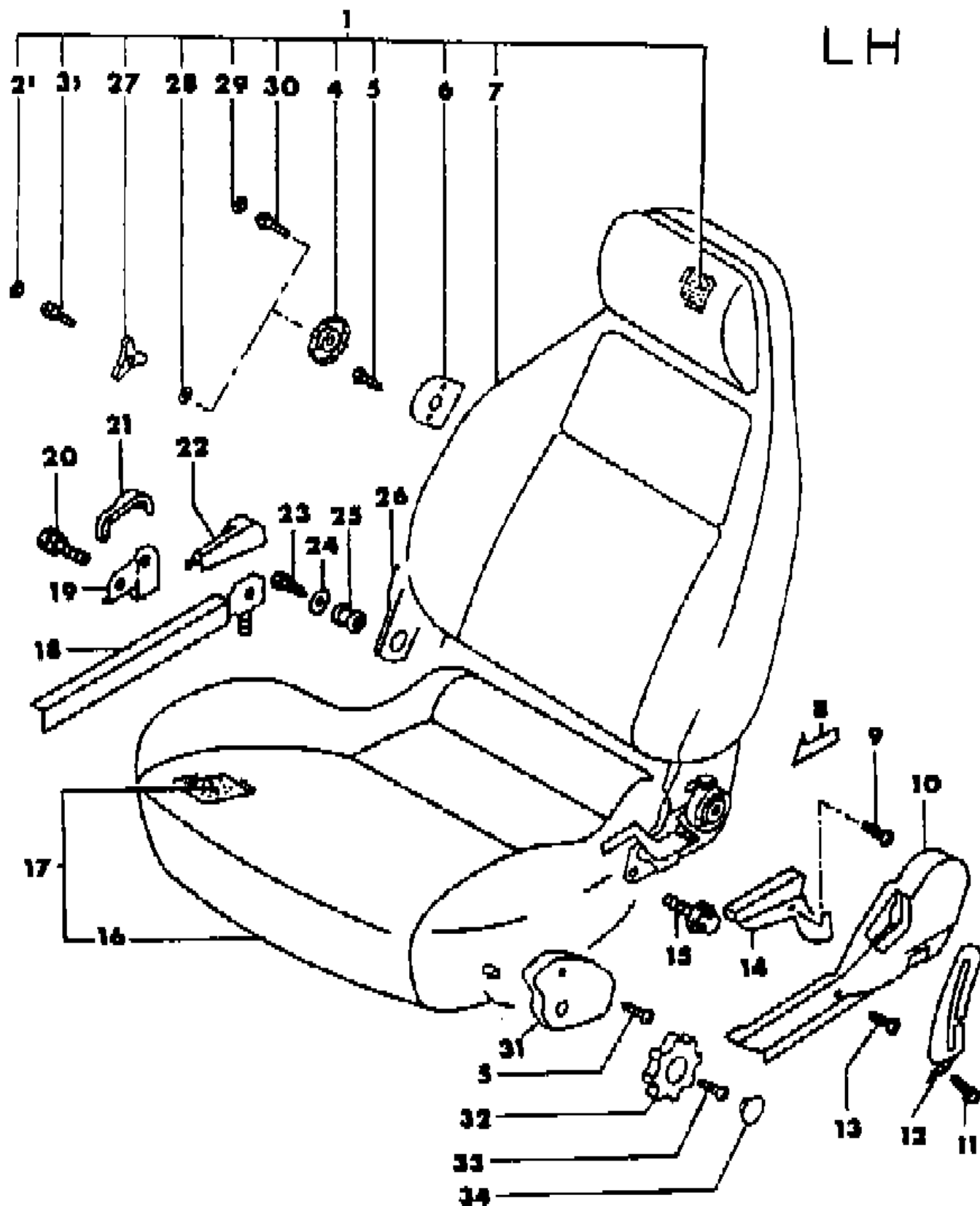
ENGINE: P = 1800cc (1.8L) A = 2000cc (2.0L) Blank = All  
 TRANS: A = Automatic M = Manual Blank = All  
 SERIES: H = High M = Medium P = Premium S = Special

MODELS:  
 24 FWD = 2Dr Hatchback (Laser)  
 24 FWD = 2-Dr Hatchback (Talon)  
 4WD = (4 Wheel Drive)  
 2WD = (2 Wheel Drive)

AR = Use as Required - = Non Illustrated Part P.A.R. = Paint as Required

SEAT FRONT, LEFT LASER  
Figure ITA-800

9533 800 A



ITEM	PART NUMBER	QTY	BODY	MODEL	DESCRIPTION
1					BACK, Front Seat, (w/Headrest)
					CLOTH and VINYL
	MB72 5027	1	M		Gray, Up To 10-15-89
	MB82 4248	1	M		Gray, After 10-15-89
	MB74 6186	1	M		Beige, Up To 10-15-89
	MB82 4249	1	M		Beige, After 10-15-89
					CLOTH
	MB72 5033	1	H		Gray
	MB72 5034	1	H		Beige
					1991
	MB82 4248	1	M		Gray
	MB82 4249	1	M		Beige
	MB72 5033	1	H		Gray
	MB72 5034	1	H		Beige
					1992
	MB79 4346	1	M		Gray
	MB79 4347	1	M		Red
	MB79 1658	1	H,S		Dark Gray
	MB79 4392	1	H,S		Medium Gray
	MB79 1661	1	H,S		Red
					1993
	MR70 4659	1	M		Gray
	MB97 3066	1	M		Red
	MB96 6518	1	H		Dark Gray, w/Red & Blue Stripes
	MB97 3073	1	H		Medium Gray, w/Red & Blue Stripes
	MB97 3071	1	H		Red
					1994
	MR70 4659	1	M		Gray
	MB97 3066	1	M		Red
	MB96 6518	1	H		Dark Gray, w/Red & Blue Stripes
	MB97 3073	1	H		Medium Gray, w/Red & Blue Stripes
	MB97 3071	1	H		Red
2					CAP
	MB74 7659	1			Gray
	MB74 7660	1			Brown
	MB79 1764	1			Gray, 1992-94
3					SCREW, w/Washer
	MF35 0768	1			(5x12)
	MF35 0744	1			(4x10), 1992-94

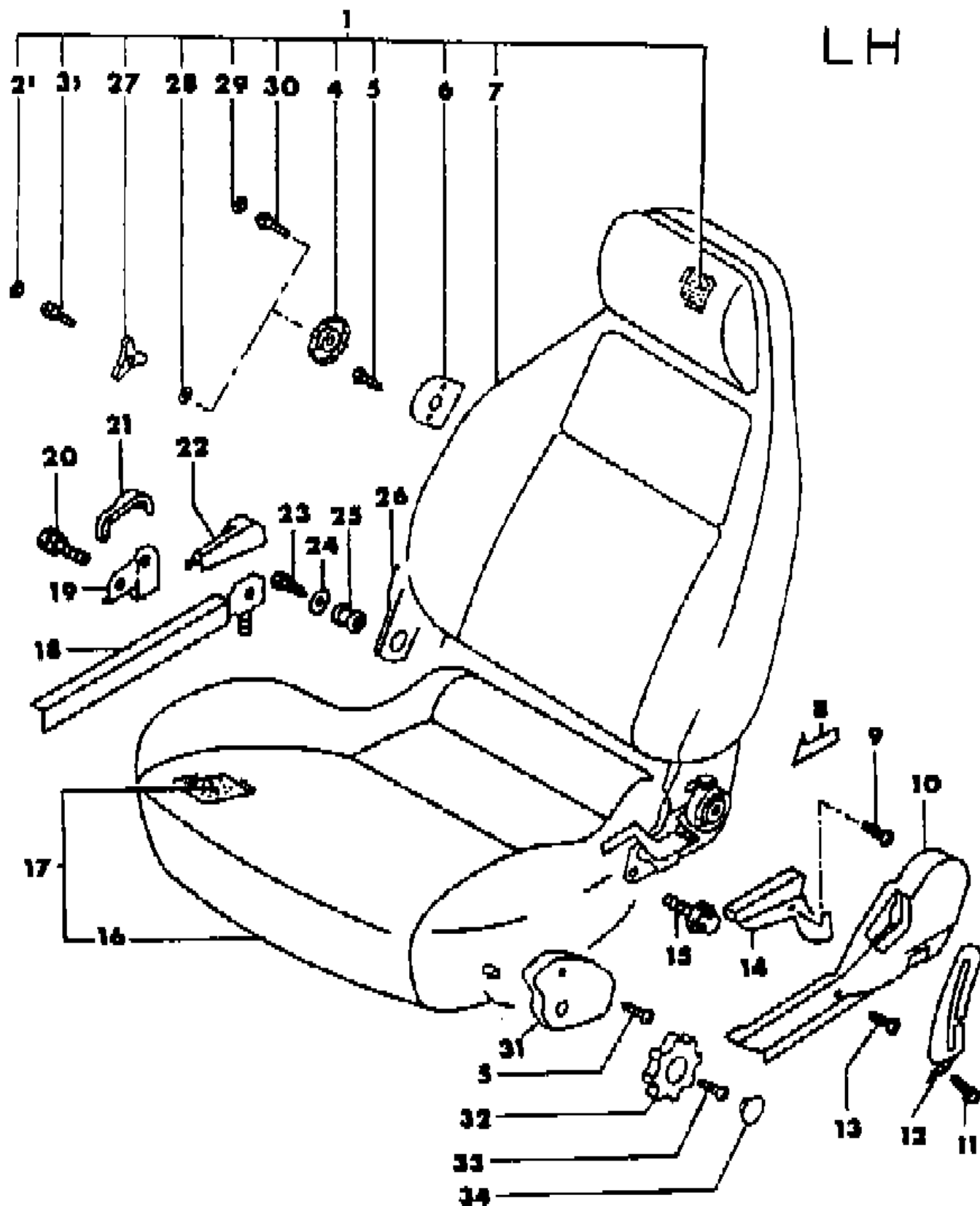
ENGINE: P = 1800cc (1.8L) A = 2000cc (2.0L) Blank = All  
 TRANS: A = Automatic M = Manual Blank = All  
 SERIES: H = High M = Medium P = Premium S = Special

MODELS:  
 24 FWD = 2Dr Hatchback (Laser)  
 24 FWD = 2-Dr Hatchback (Talon)  
 4WD = (4 Wheel Drive)  
 2WD = (2 Wheel Drive)

AR = Use as Required - = Non Illustrated Part P.A.R. = Paint as Required

SEAT FRONT, LEFT LASER  
Figure ITA-800

9533 800 A



ITEM	PART NUMBER	QTY	BODY	MODEL	DESCRIPTION
4					LEVER
	MB74 7656	1			Gray
	MB74 7657	1			Brown
	MB79 1737	1			Gray, 1992-94
5	MF45 6110	2			SCREW, Tapping, (5x10)
6					LEVER
	MB74 7682	1			Gray
	MB74 7683	1			Brown
	MB79 1761	1			Gray, 1992-94
7					COVER, Back
					CLOTH and VINYL
	MB74 7665	1	M		Gray, Up To 10-15-89
	MB82 4252	1	M		Gray, After 10-15-89
	MB74 7666	1	M		Beige, Up To 10-15-89
	MB82 4253	1	M		Beige, After 10-15-89
					CLOTH
	MB74 7663	1	H		Gray
	MB74 7664	1	H		Beige/Brown
					1991
	MB82 4252	1	M		Gray
	MB82 4253	1	M		Beige
	MB74 7663	1	H		Gray
	MB74 7664	1	H		Beige/Brown
					1992
	MB79 4349	1	M		Gray
	MB79 4350	1	M		Red
	MB79 1739	1	H,S		Dark Gray
	MB79 4423	1	H,S		Medium Gray
	MB79 1742	1	H,S		Red
					1993
	MR70 4661	1	M		Gray
	MB97 3080	1	M		Red
	MB96 6530	1	H		Dark Gray, w/Red & Blue Stripes
	MB97 3087	1	H		Medium Gray, w/Red & Blue Stripes
	MB97 3085	1	H		Red
					1994
	MR70 4661	1	M		Gray
	MB97 3080	1	M		Red
	MB96 6530	1	H		Dark Gray, w/Red & Blue Stripes

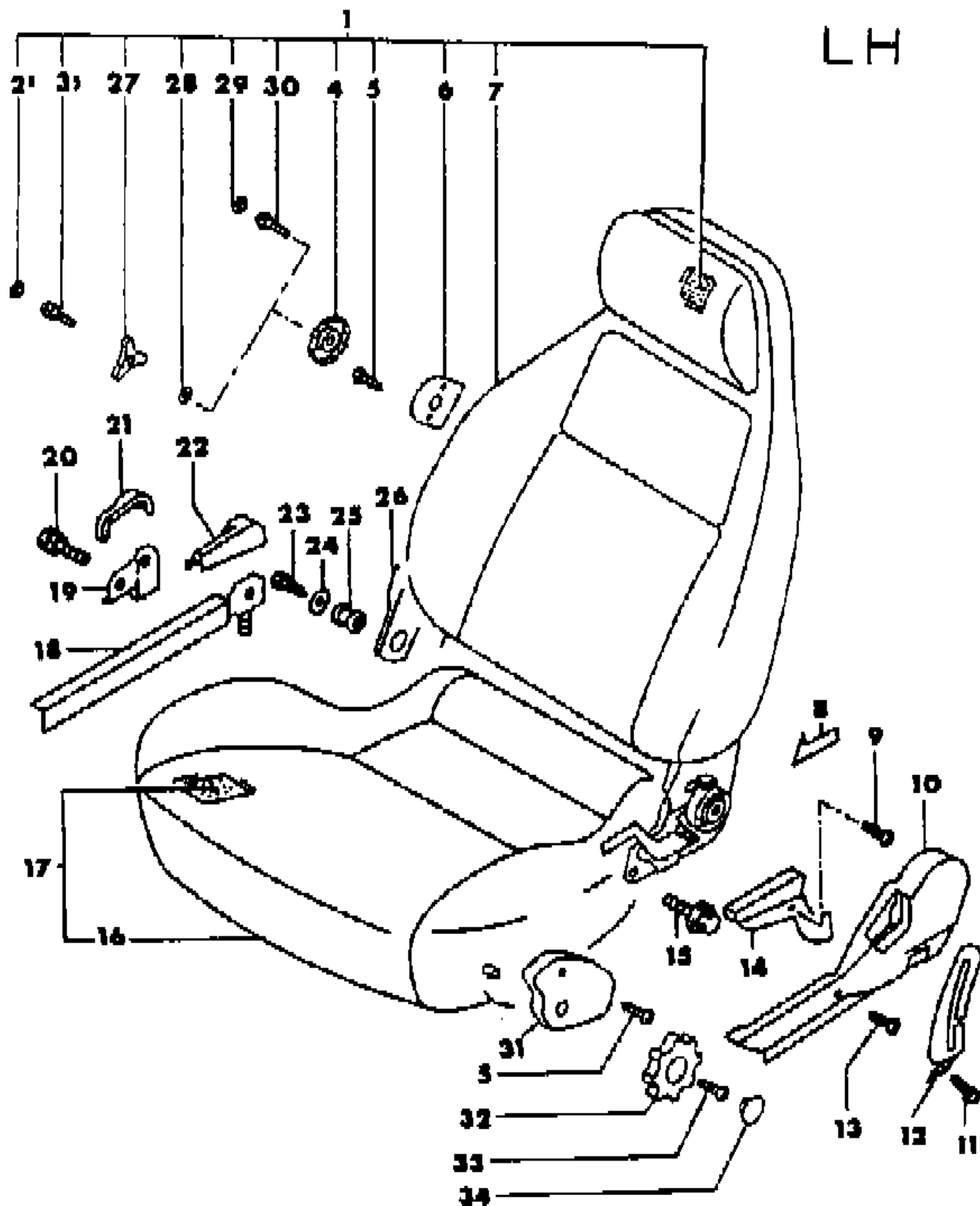
ENGINE: P = 1800cc (1.8L) A = 2000cc (2.0L) Blank = All  
 TRANS: A = Automatic M = Manual Blank = All  
 SERIES: H = High M = Medium P = Premium S = Special

MODELS:  
 24 FWD = 2Dr Hatchback (Laser)  
 24 FWD = 2-Dr Hatchback (Talon)  
 4WD = (4 Wheel Drive)  
 2WD = (2 Wheel Drive)

AR = Use as Required - = Non Illustrated Part P.A.R. = Paint as Required

SEAT FRONT, LEFT LASER  
Figure ITA-800

9533 800 A



ITEM	PART NUMBER	QTY	BODY	MODEL	DESCRIPTION
	MB97 3087	1		H	Medium Gray, w/Red & Blue Stripes
	MB97 3085	1		H	Red
8	MB74 7618	1			CAP, Shield Gray
	MB74 7619	1			Brown
9	MB79 1709	1			Gray, 1992-94
	MS20 0037	2			SCREW, Machine (4x6)
	MB41 0568	2			(4x6), 1992-94
10					COVER, Shield
	MB74 7612	1			Gray
	MB74 7613	1			Brown
	MB79 1707	1			Gray, 1992-94
11	MF35 0313	4			SCREW, w/Washer, (6x16)
12					BELT HOLDER ***
	MB74 7606	1			Gray
	MB74 7607	1			Brown
	MB79 1150	1			Gray, 1992-94
13	MF45 5497	2			SCREW, Tapping, (4x12)
14					KNOB, Reclining
	MB72 5070	1			Gray
	MB72 5071	1			Brown
	MB78 5948	1			Gray, 1992-94
15	MF24 1280	4			BOLT, w/Washer, (10x20)
16					COVER, Front Cushion
					CLOTH and VINYL
	MB74 7632	1		M	Gray, Up To 10-15-89
	MB82 4250	1		M	Gray, After 10-15-89
	MB74 7633	1		M	Beige, Up To 10-15-89
	MB82 4251	1		M	Beige, After 10-15-89
					CLOTH
	MB74 7638	1		H	Gray
	MB74 7639	1		H	Beige/Brown
					1991
	MB82 4250	1		M	Gray
	MB82 4251	1		M	Beige
	MB74 7638	1		H	Gray
	MB74 7639	1		H	Beige/Brown
					1992

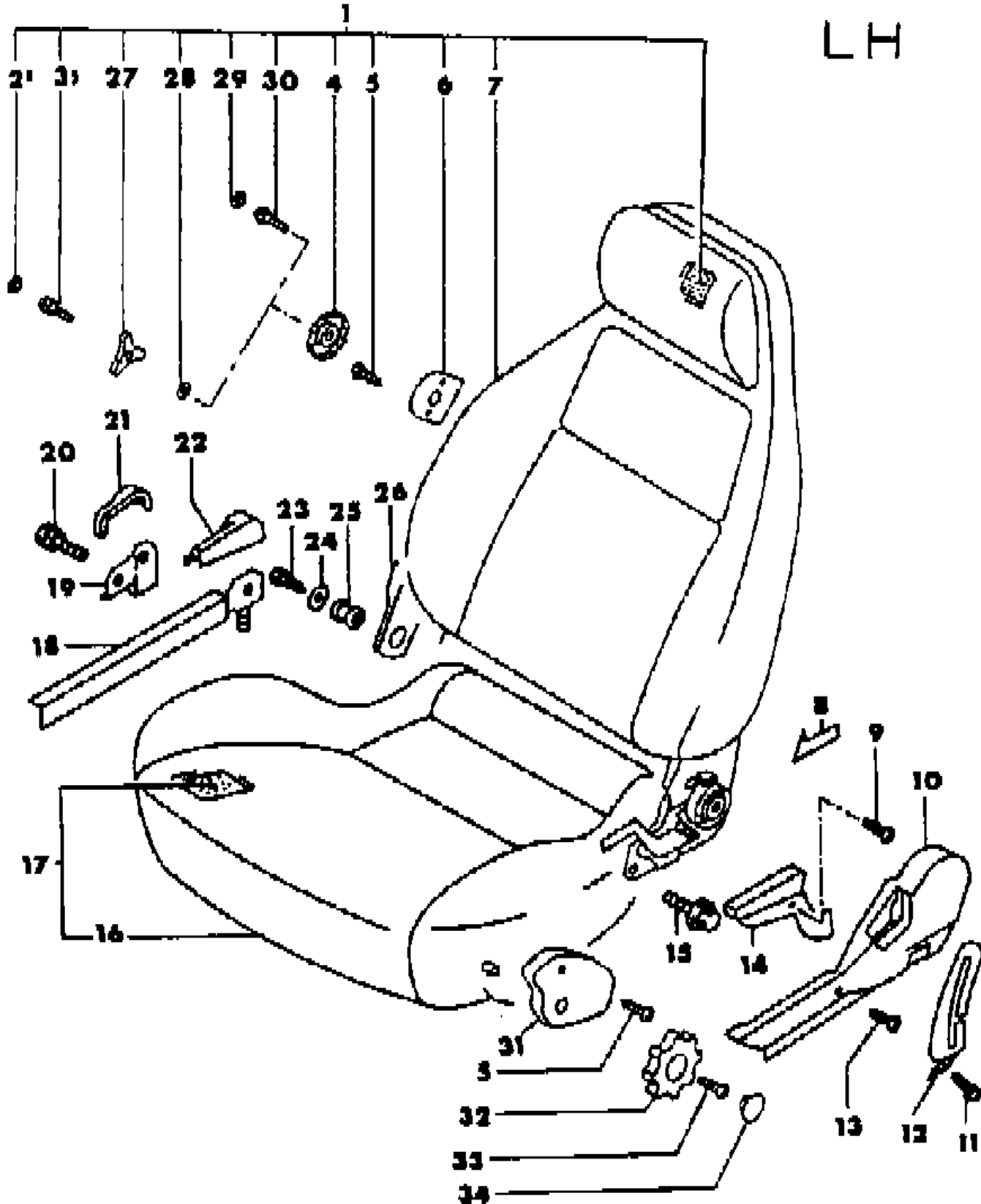
ENGINE: P = 1800cc (1.8L) A = 2000cc (2.0L) Blank = All  
 TRANS: A = Automatic M = Manual Blank = All  
 SERIES: H = High M = Medium P = Premium S = Special

MODELS:  
 24 FWD = 2Dr Hatchback (Laser)  
 24 FWD = 2-Dr Hatchback (Talon)  
 4WD = (4 Wheel Drive)  
 2WD = (2 Wheel Drive)

AR = Use as Required - = Non Illustrated Part P.A.R. = Paint as Required

SEAT FRONT, LEFT LASER  
Figure ITA-800

9533 800 A



ITEM	PART NUMBER	QTY	BODY	MODEL	DESCRIPTION
	MB79 4413	1		M	Gray
	MB79 4414	1		M	Red
	MB79 4411	1		H,S	Medium Gray
	MB79 1717	1		H,S	Red
	MB79 1714	1		H,S	Dark Gray
					1993
	MR70 4657	1		M	Gray
	MB97 3055	1		M	Red
	MB96 6501	1		H	Dark Gray, w/Red & Blue Stripes
	MB97 3054	1		H	Medium Gray, w/Red & Blue Stripes
	MB97 3052	1		H	Red
					1994
	MR70 4657	1		M	Gray
	MB97 3055	1		M	Red
	MB96 6501	1		H	Dark Gray, w/Red & Blue Stripes
	MB97 3054	1		H	Medium Gray, w/Red & Blue Stripes
	MB97 3052	1		H	Red
17					CUSHION, Front Seat CLOTH and VINYL
	MB72 5015	1		M	Gray, Up To 10-15-89
	MB82 4246	1		M	Gray, After 10-15-89
	MB74 6182	1		M	Beige, Up Tp 10-15-89
	MB82 4247	1		M	Beige, After 10-15-89
					CLOTH
	MB72 5021	1		H	Gray
	MB72 5022	1		H	Beige/Brown
					1991
	MB82 4246	1		M	Gray
	MB82 4247	1		M	Beige
	MB72 5021	1		H	Gray
	MB72 5022	1		H	Beige/Brown
					1992
	MB79 4384	1		M	Gray
	MB79 4385	1		M	Red
	MB79 1646	1		H,S	Dark Gray
	MB79 4382	1		H,S	Medium Gray
	MB79 1649	1		H,S	Red
					1993
	MR70 4655	1		M	Gray

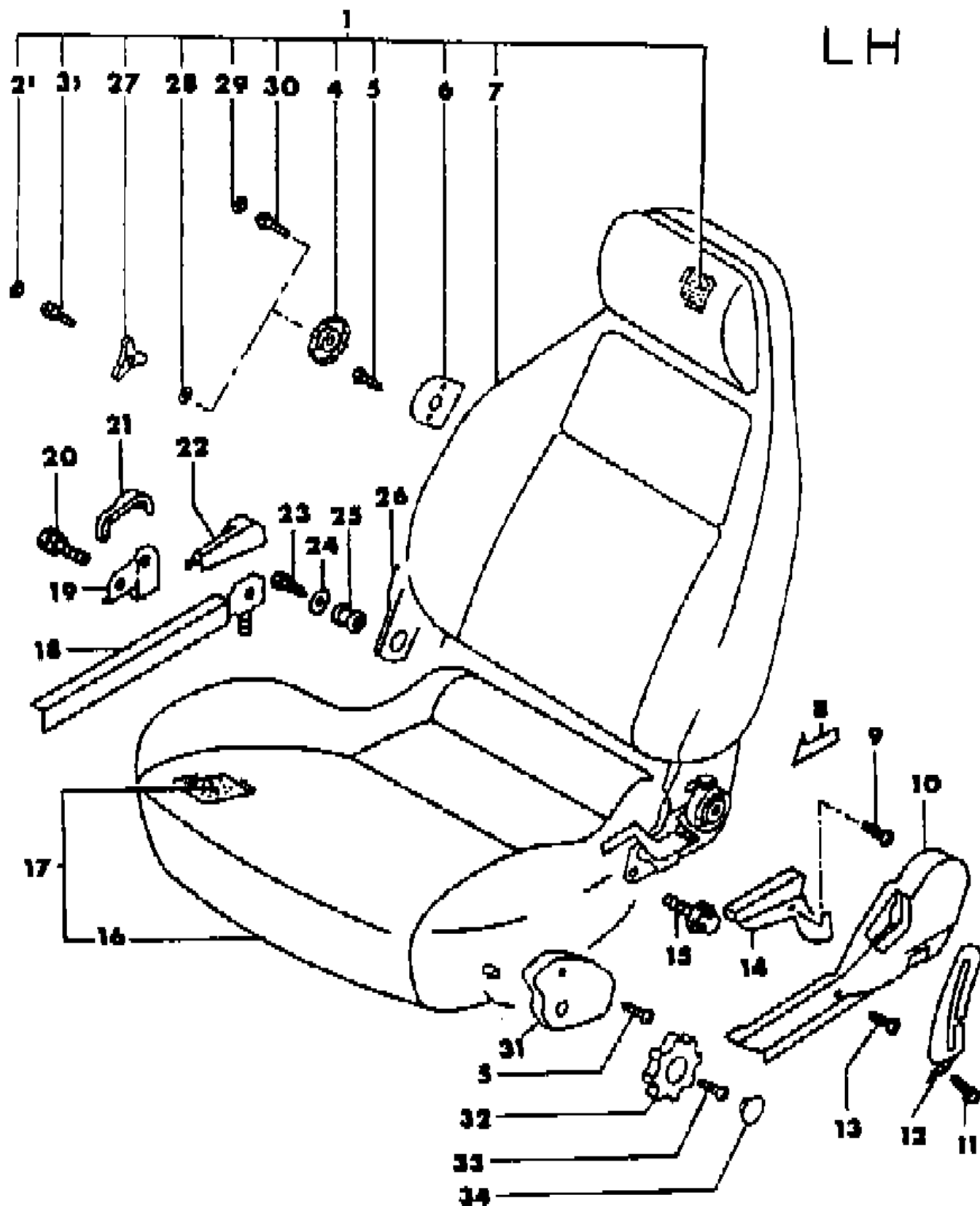
ENGINE: P = 1800cc (1.8L) A = 2000cc (2.0L) Blank = All  
 TRANS: A = Automatic M = Manual Blank = All  
 SERIES: H = High M = Medium P = Premium S = Special

MODELS:  
 24 FWD = 2Dr Hatchback (Laser)  
 24 FWD = 2-Dr Hatchback (Talon)  
 4WD = (4 Wheel Drive)  
 2WD = (2 Wheel Drive)

AR = Use as Required - = Non Illustrated Part P.A.R. = Paint as Required

SEAT FRONT, LEFT LASER  
Figure ITA-800

9533 800 A



ITEM	PART NUMBER	QTY	BODY	MODEL	DESCRIPTION
	MB97 3041	1	M		Red
	MB96 6489	1	H		Dark Gray, w/Red & Blue Stripes
	MB97 3040	1	H		Medium Gray, w/Red & Blue Stripes
	MB97 3038	1	H		Red 1994
	MR70 4655	1	M		Gray
	MB97 3041	1	M		Red
	MB96 6489	1	H		Dark Gray, w/Red & Blue Stripes
	MB97 3040	1	H		Medium Gray, w/Red & Blue Stripes
18	MB97 3038	1	H		Red RAIL, Slider LEFT
	MB72 2347	1			Gray
	MB72 2348	1			Beige
	MB79 1702	1			Gray, 1992-94 RIGHT
	MB72 2349	1			Gray
	MB72 2350	1			Beige
	MB79 1703	1			Gray, 1992-94
19	MB55 9827	1			BRACKET, Lt., Slide
20	MB26 8795	2			BOLT, w/Washer
21					COVER
	MB74 7627	1			Gray
	MB74 7628	1			Brown
	MB79 1712	1			Gray, 1992-94
22					COVER, Anchor
	MB72 2706	1			Gray
	MB72 2707	1			Brown
	MB79 1704	1			Gray, 1992-94
23	MB07 4040	2			SCREW, (6x12)
24	MF45 0193	2			WASHER
25	MB15 8706	2			BUSHING
26					PROTECTOR
	MB74 7624	2			Gray
	MB74 7625	2			Brown
	MB79 1711	2			Gray, 1992-94
27	MB79 1763	1			LEVER, Side Support, (Dark Gray)
28	MB60 2082	1			BUSHING
29	MB79 1738	1			CAP

ENGINE: P = 1800cc (1.8L) A = 2000cc (2.0L) Blank = All  
 TRANS: A = Automatic M = Manual Blank = All  
 SERIES: H = High M = Medium P = Premium S = Special

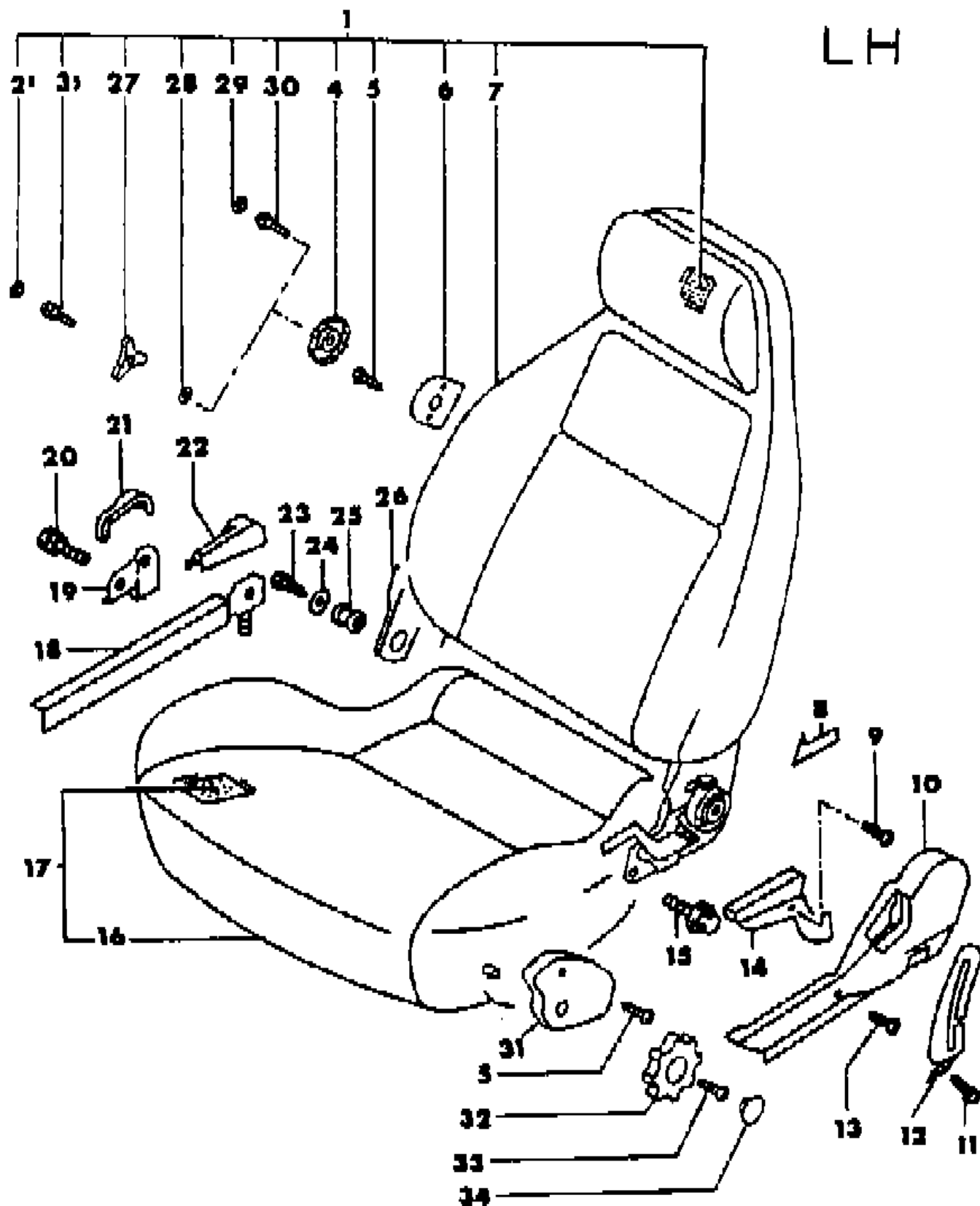
MODELS:  
 24 FWD = 2Dr Hatchback (Laser)  
 24 FWD = 2-Dr Hatchback (Talon)  
 4WD = (4 Wheel Drive)  
 2WD = (2 Wheel Drive)

AR = Use as Required - = Non Illustrated Part P.A.R. = Paint as Required



SEAT FRONT, LEFT LASER  
Figure ITA-800

9533 800 A



ITEM	PART NUMBER	QTY	BODY	MODEL	DESCRIPTION
30	MF35 0768	1			SCREW, w/Washer, (5x12)
31	MB79 1736	1			GARNISH, Thigh Support ***
32	MB79 1737	1			LEVER
33	MF35 0768	1			SCREW, (5x12)
34	MB79 1738	1			CAP

ENGINE: P = 1800cc (1.8L) A = 2000cc (2.0L) Blank = All  
 TRANS: A = Automatic M = Manual Blank = All  
 SERIES: H = High M = Medium P = Premium S = Special

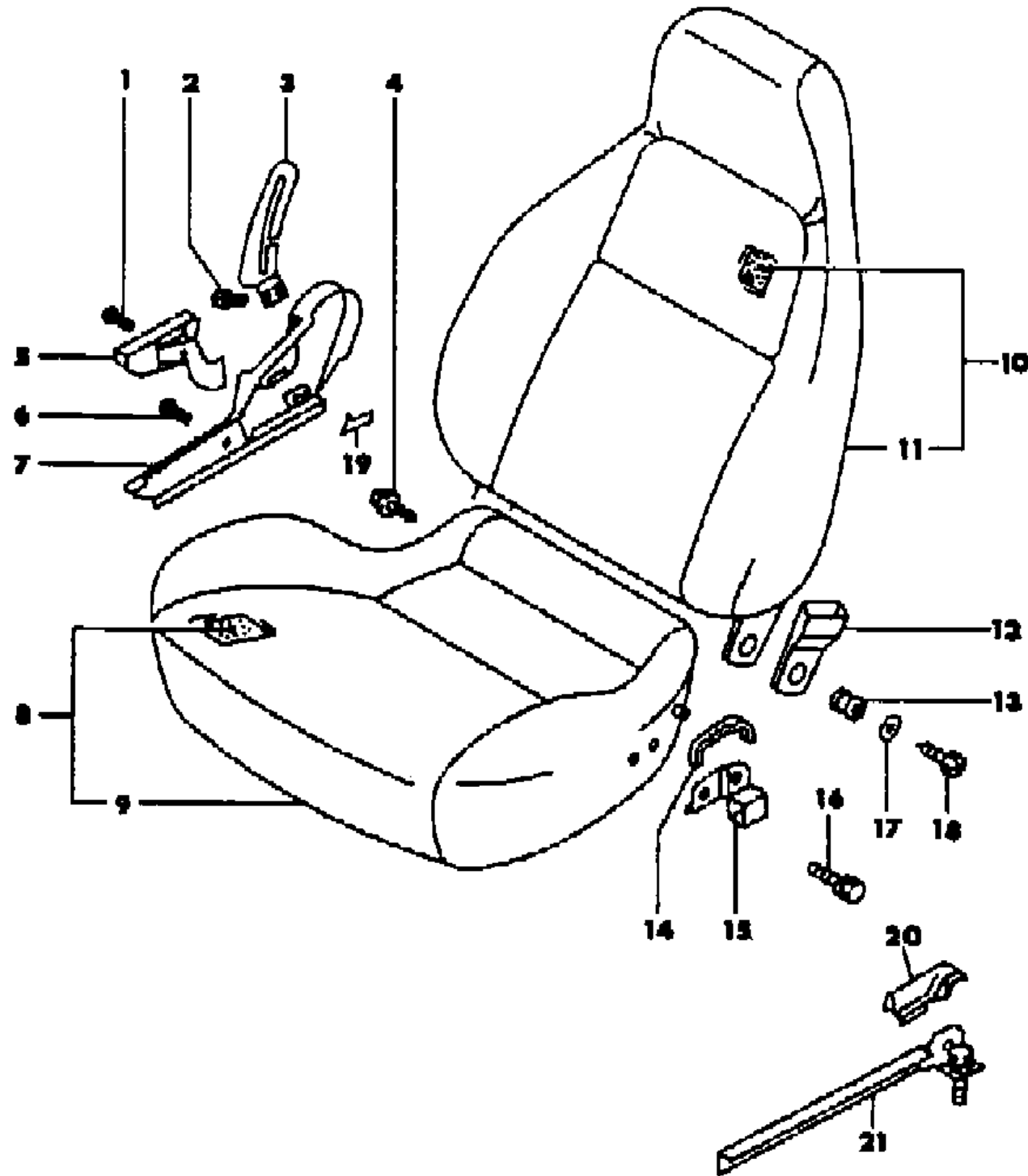
MODELS:  
 24 FWD = 2Dr Hatchback (Laser)  
 24 FWD = 2-Dr Hatchback (Talon)  
 4WD = (4 Wheel Drive)  
 2WD = (2 Wheel Drive)

AR = Use as Required - = Non Illustrated Part P.A.R. = Paint as Required

SEAT FRONT, RIGHT LASER  
Figure ITA-900

9633 900 A

RH



ITEM	PART NUMBER	QTY	BODY	MODEL	DESCRIPTION
1					SCREW
	MS20 0037	2			(4x6)
	MB41 0568	2			(4x6), 1992-94
2	MF35 0313	4			SCREW, w/Washer, (6x16)
3					HOLDER, Belt
	MB74 7609	1			Gray
	MB74 7610	1			Brown
	MB79 1151	1			Gray, 1992-94
4	MF24 1280	4			BOLT, w/Washer, (10x20)
5					KNOB, Reclining
	MB72 5073	1			Gray
	MB72 5074	1			Brown
	MB78 5949	1			Gray, 1992-94
6	MF45 5497	2			SCREW, Tapping, (4x12)
7					COVER, Shield
	MB74 7615	1			Gray
	MB74 7616	1			Brown
	MB79 1708	1			Gray, 1992-94
8					CUSHION, Front Seat
					CLOTH and VINYL
	MB72 5017	1		M	Gray, Up To 10-15-89
	MB76 4790	1		M	Gray, After 10-15-89
	MB74 6183	1		M	Beige, Up To 10-15-89
	MB76 4791	1		M	Beige, After 10-15-89
					CLOTH
	MB72 5025	1		H	Gray
	MB72 5026	1		H	Beige/Brown
					1991
	MB76 4790	1		M	Gray
	MB76 4791	1		M	Beige
	MB72 5025	1		H	Gray
	MB72 5026	1		H	Beige/Brown
					1992
	MB79 4389	1		M	Gray
	MB79 4390	1		M	Red
	MB79 1651	1		H,S	Dark Gray
	MB79 4387	1		H,S	Medium Gray
	MB79 1655	1		H,S	Red
					1993

ENGINE: P = 1800cc (1.8L) A = 2000cc (2.0L) Blank = All  
 TRANS: A = Automatic M = Manual Blank = All  
 SERIES: H = High M = Medium P = Premium S = Special

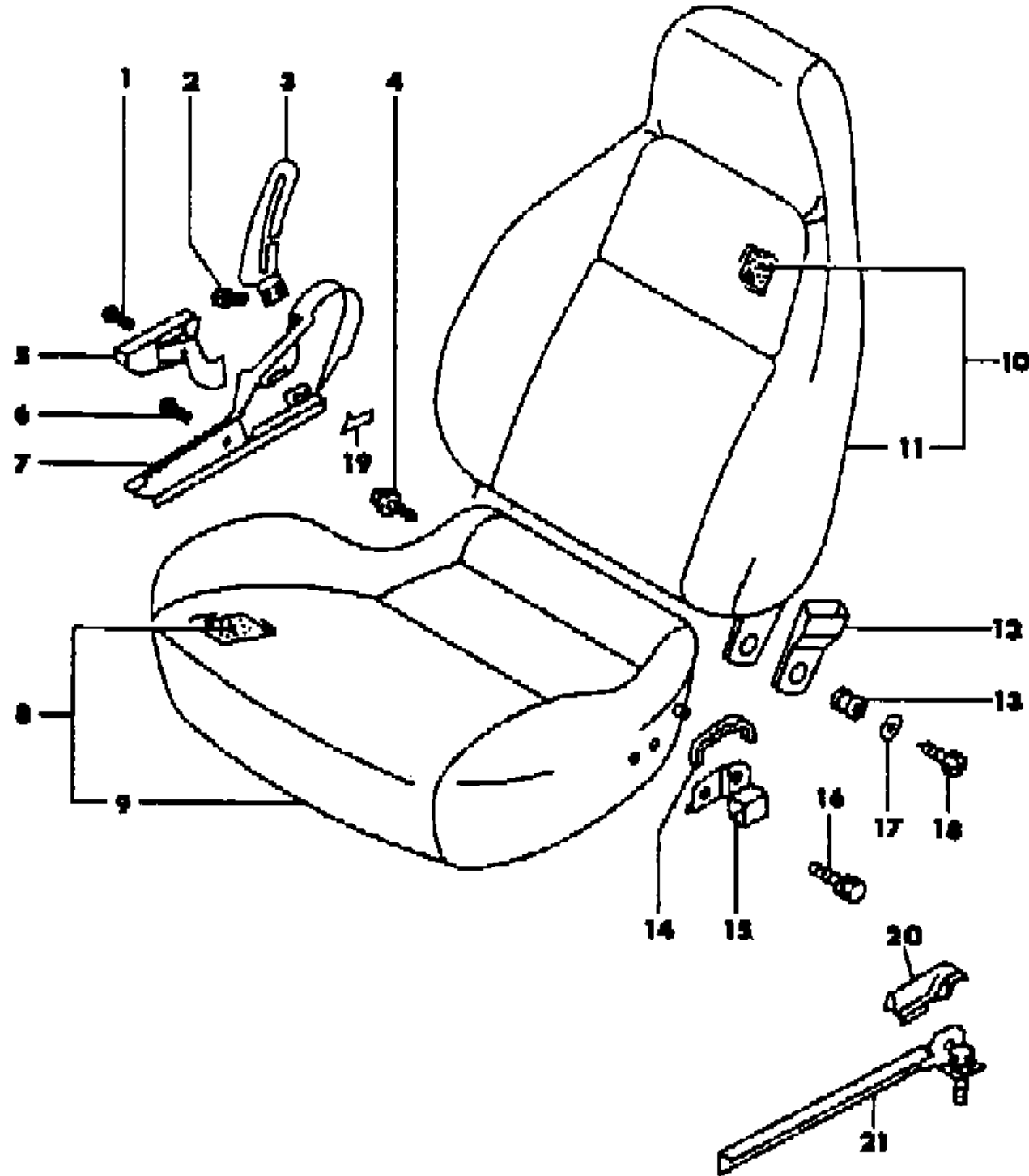
MODELS:  
 24 FWD = 2Dr Hatchback (Laser)  
 24 FWD = 2-Dr Hatchback (Talon)  
 4WD = (4 Wheel Drive)  
 2WD = (2 Wheel Drive)

AR = Use as Required - = Non Illustrated Part P.A.R. = Paint as Required

SEAT FRONT, RIGHT LASER  
Figure ITA-900

9633 900 A

RH



ITEM	PART NUMBER	QTY	BODY	MODEL	DESCRIPTION
	MR70 4656	1	M		Gray
	MB97 3045	1	M		Red
	MB96 6493	1	H		Dark Gray
	MB97 3044	1	H		Medium Gray
	MB97 3042	1	H		Red
					1994
	MR70 4656	1	M		Gray
	MB97 3045	1	M		Red
	MB96 6493	1	H		Dark Gray
	MB97 3044	1	H		Medium Gray
	MB97 3042	1	H		Red
9					COVER, Cushion CLOTH and VINYL
	MB74 7634	1	M		Gray/Black, Up To 10-15-89
	MB76 4794	1	M		Gray/Black, After 10-15-89
	MB74 7635	1	M		Beige, Up To 10-15-89
	MB76 4795	1	M		Beige, After 10-15-89
					CLOTH
	MB74 7642	1	H		Gray
	MB74 7643	1	H		Beige/Brown
					1991
	MB76 4794	1	M		Gray/Black
	MB76 4795	1	M		Beige
	MB74 7642	1	H		Gray
	MB74 7643	1	H		Beige/Brown
					1992
	MB79 4418	1	M		Gray
	MB79 4419	1	M		Red
	MB79 1719	1	H,S		Dark Gray
	MB79 4416	1	H,S		Medium Gray
	MB79 1723	1	H,S		Red
					1993
	MR70 4658	1	M		Gray
	MB97 3059	1	M		Red
	MB96 6505	1	H		Dark Gray
	MB97 3058	1	H		Medium Gray
	MB97 3056	1	H		Red
					1994
	MR70 4658	1	M		Gray

ENGINE: P = 1800cc (1.8L) A = 2000cc (2.0L) Blank = All  
 TRANS: A = Automatic M = Manual Blank = All  
 SERIES: H = High M = Medium P = Premium S = Special

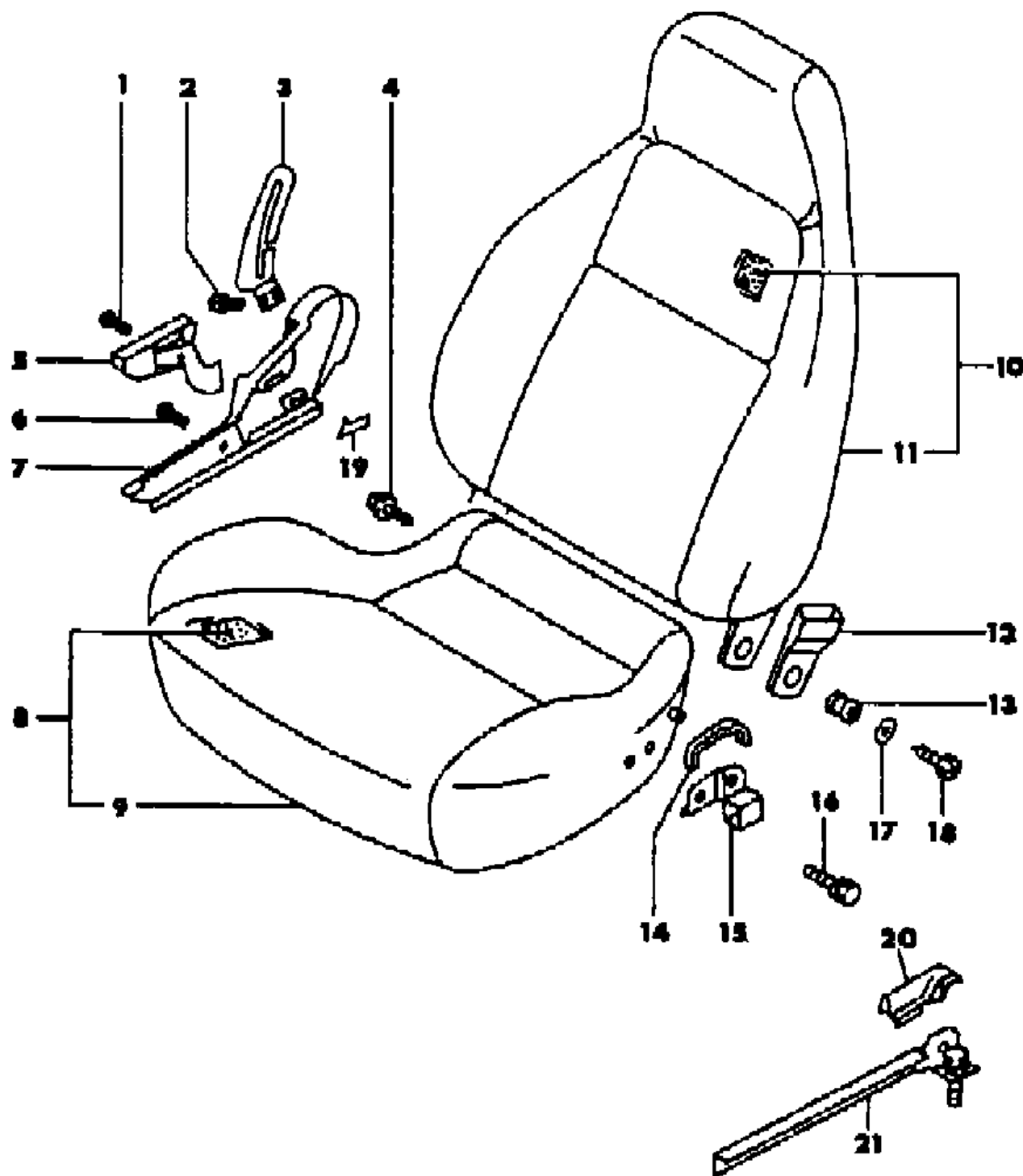
MODELS:  
 24 FWD = 2Dr Hatchback (Laser)  
 24 FWD = 2-Dr Hatchback (Talon)  
 4WD = (4 Wheel Drive)  
 2WD = (2 Wheel Drive)

AR = Use as Required - = Non Illustrated Part P.A.R. = Paint as Required

SEAT FRONT, RIGHT LASER  
Figure ITA-900

9633 900 A

RH



ITEM	PART NUMBER	QTY	BODY	MODEL	DESCRIPTION
	MB97 3059	1		M	Red
	MB96 6505	1		H	Dark Gray
	MB97 3058	1		H	Medium Gray
	MB97 3056	1		H	Red
10					BACK, Front Seat, (w/Headrest) CLOTH and VINYL
	MB72 5029	1		M	Gray, Up To 10-15-89
	MB76 4792	1		M	Gray, After 10-15-89
	MB74 6187	1		M	Beige, Up To 10-15-89
	MB76 4793	1		M	Beige, After 10-15-89
					CLOTH
	MB72 5037	1		H	Gray
	MB72 5038	1		H	Beige/Brown
					1991
	MB76 4792	1		M	Gray
	MB76 4793	1		M	Beige
	MB72 5037	1		H	Gray
	MB72 5038	1		H	Beige/Brown
					1992
	MB79 4396	1		M	Gray
	MB79 4397	1		M	Red
	MB79 4394	1		H,S	Medium Gray
	MB79 1667	1		H,S	Red
	MB79 1663	1		H,S	Dark Gray
					1993
	MR70 4660	1		M	Gray
	MB97 3070	1		M	Red
	MB96 6514	1		H	Dark Gray
	MB97 3069	1		H	Medium Gray
	MB97 3067	1		H	Red
					1994
	MR70 4660	1		M	Gray
	MB97 3070	1		M	Red
	MB96 6514	1		H	Dark Gray
	MB97 3069	1		H	Medium Gray
	MB97 3067	1		H	Red
		1			SWITCH, Headrest Adjust., (Serv. In Item# 10)
11					COVER, Back Front Seat CLOTH and VINYL

ENGINE: P = 1800cc (1.8L)  
A = 2000cc (2.0L)  
Blank = All

TRANS: A = Automatic  
M = Manual  
Blank = All

SERIES: H = High  
M = Medium  
P = Premium  
S = Special

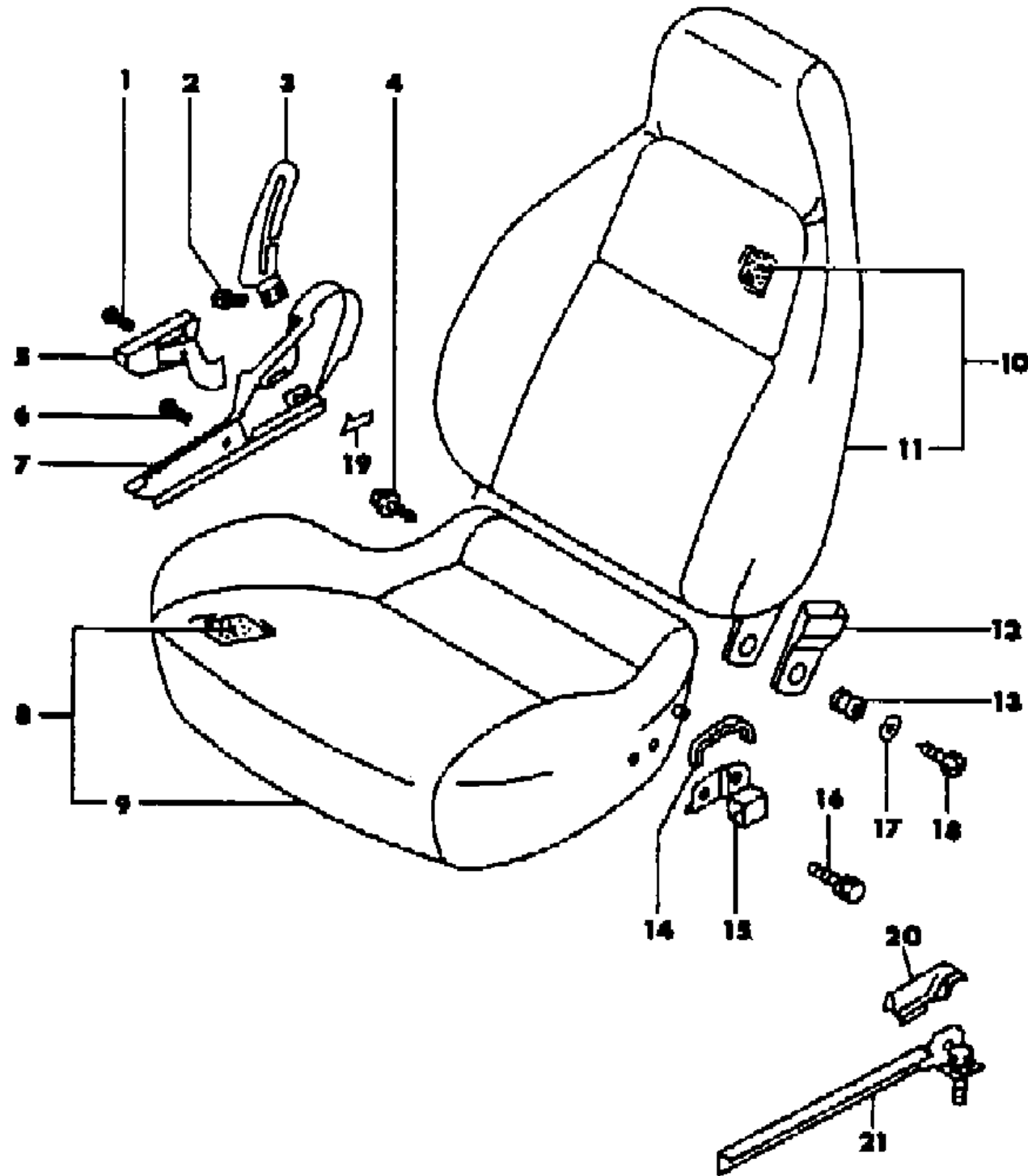
MODELS:  
24 FWD = 2Dr Hatchback (Laser)  
24 FWD = 2-Dr Hatchback (Talon)  
4WD = (4 Wheel Drive)  
2WD = (2 Wheel Drive)

AR = Use as Required - = Non Illustrated Part P.A.R. = Paint as Required

SEAT FRONT, RIGHT LASER  
Figure ITA-900

9633 900 A

RH



ITEM	PART NUMBER	QTY	BODY	MODEL	DESCRIPTION
	MB74 7667	1		M	Gray, Up To 10-15-89
	MB76 4796	1		M	Gray, After 10-15-89
	MB74 7668	1		M	Beige, Up To 10-15-89
	MB76 4797	1		M	Beige, After 10-15-89
					CLOTH
	MB74 7679	1		H	Gray
	MB74 7680	1		H	Beige/Brown
					1991
	MB76 4796	1		M	Gray
	MB76 4797	1		M	Beige
	MB74 7679	1		H	Gray
	MB74 7680	1		H	Beige/Brown
					1992
	MB79 4429	1		M	Gray
	MB79 4430	1		M	Red
	MB79 1754	1		H,S	Dark Gray
	MB79 4427	1		H,S	Medium Gray
	MB79 1758	1		H,S	Red
					1993
	MR70 4662	1		M	Gray
	MB97 3084	1		M	Red
	MB96 6526	1		H	Dark Gray
	MB97 3083	1		H	Medium Gray
	MB97 3081	1		H	Red
					1994
	MR70 4662	1		M	Gray
	MB97 3084	1		M	Red
	MB96 6526	1		H	Dark Gray
	MB97 3083	1		H	Medium Gray
	MB97 3081	1		H	Red
12					PROTECTOR
	MB74 7624	2			Gray
	MB74 7625	2			Brown
	MB79 1711	2			Gray, 1992-94
13	MB15 8706	2			BUSHING
14					COVER, Bracket
	MB74 7630	1			Gray
	MB74 7631	1			Brown
	MB79 1713	1			Gray, 1992-94

ENGINE: P = 1800cc (1.8L) A = 2000cc (2.0L) Blank = All  
 TRANS: A = Automatic M = Manual Blank = All  
 SERIES: H = High M = Medium P = Premium S = Special

MODELS:  
 24 FWD = 2Dr Hatchback (Laser)  
 24 FWD = 2-Dr Hatchback (Talon)  
 4WD = (4 Wheel Drive)  
 2WD = (2 Wheel Drive)

AR = Use as Required - = Non Illustrated Part P.A.R. = Paint as Required

SEAT FRONT, RIGHT LASER  
Figure ITA-900

9633 900 A

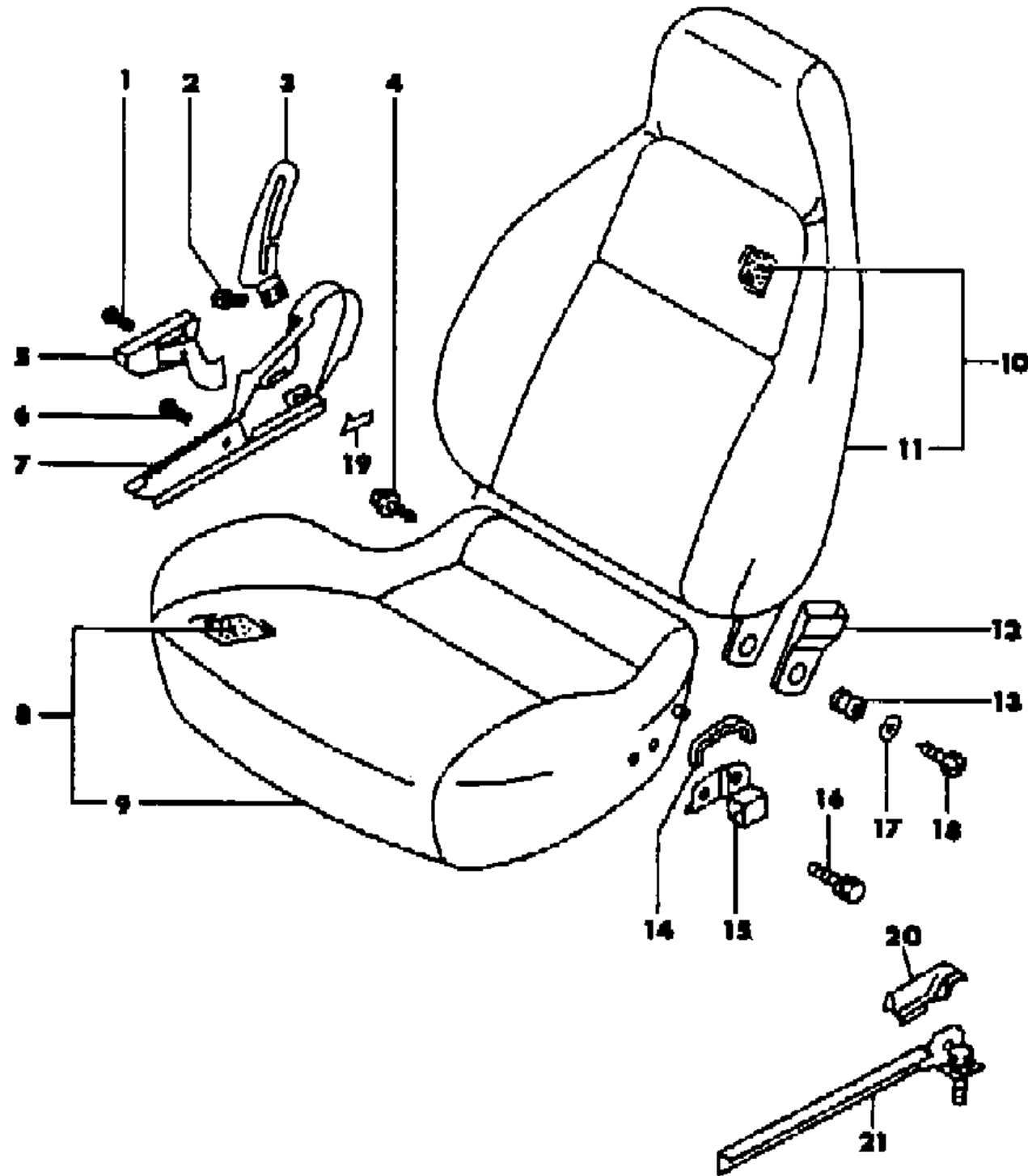
ITEM	PART NUMBER	QTY	BODY	MODEL	DESCRIPTION
15	MB55 9828	1			BRACKET, Front Seat Slide
16	MB26 8795	2			BOLT, w/Washer
17	MF45 0193	2			WASHER, Plain, (6)
18	MB07 4040	2			SCREW, (6x12)
19					CAP, Shield
	MB74 7621	1			Gray
	MB74 7622	1			Brown
	MB79 1710	1			Gray, 1992-94
20					COVER, Anchor Rail
					LEFT
	MB72 2706	1			Gray
	MB72 2707	1			Brown
	MB79 1704	1			Gray, 1992-94
					RIGHT
	MB72 2708	1			Gray
	MB72 2709	1			Brown
	MB79 1705	1			Gray, 1992-94
21					RAIL, Slider
					Driver Side
	MB72 2347	1			Gray
	MB72 2348	1			Beige
	MB79 1702	1			Gray, 1992-94
					Passenger Side
	MB72 2349	1			Gray
	MB72 2350	1			Beige
	MB79 1703	1			Gray, 1992-94

ENGINE: P = 1800cc (1.8L) A = 2000cc (2.0L) Blank = All  
 TRANS: A = Automatic M = Manual Blank = All  
 SERIES: H = High M = Medium P = Premium S = Special

MODELS:  
 24 FWD = 2Dr Hatchback (Laser)  
 24 FWD = 2-Dr Hatchback (Talon)  
 4WD = (4 Wheel Drive)  
 2WD = (2 Wheel Drive)

AR = Use as Required - = Non Illustrated Part P.A.R. = Paint as Required

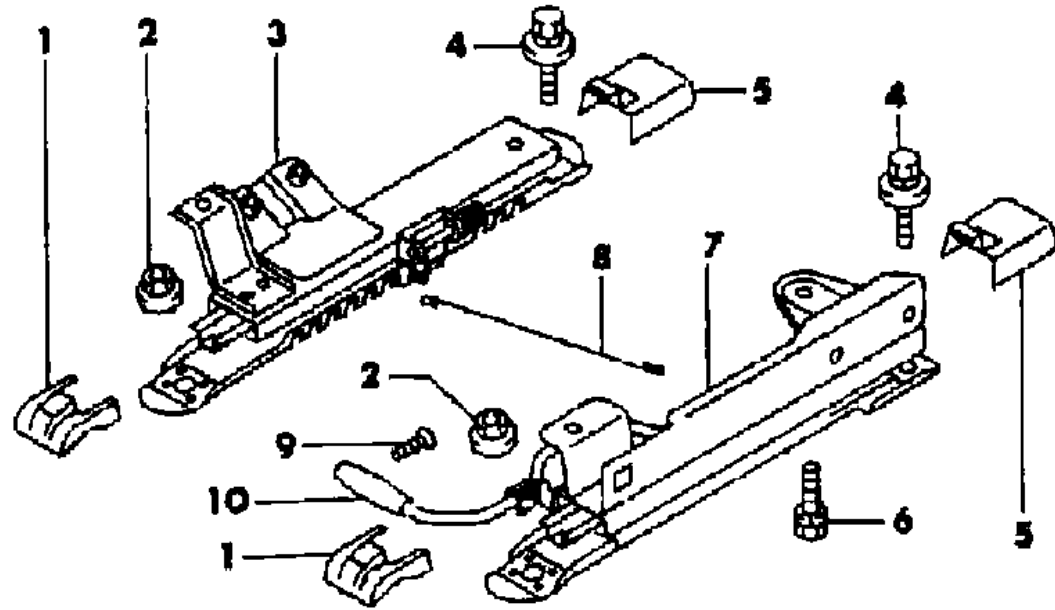
RH



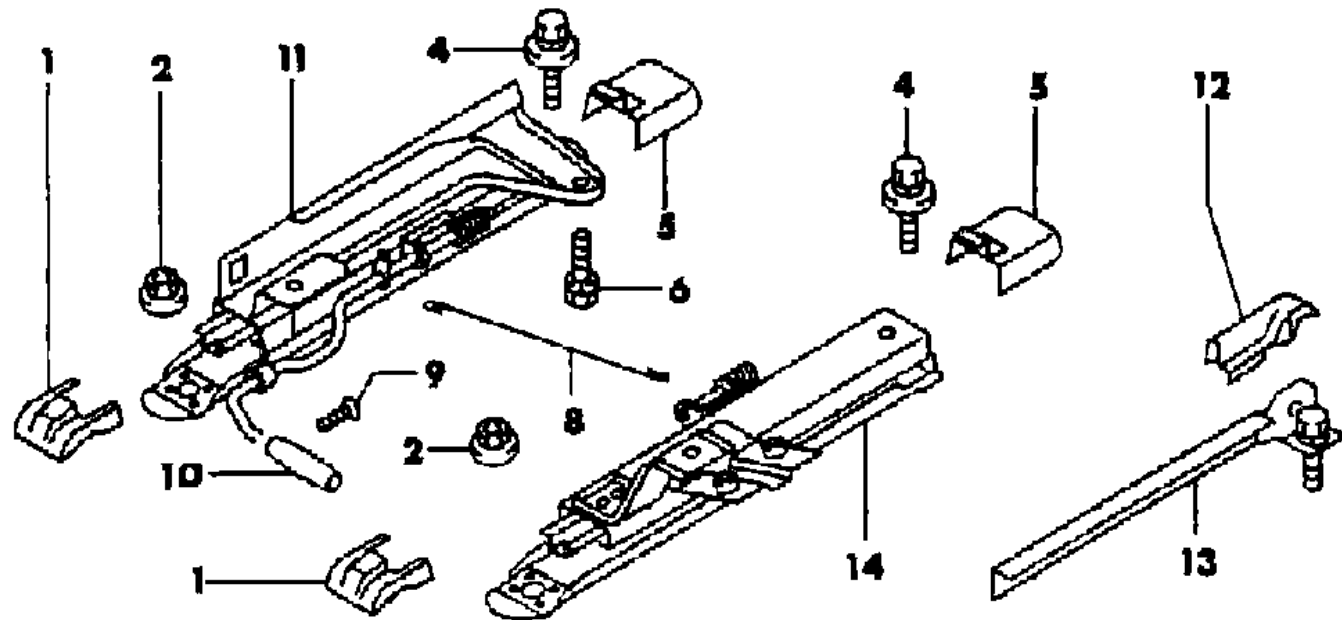
**ADJUSTER HIGH BACK BUCKET LASER**  
Figure ITA-1000

9633 1000

LEFT



RIGHT



ITEM	PART NUMBER	QTY	BODY	MODEL	DESCRIPTION
DRIVER SEAT, LEFT ***					
1	MB72 2702	4			COVER, Front Seat Anchor Gray
	MB72 2703	4			Beige
	MB77 0102	4			Gray, 1992-94
2	MS44 0504	4			NUT, w/Washer
3	MB55 9824	1			ADJUSTER, Inner
4	MB27 9833	4			BOLT, w/Washer
5					COVER, Anchor
	MB72 2704	4			Gray
	MB72 2705	4			Beige
	MB77 0103	4			Gray, 1992-94
6					BOLT, w/Washer
	MF14 0022	8			(8x16)
	MF24 0051	8			(8x16), 1992-94
7	MB55 9823	1			ADJUSTER, Outer
8	MB60 2037	2			WIRE
9					SCREW
	MS20 0037	2			(4x6)
	MB41 0568	2			(4x6), 1992-94
10	MB72 5039	2			KNOB, Seat Adjuster
PASSENGER SEAT, RIGHT ***					
11	MB55 9825	1			ADJUSTER, Inner
12					COVER, Anchor Rail
					LEFT
	MB72 2706	1			Gray
	MB72 2707	1			Brown
	MB79 1704	1			Gray, 1992-94
					RIGHT
	MB72 2708	1			Gray
	MB72 2709	1			Brown
	MB79 1705	1			Gray, 1992-94
13					RAIL, Slider
					Driver Side
	MB72 2347	1			Gray
	MB72 2348	1			Beige
	MB79 1702	1			Gray, 1992-94
					Passenger Side
	MB72 2349	1			Gray

ENGINE: P = 1800cc (1.8L)  
A = 2000cc (2.0L)  
Blank = All

TRANS: A = Automatic  
M = Manual  
Blank = All

SERIES: H = High  
M = Medium  
P = Premium  
S = Special

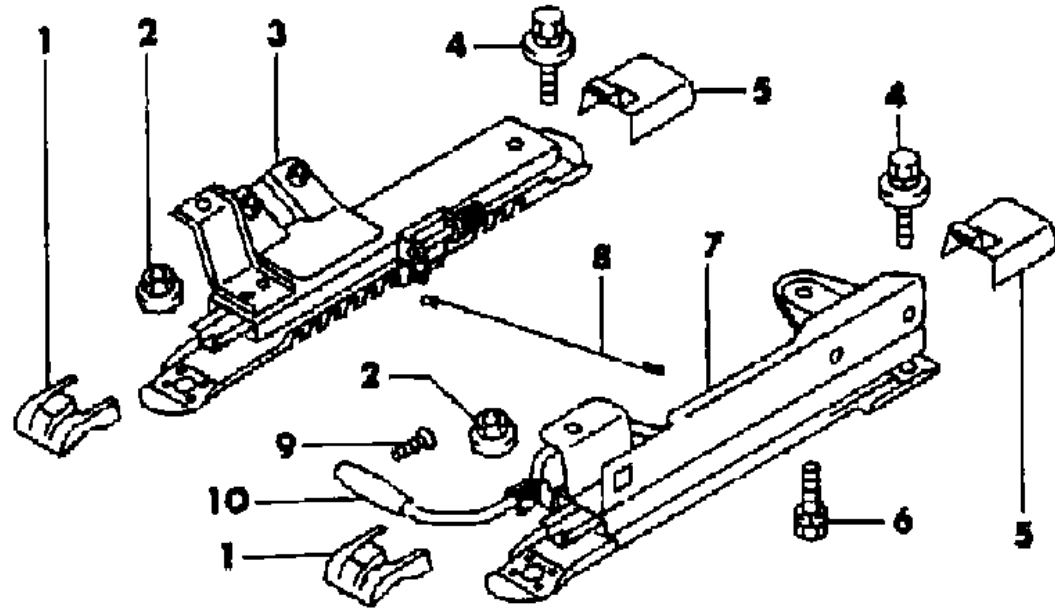
MODELS:  
24 FWD = 2Dr Hatchback (Laser)  
24 FWD = 2-Dr Hatchback (Talon)  
4WD = (4 Wheel Drive)  
2WD = (2 Wheel Drive)

AR = Use as Required - = Non Illustrated Part P.A.R. = Paint as Required

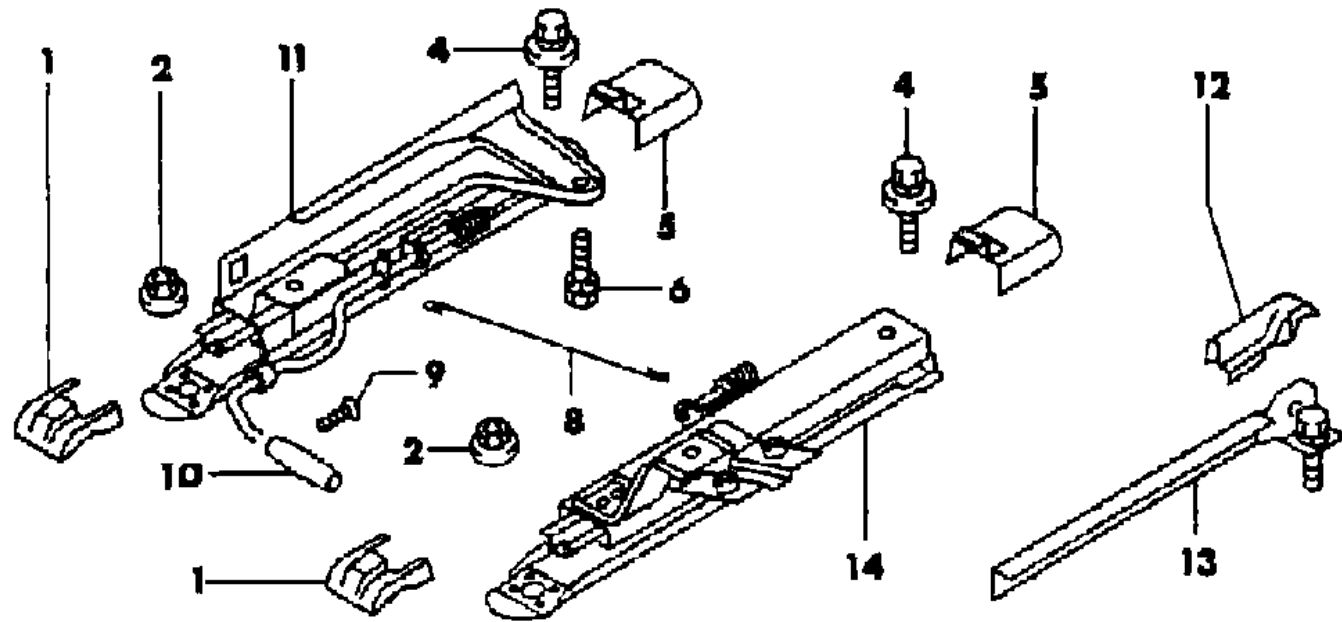
**ADJUSTER HIGH BACK BUCKET LASER**  
Figure ITA-1000

9633 1000

LEFT



RIGHT



ITEM	PART NUMBER	QTY	BODY	MODEL	DESCRIPTION
	MB72 2350	1			Beige
	MB79 1703	1			Gray, 1992-94
14	MB55 9826	1			ADJUSTER, Outer

ENGINE: P = 1800cc (1.8L) A = 2000cc (2.0L) Blank = All  
 TRANS: A = Automatic M = Manual Blank = All  
 SERIES: H = High M = Medium P = Premium S = Special

MODELS:  
 24 FWD = 2Dr Hatchback (Laser)  
 24 FWD = 2-Dr Hatchback (Talon)  
 4WD = (4 Wheel Drive)  
 2WD = (2 Wheel Drive)

AR = Use as Required - = Non Illustrated Part P.A.R. = Paint as Required



**BELTS SEAT FRONT LASER**  
Figure ITA-1100

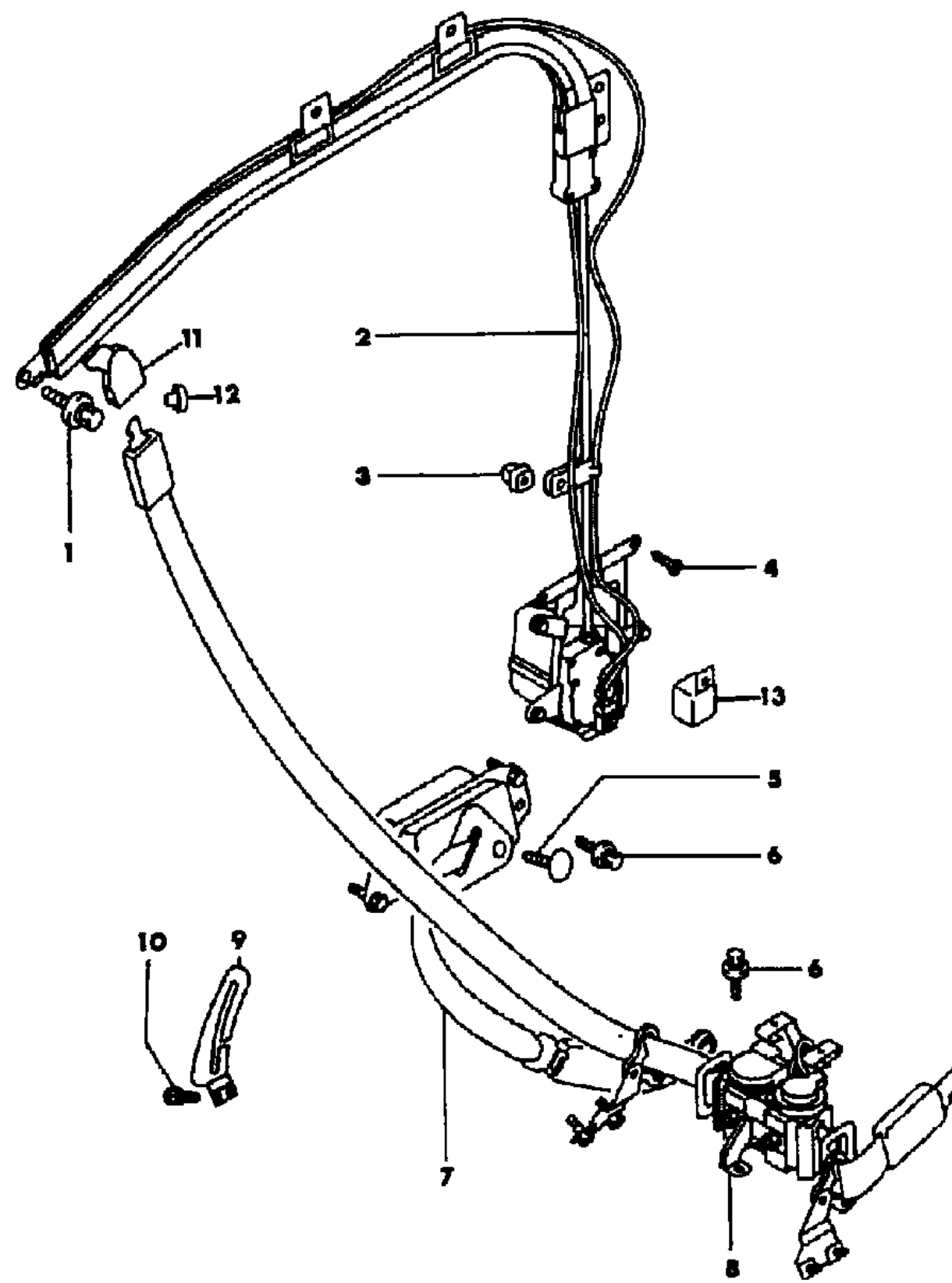
9633 1100C

ITEM	PART NUMBER	QTY	BODY	MODEL	DESCRIPTION
1	MS24 0121	6			BOLT, w/Washer, (6x20)
	MS24 0142	6			BOLT, w/Washer, (6x20), 1992-94
2					RAIL, Front Seat Belt Guide
					1990
					LEFT, Up To 6-1-89
	MB72 2353	1			Gray
	MB72 2354	1			Brown
	MB72 2355	1			RIGHT, Up To 6-1-89
3	MB72 2356	1			Gray
	MB69 5091	1			Brown
	MB69 5092	1			LEFT, After 6-1-89
					RIGHT, After 6-1-89
					1991-94
					LEFT
4	MB69 5091	1			RIGHT
	MB69 5092	1			
5	MB22 3246	6			GROMMET
	MS48 0003	6			GROMMET, 1992-94
6	MF45 3047	6			SCREW, Tapping, (6x16)
					CLIP, Trim
7	MB72 2361	2			Gray
	MB72 2362	2			Beige
8	MB82 8032	2			Gray, 1992-94
	MS24 0125	5			BOLT, w/Washer, (8x20)
9					SEAT BELT ***
					LEFT
	MB72 2533	1			Gray
10	MB72 5065	1			Brown/Beige
	MB79 1139	1			Gray, 1992-94
					RIGHT
11	MB72 2535	1			Gray
	MB72 5066	1			Brown/Beige
	MB79 1140	1			Gray, 1992-94
12					SEAT BELT, (Includes Both Right and Left) ***
	MB72 2351	1			Gray
	MB72 5064	1			Brown/Beige
13	MB79 1136	1			Gray, 1992-94
					HOLDER, Belt
14					LEFT
	MB74 7606	1			Gray

ENGINE: P = 1800cc (1.8L) A = 2000cc (2.0L) Blank = All  
 TRANS: A = Automatic M = Manual Blank = All  
 SERIES: H = High M = Medium P = Premium S = Special

MODELS:  
 24 FWD = 2Dr Hatchback (Laser)  
 24 FWD = 2-Dr Hatchback (Talon)  
 4WD = (4 Wheel Drive)  
 2WD = (2 Wheel Drive)

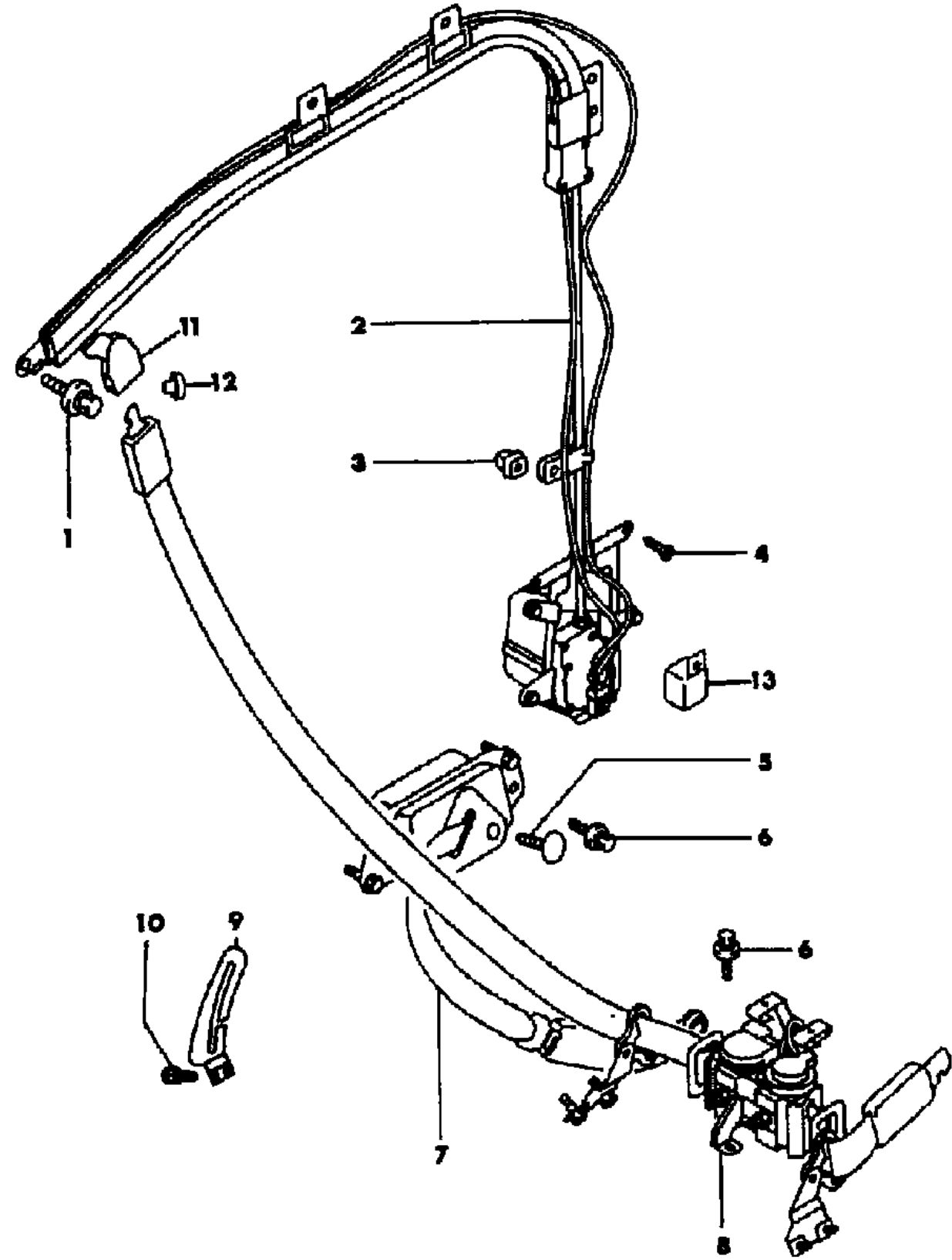
AR = Use as Required - = Non Illustrated Part P.A.R. = Paint as Required



**BELTS SEAT FRONT LASER**  
Figure ITA-1100

9633 1100C

ITEM	PART NUMBER	QTY	BODY	MODEL	DESCRIPTION
	MB74 7607	1			Brown
	MB79 1150	1			Gray, 1992-94 RIGHT
	MB74 7609	1			Gray
	MB74 7610	1			Brown
	MB79 1151	1			Gray, 1992-94
10	MF35 0313	4			SCREW, w/Washer, (6x16)
11					COVER, Buckle LEFT
	MB60 2631	1			Brown
	MB69 5424	1			Gray
	MB79 1154	1			Gray, 1992-94 RIGHT
	MB60 2636	1			Brown
	MB69 5425	1			Gray
	MB79 1155	1			Gray, 1992-94
12	MB82 4746	2			PROTECTOR, Seat Belt Guide Rail
13	MB54 3648	1			RELAY, Front Auto Belt, (G8R-27M-B) ***



ENGINE: P = 1800cc (1.8L) A = 2000cc (2.0L) Blank = All  
 TRANS: A = Automatic M = Manual Blank = All  
 SERIES: H = High M = Medium P = Premium S = Special

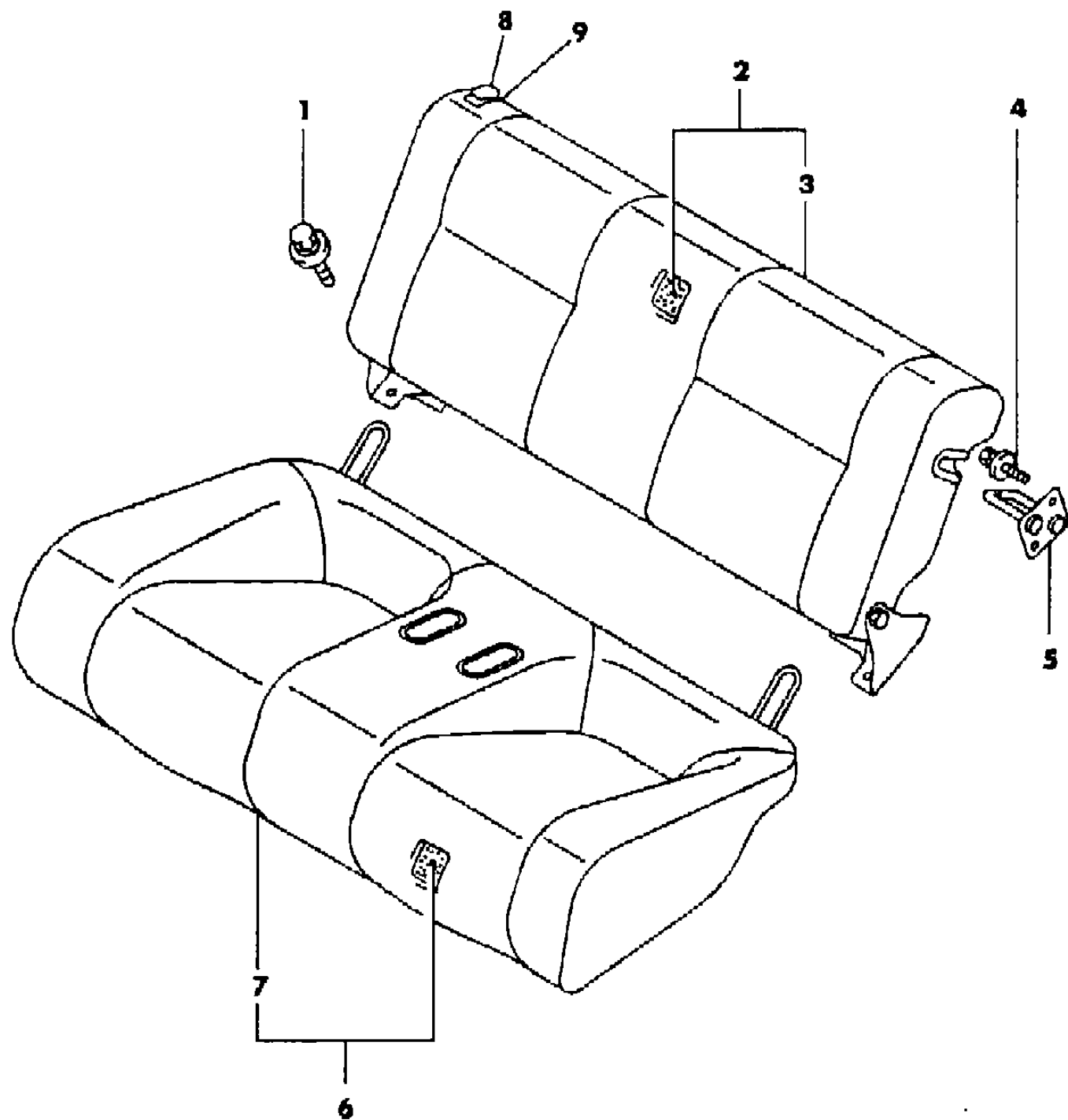
MODELS:  
 24 FWD = 2Dr Hatchback (Laser)  
 24 FWD = 2-Dr Hatchback (Talon)  
 4WD = (4 Wheel Drive)  
 2WD = (2 Wheel Drive)

AR = Use as Required - = Non Illustrated Part P.A.R. = Paint as Required



SEAT REAR LASER  
Figure ITA-1200

9633 1200A



ITEM	PART NUMBER	QTY	BODY	MODEL	DESCRIPTION
1	MB13 1256	4			BOLT, w/Washer, (8x25)
2					BACK, w/Cover CLOTH and VINYL
	MB72 5041	1		M	Gray
	MB74 6190	1		M	Brown/Beige
	MB72 5042	1		H	Gray
	MB72 5045	1		H	Brown
3					COVER, Back CLOTH and VINYL
	MB72 5046	1		M	Gray
	MB74 6191	1		M	Beige
	MB72 5047	1		H	Gray
	MB72 5051	1		H	Brown/Beige
4	MS24 0121	4			BOLT, w/Washer, (6x20)
5	MB51 9811	2			STRIKER
6					CUSHION, w/Cover CLOTH and VINYL
	MB72 5052	1		M	Gray
	MB74 6192	1		M	Brown/Beige
	MB72 5053	1		H	Gray
	MB72 5057	1		H	Brown
7					COVER, Rear Cushion CLOTH and VINYL
	MB72 5058	1		M	Gray
	MB74 6194	1		M	Brown/Beige
	MB72 5059	1		H	Gray
	MB72 5063	1		H	Brown
8					KNOB, Fall Down
	MB74 4632	2			Brown
	MB75 8536	2			Gray
9					GARNISH, Fall Down ***
	MB74 4630	2			Brown
	MB75 8535	2			Gray

ENGINE: P = 1800cc (1.8L)  
A = 2000cc (2.0L)  
Blank = All

TRANS: A = Automatic  
M = Manual  
Blank = All

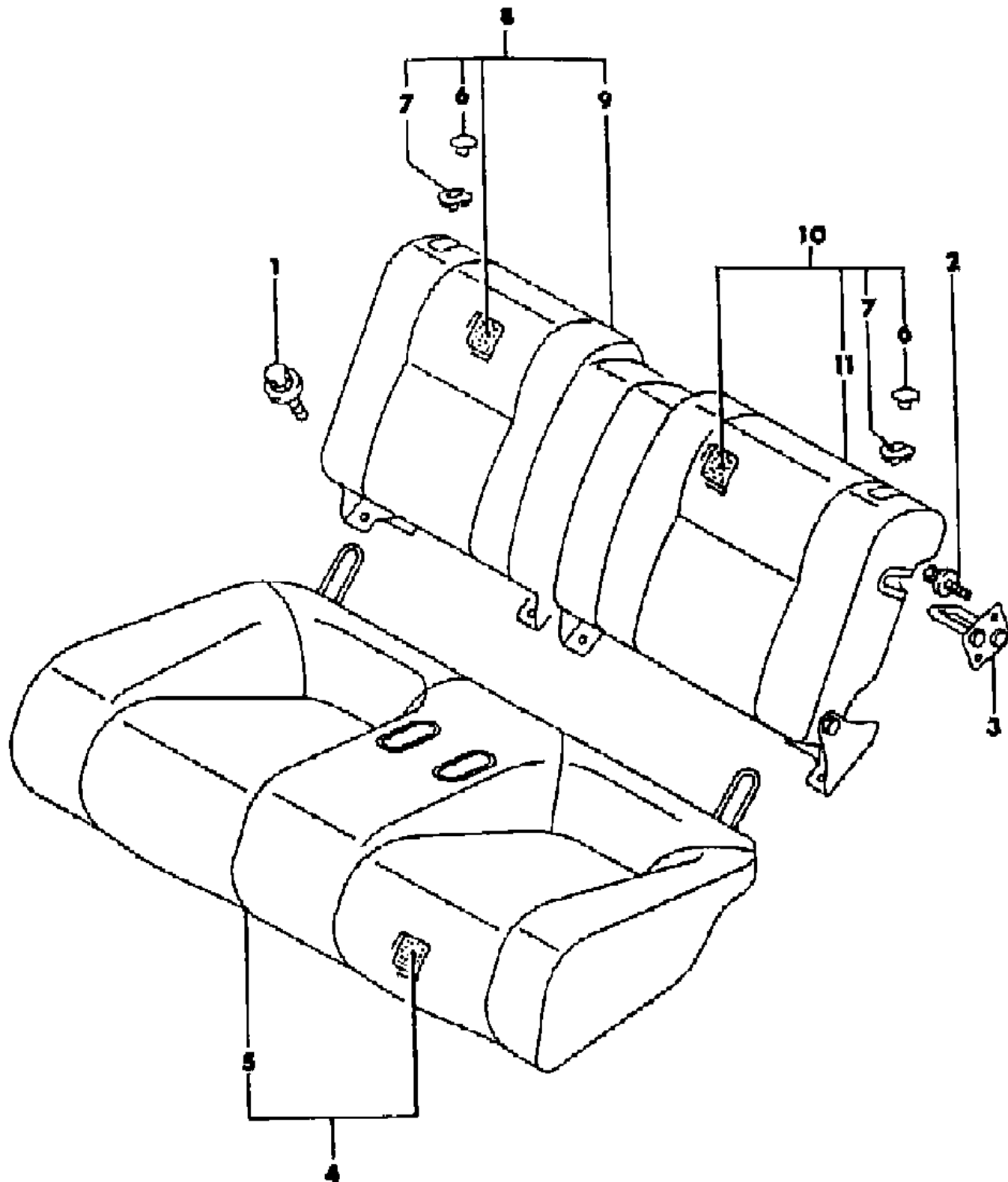
SERIES: H = High  
M = Medium  
P = Premium  
S = Special

MODELS:  
24 FWD = 2Dr Hatchback (Laser)  
24 FWD = 2-Dr Hatchback (Talon)  
4WD = (4 Wheel Drive)  
2WD = (2 Wheel Drive)

AR = Use as Required - = Non Illustrated Part P.A.R. = Paint as Required

SEAT REAR SPLIT BACK 1991-94 LASER  
Figure ITA-1250

9633 1250



ITEM	PART NUMBER	QTY	BODY	MODEL	DESCRIPTION
1	MB13 1256	4			BOLT, w/Washer, (8x25)
2	MS24 0121	4			BOLT (6x20)
	MS24 0122	4			(6x20), 1992-94
3	MB51 9811	2			STRIKER
4					CUSHION, w/Cover
	MB72 5052	1	M		1990-91 Gray
	MB74 6192	1	M		Beige/Brown
	MB77 1638	1	H		Gray
	MB77 1640	1	H		Brown/Beige 1992
	MB79 4379	1	M		Gray
	MB79 4380	1	M		Red/Gray
	MB79 1639	1	H,S		Dark Gray
	MB79 4376	1	H,S		Med. Gray
	MB79 1643	1	H,S		Red/ Gray 1993-94
	MR70 4649	1	M		Dark Gray/Gray
	MB79 4380	1	M		Red/Dark Gray
	MB79 1639	1	H		Dark Gray
	MB79 4376	1	H		Med. Gray/Dark Gray
	MB79 1643	1	H		Red/Dark Gray
5					COVER, Cushion
	MB72 5058	1	M		1990-91 Gray
	MB74 6194	1	M		Beige/Brown
	MB77 1642	1	H		Gray
	MB77 1644	1	H		Brown/Beige 1992
	MB79 4402	1	M		Gray
	MB79 4403	1	M		Red/Gray
	MB79 1675	1	H,S		Dark Gray
	MB79 4399	1	H,S		Med. Gray
	MB79 1679	1	H,S		Red/Gray 1993-94
	MR70 4650	1	M		Dark Gray/Gray
	MB79 4403	1	M		Red/Dark Gray
	MB79 1675	1	H		Dark Gray

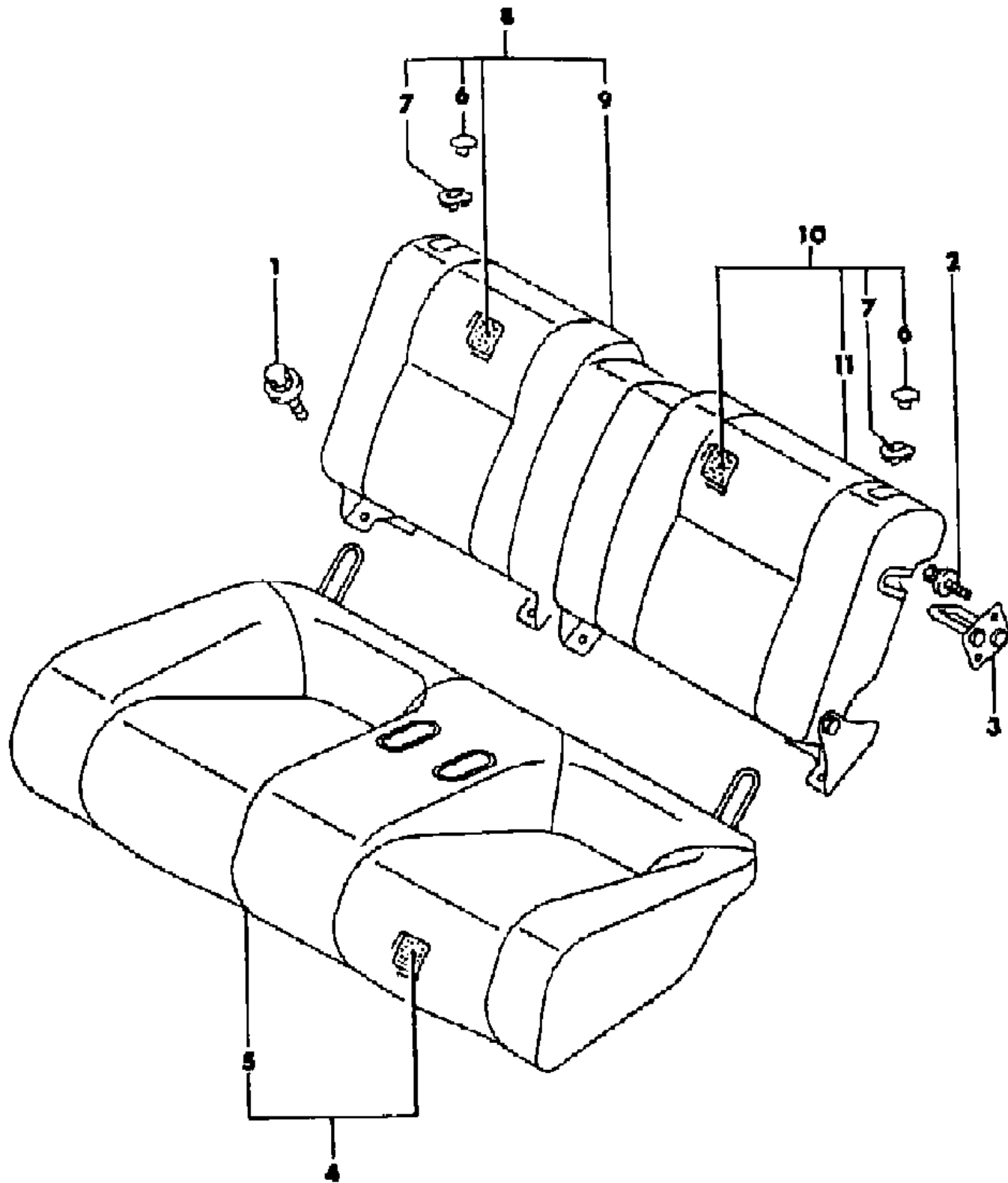
ENGINE: P = 1800cc (1.8L) A = 2000cc (2.0L) Blank = All  
 TRANS: A = Automatic M = Manual Blank = All  
 SERIES: H = High M = Medium P = Premium S = Special

MODELS:  
 24 FWD = 2Dr Hatchback (Laser)  
 24 FWD = 2-Dr Hatchback (Talon)  
 4WD = (4 Wheel Drive)  
 2WD = (2 Wheel Drive)

AR = Use as Required - = Non Illustrated Part P.A.R. = Paint as Required

SEAT REAR SPLIT BACK 1991-94 LASER  
Figure ITA-1250

9633 1250



ITEM	PART NUMBER	QTY	BODY	MODEL	DESCRIPTION
	MB79 4399	1		H	Med. Gray/Dark Gray
	MB79 1679	1		H	Red/Dark Gray
6	MB74 4632	2			Brown
	MB75 8536	2			Gray
	MB78 5947	2			Gray, 1992-94
7	MB74 4630	2			Brown
	MB75 8535	2			Gray
	MB78 5946	2			Gray, 1992-94
8					BACK, w/Cover
					Right
					1990-91
	MB76 6313	1		M	Beige/Brown
	MB76 6311	1		M	Gray
	MB77 1628	1		H	Beige/Brown
	MB77 1626	1		H	Gray
					1992
	MB79 4358	1		M	Gray
	MB79 4359	1		M	Red/Gray
	MB79 1603	1		H,S	Dark Gray
	MB79 4360	1		H,S	Med. Gray
	MB79 1607	1		H,S	Red/Gray
					1993-94
	MR70 4646	1		M	Dark Gray/Gray
	MB79 4359	1		M	Red/Dark Gray
	MB79 1603	1		H	Dark Gray
	MB79 4360	1		H	Med. Gray/Dark Gray
	MB79 1607	1		H	Red/Dark Gray
9					COVER, Back
					Right
					1990-91
	MB76 6324	1		M	Beige/Brown
	MB76 6322	1		M	Gray
	MB77 1636	1		H	Beige/Brown
	MB77 1635	1		H	Gray
					1992
	MB79 4370	1		M	Gray
	MB79 4371	1		M	Red/Gray

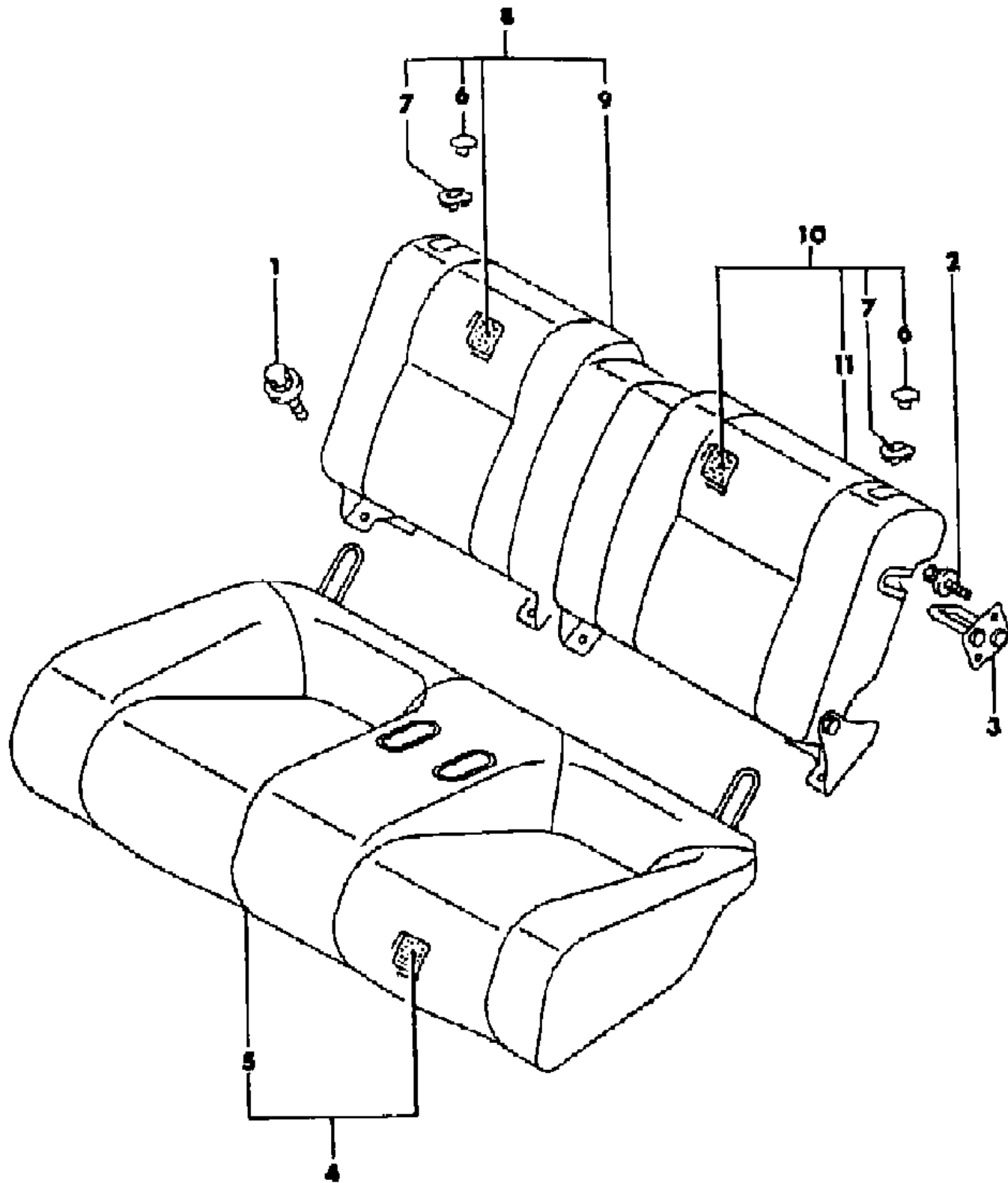
ENGINE: P = 1800cc (1.8L) A = 2000cc (2.0L) Blank = All  
 TRANS: A = Automatic M = Manual Blank = All  
 SERIES: H = High M = Medium P = Premium S = Special

MODELS:  
 24 FWD = 2Dr Hatchback (Laser)  
 24 FWD = 2-Dr Hatchback (Talon)  
 4WD = (4 Wheel Drive)  
 2WD = (2 Wheel Drive)

AR = Use as Required - = Non Illustrated Part P.A.R. = Paint as Required

SEAT REAR SPLIT BACK 1991-94 LASER  
Figure ITA-1250

9633 1250



ITEM	PART NUMBER	QTY	BODY	MODEL	DESCRIPTION
	MB79 1627	1		H,S	Dark Gray
	MB79 4372	1		H,S	Med. Gray
	MB79 1631	1		H,S	Red/Gray
	MR70 4648	1		M	Dark Gray/Gray
	MB79 4371	1		M	Red/Dark Gray
	MB79 1627	1		H	Dark Gray
	MB79 4372	1		H	Med. Gray/Dark Gray
	MB79 1631	1		H	Red/Dark Gray
10					BACK, w/Cover Left 1990-91
	MB76 6307	1		M	Beige/Brown
	MB76 6305	1		M	Gray
	MB77 1624	1		H	Beige/Brown
	MB77 1622	1		H	Gray
	MB79 4352	1		M	Gray
	MB79 4353	1		M	Red/Gray
	MB79 1591	1		H,S	Dark Gray
	MB79 4354	1		H,S	Med. Gray
	MB79 1595	1		H,S	Red/Gray
	MR70 4645	1		M	Dark Gray/Gray
	MB79 4353	1		M	Red/Dark Gray
	MB79 1591	1		H	Dark Gray
	MB79 4354	1		H	Med. Gray/Dark Gray
	MB79 1595	1		H	Red/Dark Gray
11					COVER, Back Left 1990-91
	MB76 6318	1		M	Beige/Brown
	MB76 6316	1		M	Gray
	MB77 1632	1		H	Beige/Brown
	MB77 1631	1		H	Gray
	MB79 4364	1		M	Gray
	MB79 4365	1		M	Red/Gray
	MB79 1615	1		H,S	Dark Gray

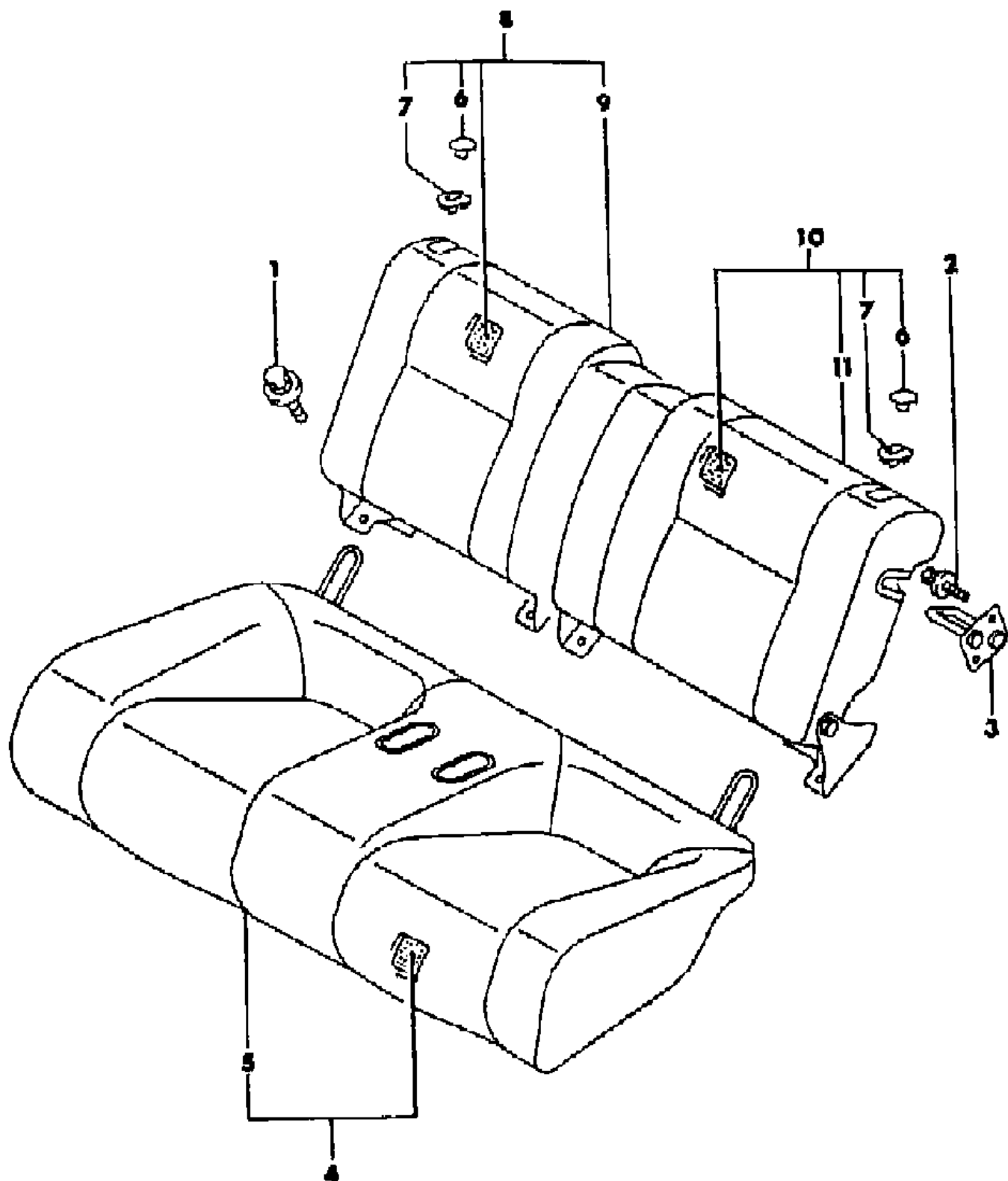
ENGINE: P = 1800cc (1.8L) A = 2000cc (2.0L) Blank = All  
 TRANS: A = Automatic M = Manual Blank = All  
 SERIES: H = High M = Medium P = Premium S = Special

MODELS:  
 24 FWD = 2Dr Hatchback (Laser)  
 24 FWD = 2-Dr Hatchback (Talon)  
 4WD = (4 Wheel Drive)  
 2WD = (2 Wheel Drive)

AR = Use as Required - = Non Illustrated Part P.A.R. = Paint as Required

SEAT REAR SPLIT BACK 1991-94 LASER  
Figure ITA-1250

9633 1250



ITEM	PART NUMBER	QTY	BODY	MODEL	DESCRIPTION
	MB79 4366	1		H,S	Med. Gray
	MB79 1619	1		H,S	Red/Gray
					1993-94
	MR70 4647	1		M	Dark Gray/Gray
	MB79 4365	1		M	Red/Dark Gray
	MB79 1615	1		H	Dark Gray
	MB79 4366	1		H	Med. Gray/Dark Gray
	MB79 1619	1		H	Red/Dark Gray

ENGINE: P = 1800cc (1.8L) A = 2000cc (2.0L) Blank = All  
 TRANS: A = Automatic M = Manual Blank = All  
 SERIES: H = High M = Medium P = Premium S = Special

MODELS:  
 24 FWD = 2Dr Hatchback (Laser)  
 24 FWD = 2-Dr Hatchback (Talon)  
 4WD = (4 Wheel Drive)  
 2WD = (2 Wheel Drive)

AR = Use as Required - = Non Illustrated Part P.A.R. = Paint as Required





---

**GROUP ITQ - TALON**

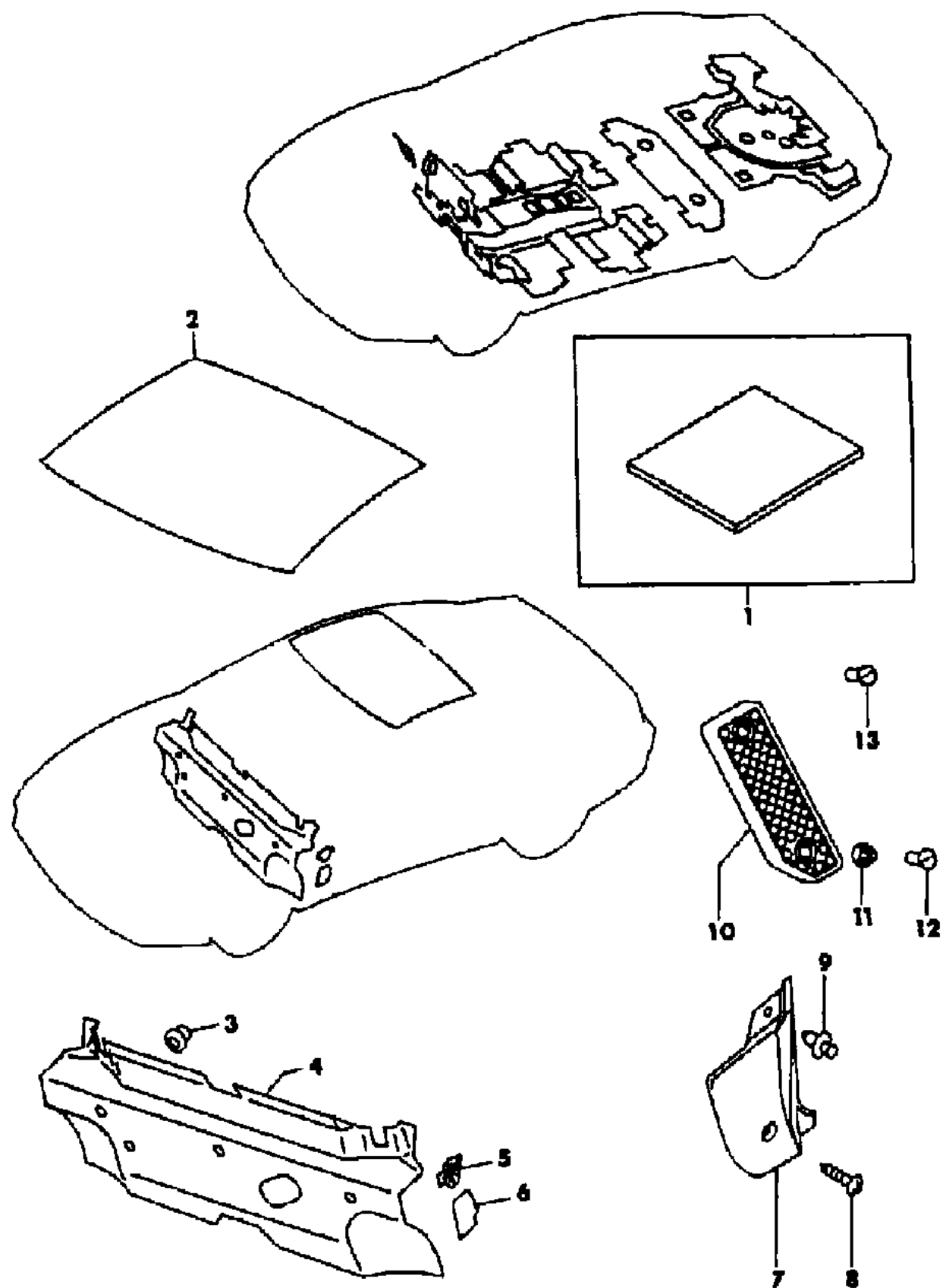
<b>ILLUSTRATION TITLE</b>	<b>GROUP-FIG. NO.</b>
COWL PANEL AND SILENCERS TALON .....	Fig. ITQ-100
HEADLINING, SUNVISOR TALON .....	Fig. ITQ-200
PANEL REAR SHELF TALON .....	Fig. ITQ-300
PANEL QUARTER TRIM AND MOULDINGS TALON .....	Fig. ITQ-400
TRUNK TRIM AND RELATED PARTS TALON .....	Fig. ITQ-500
CARPETS AND SCUFF PLATE TALON .....	Fig. ITQ-600
ANCHOR STRAPS TALON .....	Fig. ITQ-700
DOOR TRIM PANEL 24 TALON .....	Fig. ITQ-800
SEAT FRONT, LEFT TALON .....	Fig. ITQ-900
SEAT FRONT, RIGHT TALON .....	Fig. ITQ-1000
ADJUSTER, HIGH BACK BUCKET TALON .....	Fig. ITQ-1100
BELTS SEAT FRONT TALON .....	Fig. ITQ-1200
SEAT REAR TALON .....	Fig. ITQ-1300
BELTS SEAT REAR TALON .....	Fig. ITQ-1400

**ILLUSTRATION NOT AVAILABLE AT TIME OF PUBLICATION**

---

**COWL PANEL AND SILENCERS TALON**  
Figure ITQ-100

9635 100A



ITEM	PART NUMBER	QTY	BODY	MODEL	DESCRIPTION
1	MB10 4993	AR			PAD, Rough Stock, (500x500x1.6)
2	MB47 9059	1			PAD, Silencer
3	MU48 1004	4			CLIP, Dash Panel Pad, (6)
4					PAD, Dash Panel
	MB47 9210	1		M	
	MB56 6343	1		H	
5					PAD, Cowl Side
	MB47 9465	1			Left
	MB47 9466	1			Right
6					PAD, Cowl Side
	MB47 9462	1			Right
	MB47 9461	1			Left
7					COWL, Panel
					Left
	MB72 2381	1			Gray
	MB72 5366	1			Beige
	MB79 1307	1			Gray, 1992-94
					Right
	MB72 2383	1			Gray
	MB72 5367	1			Beige
	MB79 1308	1			Gray, 1992-94
8	MF45 3093	2			SCREW, Tapping, (5x16)
	MF45 3033	2			SCREW, Tapping, (5x16), 1992-94
9					CLIP
	MB63 4386	1			Gray, 1990-91
	MB63 4381	1			Beige, 1990
	MB63 4387	1			Brown, 1991-92
	MB79 5534	1			Gray, 1992-94
10	MB47 9160	1			FOOTREST
11	MS44 0502	2			NUT, w/Washer, (6)
12	MB64 3881	2			CAP, Foot Rest
13	MB66 2196	1			CLIP, Footrest, (6)

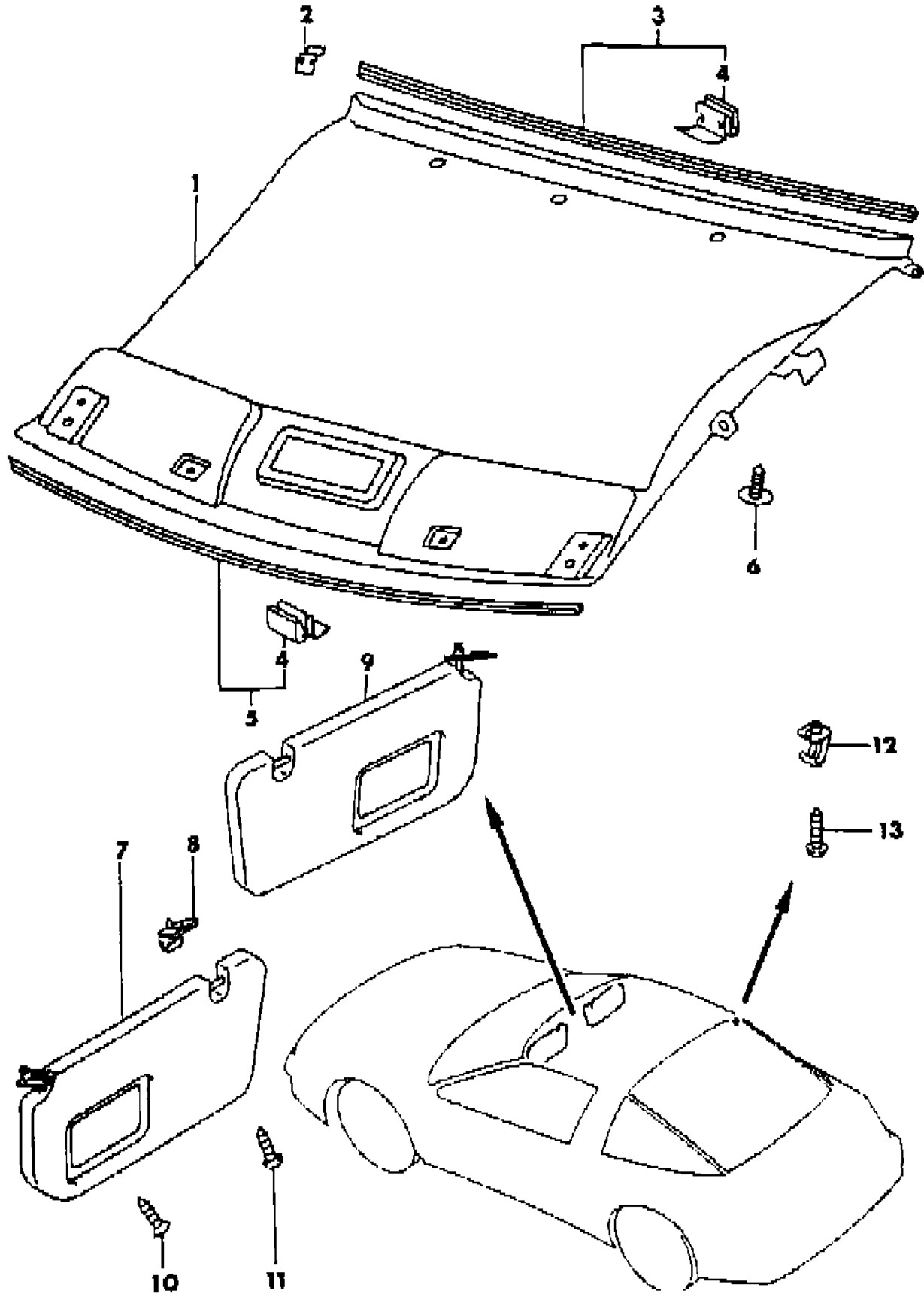
ENGINE: P = 1800cc (1.8L) A = 2000cc (2.0L) Blank = All  
 TRANS: A = Automatic M = Manual Blank = All  
 SERIES: H = High M = Medium P = Premium S = Special

MODELS:  
 24 FWD = 2Dr Hatchback (Laser)  
 24 FWD = 2-Dr Hatchback (Talon)  
 4WD = (4 Wheel Drive)  
 2WD = (2 Wheel Drive)

AR = Use as Required - = Non Illustrated Part P.A.R. = Paint as Required

HEADLINING, SUNVISOR TALON  
Figure ITQ-200

9635 200



ITEM	PART NUMBER	QTY	BODY	MODEL	DESCRIPTION
1					HEADLINING ***
					1990
	MB72 2397	1	M		Gray
	MB72 2398	1	M		Beige
	MB74 7366	1			Light Gray
					1991, w/o Sunroof
	MB76 6096	1	P,S		Gray
	MB76 6097	1	P,S		Beige
	MB76 6098	1	P,S		Light Gray
					1991, w/Sunroof
	MB74 7472	1	M		Gray
	MB74 7473	1	M		Beige
	MB74 7474	1			Light Gray
	MB77 2285	1	P,S		Gray
	MB77 2286	1	P,S		Beige
	MB77 2287	1	P,S		Light Gray
					1992-94, w/o Sunroof
	MB74 7366	1			Gray
	MB79 1320	1			Beige
	MB79 1319	1			Red
	MB76 6098	1	S		Gray, w/AWD
	MB79 1322	1	S		Beige, AWD
	MB79 1321	1	S		Red, w/AWD
					1992-94, w/Sunroof
	MB74 7474	1			Gray
	MB79 1448	1			Beige
	MB79 1447	1			Red
	MB77 2287	1	S		Gray, w/AWD
	MB79 1450	1	S		Beige, w/AWD
	MB79 1449	1	S		Red, w/AWD
2	MB47 9067	2			RETAINER, Headlining
3					HEADLINING, Trim ***
					1990-91
	MB72 2365	1			Gray
	MB72 2366	1			Beige
	MB74 7369	1			Light Gray
					1992-94
	MB79 1324	1			Gray
4	MB47 9545	10			CLIP

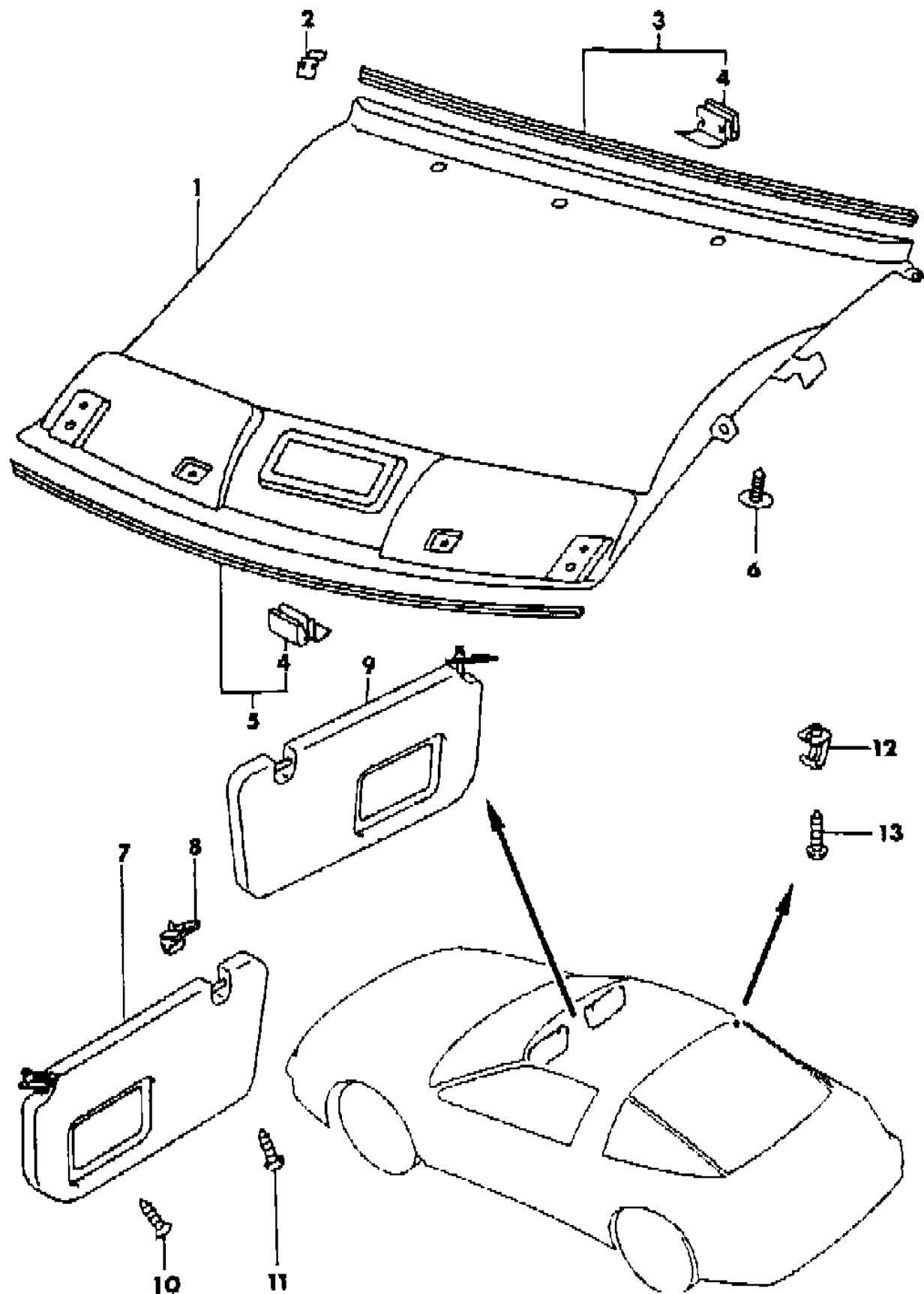
ENGINE: P = 1800cc (1.8L) A = 2000cc (2.0L) Blank = All  
 TRANS: A = Automatic M = Manual Blank = All  
 SERIES: H = High M = Medium P = Premium S = Special

MODELS:  
 24 FWD = 2Dr Hatchback (Laser)  
 24 FWD = 2-Dr Hatchback (Talon)  
 4WD = (4 Wheel Drive)  
 2WD = (2 Wheel Drive)

AR = Use as Required - = Non Illustrated Part P.A.R. = Paint as Required

## HEADLINING, SUNVISOR TALON Figure ITQ-200

9635 200



ITEM	PART NUMBER	QTY	BODY	MODEL	DESCRIPTION
5					HEADLINING, Trim, (Front) ***
					1990
	MB82 8045	1			Gray
	MB72 2364	1			Beige
	MB82 8047	1			Light Gray
					1991-93
	MB82 8045	1			Gray
	MB82 8046	1			Beige
	MB82 8047	1			Light Gray
					1992-94
6	MB79 1455	1			Gray
					CLIP
					1990-91
	MB72 2371	9			Gray
	MB72 2372	9			Beige
	MB74 7363	9			Light Gray
					1992-94
	MB74 7363	9			Gray
	MB76 5672	9			Beige
	MB96 1659	9			Red
7					SUNVISOR, Lt. ***
					1990, w/o Turbo
	MB72 2341	1			Gray
	MB72 2342	1			Beige
	MB72 5629	1			Gray, CANADA
	MB72 5630	1			Beige, CANADA
					1990, w/Turbo
	MB72 2345	1			Gray
	MB72 2346	1			Beige
	MB74 7419	1			Light Gray
	MB72 5633	1			Gray, CANADA
	MB72 5634	1			Beige, CANADA
	MB74 7358	1			Light Gray, CANADA
					1991
	MB76 6086	1	M,H		Gray
	MB84 9171	1	P,S		Gray
	MB76 6087	1	M,H		Beige
	MB84 9172	1	P,S		Light Gray
	MB76 6091	1	M,H		Gray, CANADA

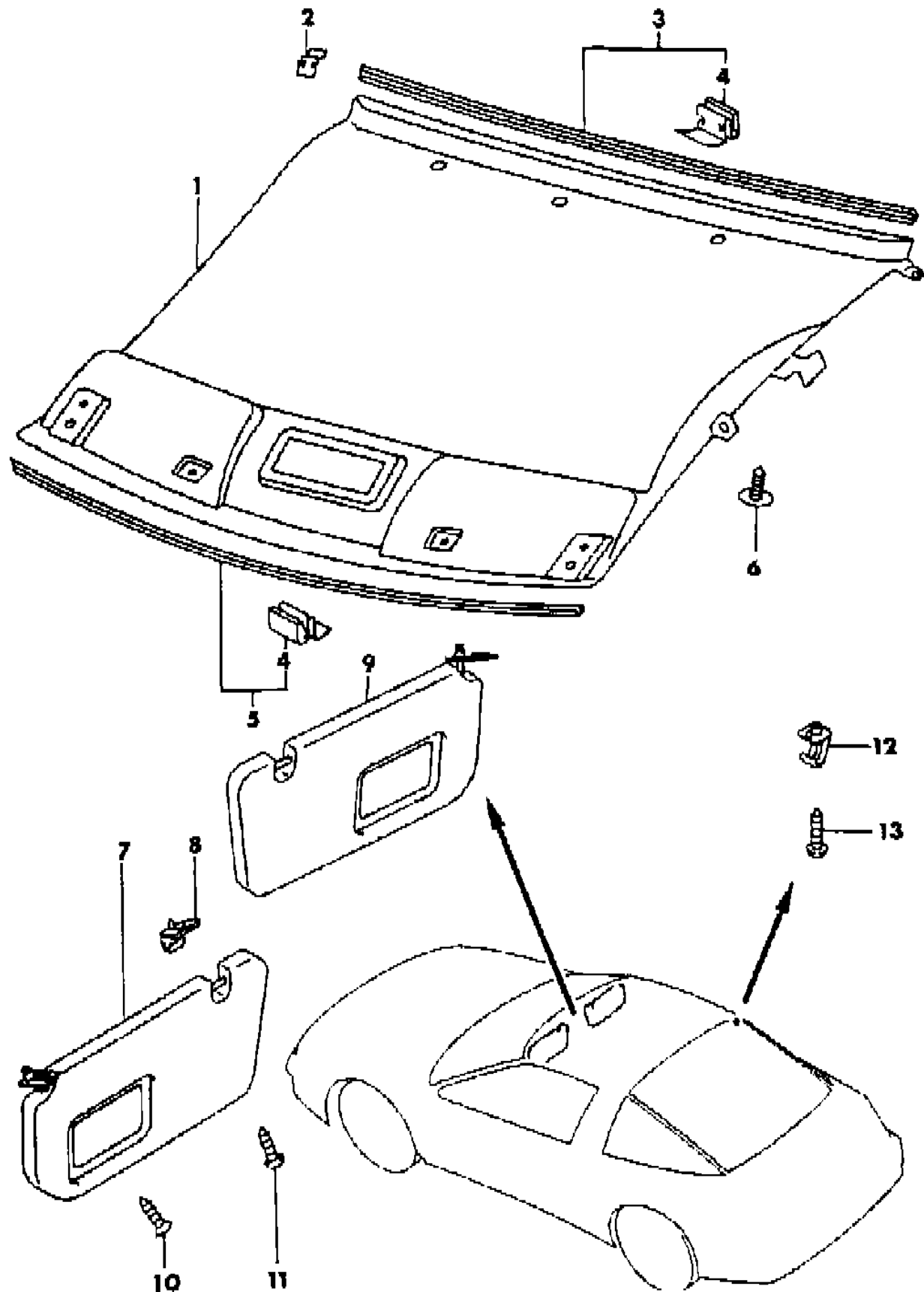
ENGINE: P = 1800cc (1.8L) A = 2000cc (2.0L) Blank = All  
 TRANS: A = Automatic M = Manual Blank = All  
 SERIES: H = High M = Medium P = Premium S = Special

MODELS:  
 24 FWD = 2Dr Hatchback (Laser)  
 24 FWD = 2-Dr Hatchback (Talon)  
 4WD = (4 Wheel Drive)  
 2WD = (2 Wheel Drive)

AR = Use as Required - = Non Illustrated Part P.A.R. = Paint as Required

## HEADLINING, SUNVISOR TALON Figure ITQ-200

9635 200



ITEM	PART NUMBER	QTY	BODY	MODEL	DESCRIPTION
	MB76 6092	1		M,H	Beige, CANADA
	MB84 9169	1		P,S	Gray, CANADA
	MB84 9170	1			Light Gray, CANADA 1992-94
	MB96 1871	1		M	Gray
	MB96 1873	1		M	Red
	MB96 1882	1		P,S	Beige
	MB84 9172	1		H,P,S	Lt. Gray
	MB96 1883	1		H,P,S	Red
	MB78 6847	1		M	Gray, CANADA
	MB96 1878	1		M	Red, CANADA
	MB96 1880	1		P,S	Beige, CANADA
	MB84 9170	1		P,S	Gray, CANADA
8	MB96 1881	1		P,S	Red, CANADA HOLDER, Sunvisor 1990-91
	MB72 2357	2			Gray
	MB72 2358	2			Beige
	MB74 7362	2			Light Gray 1992-94
	MB77 2392	1			Beige
	MB74 7362	1			Gray
9	MB96 1884	1			Red SUNVISOR, Rt. *** 1990-91
	MB72 2343	1			Gray
	MB72 2344	1			Beige
	MB74 7418	1			Light Gray
	MB72 5631	1			Gray, CANADA
	MB72 5632	1			Beige, CANADA
	MB74 7357	1			Light Gray, CANADA 1992-94
	MB96 1874	1			Gray
	MB96 1875	1			Beige
	MB96 1876	1			Red
	MB69 2092	1			Gray, CANADA
	MB96 1869	1			Beige, CANADA
	MB96 1870	1			Red, CANADA
10	MF45 7308	4			SCREW, Tapping, (5x20)

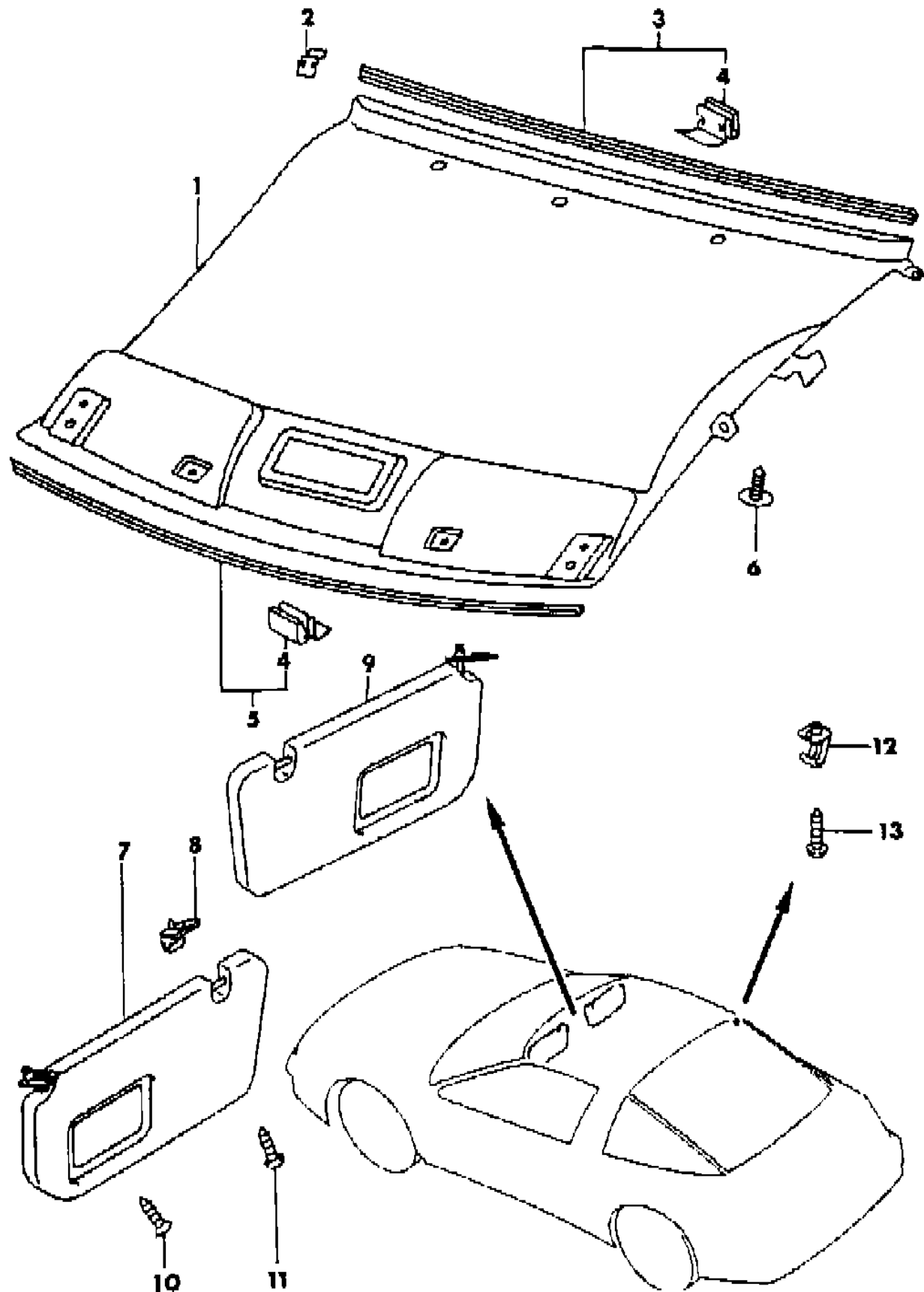
ENGINE: P = 1800cc (1.8L) A = 2000cc (2.0L) Blank = All  
 TRANS: A = Automatic M = Manual Blank = All  
 SERIES: H = High M = Medium P = Premium S = Special

MODELS:  
 24 FWD = 2Dr Hatchback (Laser)  
 24 FWD = 2-Dr Hatchback (Talon)  
 4WD = (4 Wheel Drive)  
 2WD = (2 Wheel Drive)

AR = Use as Required - = Non Illustrated Part P.A.R. = Paint as Required

HEADLINING, SUNVISOR TALON  
Figure ITQ-200

9635 200



ITEM	PART NUMBER	QTY	BODY	MODEL	DESCRIPTION
11					SCREW, Tapping
	MF45 3095	2			1990, (5x25)
	MF45 3094	2			1991-94, (5x20)
12					HANGER, Coat
	MB72 2399	2			Gray
	MB72 2400	2			Beige
	MB74 7367	2			Light Gray
	MB79 1323	2			Gray, 1992-93
	MR70 5847	2			Gray, 1994
13					SCREW, Tapping, (5x25)
	MF45 3095	2			

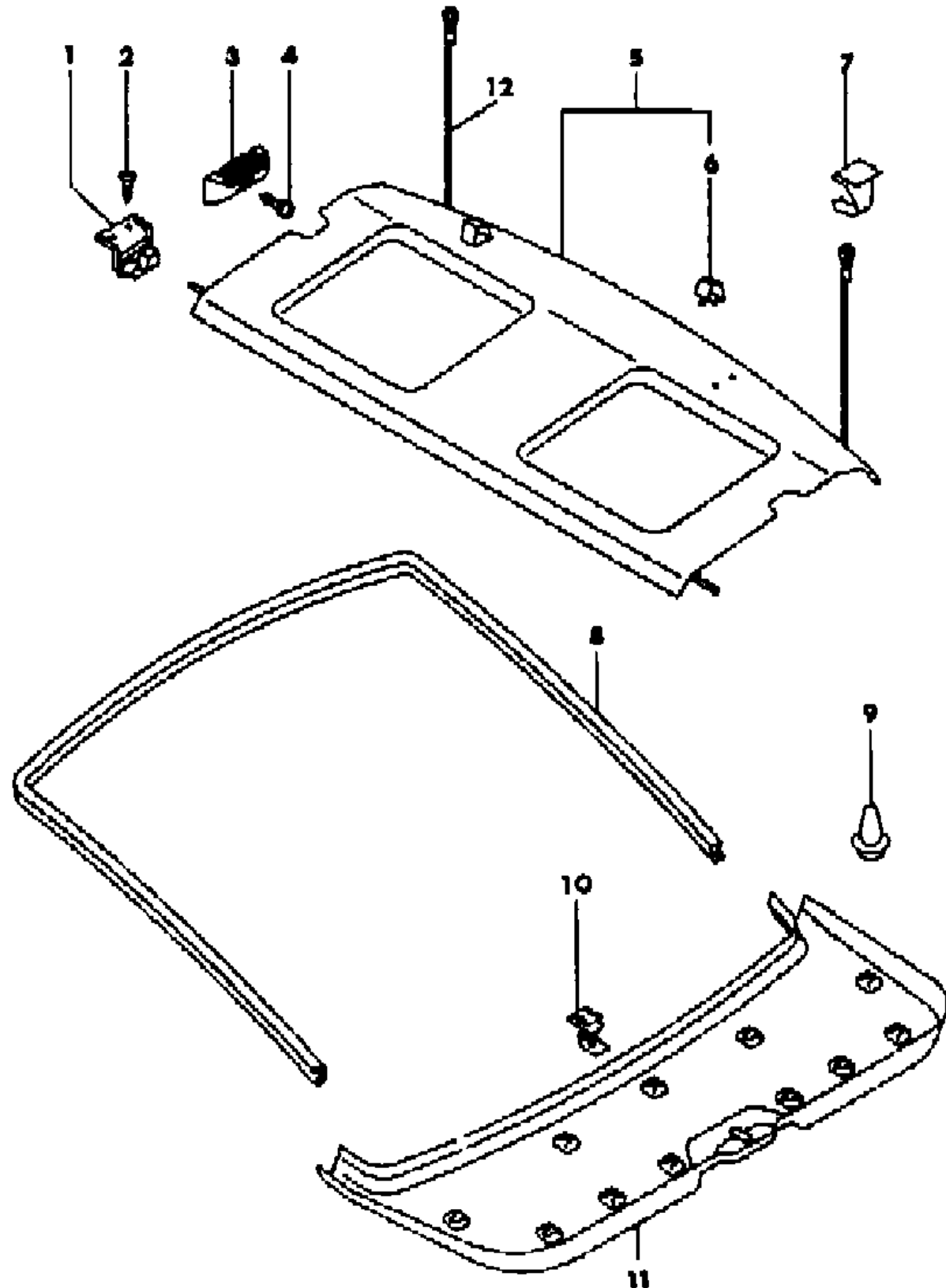
ENGINE: P = 1800cc (1.8L) A = 2000cc (2.0L) Blank = All  
 TRANS: A = Automatic M = Manual Blank = All  
 SERIES: H = High M = Medium P = Premium S = Special

MODELS:  
 24 FWD = 2Dr Hatchback (Laser)  
 24 FWD = 2-Dr Hatchback (Talon)  
 4WD = (4 Wheel Drive)  
 2WD = (2 Wheel Drive)

AR = Use as Required - = Non Illustrated Part P.A.R. = Paint as Required

PANEL REAR SHELF TALON  
Figure ITQ-300

9636 300 A



ITEM	PART NUMBER	QTY	BODY	MODEL	DESCRIPTION
1					CATCH, Rear Shelf
	MB47 9309	1			Left
	MB47 9310	1			Right
2					SCREW, Tapping
	MS45 0156	4			(5x12)
	MF45 3031	4			(5x12), 1993-94
3					HOLDER, Shelf
	MB72 2463	1			LEFT
	MB72 2464	1			Gray
	MB79 1390	1			Brown
					Gray, 1992-94
	MB72 2465	1			RIGHT
					Gray
	MB72 2466	1			Brown
	MB79 1391	1			Gray, 1992-94
4					SCREW, w/Washer, (6x25)
5					SHELF, Center
	MB73 1158	1			Gray
	MB73 1159	1			Brown
	MB79 1388	1			Gray, 1992-94
6					DAMPER, Rear Shelf ***
6	MB47 9377	2			
7					HOOK, Shelf
7	MB47 9320	2			
8					TAILGATE, Trim, (Flange) ***
8	MB47 9285	1			
9					CLIP
9	MB56 6720	10			
10					CLIP
10	MB47 9546	6			
11					TAILGATE, Trim ***
	MB72 2405	1			Gray
	MB72 2406	1			Brown
	MB79 1327	1			Gray, 1992-94
12					STRING, Up To 6-1-92 ***
	MB87 7854	2			
	MB89 8603	1			STRING, After 6-1-92 ***

ENGINE: P = 1800cc (1.8L) A = 2000cc (2.0L) Blank = All  
 TRANS: A = Automatic M = Manual Blank = All  
 SERIES: H = High M = Medium P = Premium S = Special

MODELS:  
 24 FWD = 2Dr Hatchback (Laser)  
 24 FWD = 2-Dr Hatchback (Talon)  
 4WD = (4 Wheel Drive)  
 2WD = (2 Wheel Drive)

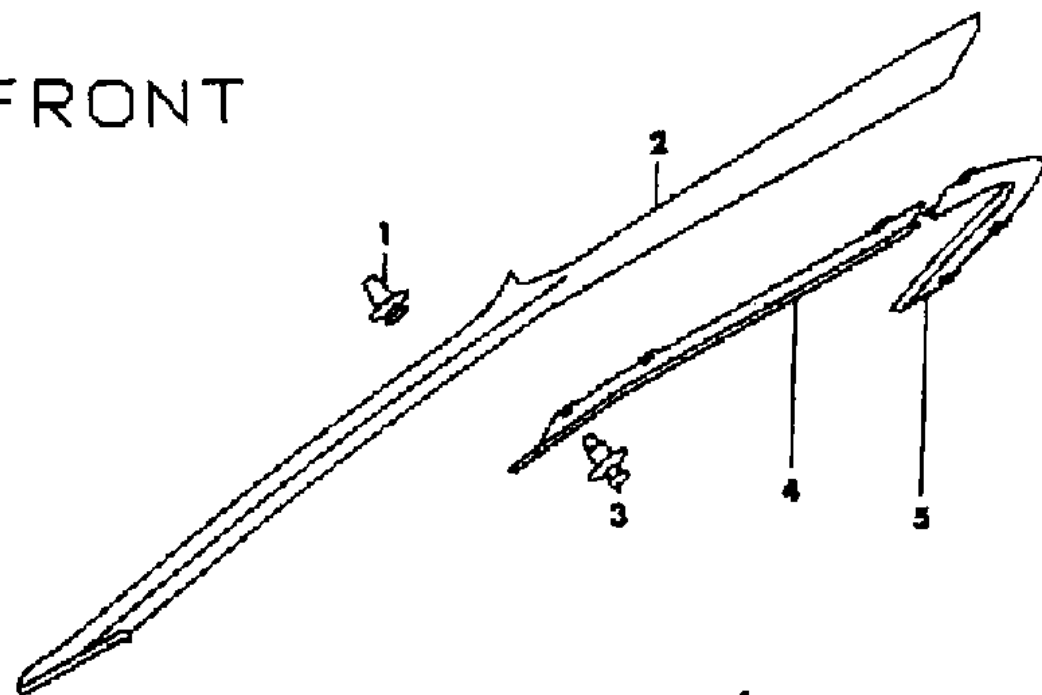
AR = Use as Required - = Non Illustrated Part P.A.R. = Paint as Required



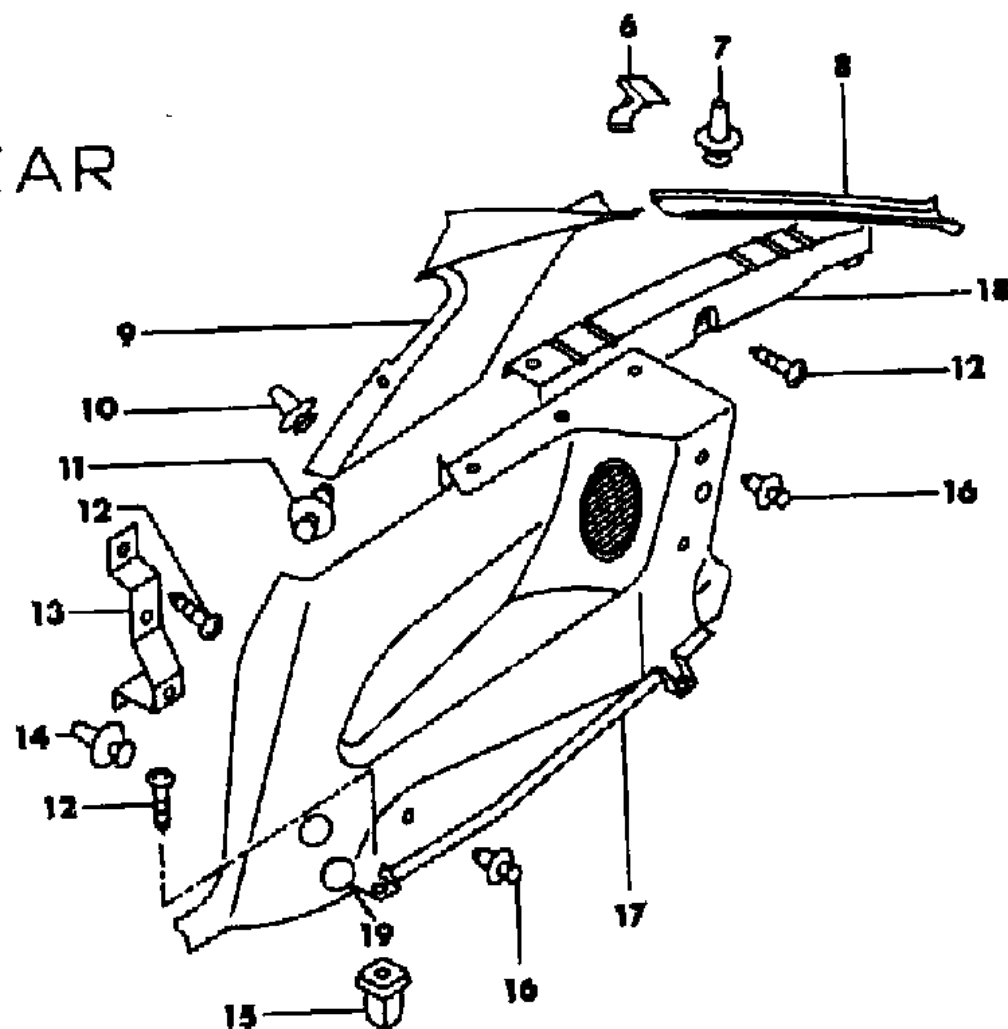
PANEL QUARTER TRIM AND MOULDINGS TALON  
Figure ITQ-400

9635 400 B

FRONT



REAR



ITEM	PART NUMBER	QTY	BODY	MODEL	DESCRIPTION
1	MB56 6720	8			CLIP
2					PILLAR, Front ***
					LEFT
	MB72 2483	1			Gray
	MB72 2484	1			Beige
	MB74 7420	1			Light Gray
	MB79 1407	1			Gray, 1992-94
	MB72 2499	1			Gray, CANADA
	MB72 2500	1			Beige, CANADA
	MB74 7428	1			Light Gray, CANADA
	MB79 1415	1			Gray, CANADA, 1992-94
					RIGHT
	MB72 2485	1			Gray
	MB72 2486	1			Beige
	MB74 7421	1			Light Gray
	MB79 1408	1			Gray, 1992-94
	MB72 2501	1			Gray, CANADA
	MB72 2502	1			Beige, CANADA
	MB74 7429	1			Light Gray, CANADA
	MB79 1416	1			Gray, CANADA, 1992-94
3					CLIP
	MB63 4386	14			Gray, Up To 1-1-91
	MB87 7737	14			Gray, After 1-1-91
	MB63 4381	14			Beige, Up To 1-1-91
	MB87 7736	14			Beige, After 1-1-91
	MB69 2616	14			Light Gray, Up To 1-1-91
	MB87 7738	14			Light Gray, After 1-1-91
	MB79 5534	14			Gray, 1992-94
4					RAIL, Belt, (Front)
					LEFT
	MB72 2491	1			Gray
	MB72 2492	1			Beige
	MB74 7424	1			Light Gray
	MB79 1411	1			Gray, 1992-94
					RIGHT
	MB72 2493	1			Gray
	MB72 2494	1			Beige
	MB74 7425	1			Light Gray
	MB79 1412	1			Gray, 1992-94

ENGINE: P = 1800cc (1.8L)  
A = 2000cc (2.0L)  
Blank = All

TRANS: A = Automatic  
M = Manual  
Blank = All

SERIES: H = High  
M = Medium  
P = Premium  
S = Special

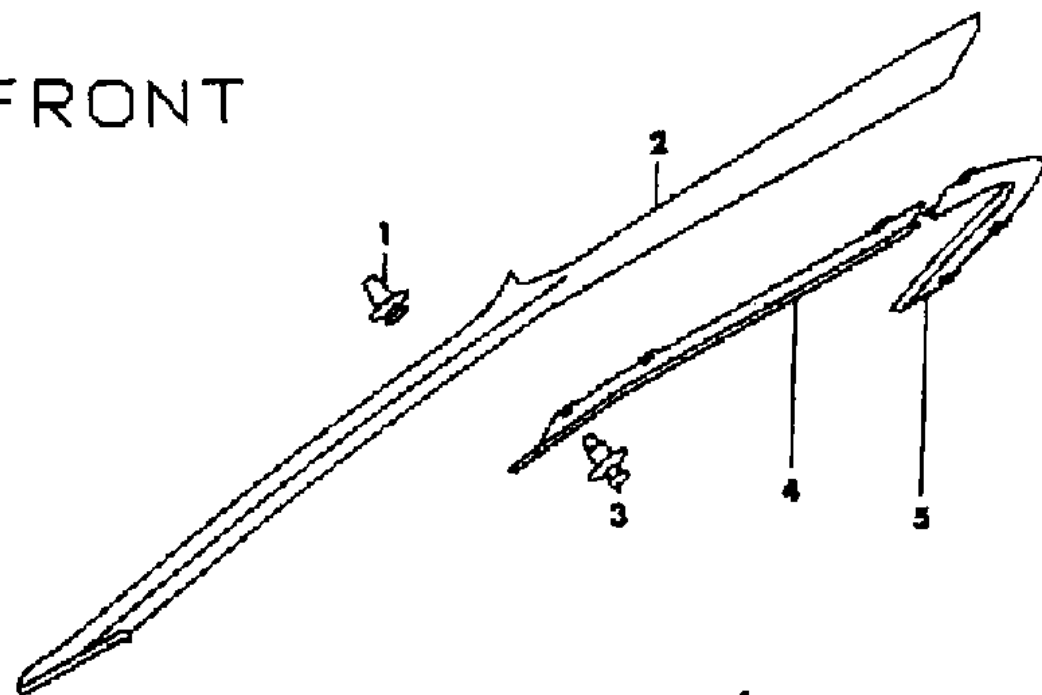
MODELS:  
24 FWD = 2Dr Hatchback (Laser)  
24 FWD = 2-Dr Hatchback (Talon)  
4WD = (4 Wheel Drive)  
2WD = (2 Wheel Drive)

AR = Use as Required - = Non Illustrated Part P.A.R. = Paint as Required

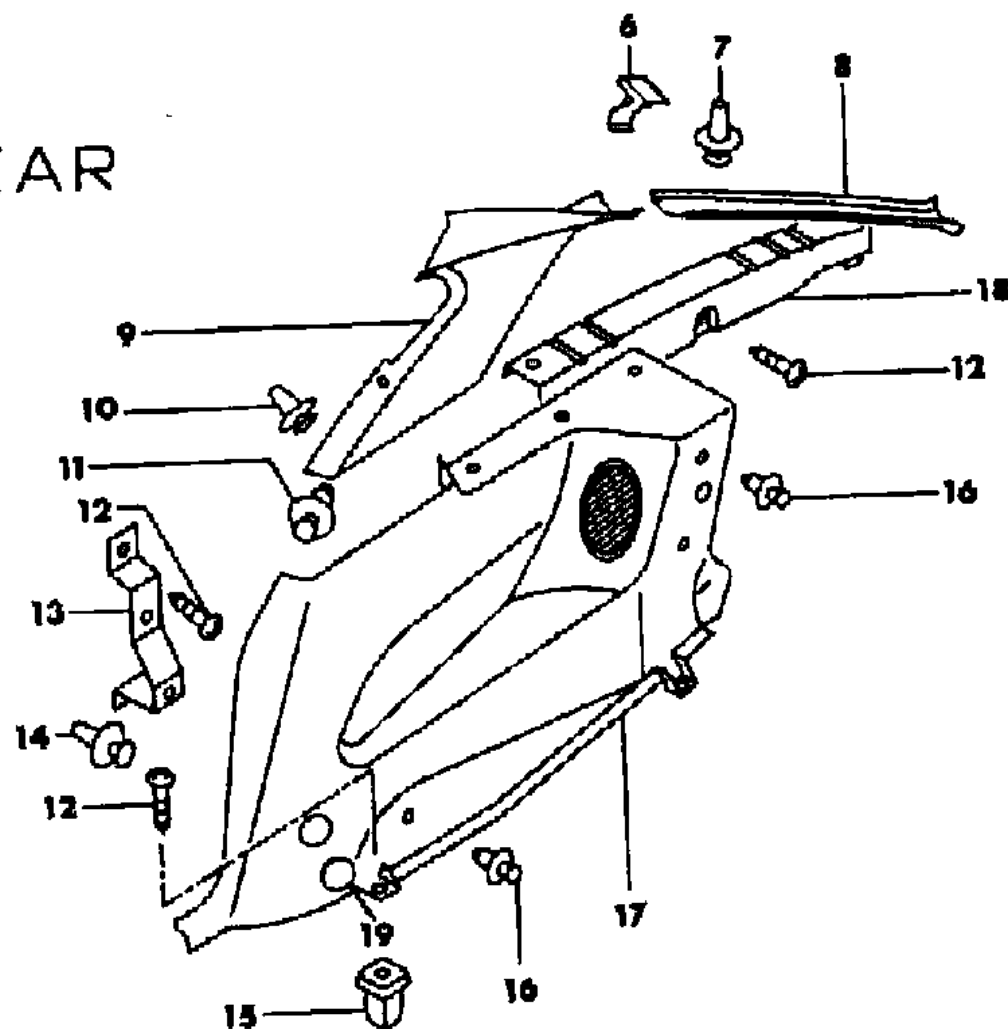
PANEL QUARTER TRIM AND MOULDINGS TALON  
Figure ITQ-400

9635 400 B

FRONT



REAR



ITEM	PART NUMBER	QTY	BODY	MODEL	DESCRIPTION
5					RAIL Belt, (Rear) ***
					LEFT
	MB72 2495	1			Gray
	MB72 2496	1			Beige
	MB74 7426	1			Light Gray
	MB79 1413	1			Gray, 1992-94
					RIGHT
	MB72 2497	1			Gray
	MB72 2498	1			Beige
	MB74 7427	1			Light Gray
	MB79 1414	1			Gray, 1992-94
6	MB47 9110	6			CLIP, Rear Pillar
7	MB56 6720	6			CLIP
8					PILLAR, (Rear) ***
					LEFT
	MB72 2385	1			Gray
	MB72 2386	1			Beige
	MB74 7364	1			Light Gray
	MB79 1309	1			Gray, 1992-94
					RIGHT
	MB72 2387	1			Gray
	MB72 2388	1			Beige
	MB74 7365	1			Light Gray
	MB79 1310	1			Gray, 1992-94
9					PILLAR, Center ***
					LEFT
	MB72 2487	1			Gray
	MB72 2488	1			Beige
	MB74 7422	1			Light Gray
	MB79 1409	1			Gray, 1992-94
	MB72 2503	1			Gray, CANADA
	MB72 2504	1			Beige, CANADA
	MB74 7430	1			Light Gray, CANADA
	MB79 1417	1			Gray, CANADA, 1992-94
					RIGHT
	MB72 2489	1			Gray
	MB72 2490	1			Beige
	MB74 7423	1			Light Gray
	MB79 1410	1			Gray, 1992-94

ENGINE: P = 1800cc (1.8L) A = 2000cc (2.0L) Blank = All  
 TRANS: A = Automatic M = Manual Blank = All  
 SERIES: H = High M = Medium P = Premium S = Special

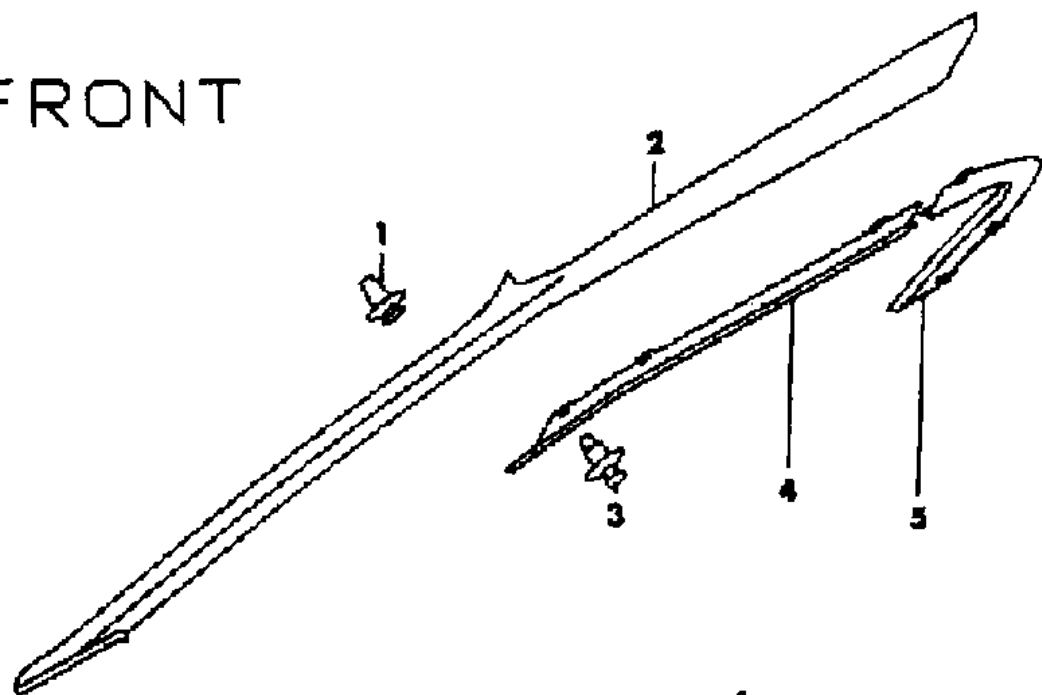
MODELS:  
 24 FWD = 2Dr Hatchback (Laser)  
 24 FWD = 2-Dr Hatchback (Talon)  
 4WD = (4 Wheel Drive)  
 2WD = (2 Wheel Drive)

AR = Use as Required - = Non Illustrated Part P.A.R. = Paint as Required

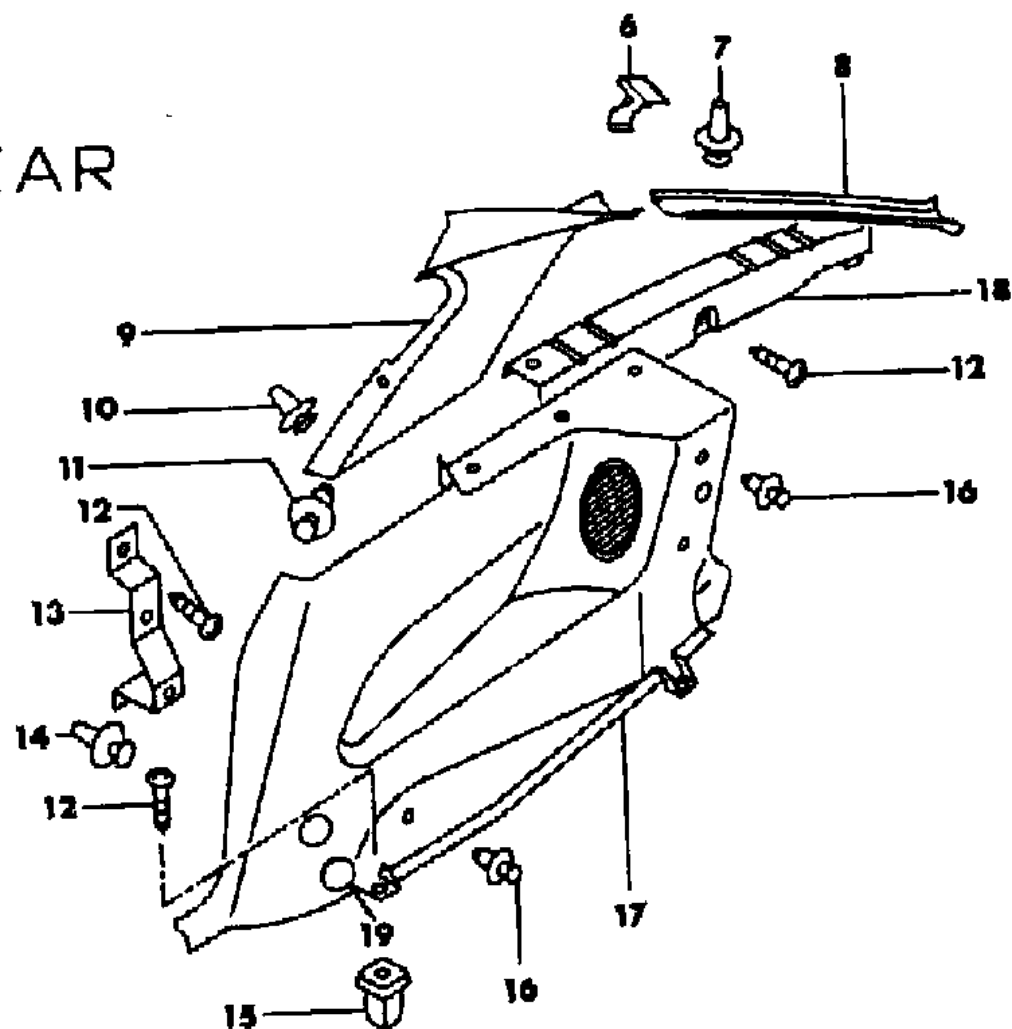
PANEL QUARTER TRIM AND MOULDINGS TALON  
Figure ITQ-400

9635 400 B

FRONT



REAR



ITEM	PART NUMBER	QTY	BODY	MODEL	DESCRIPTION
	MB72 2505	1			Gray, CANADA
	MB72 2506	1			Beige, CANADA
	MB74 7431	1			Light Gray, CANADA
	MB79 1418	1			Gray, CANADA, 1992-94
10					CLIP
	MB56 6720	8			1990-92
	MB31 7677	8			1993-94
11					CLIP
	MB63 4386	2			Gray
	MB63 4381	2			Beige
	MB69 2616	2			Light Gray
	MB79 5534	1			Gray, 1992-94
12	MF24 3624	14			BOLT, w/Washer, (6x16 4T)
13	MB47 9083	2			BRACKET
14	MB31 7677	8			CLIP, Trim, (Natural)
15	MS48 0012	4			GROMMET, Screw, (5)
16					CLIP
	MB63 4386	12			Gray
	MB63 4387	12			Brown
	MB79 5534	12			Gray, 1992-94
17					PANEL, Quarter Trim
					W/O SPEAKER
					LEFT
	MB72 2409	1			Gray
	MB72 2410	1			Brown
	MB79 1329	1			Gray, 1992-94
					RIGHT
	MB72 2411	1			Gray
	MB72 2412	1			Brown
	MB79 1330	1			Gray, 1992-94
					W/SPEAKER
					LEFT
	MB72 5368	1			Gray
	MB72 5369	1			Brown
	MB79 1331	1			Gray, 1992-94
					RIGHT
	MB72 5370	1			Gray
	MB72 5371	1			Brown
	MB79 1332	1			Gray, 1992-94

ENGINE: P = 1800cc (1.8L) A = 2000cc (2.0L) Blank = All  
 TRANS: A = Automatic M = Manual Blank = All  
 SERIES: H = High M = Medium P = Premium S = Special

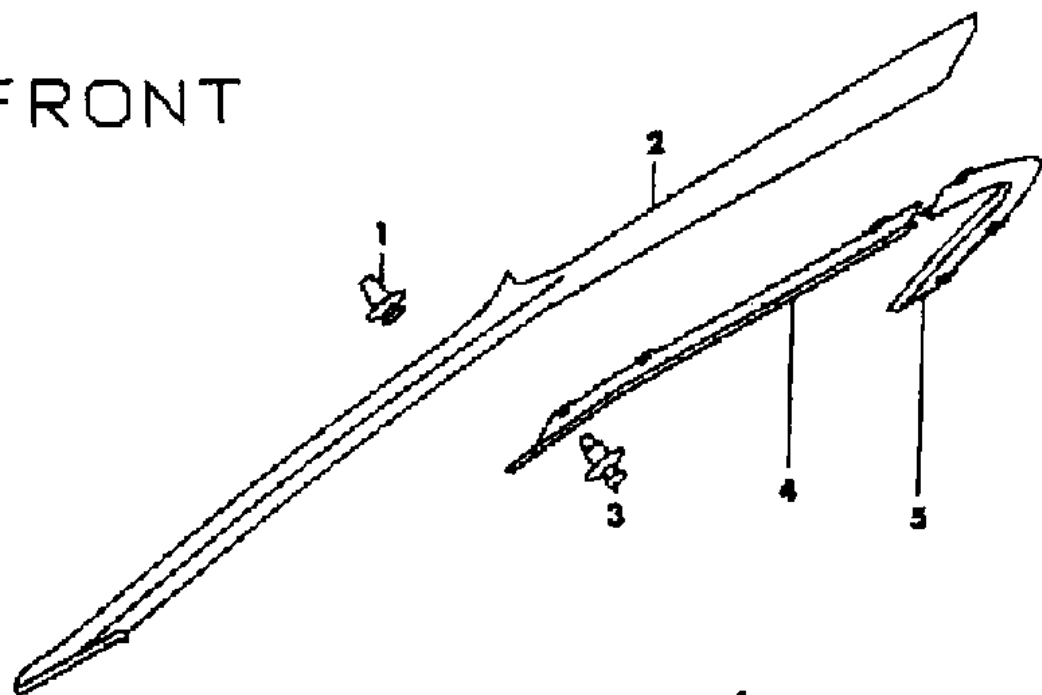
MODELS:  
 24 FWD = 2Dr Hatchback (Laser)  
 24 FWD = 2-Dr Hatchback (Talon)  
 4WD = (4 Wheel Drive)  
 2WD = (2 Wheel Drive)

AR = Use as Required - = Non Illustrated Part P.A.R. = Paint as Required

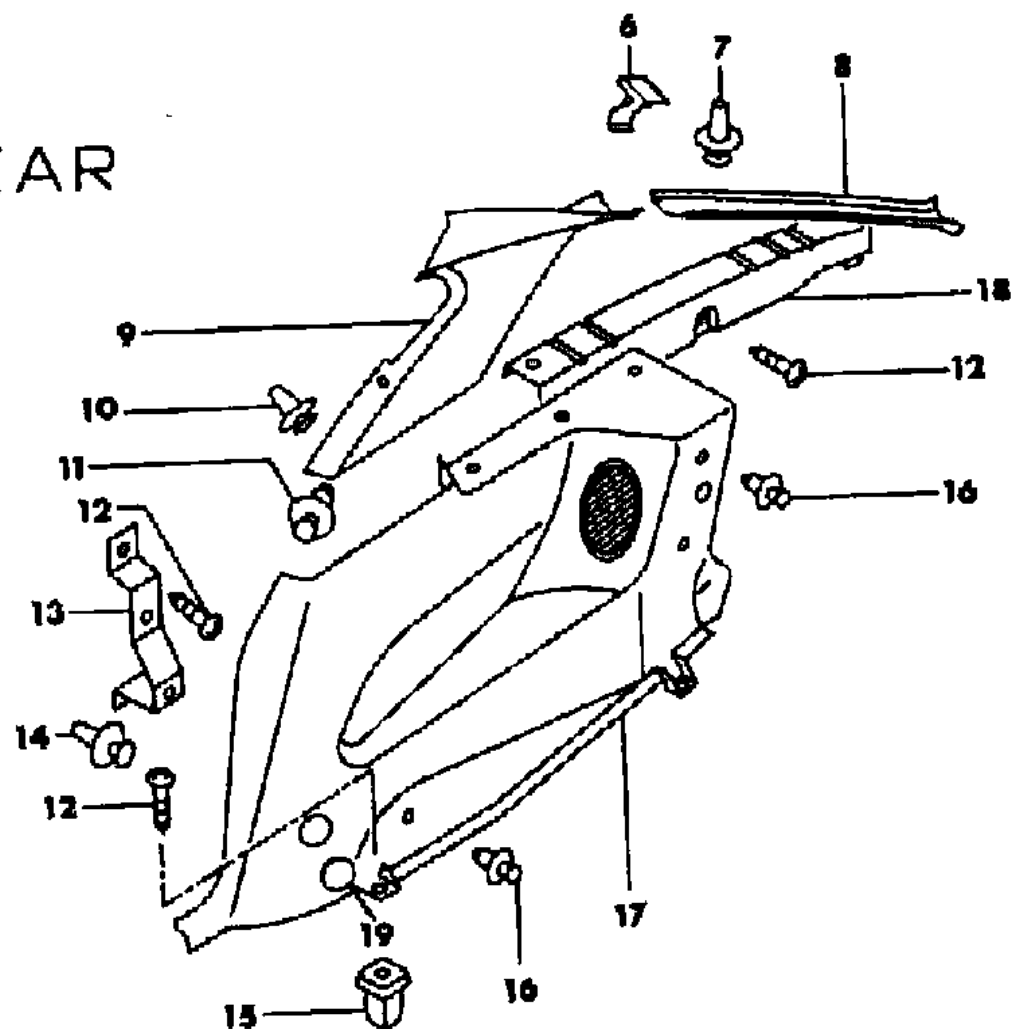
PANEL QUARTER TRIM AND MOULDINGS TALON  
Figure ITQ-400

9635 400 B

FRONT



REAR



ITEM	PART NUMBER	QTY	BODY	MODEL	DESCRIPTION
18					BRACKET, Qtr. Trim Upper
	MB47 9081	1			Left
	MB47 9082	1			Right
19					PLUG
	MB72 4474	AR			Gray
	MB72 4475	AR			Brown
	MB79 1420	AR			Gray, 1992-94

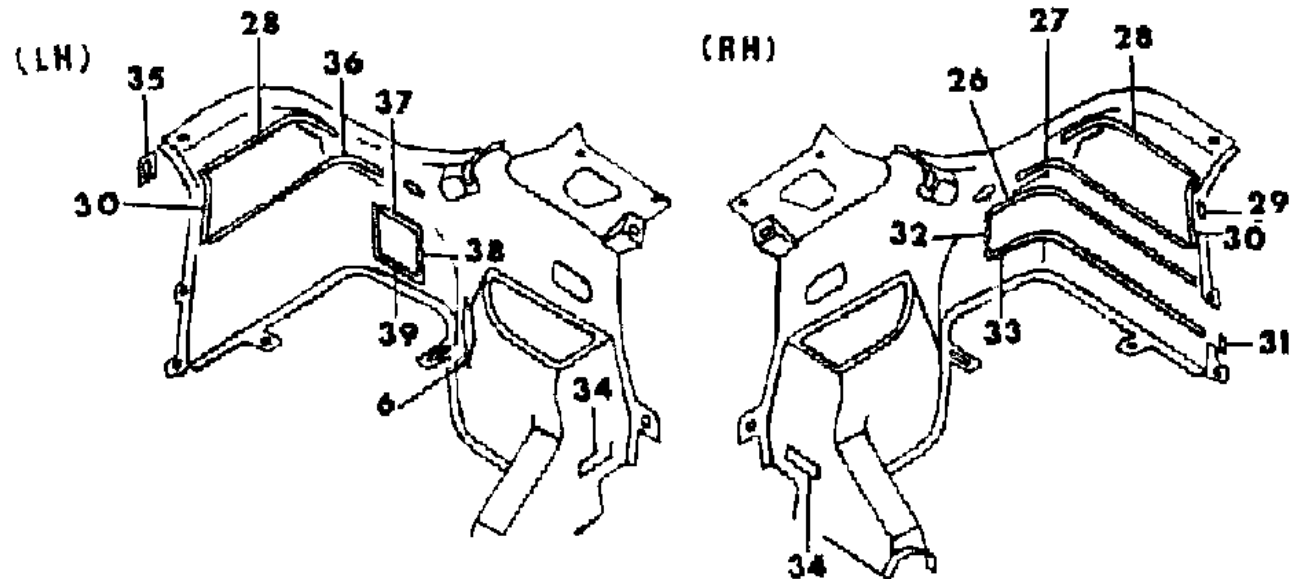
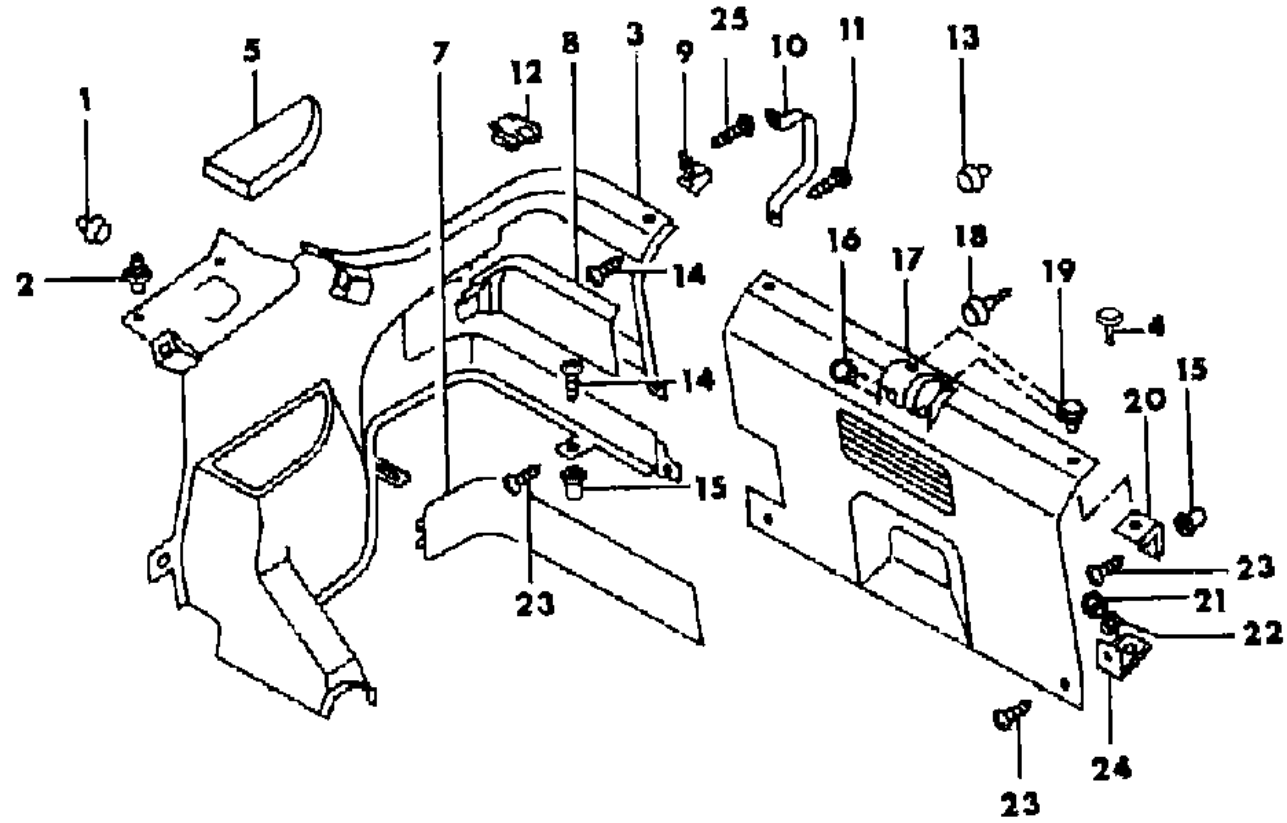
ENGINE: P = 1800cc (1.8L) A = 2000cc (2.0L) Blank = All  
 TRANS: A = Automatic M = Manual Blank = All  
 SERIES: H = High M = Medium P = Premium S = Special

MODELS:  
 24 FWD = 2Dr Hatchback (Laser)  
 24 FWD = 2-Dr Hatchback (Talon)  
 4WD = (4 Wheel Drive)  
 2WD = (2 Wheel Drive)

AR = Use as Required - = Non Illustrated Part P.A.R. = Paint as Required

TRUNK TRIM AND RELATED PARTS TALON  
Figure ITQ-500

9635 500A



ITEM	PART NUMBER	QTY	BODY	MODEL	DESCRIPTION
1	MB56 6720	2			CLIP
2					CLIP
	MB63 4386	4			Gray
	MB63 4387	4			Brown
	MB79 5534	4			Gray, 1992-94
3					PANEL, Rear Side
					LEFT
	MB72 7415	1			Gray
	MB72 7416	1			Brown
	MB79 1402	1		H,P,S	Gray, 1992-94
	MB79 1400	1		M	Gray, 1994
					RIGHT
	MB72 7417	1			Gray
	MB72 7418	1			Brown
	MB79 1403	1		H,P,S	Gray, 1992-94
	MB79 1401	1		M	Gray, 1994
4					PIN
	MB69 2035	6			Gray
	MB69 2036	6			Brown
	MB79 1454	6			Gray, 1992-94
5					COVER, Hole
					LEFT
	MB72 4117	1			Gray
	MB72 4118	1			Brown
	MB79 1421	1			Gray, 1992-94
					RIGHT
	MB72 4119	1			Gray
	MB72 4120	1			Brown
	MB79 1422	1			Gray, 1992-94
6	MB47 9528	1			PAD
7					LID ***
					LEFT
	MB72 2475	1			Gray
	MB72 2476	1			Brown
	MB79 1396	1			Gray, 1992-94
					RIGHT
	MB72 2477	1			Gray
	MB72 2478	1			Brown
	MB79 1397	1			Gray, 1992-94

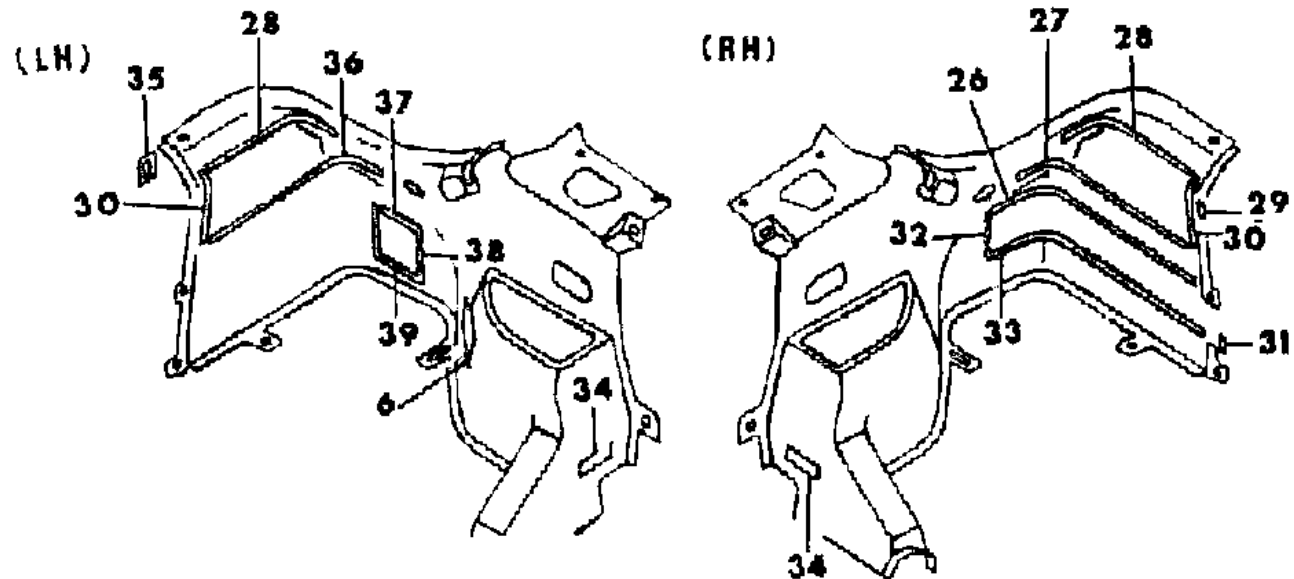
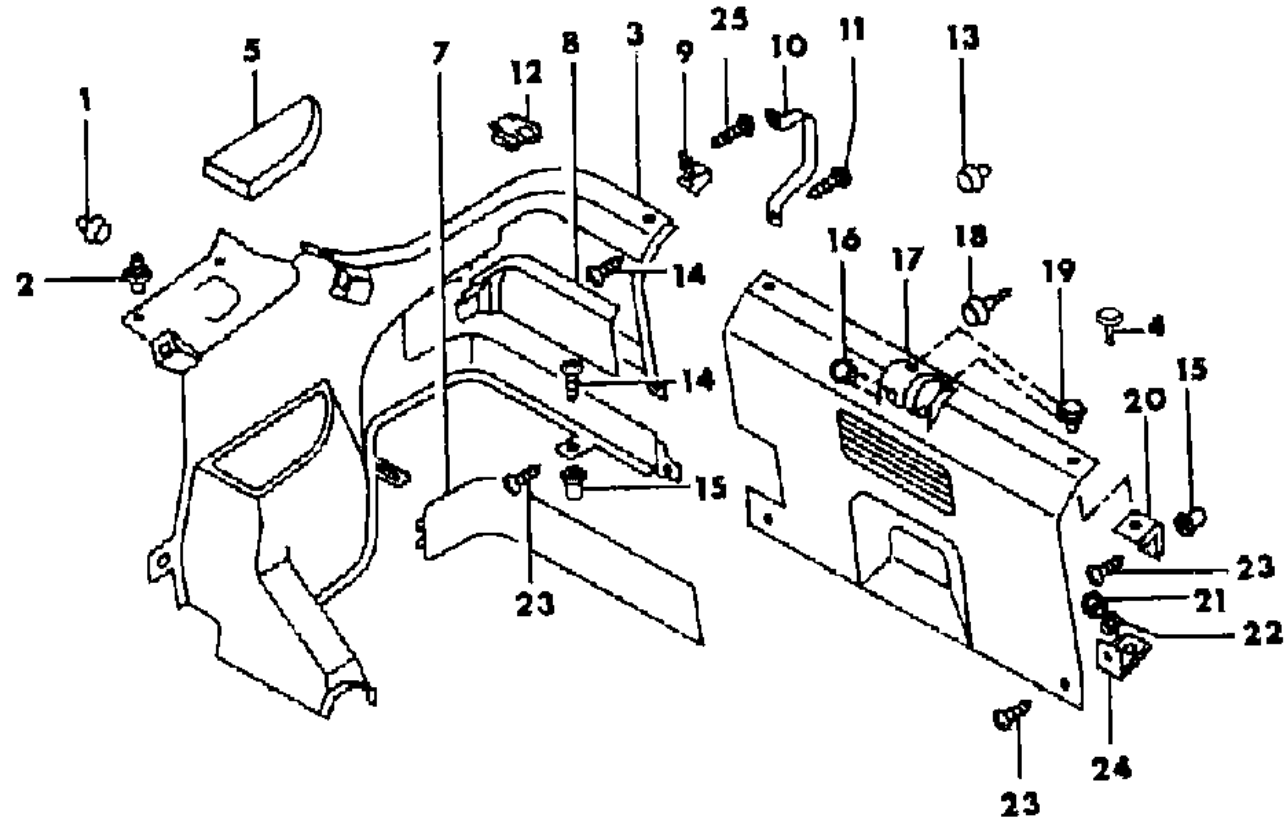
ENGINE: P = 1800cc (1.8L) A = 2000cc (2.0L) Blank = All  
 TRANS: A = Automatic M = Manual Blank = All  
 SERIES: H = High M = Medium P = Premium S = Special

MODELS:  
 24 FWD = 2Dr Hatchback (Laser)  
 24 FWD = 2-Dr Hatchback (Talon)  
 4WD = (4 Wheel Drive)  
 2WD = (2 Wheel Drive)

AR = Use as Required - = Non Illustrated Part P.A.R. = Paint as Required

TRUNK TRIM AND RELATED PARTS TALON  
Figure ITQ-500

9635 500A



ITEM	PART NUMBER	QTY	BODY	MODEL	DESCRIPTION
8					LID ***
					LEFT
	MB72 2479	1			Gray
	MB72 2480	1			Brown
	MB79 1398	1			Gray, 1992-94
					RIGHT
	MB72 2481	1			Gray
	MB72 2482	1			Brown
	MB79 1399	1			Gray, 1992-94
9	MB47 9263	12			CLIP, Rear Side
10	MB47 9374	1			BRACKET, Rear Side
11	MF45 3030	2			SCREW, Tapping, (5x10)
12	MB34 5787	2			CLIP
13	MB56 6720	2			CLIP
14					SCREW, Tapping
	MS45 0156	11			(5x12)
	MF45 3031	11			(5x12), 1992-93
15	MU48 0034	6			GROMMET, Screw
16					CAP
	MB72 2339	2			Gray
	MB72 2340	2			Brown
	MB79 1290	2			Gray, 1994
17					PANEL, Rear End
	MB74 2937	1			Gray
	MB74 2938	1			Brown
	MB79 1306	1			Gray, 1992-94 w/Strap
	MB72 2377	1			Gray
	MB72 2378	1			Brown
	MB79 1305	1			Gray, 1992-94
18	MB56 6719	3			CLIP
19	MB68 3200	4			CAP
20	MB47 9372	2			BRACKET
21	MF43 0004	2			NUT, (6 4T)
22	MF45 0404	2			WASHER
23	MF45 3093	2			SCREW, Tapping, (5x12)
24					BRACKET
	MB47 9501	2			FWD
	MB47 9503	2			AWD

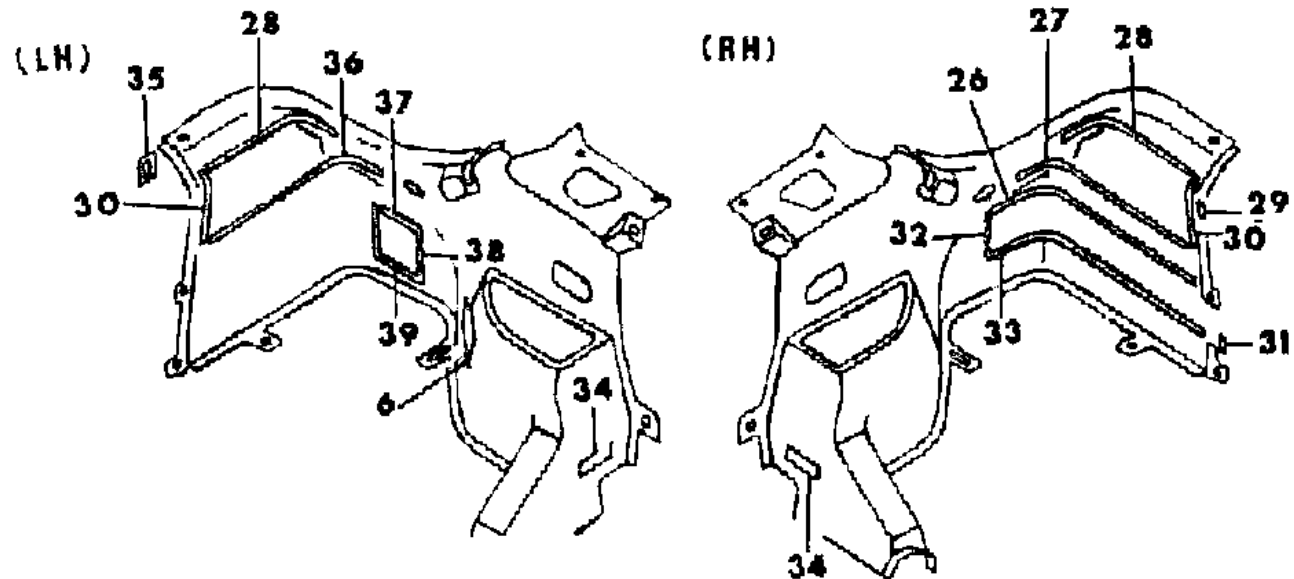
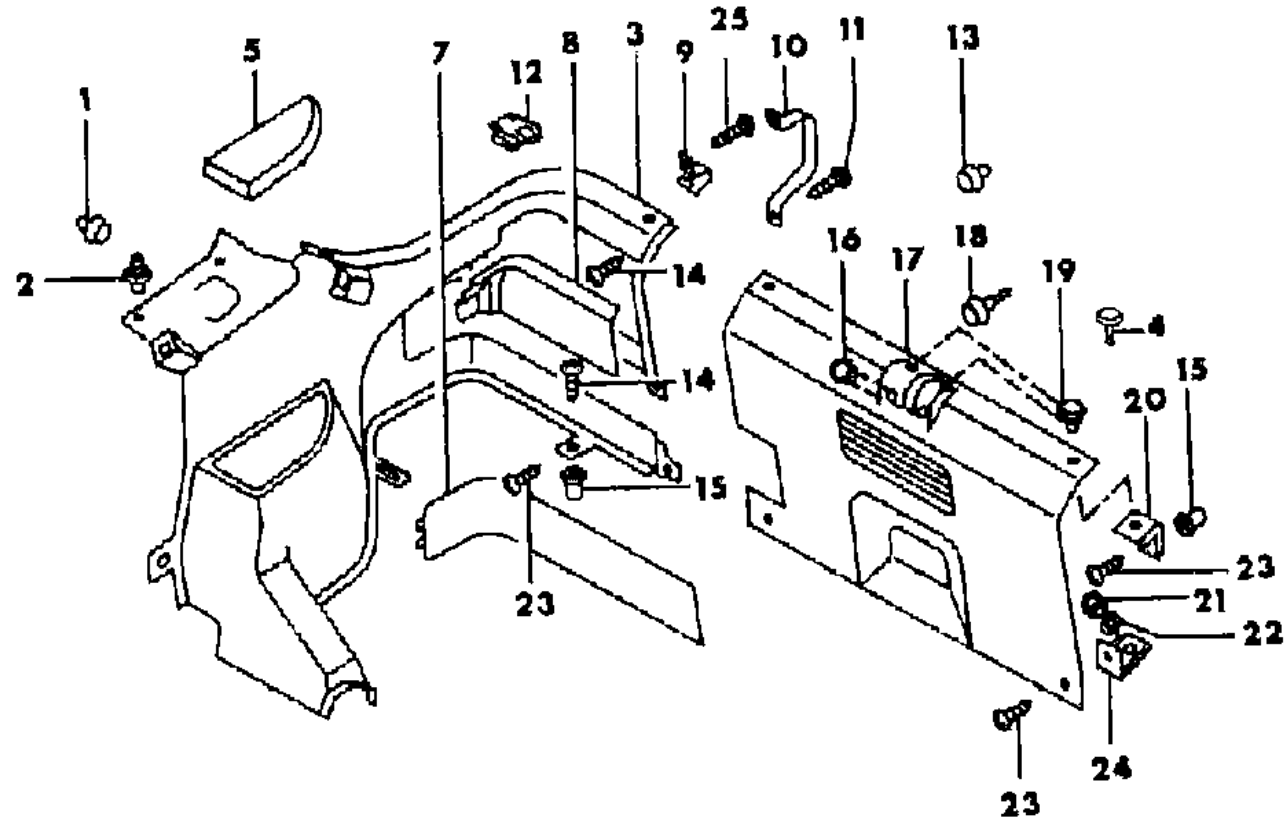
ENGINE: P = 1800cc (1.8L) A = 2000cc (2.0L) Blank = All  
 TRANS: A = Automatic M = Manual Blank = All  
 SERIES: H = High M = Medium P = Premium S = Special

MODELS:  
 24 FWD = 2Dr Hatchback (Laser)  
 24 FWD = 2-Dr Hatchback (Talon)  
 4WD = (4 Wheel Drive)  
 2WD = (2 Wheel Drive)

AR = Use as Required - = Non Illustrated Part P.A.R. = Paint as Required

TRUNK TRIM AND RELATED PARTS TALON  
Figure ITQ-500

9635 500A



ITEM	PART NUMBER	QTY	BODY	MODEL	DESCRIPTION
25	MF45 3015	12			SCREW, Tapping, (4x8)
26	MB47 9487	1			PAD
27	MB47 9413	1			PAD
28	MB47 9409	2			PAD
29	MB47 9529	1			PAD
30	MB47 9488	2			PAD
31	MB60 7130	1			PAD
32	MB47 9408	1			PAD
33	MB47 9410	1			PAD
34	MB47 9527	2			PAD
35	MB47 9500	1			PAD
36	MB47 9411	1			PAD
37	MB47 9412	1			PAD
38	MB47 9496	1			PAD
39	MB47 9489	1			PAD

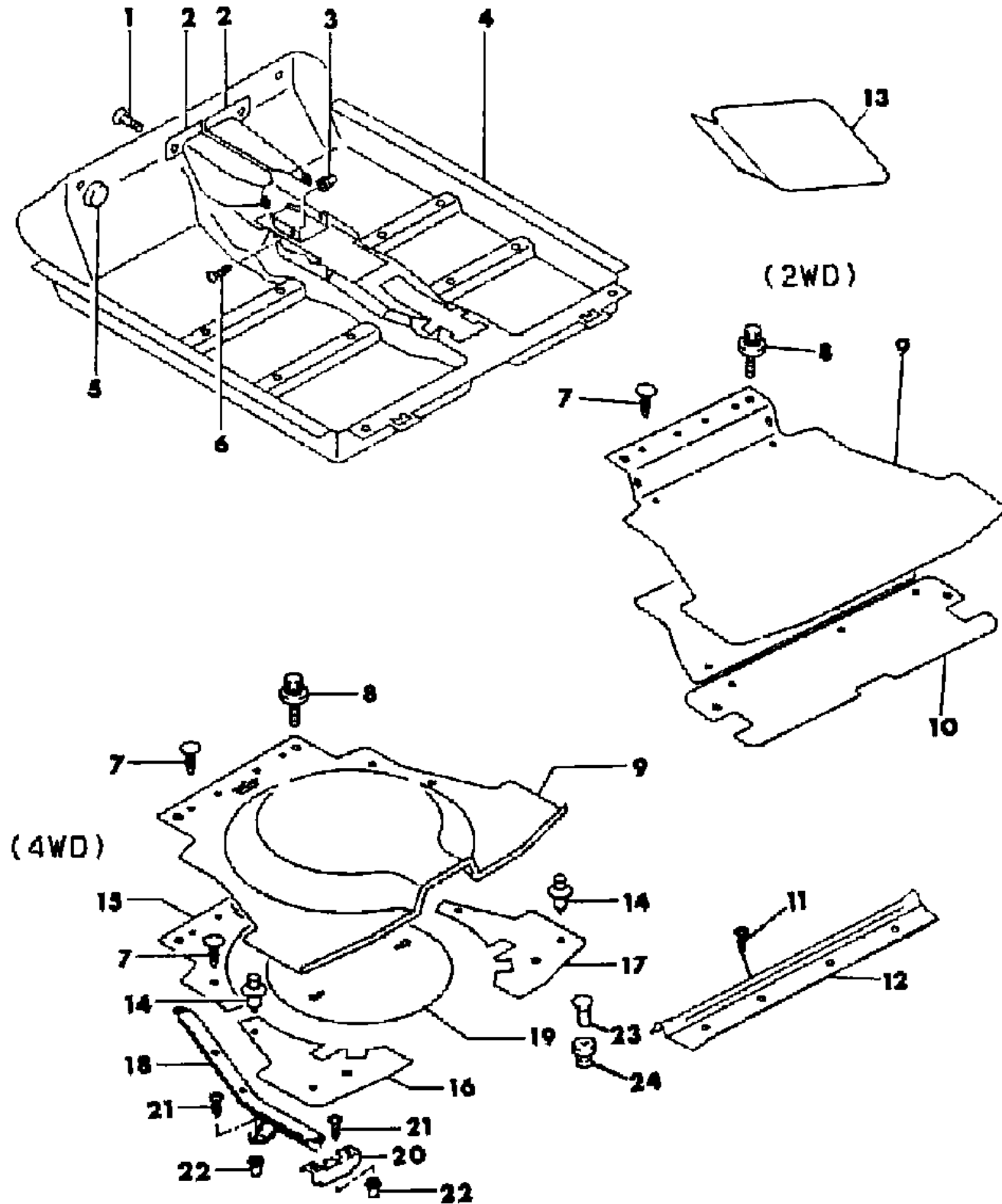
ENGINE: P = 1800cc (1.8L) A = 2000cc (2.0L) Blank = All  
 TRANS: A = Automatic M = Manual Blank = All  
 SERIES: H = High M = Medium P = Premium S = Special

MODELS:  
 24 FWD = 2Dr Hatchback (Laser)  
 24 FWD = 2-Dr Hatchback (Talon)  
 4WD = (4 Wheel Drive)  
 2WD = (2 Wheel Drive)

AR = Use as Required - = Non Illustrated Part P.A.R. = Paint as Required

**CARPETS AND SCUFF PLATE TALON**  
Figure ITQ-600

**9635 600B**



ITEM	PART NUMBER	QTY	BODY	MODEL	DESCRIPTION
1	MB47 9552	2			CLIP, Front Floor Carpet
2					COVER, Backbone
					LEFT
					1990-91
	MB72 4231	1			Gray
	MB72 4232	1			Beige
					1992-94
	MB79 3549	1			Beige
	MB79 1426	1			Dark Gray
	MB79 1428	1			Medium Gray
	MB79 1427	1			Red
					RIGHT
					1990-91
	MB72 4233	1			Gray
	MB72 4234	1			Beige
					1992-94
	MB79 3550	1			Beige
	MB79 1430	1			Dark Gray
	MB79 1432	1			Medium Gray
	MB79 1431	1			Red
3	MS48 0011	2			GROMMET, Screw, (5A)
4					CARPET, Floor
					1990-91
	MB72 2395	1			Gray
	MB72 2396	1			Beige
	MB72 2391	1			Gray, CANADA
	MB72 2392	1			Beige, CANADA
					1992-94
	MB79 3532	1			Beige/Gray
	MB79 1316	1			Dark Gray
	MB79 1318	1			Medium Gray/Dark Gray
	MB79 1317	1			Red/Gray
	MB87 8506	1			Beige/Gray, CANADA
	MB79 1312	1			Dark Gray, CANADA
	MB79 1314	1			Medium Gray, CANADA
	MB79 1313	1			Red/Gray, CANADA
5	MU48 1004	1			CLIP, (Black)
6	MF45 3045	2			SCREW, Tapping, (6x12)
7					CLIP

ENGINE: P = 1800cc (1.8L) A = 2000cc (2.0L) Blank = All  
 TRANS: A = Automatic M = Manual Blank = All  
 SERIES: H = High M = Medium P = Premium S = Special

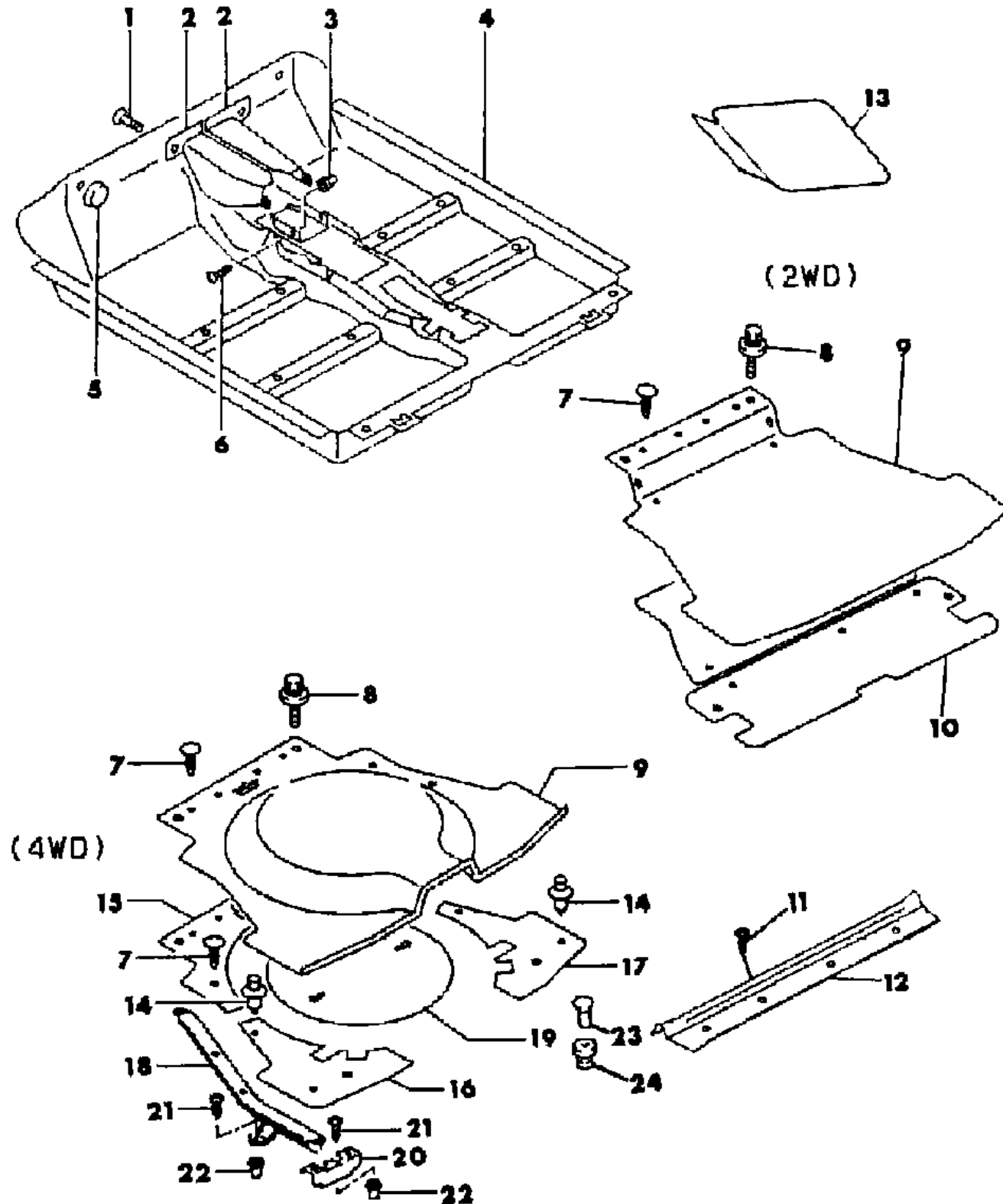
MODELS:  
 24 FWD = 2Dr Hatchback (Laser)  
 24 FWD = 2-Dr Hatchback (Talon)  
 4WD = (4 Wheel Drive)  
 2WD = (2 Wheel Drive)

AR = Use as Required - = Non Illustrated Part P.A.R. = Paint as Required



**CARPETS AND SCUFF PLATE TALON**  
Figure ITQ-600

**9635 600B**



ITEM	PART NUMBER	QTY	BODY	MODEL	DESCRIPTION
	MB72 2361	6			Gray
	MB72 2362	6			Beige
	MB82 8032	1			Gray, 1992-94
8					BOLT, Black
	MS24 0108	2			FWD, (8x20 4T)
	MS24 0104	2			AWD, (6x16)
9					CARPET, Trunk
					1990-91
	MB73 1152	1	H,P		Gray
	MB73 1166	1	S		Gray
	MB73 1153	1	H,P		Beige
	MB73 1167	1	S		Beige
					1992-94
	MB79 1326	1	M		Gray
	MB79 1325	1	H,P		Gray
	MB79 1406	1	S		Gray
10	MB47 9047	1			BOARD, Trunk Floor
11	MS45 0925	8			SCREW, Tapping, (5x16)
12					SCUFF PLATE
					LEFT
	MB74 0660	1			Gray
	MB74 0661	1			Beige
	MB79 1303	1			Gray, 1992
	MB91 7597	1			Gray, 1993-94
					RIGHT
	MB74 0662	1			Gray
	MB74 0663	1			Beige
	MB79 1304	1			Gray, 1992
	MB91 7598	1			Gray, 1993-94
13					MAT, Floor
					1990-91
					LEFT
	MB75 2806	1			Black/Gray
	MB64 3206	1			Brown/Beige
					RIGHT
	MB75 2807	1			Black/Gray
	MB64 3208	1			Brown/Beige
					1992-94
					LEFT

ENGINE: P = 1800cc (1.8L) A = 2000cc (2.0L) Blank = All  
 TRANS: A = Automatic M = Manual Blank = All  
 SERIES: H = High M = Medium P = Premium S = Special

MODELS:  
 24 FWD = 2Dr Hatchback (Laser)  
 24 FWD = 2-Dr Hatchback (Talon)  
 4WD = (4 Wheel Drive)  
 2WD = (2 Wheel Drive)

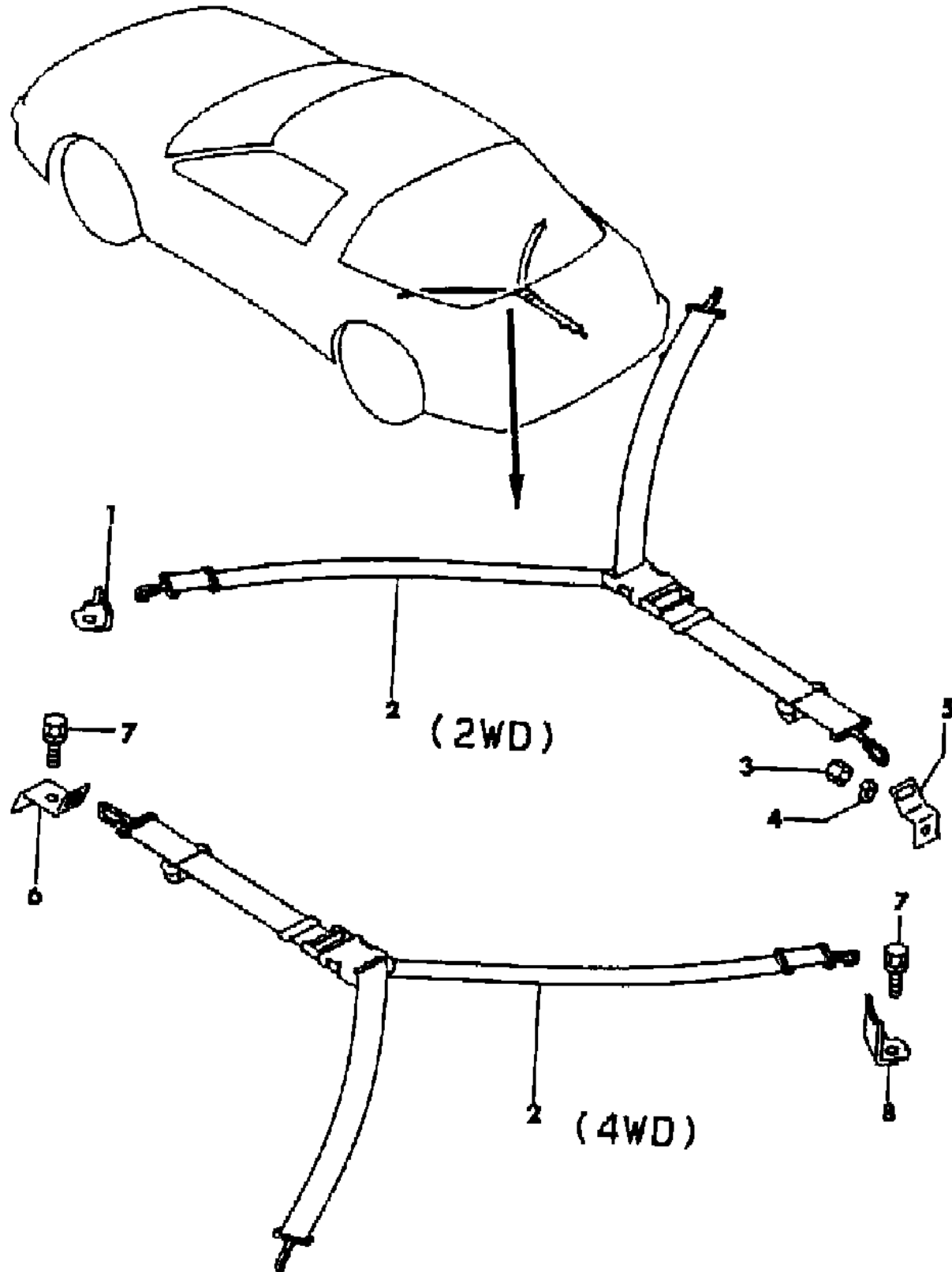
AR = Use as Required - = Non Illustrated Part P.A.R. = Paint as Required



ANCHOR STRAPS TALON  
Figure ITQ-700

9535 700

ITEM	PART NUMBER	QTY	BODY	MODEL	DESCRIPTION
1	MB47 9303	2			ANCHOR, Parcel Strap
2	MB47 9301	1			STRAP, Trunk Parcel
3	MF43 0004	1			NUT, Strap, (6)
	MS44 0502	1			NUT, 1991-94
4	MF45 0404	1			WASHER, Strap
5	MB47 9304	1			ANCHOR, Strap
6	MB47 9305	2			ANCHOR, Strap
7	MS24 0108	1			BOLT, (4T,8x20)
8	MB47 9364	1			ANCHOR, Strap



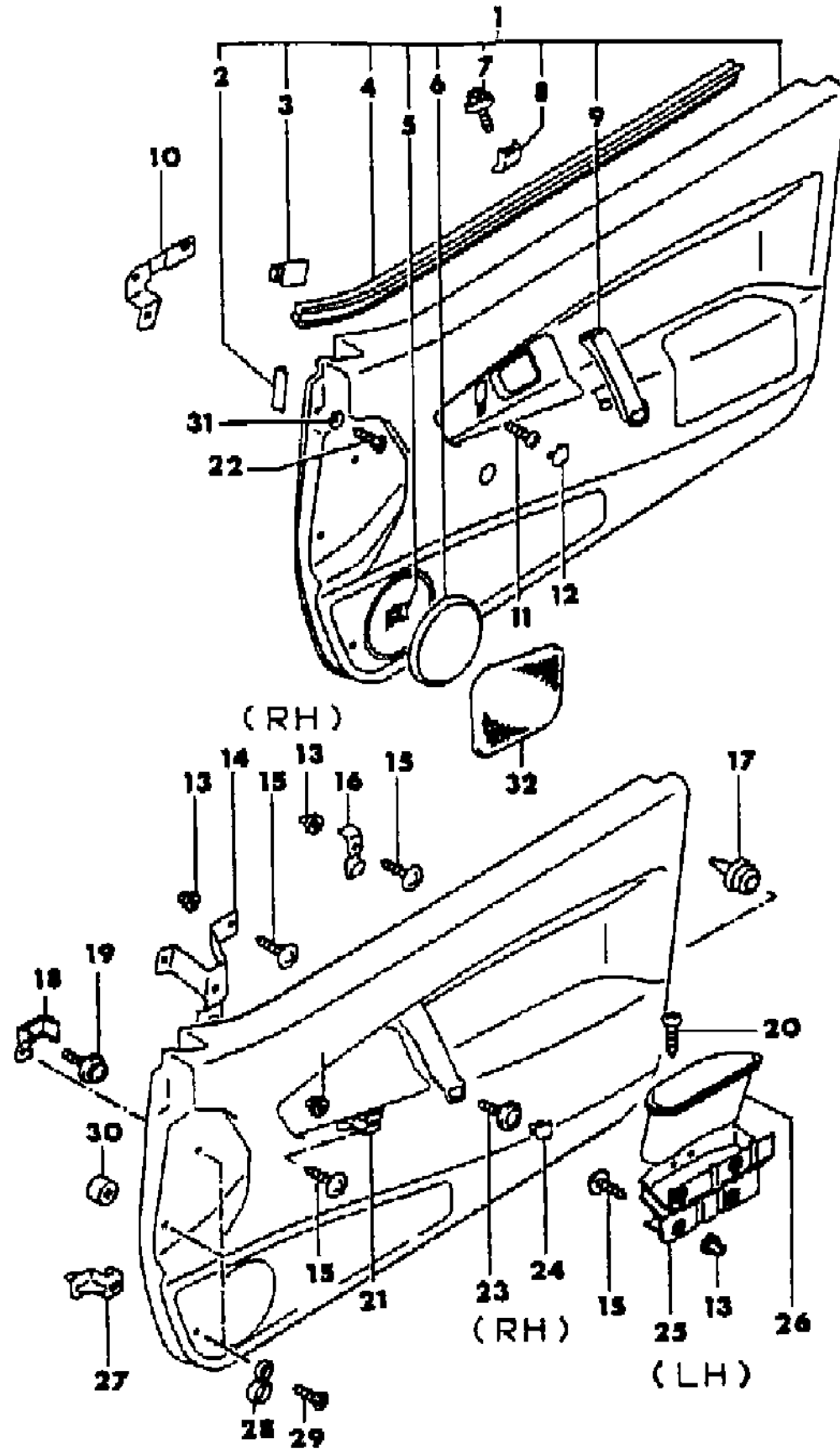
ENGINE: P = 1800cc (1.8L) A = 2000cc (2.0L) Blank = All  
 TRANS: A = Automatic M = Manual Blank = All  
 SERIES: H = High M = Medium P = Premium S = Special

MODELS:  
 24 FWD = 2Dr Hatchback (Laser)  
 24 FWD = 2-Dr Hatchback (Talon)  
 4WD = (4 Wheel Drive)  
 2WD = (2 Wheel Drive)

AR = Use as Required - = Non Illustrated Part P.A.R. = Paint as Required

DOOR TRIM PANEL 24 TALON  
Figure ITQ-800

9635 800 A



ITEM	PART NUMBER	QTY	BODY	MODEL	DESCRIPTION
1					PANEL, Door Trim
					1990 ***
					LEFT
					w/o Power Windows, w/o Speakers
	MB72 9543	1		H	Brown/Beige
	MB72 9541	1		H	Gray
	MB72 9544	1		P,S	Beige/Brown
	MB72 9542	1		P,S	Gray/Black
					w/Power Windows
	MB72 9567	1		H	Brown/Beige
	MB72 9565	1		H	Gray
	MB72 9568	1		P,S	Beige/Brown
	MB72 9566	1		P,S	Gray/Black
					w/Power Windows, w/Speakers
	MB72 9578	1		H	Brown/Beige
	MB72 9574	1		H	Gray
	MB72 9579	1		P,S	Beige/Brown
	MB72 9575	1		P,S	Gray/Black
					1990 ***
					RIGHT
					w/o Power Windows, w/o Speakers
	MB72 9547	1		H	Brown/Beige
	MB72 9545	1		H	Gray
	MB72 9548	1		P,S	Beige/Brown
	MB72 9546	1		P,S	Gray/Black
					w/Power Windows
	MB72 9571	1		H	Brown/Beige
	MB72 9569	1		H	Gray
	MB72 9572	1		P,S	Beige/Brown
	MB72 9570	1		P,S	Gray/Black
					w/Power Windows, w/Speakers
	MB72 9586	1		H	Brown/Beige
	MB72 9582	1		H	Gray
	MB72 9587	1		P,S	Beige/Brown
	MB72 9583	1		P,S	Gray/Black
					1991 ***
					LEFT
					w/o Power Windows, w/o Speakers
	MB72 9543	1		H	Brown/Beige

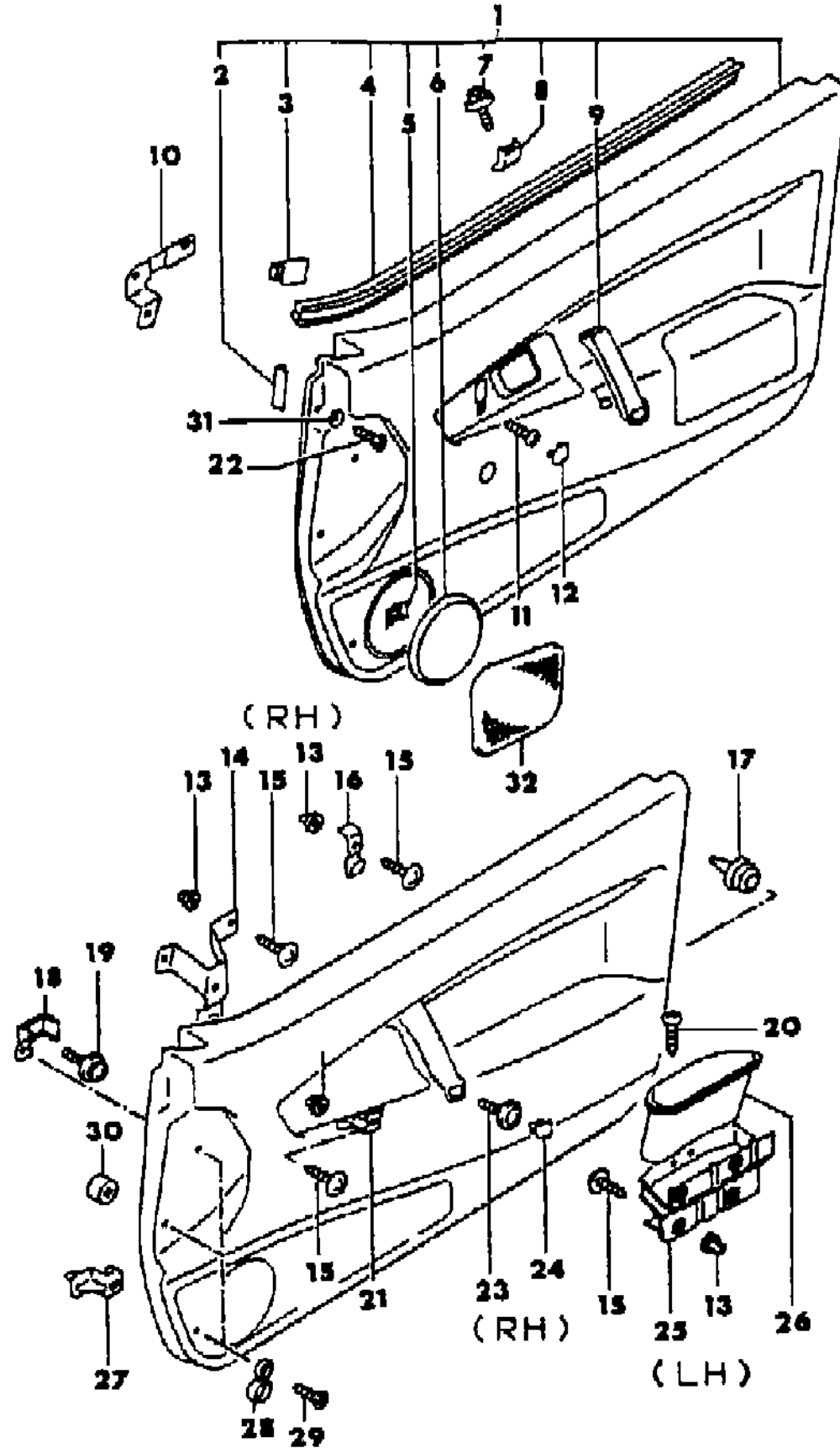
ENGINE: P = 1800cc (1.8L) A = 2000cc (2.0L) Blank = All  
 TRANS: A = Automatic M = Manual Blank = All  
 SERIES: H = High M = Medium P = Premium S = Special

MODELS:  
 24 FWD = 2Dr Hatchback (Laser)  
 24 FWD = 2-Dr Hatchback (Talon)  
 4WD = (4 Wheel Drive)  
 2WD = (2 Wheel Drive)

AR = Use as Required - = Non Illustrated Part P.A.R. = Paint as Required

DOOR TRIM PANEL 24 TALON  
Figure ITQ-800

9635 800 A



ITEM	PART NUMBER	QTY	BODY	MODEL	DESCRIPTION
	MB72 9541	1		H	Gray
	MB72 9544	1		P,S	Beige/Brown
	MB72 9542	1		P,S	Gray/Black w/Power Windows
	MB72 9567	1		H	Brown/Beige
	MB72 9565	1		H	Gray
	MB72 9568	1		P,S	Beige/Brown
	MB72 9566	1		P,S	Gray/Black w/Power Windows, W/Speakers
	MB74 7403	1		H	Brown/Beige
	MB74 7399	1		H	Gray
	MB74 7404	1		P,S	Beige/Brown
	MB74 7400	1		P,S	Gray/Black w/Leather, w/Power Windows, w/Speakers
	MB74 7393	1		P,S	Gray 1991 *** RIGHT w/o Power Windows, w/o Speakers
	MB72 9547	1		H	Brown/Beige
	MB72 9545	1		H	Gray
	MB72 9548	1		P,S	Beige/Brown
	MB72 9546	1		P,S	Gray/Black w/Power Windows
	MB72 9571	1		H	Brown/Beige
	MB72 9569	1		H	Gray
	MB72 9572	1		P,S	Beige/Brown
	MB72 9570	1		P,S	Gray/Black w/Power Windows, w/Speakers
	MB72 9586	1		H	Brown/Beige
	MB72 9582	1		H	Gray
	MB72 9587	1		P,S	Beige/Brown
	MB72 9583	1		P,S	Gray/Black w/Leather, w/Power Windows, w/Speakers
	MB74 7377	1		P,S	Gray 1992 *** LEFT w/o Power Windows, w/Speakers
	MB79 1343	1		H,S	Dark Gray
	MB79 1346	1		H,S	Medium Gray/Dark Gray

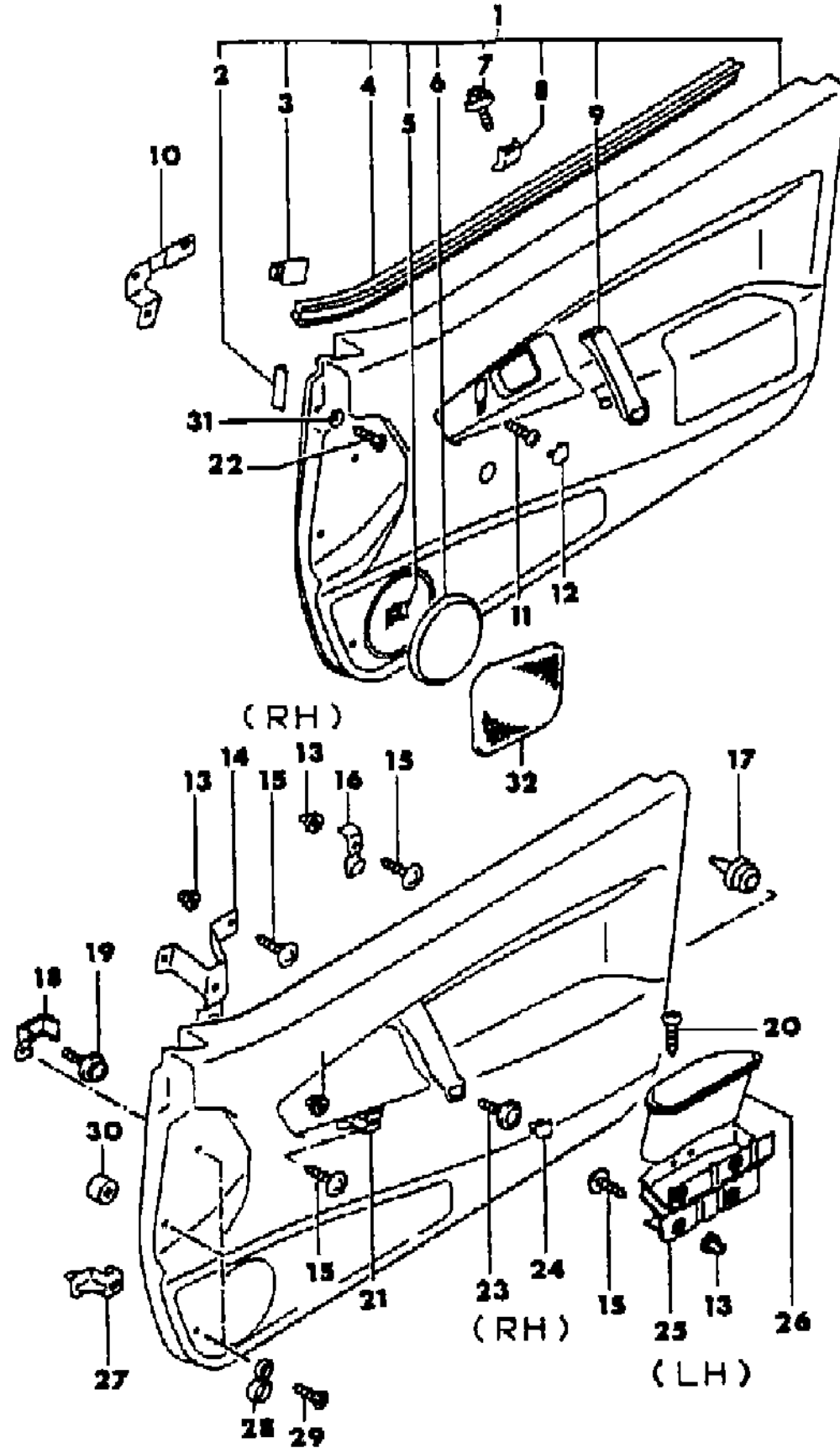
ENGINE: P = 1800cc (1.8L) A = 2000cc (2.0L) Blank = All  
 TRANS: A = Automatic M = Manual Blank = All  
 SERIES: H = High M = Medium P = Premium S = Special

MODELS:  
 24 FWD = 2Dr Hatchback (Laser)  
 24 FWD = 2-Dr Hatchback (Talon)  
 4WD = (4 Wheel Drive)  
 2WD = (2 Wheel Drive)

AR = Use as Required - = Non Illustrated Part P.A.R. = Paint as Required

DOOR TRIM PANEL 24 TALON  
Figure ITQ-800

9635 800 A



ITEM	PART NUMBER	QTY	BODY	MODEL	DESCRIPTION
	MB79 1348	1		H,S	Red/Dark Gray
	MB79 1342	1		P,S	Dark Gray/Black
	MB79 1347	1		P,S	Red/Dark Gray w/Power Windows, w/Speakers
	MB79 1376	1		H	Red/Dark Gray
	MB79 1376	1	LASER	S	Red/Dark Gray
	MB79 1371	1		H,S	Dark Gray
	MB79 1374	1		H,S	Medium Gray/Dark Gray
	MB79 1375	1		P	Red/Dark Gray
	MB79 1375	1	TALON	S	Red/Dark Gray
	MB79 1370	1		P,S	Dark Gray/Black w/Leather, w/Power Windows, w/Speakers
	MB97 4017	1		P,S	Dark Gray
	MB79 1369	1		P,S	Beige/Dark Gray w/Leather, w/o Power Windows, w/Speakers
	MB97 4014	1		P,S	Dark Gray
	MB79 1339	1		P,S	Beige/Dark Gray, CANADA 1992 *** RIGHT w/o Power Windows, w/Speakers
	MB79 1352	1		H,S	Dark Gray
	MB79 1355	1		H,S	Medium Gray/Dark Gray
	MB79 1357	1		H,S	Red/Dark Gray
	MB79 1351	1		P,S	Dark Gray/Black
	MB79 1356	1		P,S	Red/Dark Gray w/Power Windows, w/Speakers
	MB79 1366	1		H,S	Red/Dark Gray
	MB79 1361	1		H,S	Dark Gray
	MB79 1364	1		H,S	Medium Gray/Dark Gray
	MB79 1365	1		P,S	Red/Dark Gray
	MB79 1360	1		P,S	Dark Gray/Black w/Leather, w/Power Windows, w/Speakers
	MB97 4016	1		P,S	Dark Gray
	MB79 1341	1		P,S	Beige/Dark Gray w/Leather, w/o Power Windows, w/Speakers
	MB97 4015	1		P,S	Dark Gray
	MB79 1340	1		P,S	Beige/Dark Gray, CANADA 1993-94 *** LEFT

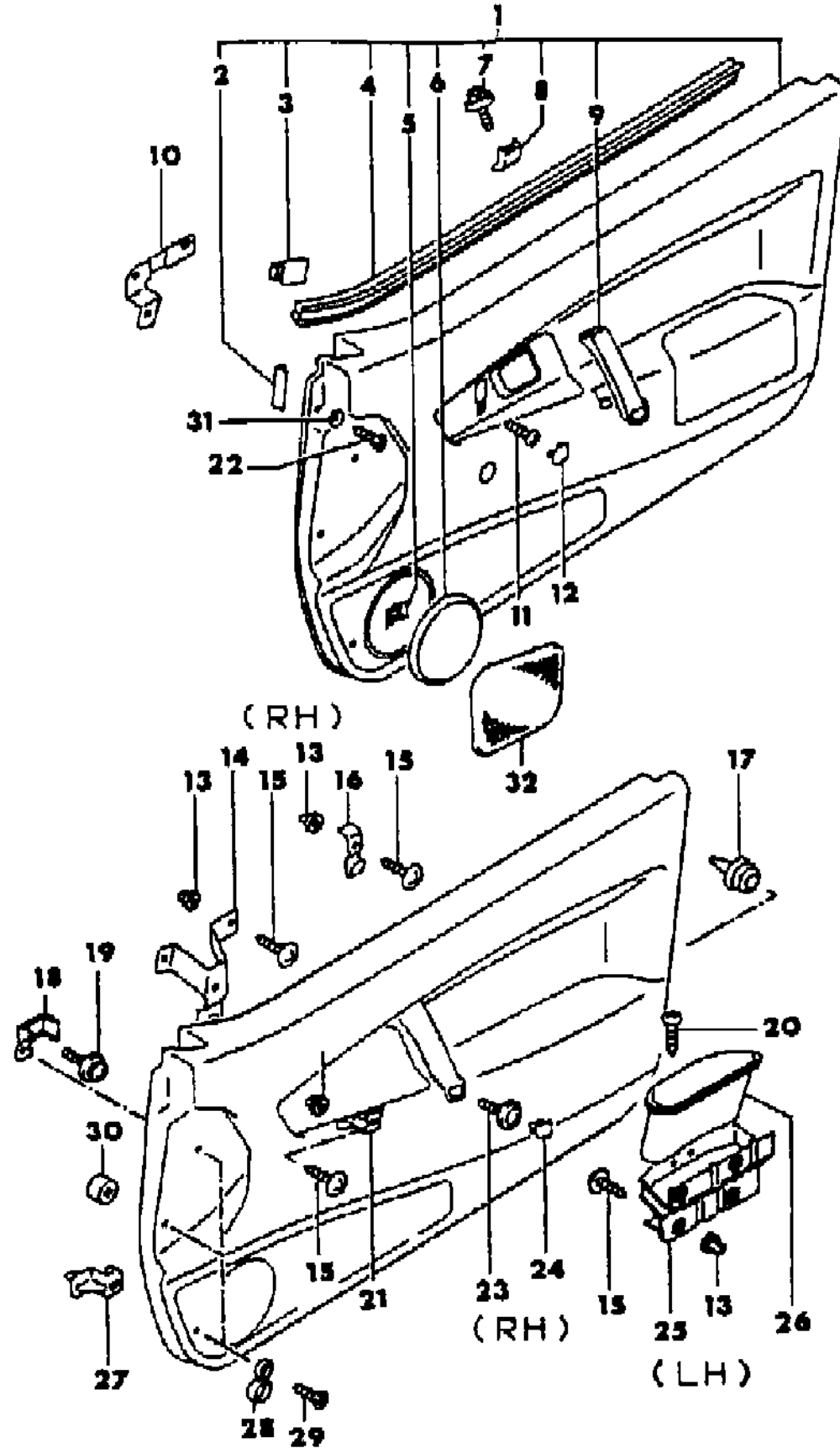
ENGINE: P = 1800cc (1.8L) A = 2000cc (2.0L) Blank = All  
 TRANS: A = Automatic M = Manual Blank = All  
 SERIES: H = High M = Medium P = Premium S = Special

MODELS:  
 24 FWD = 2Dr Hatchback (Laser)  
 24 FWD = 2-Dr Hatchback (Talon)  
 4WD = (4 Wheel Drive)  
 2WD = (2 Wheel Drive)

AR = Use as Required - = Non Illustrated Part P.A.R. = Paint as Required

DOOR TRIM PANEL 24 TALON  
Figure ITQ-800

9635 800 A



ITEM	PART NUMBER	QTY	BODY	MODEL	DESCRIPTION
					w/o Power Windows, w/o Speakers
	MB79 1333	1	M		Dark Gray, w/Vinyl Insert
	MB79 1335	1	M		w/o Power Windows, w/Speakers
	MB91 7585	1	H		Dark Gray
	MB97 3100	1	H		Dark Gray/Medium Red
	MB97 3099	1	H		Dark Gray/Medium Gray
	MB97 7732	1	P,S		Dark Gray/Black
	MB97 7733	1	P,S		Dark Gray/Red
					w/Power Windows, w/Speakers
	MB91 7591	1	H		Dark Gray
	MB97 3111	1	P,S		Dark Gray
	MB97 3115	1	H		Dark Gray/Medium Gray
	MB97 3116	1	H		Dark Gray/Medium Red
	MB97 3110	1	P,S		Dark Gray/Light Beige
	MB97 7736	1	P,S		Dark Gray/Black
	MB97 7737	1	P,S		Dark Gray/Red
					w/Leather, w/o Power Windows, w/Speakers
	MB97 3095	1	P,S		Dark Gray, CANADA
	MB97 3094	1	P,S		Light Beige, CANADA
					1993-94 ***
					RIGHT
					w/o Power Windows, w/o Speakers
	MB79 1334	1	M		Gray, w/Vinyl Insert
					w/o Power Windows, w/Speakers
	MB79 1336	1	M		Dark Gray
	MB91 7588	1	H		Dark Gray
	MB97 3106	1	H		Dark Gray/Medium Red
	MB97 3105	1	H		Dark Gray/Medium Gray
	MB97 7734	1	P,S		Dark Gray/Black
	MB97 7735	1	P,S		Dark Gray/Red
					w/Power Windows, w/Speakers
	MB91 7594	1	H		Dark Gray
	MB97 3113	1	P,S		Dark Gray
	MB97 3121	1	H		Dark Gray/Medium Gray
	MB97 3122	1	H		Dark Gray/Medium Red
	MB97 3112	1	P,S		Dark Gray/Light Beige
	MB97 7738	1	P,S		Dark Gray/Black
	MB97 7739	1	P,S		Dark Gray/Red

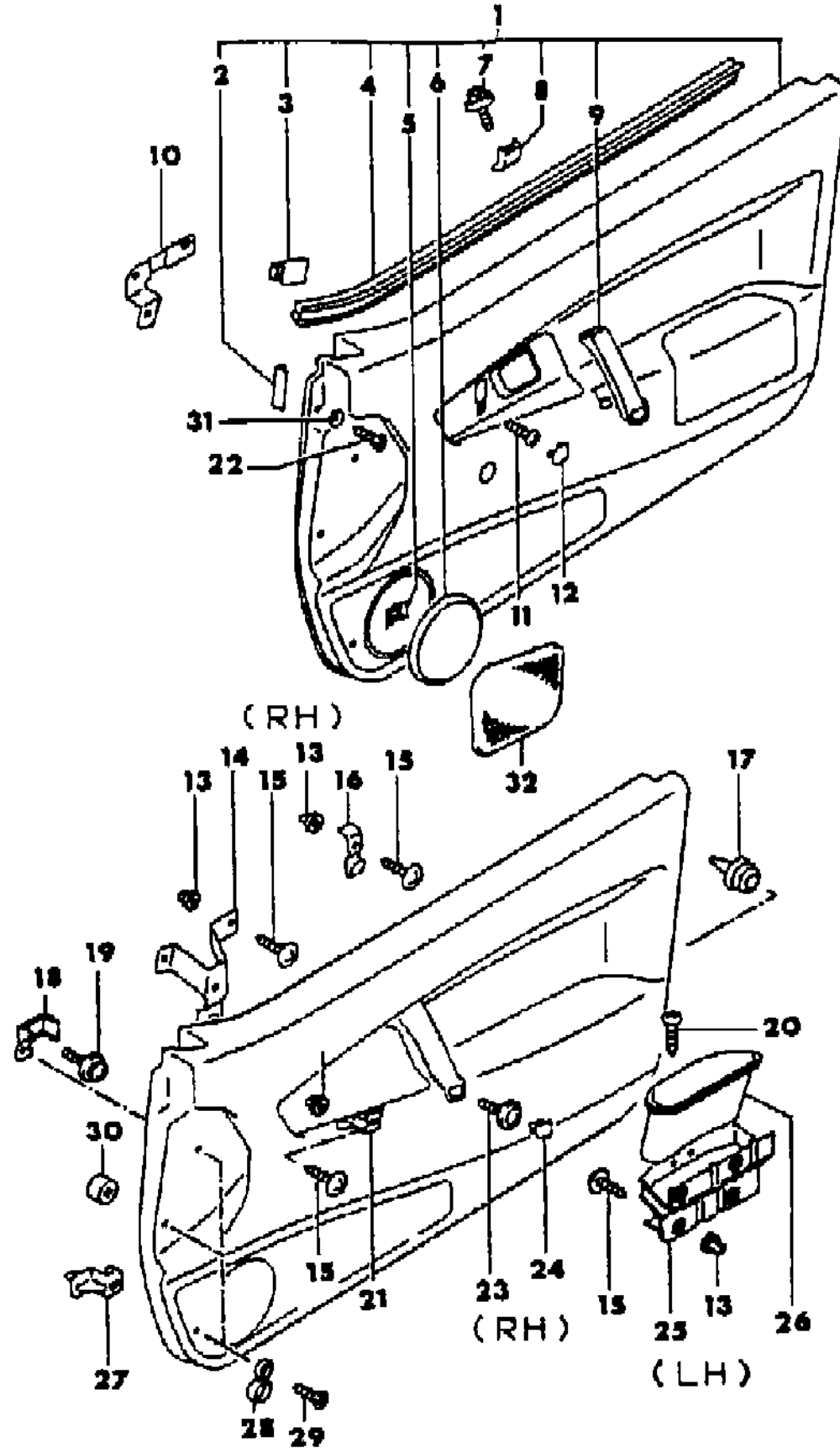
ENGINE: P = 1800cc (1.8L) A = 2000cc (2.0L) Blank = All  
 TRANS: A = Automatic M = Manual Blank = All  
 SERIES: H = High M = Medium P = Premium S = Special

MODELS:  
 24 FWD = 2Dr Hatchback (Laser)  
 24 FWD = 2-Dr Hatchback (Talon)  
 4WD = (4 Wheel Drive)  
 2WD = (2 Wheel Drive)

AR = Use as Required - = Non Illustrated Part P.A.R. = Paint as Required

DOOR TRIM PANEL 24 TALON  
Figure ITQ-800

9635 800 A



ITEM	PART NUMBER	QTY	BODY	MODEL	DESCRIPTION
					w/Leather, w/o Power Windows, w/Speakers
	MB97 3097	1	P,S		Dark Gray, CANADA
	MB97 3096	1	P,S		Dark Gray/Light Beige, CANADA
2					EDGE, Front Door ***
	MB75 2811	2			Gray
	MB75 2812	2			Brown
	MB79 1387	2			Gray, 1992-94
3	MU48 1087	10			CLIP
4	MB51 7817	2			WEATHERSTRIP, Belt Inner
5	MF44 5802	8			NUT, Push-On, Spring, (3)
6					COVER, Speaker
					1990-91
	MB72 2058	2			Gray
	MB72 2060	2			Beige
					1992
	MB64 9261	2			Beige
	MB64 9262	2			Red
					1992-94
	MB79 2169	2			Gray
7	MS35 0046	1			SCREW, w/Washer, (5x20)
8	MB47 9358	1			RETAINER
9					GRIP, Rt.
	MB72 2574	1			Gray
	MB72 2575	1			Brown
	MB79 1404	1			Gray, 1992-94
10					BRACKET, Front Door
	MB56 6391	1			Left
	MB56 6392	1			Right
11	MF45 3079	4			SCREW, Tapping, (4x16)
12	MB47 9474	2			CAP
13					GROMMET, Screw
	MU48 0033	10			(6)
	MB22 3246	10			1992-94
14	MB47 9330	1			BRACKET
15	MF45 3047	10			SCREW, Tapping, (6x16)
16	MB47 9386	1			BRACKET
17	MB37 4270	12			CLIP
18	MB56 6393	2			BRACKET
19	MS35 0129	2			SCREW, w/Washer, (6x16)

ENGINE: P = 1800cc (1.8L) A = 2000cc (2.0L) Blank = All  
 TRANS: A = Automatic M = Manual Blank = All  
 SERIES: H = High M = Medium P = Premium S = Special

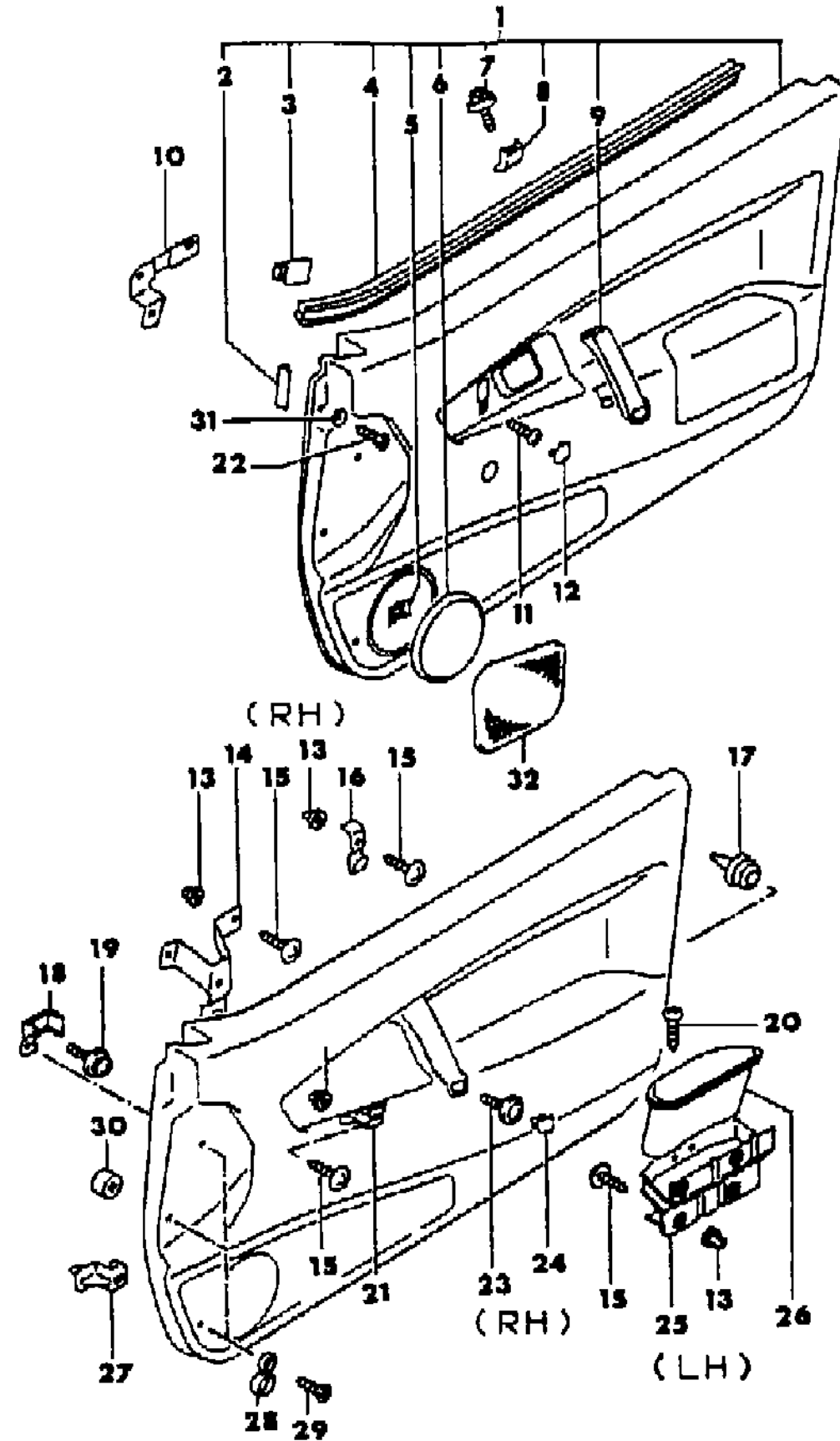
MODELS:  
 24 FWD = 2Dr Hatchback (Laser)  
 24 FWD = 2-Dr Hatchback (Talon)  
 4WD = (4 Wheel Drive)  
 2WD = (2 Wheel Drive)

AR = Use as Required - = Non Illustrated Part P.A.R. = Paint as Required



DOOR TRIM PANEL 24 TALON  
Figure ITQ-800

9635 800 A



ITEM	PART NUMBER	QTY	BODY	MODEL	DESCRIPTION
20	MF45 3093	2			SCREW, Tapping, (5x16)
21	MB56 6394	2			BRACKET
22	MF45 3975	2			SCREW, Tapping (4x16)
	MF45 3976	2			(4x20), 1992-94
23	MS35 0085	1			SCREW, w/Washer, (5x16)
24	MB72 4476	1			CAP Gray
	MB72 4477	1			Brown
	MB79 1405	1			Gray, 1992-94
25	MB47 9209	1			BRACKET, Pull Handle
26					BOX, Front Door ***
	MB72 2572	1			Gray
	MB72 2573	1			Brown
	MB79 1389	1			Gray, 1992-94
27					GROMMET
	MB56 6395	1			Left
	MB56 6396	1			Right
28					CAP
	MB72 7413	6			Gray
	MB72 7414	6			Brown
	MB76 6468	6			Gray, 1992-94
29	MF45 3916	6			SCREW, Tapping, (4x20)
30	MB64 3129	2			GROMMET
31	MU45 1009	4			WASHER
32					COVER, Speakers
					LEFT
	MB97 3133	1			Gray
	MB97 3132	1			Beige
	MB97 3134	1			Red
					RIGHT
	MB97 3136	1			Gray
	MB97 3135	1			Beige
	MB97 3137	1			Red

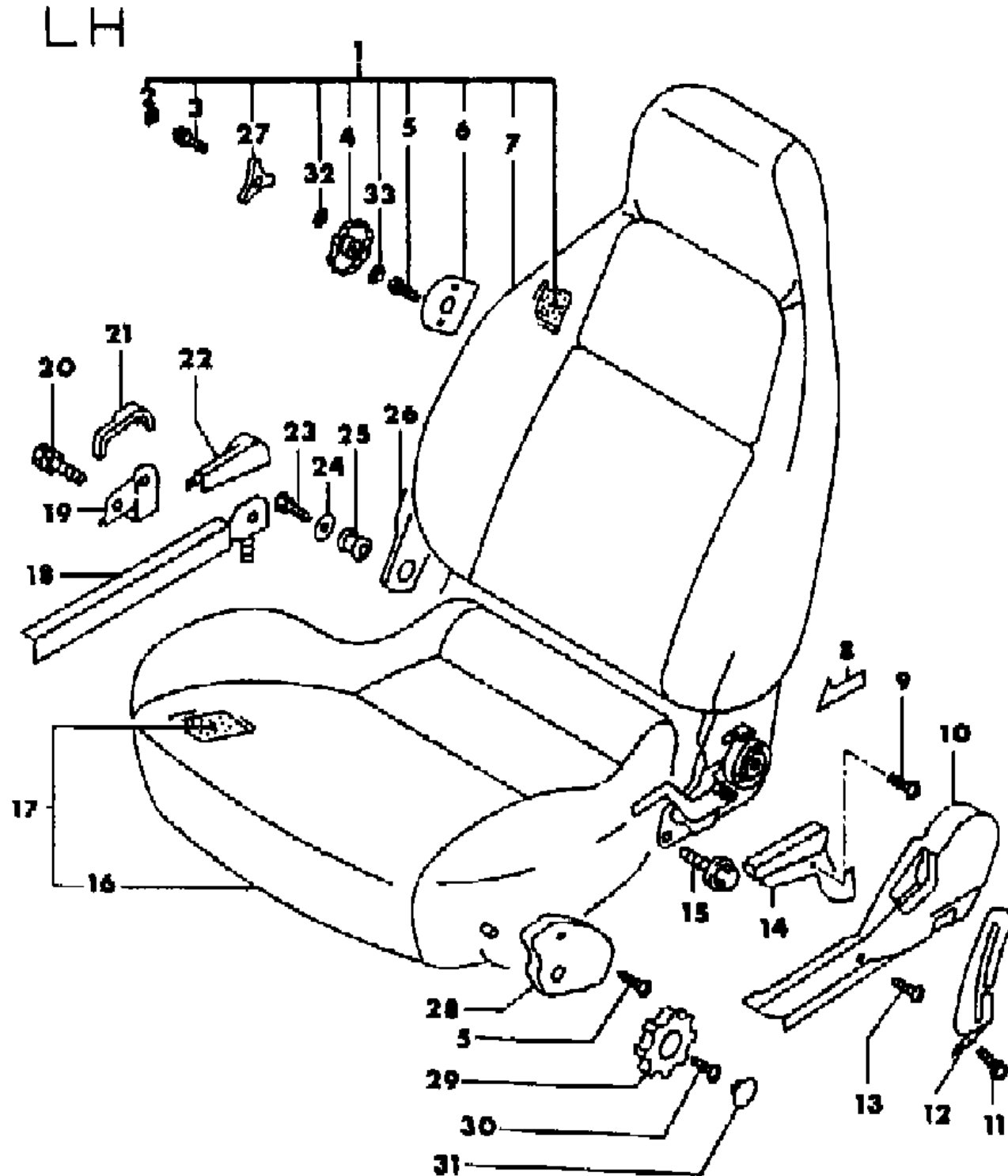
ENGINE: P = 1800cc (1.8L) A = 2000cc (2.0L) Blank = All  
 TRANS: A = Automatic M = Manual Blank = All  
 SERIES: H = High M = Medium P = Premium S = Special

MODELS:  
 24 FWD = 2Dr Hatchback (Laser)  
 24 FWD = 2-Dr Hatchback (Talon)  
 4WD = (4 Wheel Drive)  
 2WD = (2 Wheel Drive)

AR = Use as Required - = Non Illustrated Part P.A.R. = Paint as Required

SEAT FRONT, LEFT TALON  
Figure ITQ-900

9635 900A



ITEM	PART NUMBER	QTY	BODY	MODEL	DESCRIPTION
1					BACK, Front Seat, w/Headrest
					1990-91
					CLOTH
	MB72 5033	1	H		Gray
	MB72 5034	1	H		Beige/Brown
	MB72 7670	1	P,S		Brown/Beige
	MB72 7668	1	P,S		Gray/Black
					1992
					CLOTH
	MB79 1658	1	H		Dark Gray
	MB79 4392	1	H		Medium Gray
	MB79 1661	1	H		Red
	MB79 1692	1	P,S		Dark Gray/Black
	MB79 1693	1	P,S		Red
					LEATHER/VINYL
	MB74 6188	1	P,S		Gray
	MB79 1930	1	P,S		Beige
	MB97 3010	1	P,S		Dark Gray, After 1-1-92
					1993-94
					CLOTH
	MR70 4659	1			Gray
	MB97 3066	1	M		Red
	MB96 6518	1	H		Dark Gray
	MB97 3073	1	H		Medium Gray
	MB97 3071	1	H		Red
	MB96 6522	1	P,S		Dark Gray
	MB97 8106	1	P,S		Red
					LEATHER
	MB79 1930	1	P,S		Beige
	MB97 3010	1	P,S		Dark Gray
2					CAP
	MB74 7659	1	H		Gray
	MB74 7660	1	H		Brown
	MB74 7691	1	P,S		Gray
	MB74 7692	1	P,S		Brown
	MB79 1764	1	P-S		Gray, 1992-94
3	MF35 0744	1			SCREW, w/Washer, (4x10)
4					LEVER
	MB74 7657	1	H		Brown

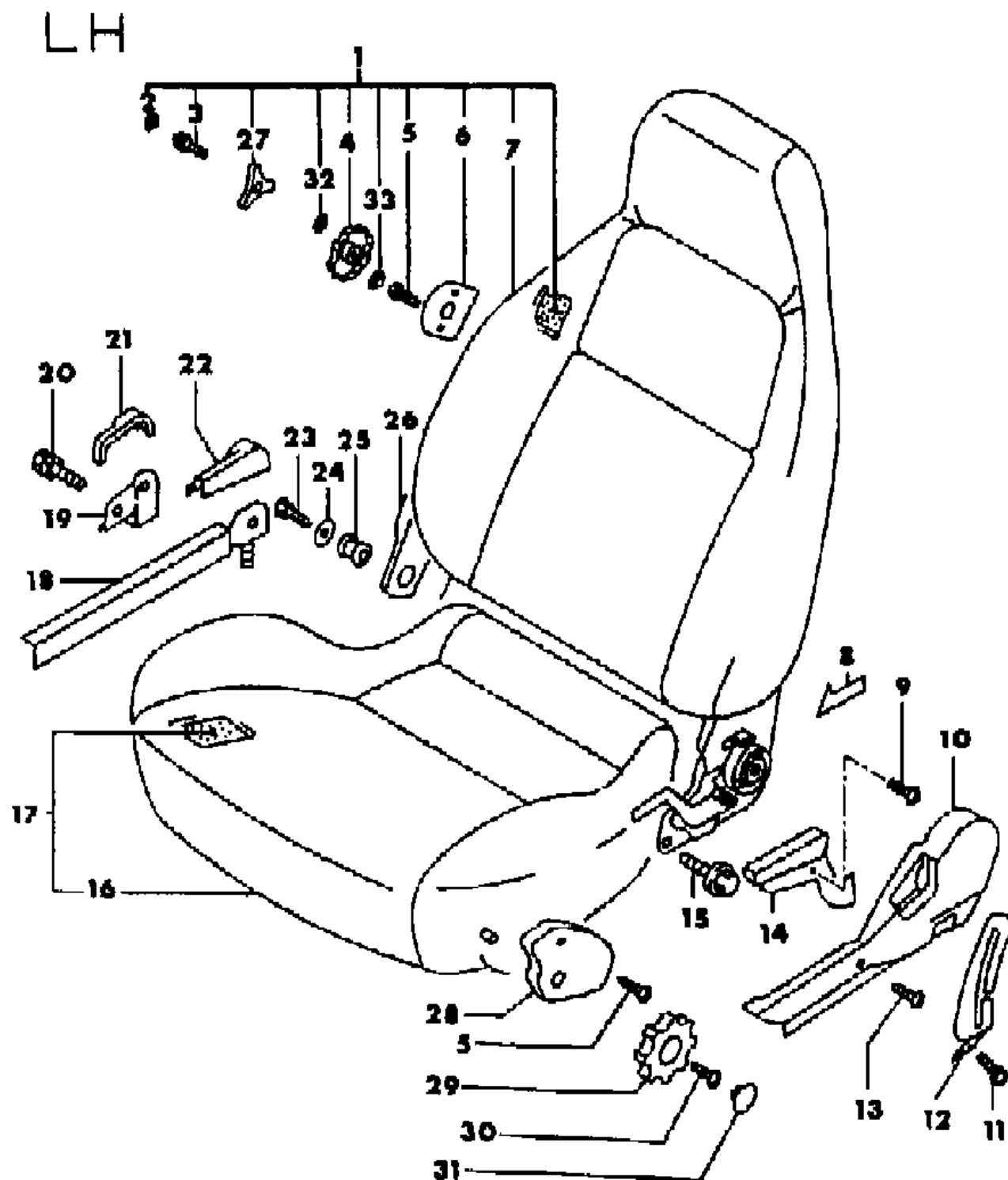
ENGINE: P = 1800cc (1.8L) A = 2000cc (2.0L) Blank = All  
 TRANS: A = Automatic M = Manual Blank = All  
 SERIES: H = High M = Medium P = Premium S = Special

MODELS:  
 24 FWD = 2Dr Hatchback (Laser)  
 24 FWD = 2-Dr Hatchback (Talon)  
 4WD = (4 Wheel Drive)  
 2WD = (2 Wheel Drive)

AR = Use as Required - = Non Illustrated Part P.A.R. = Paint as Required

SEAT FRONT, LEFT TALON  
Figure ITQ-900

9635 900A



ITEM	PART NUMBER	QTY	BODY	MODEL	DESCRIPTION
	MB74 7656	1		H	Gray
	MB79 1737	1		H	Gray, 1992-94
	MB74 7686	1		P,S	Brown
	MB74 7685	1		P,S	Gray
	MB79 1762	1		P,S	Gray, 1992-94
5	MF45 6110	2			SCREW, Tapping, (5x10)
6					LEVER
	MB74 7682	1			Gray
	MB74 7683	1			Brown
7	MB79 1761	1			Gray, 1992-94
					COVER, Back
					1990-91
					CLOTH
	MB74 7663	1		H	Gray
	MB74 7664	1		H	Beige/Brown
	MB74 7671	1		P,S	Beige/Brown
	MB74 7669	1		P,S	Black/Gray
					1992
					CLOTH
	MB79 1744	1		P,S	Dark Gray
	MB79 1745	1		P,S	Red
	MB79 1742	1		H,S	Red
	MB79 4423	1		H,S	Medium Gray
	MB79 1739	1		H,S	Dark Gray
					LEATHER/VINYL
	MB74 7708	1		P,S	Gray
	MB79 1932	1		P,S	Beige
	MB97 3012	1		P,S	Dark Gray, After 1-1-92
					1993-94
					CLOTH
	MR70 4661	1		M	Gray
	MB97 3080	1		M	Red
	MB96 6530	1		H	Dark Gray
	MB97 3087	1		H	Medium Gray
	MB97 3085	1		H	Red
	MB96 6534	1		P,S	Dark Gray/Black
	MB97 8108	1		P,S	Red
					LEATHER
	MB79 1932	1		P,S	Beige

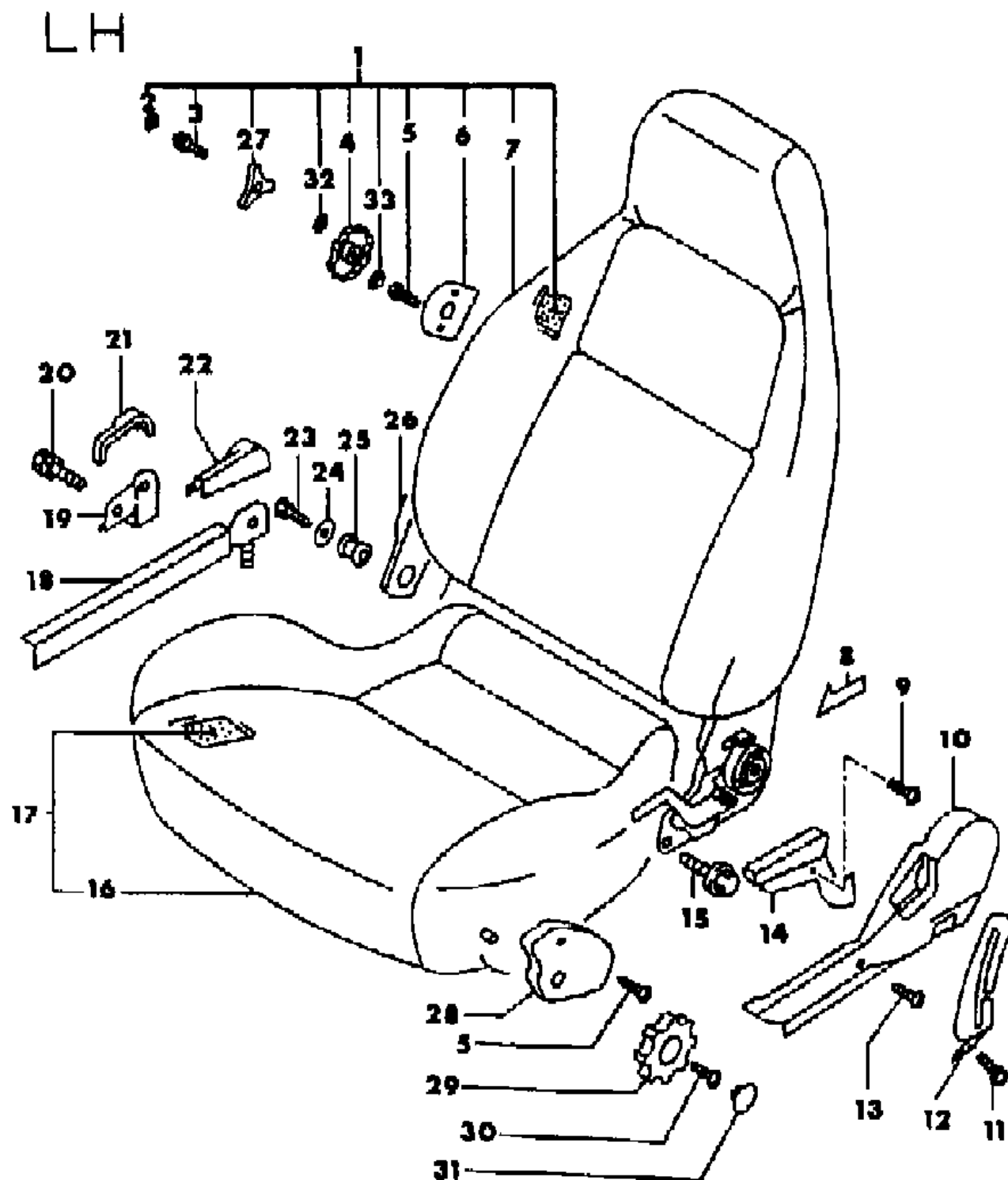
ENGINE: P = 1800cc (1.8L) A = 2000cc (2.0L) Blank = All  
 TRANS: A = Automatic M = Manual Blank = All  
 SERIES: H = High M = Medium P = Premium S = Special

MODELS:  
 24 FWD = 2Dr Hatchback (Laser)  
 24 FWD = 2-Dr Hatchback (Talon)  
 4WD = (4 Wheel Drive)  
 2WD = (2 Wheel Drive)

AR = Use as Required - = Non Illustrated Part P.A.R. = Paint as Required

SEAT FRONT, LEFT TALON  
Figure ITQ-900

9635 900A



ITEM	PART NUMBER	QTY	BODY	MODEL	DESCRIPTION
	MB97 3012	1		P,S	Dark Gray
8					CAP, Shield
	MB74 7618	1			Gray
	MB74 7619	1			Brown
	MB79 1709	1			Gray, 1992-94
9					SCREW, Machine
	MS20 0037	2			(4x6)
	MB41 0568	2			(4x6), 1992-94
10					COVER, Shield
	MB74 7612	1			Gray
	MB74 7613	1			Brown
	MB79 1707	1			Gray, 1992-94
11	MF35 0313	4			SCREW, w/Washer, (6x16)
12					BELT HOLDER ***
	MB74 7606	1			Gray
	MB74 7607	1			Brown
	MB79 1150	1			Gray, 1992-94
13	MF45 5497	2			SCREW, Tapping, (4x12)
14					KNOB, Reclining
	MB72 5070	1			Gray
	MB72 5071	1			Brown
	MB78 5948	1			Gray, 1992-94
15	MF24 1280	4			BOLT, w/Washer, (10x20)
16					COVER, Front Cushion
					1990-91
					CLOTH
	MB74 7638	1		H	Gray
	MB74 7639	1		H	Beige/Brown
	MB74 7646	1		P,S	Beige/Brown
	MB74 7644	1		P,S	Black/Gray
					1992
					CLOTH
	MB79 1714	1		H,S	Dark Gray
	MB79 4411	1		H,S	Medium Gray
	MB79 1717	1		H,S	Red
	MB79 1726	1		P,S	Dark Gray/Black
	MB79 1727	1		P,S	Red
					LEATHER/VINYL
	MB74 7710	1		P,S	Gray

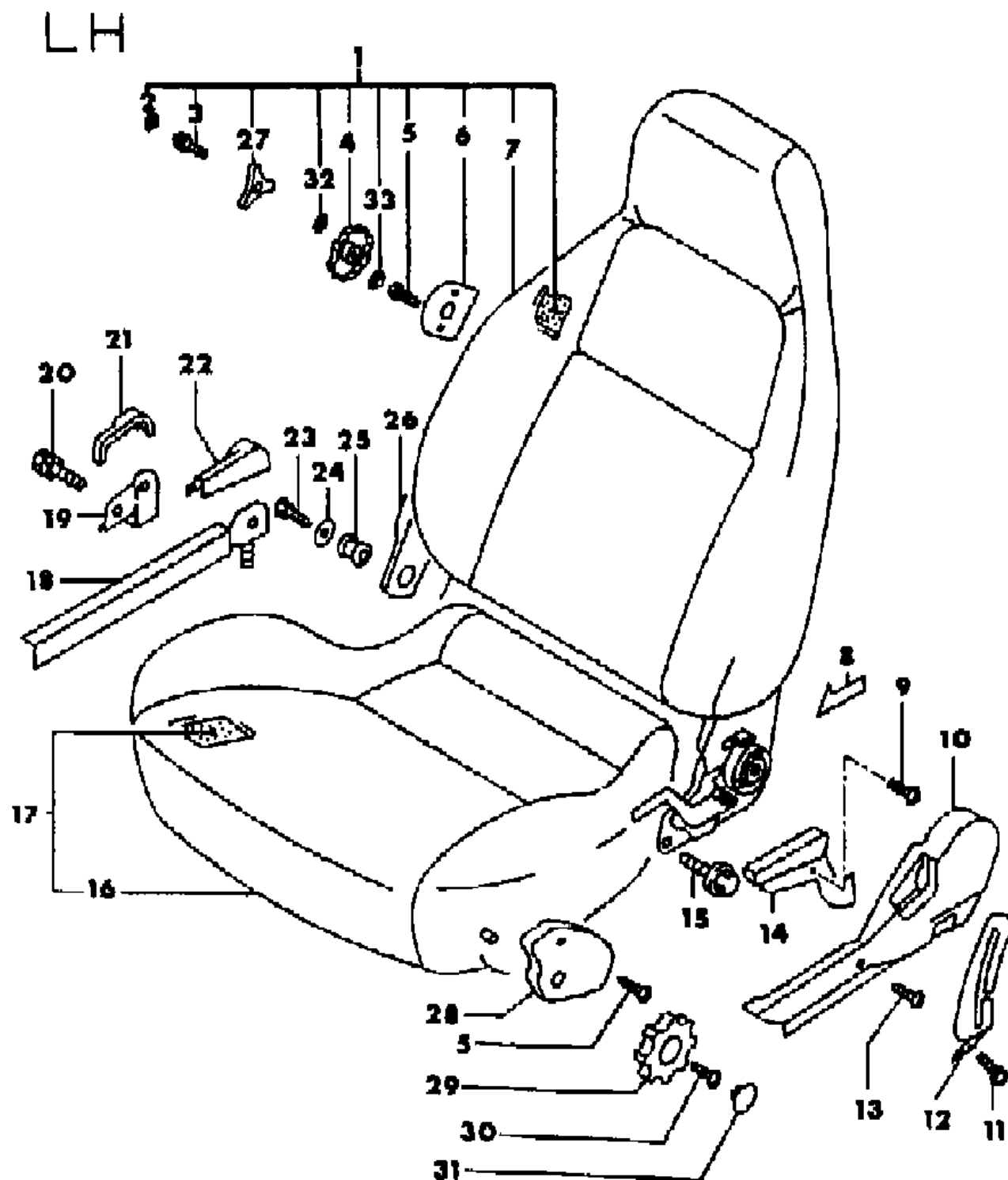
ENGINE: P = 1800cc (1.8L) A = 2000cc (2.0L) Blank = All  
 TRANS: A = Automatic M = Manual Blank = All  
 SERIES: H = High M = Medium P = Premium S = Special

MODELS:  
 24 FWD = 2Dr Hatchback (Laser)  
 24 FWD = 2-Dr Hatchback (Talon)  
 4WD = (4 Wheel Drive)  
 2WD = (2 Wheel Drive)

AR = Use as Required - = Non Illustrated Part P.A.R. = Paint as Required

SEAT FRONT, LEFT TALON  
Figure ITQ-900

9635 900A



ITEM	PART NUMBER	QTY	BODY	MODEL	DESCRIPTION
	MB79 1928	1		P,S	Beige
	MB97 3008	1		P,S	Dark Gray, After 1-1-92 1993-94 CLOTH
	MR70 4657	1		M	Gray
	MB97 3055	1		M	Red
	MB96 6501	1		H	Dark Gray
	MB97 3054	1		H	Medium Gray
	MB97 3052	1		H	Red
	MB97 8101	1		P,S	Red
	MB96 6510	1		P,S	Dark Gray LEATHER
	MB79 1928	1		P,S	Beige
17	MB97 3008	1		P,S	Dark Gray CUSHION, Front Seat 1990-91 CLOTH
	MB72 5021	1		H	Gray
	MB72 5022	1		H	Beige/Brown
	MB72 7654	1		P,S	Brown/Beige
	MB72 7652	1		P,S	Gray/Black
					1992 CLOTH
	MB79 1646	1		H,S	Dark Gray
	MB79 4382	1		H,S	Medium Gray
	MB79 1649	1		H,S	Red
	MB79 1682	1		P,S	Dark Gray/Black
	MB79 1683	1		P,S	Red LEATHER/VINYL
	MB74 6184	1		P,S	Gray
	MB79 1926	1		P,S	Beige
	MB97 3006	1		P,S	Dark Gray, After 1-1-92 1993-94 CLOTH
	MR70 4655	1		M	Gray
	MB97 3041	1		M	Red
	MB96 6489	1		H	Dark Gray
	MB97 3040	1		H	Medium Gray
	MB97 3038	1		H	Red

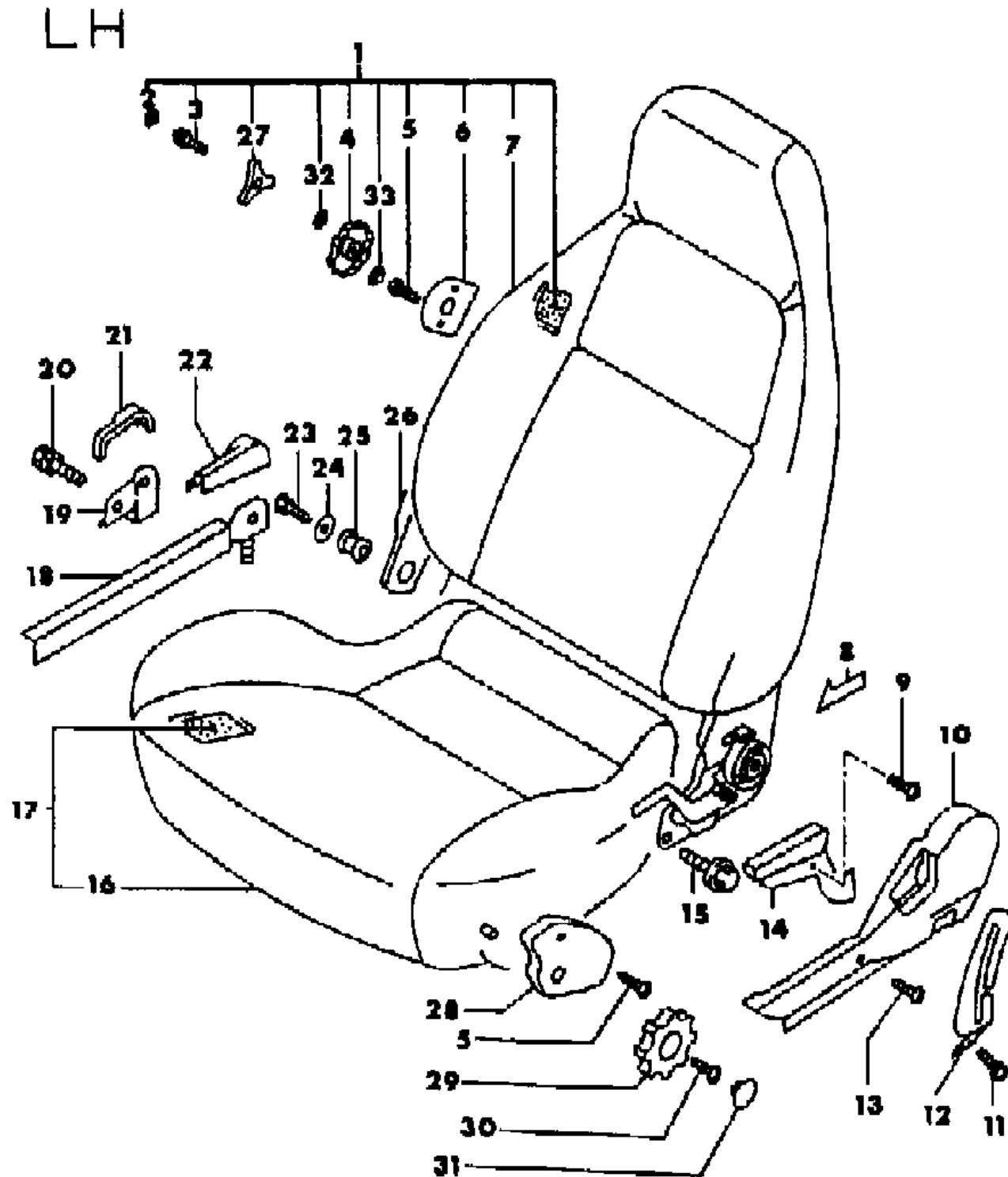
ENGINE: P = 1800cc (1.8L) A = 2000cc (2.0L) Blank = All  
 TRANS: A = Automatic M = Manual Blank = All  
 SERIES: H = High M = Medium P = Premium S = Special

MODELS:  
 24 FWD = 2Dr Hatchback (Laser)  
 24 FWD = 2-Dr Hatchback (Talon)  
 4WD = (4 Wheel Drive)  
 2WD = (2 Wheel Drive)

AR = Use as Required - = Non Illustrated Part P.A.R. = Paint as Required

SEAT FRONT, LEFT TALON  
Figure ITQ-900

9635 900A



ITEM	PART NUMBER	QTY	BODY	MODEL	DESCRIPTION
	MB96 6498	1		P,S	Dark Gray
	MB97 8101	1		P,S	Red LEATHER
	MB79 1926	1		P,S	Beige
	MB97 3006	1		P,S	Dark Gray
18					RAIL, Slider LEFT
	MB72 2347	1			Gray
	MB72 2348	1			Beige
	MB79 1702	1			Gray, 1992-94 RIGHT
	MB72 2349	1			Gray
	MB72 2350	1			Beige
	MB79 1703	1			Gray, 1992-94
19	MB55 9827	1			BRACKET, Lt., Slide
20	MB26 8795	2			BOLT, w/Washer
21					COVER
	MB74 7627	1			Gray
	MB74 7628	1			Brown
	MB79 1712	1			Gray, 1992-94
22					COVER, Anchor
	MB72 2706	1			Gray
	MB72 2707	1			Brown
	MB79 1704	1			Gray, 1992-94
23	MB07 4040	2			SCREW, (6x12)
24	MF45 0193	2			WASHER
25	MB15 8706	2			BUSHING
26					PROTECTOR
	MB74 7624	2			Gray
	MB74 7625	2			Brown
	MB79 1711	1			Gray, 1992-94
27					LEVER, Support
	MB74 7689	1			Brown
	MB74 7688	1			Gray
	MB79 1763	1			Gray, 1992-94
28					GARNISH, Support Lever ***
	MB74 7653	1			Gray
	MB74 7654	1			Brown
	MB79 1736	1			Gray, 1992-94

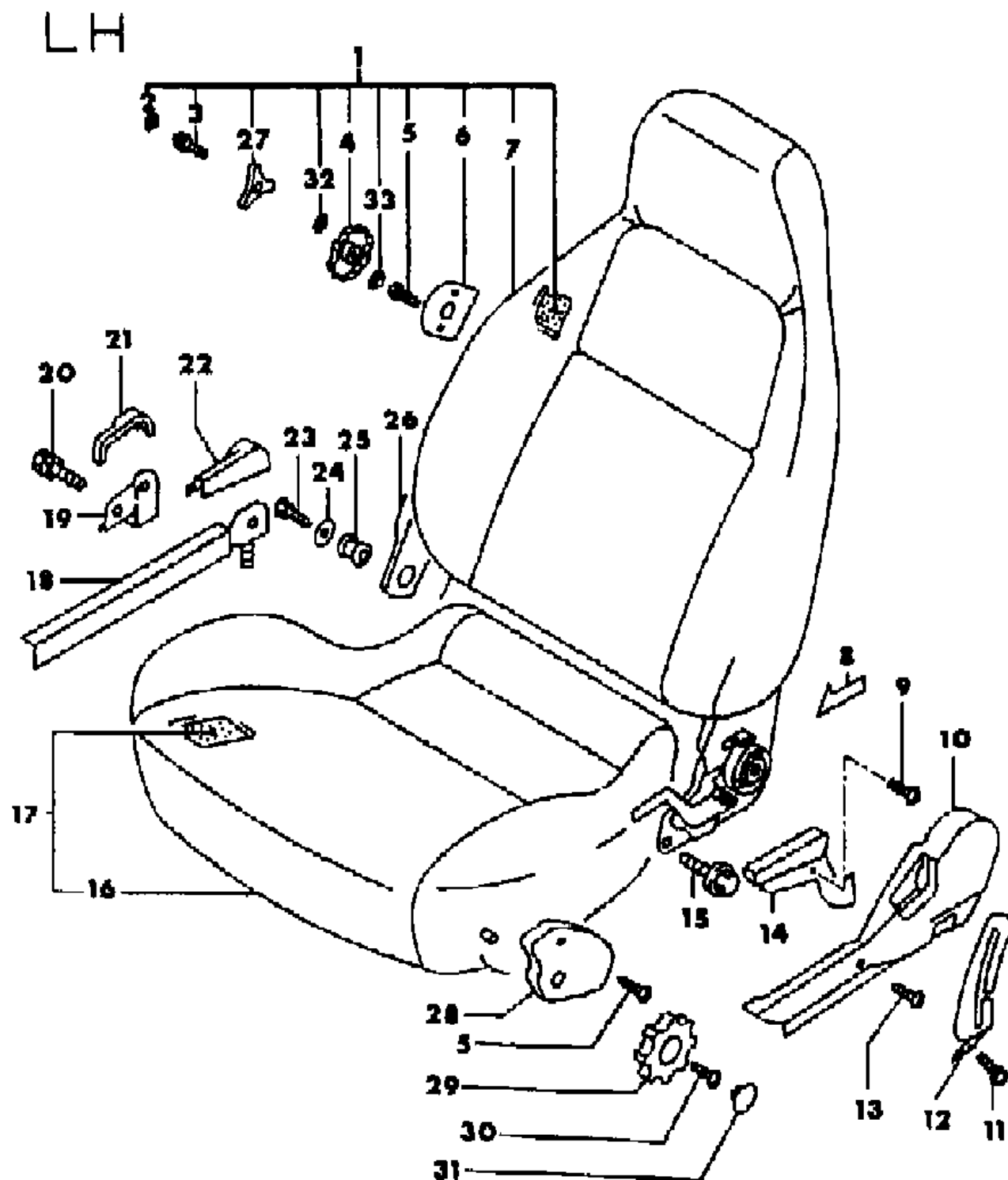
ENGINE: P = 1800cc (1.8L) A = 2000cc (2.0L) Blank = All  
 TRANS: A = Automatic M = Manual Blank = All  
 SERIES: H = High M = Medium P = Premium S = Special

MODELS:  
 24 FWD = 2Dr Hatchback (Laser)  
 24 FWD = 2-Dr Hatchback (Talon)  
 4WD = (4 Wheel Drive)  
 2WD = (2 Wheel Drive)

AR = Use as Required - = Non Illustrated Part P.A.R. = Paint as Required

SEAT FRONT, LEFT TALON  
Figure ITQ-900

9635 900A



ITEM	PART NUMBER	QTY	BODY	MODEL	DESCRIPTION
29					LEVER, Support
	MB74 7657	1			Brown
	MB74 7656	1			Gray
	MB79 1737	1			Gray, 1992-94
30	MF35 0768	1			SCREW, (5x12)
31					CAP
	MB74 7660	1			Brown
	MB74 7659	1			Gray
	MB79 1738	1			Gray, 1992-94
32	MB60 2082	1			BUSHING
33	MB79 1738	1			CAP, Lumbar Support Lever, (Gray), 1992-94

ENGINE: P = 1800cc (1.8L) A = 2000cc (2.0L) Blank = All  
 TRANS: A = Automatic M = Manual Blank = All  
 SERIES: H = High M = Medium P = Premium S = Special

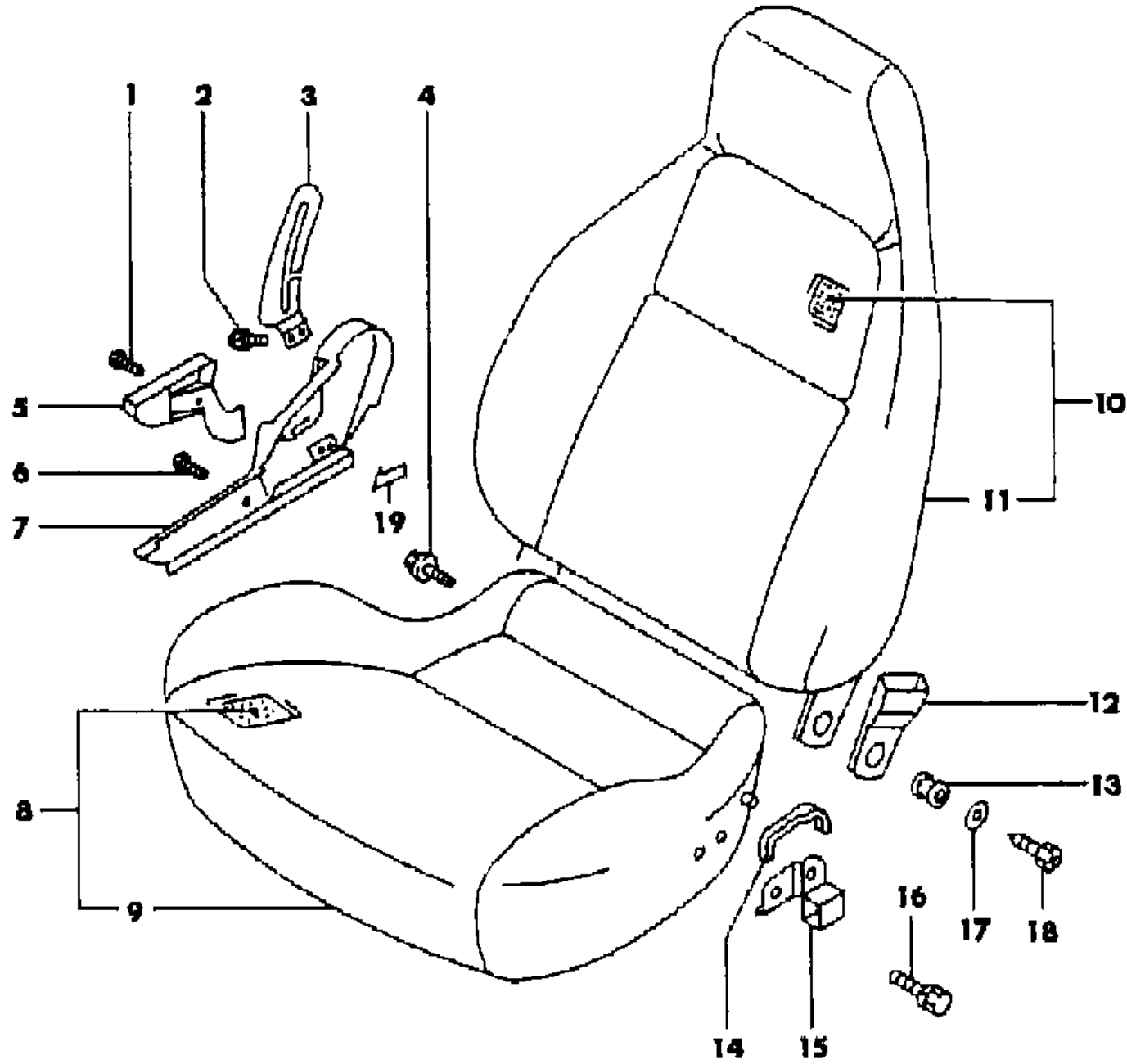
MODELS:  
 24 FWD = 2Dr Hatchback (Laser)  
 24 FWD = 2-Dr Hatchback (Talon)  
 4WD = (4 Wheel Drive)  
 2WD = (2 Wheel Drive)

AR = Use as Required - = Non Illustrated Part P.A.R. = Paint as Required

SEAT FRONT, RIGHT TALON  
Figure ITQ-1000

9635 1000

RH



ITEM	PART NUMBER	QTY	BODY	MODEL	DESCRIPTION
1					SCREW
	MS20 0037	2			(4x6)
	MB41 0568	2			(4x6), 1992-94
2	MF35 0313	4			SCREW, w/Washer, (6x16)
3					HOLDER, Belt
					1990-91
	MB74 7609	1			Gray
	MB74 7610	1			Brown
					1992
	MB74 7610	1			Brown
					1992-94
	MB79 1151	1			Gray
4	MF24 1280	4			BOLT, w/Washer, (10x20)
5					KNOB, Reclining
	MB72 5073	1			Gray
	MB72 5074	1			Brown
	MB78 5949	1			Gray, 1992-94
6	MF45 5497	2			SCREW, Tapping, (4x12)
7					COVER, Shield
	MB74 7615	1			Gray
	MB74 7616	1			Brown
	MB79 1708	1			Gray, 1992-94
8					CUSHION, Front Seat
					1990-91
					CLOTH
	MB72 5025	1	H		Gray
	MB72 5026	1	H		Brown
	MB72 7656	1	P,S		Gray/Black
	MB72 7658	1	P,S		Brown/Beige
					1992
					CLOTH
	MB79 1651	1	H,S		Dark Gray
	MB79 4387	1	H,S		Medium Gray
	MB79 1655	1	H,S		Red
	MB79 1687	1	P,S		Gray/Black
	MB79 1688	1	P,S		Red
					LEATHER/VINYL
	MB74 6185	1			Gray
	MB79 1927	1			Beige

ENGINE: P = 1800cc (1.8L) A = 2000cc (2.0L) Blank = All  
 TRANS: A = Automatic M = Manual Blank = All  
 SERIES: H = High M = Medium P = Premium S = Special

MODELS:  
 24 FWD = 2Dr Hatchback (Laser)  
 24 FWD = 2-Dr Hatchback (Talon)  
 4WD = (4 Wheel Drive)  
 2WD = (2 Wheel Drive)

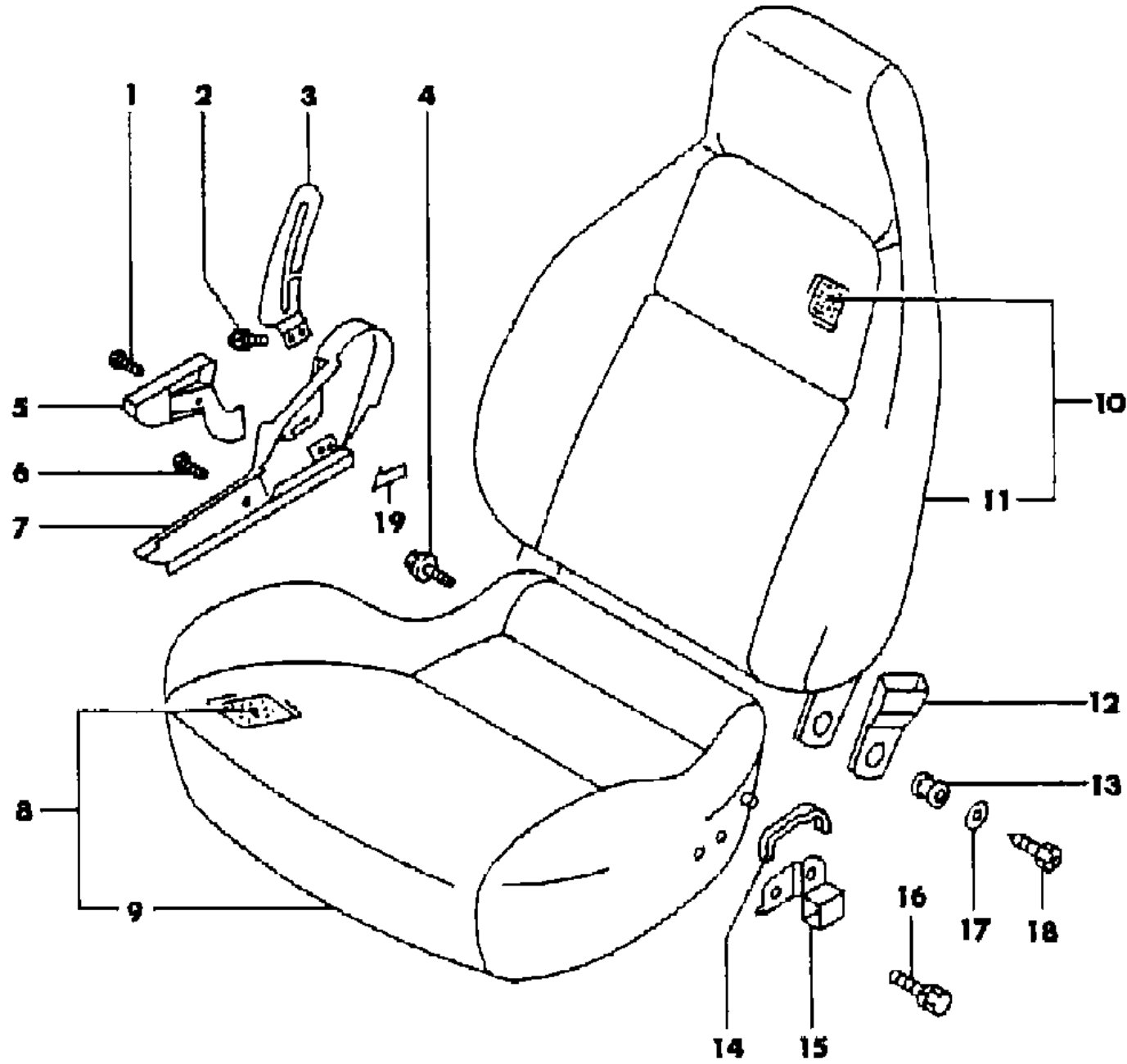
AR = Use as Required - = Non Illustrated Part P.A.R. = Paint as Required



SEAT FRONT, RIGHT TALON  
Figure ITQ-1000

9635 1000

RH



ITEM	PART NUMBER	QTY	BODY	MODEL	DESCRIPTION
	MB97 3007	1		P,S	Dark Gray, After 1-1-92 1993-94 CLOTH
	MR70 4656	1		M	Gray
	MB97 3045	1		M	Red
	MB96 6493	1		H	Dark Gray
	MB97 3044	1		H	Medium Gray
	MB97 3042	1		H	Red
	MB96 6496	1		P,S	Dark Gray
	MB97 8100	1		P,S	Red LEATHER
	MB79 1927	1		P,S	Beige
	MB97 3007	1		P,S	Dark Gray
9					COVER, Cushion CLOTH
	MB74 7642	1		H	Gray
	MB74 7643	1		H	Brown
	MB74 7650	1		P,S	Beige/Brown
	MB74 7648	1		P,S	Black/Gray 1992 CLOTH
	MB79 1719	1		H	Dark Gray
	MB79 4416	1		H	Medium Gray
	MB79 1723	1		H	Red
	MB79 1731	1		P,S	Dark Gray/Black
	MB79 1732	1		P,S	Red LEATHER/VINYL
	MB74 7711	1			Gray
	MB79 1929	1			Beige
	MB97 3009	1			Dark Gray, After 1-1-92 1993-94 CLOTH
	MR70 4658	1		M	Gray
	MB97 3059	1		M	Red
	MB96 6505	1		H	Dark Gray
	MB97 3058	1		H	Medium Gray
	MB97 3056	1		H	Red
	MB97 8102	1		P,S	Dark Gray
	MB97 8103	1		P,S	Red

ENGINE: P = 1800cc (1.8L) A = 2000cc (2.0L) Blank = All  
 TRANS: A = Automatic M = Manual Blank = All  
 SERIES: H = High M = Medium P = Premium S = Special

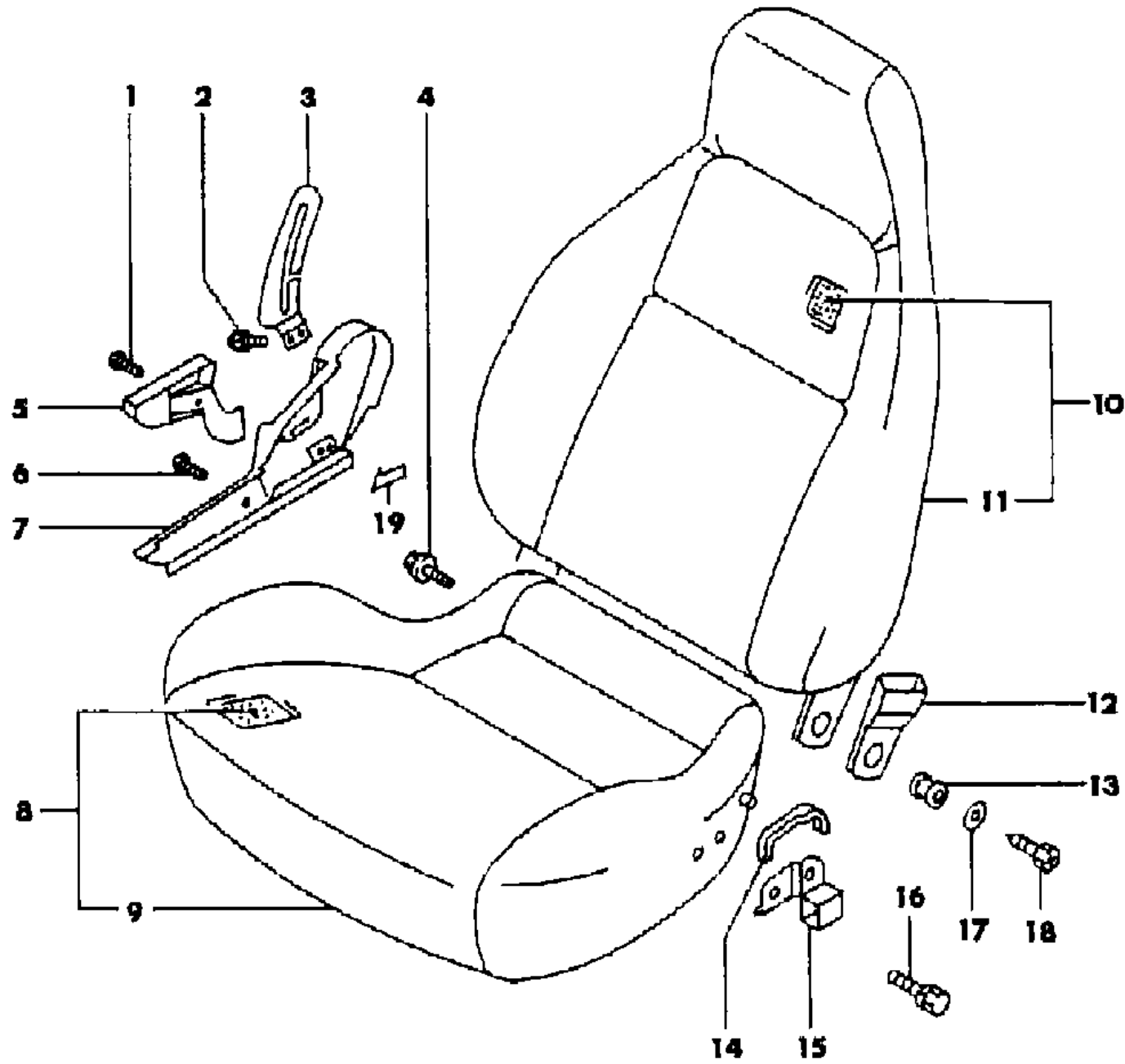
MODELS:  
 24 FWD = 2Dr Hatchback (Laser)  
 24 FWD = 2-Dr Hatchback (Talon)  
 4WD = (4 Wheel Drive)  
 2WD = (2 Wheel Drive)

AR = Use as Required - = Non Illustrated Part P.A.R. = Paint as Required

SEAT FRONT, RIGHT TALON  
Figure ITQ-1000

9635 1000

RH



ITEM	PART NUMBER	QTY	BODY	MODEL	DESCRIPTION
					LEATHER
	MB79 1929	1		P,S	Beige
	MB97 3009	1		P,S	Dark Gray
10					BACK, Front Seat, w/Headrest 1990-91
					CLOTH
	MB72 5037	1		H	Gray
	MB72 5038	1		H	Brown
	MB72 7672	1		P,S	Gray/Black
	MB72 7674	1		P,S	Brown/Beige 1992
					CLOTH
	MB79 1663	1		H	Dark Gray
	MB79 4394	1		H	Medium Gray
	MB79 1667	1		H	Red
	MB79 1697	1		P,S	Dark Gray/Black
	MB79 1698	1		P,S	Red
					LEATHER/VINYL
	MB74 6189	1			Gray
	MB79 1931	1			Beige
	MB97 3011	1			Dark Gray, After 1-1-92 1993-94
					CLOTH
	MR70 4660	1		M	Gray
	MB97 3070	1		M	Red
	MB96 6514	1		H	Dark Gray
	MB97 3069	1		H	Medium Gray
	MB97 3067	1		H	Red
	MB97 8100	1		P,S	Red
	MB96 6520	1		P,S	Dark Gray
					LEATHER
	MB79 1931	1		P,S	Beige
	MB97 3011	1		P,S	Dark Gray
11					COVER, Back Front Seat 1990-91
					CLOTH
	MB74 7679	1		H	Gray
	MB74 7680	1		H	Brown
	MB74 7675	1		P,S	Beige/Brown

ENGINE: P = 1800cc (1.8L) A = 2000cc (2.0L) Blank = All  
 TRANS: A = Automatic M = Manual Blank = All  
 SERIES: H = High M = Medium P = Premium S = Special

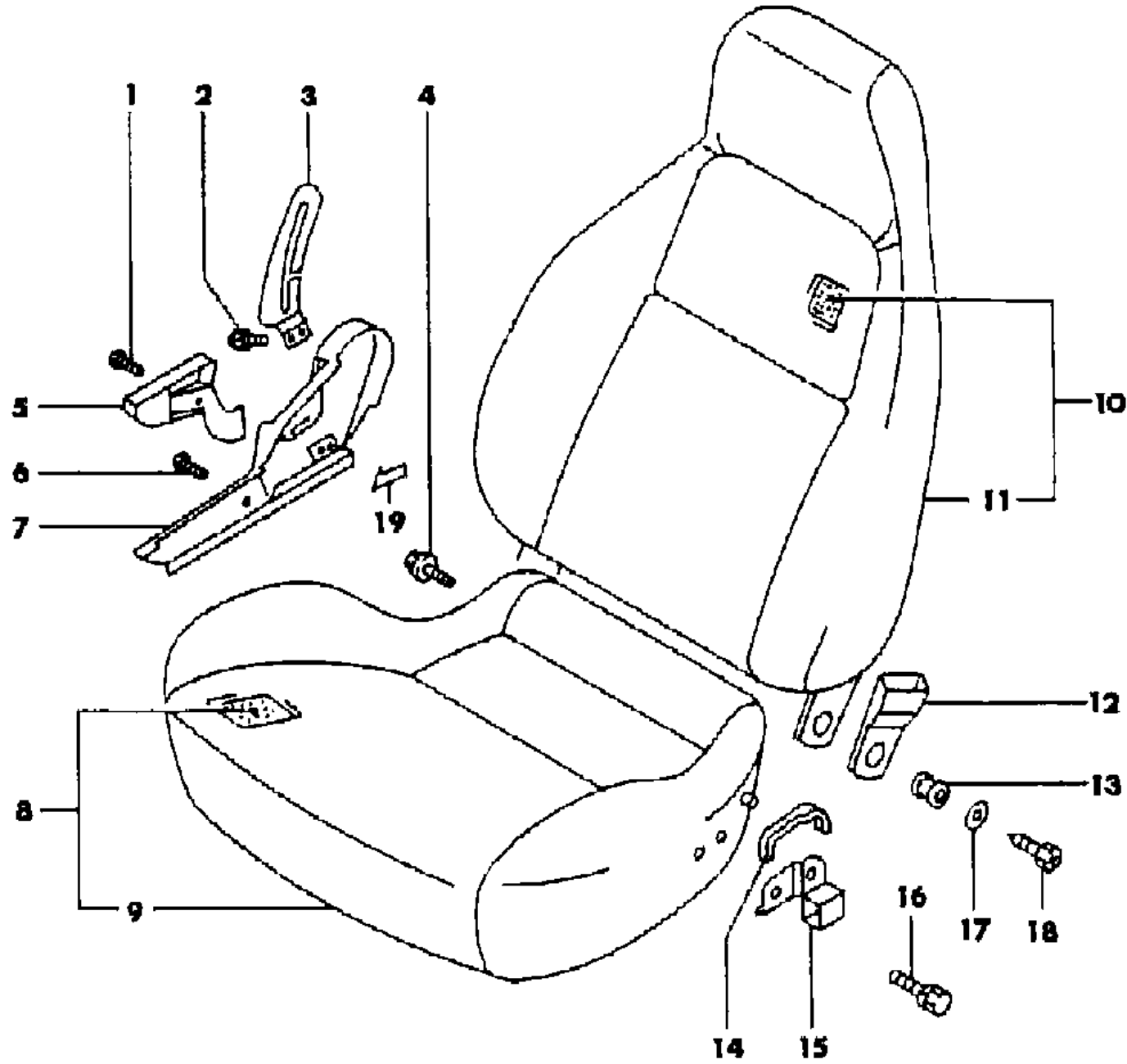
MODELS:  
 24 FWD = 2Dr Hatchback (Laser)  
 24 FWD = 2-Dr Hatchback (Talon)  
 4WD = (4 Wheel Drive)  
 2WD = (2 Wheel Drive)

AR = Use as Required - = Non Illustrated Part P.A.R. = Paint as Required

SEAT FRONT, RIGHT TALON  
Figure ITQ-1000

9635 1000

RH



ITEM	PART NUMBER	QTY	BODY	MODEL	DESCRIPTION
	MB74 7673	1		P,S	Black/Gray 1992 CLOTH
	MB79 1754	1		H,S	Dark Gray
	MB79 4427	1		H,S	Medium Gray
	MB79 1758	1		H,S	Red
	MB79 1749	1		P,S	Gray
	MB79 1750	1		P,S	Red LEATHER/VINYL
	MB74 7709	1			Gray
	MB79 1933	1			Beige
	MB97 3013	1			Dark Gray, After 1-1-92 1993-94
	MR70 4662	1		M	CLOTH Gray
	MB97 3084	1		M	Red
	MB96 6526	1		H	Dark Gray
	MB97 3083	1		H	Medium Gray
	MB97 3081	1		H	Red
	MB96 6532	1		P,S	Dark Gray
	MB97 8107	1		P,S	Red
	MB79 1933	1		P,S	LEATHER Beige
	MB97 3013	1		P,S	Dark Gray
12					PROTECTOR
	MB74 7624	2			Gray
	MB74 7625	2			Brown
	MB79 1711	2			Gray, 1992-94
13	MB15 8706	2			BUSHING
14					COVER, Bracket
	MB74 7630	1			Gray
	MB74 7631	1			Brown
	MB79 1713	1			Gray, 1992-94
15	MB55 9828	1			BRACKET, Front Seat Slide
16	MB26 8795	2			BOLT, w/Washer
17	MF45 0193	2			WASHER, Plain, (6)
18	MB07 4040	2			SCREW, (6x12)
19					CAP, Shield
	MB74 7621	1			Gray

ENGINE: P = 1800cc (1.8L) A = 2000cc (2.0L) Blank = All  
 TRANS: A = Automatic M = Manual Blank = All  
 SERIES: H = High M = Medium P = Premium S = Special

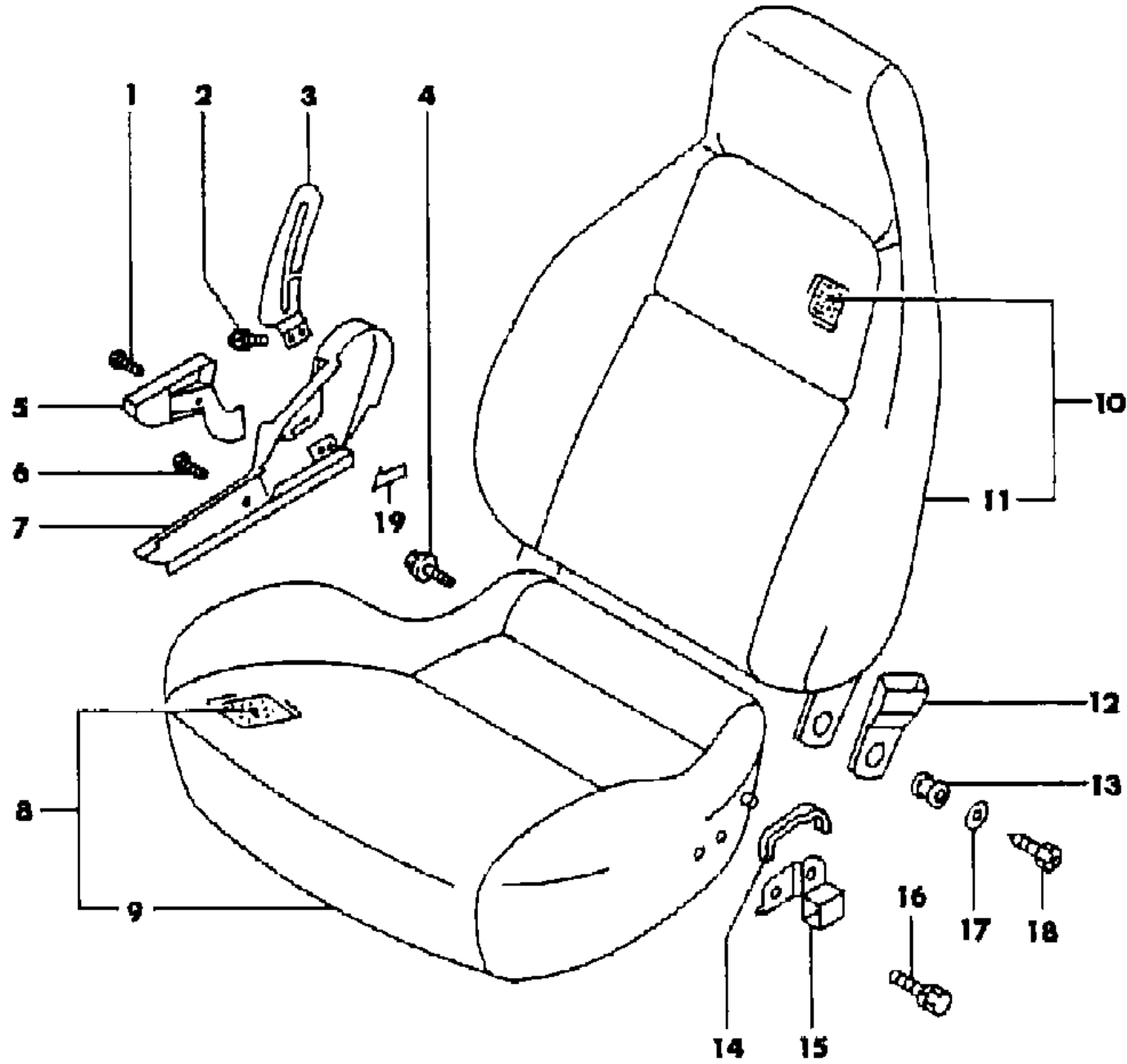
MODELS:  
 24 FWD = 2Dr Hatchback (Laser)  
 24 FWD = 2-Dr Hatchback (Talon)  
 4WD = (4 Wheel Drive)  
 2WD = (2 Wheel Drive)

AR = Use as Required - = Non Illustrated Part P.A.R. = Paint as Required

SEAT FRONT, RIGHT TALON  
Figure ITQ-1000

9635 1000

RH



ITEM	PART NUMBER	QTY	BODY	MODEL	DESCRIPTION
	MB74 7622	1			Brown
	MB79 1710	1			Gray, 1992-94

ENGINE: P = 1800cc (1.8L) A = 2000cc (2.0L) Blank = All  
 TRANS: A = Automatic M = Manual Blank = All  
 SERIES: H = High M = Medium P = Premium S = Special

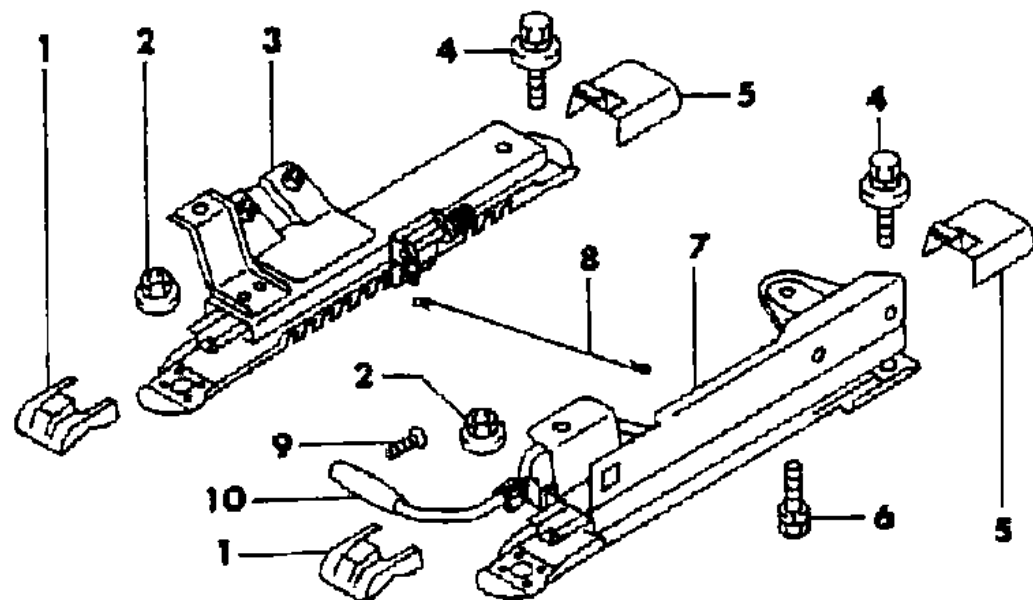
MODELS:  
 24 FWD = 2Dr Hatchback (Laser)  
 24 FWD = 2-Dr Hatchback (Talon)  
 4WD = (4 Wheel Drive)  
 2WD = (2 Wheel Drive)

AR = Use as Required - = Non Illustrated Part P.A.R. = Paint as Required

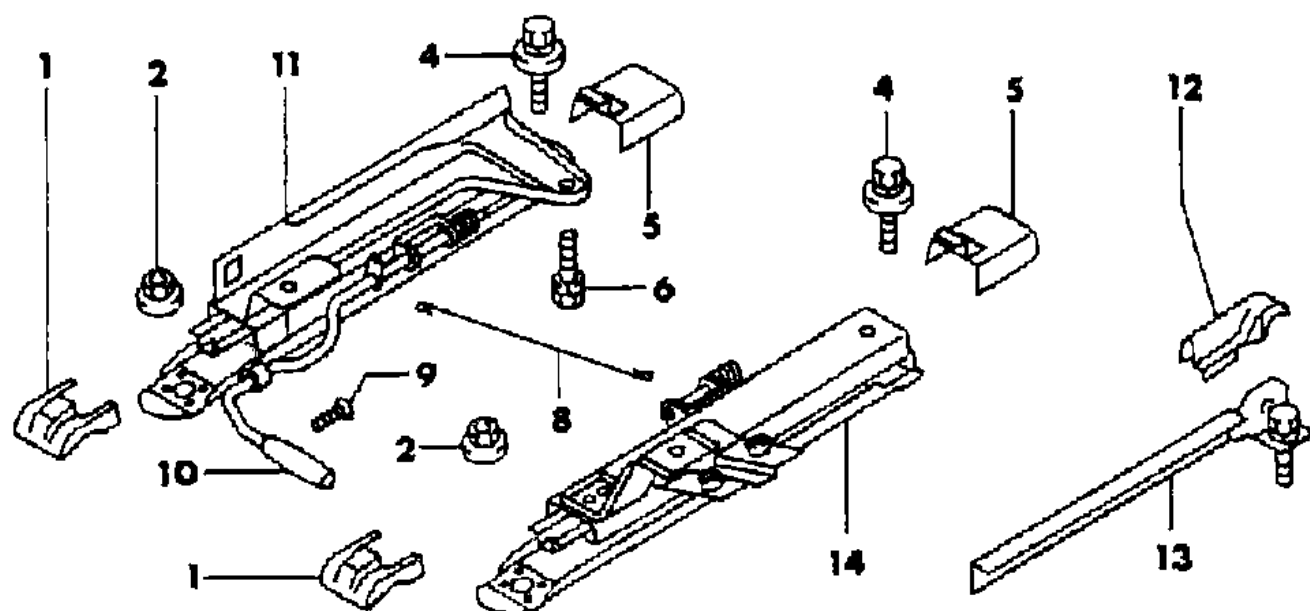
**ADJUSTER, HIGH BACK BUCKET TALON**  
Figure ITQ-1100

9635 1100

**LEFT**



**RIGHT**



ITEM	PART NUMBER	QTY	BODY	MODEL	DESCRIPTION
1					COVER, Front Seat Anchor
	MB72 2702	4	Gray		
	MB72 2703	4	Beige		
	MB77 0102	4	Gray, 1992-94		
2	MS44 0504	4			NUT, w/Washer
3	MB55 9824	1			ADJUSTER, Inner
4	MB27 9833	4			BOLT, w/Washer
5					COVER, Anchor
	MB72 2704	4	Gray		
	MB72 2705	4	Beige		
	MB77 0103	4	Gray, 1992-94		
6	MF24 0051	8			BOLT, w/Washer, (8x16)
7	MB55 9823	1			ADJUSTER, Outer
8	MB60 2037	2			WIRE
9					SCREW
	MS20 0037	2	(4x6)		
	MB41 0568	2	(4x6), 1992-94		
10					KNOB, Seat Adjuster
	MB72 5039	2	Black		
	MB79 1706	2	Gray		
11	MB55 9825	1			ADJUSTER, Outer
12					COVER, Anchor Rail
					LEFT
	MB72 2706	1	Gray		
	MB72 2707	1	Brown		
	MB79 1704	1	Gray, 1992-94		
					RIGHT
	MB72 2708	1	Gray		
	MB72 2709	1	Brown		
	MB79 1705	1	Gray, 1992-94		
13					RAIL, Slider
					LEFT
	MB72 2347	1	Gray		
	MB72 2348	1	Beige		
	MB79 1702	1	Gray, 1992-94		
					RIGHT
	MB72 2349	1	Gray		
	MB72 2350	1	Beige		
	MB79 1703	1	Gray, 1992-94		

ENGINE: P = 1800cc (1.8L) A = 2000cc (2.0L) Blank = All  
 TRANS: A = Automatic M = Manual Blank = All  
 SERIES: H = High M = Medium P = Premium S = Special

MODELS:  
 24 FWD = 2Dr Hatchback (Laser)  
 24 FWD = 2-Dr Hatchback (Talon)  
 4WD = (4 Wheel Drive)  
 2WD = (2 Wheel Drive)

AR = Use as Required - = Non Illustrated Part P.A.R. = Paint as Required

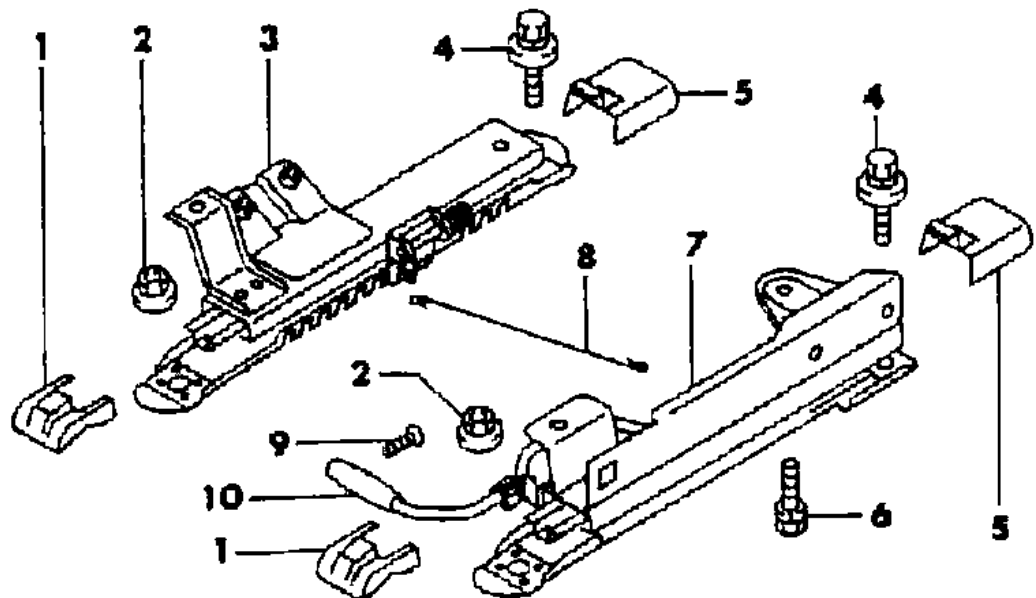
**ADJUSTER, HIGH BACK BUCKET TALON**  
Figure ITQ-1100

9635 1100

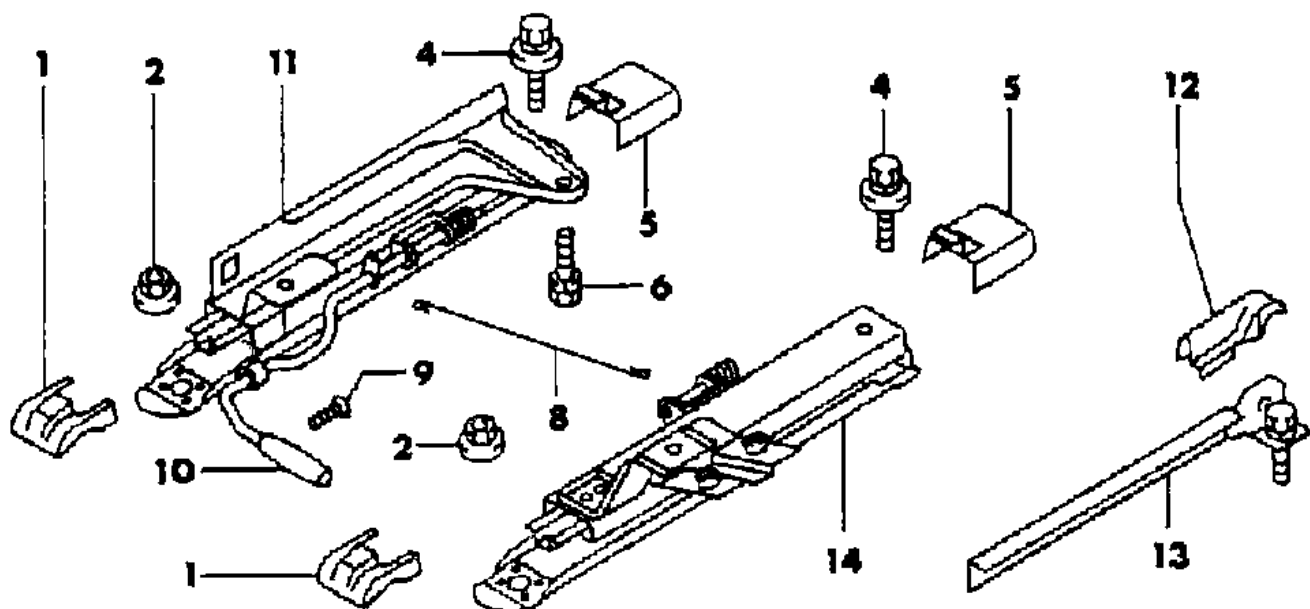
ITEM	PART NUMBER	QTY	BODY	MODEL	DESCRIPTION
------	-------------	-----	------	-------	-------------

14	MB55 9826	1			ADJUSTER, Inner
----	-----------	---	--	--	-----------------

**LEFT**



**RIGHT**



ENGINE: P = 1800cc (1.8L) A = 2000cc (2.0L) Blank = All  
 TRANS: A = Automatic M = Manual Blank = All  
 SERIES: H = High M = Medium P = Premium S = Special

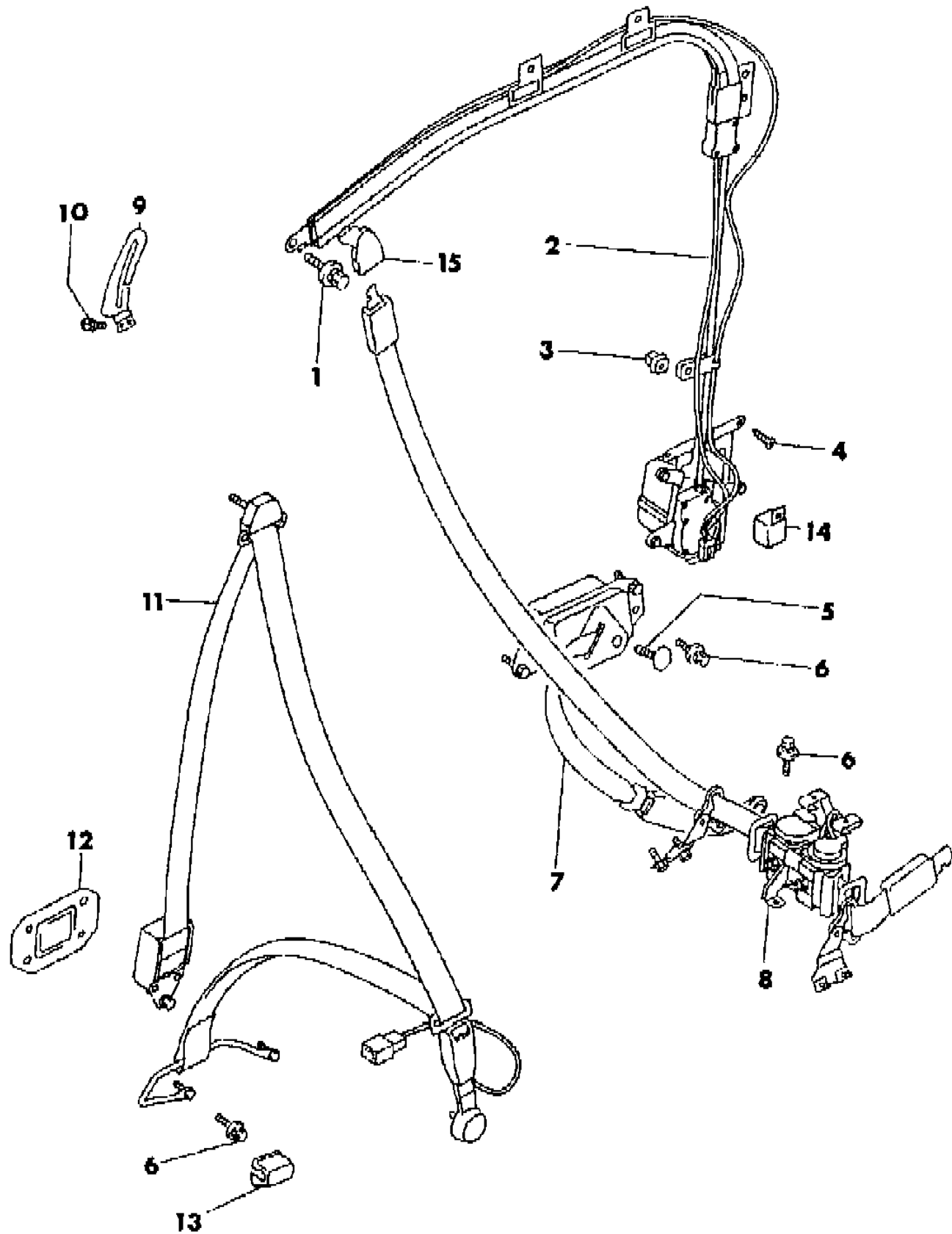
MODELS:  
 24 FWD = 2Dr Hatchback (Laser)  
 24 FWD = 2-Dr Hatchback (Talon)  
 4WD = (4 Wheel Drive)  
 2WD = (2 Wheel Drive)

AR = Use as Required - = Non Illustrated Part P.A.R. = Paint as Required



**BELTS SEAT FRONT TALON**  
Figure ITQ-1200

9635 1200A



ITEM	PART NUMBER	QTY	BODY	MODEL	DESCRIPTION
	MB79 1150	1			Gray, 1992-94 RIGHT
	MB74 7609	1			Gray
	MB74 7610	1			Brown
	MB79 1151	1			Gray, 1992-94
10	MF35 0313	4			SCREW, w/Washer, (6x16)
11					BELT, Seat Front LEFT
	MB72 2527	1			Brown, CANADA
	MB72 2526	1			Gray, CANADA
	MB79 1132	1			Gray, CANADA, 1992-94 RIGHT
	MB72 2529	1			Brown, CANADA
	MB72 2528	1			Gray, CANADA
	MB79 1133	1			Gray, CANADA, 1992-94
12					PLATE 1990
	MB54 4175	1			Left, CANADA
	MB54 4176	1			Right, CANADA 1991-94
	MB82 4367	1			Left, CANADA
	MB82 4368	1			Right, CANADA
13					CAP Up To 5-1-90
	MB72 2370	4			Beige, CANADA
	MB72 2369	4			Gray, CANADA After 5-1-90
	MB78 5820	4			Gray, CANADA
	MB78 5821	4			Beige, CANADA 1992-94
	MB78 5821	4			Beige, CANADA
	MB79 1129	4			Gray, CANADA
14	MB54 3648	1			RELAY, Auto Belt ***
15					COVER, Buckle LEFT
	MB60 2631	1			Brown
	MB69 5424	1			Gray
	MB79 1154	1			Gray, 1992-94 RIGHT

ENGINE: P = 1800cc (1.8L) A = 2000cc (2.0L) Blank = All  
 TRANS: A = Automatic M = Manual Blank = All  
 SERIES: H = High M = Medium P = Premium S = Special

MODELS:  
 24 FWD = 2Dr Hatchback (Laser)  
 24 FWD = 2-Dr Hatchback (Talon)  
 4WD = (4 Wheel Drive)  
 2WD = (2 Wheel Drive)

AR = Use as Required - = Non Illustrated Part P.A.R. = Paint as Required





SEAT REAR TALON  
Figure ITQ-1300

9635 1300A

ITEM	PART NUMBER	QTY	BODY	MODEL	DESCRIPTION
1	MB13 1256	4			BOLT, w/Washer, (8x25)
2					BACK, w/Cover CLOTH/VINYL
	MB72 5041	1		M,H	Brown
	MB72 5042	1		M,H	Gray
	MB74 7584	1		P	Gray/Black CLOTH
	MB74 7585	1		P	Gray/Black
	MB74 7586	1		P	Brown/Beige
3					COVER, Back CLOTH/VINYL
	MB72 5051	1		M,H	Brown/Beige
	MB72 5047	1		M,H	Gray
	MB74 7590	1		P	Gray/Light Gray CLOTH
	MB74 7592	1		P	Brown/Beige
	MB74 7591	1		P	Gray/Black
4					BOLT, w/Washer
	MS24 0121	4			(6x20)
	MS24 0122	4			(6X20), 1992-94
5	MB51 9811	2			STRIKER
6					CUSHION, w/Cover
					1990-91 CLOTH
	MB72 5053	1		M,H	Gray, 1990
	MB72 5057	1		M,H	Brown, 1990
	MB77 1640	1		H	Brown/Beige, 1991
	MB77 1638	1		H	Gray, 1991
	MB74 7589	1		P,S	Beige/Brown
	MB74 7588	1		P,S	Black/Gray VINYL
	MB74 7587	1		P,S	Gray/Light Gray 1992
					CLOTH
	MB79 1639	1		H,S	Dark Gray
	MB79 4376	1		H,S	Medium Gray
	MB79 1643	1		H,S	Red/Dark Gray
	MB79 1637	1		P,S	Dark Gray/Black
	MB79 1638	1		P,S	Red/Dark Gray

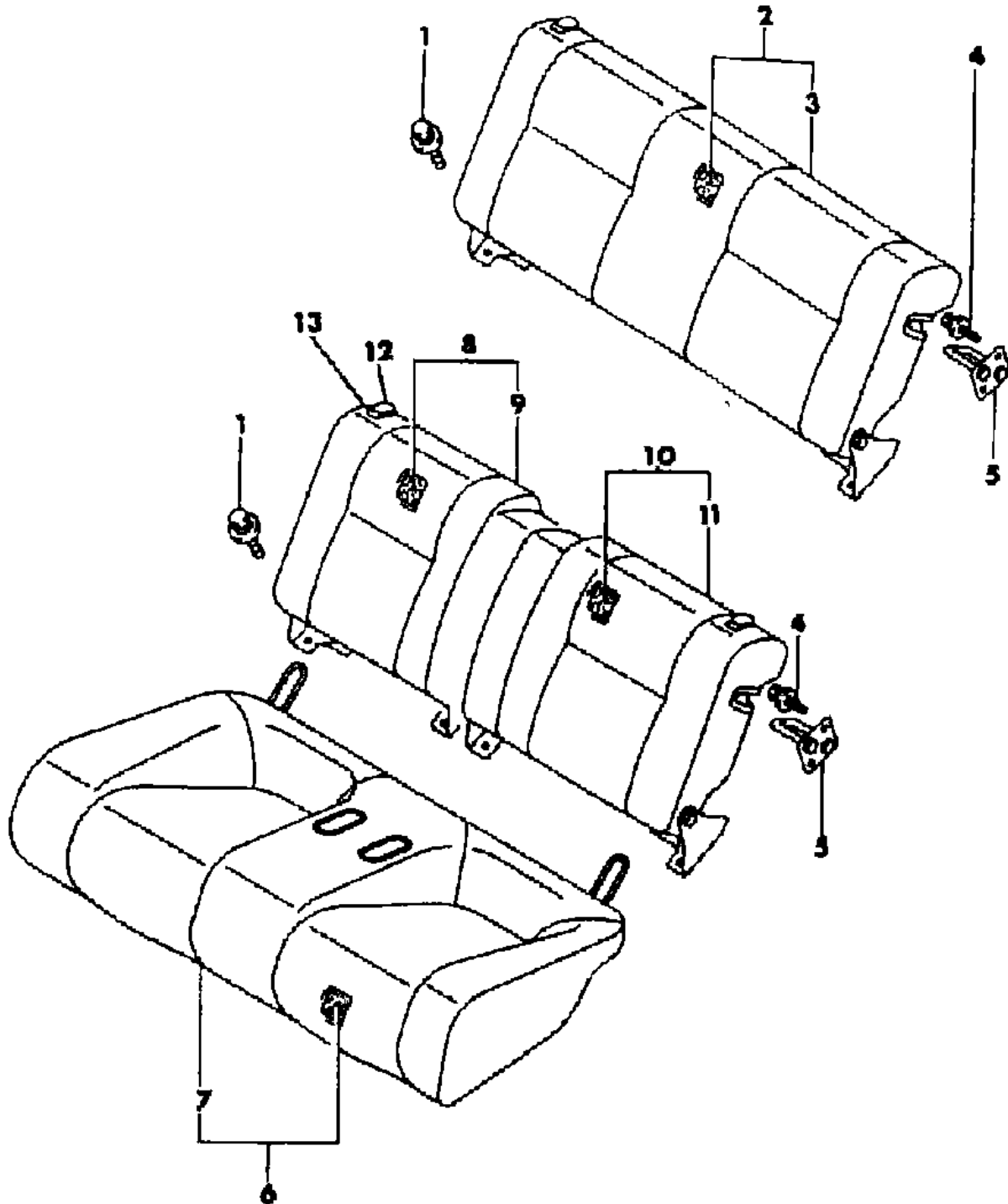
ENGINE:  
P = 1800cc (1.8L)  
A = 2000cc (2.0L)  
Blank = All

TRANS:  
A = Automatic  
M = Manual  
Blank = All

SERIES:  
H = High  
M = Medium  
P = Premium  
S = Special

MODELS:  
24 FWD = 2Dr Hatchback (Laser)  
24 FWD = 2-Dr Hatchback (Talon)  
4WD = (4 Wheel Drive)  
2WD = (2 Wheel Drive)

AR = Use as Required - = Non Illustrated Part P.A.R. = Paint as Required



SEAT REAR TALON  
Figure ITQ-1300

9635 1300A

ITEM	PART NUMBER	QTY	BODY	MODEL	DESCRIPTION
					LEATHER/VINYL
	MB79 1636	1		P,S	Beige/Dark Gray
	MB97 2992	1		P,S	Dark Gray, After 1-1-92 1993-94
					CLOTH
	MR70 4649	1		M	Dark Gray/Gray
	MB79 4380	1		M	Red/Dark Gray
	MB79 1639	1		H	Dark Gray
	MB79 4376	1		H	Medium Gray/Dark Gray
	MB79 1643	1		H	Red/Dark Gray
	MB79 1637	1		P,S	Dark Gray/Black
	MB79 1638	1		P,S	Red/Dark Gray
					LEATHER
	MB79 1636	1		P,S	Beige/Dark Gray
	MB97 2992	1		P,S	Dark Gray
7					COVER, Rear Cushion 1990-91
					CLOTH
	MB72 5059	1		M,H	Gray, 1990
	MB72 5063	1		M,H	Brown, 1990
	MB77 1644	1		H	Brown/Beige, 1991
	MB77 1642	1		H	Gray, 1991
	MB74 7595	1		P,S	Beige/Brown
	MB74 7594	1		P,S	Black/Gray
					VINYL
	MB74 7593	1		P,S	Gray/Light Gray 1992
					CLOTH
	MB79 1675	1		H,S	Dark Gray
	MB79 4399	1		H,S	Medium Gray
	MB79 1679	1		H,S	Red/Dark Gray
	MB79 1673	1		P,S	Dark Gray/Black
	MB79 1674	1		P,S	Red/Dark Gray
					LEATHER/VINYL
	MB79 1672	1		P,S	Beige
	MB97 2995	1		P,S	Dark Gray, After 1-1-92 1993-94
	MR70 4650	1		M	Dark Gray/Gray
	MB79 4403	1		M	Red/Dark Gray

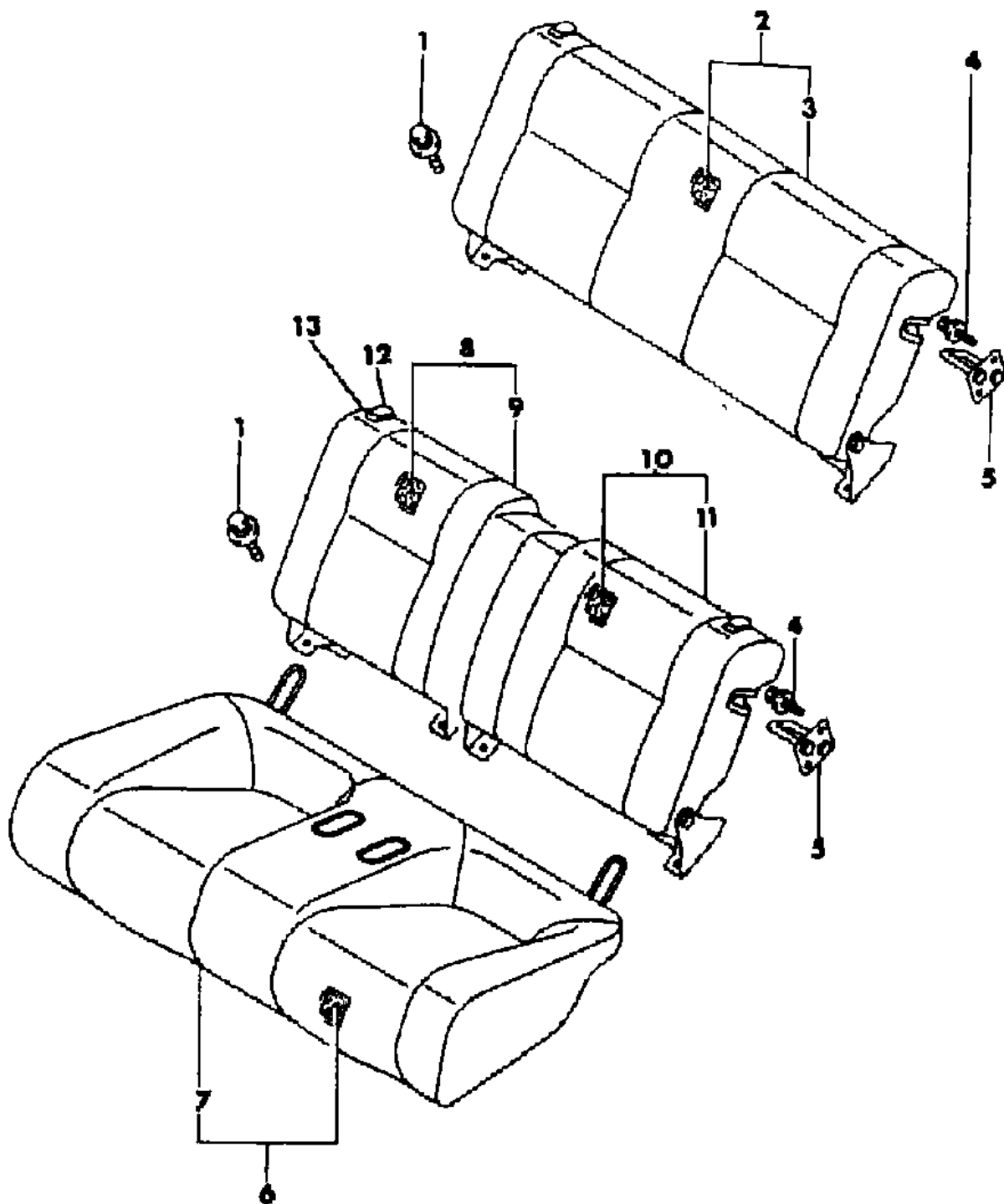
ENGINE: P = 1800cc (1.8L)  
A = 2000cc (2.0L)  
Blank = All

TRANS: A = Automatic  
M = Manual  
Blank = All

SERIES: H = High  
M = Medium  
P = Premium  
S = Special

MODELS:  
24 FWD = 2Dr Hatchback (Laser)  
24 FWD = 2-Dr Hatchback (Talon)  
4WD = (4 Wheel Drive)  
2WD = (2 Wheel Drive)

AR = Use as Required - = Non Illustrated Part P.A.R. = Paint as Required



SEAT REAR TALON  
Figure ITQ-1300

9635 1300A

ITEM	PART NUMBER	QTY	BODY	MODEL	DESCRIPTION
	MB79 1675	1		H	Dark Gray
	MB79 4399	1		H	Medium Gray/Dark Gray
	MB79 1679	1		H	Red/Dark Gray
	MB79 1673	1		P,S	Dark Gray/Black
	MB79 1674	1		P,S	Red/Dark Gray
					LEATHER
	MB79 1672	1		P,S	Beige
	MB97 2995	1		P,S	Dark Gray
8					BACK, Rt., w/Cover
					1990-91
					CLOTH
	MB72 7617	1		S-P	Gray/Black
	MB72 7618	1		S-P	Beige/Brown
					CLOTH/VINYL
	MB74 6173	1		S	Gray/Light Gray
					1991
	MB77 1628	1		H	Beige/Brown
	MB77 1626	1		H	Gray
					1992
					CLOTH/VINYL
	MB79 1600	1		P,S	Dark Gray/Beige
					CLOTH
	MB79 1601	1		P,S	Dark Gray
	MB79 1602	1		P,S	Dark Gray/Red
	MB79 1603	1		H,S	Dark Gray
	MB79 4360	1		H,S	Medium Gray
	MB79 1607	1		H,S	Red/Dark Gray
					LEATHER
	MB97 2983	1		P,S	Dark Gray, After 1-1-92
					1993-94
	MR70 4646	1		M	Dark Gray/Gray
	MB79 4359	1		M	Red/Dark Gray
	MB79 1603	1		H	Dark Gray
	MB79 4360	1		H	Medium Gray/Dark Gray
	MB79 1607	1		H	Red/Dark Gray
	MB79 1601	1		P,S	Dark Gray/Black
	MB79 1602	1		P,S	Dark Gray/Red
					LEATHER
	MB79 1600	1		P,S	Dark Gray/Beige

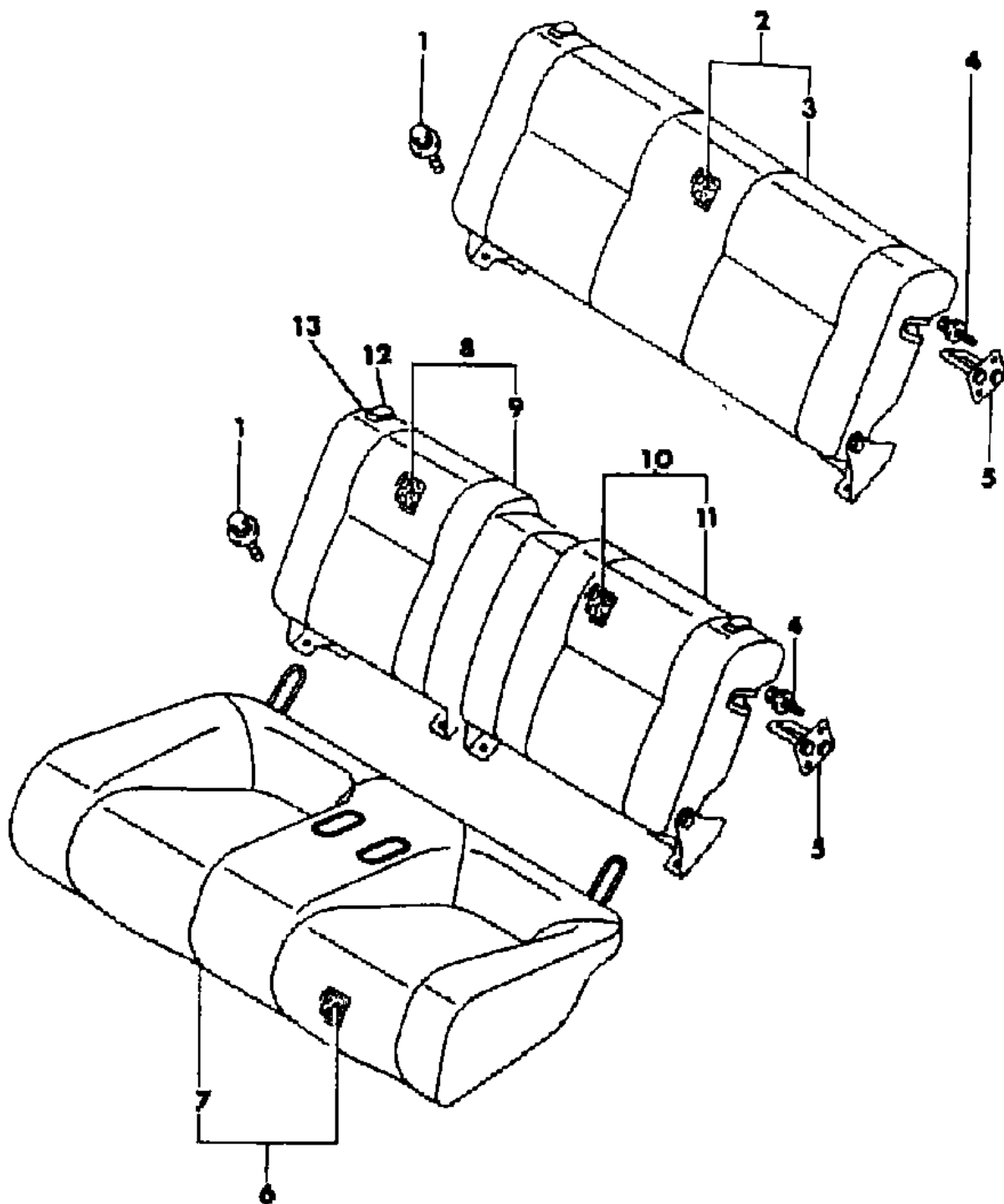
ENGINE: P = 1800cc (1.8L)  
A = 2000cc (2.0L)  
Blank = All

TRANS: A = Automatic  
M = Manual  
Blank = All

SERIES: H = High  
M = Medium  
P = Premium  
S = Special

MODELS:  
24 FWD = 2Dr Hatchback (Laser)  
24 FWD = 2-Dr Hatchback (Talon)  
4WD = (4 Wheel Drive)  
2WD = (2 Wheel Drive)

AR = Use as Required - = Non Illustrated Part P.A.R. = Paint as Required



SEAT REAR TALON  
Figure ITQ-1300

9635 1300A

ITEM	PART NUMBER	QTY	BODY	MODEL	DESCRIPTION
	MB97 2983	1		P,S	Dark Gray
9					COVER, Rt., Back 1990 CLOTH
	MB74 7699	1		S	Beige/Brown
	MB74 7697	1		S	Gray/Black CLOTH/VINYL
	MB74 7713	1		S	Gray/Light Gray 1991
	MB77 1636	1		H	Beige/Brown
	MB77 1635	1		H	Gray 1992 CLOTH/VINYL
	MB79 1624	1		P,S	Dark Gray/Beige CLOTH
	MB79 1625	1		P,S	Dark Gray/Black
	MB79 1626	1		P,S	Dark Gray/Red
	MB79 1627	1		H,S	Dark Gray
	MB79 4372	1		H,S	Medium Gray/Dark Gray
	MB79 1631	1		H,S	Red/Dark Gray LEATHER
	MB97 2989	1		P,S	Dark Gray, After 1-1-92 1993-94
	MR70 4648	1		M	Dark Gray/Gray
	MB79 4371	1		M	Red/Dark Gray
	MB79 1627	1		H	Dark Gray
	MB79 4372	1		H	Medium Gray/Dark Gray
	MB79 1631	1		H	Red/Dark Gray
	MB79 1625	1		P,S	Dark Gray/Black
	MB79 1626	1		P,S	Dark Gray/Red LEATHER
	MB79 1624	1		P,S	Dark Gray/Beige
	MB97 2989	1		P,S	Dark Gray
10					BACK, Lt., w/Cover 1990 CLOTH
	MB72 7614	1		S	Beige/Brown
	MB72 7613	1		S	Gray/Black CLOTH/VINYL

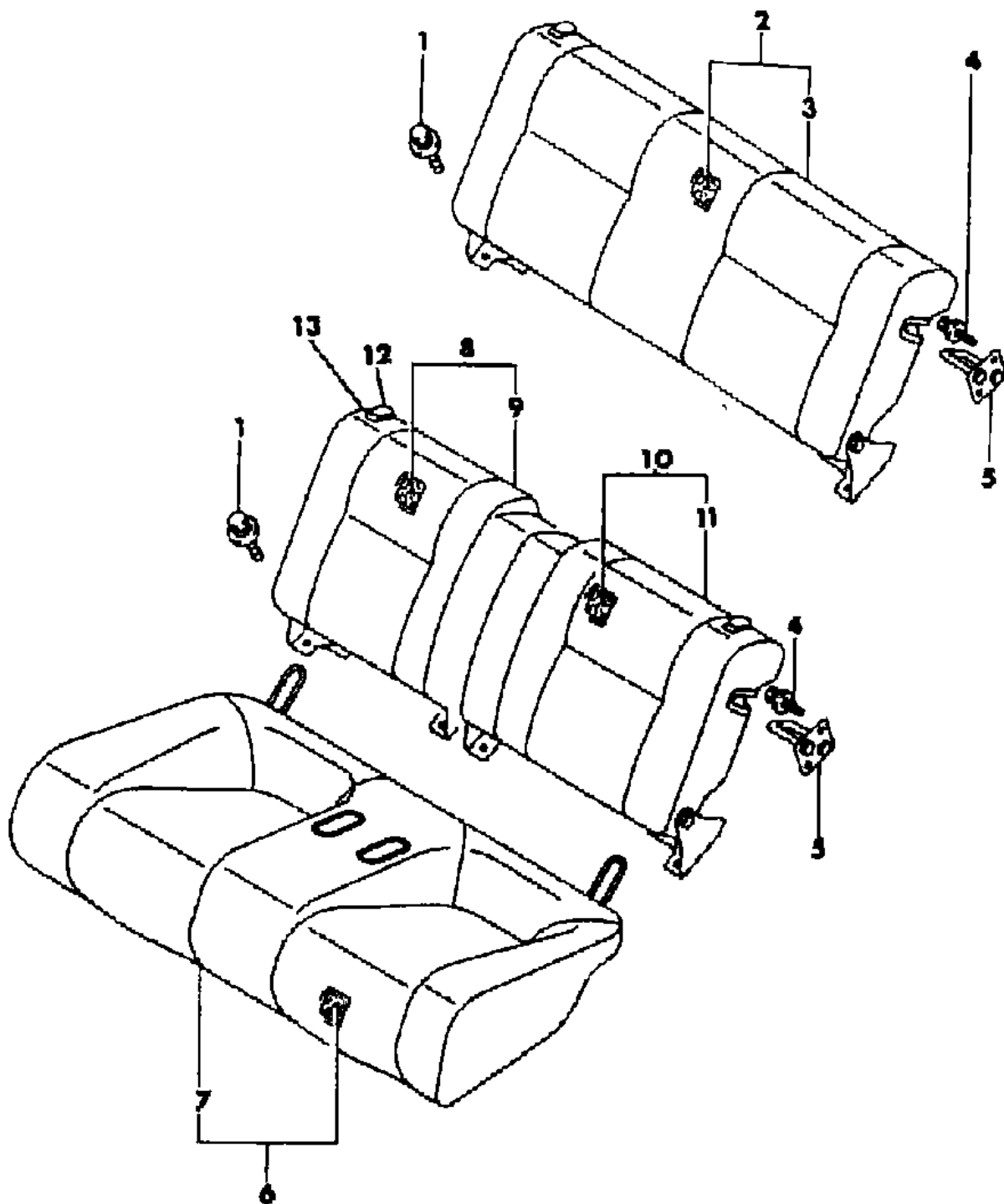
ENGINE: P = 1800cc (1.8L)  
A = 2000cc (2.0L)  
Blank = All

TRANS: A = Automatic  
M = Manual  
Blank = All

SERIES: H = High  
M = Medium  
P = Premium  
S = Special

MODELS:  
24 FWD = 2Dr Hatchback (Laser)  
24 FWD = 2-Dr Hatchback (Talon)  
4WD = (4 Wheel Drive)  
2WD = (2 Wheel Drive)

AR = Use as Required - = Non Illustrated Part P.A.R. = Paint as Required



SEAT REAR TALON  
Figure ITQ-1300

9635 1300A

ITEM	PART NUMBER	QTY	BODY	MODEL	DESCRIPTION
	MB74 6172	1		S	Gray/Light Gray
					1991
	MB77 1624	1		H	Beige/Brown
	MB77 1622	1		H	Gray
					1992
	MB79 1588	1		P,S	CLOTH/VINYL Dark Gray/Beige
	MB79 1589	1		P,S	CLOTH Dark Gray
	MB79 1590	1		P,S	Dark Gray/Red
	MB79 1591	1		H,S	Dark Gray
	MB79 4354	1		H,S	Medium Gray
	MB79 1595	1		H,S	Red/Dark Gray
	MB97 2980	1		P-S	LEATHER Dark Gray, After 1-1-92 1993-94
	MR70 4645	1		M	Dark Gray/Gray
	MB79 4353	1		M	Red/Dark Gray
	MB79 1591	1		H	Dark Gray
	MB79 4354	1		H	Medium Gray/Dark Gray
	MB79 1595	1		H	Red/Dark Gray
	MB79 1589	1		P,S	Dark Gray/Black
	MB79 1590	1		P,S	Dark Gray/Red
	MB79 1588	1		P,S	LEATHER Dark Gray/Beige
	MB97 2980	1		P,S	Dark Gray
11					COVER, Lt., Back 1990 CLOTH
	MB74 7695	1		S	Beige/Brown
	MB74 7693	1		S	Gray/Black
	MB74 7712	1		S	CLOTH/VINYL Gray/Light Gray
					1991
	MB77 1632	1		H	Beige/Brown
	MB77 1631	1		H	Gray
					1992
	MB79 1612	1		P,S	CLOTH/VINYL Dark Gray/Beige

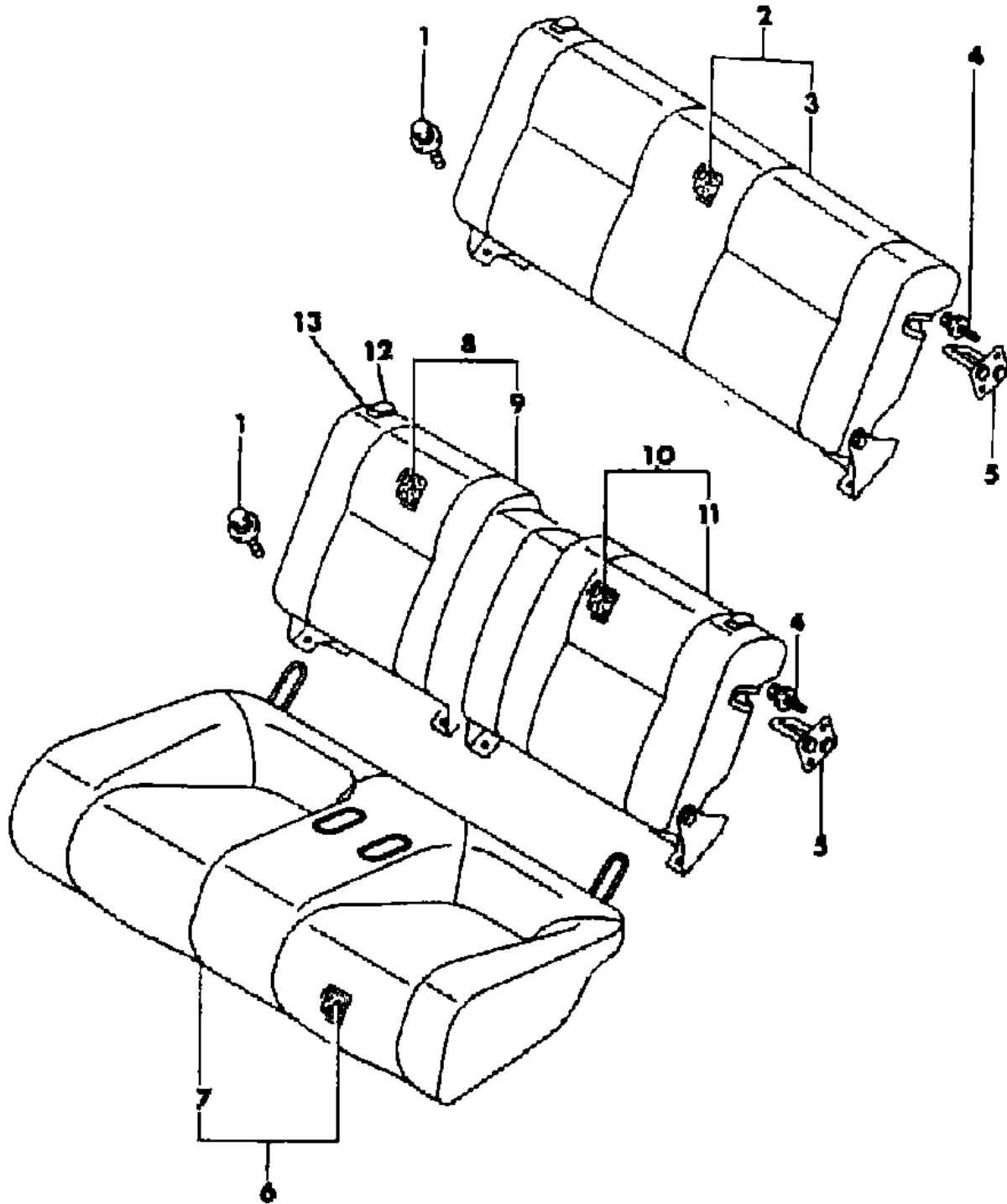
ENGINE: P = 1800cc (1.8L)  
A = 2000cc (2.0L)  
Blank = All

TRANS: A = Automatic  
M = Manual  
Blank = All

SERIES: H = High  
M = Medium  
P = Premium  
S = Special

MODELS:  
24 FWD = 2Dr Hatchback (Laser)  
24 FWD = 2-Dr Hatchback (Talon)  
4WD = (4 Wheel Drive)  
2WD = (2 Wheel Drive)

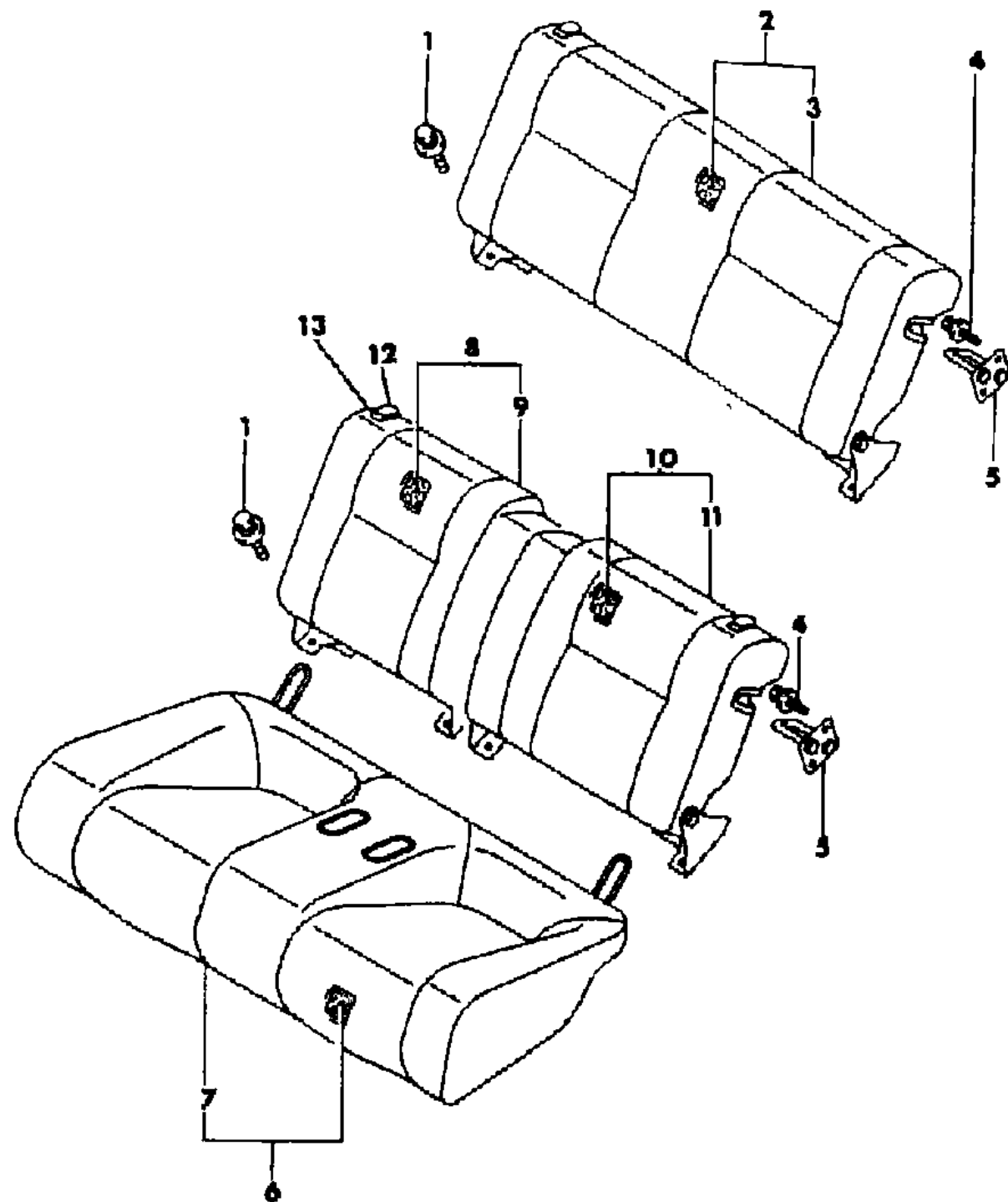
AR = Use as Required - = Non Illustrated Part P.A.R. = Paint as Required



SEAT REAR TALON  
Figure ITQ-1300

9635 1300A

ITEM	PART NUMBER	QTY	BODY	MODEL	DESCRIPTION
					CLOTH
	MB79 1613	1		P,S	Dark Gray/Black
	MB79 1614	1		P,S	Dark Gray/Red
	MB79 1615	1		H,S	Dark Gray
	MB79 4366	1		H,S	Medium Gray/Dark Gray
	MB79 1619	1		H,S	Red/Dark Gray
					LEATHER
	MB97 2986	1		P-S	Dark Gray, After 1-1-92 1993-94
	MR70 4647	1		M	Dark Gray/Gray
	MB79 4365	1		M	Red/Dark Gray
	MB79 1615	1		H	Dark Gray
	MB79 4366	1		H	Medium Gray/Dark Gray
	MB79 1619	1		H	Red/Dark Gray
	MB79 1613	1		P,S	Dark Gray/Black
	MB79 1614	1		P,S	Dark Gray/Red
					LEATHER
	MB79 1612	1		P,S	Dark Gray/Beige
	MB97 2986	1		P,S	Dark Gray
12					KNOB, Seat Back Fall Down
	MB74 4632	2			Brown
	MB75 8536	2			Gray
	MB78 5947	2			Gray, 1994
13					BEZEL, Seat Fall Down Knob
	MB74 4630	2			Brown
	MB75 8535	2			Gray
	MB78 5946	2			Gray, 1994



ENGINE: P = 1800cc (1.8L) A = 2000cc (2.0L) Blank = All  
 TRANS: A = Automatic M = Manual Blank = All  
 SERIES: H = High M = Medium P = Premium S = Special

MODELS:  
 24 FWD = 2Dr Hatchback (Laser)  
 24 FWD = 2-Dr Hatchback (Talon)  
 4WD = (4 Wheel Drive)  
 2WD = (2 Wheel Drive)

AR = Use as Required - = Non Illustrated Part P.A.R. = Paint as Required

