

BMW E39 Wiring Diagrams

Picture 1. Information for Wiring Diagrams

Picture 2. Start, Charging, Engine Cooling Fan, Horn & Heater Blower

Picture 3. Headlight washer & heated washer jets, front wash/wipe, cigar lighter & charging Socket

Picture 4: Rear washer/wiper, Audio System, Headlight Washer & Intensive Washing System

Picture 5. Heated Rear Window, Electric Mirrors, Electric Windows

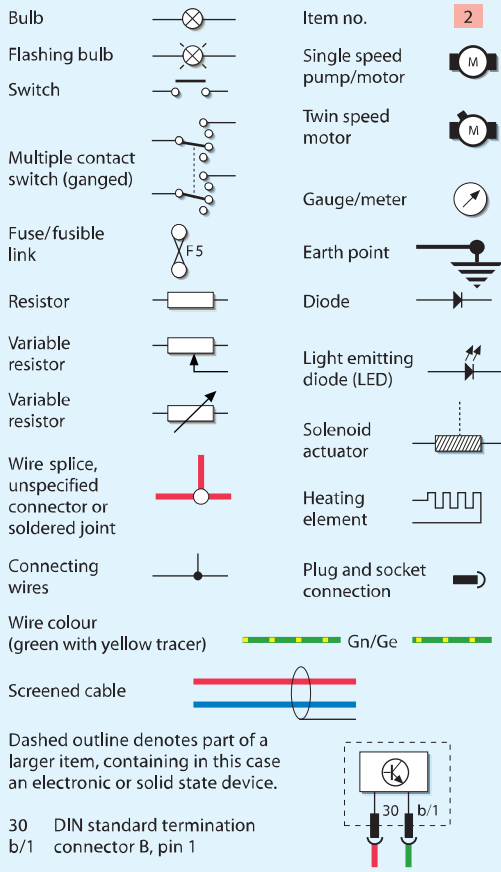
Picture 6. Central Locking

Picture 7. Stop Lights, Headlights, Side, Tail & No Plate Lights, Reversing Lights.

Picture 8. Direction Indicators & Hazard Warning Lights, Foglights

Picture 9. Headlight levelling, Interior Lighting

Key to symbols

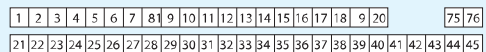


Typical passenger compartment fusebox

Fuse	Rating	Circuit protected
F1	30A	Windscreen wiper
F2	30A	Windscreen washer, headlight washer
F3	15A	Horn
F4	20A	Passenger compartment lighting, luggage compartment lighting, windscreen washer
F5	20A	Sunroof
F6	30A	Electric windows, central locking, electric mirrors
F7	20A	Engine cooling fan
F8	25A	Automatic stability control
F9	15A	Air conditioning, heated washer jets
F10	30A	Passenger seat adjustment
F11	7.5A	Servotronic
F12	5A	Immobilizer
F13	30A	Steering column adjustment, driver's seat adjustment
F14	5A	Engine control
F15	7.5A	Engine control, diagnostic connector
F16	5A	Lighting module
F17	10A	Fuel pump, ABS, automatic stability control
F18	5A	Instrument cluster
F19	-	Not fitted
F20	7.5A	Heated rear window, heater, air conditioning, engine cooling fan, tyre pressure control
F21	5A	Anti-glare interior mirror, driver's seat adjustment, garage door opener, thermal sensor, parking distance control
F22	30A	Engine cooling fan
F23	10A	Heater, independent heater
F24	5A	Instrument cluster, shift gate illumination, tyre pressure control
F25	7.5A	Radio, multi-information display
F26	5A	Windscreen wiper
F27	30A	Central locking, electric windows
F28	30A	Air conditioning, heater blower
F29	30A	Electric mirrors, electric windows, central locking
F30	25A	ABS
F31	10A	ABS automatic stability control, fuel pump,
F32	15A	Heated seats
F33	-	Not fitted
F34	10A	Heated steering wheel
F35	-	Not fitted
F36	-	Not fitted
F37	5A	Immobilizer
F38	5A	Horn, shift gate illumination, diagnostic connector
F39	7.5A	Charging socket, courtesy mirror illumination
F40	5A	Airbag, instrument cluster
F41	5A	Stop light, lighting module, speed control
F42	5A	Airbag
F43	5A	Radio, telephone, on board monitor
F44	5A	Multifunction steering wheel, multi-information display, radio, telephone
F45	7.5A	Roller sun blind
F75	50A	Engine cooling fan
F76	40A	Heater blower

Typical luggage compartment fusebox

Fuse	Rating	Circuit protected
F46	15A	Independent ventilation/heater
F47	15A	Independent heater
F48	5A	Alarm
F49	30A	Air suspension
F50	7.5A	Air suspension
F51	-	Not fitted
F52	30A	Cigar lighter
F53	7.5A	Central locking
F54	15A	Fuel pump
F55	20A	Rear wash/wipe
F56	30A	Rear wash/wipe, CD changer, navigation system, on-board monitor, radio
F57	10A	Telephone
F58	10A	Navigation system, on-board monitor, radio, telephone
F59	-	Not fitted
F60	15A	Electronic damper control
F61	-	Not fitted
F62	-	Not fitted
F63	-	Not fitted
F64	-	Not fitted
F65	-	Not fitted
F66	40A	Heated rear window



Wire colours

Bl	Blue	Vi	Violet
Br	Brown	Ws	White
Ge	Yellow	Or	Orange
Gr	Grey	Rt	Red
Gn	Green	Sw	Black

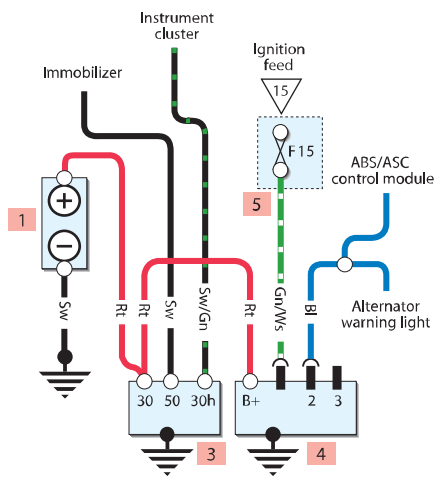
Key to items

- | | | | |
|----|----------------------------------|----|-----------------------------|
| 1 | Battery | 11 | Fusible link |
| 2 | Ignition switch | 12 | Horn relay |
| 3 | Starter motor | 13 | LH horn |
| 4 | Alternator | 14 | RH horn |
| 5 | Passenger compartment fusebox | 15 | Horn switch |
| 6 | Engine cooling fan stage 1 relay | 16 | Steering wheel clock spring |
| 7 | Engine cooling fan stage 2 relay | 17 | Heater blower relay |
| 8 | Engine cooling fan stage 3 relay | 18 | Output amplifier |
| 9 | Engine cooling fan motor | 19 | Heater blower motor |
| 10 | Dual temperature switch | | |

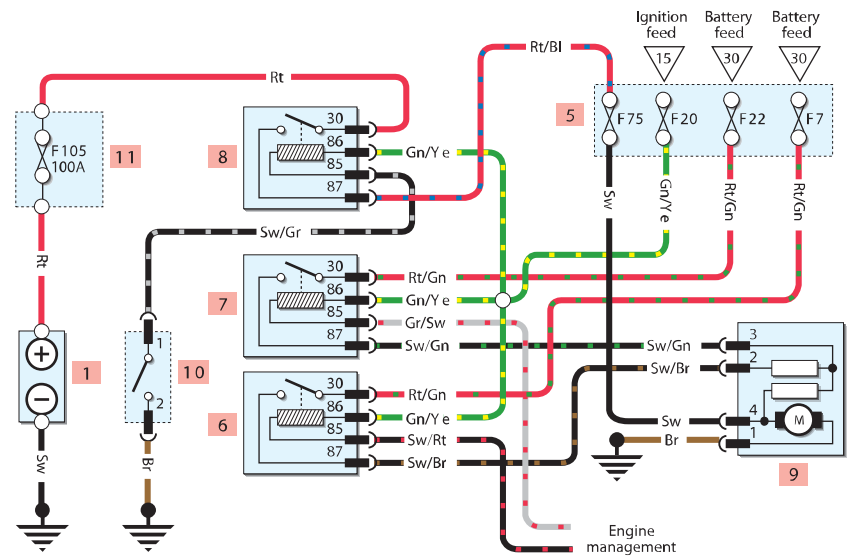
Diagram 2

H33054

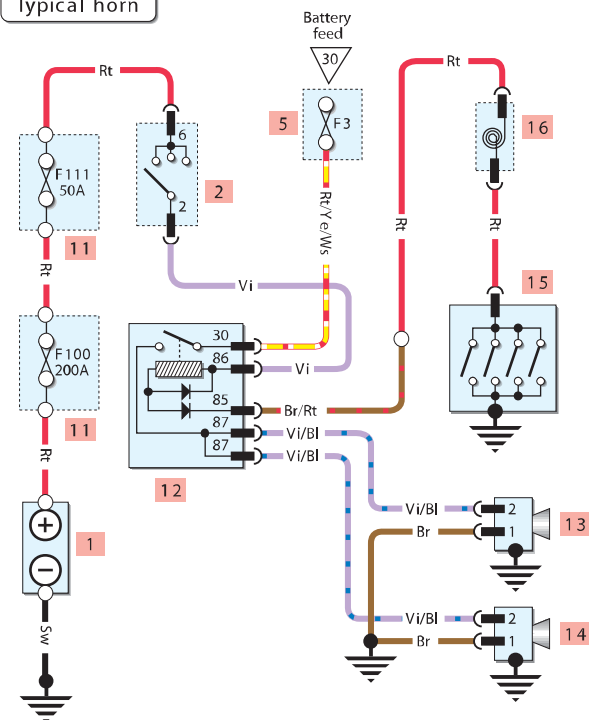
Typical starting and charging



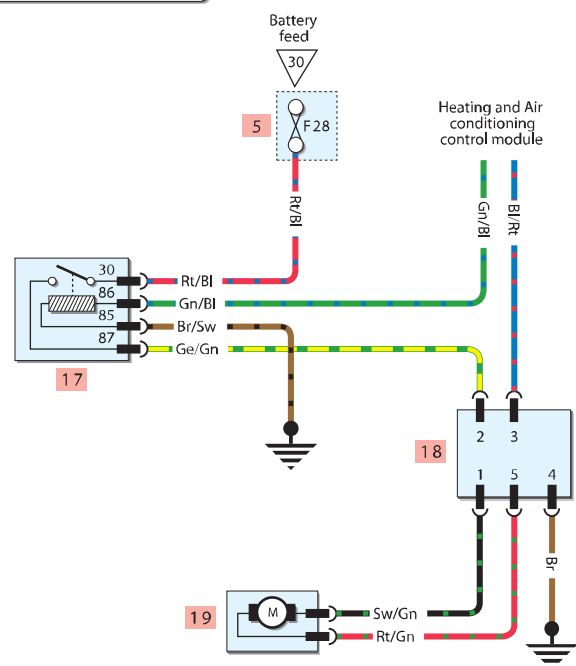
Typical engine cooling fan



Typical horn



Typical heater blower



Wire colours

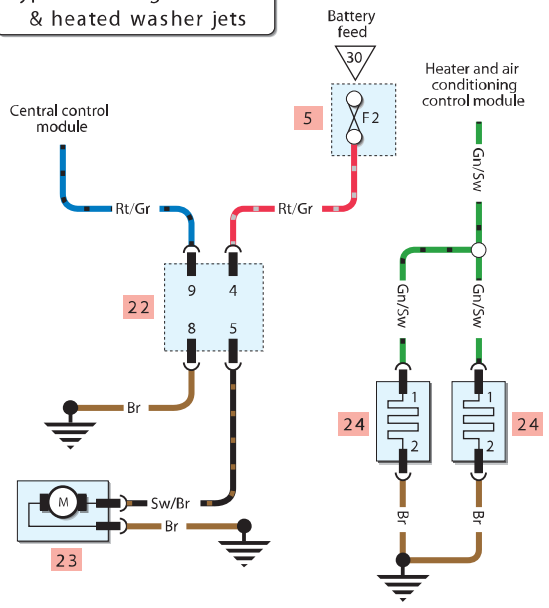
Bl	Blue	Vi	Violet
Br	Brown	Ws	White
Ge	Yellow	Or	Orange
Gr	Grey	Rt	Red
Gn	Green	Sw	Black

Key to items

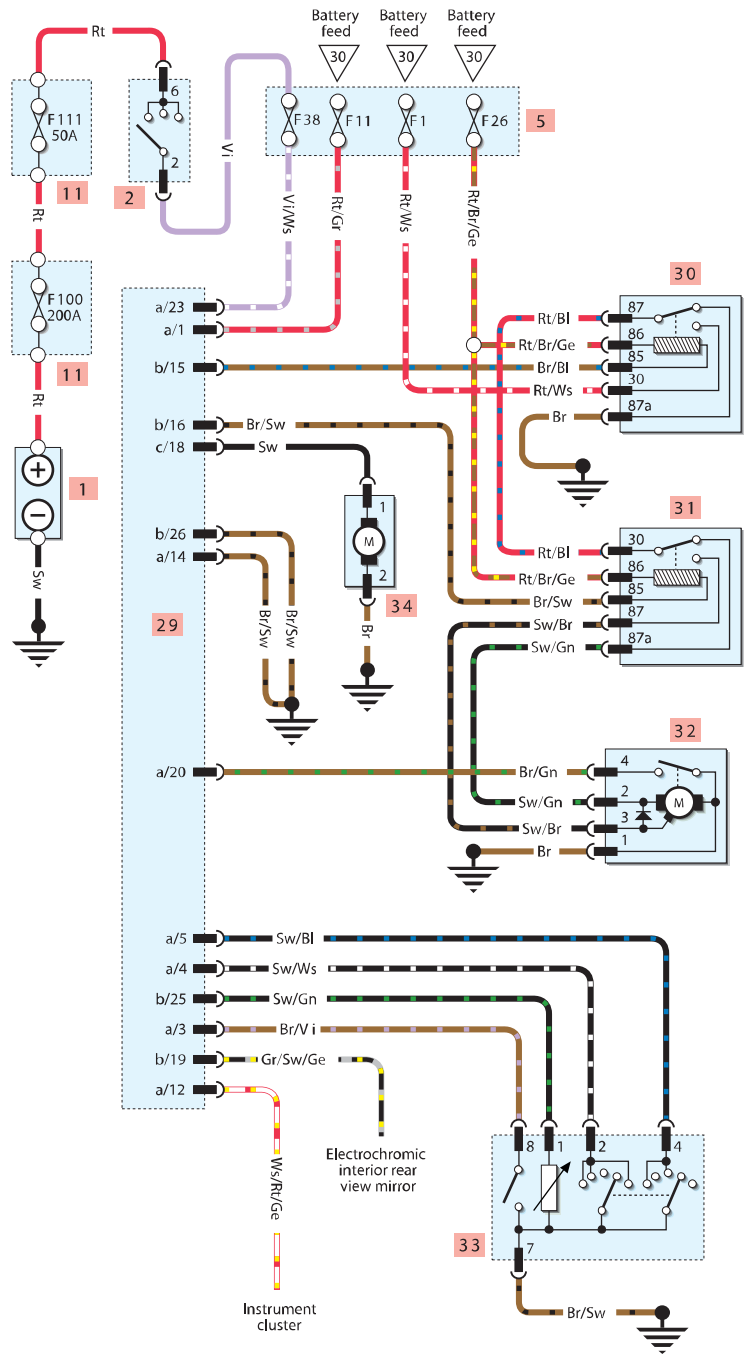
- | | | | |
|----|-------------------------------|----|------------------------|
| 1 | Battery | 28 | Cigar lighter relay |
| 2 | Ignition switch | 29 | General control module |
| 5 | Passenger compartment fusebox | 30 | Wiper relay 1 |
| 11 | Fusible link | 31 | Wiper relay 2 |
| 22 | Headlight washer module | 32 | Front wiper motor |
| 23 | Headlight washer pump | 33 | Wash/wipe switch |
| 24 | Windscreen washer jet heater | 34 | Washer pump |
| 25 | Luggage compartment fusebox | | |
| 26 | Front cigar lighter | | |
| 27 | Charging socket | | |

H33055

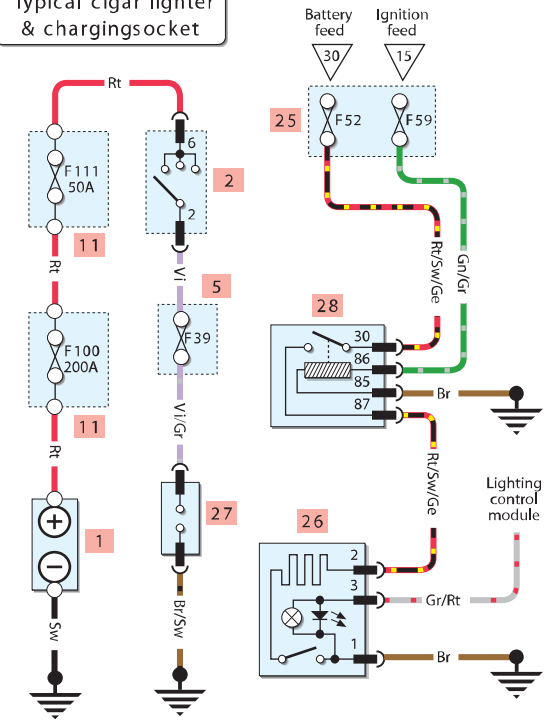
Typical headlight washer & heated washer jets



Typical front wash/wipe



Typical cigar lighter & charging socket



Wire colours

Bl	Blue	Vi	Violet
Br	Brown	Ws	White
Ge	Yellow	Or	Orange
Gr	Grey	Rt	Red
Gn	Green	Sw	Black

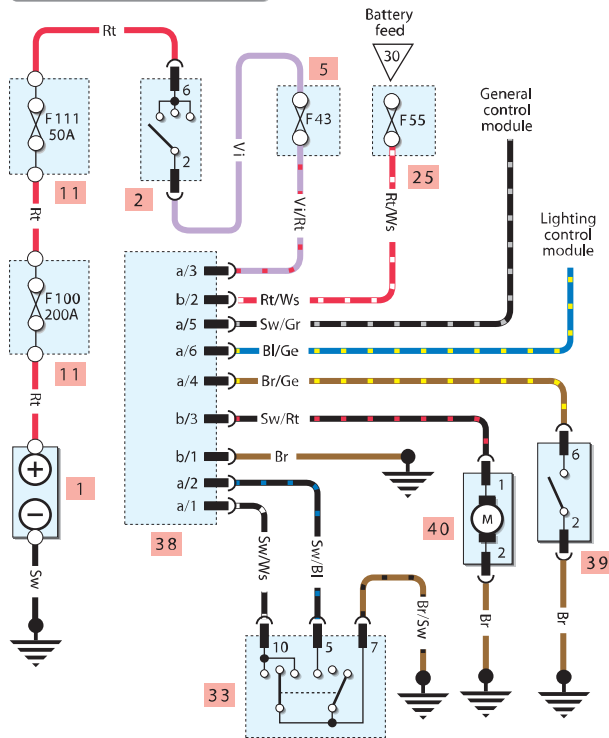
Key to items

1	Battery	42	Headlight washer pump	52	RH front speaker
2	Ignition switch	43	Intensive washer pump	53	RH rear speaker
5	Passenger compartment fusebox	44	Unload relay		
11	Fusible link	45	Antenna module		
25	Luggage compartment fusebox	46	CD changer		
33	Wash/wipe switch	47	Audio unit		
38	Rear wash/wipe control unit	48	LH tweeter		
39	Tailgate/boot open switch	49	LH front speaker		
40	Rear washer pump	50	LH rear speaker		
41	Headlight washer module	51	RH front tweeter		

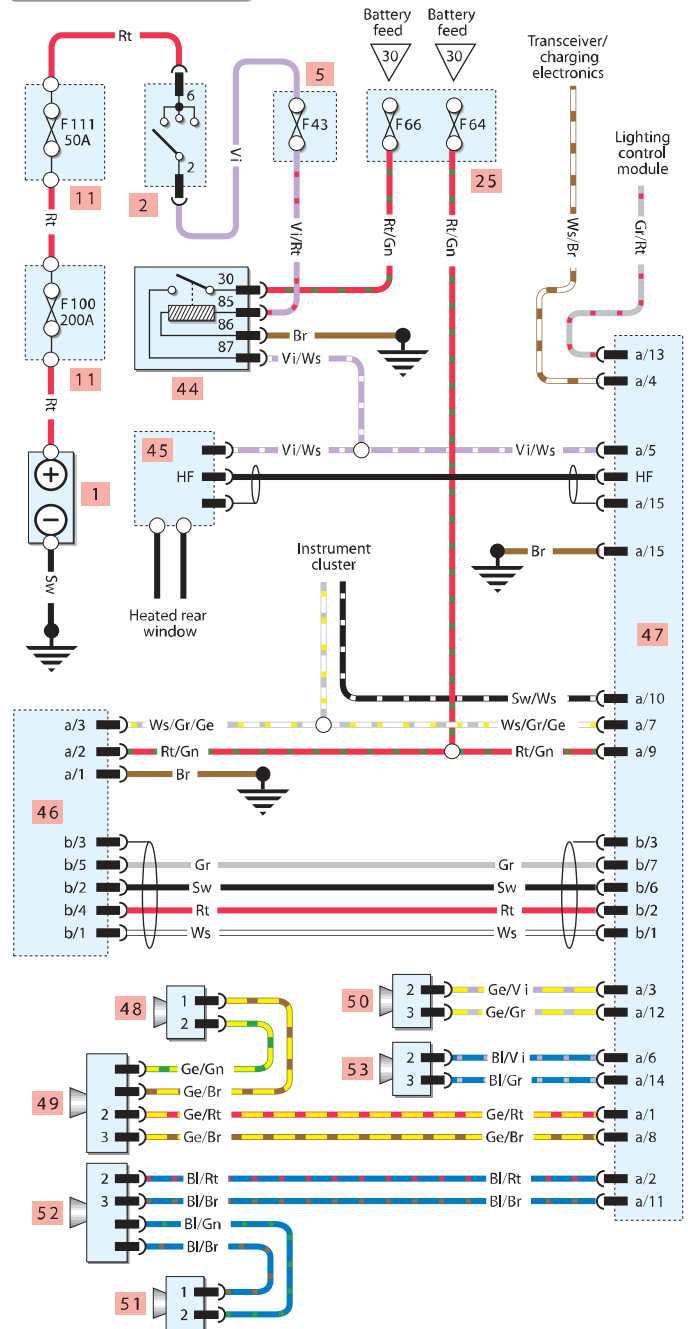
Diagram 4

H33056

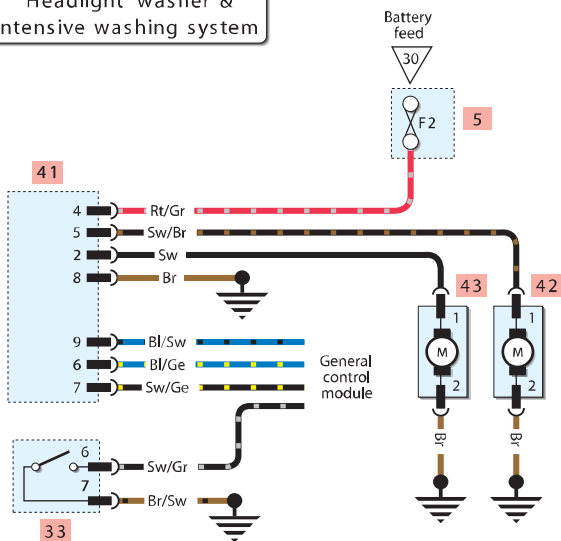
Typical rear wash/wipe



Typical audio system



Headlight washer & intensive washing system



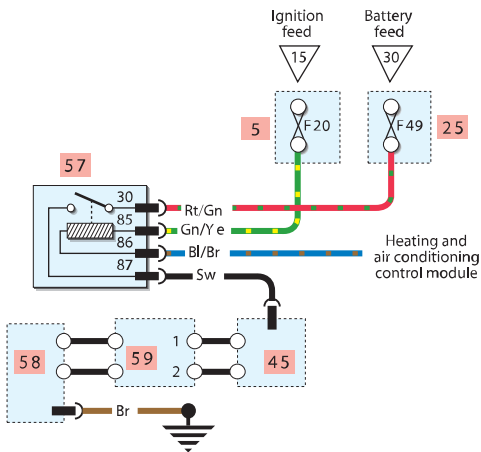
Wire colours

Bl	Blue	Vi	Violet
Br	Brown	Ws	White
Ge	Yellow	Or	Orange
Gr	Grey	Rt	Red
Gn	Green	Sw	Black

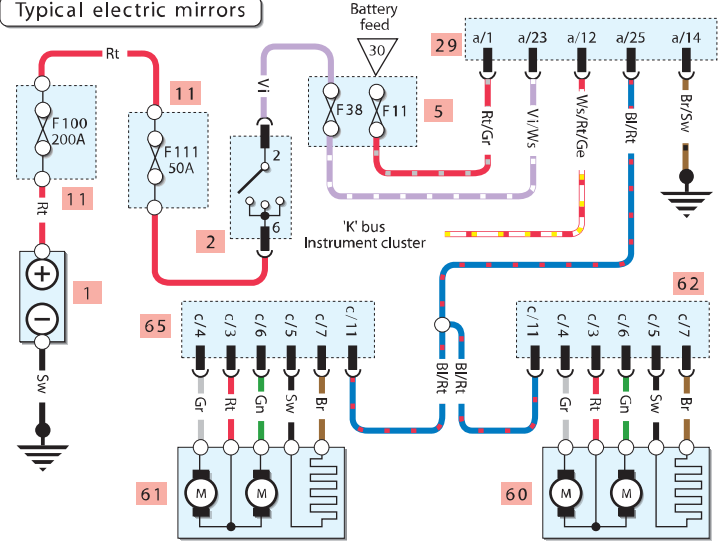
Key to items

- | | | | | | |
|----|-------------------------------|----|--------------------------------|----|----------------------------|
| 1 | Battery | 60 | Driver's mirror assembly | 69 | LH rear window motor |
| 2 | Ignition switch | 61 | Passenger's mirror assembly | 70 | LH rear jamming switch |
| 5 | Passenger compartment fusebox | 62 | Driver's door module | 71 | LH rear door window switch |
| 11 | Fusible link | 63 | Driver's window motor | 72 | RH rear window motor |
| 29 | General control module | 64 | Driver's jamming switch | 73 | RH rear jamming switch |
| 45 | Antenna module | 65 | Passenger's door module | 74 | RH rear door window switch |
| 57 | Heated rear window relay | 66 | Passenger's window motor | | |
| 58 | FM amplifier lockout circuit | 67 | Passenger's jamming switch | | |
| 59 | Heated rear window | 68 | Passenger's door window switch | | |

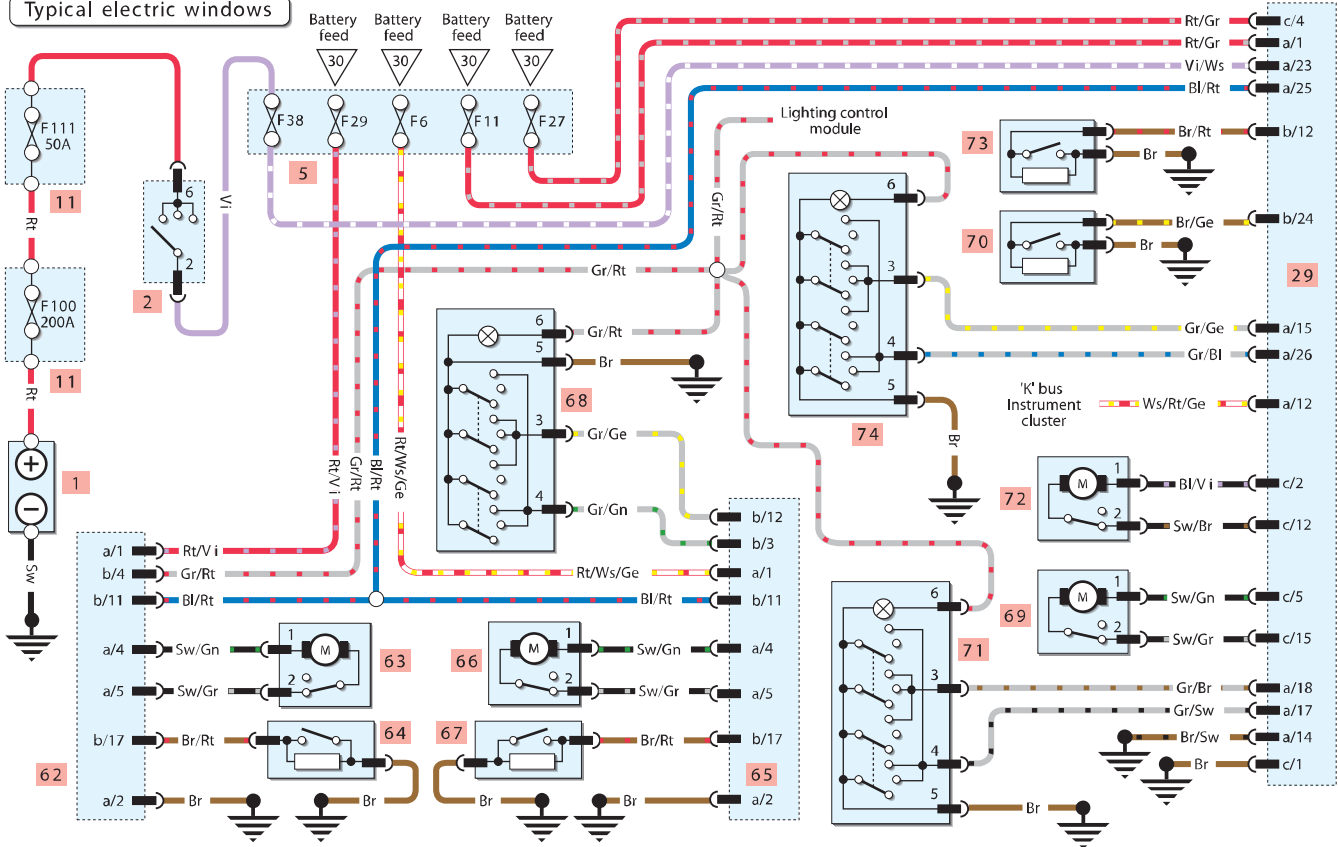
Typical heated rear window



Typical electric mirrors



Typical electric windows



Wire colours

Bl	Blue	Vi	Violet
Br	Brown	Ws	White
Ge	Yellow	Or	Orange
Gr	Grey	Rt	Red
Gn	Green	Sw	Black

Key to items

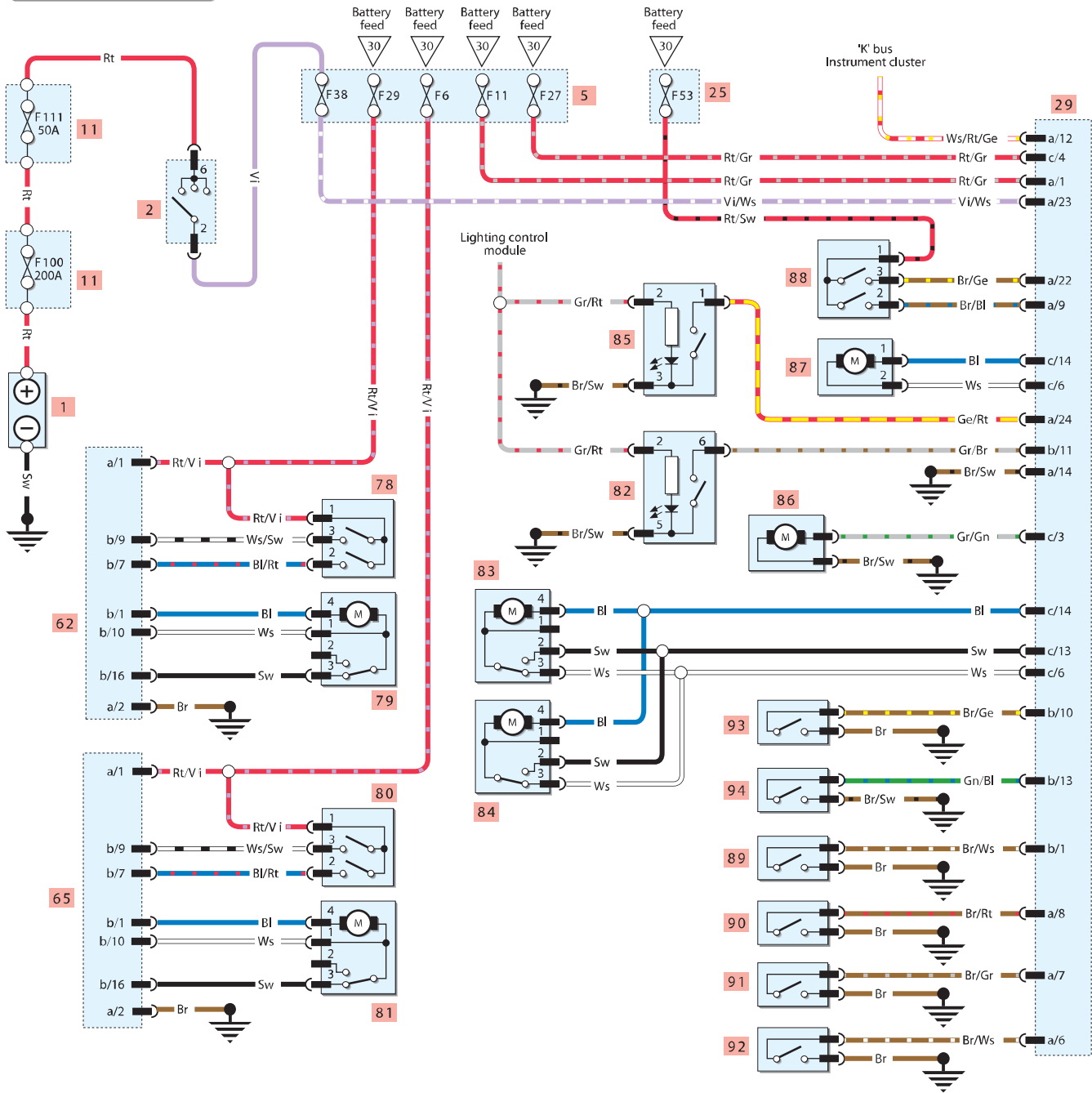
1	Battery	80	Passenger's door lock switch
2	Ignition switch	81	Passenger's door lock motor
5	Passenger compartment fusebox	82	Tailgate/boot release switch
11	Fusible link	83	LH rear door lock
25	Luggage compartment fusebox	84	RH rear door lock
29	General control module	85	Central locking master switch
62	Driver's door module	86	Tailgate/boot lock motor
65	Passenger's door module	87	Fuel filler flap lock motor
78	Driver's door lock switch	88	Tailgate/boot lock switch
79	Driver's door lock motor	89	Driver's door contact switch

90	Passenger's door contact switch
91	LH rear door contact switch
92	RH rear door contact switch
93	Tailgate/boot unlocking switch
94	Inertia switch

Diagram 6

H33058

Typical central locking



Wire colours

Bl	Blue	Vi	Violet
Br	Brown	Ws	White
Ge	Yellow	Or	Orange
Gr	Grey	Rt	Red
Gn	Green	Sw	Black

Key to items

- 1 Battery
- 2 Ignition switch
- 5 Passenger compartment fusebox
- 11 Fusible link
- 96 Stop light switch
- 97 Lighting control module
- 98 LH stop light
- 99 RH stop light
- 100 High level stop light
- 101 LH reversing light

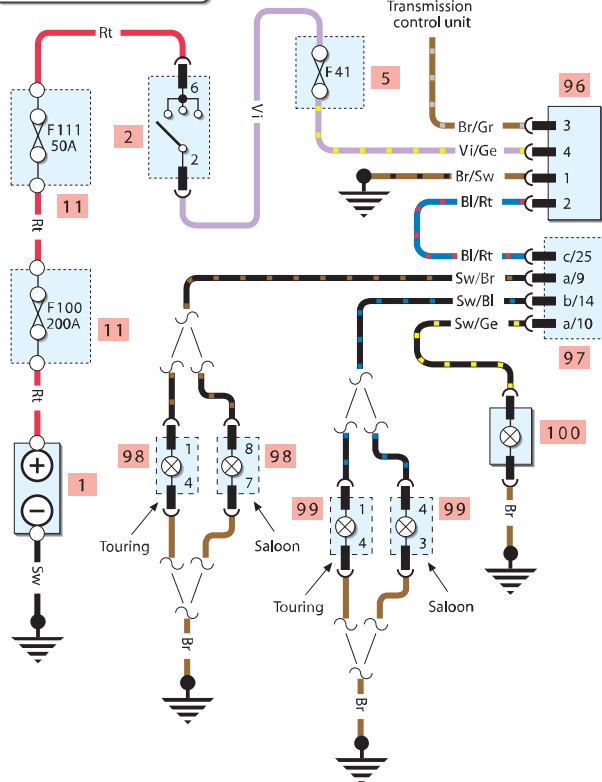
- 102 RH reversing light
- 103 Reversing light switch
- 104 Light switch
- a = side/headlights
- b = flasher/dip
- 105 RH headlight high beam
- 106 RH headlight low beam
- 107 RH parking light
- 108 LH headlight high beam
- 109 LH headlight high beam

- 110 LH parking light
- 111 RH number plate light
- 112 LH number plate light
- 113 LH tail light
- 114 LH tailgate tail light
- 115 RH tail light
- 116 RH tailgate tail light

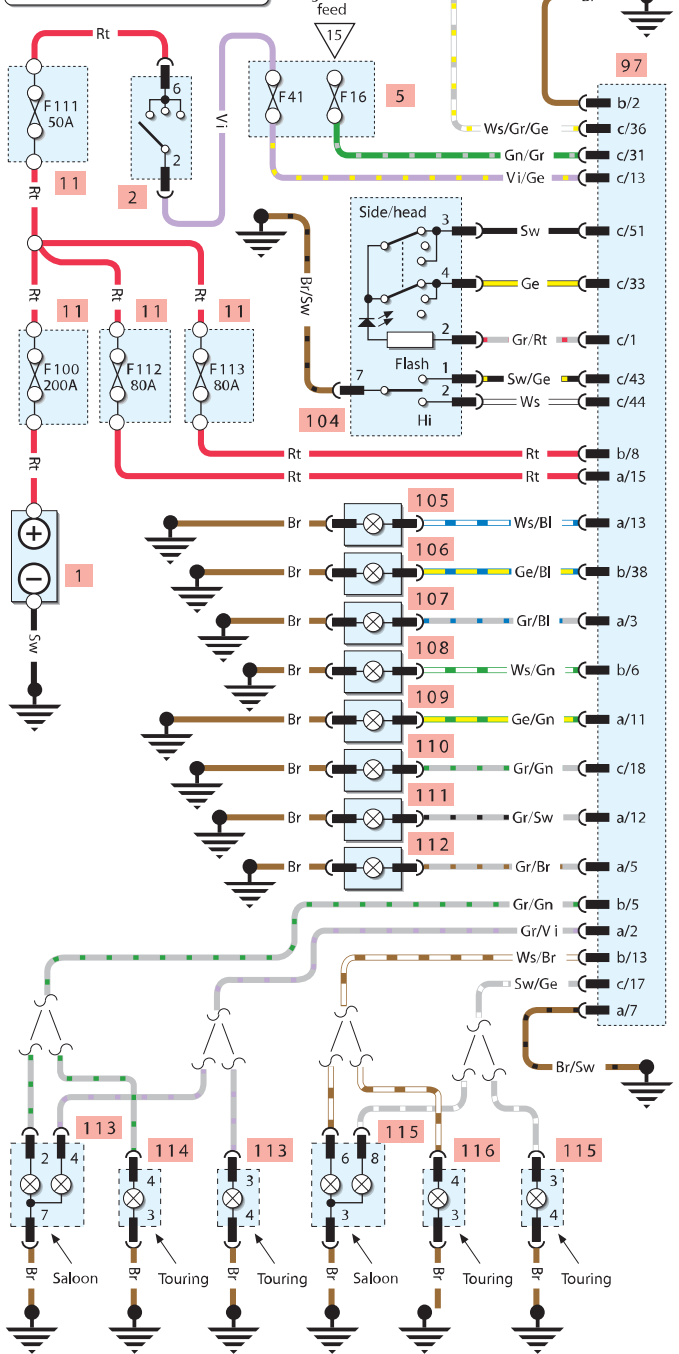
Diagram 7

H33059

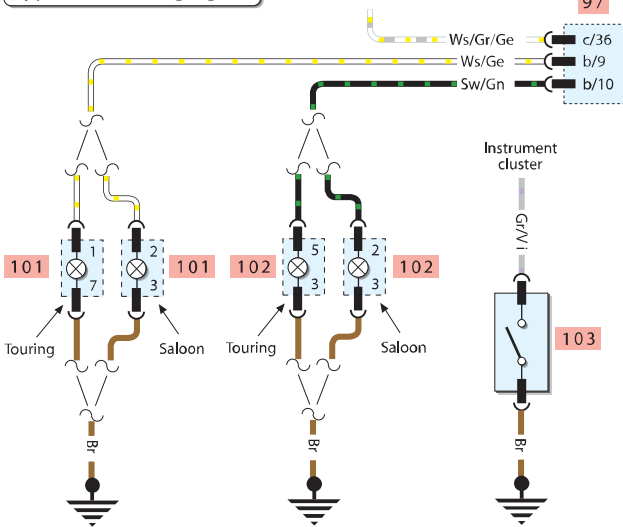
Typical stop lights



Typical headlights, side, tail & no plate lights



Typical reversing lights



Wire colours

Bl	Blue	Vi	Violet
Br	Brown	Ws	White
Ge	Yellow	Or	Orange
Gr	Grey	Rt	Red
Gn	Green	Sw	Black

Key to items

- 1 Battery
- 2 Ignition switch
- 5 Passenger compartment fusebox
- 11 Fusible link
- 97 Lighting control module
- 104 Light switch
- c = direction indicator switch
- 120 LH front direction indicator
- 121 LH direction indicator side repeater

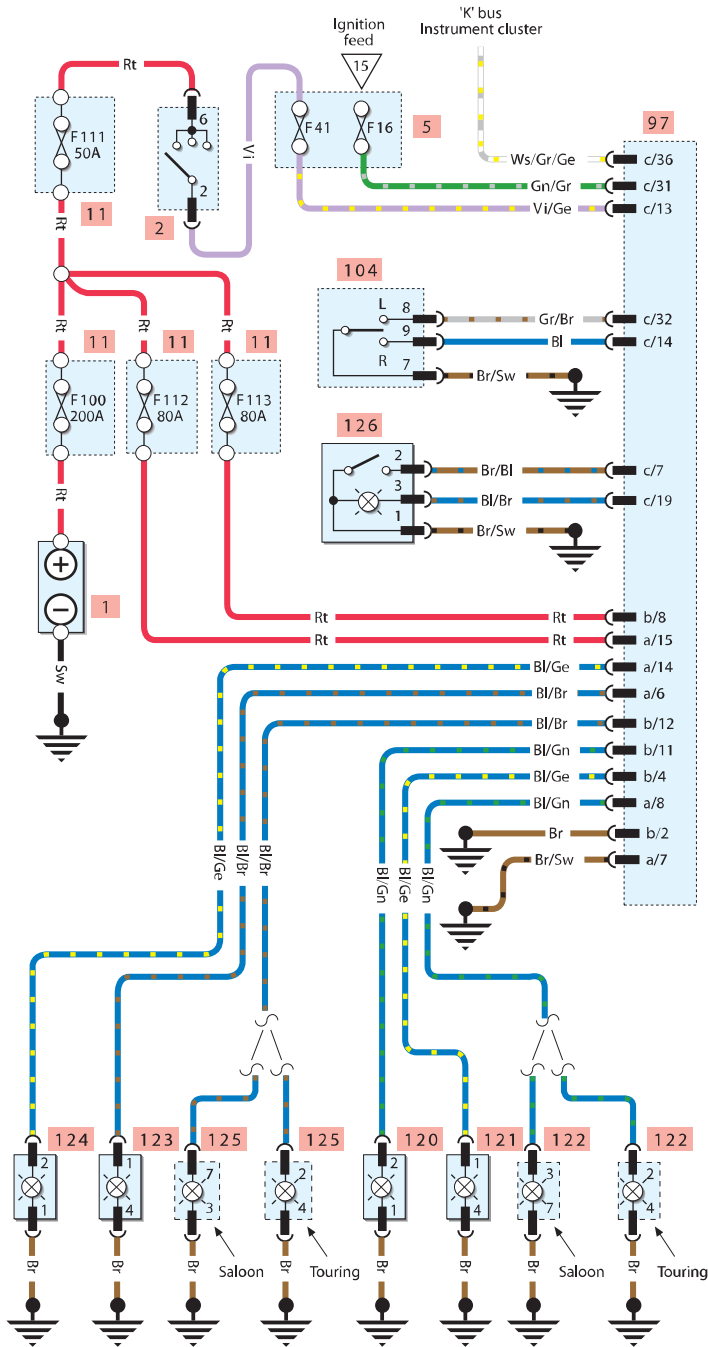
- 122 LH rear direction indicator
- 123 RH front direction indicator
- 124 RH direction indicator side repeater
- 125 RH rear direction indicator
- 126 Hazard warning switch
- 127 Foglight switch
- 128 LH front foglight
- 129 RH front foglight
- 130 LH rear foglight

- 131 LH tailgate foglight
- 132 RH rear foglight
- 133 RH tailgate foglight

Diagram 8

H33060

Typical direction indicators & hazard warning lights



Typical foglights

