

Mazda RX-4

1978
Wiring Diagram

mazda

HOW TO USE THIS WIRING DIAGRAM

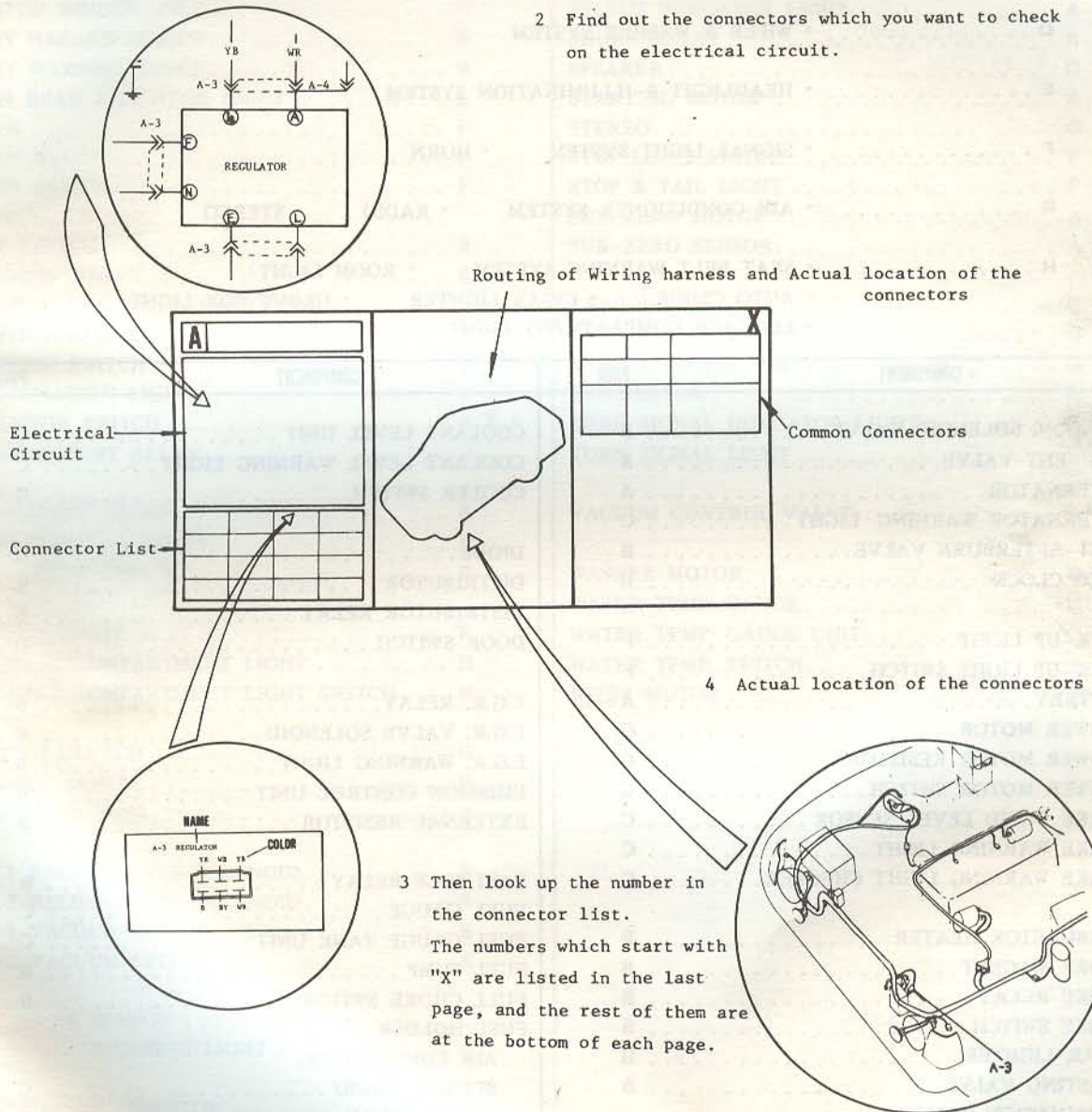
In this booklet, whole electrical systems are divided into sub system, such as charging system, ignition system ----, and the wiring diagram of each system is shown on an inside page containing one left page and opposite right page for your easy referense.

Left page is shown an electrical circuit and connector list, and right is the actual location of the connectors and the routing of the wiring harness.

WHEN YOU HAVE THE TROUBLE IN THE CHARGING SYSTEM, FOR INSTANCE.

1 Open the page of "CHARGING SYSTEM" and last folded page "FOR COMMON CONNECTORS".

2 Find out the connectors which you want to check on the electrical circuit.



3 Then look up the number in the connector list. The numbers which start with "X" are listed in the last page, and the rest of them are at the bottom of each page.

NOTE;



FOR AUTOMATIC TRANSMISSION MODEL (FOR A/T)

INDEX

HOW TO USE THIS WIRING DIAGRAM

PAGE	SUB SYSTEM
A	• CHARGING SYSTEM • STARTING SYSTEM
B	• EMISSION CONTROL SYSTEM • IGNITION SYSTEM • FUEL PUMP • KICK-DOWN SYSTEM
C	• METER & WARNING SYSTEM
D	• WIPER & WASHER SYSTEM
E	• HEADLIGHT & ILLUMINATION SYSTEM
F	• SIGNAL LIGHT SYSTEM • HORN
G	• AIR CONDITIONER SYSTEM • RADIO • STEREO
H	• SEAT BELT WARNING SYSTEM • ROOM LIGHT • AUTO CLOCK • CIGAR LIGHTER • GLOVE BOX LIGHT • LUGGAGE COMPARTMENT LIGHT

COMPONENT	PAGE	COMPONENT	PAGE
AIR CON. SOLENOID VALVE	B	COOLANT LEVEL UNIT	C
AIR VENT VALVE	B	COOLANT LEVEL WARNING LIGHT	C
ALTERNATOR	A	COOLER SWITCH	G
ALTERNATOR WARNING LIGHT	C	DIODE	H
ANTI-AFTERBURN VALVE	B	DISTRIBUTOR	B
AUTO CLOCK	H	DISTRIBUTOR RELAY	B
BACK-UP LIGHT	F	DOOR SWITCH	H
BACK-UP LIGHT SWITCH	F	E.G.R. RELAY	B
BATTERY	A~H	E.G.R. VALVE SOLENOID	B
BLOWER MOTOR	G	E.G.R. WARNING LIGHT	B
BLOWER MOTOR RESISTOR	G	EMISSION CONTROL UNIT	B
BLOWER MOTOR SWITCH	G	EXTERNAL RESISTOR	B
BRAKE FLUID LEVEL SENSOR	C	FAST IDLE RELAY	B
BRAKE WARNING LIGHT	C	FUEL GAUGE	C
BRAKE WARNING LIGHT CHECKER	C	FUEL GAUGE TANK UNIT	C
CARBURETOR HEATER	B	FUEL PUMP	B
CHOKE MAGNET	B	FULL CHOKE SWITCH	B
CHOKE RELAY	B	FUSE HOLDER	
CHOKE SWITCH	B	AIR CONDITIONER,	
CIGAR LIGHTER	H	STEREO, RADIO	G
COASTING VALVE	B	CHOKE RELAY	B
COMBINATION SWITCH		EMISSION CONTROL UNIT	B
DIMMER SWITCH	A, E, F	HEATED WINDOW,	
HAZARD &		AIR CONDITIONER	G
FLASHER SWITCH	F	WIPER, GLOVE BOX	D, H
LIGHT SWITCH	A, E, F	FUSIBLE LINK	
PASSING SWITCH	A, E, F	HEADLIGHT	A, E, F
TURN SIGNAL SWITCH	F	IGNITION COIL	A, B
WASHER SWITCH	D	MAIN	A~D,
WIPER SWITCH	D	STARTING MOTOR	F~H
COOLANT LEVEL SENSOR	C		B

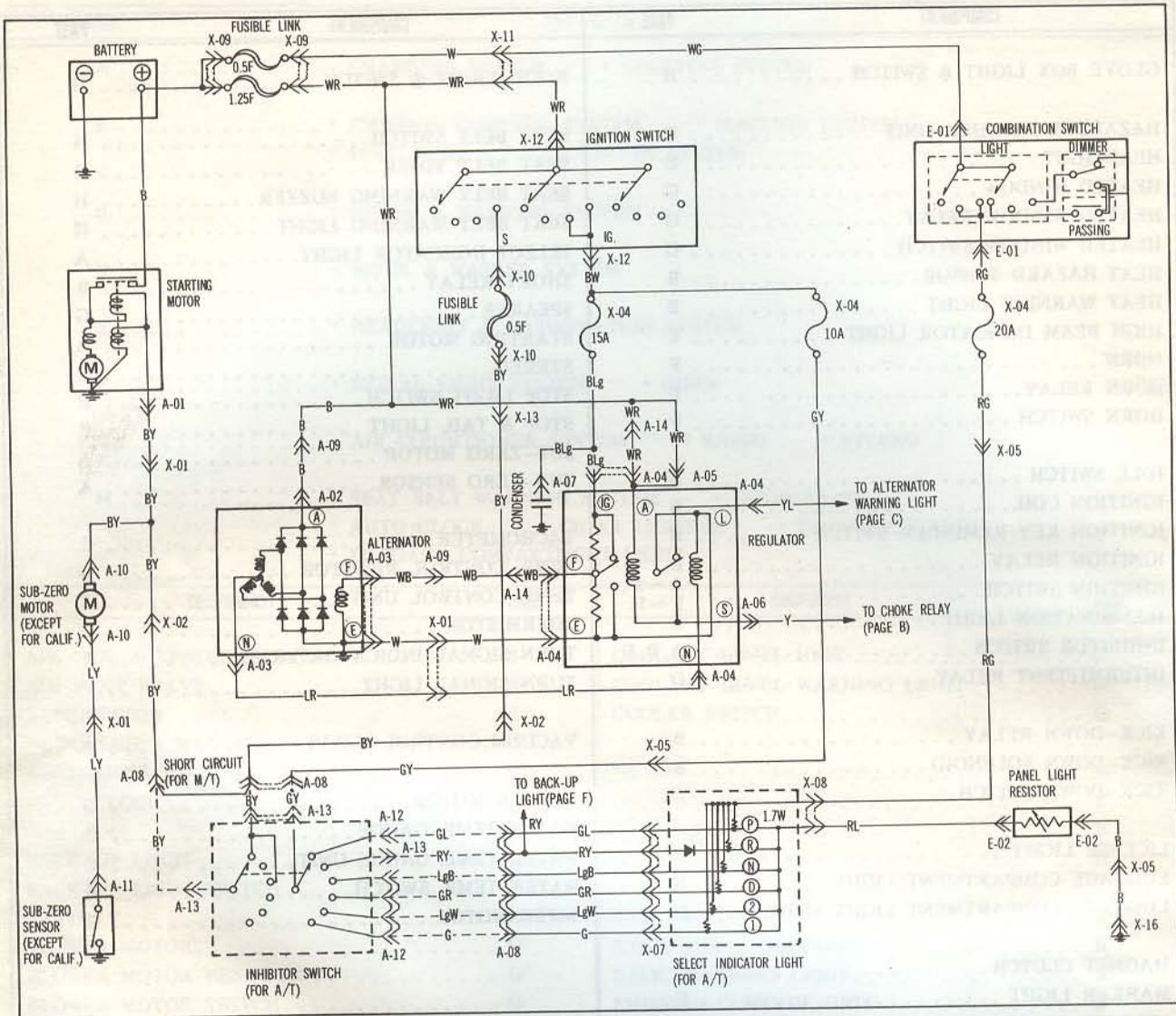
CHARGING SYSTEM INDEX

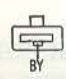

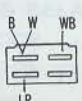
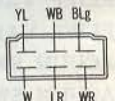
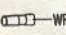
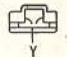

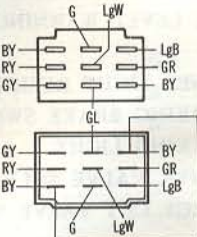
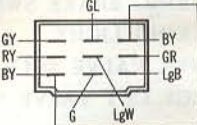
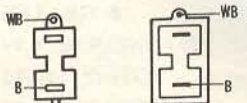

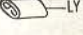
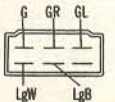
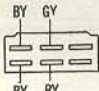
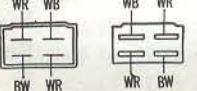
A

COMPONENT	PAGE	COMPONENT	PAGE
GLOVE BOX LIGHT & SWITCH	H	ROOM LIGHT & SWITCH	H
HAZARD & FLASHER UNIT	F	SEAT BELT SWITCH	H
HEADLIGHT	E	SEAT BELT TIMER	H
HEATED WINDOW	G	SEAT BELT WARNING BUZZER	H
HEATED WINDOW RELAY	G	SEAT BELT WARNING LIGHT	H
HEATED WINDOW SWITCH	G	SELECT INDICATOR LIGHT	A
HEAT HAZARD SENSOR	B	SHORT RELAY	B
HEAT WARNING LIGHT	B	SPEAKER	G
HIGH BEAM INDICATOR LIGHT	E	STARTING MOTOR	A
HORN	F	STEREO	G
HORN RELAY	F	STOP LIGHT SWITCH	F
HORN SWITCH	F	STOP & TAIL LIGHT	F
		SUB-ZERO MOTOR	A
IDLE SWITCH	B	SUB-ZERO SENSOR	A
IGNITION COIL	B		
IGNITION KEY REMINDER SWITCH	H	TACHOMETER	C
IGNITION RELAY	B	TEMP. CONTROL RESISTOR	G
IGNITION SWITCH	A ~ D, F ~ H	TEMP. CONTROL UNIT	G
ILLUMINATION LIGHT	E	THERMISTOR	G
INHIBITOR SWITCH	A, B, F	TURN SIGNAL INDICATOR LIGHT	F
INTERMITTENT RELAY	D	TURN SIGNAL LIGHT	F
KICK-DOWN RELAY	B	VACUUM CONTROL VALVE	B
KICK-DOWN SOLENOID	B		
KICK-DOWN SWITCH	B	WASHER MOTOR	D
		WATER TEMP. GAUGE	C
LICENSE LIGHT	F	WATER TEMP. GAUGE UNIT	C
LUGGAGE COMPARTMENT LIGHT	H	WATER TEMP. SWITCH	B
LUGGAGE COMPARTMENT LIGHT SWITCH	H	WIPER MOTOR	D
MAGNET CLUTCH	G		
MARKER LIGHT	F		
MILEAGE SENSOR	B		
NO. 1 RELIEF VALVE SOLENOID	B		
NO. 2 RELIEF VALVE SOLENOID	B		
NO. 1 VACUUM SWITCH	B		
NO. 2 VACUUM SWITCH	B		
OIL LEVEL SENSOR	C		
OIL LEVEL WARNING LIGHT	C		
PANEL LIGHT RESISTOR	A, E		
PARKING BRAKE SWITCH	C		
PARKING LIGHT	F		
POWER VALVE SOLENOID	B		
PURGE CUT VALVE SOLENOID	B		
RADIO	G		
REGULATOR	A		
RESET CONNECTOR	B		
RETARD RELAY	B		
RICHER SOLENOID	B		

A

• CHARGING SYSTEM • STARTING SYSTEM

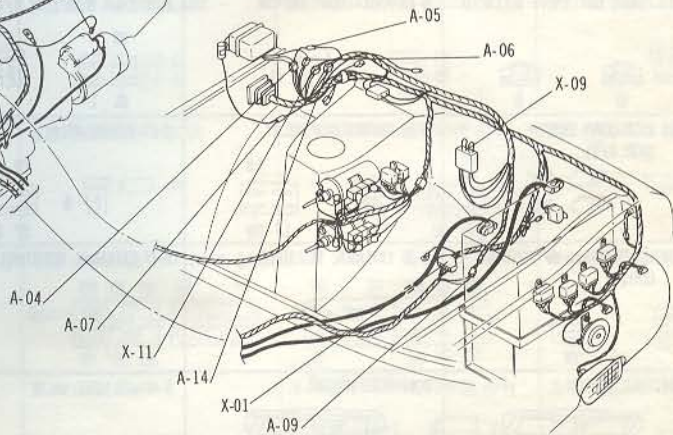
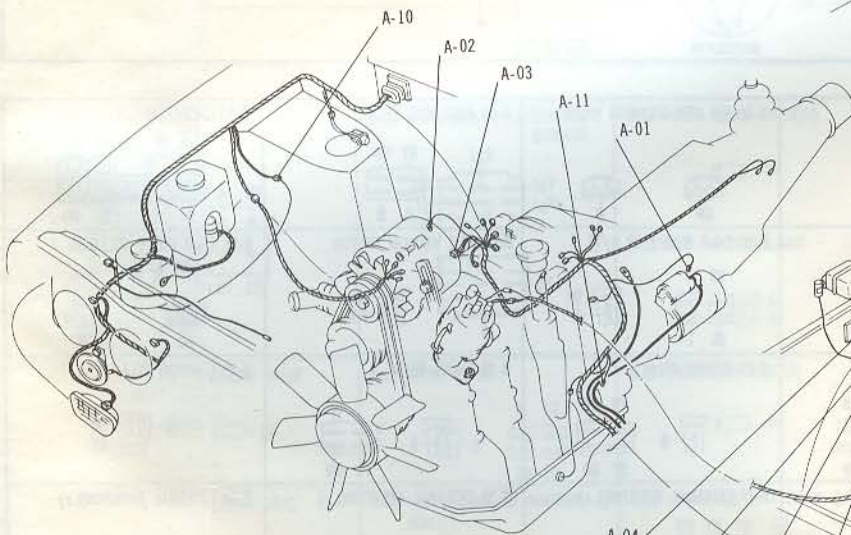
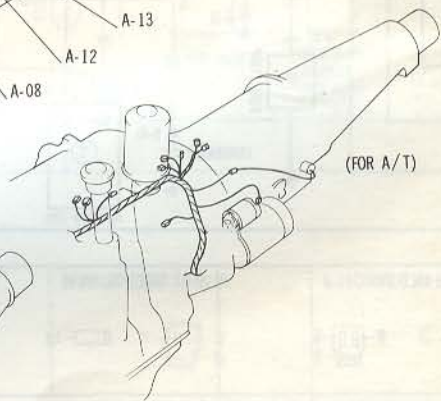
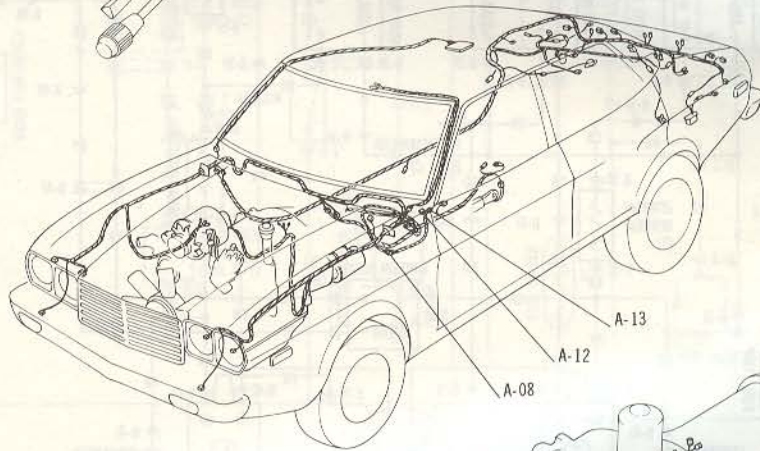
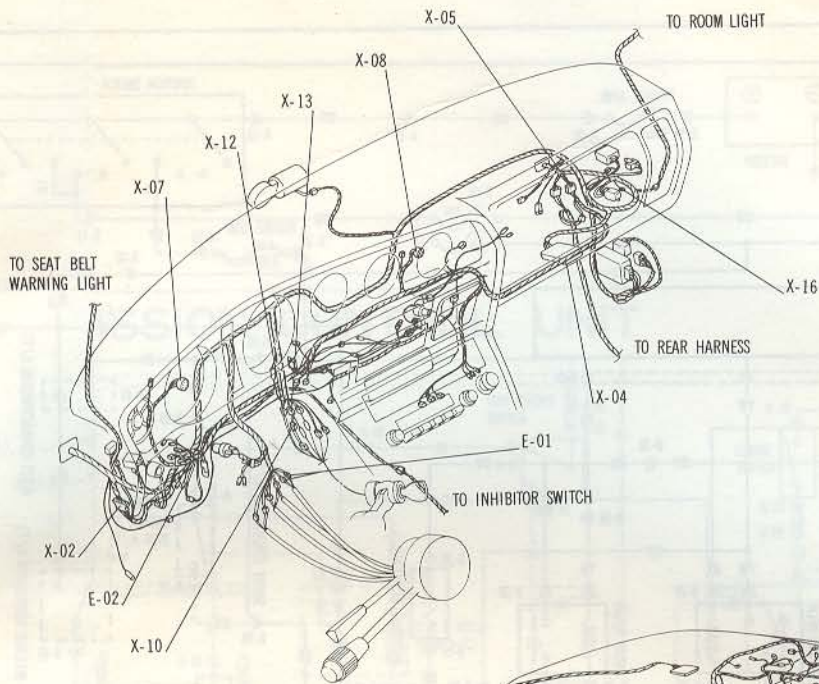


<p>A-01 STARTING MOTOR</p> 	<p>A-02 ALTERNATOR</p> 	<p>A-03 ALTERNATOR</p> 	<p>A-04 REGULATOR</p> 
<p>A-05 REGULATOR</p> 	<p>A-06 REGULATOR</p> 	<p>A-07 CONDENSER</p> 	<p>A-08 CONNECTOR TO INHIBITOR SWITCH</p>  <p>SHORT CIRCUIT(M/T)</p> 
<p>A-09 CONNECTOR TO ALTERNATOR</p> 	<p>A-10 SUB-ZERO MOTOR (EXCEPT FOR CALIF.)</p> 	<p>A-11 SUB-ZERO SENSOR (EXCEPT FOR CALIF.)</p> 	
<p>A-12 INHIBITOR SWITCH</p> 	<p>A-13 INHIBITOR SWITCH</p> 	<p>A-14 CONNECTOR TO REGULATOR</p> 	

EX-DOWN SYSTEM

FUEL PUMP

IGNITION SYSTEM



B

FOR CALIFORNIA SPEC.

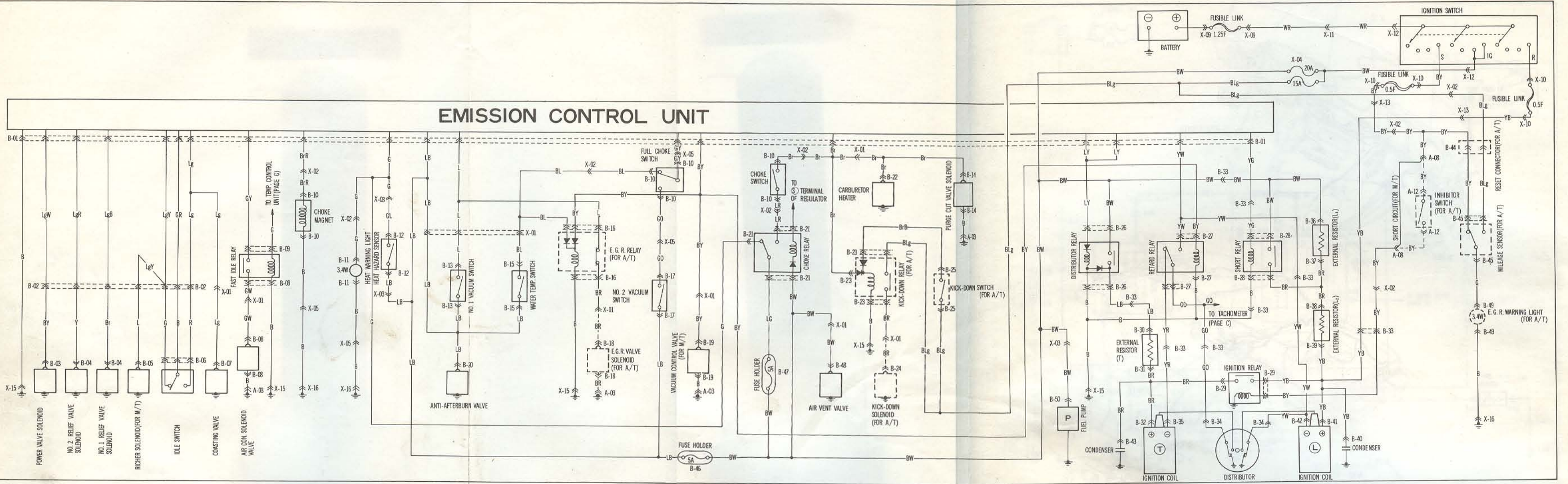
•EMISSION CONTROL SYSTEM

•KICK-DOWN SYSTEM

•FUEL PUMP

•IGNITION SYSTEM

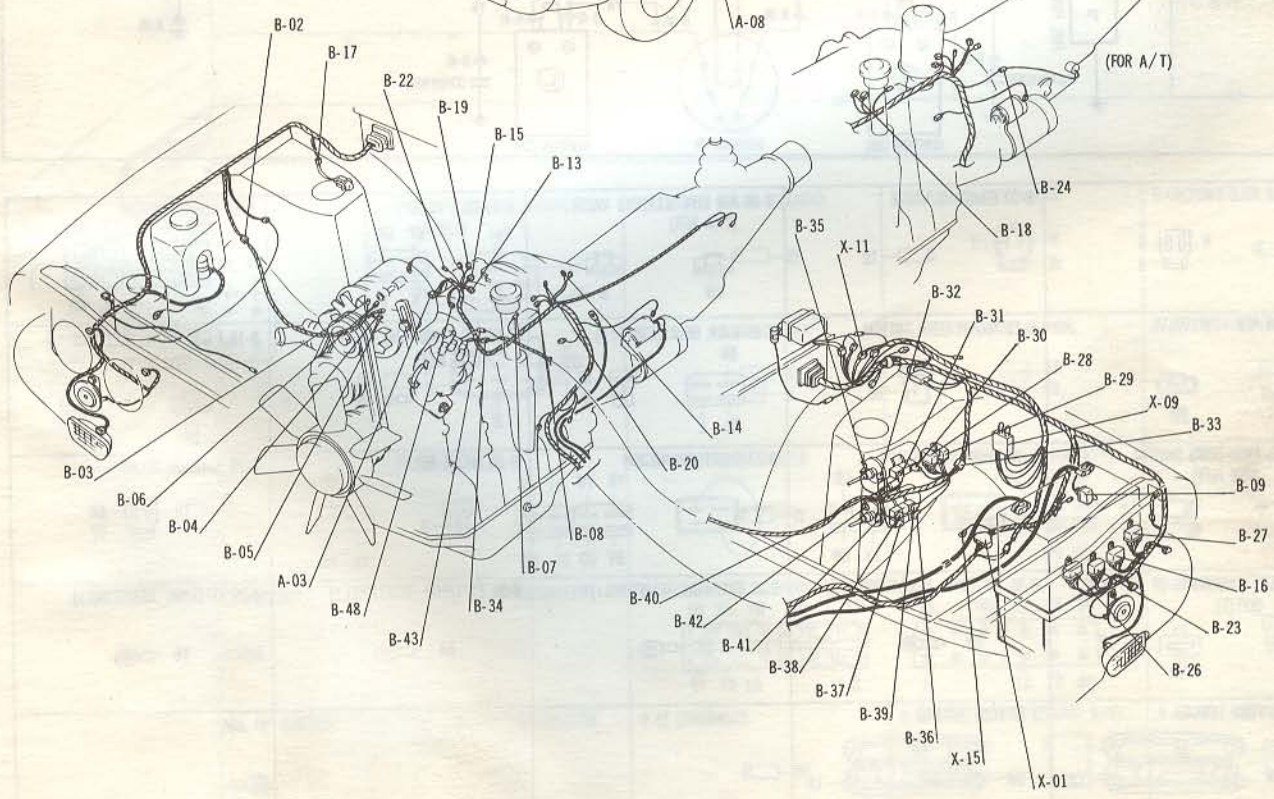
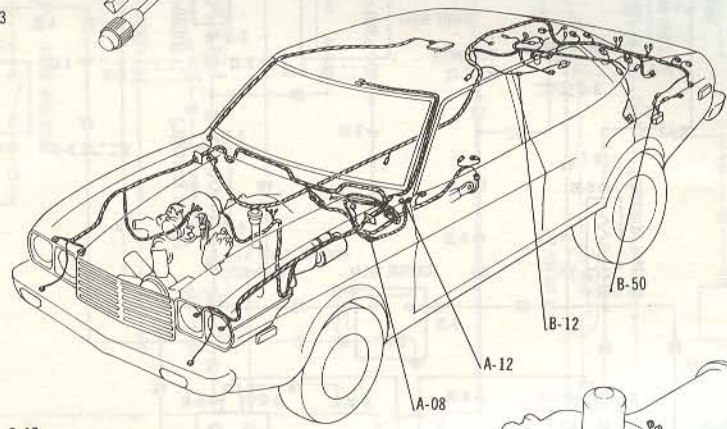
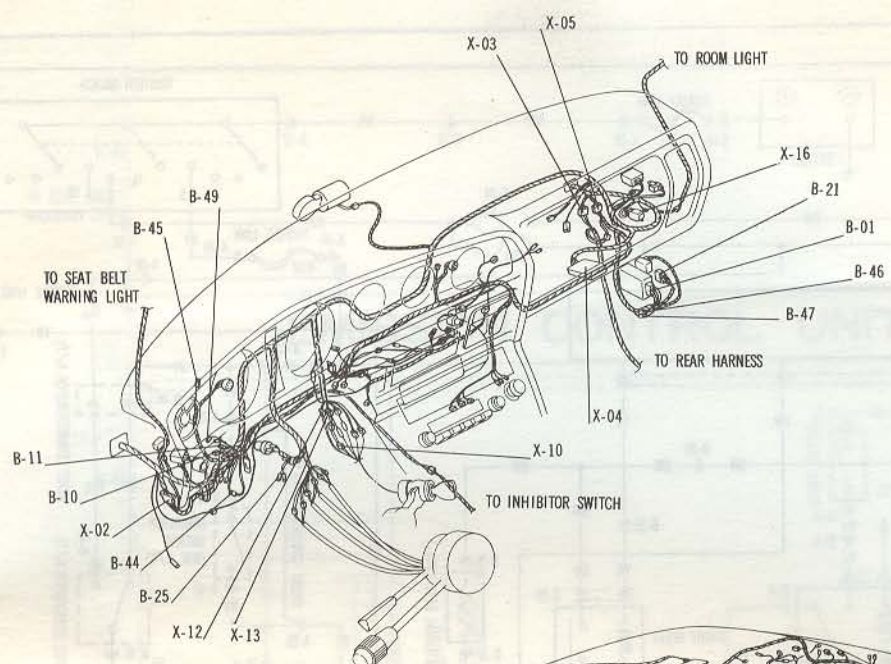
EMISSION CONTROL UNIT



<p>B-01 EMISSION CONTROL UNIT</p>	<p>B-02 CONNECTOR TO CARBURETOR HARNESS</p>	<p>B-03 POWER VALVE SOLENOID</p>	<p>B-04 AIR CONTROL VALVE</p>	<p>B-05 RICHER SOLENOID(FOR A/T)</p>	<p>B-06 IDLE SWITCH</p>	<p>B-07 COASTING VALVE</p>	<p>B-08 AIR CON. SOLENOID VALVE</p>	<p>B-09 FAST IDLE RELAY</p>	<p>B-10 CHOKE SWITCH</p>
<p>B-11 HEAT WARNING LIGHT</p>	<p>B-12 HEAT HAZARD SENSOR</p>	<p>B-13 NO.1 VACUUM SWITCH</p>	<p>B-14 PURGE CUT VALVE SOLENOID</p>	<p>B-15 WATER TEMP. SWITCH</p>	<p>B-16 E.G.R. RELAY(FOR A/T)</p>	<p>B-17 NO.2 VACUUM SWITCH</p>	<p>B-18 E.G.R. VALVE SOLENOID (FOR A/T)</p>	<p>B-19 VACUUM CONTROL VALVE (FOR M/T)</p>	<p>B-20 ANTI-AFTERBURN VALVE</p>
<p>B-21 CHOKE RELAY</p>	<p>B-22 CARBURETOR HEATER</p>	<p>B-23 KICK-DOWN RELAY(FOR A/T)</p>	<p>B-24 KICK-DOWN SOLENOID (FOR A/T)</p>	<p>B-25 KICK-DOWN SWITCH (FOR A/T)</p>	<p>B-26 DISTRIBUTOR RELAY</p>	<p>B-27 RETARD RELAY</p>	<p>B-28 SHORT RELAY</p>	<p>B-29 IGNITION RELAY</p>	<p>B-30 EXTERNAL RESISTOR(T)</p>
<p>B-31 EXTERNAL RESISTOR(T)</p>	<p>B-32 ⊕ TERMINAL OF IGNITION COIL(T)</p>	<p>B-33 CONNECTOR TO IGNITION HARNESS</p>	<p>B-34 DISTRIBUTOR</p>	<p>B-35 ⊖ TERMINAL OF IGNITION COIL(T)</p>	<p>B-36 EXTERNAL RESISTOR(L1)</p>	<p>B-37 EXTERNAL RESISTOR(L1)</p>	<p>B-38 EXTERNAL RESISTOR(L2)</p>	<p>B-39 EXTERNAL RESISTOR(L2)</p>	<p>B-40 CONDENSER</p>
<p>B-41 ⊕ TERMINAL OF IGNITION COIL(L)</p>	<p>B-42 ⊖ TERMINAL OF IGNITION COIL(L)</p>	<p>B-43 CONDENSER</p>	<p>B-44 RESET CONNECTOR(FOR A/T)</p>	<p>B-45 MILEAGE SENSOR(FOR A/T)</p>	<p>B-46 FUSE HOLDER</p>	<p>B-47 FUSE HOLDER</p>	<p>B-48 AIR VENT VALVE</p>	<p>B-49 E.G.R. WARNING LIGHT (FOR A/T)</p>	<p>B-50 FUEL PUMP</p>

WIRING DIAGRAM

WIRING DIAGRAM



B

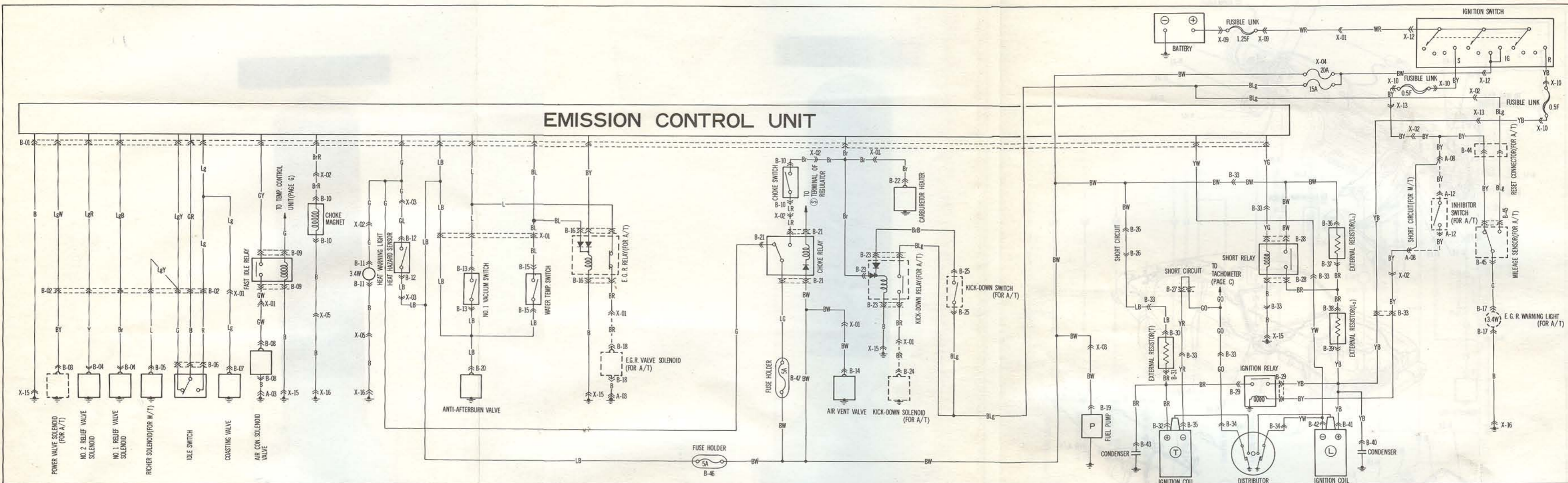
EXCEPT FOR CALIFORNIA SPEC.

•EMISSION CONTROL SYSTEM

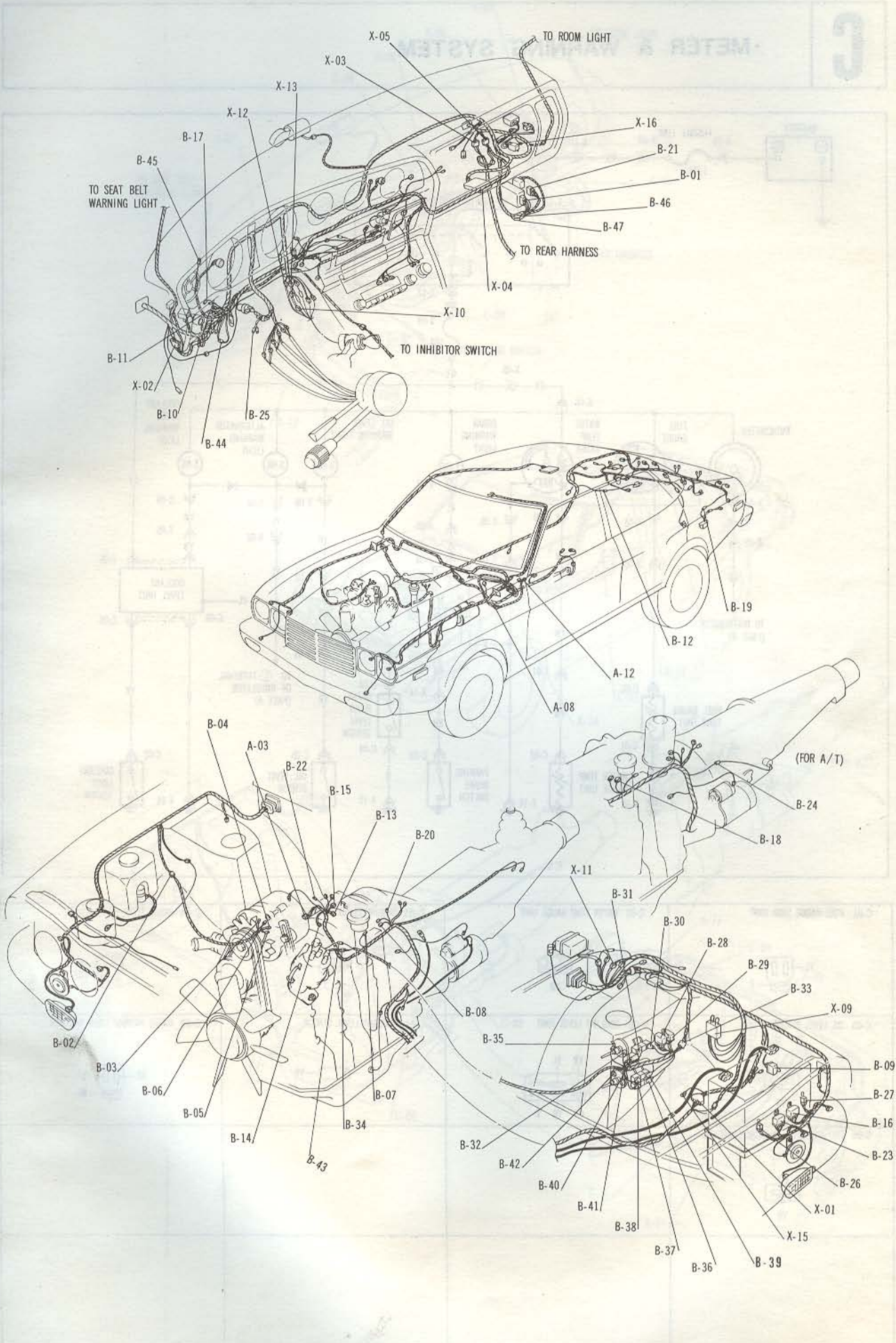
•KICK-DOWN SYSTEM

•FUEL PUMP

•IGNITION SYSTEM

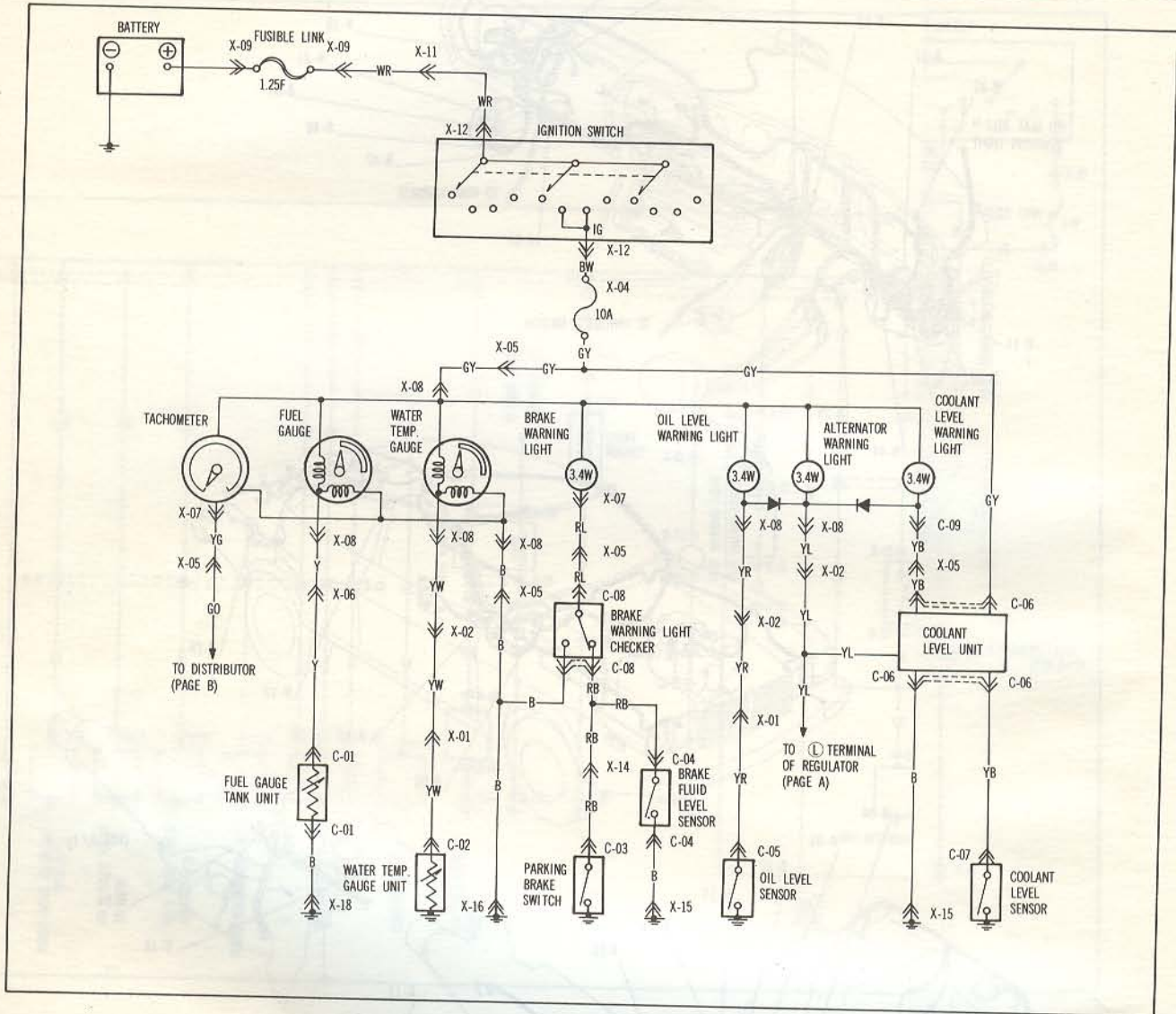


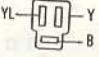




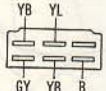


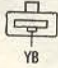
B-01 EMISSION CONTROL UNIT 	B-02 CONNECTOR TO CARBURETOR HARNESS 	B-03 POWER VALVE SOLENOID (FOR A/T) 	B-04 AIR CONTROL VALVE 	B-05 RICHER SOLENOID 	B-06 IDLE SWITCH 	B-07 COASTING VALVE 	B-08 AIR CON. SOLENOID VALVE 	B-09 IDLE RELAY 	B-10 CHOKE SWITCH 									
B-11 HEAT WARNING LIGHT 	B-12 HEAT HAZARD SENSOR 	B-13 NO.1 VACUUM SWITCH 	B-14 AIR VENT VALVE 	B-15 WATER TEMP. SWITCH 	B-16 E.G.R. RELAY(FOR A/T) 	B-17 E.G.R. WARNING LIGHT (FOR A/T) 	B-18 E.G.R. VALVE SOLENOID (FOR A/T) 	B-19 FUEL PUMP 	B-20 ANTI-AFTERBURN VALVE 	B-21 CHOKE RELAY 	B-22 CARBURETOR HEATER 	B-23 KICK-DOWN RELAY(FOR A/T) 	B-24 KICK-DOWN SOLENOID (FOR A/T) 	B-25 KICK-DOWN SWITCH (FOR A/T) 	B-26 SHORT CONNECTOR 	B-27 SHORT CONNECTOR 	B-28 SHORT RELAY 	B-29 IGNITION RELAY
B-30 EXTERNAL RESISTOR(T) 	B-31 EXTERNAL RESISTOR(T) 	B-32 ⊕ TERMINAL OF IGNITION COIL(T) 	B-33 CONNECTOR TO IGNITION HARNESS 	B-34 DISTRIBUTOR 	B-35 ⊖ TERMINAL OF IGNITION COIL(T) 	B-36 EXTERNAL RESISTOR(L1) 	B-37 EXTERNAL RESISTOR(L1) 	B-38 EXTERNAL RESISTOR(L2) 	B-39 EXTERNAL RESISTOR(L2) 									
B-40 CONDENSER 	B-41 ⊕ TERMINAL OF IGNITION COIL(L) 	B-42 ⊖ TERMINAL OF IGNITION COIL(L) 	B-43 CONDENSER 	B-44 RESET CONNECTOR(FOR A/T) 	B-45 MILEAGE SENSOR(FOR A/T) 	B-46 FUSE HOLDER 	B-47 FUSE HOLDER 											

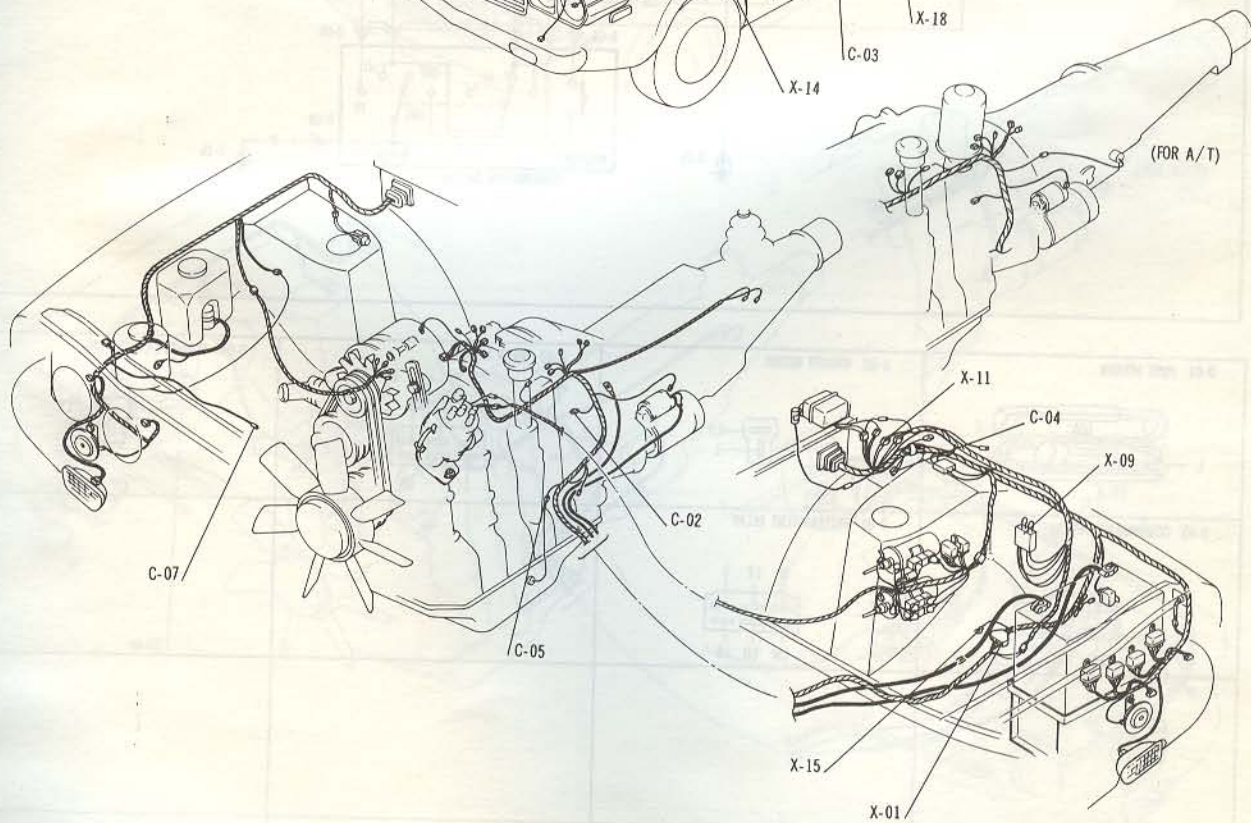
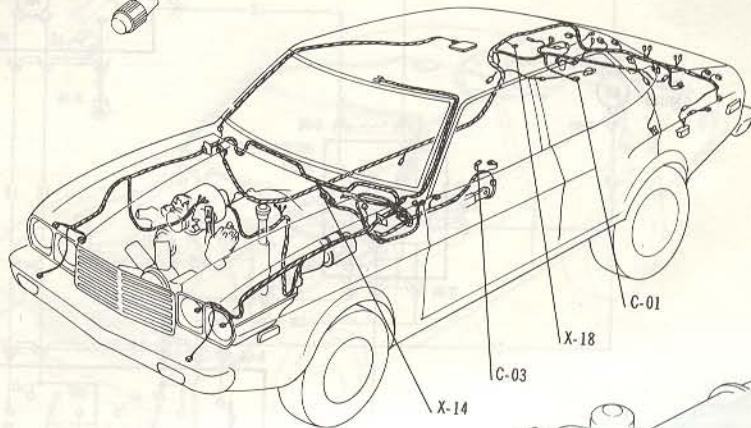
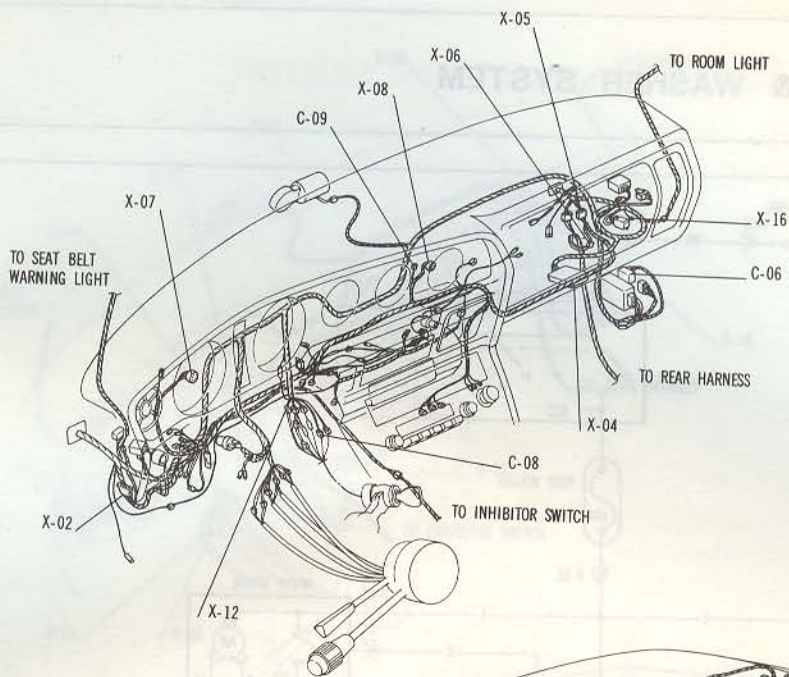


C

METER & WARNING SYSTEM

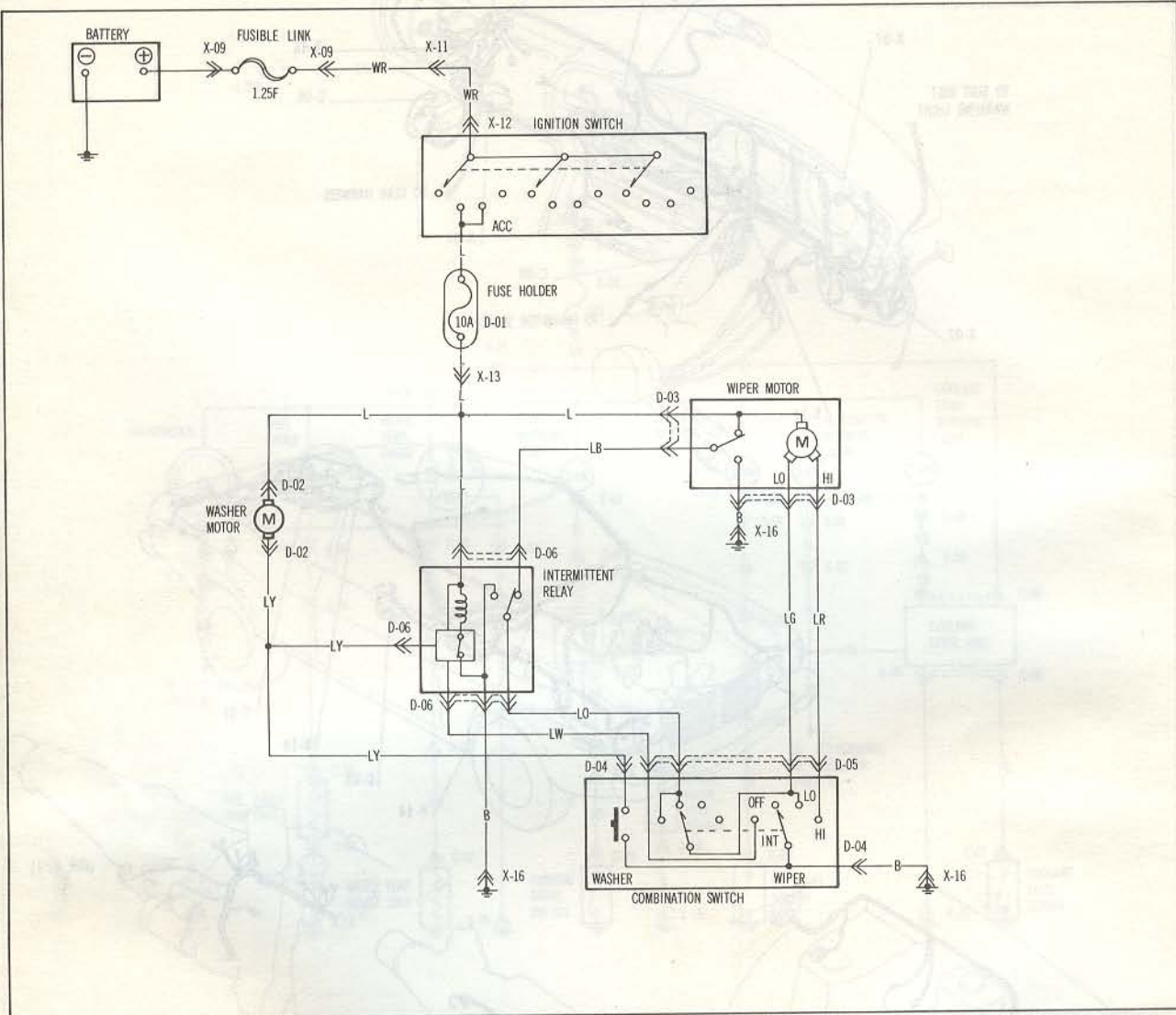


<p>C-01 FUEL GAUGE TANK UNIT</p> 	<p>C-02 WATER TEMP. GAUGE UNIT</p> 	<p>C-03 PARKING BRAKE SWITCH</p> 	<p>C-04 BRAKE FLUID LEVEL SENSOR</p> 
<p>C-05 OIL LEVEL SENSOR</p> 	<p>C-06 COOLANT LEVEL UNIT</p> 	<p>C-07 COOLANT LEVEL SENSOR</p> 	<p>C-08 BRAKE WARNING LIGHT CHECKER</p> 
<p>C-09 COOLANT LEVEL WARNING LIGHT</p> 			

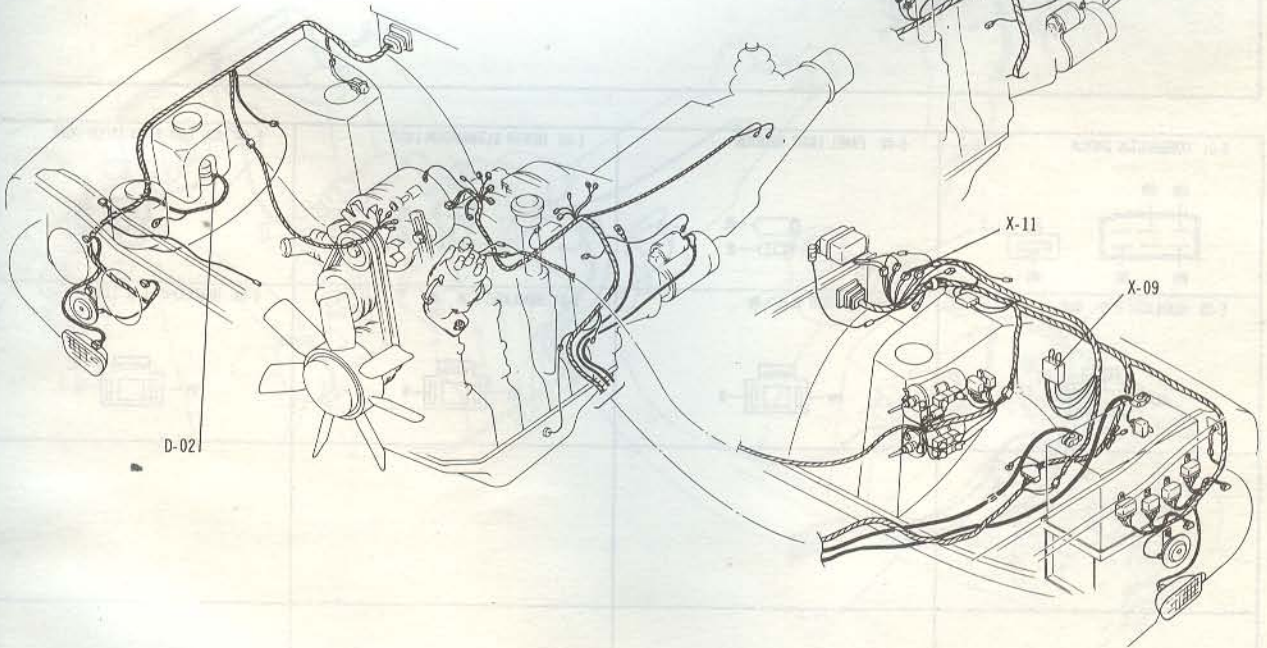
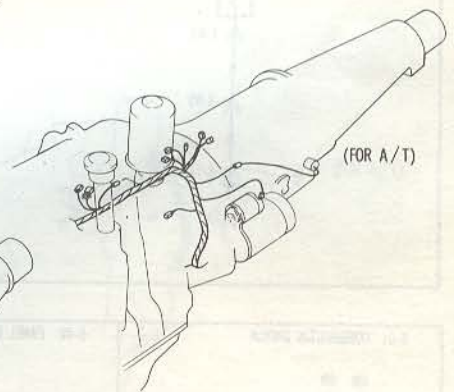
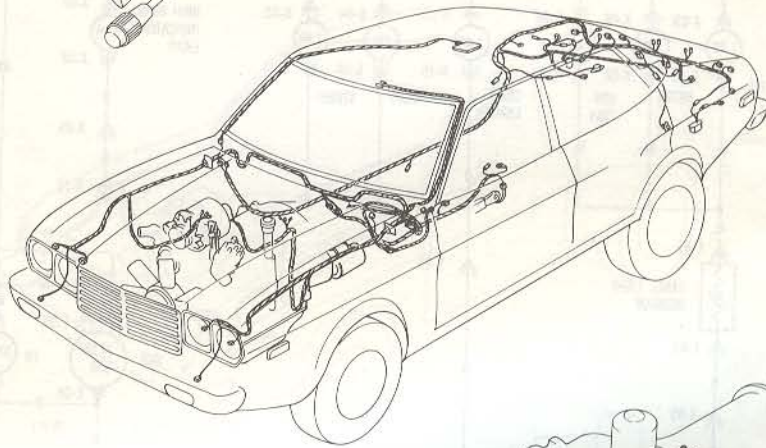
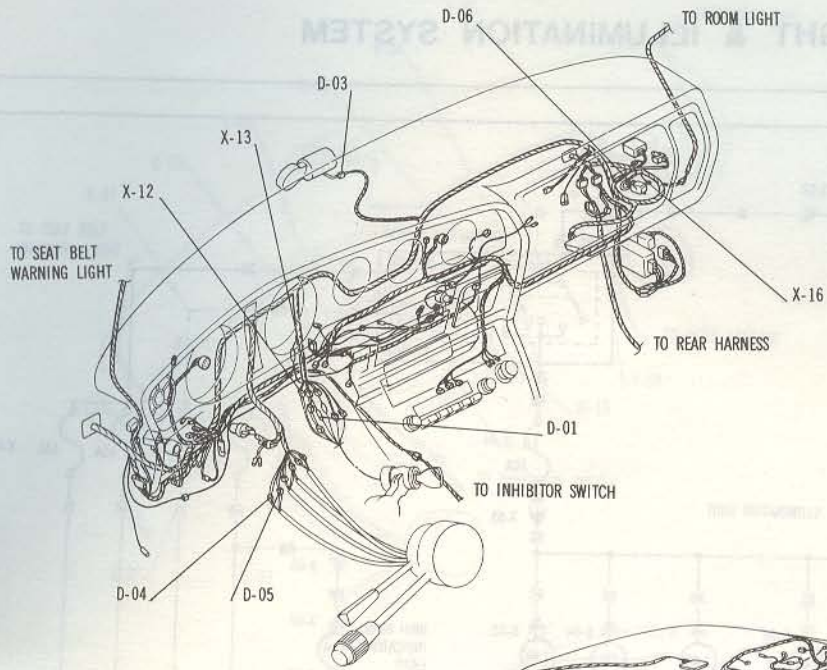


D

•WIPER & WASHER SYSTEM

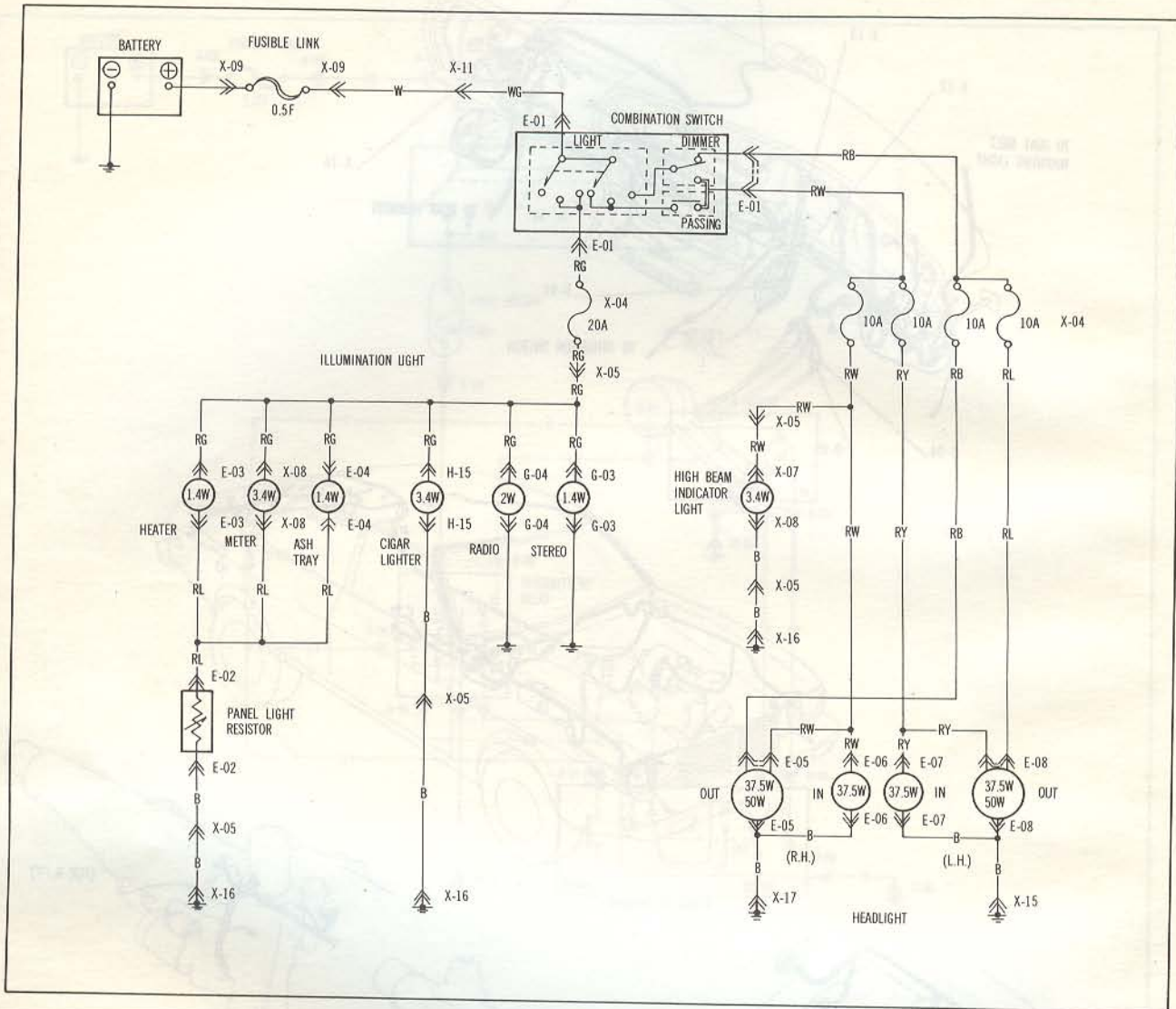


D-01 FUSE HOLDER	D-02 WASHER MOTOR	D-03 WIPER MOTOR	D-04 COMBINATION SWITCH
D-05 COMBINATION SWITCH	D-06 INTERMITTENT RELAY		



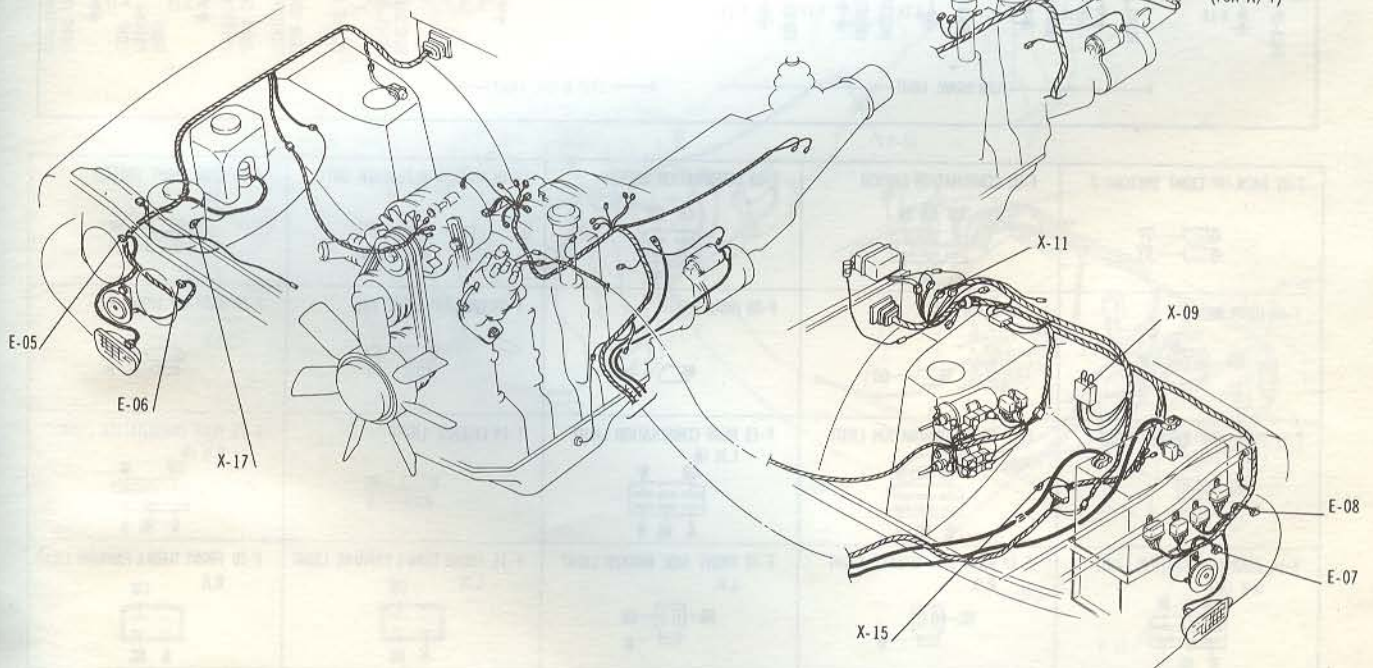
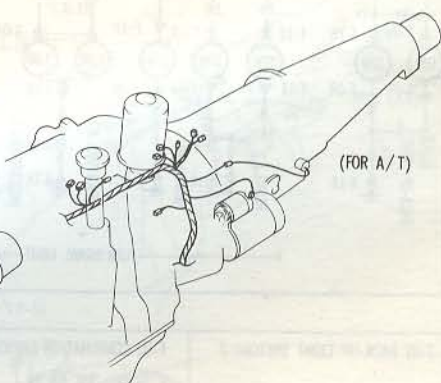
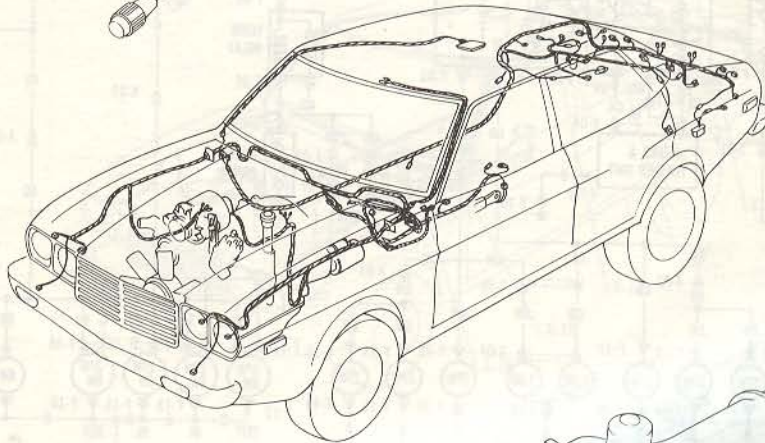
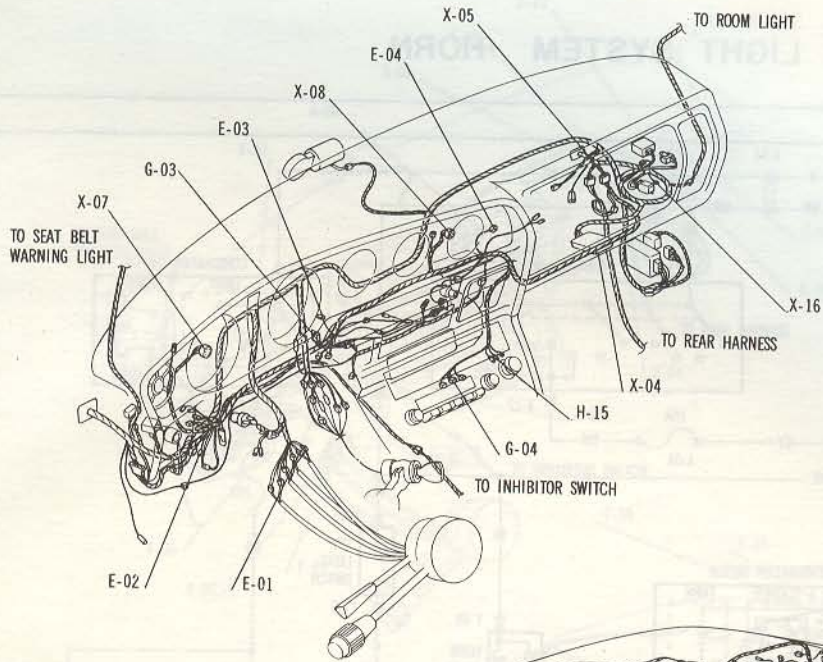
E

HEADLIGHT & ILLUMINATION SYSTEM



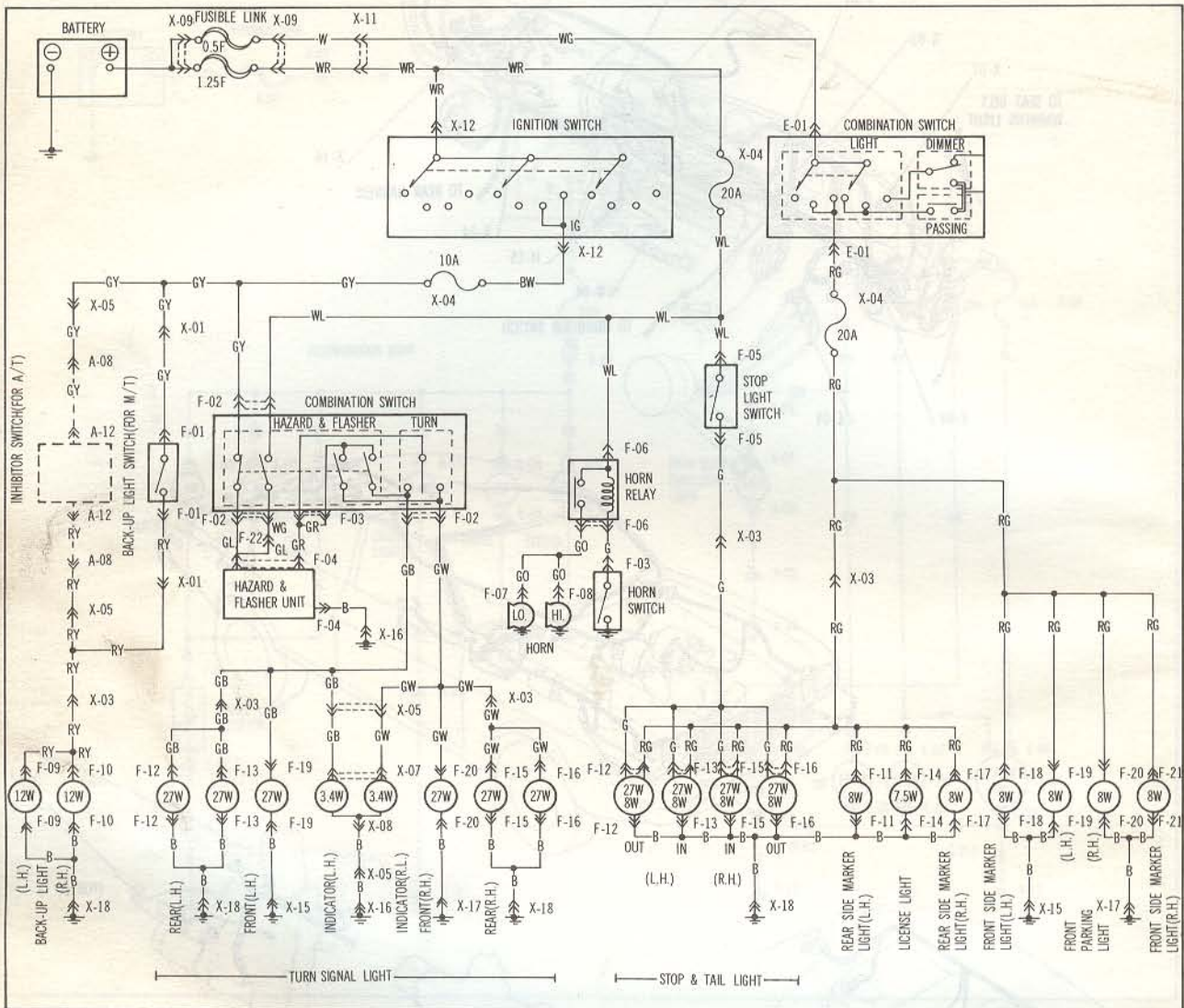
<p>E-01 COMBINATION SWITCH</p>	<p>E-02 PANEL LIGHT RESISTOR</p>	<p>E-03 HEATER ILLUMINATION LIGHT</p>	<p>E-04 ASH TRAY ILLUMINATION LIGHT</p>
<p>E-05 HEADLIGHT R. H. OUT</p>	<p>E-06 HEADLIGHT R. H. IN</p>	<p>E-07 HEADLIGHT L. H. IN</p>	<p>E-08 HEADLIGHT L. H. OUT</p>

E-05



F

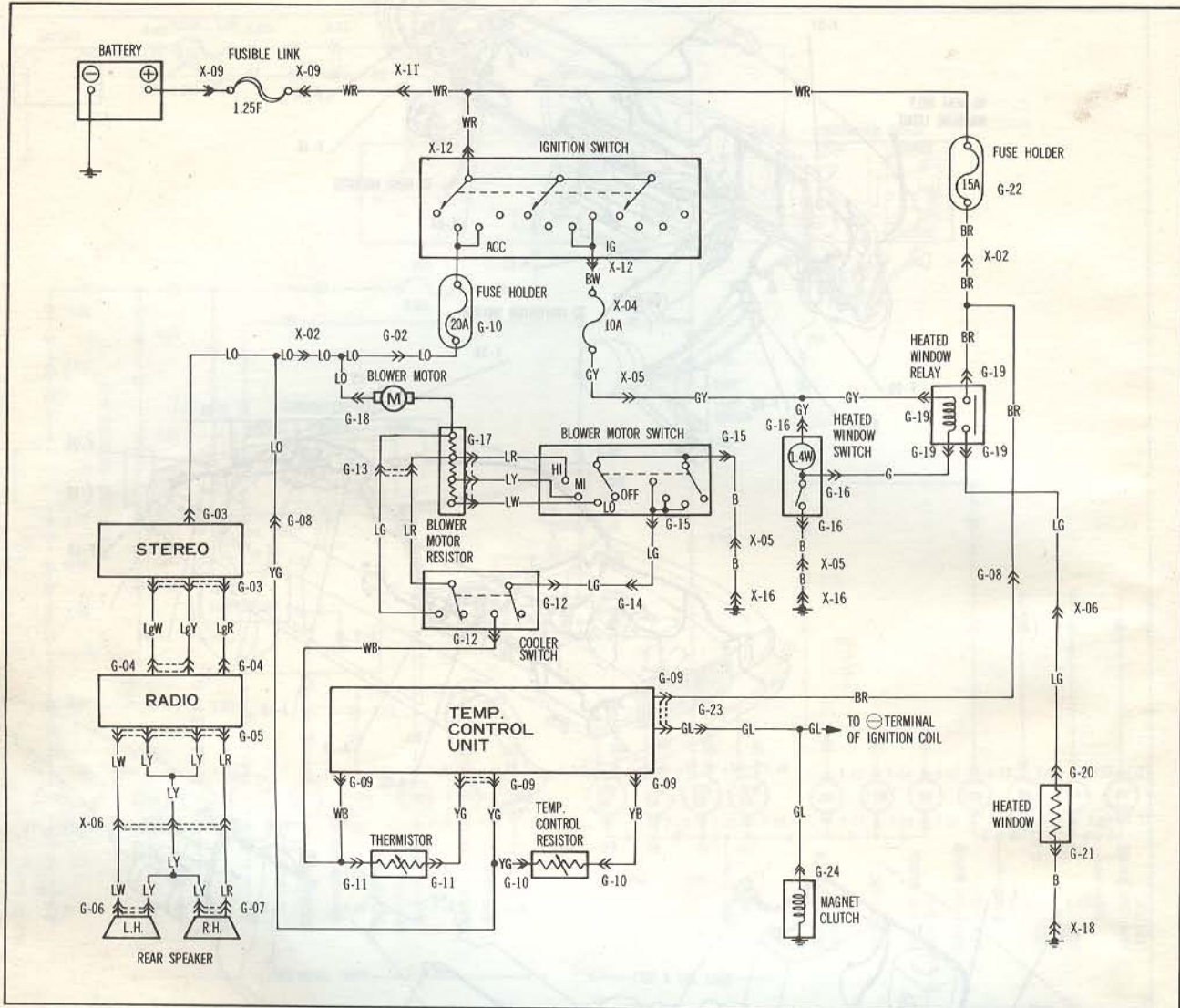
• SIGNAL LIGHT SYSTEM • HORN



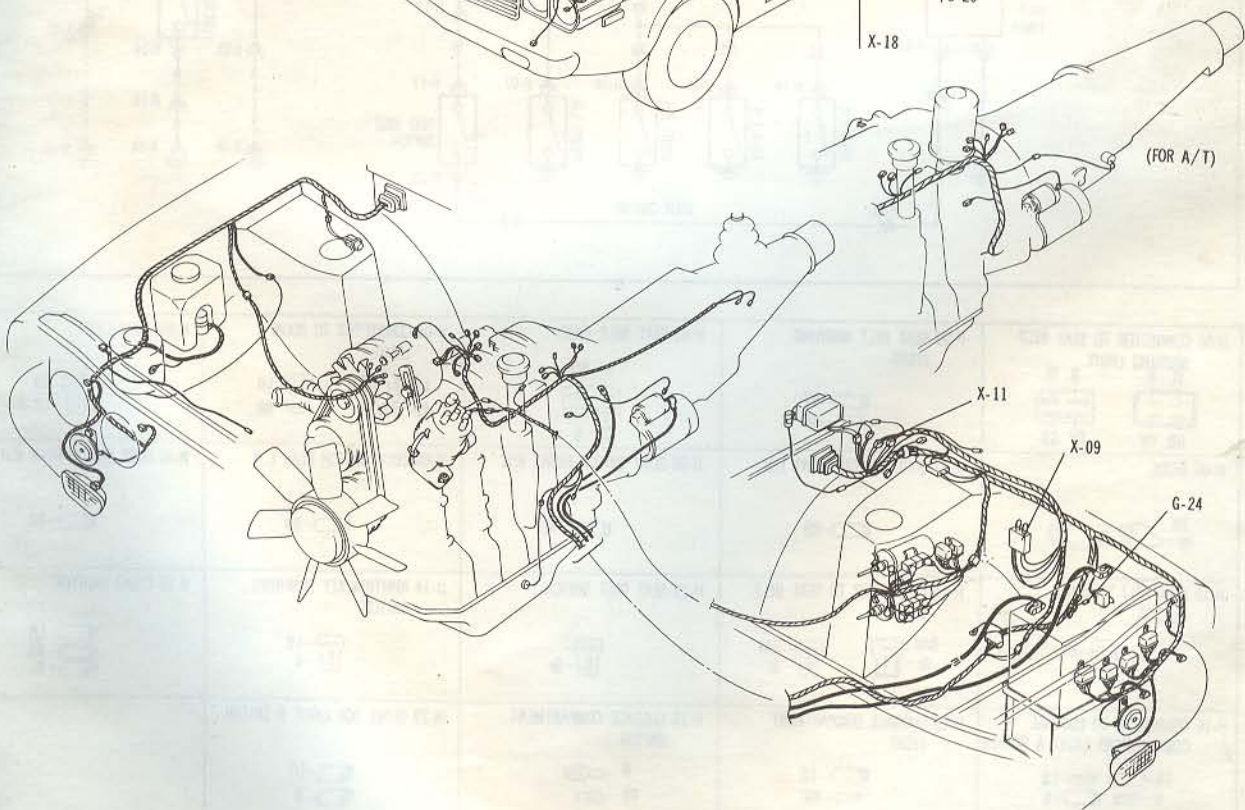
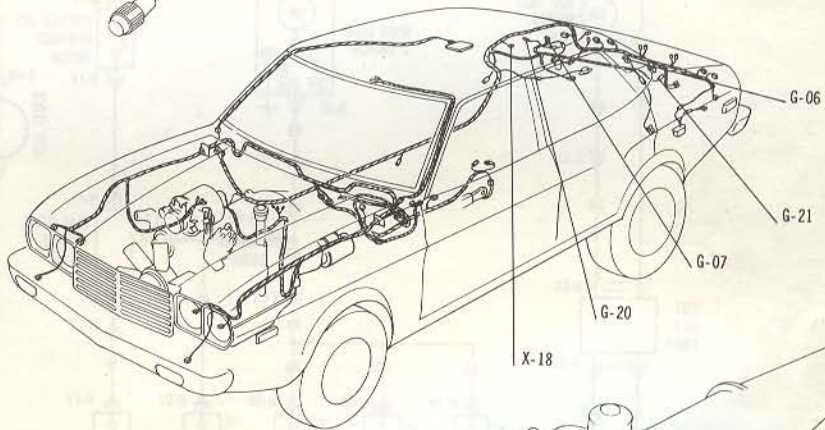
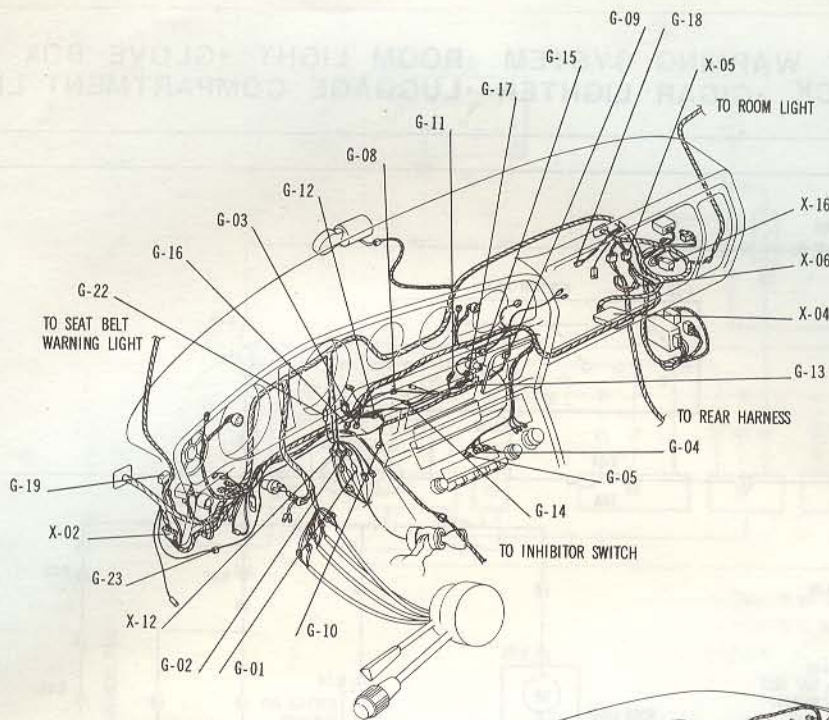
F-01 BACK-UP LIGHT SWITCH 	F-02 COMBINATION SWITCH 	F-03 COMBINATION SWITCH 	F-04 HAZARD & FLASHER UNIT 	F-05 STOP LIGHT SWITCH
F-06 HORN RELAY 	F-07 HORN L.H. 	F-08 HORN R.H. 	F-09 BACK-UP LIGHT L.H. 	F-10 BACK-UP LIGHT R.H.
F-11 REAR SIDE MARKER LIGHT L.H. 	F-12 REAR COMBINATION LIGHT L.H. OUT 	F-13 REAR COMBINATION LIGHT L.H. IN 	F-14 LICENSE LIGHT 	F-15 REAR COMBINATION LIGHT R.H. IN
F-16 REAR COMBINATION LIGHT R.H. OUT 	F-17 REAR SIDE MARKER LIGHT R.H. 	F-18 FRONT SIDE MARKER LIGHT L.H. 	F-19 FRONT TURN & PARKING LIGHT L.H. 	F-20 FRONT TURN & PARKING LIGHT R.H.
F-21 FRONT SIDE MARKER LIGHT R.H. 	F-22 CONNECTOR TO HAZARD & FLASHER UNIT 			

G

AIR CONDITIONER SYSTEM · RADIO · STEREO

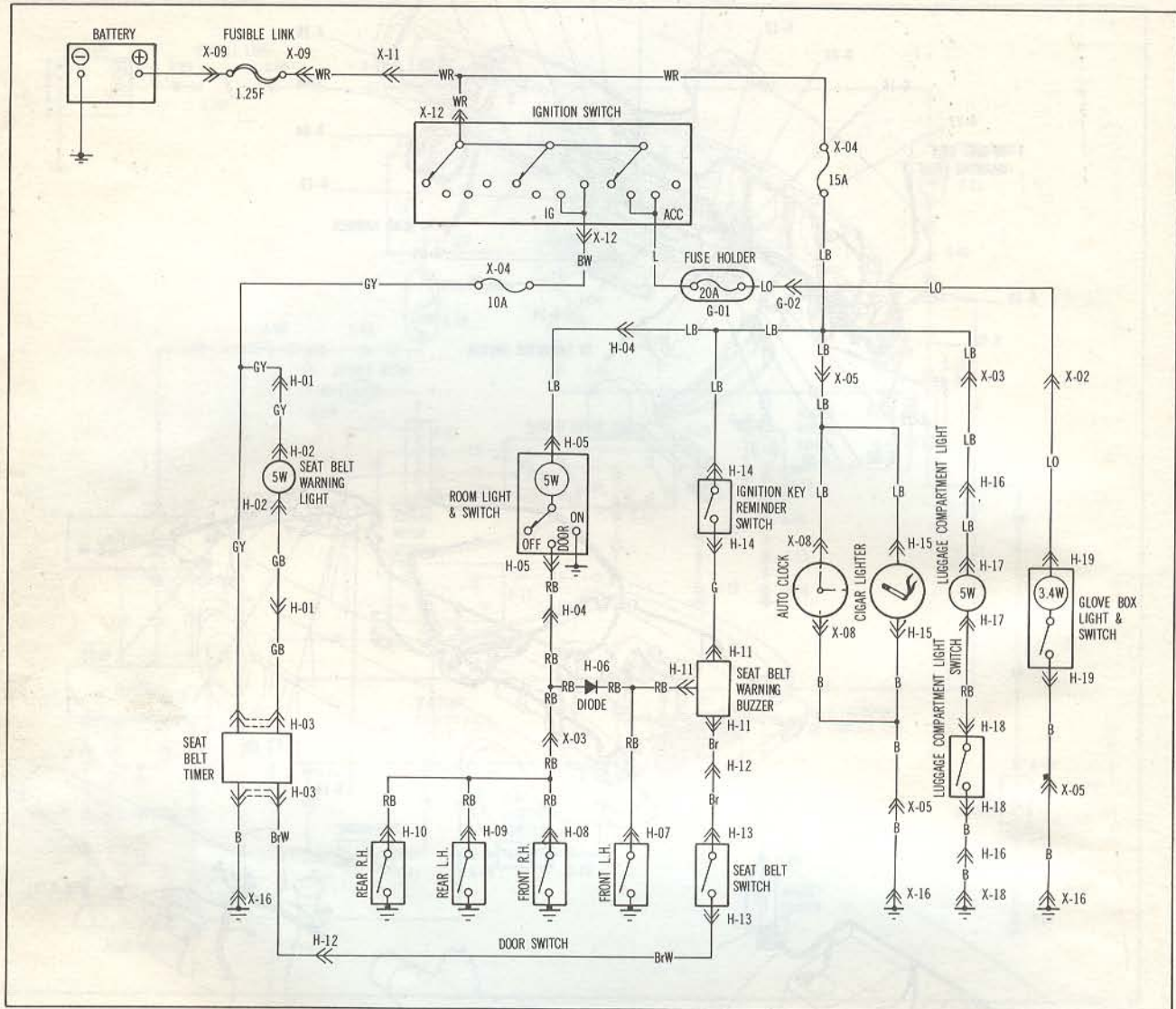


G-01 FUSE HOLDER 	G-02 CONNECTOR TO FUSE HOLDER 	G-03 STEREO 	G-04 RADIO 	G-05 RADIO
G-06 REAR SPEAKER L.H. 	G-07 REAR SPEAKER R.H. 	G-08 CONNECTOR TO TEMP. CONTROL UNIT 	G-09 TEMP. CONTROL UNIT 	G-10 TEMP. CONTROL RESISTOR
G-11 THERMISTOR 	G-12 COOLER SWITCH 	G-13 BLOWER MOTOR RESISTOR 	G-14 CONNECTOR TO COOLER SWITCH 	G-15 BLOWER MOTOR SWITCH
G-16 HEATED WINDOW SWITCH 	G-17 BLOWER MOTOR RESISTOR 	G-18 BLOWER MOTOR 	G-19 HEATED WINDOW RELAY 	G-20 HEATED WINDOW
G-21 HEATED WINDOW 	G-22 FUSE HOLDER 	G-23 CONNECTOR TO TEMP. CONTROL RESISTOR 	G-24 MAGNET CLUTCH 	



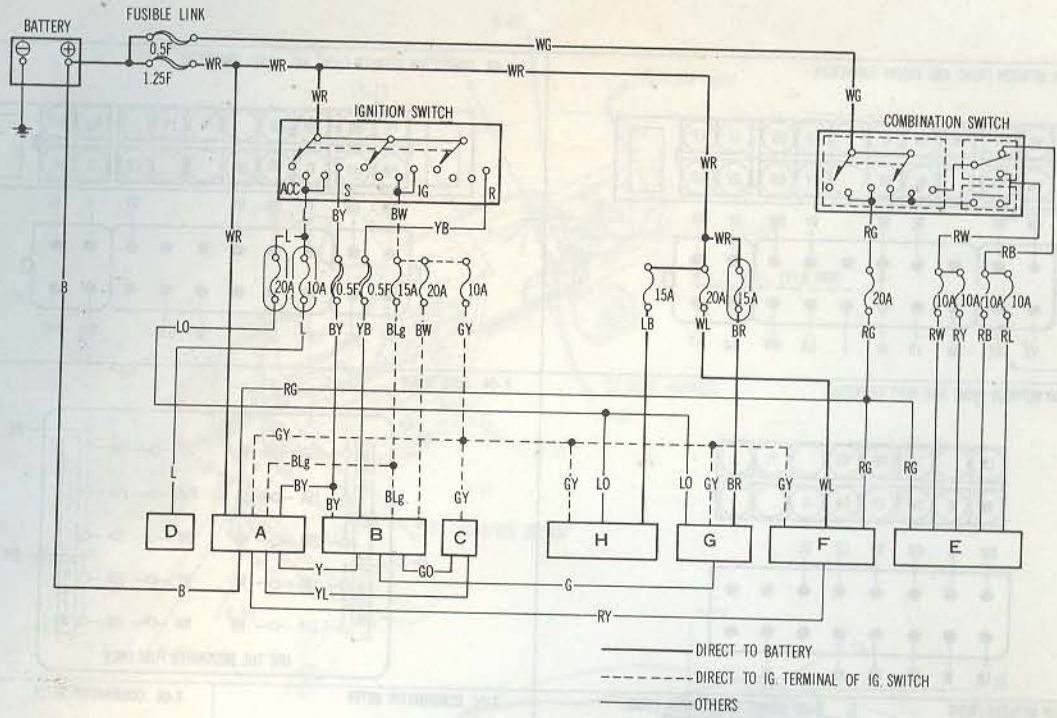
H

• SEAT BELT WARNING SYSTEM • ROOM LIGHT • GLOVE BOX LIGHT
 • AUTO CLOCK • CIGAR LIGHTER • LUGGAGE COMPARTMENT LIGHT



H-01 CONNECTOR TO SEAT BELT WARNING LIGHT 	H-02 SEAT BELT WARNING LIGHT 	H-03 SEAT BELT TIMER 	H-04 CONNECTOR TO ROOM LIGHT 	H-05 ROOM LIGHT
H-06 DIODE 	H-07 DOOR SWITCH FRONT L.H. 	H-08 DOOR SWITCH FRONT R.H. 	H-09 DOOR SWITCH REAR L.H. 	H-10 DOOR SWITCH REAR R.H.
H-11 SEAT BELT WARNING BUZZER 	H-12 CONNECTOR TO SEAT BELT SWITCH 	H-13 SEAT BELT SWITCH 	H-14 IGNITION KEY REMINDER SWITCH 	H-15 CIGAR LIGHTER
H-16 CONNECTOR TO LUGGAGE COMPARTMENT LIGHT & SWITCH 	H-17 LUGGAGE COMPARTMENT LIGHT 	H-18 LUGGAGE COMPARTMENT SWITCH 	H-19 GLOVE BOX LIGHT & SWITCH 	

SUB SYSTEM CONNECTIONS



LIGHT
GHT

-02

-19

GLOVE BOX
LIGHT &
SWITCH

-19

5

5

RB
B

AR R.H.

RB

B
G

BATTERY	FUSE	SWITCH	RELAY	LAMP	MOTOR	HORN	BELL	BUZZER	SIREN	SPEAKER

Toyo Kogyo Co.,Ltd.

© 1977 Printed in Japan
5549-10-77H LE-FU