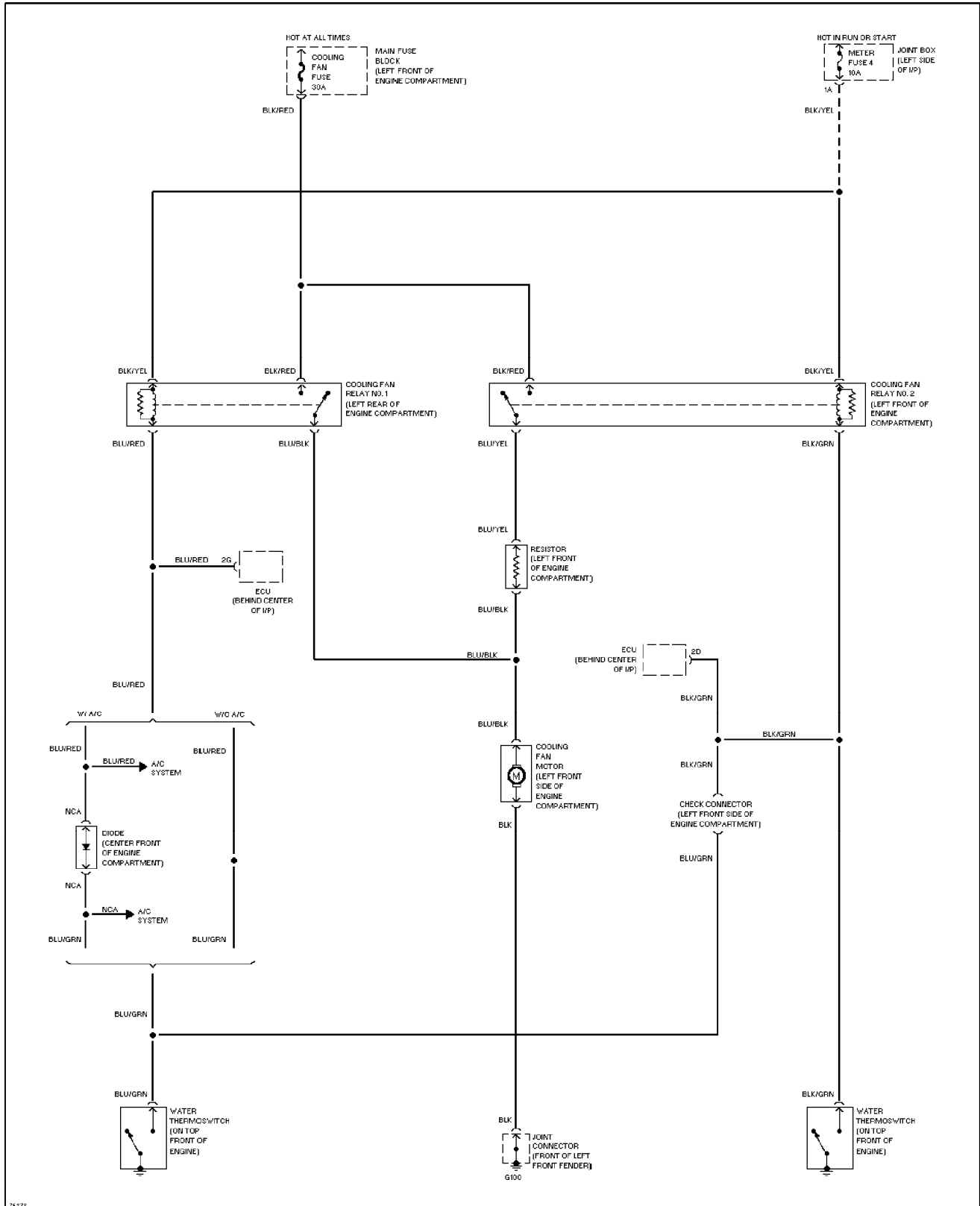


SYSTEM WIRING DIAGRAMS

Cooling Fan Circuit, AT

1990 Mazda 626

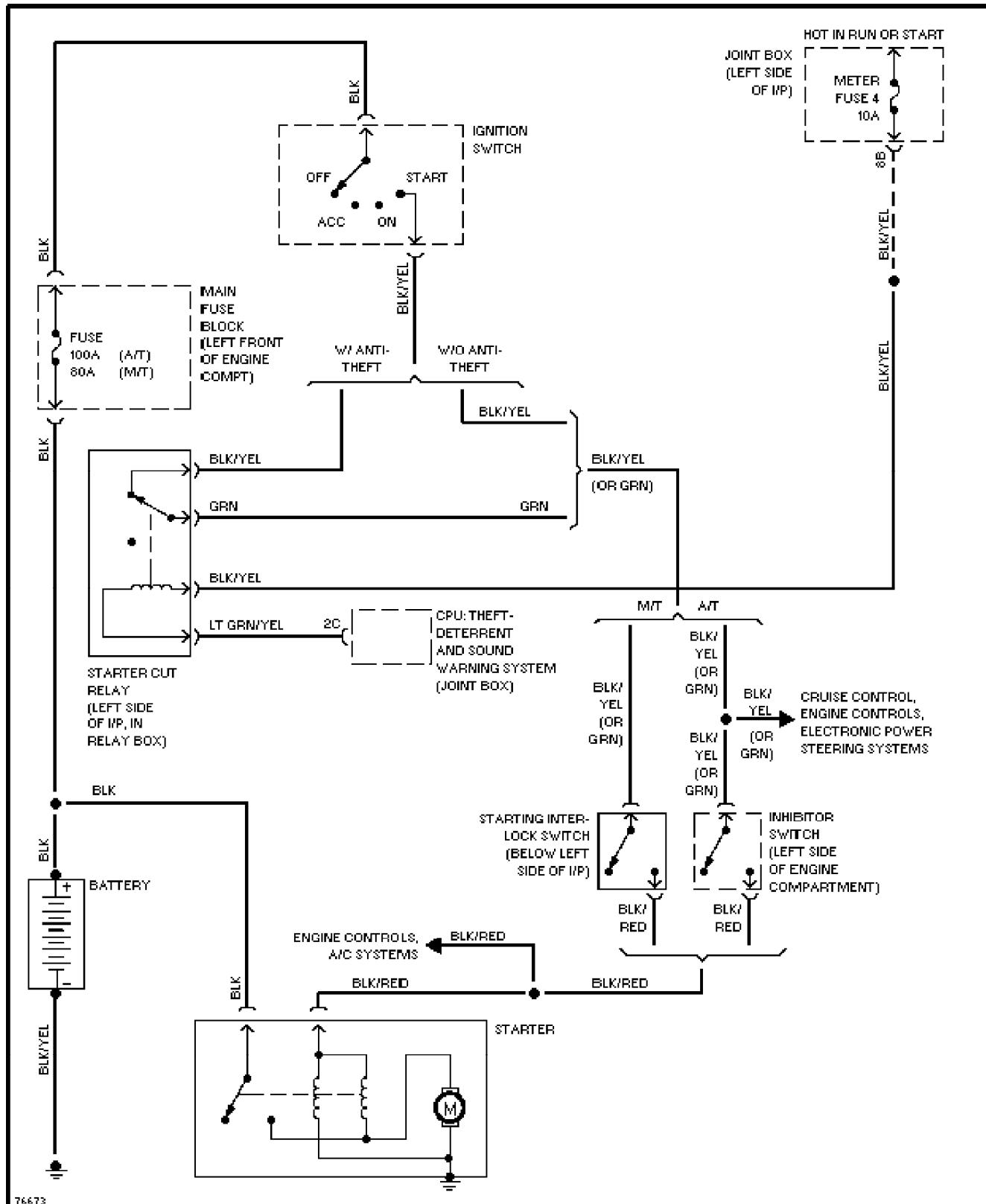
CDR@WP.PL



SYSTEM WIRING DIAGRAMS

Starting Circuit

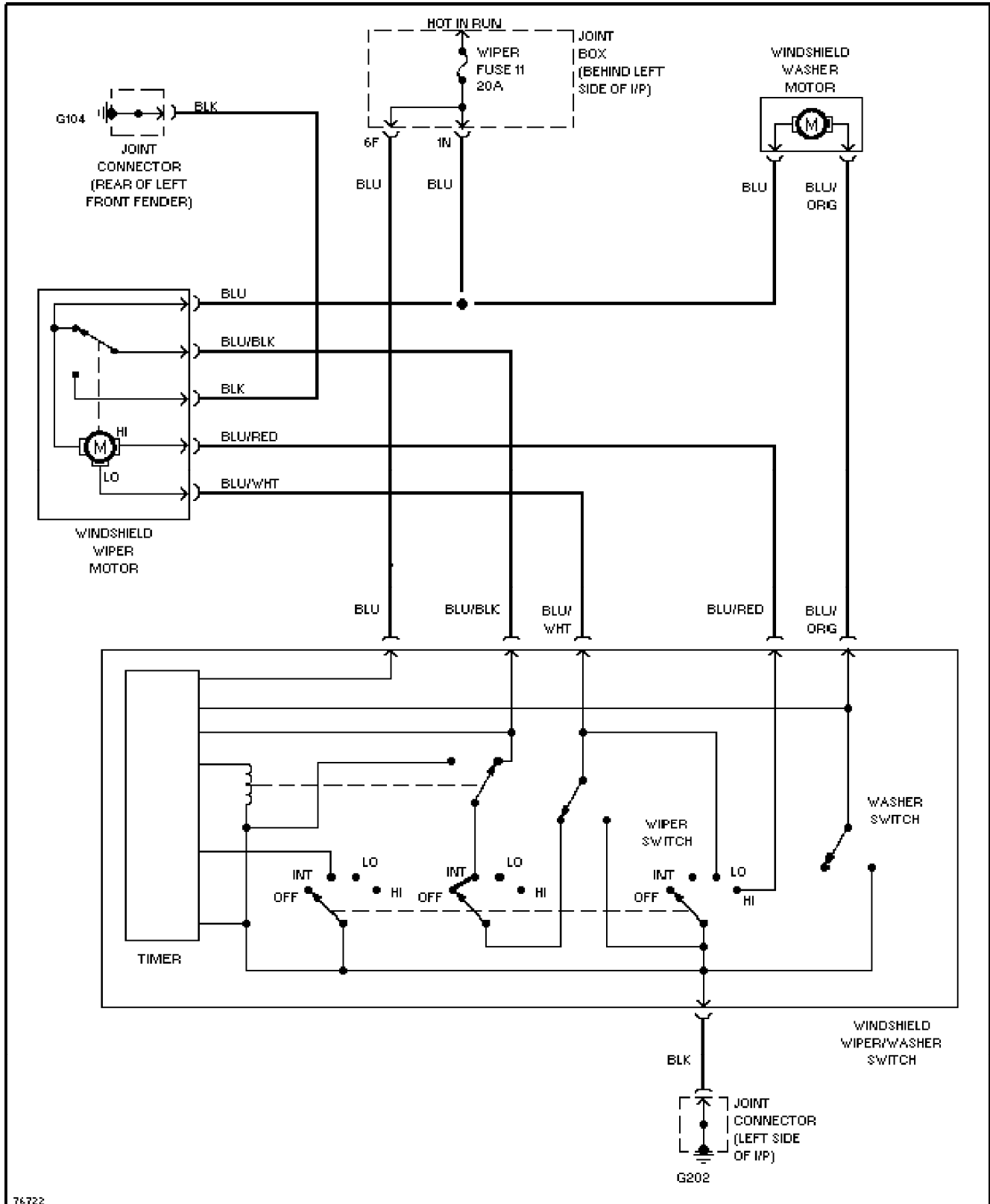
1990 Mazda 626



SYSTEM WIRING DIAGRAMS

Front Washer/Wiper Circuit

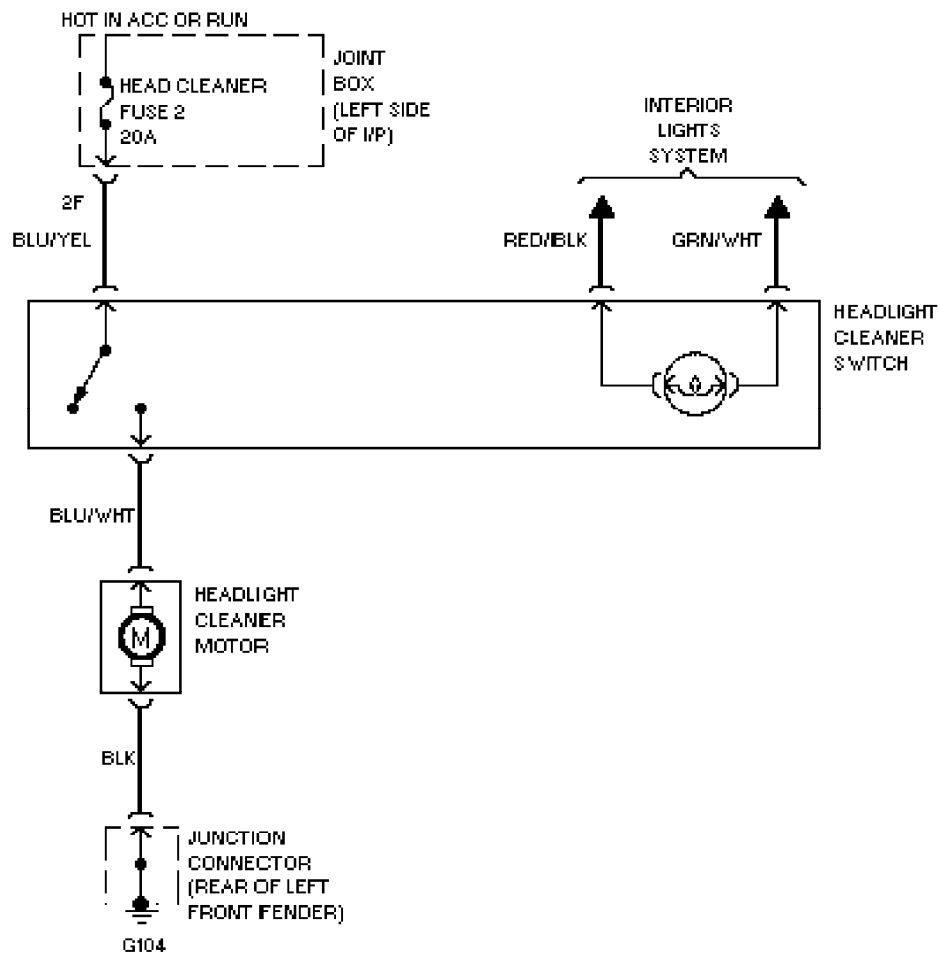
1990 Mazda 626



SYSTEM WIRING DIAGRAMS

Headlamp Washer Circuit

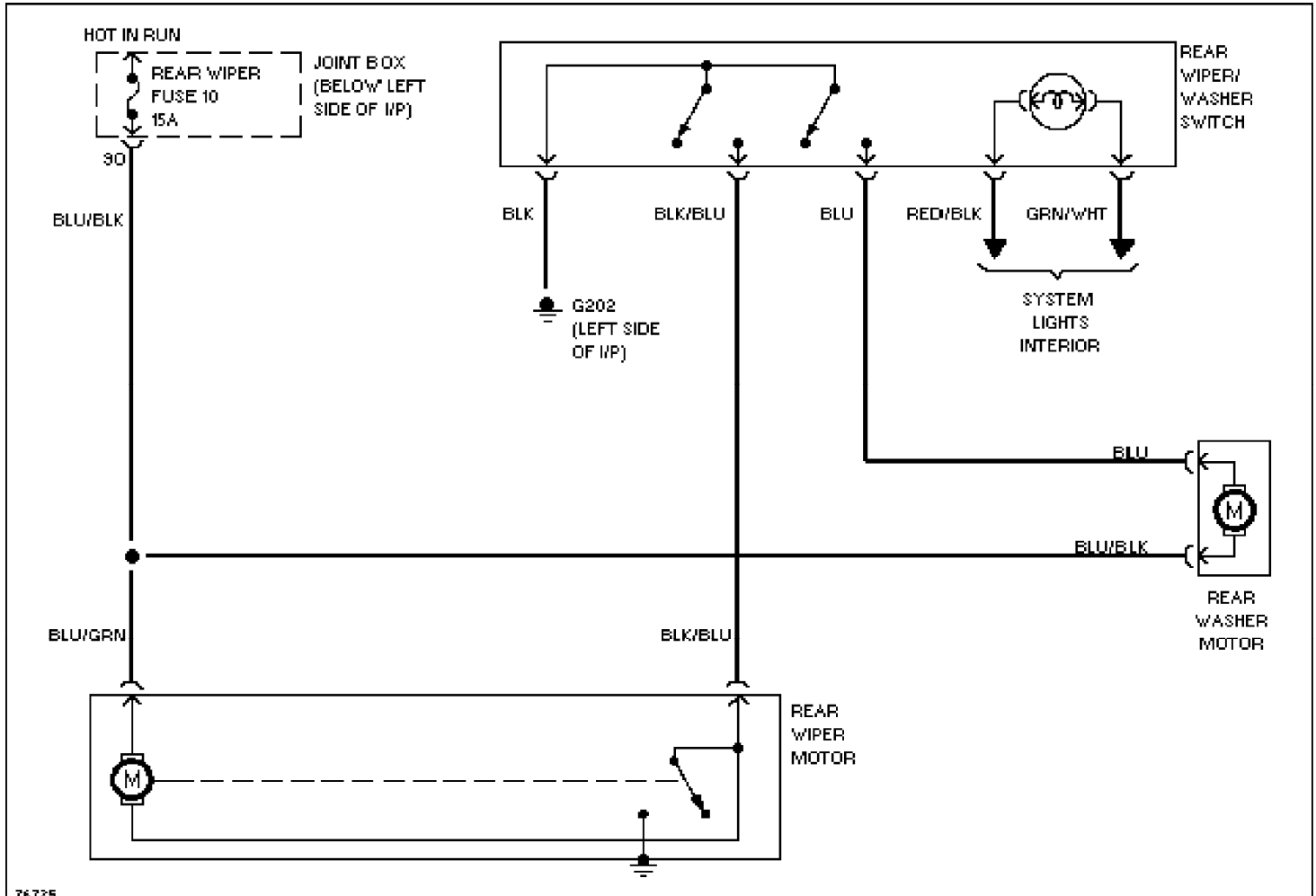
1990 Mazda 626



SYSTEM WIRING DIAGRAMS

Rear Washer/Wiper Circuit

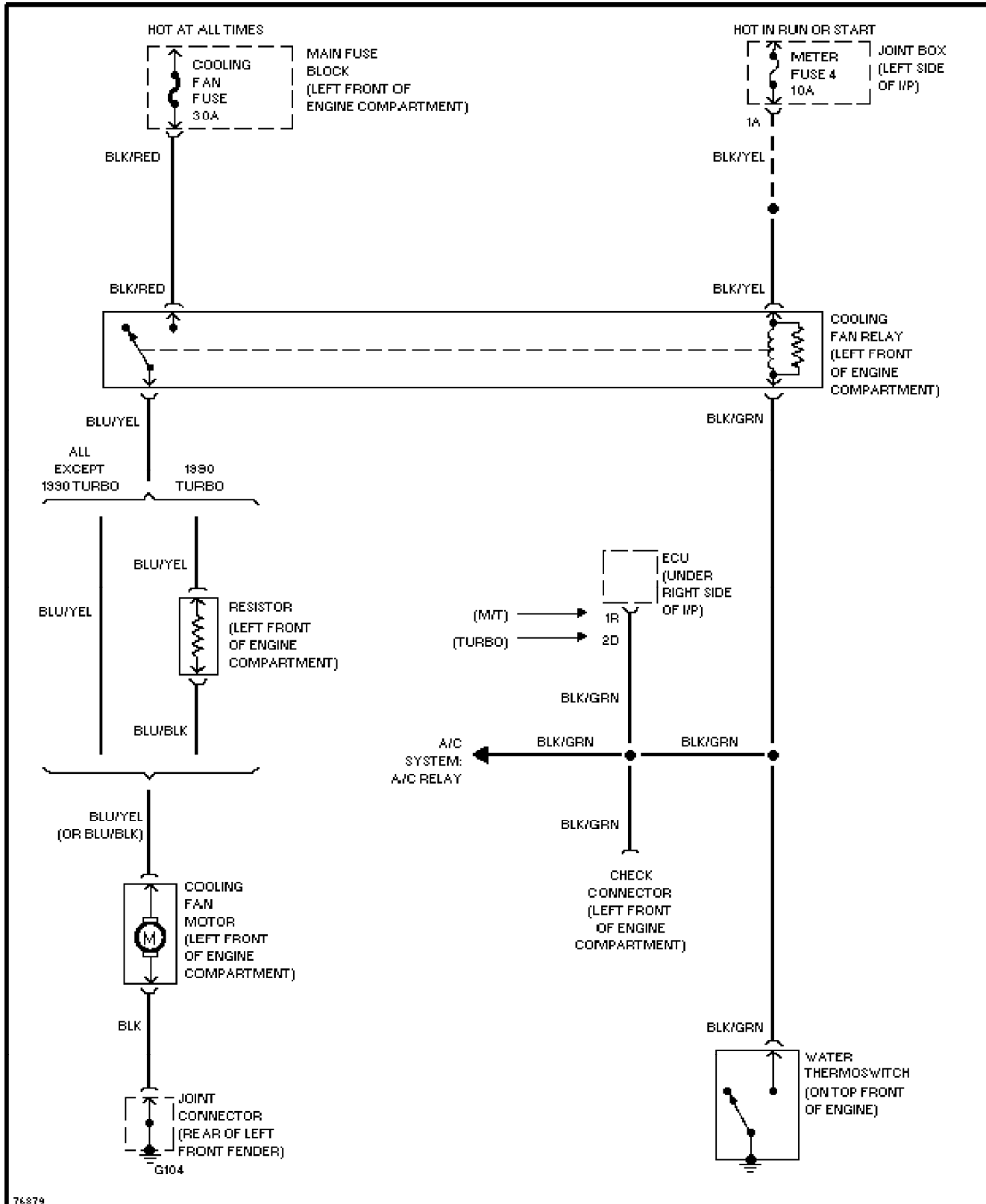
1990 Mazda 626



SYSTEM WIRING DIAGRAMS

Cooling Fan Circuit, M/T

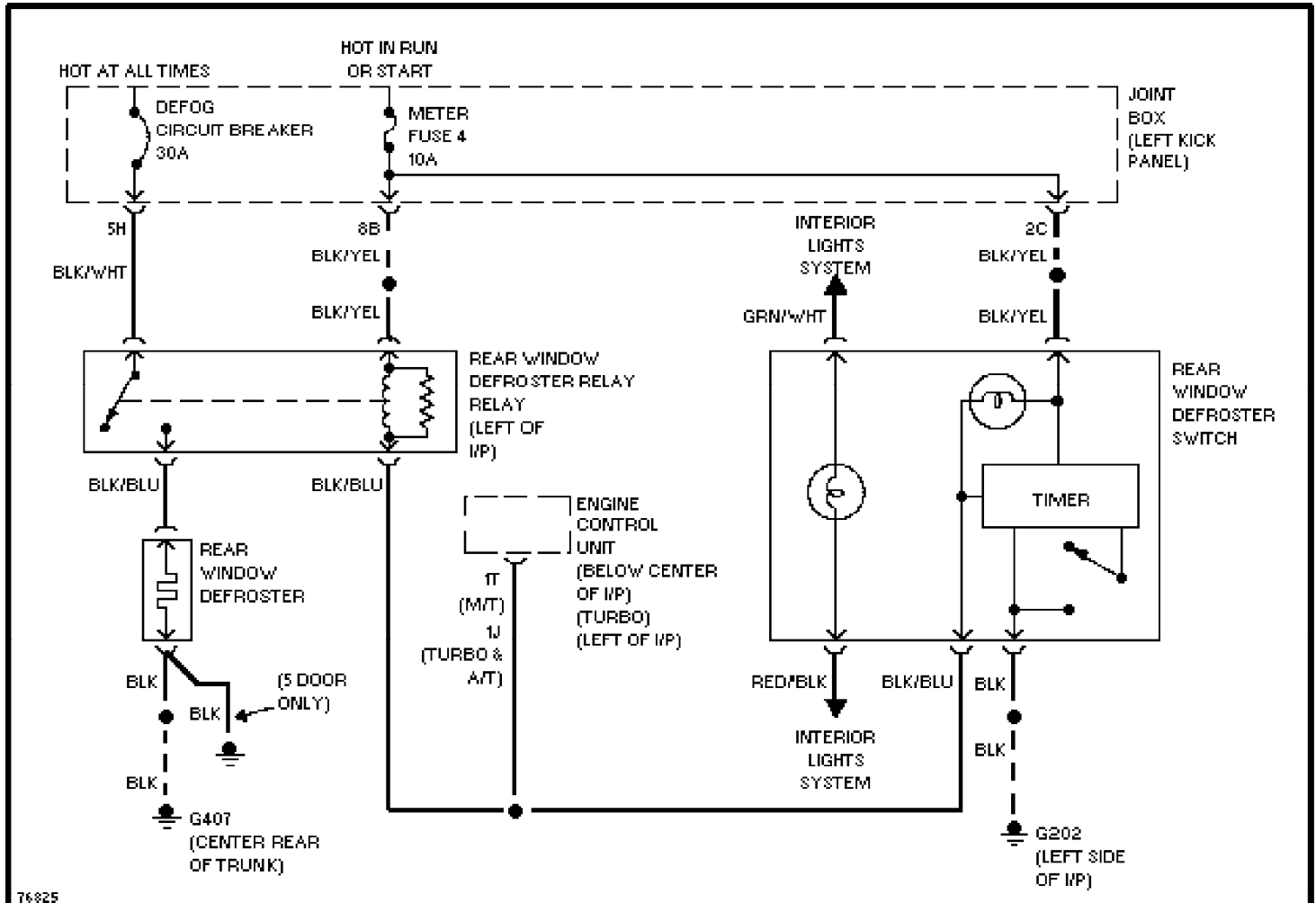
1990 Mazda 626



SYSTEM WIRING DIAGRAMS

Defogger Circuit

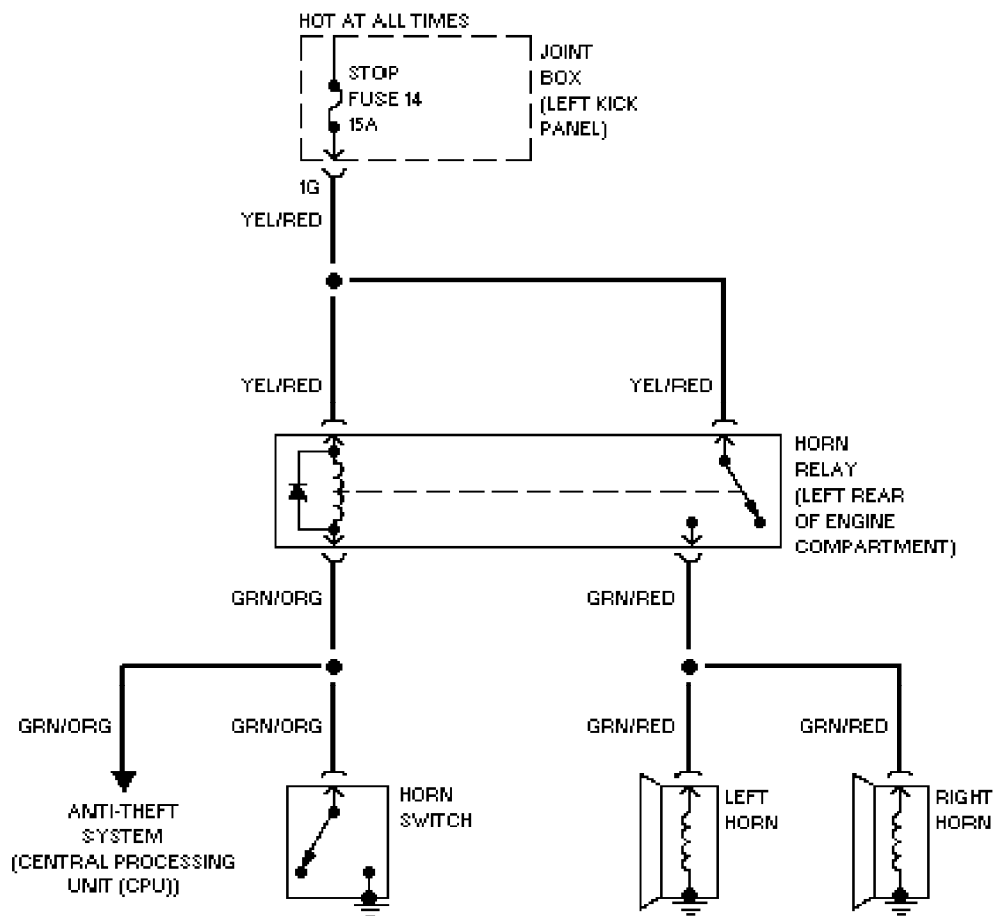
1990 Mazda 626



SYSTEM WIRING DIAGRAMS

Horn Circuit

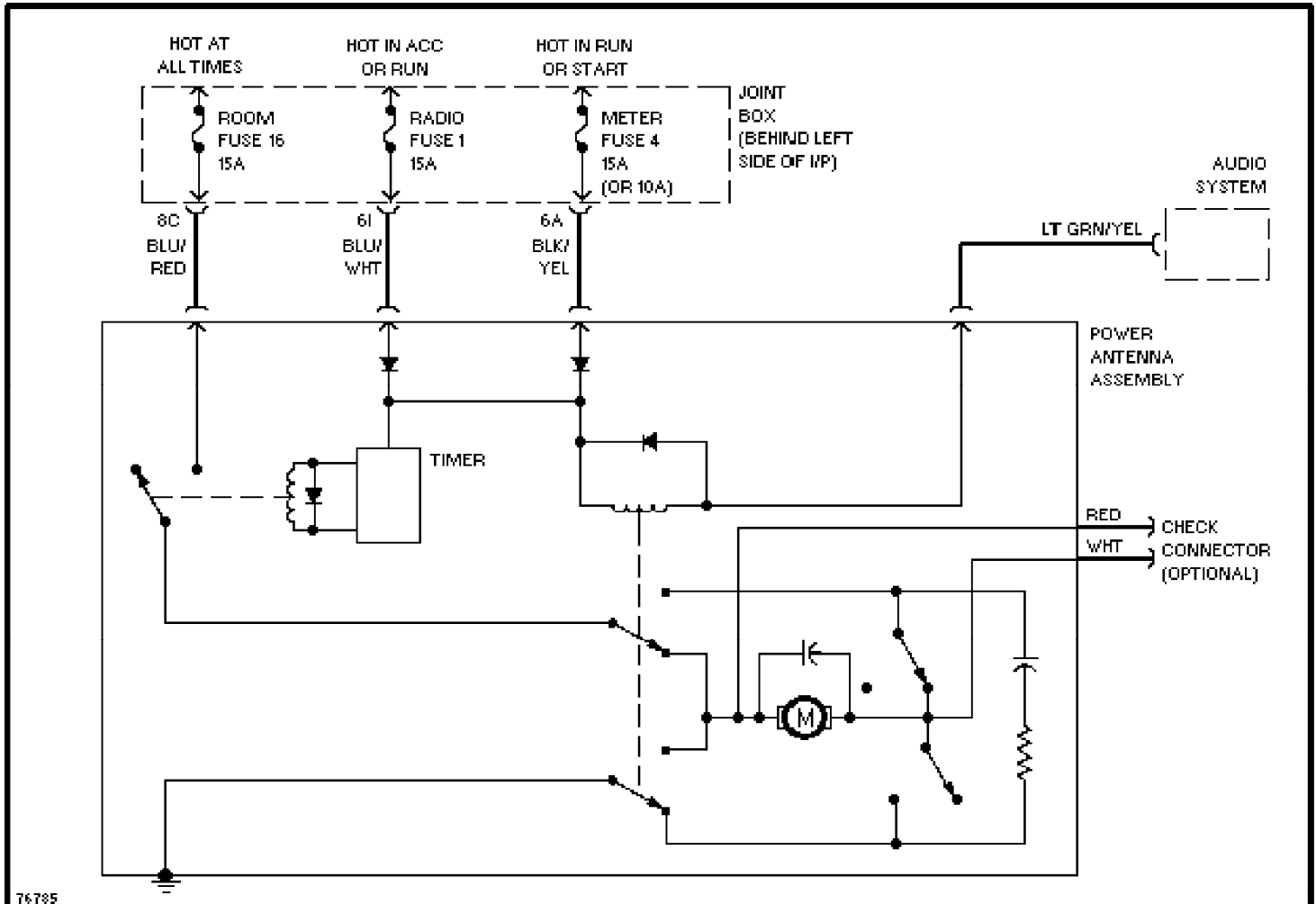
1990 Mazda 626



SYSTEM WIRING DIAGRAMS

Power Antenna Circuit

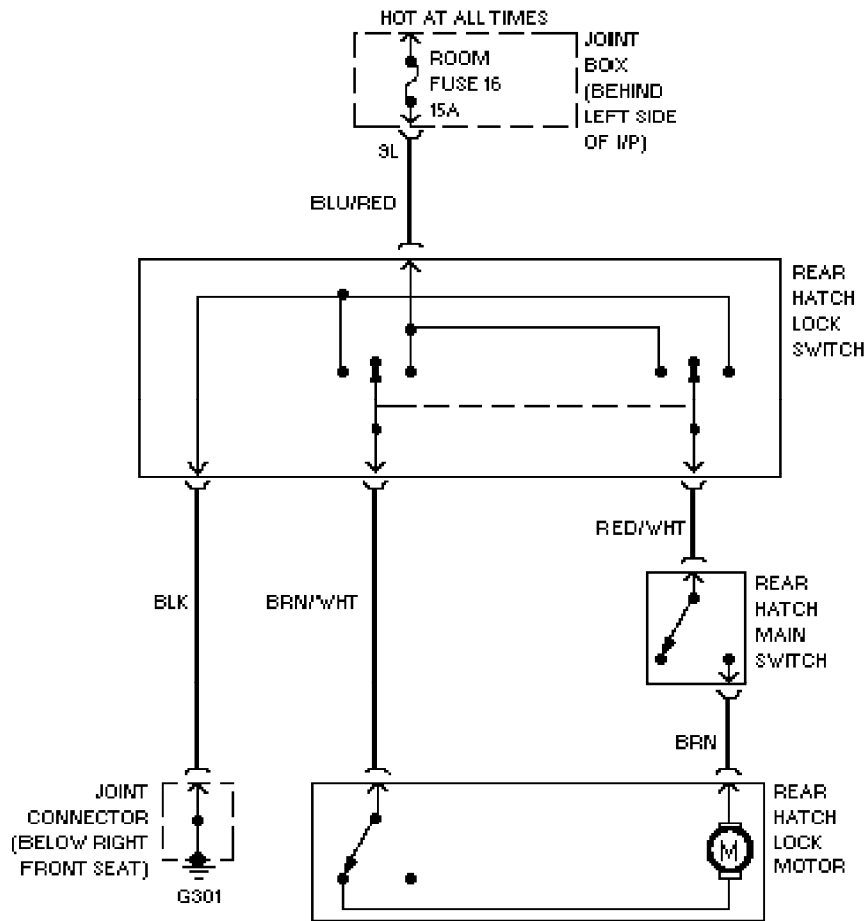
1990 Mazda 626



SYSTEM WIRING DIAGRAMS

Back Door Lock Circuit

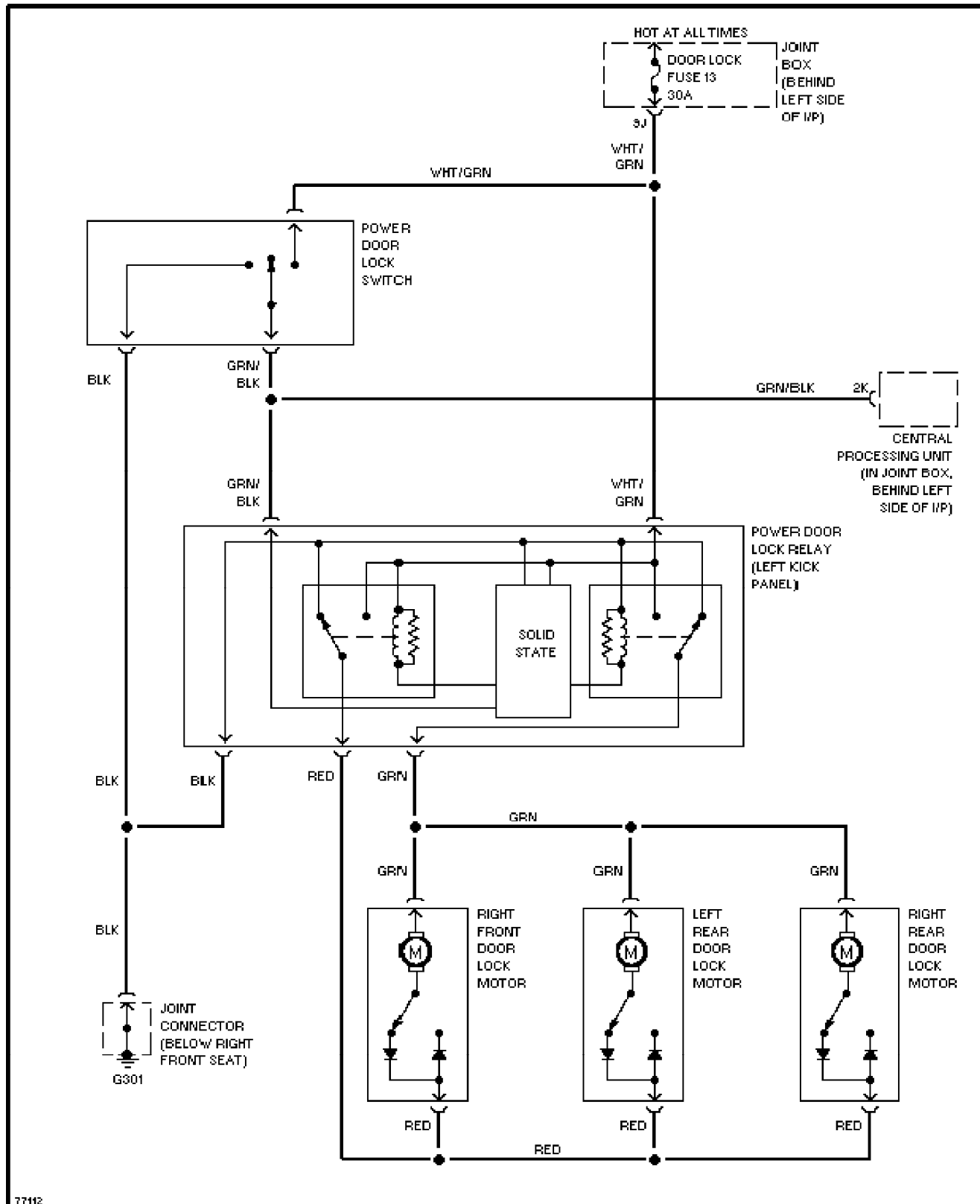
1990 Mazda 626



SYSTEM WIRING DIAGRAMS

Door Lock Circuit

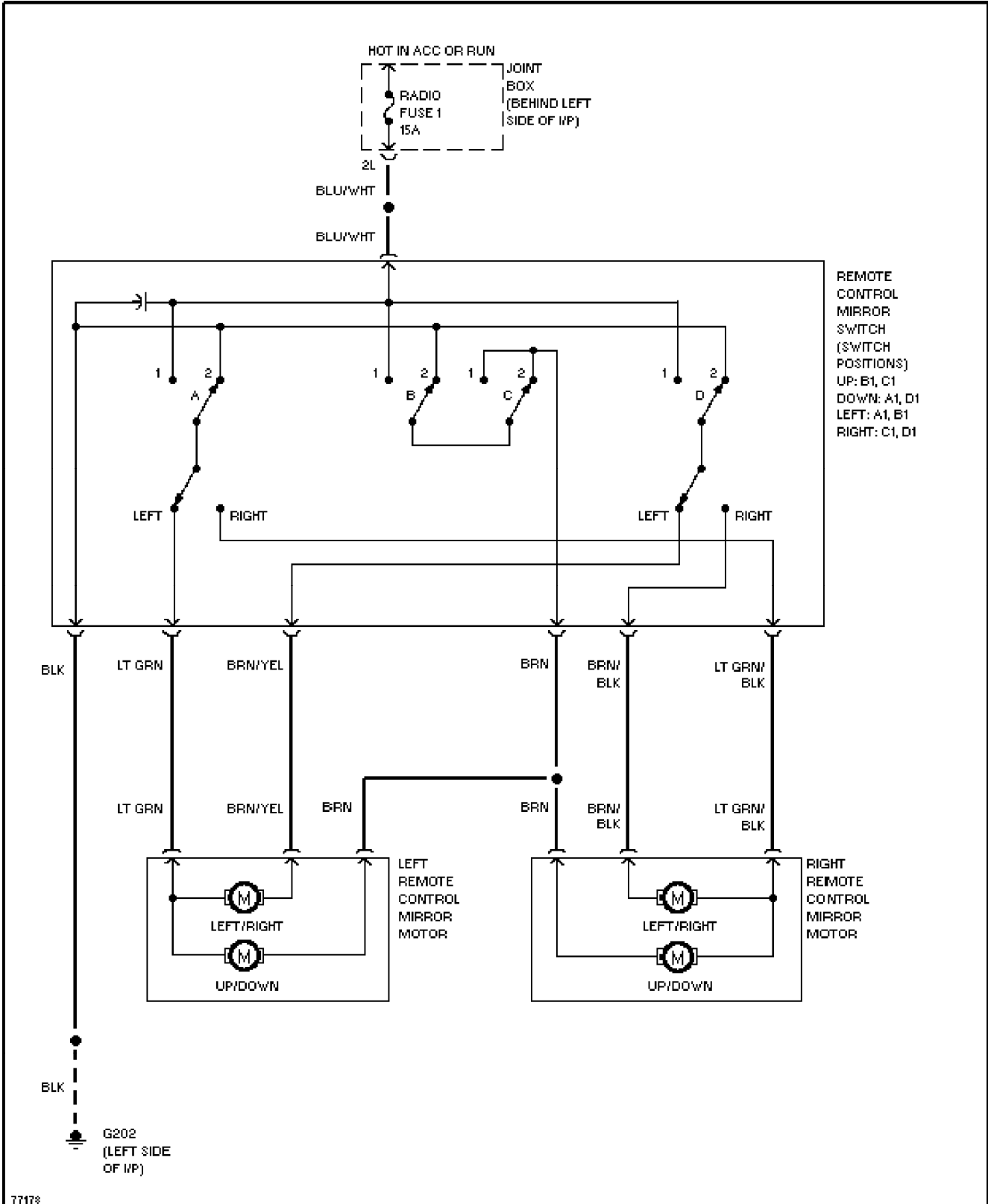
1990 Mazda 626



SYSTEM WIRING DIAGRAMS

Power Mirror Circuit

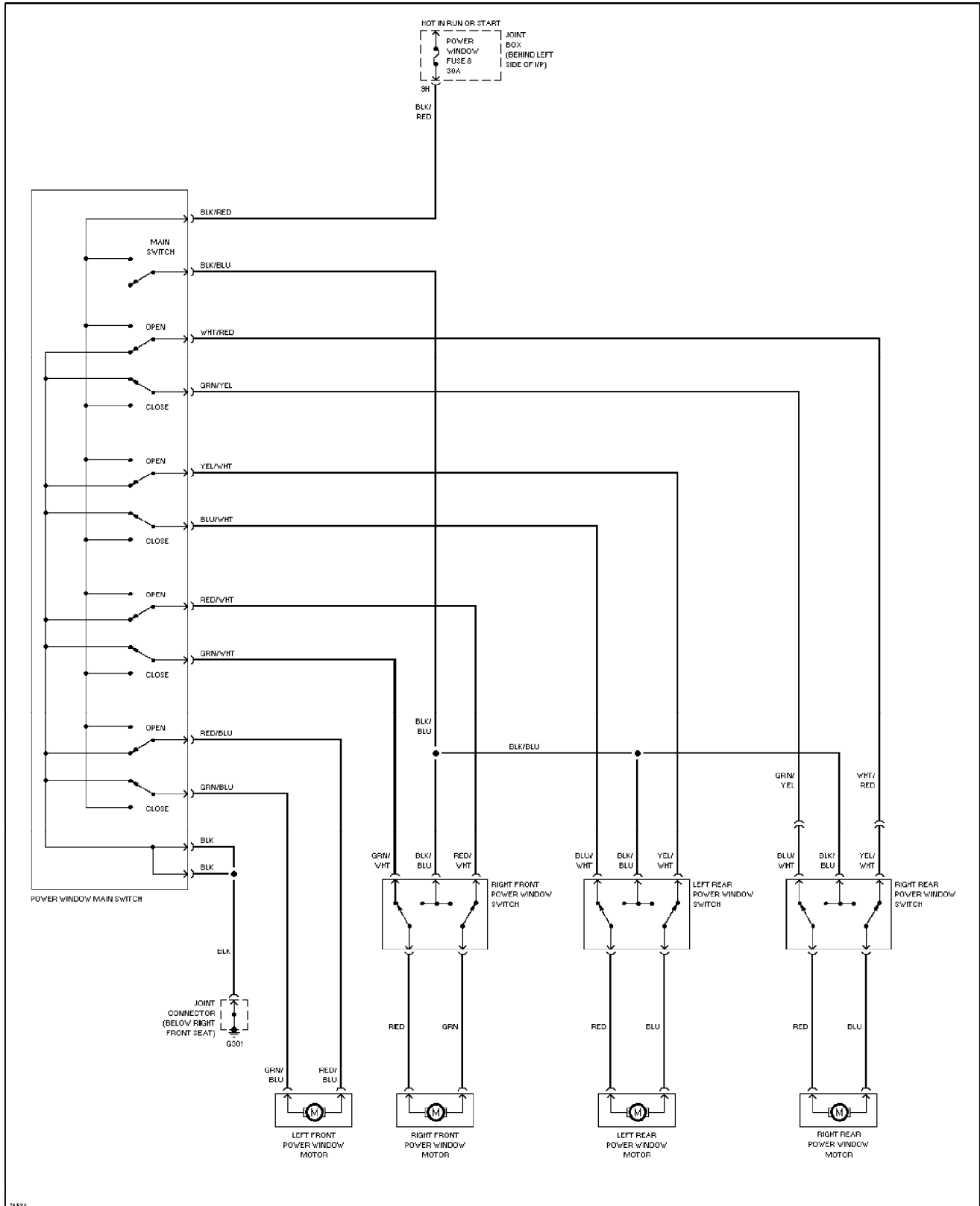
1990 Mazda 626



SYSTEM WIRING DIAGRAMS

Power Window Circuit

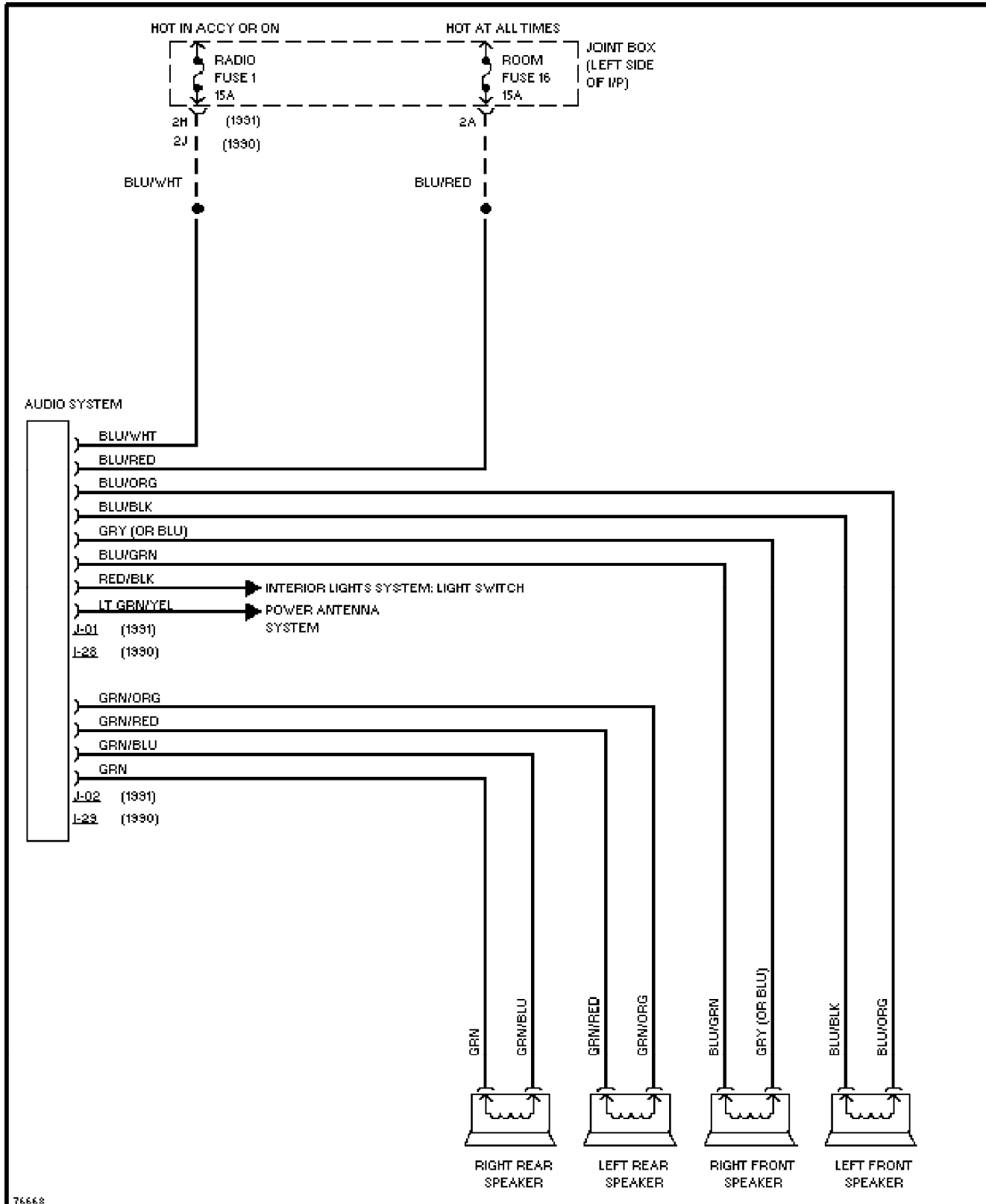
1990 Mazda 626



SYSTEM WIRING DIAGRAMS

Radio Circuits

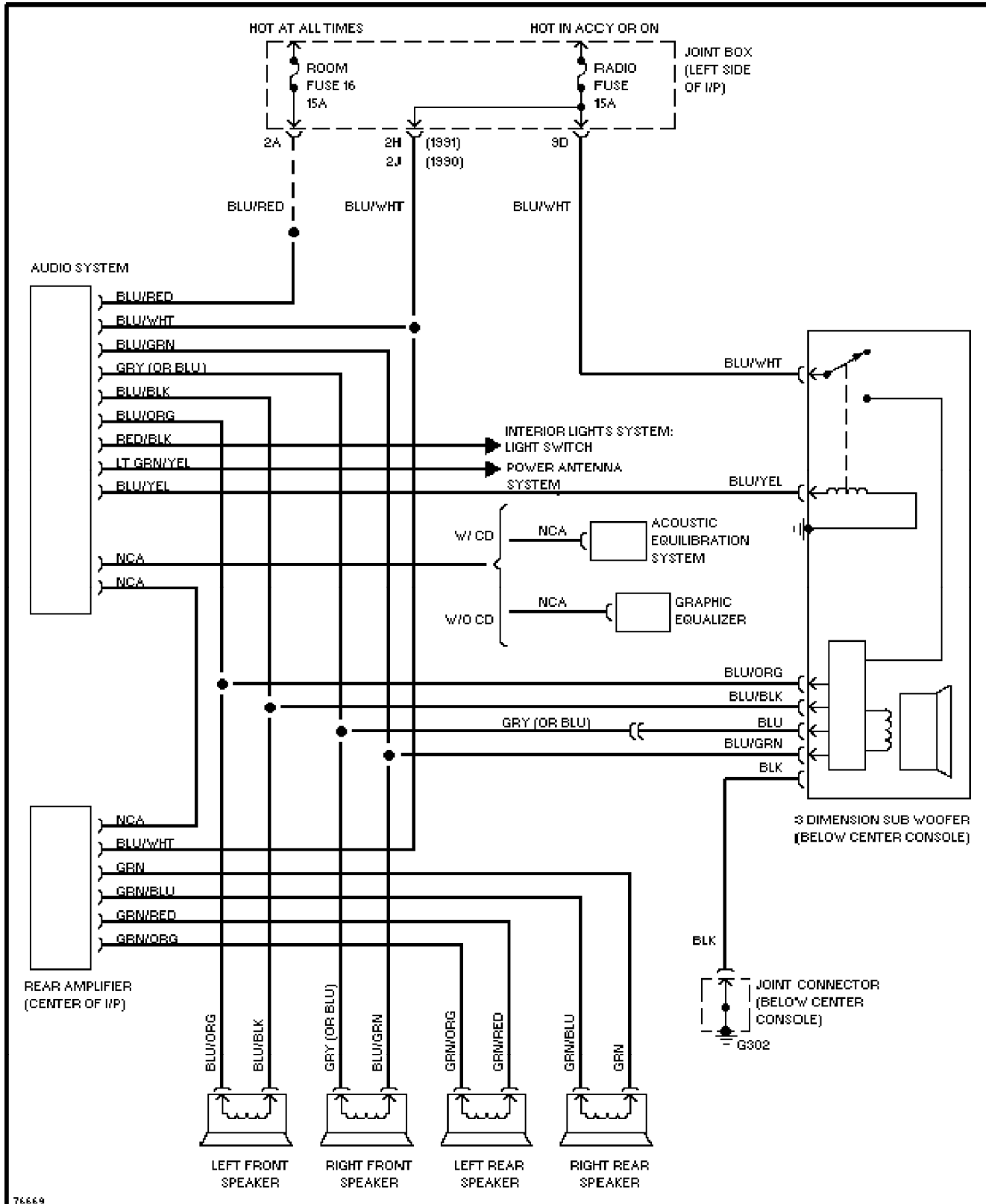
1990 Mazda 626



SYSTEM WIRING DIAGRAMS

Radio Circuits, W/ Full Logic Cassette Player

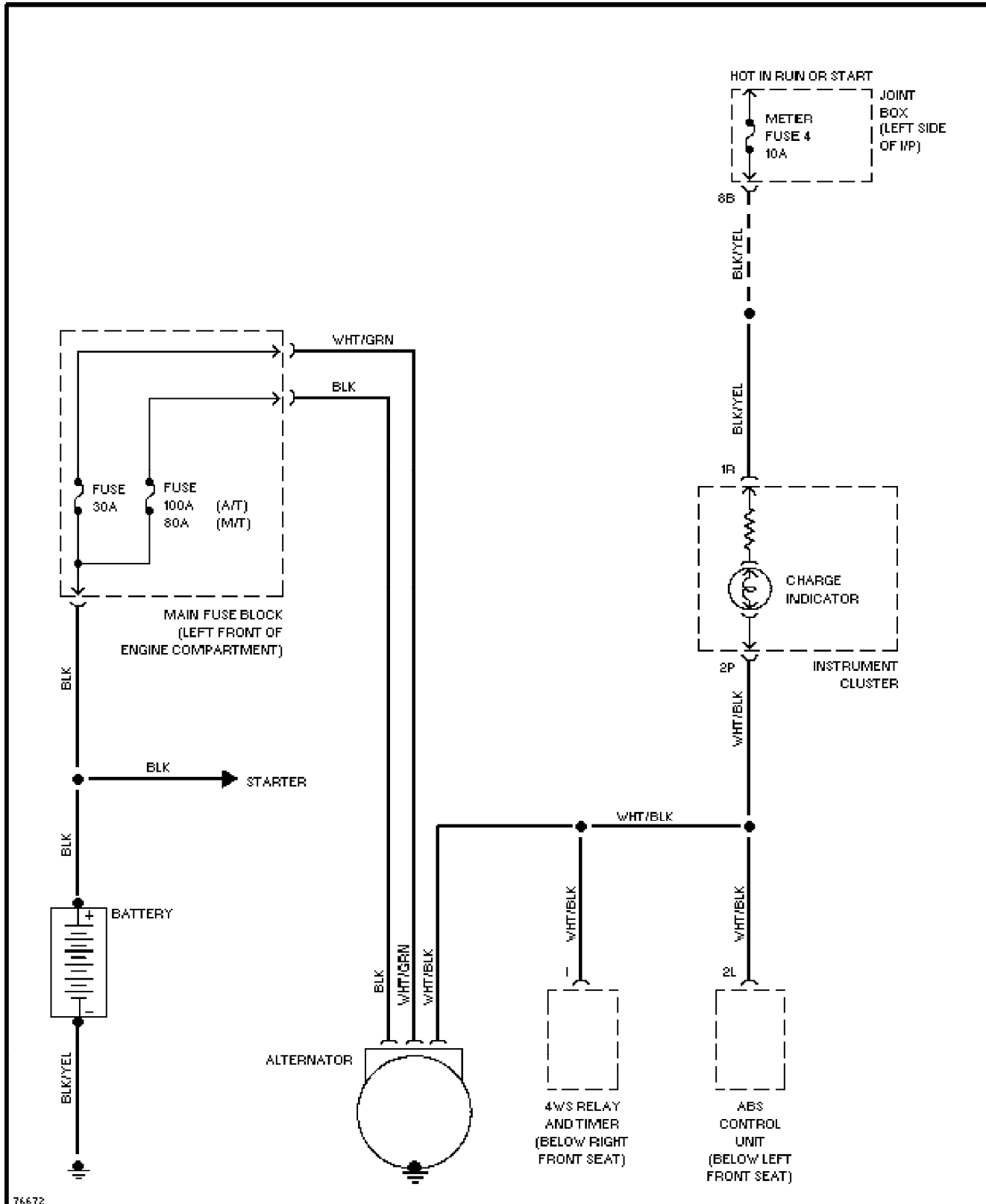
1990 Mazda 626



SYSTEM WIRING DIAGRAMS

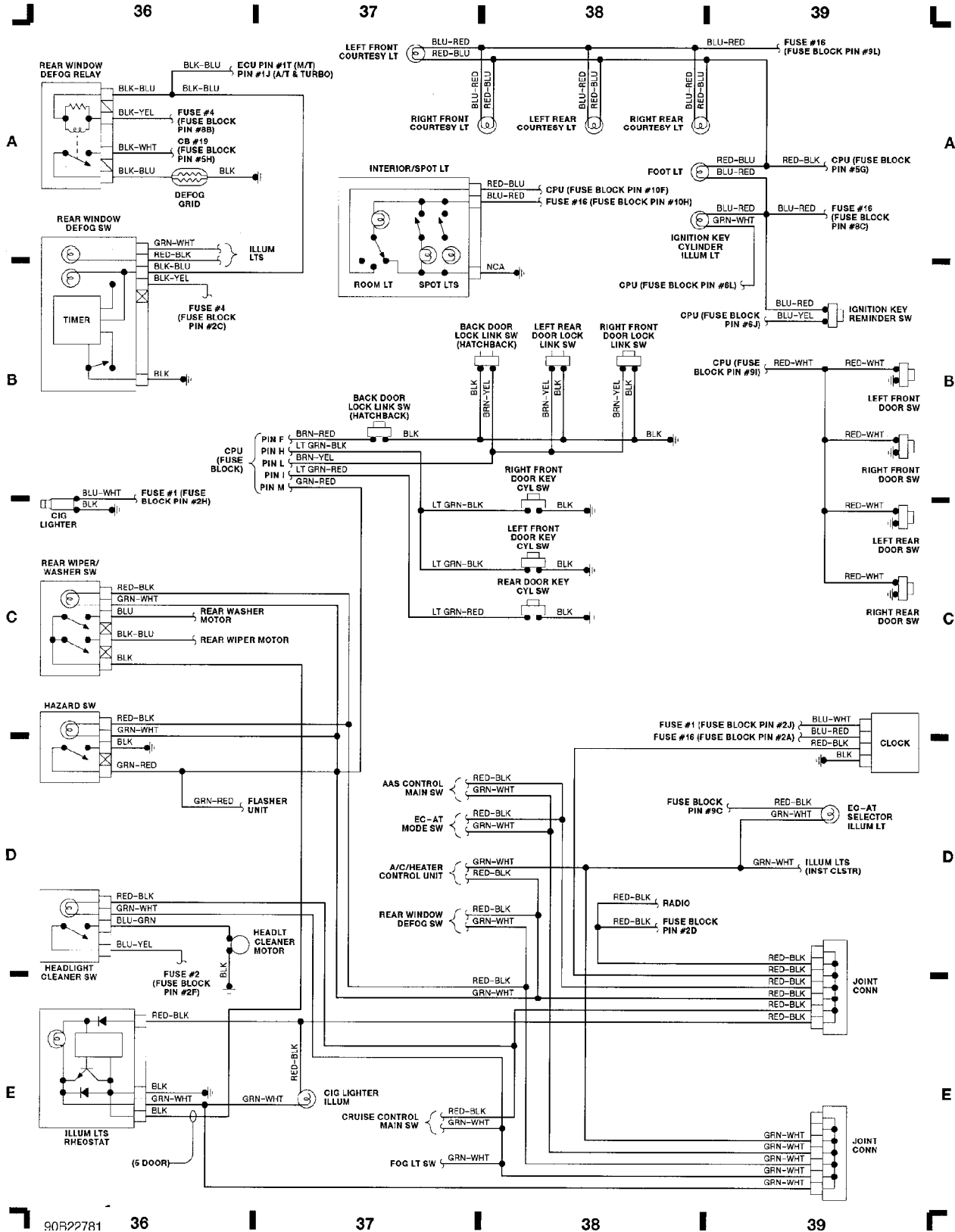
Charging Circuit

1990 Mazda 626

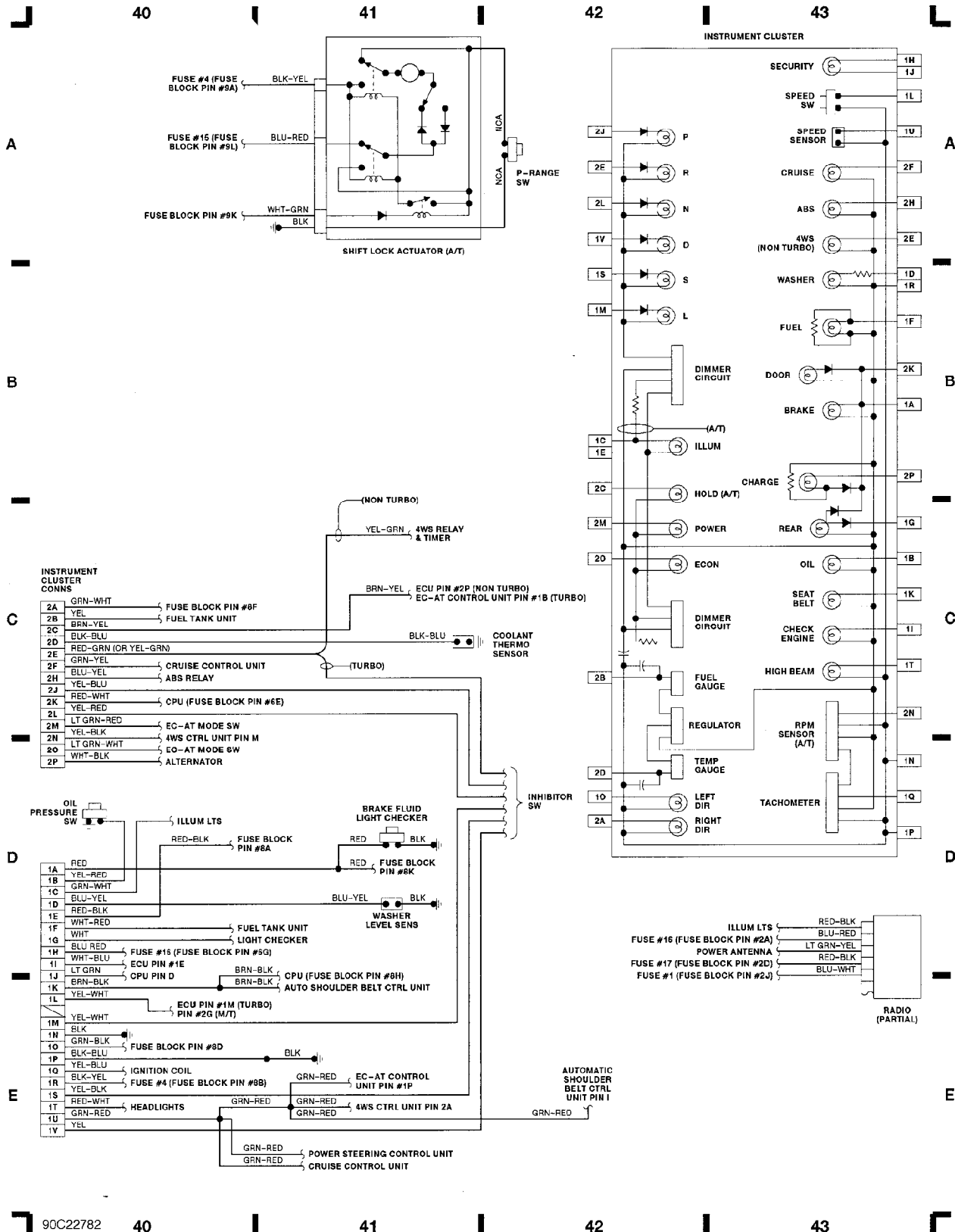


WIRING DIAGRAMS

Fig. 10: Rear Defog, Rear Wiper/Washer, Door Lock Switch (Grids 36-39)
1990 Mazda 626

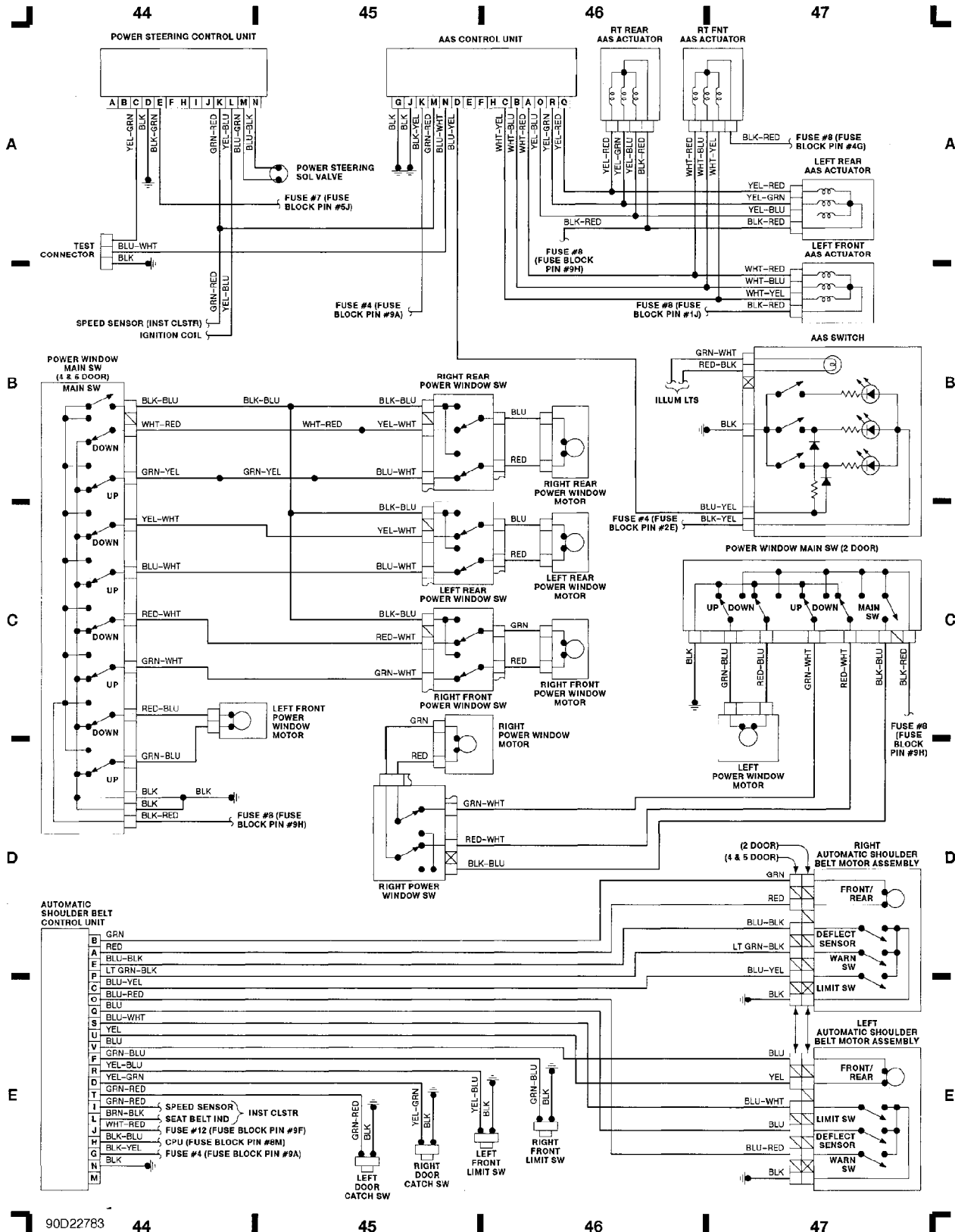


WIRING DIAGRAMS
Fig. 11: Instrument Panel (Grids 40-43)
 1990 Mazda 626



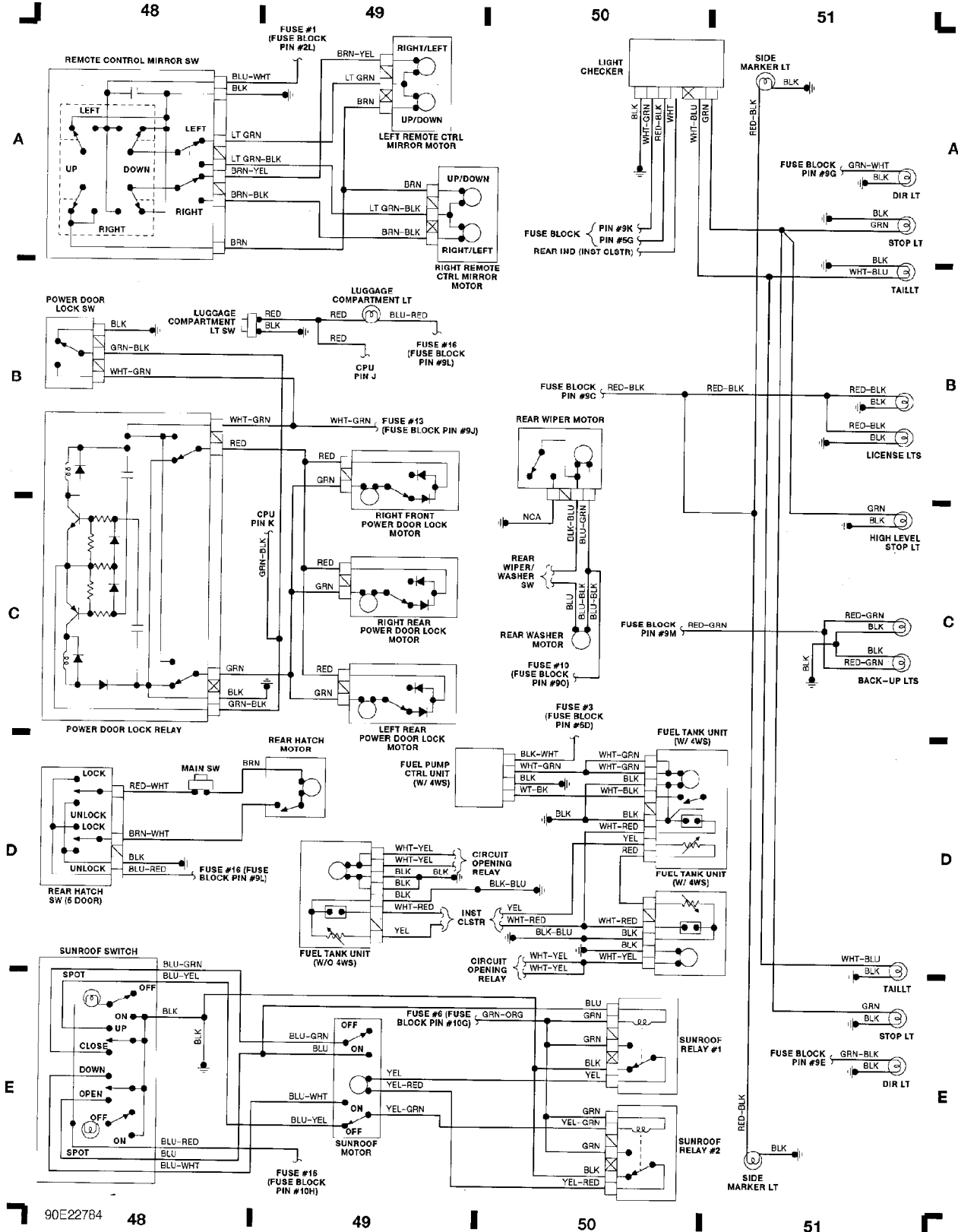
WIRING DIAGRAMS

Fig. 12: Seat Restraint, Power Windows, AAS System (Grids 44-47)
1990 Mazda 626



WIRING DIAGRAMS

Fig. 13: Power Door, Sun Roof, Taillights (Grids 48-51)
1990 Mazda 626

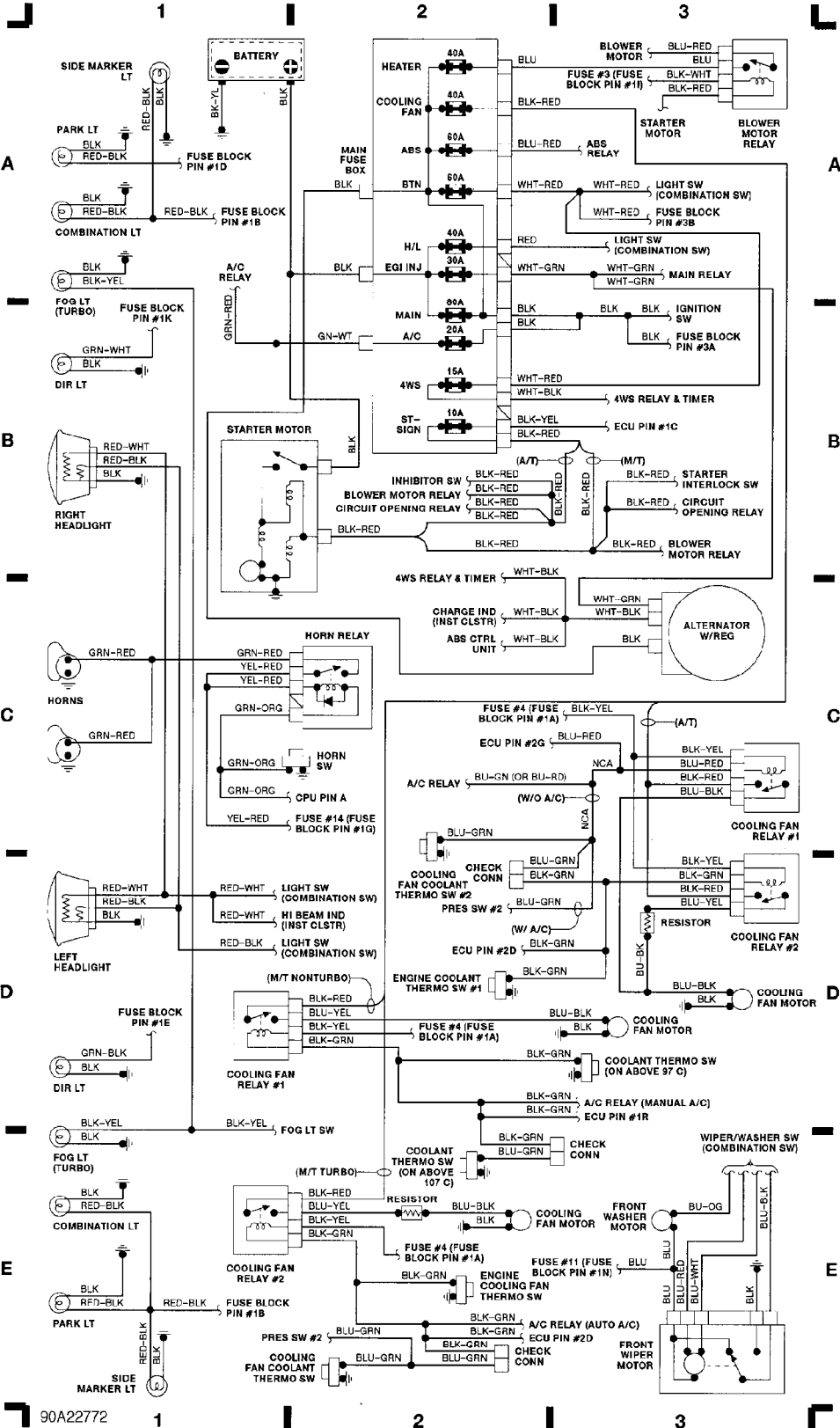


WIRING DIAGRAMS

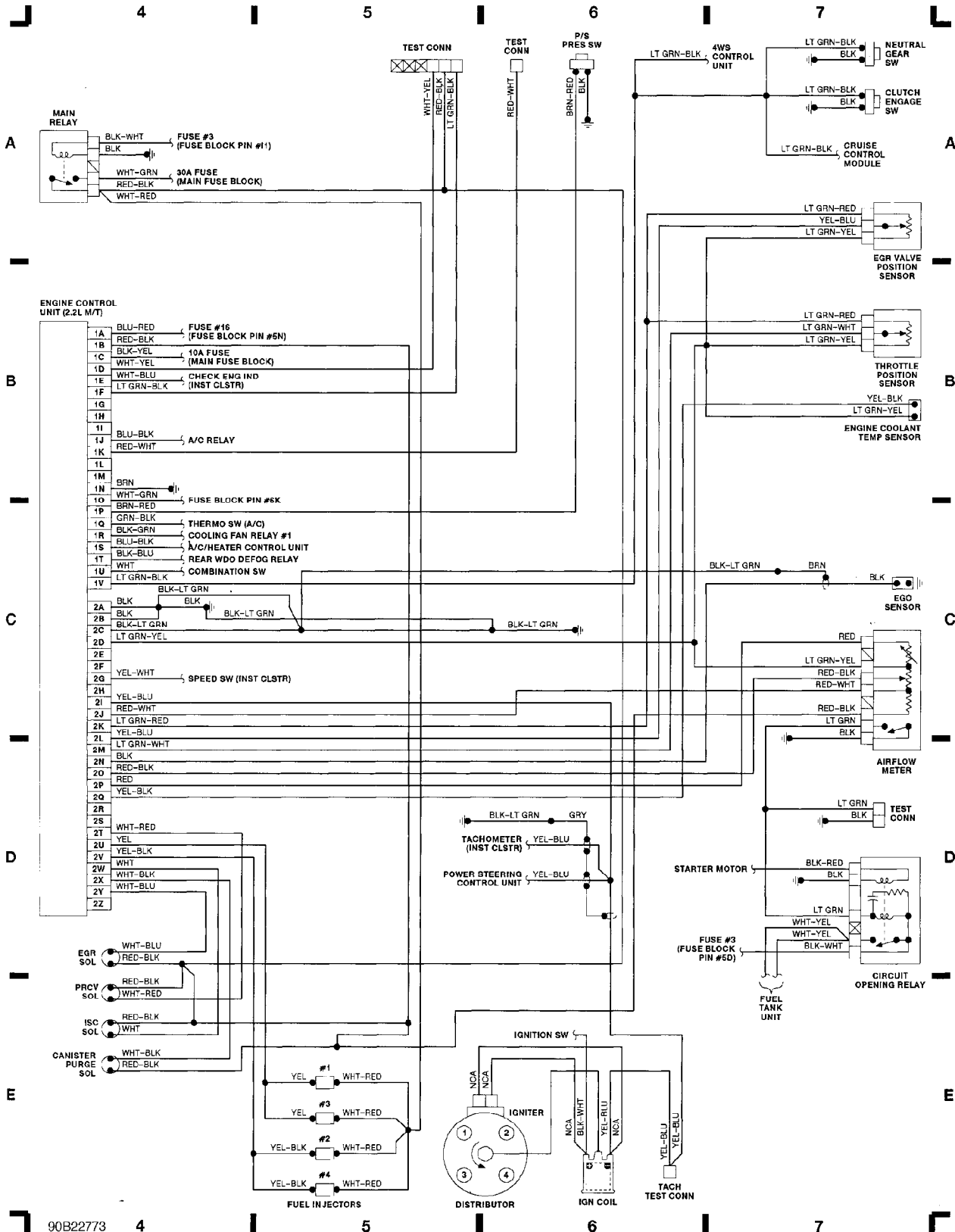
Fig. 1: Engine Compartment & Headlights (Grids 1-3)
1990 Mazda 626

COMPONENT LOCATOR:

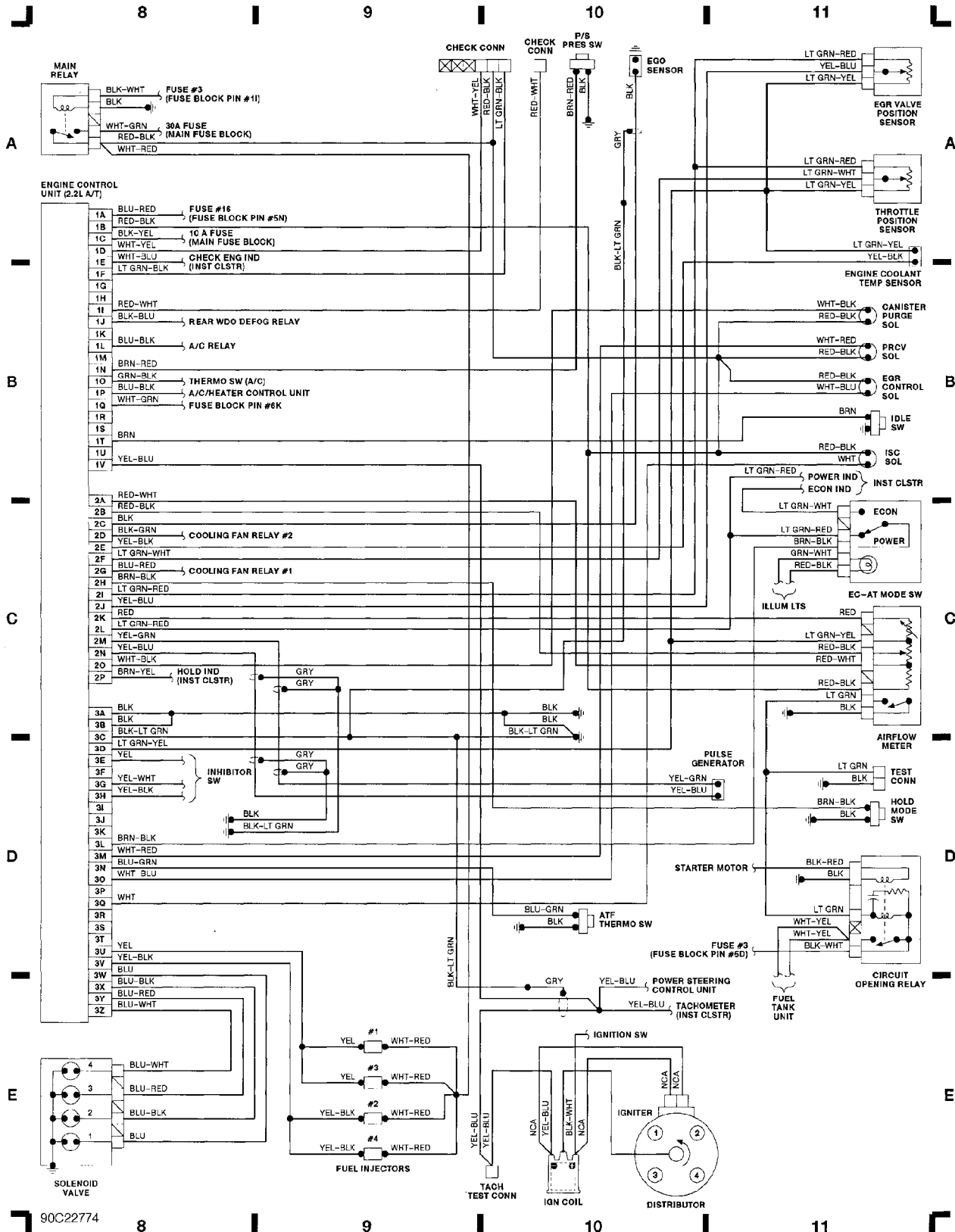
A/C COMP CLUTCH	C 27, E 27
A/C HEATER CONTROL UNIT (AUTO)	A-E 24
A/C HEATER CONTROL UNIT (MANUAL)	D 27
A/C RELAY (AUTO A/C)	A 28-27
A/C RELAY (MANUAL A/C)	D 27
AAS SYSTEM	A-1 45-47
ABS SYSTEM	C-E 28-30
ADDITIONAL FAN COOLANT THERMO SW	E 27
ADDITIONAL FAN MOTOR	C 26, D 26
ADDITIONAL FAN RELAY	D 27
ALTERNATOR	C 3
AUTO SHOULDER BELT SYSTEM	D-E 44-47
BACK DOOR LOCK LINK SW	B 38
BACK-LIP LT SW	B 16
BATTERY	A 1
BLOWER MOTOR	B 25, D 26
BLOWER MOTOR RELAY	A 3
BRAKE FLUID LEVEL SENSOR	B 18
BUCKLE SW	B 23
C/G LTR	C 38
CIRCUIT OPENING RELAY	D 7, D 11, D 15
CLOCK	C 39
CLUTCH ENGAGE SW	A 7, A 15
COMBINATION SW	A-B 32-35
COOLING FAN RELAYS	C-E 1-3
COOLING FAN THERMO SW #2	D 2
COURTESY LTS	A 37-39
CPU	A-B 22-23
CRUISE CONTROL	D-E 32-35
DOOR KEY CYL SW	B-C 37-38
DOOR SW	B-C 39
EC-AT CONTROL UNIT	A-B 29-31
EC-AT MODE SW (NON TURBO)	C 11
EC-AT MODE SW (TURBO)	B 31
EC-AT MODE SW (TURBO)	B 31
ECU (A/T)	C 2
ECU (M/T)	C 12
ENGINE COOLANT THERMO SW #1	D 2
FLASHER UNIT	C 35
FOS LT SW	C 34
FOOT LT	A 39
FRONT WIPER/WASHER	E 3
FUEL PUMP CONTROL UNIT	A 50
FUEL TANK UNIT	D 49, D 50
FUSE BLOCK	A-C 17-22
GLOVE BOX LT SW	E 23
HAZARD SW	C-D 36
HEADLT CLEANER SW	C-D 36
HEADLT RELAY	A 35
HOOD SW	A 23
HORN RELAY	C 2
IGN COIL	E 6, E 10, E 14
IGNITION KEY CYL ILLUM LT	A 39
IGNITION KEY REMIND SW	B 39
IGNITION SW	C 34
ILLUM LTS	D-E 36-39
ILLUM LTS RHEOSTAT	E 36
INHIBITOR SW	A 28
INST CLSTR	A-E 40-42
INTERIOR/SPOT LT	A-B 37
LIGHT CHECKER	A 50
LUGGAGE COMPLT	D 49
MAIN FUSE BLOCK	A 2
MAIN RELAY	A 4, A 8, A 12
OSCILLATING A/R VENT	A 26, B 27
PARKING BRAKE SW	D 22
POWER ANTENNA	D-E 35
POWER DOOR LOCKS	B-C 48-49
POWER STEERING CONTROL UNIT	C 44, C 47
POWER WINDOWS	C 44, C 47
PRES SW #2	E 27
RADIO (PARTIAL)	E 43
REAR HATCH SW	D 48
REAR WINDOW DEFOG	A-B 36
REAR WIPER MOTOR	D-C 50
REAR WIPER/WASHER SW	C 36
REMOTE CONTROL MIRROR	A 48-49
SHIFT LOCK ACTUATOR	A 41
STARTER INTERLOCK SW	B 33, C 33
STARTER MOTOR	B 1
STARTING CUT RELAY	B-C 32
STOP LT SW	D 17
SUNROOF	E 48-50
THEFT DETERRANT	A-B 22-23
THERMO SW	B 26, B 27
WARNING CHIMES	A-B 22-23
4WS SYSTEM	C-E 30-31



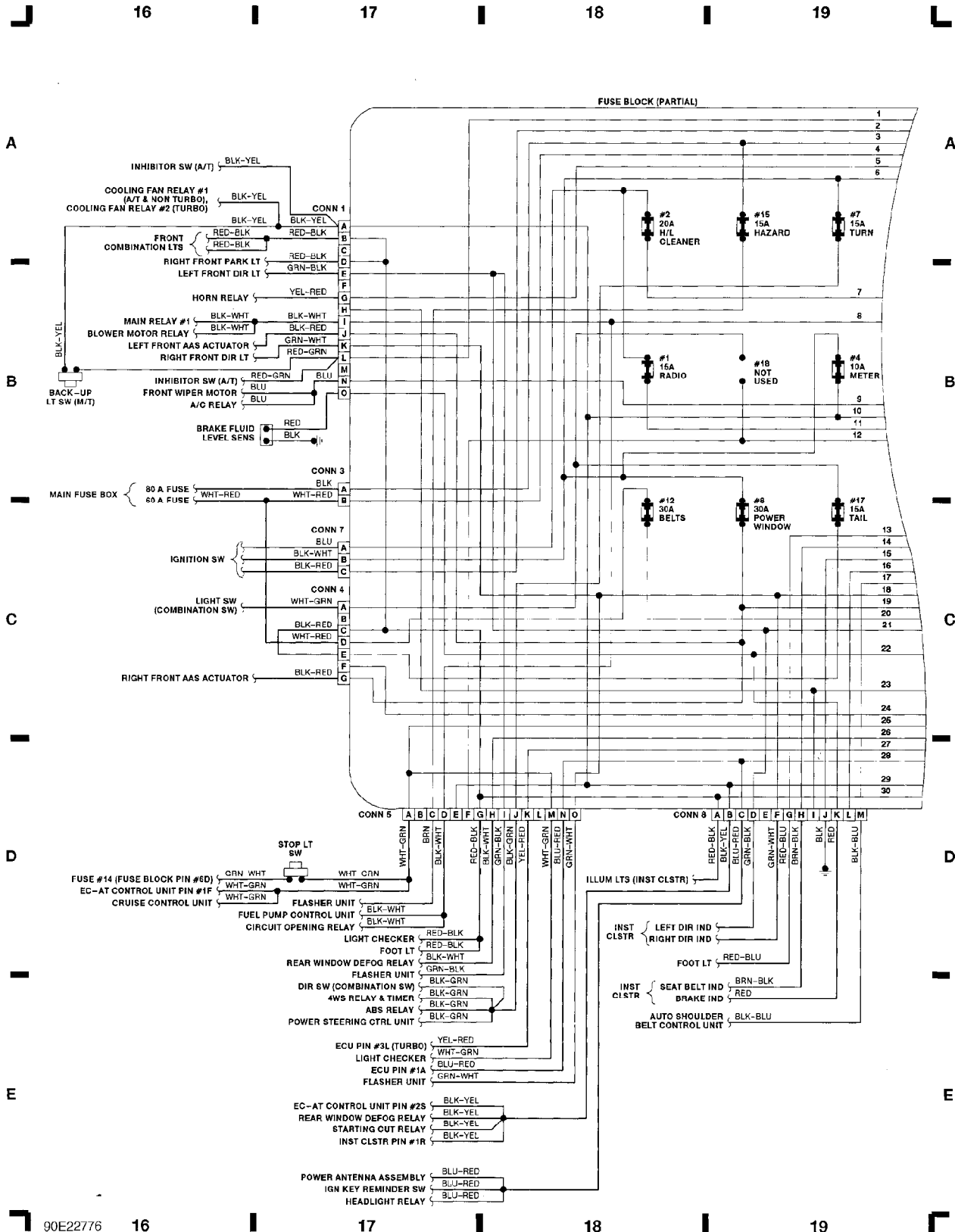
WIRING DIAGRAMS
Fig. 2: Computer Engine Control (2.2L M/T) (Grids 4-7)
 1990 Mazda 626



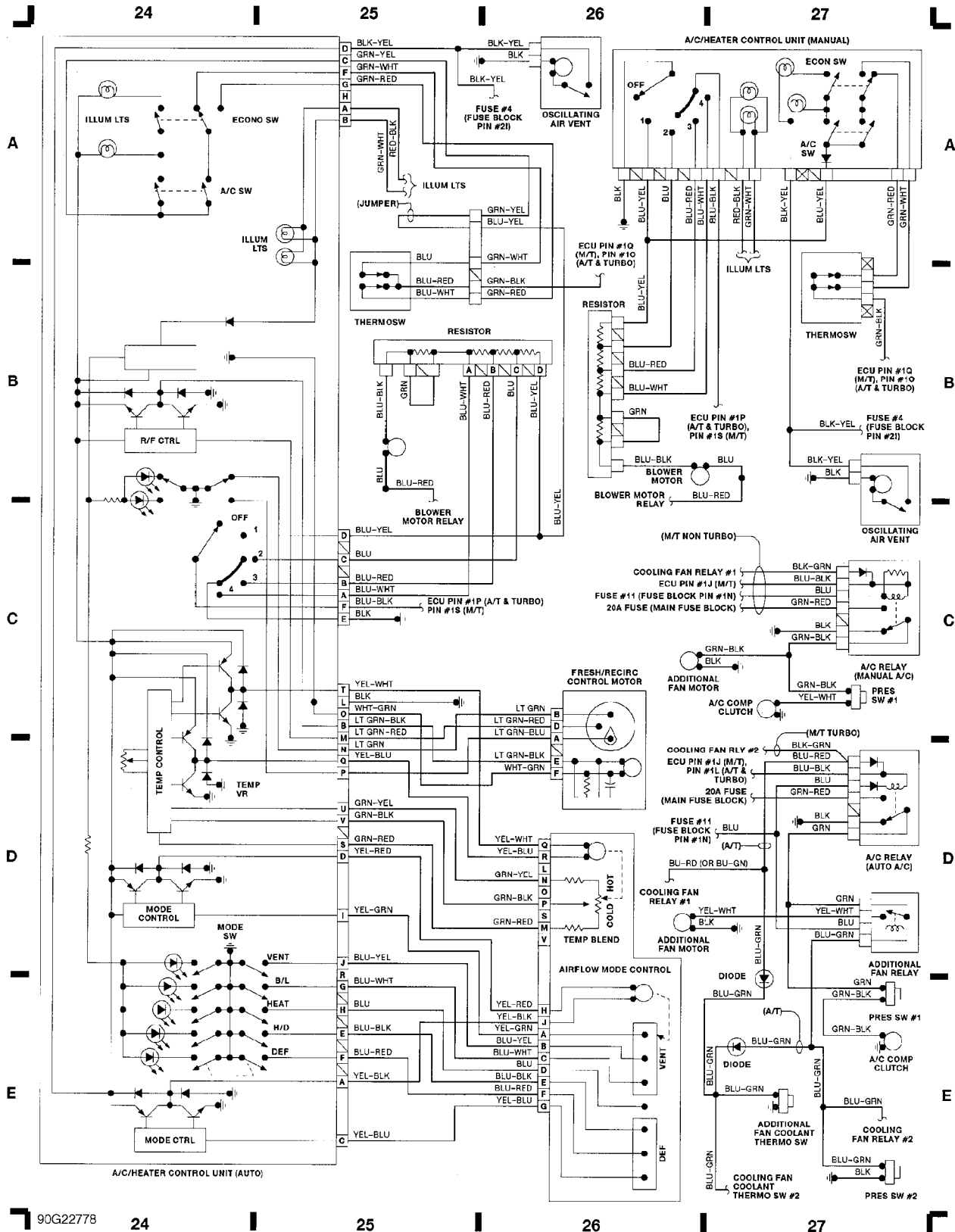
WIRING DIAGRAMS
Fig. 3: Computer Engine Control (2.2L AT) (Grids 8-11)
 1990 Mazda 626



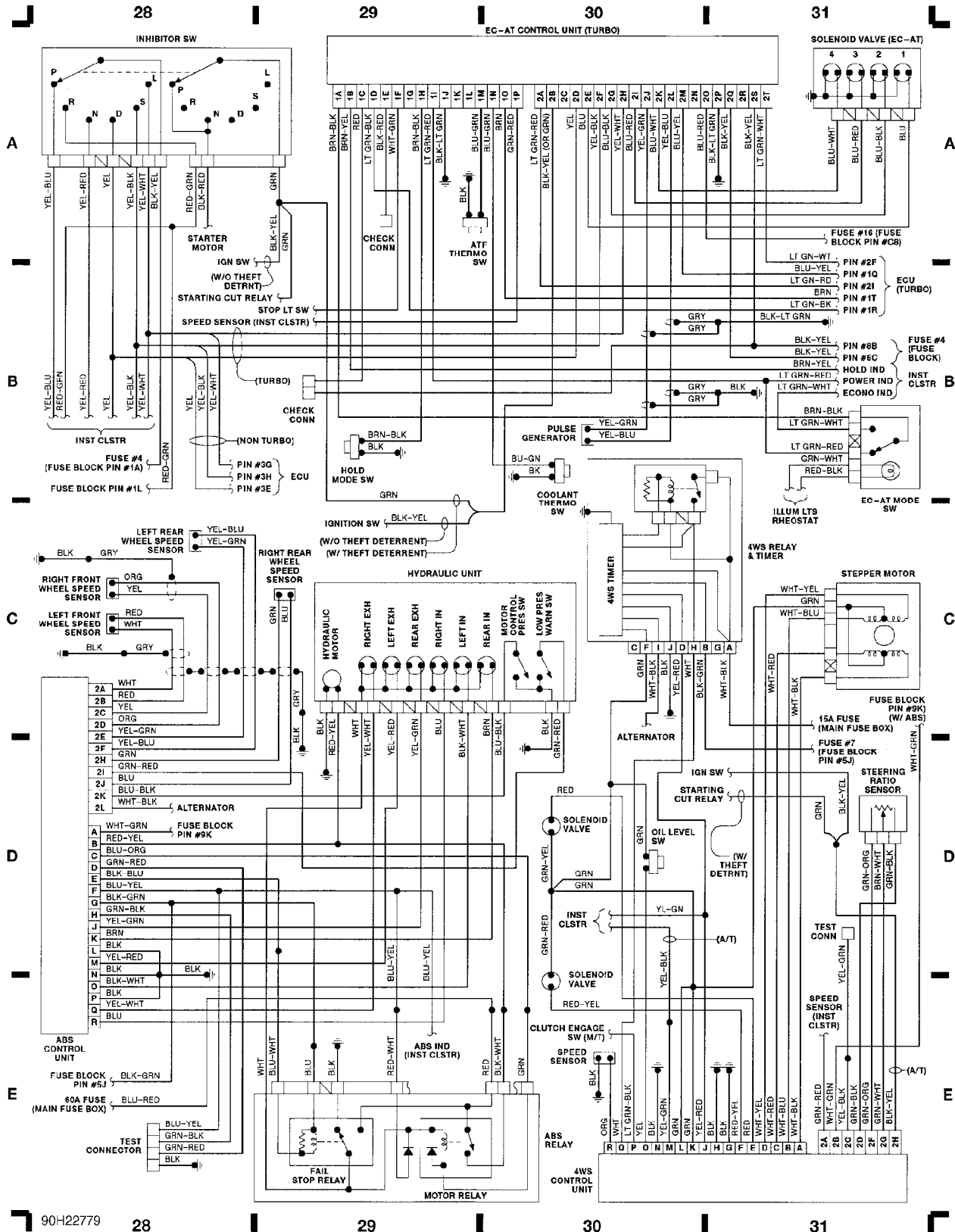
WIRING DIAGRAMS
Fig. 5: Fuse Block (1 of 2) (Grids 16-19)
 1990 Mazda 626



WIRING DIAGRAMS
Fig. 7: A/C & Heating (Grids 24-27)
 1990 Mazda 626



WIRING DIAGRAMS
Fig. 8: Elect AT Control, ABS, 4WS (Grids 28-31)
 1990 Mazda 626



WIRING DIAGRAMS

Fig. 9: Steering Column, Cruise Control (Grids 32-35)
1990 Mazda 626

