

**IMPORTANT SAFETY INSTRUCTIONS INCLUDED.
READ THROUGH CAREFULLY BEFORE YOU RIDE**



Owner's Manual

VTR250

Thank you for purchasing a Honda motorcycle. For your safety and comfort, please familiarise yourself with this manual before riding.

At time of purchase

- * Please obtain this owners manual. Ask your dealer for the following:
 - Tips on handling and riding.
 - Contents/period of the warranty.
 - Service requirements
 - Filling out the purchase receipt and the warranty card.

Motorcycle rider's licence

This motorcycle has a total displacement of 249cm³(cc). You must hold a corresponding motorcycle rider's license in order to ride on public roads.

The vehicle is designed to carry a maximum of two people, including the rider. Note that you cannot carry a passenger for the first 12 months after obtaining your motorcycle licence.

Safety Warnings

About this manual

- * This manual contains the information for the correct handling, safe riding and basic maintenance. Please read through 'Safety Warning', 'Safe riding' and 'Maintenance safety tips' as they are particularly important.
- * Even if you are familiar with motorcycles already, please read this manual as this model has some special features. Please also read the maintenance note.
- * When re-selling the vehicle please hand the manual and the maintenance record to the next owner.
- * Honda MPE reserves the right to alter specifications and make other changes at any time without notice or obligation.

Safety warnings

- * **Safety warnings**
The following safety warnings are used in this manual to alert you to the potential for danger to the rider, the passenger and the others. Always read the warnings thoroughly.



Warning: High potential of causing death or severe injury.



Caution: Potential of causing death or severe injury.



Note: Potential of minor injury.

- * **Other symbols:**



Advice: In order to maintain the best condition.



Tips: Some useful information.

FOR YOUR OWN SAFETY	4	Passing lamp switch	20
PARTS	10	Turn signal switch	21
INSTRUMENTS AND INDICATORS	12	<u>Features / Accessories</u>	22
Instruments	12	Handlebar lock	22
Speedometer	12	Seat	23
Odometer	12	Helmet holder	24
Trip meter	12	Document bag	25
<u>Indicators / Warning Lamps</u>	13	Tool kit holder	25
Speed warning	13	<u>Fuel Supply</u>	26
Oil pressure warning	13	Fuel cock	27
Coolant temperature warning	14	<u>Basic Operation</u>	28
Turn signal indicator	15	Starting the engine	28
High beam pilot lamp	15	Changing gear	31
Neutral indicator	15	Riding tips	32
<u>Switches</u>	16	Braking	34
Ignition switch	16		
Head lamp dimmer switch	17		
Engine stop switch	18		
Starter switch	19		
Horn switch	19		

MAINTENANCE SAFETY TIPS	36	Battery	64
<u>Maintenance</u>	39	Battery Terminals	65
Daily inspection	41	Battery removal / installation	66
Regular service	44	Fuses	67
Maintenance Schedule	45	Inspection / replacement	68
Basic maintenance	48	Tyres	69
Engine oil	49	Pressure	69
Oil level	49	Tread	69
Adding Oil	52	Replacement tyres	70
Coolant	53	Air Filter	71
Coolant level	53	Air filter element replacement	71
Adding coolant	54	<u>Cleaning</u>	72
Drive Chain	56	<u>Damper Unit</u>	74
Chain tension	56	<u>For our environment</u>	74
Lubrication / Cleaning	57	<u>Colour labels</u>	75
Brakes	58	<u>Genuine Honda mufflers</u>	76
Front brake	58	<u>Frame serial number</u>	77
Brake fluid level	58	<u>Overheat</u>	78
Brake pads wear	59	<u>Engine does not start</u>	79
Rear brake	60	<u>Specifications</u>	80
Brake fluid level	61	<u>Service Data and Noise Warning</u>	83
Brake pads wear	62		
Clutch	62		
Clutch lever free play	63		

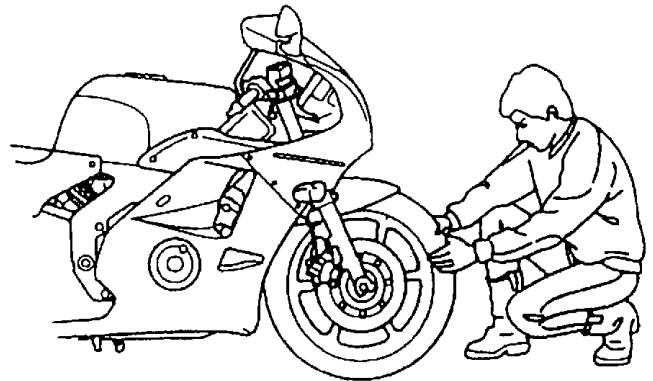
For Your Own Safety

- The topics described here are the basic instructions for handling the vehicle.

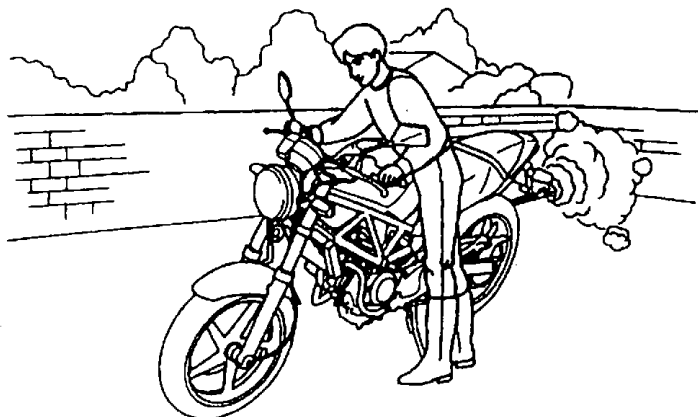
Please follow the instructions from your owner's manual.

Before Riding

- Please conduct the daily inspection. Keep the vehicle clean at all times and inspect the specified items. Refer to p. 41 for details.
- Please conduct the regular service. Refer to p.44 for details.



-
- Please stop the engine and keep clear of fire when refueling.
 - Exhaust gas is toxic. Operate the engine in a well ventilated place.



Protective apparel

- Both rider and passenger are required by law to wear a helmet. Secure the strap properly. Helmets approved to AS1698 are the only legal helmets in Australia.
- Wear protective clothing and gear such as:
 - Face shield or goggles.
 - Motorcycle boots or any footwear that covers the ankles.
 - Leather gloves.
 - Long pants and a long sleeved jacket.

Riding apparel should be bright or reflective.

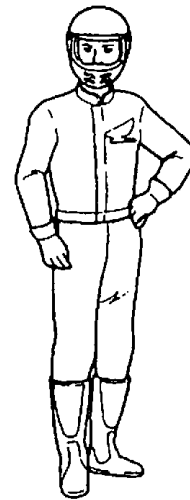
Allow freedom of movement.

Avoid flared pants and loose sleeved jackets, which could get caught with the brake and gear shift pedals.



Caution

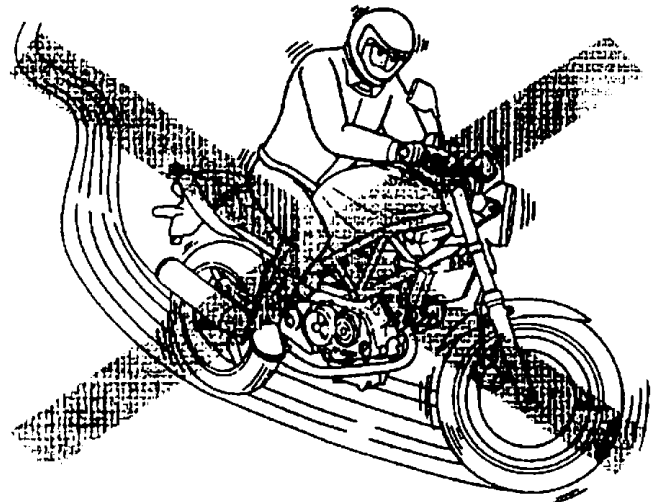
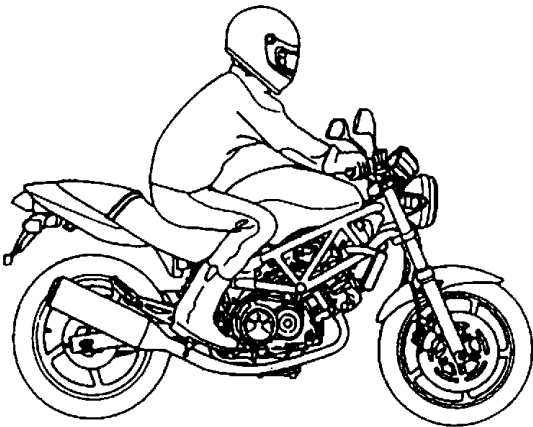
Wearing the helmet incorrectly increases the risk of serious injury or death in an accident. Both rider and passenger must wear helmets, protective gear and protective clothing.



Riding Tips

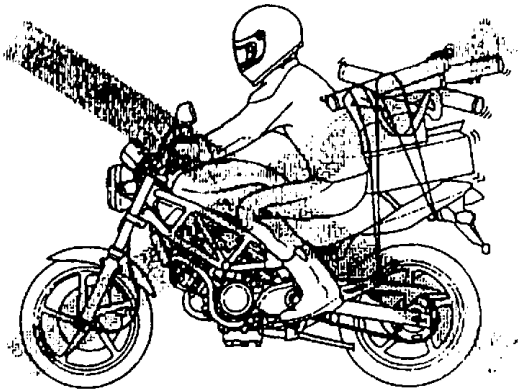
- Keep both hands on the handlebars and both feet on the steps at all times whilst in motion.
- The passenger should place both feet on the rear steps and use both hands to stay in position. It is the rider's responsibility to check that the passenger is positioned correctly.

- Do not jerk the handlebars or attempt to ride with only one hand. This safety rule applies to any two-wheeled vehicle.



Luggage

- Controlability and stability of the vehicle changes by loading luggage. Be careful in terms of loading and securing the luggage.
- Do not place any items around the steering handle. It may obstruct the steering.
- Do not place any items in front of the headlamp. It may melt the lens or damage the item itself.



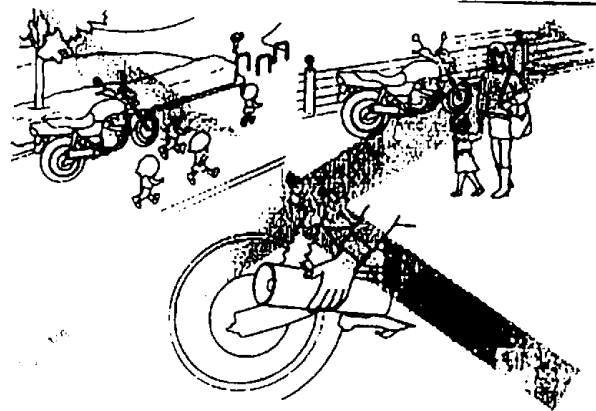
Modification

Any modification which affects the function and the structure of the vehicle may affect the controlability and exhaust noise, which may affect the durability of the motorcycle.

Any illegal modification may cause inconvenience to the surroundings. Any damage caused by these modifications is totally out of our warranty.

Parking

- Park on stable and flat ground.
- Do not obstruct the traffic flow when parking your vehicle.
- Park the vehicle so as to keep the hot muffler away from other people.
- While running the engine or immediately after shutdown, do not touch the engine or muffler.



Parking with the sidestand

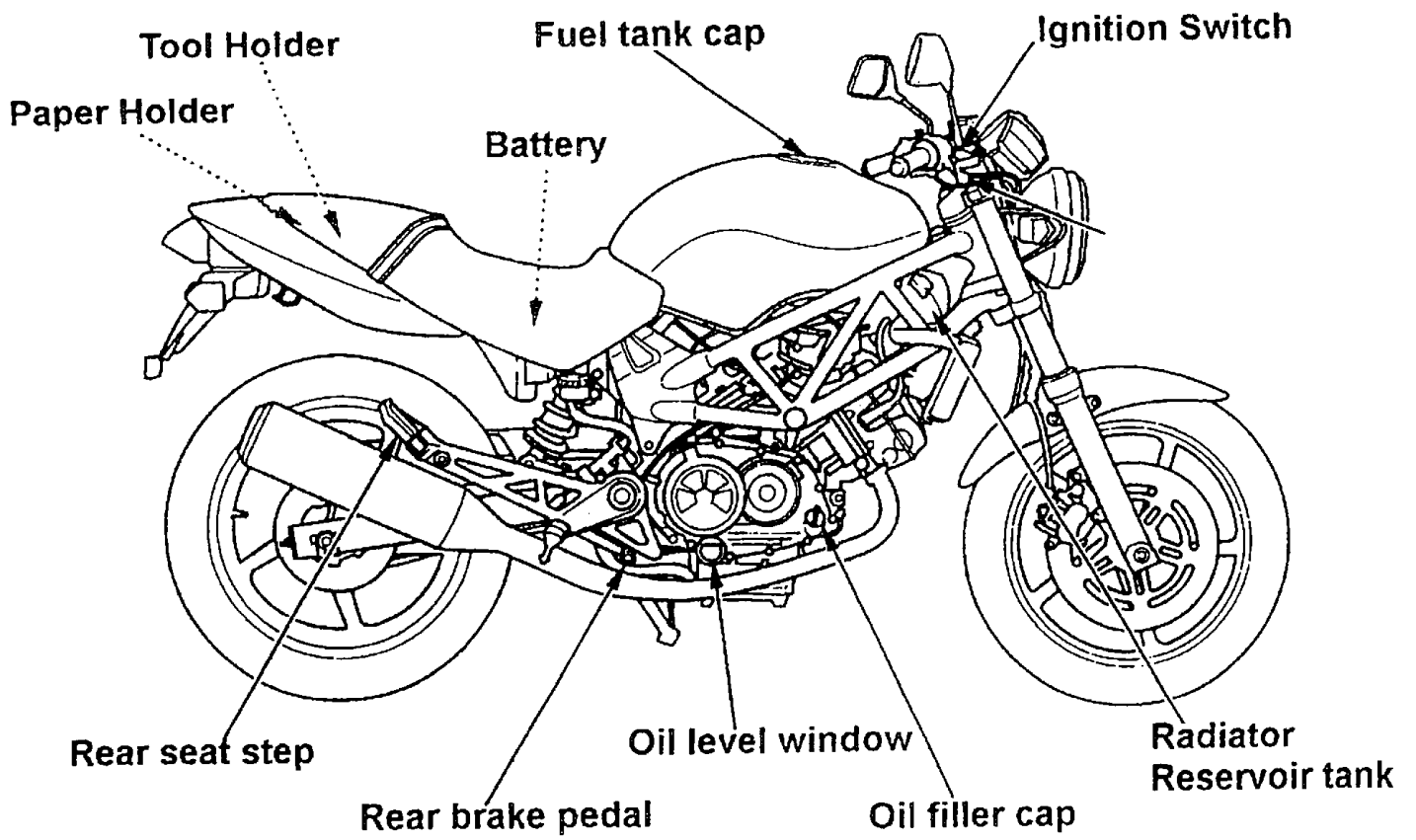
- Park on flat and stable ground with the handlebars turned fully to the left. The vehicle may have difficulty staying upright in the following circumstances:
 - The handlebars turned to the right.
 - Parked on sloped, soft, sandy or bumpy ground.

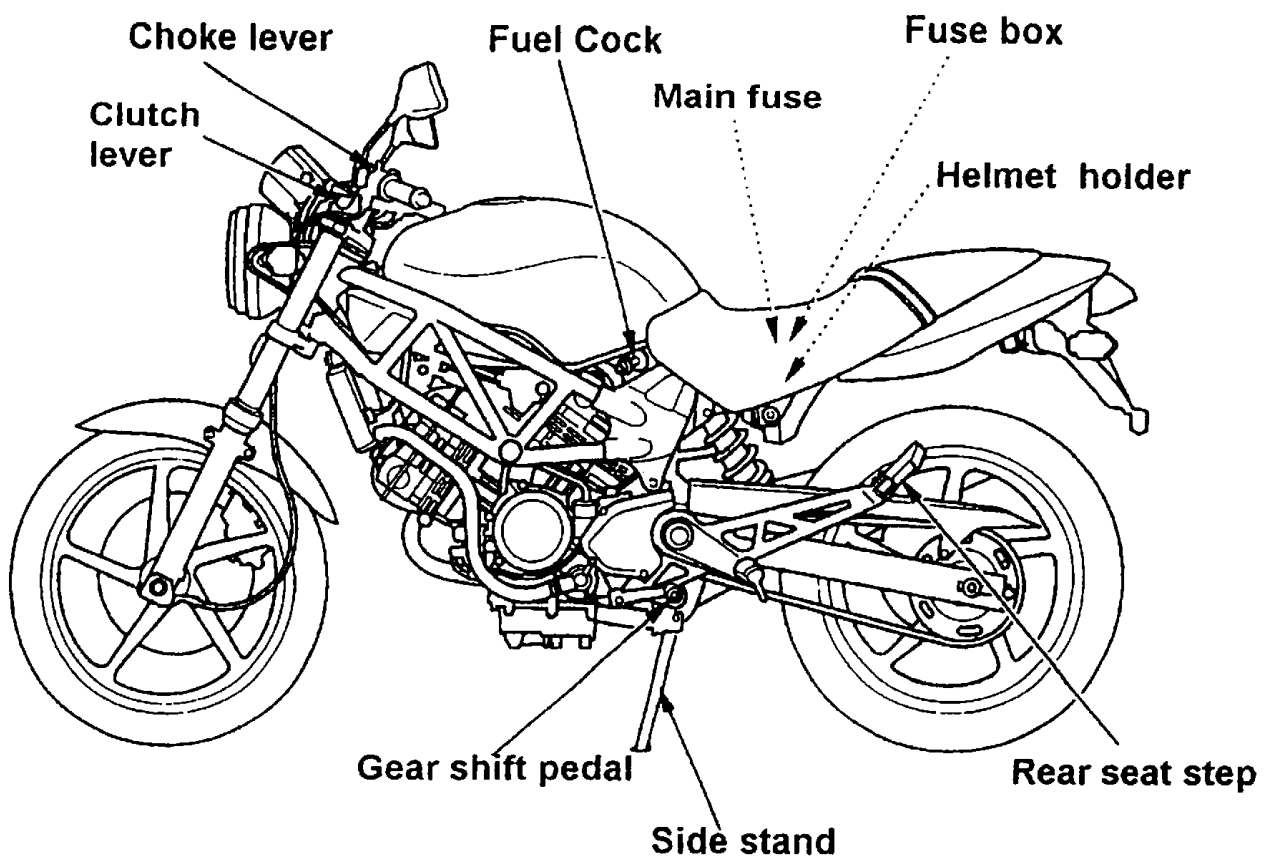
If there is no other choice, take maximum precautions to keep the vehicle stable.



Notes

- Do not touch the muffler or the engine while the engine is running or immediately after shutdown.
- Park the motorcycle so that the engine and the muffler can be kept away from other people.





Instruments and Indicators

Instruments and Indicators

Instruments

Speedometer

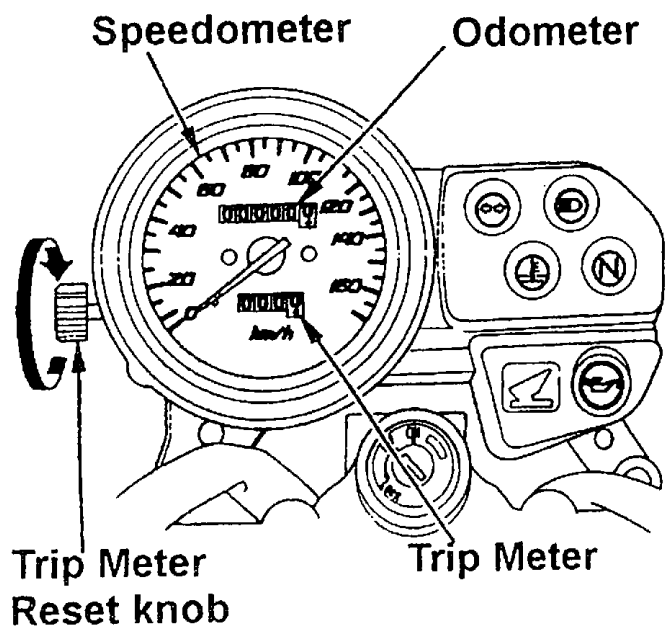
Indicates the travelling speed.
Ride safely and observe the legal speed limit.

Odometer

Shows accumulated distance traveled in kilometres.
The black number on white background shows 100m increments.

Tripmeter

Shows distance travelled per trip.
Reset to zero by rotating the reset knob in the direction of the arrow as shown.



Indicators / Warning lamps

Speed warning lamp (optional)

Illuminates when the speedometer indicates approx 85km/h.

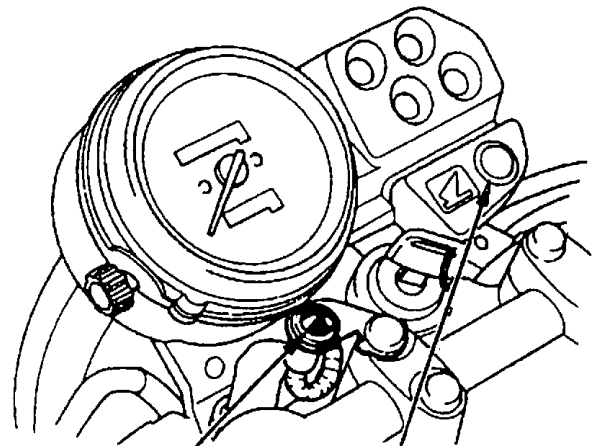
Oil pressure warning lamp

Lights when the oil pressure drops while the engine is running. Should the warning lamp light while the engine is running, stop immediately and check the oil level (ref. P.49). If there is sufficient oil or if the lamp stays after refilling the oil, contact an authorized Honda dealer as soon as possible.



Tip

In normal operation, the oil pressure warning lamp turns on when the main switch is turned ON, and it turns OFF when the correct oil pressure is reached.



**Speed
Warning Lamp**

**Oil Pressure
Warning
lamp**



Advice

Riding with the oil pressure warning lamp "ON" could result in damaging the engine.

Coolant temperature warning lamp

Lights when the coolant temperature rises beyond a certain limit while the engine stop switch is 'I' (run) and the ignition switch is 'ON'. If the lamp lights when the engine is running, stop the engine immediately and check the coolant level (p.53).



Advice

Continuing riding with the lamp "ON" (overheating) may result in damaging the engine.



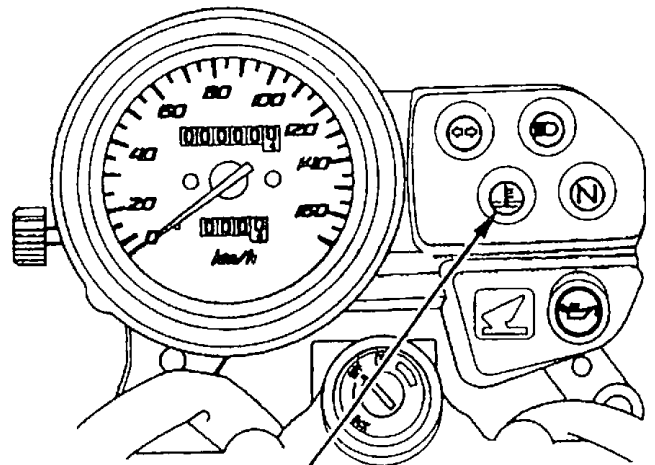
Tip

Normally the lamp lights when the engine stop switch is "X" (run) and the ignition switch is turned ON and it turns OFF after a few seconds. It lights for a few seconds while the engine is stalled, which is not a fault.



Tip

Prolonged idling during hot weather can cause the warning lamp to light. In this case, you have to cool the engine either by taking a gentle ride or by turning the engine off.



Coolant temperature warning lamp

Turn Signal Indicator

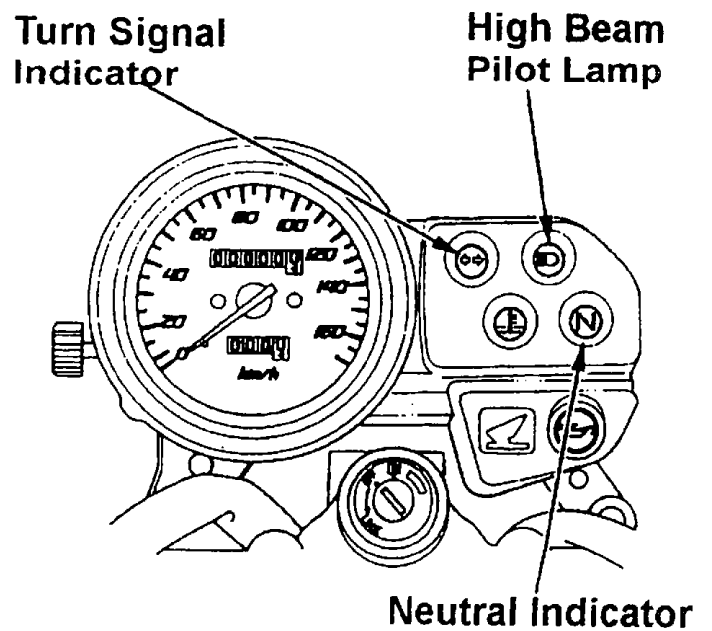
Flashes when the turn signal is ON.

High Beam Pilot Lamp

Lights if the high beam is selected.

Neutral Indicator

Lights if the engine is in neutral gear and the main switch key is at ON position.



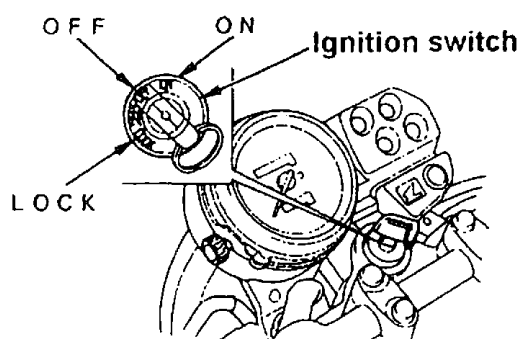
Switches

Ignition Switch

The ignition switch operates the electrical circuits.

Do not touch the switch whilst riding.

Turning the ignition switch to 'OFF' or 'LOCK' disables the electrical system.



Advice

- The headlamp turns "ON" when the ignition switch is "ON". Thus the battery will become flat if the ignition switch is left "ON" without the engine running.



Tip

- Lock the handlebars and pull the key out whenever you leave the vehicle.

Key position	Function	Remove Key
ON	Start, day/night ops <ul style="list-style-type: none"> • Headlamp 'ON' • Able to use turn signals horns, and stops lamps 	Unable
OFF	Stop <ul style="list-style-type: none"> • All electrical systems disabled 	Yes
LOCK	Handlebar lock engaged <ul style="list-style-type: none"> • All electrical systems disabled 	YES

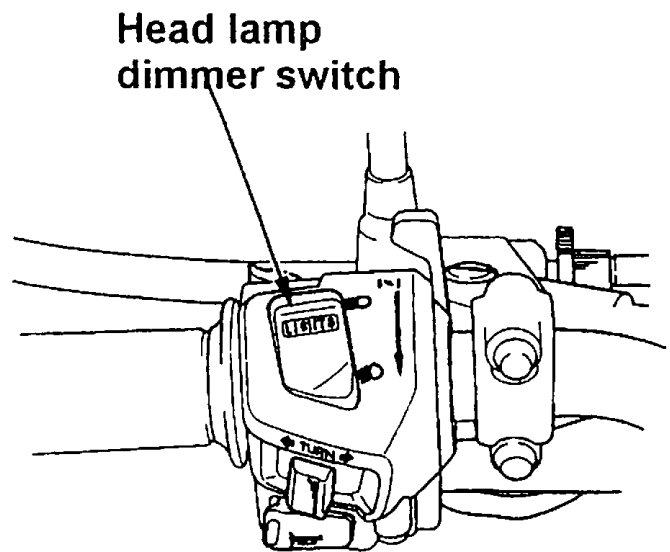
Headlamp Dimmer Switch

Push the corresponding side of the switch.

(Hi) High beam

(Lo) Low beam

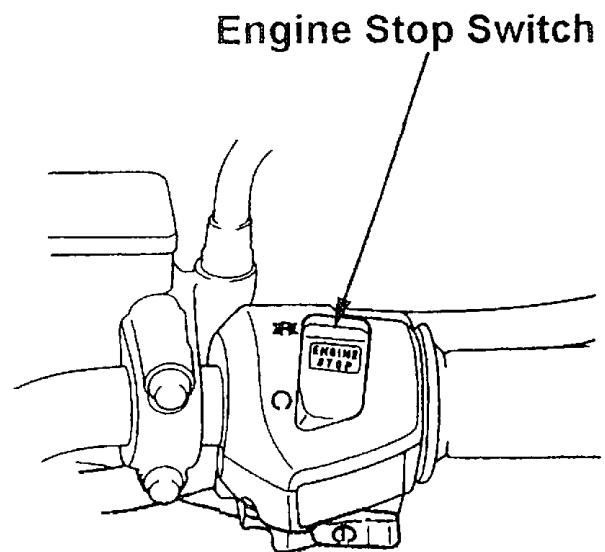
Select LO (low beam) during the day.



Engine Stop Switch

The engine stop switch allows you to stop the engine immediately in an emergency situation. The engine stop switch should be left in RUN position during normal riding and used only in case of emergency.

Switching between RUN and OFF whilst riding leads to unstable engine running and riding instability. It may also damage the engine.



Advice

If using this switch in an emergency stopped engine, turn the ignition switch OFF to avoid battery becoming flat.

Starter Switch

It activates the starter motor to crank the engine while the switch is pushed.



Advice

The starter motor consumes considerable power. Avoid long cranking to prevent flattening the battery.

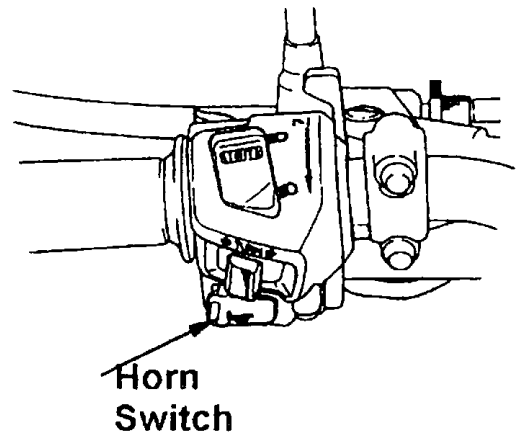
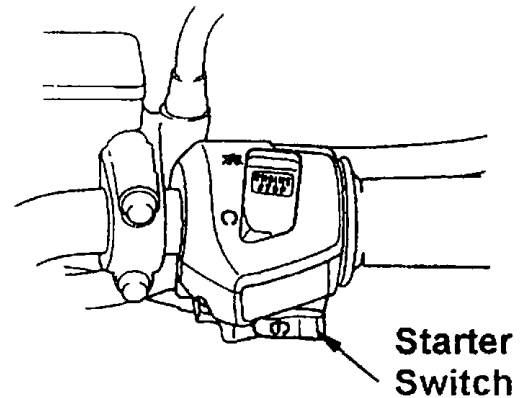


Tip

- The starter motor cannot be engaged if the engine stop switch is OFF.
- The headlamp turns OFF when the starter motor is engaged.

Horn Switch

The horn sounds by pushing the horn switch when the ignition switch is ON.



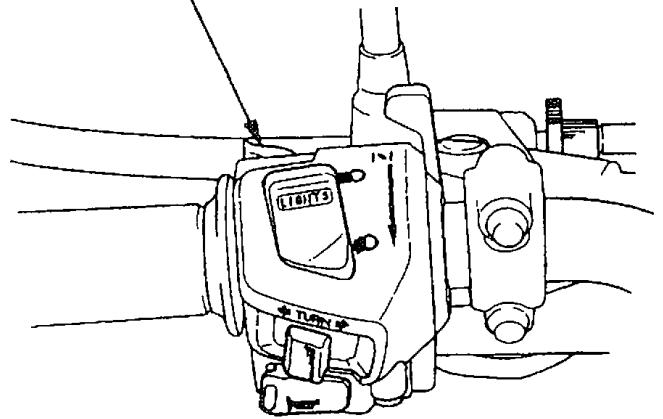
Passing Lamp Switch

The passing lamp switch is used when overtaking to alert the preceding drivers of your existence/position.

The headlamp alternates between high and low beam while the switch is depressed.

The switch does not work if the dimmer switch is selected to Hi beam.

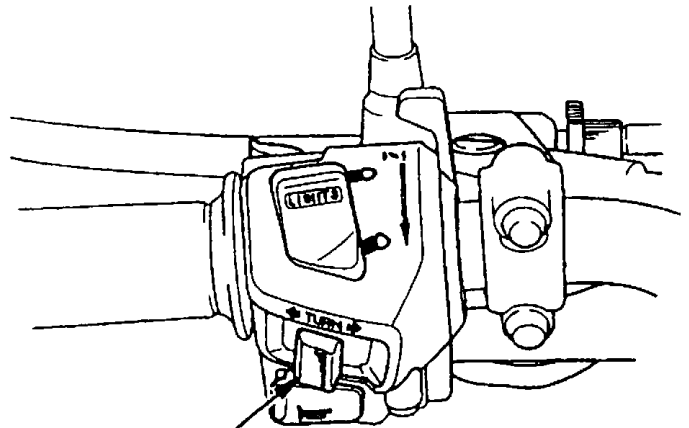
Passing lamp switch



Turn Signal Switch

The turn signal switch is used to operate the turn signal lamps when turning left or right or changing lanes. The ignition switch must be 'ON'.

Push the switch to the turning direction.
Push in to cancel.



Turn signal switch

Tip

- The turn signal does not cancel automatically. Always cancel the switch after turning to avoid confusing other drivers.
- Use the lamp bulb with a correct watt. The turn signal lamp does not light correctly if the watt is not corresponding to the rate.

Handlebar Lock

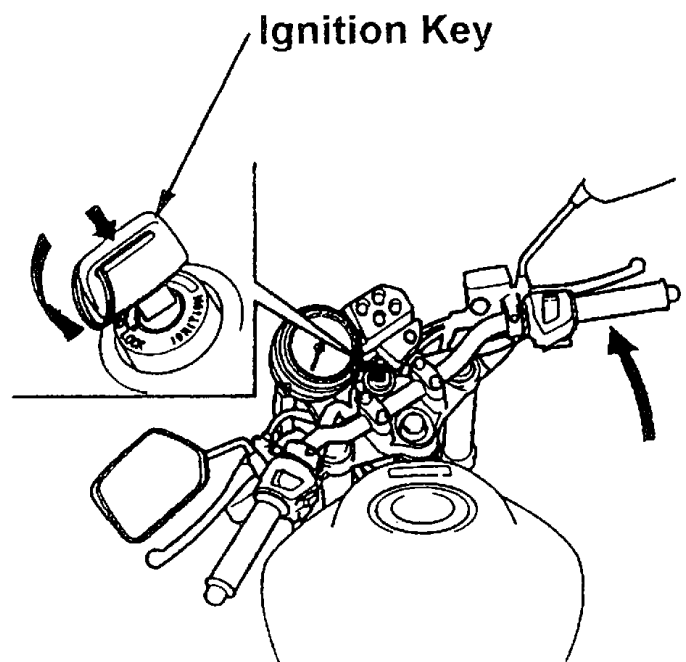
To prevent theft, always apply the handlebar lock when parking. Use of a chain lock or similar device is also recommended.

To engage the lock

Turn fully to the left or right.
Insert the key to the ignition switch.
Push the key in and turn it to 'Lock' position.
Remove the key.

To disengage the lock

Follow the above procedure in reverse order.



Tip

Park in a safe place away from traffic. Jiggle the handlebar to check the lock is engaged.

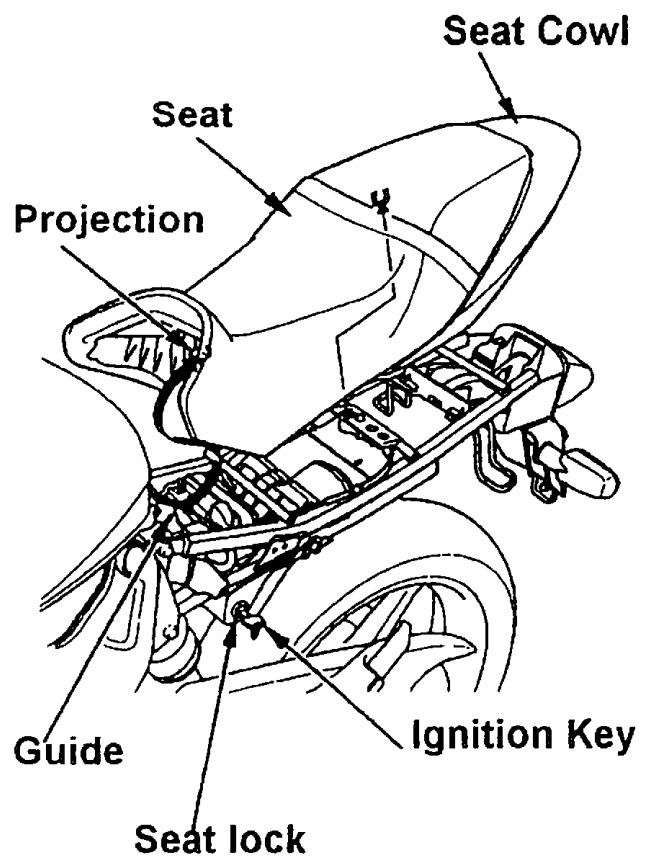
Seat

Removal

Insert the ignition key to the seat lock. Turn the key to the right and lift the rear end of the seat cowl to remove.

Installation

1. Set the projection of the seat to the frame guide to attach the seat.
2. Push the rear end of the seat down to lock it. Pull the seat upward to check it is locked.
3. Pull out the key.



Tip

If you leave the key inside, installing the seat will automatically lock it inside.

Helmet Holder

The helmet holder may only be used when the motorcycle is parked. Using the holder will interfere with the operation and may damage the motorcycle. Also it will damage the helmet, reducing its protection.

To use the helmet holder

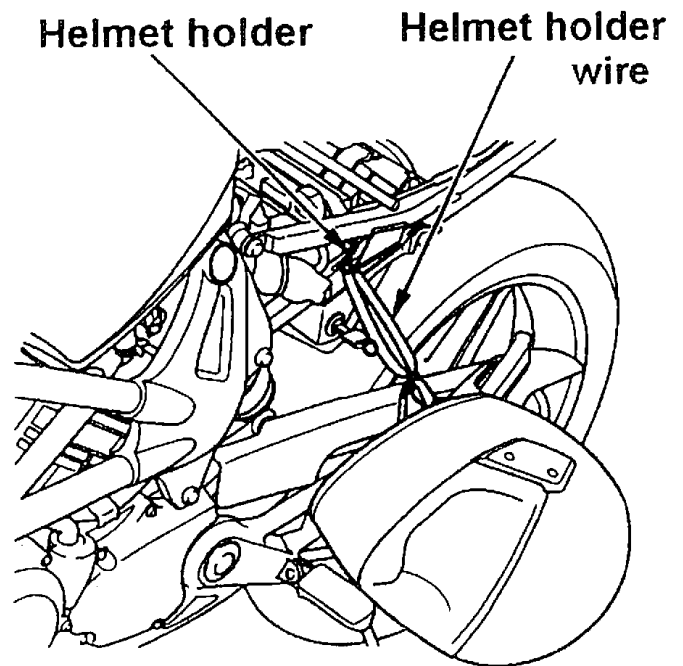
1. Remove the seat (ref. P. 23).
2. Pass the helmet holder wire through the ring on the helmet strap and hook to the helmet holder.
3. Set the seat.

Keep the helmet holder wire in storage when the holder is not in use.



Advice

Do not leave the key inside. It will be automatically locked inside by installing the seat.



Document Bag

The document bag is located under the seat. Keep the owners manual and the service manual in a plastic bag and store in the holder.

- Refer to p. 23 to remove the seat.



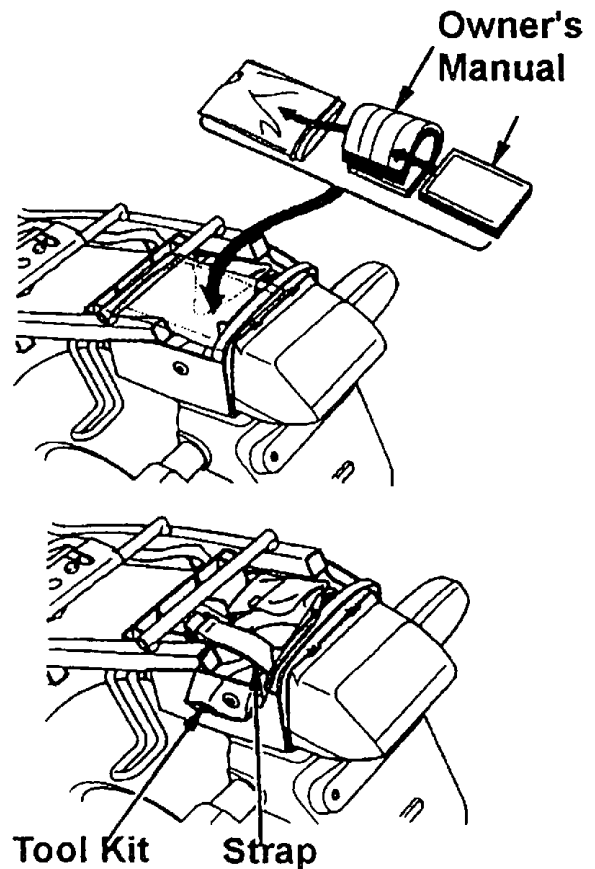
Tip

When washing the motorcycle, do not apply water from underneath to prevent water going inside the seat.

Tool Kit Holder

The tool kit holder is also located under the seat. Use the holding strap to secure the tool kit bag.

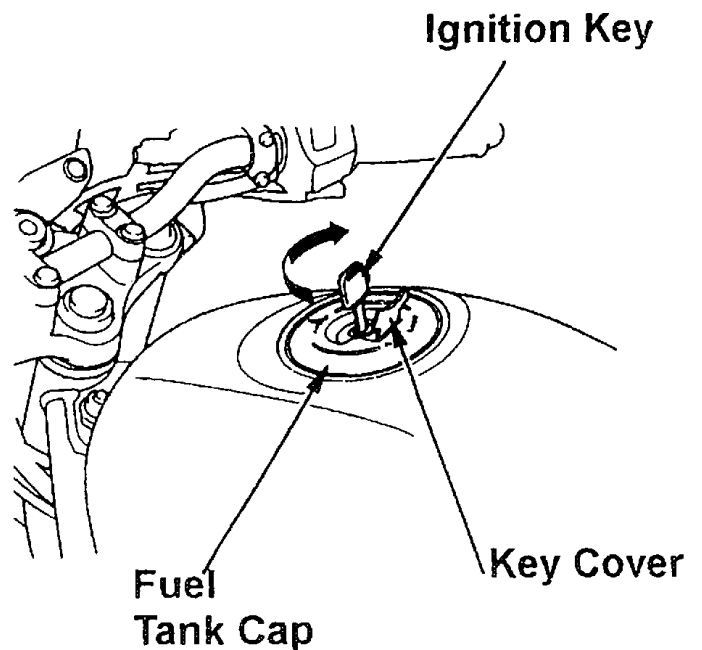
- Refer to p. 23 to remove the seat.



The VTR 250 uses only unleaded petrol. Always stop the engine before refueling and keep well clear of naked flames, sparks or heat sources.

Refueling

1. Lift up the key cover. Insert the ignition key and turn to the right to open the fuel fill cap.

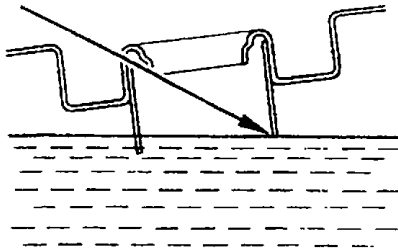


Caution

Petrol is highly flammable. Improper handling will result in severe injury. When handling the petrol:

- Always stop the engine and keep away from flames, sparks or heat sources.
- Refuel outside.
- Wipe off spilled petrol straight away.

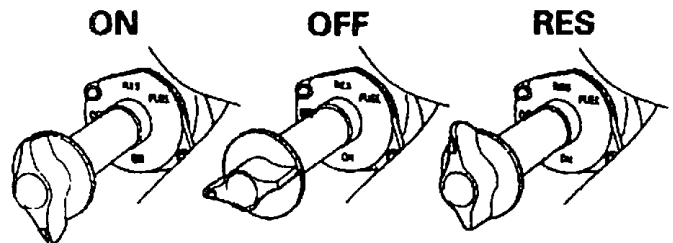
2. Do not fill higher than the bottom of the filler neck (see diagram) or petrol may seep out through the breather hole on the fuel tank cap.
3. Close the cap firmly and remove the key. The key cannot be removed unless the cap is properly locked.



Fuel Cock

The fuel cock lever has three positions:

- 'ON' fuel supplied to carburetor when the engine starts.
- 'OFF' select when the motorcycle is not in use for a long period or being serviced.
- 'RES' reserve fuel tank (holds approx 2 litres of fuel) is selected. Turn to RES when you run out of fuel in ON position whilst riding. Refuel as soon as possible and turn back to ON to prevent complete fuel starvation.



Starting the Engine

Engine exhaust fumes contain carbon monoxide and other harmful substances. Always start the engine in well ventilated area.

Refer to pp. 29 - 30 for the starting procedure.



Tip

This model is equipped with an automatic ignition cut off circuit that stops the engine automatically if the gearshift is set while the side stand is still down. Always retract the side stand before selecting a gear.

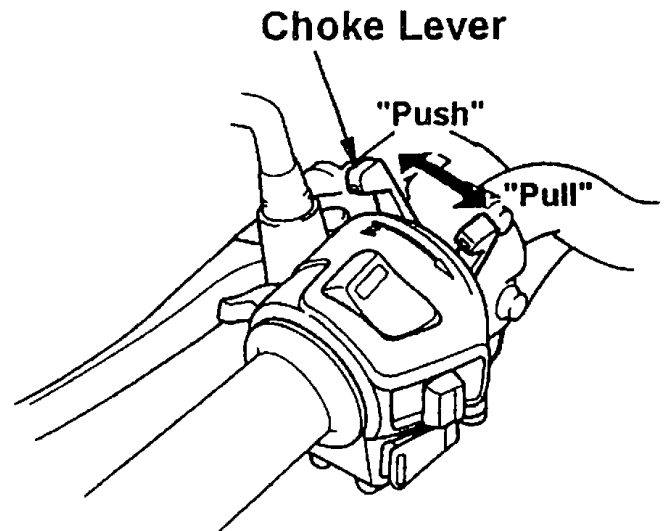


Advice

- If the engine fails to start within 5 seconds of cranking, release the starter switch for 10 seconds before another attempt. This helps a battery to recover its voltage.
- Do not race the engine unless required to do so. Abrupt throttle movement wastes fuel and may damage the engine.

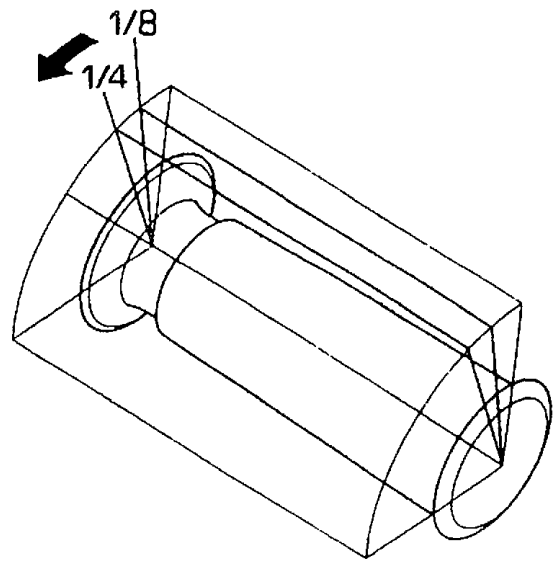
Starting Procedure

- When the engine is cold:
 1. Check the engine stop switch is in RUN position.
 2. Check the fuel cock lever is in ON position.
 3. Turn the ignition ON.
 4. Shift the gear change pedal to neutral position and check that the neutral indicator is ON.
 5. Pull the choke lever all the way back.
 6. Close the throttle and press the starter button.
 7. When the engine starts, gradually push the choke lever forward and warm up the engine until the rpm stabilizes, then push the choke lever all the way forward.
 8. Check the side stand is retracted before riding.
- Refer to p.79 if the engine fails to start.



Starting Procedure

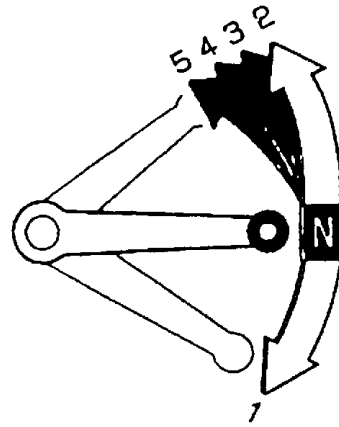
- When the engine is hot:
 1. Check the engine stop switch is in the 'RUN' position.
 2. Check the fuel cock lever is in the 'ON' position.
 3. Turn the ignition switch 'ON'.
 4. Shift the gear change pedal into neutral position and check the neutral indicator is 'ON'.
 5. Close the throttle and press the starter button. If the engine fails to start after one or two trials, follow procedure 6.
 6. If the engine does not start with the throttle closed, open the throttle to 7-3 as shown in the diagram and press the starter button.
 7. Check the side stand is retracted before selecting a gear.
- Refer to p.79 if the engine fails to start



Changing Gear

The VTR 250 has a five speed return gear change:

- Release the throttle and fully squeeze the clutch lever before selecting / changing gear.
- Operate the gear shift pedal gently but firmly using your toe (excessive force may damage the gear change system). You should be able to feel the gear changer click solidly into place.



Riding Tips

- Check the side stand is retracted before riding and selecting a gear.
- Use the gears within the speed ranges given in the table.
- To save fuel and prolong the life of the motorcycle, avoid rapid acceleration or deceleration.

Running In

Keep the engine in relatively lower rpm and avoid rapid acceleration and deceleration for the first 500km. This will prolong the life of the engine.



Advice

If you notice any unusual sound or other problems, contact an authorised HONDA dealer as soon as possible.



Tip

- Accelerate as gently as possible.
- Always observe the speed limit.

Gear Speed	Range
1st	0-50 km/h
2nd	20-80 km/h
3rd	25-110 km/h
4th	30-140 km/h
5th	40 km/h and above

Changing down the gears

Changing down gears provides greater acceleration in situation such as overtaking. Avoid changing down at high speed, which can damage both the engine and the transmission by running the engine at excessively high rpm. The table shows the maximum speed for each shift down.

	Maximum Speed
5th - 4th	130 km/h
4th - 3rd	100 km/h
3rd - 2nd	70 km/h
2nd - 1st	45 km/h

Braking

- For optimum braking performance, apply front and rear brakes simultaneously.
- Brake as gently as possible to avoid locking the tyres which makes the motorcycle unstable / uncontrollable.
- In wet weather and surface, the tyres become more likely to lock and brake, therefore the stopping distance increases. Reduce the riding speed and allow longer braking distance under such circumstances.
- Avoid continuous braking to prevent overheating the brake system which causes brake fade and reduces the braking performance.
- Braking performance may be affected by puddles and wet weather. Always test the brakes gently after riding through such a condition (keep clear of the other traffic and slow down first). If necessary, apply the brakes periodically whilst riding at reduced speed until they dry out.

Engine braking

Engine braking can be used to reduce speed instead of, or in combination with, the brakes by simply retarding the throttle.

Shift down gears if necessary.

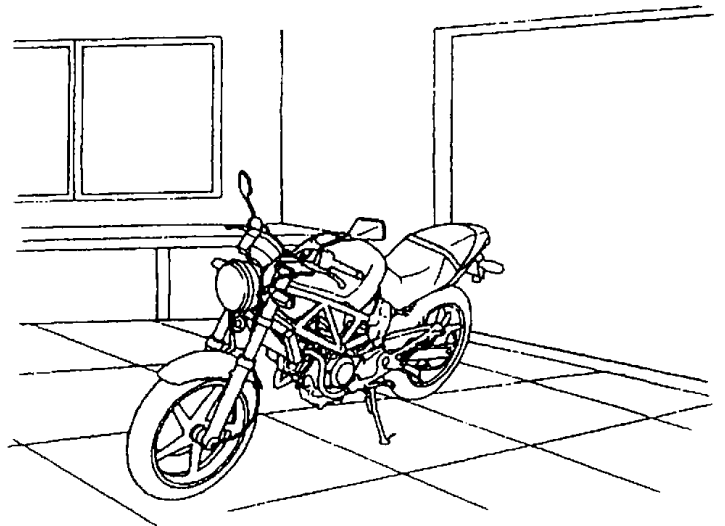
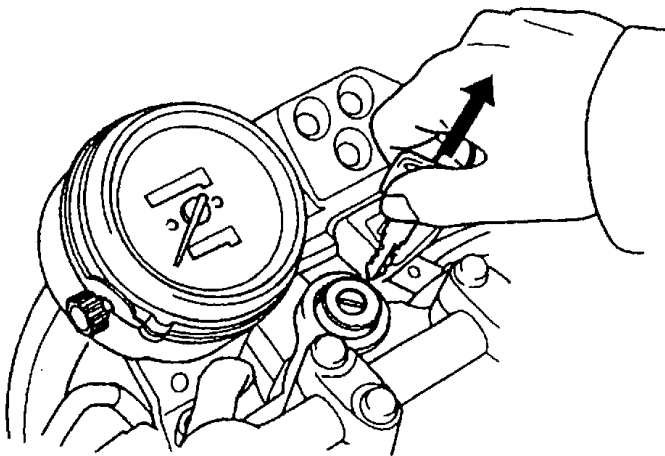
Avoid abrupt shift down or the motorcycle may fishtail.

Use a combination of the engine braking and the intermittent braking on long or steep downhill slopes.

Maintenance Safety Tips

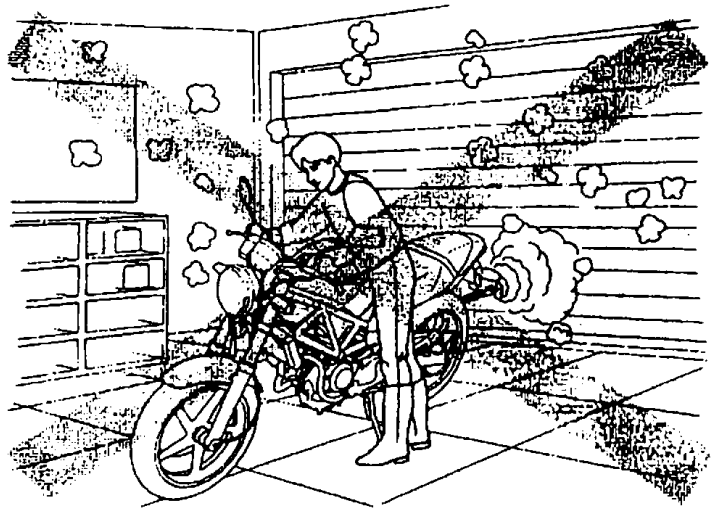
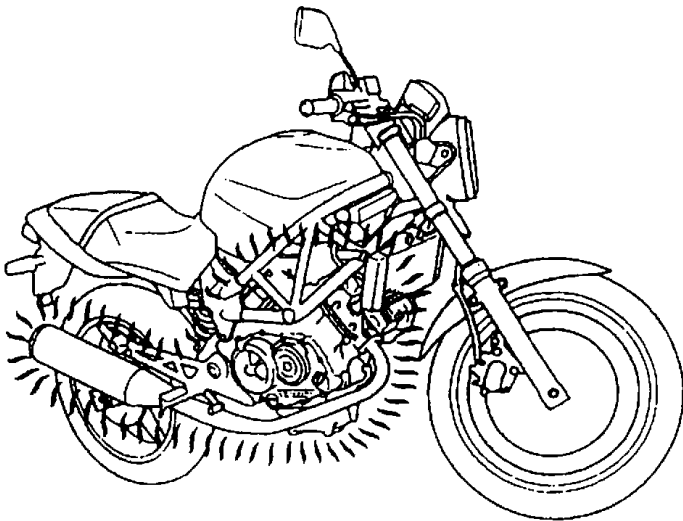
Maintenance Safety Tips

- Stop the engine and remove the key when servicing.
- Park on a flat and stable surface using the side stand.

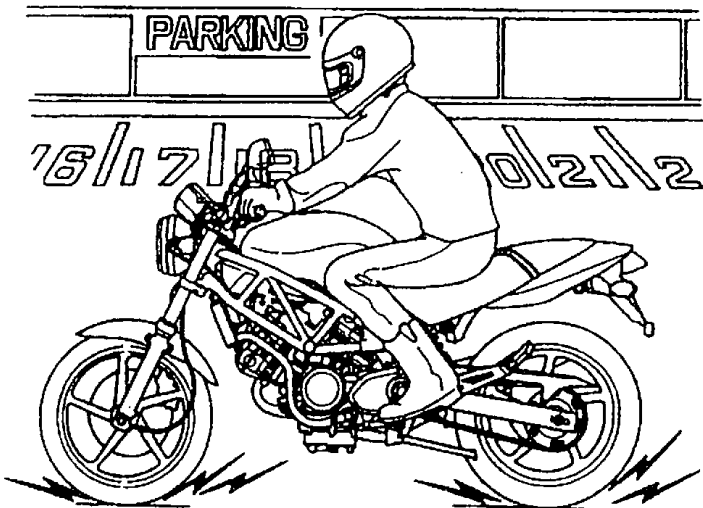


-
- Wait for the engine, the muffler and the exhaust pipe to cool before starting work.

- Engine exhaust fumes contain carbon monoxide and other harmful substances. Do not run the engine in poorly ventilated area such as a closed workshop.



-
- If the motorcycle requires test riding, conduct in a safe place, away from other traffic.
 - Always use proper tools.
 - Any servicing, repair or adjustment should be carried out by an authorized Honda dealer.



Maintenance

- To ensure the safety and comfort of riding your motorcycle, it is required to inspect some items daily and service the machine regularly.

- Inspection and maintenance procedures and requirements are described on the following pages.

After the first month	40
Replacement parts	40
Daily (pre-ride) inspection	41
Maintenance parts layout	42
Regular service	44
Maintenance Schedule	45
Basic maintenance	48
Engine oil	49
Coolant	53
Drive Chain	56
Brakes	58
Clutch	62
Battery	64
Fuses	67
Tyres	69
Air filter	71



Caution

Always comply with the correct servicing procedure. Failure to do so could result in fatal or severe injury.

- Follow the procedures and guidelines given in this owner's manual and the service manual.
- Observe all service and maintenance schedules.
- Fix all problems before you ride.

After the first month

The first service after one month (or 1000km) is crucial to the life of the engine.

Contact an authorized Honda dealer for all service requirements.

Your Honda dealer has all the expertise and technical information necessary to correctly service or repair your machine.

Replacement parts

Use only genuine Honda parts when servicing the motorcycle.

Honda parts are designed specifically for Honda vehicles and are subject to rigorous examination procedures.

Honda parts are available from authorized Honda dealers and are identified by the Honda logo.

Only Honda genuine parts are covered by a manufacturer's warranty. (12mths/unlimited kms). Some conditions apply.



Daily (pre-ride) Inspection

All motorcycle riders are advised to carry out a daily pre-ride inspection to ensure safe and comfortable riding.

Details of the daily inspection are given below. Underlined items are described in 'Basic Maintenance' (p. 48-).

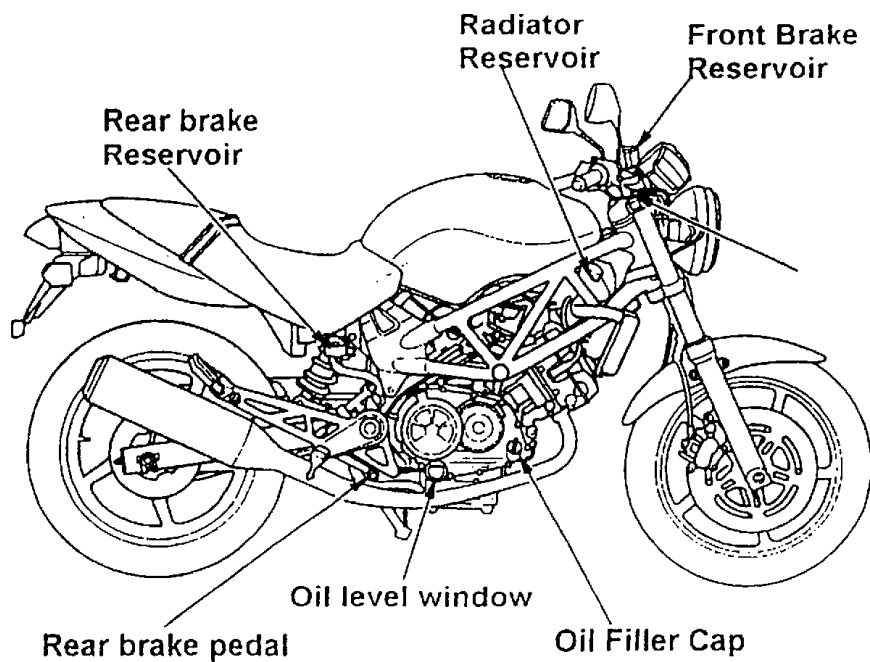
The diagrams on the following pages show the inspection parts.

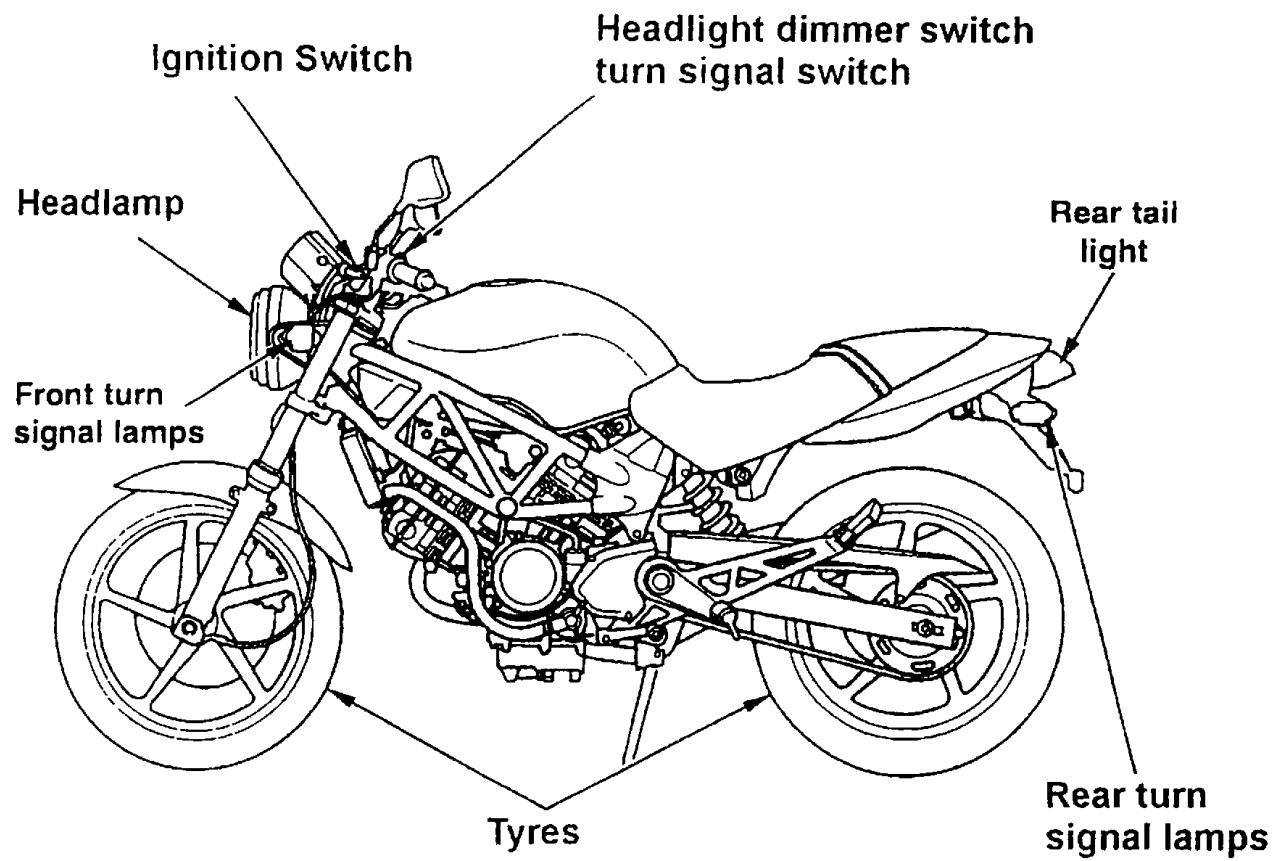
Daily (pre-ride) Inspection Checklist

- **Brakes** - Lever free play (hydraulic)
 - Pedal free play (hydraulic)
 - Braking performance
 - Brake fluid level
 - **Tyres** - Air pressure
 - Cracks / damage
 - Abnormal wear
 - Tread (x)
 - **Engine** - Coolant level (x)
 - Engine oil level (4-stroke only) (x)
 - Starting noise (x)
 - Low speed / acceleration (x)
 - Lamps and turn signals
 - Any problems detected on the previous day.
- (x) = Check as appropriate in line with usage time and distance traveled.

Maintenance Parts Layout

Maintenance procedures and guidelines are given in 'Basic Maintenance' pages of this manual.





Regular Service

The VTR250 requires the first one month (or 1000km) service and every 6000km thereafter. For optimum safety and comfort, conduct these regular services.

It is your responsibility to have your motorcycle serviced by an authorized Honda dealer.

- Contact your Honda dealer to arrange servicing.
- If you are checking the motorcycle by yourself, do not carry out work beyond your knowledge and skill, for your own safety. All repair work should be referred to an Authorized Honda Dealer.
- These instructions are based on the assumption that the motorcycle will be used exclusively for its designed purpose. Sustained high speed operation, or operation in unusually wet or dusty conditions will require more frequent

service than specified in the MAINTENANCE SCHEDULE.

- Consult your authorised Honda dealer for recommendations applicable to your individual needs and use.

Specifications are given on page 80.

Record the results of every service in the service manual maintenance log and store in a safe place.

Maintenance Schedule

The following Maintenance Schedule specifies all maintenance required to keep your motorcycle in peak operating condition. Maintenance work should be performed in accordance with standards and specifications of Honda by properly trained and equipped technicians. Your authorised Honda dealer meets all of these requirements. Perform the Pre-ride Inspection (page 41) at each scheduled maintenance period.

I: INSPECT AND CLEAN, ADJUST, LUBRICATE OR REPLACE IF NECESSARY

C: CLEAN

R: REPLACE

A: ADJUST

L: LUBRICATE

ITEM	FREQUENCY	NOTE	ODOMETER READING (NOTE (1))								*Refer to Service Manual
			x 1,000km	1	6	12	18	24	30	36	
			x 1,000mi	0.6	4	8	12	16	20	24	
		MONTH		6	12	18	24	30	36		
* FUEL LINE					I			I		I	-
* THROTTLE OPERATION					I			I		I	-
* CARBURETOR CHOKE					I			I		I	-
* AIR CLEANER	(NOTE 2)				I	I	R	I	I	R	-
CRANKCASE BREATHER	(NOTE 3)				C	C	C	C	C	C	-
SPARK PLUG					I	R	I	R	I	R	-
* VALVE CLEARANCE				I		I		I		I	-
ENGINE OIL				R	R	R	R	R	R	R	-
ENGINE OIL FILTER				R		R		R		R	-
* CARBURETOR SYNCHRONISATION				I		I		I		I	-
* ENGINE IDLE SPEED				I	I	I	I	I	I	I	-
RADIATOR COOLANT	(NOTE 4)					I		I		R	-
* COOLING SYSTEM						I		I		I	-

FREQUENCY		NOTE	ODOMETER READING (NOTE (1))								*Refer to Service Manual
			X 1,000KM	1	6	12	18	24	30	36	
ITEM		MONTH	X 1,000MI	0.6	4	8	12	16	20	24	
	DRIVE CHAIN										
	DRIVE CHAIN SLIDER										
	BRAKE FLUID	(NOTE 4)					R			R	
	BRAKE SHOE/PAD WEAR										
	BRAKE SYSTEM										
*	BRAKE LIGHT SWITCH										
*	HEADLIGHT AIM										
	CLUTCH SYSTEM										
	SIDE STAND										
*	SUSPENSION										
*	NUTS, BOLTS, FASTENERS										
**	WHEELS/TYRES										
**	STEERING HEAD BEARINGS										

-
- * SHOULD BE SERVICED BY YOUR AUTHORISED HONDA DEALER, UNLESS THE OWNER HAS PROPER TOOLS AND SERVICE DATA AND IS MECHANICALLY QUALIFIED, REFER TO THE OFFICIAL HONDA SHOP MANUAL.
 - * IN THE INTEREST OF SAFETY, WE RECOMMEND THESE ITEMS BE SERVICED ONLY BY YOUR AUTHORISED HONDA DEALER.

Honda recommends that your authorised Honda dealer should road test your motorcycle after each periodic maintenance is carried out.

- NOTES:
1. At higher odometer readings, repeat at the frequency interval established here.
 2. Service more frequently when riding in unusually wet or dusty areas.
 3. Service more frequently when riding in rain or at full throttle.
 4. Replace every 2 years, or at indicated odometer interval, whichever comes first. Replacement requires mechanical skill.

Basic Maintenance

This section describes basic maintenance procedures that should be performed on a regular basis.

Do not carry out any work beyond your knowledge and skill, and always use proper tools.

Contact an Authorized Honda Dealer if you do not have proper tools or skills required for a particular job.

Engine Oil

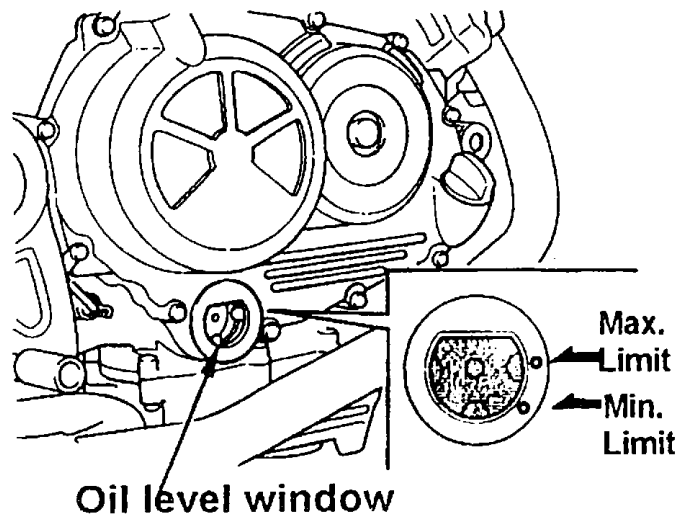
Note:

The engine, the muffler and the exhaust pipes are extremely hot after stopping the engine.

Oil Level

1. Park the motorcycle on a flat surface. Warm up the engine at idling rpm for a few minutes.
2. Stop the engine and leave the motorcycle for a few minutes.
Hold the motorcycle upright and check the oil level window.
The oil level should be between the maximum and the minimum lines.
3. If the level is close to the minimum level, add oil up to the maximum level.

Refer to the next page for adding oil.



Recommended Oil

Genuine Honda oil for 4-stroke motorcycle.

If you are using the products other than Honda, select from the following ranges.

- API type: SE or SF grade
- SAE rating: Select from the diagram on page 51

- Do not use oils containing Friction Modifiers.



Advice

- The engine oil also lubricates the clutch. Use of engine oils designed to reduce wear and tear on the engine could cause the clutch to slip, affect engine start up, degrade engine performance and even shorten the engine life.

Do not use oil additives designed to reduce engine wear and tear.

	API Type	SAE rating
Ultra U	SE grade	10W - 30
Ultra GP	SF grade	10W - 40 or 20W - 50

Temperature and Viscosity

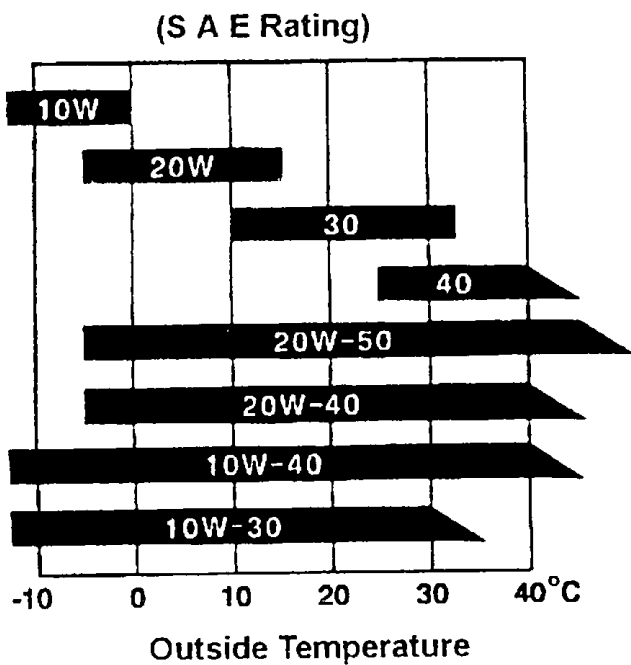
Choose the engine oil corresponding to the atmospheric temperature in your riding area.

Oil change intervals.

Initial: 1,000km

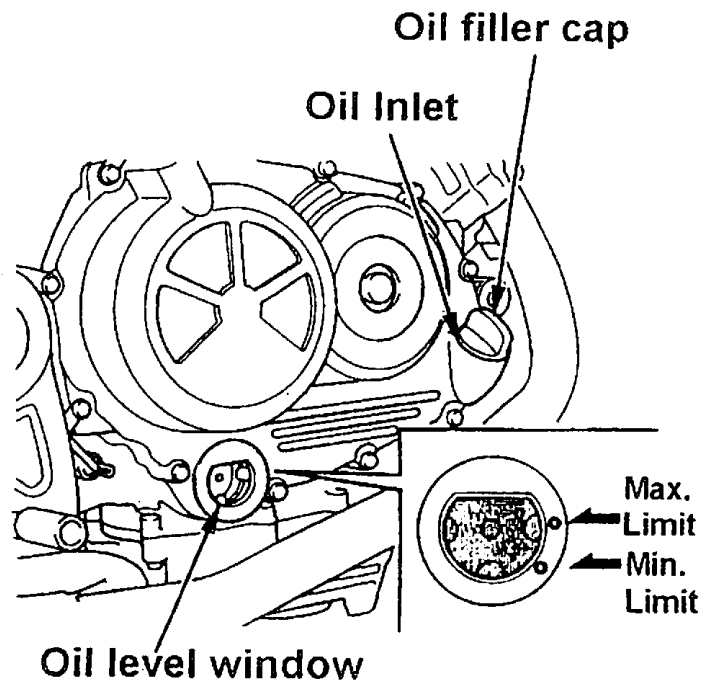
After the first change: Every 6000km

Contact an Authorized Honda Dealer for the oil change.



Adding Oil

1. Warm up the engine at idling for a few minutes on flat surface.
2. Open the oil filler cap a few minutes after stopping the engine.
3. Hold the motorcycle upright. Add oil from the inlet and monitor the oil level from the oil level window.
Do not allow any debris to enter from the inlet.
Wipe off oil spills immediately.
4. Attach the oil filter cap.



Advice

Never fill above the maximum level or allow the oil level to fall below the minimum level. Both may damage the engine.

Coolant

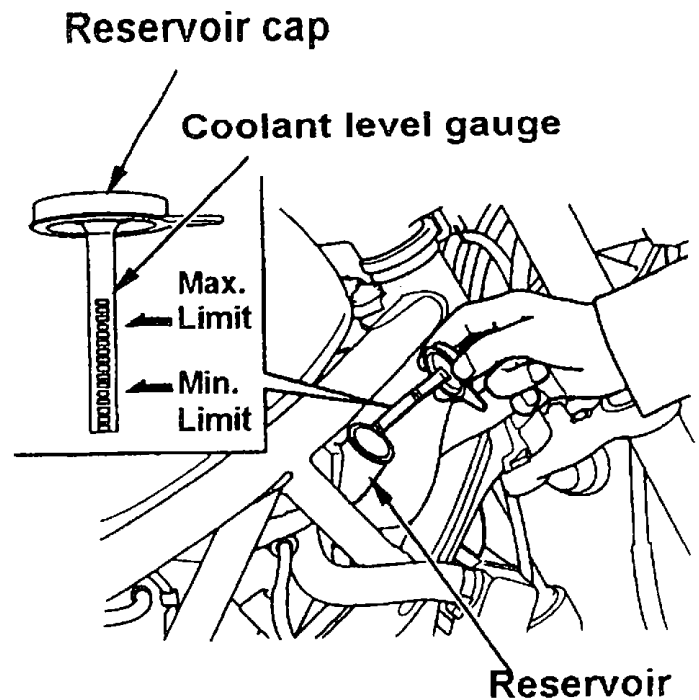
Coolant Level Check

1. Remove the reservoir cap.
2. Wipe off the coolant on the coolant level gauge.
3. Hold the motorcycle upright on flat ground.
4. Insert the coolant level gauge. Do not set the reservoir tank cap. Check the coolant level is between the maximum and the minimum lines.

If the level is close to the minimum level, add coolant to the maximum line. Refer to the next page for adding coolant.

5. Attach the reservoir cap.

If the coolant level drops significantly, there could be a leak in the radiator or the hoses. Similarly, an empty tank indicates a major problem in the system. Contact an Authorized Honda Dealer for technical assistance.



Adding Coolant

Add coolant to the coolant reservoir, not the radiator.



Advice

Use of poor quality water or radiator fluid other than the recommended type will cause corrosion / electrolysis.



Caution

Do not remove the radiator cap while the engine is hot. Coolant can spurt out, causing severe scalding.

Allow the engine and radiator to cool before attempting to remove the radiator cap.

Coolant: Use only genuine Honda Ultra Radiator Fluid

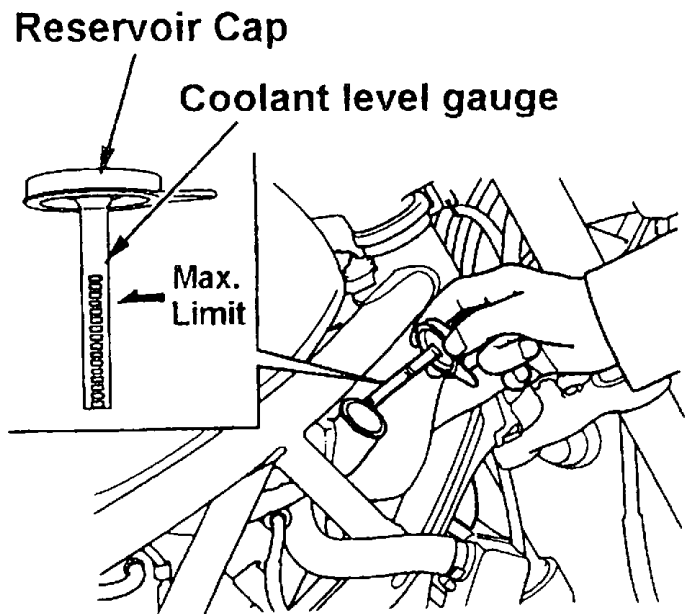
Dilute the radiator fluid as required using soft mains water.

Recommended concentration:

- 30% (normal condition)
prevents freezing down to -16°C
- 50% (colder areas)
prevents freezing down to -37°C

Adding Coolant to the reservoir

1. Remove the reservoir.
2. Wipe off the coolant on the coolant level gauge.
3. Hold the motorcycle straight and add coolant to the maximum level.
4. Set the reservoir cap.



Drive Chain

< Chain Slack Check >

Place the motorcycle on the side stand and pull the chain up and down at the mid-point between the front and the rear sprockets. Measure the slack using a ruler.

Drive chain slack: 25 - 35mm

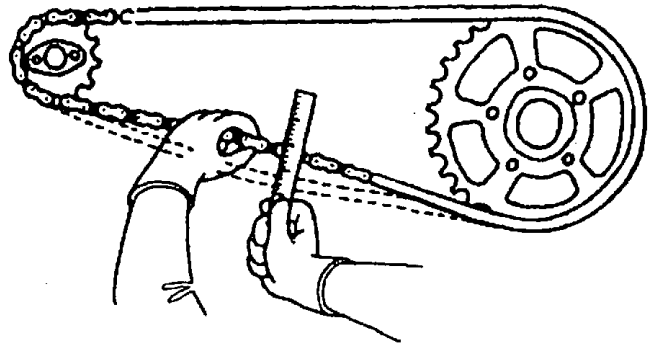
Adjust the slack if out of the range.

Never ride the motorcycle if the slack is 50mm or more.

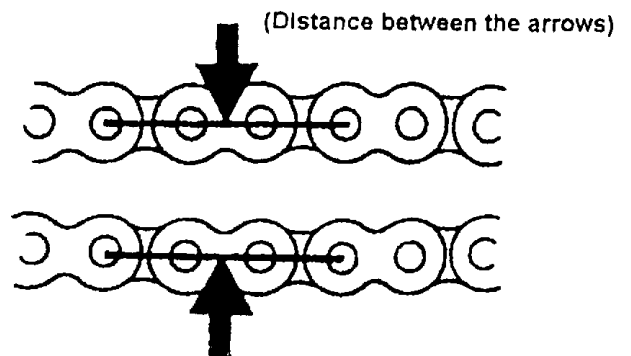
Roll the motorcycle back and forward to observe the chain.

If the chain is jerky or noisy, have it serviced / replaced.

Contact an Authorized Honda Dealer for the adjustment or the replacement.



Drive Chain Slack



< Lubrication and Cleaning >

Place the motorcycle on the side stand and clean mud or dirt from the chain and sprocket. Move the motorcycle back and forward to clean entire chain.

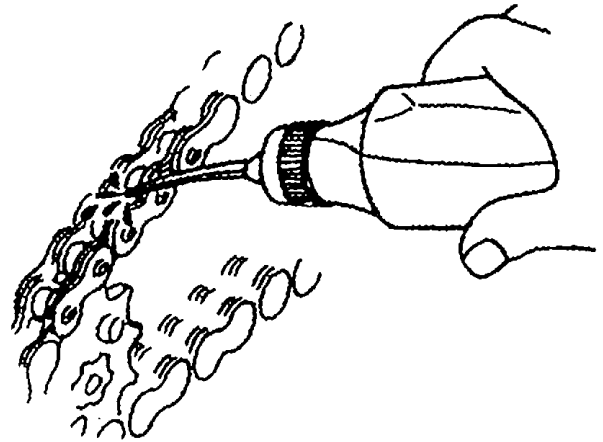
Avoid steam cleaning as the chain has rubber seals.

Apply lubrication oil to both sides of the chain roller so as to have the oil reach entire part of the chain.

Excessive lubrication may result in spattering oil on the body or on your clothing.

Chain Oil: "Genuine Honda Chain Oil"

Or gear oil (#80 - #90).



Advice

Do not use chain spray and other lubrication oil containing solvents. They may shorten the life of the chain.

Brakes

Front Brake

< Brake fluid level check >

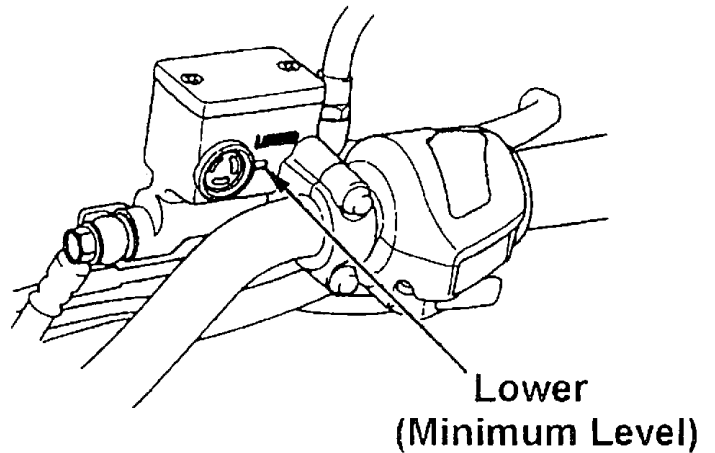
Place the motorcycle on flat surface and set the side stand. Move the handlebar to make sure the reservoir cap surface is level

Check the fluid level is above the lower limit line (minimum line).

If the fluid level is below the minimum, brake pads may be worn. Check the pads (p. 59).

If the brake pads are fine, there may be a leak in the brake system.

Contact an Authorized Honda Dealer.



< Brake pads inspection >

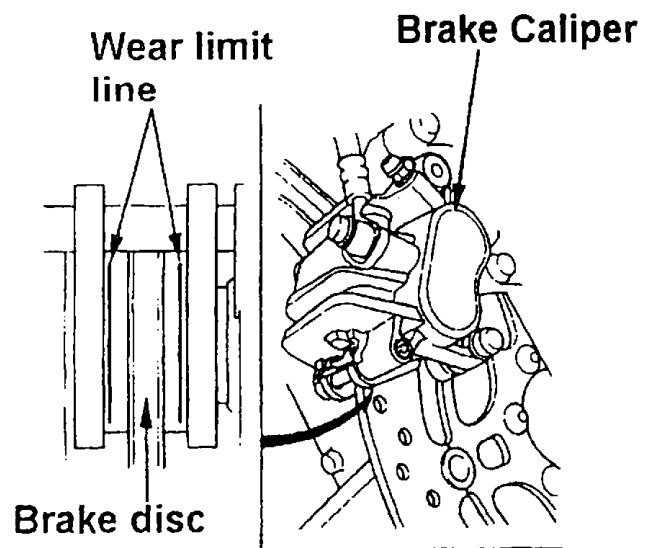
Honda recommends that brake pads be inspected regularly, between services.

Inspect the brake pads from underneath the calipers.

If the wear limit line is worn through to the side of the brake disc, replace the pads on both sides.

Contact an Authorized Honda Dealer for brake pad replacement.

Always replace brake pads as a set - failure to do so may cause uneven braking or instability.



Rear Brake

< Brake fluid level check >

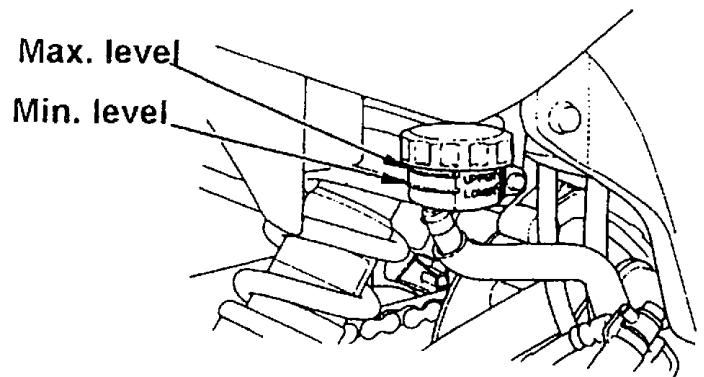
Hold the motorcycle upright on the flat surface so that the brake fluid surface becomes level.

Check the fluid level is between minimum and maximum lines.

If the fluid level is below the minimum, brake pads may be worn. Check the pads (p. 61).

If the brake pads are fine, there may be a leak in the brake system.

Contact an Authorized Honda Dealer.

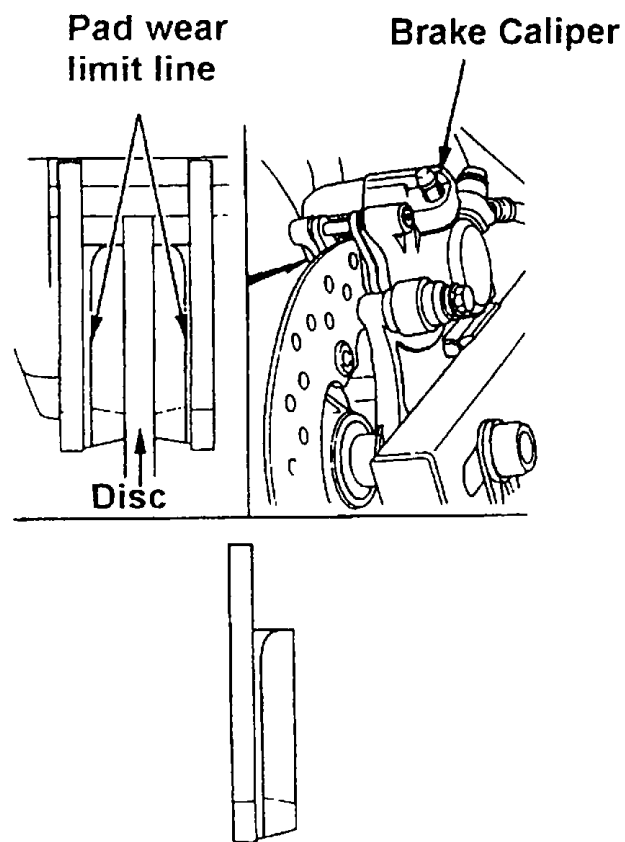


< Brake pads inspection >

Honda recommends that brake pads be inspected regularly between services.

Inspect the brake pads from behind the brake calipers. If the wear limit line is worn through to the side of the brake disc, replace the pads on both sides.

Contact an Authorized Honda Dealer for brake pad replacement.



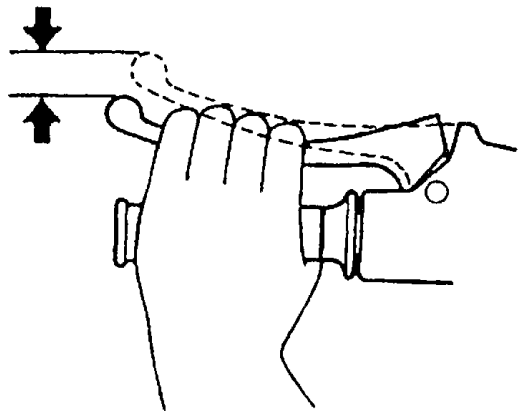
Clutch

< Free play in the clutch lever >

Squeeze the clutch lever until resistance is felt. Measure the distance traveled at the tip of the clutch lever with a ruler.

Free play: 10 - 20mm

Adjust the free play if necessary (p.63).



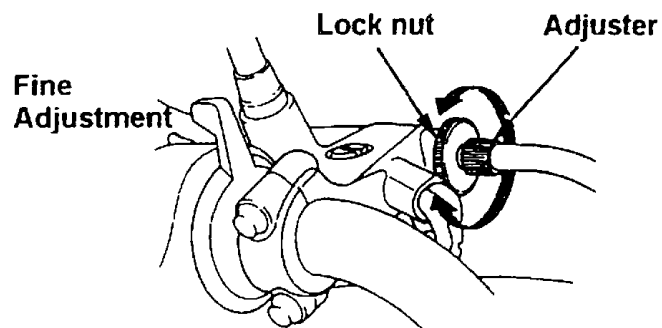
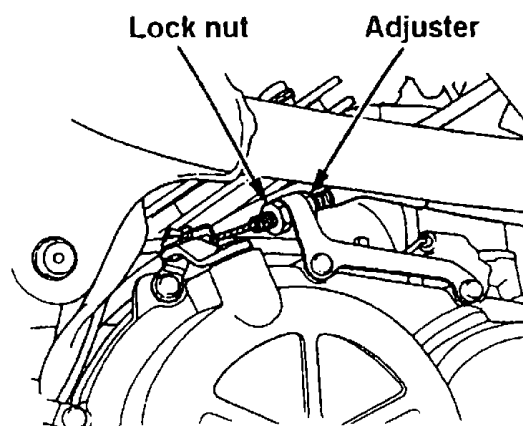
< Free play adjustment >

Adjust the free play with the adjusters on either the clutch lever and/or the clutch end of the clutch cable.

- Loosen the lock nut to use the adjuster.
- After adjusting, tighten the lock nut.
- Check the free play again.

Start the engine and try changing gears. If the changes are jerky or the engine stalls or starts to move, re-adjust the free play.

Main Adjustment



Battery

The VTR250 is equipped with a maintenance free battery. Battery fluid level check or refill are not required. Keep the battery terminals free of dirt and corrosion.

Battery Handling

- Keep the battery away from fire or sparks.
- Battery fluid is diluted sulphuric acid.
Do not allow contact with skin or eyes.



Advice

- Do not remove the fluid filler cap. The battery is fully sealed.
- No need to remove the cap even when charging.
- "Jump starting" a flat battery may cause damage to the battery plates or cells. Charge the battery rather than use "Jumper Leads".



Caution

The diluted sulphuric acid electrolyte is highly corrosive and can cause severe burns if it comes in contact with the eyes or skin.

- Wear protective goggles and clothing when working near the battery.
- Keep the battery out of reach of children.

Emergency Treatment

- If the electrolyte gets in the eyes:
 - Flush with water from a glass for at least 15 minutes. Avoid pressurized water as it may harm the eyes.
- If the electrolyte contacts the skin:
 - Remove the clothes and wash the skin with plenty of water.
- If the electrolyte is swallowed:
 - Drink water or milk ñ do not induce vomiting.

In any case, consult a doctor immediately.

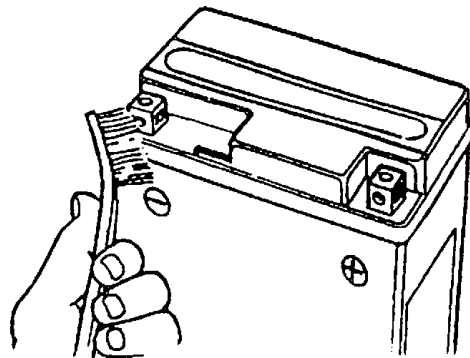
Cleaning the battery terminals

Remove the battery (p. 66).

- Mild corrosion (white powder on the terminals):
Wipe after applying warm water.
- Severe corrosion:
Use sandpaper or a wire brush.

Coat the terminals lightly with grease and install the battery.

If the battery is to be replaced, replace with the maintenance free battery.



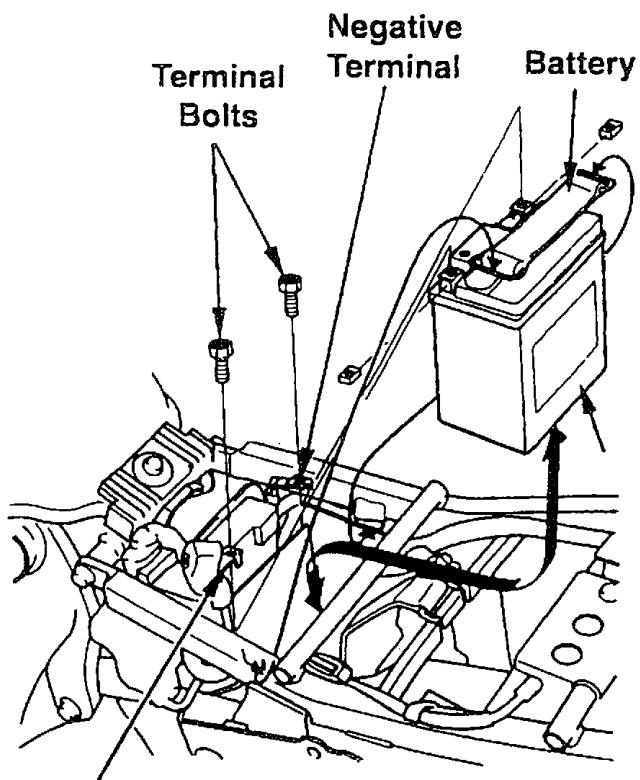
< Battery Removal / Installation >

Removal

1. Remove the seat (p. 23).
2. Unhook the strap.
3. Disconnect the negative lead from the battery terminal.
4. Disconnect the positive lead from the battery terminal.
5. Lift up the battery.

Installation

1. Connect the positive lead first.
2. Secure the bolts / nuts.



Fuses

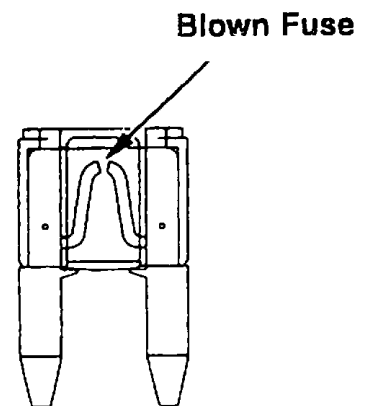
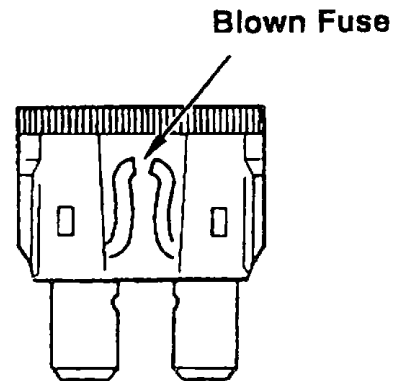
< Fuse inspection / replacement >

Turn off the ignition switch before checking the fuses.

Replace blown fuses with the fuses of same rating.

Never use higher-rating fuses. They may cause overheating and electrical system damage.

If a new fuse blows soon after replacement, there may be a fault in the relevant electrical system. Locate and repair the fault before installing a new fuse.



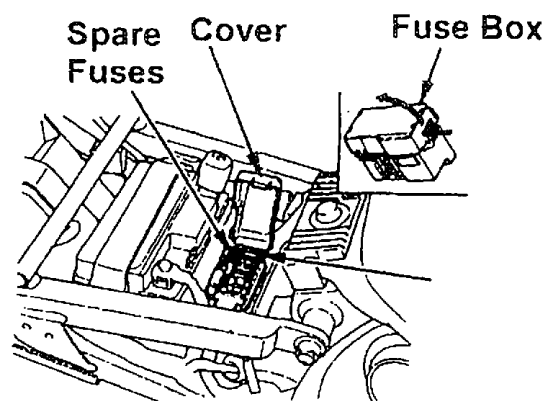
Advice

Replace the electrical parts only with genuine Honda accessories.

Other parts can cause fuses to blow or flatten the battery.

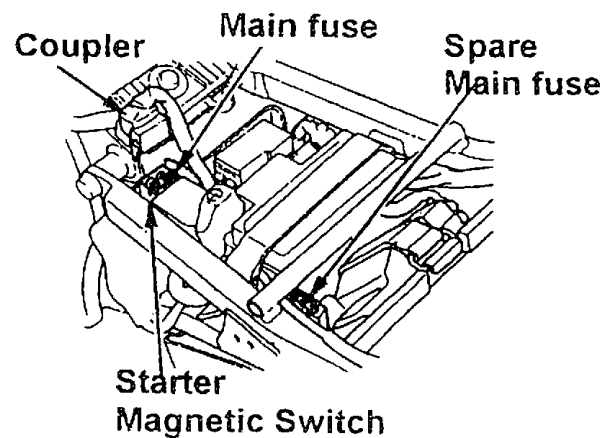
Fuse Box

- 1 Remove the seat (p. 23).
- 2 Open the fuse box cover.
- 3 Locate the blown fuse from the fuse diagram.
Replace with one of the spare fuses inside the fuse box.
- 4 Close the fuse box and install the seat.



Main fuse

- 1 Remove the seat (p.23).
- 2 Disconnect the starter magnetic switch coupler.
- 3 Pull out and check the main fuse.
Replace if necessary with the spare fuse located behind the battery box.
- 4 Reconnect the coupler and install the seat.



Tyres

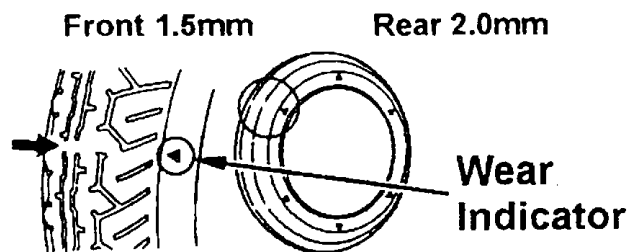
Tyres should be kept in good condition and maintained at the rated pressure at all times. Worn tyres should be replaced immediately.

< Air pressure >

Check the air pressure while the tyres are cold.

< Tread >

Tyres should be replaced as soon as wear indicators start to appear on the tyre wall, or when the tread on the centre of the tyre reaches the level shown below.



Without pillion passenger	Front	2.00kgf/cm ²
	Rear	2.25kgf/cm ²
With pillion passenger	Front	2.00kgf/cm ²
	Rear	2.25kgf/cm ²



Caution

Use of worn tyres or failure to maintain tyres at the correct pressure can cause an accident resulting in serious injury or death.

Always maintain tyres at the correct pressure given in this owner's manual, and replace worn tyres immediately.

< Replacement Tyres >

Replace with only the approved tyre types given below. Use of other types can affect handling and stability.

Contact an Authorized Honda Dealer when replacing a tyre.



Warning

Use of tyres other than the designated tyres in the table can affect handling and stability and could cause serious injury or death. Replace tyres only with the approved types given in this owner's manual.

Front	Size	110 / 70 - 17 54H
	Type	Bridgestone G601F tubeless
Rear	Size	140 / 70 - 17 66H
	Type	Bridgestone G602 tubeless

Air Filter

< Replacing the air filter >

The oil-soaked viscous air filter element does not require inspection under normal operating conditions but should be replaced every 20,000km. Under severe conditions the filter should be inspected and replaced more regularly.

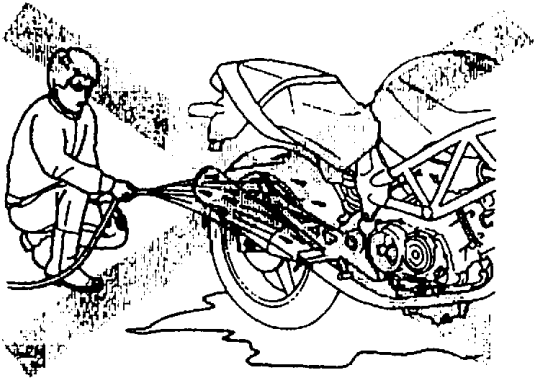
Replacements are available at your Authorized Honda Dealer.

Cleaning

- To prevent internal rust and potential starting problems, keep water out of the muffler.
- Keep brake parts dry. Water in the brake mechanism affects braking performance.

After cleaning the motorcycle, start the engine and test the brakes (keep clear of other traffic and keep a low speed).

If necessary, apply the brakes periodically while riding at reduced speed until they dry out.



- Polish painted surfaces and plastic parts gently. Strong rubbing with wax or polishing compounds can wear down the paint coating and cause discolouration.



- Dry and lubricate any moving parts that may be affected by water.

Aluminum Parts (Aluminum wheel)

Parts made out of Aluminum Alloy should be handled carefully.

- Aluminum parts corrode if exposed to salt or mud. Sponge off salt water, road salt and other dirt immediately using mild detergent. Rinse with plenty of water and dry with soft cloth.
- To prevent scratching, avoid abrasive cleaners and steel wool and do not use excessive force when cleaning or rubbing aluminum parts.

Damper Units

Environmental Consideration

Damper Units

The damper units contain compressed Nitrogen Gas. Contact an Authorized Honda Dealer when the damper units require replacement.

Environmental Consideration

For environmental consideration, please handle used batteries, tyres, engine oil properly in terms of environmental manners.



Warning

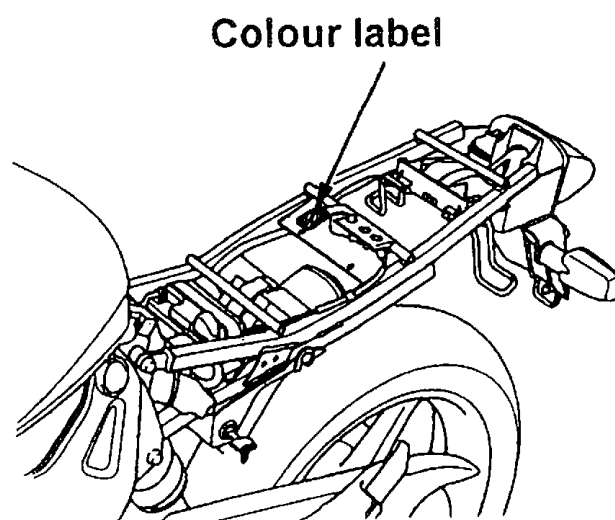
Do not throw the damper unit into fire or disassemble the unit. It may explode which could cause serious injury or death. Please do not:

- Throw into fire.
- Drill a hole in it, or
- Disassemble.

Colour Label

Colour Label

When ordering coloured parts, quote the model name, colour and code on the colour label. The colour label is located on the frame under the seat (p.23).



Genuine HONDA Mufflers

Genuine Honda Mufflers

Use only genuine Honda mufflers with engraved Honda logo on the rear.

HONDA LOGO



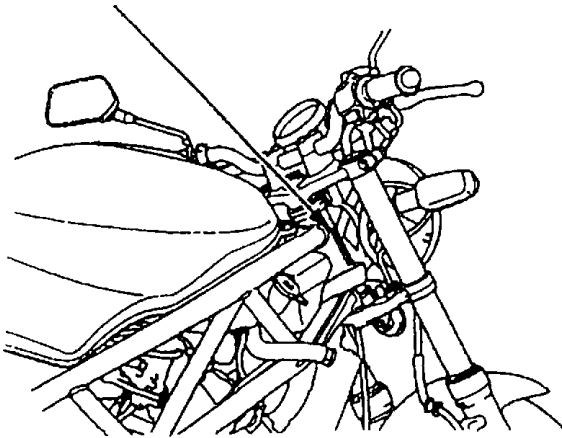
Frame Number

Vehicle Identification Number (VIN)

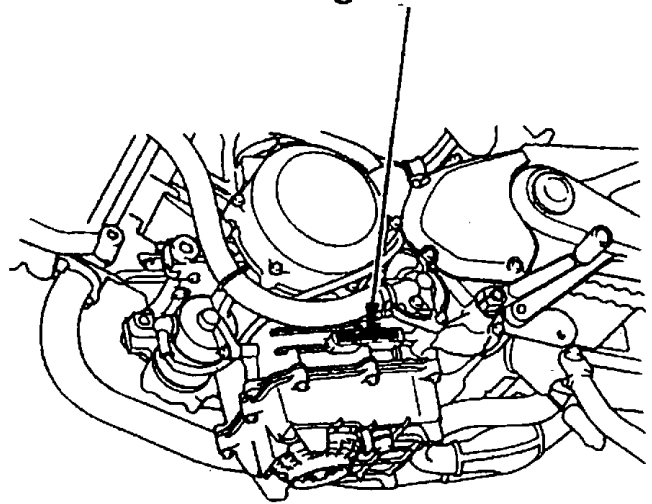
The VIN is required when ordering parts and registering your motorcycle, and can also be helpful if the motorcycle is stolen.

Write down the VIN number together with the vehicle registration number and store in a safe place.

Vehicle Identification Number (VIN)



Engine Number



If engine overheats

If engine overheats

< Procedure >

1. Switch the ignition OFF and then switch it ON again. Listen to the radiator fan to ensure it is operating.
 - If the radiator fan is not working: stop the engine and contact an Authorized Dealer for assistance.
 - If the radiator fan is working: Switch the engine OFF and wait for it to cool down.
2. Once the engine has cooled, check the coolant level (p.53) and refill if necessary (p.54).
3. Check for leaks from the radiator hoses and elsewhere in the cooling system.
 - If a leak exists:
Do not start the engine. Contact an Authorized Honda Dealer for assistance.
 - If no leak exists:
The motorcycle may be able to be ridden. Contact an Authorized Honda Dealer if the engine overheats again.
4. Even if you do not encounter further overheating problems, have the engine checked by an Authorized Honda Dealer as soon as possible.

If engine fails to start

If engine fails to start

Should the engine fail to start or inadvertently come to a stop, check:

- The starting procedure (it should be as described in this owner's manual).
- The petrol level in the fuel tank.

Repairs

- Contact an Authorized Honda Dealer for repairs.
- To prolong the life of your motorcycle, do not attempt to repair it by yourself. Have it serviced properly by an Authorized Honda Dealer.

Type	MC33
Overall length	2040mm
Overall width	720mm
Overall height	1050mm
Wheelbase	1410mm
Engine type / volume	4-stroke, petrol / 0.249l
Dry weight	153kg
Maximum capacity	2N
Tyre size	Front 110/70 - 17 54H Rear 140/70 - 17 66H
Minimum ground clearance	170mm
Fuel consumption	40.0km/l (@60km/h)
Minimum turning radius	2.7m
Compression ratio	11.0
Compression pressure	13.5kgf/cm ² - 450rpm
Maximum output power	32 PS / 10,500rpm
Maximum torque	2.4kg-m / 8,500rpm
Engine oil capacity	2,4 Litres
Fuel tank capacity	13 Litres

Ignition system		Full transistor, battery firing
Ignition timing		BTDC 10° / 1300rpm
Idling speed		1300rpm
Spark plugs	NGK	CR8EH 9 CR9EH 9
	DENSO	U24FER9 U27FER9
Battery		12V - 6AH
Reduction ratio between engine and gearbox		2.821
Clutch type		Wet multi-plate coil spring
Gearbox type		Constant mesh transmission
Gear change mechanism		Left foot pedal
Gear ratio	1st	2,733
	2nd	1.800
	3rd	1.375
	4th	1.111
	5th	0.965
Final reduction ratio		2.928

Drive chain slack			25 - 35mm
Tyre pressure	Driver only	Front	200kgf/cm ²
		Rear	2.25 kgf/cm ²
	Driver and passenger	Front	2.00 kgf/cm ²
		Rear	2.25 kgf/cm ²
Engine oil	Total capacity		2.4l
	Oil filter change		2.1l
	Oil change		1.9l
Clutch lever free play			10 - 20mm
Fuses	Main fuse		30A
	Other fuses		10A
Spark plug gap			0.8 - 0.9mm
Air filter element	Type		Viscous filter type
Bulbs	Headlamp		12V - 60/55W
	Stop lamp (rear)		12V - 23/8W
	Front turn signals		12V - 18/5W
	Rear turn signals		12V - 15W

Noise Control System (Australia Only)

TAMPERING WITH THE NOISE CONTROL SYSTEM IS PROHIBITED:

Owners are warned that the law may prohibit:

- (a) The removal or rendering inoperative by any person other than for purposes of maintenance, repair, or replacement, of any device or element of design incorporated into any new motorcycle for the purpose of noise control prior to its sale or delivery to the ultimate purchaser or while it is in use:
and
- (b) The use of the motorcycle after such device or element of design has been removed or rendered inoperative by any person.