

## IMPORTANT

### BREAK-IN INFORMATION FOR YOUR MOTORCYCLE

The first 1000km(600miles) are the most important in the life of your motorcycle .

Proper break-in operation during this time will help ensure maximum life and performance from your new motorcycle.

**Hyosung** parts are manufactured of high quality materials, and manufactured parts are finished to close tolerances. Proper break-in operation allows the machined surfaces to polish each other and mate smoothly.

Motorcycle reliability and performance depend on special care and restraint exercised during the break-in period. It is especially important that you avoid operating the engine in a manner which could expose the engine parts to excessive heat.

Please refer to the BREAK-IN section for specific break-in recommendations.

### WARNING/CAUTION/NOTE

Please read this manual and follow its instructions carefully. To emphasize special information the words WARNING, CAUTION and NOTE carry special meanings and should be carefully reviewed.

#### ▲WARNING

The personal safety of the rider may be involved. Disregarding this information could result in injury to the rider.

#### ▲CAUTION

These instructions point out special service procedures or precautions that must be followed to avoid damaging the machine.

*NOTE: This provides special information to make maintenance easier or important instructions clearer.*

## FOREWORD

THANK YOU for choosing **Hyosung**. We at **Hyosung** have designed, tested and produced this motorcycle using the most modern technology available to provide you with many happy, enjoyable, safe riding. Motorcycling is one of the most exhilarating sports and insure your riding enjoyment, you should become thoroughly familiar with the information presented in this Owner's Manual before riding the motorcycle.

The proper care and maintenance that your motorcycle requires is outlined in this manual. By following these instructions explicitly you will insure a long trouble-free operating life for your motorcycle. Your Hyosung dealer has experienced technicians that are trained to provide your machine with the best possible service with the right tools and equipment.

All information, illustrations photographs and specifications contained in this manual are based on the latest product information available at the time of publication. Due to improvements or other changes, there may be some discrepancies in this manual. **Hyosung** reserves the right to make changes at any time.

Please note that this manual applies to all specifications for all respective destinations and explains all equipments. Therefore, your model may have different standard features than shown in this manual.

**HYOSUNG MOTORS & MACHINERY INC.**

COPYRIGHT HYOSUNG MOTORS & MACHINERY INC.

# TABLE OF CONTENTS

1. CONSUMER INFORMATION .....	4	7. INSPECTION BEFORE RIDING .....	16
ACCESSORY INSTALLATION AND PRECAUTION TIPS		BRAKES	
SAFE RIDING RECOMMENDATION FOR MOTORCYCLE RIDERS		TIRES	
		GASOLINE AND ENGINE OIL	
		LAMPS	
		REAR-VIEW MIRRORS	
2. NAMES OF EACH PART .....	6	8. PERIODIC MAINTENANCE .....	19
		FRONT FORK	
3. CONTROLS .....	7	BRAKES	
INSTRUMENT PANEL		TIRES	
IGNITION SWITCH		AIR CLEANER	
		BATTERY	
4. HOW TO USE .....	9	TRANSMISSION	
HOW TO OPEN SEAT		ENGINE OIL AND GASOLINE	
HOW TO USE HELMET HOLDER			
HOW TO USE PERSONAL TRUNK		9. MAINTENANCE TIPS .....	23
		BRAKE LEVER	
5. GASOLINE AND ENGINE OIL .....	10	FUSES	
		BATTERY	
		AIR CLEANER	
6. THE PROPER OPERATIONS .....	11	RUBBER CAP	
		10. SPECIFICATIONS .....	25

# 1. CONSUMER INFORMATION

## ACCESSORY INSTALLATION AND PRECAUTION SAFETY TIPS

There are a great variety of accessories available to **Hyosung** owners. **Hyosung** can not have direct control over the quality or suitability of accessories you may wish to purchase. The addition of unsuitable accessories can lead to unsafe operating conditions. It is not possible for **Hyosung** to test each accessory on the market or combinations of all the available accessories, however, your dealer can assist you in selecting quality accessories and installing them correctly.

Use extreme caution when selecting and installing the accessories for your **Hyosung**. We have developed some general guidelines which will aid you when deciding whether, and how to equip your motorcycle.

- (1) Anytime that additional weight or aerodynamic affecting accessories are installed, they should be mounted as low as possible, as close to the motorcycle and as near the center of gravity as is feasible. The mounting brackets and other attachment hardware should be carefully checked to ensure that it provides for a rigid, nonmovable mount. Weak mounts can allow the shifting of the weight and create a dangerous, unstable condition.
- (2) Inspect for proper ground clearance and bank angle. An improperly mounted load could critically reduce these two safety factors. Also determine that the "accessories" does not interfere with the operation of the suspension steering or other control operations.
- (3) Accessories fitted to the handlebars or the front fork area can create serious stability problems. This extra weight will cause the motorcycle to be less responsive to your steering control. The weight may also cause oscillations in the front end and lead to instability problems. Accessories added to the handlebars or front fork should be as light as possible and kept to a minimum.
- (4) The motorcycle may be affected by a lifting condition or by an instability in cross winds or when being passed or passing large vehicles. Improperly mounted or poorly designed accessories can result in an unsafe riding condition,

therefore caution should be used when selecting and installing all accessories.

- (5) Certain accessories displace the rider from his or her normal riding position. This limits the freedom of movement of the rider and may limit his or her control ability.
- (6) Additional electrical accessories may overload the existing electrical system. Severe overloads may damage the wiring harness or create a dangerous situation due to the loss of electrical power during the operation of the motorcycle.

When carrying a load on the motorcycle, mount it as low as possible and as close as possible to the machine. An improperly mounted load can create a high center of gravity which is very dangerous and makes the motorcycle difficult to handle. The size of the "load" can also affect the aerodynamics and handling of the motorcycle. Balance the load between the left and right side of the motorcycle and fasten it securely.

## MODIFICATION

Modification of the motorcycle, or removal of original equipment may render the vehicle unsafe or illegal.

## SAFE RIDING RECOMMENDATION FOR MOTORCYCLE RIDERS

Motorcycle riding is great fun and an exciting sport. Motorcycle riding also requires that some extra precautions be taken to ensure the safety of the rider and passenger. These precautions are:

### WEAR A HELMET

Motorcycle safety equipment starts with a quality safety helmet. One of the most serious injuries that can happen is a head injury. ALWAYS wear a properly approved helmet. You should also wear suitable eye protection.

### RIDING APPAREL

Loose fancy clothing can be uncomfortable and unsafe when riding your motorcycle. Choose good quality motorcycle riding apparel when riding your motorcycle.

### INSPECTION BEFORE RIDING

Review thoroughly the instructions in the "INSPECTION BEFORE RIDING" section of this manual. Do not for-

get to perform an entire safety inspection to ensure the safety of the rider and its passenger.

### **FAMILIARIZE YOURSELF WITH THE MOTORCYCLE**

Your riding skill and your mechanical knowledge form the foundation for safe riding practices. We suggest that you practice riding your motorcycle in a non-traffic situation until you are thoroughly familiar with your machine and its controls. Remember practice makes perfect.

### **KNOW YOUR LIMITS**

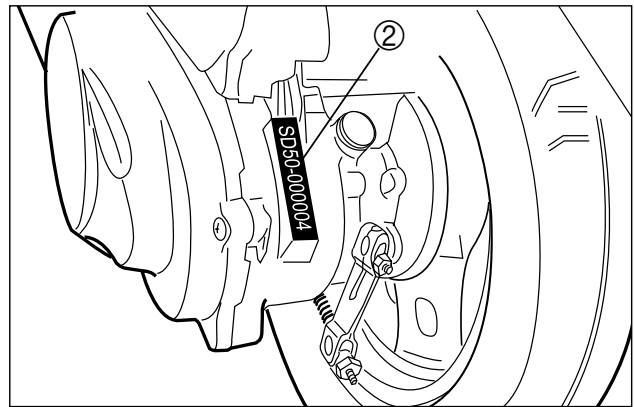
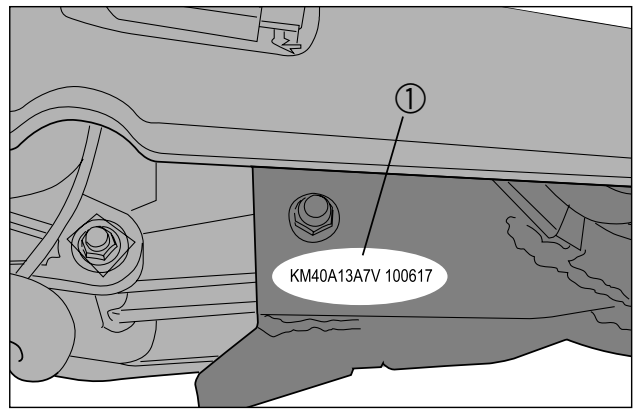
Ride within the boundaries of your own skill at all times. Knowing these limits and staying within them will help you to avoid accidents.

### **BE EXTRA SAFETY CONSCIOUS ON BAD WEATHER DAYS**

Riding on bad weather days, especially wet ones, requires extra caution. Braking distances double on a rainy day. Stay off of the painted surface marks, manhole covers and greasy appearing areas as they can be especially slippery. Use extreme caution at railway crossings and on metal gratings and bridges. Whenever in doubt about road condition, slow down!

### **SERIAL NUMBER LOCATION**

The frame and/or engine serial numbers are used to register the motorcycle. They are also to assist your dealer when ordering parts or referring to special service information.



The frame number ① is stamped on the right side of the under center in the frame.

The engine serial number ② is stamped on the right side of the crankcase assembly.

Please write down the numbers in the box provided below for your future reference.

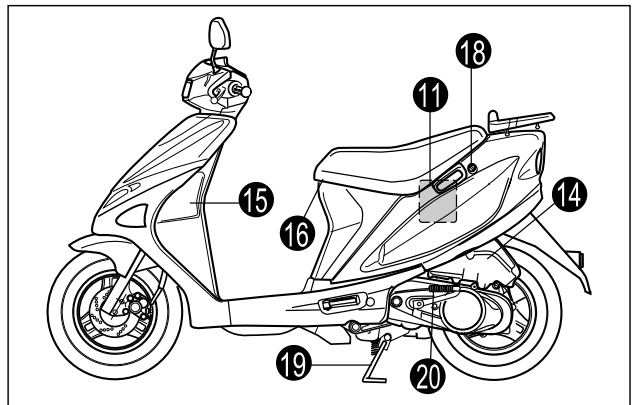
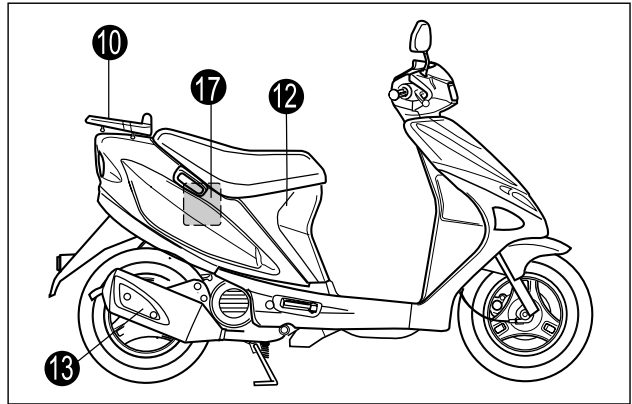
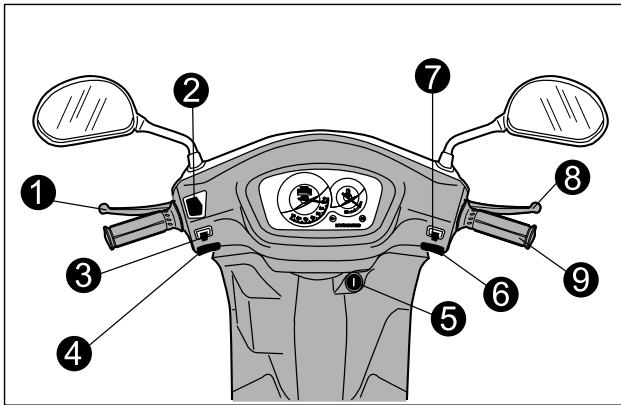
Frame number :

Engine number :

## 2.NAMES OF EACH PARTS

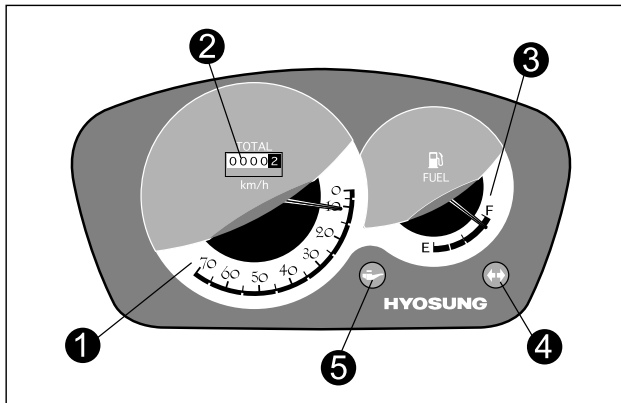
- ① Rear brake lever
- ② Dimmer switch
- ③ Turn signal switch
- ④ Horn switch
- ⑤ Ignition switch
- ⑥ Starter button
- ⑦ Light switch
- ⑧ Front brake lever
- ⑨ Throttle grip
- ⑩ Rear carrier
- ⑪ Fuel tank
- ⑫ Personal space
- ⑬ Muffler
- ⑭ Air cleaner
- ⑮ Battery & Fuse
- ⑯ Helmet holder
- ⑰ Oil tank
- ⑱ Seat lock
- ⑲ Center stand
- ⑳ Kick start lever

• “- - -” means the invisible parts



### 3.CONTROLS

#### INSTRUMENT PANEL



#### ① SPEEDOMETER

The speedometer indicates the road speed in kilometers per hour.

#### ② ODOMETER

The odometer registers the total distance that the motorcycle has been ridden.

#### ③ FUEL GAUGE

It indicates the remaining fuel amount in the fuel tank. E indicates the fuel tank is empty or nearly so. (the remaining fuel is 0.8 l at E. the capacity is 4.8 l ) Fill the fuel tank before E.

#### ▲CAUTION

The fuel gauge indicates the remaining amount whenever the ignition switch is "ON" or "OFF". For checking the remaining amount of fuel, put the motorcycles on the center-stand and set the ignition switch is "ON".

#### ④ TURN SIGNAL INDICATOR LIGHT

When turn signals are being operated. the indicator will flash intermitently.

#### ⑤ OIL INDICATOR LIGHT

When the engine oil level in the tank becomes too low requiring "HYPOL OIL" refilling. the indicator will light. When the oil level check light turns on, the remaining amount of oil has become approximately 300ml.

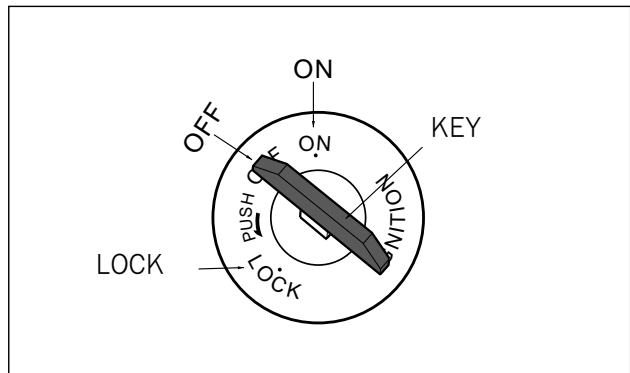
#### ▲CAUTION

The lack of Engine oil could cause serious damages on the Engine.

#### SWITCH

#### ① IGNITION SWITCH

The ignition switch has three positions:



#### "ON" POSITION

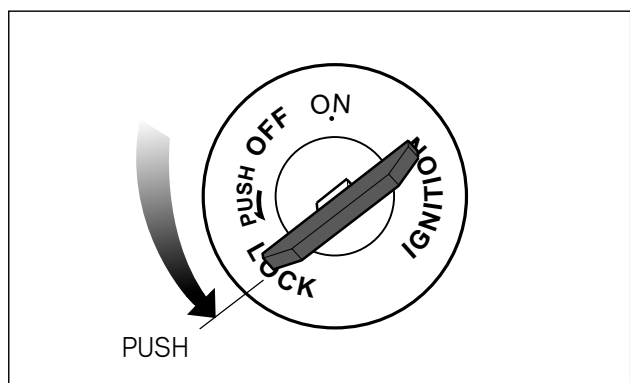
The ignition circuit is completed and the engine can now be started. The key cannot be removed from the ignition switch in this position.

#### "OFF" POSITION

All electrical circuits are cut off.

#### "LOCK" POSITION

To lock the steering, turn the handlebar all the way to the left. Push down and turn key to the "LOCK" position and remove the key. All electrical circuits are disconnected.



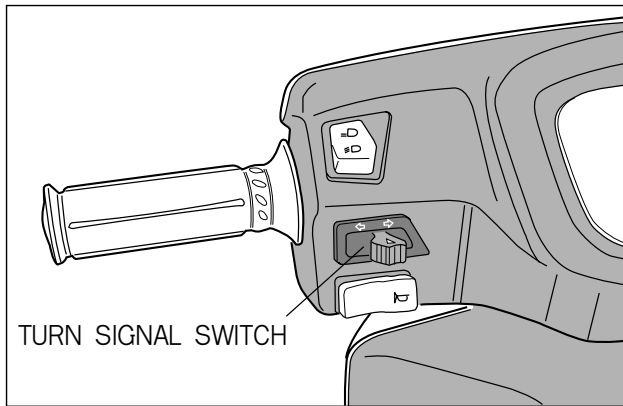
For preventing steal, Lock the steering.

- ① Turn right the handle
- ② Turn the key from OFF to Lock.
- ③ Pull out the key while from Lock to OFF.

### ▲CAUTION

- Check if the steering is locked.
- When it is not locked, Turn the handle right a little.

### ② TURN SIGNAL SWITCH



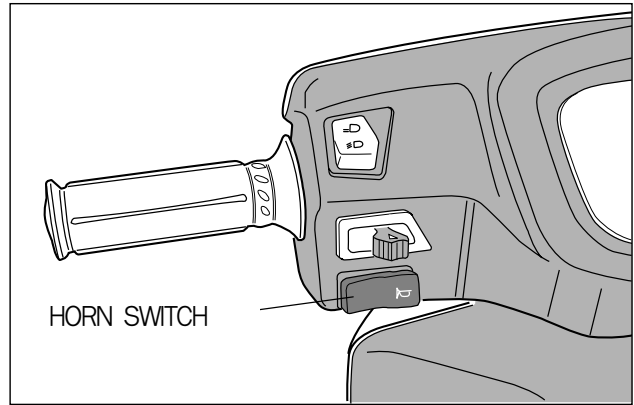
It is for left/right turning or changing lanes.

- “→” position - for right turn signal
- “←” position - for left turn signal
- “△” Push the switch to cancel the operation.

### ▲CAUTION

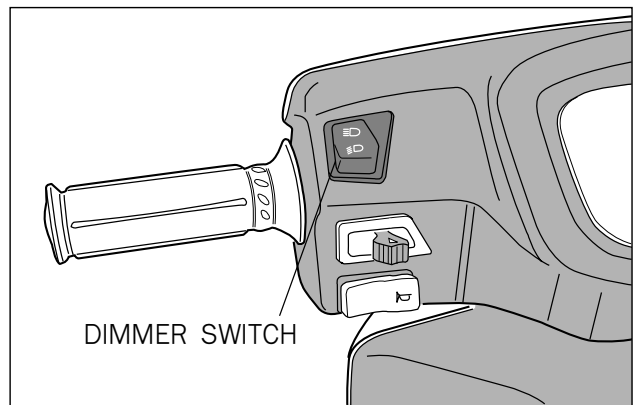
Turn off the lamp right after completing the turn or lane change.  
If you keep the lamp on, it could cause other drivers to be confused.

### ③ HORN SWITCH



Press the switch to operate the horn.

### ④ DIMMER SWITCH



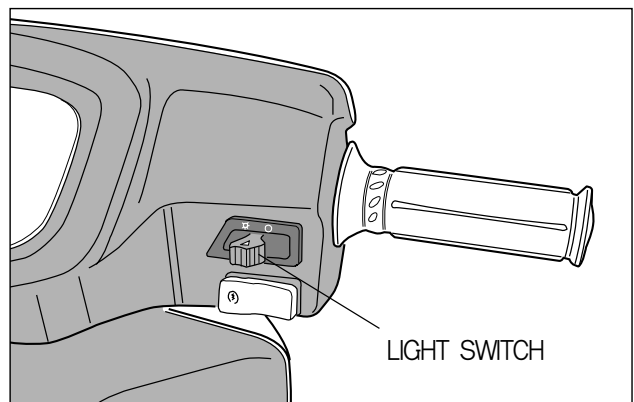
“☰” position - for headlight high beam.

“☷” position - for headlight low beam.


### ▲CAUTION


Set the dimmer switch “☷” when other vehicle is running in front or against.

### ⑤ LIGHT SWITCH





“” position  
All light go off.

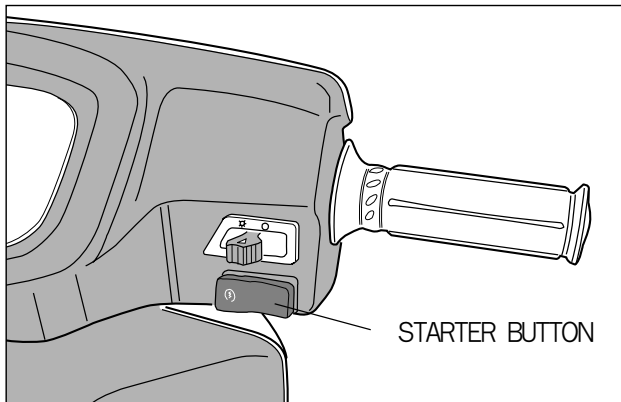
“” position  
The headlight, meter lamp and taillight come on.

⑥  **STARTER BUTTON**  
Push in the electric starter button to rotate the stater motor.

*NOTE: If the front or rear brake lever is not squeezed, the starter motor will not rotate.*

### ▲CAUTION

When the starter motor doesn't rotate within 5 seconds after pushing the button, try again after 10 seconds for preventing the damage on battery.



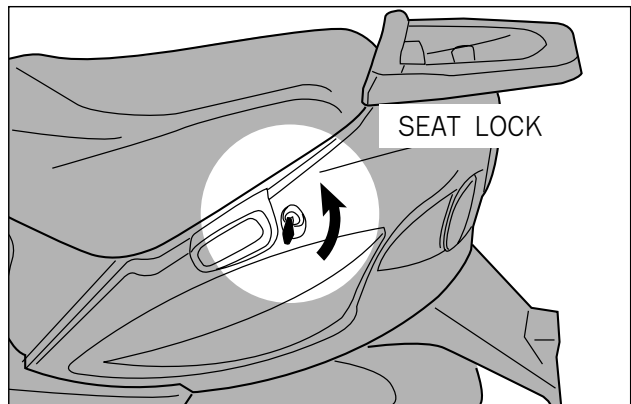
## 4. HOW TO USE

### HOW TO OPEN THE SEAT

You can use the helmet holder/Trunk after opening the seat.

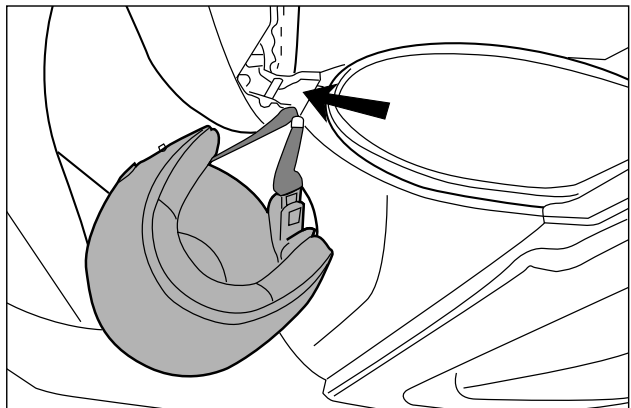
To unlock the seat, insert the ignition key into the lock and turn it counterclockwise.

To lock the seat, push down firmly until the seat latch snaps into the locked position.



### ① HELMET HOLDER

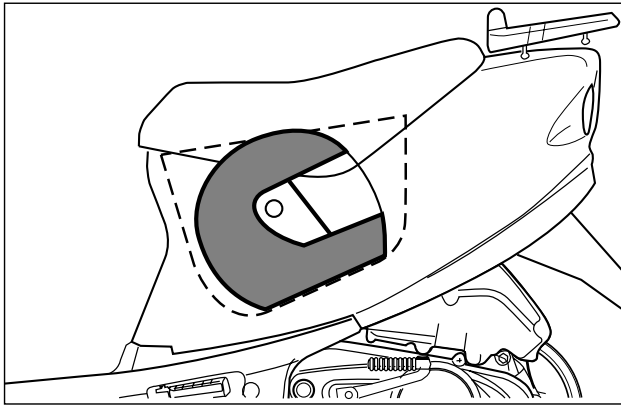
To search the helmet holder, open the seat.



Lock the seat, after hang helmets tail on a helmet holder.

## THE PERSONAL TRUNK

- Keep the maintenance manual in the personal trunk.
- Put the helmet as shown in the picture.
- The trunk load capacity is 10kg(22 lbs)

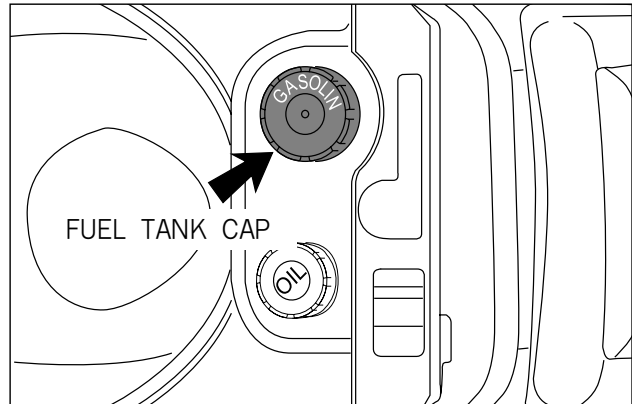


### ▲ CAUTION

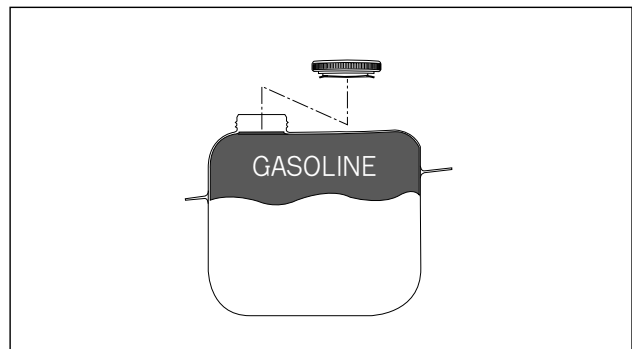
- The trunk could be heated. Don't keep anything that doesn't endure heat.
- Don't keep the fragile.
- Check if it is locked.
- The unlocking of trunk could cause serious accident.
- Take care not to spill the gasoline or oil in the trunk.
- Don't allow water to get inside the trunk or it could damage.
- Don't wash the trunk with water. Use the vacuum cleaner.
- Don't keep the valuables in the trunk when leaving unattended.

## 5. GASOLINE AND ENGINE OIL

### HOW TO PROVIDE THE GASOLINE



1. Put the key into the seat lock and turn left and open the seat.
2. Turn the fuel tank cap left.
3. Fill the fuel tank and turn the cap right tightly.



### ▲ WARNING

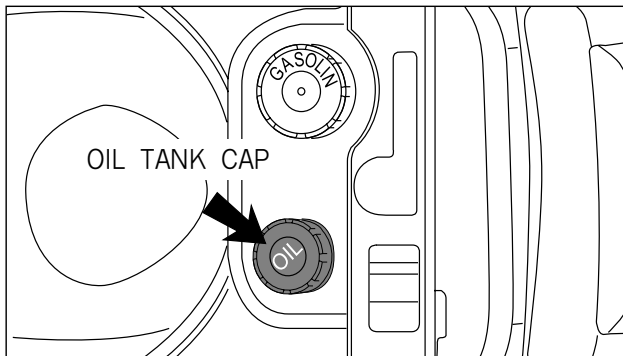
- When refueling, always shut the engine off and turn the ignition. Key to the "OFF" position. Never refuel near an open flame.
- Do not overfill the fuel tank. Do not fill the fuel tank above the bottom of the filler tube as shown in the illustration.

## ▲CAUTION

Take care not to spill gasoline during refueling.

### HOW TO SUPPLY THE ENGINE OIL

1. Open the seat.
2. Turn the oil tank cap left.
3. Fill the oil tank and tighten it.  
(Use the recommended oil)



## ▲CAUTION

A burnt engine is usually a result of engine starting with no oil in the oil tank. Check the oil level before starting and avoid costly damage.

## ▲CAUTION

- Don't mix the unrecommended oil. It could damage the engine.
- When refilling the oil tank, Don't allow the dust to get inside.
- Mop the oil spilt.
- Don't put the patch on the cap. It could disturb the oil to be provided and damage the engine.

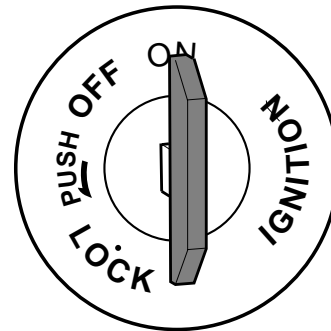
## 6. THE PROPER OPERATIONS

### HOW TO START THE ENGINE

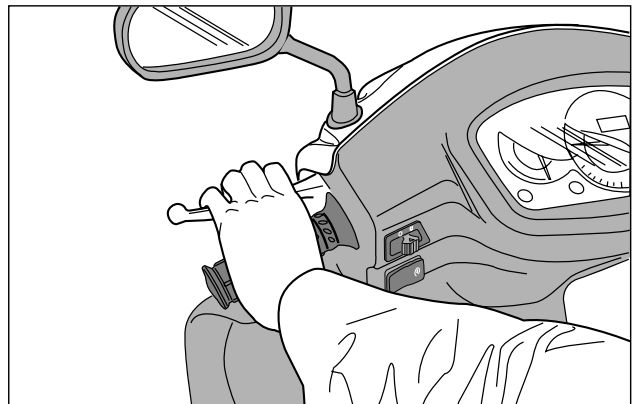
#### Before riding

- Check how much the engine oil and gasoline is left.
- Put the motorcycle on the centerstand.

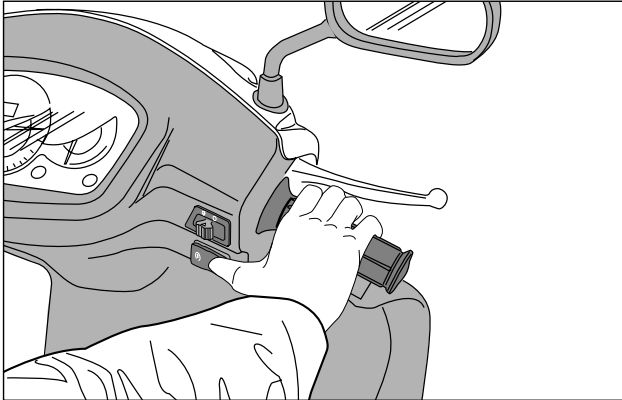
- ① Set the ignition switch "ON"



- ② Squeeze the rear brake lever.



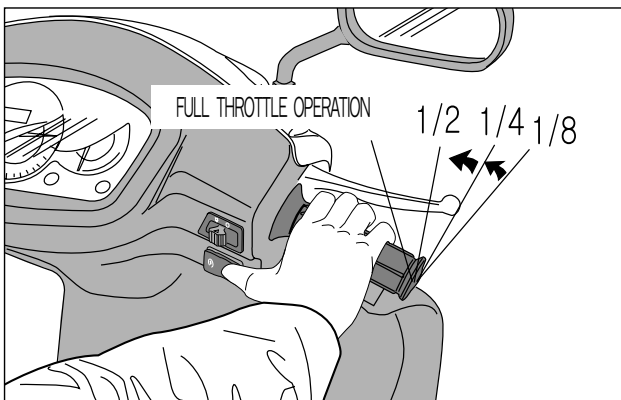
- ③ Push the start button without turning the throttle grip.



### ▲CAUTION

- Depress the start button right after started.
- When the start motor doesn't rotate within 5 seconds after pushing the start button, try again after 10 seconds for preventing the damage on battery.

- When it doesn't start after several trial, turn the throttle grip to  $\frac{1}{8} \sim \frac{1}{4}$  position.



### ▲CAUTION

When started, return the throttle grip.

- It is not started easily in the cases as follows.

1) It was long ago to start the engine.

2) There was no gasoline left.

In this case (1.2), push the start button longer without turning the throttle grip.

- ④ When the engine is cold, idle it for a while.

### ▲CAUTION

- Don't idle it indoor where there is little or no ventilation available.
- The exhaust gas including carbon monoxide is extremely poisonous.

### Start using the kick starter lever

You can start using the kick starter lever when there is some problem in battery.

- ① Put the motorcycle on the center stand.
- ② Set the ignition switch "ON"
- ③ Press forcefully the kick starter lever.



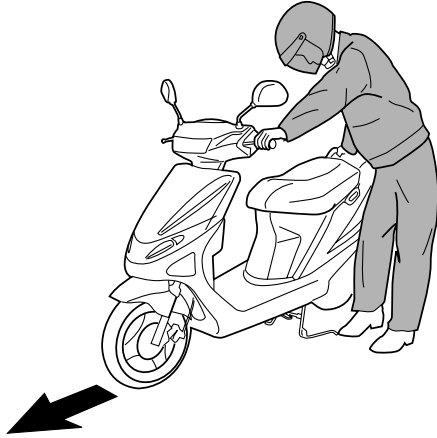
### ▲CAUTION

When started, return the kick starter lever.

## HOW TO START OFF

### ① Return the center stand.

For returning the center stand, push the motorcycle forward gripping the rear brake lever with left hand and the rear carrier with right hand.



### ▲CAUTION

When returning the center stand, Don't grip the seat.

### ② Ride on

Gripping the lever with both hands, be seated on from left side of motorcycle. Put the left foot on the earth and fasten the rear brake lever.

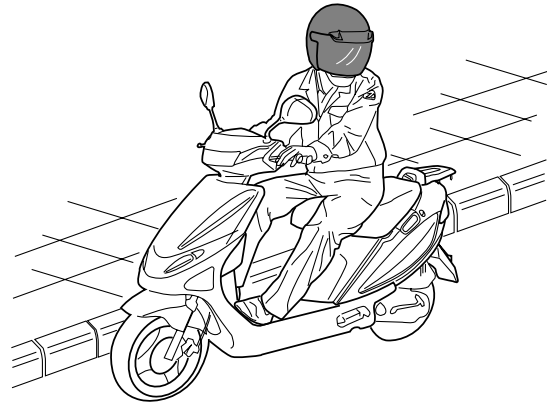


### ▲CAUTION

Don't let the engine run excessively before riding.

### ③ Check the safety

Turn on the left turn signal lamp and check the safety. Grap up the rear brakd lever.

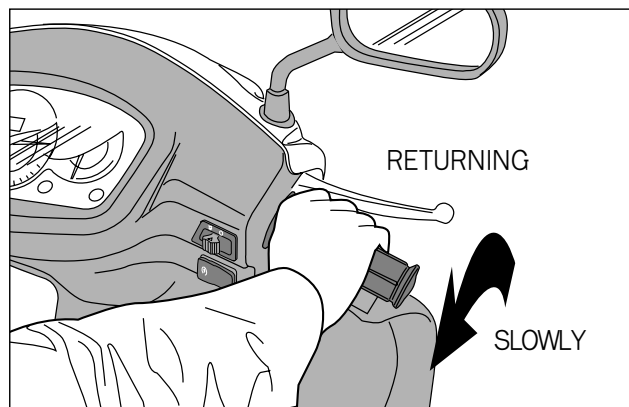


### ▲CAUTION

Be careful of the vehicles in back.

### ④ Start off

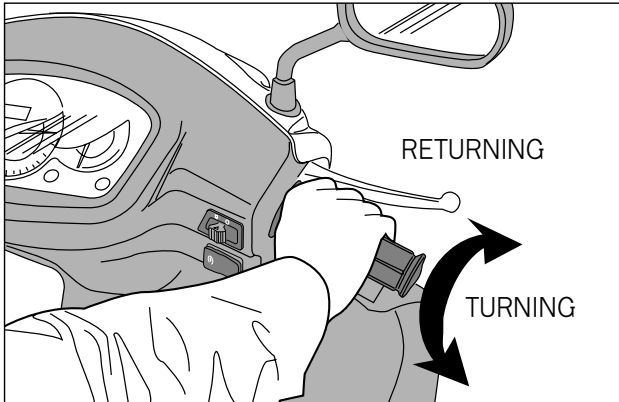
Depress the rear brake lever and turn the throttle grip slowly, the motorcycle will start moving forward.



## ▲ CAUTION

When turned the throttle grip excessively, it will make quick start which is dangerous.

### ADJUSTING THE SPEEDS



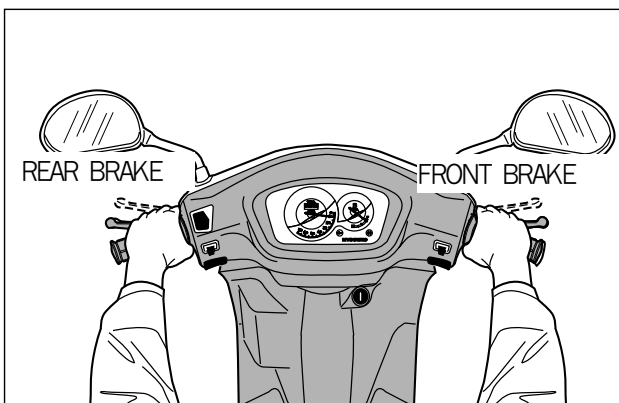
You can adjust the speeds with the throttle grip.

Turning - - - - Get faster

Returning - - - Get slower

### HOW TO OPERATE THE BRAKE

Apply the front and rear brakes at the same-time.

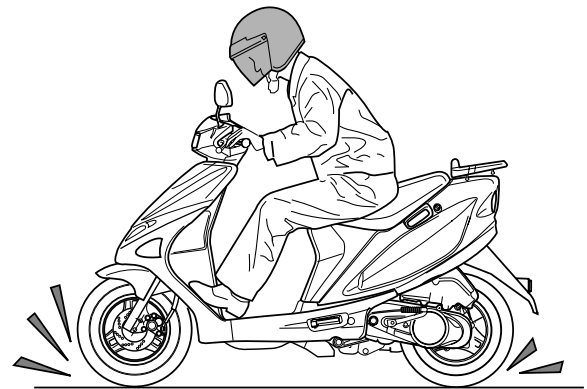


- Grip the brake lever right after returning the throttle grip.
- Make the speed lower by operating the brake slowly.

## ▲ CAUTION

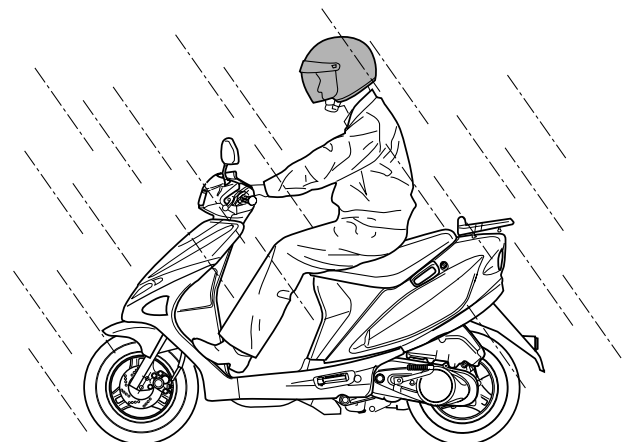
- Using either front or rear brake is dangerous and can cause skidding and loss of control

Ⓢ The quick brake can cause skidding.



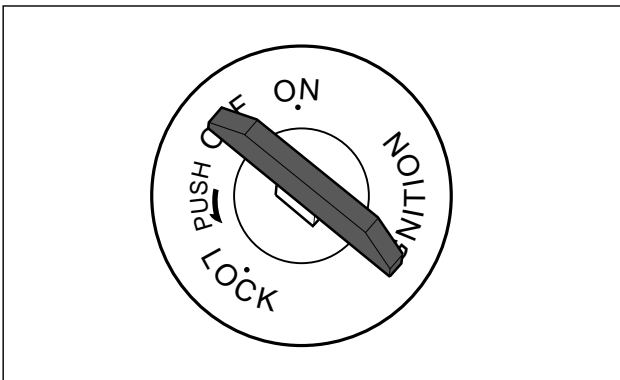
Ⓢ Pay much more attention to driving when rains or snows.

- When the brake doesn't work normally, keep low speeds and apply the brake lightly until smoothly operated.



## HOW TO STOP AND PARK

- ① Turn on the turn signal lamp and return the throttle grip.
- ② When completely stopped, turn off the turn signal lamp. Set the key "OFF" position.



- ③ Put the motorcycle on the center stand.



### ▲ CAUTION

Don't park the motorcycle on the slippery or tilted surface.

- ④ Lock the steering for security.
- ⑤ Pull the ignition key out of the lock and keep it yourself.

## BREAKING-IN

During manufacture only the best possible materials are used and all machined parts are finished to a very high standard but it is still necessary to allow the moving parts to "BREAK-IN" before subjecting the engine to maximum stresses. The future performance and reliability of the engine depends on the care and restraint exercised during its early life. The general rules are as follow:

- Keep to these breaking-in speed limit:  
**Up to 1000km(600miles):Less than 4/5 throttle**
- Upon reaching an odometer reading of 1000km(600miles) you can subject the motorcycle to full throttle operation.
- Do not maintain constant engine speed for an extended time period during any portion of the break-in.  
Try to vary the throttle position.

## 7. INSPECTION BEFORE RIDING

Running inspection once in a day and periodic maintenance(5,000km or 10,000km)is necessary for the full performance and preventing accidents.

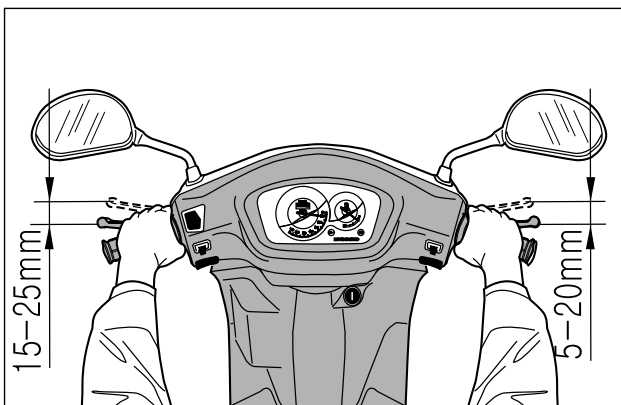
### ▲CAUTION

- Even though the motorcycle is not run for a long time, the periodic maintenance is necessary.
- The engine and muffler is too hot right after engine stopped. please be careful not to be burned.
- Don't inspect the engine indoor where there is little or no ventilation available. The exhaust gas is extremely poisonous.

### BRAKES

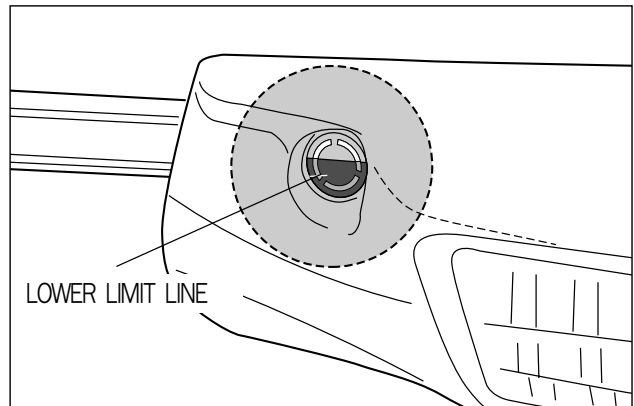
#### ① THE BRAKE LEVER

- Turn the front/rear brake adjuster clockwise/or counterclockwise to obtain the specified play.
- After adjusting the play, check there is no dragging and enough clearance between the brake lever and grip when the lever is tightly squeezed.



#### ② BRAKE FLUID

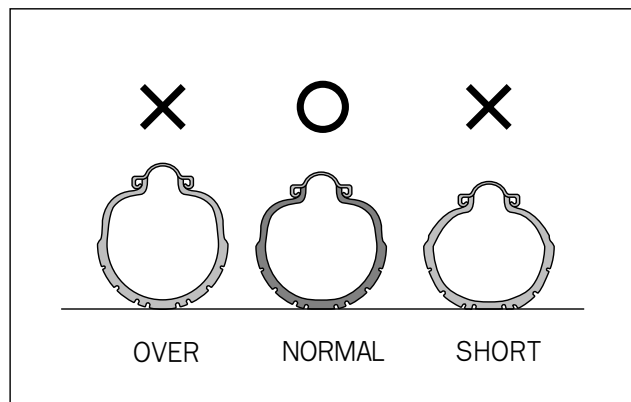
- Keep the motorcycle upright and place the handlebar straight.
- Check brake fluid level by observing the lower limit line on the brake fluid reservoir.
- When the level is below the lower limit line, replenish with brake fluid.



### TIRES

#### ① THE TIRE PRESSURE

If you see the problem with the tire, adjust the pressure with the pressure gauge.





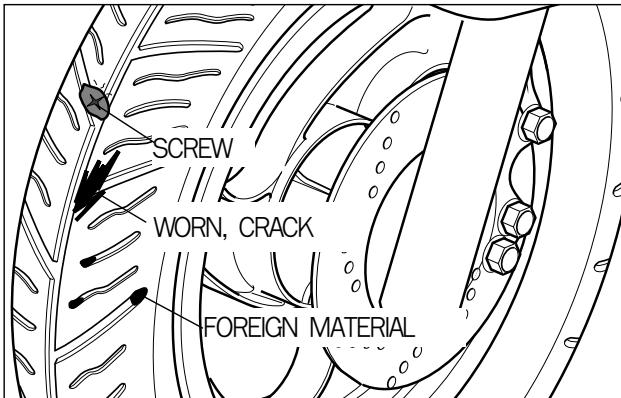
## ▲CAUTION

If there are some problem with the tire pressure or cracks and cuts, it will decrease the riding stability and lead to flat tire.

### ② CRACKS AND CUTS

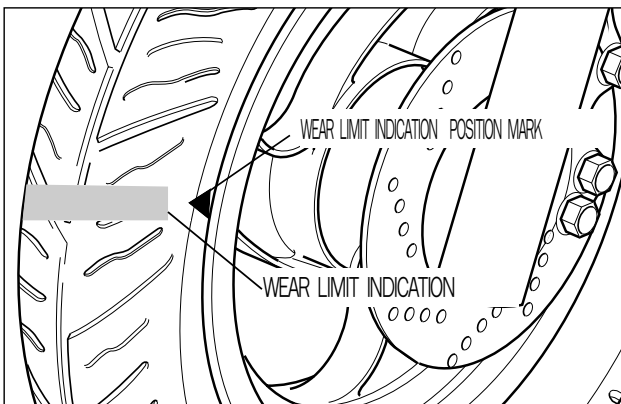
Check if

- 1)there are visible cracks and cuts.
- 2)there are pebbles stuck.



### ③ THE DEPT OF TIRE TREAD

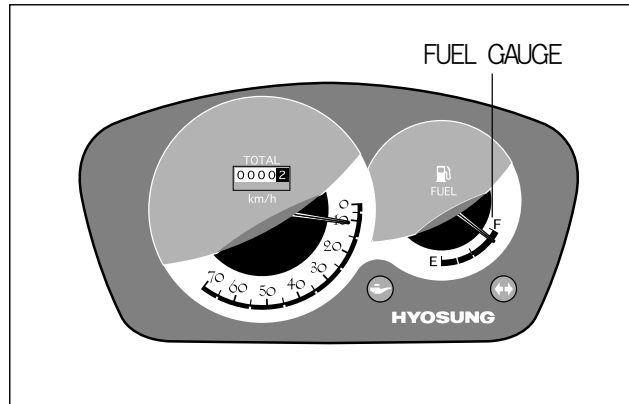
Change the tire if the remaining depth tire tread becomes 1.6mm(0.06inch)or less.



## THE GASOLINE AND ENGINE OIL

### ① THE GASOLINE

- Check if the remaining gasoline is enough for running to the destination.
- Replenish the gasoline before reaching “E” mark with the ignition switch in the “ON” position.

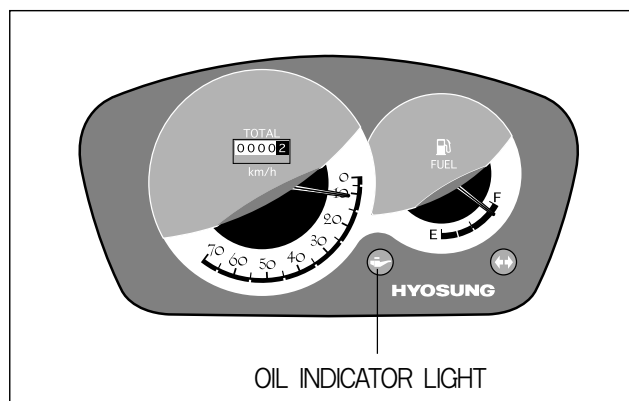


### ② FUEL RECOMMENDATION

- Use unleaded gasoline with an octane rating of 91 or higher (Research method). Unleaded gasoline can extend spark plug life and exhaust components life.
- If pinking or knocking is experienced, substitute higher octane grade gasoline or another brand, because there are differences between brands.

### ③ ENGINE OIL

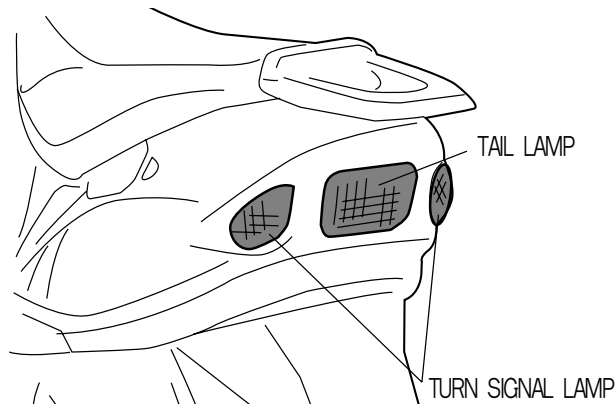
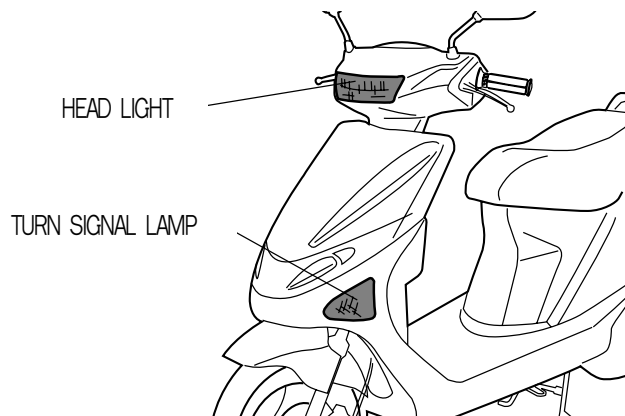
- Replenish the Engine oil when the Engine oil indicator light is on with the ignition switch in the “ON” position.



Use Hyosung "HYPOL OIL" If They are not available, a good quality TWO-STROKE engine oil (nondiluent type) should be used.

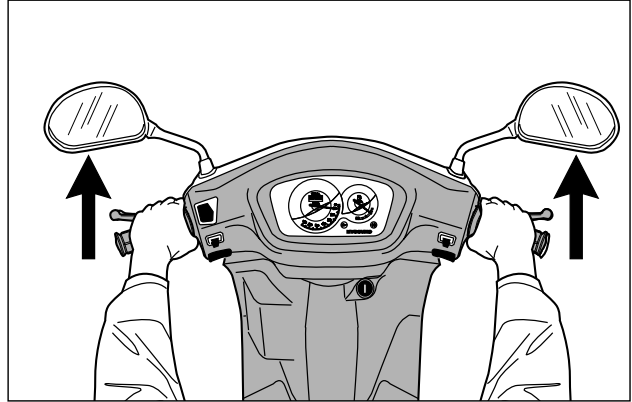
### THE LAMPS

- Check if the head lamp, tail lamp and turn signal lamp work well with the engine started.
- Check if the lamp are dusty or damaged.



### THE REAR - VIEW MIRROR

Check if the mirror shows the rear and/or side views.



### REFLECTOR AND THE NUMBER PLATE

- Check if the reflector is dusty or damaged.
- Check if the number is clear and dusty or damaged.

## 8. PERIODIC MAINTENANCE

The belows show the schedule of periodic maintenance by mileages. More frequent maintenance must be performed on motorcycles that are used under severe conditions.

### ⊙ LUBRICATION

	First 1,000km	Every 5,000km	Every 10,000km
Throttle cable	Motor oil	←	-
Throttle grip	-	-	Grease
Brake hose, cable	Inspect	Inspect	Inspect
Bearing of Steering stem	Grease every 2years or every 20.000km		
Brake lever	Grease	←	-

### ⊙ ENGINE

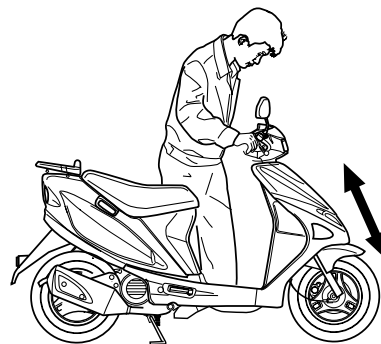
	First 1,000km	Every 5,000km	Every 10,000km
Engine bolt/nut	Tighten	←	-
Air cleaner	Clean	Clean every 3,000km	
Spark plug	Clean	Clean	Clean
Carburetor	Inspect	←	-
Engine hose	Inspect	←	-
	Replace every 2years		

### ⊙ CHASSIS

	First 1,000km	Every 5,000km	Every 10,000km
Drive belt	-	-	Inspect
Brake	Inspect	←	-
Tire	Inspect	←	-
Bolt / Nut	Inspect	←	-
Steering	Inspect	←	-

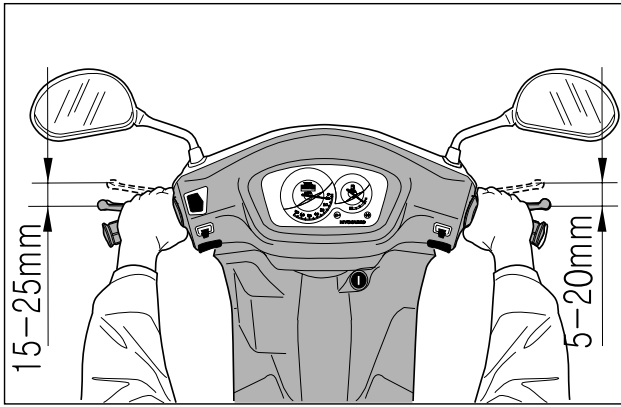
#### FRONT FORK

- Check if there is any noise by bend of front fork while moving the handle upward and downward.
- Inspect whether the steering stem is well assembled while moving front fork up/downwards and/or forward/backward.

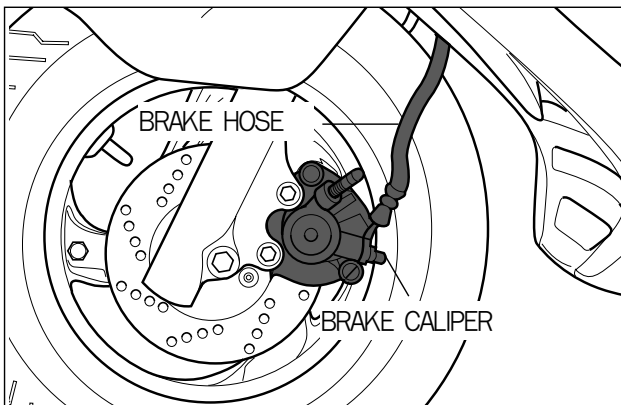


#### BRAKES

- Turn the front/rear brake adjuster clockwise or counterclockwise to obtain the specified play.

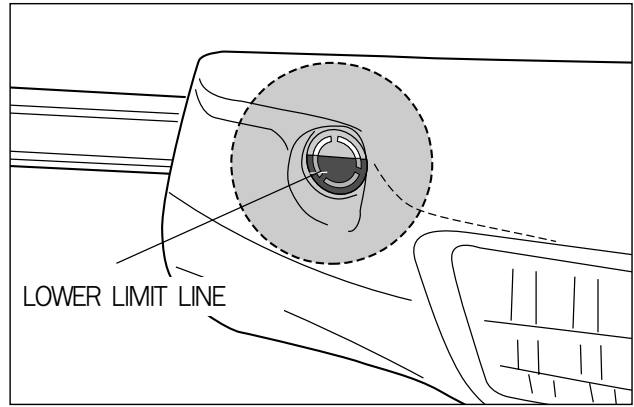


- Check the front/rear brake while running in low speeds.
- Check if there is leakage or damage on the brake fluid reservoir and the connected parts are loose.
- Check if the vibration damages the brake hose while moving the handle left/right or running.



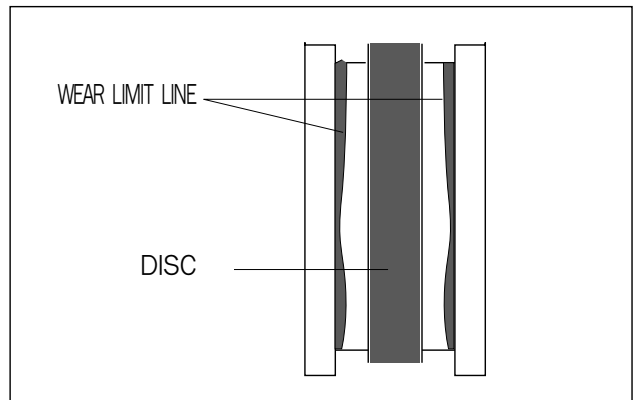
## BRAKE FLUID

- Keep the motorcycle upright and place the handle straight.
- Check the brake fluid level by observing the lower limit line
- When the level is below the lower limit line, check if there is leakage.

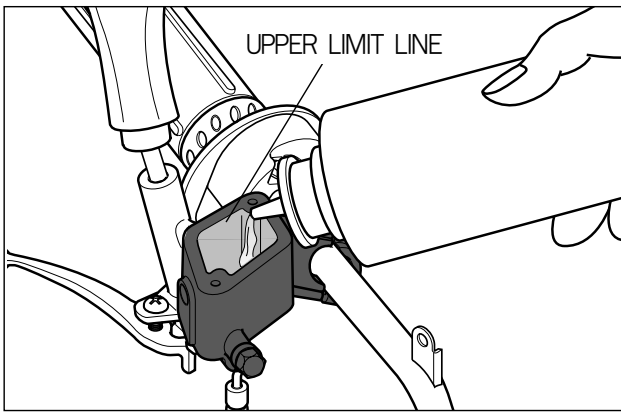


## BRAKE PADS

- Wearing condition of brake pads can be checked by observing the wear limit line on the pads. When the wear exceeds the limit line, replace the pads.



- How to replenish with brake fluid
  1. Clean the brake fluid reservoir around not to allow dusts to get inside of it.
  2. Loosen the screw and open the cap.
  3. Replenish with brake fluid to the limit line.  
the recommended brake fluid: DOT4
  4. Fasten the cap.



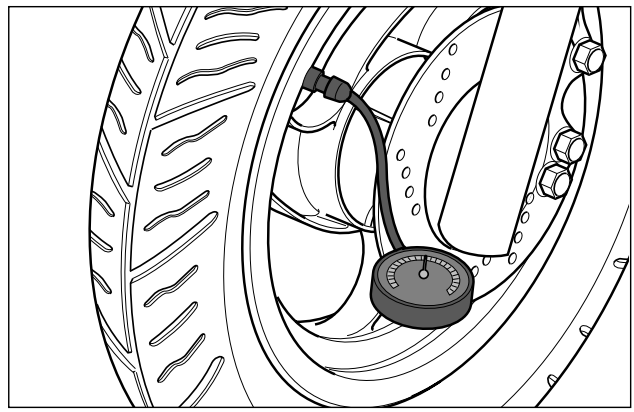
### ▲CAUTION

- Don't replenish with brake fluid over the limit line. It will leak out of the brake fluid reservoir.
- Be careful not to allow dusts or water to go inside when replenishing.
- Don't use the unrecommended brake fluid.
- Brake fluid can damage severely the plastics or rubbers. When it is spilt on the parts, mop them up.

### TIRES

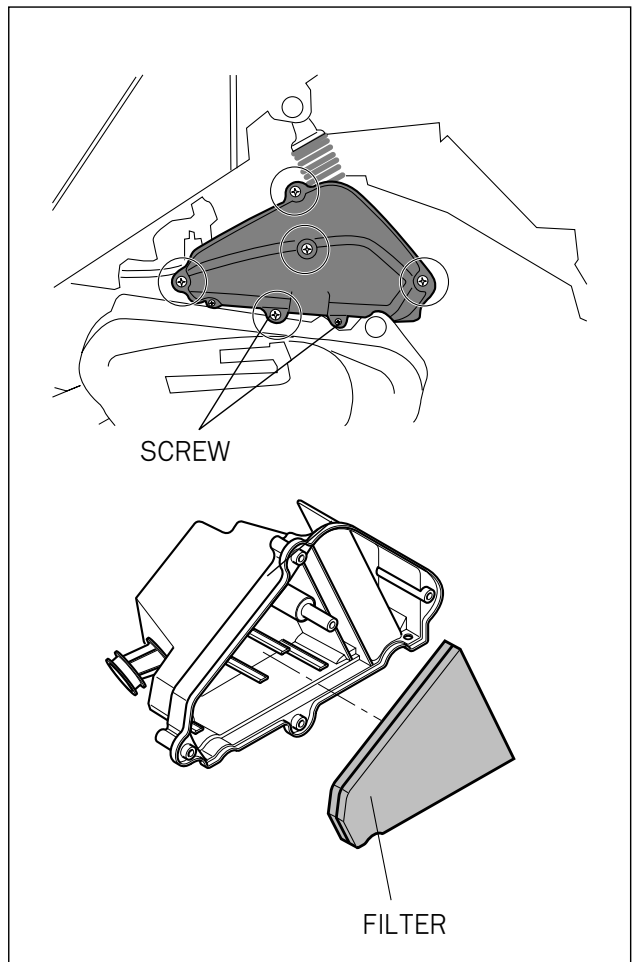
Check the tire pressure when it is cold.

Tire Pressure	Front	Rear
Solo riding	1.25 kg/cm <sup>2</sup>	2.00 kg/cm <sup>2</sup>
Dual riding	-	-



### AIR CLEANER

1. Remove the left side cover.
2. Take out air cleaner by disassembling 5 screws.
3. Put out the filter.



## ▲CAUTION

- When the assembly of air cleaner filter is not completely done, dusts can go inside and damage severely engine.
- Be careful not to allow water to go into the filter while washing.

## BATTERY

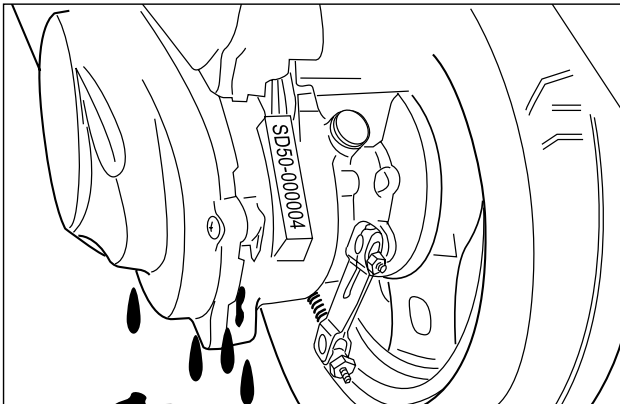
- This motorcycle is equipped with sealed MF battery.
- Charging the battery does not need.

## ▲CAUTION

- Don't take off the sealed cap.
- Take off the battery when the motorcycle is not used for a long time to prevent electric discharge or leakage. When the battery is attached on the motorcycle, take off the (-) terminal.

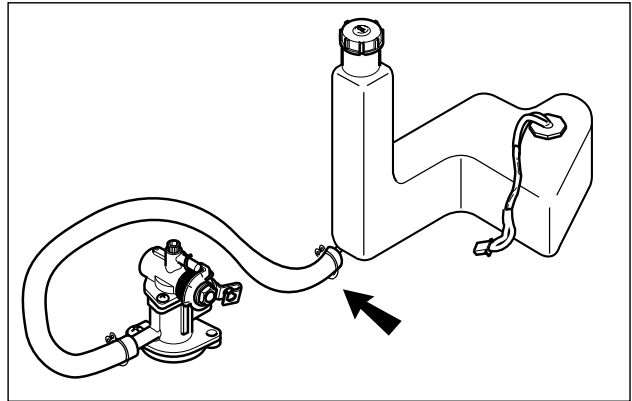
## TRANSMISSION OIL

Check if the transmission oil leaks.

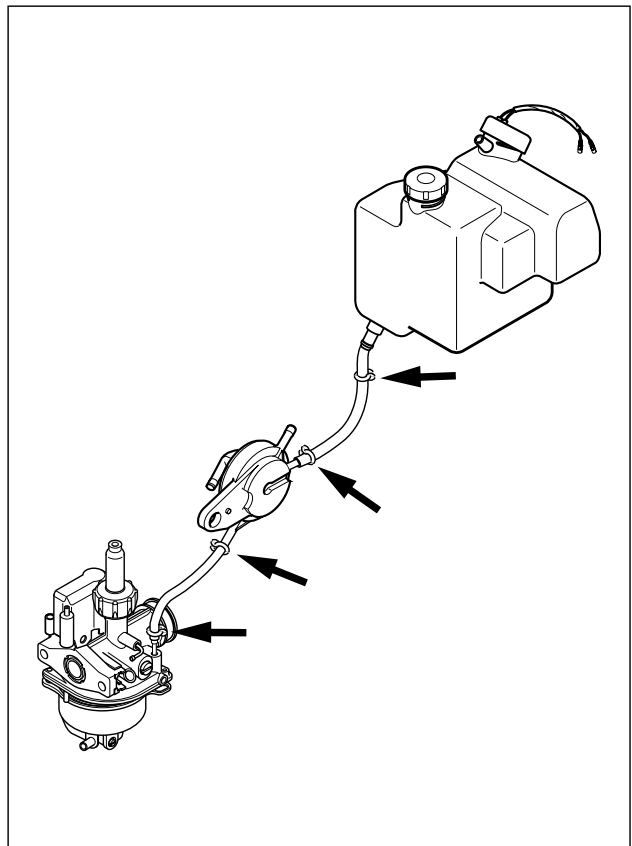


## ENGINE OIL AND GASOLINE

- Check if there is leakage around the oil pump and oil tank.



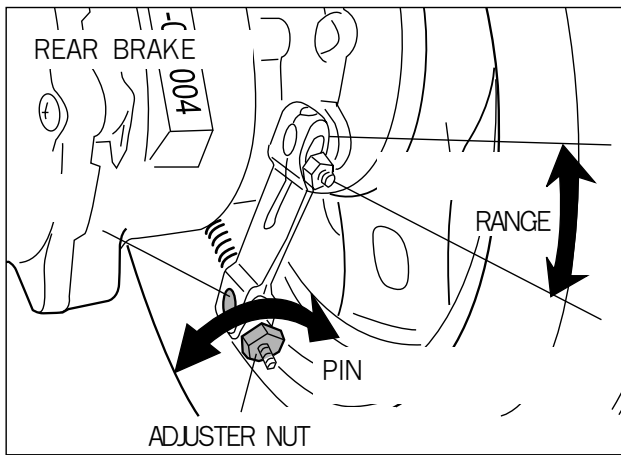
- Check if there is leakage from gasoline tank, hose and carburetor.



## 9. MAINTENANCE TIPS

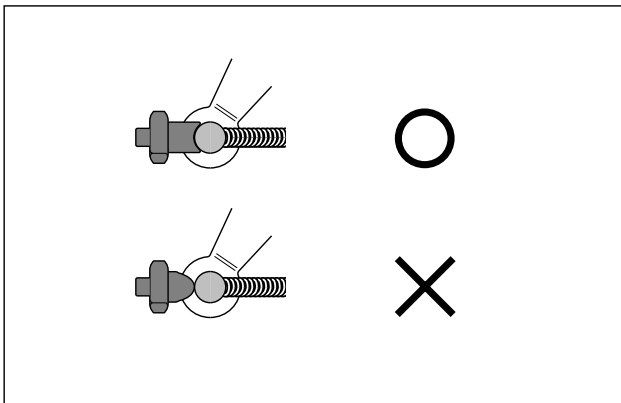
### BRAKE LEVER

Check if it is within the required range when you squeeze the brake lever until feel the resistance.



### ▲ CAUTION

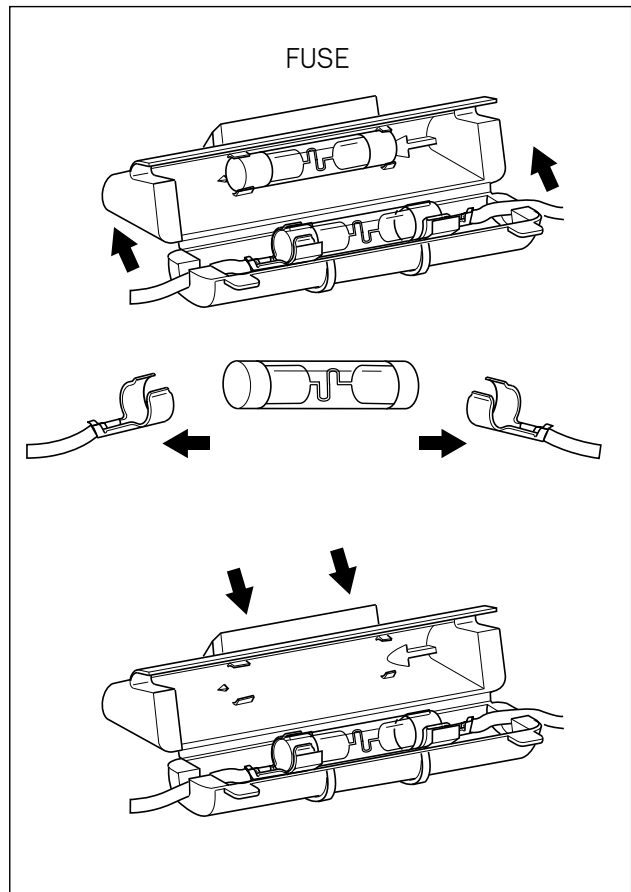
- When it is beyond the required range, replace the brake shoe.
- Fix ◻ part of nut to pin or the serious accident can be caused by the brake failure.



### FUSES

Check the fuse with the ignition switch "ON"

1. Remove the battery cover.
2. Take out the fuse holder.
3. Open the fuse holder and take out the fuse.



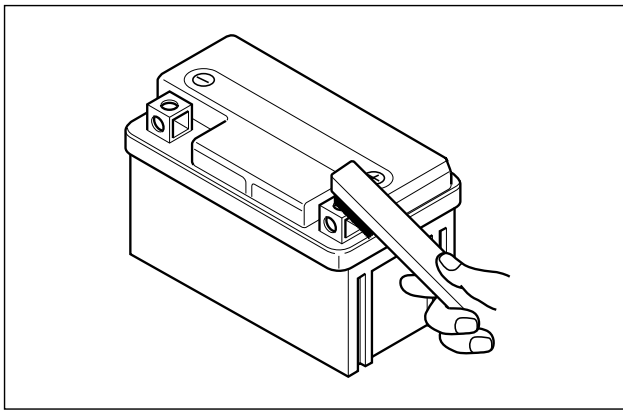
### ▲ CAUTION

- Always be sure to replace the blown fuse with the correct amperage fuse.
- If the replaced fuse is blown in a short time, it means there are other problems. Check the other parts.
- Don't pour water on the fuse box when washing.

## BATTERY TERMINAL

Clean the battery terminal when it is dusty or rusted.

1. Deassemble the cover of battery box.
2. Set the ignition switch "OFF" position.
3. Clean the terminal. If there is white dust, clean it with warm water.
4. Assemble the battery wires and grease the terminal lightly.

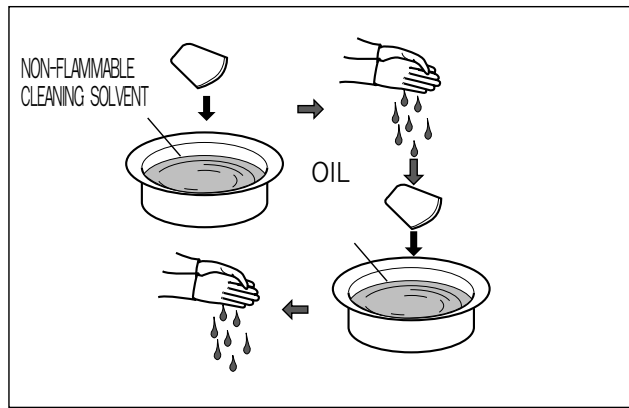


### ▲CAUTION

- Keep the battery away from fires.
- When disassemble the battery wires, take off  $\ominus$  terminal first with the ignition switch "OFF" position. When assemble,  $\oplus$  terminal first.

## AIR CLEANER

1. Take off the air cleaner filter.
2. Wash it with cleaning solvent and dry.
3. Immerse it in motor oil squeeze the oil off to make it slightly wet with oil.
4. Assemble the air cleaner filter.

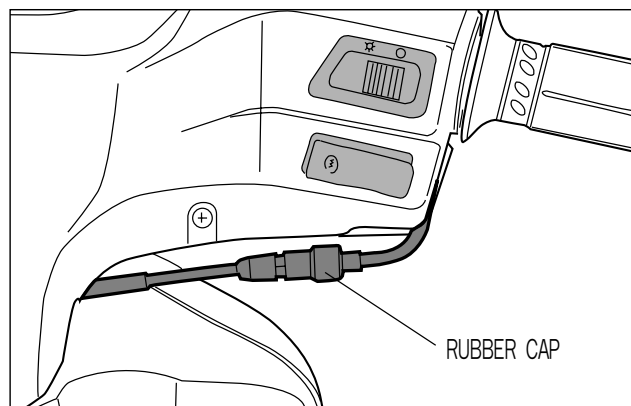


### ▲CAUTION

- Don't use the cleaning solvent whose flash point is low when cleaning the filter.
- Assemble the filter completely or damage severely the engine.
- Be careful not to allow water to go inside the air cleaner filter.

## RUBBER CAP OF CABLES

Mope them up with a patch when washing.





## 10. SPECIFICATIONS

### DIMENSIONS AND DRY MASS

Overall length .....	1,780mm(70.1in)
Overall width .....	660mm(26.0in)
Overall height .....	1,065mm(41.9in)
Wheelbase .....	1,221mm(48.1in)
Ground clearance .....	112mm(4.4in)
Dry mass .....	84kg(185lbs)

### ENGINE

Type .....	Two-stroke, forced air cooled
Intake system .....	Reed valve
Number of cylinder .....	1
Bore .....	41.0mm(1.614in)
Stroke .....	37.4mm(1.472in)
Piston displacement .....	49cm <sup>3</sup> (3.0cu.in)
Corrected Compression ratio .....	7.4:1
Carburetor .....	SIDEDRAFT V.V.
Air cleaner .....	Polyurethane foam element
Starter system .....	Electric and kick
Lubrication system .....	HYOSUNG "CCI"

### TRANSMISSION

Clutch .....	Dry shoe, automatic, centrifugal type
Reduction ratio .....	2.815~0.866(Variable)
Drive system .....	V-belt drive

## CHASSIS

Front suspension .....	Telescopic, coil spring, oil dampened
Rear suspension .....	Swingarm type, coil spring, oil damped
Caster .....	25°
Trail .....	70mm(2.75in)
Steering angle .....	45° (right & left)
Turning radius .....	1.9m(6.2ft)
Front tire size .....	100/80-10 53J
Rear tire size .....	100/80-10 53J
Front brake .....	Disc
Rear brake .....	Internal expanding

## ELECTRICAL

Ignition type .....	HYOSUNG "CDI"
Ignition timing .....	23° B.T.D.C.at 4000 r/min
Spark plug .....	GOLDEN : BP6HS
Battery .....	12V 3Ah/10HR
Generator .....	Magneto
Fuse .....	10A
Headlight .....	12V 18/18W × 2
Turn signal light .....	12V 10W
Tail/Brake light .....	12V 5/10W
Speedometer light .....	12V 1.7W × 2
Oil level indicator light .....	12V 1.7W
Turn signal indicator light .....	12V 1.7W
Trunk light .....	12V 2W

## CAPACITIES

Fuel tank .....	4.8L(1.3/1.1 US/Imp gal)
Engine oil tank .....	1.2L(1.2/1.0 US/Imp qt)
Final gear oil .....	80ml(2.7/2.8 US/Imp oz)



Prepared by

**HYOSUNG MOTORS & MACHINERY INC.**

Overseas Service

1st Ed. JUN. 1997

Printed in KOREA

## **WARNING**

### **Noise Control System(muffler assembly)**

#### **TAMPERING WITH NOISE CONTROL SYSTEM PROHIBITED**

Owners are warned that the law may prohibit :

- (a) The removal or rendering inoperative by any person other than for the purpose of maintenance, repair or replacement, of any device or element of design incorporated into any new vehicle for the purpose of noise control prior to its any sale or delivery to the ultimate purchaser or while it is in use ; and
- (b) The use of the vehicle after such device or element of design has been removed or rendered inoperative by any person.

#### **MAINTENANCE:**

The exhaust system of this motorcycle requires no periodic maintenance.

The engine should be adjusted to the manufacture' s specifications and the spark plug should be kept in good condition. Running the engine with incorrectly operating spark plug or misadjusted carburetor may cause permanent damage to the catalyst and to the noise control system.