

**Kawasaki**

**Versys**



# **Motorcycle Service Manual**



# Quick Reference Guide

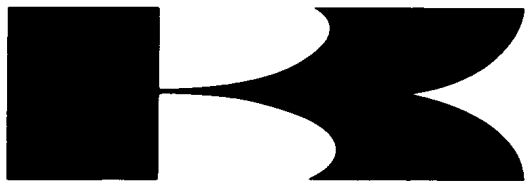
<b>General Information</b>	<b>1</b>
<b>Periodic Maintenance</b>	<b>2</b>
<b>Fuel System (DFI)</b>	<b>3</b>
<b>Cooling System</b>	<b>4</b>
<b>Engine Top End</b>	<b>5</b>
<b>Clutch</b>	<b>6</b>
<b>Engine Lubrication System</b>	<b>7</b>
<b>Engine Removal/Installation</b>	<b>8</b>
<b>Crankshaft/Transmission</b>	<b>9</b>
<b>Wheels/Tires</b>	<b>10</b>
<b>Final Drive</b>	<b>11</b>
<b>Brakes</b>	<b>12</b>
<b>Suspension</b>	<b>13</b>
<b>Steering</b>	<b>14</b>
<b>Frame</b>	<b>15</b>
<b>Electrical System</b>	<b>16</b>
<b>Appendix</b>	<b>17</b>

This quick reference guide will assist you in locating a desired topic or procedure.

- Bend the pages back to match the black tab of the desired chapter number with the black tab on the edge at each table of contents page.
- Refer to the sectional table of contents for the exact pages to locate the specific topic required.







**Kawasaki**

**Versys**

# Motorcycle Service Manual

---

All rights reserved. No parts of this publication may be reproduced, stored in a retrieval system, or transmitted in any form or by any means, electronic mechanical photocopying, recording or otherwise, without the prior written permission of Quality Division/Consumer Products & Machinery Company/Kawasaki Heavy Industries, Ltd., Japan.

No liability can be accepted for any inaccuracies or omissions in this publication, although every possible care has been taken to make it as complete and accurate as possible.

The right is reserved to make changes at any time without prior notice and without incurring an obligation to make such changes to products manufactured previously. See your Motorcycle dealer for the latest information on product improvements incorporated after this publication.

All information contained in this publication is based on the latest product information available at the time of publication. Illustrations and photographs in this publication are intended for reference use only and may not depict actual model component parts.

## LIST OF ABBREVIATIONS

A	ampere(s)	lb	pound(s)
ABDC	after bottom dead center	m	meter(s)
AC	alternating current	min	minute(s)
ATDC	after top dead center	N	newton(s)
BBDC	before bottom dead center	Pa	pascal(s)
BDC	bottom dead center	PS	horsepower
BTDC	before top dead center	psi	pound(s) per square inch
°C	degree(s) Celsius	r	revolution
DC	direct current	rpm	revolution(s) per minute
F	farad(s)	TDC	top dead center
°F	degree(s) Fahrenheit	TIR	total indicator reading
ft	foot, feet	V	volt(s)
g	gram(s)	W	watt(s)
h	hour(s)	Ω	ohm(s)
L	liter(s)		

## COUNTRY AND AREA CODES

AT	Austria	GB	United Kingdom
CA	Canada	MY	Malaysia
CH	Switzerland	WVTA	Whole Vehicle Type Approval
DE	Germany		

# Foreword

This manual is designed primarily for use by trained mechanics in a properly equipped shop. However, it contains enough detail and basic information to make it useful to the owner who desires to perform his own basic maintenance and repair work. A basic knowledge of mechanics, the proper use of tools, and workshop procedures must be understood in order to carry out maintenance and repair satisfactorily. Whenever the owner has insufficient experience or doubts his ability to do the work, all adjustments, maintenance, and repair should be carried out only by qualified mechanics.

In order to perform the work efficiently and to avoid costly mistakes, read the text, thoroughly familiarize yourself with the procedures before starting work, and then do the work carefully in a clean area. Whenever special tools or equipment are specified, do not use makeshift tools or equipment. Precision measurements can only be made if the proper instruments are used, and the use of substitute tools may adversely affect safe operation.

**For the duration of the warranty period,** we recommend that all repairs and scheduled maintenance be performed in accordance with this service manual. Any owner maintenance or repair procedure not performed in accordance with this manual may void the warranty.

To get the longest life out of your vehicle.

- Follow the Periodic Maintenance Chart in the Service Manual.
- Be alert for problems and non-scheduled maintenance.
- Use proper tools and genuine Kawasaki Motorcycle parts. Special tools, gauges, and testers that are necessary when servicing Kawasaki motorcycles are introduced by the Service Manual. Genuine parts provided as spare parts are listed in the Parts Catalog.
- Follow the procedures in this manual carefully. Don't take shortcuts.
- Remember to keep complete records of maintenance and repair with dates and any new parts installed.

---

## How to Use This Manual

---

In this manual, the product is divided into its major systems and these systems make up the manual's chapters. The Quick Reference

Guide shows you all of the product's system and assists in locating their chapters. Each chapter in turn has its own comprehensive Table of Contents.

For example, if you want ignition coil information, use the Quick Reference Guide to locate the Electrical System chapter. Then, use the Table of Contents on the first page of the chapter to find the Ignition Coil section.

Whenever you see these WARNING and CAUTION symbols, heed their instructions! Always follow safe operating and maintenance practices.

### WARNING

**This warning symbol identifies special instructions or procedures which, if not correctly followed, could result in personal injury, or loss of life.**

### CAUTION

**This caution symbol identifies special instructions or procedures which, if not strictly observed, could result in damage to or destruction of equipment.**

This manual contains four more symbols (in addition to WARNING and CAUTION) which will help you distinguish different types of information.

### NOTE

○ *This note symbol indicates points of particular interest for more efficient and convenient operation.*

- Indicates a procedural step or work to be done.
- Indicates a procedural sub-step or how to do the work of the procedural step it follows. It also precedes the text of a NOTE.
- ★ Indicates a conditional step or what action to take based on the results of the test or inspection in the procedural step or sub-step it follows.

In most chapters an exploded view illustration of the system components follows the Table of Contents. In these illustrations you will find the instructions indicating which parts require specified tightening torque, oil, grease or a locking agent during assembly.



# General Information

## Table of Contents

Before Servicing .....	1-2
Model Identification.....	1-7
General Specifications.....	1-8
Unit Conversion Table .....	1-11

## 1-2 GENERAL INFORMATION

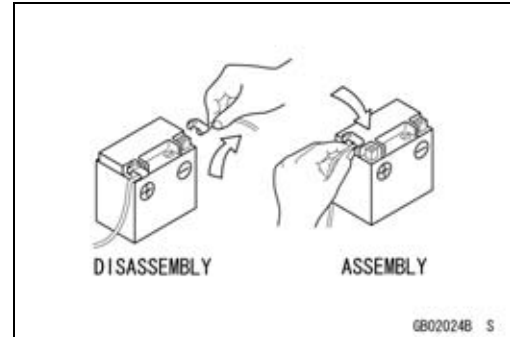
### Before Servicing

Before starting to perform an inspection service or carry out a disassembly and reassembly operation on a motorcycle, read the precautions given below. To facilitate actual operations, notes, illustrations, photographs, cautions, and detailed descriptions have been included in each chapter wherever necessary. This section explains the items that require particular attention during the removal and reinstallation or disassembly and reassembly of general parts.

Especially note the following:

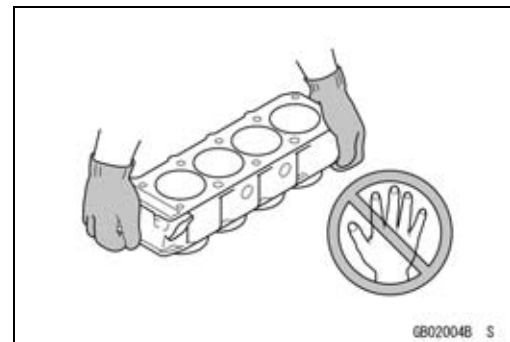
#### **Battery Ground**

Before completing any service on the motorcycle, disconnect the battery cables from the battery to prevent the engine from accidentally turning over. Disconnect the ground (-) first and then the positive (+). When completed with the service, first connect the positive (+) cable to the positive (+) terminal of the battery then the negative (-) cable to the negative terminal.



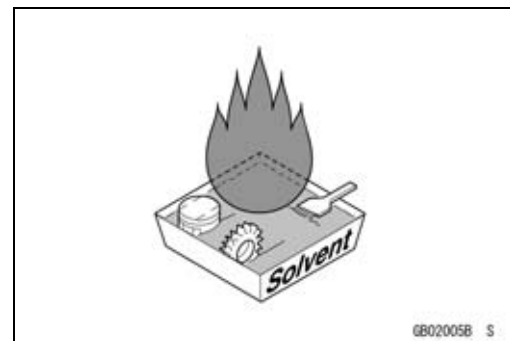
#### **Edges of Parts**

Lift large or heavy parts wearing gloves to prevent injury from possible sharp edges on the parts.



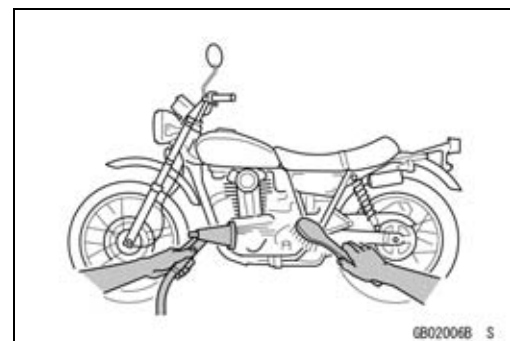
#### **Solvent**

Use a high-flash point solvent when cleaning parts. High-flash point solvent should be used according to directions of the solvent manufacturer.



#### **Cleaning Vehicle before Disassembly**

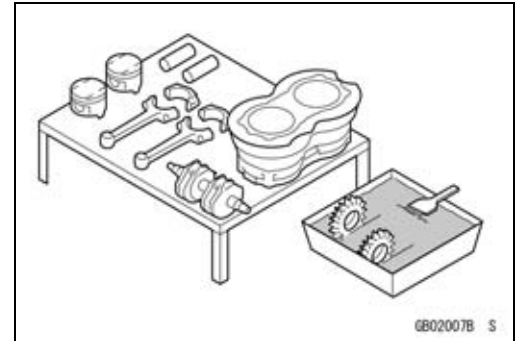
Clean the vehicle thoroughly before disassembly. Dirt or other foreign materials entering into sealed areas during vehicle disassembly can cause excessive wear and decrease performance of the vehicle.



**Before Servicing**

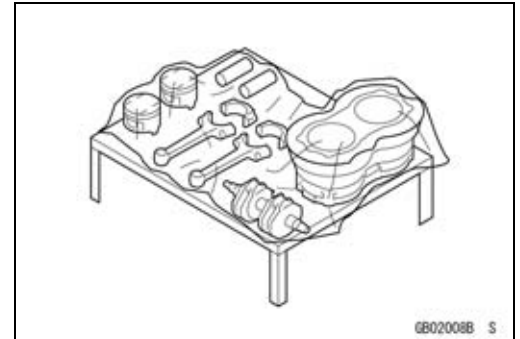
**Arrangement and Cleaning of Removed Parts**

Disassembled parts are easy to confuse. Arrange the parts according to the order the parts were disassembled and clean the parts in order prior to assembly.



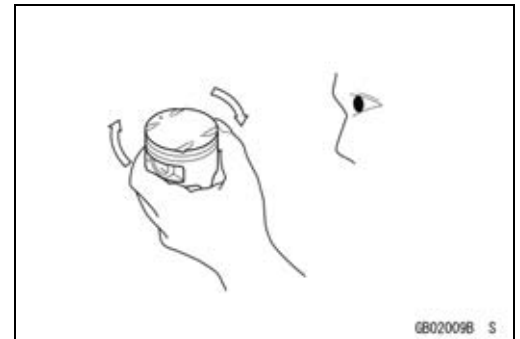
**Storage of Removed Parts**

After all the parts including subassembly parts have been cleaned, store the parts in a clean area. Put a clean cloth or plastic sheet over the parts to protect from any foreign materials that may collect before re-assembly.



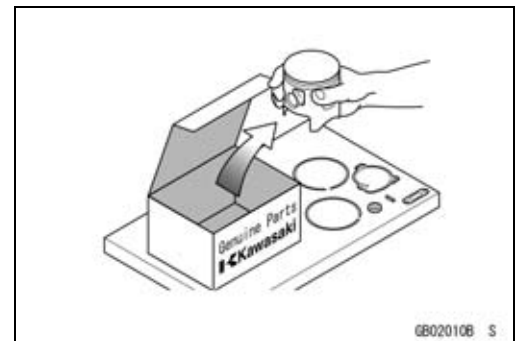
**Inspection**

Reuse of worn or damaged parts may lead to serious accident. Visually inspect removed parts for corrosion, discoloration, or other damage. Refer to the appropriate sections of this manual for service limits on individual parts. Replace the parts if any damage has been found or if the part is beyond its service limit.



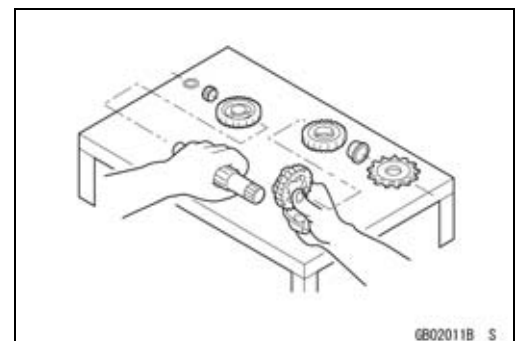
**Replacement Parts**

Replacement parts must be KAWASAKI genuine or recommended by KAWASAKI. Gaskets, O-rings, oil seals, grease seals, circlips or cotter pins must be replaced with new ones whenever disassembled.



**Assembly Order**

In most cases assembly order is the reverse of disassembly, however, if assembly order is provided in this Service Manual, follow the procedures given.

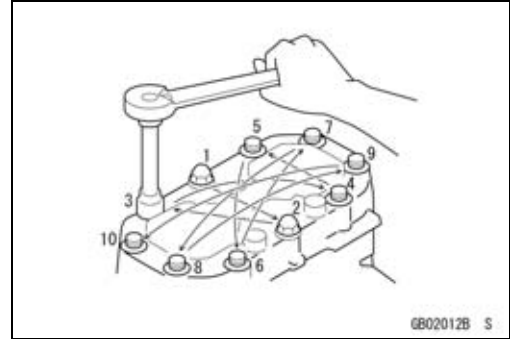


# 1-4 GENERAL INFORMATION

## Before Servicing

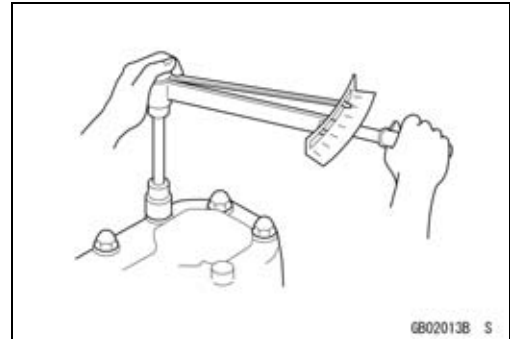
### **Tightening Sequence**

Generally, when installing a part with several bolts, nuts, or screws, start them all in their holes and tighten them to a snug fit. Then tighten them according to the specified sequence to prevent case warpage or deformation which can lead to malfunction. Conversely when loosening the bolts, nuts, or screws, first loosen all of them by about a quarter turn and then remove them. If the specified tightening sequence is not indicated, tighten the fasteners alternating diagonally.



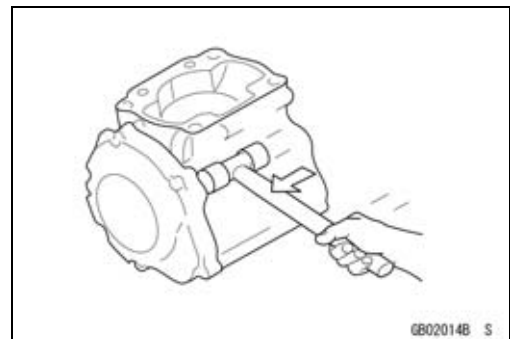
### **Tightening Torque**

Incorrect torque applied to a bolt, nut, or screw may lead to serious damage. Tighten fasteners to the specified torque using a good quality torque wrench. Often, the tightening sequence is followed twice-initial tightening and final tightening with torque wrench.



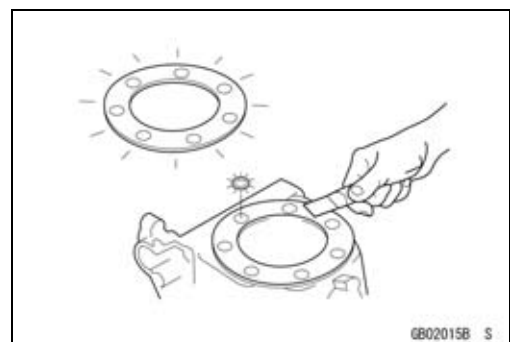
### **Force**

Use common sense during disassembly and assembly, excessive force can cause expensive or hard to repair damage. When necessary, remove screws that have a non-permanent locking agent applied using an impact driver. Use a plastic-faced mallet whenever tapping is necessary.



### **Gasket, O-ring**

Hardening, shrinkage, or damage of both gaskets and O-rings after disassembly can reduce sealing performance. Remove old gaskets and clean the sealing surfaces thoroughly so that no gasket material or other material remains. Install new gaskets and replace used O-rings when re-assembling.



### **Liquid Gasket, Non-permanent Locking Agent**

For applications that require Liquid Gasket or a Non-permanent Locking Agent, clean the surfaces so that no oil residue remains before applying liquid gasket or non-permanent locking agent. Do not apply them excessively. Excessive application can clog oil passages and cause serious damage.

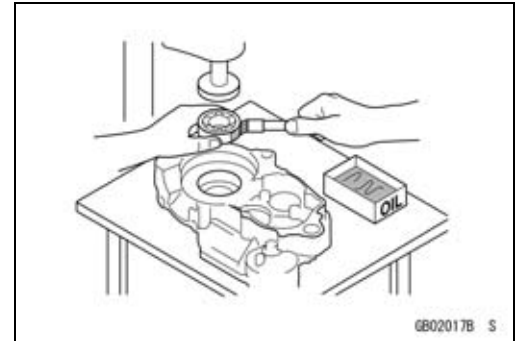




**Before Servicing**

**Press**

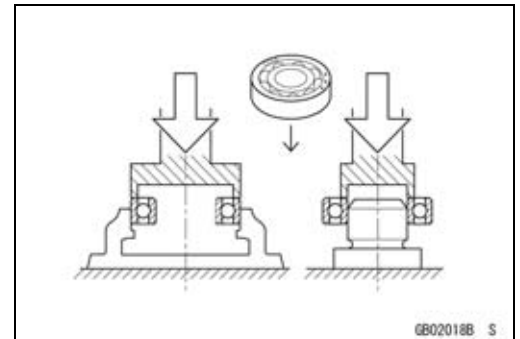
For items such as bearings or oil seals that must be pressed into place, apply small amount of oil to the contact area. Be sure to maintain proper alignment and use smooth movements when installing.



**Ball Bearing and Needle Bearing**

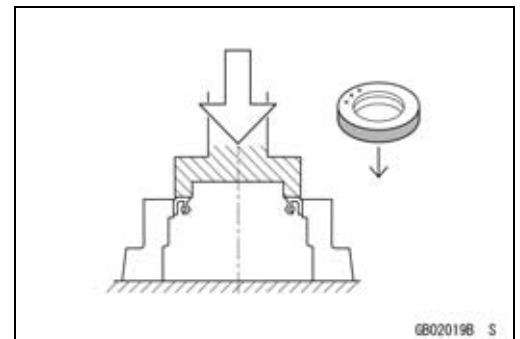
Do not remove pressed ball or needle unless removal is absolutely necessary. Replace with new ones whenever removed. Press bearings with the manufacturer and size marks facing out. Press the bearing into place by putting pressure on the correct bearing race as shown.

Pressing the incorrect race can cause pressure between the inner and outer race and result in bearing damage.

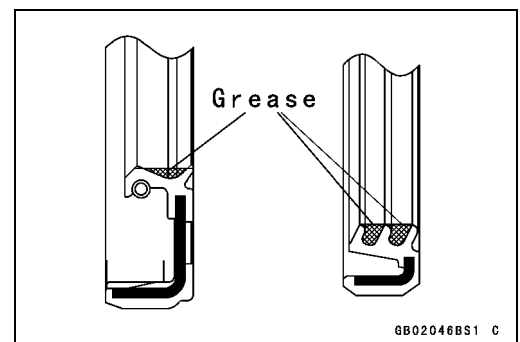


**Oil Seal, Grease Seal**

Do not remove pressed oil or grease seals unless removal is necessary. Replace with new ones whenever removed. Press new oil seals with manufacture and size marks facing out. Make sure the seal is aligned properly when installing.

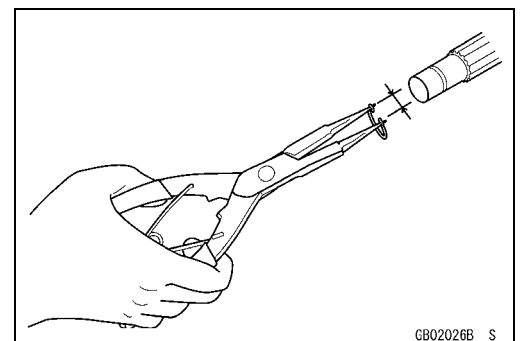


Apply specified grease to the lip of seal before installing the seal.



**Circlips, Cotter Pins**

Replace circlips or cotter pins that were removed with new ones. Take care not to open the clip excessively when installing to prevent deformation.

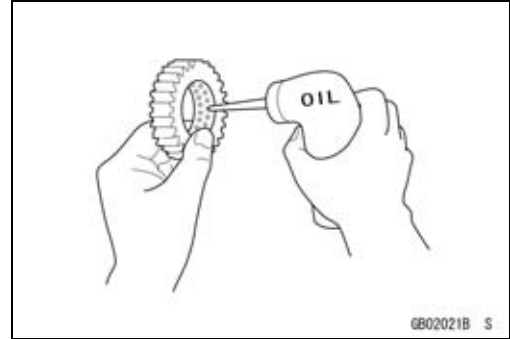


## 1-6 GENERAL INFORMATION

### Before Servicing

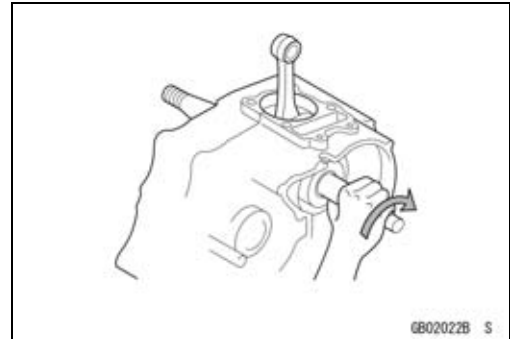
#### **Lubrication**

It is important to lubricate rotating or sliding parts during assembly to minimize wear during initial operation. Lubrication points are called out throughout this manual, apply the specific oil or grease as specified.



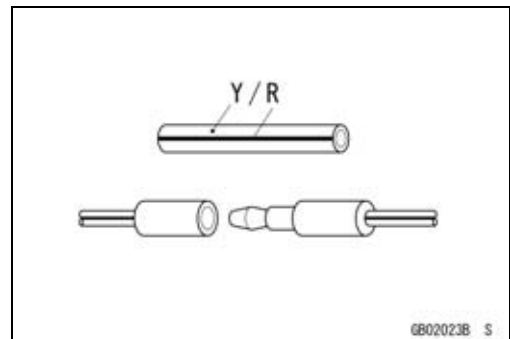
#### **Direction of Engine Rotation**

When rotating the crankshaft by hand, the free play amount of rotating direction will affect the adjustment. Rotate the crankshaft to positive direction (clockwise viewed from output side).



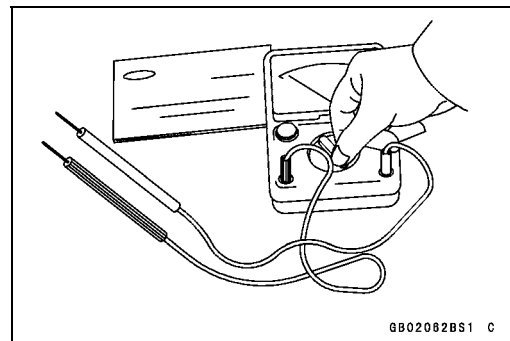
#### **Electrical Wires**

A two-color wire is identified first by the primary color and then the stripe color. Unless instructed otherwise, electrical wires must be connected to those of the same color.



#### **Instrument**

Use a meter that has enough accuracy for an accurate measurement. Read the manufacturer's instructions thoroughly before using the meter. Incorrect values may lead to improper adjustments.



Model Identification

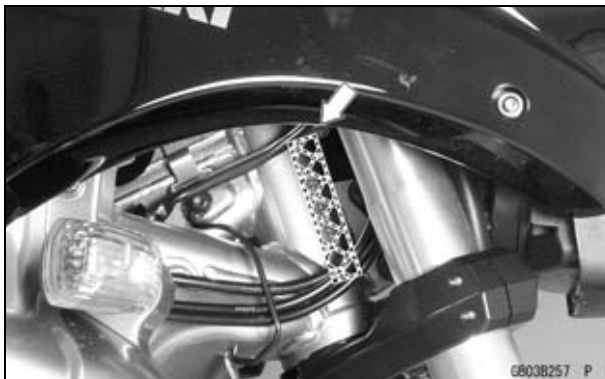
KLE650B7F Left Side View



KLE650B7F Right Side View



Frame Number



Engine Number



# 1-8 GENERAL INFORMATION

## General Specifications

Items	KLE650A7F, KLE650B7F
<b>Dimensions</b>	
Overall Length	2 125 mm (83.7 in.)
Overall Width	840 mm (33.1 in.)
Overall Height	1 315 mm (51.8 in.)
Wheelbase	1 415 mm (55.7 in.)
Road Clearance	180 mm (7.1 in.)
Seat Height	840 mm (33.1 in.)
Dry Mass:	
KLE650A7F	181 kg (399 lb)
KLE650B7F	184 kg (405 lb)
Curb Mass:	
Front:	
KLE650A7F	103 kg (227 lb)
KLE650B7F	103 kg (227 lb)
Rear:	
KLE650A7F	105 kg (232 lb)
KLE650B7F	104 kg (229 lb)
Fuel Tank Capacity	19 L (5.0 US gal)
<b>Performance</b>	
Minimum Turning Radius	2.7 m (8.8 ft)
<b>Engine</b>	
Type	4-stroke, DOHC, 2-cylinder
Cooling System	Liquid-cooled
Bore and Stroke	83 × 60 mm (3.3 × 2.4 in.)
Displacement	649 cm <sup>3</sup> (39.6 cu in.)
Compression Ratio	10.6 : 1
Maximum Horsepower	47.0 kW (64 PS) @8 000 r/min (rpm), (MY) 44.0kW (60 PS) @7 000 r/min (rpm), (CA) – – –
Maximum Torque	61 N·m (6.2 kgf·m, 114 ft·lb) @6 800 r/min (rpm), (MY)61 N·m (6.2 kgf·m, 114 ft·lb) @6 000 r/min (rpm), (CA) – – –
Carburetion System	FI (Fuel injection), KEIHIN TTK38 × 2
Starting System	Electric starter
Ignition System	Battery and coil (transistorized)
Timing Advance	Electronically advanced (digital igniter in ECU)
Ignition Timing	From 10° BTDC @1 300 r/min (rpm) to From 33° BTDC @5 000 r/min (rpm)
Spark Plug	NGK CR9EIA-9
Cylinder Numbering Method	Left to right, 1-2
Firing Order	1-2

**General Specifications**

Items	KLE650A7F, KLE650B7F
Valve Timing: Inlet: Open Close Duration Exhaust: Open Close Duration Lubrication System Engine Oil: Type Viscosity Capacity	25° (BTDC) 54° (ABDC) 260° 47° (BBDC) 25° (ATDC) 252° Forced lubrication (sem-dry sump) API SE, SF or SG API SH, SJ or SL with JASO MA SAE 10W-40 2.4 L (2.5 US qt)
<b>Drive Train</b> Primary Reduction System: Type Reduction Ratio Clutch Type Transmission: Type Gear Ratios: 1st 2nd 3rd 4th 5th 6th Final Drive System: Type Reduction Ratio Overall Drive Ratio	Gear 2.095 (88/42) Wet multi disc 6-speed, constant mesh, return shift 2.438 (39/16) 1.714 (36/21) 1.333 (32/24) 1.111 (30/27) 0.966 (28/29) 0.852 (23/27) Chain drive 3.067 (46/15) 5.473 @Top gear
<b>Frame</b> Type Caster (Rake Angle) Trail Front Tire: Type Size Rear Tire: Type Size	Tubular,diamond 25° 108 mm (4.2 in.) Tubeless 120/70 ZR17 MC (58W) Tubeless 160/60 ZR17 MC (69W)

## 1-10 GENERAL INFORMATION

### General Specifications

Items	KLE650A7F, KLE650B7F
Rim Size: Front Rear Front Suspension: Type Wheel Travel Rear Suspension: Type Wheel Travel Brake Type: Front Rear	17 × 3.50 17 × 4.50 Telescopic fork (upside-down) 150 mm (5.9 in.) Swingarm (uni-trak) 145 mm (5.7 in.) Dual discs Single disc
<b>Electrical Equipment</b> Battery Headlight: Type Bulb Tail/Brake Light Alternator: Type Rated Output	12 V 10 Ah Semi-sealed beam 12 V 55 W/55W (Hi/Lo) 12 V 0.5/3.7 W (LED) Three-phase AC 8 A/14 V @4 000 r/min (rpm)

Specifications are subject to change without notice, and may not apply to every country.

**Unit Conversion Table**

**Prefixes for Units:**

Prefix	Symbol	Power
mega	M	× 1 000 000
kilo	k	× 1 000
centi	c	× 0.01
milli	m	× 0.001
micro	μ	× 0.000001

**Units of Mass:**

kg	×	2.205	=	lb
g	×	0.03527	=	oz

**Units of Volume:**

L	×	0.2642	=	gal (US)
L	×	0.2200	=	gal (imp)
L	×	1.057	=	qt (US)
L	×	0.8799	=	qt (imp)
L	×	2.113	=	pint (US)
L	×	1.816	=	pint (imp)
mL	×	0.03381	=	oz (US)
mL	×	0.02816	=	oz (imp)
mL	×	0.06102	=	cu in

**Units of Force:**

N	×	0.1020	=	kg
N	×	0.2248	=	lb
kg	×	9.807	=	N
kg	×	2.205	=	lb

**Units of Length:**

km	×	0.6214	=	mile
m	×	3.281	=	ft
mm	×	0.03937	=	in

**Units of Torque:**

N·m	×	0.1020	=	kgf·m
N·m	×	0.7376	=	ft·lb
N·m	×	8.851	=	in·lb
kgf·m	×	9.807	=	N·m
kgf·m	×	7.233	=	ft·lb
kgf·m	×	86.80	=	in·lb

**Units of Pressure:**

kPa	×	0.01020	=	kgf/cm <sup>2</sup>
kPa	×	0.1450	=	psi
kPa	×	0.7501	=	cmHg
kgf/cm <sup>2</sup>	×	98.07	=	kPa
kgf/cm <sup>2</sup>	×	14.22	=	psi
cmHg	×	1.333	=	kPa

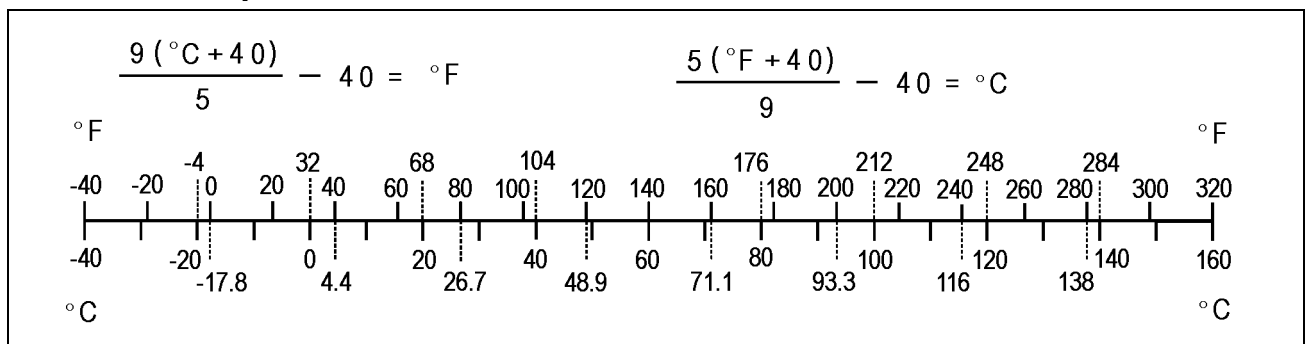
**Units of Speed:**

km/h	×	0.6214	=	mph
------	---	--------	---	-----

**Units of Power:**

kW	×	1.360	=	PS
kW	×	1.341	=	HP
PS	×	0.7355	=	kW
PS	×	0.9863	=	HP

**Units of Temperature:**







# Periodic Maintenance

## Table of Contents

Periodic Maintenance Chart .....	2-3
Torque and Locking Agent.....	2-6
Specifications .....	2-11
Special Tools .....	2-13
Periodic Maintenance Procedures.....	2-14
Fuel System (DFI).....	2-14
Air Cleaner Element Cleaning.....	2-14
Throttle Control System Inspection.....	2-15
Engine Vacuum Synchronization Inspection.....	2-16
Idle Speed Inspection .....	2-18
Idle Speed Adjustment.....	2-18
Fuel Hose Inspection (fuel leak, damage, installation condition).....	2-18
Cooling System.....	2-19
Coolant Level Inspection.....	2-19
Radiator Hose Damage and Installation Condition Inspection.....	2-19
Air Suction System .....	2-20
Air Suction System Damage Inspection.....	2-20
Engine Top End .....	2-20
Valve Clearance Inspection .....	2-20
Valve Clearance Adjustment.....	2-21
Clutch.....	2-25
Clutch Operation Inspection.....	2-25
Wheels/Tires .....	2-25
Air Pressure Inspection.....	2-25
Wheel/Tire Damage Inspection.....	2-26
Tire Tread Wear, Abnormal Wear Inspection .....	2-26
Wheel Bearing Damage Inspection .....	2-27
Drive Train .....	2-27
Drive Chain Lubrication Condition Inspection .....	2-27
Drive Chain Slack Inspection .....	2-28
Drive Chain Slack Adjustment .....	2-28
Wheel Alignment Inspection .....	2-29
Drive Chain Wear Inspection .....	2-30
Chain Guide Inspection.....	2-30
Brake System .....	2-31
Brake Fluid Leak (Brake Hose and Pipe) Inspection .....	2-31
Brake Hose and Pipe Damage and Installation Condition Inspection.....	2-31
Brake Operation Inspection .....	2-32
Brake Fluid Level Inspection.....	2-32
Brake Pad Wear Inspection .....	2-33
Brake Light Switch Operation Inspection .....	2-33
Suspensions .....	2-34
Front Forks/Rear Shock Absorber Operation Inspection .....	2-34
Front Fork Oil Leak Inspection.....	2-34
Rear Shock Absorber Oil Leak Inspection .....	2-34
Steering System .....	2-35
Steering Play Inspection .....	2-35
Steering Play Adjustment.....	2-35
Steering Stem Bearing Lubrication .....	2-36
Electrical System .....	2-37

## 2-2 PERIODIC MAINTENANCE

---

Lights and Switches Operation Inspection.....	2-37
Headlight Aiming Inspection .....	2-39
Sidestand Switch Operation Inspection .....	2-40
Engine Stop Switch Operation Inspection.....	2-41
Others .....	2-42
Chassis Parts Lubrication .....	2-42
Bolts, Nuts and Fasteners Tightness Inspection.....	2-43
Replacement Parts .....	2-44
Air Cleaner Element Replacement.....	2-44
Fuel Hose Replacement .....	2-44
Coolant Change .....	2-45
Radiator Hose and O-ring Replacement.....	2-47
Engine Oil Change.....	2-48
Oil Filter Replacement .....	2-48
Brake Hose and Pipe Replacement.....	2-49
Brake Fluid Change .....	2-50
Master Cylinder Rubber Parts Replacement .....	2-52
Caliper Rubber Parts Replacement .....	2-53
Spark Plug Replacement .....	2-55



## 2-4 PERIODIC MAINTENANCE

### Periodic Maintenance Chart

FREQUENCY	Whichever comes first ↓ Every	* ODOMETER READING × 1 000 km (× 1 000 mile)							See Page
		1 (0.6)	6 (4)	12 (7.5)	18 (12)	24 (15)	30 (20)	36 (24)	
<b>INSPECTION</b>									
Brake hose and pipe damage - inspect	year	•	•	•	•	•	•	•	2-31
Brake hose and pipe installation condition - inspect	year	•	•	•	•	•	•	•	2-31
Brake operation (effectiveness, play, no drag) - inspect	year	•	•	•	•	•	•	•	2-32
Brake fluid level - inspect	6 months	•	•	•	•	•	•	•	2-32
Brake pad wear - inspect #			•	•	•	•	•	•	2-33
Brake light switch operation - inspect		•	•	•	•	•	•	•	2-33
<b>Suspensions</b>									
Front forks/rear shock absorber operation (damping and smooth stroke) - inspect				•		•		•	2-34
Front forks/rear shock absorber oil leak - inspect	year			•		•		•	2-34
<b>Steering System</b>									
Steering play - inspect	year	•		•		•		•	2-35
Steering stem bearings - lubricate	2 years					•			2-36
<b>Electrical System</b>									
Lights and switches operation - inspect	year			•		•		•	2-37
Headlight aiming - inspect	year			•		•		•	2-39
Sidestand switch operation - inspect	year			•		•		•	2-40
Engine stop switch operation - inspect	year			•		•		•	2-41
<b>Others</b>									
Chassis parts - lubricate	year			•		•		•	2-42
Bolts and nuts tightness - inspect		•		•		•		•	2-43

#: Service more frequently when operating in severe conditions; dusty, wet, muddy, high speed or frequent starting/stopping.

\*: For higher odometer readings, repeat at the frequency interval established here.

**Periodic Maintenance Chart**

**Periodic Replacement Parts**

CHANGE/REPLACE ITEM	FREQUENCY	* ODOMETER READING					See Page
	Whichever comes first ↓ Every	1 (0.6)	12 (7.5)	24 (15)	36 (24)	48 (30)	
Air cleaner element #	2 years						2-44
Fuel hose	4 years					●	2-44
Coolant	3 years				●		2-45
Radiator hose and O-ring	3 years				●		2-47
Engine oil #	year	●	●	●	●	●	2-48
Oil filter	year	●	●	●	●	●	2-48
Brake hose and pipe	4 years					●	2-49
Brake fluid	2 years			●		●	2-50
Rubber parts of master cylinder and caliper	4 years					●	2-52, 2-53
Spark plug			●	●	●	●	2-55

#: Service more frequently when operating in severe conditions; dusty, wet, muddy, high speed or frequent starting/stopping.

\*: For higher odometer readings, repeat at the frequency interval established here.

## 2-6 PERIODIC MAINTENANCE

### Torque and Locking Agent

The following tables list the tightening torque for the major fasteners requiring use of a non-permanent locking agent or silicone sealant etc.

Letters used in the "Remarks" column mean:

AL: Tighten the two clamp bolts alternately two times to ensure even tightening torque.

EO: Apply engine oil.

L: Apply a non-permanent locking agent to the threads.

Lh: Left-hand Threads

MO: Apply molybdenum disulfide oil solution.

(mixture of the engine oil and molybdenum disulfide grease in a weight ratio 10 : 1)

R: Replacement Parts

S: Follow the specified tightening sequence.

Si: Apply silicone grease (ex. PBC grease).

SS: Apply silicone sealant.

Fastener	Torque			Remarks
	N·m	kgf·m	ft·lb	
<b>Fuel System (DFI)</b>				
Fuel Pump Bolts	9.8	1.0	87 in·lb	L, S
Right Switch Housing Screws	3.5	0.36	31 in·lb	
Sidestand Switch Bolt	3.9	0.40	35 in·lb	L
Crankshaft Sensor Bolts	6.0	0.61	53 in·lb	
Oxygen Sensor (Europe Models)	44.1	4.5	33	
Spark Plugs	15	1.5	11	
Speed Sensor Bolt	7.8	0.80	69 in·lb	
Timing Rotor Bolt	40	4.1	30	
Water Temperature Sensor	12	1.2	106 in·lb	
<b>Cooling System</b>				
Baffle Plate Bolts	5.9	0.60	52 in·lb	
Radiator Bolt	15	1.5	11	
Radiator Hose Clamp Screws	2.0	0.20	18 in·lb	
Thermostat Housing Bolts	9.8	1.0	87 in·lb	
Water Pump Cover Bolts	9.8	1.0	87 in·lb	
Water Pump Drain Bolt	9.8	1.0	87 in·lb	
Water Pump Impeller Bolt	9.8	1.0	87 in·lb	
Water Temperature Sensor	12	1.2	106 in·lb	
<b>Engine Top End</b>				
Air Suction Valve Cover Bolts	9.8	1.0	87 in·lb	
Baffle Plate Bolts	5.9	0.60	52 in·lb	
Camshaft Cap Bolts	12	1.2	106 in·lb	S
Camshaft Chain Tensioner Cap Bolt	20	2.0	15	
Camshaft Chain Tensioner Mounting Bolts	9.8	1.0	87 in·lb	
Camshaft Sprocket Bolts	15	1.5	11	L
Cylinder Head Bolts (M10)	56	5.7	41	MO, S
Cylinder Head Bolts (M6)	12	1.2	106 in·lb	S
Cylinder Head Cover Bolts	9.8	1.0	87 in·lb	
Rear Camshaft Chain Guide Bolts	20	2.0	15	L
Spark Plugs	15	1.5	11	

**Torque and Locking Agent**

Fastener	Torque			Remarks
	N·m	kgf·m	ft·lb	
Throttle Body Assy Holder Bolts	12	1.2	106 in·lb	
Cylinder Bolt (M8)	27.5	2.8	20	MO,S
Cylinder Nut (M10)	49	5.0	36	MO, S
Cylinder Bolts (M6)	12	1.2	106 in·lb	
Exhaust Pipe Manifold Holder Nuts	17	1.7	12	
Muffler Body Mounting Bolt (Front)	20	2.0	15	
Muffler Body Mounting Bolt (Rear)	20	2.0	15	
<b>Clutch</b>				
Clutch Cable Clamp Bolt	9.8	1.0	87 in·lb	
Clutch Cable Holder Bolts	9.8	1.0	87 in·lb	L
Clutch Cover Mounting Bolts	9.8	1.0	87 in·lb	
Clutch Hub Nut	130	13.3	96	
Clutch Lever Clamp Bolts	7.8	0.80	69 in·lb	S
Clutch Spring Bolts	9.8	1.0	87 in·lb	
Timing Rotor Bolt Cap	4.9	0.50	43 in·lb	
Oil Filler Plug	–	–	–	Hand-tighten
Oil Pump Chain Guide Bolts	12	1.2	106 in·lb	L (1)
Oil Pump Sprocket Bolt	12	1.2	106 in·lb	L, Lh
Timing Inspection Cap	3.9	0.40	35 in·lb	
<b>Engine Lubrication System</b>				
Engine Oil Drain Bolt	30	3.1	22	
Filter Plate Bolts	9.8	1.0	87 in·lb	L
Holder Mounting Bolt	25	2.5	18	L
Lower Fairing Bracket Bolts	12	1.2	106 in·lb	L
Oil Filter	17.5	1.8	13	EO, R
Oil Pan Bolts	12	1.2	106 in·lb	
Oil Passage Plug	20	2.0	15	L
Oil Pipe Plate Bolt	9.8	1.0	87 in·lb	L
Oil Plate Bolts	9.8	1.0	87 in·lb	L
Oil Pressure Relief Valve	15	1.5	11	L
Oil Pressure Switch	15	1.5	11	SS
Oil Pump Chain Guide Bolts	12	1.2	106 in·lb	L (1)
Oil Pump Cover Bolts	9.8	1.0	87 in·lb	L
Oil Pump Sprocket Bolt	12	1.2	106 in·lb	L, Lh
<b>Engine Removal/Installation</b>				
Engine Mounting Bracket Bolts	25	2.5	18	S
Front Engine Mounting Bolts	44	4.5	32	S
Rear Engine Mounting Nuts	44	4.5	32	S
<b>Crankshaft/Transmission</b>				
Breather Plate Bolts	9.8	1.0	87 in·lb	L
Race Holder Screw	4.9	0.50	43 in·lb	L
Connecting Rod Big End Nuts	see Text	←	←	
Crankcase Bolt (M8, L = 110 mm)	27.5	2.8	20	S

## 2-8 PERIODIC MAINTENANCE

### Torque and Locking Agent

Fastener	Torque			Remarks
	N·m	kgf·m	ft·lb	
Crankcase Bolt (M6, L = 32 mm)	19.6	2.0	14	S
Crankcase Bolts (M6, L = 38 mm)	19.6	2.0	14	S
Crankcase Bolts (M6, L = 45 mm)	19.6	2.0	14	S
Crankcase Bolts (M8, L = 50 mm)	27.5	2.8	20	S
Crankcase Bolts (M8, L = 60 mm)	35	3.6	26	MO, S
Crankcase Bolts (M8, L = 73 mm)	35	3.6	26	MO, S
Crankcase Bolts (M9, L = 113 mm)	44	4.5	32	MO, S
Crankcase Bolts (M9, L = 83 mm)	44	4.5	32	MO, S
Upper Crankcase Bolt (M8, L = 120 mm)	27.5	2.8	20	S
Upper Crankcase Bolts (M8, L = 110 mm)	27.5	2.8	20	S
Oil Pipe Bolts	9.8	1.0	87 in·lb	L
Oil Plate Bolts	9.8	1.0	87 in·lb	L
Shift Shaft Return Spring Pin	29	3.0	21	L
Timing Rotor Bolt	40	4.1	30	
Drive Shaft Bearing Holder Screw	4.9	0.50	43 in·lb	L
Gear Positioning Lever Bolt	12	1.2	106 in·lb	L
Neutral Switch	15	1.5	11	
Neutral Switch Holder Screw	4.9	0.50	43 in·lb	L
Oil Jet Nozzle	2.9	0.30	26 in·lb	L
Shift Drum Bearing Holder Screws	4.9	0.50	43 in·lb	L
Shift Drum Cam Bolt	12	1.2	106 in·lb	L
Shift Lever Bolt	12	1.2	106 in·lb	L
Shift Rod Plate Bolt	9.8	1.0	87 in·lb	L
Shift Shaft Cover Bolts	9.8	1.0	87 in·lb	L (3)
Shift Shaft Cover Screw	4.9	0.50	43 in·lb	L
Transmission Case Bolts	20	2.0	15	
<b>Wheels/Tires</b>				
Front Axle	108	11.0	80	
Front Axle Clamp Bolt	20	2.0	15	
Rear Axle Nut	108	11.0	80	
<b>Final Drive</b>				
Engine Sprocket Nut	125	12.7	92	MO
Rear Axle Nut	108	11.0	80	
Rear Sprocket Nuts	59	6.0	44	
Speed Sensor Bolt	7.8	0.80	69 in·lb	L
Speed Sensor Bracket Bolts	9.8	1.0	87 in·lb	
<b>Brakes</b>				
Bleed Valve	7.8	0.80	69 in·lb	
Brake Hose Banjo Bolts	25	2.5	18	
Brake Lever Pivot Bolt	1.0	0.10	9 in·lb	Si
Brake Lever Pivot Bolt Locknut	5.9	0.60	52 in·lb	
Front Brake Disc Mounting Bolts	27	2.8	20	L
Front Brake Light Switch Screw	1.0	0.10	9 in·lb	



**Torque and Locking Agent**

Fastener	Torque			Remarks
	N·m	kgf·m	ft·lb	
Front Brake Reservoir Cap Screws	1.5	0.15	13 in·lb	
Front Caliper Mounting Bolts	34	3.5	25	
Front Master Cylinder Clamp Bolts	8.8	0.90	78 in·lb	
Bleed Valve	7.8	0.80	69 in·lb	
Brake Hose Banjo Bolts	25	2.5	18	
Brake Pedal Bolt	8.8	0.90	78 in·lb	
Rear Brake Disc Mounting Bolts	27	2.8	20	L
Rear Caliper Mounting Bolts	25	2.5	18	
Rear Master Cylinder Mounting Bolts	25	2.5	18	
Rear Master Cylinder Push Rod Locknut	18	1.8	13	
Brake Pipe Joint Nuts (KLE650B Models)	18	1.8	13	
<b>Suspension</b>				
Front Axle Clamp Bolt	20	2.0	15	
Front Fork Bottom Allen Bolts	20	2.0	15	
Front Fork Clamp Bolts (Lower)	29	3.0	21	AL
Front Fork Clamp Bolts (Upper)	20	2.0	15	
Front Fork Top Plugs	35	3.6	26	
Piston Rod Nuts	20	2.0	15	
Rear Shock Absorber Bolt (Upper)	59	6.0	44	
Rear Shock Absorber Nut (Lower)	59	6.0	44	
Swingarm Pivot Shaft Nut	108	11.0	80	
<b>Steering</b>				
Front Fork Clamp Bolts (Lower)	29	3.0	21	AL
Front Fork Clamp Bolts (Upper)	20	2.0	15	
Upper Handlebar Holder Bolts	25	2.5	18	S
Lower Handlebar Holder Bolts	25	2.5	18	
Left Switch Housing Screws	3.5	0.36	31 in·lb	
Right Switch Housing Screws	3.5	0.36	31 in·lb	
Steering Stem Head Bolt	108	11.0	80	
Steering Stem Nut	20	2.0	15	
<b>Frame</b>				
Footpeg Holder Bolts	34	3.5	25	L
Front Footpeg Stay Bolts	25	2.5	18	
Rear Footpeg Stay Bolts	25	2.5	18	
Sidestand Bolt	44	4.5	32	
Sidestand Switch Bolt	3.9	0.40	35 in·lb	L
Lower Fairing Mounting Bolts	8.8	0.90	78 in·lb	
Windshield Mounting Bolts	0.40	0.041	3.5 in·lb	
Tandem Grip Mounting Bolts	25	2.5	18	
<b>Electrical System</b>				
Tail/Brake Light Mounting Bolts	1.2	0.12	11 in·lb	
License Plate Light Cover Screws	0.90	0.090	8 in·lb	
License Plate Light Mounting Screws	1.2	0.12	11 in·lb	

## 2-10 PERIODIC MAINTENANCE

### Torque and Locking Agent

Fastener	Torque			Remarks
	N·m	kgf·m	ft·lb	
Turn Signal Light Lens Screws	1.0	0.10	9 in·lb	
Alternator Cover Bolts	9.8	1.0	87 in·lb	
Alternator Lead Holding Plate Bolt	9.8	1.0	87 in·lb	L
Alternator Rotor Bolt	155	15.8	114	MO
Engine Ground Cable Terminal Bolt	9.8	1.0	87 in·lb	
Front Brake Light Switch Screw	1.2	0.12	11 in·lb	
Left Switch Housing Screws	3.5	0.36	31 in·lb	
Right Switch Housing Screws	3.5	0.36	31 in·lb	
Sidestand Switch Bolt	3.9	0.40	35 in·lb	L
Starter Motor Cable Terminal Nut	6.0	0.61	53 in·lb	
Starter Motor Clutch Bolts	34	3.5	25	L
Starter Motor Mounting Bolts	9.8	1.0	87 in·lb	L
Starter Motor Terminal Locknut	11	1.1	97 in·lb	
Starter Motor Through Bolts	4.9	0.50	43 in·lb	
Stator Coil Bolts	12	1.2	106 in·lb	L
Crankshaft Sensor Bolts	6.0	0.61	53 in·lb	
Neutral Switch	15	1.5	11	
Oil Pressure Switch	15	1.5	11	SS
Oxygen Sensor (Europe Models)	44.1	4.50	32.5	
Spark Plugs	15	1.5	11	
Speed Sensor Bolt	7.8	0.80	69 in·lb	L
Timing Rotor Bolt	40	4.1	30	
Water Temperature Sensor	12	1.2	106 in·lb	
Fuel Level Sensor Bolts	6.9	0.70	61 in·lb	L

The table below, relating tightening torque to thread diameter, lists the basic torque for the bolts and nuts. Use this table for only the bolts and nuts which do not require a specific torque value. All of the values are for use with dry solvent-cleaned threads.

### Basic Torque for General Fasteners

Threads Diameter (mm)	Torque		
	N·m	kgf·m	ft·lb
5	3.4 ~ 4.9	0.35 ~ 0.50	30 ~ 43 in·lb
6	5.9 ~ 7.8	0.60 ~ 0.80	52 ~ 69 in·lb
8	14 ~ 19	1.4 ~ 1.9	10.0 ~ 13.5
10	25 ~ 34	2.6 ~ 3.5	19.0 ~ 25
12	44 ~ 61	4.5 ~ 6.2	33 ~ 45
14	73 ~ 98	7.4 ~ 10.0	54 ~ 72
16	115 ~ 155	11.5 ~ 16.0	83 ~ 115
18	165 ~ 225	17.0 ~ 23.0	125 ~ 165
20	225 ~ 325	23.0 ~ 33.0	165 ~ 240

**Specifications**

Item	Standard	Service Limit
<b>Fuel System (DFI)</b>		
Throttle Grip Free Play	2 ~ 3 mm (0.08 ~ 0.12 in.)	---
Idle Speed	1 300 ±50 r/min (rpm)	---
Bypass Screws (Turn Out)	0 ~ 2 1/2 (for reference)	---
Engine Vacuum	37.9 ±1.3 kPa (285 ±10 mmHg)	---
Air Cleaner Element	Polyurethane Foam	---
<b>Cooling System</b>		
Coolant:		
Type (recommended)	Permanent type of antifreeze	---
Color	Green	---
Mixed Ratio	Soft water 50%, Coolant 50%	---
Freezing Point	-35°C (-31°F)	---
Total Amount	1.2 L (1.3 US qt)	---
<b>Engine Top End</b>		
Valve Clearance:		
Exhaust	0.22 ~ 0.31 mm (0.0087 ~ 0.0122 in.)	---
Inlet	0.15 ~ 0.21 mm (0.0059 ~ 0.0083 in.)	---
<b>Clutch</b>		
Clutch Lever Free Play	2 ~ 3 mm (0.08 ~ 0.12 in.)	---
<b>Engine Lubrication System</b>		
Engine Oil:		
Type	API SE, SF or SG API SH, SJ or SL with JASO MA	---
Viscosity	SAE 10W-40	---
Capacity	1.7 L (1.8 US qt) (when filter is not removed) 1.9 L (2.0 US qt) (when filter is removed) 2.4 L (2.5 US qt) (when engine is completely dry)	---
Level	Between upper and lower level lines (after idling or running)	---
<b>Wheels/Tires</b>		
Tread Depth:		
Front	6.5 mm (0.26 in.)	1 mm (0.04 in.), (AT, CH, DE) 1.6 mm (0.06 in.)
Rear	9.0 mm (0.35 in.)	Up to 130 km/h (80 mph): 2 mm (0.08 in.), Over 130 km/h (80 mph): 3 mm (0.12 in.)
Air Pressure (when Cold):		
Front	Up to 180 kg (397 lb) load: 225 kPa (2.25 kgf/cm <sup>2</sup> , 32 psi)	---
Rear	Up to 180 kg (397 lb) load: 250 kPa (2.50 kgf/cm <sup>2</sup> , 36 psi)	---

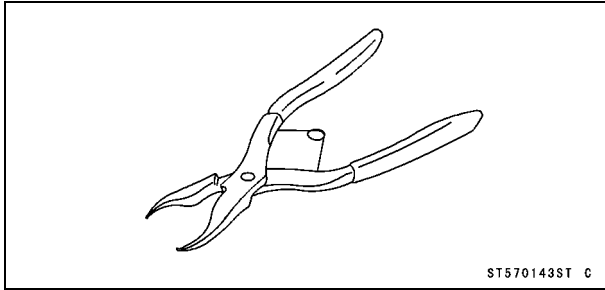
## 2-12 PERIODIC MAINTENANCE

### Specifications

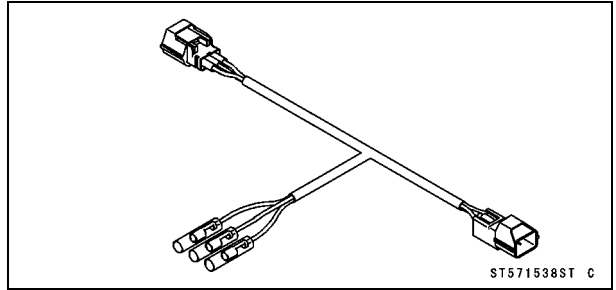
Item	Standard	Service Limit
<b>Final Drive</b>		
Drive Chain Slack	25 ~ 35 mm (1.0 ~ 1.4 in.)	---
Drive Chain Wear (20-link Length)	317.5 ~ 318.2 mm (12.50 ~ 12.53 in.)	323 mm (12.7 in.)
Standard Chain:		
Make	ENUMA	---
Type	EK520MVXL1	---
Link	114 links	---
<b>Brakes</b>		
Brake Fluid:		
Grade	DOT4	---
Brake Pad Lining Thickness:		
Front	4.5 mm (0.18 in.)	1 mm (0.04 in.)
Rear	5.0 mm (0.20 in.)	1 mm (0.04 in.)
Brake Light Timing:		
Front	Pulled ON	---
Rear	ON after about 10 mm (0.39 in.) of pedal travel	---
<b>Electrical System</b>		
Spark Plug:		
Type	NGK CR9EIA-9	---

Special Tools

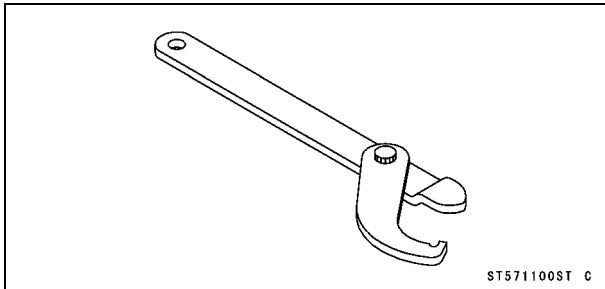
Inside Circlip Pliers:  
57001-143



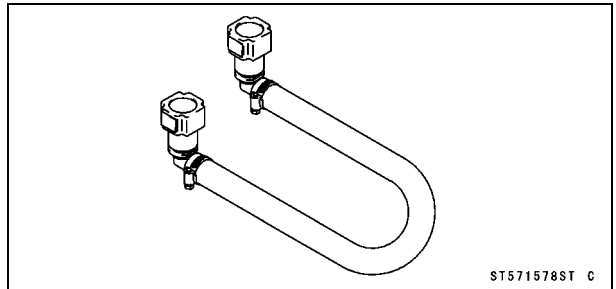
Throttle Sensor Setting Adapter:  
57001-1538



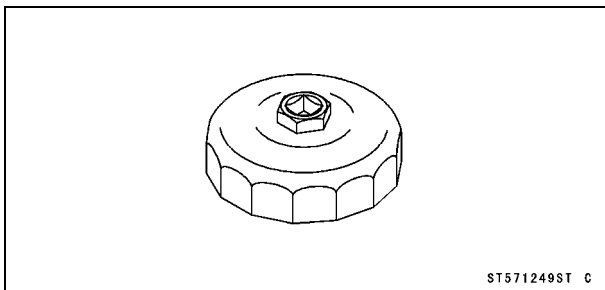
Steering Stem Nut Wrench:  
57001-1100



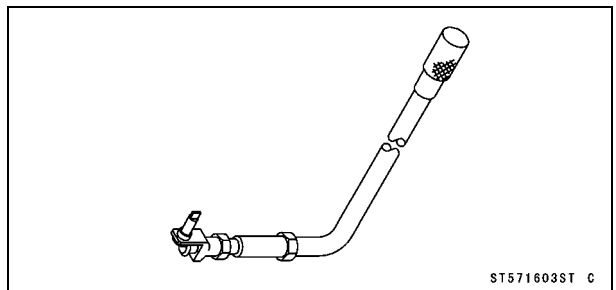
Extension Tube:  
57001-1578



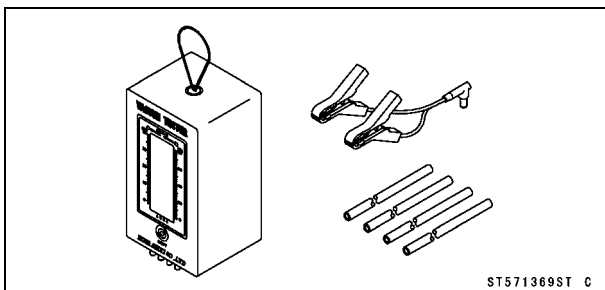
Oil Filter Wrench:  
57001-1249



Pilot Screw Adjuster, E:  
57001-1603



Vacuum Gauge:  
57001-1369



## 2-14 PERIODIC MAINTENANCE

### Periodic Maintenance Procedures

#### Fuel System (DFI)

##### Air Cleaner Element Cleaning

###### NOTE

- In dusty areas, the element should be cleaned more frequently than the recommended interval.
- After riding through rain or on muddy roads, the element should be cleaned immediately.

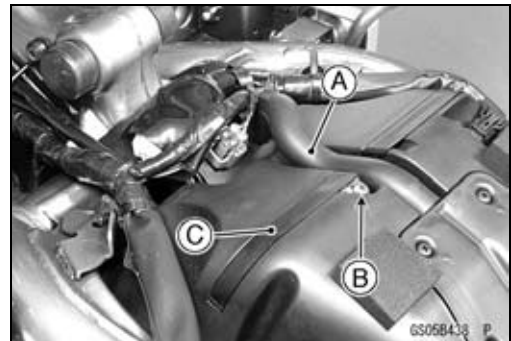
###### ⚠ WARNING

If dirt or dust is allowed to pass through into the throttle assy, the throttle may become stuck, possibly causing accident.

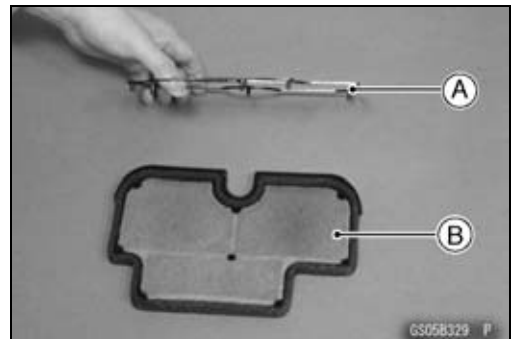
###### CAUTION

If dirt gets through into the engine, excessive engine wear and possibly engine damage will occur.

- Remove:
  - Fuel Tank (see Fuel Tank Removal in the Fuel System (DFI) chapter)
  - Air Switching Valve Hose [A]
  - Air Cleaner Element Screw [B]
  - Air Cleaner Element [C]

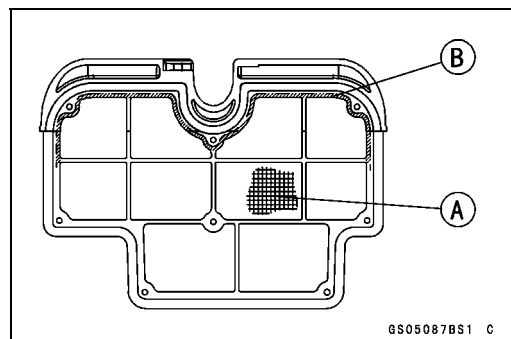


- Remove:
  - Upper Plastic Holder [A]
  - Element [B]



###### NOTE

- The wire screen [A] is fastened with an adhesive for the shaded portion [B]. Do not remove the wire screen.



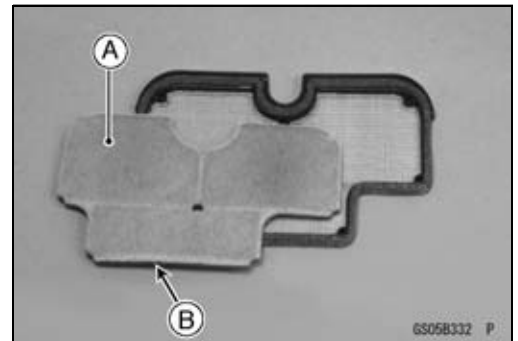
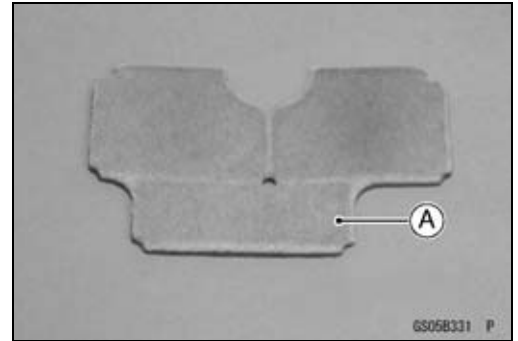
Periodic Maintenance Procedures

**⚠ WARNING**

Clean the element in a well-ventilated area, and make sure that there are no sparks or flame anywhere near the working area.

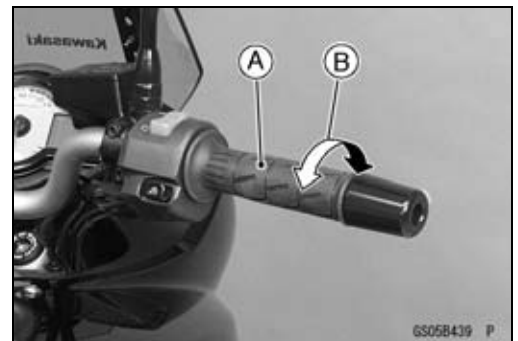
Because of the danger of highly flammable liquids, do not use gasoline or a low-flash point solvent to clean the element.

- Clean the element [A] in a bath of high-flash point solvent, and then dry it with compressed air or by shaking it.
- After cleaning, saturate a clean, lint-free towel with SE, SF, or SG class SAE 30 oil and apply the oil to the element by tapping the element outside with the towel.
- Visually check the element for tears or breaks.
- If the element has any tears or breaks, replace the element.
  
- Install the element unit [A] with the foam element side (gray) [B] facing down.



**Throttle Control System Inspection**

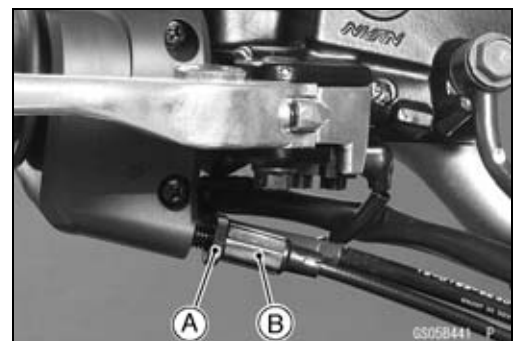
- Check that the throttle grip [A] moves smoothly from full open to close, and the throttle closes quickly and completely by the return spring in all steering positions.
- ★ If the throttle grip doesn't return properly, check the throttle cable routing, grip free play, and cable damage. Then lubricate the throttle cable.
- Check the throttle grip free play [B].
- ★ If the free play is incorrect, adjust the throttle cable.



**Throttle Grip Free Play**

Standard: 2 ~ 3 mm (0.08 ~ 0.12 in.)

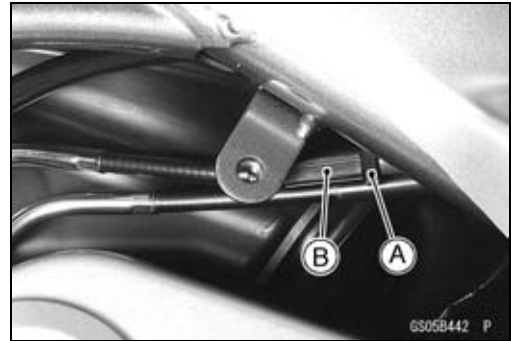
- ★ If necessary, adjust the throttle cable as follows.
- Loosen the locknut [A] at the upper end of the accelerator cable.
- Turn the adjuster [B] in completely so as to give the throttle grip plenty of play.



## 2-16 PERIODIC MAINTENANCE

### Periodic Maintenance Procedures

- Loosen the locknut [A] at the middle of the decelerator cable.
- Turn the adjuster [B] until there is no play when the throttle grip is completely closed.
- Tighten the locknut.
- Turn the accelerator cable adjuster until the proper amount of throttle grip free play is obtained.
- Tighten the locknut.

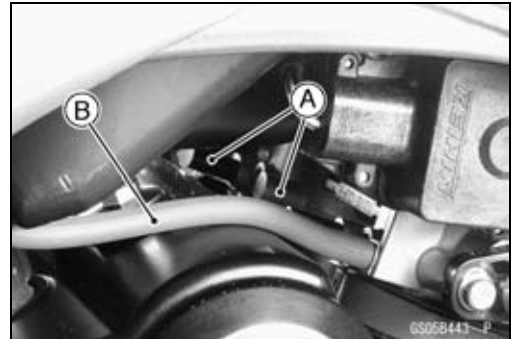


### Engine Vacuum Synchronization Inspection

#### NOTE

○ These procedures are explained on the assumption that the inlet and exhaust systems of the engine are in good condition.

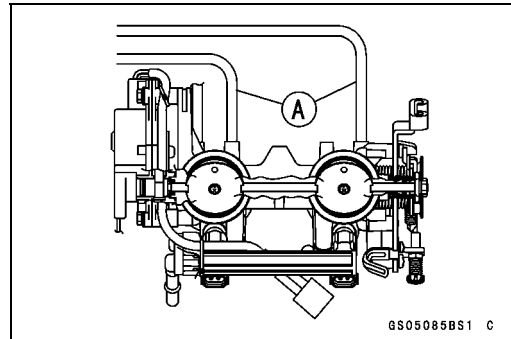
- Situate the motorcycle so that it is vertical.
- Pull off the rubber caps [A] from the fitting of each throttle body.



#### CAUTION

**Do not remove the inlet air pressure sensor hose [B] on the left fitting of the throttle body.**

- Connect a vacuum gauge (special tool) and hoses [A] to the fittings of the throttle body as shown.
- Special Tool - Vacuum Gauge: 57001-1369**
- Connect a highly accurate tachometer to one of the stick coil primary leads.

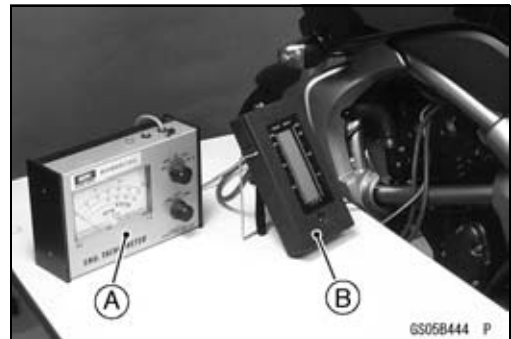


- Start the engine and warm it up thoroughly.
  - Check the idle speed, using a highly accurate tachometer [A].
  - Open and close the throttle.
- ★ If the idle speed is out of the specified range, adjust it.

#### CAUTION

**Do not measure the idle speed by the tachometer of the meter unit.**

- While idling the engine, inspect the engine vacuum, using the vacuum gauge [B].



#### Engine Vacuum

**Standard: 37.9 ±1.3 kPa (285 ±10 mmHg) at Idle Speed  
1 300 ±50 r/min (rpm)**



**Periodic Maintenance Procedures**

★ If any one vacuum is not within the specification, turn in the bypass screws until it seats fully but not tightly.

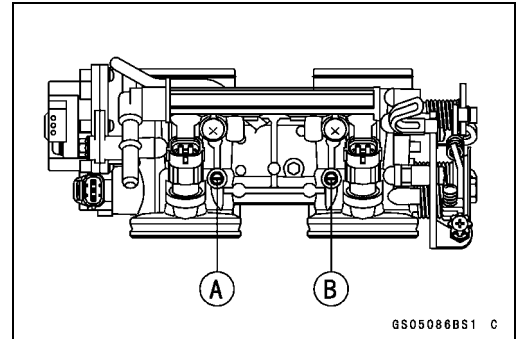
**Special Tool - Pilot Screw Adjuster, E [A]: 57001-1603**

**CAUTION**

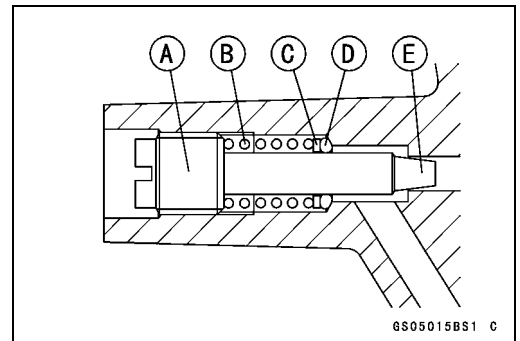
**Do not over tighten them. They could be damaged, requiring replacement.**



- Turn out the bypass screw of the higher vacuum between #1 [A] and #2 [B] to the lower vacuum.
- Open and close the throttle valves after each measurement and adjust the idle speed as necessary.
- Inspect the vacuums as before.
- ★ If both vacuums are within the specification, finish the engine vacuum synchronization.
- ★ If any vacuum can not be adjusted within the specification, remove the bypass screws #1, #2 and clean them.



- Remove the bypass screw [A], spring [B], washer [C] and O-ring [D].
- Check the bypass screw and its hole for carbon deposits.
- ★ If any carbon accumulates, wipe the carbon off the bypass screw and the hole, using a cotton pad penetrated with a high-flash point solvent.
- Replace the O-ring with a new one.
- Check the tapered portion [E] of the bypass screw for wear or damage.
- ★ If the bypass screw is worn or damaged, replace it.
- Turn in the bypass screw until it seats fully but not tightly.



- Repeat the same procedure for other bypass screws.
- Repeat the synchronization.
- ★ If the vacuums are correct, check the output voltage of the main throttle sensor (see Main Throttle Sensor Output Voltage Inspection in the Fuel System (DFI) chapter).

**Special Tool - Throttle Sensor Setting Adapter: 57001-1538**

**Main Throttle Sensor Output Voltage  
Connections to Adapter**

**Meter (+) → R (Sensor Y/W) lead**

**Meter (-) → W (Sensor BR/BK) lead**

**Standard: DC 1.005 ~ 1.035 V (at idle throttle opening)**

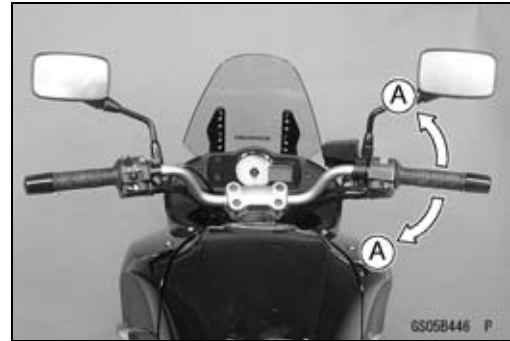
- ★ If the output voltage is out of the range, check the throttle input voltage (see Main Throttle Sensor Input Voltage Inspection in the Fuel System (DFI) chapter).
- Remove the vacuum gauge hoses and install the vacuum hoses and rubber caps.

## 2-18 PERIODIC MAINTENANCE

### Periodic Maintenance Procedures

#### Idle Speed Inspection

- Start the engine and warm it up thoroughly.
- With the engine idling, turn the handlebar to both sides [A].
- ★ If handlebar movement changes the idle speed, the throttle cables may be improperly adjusted or incorrectly routed or damaged. Be sure to correct any of these conditions before riding (see Throttle Control System Inspection or Cable, Wire, and Hose Routing section in the Appendix chapter).



#### **⚠ WARNING**

Operation with improperly adjusted, incorrectly routed or damaged cables could result in an unsafe riding condition.

- Check idle speed.
- ★ If the idle speed is out of the specified range, adjust it.

#### Idle Speed

Standard: 1 300 ±50 r/min (rpm)

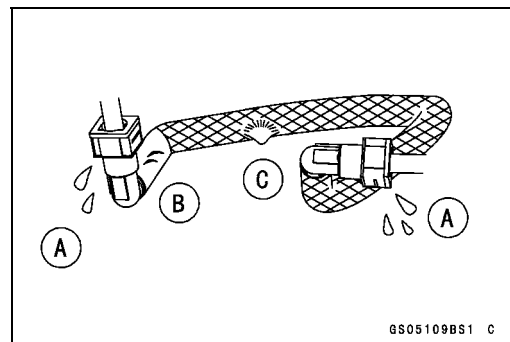
#### Idle Speed Adjustment

- Start the engine and warm it up thoroughly.
- Turn the adjusting screw [A] until the idle speed is correct.
- Open and close the throttle a few times to make sure that the idle speed is within the specified range. Readjust if necessary.

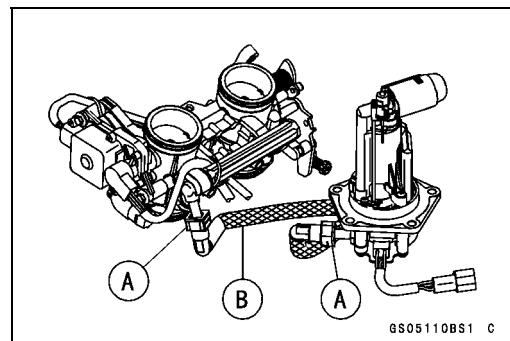


#### Fuel Hose Inspection (fuel leak, damage, installation condition)

- If the motorcycle is not properly handled, the high pressure inside the fuel line can cause fuel to leak [A] or the hose to burst. Remove the fuel tank (see Fuel Tank Removal in the Fuel System (DFI) chapter) and check the fuel hose.
- ★ Replace the fuel hose if any fraying, cracks [B] or bulges [C] are noticed.



- Check that the hoses are routed according to Cable, Wire, and Hose Routing section in the Appendix chapter.
  - ★ Replace the hose if it has been sharply bent or kinked.
- Hose Joints [A]  
Fuel Hose [B]

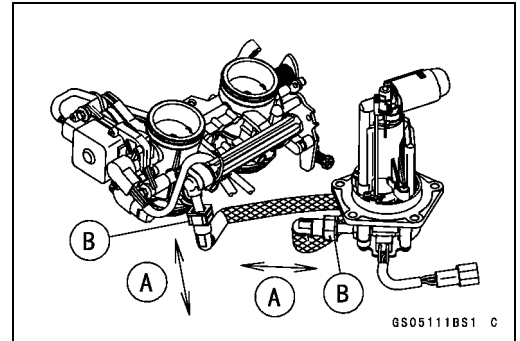


**Periodic Maintenance Procedures**

- Check that the hose joints are securely connected.
- Push and pull [A] the hose joint [B] back and forth more than two times, and make sure it is locked.
- ★ If it does not locked, reinstall the hose joint.

**⚠ WARNING**

**Make sure the hose joint is installed correctly on the delivery pipe by sliding the joint, or the fuel could leak.**



**Cooling System**

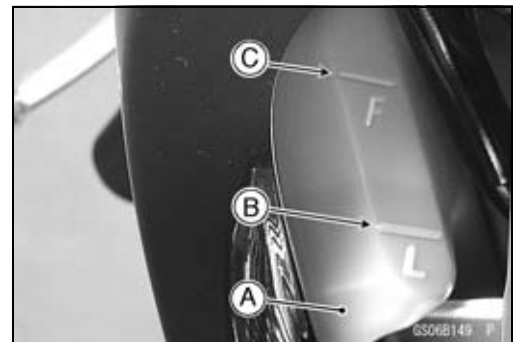
**Coolant Level Inspection**

**NOTE**

○ Check the level when the engine is cold (room or ambient temperature).

- Check the coolant level in the reserve tank [A] with the motorcycle held perpendicular (do not use the sidestand).
- ★ If the coolant level is lower than the “L” level line [B], remove the right middle fairing (see Middle Fairing Removal in the Frame chapter) and unscrew the reserve tank cap, and add coolant to the “F” level line [C].

“L”: low  
“F”: full



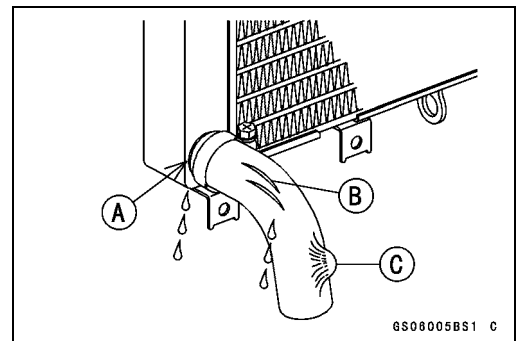
**CAUTION**

**For refilling, add the specified mixture of coolant and soft water. Adding water alone dilutes the coolant and degrades its anticorrosion properties. The diluted coolant can attack the aluminum engine parts. In an emergency, soft water alone can be added. But the diluted coolant must be returned to the correct mixture ratio within a few days. If coolant must be added often or the reservoir tank has run completely dry, there is probably leakage in the cooling system. Check the system for leaks. Coolant ruins painted surfaces. Immediately wash away any coolant that spills on the frame, engine, wheels or other painted parts.**

**Radiator Hose Damage and Installation Condition Inspection**

- The high pressure inside the radiator hose and pipe can cause coolant to leak [A] or the hose to burst if the line is not properly maintained.
- Visually inspect the hoses for signs of deterioration. Squeeze the hoses. A hose should not be hard and brittle, nor should it be soft or swollen.
- ★ Replace the hose if any fraying, cracks [B] or bulges [C] are noticed.
- Check that the hoses are securely connected and clamps are tightened correctly.

**Torque - Radiator Hose Clamp Screws: 2.0 N·m (0.20 kgf·m, 18 in·lb)**



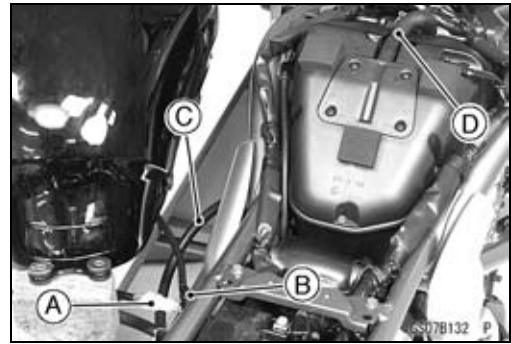
## 2-20 PERIODIC MAINTENANCE

### Periodic Maintenance Procedures

#### Air Suction System

##### Air Suction System Damage Inspection

- Remove:
    - Fuel Tank (see Fuel Tank Removal in the Fuel System chapter)
    - Fuel Hose (see Fuel Hose Replacement)
  - Connect the following parts temporary.
    - Fuel Pump Lead Connector [A]
    - Fuel Level Sensor Lead Connector [B]
    - Extension Tube [C]
- Special Tool - Extension Tube: 57001-1578**
- Pull the air switching valve hose [D] out of the air cleaner housing.
  - Start the engine and run it at idle speed.
  - Plug [A] the air switching valve hose end with your finger and feel vacuum pulsing in the hose.
  - ★ If there is no vacuum pulsation, check the hose line for leak. If there is no leak, check the air switching valve (see Air Switching Valve Unit Test in the Electrical System chapter) or air suction valve (see Air Suction Valve Inspection in the Engine Top End chapter).



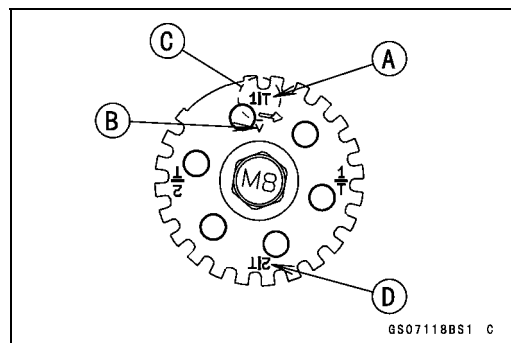
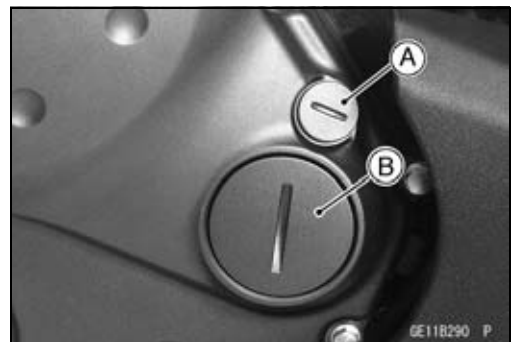
#### Engine Top End

##### Valve Clearance Inspection

###### NOTE

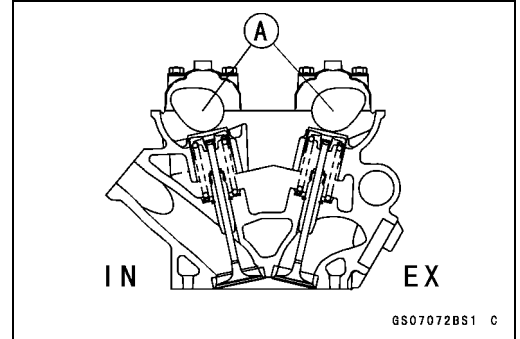
○ Valve clearance must be checked and adjusted when the engine is cold (room temperature).

- Remove:
  - Cylinder Head Cover (see Cylinder Head Cover Removal in the Engine Top End chapter)
  - Timing Inspection Cap [A]
  - Timing Rotor Bolt Cap [B]
- Check the valve clearance when the pistons are at TDC.
- The pistons are numbered beginning with the engine left side.
- Using a wrench on the timing rotor bolt, turn the crankshaft clockwise until the 1/T mark line [A] on the timing rotor is aligned with the notch [B] in the edge of the timing inspection hole [C] in the clutch cover for #1 piston and 2/T mark line [D] for #2 piston.



**Periodic Maintenance Procedures**

- Measure the valve clearance of the valves for which the cams [A] are turned away from each other.



- Using the thickness gauge [A], measure the valve clearance between cam and valve lifter.

**Valve Clearance**

**Standard:**

- Exhaust** 0.22 ~ 0.31 mm (0.0087 ~ 0.0122 in.)
- Inlet** 0.15 ~ 0.21 mm (0.0059 ~ 0.0083 in.)



- Each piston has two inlet and two exhaust valves. Measure these two inlet or exhaust valves at the same crankshaft position.

**NOTE**

- *Check the valve clearance using this method only. Checking the clearance at any other cam position may result in improper valve clearance.*

**Valve Clearance Measuring Position**

**#1 Piston TDC at End of Compression Stroke:**

- Inlet valve clearances of #1 piston, and**
- Exhaust valve clearances of #1 piston**

**#2 Piston TDC at End of Compression Stroke:**

- Inlet valve clearances of #2 piston, and**
- Exhaust valve clearances of #2 piston**

- ★ If the valve clearance is not within the specified range, first record the clearance, and adjust it.

**Valve Clearance Adjustment**

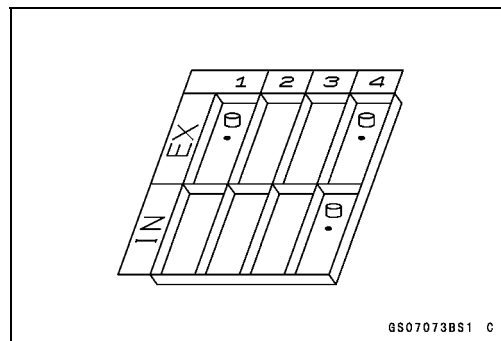
- To change the valve clearance, remove the camshaft chain tensioner, camshafts and valve lifters. Replace the shim with one of a different thickness.

## 2-22 PERIODIC MAINTENANCE

### Periodic Maintenance Procedures

#### NOTE

- Mark and record the valve lifter and shim locations so they can be reinstalled in their original positions.
- If there is no clearance, select a shim which is several sizes smaller and then measure the clearance.



- To select a new shim which brings the valve clearance within the specified range, refer to the Valve Clearance Adjustment Charts.
- Apply a thin coat of molybdenum disulfide grease to the valve lifters.
- Install the camshafts. Be sure to time the camshafts properly (see Camshaft Installation in the Engine Top End chapter).
- Remeasure any valve clearance that was adjusted. Readjust if necessary.

#### CAUTION

**Do not put shim stock under the shim. This may cause the shim to pop out at high rpm, causing extensive engine damage.**

**Do not grind the shim. This may cause it to fracture, causing extensive engine damage.**

Periodic Maintenance Procedures

VALVE CLEARANCE ADJUSTMENT CHART INLET VALVE

		PRESENT SHIM																Example					
PART No. (92180-)		1014	1016	1018	1020	1022	1024	1026	1028	1030	1032	1034	1036	1038	1040	1042	1044	1046	1048	1050	1052	1054	
MARK		50	55	60	65	70	75	80	85	90	95	00	05	10	15	20	25	30	35	40	45	50	
THICKNESS (mm)		2.50	2.55	2.60	2.65	2.70	2.75	2.80	2.85	2.90	2.95	3.00	3.05	3.10	3.15	3.20	3.25	3.30	3.35	3.40	3.45	3.50	
VALVE CLEARANCE MEASUREMENT	0.00~0.01	-	-	-	-	2.50	2.55	2.60	2.65	2.70	2.75	2.80	2.85	2.90	2.95	3.00	3.05	3.10	3.15	3.20	3.25	3.30	
	0.02~0.06	-	-	-	2.50	2.55	2.60	2.65	2.70	2.75	2.80	2.85	2.90	2.95	3.00	3.05	3.10	3.15	3.20	3.25	3.30	3.35	
	0.07~0.11	-	-	2.50	2.55	2.60	2.65	2.70	2.75	2.80	2.85	2.90	2.95	3.00	3.05	3.10	3.15	3.20	3.25	3.30	3.35	3.40	
	0.12~0.14	-	2.50	2.55	2.60	2.65	2.70	2.75	2.80	2.85	2.90	2.95	3.00	3.05	3.10	3.15	3.20	3.25	3.30	3.35	3.40	3.45	
	0.15~0.21	SPECIFIED CLEARANCE/NO CHANGE REQUIRED																					
	0.22~0.24	2.55	2.60	2.65	2.70	2.75	2.80	2.85	2.90	2.95	3.00	3.05	3.10	3.15	3.20	3.25	3.30	3.35	3.40	3.45	3.50		
	0.25~0.29	2.60	2.65	2.70	2.75	2.80	2.85	2.90	2.95	3.00	3.05	3.10	3.15	3.20	3.25	3.30	3.35	3.40	3.45	3.50			
	0.30~0.34	2.65	2.70	2.75	2.80	2.85	2.90	2.95	3.00	3.05	3.10	3.15	3.20	3.25	3.30	3.35	3.40	3.45	3.50				
	0.35~0.39	2.70	2.75	2.80	2.85	2.90	2.95	3.00	3.05	3.10	3.15	3.20	3.25	3.30	3.35	3.40	3.45	3.50					
	0.40~0.44	2.75	2.80	2.85	2.90	2.95	3.00	3.05	3.10	3.15	3.20	3.25	3.30	3.35	3.40	3.45	3.50						
	0.45~0.49	2.80	2.85	2.90	2.95	3.00	3.05	3.10	3.15	3.20	3.25	3.30	3.35	3.40	3.45	3.50							
	0.50~0.54	2.85	2.90	2.95	3.00	3.05	3.10	3.15	3.20	3.25	3.30	3.35	3.40	3.45	3.50								
	0.55~0.59	2.90	2.95	3.00	3.05	3.10	3.15	3.20	3.25	3.30	3.35	3.40	3.45	3.50									
	0.60~0.64	2.95	3.00	3.05	3.10	3.15	3.20	3.25	3.30	3.35	3.40	3.45	3.50										
	0.65~0.69	3.00	3.05	3.10	3.15	3.20	3.25	3.30	3.35	3.40	3.45	3.50											
	0.70~0.74	3.05	3.10	3.15	3.20	3.25	3.30	3.35	3.40	3.45	3.50												
	0.75~0.79	3.10	3.15	3.20	3.25	3.30	3.35	3.40	3.45	3.50													
	0.80~0.84	3.15	3.20	3.25	3.30	3.35	3.40	3.45	3.50														
	0.85~0.89	3.20	3.25	3.30	3.35	3.40	3.45	3.50															
0.90~0.94	3.25	3.30	3.35	3.40	3.45	3.50																	
0.95~0.99	3.30	3.35	3.40	3.45	3.50																		
1.00~1.04	3.35	3.40	3.45	3.50																			
1.05~1.09	3.40	3.45	3.50																				
1.10~1.14	3.45	3.50																					
1.15~1.19	3.50																						

INSTALL THE SHIM OF THIS THICKNESS (mm)

6S07119B#3 C

1. Measure the clearance (when engine is cold).
2. Check present shim size.
3. Match clearance in vertical column with present shim size in horizontal column.
4. Install the shim specified where the lines intersect. This shim will give the proper clearance.

**Example:** Present shim is **2.95 mm**.  
 Measured clearance is **0.42 mm**.  
 Replace **2.95 mm** shim with **3.20 mm** shim.

5. Remeasure the valve clearance and readjust if necessary.

# 2-24 PERIODIC MAINTENANCE

## Periodic Maintenance Procedures

### VALVE CLEARANCE ADJUSTMENT CHART EXHAUST VALVE

	PRESENT SHIM																			Example				
	1014	1016	1018	1020	1022	1024	1026	1028	1030	1032	1034	1036	1038	1040	1042	1044	1046	1048	1050	1052	1054			
PART No. (92180-)	50	55	60	65	70	75	80	85	90	95	00	05	10	15	20	25	30	35	40	45	50			
MARK	2.50	2.55	2.60	2.65	2.70	2.75	2.80	2.85	2.90	2.95	3.00	3.05	3.10	3.15	3.20	3.25	3.30	3.35	3.40	3.45	3.50			
THICKNESS (mm)	2.50	2.55	2.60	2.65	2.70	2.75	2.80	2.85	2.90	2.95	3.00	3.05	3.10	3.15	3.20	3.25	3.30	3.35	3.40	3.45	3.50			

VALVE CLEARANCE MEASUREMENT	SPECIFIED CLEARANCE/NO CHANGE REQUIRED																									
	0.00~0.04	0.05~0.09	0.10~0.14	0.15~0.19	0.20~0.21	0.22~0.31	0.32~0.34	0.35~0.39	0.40~0.44	0.45~0.49	0.50~0.54	0.55~0.59	0.60~0.64	0.65~0.69	0.70~0.74	0.75~0.79	0.80~0.84	0.85~0.89	0.90~0.94	0.95~0.99	1.00~1.04	1.05~1.09	1.10~1.14	1.15~1.19	1.20~1.24	1.25~1.29
Example	-	-	-	-	-	2.50	2.55	2.60	2.65	2.70	2.75	2.80	2.85	2.90	2.95	3.00	3.05	3.10	3.15	3.20	3.25	3.30	3.35	3.40	3.45	3.50
	-	-	-	-	2.50	2.55	2.60	2.65	2.70	2.75	2.80	2.85	2.90	2.95	3.00	3.05	3.10	3.15	3.20	3.25	3.30	3.35	3.40	3.45	3.50	
	-	-	2.50	2.55	2.60	2.65	2.70	2.75	2.80	2.85	2.90	2.95	3.00	3.05	3.10	3.15	3.20	3.25	3.30	3.35	3.40	3.45	3.50			
	-	2.50	2.55	2.60	2.65	2.70	2.75	2.80	2.85	2.90	2.95	3.00	3.05	3.10	3.15	3.20	3.25	3.30	3.35	3.40	3.45	3.50				
	2.55	2.60	2.65	2.70	2.75	2.80	2.85	2.90	2.95	3.00	3.05	3.10	3.15	3.20	3.25	3.30	3.35	3.40	3.45	3.50						
	2.60	2.65	2.70	2.75	2.80	2.85	2.90	2.95	3.00	3.05	3.10	3.15	3.20	3.25	3.30	3.35	3.40	3.45	3.50							
	2.65	2.70	2.75	2.80	2.85	2.90	2.95	3.00	3.05	3.10	3.15	3.20	3.25	3.30	3.35	3.40	3.45	3.50								
	2.70	2.75	2.80	2.85	2.90	2.95	3.00	3.05	3.10	3.15	3.20	3.25	3.30	3.35	3.40	3.45	3.50									
	2.75	2.80	2.85	2.90	2.95	3.00	3.05	3.10	3.15	3.20	3.25	3.30	3.35	3.40	3.45	3.50										
	2.80	2.85	2.90	2.95	3.00	3.05	3.10	3.15	3.20	3.25	3.30	3.35	3.40	3.45	3.50											
	2.85	2.90	2.95	3.00	3.05	3.10	3.15	3.20	3.25	3.30	3.35	3.40	3.45	3.50												
	2.90	2.95	3.00	3.05	3.10	3.15	3.20	3.25	3.30	3.35	3.40	3.45	3.50													
	2.95	3.00	3.05	3.10	3.15	3.20	3.25	3.30	3.35	3.40	3.45	3.50														
	3.00	3.05	3.10	3.15	3.20	3.25	3.30	3.35	3.40	3.45	3.50															
	3.05	3.10	3.15	3.20	3.25	3.30	3.35	3.40	3.45	3.50																
	3.10	3.15	3.20	3.25	3.30	3.35	3.40	3.45	3.50																	
	3.15	3.20	3.25	3.30	3.35	3.40	3.45	3.50																		
	3.20	3.25	3.30	3.35	3.40	3.45	3.50																			
	3.25	3.30	3.35	3.40	3.45	3.50																				
	3.30	3.35	3.40	3.45	3.50																					
	3.35	3.40	3.45	3.50																						
	3.40	3.45	3.50																							
	3.45	3.50																								
	3.50																									

6S071208W3 C

1. Measure the clearance (when engine is cold).
2. Check present shim size.
3. Match clearance in vertical column with present shim size in horizontal column.
4. Install the shim specified where the lines intersect. This shim will give the proper clearance.

**Example:** Present shim is **2.95 mm**.  
 Measured clearance is **0.47 mm**.  
 Replace **2.95 mm** shim with **3.15 mm** shim.

5. Remeasure the valve clearance and readjust if necessary.



**Periodic Maintenance Procedures**

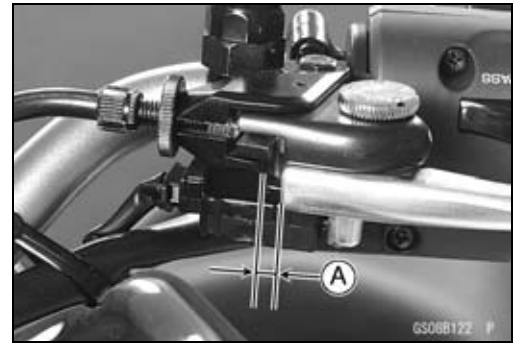
**Clutch**

**Clutch Operation Inspection**

- Pull the clutch lever just enough to take up the free play [A].
- Measure the gap between the lever and the lever holder.
- ★ If the gap is too wide, the clutch may not release fully. If the gap is too narrow, the clutch may not engage fully. In either case, adjust it.

**Clutch Lever Free Play**

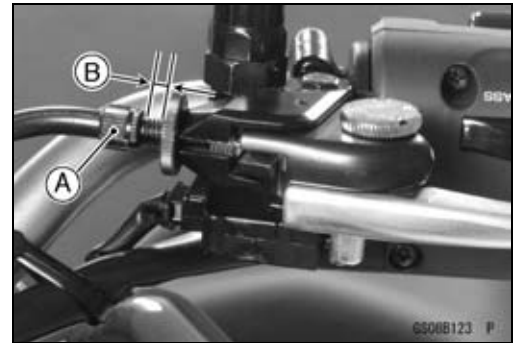
Standard: 2 ~ 3 mm (0.08 ~ 0.12 in.)



**⚠ WARNING**

**To avoid a serious burn, never touch the engine or exhaust pipe during clutch adjustment.**

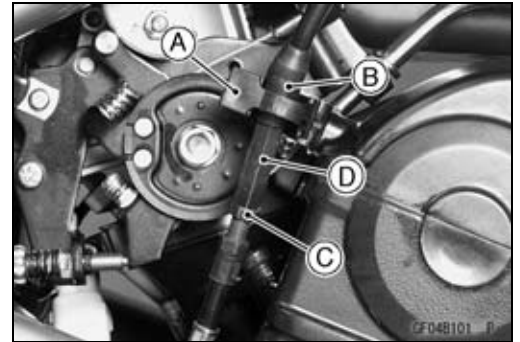
- Turn the adjuster [A] so that 5 ~ 6 mm (0.20 ~ 0.24 in.) [B] of threads are visible.



- Open the clamp [A].
- Slide the dust cover [B] at the middle of the clutch cable out of place.
- Loosen the locknut [C] at the middle of clutch cable.
- Turn the adjusting nut [D] until the free play is correct.

**⚠ WARNING**

**Be sure that the outer cable end at the clutch lever is fully seated in the adjuster at the clutch lever, or it could slip into place later, creating enough cable play to prevent clutch disengagement.**

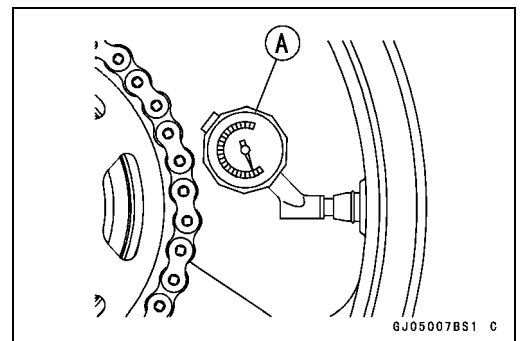


- After the adjustment, tighten the locknut and start the engine and check that the clutch does not slip and that it releases properly.

**Wheels/Tires**

**Air Pressure Inspection**

- Remove the air valve cap.
- Measure the tire air pressure with an air pressure gauge [A] when the tires are cold (that is, when the motorcycle has not been ridden more than a mile during the past 3 hours).
- Install the air valve cap.
- ★ Adjust the tire air pressure according to the specifications if necessary.



**Air Pressure (when Cold)**

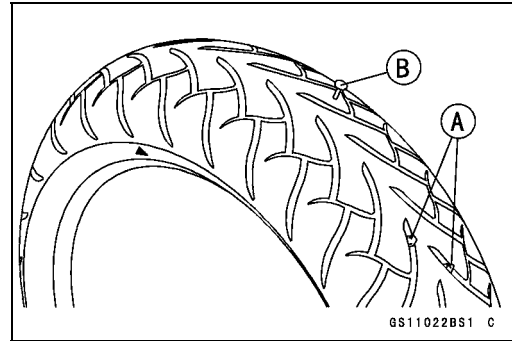
- Front: Up to 180 kg (397 lb)  
225 kPa (2.25 kgf/cm<sup>2</sup>, 32 psi)
- Rear: Up to 180 kg (397 lb)  
250 kPa (2.50 kgf/cm<sup>2</sup>, 36 psi)

## 2-26 PERIODIC MAINTENANCE

### Periodic Maintenance Procedures

#### Wheel/Tire Damage Inspection

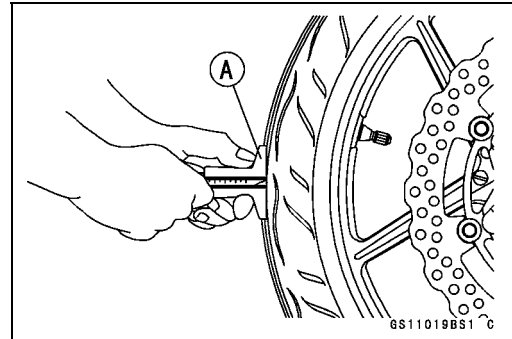
- Remove any imbedded stones [A] or other foreign particles [B] from tread.
  - Visually inspect the tire for cracks and cuts, and replace the tire if necessary. Swelling or high spots indicate internal damage, requiring tire replacement.
  - Visually inspect the wheel for cracks, cuts and dents damage.
- ★ If any damage is found, replace the wheel if necessary.



#### Tire Tread Wear, Abnormal Wear Inspection

As the tire tread wears down, the tire becomes more susceptible to puncture and failure. An accepted estimate is that 90% of all tire failures occur during the last 10% of tread life (90% worn). So it is false economy and unsafe to use the tires until they are bald.

- Measure the tread depth at the center of the tread with a depth gauge [A]. Since the tire may wear unevenly, take measurement at several places.
- ★ If any measurement is less than the service limit, replace the tire (see Tire Removal/Installation in the Wheels/Tires chapter).



#### Tread Depth

##### Standard:

Front 6.5 mm (0.26 in.)

Rear 9.0 mm (0.35 in.)

##### Service Limit:

Front 1 mm (0.04 in.)  
(AT, CH, DE) 1.6 mm (0.06 in.)

Rear 2 mm (0.08 in.)  
(Up to 130 km/h (80 mph))  
3 mm (0.12 in.)  
(Over 130 km/h (80 mph))

### **⚠ WARNING**

To ensure safe handling and stability, use only the recommended standard tires for replacement, inflated to the standard pressure.

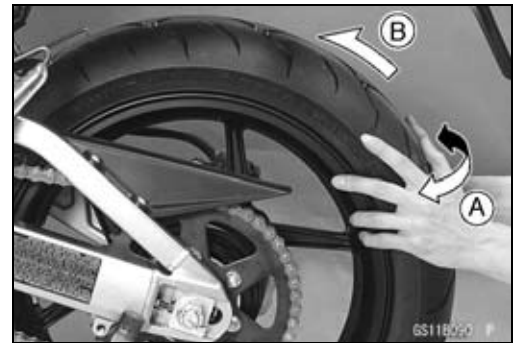
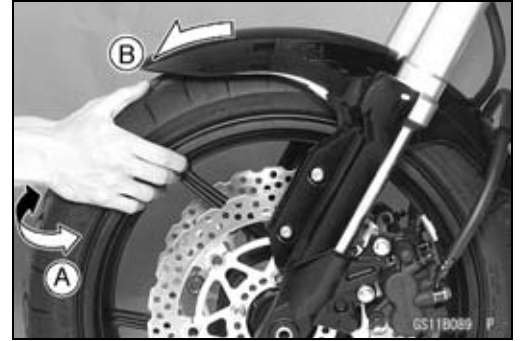
### **NOTE**

- Most countries may have their own regulations a minimum tire tread depth: be sure to follow them.
- Check and balance the wheel when a tire is replaced with a new one.

**Periodic Maintenance Procedures**

**Wheel Bearing Damage Inspection**

- Raise the front wheel off the ground with jack (see Front Wheel Removal in the Wheels/Tires chapter).
  - Turn the handlebar all the way to the right or left.
  - Inspect the roughness of the front wheel bearing by pushing and pulling [A] the wheel.
  - Spin [B] the front wheel lightly, and check for smoothly turn, roughness, binding or noise.
  - ★ If roughness, binding or noise is found, remove the front wheel and inspect the wheel bearing (see Front Wheel Removal, Hub Bearing Inspection in the Wheels/Tires chapter).
- 
- Raise the rear wheel off the ground with stand (see Rear Wheel Removal in the Wheels/Tires chapter).
  - Inspect the roughness of the rear wheel bearing by pushing and pulling [A] the wheel.
  - Spin [B] the rear wheel lightly, and check for smoothly turn, roughness, binding or noise.
  - ★ If roughness, binding or noise is found, remove the rear wheel and inspect the wheel bearing (see Rear Wheel Removal, Hub Bearing Inspection in the Wheels/Tires chapter) and coupling (see Coupling Bearing Inspection in the Final Drive chapter).



**Drive Train**

**Drive Chain Lubrication Condition Inspection**

- If a special lubricant is not available, a heavy oil such as SAE 90 is preferred to a lighter oil because it will stay on the chain longer and provide better lubrication.
- If the chain appears especially dirty, clean it before lubrication.

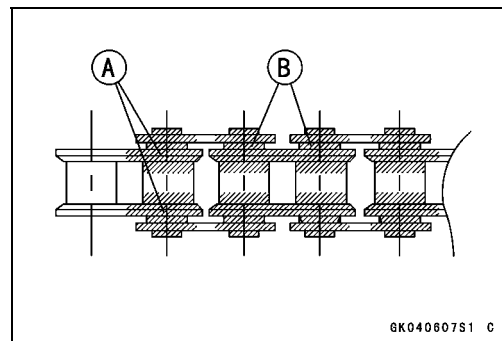
**CAUTION**

The O-rings between the side plates seal in the lubricant between the pin and the bushing. To avoid damaging the O-rings and resultant loss of lubricant, observe the following rules.  
 Use only kerosene or diesel oil for cleaning an O-ring drive chain. Any other cleaning solution such as gasoline or trichloroethylene will cause deterioration and swelling of the O-ring. Immediately blow the chain dry with compressed air after cleaning. Complete cleaning and drying the chain within 10 minutes.

## 2-28 PERIODIC MAINTENANCE

### Periodic Maintenance Procedures

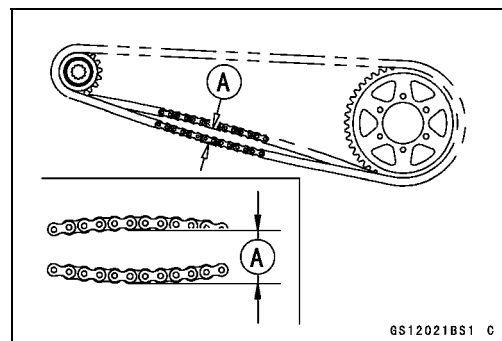
- Apply oil to the sides of the rollers so that oil will penetrate to the rollers and bushings. Apply the oil to the O-rings so that the O-rings will be coated with oil.
- Wipe off any excess oil.
  - Oil Applied Areas [A]
  - O-rings [B]



### Drive Chain Slack Inspection

#### NOTE

- Check the slack with the motorcycle setting on its side-stand.
- Clean the chain if it is dirty, and lubricate it if it appears dry.
- Check the wheel alignment (see Wheel Alignment Inspection).
- Rotate the rear wheel to find the position where the chain is tightest.
- Measure the vertical movement (chain slack) [A] midway between the sprockets.
- ★ If the chain slack exceeds the standard, adjust it.

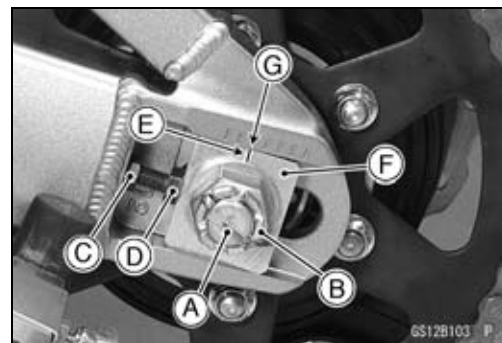


#### Chain Slack

Standard: 25 ~ 35 mm (1.0 ~ 1.4 in.)

### Drive Chain Slack Adjustment

- Raise the rear wheel off the ground with the stand.
- Remove the cotter pin [A], and loosen the axle nut [B].
- Loosen the both chain adjuster locknuts [C].
- ★ If the chain is too loose, turn out the right and left chain adjusters [D] evenly.
- ★ If the chain is too tight, turn in the right and left chain adjusters evenly, and kick the wheel forward.
- Turn both chain adjusters evenly until the drive chain has the correct amount of slack. To keep the chain and wheel properly aligned, the notch [E] on the left wheel alignment indicator [F] should align with the same swingarm mark or position [G] that the right indicator notch aligns with.



#### **⚠ WARNING**

**Misalignment of the wheel will result in abnormal wear and may result in an unsafe riding condition.**

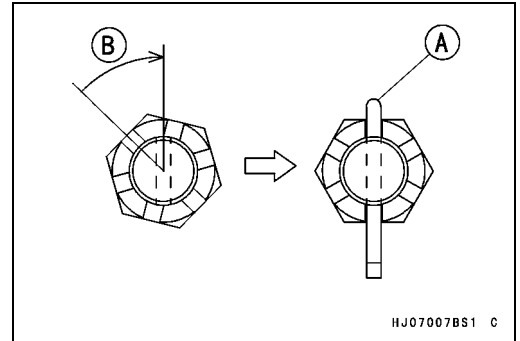
- Tighten both chain adjuster locknuts securely.
- Tighten the axle nut.
  - Torque - Rear Axle Nut: 108 N·m (11.0 kgf·m, 80 ft·lb)
- Turn the wheel, measure the chain slack again at the tightest position, and readjust if necessary.

**Periodic Maintenance Procedures**

- Insert a new cotter pin [A].

**NOTE**

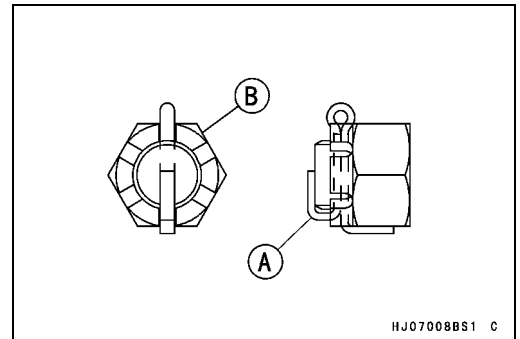
- When inserting the cotter pin, if the slots in the nut do not align with the cotter pin hole in the axle, tighten the nut clockwise [B] up to next alignment.
- It should be within 30°.
- Loosen once and tighten again when the slot goes past the nearest hole.



- Bend the cotter pin [A] over the nut [B].

**⚠ WARNING**

**If the rear axle nut is not securely tightened or the cotter pin is not installed, an unsafe riding condition may result.**



**Wheel Alignment Inspection**

- Check that the notch [A] on the left alignment indicator [B] aligns with the same swingarm mark or position [C] that the right alignment indicator notch aligns with.
- ★ If they do not, adjust the chain slack and align the wheel alignment (see Drive Chain Slack Adjustment).

**NOTE**

- Wheel alignment can be also checked using the straightedge or string method.



**⚠ WARNING**

**Misalignment of the wheel will result in abnormal wear, and may result in an unsafe riding condition.**

## 2-30 PERIODIC MAINTENANCE

### Periodic Maintenance Procedures

#### Drive Chain Wear Inspection

- Remove the chain cover (see Swingarm Removal in the Suspension chapter).
- Rotate the rear wheel to inspect the drive chain for damaged rollers, and loose pins and links.
- ★ If there is any irregularity, replace the drive chain.
- ★ Lubricate the drive chain if it appears dry.
- Stretch the chain taut by hanging a 98 N (10 kg, 20 lb) weight [A] on the chain.
- Measure the length of 20 links [B] on the straight part [C] of the chain from the pin center of the 1st pin to the pin center of the 21st pin. Since the chain may wear unevenly, take measurements at several places.
- ★ If any measurements exceed the service limit, replace the chain. Also, replace the front and rear sprockets when the drive chain is replaced.

#### Drive Chain 20-link Length

Standard: 317.5 ~ 318.2 mm (12.50 ~ 12.53 in.)

Service Limit: 323 mm (12.7 in.)

#### **⚠ WARNING**

If the drive chain wear exceeds the service limit, replace the chain or an unsafe riding condition may result. A chain that breaks or jumps off the sprockets could snag on the engine sprocket or lock the rear wheel, severely damaging the motorcycle and causing it to go out of control. For safely, use only the standard chain. It is an endless type and should not be cut for installation.

#### Standard Chain

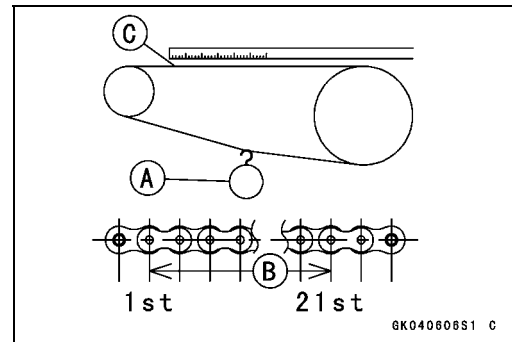
Make: ENUMA

Type: EK520MVXL1

Link: 114 links

#### Chain Guide Inspection

- Remove the swingarm (see Swingarm Removal in the Suspension chapter).
- Visually inspect the chain guide [A].
- ★ Replace the chain guide if it shows any signs of abnormal wear or damage.

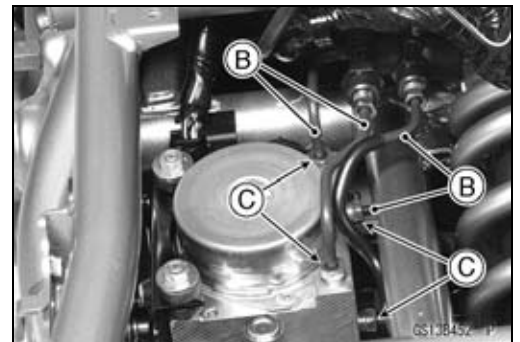
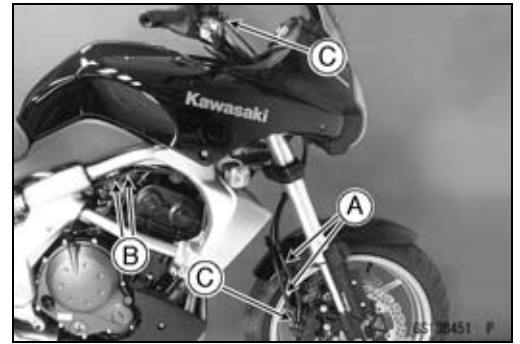


**Periodic Maintenance Procedures**

**Brake System**

**Brake Fluid Leak (Brake Hose and Pipe) Inspection**

- For models equipped with an ABS, remove the rear fender front (see Rear Fender Front Removal in the Frame chapter).
- Apply the brake lever or pedal and inspect the brake fluid leak from the brake hoses [A], pipes (ABS equipped models) [B] and fittings [C].
- ★ If the brake fluid leaked from any position, inspect or replace the problem part.



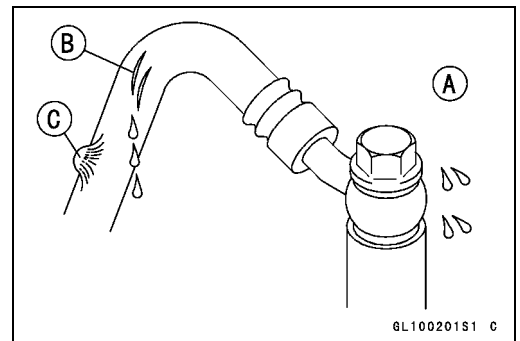
**Brake Hose and Pipe Damage and Installation Condition Inspection**

- For models equipped with an ABS, remove the rear fender front (see Rear Fender Front Removal in the Frame chapter).
- Inspect the brake hoses, fittings and pipes (ABS equipped models) for deterioration, cracks and signs of leakage.
- The high pressure inside the brake line can cause fluid to leak [A] or the hose, pipes (ABS equipped models) to burst if the line is not properly maintained. Bend and twist the rubber hose while examining it.
- ★ Replace the hose and pipe (ABS equipped models) if any crack [B], bulge [C] or leakage is noticed.
- ★ Tighten any brake hose banjo bolts and brake pipe joint nuts.

**Torque - Brake Hose Banjo Bolts: 25 N·m (2.5 kgf·m, 18 ft·lb)**

**Brake Pipe Joint Nuts: 18 N·m (1.8 kgf·m, 13 ft·lb)  
(KLE650B Models)**

- Inspect the brake hose routing.
- ★ If any brake hose and pipe (ABS equipped models) routing is incorrect, route the brake hose according to Cable, Wire, and Hose Routing section in the Appendix chapter.



## 2-32 PERIODIC MAINTENANCE

### Periodic Maintenance Procedures

#### **Brake Operation Inspection**

- Inspect the operation of the front and rear brake by running the vehicle on the dry road.
- ★ If the brake operation is insufficient, inspect the brake system.

#### **⚠ WARNING**

When inspecting by running the vehicle, note a surrounding traffic situation enough in the place of safety.

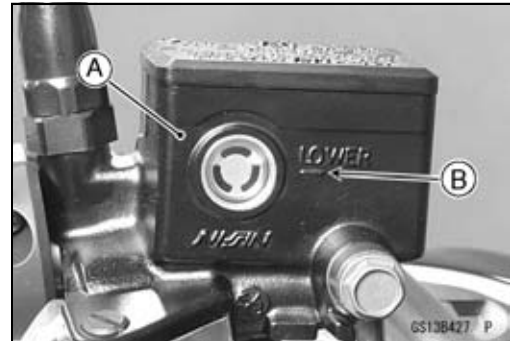
#### **Brake Fluid Level Inspection**

- Check that the brake fluid level in the front brake reservoir [A] is above the lower level line [B].

#### **NOTE**

○ Hold the reservoir horizontal by turning the handlebar when checking brake fluid level.

- ★ If the fluid level is lower than the lower level line, fill the reservoir to the upper level line [C] in the reservoir.



- Remove the seat (see Seat Removal in the Frame chapter).
- Check that the brake fluid level in the rear brake reservoir [A] is above the lower level line [B].
- ★ If the fluid level is lower than the lower level line, fill the reservoir to the upper level line [C].

#### **⚠ WARNING**

Change the brake fluid in the brake line completely if the brake fluid must be refilled but the type and brand of the brake fluid that is already in the reservoir are unidentified. After changing the fluid, use only the same type and brand of fluid thereafter.



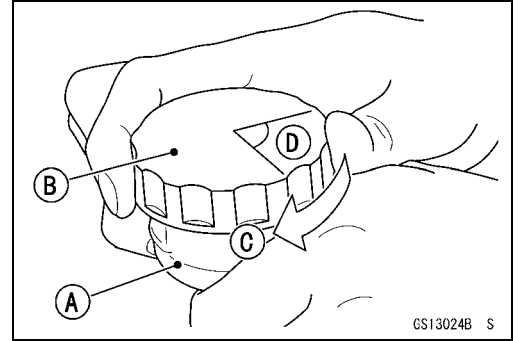
#### **Recommended Disc Brake Fluid**

Grade: DOT4



**Periodic Maintenance Procedures**

- Follow the procedure below to install the rear brake fluid reservoir cap correctly.
- First, tighten the rear brake fluid reservoir cap [B] clockwise [C] by hand until slight resistance is felt indicating that the cap is seated on the reservoir body, then tighten the cap an additional 1/6 turn [D] while holding the brake fluid reservoir body [A].



**Brake Pad Wear Inspection**

- Check the lining thickness [A] of the pads in each caliper.
- ★ If the lining thickness of either pad is less than the service limit [B], replace both pads in the caliper as a set.

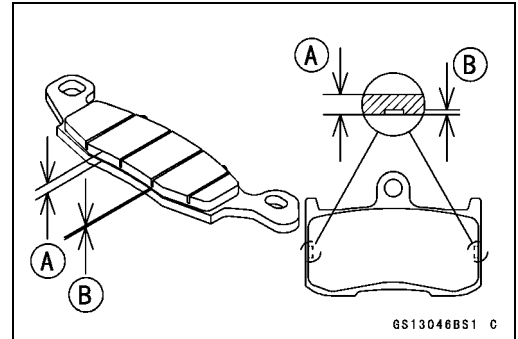
**Pad Lining Thickness**

Standard:

Front 4.5 mm (0.18 in.)

Rear 5.0 mm (0.20 in.)

Service Limit: 1 mm (0.04 in.)

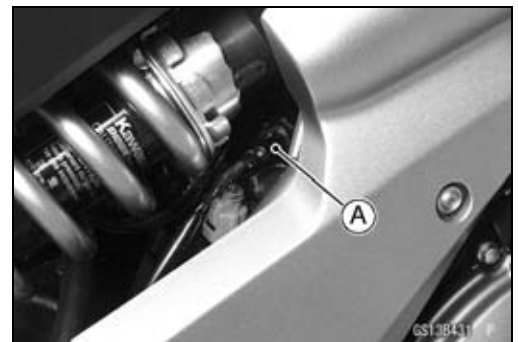


**Brake Light Switch Operation Inspection**

- Turn on the ignition switch.
- The brake light [A] should go on when the brake lever is applied or after the brake pedal is depressed about 10 mm (0.39 in.).



- ★ If it does not, adjust the brake light switch.
- Disconnect the connector [A].
- Turn the brake light switch to adjust the switch.
- Connect the connector.



- ★ If it does not go on, inspect or replace the following items.
  - Battery (see Charging Condition Inspection in the Electrical System chapter)
  - Brake Light (see Tail/Brake Light Removal in the Electrical System chapter)
  - Main Fuse 30 A and Taillight Fuse 10 A (see Fuse Inspection in the Electrical System chapter)
  - Front Brake Light Switch [A] (see Switch Inspection in the Electrical System chapter)
  - Rear Brake Light Switch (see Switch Inspection in the Electrical System chapter)
  - Harness (see Wiring Inspection in the Electrical System chapter)



## 2-34 PERIODIC MAINTENANCE

### Periodic Maintenance Procedures

#### Suspensions

##### **Front Forks/Rear Shock Absorber Operation Inspection**

- Pump the forks down and up [A] 4 or 5 times, and inspect the smooth stroke.
- ★ If the forks do not smoothly or noise is found, inspect the fork oil level or fork clamps (see Front Fork Oil Change in the Suspension chapter).



- Pump the seat down and up [A] 4 or 5 times, and inspect the smooth stroke.
- ★ If the shock absorber does not smoothly stroke or noise is found, inspect the oil leak (see Rear Shock Absorber Oil Leak Inspection).



##### **Front Fork Oil Leak Inspection**

- Visually inspect the front forks [A] for oil leakage.
- ★ Replace or repair any defective parts, if necessary.



##### **Rear Shock Absorber Oil Leak Inspection**

- Visually inspect the shock absorber [A] for oil leakage.
- ★ If the oil leakage is found on it, replace the shock absorber with a new one.



**Periodic Maintenance Procedures**

**Steering System**

**Steering Play Inspection**

- Raise the front wheel off the ground with jack (see Front Wheel Removal in the Wheels/Tires chapter).
- With the front wheel pointing straight ahead, alternately tap each end of the handlebar. The front wheel should swing fully left and right from the force of gravity until the fork hits the stop.
- ★ If the wheel binds or catches before the stop, the steering is too tight.
- Feel for steering looseness by pushing and pulling [A] the forks.
- ★ If you feel looseness, the steering is too loose.

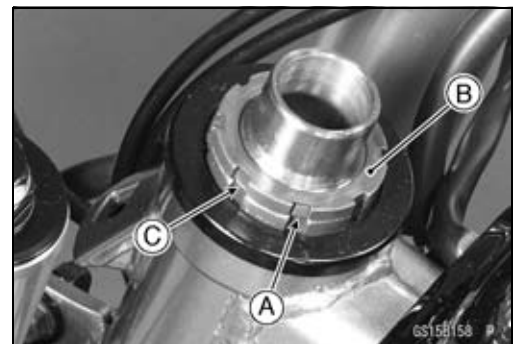


**NOTE**

- *The cables and wiring will have some effect on the motion of the fork which must be taken into account.*
- *Be sure the wires and cables are properly routed.*
- *The bearings must be in good condition and properly lubricated in order for any test to be valid.*

**Steering Play Adjustment**

- Remove the steering stem head (see Stem, Stem Bearing Removal).
- Bend the claws [A] of the claw washer straighten.
- Remove the steering stem locknut [B] and claw washer [C].



- Adjust the steering.
  - Special Tool - Steering Stem Nut Wrench [A]: 57001-1100**
- ★ If the steering is too tight, loosen the stem nut [B] a fraction of a turn.
- ★ If the steering is too loose, tighten the stem nut a fraction of a turn.



**NOTE**

- *Turn the stem nut 1/8 turn at time maximum.*

## 2-36 PERIODIC MAINTENANCE

### Periodic Maintenance Procedures

- Install the claw washer [A] so that its bent side [B] faces upward, and engage the bent claws with the grooves of stem locknut [C].
- Hand tighten the stem locknut until it touches the claw washer.
- Tighten the stem locknut clockwise until the claws are aligned with the grooves (ranging from 2nd to 4th) of stem nut [D], and bend the 2 claws downward [E].
- Install the steering stem head.
- Install the washer, and tighten the stem head bolt.
- Tighten:

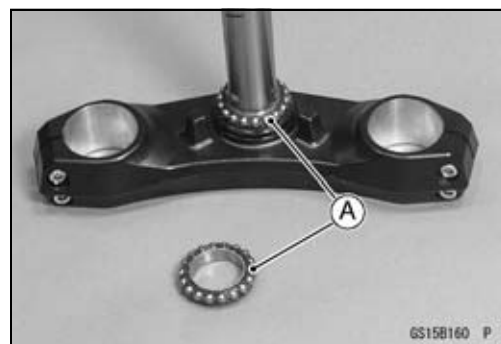
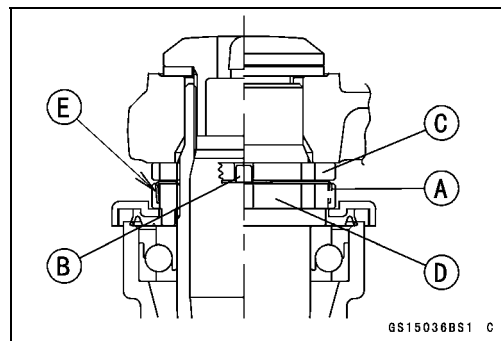
**Torque - Steering Stem Head Bolt: 108 N·m (11.0 kgf·m, 80 ft·lb)**

**Front Fork Clamp Bolts (Upper): 20 N·m (2.0 kgf·m, 15 ft·lb)**

- Check the steering again.
- ★ If the steering is still too tight or too loose, repeat the adjustment.
- Install the removed parts (see appropriate chapters).

#### **Steering Stem Bearing Lubrication**

- Remove the steering stem (see Stem, Stem Bearing Removal in the Steering chapter).
- Using a high-flash point solvent, wash the upper and lower ball bearings in the cages, and wipe the upper and lower outer races, which are press-fitted into the frame head pipe, clean off grease and dirt.
- Visually check the outer races and the ball bearings.
- ★ Replace the bearing assemblies if they show wear or damage.
- Pack the upper and lower ball bearings [A] in the cages with grease, and apply a light coat of grease to the upper and lower outer races.
- Install the steering stem (see Stem, Stem Bearing Installation in the Steering chapter).
- Adjust the steering (see Steering Play Adjustment).



**Periodic Maintenance Procedures**

**Electrical System**

**Lights and Switches Operation Inspection**

**First Step**

- Turn on the ignition switch.
- The following lights should go on according to below table.

City Lights [A]	goes on
Taillight [B]	goes on
License Plate Light [C]	goes on
Meter Panel Illumination Light (LED) [D]	goes on
Meter Panel LCD [E]	goes on
Neutral Indicator Light (LED) [F]	goes on
Oil Pressure Warning Indicator Light (LED) [G]	goes on
FI Indicator Light (LED) [H]	goes on (about 2 seconds)

**KLE650B Models**

ABS Indicator Light (LED) [I]	goes on
-------------------------------	---------

★ If the light does not go on, inspect or replace the following item.

Battery (see Charging Condition Inspection in the Electrical System chapter)

Applicable Bulb (see Wiring Diagram in the Electrical System chapter)

Meter Unit for Meter Panel LCD (see Meter Unit Inspection in the Electrical System chapter)

Meter Unit for Neutral Indicator Light (LED) (see Meter Unit Inspection in the Electrical System chapter)

Meter Unit for Oil Pressure Warning Indicator Light (LED) (see Meter Unit Inspection in the Electrical System chapter)

Meter Unit for Illumination Light (LED) (see Meter Unit Inspection in the Electrical System chapter)

Meter Unit for FI Indicator Light (LED) (see Meter Unit Inspection in the Electrical System chapter)

Meter Unit for ABS Indicator Light (LED) (see ABS Indicator Light (LED) Inspection in the Brakes chapter) (KLE650B Models)

ECU (see ECU Power Supply Inspection in the Fuel System (DFI) chapter)

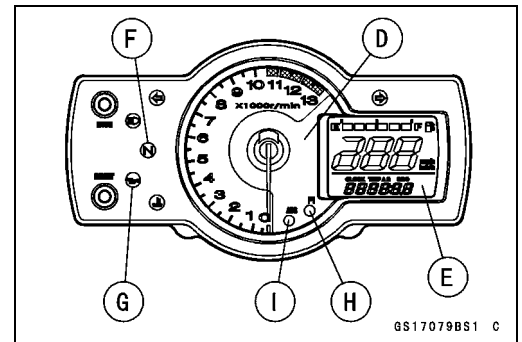
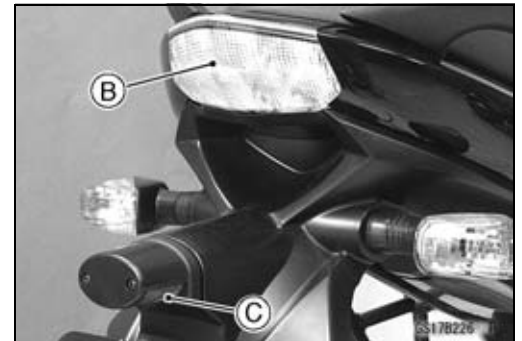
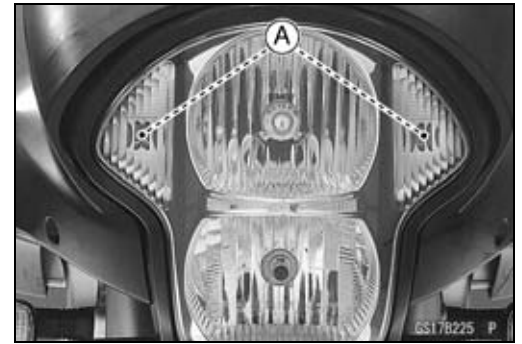
Main Fuse 30 A and Taillight Fuse 10 A (see Fuse Inspection in the Electrical System chapter)

Ignition Switch (see Switch Inspection in the Electrical System chapter)

Neutral Switch (see Switch Inspection in the Electrical System chapter)

Harness (see Wiring Inspection in the Electrical System chapter)

- Turn off the ignition switch.
- The all lights should go off.
- ★ If the light does not go off, replace the ignition switch.



## 2-38 PERIODIC MAINTENANCE

### Periodic Maintenance Procedures

#### Second Step

- Turn the ignition switch to P (Park) position.
- The city light, taillight and license plate light should go on.
- ★ If the light does not go on, inspect or replace the following item.
  - Ignition Switch (see Switch Inspection in the Electrical System chapter)

#### Third Step

- Turn on the turn signal switch [A] (left or right position).
- The left or right turn signal lights [B] (front and rear) according to the switch position should flash.
- The turn signal indicator light (LED) [C] in the meter unit should flash.
- ★ If the each light does not flash, inspect or replace the following item.

Turn Signal Light Bulb (see Turn Signal Light Bulb Replacement in the Electrical System chapter)

Meter Unit for Turn Signal Light Indicator Light (LED) (see Meter Unit Inspection in the Electrical System chapter)

Turn Signal Relay Fuse 10 A (see Fuse Inspection in the Electrical System chapter)

Turn Signal Switch (see Switch Inspection in the Electrical System chapter)

Turn Signal Relay (see Turn Signal Relay Inspection in the Electrical System chapter)

Harness (see Wiring Inspection in the Electrical System chapter)

- Push the turn signal switch.
- The turn signal lights and indicator light (LED) should go off.
- ★ If the light does not go off, inspect or replace the following item.

Turn Signal Switch (see Switch Inspection in the Electrical System chapter)

Turn Signal Relay (see Turn Signal Relay Inspection in the Electrical System chapter)

#### Fourth Step

- Set the dimmer switch [A] to low beam position.
- Start the engine.
- The low beam headlight should go on.
- ★ If the low beam headlight does not go on, inspect or replace the following item.

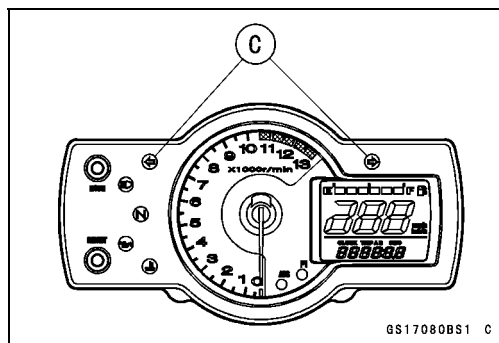
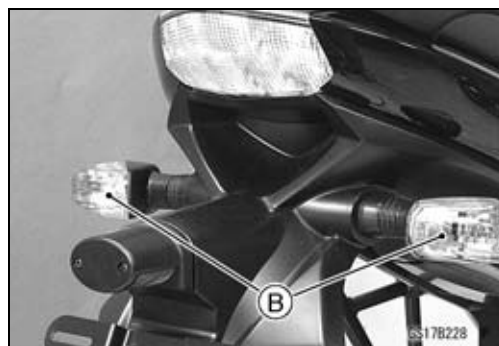
Headlight Low Beam Bulb (see Headlight Bulb Replacement in the Electrical System chapter)

Headlight Fuse 10 A (see Fuse Inspection in the Electrical System chapter)

Dimmer Switch (see Switch Inspection in the Electrical System chapter)

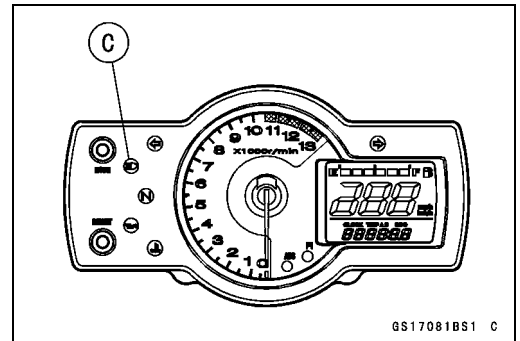
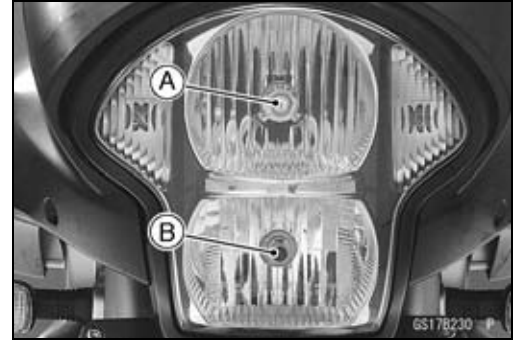
Headlight Relay in Relay Box (see Relay Circuit Inspection in the Electrical System chapter)

Harness (see Wiring Inspection in the Electrical System chapter)



**Periodic Maintenance Procedures**

- Set the dimmer switch to high beam position.
- The low beam [A] and high beam [B] headlights should go on.
- The high beam indicator light (LED) [C] should go on.
- ★ If the high beam headlight and/or high beam indicator light (LED) does not go on, inspect or replace the following item.
  - Headlight High Beam Bulb (see Headlight Bulb Replacement in the Electrical System chapter)
  - Dimmer Switch (see Switch Inspection in the Electrical System chapter)
- Turn off the engine stop switch.
- The low beam and high beam headlights should stay going on.
- ★ If the headlights and high beam indicator light (LED) does go off, inspect or replace the following item.
  - Headlight Relay in Relay Box (see Relay Circuit Inspection in the Electrical System chapter)
- Turn off the ignition switch.
- The headlights and high beam indicator light (LED) should go off.

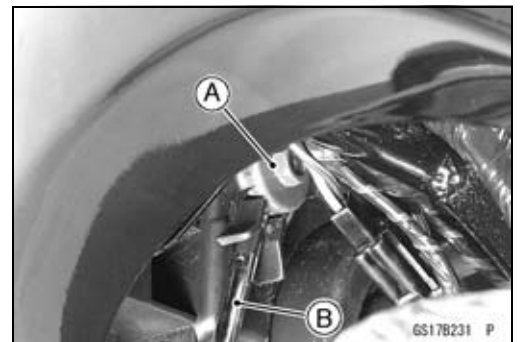


**Headlight Aiming Inspection**

- Inspect the headlight beam for aiming.
- ★ If the headlight beam points to one side rather than straight ahead, adjust the horizontal beam.

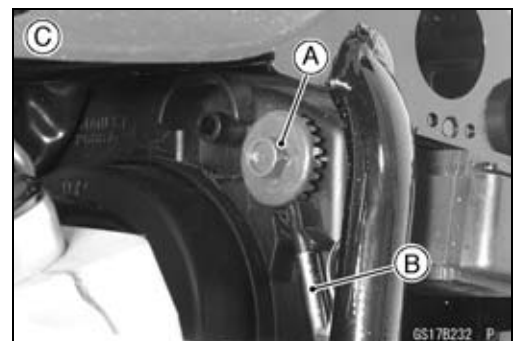
**Headlight Beam Horizontal Adjustment**

- Turn the horizontal adjuster [A] on the headlight with the screwdriver [B] in or out until the beam points straight ahead.
- ★ If the headlight beam points too low or high, adjust the vertical beam.



**Headlight Beam Vertical Adjustment**

- Turn the vertical adjuster [A] on the headlight with the screwdriver [B] in or out to adjust the headlight vertically.
- In this photo [C], the right middle fairing has been removed for clarity.



## 2-40 PERIODIC MAINTENANCE

### Periodic Maintenance Procedures

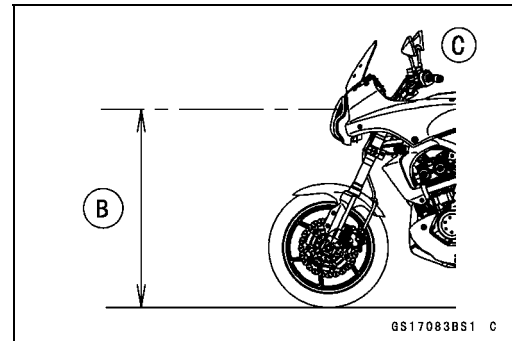
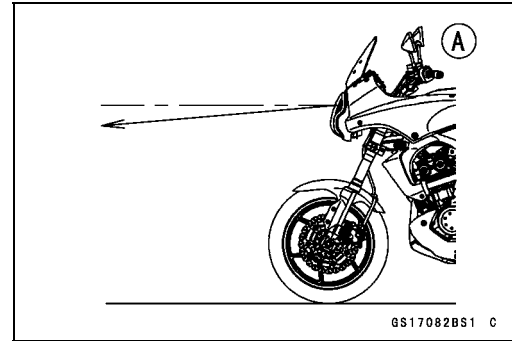
#### NOTE

○ON high beam, the brightest points should be slightly below horizontal with the motorcycle on its wheels and the rider seated. Adjust the headlight to the proper angle according to local regulations.

Low Beam [A]

Height of Headlight Center [B]

High Beam [C]



#### Sidestand Switch Operation Inspection

- Inspect the sidestand switch [A] operation accordance to below table.

#### Sidestand Switch Operation

Sidestand	Gear Position	Clutch Lever	Engine Start	Engine Run
Up	Neutral	Released	Starts	Continue running
Up	Neutral	Pulled in	Starts	Continue running
Up	In Gear	Released	Doesn't start	Continue running
Up	In Gear	Pulled in	Starts	Continue running
Down	Neutral	Released	Starts	Continue running
Down	Neutral	Pulled in	Starts	Continue running
Down	In Gear	Released	Doesn't start	Stops
Down	In Gear	Pulled in	Doesn't start	Stops





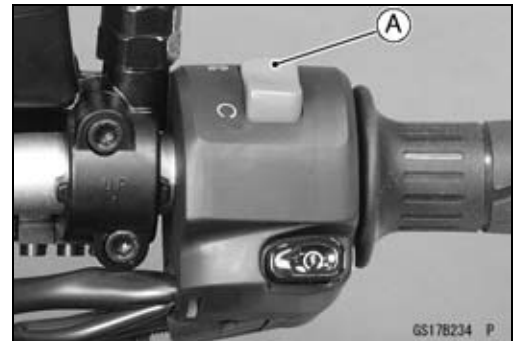
**Periodic Maintenance Procedures**

- ★ If the sidestand switch operation does not work, inspect or replace the following item.
  - Battery (see Charging Condition Inspection in the Electrical System chapter)
  - Main Fuse 30 A (see Fuse Inspection in the Electrical System chapter)
  - Ignition Fuse 10 A (see Fuse Inspection in the Electrical System chapter)
  - Ignition Switch (see Switch Inspection in the Electrical System chapter)
  - Sidestand Switch (see Switch Inspection in the Electrical System chapter)
  - Engine Stop Switch (see Switch Inspection in the Electrical System chapter)
  - Starter Button (see Switch Inspection in the Electrical System chapter)
  - Neutral Switch (see Switch Inspection in the Electrical System chapter)
  - Starter Relay (see Starter Relay Inspection in the Electrical System chapter)
  - Relay Box (see Relay Circuit Inspection in the Electrical System chapter)
  - Starter Circuit Relay (see Relay Circuit Inspection in the Electrical System chapter)
  - Harness (see Wiring Inspection in the Electrical System chapter)
- ★ If the all parts are good condition, replace the ECU (see ECU Removal/Installation in the Fuel System (DFI) chapter).

**Engine Stop Switch Operation Inspection**

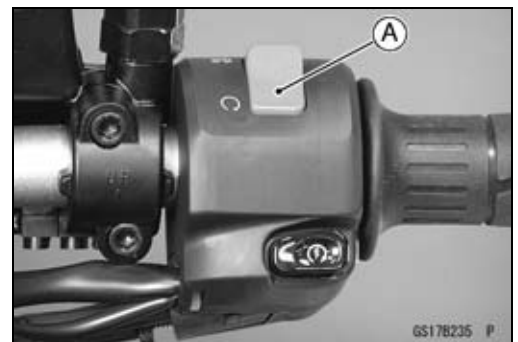
**First Step**

- Turn on the ignition switch.
- Set the neutral position.
- Turn the engine stop switch to stop position [A].
- Push the starter button.
- The engine does not start.
- ★ If the engine starts, inspect or replace the following item.
  - Engine Stop Switch (see Switch Inspection in the Electrical System chapter)



**Second Step**

- Turn on the ignition switch.
- Set the neutral position.
- Turn the engine stop switch to run position [A].
- Push the starter button and run the engine.
- Turn the engine stop switch to stop position.
- Immediately the engine should be stop.
- ★ If the engine does not stop, inspect or replace the following item.
  - Engine Stop Switch (see Switch Inspection in the Electrical System chapter)
- ★ If the engine stop switch is good condition, replace the ECU (see ECU Removal/Installation in the Fuel System (DFI) chapter).



## 2-42 PERIODIC MAINTENANCE

### Periodic Maintenance Procedures

#### Others

##### **Chassis Parts Lubrication**

- Before lubricating each part, clean off any rusty spots with rust remover and wipe off any grease, oil, dirt, or grime.
- Lubricate the points listed below with indicated lubricant.

#### **NOTE**

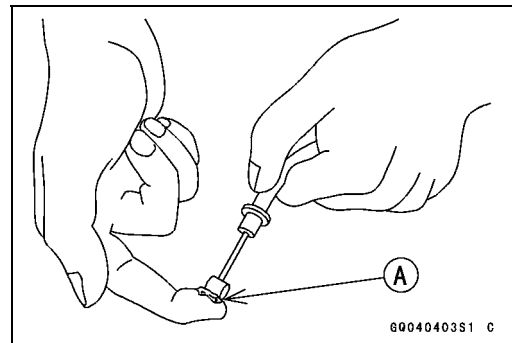
○ *Whenever the vehicle has been operated under wet or rainy conditions, or especially after using a high-pressure water spray, perform the general lubrication.*

##### **Pivots: Lubricate with Grease.**

Brake Lever  
Brake Pedal  
Clutch Lever  
Rear Brake Joint Pin  
Sidestand

##### **Points: Lubricate with Grease.**

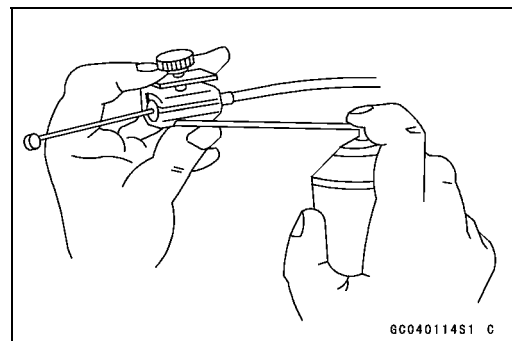
Clutch Inner Cable Upper and Lower Ends [A]  
Throttle Inner Cable Upper and Lower Ends



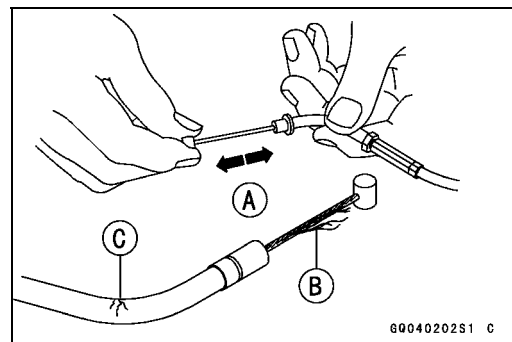
##### **Cables: Lubricate with Rust Inhibitor.**

Clutch Cable  
Throttle Cables

- Lubricate the cables by seeping the oil between the cable and housing.
- The cable may be lubricated by using a commercially available pressure cable lubricator with an aerosol cable lubricant.



- With the cable disconnected at both ends, the inner cable should move freely [A] within the cable housing.
- ★ If cable movement is not free after lubricating, if the cable is frayed [B], or if the cable housing is kinked [C], replace the cable.



## Periodic Maintenance Procedures

---

### ***Bolts, Nuts and Fasteners Tightness Inspection***

- Check the tightness of the bolts and nuts listed here. Also, check to see that each cotter pin is in place and in good condition.

#### **NOTE**

○ *For the engine fasteners, check the tightness of them when the engine is cold (at room temperature).*

- ★ If there are loose fasteners, retighten them to the specified torque following the specified tightening sequence. Refer to the appropriate chapter for torque specifications. If torque specifications are not in the appropriate chapter, see the Standard Torque Table. For each fastener, first loosen it by 1/2 turn, then tighten it.
- ★ If cotter pins are damaged, replace them with new ones.

### **Bolt, Nut and Fastener to be checked**

#### Engine:

Clutch Lever Pivot Nut  
 Engine Mounting Bolts and Nuts  
 Exhaust Pipe Manifold Holder Nuts  
 Muffler Body Mounting Bolts

#### Wheels:

Front Axle  
 Front Axle Clamp Bolt  
 Rear Axle Nut  
 Rear Axle Nut Cotter Pin

#### Brakes:

Brake Lever Pivot Nut  
 Brake Pedal Bolt  
 Brake Rod Joint Cotter Pin  
 Caliper Mounting Bolts  
 Front Master Cylinder Clamp Bolts  
 Rear Master Cylinder Mounting Bolts

#### Suspension:

Front Fork Clamp Bolts  
 Rear Shock Absorber Bolt and Nut  
 Swingarm Pivot Shaft Nut

#### Steering:

Steering Stem Head Bolt  
 Handlebar Holder Bolts

#### Others:

Footpeg Stay Bolts  
 Front Fender Bolts  
 Sidestand Bolt

## 2-44 PERIODIC MAINTENANCE

### Periodic Maintenance Procedures

#### Replacement Parts

##### *Air Cleaner Element Replacement*

- Refer to the Air Cleaner Element Cleaning.

##### *Fuel Hose Replacement*

#### CAUTION

When removing and installing the fuel hose joint, do not apply strong force to the outlet pipe on the fuel pump and delivery pipe on the throttle body assy. The pipes made from resin could be damaged.

- Remove the fuel tank (see Fuel Tank Removal in the Fuel System (DFI) chapter).
- Be sure to place a piece of cloth [A] around the fuel hose joint.
- Insert a minus screwdriver [B] into the slit [C] on the joint lock.
- Turn [A] the driver to disconnect the joint lock [B].
- Pull [C] the fuel hose joint [D] out of the delivery pipe.

#### ⚠ WARNING

Be prepared for fuel spillage; any spilled fuel must be completely wiped up immediately. When the fuel hose is disconnected, fuel spills out from the hose and the pipe. Cover the hose connection with a clean shop towel to prevent fuel spillage.

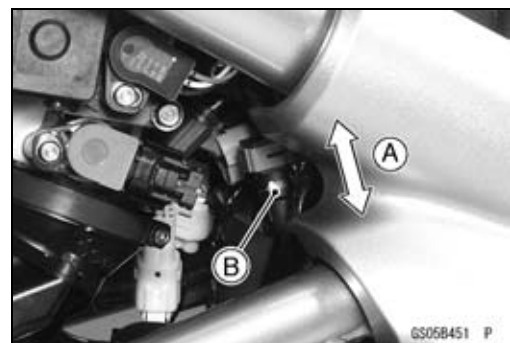
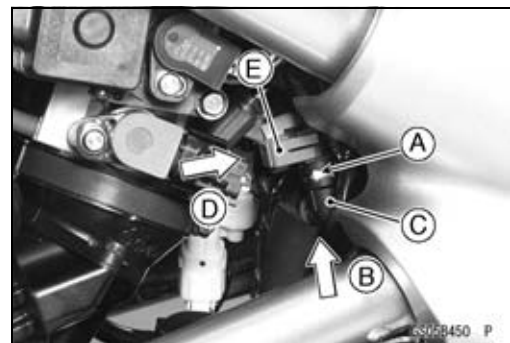
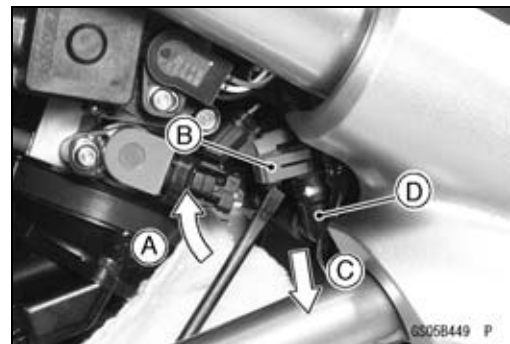
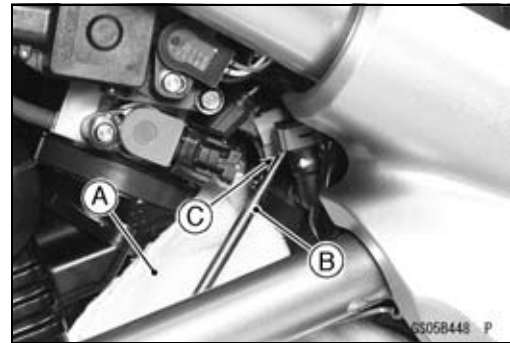
- Install the new fuel hose so that the white mark [A] side faces throttle body assy.
- Insert [B] the fuel hose joint [C] straight onto the delivery pipe until the hose joint clicks.
- Push [D] the joint lock [E].

- Push and pull [A] the fuel hose joint [B] back and forth more than two times and make sure it is locked and doesn't come off.

#### ⚠ WARNING

Make sure the fuel hose joint is installed correctly on the delivery pipe or the fuel could leak.

- ★ If it comes off, reinstall the hose joint.
- Run the fuel hose correctly (see Cable, Wire, and Hose Routing section in the Appendix chapter).
- Install the removed parts (see appropriate chapters).
- Start the engine and check the fuel hose for leaks.



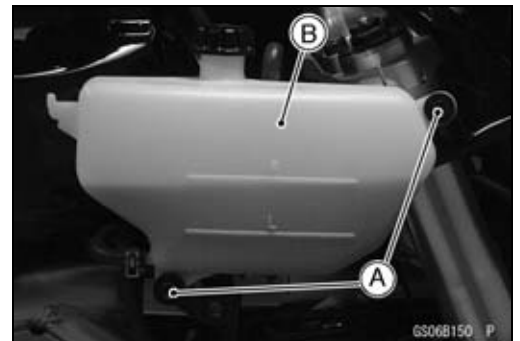
Periodic Maintenance Procedures

Coolant Change

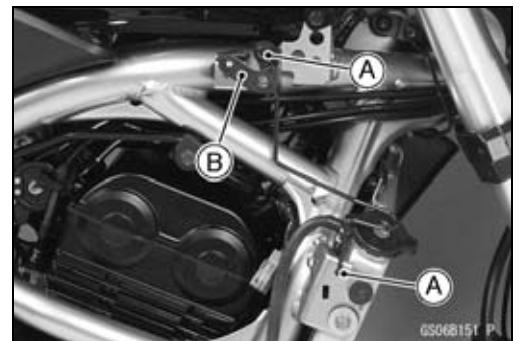
**⚠ WARNING**

To avoid burns, do not remove the radiator cap or try to change the coolant when the engine is still hot. Wait until it cools down. Coolant on tires will make them slippery and can cause an accident and injury. Immediately wipe up or wash away any coolant that spills on the frame, engine, or other painted parts. Since coolant is harmful to the human body, do not use for drinking.

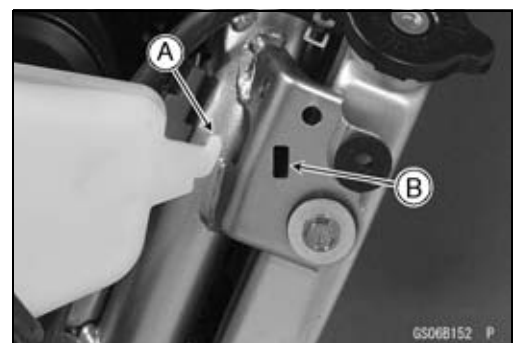
- Remove:
  - Right Middle Fairing (see Center Fairing Removal in the Frame chapter)
  - Right Front Frame Cover (see Front Frame Cover Removal in the Frame chapter)
  - Lower Fairing (see Lower Fairing Removal in the Frame chapter)
  - Reserve Tank Bolts [A]
  - Reserve Tank [B]



- Remove:
  - Bolts [A]
  - Reserve Tank Bracket [B]



- Put the projection [A] on the reserve tank into the hole [B] on the frame bracket, and place the reserve tank on the right side of frame.



## 2-46 PERIODIC MAINTENANCE

### Periodic Maintenance Procedures

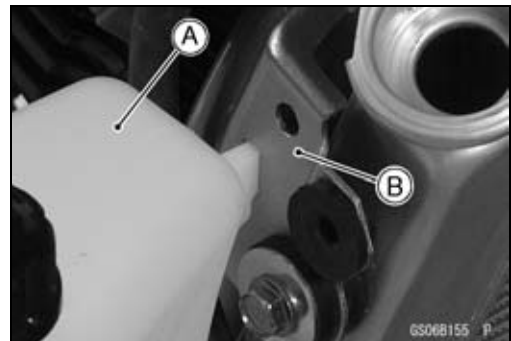
- Place a container under the water pump drain bolt [A], then remove the drain bolt.



- Remove the radiator cap [A] in two steps. First turn the cap counterclockwise to the first stop. Then push and turn it further in the same direction and remove the cap.
- The coolant will drain from the radiator and engine.



- Remove the reserve tank [A] from the frame bracket [B].
- Remove the reserve tank cap, and pour the coolant into a suitable container.
- Place the reserve tank on the right side of frame.
- Tighten the drain bolt with the gasket.
- Replace the drain bolt gasket with a new one.



**Torque - Water Pump Drain Bolt: 9.8 N·m (1.0 kgf·m, 87 in·lb)**

- When filling the coolant, choose a suitable mixture ratio by referring to the coolant manufacturer's directions.

#### CAUTION

**Soft or distilled water must be used with the antifreeze in the cooling system. If hard water is used in the system, it causes scales accumulation in the water passages, and considerably reduces the efficiency of the cooling system.**

#### Water and Coolant Mixture Ratio (Recommended)

Soft Water:	50%
Coolant:	50%
Freezing Point:	-35°C (-31°F)
Total Amount:	1.2 L (1.3 US qt)

**Periodic Maintenance Procedures**

- Fill the radiator up to the filler neck [A] with coolant.

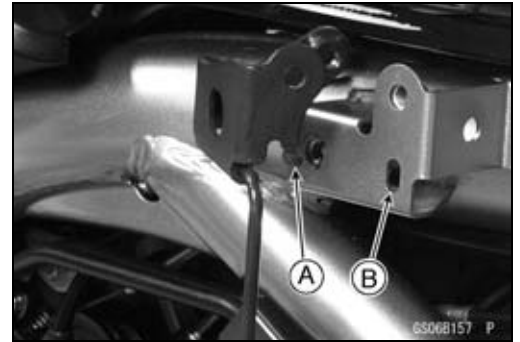
**NOTE**

○ *Pour in the coolant slowly so that it can expel the air from the engine and radiator.*

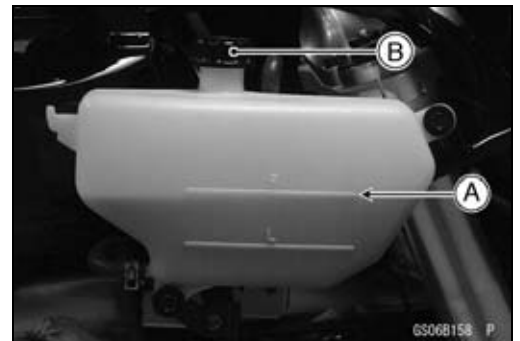
- Check the cooling system for leaks.
- Tap the radiator hoses to force any air bubbles caught inside.
- Fill the radiator up to the filler neck with coolant, and install the radiator cap.



- Install the reserve tank bracket and reserve tank.
- Put the projection [A] on the reserve tank bracket into the hole [B] on the frame bracket.



- Fill the reserve tank up to the “F” (full) level line [A] with coolant and install the cap [B].
- Start the engine, warm it up thoroughly until the radiator fan turns on and then stop the engine.
- Check the coolant level in the reserve tank after the engine cools down.
- ★ If the coolant level is lower than the “L” level line, add coolant to the “F” level line.

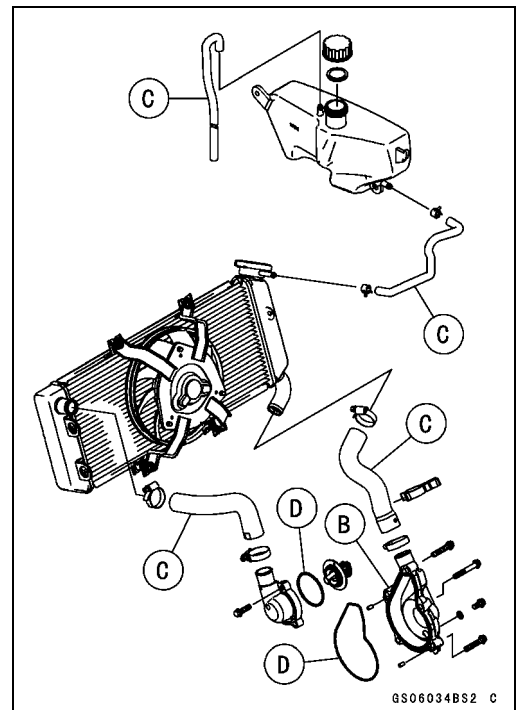


**CAUTION**

**Do not add more coolant above the “F” level line.**

**Radiator Hose and O-ring Replacement**

- Drain the coolant (see Coolant Change).
- Remove:
  - Thermostat Housing [A] (see Water Pump Removal in the Cooling System chapter)
  - Water Pump Cover [B] (see Water Pump Removal in the Cooling System chapter)
  - Hoses [C]
  - O-rings [D]
- Apply grease to the new O-rings and install them.
- Install the new hoses and tighten the clamps securely.
- Fill the coolant (see Coolant Change).
- Check the cooling system for leaks.

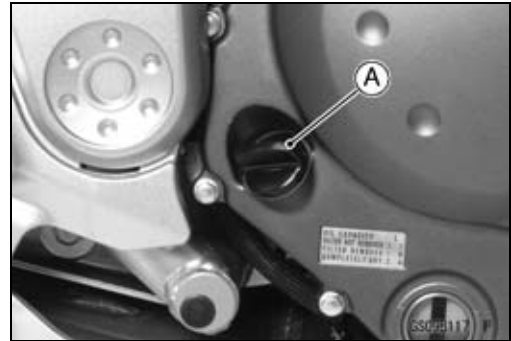


## 2-48 PERIODIC MAINTENANCE

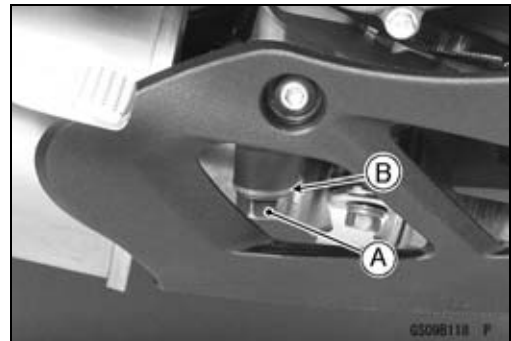
### Periodic Maintenance Procedures

#### Engine Oil Change

- Situate the motorcycle so that it is vertical after warming up the engine.
- Unscrew the oil filler plug [A].
- Place an oil pan beneath the engine.



- Remove the engine oil drain bolt [A] to drain the oil.
  - The oil in the oil filter can be drained by removing the filter (see Oil Filter Replacement).
  - ★ Replace the drain bolt gasket [B] with a new one.
  - Tighten the drain bolt.
- Torque - Engine Oil Drain Bolt: 30 N·m (3.0 kgf·m, 22 ft·lb)**
- Pour in the specified type and amount of oil.



#### Recommended Engine Oil

Type: API SE, SF or SG

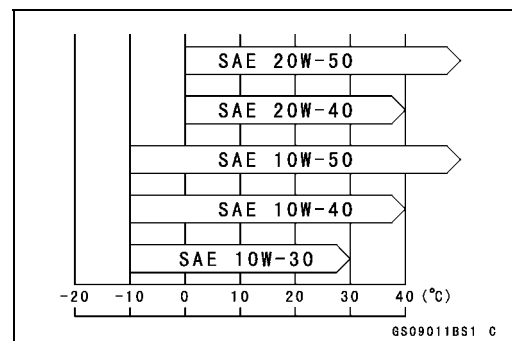
API SH, SJ or SL with JASO MA

Viscosity: SAE 10W-40

Capacity: 1.7 L (1.8 US qt) (when filter is not removed)

1.9 L (2.0 US qt) (when filter is removed)

2.4 L (2.5 US qt) (when engine is completely dry)



#### NOTE

○ Although 10W-40 engine oil is the recommended oil for most conditions, the oil viscosity may need to be changed to accommodate atmospheric conditions in your riding area.

- Check the oil level (see Oil Level Inspection in the Engine Lubrication System chapter).

#### Oil Filter Replacement

- Drain the engine oil (see Engine Oil Change).
- Remove the oil filter [A] with the oil filter wrench [B].

**Special Tool - Oil Filter Wrench: 57001-1249**





**Periodic Maintenance Procedures**

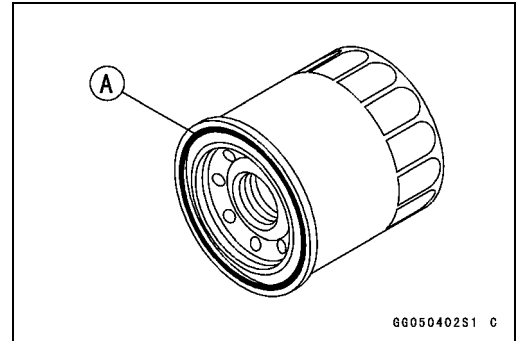
- Replace the filter with a new one.
- Apply engine oil to the gasket [A] before installation.
- Tighten the filter with the oil filter wrench.

**Torque - Oil Filter: 17.5 N·m (1.8 kgf·m, 13 ft·lb)**

**NOTE**

○Hand tightening of the oil filter can not be allowed since it does not reach to this tightening torque.

- Pour in the specified type and amount of oil (see Engine Oil Change).

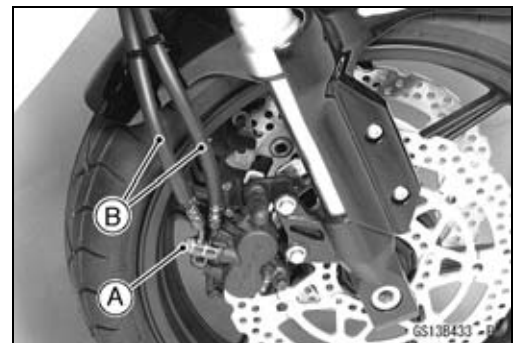
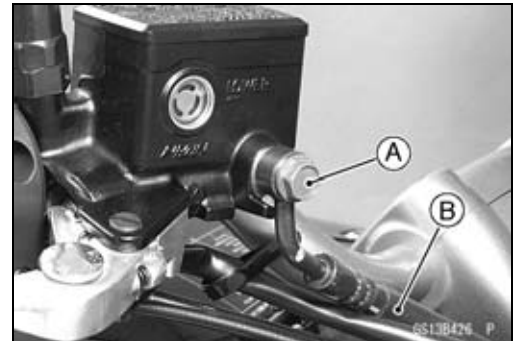


**Brake Hose and Pipe Replacement**

**CAUTION**

**Brake fluid quickly ruins painted plastic surfaces; any spilled fluid should be completely washed away immediately.**

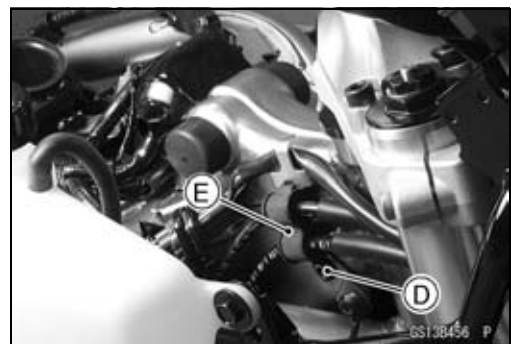
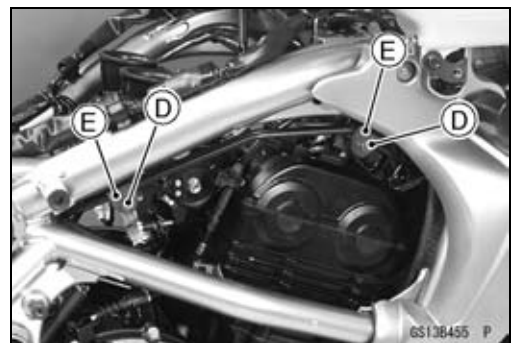
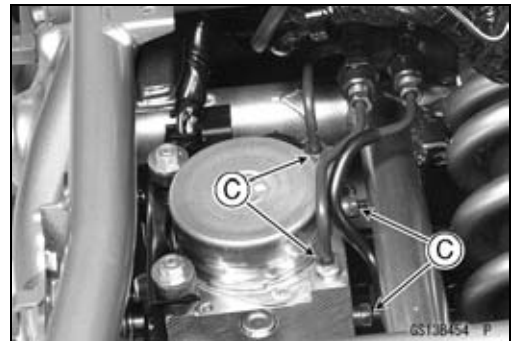
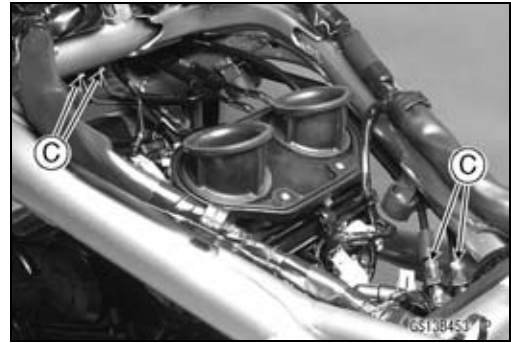
- Remove the banjo bolts [A].
- When removing the brake hose, take care not to spill the brake fluid on the painted or plastic parts.
- When removing the brake hoses [B], temporarily secure the end of the brake hose to some high place to keep fluid loss to a minimum.
- Immediately wash away any brake fluid that spills.



## 2-50 PERIODIC MAINTENANCE

### Periodic Maintenance Procedures

- For models equipped with an ABS, note the following.
- Remove:
  - Rear Fender Front (see Rear Fender Front Removal in the Frame chapter)
  - Air Cleaner Housing (see Air Cleaner Housing Removal in the Fuel System (DFI) chapter)
  - Right Rear Frame Cover (see Rear Frame Cover Removal in the Frame chapter)
- Remove the brake pipe joint nuts [C].
- Remove the bracket bolts [D] and brackets [E].
- There are washers on each side of the brake hose fitting. Replace them with new ones when installing.
- Tighten:
  - Torque - Brake Hose Banjo Bolts: 25 N·m (2.5 kgf·m, 18 ft·lb)**
  - Brake Pipe Joint Nuts: 18 N·m (1.8 kgf·m, 13 ft·lb)**  
(KLE650B Models)
- When installing the hoses, avoid sharp bending, kinking, flattening or twisting, and route the hoses according to Cable, Wire, and Hose Routing section in the Appendix chapter.
- Fill the brake line after installing the brake hose (see Brake Fluid Change).



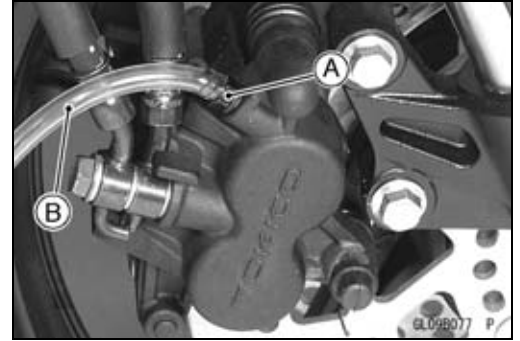
### Brake Fluid Change

#### NOTE

- The procedure to change the front brake fluid is as follows. Changing the rear brake fluid is the same as for the front brake.

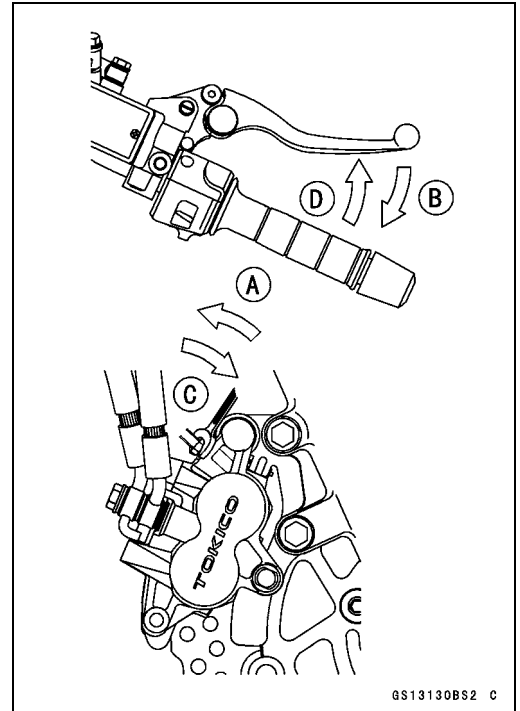
**Periodic Maintenance Procedures**

- Level the brake fluid reservoir.
- Remove the reservoir cap and diaphragm.
- Remove the rubber cap from the bleed valve [A] on the caliper.
- Attach a clear plastic hose [B] to the bleed valve, and run the other end of the hose into a container.
- Fill the reservoir with fresh specified brake fluid.



- Change the brake fluid.
- Repeat this operation until fresh brake fluid comes out from the plastic hose or the color of the fluid changes.

  1. Open the bleed valve [A].
  2. Apply the brake and hold it [B].
  3. Close the bleed valve [C].
  4. Release the brake [D].



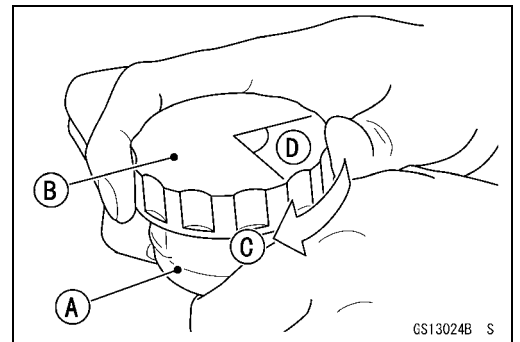
**NOTE**

- The fluid level must be checked often during the changing operation and replenished with fresh brake fluid. If the fluid in the reservoir runs out any time during the changing operation, the brakes will need to be bled since air will have entered the brake line.
- Front Brake: Repeat the above steps for the other caliper.

- Remove the clear plastic hose.
- Install the diaphragm and reservoir cap.
- Tighten:

**Torque - Front Brake Reservoir Cap Screws: 1.5 N·m (0.15 kgf·m, 13 in·lb)**

- Follow the procedure below to install the rear brake fluid reservoir cap correctly.
- First, tighten the rear brake fluid reservoir cap [B] clockwise [C] by hand until slight resistance is felt indicating that the cap is seated on the reservoir body, then tighten the cap an additional 1/6 turn [D] while holding the brake fluid reservoir body [A].



- Tighten the bleed valve, and install the rubber cap.

**Torque - Bleed Valve: 7.8 N·m (0.80 kgf·m, 69 in·lb)**

- After changing the fluid, check the brake for good braking power, no brake drag, and no fluid leakage.
- ★ If necessary, bleed the air from the lines.

## 2-52 PERIODIC MAINTENANCE

### Periodic Maintenance Procedures

#### Master Cylinder Rubber Parts Replacement

##### Front Master Cylinder Disassembly

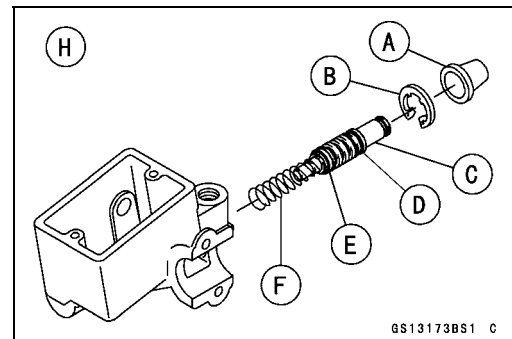
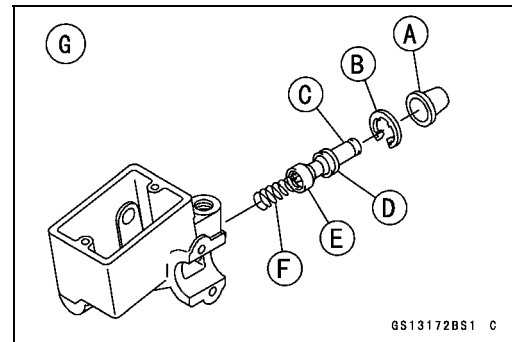
- Remove the front master cylinder (see Front Master Cylinder Removal in the Brakes chapter).
- Remove the reservoir cap and diaphragm, and pour the brake fluid into a container.
- Unscrew the locknut and pivot bolt, and remove the brake lever.
- Pull the dust cover [A] out of place, and remove the circlip [B].

**Special Tool - Inside Circlip Pliers: 57001-143**

- Pull out the piston [C], secondary cup [D], primary cup [E], and return spring [F].  
KLE650A Models [G]  
KLE650B Models [H]

#### CAUTION

**Do not remove the secondary cup from the piston since removal will damage it.**



#### Rear Master Cylinder Disassembly

##### NOTE

○Do not remove the push rod clevis for master cylinder disassembly since removal requires brake position adjustment.

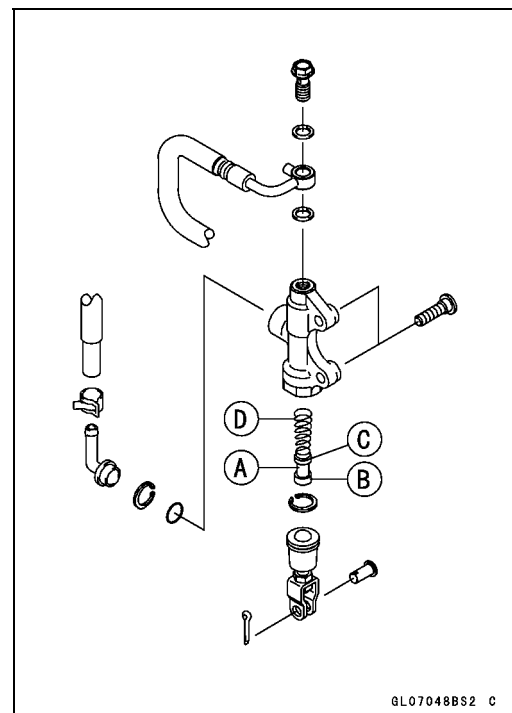
- Remove the rear master cylinder (see Rear Master Cylinder Removal in the Brakes chapter).
- Slide the dust cover on the push rod out of place, and remove the circlip.

**Special Tool - Inside Circlip Pliers: 57001-143**

- Pull out the push rod with the piston stop.
- Take off the piston [A], secondary cup [B], primary cup [C] and return spring [D].

#### CAUTION

**Do not remove the secondary cup from the piston since removal will damage it.**



#### Master Cylinder Assembly

- Before assembly, clean all parts including the master cylinder with brake fluid or alcohol.

#### CAUTION

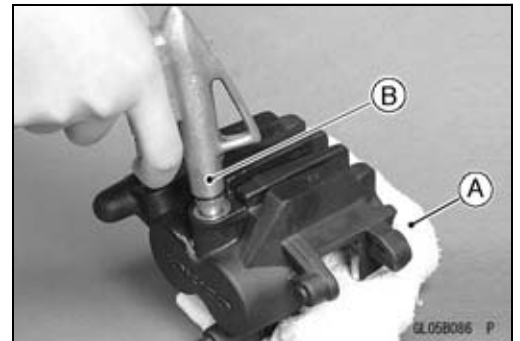
**Except for the disc pads and disc, use only disc brake fluid, isopropyl alcohol, or ethyl alcohol for cleaning brake parts. Do not use any other fluid for cleaning these parts. Gasoline, engine oil, or any other petroleum distillate will cause deterioration of the rubber parts. Oil spilled on any part will be difficult to wash off completely, and will eventually deteriorate the rubber used in the disc brake.**

**Periodic Maintenance Procedures**

- Apply brake fluid to the new parts and to the inner wall of the cylinder.
- Take care not to scratch the piston or the inner wall of the cylinder.
- Tighten the brake lever pivot bolt and locknut.
- Apply silicone grease.  
Brake Lever Pivot Bolt
- Tighten:  
  - Torque - Brake Lever Pivot Bolt: 1.0 N·m (0.10 kgf·m, 9 in·lb)
  - Brake Lever Pivot Bolt Locknut: 5.9 N·m (0.60 kgf·m, 52 in·lb)

**Caliper Rubber Parts Replacement  
Front Caliper Disassembly**

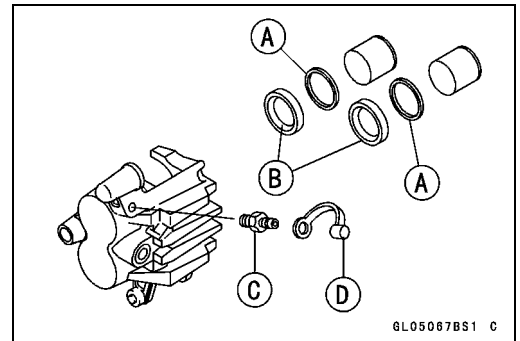
- Remove:  
  - Front Caliper (see Front Caliper Removal in the Brakes chapter)
  - Brake Pads (see Front Brake Pad Removal in the Brakes chapter)
- Using compressed air, remove the pistons.  
  - Cover the piston area with a clean, thick cloth [A].
  - Blow compressed air [B] into the hole for the banjo bolt to remove the piston.



**⚠ WARNING**

**To avoid serious injury, never place your fingers or palm in front of the piston. If you apply compressed air into the caliper, the piston may crush your hand or fingers.**

- Pull out the pistons by hand.
- Remove the dust seals [A] and fluid seals [B].
- Remove the bleed valve [C] and rubber cap [D].



**NOTE**

○ If compressed air is not available, with the brake hose still attached, apply the brake lever to remove the piston. The remaining process is as described above.

**Front Caliper Assembly**

- Clean the caliper parts except for the pads.

**CAUTION**

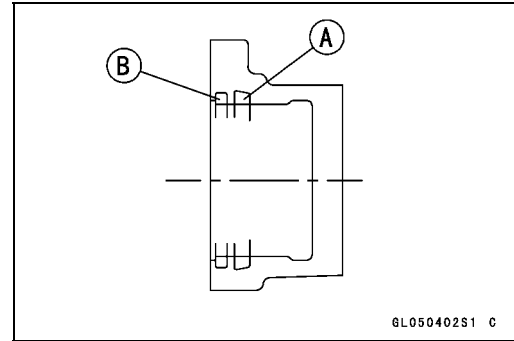
**For cleaning the parts, use only disc brake fluid, isopropyl alcohol, or ethyl alcohol.**

- Install the bleed valve and rubber cap.  
  - Torque - Bleed Valve: 7.8 N·m (0.80 kgf·m, 69 in·lb)

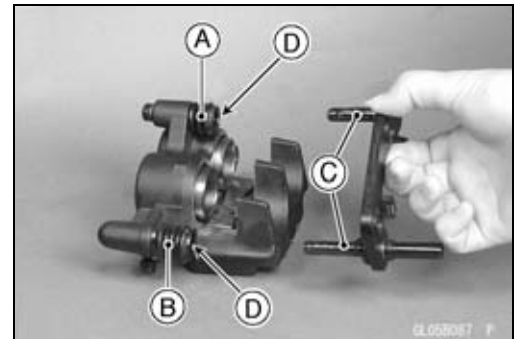
## 2-54 PERIODIC MAINTENANCE

### Periodic Maintenance Procedures

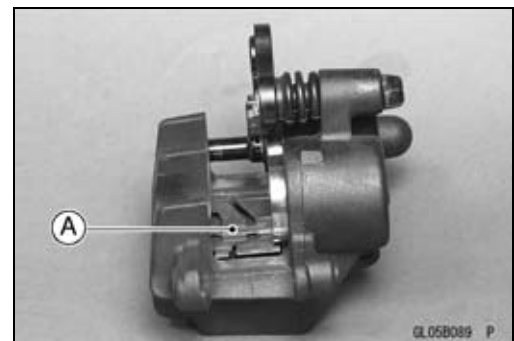
- Replace the fluid seals [A] with new ones.
- Apply brake fluid to the fluid seals, and install them into the cylinders by hand.
- Replace the dust seals [B] with new ones if they are damaged.
- Apply brake fluid to the dust seals, and install them into the cylinders by hand.



- Apply brake fluid to the outside of the pistons, and push them into each cylinder by hand.
- Check the shaft rubber friction boot [A] and the dust cover [B] replace them with new ones if they are damaged.
- Apply a thin coat of PBC (Poly Butyl Cuprysil) grease to the caliper holder shafts [C] and holder holes [D] (PBC is a special high-temperature, water-resistance grease).

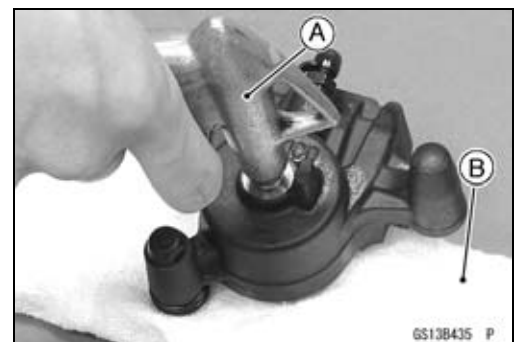


- Install the anti-rattle spring [A].
- Install the pads (see Front Brake Pad Installation in the Brakes chapter).
- Wipe up any spilled brake fluid on the caliper with wet cloth.



### Rear Caliper Disassembly

- Remove the rear caliper (see Rear Caliper Removal in the Brakes chapter).
- Remove the pads and anti-rattle spring (see Rear Brake Pad Removal in the Brakes chapter).
- Using compressed air, remove the piston.
- Cover the piston area with a clean, thick cloth [B].
- Blow compressed air [A] into the hole for the banjo bolt to remove the piston.



### **▲ WARNING**

**To avoid serious injury, never place your fingers or palm inside the caliper opening. If you apply compressed air into the caliper, the piston may crush your hand or fingers.**

- Remove the dust seal and fluid seal.
- Remove the bleed valve and rubber cap.

### **NOTE**

○ If compressed air is not available, with the brake hose still attached, apply the brake pedal to remove the piston. The remaining process is as described above.

**Periodic Maintenance Procedures**

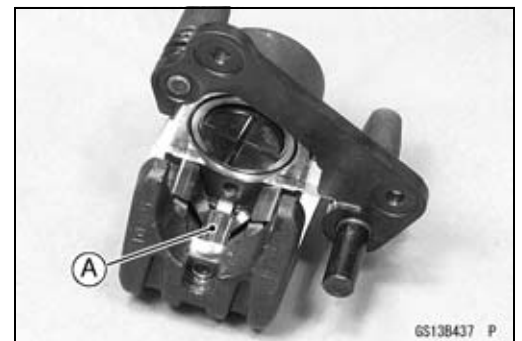
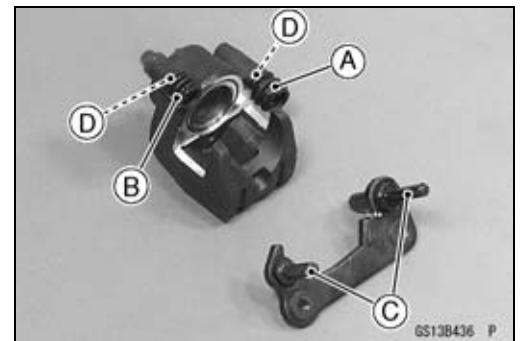
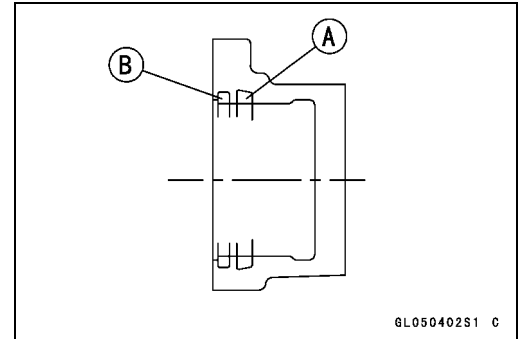
**Rear Caliper Assembly**

- Clean the caliper parts except for the pads.

**CAUTION**

**For cleaning of the parts, use only disc brake fluid, isopropyl alcohol, or ethyl alcohol.**

- Install the bleed valve and rubber cap.
  - Torque - Bleed Valve: 7.8 N·m (0.80 kgf·m, 69 in·lb)**
- Replace the fluid seal [A] with a new one.
  - Apply brake fluid to the fluid seal, and install it into the cylinder by hand.
- Replace the dust seal [B] with a new one if it is damaged.
  - Apply brake fluid to the dust seal, and install it into the cylinder by hand.
- Apply brake fluid to the outside of the piston, and push it into the cylinder by hand.
- Replace the shaft rubber friction boot [A] and dust boot [B] if they are damaged.
- Apply a thin coat of PBC (Poly Butyl Cuprysil) grease to the caliper holder shafts [C] and holder holes [D] (PBC is a special high-temperature, water-resistance grease).
- Install the anti-rattle spring [A] in the caliper as shown.
- Install the pads (see Rear Brake Pad Installation in the Brakes chapter).
- Wipe up any spilled brake fluid on the caliper with wet cloth.



**Spark Plug Replacement**

- Remove:
  - Stick Coils (see Stick Coil (Ignition Coil together with Spark Plug Cap) Removal in the Electrical System chapter)
- Remove the spark plugs using the 16 mm plug wrench [A].
  - Owner's Tool - Spark Plug Wrench, 16 mm: 92110-1132**
- Replace the spark plug with a new one.

**Standard Spark Plug**  
**Type: CR9EIA-9**



## 2-56 PERIODIC MAINTENANCE

### Periodic Maintenance Procedures

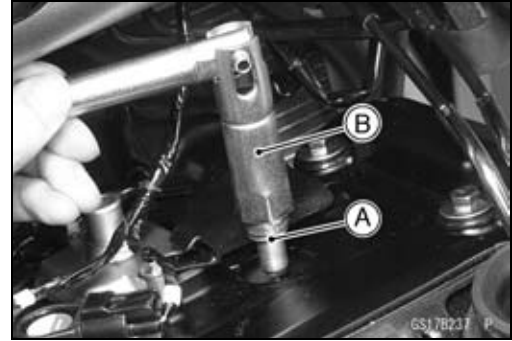
- Insert the spark plug [A] vertically into the plug hole with the spark plug installed in the plug wrench [B].

Owner's Tool - Spark Plug Wrench, 16 mm: 92110-1132

<b>CAUTION</b>
----------------

<b>The insulator of the spark plug may break if when the wrench is inclined during tightening.</b>
--

- Tighten:  
Torque - Spark Plugs: 15 N·m (1.5 kgf·m, 11 ft·lb)
- Install the stick coils securely.
- Be sure the stick coils are installed by pulling up it lightly.





# Fuel System (DFI)

## Table of Contents

Exploded View.....	3-4
DFI System.....	3-8
DFI System.....	3-10
DFI Parts Location.....	3-13
Specifications .....	3-14
Special Tools and Sealant.....	3-16
DFI Servicing Precautions.....	3-18
DFI Servicing Precautions .....	3-18
Troubleshooting the DFI System.....	3-20
Outline .....	3-20
Outline.....	3-20
Inquiries to Rider.....	3-24
Inquiries to Rider.....	3-24
DFI System Troubleshooting Guide .....	3-27
Self-Diagnosis .....	3-35
Self-diagnosis Outline.....	3-35
Self-diagnosis Outline .....	3-35
Self-diagnosis Procedures.....	3-35
Self-diagnosis Procedures.....	3-35
Service Code Clearing Procedures .....	3-36
Service Code Clearing Procedures.....	3-36
How to Read Service Codes.....	3-38
How to Read Service Codes.....	3-38
How to Erase Service Codes.....	3-38
How to Erase Service Codes .....	3-38
Service Code Table.....	3-39
Service Code Table.....	3-39
Backups .....	3-40
Backups .....	3-40
Main Throttle Sensor (Service Code 11) .....	3-42
Main Throttle Sensor Removal/Adjustment .....	3-42
Main Throttle Sensor Input Voltage Inspection .....	3-42
Main Throttle Sensor Output Voltage Inspection .....	3-43
Main Throttle Sensor Resistance Inspection .....	3-44
Inlet Air Pressure Sensor (Service Code 12).....	3-46
Inlet Air Pressure Sensor Removal.....	3-46
Inlet Air Pressure Sensor Installation.....	3-46
Inlet Air Pressure Sensor Input Voltage Inspection.....	3-46
Inlet Air Pressure Sensor Output Voltage Inspection.....	3-47
Inlet Air Temperature Sensor (Service Code 13).....	3-51
Inlet Air Temperature Sensor Removal/Installation.....	3-51
Inlet Air Temperature Sensor Output Voltage Inspection .....	3-51
Inlet Air Temperature Sensor Resistance Inspection .....	3-52
Water Temperature Sensor (Service Code 14) .....	3-53
Water Temperature Sensor Removal/Installation .....	3-53
Water Temperature Sensor Output Voltage Inspection.....	3-53
Water Temperature Sensor Resistance Inspection.....	3-54
Crankshaft Sensor (Service Code 21).....	3-55
Crankshaft Sensor Removal/Installation.....	3-55
Crankshaft Sensor Inspection.....	3-55

## 3-2 FUEL SYSTEM (DFI)

---

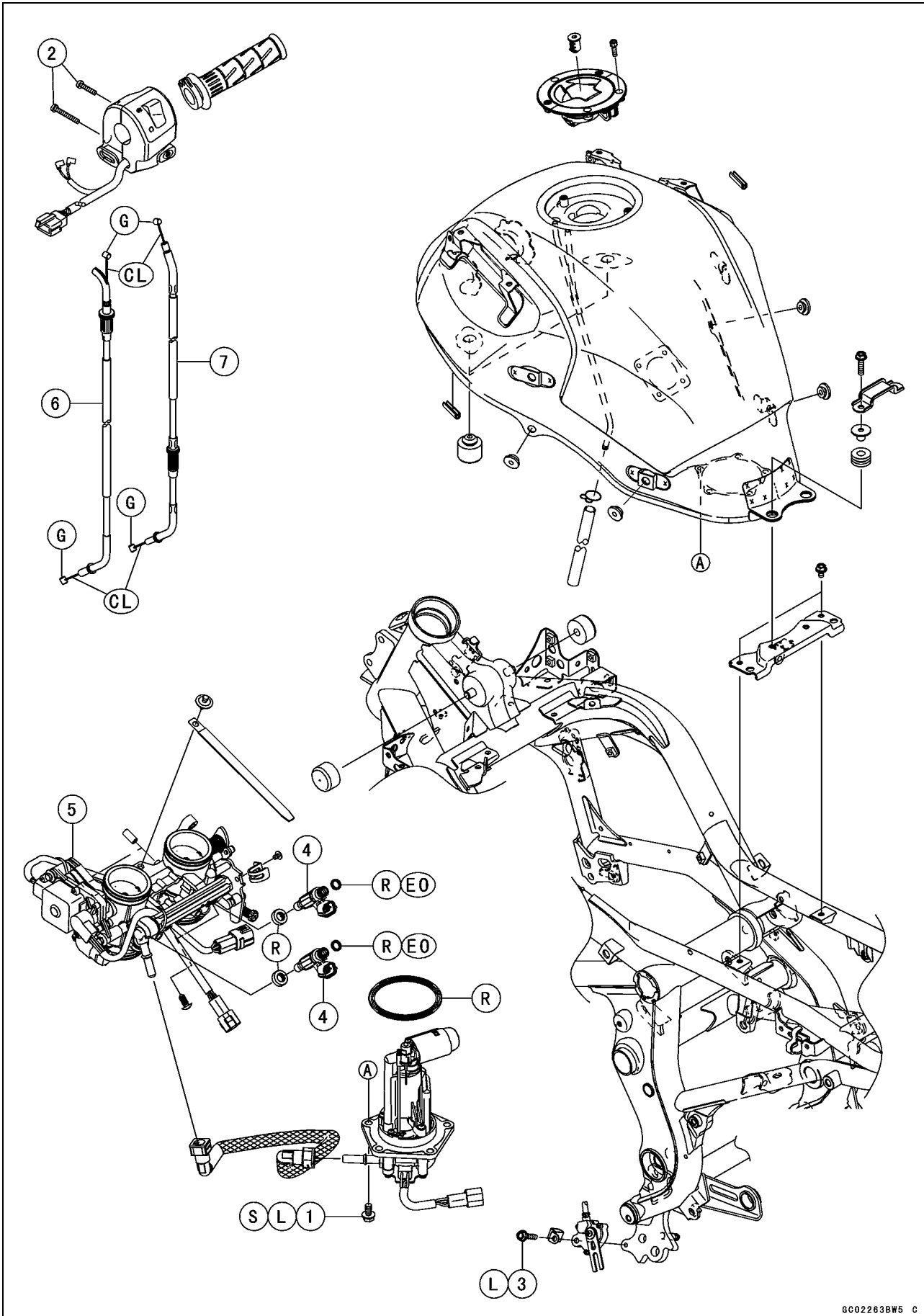
Speed Sensor (Service Code 24, 25).....	3-56
Speed Sensor Removal/Installation.....	3-56
Speed Sensor Inspection.....	3-56
Speed Sensor Input Voltage Inspection.....	3-56
Speed Sensor Output Voltage Inspection.....	3-57
Vehicle-down Sensor (Service Code 31).....	3-59
Vehicle-down Sensor Removal.....	3-59
Vehicle-down Sensor Installation.....	3-59
Vehicle-down Sensor Inspection.....	3-59
Subthrottle Sensor (Service Code 32).....	3-62
Subthrottle Sensor Removal/Adjustment.....	3-62
Subthrottle Sensor Input Voltage Inspection.....	3-62
Subthrottle Sensor Output Voltage Inspection.....	3-63
Subthrottle Sensor Resistance Inspection.....	3-64
Oxygen Sensor-not activated (Service Code 33) (Europe Models).....	3-66
Oxygen Sensor Removal/Installation.....	3-66
Oxygen Sensor Inspection.....	3-66
Stick Coils #1, #2: (Service Code 51, 52).....	3-68
Stick Coil Removal/Installation.....	3-68
Stick Coil Input Voltage Inspection.....	3-68
Radiator Fan Relay (Service Code 56).....	3-70
Radiator Fan Relay Removal/Installation.....	3-70
Radiator Fan Relay Inspection.....	3-70
Subthrottle Valve Actuator (Service Code 62).....	3-71
Subthrottle Valve Actuator Removal.....	3-71
Subthrottle Valve Actuator Audible Inspection.....	3-71
Subthrottle Valve Actuator Inspection.....	3-71
Subthrottle Valve Actuator Resistance Inspection.....	3-71
Subthrottle Valve Actuator Input Voltage Inspection.....	3-72
Air Switching Valve (Service Code 64).....	3-73
Air Switching Valve Removal/Installation.....	3-73
Air Switching Valve Inspection.....	3-73
Oxygen Sensor Heater (Service Code 67) (Europe Models).....	3-74
Oxygen Sensor Heater Removal/Installation.....	3-74
Oxygen Sensor Heater Inspection.....	3-74
Oxygen Sensor-Incorrect Output Voltage (Service Code 94) (Europe Models).....	3-77
Oxygen Sensor Removal/Installation.....	3-77
Oxygen Sensor Inspection.....	3-77
FI Indicator Light (LED).....	3-79
FI Indicator Light (LED) Inspection.....	3-80
ECU.....	3-81
ECU Removal.....	3-81
ECU Installation.....	3-82
ECU Power Supply Inspection.....	3-82
Fuel Line.....	3-85
Fuel Pressure Inspection.....	3-85
Fuel Flow Rate Inspection.....	3-86
Fuel Pump.....	3-88
Fuel Pump Removal.....	3-88
Fuel Pump Installation.....	3-88
Fuel Pump Operation Inspection.....	3-89
Fuel Pump Operating Voltage Inspection.....	3-89
Pressure Regulator Removal.....	3-90
Pump Screen, Fuel Filter Cleaning.....	3-90
Fuel Injectors.....	3-92
Removal/Installation.....	3-92
Audible Inspection.....	3-92

---

Fuel Injector Power Source Voltage Inspection .....	3-92
Fuel Injector Output Voltage Inspection .....	3-93
Injector Signal Test.....	3-94
Injector Resistance Inspection .....	3-95
Injector Unit Test .....	3-95
Injector Fuel Line Inspection .....	3-95
Throttle Grip and Cables .....	3-98
Throttle Grip Free Play Inspection .....	3-98
Throttle Grip Free Play Adjustment.....	3-98
Throttle Cable Installation .....	3-98
Throttle Cable Lubrication.....	3-98
Throttle Body Assy .....	3-99
Idle Speed Inspection .....	3-99
Engine Vacuum Synchronization Inspection/Adjustment.....	3-99
Throttle Body Assy Removal.....	3-99
Throttle Body Assy Installation.....	3-100
Throttle Body Assy Disassembly .....	3-101
Throttle Body Assy Assembly .....	3-102
Air Cleaner.....	3-103
Air Cleaner Element Removal/Installation .....	3-103
Air Cleaner Element Inspection .....	3-103
Air Cleaner Oil Draining .....	3-103
Air Cleaner Housing Removal.....	3-103
Air Cleaner Housing Installation.....	3-104
Fuel Tank.....	3-105
Fuel Tank Removal .....	3-105
Fuel Tank Installation .....	3-107
Fuel Tank and Cap Inspection .....	3-108
Fuel Tank Cleaning .....	3-108

# 3-4 FUEL SYSTEM (DFI)

## Exploded View



**Exploded View**

No.	Fastener	Torque			Remarks
		N·m	kgf·m	ft·lb	
1	Fuel Pump Bolts	9.8	1.0	87 in·lb	L, S
2	Right Switch Housing Screws	3.5	0.36	31 in·lb	
3	Sidestand Switch Bolt	3.9	0.40	35 in·lb	L

- 4. Injectors
- 5. Throttle Body Assy
- 6. Throttle Cable (Accelerator)
- 7. Throttle Cable (Decelerator)

CL: Apply cable lubricant.

EO: Apply engine oil.

G: Apply grease.

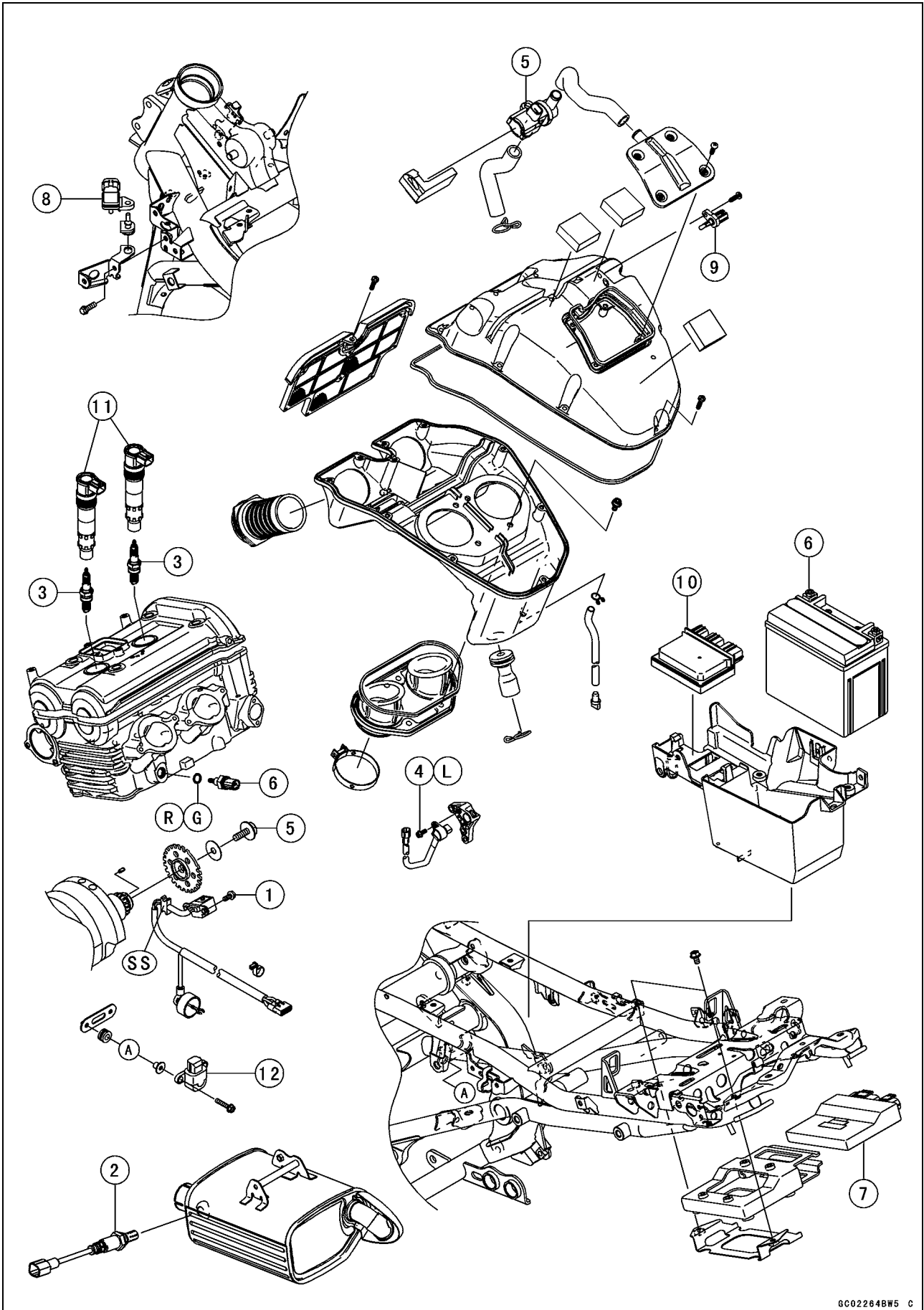
L: Apply a non-permanent locking agent.

R: Replacement Parts

S: Follow the specified tightening sequence.

# 3-6 FUEL SYSTEM (DFI)

## Exploded View



**Exploded View**

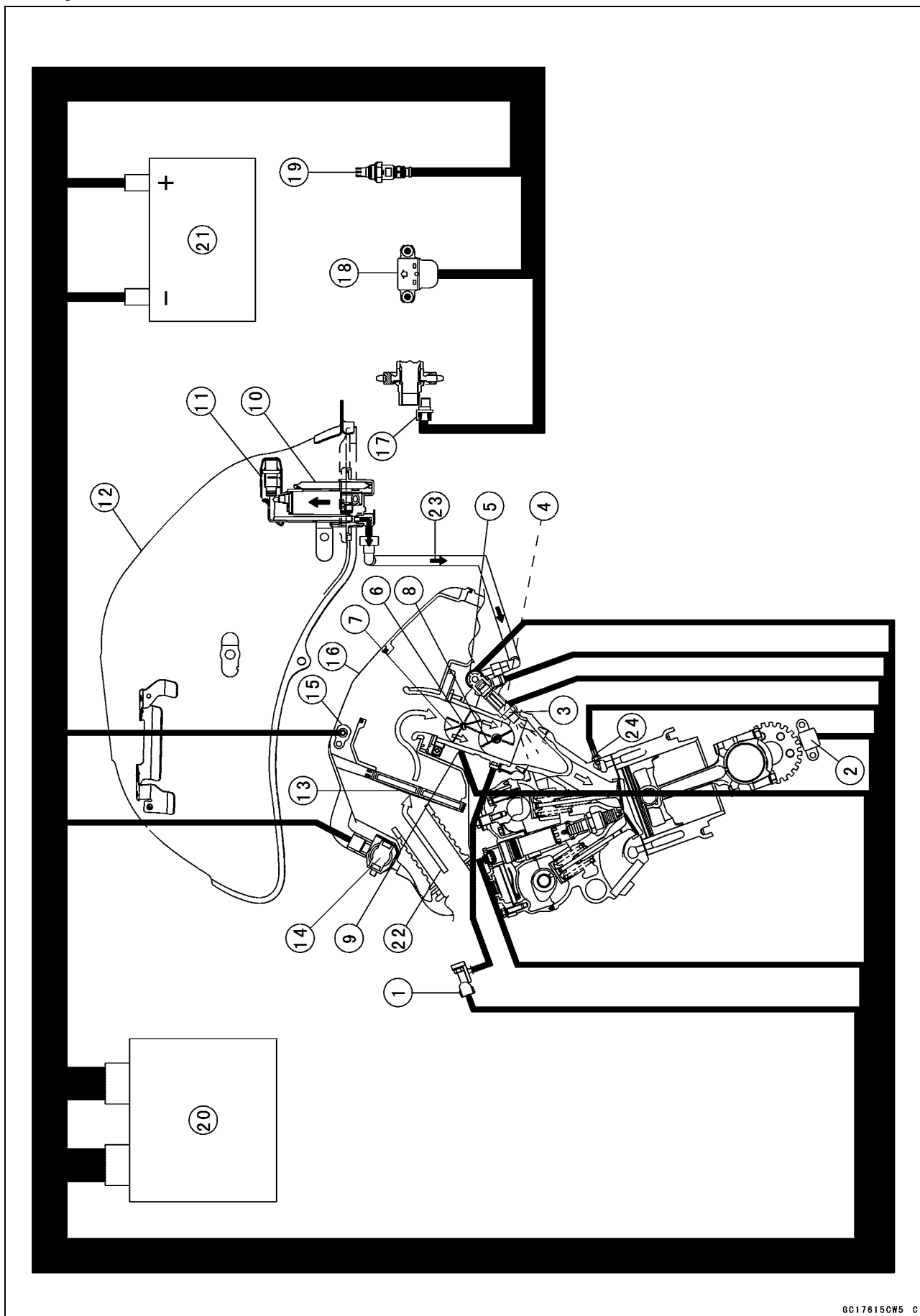
No.	Fastener	Torque			Remarks
		N·m	kgf·m	ft·lb	
1	Crankshaft Sensor Bolts	6.0	0.61	53 in·lb	
2	Oxygen Sensor (Europe Models)	44.1	4.5	33	
3	Spark Plugs	15	1.5	11	
4	Speed Sensor Bolt	7.8	0.80	69 in·lb	
5	Timing Rotor Bolt	40	4.1	30	
6	Water Temperature Sensor	12	1.2	106 in·lb	

- 5. Air Switching Valve
- 6. Battery
- 7. ECU (Electronic Control Unit)
- 8. Inlet Air Pressure Sensor
- 9. Inlet Air Temperature Sensor
- 10. Relay Box
- 11. Stick Coil
- 12. Vehicle-down Sensor
- G: Apply grease.
- L: Apply a non-permanent locking agent.
- R: Replacement Parts
- SS: Apply silicone sealant.

### 3-8 FUEL SYSTEM (DFI)

#### DFI System

#### DFI System





### DFI System

---

1. Inlet Air Pressure Sensor
2. Crankshaft Sensor
3. Injector
4. Main Throttle Sensor
5. Delivery Pipe
6. Subthrottle Sensor
7. Subthrottle Valve
8. Main Throttle Valve
9. Subthrottle Valve Actuator
10. Fuel Pump
11. Pressure Regulator
12. Fuel Tank
13. Air Cleaner Element
14. Air Switching Valve
15. Inlet Air Temperature Sensor
16. Air Cleaner Housing
17. Speed Sensor
18. Vehicle-down Sensor
19. Oxygen Sensor (Europe Models)
20. ECU (Electronic Control Unit)
21. Battery
22. Air Flow
23. Fuel Flow
24. Water Temperature Sensor



---

**DFI System**

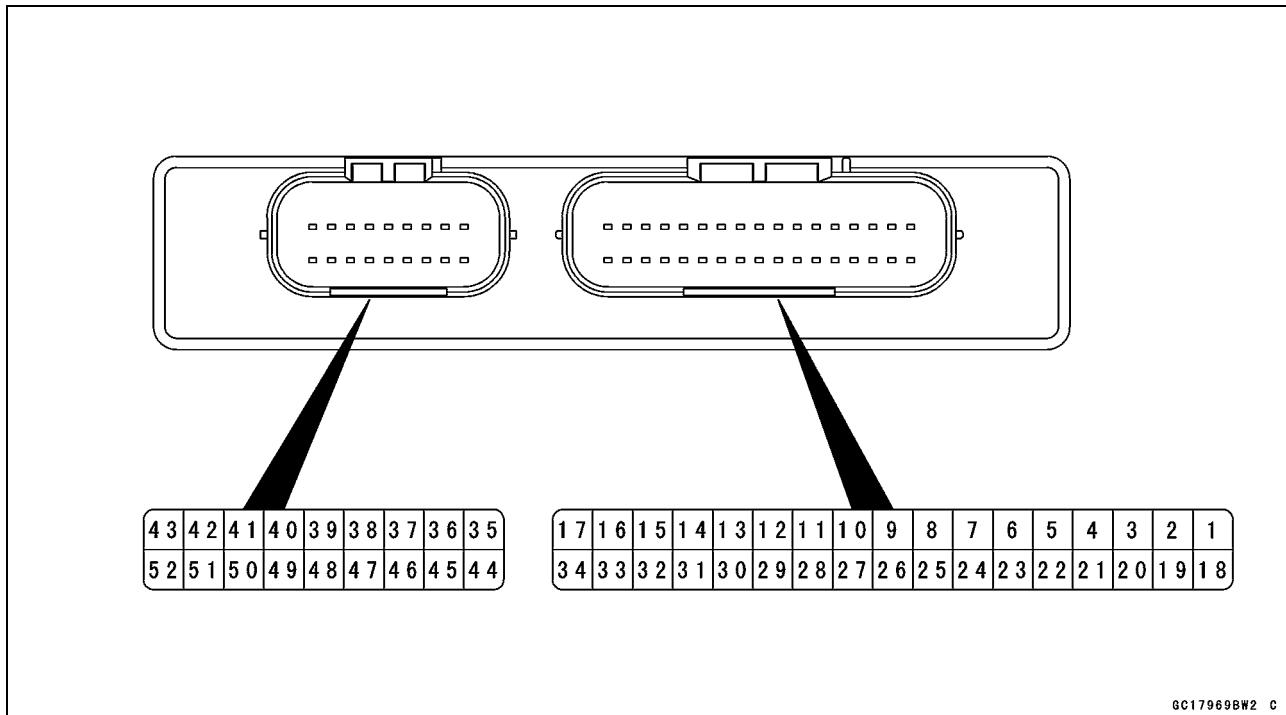
---

**Part Name**

1. Oxygen Sensor (Europe Models)
2. Crankshaft Sensor
3. Inlet Air Temperature Sensor
4. Water Temperature Sensor
5. Water-proof Joint E
6. Injectors
7. Vehicle-down Sensor
8. Water-proof Joint D
9. Inlet Air Pressure Sensor
10. Main Throttle Sensor
11. Subthrottle Sensor
12. Subthrottle Valve Actuator
13. Speed Sensor
14. Air Switching Valve
15. Water-proof Joint C
16. Stick Coils
17. Fan Motor
18. Starter Button
19. Engine Stop Switch
20. Ignition Switch
21. Frame Ground
22. FI Indicator Light (LED)
23. Water Temperature Gauge
24. Tachometer
25. Speedometer
26. Water-proof Joint A
27. Water-proof Joint B
28. Fuse Box
29. Oxygen Sensor Heater Fuse 10 A
30. Radiator Fan Fuse 15 A
31. ECU Fuse 15 A
32. Ignition Fuse 10 A
33. Radiator Fan Relay
34. ECU Main Relay
35. Fuel Pump Relay
36. Relay Box
37. Main Fuse 30 A
38. Battery 12 V 10 Ah
39. Fuel Pump
40. Kawasaki Self-diagnosis System Connector
41. Self-diagnosis Terminal
42. Joint Connector
43. ECU

## 3-12 FUEL SYSTEM (DFI)

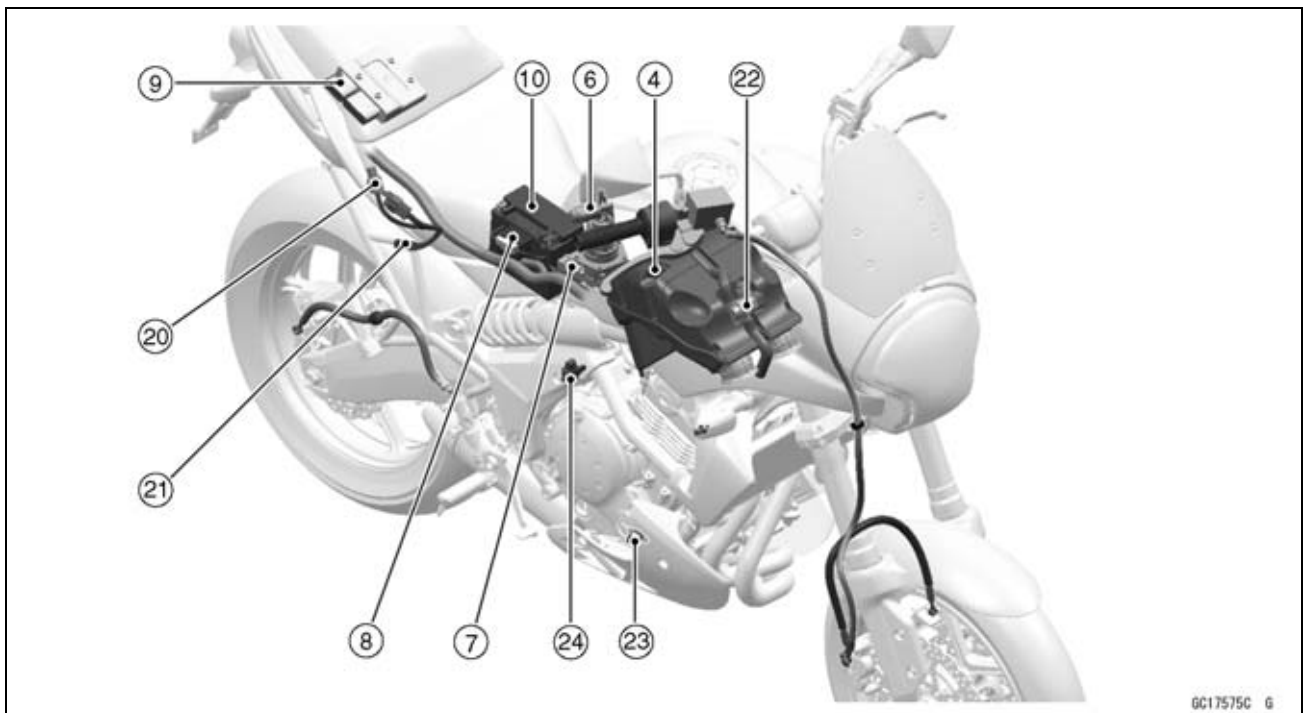
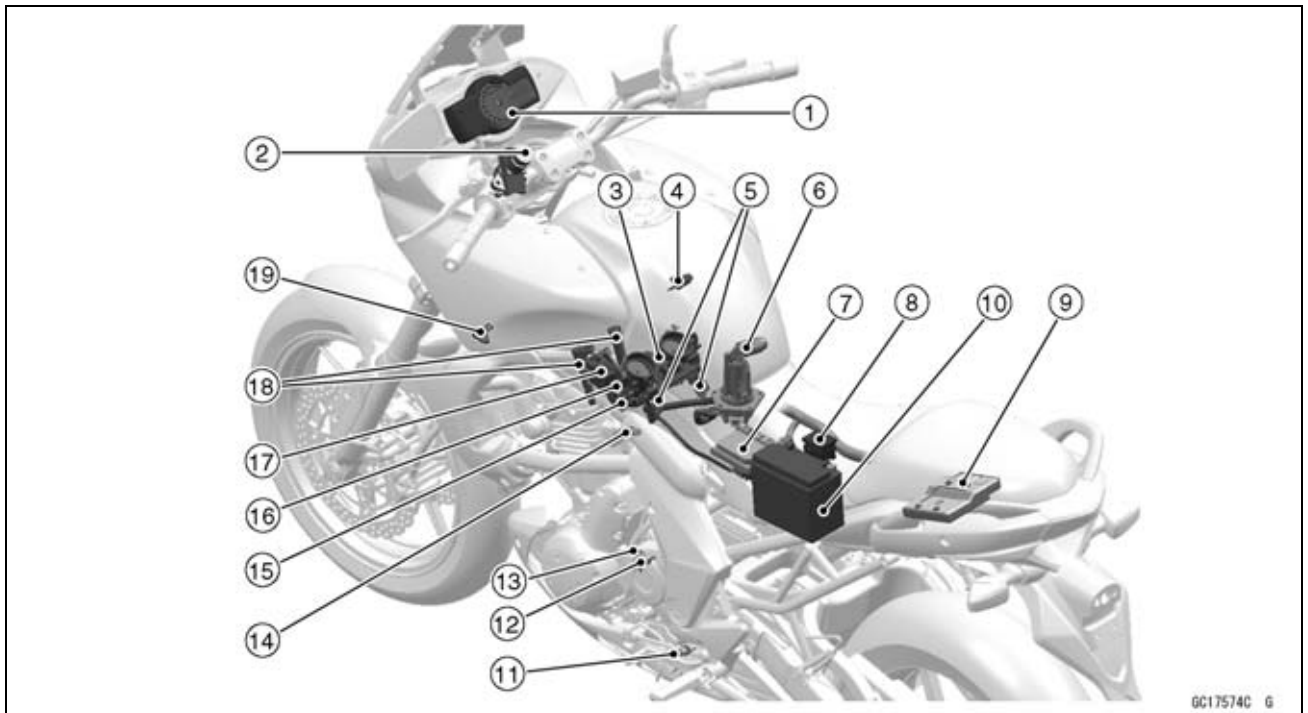
### DFI System



#### Terminal Names

1. Subthrottle Valve Actuator Drive Signal 2
2. Subthrottle Valve Actuator Drive Signal 1
3. Water Temperature Warning Light Signal
4. Unused
5. Oxygen Sensor Signal (Europe Models)
6. Speed Sensor Signal
7. Main Throttle Sensor Signal
8. Inlet Air Pressure Sensor Signal
9. Unused
10. Power Supply to Sensors
11. Vehicle-down Sensor Signal
12. Neutral Switch Signal
13. Crankshaft Sensor (+) Signal
14. Unused
15. Unused
16. Power Supply to ECU (from ECU Main Relay)
17. Power Supply to ECU (from Battery)
18. Subthrottle Valve Actuator Drive Signal 4
19. Subthrottle Valve Actuator Drive Signal 3
20. Water Temperature Sensor Signal
21. Unused
22. Self-diagnosis Terminal
23. Unused
24. Subthrottle Sensor Signal
25. Unused
26. Inlet Air Temperature Sensor Signal
27. Unused
28. Ground to Sensors
29. Oxygen Sensor Heater Signal (Europe Models)
30. Crankshaft Sensor (-) Signal
31. Unused
32. External Diagnosis System Signal
33. Unused
34. Ground to ECU
35. Engine Stop Switch Signal
36. Starter Lockout Switch Signal
37. Starter Button Signal
38. Unused
39. Fuel Pump Relay Signal
40. Air Switching Valve Signal
41. Fuel Injector #2 Signal
42. Fuel Injector #1 Signal
43. Stick Coil #1 Signal
44. Sidestand Switch Signal
45. Radiator Fan Relay Signal
46. External Communication Line (Mode Switch)
47. Tachometer Signal
48. FI Indicator Light (LED)
49. -
50. Ground for Fuel System
51. Ground for Ignition System
52. Stick Coil #2 Signal

DFI Parts Location



- |  |  |
|--|--|
| 1. FI Indicator Light (LED)  | 13. Neutral Switch                           |
| 2. Ignition Switch   | 14. Water Temperature Sensor                 |
| 3. Throttle Body Assy  | 15. Main Throttle Sensor                     |
| 4. Inlet Air Temperature Sensor                                    | 16. Subthrottle Sensor                       |
| 5. Injectors   | 17. Subthrottle Valve Actuator               |
| 6. Fuel Pump   | 18. Stick Coils                              |
| 7. Relay Box (ECU Main Relay, Fuel Pump Relay, Radiator Fan Relay) | 19. Inlet Air Pressure Sensor                |
| 8. Fuse Box (ECU Fuse 15 A, Oxygen Sensor Heater Fuse 10 A)        | 20. Kawasaki Self-diagnosis System Connector |
| 9. ECU   | 21. Self-diagnosis Indicator Terminal        |
| 10. Battery 12 V 10 Ah   | 22. Air Switching Valve                      |
| 11. Oxygen Sensor (Europe Models)                                  | 23. Crankshaft Sensor                        |
| 12. Speed Sensor   | 24. Vehicle-down Sensor                      |

### 3-14 FUEL SYSTEM (DFI)

#### Specifications

Item	Standard
<b>Digital Fuel Injection System</b>	
Idle Speed	1 300 ±50 r/min (rpm)
Throttle Body Assy:	
Type	Two barrel type
Bore	φ38 mm (1.50 in.)
ECU (Electronic Control Unit):	
Make	DENSO
Type	Digital memory type, with built in IC igniter, sealed with resin
Usable Engine Speed	100 ~ 10 650 r/min (rpm)
Fuel Pressure (High Pressure Line):	
With Engine Idling	294 kPa (3.0 kgf/cm <sup>2</sup> , 43 psi) with fuel pump running
Fuel Pump:	
Type	In-tank friction pump
Discharge	60 mL or more for 3 seconds
Fuel Injectors:	
Type	INP-287
Nozzle Type	One spray type with 12 holes
Resistance	About 11.7 ~ 12.3 Ω at 20°C (68°F)
Main Throttle Sensor:	Non-adjustable and non-removable
Input Voltage	DC 4.75 ~ 5.25 V between BL and BR/BK leads
Output Voltage at Idle Throttle Opening	DC 1.005 ~ 1.035 V between Y/W and BR/BK leads
Output Voltage at Full Throttle Opening	DC 4.2 ~ 4.4 V between Y/W and BR/BK leads
Resistance	4 ~ 6 kΩ
Inlet Air Pressure Sensor:	
Input Voltage	DC 4.75 ~ 5.25 V between BL and BR/BK leads
Output Voltage	DC 3.80 ~ 4.20 V at standard atmospheric pressure (see this text for details)
Inlet Air Temperature Sensor:	
Resistance	5.4 ~ 6.6 kΩ at 0°C (32°F)
Output Voltage at ECU	About 2.25 ~ 2.50 V at 20°C (68°F)
Water Temperature Sensor:	
Resistance	see Electrical System chapter
Output Voltage at ECU	About 2.80 ~ 2.97 V at 20°C (68°F)
Speed Sensor:	
Input Voltage at Sensor	About DC 9 ~ 11 V at Ignition Switch ON
Output Voltage at Sensor	About DC 0.05 ~ 0.07 V or DC 4.5 ~ 4.9 V at Ignition Switch ON and 0 km/h
Vehicle-down Sensor:	
Detection Method	Magnetic flux detection method
Detection Angle	more than 60 ~ 70° for each bank
Output Voltage	with the sensor tilted 60 ~ 70° or more: 0.65 ~ 1.35 V with sensor arrow mark pointed up: 3.55 ~ 4.45 V

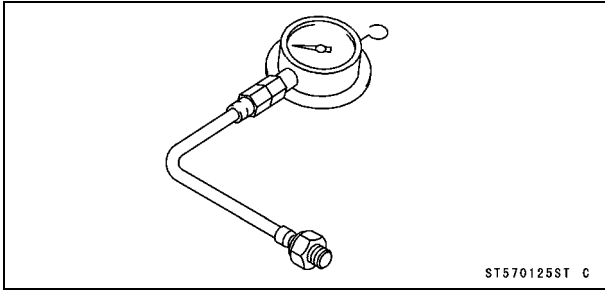
**Specifications**

<b>Item</b>	<b>Standard</b>
Subthrottle Sensor: Input Voltage Output Voltage at Idle Throttle Opening Output Voltage at Full Throttle Opening Resistance	Non-adjustable and non-removal DC 4.75 ~ 5.25 V between BL and BR/BK leads DC 0.4 ~ 0.6 V between BL/W and BR/BK leads DC 3.825 ~ 3.975 V between BL/W and BR/BK leads 4 ~ 6 kΩ
Subthrottle Valve Actuator: Resistance Input Voltage	About 5.5 ~ 7.5 Ω About DC 8.5 ~ 10.5 V
Oxygen Sensor (Europe Models): Output Voltage (Rich) Output Voltage (Lean) Heater Resistance	0.7 V or more 0.2 V or less 11.7 ~ 14.5 Ω at 20°C (68°F)
<b>Throttle Grip and Cables</b> Throttle Grip Free Play	2 ~ 3 mm (0.08 ~ 0.12 in.)

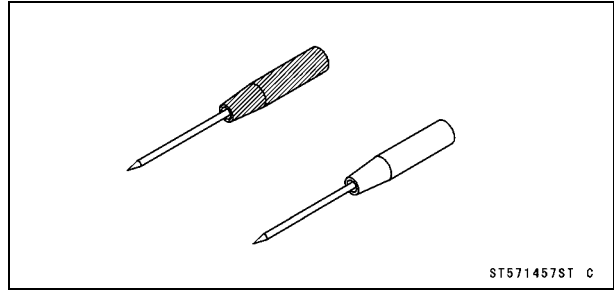
# 3-16 FUEL SYSTEM (DFI)

## Special Tools and Sealant

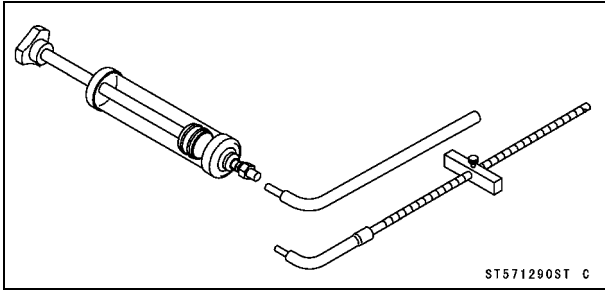
**Oil Pressure Gauge, 5 kgf/cm<sup>2</sup>:**  
57001-125



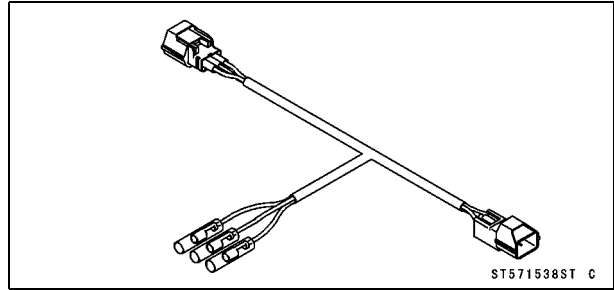
**Needle Adapter Set:**  
57001-1457



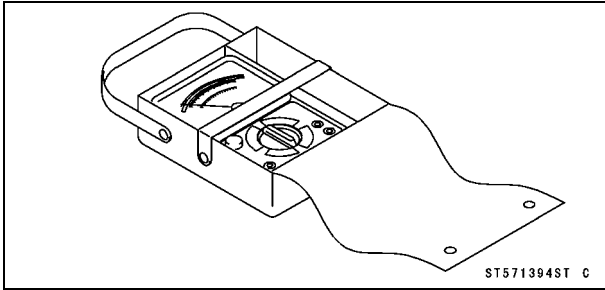
**Fork Oil Level Gauge:**  
57001-1290



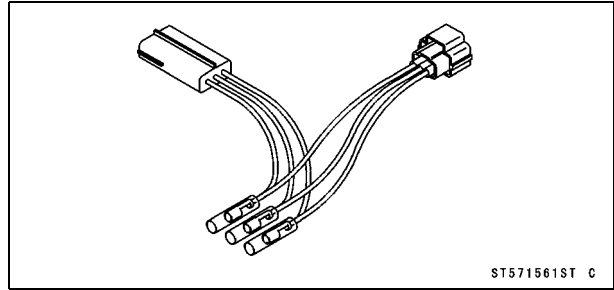
**Throttle Sensor Setting Adapter:**  
57001-1538



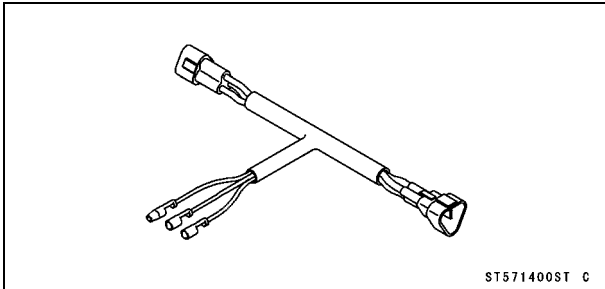
**Hand Tester:**  
57001-1394



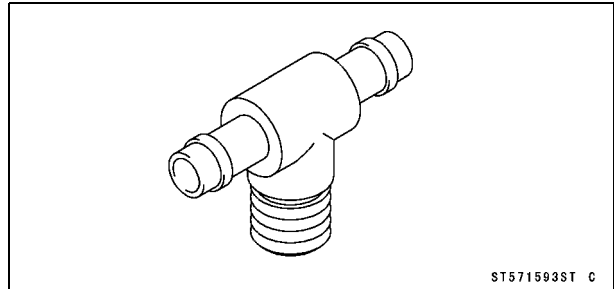
**Sensor Harness Adapter:**  
57001-1561



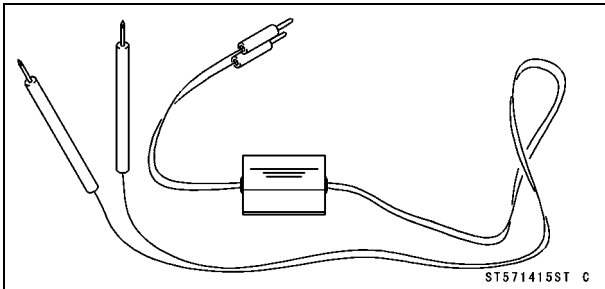
**Throttle Sensor Setting Adapter #1:**  
57001-1400



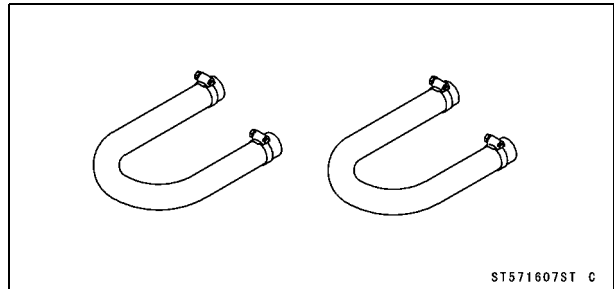
**Fuel Pressure Gauge Adapter:**  
57001-1593



**Peak Voltage Adapter:**  
57001-1415



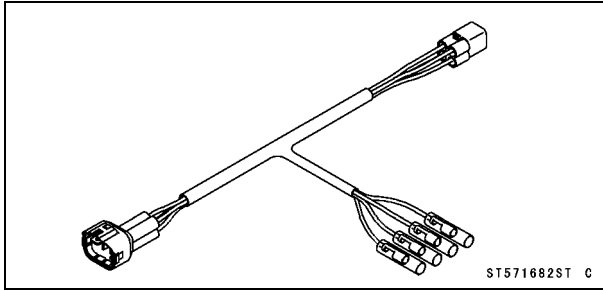
**Fuel Hose:**  
57001-1607



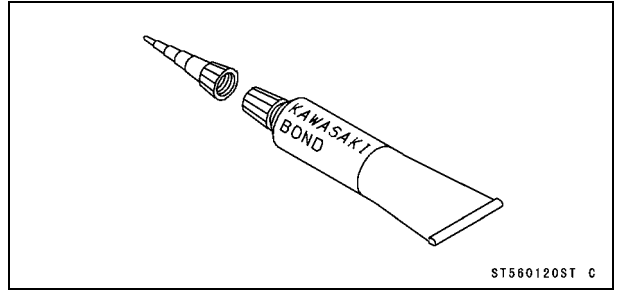


**Special Tools and Sealant**

**Oxygen Sensor Measuring Adapter:  
57001-1682**



**Kawasaki Bond (Silicone Sealant):  
56019-120**



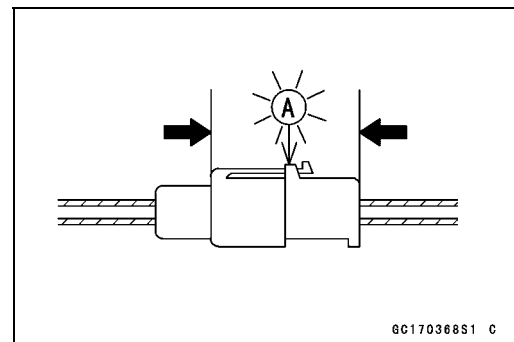
## 3-18 FUEL SYSTEM (DFI)

### DFI Servicing Precautions

#### **DFI Servicing Precautions**

There are a number of important precautions that should be followed servicing the DFI system.

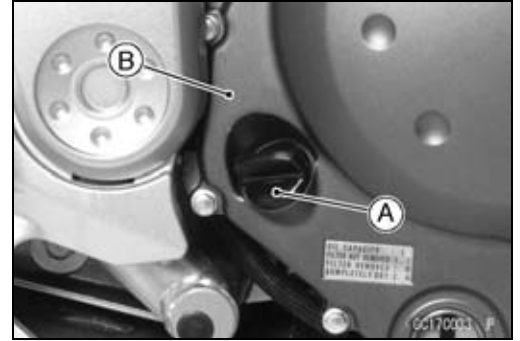
- This DFI system is designed to be used with a 12 V sealed battery as its power source. Do not use any other battery except for a 12 V sealed battery as a power source.
- Do not reverse the battery cable connections. This will damage the ECU.
- To prevent damage to the DFI parts, do not disconnect the battery cables or any other electrical connections when the ignition switch is on or while the engine is running.
- Take care not to short the cables that are directly connected to the battery positive (+) terminal to the chassis ground.
- When charging, remove the battery from the motorcycle. This is to prevent ECU damage by excessive voltage.
- Do not turn the ignition switch ON while any of the DFI electrical connectors are disconnected. The ECU memorizes service codes.
- Do not spray water on the electrical parts, DFI parts, connectors, leads, and wiring.
- Whenever the DFI electrical connections are to be disconnected, first turn off the ignition switch, and disconnect the battery (–) terminal. Do not pull the lead, only the connector. Conversely, make sure that all the DFI electrical connections are firmly reconnected before starting the engine.
- Connect these connectors until they click [A].
- If a transceiver is installed on the motorcycle, make sure that the operation of the DFI system is not influenced by electric wave radiated from the antenna. Check operation of the system with the engine at idle. Locate the antenna as far as possible away from the ECU.
- When any fuel hose is disconnected, fuel may spout out by residual pressure in the fuel line. Cover the hose joint with a piece of clean cloth to prevent fuel spillage.
- When any fuel hose is disconnected, do not turn on the ignition switch. Otherwise, the fuel pump will operate and fuel will spout from the fuel hose.
- Do not operate the fuel pump if the pump is completely dry. This is to prevent pump seizure.
- Before removing the fuel system parts, blow the outer surfaces of these parts clean with compressed air.
- To prevent corrosion and deposits in the fuel system, do not add to fuel any fuel antifreeze chemicals.



### DFI Servicing Precautions

- To maintain the correct fuel/air mixture (F/A), there must be no inlet air leaks in the DFI system. Be sure to install the oil filler plug [A] after filling the engine oil.  
Clutch Cover [B]

**Torque - Oil Filler Plug: Hand-tighten**



## 3-20 FUEL SYSTEM (DFI)

### Troubleshooting the DFI System

#### Outline

##### Outline

When an abnormality in the DFI system occurs, the FI indicator light (LED) goes on to alert the rider on the meter panel. In addition, the condition of the problem is stored in the memory of the ECU (electronic control unit). With the engine stopped and turned in the self-diagnosis mode, the service code [A] is indicated by the number of times the FI indicator light (LED) blinks.

When due to a malfunction, the FI indicator light (LED) remains lit, ask the rider about the conditions [B] under which the problem occurred and try to determine the cause [C].

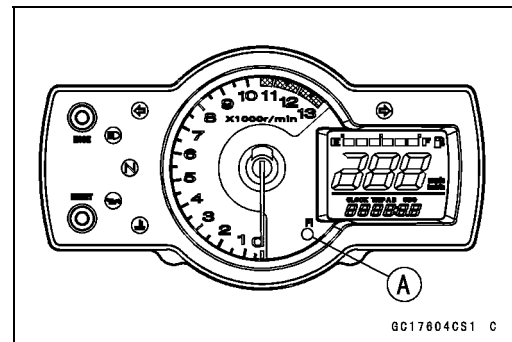
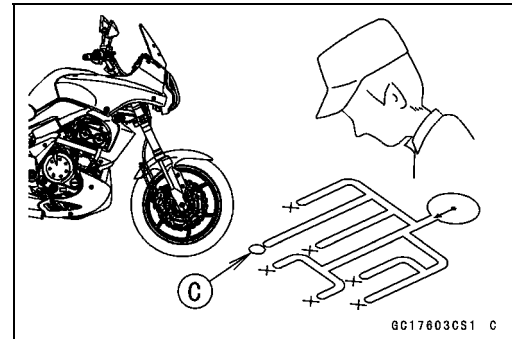
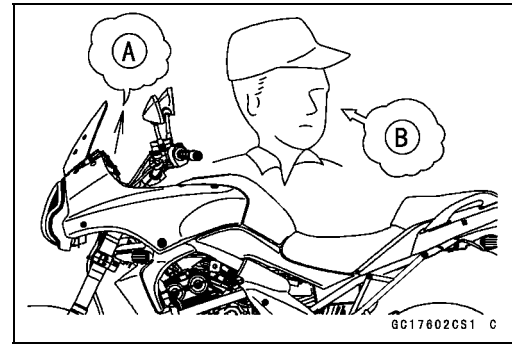
First, conduct a self-diagnosis inspection and then a non-self-diagnosis inspection. The non-self-diagnosis items are not indicated by the FI indicator light (LED). Don't rely solely on the DFI self-diagnosis function, use common sense.

Even when the DFI system is operating normally, the FI indicator light (LED) [A] may light up under strong electrical interference. No repair needed. Turn the ignition switch OFF to stop the indicator light.

When the FI indicator light (LED) goes on and the motorcycle is brought in for repair, check the service codes.

When the repair has been done, the light (LED) doesn't go on. But the service codes stored in memory are not erased to preserve the problem history, and the light (LED) can display the codes in the self-diagnosis mode. The problem history is referred when solving unstable problems.

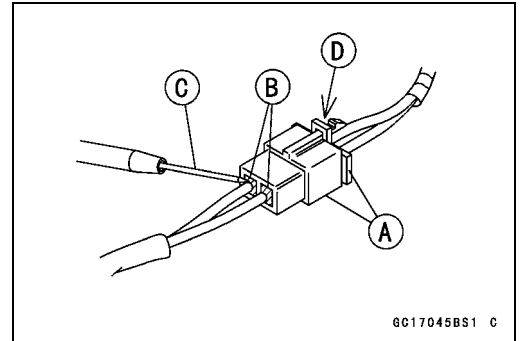
When the motorcycle is down, the vehicle-down sensor is turned OFF and the ECU shuts off the fuel injectors and ignition system. The FI indicator light (LED) blinks but the service code cannot be displayed. The ignition switch is left ON. If the starter button is pushed, the electric starter turns but the engine doesn't start. To start the engine again, raise the motorcycle, turn the ignition switch OFF, and then ON. The vehicle-down sensor is turned ON and the light (LED) goes OFF.



**Troubleshooting the DFI System**

- The DFI part connectors [A] have seals [B], including the ECU.
- Join the connector and insert the needle adapters [C] inside the seals [B] from behind the connector until the adapter reaches the terminal.

**Special Tool - Needle Adapter Set: 57001-1457**



**CAUTION**

**Insert the needle adapter straight along the terminal in the connector to prevent short-circuit between terminals.**

- Make sure that measuring points are correct in the connector, noting the position of the lock [D] and the lead color before measurement. Do not reverse connections of the hand tester or a digital meter.
- Be careful not to short-circuit the leads of the DFI or electrical system parts by contact between adapters.
- Turn the ignition switch ON and measure the voltage with the connector joined.

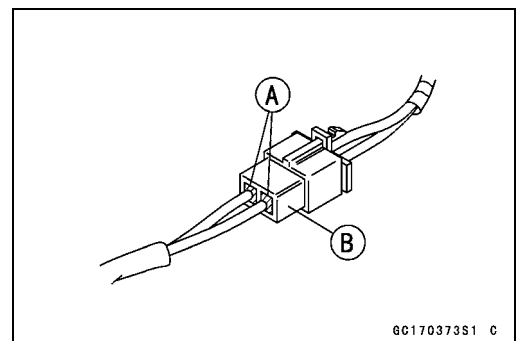
**CAUTION**

**Incorrect, reverse connection or short circuit by needle adapters could damage the DFI or electrical system parts.**

- After measurement, remove the needle adapters and apply silicone sealant to the seals [A] of the connector [B] for waterproofing.

**Sealant - Kawasaki Bond (Silicone Sealant): 56019-120**

- Always check battery condition before replacing the DFI parts. A fully charged battery is a must for conducting accurate tests of the DFI system.

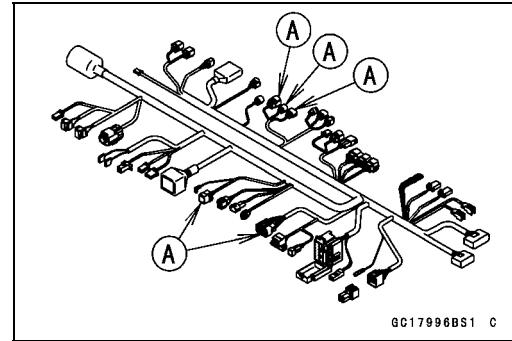


- Trouble may involve one or in some cases all items. Never replace a defective part without determining what CAUSED the problem. If the problem was caused by some other item or items, they too must be repaired or replaced, or the new replacement part will soon fail again.
- Measure coil winding resistance when the DFI part is cold (at room temperature).
- Make sure all connectors in the circuit are clean and tight, and examine wires for signs of burning, fraying, short, etc. Deteriorated wires and bad connections can cause reappearance of problems and unstable operation of the DFI system.
- ★ If any wiring is deteriorated, replace the wiring.

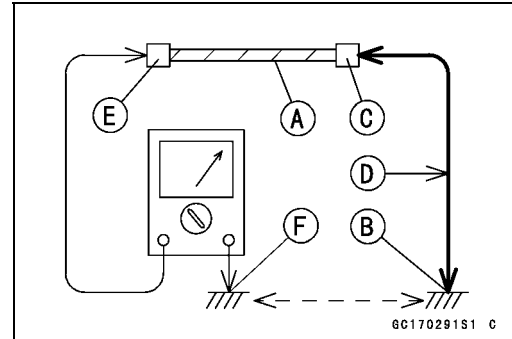
## 3-22 FUEL SYSTEM (DFI)

### Troubleshooting the DFI System

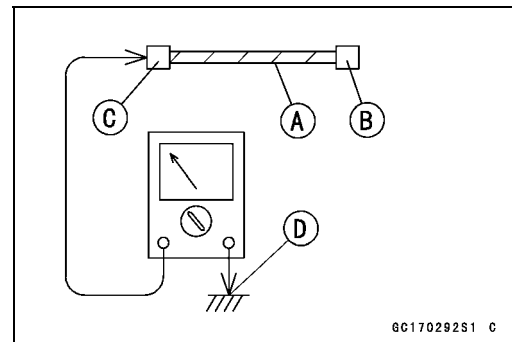
- Pull each connector [A] apart and inspect it for corrosion, dirt, and damage.
- ★ If the connector is corroded or dirty, clean it carefully. If it is damaged, replace it. Connect the connectors securely.
- Check the wiring for continuity.
- Use the wiring diagram to find the ends of the lead which is suspected of being a problem.
- Connect the hand tester between the ends of the leads.
- Set the tester to the  $\times 1 \Omega$  range, and read the tester.
- ★ If the tester does not read  $0 \Omega$ , the lead is defective. Replace the lead or the main harness or the sub harness.



- If both ends of a harness [A] are far apart, ground [B] the one end [C], using a jumper lead [D] and check the continuity between the end [E] and the ground [F]. This enables to check a long harness for continuity. If the harness is open, repair or replace the harness.



- When checking a harness [A] for short circuit, open one end [B] and check the continuity between the other end [C] and ground [D]. If there is continuity, the harness has a short circuit to ground, and it must be repaired or replaced.



- Narrow down suspicious locations by repeating the continuity tests from the ECU connectors.
- ★ If no abnormality is found in the wiring or connectors, the DFI parts are the next likely suspects. Check the part, starting with input and output voltages. However, there is no way to check the ECU itself.
- ★ If an abnormality is found, replace the affected DFI part.
- ★ If no abnormality is found in the wiring, connectors, and DFI parts, replace the ECU.

#### ○ Lead Color Codes:

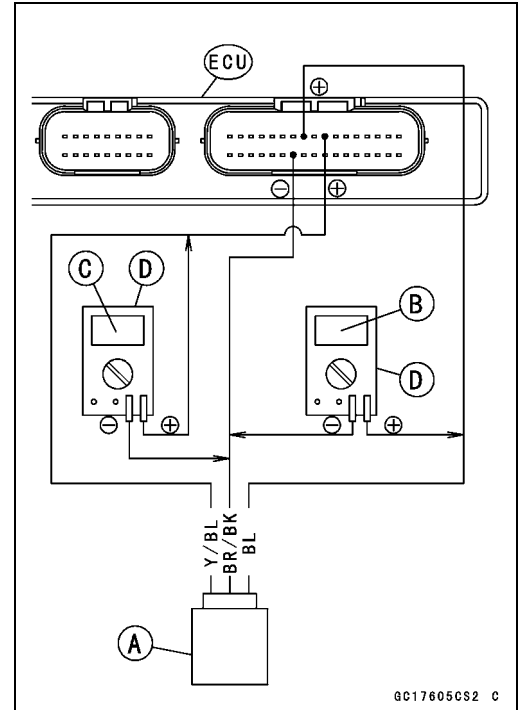
BK: Black	G: Green	P: Pink
BL: Blue	GY: Gray	PU: Purple
BR: Brown	LB: Light Blue	R: Red
CH: Chocolate	LG: Light Green	W: White
DG: Dark Green	O: Orange	Y: Yellow

Troubleshooting the DFI System

○There are two ways to inspect the DFI system. One is voltage Check Method and the other is Resistance Check Method.

(Voltage Check Method)

- This method is conducted by measuring the input voltage [B] to a sensor [A] first, and then the output voltage [C] from the sensor.
- Sometimes this method can detect a fault of the ECU.
- Refer to each sensor inspection section for detail in this chapter.
- Use a fully charged battery and a digital meter [D] which can be read two decimal places voltage or resistance.

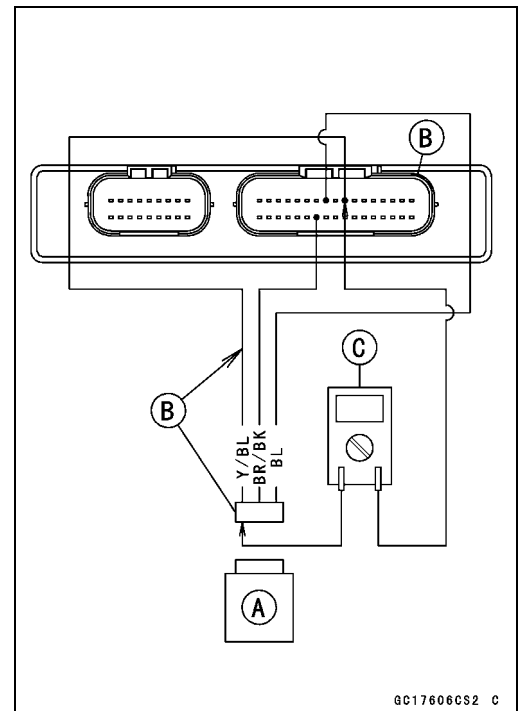


(Resistance Check Method)

- This method is simple. No need for a fully charged battery and the needle adapter. Just do the following especially when a sensor [A] is suspect.
- Turn the ignition switch OFF and disconnect the connectors.
- Inspect the sensor resistance, using a digital meter (see each sensor inspection).
- Inspect the wiring and connectors [B] for continuity, using the hand tester [C] (analog tester) rather than a digital meter.

**Special Tool - Hand Tester: 57001-1394**

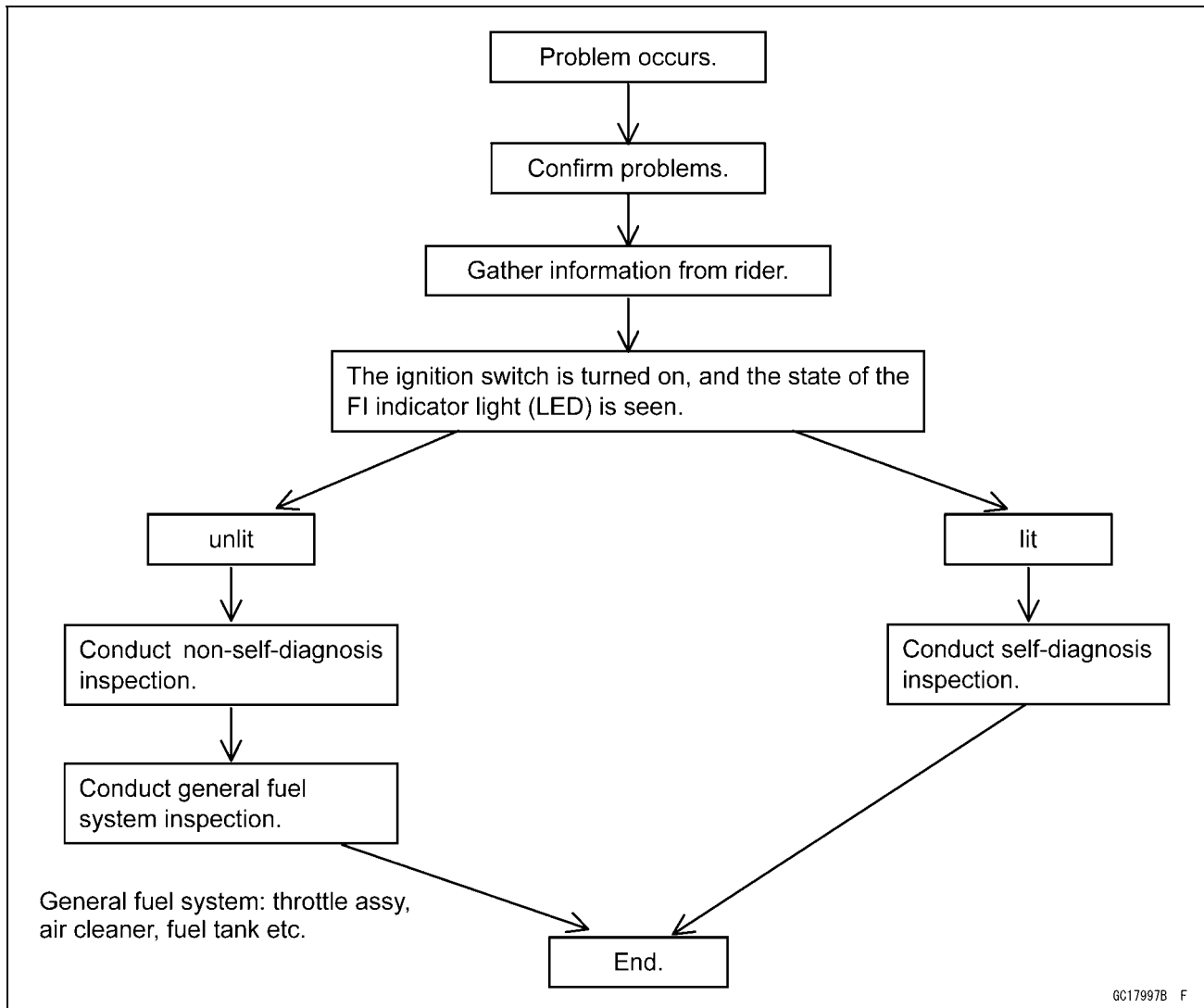
- ★ If the sensor, the wiring and connections are good, inspect the ECU for its ground and power supply (see ECU Power Supply Inspection).
- ★ If the ground and power supply are good, the ECU is suspect. Replace the ECU.



## 3-24 FUEL SYSTEM (DFI)

### Troubleshooting the DFI System

#### DFI Diagnosis Flow Chart



#### Inquiries to Rider

##### *Inquiries to Rider*

- Each rider reacts to problems in different ways, so it is important to confirm what kind of symptoms the rider has encountered.
- Try to find out exactly what problem occurred under exactly what conditions by asking the rider; knowing this information may help you reproduce the problem.
- The following sample diagnosis sheet will help prevent you from overlooking any areas, and will help you decide if it is a DFI system problem, or a general engine problem.



Troubleshooting the DFI System

Sample Diagnosis Sheet

Rider name:		Registration No. (license plate No.):
Year of initial registration:		Model:
Engine No.:		Frame No.:
Date problem occurred:		Mileage:
<b>Environment when problem occurred.</b>		
Weather	<input type="checkbox"/> fine, <input type="checkbox"/> cloudy, <input type="checkbox"/> rain, <input type="checkbox"/> snow, <input type="checkbox"/> always, <input type="checkbox"/> other:	
Temperature	<input type="checkbox"/> hot, <input type="checkbox"/> warm, <input type="checkbox"/> cold, <input type="checkbox"/> very cold, <input type="checkbox"/> always	
Problem frequency	<input type="checkbox"/> chronic, <input type="checkbox"/> often, <input type="checkbox"/> once	
Road	<input type="checkbox"/> street, <input type="checkbox"/> highway, <input type="checkbox"/> mountain road ( <input type="checkbox"/> uphill, <input type="checkbox"/> downhill), <input type="checkbox"/> bumpy, <input type="checkbox"/> pebble	
Altitude	<input type="checkbox"/> normal, <input type="checkbox"/> high (about 1 000 m or more)	
<b>Motorcycle conditions when problem occurred.</b>		
FI indicator light (LED)	<input type="checkbox"/> light up immediately after ignition switch ON, and goes off after 1 ~ 2 seconds (normal)	
	<input type="checkbox"/> lights blinks immediately after ignition switch ON, and stays on (DFI problem)	
	<input type="checkbox"/> lights up immediately after ignition switch ON, but goes off after about 10 seconds (DFI problem)	
	<input type="checkbox"/> unlights (light (LED), ECU or its wiring fault)	
	<input type="checkbox"/> sometimes lights up (probably wiring fault)	
Starting difficulty	<input type="checkbox"/> starter motor not rotating	
	<input type="checkbox"/> starter motor rotating but engine doesn't turn over	
	<input type="checkbox"/> starter motor and engine don't turn over	
	<input type="checkbox"/> no fuel flow ( <input type="checkbox"/> no fuel in tank, <input type="checkbox"/> no fuel pump sound)	
	<input type="checkbox"/> engine flooded (do not crank engine with throttle opened, which promotes engine flooding)	
	<input type="checkbox"/> no spark	
	<input type="checkbox"/> other	
Engine stops	<input type="checkbox"/> right after starting	
	<input type="checkbox"/> when opening throttle grip	
	<input type="checkbox"/> when closing throttle grip	
	<input type="checkbox"/> when moving off	
	<input type="checkbox"/> when stopping the motorcycle	
	<input type="checkbox"/> when cruising	
	<input type="checkbox"/> other	
Poor running at low speed	<input type="checkbox"/> very low idle speed, <input type="checkbox"/> very high idle speed, <input type="checkbox"/> rough idle speed	
	<input type="checkbox"/> battery voltage is low (charge the battery)	
	<input type="checkbox"/> spark plug loose (tighten it)	
	<input type="checkbox"/> spark plug dirty, broken, or gap maladjusted (remedy it)	
	<input type="checkbox"/> backfiring	
	<input type="checkbox"/> afterfiring	
	<input type="checkbox"/> hesitation when acceleration	
	<input type="checkbox"/> engine oil viscosity too high	
	<input type="checkbox"/> brake dragging	
	<input type="checkbox"/> engine overheating	
<input type="checkbox"/> clutch slipping		

### 3-26 FUEL SYSTEM (DFI)

#### Troubleshooting the DFI System

	<input type="checkbox"/> other
Poor running or no power at high speed	<input type="checkbox"/> spark plug loose (tighten it)
	<input type="checkbox"/> spark plug dirty, broken, or gap maladjusted (remedy it)
	<input type="checkbox"/> spark plug incorrect (replace it)
	<input type="checkbox"/> knocking (fuel poor quality or incorrect, → use high-octane gasoline)
	<input type="checkbox"/> brake dragging
	<input type="checkbox"/> clutch slipping
	<input type="checkbox"/> engine overheating
	<input type="checkbox"/> engine oil level too high
	<input type="checkbox"/> engine oil viscosity too high
<input type="checkbox"/> other	

**DFI System Troubleshooting Guide**

**NOTE**

- *This is not an exhaustive list, giving every possible cause for each problem listed. It is meant simply as a rough guide to assist the troubleshooting for some of the more common difficulties.*
- *The ECU may be involved in the DFI electrical and ignition system troubles. If these parts and circuits are checked out good, be sure to check the ECU for ground and power supply. If the ground and power supply are checked good, replace the ECU.*

**Engine Doesn't Start, Starting Difficulty**

Symptoms or possible Causes	Actions (chapter)
<b>Starter motor not rotating:</b>	
Ignition and engine stop switches not ON	Turn both switches ON.
Starter lockout switch or neutral switch trouble	Inspect (see chapter 16).
Starter motor trouble	Inspect (see chapter 16).
Battery voltage low	Inspect and charge (see chapter 16).
Starter relays not contacting or operating	Inspect the starter relay (see chapter 16).
Starter button not contacting	Inspect and replace (see chapter 16).
Starter system wiring open or shorted	Inspect the wiring (see chapter 16).
Ignition switch trouble	Inspect and replace (see chapter 16).
Engine stop switch trouble	Inspect and repair or replace (see chapter 16).
Main 30A or ignition fuse blown	Inspect and replace (see chapter 16).
<b>Starter motor rotating but engine doesn't turn over:</b>	
Starter clutch trouble	Inspect (see chapter 16).
Starter idle gear trouble	Inspect (see chapter 16).
<b>Engine won't turn over:</b>	
Valve seizure	Inspect and replace (see chapter 5).
Cylinder, piston seizure	Inspect and replace (see chapter 5).
Camshaft seizure	Inspect and replace (see chapter 5).
Connecting rod small end seizure	Inspect and replace (see chapter 9).
Connecting rod big end seizure	Inspect and replace (see chapter 9).
Crankshaft seizure	Inspect and replace (see chapter 9).
Transmission gear or bearing seizure	Inspect and replace (see chapter 9).
Balancer bearing seizure	Inspect and replace (see chapter 9).
<b>No fuel flow:</b>	
No or little fuel in tank	Supply fuel (see Owner's Manual).
Fuel pump not rotating	Inspect (see chapter 3).
Fuel injector trouble	Inspect and replace (see chapter 3).
Fuel tank air vent obstructed	Inspect and repair (see chapter 3).
Fuel filter or pump screen clogged	Inspect and replace fuel pump (see chapter 3).
Fuel pressure regulator clogged	Inspect and replace fuel pump (see chapter 3).
Fuel line clogged	Inspect and repair (see chapter 3).
<b>Engine flooded:</b>	
Spark plug dirty, broken or gap maladjusted	Replace (see chapter 2).
Starting technique faulty	When flooded, don't crank engine with throttle fully opened.
<b>No spark or spark weak:</b>	
Ignition and engine stop switches not ON	Turn both switches ON .

## 3-28 FUEL SYSTEM (DFI)

### DFI System Troubleshooting Guide

Symptoms or possible Causes	Actions (chapter)
Clutch lever not pulled in and gear not in neutral whether sidestand up or not	Pull the lever in and shift the gear in neutral.
Though clutch lever pulled in, sidestand up and gear not in neutral	Sidestand down and clutch lever pulled in whether gear in neutral or not
Vehicle-down-sensor coming off	Reinstall (see chapter 3).
Vehicle-down-sensor trouble	Inspect (see chapter 3).
ECU ground or power supply trouble	Inspect (see chapter 3).
Battery voltage low	Inspect and charge (see chapter 16).
Spark plug dirty, broken or gap maladjusted	Replace (see chapter 2).
Stick coil trouble	Inspect stick coil (see chapter 16).
Stick coil shorted or not in good contact	Reinstall or inspect stick coil (see chapter 16).
Spark plug incorrect	Replace it with the correct plug (see chapter 16).
IC igniter in ECU trouble	Inspect (see chapter 16).
Neutral, starter lockout or sidestand switch trouble	Inspect each switch (see chapter 16).
Crankshaft sensor trouble	Inspect (see chapter 16).
Stick coil trouble	Inspect (see chapter 16).
Ignition switch shorted	Inspect and replace (see chapter 16).
Engine stop switch shorted	Inspect and repair or replace (see chapter 2).
Starter system wiring shorted or open	Inspect and repair or replace (see chapter 16).
Main 30A or ignition fuse blown	Inspect and replace (see chapter 16).
<b>Fuel/air mixture incorrect:</b>	
Air cleaner clogged, poorly sealed or missing	Clean or reinstall (see chapter 3).
Leak from oil filler cap, crankcase breather hose or air cleaner drain hose	Inspect and repair or replace (see chapter 3).
Water or foreign matter in fuel	Change fuel. Inspect and clean fuel system (see chapter 3).
Fuel pressure regulator trouble	Inspect fuel pressure and replace fuel pump (see chapter 3).
Main throttle sensor trouble	Inspect (see chapter 3).
Fuel pressure may be low	Inspect (see chapter 3).
Fuel pump trouble	Inspect (see chapter 3).
Fuel injector trouble	Inspect (see chapter 3).
Inlet air pressure sensor trouble	Inspect (see chapter 3).
Inlet air temperature sensor trouble	Inspect (see chapter 3).
Water temperature sensor trouble	Inspect (see chapter 3).
Crankshaft sensor trouble	Inspect (see chapter 3).
<b>Compression low:</b>	
Spark plug loose	Reinstall (see chapter 16).
Cylinder head not sufficiently tightened down	Tighten (see chapter 5).
Cylinder, piston worn	Inspect and replace (see chapter 5).
Piston ring bad (worn, weak, broken or sticking)	Inspect and replace (see chapter 5).
Piston ring/groove clearance excessive	Inspect and replace (see chapter 5).
Cylinder head gasket damaged	Replace (see chapter 5).
Cylinder head warped	Inspect and replace (see chapter 5).

**DFI System Troubleshooting Guide**

Symptoms or possible Causes	Actions (chapter)
No valve clearance	Adjust (see chapter 2).
Valve guide worn	Inspect and replace (see chapter 5).
Valve spring broken or weak	Inspect and replace (see chapter 5).
Valve not seating properly (valve bent, worn or carbon accumulating on seating surface)	Inspect and repair or replace (see chapter 5).

**Poor Running at Low Speed**

Symptoms or Possible Causes	Actions (chapter)
<b>Spark weak:</b>	
Battery voltage low	Inspect and charge (see chapter 16).
Spark plug dirty, broken or gap maladjusted	Replace (see chapter 2).
Stick coil trouble	Inspect the stick coil (see chapter 16).
Stick coil shorted or not in good contact	Reinstall or inspect stick coil (see chapter 16).
Spark plug incorrect	Replace it with the correct plug (see chapter 16).
IC igniter in ECU trouble	Inspect (see chapter 16).
Crankshaft sensor trouble	Inspect (see chapter 16).
Stick coil trouble	Inspect (see chapter 16).
<b>Fuel/air mixture incorrect:</b>	
Little fuel in tank	Supply fuel (see Owner's Manual).
Air cleaner clogged, poorly sealed, or missing	Clean element or inspect sealing (see chapter 2, 3).
Air cleaner duct loose	Reinstall (see chapter 3).
Air cleaner O-ring damaged	Replace (see chapter 3).
Fuel tank air vent obstructed	Inspect and repair (see chapter 3).
Throttle body assy loose	Reinstall (see chapter 3).
Throttle body assy O-ring damage	Replace (see chapter 3).
Fuel filter or pump screen clogged	Inspect and replace fuel pump (see chapter 3).
Fuel pressure regulator clogged	Inspect fuel pressure and replace fuel pump (see chapter 3).
Fuel line clogged	Inspect and repair (see chapter 3).
Inlet air pressure sensor trouble	Inspect (see chapter 3).
Inlet air temperature sensor trouble	Inspect (see chapter 3).
Thermostat trouble	Inspect and replace (see chapter 4).
<b>Unstable (rough) idling:</b>	
Fuel injector trouble	Inspect (see chapter 3).
Main throttle sensor trouble	Inspect (see chapter 3).
Crankshaft sensor trouble	Inspect (see chapter 3).
Throttle valves not synchronizing	Inspect (see chapter 2).
Inlet air temperature sensor trouble	Inspect (see chapter 3).
Water temperature sensor trouble	Inspect (see chapter 3).
Fuel pressure too low or too high	Inspect (see chapter 3).
Battery voltage low	Inspect and charge (see chapter 16).
<b>Incorrect idle speed:</b>	
Water temperature sensor trouble	Inspect (see chapter 3).
Main throttle sensor trouble	Inspect (see chapter 3).

## 3-30 FUEL SYSTEM (DFI)

### DFI System Troubleshooting Guide

Symptoms or Possible Causes	Actions (chapter)
<b>Engine stalls easily:</b>	
Fuel pump trouble	Inspect (see chapter 3).
Fuel injector trouble	Inspect (see chapter 3).
Main throttle sensor trouble	Inspect (see chapter 3).
Fuel pressure too low or too high	Inspect (see chapter 3).
Inlet air pressure sensor trouble	Inspect (see chapter 3).
Water temperature sensor trouble	Inspect (see chapter 3).
Inlet air temperature sensor trouble	Inspect (see chapter 3).
Fuel line clogged	Inspect and repair (see chapter 3).
Fuel pressure too low or too high	Inspect (see chapter 3).
Fuel pressure regulator trouble	Inspect fuel pressure and replace fuel pump (see chapter 3).
Crankshaft sensor trouble	Inspect (see chapter 16).
Stick coil trouble	Inspect (see chapter 16).
<b>Compression Low:</b>	
Spark plug loose	Reinstall (see chapter 16).
Cylinder head not sufficiently tightened down	Tighten (see chapter 5).
No valve clearance	Adjust (see chapter 2).
Cylinder, piston worn	Inspect and replace (see chapter 5).
Piston ring bad (worn, weak, broken or sticking )	Inspect and replace (see chapter 5).
Piston ring/groove clearance excessive	Inspect and replace (see chapter 5).
Cylinder head gasket damaged	Replace (see chapter 5).
Cylinder head warped	Inspect and replace (see chapter 5).
Valve guide worn or stem seal damaged	Inspect and replace (see chapter 5).
Valve spring broken or weak	Inspect and replace (see chapter 5).
Valve not seating properly (valve bent, worn or carbon accumulating on seating surface)	Inspect and repair or replace (see chapter 5).
Camshaft cam worn	Inspect and replace (see chapter 5).
<b>Hesitation:</b>	
Too low fuel pressure	Inspect (see chapter 3).
Clogged fuel line	Inspect and repair (see chapter 3).
Cracked or obstructed inlet air pressure sensor hose	Inspect and repair or replace (see chapter 3).
Fuel pump trouble	Inspect (see chapter 3).
Fuel injector trouble	Inspect (see chapter 3).
Inlet air temperature sensor trouble	Inspect (see chapter 3).
Main throttle sensor trouble	Inspect (see chapter 3).
Subthrottle sensor trouble	Inspect (see chapter 3).
Subthrottle valve actuator trouble	Inspect (see chapter 3).
Water temperature sensor trouble	Inspect (see chapter 3).
Inlet air pressure sensor trouble	Inspect (see chapter 3).
Loose injector connectors	Remedy (see chapter 3).
Crankshaft sensor trouble	Inspect and repair or replace (see chapter 16).
Stick coil trouble	Inspect and repair or replace (see chapter 16).

**DFI System Troubleshooting Guide**

<b>Symptoms or Possible Causes</b>	<b>Actions (chapter)</b>
Loose terminal of battery (–) cable or engine ground lead	Inspect and repair (see chapter 16).
Delay of ignition timing	Inspect crankshaft sensor and IC igniter in ECU (see chapter 16).
<b>Poor acceleration:</b>	
Too low fuel pressure	Inspect (see chapter 3).
Water or foreign matter in fuel	Change fuel. Inspect and clean fuel system (see chapter 3).
Clogged fuel filter or pump screen	Inspect and replace fuel pump (see chapter 3).
Fuel pump trouble	Inspect (see chapter 3).
Fuel injector trouble	Inspect (see chapter 3).
Inlet air temperature sensor trouble	Inspect (see chapter 3).
Water temperature sensor trouble	Inspect (see chapter 3).
Subthrottle sensor trouble	Inspect (see chapter 3).
Subthrottle valve actuator trouble	Inspect (see chapter 3).
Stick coil trouble	Inspect and replace (see chapter 16).
Engine oil level to high	Repair (see chapter 7).
Spark plug dirty, broken or gap maladjusted	Replace (see chapter 2).
<b>Stumble:</b>	
Too low fuel pressure	Inspect (see chapter 3).
Fuel injector trouble	Inspect (see chapter 3).
Main throttle sensor malfunction	Inspect (see chapter 3).
Subthrottle sensor trouble	Inspect (see chapter 3).
Subthrottle valve actuator trouble	Inspect (see chapter 3).
Water temperature sensor trouble	Inspect (see chapter 3).
Inlet air pressure sensor trouble	Inspect (see chapter 3).
<b>Surge:</b>	
Unstable fuel pressure	Fuel pressure regulator trouble (Inspect and replace fuel pump) or kinked fuel line (Inspect and repair fuel line) (see chapter 3).
Fuel injector trouble	Inspect (see chapter 3).
Water temperature sensor trouble	Inspect (see chapter 3).
<b>Backfiring when deceleration:</b>	
Spark plug dirty, broken or gap maladjusted	Replace (see chapter 2).
Too low fuel pressure	Inspect (see chapter 3).
Fuel pump trouble	Inspect (see chapter 3).
Main throttle sensor trouble	Inspect (see chapter 3).
Inlet air temperature sensor trouble	Inspect (see chapter 3).
Water temperature sensor trouble	Inspect (see chapter 3).
Inlet air pressure sensor trouble	Inspect (see chapter 3).
Air switching valve broken	Inspect and replace (see chapter 5).
Air suction valve trouble	Inspect and replace (see chapter 5).
<b>After fire:</b>	
Crankshaft sensor trouble	Inspect (see chapter 16).
Spark plug burned or gap maladjusted	Replace (see chapter 2).

### 3-32 FUEL SYSTEM (DFI)

#### DFI System Troubleshooting Guide

Symptoms or Possible Causes	Actions (chapter)
Inlet air temperature sensor trouble	Inspect (see chapter 3).
Water temperature sensor trouble	Inspect (see chapter 3).
Inlet air pressure sensor trouble	Inspect (see chapter 3).
Fuel injector trouble	Inspect (see chapter 3).
<b>Run-on (dieseling):</b>	
Ignition switch trouble	Inspect and replace (see chapter 16).
Engine stop switch trouble	Inspect and repair or replace (see chapter 2).
Fuel injector trouble	Inspect (see chapter 3).
Loose terminal of battery (-) cable or ECU ground lead	Inspect and repair (see chapter 16).
Carbon accumulating on valve seating surface	Repair (see chapter 5).
Engine overheating	(see Overheating of Troubleshooting Guide, see chapter 17)
<b>Other:</b>	
Engine oil viscosity too high	Change (see chapter 2).
Drive train trouble	Inspect drive chain (see chapter 2) and sprocket (see chapter 11).
Brake dragging	Inspect caliper fluid seal damage or clogging of master cylinder relief and supply ports (see chapter 12).
Clutch slipping	Inspect friction plates for wear (see chapter 6).
Engine overheating	(see Overheating of Troubleshooting Guide, see chapter 17)
Air switching valve trouble	Inspect and replace (see chapter 5).
Air suction valve trouble	Inspect and replace (see chapter 5).
Intermittent any DFI fault and its recovery	Check that DFI connectors are clean and tight, and examine wires for signs of burning or fraying (see chapter 3).

#### Poor Running or No Power at High Speed:

Symptoms or Possible Causes	Actions (chapter)
<b>Firing incorrect:</b>	
Spark plug dirty, broken or maladjusted	Replace (see chapter 2).
Stick coil trouble	Inspect stick coil (see chapter 16).
Stick coil shorted or not in good contact	Reinstall or inspect stick coil (see chapter 16).
Spark plug incorrect	Replace it with the correct plug (see chapter 16).
IC igniter in ECU trouble	Inspect (see chapter 16).
Crankshaft sensor trouble	Inspect (see chapter 16).
Stick coil trouble	Inspect (see chapter 16).
<b>Fuel/air mixture incorrect:</b>	
Air cleaner clogged, poorly sealed, or missing	Clean element or inspect sealing (see chapter 3).
Air cleaner duct loose	Reinstall (see chapter 3).
Air cleaner O-ring damaged	Replace (see chapter 3).
Water or foreign matter in fuel	Change fuel. Inspect and clean fuel system (see chapter 3).
Throttle body assy loose	Reinstall (see chapter 3).



**DFI System Troubleshooting Guide**

<b>Symptoms or Possible Causes</b>	<b>Actions (chapter)</b>
Throttle body assy O-ring damaged	Replace (see chapter 3).
Fuel tank air vent obstructed	Inspect and repair (see chapter 3).
Fuel line clogged	Inspect and repair (see chapter 3).
Fuel pump operates intermittently and often DFI fuse blows.	Pump bearings may wear. Replace the pump (see chapter 3).
Fuel pump trouble	Inspect (see chapter 3).
Inlet air temperature sensor trouble	Inspect (see chapter 3).
Main throttle sensor trouble	Inspect (see chapter 3).
Inlet air pressure sensor trouble	Inspect (see chapter 3).
Cracked or obstructed inlet air pressure sensor hose	Inspect and repair or replace (see chapter 3).
Injector clogged	Visually inspect and replace (see chapter 3).
<b>Compression low:</b>	
Spark plug loose	Reinstall (see chapter 16).
Cylinder head not sufficiently tightened down	Tighten (see chapter 5).
No valve clearance	Adjust (see chapter 2).
Cylinder, piston worn	Inspect and replace (see chapter 5).
Piston ring bad (worn, weak, broken or sticking)	Inspect and replace (see chapter 5).
Piston ring/groove clearance excessive	Inspect and replace (see chapter 5).
Cylinder head gasket damaged	Replace (see chapter 5) .
Cylinder head warped	Inspect and replace (see chapter 5).
Valve spring broken or weak	Inspect and replace (see chapter 5).
Valve not seating properly (valve bent , worn or carbon accumulating on the seating surface)	Inspect and repair or replace (see chapter 5).
<b>Knocking:</b>	
Carbon built up in combustion chamber	Repair (see chapter 5).
Fuel poor quality or incorrect (Use the gasoline recommended in the Owner's Manual)	Change fuel (see chapter 3).
Spark plug incorrect	Replace it with the correct plug (see chapter 16).
Stick coil trouble	Inspect (see chapter 16).
IC igniter in ECU trouble	Inspect (see chapter 16).
Inlet air temperature sensor trouble	Inspect (see chapter 3).
<b>Miscellaneous:</b>	
Subthrottle sensor trouble	Inspect (see chapter 3).
Subthrottle valve actuator trouble	Inspect (see chapter 3).
Speed sensor trouble	Inspect (see chapter 3).
Throttle valves won't fully open	Inspect throttle cable and lever linkage (see chapter 3).
Brake dragging	Inspect caliper fluid seal damage or clogging of master cylinder relief and supply ports (see chapter 12).
Clutch slipping	Inspect friction plates for wear (see chapter 6).
Engine overheating - Water temperature sensor, crankshaft sensor or speed sensor trouble	(see Overheating of Troubleshooting Guide in chapter 17).
Engine oil level too high	Repair (see chapter 7).
Engine oil viscosity too high	Change (see chapter 2).

### 3-34 FUEL SYSTEM (DFI)

#### DFI System Troubleshooting Guide

Symptoms or Possible Causes	Actions (chapter)
Drive train trouble	Inspect drive chain (see chapter 2) and sprockets (see chapter 11).
Camshaft cam worn	Inspect and replace (see chapter 5).
Air switching valve trouble	Inspect and replace (see chapter 5).
Air suction valve trouble	Inspect and replace (see chapter 5).
Catalytic converters melt down due to muffler overheating	Replace muffler (see chapter 5).
<b>Exhaust Smokes Excessively:</b>	
<b>(White smokes)</b>	
Piston oil ring worn	Inspect and replace (see chapter 5).
Cylinder worn	Inspect and replace (see chapter 5).
Valve oil seal damaged	Replace (see chapter 5).
Valve guide worn	Replace the guide (see chapter 5).
Engine oil level too high	Repair (see chapter 7).
<b>(Black smoke)</b>	
Air cleaner clogged	Clean (see chapter 3).
Too high fuel pressure	Inspect (see chapter 3).
Injector stuck open	Inspect (see chapter 3).
Water temperature sensor trouble	Inspect and replace (see chapter 3).
Inlet air temperature sensor trouble	Inspect and replace (see chapter 3).
<b>(Brown smoke)</b>	
Air cleaner duct loose	Reinstall (see chapter 3).
Air cleaner O-ring damaged	Replace (see chapter 3).
Too low fuel pressure	Inspect fuel line and fuel pump (see chapter 3).
Water temperature sensor trouble	Inspect and replace (see chapter 3).
Inlet air temperature sensor trouble	Inspect and replace (see chapter 3).

## Self-Diagnosis

### Self-diagnosis Outline

#### Self-diagnosis Outline

The self-diagnosis system has three modes and can be switched to another mode by grounding the self-diagnosis terminal.

#### User Mode

The ECU notifies the rider of troubles in DFI system and ignition system by lighting the FI indicator when DFI system and ignition system parts are faulty, and initiates fail-safe function. In case of serious troubles, the ECU stops the injection/ignition/starter motor operation.

#### Dealer Mode 1

The FI indicator light (LED) emits service code(s) to show the problem(s) which the DFI system, and ignition system has at the moment of diagnosis.

#### Dealer Mode 2

The FI indicator light (LED) emits service code(s) to show the problem(s) which the DFI system, and ignition system had in the past.

### Self-diagnosis Procedures

#### Self-diagnosis Procedures

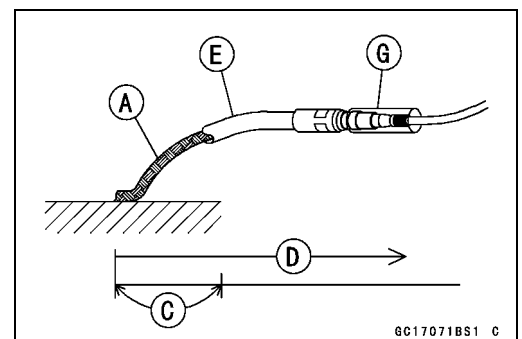
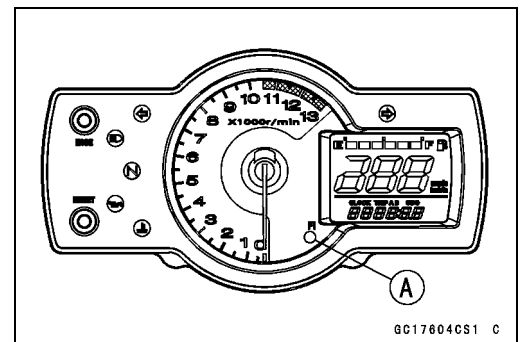
○When a problem occurs with the DFI system and ignition system, the FI indicator light (LED) [A] goes on.

#### NOTE

- Use a fully charged battery when conducting self-diagnosis. Otherwise, the light (LED) blinks very slowly or doesn't blink.
- Keep the self-diagnosis terminal grounded during self-diagnosis, with an auxiliary lead.

- Remove the seat (see Seat Removal in the Frame chapter).
- Ground the self-diagnosis terminal [A] (Orange/Black lead) to the battery (-) terminal or battery (-) lead connector, using a wire.

- Turn on the ignition switch.
- Connect an auxiliary lead [E] to the self-diagnosis terminal [G] for grounding.
- To enter the self-diagnosis dealer mode 1, ground [A] the self-diagnosis indicator terminal to the battery (-) terminal for more than 2 seconds [C], and then keep it grounded continuously [D].
- Count the blinks of the light (LED) to read the service code. Keep the auxiliary lead ground until you finish reading the service code.



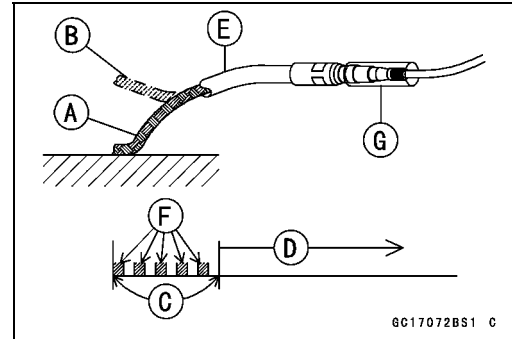
## 3-36 FUEL SYSTEM (DFI)

### Self-Diagnosis

- To enter the self-diagnosis dealer mode 2, open [B] and ground [A] the lead more than five times [F] within 2 seconds [C] after the lead is first grounded, and then keep it grounded continuously [D] for more than 2 seconds.
- Count the blinks of the light (LED) to read the service code. Keep the auxiliary lead ground until you finish reading the service code.
  - Auxiliary Lead [E]
  - Self-diagnosis Terminal [G]

#### NOTE

- To enter the dealer mode 2 from the dealer mode 1, turn off the ignition switch once.



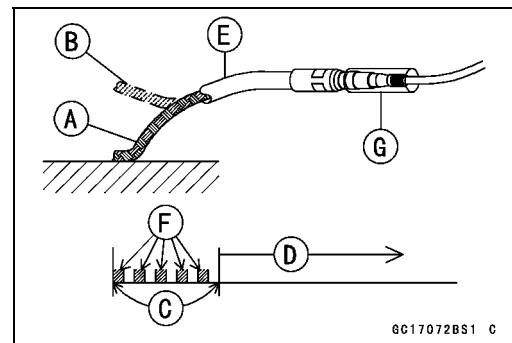
### Service Code Clearing Procedures

#### Service Code Clearing Procedures

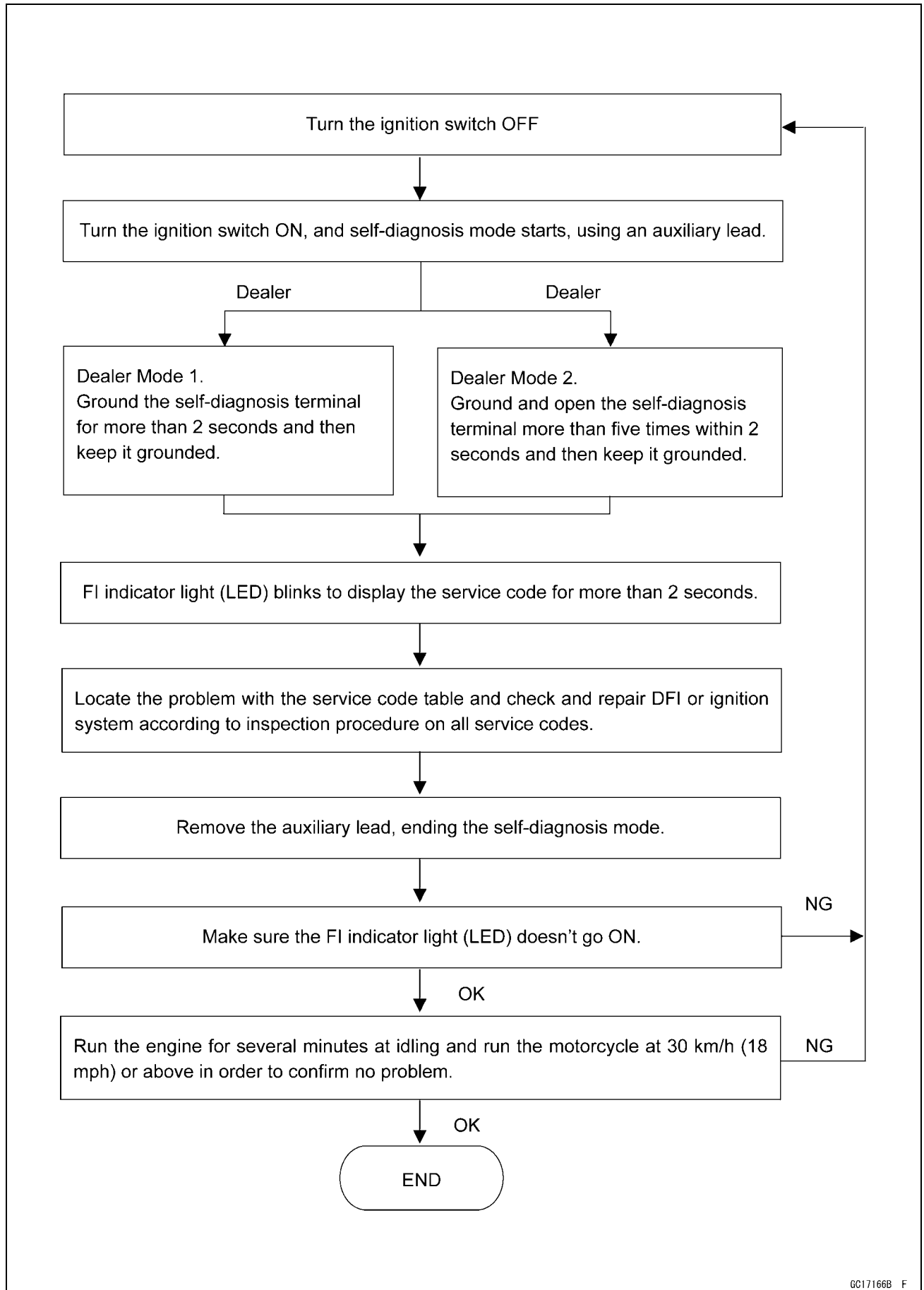
- Enter the self-diagnosis dealer mode 2 (see Self-diagnosis Procedures).

#### NOTE

- Make sure to keep the grounding until the following opening and grounding starts.
- Pull the clutch lever in more than 5 seconds, and then release it.
- Repeat opening [B] and grounding [A] the lead (self-diagnosis terminal) more than five times [F] within 2 seconds [C] after the lead is grounded, and then keep it grounded continuously [D] for more than 2 seconds.
  - Auxiliary Lead [E]
  - Self-diagnosis Terminal [G]



Self-Diagnosis



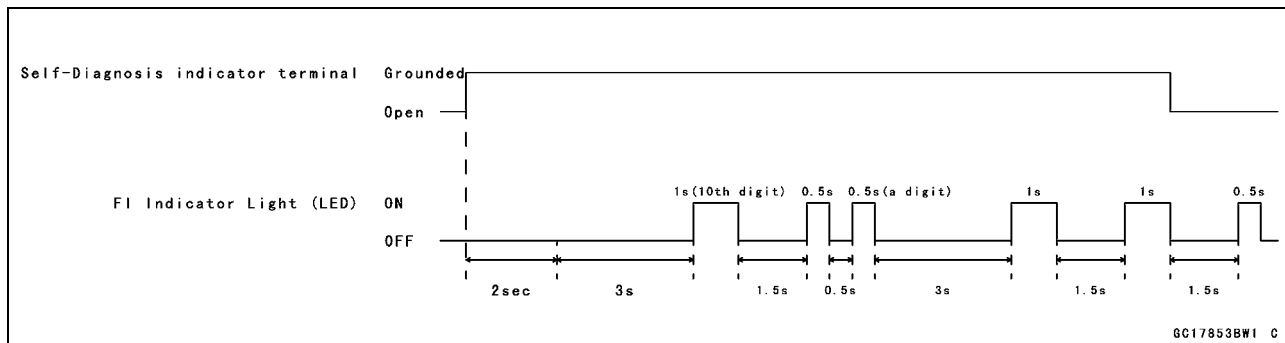
## 3-38 FUEL SYSTEM (DFI)

### Self-Diagnosis

#### How to Read Service Codes

##### How to Read Service Codes

- Service codes are shown by a series of long and short blinks of the FI indicator light (LED) as shown below.
- Read 10th digit and unit digit as the FI indicator light (LED) blinks.
- When there are a number of problems, all the service codes can be stored and the display will begin starting from the lowest number service code in the numerical order. Then after completing all codes, the display is repeated until the self-diagnosis indicator terminal is open.
- If there is no problem, no code and unlight.
- For example, if two problems occurred in the order of 21, 12, the service codes are displayed from the lowest number in the order listed.  
(12 → 21) → (12 → 21) → . . . (repeated)



- If the problem is with the following parts, the ECU cannot memorize these problems, the FI indicator light (LED) doesn't go on, and no service codes can be displayed.
  - FI Indicator Light (LED)
  - Fuel Pump
  - Fuel Pump Relay
  - ECU Main Relay
  - ECU Power Source Wiring and Ground Wiring (see ECU Inspection)
  - Fuel Injectors

#### How to Erase Service Codes






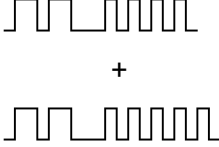










##### How to Erase Service Codes

- Even if the ignition switch is turned OFF, the battery or the ECU are disconnected or the problem is solved, all service codes remain in the ECU.
- Refer to the Service Code Clearing Procedure for the service code erasure.

Self-Diagnosis

Service Code Table

Service Code Table

Service Code	FI Indicator Light (LED)	Problems
11	 ON OFF	Main throttle sensor malfunction, wiring open or short
12		Inlet air pressure sensor malfunction, wiring open or short
13		Inlet air temperature sensor malfunction, wiring open or short
14		Water temperature sensor malfunction, wiring open or short
21		Crankshaft sensor malfunction, wiring open or short
24 and 25		Speed sensor malfunction, wiring open or short First 24 is displayed and then 25, repeatedly
31		Vehicle-down sensor, malfunction, wiring open or short
32		Subthrottle sensor malfunction, wiring open or short
33		Oxygen sensor inactivation, wiring open or short (Europe Models)
51		Stick (Ignition) coil #1 malfunction, wiring open or short
52		Stick (Ignition) coil #2 malfunction, wiring open or short
56		Radiator fan relay malfunction, wiring open or short
62		Subthrottle valve actuator malfunction, wiring open or short
64		Air switching valve malfunction, wiring open or short
67		Oxygen sensor heater malfunction, wiring open or short (Europe Models)
94		Oxygen sensor malfunction, wiring open or short (Europe Models)

Notes:

- The ECU may be involved in these problems. If all the parts and circuits checked out good, be sure to check the ECU for ground and power supply. If the ground and power supply are checked good, replace the ECU.
- When no service code is displayed, the electrical parts of the DFI system has no fault, and the mechanical parts of the DFI system and the engine are suspect.

## 3-40 FUEL SYSTEM (DFI)

### Self-Diagnosis

#### Backups

##### Backups

○The ECU takes the following measures to prevent engine damage when the DFI or the ignition system parts have troubles.

Service Codes	Parts	Output Signal Usable Range or Criteria	Backups by ECU
11	Main Throttle Sensor	Main Throttle Sensor Output Voltage 0.2 ~ 4.8 V	If the main throttle sensor system fails (the signal is out of the usable range, wiring short or open), the ECU locks ignition timing into the ignition timing at closed throttle position and sets the DFI in the D-J method. Also, the main throttle sensor system and inlet air pressure fails, the ECU locks ignition timing into the ignition timing at closed throttle position and sets the DFI in the α-N method.
12	Inlet Air Pressure Sensor	Inlet Air Pressure (absolute) Pv = 150 ~ 800 mmHg	If the inlet air pressure sensor system fails (the signal Pv is out of the usable range, wiring short or open), the ECU sets the DFI in the α - N method.
13	Inlet Air Temperature Sensor	Inlet Air Temperature Ta = -30°C ~ +120°C	If the inlet air temperature sensor fails (the signal is out of the usable range, wiring short or open), the ECU sets Ta at 40°C.
14	Water Temperature Sensor	Water Temperature Tw = -30°C ~ +120°C	If the water temperature sensor system fails (the signal is out of the usable range, wiring short or open), the ECU sets Tw at 80°C.
21	Crankshaft Sensor	Crankshaft sensor must send 22 signals (output signal) to the ECU at the one cranking.	If crankshaft sensor generates other than 22 signals, the engine stops by itself.
24 and 25	Speed Sensor	Speed sensor must send 4 signals (output signal) to the ECU at the one rotation of the engine sprocket. The gear position is decided by the signal of the speed sensor.	If the speed sensor system fails (no signal, wiring short or open), the speedometer shows 0, and the ECU sets the top (6) gear position.
31	Vehicle-down Sensor	Vehicle-down Sensor Output Voltage (signal) Vd = 0.65 ~ 4.45 V	If the vehicle-down sensor system has failures (the output voltage Vd is more than usable range, wiring open), the ECU shuts off the fuel pump, the fuel injectors and the ignition system.
32	Subthrottle Sensor	Subthrottle Sensor Output Voltage 0.15 ~ 4.85 V	If the subthrottle sensor system fails (the signal is out of the usable range, wiring short or open), the ECU drive the subthrottle valve to the full closed position, and it stops the current to the actuator.
33	Oxygen Sensor (Europe Models)	The oxygen sensor is active and sensor must send signals (output voltage) continuously to the ECU.	If the oxygen sensor is not activated, the ECU stops oxygen sensor feedback mode.



Self-Diagnosis

Service Codes	Parts	Output Signal Usable Range or Criteria	Backups by ECU
51	Stick Coil #1 (Ignition Coil)*	The stick coil primary winding must send signals (output voltage) continuously to the ECU.	If the ignition primary winding #1 has failures (no signal, wiring short or open), the ECU shuts off the injector #1 to stop fuel to the cylinder #1, though the engine keeps running.
52	Stick Coil #2 (Ignition Coil)*	The stick coil primary winding must send signals (output voltage) continuously to the ECU.	If the ignition primary winding #2 has failures (no signal, wiring short or open), the ECU shuts off the injector #2 to stop fuel to the cylinder #2, though the engine keeps running.
62	Subthrottle Valve Actuator	The actuator operates open and close of the subthrottle valve by the pulse signal from the ECU.	If the subthrottle valve actuator fails (the signal is out of the usable range, wiring short or open), the ECU stops the current to the actuator.
67	Oxygen Sensor (Europe Models)	The oxygen sensor heater raise temperature of the sensor for its earlier activation. 12V-6.6W, 0.55A	If the oxygen sensor heater fails (wiring short or open), the ECU stops the current to the heater.
94	Oxygen Sensor (Europe Models)	The oxygen sensor must send signals (output voltage) continuously to the ECU	If the oxygen sensor output voltage is incorrect, the ECU stops oxygen sensor feed back mode.

**Note:**

(1) D-J Method and  $\alpha$  - N Method: When the engine load is light like at idling or low speed, the ECU determines the injection quantity by calculating from the throttle vacuum (inlet air pressure sensor output voltage) and engine speed (crankshaft sensor output voltage). This method is called D-J method (low-speed mode). As the engine speed increases, and the engine load turns middle to heavy, the ECU determines the injection quantity by calculating from the throttle opening (throttle sensor output voltage) and the engine speed. This method is called  $\alpha$  - N method (high-speed mode).

(\*) This depends on the number of stopped cylinders.

## 3-42 FUEL SYSTEM (DFI)

### Main Throttle Sensor (Service Code 11)

#### Main Throttle Sensor Removal/Adjustment

##### CAUTION

Do not remove or adjust the main throttle sensor [A] since it has been adjusted and set with precision at the factory.

Never drop the throttle body assy, especially on a hard surface. Such a shock to the sensor can damage it.



#### Main Throttle Sensor Input Voltage Inspection

##### NOTE

○Be sure the battery is fully charged.

- Turn the ignition switch OFF.
- Disconnect the main throttle sensor connector and connect the harness adapter [A] between these connectors.

**Special Tool - Throttle Sensor Setting Adapter: 57001-1538**

- Connect a digital meter to the harness adapter lead.

##### Main Throttle Sensor Input Voltage Connections to Adapter

**Meter (+) → BK (sensor BL) lead**

**Meter (-) → W (sensor BR/BK) lead**

- Measure the input voltage with the engine stopped and with the connector joined.
- Turn the ignition switch ON.

##### Input Voltage at Sensor

**Standard: DC 4.75 ~ 5.25 V**

- Turn the ignition switch OFF.
- ★ If the input voltage is normal, check the output voltage.



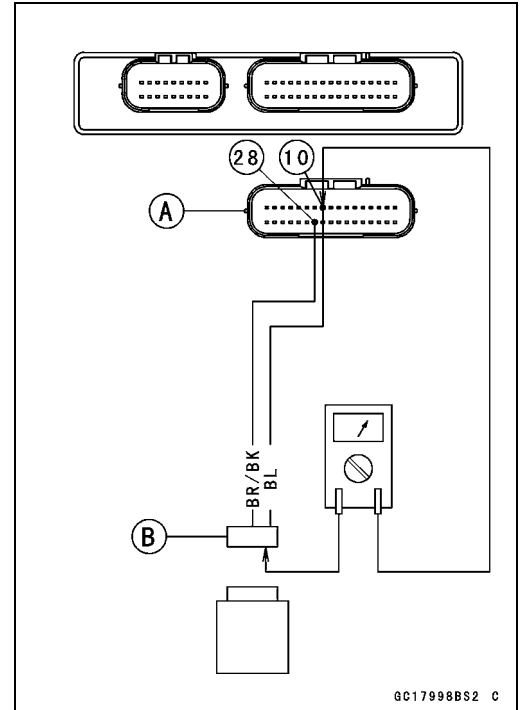
## Main Throttle Sensor (Service Code 11)

- If the input voltage is less than the standard, remove the ECU and check the wiring between these connectors.
- Disconnect the ECU and sensor connectors.

### Wiring Connection

ECU Connector [A] ↔  
 Main Throttle Sensor Connector [B]  
 BL lead (ECU terminal 10)  
 BR/BK lead (ECU terminal 28)

- ★ If the wiring is good, check the ECU for its ground and power supply (see ECU Power Supply Inspection).
- ★ If the ground and power supply are good, replace the ECU (see ECU Removal/Installation).



### Main Throttle Sensor Output Voltage Inspection

- Measure the output voltage at the main throttle sensor in the same way as input voltage inspection, Note the following.
- Disconnect the main throttle sensor connector and connect the harness adapter [A] between these connectors.

**Special Tool - Throttle Sensor Setting Adapter: 57001-1538**

### Main Throttle Sensor Output Voltage Connections to Adapter

Meter (+) → R (sensor Y/W) lead  
 Meter (-) → W (sensor BR/BK) lead

- Start the engine and warm it up thoroughly.
- Check idle speed to ensure the throttle opening is correct.

### Idle Speed

**Standard: 1 300 ±50 r/min (rpm)**

- ★ If the idle speed is out of the specified range, adjust it (see Idle Speed Inspection in the Periodic Maintenance chapter).
- Turn the ignition switch OFF.
- Measure the output voltage with the engine stopped, and with the connector joined.
- Turn the ignition switch ON.

### Output Voltage at Sensor

**Standard: DC 1.005 ~ 1.035 V (at idle throttle opening)**  
**DC 4.2 ~ 4.4 V (at full throttle opening)**

- Turn the ignition switch OFF.
- ★ If the output voltage is out of the standard, inspect the main throttle sensor resistance (see Main Throttle Sensor Resistance Inspection).



## 3-44 FUEL SYSTEM (DFI)

### Main Throttle Sensor (Service Code 11)

★ If the output voltage is normal, check the wiring for continuity.

○ Disconnect the ECU and sensor connectors.

#### Wiring Connection

ECU Connector [A] ↔

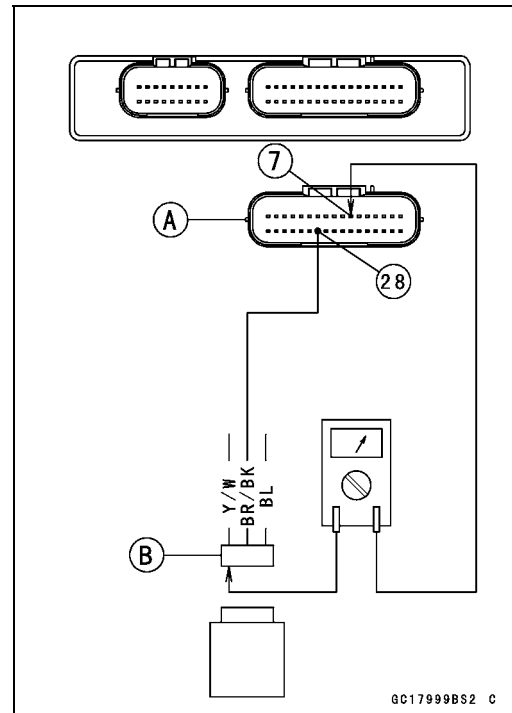
Main Throttle Sensor Connector [B]

Y/W lead (ECU terminal 7)

BR/BK lead (ECU terminal 28)

★ If the wiring is good, check the ECU for its ground and power supply (see ECU Power Supply Inspection).

★ If the ground and power supply are good, replace the ECU (see ECU Removal/Installation).



#### Main Throttle Sensor Resistance Inspection

- Turn the ignition switch OFF.
- Disconnect the main throttle sensor connector.
- Connect a digital meter [A] to the main throttle sensor connector [B].
- Measure the main throttle sensor resistance.

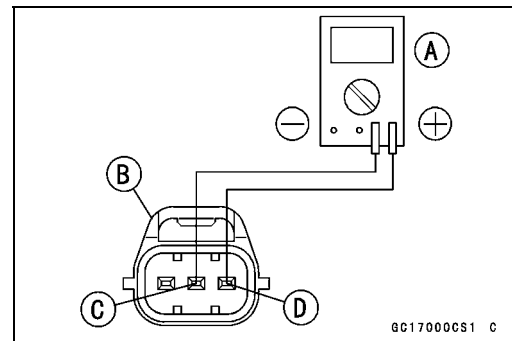
#### Main Throttle Sensor Resistance

Connections: BL lead [C] ↔ BR/BK lead [D]

Standard: 4 ~ 6 kΩ

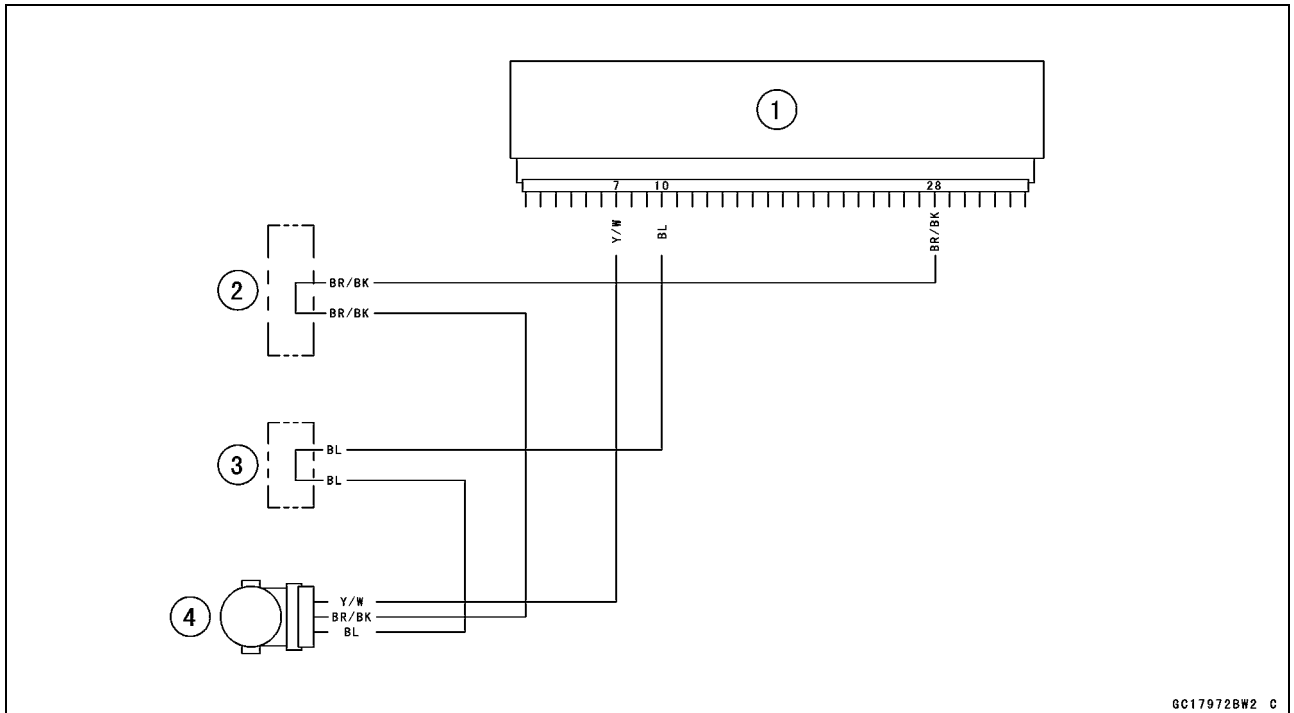
★ If the reading is out of the range, replace the throttle body assy.

★ If the reading is within the range, but the problem still exists, replace the ECU (see ECU Removal/Installation).



Main Throttle Sensor (Service Code 11)

Main Throttle Sensor Circuit



- 1. ECU
- 2. Water-proof Joint E
- 3. Water-proof Joint D
- 4. Main Throttle Sensor

## 3-46 FUEL SYSTEM (DFI)

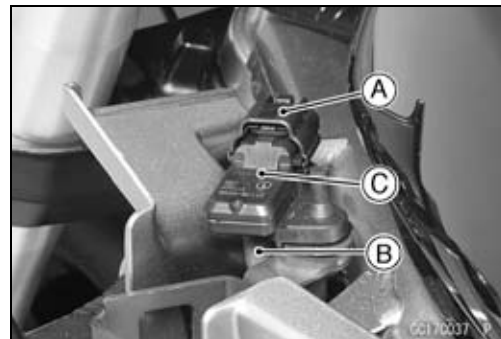
### Inlet Air Pressure Sensor (Service Code 12)

#### CAUTION

Never drop the sensor, especially on a hard surface. Such a shock to the part can damage it.

#### ***Inlet Air Pressure Sensor Removal***

- Remove the left middle fairing (see Middle Fairing Removal in the Frame chapter).
- Disconnect the inlet air pressure sensor connector [A] and the vacuum hose [B].
- Pull out the inlet air pressure sensor [C] from the bracket.



#### ***Inlet Air Pressure Sensor Installation***

- Installation is the reverse of removal.

#### ***Inlet Air Pressure Sensor Input Voltage Inspection***

##### NOTE

- Be sure the battery is fully charged.
- The inspection is the same as "Input Voltage Inspection" of the main throttle sensor.
- Turn the ignition switch OFF.
- Remove the ECU (see ECU Removal).
- Do not disconnect the ECU connectors.
- Connect a digital meter [A] to the connector [B] with the needle adapter set.

**Special Tool - Needle Adapter Set: 57001-1457**

#### **Inlet Air Pressure Sensor Input Voltage Connections to ECU Connector**

**Meter (+) → BL lead (terminal 10)**

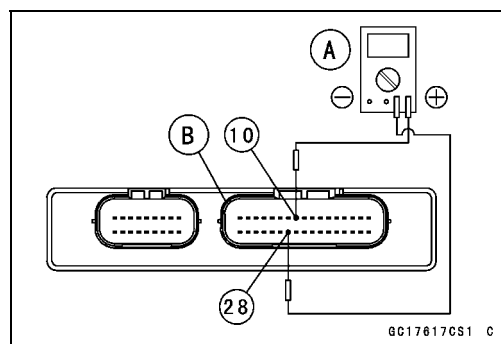
**Meter (-) → BR/BK lead (terminal 28)**

- Measure the input voltage with the engine stopped, and with the connectors joined.
- Turn the ignition switch ON.

#### **Input Voltage at ECU**

**Standard: DC 4.75 ~ 5.25 V**

- ★ If the reading is within the standard range, check the output voltage.
- ★ If the reading is less than the standard range, remove the ECU and check the wiring between these connectors.
- ★ If the wiring is good, check the ECU for its ground and power supply (see ECU Power Supply Inspection).
- ★ If the ground and power supply are good, replace the ECU (see ECU Removal/Installation).



**Inlet Air Pressure Sensor (Service Code 12)**

**Inlet Air Pressure Sensor Output Voltage Inspection**

**NOTE**

- The output voltage changes according to the local atmospheric pressure.
  - Measure the output voltage at the ECU in the same way as input voltage inspection. Note the following.
- Special Tool - Needle Adapter Set: 57001-1457**

**Inlet Air Pressure Sensor Output Voltage Connections to ECU Connector**

- Meter (+)** → Y/BL lead (terminal 8)
- Meter (-)** → BR/BK lead (terminal 28)

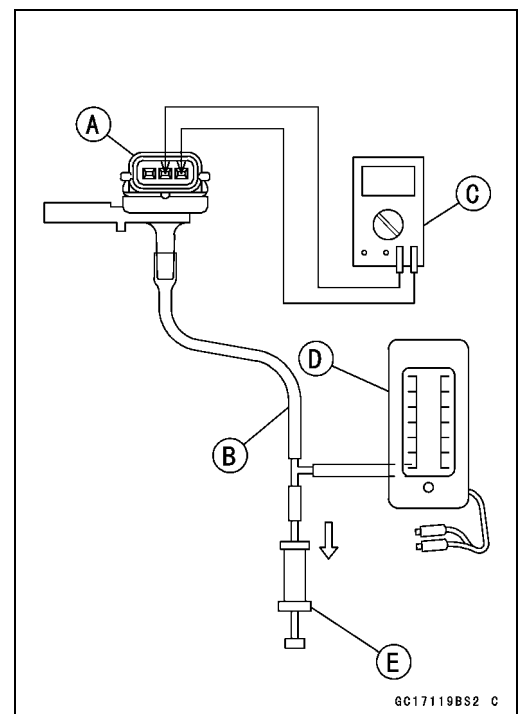
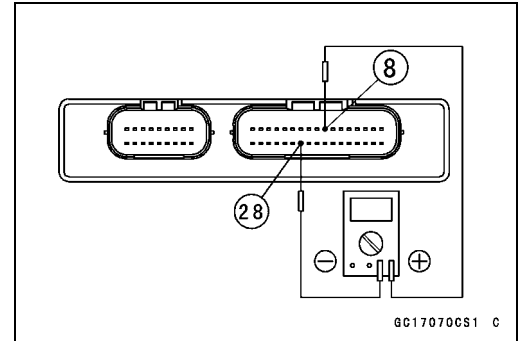
**Usable Range: DC 3.80 ~ 4.20 V at the standard atmospheric pressure (101.32 kPa, 76 cmHg abs.)**

- Turn the ignition switch OFF.
- ★ If the output voltage is within the usable range, check the ECU for its ground, and power supply (see ECU Power Supply Inspection).
- ★ If the ground and power supply are good, replace the ECU (see ECU Removal/Installation).
- ★ If the output voltage is out of the usable range, check the wiring.
- ★ If the wiring is good, check the sensor for various vacuum.
- Remove the inlet air pressure sensor [A] and disconnect the vacuum hose from the sensor.
- Connect an auxiliary hose [B] to the inlet air pressure sensor.
- Temporarily install the inlet air pressure sensor.
- Connect a digital meter [C], vacuum gauge [D], the fork oil level gauge [E] and the harness adapter to the inlet air pressure sensor.

**Special Tools - Fork Oil Level Gauge: 57001-1290**  
**Sensor Harness Adapter: 57001-1561**

**Inlet Air Pressure Sensor Output Voltage Connections to Adapter**

- Meter (+)** → G (sensor Y/BL) lead
- Meter (-)** → BK (sensor BR/BK) lead



- Turn the ignition switch ON.
- Measure the output voltage from various vacuum readings, while pulling the handle of the fork oil level gauge.
- ★ If the output voltage for various vacuum is normal, check the ECU for its ground, and power supply (see ECU Power Supply Inspection).
- Check the output voltage, using the following formula and chart.

### 3-48 FUEL SYSTEM (DFI)

#### Inlet Air Pressure Sensor (Service Code 12)

Suppose:

Pg: Vacuum Pressure (gauge) to Sensor

PI: Local Atmospheric Pressure (absolute) measured by a barometer

Pv: Vacuum Pressure (absolute) to Sensor

Vv: Sensor Output Voltage (V)

then

$$P_v = P_I - P_g$$

For example, suppose the following data is obtained:

Pg = 8 cmHg (Vacuum gauge reading)

PI = 70 cmHg (Varometer reading)

Vv = 3.2 V (Digital meter reading)

then

$$P_v = 70 - 8 = 62 \text{ cmHg (Abs.)}$$

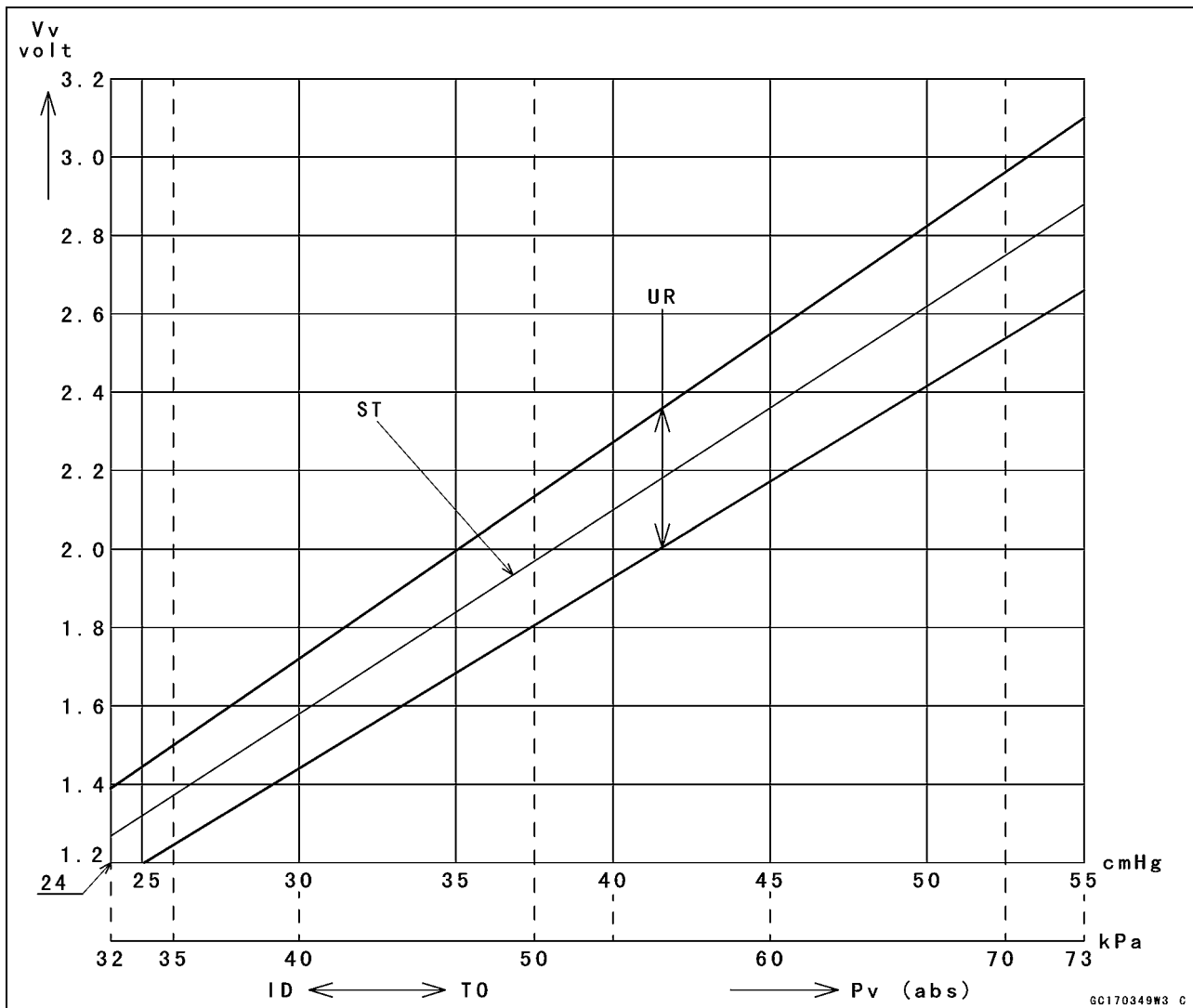
Plot this Pv (62 cmHg) at a point [1] on the chart and draw a vertical line through the point. Then, you can get the usable range [2] of the sensor output voltage.

$$\text{Usable range} = 3.04 \sim 3.49 \text{ V}$$

Plot Vv (3.2 V) on the vertical line. → Point [3].

**Results: In the chart, Vv is within the usable range and the sensor is normal.**

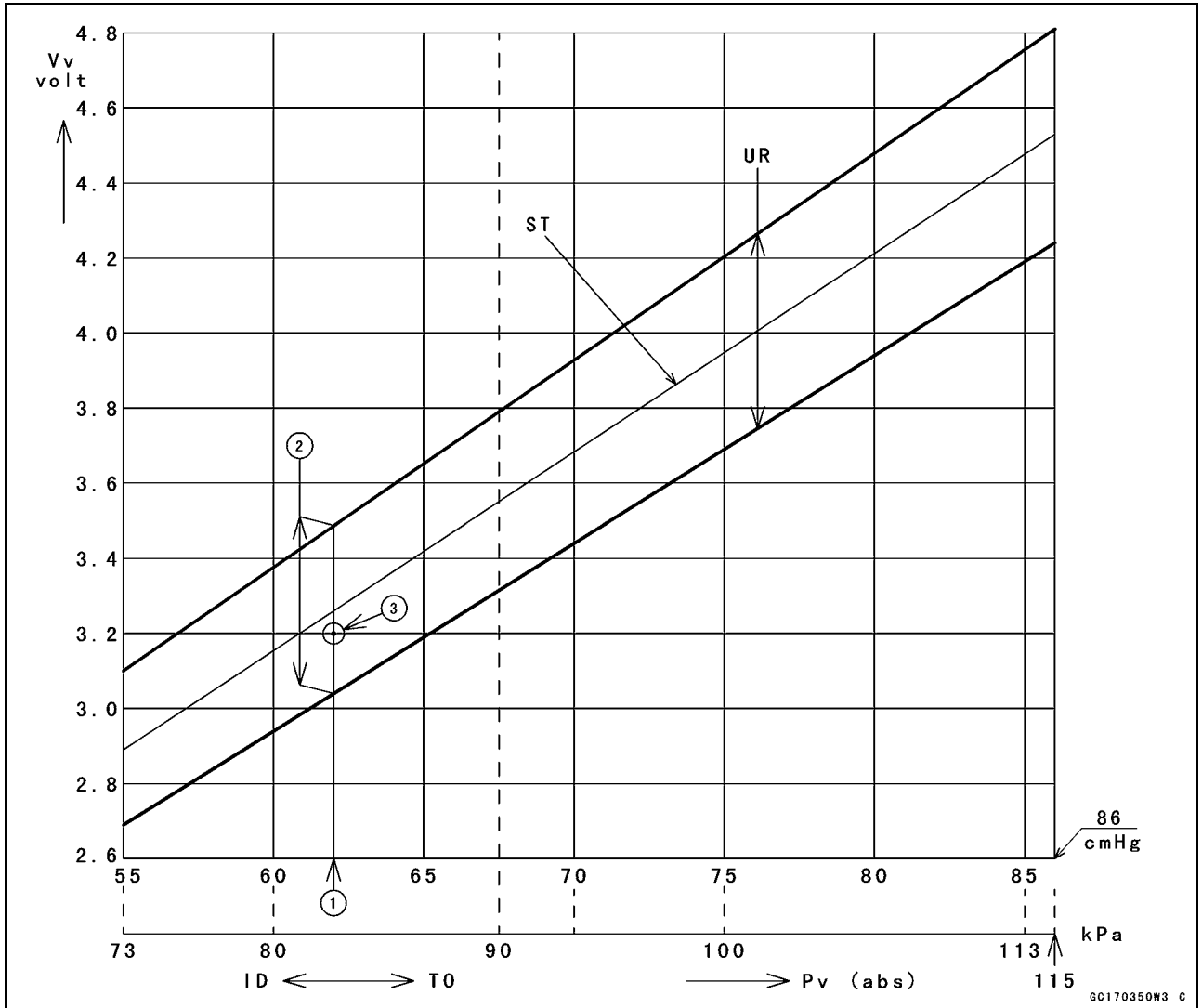
**Pv = 24 ~ 55 cmHg**





Inlet Air Pressure Sensor (Service Code 12)

Pv = 55 ~ 86 cmHg



ID: Idling

Ps: Standard Atmospheric Pressure (Absolute)

Pv: Throttle Vacuum Pressure (Absolute)

ST: Standard of Sensor Output Voltage (V)

TO: Throttle Full Open

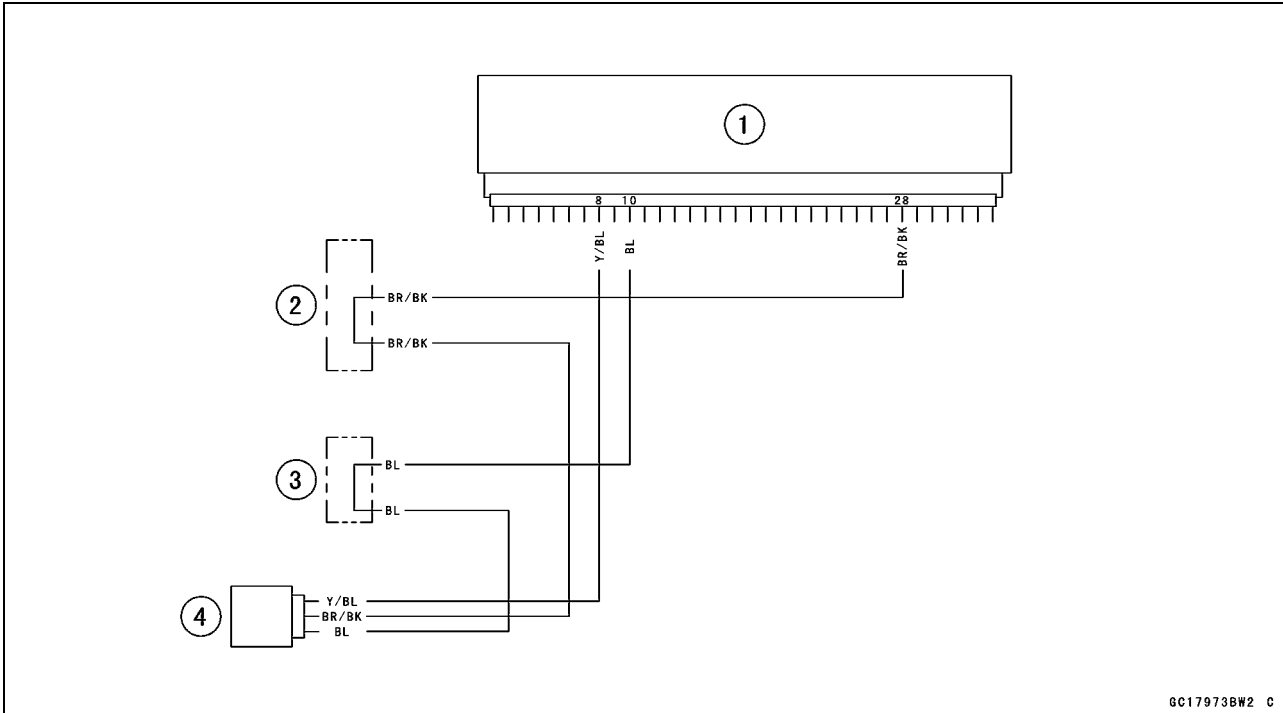
UR: Usable Range of Sensor Output Voltage (V)

Vv: Inlet Air Pressure Sensor Output Voltage (V) (Digital Meter Reading)

# 3-50 FUEL SYSTEM (DFI)

## Inlet Air Pressure Sensor (Service Code 12)

### Inlet Air Pressure Sensor Circuit



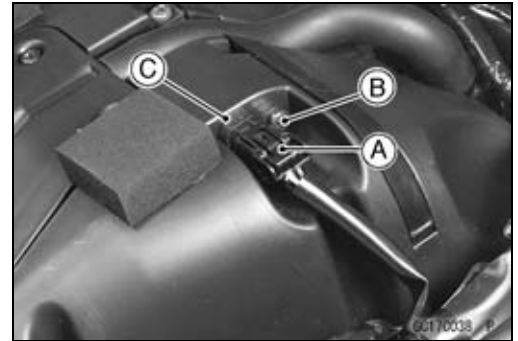
GC17973BW2 C

1. ECU
2. Water-proof Joint E
3. Water-proof Joint D
4. Inlet Air Pressure Sensor

**Inlet Air Temperature Sensor (Service Code 13)**

***Inlet Air Temperature Sensor Removal/Installation***

<b>CAUTION</b>
<b>Never drop the sensor, especially on a hard surface. Such a shock to the sensor can damage it.</b>



- Remove the fuel tank (see Fuel Tank Removal).
- Disconnect the connector [A].
- Remove the screw [B].
- Pull out the inlet air temperature sensor [C].
- Put the inlet air temperature sensor into the air cleaner housing.
- Tighten the screw securely.

***Inlet Air Temperature Sensor Output Voltage Inspection***

**NOTE**

- Be sure the battery is fully charged.
- The output voltage changes according to the inlet air temperature.

- Remove the ECU (see ECU Removal).
- Do not disconnect the ECU connectors.
- Connect a digital meter to the ECU connector, using needle adapter set.

**Special Tool - Needle Adapter Set: 57001-1457**

**Inlet Air Temperature Sensor Output Voltage Connections to ECU Connector**

**Meter (+) → Y lead (terminal 26)**

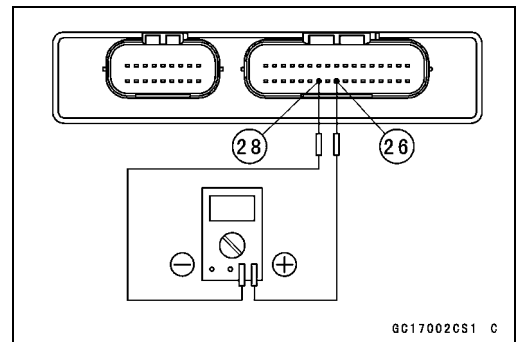
**Meter (-) → BR/BK lead (terminal 28)**

- Measure the output voltage with the engine stopped and the connector joined.
- Turn the ignition switch ON.

**Output Voltage at ECU**

**Standard: About 2.25 ~ 2.50 V at inlet air temperature 20°C (68°F)**

- Turn the ignition switch OFF.
- ★ If the output voltage is out of the standard, check the wiring.
- ★ If the wiring is good, check the sensor resistance (see Inlet Air Temperature Sensor Resistance).
- ★ If the output voltage is within the standard, check the ECU for its ground, and power supply (see ECU Power Supply Inspection).
- ★ If the ground and power supply are good, replace the ECU (see ECU Removal/Installation).



GC17002GS1 C

## 3-52 FUEL SYSTEM (DFI)

### Inlet Air Temperature Sensor (Service Code 13)

#### Inlet Air Temperature Sensor Resistance Inspection

- Remove the inlet air temperature sensor (see Inlet Air Temperature Sensor Removal/Installation).
- Suspend the sensor [A] in a container of machine oil so that the heat-sensitive portion is submerged.
- Suspend a thermometer [B] with the heat-sensitive portions [C] located in almost the same depth with the sensor.

#### NOTE

○ The sensor and thermometer must not touch the container side or bottom.

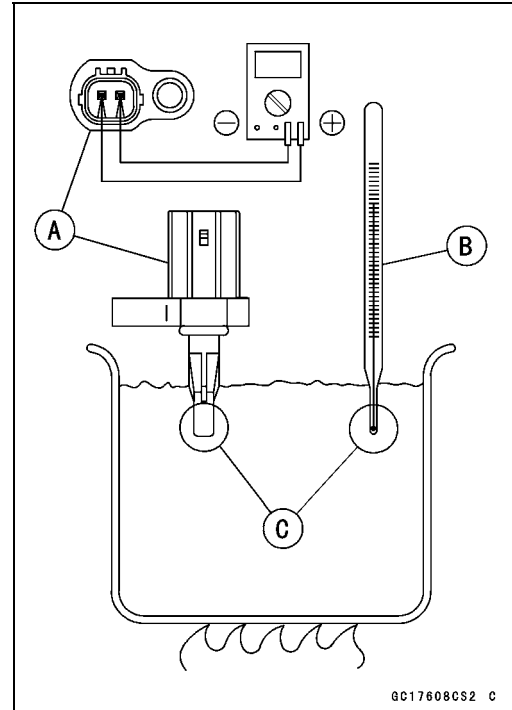
- Place the container over a source of heat and gradually raise the temperature of the oil while stirring the oil gently for even temperature.
- Using a digital meter, measure the internal resistance of the sensor across the terminals at the temperatures shown in the following.

#### Inlet Air Temperature Sensor Resistance

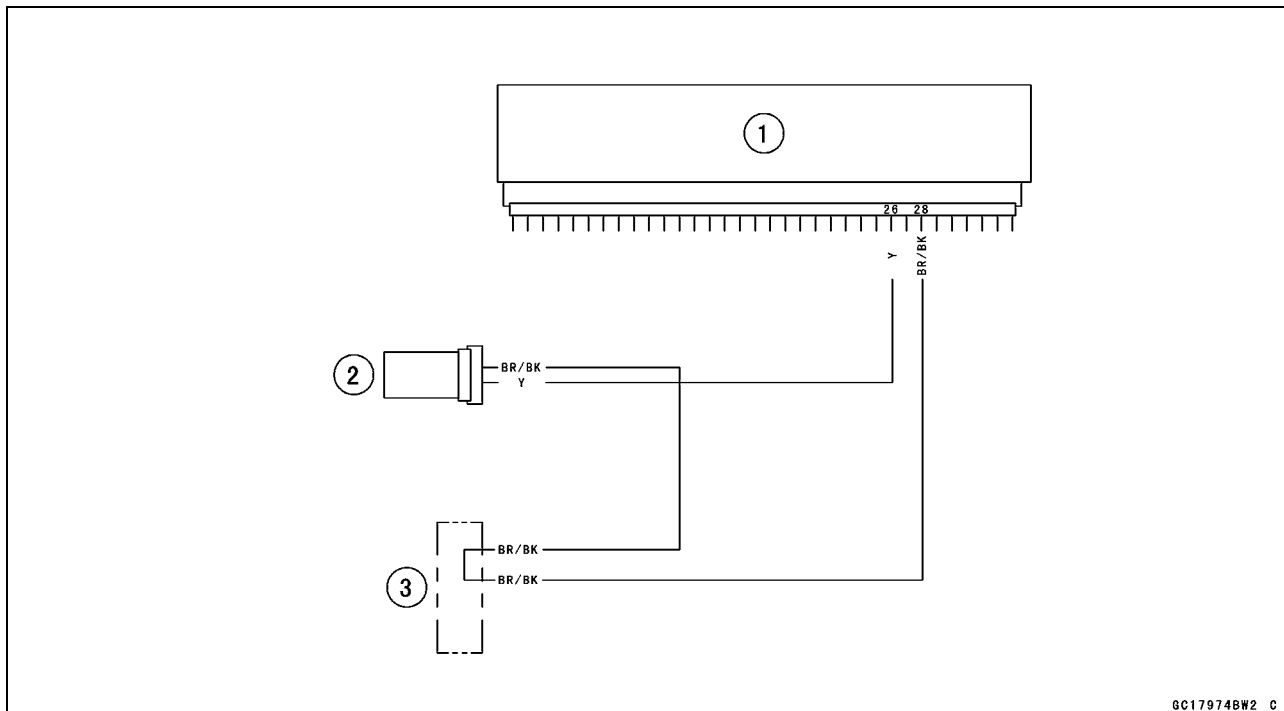
Standard: 5.4 ~ 6.6 k $\Omega$  at 0°C (32°F)

0.29 ~ 0.39 k $\Omega$  at 80°C (176°F)

- ★ If the measurement is out of the range, replace the sensor.
- ★ If the measurement is within the specified, replace the ECU (see ECU Removal/Installation).



#### Inlet Air Temperature Sensor Circuit



1. ECU
2. Inlet Air Temperature Sensor
3. Water-proof Joint E

**Water Temperature Sensor (Service Code 14)**

**Water Temperature Sensor Removal/Installation**

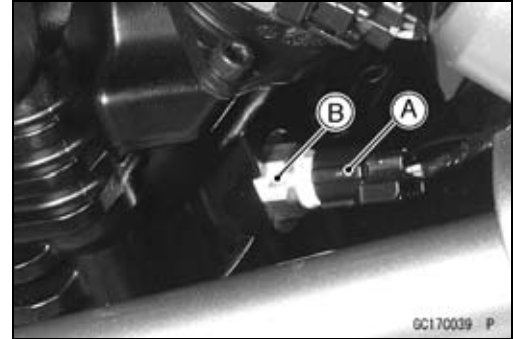
**CAUTION**

**Never drop the sensor, especially on a hard surface. Such a shock to the sensor can damage it.**

- Drain the coolant (see Coolant Change in the Periodic Maintenance chapter).
- Disconnect the sensor connector [A], and unscrew the water temperature sensor [B].

**Torque - Water Temperature Sensor: 12 N·m (1.2 kgf·m, 106 in·lb)**

- Apply grease to new O-ring on the water temperature sensor.
- Fill the engine with coolant and bleed the air from the cooling system (see Coolant Change in the Periodic Maintenance chapter).



**Water Temperature Sensor Output Voltage Inspection**

**NOTE**

- Be sure the battery is fully charged.
- The output voltage changes according to the coolant temperature in the engine.

- Remove the ECU (see ECU Removal).
- Do not disconnect the connectors.
- Connect a digital meter [A] to the ECU connector [B] with the needle adapter set.

**Special Tool - Needle Adapter Set: 57001-1457**

**Water Temperature Sensor Output Voltage Connections to ECU Connector**

**Meter (+) → O lead (terminal 20)**

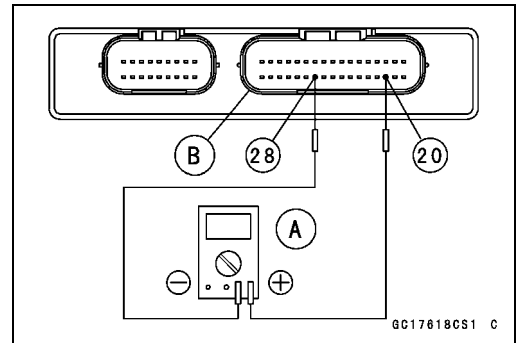
**Meter (-) → BR/BK lead (terminal 28)**

- Measure the output voltage with the engine stopped and the connector joined.
- Turn the ignition switch ON.

**Output Voltage at ECU**

**Standard: About 2.80 ~ 2.97 V at 20°C (68°F)**

- Turn the ignition switch OFF.
- ★ If the output voltage is within the standard, check the ECU for its ground, and power supply (see ECU Power Supply Inspection).
- ★ If the ground and power supply are good, replace the ECU (see ECU Removal/Installation).
- ★ If the output voltage is out of the standard, check the wiring.
- ★ If the wiring is good, check the water temperature sensor resistance (see Water Temperature Sensor Resistance Inspection).



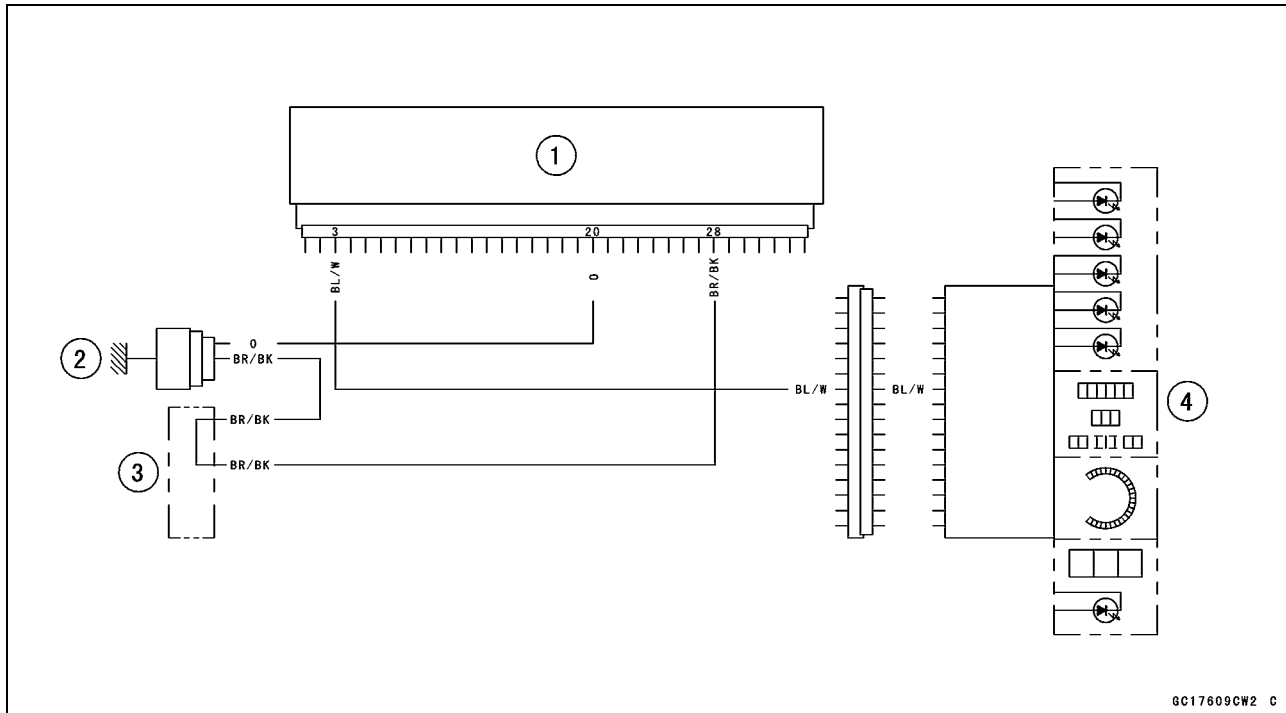
## 3-54 FUEL SYSTEM (DFI)

### Water Temperature Sensor (Service Code 14)

#### *Water Temperature Sensor Resistance Inspection*

- Refer to the Water Temperature Sensor Inspection in the Electrical System chapter.

#### Water Temperature Sensor Circuit



1. ECU
2. Water Temperature Sensor
3. Water-proof Joint E
4. Meter Unit

## Crankshaft Sensor (Service Code 21)

Start the engine and switch the diagnosis mode to Dealer 1 mode to know all the problem that the DFI system has at the time of self-diagnosis. If the engine cannot be started, the self-diagnosis system does not detect dynamic condition of the crankshaft sensor. In this case, turn off the ignition switch and turn it on again to enter the Dealer 2 mode. In this mode, the system tells all the troubles which the DFI system had in both static and dynamic conditions.

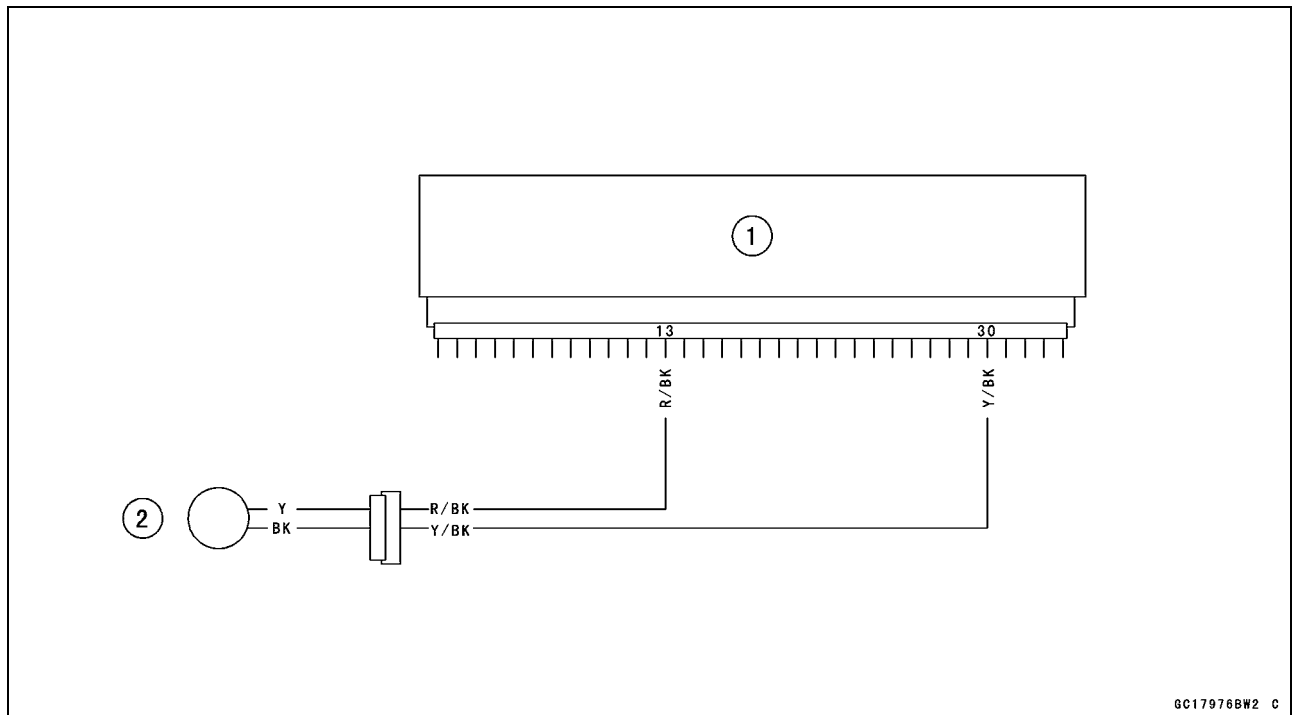
### **Crankshaft Sensor Removal/Installation**

- Refer to the Crankshaft Sensor Removal/Installation in the Electrical System chapter.

### **Crankshaft Sensor Inspection**

- The crankshaft sensor has no power source, and when the engine stops, the crankshaft sensor generates no signals.
- Cranking the engine and measure the peak voltage of the crankshaft sensor (see Crankshaft Sensor Inspection in the Electrical System) in order to check the sensor.
- Check the wiring for continuity, using the following diagram.

### **Crankshaft Sensor Circuit**



GC17976BW2 C

1. ECU
2. Crankshaft Sensor

## 3-56 FUEL SYSTEM (DFI)

### Speed Sensor (Service Code 24, 25)

#### Speed Sensor Removal/Installation

- Refer to the Speed Sensor Removal/Installation in the Electrical System chapter.

#### Speed Sensor Inspection

- Refer to the Speed Sensor Inspection in the Electrical System chapter.

#### Speed Sensor Input Voltage Inspection

##### NOTE

○ Be sure the battery is fully charged.

- Turn the ignition switch OFF.
- Disconnect the speed sensor connector [A] and connect the harness adapter [B] between the harness connector and speed sensor connector.

**Special Tool - Throttle Sensor Setting Adapter #1: 57001-1400**

- Connect a digital meter to the harness adapter leads.

##### Speed Sensor Input Voltage Connections to Adapter

**Meter (+) → BL (sensor P) lead [C]**

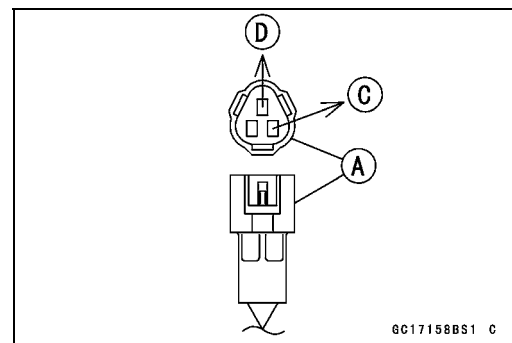
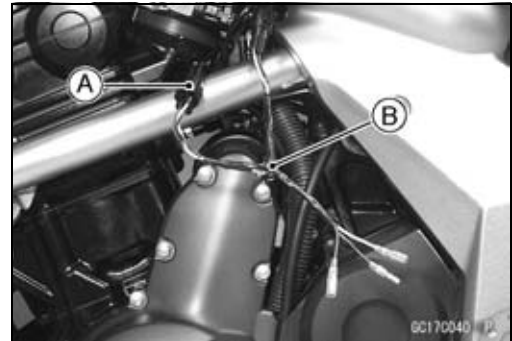
**Meter (-) → BK/BL (sensor BK) lead [D]**

- Measure the input voltage with the engine stopped, and with the connector joined.
- Turn the ignition switch ON.

##### Input Voltage at Sensor

**Standard: About DC 9 ~ 11 V at Ignition Switch ON**

- Turn the ignition switch OFF.
- ★ If the reading is out of the range, check the wiring (see wiring diagram in this section), and meter unit (see Meter Unit Inspection in the Electrical System chapter).
- ★ If the reading is good, check the output voltage.





**Speed Sensor (Service Code 24, 25)**

**Speed Sensor Output Voltage Inspection**

- Before this inspection, inspect the input voltage (see Speed Sensor Input Voltage Inspection).

**NOTE**

○Be sure the battery is fully charged.

- Turn the ignition switch OFF.
- Disconnect the speed sensor connector [A] and connect the harness adapter [B] between the harness connector and speed sensor connector.

**Special Tool - Throttle Sensor Setting Adapter #1: 57001-1400**

- Connect a digital meter to the harness adapter leads.

**Speed Sensor Output Voltage at Sensor Connections to Adapter**

**Meter (+) → Y/W (sensor Y) lead [C]**

**Meter (-) → BK/BL (sensor BK) lead [D]**

- Measure the output voltage with the engine stopped, and with the connector joined.
- Turn the ignition switch ON.

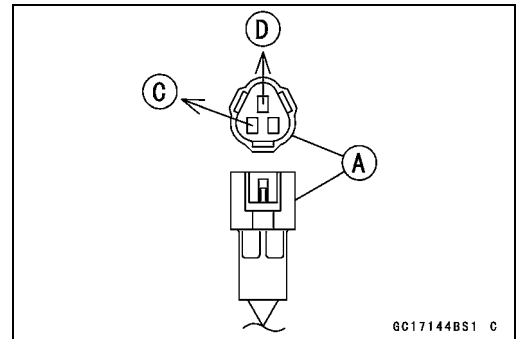
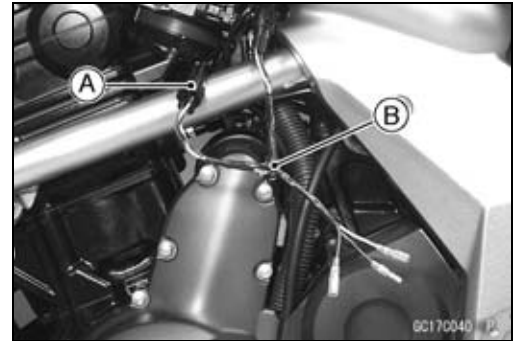
**Input Voltage at Sensor Connector**

**Standard: About DC 0.05 ~ 0.07 V or DC 4.5 ~ 4.9 V**

**NOTE**

○Rotate the rear wheel by hand, confirm the output voltage will be raise or lower.

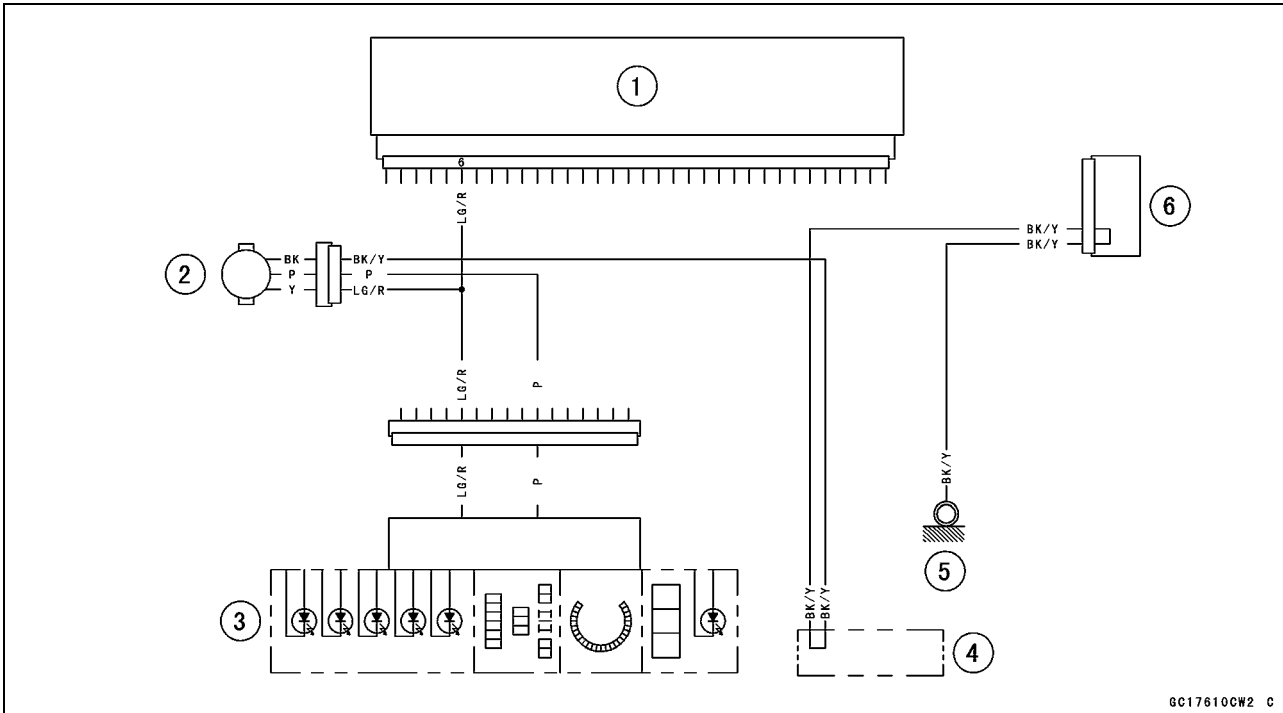
- Turn the ignition switch OFF.
- ★ If the reading is out of the range, check the speed sensor (see Speed Sensor Inspection in the Electrical System chapter) and the wiring to ECU (see wiring diagram in this section).
- ★ If the reading, speed sensor and wiring are good, check the ECU for its ground, and power supply (see ECU Power Supply Inspection).
- ★ If the ground and power supply are good, replace the ECU (see ECU Removal/Installation).



# 3-58 FUEL SYSTEM (DFI)

## Speed Sensor (Service Code 24, 25)

### Speed Sensor Circuit



GC17610CW2 C

1. ECU
2. Speed Sensor
3. Meter Unit
4. Water-proof Joint B
5. Frame Ground
6. Joint Connector

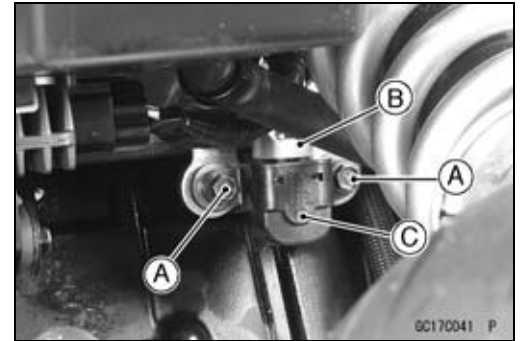
Vehicle-down Sensor (Service Code 31)

Vehicle-down Sensor Removal

**CAUTION**

Never drop the vehicle-down sensor, especially on a hard surface. Such a shock to the sensor can damage it.

- Remove:
  - Bolts [A]
  - Connector [B]
  - Vehicle-down Sensor [C]

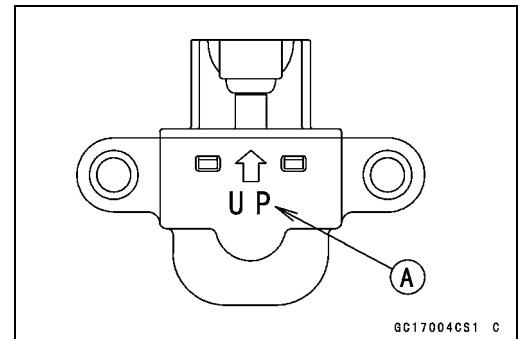


Vehicle-down Sensor Installation

- The UP mark [A] of the sensor should face upward.

**⚠ WARNING**

Incorrect installation of the vehicle-down sensor could cause sudden loss of engine power. The rider could lose balance during certain riding situations like leaning over in a turn with the potential for an accident resulting in injury or death. Ensure that the vehicle-down sensor is held in place by the sensor brackets.



Vehicle-down Sensor Inspection

**NOTE**

○ Be sure the battery is fully charged.

- Connect a digital meter [A] to the connector [B] of the vehicle-down sensor [C] with the needle adapter set [D].  
Special Tool - Needle Adapter Set: 57001-1457

Vehicle-down Sensor Power Source Voltage  
Connections to Sensor Connector

Meter (+) → BL lead [E]

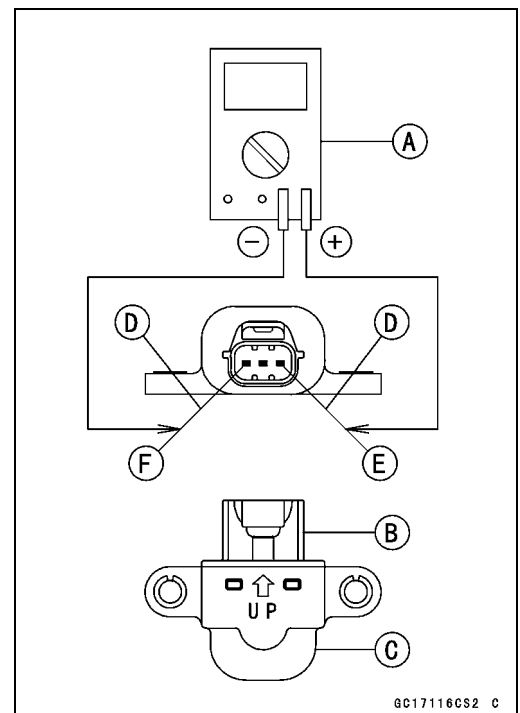
Meter (-) → BR/BK lead [F]

- Turn the ignition switch ON, and measure the power source voltage with the connector joined.

Input Voltage at Sensor

Standard: DC 4.75 ~ 5.25 V

- Turn the ignition switch OFF.
- ★ If the reading of input voltage is less than the standard, check the ECU for its ground, power supply and wiring.
- ★ If the power source is normal, check the output voltage.



## 3-60 FUEL SYSTEM (DFI)

### Vehicle-down Sensor (Service Code 31)

- Remove the vehicle-down sensor (see Vehicle-down Sensor Removal).
- Do not disconnect the sensor connector.
- Connect a digital meter [A] to the connector with needle adapter set [B].

**Special Tool - Needle Adapter Set: 57001-1457**

#### Vehicle-down Sensor Output Voltage Connections to Sensor Connector

**Meter (+) → Y/G lead [E]**

**Meter (-) → BR/BK lead [F]**

- Hold the sensor vertically.
- Turn the ignition switch ON, and measure the output voltage with the connector joined.
- Tilt the sensor 60 ~ 70° or more [C] right or left, then hold the sensor almost vertical with the arrow mark pointed up [D], and measure the output voltage.

#### Output Voltage at Sensor

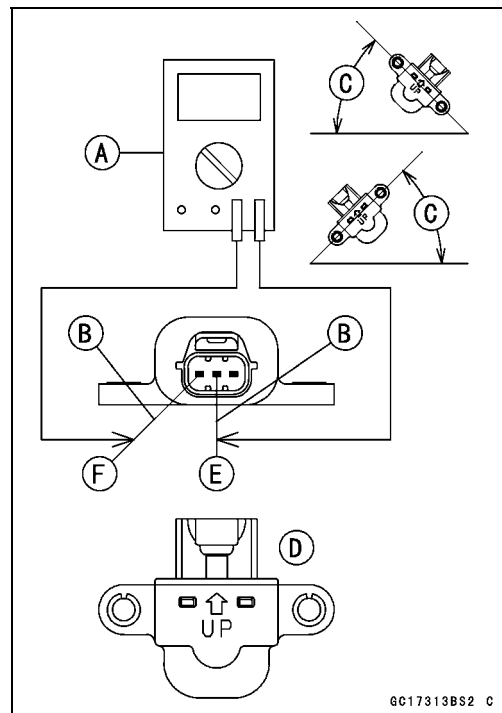
**Standard: with sensor tilted 60 ~ 70° or more right or left: 0.65 ~ 1.35 V**

**with sensor arrow mark pointed up: 3.55 ~ 4.45 V**

#### NOTE

○ If you need to test again, turn the ignition switch OFF, and then ON.

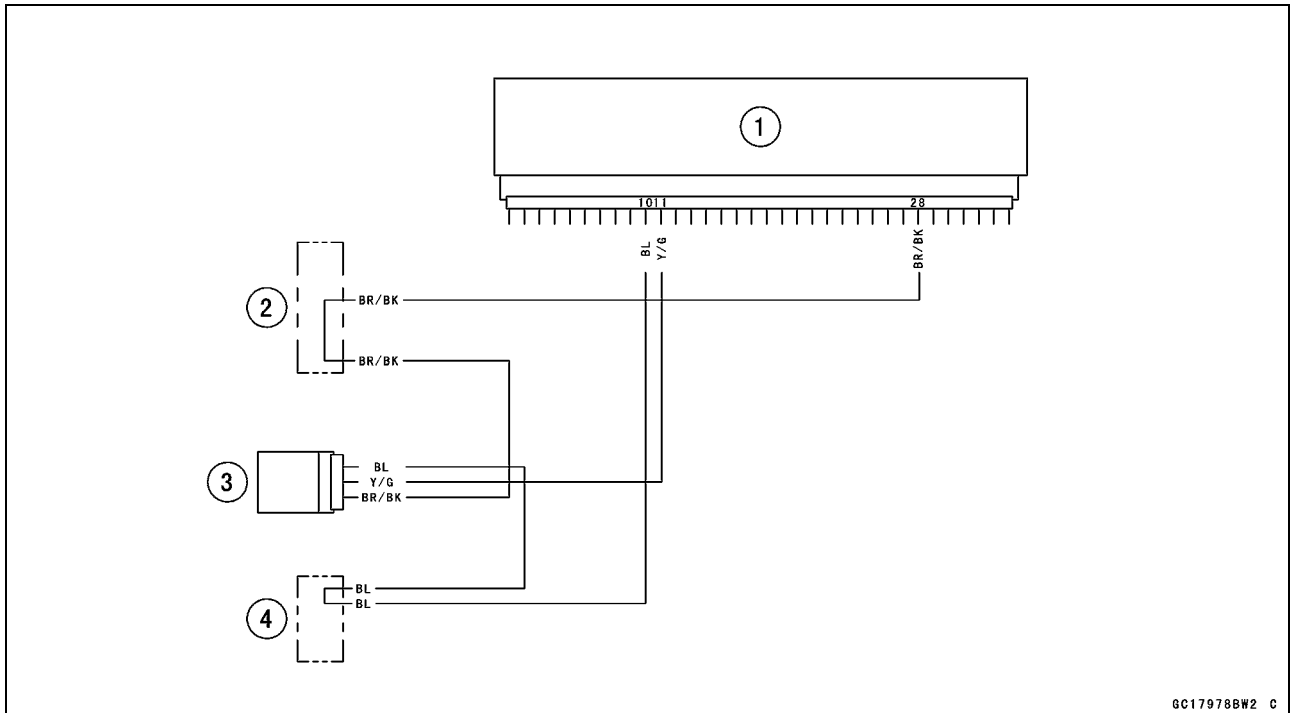
- Turn the ignition switch OFF.
- ★ If the output voltage is normal, check the wiring.
- ★ If the wiring is good, check the ECU for its ground and power supply (see ECU Power Supply Inspection).
- ★ If the ground and power supply are good, replace the ECU (see ECU Removal/Installation).
- ★ If the output voltage is out of the specified, replace the vehicle-down sensor.



GC17313BS2 C

Vehicle-down Sensor (Service Code 31)

Vehicle-down Sensor Circuit



- 1. ECU
- 2. Water-proof Joint E
- 3. Vehicle-down Sensor
- 4. Water-proof Joint D

## 3-62 FUEL SYSTEM (DFI)

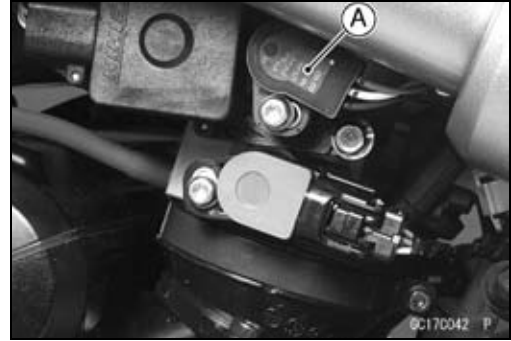
### Subthrottle Sensor (Service Code 32)

#### Subthrottle Sensor Removal/Adjustment

##### CAUTION

Do not remove or adjust the subthrottle sensor [A] since it has been adjusted and set with precision at the factory.

Never drop the throttle body assy, especially on a hard surface. Such a shock to the sensor can damage it.



#### Subthrottle Sensor Input Voltage Inspection

##### NOTE

○Be sure the battery is fully charged.

- Remove the air cleaner housing (see Air Cleaner Housing Removal).
- Turn the ignition switch OFF.
- Disconnect the subthrottle sensor connector and connect the harness adapter [A] between these connectors.

**Special Tool - Throttle Sensor Setting Adapter #1: 57001-1400**

- Connect a digital meter to the harness adapter lead.

##### Subthrottle Sensor Input Voltage

###### Connections to Adapter

**Meter (+) → BL (sensor BL) lead**

**Meter (-) → BK/BL (sensor BK) lead**

- Measure the input voltage with the engine stopped and with the connector joined.
- Turn the ignition switch ON.

##### Input Voltage at Sensor

**Standard: DC 4.75 ~ 5.25 V**

- Turn the ignition switch OFF.



## Subthrottle Sensor (Service Code 32)

- ★ If the input voltage is normal, check the sensor output voltage.
- ★ If the input voltage is less than the standard, remove the ECU and check the wiring between these connectors.
- Disconnect the ECU and sensor connectors.

### Wiring Connection

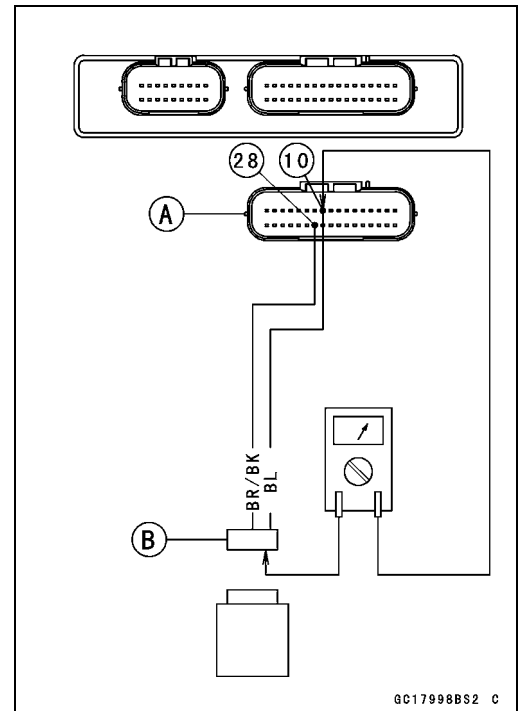
ECU Connector [A] ↔

Subthrottle Sensor Connector [B]

BL lead (terminal 10)

BR/BK lead (terminal 28)

- ★ If the wiring is good, check the ECU for its ground and power supply (see ECU Power Supply Inspection).
- ★ If the ground and power supply are good, replace the ECU (see ECU Removal/Installation).



### Subthrottle Sensor Output Voltage Inspection

- Remove the air cleaner housing (see Air Cleaner Housing Removal).
- Measure the output voltage at the subthrottle sensor in the same way as input voltage inspection. Note the following.
- Disconnect the subthrottle sensor connector and connect the harness adapter [A] between these connectors.

Special Tool - Throttle Sensor Setting Adapter #1: 57001-1400



### Subthrottle Sensor Output Voltage

#### Connections to Adapter

Meter (+) → Y/W (sensor Y) lead

Meter (-) → BK/BL (sensor BK) lead

- Turn the ignition switch ON.
- Measure the output voltage when the subthrottle valve is fully opened or completely closed by hand.

#### Output Voltage at Sensor

Standard: DC 0.4 ~ 0.6 V (at idle throttle opening)

DC 3.825 ~ 3.975 V (at full throttle opening)

- Turn the ignition switch OFF.
- ★ If the output voltage is out of the standard, inspect the subthrottle sensor resistance.

## 3-64 FUEL SYSTEM (DFI)

### Subthrottle Sensor (Service Code 32)

★ If the output voltage is normal, check the wiring for continuity.

○ Disconnect the ECU and sensor connectors.

#### Wiring Connection

ECU Connector [A] ↔

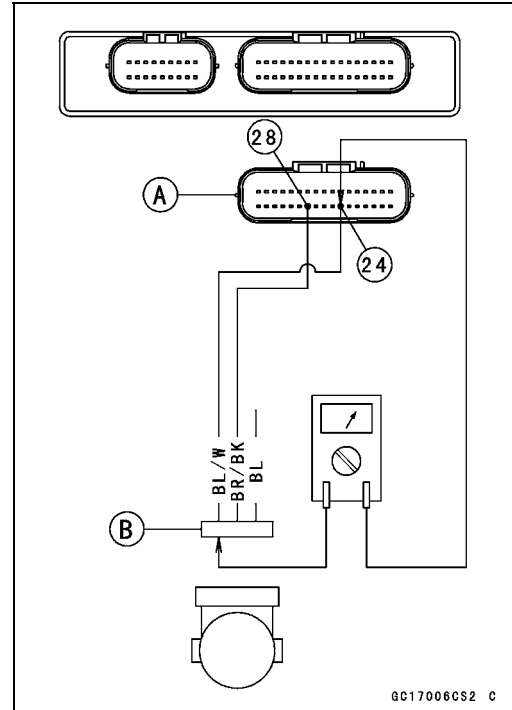
Subthrottle Sensor Connector [B]

BL/W lead (terminal 24)

BR/BK lead (terminal 28)

★ If the wiring is good, check the ECU for its ground and power supply (see ECU Power Supply Inspection).

★ If the ground and power supply are good, replace the ECU (see ECU Removal/Installation).



#### Subthrottle Sensor Resistance Inspection

- Turn the ignition switch OFF.
- Disconnect the subthrottle sensor connector.
- Connect a digital meter [A] to the subthrottle sensor connector [B].
- Measure the subthrottle sensor resistance.

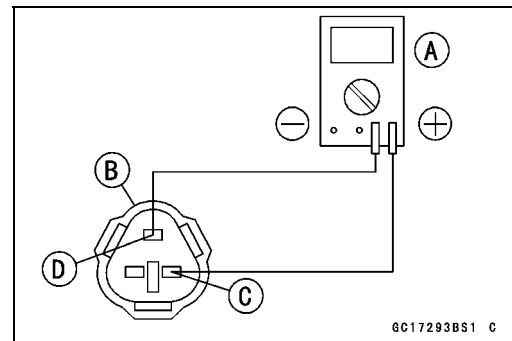
#### Throttle Sensor Resistance

Connections: BL lead [C] ↔ BK lead [D]

Standard: 4 ~ 6 kΩ

★ If the reading is out of the range, replace the throttle body assy.

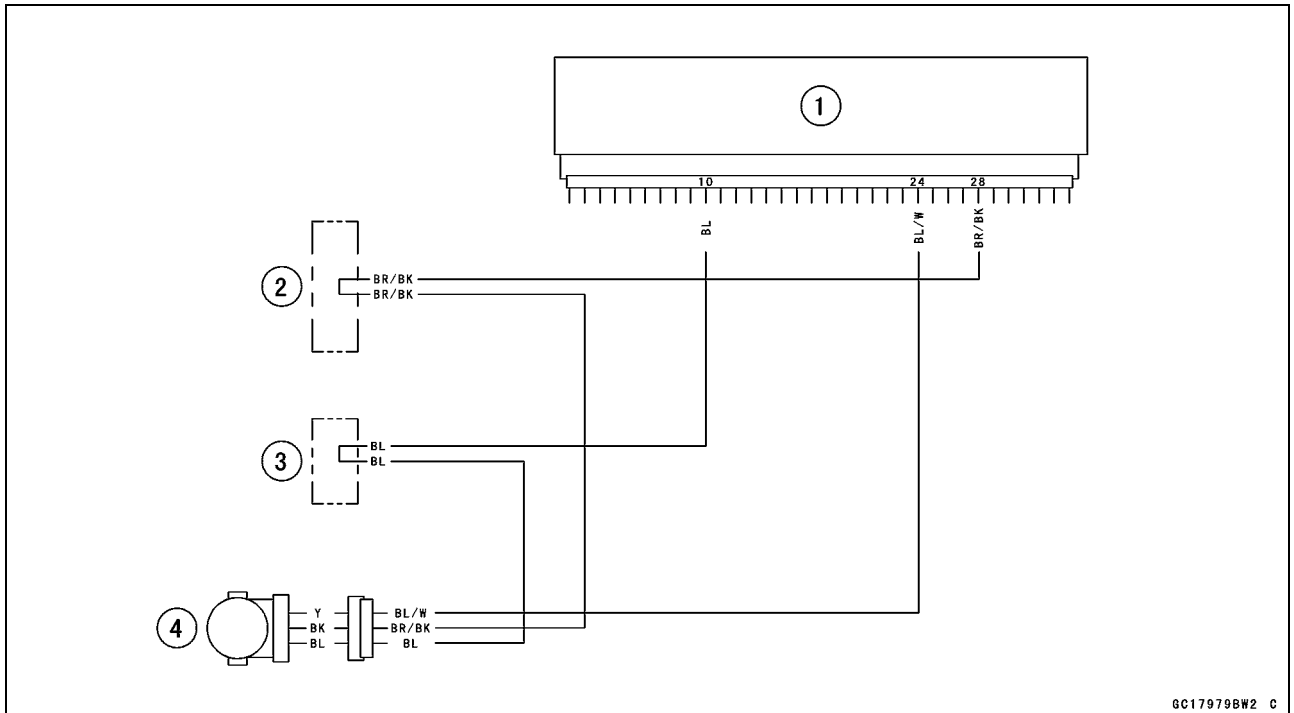
★ If the reading is within the range, but the problem still exists, replace the ECU (see ECU Removal/Installation).





Subthrottle Sensor (Service Code 32)

Subthrottle Sensor Circuit



GC17979BW2 C

- 1. ECU
- 2. Water-proof Joint E
- 3. Water-proof Joint D
- 4. Subthrottle Sensor

## 3-66 FUEL SYSTEM (DFI)

### Oxygen Sensor-not activated (Service Code 33) (Europe Models)

#### Oxygen Sensor Removal/Installation

- Refer to the Oxygen Sensor Removal/Installation in the Electrical System chapter.

#### Oxygen Sensor Inspection

- Warm up the engine thoroughly until the radiator fan starts.
- Turn the ignition switch OFF.
- Disconnect the oxygen sensor connector and connect the harness adapter [A] between these connectors.

**Special Tool - Oxygen Sensor Measuring Adapter: 57001-1682**

- Connect a digital meter to the harness adapter lead.

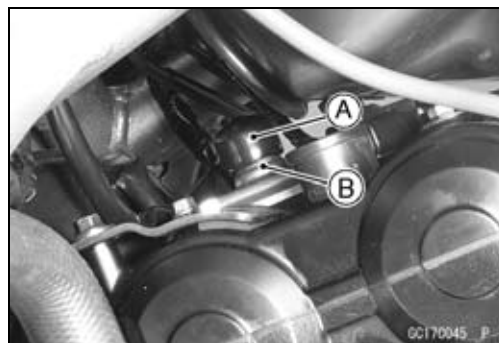
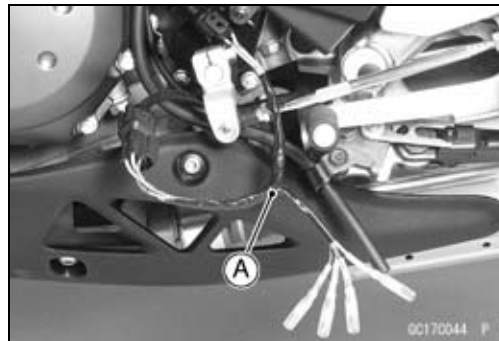
#### Oxygen Sensor Output Voltage

##### Connections to Adapter

**Meter (+) → BL/Y (sensor BL) lead**

**Meter (-) → BR/BK (sensor W) lead**

- Remove the air switching valve hose from the fitting.
- Install the suitable plug [A] on the fitting [B] and shut off the secondary air.

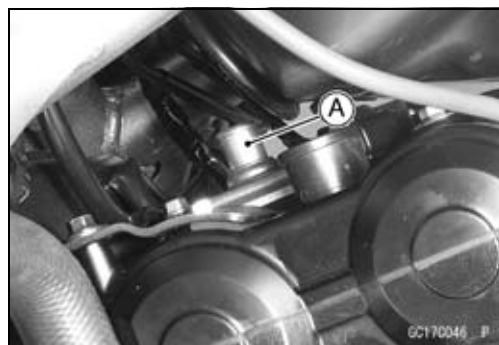


- Turn the ignition switch ON.
- Start the engine, and let it idle.
- Measure the output voltage with the connector joined.

#### Oxygen Sensor Output Voltage (with Plugs)

**Standard: 0.7 V or more**

- Next, remove the plugs from the fitting [A] with idling.



- Measure the output voltage with the connector joined.

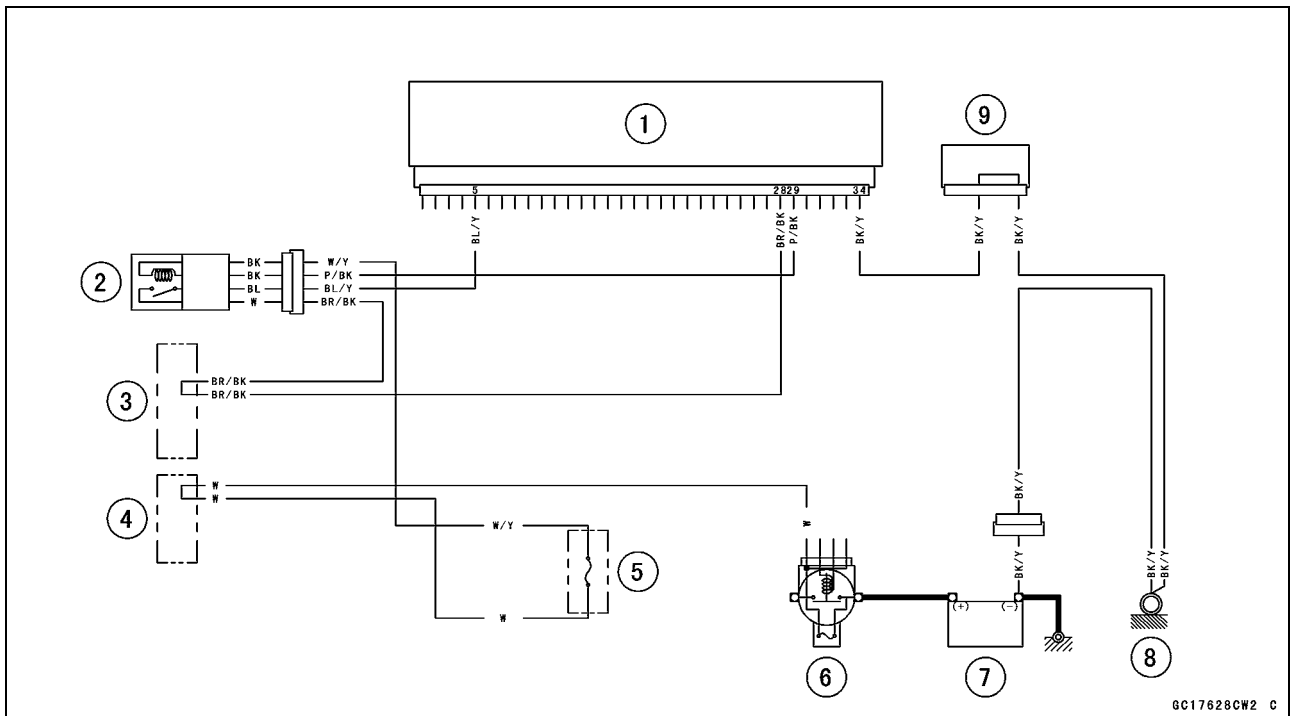
#### Oxygen Sensor Output Voltage (without Plugs)

**Standard: 0.2 V or less**

- ★ If the reading is within range (with plugs: 0.7 V or more, without plugs: 0.2 V or less), the oxygen sensor is good.
- ★ If the reading is without range, replace the oxygen sensor (see Oxygen Sensor Removal/Installation in the Electrical System chapter).

Oxygen Sensor-not activated (Service Code 33) (Europe Models)

Oxygen Sensor Circuit



1. ECU
2. Oxygen Sensor
3. Water-proof Joint E
4. Water-proof Joint C
5. Oxygen Sensor Heater Fuse 10 A
6. Main Fuse 30 A
7. Battery
8. Frame Ground
9. Joint Connector

## 3-68 FUEL SYSTEM (DFI)

### Stick Coils #1, #2: (Service Code 51, 52)

Stick Coil #1: Service Code 51

Stick Coil #2: Service Code 52

#### Stick Coil Removal/Installation

##### CAUTION

**Never drop the stick coils, especially on a hard surface. Such a shock to the stick coil can damage it.**

- Refer to the Stick Coil (Ignition Coil together with Spark Plug Cap) Removal/Installation in the Electrical System chapter.

#### Stick Coil Input Voltage Inspection

##### NOTE

○ Be sure the battery is fully charged.

- Turn the ignition switch OFF.
- Remove the ECU (see ECU Removal).
- Do not disconnect the ECU connector.
- Connect a digital meter [A] as shown, with the needle adapter set.

**Special Tool - Needle Adapter Set: 57001-1457**

##### Stick Coil Input Voltage at ECU Connector

###### Connections for Stick Coil #1

Meter (+) → BK lead (terminal 43)

Meter (-) → BK/Y lead (terminal 51)

###### Connections for Stick Coil #2

Meter (+) → BK/G lead (terminal 52)

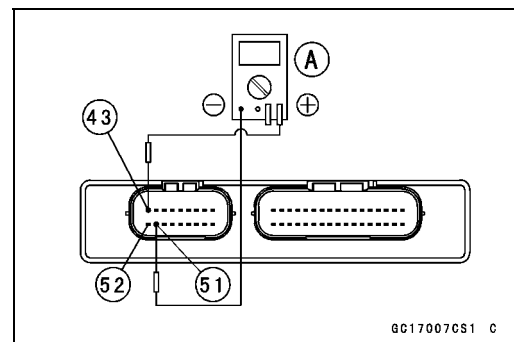
Meter (-) → BK/Y lead (terminal 51)

- Measure the input voltage to each primary winding of the ignition coils with the engine stopped, and with the connectors joined.
- Turn the ignition switch ON.

##### Input Voltage at ECU

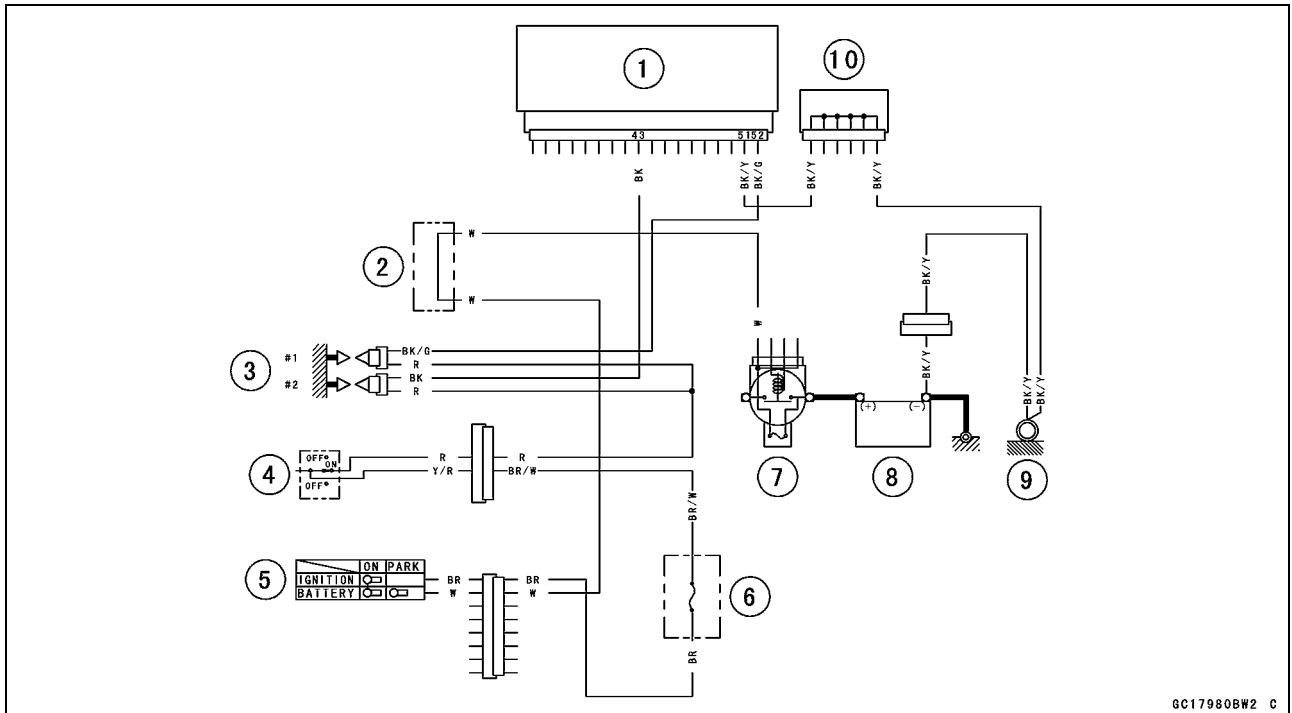
**Standard: Battery Voltage**

- Turn the ignition switch OFF.
- ★ If the reading is out of the standard, check the wiring (see next wiring diagram).
- ★ If the reading is good, the input voltage is normal. Cranking the engine, and check the peak voltage of the stick coils (see Stick Coil Primary Peak Voltage in the Electrical System chapter) in order to check the primary coils.



Stick Coils #1, #2: (Service Code 51, 52)

Stick Coil Circuit



GC17980BW2 C

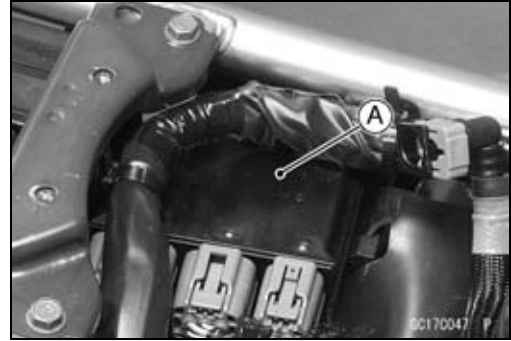
1. ECU
2. Water-proof Joint C
3. Stick Coils
4. Engine Stop Switch
5. Ignition Switch
6. Ignition Fuse 10 A
7. Main Fuse 30 A
8. Battery
9. Frame Ground
10. Joint Connector

## 3-70 FUEL SYSTEM (DFI)

### Radiator Fan Relay (Service Code 56)

#### Radiator Fan Relay Removal/Installation

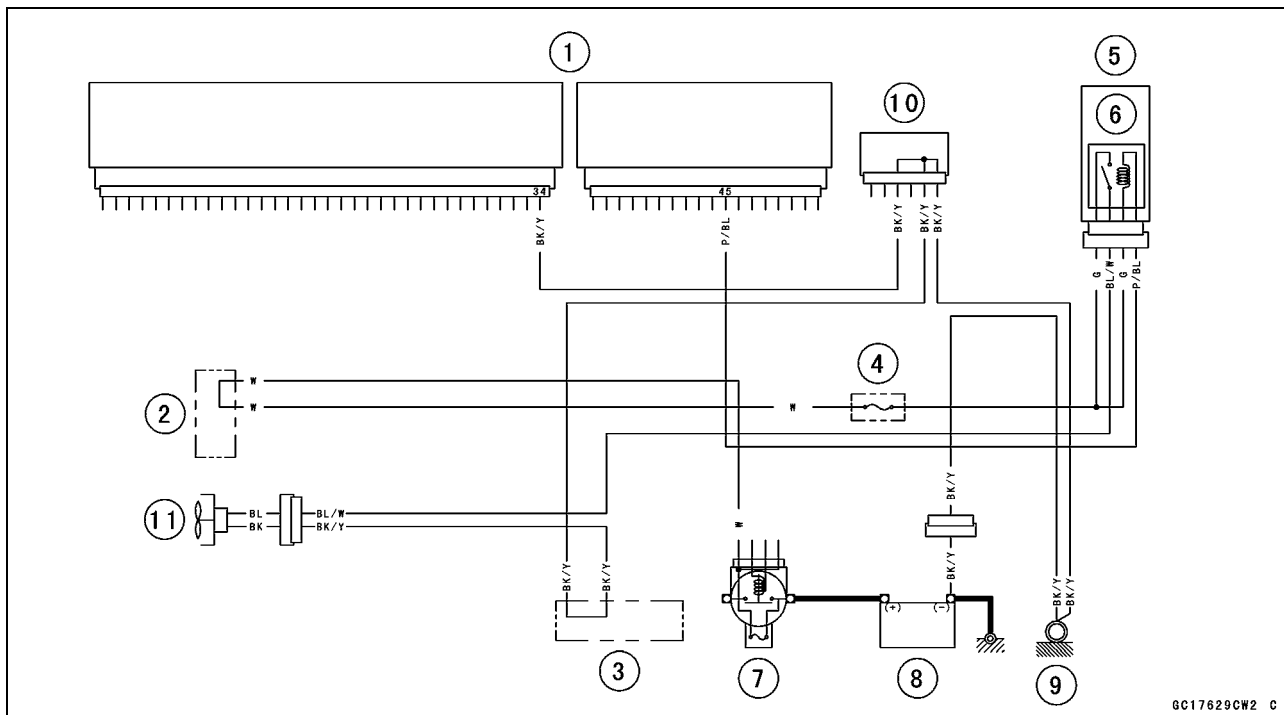
- Radiator fan relay is built in the relay box [A].
- Remove the relay box (see Relay Box Removal in the Electrical System chapter).



#### Radiator Fan Relay Inspection

- Refer to the Relay Circuit Inspection in the Electrical System chapter.
- Remove the relay box and ECU (see ECU Removal).
- Check the wiring for continuity, using the following diagram.
- ★ If wiring and radiator fan relay are good, check the ECU for its ground, and power supply (see ECU Power Supply Inspection).
- ★ If the ground and power supply are good, replace the ECU (see ECU Removal/Installation).

#### Radiator Fan Relay Circuit



GC17629CW2 C

1. ECU
2. Water-proof Joint C
3. Water-proof Joint B
4. Radiator Fan Fuse 15 A
5. Relay Box
6. Radiator Fan Relay
7. Main Fuse 30 A
8. Battery
9. Frame Ground
10. Joint Connector
11. Fan Motor

**Subthrottle Valve Actuator (Service Code 62)**

**Subthrottle Valve Actuator Removal**

**CAUTION**

Do not remove the subthrottle valve actuator [A] since it has been adjusted and set with precision at the factory.  
 Never drop the throttle body assy, especially on a hard surface. Such a shock to the actuator can damage it.



**Subthrottle Valve Actuator Audible Inspection**

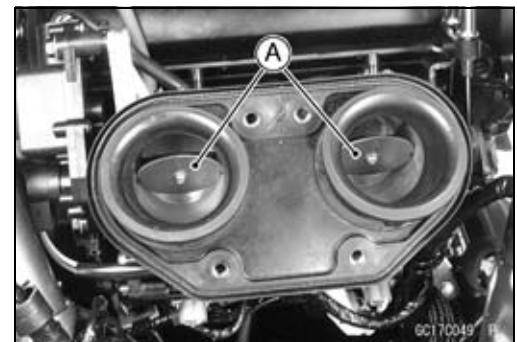
**NOTE**

○ Be sure the battery is fully charged.

- Turn the ignition switch ON and ensure that the actuator valves open and close (make light sounds) several times within seconds, and then close at the idle throttle opening position.
- Turn the ignition switch OFF.
- ★ If the actuator does not work as described above, do the visual inspection.

**Subthrottle Valve Actuator Inspection**

- Remove the air cleaner housing (see Air Cleaner Housing Removal).
- Turn the ignition switch ON.
- Check to see that all the subthrottle valves [A] open and close smoothly.
- ★ If the subthrottle valves do not operate, check the actuator internal resistance (see Subthrottle Valve Actuator Resistance Inspection).



**Subthrottle Valve Actuator Resistance Inspection**

- Turn the ignition switch OFF.
- Remove the air cleaner housing (see Air Cleaner Housing Removal).
- Disconnect the subthrottle valve actuator connector [A].



- Connect a digital meter to the subthrottle valve actuator connector [A].
- Measure the subthrottle valve actuator resistance.

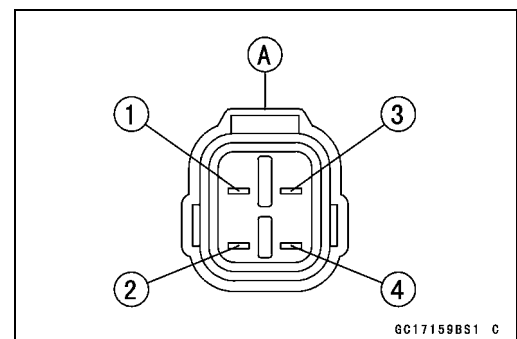
**Subthrottle Valve Actuator Resistance**

Connections: BK lead [1] ↔ P lead [2]

G lead [3] ↔ W/BL lead [4]

Standard: About 5.5 ~ 7.5 Ω

- ★ If the reading is out of the range, replace the throttle body assy.
- ★ If the reading is within the range, check the input voltage (see Subthrottle Valve Actuator Input Voltage Inspection).



GC17159BS1 C

## 3-72 FUEL SYSTEM (DFI)

### Subthrottle Valve Actuator (Service Code 62)

#### Subthrottle Valve Actuator Input Voltage Inspection

##### NOTE

○Be sure the battery is fully charged.

- Turn the ignition switch OFF.
- Connect the peak voltage adapter [A] and a digital meter [B] to the connector [C], using the needle adapter set [D].

**Special Tools - Peak Voltage Adapter: 57001-1415**

**Type: KEK-54-9-B**

**Needle Adapter Set: 57001-1457**

#### Subthrottle Valve Actuator Input Voltage Connections to Harness Connector

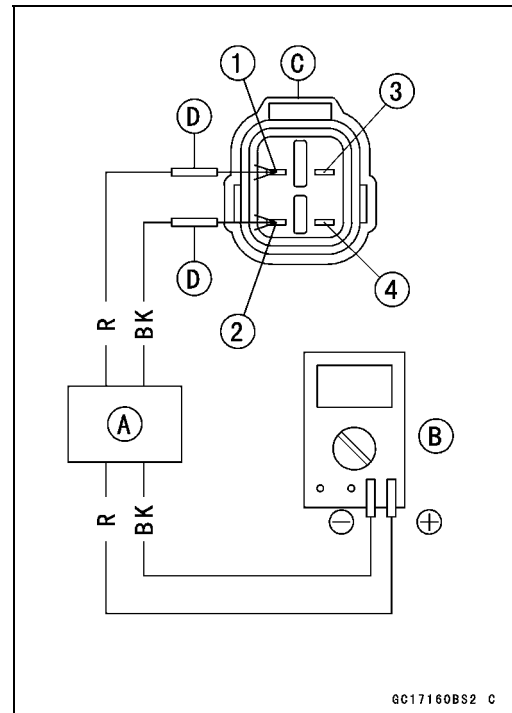
- (I) **Meter (+)** → BK/BL lead [1]  
**Meter (-)** → P lead [2]
- (II) **Meter (+)** → G/Y lead [4]  
**Meter (-)** → W/BL lead [3]

- Measure the input voltage with the engine stopped, and with the connector joined.
- Turn the ignition switch ON.

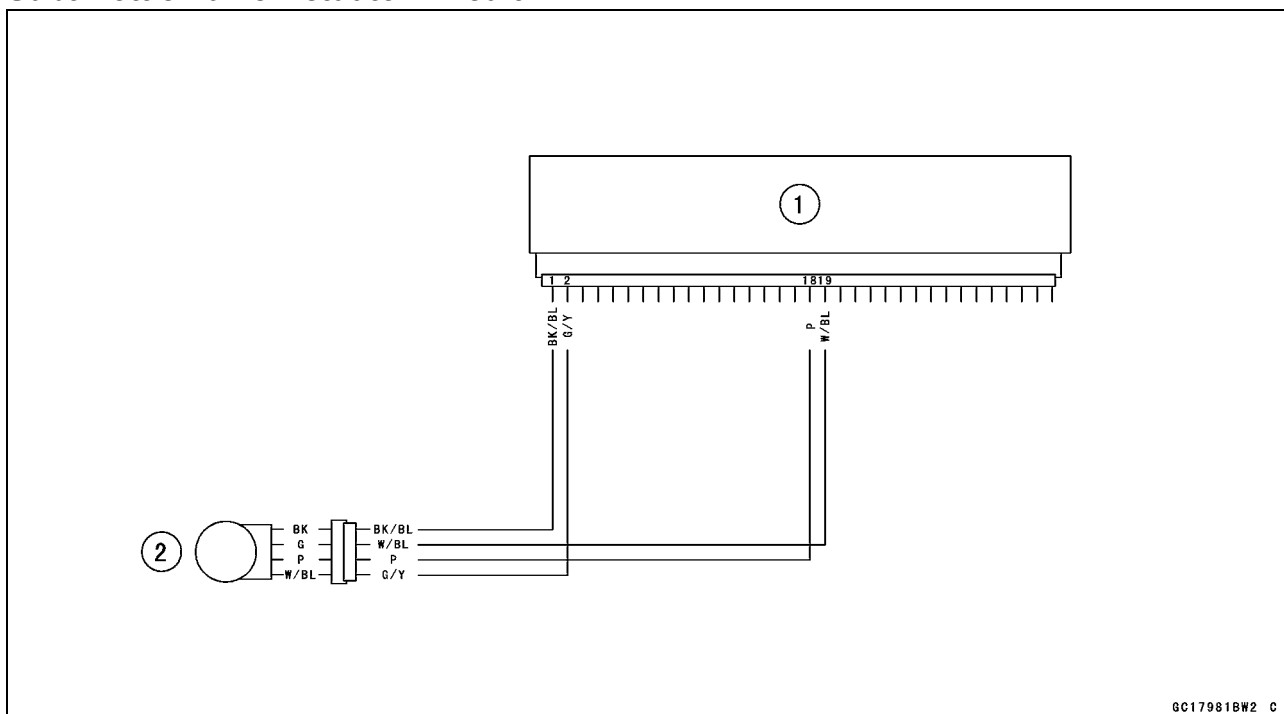
#### Input Voltage at Actuator

**Standard: About DC 8.5 ~ 10.5 V**

- ★ If the reading is within the standard but the actuator doesn't operate, replace it.
- ★ If the reading is out of the range, check the wiring to ECU (see wiring diagram in this section).
- ★ If the wiring is good, check the ECU for its ground and power supply (see ECU Power Supply Inspection).
- ★ If the ground and power supply are good, replace the ECU (see ECU Removal/Installation).



#### Subthrottle Valve Actuator Circuit



1. ECU
2. Subthrottle Valve Actuator



**Air Switching Valve (Service Code 64)**

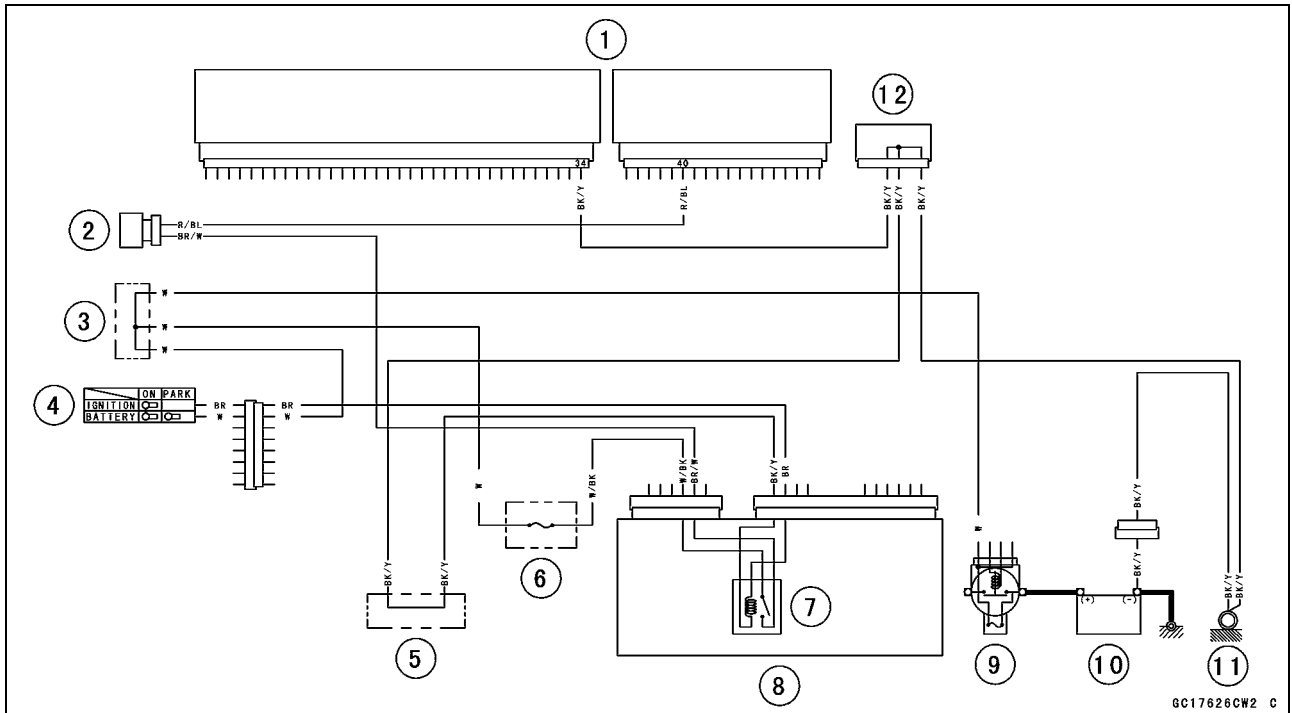
**Air Switching Valve Removal/Installation**

- Refer to the Air Switching Valve Removal/Installation in the Engine Top End chapter.

**Air Switching Valve Inspection**

- Refer to the Air Switching Valve Operation Test/Unit Test in the Electrical System chapter.
- Remove the fuel tank (see Fuel Tank Removal) and check the wiring continuity, using the following diagram.

**Air Switching Valve Circuit**



1. ECU
2. Air Switching Valve
3. Water-proof Joint C
4. Ignition Switch
5. Water-proof Joint A
6. ECU Fuse 15 A
7. ECU Main Relay
8. Relay Box
9. Main Fuse 30 A
10. Battery
11. Frame Ground
12. Joint Connector

## 3-74 FUEL SYSTEM (DFI)

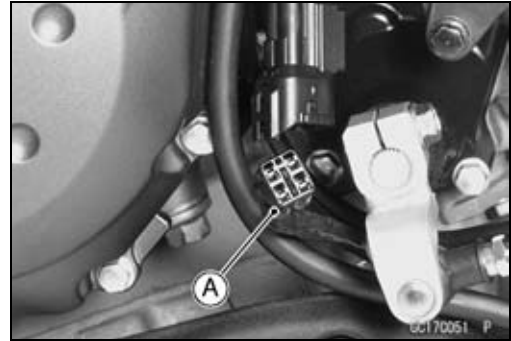
### Oxygen Sensor Heater (Service Code 67) (Europe Models)

#### Oxygen Sensor Heater Removal/Installation

The oxygen sensor heater is built in the oxygen sensor. So, the heater itself can not be removed. Remove the oxygen sensor (see Oxygen Sensor Removal in the Electrical System chapter).

#### Oxygen Sensor Heater Inspection

- Disconnect the oxygen sensor lead connector [A].



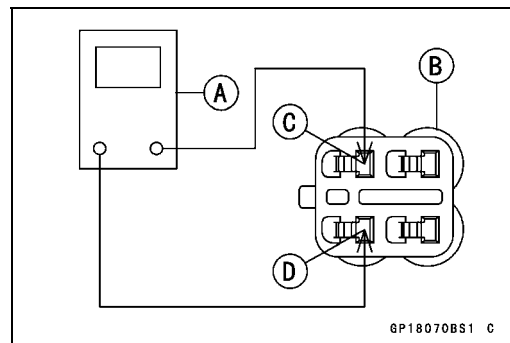
- Set the hand tester [A] to the  $\times 1 \Omega$  range and connect it to the terminals in the oxygen sensor lead connector [B].  
Black [C]  
Black [D]

**Special Tool - Hand Tester: 57001-1394**

#### Oxygen Sensor Heater Resistance

**Standard: 11.7 ~ 14.5  $\Omega$  at 20°C (68°F)**

- ★ If the tester reading is not as specified, replace the oxygen sensor with a new one.



**Oxygen Sensor Heater (Service Code 67) (Europe Models)**

★ If the tester reading is specified, check the power source voltage Inspection.

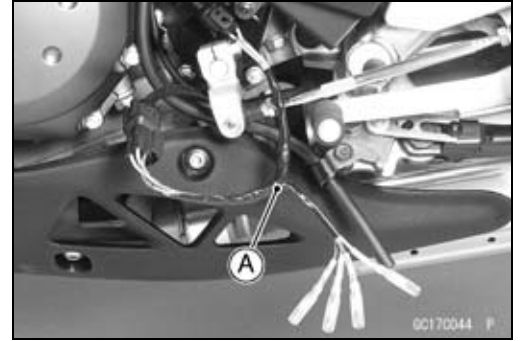
**NOTE**

○ *Be sure the battery is fully charged.*

● Disconnect the oxygen sensor connector and connect the harness adapter [A] between these connectors.

**Special Tool - Oxygen Sensor Measuring Adapter: 57001-1682**

● Connect a digital meter to the to the harness adapter lead.



**Oxygen Sensor Power Source Voltage Connections to Adapter**

**Tester (+) → W/Y (sensor BK) lead**

**Tester (-) → Battery (-) Terminal**

- Measure the power source voltage with the engine stopped, and with the connector joined.
- Turn the ignition switch ON.

**Power Source Voltage at Sensor**

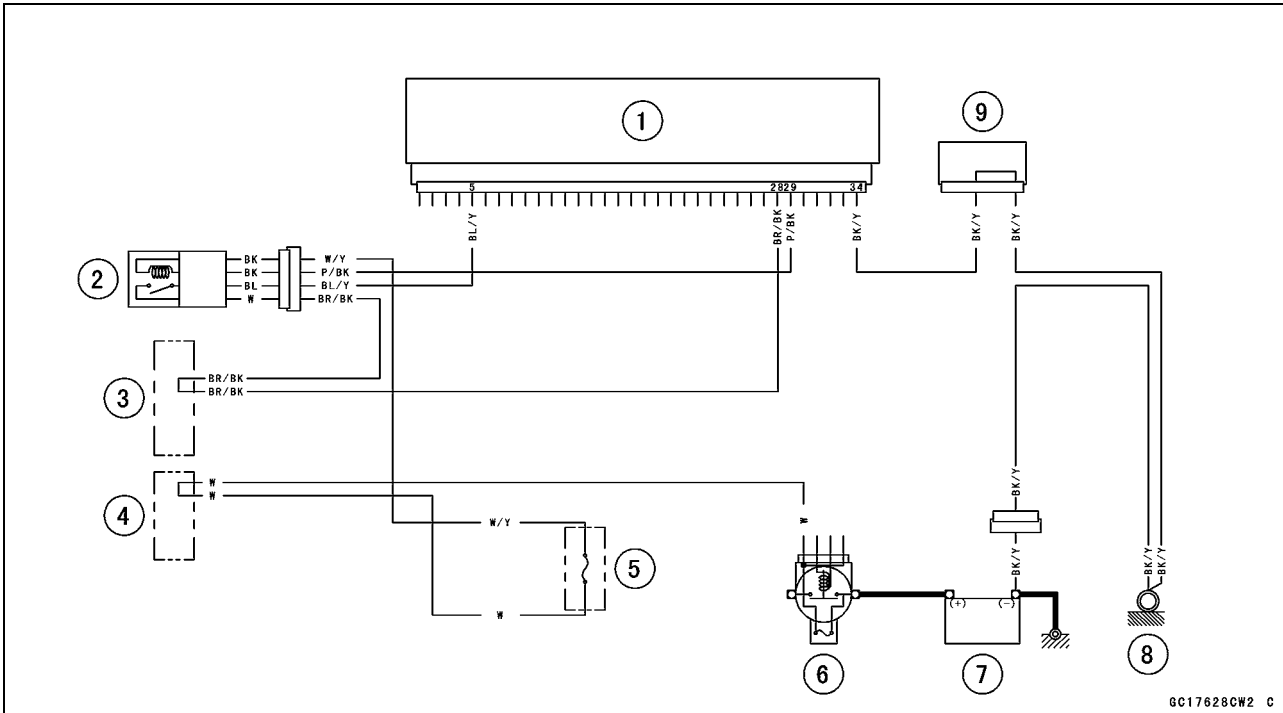
**Standard: Battery Voltage**

- Turn the ignition switch OFF.
- ★ If the reading is incorrect, check the following.
  - Battery
  - Main Fuse 30 A
  - Oxygen Sensor Heater Fuse 10 A
- ★ If the reading is good, the power source voltage is normal, Inspect the Pink/Black lead between the oxygen sensor connector and the ECU for continuity, using the following diagram.
- ★ If the wiring is good, inspect the ECU for its ground, and power supply (see ECU Power Supply Inspection).
- ★ If the ground and power supply are good, replace the ECU (see ECU Removal/Installation).

## 3-76 FUEL SYSTEM (DFI)

### Oxygen Sensor Heater (Service Code 67) (Europe Models)

#### Oxygen Sensor Circuit



1. ECU
2. Oxygen Sensor
3. Water-proof Joint E
4. Water-proof Joint C
5. Oxygen Sensor Heater Fuse 10 A
6. Main Fuse 30 A
7. Battery
8. Frame Ground
9. Joint Connector

**Oxygen Sensor-Incorrect Output Voltage (Service Code 94) (Europe Models)**

**Oxygen Sensor Removal/Installation**

- Refer to the Oxygen Sensor Removal/Installation in the Electrical System chapter.

**Oxygen Sensor Inspection**

- Warm up the engine thoroughly until the radiator fan starts.
- Turn the ignition switch OFF.
- Disconnect the oxygen sensor connector and connect the harness adapter [A] between these connectors.

**Special Tool - Oxygen Sensor Measuring Adapter: 57001-1682**

- Connect a digital meter to the harness adapter lead.

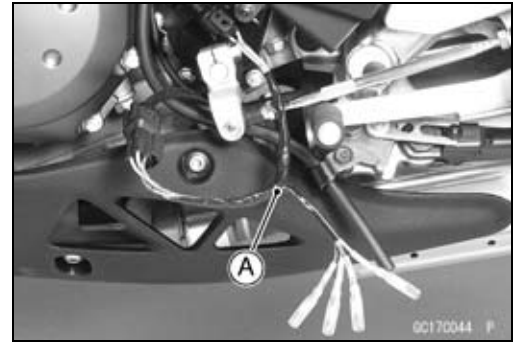
**Oxygen Sensor Output Voltage**

**Connections to Adapter**

**Meter (+) → BL/Y (sensor BL) lead**

**Meter (-) → BR/BK (sensor W) lead**

- Remove the air switching valve hose from the fitting.
- Install the suitable plug [A] on the fitting [B] and shut off the secondary air.

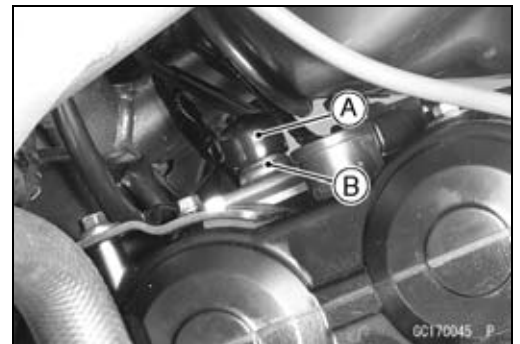


- Turn the ignition switch ON.
- Start the engine, and let it idle.
- Measure the output voltage with the connector joined.

**Oxygen Sensor Output Voltage (with Plugs)**

**Standard: 0.7 V or more**

- Next, remove the plugs from the fitting [A] with idling.



- Measure the output voltage with the connector joined.

**Oxygen Sensor Output Voltage (without Plugs)**

**Standard: 0.2 V or less**

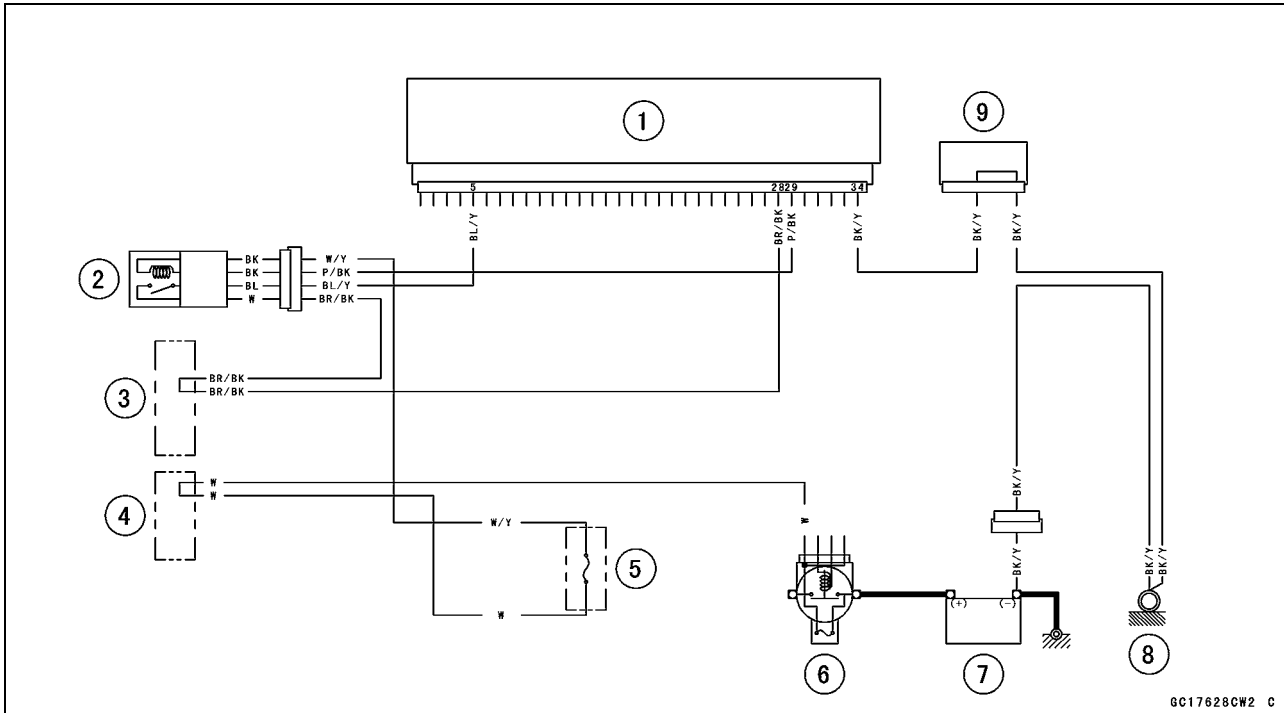
- ★ If the reading is within range (with plugs: 0.7 V or more, without plugs: 0.2 V or less), the oxygen sensor is good.
- ★ If the reading is without range, inspect the engine and fuel supply system.
- ★ If the engine and fuel supply system good, replace the oxygen sensor (see Oxygen Sensor Removal/Installation in the Electrical System chapter).



## 3-78 FUEL SYSTEM (DFI)

### Oxygen Sensor-Incorrect Output Voltage (Service Code 94) (Europe Models)

#### Oxygen Sensor Circuit

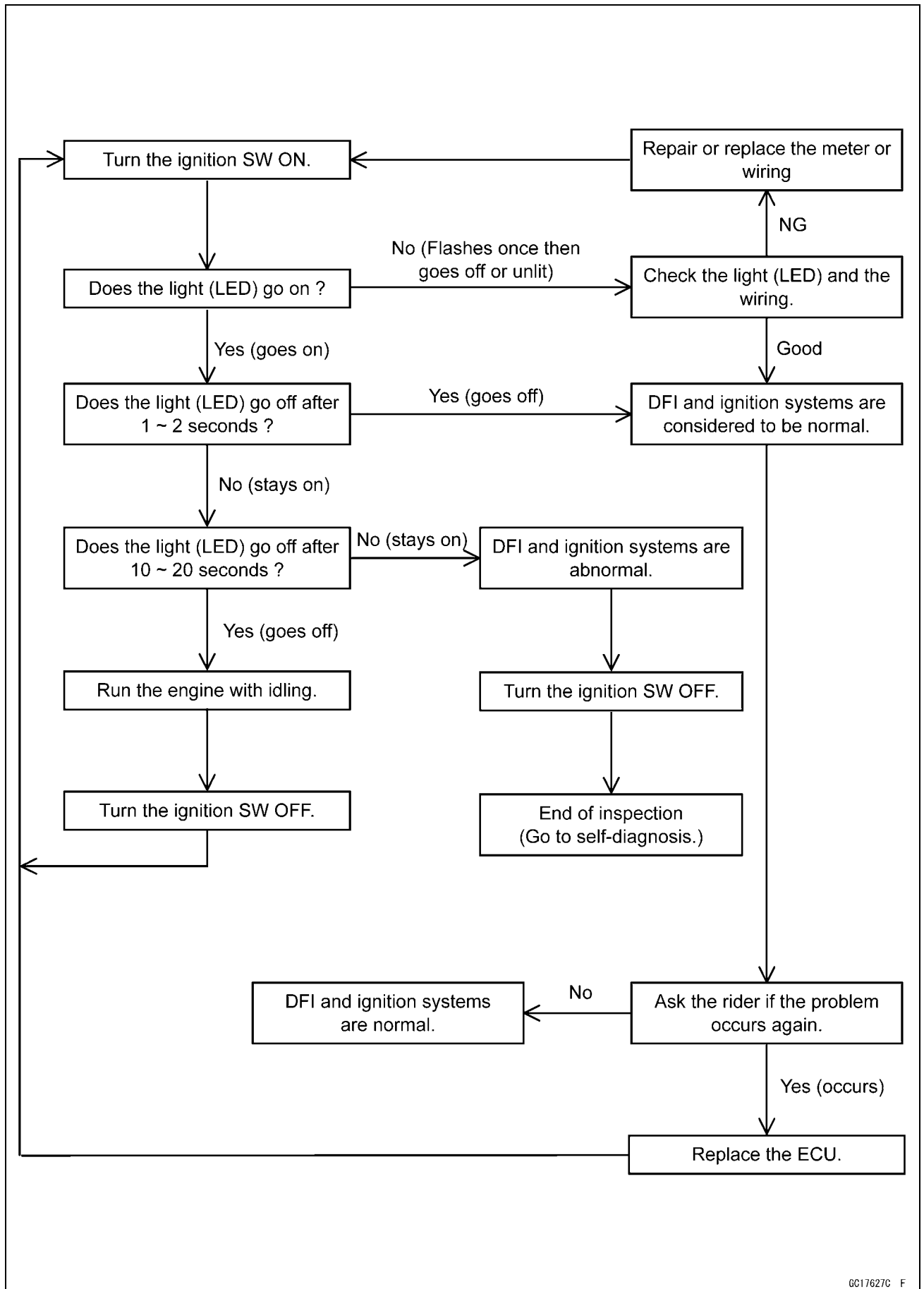


GC17628CW2 C

1. ECU
2. Oxygen Sensor
3. Water-proof Joint E
4. Water-proof Joint C
5. Oxygen Sensor Heater Fuse 10 A
6. Main Fuse 30 A
7. Battery
8. Frame Ground
9. Joint Connector

FI Indicator Light (LED)

Inspection Flow Chart



## 3-80 FUEL SYSTEM (DFI)

### FI Indicator Light (LED)

#### FI Indicator Light (LED) Inspection

- Remove the meter unit (see Meter Unit Removal in the Electrical System chapter).
- Using two auxiliary leads, supply battery power to the FI indicator light (LED) [A].  
12 V Battery [B]

#### FI Indicator Light (LED) Check

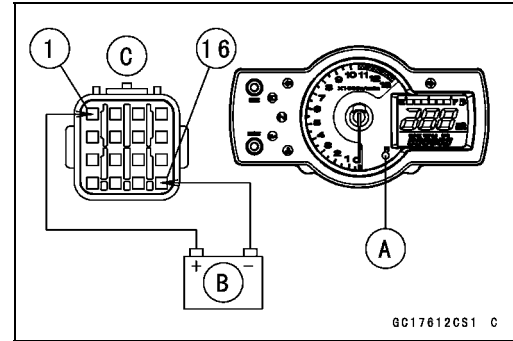
**Connector:** Meter Connector [C] (disconnected)

**Connection:** W/BK Lead Terminal [1] of the Meter → Battery (+) Terminal

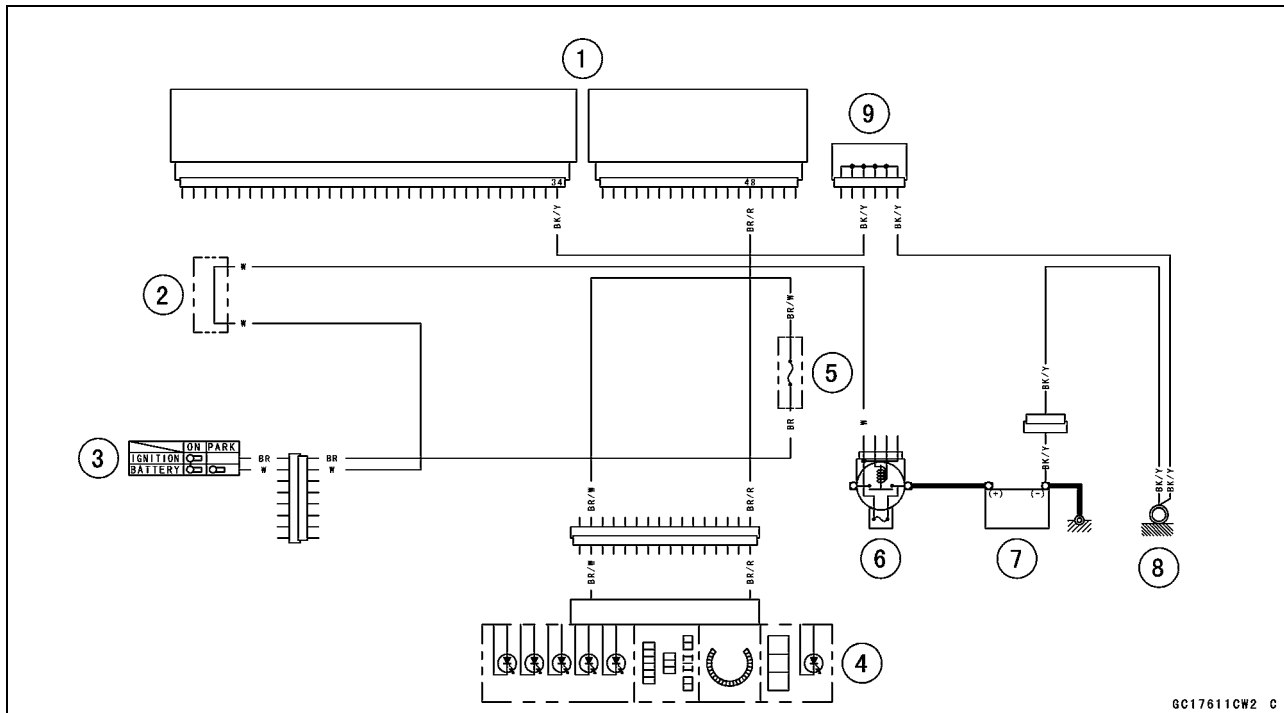
BR/R Lead Terminal [16] of the Meter → Battery (-) Terminal

**Criterion:** The light (LED) should light.

- ★ If the light (LED) does not go on, replace the meter unit (see Meter Unit Removal/Installation in the Electrical System chapter).



#### FI Indicator Light (LED) Circuit



1. ECU
2. Water-proof Joint C
3. Ignition Switch
4. Meter Unit
5. Ignition Fuse 10 A
6. Main Fuse 30 A
7. Battery
8. Frame Ground
9. Joint Connector



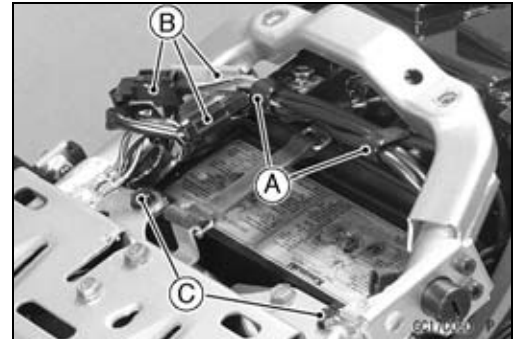
ECU

**CAUTION**

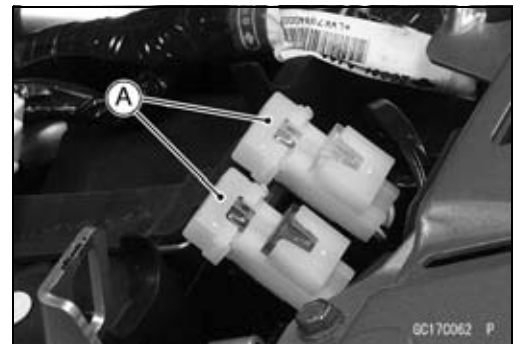
Never drop the ECU, especially on a hard surface. Such a shock to the ECU can damage it.

**ECU Removal**

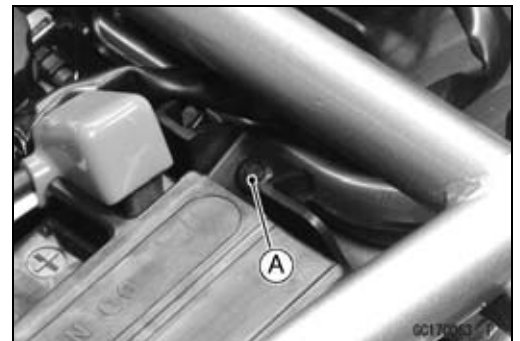
- Remove the seat covers (see Seat Cover Removal in the Frame chapter).
- Open the clamps [A].
- Disconnect the connectors [B].
- Remove the bolts [C].



- For equipped with an ABS, remove the ABS fuse boxes [A].



- Remove the Push the center pin, and then remove the quick rivet [A].
- Pull out the rear fender rear backward and downward.



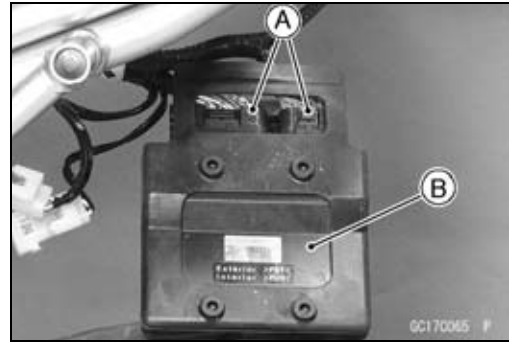
- Remove the bolts [A].



## 3-82 FUEL SYSTEM (DFI)

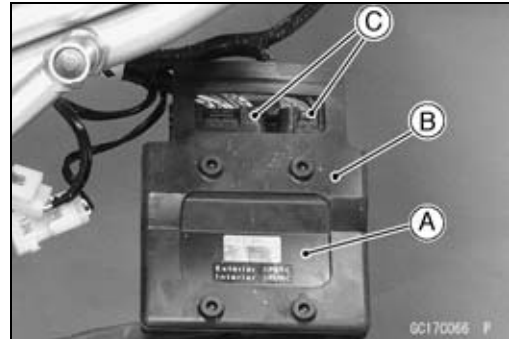
### ECU

- Disconnect the ECU connectors [A] and remove the ECU [B].

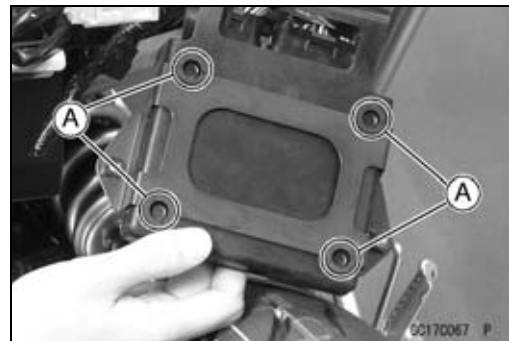


#### **ECU Installation**

- Install:
  - ECU [A] (In rubber protector [B])
  - ECU Connectors [C]

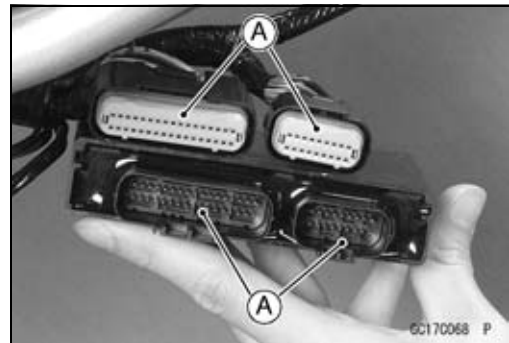


- Fit [A] the bracket on the ECU as shown.
- Install the removed parts (see appropriate chapters).



#### **ECU Power Supply Inspection**

- Visually inspect the terminals [A] of the ECU connectors.
- ★ If the connector is clogged with mud or dust, blow it off with compressed air.
- ★ Replace the main harness if the terminals of the main harness connectors are cracked, bent, or otherwise damaged.
- ★ Replace the ECU if the terminals of the ECU connectors are cracked, bent, or otherwise damaged.



- With the ECU connectors [A] connected, check the following ground lead for continuity with the ignition switch OFF, using a digital meter and needle adapter set.

Battery [B]  
Digital Meter [C]

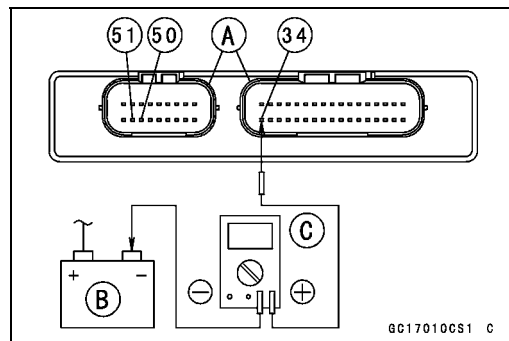
**Special Tool - Needle Adapter Set: 57001-1457**

#### **ECU Grounding Inspection**

34, 50, or 51 (BK/Y) ↔ Battery (-) Terminal: 0 Ω Terminal

Engine Ground ↔ Battery (-) Terminal: 0 Ω

- ★ If no continuity, check the connector, the engine ground lead, or main harness, and repair or replace them if necessary.



**ECU**

- Check the ECU power source voltage with a digital meter [A].
- Position the terminal in accordance with terminal numbers of ECU connector [B] in this chapter figure.  
Battery [C]

**ECU Power Source Inspection**

**Meter Connections:**

**Between Terminal 16 (BR/W) and Battery (-) Terminal**

**Between Terminal 17 (W/BK) and Battery (-) Terminal**

**Ignition Switch OFF:**

**Terminal 16 (BR/W): 0 V**

**Terminal 17 (W/BK): Battery Voltage**

**Ignition Switch ON:**

**Both: Battery Voltage**

- ★ If the meter does not read as specified, check the following.

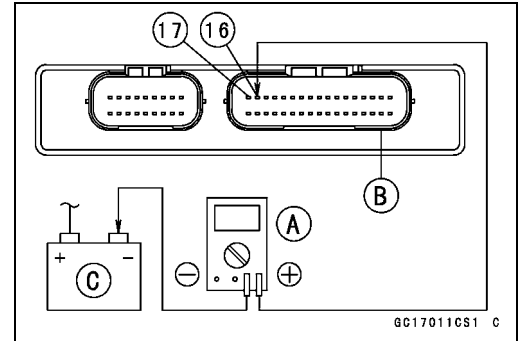
Main Fuse 30 A (see Fuse Inspection in the Electrical System chapter)

ECU Fuse 15 A (see Fuse Inspection in the Electrical System chapter)

ECU Main Relay (see Relay Circuit Inspection in the Electrical System chapter)

Power Source Wiring (see wiring diagram in this section)

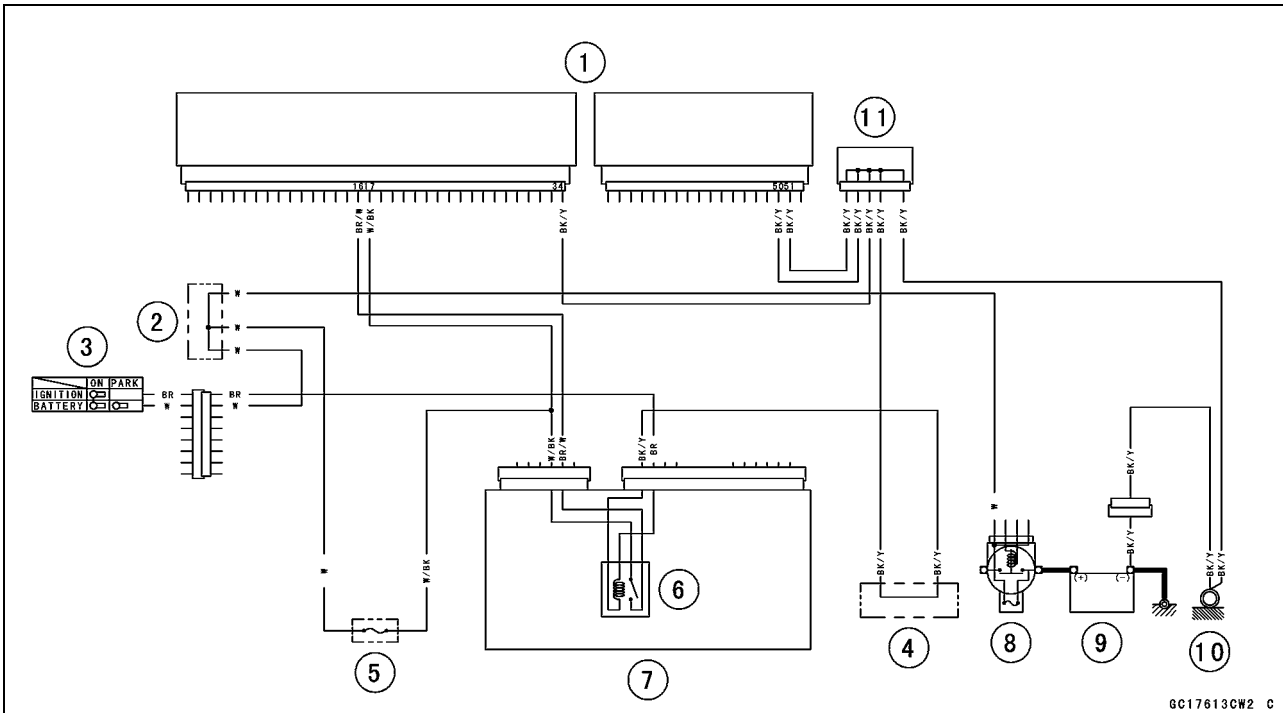
- ★ If the fuse, relay and wiring are good, replace the ECU (see ECU Removal/Installation).



# 3-84 FUEL SYSTEM (DFI)

## ECU

### ECU Power Source Circuit



1. ECU
2. Water-proof Joint C
3. Ignition Switch
4. Water-proof Joint A
5. ECU Main Fuse 15 A
6. ECU Main Relay
7. Relay Box
8. Main Fuse 30 A
9. Battery
10. Frame Ground
11. Joint Connector

## Fuel Line

### Fuel Pressure Inspection

#### NOTE

- This inspection can determine which trouble the DFI system has, mechanical or electrical trouble.
- It is preferable to measure the fuel pressure while running the motorcycle just when trouble occurred in order to know symptom well.
- Be sure the battery is fully charged.

- Remove the fuel tank (see Fuel Tank Removal).
- Be sure to place a piece of cloth around the fuel hose joint and the delivery pipe.
- Insert a minus screwdriver [A] into the slit on the joint lock [B].
- Turn the driver to disconnect the joint lock.
- Remove the fuel hose [C].

#### ⚠ WARNING

Be prepared for fuel spillage; any spilled fuel must be completely wiped up immediately. When the fuel hose is disconnected, fuel spills out from the hose and the pipe because of residual pressure. Cover the hose connection with a piece of clean cloth to prevent fuel spillage.

- Install the fuel pressure gauge adapter [A] and fuel hoses (Special Tool: 57001-1607) [B] between the fuel pump outlet pipe and the delivery pipe.
- Connect the pressure gauge [C] to the fuel pressure gauge adapter.

**Special Tools - Oil Pressure Gauge, 5 kgf/cm<sup>2</sup>: 57001-125**  
**Fuel Pressure Gauge Adapter: 57001-1593**  
**Fuel Hose: 57001-1607**

#### ⚠ WARNING

Do not try to start the engine with the fuel hoses disconnected.

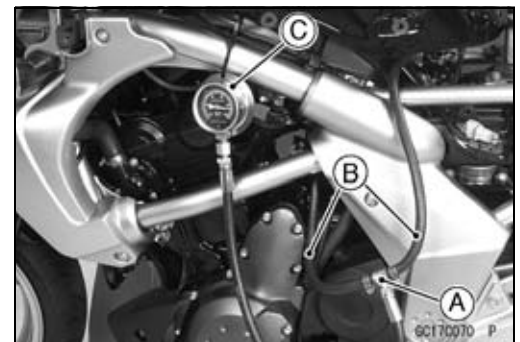
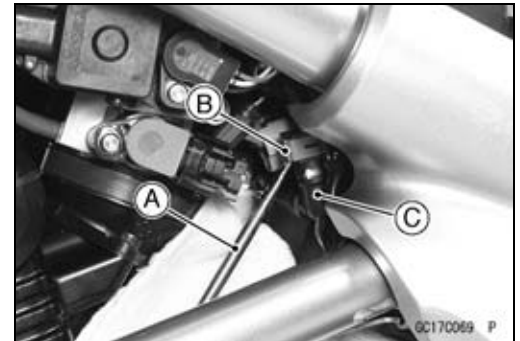
- Temporarily, install the fuel tank.
- Turn the ignition switch ON. The fuel pump will turn for 3 seconds, and then stop.

#### NOTE

- Turn the ignition switch ON and inspect the fuel line leakage after installing the special tools.

#### CAUTION

Do not drive the fuel pump without the fuel in the fuel tank. If the fuel pump is driven without the fuel, it may be damaged.



## 3-86 FUEL SYSTEM (DFI)

### Fuel Line

---

- Start the engine, and let it idle.
- Measure the fuel pressure with the engine idling.

#### Fuel Pressure (Idling)

Standard: 294 kPa (3.0 kgf/cm<sup>2</sup>, 43 psi)

#### NOTE

○ *The gauge needle will fluctuate. Read the pressure at the average of the maximum and minimum indications.*

- ★ If the fuel pressure is much lower than specified, the fuel pressure regulator in the fuel pump have been clogged or stuck. Replace the fuel pump (see Fuel Pump section).
- ★ If the fuel pressure is much lower than specified, check the following.
  - Fuel Line Leakage
  - Amount of Fuel Flow (see Fuel Flow Rate Inspection)
- ★ If the fuel pressure is much lower than specified, and if inspection above checks out good, replace the throttle body assy, or the fuel pump and measure the fuel pressure again (see appropriate sections).
- Remove the fuel pressure gauge, hoses and adapter.
- Install:
  - Fuel Hose (see Fuel Hose Replacement in the Periodic Maintenance chapter)
  - Fuel Tank (see Fuel Tank Installation)

### Fuel Flow Rate Inspection

#### NOTE

○ *Be sure the battery is fully charged.*

#### **⚠ WARNING**

**Gasoline is extremely flammable and can be explosive under certain conditions. Make sure the area is well-ventilated and free from any source of flame or sparks; this includes any appliance with a pilot light. Do not smoke. Turn the ignition switch OFF. Be prepared for fuel spillage; any spilled fuel must be completely wiped up immediately.**

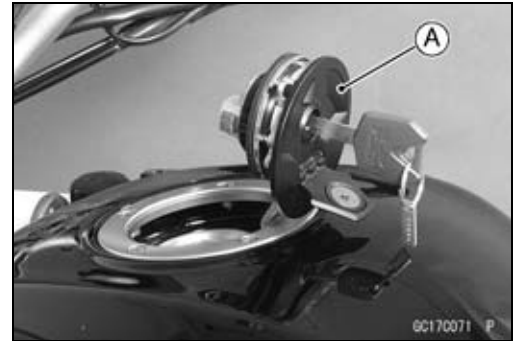
- Turn the ignition switch, and engine stop switch OFF.
- Wait until the engine cools down.
- Prepare a fuel hose (Special Tool: 57001-1607) and a measuring cylinder.

**Special Tool - Fuel Hose: 57001-1607**

- Remove the fuel tank bolts (see Fuel Tank Removal).

## Fuel Line

- Open the fuel tank cap [A] to lower the pressure in the tank.
- Be sure to place a piece of cloth around the fuel pump outlet pipe.
- Remove the fuel hose from the fuel pump (see Fuel Tank Removal).



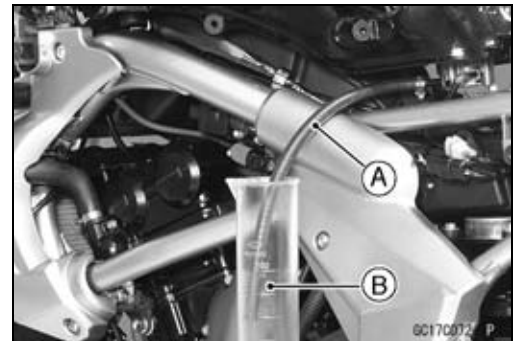
### **⚠ WARNING**

**Be prepared for fuel spillage; any spilled fuel must be completely wiped up immediately. When the fuel hose is disconnected, fuel spills out from the hose and the pipe because of residual pressure. Cover the hose connection with a piece of clean cloth to prevent fuel spillage.**

- Connect the prepared fuel hose [A] to the fuel pump outlet pipe.
- Secure the fuel hose with a clamp.
- Run the other side of the fuel hose into the measuring cylinder [B].

### **⚠ WARNING**

**Wipe off spilled out fuel immediately. Be sure to hold the measuring cylinder vertical.**



- Close the fuel tank cap.
- With the engine stopped, turn the ignition switch ON. The fuel pump should operate for 3 seconds, and then should stop. Repeat this several times until the fuel hose is filled with fuel.

### **CAUTION**

**Do not drive the fuel pump without the fuel in the fuel tank.**

- Measure the discharge for 3 seconds.
- Repeat this operation several times.

#### **Amount of Fuel Flow**

**Standard: 60 mL or more for 3 seconds**

- ★ If the fuel flow is much less than the specified, check the battery condition (see Charging Condition Inspection in the Electrical System chapter).
- ★ If the battery is good, replace the fuel pump (see Fuel Pump Removal/Installation).
- After inspection, connect the fuel hose (see Fuel Tank Installation).
- Start the engine and check for fuel leakage.

## 3-88 FUEL SYSTEM (DFI)

### Fuel Pump

#### Fuel Pump Removal

#### CAUTION

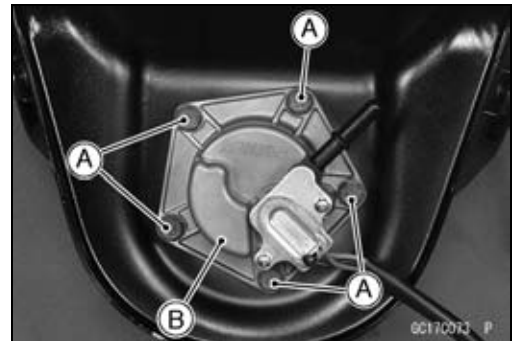
Never drop the fuel pump, especially on a hard surface. Such a shock to the pump can damage it.

#### ⚠ WARNING

Gasoline is extremely flammable and can be explosive under certain conditions. Make sure the area is well-ventilated and free from any source of flame or sparks; this includes any appliance with a pilot light. Do not smoke. Turn the ignition switch OFF. Disconnect the battery (-) terminal.

To make fuel spillage minimum, draw the fuel out from the fuel tank when the engine is cold. Be prepared for fuel spillage; any spilled fuel must be completely wiped up immediately.

- Draw the fuel out from the fuel tank with a commercially available electric pump.
- Remove the fuel tank (see Fuel Tank Removal).
- Be careful of fuel spillage from the fuel tank since fuel still remains in the fuel tank and fuel pump. Plug the fuel pipe of the fuel tank.
- Turn the fuel tank upside down.
- Remove:
  - Fuel Pump Bolts [A]
  - Fuel Pump [B] and gasket
- Discard the fuel pump gasket.



#### CAUTION

Do not pull the lead of the fuel pump. If they are pulled, the lead terminals may be damaged.

#### Fuel Pump Installation

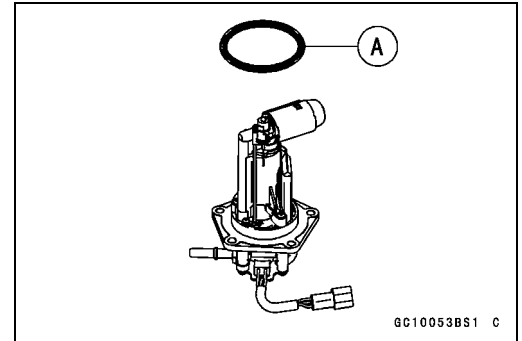
- Remove dirt or dust from the fuel pump [A] by lightly applying compressed air.





**Fuel Pump**

- Replace the fuel pump gasket [A] with a new one.



- Apply a non-permanent locking agent to the threads of the fuel pump bolts.
- Tighten the fuel pump bolts to a snug fit, tighten them alternating diagonally.

**Torque - Fuel Pump Bolts: 9.8 N·m (1.0 kgf·m, 87 in·lb)**

- Tighten the pump bolts again alternating diagonally to check the tightness.

**Fuel Pump Operation Inspection****NOTE**

- Be sure the battery is fully charged.
- Just listen to the pump sound in the fuel tank to confirm pump operation.

- Turn the ignition switch ON and make sure that the fuel pump operates (make light sounds) for 3 seconds, and then stops.
- Turn the ignition switch OFF.
- ★ If the pump does not work as described above, inspect the operating voltage.

**Fuel Pump Operating Voltage Inspection****NOTE**

- Be sure the battery is fully charged.
- Turn the ignition switch OFF.
- Remove the left side cover (see Side Cover Removal in the Frame chapter).

## 3-90 FUEL SYSTEM (DFI)

### Fuel Pump

- Connect the hand tester (× DC 25 V) to the fuel pump connector [A] with needle adapter set.

**Special Tools - Hand Tester: 57001-1394**

**Needle Adapter Set: 57001-1457**

#### **Pump Operating Voltage at Pump Connections to Pump Connectors**

**Tester (+) → W/R Lead**

**Tester (-) → BK/Y Lead**

- Measure the operating voltage with the engine stopped, and with the connector joined.
- Turn the engine stop switch to run position.
- Turn the ignition switch ON.
- The tester needle should indicate battery voltage for 3 seconds, and then 0 V.

#### **Operating Voltage at Pump Connector**

**Standard: Battery Voltage for 3 seconds, and then 0 V**

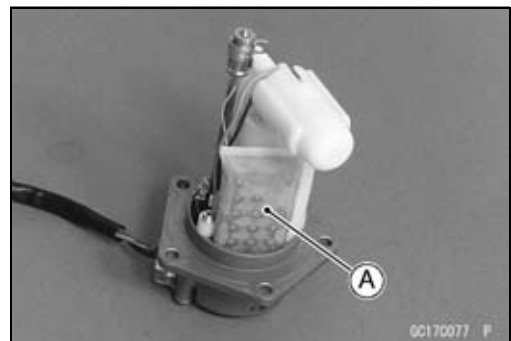
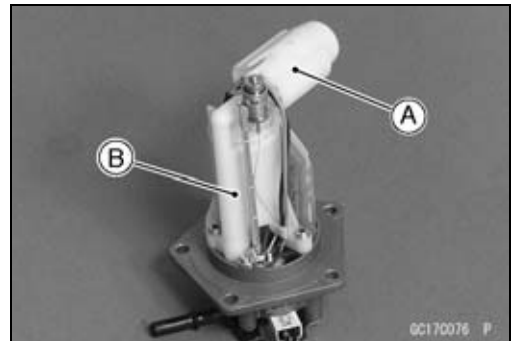
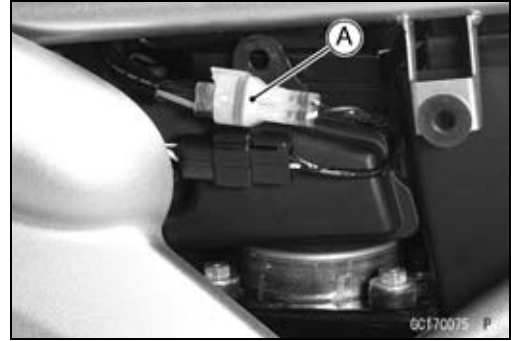
- ★ If the reading stays on battery voltage, and never shows 0 V. Check the ECU for its ground and power supply (see ECU Power Supply Inspection) and fuel pump relay.
- ★ If the voltage is in specification, but the pump doesn't work, replace the pump (see Fuel Pump Removal/Installation).
- ★ If there is still no battery voltage, check the pump relay (see Relay Box section in the Electrical System chapter).

#### **Pressure Regulator Removal**

- The pressure regulator [A] is built into the fuel pump [B] and cannot be removed.

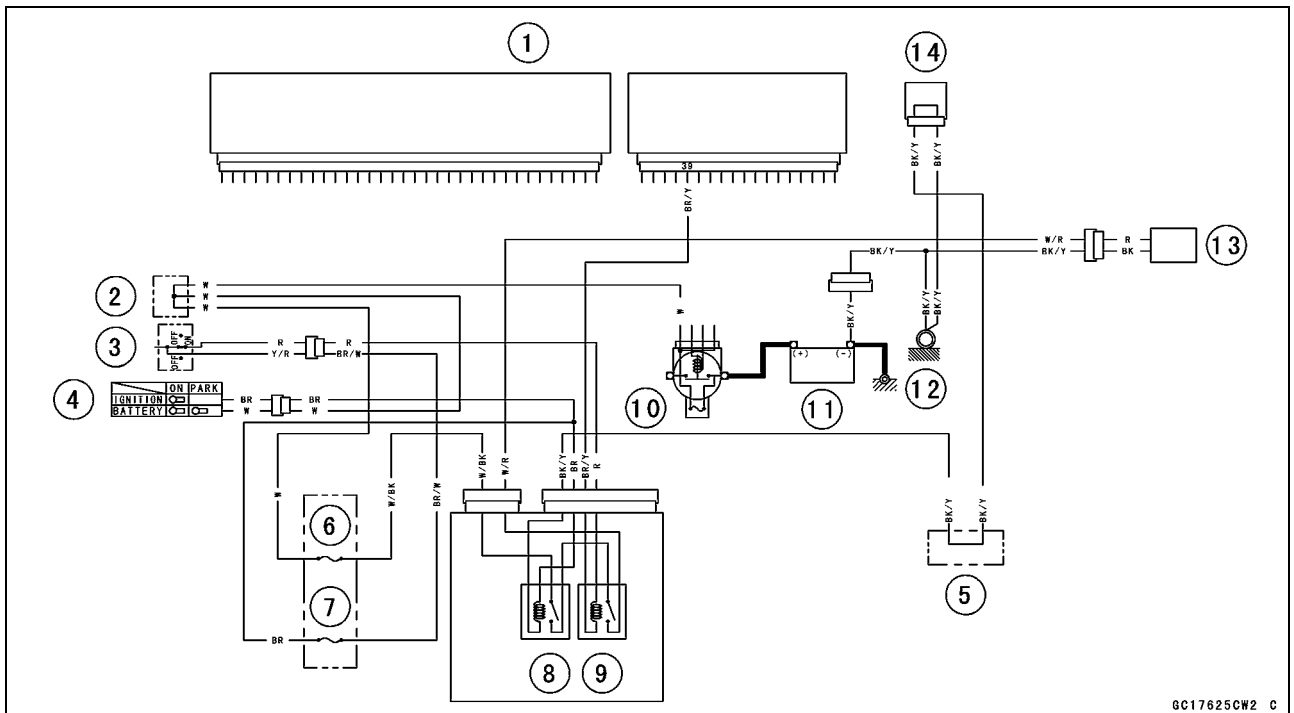
#### **Pump Screen, Fuel Filter Cleaning**

- The fuel filter [A] is built into the pump and cannot be cleaned or checked.
- ★ If the fuel filter is suspected of clogging or being damaged, replace it with the fuel pump as a set.



Fuel Pump

Fuel Pump Circuit



6C17625CW2 C

1. ECU
2. Water-proof Joint C
3. Engine Stop Switch
4. Ignition Switch
5. Water-proof Joint A
6. ECU Fuse 15 A
7. Ignition Fuse 10 A
8. ECU Main Relay
9. Fuel Pump Relay
10. Main Fuse 30 A
11. Battery 12 V10 Ah
12. Frame Ground
13. Fuel Pump
14. Joint Connector

## 3-92 FUEL SYSTEM (DFI)

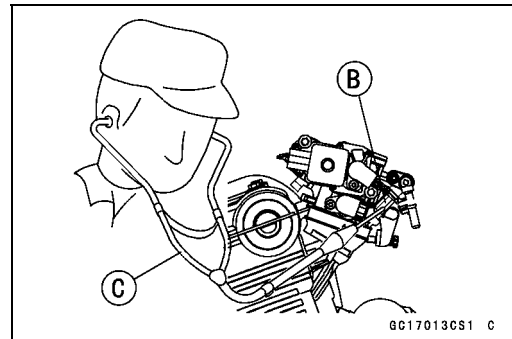
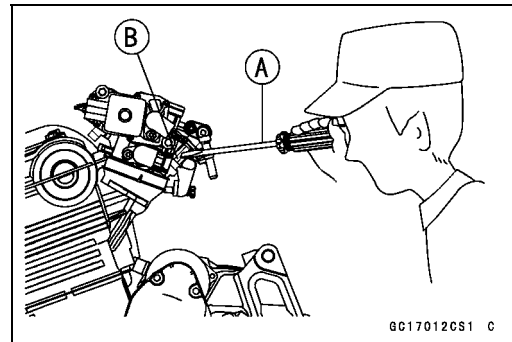
### Fuel Injectors

#### Removal/Installation

- Refer to the Throttle Body Assy Disassembly/Assembly.

#### Audible Inspection

- Start the engine.
- Apply the tip of a screwdriver [A] to the injector [B]. Put the grip end onto your ear, and listen whether the injector is clicking or not.
- A sound scope [C] can also be used.
- Do the same for the other injectors.
- ★ If all the injectors click at a regular intervals, the injectors are good. The trouble may be related to the fuel line, requiring fuel pressure inspection (see Fuel Pressure Inspection).
- The click interval becomes shorter as the engine speed rises.
- ★ If any injector(s) doesn't click, the DFI circuit or the injector is suspect. Perform "Fuel Injector Power Source Voltage Inspection", first.



#### Fuel Injector Power Source Voltage Inspection

- Disconnect the injector connector [A] and connect the insulated auxiliary leads [B] between injector [C] and injector connector.

#### CAUTION

Do not short each terminals.

- Connect a digital meter [D] as shown.

#### Injector Power Source Voltage Connections to injector

##### For Injector #1 [E]

Meter (+) → W/R lead

Meter (-) → Battery (-) Terminal

##### For Injector #2 [F]

Meter (+) → W/R lead

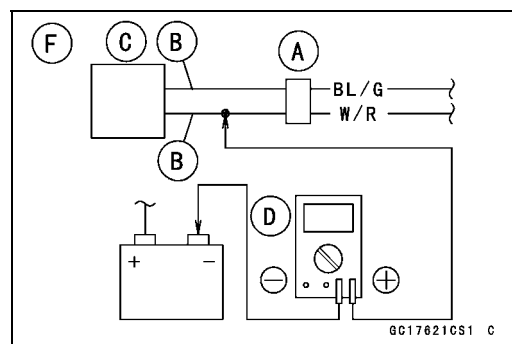
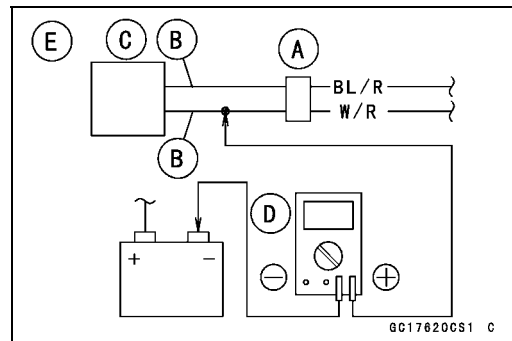
Meter (-) → Battery (-) Terminal

- Measure the power source voltage with the engine stopped, and with the connector joined.
- Turn the engine stop switch to run position.
- Turn the ignition switch ON.

#### Power Source Voltage at Injector

Standard: Battery Voltage for 3 second, and then 0 V

- Turn the ignition switch OFF.



## Fuel Injectors

- ★ If the meter doesn't read as specified, check the following.
  - Main Fuse 30 A (see Fuse Inspection in the Electrical System chapter)
  - Fuel Pump Relay (see Relay Circuit Inspection in the Electrical System chapter)
  - Power Source Wiring (see wiring diagram below)
- To check the W/R leads between the injector connector and the fuel pump relay, remove the relay box (see Relay Box Removal in the Electrical System chapter).
- ★ If the power source voltage is normal, check the output voltage of the injectors.

### Fuel Injector Output Voltage Inspection

- Disconnect the injector connector [A] and connect the insulated auxiliary leads [B] between injector [C] and injector connector.

<b>CAUTION</b>
<b>Do not short each terminals.</b>

- Connect a digital meter [D] as shown.

#### Injector Output Voltage

##### Connections to injector

##### For Injector #1 [E]

Meter (+) → BL/R lead

Meter (-) → Battery (-) Terminal

##### For Injector #2 [F]

Meter (+) → BL/G lead

Meter (-) → Battery (-) Terminal

- Turn the engine stop switch to run position.
- Turn the ignition switch ON.

#### Output Voltage at Injector

**Standard: Battery Voltage for 3 second, and then 0 V**

- Turn the ignition switch OFF.
- ★ If the output voltage is normal, perform "Injector Signal Test".
- ★ If the output voltage is out of the standard, remove the ECU (see ECU Removal/Installation), and check the injector wiring for continuity.

#### Injector Wiring Inspection

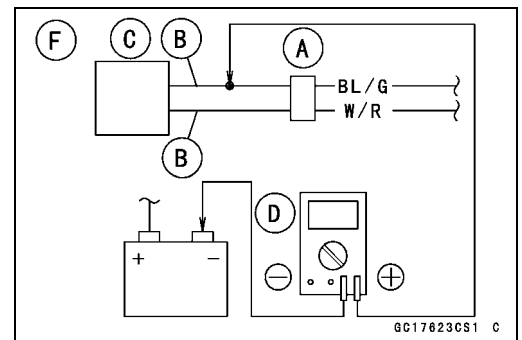
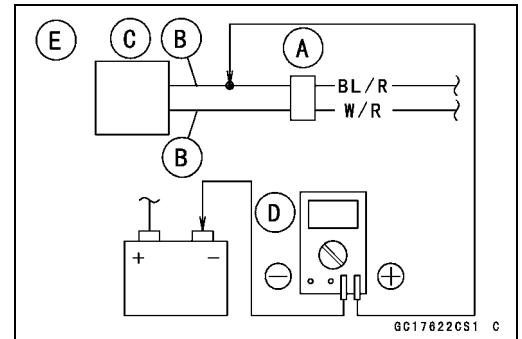
##### ECU Connector

##### Injector Connectors

Terminal 42 → Injector #1 Terminal (BL/R)

Terminal 41 → Injector #2 Terminal (BL/G)

- ★ If the wiring is good, inspect the resistance of the injectors (see Injector Resistance Inspection).



## 3-94 FUEL SYSTEM (DFI)

### Fuel Injectors

#### Injector Signal Test

- Prepare two test light sets with terminals as shown.
  - Rating of Bulb [A]: 12 V × 3 ~ 3.4 W
  - Terminal Width [B]: 1.8 mm (0.071 in.)
  - Terminal Thickness [C]: 0.8 mm (0.031 in.)

#### CAUTION

**Do not use larger terminals than specified above. A larger terminal could damage the injector main harness connector, leading to harness repair or replacement.**

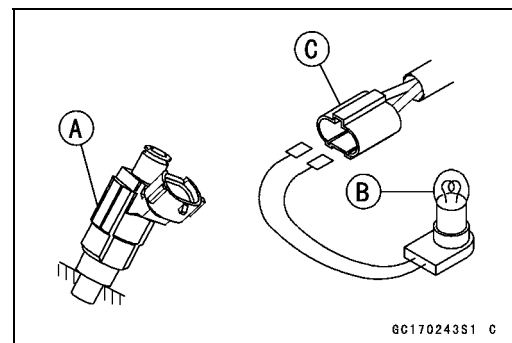
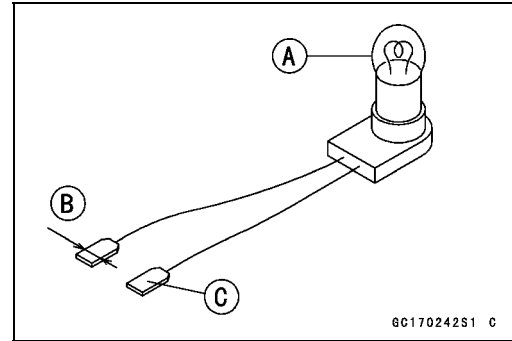
**Be sure to connect bulbs in series. The bulb works as a current limiter to protect the solenoid in the injector from excessive current.**

- Remove:
  - Fuel Tank (see Fuel Tank Removal)
  - Air Cleaner Housing (see Air Cleaner Housing Removal)
- Disconnect the connectors for injector [A].
- Connect each test light set [B] to the injector sub harness connector [C].
- Turn the ignition switch ON.
- While cranking the engine with the starter motor, watch the test lights.
- ★ If the test lights flicker at regular intervals, the injector circuit in the ECU, and the wiring are good. Perform the "Injector Resistance Inspection".

○ Injector signals can be also confirmed by connecting the hand tester (× AC 10 V) instead of the test light set to the injector main harness connector. Crank the engine with the starter motor, and check to see if the hand oscillates at regular intervals.

#### Special Tool - Hand Tester: 57001-1394

- ★ If the test light doesn't flicker (or the tester needle doesn't oscillates), check the wiring and connectors again.
- ★ If the wiring is good, replace the ECU (see ECU Removal/Installation).



## Fuel Injectors

### Injector Resistance Inspection

- Remove:
  - Fuel Tank (see Fuel Tank Removal)
  - Air Cleaner Housing (see Air Cleaner Housing Removal)
- Disconnect the connector from the injector [A].
- Measure the injector resistance with the hand tester [B].

**Special Tool - Hand Tester: 57001-1394**

#### Injector Resistance

##### Connections to Injector Connector

Meter (+)	Meter (-)
#1: W/R ↔	BL/R Terminal
#2: W/R ↔	BL/G Terminal

**Standard: About 11.7 ~ 12.3 Ω at 20°C (68°F)**

- ★ If the reading is out of the range, perform the “Injector Unit Test”.
- ★ If the reading is normal, perform the “Injector Unit Test” for confirmation.

### Injector Unit Test

- Use two leads [A] and the same test light set [B] as in “Injector Signal Test”.
- Rating of Bulb [C]: 12 V × (3 ~ 3.4) W
- 12 V Battery [D]

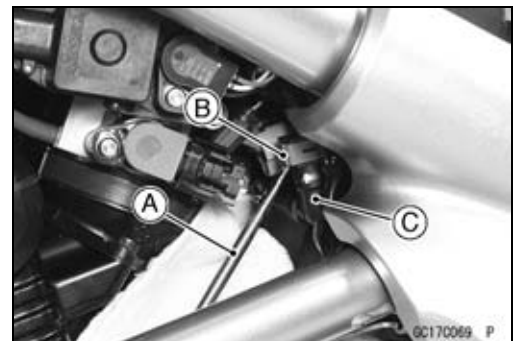
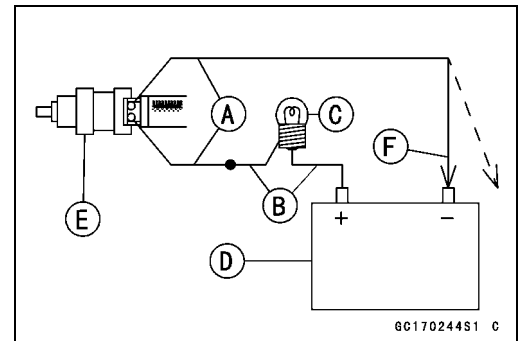
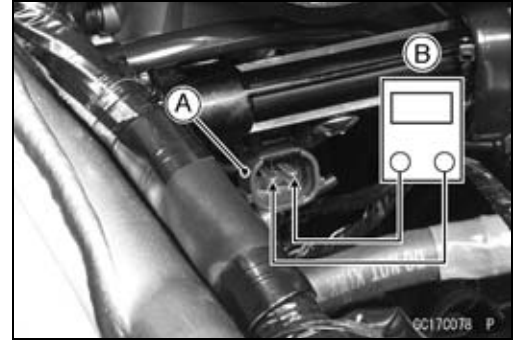
#### CAUTION

**Be sure to connect the bulb in series. The bulb works as a current limiter to protect the solenoid in the injector from excessive current.**

- Connect the test light set to the injector [E] as shown.
- Open and connect [F] the end of the lead to the battery (-) terminal repeatedly. The injector should click.
- ★ If the injector does not click, replace the injector.

### Injector Fuel Line Inspection

- Remove the fuel tank (see Fuel Tank Removal).
- Be sure to place a piece of cloth around the fuel hose joint and the delivery pipe.
- Insert a minus screwdriver [A] into the slit on the joint lock [B].
- Turn the driver to disconnect the joint lock.
- Pull the fuel hose joint [C] out of the delivery pipe.



## 3-96 FUEL SYSTEM (DFI)

### Fuel Injectors

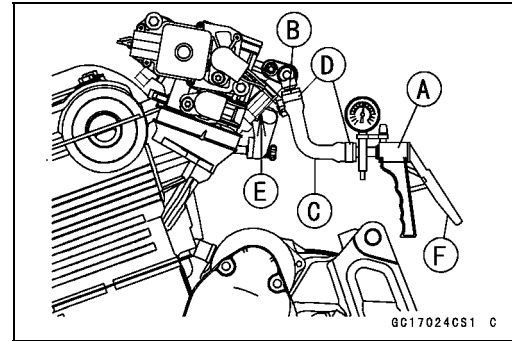
- Check the injector fuel line for leakage as follows.
- Connect a commercially available vacuum/pressure pump [A] to the nipple of the delivery pipe [B] with a high-pressure fuel hose [C] (both ends connected with the clamps [D]) as shown.

**Torque - Fuel Hose Clamp Screws: 1.5 N·m (0.15 kgf·m, 13 in·lb)**

- Apply soap and water solution to the areas [E] as shown.
- Watching the pressure gauge, squeeze the pump lever [F], and build up the pressure until the pressure reaches the maximum pressure.

#### Injector Fuel Line Maximum Pressure

**Standard: 333 kPa (3.4 kgf/cm<sup>2</sup>, 48 psi)**



### CAUTION

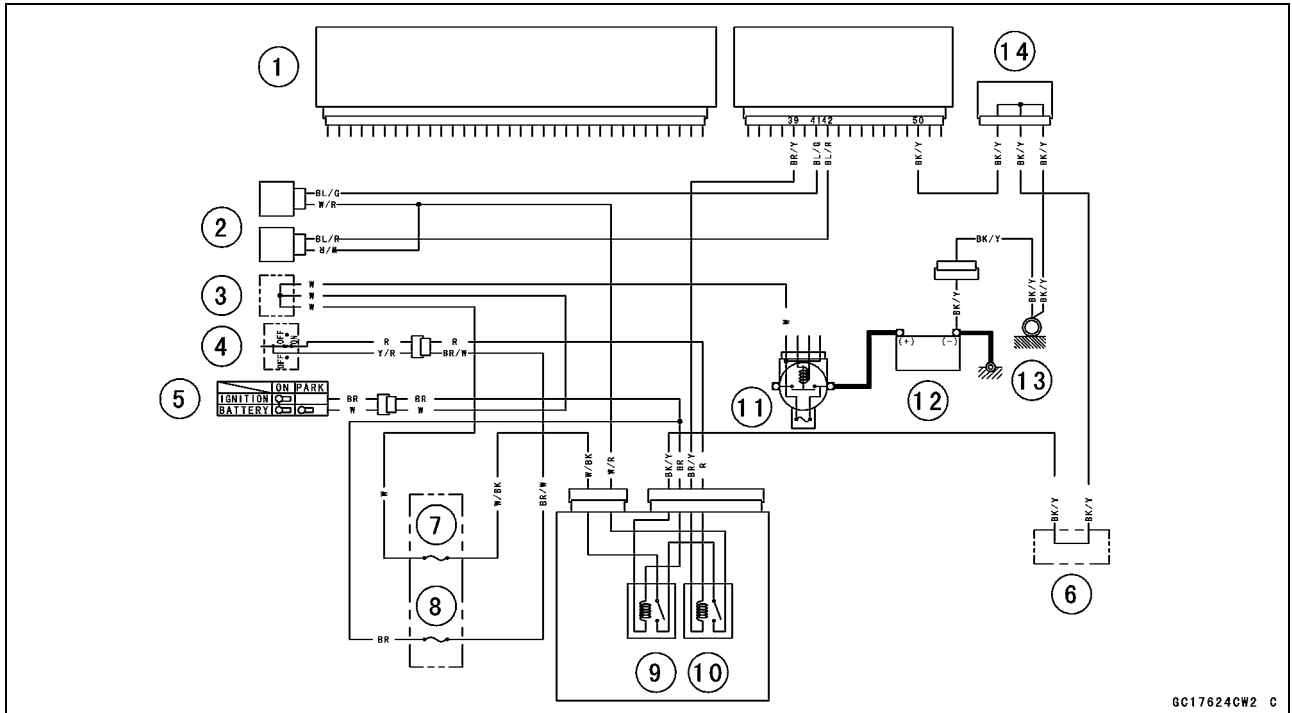
**During pressure testing, do not exceed the maximum pressure for which the system is designed.**

- Watch the gauge for at least 6 seconds.
- ★ If the pressure holds steady, the system is good.
- ★ If the pressure drops at once or if bubbles are found in the area, the line is leaking. Replace the delivery pipe, injectors and related parts.
- Repeat the leak test, and check the fuel line for no leakage.
- Run the hoses correctly (see Cable, Wire, and Hose Routing section in the Appendix chapter).



Fuel Injectors

Fuel Injector Circuit



6C17624CW2 C

1. ECU
2. Fuel Injectors
3. Water-proof Joint C
4. Engine Stop Switch
5. Ignition Switch
6. Water-proof Joint A
7. ECU Fuse 15 A
8. Ignition Fuse 10 A
9. ECU Main Relay
10. Fuel Pump Relay
11. Main Fuse 30 A
12. Battery 12 V10 Ah
13. Frame Ground
14. Joint Connector

## 3-98 FUEL SYSTEM (DFI)

---

### Throttle Grip and Cables

---

#### ***Throttle Grip Free Play Inspection***

- Refer to the Throttle Control System Inspection in the Periodic Maintenance chapter.

#### ***Throttle Grip Free Play Adjustment***

- Refer to the Throttle Control System Inspection in the Periodic Maintenance chapter.

#### ***Throttle Cable Installation***

- Install the throttle cables in accordance with Cable, Wire, and Hose Routing section in the Appendix chapter.
- Install the lower ends of the throttle cables in the cable bracket on the throttle body assy after installing the upper ends of the throttle cables in the grip.
- After installation, adjust each cable properly.

#### **⚠ WARNING**

**Operation with incorrectly routed or improperly adjusted cables could result in an unsafe riding condition.**

#### ***Throttle Cable Lubrication***

- Refer to the Chassis Parts Lubrication in the Periodic Maintenance chapter.

## Throttle Body Assy

### Idle Speed Inspection

- Refer to the Idle Speed Inspection in the Periodic Maintenance chapter.

### Engine Vacuum Synchronization Inspection/Adjustment

- Refer to the Engine Vacuum Synchronization Inspection in the Periodic Maintenance chapter.

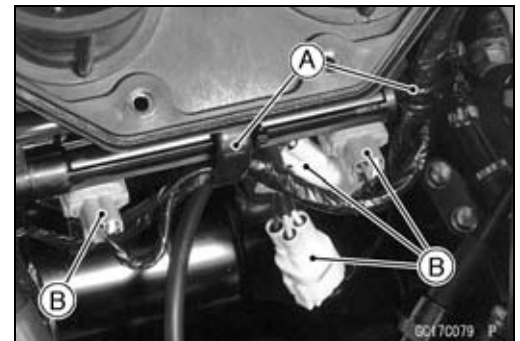
### Throttle Body Assy Removal

#### **⚠ WARNING**

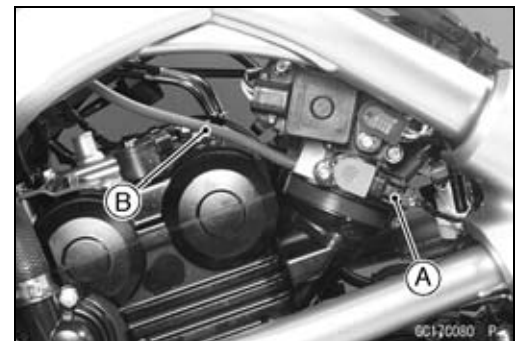
Gasoline is extremely flammable and can be explosive under certain conditions. Turn the ignition switch OFF. Disconnect the battery (-) cable terminal. Do not smoke. Make sure the area is well-ventilated and free from any source of flame or sparks; this includes any appliance with a pilot light.

Be prepared for fuel spillage: any spilled fuel must be completely wiped up immediately.

- Remove:
  - Fuel Tank (see Fuel Tank Removal)
  - Air Cleaner Housing (see Air Cleaner Housing Removal)
  - Fuel Hose (see Fuel Hose Replacement in the Periodic Maintenance chapter)
- Open the clamps [A].
- Disconnect the connectors [B].



- Remove:
  - Main Throttle Sensor Connector [A]
  - Vacuum Hose [B]



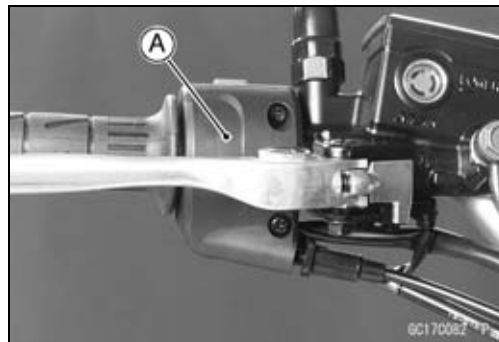
- Loosen the throttle body assy holder clamp bolts [A] on both sides.



## 3-100 FUEL SYSTEM (DFI)

### Throttle Body Assy

- Remove the throttle case [A] to make a throttle cable slack.



- Remove the throttle cable lower ends [A] from the throttle pulley.
- Pull off the throttle body assy from the holder.

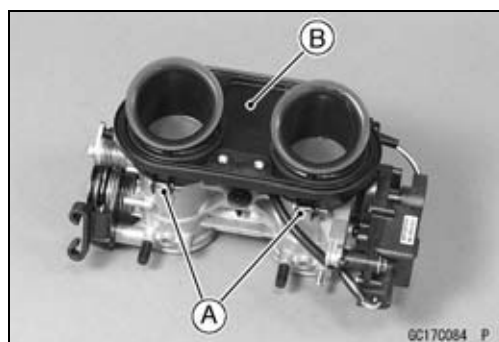


- After removing the throttle body assy, stuff pieces of lint-free, clean cloths into the throttle body assy holders.

#### CAUTION

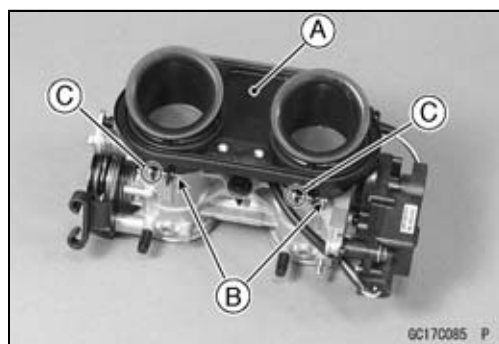
**If dirt gets into the engine, excessive engine wear and possible engine damage will occur.**

- ★ If the throttle body assy is to be disassembled, loosen the air cleaner duct clamp screws [A], and remove the air cleaner duct [B].

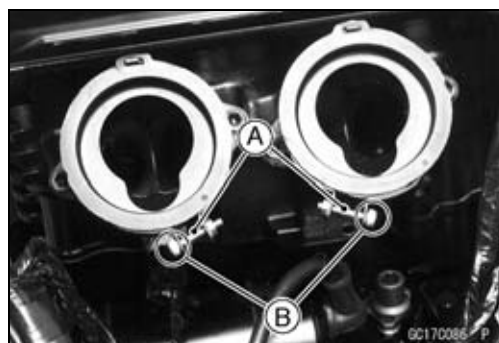


#### **Throttle Body Assy Installation**

- ★ If the air cleaner duct [A] was removed, install it.
- Install the duct clamp screws [B] in the direction as shown. Bolt Heads [C]



- Install the throttle body assy holder clamp bolts [A] in the direction as shown. Bolt Heads [B]
- Run the leads and hoses as shown in the Cable, Wire, and Hose Routing section of the Appendix chapter.

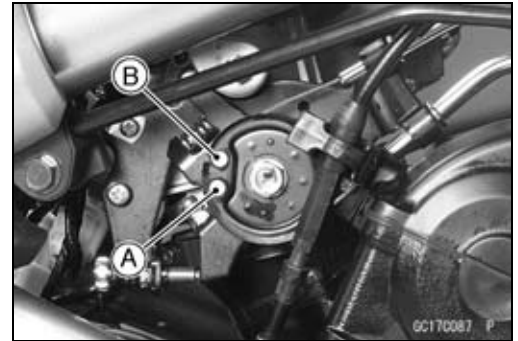


## Throttle Body Assy

- Fit the accelerator cable end [A] and the decelerator cable end [B] into the throttle pulley.
- Check fuel leakage from the throttle body assy.

### **⚠ WARNING**

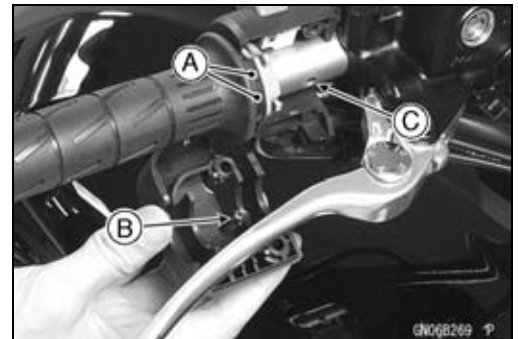
**Fuel spilled from the carburetors is hazardous.**



- Apply a thin coating of grease to the throttle cable upper ends.
- Install the upper ends [A] of the throttle cables in the grip.
- Fit the projection [B] of the right switch housing into the hole [C] of the handlebar.
- Turn the throttle grip and make sure that the throttle valves move smoothly and return by spring force.
- Check the throttle grip free play (see Throttle Control System Inspection in the Periodic Maintenance chapter).

### **⚠ WARNING**

**Operation with an incorrectly routed cable could result in an unsafe riding condition.**

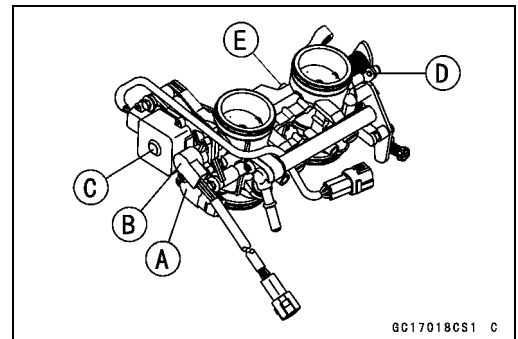


- Adjust:  
Throttle Grip Free Play (see Throttle Control System Inspection in the Periodic Maintenance chapter)  
Idle Speed (see Idle Speed Adjustment in the Periodic Maintenance chapter)

## Throttle Body Assy Disassembly

### **CAUTION**

**Do not remove, disassemble or adjust the main throttle sensor [A], subthrottle sensor [B], subthrottle valve actuator [C], throttle link mechanism [D] and throttle body assy [E], because they are adjusted or set at the manufacturer. Adjustment of these parts could result in poor performance, requiring replacement of the throttle body assy.**



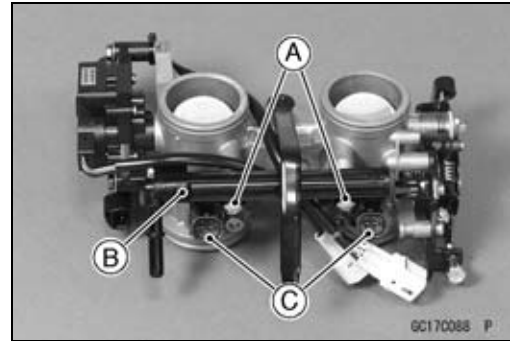
### **CAUTION**

**Never drop the throttle body assy , especially on a hard surface. Such a shock to the body assy can damage it.**

## 3-102 FUEL SYSTEM (DFI)

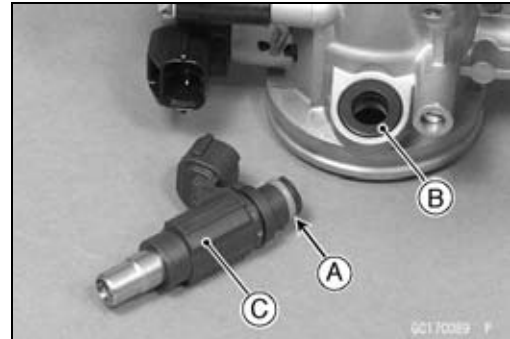
### Throttle Body Assy

- Remove:
  - Throttle Body Assy (see Throttle Body Assy Removal)
  - Screws [A]
  - Delivery Pipe [B]
  - Fuel Injectors [C]



### **Throttle Body Assy Assembly**

- Replace the O-rings [A] and seals [B] with the new ones.
- Before assembling, blow away dirt or dust from the throttle body and delivery pipe by applying compressed air.
- Apply engine oil to the new O-rings of each injector [C], insert them into the delivery pipe and confirm whether the injectors turn smoothly or not.
- Install the injectors along with the delivery pipe assy into the throttle bodies.
- Install the throttle body assy (see Throttle Body Assy Installation).



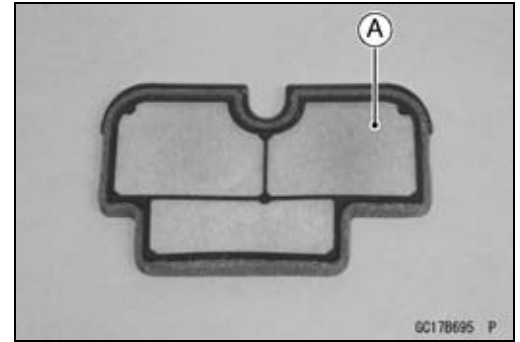
## Air Cleaner

### Air Cleaner Element Removal/Installation

- Refer to the Air Cleaner Element Replacement in the Periodic Maintenance chapter.

### Air Cleaner Element Inspection

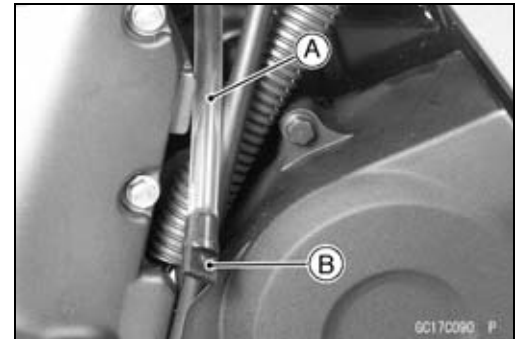
- Remove the air cleaner element (see Air Cleaner Element Replacement in the Periodic Maintenance chapter).
- Visually check the element [A] for tears or breaks.
- ★ If the element has any tears or breaks, replace the element.



### Air Cleaner Oil Draining

A drain hose is connected to the bottom of the air cleaner to drain water or oil accumulated in the cleaner part.

- Visually check the drain hose [A] if the water or oil accumulates.
- ★ If any water or oil accumulates in the hose, remove the plug [B] from the drain hose and drain it.

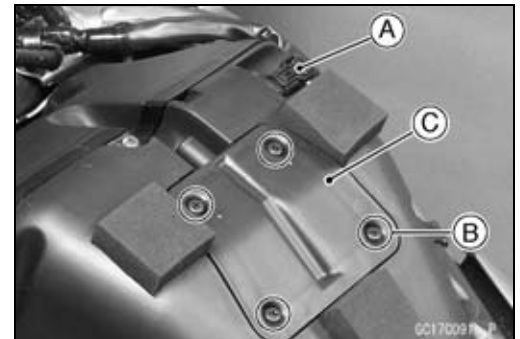


### **⚠ WARNING**

**Be sure to reinstall the plug in the drain hose after draining. Oil on tires will make them slippery and can cause an accident and injury.**

### Air Cleaner Housing Removal

- Remove:
  - Fuel Tank (see Fuel Tank Removal)
  - Air Switching Valve (see Air Switching Valve, Removal in the Engine Top End chapter)
  - Inlet Air Temperature Sensor Connector [A]
  - Screws [B]
  - Cover [C]



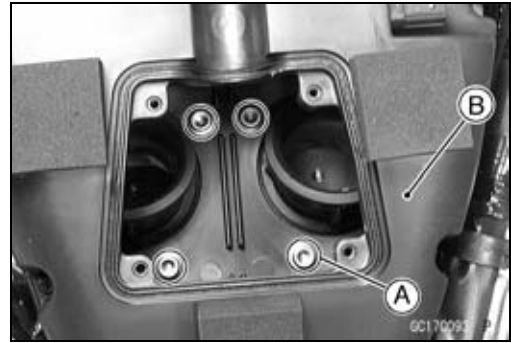
- Disconnect the breather hose [A] on the upper crankcase.



## 3-104 FUEL SYSTEM (DFI)

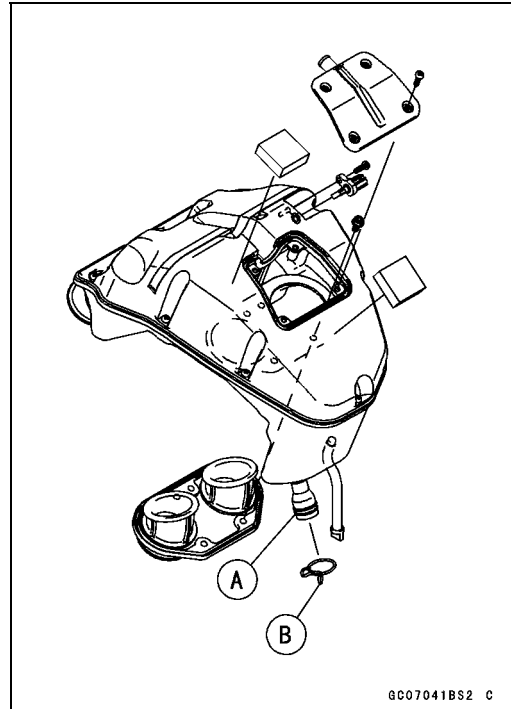
### Air Cleaner

- Unscrew the bolts [A] and remove the air cleaner housing [B].



### *Air Cleaner Housing Installation*

- Install the clamp on the breather hose [A] so that its pinch heads [B] face the left.





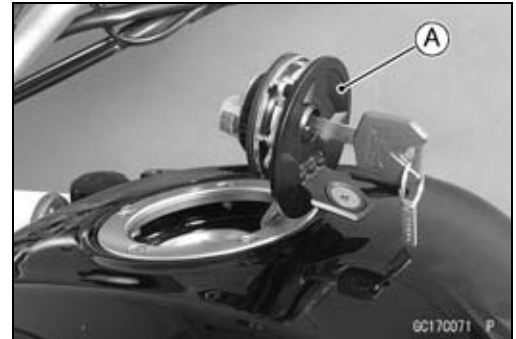
Fuel Tank

Fuel Tank Removal

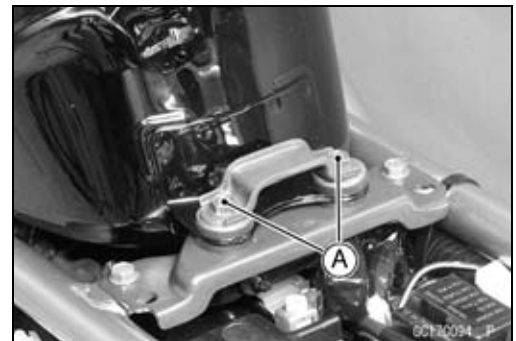
**▲ WARNING**

Gasoline is extremely flammable and can be explosive under certain conditions. Make sure the area is well-ventilated and free from any source of flame or sparks; this includes any appliance with a pilot light. Do not smoke. Turn the ignition switch OFF. Be prepared for fuel spillage; any spilled fuel must be completely wiped up immediately.

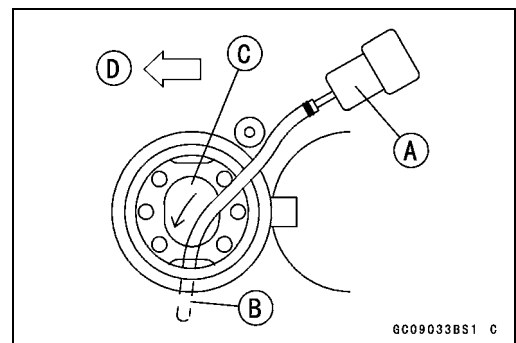
- Turn the ignition switch and engine stop switch OFF.
- Wait until the engine cools down.
- Open the fuel tank cap [A] to lower the pressure in the tank.
- During tank removal, keep the tank cap open to release pressure in the tank. This makes fuel spillage less.



- Remove:
  - Seat (see Seat Removal in the Frame chapter)
  - Side Covers (see Side Cover Removal in the Frame chapter)
  - Fuel Tank Bolts [A]



- Draw the fuel out from the fuel tank with a commercially available pump [A].
- Use a soft plastic hose [B] as a pump inlet hose in order to insert the hose smoothly.
- Put the hose through the fill opening [C] into the tank and draw the fuel out.
  - Front [D]



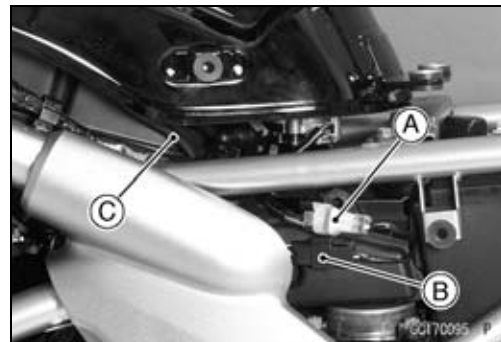
**▲ WARNING**

The fuel could not be removed completely from the fuel tank. Be careful for remained fuel spillage.

## 3-106 FUEL SYSTEM (DFI)

### Fuel Tank

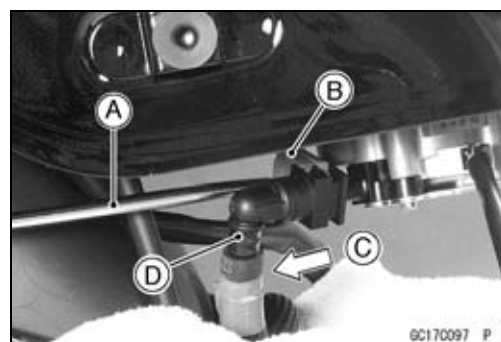
- Disconnect:
  - Fuel Pump Lead Connector [A]
  - Fuel Level Sensor Lead Connector [B]
- Remove the fuel drain hose [C].



- Be sure to place a piece of cloth [A] around the fuel hose joint.
- Insert a minus screwdriver [B] into the slit [C] on the joint lock.



- Turn the driver [A] to disconnect the joint lock [B].
- Pull [C] the fuel hose joint out [D] of the outlet pipe.



#### CAUTION

When removing the fuel hose joint, do not apply strong force to the outlet pipe on the fuel pump. The pipe made from resin could be damaged.

#### ⚠ WARNING

Be prepared for fuel spillage; any spilled fuel must be completely wiped up immediately. When the fuel hose is disconnected, fuel spills out from the hose and the pipe because of residual pressure. Cover the hose connection with a piece of clean cloth to prevent fuel spillage.

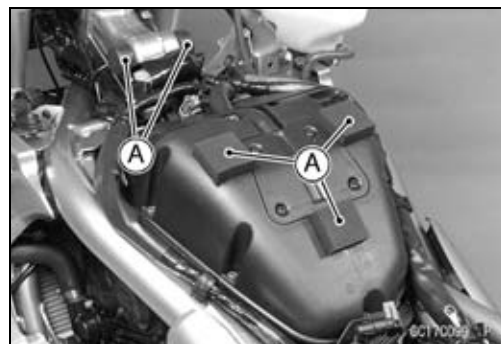
- Close the fuel tank cap.
- Remove the fuel tank [A], and place it on a plank [B].
- Do not apply the load to the fuel pump outlet portion [C] especially the outlet pipe made from resin.



**Fuel Tank**

**Fuel Tank Installation**

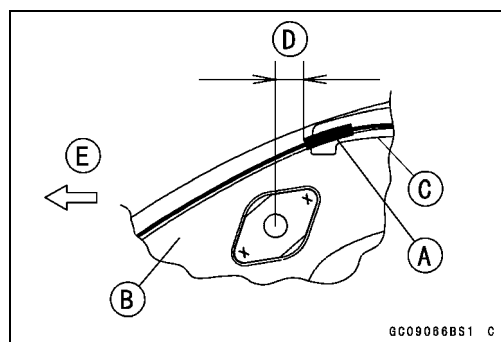
- Note the above WARNING (see Fuel Tank Removal).
- Route the hoses correctly (see Cable, Wire, and Hose Routing in the Appendix chapter).
- Check that the rubber dampers [A] are on the frame and the fuel tank.



- Check that the dampers [A] are in place on the fuel tank as well.
- ★ If the dampers are damaged or deteriorated, replace them.



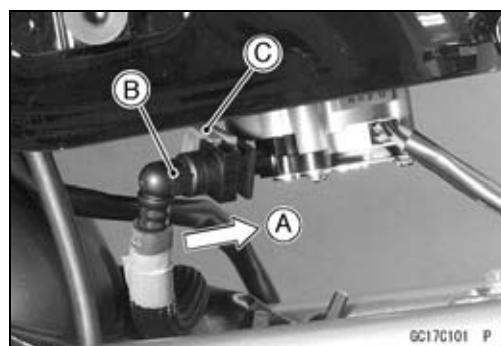
- Be sure that the trim seal [A] is on the fuel tank.  
Reverse Side of Fuel Tank [B]  
Side Cover [C]  
Approx. 30 mm (1.2 in.) [D]  
Front [E]



- Insert [A] the fuel hose joint [B] straight onto the delivery pipe until the hose joint clicks.

**CAUTION**

**When installing the fuel hose joint, do not apply strong force to the outlet pipe on the fuel pump. The pipe made from resin could be damaged.**

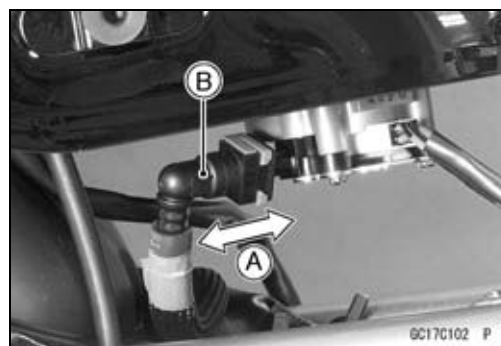


- Push the joint lock [C] .

- Push and pull [A] the hose joint [B] back and forth more than two times and make sure it is locked and doesn't come off.

**▲ WARNING**

**Make sure the hose joint is installed correctly on the delivery pipe by sliding the joint, or the fuel could leak.**



- ★ If it comes off, reinstall the hose joint.
- Connect the fuel pump and the fuel level sensor connectors and the battery (-) cable terminal.

## 3-108 FUEL SYSTEM (DFI)

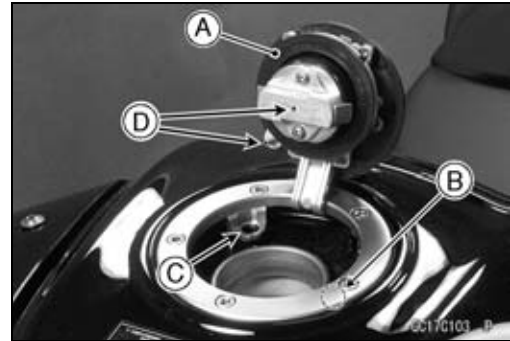
### Fuel Tank

#### **Fuel Tank and Cap Inspection**

- Visually inspect the gasket [A] on the tank cap for any damage.
- ★ Replace the gasket if it is damaged.
- Check to see if the water drain pipe [B] and fuel breather pipe [C] in the tank is not clogged. Check the tank cap breather also.
- ★ If they are clogged, remove the tank and drain it, and then blow the breather free with compressed air.

#### **CAUTION**

**Do not apply compressed air to the air vent holes [D] in the tank cap. This could cause damage and clogging of the labyrinth in the cap.**



#### **Fuel Tank Cleaning**

#### **⚠ WARNING**

**Clean the tank in a well-ventilated area, and take care that there are no sparks or flame anywhere near the working area. Because of the danger or highly flammable liquids, do not use gasoline or low-flash point solvents to clean the tank.**

- Remove the fuel tank (see Fuel Tank Removal).
- Remove the fuel pump inlet hose and the fuel pump (see Fuel Pump Removal).
- Pour some high-flash point solvent into the fuel tank and shake the tank to remove dirt and fuel deposits.
- Draw the solvent out of the fuel tank.
- Dry the tank with compressed air.
- Install the fuel pump (see Fuel Pump Installation).
- Install the fuel tank (see Fuel Tank Installation).

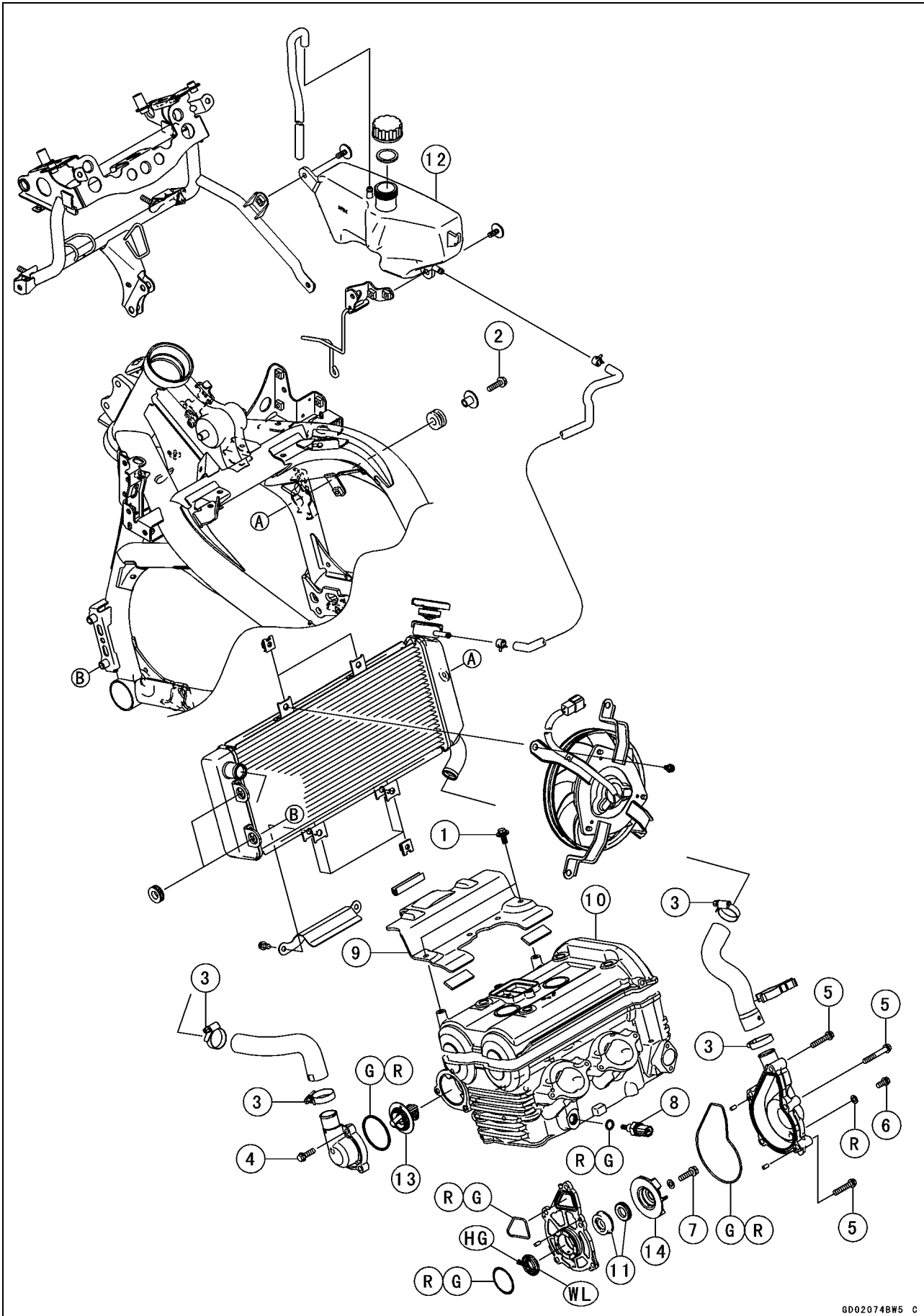
# Cooling System

## Table of Contents

Exploded View .....	4-2
Coolant Flow Chart .....	4-4
Specifications .....	4-6
Special Tools .....	4-7
Coolant .....	4-8
Coolant Deterioration Inspection .....	4-8
Coolant Level Inspection .....	4-8
Coolant Draining .....	4-8
Coolant Filling .....	4-8
Pressure Testing .....	4-8
Cooling System Flushing .....	4-9
Coolant Reserve Tank Removal/Installation .....	4-9
Water Pump .....	4-10
Water Pump Removal .....	4-10
Water Pump Installation .....	4-10
Mechanical Seal Inspection .....	4-11
Water Pump Housing Disassembly .....	4-11
Water Pump Housing Assembly .....	4-12
Impeller Assembly .....	4-12
Pump Impeller Inspection .....	4-12
Radiator .....	4-13
Radiator and Radiator Fan Removal .....	4-13
Radiator and Radiator Fan Installation .....	4-14
Radiator Inspection .....	4-15
Radiator Cap Inspection .....	4-15
Radiator Filler Neck Inspection .....	4-16
Thermostat .....	4-17
Thermostat Removal .....	4-17
Thermostat Installation .....	4-17
Thermostat Inspection .....	4-18
Hose and Pipes .....	4-19
Hose Installation .....	4-19
Hose Inspection .....	4-19
Water Temperature Sensor .....	4-20
Water Temperature Sensor Removal/Installation .....	4-20
Water Temperature Sensor Inspection .....	4-20

# 4-2 COOLING SYSTEM

## Exploded View



**Exploded View**

No.	Fastener	Torque			Remarks
		N·m	kgf·m	ft·lb	
1	Baffle Plate Bolts	5.9	0.60	52 in·lb	
2	Radiator Bolt	15	1.5	11	
3	Radiator Hose Clamp Screws	2.0	0.20	18 in·lb	
4	Thermostat Housing Bolts	9.8	1.0	87 in·lb	
5	Water Pump Cover Bolts	9.8	1.0	87 in·lb	
6	Water Pump Drain Bolt	9.8	1.0	87 in·lb	
7	Water Pump Impeller Bolt	9.8	1.0	87 in·lb	
8	Water Temperature Sensor	12	1.2	106 in·lb	

9. Baffle Plate

10. Cylinder Head Cover

11. Mechanical Seal

12. Reserve Tank

13. Thermostat

14. Water Pump Impeller

G: Apply grease.

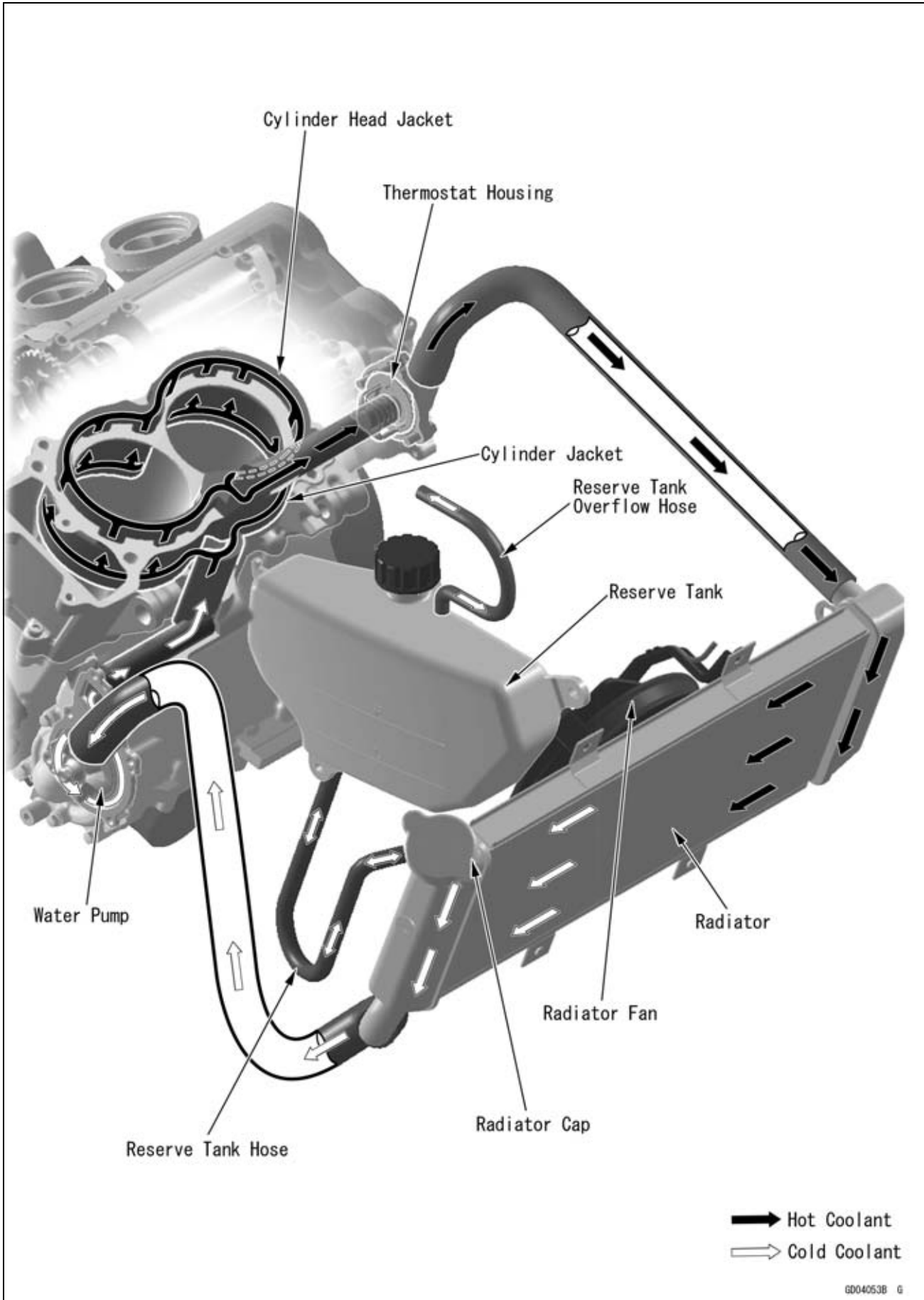
HG: Apply high-temperature grease.

R: Replacement Parts

WL: Apply soap and water solution or rubber lubricant.

# 4-4 COOLING SYSTEM

## Coolant Flow Chart





---

**Coolant Flow Chart**

---

Permanent type antifreeze is used as a coolant to protect the cooling system from rust and corrosion. When the engine starts, the water pump turns and the coolant circulates.

The thermostat is a wax pellet type which opens or closes with coolant temperature changes. The thermostat continuously changes its valve opening to keep the coolant temperature at the proper level. When coolant temperature is below 80.5 ~ 83.5°C (177 ~ 182°F), the thermostat closes so that the coolant flow is restricted through the air bleeder hole, causing the engine to warm up more quickly. When coolant temperature is more than 80.5 ~ 83.5°C, the thermostat opens and the coolant flows.

When the coolant temperature goes up beyond 104°C (219°F), the radiator fan relay conducts to operate the radiator fan. The radiator fan draws air through the radiator core when there is not sufficient air flow such as at low speeds. This increases up the cooling action of the radiator. When the temperature is below 99°C (210°F) ~ temperature less than ON temperature, the fan relay opens and the radiator fan stops.

In this way, this system controls the engine temperature within narrow limits where the engine operates most efficiently even if the engine load varies.

The system is pressurized by the radiator cap to suppress boiling and the resultant air bubbles which can cause engine overheating. As the engine warms up, the coolant in the radiator and the water jacket expands. The excess coolant flows through the radiator cap and hose to the reserve tank to be stored there temporarily. Conversely, as the engine cools down, the coolant in the radiator and the water jacket contracts, and the stored coolant flows back to the radiator from the reserve tank.

The radiator cap has two valves. One is a pressure valve which holds the pressure in the system when the engine is running. When the pressure exceeds 93.3 ~ 122.7 kPa (0.95 ~ 1.25 kgf/cm<sup>2</sup>, 13.5 ~ 17.8 psi), the pressure valve opens and releases the pressure to the reserve tank. As soon as pressure escapes, the valve closes, and keeps the pressure at 93.3 ~ 122.7 kPa (0.95 ~ 1.25 kgf/cm<sup>2</sup>, 13.5 ~ 17.8 psi). When the engine cools down, another small valve (vacuum valve) in the cap opens. As the coolant cools, the coolant contracts to form a vacuum in the system. The vacuum valve opens and allows the coolant from the reserve tank to enter the radiator.

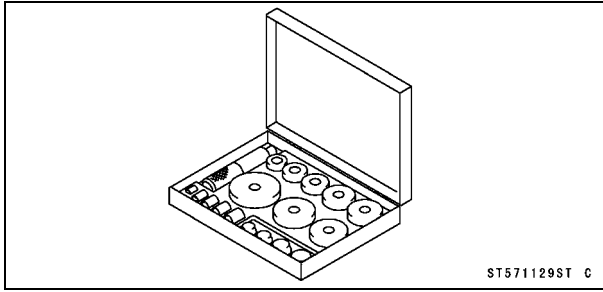
## 4-6 COOLING SYSTEM

### Specifications

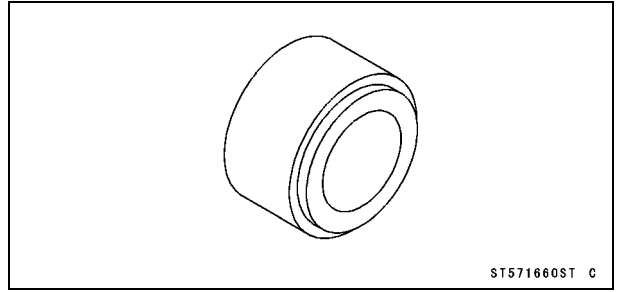
Item	Standard
<b>Coolant Provided when Shipping</b> Type (Recommended)  Color Mixed Ratio Freezing Point Total Amount	Permanent type of antifreeze (soft water and ethylene glycol plus corrosion and rust inhibitor chemicals for aluminum engines and radiators)  Green Soft water 50%, coolant 50% -35°C (-31°F) 1.2 L (1.3 US qt) (reserve tank full level, including radiator and engine)
<b>Radiator Cap</b> Relief Pressure	93.3 ~ 122.7 kPa (0.95 ~ 1.25 kgf/cm <sup>2</sup> , 13.5 ~ 17.8 psi)
<b>Thermostat</b> Valve Opening Temperature Valve Full Opening Lift	80.5 ~ 83.5°C (177 ~ 182°F) 8 mm (0.31 in.) or more at 95°C (203°F)

**Special Tools**

**Bearing Driver Set:  
57001-1129**



**Oil Seal Driver:  
57001-1660**



## 4-8 COOLING SYSTEM

### Coolant

#### **Coolant Deterioration Inspection**

- Remove the right middle fairing (see Middle Fairing Removal in the Frame chapter).
- Visually inspect the coolant [A] in the reserve tank.
- ★ If whitish cotton-like wafts are observed, aluminum parts in the cooling system are corroded. If the coolant is brown, iron or steel parts are rusting. In either case, flush the cooling system.
- ★ If the coolant gives off an abnormal smell, check for a cooling system leak. It may be caused by exhaust gas leaking into the cooling system.



#### **Coolant Level Inspection**

- Refer to the Coolant Level in the Periodic Maintenance chapter.

#### **Coolant Draining**

- Refer to the Coolant Change in the Periodic Maintenance chapter.

#### **Coolant Filling**

- Refer to the Coolant Change in the Periodic Maintenance chapter.

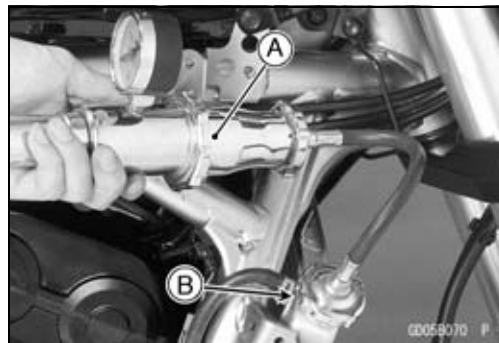
#### **Pressure Testing**

- Remove the radiator cap (see Coolant Change in the Periodic Maintenance chapter), and install a cooling system pressure tester [A] on the filler neck [B].

#### **NOTE**

○Wet the cap sealing surfaces with water or coolant to prevent pressure leaks.

- Build up pressure in the system carefully until the pressure reaches 122.7 kPa (1.25 kgf/cm<sup>2</sup>, 17.8 psi).



#### **CAUTION**

**During pressure testing, do not exceed the pressure for which the system is designed. The maximum pressure is 122.7 kPa (1.25 kgf/cm<sup>2</sup>, 17.8 psi).**

- Watch the gauge for at least 6 seconds.
- ★ If the pressure holds steady, the system is all right.
- ★ If the pressure drops and no external source is found, check for internal leaks. Droplets in the engine oil indicate internal leakage. Check the cylinder head gasket and the water pump.
- Remove the pressure tester, replenish the coolant, and install the radiator cap.

---

## Coolant

---

### ***Cooling System Flushing***

Over a period of time, the cooling system accumulates rust, scale, and lime in the water jacket and radiator. When this accumulation is suspected or observed, flush the cooling system. If this accumulation is not removed, it will clog up the water passage and considerably reduce the efficiency of the cooling system.

- Drain the cooling system (see Coolant Change in the Periodic Maintenance chapter).
- Fill the cooling system with fresh water mixed with a flushing compound.

CAUTION
<p><b>Do not use a flushing compound which is harmful to the aluminum engine and radiator. Carefully follow the instructions supplied by the manufacturer of the cleaning product.</b></p>

- Warm up the engine, and run it at normal operating temperature for about ten minutes.
- Stop the engine, and drain the cooling system.
- Fill the system with fresh water.
- Warm up the engine and drain the system.
- Repeat the previous two steps once more.
- Fill the system with a permanent type coolant and bleed the air from the system (see Coolant Change in the Periodic Maintenance chapter).

### ***Coolant Reserve Tank Removal/Installation***

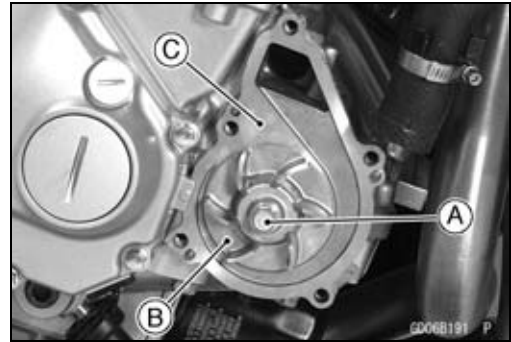
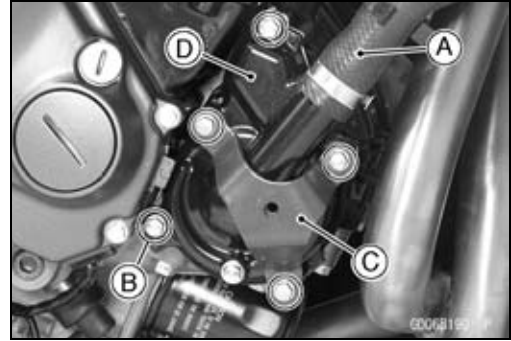
- The coolant reserve tank is removed and installed during coolant change (see Coolant Change in the Periodic Maintenance chapter).

## 4-10 COOLING SYSTEM

### Water Pump

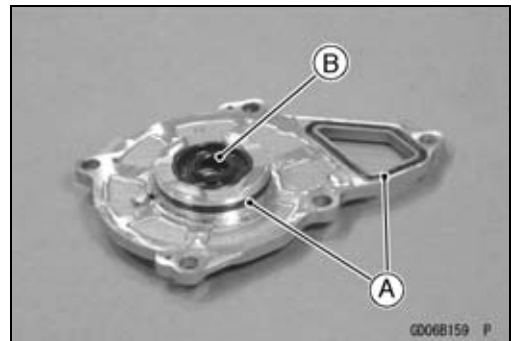
#### **Water Pump Removal**

- Drain the coolant (see Coolant Change in the Periodic Maintenance chapter).
- Remove:
  - Radiator Hose [A]
  - Water Pump Cover Bolts [B]
  - Right Lower Fairing Bracket [C]
  - Water Pump Cover [D]
  
- Shift the transmission into 1st gear.
- While applying the rear brake, remove the water pump impeller bolt [A].
- Remove:
  - Impeller [B]
  - Water Pump Housing [C]



#### **Water Pump Installation**

- Replace the O-rings [A] on the water pump housing with new ones and apply grease them.
- Apply high-temperature grease to the lips of the water pump housing oil seal [B].



- Be sure that the dowel pin [A] is in position.
- Install the water pump housing.
- When installing the water pump impeller bolt, shift the transmission into 1st gear and apply the rear brake.
- Tighten:
  - Torque - Water Pump Impeller Bolt: 9.8 N·m (1.0 kgf·m, 87 in·lb)**



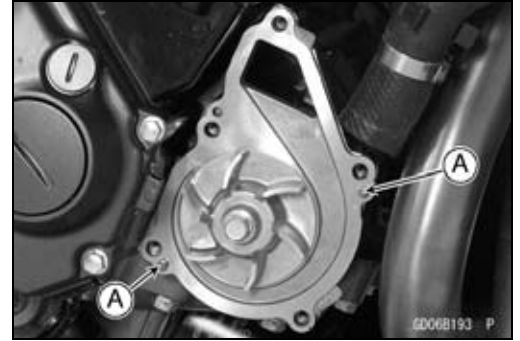
- Replace the O-ring [A] on the water pump cover with a new one and grease it.



**Water Pump**

- Install the water pump cover, being careful of the two dowel pins [A].
- Install the right lower fairing bracket and tighten the water pump cover bolts.

**Torque - Water Pump Cover Bolts: 9.8 N·m (1.0 kgf·m, 87 in·lb)**

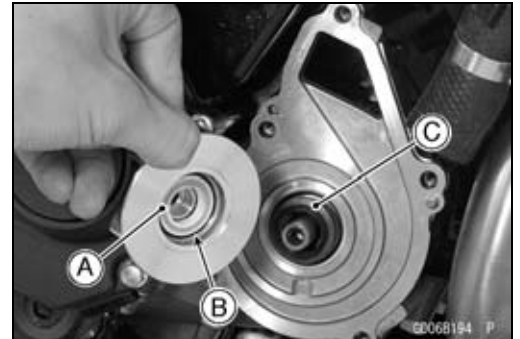


**Mechanical Seal Inspection**

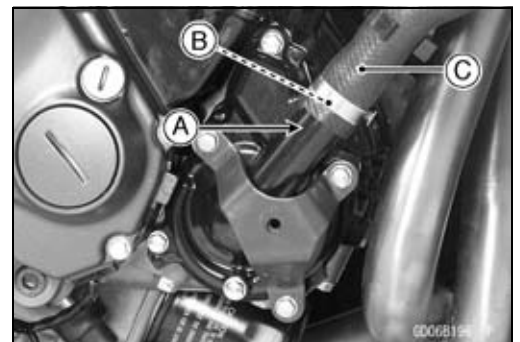
- Remove the impeller (see Water Pump Removal).
- Visually inspect the mechanical seal.
- ★ If any one of the parts is damaged, replace the mechanical seal as a unit.

○ The sealing seat and rubber seal may be removed easily by hand.

- Impeller Sealing Seat Surface [A]
- Rubber Seal [B]
- Mechanical Seal Diaphragm [C]



- Align the line [A] of the water pump cover and the red mark [B] of the radiator hose [C].



- Install the radiator hose clamp [A] as shown.
- Tighten:

**Torque - Radiator Hose Clamp Screws: 2.0 N·m (0.20 kgf·m, 18 in·lb)**

- Fill the radiator with the coolant (see Coolant Change in the Periodic Maintenance chapter).

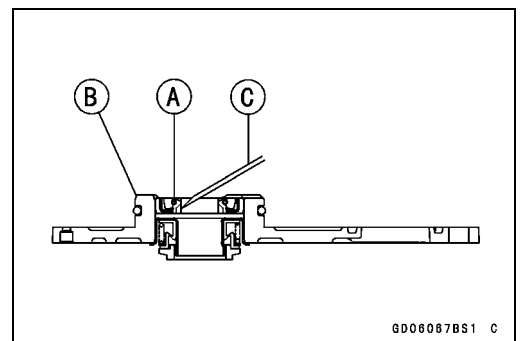


**Water Pump Housing Disassembly**

**CAUTION**

**Be careful not to damage the sealing surface of the mechanical seal.**

- Remove the water pump housing (see Water Pump Removal).
- Take the oil seal [A] out of the housing [B] with a hook [C].

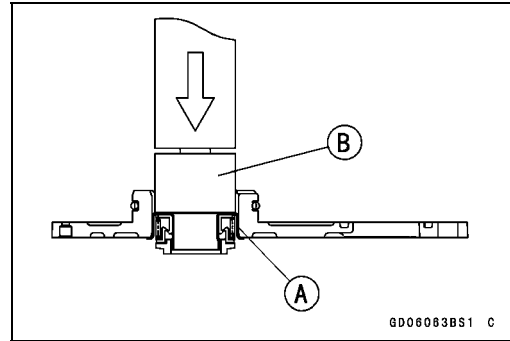


## 4-12 COOLING SYSTEM

### Water Pump

- Press the mechanical seal [A] out of the housing with a bearing driver [B].

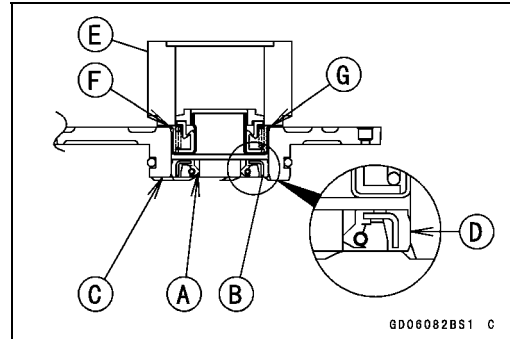
**Special Tool - Bearing Driver Set: 57001-1129**



### Water Pump Housing Assembly

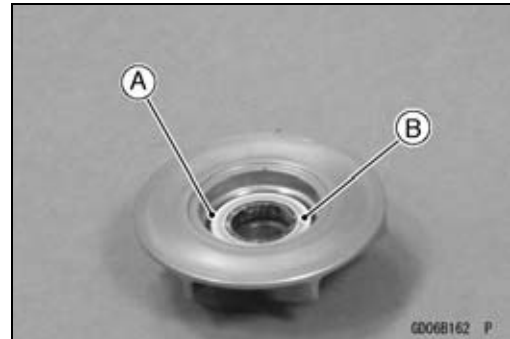
- Apply high-temperature grease [A] to the new oil seal [B].
- Press the oil seal into the housing with a bearing driver so that the seal surface is flush [C] with the end of the hole.
- Apply a soap and water solution or rubber lubricant to the outer circumference [D] of the oil seal so that it will go into place smoothly.
- Press the new mechanical seal into the housing with the oil seal driver [E] until its flange [F] touches the surface [G] of the housing.

**Special Tool - Oil Seal Driver: 57001-1660**



### Impeller Assembly

- Clean the sliding surface of the mechanical seal with a high-flash point solvent, and apply a little coolant to the sliding surface to give the mechanical seal initial lubrication.
- Apply coolant to the surfaces of the rubber seal [A] and sealing seat [B], and install the rubber seal and sealing seat into the impeller by pressing them by hand until the seat stops at the bottom of the hole.



### Pump Impeller Inspection

- Remove the water pump cover (see Water Pump Removal).
- Visually check the impeller [A].
- ★ If the surface is corroded, or if the blades are damaged, replace the impeller (see Water Pump Removal).

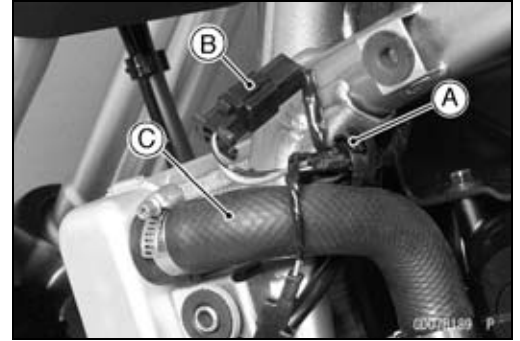




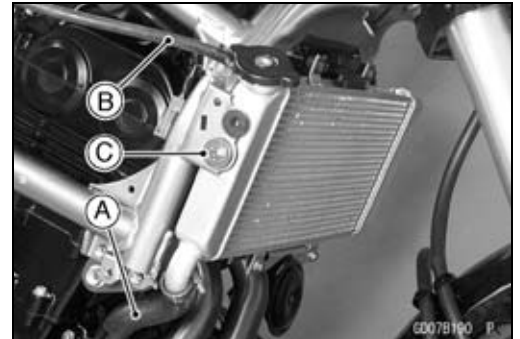
**Radiator**

**Radiator and Radiator Fan Removal**

- Drain the coolant (see Coolant Change in the Periodic Maintenance chapter).
- Remove the left front frame cover (see Front Frame Cover Removal in the Frame chapter).
- Open the clamp [A].
- Disconnect the radiator fan lead connector [B].
- Remove the radiator hose [C].



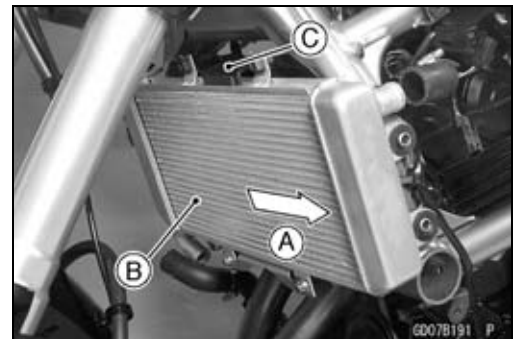
- Remove:
  - Radiator Hose [A]
  - Reserve Tank Hose [B]
  - Radiator Bolt [C]



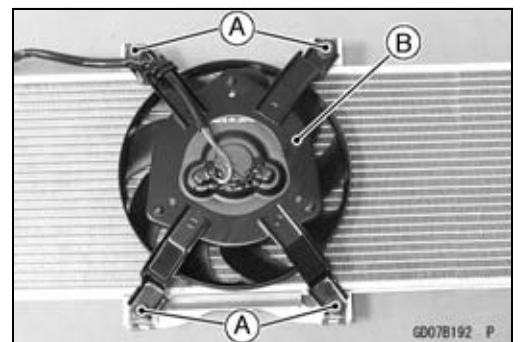
- Pull [A] the radiator [B] toward the left, noting the baffle plate [C] on the cylinder head cover.

**CAUTION**

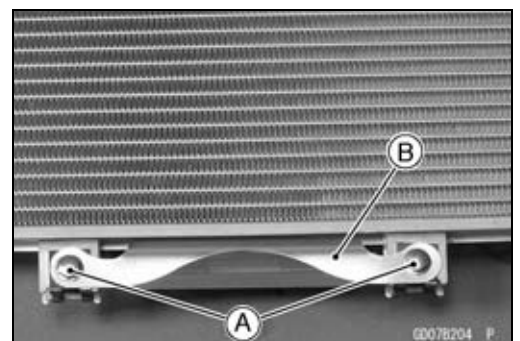
**Do not touch the radiator core. This could damage the radiator fins, resulting in loss of cooling efficiency.**



- Remove:
  - Radiator Fan Mounting Bolts [A]
  - Radiator Fan [B]



- Remove the bolts [A] and radiator guard [B] as necessary.

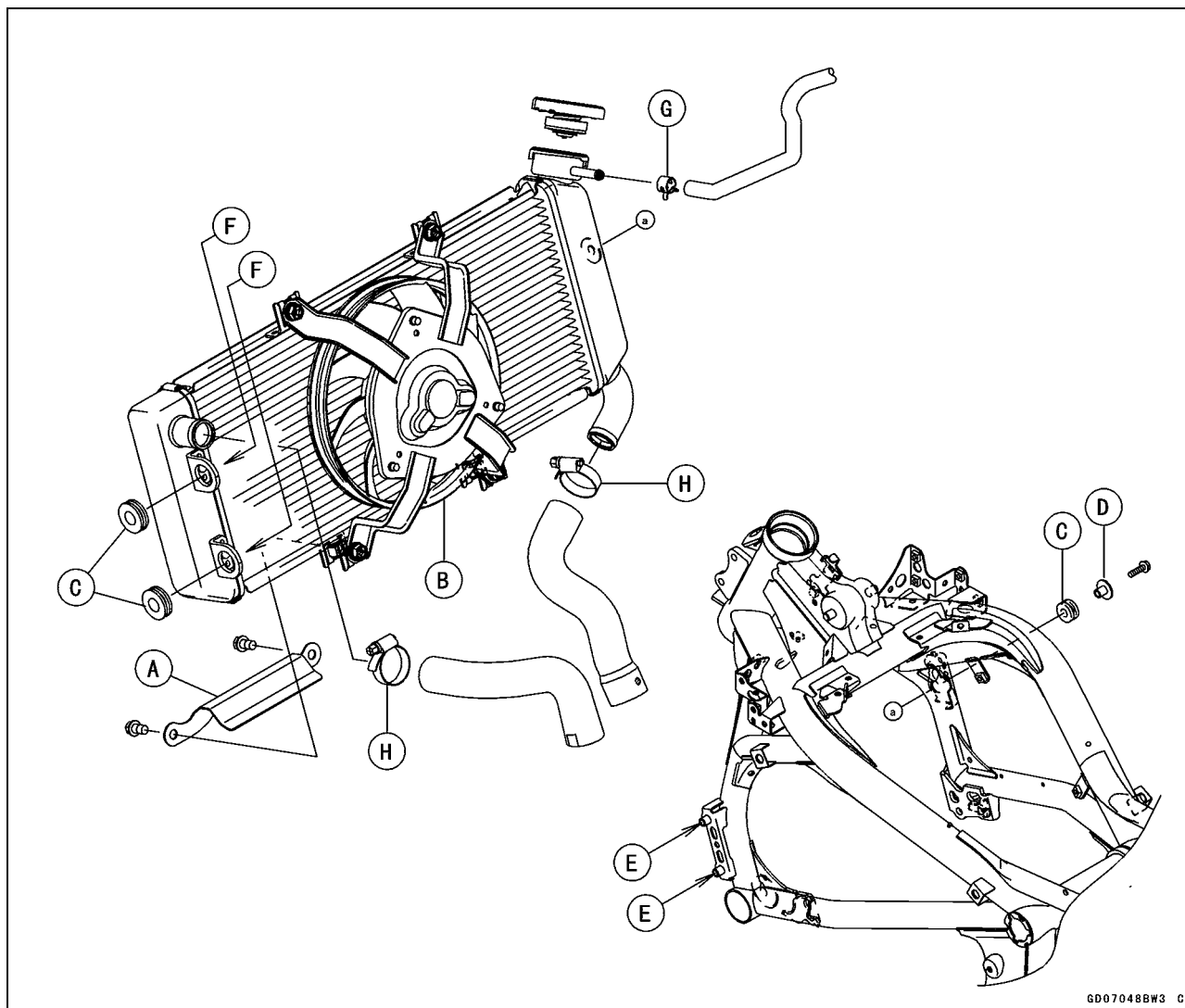


## 4-14 COOLING SYSTEM

### Radiator

#### **Radiator and Radiator Fan Installation**

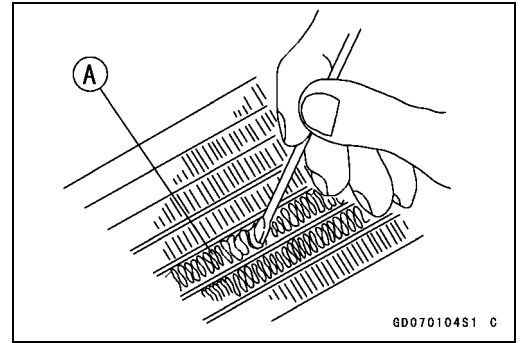
- ★ If the radiator guard [A] was removed, install it.
- Install the radiator fan [B].
- Install the rubber dampers [C] and collar [D] to the radiator and frame.
- Align the projections [E] on the frame with the holes [F] on the dampers.
- Note the baffle plate on the cylinder head cover when installing the radiator.
- Tighten:
  - Torque - Radiator Bolt: 15 N·m (1.5 kgf·m, 11 ft·lb)**
- Position the reserve tank hose clamp [G] so that its pinch heads faces downward.
- Install the radiator hose clamps [H] as shown.
  - Torque - Radiator Hose Clamp Screws: 2.0 N·m (0.20 kgf·m, 18 in·lb)**
- Fill the radiator with the coolant (see Coolant Change in the Periodic Maintenance chapter).



**Radiator**

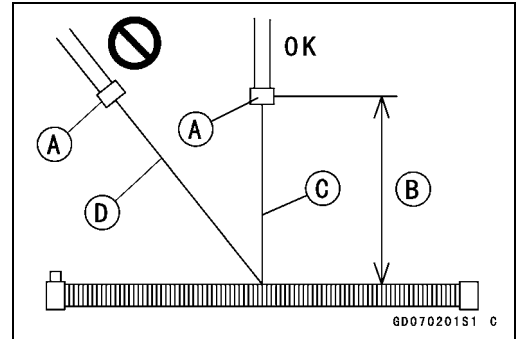
**Radiator Inspection**

- Remove the radiator (see Radiator and Radiator Fan Removal).
- Check the radiator core.
- ★ If there are obstructions to air flow, remove them.
- ★ If the corrugated fins [A] are deformed, carefully straighten them.
- ★ If the air passages of the radiator core are blocked more than 20% by unremovable obstructions or irreparably deformed fins, replace the radiator with a new one.



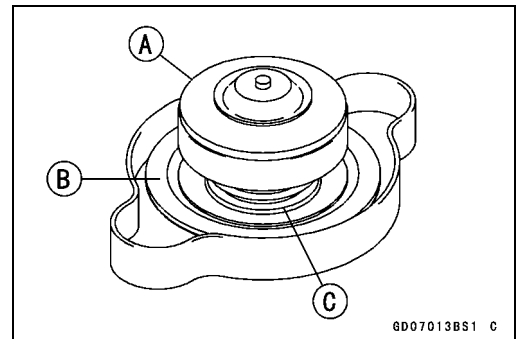
**CAUTION**

**When cleaning the radiator with steam cleaner, be careful of the following to prevent radiator damage:**  
**Keep the steam gun [A] away more than 0.5 m (1.6 ft) [B] from the radiator core.**  
**Hold the steam gun perpendicular [C] (not oblique [D]) to the core surface.**  
**Run the steam gun, following the core fin direction.**



**Radiator Cap Inspection**

- Remove the radiator cap (see Coolant Change in the Periodic Maintenance chapter).
- Check the condition of the bottom [A] and top [B] valve seals and valve spring [C].
- ★ If any one of them shows visible damage, replace the cap with a new one.

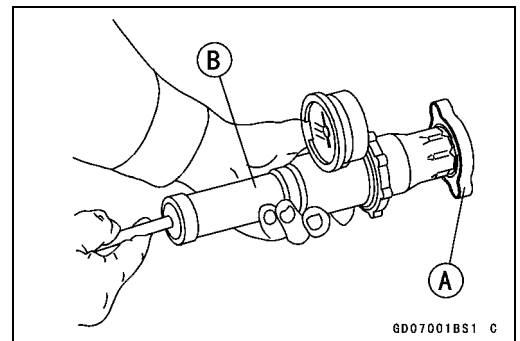


- Install the cap [A] on a cooling system pressure tester [B].

**NOTE**

○ Wet the cap sealing surfaces with water or coolant to prevent pressure leaks.

- Watching the pressure gauge, pump the pressure tester to build up the pressure until the relief valve opens: the gauge needle flicks downward. Stop pumping and measure leak time at once. The relief valve must open within the specified range in the table below and the gauge hand must remain within the same range at least 6 seconds.



**Radiator Cap Relief Pressure**

**Standard: 93.3 ~ 122.7 kPa (0.95 ~ 1.25 kgf/cm<sup>2</sup>, 13.5 ~ 17.8 psi)**

- ★ If the cap can not hold the specified pressure or if it holds too much pressure, replace it with a new one.

## 4-16 COOLING SYSTEM

---

### Radiator

---

#### ***Radiator Filler Neck Inspection***

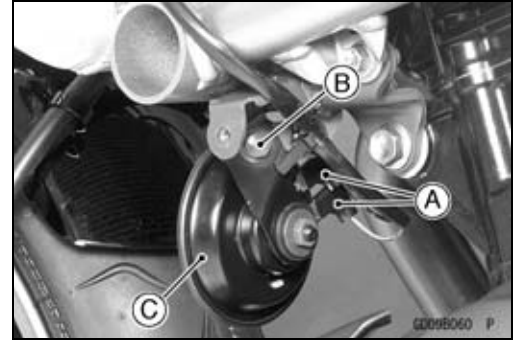
- Remove the radiator cap (see Coolant Change in the Periodic Maintenance chapter).
- Check the radiator filler neck for signs of damage.
- Check the condition of the top and bottom sealing seats [A] in the filler neck. They must be smooth and clean for the radiator cap to function properly.



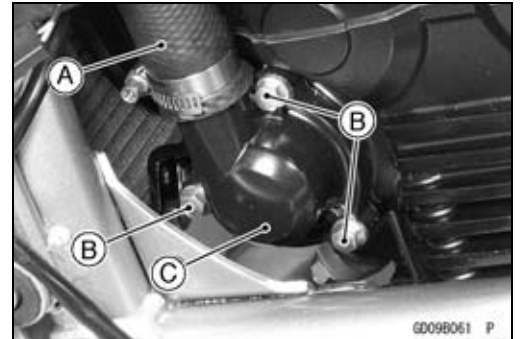
## Thermostat

### **Thermostat Removal**

- Drain the coolant (see Coolant Change in the Periodic Maintenance chapter).
- Remove the left front frame cover (see Front Frame Cover Removal in the Frame chapter).
- Disconnect the horn leads [A].
- Remove:
  - Horn Bolt [B]
  - Horn [C]



- Remove:
  - Radiator Hose [A]
  - Thermostat Housing Bolts [B]
  - Thermostat Housing [C]

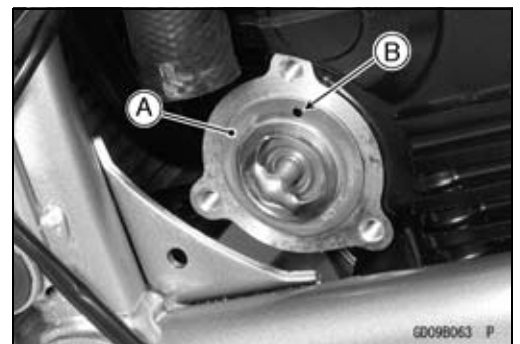


- Pull the thermostat [A] out of the cylinder head.



### **Thermostat Installation**

- Install the thermostat [A] in the cylinder head so that the air bleeder hole [B] is on top.



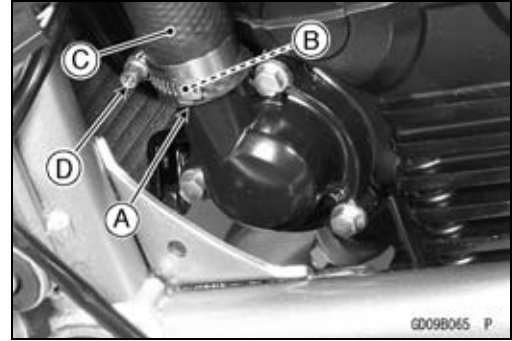
- Install a new O-ring [A] into the housing and apply grease it.
- Tighten:
  - Torque - Thermostat Housing Bolts: 9.8 N·m (1.0 kgf·m, 87 in·lb)**



## 4-18 COOLING SYSTEM

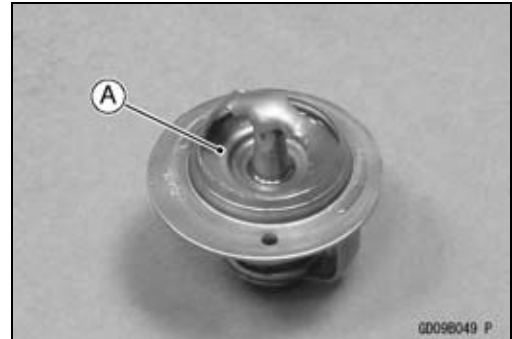
### Thermostat

- Align the line [A] of the thermostat housing and the red mark [B] of the radiator hose [C].
- Install the radiator hose clamp [D] as shown.
- Tighten:  
**Torque - Radiator Hose Clamp Screws: 2.0 N·m (0.20 kgf·m, 18 in·lb)**
- Fill the radiator with coolant (see Coolant Change in the Periodic Maintenance chapter).



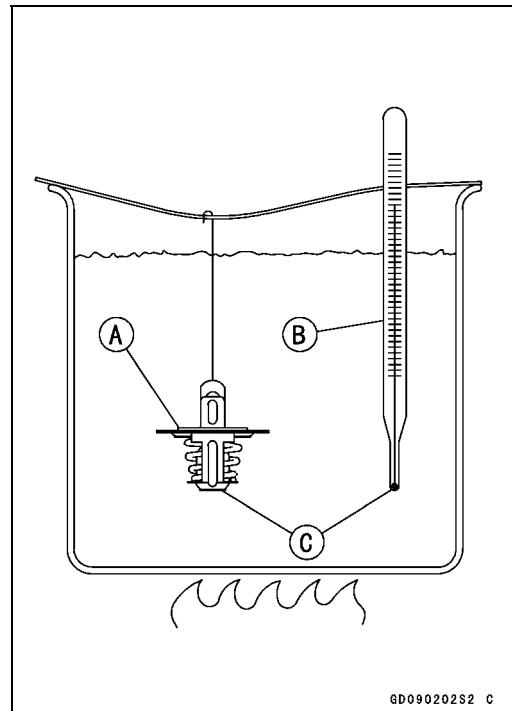
### Thermostat Inspection

- Remove the thermostat (see Thermostat Removal), and inspect the thermostat valve [A] at room temperature.
- ★ If the valve is open, replace the thermostat with a new one.



- To check valve opening temperature, suspend the thermostat [A] in a container of water and raise the temperature of the water.
- The thermostat must be completely submerged and must not touch the container sides or bottom. Suspend an accurate thermometer [B] in the water so that the heat sensitive portions [C] are located in almost the same depth.
- ★ If the measurement is out of the specified range, replace the thermostat with a new one.

**Thermostat Valve Opening Temperature**  
80.5 ~ 83.5°C (177 ~ 182°F)



## Hose and Pipes

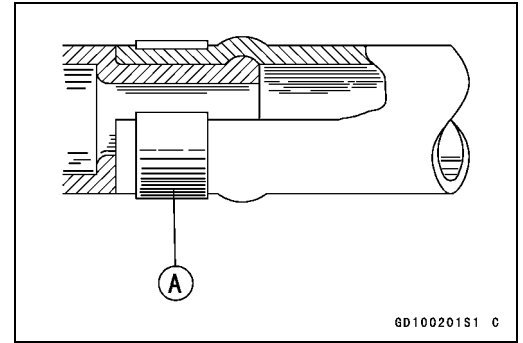
### **Hose Installation**

- Install the hoses and pipes, being careful to follow bending direction. Avoid sharp bending, kinking, flattening or twisting.
- Run the hoses (see Cable, Wire, and Hose Routing section in the Appendix chapter).
- Install the clamp [A] as near as possible to the hose end to clear the raised rib of the fitting. This will prevent the hoses from working loose.
- The clamp screws should be positioned correctly to prevent the clamps from contacting the other parts.

**Torque - Radiator Hose Clamp Screws: 2.0 N·m (0.20 kgf·m, 18 in·lb)**

### **Hose Inspection**

- Refer to the Radiator Hose Damage and Installation Condition Inspection in the Periodic Maintenance chapter.



## 4-20 COOLING SYSTEM

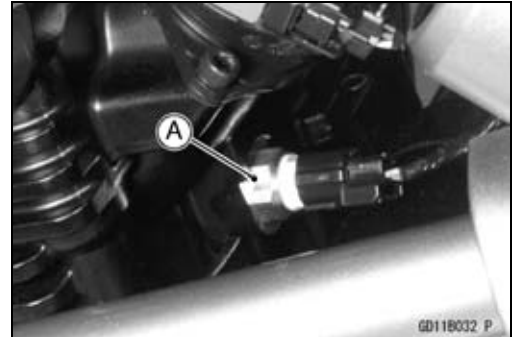
### Water Temperature Sensor

#### CAUTION

The water temperature sensor should never be allowed to fall on a hard surface. Such a shock to the water temperature sensor can damage it.

#### ***Water Temperature Sensor Removal/Installation***

- Refer to the Water Temperature Sensor Removal/Installation in the Fuel System (DFI) chapter.  
Water Temperature Sensor [A]



#### ***Water Temperature Sensor Inspection***

- Refer to the Water Temperature Sensor Inspection in the Electrical System chapter.



# Engine Top End

## Table of Contents

Exploded View .....	5-3
Exhaust System Identification .....	5-8
Specifications .....	5-10
Special Tools and Sealant .....	5-12
Clean Air System .....	5-14
Air Suction Valve Removal .....	5-14
Air Suction Valve Installation .....	5-14
Air Suction Valve Inspection .....	5-15
Air Switching Valve Removal .....	5-15
Air Switching Valve Installation .....	5-15
Air Switching Valve Operation Test .....	5-15
Air Switching Valve Unit Test .....	5-16
Clean Air System Hose Inspection .....	5-16
Cylinder Head Cover .....	5-17
Cylinder Head Cover Removal .....	5-17
Cylinder Head Cover Installation .....	5-18
Camshaft Chain Tensioner .....	5-20
Camshaft Chain Tensioner Removal .....	5-20
Camshaft Chain Tensioner Installation .....	5-21
Camshaft, Camshaft Chain .....	5-22
Camshaft Removal .....	5-22
Camshaft Installation .....	5-24
Camshaft, Camshaft Cap Wear .....	5-27
Camshaft Runout .....	5-27
Cam Wear .....	5-27
Camshaft Chain Removal .....	5-28
Cylinder Head .....	5-29
Cylinder Compression Measurement .....	5-29
Cylinder Head Removal .....	5-30
Cylinder Head Installation .....	5-31
Cylinder Head Warp .....	5-32
Valves .....	5-33
Valve Clearance Inspection .....	5-33
Valve Clearance Adjustment .....	5-33
Valve Removal .....	5-33
Valve Installation .....	5-33
Valve Guide Removal .....	5-33
Valve Guide Installation .....	5-34
Valve-to-Guide Clearance Measurement (Wobble Method) .....	5-34
Valve Seat Inspection .....	5-35
Valve Seat Repair .....	5-35
Cylinder, Pistons .....	5-40
Cylinder Removal .....	5-40
Cylinder Installation .....	5-40
Piston Removal .....	5-40
Piston Installation .....	5-41
Cylinder Wear .....	5-42
Piston Wear .....	5-42
Piston Ring, Piston Ring Groove Wear .....	5-43
Piston Ring Groove Width .....	5-43

## 5-2 ENGINE TOP END

---

Piston Ring Thickness .....	5-43
Piston Ring End Gap .....	5-44
Throttle Body Assy Holder .....	5-45
Throttle Body Assy Holder Removal .....	5-45
Throttle Body Assy Holder Installation .....	5-45
Muffler .....	5-46
Muffler Body Removal .....	5-46
Exhaust Pipe Removal .....	5-46
Muffler Body and Exhaust Pipe Installation .....	5-47

---

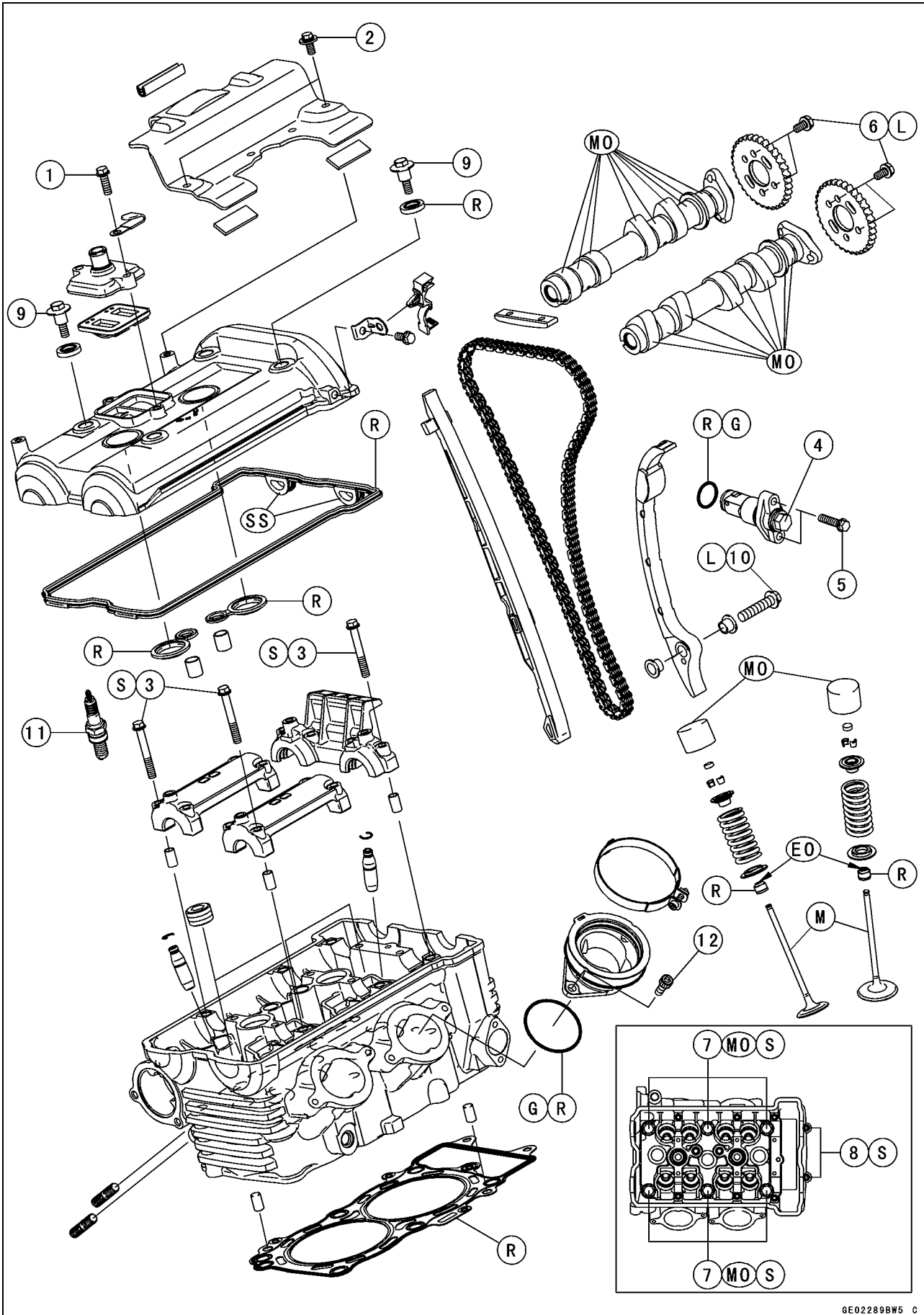
**Exploded View**

---

Dummy Page

# 5-4 ENGINE TOP END

## Exploded View



**Exploded View**

No.	Fastener	Torque			Remarks
		N·m	kgf·m	ft·lb	
1	Air Suction Valve Cover Bolts	9.8	1.0	87 in·lb	
2	Baffle Plate Bolts	5.9	0.60	52 in·lb	
3	Camshaft Cap Bolts	12	1.2	106 in·lb	S
4	Camshaft Chain Tensioner Cap Bolt	20	2.0	15	
5	Camshaft Chain Tensioner Mounting Bolts	9.8	1.0	87 in·lb	
6	Camshaft Sprocket Bolts	15	1.5	11	L
7	Cylinder Head Bolts (M10)	56	5.7	41	MO, S
8	Cylinder Head Bolts (M6)	12	1.2	106 in·lb	S
9	Cylinder Head Cover Bolts	9.8	1.0	87 in·lb	
10	Rear Camshaft Chain Guide Bolts	20	2.0	15	L
11	Spark Plugs	15	1.5	11	
12	Throttle Body Assy Holder Bolts	12	1.2	106 in·lb	

EO: Apply engine oil.

G: Apply grease.

L: Apply a non-permanent locking agent.

M: Apply molybdenum disulfide grease.

MO: Apply molybdenum disulfide oil solution.

(mixture of the engine oil and molybdenum disulfide grease in a weight ratio 10 : 1)

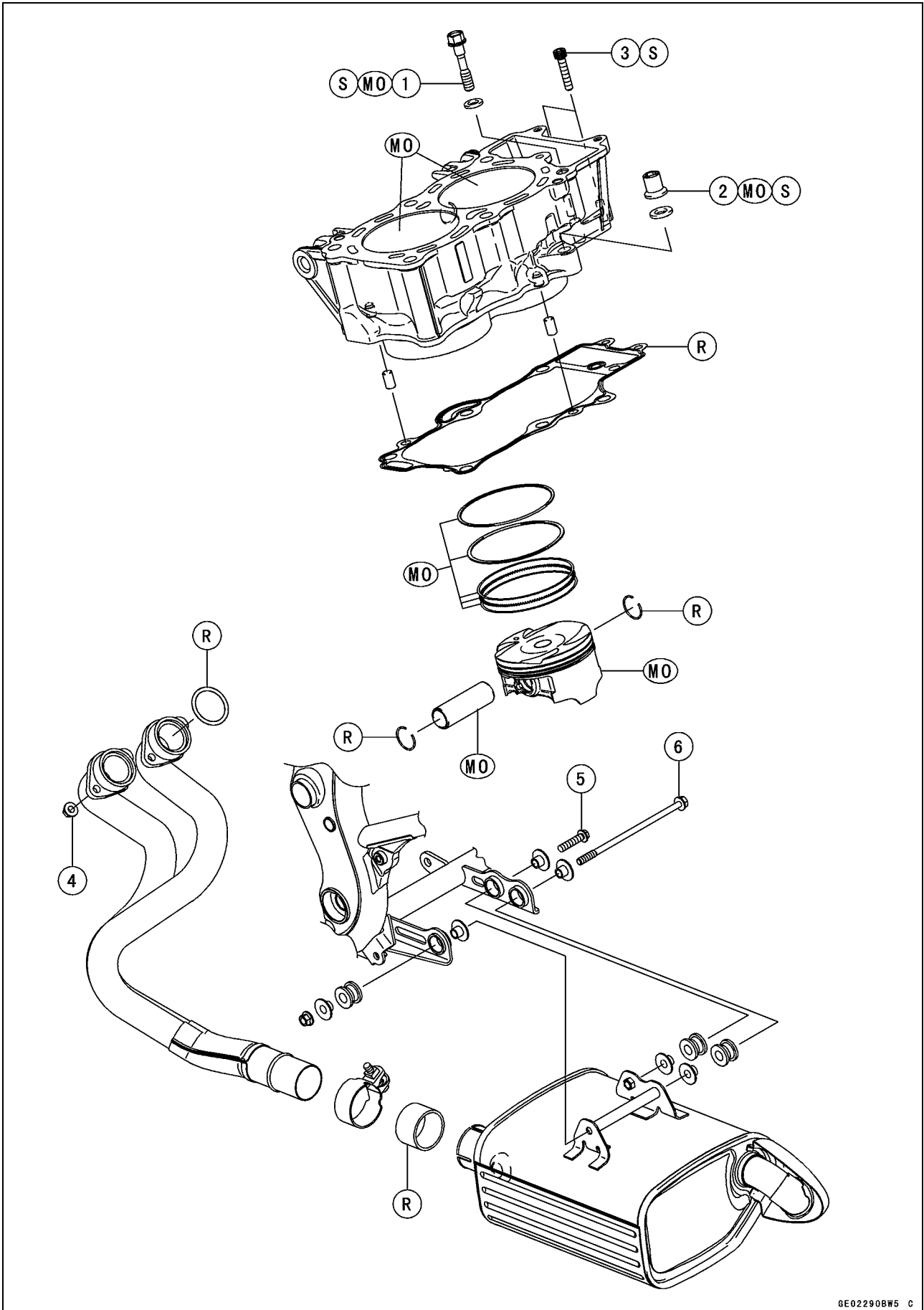
R: Replacement Parts

S: Follow the specified tightening sequence.

SS: Apply silicone sealant.

# 5-6 ENGINE TOP END

## Exploded View



**Exploded View**

No.	Fastener	Torque			Remarks
		N·m	kgf·m	ft·lb	
1	Cylinder Bolt (M8)	27.5	2.8	20	MO,S
2	Cylinder Nut (M10)	49	5.0	36	MO, S
3	Cylinder Bolts (M6)	12	1.2	106 in·lb	
4	Exhaust Pipe Manifold Holder Nuts	17	1.7	12	
5	Muffler Body Mounting Bolt (Front)	20	2.0	15	
6	Muffler Body Mounting Bolt (Rear)	20	2.0	15	

MO: Apply molybdenum disulfide oil solution.

(mixture of the engine oil and molybdenum disulfide grease in a weight ratio 10 : 1)

R: Replacement Parts

S: Follow the specified tightening sequence.

# 5-8 ENGINE TOP END

## Exhaust System Identification

### Exhaust System KLE650A7F, KLE650B7F

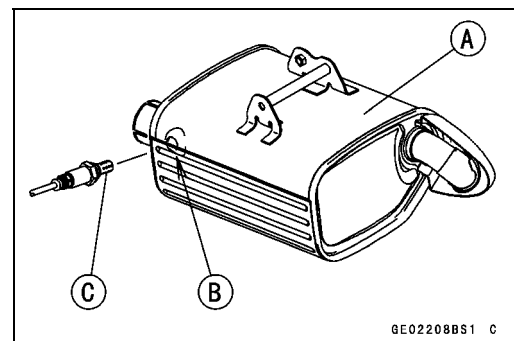
MANIFOLD	MUFFLER BODY	SPECIFICATION	MARKETING CODE
<div style="border: 1px solid black; padding: 5px; width: fit-content;"> <b>Non-Catalyst</b>                      P/No. 39178-0062                      Mark: KHI M 105                 </div>	<div style="border: 1px solid black; padding: 5px;"> <b>Honeycomb Type Catalyst with Oxygen Sensor</b>  <hr style="border-top: 1px dashed black;"/>                     P/No. 18091-0383                      Mark : KHI K 512                 </div>	WVTA (FULL H) GB WVTA (FULL H)	KLE650A7F/KLE650B7F KLE650A7F/KLE650B7F
	<div style="border: 1px solid black; padding: 5px;"> <b>Honeycomb Type Catalyst without Oxygen Sensor</b>  <hr style="border-top: 1px dashed black;"/>                     P/No. 18091-0296                      Mark : KHI K 498                      EPA Noise Emission Control Information                 </div>	Canada	KLE650A7F
	<div style="border: 1px solid black; padding: 5px;"> <b>Honeycomb Type Catalyst without Oxygen Sensor</b>  <hr style="border-top: 1px dashed black;"/>                     P/No. 18091-0294                      Mark : KHI K 499                 </div>	Malaysia	KLE650A7F

GE24030B F

Full: Full Power

H: Honeycomb Type Catalyst

Silencer [A] with Hole [B] for Oxygen Sensor [C]

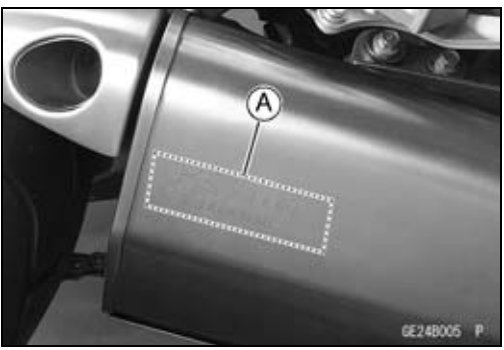


GE02208BS1 C

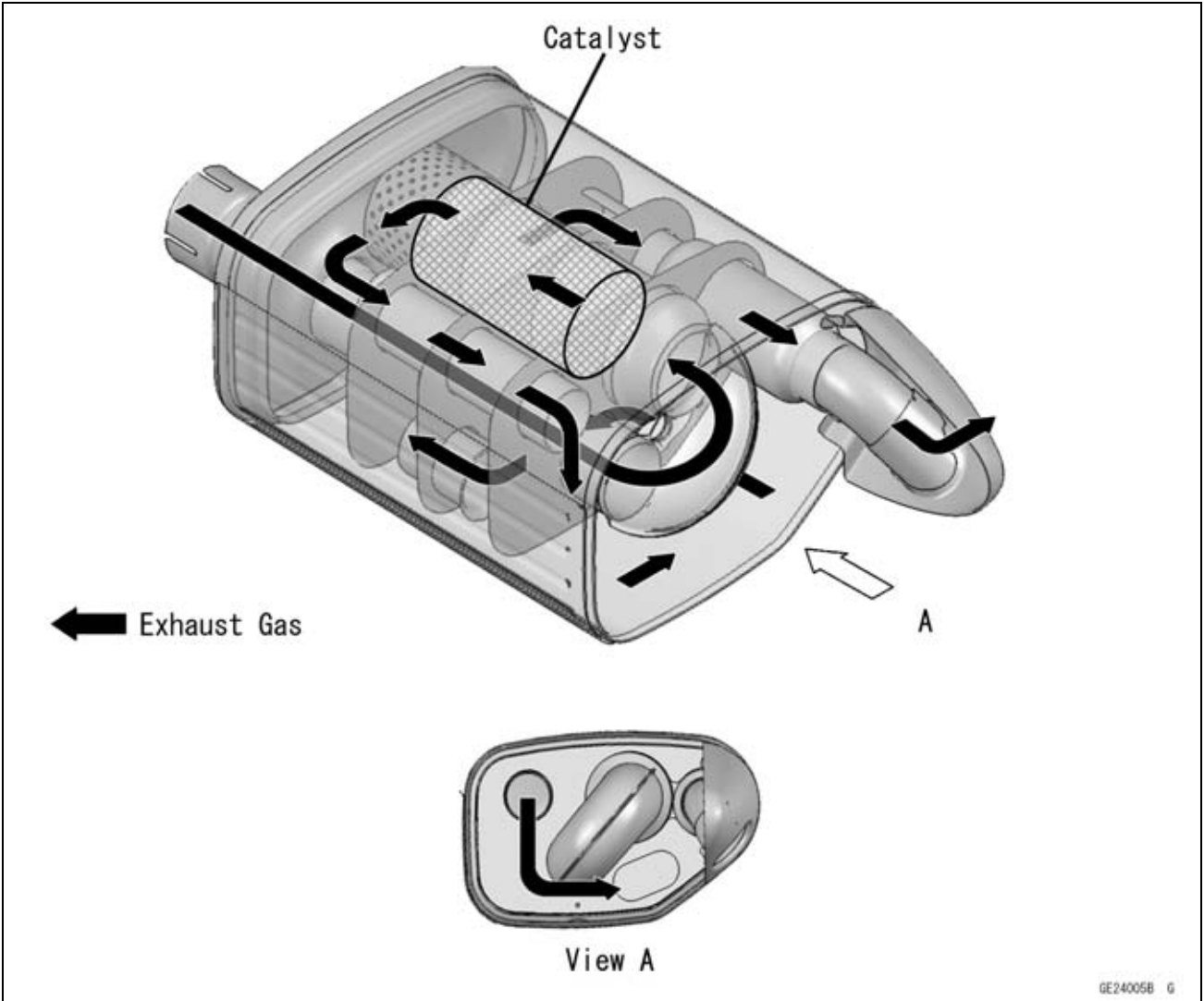
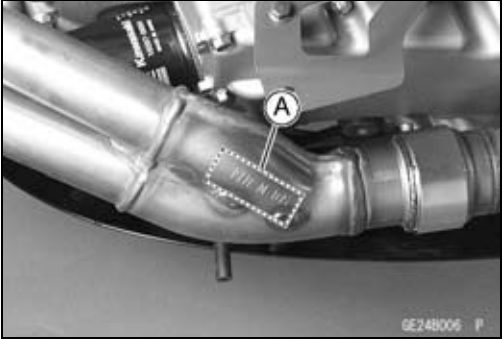


**Exhaust System Identification**

Muffler Body Mark Position [A]



Manifold Mark Position [A]



## 5-10 ENGINE TOP END

### Specifications

Item	Standard	Service Limit
<b>Camshafts</b>		
Cam Height:		
Exhaust	35.343 ~ 35.457 mm (1.3915 ~ 1.3959 in.)	35.24 mm (1.387 in.)
Inlet	35.843 ~ 35.957 mm (1.4111 ~ 1.4156 in.)	35.74 mm (1.407 in.)
Camshaft Journal, Camshaft Cap Clearance	0.028 ~ 0.071 mm (0.0011 ~ 0.0028 in.)	0.16 mm (0.0063 in.)
Camshaft Journal Diameter	23.950 ~ 23.972 mm (0.9429 ~ 0.9438 in.)	23.92 mm (0.942 in.)
Camshaft Bearing Inside Diameter	24.000 ~ 24.021 mm (0.9449 ~ 0.9457 in.)	24.08 mm (0.948 in.)
Camshaft Runout	TIR 0.02 mm (0.0008 in.) or less	TIR 0.1 mm (0.004 in.)
<b>Cylinder Head</b>		
Cylinder Compression	(Usable Range) 1 226 ~ 1 844 kPa (12.5 ~ 18.8 kgf/cm <sup>2</sup> , 178 ~ 267 psi) at 425 r/min (rpm)	— — —
Cylinder Head Warp	— — —	0.05 mm (0.002 in.)
<b>Valves</b>		
Valve Clearance:		
Exhaust	0.22 ~ 0.31 mm (0.0087 ~ 0.0122 in.)	— — —
Inlet	0.15 ~ 0.21 mm (0.0059 ~ 0.0083 in.)	— — —
Valve Head Thickness:		
Exhaust	0.8 mm (0.031 in.)	0.5 mm (0.020 in.)
Inlet	0.5 mm (0.020 in.)	0.25 mm (0.0098 in.)
Valve Stem Bend	TIR 0.01 mm (0.0004 in.) or less	TIR 0.05 mm (0.002 in.)
Valve Stem Diameter:		
Exhaust	4.455 ~ 4.470 mm (0.1754 ~ 0.1760 in.)	4.44 mm (0.175 in.)
Inlet	4.475 ~ 4.490 mm (0.1762 ~ 0.1768 in.)	4.46 mm (0.176 in.)
Valve Guide Inside Diameter:		
Exhaust	4.500 ~ 4.512 mm (0.1772 ~ 0.1776 in.)	4.58 mm (0.180 in.)
Inlet	4.500 ~ 4.512 mm (0.1772 ~ 0.1776 in.)	4.58 mm (0.180 in.)
Valve/Valve Guide Clearance (Wobble Method):		
Exhaust	0.07 ~ 0.14 mm (0.0028 ~ 0.0055 in.)	0.27 mm (0.0106 in.)
Inlet	0.02 ~ 0.08 mm (0.0008 ~ 0.0032 in.)	0.22 mm (0.0087 in.)
Valve Seat Cutting Angle	32°, 45°, 55°, 60°	— — —
Valve Seating Surface:		
Width:		
Exhaust	0.8 ~ 1.2 mm (0.031 ~ 0.047 in.)	— — —
Inlet	0.5 ~ 1.0 mm (0.020 ~ 0.039 in.)	— — —
Outside Diameter:		
Exhaust	27.6 ~ 27.8 mm (1.087 ~ 1.094 in.)	— — —
Inlet	32.6 ~ 32.8 mm (1.283 ~ 1.291 in.)	— — —

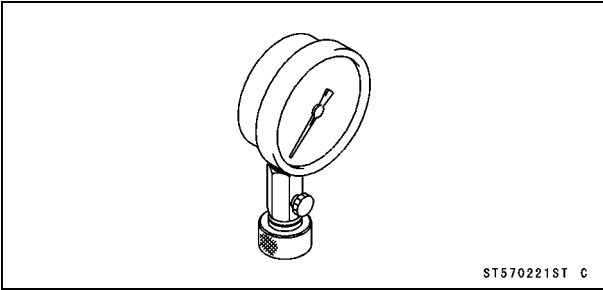
**Specifications**

Item	Standard	Service Limit
Valve Spring Free Length:		
Exhaust	41.9 mm (1.65 in.)	40.3 mm (1.587 in.)
Inlet	41.9 mm (1.65 in.)	40.3 mm (1.587 in.)
<b>Cylinder, Pistons</b>		
Cylinder Inside Diameter	82.994 ~ 83.006 mm (3.2675 ~ 3.2679 in.)	83.10 mm (3.272 in.)
Piston Diameter	82.969 ~ 82.984 mm (3.2665 ~ 3.2671 in.)	82.82 mm (3.261 in.)
Piston/Cylinder Clearance	0.010 ~ 0.037 mm (0.0004 ~ 0.0015 in.)	- - -
Piston Ring/Groove Clearance:		
Top	0.03 ~ 0.07 mm (0.0012 ~ 0.0028 in.)	0.17 mm (0.0067 in.)
Second	0.02 ~ 0.06 mm (0.0008 ~ 0.0024 in.)	0.16 mm (0.0063 in.)
Piston Ring Groove Width:		
Top	0.92 ~ 0.94 mm (0.0362 ~ 0.0370 in.)	1.02 mm (0.040 in.)
Second	1.01 ~ 1.03 mm (0.0398 ~ 0.0406 in.)	1.11 mm (0.044 in.)
Piston Ring Thickness:		
Top	0.87 ~ 0.89 mm (0.0342 ~ 0.0350 in.)	0.80 mm (0.032 in.)
Second	0.97 ~ 0.99 mm (0.0382 ~ 0.0390 in.)	0.90 mm (0.035 in.)
Piston Ring End Gap:		
Top	0.25 ~ 0.40 mm (0.0098 ~ 0.0157 in.)	0.7 mm (0.028 in.)
Second	0.40 ~ 0.55 mm (0.0157 ~ 0.0217 in.)	0.8 mm (0.031 in.)

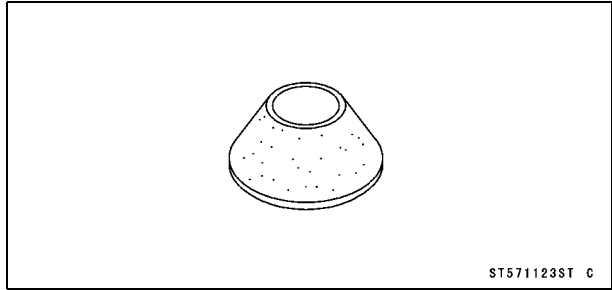
# 5-12 ENGINE TOP END

## Special Tools and Sealant

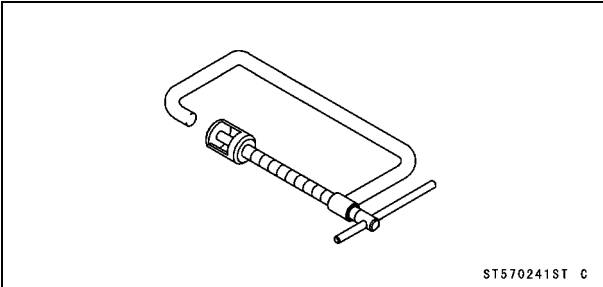
Compression Gauge, 20 kgf/cm<sup>2</sup>:  
57001-221



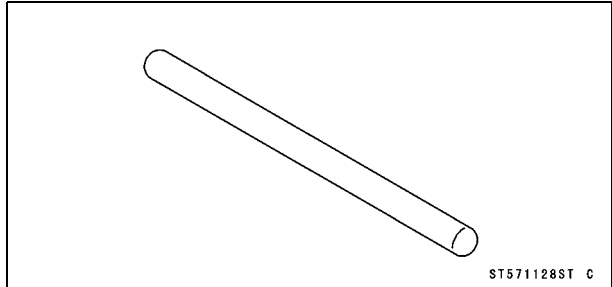
Valve Seat Cutter, 60° -  $\phi$ 30:  
57001-1123



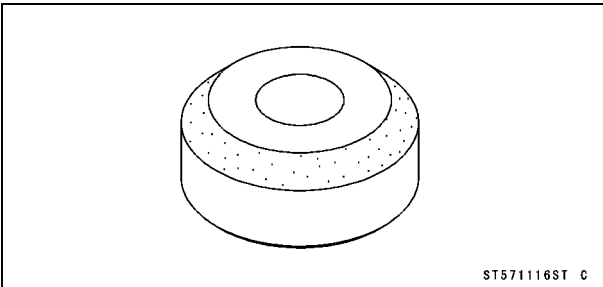
Valve Spring Compressor Assembly:  
57001-241



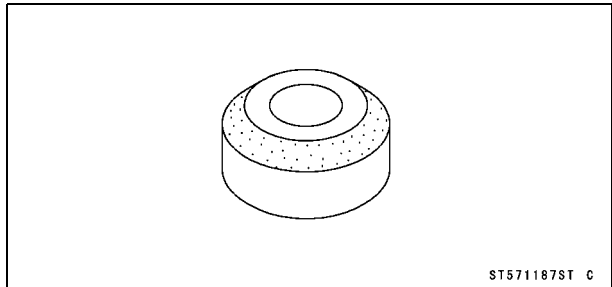
Valve Seat Cutter Holder Bar:  
57001-1128



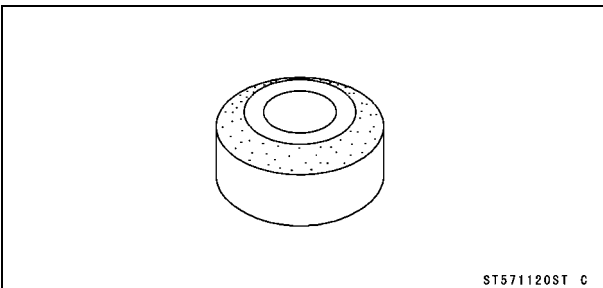
Valve Seat Cutter, 45° -  $\phi$ 35:  
57001-1116



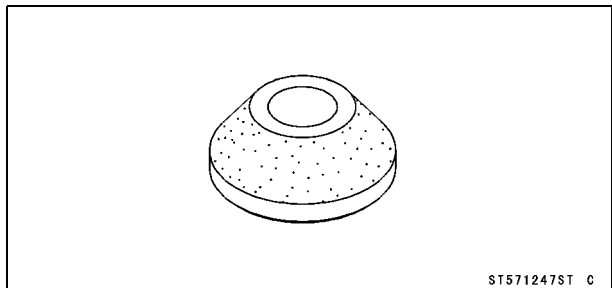
Valve Seat Cutter, 45° -  $\phi$ 30:  
57001-1187



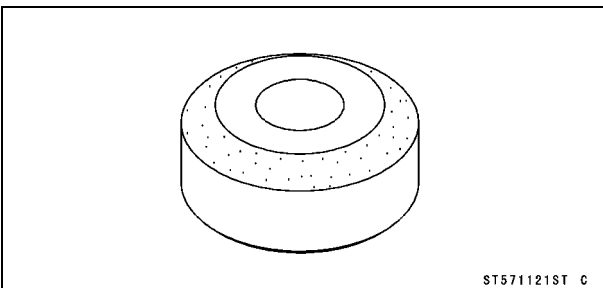
Valve Seat Cutter, 32° -  $\phi$ 30:  
57001-1120



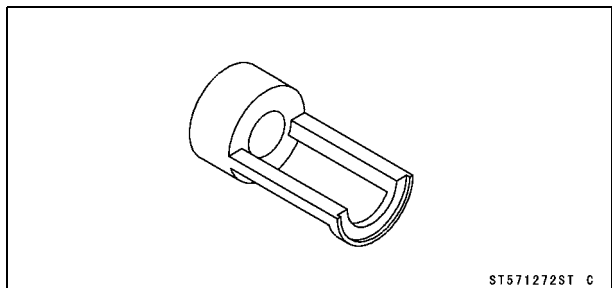
Valve Seat Cutter, 55° -  $\phi$ 35:  
57001-1247



Valve Seat Cutter, 32° -  $\phi$ 35:  
57001-1121

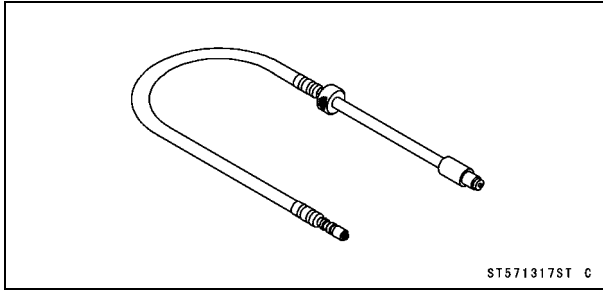


Valve Spring Compressor Adapter,  $\phi$ 21:  
57001-1272

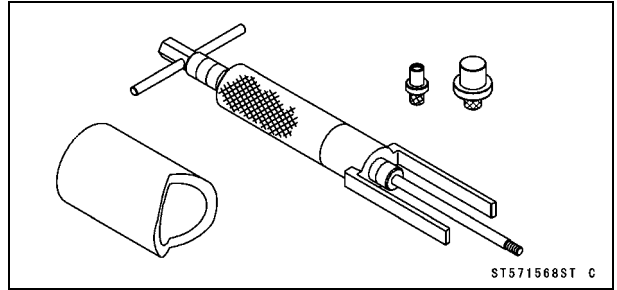


Special Tools and Sealant

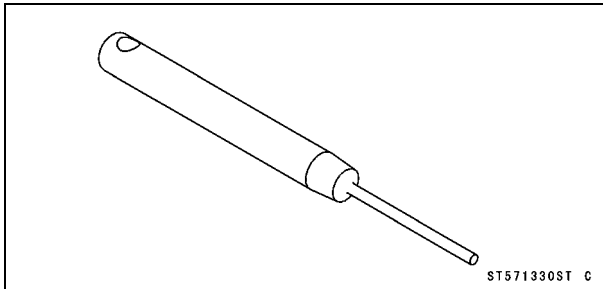
Compression Gauge Adapter, M10 × 1.0:  
57001-1317



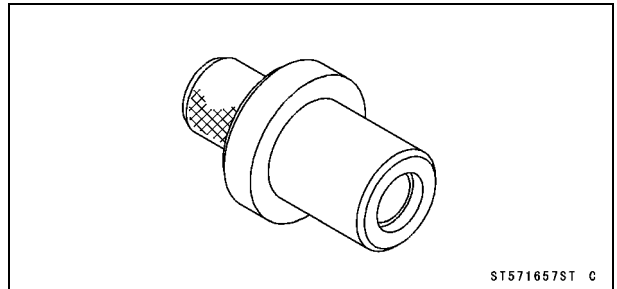
Piston Pin Puller:  
57001-1568



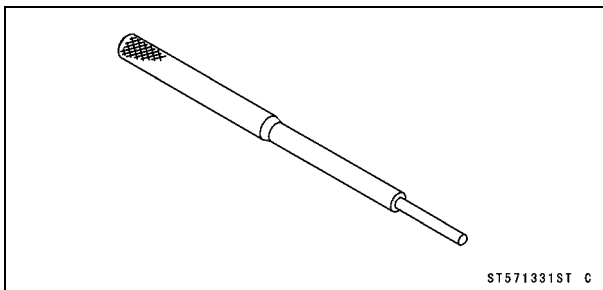
Valve Seat Cutter Holder,  $\phi$ 4.5:  
57001-1330



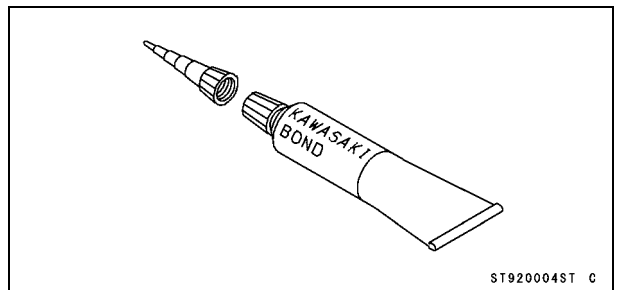
Piston Pin Puller Adapter C:  
57001-1657



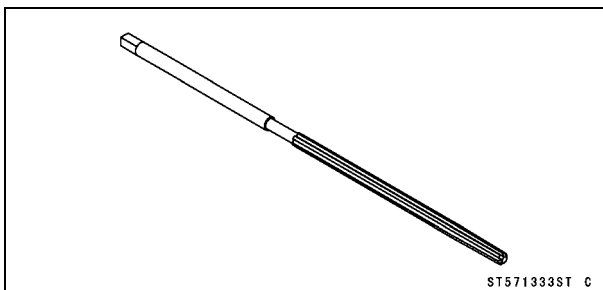
Valve Guide Arbor,  $\phi$ 4.5:  
57001-1331



Kawasaki Bond (Silicone Sealant):  
92104-0004



Valve Guide Reamer,  $\phi$ 4.5:  
57001-1333

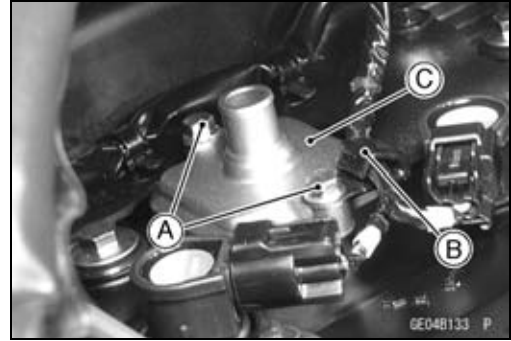


## 5-14 ENGINE TOP END

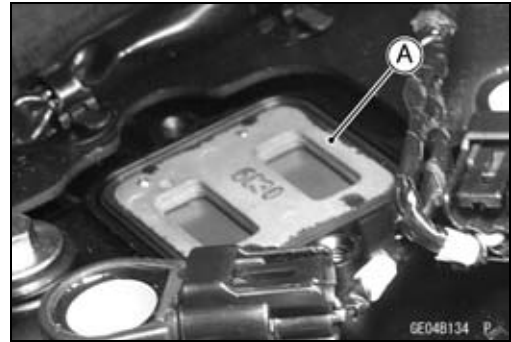
### Clean Air System

#### **Air Suction Valve Removal**

- Remove:
  - Air Switching Valve (see Air Switching Valve Removal)
  - Air Suction Valve Cover Bolts [A]
  - Clamp [B]
  - Air Suction Valve Cover [C]

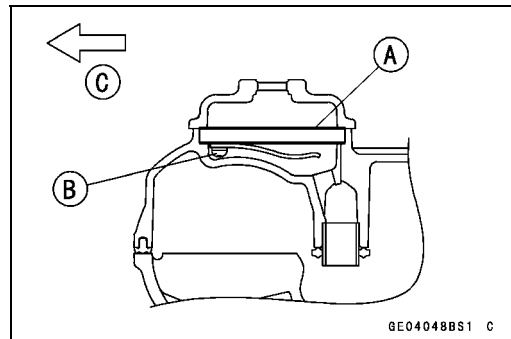


- Remove the air suction valve [A].

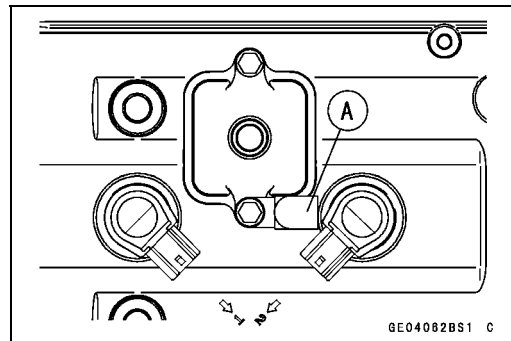


#### **Air Suction Valve Installation**

- Install the air suction valve [A] so that its side where stopper is fixed with the screws [B] faces the front [C].



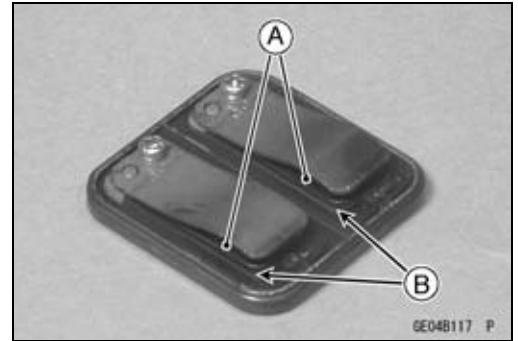
- Install the clamp [A] as shown.
- Tighten:
  - Torque - Air Suction Valve Cover Bolts: 9.8 N·m (1.0 kgf·m, 87 in·lb)**



**Clean Air System**

***Air Suction Valve Inspection***

- Remove the air suction valve (see Air Suction Valve Removal).
- Visually inspect the reeds [A] for cracks, folds, warps, heat damage or other damage.
- ★ If there is any doubt as to the condition of the reeds, replace the air suction valve as an assembly.
- Check the reed contact areas [B] of the valve holder for grooves, scratches, any signs of separation from the holder or heat damage.
- If there is any doubt as to the condition of the reed contact areas, replace the air suction valve as an assembly.
- If any carbon or other foreign particles have accumulated between the reed and the reed contact area, wash the valve assembly clean with a high-flash point solvent.

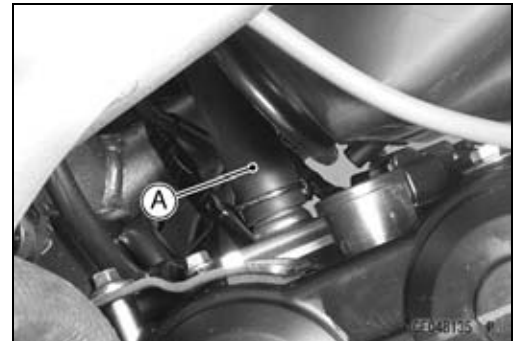


**CAUTION**

**Do not scrape off the deposits with a scraper as this could damage the rubber, requiring replacement of the suction valve assembly.**

***Air Switching Valve Removal***

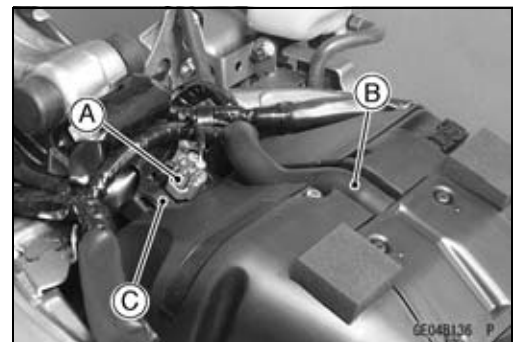
- Remove fuel tank (see Fuel Tank Removal in the Fuel System (DFI) chapter).
- Separate the air switching valve hose [A] from the air suction valve cover.



- Disconnect the connector [A].
- Separate the air switching valve hose [B] from the air cleaner housing, and remove the air switching valve [C].

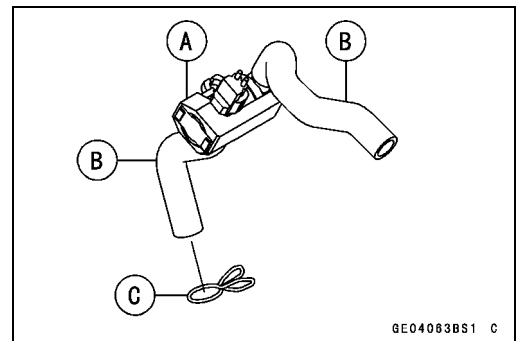
**CAUTION**

**Never drop the air switching valve, especially on a hard surface. Such a shock to the valve can damage it.**



***Air Switching Valve Installation***

- Install the air switching valve [A] with hoses [B] as shown.
- Install the clamp [C] so that its pinch heads face the right.
- Connect the air switching valve lead connector.



***Air Switching Valve Operation Test***

- Refer to the Air Suction System Damage Inspection in the Periodic Maintenance chapter.

## 5-16 ENGINE TOP END

---

### Clean Air System

---

#### ***Air Switching Valve Unit Test***

- Refer to the Air Switching Valve Unit Test in the Electrical System chapter.

#### ***Clean Air System Hose Inspection***

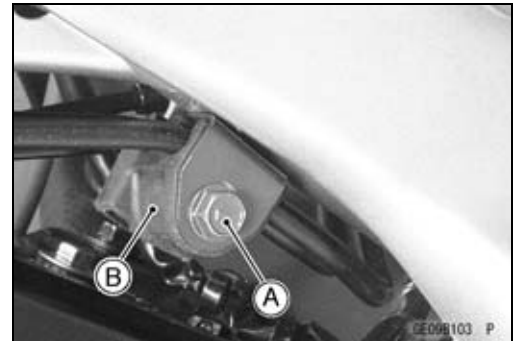
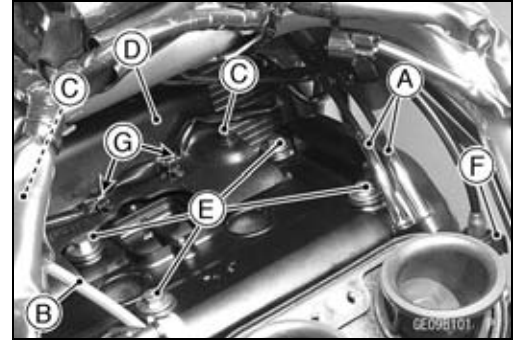
- Be certain that all the hoses are routed without being flattened or kinked, and are connected correctly to the air cleaner housing, air switching valve and air suction valve cover.
- ★ If they are not, correct them. Replace them if they are damaged.



## Cylinder Head Cover

### Cylinder Head Cover Removal

- Remove:
  - Fuel Tank (see Fuel Tank Removal in the Fuel System (DFI) chapter)
  - Air Cleaner Housing (see Air Cleaner Housing Removal in the Fuel System (DFI) chapter)
  - Air Suction Valve (see Air Suction Valve Removal)
  - Stick Coils (see Stick Coil (Ignition Coil together with Spark Plug Cap) Removal in the Electrical System chapter).
  - Throttle Cables [A] (see Throttle Body Assy Removal in the Fuel System (DFI) chapter)
  - Inlet Air Pressure Sensor Hose [B]
  - Baffle Plate Bolts [C]
  - Baffle Plate [D]
  - Cylinder Head Cover Bolts [E]
  - Clamp [F]
- For models equipped with an ABS, open the clamps [G].
- For models equipped with an ABS, remove the bolt [A] and damper [B].
- Remove the cylinder head cover [A] to backward floating it a little up.



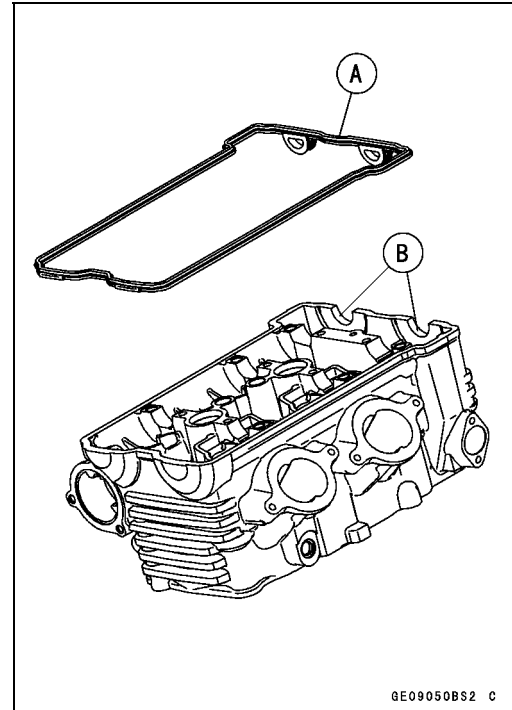
## 5-18 ENGINE TOP END

### Cylinder Head Cover

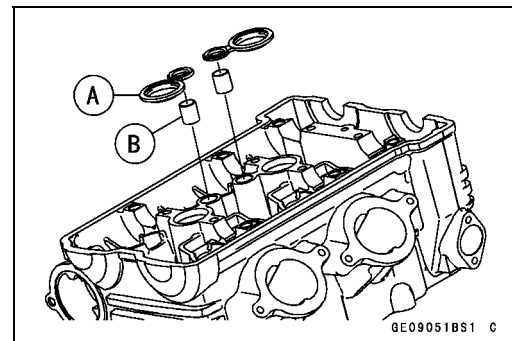
#### Cylinder Head Cover Installation

- Replace the head cover gasket [A] with a new one.
- Apply silicone sealant [B] to the cylinder head as shown.

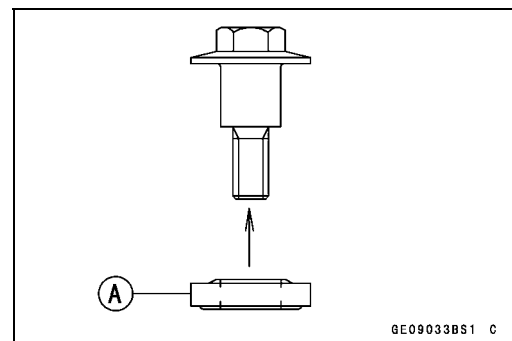
Sealant - Kawasaki Bond (Silicone Sealant): 92104-0004



- Replace the plug hole gaskets [A] with new ones.
- Be sure to install the following parts.
  - Dowel Pins [B]
  - Plug Hole Gaskets

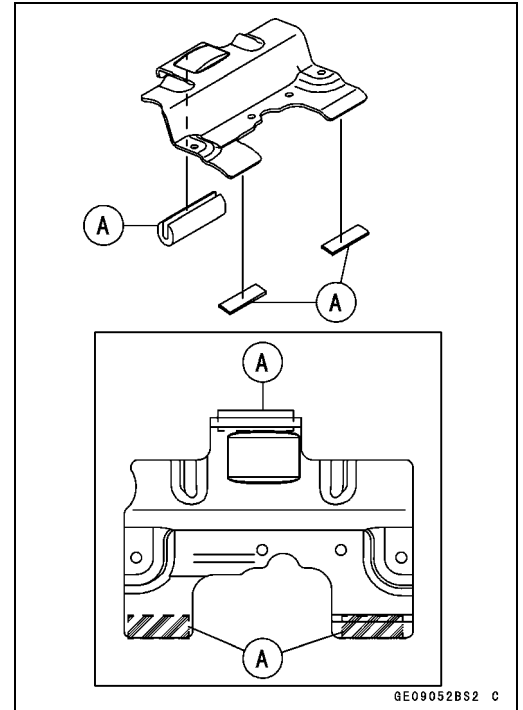


- Install the rubber washers [A] with metal side faces upward.
- Tighten:
  - Torque - Cylinder Head Cover Bolts: 9.8 N·m (1.0 kgf·m, 87 in·lb)



## Cylinder Head Cover

- Be sure that the dampers [A] of the baffle plate is in position.
- Tighten:  
Torque - Baffle Plate Bolts: 5.9 N·m (0.60 kgf·m, 52 in·lb)



## 5-20 ENGINE TOP END

### Camshaft Chain Tensioner

#### Camshaft Chain Tensioner Removal

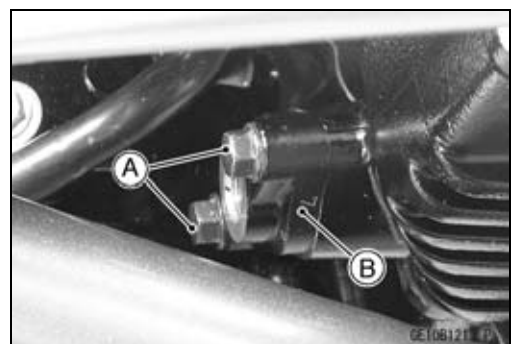
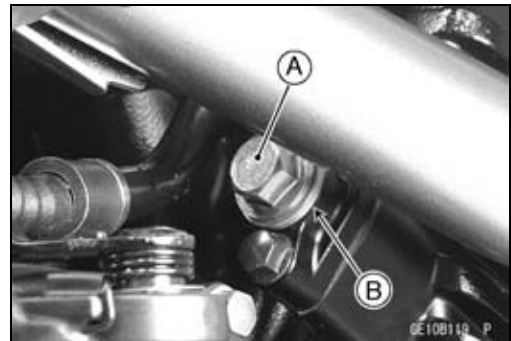
##### CAUTION

This is a non-return type camshaft chain tensioner. The push rod does not return to its original position once it moves out to take up camshaft chain slack. Observe all the rules listed below:

When removing the tensioner, do not take out the mounting bolts only halfway. Retightening the mounting bolts from this position could damage the tensioner and the camshaft chain. Once the bolts are loosened, the tensioner must be removed and reset as described in "Camshaft Chain Tensioner Installation."

Do not turn over the crankshaft while the tensioner is removed. This could upset the camshaft chain timing, and damage the valves.

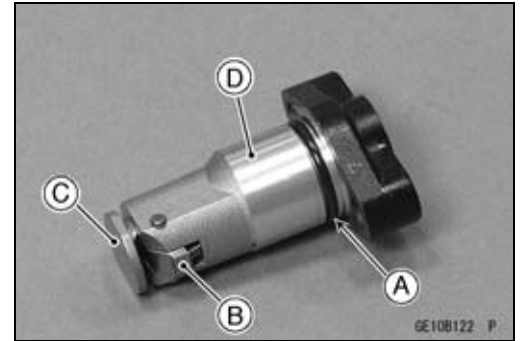
- Remove:
  - Cap Bolt [A]
  - Washer [B]
  
- Remove the spring [A].
  
- Remove the mounting bolts [A] and take off the camshaft chain tensioner body.



## Camshaft Chain Tensioner

### Camshaft Chain Tensioner Installation

- Replace the O-ring [A] with a new one.
- Apply grease to the new O-ring.
- Release the stopper [B] and push the push rod [C] into the tensioner body [D].



- Install the tensioner body so that the stopper [A] faces upward.
- Tighten the tensioner mounting bolts.

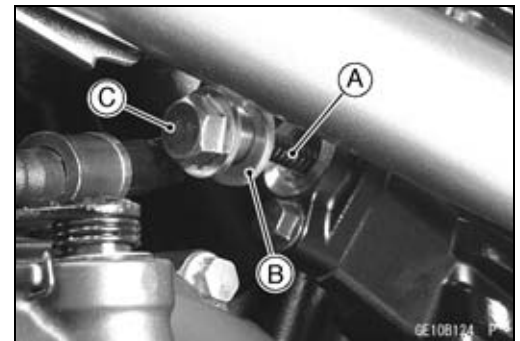
**Torque - Camshaft Chain Tensioner Mounting Bolts: 9.8 N·m (1.0 kgf·m, 87 in·lb)**



- Install:
  - Spring [A]
  - Washer [B]
- Tighten the cap bolt [C].

**Torque - Camshaft Chain Tensioner Cap Bolt: 20 N·m (2.0 kgf·m, 15 ft·lb)**

- Turn the crankshaft 2 turns clockwise to allow the tensioner to expand and recheck the camshaft chain timing.

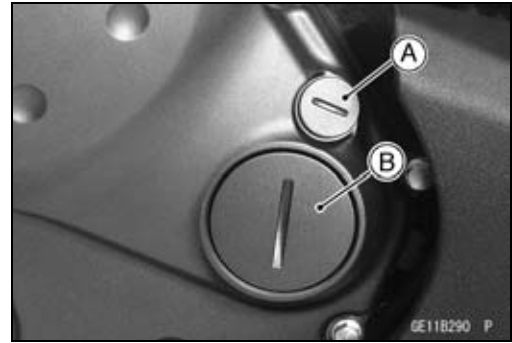


## 5-22 ENGINE TOP END

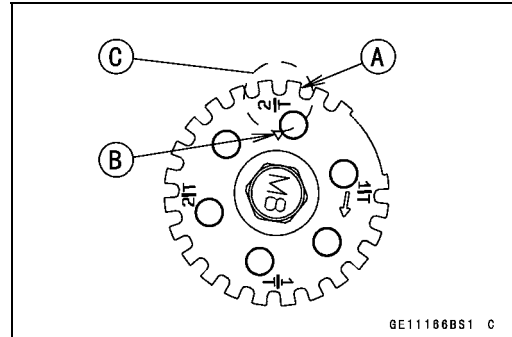
### Camshaft, Camshaft Chain

#### Camshaft Removal

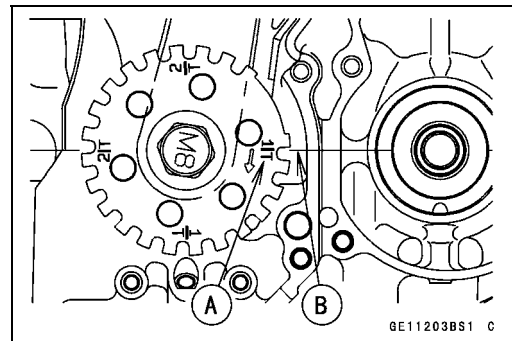
- Remove:
  - Cylinder Head Cover (see Cylinder Head Cover Removal)
  - Timing Inspection Cap [A]
  - Timing Rotor Bolt Cap [B]



- Using a wrench on the timing rotor bolt, turn the crankshaft clockwise until the 2/T mark line [A] on the timing rotor is aligned with the notch [B] in the edge of the timing inspection hole [C] in the clutch cover.

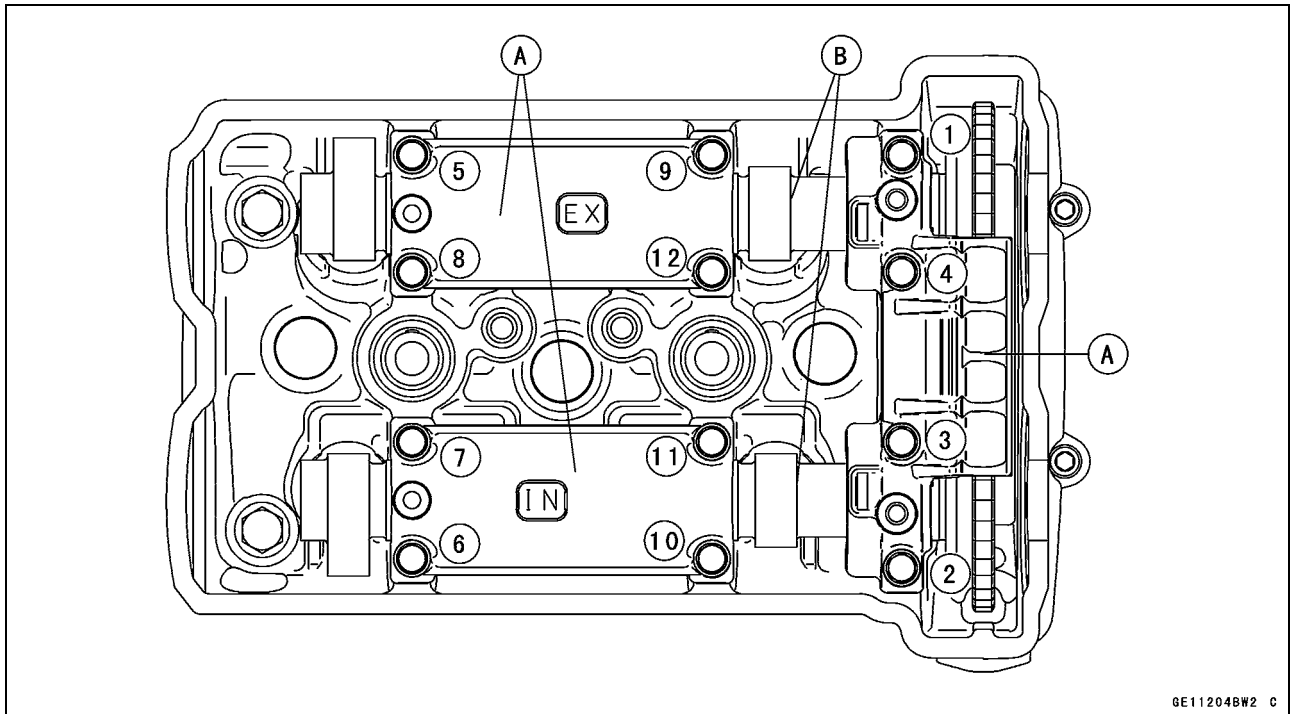


- ★ If the clutch cover is removed, perform the next procedure.
- Using a wrench on the timing rotor bolt, turn the crankshaft clockwise until the 1/T mark line [A] on the timing rotor is aligned with the mating surface [B] of the crankcase front side.



## Camshaft, Camshaft Chain

- Remove the camshaft chain tensioner (see Camshaft Chain Tensioner Removal).
- Loosen the camshaft cap bolts as shown sequence [1 ~ 12 ] in the figure, and remove them.
- Remove:  
Camshaft Caps [A]  
Camshafts [B]

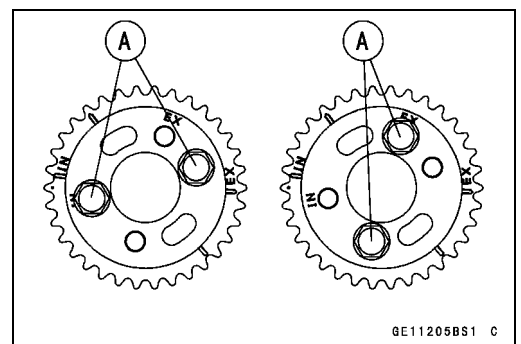


GE11204BW2 C

### CAUTION

The crankshaft may be turned while the camshafts are removed. Always pull the chain taut while turning the crankshaft. This avoids kinking the chain on the lower (crankshaft) sprocket. A kinked chain could damage both the chain and the sprocket.

- Stuff a clean cloth into the chain tunnel to keep any parts from dropping into the crankcase.
- Remove the cam sprocket mounting bolts [A].
- Remove the cam sprocket.



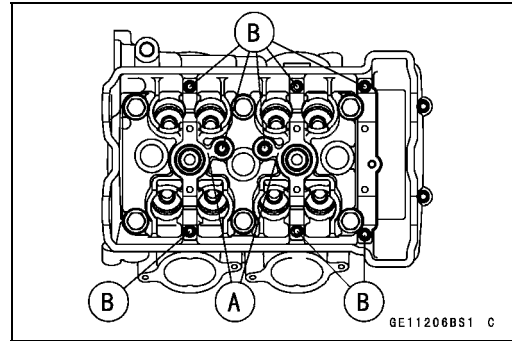
GE11205BS1 C

## 5-24 ENGINE TOP END

### Camshaft, Camshaft Chain

#### Camshaft Installation

- Replace the plug hole gaskets [A] with new ones.
- Be sure to install the following parts.
  - Plug Hole Gaskets
  - Dowel Pins [B]



- Install the cam sprockets so that the marked ("IN" and "EX") side faces to the outward.
- The inlet [A] and exhaust cam sprockets [B] are identical.

#### CAUTION

**Inlet cam sprocket must use "IN" marked bolt holes [C]. Exhaust cam sprocket must use "EX" marked bolt holes [D].**

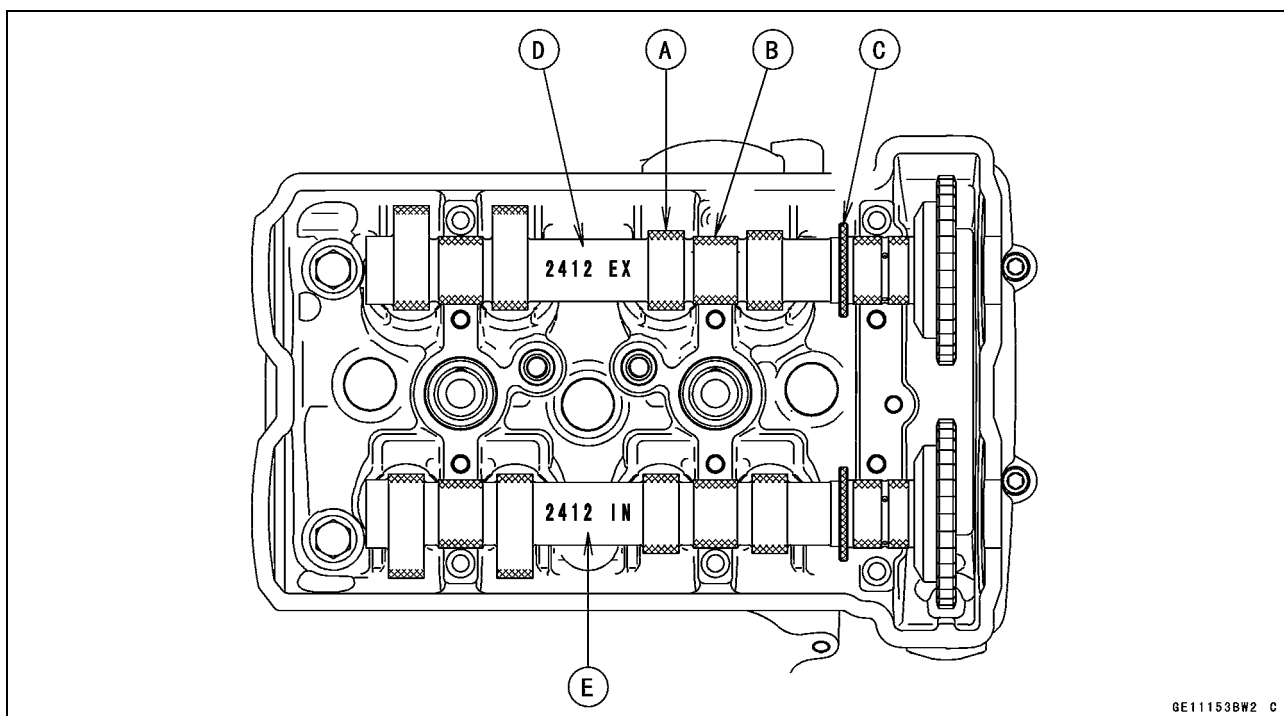
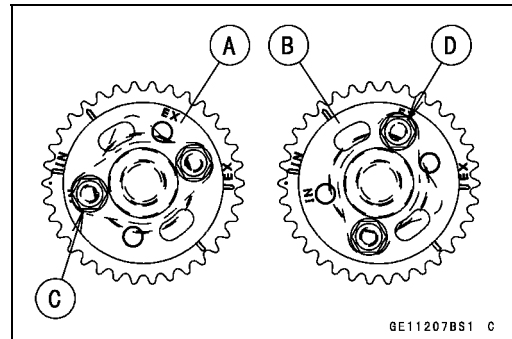
- Apply a non-permanent locking agent to the camshaft sprocket bolts and tighten them.

**Torque - Camshaft Sprocket Bolts: 15 N·m (1.5 kgf·m, 11 ft·lb)**

- Apply molybdenum disulfide oil solution to all cams [A], journals [B] and thrust blocks [C] with × marks.
- ★ If a new camshaft is to be used, apply a thin coat of molybdenum disulfide grease to the cam surfaces.

#### NOTE

- The exhaust camshaft has a 2412 EX mark [D] and the inlet camshaft has a 2412 IN mark [E]. Be careful not to mix up these shafts.



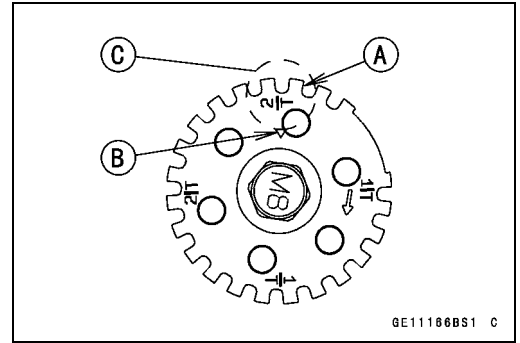


**Camshaft, Camshaft Chain**

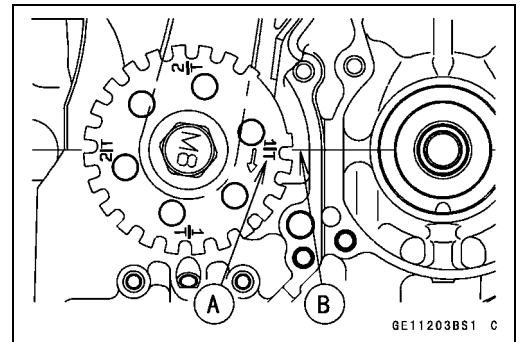
- Using a wrench on the timing rotor bolt, turn the crankshaft clockwise until the 2/T mark line [A] on the timing rotor is aligned with the notch [B] in the edge of the timing inspection hole [C] in the clutch cover.

**CAUTION**

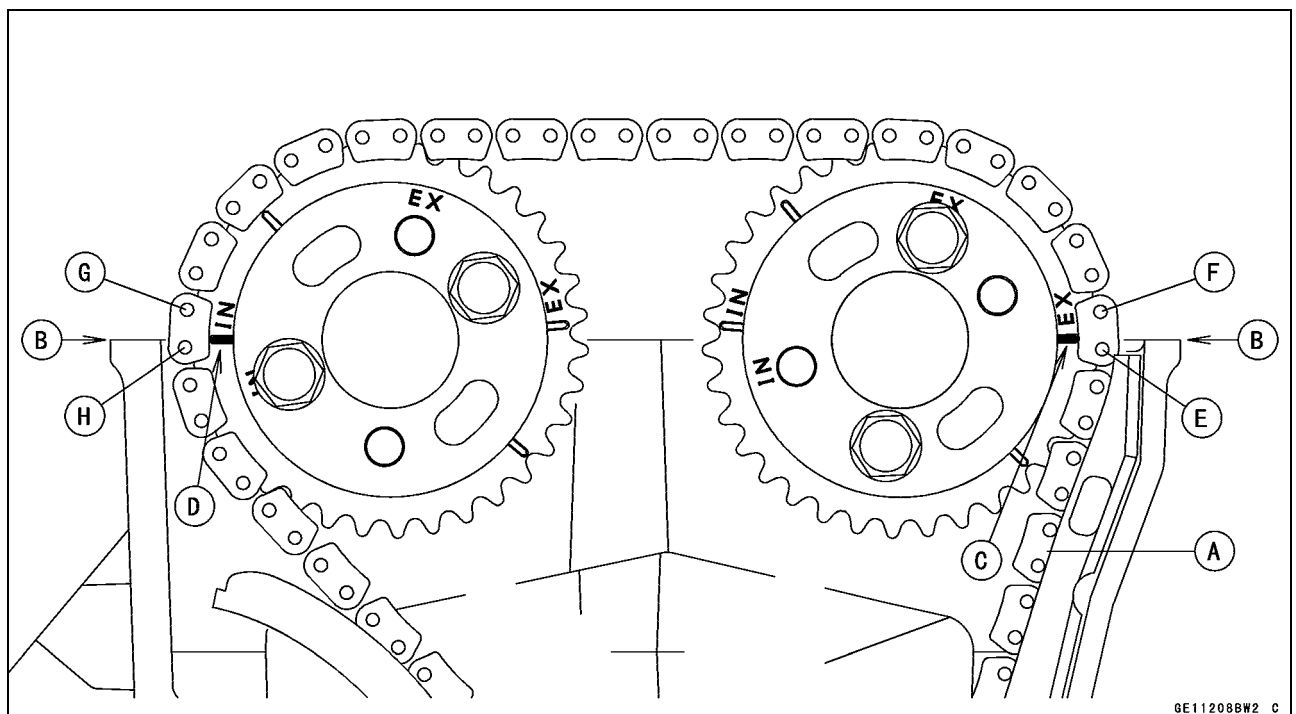
**The crankshaft may be turned while the camshafts are removed. Always pull the chain taut while turning the crankshaft. This avoids kinking the chain on the lower (crankshaft) sprocket. A kinked chain could damage both the chain and the sprocket.**



- ★ If the clutch cover is removed, perform the next procedure.
- Using a wrench on the bolt, turn the crankshaft clockwise until the 1/T mark line [A] on the timing rotor is aligned with the mating surface [B] of the crankcase front side.



- Pull the tension side (exhaust side) [A] of the chain taut to install the chain.
- Engage the camshaft chain with the camshaft sprockets so that the timing marks on the sprockets are positioned as shown.
- The timing marks must be aligned with the cylinder head upper surface [B].
  - EX Mark [C] (Between #1 Pin and #2 Pin)
  - IN Mark [D] (Between #31 Pin and #32 Pin)
  - #1 Pin [E]
  - #2 Pin [F]
  - #31 Pin [G]
  - #32 Pin [H]



## 5-26 ENGINE TOP END

### Camshaft, Camshaft Chain

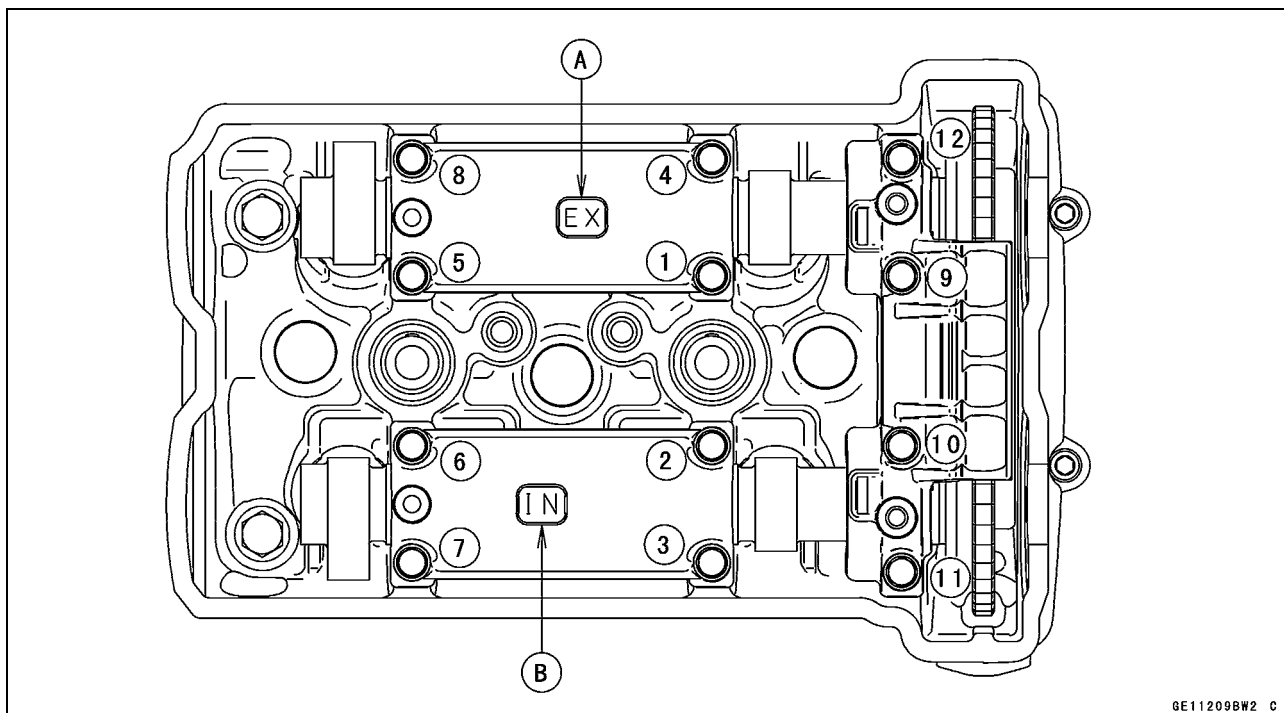
- Before installing the camshaft caps, install the camshaft chain tensioner body temporarily (see Camshaft Chain Tensioner Installation).
- Install the camshaft caps as shown.

#### NOTE

○ The exhaust cap has a "EX" mark [A] and the inlet cap has a "IN" mark [B]. Be careful not to mix up these caps.

- First tighten the camshaft cap bolts [9 ~ 12] evenly to seat the camshaft in place, then tighten all bolts following the specified tightening sequence.

**Torque - Camshaft Cap Bolts (1 ~ 12): 12 N·m (1.2 kgf·m, 106 in·lb)**



- Install the camshaft chain tensioner (see Camshaft Chain Tensioner Installation).
- Turn the crankshaft 2 turns clockwise to allow the tensioner to expand and recheck the camshaft chain timing.
- Replace the O-ring of the timing inspection cap and timing rotor bolt cap with new ones.
- Apply grease to the new O-rings.
- Install the timing inspection cap and timing rotor bolt cap.

**Torque - Timing Inspection Cap: 3.9 N·m (0.40 kgf·m, 35 in·lb)**

**Timing Rotor Bolt Cap: 4.9 N·m (0.50 kgf·m, 43 in·lb)**

- Install the cylinder head cover (see Cylinder Head Cover Installation).

**Camshaft, Camshaft Chain**

**Camshaft, Camshaft Cap Wear**

- Remove the camshaft caps (see Camshaft Removal).
- Cut strips of plastigage to journal width. Place a strip on each journal parallel to the camshaft installed in the correct position.
- Tighten the camshaft cap bolts to the specified torque (see Camshaft Installation).

**NOTE**

○ Do not turn the camshaft when the plastigage is between the journal and camshaft cap.

- Remove the camshaft cap again, measure each clearance between the camshaft journal and the camshaft cap using plastigage (press gauge) [A].

**Camshaft Journal, Camshaft Cap Clearance**

**Standard:** 0.028 ~ 0.071 mm (0.0011 ~ 0.0028 in.)

**Service Limit:** 0.16 mm (0.0063 in.)

- ★ If any clearance exceeds the service limit, measure the diameter of each camshaft journal with a micrometer.

**Camshaft Journal Diameter**

**Standard:** 23.950 ~ 23.972 mm (0.9429 ~ 0.9438 in.)

**Service Limit:** 23.92 mm (0.942 in.)

- ★ If the camshaft journal diameter is less than the service limit, replace the camshaft with a new one and measure the clearance again.
- ★ If the clearance still remains out of the limit, replace the cylinder head unit.

**Camshaft Runout**

- Remove the camshaft (see Camshaft Removal).
- Set the camshaft in a camshaft alignment jig or on V blocks.
- Measure runout with a dial gauge at the specified place as shown.
- ★ If the runout exceeds the service limit, replace the shaft.

**Camshaft Runout**

**Standard:** TIR 0.02 mm (0.0008 in.) or less

**Service Limit:** TIR 0.1 mm (0.004 in.)

**Cam Wear**

- Remove the camshaft (see Camshaft Removal).
- Measure the height [A] of each cam with a micrometer.
- ★ If the cams are worn down past the service limit, replace the camshaft.

**Cam Height**

**Standard:**

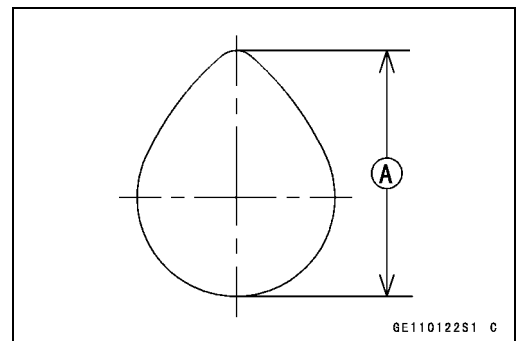
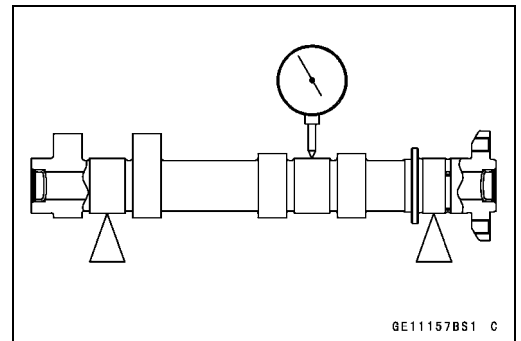
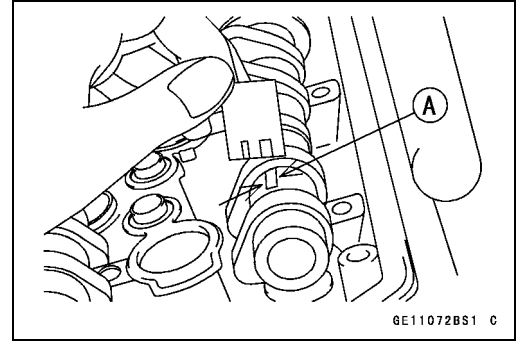
**Exhaust** 35.343 ~ 35.457 mm (1.3915 ~ 1.3959 in.)

**Inlet** 35.843 ~ 35.957 mm (1.4111 ~ 1.4156 in.)

**Service Limit:**

**Exhaust** 35.24 mm (1.387 in.)

**Inlet** 35.74 mm (1.407 in.)



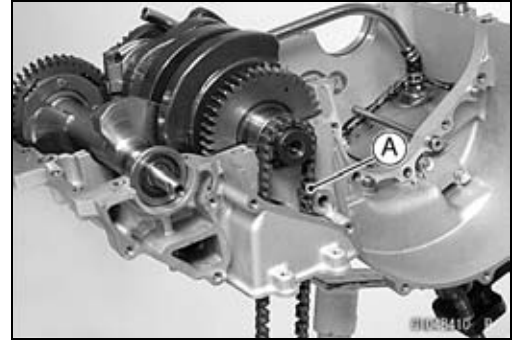
## 5-28 ENGINE TOP END

### Camshaft, Camshaft Chain

---

#### ***Camshaft Chain Removal***

- Split the crankcase (see Crankcase Splitting in the Crankshaft/Transmission chapter).
- Remove the camshaft chain [A] from the crankshaft sprocket.



**Cylinder Head**

**Cylinder Compression Measurement**

**NOTE**

○Use the battery which is fully charged.

- Warm up the engine thoroughly.
- Stop the engine.
- Remove:
  - Fuel Tank (see Fuel Tank Removal in the Fuel System (DFI) chapter)
  - Air Cleaner Housing (see Air Cleaner Housing Removal in the Fuel System (DFI) chapter)
  - Stick Coils (see Stick Coil (Ignition Coil together with Spark Plug Cap) Removal in the Electrical System chapter)
  - Spark Plugs (see Spark Plug Replacement in the Periodic Maintenance chapter)
- Attach the compression gauge [A] and adapter [B] firmly into the spark plug hole.
- Using the starter motor, turn the engine over with the throttle fully open until the compression gauge stops rising; the compression is the highest reading obtainable.

**Special Tools - Compression Gauge, 20 kgf/cm<sup>2</sup>: 57001-221**  
**Compression Gauge Adapter, M10 × 1.0: 57001-1317**

**Cylinder Compression**

**Usable Range: 1 226 ~ 1 844 kPa (12.5 ~ 18.8 kgf/cm<sup>2</sup>, 178 ~ 267 psi) at 425 r/min (rpm)**

- Repeat the measurement for the other cylinders.
- Install the spark plugs (see Spark Plug Replacement in the Periodic Maintenance chapter).

○The following table should be consulted if the obtainable compression reading is not within the usable range.



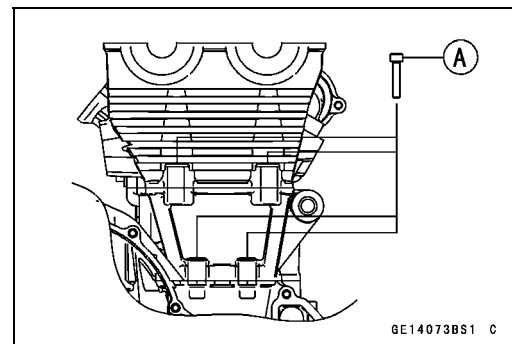
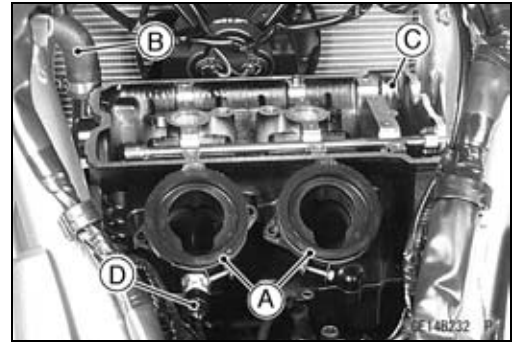
Problem	Diagnosis	Remedy (Action)
Cylinder compression is higher than usable range	Carbon accumulation on piston and in combustion chamber possibly due to damaged valve stem oil seal and/or damaged piston oil rings (This may be indicated by white exhaust smoke).	Remove the carbon deposits and replace damaged parts if necessary.
	Incorrect cylinder head gasket thickness	Replace the gasket with a standard part.
Cylinder compression is lower than usable range	Gas leakage around cylinder head	Replace damaged gasket and check cylinder head warp.
	Bad condition of valve seating	Repair if necessary.
	Incorrect valve clearance	Adjust the valve clearance.
	Incorrect piston/cylinder clearance	Replace the piston and/or cylinder.
	Piston seizure	Inspect the cylinder and replace/repair the cylinder and/or piston as necessary.
	Bad condition of piston ring and/or piston ring grooves	Replace the piston and/or the piston rings.

## 5-30 ENGINE TOP END

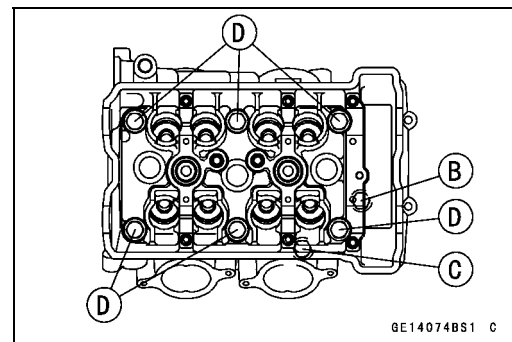
### Cylinder Head

#### Cylinder Head Removal

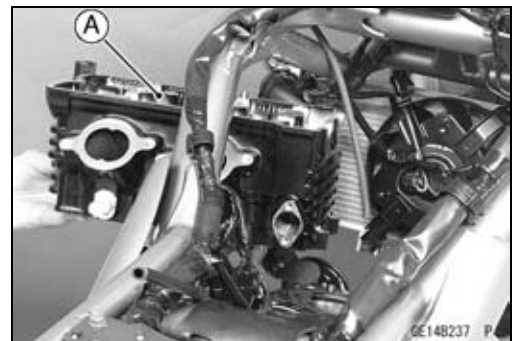
- Drain the coolant (see Coolant Change in the Periodic Maintenance chapter).
- Remove:
  - Exhaust Pipes (see Exhaust Pipe Removal)
  - Cylinder Head Cover (see Cylinder Head Cover Removal)
  - Camshafts (see Camshaft Removal)
  - Throttle Body Assy (see Throttle Body Assy Removal in the Fuel System (DFI) chapter)
  - Throttle Body Assy Holders [A] (see Throttle Body Assy Holder Removal)
  - Left Front Frame Cover (see Front Frame Cover Removal in the Frame chapter)
  - Water Hose [B]
  - Front Camshaft Chain Guide [C]
  - Water Temperature Sensor Connector [D]
- Remove the cylinder head and cylinder bolts, following the specified sequence.
- Firstly remove the M6 cylinder head bolts and M6 cylinder bolts [A].



- Secondly, remove the M8 bolts [B].
- Thirdly, remove the M10 nut [C].
- Lastly, remove the M10 bolts [D].



- Take off the cylinder head [A] from the space of the frame pipes.

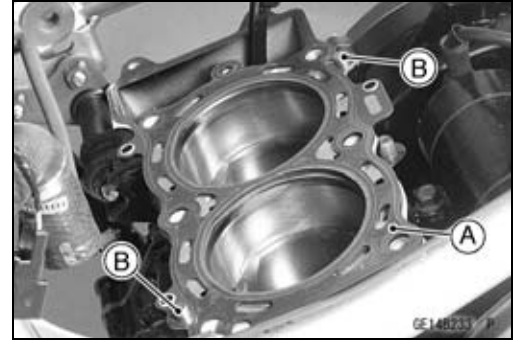


## Cylinder Head

### Cylinder Head Installation

#### NOTE

- The camshaft cap is machined with the cylinder head, so if a new cylinder head is installed, use the cap that is supplied with the new head.
- Install a new cylinder head gasket [A] and dowel pins [B].



- Apply molybdenum disulfide oil solution [A] to both sides of washers and the threads of bolts and nut.
  - M10 Cylinder Head Bolts [B]
  - M10 Cylinder Nut [C]
  - M8 Cylinder Bolt [D]
- Tighten the all the bolts and nut following the tightening sequence [1 ~ 8].

#### Torque - Cylinder Head Bolts (M10):

First: 25 N·m (2.5 kgf·m, 18 ft·lb)

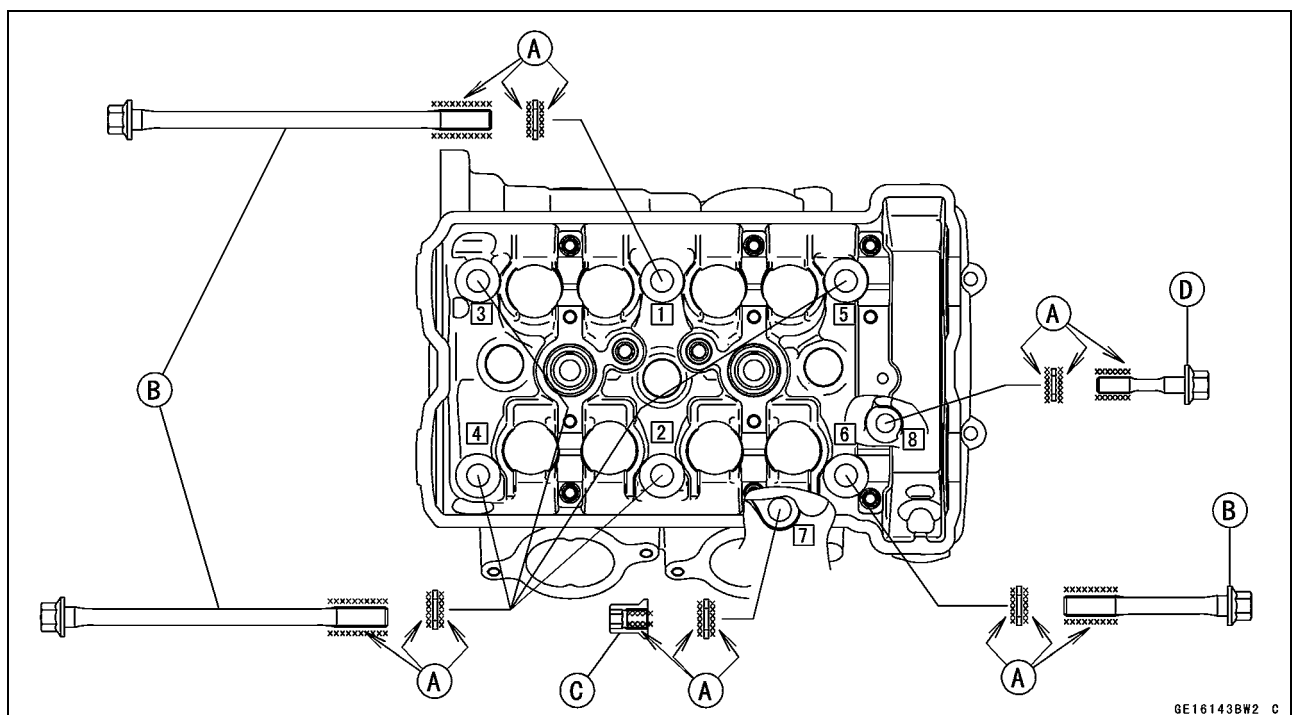
Final: 56 N·m (5.7 kgf·m, 41 ft·lb)

Cylinder Nut (M10): 49 N·m (5.0 kgf·m, 36 ft·lb)

Cylinder Bolt (M8): 27.5 N·m (2.8 kgf·m, 20 ft·lb)

#### NOTE

- The tightening sequence No.1 ~ No.5 are the cylinder head bolts that are tightened between the cylinder head with the crankcase.
- The No.6 is the cylinder head bolt that is tightened between the cylinder head with the cylinder.
- The No.7 and No.8 are the cylinder nut and cylinder bolt that are tightened between the cylinder and the crankcase.



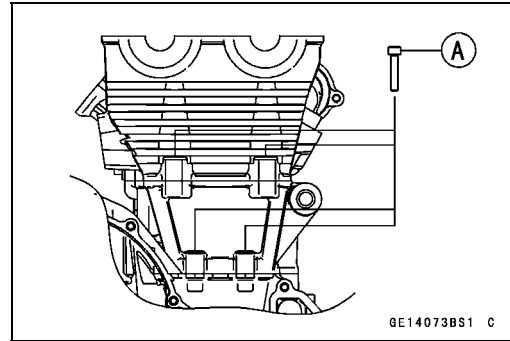
## 5-32 ENGINE TOP END

### Cylinder Head

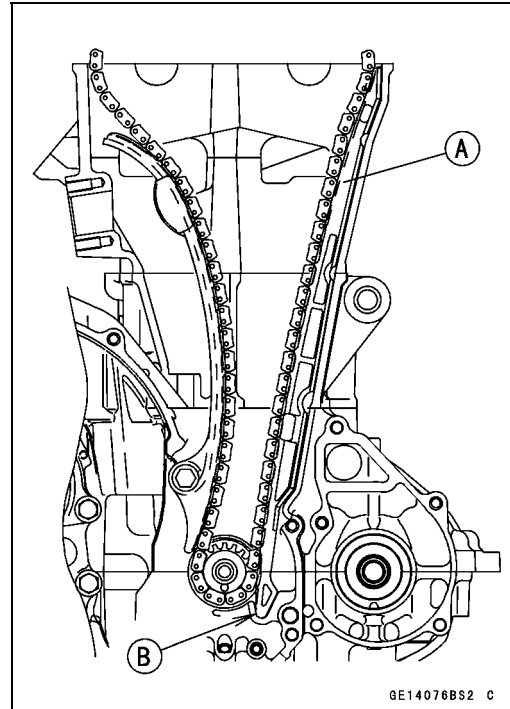
- Tighten the M6 cylinder head bolts and M6 cylinder bolts [A].

**Torque - Cylinder Head Bolts (M6): 12 N·m (1.2 kgf·m, 106 in·lb)**

**Cylinder Bolts (M6): 12 N·m (1.2 kgf·m, 106 in·lb)**



- Install the front camshaft chain guide [A].
- Insert the end [B] of front camshaft chain guide into the hollow on the lower crankcase half.
- Install the removed parts (see appropriate chapters).



### Cylinder Head Warp

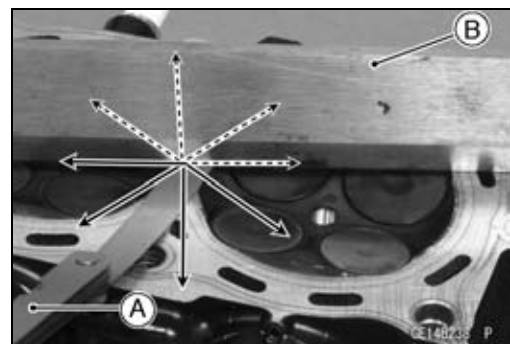
- Clean the cylinder head.
- Lay a straightedge across the lower surface of the cylinder head at several positions.
- Use a thickness gauge [A] to measure the space between the straightedge [B] and the head.

#### Cylinder Head Warp

**Standard: ---**

**Service Limit: 0.05 mm (0.002 in.)**

- ★ If the cylinder head is warped more than the service limit, replace it.
- ★ If the cylinder head is warped less than the service limit, repair the head by rubbing the lower surface on emery paper secured to a surface plate (first No. 200, then No. 400).





## Valves

### Valve Clearance Inspection

- Refer to the Valve Clearance Inspection in the Periodic Maintenance chapter.

### Valve Clearance Adjustment

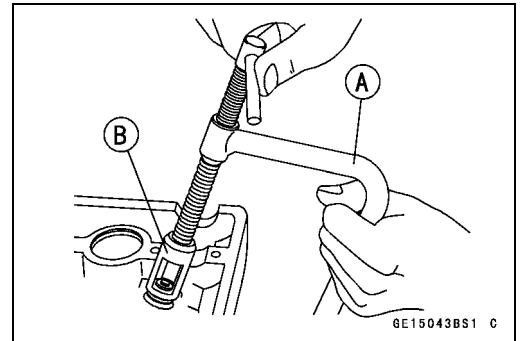
- Refer to the Valve Clearance Adjustment in the Periodic Maintenance chapter.

### Valve Removal

- Remove cylinder head (see Cylinder Head Removal).
- Remove the valve lifter and shim.
- Mark and record the valve lifter and shim locations so they can be installed in their original positions.
- Using the valve spring compressor assembly, remove the valve.

**Special Tools - Valve Spring Compressor Assembly [A]:**  
57001-241

**Valve Spring Compressor Adapter,  $\phi$ 21 [B]:**  
57001-1272



### Valve Installation

- Replace the oil seal with a new one.
- Apply engine oil to the oil seal lip.
- Apply a thin coat of molybdenum disulfide grease to the valve stem before valve installation.
- Install the springs so that the closed coil end faces downwards (the side painted in green faces upwards).

Valve Stem [A]

Oil Seal [B]

Spring Seat [C]

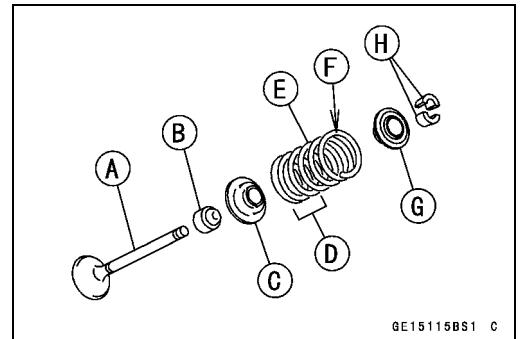
Closed Coil End [D]

Valve Spring [E]

Side Painted in Green [F]

Retainer [G]

Split Keepers [H]

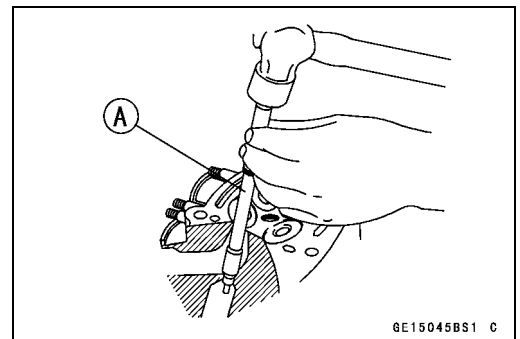


### Valve Guide Removal

- Remove:
  - Valve (see Valve Removal)
  - Oil Seal
  - Spring Seat
- Heat the area around the valve guide to 120 ~ 150°C (248 ~ 302°F), and hammer lightly on the valve guide arbor [A] to remove the guide from the top of the head.

### CAUTION

**Do not heat the cylinder head with a torch. This will warp the cylinder head. Soak the cylinder head in oil and heat the oil.**



**Special Tool - Valve Guide Arbor,  $\phi$ 4.5: 57001-1331**

## 5-34 ENGINE TOP END

### Valves

#### Valve Guide Installation

- Apply engine oil to the valve guide outer surface before installation.
- Heat the area around the valve guide hole to about 120 ~ 150°C (248 ~ 302°F).
- Drive the valve guide in from the top of the head using the valve guide arbor. The flange stops the guide from going in too far.

**Special Tool - Valve Guide Arbor,  $\phi$ 4.5: 57001-1331**

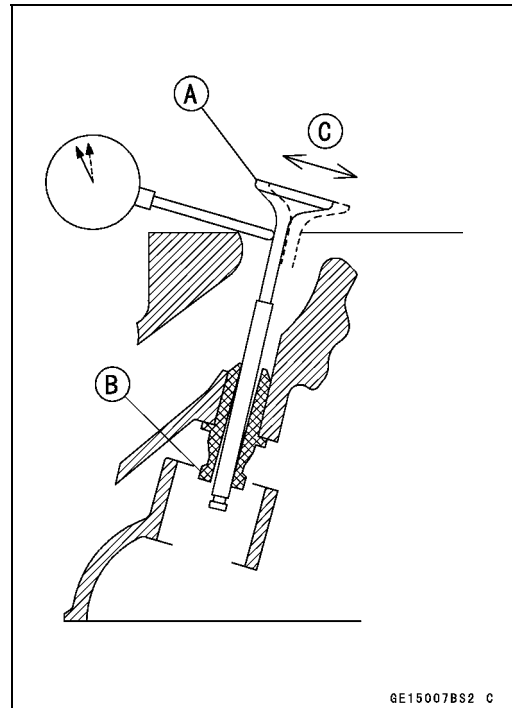
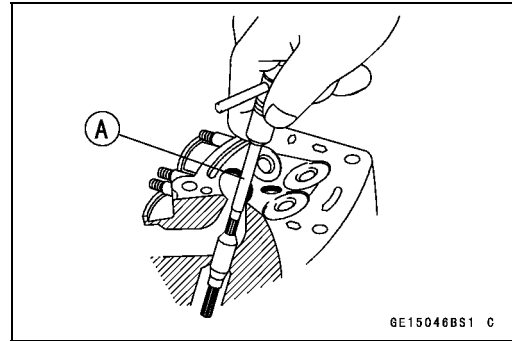
- Wait until the cylinder head cools down and then ream the valve guide with the valve guide reamer [A] even if the old guide is reused.
- Turn the reamer in a clockwise direction until the reamer turns freely in the guide. Never turn the reamer counter-clockwise or it will be dulled.
- Once the guides are reamed they must be cleaned thoroughly.

**Special Tool - Valve Guide Reamer,  $\phi$ 4.5: 57001-1333**

#### Valve-to-Guide Clearance Measurement (Wobble Method)

If a small bore gauge is not available, inspect the valve guide wear by measuring the valve to valve guide clearance with the wobble method as indicated below.

- Insert a new valve [A] into the guide [B] and set a dial gauge against the stem perpendicular to it as close as possible to the cylinder head mating surface.
  - Move the stem back and forth [C] to measure valve/valve guide clearance.
  - Repeat the measurement in a direction at a right angle to the first.
- ★ If the reading exceeds the service limit, replace the guide.



#### NOTE

- The reading is not actual valve/valve guide clearance because the measuring point is above the guide.

#### Valve/Valve Guide Clearance (Wobble Method)

##### Standard:

Exhaust	0.07 ~ 0.14 mm (0.0028 ~ 0.0055 in.)
Inlet	0.02 ~ 0.08 mm (0.0008 ~ 0.0032 in.)

##### Service Limit:

Exhaust	0.27 mm (0.0106 in.)
Inlet	0.22 mm (0.0087 in.)

**Valves**

**Valve Seat Inspection**

- Remove the valve (see Valve Removal).
- Check the valve seating surface [A] between the valve [B] and valve seat [C].
- Measure the outside diameter [D] of the seating pattern on the valve seat.
- ★ If the outside diameter is too large or too small, repair the seat (see Valve Seat Repair).

**Valve Seating Surface Outside Diameter**

**Standard:**

<b>Exhaust</b>	<b>27.6 ~ 27.8 mm (1.087 ~ 1.094 in.)</b>
<b>Inlet</b>	<b>32.6 ~ 32.8 mm (1.283 ~ 1.291 in.)</b>

- Measure the seat width [E] of the portion where there is no build-up carbon (white portion) of the valve seat with a vernier caliper.
- Good [F]
- ★ If the width is too wide [G], too narrow [H] or uneven [J], repair the seat (see Valve Seat Repair).

**Valve Seating Surface Width**

**Standard:**

<b>Exhaust</b>	<b>0.8 ~ 1.2 mm (0.031 ~ 0.047 in.)</b>
<b>Inlet</b>	<b>0.5 ~ 1.0 mm (0.020 ~ 0.039 in.)</b>

**Valve Seat Repair**

- Repair the valve seat with the valve seat cutters [A].
- Special Tools - Valve Seat Cutter Holder Bar [C]: 57001-1128**
- Valve Seat Cutter Holder,  $\phi$ 4.5 [B]: 57001-1330**

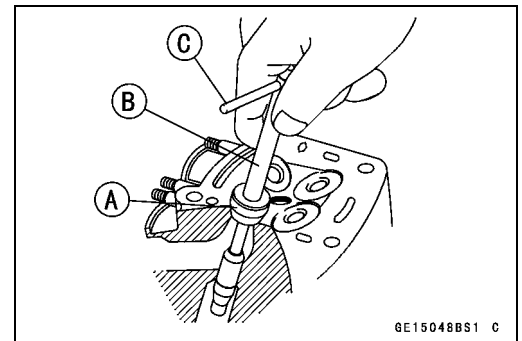
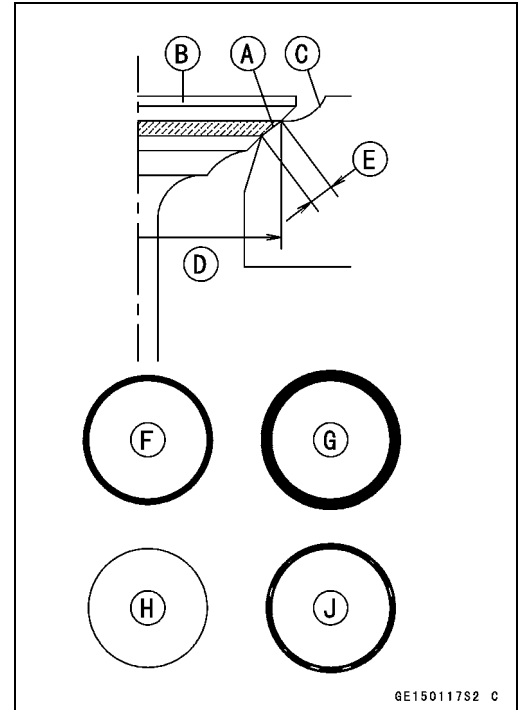
**For Exhaust Valve Seat**

- Valve Seat Cutter, 45° -  $\phi$ 30: 57001-1187**
- Valve Seat Cutter, 32° -  $\phi$ 30: 57001-1120**
- Valve Seat Cutter, 60° -  $\phi$ 30: 57001-1123**

**For Inlet Valve Seat**

- Valve Seat Cutter, 45° -  $\phi$ 35: 57001-1116**
- Valve Seat Cutter, 32° -  $\phi$ 35: 57001-1121**
- Valve Seat Cutter, 55° -  $\phi$ 35: 57001-1247**

- ★ If the manufacturer's instructions are not available, use the following procedure.



## 5-36 ENGINE TOP END

### Valves

#### Seat Cutter Operation Care

1. This valve seat cutter is developed to grind the valve for repair. Therefore the cutter must not be used for other purposes than seat repair.
2. Do not drop or shock the valve seat cutter, or the diamond particles may fall off.
3. Do not fail to apply engine oil to the valve seat cutter before grinding the seat surface. Also wash off ground particles sticking to the cutter with washing oil.

#### NOTE

○Do not use a wire brush to remove the metal particles from the cutter. It will take off the diamond particles.

4. Setting the valve seat cutter holder in position, operate the cutter in one hand. Do not apply too much force to the diamond portion.

#### NOTE

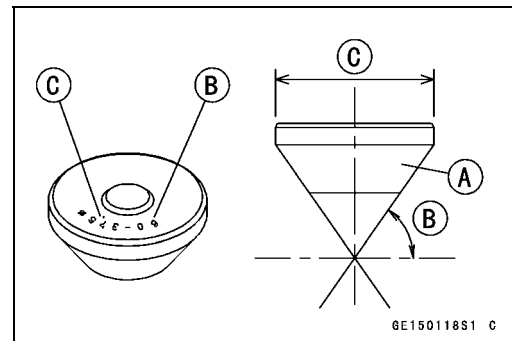
○Prior to grinding, apply engine oil to the cutter and during the operation, wash off any ground particles sticking to the cutter with washing oil.

5. After use, wash it with washing oil and apply thin layer of engine oil before storing.

#### Marks Stamped on the Cutter

The marks stamped on the back of the cutter [A] represent the following.

- 60° ..... Cutter angle [B]  
φ37.5 ..... Outer diameter of cutter [C]



#### Operating Procedures

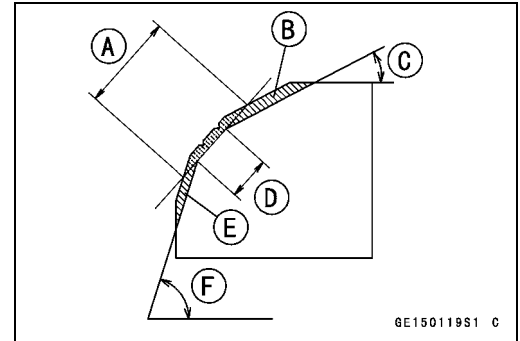
- Clean the seat area carefully.
- Coat the seat with machinist's dye.
- Fit a 45° cutter into the holder and slide it into the valve guide.
- Press down lightly on the handle and turn it right or left. Grind the seating surface only until it is smooth.

#### CAUTION

**Do not grind the seat too much. Overgrinding will reduce valve clearance by sinking the valve into the head. If the valve sinks too far into the head, it will be impossible to adjust the clearance, and the cylinder head must be replaced.**

## Valves

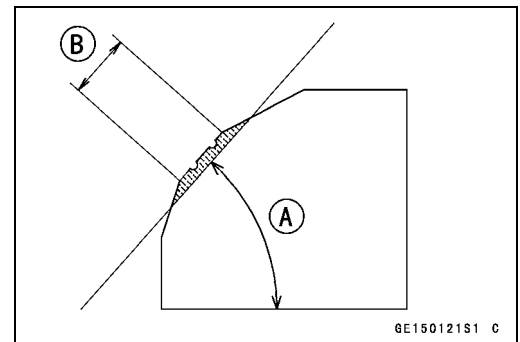
- Measure the outside diameter of the seating surface with a vernier caliper.
- ★ If the outside diameter of the seating surface is too small, repeat the 45° grind until the diameter is within the specified range.
  - Widened Width [A] of engagement by machining with 45° cutter
  - Ground Volume [B] by 32° cutter
  - 32° [C]
  - Correct Width [D]
  - Ground Volume [E] by 60° or 55° cutter
  - 60° or 55° [F]



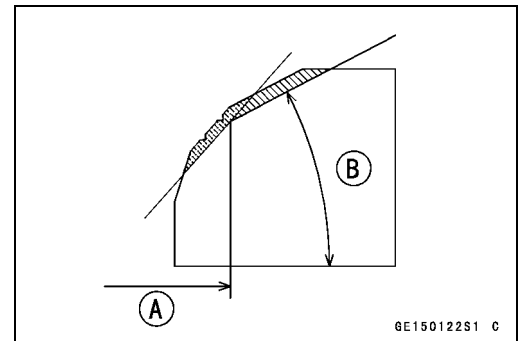
- Measure the outside diameter of the seating surface with a vernier caliper.
- ★ If the outside diameter of the seating surface is too small, repeat the 45° grind [A] until the diameter is within the specified range.
  - Original Seating Surface [B]

### NOTE

- Remove all pittings of flaws from 45° ground surface.
- After grinding with 45° cutter, apply thin coat of machinist's dye to seating surface. This makes seating surface distinct and 32° and 60° (or 55°) grinding operation easier.
- When the valve guide is replaced, be sure to grind with 45° cutter for centering and good contact.



- ★ If the outside diameter [A] of the seating surface is too large, make the 32° grind described below.
- ★ If the outside diameter of the seating surface is within the specified range, measure the seat width as described below.
- Grind the seat at a 32° angle [B] until the seat outside diameter is within the specified range.
  - To make the 32° grind, fit a 32° cutter into the holder, and slide it into the valve guide.
  - Turn the holder one turn at a time while pressing down very lightly. Check the seat after each turn.



### CAUTION

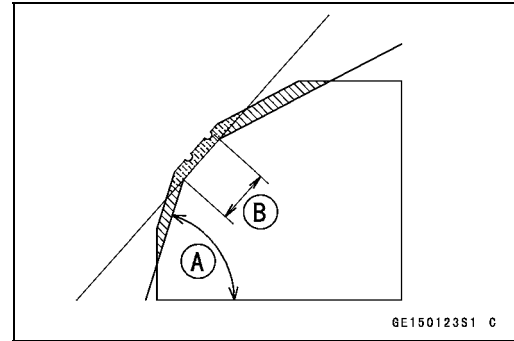
**The 32° cutter removes material very quickly. Check the seat outside diameter frequently to prevent overgrinding.**

- After making the 32° grind, return to the seat outside diameter measurement step above.
- To measure the seat width, use a vernier caliper to measure the width of the 45° angle portion of the seat at several places around the seat.
- ★ If the seat width is too narrow, repeat the 45° grind until the seat is slightly too wide, and then return to the seat outside diameter measurement step above.

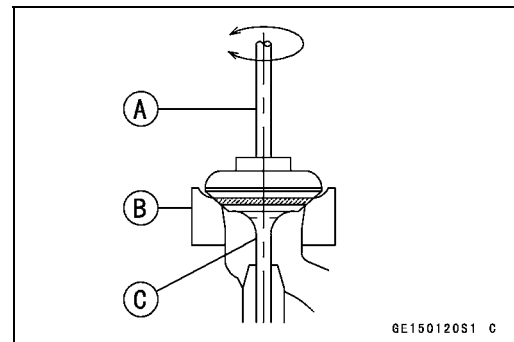
## 5-38 ENGINE TOP END

### Valves

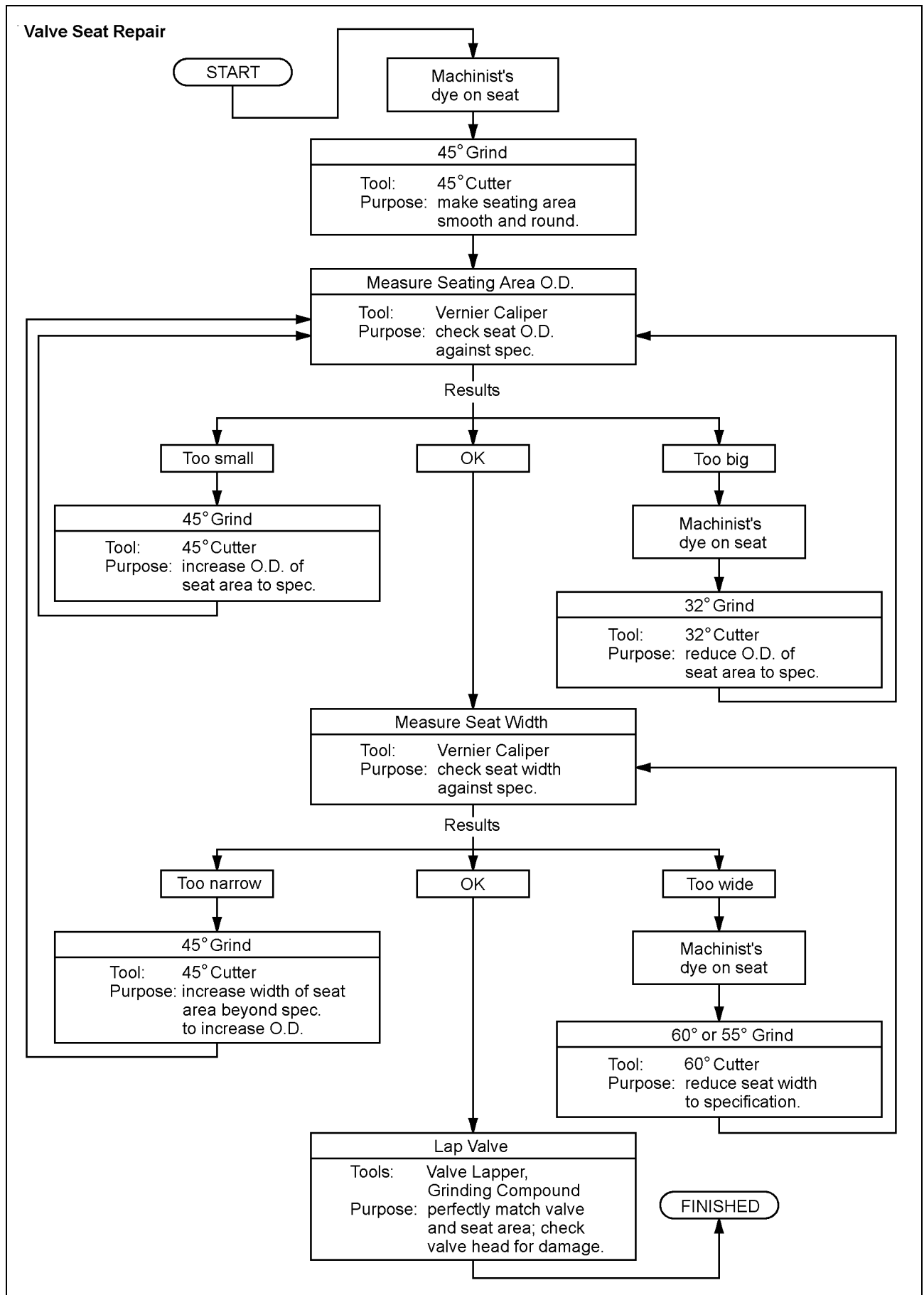
- ★ If the seat width is too wide, make the 60° or 55° [A] grind described below.
- ★ If the seat width is within the specified range, lap the valve to the seat as described below.
- Grind the seat at a 60° or 55° angle until the seat width is within the specified range.
- To make the 60° or 55° grind, fit 60° or 55° cutter into the holder, and slide it into the valve guide.
- Turn the holder, while pressing down lightly.
- After making the 60° or 55° grind, return to the seat width measurement step above.  
Correct Width [B]



- Lap the valve to the seat, once the seat width and outside diameter are within the ranges specified above.
- Put a little coarse grinding compound on the face of the valve in a number of places around the valve head.
- Spin the valve against the seat until the grinding compound produces a smooth, matched surface on both the seat and the valve.
- Repeat the process with a fine grinding compound.  
Lapper [A]  
Valve Seat [B]  
Valve [C]
- The seating area should be marked about in the middle of the valve face.
- ★ If the seat area is not in the right place on the valve, check to be sure the valve is the correct part. If it is, it may have been refaced too much; replace it.
- Be sure to remove all grinding compound before assembly.
- When the engine is assembled, be sure to adjust the valve clearance (see Valve Clearance Adjustment in the Periodic Maintenance chapter).



Valves

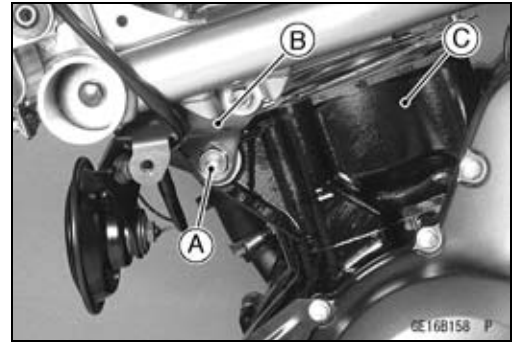


## 5-40 ENGINE TOP END

### Cylinder, Pistons

#### Cylinder Removal

- Remove:
  - Cylinder Head (see Cylinder Head Removal)
  - Front Engine Mounting Bolts (Both Sides) [A] (see Engine Removal in the Engine Removal/Installation chapter)
  - Front Engine Brackets (Both Sides) [B] (see Engine Removal in the Engine Removal/Installation chapter)
  - Cylinder [C]

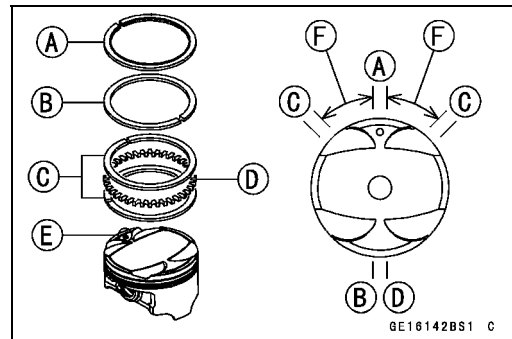
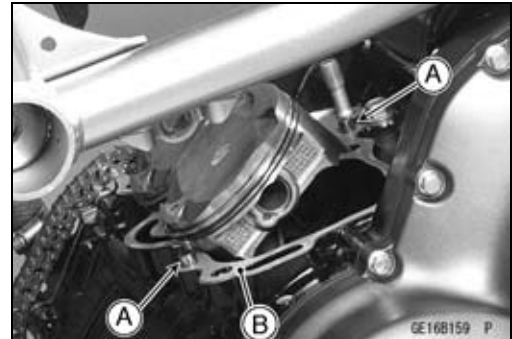


#### Cylinder Installation

##### NOTE

○ If a new cylinder is used, use new piston ring.

- Install the dowel pins [A] and new cylinder gasket [B].
- The piston ring openings must be positioned as shown in the figure. The openings of the oil ring steel rails must be about 30 ~ 40° of angle from the opening of the top ring.
  - Top Ring [A]
  - Second Ring [B]
  - Oil Ring Steel Rails [C]
  - Oil Ring Expander [D]
  - Hollow [E]
  - 30 ~ 40° [F]



- Apply molybdenum disulfide oil solution to the cylinder bore, piston rings and piston skirt.
- Prepare two auxiliary head bolts with their head cut.
  - Install the two bolts [A] diagonally in the crankcase.
- Position the crankshaft so that all the piston heads are almost level.
- Install the cylinder block.
  - Insert the piston rings with your thumbs.



#### Piston Removal

- Remove the cylinder (see Cylinder Removal).
- Place a clean cloth under the pistons and remove the piston pin snap ring [A] from the outside of each piston.





**Cylinder, Pistons**

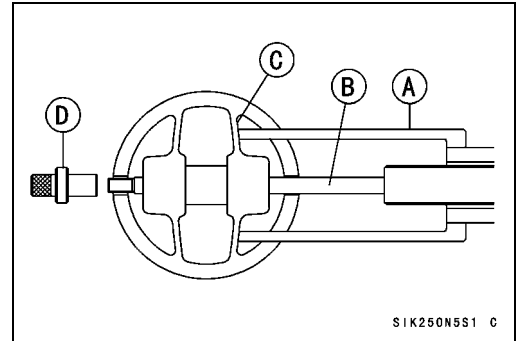
- Remove the piston pins.

**Special Tools - Piston Pin Puller [A]: 57001-1568**

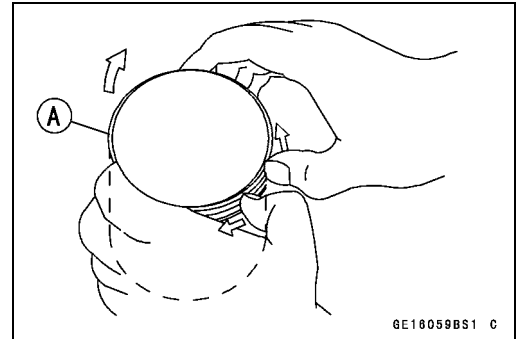
**Piston Pin Puller Adapter C [D]: 57001-1657**

Center Bolt [B]  
Shell of Piston [C]

- Remove the pistons.

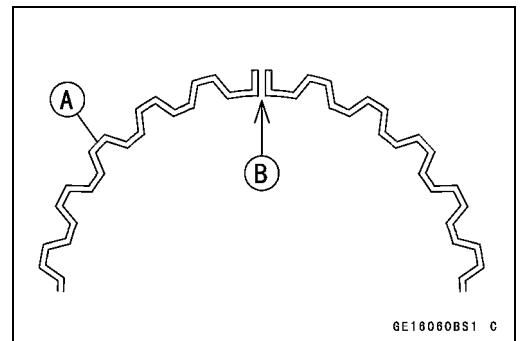


- Carefully spread the ring opening with your thumbs and then push up on the opposite side of the ring [A] to remove it.
- Remove the 3-piece oil ring with your thumbs in the same manner.



**Piston Installation**

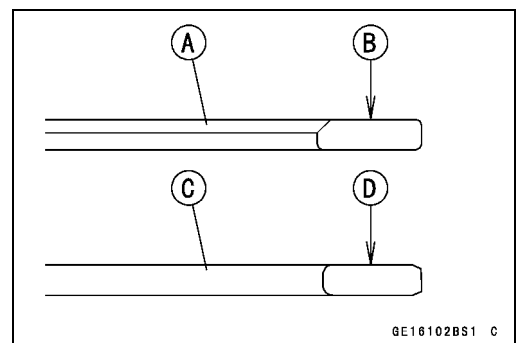
- Apply molybdenum disulfide oil solution to the oil ring expander, install the oil ring expander [A] in the bottom piston ring groove so the ends [B] butt together.
- Apply molybdenum disulfide oil solution to the oil ring steel rails, and install the oil ring steel rails, one above the expander and one below it.
- Spread the rail with your thumbs, but only enough to fit the rail over the piston.
- Release the rail into the bottom piston ring groove.



**NOTE**

○ *The oil ring rails have no "top" or "bottom".*

- Apply molybdenum disulfide oil solution to the top and second rings.
- Do not mix up the top and second ring.
- Install the top ring [A] so that the "R" mark [B] faces up.
- Install the second ring [C] so that the "RN" mark [D] faces up.



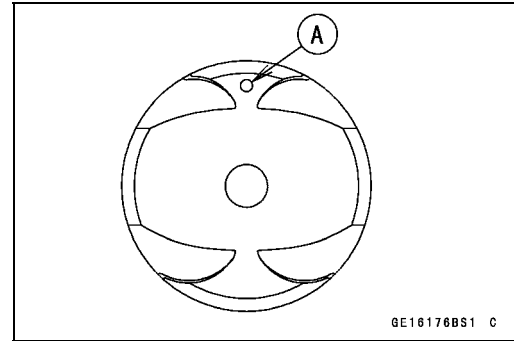
## 5-42 ENGINE TOP END

### Cylinder, Pistons

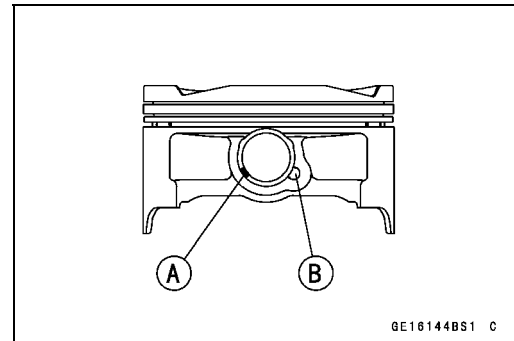
#### NOTE

○ If a new piston is used, use new piston ring.

- Install the piston with its marking hollow [A] facing forward.



- Fit a new piston pin snap ring into the side of the piston so that the ring opening [A] does not coincide with the slit [B] of the piston pin hole.
- Apply molybdenum disulfide oil solution to the piston pins and piston skirt.
- When installing the piston pin snap ring, compress it only enough to install it and no more.



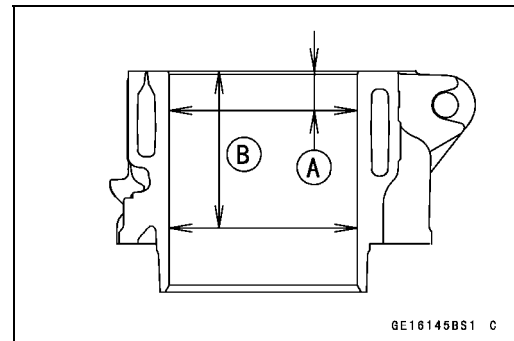
#### CAUTION

**Do not reuse snap rings, as removal weakens and deforms them. They could fall out and score the cylinder wall.**

- Install the cylinder (see Cylinder Installation).

#### Cylinder Wear

- Since there is a difference in cylinder wear in different directions, take a side-to-side and a front-to-back measurement at each of the two locations (total of four measurements) shown in the figure.
- ★ If any of the cylinder inside diameter measurements exceeds the service limit, replace the cylinder.
  - 10 mm (0.39 in.) [A]
  - 60 mm (2.36 in.) [B]



#### Cylinder Inside Diameter

**Standard:** 82.994 ~ 83.006 mm (3.2675 ~ 3.2679 in.)

**Service Limit:** 83.10 mm (3.272 in.)

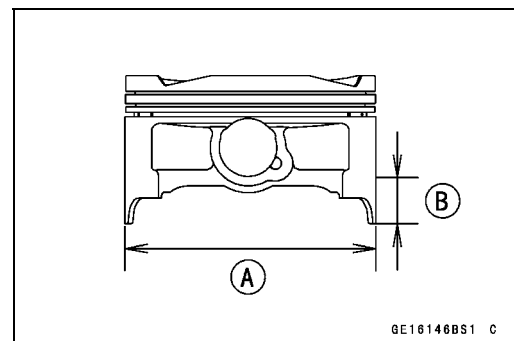
#### Piston Wear

- Measure the outside diameter [A] of each piston 18 mm (0.7087 in.) [B] up from the bottom of the piston at a right angle to the direction of the piston pin.
- ★ If the measurement is under service limit, replace the piston.

#### Piston Diameter

**Standard:** 82.969 ~ 82.984 mm (3.2665 ~ 3.2671 in.)

**Service Limit:** 82.82 mm (3.261 in.)



## Cylinder, Pistons

### Piston Ring, Piston Ring Groove Wear

- Check for uneven groove wear by inspecting the ring seating.
- ★ The rings should fit perfectly parallel to groove surfaces. If not, replace the piston and all the piston rings.
- With the piston rings in their grooves, make several measurements with a thickness gauge [A] to determine piston ring/groove clearance.

#### Piston Ring/Groove Clearance

##### Top

**Standard:** 0.03 ~ 0.07 mm (0.0012 ~ 0.0028 in.)

**Service Limit:** 0.17 mm (0.0067 in.)

##### Second

**Standard:** 0.02 ~ 0.06 mm (0.0008 ~ 0.0024 in.)

**Service Limit:** 0.16 mm (0.0063 in.)

### Piston Ring Groove Width

- Measure the piston ring groove width.
- Use a vernier caliper at several points around the piston.

#### Piston Ring Groove Width

##### Top [A]

**Standard:** 0.92 ~ 0.94 mm (0.0362 ~ 0.0370 in.)

**Service Limit:** 1.02 mm (0.040 in.)

##### Second [B]

**Standard:** 1.01 ~ 1.03 mm (0.0398 ~ 0.0406 in.)

**Service Limit:** 1.11 mm (0.044 in.)

- ★ If the width of any of the two grooves is wider than the service limit at any point, replace the piston.

### Piston Ring Thickness

- Measure the piston ring thickness.
- Use the micrometer to measure at several points around the ring.

#### Piston Ring Thickness

##### Top [A]

**Standard:** 0.87 ~ 0.89 mm (0.0342 ~ 0.0350 in.)

**Service Limit:** 0.80 mm (0.032 in.)

##### Second [B]

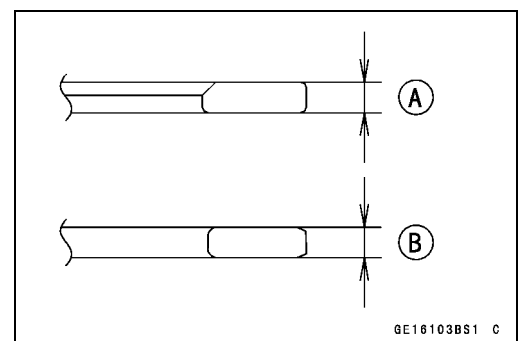
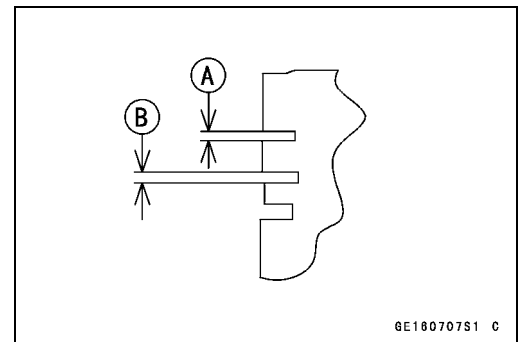
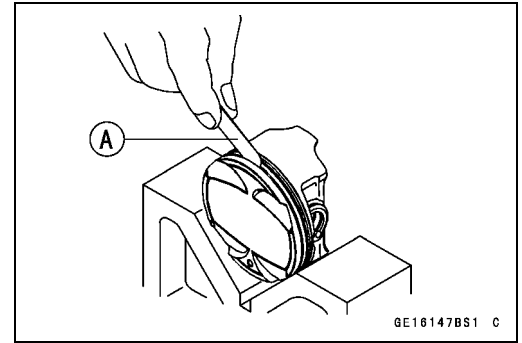
**Standard:** 0.97 ~ 0.99 mm (0.0382 ~ 0.0390 in.)

**Service Limit:** 0.90 mm (0.035 in.)

- ★ If any of the measurements is less than the service limit on either of the rings, replace all the rings.

#### NOTE

- When using new rings in a used piston, check for uneven groove wear. The rings should fit perfectly parallel to the groove sides. If not, replace the piston.



## 5-44 ENGINE TOP END

### Cylinder, Pistons

#### ***Piston Ring End Gap***

- Place the piston ring [A] inside the cylinder, using the piston to locate the ring squarely in place. Set it close to the bottom of the cylinder, where cylinder wear is low.
- Measure the gap [B] between the ends of the ring with a thickness gauge.

#### **Piston Ring End Gap**

##### **Top**

**Standard:** 0.25 ~ 0.40 mm (0.0098 ~ 0.0157 in.)

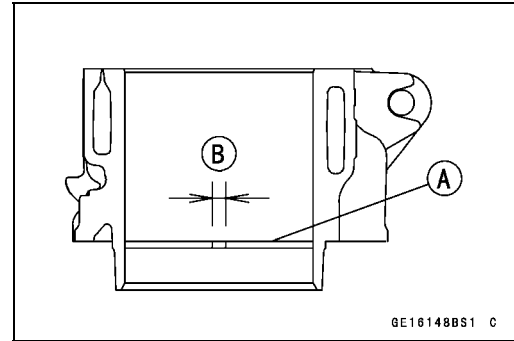
**Service Limit:** 0.7 mm (0.028 in.)

##### **Second**

**Standard:** 0.40 ~ 0.55 mm (0.0157 ~ 0.0217 in.)

**Service Limit:** 0.8 mm (0.031 in.)

- ★ If the end gap of either ring is greater than the service limit, replace all the rings.



## Throttle Body Assy Holder

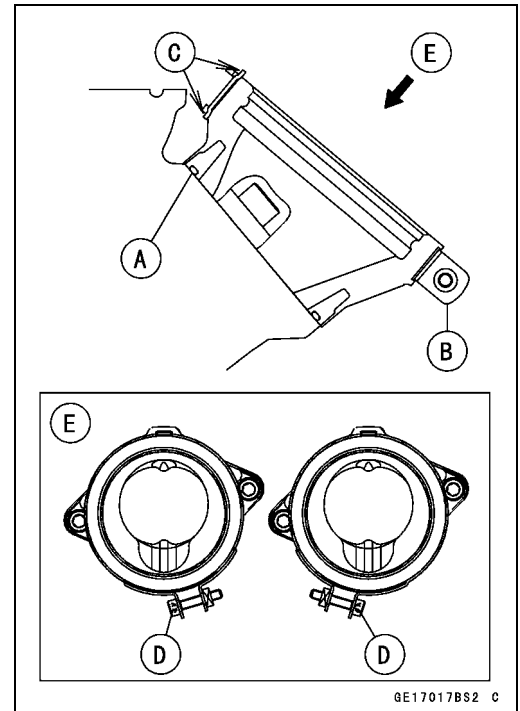
### Throttle Body Assy Holder Removal

- Remove:
  - Fuel Tank (see Fuel Tank Removal in the Fuel System (DFI) chapter)
  - Air Cleaner Housing (see Air Cleaner Housing Removal in the Fuel System (DFI) chapter)
  - Throttle Body Assy (see Throttle Body Assy Removal in the Fuel System (DFI) chapter)
  - Clamps [A]
  - Bolts [B]
  - Throttle Body Assy Holders [C]



### Throttle Body Assy Holder Installation

- Be sure to install the new O-rings [A].
- Apply grease to the new O-ring.
- Tighten:
  - Torque - Throttle Body Assy Holder Bolts: 12 N·m (1.2 kgf·m, 106 in·lb)**
- Install the clamps [B] so that their projections [C] fit on the holes of the holders.
- Be sure that the clamp bolt heads [D] face outward.
- Upside View [E]



GE17017BS2 C

## 5-46 ENGINE TOP END

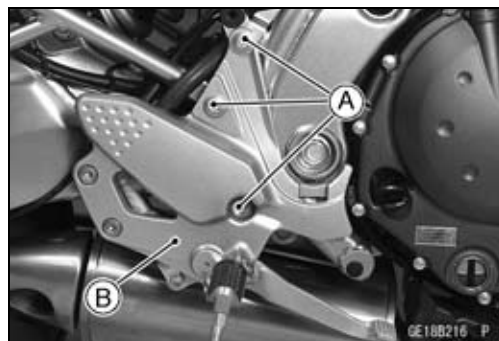
### Muffler

#### Muffler Body Removal

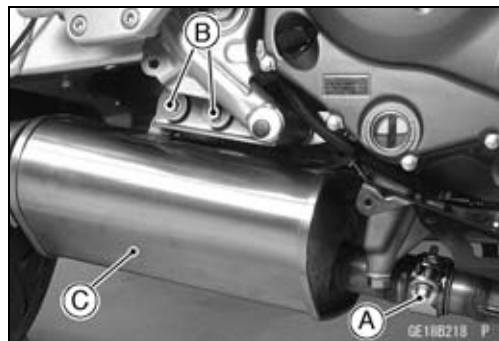
#### **⚠ WARNING**

To avoid a serious burn, do not remove the muffler when the engine is still hot. Wait until the muffler cool down.

- Remove:
  - Right Rear Frame Cover (see Rear Frame Cover Removal in the Frame chapter)
  - Lower Fairings (see Lower Fairing Removal in the Frame chapter)
  - Oxygen Sensor Lead Connector (Europe Models, see Oxygen Sensor Removal (Europe Models) in the Electrical System chapter)
  - Bolts [A]
  - Right Front Footpeg Stay [B]
- Loosen the exhaust pipe manifold holder nuts [A].



- Loosen the muffler body clamp bolt [A].
- Remove the muffler body mounting bolts [B] and nut, and pull the muffler body [C] to backward.



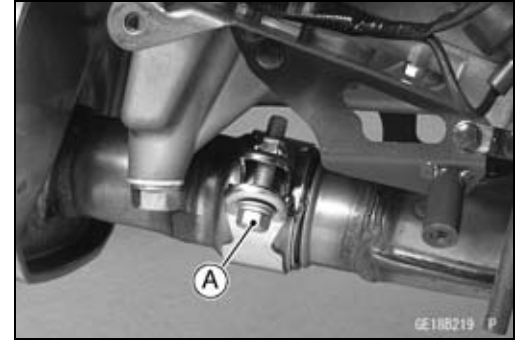
#### Exhaust Pipe Removal

- Remove:
  - Lower Fairings (see Lower Fairing Removal in the Frame chapter)
  - Exhaust Pipe Manifold Holder Nuts [A]



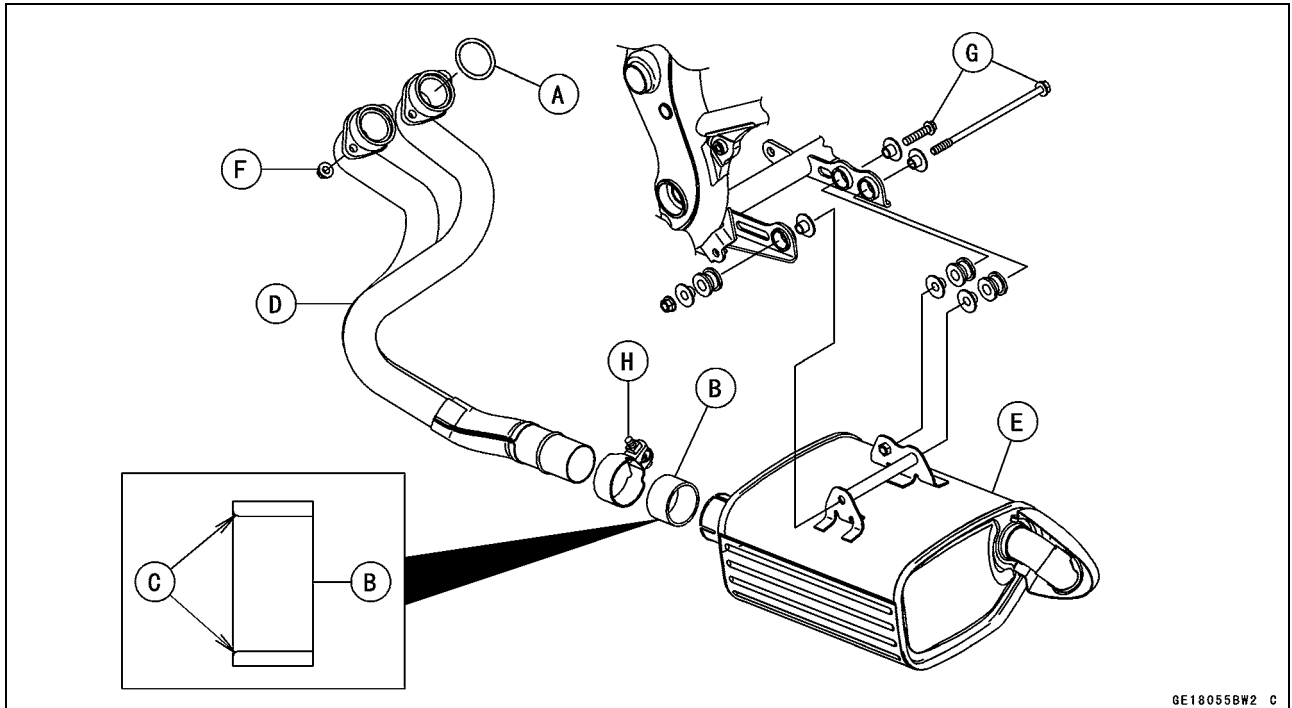
## Muffler

- Loosen the muffler body clamp bolt [A].
- Remove the exhaust pipe to forward.



### Muffler Body and Exhaust Pipe Installation

- Replace the exhaust pipe gaskets [A] and muffler body gasket [B] with new ones and install them.
- Install the muffler body gasket until it is bottomed so that the chamfer side [C] faces exhaust pipe [D].
- Install:
  - Muffler Body [E]
  - Exhaust Pipe
- Tighten:
  - Torque - Exhaust Pipe Manifold Holder Nuts [F]: 17 N·m (1.7 kgf·m, 12 ft·lb)**
  - Muffler Body Mounting Bolts (Front and Rear) [G]: 20 N·m (2.0 kgf·m, 15 ft·lb)**
- Install the muffler body clamp bolt [H] as shown.
- Tighten the muffler body clamp bolt.



- Install the right front footpeg stay (see Brake Pedal Installation in the Brakes chapter).
- For the Europe Models, route the oxygen sensor lead correctly (see Cable, Wire, and Hose Routing section in the Appendix chapter).
- Thoroughly warm up the engine, wait until the engine cools down, and retighten all the bolts and nuts.





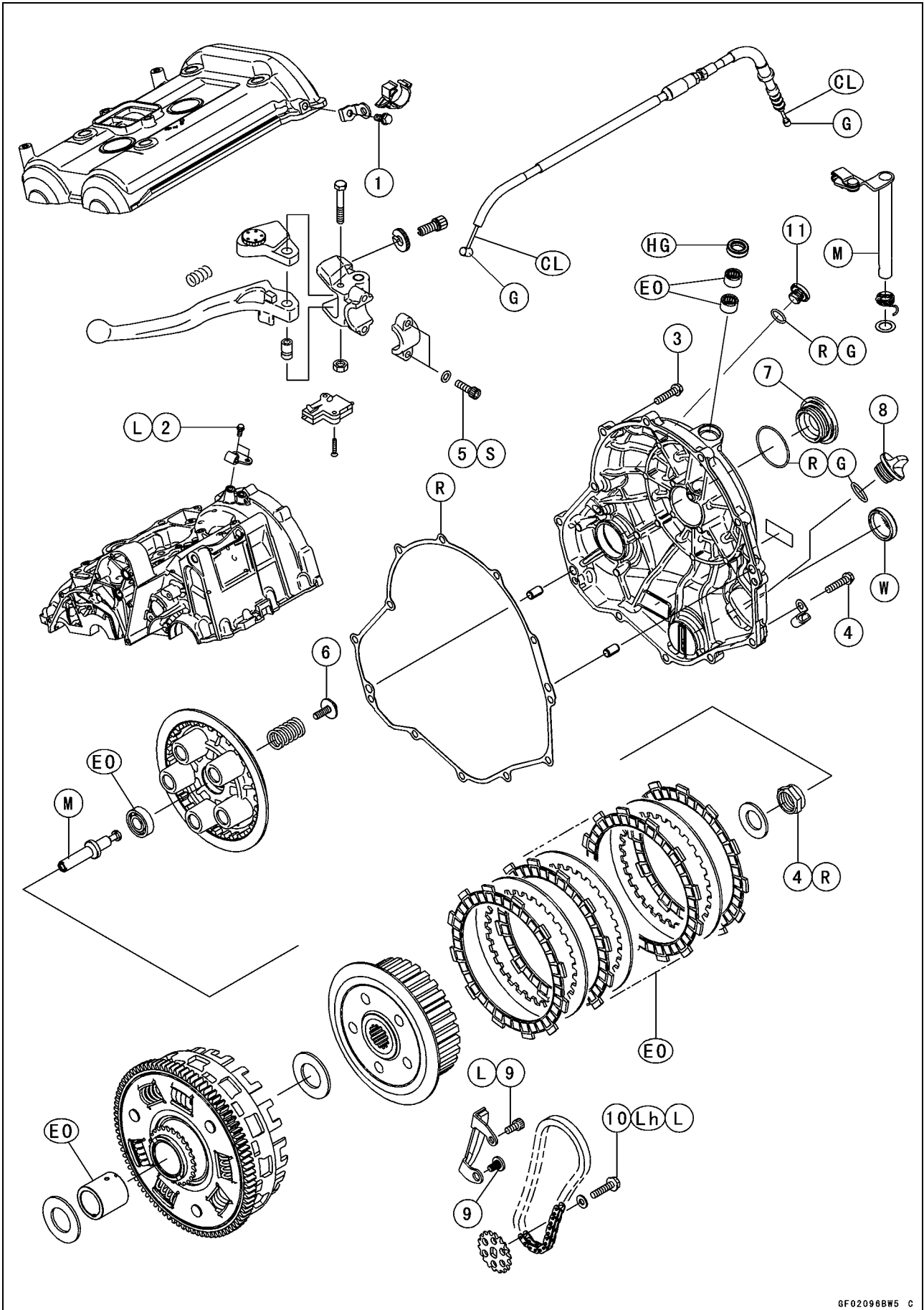
# Clutch

## Table of Contents

Exploded View .....	6-2
Specifications .....	6-4
Special Tool and Sealant .....	6-5
Clutch Lever and Cable .....	6-6
Clutch Lever Free Play Inspection .....	6-6
Clutch Lever Free Play Adjustment .....	6-6
Clutch Cable Removal .....	6-6
Clutch Cable Installation .....	6-6
Clutch Cable Lubrication .....	6-6
Clutch Lever Installation .....	6-7
Clutch Lever Adjustment .....	6-7
Clutch Cover .....	6-8
Clutch Cover Removal .....	6-8
Clutch Cover Installation .....	6-8
Release Shaft Removal .....	6-8
Release Shaft Installation .....	6-8
Clutch Cover Disassembly .....	6-9
Clutch Cover Assembly .....	6-9
Clutch .....	6-10
Clutch Removal .....	6-10
Clutch Installation .....	6-11
Clutch Plate, Wear, Damage Inspection .....	6-13
Clutch Plate Warp Inspection .....	6-13
Clutch Spring Free Length Measurement .....	6-13
Clutch Housing Finger Inspection .....	6-14
Clutch Housing Spline Inspection .....	6-14

# 6-2 CLUTCH

## Exploded View



## Exploded View

No.	Fastener	Torque			Remarks
		N·m	kgf·m	ft·lb	
1	Clutch Cable Clamp Bolt	9.8	1.0	87 in·lb	
2	Clutch Cable Holder Bolts	9.8	1.0	87 in·lb	L
3	Clutch Cover Mounting Bolts	9.8	1.0	87 in·lb	
4	Clutch Hub Nut	130	13.3	96	
5	Clutch Lever Clamp Bolts	7.8	0.80	69 in·lb	S
6	Clutch Spring Bolts	9.8	1.0	87 in·lb	
7	Timing Rotor Bolt Cap	4.9	0.50	43 in·lb	
8	Oil Filler Plug	–	–	–	Hand-tighten
9	Oil Pump Chain Guide Bolts	12	1.2	106 in·lb	L (1)
10	Oil Pump Sprocket Bolt	12	1.2	106 in·lb	L, Lh
11	Timing Inspection Cap	3.9	0.40	35 in·lb	

CL: Apply cable lubricant.

EO: Apply engine oil.

G: Apply grease.

HG: Apply high-temperature grease.

L: Apply a non-permanent locking agent.

Lh: Left-hand Threads

M: Apply molybdenum disulfide grease.

R: Replacement Parts

S: Follow the specified tightening sequence.

W: Apply water.

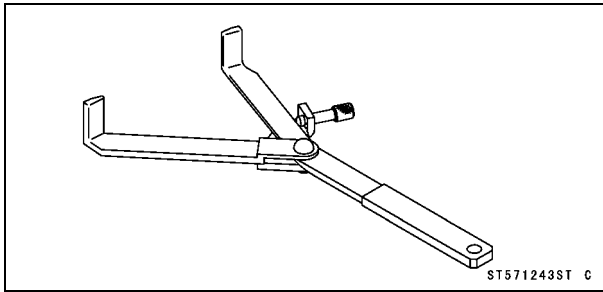
## 6-4 CLUTCH

### Specifications

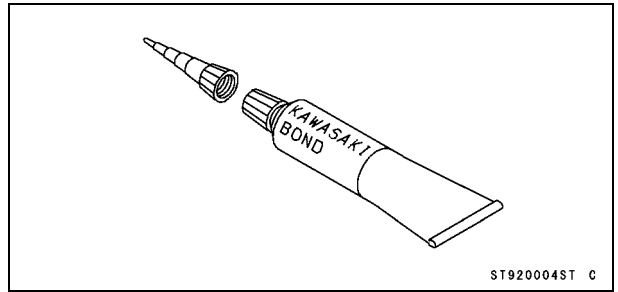
Item	Standard	Service Limit
<b>Clutch Lever Free Play</b>	2 ~ 3 mm (0.08 ~ 0.12 in.)	— — —
<b>Clutch</b>		
Friction Plate Thickness	2.92 ~ 3.08 mm (0.115 ~ 0.121 in.)	2.8 mm (0.110 in.)
Friction Plate Warp	0.15 mm (0.16 in.) or less	0.3 mm (0.012 in.)
Steel Plate Warp	0.2 mm (0.008 in.) or less	0.3 mm (0.012 in.)
Clutch Spring Free Length	33.6 mm (1.32 in.)	32.6 mm (1.28 in.)

**Special Tool and Sealant**

**Clutch Holder:**  
**57001-1243**



**Kawasaki Bond (Silicone Sealant):**  
**92104-0004**



## 6-6 CLUTCH

### Clutch Lever and Cable

#### **Clutch Lever Free Play Inspection**

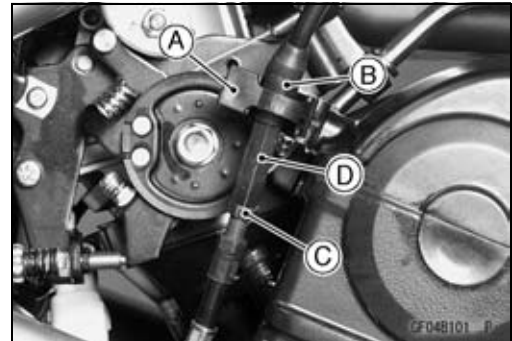
- Refer to the Clutch Operation Inspection in the Periodic Maintenance chapter.

#### **Clutch Lever Free Play Adjustment**

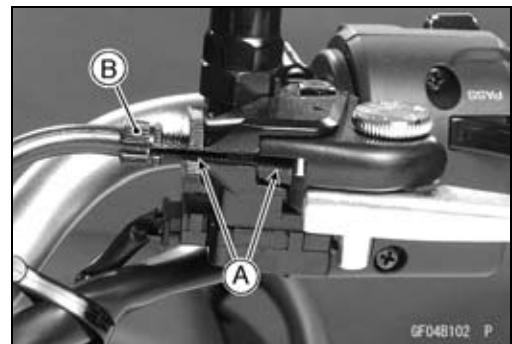
- Refer to the Clutch Operation Inspection in the Periodic Maintenance chapter.

#### **Clutch Cable Removal**

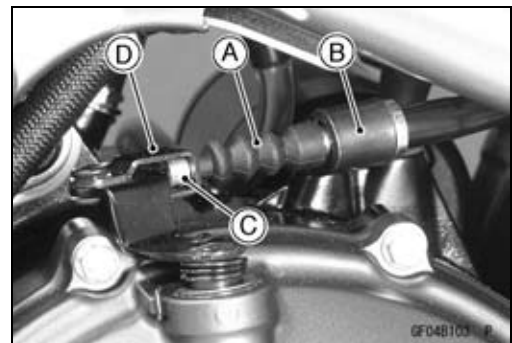
- Remove the right rear frame cover (see Rear Frame Cover Removal in the Frame chapter).
- Open the clamp [A].
- Slide the dust cover [B] at the middle of clutch cable out of place.
- Loosen the locknut [C], and turn the adjusting nut [D] to give the cable plenty of play.



- Screw in the adjuster.
- Line up the slots [A] in the clutch lever and adjuster [B], and then free the cable from the lever.



- Slide the dust cover [A] at the clutch cable lower end and pull the clutch cable out of the clutch cable holder [B].
- Free the clutch inner cable tip [C] from the clutch release lever [D].
- Push the release lever toward the front of the motorcycle and tape the release lever to the clutch cover to prevent the release shaft from falling out.
- Pull the clutch cable out of the frame.



#### **Clutch Cable Installation**

- Run the clutch cable correctly (see Cable, Wire, and Hose Routing section in the Appendix chapter).
- Adjust the clutch cable (see Clutch Operation Inspection in the Periodic Maintenance chapter).

#### **Clutch Cable Lubrication**

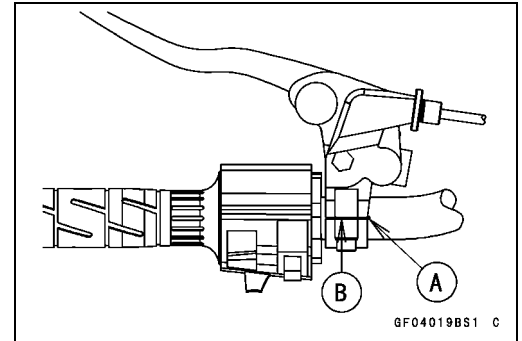
- Refer to the Chassis Parts Lubrication in the Periodic Maintenance chapter.

## Clutch Lever and Cable

### Clutch Lever Installation

- Install the clutch lever so that the mating surface [B] of the clutch lever clamp is aligned with the punch mark [A].
- Tighten the upper clamp bolt first, and then the lower clamp bolt.
- There will be a gap at the lower part of the clamp after tightening.

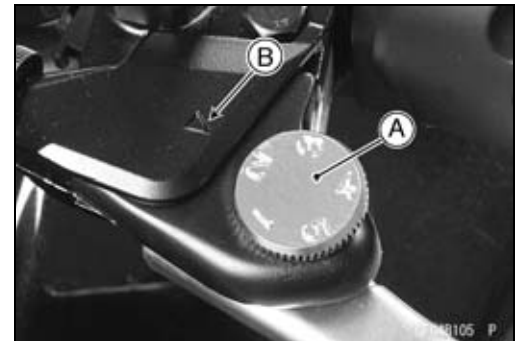
**Torque - Clutch Lever Clamp Bolts: 7.8 N·m (0.80 kgf·m, 69 in·lb)**



### Clutch Lever Adjustment

The adjuster has 5 positions so that the clutch lever position can be adjusted to suit the operator's hand.

- Push the lever forward and turn the adjuster [A] to align the number with the arrow mark [B] on the lever holder.
- The distance from the grip to the lever is minimum at number 5 and maximum at number 1.

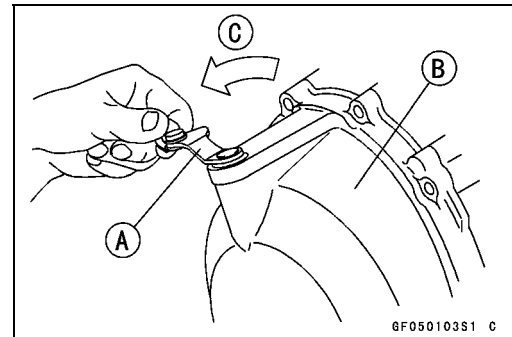
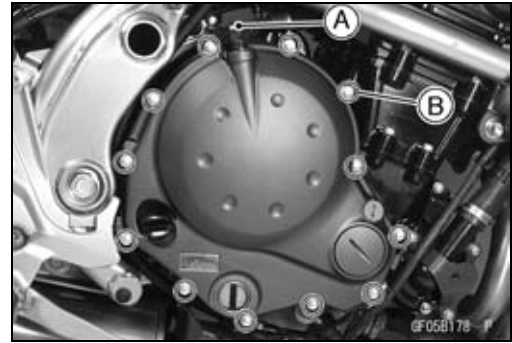


## 6-8 CLUTCH

### Clutch Cover

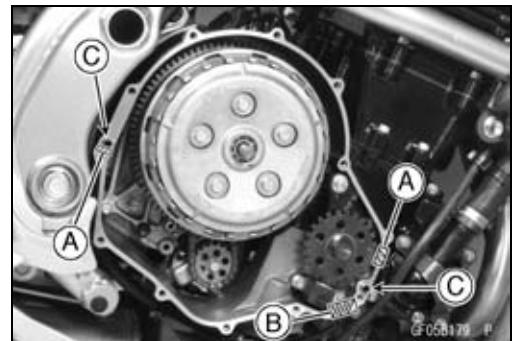
#### Clutch Cover Removal

- Drain the engine oil (see Engine Oil Change in the Periodic Maintenance chapter).
- Remove:
  - Right Rear Frame Cover (see Rear Frame Cover Removal in the Frame chapter)
  - Right Lower Fairing (see Lower Fairing Removal in the Frame chapter)
  - Clutch Cable Lower End [A] (see Clutch Cable Removal)
  - Clutch Cover Mounting Bolts [B]
- Turn the release lever [A] toward the rear as shown, and remove the clutch cover [B].
  - About 90° [C]



#### Clutch Cover Installation

- Apply silicone sealant to the areas [A] where the mating surface of the crankcase touches the clutch cover gasket and to the crankshaft sensor lead grommet [B].
    - Sealant - Kawasaki Bond (Silicone Sealant): 92104-0004**
  - Be sure that the dowel pins [C] are in position.
  - Replace the clutch cover gasket with a new one.
  - Tighten the clutch cover mounting bolts.
- Torque - Clutch Cover Mounting Bolts: 9.8 N·m (1.0 kgf·m, 87 in·lb)**



#### Release Shaft Removal

##### CAUTION

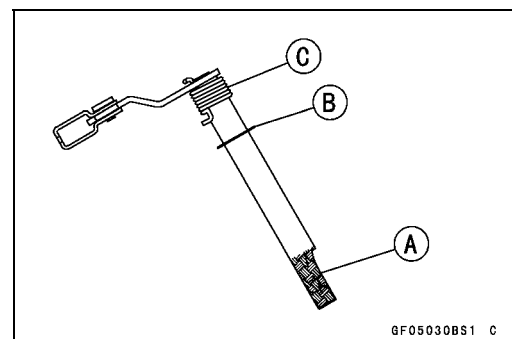
**Do not remove the clutch release lever and shaft assembly unless it is absolutely necessary. If removed, the oil seal replacement may be required.**

- Remove the clutch cover (see Clutch Cover Removal).
- Pull the lever and shaft assembly [A] straight out of the clutch cover.



#### Release Shaft Installation

- Apply high-temperature grease to the oil seal lips on the upper ridge of the clutch cover.
- Apply engine oil to the needle bearings in the hole of the clutch cover.
- Apply molybdenum disulfide grease to the pusher-holding portion [A] on the release shaft.
- Install the washer [B] and spring [C].
- Insert the release shaft straight into the upper hole of the clutch cover.



##### CAUTION

**When inserting the release shaft, be careful not to remove the spring of the oil seal.**



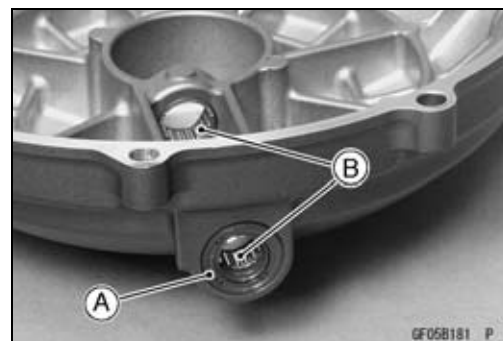
## Clutch Cover

- Fit the spring [A] as shown.  
Release Shaft [B]  
Clutch Cover [C]

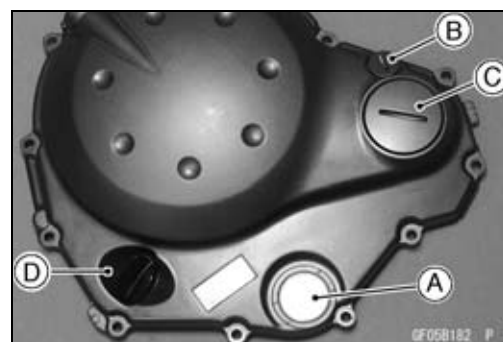


### Clutch Cover Disassembly

- Remove:  
Clutch Cover (see Clutch Cover Removal)  
Release Leer and Shaft Assembly (see Release Shaft Removal)  
Oil Seal [A]  
Needle Bearings [B]



- Remove:  
Oil Level Gauge [A]  
Timing Inspection Cap [B]  
Timing Rotor Bolt Cap [C]  
Oil Filler Plug [D]



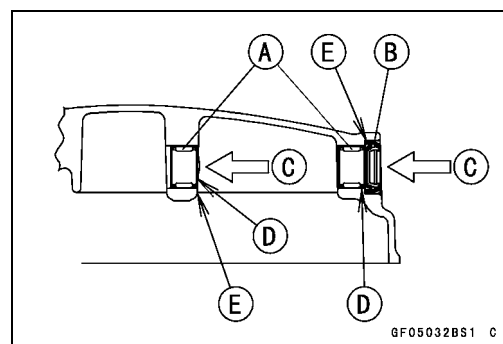
### Clutch Cover Assembly

- Replace the needle bearings and oil seal with new ones.

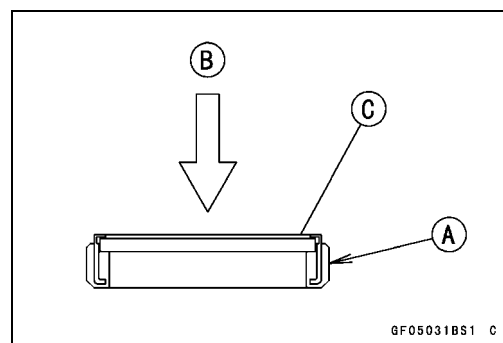
#### NOTE

○ Install the needle bearings so that the manufacture's mark face out.

- Install the needle bearings [A] and oil seal [B] position as shown.
- Press [C] the bearing so that the bearing surface [D] is flush with the housing end of clutch cover [E].



- Apply water to the rubber of the oil gauge [A] and press [B] it so that the ring [C] face outside.
- Replace the O-rings of the following parts with new ones.  
Timing Inspection Cap  
Timing Rotor Bolt Cap  
Oil Filler Plug
- Apply grease to the new O-rings.
- Tighten:



**Torque - Timing Inspection Cap: 3.9 N·m (0.40 kgf·m, 35 in·lb)**

**Timing Rotor Bolt Cap: 4.9 N·m (0.50 kgf·m, 43 in·lb)**

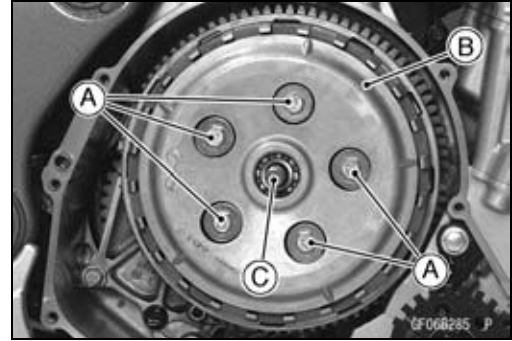
**Oil Filler Plug: Hand-tighten**

## 6-10 CLUTCH

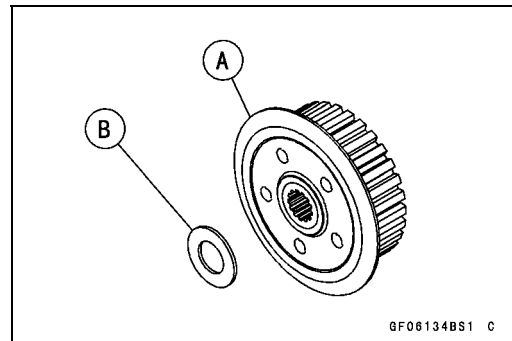
### Clutch

#### Clutch Removal

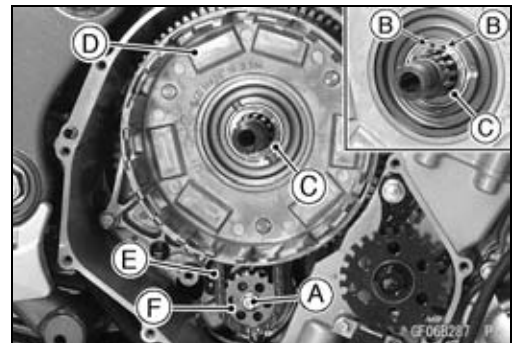
- Remove:
  - Clutch Cover (see Clutch Cover Removal)
  - Clutch Spring Bolts [A]
  - Clutch Springs
  - Clutch Spring Plate [B] (with bearing)
  - Pusher [C]
  
- Remove:
  - Friction Plates
  - Steel Plates
- Hold the clutch hub [A] steady with the clutch holder [B], and remove the clutch hub nut [C] and washer [D].  
**Special Tool - Clutch Holder: 57001-1243**



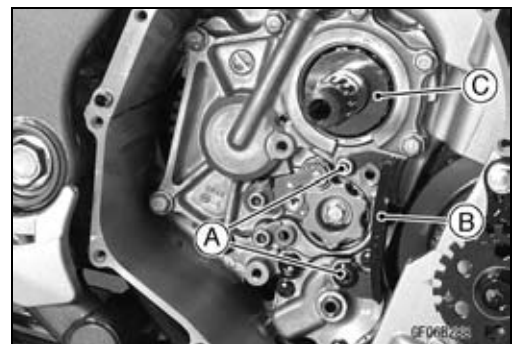
- Remove:
  - Clutch Hub [A]
  - Spacer [B]



- Remove the oil pump sprocket bolt [A].  
**NOTE**  
○The oil pump sprocket bolt has a left-hand threads.
- Using the holes [B], pull out the sleeve [C].
- Remove the following as a set.
  - Clutch Housing [D]
  - Oil Pump Chain [E]
  - Oil Pump Sprocket [F]



- Remove:
  - Bolts [A]
  - Oil Pump Chain Guide [B]
  - Spacer [C]



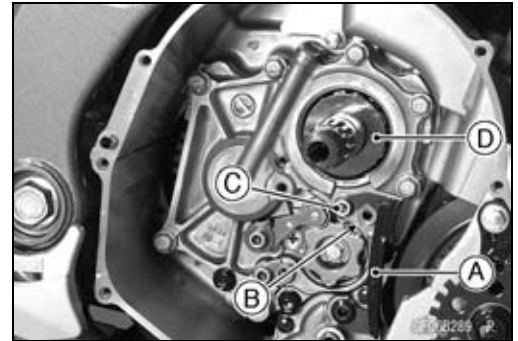
**Clutch**

**Clutch Installation**

- Engage the oil pump chain guide [A] to the groove of the shift rod [B], and apply a non-permanent locking agent to the upper chain guide bolt [C] and tighten the chain guide bolts.

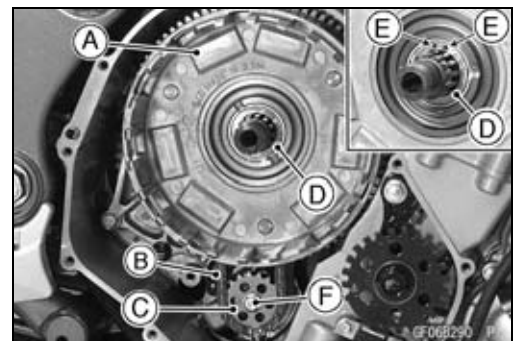
**Torque - Oil Pump Chain Guide Bolts: 12 N·m (1.2 kgf·m, 106 in·lb)**

- Install the spacer [D] on the drive shaft.
- Put the oil pump chain [A] on the clutch housing gear [B] and the oil pump sprocket [C].



- Install the following on the drive shaft as a set.
  - Clutch Housing [A]
  - Oil Pump Chain [B]
  - Oil Pump Sprocket [C]
- Install the sleeve [D] so that the holes [E] faces outward.
- Apply engine oil to the sleeve.
- Align the hole on the oil pump sprocket with the oil pump shaft.
- Apply a non-permanent locking agent to the oil pump sprocket bolt [F] and install the washer.
- Tighten:

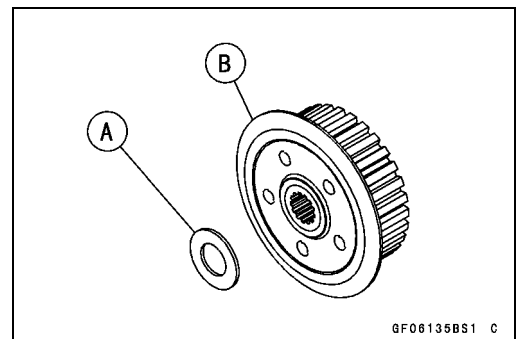
**Torque - Oil Pump Sprocket Bolt: 12 N·m (1.2 kgf·m, 106 in·lb)**



**NOTE**

○ *The oil pump sprocket bolt has a left-hand threads.*

- Install the following parts on the drive shaft.
  - Spacer [A]
  - Clutch Hub [B]



GF06135BS1 C

## 6-12 CLUTCH

### Clutch

- Install the washer so that the OUT SIDE mark [A] faces outward.



- Replace the clutch hub nut [A] with a new one.
- Hold the clutch hub [B] steady with the clutch holder [C], and tighten the clutch hub nut.

**Special Tool - Clutch Holder: 57001-1243**

**Torque - Clutch Hub Nut: 130 N·m (13.3 kgf·m, 96 ft·lb)**

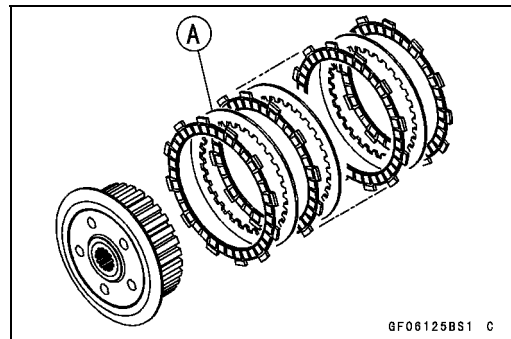


- Install the friction plates and steel plates, starting with a friction plate and alternating them.

#### CAUTION

**If new dry friction plates and steel plates are installed, apply engine oil to the surfaces of each plate to avoid clutch plate seizure.**

- For the first steel plate [A], its thickness is 2.6 mm (0.10 in.). The others are 2.3 mm (0.09 in.).
- Install the last friction plate [A] fitting the tangs in the grooves in the housing as shown.



- Apply molybdenum disulfide grease to the pusher end [A].
- Install the pusher [B] to the drive shaft direction as shown.



## Clutch

- Apply engine oil to the sliding surfaces of the bearing [A].
- Install the spring plate [B] on the clutch hub [C].
- Install the clutch springs, and tighten the clutch spring bolts.

**Torque - Clutch Spring Bolts: 9.8 N·m (1.0 kgf·m, 87 in·lb)**

- Install the clutch cover (see Clutch Cover Installation).



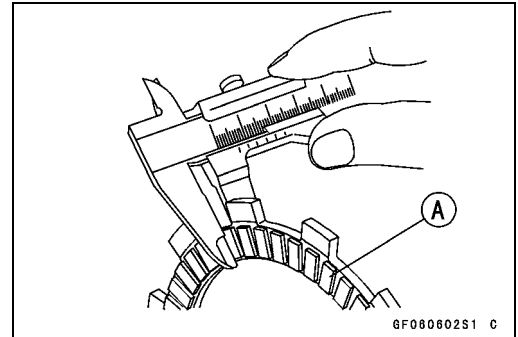
### Clutch Plate, Wear, Damage Inspection

- Visually inspect the friction and steel plates for signs of seizure, overheating (discoloration), or uneven wear.
- Measure the thickness of each friction plate [A] at several points.
- ★ If any plates show signs of damage, or if they have worn past the service limit, replace them with new ones.

#### Friction Plate Thickness

**Standard: 2.92 ~ 3.08 mm (0.115 ~ 0.121 in.)**

**Service Limit: 2.8 mm (0.110 in.)**



### Clutch Plate Warp Inspection

- Place each friction plate or steel plate on a surface plate and measure the gap between the surface plate [A] and each friction plate or steel plate [B] with a thickness gauge [C]. The gap is the amount of friction or steel plate warp.
- ★ If any plate is warped over the service limit, replace it with a new one.

#### Friction Plate Warp

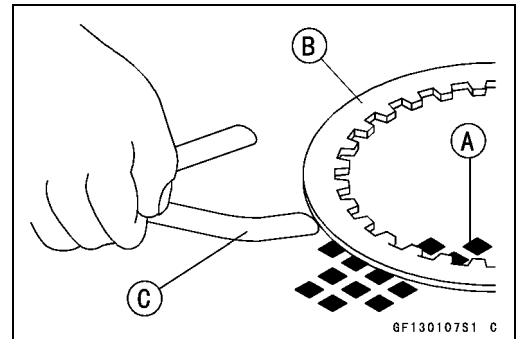
**Standard: 0.15 mm (0.006 in.) or less**

**Service Limit: 0.3 mm (0.012 in.)**

#### Steel Plate Warp

**Standard: 0.2 mm (0.008 in.) or less**

**Service Limit: 0.3 mm (0.012 in.)**



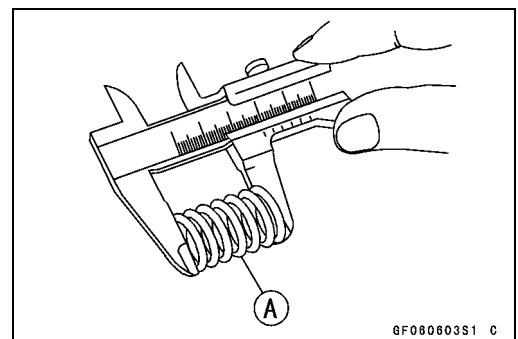
### Clutch Spring Free Length Measurement

- Measure the free length of the clutch springs [A].
- ★ If any spring is shorter than the service limit, it must be replaced.

#### Clutch Spring Free Length

**Standard: 33.6 mm (1.32 in.)**

**Service Limit: 32.6 mm (1.28 in.)**

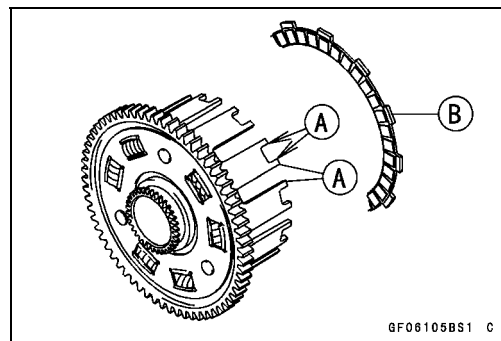


## 6-14 CLUTCH

### Clutch

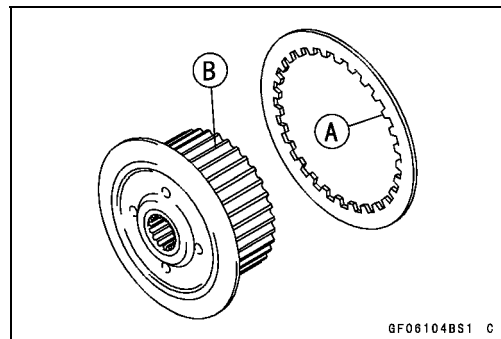
#### **Clutch Housing Finger Inspection**

- Visually inspect the clutch housing fingers [A] where the friction plate tangs [B] hit them.
- ★ If they are badly worn or if there are groove cuts where the tangs hit, replace the housing. Also, replace the friction plates if their tangs are damaged.



#### **Clutch Housing Spline Inspection**

- Visually inspect where the teeth [A] on the steel plates wear against the clutch hub splines [B].
- ★ If there are notches worn into the splines, replace the clutch hub. Also, replace the steel plates if their teeth are damaged.



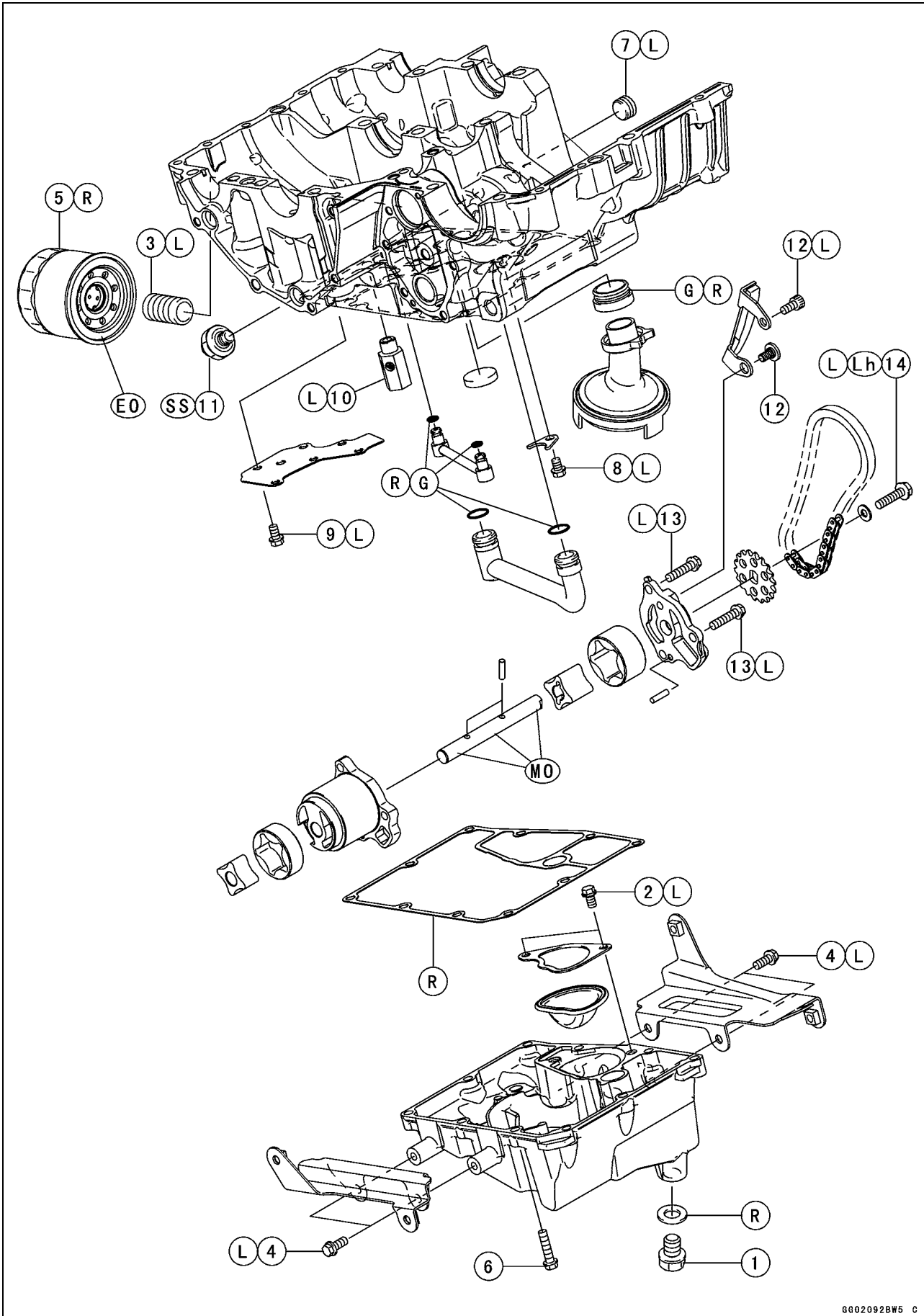
# Engine Lubrication System

## Table of Contents

Exploded View.....	7-2
Engine Oil Flow Chart.....	7-4
Specifications .....	7-6
Special Tools and Sealant .....	7-7
Engine Oil and Oil Filter.....	7-8
Oil Level Inspection.....	7-8
Engine Oil Change.....	7-8
Oil Filter Replacement .....	7-8
Oil Pan.....	7-9
Oil Pan Removal.....	7-9
Oil Pan Installation.....	7-10
Oil Pressure Relief Valve.....	7-11
Oil Pressure Relief Valve Removal .....	7-11
Oil Pressure Relief Valve Installation .....	7-11
Oil Pressure Relief Valve Inspection.....	7-11
Oil Pump.....	7-12
Oil Pump Removal.....	7-12
Oil Pump Installation.....	7-13
Oil Pressure Measurement.....	7-15
Oil Pressure Measurement .....	7-15
Oil Pressure Switch .....	7-16
Oil Pressure Switch Removal .....	7-16
Oil Pressure Switch Installation .....	7-16

# 7-2 ENGINE LUBRICATION SYSTEM

## Exploded View





## ENGINE LUBRICATION SYSTEM 7-3

### Exploded View

No.	Fastener	Torque			Remarks
		N·m	kgf·m	ft·lb	
1	Engine Oil Drain Bolt	30	3.1	22	
2	Filter Plate Bolts	9.8	1.0	87 in·lb	L
3	Holder Mounting Bolt	25	2.5	18	L
4	Lower Fairing Bracket Bolts	12	1.2	106 in·lb	L
5	Oil Filter	17.5	1.8	13	EO, R
6	Oil Pan Bolts	12	1.2	106 in·lb	
7	Oil Passage Plug	20	2.0	15	L
8	Oil Pipe Plate Bolt	9.8	1.0	87 in·lb	L
9	Oil Plate Bolts	9.8	1.0	87 in·lb	L
10	Oil Pressure Relief Valve	15	1.5	11	L
11	Oil Pressure Switch	15	1.5	11	SS
12	Oil Pump Chain Guide Bolts	12	1.2	106 in·lb	L (1)
13	Oil Pump Cover Bolts	9.8	1.0	87 in·lb	L
14	Oil Pump Sprocket Bolt	12	1.2	106 in·lb	L, Lh

EO: Apply engine oil.

G: Apply grease.

L: Apply a non-permanent locking agent.

Lh: Left-hand Threads

MO: Apply molybdenum disulfide oil solution.

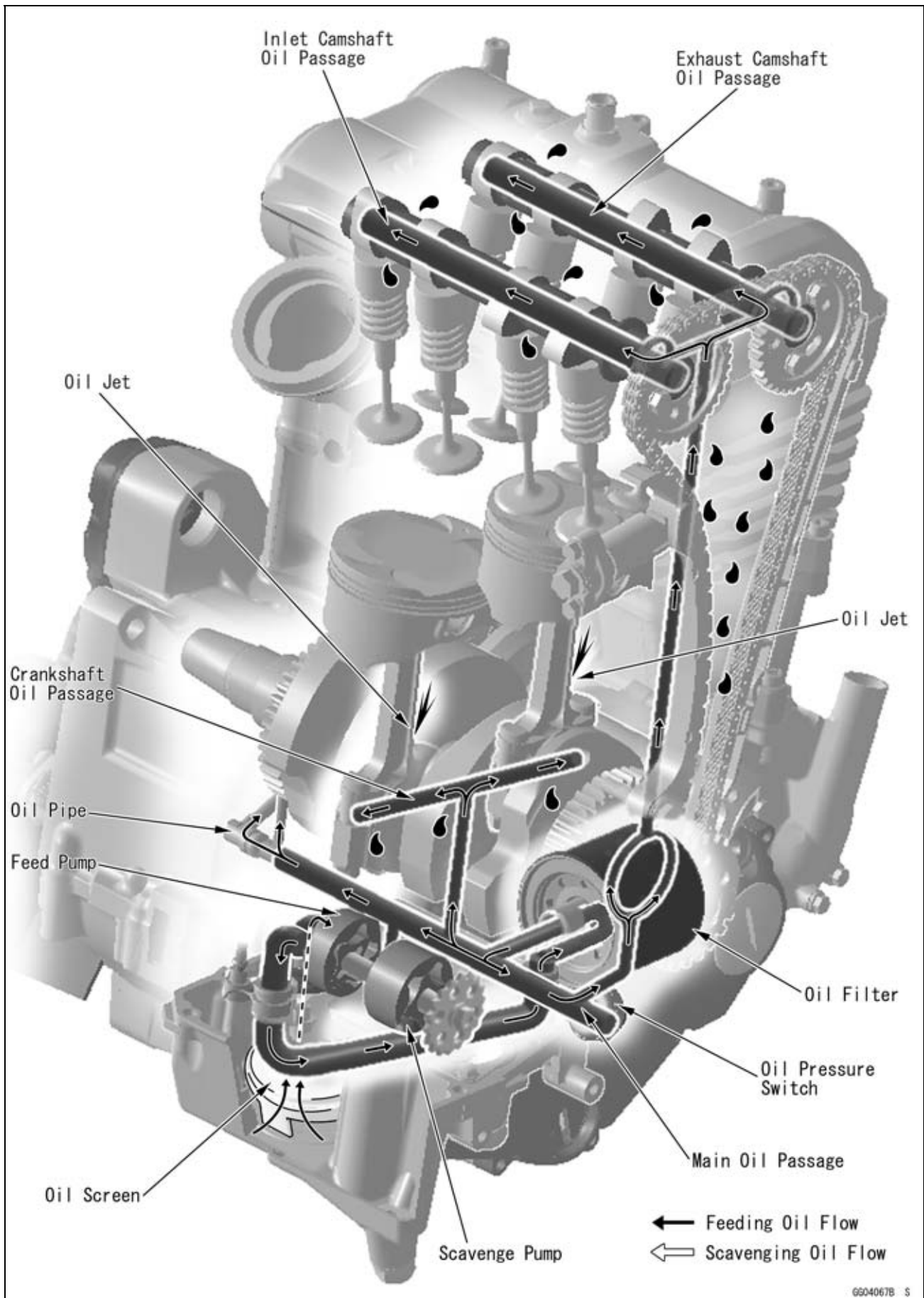
(mixture of the engine oil and molybdenum disulfide grease in a weight ratio 10 : 1)

R: Replacement Parts

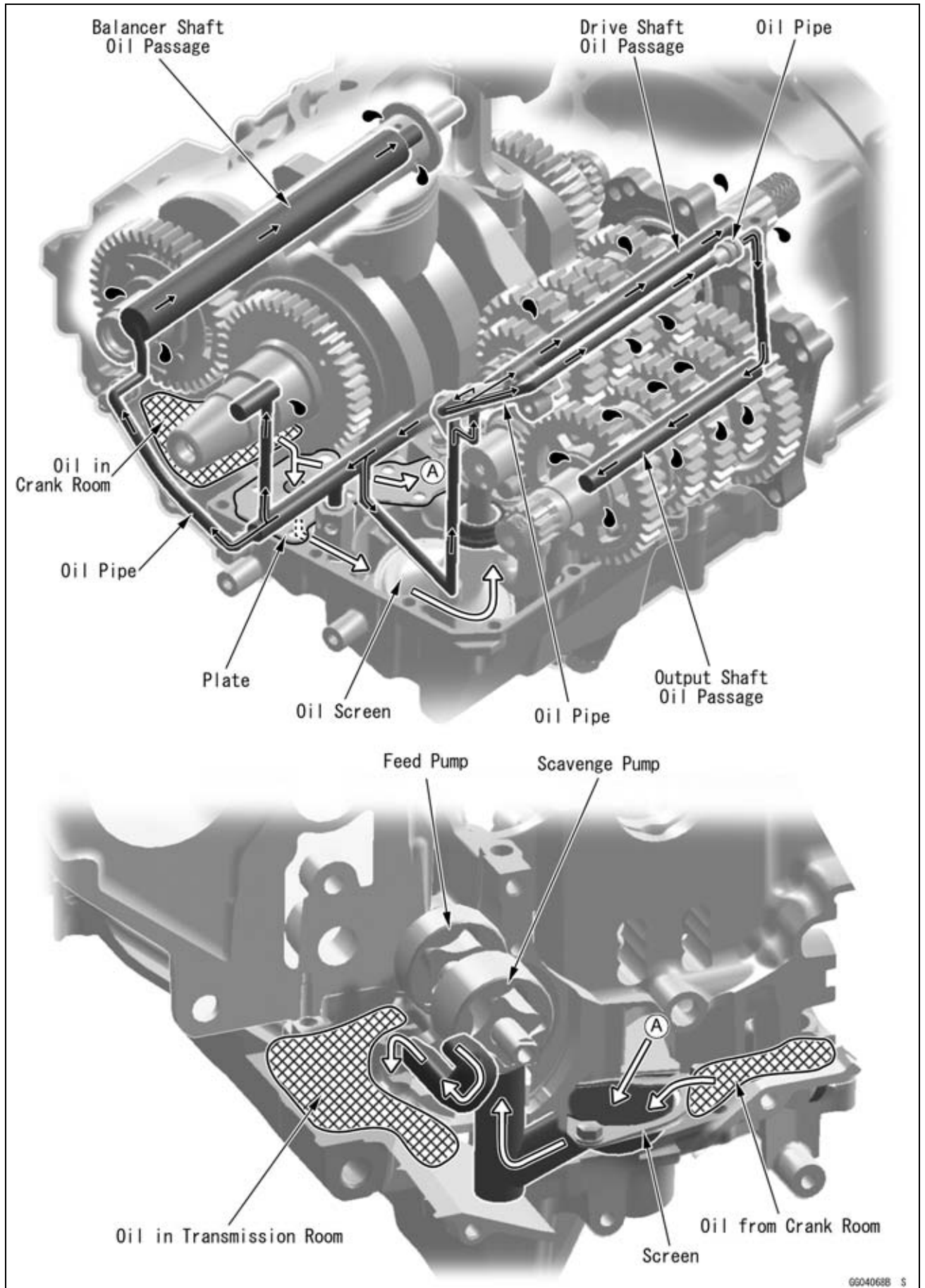
SS: Apply silicone sealant.

# 7-4 ENGINE LUBRICATION SYSTEM

## Engine Oil Flow Chart



Engine Oil Flow Chart



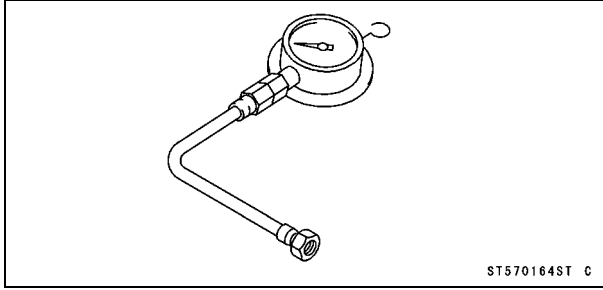
## 7-6 ENGINE LUBRICATION SYSTEM

### Specifications

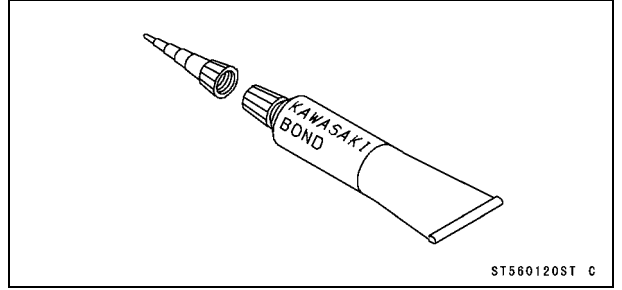
Item	Standard
<b>Engine Oil</b> Type Viscosity Capacity: Level	API SE, SF or SG API SH, SJ or SL with JASO MA SAE 10W-40 1.7 L (1.8 US qt) (when filter is not removed) 1.9 L (2.0 US qt) (when filter is removed) 2.4 L (2.5 US qt) (when engine is completely dry) Between upper and lower level lines
<b>Oil Pressure Measurement</b> Oil Pressure	216 ~ 294 kPa (2.2 ~ 3.0 kgf/cm <sup>2</sup> , 31 ~ 43 psi) at 4 000 r/min (rpm), Oil Temperature 90°C (194°F)

**Special Tools and Sealant**

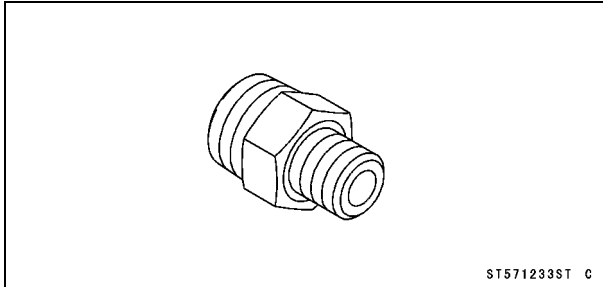
**Oil Pressure Gauge, 10 kgf/cm<sup>2</sup>:**  
**57001-164**



**Kawasaki Bond (Silicone Sealant):**  
**56019-120**



**Oil Pressure Gauge Adapter, PT3/8:**  
**57001-1233**



## 7-8 ENGINE LUBRICATION SYSTEM

### Engine Oil and Oil Filter

#### **⚠ WARNING**

Motorcycle operation with insufficient, deteriorated, or contaminated engine oil will cause accelerated wear and may result in engine or transmission seizure, accident, and injury.

#### **Oil Level Inspection**

- Check that the engine oil level is between the upper [A] and lower [B] levels in the gauge.

#### **NOTE**

- Situate the motorcycle so that it is perpendicular to the ground.
- If the motorcycle has just been used, wait several minutes for all the oil to drain down.
- If the oil has just been changed, start the engine and run it for several minutes at idle speed. This fills the oil filter with oil. Stop the engine, then wait several minutes until the oil settles.



#### **CAUTION**

Racing the engine before the oil reaches every part can cause engine seizure.

If the engine oil gets extremely low or if the oil pump or oil passages clog up or otherwise do not function properly, the oil pressure warning indicator light (LED) will light. If this light stays on when the engine is running above idle speed, stop the engine immediately and find the cause.

- ★ If the oil level is too high, remove the excess oil, using a syringe or some other suitable device.
- ★ If the oil level is too low, add the correct amount of oil through the oil filter opening. Use the same type and make of oil that is already in the engine.

#### **NOTE**

- If the engine oil type and make are unknown, use any brand of the specified oil to top off the level in preference to running the engine with the oil level low. Then at your earliest convenience, change the oil completely.

#### **Engine Oil Change**

- Refer to the Engine Oil Change in the Periodic Maintenance chapter.

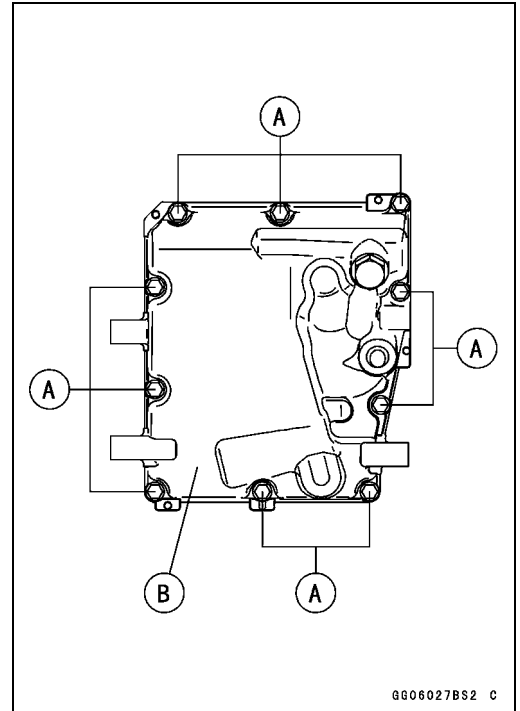
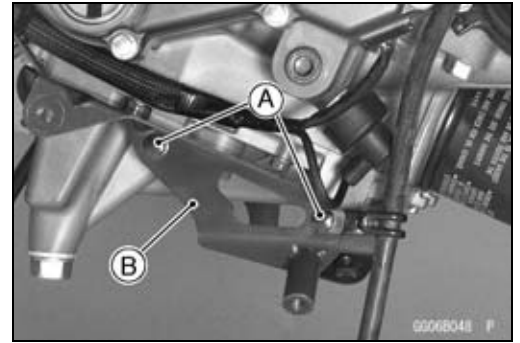
#### **Oil Filter Replacement**

- Refer to the Oil Filter Replacement in the Periodic Maintenance chapter.

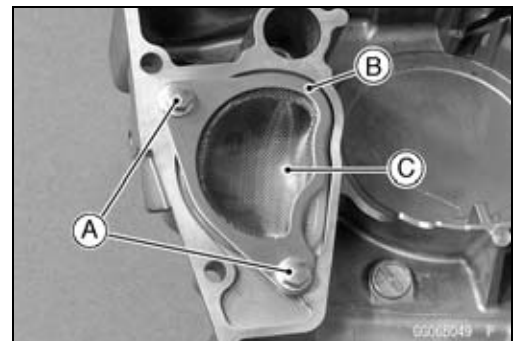
## Oil Pan

### Oil Pan Removal

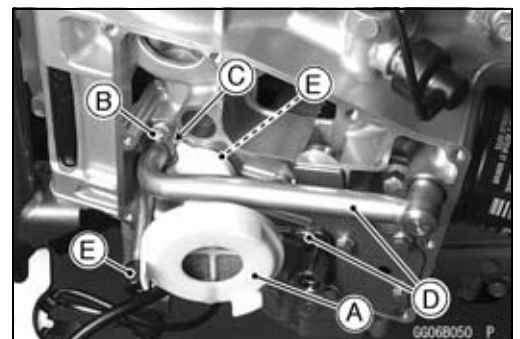
- Drain the engine oil (see Engine Oil Change in the Periodic Maintenance chapter).
- Remove:
  - Exhaust Pipe (see Exhaust Pipe Removal in the Engine Top End chapter)
  - Muffler Body (see Muffler Body Removal in the Engine Top End chapter)
- Remove the bolts [A] and right lower fairing bracket [B].
- Remove the left lower fairing bracket in the same way as right.
  
- Remove:
  - Oil Pan Bolts [A]
  - Oil Pan [B]



- Remove the following from the oil pan as necessary.
  - Filter Plate Bolts [A]
  - Filter Plate [B]
  - Filter [C]



- Remove the following from the lower crankcase half as necessary.
  - Oil Screen [A]
  - Oil Pipe Plate Bolt [B]
  - Oil Pipe Plate [C]
  - Oil Pipes [D]
  - Dampers [E]



## 7-10 ENGINE LUBRICATION SYSTEM

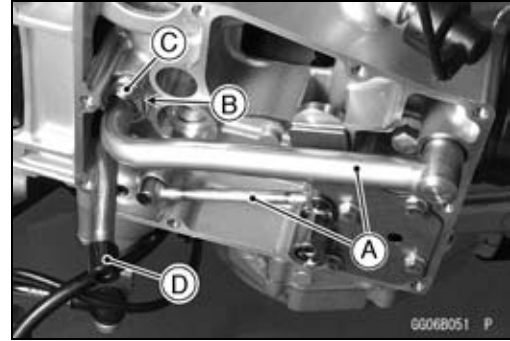
### Oil Pan

#### Oil Pan Installation

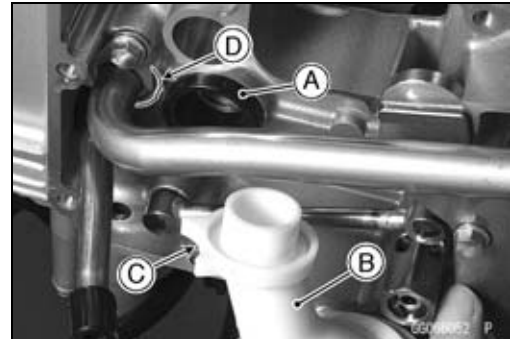
- Apply grease to the O-rings on the oil pipes [A].
- Install the oil pipe plate [B] so that its guide portion fits the oil pipe as shown.
- Apply a non-permanent locking agent to the oil pipe plate bolt.

**Torque - Oil Pipe Plate Bolt [C]: 9.8 N·m (1.0 kgf·m, 87 in·lb)**

- Install the damper [D] to the end of the breather pipe.



- Apply grease to the damper [A] on the oil screen [B] and install it on the lower crankcase half as shown.
- Install the oil screen so that its guide portion [C] fits the crankcase rib [D].



- Apply non-permanent locking agent to the filter plate bolts and tighten them.

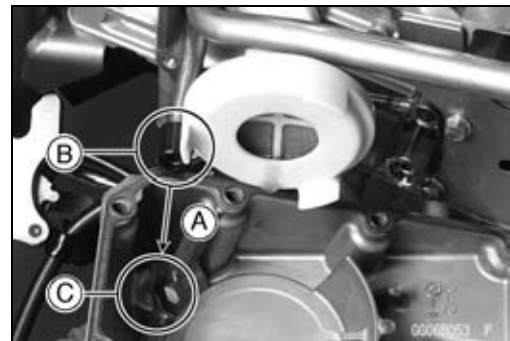
**Torque - Filter Plate Bolts: 9.8 N·m (1.0 kgf·m, 87 in·lb)**

- Replace the oil pan gasket with a new one.
- When installing the oil pan, align [A] the damper [B] on the breather pipe with the hollow [C] on the oil pan.
- Tighten:

**Torque - Oil Pan Bolts: 12 N·m (1.2 kgf·m, 106 in·lb)**

- Apply a non-permanent locking agent to the threads of the lower fairing bracket bolts and tighten them.

**Torque - Lower Fairing Bracket Bolts: 12 N·m (1.2 kgf·m, 106 in·lb)**





**Oil Pressure Relief Valve**

**Oil Pressure Relief Valve Removal**

- Remove:
  - Oil Pan (see Oil Pan Removal)
  - Oil Pressure Relief Valve [A]



**Oil Pressure Relief Valve Installation**

- Apply a non-permanent locking agent to the threads of the oil pressure relief valve, and tighten it.

**CAUTION**

**Do not apply too much non-permanent locking agent to the threads. This may block the oil passage.**

**Torque - Oil Pressure Relief Valve: 15 N·m (1.5 kgf·m, 11 ft·lb)**

- Install the oil pan (see Oil Pan Installation).

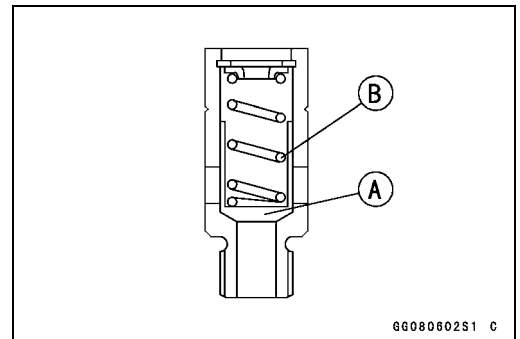
**Oil Pressure Relief Valve Inspection**

- Remove the oil pressure relief valve (see Oil Pressure Relief Valve Removal).
- Check to see if the valve [A] slides smoothly when pushing it in with a wooden or other soft rod, and see if it comes back to its seat by spring [B] pressure.

**NOTE**

○ *Inspect the valve in its assembled state. Disassembly and assembly may change the valve performance.*

- ★ If any rough spots are found during above inspection, wash the valve clean with a high-flash point solvent and blow out any foreign particles that may be in the valve with compressed air.



**⚠ WARNING**

**Clean the oil pressure relief valve in a well-ventilated area, and take care that there is no spark or flame anywhere near the working area. Because of the danger of highly flammable liquids, do not use gasoline or low-flash point solvent.**

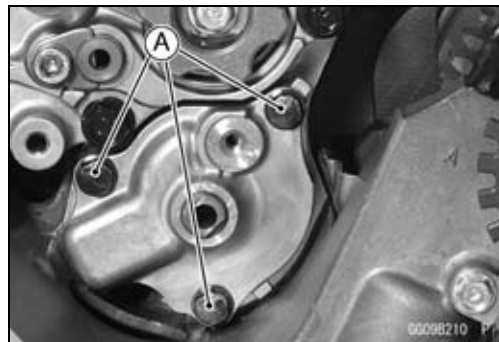
- ★ If cleaning does not solve the problem, replace the oil pressure relief valve as an assembly. The oil pressure relief valve is precision made with no allowance for replacement of individual parts.

## 7-12 ENGINE LUBRICATION SYSTEM

### Oil Pump

#### Oil Pump Removal

- Remove:
  - Clutch (see Clutch Removal in the Clutch chapter)
  - Oil Pump Cover Bolts [A]



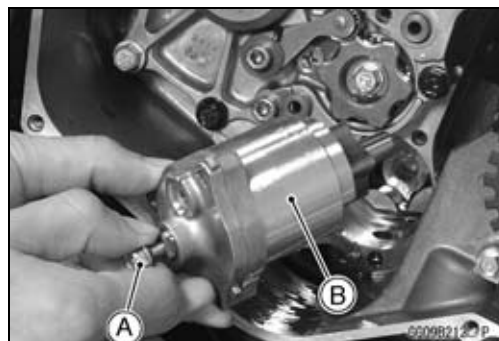
- Temporarily install the oil pump sprocket bolt [A].

#### NOTE

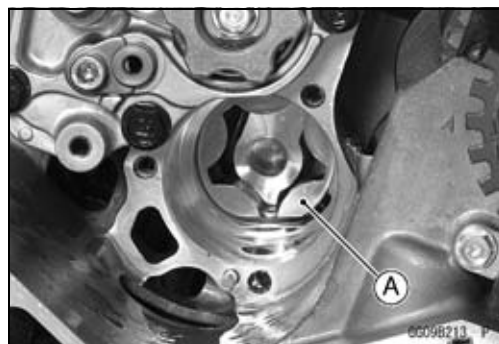
○The oil pump sprocket bolt has a left-hand threads.



- Using the oil pump sprocket bolt [A], pull out the oil pump [B] as a assembly.



- Remove the outer rotor [A] for feed pump.

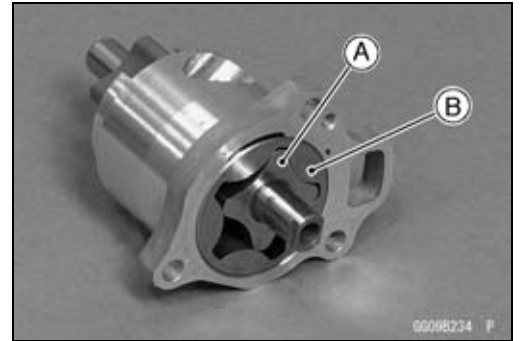


- Remove the oil pump cover [A].



**Oil Pump**

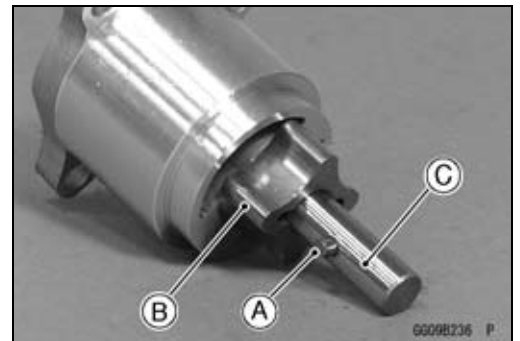
- Remove:
  - Inner Rotor [A] for Scavenge Pump
  - Outer Rotor [B] for Scavenge Pump



- Remove the pin [A].

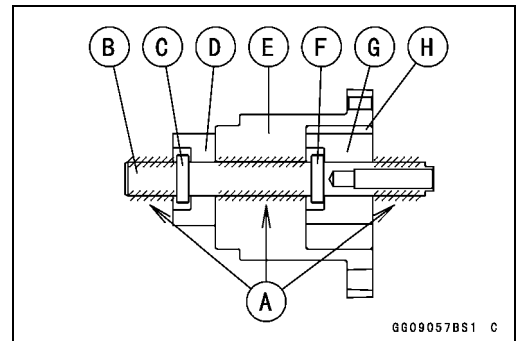


- Remove:
  - Pin [A]
  - Inner Rotor for Feed Pump [B]
  - Oil Pump Shaft [C]



**Oil Pump Installation**

- Apply molybdenum disulfide oil solution to the portion [A] of the oil pump shaft as shown.
- Assemble the following parts.
  - Oil Pump Shaft [B]
  - Pin [C]
  - Inner Rotor for Feed Pump [D]
  - Oil Pump Body [E]
  - Pin [F]
  - Inner Rotor [G] for Scavenge Pump
  - Outer Rotor [H] for Scavenge Pump



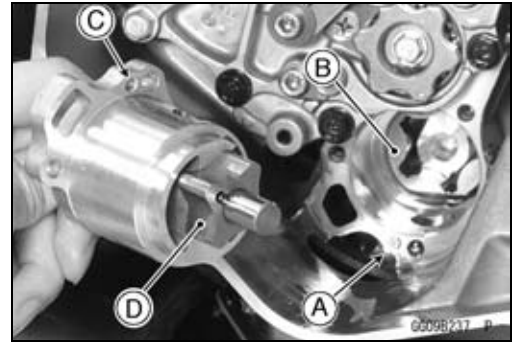
**NOTE**

○The scavenge pump rotors are wider than the feed pump rotors.

## 7-14 ENGINE LUBRICATION SYSTEM

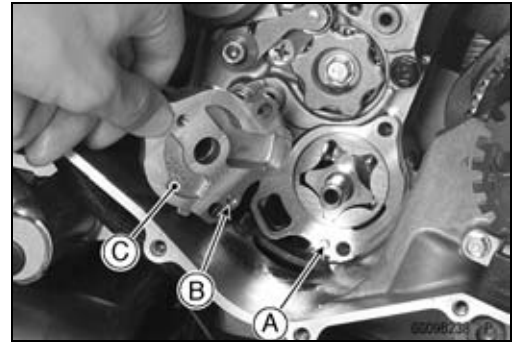
### Oil Pump

- Install:
  - Dowel Pin [A]
  - Outer Rotor [B] for Feed Pump
- Fit the pin of the crankcase into the hole [C] in the oil pump body.
- Turn the oil pump shaft so that the inner rotor [D] fits into the outer rotor.



- Fit the pin [A] into the hole [B] on the oil pump cover [C].
- Apply a non-permanent locking agent to the oil pump cover bolts and tighten them.

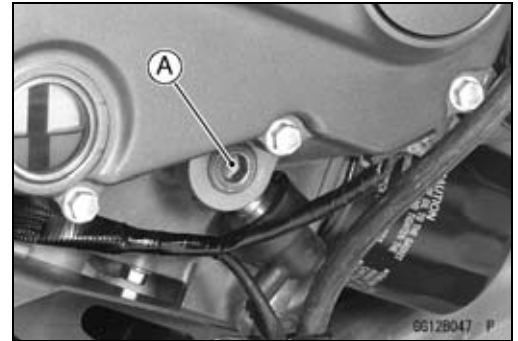
**Torque - Oil Pump Cover Bolts: 9.8 N·m (1.0 kgf·m, 87 in·lb)**



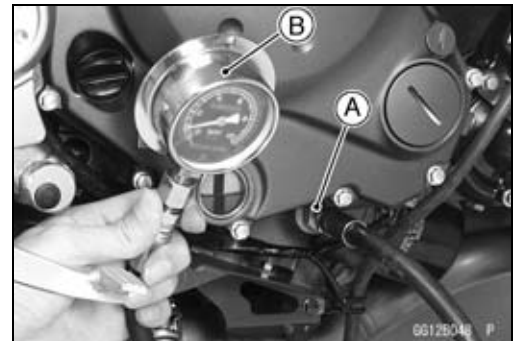
**Oil Pressure Measurement**

**Oil Pressure Measurement**

- Remove:
  - Right Lower Fairing (see Lower Fairing Removal in the Frame chapter)
  - Oil Passage Plug [A]



- Attach the adapter [A] and gauge [B] to the plug hole.
  - Special Tools - Oil Pressure Gauge, 10 kgf/cm<sup>2</sup>: 57001-164**
  - Oil Pressure Gauge Adapter, PT3/8: 57001-1233**



- Start the engine and warm up the engine.
- Run the engine at the specified speed, and read the oil pressure gauge.
- ★ If the oil pressure is much lower than the standard, check the oil pump, relief valve, and/or crankshaft bearing insert wear immediately.
- ★ If the reading is much higher than the standard, check the oil passages for clogging.

**Oil Pressure**

**Standard: 216 ~ 294 kPa (2.2 ~ 3.0 kgf/cm<sup>2</sup>, 31 ~ 43 psi) at 4 000 r/min (rpm), oil temperature 90°C (194°F)**

- Stop the engine.
- Remove the oil pressure gauge and adapter.

**⚠ WARNING**

**Take care against burns from hot engine oil that will drain through the oil passage when the gauge adapter is removed.**

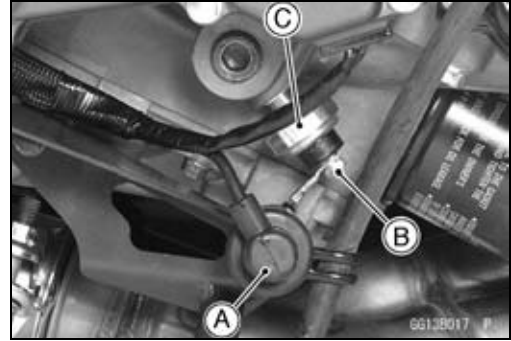
- Apply a non-permanent locking agent to the oil passage plug, and install it.
- Torque - Oil Passage Plug: 20 N·m (2.0 kgf·m, 15 ft·lb)**

## 7-16 ENGINE LUBRICATION SYSTEM

### Oil Pressure Switch

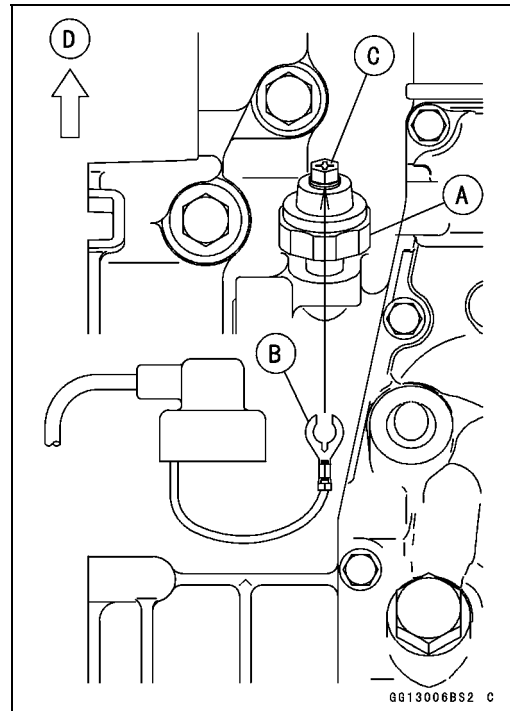
#### Oil Pressure Switch Removal

- Drain the engine oil (see Engine Oil Change in the Periodic Maintenance chapter).
- Remove:
  - Right Lower Fairing (see Lower Fairing Removal in the Frame chapter)
  - Switch Cover [A]
  - Switch Terminal Bolt [B]
  - Oil Pressure Switch [C]



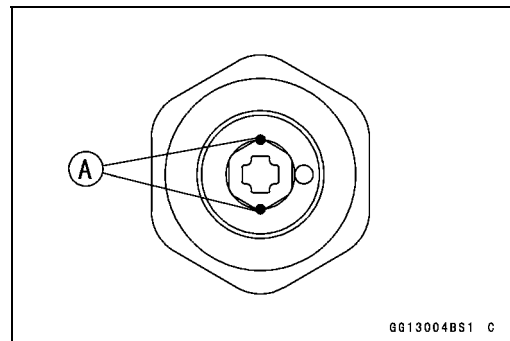
#### Oil Pressure Switch Installation

- Apply silicone sealant to the threads of the oil pressure switch [A] and tighten it.
- Sealant - Kawasaki Bond (Silicone Sealant): 56019-120**
- Torque - Oil Pressure Switch: 15 N·m (1.5 kgf·m, 11 ft·lb)**
- Install the switch lead [B] direction downward.
- Apply grease to the terminal [C], and tighten the terminal bolt securely.
- Front [D]



#### NOTE

- Apply a small amount grease to the terminal so that grease should not close two breather holes [A] for switch diaphragm.



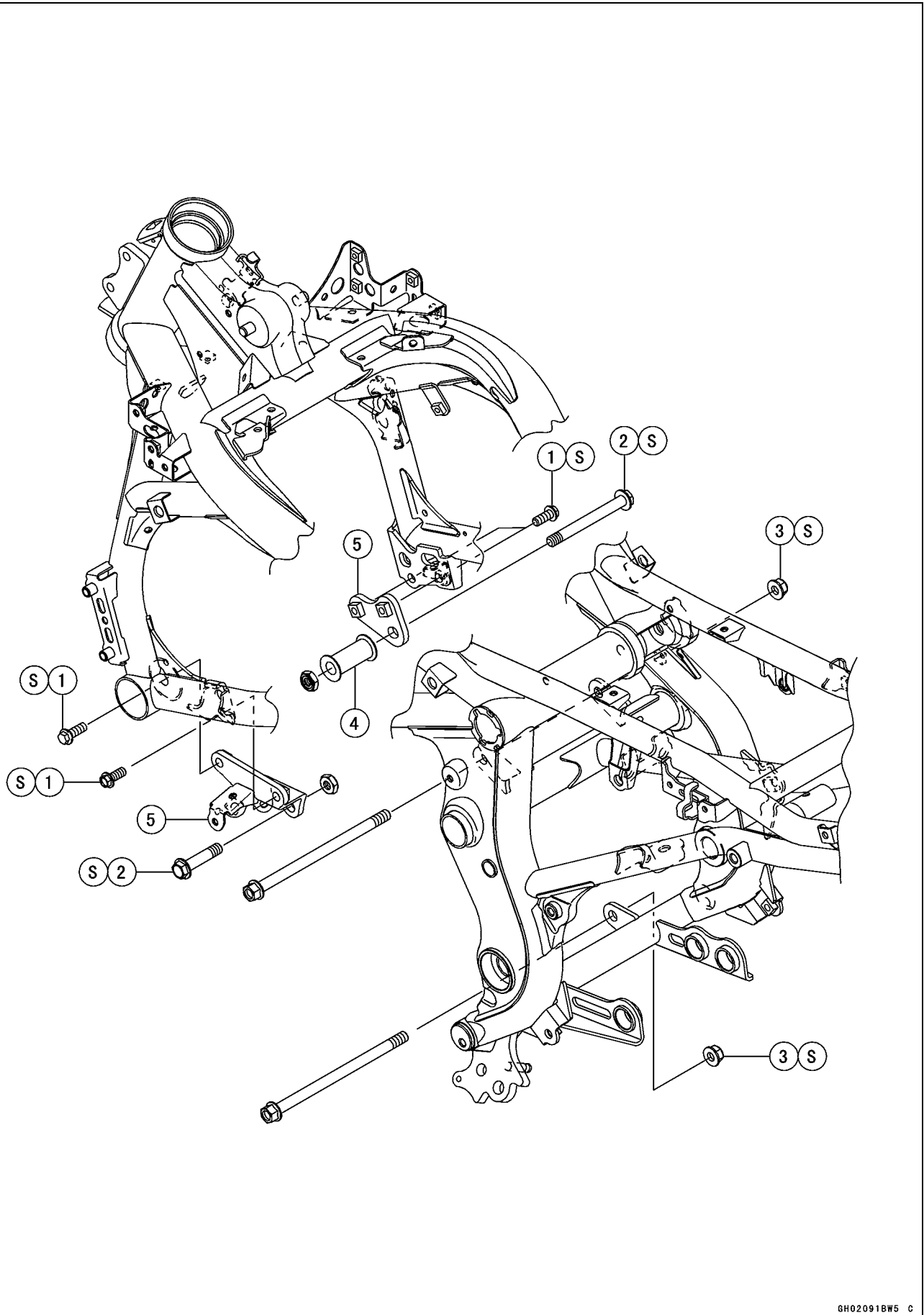
# Engine Removal/Installation

## Table of Contents

Exploded View.....	8-2
Engine Removal/Installation.....	8-4
Engine Removal.....	8-4
Engine Installation.....	8-7

# 8-2 ENGINE REMOVAL/INSTALLATION

## Exploded View





## ENGINE REMOVAL/INSTALLATION 8-3

### Exploded View

No.	Fastener	Torque			Remarks
		N·m	kgf·m	ft·lb	
1	Engine Mounting Bracket Bolts	25	2.5	18	S
2	Front Engine Mounting Bolts	44	4.5	32	S
3	Rear Engine Mounting Nuts	44	4.5	32	S

4. Collar

5. Engine Mounting Brackets

S: Follow the specified tightening sequence.

## 8-4 ENGINE REMOVAL/INSTALLATION

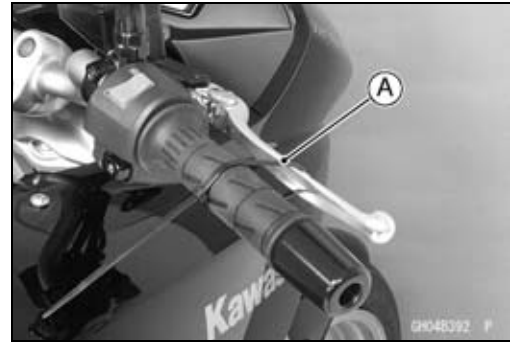
### Engine Removal/Installation

#### Engine Removal

- Support the rear part of the swingarm with a stand.
- Squeeze the brake lever slowly and hold it with a band [A].

#### **⚠ WARNING**

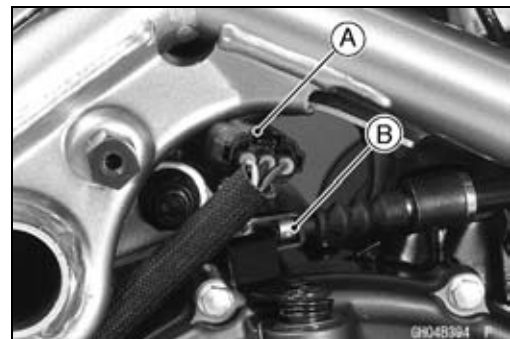
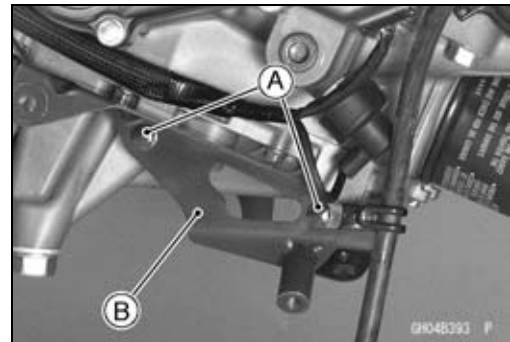
**Be sure to hold the front brake when removing the engine, or the motorcycle may fall over. It could cause an accident and injury.**



#### **CAUTION**

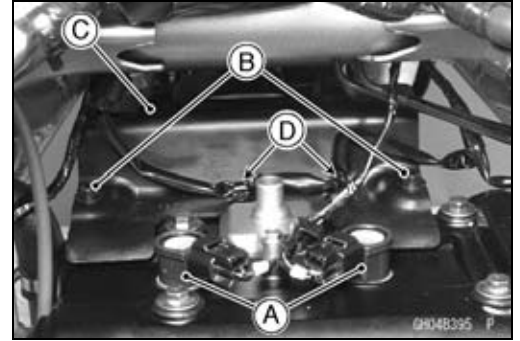
**Be sure to hold the front brake when removing the engine, or the motorcycle may fall over. The engine or the motorcycle could be damaged.**

- Drain:
  - Engine Oil (see Engine Oil Change in the Periodic Maintenance chapter)
  - Coolant (see Coolant Change in the Periodic Maintenance chapter)
- Remove:
  - Seat (see Seat Removal in the Frame chapter)
  - Middle Fairings (see Middle Fairing Removal in the Frame chapter)
  - Front Frame Cover (see Front Frame Cover Removal in the Frame chapter)
  - Side Cover (see Side Cover Removal in the Frame chapter)
  - Rear Frame Covers (see Frame Cover Removal in the Frame chapter)
  - Lower Fairings (see Lower Fairing Removal in the Frame chapter)
  - Radiator (see Radiator and Radiator Fan Removal in the Cooling System chapter)
  - Exhaust Pipe (see Exhaust Pipe Removal in the Engine Top End chapter)
  - Muffler Body (see Muffler Body Removal in the Engine Top End chapter)
- Remove the bolts [A] and right lower fairing bracket [B].
- Remove the left lower fairing bracket in the same way as right.
- Disconnect the crankshaft sensor lead connector [A].
- Remove the clutch cable lower end [B] (see Clutch Cable Removal in the Clutch chapter).

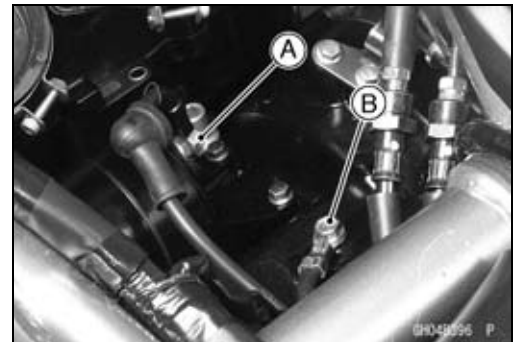


## Engine Removal/Installation

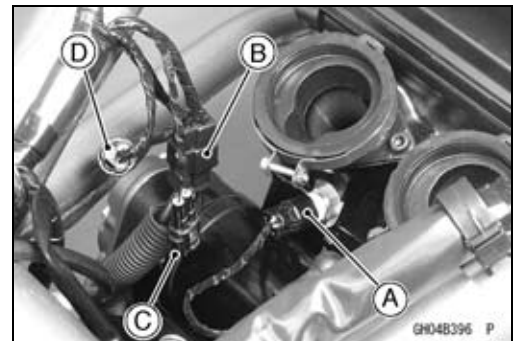
- Remove:
  - Fuel Tank (see Fuel Tank Removal in the Fuel System (DFI) chapter)
  - Air Switching Valve (see Air Switching Valve Removal in the Engine Top End chapter)
  - Air Cleaner Housing (see Air Cleaner Housing Removal in the Fuel System (DFI) chapter)
  - Throttle Body Assy (see Throttle Body Assy Removal in the Fuel System (DFI) chapter)
  - Stick Coils [A] (see Stick Coi (Ignition Coil together with Spark Plug Cap) Removal in the Electrical System chapter)
  - Bolts [B]
  - Baffle Plate [C]
- For models equipped with an ABS, open the clamps [D].



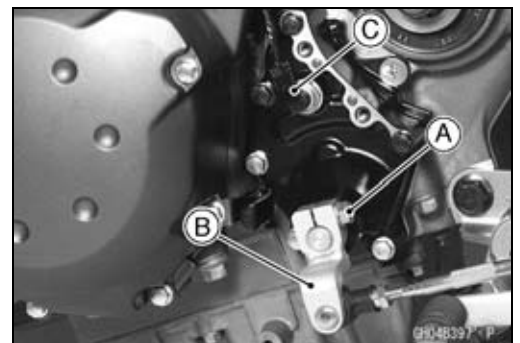
- Remove:
  - Starter Motor Cable Terminal Nut [A]
  - Engine Ground Cable Terminal Bolt [B]



- Disconnect:
  - Water Temperature Sensor Lead Connector [A]
  - Alternator Lead Connector [B]
  - Sidestand Switch Lead Connector [C]
  - Speed Sensor Lead Connector [D]



- Remove:
  - Engine Sprocket (see Engine Sprocket Removal in the Final Drive chapter)
  - Bolt [A]
  - Shift Lever [B]
- Disconnect the neutral switch lead connector [C].



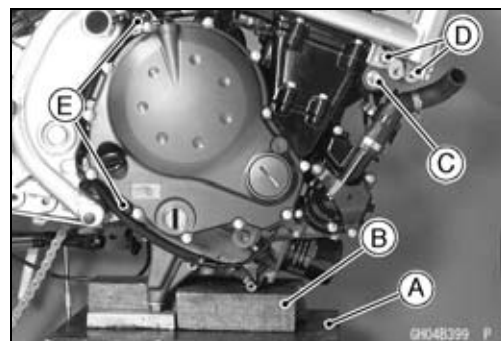
## 8-6 ENGINE REMOVAL/INSTALLATION

### Engine Removal/Installation

- Open the clamp [A].
- Disconnect the horn leads [B].



- Support the engine with a suitable stand [A].
- Put a plank [B] onto the suitable stand for engine balance.
- Remove:
  - Front Engine Mounting Bolts [C] (Both Sides)
  - Engine Mounting Bracket Bolts [D] (Both Sides)
  - Rear Engine Mounting Nuts [E]
- Pull out the rear engine mounting bolts from the left side.
- Using the stand, take out the engine.



## Engine Removal/Installation

### Engine Installation

- Firstly, insert the rear engine mounting bolts [A] from the left side of the engine.
- Secondly, temporarily tighten the right engine mounting bracket bolts [B] and then the right front engine mounting bolt [C].
- Position the collar [D] as shown.
- Thirdly, temporarily tighten the left engine mounting bracket bolts [E] and then the left front engine mounting bolt [F].
- Fourthly, temporarily tighten the rear engine mounting nuts [G].
- Fifthly, tighten the rear engine mounting nuts.

**Torque - Rear Engine Mounting Nuts: 44 N·m (4.5 kgf·m, 32 ft·lb)**

- Sixthly, tighten the right engine mounting bracket bolts.

**Torque - Engine Mounting Bracket Bolts: 25 N·m (2.5 kgf·m, 18 ft·lb)**

- Seventhly, tighten the right front engine mounting bolt.

**Torque - Front Engine Mounting Bolt: 44 N·m (4.5 kgf·m, 32 ft·lb)**

- Eighthly, tighten the left engine mounting bracket bolts.

**Torque - Engine Mounting Bracket Bolts: 25 N·m (2.5 kgf·m, 18 ft·lb)**

- Lastly, tighten the left front engine mounting bolt.

**Torque - Front Engine Mounting Bolt: 44 N·m (4.5 kgf·m, 32 ft·lb)**

- Run the leads, cables, and hoses correctly (see Cable, Wire, and Hose Routing section in the Appendix chapter).
- Install the removed parts (see appropriate chapters).

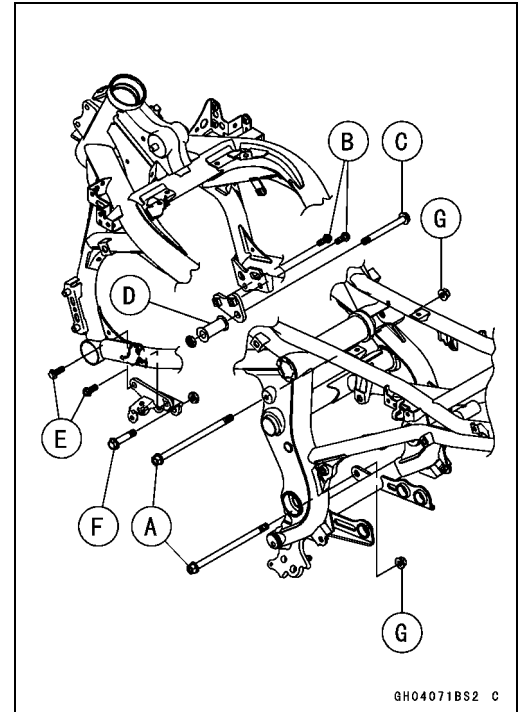
- Adjust:

Throttle Cables (see Throttle Control System Inspection in the Periodic Maintenance chapter)

Clutch Cable (see Clutch Operation Inspection in the Periodic Maintenance chapter)

Drive Chain (see Drive Chain Slack Adjustment in the Periodic Maintenance chapter)

- Fill the engine with engine oil (see Engine Oil Change in the Periodic Maintenance chapter).
- Fill the engine with coolant and bleed the air from the cooling system (see Coolant Change in the Periodic Maintenance chapter).
- Adjust the idling (see Idle Speed Adjustment in the Periodic Maintenance chapter).



GH04071BS2 C



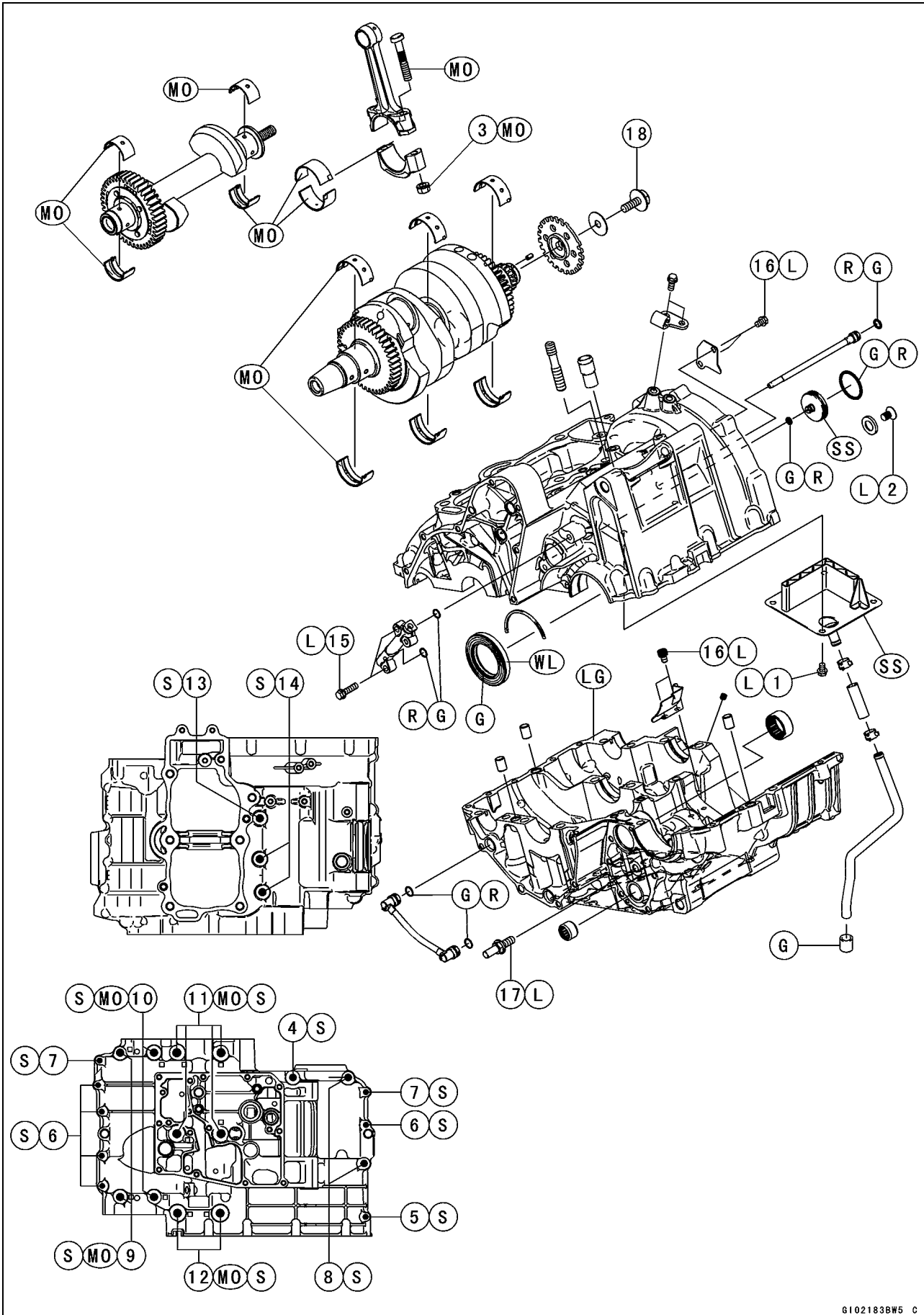
# Crankshaft/Transmission

## Table of Contents

Exploded View .....	9-2
Specifications .....	9-6
Special Tools and Sealants .....	9-9
Crankcase Splitting.....	9-10
Crankcase Splitting .....	9-10
Crankcase Assembly .....	9-12
Crankshaft and Connecting Rods.....	9-18
Crankshaft Removal .....	9-18
Crankshaft Installation .....	9-18
Connecting Rod Removal.....	9-18
Connecting Rod Installation .....	9-19
Crankshaft/Connecting Rod Cleaning.....	9-22
Connecting Rod Bend.....	9-22
Connecting Rod Twist.....	9-23
Connecting Rod Big End Side Clearance.....	9-23
Connecting Rod Big End Bearing Insert/Crankpin Wear .....	9-23
Crankshaft Side Clearance.....	9-25
Crankshaft Runout.....	9-25
Crankshaft Main Bearing Insert/Journal Wear .....	9-25
Balancer .....	9-28
Balancer Removal.....	9-28
Balancer Installation.....	9-28
Balancer Shaft Bearing Insert/Journal Clearance.....	9-28
Transmission .....	9-31
Shift Pedal Removal .....	9-31
Shift Pedal Installation .....	9-31
External Shift Mechanism Removal .....	9-32
External Shift Mechanism Installation .....	9-33
External Shift Mechanism Inspection.....	9-34
Transmission Assy Removal.....	9-35
Transmission Assy Installation.....	9-36
Transmission Assy Disassembly .....	9-37
Transmission Assy Assembly .....	9-37
Transmission Shaft Removal .....	9-39
Transmission Shaft Installation .....	9-39
Transmission Shaft Disassembly.....	9-39
Transmission Shaft Assembly.....	9-39
Shift Drum and Fork Removal.....	9-42
Shift Drum and Fork Installation.....	9-42
Shift Drum Disassembly.....	9-42
Shift Drum Assembly .....	9-42
Shift Fork Bending .....	9-42
Shift Fork/Gear Groove Wear .....	9-42
Shift Fork Guide Pin/Drum Groove Wear.....	9-42
Gear Dog and Gear Dog Hole Damage.....	9-43
Ball Bearing, Needle Bearing, and Oil Seal.....	9-44
Ball and Needle Bearing Replacement .....	9-44
Ball and Needle Bearing Wear.....	9-44
Oil Seal Inspection.....	9-44

# 9-2 CRANKSHAFT/TRANSMISSION

## Exploded View





## CRANKSHAFT/TRANSMISSION 9-3

### Exploded View

No.	Fastener	Torque			Remarks
		N·m	kgf·m	ft·lb	
1	Breather Plate Bolts	9.8	1.0	87 in·lb	L
2	Race Holder Screw	4.9	0.50	43 in·lb	L
3	Connecting Rod Big End Nuts	see Text	←	←	
4	Crankcase Bolt (M8, L = 110 mm)	27.5	2.8	20	S
5	Crankcase Bolt (M6, L = 32 mm)	19.6	2.0	14	S
6	Crankcase Bolts (M6, L = 38 mm)	19.6	2.0	14	S
7	Crankcase Bolts (M6, L = 45 mm)	19.6	2.0	14	S
8	Crankcase Bolts (M8, L = 50 mm)	27.5	2.8	20	S
9	Crankcase Bolts (M8, L = 60 mm)	35	3.6	26	MO, S
10	Crankcase Bolts (M8, L = 73 mm)	35	3.6	26	MO, S
11	Crankcase Bolts (M9, L = 113 mm)	44	4.5	32	MO, S
12	Crankcase Bolts (M9, L = 83 mm)	44	4.5	32	MO, S
13	Upper Crankcase Bolt (M8, L = 120 mm)	27.5	2.8	20	S
14	Upper Crankcase Bolts (M8, L = 110 mm)	27.5	2.8	20	S
15	Oil Pipe Bolts	9.8	1.0	87 in·lb	L
16	Oil Plate Bolts	9.8	1.0	87 in·lb	L
17	Shift Shaft Return Spring Pin	29	3.0	21	L
18	Timing Rotor Bolt	40	4.1	30	

G: Apply grease.

L: Apply a non-permanent locking agent.

LG: Apply liquid gasket.

MO: Apply molybdenum disulfide oil solution.

(mixture of the engine oil and molybdenum disulfide grease in a weight ratio 10 : 1)

R: Replacement Parts

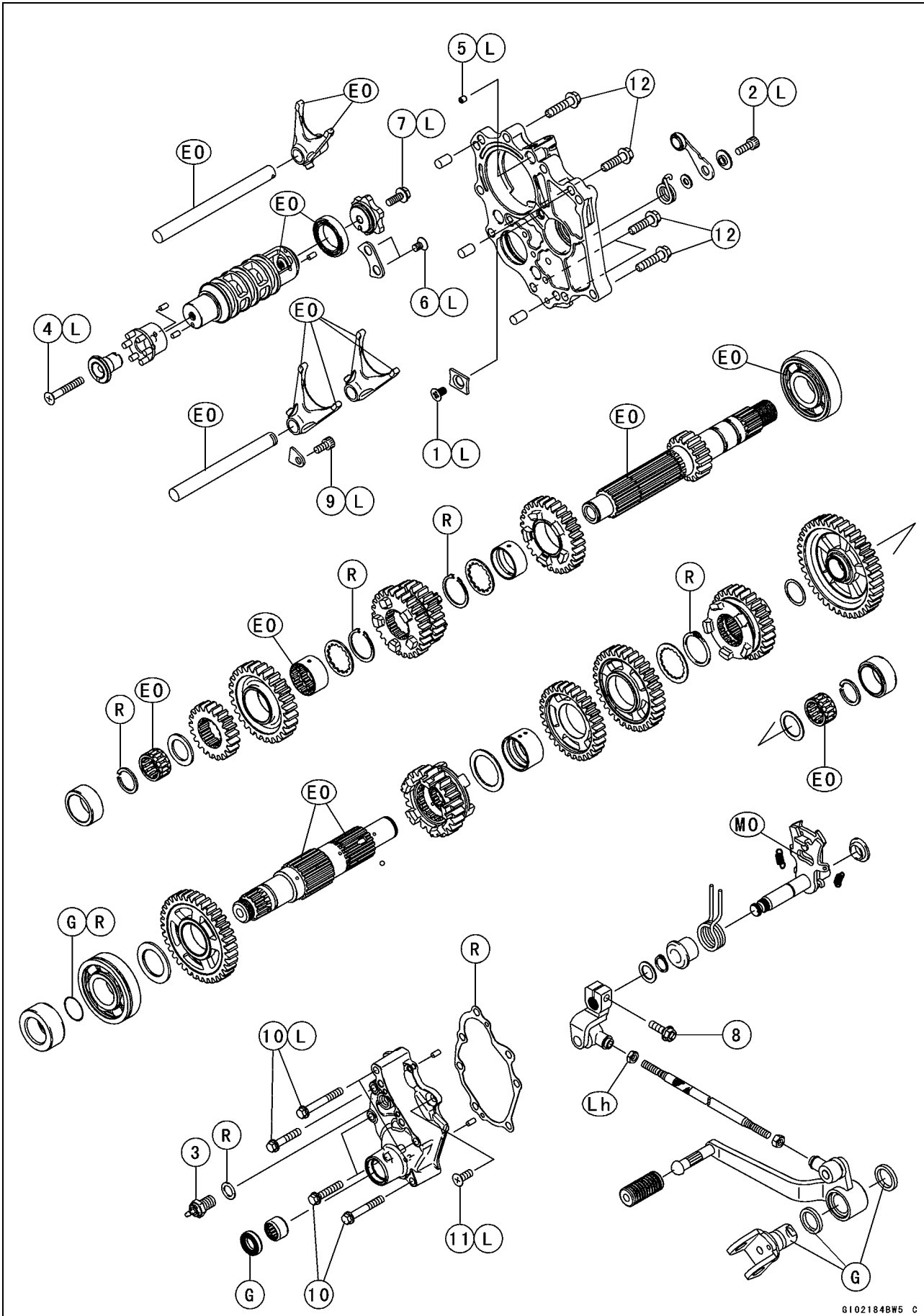
S: Follow the specified tightening sequence.

SS: Apply silicone sealant.

WL: Apply soap and water solution or rubber lubricant.

# 9-4 CRANKSHAFT/TRANSMISSION

## Exploded View



## CRANKSHAFT/TRANSMISSION 9-5

### Exploded View

No.	Fastener	Torque			Remarks
		N·m	kgf·m	ft·lb	
1	Drive Shaft Bearing Holder Screw	4.9	0.50	43 in·lb	L
2	Gear Positioning Lever Bolt	12	1.2	106 in·lb	L
3	Neutral Switch	15	1.5	11	
4	Neutral Switch Holder Screw	4.9	0.50	43 in·lb	L
5	Oil Jet Nozzle	2.9	0.30	26 in·lb	L
6	Shift Drum Bearing Holder Screws	4.9	0.50	43 in·lb	L
7	Shift Drum Cam Bolt	12	1.2	106 in·lb	L
8	Shift Lever Bolt	12	1.2	106 in·lb	L
9	Shift Rod Plate Bolt	9.8	1.0	87 in·lb	L
10	Shift Shaft Cover Bolts	9.8	1.0	87 in·lb	L (3)
11	Shift Shaft Cover Screw	4.9	0.50	43 in·lb	L
12	Transmission Case Bolts	20	2.0	15	

EO: Apply engine oil.

G: Apply grease.

L: Apply a non-permanent locking agent.

Lh: Left-hand Threads

MO: Apply molybdenum disulfide oil solution.

(mixture of the engine oil and molybdenum disulfide grease in a weight ratio 10 : 1)

R: Replacement Parts

## 9-6 CRANKSHAFT/TRANSMISSION

### Specifications

Item	Standard	Service Limit																					
<b>Crankshaft, Connecting Rods</b>																							
Connecting Rod Bend	— — —	TIR 0.2/100 mm (0.008/3.94 in.)																					
Connecting Rod Twist	— — —	TIR 0.2/100 mm (0.008/3.94 in.)																					
Connecting Rod Big End Side Clearance	0.13 ~ 0.38 mm (0.0051 ~ 0.0150 in.)	0.58 mm (0.023 in.)																					
Connecting Rod Big End Bearing Insert/Crankpin Clearance	0.017 ~ 0.041 mm (0.0007 ~ 0.0016 in.)	0.08 mm (0.0031 in.)																					
Crankpin Diameter:	37.984 ~ 38.000 mm (1.4954 ~ 1.4961 in.)	37.97 mm (1.4949 in.)																					
Marking:																							
None	37.984 ~ 37.992 mm (1.4954 ~ 1.4957 in.)	— — —																					
○	37.993 ~ 38.000 mm (1.4958 ~ 1.4961 in.)	— — —																					
Connecting Rod Big End Inside Diameter:	41.000 ~ 41.016 mm (1.6142 ~ 1.6148 in.)	— — —																					
Marking:																							
None	41.000 ~ 41.008 mm (1.6142 ~ 1.6145 in.)	— — —																					
○	41.009 ~ 41.016 mm (1.6145 ~ 1.6148 in.)	— — —																					
Connecting Rod Big End Bearing Insert Thickness:																							
Brown	1.475 ~ 1.480 mm (0.05807 ~ 0.05827 in.)	— — —																					
Black	1.480 ~ 1.485 mm (0.05827 ~ 0.05846 in.)	— — —																					
Blue	1.485 ~ 1.490 mm (0.05846 ~ 0.05866 in.)	— — —																					
Connecting Rod Big End Bearing Insert Selection:																							
<table border="1"> <thead> <tr> <th rowspan="2">Con-rod Big End Bore Diameter Marking</th> <th rowspan="2">Crankpin Diameter Marking</th> <th colspan="2">Bearing Insert</th> </tr> <tr> <th>Size Color</th> <th>Part Number</th> </tr> </thead> <tbody> <tr> <td>None</td> <td>○</td> <td>Brown</td> <td>92139-0116</td> </tr> <tr> <td>None</td> <td>None</td> <td rowspan="2">Black</td> <td rowspan="2">92139-0115</td> </tr> <tr> <td>○</td> <td>○</td> </tr> <tr> <td>○</td> <td>None</td> <td>Blue</td> <td>92139-0114</td> </tr> </tbody> </table>				Con-rod Big End Bore Diameter Marking	Crankpin Diameter Marking	Bearing Insert		Size Color	Part Number	None	○	Brown	92139-0116	None	None	Black	92139-0115	○	○	○	None	Blue	92139-0114
Con-rod Big End Bore Diameter Marking	Crankpin Diameter Marking	Bearing Insert																					
		Size Color	Part Number																				
None	○	Brown	92139-0116																				
None	None	Black	92139-0115																				
○	○																						
○	None	Blue	92139-0114																				
Connecting Rod Bolt Stretch: (Usable Range)																							
New Connecting Rod	0.24 ~ 0.36 mm (0.0094 ~ 0.0142 in.)	— — —																					
Used Connecting Rod	0.20 ~ 0.32 mm (0.0079 ~ 0.0126 in.)	— — —																					
Crankshaft Side Clearance	0.05 ~ 0.20 mm (0.0020 ~ 0.0079 in.)	0.40 mm (0.0157 in.)																					

**Specifications**

Item	Standard	Service Limit
Crankshaft Runout	TIR 0.02 mm (0.0008 in.) or less	TIR 0.05 mm (0.0020 in.)
Crankshaft Main Bearing Insert/Journal Clearance	0.012 ~ 0.036 mm (0.0005 ~ 0.0014 in.)	0.07 mm (0.0028 in.)
Crankshaft Main Journal Diameter:	37.984 ~ 38.000 mm (1.4954 ~ 1.4961 in.)	37.96 mm (1.4945 in.)
Marking:		
None	37.984 ~ 37.992 mm (1.4954 ~ 1.4957 in.)	— — —
1	37.993 ~ 38.000 mm (1.4958 ~ 1.4961 in.)	— — —
Crankcase Main Bearing Inside Diameter:	41.000 ~ 41.016 mm (1.6142 ~ 1.6148 in.)	— — —
Marking:		
○	41.000 ~ 41.008 mm (1.6142 ~ 1.6145 in.)	— — —
None	41.009 ~ 41.016 mm (1.6145 ~ 1.6148 in.)	— — —
Crankshaft Main Bearing Insert Thickness:		
Brown	1.490 ~ 1.494 mm (0.0587 ~ 0.0588 in.)	— — —
Black	1.494 ~ 1.498 mm (0.0588 ~ 0.0590 in.)	— — —
Blue	1.498 ~ 1.502 mm (0.0590 ~ 0.0591 in.)	— — —

**Crankshaft Main Bearing Insert Selection:**

Crankcase Main Bearing Inside Diameter Marking	Crankshaft Main Journal Diameter Marking	Bearing Insert*	
		Size Color	Part Number
○	1	Brown	92028-1905
None	1	Black	92028-1904
○	None		
None	None	Blue	92028-1903

\*The bearing inserts for Nos. 1, 2 and 3 journals have oil grooves.

<b>Balancer Shaft</b>		
Balancer Shaft Bearing Insert/Journal Clearance	0.011 ~ 0.033 mm (0.0004 ~ 0.0013 in.)	0.08 mm (0.0031 in.)
Balancer Shaft Journal Diameter:	27.987 ~ 28.000 mm (1.1019 ~ 1.1024 in.)	27.96 mm (1.1008 in.)
Marking:		
None	27.987 ~ 27.993 mm (1.1019 ~ 1.1021 in.)	— — —
○	27.994 ~ 28.000 mm (1.1021 ~ 1.1024 in.)	— — —

## 9-8 CRANKSHAFT/TRANSMISSION

### Specifications

Item	Standard	Service Limit
Crankcase Bearing Bore Diameter:	31.000 ~ 31.016 mm (1.2205 ~ 1.2228 in.)	---
Marking:		
○	31.000 ~ 31.008 mm (1.2205 ~ 1.2208 in.)	---
None	31.009 ~ 31.016 mm (1.2208 ~ 1.2211 in.)	---
Balancer Shaft Bearing Insert Thickness:		
Brown	1.490 ~ 1.494 mm (0.0587 ~ 0.0588 in.)	---
Black	1.494 ~ 1.498 mm (0.0588 ~ 0.0590 in.)	---
Blue	1.498 ~ 1.502 mm (0.0590 ~ 0.0591 in.)	---

#### Balancer Shaft Bearing Insert Selection:

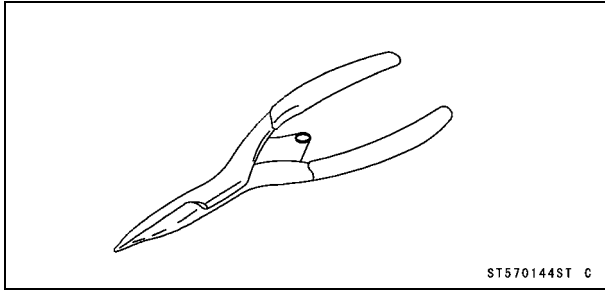
Crankcase Bearing Bore Diameter Marking	Balancer Shaft Journal Diameter Marking	Bearing Insert*	
		Size Color	Part Number
○	○	Brown	92139-0119
○	None	Black	92139-0118
None	○		
None	None	Blue	92139-0117

\*The bearing inserts for Nos. 1,2 journals have oil grooves.

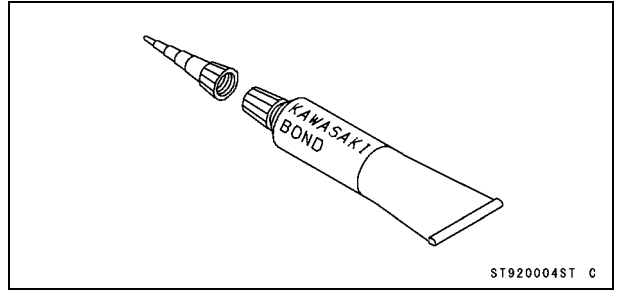
<b>Transmission</b>		
Shift Fork Ear Thickness	5.9 ~ 6.0 mm (0.232 ~ 0.236 in.)	5.8 mm (0.228 in.)
Gear Groove Width	6.05 ~ 6.15 mm (0.238 ~ 0.242 in.)	6.25 mm (0.246 in.)
Shift Fork Guide Pin Diameter	6.9 ~ 7.0 mm (0.272 ~ 0.276 in.)	6.8 mm (0.268 in.)
Shift Drum Groove Width	7.05 ~ 7.20 mm (0.278 ~ 0.283 in.)	7.3 mm (0.287 in.)

**Special Tools and Sealants**

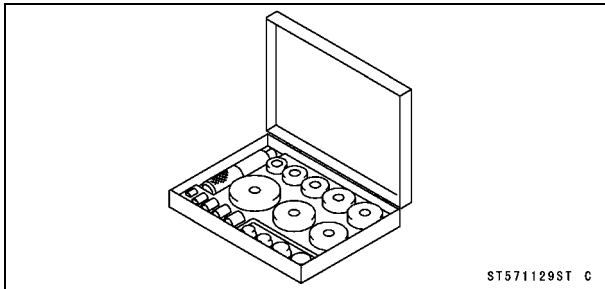
**Outside Circlip Pliers:**  
**57001-144**



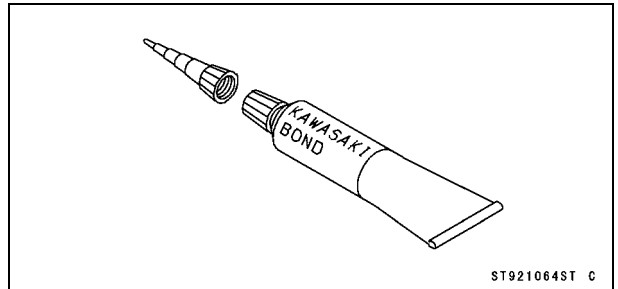
**Kawasaki Bond (Silicone Sealant):**  
**92104-0004**



**Bearing Driver Set:**  
**57001-1129**



**Kawasaki Bond:**  
**92104-1064**

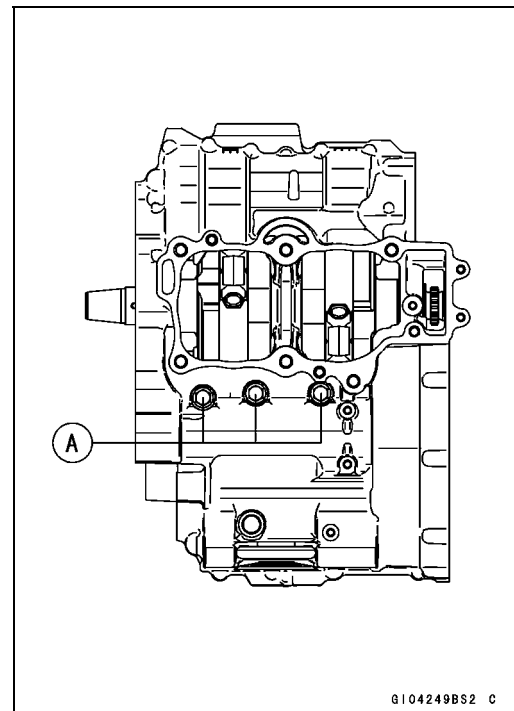


## 9-10 CRANKSHAFT/TRANSMISSION

### Crankcase Splitting

#### **Crankcase Splitting**

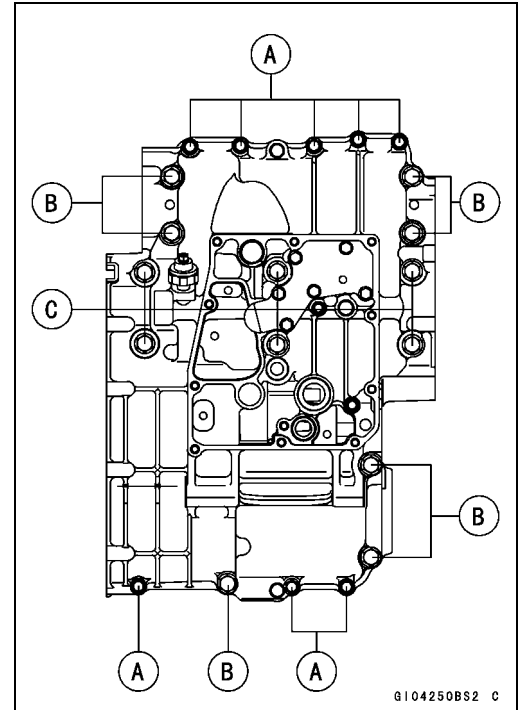
- Remove the engine (see Engine Removal in the Engine Removal/Installation chapter)
- Set the engine on a clean surface and hold the engine steady while parts are being removed.
- Remove:
  - Cylinder Head (see Cylinder Head Removal in the Engine Top End chapter)
  - Cylinder (see Cylinder Removal in the Engine Top End chapter)
  - Pistons (see Piston Removal in the Engine Top End chapter)
  - Starter Motor (see Starter Motor Removal in the Electrical System chapter)
  - Crankshaft Sensor (see Crankshaft Sensor Removal in the Electrical System chapter)
  - Timing Rotor (see Timing Rotor Removal in the Electrical System chapter)
  - Alternator Rotor (see Alternator Rotor Removal in the Electrical System chapter)
  - Clutch (see Clutch Removal in the Clutch chapter)
  - Oil Pump (see Oil Pump Removal in the Engine Lubrication System chapter)
  - Water Pump (see Water Pump Removal in the Cooling System chapter)
  - Transmission Assy (see Transmission Assy Removal)
- Remove the upper crankcase bolts [A] and the washers.



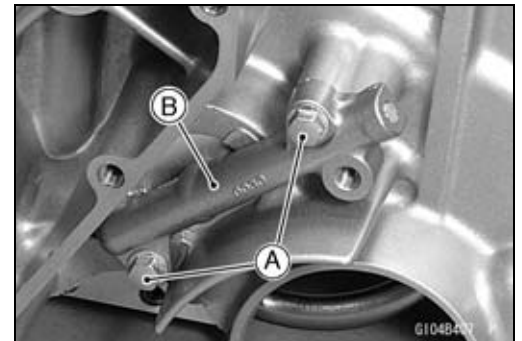


## Crankcase Splitting

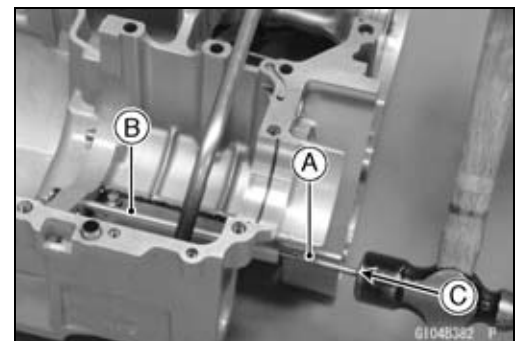
- Remove the oil pan, oil screen and oil pipes (see Oil Pan Removal in the Engine Lubrication System chapter).
- Remove the lower crankcase bolts, following the specified sequence.
  - Firstly, loosen the M6 bolts [A].
  - Secondly, loosen the M8 bolts [B].
  - Lastly, loosen the M9 bolts [C].
- Tap lightly around the crankcase mating surface with a plastic mallet, and split the crankcase. Take care not to damage the crankcase.



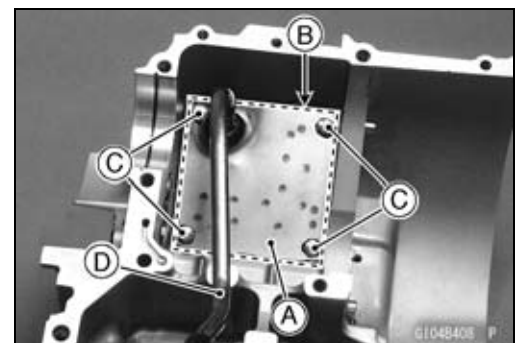
- ★ If the oil pipe is to be removed, follow the next procedure.
  - Unscrew the bolts [A] and remove the oil pipe [B].



- Prepare a  $\phi 5$  mm rod [A], and insert it to the hole of the upper crankcase half.
- Remove the oil pipe [B], tapping [C] the rod as shown.



- ★ If the breather plate [A] is to be removed, follow the next procedure.
  - Remove the oil pipe (see above).
  - Cut the gasket around the plate [B].
  - Remove:
    - Breather Plate Bolts [C]
    - Breather Plate with Pipe [D]



## 9-12 CRANKSHAFT/TRANSMISSION

### Crankcase Splitting

#### Crankcase Assembly

##### CAUTION

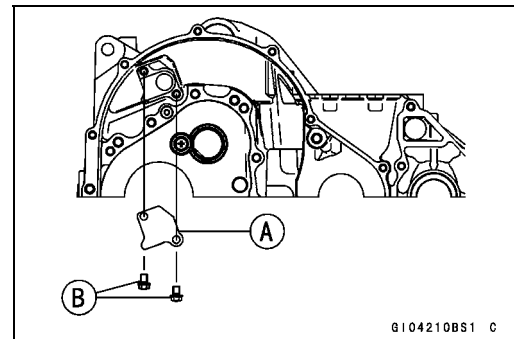
The upper and lower crankcase halves are machined at the factory in the assembled state, so the crankcase halves must be replaced as a set.

- With a high-flash point solvent, clean off the mating surfaces of the crankcases halves and wipe dry.
- Using compressed air, blow out the oil passages in the crankcase halves.

★ If the oil plate [A] on the upper crankcase half was removed, install it as shown.

○ Apply a non-permanent locking agent to the oil plate bolts and tighten them.

**Torque - Oil Plate Bolts [B]: 9.8 N·m (1.0 N·m, 87 in·lb)**

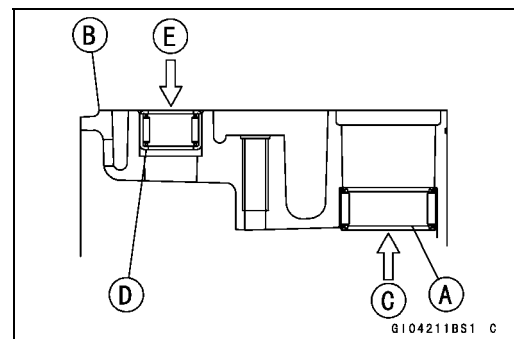


- When the new needle bearing [A] for the shift drum is installed in the lower crankcase half [B], press and insert [C] the new needle bearing until it is bottomed.

**Special Tool - Bearing Driver Set: 57001-1129**

- When the new needle bearing [D] for the shift shaft is installed in the lower crankcase half, press and insert [E] the new needle bearing so that the bearing surface is flush with the end of hole.

**Special Tool - Bearing Driver Set: 57001-1129**



- When the new oil plug [A] and new race [B] for drive shaft is installed in the upper crankcase half [C], install them using the following steps.

○ Apply grease to the new O-rings [D].

○ Apply silicone sealant to the portions [E] on the upper crankcase half, and insert [F] the new oil plug until it is bottomed.

**Sealant - Kawasaki Bond (Silicone Sealant): 92104-0004**

○ Press and insert the new race until it is bottomed.

**Special Tool - Bearing Driver Set: 57001-1129**

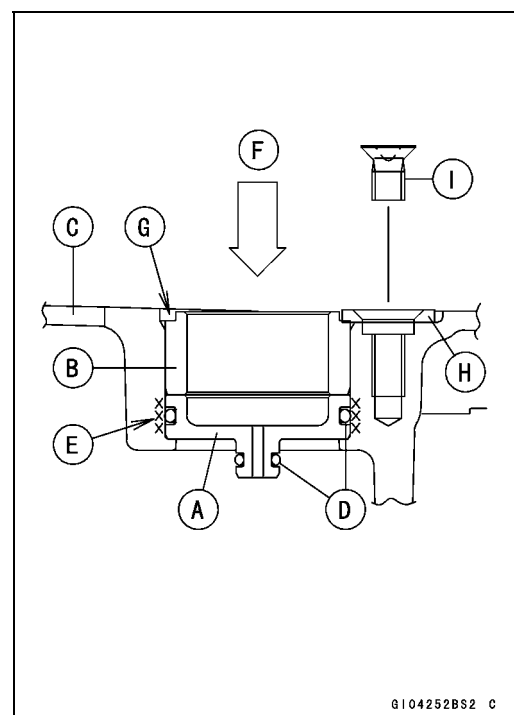
##### NOTE

○ Install the new race so that the stepped side [G] faces inside of the crankcase.

○ Install the race holder [H] direction as shown.

○ Apply a non-permanent locking agent to the threads of the race holder screw [I] and tighten it.

**Torque - Race Holder Screw: 4.9 N·m (0.50 kgf·m, 43 in·lb)**



**Crankcase Splitting**

- Apply silicone sealant to the breather plate mating surface [A] 1 mm (0.04 in.) or more thick, and then install the breather plate.

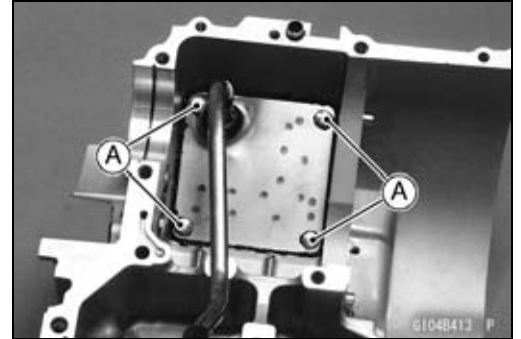
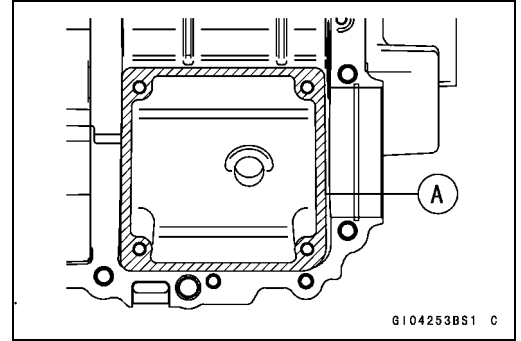
**Sealant - Three Bond: TB1207B**

**NOTE**

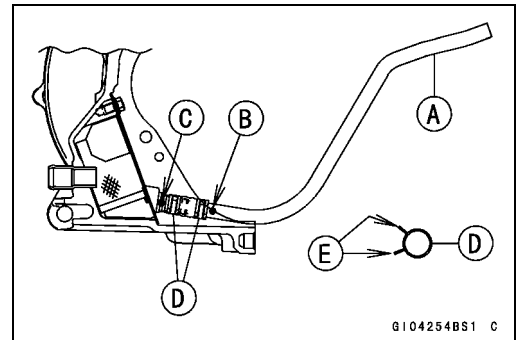
- Make the application finish within 7 minutes when the liquid gasket to the mating surface of the breather plate is applied.
- Moreover fit the plate and tighten the bolts just after application of the liquid gasket.

- Apply a non-permanent locking agent to the threads and tighten the bolts [A].

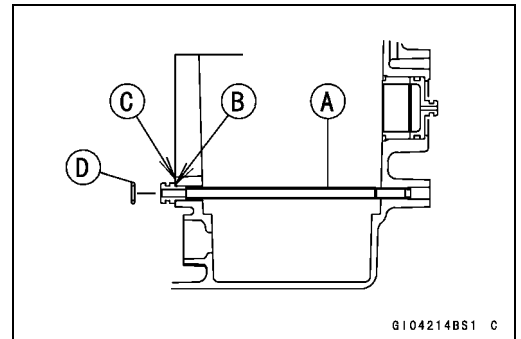
**Torque - Breather Plate Bolts: 9.8 N·m (1.0 kgf·m, 87 in·lb)**



- Install the breather pipe [A].
- Align the white mark [B] on the pipe with the white mark [C] on the breather fitting.
- Install the clamps [D] so that the pinch heads [E] face the white marks.

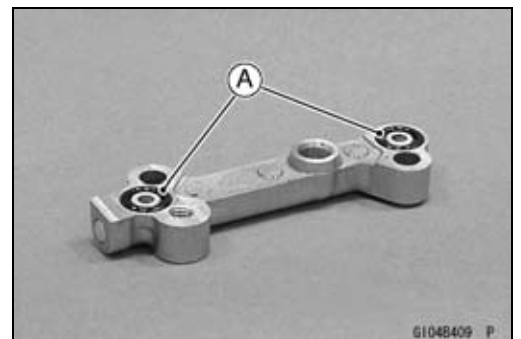


- Install the oil pipe [A] so that its flange [B] touches to the surface [C] of the upper crankcase half.
- Apply grease to the new O-ring [D] on the oil pipe.



- Replace the O-rings [A] with new ones.
- Apply grease to the new O-rings.
- Apply a non-permanent locking agent to the threads of the oil pipe bolts and tighten them.

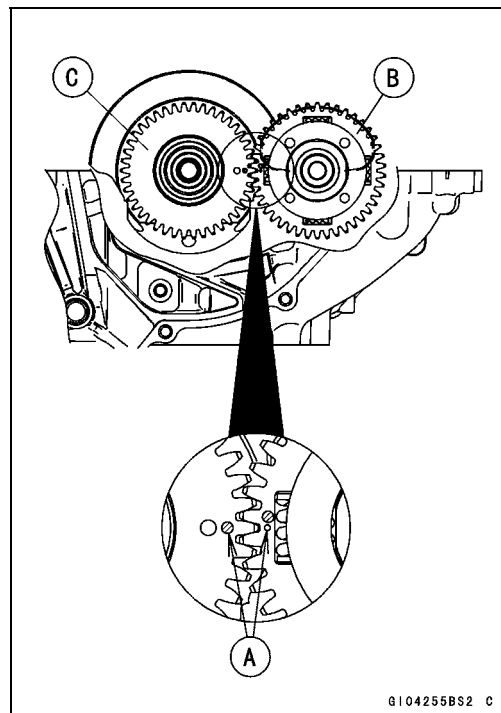
**Torque - Oil Pipe Bolts: 9.8 N·m (1.0 kgf·m, 87 in·lb)**



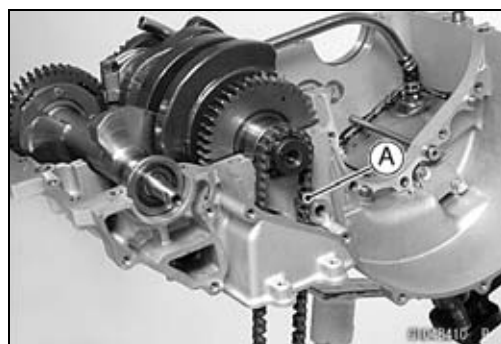
## 9-14 CRANKSHAFT/TRANSMISSION

### Crankcase Splitting

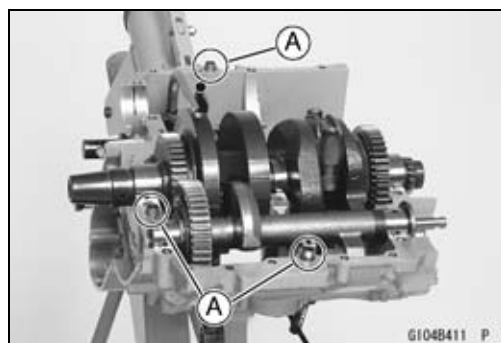
- Install the crankshaft and the balancer shaft on the upper crankcase half.
- Align [A] the timing mark on the balancer gear [B] with the timing mark on the balancer drive gear [C] of the crankshaft.



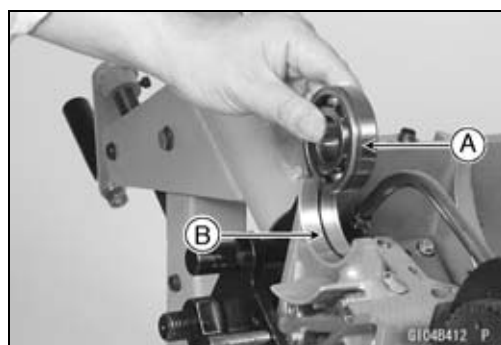
- Be sure to hang the camshaft chain [A] on the crankshaft.



- Be sure that the dowel pins [A] are in position.



- Set the bearing groove [A] on the positioning ring [B] as shown.



## Crankcase Splitting

- Apply liquid gasket [A] to the mating surface of the lower crankcase half.

Sealant - Kawasaki Bond: 92104-1064

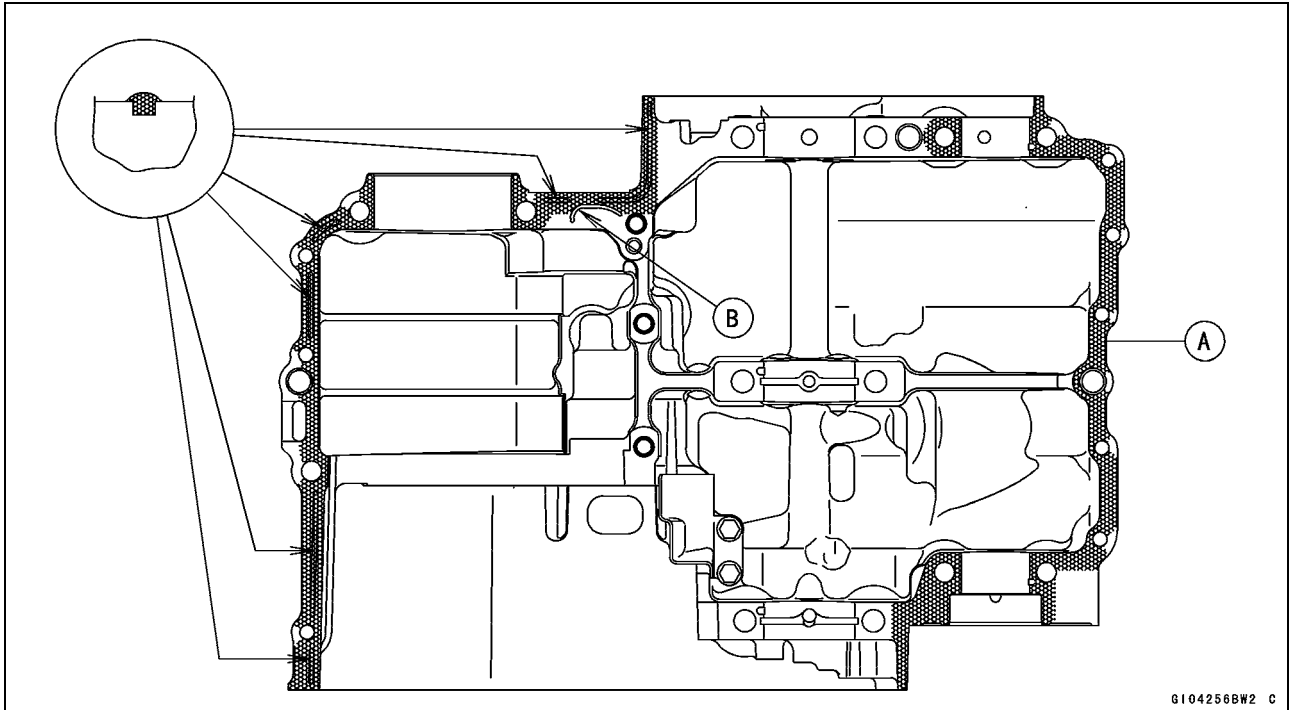
### NOTE

- Especially, apply a liquid gasket carefully so that it shall be filled up on the grooves.

### CAUTION

Do not apply liquid gasket around the crankshaft main bearing inserts, and oil passage holes.

- Do not apply liquid gasket to the oil passage [B].



01042568W2 C

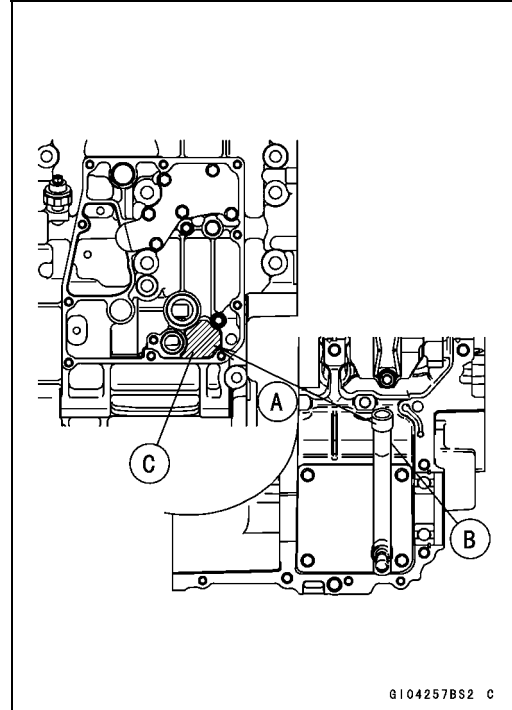
## 9-16 CRANKSHAFT/TRANSMISSION

### Crankcase Splitting

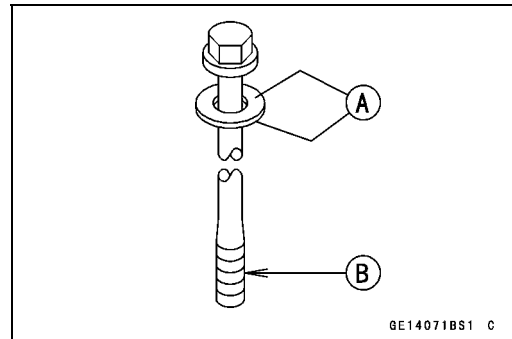
- Fit the lower crankcase half to the upper crankcase half.
- Insert [A] the breather pipe [B] on the upper crankcase half through the hole [C] on the lower crankcase half.

#### NOTE

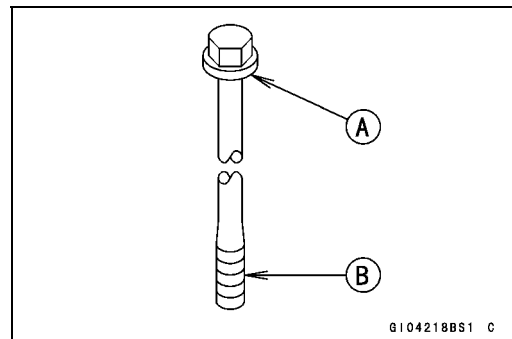
- Make the application finish within 20 minutes when the liquid gasket to the mating surface of the lower crankcase half is applied.
- Moreover fit the case and tighten the case bolts just after finishing the application of the liquid gasket.



- The M9 bolts [1 ~ 6] (see the next figure) have copper plated washers, replace them with new ones.
- Apply molybdenum disulfide oil solution to both sides [A] of the M9 bolts washers and the threads [B] of the M9 bolts.



- Apply molybdenum disulfide oil solution to flange [A] and the threads [B] of the M8 bolts which is tightening order is [7 ~ 10] only (see the next figure).



## Crankcase Splitting

- Tighten the lower crankcase bolts using the following steps.

- Following the sequence numbers on the lower crankcase half, tighten the M9 bolts [1, 2] L= 113 mm (4.45 in.) with washers.

**Torque - Crankcase Bolts (M9): 44 N·m (4.5 kgf·m, 32 ft·lb)**

- Tighten the M9 bolts [3, 4] L= 83 mm (3.27 in.) with washers.

**Torque - Crankcase Bolts (M9): 44 N·m (4.5 kgf·m, 32 ft·lb)**

- Tighten the M9 bolts [5, 6] L= 113 mm (4.45 in.) with washers.

**Torque - Crankcase Bolts (M9): 44 N·m (4.5 kgf·m, 32 ft·lb)**

- Tighten the M8 bolts [7 ~ 10].

**Torque - Crankcase Bolts (M8): 35 N·m (3.6 kgf·m, 26 ft·lb)**

- Tighten the M8 bolts [A] (do not apply molybdenum oil solution).

**Torque - Crankcase Bolts (M8): 27.5 N·m (2.8 kgf·m, 20 ft·lb)**

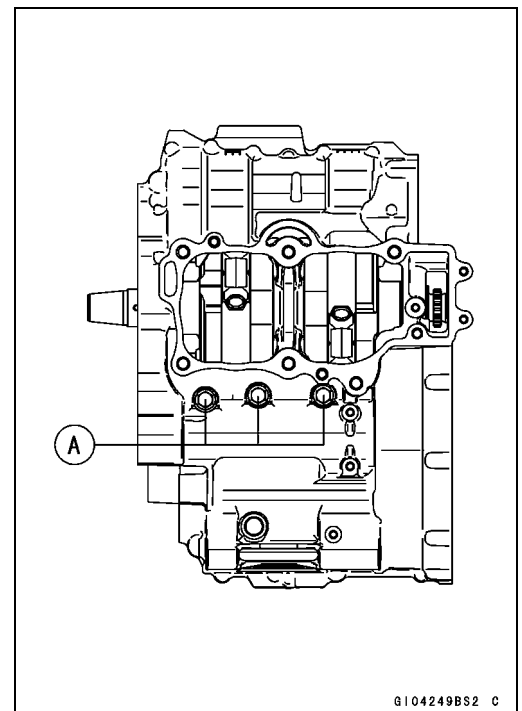
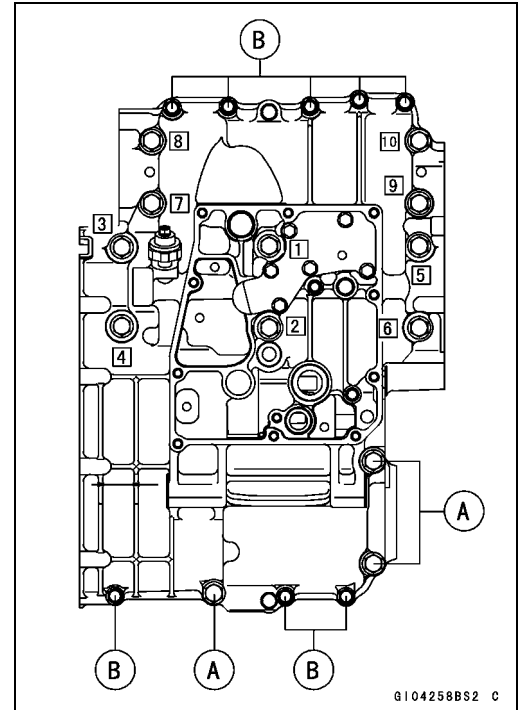
- Tighten the M6 bolts [B].

**Torque - Crankcase Bolts (M6): 19.6 N·m (2.0 kgf·m, 14 ft·lb)**

- The upper crankcase bolts have copper plated washers, replace them with new ones.

- Tighten the upper crankcase bolts with washers.

**Torque - Upper Crankcase Bolts [A]: 27.5 N·m (2.8 kgf·m, 20 ft·lb)**



- After tightening all crankcase bolts, check the following items.

- Wipe up the liquid gasket that seeps out around the crankcase mating surface.

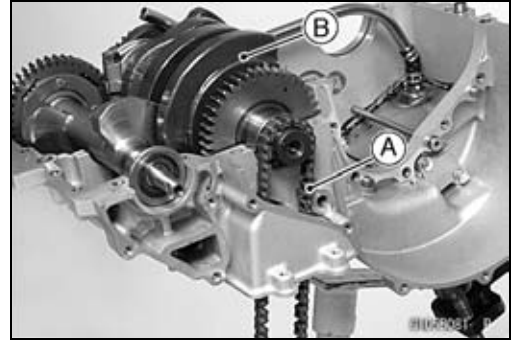
- Crankshaft and balancer shaft turn freely.

## 9-18 CRANKSHAFT/TRANSMISSION

### Crankshaft and Connecting Rods

#### Crankshaft Removal

- Split the crankcase (see Crankcase Splitting).
- Remove:
  - Camshaft Chain [A]
  - Crankshaft [B]



#### Crankshaft Installation

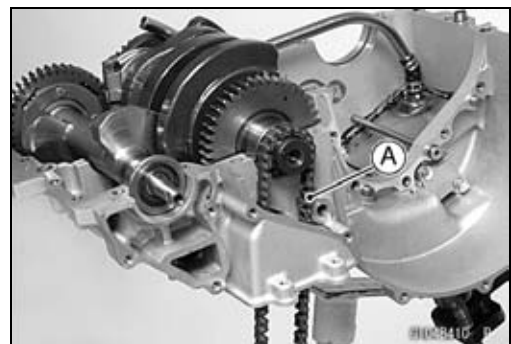
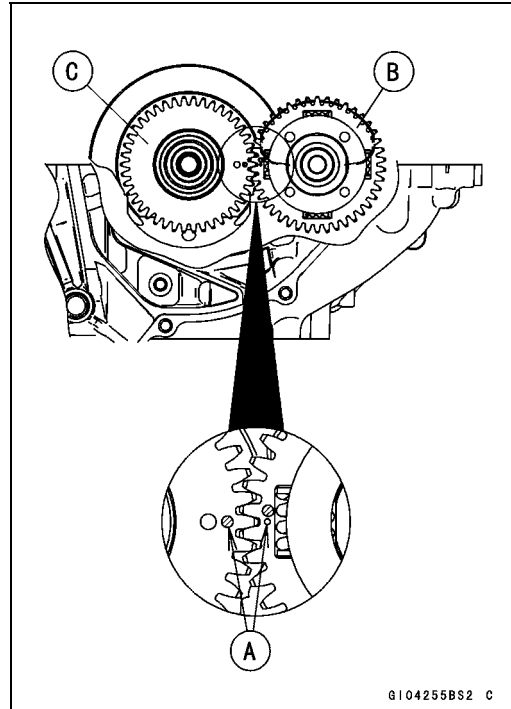
##### NOTE

○If the crankshaft is replaced with a new one, refer to the Connecting Rod Big End Bearing/Crankshaft Main Bearing Insert Selection in the Specifications.

##### CAUTION

If the crankshaft, bearing inserts, or crankcase halves are replaced with new ones, select the bearing inserts and check clearance with a plastigage (press gauge) before assembling engine to be sure the correct bearing inserts are installed.

- Apply molybdenum disulfide oil solution to the crankshaft main bearing inserts.
- Align [A] the timing mark on the balancer gear [B] with the timing mark on the balancer drive gear [C] of the crankshaft.
- Install the crankshaft with the camshaft chain [A] hanging on it.



#### Connecting Rod Removal

- Split the crankcase (see Crankcase Splitting).
- Remove the connecting rod nuts [A].
- Remove the crankshaft (see Crankshaft Removal).

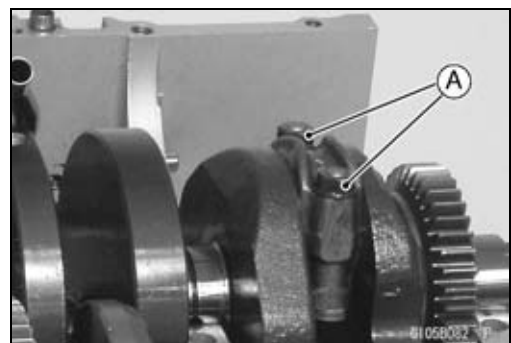
##### NOTE

○Mark and record the locations of the connecting rods and their big end caps so that they can be reassembled in their original positions.

- Remove the connecting rods from the crankshaft.

##### CAUTION

Discard the connecting rod bolts. To prevent damage to the crankpin surfaces, do not allow the connecting rod bolts to bump against the crankpins.





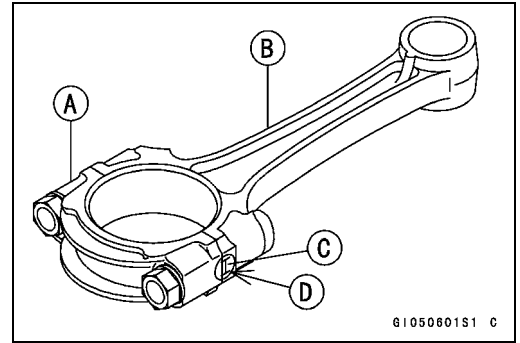
**Crankshaft and Connecting Rods**

**Connecting Rod Installation**

**CAUTION**

**To minimize vibration, the connecting rods should have the same weight mark.**

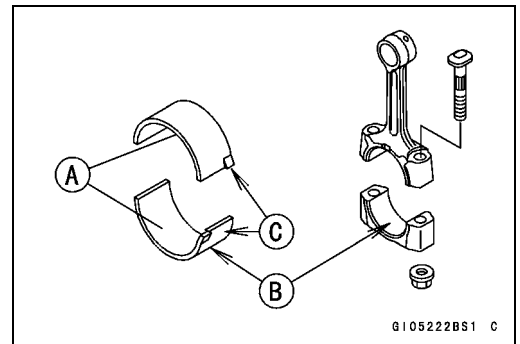
- Big End Cap [A]
- Connecting Rod [B]
- Weight Mark, Alphabet [C]
- Diameter Mark [D]: "O" or no mark



**CAUTION**

**If the connecting rods, big end bearing inserts, or crankshaft are replaced with new ones, select the bearing insert and check clearance with a plasti-gage (press gauge) before assembling engine to be sure the correct bearing inserts are installed.**

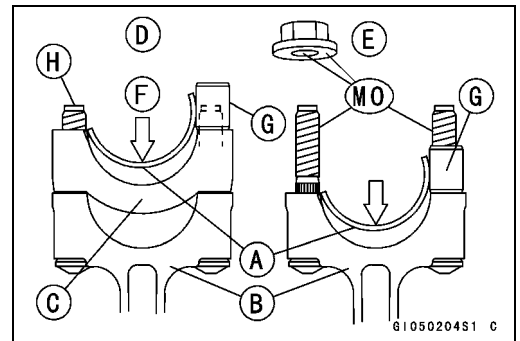
- Apply molybdenum disulfide oil solution [A] to the inner surfaces of upper and lower bearing inserts.
- The molybdenum disulfide oil solution is a mixture of engine oil and molybdenum disulfide grease with a weight ratio (10 : 1).
- Do not apply any grease or oil [B] to the cap inside and cap insert outside.
- Install the inserts so that their nails [C] are on the same side and fit them into the recess of the connecting rod and cap.



**CAUTION**

**Wrong application of oil and grease could cause bearing damage.**

- When installing the inserts [A], be careful not to damage the insert surface with the edge of the connecting rod [B] or the cap [C]. One way to install inserts is as follows.
  - Installation [D] to Cap
  - Installation [E] to Connecting Rod
  - Push [F]
  - Spare Dowel Pin [G]
  - Connecting Rod Bolts [H]
- Remove debris and clean the surface of inserts.
- Apply molybdenum disulfide oil solution [MO] to the threads and seating surfaces of the big end nuts and bolts.



## 9-20 CRANKSHAFT/TRANSMISSION

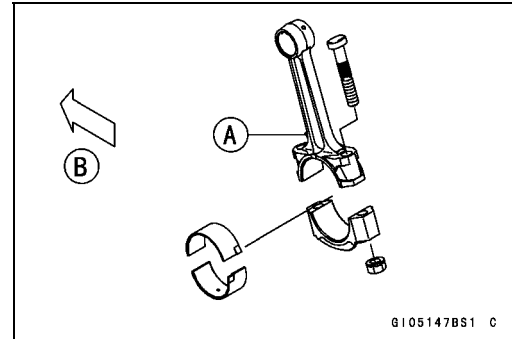
### Crankshaft and Connecting Rods

- Install the crankshaft (see Crankshaft Installation).
- Install each connecting rod on its original crankpin.

#### NOTE

○ Install each connecting rod so that its oil jet [A] faces the exhaust side (the front [B]) (see Engine Oil Flow Chart in the Engine Lubrication System chapter).

- Install the cap on the connecting rod, aligning the weight and diameter marks.



- The connecting rod big end is bolted using the “plastic region fastening method”.
- This method precisely achieves the needed clamping force without exceeding it unnecessarily, allowing the use of thinner, lighter bolts further decreasing connecting rod weight.
- There are two types of the plastic region fastening. One is a bolt length measurement method and other is a rotation angle method. Observe one of the following two, but the bolt length measurement method is preferable because this is a more reliable way to tighten the big end nuts.

#### CAUTION

**The connecting rod bolts are designed to stretch when tightened. Never reuse the connecting rod bolts. See the table below for correct bolt and nut usage.**

#### CAUTION

**Be careful not to overtighten the nuts. The bolts must be positioned on the seating surface correctly to prevent the bolt heads from hitting the crankcase.**

#### (1) Bolt Length Measurement Method

- Be sure to clean the bolts, nuts, and connecting rods thoroughly with a high-flash point solvent, because the new connecting rods, bolts, and nuts are treated with an anti-rust solution.

#### ⚠ WARNING

**Clean the bolts, nuts, and connecting rods in a well-ventilated area, and take care that there is no spark or flame anywhere near the working area. This includes any appliance with a pilot light. Because of the danger of highly flammable liquids, do not use gasoline or low-flash point solvents to clean them.**

#### CAUTION

**Immediately dry the bolts and nuts with compressed air after cleaning. Clean and dry the bolts and nuts completely.**

**Crankshaft and Connecting Rods**

- Install new bolts in reused connecting rods.
- Dent both bolt head and bolt tip with a punch as shown.
- Before tightening, use a point micrometer to measure the length of new connecting rod bolts and record the values to find the bolt stretch.

Connecting Rod [A]

Mark here with a punch [B].

Nuts [C]

Fit micrometer pins into punch marks [D].

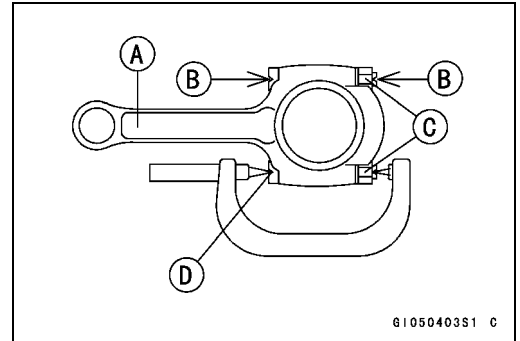
- Apply a small amount of molybdenum disulfide oil solution to the following.

Threads of Nuts and Bolts

Seating Surfaces of Nuts and Con-rods

- Tighten the big end nuts until the bolt elongation reaches the length specified in the table.
- Check the length of the connecting rod bolts.
- ★ If the stretch is more than the usable range, the bolt has stretched too much. An overelongated bolt may break in use.

$$\text{Bolt Length after tightening} - \text{Bolt Length before tightening} = \text{Bolt Stretch}$$



Connect- ing Rod Assy	Bolt	Nut	Usable Range of Connecting Rod Bolt Stretch
New	Use the bolts attached to new con-rod.	Attached to new con-rod	0.24 ~ 0.36 mm (0.0094 ~ 0.0142 in.)
		New	
Used	Replace the bolts with new ones.	Used	0.20 ~ 0.32 mm (0.0079 ~ 0.0126 in.)
		New	

(2) Rotation Angle Method

- ★ If you don't have a point micrometer, you may tighten the nuts using the "Rotation Angle Method".
- Be sure to clean the bolts and nuts thoroughly with a high -flash point solvent, because the new bolts and nuts are treated with an anti-rust solution.

**⚠ WARNING**

**Clean the bolts and nuts in a well-ventilated area, and take care that there is no spark or flame anywhere near the working area. This includes any appliance with a pilot light. Because of the danger or highly flammable liquids, do not use gasoline or low-flash point solvents to clean them.**

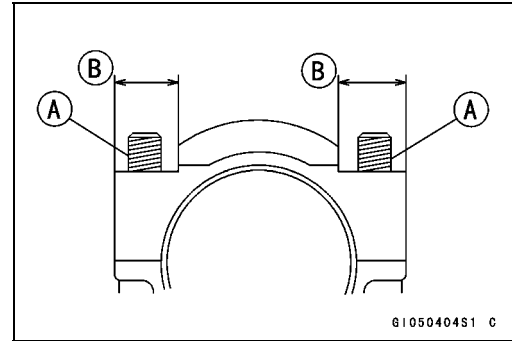
**CAUTION**

**Immediately dry the bolts and nuts with compressed air after cleaning. Clean and dry the bolts and nuts completely.**

## 9-22 CRANKSHAFT/TRANSMISSION

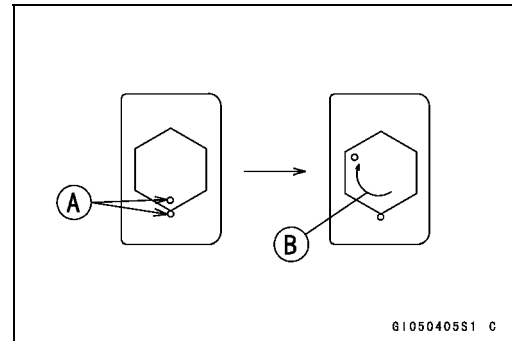
### Crankshaft and Connecting Rods

- Install new bolts in reused connecting rods.
- Apply a small amount of molybdenum disulfide oil solution to the following.
  - Threads [A] of Nuts and Bolts
  - Seating Surfaces [B] of Nuts and Con-rods



- First, tighten the nuts to the specified torque. See the table below.
  - Next, tighten the nuts  $120^\circ \pm 5^\circ$ .
- Mark [A] the connecting rod big end caps and nuts so that nuts can be turned  $120^\circ$  [B] properly.

Connecting Rod Assy	Bolt	Nut	Torque + Angle N·m (kgf·m, ft·lb)
New	Use the bolts attached to new con-rod.	Attached to new con-rod	18 (1.8, 13.0) + $120^\circ$
		New	20 (2.0, 15) + $120^\circ$
Used	Replace the bolts with new ones.	Used	24 (2.4, 17.4) + $120^\circ$
		New	25 (2.6, 18.8) + $120^\circ$

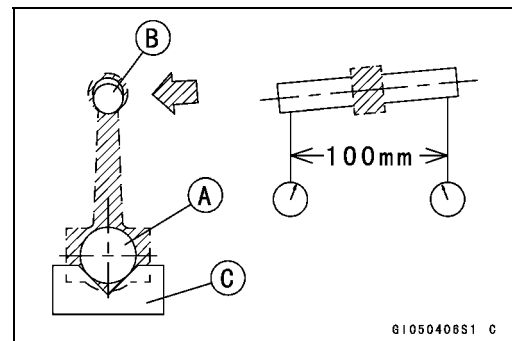


### Crankshaft/Connecting Rod Cleaning

- After removing the connecting rods from the crankshaft, clean them with a high-flash point solvent.
- Blow the crankshaft oil passages with compressed air to remove any foreign particles or residue that may have accumulated in the passages.

### Connecting Rod Bend

- Remove the connecting rod big end bearing inserts, and reinstall the connecting rod big end cap.
  - Select an arbor [A] of the same diameter as the connecting rod big end, and insert the arbor through the connecting rod big end.
  - Select an arbor of the same diameter as the piston pin and at least 100 mm (3.94 in.) long, and insert the arbor [B] through the connecting rod small end.
  - On a surface plate, set the big-end arbor on V block [C].
  - With the connecting rod held vertically, use a height gauge to measure the difference in the height of the arbor above the surface plate over a 100 mm (3.94 in.) length to determine the amount of connecting rod bend.
- ★ If connecting rod bend exceeds the service limit, the connecting rod must be replaced.



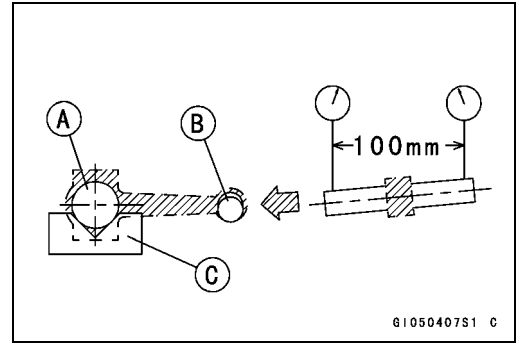
### Connecting Rod Bend

Service Limit: TIR 0.2/100 mm (0.008/3.94 in.)

**Crankshaft and Connecting Rods**

**Connecting Rod Twist**

- With the big-end arbor [A] still on V block [C], hold the connecting rod horizontally and measure the amount that the arbor [B] varies from being paralleled with the surface plate over a 100 mm (3.94 in.) length of the arbor to determine the amount of connecting rod twist.
- ★ If connecting rod twist exceeds the service limit, the connecting rod must be replaced.

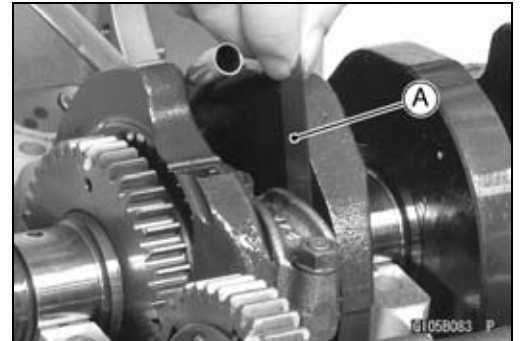


**Connecting Rod Twist**

**Service Limit:** TIR 0.2/100 mm (0.008/3.94 in.)

**Connecting Rod Big End Side Clearance**

- Measure connecting rod big end side clearance.
- Insert a thickness gauge [A] between the big end and either crank web to determine clearance.



**Connecting Rod Big End Side Clearance**

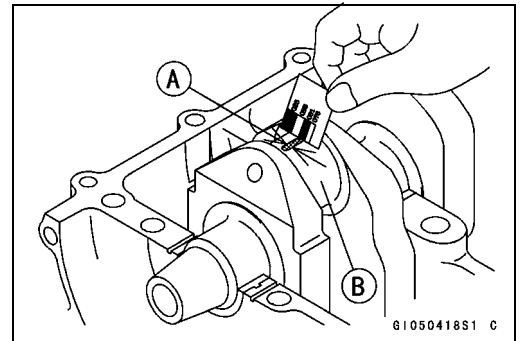
**Standard:** 0.13 ~ 0.38 mm (0.0051 ~ 0.0150 in.)

**Service Limit:** 0.58 mm (0.023 in.)

- ★ If the clearance exceeds the service limit, replace the connecting rod with new one and then check clearance again. If clearance is too large after connecting rod replacement, the crankshaft also must be replaced.

**Connecting Rod Big End Bearing Insert/Crankpin Wear**

- Measure the bearing insert/crankpin [B] clearance with plastigage [A].
- Tighten the big end nuts to the specified torque (see Connecting Rod Installation).



**NOTE**

- Do not move the connecting rod and crankshaft during clearance measurement.

**CAUTION**

**After measurement, replace the connecting rod bolts.**

**Connecting Rod Big End Bearing Insert/Crankpin Clearance**

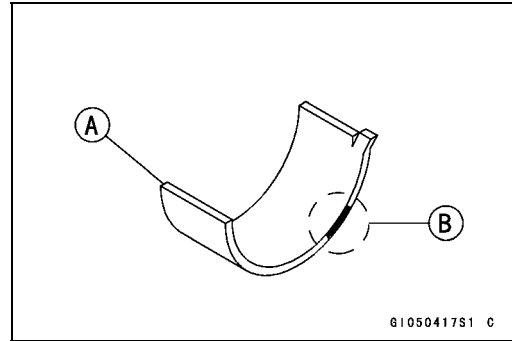
**Standard:** 0.017 ~ 0.041 mm (0.0007 ~ 0.0016 in.)

**Service Limit:** 0.08 mm (0.0031 in.)

## 9-24 CRANKSHAFT/TRANSMISSION

### Crankshaft and Connecting Rods

- ★ If the clearance is within the standard, no bearing replacement is required.
- ★ If the clearance is between 0.042 mm (0.00165 in.) and the service limit (0.08 mm, 0.0031 in.), replace the bearing inserts [A] with inserts painted blue [B]. Check insert/crankpin clearance with the plastigage. The clearance may exceed the standard slightly, but it must not be less than the minimum in order to avoid bearing seizure.
- ★ If the clearance exceeds the service limit, measure the diameter of the crankpins.



#### Crankpin Diameter

**Standard:** 37.984 ~ 38.000 mm (1.4954 ~ 1.4961 in.)

**Service Limit:** 37.97 mm (1.4949 in.)

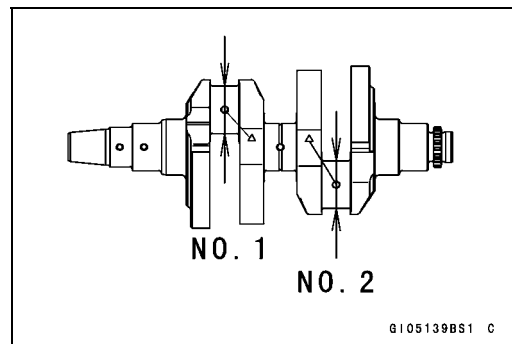
- ★ If any crankpin has worn past the service limit, replace the crankshaft with a new one.
- ★ If the measured crankpin diameters are not less than the service limit, but do not coincide with the original diameter markings on the crankshaft, make new marks on it.

#### Crankpin Diameter Marks

**None** 37.984 ~ 37.992 mm (1.4954 ~ 1.4957 in.)

○ 37.993 ~ 38.000 mm (1.4958 ~ 1.4961 in.)

△: Crankpin Diameter Marks, "○" or no mark.



- Measure the connecting rod big end inside diameter, and mark each connecting rod big end in accordance with the inside diameter.
- Tighten the connecting rod big end nuts to the specified torque (see Connecting Rod Installation).

#### NOTE

○ The mark already on the big end should almost coincide with the measurement.

#### Connecting Rod Big End Inside Diameter Marks

**None** 41.000 ~ 41.008 mm (1.6142 ~ 1.6145 in.)

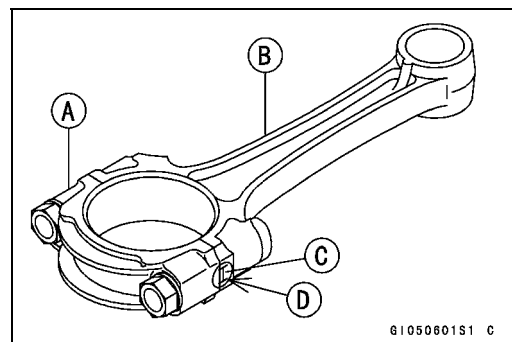
○ 41.009 ~ 41.016 mm (1.6145 ~ 1.6148 in.)

Big End Cap [A]

Connecting Rod [B]

Weight Mark, Alphabet [C]

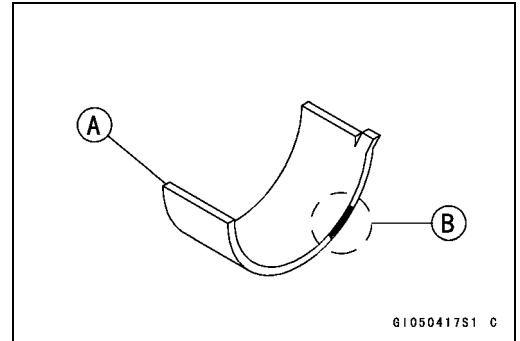
Diameter Mark (Around Weight Mark) [D]: "○" or no mark



**Crankshaft and Connecting Rods**

- Select the proper bearing insert [A] in accordance with the combination of the connecting rod and crankshaft coding. Size Color [B]

Con-rod Big End Inside Diameter Marking	Crankpin Diameter Marking	Bearing Insert	
		Size Color	Part Number
None	○	Brown	92139-0116
None	None	Black	92139-0115
○	○		
○	None	Blue	92139-0114



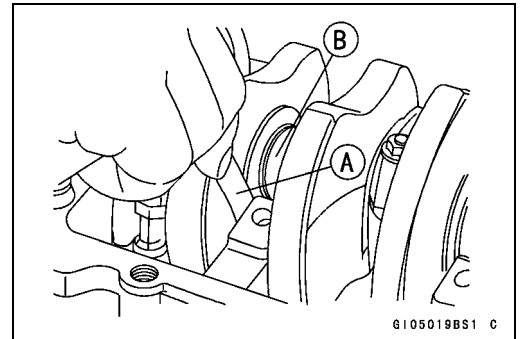
- Install the new inserts in the connecting rod and check insert/crankpin clearance with the plastigage.

**Crankshaft Side Clearance**

- Insert a thickness gauge [A] between the crankcase main bearing and the crank web at the No. 2 journal [B] to determine clearance.
- ★ If the clearance exceeds the service limit, replace the crankcase halves as a set.

**NOTE**

○ The upper and lower crankcase halves are machined at the factory in the assembled state, so the crankcase halves must be replaced as a set.



**Crankshaft Side Clearance**

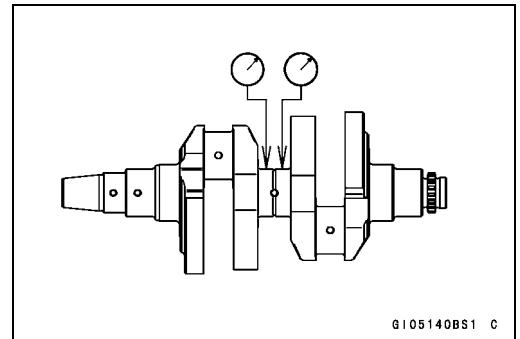
**Standard:** 0.05 ~ 0.20 mm (0.0020 ~ 0.0079 in.)  
**Service Limit:** 0.40 mm (0.0157 in.)

**Crankshaft Runout**

- Measure the crankshaft runout.
- ★ If the measurement exceeds the service limit, replace the crankshaft.

**Crankshaft Runout**

**Standard:** TIR 0.02 mm (0.0008 in.) or less  
**Service Limit:** TIR 0.05 mm (0.0020 in.)

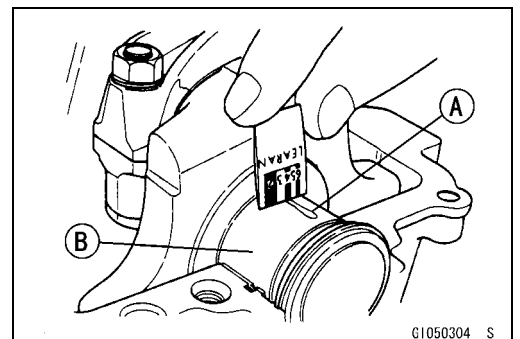


**Crankshaft Main Bearing Insert/Journal Wear**

- Using a plastigage (press gauge) [A], measure the bearing insert/journal [B] clearance.

**NOTE**

○ Tighten the crankcase bolts to the specified torque (see Crankcase Assembly).  
 ○ Do not turn the crankshaft during clearance measurement.  
 ○ Journal clearance less than 0.025 mm (0.00098 in.) can not be measured by plastigage, however, using genuine parts maintains the minimum standard clearance.



## 9-26 CRANKSHAFT/TRANSMISSION

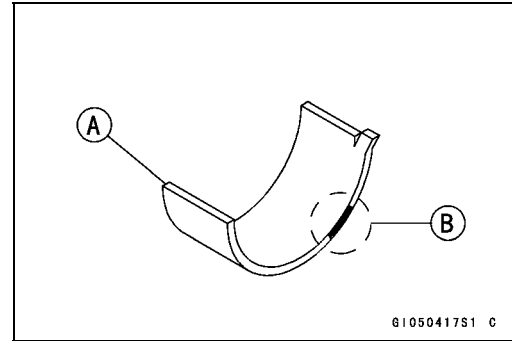
### Crankshaft and Connecting Rods

#### Crankshaft Main Bearing Insert/Journal Clearance

**Standard:** 0.012 ~ 0.036 mm (0.0005 ~ 0.0014 in.)

**Service Limit:** 0.07 mm (0.0028 in.)

- ★ If the clearance is within the standard, no bearing replacement is required.
- ★ If the clearance is between 0.037 mm (0.0015 in.) and the service limit (0.07 mm, 0.0028 in.), replace the bearing inserts [A] with inserts painted blue [B]. Check insert/journal clearance with the plastigage. The clearance may exceed the standard slightly, but it must not be less than the minimum in order to avoid bearing seizure.
- ★ If the clearance exceeds the service limit, measure the diameter of the crankshaft main journal.

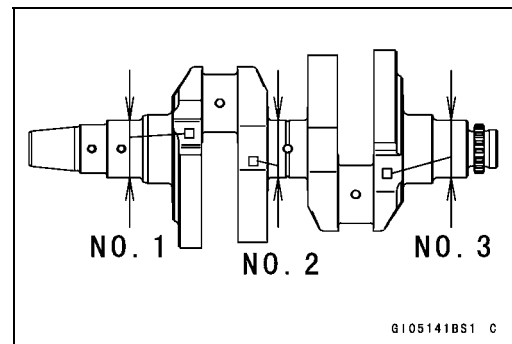


#### Crankshaft Main Journal Diameter

**Standard:** 37.984 ~ 38.000 mm (1.4954 ~ 1.4961 in.)

**Service Limit:** 37.96 mm (1.4945 in.)

- ★ If any journal has worn past the service limit, replace the crankshaft with a new one.
- ★ If the measured journal diameters are not less than the service limit, but do not coincide with the original diameter markings on the crankshaft, make new marks on it.



#### Crankshaft Main Journal Diameter Marks

**None** 37.984 ~ 37.992 mm (1.4954 ~ 1.4957 in.)

**1** 37.993 ~ 38.000 mm (1.4958 ~ 1.4961 in.)

- Crankshaft Main Journal Diameter Marks, "1" or no mark.

- Measure the main bearing inside diameter, and mark the upper crankcase half in accordance with the inside diameter.

Crankcase Main Bearing Inside Diameter Marks: "○" or no mark.

- Tighten the crankcase bolts to the specified torque (see Crankcase Assembly).

#### NOTE

- The mark already on the upper crankcase half should almost coincide with the measurement.

#### Crankcase Main Bearing Inside Diameter Marks

○ 41.000 ~ 41.008 mm (1.6142 ~ 1.6145 in.)

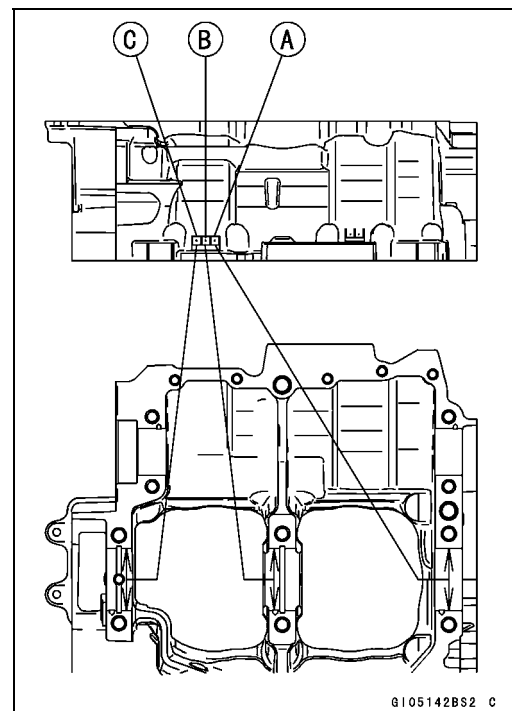
**None** 41.009 ~ 41.016 mm (1.6145 ~ 1.6148 in.)

- Crankcase Main Bearing Inside Diameter Marks, "○" mark or no mark

No.1 Journal [A]

No.2 Journal [B]

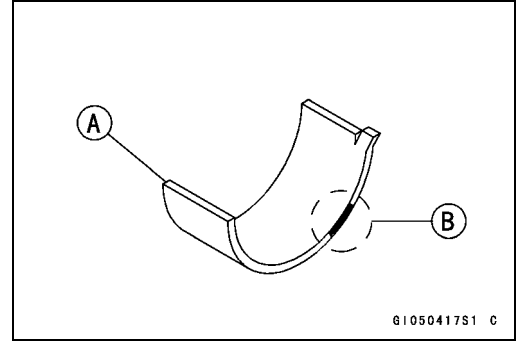
No.3 Journal [C]





**Crankshaft and Connecting Rods**

- Select the proper bearing insert [A] in accordance with the combination of the crankcase and crankshaft coding.  
Size Color [B]



Crankcase Main Bearing Inside Diameter Marking	Crankshaft Main Journal Diameter Marking	Bearing Insert*	
		Size Color	Part Number
○	1	Brown	92028-1905
None	1	Black	92028-1904
○	None		
None	None	Blue	92028-1903

\* The bearing inserts for Nos. 1, 2 and 3 journals have oil groove.

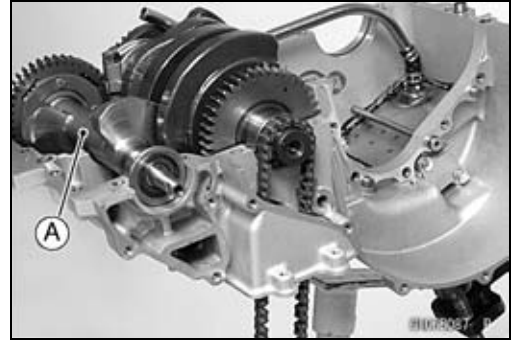
- Install the new inserts in the crankcase halves and check insert/journal clearance with the plastigage.

## 9-28 CRANKSHAFT/TRANSMISSION

### Balancer

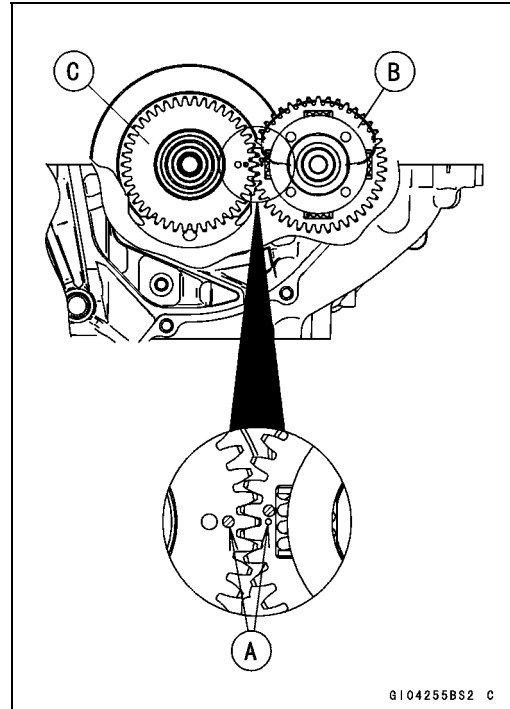
#### **Balancer Removal**

- Split the crankcase (see Crankcase Splitting).
- Pull the balancer shaft [A] with the balancer gear out of the crankcase.



#### **Balancer Installation**

- Apply molybdenum disulfide oil solution to the inside of the balancer shaft bearing insert.
- Align [A] the timing mark on the balancer gear [B] with the timing mark on the balancer drive gear [C] of the crankshaft.
- Assemble the crankcase (see Crankcase Assembly).



#### **Balancer Shaft Bearing Insert/Journal Clearance**

- Measure the bearing insert/journal clearance using a plastigage.
- Split the crankcase and wipe each bearing insert and journal surface clean of oil.
- Cut strips of plastigage to bearing insert width, and place a strip on each journal parallel to the balancer shaft so that the plastigage will be compressed between the journal and the bearing insert.
- Install the lower crankcase half, and tighten the case bolts to the specified torque (see Crankcase Assembly).

**Balancer**

**NOTE**

- Do not turn the balancer shaft during clearance measurement.
- Remove the lower crankcase half and measure the plastigage width [A] to determine the bearing insert/journal [B] clearance.

**Balancer Shaft Bearing Insert/Journal Clearance**

**Standard:** 0.011 ~ 0.033 mm (0.0004 ~ 0.0013 in.)

**Service Limit:** 0.08 mm (0.0031 in.)

- ★ If the clearance is within the standard, no bearing insert replacement is required.
- ★ If the clearance is between 0.034 mm (0.00134 in.) and the service limit (0.08 mm (0.0031 in.)), replace the bearing inserts [A] with inserts painted blue [B]. Check insert/journal clearance with a plastigage. The clearance may exceed the standard slightly, but it must not be less than the minimum in order to avoid bearing seizure.
- ★ If the clearance exceeds the service limit, measure the diameter of the balancer shaft journal.

**Balancer Shaft Journal Diameter**

**Standard:** 27.987 ~ 28.000 mm (1.1019 ~ 1.1024 in.)

**Service Limit:** 27.96 mm (1.1008 in.)

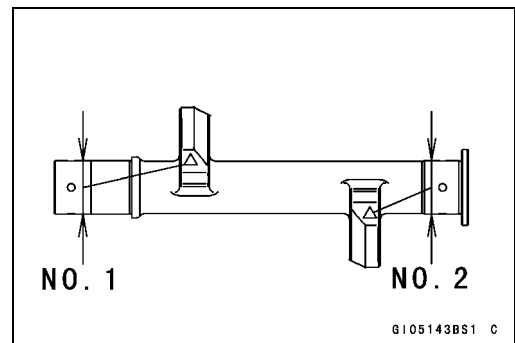
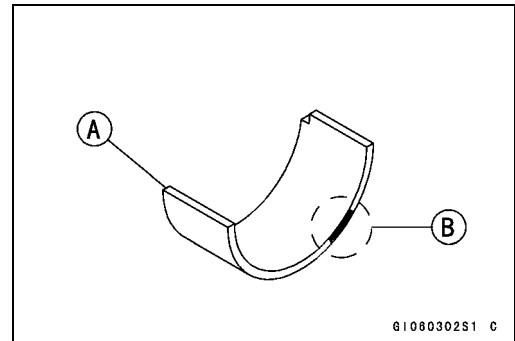
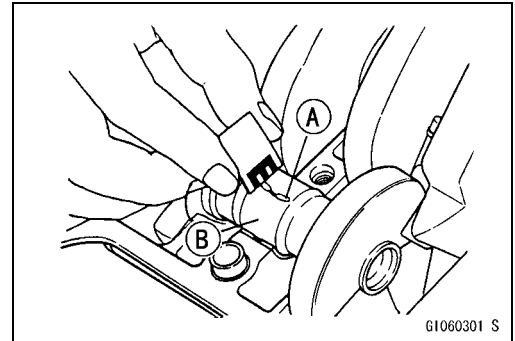
- ★ If either journal has worn past the service limit, replace the balancer shaft with a new one.
- ★ If the measured journal diameters are not less than the service limit, but do not coincide with the original diameter markings on the balancer shaft, write new marks on it.

**Balancer Shaft Diameter Marks**

**None** 27.987 ~ 27.993 mm (1.1019 ~ 1.1021 in.)

○ 27.994 ~ 28.000 mm (1.1021 ~ 1.1024 in.)

△: Balancer Shaft Journal Diameter Marks, "○" mark or no mark.



## 9-30 CRANKSHAFT/TRANSMISSION

### Balancer

- Put the lower crankcase half on the upper crankcase half without bearing inserts, and tighten the case bolts to the specified torque and sequence (see Crankcase Assembly).
- Measure the crankcase bearing bore diameter for the balancer shaft, and mark the upper crankcase half in accordance with the bore diameter.

#### NOTE

- The mark already on the upper crankcase half should almost coincide with the measurement.

#### Crankcase Bearing Bore Diameter Marks

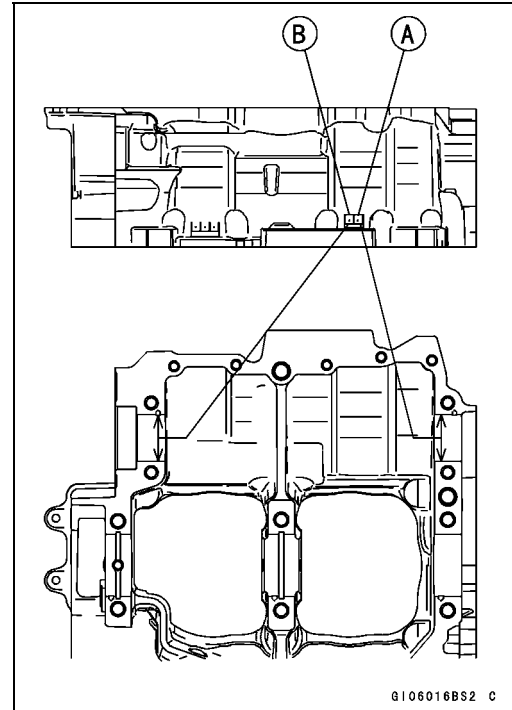
○ 31.000 ~ 31.008 mm (1.2205 ~ 1.2208 in.)

None 31.009 ~ 31.016 mm (1.2208 ~ 1.2211 in.)

- : Crankcase Bearing Bore Diameter Marks, “○” mark or no mark.

No.1 Journal [A]

No.2 Journal [B]



- Select the proper bearing insert in accordance with the combination of the crankcase and the balancer shaft coding.
- Install the new inserts in the crankcase and check insert/journal clearance with a plastigage.

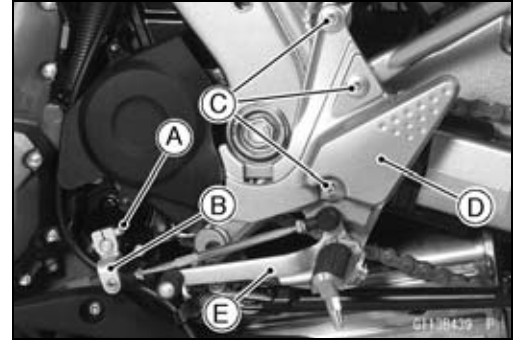
### Balancer Shaft Bearing Insert Selection

Crankcase Main Bearing Bore Diameter Mark	Crankshaft Main Journal Diameter Mark	Bearing Insert*	
		Size Color	Part Number
○	○	Brown	92139-0119
○	None	Black	92139-0118
None	○		
None	None	Blue	92139-0117

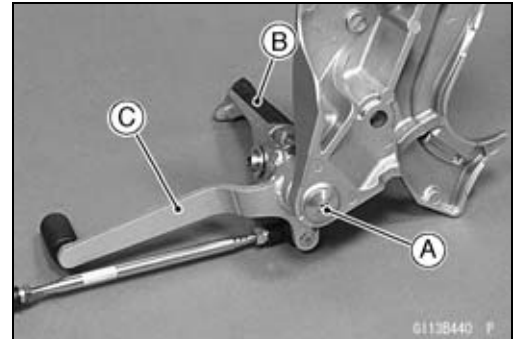
**Transmission**

**Shift Pedal Removal**

- Remove:
  - Shift Lever Bolt [A]
  - Shift Lever [B]
  - Bolts [C]
  - Left Front Footpeg Stay [D] with Shift Pedal [E]



- Remove:
  - Footpeg Holder Bolt [A]
  - Footpeg [B]
  - Shift Pedal [C]



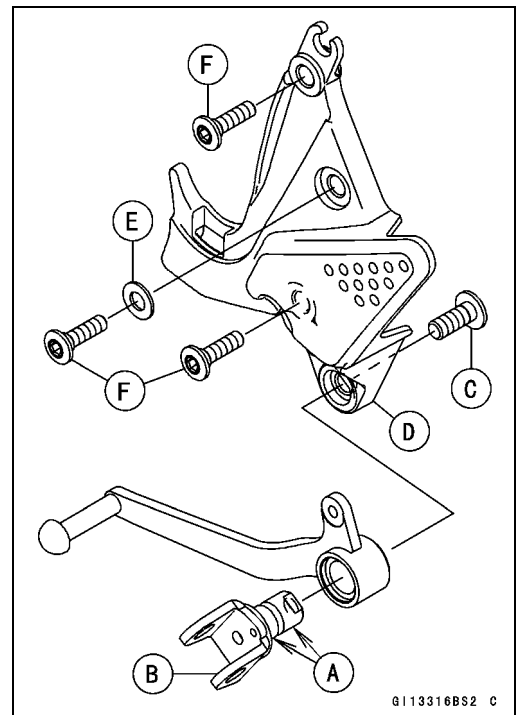
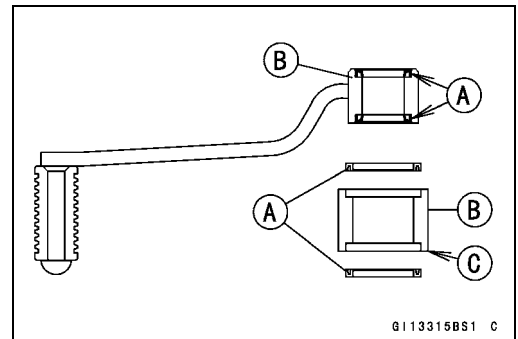
**Shift Pedal Installation**

- When the new oil seals [A] are installed in the shift pedal housing [B], press and insert the oil seals in the shift pedal housing so that the oil seal surfaces are flush with the housing end [C] as shown.

**NOTE**

○ Install the oil seals so that the oil seal rip faces the shift pedal housing.

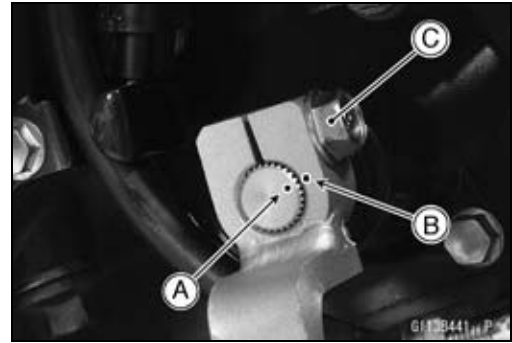
- Apply grease to the oil seal rip.
- Apply grease to the sliding surfaces [A] on the footpeg holder [B].
- Apply a non-permanent locking agent to the footpeg holder bolt [C].
- Tighten:
  - Torque - Footpeg Holder Bolt: 34 N·m (3.5 kgf·m, 25 ft·lb)**
- Install:
  - Left Front Footpeg Stay [D]
  - Washer [E]
- Tighten:
  - Torque - Front Footpeg Stay Bolts [F]: 25 N·m (2.5 kgf·m, 18 ft·lb)**



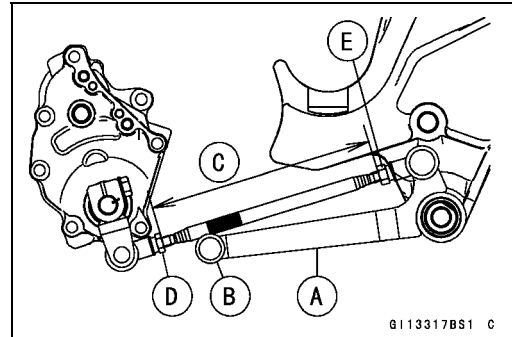
## 9-32 CRANKSHAFT/TRANSMISSION

### Transmission

- Align the mark [A] on the shift shaft with the mark [B] on the shift lever.
- Tighten the shift lever bolt [C] securely.



- Be sure the shift pedal [A] position is as shown.  
Shift Pedal Damper [B]  
About 136.1 mm (5.36 in.) [C]
- Align the lower surface of the shift pedal to the upper surface of the shift pedal damper.
- To adjust the pedal position, loosen the front locknut [D] (left-hand threads) and rear locknut [E] and then turn the tie-rod.
- Tighten the tie-rod locknuts securely.



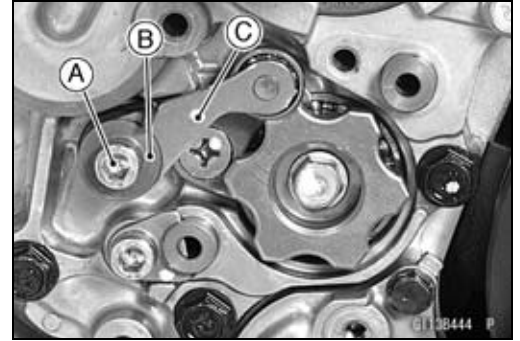
### **External Shift Mechanism Removal**

- Drain the engine oil (see Engine Oil Change in the Periodic Maintenance chapter).
- Remove:
  - Engine Sprocket (see Engine Sprocket Removal in the Final Drive chapter)
  - Neutral Switch Lead Connector [A]
  - Shift Lever Bolt [B]
  - Shift Lever [C]
  - Shift Shaft Cover Bolts [D] and Clamp
  - Shift Shaft Cover Screw [E]
  - Shift Shaft Cover
- Remove the shift shaft assembly [A].



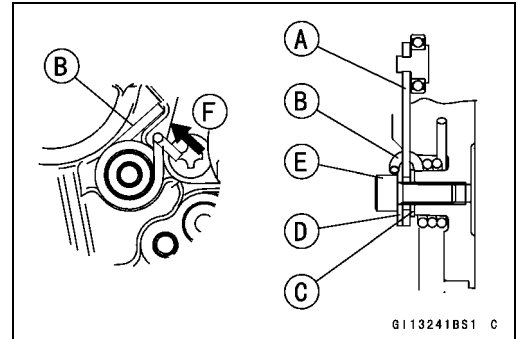
**Transmission**

- Remove:
  - Clutch (see Clutch Removal in the Clutch chapter)
  - Gear Positioning Lever Bolt [A]
  - Spacer [B]
  - Gear Positioning Lever [C]
  - Washer and Spring



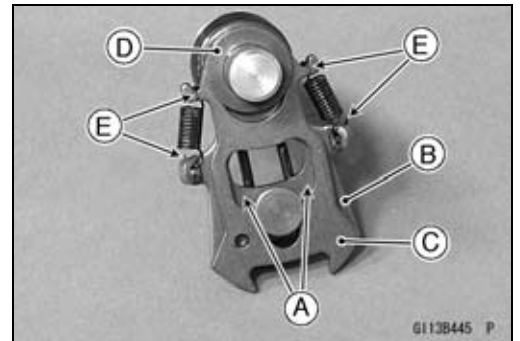
**External Shift Mechanism Installation**

- Install the gear positioning lever [A] as shown.
  - Spring [B]
  - Washer [C]
  - Spacer [D]
  - Bolt [E]
- Hook the spring at gear positioning lever, pushing up [F] the hook portion, as shown.
- Apply a non-permanent locking agent to the gear positioning lever bolt and tighten it.



**Torque - Gear Positioning Lever Bolt: 12 N·m (1.2 kgf·m, 106 in·lb)**

- Apply [A] molybdenum disulfide oil solution to the rubbing surface between the lever [B] and pawl [C] and move them two or three times up and down to lubricate them.
- Be sure that the collar [D] is on the shaft.
- Be sure that the spring hook portions [E] are as shown.



- Install the shift shaft assembly [A].
- Be sure that the washer [B] is on the shaft.
- Be sure that the dowel pins [C] are in position.



## 9-34 CRANKSHAFT/TRANSMISSION

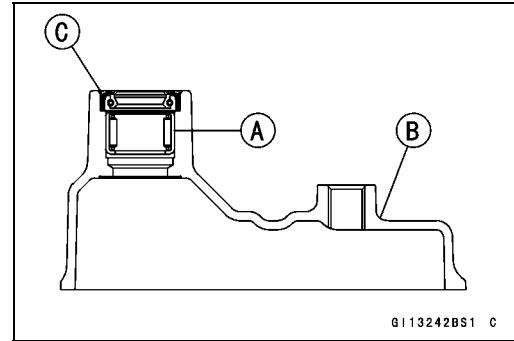
### Transmission

- When the new needle bearing [A] is installed in the shift shaft cover [B], press and insert the new needle bearing until it is bottomed.

**Special Tool - Bearing Driver Set: 57001-1129**

- When the new oil seal [C] is installed in the shift cover, press and insert the new oil seal so that its surface is flush with the end of the hole.

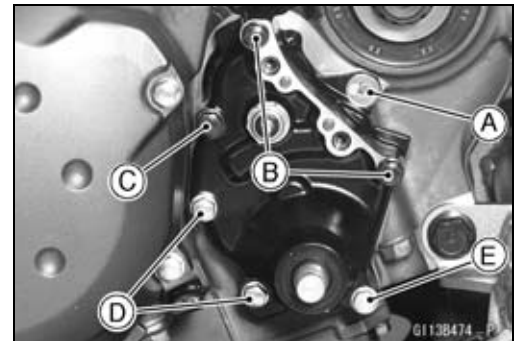
**Special Tool - Bearing Driver Set: 57001-1129**



- Replace the shift shaft cover gasket with a new one.
- Install the shift shaft cover.
- Apply a non-permanent locking agent to the shift shaft cover screw [A] and bolts [B, C].
- Do not apply a non-permanent locking agent to the shift shaft cover bolts [D, E].
- First tighten the cover bolts, then tighten the cover screw.

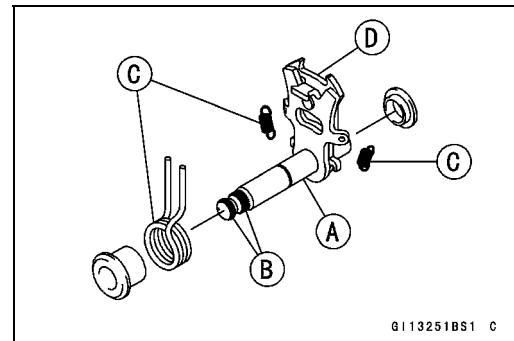
**Torque - Shift Shaft Cover Bolts: 9.8 N·m (1.0 kgf·m, 87 in·lb)**

**Shift Shaft Cover Screw: 4.9 N·m (0.50 kgf·m, 43 in·lb)**



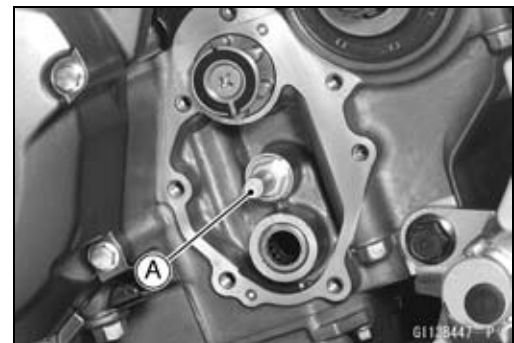
### **External Shift Mechanism Inspection**

- Examine the shift shaft [A] for any damage.
- ★ If the shaft is bent, straighten or replace it.
- ★ If the serration [B] are damaged, replace the shaft.
- ★ If the springs [C] are damaged in any way, replace them.
- ★ If the shift mechanism arm [D] is damaged in any way, replace the shaft.



- Check the return spring pin [A] is not loose.
- ★ If it is loose, unscrew it, apply a non-permanent locking agent to the threads, and tighten it.

**Torque - Shift Shaft Return Spring Pin: 29 N·m (3.0 kgf·m, 21 ft·lb)**





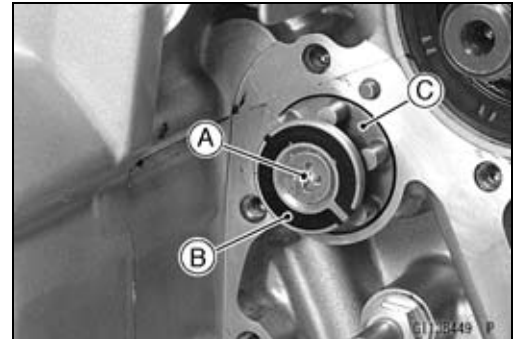
**Transmission**

- Check the gear positioning lever [A] and its spring for breaks or distortion.
- ★ If the lever or spring are damaged in any way, replace them.
- Visually inspect the shift drum cam [B].
- ★ If they are badly worn or if they show any damage, replace it.

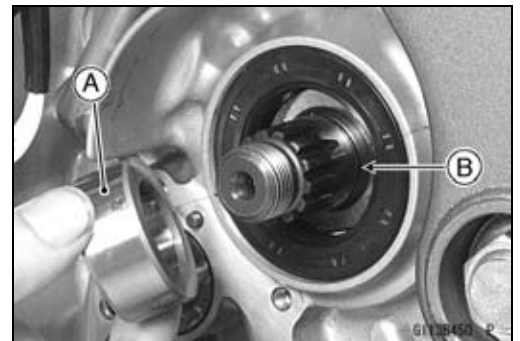


**Transmission Assy Removal**

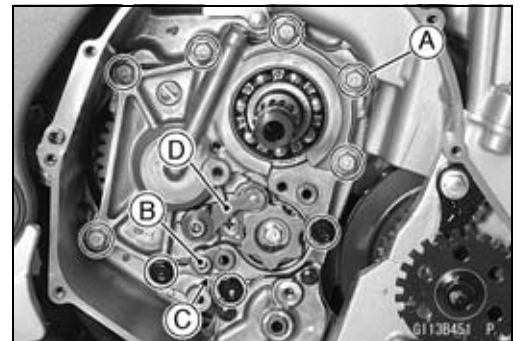
- Remove:
  - Shift Shaft Assembly (see External Shift Mechanism Removal)
  - Neutral Switch Holder Screw [A]
  - Neutral Switch Holder [B] and Pin
  - Shift Drum Holder [C] and Pin



- Remove:
  - Collar [A]
  - O-ring [B]



- Remove:
  - Clutch (see Clutch Removal in the Clutch chapter)
  - Transmission Case Bolts [A]
- ★ If the transmission assy is to be disassembled, remove the following.
  - Shift Rod Plate Bolt [B]
  - Shift Rod Plate [C]
  - Gear Positioning Lever [D] (see External Shift Mechanism Removal)



- Pull the transmission assy [A] out of the crankcase.



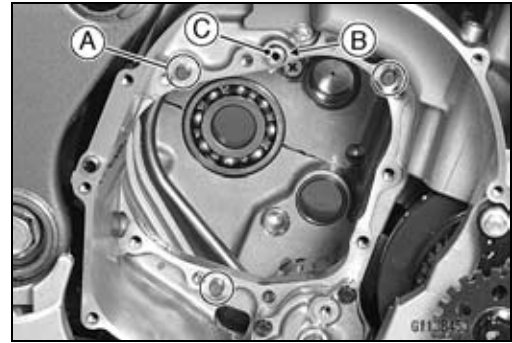
## 9-36 CRANKSHAFT/TRANSMISSION

### Transmission

#### Transmission Assy Installation

- Be sure that the dowel pins [A] are in position.
- Apply grease to the new O-ring [B] on the oil pipe [C].
- Install the transmission assy on the crankcase.
- Tighten:

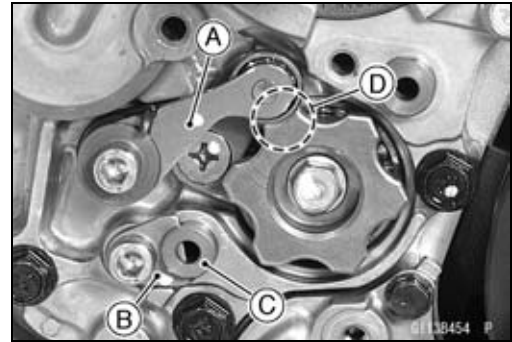
**Torque - Transmission Case Bolts: 20 N·m (2.0 kgf·m, 15 ft·lb)**



- ★ If the gear positioning lever [A] was removed, install it (see External Shift Mechanism Installation).
- ★ If the shift rod plate [B] was removed, install it.
- Engage the shift rod plate to the groove of the shift rod [C], and apply a non-permanent locking agent to the shift rod plate bolt and tighten it.

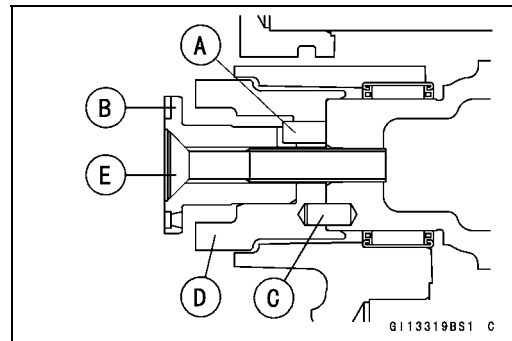
**Torque - Shift Rod Plate Bolt: 9.8 N·m (1.0 kgf·m, 87 in·lb)**

- Set the gear positioning lever to the neutral position [D].
- Check that the drive and output shaft turn freely.

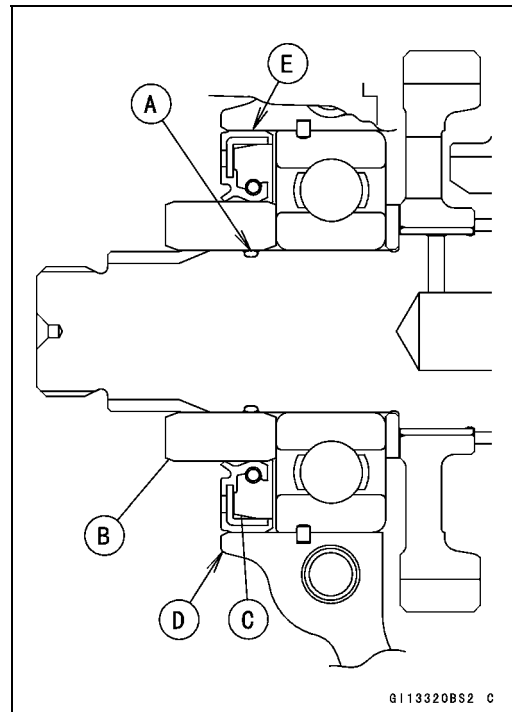


- Install:
  - Pin [A]
  - Shift Drum Holder [B]
  - Pin [C]
  - Neutral Switch Holder [D]
- Apply a non-permanent locking agent to the neutral switch holder screw [E] and tighten it.

**Torque - Neutral Switch Holder Screw: 4.9 N·m (0.50 kgf·m, 43 in·lb)**



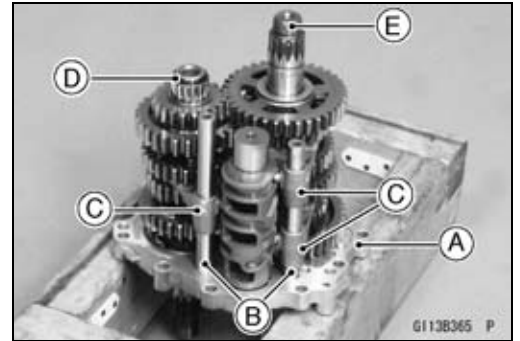
- Apply grease to the new O-ring [A] and install its position on the output shaft.
- Apply grease to the oil seal rip.
- Install the collar [B].
- When the new oil seal [C] is installed in the crankcase, press in the oil seal onto the collar so that the surface of the oil seal is flush with the surface [D] of the crankcase.
- Apply a soap and water solution or rubber lubricant to the outer circumference [E] of the oil seal so that it will go into place smoothly.



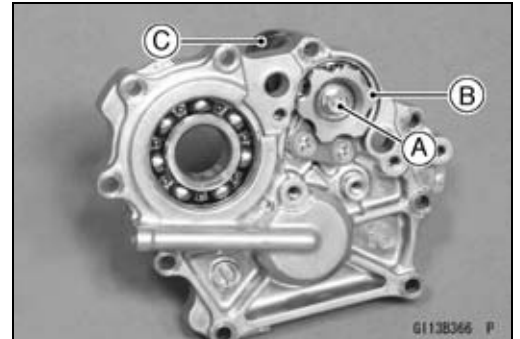
**Transmission**

**Transmission Assy Disassembly**

- Remove the transmission assy (see Transmission Assy Removal).
- Remove the following from the transmission case [A].
  - Shift Rods [B]
  - Shift Forks [C]
  - Drive Shaft [D]
  - Output Shaft [E]



- Remove:
  - Shift Drum Cam Bolt [A]
  - Shift Drum [B] and Pin
  - Shift Drum [C]



**Transmission Assy Assembly**

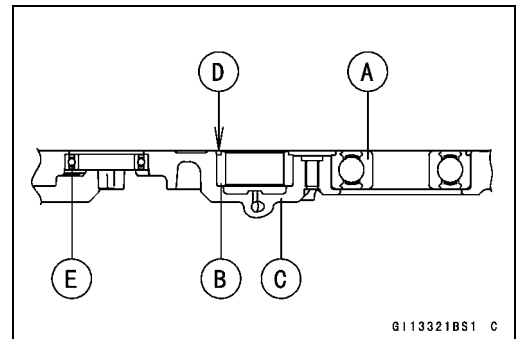
- When the new ball bearing [A] and new race [B] are installed in the transmission case [C], press and insert them until they are bottomed.

**Special Tool - Bearing Driver Set: 57001-1129**

**NOTE**

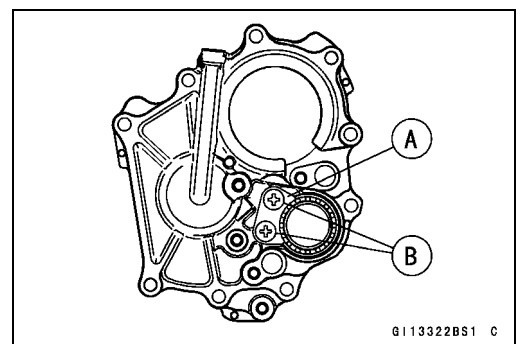
○ Install the new ball bearing and new race so that the stepped side [D] faces inside of the transmission case.

- When the ball bearing [E] for shift drum is installed in the transmission case, insert the ball bearing until it is bottomed.



- Install the shift drum bearing holder [A].
- Apply a non-permanent locking agent to the threads of the shift drum bearing holder screws [B] and tighten them.

**Torque - Shift Drum Bearing Holder Screws: 4.9 N·m (0.50 kgf·m, 43 in·lb)**

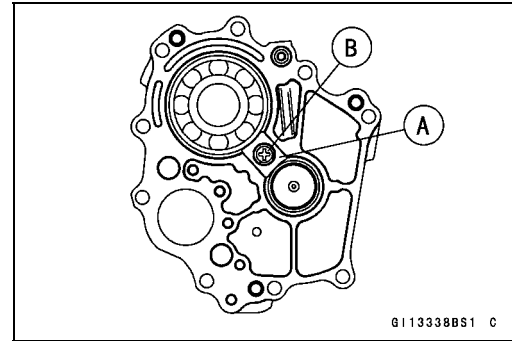


## 9-38 CRANKSHAFT/TRANSMISSION

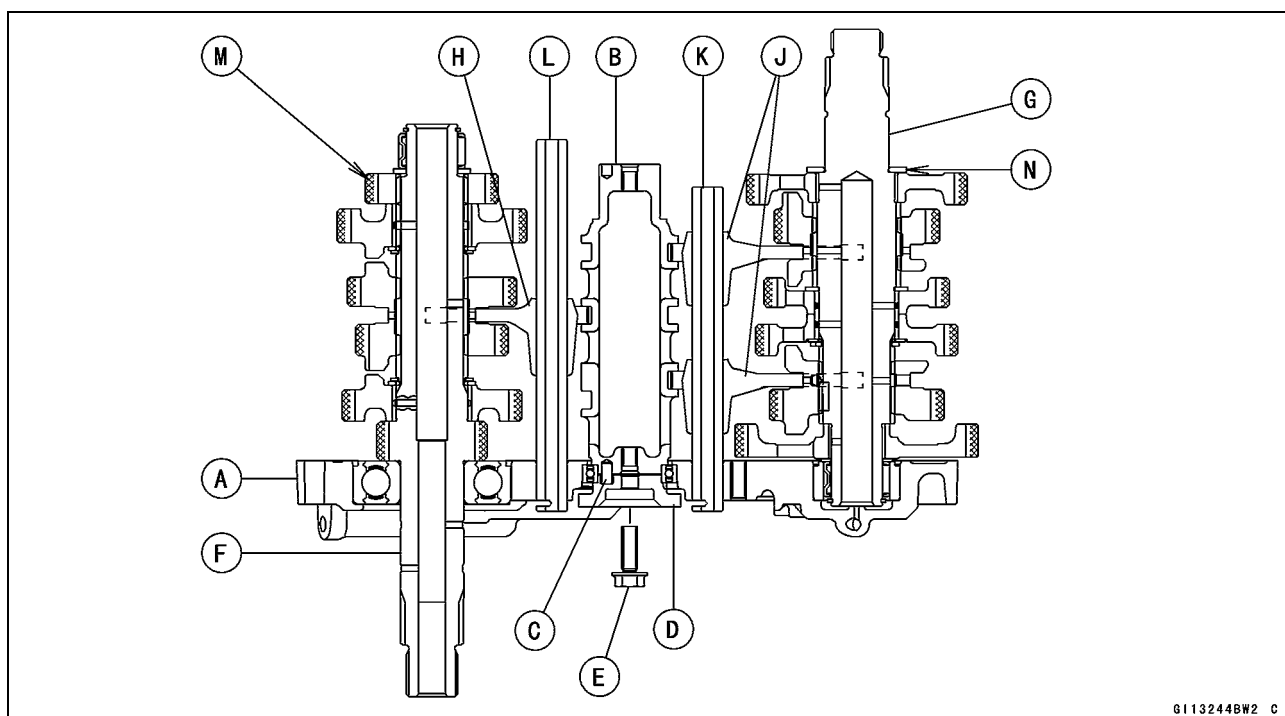
### Transmission

- Install the drive shaft bearing holder [A].
- Apply a non-permanent locking agent to the threads of the drive shaft bearing holder screw [B] and tighten it.

**Torque - Drive Shaft Bearing Holder Screw: 4.9 N·m (0.50 kgf·m, 43 in·lb)**



- Install the following on the transmission case [A].
  - Shift Drum [B]
  - Pin [C]
  - Shift Drum Cam [D]
- Align the pin with the hole on the shift drum cam.
- Apply a non-permanent locking agent to the shift drum cam bolt [E] and tighten it.
- Torque - Shift Drum Cam Bolt: 12 N·m (1.2 kgf·m, 106 in·lb)**
- Install the following as a set.
  - Drive Shaft [F]
  - Output Shaft [G]
- Install the forks as shown.
- Position the one [H] with shortest ears on the drive shaft and place the pin in the center groove in the shift drum.
- The two forks [J] on the output shaft are identical.
- Install the shift rods, noting the groove position.
- The rod [K] length of the output shaft side is shorter than the rod [L] length of the drive shaft side.
- Apply molybdenum disulfide oil solution to the transmission gears shown with X marks [M].
- Be sure that the spacer [N] is on the output shaft.
- Install the transmission assy (see Transmission Assy Installation).



**Transmission**

**Transmission Shaft Removal**

- Refer to the Transmission Assy Disassembly.

**Transmission Shaft Installation**

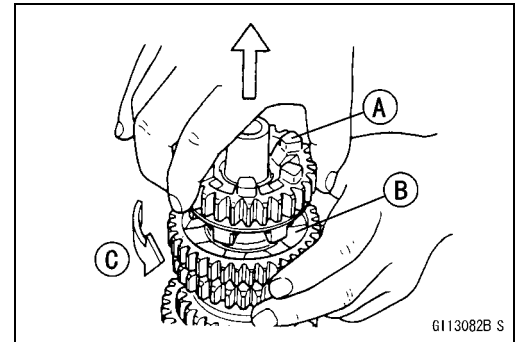
- Refer to the Transmission Assy Assembly.

**Transmission Shaft Disassembly**

- Remove the transmission shafts (see Transmission Assy Disassembly).
- Remove the circlips, disassemble the transmission shafts.

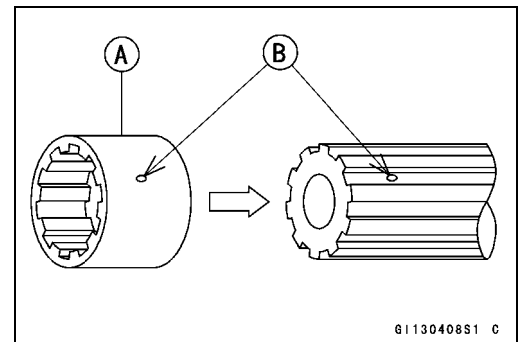
**Special Tool - Outside Circlip Pliers: 57001-144**

- The 5th gear [A] on the output shaft has three steel balls assembled into it for the positive neutral finder mechanism. Remove the 5th gear.
- Set the output shaft in a vertical position holding the 3rd gear [B].
- Spin the 5th gear quickly [C] and pull it off upward.

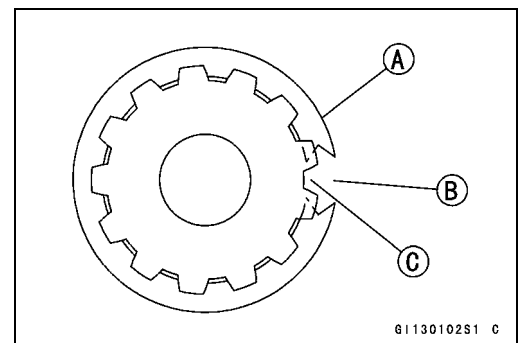


**Transmission Shaft Assembly**

- Apply engine oil to the bushings, needle bearings and shafts.
- Install the gear bushings [A] on the shaft with their holes [B] aligned.



- Replace any circlips removed with new ones.
- Install the circlips [A] so that the opening [B] is aligned with a spline groove [C].



## 9-40 CRANKSHAFT/TRANSMISSION

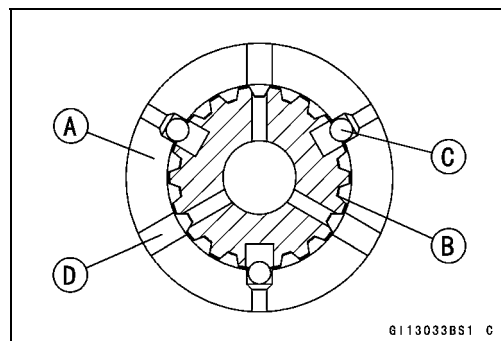
### Transmission

- The drive shaft gears can be recognized by size: the gear with the smallest diameter is 1st gear, and the largest one is 6th gear. Be sure that all parts are put back in the correct sequence and all circlips and washers are properly in place.
- Install the 3rd/4th gear onto the drive shaft with their oil holes aligned.
- Install the 6th gear bushing onto the drive shaft with their oil holes aligned.
- The output shaft gears can be recognized by size: the gear with the largest diameter is 1st gear, and the smallest one is 6th gear. Be sure that all parts are put back in the correct sequence and all circlips and washers are properly in place.
- Install the 5th and 6th gears onto the output shaft with their oil holes aligned.
- Install the 3rd/4th gear bushings onto the output shaft with their oil holes aligned.
- Fit the steel balls into the 5th gear holes in the output shaft, aligning three oil holes.  
5th Gear [A]  
Output Shaft [B]  
Steel Balls [C]  
Oil Holes [D]

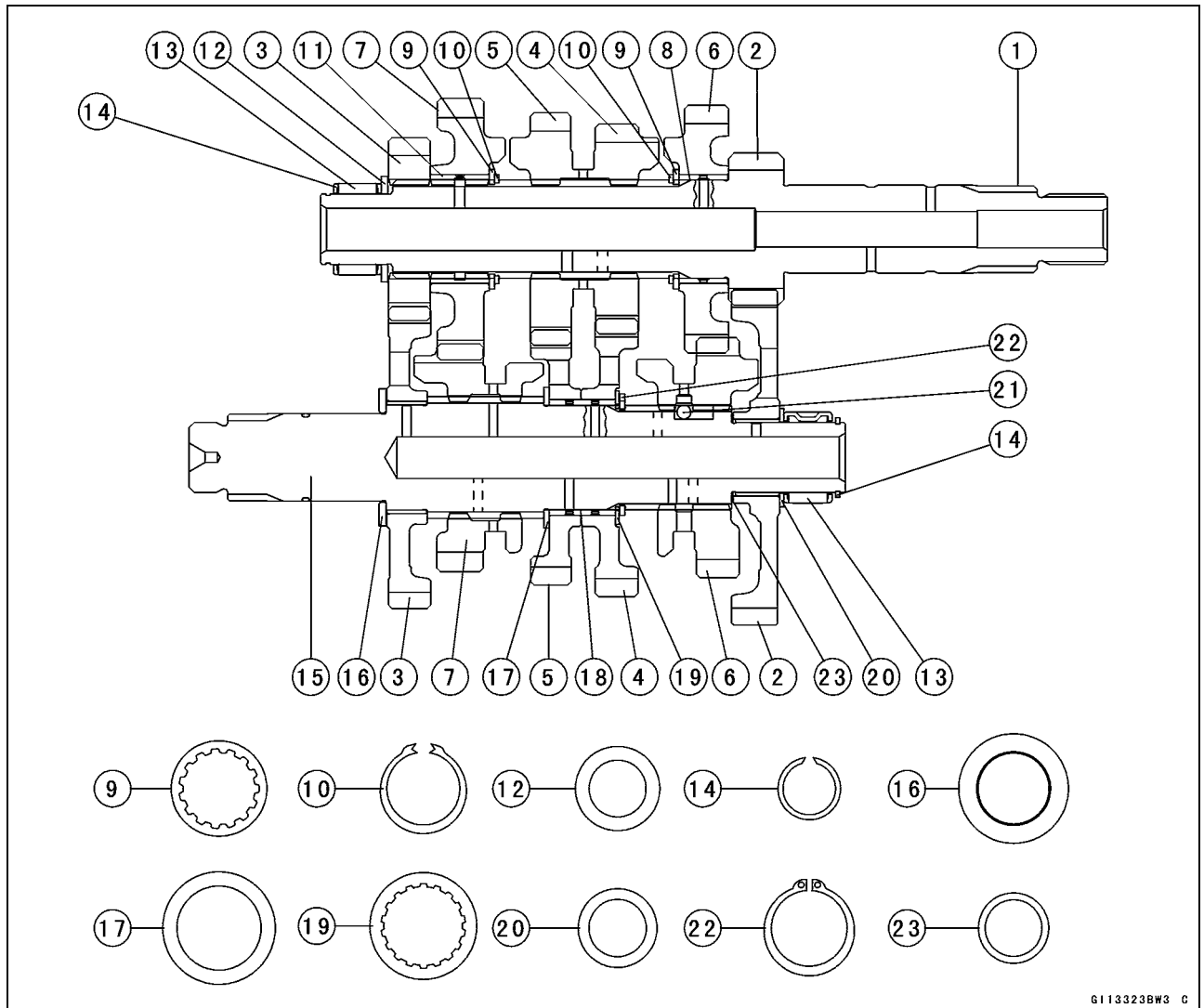
#### CAUTION

**Do not apply grease to the balls to hold them in place. This will cause the positive neutral finder mechanism to malfunction.**

- After assembling the 5th gear with steel balls in place on the output shaft, check the ball-locking effect that the 5th gear doesn't come out of the output shaft when moving it up and down by hand.
- Check that each gear spins or slides freely on the transmission shafts without binding after assembly.



Transmission



6113323BW3 C

1. Drive Shaft
2. 1st Gear
3. 2nd Gear
4. 3rd Gear
5. 4th Gear
6. 5th Gear
7. 6th (Top) Gear
8. Bushing
9. Toothed Washer,  $\phi 34$  mm (1.34 in.)
10. Circlip
11. Bushing
12. Thrust Washer,  $\phi 30$  mm (1.18 in.)
13. Needle Bearing
14. Circlip
15. Output Shaft
16. Spacer,  $\phi 39$  mm (1.54 in.)
17. Washer,  $\phi 40$  mm (1.57 in.)
18. Bushing
19. Toothed Washer,  $\phi 38$  mm (1.50 in.)
20. Shim,  $\phi 28$  mm (1.10 in.)
21. Steel Ball
22. Circlip,  $\phi 32.2$  mm (1.268 in.)
23. Thrust Washer,  $\phi 25$  mm (0.98 in.)

## 9-42 CRANKSHAFT/TRANSMISSION

### Transmission

#### **Shift Drum and Fork Removal**

- Refer to the Transmission Assy Disassembly.

#### **Shift Drum and Fork Installation**

- Refer to the Transmission Assy Assembly.

#### **Shift Drum Disassembly**

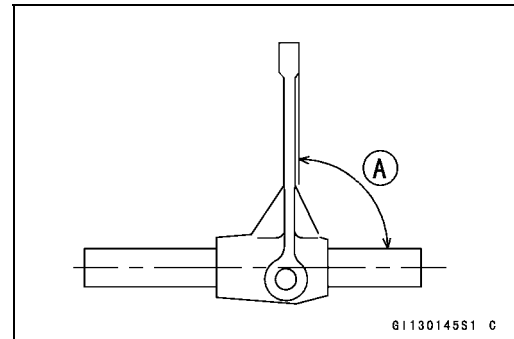
- Refer to the Transmission Assy Disassembly.

#### **Shift Drum Assembly**

- Refer to the Transmission Assy Assembly.

#### **Shift Fork Bending**

- Visually inspect the shift forks, and replace any fork that is bent. A bent fork could cause difficulty in shifting, or allow the transmission to jump out of gear when under power.  
90° [A]



#### **Shift Fork/Gear Groove Wear**

- Measure the thickness of the shift fork ears [A], and measure the width [B] of the gear grooves.
- ★ If the thickness of a shift fork ear is less than the service limit, the shift fork must be replaced.

##### **Shift Fork Ear Thickness**

**Standard:** 5.9 ~ 6.0 mm (0.232 ~ 0.236 in.)

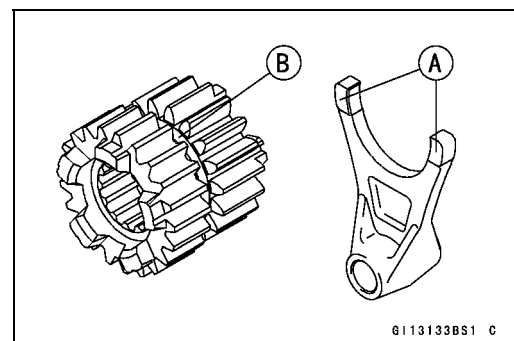
**Service Limit:** 5.8 mm (0.228 in.)

- ★ If the gear groove is worn over the service limit, the gear must be replaced.

##### **Gear Groove Width**

**Standard:** 6.05 ~ 6.15 mm (0.238 ~ 0.242 in.)

**Service Limit:** 6.25 mm (0.246 in.)



#### **Shift Fork Guide Pin/Drum Groove Wear**

- Measure the diameter of each shift fork guide pin [A], and measure the width [B] of each shift drum groove.
- ★ If the guide pin on any shift fork is less than the service limit, the fork must be replaced.

##### **Shift Fork Guide Pin Diameter**

**Standard:** 6.9 ~ 7.0 mm (0.272 ~ 0.276 in.)

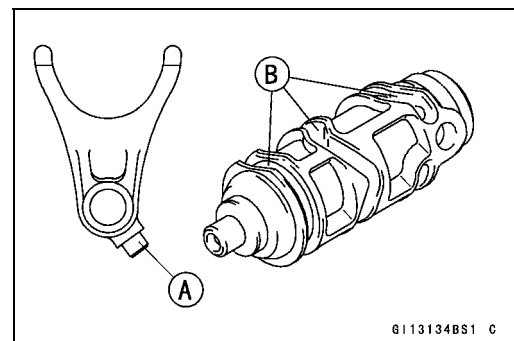
**Service Limit:** 6.8 mm (0.268 in.)

- ★ If any shift drum groove is worn over the service limit, the drum must be replaced.

##### **Shift Drum Groove Width**

**Standard:** 7.05 ~ 7.20 mm (0.278 ~ 0.283 in.)

**Service Limit:** 7.3 mm (0.287 in.)

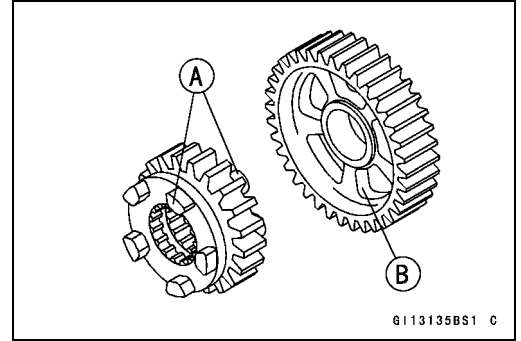




### Transmission

#### ***Gear Dog and Gear Dog Hole Damage***

- Visually inspect the gear dogs [A] and gear dog holes [B].
- ★ Replace any damaged gears or gears with excessively worn dogs or dog holes.



## 9-44 CRANKSHAFT/TRANSMISSION

### Ball Bearing, Needle Bearing, and Oil Seal

#### Ball and Needle Bearing Replacement

##### CAUTION

Do not remove the ball or needle bearings unless it is necessary. Removal may damage them.

- Using a press or puller, remove the ball bearing and/or needle bearings.

##### NOTE

○ In the absence of the above mentioned tools, satisfactory results may be obtained by heating the case to approximately 93°C (200°F) max., and tapping the bearing in or out.

##### CAUTION

Do not heat the case with a torch. This will warp the case. Soak the case in oil and heat the oil.

- Using a press and the bearing driver set [A], install the new ball bearing until it stops at the bottom of its housing.
- The new needle bearings must be pressed into the crankcase so that the end is flush with the end of the hole.

Special Tool - Bearing Driver Set: 57001-1129

#### Ball and Needle Bearing Wear

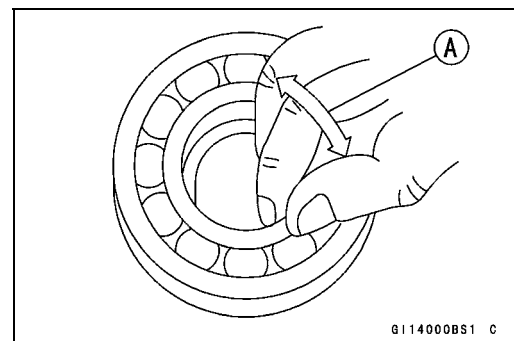
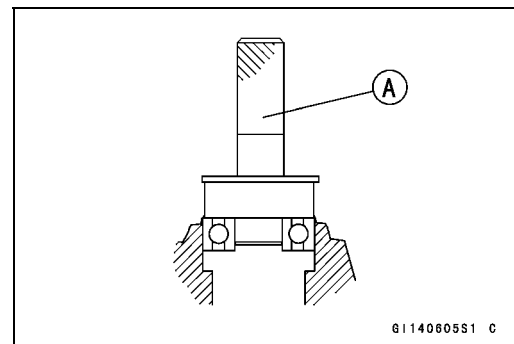
##### CAUTION

Do not remove the bearings for inspection. Removal may damage them.

- Check the ball bearings.
- Since the ball bearings are made to extremely close tolerances, the wear must be judged by feel rather than measurement. Clean each bearing in a high-flash point solvent, dry it (do not spin the bearing while it is dry), and oil it with engine oil.
- Spin [A] the bearing by hand to check its condition.
- ★ If the bearing is noisy, does not spin smoothly, or has any rough spots, replace it.
- Check the needle bearings.
- The rollers in a needle bearing normally wear very little, and wear is difficult to measure. Instead of measuring, inspect the bearing for abrasion, color change, or other damage.
- ★ If there is any doubt as to the condition of a needle bearing, replace it.

#### Oil Seal Inspection

- Inspect the oil seals.
- ★ Replace it if the lips are misshapen, discolored (indicating that the rubber has deteriorated), hardened or otherwise damaged.



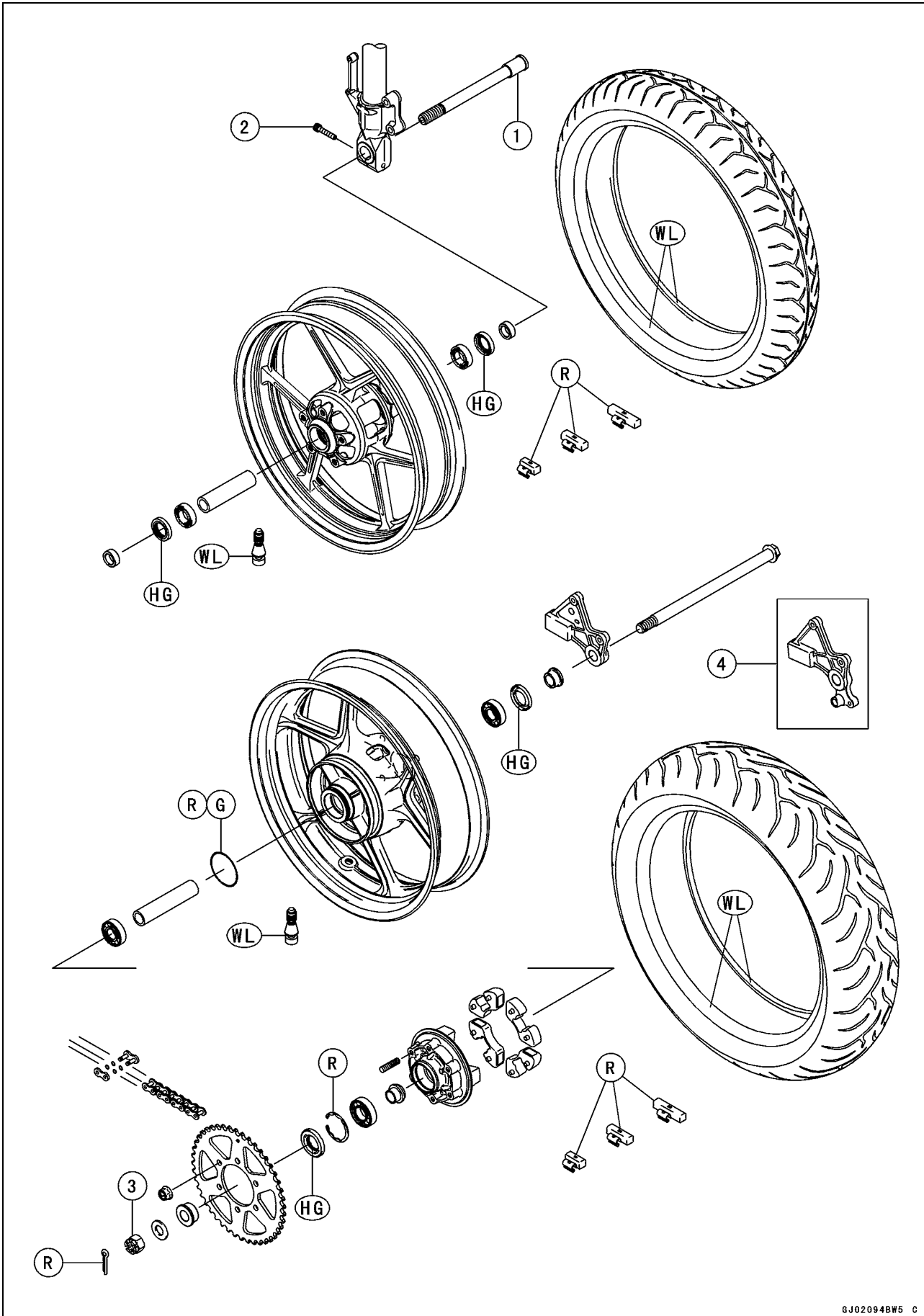
# Wheels/Tires

## Table of Contents

Exploded View .....	10-2
Specifications .....	10-4
Special Tools .....	10-5
Wheels (Rims) .....	10-6
Front Wheel Removal .....	10-6
Front Wheel Installation .....	10-6
Rear Wheel Removal .....	10-8
Rear Wheel Installation .....	10-9
Wheel Inspection .....	10-10
Axle Inspection .....	10-10
Balance Inspection .....	10-11
Balance Adjustment .....	10-11
Balance Weight Removal .....	10-11
Balance Weight Installation .....	10-11
Tires .....	10-13
Air Pressure Inspection/Adjustment .....	10-13
Tire Inspection .....	10-13
Tire Removal .....	10-13
Tire Installation .....	10-13
Tire Repair .....	10-15
Hub Bearing .....	10-16
Hub Bearing Removal .....	10-16
Hub Bearing Installation .....	10-16
Hub Bearing Inspection .....	10-16
Hub Bearing Lubrication .....	10-17

# 10-2 WHEELS/TIRES

## Exploded View



**Exploded View**

<b>No.</b>	<b>Fastener</b>	<b>Torque</b>			<b>Remarks</b>
		<b>N·m</b>	<b>kgf·m</b>	<b>ft·lb</b>	
1	Front Axle	108	11.0	80	
2	Front Axle Clamp Bolt	20	2.0	15	
3	Rear Axle Nut	108	11.0	80	

4. Caliper Bracket (KLE650B Models)

G: Apply grease.

HG: Apply high-temperature grease.

R: Replacement Parts

WL: Apply soap and water solution or rubber lubricant.

## 10-4 WHEELS/TIRES

### Specifications

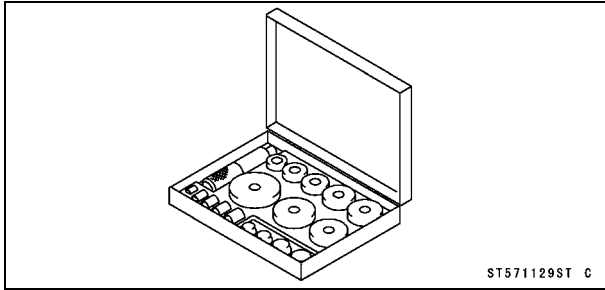
Item	Standard	Service Limit
<b>Wheels (Rims)</b>		
Rim Runout:		
Axial	TIR 0.5 mm (0.02 in.) or less	TIR 1.0 mm (0.04 in.)
Radial	TIR 0.8 mm (0.03 in.) or less	TIR 1.0 mm (0.04 in.)
Axle Runout/100 mm (3.94 in.)	TIR 0.03 mm (0.0012 in.) or less	TIR 0.2 mm (0.008 in.)
Wheel Balance	10 g (0.35 oz.) or less	— — —
Balance Weights	10 g (0.35 oz.), 20 g (0.71 oz.), 30 g (1.06 oz.)	— — —
Rim Size:		
Front	17 × 3.50	— — —
Rear	17 × 4.50	— — —
<b>Tires</b>		
Air Pressure (when Cold):		
Front	Up to 180 kg (397 lb) load: 225 kPa (2.25 kgf/cm <sup>2</sup> , 32 psi)	— — —
Rear	Up to 180 kg (397 lb) load: 250 kPa (2.50 kgf/cm <sup>2</sup> , 36 psi)	— — —
Tread Depth:		
Front	6.5 mm (0.26 in.)	1 mm (0.04 in.) (AT, CH, DE) 1.6 mm (0.06 in.)
Rear	9.0 mm (0.35 in.)	Up to 130 km/h (80 mph): 2 mm (0.08 in.) Over 130 km/h (80 mph): 3 mm (0.12 in.)
Standard Tires:	Make, Type	Size
Front	DUNLOP, SPORTMAX RADIAL D221FAG	120/70 ZR17 M/C (58 W)
Rear	DUNLOP, SPORTMAX D221G	160/60 ZR17 M/C (69 W)

### **WARNING**

**Use the same manufacturer's tires on both front and rear wheels.**

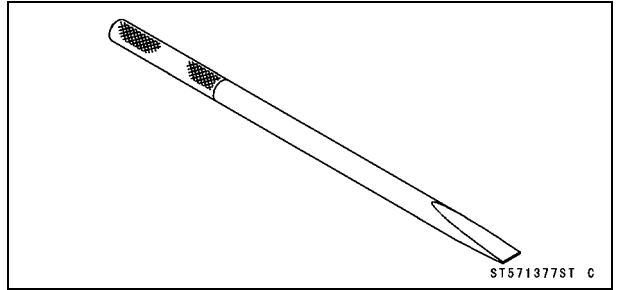
Special Tools

Bearing Driver Set:  
57001-1129



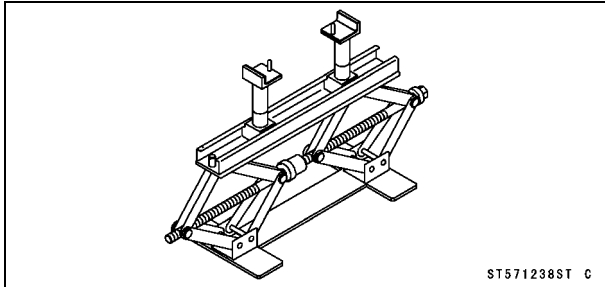
ST571129ST C

Bearing Remover Shaft,  $\phi 13$ :  
57001-1377



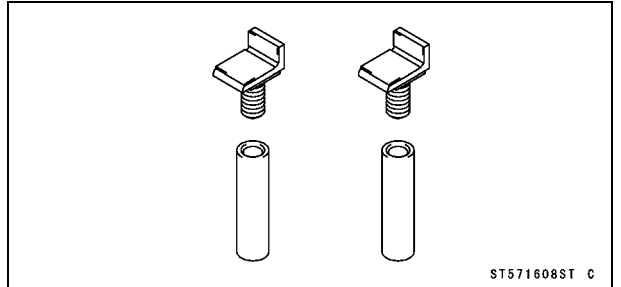
ST571377ST C

Jack:  
57001-1238



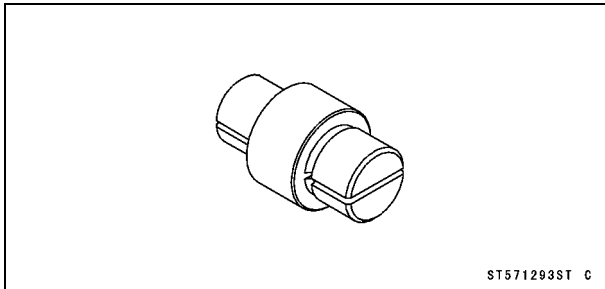
ST571238ST C

Jack Attachment:  
57001-1608



ST571608ST C

Bearing Remover Head,  $\phi 20 \times \phi 22$ :  
57001-1293



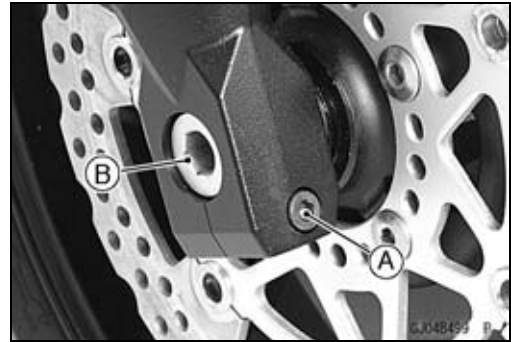
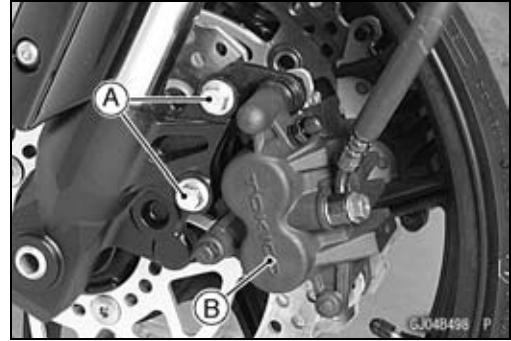
ST571293ST C

## 10-6 WHEELS/TIRES

### Wheels (Rims)

#### Front Wheel Removal

- Remove:
  - Brake Caliper Mounting Bolts [A] (Both Side)
  - Front Brake Calipers [B]
  
- Loosen:
  - Axle Clamp Bolt [A]
  - Front Axle [B]
  
- Remove the lower fairing (see Lower Fairing Removal in the Frame chapter).
- Raise the front wheel off the ground with jack.
  - Special Tools - Jack: 57001-1238**
  - Jack Attachment: 57001-1608**
- Pull out the axle to the right and drop the front wheel out of the forks.



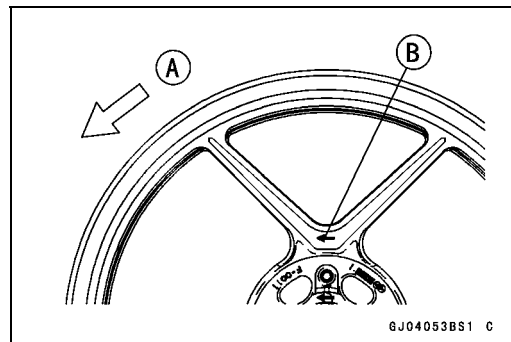
#### CAUTION

Do not lay the wheel on the ground with the discs facing down. This can damage or warp the disc. Place wooden blocks under the wheel so that the disc does not touch the ground.

#### Front Wheel Installation

##### NOTE

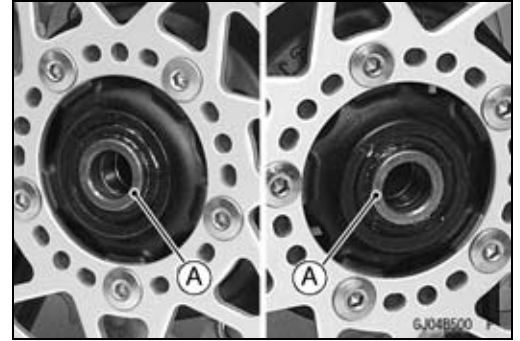
- The direction of the wheel rotation [A] is shown by an arrow [B] on the wheel spoke.
- Check the wheel rotation mark on the front wheel and install it.





**Wheels (Rims)**

- Apply high-temperature grease to the grease seal lips.
- Fit the collars [A] on the both sides of the hub.

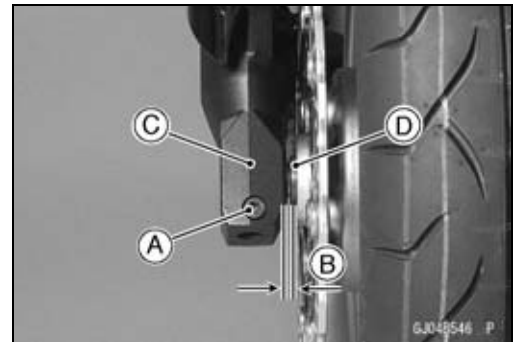


- Insert the front axle, and tighten the axle.
  - Torque - Front Axle: 108 N·m (11.0 kgf·m, 80 ft·lb)**
- Before tightening the axle clamp bolt on the right front fork leg, pump the front fork up and down 4 or 5 times to allow the right front fork leg to seat on the front axle.

**NOTE**

○Put a block in front of the front wheel to stop moving.

- Tighten the axle clamp bolt [A].
  - Torque - Front Axle Clamp Bolt: 20 N·m (2.0 kgf·m, 15 ft·lb)**
- Check the clearance [B] between the right fork leg [C] and collar [D] with the thickness gauge. There should be about 2.0 mm (0.08 in.) of clearance.
- ★ If the clearance is out of this range, remove the front wheel again and check the axle, wheel hub and other related parts for damage.



- Install the lower fairing (see Lower Fairing Installation in the Frame chapter).
- Install the front brake calipers (see Caliper Installation in the Brakes chapter).
- Check the front brake effectiveness (see Brake Operation Inspection in the Periodic Maintenance chapter).

**⚠ WARNING**

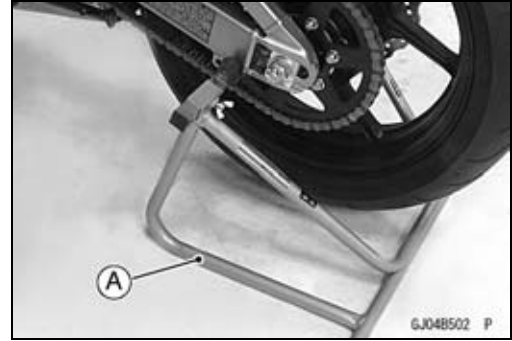
**Do not attempt to drive the motorcycle until a full brake lever is obtained by pumping the brake lever until the pads are against the disc. The brake will not function on the first application of the lever if this is not done.**

## 10-8 WHEELS/TIRES

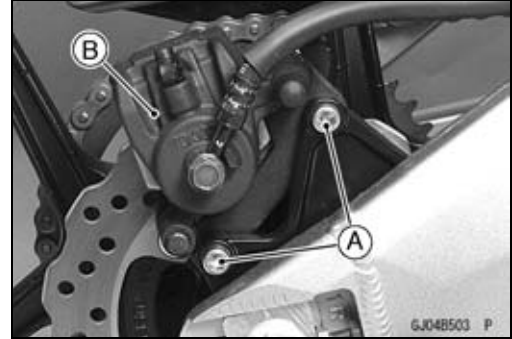
### Wheels (Rims)

#### Rear Wheel Removal

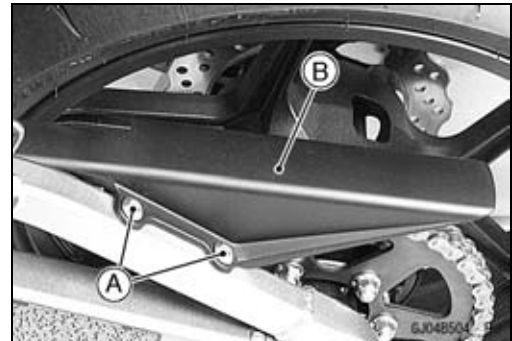
- Raise the rear wheel off the ground with stand [A].



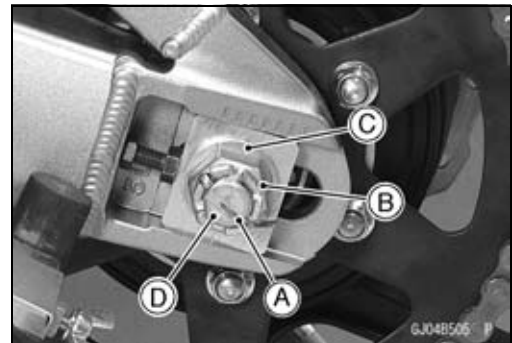
- Remove:
  - Brake Caliper Mounting Bolts [A]
  - Rear Brake Caliper [B]
- For models equipped with an ABS, remove the rear wheel rotation sensor from the caliper bracket (see Rear Wheel Rotation Sensor Removal in the Brakes chapter).



- Remove:
  - Bolts [A]
  - Chain Cover [B]



- Remove:
  - Cotter Pin [A]
  - Axle Nut [B]
  - Washer [C]
  - Axle [D] (from Right Side)



- Remove the drive chain [A] from the rear sprocket toward the left.
- Move the rear wheel back and remove it.

#### CAUTION

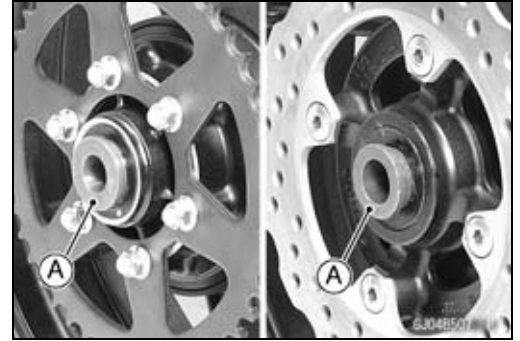
**Do not lay the wheel on the ground with the disc facing down. This can damage or warp the disc. Place wooden blocks under the wheel so that the disc does not touch the ground.**



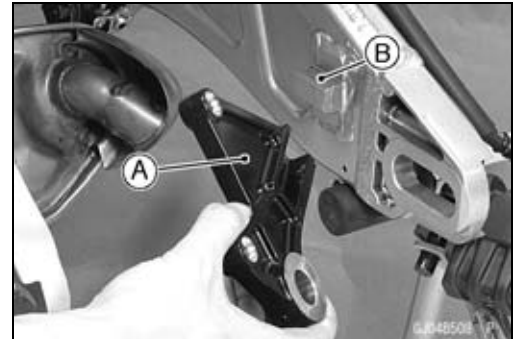
**Wheels (Rims)**

**Rear Wheel Installation**

- Apply high-temperature grease to the grease seal lips.
- Fit the collars [A] on the both sides of the hub.



- Engage the drive chain with the rear sprocket.
- Install the caliper bracket [A] onto the stopper [B] of the swingarm.
- Insert the axle from the right side of the wheel.
- Adjust the drive chain slack before tightening the axle nut (see Drive Chain Slack Inspection in the Periodic Maintenance chapter).
- Tighten:

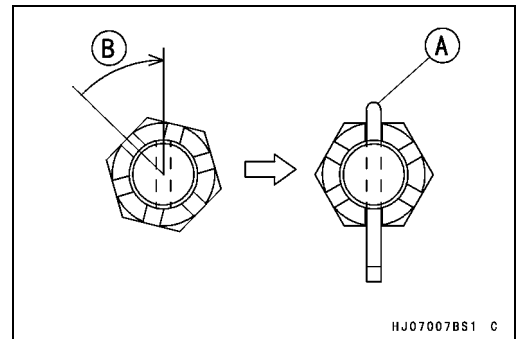


**Torque - Rear Axle Nut: 108 N·m (11.0 kgf·m, 80 ft·lb)**

- Insert a new cotter pin [A].

**NOTE**

- When inserting the cotter pin, if the slots in the nut do not align with the cotter pin hole in the axle, tighten the nut clockwise [B] up to next alignment.
- It should be within 30°.
- Loosen once and tighten again when the slot goes past the nearest hole.

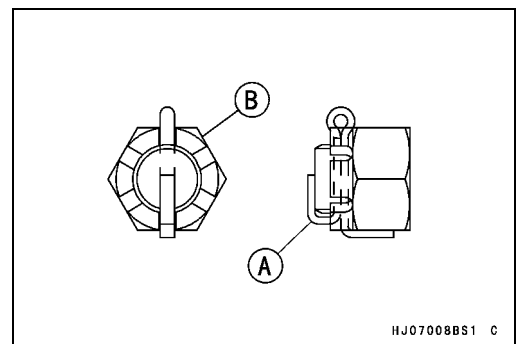


HJ07007BS1 C

- Bend the cotter pin [A] over the nut [B].

**⚠ WARNING**

**If the rear axle nut is not securely tightened or the cotter pin is not installed, an unsafe riding condition may result.**



HJ07008BS1 C

- Install the rear brake caliper (see Caliper Installation in the Brakes chapter).
- For models equipped with an ABS, install the rear wheel rotation sensor (see Rear Wheel Rotation Sensor Installation in the Brakes chapter).
- Check the rear brake effectiveness (see Brake Operation Inspection in the Periodic Maintenance chapter).

**⚠ WARNING**

**Do not attempt to drive the motorcycle until a full brake pedal is obtained by pumping the brake pedal until the pads are against the disc. The brake will not function on the first application of the pedal if this is not done.**

## 10-10 WHEELS/TIRES

### Wheels (Rims)

#### Wheel Inspection

- Raise the front/rear wheel off the ground with jack.

**Special Tools - Jack: 57001-1238**

**Jack Attachment: 57001-1608**

- Spin the wheel lightly, and check for roughness or binding.
- ★ If roughness or binding is found, replace the hub bearings.
- Inspect the wheel for small cracks, dents, bending, or warp.
- ★ If there is any damage to the wheel, replace the wheel.
- Remove the wheel, and support it with the tire by the axle.
- Measure the rim runout, axial [A] and radial [B], with a dial gauge.
- ★ If rim runout exceeds the service limit, check the hub bearings.
- ★ If the problem is not due to the bearings, replace the wheel.

#### Rim Runout (with tire installed)

##### Standard:

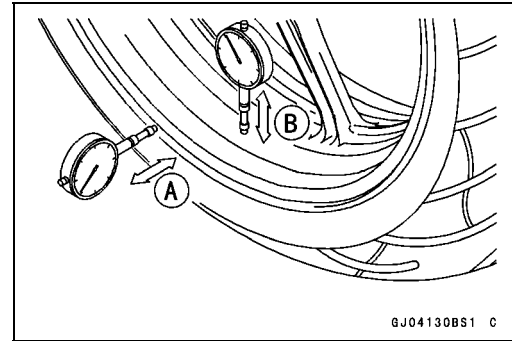
**Axial TIR 0.5 mm (0.02 in.) or less**

**Radial TIR 0.8 mm (0.03 in.) or less**

##### Service Limit:

**Axial TIR 1.0 mm (0.04 in.)**

**Radial TIR 1.0 mm (0.04 in.)**



### **⚠ WARNING**

**Never attempt to repair a damaged wheel. If there is any damage besides wheel bearings, the wheel must be replaced to insure safe operational condition.**

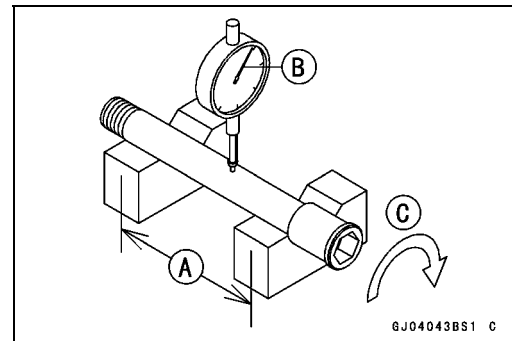
#### Axle Inspection

- Remove the front and rear axles (see Front/Rear Wheel Removal).
- Visually inspect the front and rear axle for damages.
- ★ If the axle is damaged or bent, replace it.
- Place the axle in V blocks that are 100 mm (3.94 in.) [A] apart, and set a dial gauge [B] on the axle at a point halfway between the blocks. Turn [C] the axle to measure the runout. The difference between the highest and lowest dial readings is the amount of runout.
- ★ If axle runout exceeds the service limit, replace the axle.

#### Axle Runout/100 mm (3.94 in.)

**Standard: TIR 0.03 mm (0.0012 in.) or less**

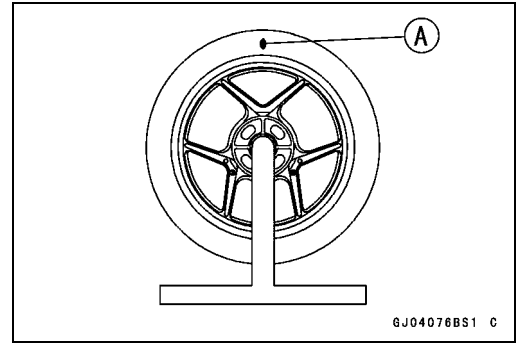
**Service Limit: TIR 0.2 mm (0.008 in.)**



**Wheels (Rims)**

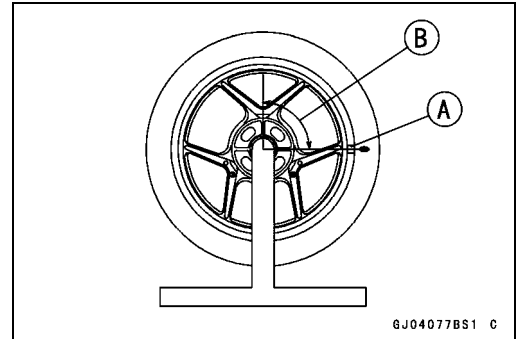
**Balance Inspection**

- Remove the front and rear wheels (see Front/Rear Wheel Removal).
- Support the wheel so that it can be spun freely.
- Spin the wheel lightly, and mark [A] the wheel at the top when the wheel stops.
- Repeat this procedure several times. If the wheel stops of its own accord in various positions, it is well balanced.
- ★ If the wheel always stops in one position, adjust the wheel balance (see Balance Adjustment).



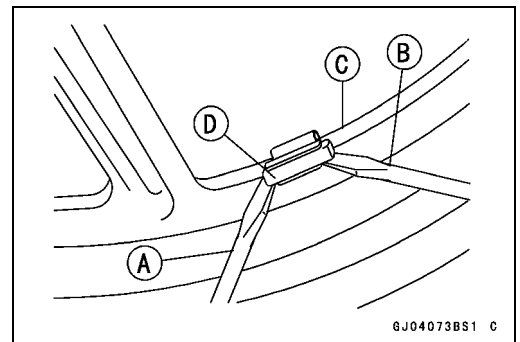
**Balance Adjustment**

- If the wheel always stops in one position, provisionally attach a balance weight [A] on the rim at the marking using adhesive tape.
- Rotate the wheel 1/4 turn [B], and see whether or not the wheel stops in this position. If it does, the correct balance weight is being used.
- ★ If the wheel rotates and the weight goes up, replace the weight with the next heavier size. If the wheel rotates and the weight goes down, replace the weight with the next lighter size. Repeat these steps until the wheel remains at rest after being rotated 1/4 turn.
- Rotate the wheel another 1/4 turn and then another 1/4 turn to see if the wheel is correctly balanced.
- Repeat the entire procedure as many times as necessary to achieve correct wheel balance.
- Permanently install the balance weight.



**Balance Weight Removal**

- Insert a regular tip screwdrivers [A] [B] between the rib [C] and the weight [D] as shown.
- Pry the balance weight with two screwdrivers and remove the balance weight.
- Discard the used balance weight.



**CAUTION**

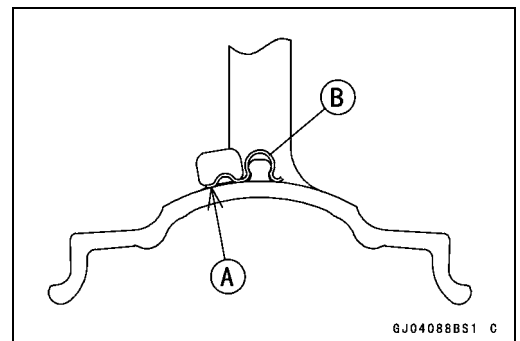
**Do not tap the screwdrivers. The rim could be damaged.**

**Balance Weight Installation**

- Check if the weight portion has any play on the blade [A] and clip [B].
- ★ If it does, discard it.

**⚠ WARNING**

**If the balance weight has any play on the rib of the rim, the blade and/or clip have been stretched. Replace the loose balance weight. Do not reuse used balance weight. Unbalanced wheels can create an unsafe riding condition.**



# 10-12 WHEELS/TIRES

## Wheels (Rims)

### Balance Weight

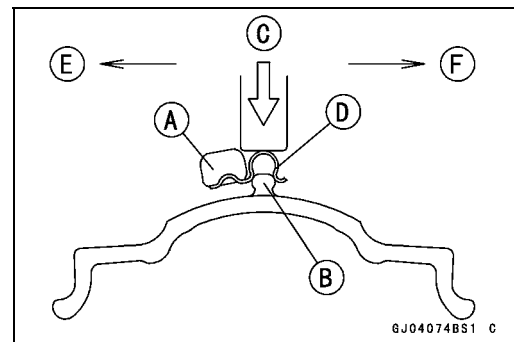
Part Number	Weight
41075-0007	10 g (0.35 oz.)
41075-0008	20 g (0.71 oz.)
41075-0009	30 g (1.06 oz.)

### NOTE

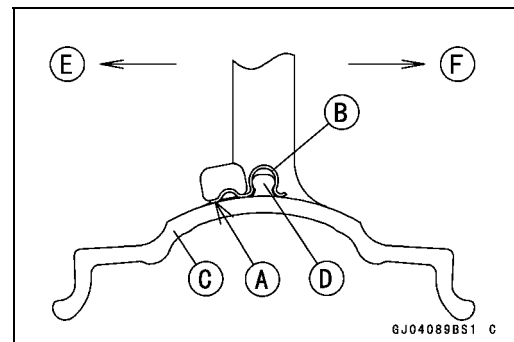
- Balance weights are available from Kawasaki dealers in 10, 20, and 30 grams (0.35, 0.71, and 1.06 oz.) sizes. An imbalance of less than 10 grams (0.35 oz.) will not usually affect running stability.
- Do not use four or more balance weight (more than 90 gram, 3.17 oz.). If the wheel requires an excess balance weight, disassemble the wheel to find the cause.

- Slip the balance weight [A] onto the rib [B] by pushing or lightly hammering [C] the clip [D].

Left Side [E]  
Right Side [F]



- Be sure to install the balance weight.
  - Check that the blade [A] and clip [B] are fully seated on the rim [C] and that the clip is hooked over the rib [D].
- Left Side [E]  
Right Side [F]



**Tires**

**Air Pressure Inspection/Adjustment**

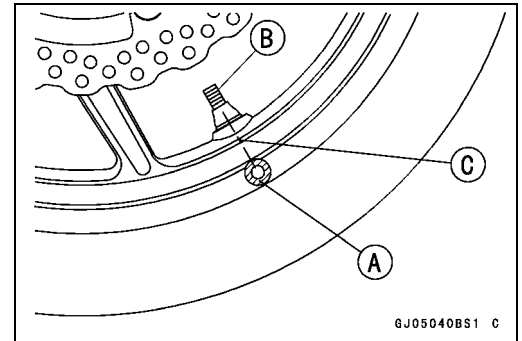
- Refer to the Air Pressure Inspection in the Periodic Maintenance chapter.

**Tire Inspection**

- Refer to the Wheel/Tire Damage Inspection in the Periodic Maintenance chapter.

**Tire Removal**

- Remove:
  - Wheel (see Front/Rear Wheel Removal)
  - Valve Core (Let out the air)
- To maintain wheel balance, mark the valve stem position on the tire with chalk so that the tire can be reinstalled in the same position.
  - Chalk Mark or Yellow Mark [A]
  - Air Valve [B]
  - Align [C]



- Lubricate the tire beads and rim flanges on both sides with a soap and water solution or rubber lubricant. This helps the tire beads slip off the rim flanges.

<b>CAUTION</b>
<b>Never lubricate with engine oil or petroleum distillates because they will deteriorate the tire.</b>

- Remove the tire from the rim using a suitable commercially available tire changer.

**NOTE**

○ *The tires cannot be removed with hand tools because they fit the rims too tightly.*

**Tire Installation**

<b>⚠ WARNING</b>
<b>Use the same manufacturer's tires on both front and rear wheels.</b>

- Inspect the rim and tire, and replace them if necessary.
- Clean the sealing surfaces of the rim and tire, and smooth the sealing surfaces of the rim with a fine emery cloth if necessary.
- Remove the air valve and discard it.

<b>CAUTION</b>
<b>Replace the air valve whenever the tire is replaced. Do not reuse the air valve.</b>

## 10-14 WHEELS/TIRES

### Tires

- Install a new valve in the rim.
- Remove the valve cap, lubricate the stem seal [A] with a soap and water solution or rubber lubricant, and pull [B] the valve stem through the rim from the inside out until it snaps into place.

#### CAUTION

**Do not use engine oil or petroleum distillates to lubricate the stem because they will deteriorate the rubber.**

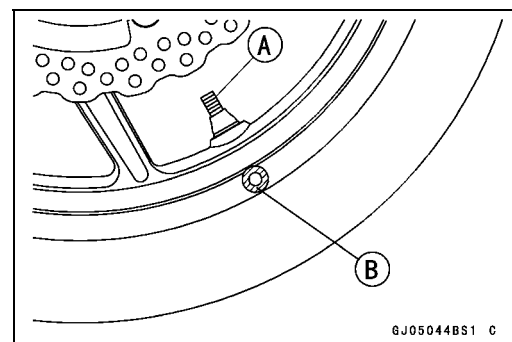
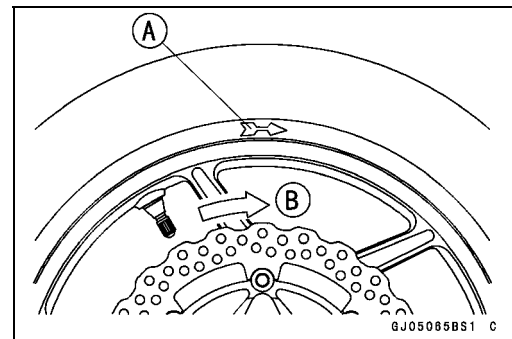
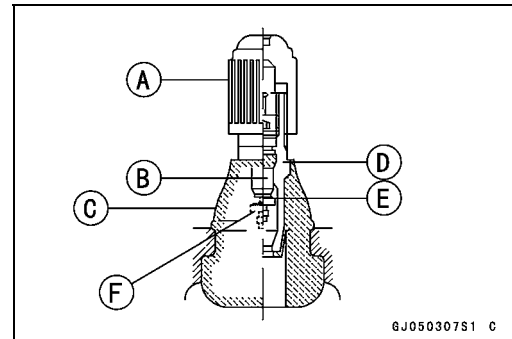
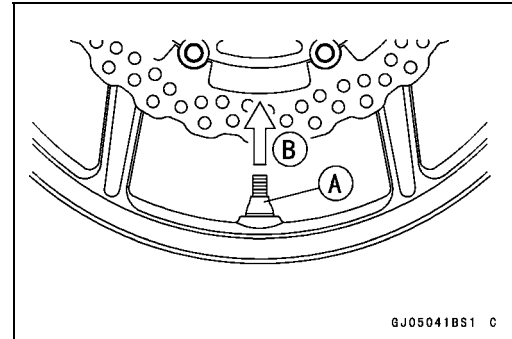
- The air valve is shown in the figure.

Valve Cap [A]  
Valve Core [B]  
Stem Seal [C]  
Valve Stem [D]  
Valve Seat [E]  
Valve Opened [F]

- Check the tire rotation mark on the front and rear tires and install them on the rim accordingly.

Tire Rotation Mark [A]  
Rotating Direction [B]

- Position the tire on the rim so that the valve [A] align with the tire balance mark [B] (the chalk mark made during removal, or the yellow paint mark on a new tire).
- Install the tire bead over the rim flange using a suitable commercially available tire changer.
- Lubricate the tire beads and rim flanges with a soap and water solution or rubber lubricant to help seat the tire beads in the sealing surfaces of the rim while inflating the tire.
- Center the rim in the tire beads, and inflate the tire with compressed air until the tire beads seat in the sealing surfaces.



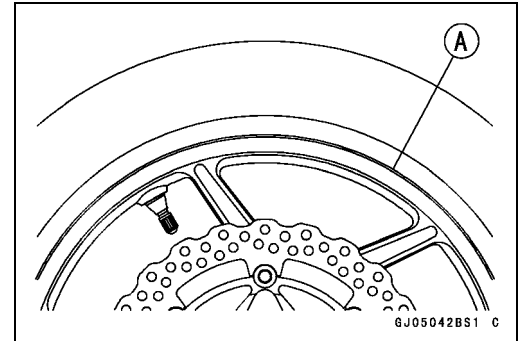
#### **▲ WARNING**

**Be sure to install the valve core whenever inflating the tire, and do not inflate the tire to more than 400 kPa (4.0 kgf/cm<sup>2</sup>, 57 psi). Overinflation can explode the tire with possibility of injury and loss of life.**



## Tires

- Check to see that the rim lines [A] on both sides of the tire sidewalls are parallel with the rim flanges.
- ★ If the rim flanges and tire sidewall rim lines are not parallel, remove the valve core.
- Lubricate the rim flanges and tire beads.
- Install the valve core and inflate the tire again.
- After the tire beads seat in the rim flanges, check for air leakage.
- Inflate the tire slightly above standard inflation.
- Use a soap and water solution or submerge the tire, and check for bubbles that would indicate leakage.
- Adjust the air pressure to the specified pressure (see Air Pressure Inspection in the Periodic Maintenance chapter).
- Install the air valve cap.
- Adjust the wheel balance (see Balance Adjustment).



### **Tire Repair**

Currently two types of repair for tubeless tires have come into wide use. One type is called a temporary (external) repair which can be carried out without removing the tire from the rim, and the other type is called permanent (internal) repair which requires tire removal. It is generally understood that higher running durability is obtained by permanent (internal) repairs than by temporary (external) ones. Also, permanent (internal) repairs have the advantage of permitting a thorough examination for secondary damage not visible from external inspection of the tire. For these reasons, Kawasaki does not recommend temporary (external) repair. Only appropriate permanent (internal) repairs are recommended. Repair methods may vary slightly from make to make. Follow the repair methods indicated by the manufacturer of the repair tools and materials so that safe results can be obtained.

## 10-16 WHEELS/TIRES

### Hub Bearing

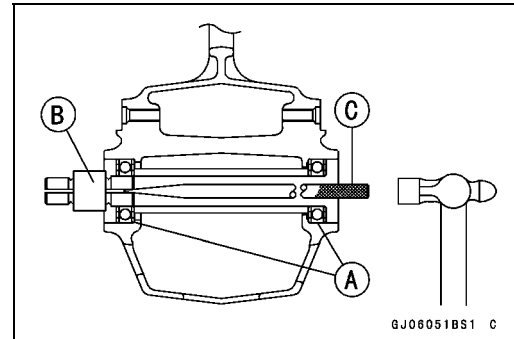
#### Hub Bearing Removal

- Remove the wheel (see Front/Rear Wheel Removal), and take out the following.
  - Collars
  - Coupling (Out of Rear Hub)
  - Grease Seals
- Use the bearing remover to remove the hub bearings [A].

#### CAUTION

Do not lay the wheel on the ground with the disc facing down. This can damage or warp the disc. Place wooden blocks under the wheel so that the disc does not touch the ground.

Special Tools - Bearing Remover Head,  $\phi 20 \times \phi 22$  [B]: 57001-1293  
Bearing Remover Shaft,  $\phi 13$  [C]: 57001-1377



#### Hub Bearing Installation

- Before installing the hub bearings, blow any dirt or foreign particles out of the hub with compressed air to prevent contamination of the bearings.
- Replace the bearings with new ones.

#### NOTE

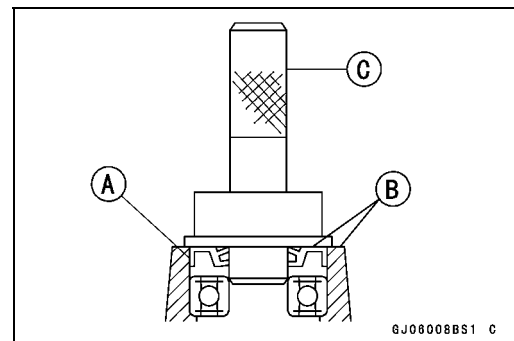
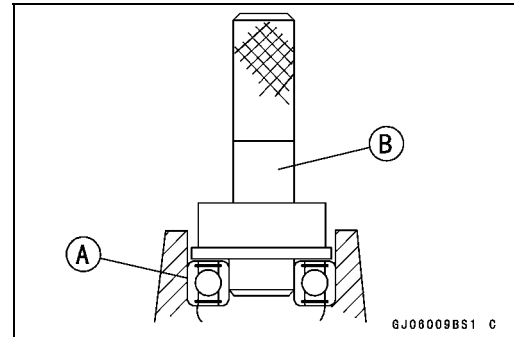
○ Install the bearings so that the marked side faces out.

- Install the bearings by using the bearing driver set which does not contact the bearing inner race.
- Press in each bearing [A] right until they are bottomed.

Special Tool - Bearing Driver Set [B]: 57001-1129

- Replace the grease seals with new ones.
- Press in the grease seals [A] so that the seal surface is flush [B] with the end of the hole.
- Apply high-temperature grease to the grease seal lips.

Special Tool - Bearing Driver Set [C]: 57001-1129



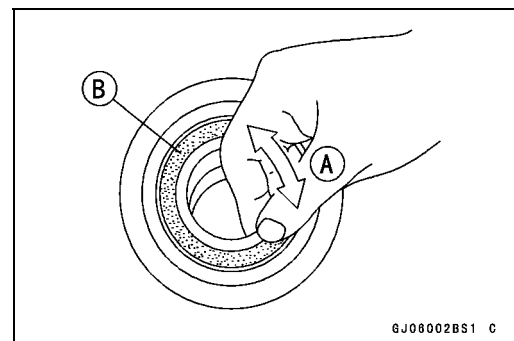
#### Hub Bearing Inspection

Since the hub bearings are made to extremely close tolerances, the clearance can not normally be measured.

#### NOTE

○ Do not remove any bearings for inspection. If any bearings are removed, they will need to be replaced with new ones.

- Turn each bearing in the hub back and forth [A] while checking for plays, roughness or binding.
- ★ If bearing play, roughness or binding is found, replace the bearing.
- Examine the bearing seal [B] for tears or leakage.
- ★ If the seal is torn or is leaking, replace the bearing.



## Hub Bearing

---

### *Hub Bearing Lubrication*

**NOTE**

- *Since the hub bearings are packed with grease and sealed, lubrication is not required.*



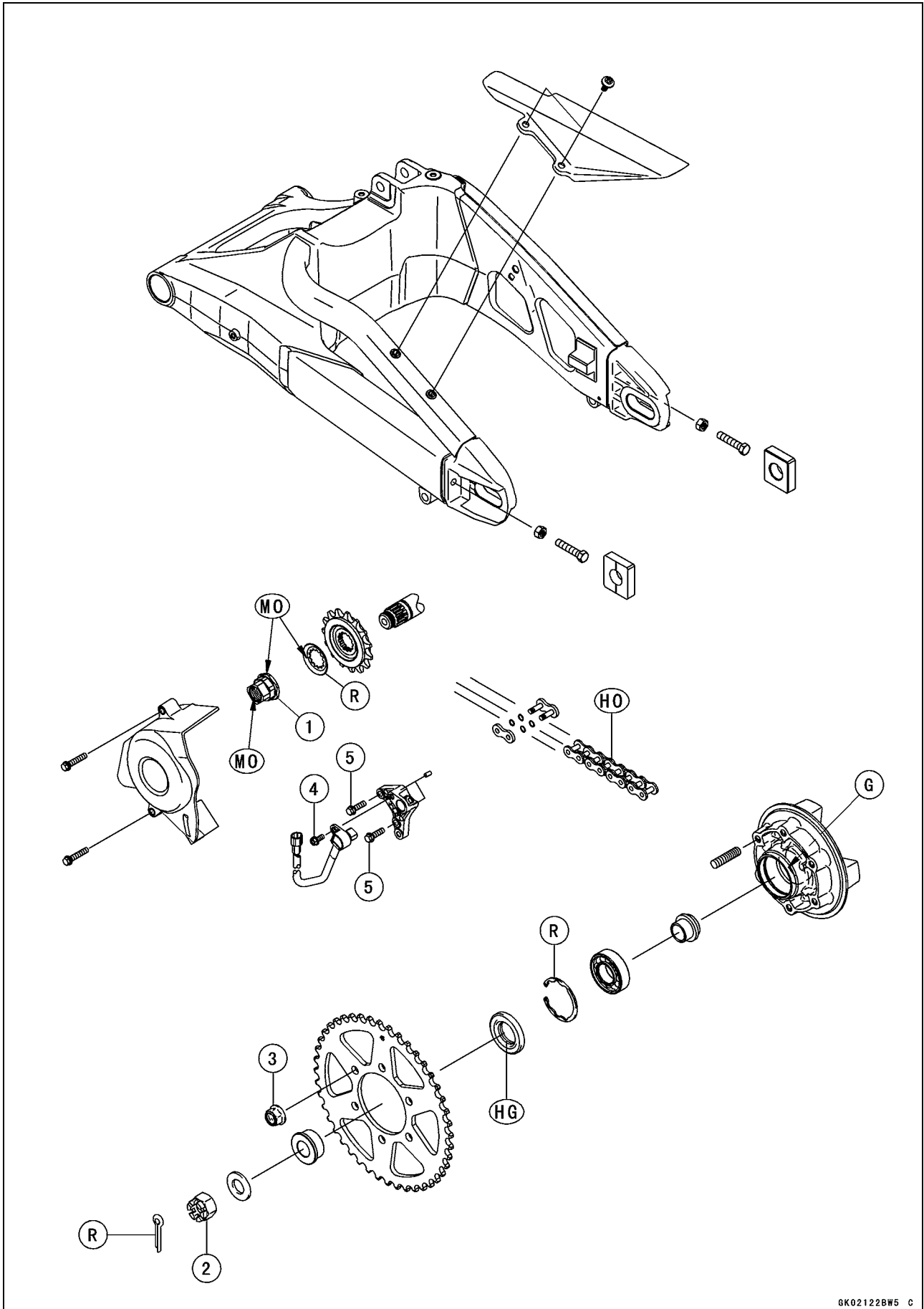
# Final Drive

## Table of Contents

Exploded View .....	11-2
Specifications .....	11-4
Special Tools .....	11-5
Drive Chain.....	11-6
Drive Chain Slack Inspection .....	11-6
Drive Chain Slack Adjustment .....	11-6
Wheel Alignment Inspection/Adjustment .....	11-6
Drive Chain Wear Inspection .....	11-6
Drive Chain Lubrication.....	11-6
Drive Chain Removal.....	11-6
Drive Chain Installation .....	11-7
Sprocket, Coupling .....	11-10
Engine Sprocket Removal .....	11-10
Engine Sprocket Installation .....	11-11
Rear Sprocket Removal.....	11-11
Rear Sprocket Installation.....	11-11
Coupling Installation.....	11-12
Coupling Bearing Removal .....	11-12
Coupling Bearing Installation .....	11-12
Coupling Bearing Inspection .....	11-13
Coupling Bearing Lubrication.....	11-13
Coupling Damper Inspection.....	11-13
Sprocket Wear Inspection.....	11-13
Rear Sprocket Warp Inspection .....	11-14

# 11-2 FINAL DRIVE

## Exploded View



**Exploded View**

No.	Fastener	Torque			Remarks
		N·m	kgf·m	ft·lb	
1	Engine Sprocket Nut	125	12.7	92	MO
2	Rear Axle Nut	108	11.0	80	
3	Rear Sprocket Nuts	59	6.0	44	
4	Speed Sensor Bolt	7.8	0.80	69 in·lb	L
5	Speed Sensor Bracket Bolts	9.8	1.0	87 in·lb	

G: Apply grease.

HG: Apply high-temperature grease.

HO: Apply heavy oil.

L: Apply a non-permanent locking agent.

MO: Apply molybdenum disulfide oil solution.

(mixture of the engine oil and molybdenum disulfide grease in a weight ratio 10 : 1)

R: Replacement Parts

## 11-4 FINAL DRIVE

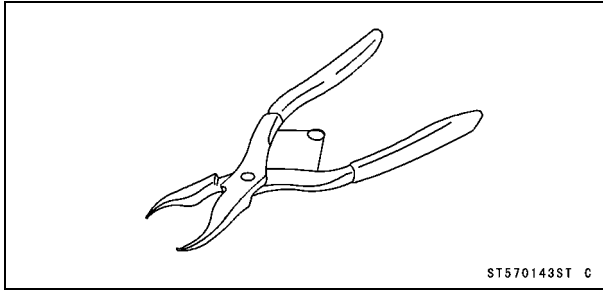
### Specifications

Item	Standard	Service Limit
<b>Drive Chain</b>		
Drive Chain Slack	25 ~ 35 mm (1.0 ~ 1.4 in.)	— — —
Drive Chain Wear (20-link Length)	317.5 ~ 318.2 mm (12.50 ~ 12.53 in.)	323 mm (12.7 in.)
Standard Chain:		
Make	ENUMA	— — —
Type	EK520MVXL1	— — —
Link	114 links	— — —
<b>Sprockets</b>		
Rear Sprocket Warp	0.4 mm (0.016 in.) or less	0.5 mm (0.020 in.)

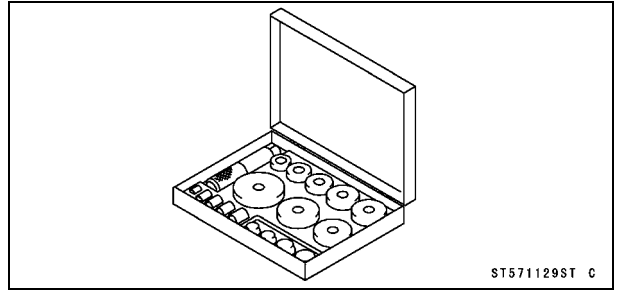


**Special Tools**

**Inside Circlip Pliers:**  
**57001-143**



**Bearing Driver Set:**  
**57001-1129**



## 11-6 FINAL DRIVE

### Drive Chain

#### **Drive Chain Slack Inspection**

- Refer to the Drive Chain Slack Inspection in the Periodic Maintenance chapter.

#### **Drive Chain Slack Adjustment**

- Refer to the Drive Chain Slack Adjustment in the Periodic Maintenance chapter.

#### **Wheel Alignment Inspection/Adjustment**

- Refer to the Wheel Alignment Inspection in the Periodic Maintenance chapter.

#### **Drive Chain Wear Inspection**

- Refer to the Drive Chain Wear Inspection in the Periodic Maintenance chapter.

#### **Drive Chain Lubrication**

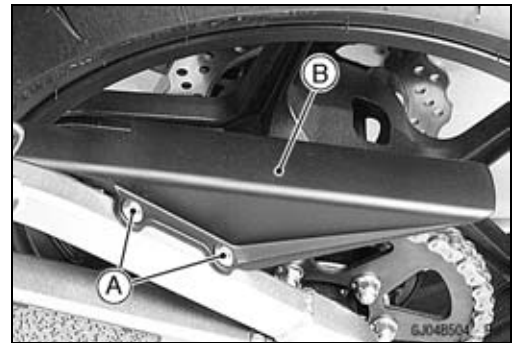
- Refer to the Drive Chain Lubrication Condition Inspection in the Periodic Maintenance chapter.

#### **Drive Chain Removal**

##### **NOTE**

○ Since the drive chain is installed through the swingarm, the chain cannot be removed other than by cutting it. Prepare the new link pin, link plate, grease seals, and tools for rejoining the chain.

- Remove:  
Engine Sprocket Cover (see Engine Sprocket Removal)  
Bolts [A]  
Chain Cover [B]



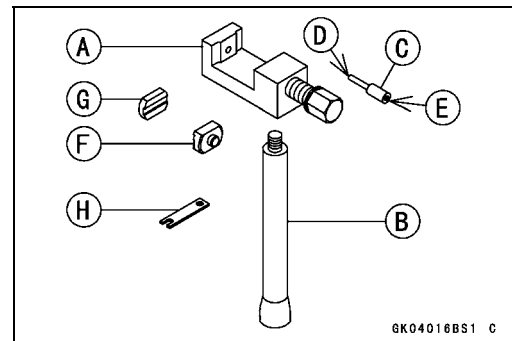
- Using a suitable tool, cut the drive chain by removing the link pins.

**Recommended Tool: EK Joint Tool #50**

##### **CAUTION**

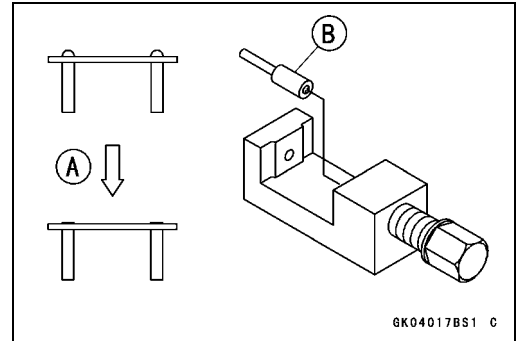
**Read the Tool Manual before removing.**

- Body [A]
- Handlebar [B]
- Cutting and Riveting Pin [C]
- For Cutting [D]
- For Riveting [E]
- Plate Holder (a) [F]
- Plate Holder (b) [G]
- Gauge [H]

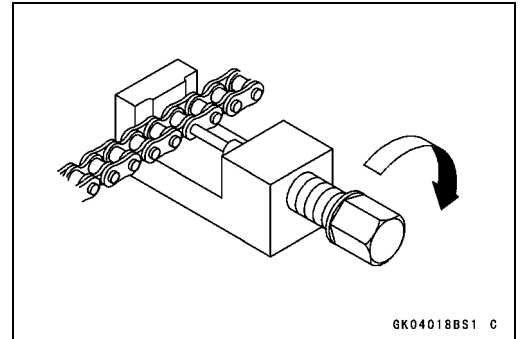


**Drive Chain**

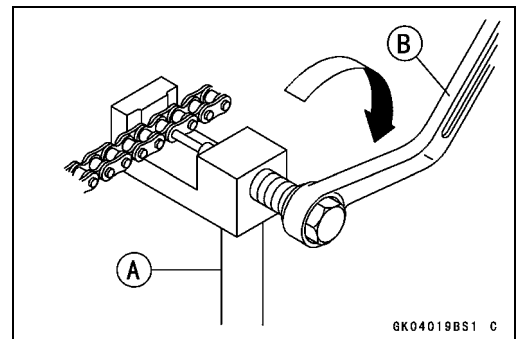
- Grind [A] the pin head to make it flat.
- Set the cutting and riveting pin [B] as shown.



- Screw the pin holder until it touches chain pin.
- Be sure that the cutting pin hits center of chain pin.

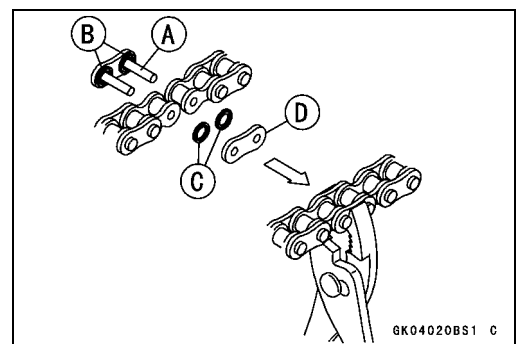


- Screw the handlebar [A] into body.
- Turn the pin holder with wrench [B] clockwise to extract chain pin.



**Drive Chain Installation**

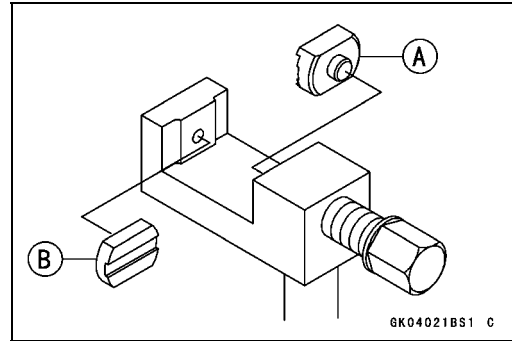
- Engage the new drive chain to the old drive chain and pull the end of the old drive chain until they are changing the position.
- Remove the old drive chain from the new drive chain.
- Apply grease to the link pins [A] and grease seals [B] [C].
- Engage the drive chain on the rear sprocket through the swingarm.
- Insert the link pins in the drive chain ends.
- Install the grease seals [C].
- Install the link plate so that the mark [D] faces out.
- Push the link plate by hand or plier to fix it.
- In case of grease seal chain, be sure to set the grease seals correctly.



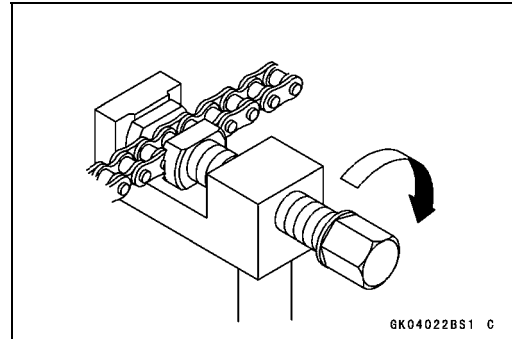
## 11-8 FINAL DRIVE

### Drive Chain

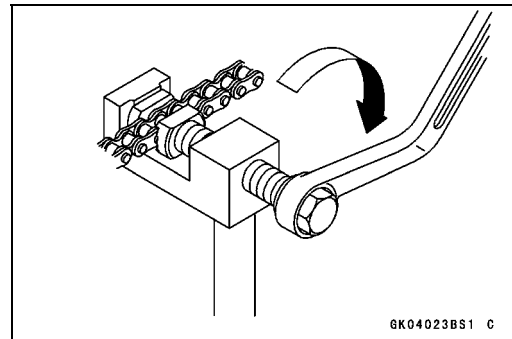
- Set the plate holder (a) [A] and plate holder (b) [B] on the body.



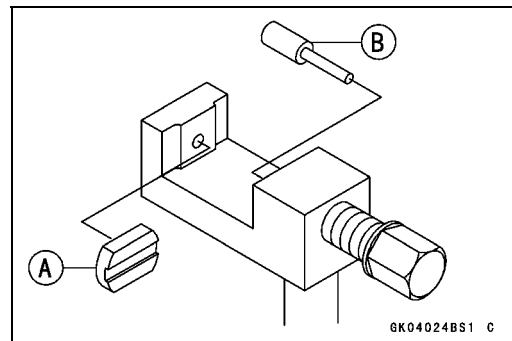
- Fit the plate holder (a) to link plate.
- Turn the pin holder by hand until plate holder (b) touches the other link plate.



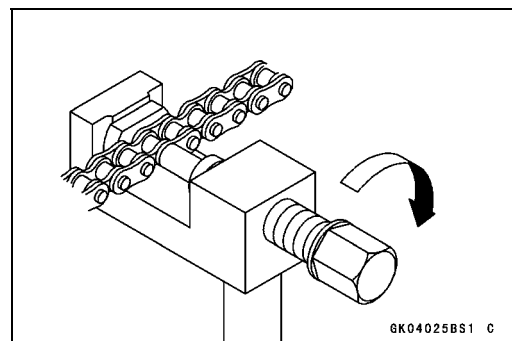
- Turn the pin holder by wrench clockwise until two pins of link come into groove of plate holder (a).
- Take off the plate holder (a).



- Set the plate holder (b) [A] and cutting and riveting pin [B] as shown.

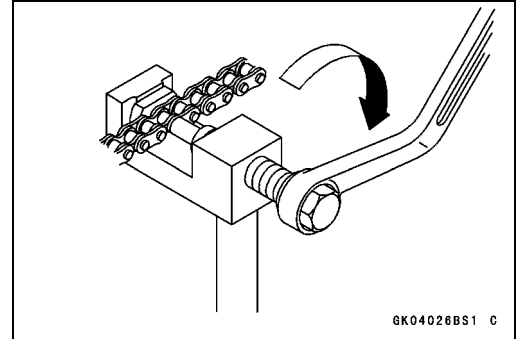


- Turn the pin holder until riveting pin touches link pin.



## Drive Chain

- Turn the wrench clockwise until tip of riveting pin hits of link pin.
- Rivet it.
- Same work for the other link pin.



- After staking, check the staked area of the link pin for cracks.
- Measure the outside diameter [A] of the link pin and link plates width [B].

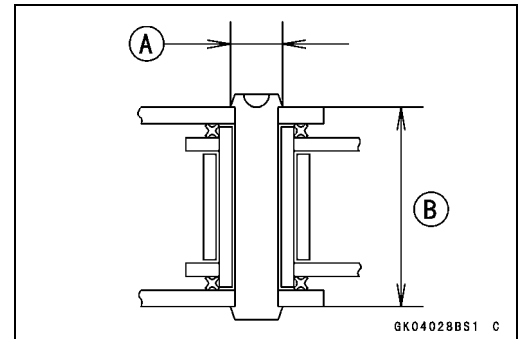
### Link Pin Outside Diameter

Standard: 5.7 ~ 6.0 mm (0.22 ~ 0.24 in.)

### Link Plates Outside Width

Standard: 17.25 ~ 17.45 mm (0.679 ~ 0.687 in.)

- ★ If the reading exceeds the specified length, cut and rejoin the chain again.
- Check the movement of the rollers.
- Adjust the drive chain slack after installing the chain (see Drive Chain Slack Adjustment in the Periodic Maintenance chapter).

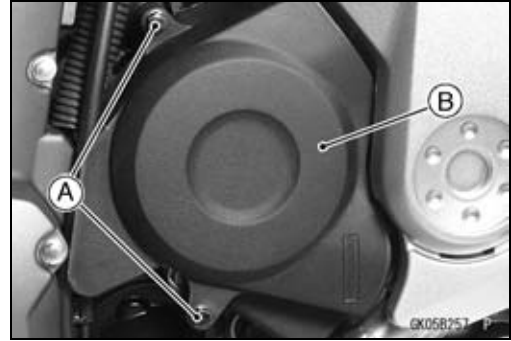


## 11-10 FINAL DRIVE

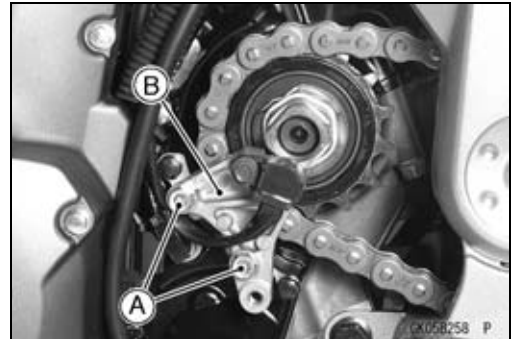
### Sprocket, Coupling

#### Engine Sprocket Removal

- Remove:
  - Engine Sprocket Cover Bolts [A]
  - Engine Sprocket Cover [B]



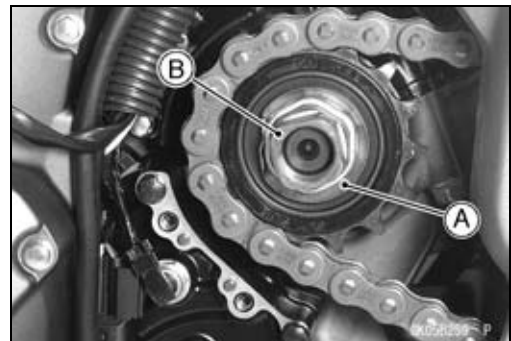
- Remove:
  - Speed Sensor Bracket Bolts [A]
  - Speed Sensor Bracket [B]



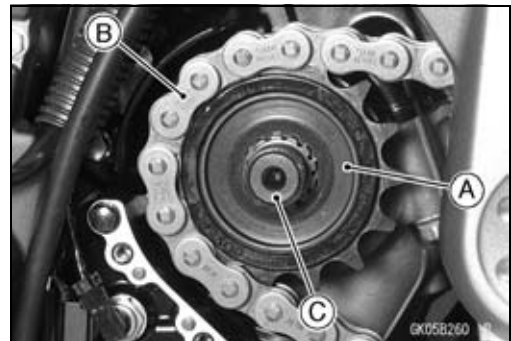
- Flatten out the bended washer [A].
- Remove the engine sprocket nut [B] and washer.

#### NOTE

○When loosening the engine sprocket nut, hold the rear brake on.



- Raise the rear wheel off the ground with stand.
- Loosen the drive chain (see Drive Chain Slack Adjustment in the Periodic Maintenance chapter).
- Remove the drive chain from the rear sprocket toward the right.
- Pull the engine sprocket [A] with drive chain [B] off the output shaft [C].
- Disengage the drive chain from the engine sprocket.



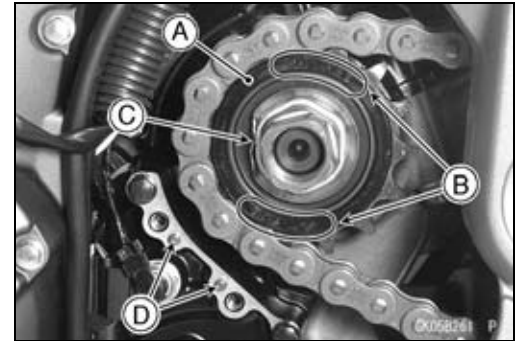
## Sprocket, Coupling

### Engine Sprocket Installation

- Replace the sprocket washer with a new one.
- Install the engine sprocket [A] so that “OUT SIDE” letters [B] face outward.
- Apply molybdenum disulfide oil solution to the threads of the output shaft and seating surface of the engine sprocket nut.
- Tighten:
  - Torque - Engine Sprocket Nut: 125 N·m (12.7 kgf·m, 92 ft·lb)**

### NOTE

- Tighten the engine sprocket nut while applying the rear brake.
- After tightening the engine sprocket nut, bend [C] the one side of the washer over the nut.
- Be sure that the dowel pins [D] are in position.
- Tighten:
  - Torque - Speed Sensor Bracket Bolts: 9.8 N·m (1.0 kgf·m, 87 in·lb)**
- Install the engine sprocket cover, and tighten the bolts securely.
- Adjust the drive chain slack after installing the sprocket (see Drive Chain Slack Adjustment in the Periodic Maintenance chapter).



### Rear Sprocket Removal

- Remove the rear wheel (see Rear Wheel Removal in the Wheels/Tires chapter).

### CAUTION

**Do not lay the wheel on the ground with the disc facing down. This can damage or warp the disc. Place wooden blocks under the wheel so that the disc does not touch the ground.**

- Remove the rear sprocket nuts [A].
- Remove the rear sprocket [B].



### Rear Sprocket Installation

- Install the sprocket facing the tooth number marking [A] outward.
- Tighten the rear sprocket nuts.
  - Torque - Rear Sprocket Nuts: 59 N·m (6.0 kgf·m, 44 ft·lb)**
- Install the rear wheel (see Rear Wheel Installation in the Wheels/Tires chapter).

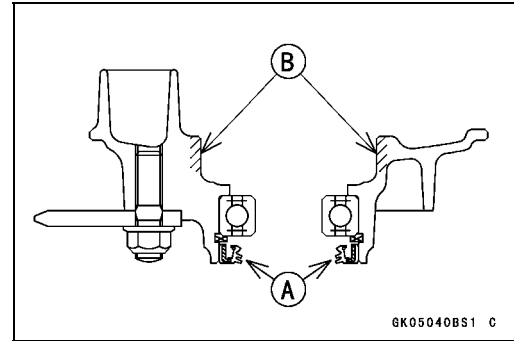


## 11-12 FINAL DRIVE

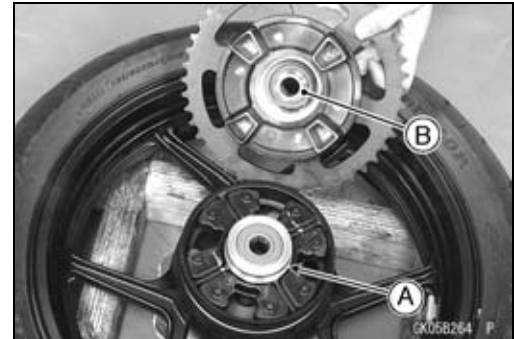
### Sprocket, Coupling

#### **Coupling Installation**

- Apply high-temperature grease to the coupling grease seal lips [A].
- Apply grease to the coupling internal surface [B].



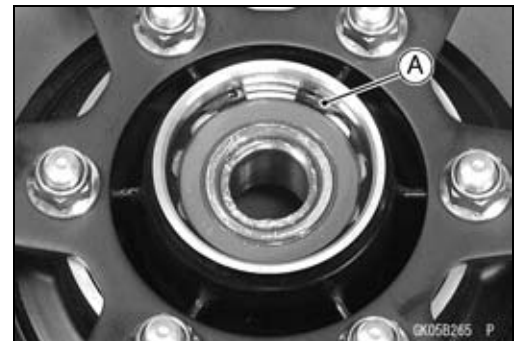
- Apply grease to the new O-ring [A].
- Install the collar [B].



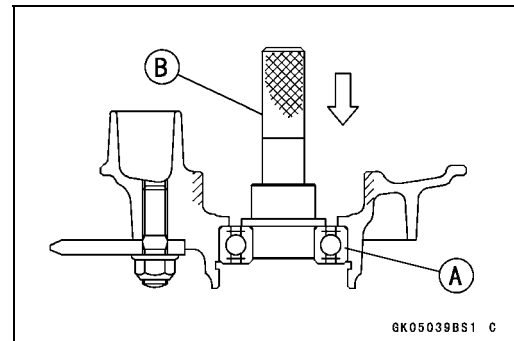
#### **Coupling Bearing Removal**

- Remove:
  - Coupling
  - Grease Seal
  - Circlip [A]

**Special Tool - Inside Circlip Pliers: 57001-143**

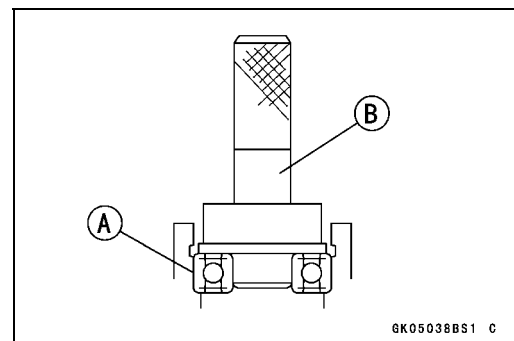


- Remove the bearing [A] by tapping from the wheel side.  
**Special Tool - Bearing Driver Set [B]: 57001-1129**



#### **Coupling Bearing Installation**

- Replace the bearing with a new one.
- Press in the bearing [A] until it is bottomed.  
**Special Tool - Bearing Driver Set [B]: 57001-1129**
- Replace the circlip with a new one.  
**Special Tool - Inside Circlip Pliers: 57001-143**





## Sprocket, Coupling

- Replace the grease seal with a new one.
- Press in the grease seal so that the seal surface is flush with the end of the hole.
- Apply high-temperature grease to the grease seal lips.

**Special Tool - Bearing Driver Set: 57001-1129**

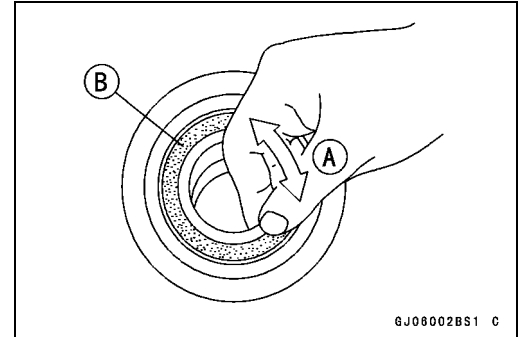
### Coupling Bearing Inspection

Since the coupling bearing is made to extremely close tolerances, the clearance can not normally be measured.

#### NOTE

○ *It is not necessary to remove the coupling bearing for inspection. If the bearing is removed, it will need to be replaced with a new one.*

- Turn the bearing in the coupling back and forth [A] while checking for plays, roughness or binding.
- ★ If the bearing play, roughness or binding is found, replace the bearing.
- Examine the bearing seal [B] for tears or leakage.
- ★ If the seal is torn or is leaking, replace the bearing.



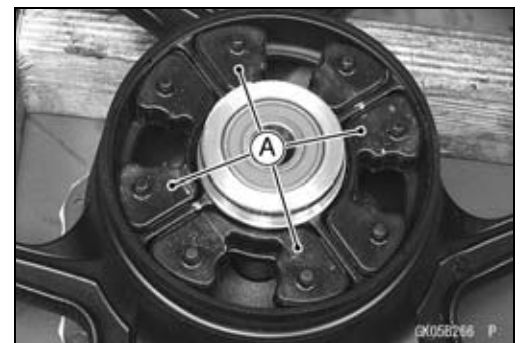
### Coupling Bearing Lubrication

#### NOTE

○ *Since the coupling bearing is packed with grease and sealed, lubrication is not required.*

### Coupling Damper Inspection

- Remove the rear wheel coupling, and inspect the rubber dampers [A].
- Replace the damper if it appears damaged or deteriorated.



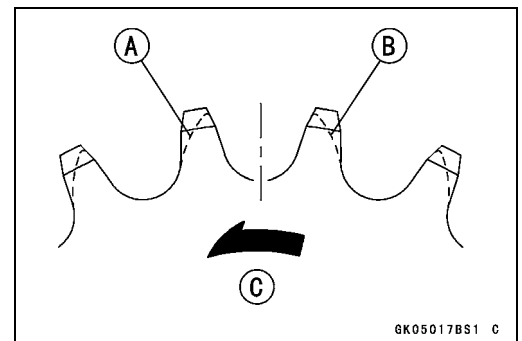
### Sprocket Wear Inspection

- Visually inspect the engine and rear sprocket teeth for wear and damage.
- ★ If the teeth are worn as illustrated, replace the sprocket, and inspect the drive chain wear (see Drive Chain Wear Inspection in the Periodic Maintenance chapter).

Worn Tooth (Engine Sprocket) [A]

Worn Tooth (Rear Sprocket) [B]

Direction of Rotation [C]



#### NOTE

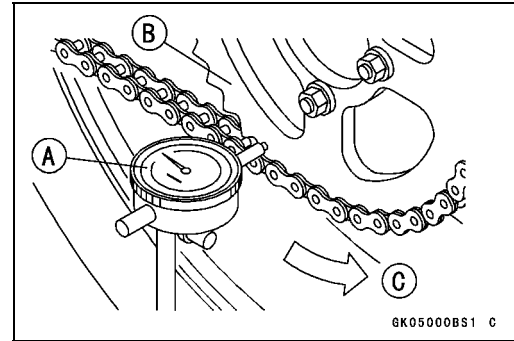
○ *If a sprocket requires replacement, the chain is probably worn also. When replacing a sprocket, inspect the chain.*

## 11-14 FINAL DRIVE

### Sprocket, Coupling

#### ***Rear Sprocket Warp Inspection***

- Raise the rear wheel off the ground with stand so that it will turn freely.
- Set a dial gauge [A] against the rear sprocket [B] near the teeth as shown, and rotate [C] the rear wheel to measure the sprocket runout (warp). The difference between the highest and lowest dial gauge readings is the amount of runout (warp).
- ★ If the runout exceeds the service limit, replace the rear sprocket.



#### **Rear Sprocket Warp**

**Standard: 0.4 mm (0.016 in.) or less**

**Service Limit: 0.5 mm (0.020 in.)**

# Brakes

## Table of Contents

Exploded View .....	12-3
Specifications .....	12-12
Special Tools .....	12-13
Brake Lever, Brake Pedal.....	12-14
Brake Lever Position Adjustment.....	12-14
Brake Pedal Position Inspection .....	12-14
Brake Pedal Position Adjustment.....	12-14
Brake Pedal Removal .....	12-15
Brake Pedal Installation .....	12-15
Calipers .....	12-17
Front Caliper Removal.....	12-17
Rear Caliper Removal.....	12-17
Caliper Installation .....	12-18
Front Caliper Disassembly.....	12-18
Front Caliper Assembly.....	12-18
Rear Caliper Disassembly .....	12-18
Rear Caliper Assembly .....	12-18
Caliper Fluid Seal Damage.....	12-19
Rear Caliper Dust Boot and Friction Boot Damage .....	12-19
Caliper Piston and Cylinder Damage.....	12-19
Rear Caliper Holder Shaft Wear .....	12-20
Brake Pads .....	12-21
Front Brake Pad Removal.....	12-21
Front Brake Pad Installation.....	12-21
Rear Brake Pad Removal .....	12-21
Rear Brake Pad Installation .....	12-21
Brake Pad Wear Inspection .....	12-21
Master Cylinder .....	12-22
Front Master Cylinder Removal .....	12-22
Front Master Cylinder Installation .....	12-22
Rear Master Cylinder Removal.....	12-23
Rear Master Cylinder Installation.....	12-24
Front Master Cylinder Disassembly .....	12-24
Rear Master Cylinder Disassembly.....	12-24
Master Cylinder Assembly .....	12-24
Master Cylinder Inspection .....	12-25
Brake Disc .....	12-26
Brake Disc Removal .....	12-26
Brake Disc Installation .....	12-26
Brake Disc Wear .....	12-26
Brake Disc Warp .....	12-26
Brake Fluid .....	12-27
Brake Fluid Level Inspection.....	12-27
Brake Fluid Change .....	12-27
Brake Line Bleeding.....	12-27
Brake Hose.....	12-30
Brake Hose Removal/Installation.....	12-30
Brake Hose Inspection.....	12-30
Anti-Lock Brake System (Equipped Models).....	12-31
ABS Servicing Precautions.....	12-34

## 12-2 BRAKES

---

ABS Troubleshooting Outline.....	12-36
Inquiries to Rider.....	12-39
Self-diagnosis Outline.....	12-41
Self-diagnosis Procedures.....	12-41
Service Code Clearing Procedures.....	12-42
How to Read Service Codes.....	12-44
How to Erase Service Codes.....	12-44
ABS Indicator Light (LED) Inspection.....	12-46
Solenoid Valve Inspection (Service Code 13,14,17,18).....	12-47
ABS Solenoid Valve Relay Inspection (Service Code 19).....	12-47
Front, Rear Wheel Rotation Difference Abnormal (Service Code 25).....	12-49
ABS Pump Motor Relay Inspection (Service Code 35).....	12-49
Front Wheel Rotation Sensor Signal Abnormal (Service Code 42).....	12-50
Front Wheel Rotation Sensor Wiring Inspection (Service Code 43).....	12-51
Rear Wheel Rotation Sensor Signal Abnormal (Service Code 44).....	12-52
Rear Wheel Rotation Sensor Wiring Inspection (Service Code 45).....	12-53
Power Supply Voltage Abnormal (Under-Voltage) (Service Code 52).....	12-53
Power Supply Voltage Abnormal (Over-Voltage) (Service Code 53).....	12-54
ECU Inspection (Service Code 55).....	12-55
ABS Hydraulic Unit Removal.....	12-55
ABS Hydraulic Unit Installation.....	12-57
ABS Hydraulic Unit Inspection.....	12-57
Front Wheel Rotation Sensor Removal.....	12-57
Front Wheel Rotation Sensor Installation.....	12-58
Rear Wheel Rotation Sensor Removal.....	12-58
Rear Wheel Rotation Sensor Installation.....	12-59
Wheel Rotation Sensor Inspection.....	12-60
Wheel Rotation Sensor Air Gap Inspection.....	12-60
Wheel Rotation Sensor Rotor Inspection.....	12-60
Brake Hose and Pipe Removal/Installation.....	12-60
Brake Hose and Pipe Inspection.....	12-61
25 A ABS Solenoid Valve Relay Fuse Removal.....	12-61
30 A ABS Pump Motor Relay Fuse Removal.....	12-61
Fuse Installation.....	12-61
Fuse Inspection.....	12-62

---

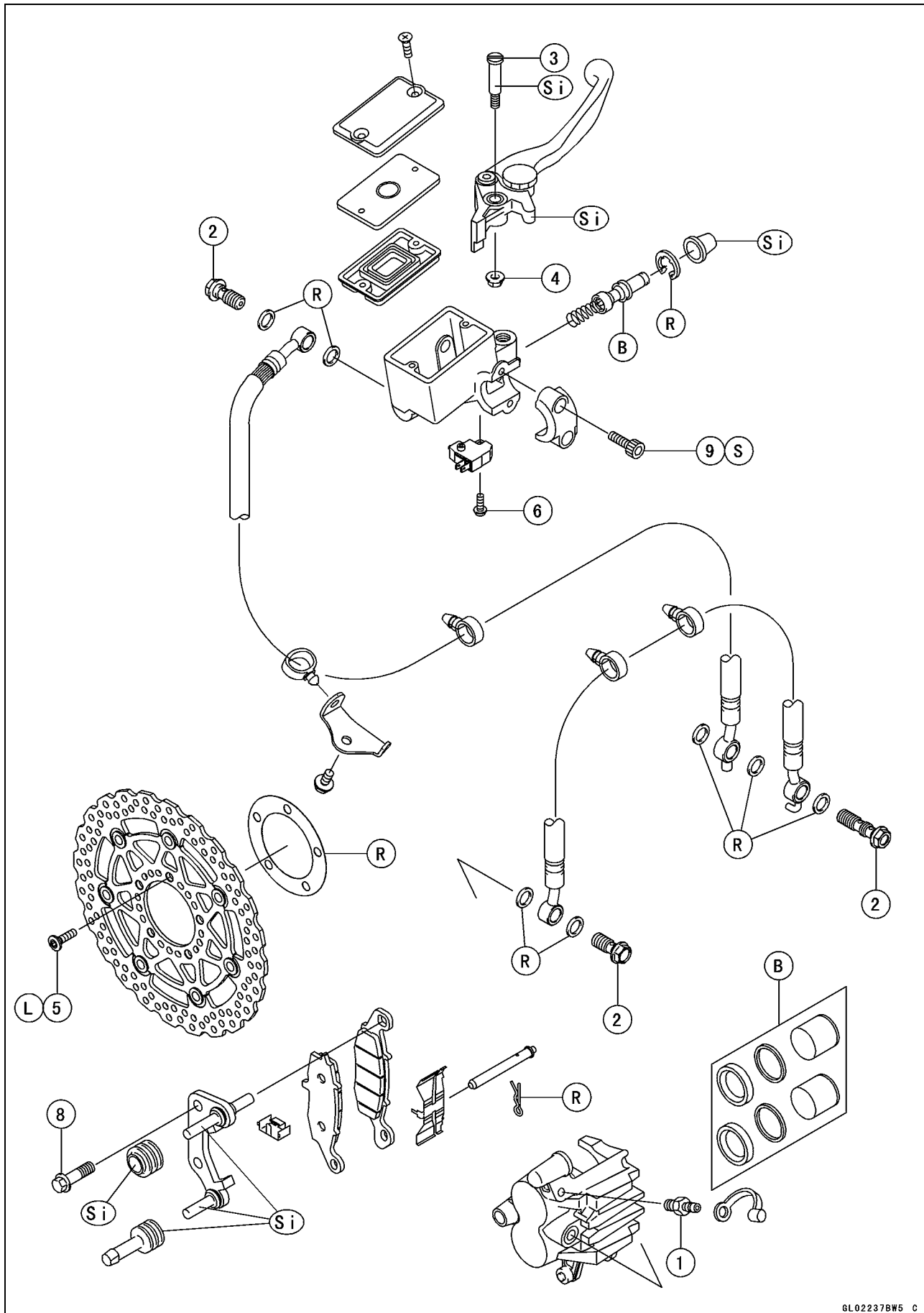
**Exploded View**

---

Dummy Page

# 12-4 BRAKES

## Exploded View



## Exploded View

No.	Fastener	Torque			Remarks
		N·m	kgf·m	ft·lb	
1	Bleed Valve	7.8	0.80	69 in·lb	
2	Brake Hose Banjo Bolts	25	2.5	18	
3	Brake Lever Pivot Bolt	1.0	0.10	9 in·lb	Si
4	Brake Lever Pivot Bolt Locknut	5.9	0.60	52 in·lb	
5	Front Brake Disc Mounting Bolts	27	2.8	20	L
6	Front Brake Light Switch Screw	1.0	0.10	9 in·lb	
7	Front Brake Reservoir Cap Screws	1.5	0.15	13 in·lb	
8	Front Caliper Mounting Bolts	34	3.5	25	
9	Front Master Cylinder Clamp Bolts	8.8	0.90	78 in·lb	

B: Apply brake fluid.

L: Apply a non-permanent locking agent.

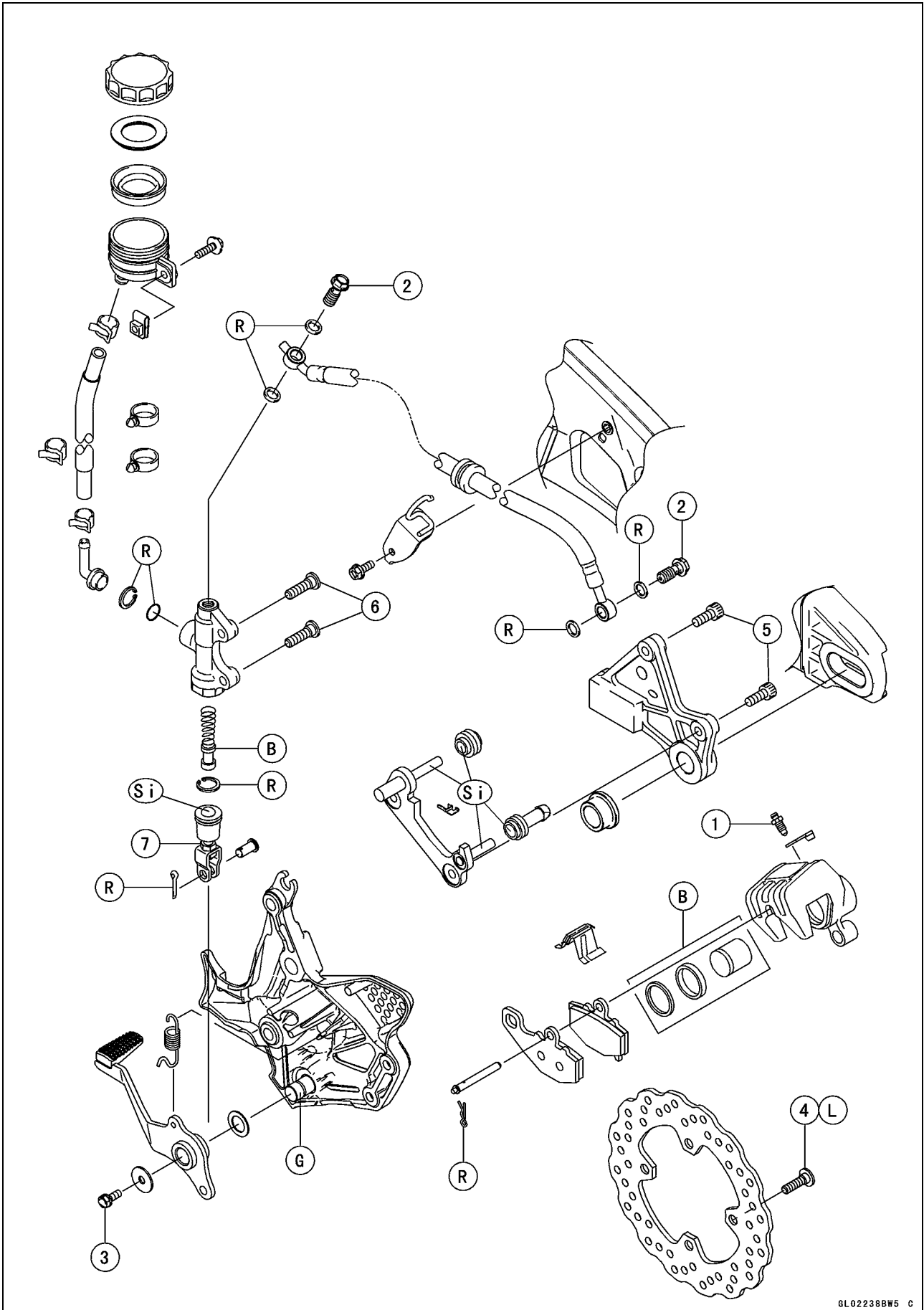
R: Replacement Parts

S: Follow the specified tightening sequence.

Si: Apply silicone grease (ex. PBC grease).

# 12-6 BRAKES

## Exploded View





## Exploded View

No.	Fastener	Torque			Remarks
		N·m	kgf·m	ft·lb	
1	Bleed Valve	7.8	0.80	69 in·lb	
2	Brake Hose Banjo Bolts	25	2.5	18	
3	Brake Pedal Bolt	8.8	0.90	78 in·lb	
4	Rear Brake Disc Mounting Bolts	27	2.8	20	L
5	Rear Caliper Mounting Bolts	25	2.5	18	
6	Rear Master Cylinder Mounting Bolts	25	2.5	18	
7	Rear Master Cylinder Push Rod Locknut	18	1.8	13	

B: Apply brake fluid.

G: Apply grease.

L: Apply a non-permanent locking agent.

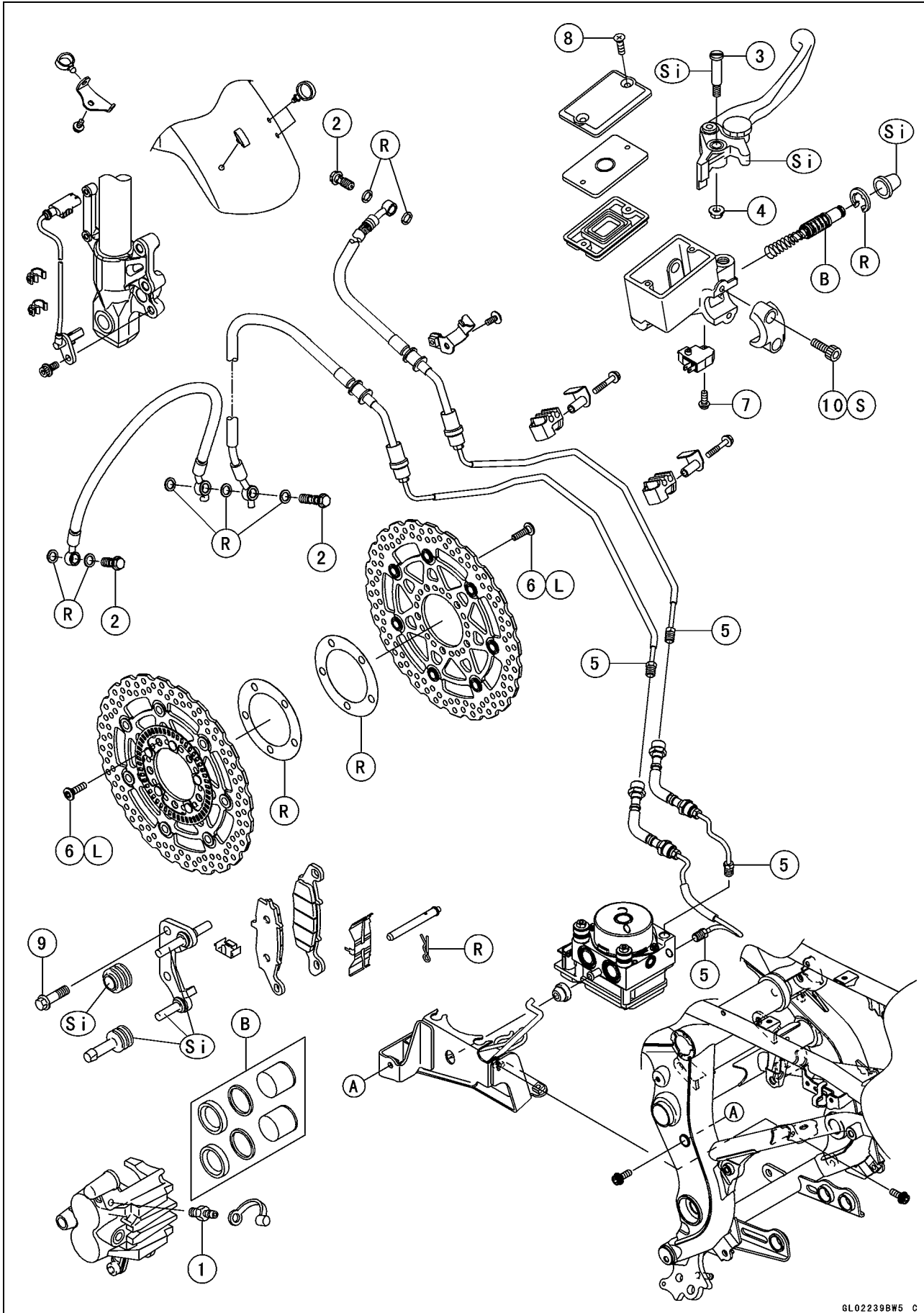
R: Replacement Parts

Si: Apply silicone grease (ex. PBC grease).

# 12-8 BRAKES

## Exploded View

### KLE650B Models



## Exploded View

No.	Fastener	Torque			Remarks
		N·m	kgf·m	ft·lb	
1	Bleed Valve	7.8	0.80	69 in·lb	
2	Brake Hose Banjo Bolts	25	2.5	18	
3	Brake Lever Pivot Bolt	1.0	0.10	9 in·lb	Si
4	Brake Lever Pivot Bolt Locknut	5.9	0.60	52 in·lb	
5	Brake Pipe Joint Nuts	18	1.8	13	
6	Front Brake Disc Mounting Bolts	27	2.8	20	L
7	Front Brake Light Switch Screw	1.0	0.10	9 in·lb	
8	Front Brake Reservoir Cap Screws	1.5	0.15	13 in·lb	
9	Front Caliper Mounting Bolts	34	3.5	25	
10	Front Master Cylinder Clamp Bolts	8.8	0.90	78 in·lb	

B: Apply brake fluid.

L: Apply a non-permanent locking agent.

R: Replacement Parts

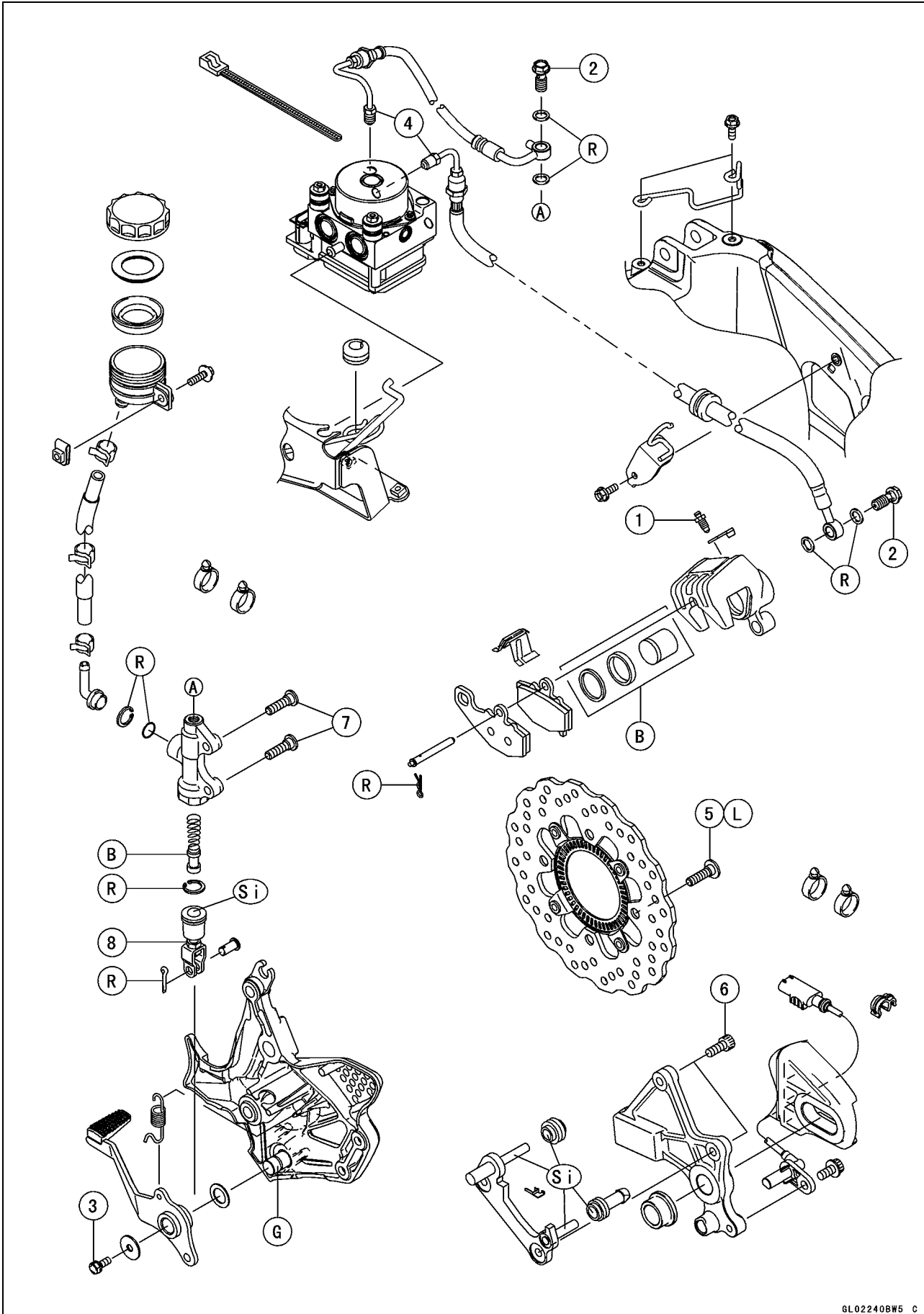
S: Follow the specified tightening sequence.

Si: Apply silicone grease (ex. PBC grease).

# 12-10 BRAKES

## Exploded View

### KLE650B Models



## Exploded View

No.	Fastener	Torque			Remarks
		N·m	kgf·m	ft·lb	
1	Bleed Valve	7.8	0.80	69 in·lb	
2	Brake Hose Banjo Bolts	25	2.5	18	
3	Brake Pedal Bolt	8.8	0.90	78 in·lb	
4	Brake Pipe Joint Nuts	18	1.8	13	
5	Rear Brake Disc Mounting Bolts	27	2.8	20	L
6	Rear Caliper Mounting Bolts	25	2.5	18	
7	Rear Master Cylinder Mounting Bolts	25	2.5	18	
8	Rear Master Cylinder Push Rod Locknut	18	1.8	13	

B: Apply brake fluid.

G: Apply grease.

L: Apply a non-permanent locking agent.

R: Replacement Parts

Si: Apply silicone grease (ex. PBC grease).

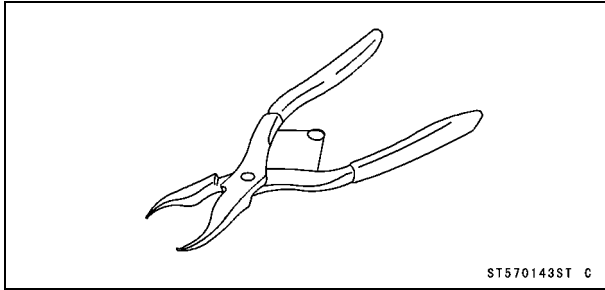
## 12-12 BRAKES

### Specifications

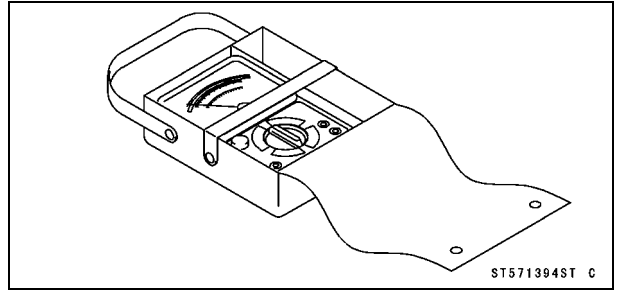
Item	Standard	Service Limit
<b>Brake Lever, Brake Pedal</b>		
Brake Lever Position	5-way adjustable (to suit rider)	---
Brake Lever Free Play	Non-adjustable	---
Pedal Free Play	Non-adjustable	---
Pedal Position	About 50 mm (2.0 in.) below top of footpeg	---
<b>Brake Pads</b>		
Lining Thickness:		
Front	4.5 mm (0.18 in.)	1 mm (0.04 in.)
Rear	5.0 mm (0.20 in.)	1 mm (0.04 in.)
<b>Brake Disc</b>		
Thickness:		
Front	4.8 ~ 5.2 mm (0.19 ~ 0.20 in.)	4.5 mm (0.18 in.)
Rear	4.8 ~ 5.2 mm (0.19 ~ 0.20 in.)	4.5 mm (0.18 in.)
Runout	0.15 mm (0.006 in.) or less	0.3 mm (0.01 in.)
<b>Brake Fluid</b>		
Grade	DOT4	---

**Special Tools**

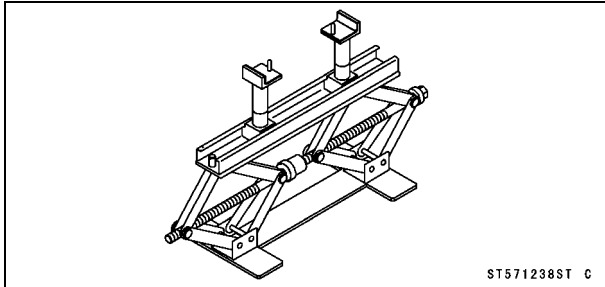
**Inside Circlip Pliers:**  
**57001-143**



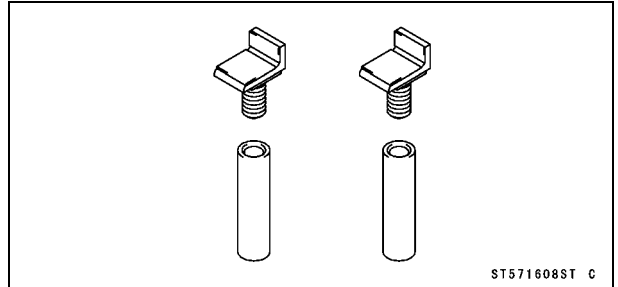
**Hand Tester:**  
**57001-1394**



**Jack:**  
**57001-1238**



**Jack Attachment:**  
**57001-1608**



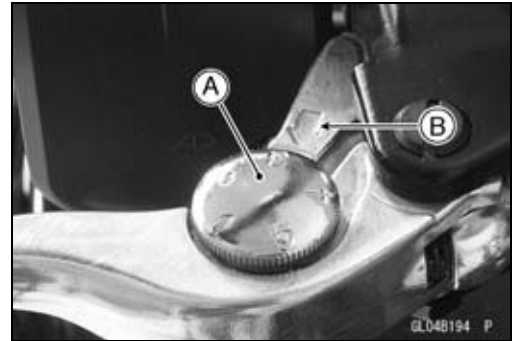
## 12-14 BRAKES

### Brake Lever, Brake Pedal

#### **Brake Lever Position Adjustment**

The brake lever adjuster has 5 positions so that the brake lever position can be adjusted to suit the operator's hand.

- Push the lever forward and turn the adjuster [A] to align the number with the arrow mark [B] on the lever holder.
- The distance from the grip to the lever is minimum at number 5 and maximum at number 1.



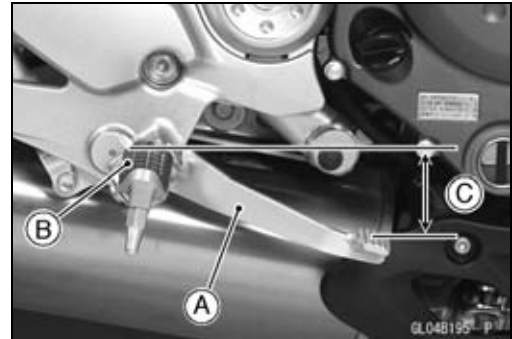
#### **Brake Pedal Position Inspection**

- Check that the brake pedal [A] is in the correct position. Footpeg [B]

##### **Pedal Position**

**Standard:** About 50 mm (2.0 in.) [C] below top of footpeg

- ★ If it is incorrect, adjust the brake pedal position.



#### **Brake Pedal Position Adjustment**

##### **NOTE**

○ Usually it is not necessary to adjust the pedal position, but always adjust it when the push rod locknut has been loosened.

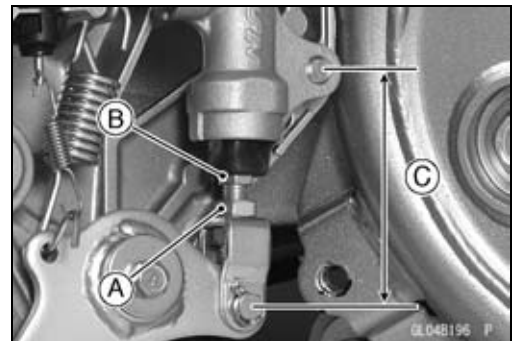
- Remove:
  - Right Rear Frame Cover (see Rear Frame Cover Removal in the Frame chapter)
  - Right Front Footpeg Stay (see Brake Pedal Removal)
- Loosen the locknut [A] and turn the push rod with the hex head [B] to achieve the correct pedal position.
- ★ If the length [C] shown is  $70 \pm 1$  mm ( $2.76 \pm 0.04$  in.), the pedal position will be within the standard range.
- Tighten:

**Torque - Rear Master Cylinder Push Rod Locknut: 18 N·m (1.8 kgf·m, 13 ft·lb)**

- Install the right front footpeg stay (see Brake Pedal Installation).

**Torque - Footpeg Stay Bolts: 34 N·m (3.5 kgf·m, 25 ft·lb)**

- Check the brake light switch operation (see Brake Light Switch Operation Inspection in the Periodic Maintenance chapter).

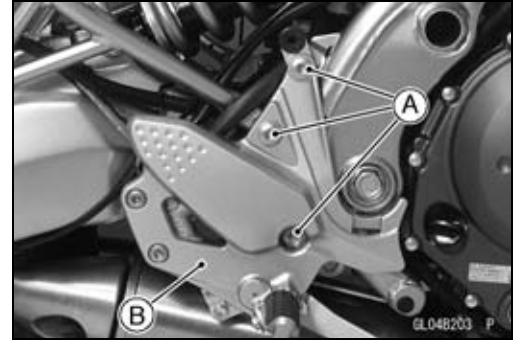




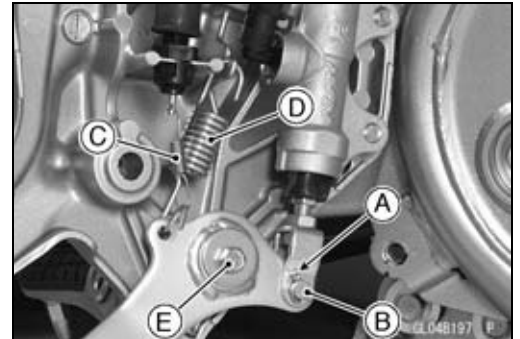
## Brake Lever, Brake Pedal

### Brake Pedal Removal

- Remove:
  - Right Rear Frame Cover (see Rear Frame Cover Removal in the Frame chapter)
  - Bolts [A]
  - Right Front Footpeg Stay [B]

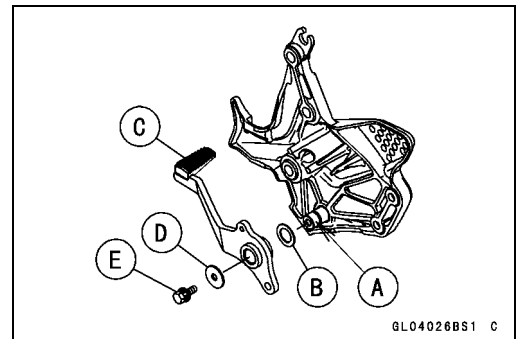


- Remove:
  - Cotter Pin [A]
  - Joint Pin [B]
  - Rear Brake Light Switch Spring [C]
  - Return Spring [D]
- Remove the mounting bolt [E] and take out the brake pedal.

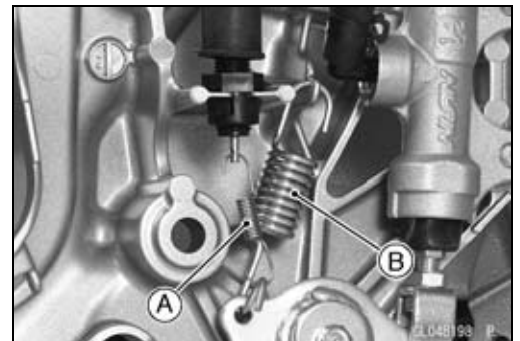


### Brake Pedal Installation

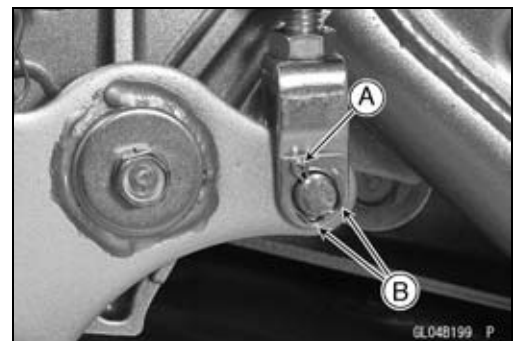
- Apply grease to the pivot shaft [A] and install the washer [B].
- Install:
  - Brake Pedal [C]
  - Washer [D]
- Tighten:
  - Torque - Brake Pedal Bolt [E] : 8.8 N·m (0.90 kgf·m, 78 in·lb)**



- Hook the lower end of the rear brake light switch spring [A] on the return spring.
- Hook the upper end of the return spring [B] on the pedal hook.



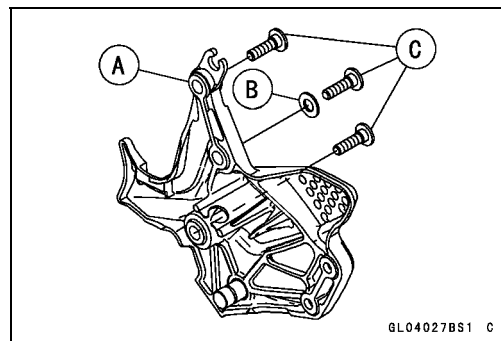
- Replace the cotter pin with a new one.
- Insert the cotter pin [A] and bend the pin ends [B].



## 12-16 BRAKES

### Brake Lever, Brake Pedal

- Install:
  - Right Front Footpeg Stay [A]
  - Washer [B]
- Tighten:
  - Torque - Front Footpeg Stay Bolts [C]: 25 N·m (2.5 kgf·m, 18 ft·lb)**
- Check the brake pedal position (see Brake Pedal Position Inspection).



## Calipers

### Front Caliper Removal

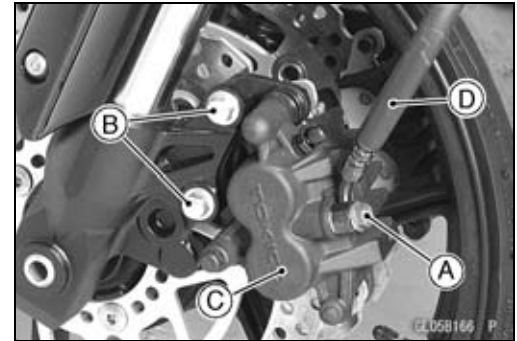
- Loosen the banjo bolt [A] at the brake hose lower end, and tighten it loosely.
- Unscrew the caliper mounting bolts [B], and detach the caliper [C] from the disc.
- Unscrew the banjo bolt and remove the brake hose(s) [D] from the caliper (see Brake Hose and Pipe Replacement in the Periodic Maintenance chapter).

#### CAUTION

Immediately wash away any brake fluid that spills.

#### NOTE

○ If the caliper is to be disassembled after removal and if compressed air is not available, disassemble the caliper before the brake hose is removed (see Caliper Rubber Parts Replacement in the Periodic Maintenance chapter).



### Rear Caliper Removal

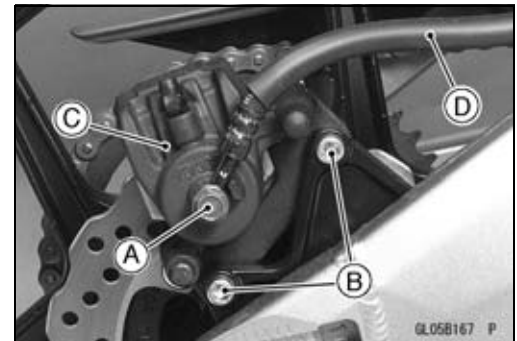
- Loosen the banjo bolt [A] at the brake hose lower end, and tighten it loosely.
- Unscrew the caliper mounting bolts [B], and detach the caliper [C] from the disc.
- Unscrew the banjo bolt and remove the brake hose [D] from the caliper (see Brake Hose and Pipe Replacement in the Periodic Maintenance chapter).

#### CAUTION

Immediately wash away any brake fluid that spills.

#### NOTE

○ If the caliper is to be disassembled after removal and if compressed air is not available, disassemble the caliper before the brake hose is removed (see Caliper Rubber Parts Replacement in the Periodic Maintenance chapter).



## 12-18 BRAKES

---

### Calipers

---

#### **Caliper Installation**

- Install the caliper and brake hose lower end.
- Replace the washers on each side of hose fitting with new ones.
- Tighten:

##### **Torque - Caliper Mounting Bolts**

**Front: 34 N·m (3.5 kgf·m, 25 ft·lb)**

**Rear: 25 N·m (2.5 kgf·m, 18 ft·lb)**

**Brake Hose Banjo Bolts: 25 N·m (2.5 kgf·m, 18 ft·lb)**

- Bleed the brake line (see Brake Line Bleeding).
- Check the brake for good braking power, no brake drag, and no fluid leakage.

#### **⚠ WARNING**

**Do not attempt to drive the motorcycle until a full brake lever or pedal is obtained by pumping the brake lever or pedal until the pads are against the disc. The brakes will not function on the first application of the lever or pedal if this is not done.**

#### **Front Caliper Disassembly**

- Refer to the Caliper Rubber Parts Replacement in the Periodic Maintenance chapter.

#### **Front Caliper Assembly**

- Refer to the Caliper Rubber Parts Replacement in the Periodic Maintenance chapter.

#### **Rear Caliper Disassembly**

- Refer to the Caliper Rubber Parts Replacement in the Periodic Maintenance chapter.

#### **Rear Caliper Assembly**

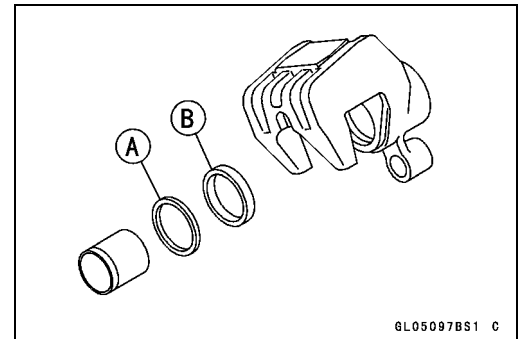
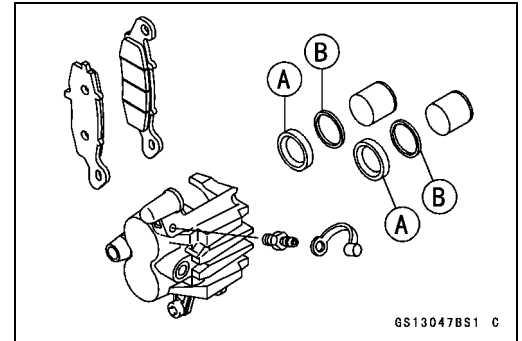
- Refer to the Caliper Rubber Parts Replacement in the Periodic Maintenance chapter.

## Calipers

### Caliper Fluid Seal Damage

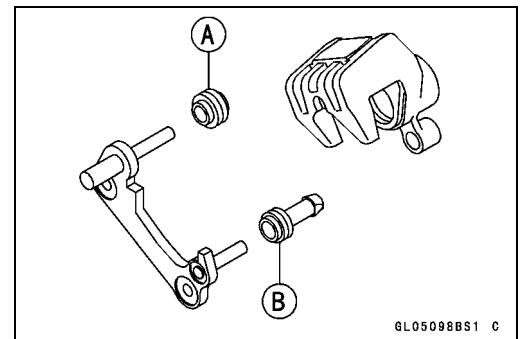
The fluid seal (piston seal) [A] is placed around the piston to maintain clearance between the pad and the disc. If the seal is in a poor condition, it could lead the pad to wear excessively or the brake to drag, which may cause the temperature of the discs or the brake fluid to increase.

- Replace the fluid seal if it exhibits any of the conditions listed below.
  - Brake fluid leakage around the pad.
  - Brakes overheat.
  - Considerable difference in inner and outer pad wear.
  - Seal and piston are stuck together.
- ★ If the fluid seal is replaced, replace the dust seal [B] as well. Also, replace all seals every other time the pads are changed.



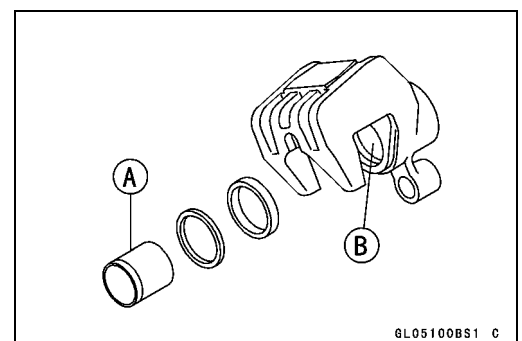
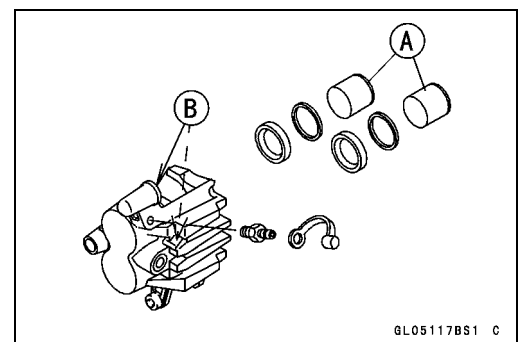
### Rear Caliper Dust Boot and Friction Boot Damage

- Check that the dust boot [A] and friction boot [B] are not cracked, worn, swollen, or otherwise damaged.
- ★ If they show any damage, replace it.



### Caliper Piston and Cylinder Damage

- Visually inspect the pistons [A] and cylinder surfaces [B].
- ★ Replace the caliper if the cylinder and piston are badly scored or rusty.



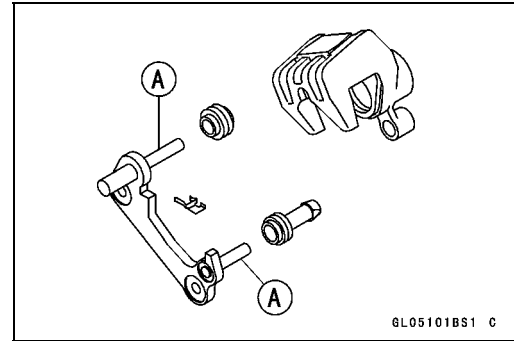
## 12-20 BRAKES

### Calipers

#### ***Rear Caliper Holder Shaft Wear***

The caliper body must slide smoothly on the caliper holder shafts [A]. If the body does not slide smoothly, one pad will wear more than the other, pad wear will increase, and constant drag on the disc will raise brake and brake fluid temperature.

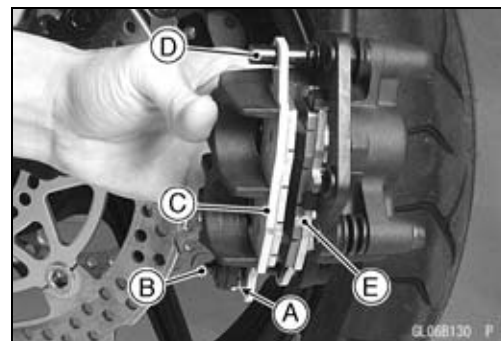
- Check to see that the caliper holder shafts are not badly worn or stepped, and that the rubber friction boots are not damaged.
- ★ If the rubber friction boot is damaged, replace the rubber friction boot. To replace the friction boot, remove the pads and the caliper bracket.
- ★ If the caliper holder shaft is damaged, replace the caliper bracket.



## Brake Pads

### Front Brake Pad Removal

- Remove the front caliper with the hose installed (see Front Caliper Removal).
- Draw out the holder shaft pin [A], and take off the holder shaft [B].
- Remove the pad [C] of the jaw side from the holder shaft [D].
- Remove the pad [E] on the piston side.



### Front Brake Pad Installation

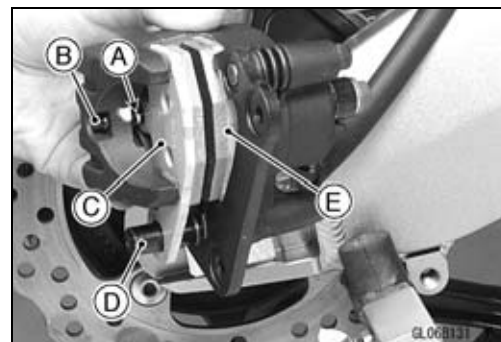
- Push the caliper pistons in by hand as far as they will go.
- Install the anti-rattle spring in its correct position.
- Install the pad on the piston side first, then install the other pad on the holder.
- Install the front caliper (see Caliper Installation).

### ⚠ WARNING

Do not attempt to drive the motorcycle until a full brake lever is obtained by pumping the brake lever until the pads are against the disc. The brake will not function on the first application of the lever if this is not done.

### Rear Brake Pad Removal

- Remove the rear caliper with the hose installed (see Rear Caliper Removal).
- Draw out the holder shaft pin [A], and take off the holder shaft [B].
- Remove the pad [C] of the jaw side from the holder shaft [D].
- Remove the pad [E] on the piston side.



### Rear Brake Pad Installation

- Push the caliper piston in by hand as far as it will go.
- Install the anti-rattle spring in its correct position.
- Install the pad on the piston side first, then install the other pad on the holder.
- Install the rear caliper (see Caliper Installation).

### ⚠ WARNING

Do not attempt to drive the motorcycle until a full brake pedal is obtained by pumping the brake pedal until the pads are against the disc. The brake will not function on the first application of the pedal if this is not done.

### Brake Pad Wear Inspection

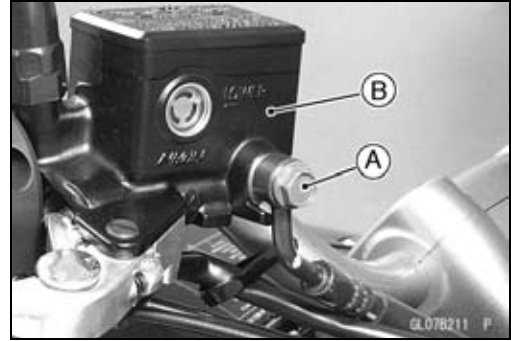
- Refer to the Brake Pad Wear Inspection in the Periodic Maintenance chapter.

## 12-22 BRAKES

### Master Cylinder

#### **Front Master Cylinder Removal**

- Remove the banjo bolt [A] to disconnect the brake hose from the master cylinder [B] (see Brake Hose and Pipe Replacement in the Periodic Maintenance chapter).



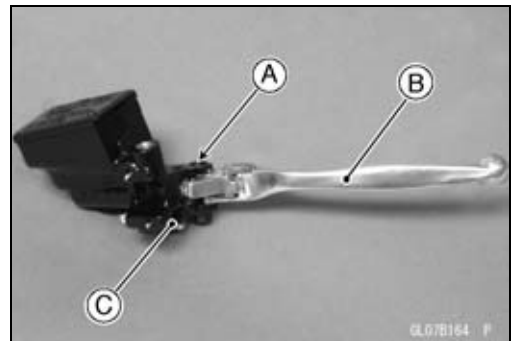
- Disconnect the front brake light switch connectors [A].
- Unscrew the clamp bolts [B], and take off the master cylinder as an assembly with the reservoir, brake lever and brake switch installed.



#### **CAUTION**

**Immediately wash away any brake fluid that spills.**

- Remove:  
Brake Lever Pivot Bolt [A] and Locknut  
Brake Lever [B]  
Front Brake Light Switch [C]



#### **Front Master Cylinder Installation**

- Install the front master cylinder so that the punch mark [A] of the handlebar is aligned with the mating surface [B] of the master cylinder clamp to level the reservoir.



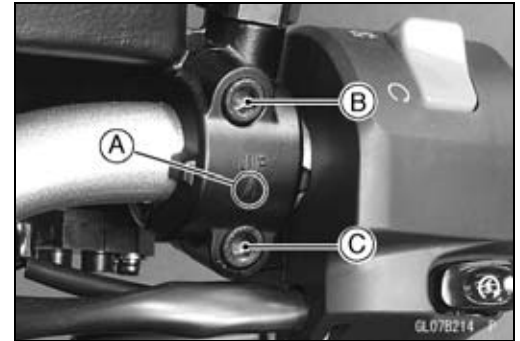


## Master Cylinder

- The master cylinder clamp must be installed with the arrow mark [A] upward.
- Tighten the upper clamp bolt [B] first, and then the lower clamp bolt [C].
- There will be a gap at the lower part of the clamp after tightening.

**Torque - Front Master Cylinder Clamp Bolts: 8.8 N·m (0.90 kgf·m, 78 in·lb)**

- Replace the washers on each side of the hose fitting with new ones.
- Tighten the brake hose banjo bolt.
- Torque - Brake Hose Banjo Bolt: 25 N·m (2.5 kgf·m, 18 ft·lb)**
- Bleed the brake line (see Brake Line Bleeding).
- Check the brake for good braking power, no brake drag, and no fluid leakage.



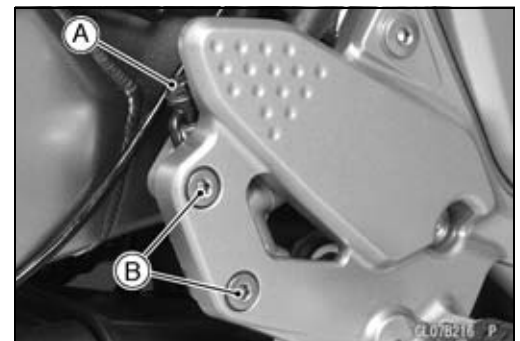
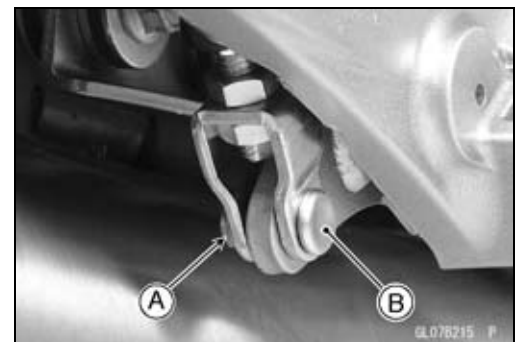
### Rear Master Cylinder Removal

- Remove:
  - Cotter Pin [A]
  - Joint Pin [B]

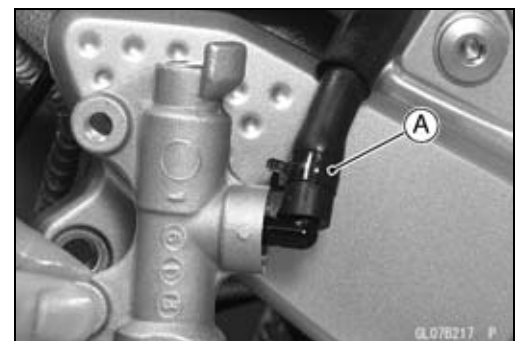
#### NOTE

○ Pull off the joint pin while pressing down the brake pedal.

- Unscrew the brake hose banjo bolt [A] on the master cylinder (see Brake Hose and Pipe Replacement in the Periodic Maintenance chapter).
- Remove the master cylinder mounting bolts [B].



- Slide the reservoir hose lower end clamp [A].
- Pull off the reservoir hose lower end, and drain the brake fluid into a container.

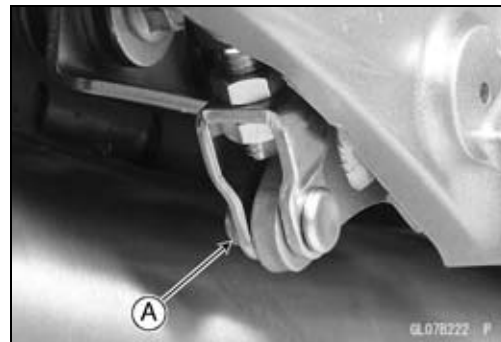


## 12-24 BRAKES

### Master Cylinder

#### **Rear Master Cylinder Installation**

- Replace the cotter pin [A] with a new one.



- Replace the washers on each side of hose fitting with new ones.

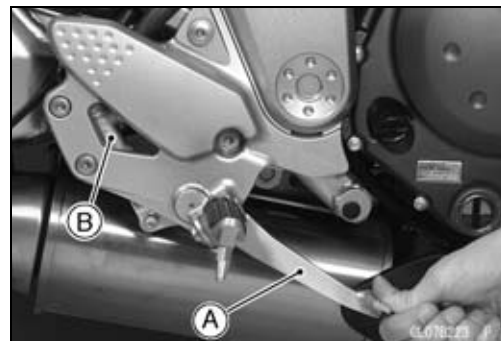
- Tighten the following bolts.

**Torque - Rear Master Cylinder Mounting Bolts: 25 N·m (2.5 kgf·m, 18 ft·lb)**

**Brake Hose Banjo Bolt: 25 N·m (2.5 kgf·m, 18 ft·lb)**

#### **NOTE**

○Depress the brake pedal [A] and then align the bolts holes of the master cylinder [B].



- Bleed the brake line (see Brake Line Bleeding).
- Check the brake for good braking power, no brake drag, and no fluid leakage.

#### **Front Master Cylinder Disassembly**

- Refer to the Master Cylinder Rubber Parts Replacement in the Periodic Maintenance chapter.

#### **Rear Master Cylinder Disassembly**

- Refer to the Master Cylinder Rubber Parts Replacement in the Periodic Maintenance chapter.

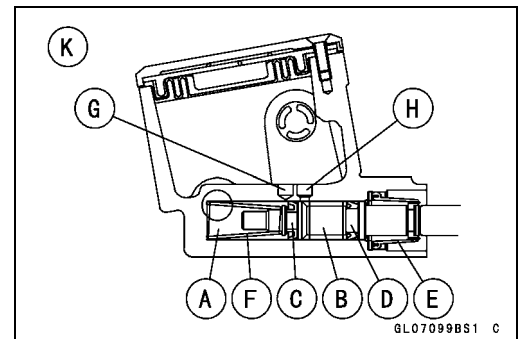
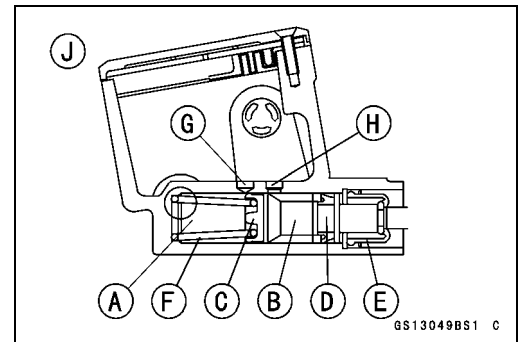
#### **Master Cylinder Assembly**

- Refer to the Master Cylinder Rubber Parts Replacement in the Periodic Maintenance chapter.

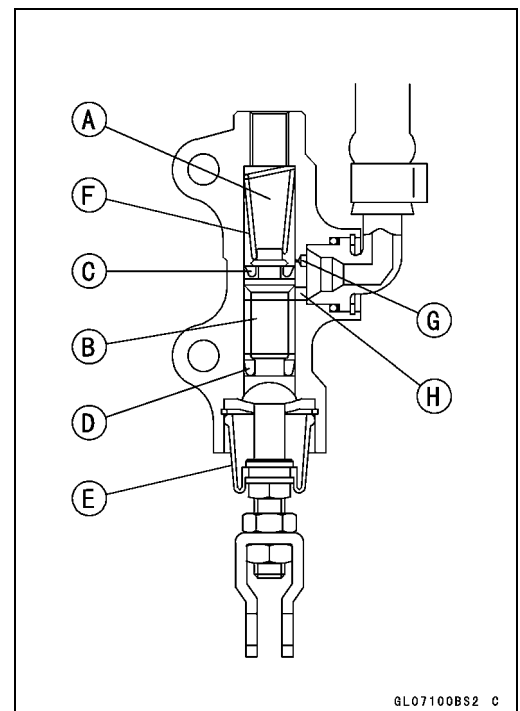
## Master Cylinder

### Master Cylinder Inspection

- Remove the master cylinders (see Front/Rear Master Cylinder Removal).
- Disassemble the front and rear master cylinders.
- Check that there are no scratches, rust or pitting on the inner wall [A] of each master cylinder and on the outside of each piston [B].
- ★ If a master cylinder or piston shows any damage, replace them.
- Inspect the primary cup [C] and secondary cup [D].
- ★ If a cup is worn, damaged softened (rotted), or swollen, the piston assembly should be replaced to renew the cups.
- ★ If fluid leakage is noted at the brake lever, the piston assembly should be replaced to renew the cups.
  - KLE650A Models [J]
  - KLE650B Models [K]



- Check the dust covers [E] for damage.
- ★ If they are damaged, replace them.
- Check the piston return springs [F] for any damage.
- ★ If the springs are damaged, replace them.
- Check that relief port [G] and supply port [H] are not plugged.
- ★ If the relief port becomes plugged, the brake pads will drag on the disc. Blow the ports clean with compressed air.



## 12-26 BRAKES

### Brake Disc

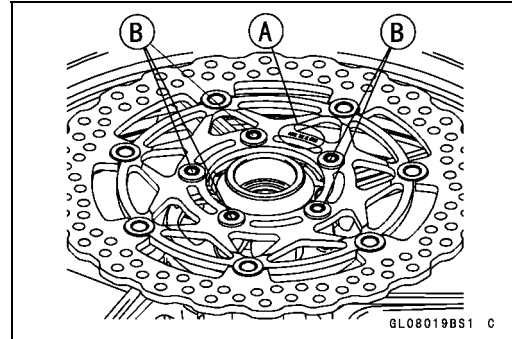
#### Brake Disc Removal

- Remove the wheel (see Front/Rear Wheel Removal in the Wheels/Tires chapter).
- Unscrew the mounting bolts, and take off the disc.
- Remove the gaskets.

#### Brake Disc Installation

- Replace the gaskets with new ones.
- Install the brake disc on the wheel so that the marked side [A] faces out.
- Apply a non-permanent locking agent to the threads of the front and rear brake disc mounting bolts [B].
- Tighten:

**Torque - Brake Disc Mounting Bolts: 27 N·m (2.8 kgf·m, 20 ft·lb)**



#### Brake Disc Wear

- Measure the thickness of each disc [A] at the point where it has worn the most.
  - ★ If the disc has worn past the service limit, replace it.
- Measuring Area [B]

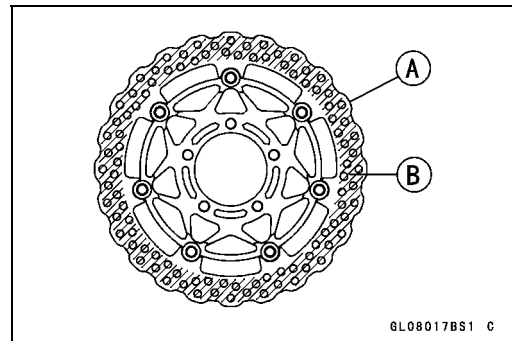
#### Brake Discs Thickness

##### Standard:

Front	4.8 ~ 5.2 mm (0.19 ~ 0.20 in.)
Rear	4.8 ~ 5.2 mm (0.19 ~ 0.20 in.)

##### Service Limit:

Front	4.5 mm (0.18 in.)
Rear	4.5 mm (0.18 in.)



#### Brake Disc Warp

- Raise the wheel off the ground with jack (see Front/Rear Wheel Removal in the Wheels/Tires chapter).

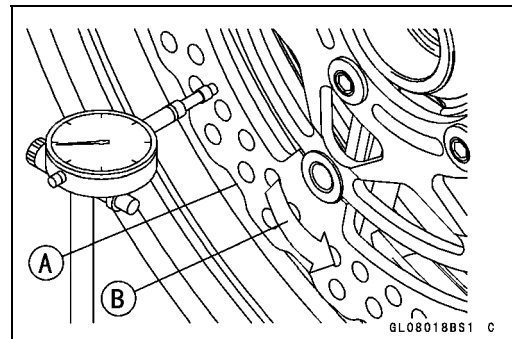
**Special Tools - Jack: 57001-1238**

**Jack Attachment: 57001-1608**

- For front disc inspection, turn the handlebar fully to one side.
- Set up a dial gauge against the disc [A] as shown and measure disc runout, while turning [B] the wheel by hand.
- ★ If runout exceeds the service limit, replace the disc.

#### Disc Runout

Standard:	0.15 mm (0.006 in.) or less
Service Limit:	0.3 mm (0.01 in.)



## Brake Fluid

### **Brake Fluid Level Inspection**

- Refer to the Brake Fluid Level Inspection in the Periodic Maintenance chapter.

### **Brake Fluid Change**

- Refer to the Brake Fluid Change in the Periodic Maintenance chapter.

### **Brake Line Bleeding**

The brake fluid has a very low compression coefficient so that almost all the movement of the brake lever or pedal is transmitted directly to the caliper for braking action. Air, however, is easily compressed. When air enters the brake lines, brake lever or pedal movement will be partially used in compressing the air. This will make the lever or pedal feel spongy, and there will be a loss in braking power.

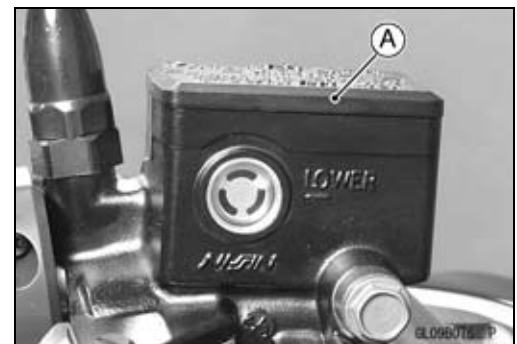
#### **⚠ WARNING**

**Be sure to bleed the air from the brake line whenever brake lever or pedal action feels soft or spongy after the brake fluid is changed, or whenever a brake line fitting has been loosened for any reason.**

#### **NOTE**

- *The procedure to bleed the front brake line is as follows. Bleeding the rear brake line is the same as for the front brake.*

- Remove the reservoir cap [A] and diaphragm.
  - Fill the reservoir with fresh brake fluid to the upper level line in the reservoir.
  - Slowly pump the brake lever several times until no air bubbles can be seen rising up through the fluid from the holes at the bottom of the reservoir.
  - Bleed the air completely from the master cylinder by this operation.
- 
- Remove the rubber cap from the bleed valve [A] on the caliper.
  - Attach a clear plastic hose [B] to the bleed valve, and run the other end of the hose into a container.



## 12-28 BRAKES

### Brake Fluid

- Bleed the brake line and the caliper.
- Repeat this operation until no more air can be seen coming out into the plastic hose.
  1. Pump the brake lever until it becomes hard, and apply the brake and hold it [A].
  2. Quickly open and close [B] the bleed valve while holding the brake applied.
  3. Release the brake [C].

#### NOTE

- The fluid level must be checked often during the bleeding operation and replenished with fresh brake fluid as necessary. If the fluid in the reservoir runs completely out any time during bleeding, the bleeding operation must be done over again from the beginning since air will have entered the line.
- Tap the brake hose lightly from the caliper to the reservoir for more complete bleeding.
- Front Brake: First bleeding the right caliper then repeat the above steps for the left caliper.
- Remove the clear plastic hose.
- Install the diaphragm and reservoir cap.
- Tighten:

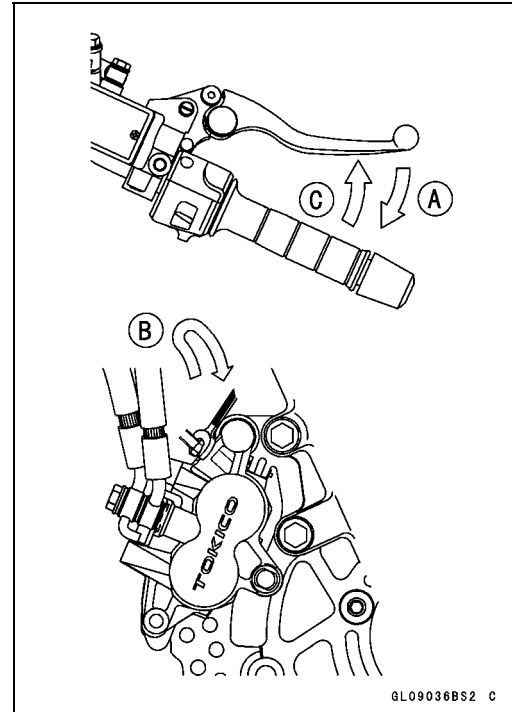
**Torque - Front Brake Reservoir Cap Screws: 1.5 N·m (0.15 kgf·m, 13 in·lb)**

- Follow the procedure below to install the rear brake fluid reservoir cap correctly.
- First, tighten the rear brake fluid reservoir cap [B] clockwise [C] by hand until slight resistance is felt indicating that the cap is seated on the reservoir body, then tighten the cap an additional 1/6 turn [D] while holding the brake fluid reservoir body [A].

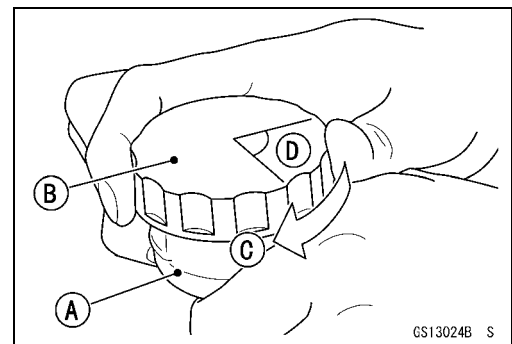
- Tighten the bleed valve, and install the rubber cap.

**Torque - Bleed Valve: 7.8 N·m (0.80 kgf·m, 69 in·lb)**

- Check the fluid level (see Brake Fluid Level Inspection in the Periodic Maintenance chapter).
- After bleeding is done, check the brake for good braking power, no brake drag, and no fluid leakage.



GL09036BS2 C



CS13024B S

---

**Brake Fluid**

---

**⚠ WARNING**

**When working with the disc brake, observe the precautions listed below.**

1. Never reuse old brake fluid.
2. Do not use fluid from a container that has been left unsealed or that has been open for a long time.
3. Do not mix two types and brands of fluid for use in the brake. This lowers the brake fluid boiling point and could cause the brake to be ineffective. It may also cause the rubber brake parts to deteriorate.
4. Don't leave the reservoir cap off for any length of time to avoid moisture contamination of the fluid.
5. Don't change the fluid in the rain or when a strong wind is blowing.
6. Except for the disc pads and disc, use only disc brake fluid, isopropyl alcohol, or ethyl alcohol for cleaning of the brake parts. Do not use any other fluid for cleaning these parts. Gasoline, engine oil, or any other petroleum distillate will cause deterioration of the rubber parts. Oil spilled on any part will be difficult to wash off completely and will eventually deteriorate the rubber used in the disc brake.
7. When handling the disc pads or disc, be careful that no disc brake fluid or any oil gets on them. Clean off any fluid or oil that inadvertently gets on the pads or disc with a high-flash point solvent. Do not use one which will leave an oily residue. Replace the pads with new ones if they cannot be cleaned satisfactorily.
8. Brake fluid quickly ruins painted surfaces; any spilled fluid should be completely wiped up immediately.
9. If any of the brake line fittings or the bleed valve is opened at any time, the **AIR MUST BE BLED FROM THE BRAKE LINE.**

## 12-30 BRAKES

---

### Brake Hose

---

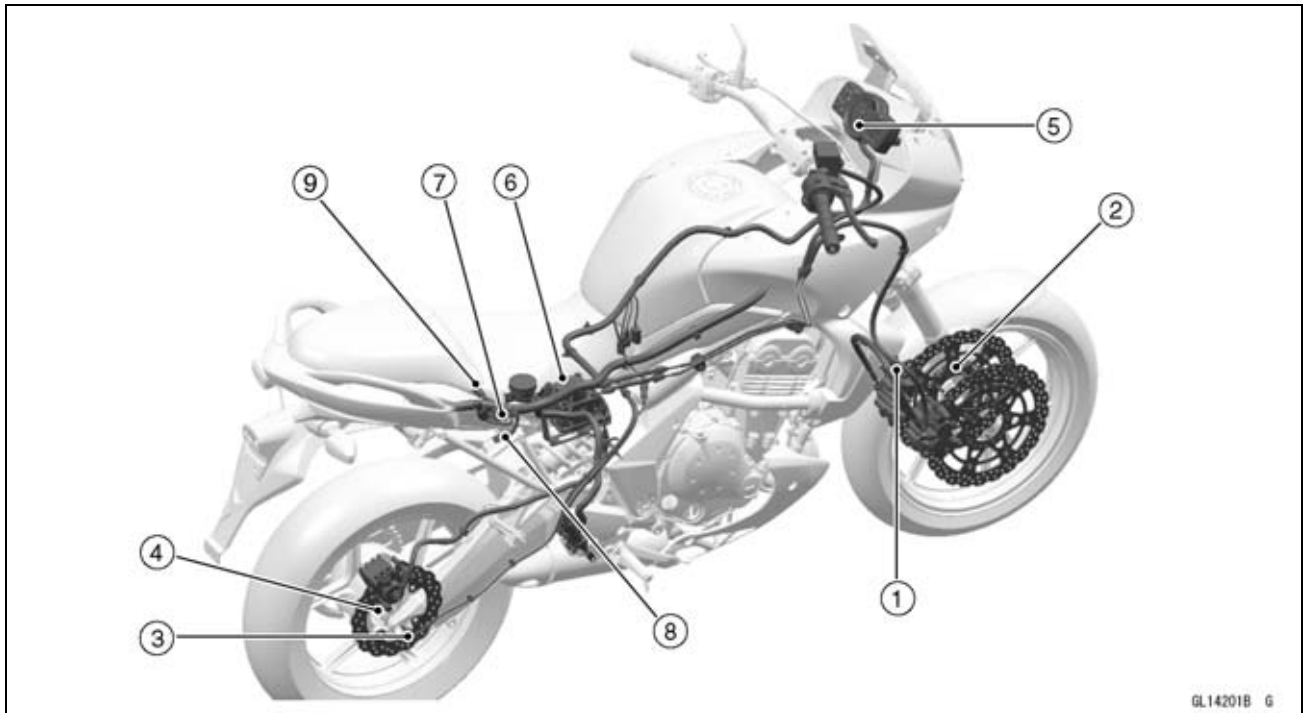
#### ***Brake Hose Removal/Installation***

- Refer to the Brake Hose and Pipe Replacement in the Periodic Maintenance chapter.

#### ***Brake Hose Inspection***

- Refer to the Brake Hose Damage and Installation Condition Inspection in the Periodic Maintenance chapter.



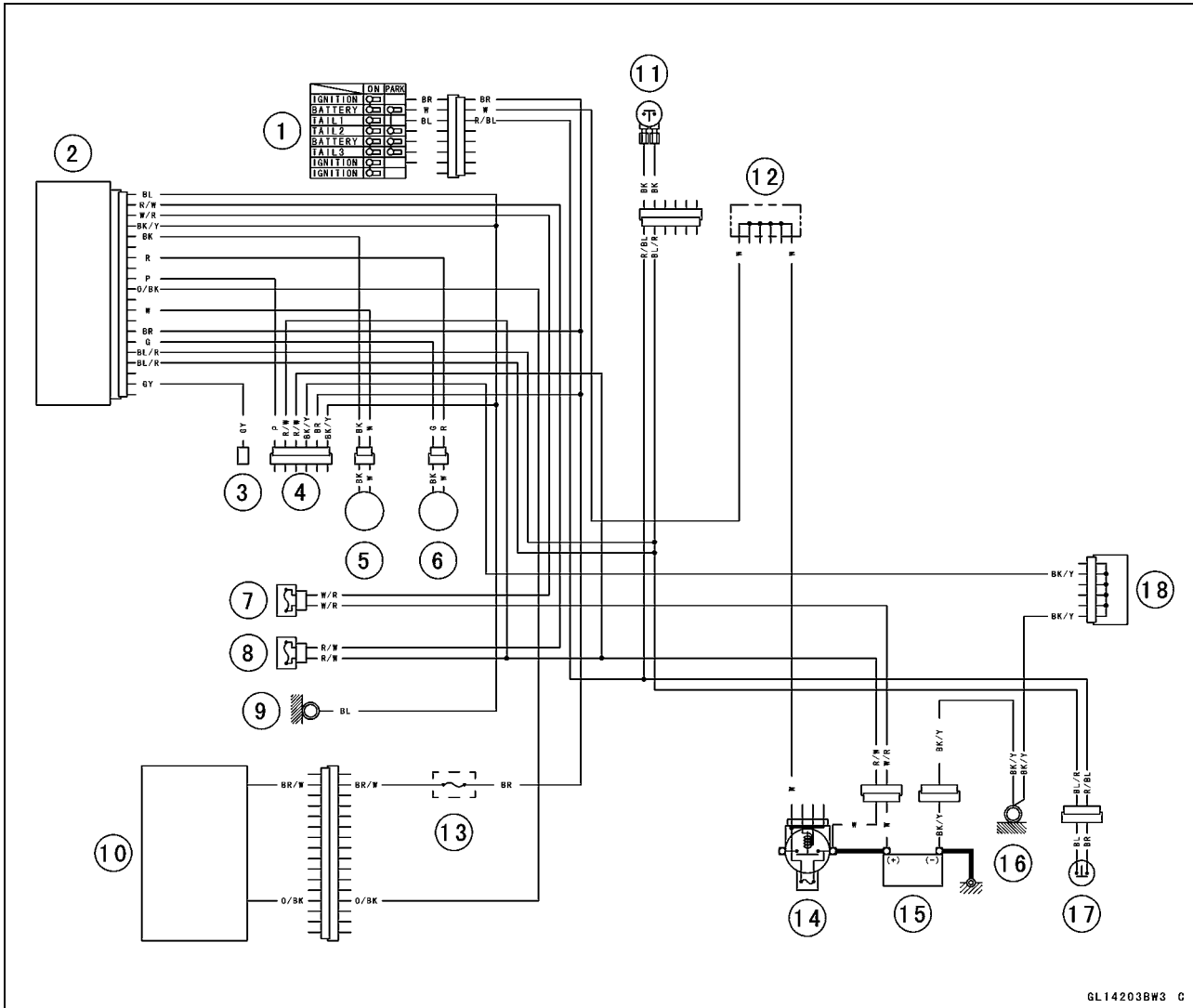
**Anti-Lock Brake System (Equipped Models)****Parts Location**

1. Front Wheel Rotation Sensor
2. Front Wheel Rotation Sensor Rotor
3. Rear Wheel Rotation Sensor
4. Rear Wheel Rotation Sensor Rotor
5. ABS Indicator Light (LED)
6. ABS Hydraulic Unit
7. ABS Self-diagnosis Terminal
8. ABS Kawasaki Self-diagnosis System Connector
9. ABS Fuse Boxes

# 12-32 BRAKES

## Anti-Lock Brake System (Equipped Models)

### ABS System Wiring Diagram

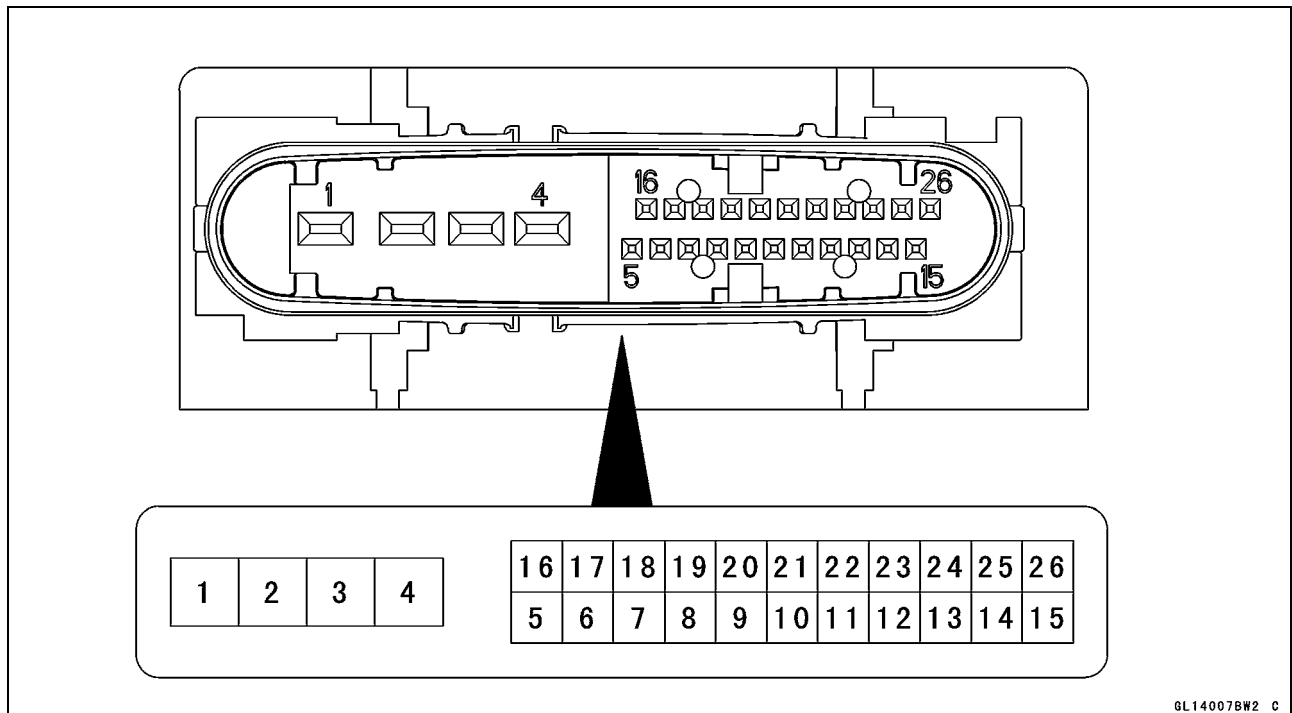


GL14203BW3 C

1. Ignition Switch
2. ABS Hydraulic Unit
3. ABS Self-diagnosis Terminal
4. ABS Kawasaki Self-diagnosis System Connector
5. Front Wheel Rotation Sensor
6. Rear Wheel Rotation Sensor
7. ABS Solenoid Valve Relay Fuse 25 A
8. ABS Motor Relay Fuse 30 A
9. Frame Ground
10. Meter Unit
11. Front Brake Switch
12. Water-proof Joint C
13. Ignition Fuse 10 A
14. Main Fuse 30 A
15. Battery 12 V 10 Ah
16. Frame Ground
17. Rear Brake Switch
18. Joint Connector

## Anti-Lock Brake System (Equipped Models)

### Terminal Names



GL14007B#2 C

1. Ground to Motor
2. Power Supply to ABS Motor Relay
3. Power Supply to ABS Solenoid Valve Relay
4. Ground
5. Front Wheel Rotation Sensor Signal
6. Unused
7. Power Supply to Rear Wheel Rotation Sensor
8. Unused
9. Unused
10. Unused
11. ABS Kawasaki Self-diagnosis System Terminal
12. ABS Indicator Light (LED)
13. Unused
14. Unused
15. Unused
16. Power Supply to Front Wheel Rotation Sensor
17. Unused
18. Power Supply
19. Rear Wheel Rotation Sensor Signal
20. Front Brake Light Switch
21. Rear Brake Light Switch
22. Unused
23. Unused
24. Unused
25. ABS Self-diagnosis Terminal
26. Unused

## 12-34 BRAKES

### Anti-Lock Brake System (Equipped Models)

#### **ABS Servicing Precautions**

There are a number of important precautions that should be followed servicing the ABS system.

- This ABS system is designed to be used with a 12 V sealed battery as its power source. Do not use any other battery except for a 12 V sealed battery as a power source.
- Do not reverse the battery cable connections. This will damage the ABS hydraulic unit.
- To prevent damage to the ABS parts, do not disconnect the battery cables or any other electrical connections when the ignition switch is ON or while the engine is running.
- Take care not to short the leads that are directly connected to the battery positive (+) terminal to the chassis ground.
- Do not turn the ignition switch ON while any of the ABS electrical connectors are disconnected. The ABS hydraulic unit memorizes service codes.
- Do not spray water on the electrical parts, ABS parts, connectors, leads and wiring.
- If a transceiver is installed on the motorcycle, make sure that the operation of the ABS system is not influenced by electric wave radiated from the antenna. Locate the antenna as far as possible away from the ABS hydraulic unit.
- Whenever the ABS electrical connections are to be disconnected, first turn off the ignition switch.
- The ABS parts should never be struck sharply, as with a hammer, or allowed to fall on a hard surface. Such a shock to the parts can damage them.
- The ABS parts cannot be disassembled. Even if a fault is found, do not try to disassemble and repair the ABS parts, replace it.
- The ABS has many brake lines, pipes, and leads. And the ABS cannot detect problems with the conventional braking system (brake disc wear, unevenly worn brake pad, and other mechanical faults). To prevent trouble, check the brake lines and pipes for correct routing and connection, the wiring for correct routing, and the brakes for proper braking power. Be sure to check for fluid leakage, and bleed the brake line thoroughly.

#### **⚠ WARNING**

**If any of the brake line fittings, including the ABS hydraulic unit joint nuts, or the bleed valve is opened at any time, the air must be bled completely from the brake line.**

#### **CAUTION**

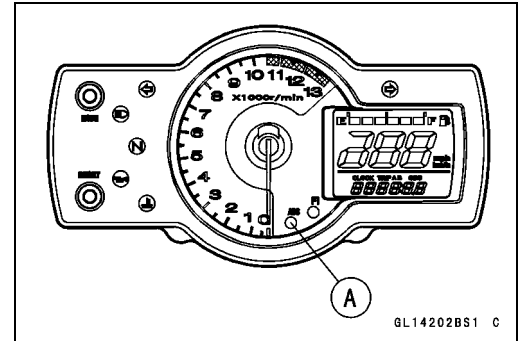
**Do not ride the motorcycle with air in the brake line, or the ABS could malfunction.**

## Anti-Lock Brake System (Equipped Models)

- The ABS indicator light (LED) [A] may light if the tire pressure is incorrect, a non-recommended tire is installed, or the wheel is deformed. If the indicator light lights, remedy the problem and clear the service code.

### **▲ WARNING**

**Use of non-recommended tires may cause malfunctioning of ABS and can lead to extended braking distance. The rider could have an accident as a result. Always use recommended standard tires for this motorcycle.**



- The ABS indicator light (LED) may come on if the engine is run with the motorcycle on its stand and the transmission in gear. If the indicator light comes on, just turn the ignition switch OFF, then clear service code 42, which indicates a "Faulty front wheel rotation sensor".
- When the ABS operates, the ABS makes noise and the rider feels the reaction force on the brake lever and brake pedal. This is a normal condition. It informs the rider that the ABS is operating normally.
- Service codes detected once by the ABS hydraulic unit will be memorized in the ABS hydraulic unit. Therefore, after maintenance work is finished, be sure to erase the service codes. Do not erase the service codes during troubleshooting. Wait until all the checks and repair work are finished to prevent duplication of previous service codes and unnecessary maintenance work.
- Before delivering the motorcycle to the customer, be sure to erase any service codes which might be stored in the ABS hydraulic unit. Using the self-diagnosis feature, make sure that only start code 12 is shown. A fully charged battery is a must for conducting reliable self-diagnosis. Test run the motorcycle at a speed of more than 20 km/h (12 mph) to see that the ABS indicator light (LED) does not come on. Finally, test run the motorcycle at a speed of more than 30 km/h (20 mph) and brake suddenly to see that the motorcycle stops without loss of steering control and the ABS operates normally (The reaction force generated is felt in the brake lever and pedal.). This completes the final inspection.
- Color Codes:

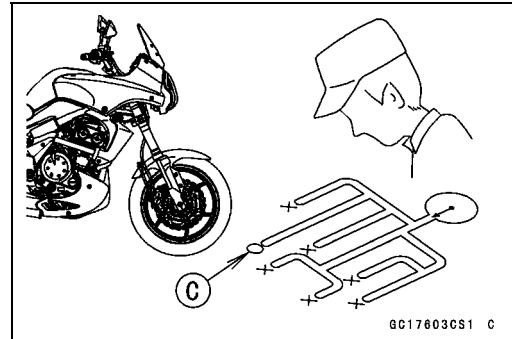
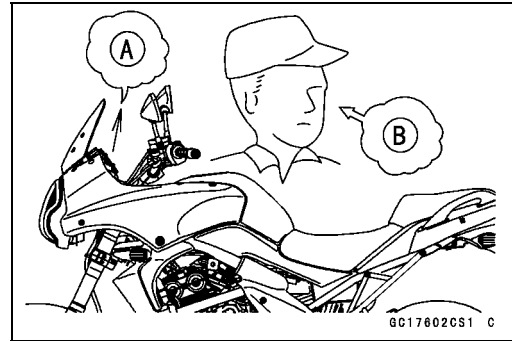
BK: Black	G: Green	P: Pink
BL: Blue	GY: Gray	PU: Purple
BR: Brown	LB: Light Blue	R: Red
CH: Chocolate	LG: Light Green	W: White
DG: Dark Green	O: Orange	Y: Yellow

## 12-36 BRAKES

### Anti-Lock Brake System (Equipped Models)

#### ABS Troubleshooting Outline

When an abnormality in the system occurs, the ABS indicator light (LED) lights up to alert the rider. In addition, the nature of the fault is stored in the memory of the ABS hydraulic unit and when in the self-diagnosis mode, the service code [A] is indicated by the number of times the ABS indicator light (LED) blinks. The service codes stored in memory are not erased until the mode has been changed to the fault erase mode after the fault has been corrected. Therefore, after correcting the problem, always erase the service codes and then run the self-diagnosis program to confirm normal signal output. When, due to a malfunction, the ABS indicator light (LED) remains lit, get a thorough understanding of the background before starting the repair work. Ask the rider about the conditions [B] under which the problem occurred and try to determine the cause [C]. Do not rely solely on the ABS self-diagnosis function, use common sense; check the brakes for proper braking power, and brake fluid level, search for leaks, etc.



Even when the ABS is operating normally, the ABS indicator light (LED) may light up under the conditions listed below. Turn the ignition switch OFF to stop the indicator light. If the motorcycle runs without erasing the service code, the light may light up again.

- After continuous riding on a rough road.
- When the engine is started with the stand raised and the transmission engaged, and the rear wheel turns.
- When accelerating so abruptly that the front wheel leaves the ground.
- When the ABS has been subjected to strong electrical interference.
- When tire pressure is abnormal. Adjust tire pressure.
- When a tire different in size from the standard size is being used. Replace with standard size.
- When the wheel is deformed. Replace the wheel.

Much of the ABS troubleshooting work consists of confirming continuity of the wiring. The ABS parts are assembled and adjusted by the manufacturer, so there is no need to disassemble or repair them. Replace the ABS hydraulic unit.

The basic troubleshooting procedures are listed below.

- Carry out pre-diagnosis inspections as a preliminary inspection.
- Determine the fault using the self-diagnosis function.
- Check wiring and connections from the ABS hydraulic unit connector to the suspected faulty ABS part, using the hand tester.

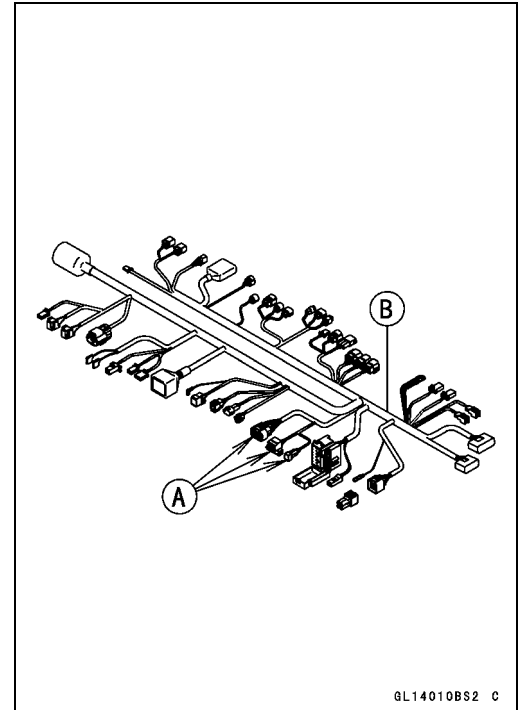
**Special Tool - Hand Tester: 57001-1394**

## Anti-Lock Brake System (Equipped Models)

- Visually inspect the wiring for signs of burning or fraying.
- ★ If any wiring is poor, replace the damaged wiring.
- Pull each connector [A] apart and inspect it for corrosion, dirt and damage.
- ★ If the connector is corroded or dirty, clean it carefully. If it is damaged, replace it.
- Check the wiring for continuity.
- Use the wiring diagram to find the ends of the lead which is suspected of being a problem.
- Connect the hand tester between the ends of the leads.

**Special Tool - Hand Tester: 57001-1394**

- Set the tester to the  $\times 1 \Omega$  range, and read the tester.
- ★ If the tester does not read  $0 \Omega$ , the lead is defective. Replace the main harness [B] if necessary.



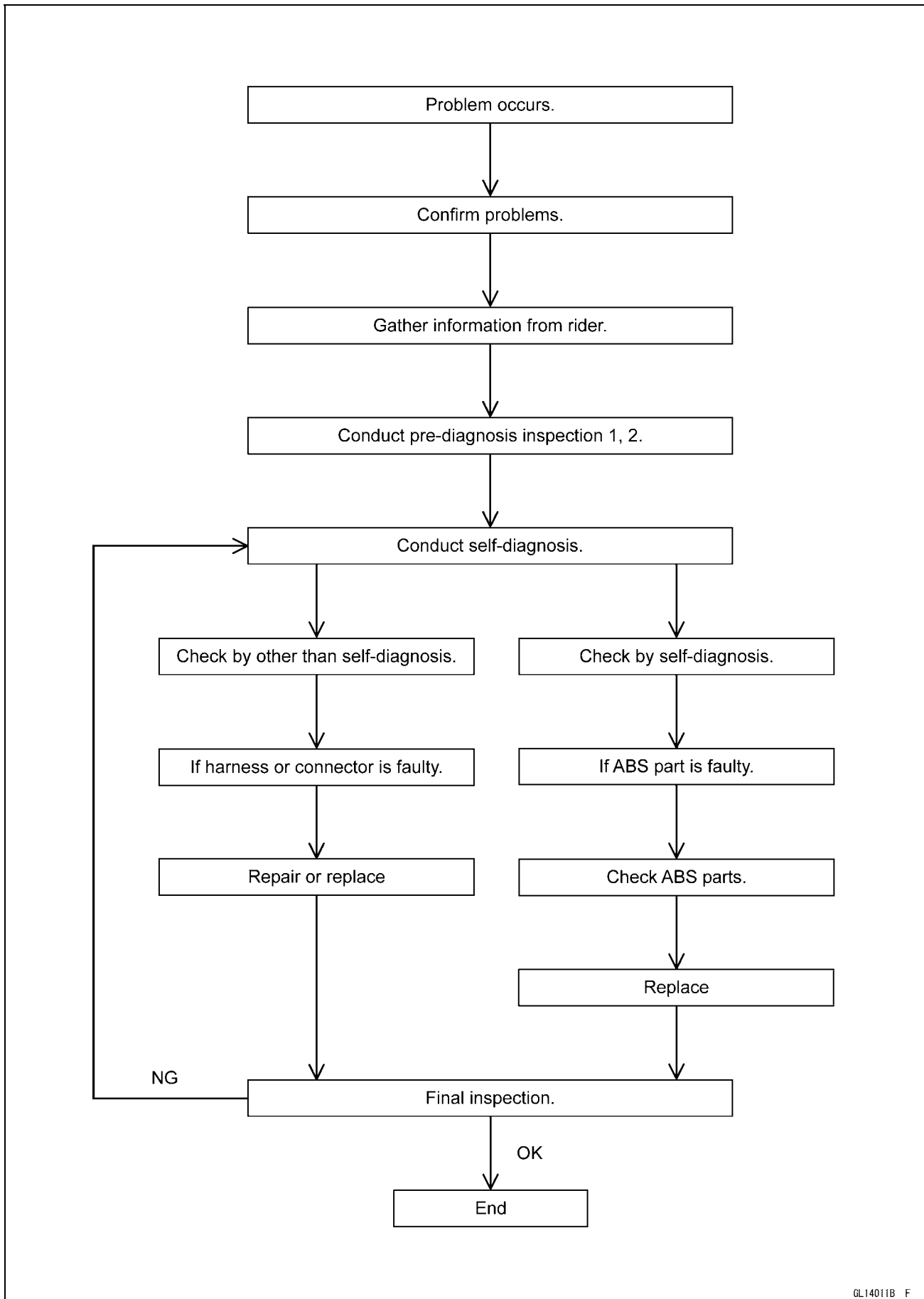
GL14010BS2 C

- Narrow down suspicious parts and close in on the faulty ABS part by repeating the continuity tests.
- ★ If no abnormality is found in the wiring or connectors, the ABS parts are the next likely suspects. Check each part one by one.
- ★ If an abnormality is found, replace the affected ABS part.

# 12-38 BRAKES

## Anti-Lock Brake System (Equipped Models)

### ABS Diagnosis Flow Chart





## Anti-Lock Brake System (Equipped Models)

### Inquiries to Rider

- Each rider reacts to problems in different ways, so it is important to confirm what kind of condition the rider is dissatisfied with.
- Try to find out exactly what problem occurs under exactly what conditions by asking the rider; knowing this information may help you reproduce the problem in the shop.
- The diagnosis sheet will help prevent you from overlooking any keys, so always use it.

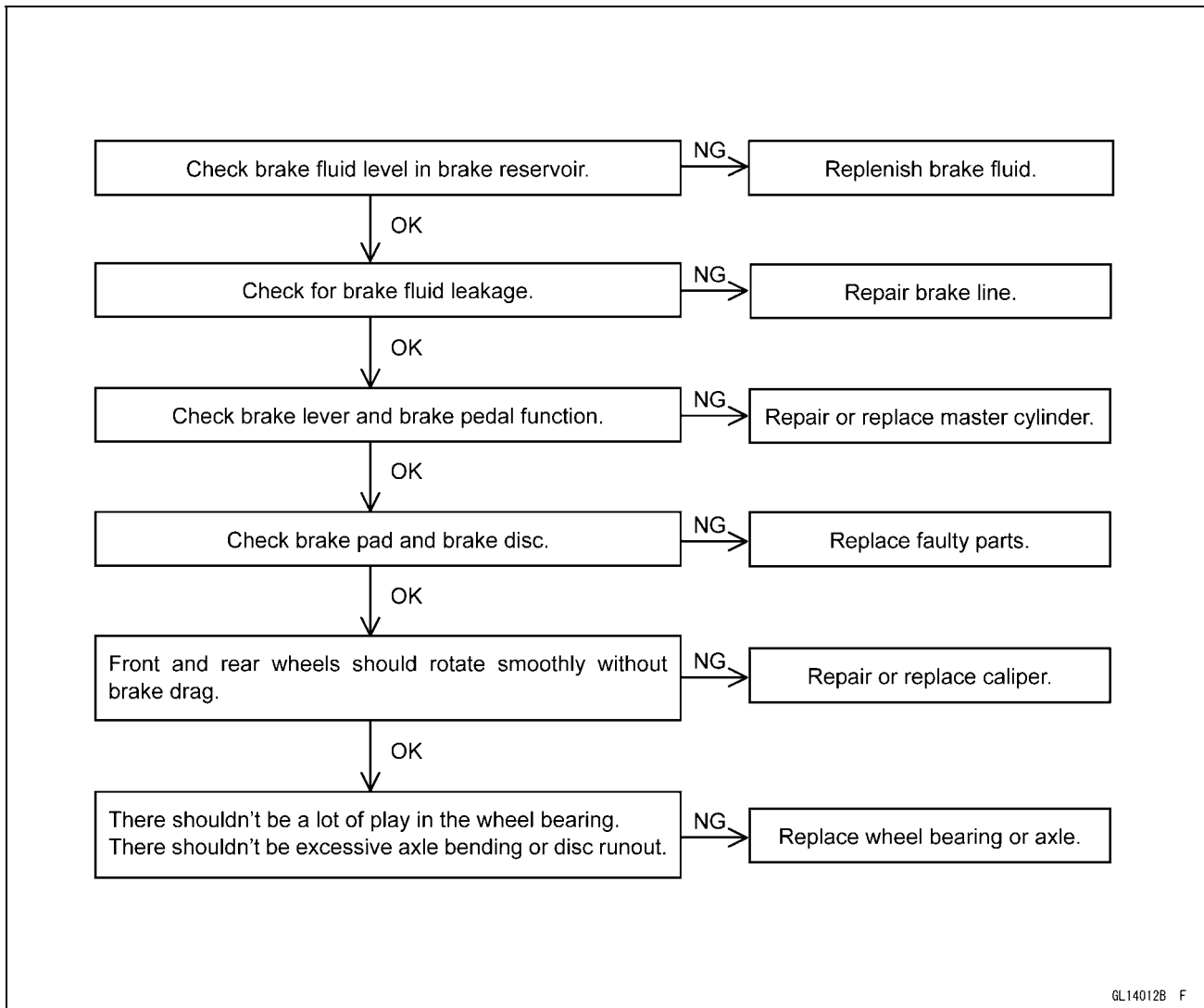
### Sample Diagnosis Sheet

Rider name:				Registration No. (license plate No.):			
Year of initial registration:				Model:			
Engine No.:				Frame No.:			
Date problem occurred:				Frequency:			
Weather:				Mileage:			
Phenomenon	<input type="checkbox"/> Brake lever vibration or noise	<input type="checkbox"/> Indicator light blinks	<input type="checkbox"/> Braking distance too long	<input type="checkbox"/> Abnormal brake lever movement	<input type="checkbox"/> ABS not working	<input type="checkbox"/> ABS works but indicator light doesn't light up	<input type="checkbox"/> ABS operating too frequently
	<input type="checkbox"/> Pedal vibration or noise	<input type="checkbox"/> Indicator light remains lit up		<input type="checkbox"/> Abnormal pedal movement			
Engine conditions at problem		<input type="checkbox"/> At start-up		<input type="checkbox"/> After starting		<input type="checkbox"/> At 5 000 r/min (rpm) or more	
Road conditions		<input type="checkbox"/> Slippery road ( <input type="checkbox"/> snow, <input type="checkbox"/> gravel, <input type="checkbox"/> other ) <input type="checkbox"/> Rough surface <input type="checkbox"/> Other					
Driving conditions		<input type="checkbox"/> High-speed cornering <input type="checkbox"/> Driving 10 km/h (6 mph) or above <input type="checkbox"/> Driving below 10 km/h (6 mph) <input type="checkbox"/> When stopping <input type="checkbox"/> When turning					
Brake application		<input type="checkbox"/> Gradual <input type="checkbox"/> Abrupt					
Other conditions		<input type="checkbox"/> Large brake lever stroke <input type="checkbox"/> Large pedal stroke					

# 12-40 BRAKES

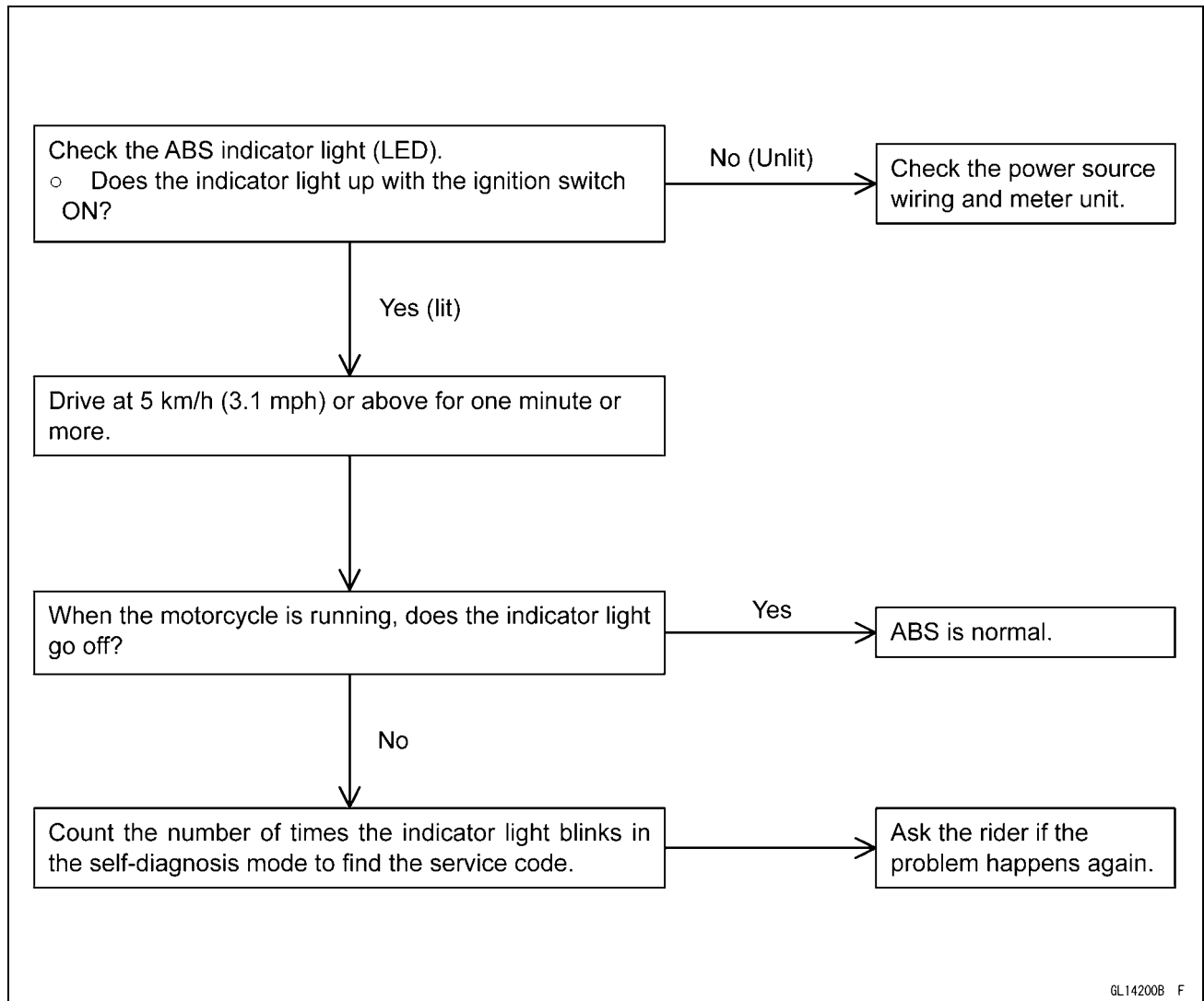
## Anti-Lock Brake System (Equipped Models)

### Pre-Diagnosis Inspection 1



## Anti-Lock Brake System (Equipped Models)

### Pre-Diagnosis Inspection 2



### Self-diagnosis Outline

When the indicator light has blinked or come on, the ABS hydraulic unit memorizes and stores the service code (15 codes including “Normal Code”) for the service person to troubleshoot easily. The service code memory is powered directly by the battery and cannot be canceled by the ignition switch.

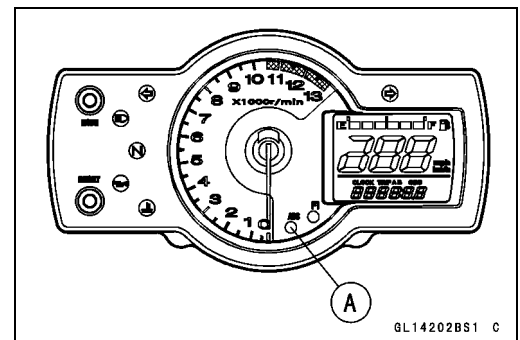
The ABS hydraulic unit can memorize up to six service codes. Further service codes are memorized after erasing the preceding six service codes. If there is no fault, only the start code 12 is shown, indicating that “The ABS is normal”.

### Self-diagnosis Procedures

○When a problem occurs with the ABS system, the ABS indicator light (LED) [A] is lights.

#### NOTE

- Use a fully charged battery when conducting self-diagnosis. Otherwise, the light blinks very slowly or doesn't blink.
- The motorcycle is stopped.
- Keep the self-diagnosis terminal grounded during self-diagnosis, with an auxiliary lead.



## 12-42 BRAKES

### Anti-Lock Brake System (Equipped Models)

- Remove the seat (see Seat Removal in the Frame chapter).
- Ground the self-diagnosis terminal [A] (Gray) to the battery (-) terminal or battery (-) lead connector, using a lead.
- Turn on the ignition switch.
- Count the blinks of the light to read the service code. Keep the auxiliary lead ground until you finish reading the service code.

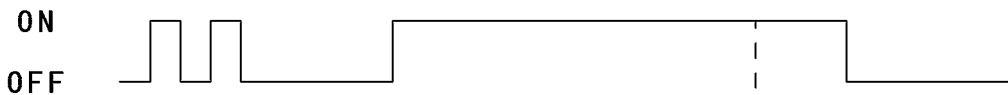


#### Service Code Clearing Procedures

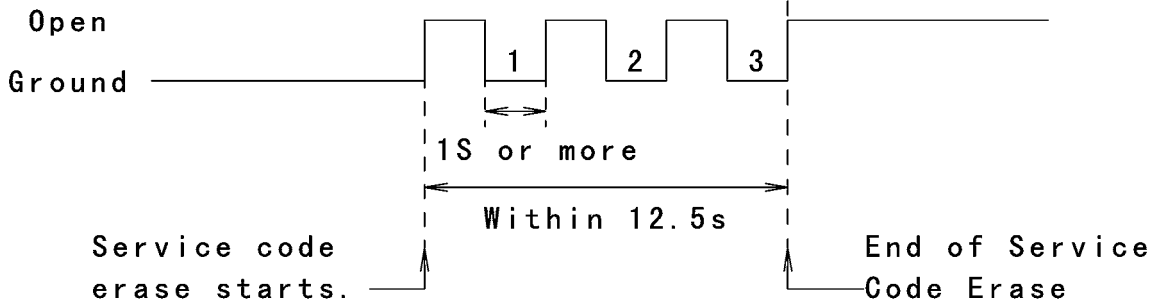
- Start the service code erase mode with the following procedure.
- The erase mode starts when the ABS self-diagnosis terminal is disconnected from the ground terminal after starting the self-diagnosis mode.
- The service code can be erased by grounding and ungrounding (each time for at least one second) the ABS self-diagnosis terminal three times or more within about 12.5 seconds after starting the erase mode.
- The ABS indicator light (LED) remains lit during the erase mode and after erasing.
- Once erasing is finished, enter the self-diagnosis mode again to confirm that the service codes have been erased. If the ABS has been reset and all codes have been erased, only start code 12 will be shown.

#### Erasing of Service Code

##### ABS Indicator Light (LED)



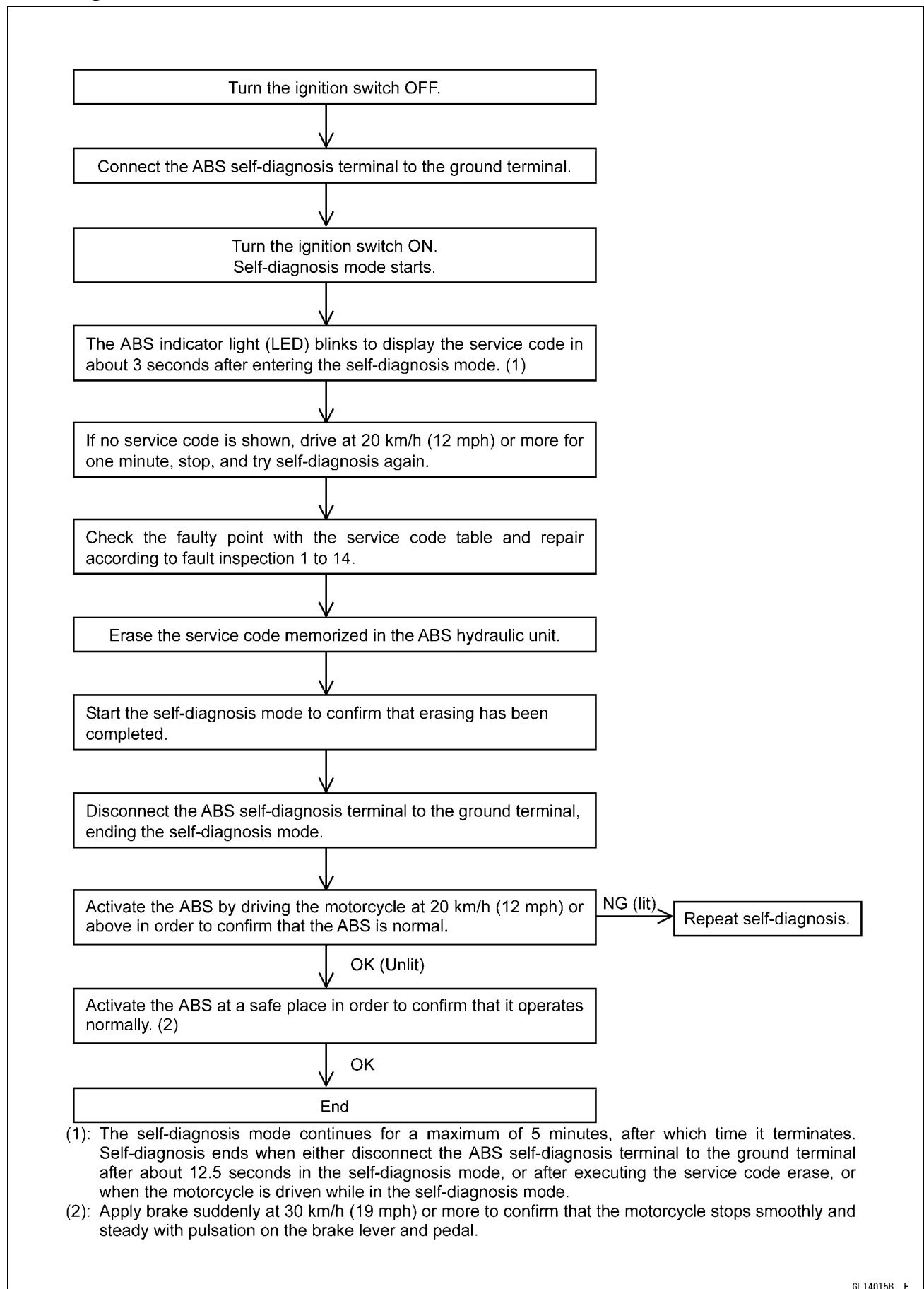
##### ABS Self-diagnosis Terminal



GL140098W2 C

## Anti-Lock Brake System (Equipped Models)

### Self-diagnosis Flow Chart

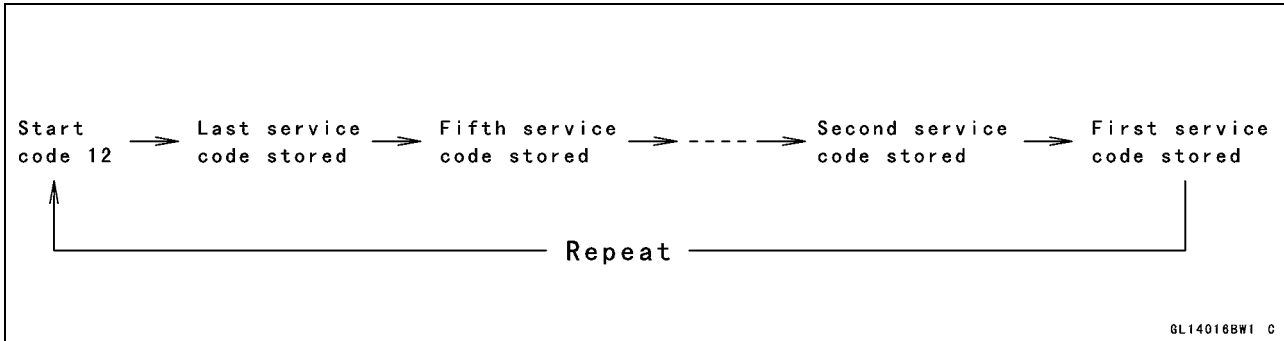


# 12-44 BRAKES

## Anti-Lock Brake System (Equipped Models)

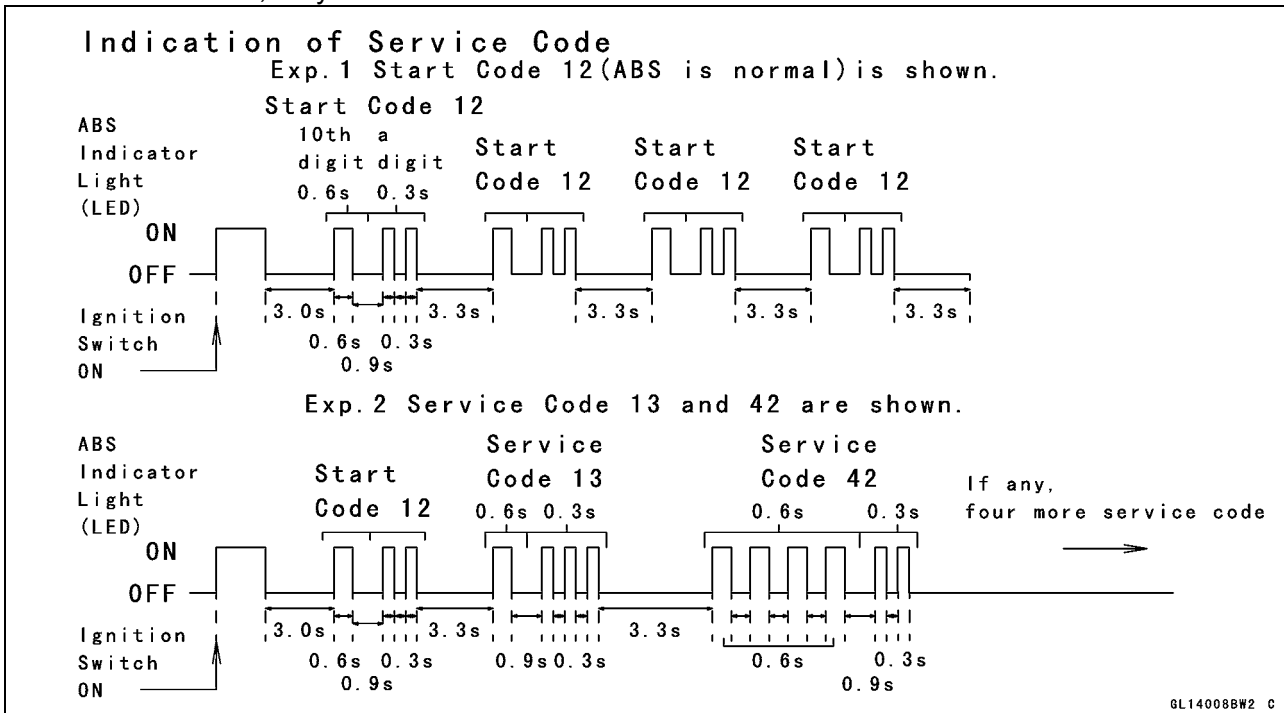
### How to Read Service Codes

- Service codes are shown by a series of long and short blinks of the ABS indicator light (LED) as shown below.
- Read 10th digit and unit digit as the ABS indicator light (LED) blinks.
- When there are a number of faults, a maximum of six service codes can be stored and the display will begin starting from the last service code entered.
- For the display pattern, first, start code 12 is shown, next up to six service codes starting with the last one stored, then the display is repeated from the start code once again.



GL14016BW1 C

- If there is no fault, only the start code is shown.


















GL14008BW2 C

### How to Erase Service Codes

- Even if the ignition switch is turned OFF, the battery or the ABS hydraulic unit are disconnected, all service codes remain in the ABS hydraulic unit.
- Refer to the Service Code Clearing Procedure for the service code erasure.

## Anti-Lock Brake System (Equipped Models)

### Service Code Table

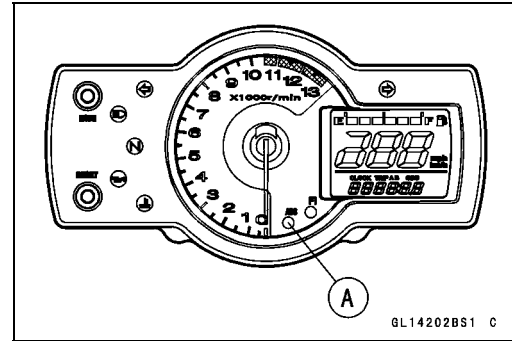
Service Code	ABS Indicator Light (LED)	Problems	Light State
12	 ON OFF	Start code (not fault)	After starts, turn off
13		Rear Inlet solenoid valve trouble (open, temperature abnormal)	ON
14		Rear outlet solenoid valve trouble (open, temperature abnormal)	ON
17		Front Inlet solenoid valve trouble (open, temperature abnormal)	ON
18		Front outlet solenoid valve trouble (open, temperature abnormal)	ON
19		ABS solenoid valve relay trouble (wiring shorted or open, stuck relay (ON or OFF) or dropout)	ON
25		Front, rear wheel rotation difference abnormal (substandard tire, sensor rotor teeth number wrong)	ON
35		ABS motor relay trouble (wiring shorted or open, stuck relay (ON or OFF))	ON
42		Front wheel rotation sensor signal abnormal (sensor or rotor missing, too large clearance, rotor tooth worn or missing)	ON
43		Front wheel rotation sensor wiring (wiring shorted or open, connector bad connection)	ON
44		Rear wheel rotation sensor signal abnormal (sensor or rotor missing, too large clearance, rotor tooth worn or missing)	ON
45		Rear wheel rotation sensor wiring (wiring shorted or open, connector bad connection)	ON
52		Power supply voltage abnormal (under-voltage)	ON
53		Power supply voltage abnormal (over-voltage)	ON
55		ECU trouble (ECU operation abnormal)	ON

## 12-46 BRAKES

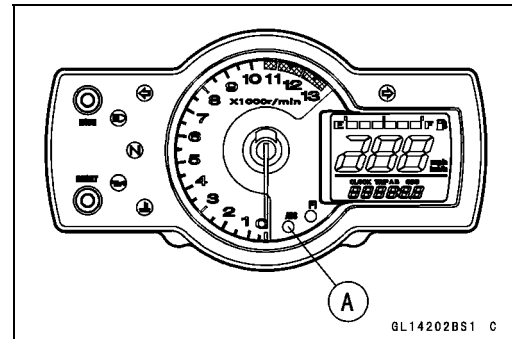
### Anti-Lock Brake System (Equipped Models)

#### ABS Indicator Light (LED) Inspection

- Turn the ignition switch ON.
- ★ If the ABS indicator light (LED) [A] lights, it is normal.
- ★ If the ABS indicator light (LED) does not light, go to step “ABS Indicator Light (LED) is Unlit (When the Ignition Switch turned to ON)”.



- Turn the ignition switch OFF.
- ★ If the ABS indicator light (LED) [A] does not light, it is normal.
- ★ If the ABS indicator light (LED) lights, go to step “ABS Indicator Light (LED) Lights (When the Motorcycle is Running, - No Service Code)”.



#### ABS Indicator Light (LED) is Unlit (When the Ignition Switch turned to ON)

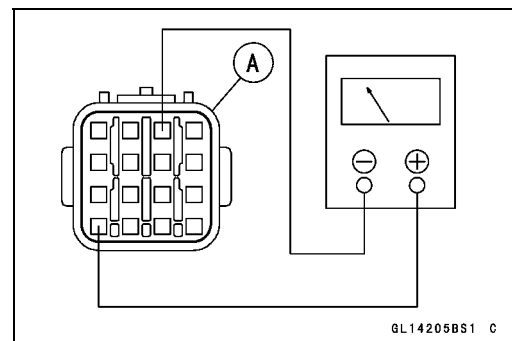
- Do the 1st step test.
- Check the terminal voltage between the orange/black and black/yellow lead terminals of the meter connector [A].

**Special Tool - Hand Tester: 57001-1394**

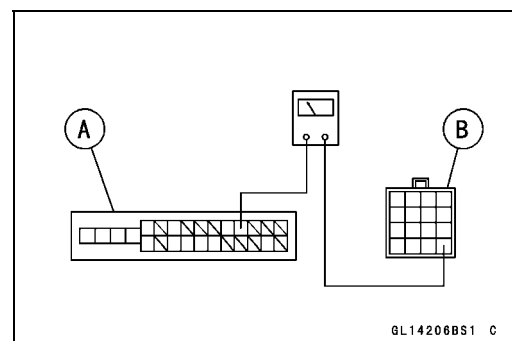
##### Terminal Voltage

**Standard: About 9 V**

- ★ If the terminal voltage is not within the specification, 2nd step.
- ★ If the terminal voltage correct, replace the meter assembly.



- Do the 2nd step test.
- Disconnect the ABS hydraulic unit connector and meter connector.
- Check for continuity between the orange/black lead terminal of the main harness side connector [A] and orange/black lead terminal of the main harness side connector [B].
- ★ If there is the continuity in the lead, 3rd step.
- ★ If there is not the continuity in the lead, replace or repair the main harness.



- Do the 3rd step test.
- Check the battery terminal voltage (see 2nd Step in the Power Supply Voltage Abnormal (Under-Voltage) (Service Code 52)).
- ★ If the battery terminal voltage correct, replace the ABS hydraulic unit.



## Anti-Lock Brake System (Equipped Models)

### ABS Indicator Light (LED) Lights (When the Motorcycle is Running, - No Service Code)

- Do the 1st step test.
- Check the terminal voltage between the orange/black and black/yellow lead terminals of the meter connector [A].

**Special Tool - Hand Tester: 57001-1394**

#### Terminal Voltage

**Standard: About 9 ~ 12 V**

- ★ If the terminal voltage is not within the specification, replace the meter assembly.
- ★ If the terminal voltage correct, 2nd step.

- Do the 2nd step test.
- Disconnect the ABS hydraulic unit connector.
- Check the terminal voltage between the orange/black and black/yellow lead terminals of the main harness side connector [A].

**Special Tool - Hand Tester: 57001-1394**

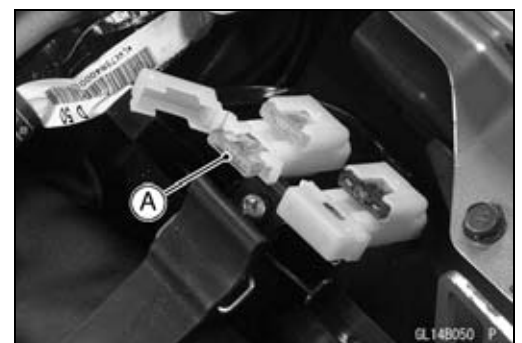
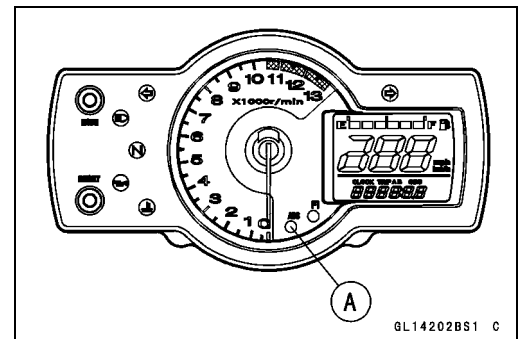
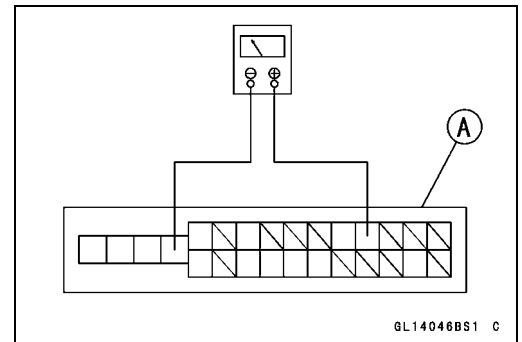
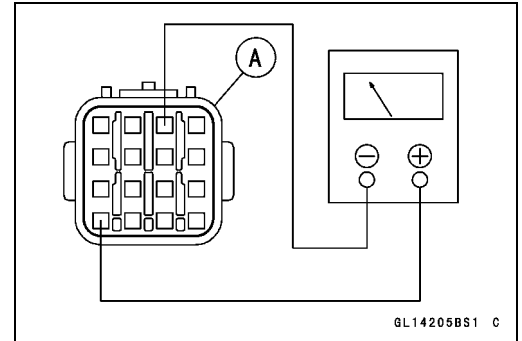
- ★ If the terminal voltage is about 9 ~ 12 V, replace the main harness.
- ★ If the terminal voltage is 0 V, replace the ABS hydraulic unit.

### Solenoid Valve Inspection (Service Code 13,14,17,18)

- Do the 1st step test.
- Recheck the service code indication; erase the service code, perform the pre-diagnosis inspection 1 and 2, and retrieve the service code.
- ★ If the ABS indicator light (LED) [A] lit, faulty solenoid valve in the ABS hydraulic unit. Replace the ABS hydraulic unit.
- ★ If the ABS indicator light (LED) [A] unlit, ABS system is normal (service code is not stored; temporary failure.).

### ABS Solenoid Valve Relay Inspection (Service Code 19)

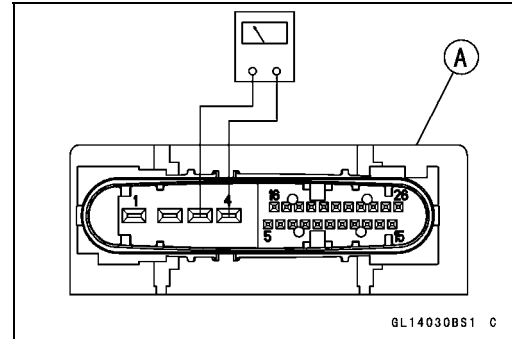
- Do the 1st step test.
- Check the ABS solenoid valve relay fuse [A].
- ★ If the fuse blown, 2nd step.
- ★ If the fuse correct, 4th step.



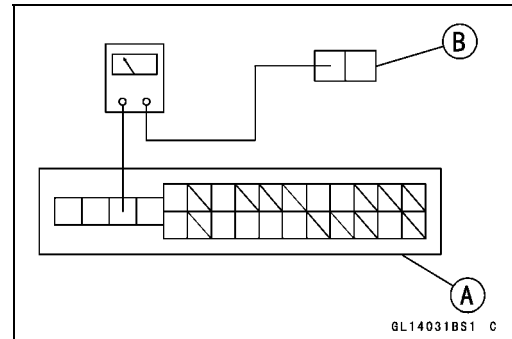
## 12-48 BRAKES

### Anti-Lock Brake System (Equipped Models)

- Do the 2nd step test.
- Disconnect the ABS hydraulic unit connector [A].
- Check for continuity between the white/red and black/yellow lead terminals of the ABS hydraulic unit connector.
- ★ If there is the continuity in the lead, replace the ABS hydraulic unit.
- ★ If there is not the continuity in the lead, 3rd step.



- Do the 3rd step test.
- Check for continuity between the white/red lead terminal of the main harness side connector [A] and white/red lead terminal of the fuse box [B].
- ★ If there is the continuity in the lead, replace the fuse.
- ★ If there is not the continuity in the lead, replace or repair the main harness.



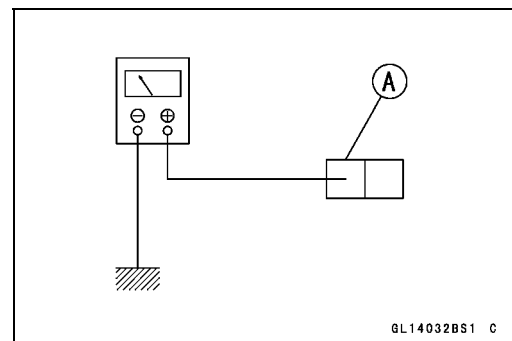
- Do the 4th step test.
- Check the battery terminal voltage between the white/red lead terminal of the fuse box [A] and ground.

**Special Tool - Hand Tester: 57001-1394**

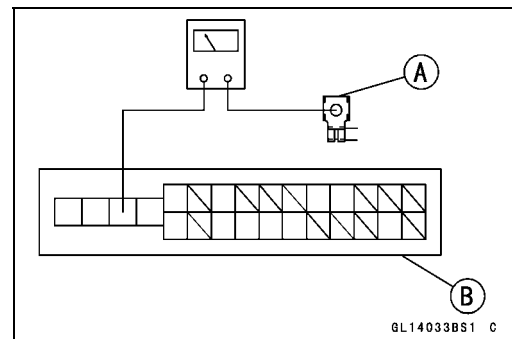
#### Battery Terminal Voltage

**Standard: Battery Voltage**

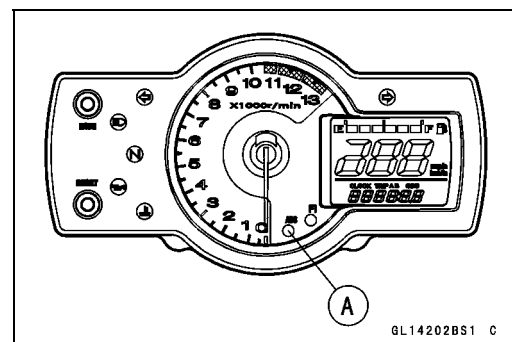
- ★ If the battery terminal voltage is not within the specification, 5th step.
- ★ If the battery terminal voltage correct, 6th step.



- Do the 5th step test.
- Check for continuity between the positive cable [A] of the battery and white/red lead terminal of the main harness side connector [B].
- ★ If there is the continuity in the lead, 4th step.
- ★ If there is not the continuity in the lead, replace or repair the main harness.



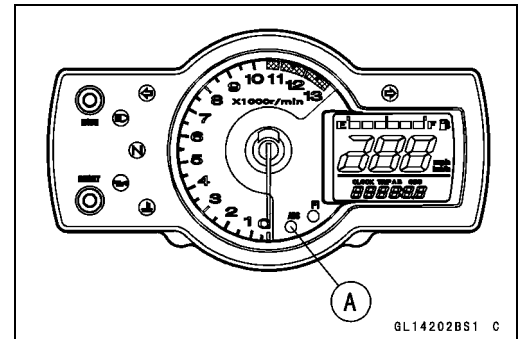
- Do the 6th step test.
- Recheck the service code indication; erase the service code, perform the pre-diagnosis inspection 1 and 2, and retrieve the service code.
- ★ If the ABS indicator light (LED) [A] lit, faulty ABS solenoid valve relay in the ABS hydraulic unit. Replace the ABS hydraulic unit.
- ★ If the ABS indicator light (LED) [A] unlit, ABS system is normal (service code is not stored; temporary failure.).



## Anti-Lock Brake System (Equipped Models)

### Front, Rear Wheel Rotation Difference Abnormal (Service Code 25)

- Do the 1st step test.
- Check the following and correct the faulty part.
  - Incorrect the tire pressure.
  - Tires not recommended for the motorcycle were installed (incorrect tire size).
  - Deformation of the wheel or tire.
  - Sensor rotor for missing teeth and clogging with foreign matter.
- ★ If the all parts correct, 2nd step.
- Do the 2nd step test.
- Recheck the service code indication; erase the service code, perform the pre-diagnosis inspection 1 and 2, and retrieve the service code.
- ★ If the ABS indicator light (LED) [A] lit, faulty ECU in the ABS hydraulic unit. Replace the ABS hydraulic unit.
- ★ If the ABS indicator light (LED) [A] unlit, ABS system is normal (service code is not stored; temporary failure.).

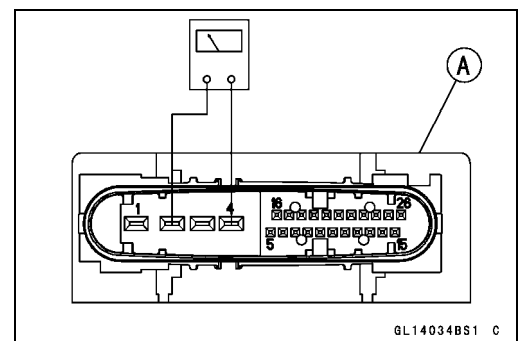


### ABS Pump Motor Relay Inspection (Service Code 35)

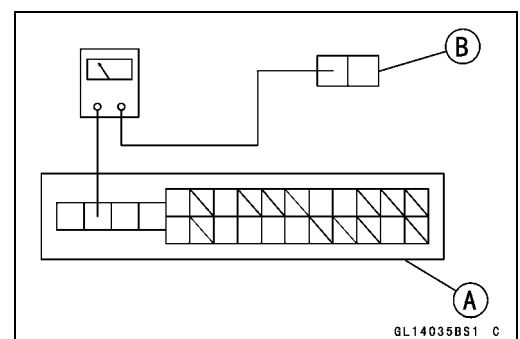
- Do the 1st step test.
- Check the ABS pump motor relay fuse [A].
- ★ If the fuse blown, 2nd step.
- ★ If the fuse correct, 4th step.



- Do the 2nd step test.
- Disconnect the ABS hydraulic unit connector.
- Check for continuity between the red/white and black/yellow lead terminals of the ABS hydraulic unit connector [A].
- ★ If there is the continuity in the lead, replace the ABS hydraulic unit.
- ★ If there is not the continuity in the lead, 3rd step.



- Do the 3rd step test.
- Check for continuity between the red/white lead terminal of the main harness side connector [A] and red/white lead terminal of the fuse box [B].
- ★ If there is the continuity in the lead, replace the fuse.
- ★ If there is not the continuity in the lead, replace or repair the main harness.



## 12-50 BRAKES

### Anti-Lock Brake System (Equipped Models)

- Do the 4th step test.
- Check the battery terminal voltage between the red/white lead terminal of the fuse box [A] and ground.

**Special Tool - Hand Tester: 57001-1394**

#### Battery Terminal Voltage

**Standard: Battery Voltage**

- ★ If the battery terminal voltage is not within the specification, 5th step.
- ★ If the battery terminal voltage correct, 6th step.

- Do the 5th step test.
- Check for continuity between the positive cable [A] of the battery and red/white lead terminal of the main harness side connector [B].
- ★ If there is the continuity in the lead, 4th step.
- ★ If there is not the continuity in the lead, replace or repair the main harness.

- Do the 6th step test.
- Recheck the service code indication; erase the service code, perform the pre-diagnosis inspection 1 and 2, and retrieve the service code.
- ★ If the ABS indicator light (LED) [A] lit, faulty ABS pump motor relay in the ABS hydraulic unit. Replace the ABS hydraulic unit.
- ★ If the ABS indicator light (LED) [A] unlit, ABS system is normal (service code is not stored; temporary failure.).

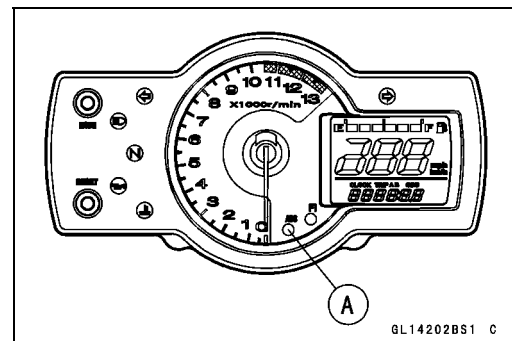
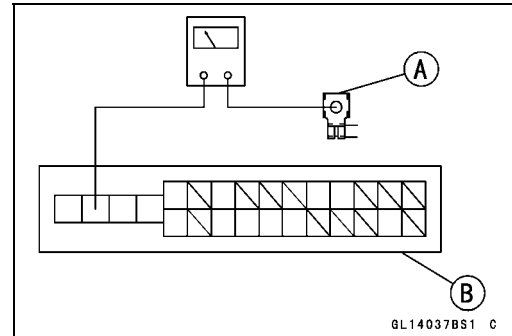
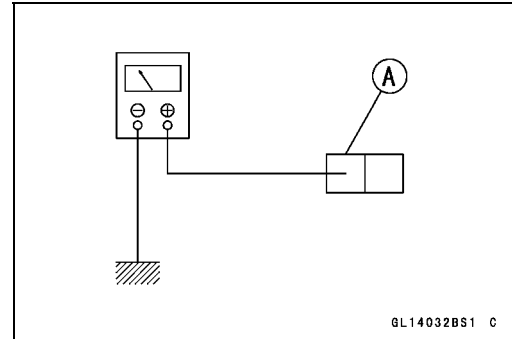
#### Front Wheel Rotation Sensor Signal Abnormal (Service Code 42)

- Do the 1st step test.
- Measure the air gap between the front wheel rotation sensor and sensor rotor.  
Thickness Gauge [A]

#### Air Gap

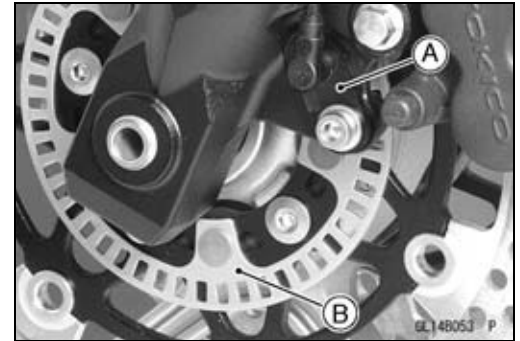
**Standard: 1 mm (0.04 in.)**

- ★ If the measurement is over standard, check each part for deformation and looseness and correct accordingly. Recheck the air gap.
- ★ If the measurement is correct, 2nd step.

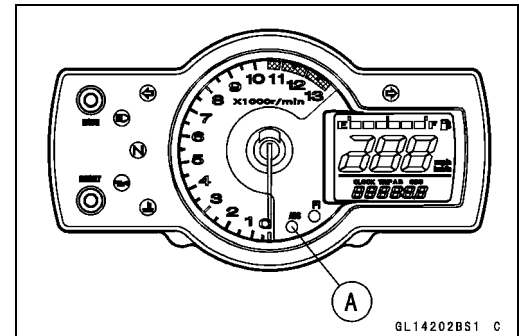


## Anti-Lock Brake System (Equipped Models)

- Do the 2nd step test.
- Check that there is iron or other magnetic deposits between the sensor [A] and sensor rotor [B], and the sensor rotor slots for obstructions.
- Check the installation condition of the sensor for looseness.
- Check the sensor and sensor rotor tip for deformation or damage (e.g., chipped sensor rotor teeth).
- ★ If the sensor and sensor rotor in bad condition, remove the any deposits. Install the properly or replace faulty part.
- ★ If the all correct, 3rd step.

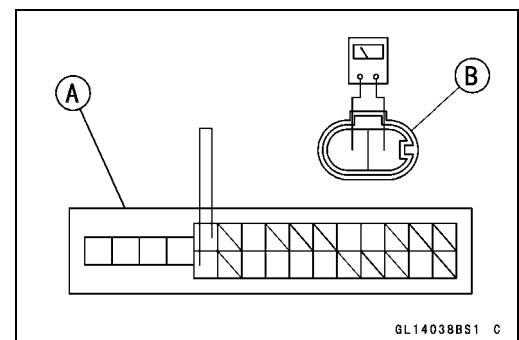


- Do the 3rd step test.
- Recheck the service code indication; erase the service code, perform the pre-diagnosis inspection 1 and 2, and retrieve the service code.
- ★ If the ABS indicator light (LED) [A] lit, faulty ECU in the ABS hydraulic unit. Replace the ABS hydraulic unit.
- ★ If the ABS indicator light (LED) [A] unlit, ABS system is normal (service code is not stored; temporary failure.).

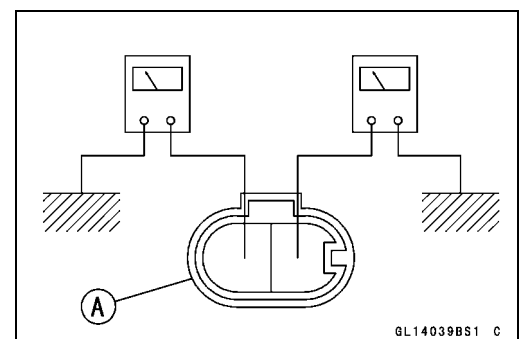


### Front Wheel Rotation Sensor Wiring Inspection (Service Code 43)

- Do the 1st step test.
- Disconnect the ABS hydraulic connector and front wheel rotation sensor connector.
- Short the white and black lead terminals of the main harness side connector [A] with a jumper lead, and check for continuity between the white and black lead terminals of the main harness side connector [B].
- ★ If there is the continuity in the lead, 2nd step.
- ★ If there is not the continuity in the lead, replace or repair the main harness.



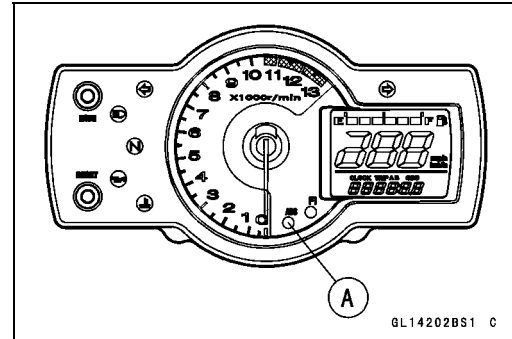
- Do the 2nd step test.
- Check for continuity between the white lead terminal of the sensor connector [A] and ground, and black lead terminal of the sensor connector and ground.
- ★ If there is the continuity in the lead, replace the front wheel rotation sensor.
- ★ If there is not the continuity in the lead, 3rd step.



## 12-52 BRAKES

### Anti-Lock Brake System (Equipped Models)

- Do the 3rd step test.
- Recheck the service code indication; erase the service code, perform the pre-diagnosis inspection 1 and 2, and retrieve the service code.
- ★ If the ABS indicator light (LED) [A] lit, faulty ECU in the ABS hydraulic unit. Replace the ABS hydraulic unit.
- ★ If the ABS indicator light (LED) [A] unlit, ABS system is normal (service code is not stored; temporary failure.).



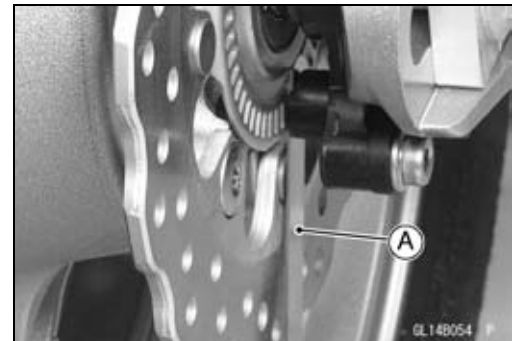
### Rear Wheel Rotation Sensor Signal Abnormal (Service Code 44)

- Do the 1st step test.
- Measure the air gap between the rear wheel rotation sensor and sensor rotor. Thickness Gauge [A]

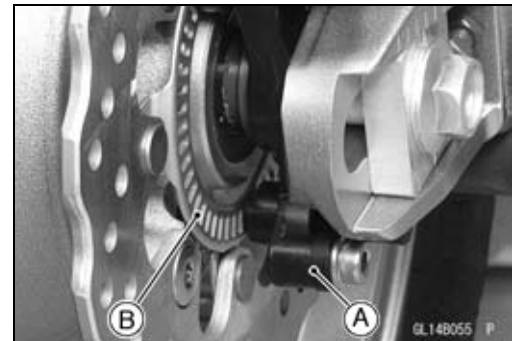
#### Air Gap

Standard: 1 mm (0.04 in.)

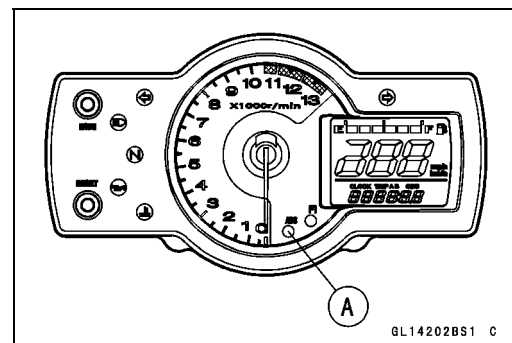
- ★ If the measurement is over standard, check each part for deformation and looseness and correct accordingly. Recheck the air gap.
- ★ If the measurement is correct, 2nd step.



- Do the 2nd step test.
- Check that there is iron or other magnetic deposits between the sensor [A] and sensor rotor [B], and the sensor rotor slots for obstructions.
- Check the installation condition of the sensor for looseness.
- Check the sensor and sensor rotor tip for deformation or damage (e.g., chipped sensor rotor teeth).
- ★ If the sensor and sensor rotor in bad condition, remove the any deposits. Install the properly or replace faulty part.
- ★ If the all correct, 3rd step.



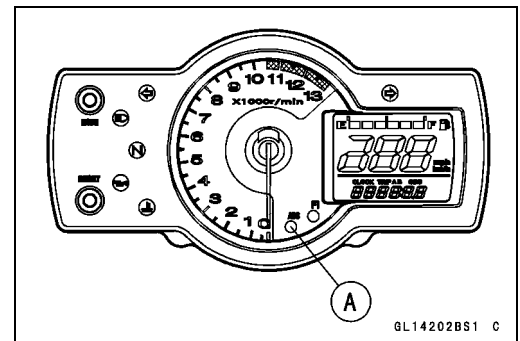
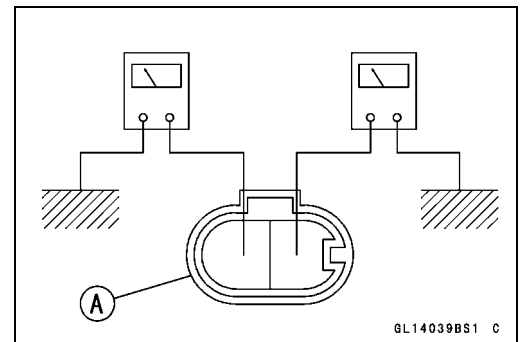
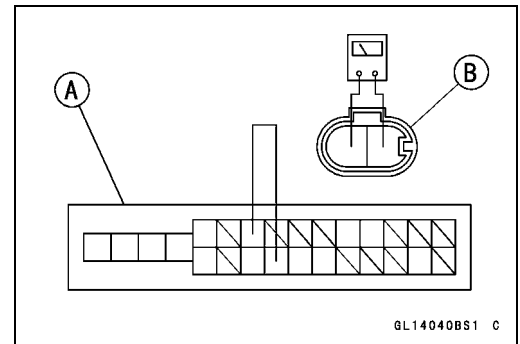
- Do the 3rd step test.
- Recheck the service code indication; erase the service code, perform the pre-diagnosis inspection 1 and 2, and retrieve the service code.
- ★ If the ABS indicator light (LED) [A] lit, faulty ECU in the ABS hydraulic unit. Replace the ABS hydraulic unit.
- ★ If the ABS indicator light (LED) [A] unlit, ABS system is normal (service code is not stored; temporary failure.).



## Anti-Lock Brake System (Equipped Models)

### Rear Wheel Rotation Sensor Wiring Inspection (Service Code 45)

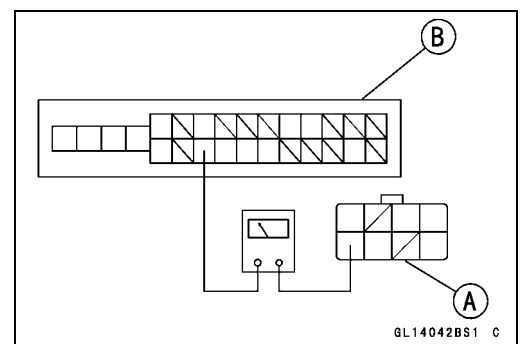
- Do the 1st step test.
  - Disconnect the ABS hydraulic unit connector and rear wheel rotation sensor connector.
  - Short the red and green lead terminals of the main harness side connector [A] with a jumper lead, and check for continuity between the red and green lead terminals of the main harness side connector [B].
  - ★ If there is the continuity in the lead, 2nd step.
  - ★ If there is not the continuity in the lead, replace or repair the main harness.
- Do the 2nd step test.
  - Check for continuity between the white lead terminal of the sensor connector [A] and ground, and black lead terminal of the sensor connector and ground.
  - ★ If there is the continuity in the lead, replace the rear wheel rotation sensor.
  - ★ If there is not the continuity in the lead, 3rd step.



- Do the 3rd step test.
  - Recheck the service code indication; erase the service code, perform the pre-diagnosis inspection 1 and 2, and retrieve the service code.
  - ★ If the ABS indicator light (LED) [A] lit, faulty ECU in the ABS hydraulic unit. Replace the ABS hydraulic unit.
  - ★ If the ABS indicator light (LED) [A] unlit, ABS system is normal (service code is not stored; temporary failure.).

### Power Supply Voltage Abnormal (Under-Voltage) (Service Code 52)

- Do the 1st step test.
  - Disconnect the ABS Kawasaki self-diagnosis system connector and ABS hydraulic unit connector.
  - Check for continuity between the brown lead terminal of the main harness side connector [A] and brown lead terminal of the main harness side [B].
  - ★ If there is the continuity in the lead, 2nd step.
  - ★ If there is not the continuity in the lead, replace or repair the main harness.



## 12-54 BRAKES

### Anti-Lock Brake System (Equipped Models)

- Do the 2nd step test.
- Connect the ABS Kawasaki self-diagnosis system connector and ABS hydraulic unit connector.
- Check the battery terminal voltage, connect the hand tester to the brown terminal of ABS Kawasaki self-diagnosis system connector [A] and ground.

**Special Tool - Hand Tester: 57001-1394**

- Turn the ignition switch ON.

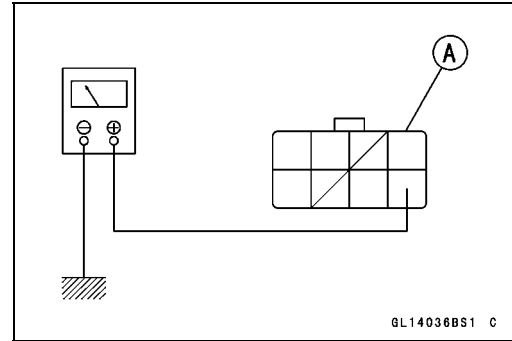
**Battery Terminal Voltage**

**Standard: 9.6 V or more**

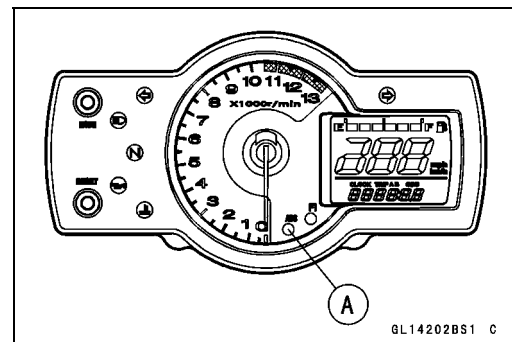
- ★ If the battery terminal voltage is not within the specification, 3rd step.
- ★ If the battery terminal voltage correct, 4th step.

- Do the 3rd step test.
- Charge or replace the battery.

- Do the 4th step test.
- Recheck the service code indication; erase the service code, perform the pre-diagnosis inspection 1 and 2, and retrieve the service code.
- ★ If the ABS indicator light (LED) [A] lit, faulty ECU in the ABS hydraulic unit. Replace the ABS hydraulic unit.
- ★ If the ABS indicator light (LED) [A] unlit, ABS system is normal (service code is not stored; temporary failure.).



GL14036BS1 C



GL14202BS1 C

### Power Supply Voltage Abnormal (Over-Voltage) (Service Code 53)

- Do the 1st step test.
- Disconnect the ABS Kawasaki self-diagnosis connector and ABS hydraulic unit connector.
- Check for continuity between the brown lead terminal of the main harness side connector [A] and brown lead terminal of the main harness side [B].

- ★ If there is the continuity in the lead, 2nd step.
- ★ If there is not the continuity in the lead, replace or repair the main harness.

- Do the 2nd step test.
- Connect the ABS Kawasaki self-diagnosis system connector and ABS hydraulic unit connector.
- Check the battery terminal voltage, connect the hand tester to the brown terminal of ABS Kawasaki self-diagnosis system connector [A] and ground.

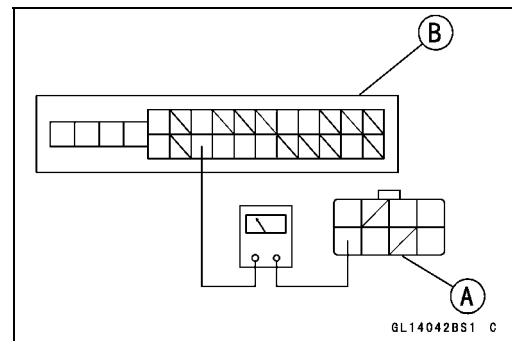
**Special Tool - Hand Tester: 57001-1394**

- Turn the ignition switch ON.

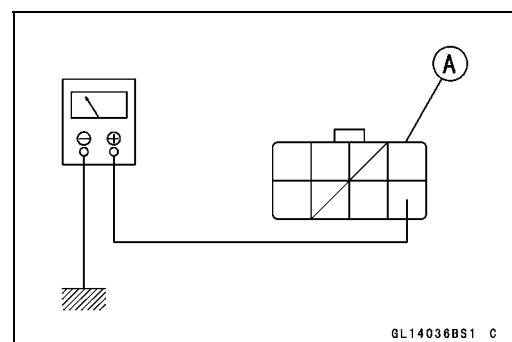
**Battery Terminal Voltage**

**Standard: 16.6 V or less**

- ★ If the battery terminal voltage is not within the specification, 3rd step.
- ★ If the battery terminal voltage correct, 4th step.



GL14042BS1 C

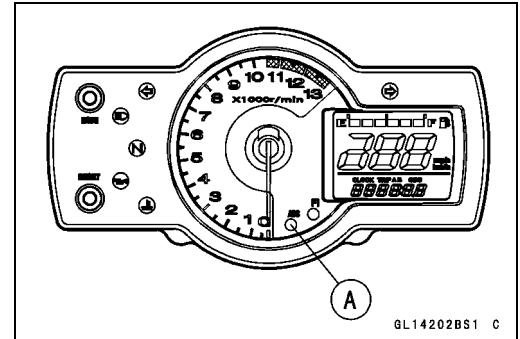


GL14036BS1 C



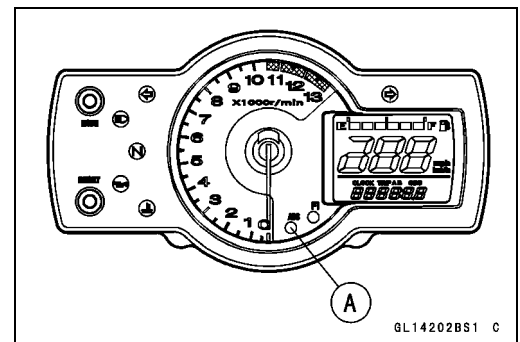
## Anti-Lock Brake System (Equipped Models)

- Do the 3rd step test.
- Check the battery condition and regulator/rectifier (see Charging Condition Inspection, Regulator/Rectifier Inspection in the Electrical System chapter).
- Do the 4th step test.
- Recheck the service code indication; erase the service code, perform the pre-diagnosis inspection 1 and 2, and retrieve the service code.
- ★ If the ABS indicator light (LED) [A] lit, faulty ECU in the ABS hydraulic unit. Replace the ABS hydraulic unit.
- ★ If the ABS indicator light (LED) [A] unlit, ABS system is normal (service code is not stored; temporary failure.).



### ECU Inspection (Service Code 55)

- Do the 1st step test.
- Recheck the service code indication; erase the service code, perform the pre-diagnosis inspection 1 and 2, and retrieve the service code.
- ★ If the ABS indicator light (LED) [A] lit, faulty ECU in the ABS hydraulic unit. Replace the ABS hydraulic unit.
- ★ If the ABS indicator light (LED) [A] unlit, ABS system is normal (service code is not stored; temporary failure.).



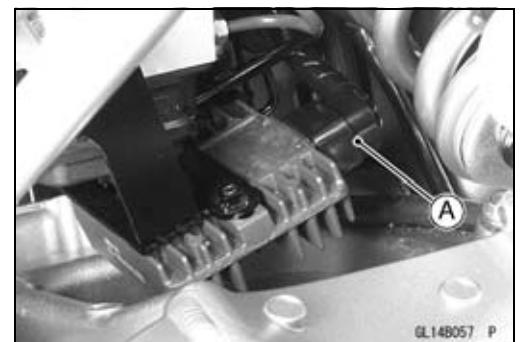
### ABS Hydraulic Unit Removal

#### CAUTION

The ABS hydraulic unit [A] has been adjusted and set with precision at the factory. Therefore, it should be handled carefully, never struck sharply, as with a hammer, or allowed to fall on a hard surface.

Be careful not to get water or mud on the ABS hydraulic unit.

- Drain the brake fluid from the front and rear brake lines.
- Drain the brake fluid through the bleed valve by pumping the brake lever and pedal.
- Remove the rear fender front (see Rear Fender Front Removal in the Frame chapter).
- Disconnect the regulator/rectifier connector [A].



## 12-56 BRAKES

### Anti-Lock Brake System (Equipped Models)

- Clean the ABS hydraulic unit [A].

#### CAUTION

Clean all fittings on the ABS hydraulic unit and the rear master cylinder because dirt around the banjo bolts could contaminate the brake fluid in the line during removal/installation. Spread out a shop towel [B] around the ABS hydraulic unit before removing the brake line so that brake fluid does not leak on the parts.

- Remove the brake pipe joint nuts [C] [D] [E] [F].
- Tape the brake line opening to prevent brake fluid leakage or contamination by foreign matter.

#### CAUTION

Brake fluid quickly ruins painted plastic surfacesany spilled fluid should be completely washed away immediately.

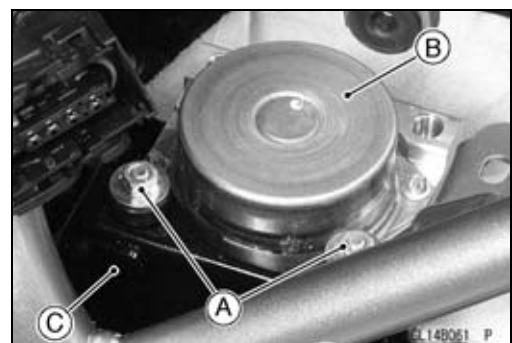
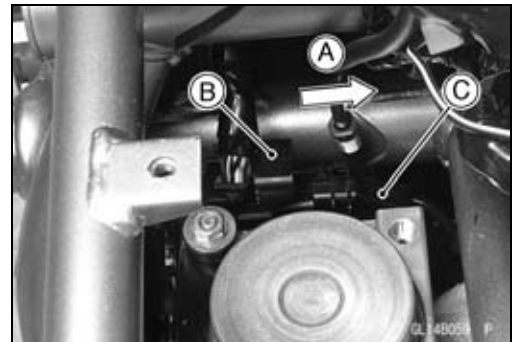
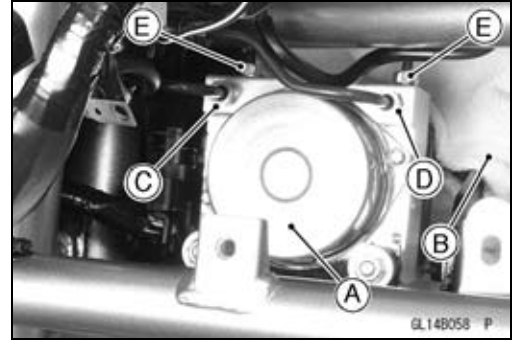
- Pull [A] the lever [B] and disconnect the connector [C].

- Remove the bolts [A].

- Loosen the nuts [A] and remove the ABS hydraulic unit [B] from the bracket [C].

#### CAUTION

The ABS hydraulic unit has been adjusted and set with precision at the factory. Do not try to disassemble and repair the ABS hydraulic unit.



## Anti-Lock Brake System (Equipped Models)

### ABS Hydraulic Unit Installation

- Install the ABS hydraulic unit to the bracket.

#### CAUTION

**Brake fluid quickly ruins painted plastic surfaces; any spilled fluid should be completely washed away immediately.**

- Route the lead correctly, and join connector [A] securely.
- Pull [B] the lever [C] as shown.
- Route the brake pipes correctly (see Cable, Wire, and Hose Routing section in the Appendix chapter).
- Tighten the joint nuts.

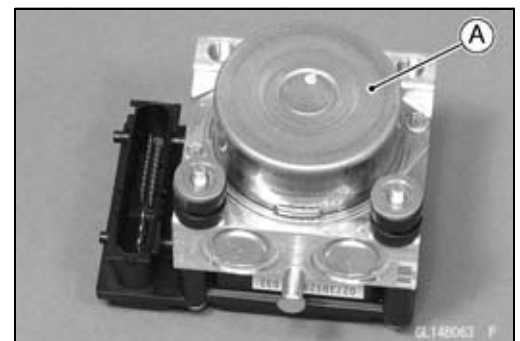
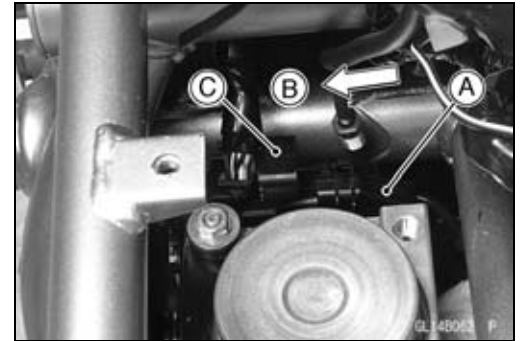
**Torque - Brake Pipe Joint Nuts: 18 N·m (1.8 kgf·m, 13 ft·lb)**

- Install the removed parts (see appropriate chapters).

### ABS Hydraulic Unit Inspection

- Remove the ABS hydraulic unit [A] (see ABS Hydraulic Unit Removal).
- Visually inspect the ABS hydraulic unit.
- ★ Replace the ABS hydraulic unit if any of them are cracked, or otherwise damaged.

- Visually inspect the connector terminals [A].
- ★ Replace the ABS hydraulic unit or main harness if either of the terminals are cracked, bent, or otherwise damaged.
- ★ If the ABS hydraulic unit connector is clogged with mud or dust, blow it off with compressed air.



### Front Wheel Rotation Sensor Removal

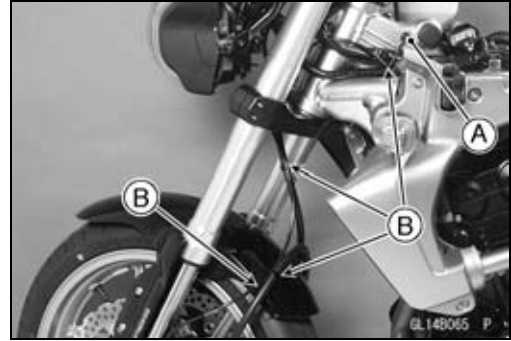
#### CAUTION

**The wheel rotation sensor should be handled carefully, never struck sharply, as with a hammer, or allowed to fall on a hard surface since the wheel rotation sensor is precision made. Be careful not to get water or mud on the wheel rotation sensor. Do not try to disassemble or repair the wheel rotation sensor.**

## 12-58 BRAKES

### Anti-Lock Brake System (Equipped Models)

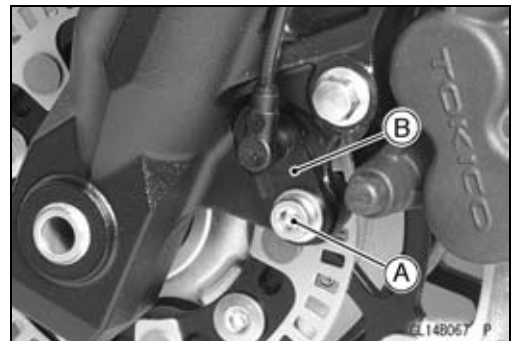
- Remove:
  - Fuel Tank (see Fuel Tank Removal in the Fuel System (DFI) chapter)
  - Bolt [A]
  - Clamps [B]



- Disconnect the connector [A].



- Remove:
  - Bolt [A]
  - Front Wheel Rotation Sensor [B]



#### **Front Wheel Rotation Sensor Installation**

- Installation is the reverse of removal.
- Route the lead correctly (see Cable, Wire, and Hose Routing section in the Appendix chapter).

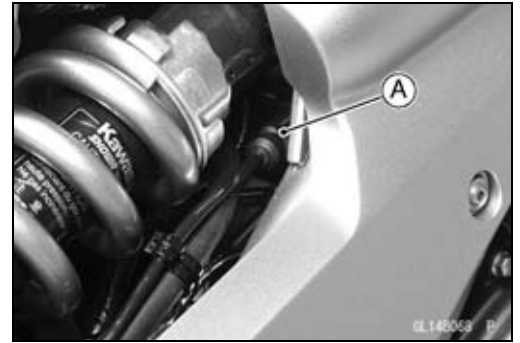
#### **Rear Wheel Rotation Sensor Removal**

##### **CAUTION**

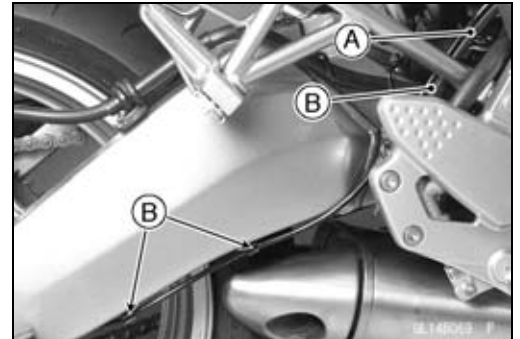
The wheel rotation sensor should be handled carefully, never struck sharply, as with a hammer, or allowed to fall on a hard surface since the wheel rotation sensor is precision made. Be careful not to get water or mud on the wheel rotation sensor. Do not try to disassemble or repair the wheel rotation sensor.

## Anti-Lock Brake System (Equipped Models)

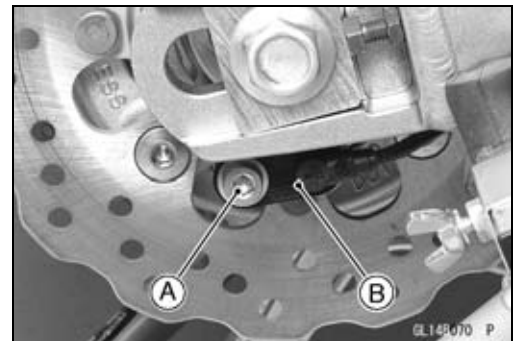
- Remove:
  - Fuel Tank (see Fuel Tank Removal in the Fuel System (DFI) chapter)
  - Air Cleaner Housing (see Air Cleaner Housing Removal in the Fuel System (DFI) chapter)
- Disconnect the connector [A].



- Open the band [A].
- Free the sensor lead from the clamps [B].



- Remove:
  - Bolt [A]
  - Rear Wheel Rotation Sensor [B]



### **Rear Wheel Rotation Sensor Installation**

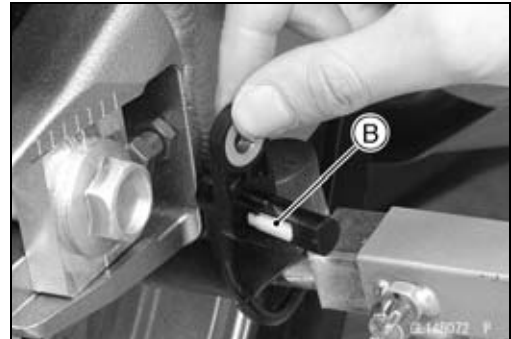
- Installation is the reverse of removal.
- Route the lead correctly (see Cable, Wire, and Hose Routing section in the Appendix chapter).

## 12-60 BRAKES

### Anti-Lock Brake System (Equipped Models)

#### Wheel Rotation Sensor Inspection

- Remove the front wheel rotation sensor [A] from the front fork.
- Remove the rear wheel rotation sensor [B] from the caliper bracket.
- Visually inspect the wheel rotation sensors.
- ★ Replace the wheel rotation sensor if it is cracked, bent, or otherwise damaged.



#### Wheel Rotation Sensor Air Gap Inspection

- Raise the front/rear wheel off the ground (see Front/Rear Wheel Removal in the Wheels/Tires chapter).
- Measure the air gap between the sensor and sensor rotor at several points by turning the wheel slowly.  
Thickness Gauge [A]

##### Air Gap

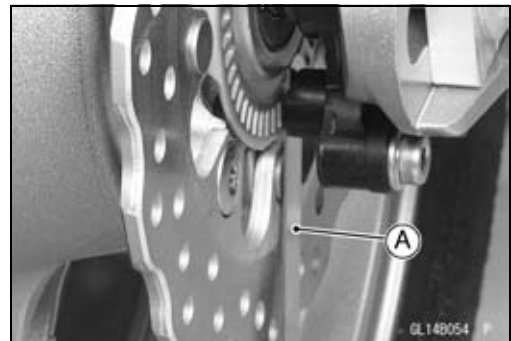
##### Standard:

Front	1 mm (0.04 in.)
Rear	1 mm (0.04 in.)

#### NOTE

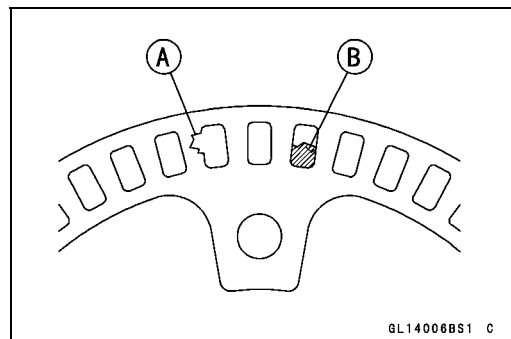
○ The sensor air gap cannot be adjusted.

- ★ If the air gap is not within the specification, inspect the hub bearing (see Hub Bearing Inspection in the Wheels/Tires chapter), sensor installation condition and sensor (see Wheel Rotation Sensor Inspection).



#### Wheel Rotation Sensor Rotor Inspection

- Remove the front/rear brake discs (see Brake Disc Removal).
- Visually inspect the wheel rotation sensor rotor.
- ★ If the rotor is deformed or damaged (chipped teeth [A]), replace the sensor rotor with the brake disc.
- ★ If there is iron or other magnetic deposits [B], remove the deposits.



#### Brake Hose and Pipe Removal/Installation

- Refer to the Brake Hose and Pipe Replacement in the Periodic Maintenance chapter.

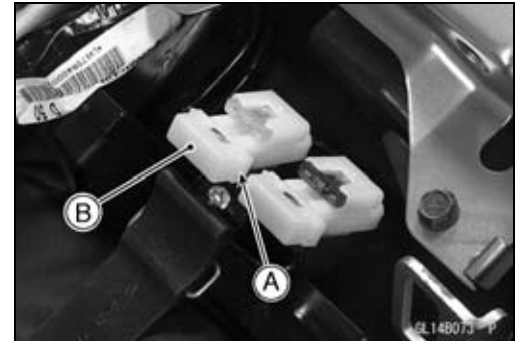
## Anti-Lock Brake System (Equipped Models)

### **Brake Hose and Pipe Inspection**

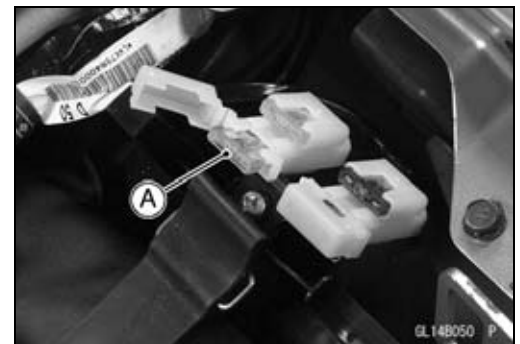
- Refer to the Brake Hose and Pipe Damage and Installation Condition Inspection in the Periodic Maintenance chapter.

### **25 A ABS Solenoid Valve Relay Fuse Removal**

- Remove the seat (see Seat Removal in the Frame chapter).
- Unlock the hook [A] to lift up the lid [B].

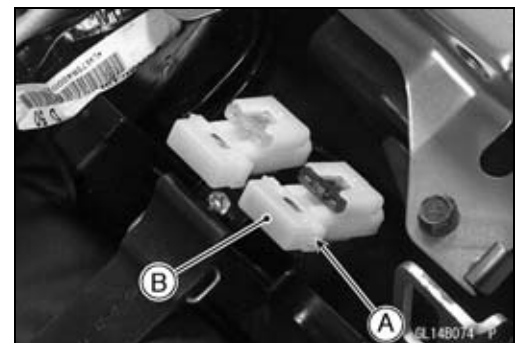


- Pull out the relay fuse [A] from the fuse box with needle nose pliers.



### **30 A ABS Pump Motor Relay Fuse Removal**

- Remove the seat (see Seat Removal in the Frame chapter).
- Unlock the hook [A] to lift up the lid [B].



- Pull out the relay fuse [A] from the fuse box with needle nose pliers.



### **Fuse Installation**

- If a fuse fails during operation, inspect the electrical system to determine the cause, and then replace it with a new fuse of proper amperage.

## 12-62 BRAKES

### Anti-Lock Brake System (Equipped Models)

#### **Fuse Inspection**

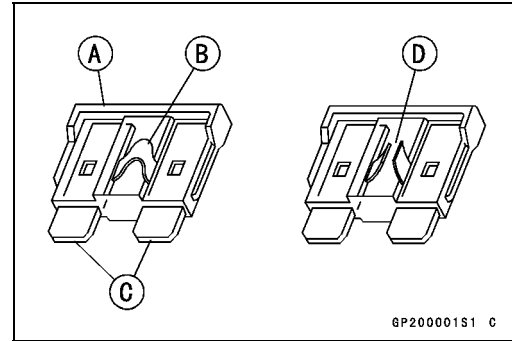
- Remove the fuse (see 25 A ABS Solenoid Valve Relay/30 A ABS Motor Relay Fuse Removal).
- Inspect the fuse element.
- ★ If it is blown out, replace the fuse. Before replacing a blown fuse, always check the amperage in the affected circuit. If the amperage is equal to or greater than the fuse rating, check the wiring and related components for a short circuit.

Housing [A]

Fuse Element [B]

Terminals [C]

Blown Element [D]



#### **CAUTION**

**When replacing a fuse, be sure the new fuse matches the specified fuse rating for that circuit. Installation of a fuse with a higher rating may cause damage to wiring and components.**



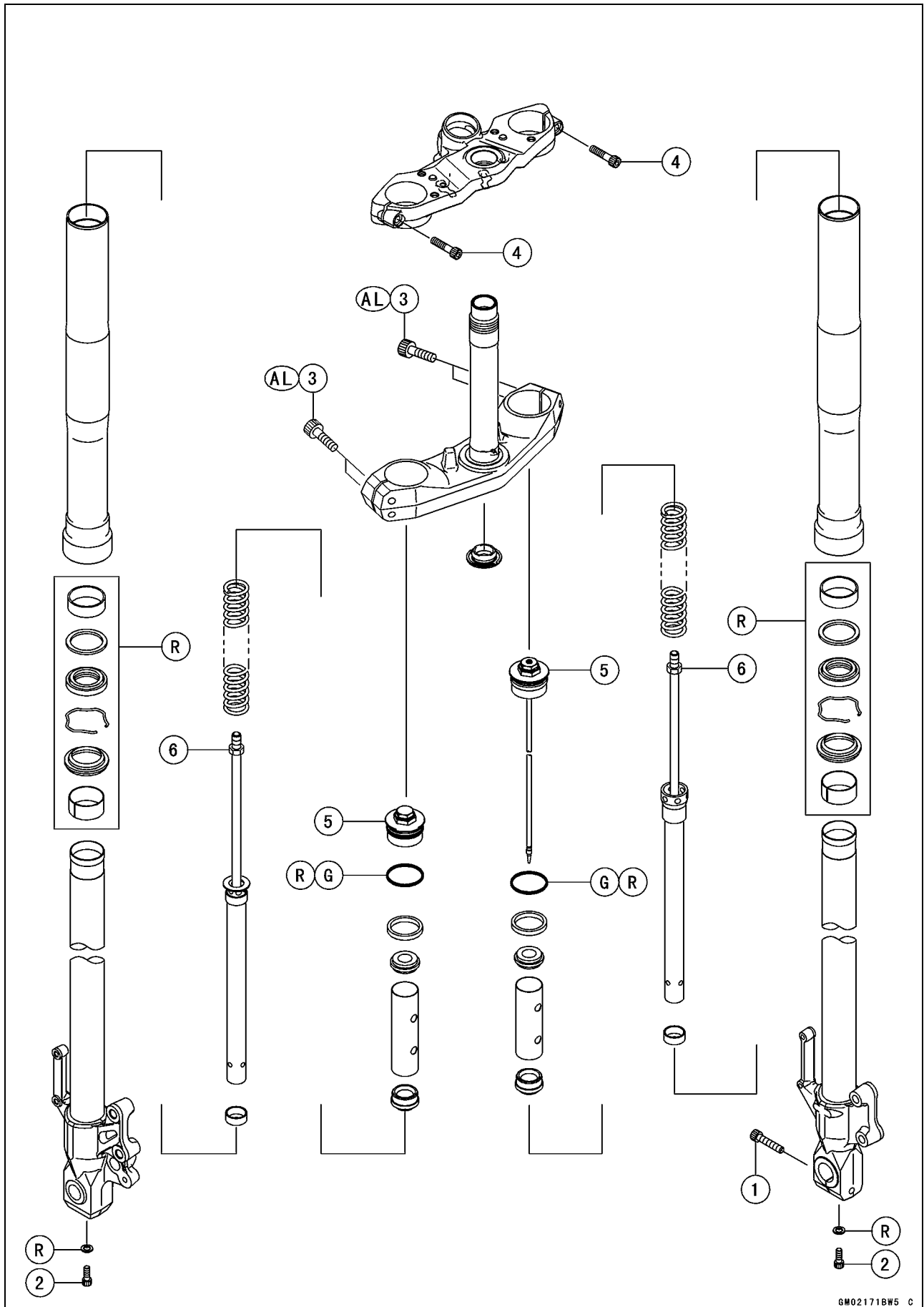
# Suspension

## Table of Contents

Exploded View .....	13-2
Specifications .....	13-6
Special Tools .....	13-7
Front Fork .....	13-9
Rebound Damping Force Adjustment (Only Right Fork Leg) .....	13-9
Spring Preload Adjustment .....	13-9
Front Fork Removal (Each Fork Leg) .....	13-10
Front Fork Installation .....	13-10
Fork Oil Change .....	13-11
Front Fork Disassembly .....	13-15
Front Fork Assembly .....	13-16
Inner Tube, Outer Tube Inspection .....	13-17
Dust Seal Inspection .....	13-18
Spring Tension Inspection .....	13-18
Rear Shock Absorber .....	13-19
Rebound Damping Force Adjustment .....	13-19
Spring Preload Adjustment .....	13-19
Rear Shock Absorber Removal .....	13-20
Rear Shock Absorber Installation .....	13-20
Rear Shock Absorber Inspection .....	13-21
Swingarm .....	13-22
Swingarm Removal .....	13-22
Swingarm Installation .....	13-22
Swingarm Bearing Removal .....	13-23
Swingarm Bearing Installation .....	13-23
Swingarm Bearing, Sleeve Inspection .....	13-24
Swingarm Bearing Lubrication .....	13-25
Chain Guide Inspection .....	13-25

# 13-2 SUSPENSION

## Exploded View



**Exploded View**

No.	Fastener	Torque			Remarks
		N·m	kgf·m	ft·lb	
1	Front Axle Clamp Bolt	20	2.0	15	
2	Front Fork Bottom Allen Bolts	20	2.0	15	
3	Front Fork Clamp Bolts (Lower)	29	3.0	21	AL
4	Front Fork Clamp Bolts (Upper)	20	2.0	15	
5	Front Fork Top Plugs	35	3.6	26	
6	Piston Rod Nuts	20	2.0	15	

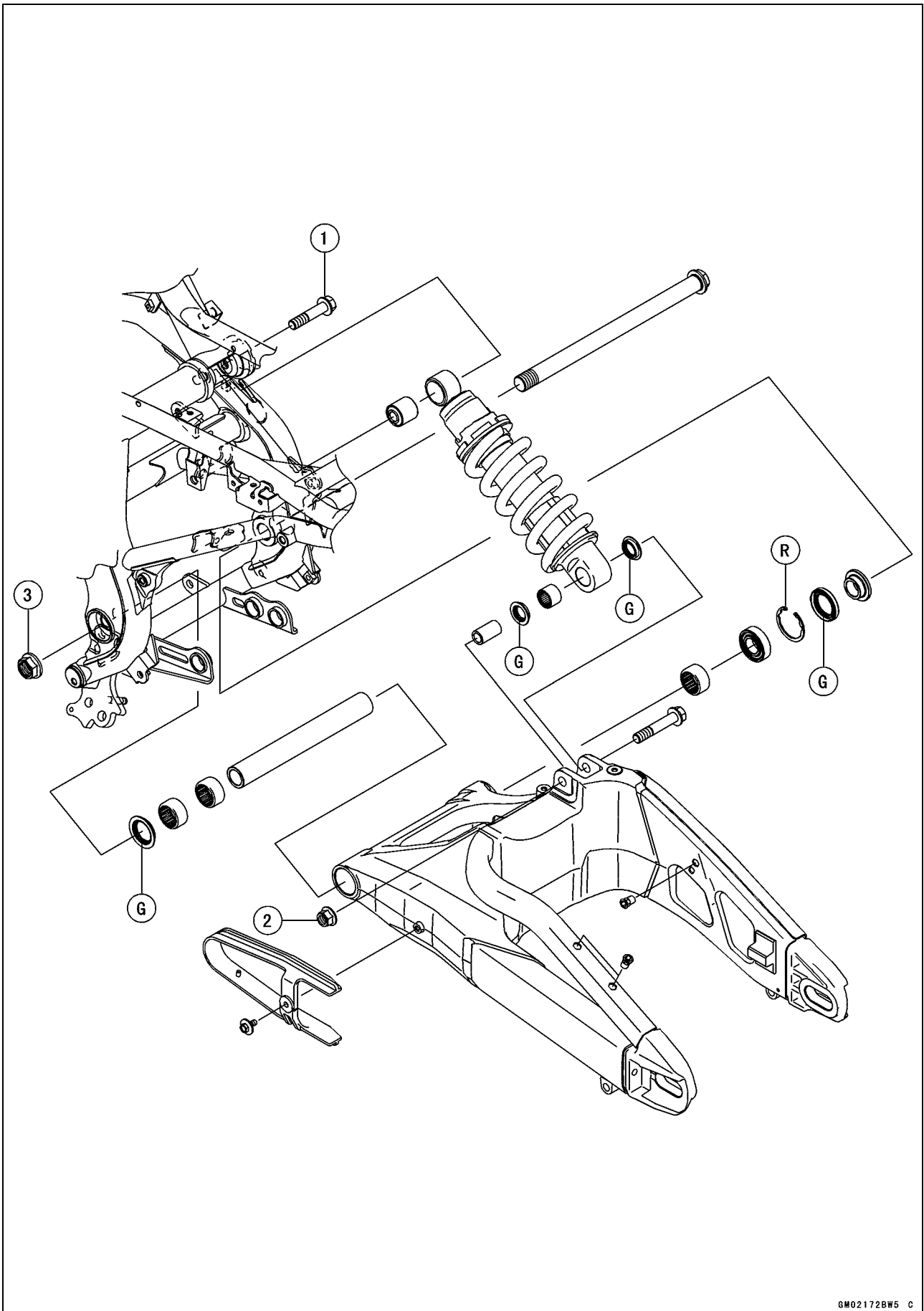
AL: Tighten the two clamp bolts alternately two times to ensure even tightening torque.

G: Apply grease.

R: Replacement Parts

# 13-4 SUSPENSION

## Exploded View



**Exploded View**

<b>No.</b>	<b>Fastener</b>	<b>Torque</b>			<b>Remarks</b>
		<b>N·m</b>	<b>kgf·m</b>	<b>ft·lb</b>	
1	Rear Shock Absorber Bolt (Upper)	59	6.0	44	
2	Rear Shock Absorber Nut (Lower)	59	6.0	44	
3	Swingarm Pivot Shaft Nut	108	11.0	80	

G: Apply grease.

R: Replacement Parts

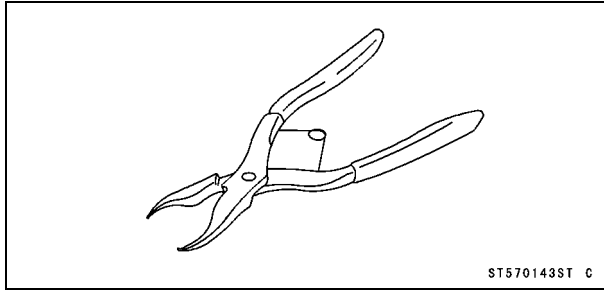
## 13-6 SUSPENSION

### Specifications

Item	Standard
<b>Front Fork (Per One Unit)</b>	
Fork Inner Tube Diameter	$\phi 41$ mm (1.6 in.)
Air Pressure	Atmospheric pressure (Non-adjustable)
Rebound Damper Setting (Only Right Fork Leg)	1 3/4 turns out from the fully clockwise position (Usable Range: 0 $\longleftrightarrow$ 3 turns out)
Fork Spring Preload Setting	7 turns out from the fully clockwise position (Usable Range: 0 $\longleftrightarrow$ 15 turns out)
Fork Oil:	
Viscosity	SHOWA SS-8 or equivalent SAE 10W
Amount:	
Right Fork Leg	Approx. 410 mL (13.9 US oz.) (when changing oil) 478 $\pm$ 2.5 mL (16.2 $\pm$ 0.084 US oz.) (after disassembly and completely dry)
Left Fork Leg	Approx. 415 mL (14.0 US oz.) (when changing oil) 487 $\pm$ 2.5 mL (16.5 $\pm$ 0.084 US oz.) (after disassembly and completely dry)
Fork Oil Level:	
Right Fork Leg	75 $\pm$ 2 mm (3.0 $\pm$ 0.08 in.) (fully compressed, without fork spring, below from the top of the outer tube)
Left Fork Leg	65 $\pm$ 2 mm (2.6 $\pm$ 0.08 in.) (fully compressed, without fork spring, below from the top of the outer tube)
Fork Spring Free Length	292.9 mm (11.53 in.) (Service limit 287 mm (11.3 in.))
<b>Rear Shock Absorber</b>	
Rebound Damper Set	5th click (while mark position) from the 1st click of the fully clockwise position (Usable Range: 0 $\longleftrightarrow$ 13 clicks)
Spring Preload Set	5th position (Adjustable Range: 1st ~ 7th position)
Gas Pressure	1 960 kPa (20 kgf/cm <sup>2</sup> , 284 psi, Non-adjustable)

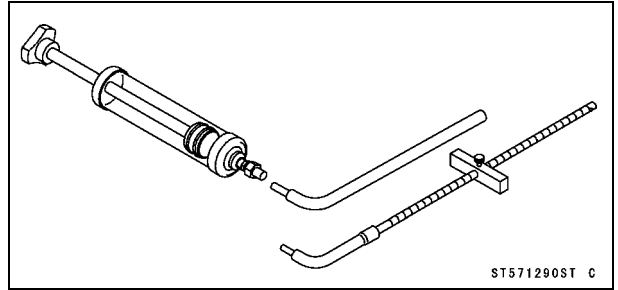
Special Tools

Inside Circlip Pliers:  
57001-143



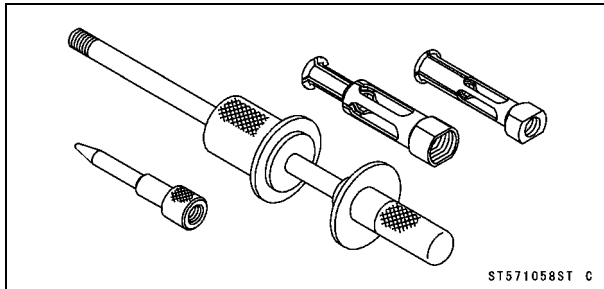
ST570143ST C

Fork Oil Level Gauge:  
57001-1290



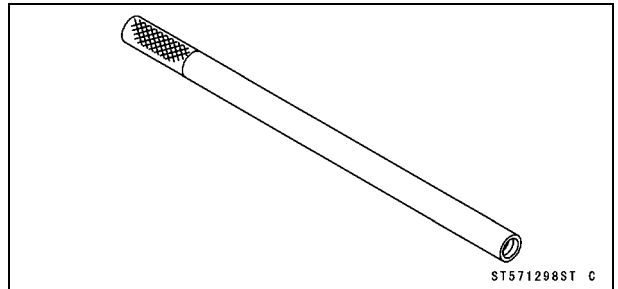
ST571290ST C

Oil Seal & Bearing Remover:  
57001-1058



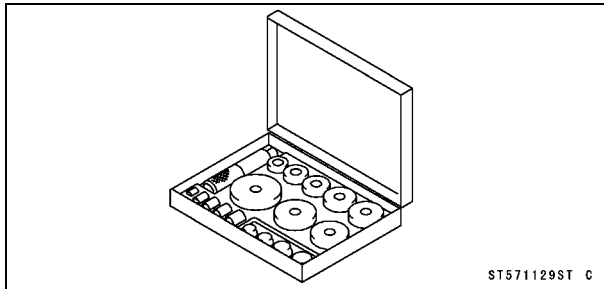
ST571058ST C

Fork Piston Rod Puller, M10 x 1.0:  
57001-1298



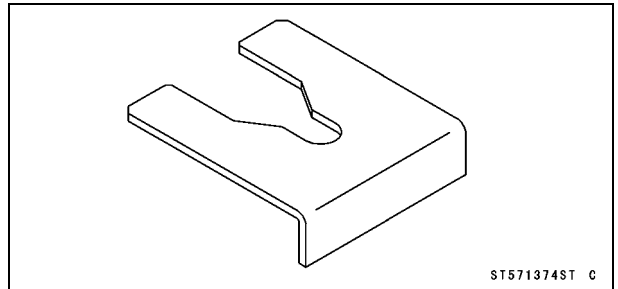
ST571298ST C

Bearing Driver Set:  
57001-1129



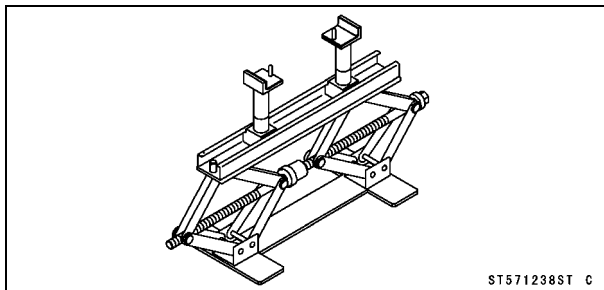
ST571129ST C

Fork Spring Stopper:  
57001-1374



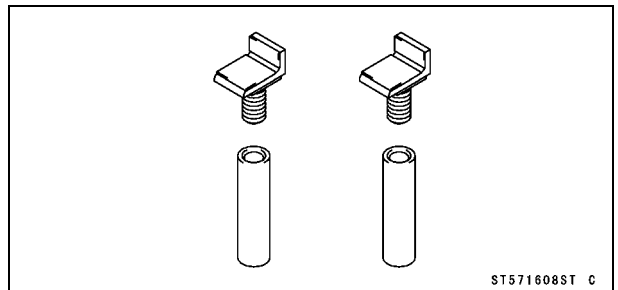
ST571374ST C

Jack:  
57001-1238



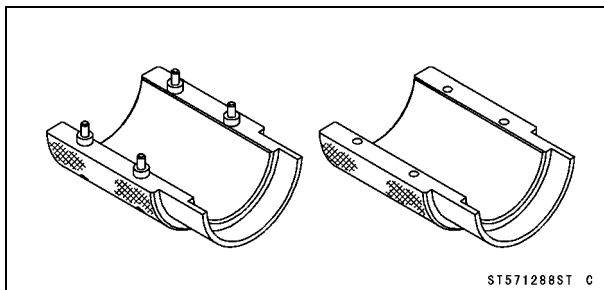
ST571238ST C

Jack Attachment:  
57001-1608



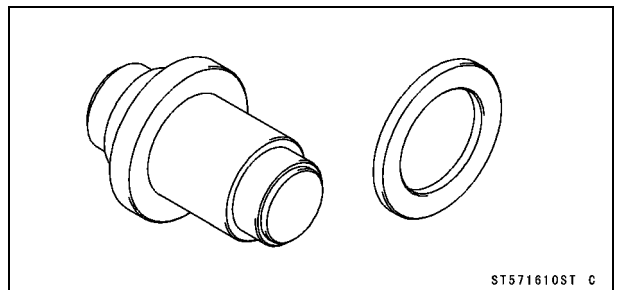
ST571608ST C

Fork Oil Seal Driver,  $\phi 41$ :  
57001-1288



ST571288ST C

Needle Bearing Driver,  $\phi 28$ :  
57001-1610

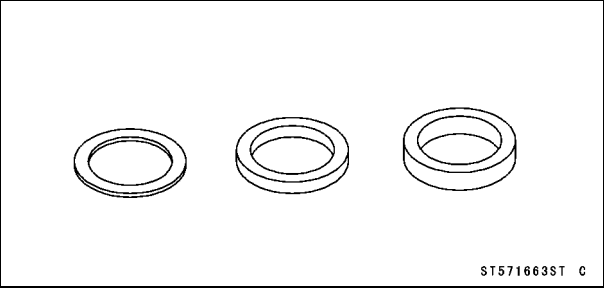


ST571610ST C

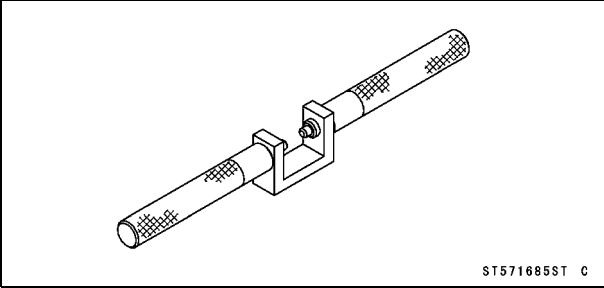
# 13-8 SUSPENSION

## Special Tools

Spacer,  $\phi 28$ :  
57001-1663



Fork Spring Compressor:  
57001-1685

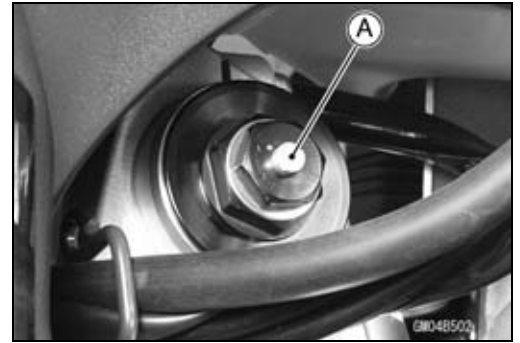




**Front Fork**

**Rebound Damping Force Adjustment (Only Right Fork Leg)**

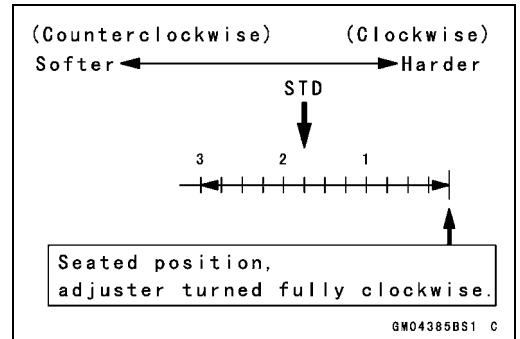
- To adjust the rebound damping force, turn the rebound damping adjuster [A] on top of the right front fork leg to the desired position.
- The standard adjuster setting for the average-build rider of 68 kg (150 lb) with no passenger and no accessories is **1 3/4 turns out** from the fully clockwise position.



- The damping force can be left soft for average riding. But it should be adjusted harder for high speed riding or riding with a passenger. If the damping feels too soft or too stiff, adjust it in accordance with the following table.

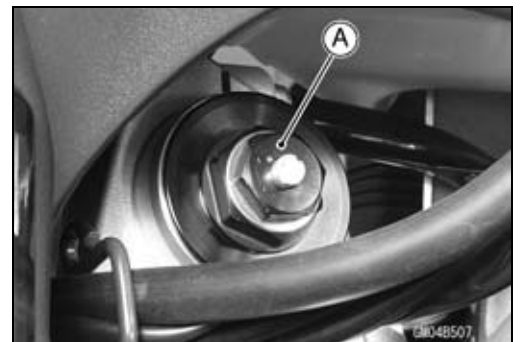
**Rebound Damping Force Adjustment**

Adjuster Position	Damping Force	Setting	Load	Road	Speed
3	Weak	Soft	Light	Good	Low
↑	↑	↑	↑	↑	↑
↓	↓	↓	↓	↓	↓
0	Strong	Hard	Heavy	Bad	High



**Spring Preload Adjustment**

- Turn the spring preload adjuster [A] to change spring preload setting.
- The standard adjuster setting for the average-build rider of 68 kg (150 lb) with no passenger and no accessories is **7 turns out** from the fully clockwise position.



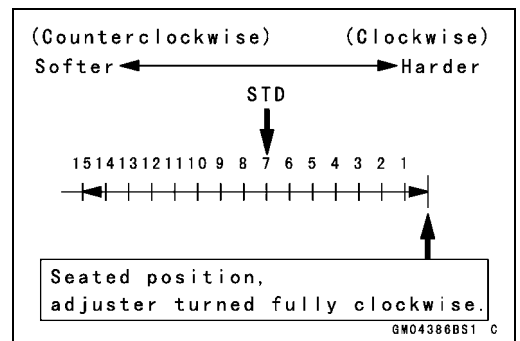
**⚠ WARNING**

**If both adjusters are not adjusted equally, handling may be impaired and a hazardous condition may result.**

- The spring preload can be left soft for average riding. But it should be adjusted harder for high speed riding or riding with a passenger. If the spring action feels too soft or too stiff, adjust it in accordance with the following table.

**Spring Action**

Adjuster Position	Damping Force	Setting	Load	Road	Speed
15	Weak	Soft	Light	Good	Low
↑	↑	↑	↑	↑	↑
↓	↓	↓	↓	↓	↓
0	Strong	Hard	Heavy	Bad	High



## 13-10 SUSPENSION

### Front Fork

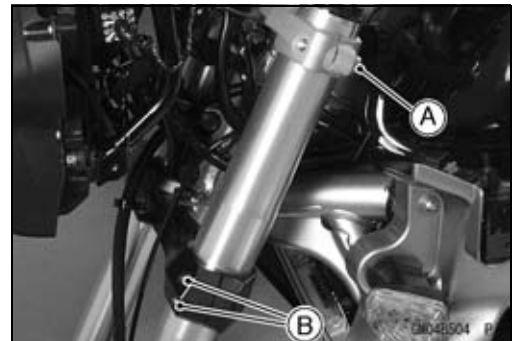
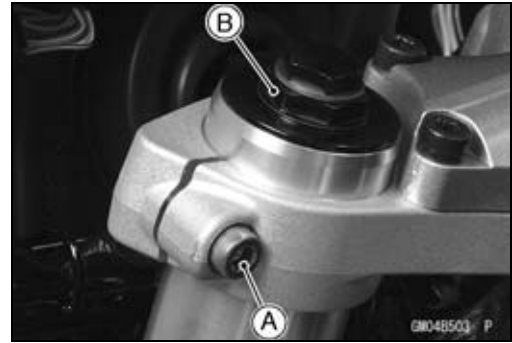
#### Front Fork Removal (Each Fork Leg)

- Remove:
  - Middle Fairings (see Middle Fairing Removal in the Frame chapter)
  - Inner Cover (see Inner Cover Removal in the Frame chapter)
  - Front Wheel (see Front Wheel Removal in the Wheels/Tires chapter)
  - Front Fender (see Front Fender Removal in the Frame chapter)
- For models equipped with an ABS, remove the front wheel rotation sensor (see Front Wheel Rotation Sensor Removal in the Brakes chapter).
- ★ Loosen the upper fork clamp bolt [A] and top plug [B] beforehand if the fork leg is to be disassembled.

#### NOTE

○ Loosen the top plug after loosening the upper fork clamp bolts.

- Loosen the upper fork clamp bolt [A] and lower fork clamp bolts [B].
- With a twisting motion, work the fork leg down and out.



#### Front Fork Installation

- Install the fork so that the distance between the top end [A] of the outer tube and upper surface [B] of the steering stem head is the 12 mm (0.47 in.) [C].
- Tighten the lower fork clamp bolts and fork top plug.

**Torque - Front Fork Clamp Bolts (Lower): 29 N·m (3.0 kgf·m, 21 ft·lb)**

**Front Fork Top Plug: 35 N·m (3.6 kgf·m, 26 ft·lb)**

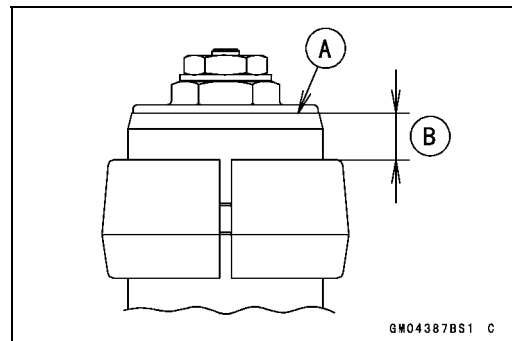
#### NOTE

- Tighten the two lower fork clamp bolts alternately two times to ensure even tightening torque.
- Tighten the top plug before tightening the upper fork clamp bolts.

- Tighten the upper fork clamp bolt.

**Torque - Front Fork Clamp Bolt (Upper): 20 N·m (2.0 kgf·m, 15 ft·lb)**

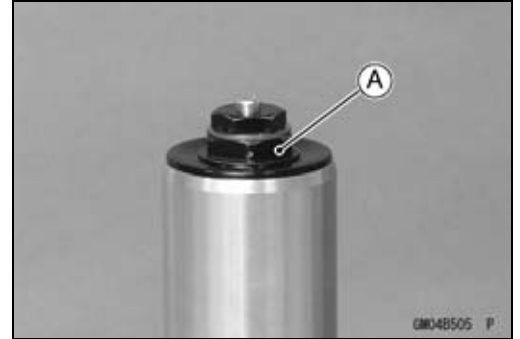
- Install the removed parts (see appropriate chapters).
- Adjust:
  - Spring Preload (see Spring Preload Adjustment)
  - Rebound Damping Force (Right Fork Leg only, see Rebound Damping Force Adjustment (Only Right Fork Leg))



**Front Fork**

**Fork Oil Change**

- Remove the front fork (see Front Fork Removal).
- Hold the inner tube lower end in a vice.
- Unscrew the top plug [A] out of the outer tube.

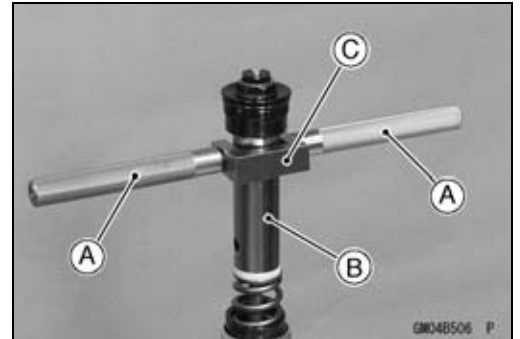


- Install the fork spring compressor as shown in the figure.

**NOTE**

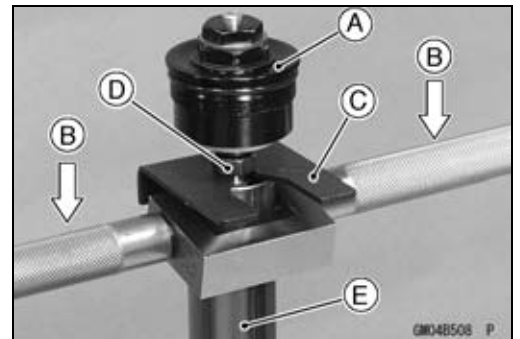
○Set the fork spring compressor so that the end of the handle [A] passes the upper side hole on the spacer [B] by screwing the handle in the holder [C] to the bottom.

**Special Tool - Fork Spring Compressor: 57001-1685**

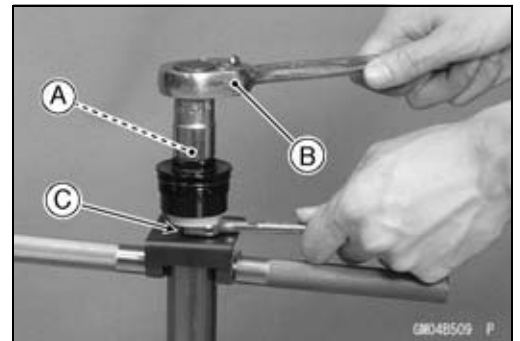


- While holding up the top plug [A] by one person, push down [B] the fork spring compressor and insert the fork spring stopper [C] between the piston rod nut [D] and the spacer [E].

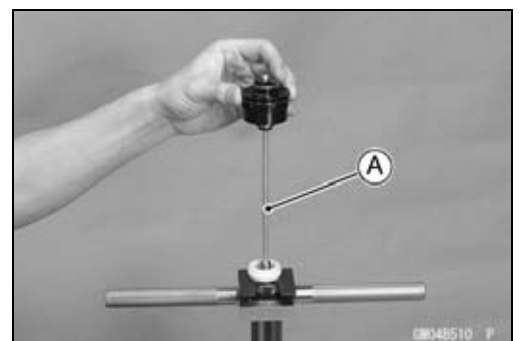
**Special Tool - Fork Spring Stopper: 57001-1374**



- Holding the spring preload adjuster [A] with a wrench [B], loosen the piston rod nut [C].



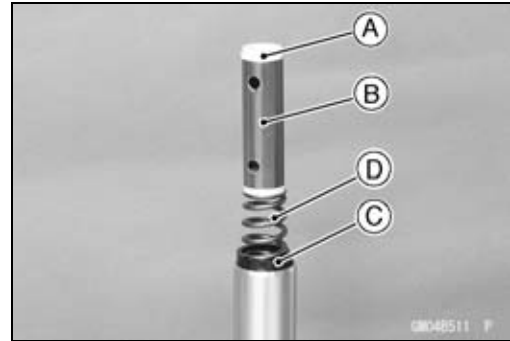
- Remove the top plug from the piston rod.
  - For the right fork leg, remove the top plug with the rebound damping adjuster rod [A].



# 13-12 SUSPENSION

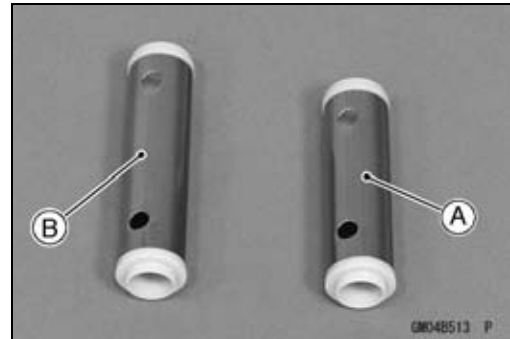
## Front Fork

- Remove:
  - Slider [A]
  - Spacer [B]
  - Damper [C]
  - Fork Spring [D]



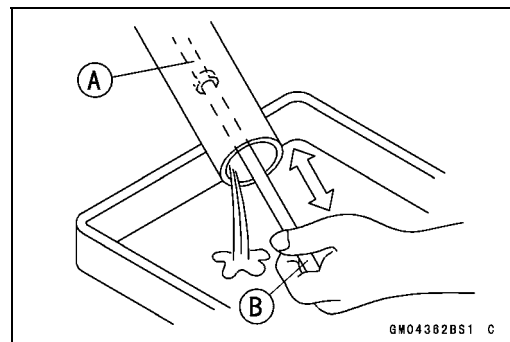
### NOTE

- The right fork leg spacer [A] is shorter than the left fork leg spacer [B].



- Drain the fork oil into a suitable container.
- Pump the piston rod [A] up and down at least ten times to expel the oil from the fork.

**Special Tool - Fork Piston Rod Puller, M10×1.0 [B]: 57001-1298**



- Hold the fork tube upright, press the outer tube [A] and the piston rod all the way down.
- Pour in the type and amount of fork oil specified.

### Fork Oil

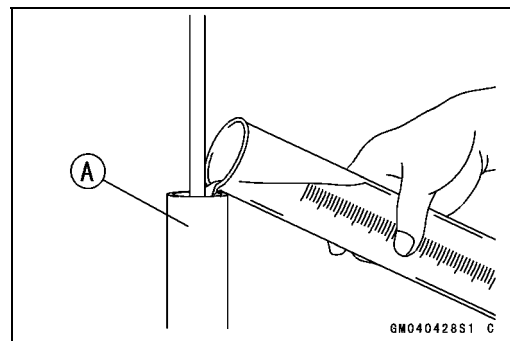
**Viscosity:** SHOWA SS-8 or equivalent  
SAE 10W

#### Amount (Right Fork Leg):

**When changing oil:** Approx. 410 mL (13.9 US oz.)  
**After disassembly and completely dry:** 478 ±2.5 mL (16.2 ±0.084 US oz.)

#### Amount (Left Fork Leg):

**When changing oil:** Approx. 415 mL (14.0 US oz.)  
**After disassembly and completely dry:** 487 ±2.5 mL (16.5 ±0.084 US oz.)

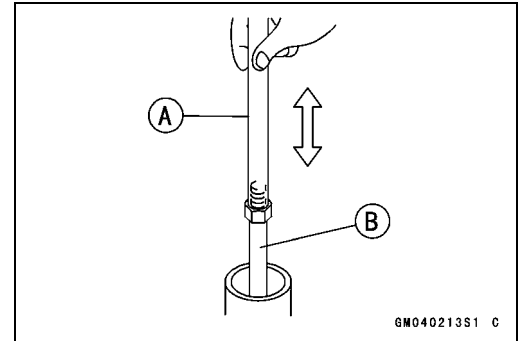


**Front Fork**

- ★ If necessary, measure the oil level as follows.
- Hold the inner tube vertically in a vise.
- Using the piston rod puller [A], move the piston rod [B] up and down more than ten times in order to expel all the air from the fork oil.

**Special Tool - Fork Piston Rod Puller, M10 × 1.0: 57001-1298**

- Wait until the oil level settles.
- With the fork fully compressed and the piston rod [B] fully pushed in, insert a tape measure or rod into the inner tube, and measure the distance from the top of the outer tube to the oil.



**Oil Level (fully compressed, without spring)**

**Standard:**

**Right Fork Leg: 75 ±2 mm (3.0 ±0.08 in.) (from the top of the outer tube)**

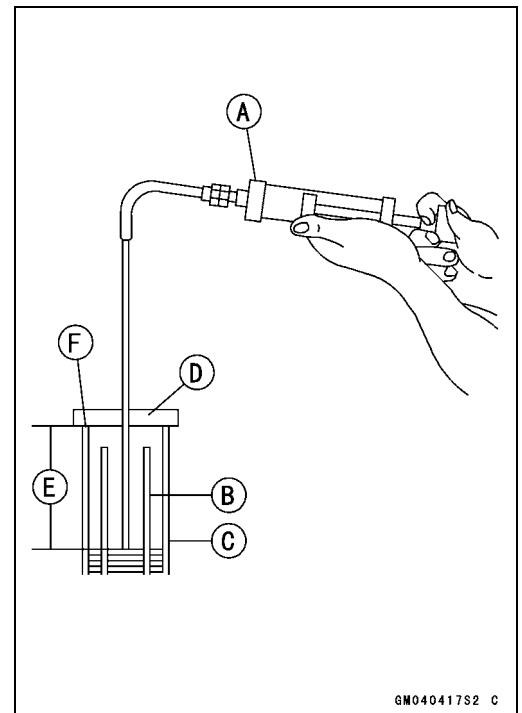
**Left Fork Leg: 65 ±2 mm (2.6 ±0.08 in.) (from the top of the outer tube)**

**NOTE**

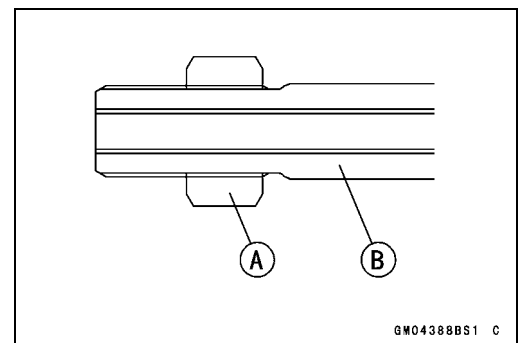
- Fork oil level may also be measured using the fork oil level gauge.

**Special Tool - Fork Oil Level Gauge [A]: 57001-1290**

- With the fork fully compressed and without fork spring, insert the gauge tube into the inner tube [B] and position the stopper across the top end [F] of the outer tube [C].
- Set the gauge stopper [D] so that its lower side shows the oil level distance specified [E].
- Pull the handle slowly to pump out the excess oil until the oil no longer comes out.
- ★ If no oil is pumped out, there is insufficient oil in the inner tube. Pour in enough oil, then pump out the excess oil as shown above.



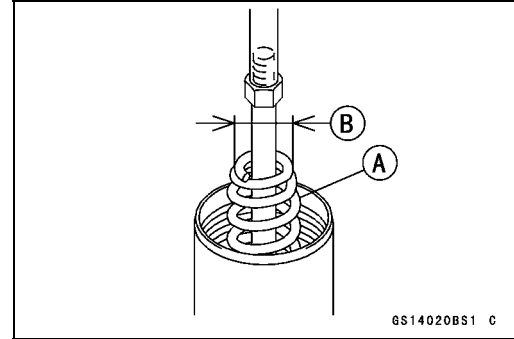
- Screw on the rod nut [A] fully to the piston rod [B].



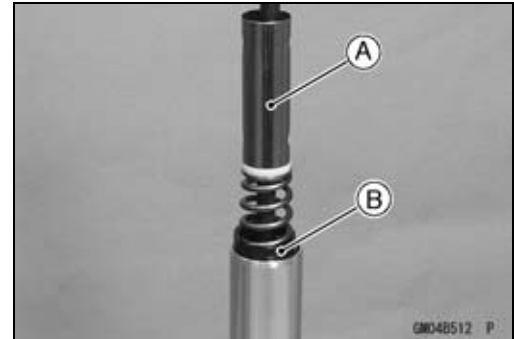
# 13-14 SUSPENSION

## Front Fork

- Screw the fork piston rod puller onto the end of the rod.  
**Special Tool - Fork Piston Rod Puller, M10 × 1.0: 57001-1298**
- Install the fork spring [A] with the smaller end [B] facing upward.

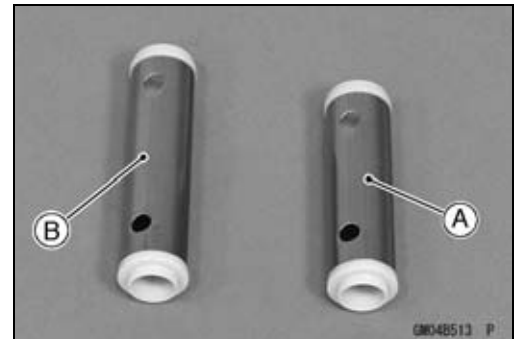


- Install:  
Spacer [A]  
Damper [B]

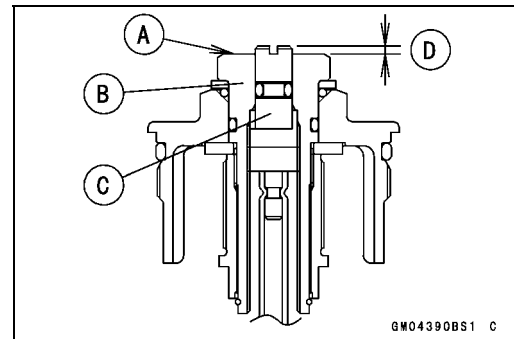


### NOTE

○The right fork leg spacer [A] is shorter than the left fork leg spacer [B].



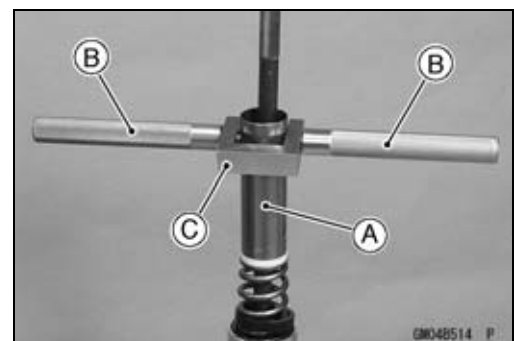
- For the right fork leg, check the distance between the upper end [A] of the spring preload adjuster [B] and rebound damping adjuster [C] with a pair of vernier caliper.  
1.5 mm (0.059 in.) [D]



- Set the fork spring compressor on the spacer [A].  
**Special Tool - Fork Spring Compressor: 57001-1685**

### NOTE

○Set the fork spring compressor so that the end of the handle [B] passes the upper side hole on the spacer by screwing the handle in the holder [C] to the bottom.

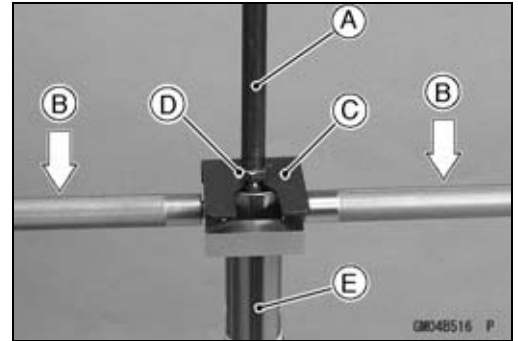


**Front Fork**

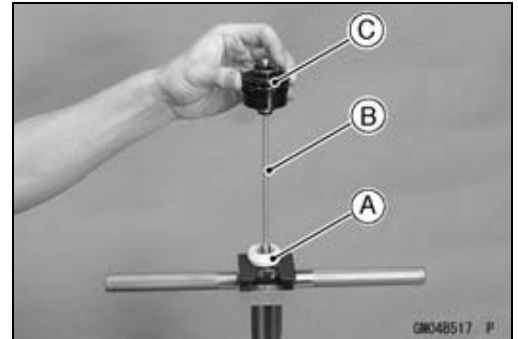
- While holding up the piston rod puller [A] by one person, push down [B] the fork spring compressor, and insert the fork spring stopper [C] between the piston rod nut [D] and the spacer [E].

**Special Tool - Fork Spring Stopper: 57001-1685**

- Remove the piston rod puller.

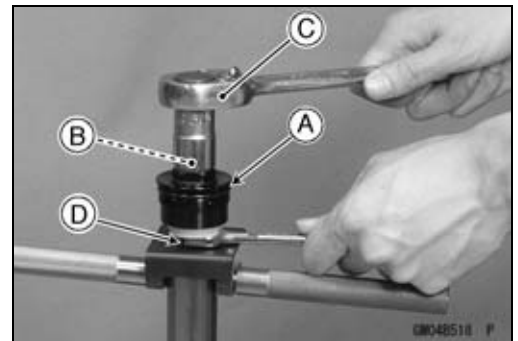


- Install the slider [A].
- For the right fork leg, insert the rebound damping adjuster rod [B] into the holes of the piston rod.
- Screw in the top plug [C] stopped onto the piston rod.

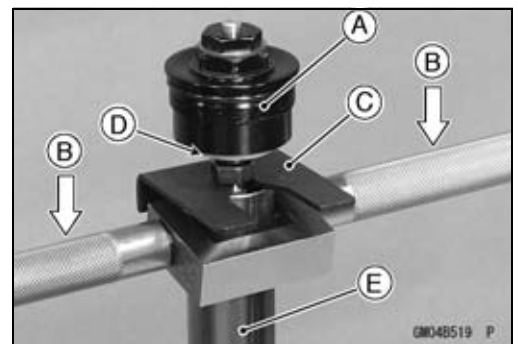


- Check the O-ring [A] on the top plug and replace it with a new one if damaged.
- Apply grease to the new O-ring.
- Holding the spring preload adjuster [B] with a wrench [C], tighten the piston rod nut [D] against the top plug.

**Torque - Piston Rod Nuts: 20 N·m (2.0 kgf·m, 15 ft·lb)**

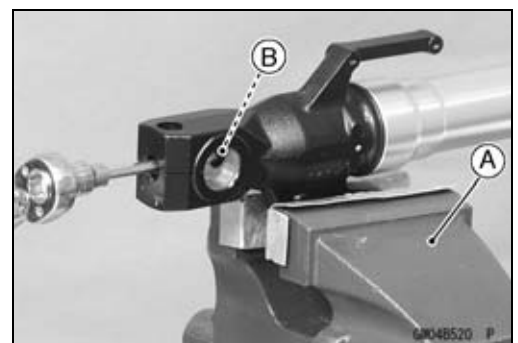


- While holding up the top plug [A] by one person, push down [B] the fork spring compressor, and pull out the fork spring stopper [C].
- Align the slider [D] with the spacer [E].
- Remove the fork spring compressor.
- Rise the outer tube and screw the top plug into it.
- Install the front fork (see Front Fork Installation).



**Front Fork Disassembly**

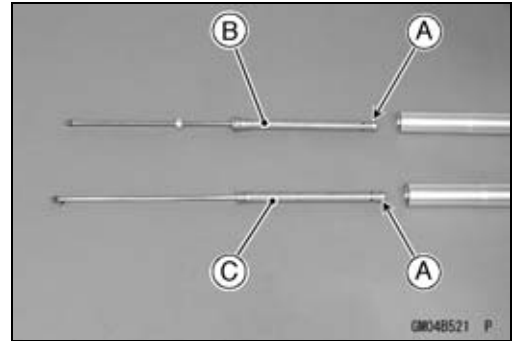
- Remove the front fork (see Front Fork Removal).
- Drain the fork oil (see Fork Oil Change).
- Hold the fork leg with a vise [A].
- Unscrew the Allen bolt [B], then take the bolt and gasket out of the bottom of the inner tube.



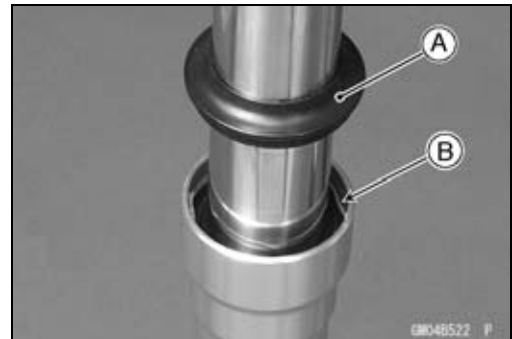
## 13-16 SUSPENSION

### Front Fork

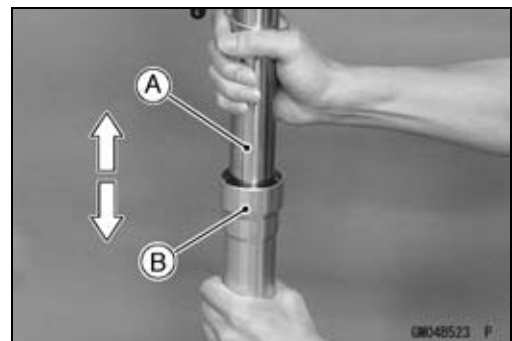
- Take the cylinder unit and center ring plate [A] out of the inner tube.
- Do not disassemble the cylinder unit.
  - Cylinder Unit [B] for Right Fork Leg
  - Cylinder Unit [C] for Left Fork Leg



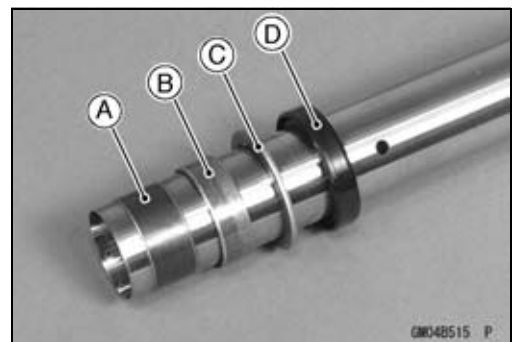
- Separate the inner tube from the outer tube as follows.
  - Slide up the dust seal [A].
  - Remove the retaining ring [B] from the outer tube.



- Holding the inner tube [A] by hand, pull the outer tube [B] several times to pull out the outer tube.

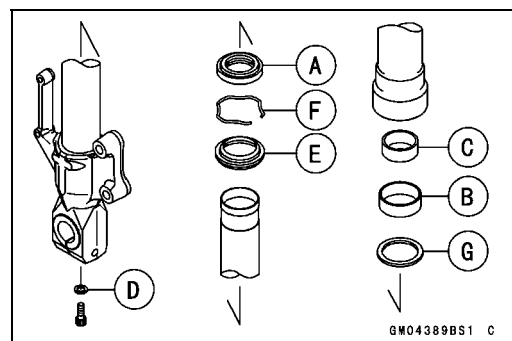


- Remove the inner tube guide bushing [A], outer tube guide bushing [B], washer [C], oil seal [D] from the inner tube.



### Front Fork Assembly

- Replace the following parts with new one.
  - Oil Seal [A]
  - Outer Tube Guide Bushing [B]
  - Inner Tube Guide Bushing [C]
  - Bottom Allen Bolt Gasket [D]
- Install the following parts onto the inner tube.
  - Dust Seal [E]
  - Retaining Ring [F]
  - Oil Seal
  - Washer [G]
  - Outer Tube Guide Bushing
  - Inner Tube Guide Bushing





**Front Fork**

- Insert the inner tube to the outer tube.
- Fit the new outer guide bush [A] into the outer tube.

**NOTE**

○ When assembling the new outer tube guide bushing [A], hold the washer against the new outer tube guide bushing and tap the washer with the fork oil seal driver [B] until it stops.

**Special Tool - Fork Oil Seal Driver,  $\phi$ 41: 57001-1288**

- Install the oil seal by using the fork oil seal driver.

**Special Tool - Fork Oil Seal Driver,  $\phi$ 41: 57001-1288**

- Install the retaining ring and dust seal into the outer tube.

- Install the center ring plate [A] on the cylinder unit.
- Insert the center ring plate and cylinder unit as a set into the inner tube.

Cylinder Unit [B] for Right Fork Leg  
 Cylinder Unit [C] for Left Fork Leg

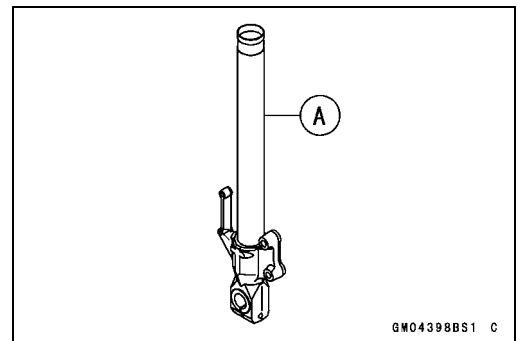
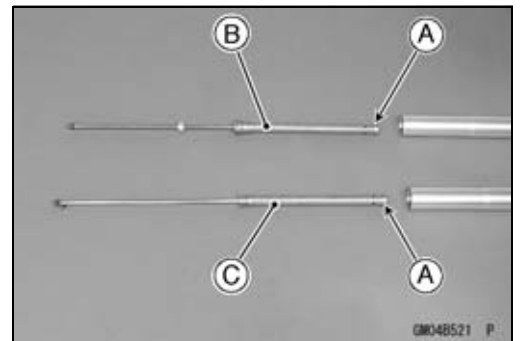
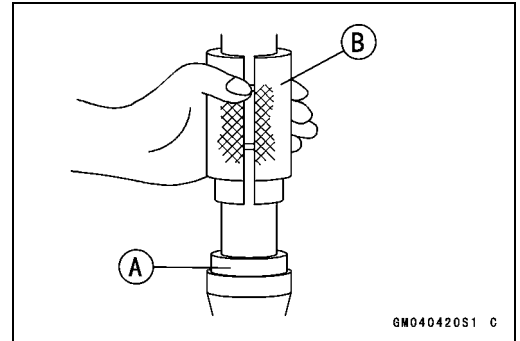
- Hold the front fork in a vise.
- Tighten:

**Torque - Front Fork Bottom Allen Bolts: 20 N·m (2.0 kgf·m, 15 ft·lb)**

- Pour in the specified type of oil (see Fork Oil Change).

**Inner Tube, Outer Tube Inspection**

- Visually inspect the inner tube [A], and repair any damage.
- Nick or rust damage can sometimes be repaired by using a wet-stone to remove sharp edges or raised areas which cause seal damage.
- ★ If the damage is not repairable, replace the inner tube. Since damage to the inner tube damages the oil seal, replace the oil seal whenever the inner tube is repaired or replaced.



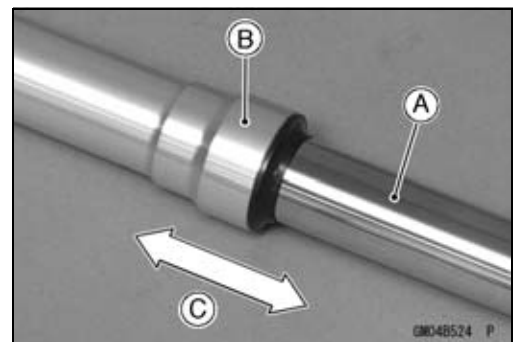
**CAUTION**

**If the inner tube is badly bent or creased, replace it. Excessive bending, followed by subsequent straightening, can weaken the inner tube.**

- Temporarily assemble the inner tube [A] and outer tube [B], and pump [C] them back and forth manually to check for smooth operation.
- ★ If you feel binding or catching, the inner and outer tubes must be replaced.

**⚠ WARNING**

**A straightened inner or outer fork tube may fall in use, possibly causing an accident. Replace a badly bent or damaged inner or outer tube and inspect the other tube carefully before reusing it.**

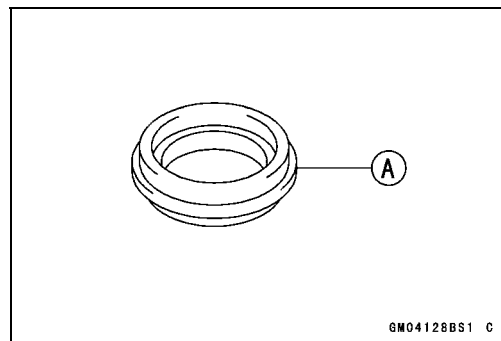


## 13-18 SUSPENSION

### Front Fork

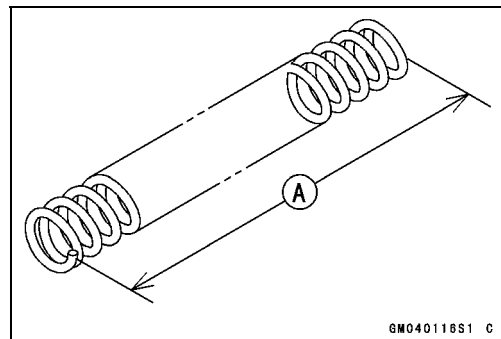
#### **Dust Seal Inspection**

- Inspect the dust seals [A] for any signs of deterioration or damage.
- ★ Replace it if necessary.



#### **Spring Tension Inspection**

- Since a spring becomes shorter as it weakens, check its free length [A] to determine its condition.
- ★ If the spring of either fork leg is shorter than the service limit, it must be replaced. If the length of a replacement spring and that of the remaining spring vary greatly, the remaining spring should also be replaced in order to keep the fork legs balanced for motorcycle stability.



#### **Spring Free Length**

**Standard:** 292.9 mm (11.53 in.)

**Service Limit:** 287 mm (11.3 in.)

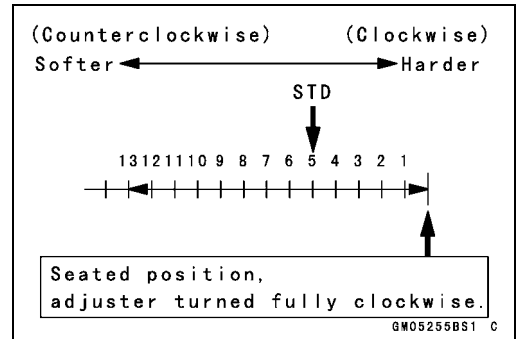
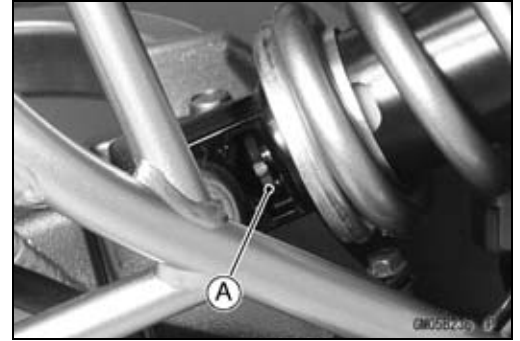
**Rear Shock Absorber**

**Rebound Damping Force Adjustment**

- To adjust the rebound damping force, turn the rebound damping adjuster [A] until you feel a click.
- The standard adjuster setting for an average-build rider of 68 kg (150 lb) with no passenger and no accessories is the **5th click** (white mark position) from the 1st click of the fully clockwise position.

**Rebound Damping Force Adjustment**

Adjuster Position	Damping Force	Setting	Load	Road	Speed
13	Weak	Soft	Light	Good	Low
↑	↑	↑	↑	↑	↑
↓	↓	↓	↓	↓	↓
0	Strong	Hard	Heavy	Bad	High



**Spring Preload Adjustment**

- Using the hook wrench [A], turn the adjusting nut [B] to adjust the spring preload.

**Owner's Tool - Hook Wrench, R37.5: 92110-1144**

- The standard adjuster setting for average-build rider of 68 kg (150 lb) with no passenger and no accessories is **5th** position.

**Spring Preload Setting**

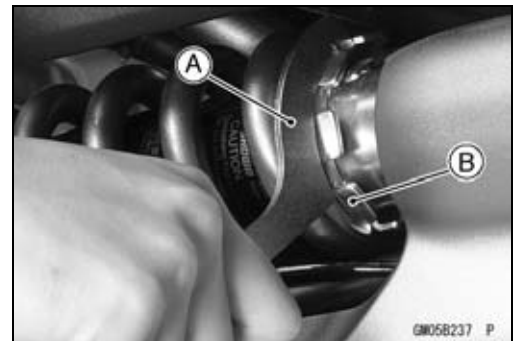
**Standard Position: 5th position**

**Adjustable Range: 1st ~ 7th position**

- If the compression of the spring is not suited to the operating conditions, adjust it to an appropriate position by referring to the table below.

**Spring Preload Adjustment**

Adjuster Position	Damping Force	Shock Absorber Hardness	Load	Road Conditions	Driving Speed
1st	Weak	Soft	Light	Good	Low
↑	↑	↑	↑	↑	↑
↓	↓	↓	↓	↓	↓
7th	Strong	Hard	Heavy	Bad	Highway

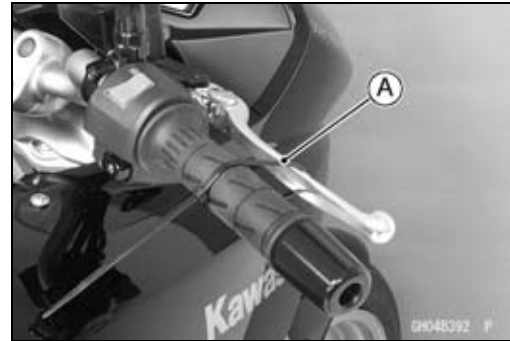


## 13-20 SUSPENSION

### Rear Shock Absorber

#### Rear Shock Absorber Removal

- Remove:
  - Right Rear Frame Cover (see Rear Frame Cover Removal in the Frame chapter)
  - Muffler Body (see Muffler Body Removal in the Engine Top End chapter)
- Raise the rear wheel off the ground with jack.
  - Special Tools - Jack: 57001-1238**
  - Jack Attachment: 57001-1608**
- Squeeze the brake lever slowly and hold it with a band [A].



#### **⚠ WARNING**

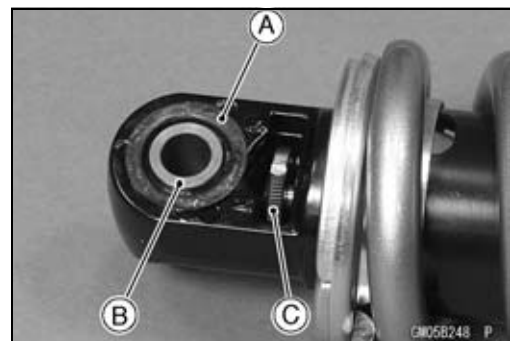
**Be sure to hold the front brake when removing the shock absorber, or the motorcycle may fall over. It could cause an accident and injury.**

- Remove:
  - Bolts [A]
  - Right Rear Footpeg Stay [B]
- Remove:
  - Upper Rear Shock Absorber Bolt [A]
  - Lower Rear Shock Absorber Nut and Washer
  - Lower Rear Shock Absorber Bolt [B]
- Remove the rear shock absorber [C] from backward.



#### Rear Shock Absorber Installation

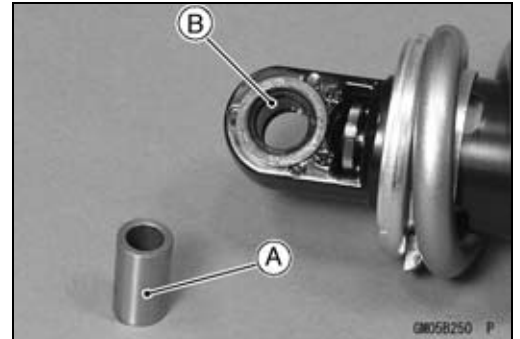
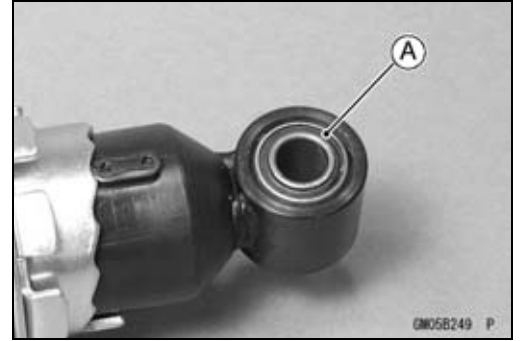
- Be sure to install the oil seals [A] to the rear shock absorber.
- Apply grease to the lip of the oil seals.
- Install the sleeve [B].
- Install the rear shock absorber so that the rebound damping adjuster [C] faces outward.
- Tighten:
  - Torque - Rear Shock Absorber Bolt (Upper): 59 N·m (6.0 kgf·m, 44 ft·lb)**
  - Rear Shock Absorber Nut (Lower): 59 N·m (6.0 kgf·m, 44 ft·lb)**
- Install the right rear footpeg stay.
  - Torque - Rear Footpeg Stay Bolts: 25 N·m (2.5 kgf·m, 18 ft·lb)**
- Install the removed parts (see appropriate chapters).



## Rear Shock Absorber

### ***Rear Shock Absorber Inspection***

- Remove the rear shock absorber (see Rear Shock Absorber Removal).
- Visually inspect the following items.
  - Smooth Stroke
  - Oil Leakage
  - Crack or Dent
- ★ If there is any damage to the rear shock absorber, replace it.
- Visually inspect the rubber bushing [A].
- ★ If it show any signs of damage, replace it.
- Visually inspect the shock absorber sleeve [A] and needle bearing [B].
- The roller in a needle bearing normally wear very little, and wear is difficult to measure. Instead of measuring, inspect the bearing in the shock absorber for abrasion, color change, or other damage.
- ★ If there is any doubt as to the condition of any of the needle bearing or sleeve, replace the sleeve, and needle bearing as a set.



## 13-22 SUSPENSION

### Swingarm

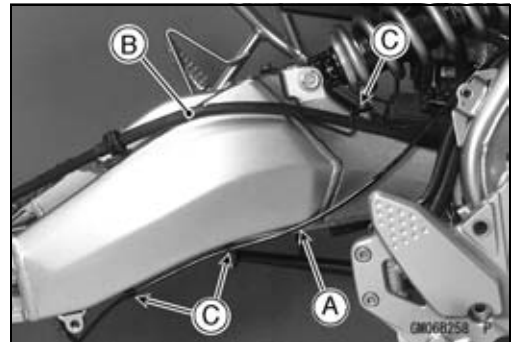
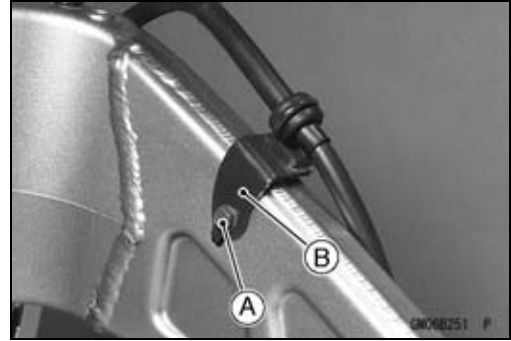
#### Swingarm Removal

- Remove:
  - Muffler Body (see Muffler Body Removal in the Engine Top End chapter)
  - Engine Sprocket (see Engine Sprocket Removal in the Final Drive chapter)
  - Rear Wheel (see Rear Wheel Removal in the Wheels/Tires chapter)
- Raise the rear wheel off the ground with jack.

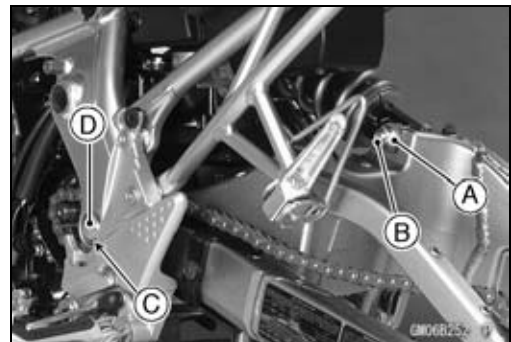
**Special Tools - Jack: 57001-1238**

**Jack Attachment: 57001-1608**

- Remove:
  - Right Rear Footpeg Stay (see Rear Shock Absorber Removal)
  - Bolt [A]
  - Brake Hose Clamp [B]
- For models equipped with an ABS, free the rear wheel rotation sensor lead [A] and brake hose [B] from the clamps [C].



- Remove:
  - Lower Rear Shock Absorber Nut [A] and Washer
  - Lower Rear Shock Absorber Bolt [B]
- Unscrew the swingarm pivot shaft nut [C].
- Pull off the pivot shaft [D], and remove the swingarm.



#### Swingarm Installation

- Installation is the reverse of removal.
- Apply grease to the lip of the oil seals.
- Be sure to install the oil seals and collar [A] to the swingarm.
- Tighten the pivot shaft nut.
  - Torque - Swingarm Pivot Shaft Nut: 108 N·m (11.0 kgf·m, 80 ft·lb)**
- Install the removed parts (see appropriate chapters).

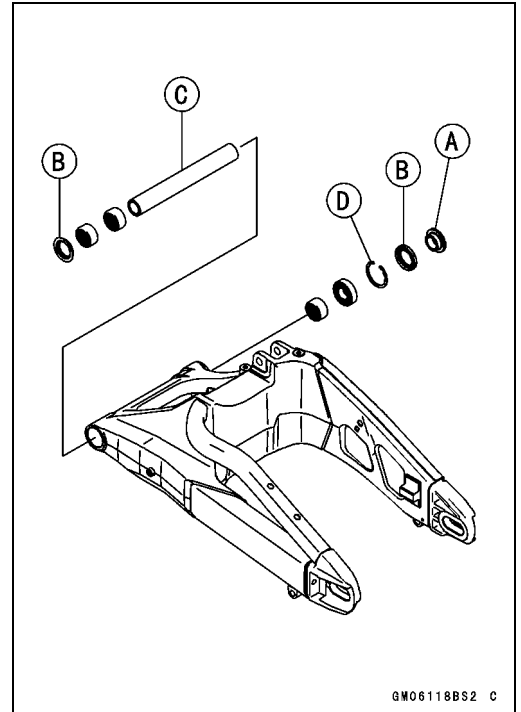


## Swingarm

### Swingarm Bearing Removal

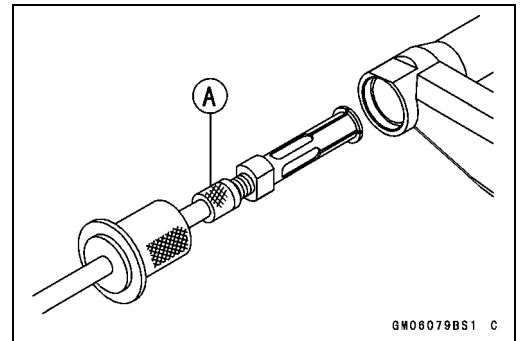
- Remove:
  - Swingarm (see Swingarm Removal)
  - Collar [A]
  - Oil Seals [B]
  - Sleeve [C]
  - Circlip [D]

Special Tool - Inside Circlip Pliers: 57001-143



- Remove the ball bearing and needle bearings.

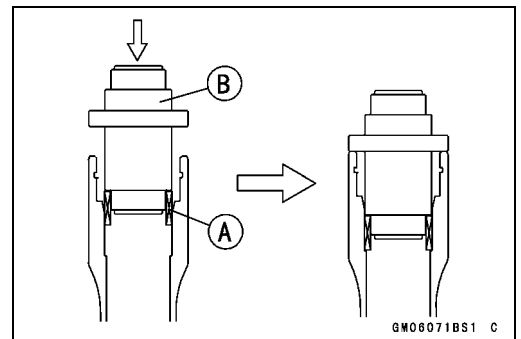
Special Tool - Oil Seal & Bearing Remover [A]: 57001-1058



### Swingarm Bearing Installation

- Replace the ball and needle bearings [A] with new ones.
- Install the ball and needle bearings so that the manufacturer's marks face out.

Special Tools - Bearing Driver Set: 57001-1129  
 Needle Bearing Driver,  $\phi 28$  [B]: 57001-1610  
 Spacer,  $\phi 28$ : 57001-1663



## 13-24 SUSPENSION

### Swingarm

- Replace the circlip with a new one.
- Install the needle bearings [A], ball bearing [B] and oil seals [C] position as shown.

Circlip [D]

25 mm (0.98 in.) [E]

17 mm (0.67 in.) [F]

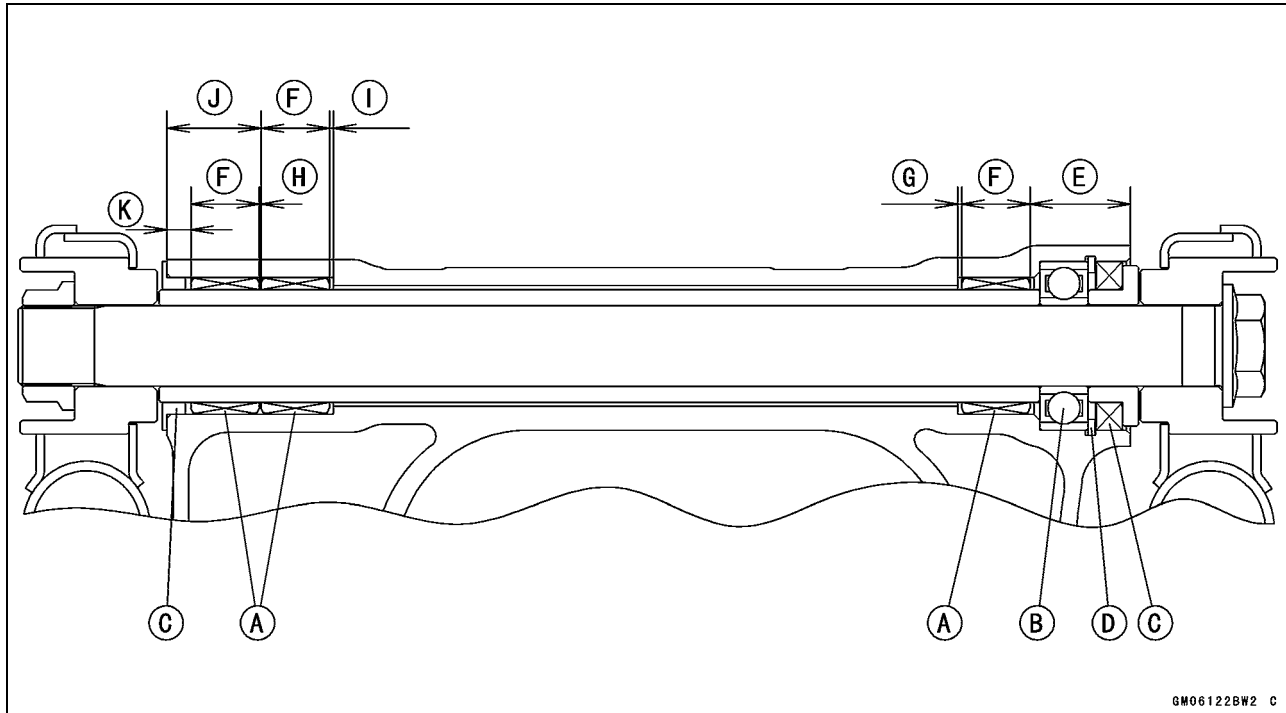
1 mm (0.04 in.) [G]

0.5 mm (0.02 in.) [H]

1 mm (0.04 in.) [I]

23.5 mm (0.93 in.) [J]

6 mm (0.24 in.) [K]

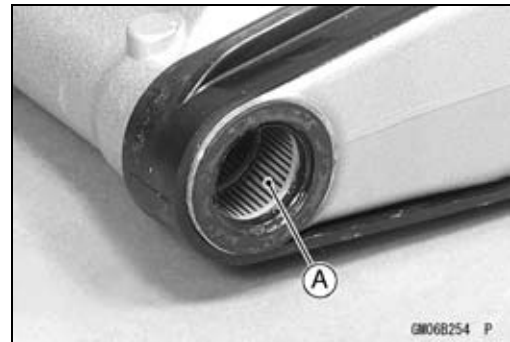


### Swingarm Bearing, Sleeve Inspection

#### CAUTION

**Do not remove the bearings for inspection. Removal may damage them.**

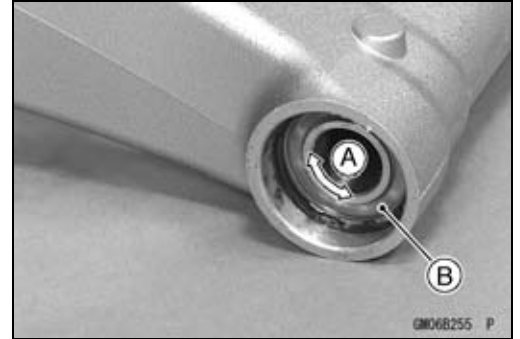
- Inspect the needle bearings [A] and ball bearing installed in the swingarm.
- The rollers and ball in a bearing normally wear very little, and wear is difficult to measure. Instead of measuring, visually inspect the bearing for abrasion, discoloration, or other damage.
- ★ If the needle bearing and sleeve show any signs of abnormal wear, discoloration, or damage, replace them as a set.





## Swingarm

- Turn the bearing in the swingarm back and forth [A] while checking for plays, roughness, or binding.
- ★ If the bearing play, roughness, or binding is found, replace the bearing.
- Examine the bearing seal [B] for tears or leakage.
- ★ If the seal is torn or is leaking, replace the bearing.



### **Swingarm Bearing Lubrication**

#### **NOTE**

- Since the bearings are packed with grease and sealed, lubrication is not required.

### **Chain Guide Inspection**

- Refer to the Chain Guide Wear Inspection in the Periodic Maintenance chapter.



---

# Steering

## Table of Contents

Exploded View ..... 14-2

Special Tools ..... 14-4

Steering ..... 14-5

    Steering Inspection ..... 14-5

    Steering Adjustment..... 14-5

Steering Stem..... 14-6

    Stem, Stem Bearing Removal..... 14-6

    Stem, Stem Bearing Installation..... 14-7

    Stem Bearing Lubrication..... 14-9

    Steering Stem Warp..... 14-9

    Stem Cap Deterioration, Damage..... 14-10

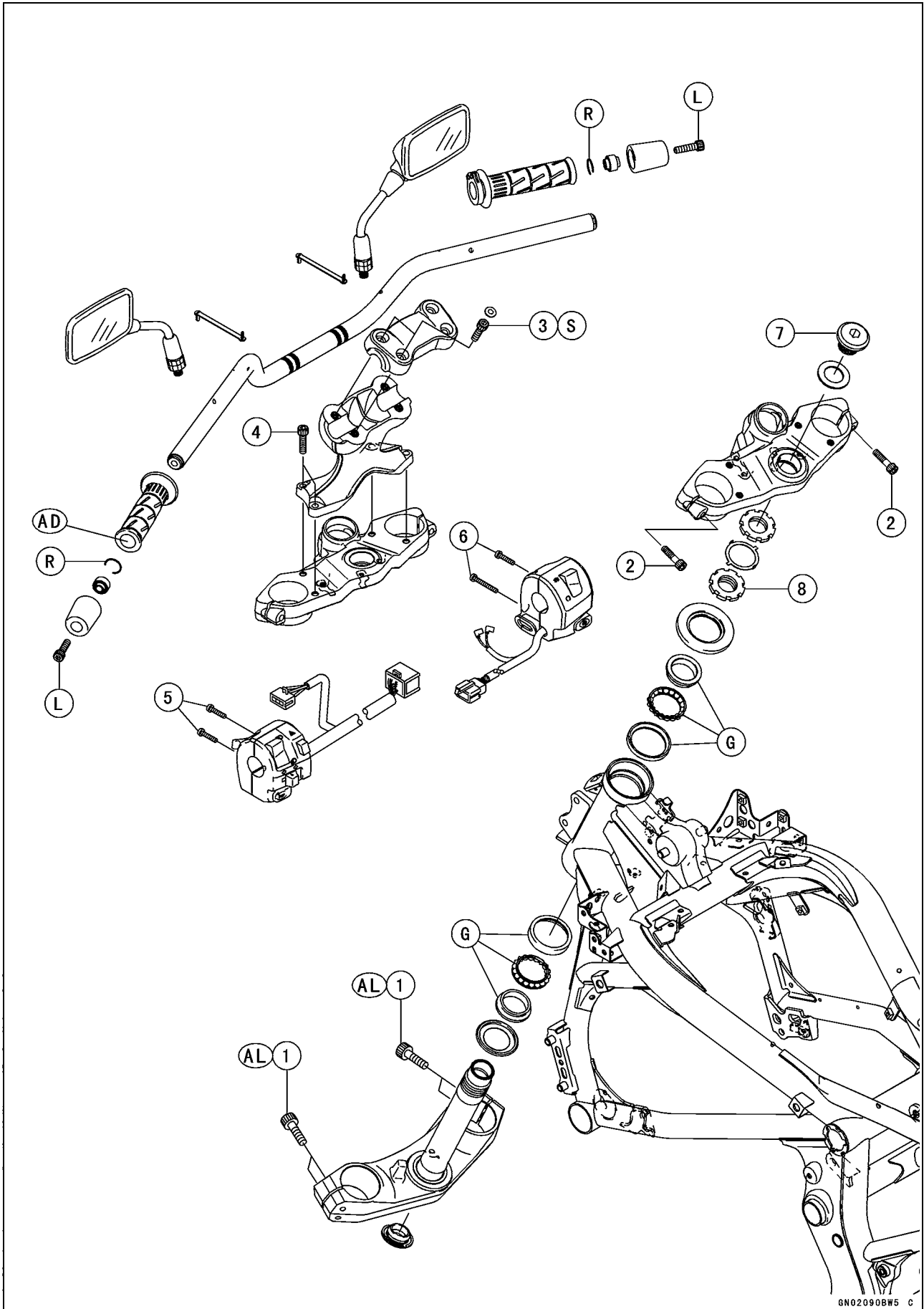
Handlebar ..... 14-11

    Handlebar Removal ..... 14-11

    Handlebar Installation ..... 14-11

# 14-2 STEERING

## Exploded View



**Exploded View**

No.	Fastener	Torque			Remarks
		N·m	kgf·m	ft·lb	
1	Front Fork Clamp Bolts (Lower)	29	3.0	21	AL
2	Front Fork Clamp Bolts (Upper)	20	2.0	15	
3	Upper Handlebar Holder Bolts	25	2.5	18	S
4	Lower Handlebar Holder Bolts	25	2.5	18	
5	Left Switch Housing Screws	3.5	0.36	31 in·lb	
6	Right Switch Housing Screws	3.5	0.36	31 in·lb	
7	Steering Stem Head Bolt	108	11.0	80	
8	Steering Stem Nut	20	2.0	15	

AD: Apply adhesive.

AL: Tighten the two clamp bolts alternately two times to ensure even tighten torque.

G: Apply grease.

L: Apply a non-permanent locking agent.

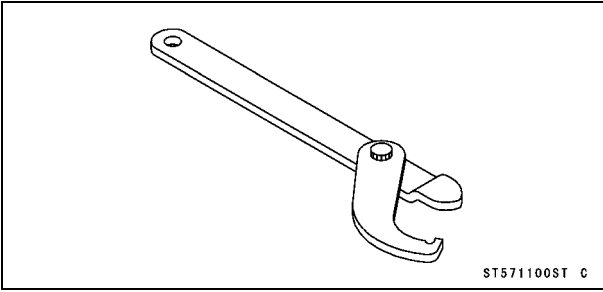
R: Replacement Parts

S: Follow the specified tightening sequence.

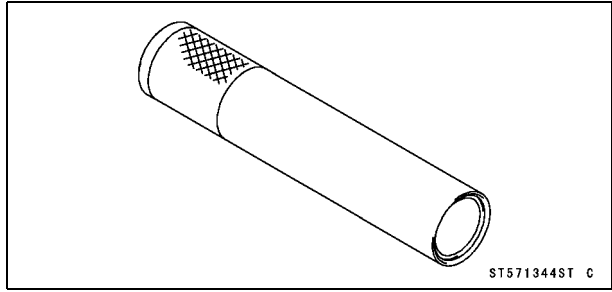
# 14-4 STEERING

## Special Tools

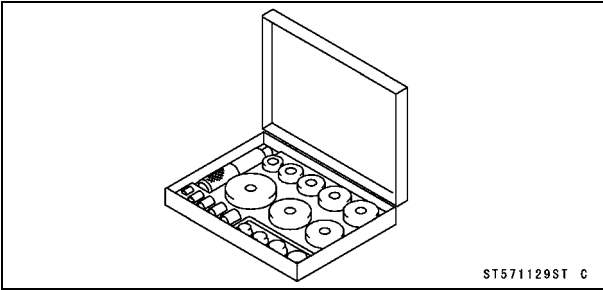
**Steering Stem Nut Wrench:**  
**57001-1100**



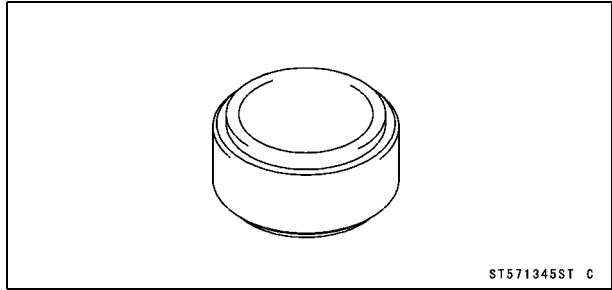
**Steering Stem Bearing Driver,  $\phi 42.5$ :**  
**57001-1344**



**Bearing Driver Set:**  
**57001-1129**



**Steering Stem Bearing Driver Adapter,  $\phi 41.5$ :**  
**57001-1345**



## Steering

---

### ***Steering Inspection***

- Refer to the Steering Play Inspection in the Periodic Maintenance chapter.

### ***Steering Adjustment***

- Refer to the Steering Play Adjustment in the Periodic Maintenance chapter.

## 14-6 STEERING

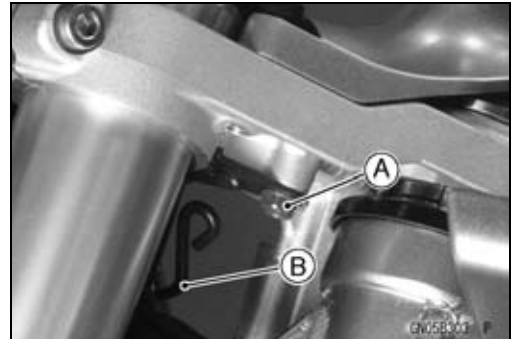
### Steering Stem

#### Stem, Stem Bearing Removal

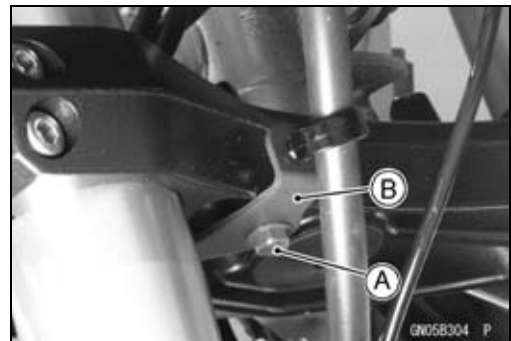
- Remove:
  - Middle Fairings (see Middle Fairing Removal in the Frame chapter)
  - Inner Cover (see Inner Cover Removal in the Frame chapter)
  - Bolt [A]
  - Clamp [B]



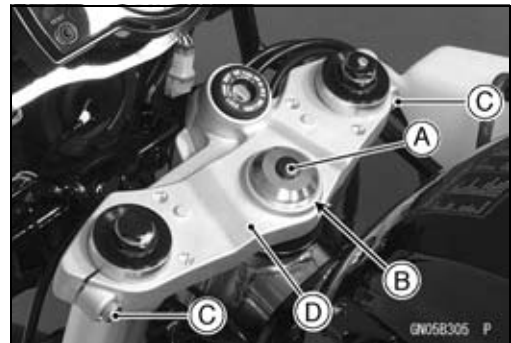
- Remove:
  - Bolt [A]
  - Clamp [B]



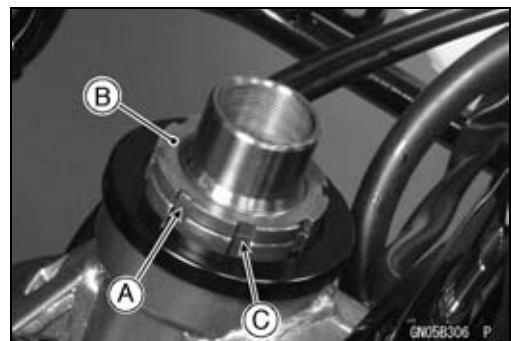
- Remove:
  - Bolt [A]
  - Brake Hose Clamp Bracket [B]



- Remove the handlebar and lower handlebar holder (see Handlebar Removal).
- Loosen the steering stem head bolt [A].
- Remove:
  - Front Wheel (see Front Wheel Removal in the Wheels/Tires chapter)
  - Steering Stem Head Bolt and Washer [B]
- Loosen the front fork clamp bolts (upper) [C], and remove the steering stem head [D].



- Remove the front forks (see Front Fork Removal in the Suspension chapter).
- Bend the claws [A] of the claw washer straighten.
- Remove:
  - Steering Stem Locknut [B]
  - Claw Washer [C]



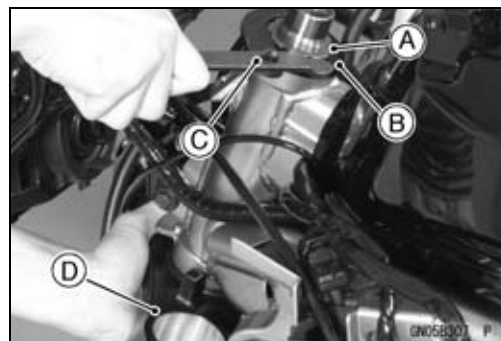


## Steering Stem

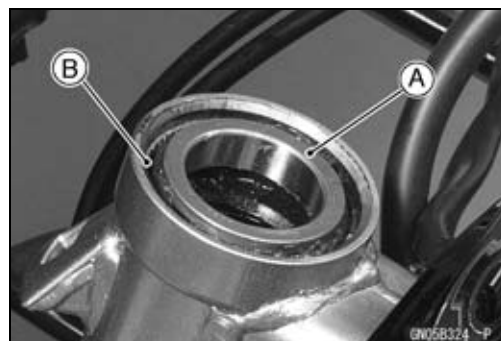
- Pushing up the stem base, and remove the steering stem nut [A] with stem cap [B].

**Special Tool - Steering Stem Nut Wrench [C]: 57001-1100**

- Remove the steering stem [D] under side.



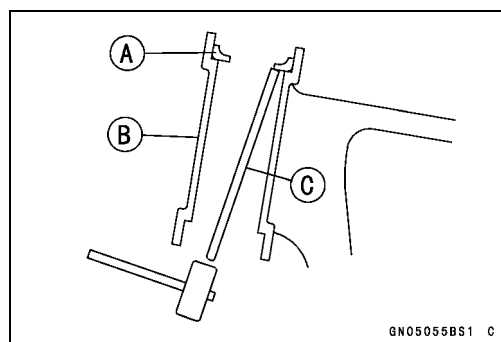
- Remove the upper stem bearing inner race [A] and bearing [B].



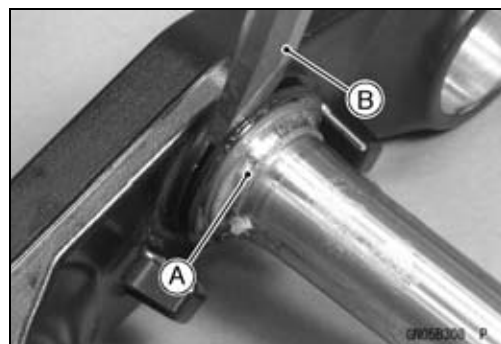
- To remove the bearing outer races [A] pressed into the head pipe [B], insert a bar [C] into the recesses of head pipe, and applying it to both recess alternately hammer it to drive the race out.

### NOTE

○ If either steering stem bearing is damaged, it is recommended that both the upper and lower bearings (including outer races) should be replaced with new ones.



- Remove the lower bearing inner race [A] which is pressed onto the steering stem with a suitable commercially available chisel [B].



### Stem, Stem Bearing Installation

- Replace the bearing outer races with new ones.
- Apply grease to the outer races, and drive them into the head pipe at the same time.

**Special Tool - Bearing Driver Set [A]: 57001-1129**



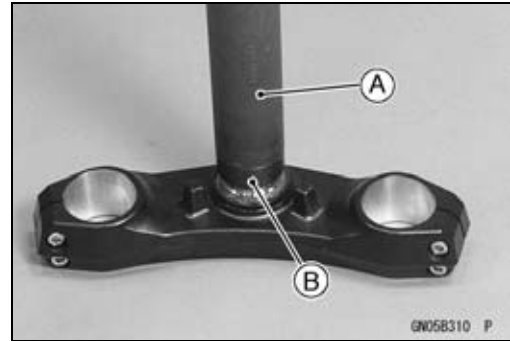
## 14-8 STEERING

### Steering Stem

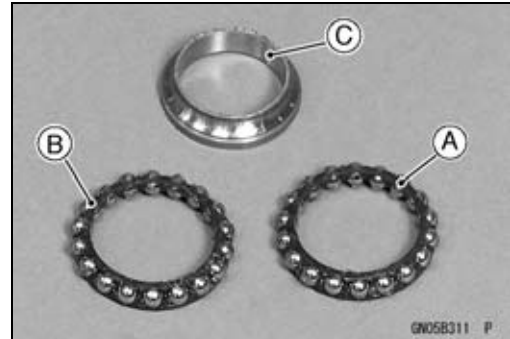
- Replace the bearing inner races and oil seal with new ones.
- Apply grease to the oil seal.
- Drive the lower ball bearing inner race applied the grease onto the stem.

**Special Tools - Steering Stem Bearing Driver,  $\phi 42.5$  [A]: 57001-1344**

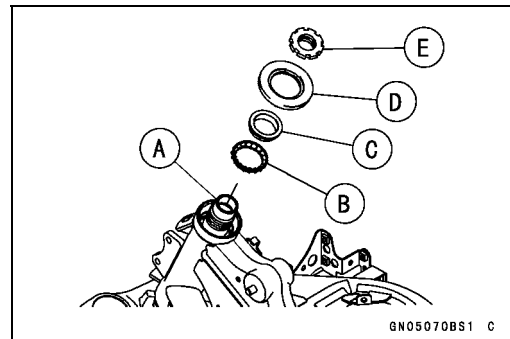
**Steering Stem Bearing Driver Adapter,  $\phi 41.5$  [B]: 57001-1345**



- Apply grease to the lower ball bearing [A], and install it onto the stem.
- Apply grease to the upper ball bearing [B] and inner race [C].



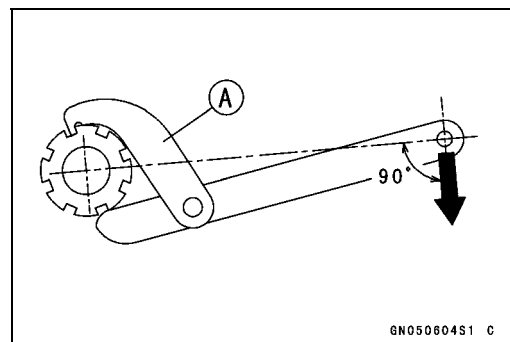
- Install the stem [A] through the head pipe and install the ball bearing [B] and inner race [C] on it.
- Install the stem cap [D] and steering stem nut [E].



- Settle the inner races in place as follows.
- Tighten the steering stem nut with **55 N·m (5.6 kgf·m, 41 ft·lb)** of torque first, and loosen it a fraction of a turn until it turns lightly. Afterward tighten it again with specified torque using a stem nut wrench [A] in the direction shown.
- Check that there is no play and the steering stem turns smoothly without rattles. If not, the steering stem bearings may be damaged.

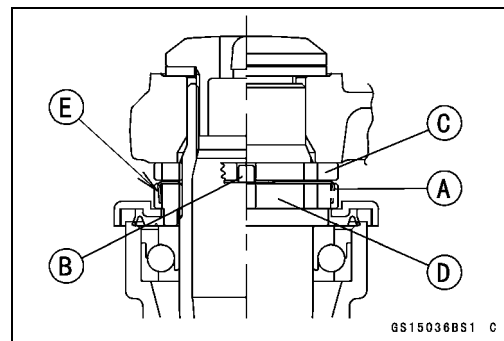
**Special Tool - Steering Stem Nut Wrench: 57001-1100**

**Torque - Steering Stem Nut: 20 N·m (2.0 kgf·m, 15 ft·lb)**



## Steering Stem

- Install the claw washer [A] so that its bent side [B] faces upward, and engage the bent claws with the grooves of stem locknut [C].
- Hand tighten the stem locknut until it touches the claw washer.
- Tighten the stem locknut clockwise until the claws are aligned with the grooves (ranging from 2nd to 4th) of stem nut [D], and bend the 2 claws downward [E].
- Install the stem head.
- Install the washer, and tighten the stem head bolt with specified torque.
- Install the front forks (see Front Fork Installation in the Suspension chapter).



### NOTE

- Tighten the upper fork clamp bolts first, next the stem head bolt, last the lower fork clamp bolts.
- Tighten the two lower fork clamp bolts alternately two times to ensure even tightening torque.

**Torque - Front Fork Clamp Bolts (Upper): 20 N·m (2.0 kgf·m, 15 ft·lb)**

**Steering Stem Head Bolt: 108 N·m (11.0 kgf·m, 80 ft·lb)**

**Front Fork Clamp Bolts (Lower): 29 N·m (3.0 kgf·m, 21 ft·lb)**

### ⚠ WARNING

**Do not impede the handlebar turning by routing the cables, harnesses and hoses improperly (see Cable, Wire, and Hose Routing section in the Appendix chapter).**

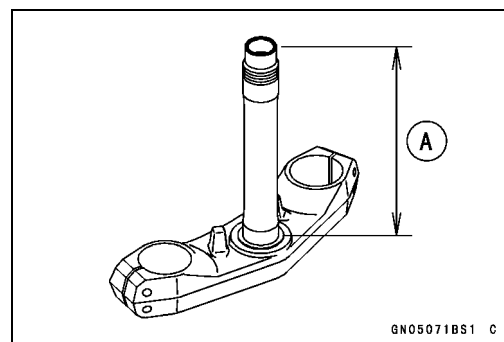
- Install the removed parts (see appropriate chapters).

### Stem Bearing Lubrication

- Refer to the Steering Stem Bearing Lubrication in the Periodic Maintenance chapter.

### Steering Stem Warp

- Whenever the steering stem is removed, or if the steering cannot be adjusted for smooth action, check the steering stem for straightness.
- ★ If the steering stem [A] is bent, replace the steering stem.



## 14-10 STEERING

### Steering Stem

#### ***Stem Cap Deterioration, Damage***

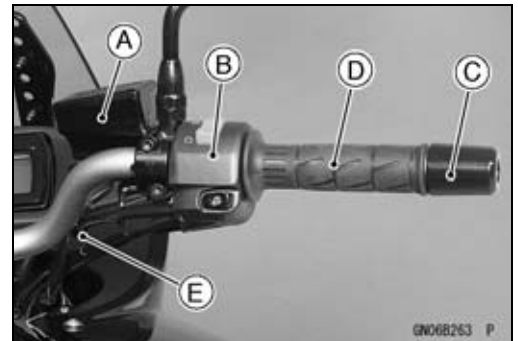
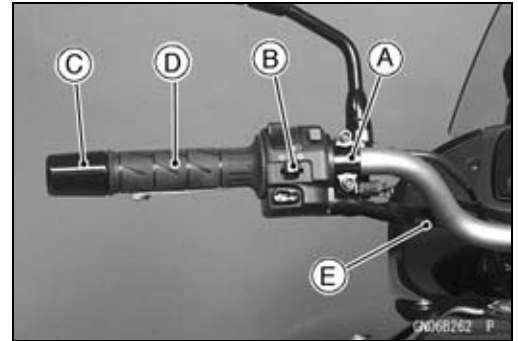
★ Replace the stem cap if its oil seal [A] shows damage.



## Handlebar

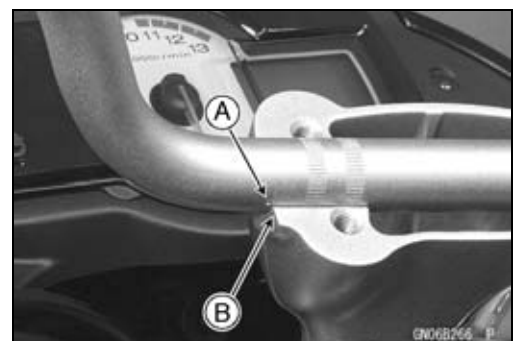
### Handlebar Removal

- Remove:
  - Clutch Lever Assembly [A]
  - Left Switch Housing [B]
  - Left Handlebar Weight [C]
  - Left Handlebar Grip [D]
  - Clamp [E]
  
- Remove:
  - Front Brake Master Cylinder [A] (see Front Master Cylinder Removal in the Brakes chapter)
  - Right Switch Housing [B]
  - Right Handlebar Weight [C]
  - Throttle Grip [D]
  - Clamp [E]
  
- Remove:
  - Upper Handlebar Holder Bolt Plugs and Bolts [A]
  - Upper Handlebar Holder [B]
  - Handlebar
  
- Remove:
  - Bolts [A]
  - Lower Handlebar Holder [B]



### Handlebar Installation

- Install the lower handlebar holder.
  - Torque - Lower Handlebar Holder Bolts: 25 N·m (2.5 kgf·m, 18 ft·lb)**
- Align the punch mark [A] on the handlebar and the corner edge [B] on the lower handlebar holder.

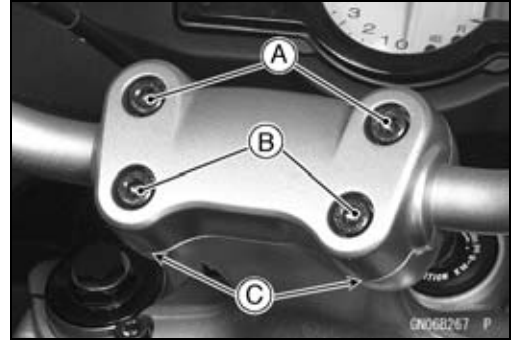


## 14-12 STEERING

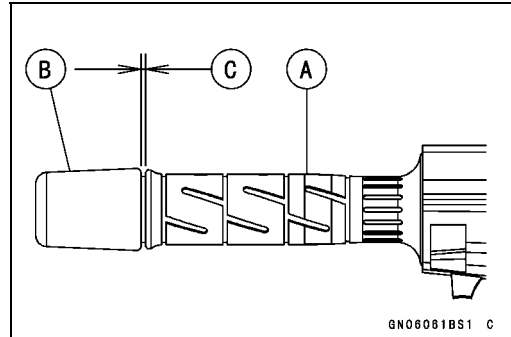
### Handlebar

- Tighten the front holder bolts [A] first, and then the rear holder bolts [B].
- There will be a gap [C] at the rear part of the handlebar holder after tightening.

**Torque - Upper Handlebar Holder Bolts: 25 N·m (2.5 kgf·m, 18 ft·lb)**



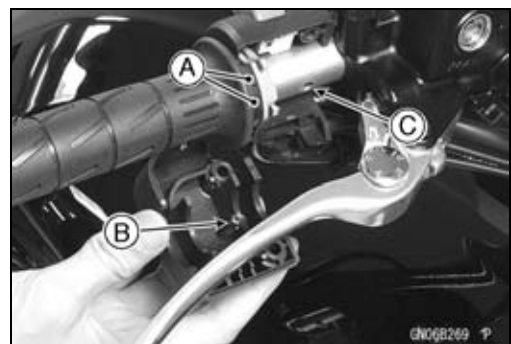
- Install the clutch lever (see Clutch Lever Installation in the Clutch chapter).
- Apply adhesive cement to the inside of the left handlebar grip [A].
- Install the left handlebar grip and left handlebar weight [B] so that distance [C] between the grip and weight is the 0 to 3 mm (0.12 in.).
- Apply a non-permanent locking agent to the left handlebar weight bolt.



- Install the left switch housing.
  - Fit the projection [A] into a small hole [B] in the handlebar.
- Torque - Left Switch Housing Screws: 3.5 N·m (0.36 kgf·m, 31 in·lb)**



- Install:
    - Throttle Grip
    - Throttle Cable Tips [A]
    - Right Switch Housing
  - Fit the projection [B] into a small hole [C] in the handlebar.
- Torque - Right Switch Housing Screws: 3.5 N·m (0.36 kgf·m, 31 in·lb)**
- Apply a non-permanent locking agent to the right handlebar weight bolt.
  - Install the front brake master cylinder (see Front Master Cylinder Installation in the Brakes chapter).



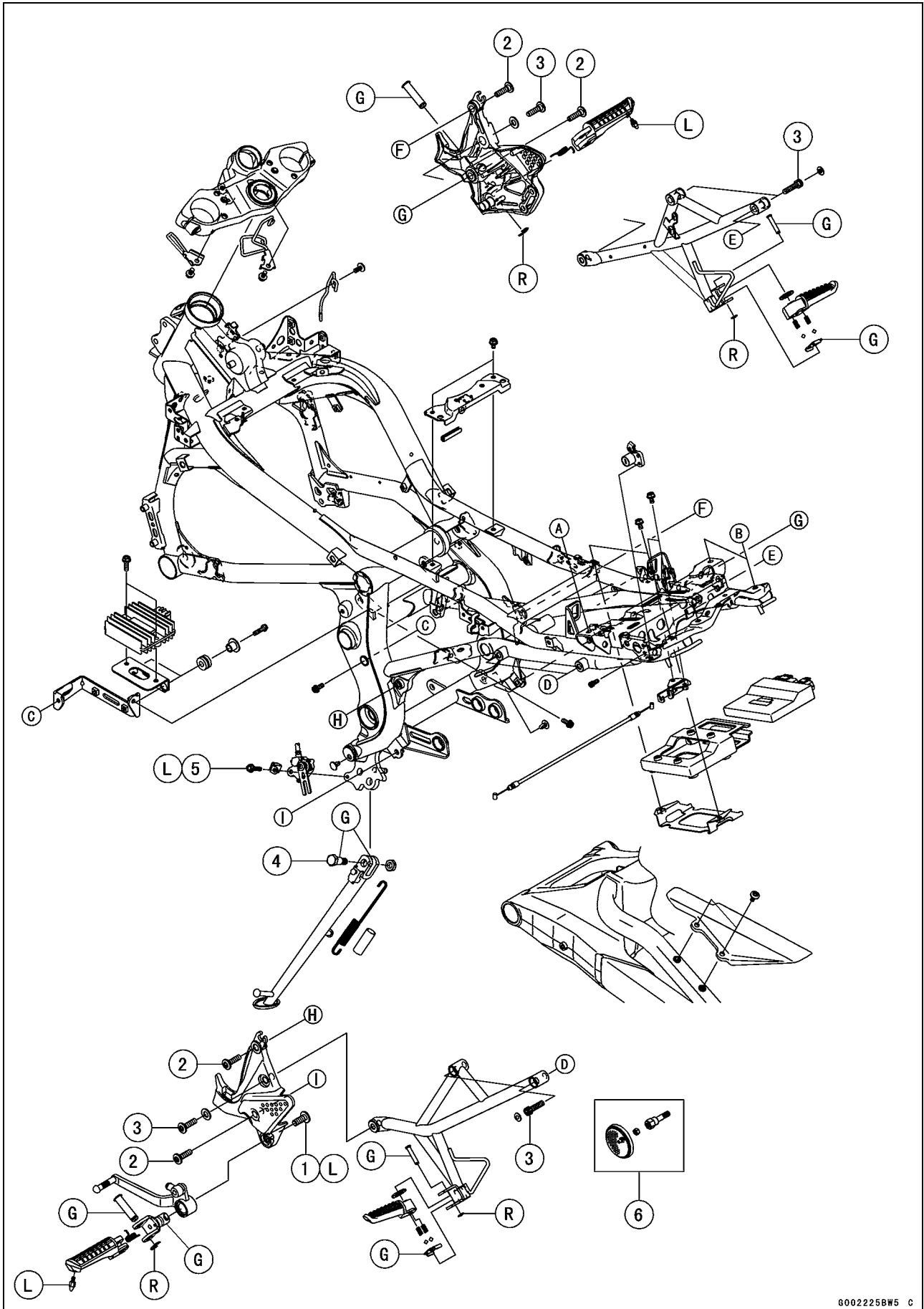
# Frame

## Table of Contents

Exploded View .....	15-2
Seat .....	15-8
Seat Removal .....	15-8
Seat Installation .....	15-8
Fairings .....	15-9
Lower Fairing Removal .....	15-9
Lower Fairing Installation .....	15-9
Middle Fairing Removal .....	15-9
Middle Fairing Installation .....	15-9
Middle Fairing Bracket Removal .....	15-10
Middle Fairing Bracket Installation .....	15-10
Inner Cover Removal .....	15-11
Inner Cover Installation .....	15-11
Side Covers .....	15-12
Side Cover Removal .....	15-12
Side Cover Installation .....	15-12
Seat Covers .....	15-13
Seat Cover Removal .....	15-13
Seat Cover Installation .....	15-13
Fenders .....	15-14
Front Fender Removal .....	15-14
Front Fender Installation .....	15-14
Flap and Rear Fender Rear Removal .....	15-14
Flap and Rear Fender Rear Installation .....	15-15
Rear Fender Front Removal .....	15-15
Rear Fender Front Installation .....	15-16
Frame .....	15-17
Frame Inspection .....	15-17
Windshield .....	15-18
Windshield Height Adjustment .....	15-18
Windshield Removal .....	15-18
Windshield Installation .....	15-18
Windshield Bracket Removal .....	15-18
Sidestand .....	15-19
Sidestand Removal .....	15-19
Sidestand Installation .....	15-19
Frame Cover .....	15-20
Front Frame Cover Removal .....	15-20
Front Frame Cover Installation .....	15-20
Rear Frame Cover Removal .....	15-20
Rear Frame Cover Installation .....	15-20
Rear View Mirrors .....	15-21
Rear View Mirrors Removal .....	15-21
Rear View Mirrors Installation .....	15-21

# 15-2 FRAME

## Exploded View





**Exploded View**

No.	Fastener	Torque			Remarks
		N·m	kgf·m	ft·lb	
1	Footpeg Holder Bolts	34	3.5	25	L
2	Front Footpeg Stay Bolts	25	2.5	18	
3	Rear Footpeg Stay Bolts	25	2.5	18	
4	Sidestand Bolt	44	4.5	32	
5	Sidestand Switch Bolt	3.9	0.40	35 in·lb	L

6. Canada Model

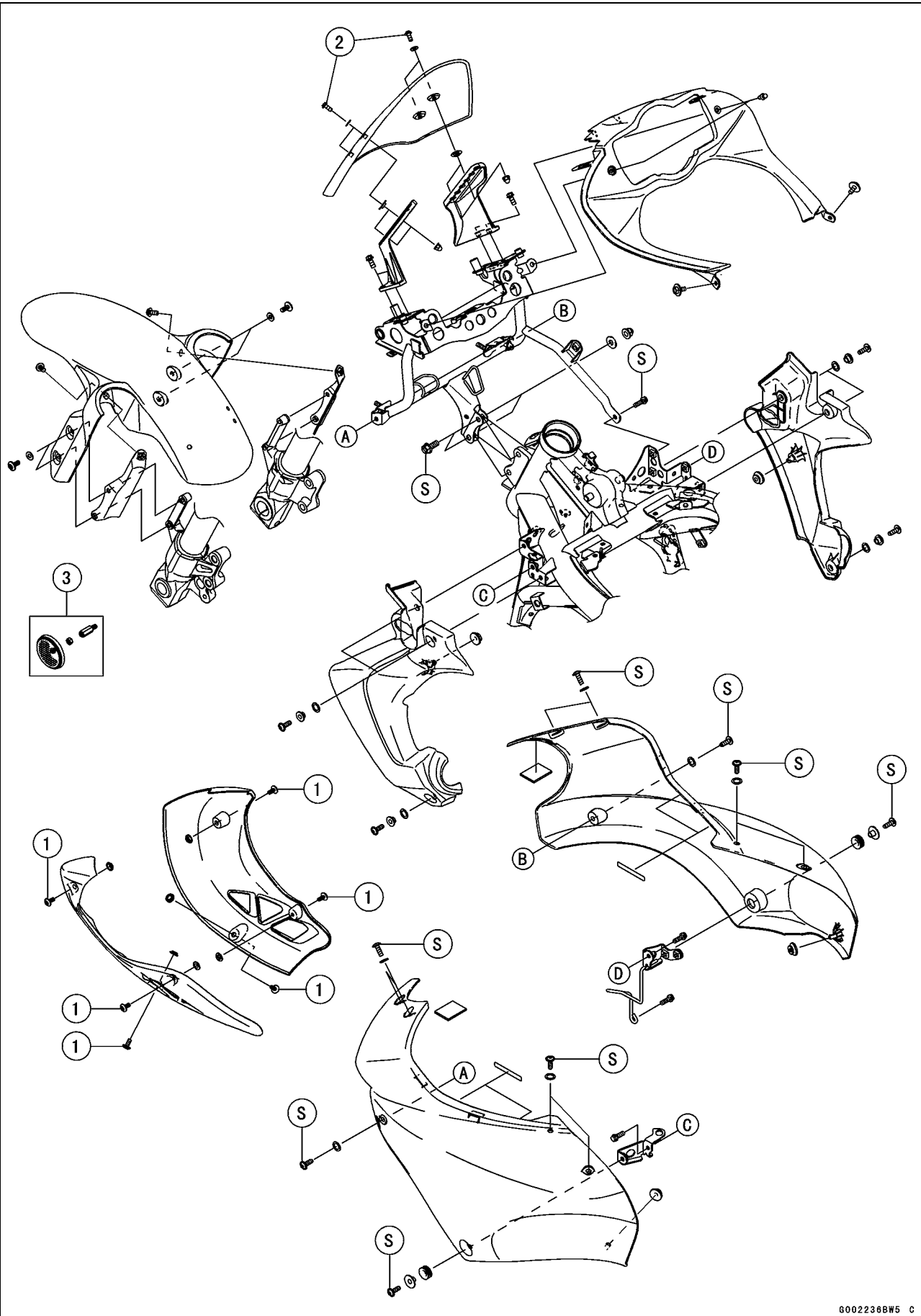
G: Apply grease.

L: Apply a non-permanent locking agent.

R: Replacement Parts

# 15-4 FRAME

## Exploded View



**Exploded View**

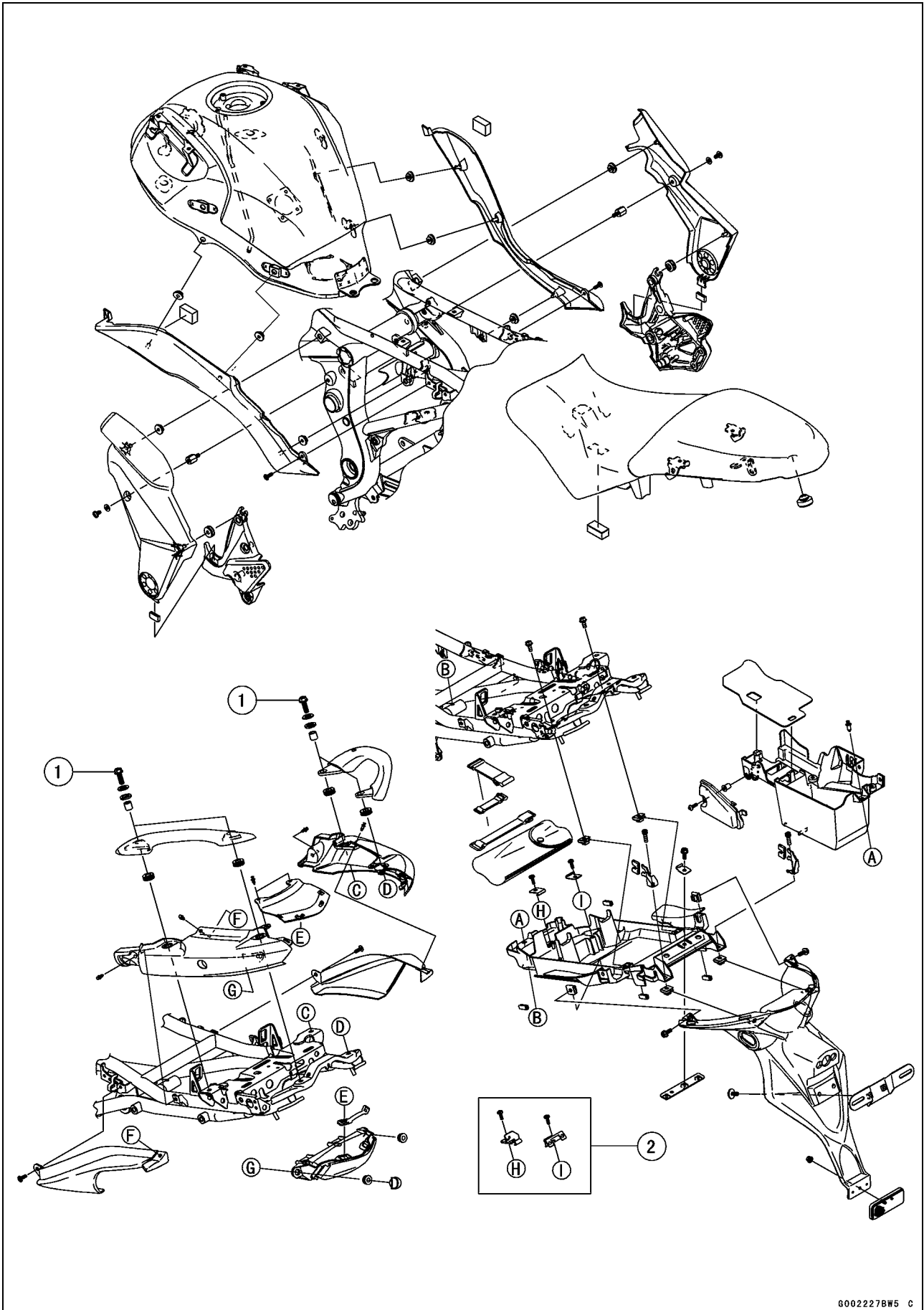
No.	Fastener	Torque			Remarks
		N·m	kgf·m	ft·lb	
1	Lower Fairing Mounting Bolts	8.8	0.90	78 in·lb	
2	Windshield Mounting Bolts	0.40	0.041	3.5 in·lb	

3. Canada Model

S: Follow the specified tightening sequence.

# 15-6 FRAME

## Exploded View



**Exploded View**

No.	Fastener	Torque			Remarks
		N·m	kgf·m	ft·lb	
1	Tandem Grip Mounting Bolts	25	2.5	18	

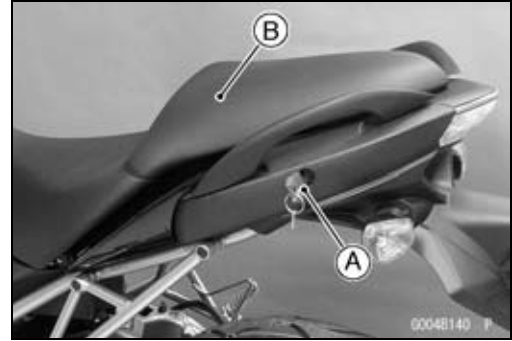
2. KLE650B Models

## 15-8 FRAME

### Seat

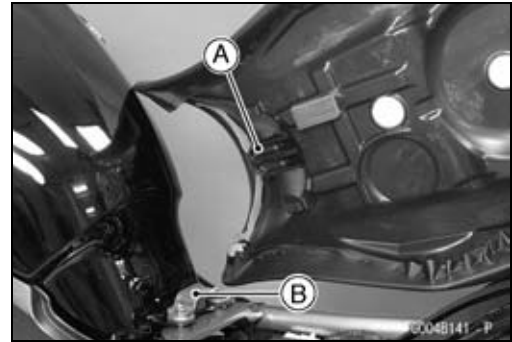
#### **Seat Removal**

- Insert the ignition switch key [A] into the seat lock, turning the key clockwise, pulling up on the rear of the seat [B], and pulling the seat backward.



#### **Seat Installation**

- Slip the seat hook [A] under the brace [B] on the fuel tank bracket.



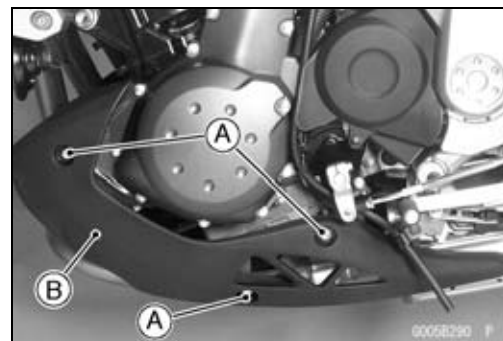
- Insert the seat latch [A] into the latch hole [B].
- Push down the rear part of the seat until the lock clicks.



## Fairings

### Lower Fairing Removal

- Remove the mounting bolts [A] and lower fairing [B].



### Lower Fairing Installation

- Tighten:  
Torque - Lower Fairing Mounting Bolts: 8.8 N·m (0.90 kgf·m, 78 in·lb)

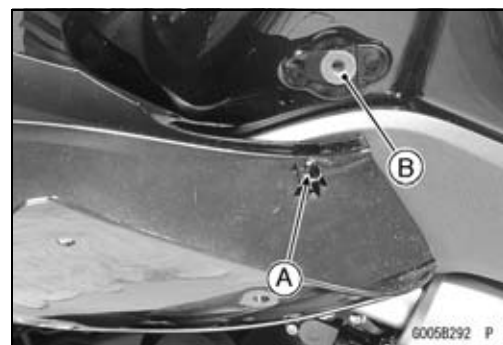
### Middle Fairing Removal

- Remove:  
Windshield (see Windshield Removal)  
Bolts [A]
- Pull the middle fairing [B] evenly outward to clear the stopper [C].

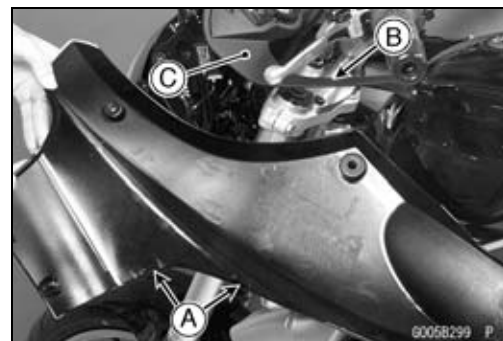


### Middle Fairing Installation

- Insert the projection [A] into the grommet [B] on the fuel tank.



- Fit the slots [A] into the rib [B] of the inner cover [C].



## 15-10 FRAME

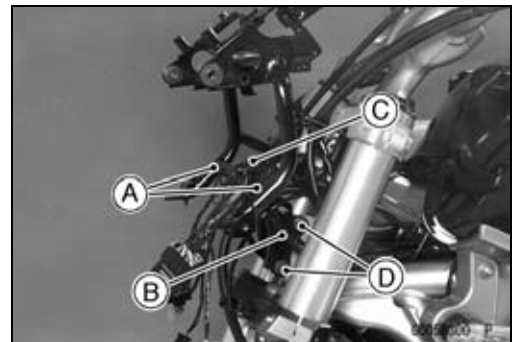
### Fairings

- Tighten the middle fairing mounting bolts as shown sequence [1 ~ 6] in the figure



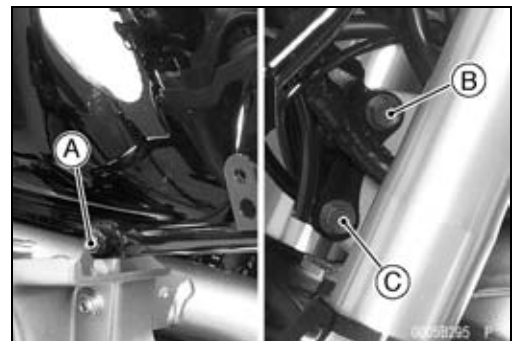
### Middle Fairing Bracket Removal

- Remove:
  - Middle Fairings (see Middle Fairing Removal)
  - Windshield Brackets (see Windshield Bracket Removal)
  - Inner Cover (see Inner Cover Removal)
  - Headlight Assy (see Headlight Removal in the Electrical System chapter)
  - Meter Unit (see Meter Unit Removal in the Electrical System chapter)
  - Turn Signal Relay (see Turn Signal Relay Inspection in the Electrical System chapter)
  - Oil Pressure Warning Indicator Light (LED) Delay Unit (see Oil Pressure Warning Indicator Light (LED) Delay Unit Removal in the Electrical System chapter)
  - Coolant Reserve Tank (see Coolant Change in the Periodic Maintenance chapter)
  - Bolt [A]
- Cut off the bands [A].
- Open the clamp [B].
- Free the main harness from the middle fairing bracket [C].
- Remove:
  - Mounting Bolts [D] and Nuts
  - Middle Fairing Bracket



### Middle Fairing Bracket Installation

- Tighten the mounting bolts and nuts, using the following steps.
  - Tighten the mounting bolt [A].
  - Tighten the upper mounting bolt [B] and nut.
  - Tighten the lower mounting bolt [C] and nut.
- Route the harness and leads correctly (see Cable, Wire, and Hose Routing section in the Appendix chapter).

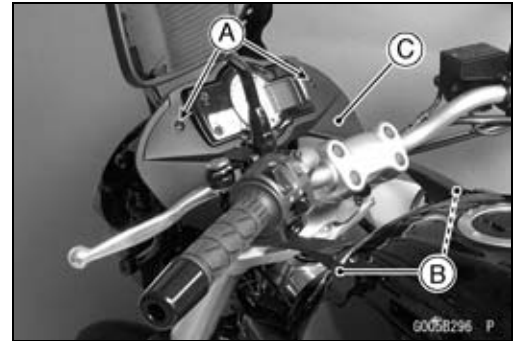




## Fairings

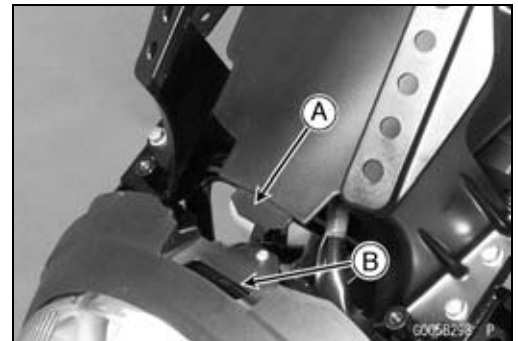
### ***Inner Cover Removal***

- Remove the middle fairings (see Middle Fairing Removal).
- Push the central pin, and then remove the quick rivets [A].
- Remove:
  - Bolts [B]
  - Inner Cover [C]



### ***Inner Cover Installation***

- Installation is the reverse of removal.
- Insert the hook [A] of the inner cover into the slot [B] of the headlight assy.

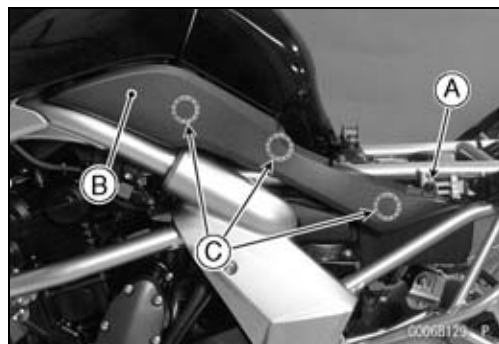


## 15-12 FRAME

### Side Covers

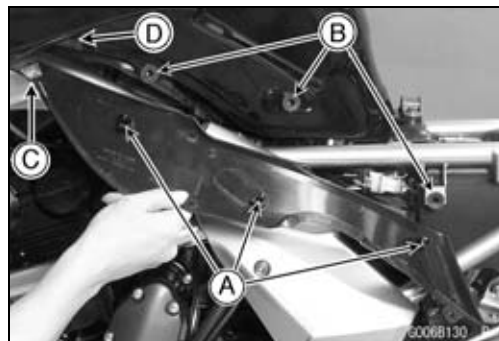
#### **Side Cover Removal**

- Remove:
  - Seat (see Seat Removal)
  - Screw [A]
- Pull the side cover [B] evenly outward to clear the stoppers [C].



#### **Side Cover Installation**

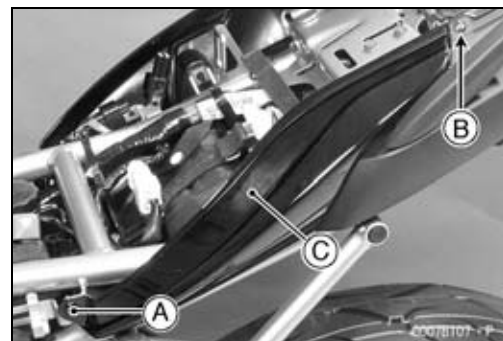
- Installation is the reverse of removal.
- Insert the projection [A] into the grommets [B] on the fuel tank and frame.
- Hook the tab [C] to the inside of the trim [D].



## Seat Covers

### Seat Cover Removal

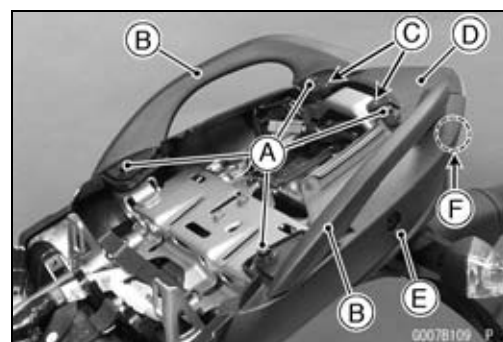
- Remove:
  - Seat (see Seat Removal)
  - Screw [A] (Both Sides)
- Push the central pin, and then remove the quick rivet [B] on both sides.
- Remove the front seat cover [C] forward.



- Push the central pin, and then remove the quick rivet [A] on both sides.

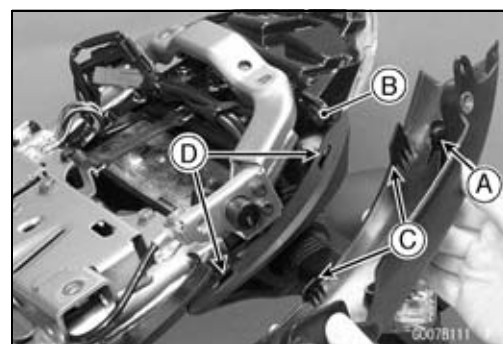


- Remove:
  - Bolts [A]
  - Tandem Grips [B]
- Push the central pin, and then remove the quick rivets [C].
- Remove the middle seat cover [D].
- Pull the rear seat cover [E] backward to clear the stopper [F].



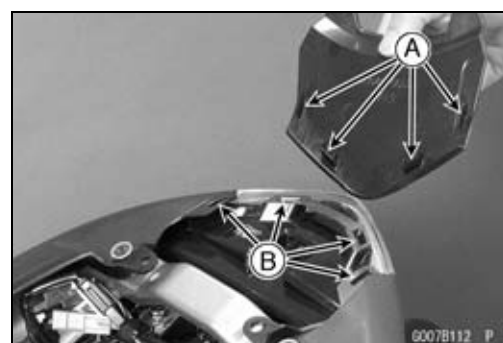
### Seat Cover Installation

- Installation is the reverse of removal, note the following.
- Insert the projection [A] of the rear seat cover into the grommet [B] and put the hooks [C] into the slots [D].



- Insert the projections [A] of the middle seat cover into the holes [B].
- Install the tandem grips.

**Torque - Tandem Grip Mounting Bolts: 25 N·m (2.5 kgf·m, 18 ft·lb)**

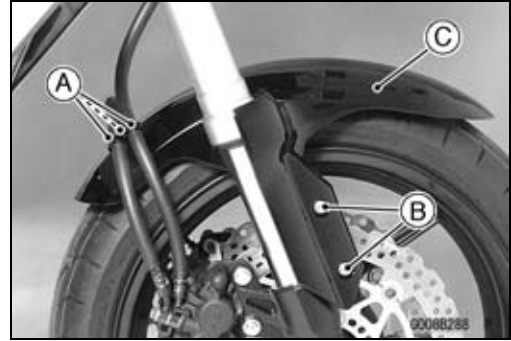


## 15-14 FRAME

### Fenders

#### **Front Fender Removal**

- Remove:
  - Brake Hose Clamps [A]
  - Bolts [B] (Both Sides)
- Remove the front fender [C] upward.

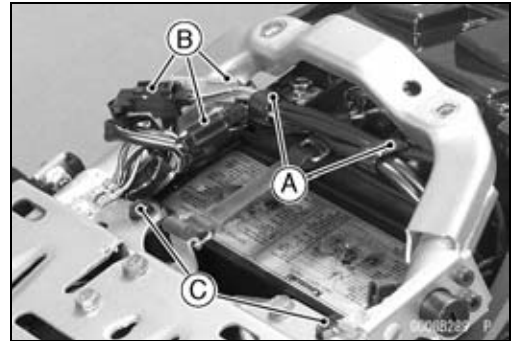


#### **Front Fender Installation**

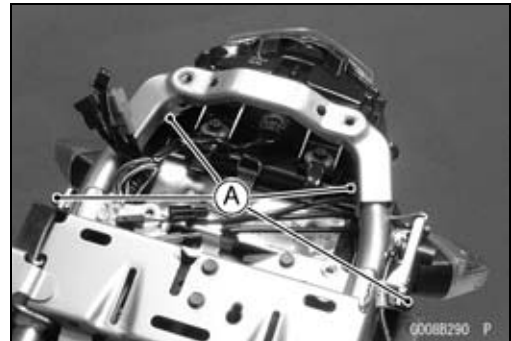
- Installation is the reverse of removal.
- Install the brake hose clamps to the front fender holes.

#### **Flap and Rear Fender Rear Removal**

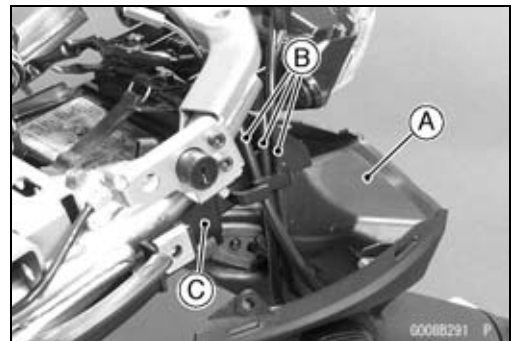
- Remove the seat covers (see Seat Cover Removal).
- Open the clamps [A].
- Disconnect the connectors [B].
- Remove the bolts [C].



- Remove the bolts [A].

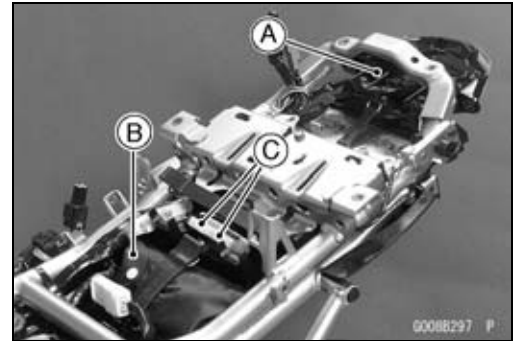


- Pull out the flap [A], turn signal lights and license plate light downward.
- Clear the leads [B] from the rear fender rear [C].

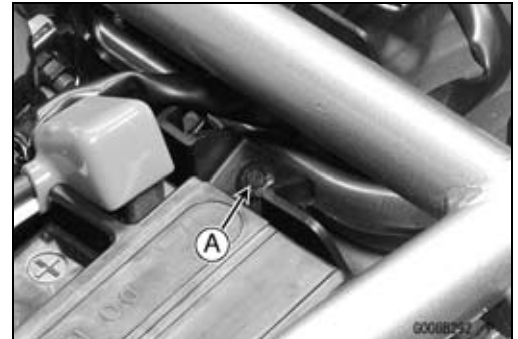


## Fenders

- Remove:
  - Tail/Brake Light [A] (see Tail/Brake Light Removal in the Electrical System chapter)
  - Owner's Tool [B]
  - For models equipped with an ABS, remove the ABS fuse boxes [C].



- Push the center pin, and then remove the quick rivet [A].
- Pull out the rear fender rear backward and downward.

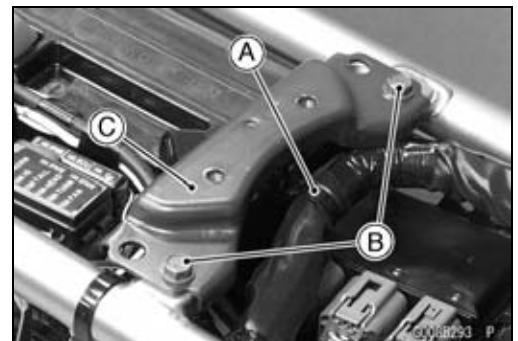


### **Flap and Rear Fender Rear Installation**

- Installation is the reverse of removal.
- Route the harness and leads correctly (see Cable, Wire, and Hose Routing section in the Appendix chapter).

### **Rear Fender Front Removal**

- Remove:
  - Fuel Tank (see Fuel Tank Removal in the Fuel System (DFI) chapter)
  - Clamp [A] (Open)
  - Bolts [B]
  - Bracket [C]



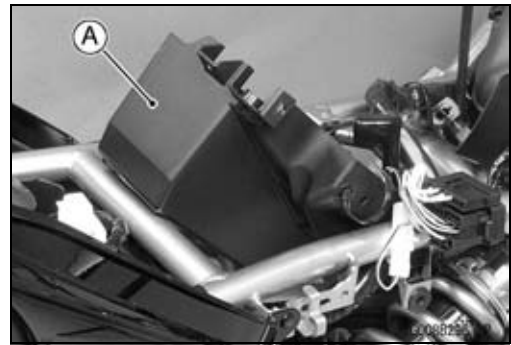
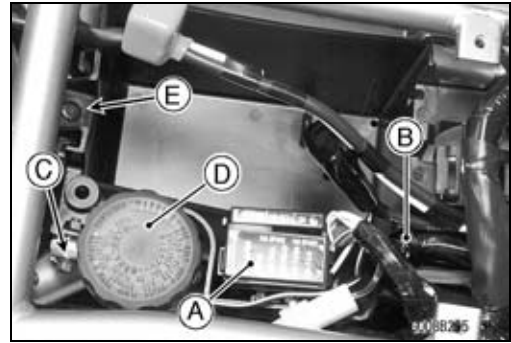
- Open the clamp [A].



## 15-16 FRAME

### Fenders

- Remove:
  - Battery (see Battery Removal in the Electrical System chapter)
  - Relay Box (see Relay Box Removal in the Electrical System chapter)
  - Starter Relay (see Starter Relay Inspection in the Electrical System chapter)
  - Fuse Box [A]
  - Clamp [B]
- Unscrew the bolt [C] and pull out the rear break reservoir tank [D] downward.
- Push the center pin, and then remove the quick rivet [E].
- Remove the rear fender front [A] backward and upward.



#### ***Rear Fender Front Installation***

- Installation is the reverse of removal.
- Route the harness and leads correctly (see Cable, Wire, and Hose Routing section in the Appendix chapter).

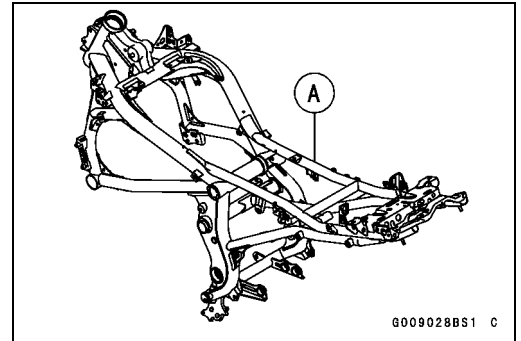
## Frame

### **Frame Inspection**

- Visually inspect the frame [A] for cracks, dents, bending or warp.
- If there is any damage to the frame, replace it.

### **⚠ WARNING**

**A repaired frame may fail in use, possibly causing an accident. If the frame is bent, dented, cracked, or warped, replace it.**

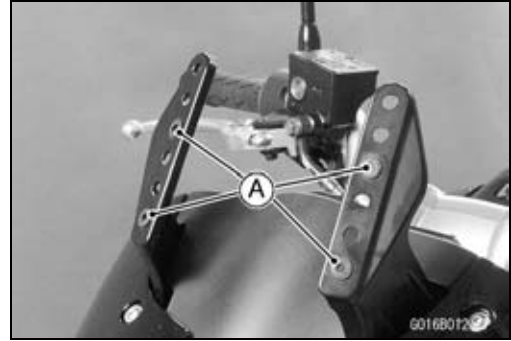


## 15-18 FRAME

### Windshield

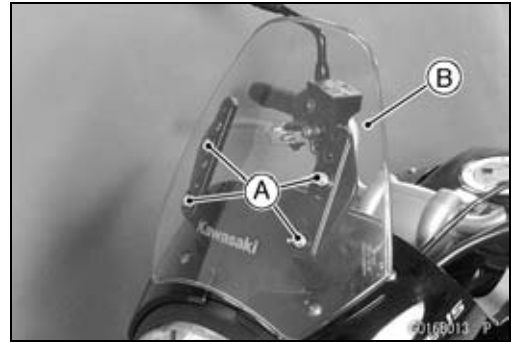
#### **Windshield Height Adjustment**

- The windshield can be adjusted within 3 positions in height to suit the rider's preference.
- Remove the windshield (see Windshield Removal).
- Move the position of the dampers [A] evenly and adjust the windshield height.
- Install the windshield (see Windshield Installation).



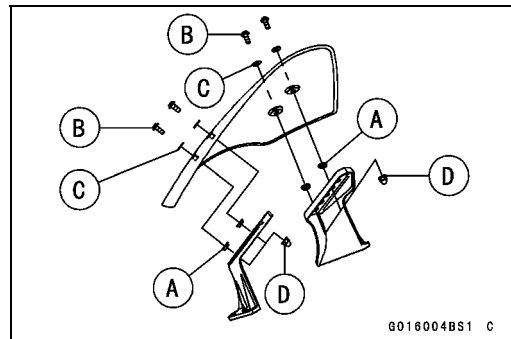
#### **Windshield Removal**

- Remove:
  - Bolts [A] and Nuts
  - Windshield [B]



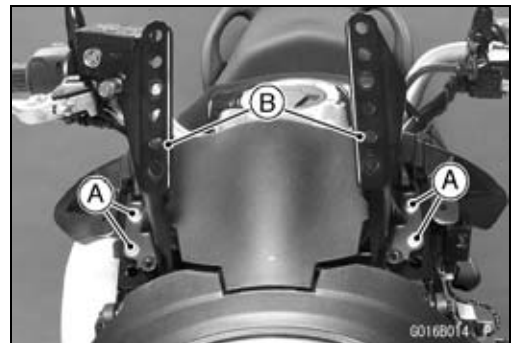
#### **Windshield Installation**

- Be sure that the dampers [A] are in position.
- Install:
  - Mounting Bolts [B]
  - Washers [C]
  - Nuts [D]
- Tighten:
  - Torque - Windshield Mounting Bolts: 0.40 N·m (0.041 kgf·m, 3.5 in·lb)**



#### **Windshield Bracket Removal**

- Remove:
  - Windshield (see Windshield Removal)
  - Middle Fairings (see Middle Fairing Removal)
  - Bolts [A]
  - Windshield Brackets [B]

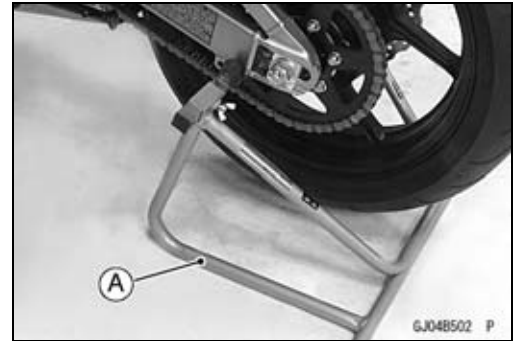




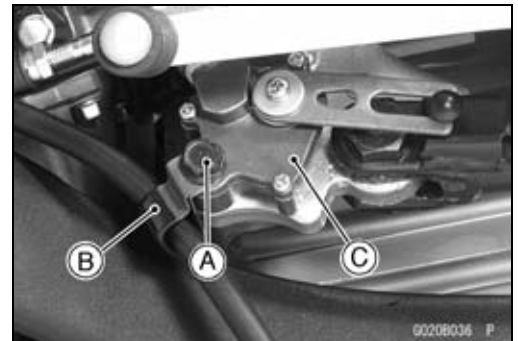
## Sidestand

### Sidestand Removal

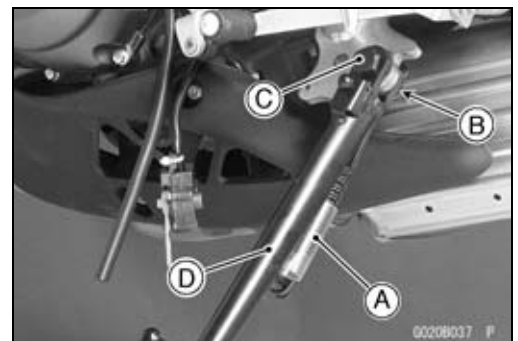
- Raise the rear wheel off the ground with stand [A].



- Remove:
  - Sidestand Switch Bolt [A]
  - Clamp [B]
  - Sidestand Switch [C]



- Remove:
  - Spring [A]
  - Sidestand Nut [B]
  - Sidestand Bolt [C]
  - Sidestand [D]



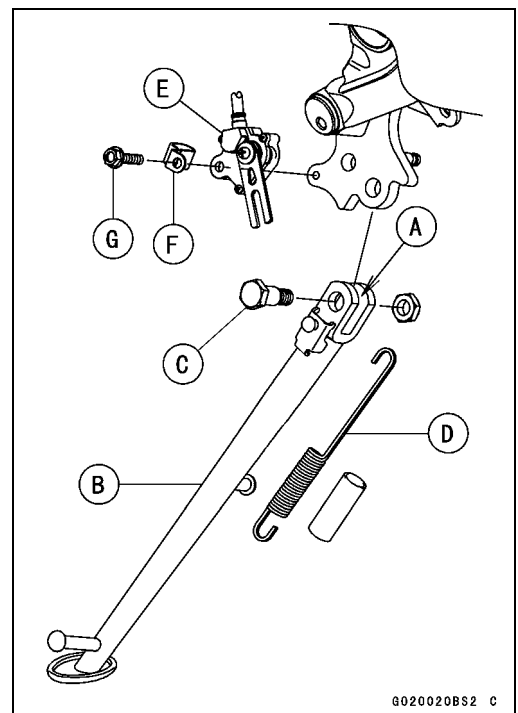
### Sidestand Installation

- Apply grease to the sliding area [A] of the sidestand [B].
- Tighten the bolt and lock them with the nut.

**Torque - Sidestand Bolt [C]: 44 N·m (4.5 kgf·m, 32 ft·lb)**

- Hook the spring [D] so that face the long spring end upward.
- Install the spring hook direction as shown.
- Install the sidestand switch [E] and clamp [F].
- Apply a non-permanent locking agent to the thread of the switch bolt [G].

**Torque - Sidestand Switch Bolt: 3.9 N·m (0.40 kgf·m, 35 in·lb)**

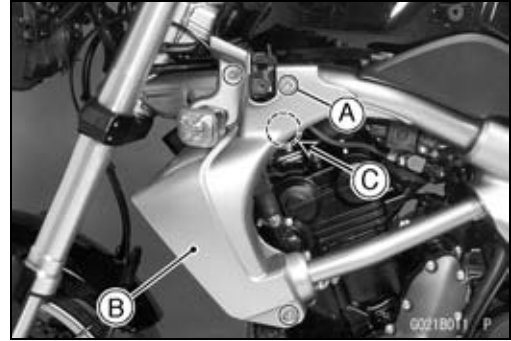


## 15-20 FRAME

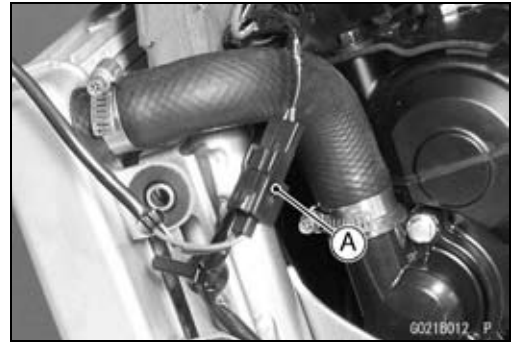
### Frame Cover

#### **Front Frame Cover Removal**

- Remove:
  - Middle Fairings (see Middle Fairing Removal)
  - Bolts [A]
- Pull the front frame cover [B] outward to clear the stopper [C].

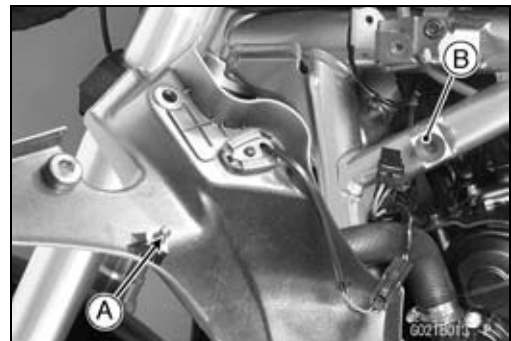


- Disconnect the turn signal light lead connector [A].



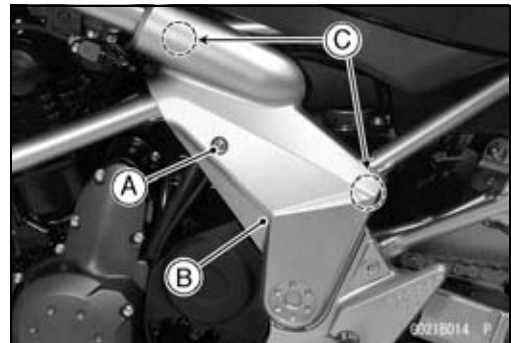
#### **Front Frame Cover Installation**

- Installation is the reverse of removal.
- Route the turn signal lead correctly (see Cable, Wire, and Hose Routing section in the Appendix chapter).
- Insert the projection [A] into the grommet [B] on the frame.



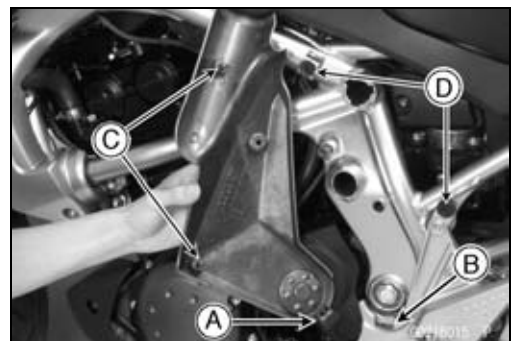
#### **Rear Frame Cover Removal**

- Remove the bolt [A].
- Pull the rear frame cover [B] evenly outward to clear the stoppers [C].



#### **Rear Frame Cover Installation**

- Installation is the reverse of removal.
- Put the damper [A] of the rear frame cover into the slot [B] on the footpeg stay and insert the projections [C] into the grommets [D].



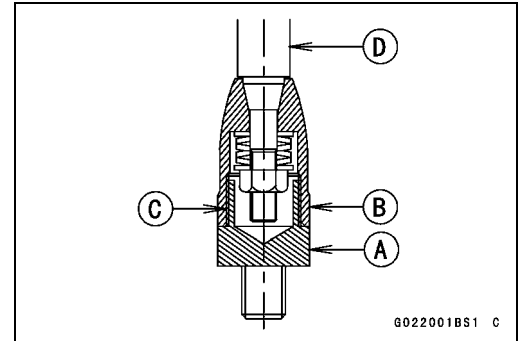
## Rear View Mirrors

### Rear View Mirrors Removal

- Loosen the lower hexagonal area [A] for tightening to remove the rear view mirror from the holder.

#### CAUTION

Do not force to tighten and/or loosen the upper hexagonal area (adapter) [B] with a pair of spanners. Disassembly of this area is Not Available. Non-permanent locking agent [C] is already applied to the threads of this inner area. Forcible loosening may damage the adapter and/or the turning mechanism of the stay [D].



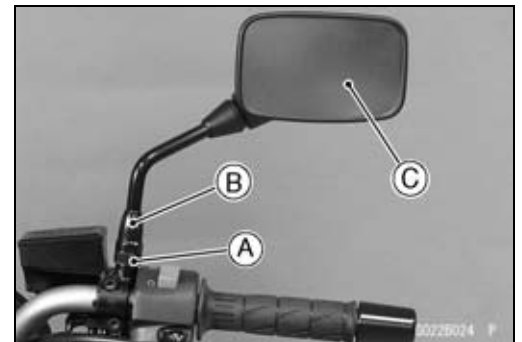
### Rear View Mirrors Installation

- Screw the mounting area of the right rear view mirror into the holder all the way, and tighten the lower hexagonal area for tightening securely.

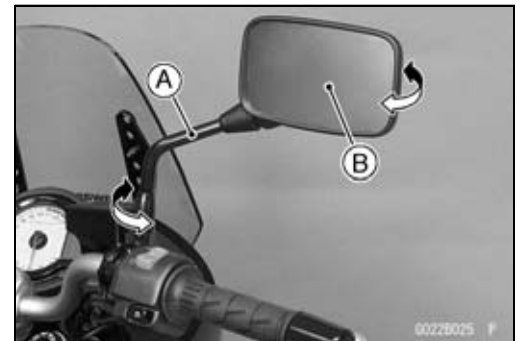
Lower Hexagonal Area for Tightening [A]

Upper Hexagonal Area (Adapter) [B]

Rear View Mirror (Right) [C]



- Turn the stay [A] to assure the safe conditions of the rear with the operator sat on the motorcycle.
  - Adjust the rear view mirror slightly with its mirror [B].
- Installation and adjustment of the left side are common with those of the right side. Follow the procedure specified at the right side.





# Electrical System

## Table of Contents

Exploded View .....	16-3
Specifications .....	16-10
Special Tools and Sealant .....	16-11
Parts Location .....	16-12
Wiring Diagram (Other than Canada, New Zealand and Malaysia) .....	16-14
Wiring Diagram (Canada, New Zealand and Malaysia) .....	16-16
Wiring Diagram (KLE650B Models) .....	16-18
Precautions .....	16-20
Electrical Wiring .....	16-21
Wiring Inspection .....	16-21
Battery .....	16-22
Battery Removal .....	16-22
Battery Installation .....	16-22
Battery Activation .....	16-22
Precautions .....	16-25
Interchange .....	16-25
Charging Condition Inspection .....	16-26
Refreshing Charge .....	16-26
Charging System .....	16-28
Alternator Cover Removal .....	16-28
Alternator Cover Installation .....	16-28
Stator Coil Removal .....	16-28
Stator Coil Installation .....	16-29
Alternator Rotor Removal .....	16-29
Alternator Rotor Installation .....	16-30
Alternator Inspection .....	16-31
Regulator/Rectifier Inspection .....	16-33
Charging Voltage Inspection .....	16-36
Starter Motor Clutch .....	16-38
Starter Motor Clutch Removal/Installation .....	16-38
Starter Motor Clutch Inspection .....	16-38
Starter Motor Clutch Disassembly .....	16-38
Starter Motor Clutch Assembly .....	16-38
Ignition System .....	16-39
Crankshaft Sensor Removal .....	16-39
Crankshaft Sensor Installation .....	16-40
Crankshaft Sensor Inspection .....	16-40
Crankshaft Sensor Peak Voltage Inspection .....	16-41
Timing Rotor Removal .....	16-41
Timing Rotor Installation .....	16-41
Stick Coil (Ignition Coil together with Spark Plug Cap) Removal .....	16-42
Stick Coil (Ignition Coil together with Spark Plug Cap) Installation .....	16-42
Stick Coil (Ignition Coil together with Spark Plug Cap) Inspection .....	16-42
Stick Coil Primary Peak Voltage .....	16-42
Spark Plug Removal .....	16-43
Spark Plug Installation .....	16-43
Spark Plug Condition Inspection .....	16-44
Interlock Operation Inspection .....	16-44
IC Igniter Inspection .....	16-45
Electric Starter System .....	16-48

## 16-2 ELECTRICAL SYSTEM

---

Starter Motor Removal .....	16-48
Starter Motor Installation .....	16-48
Starter Motor Disassembly .....	16-49
Starter Motor Assembly .....	16-49
Brush Inspection .....	16-51
Commutator Cleaning and Inspection .....	16-51
Armature Inspection .....	16-52
Brush Lead Inspection .....	16-52
Right-hand End Cover Inspection .....	16-52
Starter Relay Inspection .....	16-52
Lighting System .....	16-55
Headlight Beam Horizontal Adjustment .....	16-55
Headlight Beam Vertical Adjustment .....	16-55
Headlight Bulb Replacement .....	16-55
City Light Bulb Replacement .....	16-56
Headlight Removal/Installation .....	16-56
Tail/Brake Light Removal .....	16-57
Tail/Brake Light Installation .....	16-57
License Plate Light Bulb Replacement .....	16-58
Turn Signal Light Bulb Replacement .....	16-60
Turn Signal Relay Inspection .....	16-60
Air Switching Valve .....	16-63
Air Switching Valve Operation Test .....	16-63
Air Switching Valve Unit Test .....	16-63
Radiator Fan System .....	16-64
Fan Motor Inspection .....	16-64
Oil Pressure Warning System .....	16-65
Oil Pressure Warning Indicator Light (LED) Delay Unit Removal .....	16-66
Oil Pressure Warning System Inspection .....	16-66
Meter, Gauge, Indicator Unit .....	16-68
Meter Unit Removal .....	16-68
Meter, Gauge Disassembly .....	16-68
Electronic Combination Meter Unit Inspection .....	16-69
Switches and Sensors .....	16-78
Brake Light Timing Inspection .....	16-78
Brake Light Timing Adjustment .....	16-78
Switch Inspection .....	16-78
Water Temperature Sensor Inspection .....	16-79
Speed Sensor Removal .....	16-79
Speed Sensor Installation .....	16-79
Speed Sensor Inspection .....	16-80
Fuel Level Sensor Inspection .....	16-80
Oxygen Sensor Removal (Europe Models) .....	16-81
Oxygen Sensor Installation (Europe Models) .....	16-81
Oxygen Sensor Inspection (Europe Models) .....	16-81
Oxygen Sensor Heater Inspection (Europe Models) .....	16-81
Fuel Reserve Switch Inspection .....	16-82
Relay Box .....	16-83
Relay Box Removal .....	16-83
Relay Circuit Inspection .....	16-83
Diode Circuit Inspection .....	16-84
Fuse .....	16-86
30 A Main Fuse Removal .....	16-86
Fuse Box Fuse Removal .....	16-86
15 A ECU Fuse Removal .....	16-87
Fuse Installation .....	16-87
Fuse Inspection .....	16-87

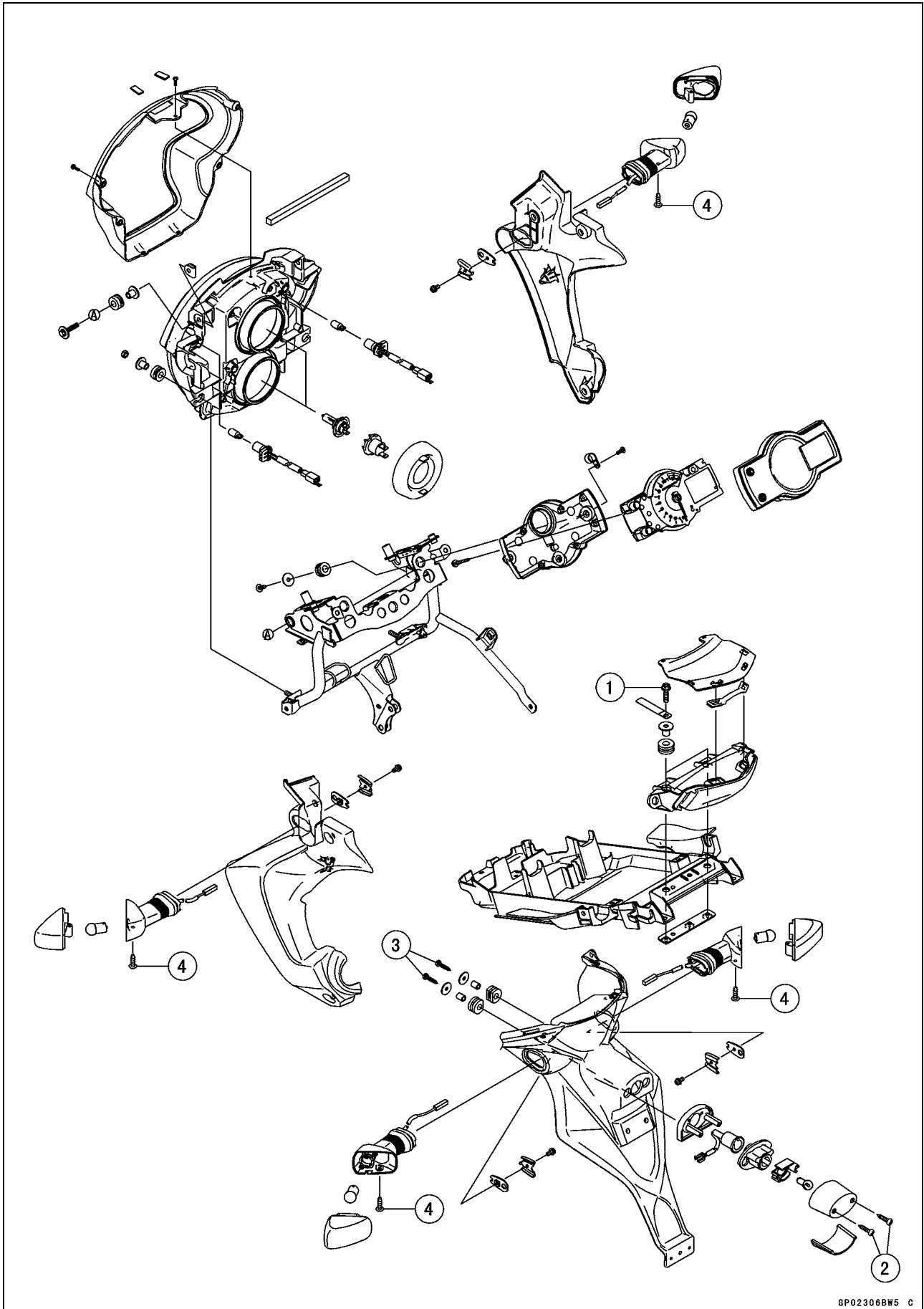
**Exploded View**

---

Dummy Page

# 16-4 ELECTRICAL SYSTEM

## Exploded View



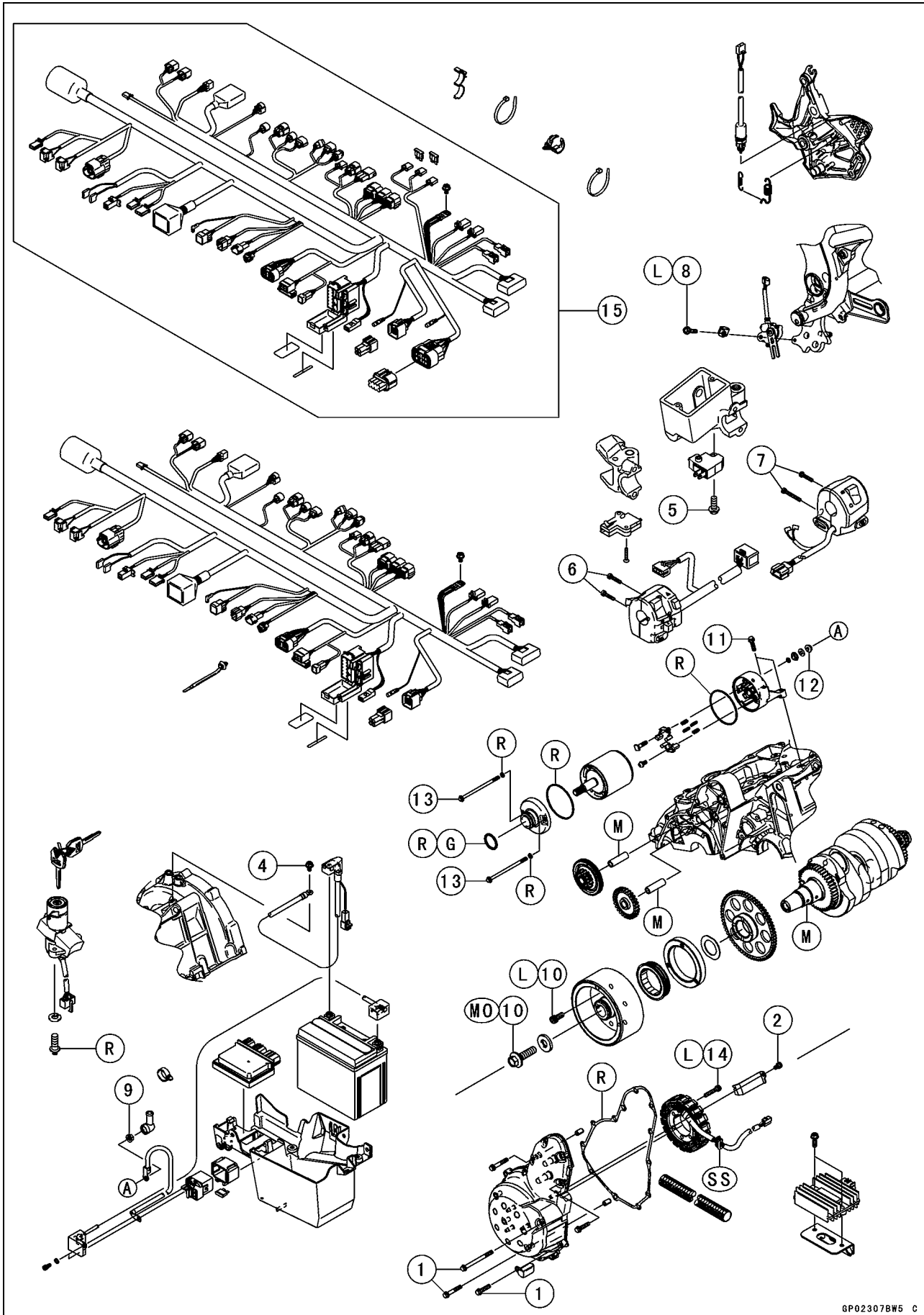


**Exploded View**

No.	Fastener	Torque			Remarks
		N·m	kgf·m	ft·lb	
1	Tail/Brake Light Mounting Bolts	1.2	0.12	11 in·lb	
2	License Plate Light Cover Screws	0.90	0.090	8 in·lb	
3	License Plate Light Mounting Screws	1.2	0.12	11 in·lb	
4	Turn Signal Light Lens Screws	1.0	0.10	9 in·lb	

# 16-6 ELECTRICAL SYSTEM

## Exploded View



**Exploded View**

No.	Fastener	Torque			Remarks
		N·m	kgf·m	ft·lb	
1	Alternator Cover Bolts	9.8	1.0	87 in·lb	
2	Alternator Lead Holding Plate Bolt	9.8	1.0	87 in·lb	L
3	Alternator Rotor Bolt	155	15.8	114	MO
4	Engine Ground Cable Terminal Bolt	9.8	1.0	87 in·lb	
5	Front Brake Light Switch Screw	1.2	0.12	11 in·lb	
6	Left Switch Housing Screws	3.5	0.36	31 in·lb	
7	Right Switch Housing Screws	3.5	0.36	31 in·lb	
8	Sidestand Switch Bolt	3.9	0.40	35 in·lb	L
9	Starter Motor Cable Terminal Nut	6.0	0.61	53 in·lb	
10	Starter Motor Clutch Bolts	34	3.5	25	L
11	Starter Motor Mounting Bolts	9.8	1.0	87 in·lb	L
12	Starter Motor Terminal Locknut	11	1.1	97 in·lb	
13	Starter Motor Through Bolts	4.9	0.50	43 in·lb	
14	Stator Coil Bolts	12	1.2	106 in·lb	L

15. Main Harness (KLE650B Models)

G: Apply grease.

L: Apply a non-permanent locking agent.

M: Apply molybdenum disulfide grease.

MO: Apply molybdenum disulfide oil solution.

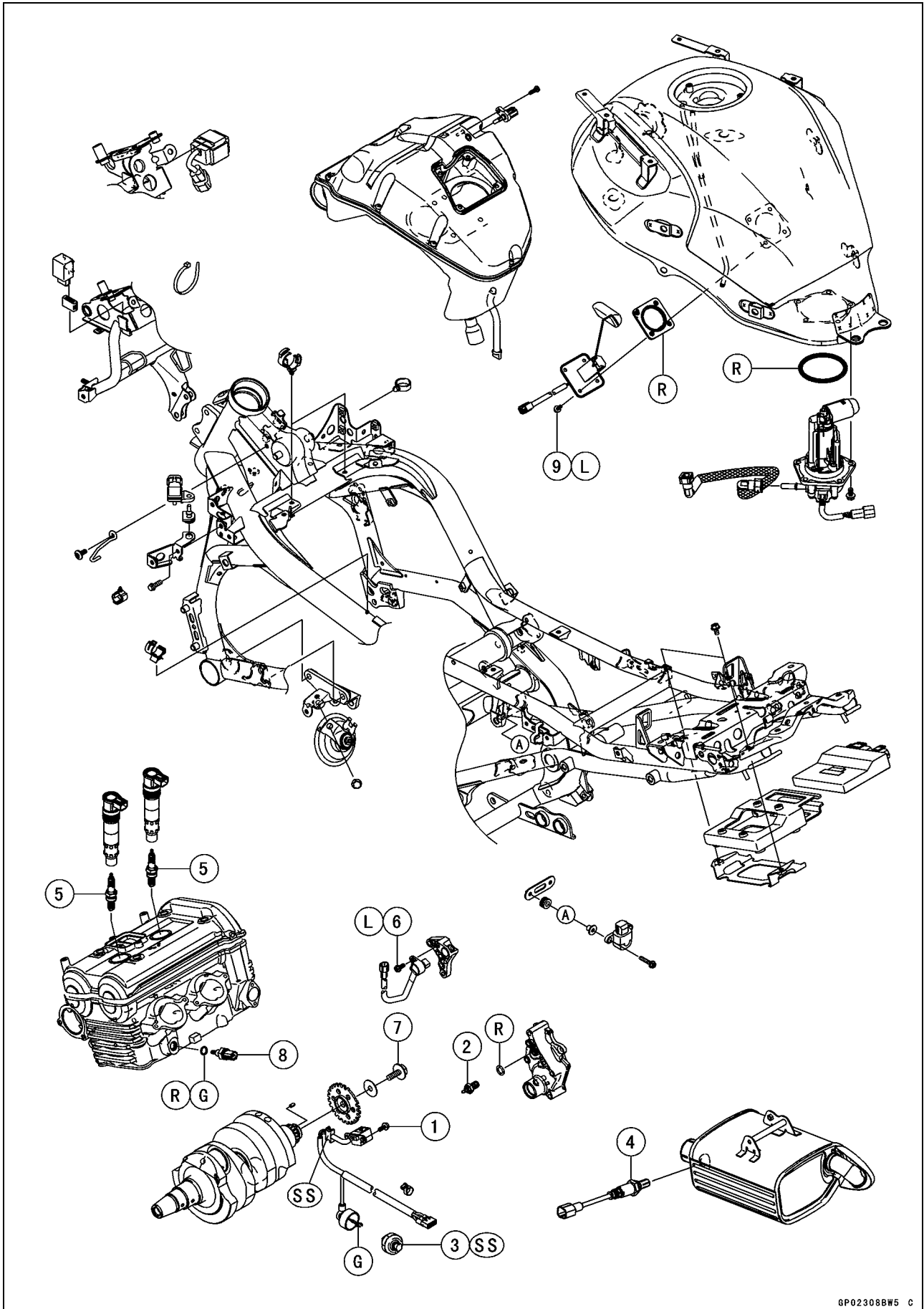
(Mixture of the engine oil and molybdenum disulfide grease in a weight ratio 10 : 1)

R: Replacement Parts

SS: Apply silicone sealant.

# 16-8 ELECTRICAL SYSTEM

## Exploded View



**Exploded View**

No.	Fastener	Torque			Remarks
		N·m	kgf·m	ft·lb	
1	Crankshaft Sensor Bolts	6.0	0.61	53 in·lb	
2	Neutral Switch	15	1.5	11	
3	Oil Pressure Switch	15	1.5	11	SS
4	Oxygen Sensor (Europe Models)	44.1	4.50	32.5	
5	Spark Plugs	15	1.5	11	
6	Speed Sensor Bolt	7.8	0.80	69 in·lb	L
7	Timing Rotor Bolt	40	4.1	30	
8	Water Temperature Sensor	12	1.2	106 in·lb	
9	Fuel Level Sensor Bolts	6.9	0.70	61 in·lb	L

G: Apply grease.

L: Apply a non-permanent locking agent.

R: Replacement Parts

SS: Apply silicone sealant.

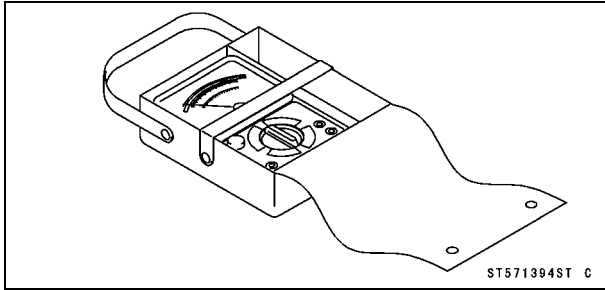
## 16-10 ELECTRICAL SYSTEM

### Specifications

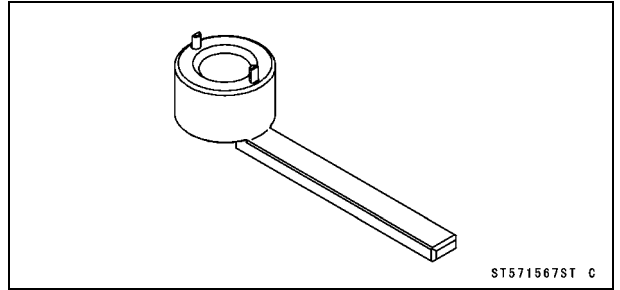
Item	Standard
<b>Battery</b> Type Model Name Capacity Voltage	Sealed Battery YTX12-BS 12 V 10 Ah 12.8 V or more
<b>Charging System</b> Type Alternator Output Voltage Stator Coil Resistance Charging Voltage (Regulator/Rectifier Output Voltage)	Three-phase AC 42 V or more at 4 000 r/min (rpm) 0.18 ~ 0.27 $\Omega$ 14.2 ~ 15.2 V
<b>Ignition System</b> Crankshaft Sensor Resistance Crankshaft Sensor Peak Voltage Stick Coil: Primary Winding Resistance Secondary Winding Resistance Primary Peak Voltage Spark Plug: Spark Plug Gap	376 ~ 564 $\Omega$ 1.9 V or more 1.1 ~ 1.5 $\Omega$ 10.8 ~ 16.2 k $\Omega$ 88 V or more 0.8 ~ 0.9 mm (0.03 ~ 0.04 in.)
<b>Electric Starter System</b> Starter Motor: Brush Length	12 mm (0.47 in.) (Service limit: 6.5 mm, 0.26 in.)
<b>Air Switching Valve</b> Resistance	18 ~ 22 $\Omega$ at 20°C (68°F)
<b>Switch and Sensor</b> Rear Brake Light Switch Timing Engine Oil Pressure Switch Connections Water Temperature Sensor Resistance Fuel Level Sensor Resistance: Full Position Empty Position	ON after about 10 mm (0.39 in.) pedal travel When engine is stopped: ON When engine is running: OFF in the text 4 ~ 10 $\Omega$ 90 ~ 100 $\Omega$

**Special Tools and Sealant**

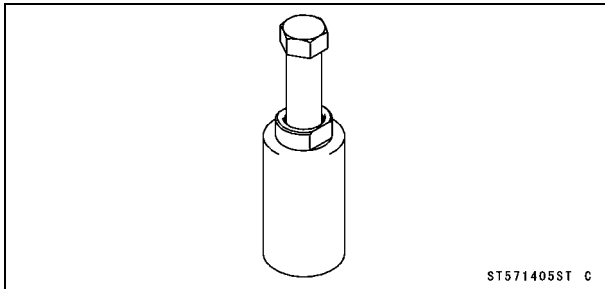
**Hand Tester:  
57001-1394**



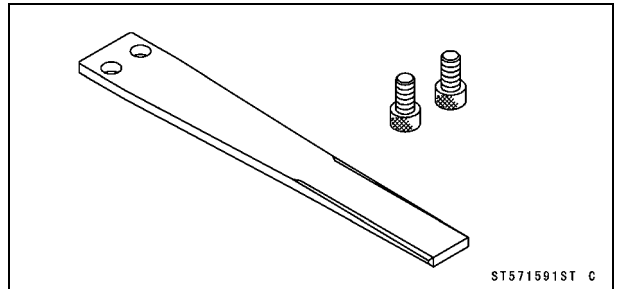
**Rotor Holder:  
57001-1567**



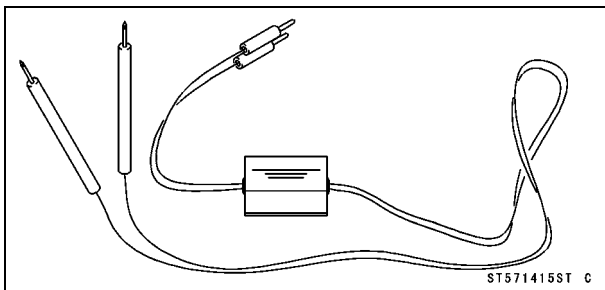
**Flywheel Puller Assembly, M38 × 1.5/M35 × 1.5:  
57001-1405**



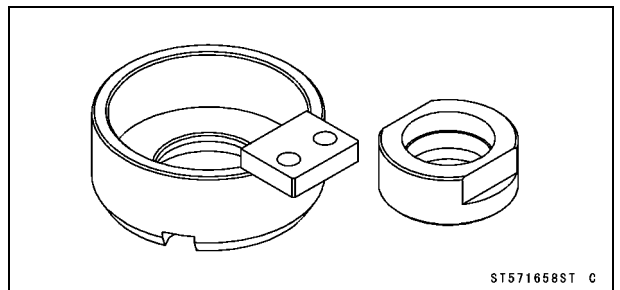
**Grip:  
57001-1591**



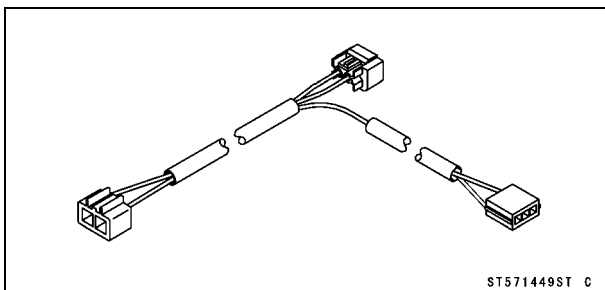
**Peak Voltage Adapter:  
57001-1415**



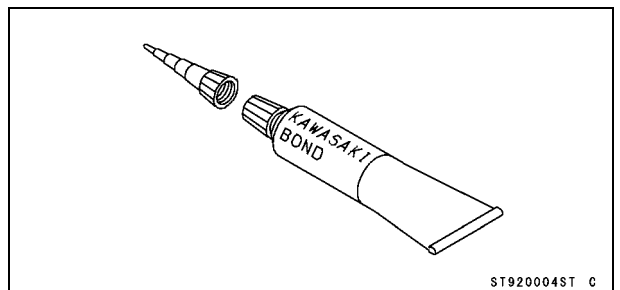
**Rotor Holder:  
57001-1658**



**Lead Wire - Peak Voltage Adapter:  
57001-1449**

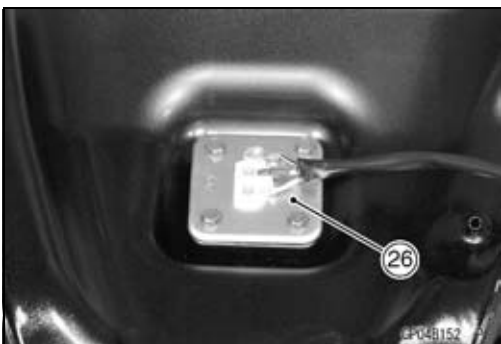
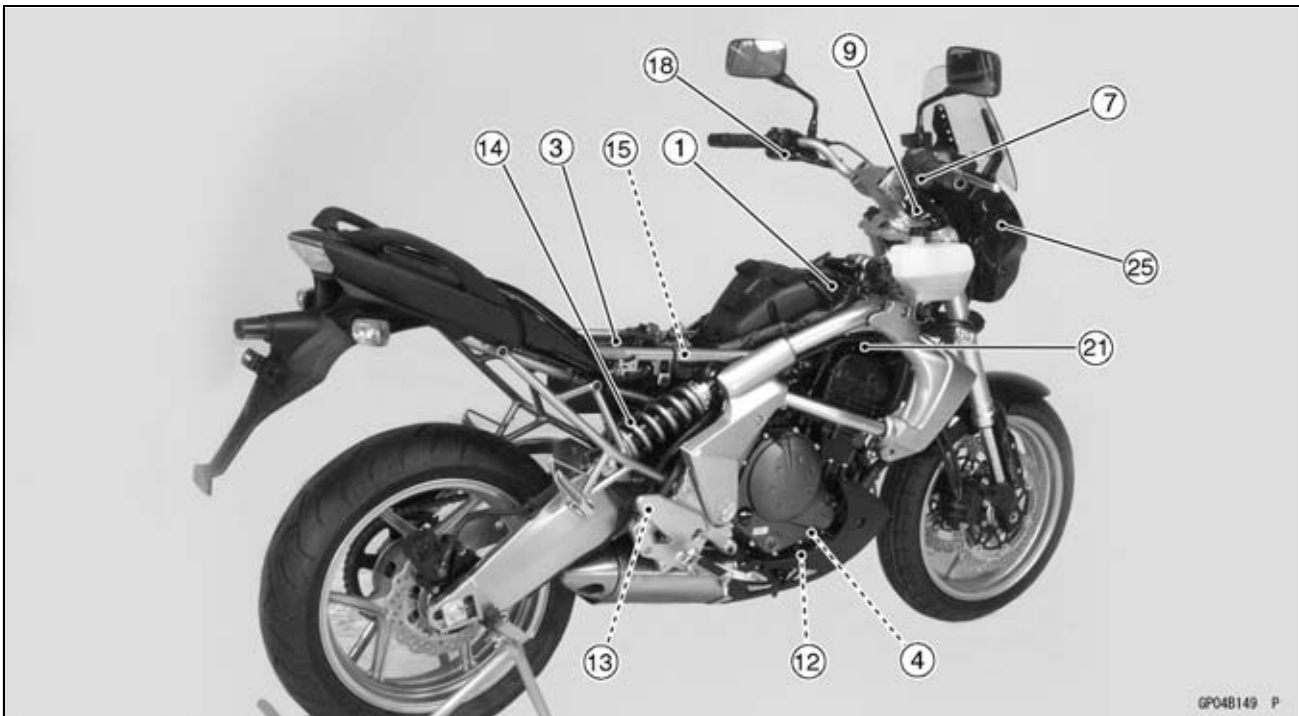
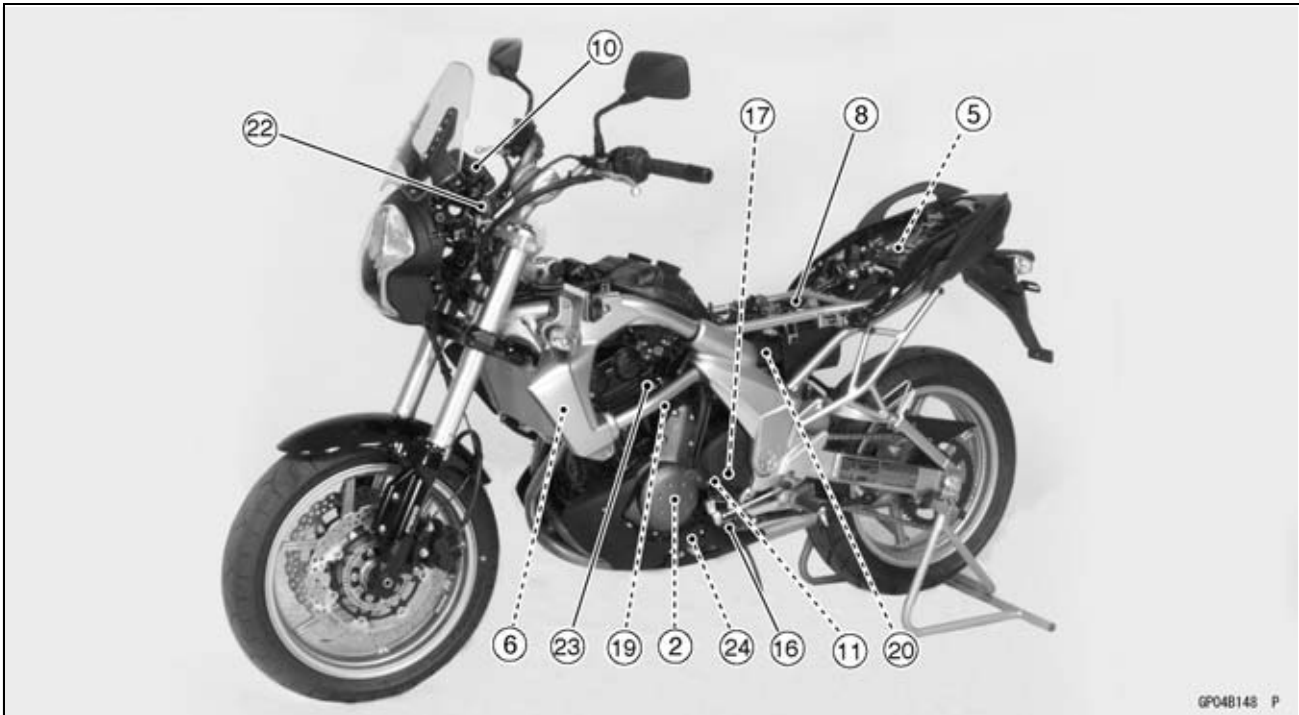


**Kawasaki Bond (Silicone Sealant):  
92104-0004**



# 16-12 ELECTRICAL SYSTEM

## Parts Location





---

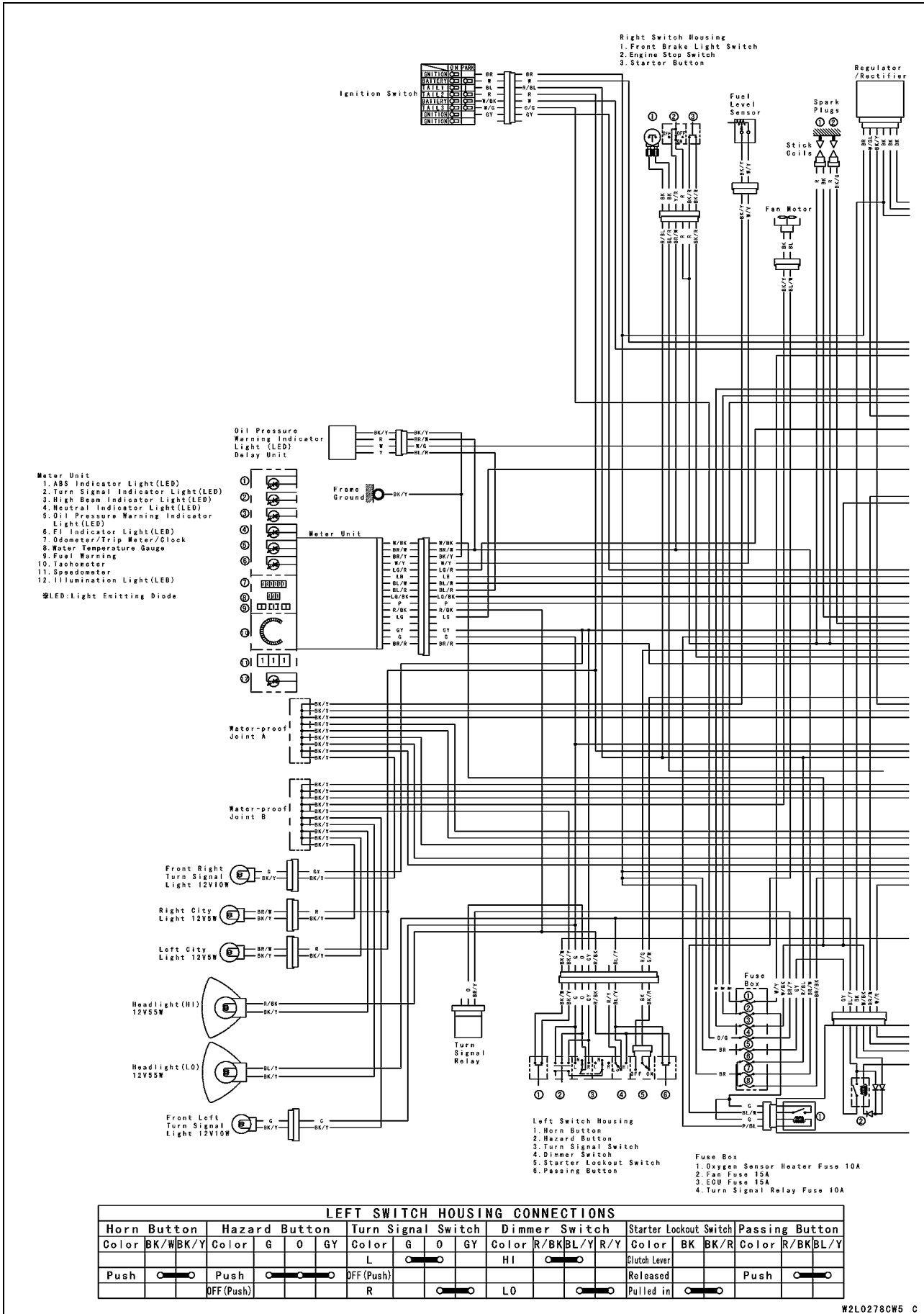
**Parts Location**

---

1. Air Switching Valve
2. Alternator
3. Battery 12 V 10 Ah
4. Crankshaft Sensor
5. ECU
6. Fan Motor
7. Front Brake Light Switch
8. Fuse Box with ECU Main Fuse
9. Ignition Switch
10. Meter Unit
11. Neutral Switch
12. Oil Pressure Switch
13. Rear Brake Light Switch
14. Regulator/Rectifier
15. Relay Box
16. Sidestand Switch
17. Speed Sensor
18. Starter Lockout Switch
19. Starter Motor
20. Starter Relay with Main Fuse 30 A
21. Stick Coils
22. Turn Signal Relay
23. Water Temperature Sensor
24. Oxygen Sensor (Europe Models)
25. Oil Pressure Warning Indicator Light (LED) Delay Unit
26. Fuel Level Sensor

# 16-14 ELECTRICAL SYSTEM

## Wiring Diagram (Other than Canada, New Zealand and Malaysia)

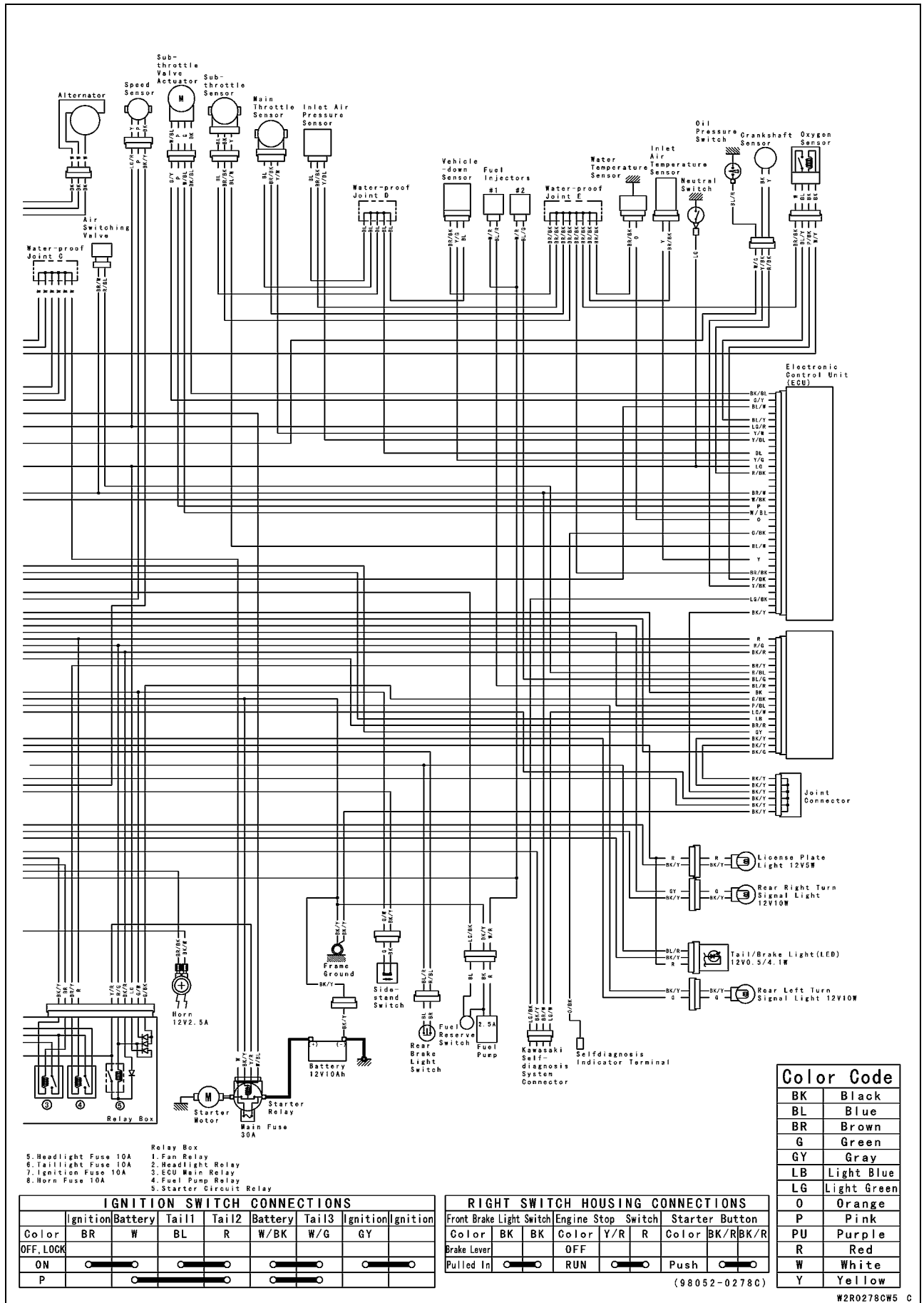


**LEFT SWITCH HOUSING CONNECTIONS**

Horn Button	Hazard Button	Turn Signal Switch	Dimmer Switch	Starter Lockout Switch	Passing Button
Color BK/W/BK/Y	Color G O GY	Color G O GY	Color R/BK/BL/Y/R/Y	Color BK BK/R	Color R/BK/BL/Y
Push	Push	OFF (Push)	HI	Released	Push
	OFF (Push)	R	LO	Pulled in	

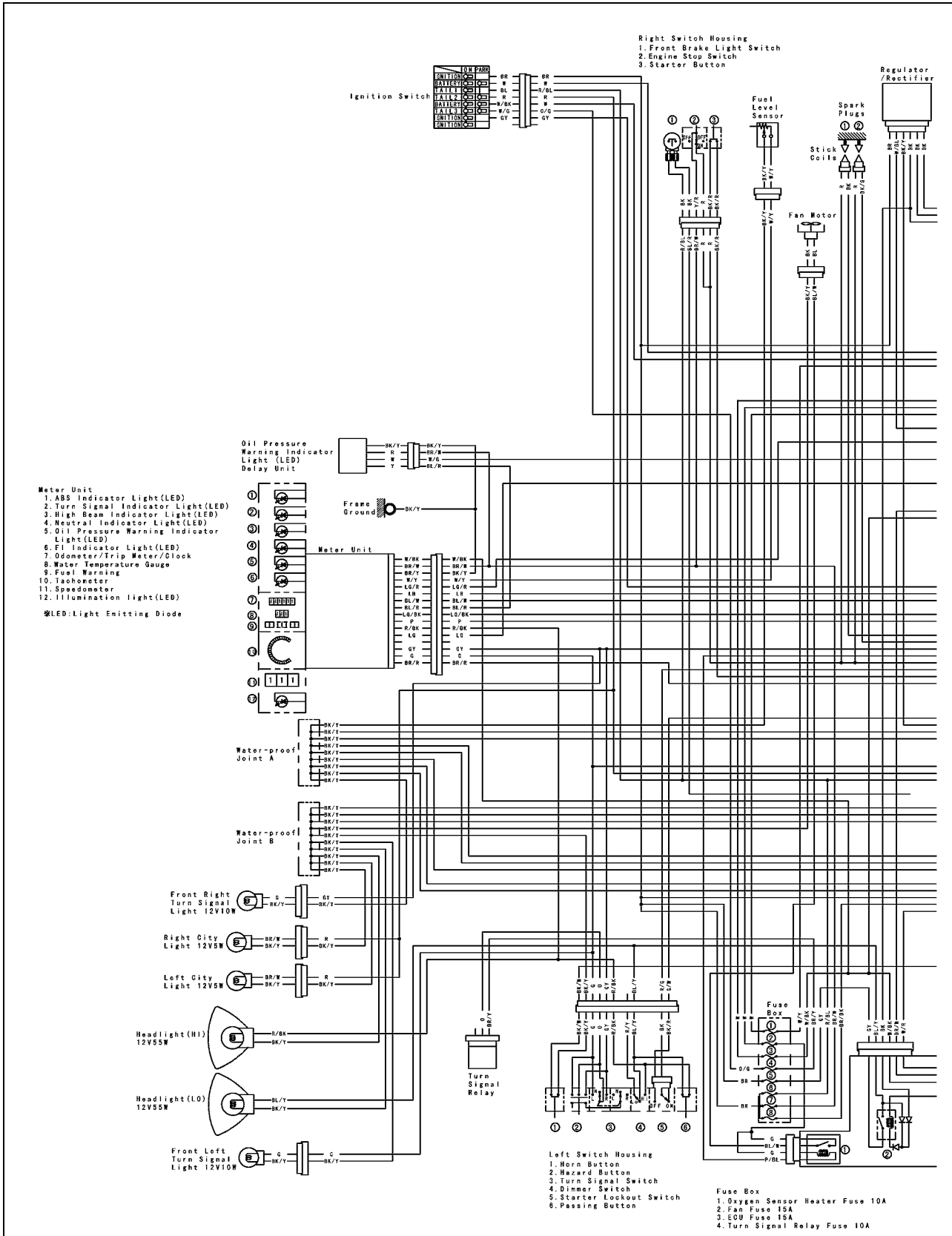
# ELECTRICAL SYSTEM 16-15

## Wiring Diagram (Other than Canada, New Zealand and Malaysia)



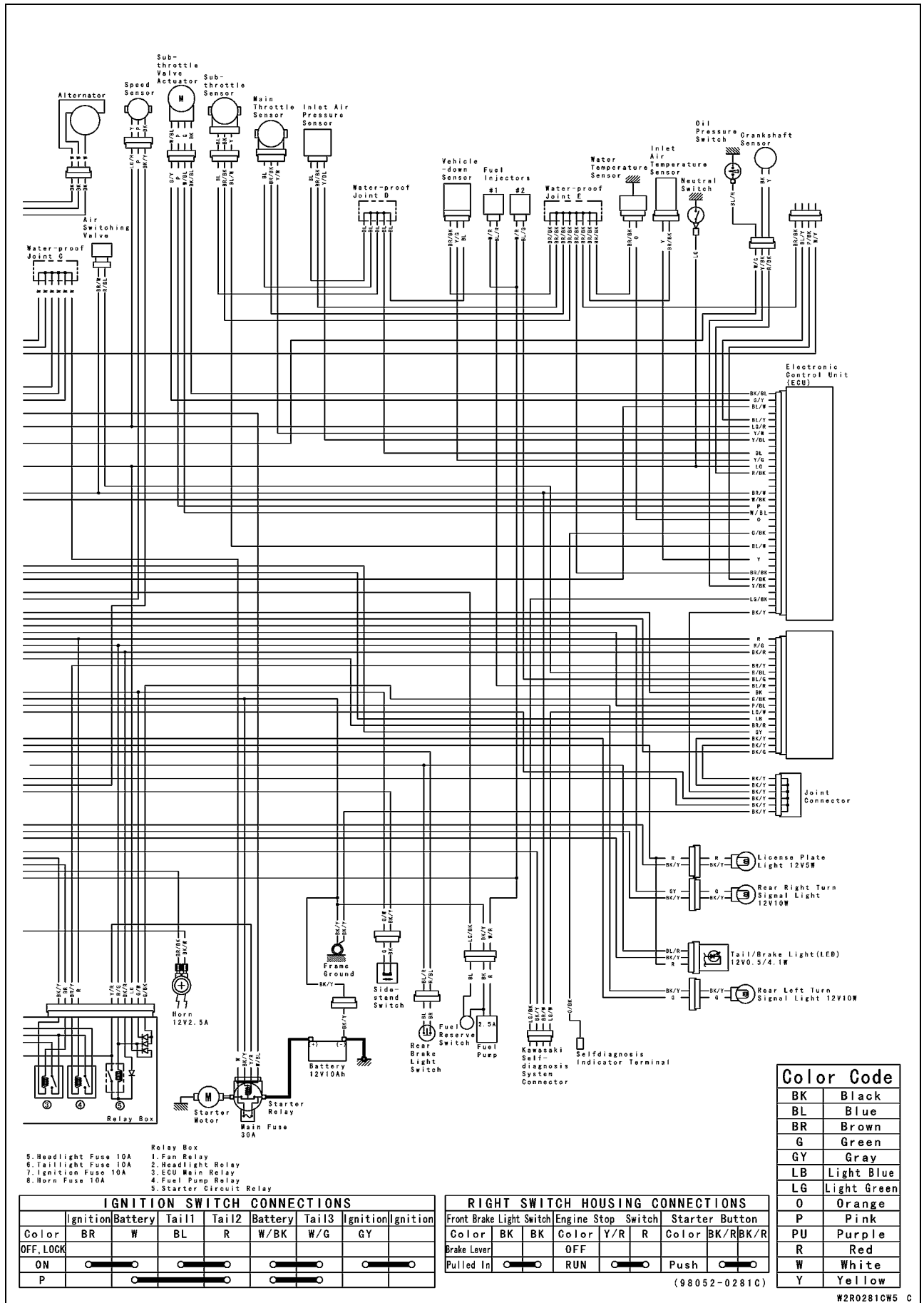
# 16-16 ELECTRICAL SYSTEM

## Wiring Diagram (Canada, New Zealand and Malaysia)



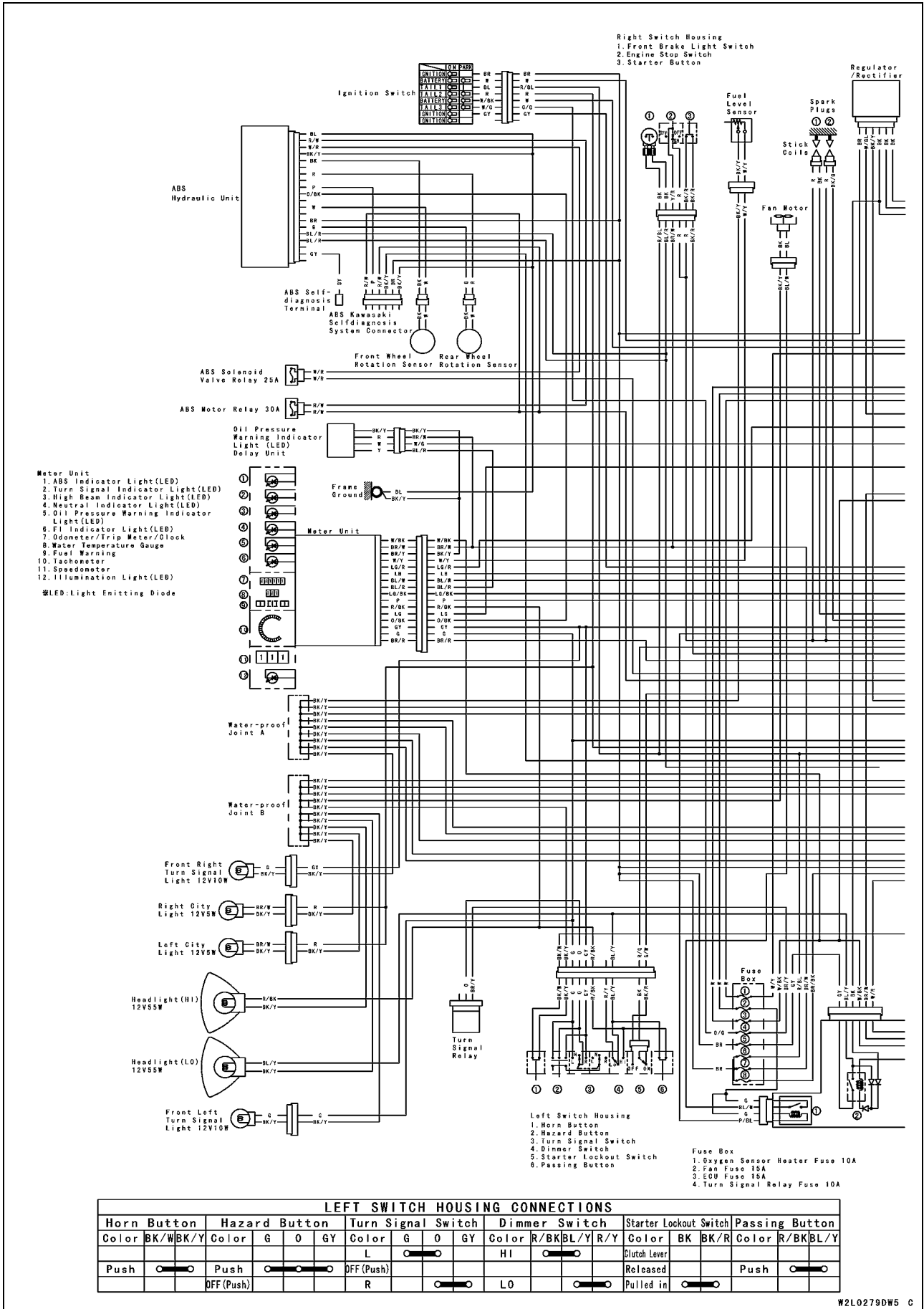
LEFT SWITCH HOUSING CONNECTIONS																
Horn Button	Hazard Button			Turn Signal Switch			Dimmer Switch			Starter Lockout Switch		Passing Button				
Color	BK/W	BK/Y	Color	G	O	GY	Color	R/BK	BL/Y	R/Y	Color	BK	BK/R	Color	R/BK	BL/Y
Push	<input type="checkbox"/>	<input type="checkbox"/>	Push	<input type="checkbox"/>	<input type="checkbox"/>	OFF (Push)	L	<input type="checkbox"/>	<input type="checkbox"/>	HI	Released	<input type="checkbox"/>	<input type="checkbox"/>	Push	<input type="checkbox"/>	<input type="checkbox"/>
			OFF (Push)			R			LO		Pulled in					

## Wiring Diagram (Canada, New Zealand and Malaysia)

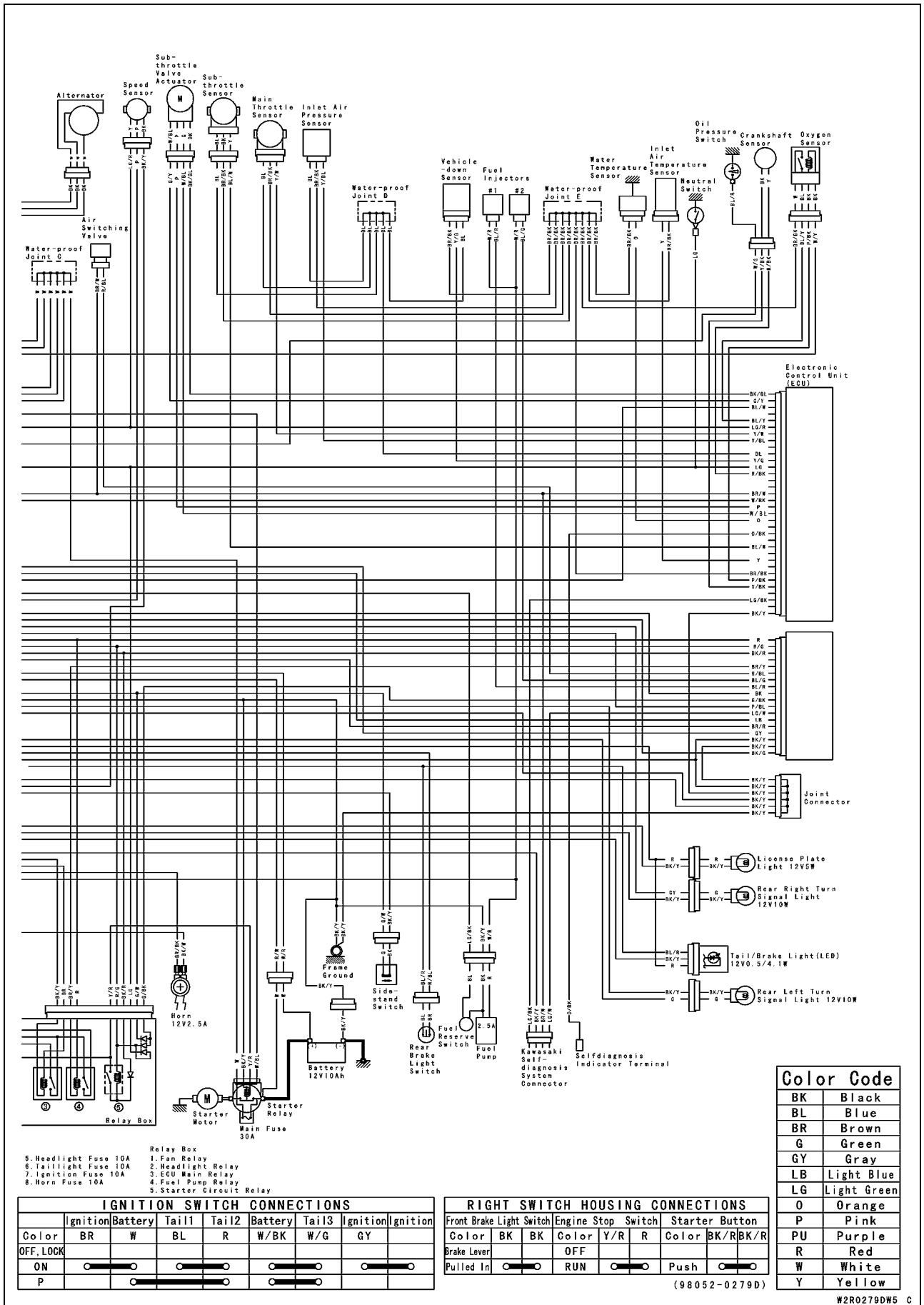


# 16-18 ELECTRICAL SYSTEM

## Wiring Diagram (KLE650B Models)



## Wiring Diagram (KLE650B Models)



# 16-20 ELECTRICAL SYSTEM

---

## Precautions

---

There are a number of important precautions that are musts when servicing electrical systems. Learn and observe all the rules below.

- Do not reverse the battery cable connections. This will burn out the diodes on the electrical parts.
- Always check battery condition before condemning other parts of an electrical system. A fully charged battery is a must for conducting accurate electrical system tests.
- The electrical parts should never be struck sharply, as with a hammer, or allowed to fall on a hard surface. Such a shock to the parts can damage them.
- To prevent damage to electrical parts, do not disconnect the battery cables or any other electrical connections when the ignition switch is on, or while the engine is running.
- Because of the large amount of current, never keep the starter button pushed when the starter motor will not turn over, or the current may burn out the starter motor windings.
- Take care not to short the cables that are directly connected to the battery positive (+) terminal to the chassis ground.
- Troubles may involve one or in some cases all items. Never replace a defective part without determining what CAUSED the failure. If the failure was caused by some other item or items, they must be repaired or replaced, or the new replacement will soon fail again.
- Make sure all connectors in the circuit are clean and tight, and examine leads for signs of burning, fraying, etc. Poor leads and bad connections will affect electrical system operation.
- Measure coil and winding resistance when the part is cold (at room temperature).
- Color Codes:

BK: Black	G: Green	P: Pink
BL: Blue	GY: Gray	PU: Purple
BR: Brown	LB: Light Blue	R: Red
CH: Chocolate	LG: Light Green	W: White
DG: Dark Green	O: Orange	Y: Yellow



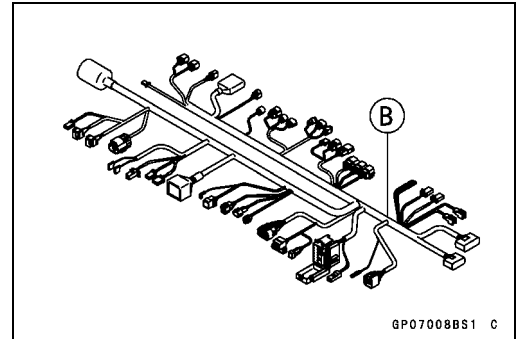
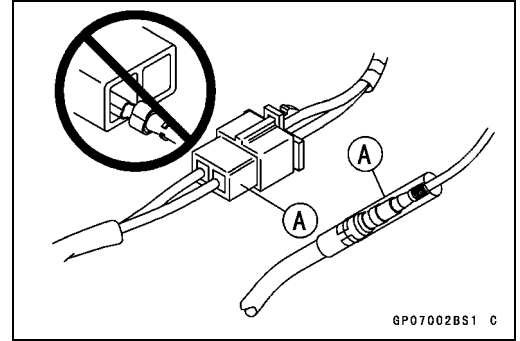
## Electrical Wiring

### Wiring Inspection

- Visually inspect the wiring for signs of burning, fraying, etc.
- ★ If any wiring is poor, replace the damaged wiring.
- Pull each connector [A] apart and inspect it for corrosion, dirt, and damage.
- ★ If the connector is corroded or dirty, clean it carefully. If it is damaged, replace it.
- Check the wiring for continuity.
- Use the wiring diagram to find the ends of the lead which is suspected of being a problem.
- Connect the hand tester between the ends of the leads.

#### Special Tool - Hand Tester: 57001-1394

- Set the tester to the  $\times 1 \Omega$  range, and read the tester.
- ★ If the tester does not read  $0 \Omega$ , the lead is defective. Replace the lead or the wiring harness [B] if necessary.

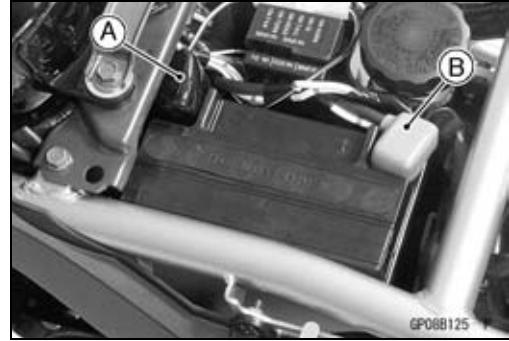


## 16-22 ELECTRICAL SYSTEM

### Battery

#### Battery Removal

- Remove the seat (see Seat Removal in the Frame chapter).
- Slide the black [A] and red [B] caps out.

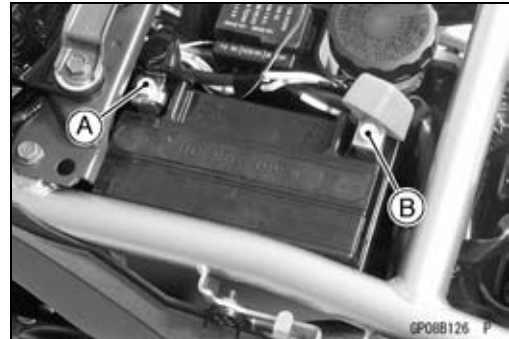


- Disconnect the negative (-) cable [A] and then positive (+) cable [B].

#### CAUTION

**Be sure to disconnect the negative (-) cable first.**

- Pull the battery out of the rear fender front.



#### Battery Installation

- Visually inspect the surface of the battery container.
- ★ If any signs of cracking or electrolyte leakage from sides of the battery.
- Face the positive (+) terminal backward, and put the battery into the rear fender front.
- Connect the positive cable [A] (red cap) to the positive (+) terminal first, and then negative cable [B] (black cap) to the negative (-) terminal.
- Apply a light coat of grease on the terminals to prevent corrosion.
- Cover the terminals with the black and red caps.



#### CAUTION

**If each battery cable is not correctly disconnected or connected, sparks can arise at electrical connections, causing damage to electrical and DFI parts.**

#### Battery Activation

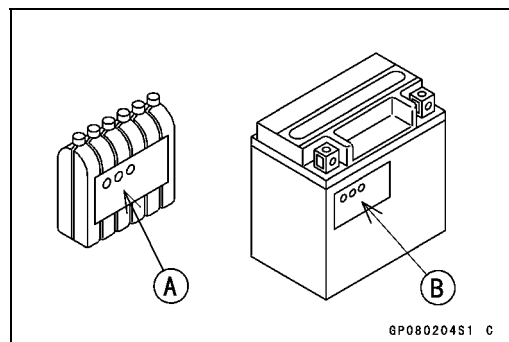
##### Electrolyte Filling

- Make sure that the model name [A] of the electrolyte container matches the model name [B] of the battery. These names must be the same.

**Battery Model Name for KLE650A/B: YTX12-BS**

#### CAUTION

**Be sure to use the electrolyte container with the same model name as the battery since the electrolyte volume and specific gravity vary with the battery type. This is to prevent overfilling of the electrolyte, shorting the battery life, and deterioration of the battery performance.**



## Battery

### CAUTION

Do not remove the aluminum sealing sheet [A] from the filler ports [B] until just prior to use. Be sure to use the dedicated electrolyte container for correct electrolyte volume.

- Place the battery on a level surface.
- Check to see that the sealing sheet has no peeling, tears, or holes in it.
- Remove the sealing sheet.

### NOTE

○The battery is vacuum sealed. If the sealing sheet has leaked air into the battery, it may require a longer initial charge.

- Remove the electrolyte container from the vinyl bag.
- Detach the strip of caps [A] from the container and set aside, these will be used later to seal the battery.

### NOTE

○Do not pierce or otherwise open the sealed cells [B] of the electrolyte container. Do not attempt to separate individual cells.

- Place the electrolyte container upside down with the six sealed cells into the filler ports of the battery. Hold the container level, push down to break the seals of all six cells. You will see air bubbles rising into each cell as the ports fill.

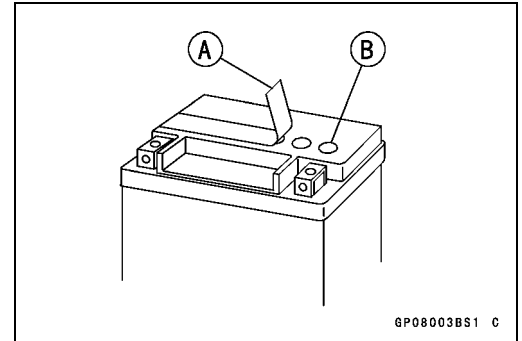
### NOTE

○Do not tilt the electrolyte container

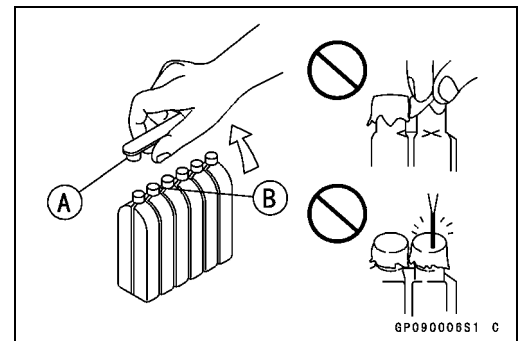
- Check the electrolyte flow.
- ★ If no air bubbles [A] are coming up from the filler ports, or if the container cells have not emptied completely, tap the container [B] a few times.
- Keep the container in place for **20** minutes or more. Don't remove the container from the battery until it's empty, the battery requires all the electrolyte from the container for proper operation.

### CAUTION

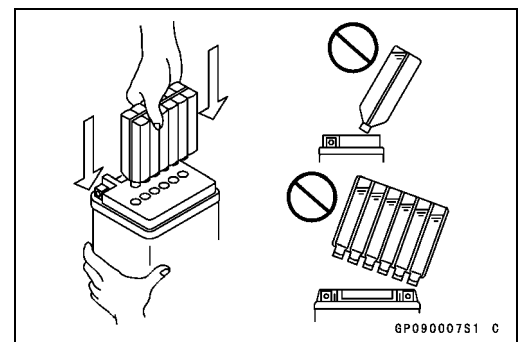
Removal of the container before it is completely empty can shorten the service life of the battery. Do not remove the electrolyte container until it is completely empty and 20 minutes have elapsed.



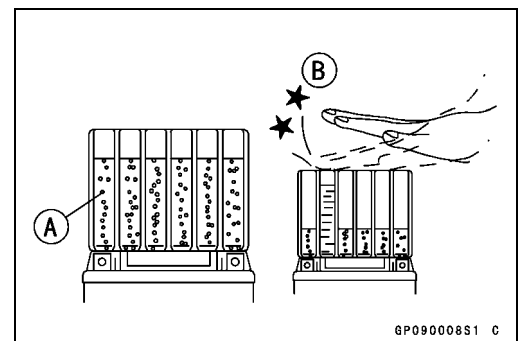
GP08003BS1 C



GP09000BS1 C



GP090007S1 C



GP09000BS1 C

# 16-24 ELECTRICAL SYSTEM

## Battery

- Gently remove the container from the battery.
- Let the battery sit for **30** minutes prior to charging to allow the electrolyte to permeate into the plates for optimum performance.

### NOTE

○Charging the battery immediately after filling can shorten service life. Let the battery sit for at least **30** minutes after filling.

### Initial Charge

- Place the strip [A] of caps loosely over the filler ports.
- Newly activated sealed batteries require an initial charge.

**Standard Charge: 1.2 A × 5 ~ 10 hours**

- ★ If using a recommended battery charger, follow the charger's instructions for newly activated sealed battery.

#### Kawasaki-recommended chargers

**Optimate III**

**Yuasa 1.5 Amp Automatic Charger**

**Battery Mate 150-9**

- ★ If the above chargers are not available, use equivalent one.

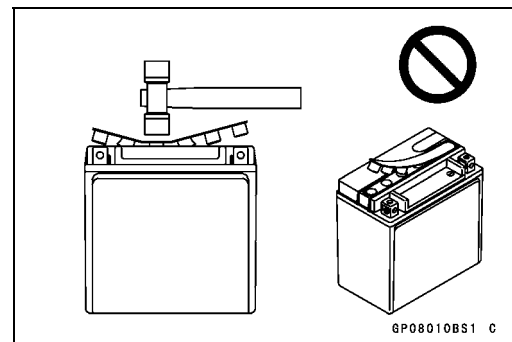
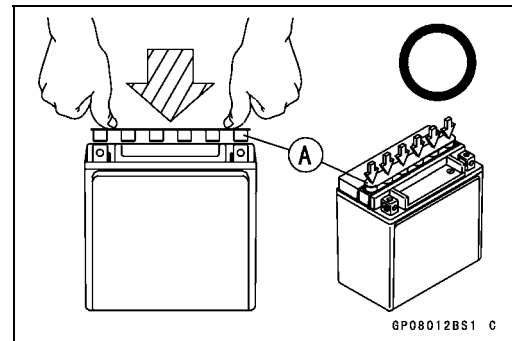
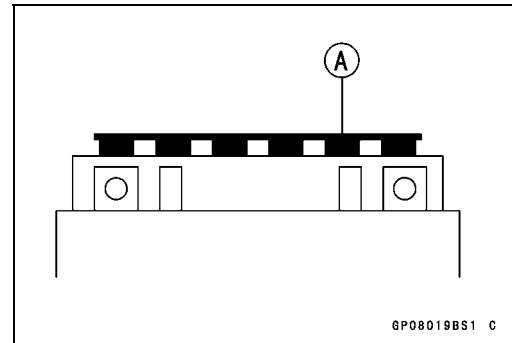
### NOTE

○Charging rates will vary depending on how long the battery has been stored, temperature, and the type of charger used. Let battery sit 30 minutes after initial charge, then check voltage using a voltmeter. If it is not at least 12.8 V, repeat charging cycle.

- After charging is completed, press down firmly with both hands to seat the strip of caps [A] into the battery (don't pound or hammer.). When properly installed, the strip of the caps will be level with the top of the battery.

### CAUTION

Once the strip of the caps [A] is installed onto the battery, never remove the caps, nor add water or electrolyte to the battery.



## Battery

### NOTE

○ To ensure maximum battery life and customer satisfaction, it is recommended the battery be load tested at three times its amp-hour rating for 15 seconds.

Re-check voltage and if less than 12.8 V repeat the charging cycle and load test. If still below 12.8 V the battery is defective.

### Precautions

- 1) No need of topping-up

No topping-up is necessary in this battery until it ends its life under normal use. Forcibly prying off the seal cap to add water is very dangerous. Never do that.

- 2) Refreshing charge.

If an engine will not start, a horn sounds weak, or lamps are dim, it indicates the battery has been discharged. Give refresh charge for 5 to 10 hours with charge current shown in the specification (see Specifications).

When a fast charge is inevitably required, do it following precisely the maximum charge current and time conditions indicated on the battery.

### CAUTION

**This battery is designed to sustain no unusual deterioration if refresh-charged according to the method specified above. However, the battery's performance may be reduced noticeably if charged under conditions other than given above. Never remove the seal cap during refresh charge.**

**If by chance an excessive amount of gas is generated due to overcharging, the relief valve releases the gas to keep the battery normal.**

- 3) When you do not use the motorcycle for months.

Give a refresh charge before you store the motorcycle and store it with the negative cable removed. Give a refresh charge **once a month** during storage.

- 4) Battery life.

If the battery will not start the engine even after several refresh charges, the battery has exceeded its useful life. Replace it (Provided, however, the vehicle's starting system has no problem).

### ⚠ WARNING

**Keep the battery away from sparks and open flames during charging, since the battery gives off an explosive gas mixture of hydrogen and oxygen. When using a battery charger, connect the battery to the charger before turning on the charger.**

**This procedure prevents sparks at the battery terminals which could ignite any battery gases.**

**No fire should be drawn near the battery, or no terminals should have the tightening loosened.**

**The electrolyte contains sulfuric acid. Be careful not to have it touch your skin or eyes. If touched, wash it off with liberal amount of water. Get medical attention if severe.**

### Interchange

A sealed battery can fully display its performance only when combined with a proper vehicle electric system. Therefore, replace a sealed battery only on a motorcycle which was originally equipped with a sealed battery.

Be careful, if a sealed battery is installed on a motorcycle which had an ordinary battery as original equipment, the sealed battery's life will be shortened.

# 16-26 ELECTRICAL SYSTEM

## Battery

### Charging Condition Inspection

- Battery charging condition can be checked by measuring battery terminal voltage with a digital meter [A].
- Remove:
  - Seat (see Seat Removal in the Frame chapter)
  - Battery Cable Caps (see Battery Removal)
- Disconnect the battery terminals.

### CAUTION

**Be sure to disconnect the negative (–) cable first.**

- Measure the battery terminal voltage.

### NOTE

○ Measure with a digital voltmeter which can be read one decimal place voltage.

- ★ If the reading is 12.8 V or more, no refresh charge is required, however, if the read is below the specified, refresh charge is required.

### Battery Terminal Voltage

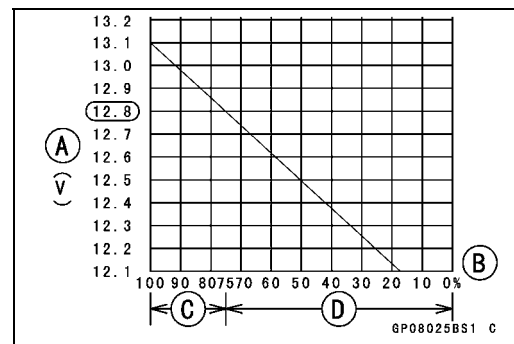
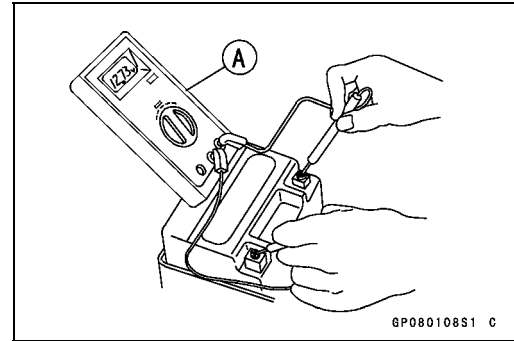
**Standard: 12.8 V or more**

Terminal Voltage (V) [A]

Battery Charge Rate (%) [B]

Good [C]

Refresh charge is required [D]

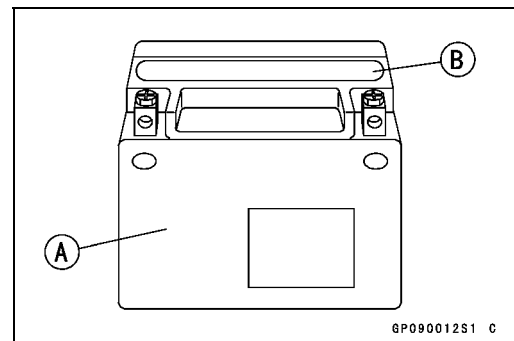


### Refreshing Charge

- Remove the battery [A] (see Battery Removal).
- Do refresh charge by following method according to the battery terminal voltage.

### ⚠ WARNING

**This battery is sealed type. Never remove sealing cap [B] even at charging. Never add water. Charge with current and time as stated below.**



**Battery**

Terminal Voltage: 11.5 ~ less than 12.8 V  
 Standard Charge 1.2 A × 5 ~ 10 h (see following chart)  
 Quick Charge 5 A × 1 h

**CAUTION**

If possible, do not quick charge. If quick charge is done unavoidably, do standard charge later on.

Terminal Voltage: less than 11.5 V  
 Charging Method 1.2 A × 20 h

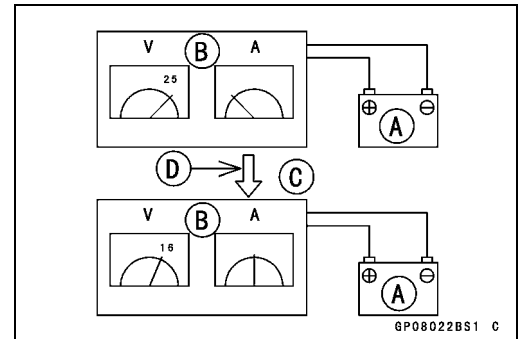
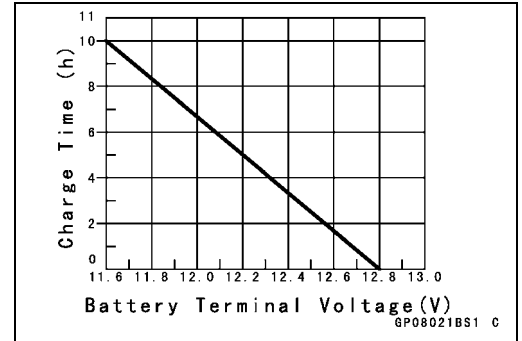
**NOTE**

○ Increase the charging voltage to a maximum voltage of 25 V if the battery will not accept current initially. Charge for no more than 5 minutes at the increased voltage then check if the battery is drawing current. If the battery will accept current decrease the voltage and charge by the standard charging method described on the battery case. If the battery will not accept current after 5 minutes, replace the battery.

Battery [A]  
 Battery Charger [B]  
 Standard Value [C]  
 Current starts to flow [D]

- Determine the battery condition after refresh charge.
- Determine the condition of the battery left for 30 minutes after completion of the charge by measuring the terminal voltage according to the table below.

Criteria	Judgement
12.8 V or higher	Good
12.0 ~ lower than 12.8 V	Charge insufficient → Recharge
lower than 12.0 V	Unserviceable → Replace

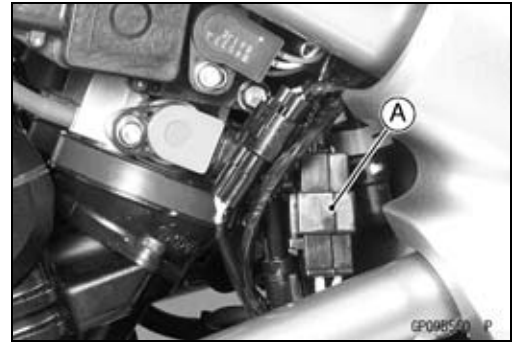


## 16-28 ELECTRICAL SYSTEM

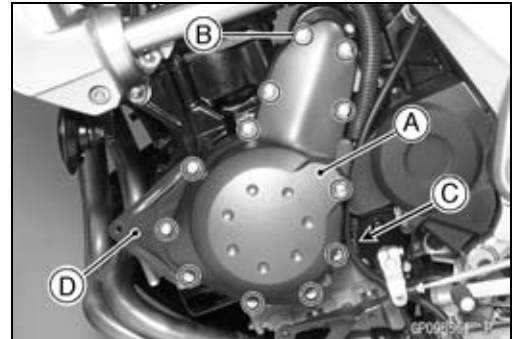
### Charging System

#### **Alternator Cover Removal**

- Remove the lower fairing (see Lower Fairing Removal in the Frame chapter).
- Disconnect the alternator lead connector [A].



- Place a suitable container under the alternator cover [A].
- Remove:
  - Alternator Cover Bolts [B]
  - Clamp [C]
  - Bracket [D]
- Pull the alternator cover outside.



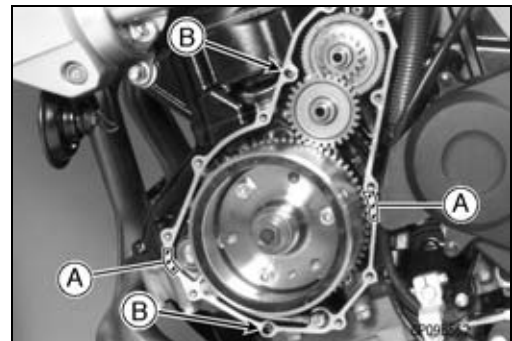
#### **Alternator Cover Installation**

- Apply silicone sealant to the alternator lead grommet and crankcase halves mating surface [A] on the front and rear sides of the cover mount.

**Sealant - Kawasaki Bond (Silicone Sealant): 92104-0004**

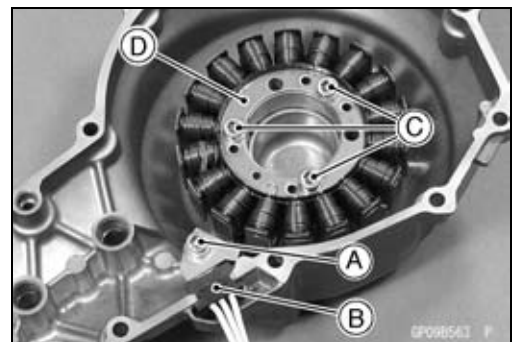
- Check that dowel pins [B] are in place on the crankcase.
- Install a new gasket and the alternator cover.
- Tighten:

**Torque - Alternator Cover Bolts: 9.8 N·m (1.0 kgf·m, 87 in·lb)**



#### **Stator Coil Removal**

- Remove:
  - Alternator Cover (see Alternator Cover Removal)
  - Holding Plate Bolt [A] and Plate
  - Alternator Lead Grommet [B]
  - Stator Coil Bolts [C]
- Remove the stator coil [D] from the alternator cover.





## Charging System

### Stator Coil Installation

- Apply a non-permanent locking agent to the threads of the stator coil bolts and tighten them.

**Torque - Stator Coil Bolts: 12 N·m (1.2 kgf·m, 106 in·lb)**

- Secure the alternator lead with a holding plate, and tighten the bolt.
- Apply a non-permanent locking agent to the threads of the holding plate bolt.

**Torque - Alternator Lead Holding Plate Bolt: 9.8 N·m (1.0 kgf·m, 87 in·lb)**

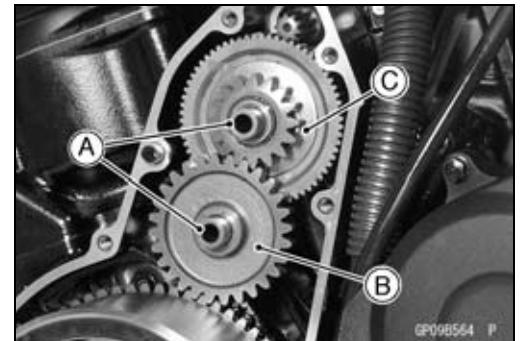
- Apply silicone sealant to the circumference of the alternator lead grommet, and fit the grommet into the notch of the cover securely.

**Sealant - Kawasaki Bond (Silicone Sealant): 92104-0004**

- Install the alternator cover (see Alternator Cover Installation).

### Alternator Rotor Removal

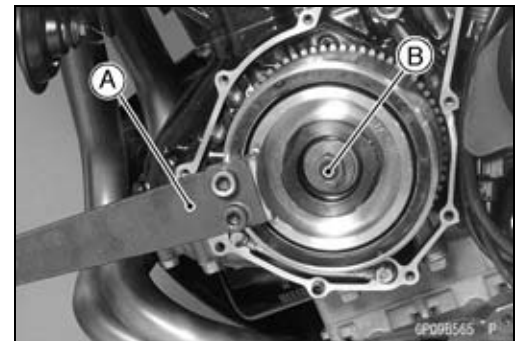
- Remove:
  - Alternator Cover (see Alternator Cover Removal)
  - Shafts [A]
  - Starter Idle Gear [B]
  - Torque Limiter [C]



- Wipe oil off the outer circumference of the rotor.
- Hold the alternator rotor steady with the rotor holder [A], and remove the rotor bolt [B] and washer.

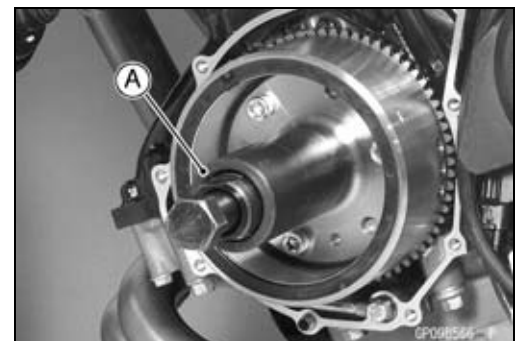
**Special Tools - Grip: 57001-1591**

**Rotor Holder: 57001-1658**



- Using the flywheel puller [A], remove the alternator rotor from the crankshaft.

**Special Tool - Flywheel Puller Assembly, M38 × 1.5/M35 × 1.5: 57001-1405**



### CAUTION

**Do not attempt to strike the alternator rotor itself. Striking the rotor can cause the magnets to lose their magnetism.**

## 16-30 ELECTRICAL SYSTEM

### Charging System

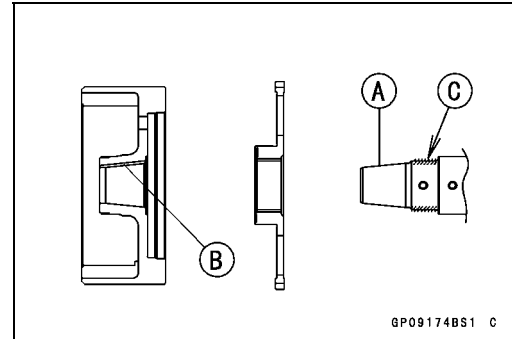
#### Alternator Rotor Installation

- Using a cleaning fluid, clean off any oil or dirt on the following portions and dry them with a clean cloth.

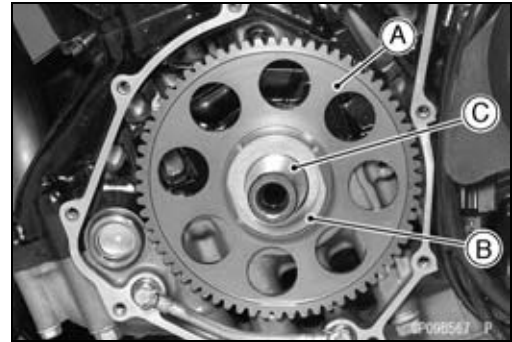
Crankshaft Tapered Portion [A]

Alternator Rotor Tapered Portion [B]

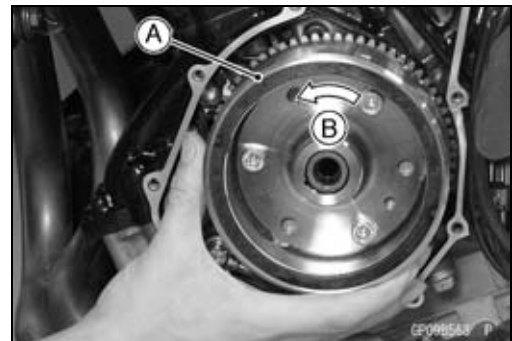
- Apply a thin coat of molybdenum disulfide grease [C] to the crankshaft.



- Install the starter motor clutch gear [A] and washer [B].
- Again, clean the crankshaft tapered portion [C] and dry there.



- Install the alternator rotor [A] while turning [B] it counter-clockwise.

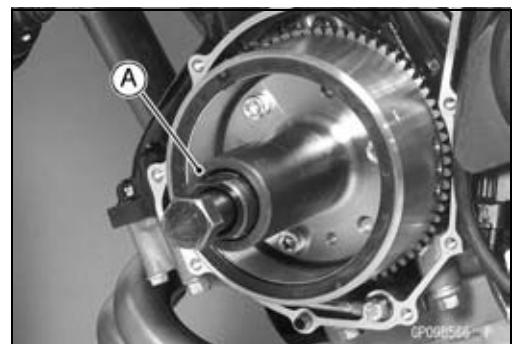
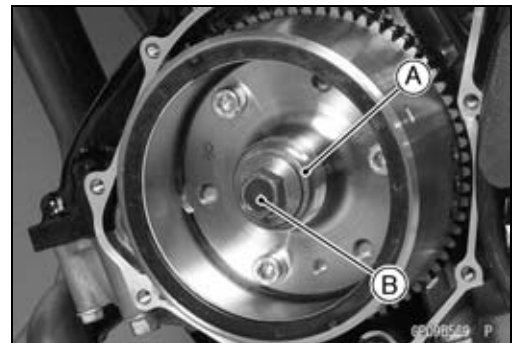


- Install the washer [A].

#### NOTE

○Confirm the alternator rotor fit or not to the crankshaft before tightening it with specified torque.

- Apply molybdenum disulfide oil solution to the threads and seating surface of the rotor bolt.
- Install the rotor bolt [B] and tighten it with 70 N·m (7.0 kgf·m, 52 ft·lb) of torque.
- Remove the rotor bolt and washer.
- Check the tightening torque with flywheel puller [A].
- ★ If the rotor is not pulled out with 20 N·m (2.0 kgf·m, 15 ft·lb) of drawing torque, it is installed correctly.
- ★ If the rotor is pulled out with under 20 N·m (2.0 kgf·m, 15 ft·lb) of drawing torque, clean off any oil dirt or flaw of the crankshaft and rotor tapered portion, and dry them with a clean cloth. Then, confirm that it is not pulled out with above torque.



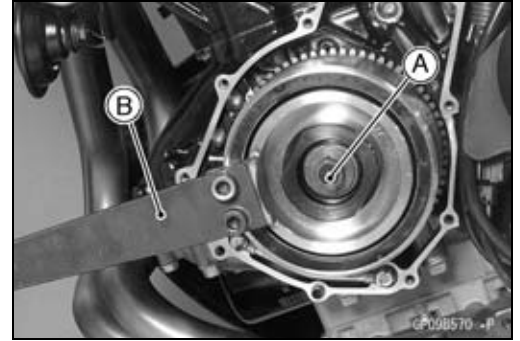
## Charging System

- Install the rotor bolt and washer.
- Tighten the alternator rotor bolt [A] while holding the alternator rotor steady with the rotor holder [B].

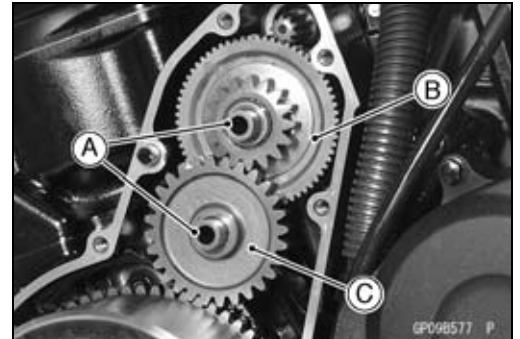
**Special Tools - Grip: 57001-1591**

**Rotor Holder: 57001-1658**

**Torque - Alternator Rotor Bolt: 155 N·m (15.8 kgf·m, 114 ft·lb)**



- Apply a thin coat of molybdenum disulfide grease to the shafts [A], and install them.
- Install the torque limiter [B] and starter idle gear [C].
- Install the alternator cover (see Alternator Cover Installation).



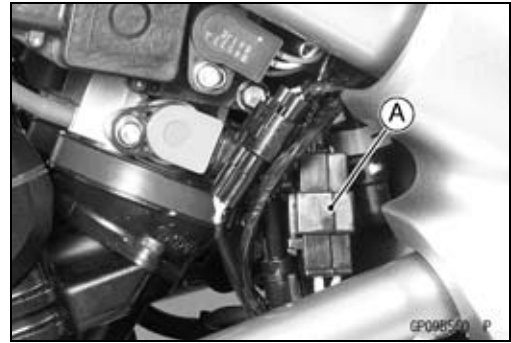
### **Alternator Inspection**

There are three types of alternator failures: short, open (wire burned out), or loss in rotor magnetism. A short or open in one of the coil wires will result in either a low output, or no output at all. A loss in rotor magnetism, which may be caused by dropping or hitting the alternator, by leaving it near an electromagnetic field, or just by aging, will result in low output.

## 16-32 ELECTRICAL SYSTEM

### Charging System

- To check the alternator output voltage, do the following procedures.
- Turn off the ignition switch.
- Disconnect the alternator lead connector [A].
- Connect the hand tester as shown in the table 1.
- Start the engine.
- Run it at the rpm given in the table 1.
- Note the voltage readings (total 3 measurements).



**Table 1 Alternator Output Voltage**

Tester Range	Connections		Reading at 4 000 rpm
	Tester (+) to	Tester (-) to	
AC 250 V	One White lead	Another White lead	42 V or more

- ★ If the output voltage shows the value in the table, the alternator operates properly.
- ★ If the output voltage shows a much higher than the value in the table, the regulator/rectifier is damaged. A much lower reading than that given in the table indicates that the alternator is defective.
- Check the stator coil resistance as follows.
- Stop the engine.
- Connect the hand tester as shown in the table 2.
- Note the readings (total 3 measurement).

**Table 2 Stator Coil Resistance**

Tester Range	Connections		Reading
	Tester (+) to	Tester (-) to	
$\times 1 \Omega$	One White lead	Another White lead	0.18 ~ 0.27 $\Omega$

- ★ If there is more resistance than shown in the table, or no hand tester reading (infinity) for any two leads, the stator has an open lead and must be replaced. Much less than this resistance means the stator is shorted, and must be replaced.
- Using the highest resistance range of the hand tester, measure the resistance between each of the black leads and chassis ground.
- ★ Any hand tester reading less than infinity ( $\infty$ ) indicates a short, necessitating stator replacement.
- ★ If the stator coils have normal resistance, but the voltage check showed the alternator to be defective; then the rotor magnets have probably weakened, and the rotor must be replaced.

**Special Tool - Hand Tester: 57001-1394**

## Charging System

### Regulator/Rectifier Inspection

#### KLE650A Models

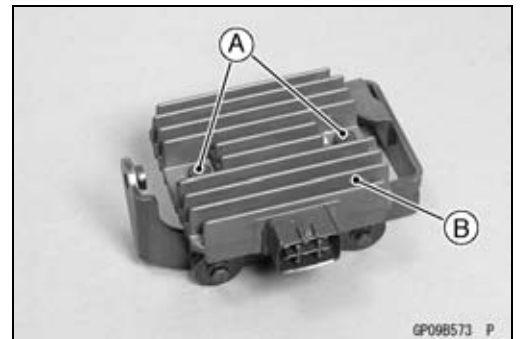
- Remove:
  - Left Rear Frame Cover (see Rear Frame Cover Removal in the Frame chapter)
  - Bolts [A]



- Disconnect the connector [A].

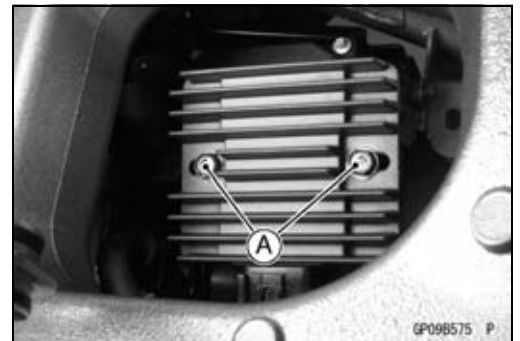


- Remove:
  - Bolts [A]
  - Regulator/Rectifier [B]

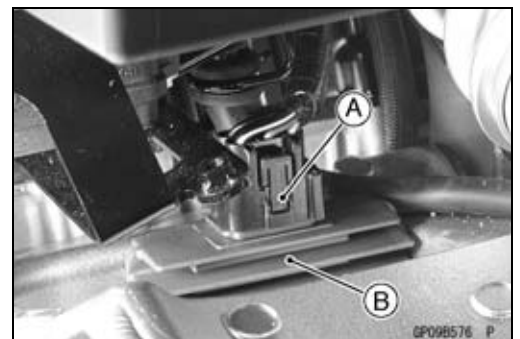


#### KLE650B Models

- Remove:
  - Muffler Body (see Muffler Body Removal in the Engine Top End chapter)
  - Bolts [A]



- Disconnect the connector [A].
- Remove the regulator/rectifier [B].



# 16-34 ELECTRICAL SYSTEM

## Charging System

### Rectifier Circuit Check

- Check conductivity of the following pair of terminals.

### Rectifier Circuit Inspection

Tester connection	W/BL-BK1,	W/BL-BK2,	W/BL-BK3
	BK/Y-BK1,	BK/Y-BK2,	BK/Y-BK3

- ★ The resistance should be low in one direction and more than ten times as much in the other direction. If any two leads are low or high in both directions, the rectifier is defective and the regulator/rectifier must be replaced.

### NOTE

- The actual meter reading varies with the meter used and the individual rectifier, but, generally speaking the lower reading should be from zero to one half the scale.

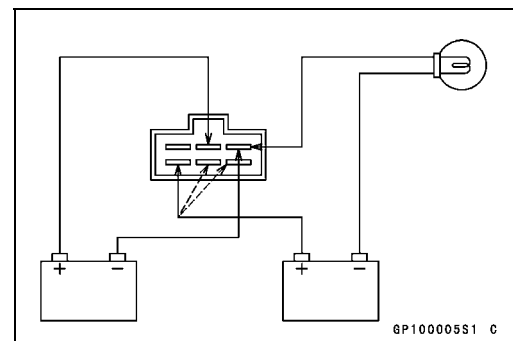
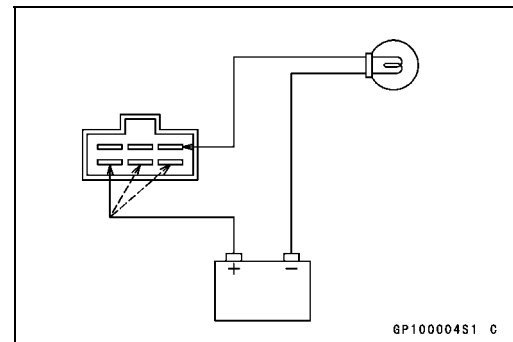
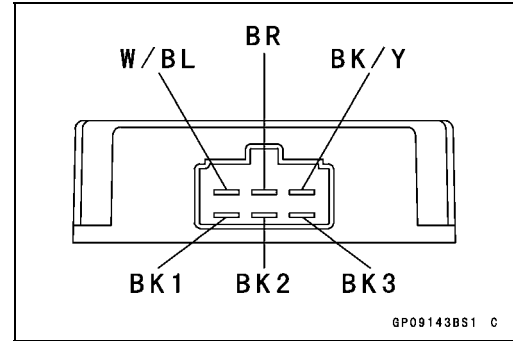
### Regulator Circuit Check

To test the regulator out of circuit, use three 12 V batteries and a test light (12 V 3 ~ 6 W bulb in a socket with leads).

### CAUTION

**The test light works as an indicator and also a current limiter to protect the regulator/rectifier from excessive current. Do not use an ammeter instead of a test light.**

- Check to be sure the rectifier circuit is normal before continuing.
- Do the 1st step regulator circuit test.
  - Connect the test light and the 12 V battery to the regulator/rectifier as shown.
  - Check the BK1, BK2 and BK3 terminal respectively.
  - ★ If the test light turns on, the regulator/rectifier is defective. Replace it.
  - ★ If the test light does not turn on, continue the test.
- Do the 2nd step regulator circuit test.
  - Connect the test light and the 12 V battery in the same manner as specified in the "Regulator Circuit Test-1st Step".
  - Apply 12 V to the voltage BR terminal.
  - Check the BK1, BK2 and BK3 terminal respectively.
  - ★ If the test light turns on, the regulator/rectifier is defective. Replace it.
  - ★ If the test light does not turn on, continue the test.



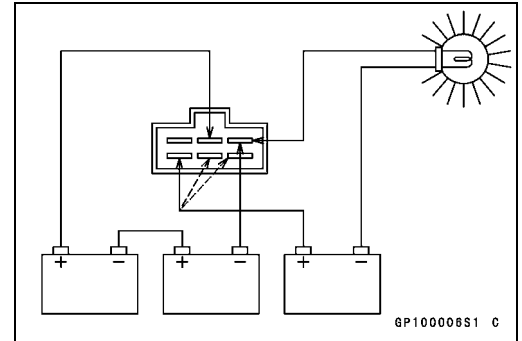
## Charging System

- Do the 3rd step regulator circuit test.
- Connect the test light and the 12 V battery in the same manner as specified in the “Regulator Circuit Test-1st Step”.
- Momentarily apply 24 V to the voltage BR terminal by adding a 12 V battery.
- Check the BK1, BK2 and BK3 terminals respectively.

### CAUTION

**Do not apply more than 24 V. If more than 24 V is applied, the regulator/rectifier may be damaged. Do not apply 24 V more than a few seconds. If 24 V is applied for more than a few seconds, the regulator/rectifier may be damaged.**

- ★ If the test light did not light when the 24 V was applied momentarily to the voltage monitoring terminal, the regulator/rectifier is defective. Replace it.
- ★ If the regulator/rectifier passes all of the tests described, it may still be defective. If the charging system still does not work properly after checking all of the components and the battery, test the regulator/rectifier by replacing it with a known good unit.



## 16-36 ELECTRICAL SYSTEM

### Charging System

#### Charging Voltage Inspection

- Check the battery condition (see Charging Condition Inspection).
- Warm up the engine to obtain actual alternator operating conditions.
- Remove the seat (see Seat Removal in the Frame chapter).
- Check that the ignition switch is turned off, and connect the hand tester [A] to the battery terminals [B].

**Special Tool - Hand Tester: 57001-1394**

- Start the engine, and note the voltage readings at various engine speeds with the headlight turned on and then turned off (To turn off the headlight, disconnect the headlight connector on the headlight unit.). The readings should show nearly battery voltage when the engine speed is low, and, as the engine speed rises, the readings should also rise. But they must be kept under the specified voltage.



#### Charging Voltage

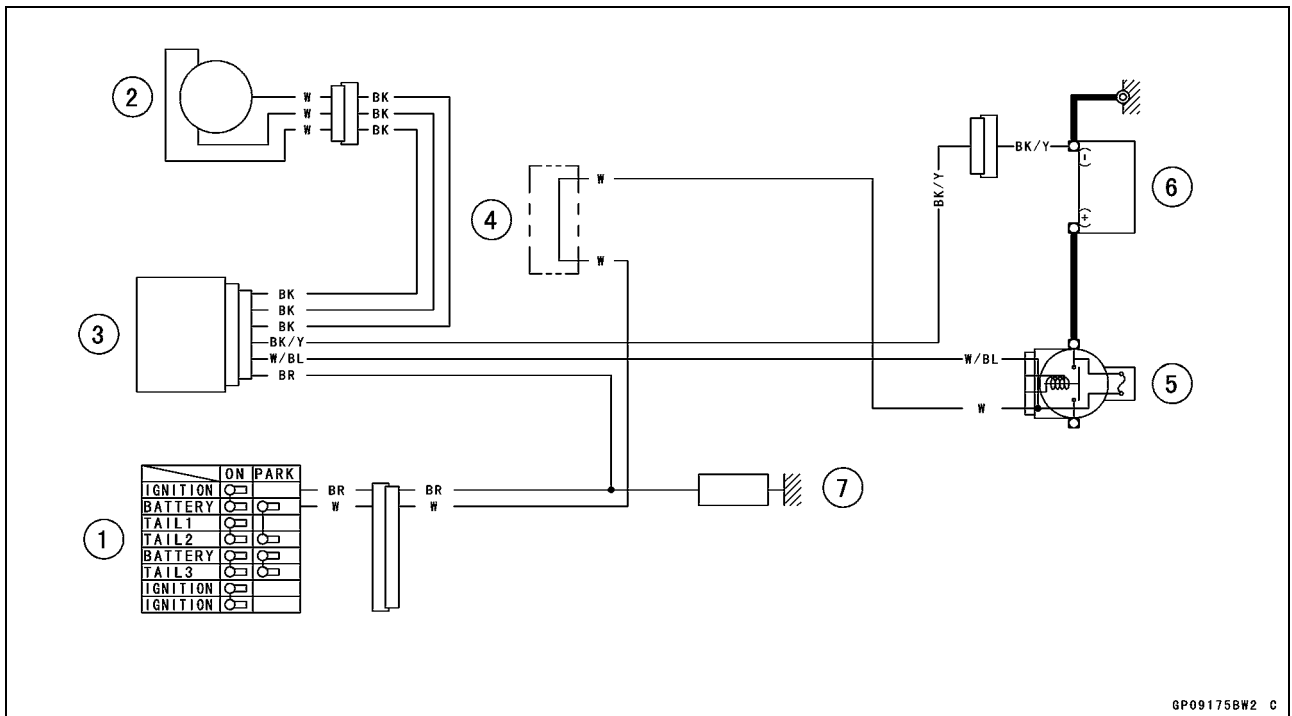
Tester Range	Connections		Reading
	Tester (+) to	Tester (-) to	
DC 25 V	Battery (+)	Battery (-)	14.2 ~ 15.2 V

- Turn off the ignition switch to stop the engine, and disconnect the hand tester.
- ★ If the charging voltage is kept between the values given in the table, the charging system is considered to be working normally.
- ★ If the charging voltage is much higher than the values specified in the table, the regulator/rectifier is defective or the regulator/rectifier leads are loose or open.
- ★ If the charging voltage does not rise as the engine speed increases, then the regulator/rectifier is defective or the alternator output is insufficient for the loads. Check the alternator and regulator/rectifier to determine which part is defective.



Charging System

Charging System Circuit



GP091758W2 C

1. Ignition Switch
2. Alternator
3. Regulator/Rectifier
4. Water-proof Joint C
5. Main Fuse 30 A
6. Battery 12 V 10 Ah
7. Load

## 16-38 ELECTRICAL SYSTEM

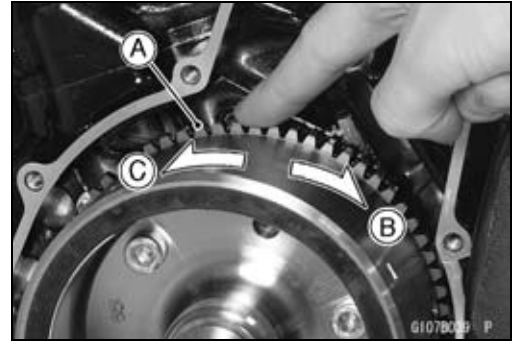
### Starter Motor Clutch

#### **Starter Motor Clutch Removal/Installation**

- Refer to the Alternator Rotor Removal/Installation.

#### **Starter Motor Clutch Inspection**

- Remove:
  - Alternator Cover (see Alternator Cover Removal)
  - Starter Idle Gear and Torque Limiter (see Alternator Removal)
- Turn the starter motor clutch gear [A] by hand. The starter motor clutch gear should turn clockwise [B] freely, but should not turn counterclockwise [C].
- ★ If the starter motor clutch does not operate as it should or if it makes noise, go to the next step.
- Disassemble the starter motor clutch, and visually inspect the clutch parts.
- ★ If there is any worn or damaged part, replace it.



#### **NOTE**

○ Examine the starter motor clutch gear as well. Replace it if it worn or damaged.

#### **Starter Motor Clutch Disassembly**

- Remove:
  - Alternator Rotor (see Alternator Rotor Removal)
  - Starter Motor Clutch Bolts [A]



- Remove the starter motor clutch [A].



#### **Starter Motor Clutch Assembly**

- Apply a non-permanent locking agent to the threads of the starter motor clutch bolts and tighten them.

**Torque - Starter Motor Clutch Bolts: 34 N·m (3.5 kgf·m, 25 ft·lb)**

## Ignition System

### **⚠ WARNING**

The ignition system produces extremely high voltage. Do not touch the spark plugs or stick coils while the engine is running, or you could receive a severe electrical shock.

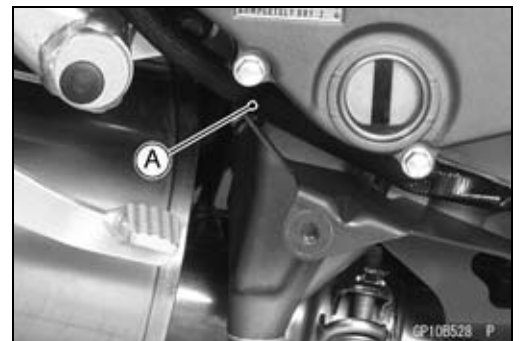
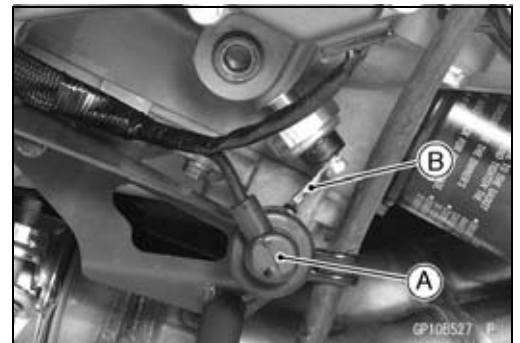
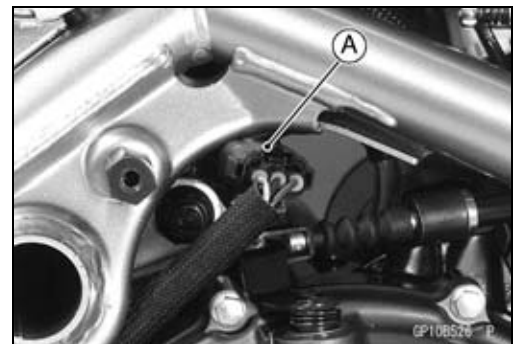
### **CAUTION**

Do not disconnect the battery cables or any other electrical connections when the ignition switch is on, or while the engine is running. This is to prevent ECU (Electric Control Unit) damage.

Do not install the battery backwards. The negative side is grounded. This is to prevent damage to the ECU.

### ***Crankshaft Sensor Removal***

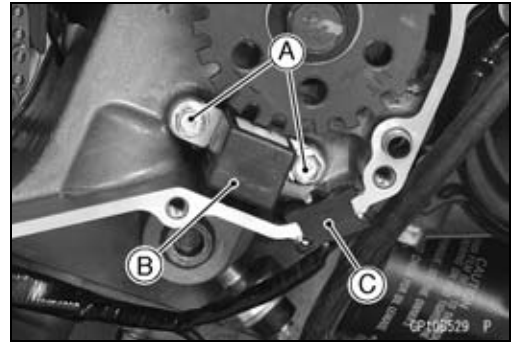
- Remove:
  - Lower Fairing (see Lower Fairing Removal in the Frame chapter)
  - Right Rear Frame Cover (see Rear Frame Cover Removal in the Frame chapter)
  - Crankshaft Sensor Lead Connector [A]
  
- Remove:
  - Rubber Boot (Slide Out) [A]
  - Oil Pressure Switch Lead Terminal [B]
  
- Remove:
  - Clamp [A]
  - Clutch Cover (see Clutch Cover Removal in the Clutch chapter)



## 16-40 ELECTRICAL SYSTEM

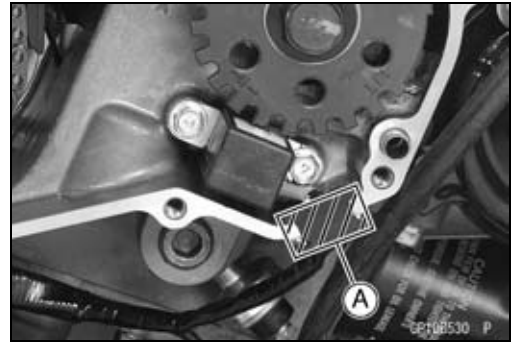
### Ignition System

- Remove:
  - Bolts [A]
  - Crankshaft Sensor [B]
- Pull out the grommet [C].



#### **Crankshaft Sensor Installation**

- Route the crankshaft sensor lead correctly (see Cable, Wire, and Hose Routing section in the Appendix chapter).
- Tighten:
  - Torque - Crankshaft Sensor Bolts: 6.0 N·m (0.61 kgf·m, 53 in·lb)**
- Apply silicone sealant [A] to the crankshaft sensor lead grommet.
  - Sealant - Kawasaki Bond (Silicone Sealant): 92104-0004**
- Install the removed parts (see appropriate chapters).



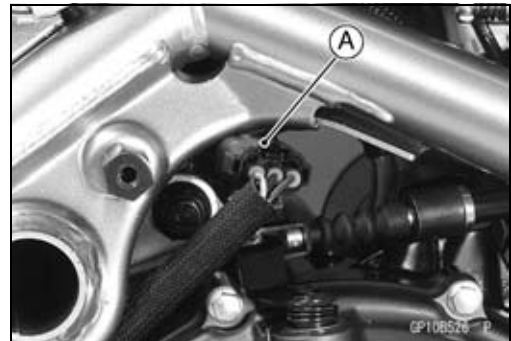
#### **Crankshaft Sensor Inspection**

- Disconnect the crankshaft sensor lead connector [A] (see Crankshaft Sensor Removal).
- Set the hand tester to the  $\times 100 \Omega$  range and connect (+) lead to the black lead and (-) lead to the yellow lead in the connector.

**Special Tool - Hand Tester: 57001-1394**

**Crankshaft Sensor Resistance: 376 ~ 564  $\Omega$**

- ★ If there is more resistance than the specified value, the coil has an open lead and must be replaced. Much less than this resistance means the coil is shorted, and must be replaced.
- Using the highest resistance range of the tester, measure the resistance between the crankshaft sensor leads and chassis ground.
- ★ Any tester reading less than infinity ( $\infty$ ) indicates a short, necessitating replacement of the crankshaft sensor assembly.



## Ignition System

### Crankshaft Sensor Peak Voltage Inspection

#### NOTE

- Be sure the battery is fully charged.
- Using the peak voltage adapter [A] is a more reliable way to determine the condition of the crankshaft sensor than crankshaft sensor internal resistance measurements.

- Disconnect the crankshaft sensor lead connector (see Crankshaft Sensor Removal).
- Set the hand tester [B] to the  $\times$  DC 10 V range, and connect it peak voltage adapter.

**Special Tools - Hand Tester: 57001-1394**

**Peak Voltage Adapter: 57001-1415**

**Type: KEK-54-9-B**

- Connect the black lead of the adapter to black lead and red lead to yellow lead in the crankshaft sensor connector.
- Turn the engine stop switch to run position.
- Turn the ignition switch ON.
- Pushing the starter button, turn the engine 4 ~ 5 seconds with the transmission gear in neutral to measure the crankshaft sensor peak voltage.
- Repeat the measurement 5 or more times.

#### Crankshaft Sensor Peak Voltage

**Standard: 1.9 V or more**

- ★ If the tester reading is not specified one, check the crankshaft sensor (see Crankshaft Sensor Inspection).

### Timing Rotor Removal

- Remove:
  - Clutch Cover (see Clutch Cover Removal in the Clutch chapter)
  - Crankshaft Sensor (see Crankshaft Sensor Removal)
- Holding the timing rotor [A] with the rotor holder [B] and unscrew the rotor bolt [C].

**Special Tool - Rotor Holder: 57001-1567**

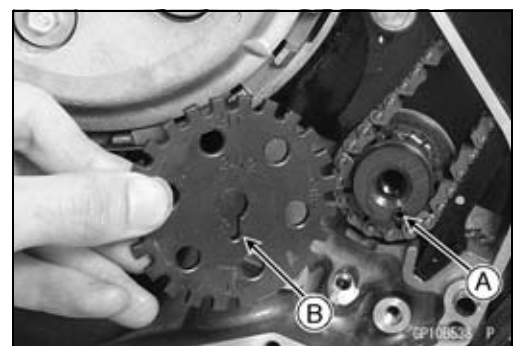
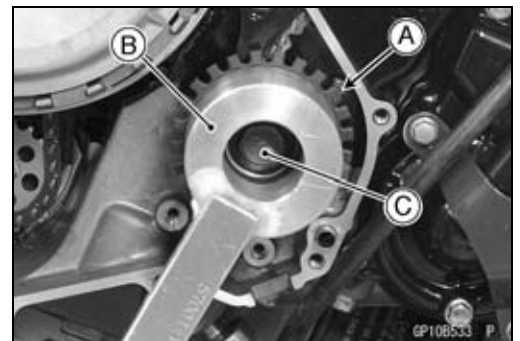
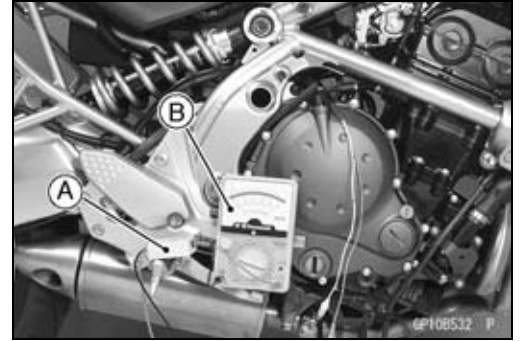
### Timing Rotor Installation

- Align the pin [A] of the crankshaft to the groove [B] of the timing rotor
- Install the washer.
- Holding the timing rotor with the rotor holder and tighten the rotor bolt.

**Special Tool - Rotor Holder: 57001-1567**

**Torque - Timing Rotor Bolt: 40 N·m (4.1 kgf·m, 30 ft·lb)**

- Install the removed parts (see appropriate chapters).



## 16-42 ELECTRICAL SYSTEM

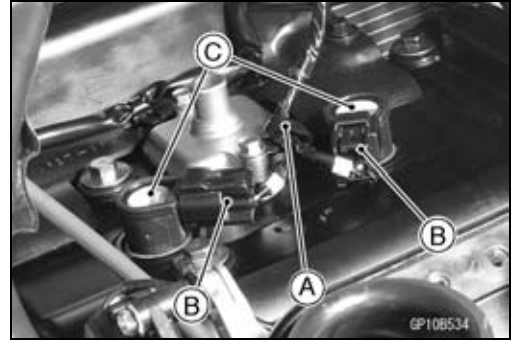
### Ignition System

#### Stick Coil (Ignition Coil together with Spark Plug Cap) Removal

- Remove the air cleaner housing (see Air Cleaner Housing Removal in the Fuel System (DFI) chapter).
- Open the clamp [A].
- Disconnect the stick coil connectors [B].
- Pull the stick coils [C] off the spark plugs.

#### CAUTION

Do not pry the connector part of the coil while removing the coil.

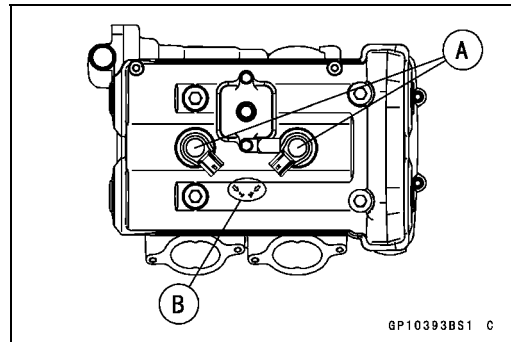


#### Stick Coil (Ignition Coil together with Spark Plug Cap) Installation

- Insert the stick coils [A] so that the coil heads faces the arrow marks [B].

#### CAUTION

Do not tap the coil head while installing the coil.



- Connect the stick coil connectors.
- Run the hoses and harness correctly (see Cable, Wire, and Hose Routing section in the Appendix chapter).
- Install the removed parts (see appropriate chapters).

#### Stick Coil (Ignition Coil together with Spark Plug Cap) Inspection

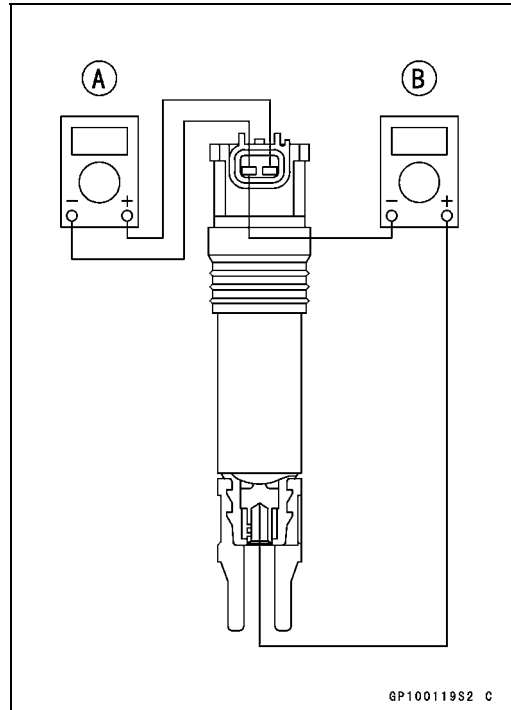
- Remove the stick coils (see Stick Coil (Ignition Coil together with Spark Plug Cap) Removal).
- Measure the primary winding resistance [A] as follows.
  - Connect the hand tester between the coil terminals.
  - Set the tester to the  $\times 1 \Omega$  range, and read the tester.
- Measure the secondary winding resistance [B] as follows.
  - Connect the tester between the plug terminal and (-) coil terminal.
  - Set the tester to the  $\times 1 \text{ k}\Omega$  range and read the tester.

#### Ignition Coil Winding Resistance

Primary Windings: 1.1 ~ 1.5  $\Omega$

Secondary Windings: 10.8 ~ 16.2  $\text{k}\Omega$

- ★ If the tester does not read as specified, replace the coil.



#### Stick Coil Primary Peak Voltage

#### NOTE

- Be sure the battery is fully charged.

## Ignition System

- Remove the stick coils (see Stick Coil (Ignition Coil together with Spark Plug Cap) Removal).
- Do not remove the spark plugs.
- Measure the primary peak voltage as follows.
- Install the new spark plug [A] into each stick coil [B], and ground them onto the engine.
- Connect the peak voltage adapter [C] into the hand tester [D] which is set to the  $\times$  DC 250 V range.
- Connect the adapter to the lead wire-peak voltage adapter [E] which is connected between the stick coil connector and stick coil.

ECU [F]  
Battery [G]

**Special Tools - Hand Tester: 57001-1394**

**Peak Voltage Adapter: 57001-1415**

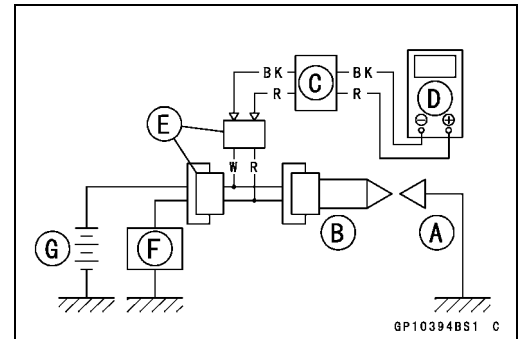
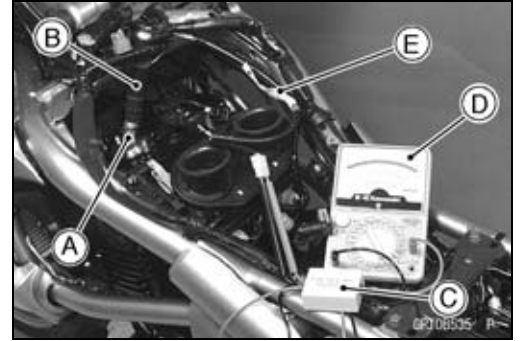
**Type: KEK-54-9-B**

**Lead Wire-Peak Voltage Adapter: 57001-1449**

### Primary Lead Connection

Adapter (R, +) to lead wire-peak voltage adapter (R)

Adapter (BK, -) to lead wire-peak voltage adapter (W)



## ⚠ WARNING

**To avoid extremely high voltage shocks, do not touch the spark plugs or tester connections.**

- Turn the engine stop switch to run position.
- Turn the ignition switch ON.
- Pushing the starter button, turn the engine 4 ~ 5 seconds with the transmission in neutral to measure the primary peak voltage.
- Repeat the measurements 5 times for one stick coil.

### Stick Coil Primary Peak Voltage

**Standard: 88 V or more**

- Repeat the test for the other stick coil.
- ★ If the reading is less than the specified value, check the following.
  - Stick Coils (see Stick Coil (Ignition Coil together with Spark Plug Cap) Inspection)
  - Crankshaft Sensor (see Crankshaft Sensor Inspection)
  - ECU (see ECU Power Supply Inspection in the Fuel System (DFI) chapter)

### Spark Plug Removal

- Refer to the Spark Plug Replacement in the Periodic Maintenance chapter.

### Spark Plug Installation

- Refer to the Spark Plug Replacement in the Periodic Maintenance chapter.

## 16-44 ELECTRICAL SYSTEM

### Ignition System

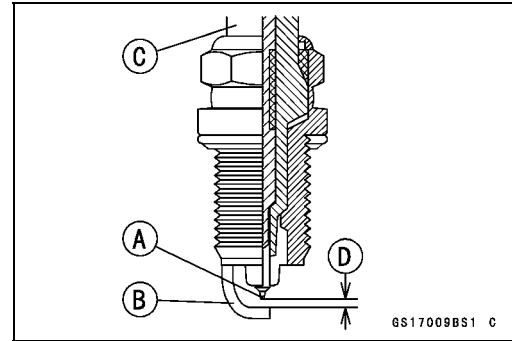
#### Spark Plug Condition Inspection

- Remove the spark plugs (see Spark Plug Replacement).
- Visually inspect the spark plugs.
- ★ If the spark plug center electrode [A] and/or side electrode [B] are corroded or damaged, or if the insulator [C] is cracked, replace the plug.
- ★ If the spark plug is dirtied or the carbon is accumulated, replace the spark plug.
- Measure the gap [D] with a wire-type thickness gauge.

**Spark Plug Gap: 0.8 ~ 0.9 mm (0.03 ~ 0.04 in.)**

- ★ If the gap is incorrect, replace the spark plug.
- Use the standard spark plug or its equivalent.

**Spark Plug: CR9EIA-9**



#### Interlock Operation Inspection

- Raise the rear wheel off the ground with stand [A].

##### 1st Check

- Start the engine to the following conditions.

##### Condition

**Transmission Gear → 1st Position**

**Clutch Lever → Release**

**Sidestand → Down or Up**

- Turn the ignition switch ON and push the starter button.
- Then the starter motor should not turn when the starter system circuit is normality.
- ★ If the engine is start, inspect the starter lockout switch, neutral switch and relay box.
- ★ If their parts are normality replace the ECU.

##### 2nd Check

- Start the engine to the following conditions.

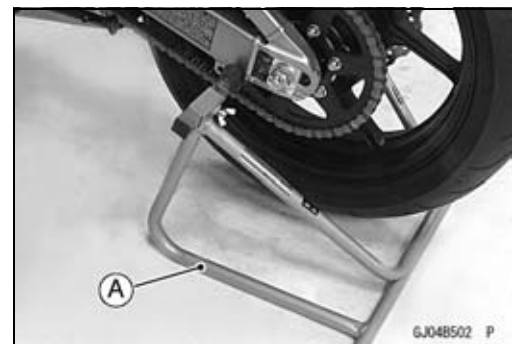
##### Condition

**Transmission Gear → 1st Position**

**Clutch Lever → Pulled in**

**Sidestand → Up**

- Turn the ignition switch ON and push the starter button.
- Then the starter motor should turn when the starter system circuit is normality.
- ★ If the starter motor is not turn, inspect the starter lockout switch, neutral switch and relay box.
- ★ If their parts are normality replace the ECU.





---

**Ignition System**

---

**3rd Check**

- Inspect the engine for its secure stop after the following operations are completed.
- Run the engine to the following conditions.

**Condition**

**Transmission Gear → 1st Position**

**Clutch Lever → Pulled in**

**Sidestand → Up**

- Set the sidestand on the ground, then the engine will stop.
- ★ If whichever may not be stopped, inspect the neutral switch, starter lockout switch, sidestand switch and relay box.
- ★ If their parts are normality, replace the ECU.

**IC Igniter Inspection**

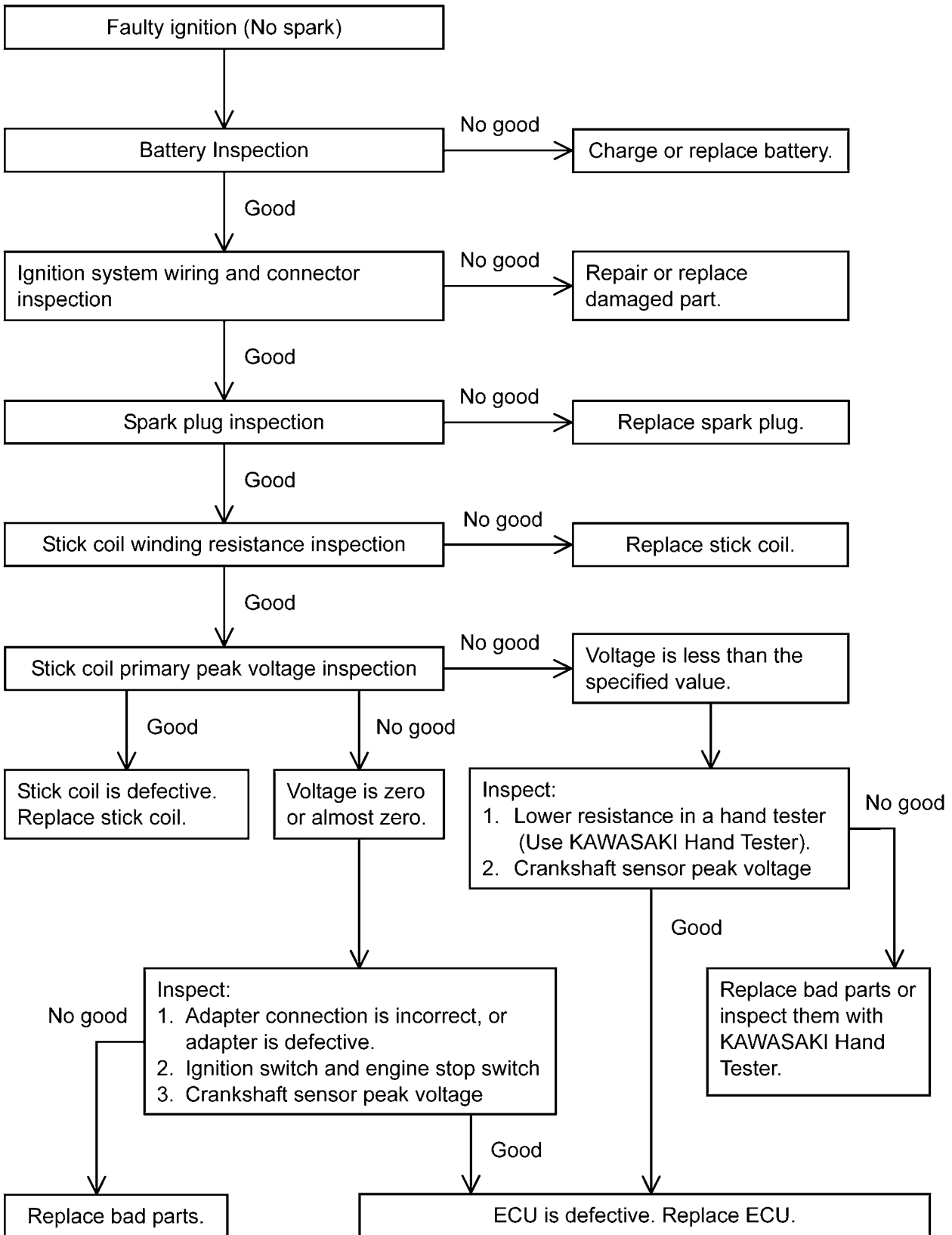
- The IC igniter is built in the ECU [A].
- Refer to the Interlock Operation Inspection, Ignition System Troubleshooting chart and Fuel System (DFI) chapter for ECU Power Supply Inspection.



# 16-46 ELECTRICAL SYSTEM

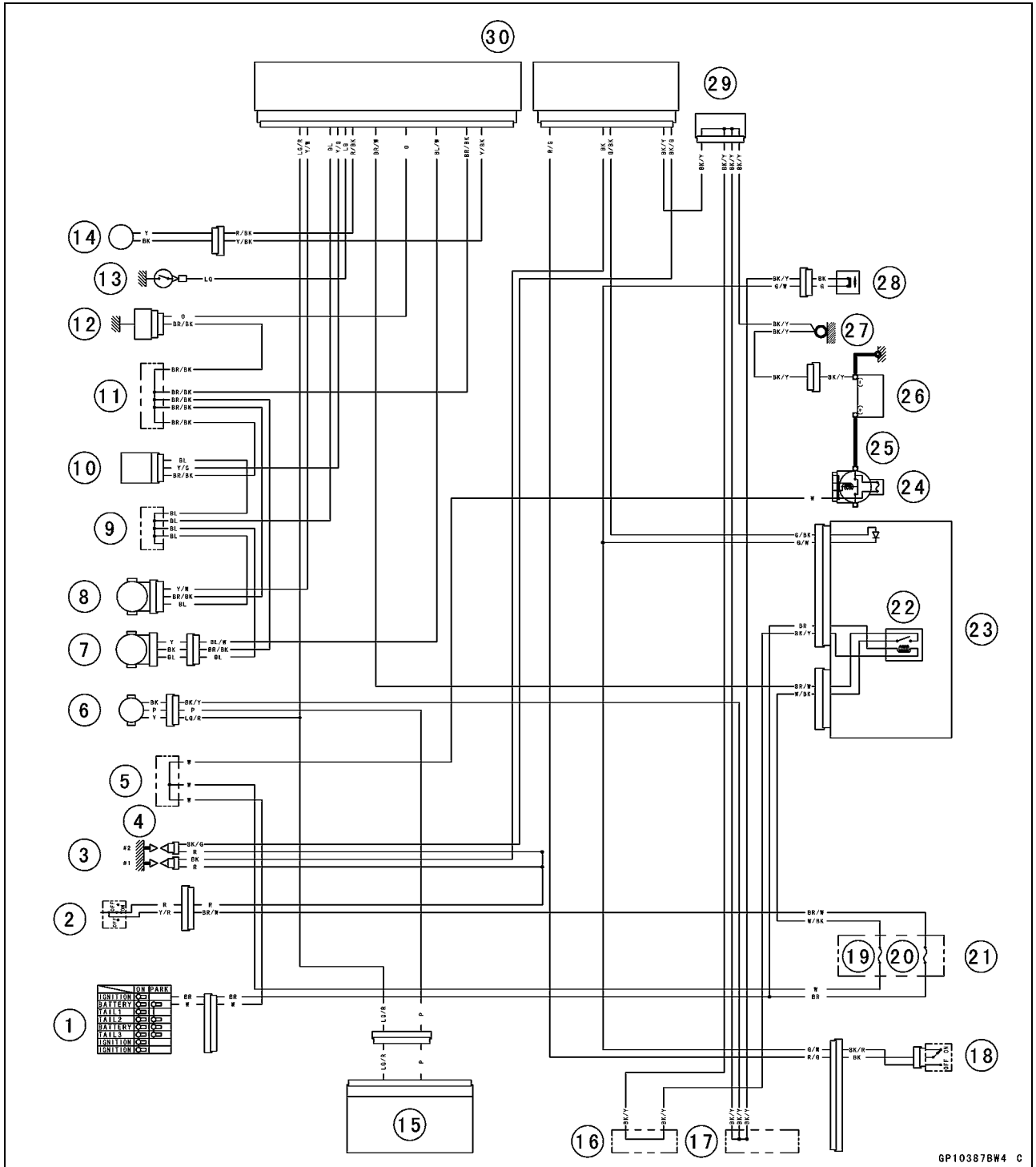
## Ignition System

### Ignition System Troubleshooting



Ignition System

Ignition System Circuit



- 1. Ignition Switch
- 2. Engine Stop Switch
- 3. Spark Plugs
- 4. Stick Coils
- 5. Water-proof Joint C
- 6. Speed Sensor
- 7. Subthrottle Sensor
- 8. Main Throttle Sensor
- 9. Water-proof Joint D
- 10. Vehicle-down Sensor

- 11. Water-proof Joint E
- 12. Water Temperature Sensor
- 13. Neutral Switch
- 14. Crankshaft Sensor
- 15. Meter Unit
- 16. Water-proof Joint A
- 17. Water-proof Joint B
- 18. Starter Lockout Switch
- 19. ECU Fuse 15 A
- 20. Ignition Fuse 10 A

- 21. Fuse Box
- 22. ECU Main Relay
- 23. Relay Box
- 24. Main Fuse 30 A
- 25. Starter Relay
- 26. Battery 12 V 10 Ah
- 27. Frame Ground
- 28. Sidestand Switch
- 29. Joint Connector
- 30. ECU

# 16-48 ELECTRICAL SYSTEM

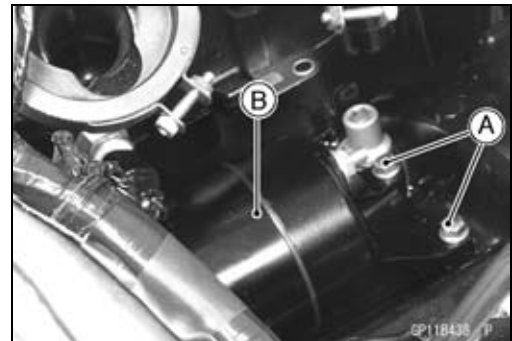
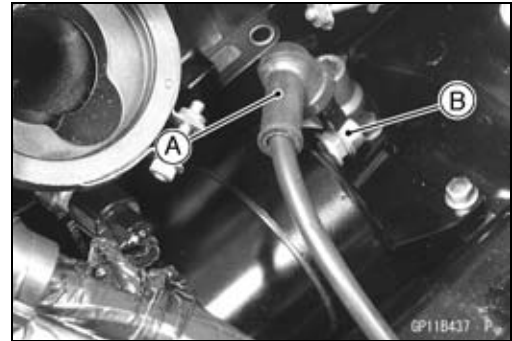
## Electric Starter System

### Starter Motor Removal

#### CAUTION

**Do not tap the starter motor shaft or body. Tapping the shaft or body could damage the motor.**

- Remove the throttle body assy (see Throttle Body Assy Removal in the Fuel System (DFI) chapter).
- Slide back the rubber cap [A].
- Remove the starter motor cable terminal nut [B].
- Remove the mounting bolts [A].
- Pull out the starter motor [B].



### Starter Motor Installation

#### CAUTION

**Do not tap the starter motor shaft or body. Tapping the shaft or body could damage the motor.**

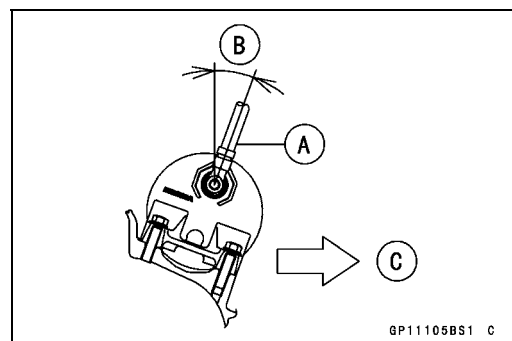
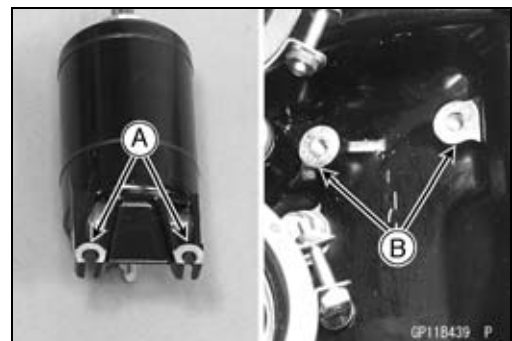
- When installing the starter motor, clean the starter motor legs [A] and crankcase [B] where the starter motor is grounded.
- Replace the O-ring [A] with a new one.
- Apply grease to the O-ring.
- Apply a non-permanent locking agent to the threads of the bolts and tighten the bolts.

**Torque - Starter Motor Mounting Bolts: 9.8 N·m (1.0 kgf·m, 87 in·lb)**

- Position the starter motor cable [A] as shown.  
About 20° [B]  
Front [C]
- Tighten:

**Torque - Starter Motor Cable Terminal Nut: 6.0 N·m (0.61 kgf·m, 53 in·lb)**

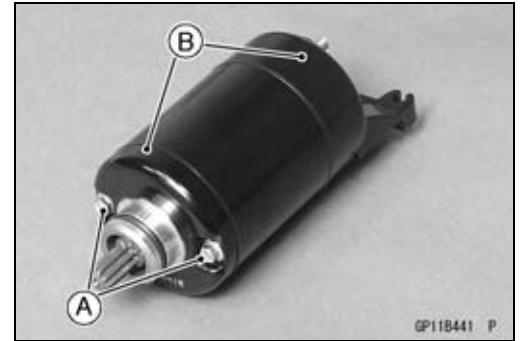
- Slide back the rubber cap to the original position.



## Electric Starter System

### Starter Motor Disassembly

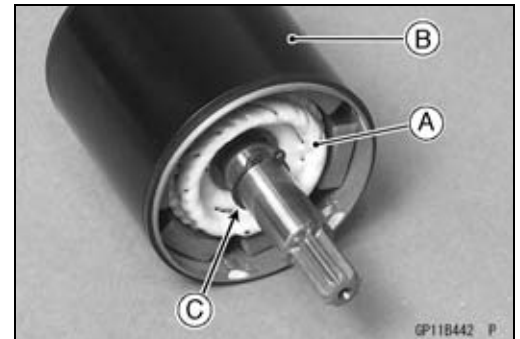
- Remove the starter motor (see Starter Motor Removal).
- Take off the starter motor through bolts [A] and remove the both end covers [B].



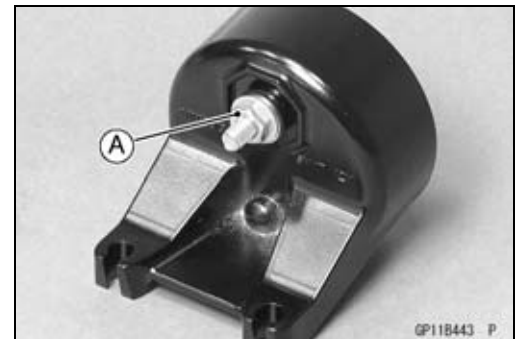
- Pull out the armature [A] out of the yoke [B].

#### NOTE

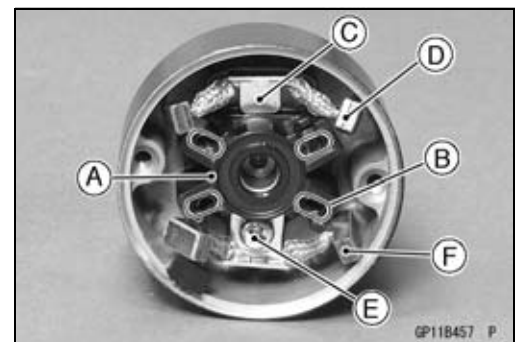
○Do not remove the circlip [C] from the shaft.



- Remove the starter motor terminal locknut [A].

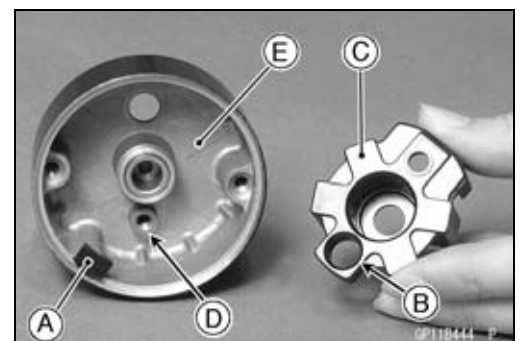


- Pull out the brushes from the brush holder [A].
- Remove:
  - Brush Springs [B]
  - Starter Motor Terminal [C]
  - Positive Brush Assy [D]
  - Screw [E]
  - Negative Brush Assy [F]
  - Brush Holder



### Starter Motor Assembly

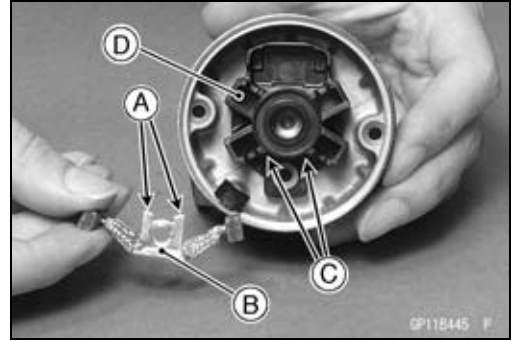
- Be sure that the stopper [A] is in position.
- Align the hole [B] of the brush holder [C] to the boss [D] of the right-hand end cover [E].



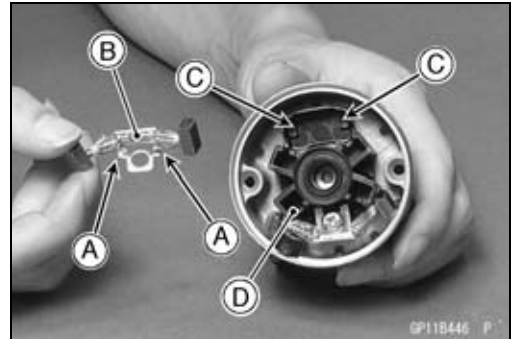
# 16-50 ELECTRICAL SYSTEM

## Electric Starter System

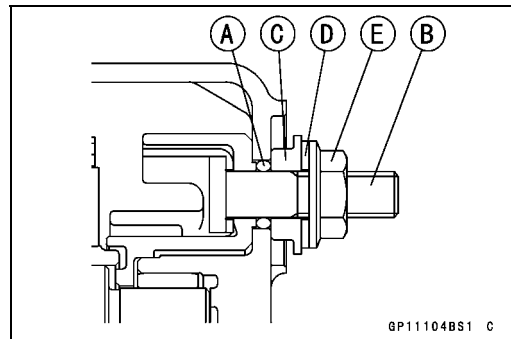
- Align the stoppers [A] of the negative brush assy [B] to the grooves [C] of the brush holder [D].
- Tighten the screw securely.



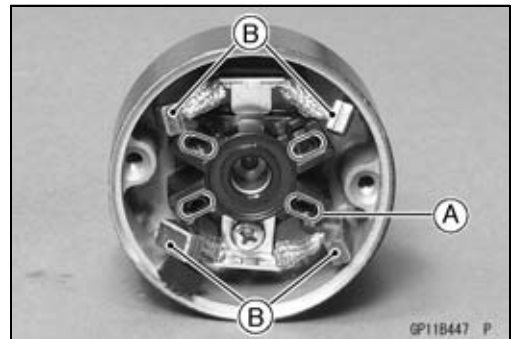
- Align the stoppers [A] of the positive brush assy [B] to the grooves [C] of the brush holder [D].
- Install the starter motor terminal.



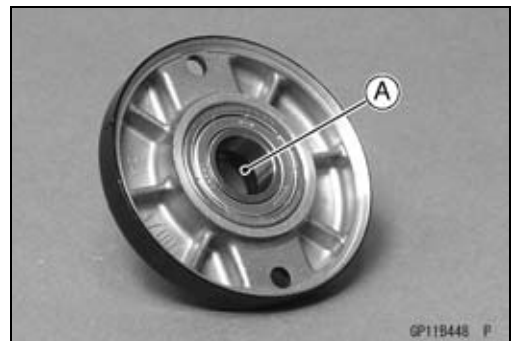
- Replace the O-ring [A] with a new one.
  - Install the following parts to the starter motor terminal [B].
    - New O-ring
    - Collar [C]
    - Washer [D]
    - Starter Motor Terminal Locknut [E]
- Install the collar so that stepped side faces outward.
- Tighten:  
**Torque - Starter Motor Terminal Locknut: 11 N·m (1.1 kgf·m, 97 in·lb)**



- Install the brush springs [A] and insert the brushes [B].

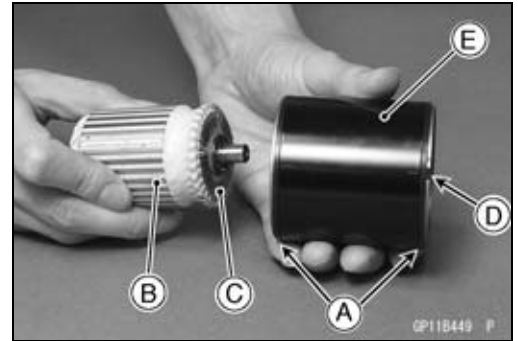


- Apply thin coat of grease to the oil seal [A].

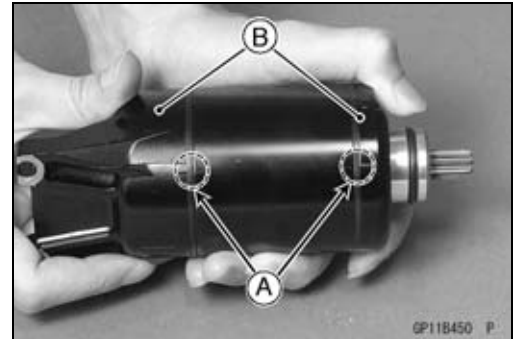


## Electric Starter System

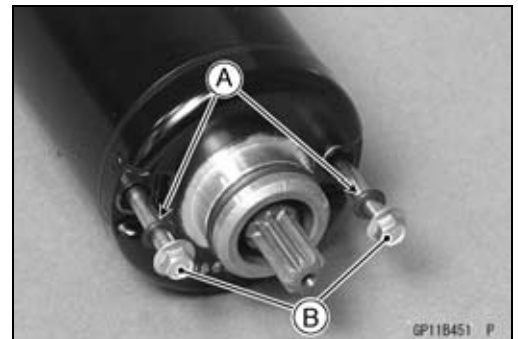
- Replace the O-rings [A] with new ones.
- Insert the armature [B] so that commutator side [C] faces hollow side [D] of the yoke [E].



- Align the marks [A] to assembly the yoke and the end covers [B].



- Replace the O-rings [A] with new ones.
  - Tighten the through bolts [B].
- Torque - Starter Motor Through Bolts: 4.9 N·m (0.50 kgf·m, 43 in·lb)**



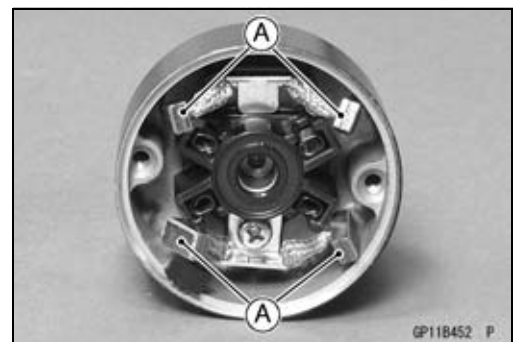
### Brush Inspection

- Measure the length of each brush [A].
- ★ If any is worn down to the service limit, replace the brush assy.

#### Starter Motor Brush Length

Standard: 12 mm (0.47 in.)

Service Limit: 6.5 mm (0.26 in.)



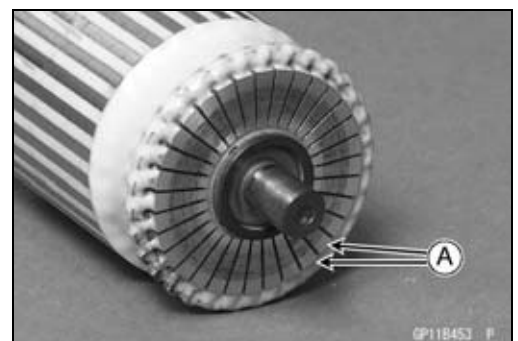
### Commutator Cleaning and Inspection

- Clean the metallic debris off the between commutator segments [A].

#### NOTE

○ Do not use emery or sand paper on the commutator.

- Check the commutator for damage or abnormal wear.
- ★ Replace the starter motor with a new one if there is any damage or wear.
- Visually inspect the commutator segments for discoloration.
- ★ Replace the starter motor with a new one if discoloration is noticed.



## 16-52 ELECTRICAL SYSTEM

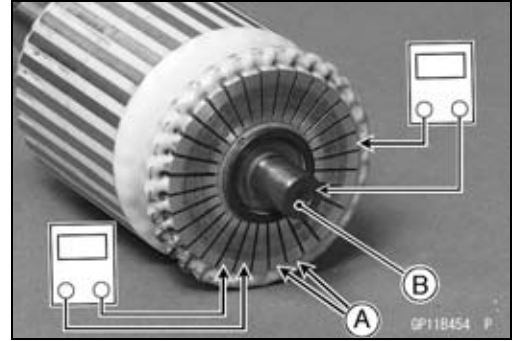
### Electric Starter System

#### Armature Inspection

- Using the  $\times 1 \Omega$  hand tester range, measure the resistance between any two commutator segments [A].

**Special Tool - Hand Tester: 57001-1394**

- ★ If there is a high resistance or no reading ( $\infty$ ) between any two segments, a winding is open and the starter motor must be replaced.
- Using the highest hand tester range, measure the resistance between the segments and the shaft [B].
- ★ If there is any reading at all, the armature has a short and the starter motor must be replaced.



#### NOTE

○ Even if the foregoing checks show the armature to be good, it may be defective in some manner not readily detectable with the hand tester. If all other starter motor and starter motor circuit components check good, but the starter motor still does not turn over or only turns over weakly, replace the starter motor with a new one.

#### Brush Lead Inspection

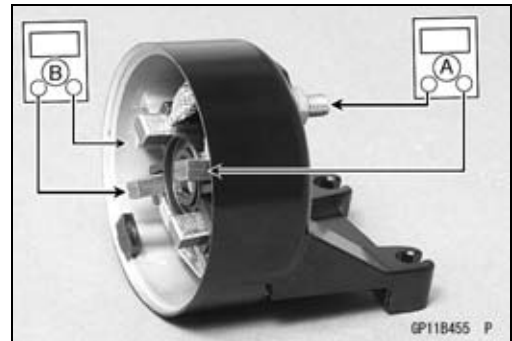
- Using the  $\times 1 \Omega$  hand tester range, measure the resistance as shown.

Terminal Bolt and Positive Brushes [A]

Right-hand End Cover and Negative Brushes [B]

**Special Tool - Hand Tester: 57001-1394**

- ★ If there is not close to zero ohms, the brush lead has an open. Replace the brush plate assy.



#### Right-hand End Cover Inspection

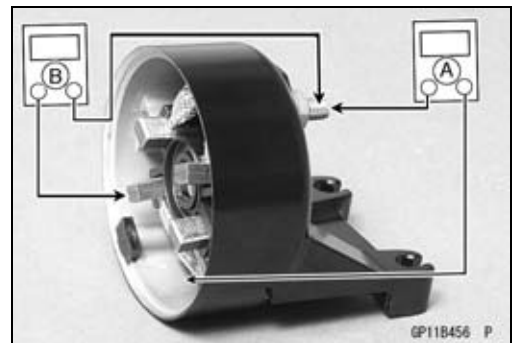
- Using the highest hand tester range, measure the resistance as shown.

Terminal Bolt and Right-hand End Cover [A]

Terminal Bolt and Negative Brushes [B]

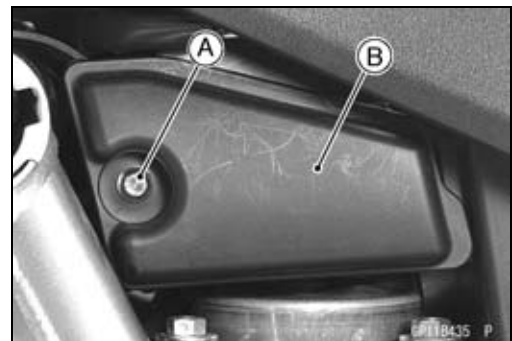
**Special Tool - Hand Tester: 57001-1394**

- ★ If there is any reading, the brush assy and/or terminal bolt assy have a short. Replace the starter motor.



#### Starter Relay Inspection

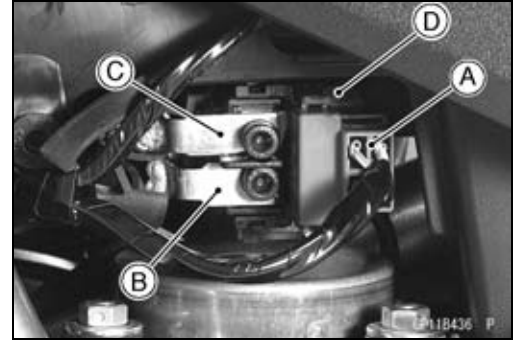
- Remove the battery negative (-) cable from the battery negative (-) terminal (see Battery Removal).
- Remove:
  - Right Rear Frame Cover (see Rear Frame Cover Removal in the Frame chapter)
  - Bolt [A]
  - Cover [B]





## Electric Starter System

- Disconnect the connector [A].
- Disconnect the starter motor cable [B] and battery positive (+) cable [C] from the starter relay [D].



- Connect the hand tester [A] and 12 V battery [B] to the starter relay [C] as shown.

**Special Tool - Hand Tester: 57001-1394**

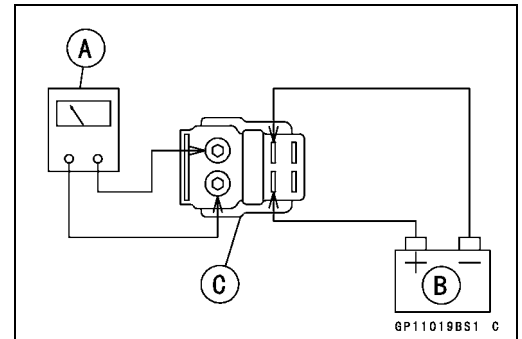
- ★ If the relay does not work as specified, the relay is defective. Replace the relay.

### Testing Relay

**Tester Range:** × 1 Ω range

**Criteria:** When battery is connected → 0 Ω

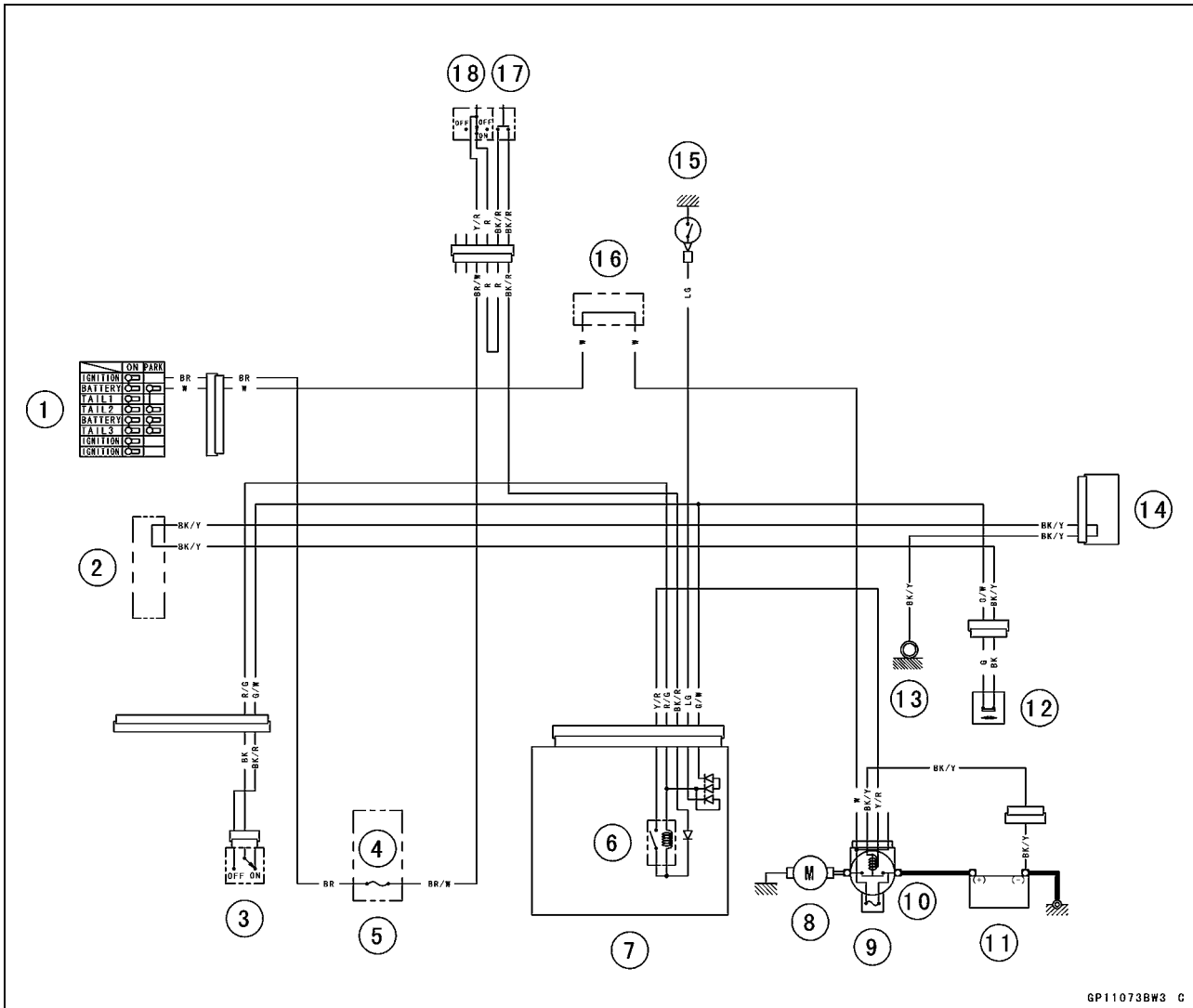
When battery is disconnected → ∞ Ω



# 16-54 ELECTRICAL SYSTEM

## Electric Starter System

### Electric Starter Circuit



GP11073BW3 C

1. Ignition Switch
2. Water-proof Joint B
3. Starter Lockout Switch
4. Ignition Fuse 10 A
5. Fuse Box
6. Starter Circuit Relay
7. Relay Box
8. Starter Motor
9. Starter Relay
10. Main Fuse 30 A
11. Battery 12 V 10 Ah
12. Sidestand Switch
13. Frame Ground
14. Joint Connector
15. Neutral Switch
16. Water-proof Joint C
17. Starter Button
18. Engine Stop Switch

## Lighting System

This motorcycle adopt the daylight system and have a headlight relay in the relay box. The headlight does not go on when the ignition switch and the engine stop switch are first turned on. The headlight comes on after the starter button is released and stays on until the ignition switch is turned off. The headlight will go out momentarily whenever the starter button is pressed and come back on when the button is released.

### **Headlight Beam Horizontal Adjustment**

- Refer to the Headlight Aiming Inspection in the Periodic Maintenance chapter.

### **Headlight Beam Vertical Adjustment**

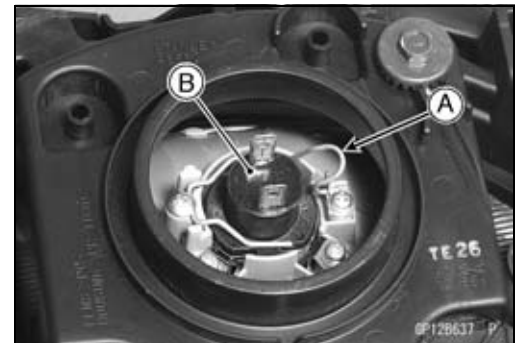
- Refer to the Headlight Aiming Inspection in the Periodic Maintenance chapter.

### **Headlight Bulb Replacement**

- Remove:
  - Headlight Assy (see Headlight Removal/Installation)
  - Headlight Bulb Dust Cover [A]



- Remove:
  - Hook [A]
  - Headlight Bulb [B]



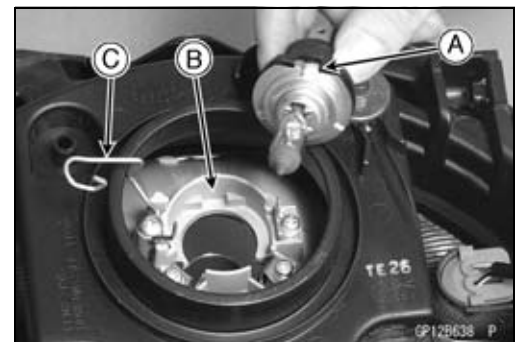
### CAUTION

When handling the quartz-halogen bulb, never touch the glass portion with bare hands. Always use a clean cloth. Oil contamination from hands or dirty rags can reduce bulb life or cause the bulb to explode.

### NOTE

○Clean off any contamination that inadvertently gets on the bulb with alcohol or soap and water solution.

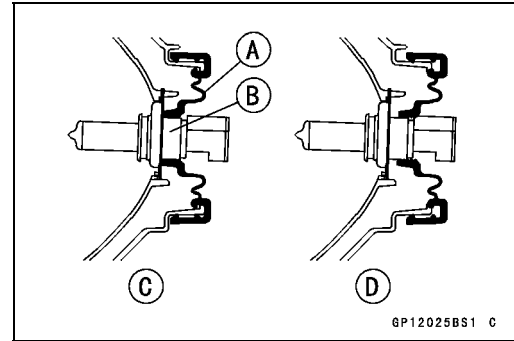
- Replace the headlight bulb.
- Fit the projection [A] of the bulb in the hollow [B] of the headlight.
- Install the hook [C].



## 16-56 ELECTRICAL SYSTEM

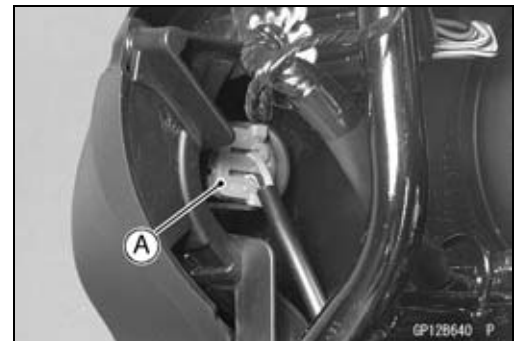
### Lighting System

- Fit the dust cover [A] with the “Top” mark upward onto the bulb [B] firmly as shown.
  - Good [C]
  - Bad [D]
  - Top Mark [E]
- After installation, adjust the headlight aim (see Headlight Aiming Inspection in the Periodic Maintenance chapter).
- Other Bulb: Repeat the above steps.



### City Light Bulb Replacement

- Remove the middle fairings (see Middle Fairing Removal/Installation).
- Pull out the socket [A] together with the bulb.



- Pull the bulb [A] out of the socket.

#### CAUTION

**Do not turn the bulb. Pull the bulb out to prevent damage to the bulb. Do not use bulb rated for greater wattage than the specified valve.**

- Replace the bulb with a new one.
- Other Bulb: Repeat the above steps.



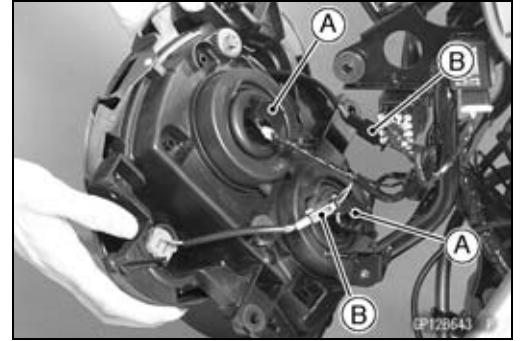
### Headlight Removal/Installation

- Remove:
  - Middle Fairings (see Middle (Both Sides) Fairing Removal in the Electrical System chapter)
  - Mounting Bolts [A]
  - Mounting Nuts [B] (Both Sides)

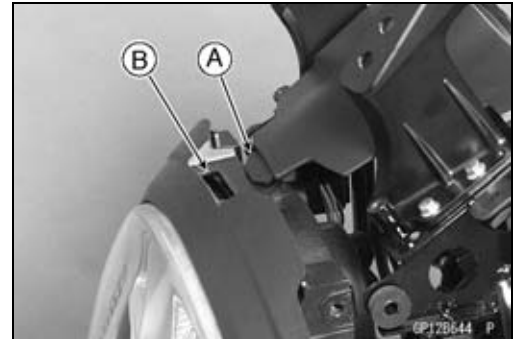


## Lighting System

- Disconnect the headlight connectors [A] and city light connectors [B].
- Remove the headlight assy.

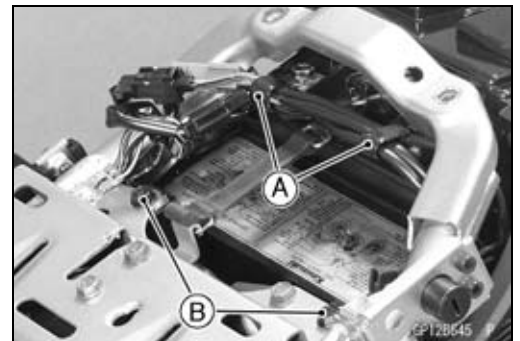


- Installation is the reverse of removal.
- Insert the hook [A] of the inner cover into the slot [B] of the headlight assy.

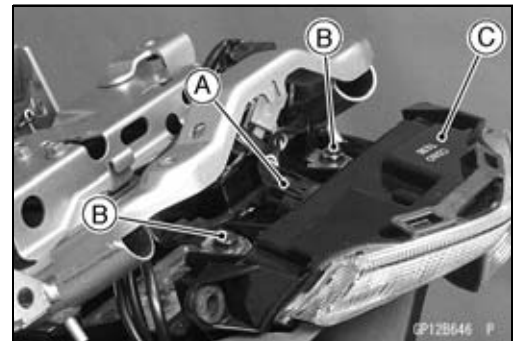


### Tail/Brake Light Removal

- Remove the seat covers (see Seat Cover Removal in the Frame chapter).
- Open the clamps [A].
- Remove the bolts [B].



- Disconnect the connector [A].
- Remove:
  - Bolts [B] and Clamps
  - Tail/Brake Light [C]



### Tail/Brake Light Installation

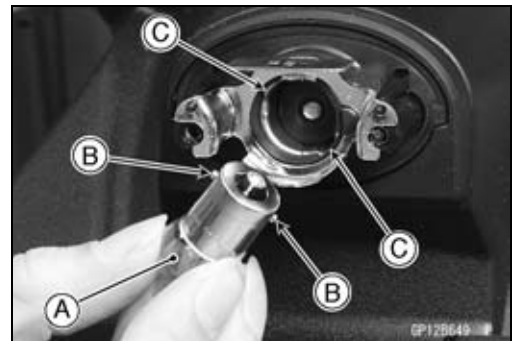
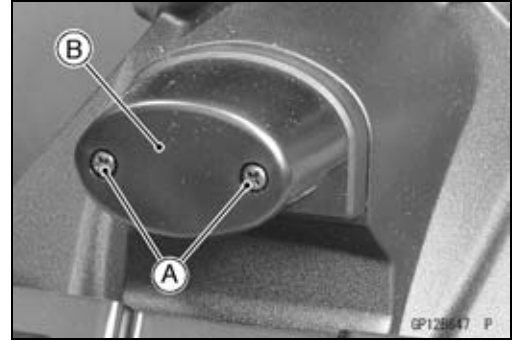
- Installation is the reverse of removal, note the following.
- Tighten:
  - Torque - Tail/Brake Light Mounting Bolts: 1.2 N·m (0.12 kgf·m, 11 in·lb)
- Route the harness and leads correctly (see Cable, Wire, and Hose Routing section in the Appendix chapter).

## 16-58 ELECTRICAL SYSTEM

### Lighting System

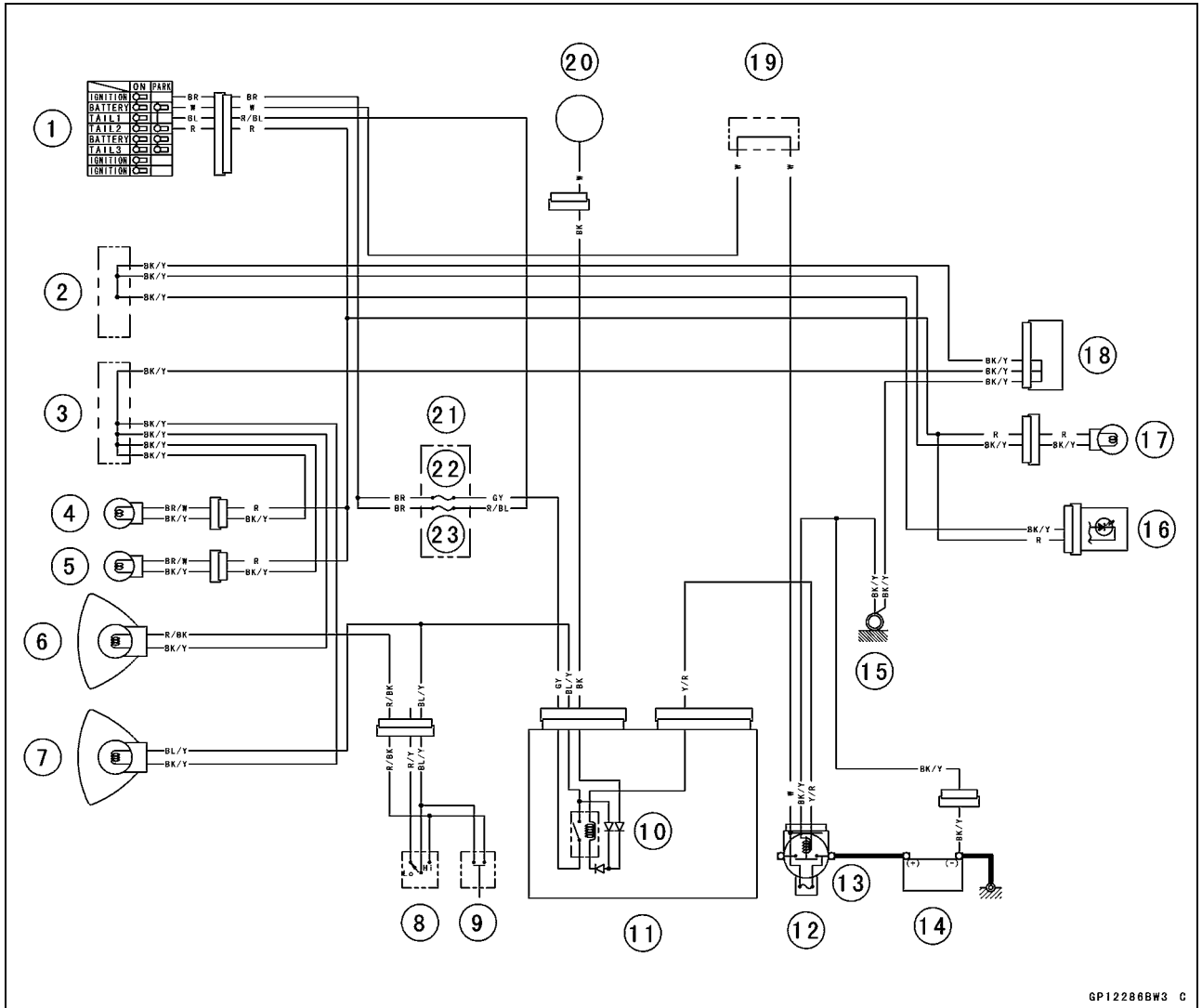
#### ***License Plate Light Bulb Replacement***

- Remove:
  - Screws [A]
  - License Plate Light Cover [B]
- Push and turn the bulb [A] counterclockwise and remove it.
- Insert the new bulb [A] by aligning its upper and lower pins [B] with the upper and lower grooves [C] in the socket, and turn the bulb clockwise.
- Turn the bulb about 15°.
- Install the license plate light cover.
- Tighten:
  - Torque - License Plate Light Cover Screws: 0.90 N·m (0.090 kgf·m, 8 in·lb)



Lighting System

Headlight/Tail Light Circuit



GP12286BW3 C

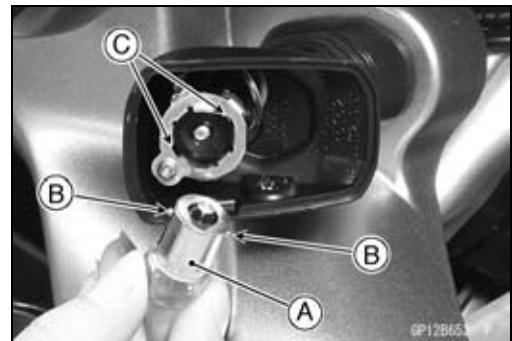
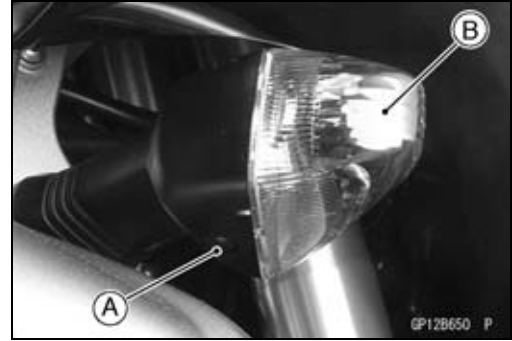
- |                          |                                  |
|--------------------------|----------------------------------|
| 1. Ignition Switch       | 13. Main Fuse 30 A               |
| 2. Water-proof Joint A   | 14. Battery 12 V 10 Ah           |
| 3. Water-proof Joint B   | 15. Frame Ground                 |
| 4. Right City Right      | 16. Tail/Brake Light             |
| 5. Left City Right       | 17. License Plate Light 12 V 5 W |
| 6. Headlight (High Beam) | 18. Joint Connector              |
| 7. Headlight (Low Beam)  | 19. Water-proof Joint C          |
| 8. Dimmer Switch         | 20. Alternator                   |
| 9. Passing Switch        | 21. Fuse Box                     |
| 10. Headlight Relay      | 22. Headlight Fuse 10 A          |
| 11. Relay Box            | 23. Tail Light Fuse 10 A         |
| 12. Starter Relay        |                                  |

# 16-60 ELECTRICAL SYSTEM

## Lighting System

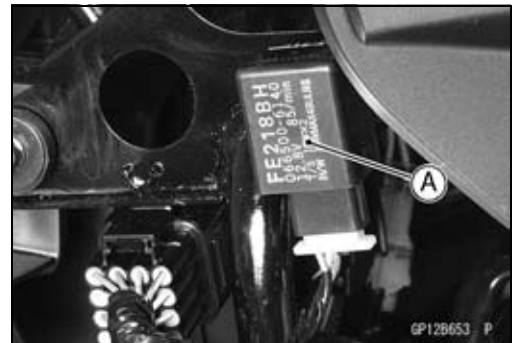
### Turn Signal Light Bulb Replacement

- Remove:
  - Screw [A]
  - Turn Signal Light Lens [B]
- Push and turn the bulb [A] counterclockwise and remove it.
- Insert the new bulb [A] by aligning its upper and lower pins [B] with the upper and lower grooves [C] in the socket, and turn the bulb clockwise.
- Turn the bulb about 15°.
- Install the projections of the lens to the dints of the turn signal light.
- Tighten:
  - Torque - Turn Signal Light Lens Screw: 1.0 N·m (0.10 kgf·m, 9 in·lb)



### Turn Signal Relay Inspection

- Remove:
  - Left Middle Fairing (see Middle Fairing Removal in the Frame chapter)
  - Turn Signal Relay [A]





## Lighting System

- Connect one 12 V battery and turn signal lights as indicated in the figure, and count how many times the lights flash for one minute.

Turn Signal Relay [A]

Turn Signal Lights [B]

12 V Battery [C]

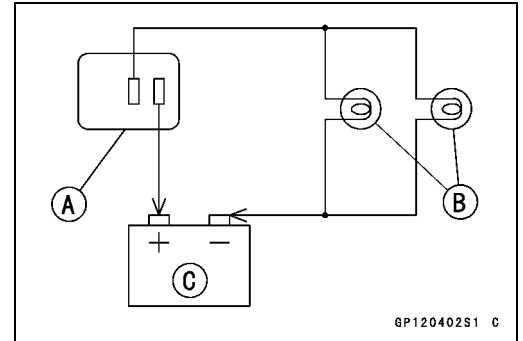
- ★ If the lights do not flash as specified, replace the turn signal relay.

### Testing Turn Signal Relay

Load		Flashing Times (c/m*)
The Number of Turn Signal Lights	Wattage (W)	
1**	10	140 ~ 250
2	20	75 ~ 95

(\*): Cycle(s) per minute

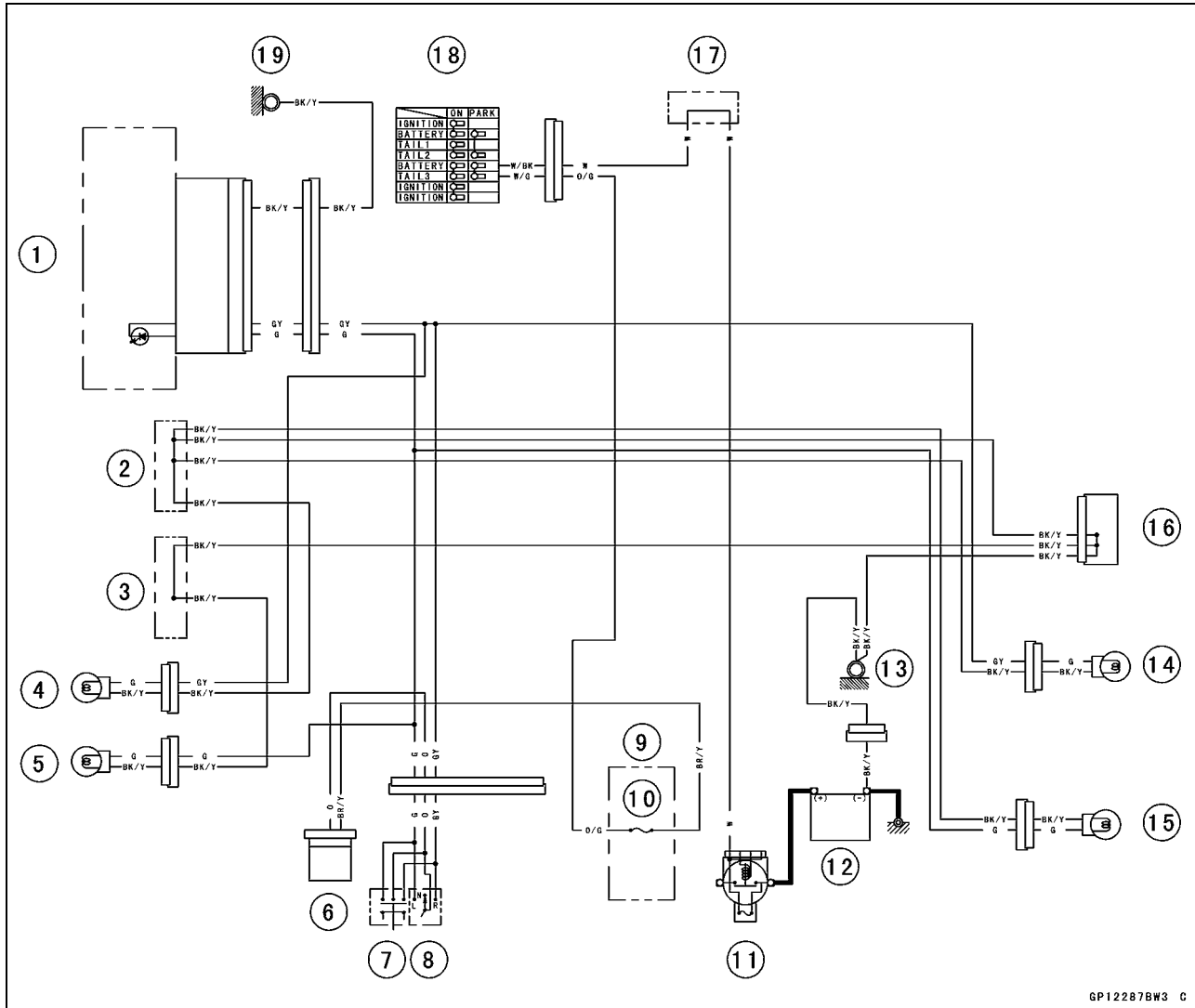
(\*\*): Corrected to "one light burned out".



# 16-62 ELECTRICAL SYSTEM

## Lighting System

### Turn Signal Light Circuit



1. Meter Unit
2. Water-proof Joint A
3. Water-proof Joint B
4. Front Right Turn Signal Light
5. Front Left Turn Signal Light
6. Turn Signal Relay
7. Hazard Button
8. Turn Signal Switch
9. Fuse Box
10. Turn Signal Relay Fuse 10 A
11. Main Fuse 30 A
12. Battery 12 V 10 Ah
13. Frame Ground
14. Rear Right Turn Signal Light
15. Rear Left Turn Signal Light
16. Joint Connector
17. Water-proof Joint C
18. Ignition Switch
19. Frame Ground

## Air Switching Valve

### Air Switching Valve Operation Test

- Refer to the Air Suction System Damage Inspection in the Periodic Maintenance chapter.

### Air Switching Valve Unit Test

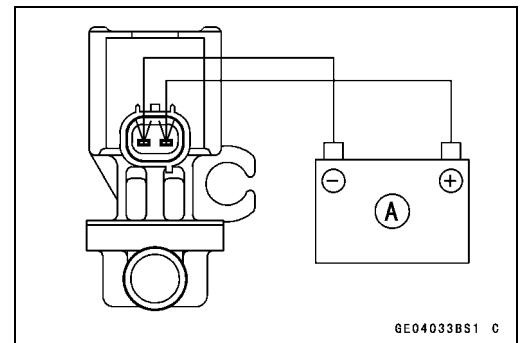
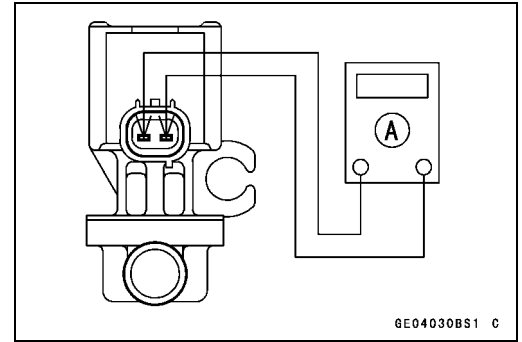
- Remove the air switching valve (see Air Switching Valve Removal in the Engine Top End chapter).
- Set the hand tester [A] to the  $\times \Omega$  range and connect it to the air switching valve terminals as shown.

**Special Tool - Hand Tester: 57001-1394**

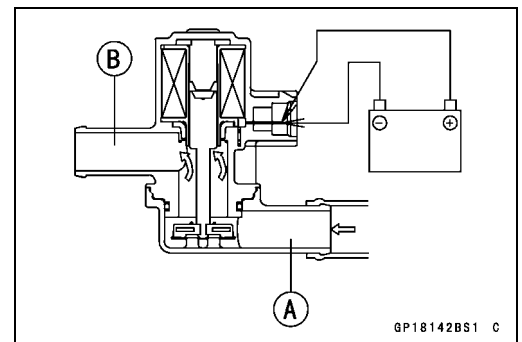
### Air Switching Valve Resistance

**Standard: 18 ~ 22  $\Omega$  at 20°C (68°F)**

- ★ If the resistance reading is except the specified value, replace it with a new one.
- Connect the 12 V battery [A] to the air switching valve terminals as shown.



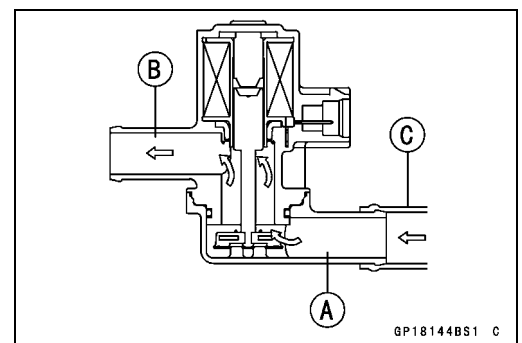
- Blow the air to the inlet air duct [A], and make sure does not flow the blown air from the outlet air duct [B].



- Disconnect the 12 V battery.
- Blow the air to the inlet air duct [A], and make sure does not flow the blown air from the outlet air duct [B].
- ★ If the air switching valve does not operate as described, replace it with a new one.

### NOTE

- To check air flow through the air switching valve, just blow through the air cleaner hose (inlet side) [C].



# 16-64 ELECTRICAL SYSTEM

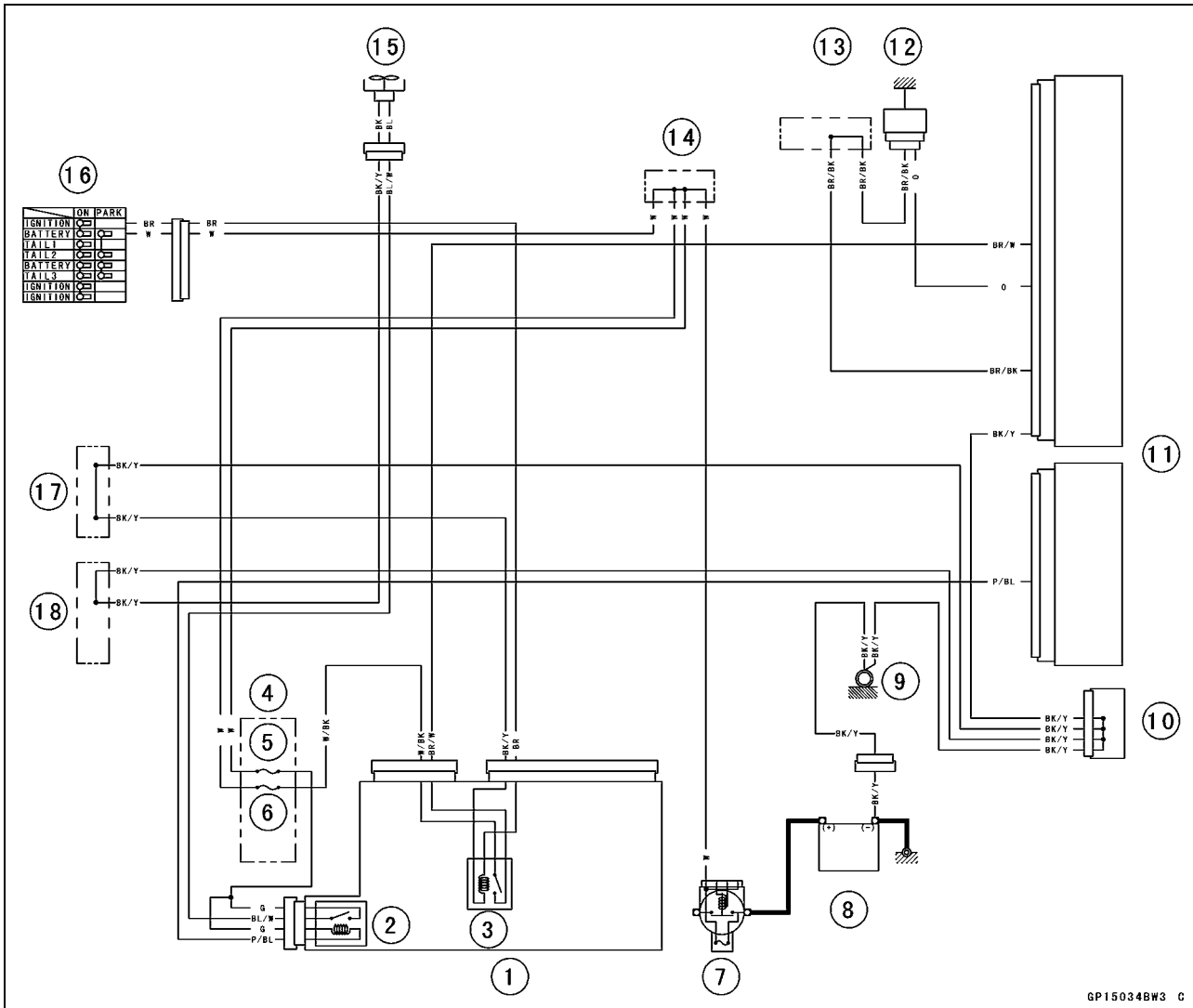
## Radiator Fan System

### Fan Motor Inspection

- Disconnect the connector [A].
- Using an auxiliary leads, supply battery power to the fan motor.
- ★ If the fan does not rotate, the fan motor is defective and must be replaced.



### Radiator Fan Circuit



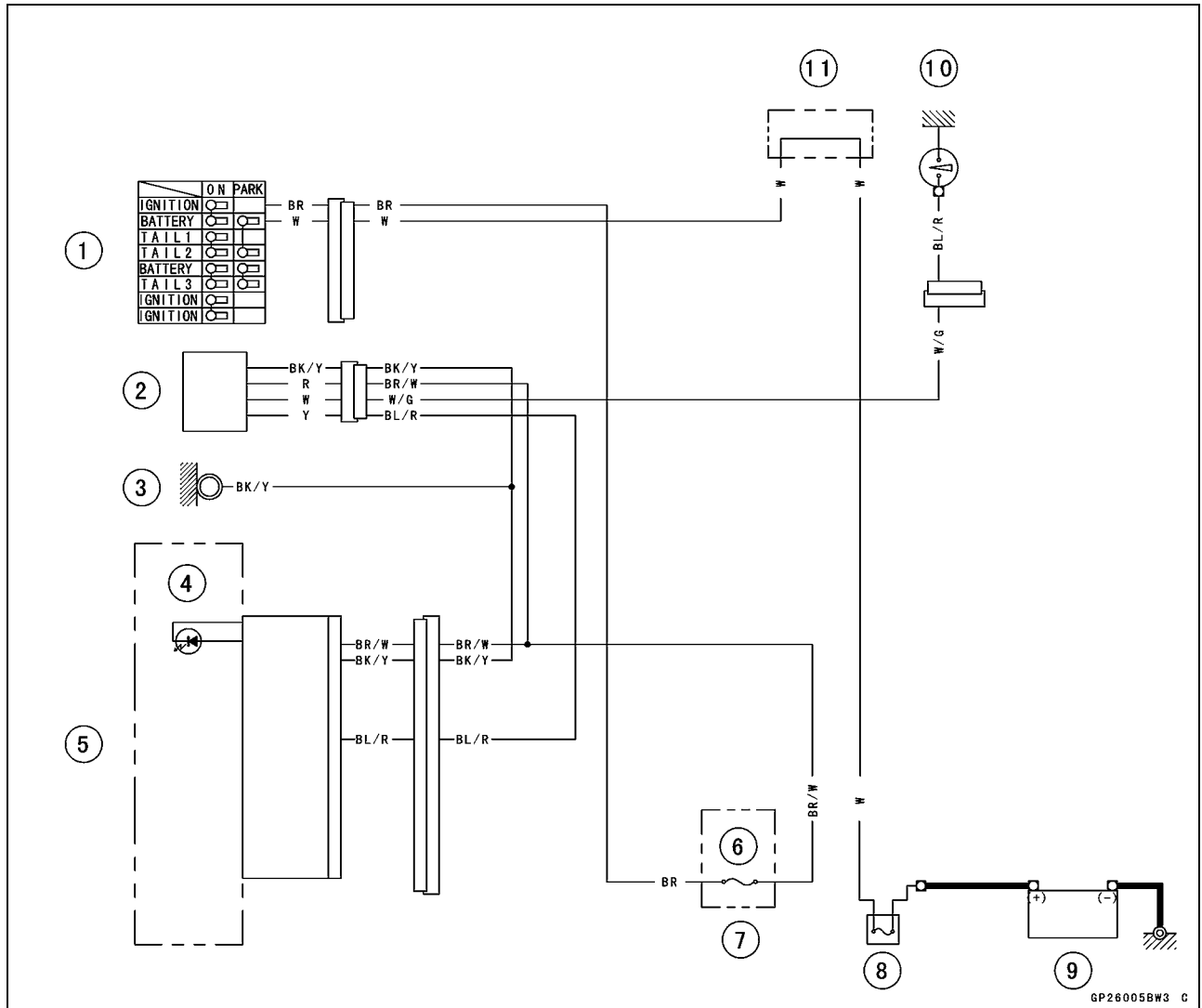
- |                       |                              |
|-----------------------|------------------------------|
| 1. Relay Box          | 10. Joint Connector          |
| 2. Radiator Fan Relay | 11. ECU                      |
| 3. ECU Main Relay     | 12. Water Temperature Sensor |
| 4. Fuse Box           | 13. Water-proof Joint E      |
| 5. Fan Fuse 15 A      | 14. Water-proof Joint C      |
| 6. ECU Fuse 15 A      | 15. Radiator Fan             |
| 7. Main Fuse 30 A     | 16. Ignition Switch          |
| 8. Battery 12 V 10 Ah | 17. Water-proof Joint A      |
| 9. Frame Ground       | 18. Water-proof Joint B      |

GP15034BW3 C

**Oil Pressure Warning System**

Motorcycle operation with low engine oil level, even if it is higher than the lower level line, will cause oil level change when sudden acceleration, or deceleration, and may lead flicker of the oil pressure warning indicator light (LED) because of too rapid response of the oil pressure switch. To improve this operation, the oil pressure warning indicator light (LED) delay unit is adopted, which prevents flicker of the oil pressure warning indicator light (LED) by delaying its lighting.

**Oil Pressure Warning System Circuit**



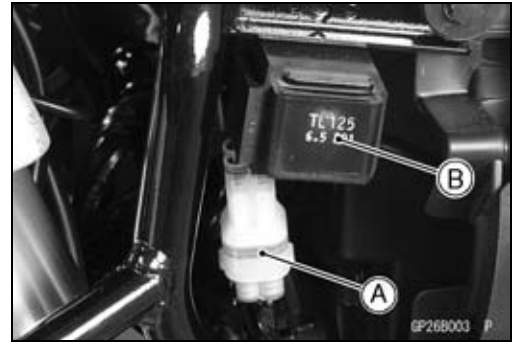
1. Ignition Switch
2. Oil Pressure Warning Indicator Light (LED) Delay Unit
3. Frame Ground
4. Oil Pressure Warning Indicator Light (LED)
5. Meter Unit
6. Ignition Fuse 10 A
7. Fuse Box
8. Main Fuse 30 A
9. Battery 12 V 10 Ah
10. Oil Pressure Switch
11. Water-Proof Joint C

## 16-66 ELECTRICAL SYSTEM

### Oil Pressure Warning System

#### **Oil Pressure Warning Indicator Light (LED) Delay Unit Removal**

- Remove the right middle fairing (see Middle Fairing Removal in the Frame chapter).
- Disconnect the connector [A] and remove the delay unit [B].



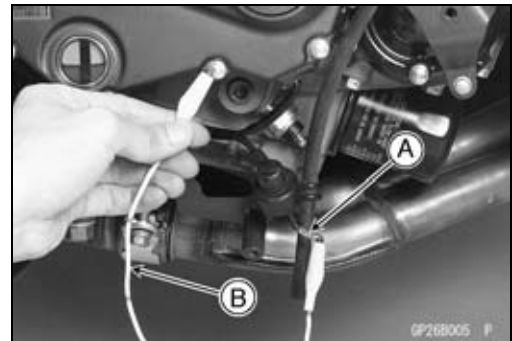
#### **Oil Pressure Warning System Inspection**

- Do the 1st step test.
  - Turn the ignition switch ON.
  - ★ If the oil pressure warning indicator light (LED) [A] is lit, go to the 2nd step.
  - ★ If the oil pressure warning indicator light (LED) is not lit, go to the 3rd step.



- Do the 2nd step test.
  - Check the oil pressure switch connections (see Switch Inspection).
  - ★ If the oil pressure switch connections is good, go to the 4th step.

- Do the 3rd step test.
  - Disconnect the oil pressure switch lead [A] (see Oil pressure Switch Removal in the Engine Lubrication System chapter).
  - Ground the oil pressure switch lead to the engine, using an auxiliary wire [B].
  - Turn the ignition switch ON.
  - ★ If the oil pressure warning indicator light (LED) is lit, check the oil pressure switch connections (see Switch Inspection).
  - ★ If the oil pressure warning indicator light (LED) is not lit, check the oil pressure warning indicator light (LED) (see Meter Unit Inspection) and wiring (see wiring diagram in this section).
  - ★ If the oil pressure warning indicator light (LED) and wiring are good, replace the delay unit (see Oil Pressure Warning Indicator Light (LED) Delay Unit Removal).



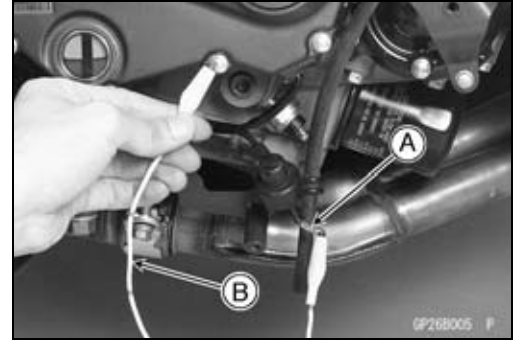
## Oil Pressure Warning System

- Do the 4th step test.
  - Disconnect the oil pressure switch lead [A] (see Oil Pressure Switch Removal in the Engine Lubrication System chapter).
  - Ground the oil pressure switch lead to the engine, using an auxiliary wire [B].
  - Turn the ignition switch ON.
  - The oil pressure warning indicator light (LED) should be lit.
  - Disconnect the auxiliary lead from the engine.
  - ★ If the oil pressure warning indicator light (LED) goes off, go to the 5th step.
  - ★ If the oil pressure warning indicator light (LED) does not go off, replace the delay unit (see Oil Pressure Warning Indicator Light (LED) Delay Unit Removal).
- Do the 5th step test.
  - Turn the ignition switch ON.
  - Ground the oil pressure switch lead to the engine, then the oil pressure warning indicator light (LED) should be lit with a delay.
  - Measure the this delay time from grounding of the switch lead to lighting of the warning indicator light (LED).

### Lighting Delay Time

**Standard: About 3 seconds**

- ★ If the lighting delay time is the standard, inspect the oil pressure (see Oil Pressure Measurement in the Engine Lubrication System chapter).
- ★ If the lighting delay time is out of the standard too far, replace the delay unit (see Oil Pressure Warning Indicator Light (LED) Delay Unit Removal).



## 16-68 ELECTRICAL SYSTEM

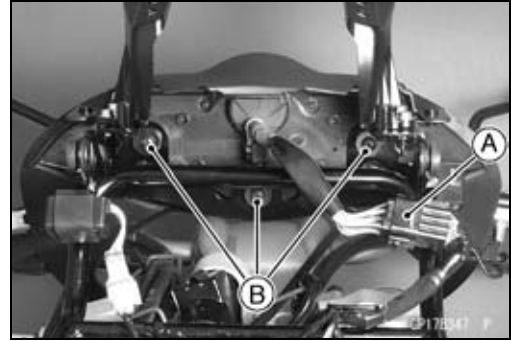
### Meter, Gauge, Indicator Unit

#### **Meter Unit Removal**

- Remove the headlight assy (see Headlight Removal/Installation).
- Disconnect the connector [A].
- Remove the meter unit by taking off the mounting screws [B] with the washers.

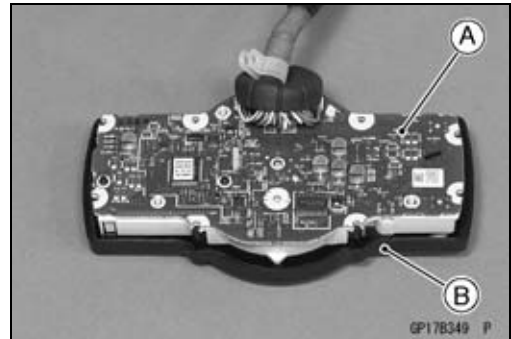
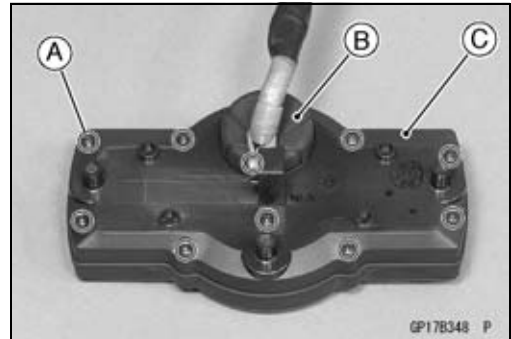
#### **CAUTION**

Place the meter unit so that the face is up. If a meter unit is left upside down or sideways for any length of time, it will malfunction.



#### **Meter, Gauge Disassembly**

- Remove:
  - Meter Unit (see Meter Unit Removal)
  - Screws [A]
- Slide out the dust cover [B] and remove the lower meter cover [C].
- Separate the meter assembly [A] and upper meter cover [B].

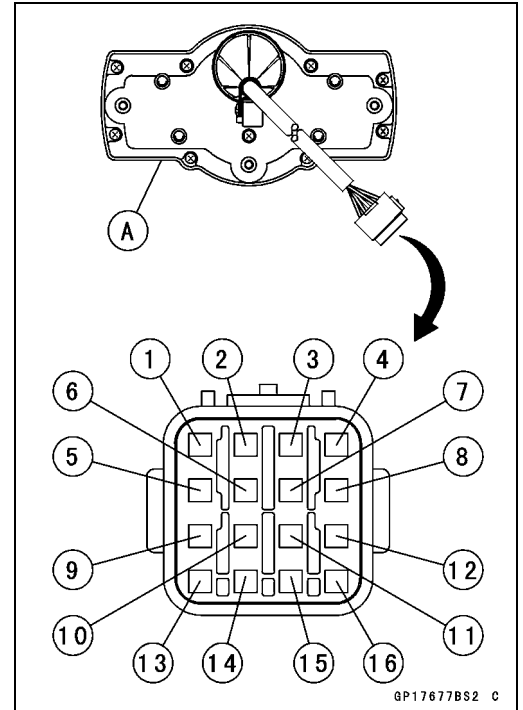




## Meter, Gauge, Indicator Unit

### Electronic Combination Meter Unit Inspection

- Remove the meter unit [A] (see Meter Unit Removal).
  - [1] Battery (+)
  - [2] Ignition
  - [3] Ground (-)
  - [4] Fuel Lever Sensor
  - [5] Speed Sensor Signal
  - [6] Tachometer Signal
  - [7] Water Temperature Sensor (-)
  - [8] Oil Pressure Warning Indicator Light (LED) (-)
  - [9] Fuel Reserve Switch
  - [10] Speed Sensor Supply Voltage
  - [11] High Beam Indicator Light (LED) (+)
  - [12] Neutral Indicator Light (LED) (-)
  - [13] Unused (KLE650A Models)  
ABS Indicator Light (LED) (-) (KLE650B Models)
  - [14] Right Turn Signal Indicator Light (LED) (+)
  - [15] Left Turn Signal Indicator Light (LED) (+)
  - [16] FI Indicator Light (LED) (-)

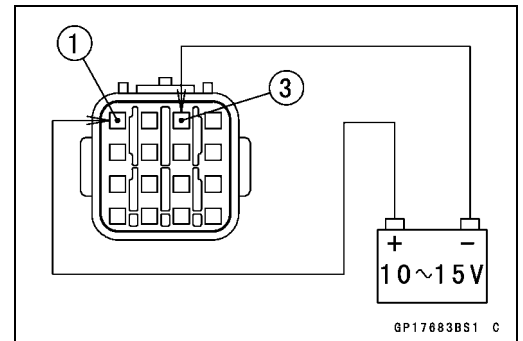


### CAUTION

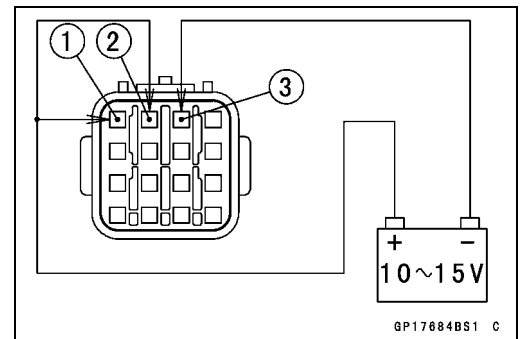
**Do not drop the meter unit. Place the meter unit so that it faces upward. If the meter unit is left upside down or sideways for a long time or dropped, it will malfunction. Do not short each terminals.**

### Liquid Crystal Display (LCD) Segment Check

- Using the auxiliary wires, connect the 12 V battery to the meter unit connector as follows.
  - Connect the battery positive terminal to the terminal [1].
  - Connect the battery negative terminal to the terminal [3].



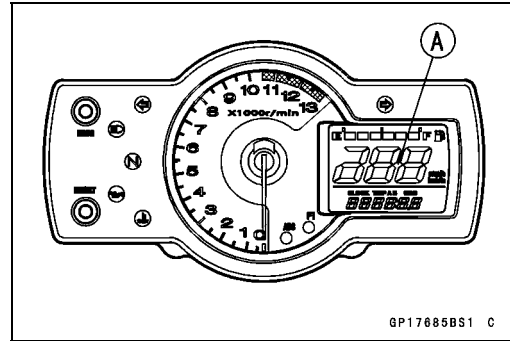
- Connect the terminal [2] to the terminal [1].



# 16-70 ELECTRICAL SYSTEM

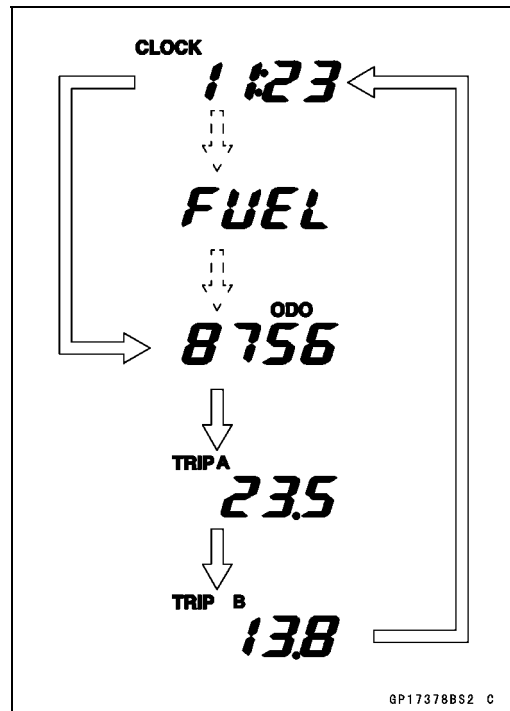
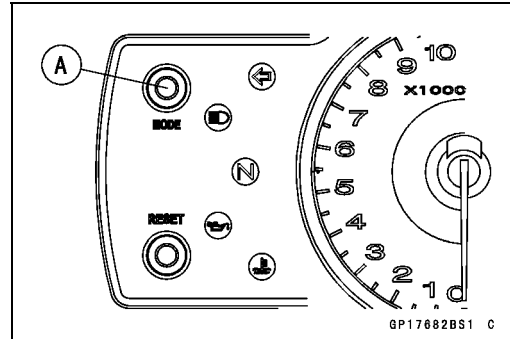
## Meter, Gauge, Indicator Unit

- When the terminals are connected, all the LCD segment [A] appear for three seconds.
- ★If the LCD segments will not appear, replace the meter assembly.
- Disconnect the terminal [2].
- All the LCD segments disappear.
- ★If the segment do not disappear, replace the meter assembly.

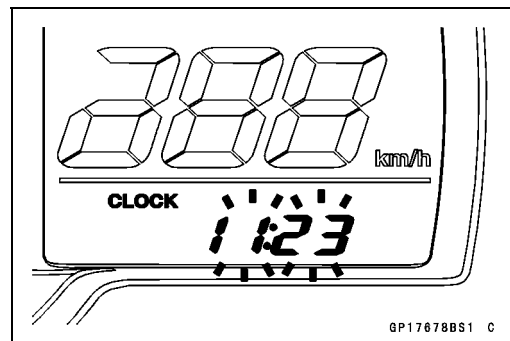


### MODE AND RESET BUTTON Operation Check

- Connect the 12 V battery and terminals in the same manner as specified in the “Liquid Crystal Display (LCD) Segments Check”.
- Check that the display change to the CLOCK, ODO, TRIP A and TRIP B displays each time the MODE button [A] is pressed.
- If the fuel level gauge flashed, display change to CLOCK, FUEL, ODO, TRIP A and TRIP B.
- ★If the display function does not work, replace the meter assembly.

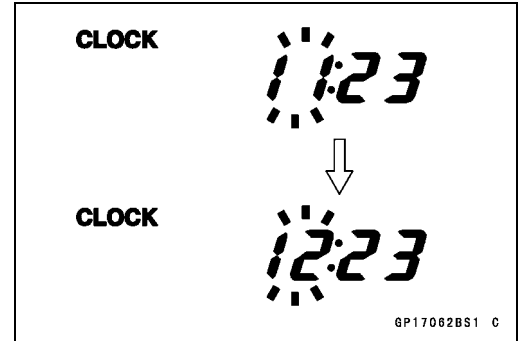


- Indicate the clock mode.
- Check that when the RESET button in CLOCK mode is pushed for more than two seconds, the meter display turns to the clock set mode.
- Both the hour and minute display start flashing.

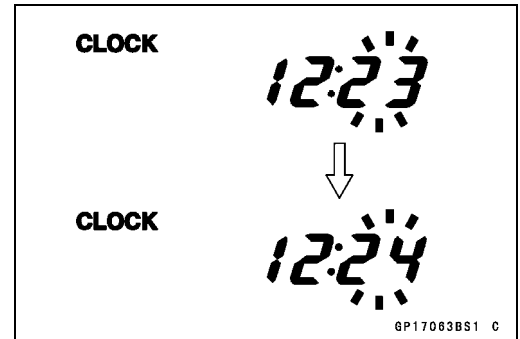


## Meter, Gauge, Indicator Unit

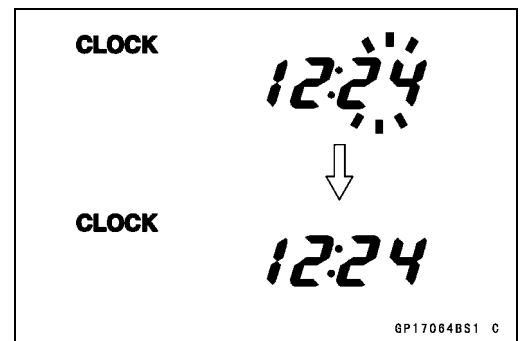
- In the HOUR/MINUTE setting mode, press the RESET button again to effect the HOUR setting mode.
- The hour display flashes on the display.
- Press the MODE button to set the hour.



- In the HOUR setting mode, press the RESET button to effect the MINUTE setting mode.
- The minute display flashes on the display.
- Press the MODE button to set the minute.



- In the MINUTE setting mode, press the RESET button to return to the HOUR/MINUTE setting mode.
- Press the MODE button to complete the time setting process.
- The clock starts counting the seconds as soon as the MODE button is pressed.



- Indicate the ODO mode.
- Check that the display [A] change to the mile and km display each time by pushing the RESET button while MODE button pushed in.

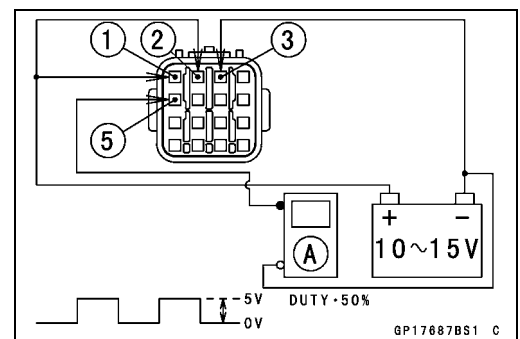
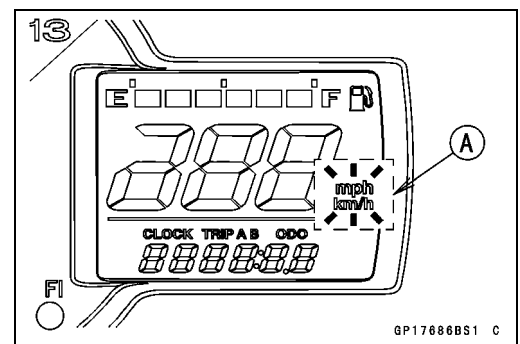
### NOTE

- Mile/Km display can alternate between English and metric modes (mile and km) in the digital meter. Make sure that km or mile according to local regulations is correctly displayed before riding.

- ★ If the display function does not work and adjust, replace the meter assembly.

### Speedometer Check

- Connect the 12 V battery and terminals in the same manner as specified in the "Liquid Crystal Display (LCD) Segments Check".
- The speed equivalent to the input frequency is indicated in the oscillator [A], if the square wave (illustrated as shown) would be input into the terminal [5].
- Indicates approximately 60 mph in case the input frequency would be approximately 169.0 Hz.
- Indicates approximately 60 km/h in case the input frequency would be approximately 105.6 Hz.



# 16-72 ELECTRICAL SYSTEM

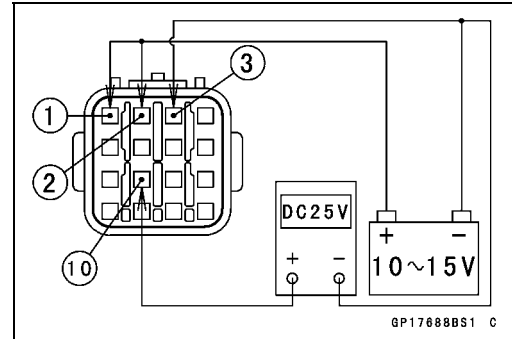
## Meter, Gauge, Indicator Unit

### Speed Sensor Electric Source Check

- Connect the 12 V battery and terminals in the same manner as specified in the “Liquid Crystal Display (LCD) Segments Check”.
- Set the hand tester to the DC 25 V range and connect it to the terminals [10] and [3].

**Special Tool - Hand Tester: 57001-1394**

- ★ If the voltage is less than 8 V, replace the meter assembly.

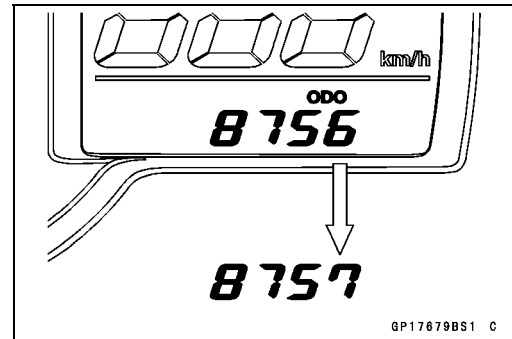


### Odometer Check

- Check the odometer with the speedometer in the same way.
- ★ If value indicated in the odometer is not added, replace the meter assembly.

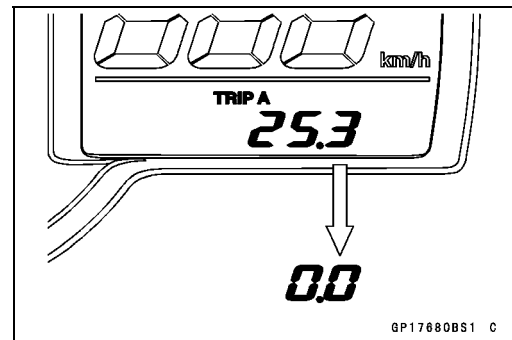
#### NOTE

- The data is maintained even if the battery is disconnected.
- When the figures come to 999999, they are stopped and locked.



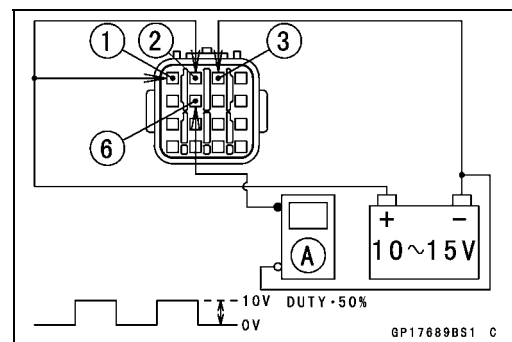
### Trip A/B Meter Check

- Check the trip A or B meters with the speedometer in the same way.
- ★ If value indicated in the trip A/B meters is not added, replace the meter assembly.
- Check that when the RESET button is pushed for more than two seconds, the figure display turns to 0.0.
- ★ If the figure display does not indicate 0.0, replace the meter assembly.



### Tachometer Check

- Connect the 12 V battery and terminals in the same manner as specified in the “Liquid Crystal Display (LCD) Segments Check”.
- When the terminals are connected, the tachometer needle momentarily points to the last reading, and then return to the 0 position.
- ★ If the needle function does not work, replace the meter assembly,
- The revolutions per minute (rpm) equivalent to the input frequency is indicated in the oscillator [A] if the square wave (illustrated as shown) would be input into the terminal [6].
- Indicates approximately 4 000 rpm in case the input frequency would be approximately 133.3 Hz.



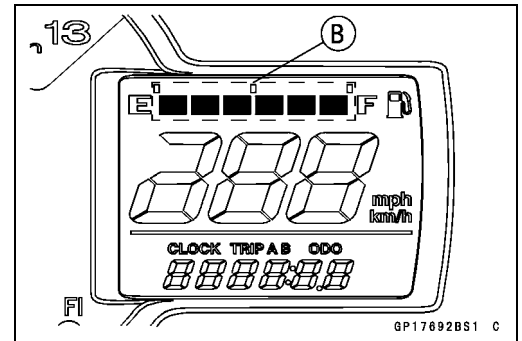
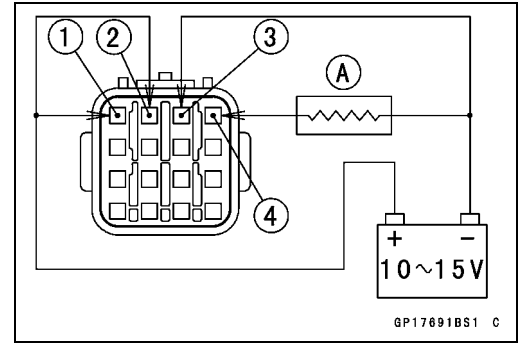
**Meter, Gauge, Indicator Unit**

**Fuel Level Gauge Check**

- Connect the 12 V battery and terminals in the same manner way as specified in the “Liquid Crystal Display (LCD) Segments Check”.
- Connect the variable resistor [A] to the terminal [4] as shown.
- Check that the number of segments matches the resistance value of the variable resistor.
- When the terminal [4] is connected, one segment in the fuel level gauge should appear about every 15 seconds.

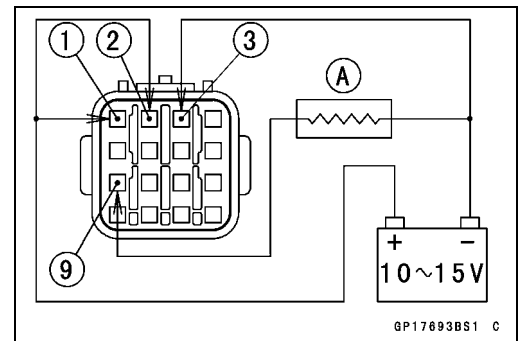
Variable Resistor Resistance (Ω)	Display Segments [B]
10	6
55	3
100	1

★ If the display function does not work, replace the meter assembly.

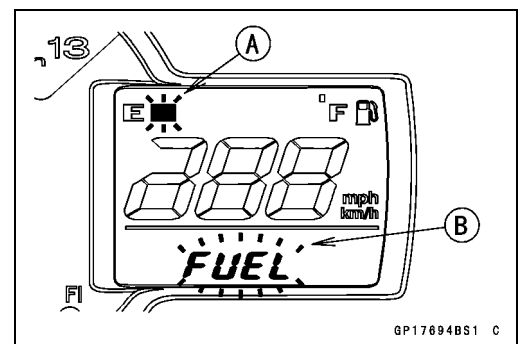


**Fuel Level Warning Check**

- Connect the 12 V battery and terminals in the same manner way as specified in the “Liquid Crystal Display (LCD) Segments Check”.
- Connect the variable resistor [A] to the terminal [9] as shown.
- Adjust the resistance value to the approximately 100 Ω.



- Check that one segment [A] in the fuel gauge starts flashing.
- Check that the Fuel segments [B] flashes in the LCD.
- ★ If the display function does not work, replace the meter assembly.

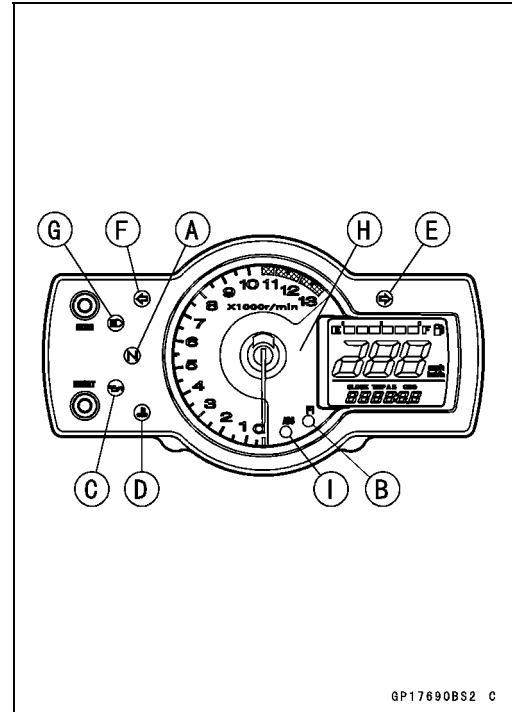


# 16-74 ELECTRICAL SYSTEM

## Meter, Gauge, Indicator Unit

### Lights (LED) Inspection

- Neutral Indicator Light (LED) [A]
- FI Indicator Light (LED) [B]
- Oil Pressure Warning Indicator Light (LED) [C]
- Water Temperature Warning Indicator Light (LED) [D]
- Right Turn Signal Indicator Light (LED) [E]
- Left Turn Signal Indicator Light (LED) [F]
- High Beam Indicator Light (LED) [G]
- Illumination Light (LED) [H]
- ABS Indicator Light (LED) (KLE650B Models) [I]

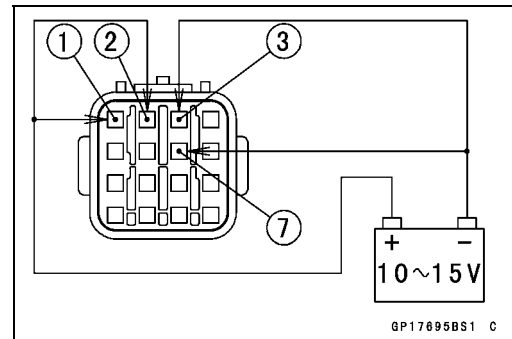


### Illumination Light (LED)

- Connect the 12 V battery and terminals in the same manner as specified in the "Liquid Crystal Display (LCD) Segments Check".
- When the terminals are connected, the illumination light (LED) should go on.
- ★ If the illumination light (LED) does not go on, replace the meter assembly.
- Connect the 12 V battery and terminals in the same manner as specified in the "Liquid Crystal Display (LCD) Segments check".
- Using the auxiliary leads, connect a 12 V battery to the meter unit connector as follows.

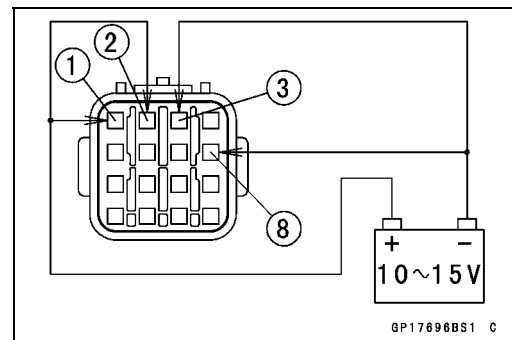
### Water Temperature Warning Indicator Light (LED)

Battery Negative (-) Terminal to Terminal [7]



### Oil Pressure Warning Indicator Light (LED)

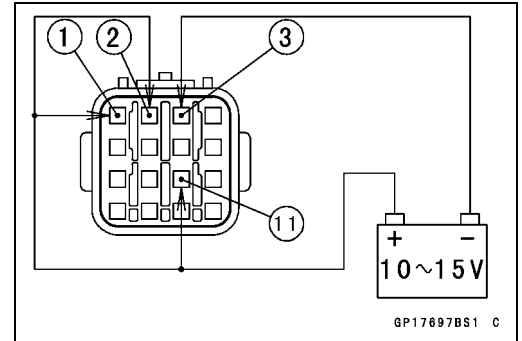
Battery Negative (-) Terminal to Terminal [8]



## Meter, Gauge, Indicator Unit

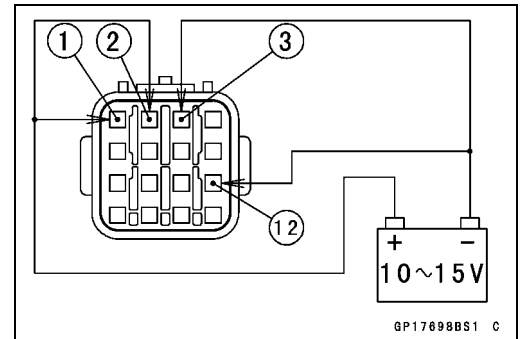
### High Beam Indicator Light (LED)

Battery Positive (+) Terminal to Terminal [11]



### Neutral Indicator Light (LED)

Battery Negative (-) Terminal to Terminal [12]



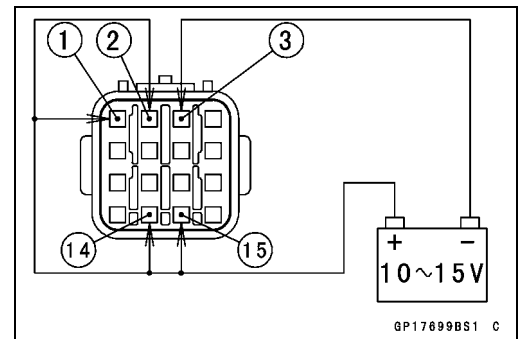
### Right and Left Turn Signal Indicator Light (LED)

For Right Turn Signal Indicator Light (LED)

Battery Positive (+) Terminal to Terminal [14]

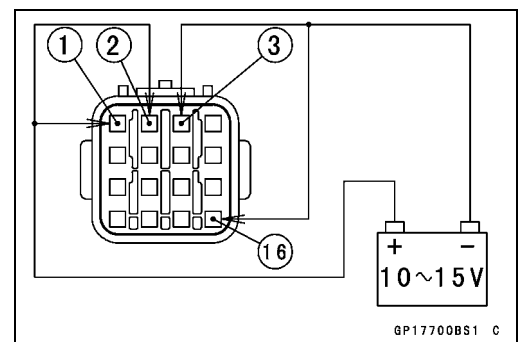
For Left Turn Signal Indicator Light (LED)

Battery Positive (+) Terminal to Terminal [15]



### FI Indicator Light (LED)

Battery Negative (-) Terminal to Terminal [16]



- If each lights (LED) does not go on, replace the meter assembly.

### KLE650B Models

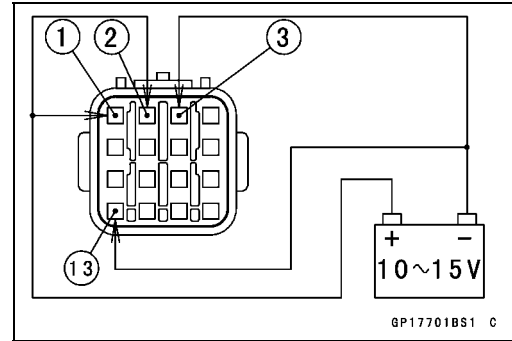
#### ABS Indicator Light (LED)

- Connect the 12 V battery and terminals in the same manner way as specified in the "Liquid Crystal Display (LCD) Segments Check".
- When the terminal are connected, the ABS warning indicator light (LED) should go on.
- ★ If the ABS warning indicator light (LED) does not go on, replace the meter assembly.

## 16-76 ELECTRICAL SYSTEM

### Meter, Gauge, Indicator Unit

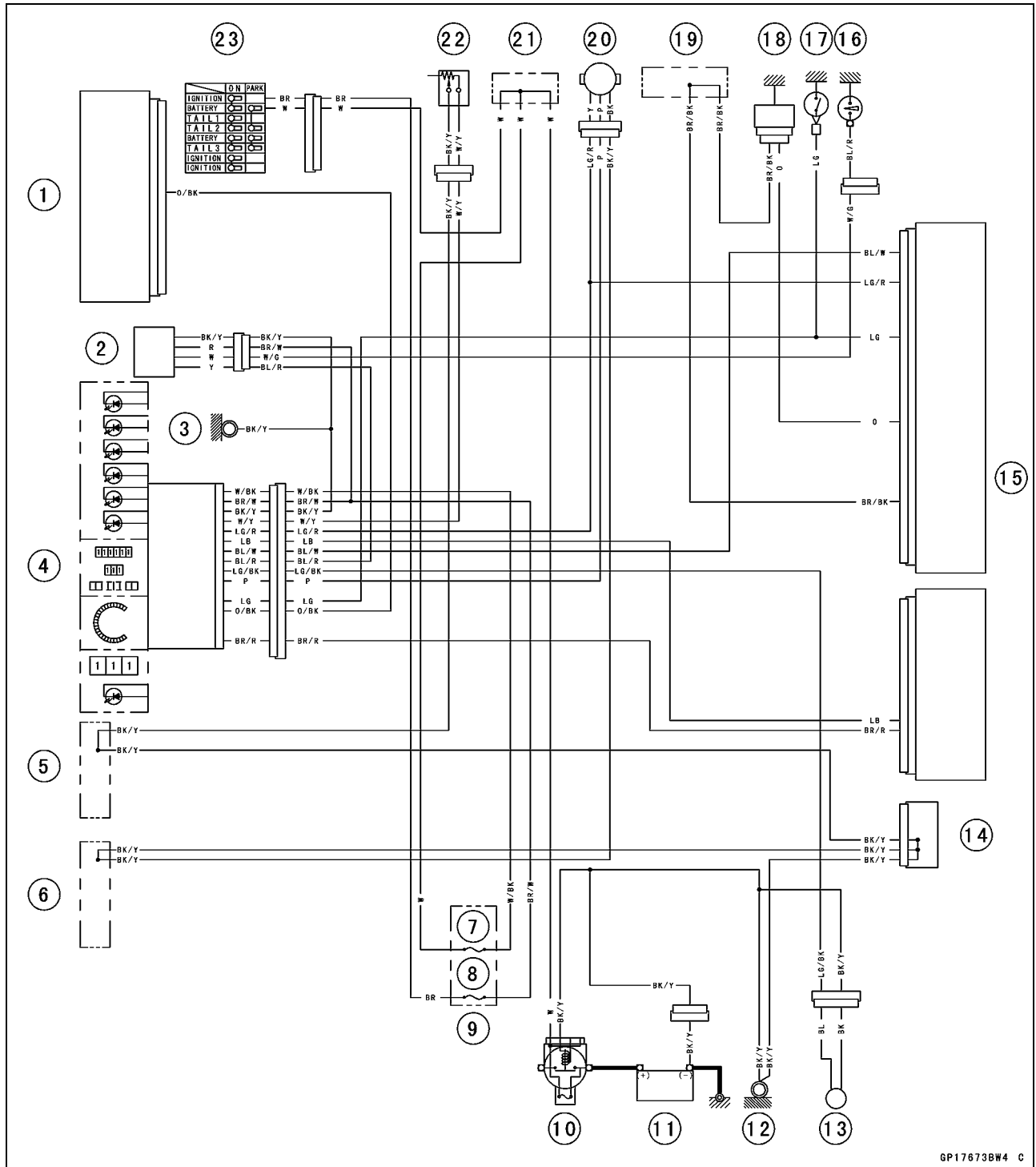
- Connect the battery negative (–) terminal to the terminal [13].
- When the terminals are connected, the ABS warning indicator light (LED) should go off.
- ★ If the ABS warning indicator light (LED) does not go off, replace the meter assembly.





Meter, Gauge, Indicator Unit

Meter Circuit



GP17673BW4 C

- |  |                              |
|--|------------------------------|
| 1. ABS Hydraulic Unit (LE650B Models)                    | 13. Fuel Reserve Switch      |
| 2. Oil Pressure Warning Indicator Light (LED) Delay Unit | 14. Joint Connector          |
| 3. Frame Ground  | 15. ECU                      |
| 4. Meter Unit  | 16. Oil Pressure Switch      |
| 5. Water-Proof Joint A                                   | 17. Neutral Switch           |
| 6. Water-Proof Joint B                                   | 18. Water Temperature Sensor |
| 7. ECU Fuse 15 A   | 19. Water-Proof Joint E      |
| 8. Ignition Fuse 10 A                                    | 20. Speed sensor             |
| 9. Fuse Box  | 21. Water-proof Joint C      |
| 10. Main Fuse 30 A                                       | 22. Fuel Level Sensor        |
| 11. Battery 12 V 10 Ah                                   | 23. Ignition Switch          |
| 12. Frame Ground   |                              |

# 16-78 ELECTRICAL SYSTEM

## Switches and Sensors

### **Brake Light Timing Inspection**

- Refer to the Brake Light Switch Operation Inspection in the Periodic Maintenance chapter.

### **Brake Light Timing Adjustment**

- Refer to the Brake Light Switch Operation Inspection in the Periodic Maintenance chapter.

### **Switch Inspection**

- Using a hand tester, check to see that only the connections shown in the table have continuity (about zero ohms).
- For the switch housings and the ignition switch, refer to the tables in the Wiring Diagram.
- ★ If the switch has an open or short, repair it or replace it with a new one.

**Special Tool - Hand Tester: 57001-1394**

### **Rear Brake Light Switch Connections**

Rear Brake Light Switch Connections		
Color	BR	BL
When brake pedal is pushed down	○ — ○	○ — ○
When brake pedal is released		

### **Sidestand Switch Connections**

Sidestand Switch Connections		
Color	BK	G
When sidestand is down		
When sidestand is up	○ — ○	○ — ○

### **Neutral Switch Connections**

Neutral Switch Connections		
Color	SW. Terminal	Ground
When transmission is in neutral	○ — ○	○ — ○
When transmission is not in neutral		

### **Oil Pressure Switch Connections\***

Oil Pressure Switch Connections *		
Color	SW. Terminal	Ground
When engine is stopped	○ — ○	○ — ○
When engine is running		

\*: Engine lubrication system is in good condition.

## Switches and Sensors

### Water Temperature Sensor Inspection

- Remove the water temperature sensor (see Removal/Installation in the Fuel System (DFI) chapter).
- Suspend the sensor [A] in a container of coolant so that the threaded portion is submerged.
- Suspend an accurate thermometer [B] with temperature sensing portions [C] located in almost the same depth.

#### NOTE

- The sensor and thermometer must not touch the container side or bottom.
- Place the container over a source of heat and gradually raise the temperature of the coolant while stirring the coolant gently.
- Using the hand tester, measure the internal resistance of the sensor.
- ★ If the hand tester does not show the specified values, replace the sensor.

### Water Temperature Sensor Resistance

Temperature	Resistance (kΩ)
-20°C (-4°F)	*18.80 ±2.37
0°C (32°F)	*(About 6.544)
40°C (104°F)	1.136 ±0.095
100°C (212°F)	0.1553 ±0.0070

\*: Reference Information

### Speed Sensor Removal

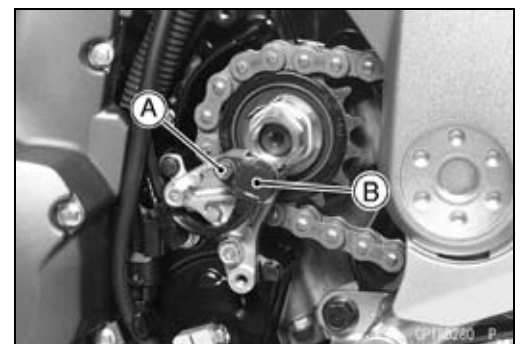
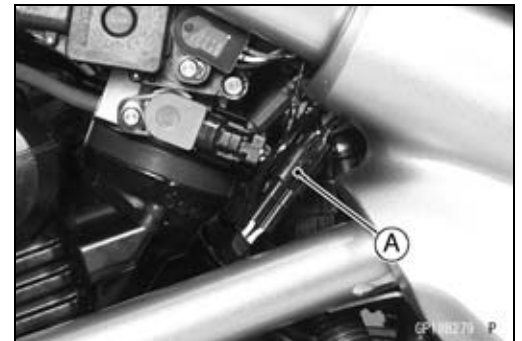
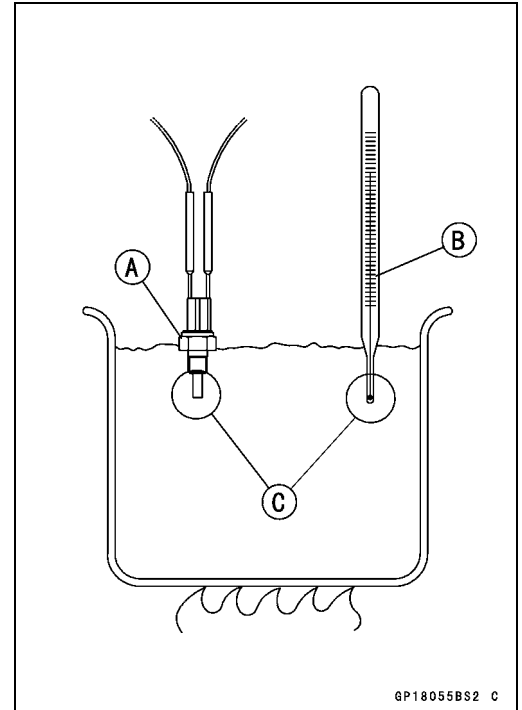
- Disconnect the speed sensor lead connector [A].
- Remove the engine sprocket cover (see Engine Sprocket Removal in the Final Drive chapter).

- Remove:  
Bolt [A]  
Speed Sensor [B]

### Speed Sensor Installation

- Apply a non-permanent locking agent to the sensor bolt, and tighten it.

**Torque - Speed Sensor Bolt: 7.8 N·m (0.80 kgf·m, 69 in·lb)**



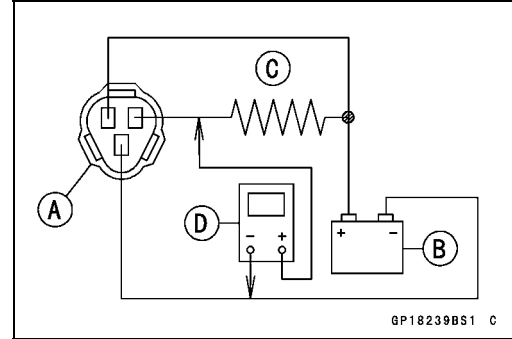
# 16-80 ELECTRICAL SYSTEM

## Switches and Sensors

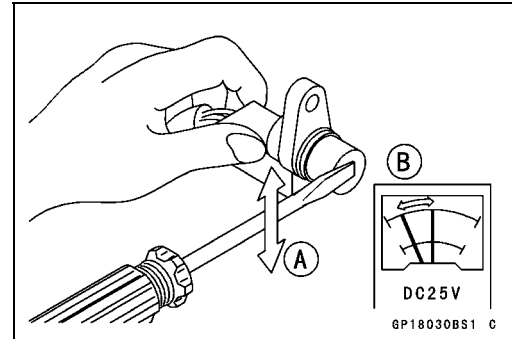
### Speed Sensor Inspection

- Remove the speed sensor (see Speed Sensor Removal).
- Connect the speed sensor connector [A] with the battery [B], 10 k $\Omega$  resistor [C] and hand tester [D] as shown.
- Set the tester to the DC 25 V range.

**Special Tool - Hand Tester: 57001-1394**

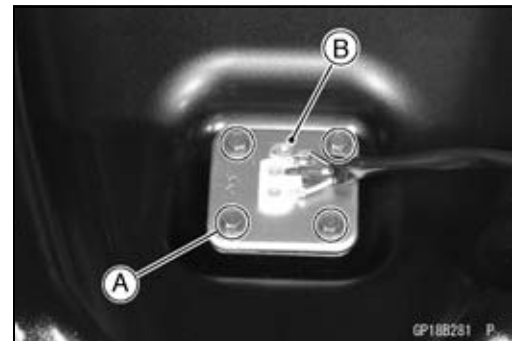


- Trace [A] each side of the speed sensor surface with the screw driver.
- Then the tester indicator should flick [B].
- ★ If the tester indicator does not flick, replace the speed sensor.

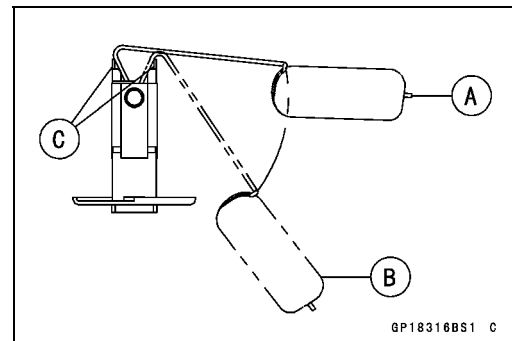


### Fuel Level Sensor Inspection

- Remove the fuel tank (see Fuel Tank Removal in the Fuel System (DFI) chapter).
- Remove:
  - Bolts [A]
  - Fuel Level Sensor [B]



- Check that the float moves up and down smoothly without binding. It should go down under its own weight.
- ★ If the float does not move smoothly, replace the sensor.
  - Float in Full Position [A]
  - Float in Empty Position [B]
  - Float Arm Stoppers [C]



- Using the hand tester [A], measure the resistance across the terminals in the fuel level sensor lead connector [B].

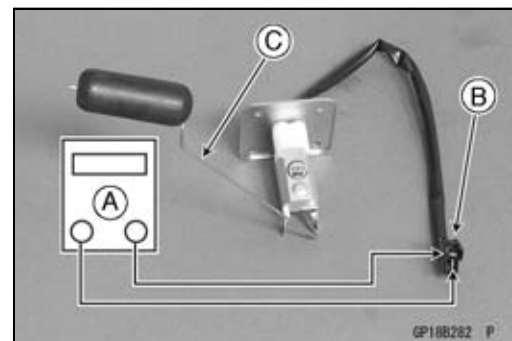
**Special Tools - Hand Tester: 57001-1394**

- ★ If the tester readings are not as specified, or do not change smoothly according as the float moves up and down, replace the sensor.

### Fuel Level Sensor Resistance

**Standard: Full position [C]: 4 ~ 10  $\Omega$**

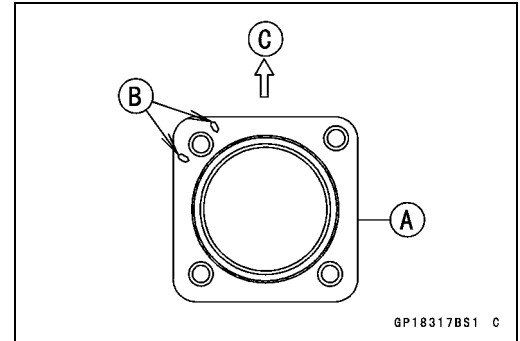
**Empty position: 90 ~ 100  $\Omega$**



## Switches and Sensors

- Install a new gasket [A] on the fuel level sensor as shown.  
Hollows [B]  
Front [C]
- Apply a non-permanent locking agent to the threads of the level sensor bolts and tighten it.

**Torque - Fuel Level Sensor Bolts: 6.9 N·m (0.70 kgf·m, 61 in·lb)**

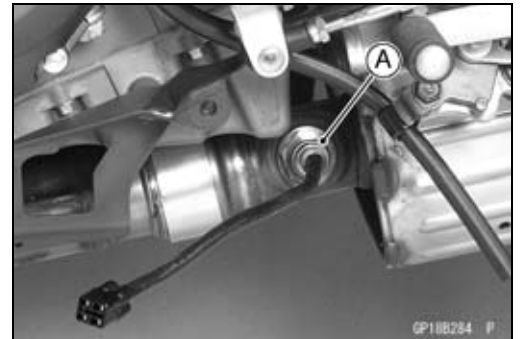


### Oxygen Sensor Removal (Europe Models)

- Remove the lower fairing (see Lower Fairing Removal in the Frame chapter).
- Open the clamps.
- Disconnect the oxygen sensor lead connector [A].



- Remove the oxygen sensor [A].



### Oxygen Sensor Installation (Europe Models)

#### CAUTION

Never drop the oxygen sensor [A], especially on a hard surface. Such a shock to the unit can damage it. Do not touch the sensing part [B] and filter holes [C] of the sensor to prevent oil contact. Oil contamination from hands can reduce sensor performance.

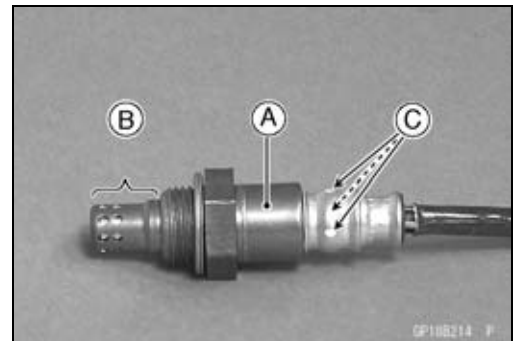
- Tighten:  
**Torque - Oxygen Sensor: 44.1 N·m (4.50 kgf·m, 32.5 ft·lb)**
- Run the oxygen sensor lead correctly (see Cable, Wire, and Hose Routing section in the Appendix chapter).

### Oxygen Sensor Inspection (Europe Models)

- Refer to the Oxygen Sensor Inspection in the Fuel System (DFI) chapter.

### Oxygen Sensor Heater Inspection (Europe Models)

- Refer to the Oxygen Sensor Heater Inspection in the Fuel System (DFI) chapter.



# 16-82 ELECTRICAL SYSTEM

## Switches and Sensors

### Fuel Reserve Switch Inspection

- Fill the fuel tank with fuel.
- Close the fuel tank cap surely.
- Remove the fuel tank (see Fuel Tank Removal in the Fuel System (DFI) chapter).
- Connect the test light [A] (12 V 3.4 W bulb a socket with leads) and the 12 V battery [B] to the fuel pump connector [C].

#### Connections

Battery (+) → 12 V 3.4 W Bulb (One Side)

12 V 3.4 W Bulb (Other Side) → BL Lead Terminal

Battery (-) → BK Lead Terminal

- ★ If the test light turn on, the reserve switch is defective. Replace the fuel level sensor.

- Remove the fuel pump (see Fuel Pump Removal in the Fuel System (DFI) chapter).
- Connect the test light (12 V 3.4 W bulb in a socket with leads) and the 12 V battery to the fuel pump connector as shown.

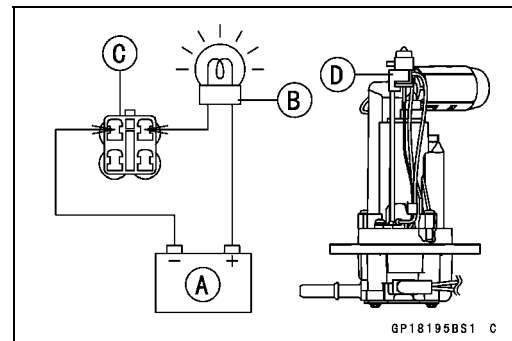
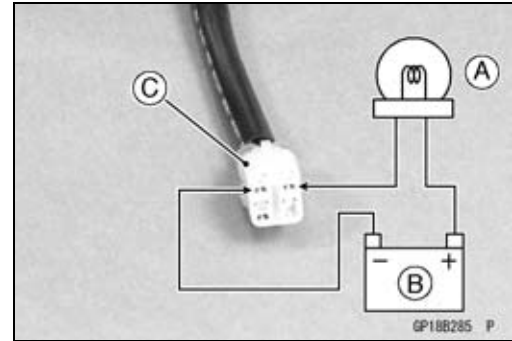
12 V Battery [A]

Test Light [B]

Fuel Pump Connector [C]

Fuel Reserve Switch [D]

- ★ If the test light doesn't light, replace the fuel pump.

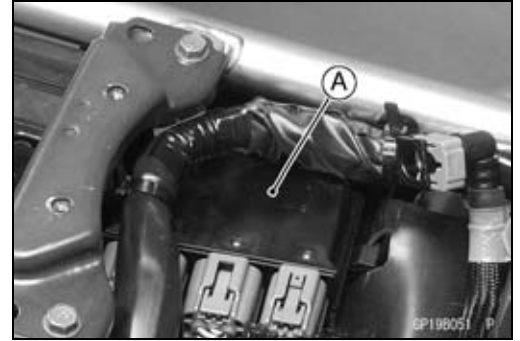


### NOTE

○ It may take a long time to turn on the test light in case that the fuel reserve switch is inspected just after the fuel pump is removed. Leave the fuel reserve switch with leads for inspection connected for few minutes.

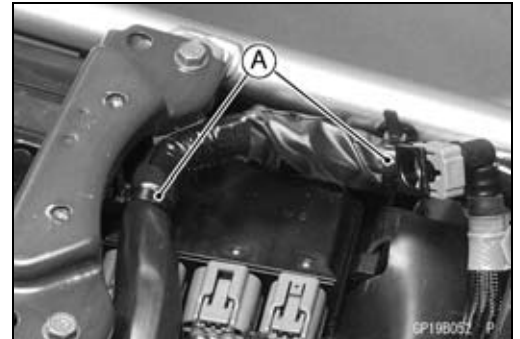
## Relay Box

The relay box [A] has relays and diodes. The relays and diodes can not be removed.

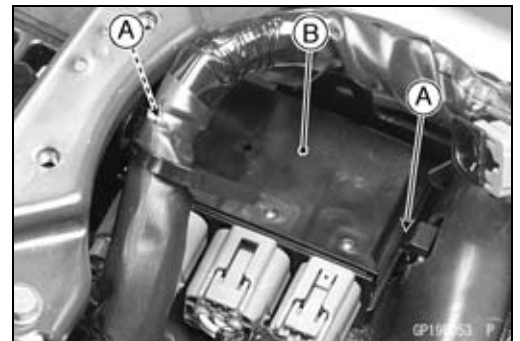


### Relay Box Removal

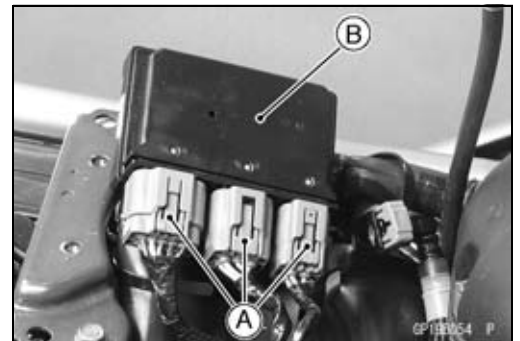
- Remove the fuel tank (see Fuel Tank Removal in the Fuel System (DFI) chapter).
- Open the clamps [A].



- Clear the hook portions [A] and take out the relay box [B].



- Disconnect the connectors [A] and remove the relay box [B].



### Relay Circuit Inspection

- Remove the relay box (see Relay Box Removal).
- Check conductivity of the following numbered terminals by connecting the hand tester and one 12 V battery to the relay box as shown (see Relay Box Internal Circuit in this section).
- ★ If the tester does not read as specified, replace the relay box.

# 16-84 ELECTRICAL SYSTEM

## Relay Box

### Relay Circuit Inspection (with the battery disconnected)

	Tester Connection	Tester Reading ( $\Omega$ )
Headlight Relay	1-3	$\infty$
ECU Main Relay	7-6	$\infty$
	4-5	Not $\infty^*$
Fuel Pump Relay	7-8	$\infty$
	9-10	Not $\infty^*$
Starter Circuit Relay	11-16	$\infty$
	11-12	$\infty$
Fan Relay	17-20	$\infty$
	18-19	Not $\infty^*$

\*: The actual reading varies with the hand tester used.

### Relay Circuit Inspection (with the battery connected)

	Battery Connection (+) (-)	Tester Connection	Tester Reading ( $\Omega$ )
ECU Main Relay	2-11	1-3	0
	4-5	7-6	0
Fuel Pump Relay	9-10	7-8	0
Fan Relay	18-19	17-20	0

	Battery Connection (+) (-)	Tester Connection DC 25 V Range	Tester Reading (V)
Starter Circuit Relay	16-12	11-12	Battery Voltage

(+): Apply positive lead.

(-): Apply negative lead.

### Diode Circuit Inspection

- Remove the relay box (see Relay Box Removal).
- Check conductivity of the following pairs of terminals (see Relay Box Internal Circuit in this section).

### Diode Circuit Inspection

Tester Connection	1-11, 2-11, 12-13, 12-15, 12-16, 13-14, 13-15
-------------------	---

★ The resistance should be low in one direction and more than ten times as much in the other direction. If any diode shows low or high in both directions, the diode is defective and the relay box must be replaced.

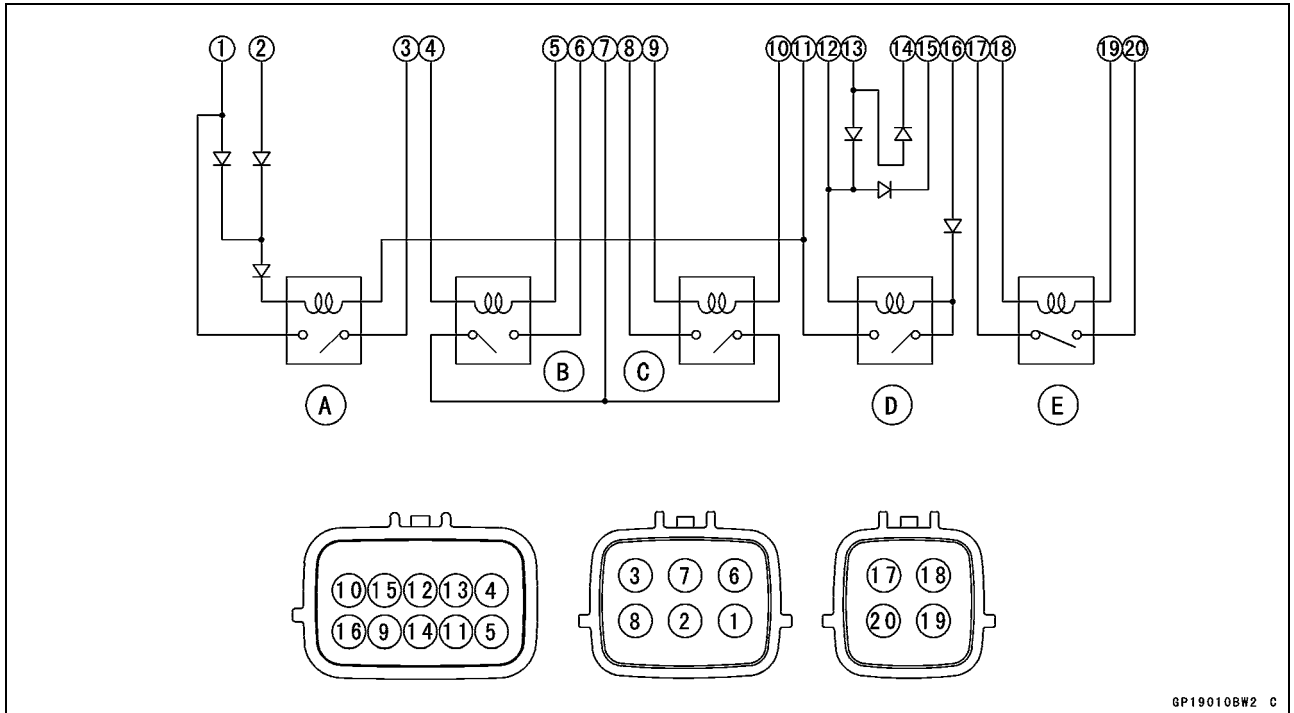
### NOTE

○ The actual meter reading varies with the meter or tester used and the individual diodes, but generally speaking, the lower reading should be from zero to one half the scale.



Relay Box

Relay Box Internal Circuit



6P190108W2 C

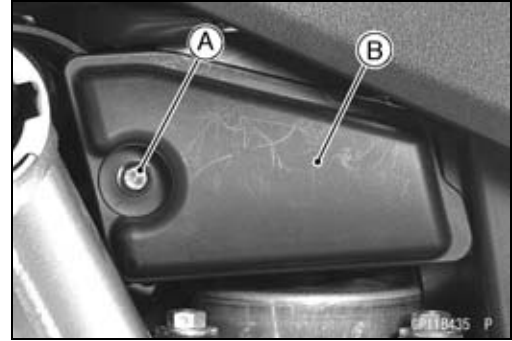
- A: Headlight Relay
- B: ECU Main Relay
- C: Fuel Pump Relay
- D: Starter Circuit Relay
- E: Fan Relay

## 16-86 ELECTRICAL SYSTEM

### Fuse

#### 30 A Main Fuse Removal

- Remove:
  - Right Rear Frame Cover (see Rear Frame Cover Removal in the Frame chapter)
  - Bolt [A]
  - Cover [B]



- Disconnect the connector [A].

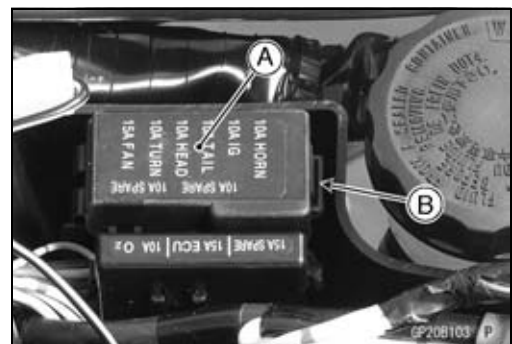


- Pull out the main fuse [A] from the starter relay with needle nose pliers.

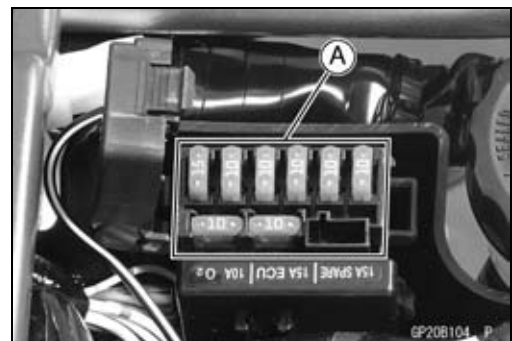


#### Fuse Box Fuse Removal

- Remove the seat (see Seat Removal in the Frame chapter).
- Unlock the hook [A] to lift up the lid [B].



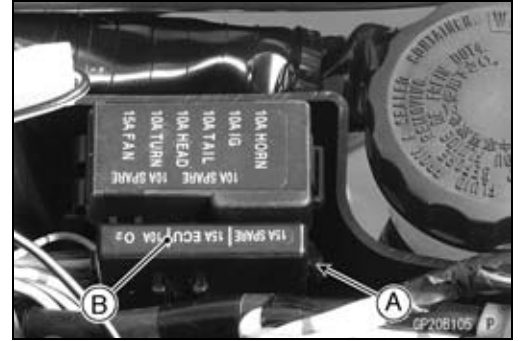
- Pull the fuses [A] straight out of the fuse box with needle nose pliers.



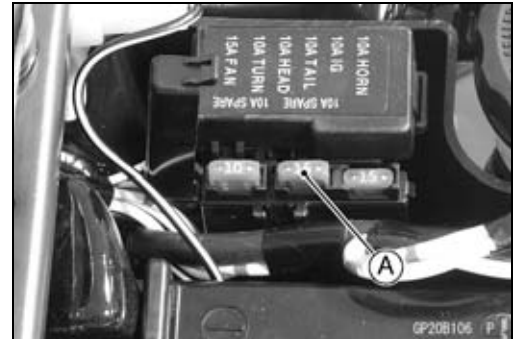
## Fuse

### 15 A ECU Fuse Removal

- Remove:  
Seat (see Seat Removal in the Frame chapter)
- Unlock the hook [A] to pull the lid [B].



- Pull out the ECU fuse [A] from the fuse box.



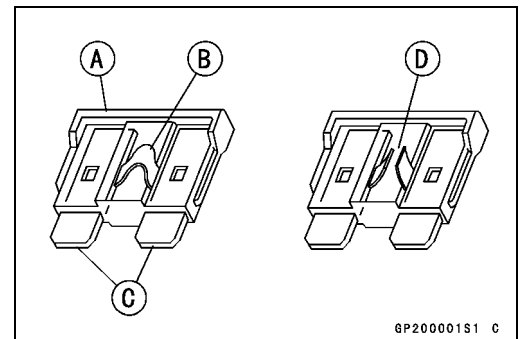
### Fuse Installation

- If a fuse fails during operation, inspect the electrical system to determine the cause, and then replace it with a new fuse of proper amperage.
- Install the fuse box fuses on the original position as specified on the lid.

### Fuse Inspection

- Remove the fuse (see 30 A Main/Fuse Box /15 A ECU Fuse Removal).
- Inspect the fuse element.
- ★ If it is blown out, replace the fuse. Before replacing a blown fuse, always check the amperage in the affected circuit. If the amperage is equal to or greater than the fuse rating, check the wiring and related components for a short circuit.

Housing [A]  
Fuse Element [B]  
Terminals [C]  
Blown Element [D]



### CAUTION

**When replacing a fuse, be sure the new fuse matches the specified fuse rating for that circuit. Installation of a fuse with a higher rating may cause damage to wiring and components.**



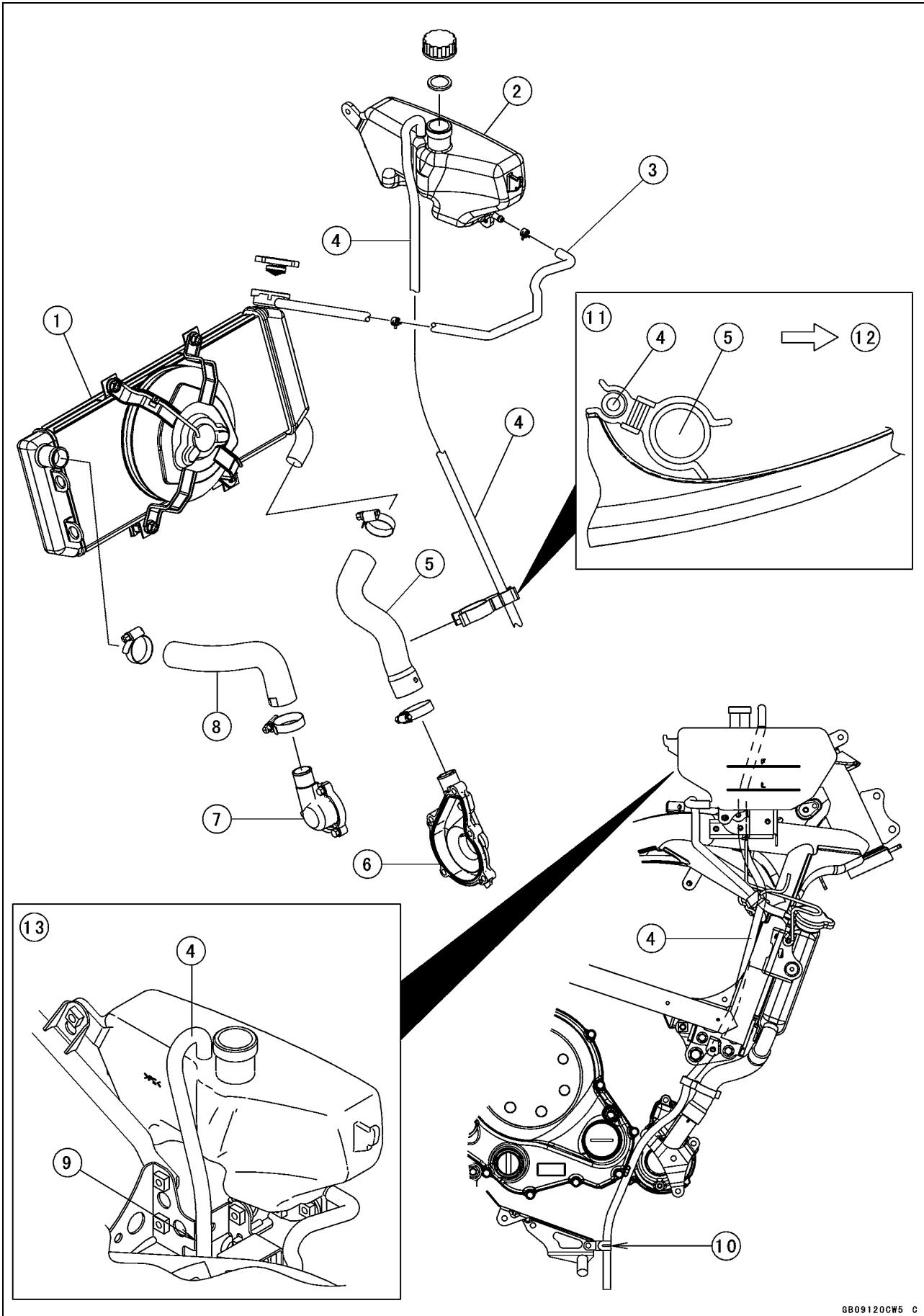
# Appendix

## Table of Contents

Cable, Wire, and Hose Routing ..... 17-2  
Troubleshooting Guide ..... 17-46

# 17-2 APPENDIX

## Cable, Wire, and Hose Routing



---

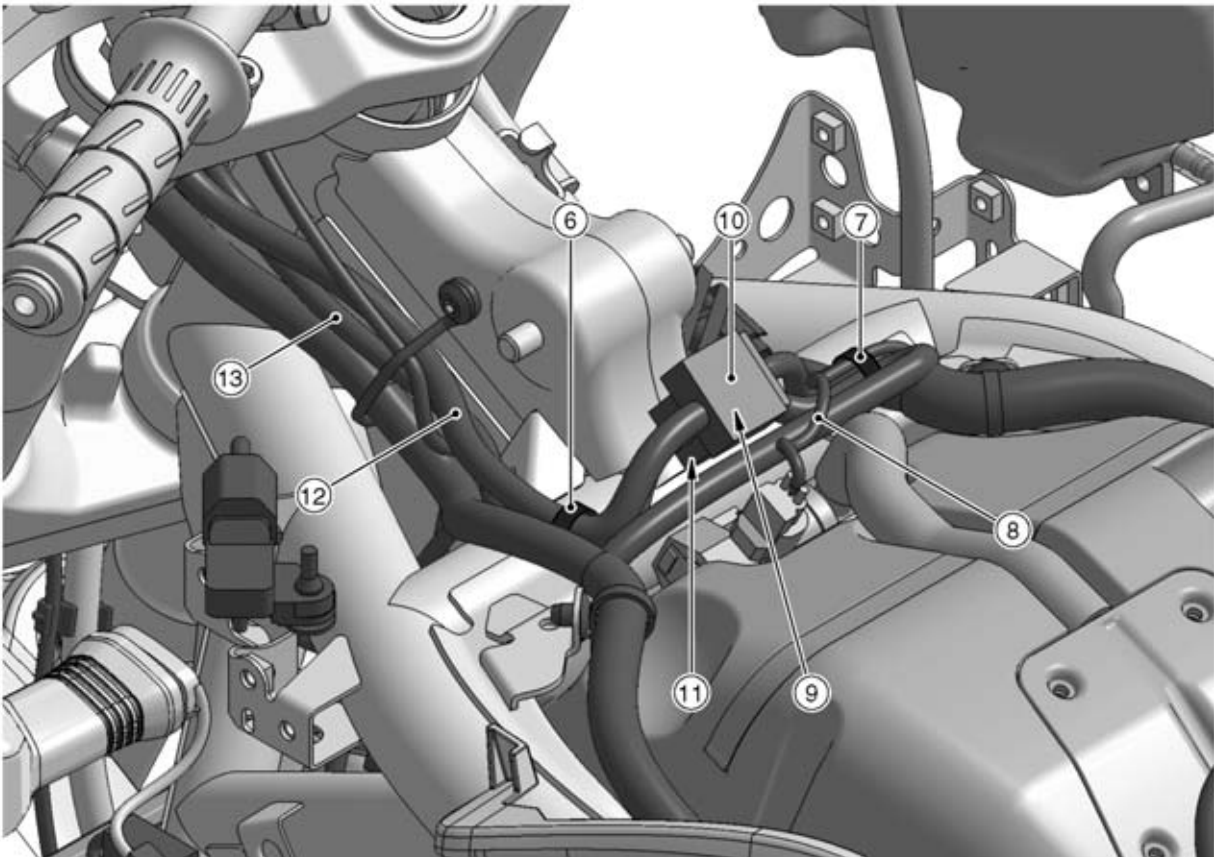
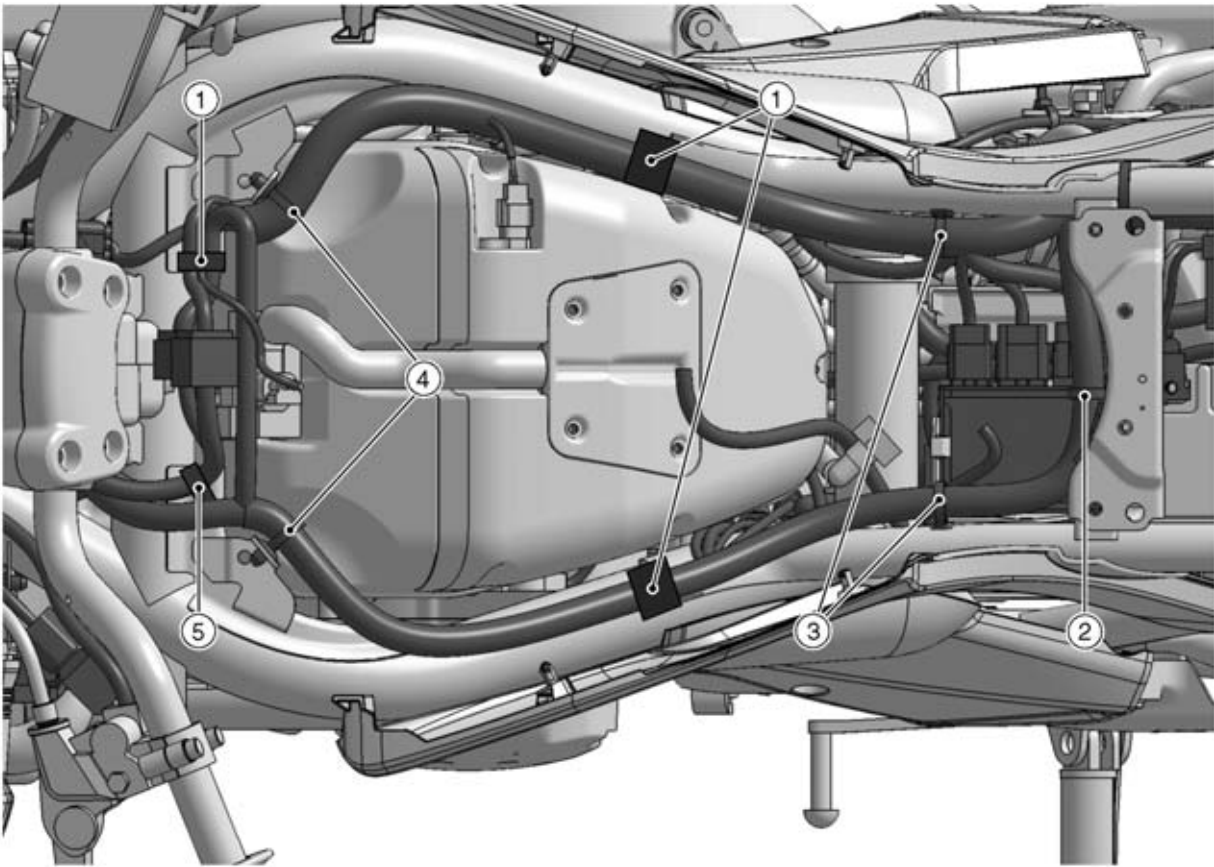
**Cable, Wire, and Hose Routing**

---

1. Radiator
2. Reserver Tank
3. Reserver Tank Hose
4. Reserver Tank Overflow Hose
5. Outlet Hose
6. Water pump Cover
7. Thermostat Housing
8. Inlet Hose
9. Through the overflow hose as shown.
10. Wrap the clamp in the overflow hose.
11. Viewed Upside
12. Front
13. Viewed Rear Side

# 17-4 APPENDIX

## Cable, Wire, and Hose Routing





---

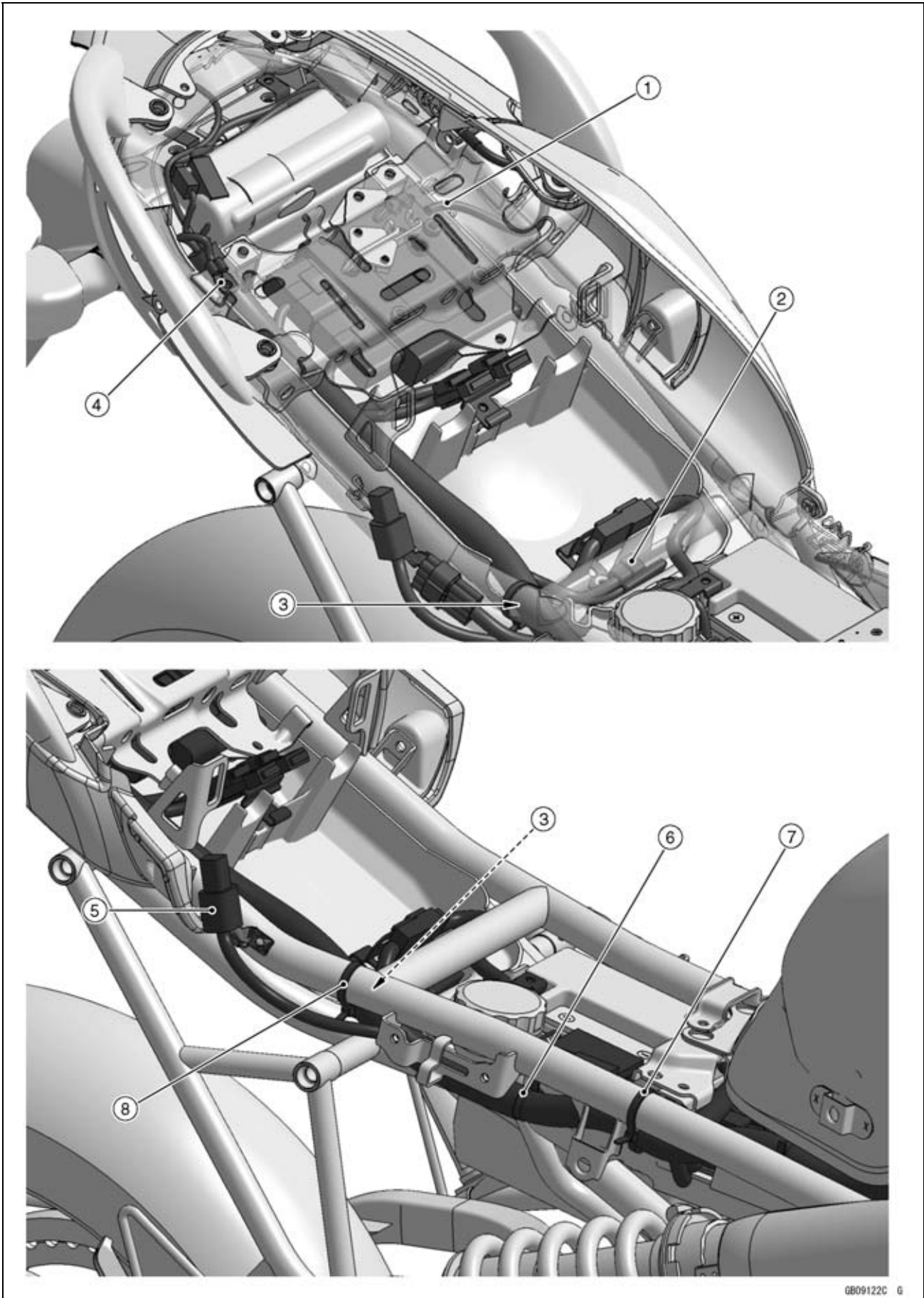
**Cable, Wire, and Hose Routing**

---

1. Clamps
2. Clamp (Insert the clamp in the bracket.)
3. Clamps (Insert the clamps in the frame.)
4. Clamps (Insert the clamps from air cleaner housing side.)
5. Clamp (Insert the clamp from opening part turn to the body side.)
6. Clamp (Through the ignition switch lead, left switch housing lead in the clamp.)
7. Clamp (Through the left switch housing lead, ignition switch lead, and air switching valve lead in the clamp.)
8. Through the air switching valve lead upper the left switch housing lead.
9. After left switch housing lead connector and ignition switch lead connector connecting, put the connectors in the water-proof cover.
10. Ignition Switch Lead Connector
11. Left Switch Housing Lead Connector
12. Ignition Switch Lead
13. Left Switch Housing Lead

## 17-6 APPENDIX

### Cable, Wire, and Hose Routing



---

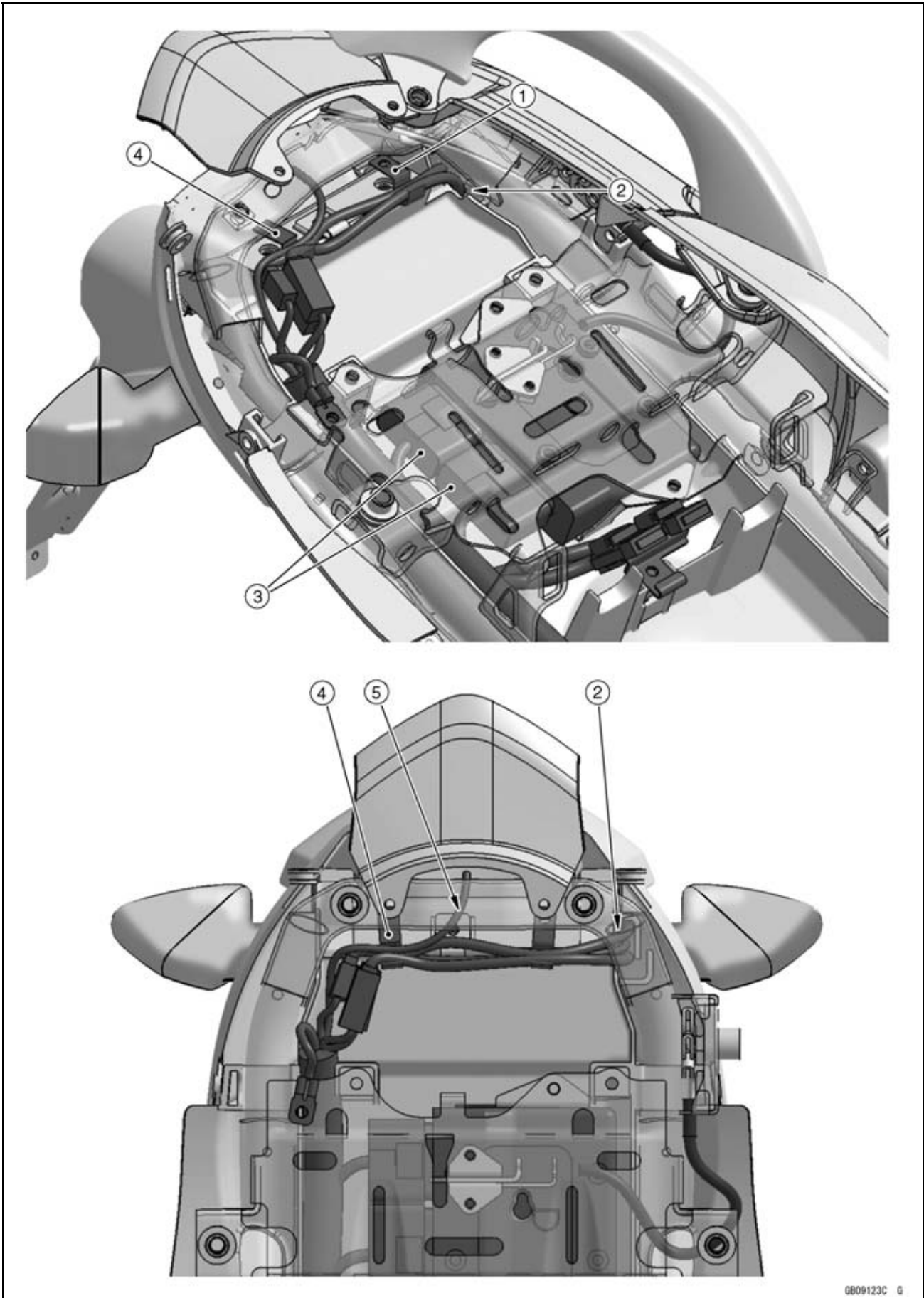
**Cable, Wire, and Hose Routing**

---

1. Seat Lock Cable
2. Insert the joint connector between the frame pipe and rear fender.
3. Run the harness through the cutout of the rear fender and between the frame pipes.
4. Frame Ground
5. Kawasaki Self-diagnosis System Connector (Insert the connector to the bracket.)
6. Clamp (Insert the clamp in the rear fender front.)
7. Band the main harness with the frame so that the band run between the frame bracket and frame pipe (Position the band so that the edge of the band faces outward of the motorcycle, and do not pinch it in the cowling and frame.).
8. Band (Clamp the main harness at the frame cross pipe rearward while raising the harness upward, and position the band so that the edge of the band faces inside of the motorcycle.)

## 17-8 APPENDIX

### Cable, Wire, and Hose Routing



---

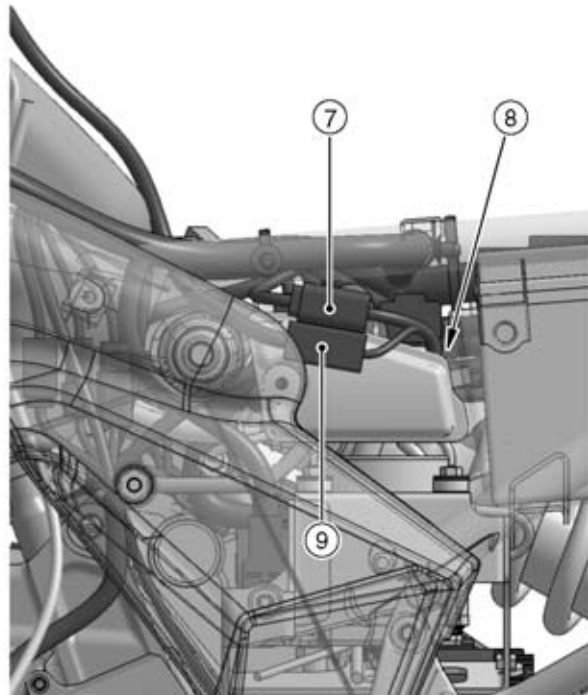
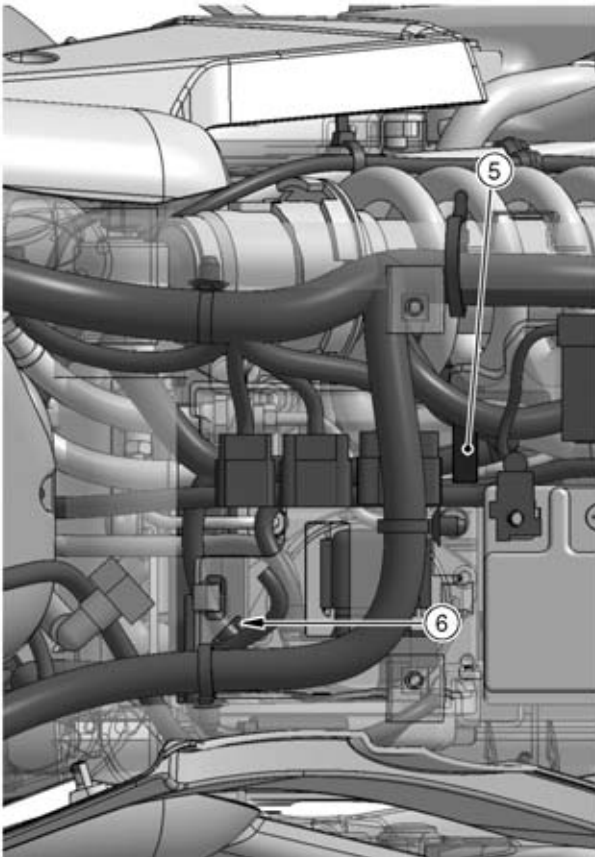
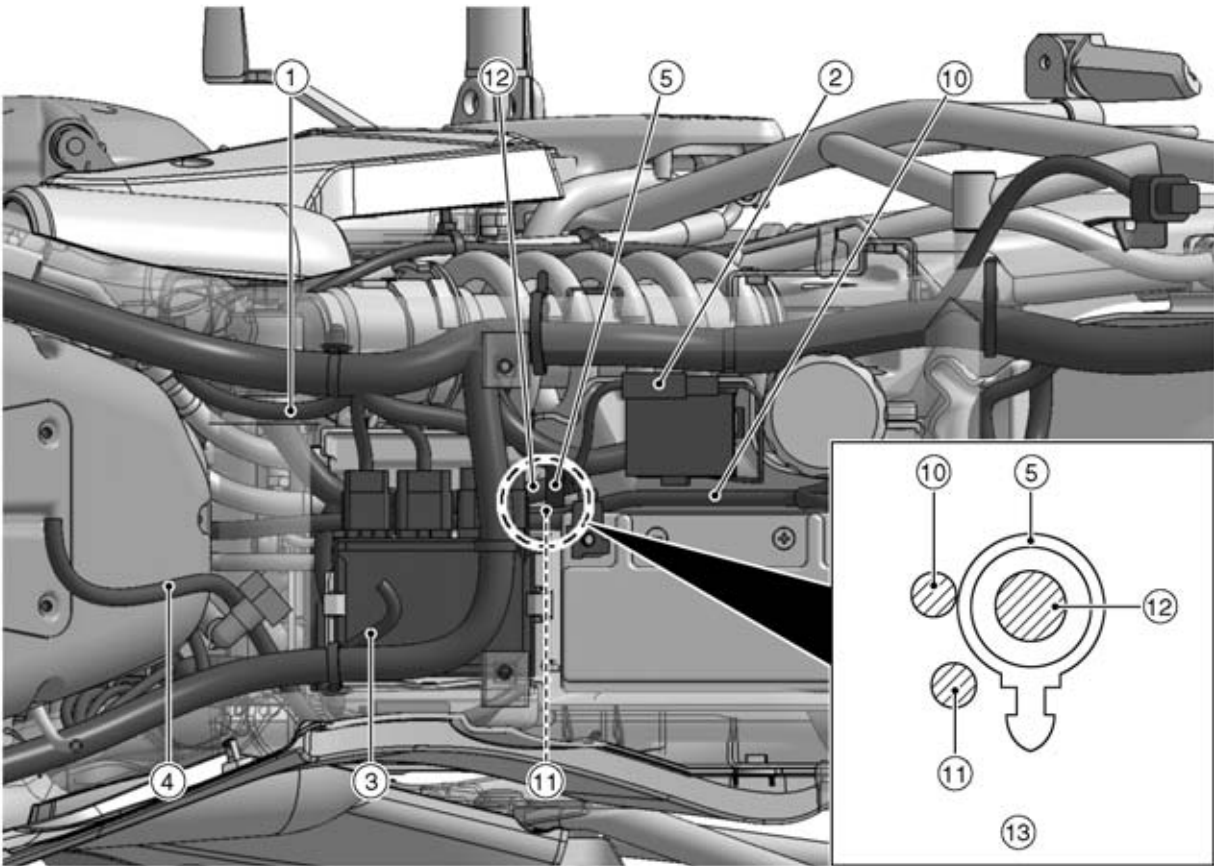
**Cable, Wire, and Hose Routing**

---

1. Install the clamp together with the rear fender rear (Clamp the turn signal leads and license plate light lead.).
2. Run the turn signal leads and license plate light lead into the frame hook.
3. ECU Connectors
4. Install the clamp together with the rear fender rear (Clamp the turn signal leads, license plate light lead, and tail/brake light lead.).
5. Tail/Brake Light Lead

# 17-10 APPENDIX

## Cable, Wire, and Hose Routing



---

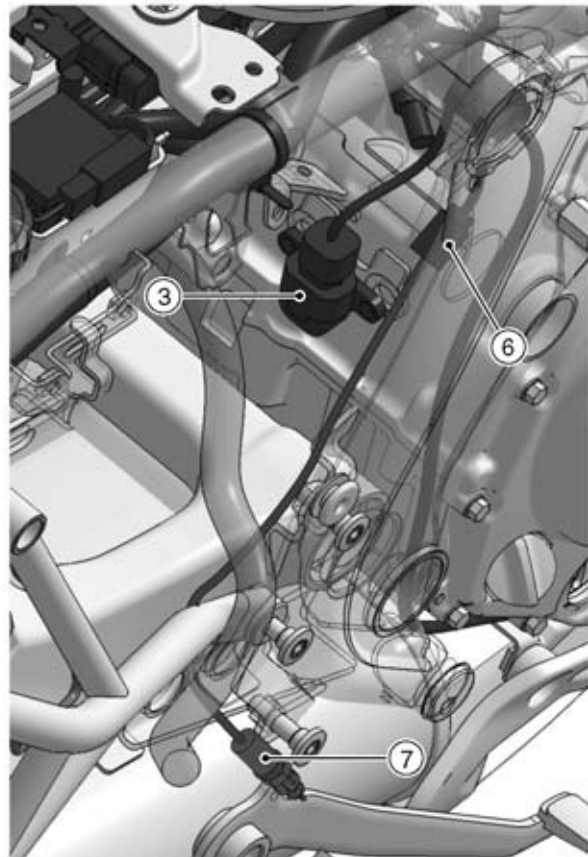
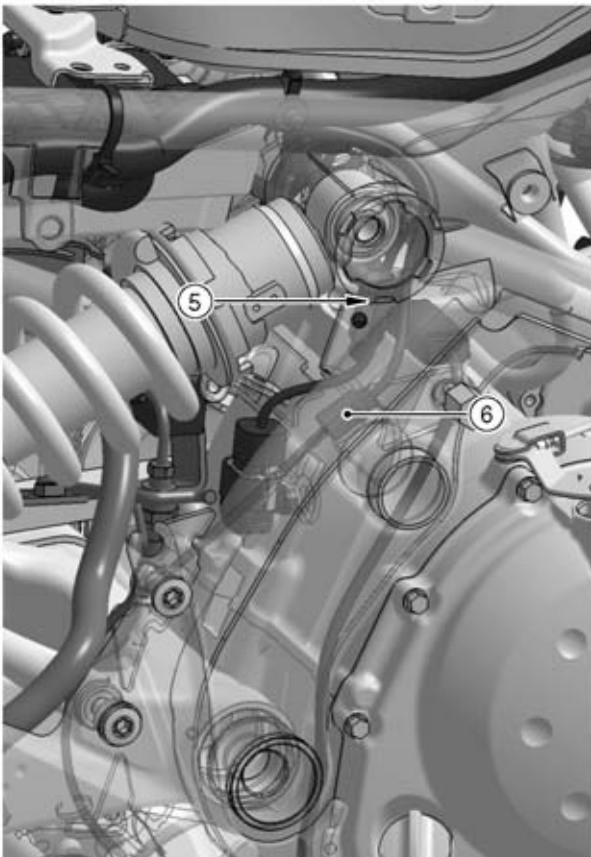
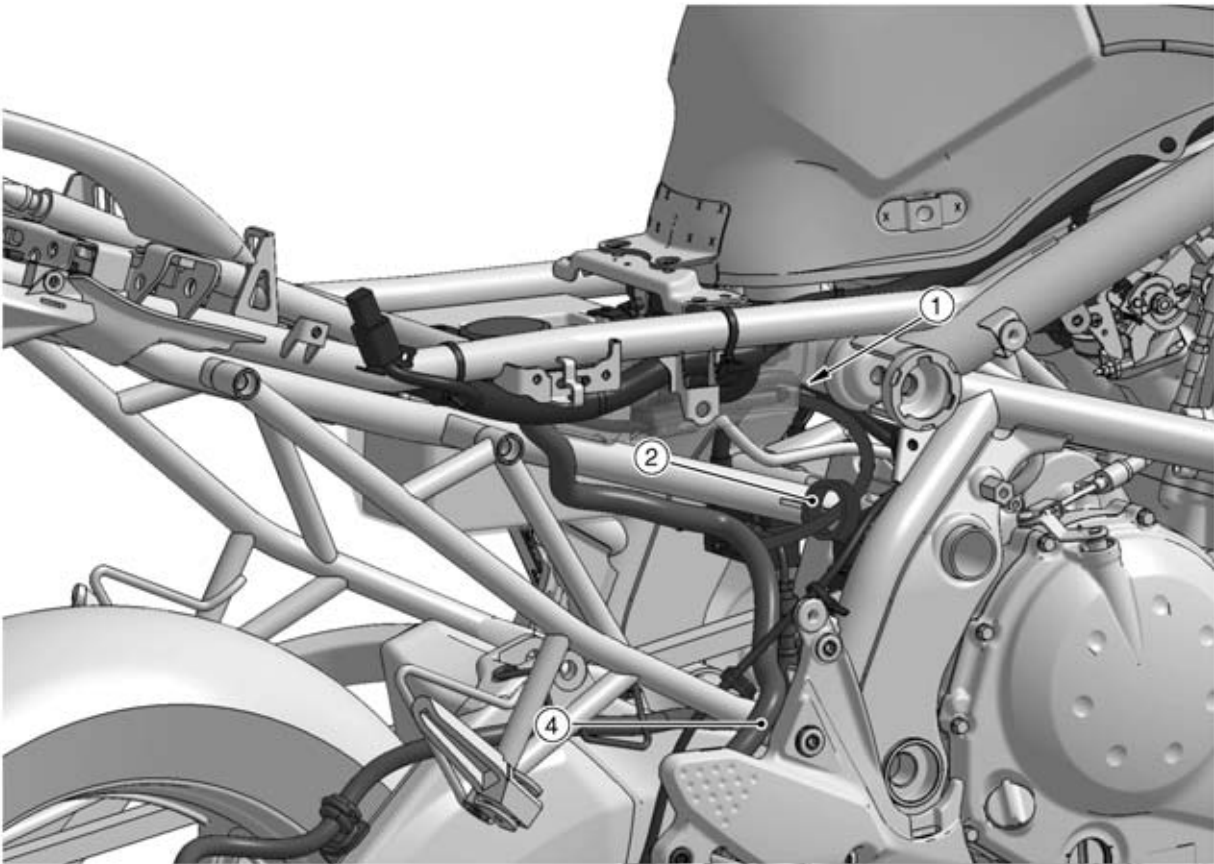
**Cable, Wire, and Hose Routing**

---

1. To Vehicle-down Sensor, Rear Brake Light Switch and Crankshaft Sensor
2. Battery Negative Lead Connector
3. Fuel Pump Lead
4. Fuel Level Sensor Lead
5. Clamp the main harness, and insert it in the rear fender front.
6. Through the main harness to the rear fender front hook so that the main harness dose not through loosely between the hook and starter relay.
7. Fuel Pump Lead Connector
8. Through the harness into the starter relay cover slit.
9. Fuel Level Sensor Lead Connector
10. Battery Negative Cable
11. Battery Positive Cable
12. Main Harness
13. Viewed Rear Side

# 17-12 APPENDIX

## Cable, Wire, and Hose Routing





---

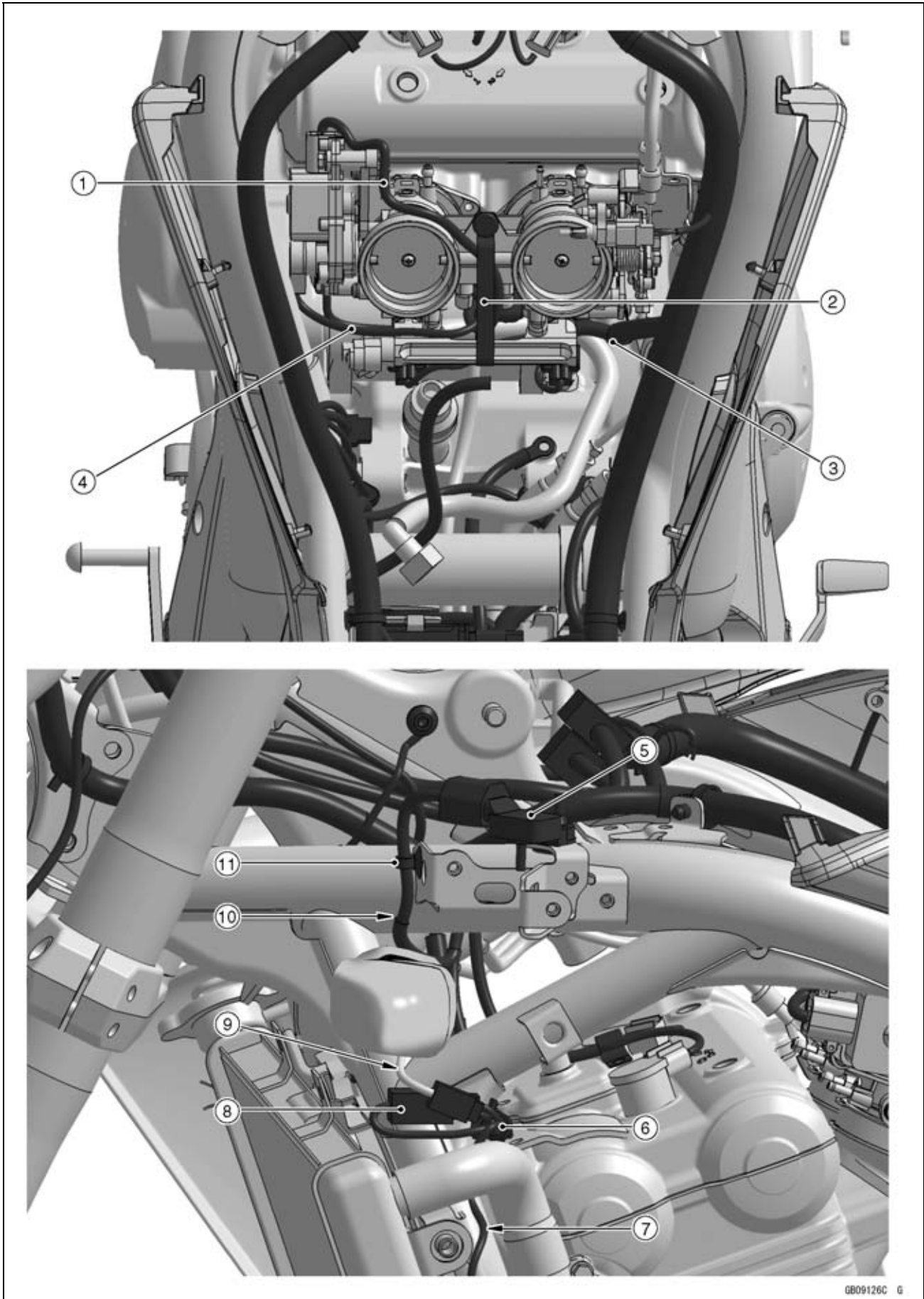
**Cable, Wire, and Hose Routing**

---

1. Through the main harness to the rear fender front opening.
2. Clamp (Insert the clamp to the frame.)
3. Vehicle-down Sensor
4. Rear Brake Hose (To Rear Master Cylinder)
5. Through the leads of the rear brake light switch and vehicle-down sensor from forward of the rear shock absorber mounting portion.
6. Rear Brake Light Switch Connector (After connected, push it forward to the frame cross pipe upper surface.)
7. Rear Brake Light Switch

# 17-14 APPENDIX

## Cable, Wire, and Hose Routing



---

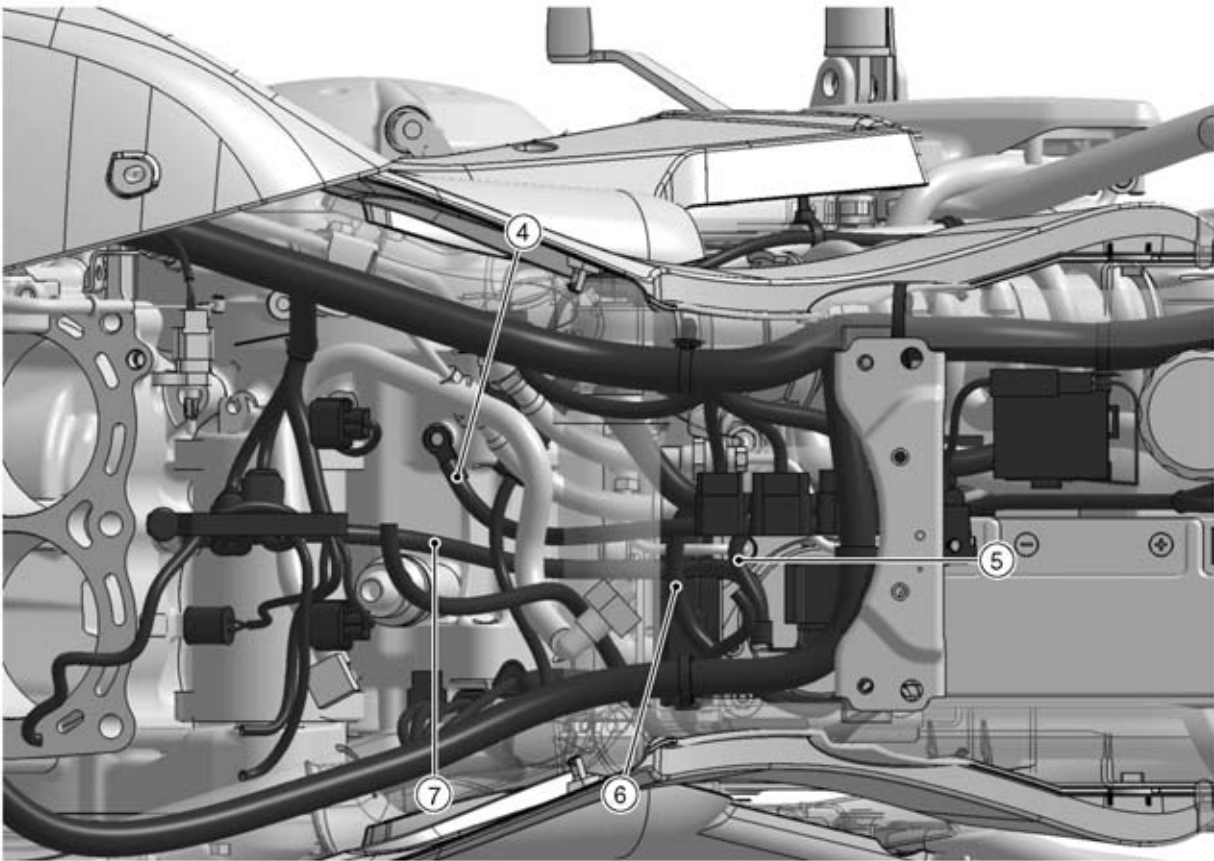
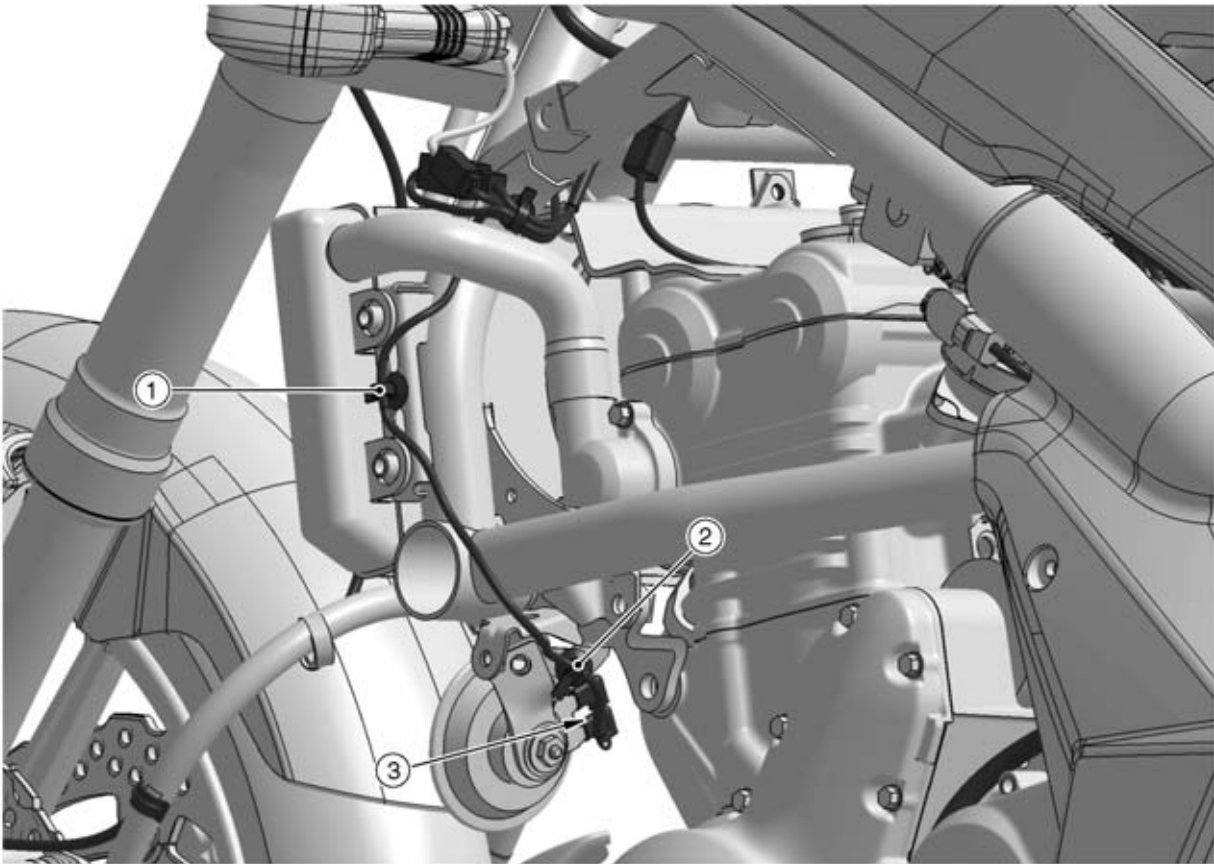
**Cable, Wire, and Hose Routing**

---

1. Subthrottle Valve Actuator Lead
2. Clamp (Push the subthrottle valve actuator lead under the clamp, and clamp the subthrottle sensor lead and subthrottle valve actuator lead to the delivery pipe.)
3. Clamp (clamp the harness.)
4. Subthrottle Sensor Lead
5. Inlet Air Pressure Sensor
6. Clamp (Through the main harness and radiator fan lead in the clamp, and insert the clamp in the frame.)
7. Through the horn lead between the radiator hose and frame.
8. Radiator Fan Lead Connector
9. To Front Left Turn Signal Light
10. Through the inlet air pressure sensor lead between the frame and front frame cover.
11. Clamp (Insert the clamp in the frame bracket.)

# 17-16 APPENDIX

## Cable, Wire, and Hose Routing



---

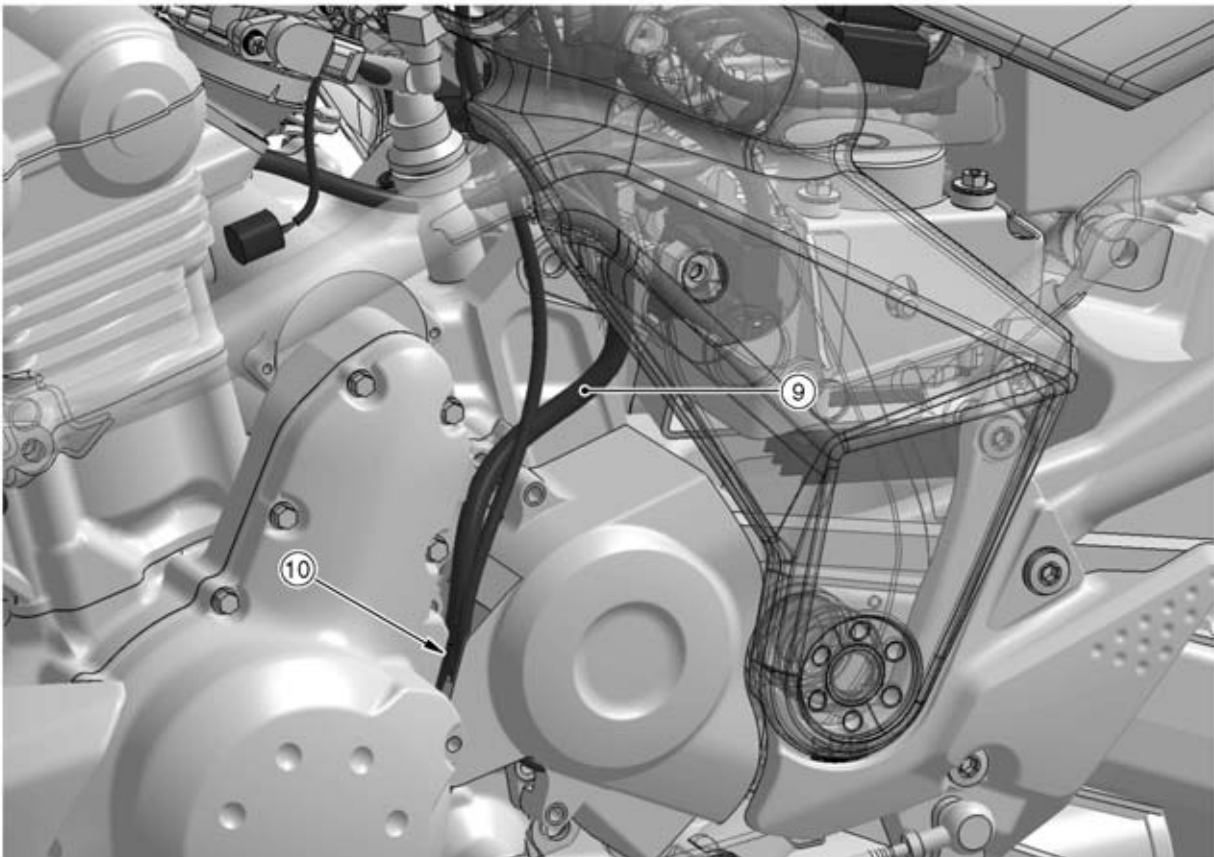
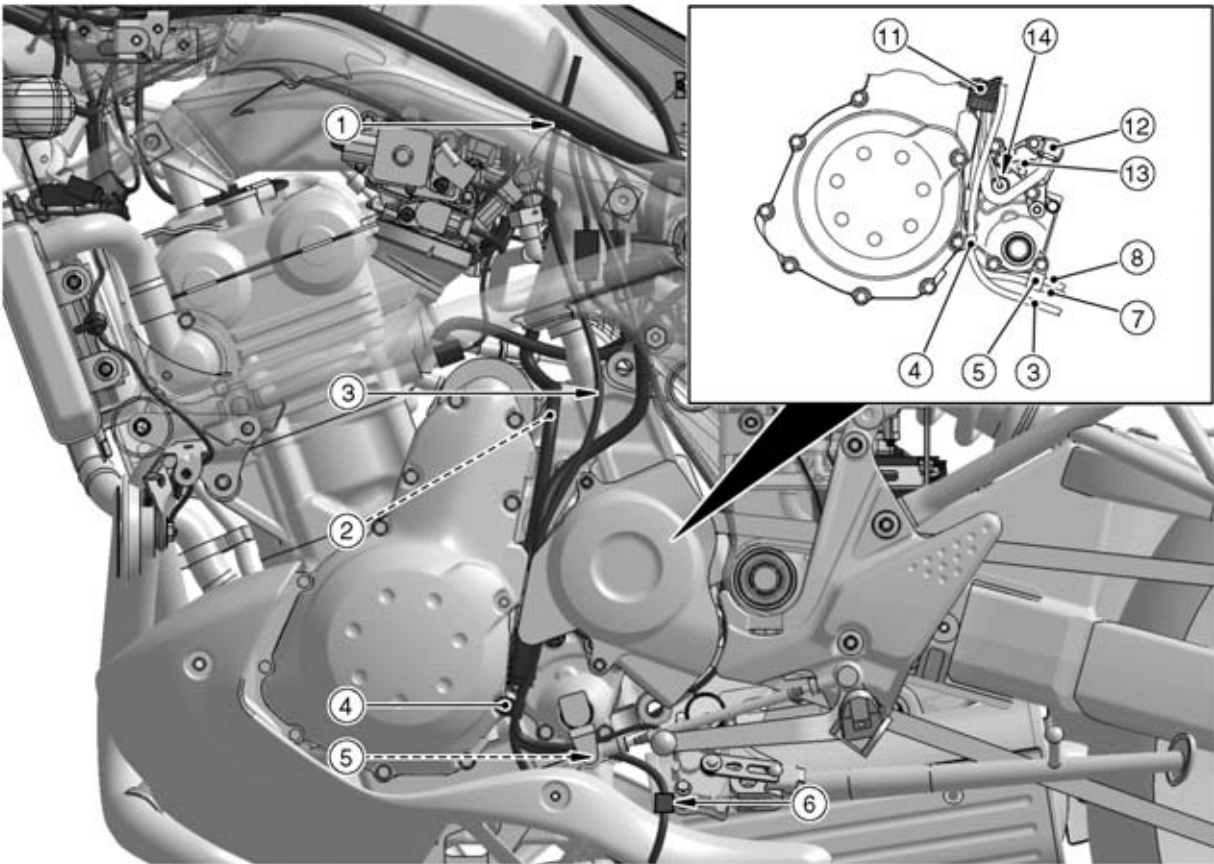
**Cable, Wire, and Hose Routing**

---

1. Clamp (Insert the clamp in the frame.)
2. Clamp (Insert the clamp in the horn bracket.)
3. Insert the horn lead terminal from the under.
4. Battery Negative Cable
5. Battery Positive Cable
6. Main Harness
7. Starter Motor Cable

# 17-18 APPENDIX

## Cable, Wire, and Hose Routing



---

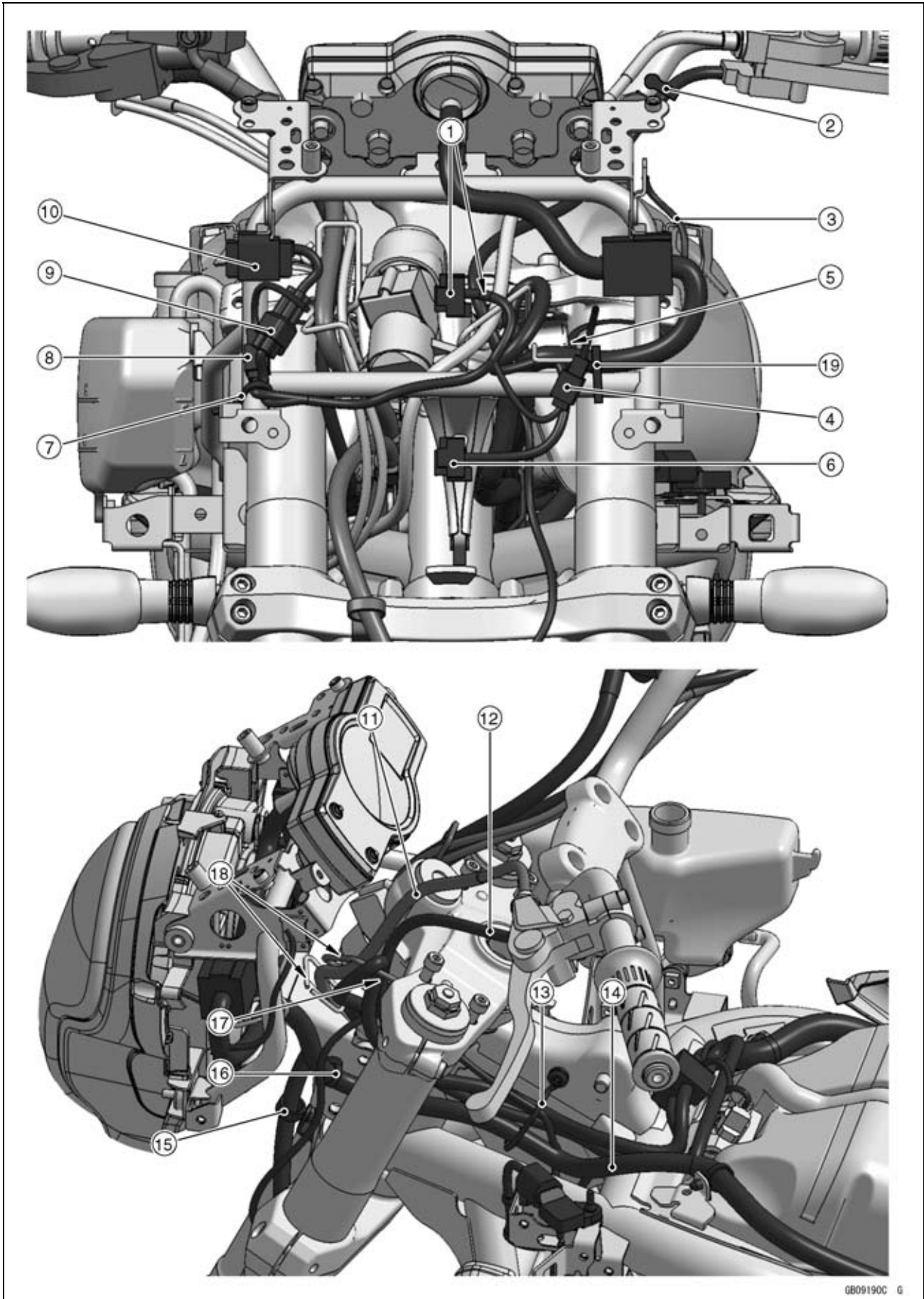
**Cable, Wire, and Hose Routing**

---

1. Fuel Tank Drain Hose (Through the drain hose between main harness and air cleaner housing.)
2. Air Cleaner Drain Hose
3. Fuel Tank Drain Hose
4. Clamp (Through the sidestand switch lead, oxygen sensor lead (europe models), and fuel tank drain hose in the clamp.)
5. Clamp (Through the sidestand switch lead and oxygen sensor lead (europe models.)
6. Clamp (Through the drain hose in the clamp.)
7. Oxygen Sensor Lead (Europe Models)
8. Sidestand Switch Lead
9. Corrugated Tube
10. From this side, through the fuel tank drain hose, corrugated tube and air cleaner drain hose between the chain guide and engine.
11. Corrugated Tube (Through the neutral switch lead, speed sensor lead, sidestand switch lead, and alternator switch lead in the tube, and face the slit of the tube inside.)
12. Speed Sensor
13. Bracket
14. Neutral Switch Lead

# 17-20 APPENDIX

## Cable, Wire, and Hose Routing





---

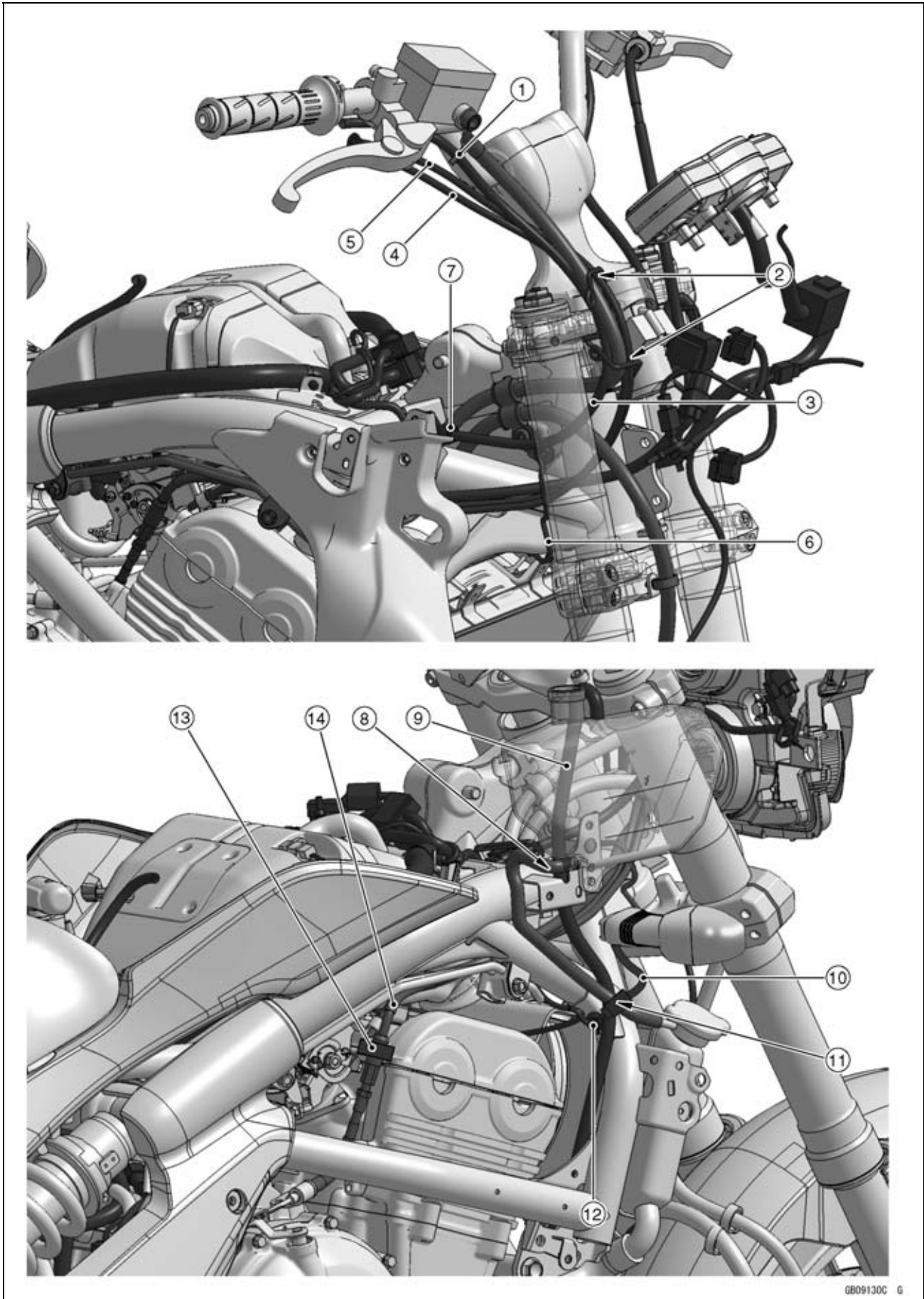
**Cable, Wire, and Hose Routing**

---

1. Headlight (low) connector with green tape on the headlight lead.
2. Clamp (Insert the clamp to the handle.)
3. Turn Signal Relay Lead
4. Left City Light Connector
5. Run the main harness between the clamp and pipe.
6. Headlight (high) Connector
7. Band (Clamp the right city light lead with the oil pressure warning indicator light (LED) delay unit lead to the middle fairing bracket.)
8. Right City Light Connector
9. Oil Pressure Warning Indicator Light (LED) Delay Unit Connector
10. Insert the unit in the middle upper fairing bracket facing the unit lead inside.
11. Clutch Cable
12. Left Switch Housing Lead (Through the left switch housing lead in the clamp.)
13. Clamp (From the on sequentially, through the ignition switch lead, left switch housing lead, and main harness.)
14. Main Harness
15. Clamp (Clamp the brake hose in the clamp.)
16. Clamp (Insert the clamp in the middle fairing bracket.)
17. Through the ignition switch in the clamp as shown.
18. Through the clutch cable in the clamps.
19. Band (Clamp the main harness to the middle fairing bracket.)

# 17-22 APPENDIX

## Cable, Wire, and Hose Routing



---

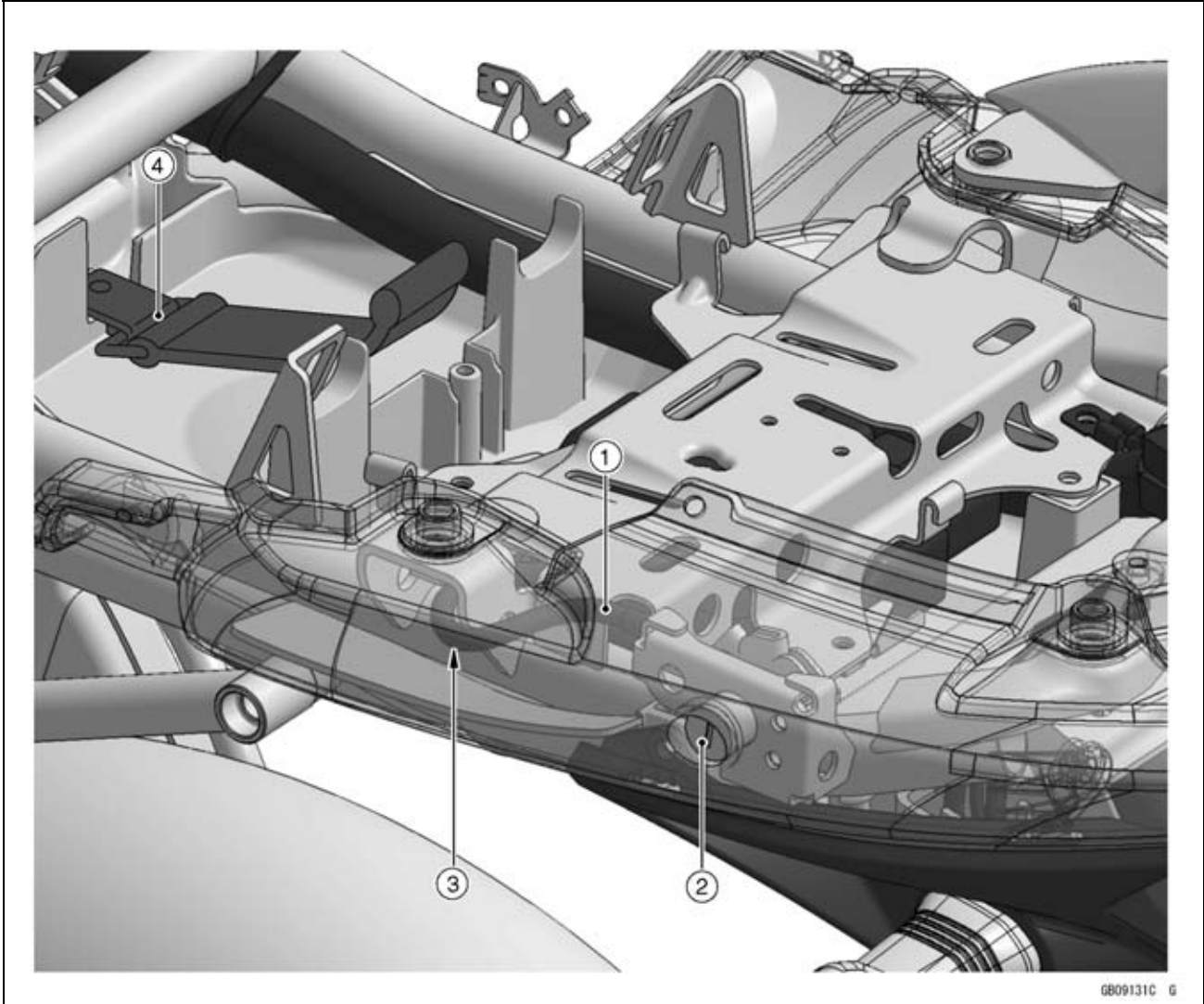
**Cable, Wire, and Hose Routing**

---

1. Clamp (Insert the clamp to the handlebar.)
2. Through the brake hose, right switch housing lead, and throttle cables in the upper and lower clamps.
3. Right Switch Housing Lead
4. Throttle Cable (Accelerator)
5. Throttle Cable (Decelerator)
6. Clamp (From the on sequentially, through the clutch cable and throttle cables.)
7. Clamp (Through the right switch housing lead in the clamp, and insert the clamp in the frame.)
8. Through the radiator hose to the space of the frame bracket.
9. Radiator Hose
10. Front Right Turn Signal Light Lead
11. From this side, through the turn signal light lead, reserver tank hose, and reserver tank overflow hose.
12. Clamp (Insert the clamp in the frame.)
13. Clamp (Through the clutch cable in the clamp.)
14. Clutch Cable

## 17-24 APPENDIX

### Cable, Wire, and Hose Routing



---

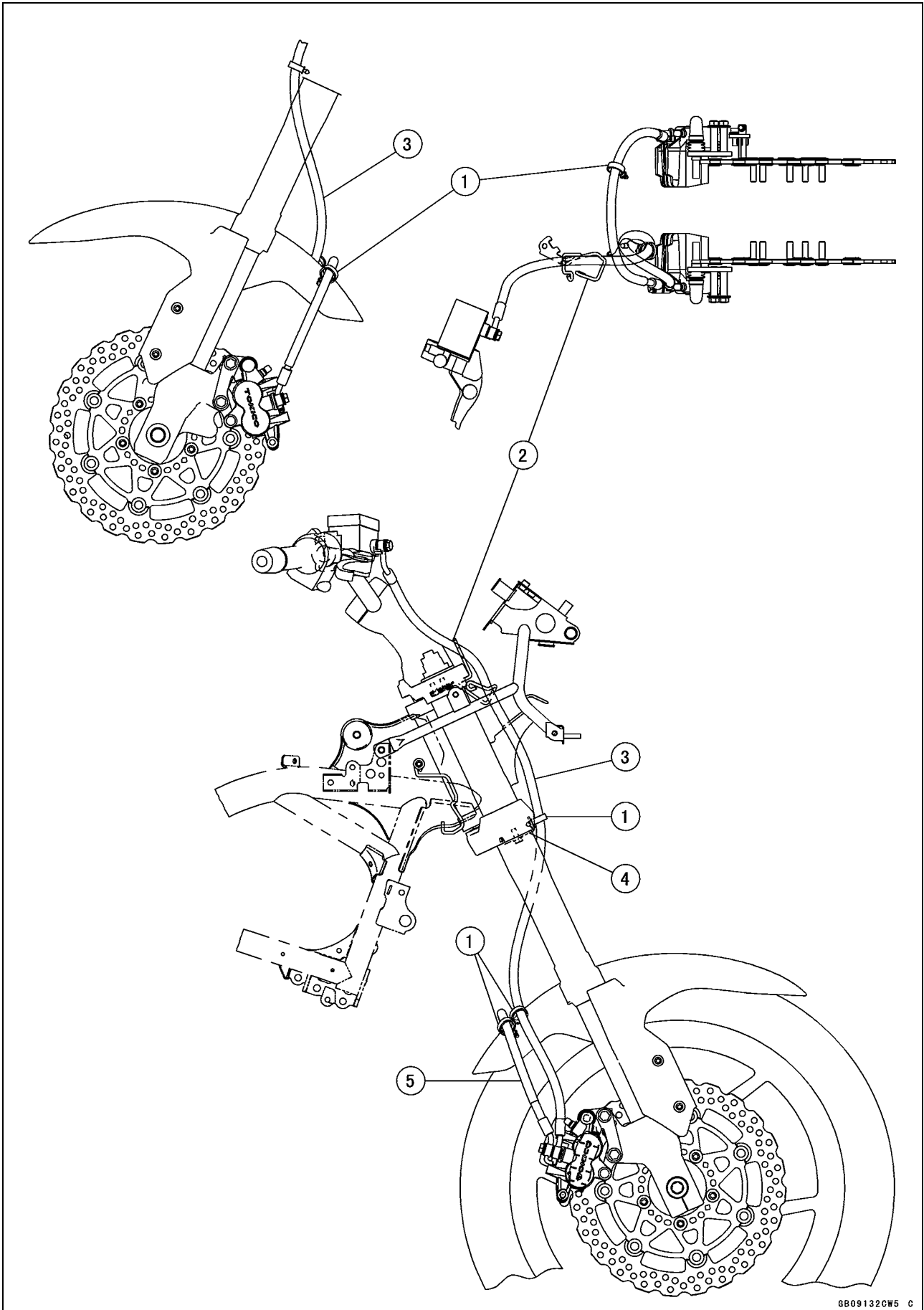
**Cable, Wire, and Hose Routing**

---

1. Seat Lock Cable
2. Seat Lock
3. Through the seat lock cable to the space of the frame bracket.
4. Install the hook faces downward.

# 17-26 APPENDIX

## Cable, Wire, and Hose Routing



---

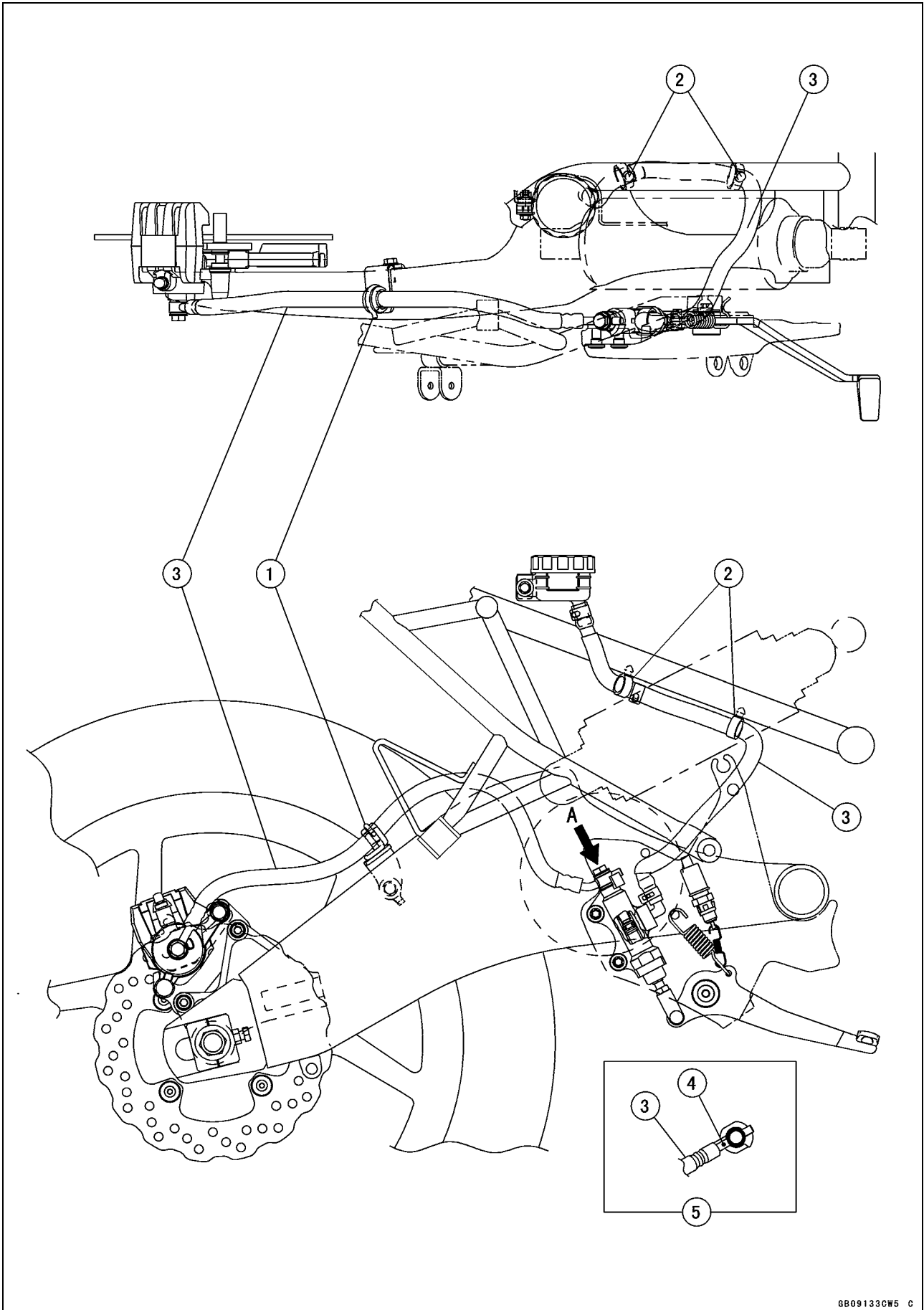
**Cable, Wire, and Hose Routing**

---

1. Clamp
2. Clamp
3. Brake Hose
4. Bracket
5. Brake Hose

# 17-28 APPENDIX

## Cable, Wire, and Hose Routing





---

**Cable, Wire, and Hose Routing**

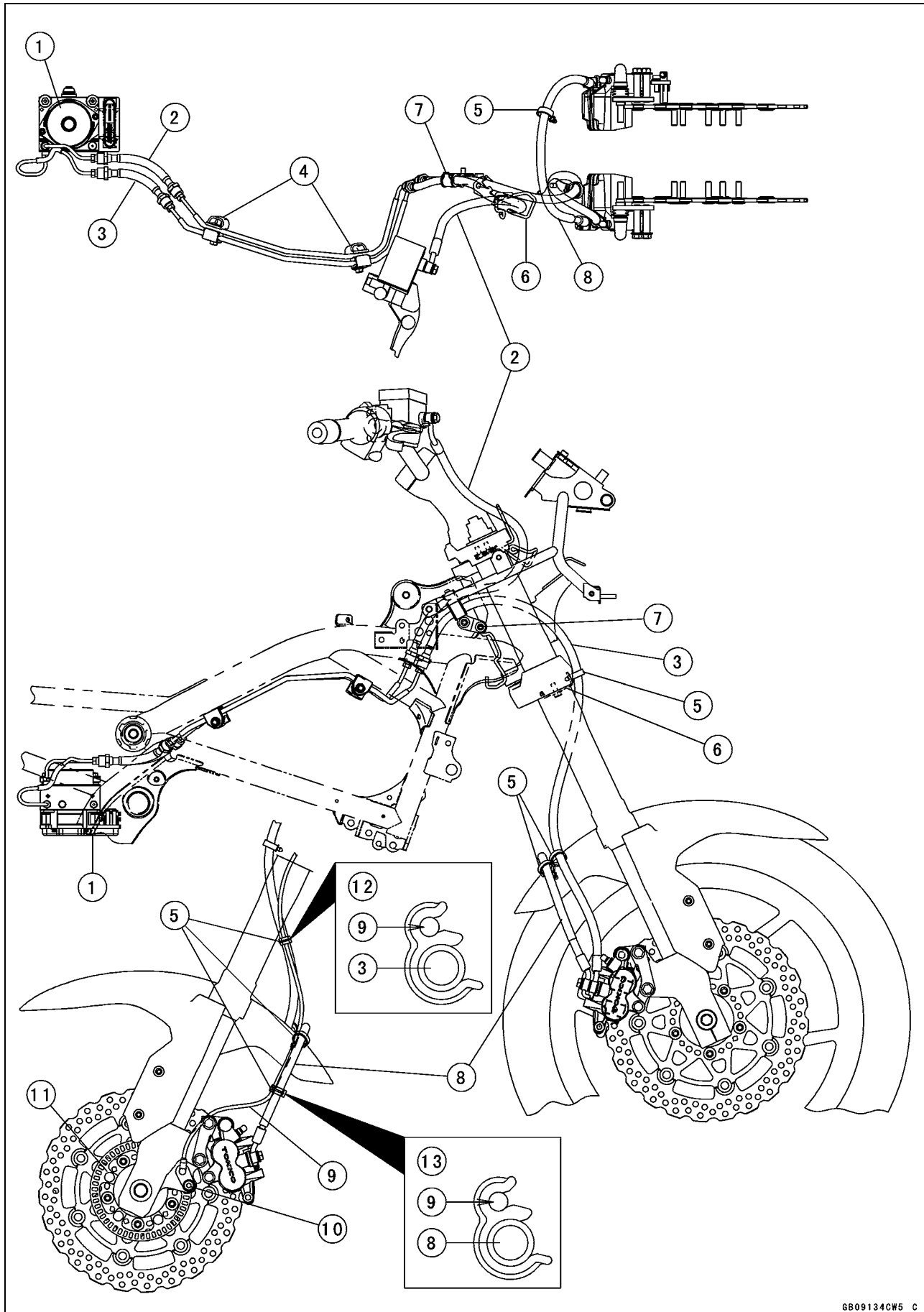
---

1. Clamp
2. Clamp
3. Brake Hose
4. Face the paint mark outside.
5. Viewed A

# 17-30 APPENDIX

## Cable, Wire, and Hose Routing

### KLE650B Models



---

**Cable, Wire, and Hose Routing**

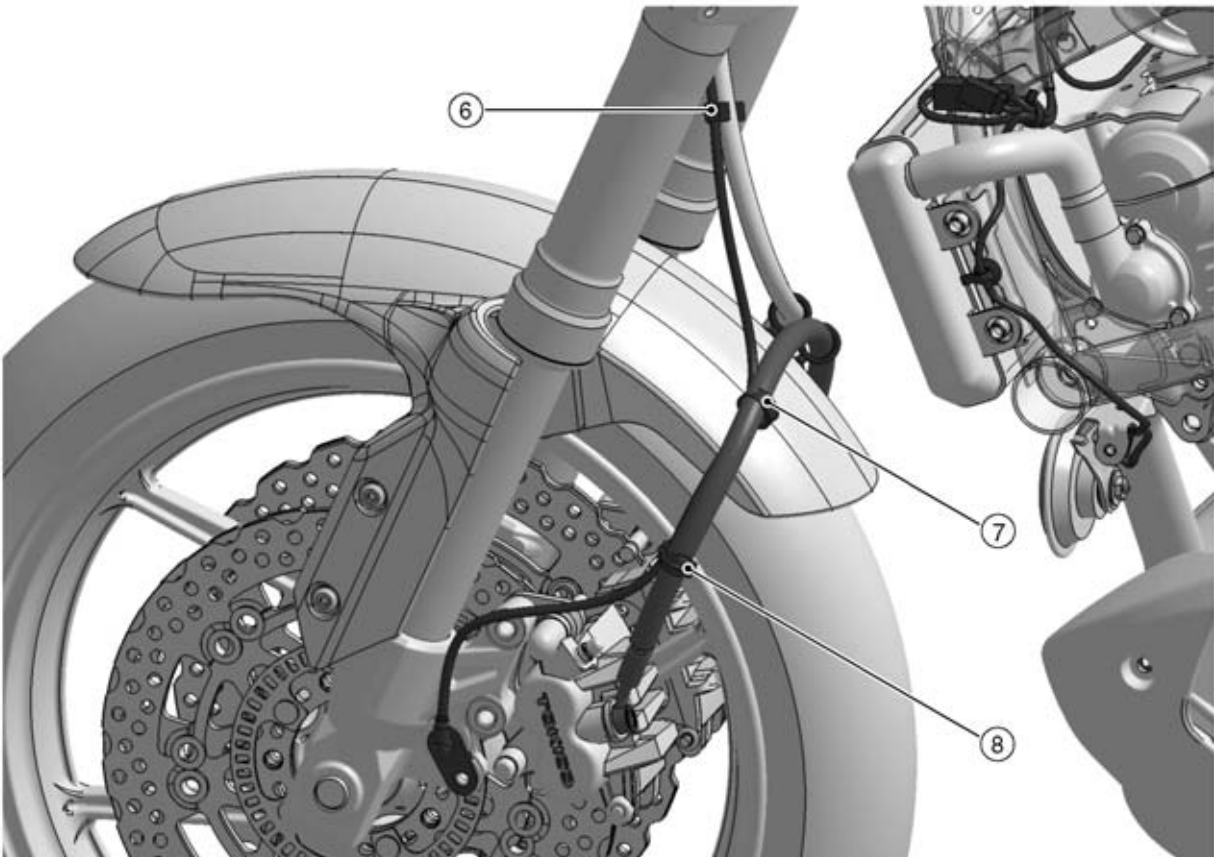
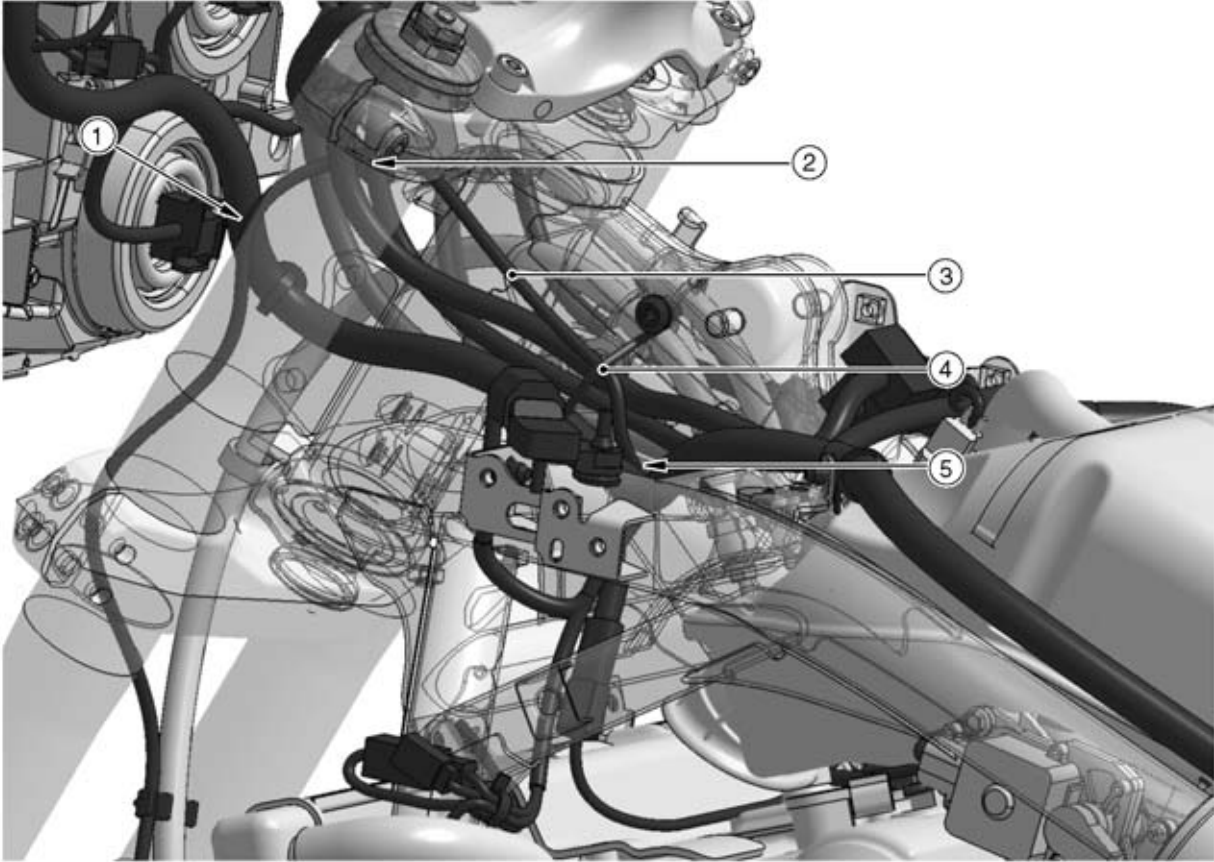
---

1. ABS Hydraulic Unit
2. Brake Hose
3. Brake Hose
4. Damper
5. Clamp
6. Clamp
7. Bracket
8. Brake Hose
9. Front Wheel Rotation Sensor Lead
10. Front Wheel Rotation Sensor
11. Front Wheel Rotation Sensor Rotor
12. Viewed bottom side
13. Viewed upside

# 17-32 APPENDIX

## Cable, Wire, and Hose Routing

### KLE650B Models



---

**Cable, Wire, and Hose Routing**

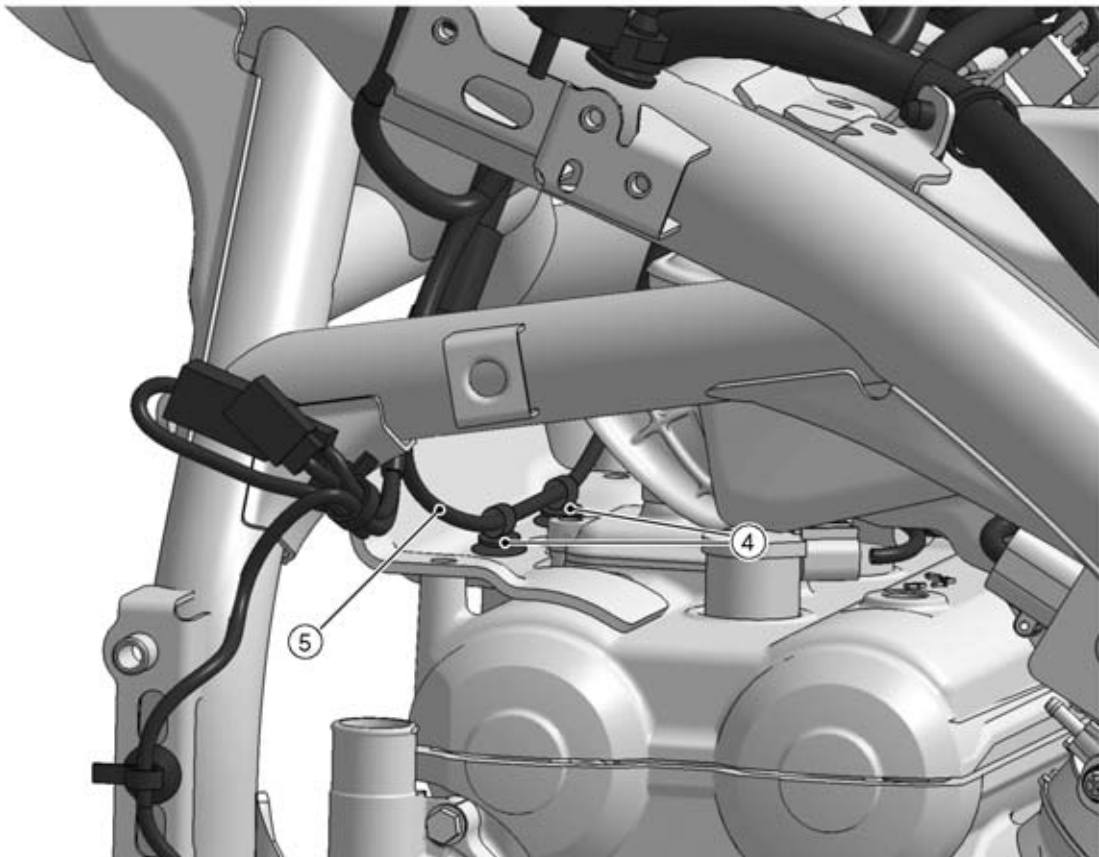
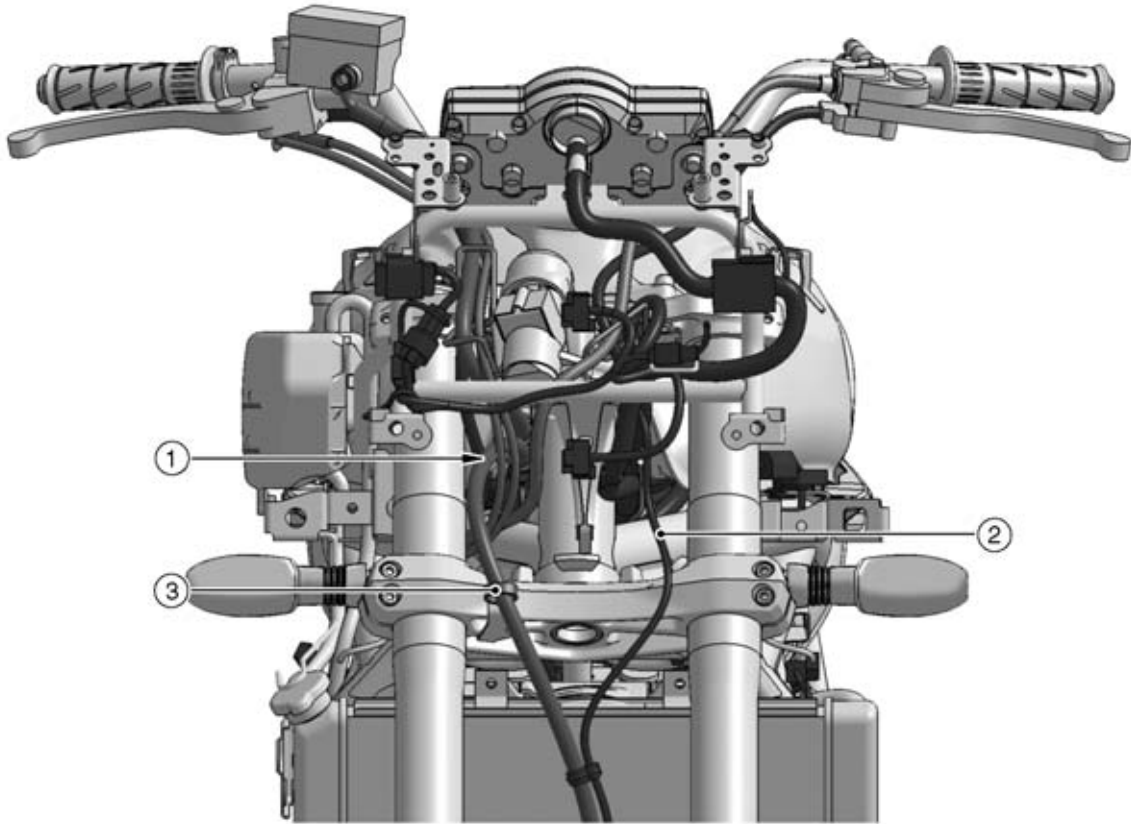
---

1. Through the front wheel rotation sensor lead to the outside of the main harness.
2. Through the front wheel rotation sensor lead inside the right switch housing lead and ignition switch lead, and outside of the head pipe.
3. Front Wheel Rotation Sensor Lead
4. Clamp
5. Through the front wheel rotation sensor lead outside the main harness.
6. Clamp (Clamp the brake hose and front wheel rotation sensor lead, and insert the clamp from the front.)
7. Clamp (Insert the clamp in the front fender.)
8. Clamp (Clamp the brake hose and front wheel rotation sensor lead at the marked portion of the sensor lead, and insert the clamp from the front.)

# 17-34 APPENDIX

## Cable, Wire, and Hose Routing

### KLE650B Models



---

**Cable, Wire, and Hose Routing**

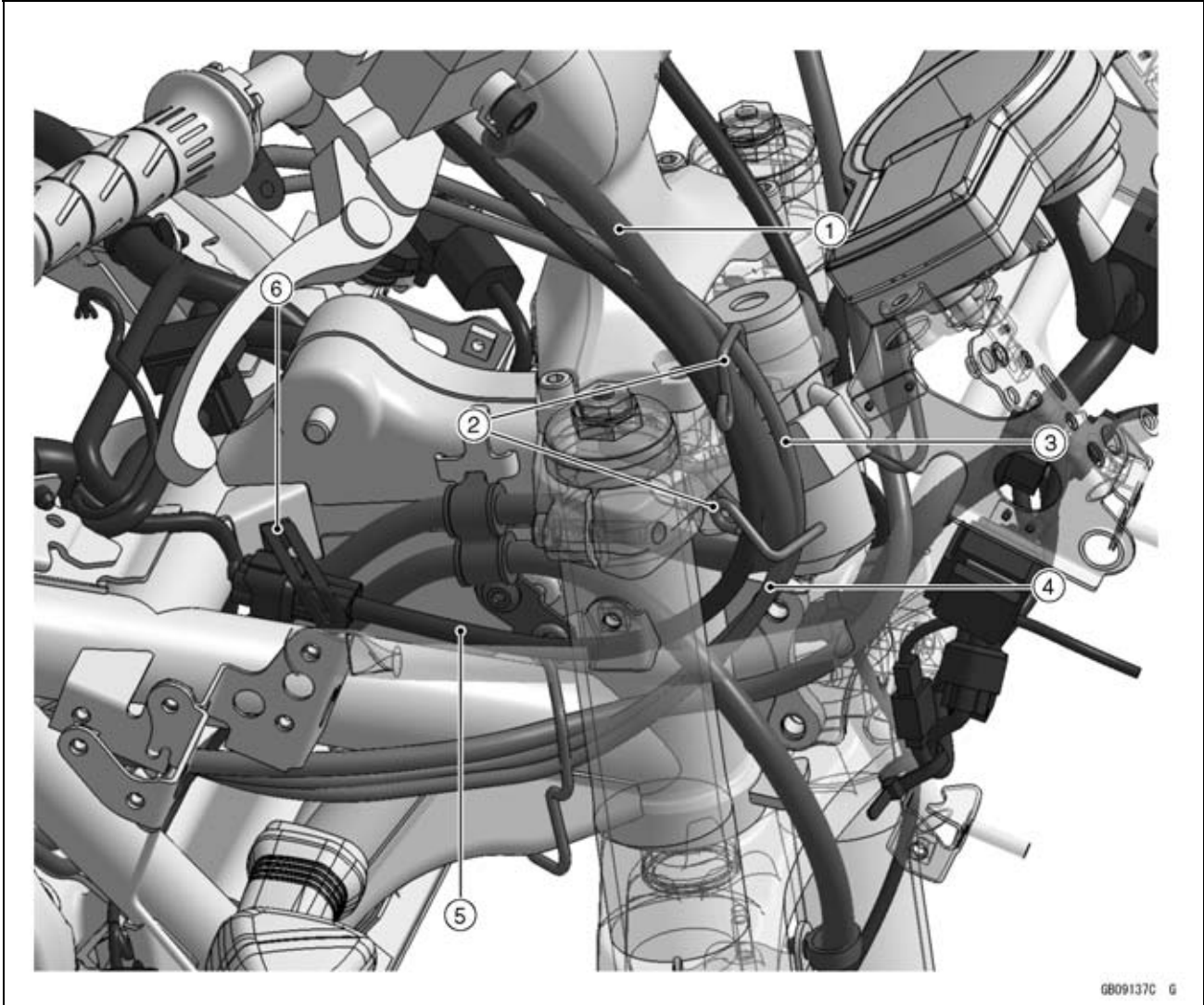
---

1. Run the brake hose between the throttle cables and left switch housing lead.
2. Front Wheel Rotation Sensor Lead
3. Clamp
4. Clamps (Insert the clamps in the baffle plate.)
5. Front Wheel Rotation Sensor Lead (Front Side)

# 17-36 APPENDIX

## Cable, Wire, and Hose Routing

### KLE650B Models





---

**Cable, Wire, and Hose Routing**

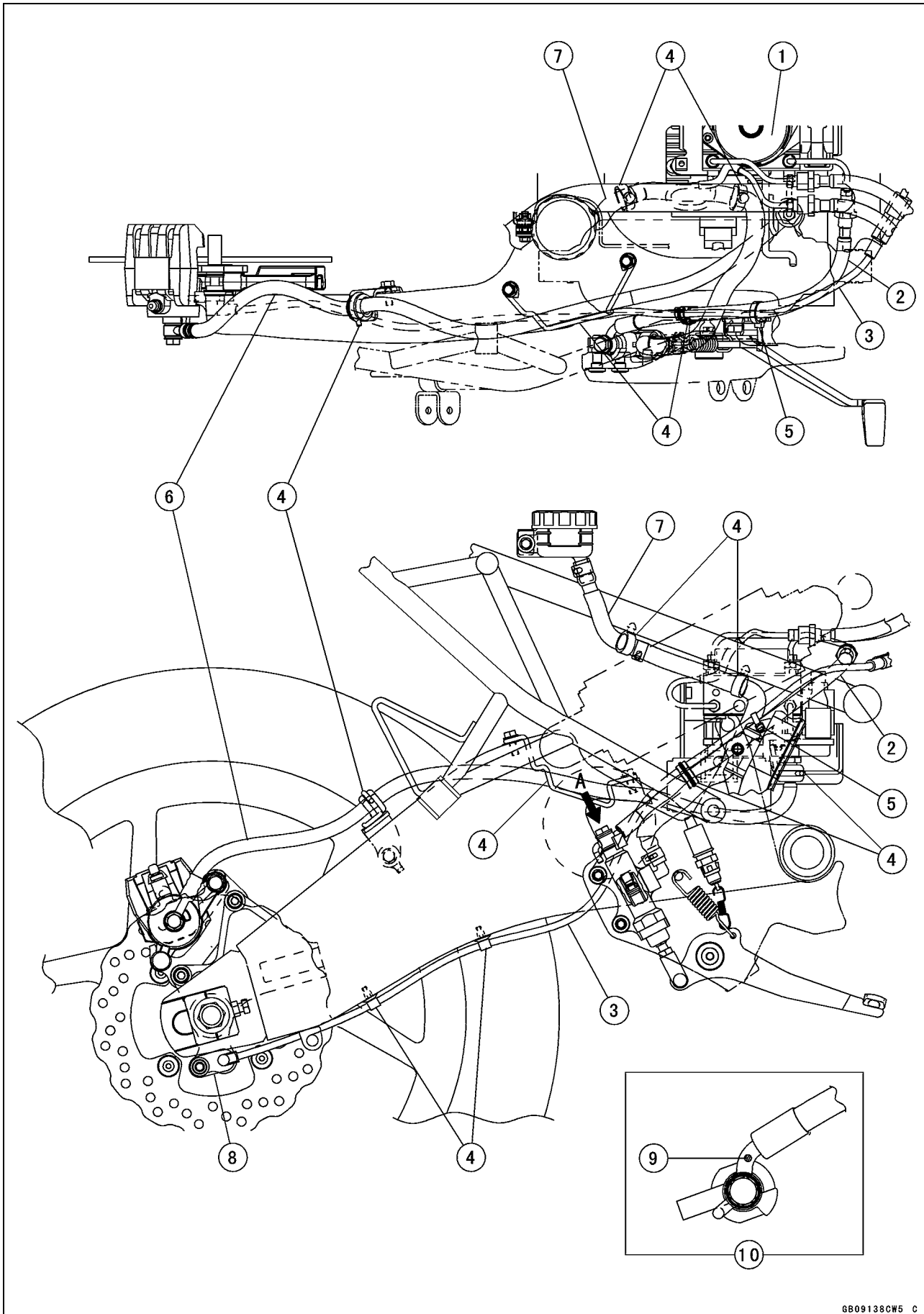
---

1. Brake Hose
2. Clamp (Clamp the right switch housing lead, throttle cables, and brake hose.)
3. Throttle Cable (Decelerator)
4. Throttle Cable (Accelerator)
5. Right Switch Housing Lead
6. Install the clamp to the frame, and clamp the right switch housing lead connector.

# 17-38 APPENDIX

## Cable, Wire, and Hose Routing

### KLE650B Models



---

**Cable, Wire, and Hose Routing**

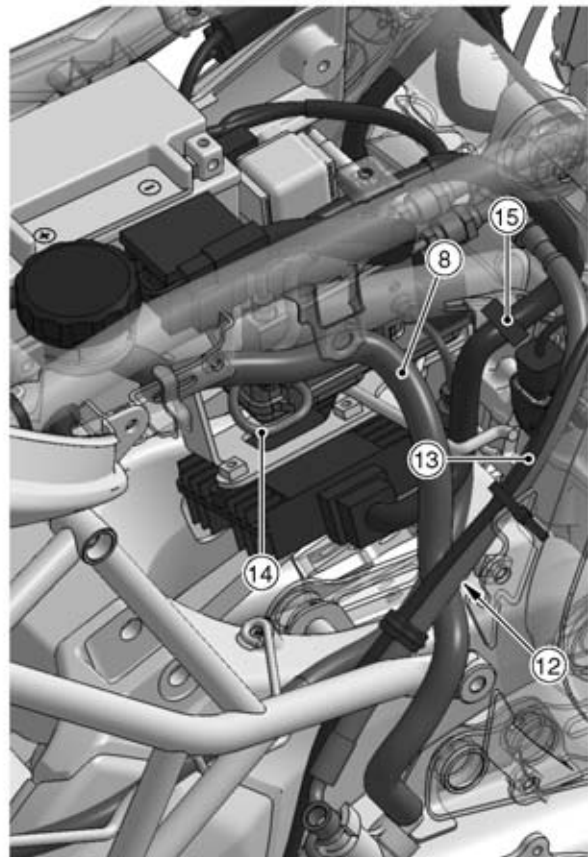
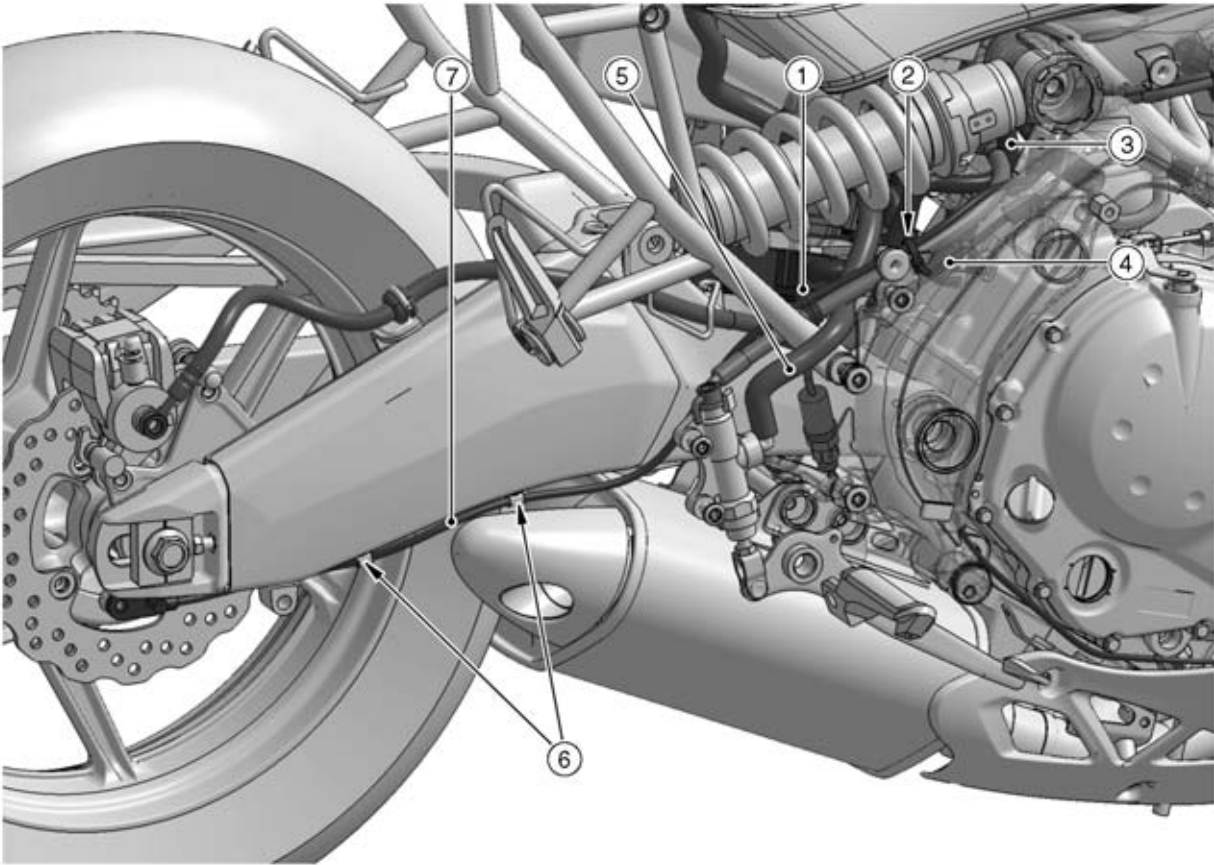
---

1. ABS Hydraulic Unit
2. Brake Hose
3. Rear Wheel Rotation Sensor Lead
4. Clamps
5. Band
6. Brake Hose
7. Brake Hose
8. Rear Wheel Rotation Sensor
9. Face the paint mark outside.
10. Viewed A

# 17-40 APPENDIX

## Cable, Wire, and Hose Routing

### KLE650B Models



---

**Cable, Wire, and Hose Routing**

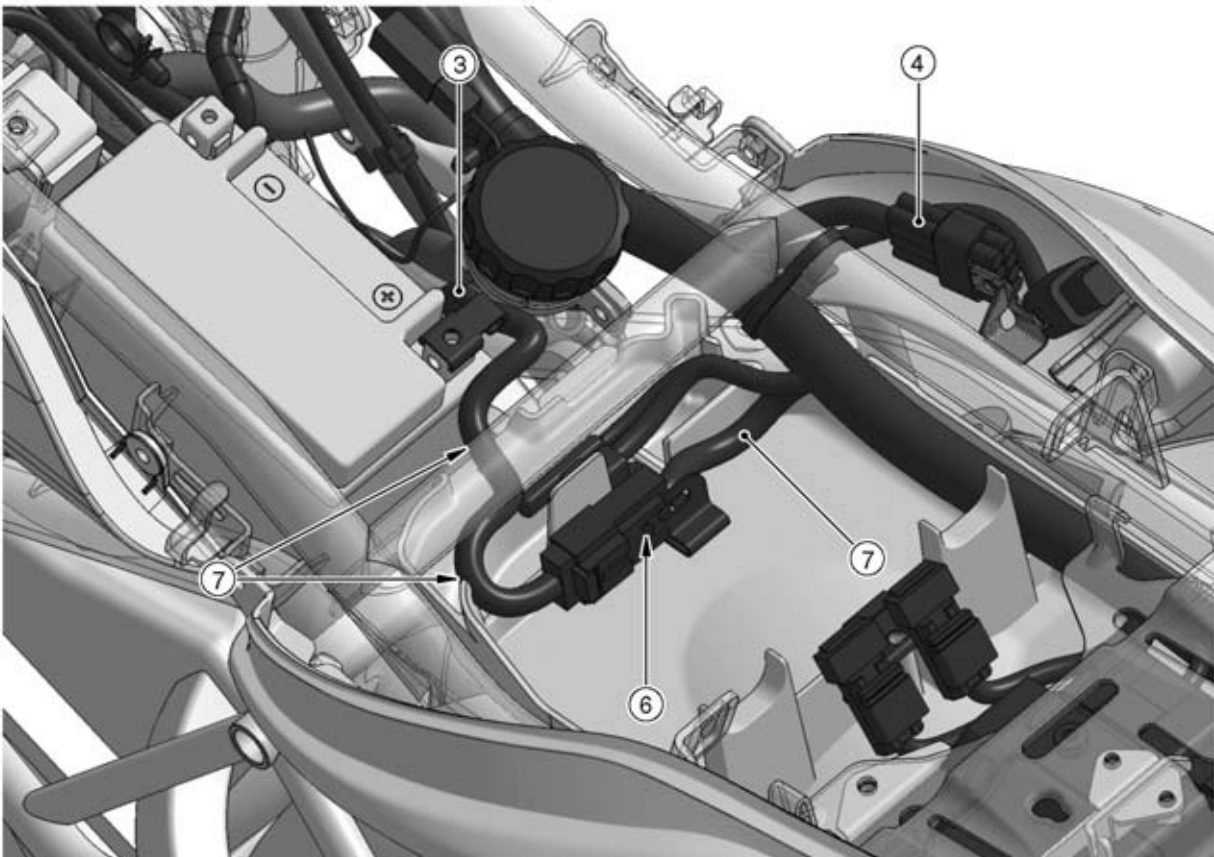
---

1. Clamp (Clamp the brake hose and front wheel rotation sensor lead, and insert the clamp from the outside.)
2. Clamp the brake hose and rear wheel rotation sensor lead with the band to the frame bracket (Position the band so that the edge of the band faces outward of the motorcycle.)
3. Regulator/Rectifier Lead
4. Rear Brake Light Switch Lead
5. Brake Hose
6. Clamps (Insert the clamps in the swingarm.)
7. Through the rear wheel rotation sensor lead to the inside of the boss.
8. Through the regulator/rectifier lead under the brake hose.
9. Through the speed sensor lead upper the battery positive cable and battery negative cable.
10. Through the speed sensor lead under the brake hose.
11. Through the vehicle-down sensor lead under the brake hose and rear wheel rotation sensor lead.
12. From the on sequentially, through the rear wheel rotation sensor lead, brake hoses, and brake light switch lead.
13. Rear Wheel Rotation Sensor Lead
14. Through the regulator/rectifier lead inside the ABS hydraulic unit bracket.
15. Clamp (Clamp the regulator/rectifier lead.)

# 17-42 APPENDIX

## Cable, Wire, and Hose Routing

### KLE650B Models



---

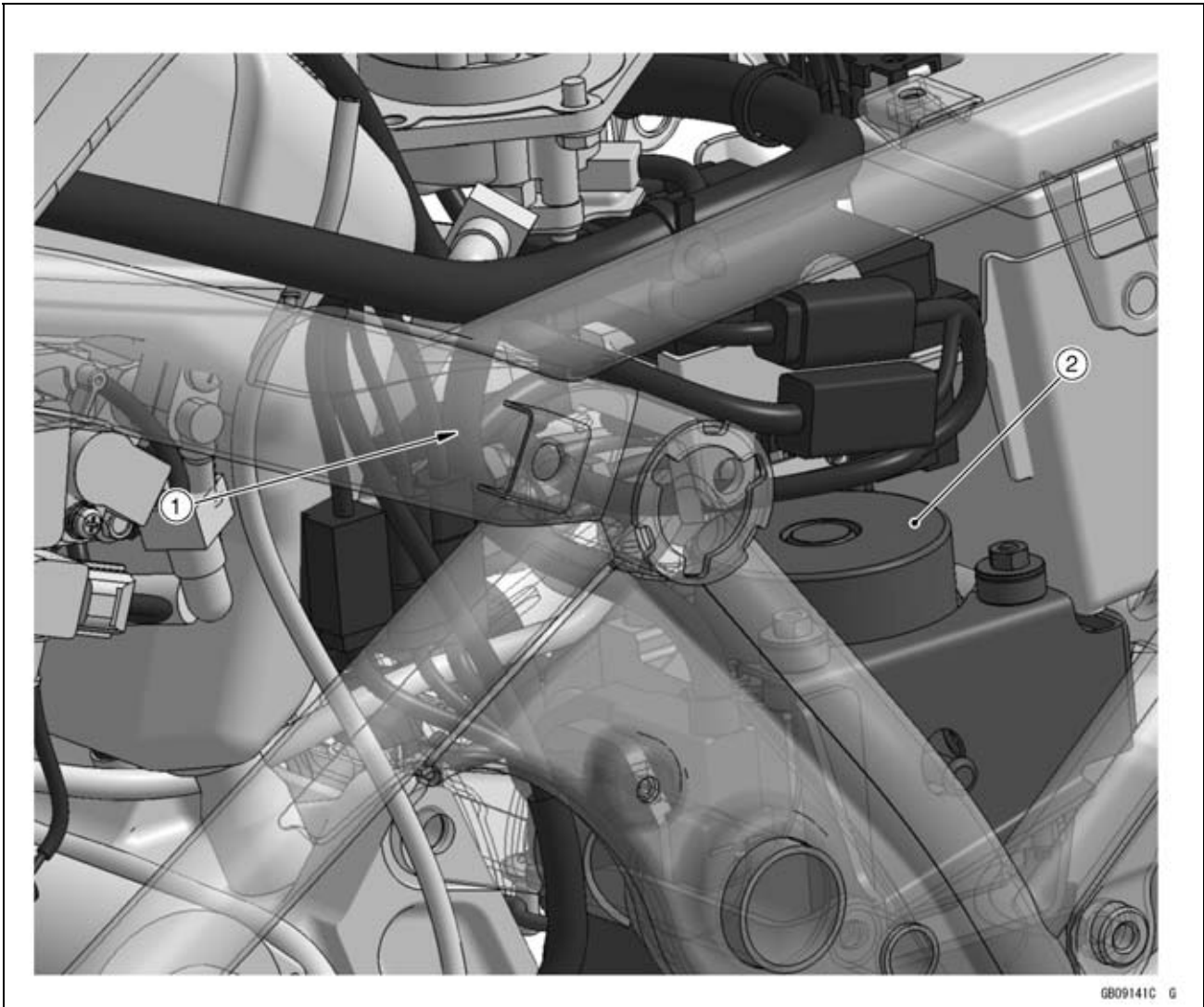
**Cable, Wire, and Hose Routing**

---

1. ABS Solenoid Valve Relay Fuse 25A (Insert the connector from the bottom in the rear fender side bracket.)
2. ABS Pump Motor Relay Fuse 30A (Insert the connector from the bottom in the rear fender side bracket.)
3. Battery Positive Cable
4. ABS Kawasaki Self-diagnosis System Connector (Insert the connector to the bracket.)
5. Battery Positive Lead (To main harness)
6. After connecting the battery positive lead connector, and insert the connector in the clamp.
7. Through the battery positive lead under the frame pipe and run it at the two grooves of the rear fender.

## 17-44 APPENDIX

### Cable, Wire, and Hose Routing





---

**Cable, Wire, and Hose Routing**

---

1. Through the ECU lead to the forward of the frame cross pipe.
2. ABS Hydraulic Unit

## 17-46 APPENDIX

### Troubleshooting Guide

---

#### NOTE

- Refer to the *Fuel System* chapter for most of DFI trouble shooting guide.
- This is not an exhaustive list, giving every possible cause for each problem listed. It is meant simply as a rough guide to assist the troubleshooting for some of the more common difficulties.

#### Engine Doesn't Start, Starting Difficulty:

##### Starter motor not rotating:

- Starter lockout switch or neutral switch trouble
- Starter motor trouble
- Battery voltage low
- Starter relay not contacting or operating
- Starter button not contacting
- Wiring open or shorted
- Ignition switch trouble
- Engine stop switch trouble
- Fuse blown

##### Starter motor rotating but engine doesn't turn over:

- Starter clutch trouble
- Vehicle-down sensor (DFI) coming off

##### Engine won't turn over:

- Valve seizure
- Valve lifter seizure
- Cylinder, piston seizure
- Crankshaft seizure
- Connecting rod small end seizure
- Connecting rod big end seizure
- Transmission gear or bearing seizure
- Camshaft seizure
- Starter idle gear seizure

##### No fuel flow:

- No fuel in tank
- Fuel pump trouble
- Fuel tank air vent obstructed
- Fuel filter clogged
- Fuel line clogged

##### Engine flooded:

- Clean spark plug and adjust plug gap
- Starting technique faulty  
(When flooded, do not crank the engine with the throttle fully opened. This promotes engine flood because more fuel is supplied automatically by DFI.)

##### No spark; spark weak:

- Vehicle-down sensor (DFI) coming off
- Ignition switch not ON
- Engine stop switch turned OFF
- Clutch lever not pulled in or gear not in neutral
- Battery voltage low

- Spark plug dirty, broken, or gap maladjusted
- Stick coil shorted or not in good contact
- Stick coil trouble
- Spark plug incorrect
- IC igniter in ECU trouble
- Neutral, starter lockout, or side stand switch trouble
- Crankshaft sensor trouble
- Ignition switch or engine stop switch shorted
- Wiring shorted or open
- Fuse blown

##### Fuel/air mixture incorrect:

- Bypass screw and/or idle adjusting screw maladjusted
- Air passage clogged
- Air cleaner clogged, poorly sealed, or missing

##### Compression Low:

- Spark plug loose
- Cylinder head not sufficiently tightened down
- No valve clearance
- Cylinder, piston worn
- Piston ring bad (worn, weak, broken, or sticking)
- Piston ring/groove clearance excessive
- Cylinder head gasket damaged
- Cylinder head warped
- Valve spring broken or weak
- Valve not seating properly (valve bent, worn, or carbon accumulation on the seating surface)

#### Poor Running at Low Speed:

##### Spark weak:

- Battery voltage low
- Spark plug dirty, broken, or maladjusted
- Stick coil wiring trouble
- Stick coil not in good contact
- Spark plug incorrect
- IC igniter in ECU trouble
- Crankshaft sensor trouble
- Stick coil trouble

##### Fuel/air mixture incorrect:

- Bypass screw maladjusted
- Air passage clogged
- Air bleed pipe bleed holes clogged
- Pilot passage clogged
- Air cleaner clogged, poorly sealed, or missing
- Fuel tank air vent obstructed
- Fuel pump trouble
- Throttle body assy holder loose
- Air cleaner duct loose

## Troubleshooting Guide

### Compression low:

- Spark plug loose
- Cylinder head not sufficiently tightened down
- No valve clearance
- Cylinder, piston worn
- Piston ring bad (worn, weak, broken, or sticking)
- Piston ring/groove clearance excessive
- Cylinder head warped
- Cylinder head gasket damaged
- Valve spring broken or weak
- Valve not seating properly (valve bent, worn, or carbon accumulation on the seating surface)

### Other:

- IC igniter in ECU trouble
- Throttle body assy not synchronizing
- Engine oil viscosity too high
- Drive train trouble
- Brake dragging
- Air suction valve trouble
- Air switching valve trouble
- Engine overheating
- Clutch slipping

### Poor Running or No Power at High Speed:

#### Firing incorrect:

- Spark plug dirty, broken, or maladjusted
- Stick coil wiring trouble
- Stick coil not in good contact
- Spark plug incorrect
- Camshaft position trouble
- IC igniter in ECU trouble
- Crankshaft sensor trouble
- Stick coil trouble

#### Fuel/air mixture incorrect:

- Air cleaner clogged, poorly sealed, or missing
- Air cleaner O-ring damaged
- Air cleaner duct loose
- Water or foreign matter in fuel
- Throttle body assy holder loose
- Fuel to injector insufficient (DFI)
- Fuel tank air vent obstructed
- Fuel line clogged
- Fuel pump trouble

### Compression low:

- Spark plug loose
- Cylinder head not sufficiently tightened down
- No valve clearance
- Cylinder, piston worn
- Piston ring bad (worn, weak, broken, or sticking)
- Piston ring/groove clearance excessive

- Cylinder head gasket damaged
- Cylinder head warped
- Valve spring broken or weak
- Valve not seating properly (valve bent, worn, or carbon accumulation on the seating surface)

### Knocking:

- Carbon built up in combustion chamber
- Fuel poor quality or incorrect
- Spark plug incorrect
- IC igniter in ECU trouble
- Crankshaft sensor trouble

### Miscellaneous:

- Throttle valve won't fully open
- Brake dragging
- Clutch slipping
- Engine overheating
- Engine oil level too high
- Engine oil viscosity too high
- Drive train trouble
- Air suction valve trouble
- Air switching valve trouble
- Catalytic converter melt down due to muffler overheating (KLEEN)

### Overheating:

#### Firing incorrect:

- Spark plug dirty, broken, or maladjusted
- Spark plug incorrect
- IC igniter in ECU trouble

#### Muffler overheating:

For KLEEN, do not run the engine even if with only one cylinder misfiring or poor running (Request the nearest service facility to correct it)

For KLEEN, do not push-start with a dead battery (Connect another full-charged battery with jumper cables, and start the engine using the electric starter)

For KLEEN, do not start the engine under misfire due to spark plug fouling or poor connection of the stick coil

For KLEEN, do not coast the motorcycle with the ignition switch off (Turn the ignition switch ON and run the engine)

- IC igniter in ECU trouble

#### Fuel/air mixture incorrect:

- Throttle body assy holder loose
- Air cleaner duct loose
- Air cleaner poorly sealed, or missing
- Air cleaner O-ring damaged
- Air cleaner clogged

### Compression high:

- Carbon built up in combustion chamber

### Engine load faulty:

- Clutch slipping
- Engine oil level too high

## 17-48 APPENDIX

### Troubleshooting Guide

---

- Engine oil viscosity too high
- Drive train trouble
- Brake dragging

#### **Lubrication inadequate:**

- Engine oil level too low
- Engine oil poor quality or incorrect

#### **Gauge incorrect:**

- Water temperature gauge broken
- Water temperature sensor broken

#### **Coolant incorrect:**

- Coolant level too low
- Coolant deteriorated
- Wrong coolant mixed ratio

#### **Cooling system component incorrect:**

- Radiator fin damaged
- Radiator clogged
- Thermostat trouble
- Radiator cap trouble
- Radiator fan relay trouble
- Fan motor broken
- Fan blade damaged
- Water pump not turning
- Water pump impeller damaged

#### **Over Cooling:**

##### **Gauge incorrect:**

- Water temperature gauge broken
- Water temperature sensor broken

##### **Cooling system component incorrect:**

- Radiator fan relay trouble
- Thermostat trouble

#### **Clutch Operation Faulty:**

##### **Clutch slipping:**

- Friction plate worn or warped
- Steel plate worn or warped
- Clutch spring broken or weak
- Clutch hub or housing unevenly worn
- No clutch lever play
- Clutch inner cable trouble
- Clutch release mechanism trouble

##### **Clutch not disengaging properly:**

- Clutch plate warped or too rough
- Clutch spring compression uneven
- Engine oil deteriorated
- Engine oil viscosity too high
- Engine oil level too high
- Clutch housing frozen on drive shaft
- Clutch hub nut loose
- Clutch hub spline damaged
- Clutch friction plate installed wrong
- Clutch lever play excessive
- Clutch release mechanism trouble

#### **Gear Shifting Faulty:**

##### **Doesn't go into gear; shift pedal doesn't return:**

- Clutch not disengaging
- Shift fork bent or seized
- Gear stuck on the shaft
- Gear positioning lever binding
- Shift return spring weak or broken
- Shift return spring pin loose
- Shift mechanism arm spring broken
- Shift mechanism arm broken
- Shift pawl broken

##### **Jumps out of gear:**

- Shift fork ear worn, bent
- Gear groove worn
- Gear dogs and/or dog holes worn
- Shift drum groove worn
- Gear positioning lever spring weak or broken
- Shift fork guide pin worn
- Drive shaft, output shaft, and/or gear splines worn

##### **Overshifts:**

- Gear positioning lever spring weak or broken
- Shift mechanism arm spring broken

#### **Abnormal Engine Noise:**

##### **Knocking:**

- IC igniter in ECU trouble
- Carbon built up in combustion chamber
- Fuel poor quality or incorrect
- Spark plug incorrect
- Overheating

##### **Piston slap:**

- Cylinder/piston clearance excessive
- Cylinder, piston worn
- Connecting rod bent
- Piston pin, piston pin hole worn

##### **Valve noise:**

- Valve clearance incorrect
- Valve spring broken or weak
- Camshaft bearing worn
- Valve lifter worn

##### **Other noise:**

- Connecting rod small end clearance excessive
- Connecting rod big end clearance excessive
- Piston ring/groove clearance excessive
- Piston ring worn, broken, or stuck
- Piston ring groove worn
- Piston seizure, damage
- Cylinder head gasket leaking
- Exhaust pipe leaking at cylinder head connection
- Crankshaft runout excessive

## Troubleshooting Guide

Engine mount loose  
 Crankshaft bearing worn  
 Primary gear worn or chipped  
 Camshaft chain tensioner trouble  
 Camshaft chain, sprocket, guide worn  
 Air suction valve damaged  
 Air switching valve damaged  
 Alternator rotor loose  
 Catalytic converter melt down due to muffler overheating (KLEEN)

### Abnormal Drive Train Noise:

#### Clutch noise:

Clutch housing/friction plate clearance excessive  
 Clutch housing gear worn  
 Wrong installation of outside friction plate

#### Transmission noise:

Bearings worn  
 Transmission gear worn or chipped  
 Metal chips jammed in gear teeth  
 Engine oil insufficient

#### Drive line noise:

Drive chain adjusted improperly  
 Drive chain worn  
 Rear and/or engine sprocket worn  
 Chain lubrication insufficient  
 Rear wheel misaligned

### Abnormal Frame Noise:

#### Front fork noise:

Oil insufficient or too thin  
 Spring weak or broken

#### Rear shock absorber noise:

Shock absorber damaged

#### Disc brake noise:

Pad installed incorrectly  
 Pad surface glazed  
 Disc warped  
 Caliper trouble

#### Other noise:

Bracket, nut, bolt, etc. not properly mounted or tightened

### Oil Pressure Warning Light Goes On:

Engine oil pump damaged  
 Engine oil screen clogged  
 Engine oil filter clogged  
 Engine oil level too low  
 Engine oil viscosity too low  
 Camshaft bearing worn  
 Crankshaft bearing worn  
 Oil pressure switch damaged  
 Wiring faulty  
 Relief valve stuck open

O-ring at the oil passage in the crankcase damaged

### Exhaust Smokes Excessively:

#### White smoke:

Piston oil ring worn  
 Cylinder worn  
 Valve oil seal damaged  
 Valve guide worn  
 Engine oil level too high

#### Black smoke:

Air cleaner clogged

#### Brown smoke:

Air cleaner duct loose  
 Air cleaner O-ring damaged  
 Air cleaner poorly sealed or missing

### Handling and/or Stability

#### Unsatisfactory:

##### Handlebar hard to turn:

Cable routing incorrect  
 Hose routing incorrect  
 Wiring routing incorrect  
 Steering stem nut too tight  
 Steering stem bearing damaged  
 Steering stem bearing lubrication inadequate  
 Steering stem bent  
 Tire air pressure too low

##### Handlebar shakes or excessively vibrates:

Tire worn  
 Swingarm pivot bearing worn  
 Rim warped, or not balanced  
 Wheel bearing worn  
 Handlebar holder bolt loose  
 Steering stem nut loose  
 Front, rear axle runout excessive  
 Engine mounting bolt loose

##### Handlebar pulls to one side:

Frame bent  
 Wheel misalignment  
 Swingarm bent or twisted  
 Swingarm pivot shaft runout excessive  
 Steering maladjusted  
 Front fork bent  
 Right and left front fork oil level uneven

##### Shock absorption unsatisfactory:

(Too hard)  
 Front fork oil excessive  
 Front fork oil viscosity too high  
 Rear shock absorber adjustment too hard  
 Tire air pressure too high  
 Front fork bent  
 (Too soft)  
 Tire air pressure too low  
 Front fork oil insufficient and/or leaking  
 Front fork oil viscosity too low

## 17-50 APPENDIX

### Troubleshooting Guide

---

Rear shock adjustment too soft  
Front fork, rear shock absorber spring weak  
Rear shock absorber oil leaking

#### **Brake Doesn't Hold:**

Air in the brake line  
Pad or disc worn  
Brake fluid leakage  
Disc warped  
Contaminated pad  
Brake fluid deteriorated  
Primary or secondary cup damaged in master cylinder  
Master cylinder scratched inside

#### **Battery Trouble:**

##### **Battery discharged:**

Charge insufficient  
Battery faulty (too low terminal voltage)  
Battery lead making poor contact  
Load excessive (e.g., bulb of excessive wattage)  
Ignition switch trouble  
Alternator trouble  
Wiring faulty  
Regulator/rectifier trouble

##### **Battery overcharged:**

Alternator trouble  
Regulator/rectifier trouble  
Battery faulty

### MODEL APPLICATION

Year	Model	Beginning Frame No.
2007	KLE650A7F	JKALEEA1□7A000001 JKALE650AAA000001 LE650A-000001
2007	KLE650B7F	JKALE650ABA000001

□:This digit in the frame number changes from one machine to another.



KAWASAKI HEAVY INDUSTRIES, LTD.  
Consumer Products & Machinery Company

Part No.99924-1369-01

Printed in Japan