



VULCAN900 CLASSIC  
VULCAN900 CLASSIC LT  
VN900 CLASSIC



# Motorcycle Service Manual



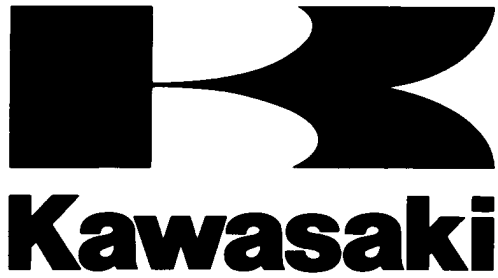
# Quick Reference Guide

<b>General Information</b>	<b>1</b>
<b>Periodic Maintenance</b>	<b>2</b>
<b>Fuel System (DFI)</b>	<b>3</b>
<b>Cooling System</b>	<b>4</b>
<b>Engine Top End</b>	<b>5</b>
<b>Clutch</b>	<b>6</b>
<b>Engine Lubrication System</b>	<b>7</b>
<b>Engine Removal/Installation</b>	<b>8</b>
<b>Crankshaft/Transmission</b>	<b>9</b>
<b>Wheels/Tires</b>	<b>10</b>
<b>Final Drive</b>	<b>11</b>
<b>Brakes</b>	<b>12</b>
<b>Suspension</b>	<b>13</b>
<b>Steering</b>	<b>14</b>
<b>Frame</b>	<b>15</b>
<b>Electrical System</b>	<b>16</b>
<b>Appendix</b>	<b>17</b>

This quick reference guide will assist you in locating a desired topic or procedure.

- Bend the pages back to match the black tab of the desired chapter number with the black tab on the edge at each table of contents page.
- Refer to the sectional table of contents for the exact pages to locate the specific topic required.





**VULCAN900 CLASSIC  
VULCAN900 CLASSIC LT  
VN900 CLASSIC**

# **Motorcycle Service Manual**

---

All rights reserved. No parts of this publication may be reproduced, stored in a retrieval system, or transmitted in any form or by any means, electronic mechanical photocopying, recording or otherwise, without the prior written permission of Quality Division/Consumer Products & Machinery Company/Kawasaki Heavy Industries, Ltd., Japan.

No liability can be accepted for any inaccuracies or omissions in this publication, although every possible care has been taken to make it as complete and accurate as possible.

The right is reserved to make changes at any time without prior notice and without incurring an obligation to make such changes to products manufactured previously. See your motorcycle dealer for the latest information on product improvements incorporated after this publication.

All information contained in this publication is based on the latest product information available at the time of publication. Illustrations and photographs in this publication are intended for reference use only and may not depict actual model component parts.

## LIST OF ABBREVIATIONS

A	ampere(s)	lb	pounds(s)
ABDC	after bottom dead center	m	meter(s)
AC	alternating current	min	minute(s)
ATDC	after top dead center	N	newton(s)
BBDC	before bottom dead center	Pa	pascal(s)
BDC	bottom dead center	PS	horsepower
BTDC	before top dead center	psi	pound(s) per square inch
°C	degree(s) Celsius	r	revolution
DC	direct current	rpm	revolution(s) per minute
F	farad(s)	TDC	top dead center
°F	degree(s) Fahrenheit	TIR	total indicator reading
ft	foot, feet	V	volt(s)
g	gram(s)	W	watt(s)
h	hour(s)	Ω	ohm(s)
L	liter(s)		

## EMISSION CONTROL INFORMATION

To protect the environment in which we all live, Kawasaki has incorporated crankcase emission (1) and exhaust emission (2) control systems in compliance with applicable regulations of the United States Environmental Protection Agency and California Air Resources Board. Additionally, Kawasaki has incorporated an evaporative emission control system (3) in compliance with applicable regulations of the California Air Resources Board on vehicles sold in California only.

### 1. Crankcase Emission Control System

This system eliminates the release of crankcase vapors into the atmosphere. Instead, the vapors are routed through an oil separator to the inlet side of the engine. While the engine is operating, the vapors are drawn into combustion chamber, where they are burned along with the fuel and air supplied by the fuel injection system.

### 2. Exhaust Emission Control System

This system reduces the amount of pollutants discharged into the atmosphere by the exhaust of this motorcycle. The fuel, ignition, and exhaust systems of this motorcycle have been carefully designed and constructed to ensure an efficient engine with low exhaust pollutant levels.

The exhaust system of this model motorcycle manufactured primarily for sale in California includes a catalytic converter system.

### 3. Evaporative Emission Control System

Vapors caused by fuel evaporation in the fuel system are not vented into the atmosphere. Instead, fuel vapors are routed into the running engine to be burned, or stored in a canister when the engine is stopped. Liquid fuel is caught by a vapor separator and returned to the fuel tank.

The Clean Air Act, which is the Federal law covering motor vehicle pollution, contains what is commonly referred to as the Act's "tampering provisions."

"Sec. 203(a) The following acts and the causing thereof are prohibited...

(3)(A) for any person to remove or render inoperative any device or element of design installed on or in a motor vehicle or motor vehicle engine in compliance with regulations under this title prior to its sale and delivery to the ultimate purchaser, or for any manufacturer or dealer knowingly to remove or render inoperative any such device or element of design after such sale and delivery to the ultimate purchaser.

(3)(B) for any person engaged in the business of repairing, servicing, selling, leasing, or trading motor vehicles or motor vehicle engines, or who operates a fleet of motor vehicles knowingly to remove or render inoperative any device or element of design installed on or in a motor vehicle or motor vehicle engine in compliance with regulations under this title following its sale and delivery to the ultimate purchaser..."

### NOTE

○ *The phrase "remove or render inoperative any device or element of design" has been generally interpreted as follows:*

1. *Tampering does not include the temporary removal or rendering inoperative of devices or elements of design in order to perform maintenance.*
2. *Tampering could include:*
  - a. *Maladjustment of vehicle components such that the emission standards are exceeded.*
  - b. *Use of replacement parts or accessories which adversely affect the performance or durability of the motorcycle.*
  - c. *Addition of components or accessories that result in the vehicle exceeding the standards.*
  - d. *Permanently removing, disconnecting, or rendering inoperative any component or element of design of the emission control systems.*

**WE RECOMMEND THAT ALL DEALERS OBSERVE THESE PROVISIONS OF FEDERAL LAW, THE VIOLATION OF WHICH IS PUNISHABLE BY CIVIL PENALTIES NOT EXCEEDING \$10,000 PER VIOLATION.**

## **TAMPERING WITH NOISE CONTROL SYSTEM PROHIBITED**

Federal law prohibits the following acts or the causing thereof: (1) The removal or rendering inoperative by any person other than for purposes of maintenance, repair, or replacement, of any device or element of design incorporated into any new vehicle for the purpose of noise control prior to its sale or delivery to the ultimate purchaser or while it is in use, or (2) the use of the vehicle after such device or element of design has been removed or rendered inoperative by any person.

Among those acts presumed to constitute tampering are the acts listed below:

- Replacement of the original exhaust system or muffler with a component not in compliance with Federal regulations.
- Removal of the muffler(s) or any internal portion of the muffler(s).
- Removal of the air box or air box cover.
- Modifications to the muffler(s) or air intake system by cutting, drilling, or other means if such modifications result in increased noise levels.



# Foreword

This manual is designed primarily for use by trained mechanics in a properly equipped shop. However, it contains enough detail and basic information to make it useful to the owner who desires to perform his own basic maintenance and repair work. A basic knowledge of mechanics, the proper use of tools, and workshop procedures must be understood in order to carry out maintenance and repair satisfactorily. Whenever the owner has insufficient experience or doubts his ability to do the work, all adjustments, maintenance, and repair should be carried out only by qualified mechanics.

In order to perform the work efficiently and to avoid costly mistakes, read the text, thoroughly familiarize yourself with the procedures before starting work, and then do the work carefully in a clean area. Whenever special tools or equipment are specified, do not use makeshift tools or equipment. Precision measurements can only be made if the proper instruments are used, and the use of substitute tools may adversely affect safe operation.

**For the duration of the warranty period,** we recommend that all repairs and scheduled maintenance be performed in accordance with this service manual. Any owner maintenance or repair procedure not performed in accordance with this manual may void the warranty.

To get the longest life out of your vehicle:

- Follow the Periodic Maintenance Chart in the Service Manual.
- Be alert for problems and non-scheduled maintenance.
- Use proper tools and genuine Kawasaki Motorcycle parts. Special tools, gauges, and testers that are necessary when servicing Kawasaki motorcycles are introduced by the Service Manual. Genuine parts provided as spare parts are listed in the Parts Catalog.
- Follow the procedures in this manual carefully. Don't take shortcuts.
- Remember to keep complete records of maintenance and repair with dates and any new parts installed.

---

## How to Use This Manual

---

In preparing this manual, we divided the product into its major systems. These systems became the manual's chapters. All information for a particular system from adjustment through disassembly and inspection is located in a single chapter.

The Quick Reference Guide shows you all of the product's system and assists in locating their chapters. Each chapter in turn has its own comprehensive Table of Contents.

The Periodic Maintenance Chart is located in the Periodic Maintenance chapter. The chart gives a time schedule for required maintenance operations.

If you want spark plug information, for example, go to the Periodic Maintenance Chart first. The chart tells you how frequently to clean and gap the plug. Next, use the Quick Reference Guide to locate the Periodic Maintenance chapter. Then, use the Table of Contents on the first page of the chapter to find the Spark Plug section.

Whenever you see these WARNING and CAUTION symbols, heed their instructions! Always follow safe operating and maintenance practices.

### WARNING

**This warning symbol identifies special instructions or procedures which, if not correctly followed, could result in personal injury, or loss of life.**

### CAUTION

**This caution symbol identifies special instructions or procedures which, if not strictly observed, could result in damage to or destruction of equipment.**

This manual contains four more symbols (in addition to WARNING and CAUTION) which will help you distinguish different types of information.

## NOTE

○ *This note symbol indicates points of particular interest for more efficient and convenient operation.*

- Indicates a procedural step or work to be done.
- Indicates a procedural sub-step or how to do the work of the procedural step it follows. It also precedes the text of a NOTE.
- ★ Indicates a conditional step or what action to take based on the results of the test or inspection in the procedural step or sub-step it follows.

In most chapters an exploded view illustration of the system components follows the Table of Contents. In these illustrations you will find the instructions indicating which parts require specified tightening torque, oil, grease or a locking agent during assembly.

# General Information

## Table of Contents

Before Servicing .....	1-2
Model Identification.....	1-7
General Specifications.....	1-10
Unit Conversion Table .....	1-13

## 1-2 GENERAL INFORMATION

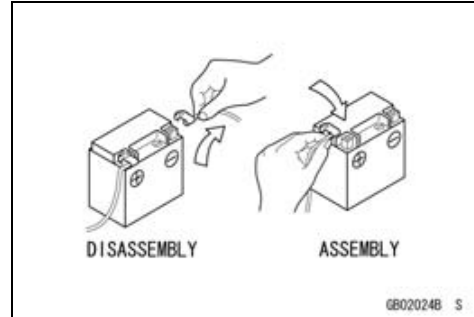
### Before Servicing

Before starting to perform an inspection service or carry out a disassembly and reassembly operation on a motorcycle, read the precautions given below. To facilitate actual operations, notes, illustrations, photographs, cautions, and detailed descriptions have been included in each chapter wherever necessary. This section explains the items that require particular attention during the removal and reinstallation or disassembly and reassembly of general parts.

Especially note the following:

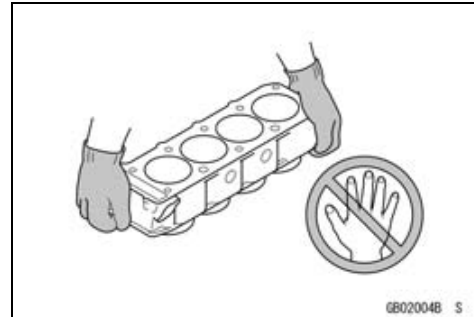
#### **Battery Ground**

Before completing any service on the motorcycle, disconnect the battery cables from the battery to prevent the engine from accidentally turning over. Disconnect the ground cable (-) first and then the positive (+). When completed with the service, first connect the positive (+) cable to the positive (+) terminal of the battery then the negative (-) cable to the negative terminal.



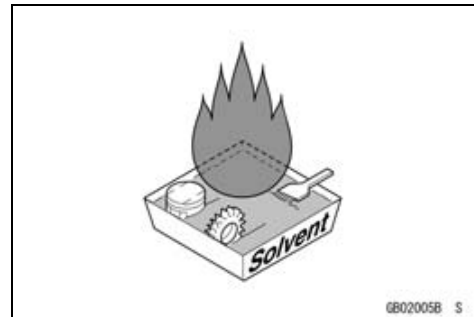
#### **Edges of Parts**

Lift large or heavy parts wearing gloves to prevent injury from possible sharp edges on the parts.



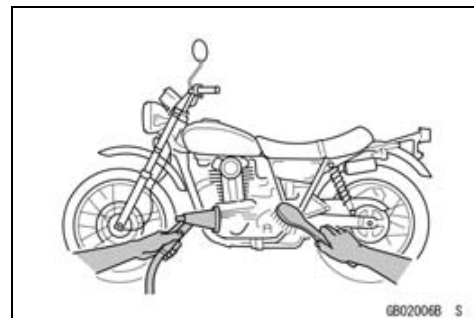
#### **Solvent**

Use a high-flash point solvent when cleaning parts. High-flash point solvent should be used according to directions of the solvent manufacturer.



#### **Cleaning Vehicle before Disassembly**

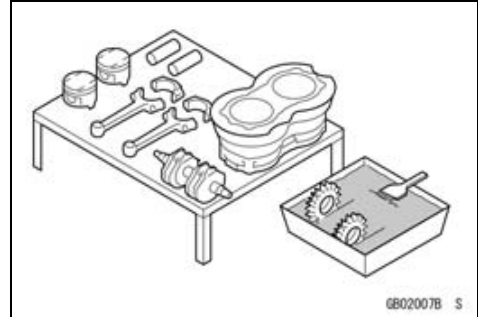
Clean the vehicle thoroughly before disassembly. Dirt or other foreign materials entering into sealed areas during vehicle disassembly can cause excessive wear and decrease performance of the vehicle.



## Before Servicing

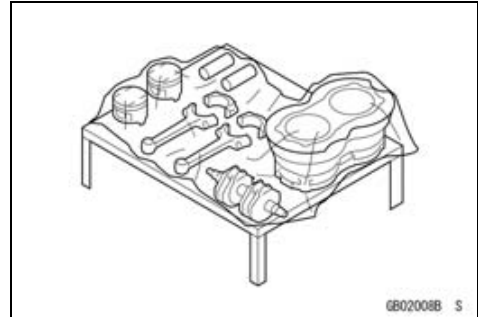
### Arrangement and Cleaning of Removed Parts

Disassembled parts are easy to confuse. Arrange the parts according to the order the parts were disassembled and clean the parts in order prior to assembly.



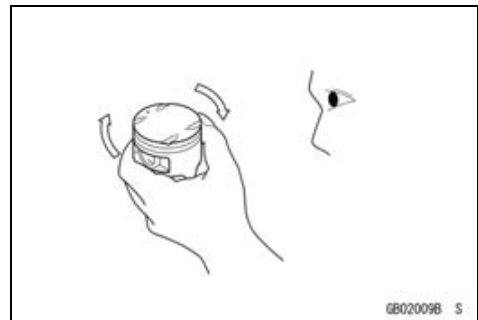
### Storage of Removed Parts

After all the parts including subassembly parts have been cleaned, store the parts in a clean area. Put a clean cloth or plastic sheet over the parts to protect from any foreign materials that may collect before re-assembly.



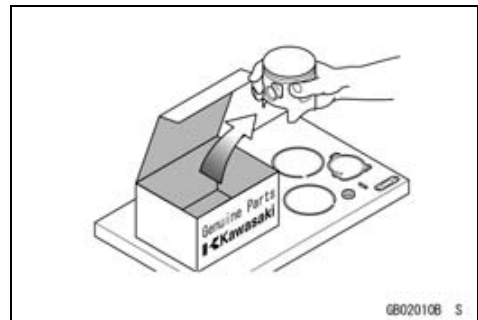
### Inspection

Reuse of worn or damaged parts may lead to serious accident. Visually inspect removed parts for corrosion, discoloration, or other damage. Refer to the appropriate sections of this manual for service limits on individual parts. Replace the parts if any damage has been found or if the part is beyond its service limit.



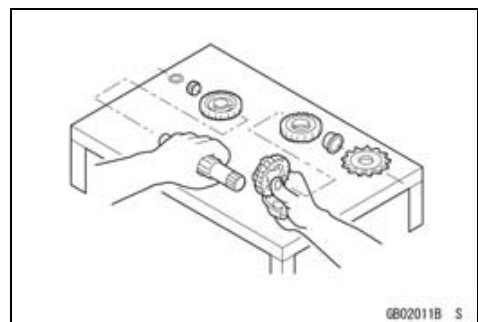
### Replacement Parts

Replacement parts must be KAWASAKI genuine or recommended by KAWASAKI. Gaskets, O-rings, oil seals, grease seals, circlips or cotter pins must be replaced with new ones whenever disassembled.



### Assembly Order

In most cases assembly order is the reverse of disassembly, however, if assembly order is provided in this Service Manual, follow the procedures given.

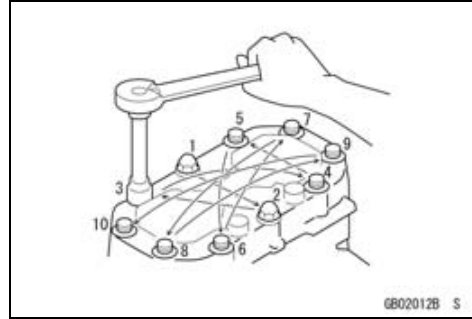


# 1-4 GENERAL INFORMATION

## Before Servicing

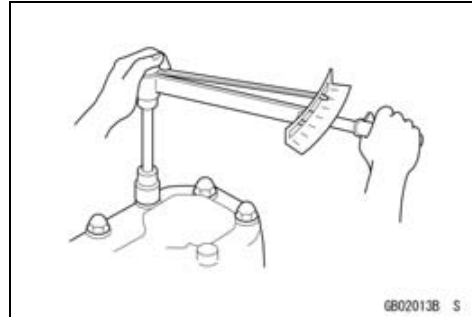
### **Tightening Sequence**

Generally, when installing a part with several bolts, nuts, or screws, start them all in their holes and tighten them to a snug fit. Then tighten them according to the specified sequence to prevent case warpage or deformation which can lead to malfunction. Conversely when loosening the bolts, nuts, or screws, first loosen all of them by about a quarter turn and then remove them. If the specified tightening sequence is not indicated, tighten the fasteners alternating diagonally.



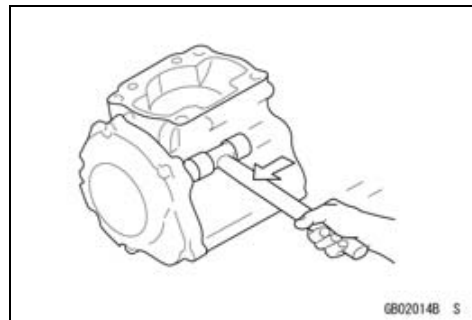
### **Tightening Torque**

Incorrect torque applied to a bolt, nut, or screw may lead to serious damage. Tighten fasteners to the specified torque using a good quality torque wrench. Often, the tightening sequence is followed twice-initial tightening and final tightening with torque wrench.



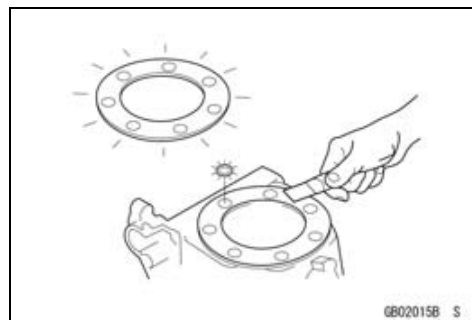
### **Force**

Use common sense during disassembly and assembly, excessive force can cause expensive or hard to repair damage. When necessary, remove screws that have a non-permanent locking agent applied using an impact driver. Use a plastic-faced mallet whenever tapping is necessary.



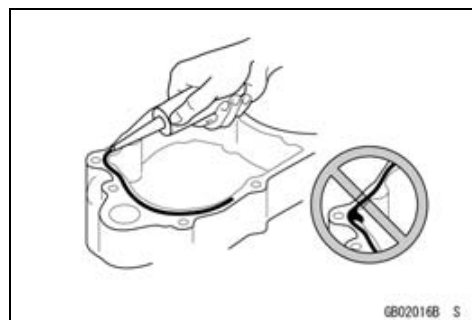
### **Gasket, O-ring**

Hardening, shrinkage, or damage of both gaskets and O-rings after disassembly can reduce sealing performance. Remove old gaskets and clean the sealing surfaces thoroughly so that no gasket material or other material remains. Install new gaskets and replace used O-rings when re-assembling



### **Liquid Gasket, Non-permanent Locking Agent**

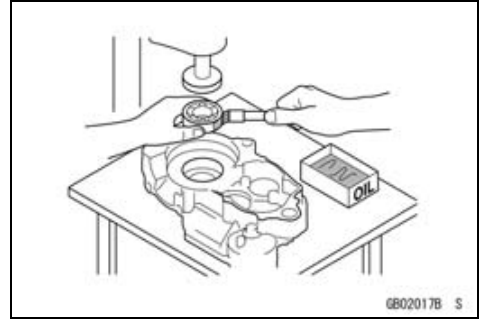
For applications that require Liquid Gasket or a Non-permanent Locking Agent, clean the surfaces so that no oil residue remains before applying liquid gasket or non-permanent locking agent. Do not apply them excessively. Excessive application can clog oil passages and cause serious damage.



**Before Servicing**

**Press**

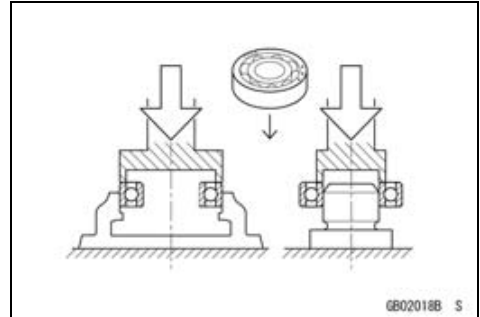
For items such as bearings or oil seals that must be pressed into place, apply small amount of oil to the contact area. Be sure to maintain proper alignment and use smooth movements when installing.



**Ball Bearing and Needle Bearing**

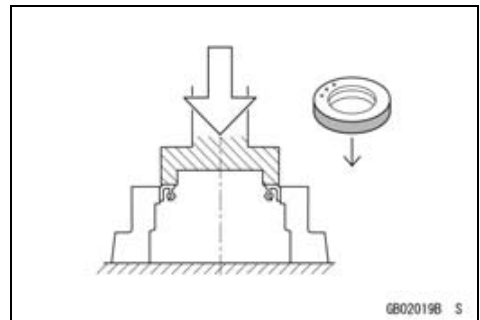
Do not remove pressed ball or needle unless removal is absolutely necessary. Replace with new ones whenever removed. Press bearings with the manufacturer and size marks facing out. Press the bearing into place by putting pressure on the correct bearing race as shown.

Pressing the incorrect race can cause pressure between the inner and outer race and result in bearing damage.

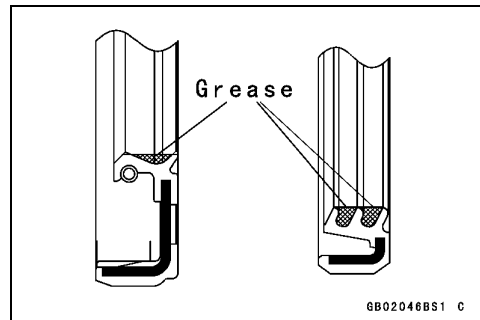


**Oil Seal, Grease Seal**

Do not remove pressed oil or grease seals unless removal is necessary. Replace with new ones whenever removed. Press new oil seals with manufacture and size marks facing out. Make sure the seal is aligned properly when installing.

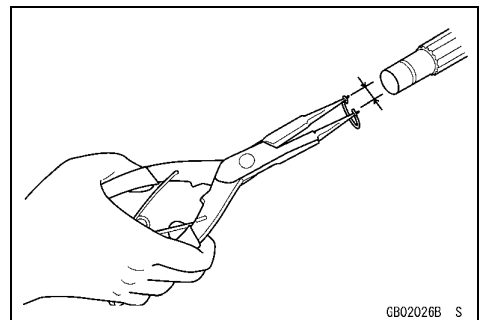


Apply specified grease to the lip of seal before installing the seal.



**Circlips, Cotter Pins**

Replace circlips or cotter pins that were removed with new ones. Take care not to open the clip excessively when installing to prevent deformation.

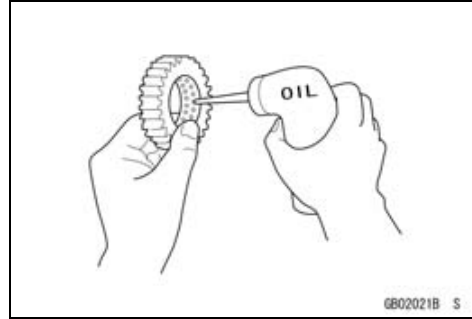


# 1-6 GENERAL INFORMATION

## Before Servicing

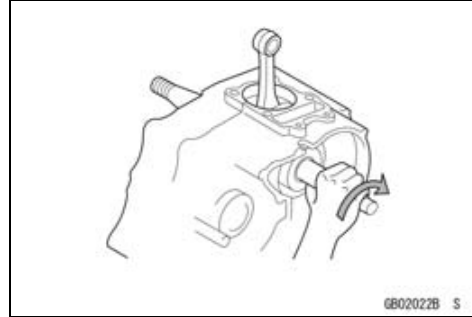
### **Lubrication**

It is important to lubricate rotating or sliding parts during assembly to minimize wear during initial operation. Lubrication points are called out throughout this manual, apply the specific oil or grease as specified.



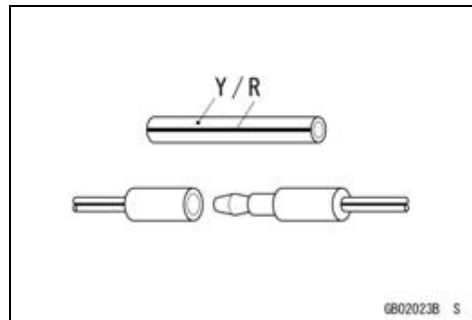
### **Direction of Engine Rotation**

When rotating the crankshaft by hand, the free play amount of rotating direction will affect the adjustment. Rotate the crankshaft to positive direction (clockwise viewed from output side).



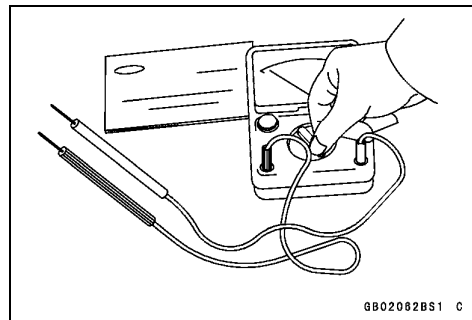
### **Electrical Wires**

A two-color wire is identified first by the primary color and then the stripe color. Unless instructed otherwise, electrical wires must be connected to those of the same color.



### **Instrument**

Use a meter that has enough accuracy for an accurate measurement. Read the manufacture's instructions thoroughly before using the meter. Incorrect values may lead to improper adjustments.





Model Identification

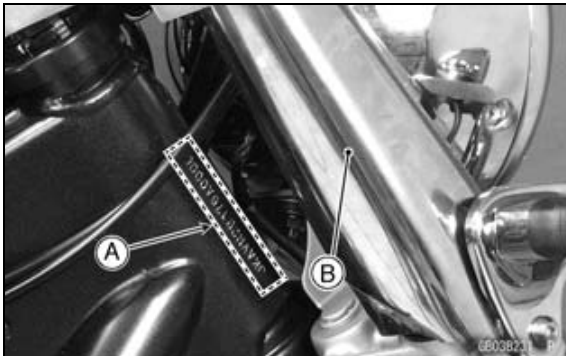
VN900B6F (US and Canada) Left Side View:



VN900B6F (US and Canada) Right Side View:

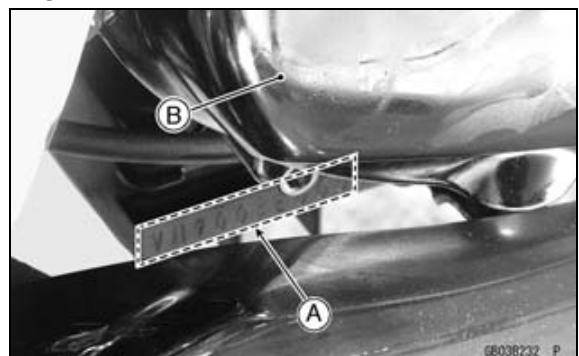


Frame Number



- [A] Frame Number
- [B] Front Fork (Right side)

Engine Number



- [A] Engine Number
- [B] Right Engine Cover

# 1-8 GENERAL INFORMATION

## Model Identification

VN900B6F (Europe and Australia) Left Side View:



VN900B6F (Europe and Australia) Right Side View:



**Model Identification**

**VN900D6F (US and Canada) Left Side View:**



**VN900D6F (US and Canada) Right Side View:**



# 1-10 GENERAL INFORMATION

## General Specifications

Items	VN900B6F/D6F
<b>Dimensions</b>	
Overall Length	2 465 mm (97.05 in.)
Overall Width	1 005 mm (39.57 in.), (AU) 980 mm (38.6 in.)
Overall Height	
(VN900B)	1 065 mm (41.93 in.)
(VN900D)	1 480 mm (58.27 in.)
Wheelbase	1 645 mm (64.76 in.)
Road Clearance	135 mm (5.31 in.)
Seat Height	680 mm (26.8 in.)
Dry Mass	
(VN900B)	253 kg (558 lb), (EU) 254 kg (560 lb)
(VN900D)	270 kg (595 lb)
Curb Mass:	
Front	
(VN900B)	130 kg (287 lb), (EU) 131 kg (289 lb)
(VN900D)	134 kg (295 lb)
Rear	
(VN900B)	151 kg (333 lb)
(VN900D)	164 kg (362 lb)
Fuel Tank Capacity	20 L (5.3 US gal)
<b>Performance</b>	
Minimum Turning Radius	2.9 m (9.5 ft)
<b>Engine</b>	
Type	4-stroke, SOHC, V2-cylinder
Cooling System	Liquid-cooled
Bore And Stroke	88.0 × 74.2 mm (3.46 × 2.92 in.)
Displacement	903 mL (55.1 cu in.)
Compression Ratio	9.5 : 1
Maximum Horsepower	37 kW (50 PS) @5 700 r/min (rpm), (CA) (CAL) (US) –
Maximum Torque	78 N·m (8.0 kgf·m, 58 ft·lb) @3 700 r/min (rpm), (CA) (CAL) (US) –
Carburetion System	DFI (Digital Fuel Injection) System
Starting System	Electric starter
Ignition System	Battery and coil (transistorized)
Timing Advance	Electronically advanced (digital)
Ignition Timing	From 0° BTDC @1 000r/min (rpm) to 53° BTDC @5 800 r/min (rpm) (AU) From 3.5° BTDC @1 000r/min (rpm) to 53° BTDC @5 800 r/min (rpm)
Spark Plugs	NGK CPR7EA-9
Cylinder Numbering Method	Front to Rear, 1-2
Firing Order	1-2

**General Specifications**

Items	VN900B6F/D6F
Valve Timing: Inlet open close duration Exhaust Open Close Duration Lubrication System Engine Oil: Type Viscosity Capacity	 40° BTDC 40° ABDC 260° 55° BBDC 25° ATDC 260° Forced lubrication (wet sump) API SE, SF or SG class API SH or SJ class with JASO MA SAE10W-40 3.7 L (3.9 US qt)
<b>Drive Train</b> Primary Reduction System: Type Reduction Ratio Clutch Type Transmission: Type Gear Ratios: 1st 2nd 3rd 4th 5th Final Drive System: Type Reduction Ratio Overall Drive Ratio	 Chain 2.184 (83/38) Wet multi disc 5-speed, constant mesh, return shift 2.786 (39/14) 1.889 (34/18) 1.360 (34/25) 1.107 (31/28) 0.963 (26/27) Belt 2.063 (66/32) 4.338 @ Top gear
<b>Frame</b> Type Caster (Rake Angel) Trail Front Tire: Type Size Rim Size Rear Tire: Type Size Rim Size	 Tubular, double cradle 32° 160 mm (6.30 in.) Tubeless 130/90-16M/C 67H 16M/C × MT3.00 Tubeless 180/70-15M/C 76H 15M/C × MT4.50

## 1-12 GENERAL INFORMATION

### General Specifications

Items	VN900B6F/D6F
Front Suspension: Type Wheel Travel	Telescopic fork 150 mm (5.90 in.)
Rear Suspension: Type Wheel Travel	Swingarm (uni-trak) 103 mm (4.06 in.)
Brake Type: Front Rear	Single disc Single disc
<b>Electrical Equipment</b> Battery: Capacity	12 V 10 Ah
Headlight: Type Bulb Tail/brake Light Alternator: Type Rated Output	Semi-sealed beam 12 V 60/55W (quartz-halogen) 12 V 5/21 W Three-phase AC 32 A × 14 V @5 000 r/min (rpm)

Specifications subject to change without notice, and may not apply to every country.

AU: Australia

CA: Canada

CAL: California

EU: Europe

US: United States of America

**Unit Conversion Table**

**Prefixes for Units:**

Prefix	Symbol	Power
mega	M	× 1 000 000
kilo	k	× 1 000
centi	c	× 0.01
milli	m	× 0.001
micro	μ	× 0.000001

**Units of Mass:**

kg	×	2.205	=	lb
g	×	0.03527	=	oz

**Units of Volume:**

L	×	0.2642	=	gal (US)
L	×	0.2200	=	gal (imp)
L	×	1.057	=	qt (US)
L	×	0.8799	=	qt (imp)
L	×	2.113	=	pint (US)
L	×	1.816	=	pint (imp)
mL	×	0.03381	=	oz (US)
mL	×	0.02816	=	oz (imp)
mL	×	0.06102	=	cu in

**Units of Force:**

N	×	0.1020	=	kg
N	×	0.2248	=	lb

---

kg	×	9.807	=	N
kg	×	2.205	=	lb

**Units of Length:**

km	×	0.6214	=	mile
m	×	3.281	=	ft
mm	×	0.03937	=	in

**Units of Torque:**

N·m	×	0.1020	=	kgf·m
N·m	×	0.7376	=	ft·lb
N·m	×	8.851	=	in·lb

---

kgf·m	×	9.807	=	N·m
kgf·m	×	7.233	=	ft·lb
kgf·m	×	86.80	=	in·lb

**Units of Pressure:**

kPa	×	0.01020	=	kgf/cm <sup>2</sup>
kPa	×	0.1450	=	psi
kPa	×	0.7501	=	cm Hg

---

kgf/cm <sup>2</sup>	×	98.07	=	kPa
kgf/cm <sup>2</sup>	×	14.22	=	psi
cm Hg	×	1.333	=	kPa

**Units of Speed:**

km/h	×	0.6214	=	mph
------	---	--------	---	-----

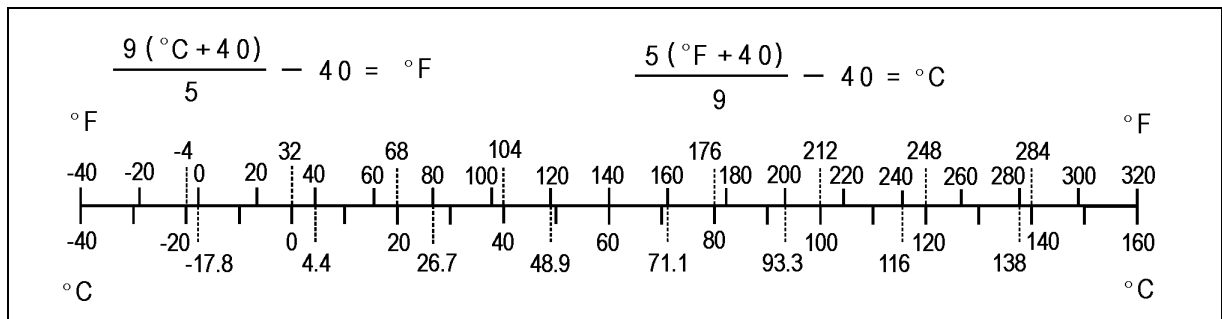
**Units of Power:**

kW	×	1.360	=	PS
kW	×	1.341	=	HP

---

PS	×	0.7355	=	kW
PS	×	0.9863	=	HP

**Units of Temperature:**







# Periodic Maintenance

## Table of Contents

Periodic Maintenance Chart .....	2-3
Torque and Locking Agent.....	2-6
Specifications .....	2-11
Special Tools .....	2-13
Periodic Maintenance Procedures.....	2-14
Fuel System (DFI).....	2-14
Fuel Hose Inspection (fuel leak, damage, installation condition).....	2-14
Throttle Control System Inspection.....	2-14
Idle Speed Inspection .....	2-15
Idle Speed Adjustment.....	2-15
Cooling System.....	2-16
Coolant Level Inspection.....	2-16
Radiator Hose and Pipe Inspection (coolant leak, damage, installation condition) .....	2-16
Air Suction System .....	2-17
Air Suction System Damage Inspection.....	2-17
Engine Top End .....	2-17
Valve Clearance Inspection .....	2-17
Valve Clearance Adjustment.....	2-17
Clutch.....	2-21
Clutch Operation Inspection.....	2-21
Wheels and Tires .....	2-22
Tire Air Pressure Inspection.....	2-22
Wheel/Tire Damage Inspection.....	2-22
Tire Tread Wear Inspection.....	2-22
Wheel Bearing Damage Inspection .....	2-23
Spoke Tightness and Rim Runout Inspection .....	2-24
Drive Train .....	2-25
Belt Deflection Inspection .....	2-25
Belt Deflection Adjustment.....	2-27
Wheel Alignment Inspection/Adjustment .....	2-28
Belt Wear and Damage Inspection .....	2-28
Brake System .....	2-31
Brake Fluid Leak Inspection.....	2-31
Brake Hose Damage and Installation Condition Inspection.....	2-32
Brake Operation Inspection .....	2-32
Brake Fluid Level Inspection.....	2-32
Brake Pad Wear Inspection .....	2-33
Brake Light Switch Operation Inspection .....	2-33
Suspensions .....	2-34
Front Forks/Rear Shock Absorber Operation Inspection.....	2-34
Front Fork Oil Leak Inspection.....	2-35
Rear Shock Absorber Oil Leak Inspection .....	2-35
Swingarm Pivot Lubrication .....	2-35
Rocker Arm Operation Inspection.....	2-35
Tie-Rod Operation Inspection .....	2-35
Uni-trak Linkage Lubrication .....	2-36
Steering System .....	2-36
Steering Play Inspection .....	2-36
Steering Play Adjustment.....	2-36
Steering Stem Bearing Lubrication .....	2-38

## 2-2 PERIODIC MAINTENANCE

---

Electrical System .....	2-39
Lights and Switches Operation Inspection.....	2-39
Headlight Aiming Inspection .....	2-41
Sidestand Switch Operation Inspection .....	2-42
Engine Stop Switch Operation Inspection.....	2-43
Others .....	2-44
Chassis Parts Lubrication .....	2-44
Bolts, Nuts and Fasteners Tightness Inspection.....	2-45
Evaporative Emission Control System Inspection (CAL).....	2-46
Evaporative Emission Control System Inspection .....	2-46
Replacement Parts .....	2-47
Air Cleaner Element Replacement.....	2-47
Engine Oil Change.....	2-48
Oil Filter Replacement .....	2-49
Fuel Hose Replacement .....	2-49
Coolant Change .....	2-51
Radiator Hose and O-ring Replacement.....	2-53
Brake Hose Replacement .....	2-53
Brake Fluid Change .....	2-54
Master Cylinder Rubber Parts Replacement .....	2-56
Caliper Rubber Parts Replacement .....	2-57
Spark Plug Replacement .....	2-60

**Periodic Maintenance Chart**

The scheduled maintenance must be done in accordance with this chart to keep the motorcycle in good running condition. **The initial maintenance is vitally important and must not be neglected.**

**Periodic Inspection**

INSPECTION	FREQUENCY	* ODOMETER READING × 1 000 km (× 1 000 mile)							See Page
		Whichever comes first ↓ Every	1 (0.6)	6 (4)	12 (7.5)	18 (12)	24 (15)	30 (20)	
<b>Fuel System</b>									
Throttle control system (play, smooth return, no drag) - inspect	year	•		•		•		•	2-14
Idle speed - inspect		•		•		•		•	2-15
Fuel leak (fuel hose and pipe) - inspect	year	•		•		•		•	2-14
Fuel hose - inspect	year	•		•		•		•	2-14
Fuel hoses installation condition - inspect	year	•		•		•		•	2-14
<b>Cooling System</b>									
Coolant level - inspect		•		•		•		•	2-16
Coolant leak (radiator hose and pipe) - inspect	year	•		•		•		•	2-16
Radiator hose damage - inspect	year	•		•		•		•	2-16
Radiator hose installation condition - inspect	year	•		•		•		•	2-16
<b>Air Suction System</b>									
Air suction system damage - inspect				•		•		•	2-17
<b>Evaporative Emission Control System (CAL)</b>									
Evaporative emission control system function - inspect		•	•	•	•	•	•	•	2-46
<b>Engine Top End</b>									
Valve clearance - inspect (US and CA)						•			2-17
Valve clearance - inspect (EU and AU)	Every 42 000 km (26 000 mile)								2-17
<b>Clutch</b>									
Clutch operation (play, disengagement, engagement) - inspect		•		•		•		•	2-21
<b>Wheels and Tires</b>									
Tire air pressure - inspect	year			•		•		•	2-22
Wheel/tire damage - inspect				•		•		•	2-22
Tire tread wear, abnormal wear - inspect				•		•		•	2-22
Wheel bearings damage - inspect	year			•		•		•	2-23
Spoke tightness and rim runout-inspect		•	•	•	•	•	•	•	2-24
<b>Drive Train</b>									
Belt deflection - inspect		•	•	•	•	•	•	•	2-25
Belt wear and damage - inspect		•	•	•	•	•	•	•	2-28
<b>Brake System</b>									
Brake fluid leak - inspect	year	•	•	•	•	•	•	•	2-31

## 2-4 PERIODIC MAINTENANCE

### Periodic Maintenance Chart

FREQUENCY	Which ever comes first ↓	* ODOMETER READING × 1 000 km (× 1 000 mile)							See Page
		1 (0.6)	6 (4)	12 (7.5)	18 (12)	24 (15)	30 (20)	36 (24)	
INSPECTION	Every								
Brake hose damage - inspect	year	•	•	•	•	•	•	•	2-32
Brake hose installation condition - inspect	year	•	•	•	•	•	•	•	2-32
Brake operation (effectiveness, play, no drag) - inspect	year	•	•	•	•	•	•	•	2-32
Brake fluid level - inspect	6 months	•	•	•	•	•	•	•	2-32
Brake pad wear - inspect #			•	•	•	•	•	•	2-33
Brake light switch operation - inspect		•	•	•	•	•	•	•	2-33
<b>Suspensions</b>									
Front forks/rear shock absorber operation (damping and smooth stroke) - inspect				•		•		•	2-34
Front forks/rear shock absorber oil leak - inspect	year			•		•		•	2-35
Swingarm pivot - lubricate						•			2-35
Uni - trak rocker arm operation - inspect				•		•		•	2-35
Uni - trak tie rod operation - inspect				•		•		•	2-35
Uni - trak rocker arm bearings - lubricate						•			2-36
Uni - trak tie rod bearings - lubricate						•			2-36
<b>Steering System</b>									
Steering play - inspect	year	•		•		•		•	2-35
Steering stem bearings - lubricate	2 years					•			2-38
<b>Electrical System</b>									
Lights and switches operation - inspect	year			•		•		•	2-39
Headlight aiming - inspect	year			•		•		•	2-41
Sidestand switch operation - inspect	year			•		•		•	2-42
Engine stop switch operation - inspect	year			•		•		•	2-43
<b>Others</b>									
Chassis parts - lubricate	year			•		•		•	2-44
Bolts and nuts tightness - inspect		•		•		•		•	2-45

#: Service more frequently when operating in severe conditions; dusty, wet, muddy, high speed or frequent starting/stopping.

\*: For higher odometer readings, repeat at the frequency interval established here.

(AU): Australia

(CA): Canada

(CAL): California

(EU): Europe

(US): United States

## PERIODIC MAINTENANCE 2-5

### Periodic Maintenance Chart

#### Periodic Replacement Parts

CHANGE/REPLACE ITEM	FREQUENCY	Whichever comes first ↓	* ODOMETER READING × 1 000 km (× 1 000 mile)					See Page
			1 (0.6)	12 (7.5)	24 (15)	36 (24)	48 (30)	
Air cleaner element #		Every	Every 18 000 km (12 000 mile)					2-47
Engine oil #	year	•	•	•	•	•	2-48	
Oil filter	year	•	•	•	•	•	2-49	
Fuel hose	4 years					•	2-49	
Coolant	3 years				•		2-51	
Radiator hoses and O-rings	3 years				•		2-53	
Brake hoses	4 years					•	2-53	
Brake fluid (Front and Rear)	2 years			•		•	2-54	
Rubber parts of master cylinder and caliper	4 years					•	2-57	
Spark plug			•	•	•	•	2-60	

#: Service more frequently when operating in severe conditions; dusty, wet, muddy, high speed or frequent starting/stopping.

\*: For higher odometer readings, repeat at the frequency interval established here.

## 2-6 PERIODIC MAINTENANCE

### Torque and Locking Agent

The following tables list the tightening torque for the major fasteners requiring use of a non-permanent locking agent or liquid gasket.

Letters used in the "Remarks" column mean:

2T: Apply 2-stroke oil.

L: Apply a non-permanent locking agent to the threads.

Lh: Left-hand threads

M: Apply molybdenum disulfide grease.

MO: Apply molybdenum disulfide oil solution.

(mixture of the engine oil and molybdenum disulfide grease in a weight ratio 10 : 1)

S: Tighten the fasteners following the specified sequence.

Si: Apply silicone grease (ex. PBC grease).

SS: Apply silicone sealant.

Fastener	Torque			Remarks
	N·m	kgf·m	ft·lb	
<b>Fuel System</b>				
Water Temperature Sensor	12	1.2	106 in·lb	
Speed Sensor Mounting Bolt	9.8	1.0	87 in·lb	L
Fuel Pump Bolts	9.8	1.0	87 in·lb	L
Oxygen Sensor	25	2.5	18	
Fuel Level Sensor Mounting Bolts	6.9	0.70	61 in·lb	L
Air Cleaner Housing Bolts	9.8	1.0	87 in·lb	
Air Cleaner Cover Bolts	4.9	0.50	43 in·lb	
Air Cleaner Element Screw	4.9	0.50	43 in·lb	
Throttle Body Assy Holder Bolts	9.8	1.0	87 in·lb	
Inlet Manifold Bolts	9.8	1.0	87 in·lb	L
Delivery Joint Bolts	9.8	1.0	87 in·lb	L
Delivery Joint Bracket Bolts	9.8	1.0	87 in·lb	
Vehicle-down Sensor Bolts	4.9	0.50	43 in·lb	
Inlet Air Pressure Sensor Bolt	6.9	0.70	61 in·lb	
Inlet Air Temperature Sensor Screw	1.2	0.12	11 in·lb	
<b>Cooling System</b>				
Radiator Hose Clamp Screws	2.0	0.20	18 in·lb	
Water Pump Impeller Bolt	9.8	1.0	87 in·lb	
Coolant Drain Bolt	9.8	1.0	87 in·lb	
Thermostat Housing Cover Bracket Bolts	6.9	0.70	61 in·lb	
Thermostat Housing Cover Bolts	4.9	0.50	43 in·lb	L
Radiator Bolts	6.9	0.70	61 in·lb	
Radiator Screen Screws	6.9	0.70	61 in·lb	
Radiator Fan Bolts	8.3	0.85	73 in·lb	
Water Hose Fitting Bolts	9.8	1.0	87 in·lb	
Reserve Tank Bolts	6.9	0.70	61 in·lb	
<b>Engine Top End</b>				
Cylinder Head nuts (M10) (First)	20	2.0	15	MO, S
Cylinder Head nuts (M10) (Final)	49	5.0	36	MO, S
Cylinder Head nuts (M8)	25	2.5	18	S
Camshaft Cap Bolts	25	2.5	18	

## PERIODIC MAINTENANCE 2-7

### Torque and Locking Agent

Fastener	Torque			Remarks
	N·m	kgf·m	ft·lb	
Cylinder Head Cover Bolts	12	1.2	106 in·lb	
Cylinder Head Outer Cover Bolts	9.8	1.0	87 in·lb	
Plug (PT1/4)	15	1.5	11	L
Plug (PT1/2)	20	2.0	15	L
Muffler Mounting Bolts	25	2.5	18	
Muffler Mounting Nut	25	2.5	18	
Muffler Joint Clamp Bolt	17	1.7	12	
Exhaust Pipe Cover Clamp Bolts	6.9	0.70	61 in·lb	
Exhaust Pipe Cover Bolts	6.9	0.70	61 in·lb	
Exhaust Pipe Holder Nuts	17	1.7	12	
Camshaft Sprocket Bolts	49	5.0	36	L
Camshaft Chain Tensioner Cap Bolts	20	2.0	15	
Camshaft Chain Guide Bolts	9.8	1.0	87 in·lb	L
<b>Clutch</b>				
Right Engine Cover Mounting Bolts	9.8	1.0	87 in·lb	L (1)
Clutch Spring Bolts	9.8	1.0	87 in·lb	
Clutch Hub Nut	130	13.2	95.9	
Clutch Lever Clamp Bolts	7.8	0.80	69 in·lb	S
<b>Engine Lubrication</b>				
Engine Oil Drain Plug	20	2.0	15	
Oil Pump Cover Bolt	9.8	1.0	87 in·lb	L
Oil Pump Drive Chain Guide Bolt	9.8	1.0	87 in·lb	L
Oil Filter Plate Bolts	7.8	0.80	69 in·lb	
Oil Pressure Switch	15	1.5	11	SS
Oil Pipe Bolts	9.8	1.0	87 in·lb	L
Oil Return Pipe Bolts	9.8	1.0	87 in·lb	
Oil Pressure Switch Adapter	20	2.0	15	
Oil Filter	18	1.8	13	
Oil Screen Plug	20	2.0	15	
Oil Pressure Relief Valve	15	1.5	11	L
<b>Engine Removal/Installation</b>				
Engine Mounting Nuts	44	4.5	32	
Engine Mounting Bracket Bolts (M10)	44	4.5	32	
Engine Mounting Bracket Bolts (M8)	25	2.5	18	
Downtube Bolts	44	4.5	32	
<b>Crankshaft/Transmission</b>				
Balancer Gear Bolt	69	7.0	51	
Starter Motor Clutch Gear Bolt	69	7.0	51	
Primary Gear Bolt	98	10	72	MO
Connecting Rod Big End Bolts	46	4.7	34	MO
Shift Drum Bearing Stopper Bolts	9.8	1.0	87 in·lb	L
Shift Drum Cam Bolt	12	1.2	106 in·lb	L
Neutral Switch	15	1.5	11	

## 2-8 PERIODIC MAINTENANCE

### Torque and Locking Agent

Fastener	Torque			Remarks
	N·m	kgf·m	ft·lb	
Rear Shift Lever Clamp Bolt	12	1.2	106 in·lb	
Shift Pedal Clamp Bolt	12	1.2	106 in·lb	
Shift Rod Locknut (Front)	9.8	1.0	87 in·lb	
Oil Nozzle	3.9	0.40	34 in·lb	
Shift Rod Locknut (Rear)	9.8	1.0	87 in·lb	Lh
Rear Shift Pedal Pad Screw	6.9	0.70	61 in·lb	
Shift Drum Position Lever Bolt	9.8	1.0	87 in·lb	
Shift Shaft Return Spring Pin	29	3.0	21	L
Bearing Retainer Bolts	9.8	1.0	87 in·lb	L
Balancer Shaft Bearing Stopper Plate Bolts	9.8	1.0	87 in·lb	
Crankcase Bolts (M10)	39	4.0	29	S
Crankcase Bolts (M6)	9.8	1.0	87 in·lb	S
Engine Ground Lead Bolt	9.8	1.0	87 in·lb	
Clamp Mounting Bolts	9.8	1.0	87 in·lb	
External Shift Mechanism Cover Bolts	9.8	1.0	87 in·lb	
<b>Wheels/Tires</b>				
Front Axle Nut	108	11.0	79.7	
Front Axle Clamp Bolt	20	2.0	15	
Rear Axle Nut	108	11.0	79.7	
Spoke Nipples	5.2	0.53	46 in·lb	
<b>Final Drive</b>				
Rear Pulley Mounting Nuts	59	6.0	44	
Rear Pully Plate Bolts	6.9	0.70	61 in·lb	L
Engine Pully Mounting Nut	127	13.0	93.7	M
Engine Pully Plate Bolts	9.8	1.0	87 in·lb	
Engine Pulley Cover Bolts	9.8	1.0	87 in·lb	
Engine Pulley Cover Clamp Mounting Bolt	9.8	1.0	87 in·lb	
Drive Belt Guide Bolts	9.8	1.0	87 in·lb	
<b>Brakes</b>				
Bleed Valves	7.8	0.80	69 in·lb	
Brake Hose Banjo Bolts	25	2.5	18	
Brake Lever Pivot Bolt	1.0	0.10	88 in·lb	Si
Brake Lever Pivot Locknut	5.9	0.60	52 in·lb	
Brake Pedal Clamp Bolt	25	2.5	18	
Front Brake Disc Mounting Bolts	27	2.8	20	L
Front Brake Light Switch Screw	1.2	0.12	11 in·lb	
Front Brake Reservoir Cap Screws	1.5	0.15	13 in·lb	
Front Caliper Mounting Bolts	34	3.5	25	
Front Master Cylinder Clamp Bolts	8.8	0.90	78 in·lb	S
Rear Brake Disc Mounting Bolts	27	2.8	20	L
Rear Caliper Mounting Bolts	34	3.5	25	
Rear Master Cylinder Mounting Bolts	25	2.5	18	
Rear Master Cylinder Push Rod Locknut	17	1.7	12	



**Torque and Locking Agent**

Fastener	Torque			Remarks
	N·m	kgf·m	ft·lb	
<b>Suspension</b>				
Swingarm Pivot Shaft Nut	98	10	72	
Rear Shock Absorber Nuts	59	6.0	44	
Lower Tie-Rod Nut	59	6.0	44	
Upper Tie-Rod Nut	108	11.0	80	
Rocker Arm Pivot Shaft Nut	59	6.0	44	
Upper Front Fork Clamp Bolts	20	2.0	15	
Lower Front Fork Clamp Bolts	34	3.5	25	
Front Fork Bottom Allen Bolts	20	2.0	15	L
Front Fork Upper Cover Stopper Bolts	4.2	0.43	37 in·lb	
<b>Steering</b>				
Handlebar Holder Nuts	34	3.5	25	
Handlebar Clamp Bolts	34	3.5	25	S, 2T
Steering Stem Head Bolt	49	5.0	36	
Steering Stem Nut	4.9	0.50	43 in·lb	
<b>Frame</b>				
Sidestand Mounting Nut	44	4.5	32	
Sidestand Mounting Bolt	44	4.5	32	
Footboard Bracket Bolts	34	3.5	25	
Left Footpeg Bracket Bolts	25	2.5	18	
Right Footpeg Bracket Bolts	25	2.5	18	
Lower Muffler Bracket Bolts	34	3.5	25	
Upper Muffler Bracket Bolts	34	3.5	25	
<b>Electrical System</b>				
Alternator Outer Cover Bolts	9.8	1.0	87 in·lb	
Tail/Brake Light Unit Mounting Nuts	5.9	0.60	52 in·lb	
Alternator Cover Bolts	9.8	1.0	87 in·lb	
Timing Inspection Plate Bolts	9.8	1.0	87 in·lb	
Alternator Lead Holder Plate Bolts	5.9	0.60	52 in·lb	
Stator Coil Bolts	12	1.2	106 in·lb	L
Alternator Rotor Bolt (First)	69	7.0	51	S
Alternator Rotor Bolt (Final)	160	16.3	118	S, MO
Regulator/Rectifier Bolts	6.9	0.70	61 in·lb	
Starter Motor Mounting Bolts	9.8	1.0	87 in·lb	
Starter Relay Terminal Screws	3.9	0.40	34 in·lb	
Starter Motor Cable Terminal Nut	5.9	0.60	52 in·lb	
Starter Motor Terminal Locknut	11	1.1	97 in·lb	
Starter Motor Through Bolts	4.9	0.50	43 in·lb	
Headlight Rim Screws	2.9	0.30	26 in·lb	L
Crankshaft Sensor Bolts	5.9	0.60	52 in·lb	
Ignition Coil Bracket Bolt	9.8	1.0	87 in·lb	
Ignition Coil Mounting Nuts	6.9	0.70	61 in·lb	
Fuel Level Sensor Mounting Bolts	6.9	0.70	61 in·lb	

## 2-10 PERIODIC MAINTENANCE

### Torque and Locking Agent

Fastener	Torque			Remarks
	N·m	kgf·m	ft·lb	
Spark Plugs	18	1.8	13 in·lb	L
Sidestand Switch Mounting Bolts	8.8	0.90	78 in·lb	

The table below, relating tightening torque to thread diameter, lists the basic torque for the bolts and nuts. Use this table for only the bolts and nuts which do not require a specific torque value. All of the values are for use with dry solvent-cleaned threads.

### Basic Torque for General Fasteners

Threads Diameter (mm)	Torque		
	N·m	kgf·m	ft·lb
5	3.4 ~ 4.9	0.35 ~ 0.50	30 ~ 43 in·lb
6	5.9 ~ 7.8	0.60 ~ 0.80	52 ~ 69 in·lb
8	14 ~ 19	1.4 ~ 1.9	10.0 ~ 13.5
10	25 ~ 34	2.6 ~ 3.5	19.0 ~ 25
12	44 ~ 61	4.5 ~ 6.2	33 ~ 45
14	73 ~ 98	7.4 ~ 10.0	54 ~ 72
16	115 ~ 155	11.5 ~ 16.0	83 ~ 115
18	165 ~ 225	17.0 ~ 23.0	125 ~ 165
20	225 ~ 325	23.0 ~ 33.0	165 ~ 240

**Specifications**

Item	Standard	Service Limit
<b>Fuel System</b>		
Throttle Grip Free Play	2 ~ 3 mm (0.08 ~ 0.12 in.)	---
Idle Speed	1 000 ±50 r/min (rpm)	---
Air Cleaner Element	Polyurethane Foam	---
<b>Cooling System</b>		
Coolant:		
Type (recommended)	Permanent type of antifreeze	---
Color	Green	---
Mixed Ratio	Soft water 50%, Coolant 50%	---
Freezing Point	-35°C (-31°F)	---
Total Amount	2.2 L (2.3 US qt)	---
<b>Engine Top End</b>		
Valve Clearance:		
Exhaust	0.20 ~ 0.25 mm (0.0079 ~ 0.0098 in.)	---
Inlet	0.10 ~ 0.15 mm (0.0039 ~ 0.0059 in.)	---
<b>Clutch</b>		
Clutch Lever Free Play	2 ~ 3 mm (0.08 ~ 0.12 in.)	---
<b>Engine Lubrication System</b>		
Engine Oil:		
Type	API SE, SF or SG API SH, SJ or SL with JASO MA	---
Viscosity	SAE 10W-40	---
Capacity	3.0 L (3.2 US qt) (when filter is not removed) 3.2 L (3.4 US qt) (when filter is removed) 3.7 L (3.9 US qt) (when engine is completely dry)	---
Level	Between upper and lower level lines (after idling or running)	---
<b>Wheels/Tires</b>		
Tread Depth:		
Front	4.5 mm (0.18 in.)	1 mm (0.04 in.), (AT, CH, DE) 1.6 mm (0.06 in.)
Rear	7.4 mm (0.29 in.)	Up to 130 km/h (80 mph): 2 mm (0.08 in.), Over 130 km/h (80 mph): 3 mm (0.1 in.)
Air Pressure (when Cold):		
Front	Up to 180 kg (397 lb) load: 200 kPa (2.00 kgf/cm <sup>2</sup> , 28 psi)	---
Rear	Up to 97.5 kg (215 lb) load: 200 kPa (2.00 kgf/cm <sup>2</sup> , 28 psi) 97.5 ~ 180 kg (215 ~ 397 lb) load: 225 kPa (2.25 kgf/cm <sup>2</sup> , 32 psi)	---

## 2-12 PERIODIC MAINTENANCE

### Specifications

Item	Standard	Service Limit
<b>Final Drive</b>		
Drive Belt Deflection: (45 N, 4.6 kgf, 10 lb force)	1.5 ~ 4.0 mm (0.059 ~ 0.16 in.)	---
When Installing New Belt or Engine Remounted	1.5 mm (0.059 in.)	---
<b>Brakes</b>		
Brake Fluid: Grade	DOT4	---
Brake Pad Lining Thickness:		
Front	4.5 mm (0.18 in.)	1 mm (0.04 in.)
Rear	7.0 mm (0.28 in.)	1 mm (0.04 in.)
Brake Light Timing:		
Front	Pulled ON	---
Rear	ON after about 10 mm (0.39 in.) of pedal travel	---
<b>Electrical System</b>		
Spark Plug Gap	0.8 ~ 0.9 mm (0.03 ~ 0.04 in.)	---

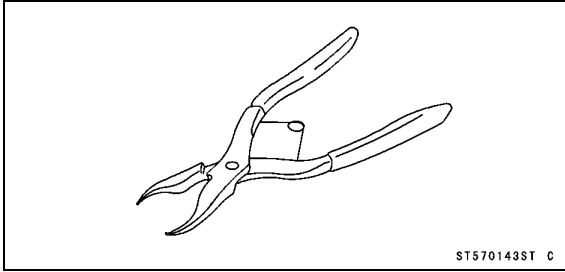
AT: Austria

CH: Switzerland

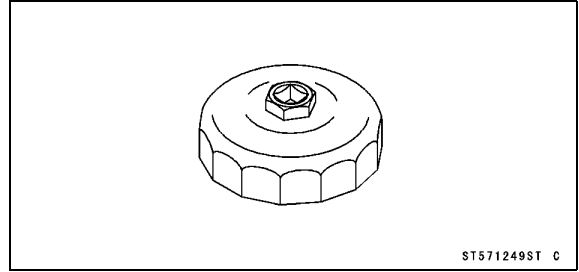
DE: Germany

**Special Tools**

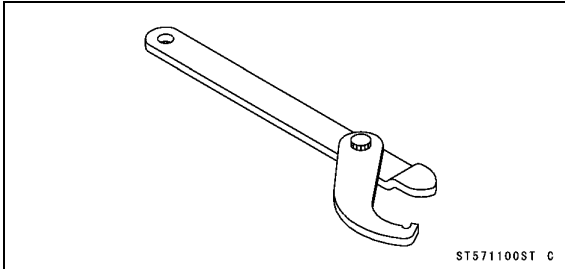
**Inside Circlip Pliers:**  
**57001-143**



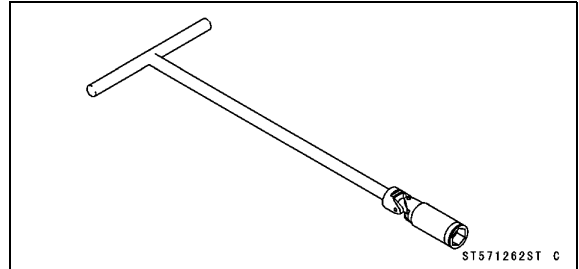
**Oil Filter Wrench:**  
**57001-1249**



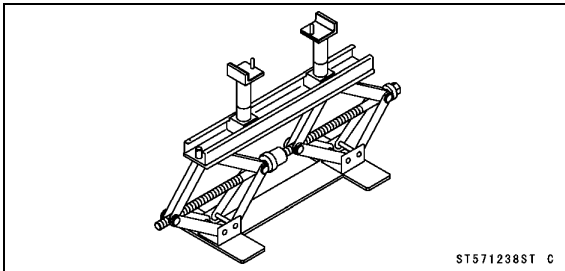
**Steering Stem Nut Wrench:**  
**57001-1100**



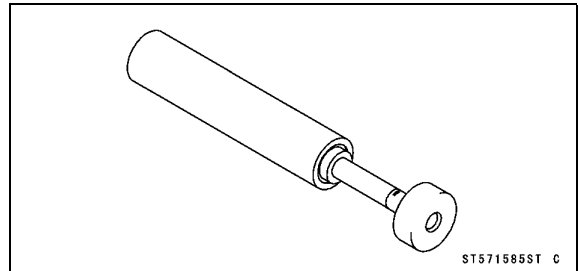
**Spark Plug Wrench, Hex 16:**  
**57001-1262**



**Jack:**  
**57001-1238**



**Tension Gauge:**  
**57001-1585**



## 2-14 PERIODIC MAINTENANCE

### Periodic Maintenance Procedures

#### Fuel System (DFI)

##### **Fuel Hose Inspection (fuel leak, damage, installation condition)**

○ The fuel hose is designed to be used throughout the motorcycle's life without any maintenance. However, if the motorcycle is not properly handled, the high pressure inside the fuel line can cause fuel to leak [A] or the hose to burst. Remove the fuel tank (see Fuel Tank Removal in the Fuel System (DFI) chapter) and check the fuel hose.

★ Replace the fuel hose if any fraying, cracks [B] or bulges [C] are noticed.

● Check that the hoses are routed according to Cable, Wire and Hose Routing section in the Appendix chapter.

★ Replace the hose if it has been sharply bent or kinked.

Hose Joints [A]

Fuel Hose [B]

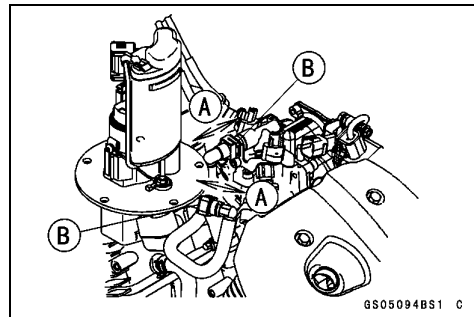
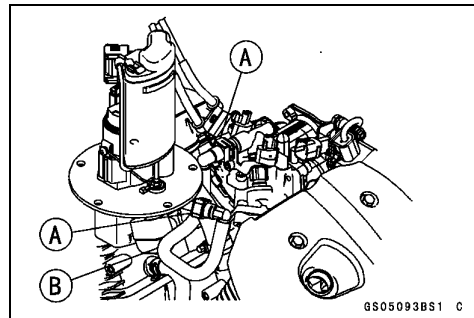
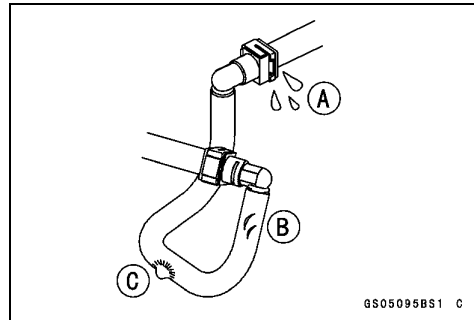
● Check that the hose joints are securely connected.

○ Push and pull [A] the hose joint [B] back and forth more than two times, and make sure it is locked.

★ If it does not lock, reinstall the hose joint.

#### **▲ WARNING**

**Make sure the hose joint is installed correctly on the delivery pipe by sliding the joint, or the fuel could leak.**



#### **Throttle Control System Inspection**

● Check the throttle grip free play [A].

★ If the free play is incorrect, adjust the throttle cable.

##### **Throttle Grip Free Play**

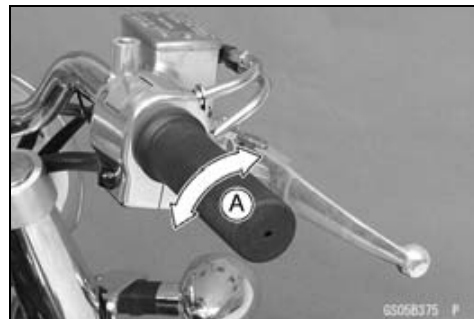
**Standard: 2 ~ 3 mm (0.08 ~ 0.12 in.)**

● Check that the throttle grip moves smoothly from close to full open, and the throttle closes quickly and completely in all steering positions by the return spring.

★ If the throttle grip doesn't return properly, check the throttle cable routing, grip free play, and cable damage. Then lubricate the throttle cable.

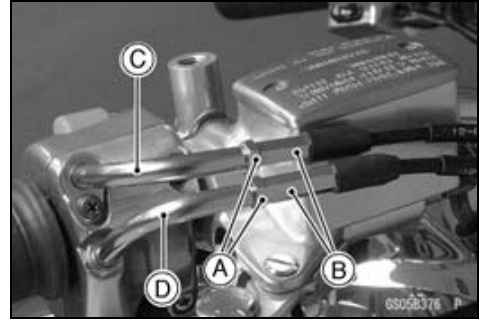
● Run the engine at the idle speed, and turn the handlebar all the way to the right and left to ensure that the idle speed doesn't change.

★ If the idle speed increases, check the throttle grip free play and the cable routing.



## Periodic Maintenance Procedures

- If necessary, adjust the throttle cable as follows:
  - Loosen the locknuts [A] and screw the adjusters [B] all the way in so as to give the throttle grip plenty of play.
  - Turn out the adjuster of the decelerator cable [D] until there is no play.
  - Tighten the locknut against the adjuster.
  - Turn the adjuster of the accelerator cable [C] until the proper amount of throttle grip free play is obtained and tighten the locknut against the adjuster.



### Idle Speed Inspection

- Start the engine and warm it up thoroughly.
  - At first the engine will run fast to decrease warm up time (fast idle).
  - Gradually the fast idle will lower to a certain RPM automatically. This is the idle speed.
- Check the idle speed.

#### Idle Speed

**Standard: 1 000 ±50 r/min (rpm)**

- With the engine idling, turn the handlebar to both sides.
- ★ If handlebar movement changes the idle speed, the throttle cables may be improperly adjusted or incorrectly routed or damaged. Be sure to correct any of these conditions before riding (see Cable, Wire and Hose Routing section in the Appendix chapter).

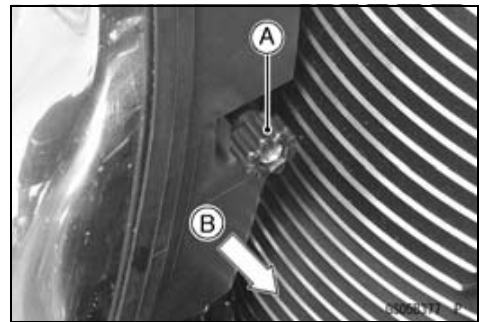
### **⚠ WARNING**

**Operation with improperly adjusted, incorrectly routed or damaged cables could result in an unsafe riding condition.**

- ★ If the idle speed is out of the specified range, adjust it.

### Idle Speed Adjustment

- Start the engine and warm it up thoroughly.
  - Wait until fast idle speed lowers to a certain value.
  - Turn the adjusting screw [A] until the idle speed is correct.
  - Open and close the throttle a few times to make sure that the idle speed is within the specified range. Readjust if necessary.
- Front [B]



## 2-16 PERIODIC MAINTENANCE

### Periodic Maintenance Procedures

#### Cooling System

##### Coolant Level Inspection

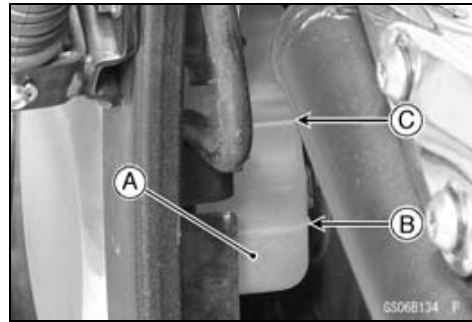
###### NOTE

○ Check the level when the engine is cold (room or ambient temperature).

- Check the coolant level in the reserve tank [A] with the motorcycle held upright.
- ★ If the coolant level is lower than the “L” level line [B], remove the reserve tank cover and unscrew the reserve tank cap, and add coolant to the “F” level line [C].

“L”: low

“F”: full



###### CAUTION

For refilling, add the specified mixture of coolant and soft water. Adding water alone dilutes the coolant and degrades its anticorrosion properties. The diluted coolant can attack the aluminum engine parts. In an emergency, soft water alone can be added. But the diluted coolant must be returned to the correct mixture ratio within a few days.

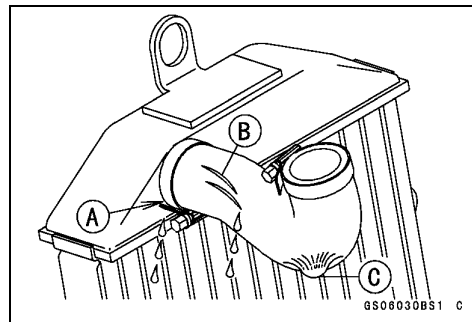
If coolant must be added often or the reservoir tank has run completely dry, there is probably leakage in the cooling system. Check the system for leaks.

Coolant ruins painted surfaces. Immediately wash away any coolant that spills on the frame, engine, wheels or other painted parts.

##### Radiator Hose and Pipe Inspection (coolant leak, damage, installation condition)

- The high pressure inside the radiator hose and pipe can cause coolant to leak [A] or the hose to burst if the line is not properly maintained.
- Visually inspect the hoses for signs of deterioration. Squeeze the hoses. A hose should not be hard and brittle, nor should it be soft or swollen.
- ★ Replace the hose if any fraying, cracks [B] or bulges [C] are noticed.
- Check that the hoses are securely connected and clamps are tightened correctly.

Torque - Radiator Hose Clamp Screws: 2.0 N·m (0.20 kgf·m, 18 in·lb)





**Periodic Maintenance Procedures**

**Air Suction System**

**Air Suction System Damage Inspection**

- Pull the air switching valve hose [A] out of the right air cleaner housing.
- Start the engine and run it at idle speed.
- Plug the air switching valve hose end with your finger and feel vacuum pulsing in the hose.
- ★ If there is no vacuum pulsation, check the hose line for leak. If there is no leak, check the air switching valve (see Air Switching Valve Unit Test in the Electrical System chapter) or air suction valve (see Air Suction Valve Inspection in the Engine Top End chapter).



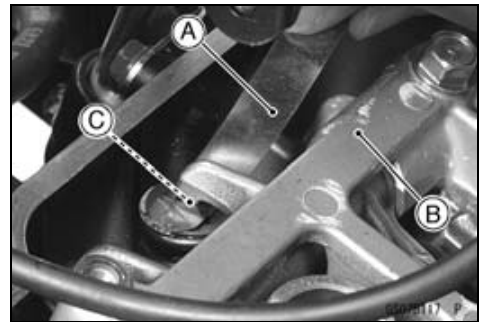
**Engine Top End**

**Valve Clearance Inspection**

**NOTE**

○ Valve clearance must be checked and adjusted when the engine is cold (room temperature).

- Remove:
  - Cylinder Head Cover (see Cylinder Head Cover Removal in the Engine Top End chapter)
  - Timing Inspection Plate (Engine Left Side)
- Set the front piston at TDC (see Camshaft Installation in the Engine Top End chapter).
- Using a thickness gauge [A], measure the valve clearance between the rocker arm [B] and the shim [C].
- Set the rear piston at TDC by turning the crankshaft counterclockwise 305° (see Crankshaft Installation in the Crankshaft/Transmission chapter).
- Using a thickness gauge, measure the valve clearance between the rocker arm and the shim.



**Valve Clearance**

**Standard:**

- Exhaust:**      0.20 ~ 0.25 mm (0.079 ~ 0.0098 in.)
- Inlet:**         0.10~ 0.15 mm (0.0039 ~ 0.0059 in.)

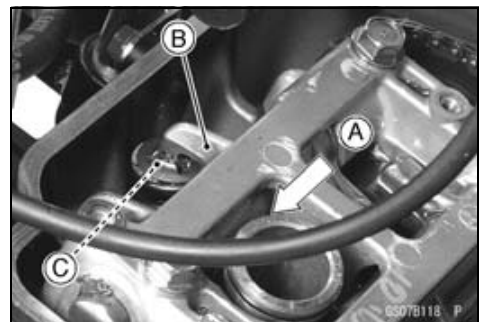
- ★ If the valve clearance is not within the specified range and then adjust it.

**Valve Clearance Adjustment**

- To change the valve clearance, slide [A] the rocker arm [B] sideways and change the shim [C]. Replace the shim with one of a different thickness.

**NOTE**

- Mark and record the shim locations so that the shims can be reinstalled in their original positions.
- If there is no clearance, select a shim which is several sizes smaller and then measure the clearance.



## 2-18 PERIODIC MAINTENANCE

---

### Periodic Maintenance Procedures

---

- To select a new shim which brings the valve clearance within the specified range, refer to the Valve Clearance Adjustment Charts.
- Remeasure any valve clearance that was adjusted. Readjust if necessary.

CAUTION
<p><b>Do not put shim stock under the shim. This may cause the shim to pop out at high rpm, causing extensive engine damage.</b></p> <p><b>Do not grind the shim. This may cause it to fracture, causing extensive engine damage.</b></p>

Periodic Maintenance Procedures

VALVE CLEARANCE ADJUSTMENT CHART INLET VALVE

	PRESENT SHIM																			Example			
PART No. (92025-)	1870	1871	1872	1873	1874	1875	1876	1877	1878	1879	1880	1881	1882	1883	1884	1885	1886	1887	1888	1889	1890		
MARK	0	5	10	15	20	25	30	35	40	45	50	55	60	65	70	75	80	85	90	95	00		
THICKNESS (mm)	2.00	2.05	2.10	2.15	2.20	2.25	2.30	2.35	2.40	2.45	2.50	2.55	2.60	2.65	2.70	2.75	2.80	2.85	2.90	2.95	3.00		

VALVE CLEARANCE MEASUREMENT	SPECIFIED CLEARANCE/NO CHANGE REQUIRED																					
	Example	1.90	1.95	2.00	2.05	2.10	2.15	2.20	2.25	2.30	2.35	2.40	2.45	2.50	2.55	2.60	2.65	2.70	2.75	2.80	2.85	2.90
0.00~0.04	1.90	1.95	2.00	2.05	2.10	2.15	2.20	2.25	2.30	2.35	2.40	2.45	2.50	2.55	2.60	2.65	2.70	2.75	2.80	2.85	2.90	
0.05~0.09	1.95	2.00	2.05	2.10	2.15	2.20	2.25	2.30	2.35	2.40	2.45	2.50	2.55	2.60	2.65	2.70	2.75	2.80	2.85	2.90	2.95	
0.10~0.15	SPECIFIED CLEARANCE/NO CHANGE REQUIRED																					
0.16~0.20	2.05	2.10	2.15	2.20	2.25	2.30	2.35	2.40	2.45	2.50	2.55	2.60	2.65	2.70	2.75	2.80	2.85	2.90	2.95	3.00		
0.21~0.25	2.10	2.15	2.20	2.25	2.30	2.35	2.40	2.45	2.50	2.55	2.60	2.65	2.70	2.75	2.80	2.85	2.90	2.95	3.00			
0.26~0.30	2.15	2.20	2.25	2.30	2.35	2.40	2.45	2.50	2.55	2.60	2.65	2.70	2.75	2.80	2.85	2.90	2.95	3.00				
0.31~0.35	2.20	2.25	2.30	2.35	2.40	2.45	2.50	2.55	2.60	2.65	2.70	2.75	2.80	2.85	2.90	2.95	3.00					
0.36~0.40	2.25	2.30	2.35	2.40	2.45	2.50	2.55	2.60	2.65	2.70	2.75	2.80	2.85	2.90	2.95	3.00						
0.41~0.45	2.30	2.35	2.40	2.45	2.50	2.55	2.60	2.65	2.70	2.75	2.80	2.85	2.90	2.95	3.00							
0.46~0.50	2.35	2.40	2.45	2.50	2.55	2.60	2.65	2.70	2.75	2.80	2.85	2.90	2.95	3.00								
0.51~0.55	2.40	2.45	2.50	2.55	2.60	2.65	2.70	2.75	2.80	2.85	2.90	2.95	3.00									
0.56~0.60	2.45	2.50	2.55	2.60	2.65	2.70	2.75	2.80	2.85	2.90	2.95	3.00										
0.61~0.65	2.50	2.55	2.60	2.65	2.70	2.75	2.80	2.85	2.90	2.95	3.00											
0.66~0.70	2.55	2.60	2.65	2.70	2.75	2.80	2.85	2.90	2.95	3.00												
0.71~0.75	2.60	2.65	2.70	2.75	2.80	2.85	2.90	2.95	3.00													
0.76~0.80	2.65	2.70	2.75	2.80	2.85	2.90	2.95	3.00														
0.81~0.85	2.70	2.75	2.80	2.85	2.90	2.95	3.00															
0.86~0.90	2.75	2.80	2.85	2.90	2.95	3.00																
0.91~0.95	2.80	2.85	2.90	2.95	3.00																	
0.96~1.00	2.85	2.90	2.95	3.00																		
1.01~1.05	2.90	2.95	3.00																			
1.06~1.10	2.95	3.00																				
1.11~1.15	3.00																					

Parts No.	Thickness
92180-1208	1.95 mm
92180-1209	1.90 mm
92180-1210	1.85 mm
92180-1211	1.80 mm
92180-1212	1.75 mm
92180-1213	1.70 mm

The shim from 1.70 to 1.95 mm thick are also available.

INSTALL THE SHIM OF THIS THICKNESS (mm)

6S07091BWS C

1. Measure the clearance (when engine is cold).
2. Check present shim size.
3. Match clearance in vertical column with present shim size in horizontal column.
4. Install the shim specified where the lines intersect. This shim will give the proper clearance.

**Example:** Present shim is **2.60 mm** (0.102 in.)  
 Measured clearance is **0.25 mm** (0.010 in.)  
 Replace **2.60 mm** (0.102 in.) shim with **2.70 mm** (0.106 in.) shim.

5. Remeasure the valve clearance and readjust if necessary.

**NOTE**

*○If there is no clearance, select a shim which is several sizes smaller and then measure the clearance.*

# 2-20 PERIODIC MAINTENANCE

## Periodic Maintenance Procedures

### VALVE CLEARANCE ADJUSTMENT CHART EXHAUST VALVE

PART No. (92025-)	PRESENT SHIM																			Example	
	1870	1871	1872	1873	1874	1875	1876	1877	1878	1879	1880	1881	1882	1883	1884	1885	1886	1887	1888	1889	1890
MARK	0	5	10	15	20	25	30	35	40	45	50	55	60	65	70	75	80	85	90	95	00
THICKNESS (mm)	2.00	2.05	2.10	2.15	2.20	2.25	2.30	2.35	2.40	2.45	2.50	2.55	2.60	2.65	2.70	2.75	2.80	2.85	2.90	2.95	3.00

VALVE CLEARANCE MEASUREMENT	SPECIFIED CLEARANCE/NO CHANGE REQUIRED																									
	0.00~0.04	0.05~0.09	0.10~0.14	0.15~0.19	0.20~0.25	0.26~0.30	0.31~0.35	0.36~0.40	0.41~0.45	0.46~0.50	0.51~0.55	0.56~0.60	0.61~0.65	0.66~0.70	0.71~0.75	0.76~0.80	0.81~0.85	0.86~0.90	0.91~0.95	0.96~1.00	1.01~1.05	1.06~1.10	1.11~1.15	1.16~1.20	1.21~1.25	1.26~1.30
Example	1.75	1.80	1.85	1.90	1.95	2.00	2.05	2.10	2.15	2.20	2.25	2.30	2.35	2.40	2.45	2.50	2.55	2.60	2.65	2.70	2.75	2.80	2.85	2.90	2.95	3.00
	1.80	1.85	1.90	1.95	2.00	2.05	2.10	2.15	2.20	2.25	2.30	2.35	2.40	2.45	2.50	2.55	2.60	2.65	2.70	2.75	2.80	2.85	2.90	2.95	3.00	
	1.85	1.90	1.95	2.00	2.05	2.10	2.15	2.20	2.25	2.30	2.35	2.40	2.45	2.50	2.55	2.60	2.65	2.70	2.75	2.80	2.85	2.90	2.95	3.00		
	1.90	1.95	2.00	2.05	2.10	2.15	2.20	2.25	2.30	2.35	2.40	2.45	2.50	2.55	2.60	2.65	2.70	2.75	2.80	2.85	2.90	2.95	3.00			
	2.00	2.05	2.10	2.15	2.20	2.25	2.30	2.35	2.40	2.45	2.50	2.55	2.60	2.65	2.70	2.75	2.80	2.85	2.90	2.95	3.00					
	2.05	2.10	2.15	2.20	2.25	2.30	2.35	2.40	2.45	2.50	2.55	2.60	2.65	2.70	2.75	2.80	2.85	2.90	2.95	3.00						
	2.10	2.15	2.20	2.25	2.30	2.35	2.40	2.45	2.50	2.55	2.60	2.65	2.70	2.75	2.80	2.85	2.90	2.95	3.00							
	2.15	2.20	2.25	2.30	2.35	2.40	2.45	2.50	2.55	2.60	2.65	2.70	2.75	2.80	2.85	2.90	2.95	3.00								
	2.20	2.25	2.30	2.35	2.40	2.45	2.50	2.55	2.60	2.65	2.70	2.75	2.80	2.85	2.90	2.95	3.00									
	2.25	2.30	2.35	2.40	2.45	2.50	2.55	2.60	2.65	2.70	2.75	2.80	2.85	2.90	2.95	3.00										
	2.30	2.35	2.40	2.45	2.50	2.55	2.60	2.65	2.70	2.75	2.80	2.85	2.90	2.95	3.00											
	2.35	2.40	2.45	2.50	2.55	2.60	2.65	2.70	2.75	2.80	2.85	2.90	2.95	3.00												
	2.40	2.45	2.50	2.55	2.60	2.65	2.70	2.75	2.80	2.85	2.90	2.95	3.00													
	2.45	2.50	2.55	2.60	2.65	2.70	2.75	2.80	2.85	2.90	2.95	3.00														
	2.50	2.55	2.60	2.65	2.70	2.75	2.80	2.85	2.90	2.95	3.00															
	2.55	2.60	2.65	2.70	2.75	2.80	2.85	2.90	2.95	3.00																
	2.60	2.65	2.70	2.75	2.80	2.85	2.90	2.95	3.00																	
	2.65	2.70	2.75	2.80	2.85	2.90	2.95	3.00																		
	2.70	2.75	2.80	2.85	2.90	2.95	3.00																			
	2.75	2.80	2.85	2.90	2.95	3.00																				
	2.80	2.85	2.90	2.95	3.00																					
	2.85	2.90	2.95	3.00																						
	2.90	2.95	3.00																							
	2.95	3.00																								
	3.00																									

Parts No.	Thickness
92180-1208	1.95 mm
92180-1209	1.90 mm
92180-1210	1.85 mm
92180-1211	1.80 mm
92180-1212	1.75 mm
92180-1213	1.70 mm

The shim from 1.70 to 1.95 mm thick are also available.

INSTALL THE SHIM OF THIS THICKNESS (mm)

6S07092B\*3 C

1. Measure the clearance (when engine is cold).
  2. Check present shim size.
  3. Match clearance in vertical column with present shim size in horizontal column.
  4. Install the shim specified where the lines intersect. This shim will give the proper clearance.
- Example:** Present shim is **2.55 mm** (0.100 in.)  
 Measured clearance is **0.50 mm** (0.020 in.)  
 Replace **2.55 mm** (0.100 in.) shim with **2.75 mm** (0.108 in.) shim.
5. Remeasure the valve clearance and readjust if necessary.

**NOTE**

○ If there is no clearance, select a shim which is several sizes smaller and then measure the clearance.

**Periodic Maintenance Procedures**

**Clutch**

**Clutch Operation Inspection**

**Clutch Lever Free Play Inspection**

- Pull the clutch lever just enough to take up the free play [A].
- Measure the gap between the lever and the lever holder.
- ★ If the gap is too wide, the clutch may not release fully. If the gap is too narrow, the clutch may not engage fully. In either case, adjust it.

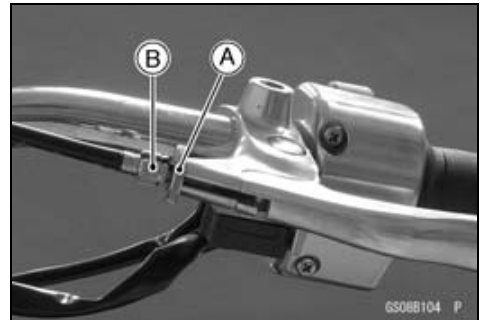
**Clutch Lever Free Play**

**Standard:** 2 ~ 3 mm (0.08 ~ 0.12 in.)



**Clutch Lever Free Play Adjustment**

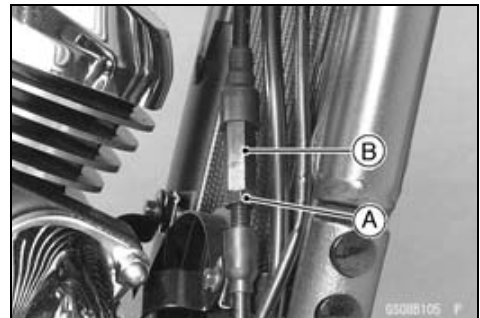
- Loosen the locknut [A] at the clutch lever.
- Turn the adjuster [B] until the proper amount of clutch lever free play is obtained.
- Tighten the locknut securely.
- ★ If it cannot be done, use the adjuster at the middle of the cable.



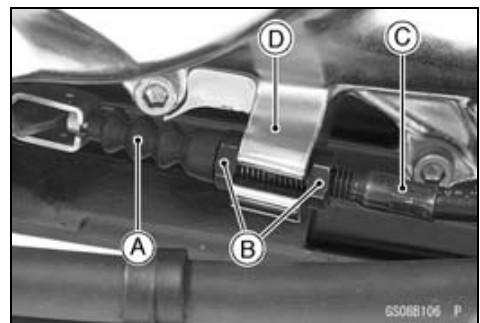
**⚠ WARNING**

**To avoid a serious burn, never touch the engine or exhaust pipe during clutch adjustment.**

- Loosen the locknut [A] at the middle of the clutch cable.
- Turn the adjuster nut [B] until the proper amount of clutch lever free play is obtained.
- Tighten the locknut securely.
- ★ If it cannot be done, use the mounting nuts at the lower end of the cable.



- Slide the dust cover [A] at the clutch cable lower end out of place.
- Loosen both adjusting nuts [B] at the clutch cover as far as they will go.
- Pull the clutch outer cable [C] tight and tighten the adjusting nuts against the bracket [D].
- Slip the rubber dust cover back onto place.
- Turn the adjuster at the clutch lever until the free play is correct.
- Tighten the knurled locknut at the clutch lever.



**⚠ WARNING**

**Be sure that the outer cable end at the clutch lever is fully seated in the adjuster at the clutch lever, or it could slip into place later, creating enough cable play to prevent clutch disengagement.**

- After the adjustment, start the engine and check that the clutch does not slip and that it releases properly.

## 2-22 PERIODIC MAINTENANCE

### Periodic Maintenance Procedures

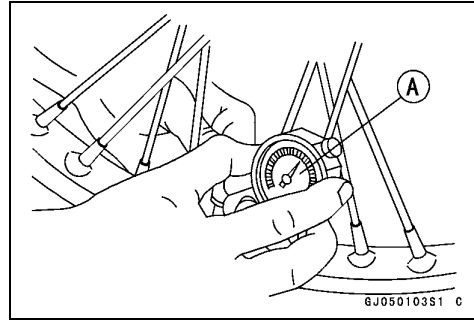
#### Wheels and Tires

##### **Tire Air Pressure Inspection**

- Measure the tire air pressure with an air pressure gauge [A] when the tires are cold (that is, when the motorcycle has not been ridden more than a mile during the past 3 hours).
- ★ Adjust the tire air pressure according to the specifications if necessary.

##### **Air Pressure (when cold)**

- Front:** Up to 180 kg (397 lb)  
200 kPa (2.00 kgf/cm<sup>2</sup>, 28 psi)
- Rear:** Up to 97.5 kg (215 lb)  
200 kPa (2.00 kgf/cm<sup>2</sup>, 28 psi)  
97.5 ~ 180 kg (215 ~ 397 lb)  
225 kPa (2.25 kgf/cm<sup>2</sup>, 32 psi)



#### **⚠ WARNING**

To ensure safe handling and stability, use only the recommended standard tires for replacement, inflated to the standard pressure.

#### **NOTE**

- Most countries may have their own regulations requiring a minimum tire tread depth; be sure to follow them.
- Check and balance the wheel when a tire is replaced with a new one.

##### **Wheel/Tire Damage Inspection**

- Remove any imbedded stones [A] or other foreign particles [B] from tread.
- Visually inspect the tire for cracks and cuts replacing the tire in case of damage. Swelling or high spots indicate internal damage, requiring tire replacement.
- Visually inspect the wheel for cracks, cuts and dents damage.
- ★ If any damage is found, replace the wheel if necessary.



##### **Tire Tread Wear Inspection**

As the tire tread wears down, the tire becomes more susceptible to puncture and failure. An accepted estimate is that 90% of all tire failures occur during the last 10% of tread life (90% worn). So it is false economy and unsafe to use the tires until they are bald.

**Periodic Maintenance Procedures**

- Measure the tread depth at the center of the tread with a depth gauge [A]. Since the tire may wear unevenly, take measurement at several places.
- ★ If any measurement is less than the service limit, replace the tire.

**Tread Depth**

**Standard:**

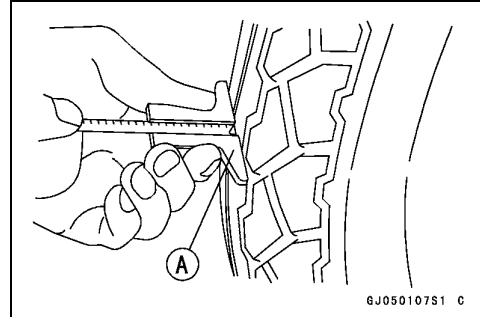
**Front**      4.5 mm (0.18 in.)

**Rear**        7.4 mm (0.29 in.)

**Service Limit:**

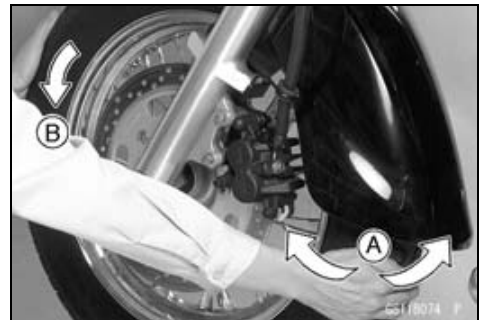
**Front**      1 mm (0.04 in.) (DE, AT, CH) 1.6 mm (0.063 in.)

**Rear**        2 mm (0.08 in.): Up to 130 km/h (80 mph)  
 3 mm (0.1 in.): Over to 130 km/h (80 mph)

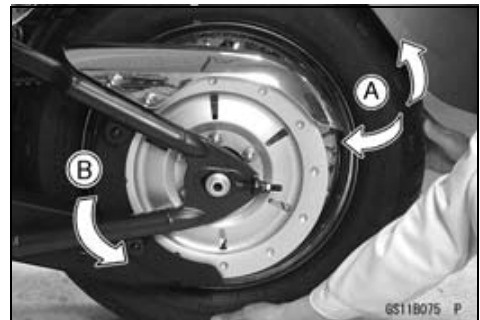


**Wheel Bearing Damage Inspection**

- Using a jack raise the front wheel off the ground (see Front Wheel Removal in the Wheels/Tires chapter).
- Turn the handlebar all the way to the right or left.
- Inspect the roughness of the front wheel bearing by pushing and pulling [A] the wheel.
- Spin [B] the front wheel lightly, and check for smoothly turn, roughness, binding or noise.
- ★ If roughness, binding or noise is found, remove the front wheel (see Front Wheel Removal in the Wheel/Tires chapter) and inspect the wheel bearing (see Hub Bearing Inspection in the Wheels/Tires chapter).



- Using a jack raise the rear wheel off the ground (see Rear Wheel Removal in the Wheels/Tires chapter).
- Inspect the roughness of the rear wheel bearing by pushing and pulling [A] the wheel.
- Spin [B] the rear wheel lightly, and check for smoothly turn, roughness, binding or noise.
- ★ If roughness, binding or noise is found, remove the rear wheel (see Rear Wheel Removal in the Wheel/Tires chapter) and inspect the wheel bearing (see Hub Bearing Inspection in the Wheels/Tires chapter) and coupling (see Coupling Bearing Inspection in the Final Drive chapter).



## 2-24 PERIODIC MAINTENANCE

### Periodic Maintenance Procedures

#### **Spoke Tightness and Rim Runout Inspection**

- Check that all the spokes are tightened evenly.
- ★ If spoke tightness is uneven or loose, tighten the spoke nipples evenly.

**Torque - Spoke Nipples: 5.2 N·m (0.53 kgf·m, 46 in·lb)**

- Check the rim runout.

#### **⚠ WARNING**

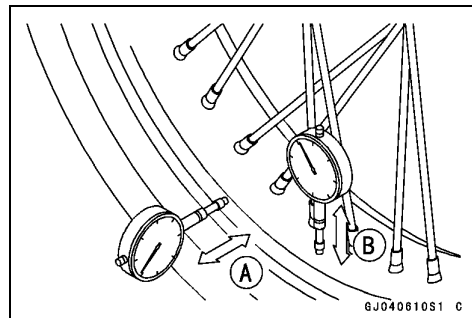
**If any spoke breaks, it should be replaced immediately. A missing spoke places an additional load on the other spokes, which will eventually cause other spokes to break**

- Raise the front/rear wheel off the ground.  
**Special Tool - Jack: 57001-1238**
- Spin the wheel lightly, and check for roughness or binding.
- ★ If roughness or binding is found, replace the hub bearings.
- Inspect the rim for small cracks, dents, bending, or warping.
- ★ If there is any damage to the rim, it must be replaced.

#### **NOTE**

○ Avoid the curved part and the uneven part, and measure the rim runout on the side without the mark.

- Measure the axial [A] and radial [B] rim runout with a dial gauge.
- ★ If rim runout exceeds the service limit, check the hub bearings first. Replace them if they are damaged. If the problem is not due to the bearings, correct the rim warp (runout). A certain amount of rim warp can be corrected by recentering the rim. Loosen some spokes and tighten others within the standard torque to change the position of different parts of the rim. If the rim is badly bent, however, it must be replaced.



#### **Rim Runout (with tire installed)**

##### **Standard:**

<b>Radial</b>	<b>1.0 mm (0.039 in.)</b>
<b>Axial</b>	<b>0.8 mm (0.03 in.)</b>

##### **Service Limit:**

<b>Radial</b>	<b>2.0 mm (0.079 in.)</b>
<b>Axial</b>	<b>2.0 mm (0.079 in.)</b>



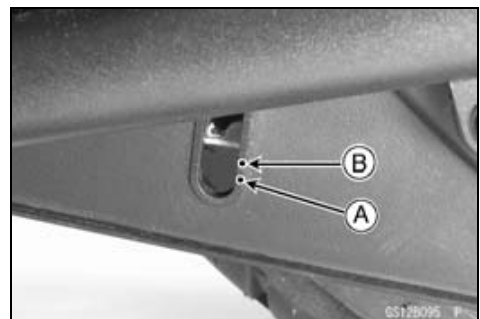
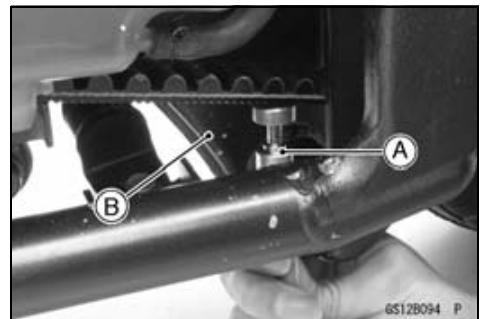
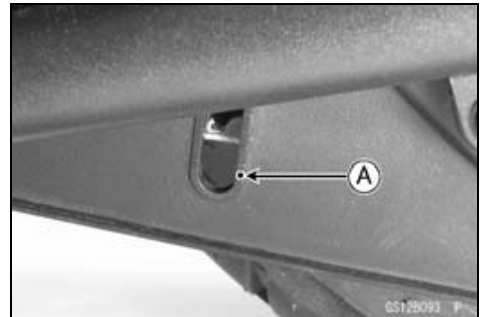
**Periodic Maintenance Procedures**

**Drive Train**

**Belt Deflection Inspection**

**NOTE**

- *Belt deflection must be checked and adjusted when the belt is cold (at room temperature).*
  - *Belt deflection also should be checked at first 1000 km ride after belt replacement.*
  - Check to see if wheel alignment is properly adjusted.
  - The left and right notches on the belt adjuster should point to the same marks or positions on the swingarm.
  - ★ If they do not, adjust wheel alignment (see Wheel Alignment Inspection/Adjustment).
  - Remove:
    - Reserve Tank Cover (see Reserve Tank Removal in the Cooling System chapter)
  - Using the jack under the frame, lift the rear wheel off the ground (see Rear Wheel Removal in the Wheels/Tires chapter).
  - Visually inspect the belt for damage (see Belt Wear and Damage Inspection).
  - ★ If the belt is damaged, replace it with a new one.
  - Mark the initial belt position [A] on the belt cover window.
- 
- Using the tension gauge [A], push up 45 N (4.5 kgf, 10 lb) of force from under and on the center of the belt at the front side of the swingarm cross pipe [B].
- 
- Measure the deflection (length between initial position [A] and position [B] after it measure it) of the belt (at the belt cover window).



## 2-26 PERIODIC MAINTENANCE

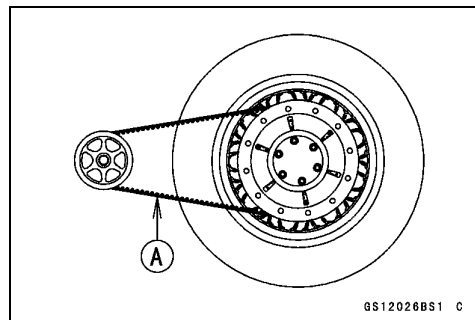
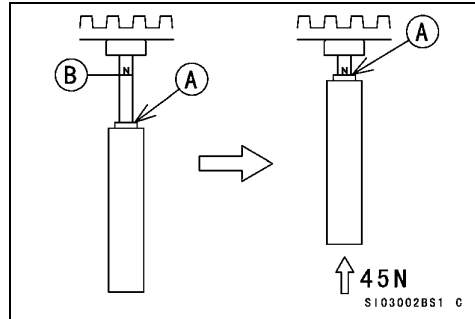
### Periodic Maintenance Procedures

#### NOTE

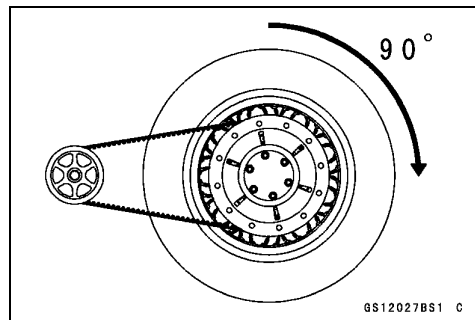
- Push the belt by the gauge until the top surface [A] of the stopper comes to the 45 N loaded scale [B], marked "45N".
  - Push up on the center of the belt. An inaccurate reading will occur if the edge of the belt is pushed up.
  - Look parallel to the belt during inspection. An inaccurate reading will occur if looking from any other angle.
- Inspect the belt deflection at two positions by rotating the rear wheel.

**Special Tool - Tension Gauge: 57001-1585**

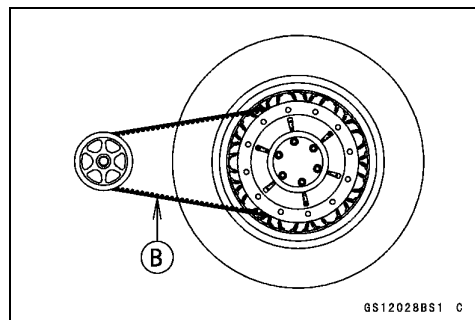
- Inspect the drive belt deflection at arbitrary position, and record the value [A].



- Turn the rear wheel 90 degrees.

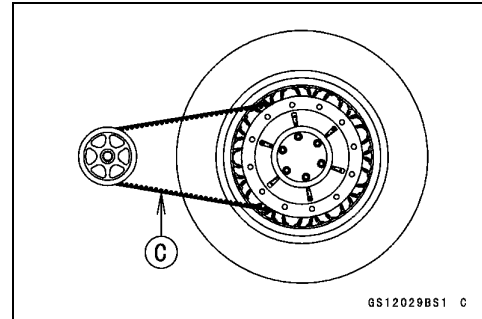


- Inspect the drive belt deflection, and record the value [B].



**Periodic Maintenance Procedures**

- Decide the belt deflection at the position [C] of one where deflection is large.



**Drive Belt Deflection (with 45 N, 4.6 kgf, 10 lb force)**

**Standard: 1.5 ~ 4.0 mm (0.059 ~ 0.16 in.)**

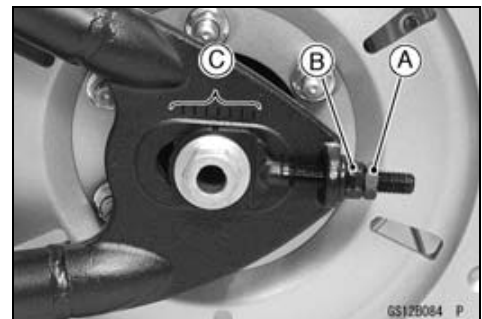
**Drive Belt Deflection (with 45 N, 4.6 kgf, 10 lb force, when installing new belt or engine remounted)**

**Standard: 1.5 mm (0.059 in.)**

- ★ If the deflection is out of the specification, adjust it.

***Belt Deflection Adjustment***

- Remove:
  - Muffler (see Muffler Removal in the Engine Top End chapter)
- Remove the axle cotter pin, and loosen the axle nut.
- Using the jack under the frame pipe ribs, lift the rear wheel off the ground (see Rear Wheel Removal in the Wheels/Tires chapter).
- Loosen the left and right belt adjuster locknuts [A].
- ★ If the belt is too tight, back out the left and right belt adjuster nuts [B], and kick the wheel forward until the belt is too loose.
- Turn in the left and right belt adjuster nuts evenly until the drive belt has the correct amount of deflection.
- To keep the belt and wheel aligned, the notch on the left belt adjuster should align with the same swingarm mark [C] that the right belt adjuster notch aligns with.



- Tighten both belt adjuster locknuts.

**⚠ WARNING**

**Misalignment of the wheel will result in abnormal wear, and may result in an unsafe riding condition. Tighten both belt adjuster locknuts, and make sure the axle stays aligned.**

- Tighten the axle nut.
  - Torque - Rear Axle Nut: 108 N·m (11.0 kgf·m, 79.7 ft·lb)**
- Inspect the drive belt deflection (see Belt Deflection Inspection).
- ★ Readjust if necessary.

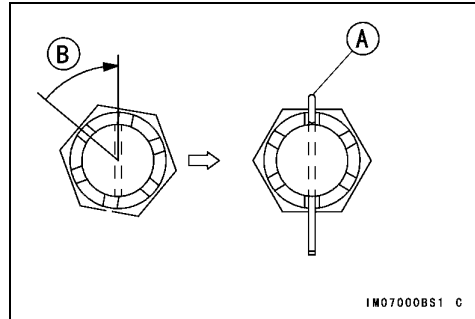
## 2-28 PERIODIC MAINTENANCE

### Periodic Maintenance Procedures

- Insert a new cotter pin [A].

#### NOTE

- When inserting the cotter pin, if the slots in the nut do not align with the cotter pin hole in the axle, tighten the nut clockwise [B] up to next alignment.
- It should be within 30 degree.
- Loosen once and tighten again when the slot goes past the nearest hole.

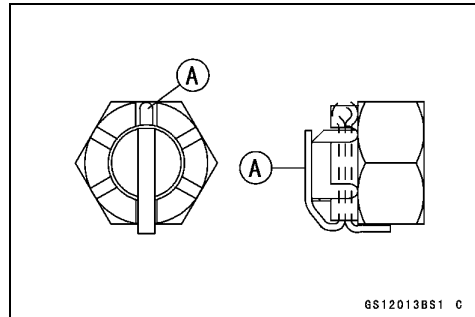


- Bend the cotter pin [A] over the nut.

#### ⚠ WARNING

If the rear axle nut is not securely tightened or the cotter pin is not installed, an unsafe riding condition may result.

- Check the rear brake for weak braking power and brake drag.

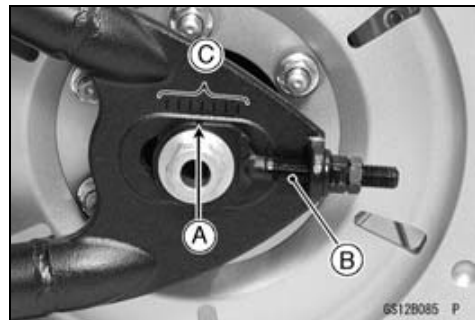


#### Wheel Alignment Inspection/Adjustment

- Check that the notch [A] on the left belt adjuster [B] aligns with the same swingarm mark [C] or position that the right belt adjuster notch aligns with.
- ★ If they do not, adjust the belt deflection (see Belt Deflection Adjustment) and align the wheel alignment.

#### NOTE

- Wheel alignment can be also checked using the straightedge or string method.

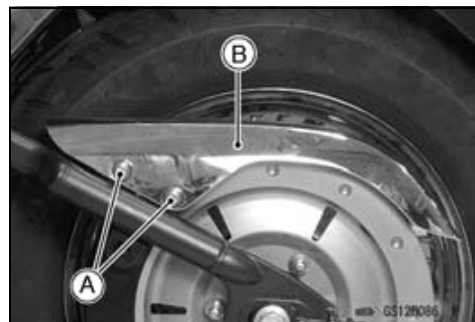


#### ⚠ WARNING

Misalignment of the wheel will result in abnormal wear, and may result in an unsafe riding condition.

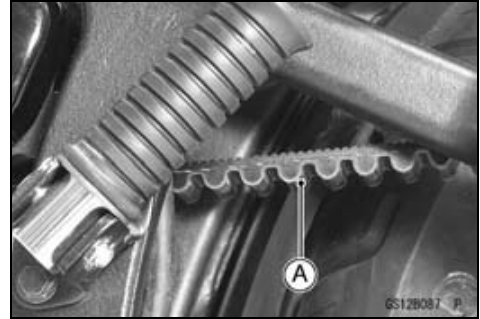
#### Belt Wear and Damage Inspection

- Using the jack and jack attachment under the frame pipe ribs, lift the rear wheel off the ground (see Rear Wheel Removal in the Wheels/Tires chapter).
- Remove:
  - Bolts [A] and Washers
  - Upper Belt Cover [B]



### Periodic Maintenance Procedures

- Visually inspect the belt [A] for wear and damage.
- ★ If the nylon fabric facing of any portion is worn off, and the polyurethane compound is exposed, or belt is damaged, replace the belt immediately with a new one.
- Otherwise, refer to the Drive Belt Tooth Wear Patterns and perform the according to the table of Drive Belt Wear Analysis.
- ★ Whenever the belt is replaced, inspect the engine and rear pulleys (see Pulley Wear Inspection in the Final Drive chapter).



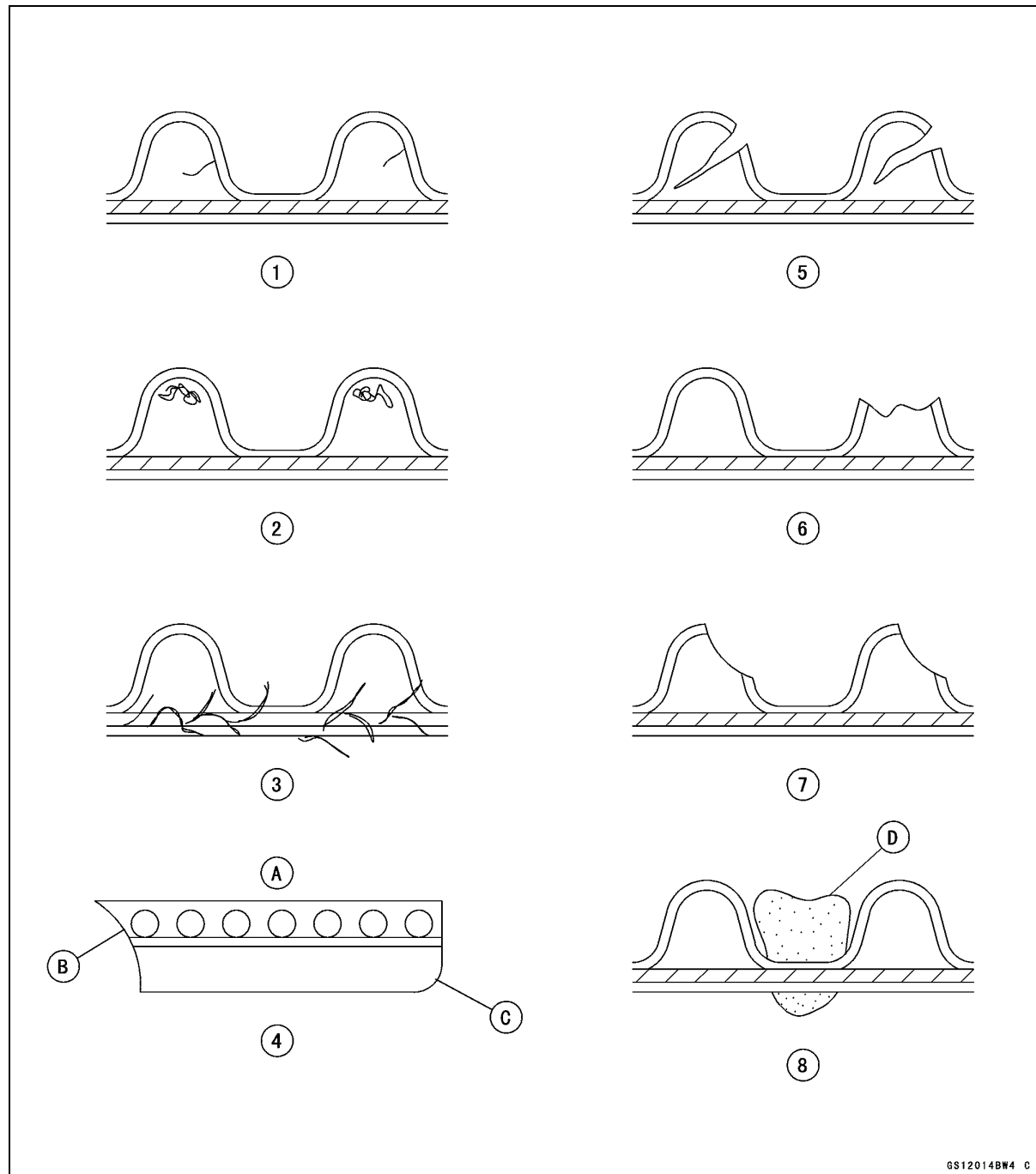
#### **⚠ WARNING**

**A belt worn past the nylon fabric facing must be replaced. Such a worn belt may cause a serious accident.**

## 2-30 PERIODIC MAINTENANCE

### Periodic Maintenance Procedures

#### Drive Belt Tooth Wear and Damage Patterns



- A. Belt Cross Section
- B. Edge Bevel Wear
- C. Rub Wear
- D. Stone

GS12014BW4 0

**Periodic Maintenance Procedures**

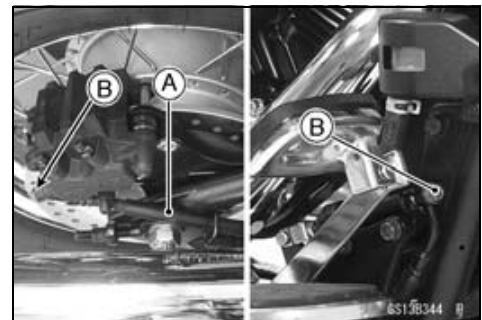
**Drive Belt Wear and Damage Analysis**

Pattern	Condition	Required Action
1	Internal tooth cracks (slight)	O.K. for continued use, but inspect the belt periodically.
2	Scuffing to side of teeth	O.K. for continued use, but inspect the belt periodically. Also check the pulley flange.
3	Fraying edge cord	O.K. for continued use, but inspect the belt periodically (replace the belt if excessive).
4	Beveled wear	O.K. for continued use, check the pulley alignment and flange condition.
5	External tooth cracks (severe)	Replace the drive belt.
6	Severe fractured or missing teeth	Replace the drive belt.
7	Tooth hook wear	Replace the drive belt. Inspect the pulley for wear.
8	Stone damage	Remove stone, O.K. for continued use if not near edge of the belt. Inspect the pulley for damage.

**Brake System**

**Brake Fluid Leak Inspection**

- Apply the brake lever or pedal and inspect the brake fluid leak from the brake hoses [A] and fittings [B].
- ★ If the brake fluid leaked from any position, inspect or replace the problem part.



## 2-32 PERIODIC MAINTENANCE

### Periodic Maintenance Procedures

#### **Brake Hose Damage and Installation Condition Inspection**

- Inspect the brake hoses and fittings for deterioration, cracks and signs of leakage.
- The high pressure inside the brake line can cause fluid to leak [A] or the hose to burst if the line is not properly maintained. Bend and twist the rubber hose while examining it.
- ★ Replace the hose if any crack [B], bulge [C] or leakage is noticed.
- ★ Tighten any brake hose banjo bolts.

**Torque - Brake Hose Banjo Bolts: 25 N·m (2.5 kgf·m, 18 ft·lb)**

- Inspect the brake hose routing.
- ★ If any brake hose routing is incorrect, route the brake hose according to Cable, Wire and Hose Routing section in the Appendix chapter.

#### **Brake Operation Inspection**

- Inspect the operation of the front and rear brake by running the vehicle on the dry road.
- ★ If the brake operation is insufficiency, inspect the brake system.

#### **⚠ WARNING**

**When inspecting by running the vehicle, note a surrounding traffic situation enough in the place of safety.**

#### **Brake Fluid Level Inspection**

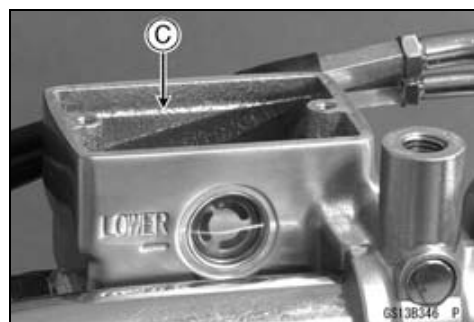
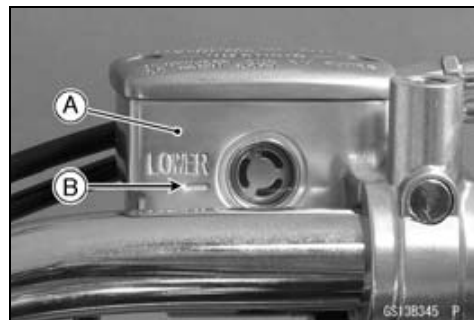
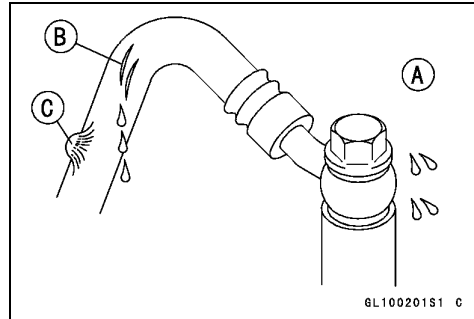
- Check that the brake fluid level in the front brake reservoir [A] is above the lower level line [B].

#### **NOTE**

○ Hold the reservoir horizontal by turning the handlebar when checking brake fluid level.

- ★ If the fluid level is lower than the lower level line, fill the reservoir to the upper level line [C] in the reservoir.
- Tighten:

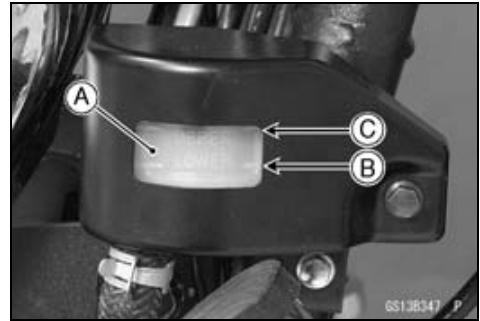
**Torque - Front Brake Reservoir Cap Screws: 1.5N·m (0.15 kg·fm, 13 in·lb)**





**Periodic Maintenance Procedures**

- Check that the brake fluid level in the rear brake reservoir [A] is above the lower level line [B].
- ★ If the fluid level is lower than the lower level line, fill the reservoir to the upper level line [C].

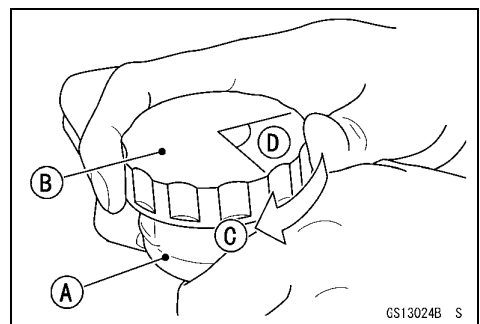


**⚠ WARNING**  
 Change the brake fluid in the brake line completely if the brake fluid must be refilled but the type and brand of the brake fluid that is already in the reservoir are unidentified. After changing the fluid, use only the same type and brand of fluid thereafter.

**Recommended Disc Brake Fluid**

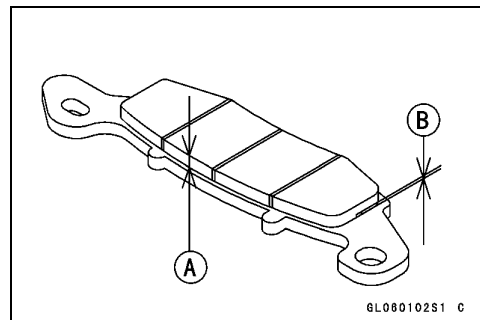
Grade: DOT4

- Follow the procedure below to install the rear brake fluid reservoir cap correctly.
- First, tighten the rear brake fluid reservoir cap [B] clockwise [C] by hand until slight resistance is felt indicating that the cap is seated on the reservoir body, then tighten the cap an additional 1/6 turn [D] while holding the brake fluid reservoir body [A].



**Brake Pad Wear Inspection**

- Check the lining thickness [A] of the pads in each caliper.
- ★ If the lining thickness of either pad is less than the service limit [B], replace both pads in the caliper as a set.



**Pad Lining Thickness**

Standard:

Front                    4.5 mm (0.18 in.)  
 Rear                    7.0 mm (0.28 in.)

Service Limit:        1 mm (0.04 in.)

**Brake Light Switch Operation Inspection**

- Turn on the ignition switch.
- The brake light [A] should go on when the brake lever is applied or after the brake pedal is depressed about 10 mm (0.39 in.).



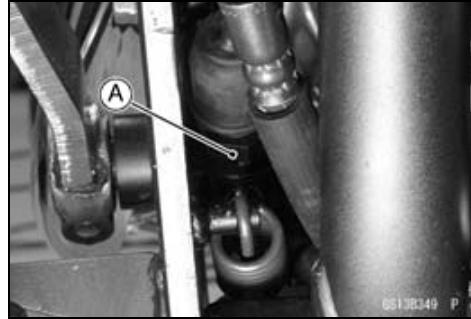
## 2-34 PERIODIC MAINTENANCE

### Periodic Maintenance Procedures

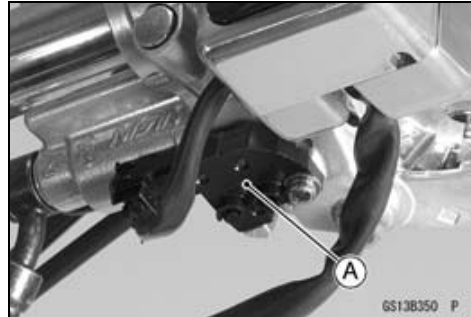
- ★ If it does not, adjust the brake light switch.
- While holding the switch body, turn the adjusting nut [A] to adjust the switch.

#### CAUTION

To avoid damaging the electrical connections inside the switch, be sure that the switch body does not turn during adjustment.



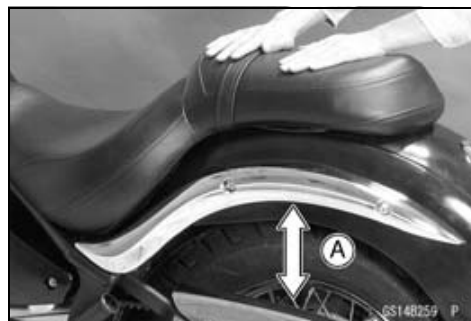
- ★ If it does not go on, inspect or replace the following items.
  - Battery (see Charging Condition Inspection in the Electrical System chapter)
  - Brake Light (see Tail/Brake Light Removal/Installation in the Electrical System chapter)
  - Main Fuse 30 A and Taillight Fuse 10 A (see Fuse Inspection in the Electrical System chapter)
  - Front Brake Light Switch [A] (see Switch Inspection in the Electrical System chapter)
  - Rear Brake Light Switch (see Switch Inspection in the Electrical System chapter)
  - Harness (see Wiring Inspection in the Electrical System chapter)



## Suspensions

### Front Forks/Rear Shock Absorber Operation Inspection

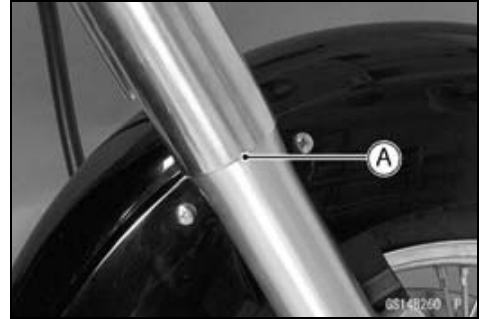
- Pump the forks down and up [A] 4 or 5 times, and inspect the smooth stroke.
- ★ If the forks do not smoothly or noise is found, inspect the fork oil level or fork clamps (see Front Fork Oil Change in the Suspension chapter).
- Pump the seat down and up [A] 4 or 5 times, and inspect the smooth stroke.
- ★ If the shock absorber does not smoothly stroke or noise is found, inspect the oil leak (see Rear Shock Absorber Oil Leak Inspection).



**Periodic Maintenance Procedures**

**Front Fork Oil Leak Inspection**

- Visually inspect the front forks [A] for oil leakage.
- ★ Replace or repair any defective parts, if necessary.



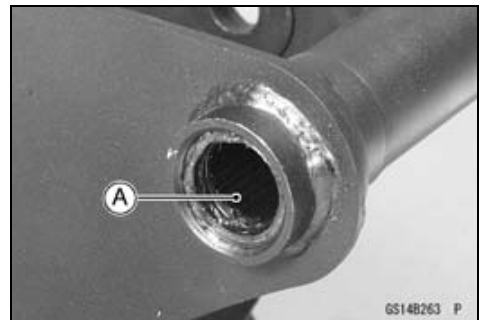
**Rear Shock Absorber Oil Leak Inspection**

- Remove the left side cover (see Left Side Cover Removal in the Frame chapter).
- Visually inspect the shock absorber [A] for oil leakage.
- ★ If the oil leakage is found on it, replace the shock absorber with a new one.



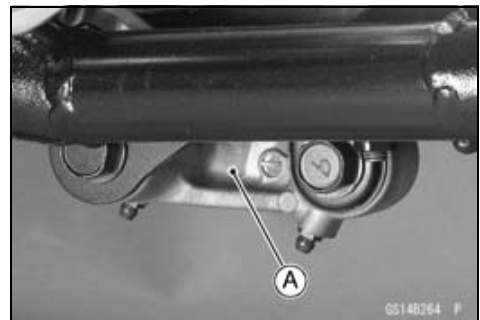
**Swingarm Pivot Lubrication**

- Remove the swingarm (see Swingarm Removal in the Suspension chapter).
- Clean the old grease out of the bearings.
- Apply grease to the inner surface of the needle bearings [A].
- Apply a thin coat of grease to the lips of the grease seals.
- Install the swingarm (see Swingarm Installation in the Suspension chapter).



**Rocker Arm Operation Inspection**

- Pump the seat down and up 4 or 5 times, and inspect the smooth stroke.
- ★ If the rocker arm [A] does not smoothly stroke or noise is found, inspect the fasteners and bearings.



**Tie-Rod Operation Inspection**

- Pump the seat down and up 4 or 5 times, and inspect the smooth stroke.
- ★ If the tie-rod [A] do not smoothly stroke or noise is found, inspect the fasteners and tie-rod bearings.

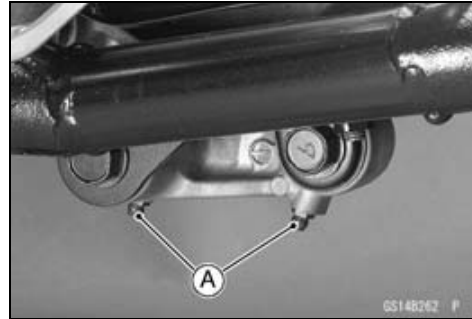
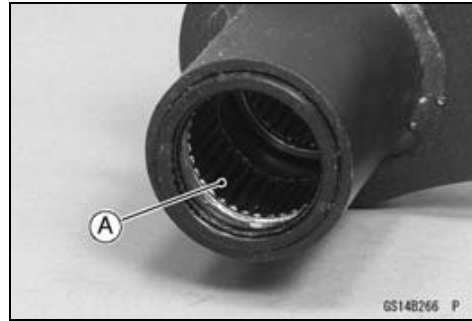


## 2-36 PERIODIC MAINTENANCE

### Periodic Maintenance Procedures

#### Uni-trak Linkage Lubrication

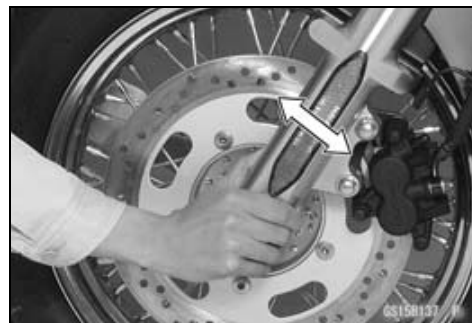
- Remove:
  - Tie-Rod (see Tie-Rod Removal in the Suspension chapter)
- Apply grease to the inner surfaces of the needle bearings [A]
- For the rocker arm it has grease nipples [A] on the rocker arm for lubrication. Force grease into the nipple until it comes out both sides of the rocker arm, and wipe off any excess.
- Apply a thin coat of grease to the lips of the grease seals.



#### Steering System

##### Steering Play Inspection

- Raise the front wheel off the ground with jack.
  - **Special Tool - Jack: 57001-1238**
- With the front wheel pointing straight ahead, alternately tap each end of the handlebar. The front wheel should swing fully left and right from the force of gravity until the fork hits the stop.
- ★ If the wheel binds or catches before the stop, the steering is too tight.
- Feel for steering looseness by pushing and pulling the forks.
- ★ If you feel looseness, the steering is too loose.

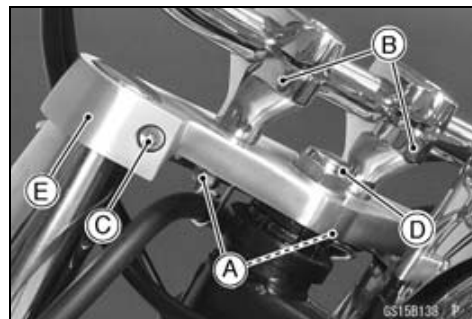


#### NOTE

- The cables and wiring will have some effect on the motion of the fork which must be taken into account.
- Be sure the wires and cables are properly routed.
- The bearings must be in good condition and properly lubricated in order for any test to be valid.

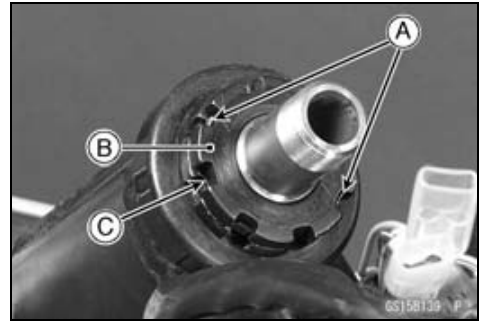
##### Steering Play Adjustment

- Remove:
  - Windshield (VN900D Models) (see Windshield Removal in the Frame chapter)
  - Handlebar Holder Nuts [A]
  - Handlebar Holders [B] together with the Handlebar Upper Front Fork Clamp Bolt (Both Sides) [C]
  - Steering Stem Head Nut [D]
- Remove the steering stem head [E].

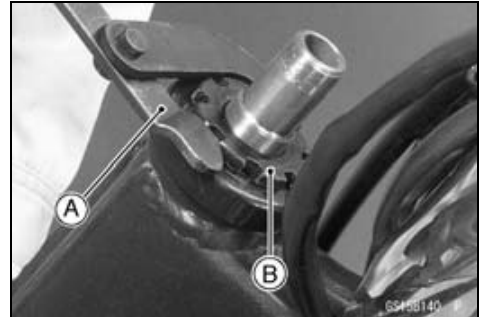


**Periodic Maintenance Procedures**

- Straighten the claws [A] of the claw washer.
- Remove the steering stem locknut [B] and claw washer [C].



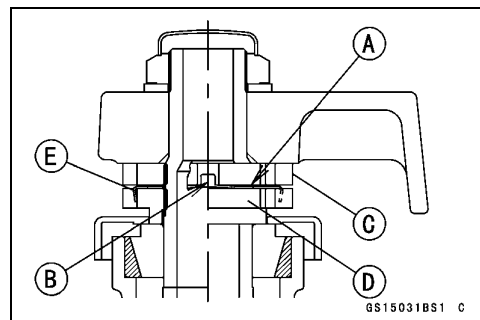
- Adjust the steering.
  - Special Tool - Steering Stem Nut Wrench [A]: 57001-1100**
  - ★ If the steering is too tight, loosen the stem nut [B] a fraction of a turn.
  - ★ If the steering is too loose, tighten the stem nut a fraction of a turn.



**NOTE**

○ Turn the stem nut 1/8 turn at time maximum.

- Replace the claw washer with a new one.
- Install the claw washer [A] so that its bent side [B] faces upward, and engage the bent claws with the grooves of stem locknut [C].
- Hand tighten the stem locknut until it touches the claw washer.
- Tighten the stem locknut clockwise until the claws are aligned with the grooves (ranging from 2nd to 4th) of stem nut [D], and bend the 2 claws downward [E].
- Install the steering stem head.
- Install the washer, and tighten the stem head nut.
- Tighten:



**Torque - Steering Stem Head Nut: 49 N·m (5.0 kgf·m, 36 ft·lb)**

**Upper Front Fork Clamp Bolts: 20 N·m (2.0 kgf·m, 15 ft·lb)**

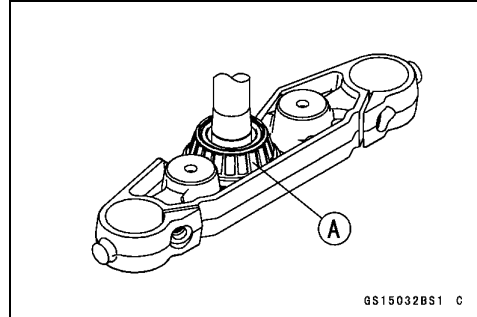
- Check the steering again.
- ★ If the steering is still too tight or too loose, repeat the adjustment.
- Install the removed parts.

## 2-38 PERIODIC MAINTENANCE

### Periodic Maintenance Procedures

#### ***Steering Stem Bearing Lubrication***

- Remove the steering stem (see Steering Stem Removal in the Steering chapter).
- Using a high flash-point solvent, wash the upper and lower ball bearings in the cages, and wipe the upper and lower outer races, which are press-fitted into the frame head pipe, clean off grease and dirt.
- Visually check the outer races and the ball bearings.
- ★ Replace the bearing assemblies if they show wear or damage.
- Pack the upper and lower ball bearings [A] in the cages with grease, and apply a light coat of grease to the upper and lower outer races.
- Install the steering stem (see Steering Stem Installation in the Steering chapter).
- Adjust the steering (see Steering Play Adjustment).



GS15032BS1 C

**Periodic Maintenance Procedures**

**Electrical System**

**Lights and Switches Operation Inspection**

**First Step**

- Turn on the ignition switch.
- The following lights should go on according to below table.

Position Lights [A] ( US and Canada Models)	goes on
City Light [B] (Europe Models)	goes on
Taillight [C]	goes on
License Plate Light [D]	goes on
Neutral Indicator Light [E]	goes on
Oil Pressure Warning Indicator Light (LED) [F]	goes on
Water Temperature Warning Indicator Light (LED) [G]	goes on
FI Indicator Light (LED) [H]	goes on (about 2 seconds)

★ If the light does not go on, inspect or replace the following item.

Battery (see Charging Condition Inspection in the Electrical System chapter)

Applicable Bulb (see Wiring Diagram section in the Electrical System chapter)

Meter Unit for Neutral Indicator Light (LED) (see Meter Unit Inspection in the Electrical System chapter)

Meter Unit for Oil Pressure/Water Temperature Warning Indicator Light (LED) (see Meter Unit Inspection in the Electrical System chapter)

Meter Unit for FI Indicator Light (LED) (see Meter Unit Inspection in the Electrical System chapter)

ECU (see ECU Power Supply Inspection in the Fuel System (DFI) chapter)

Main Fuse 30 A and Taillight Fuse 10 A (see Fuse Inspection in the Electrical System chapter)

Ignition Switch (see Switch Inspection in the Electrical System chapter)

Neutral Switch (see Switch Inspection in the Electrical System chapter)

Harness (see Wiring Inspection in the Electrical System chapter)

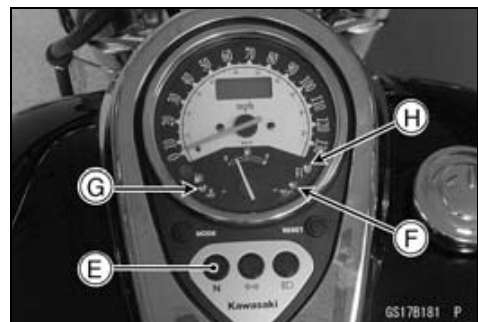
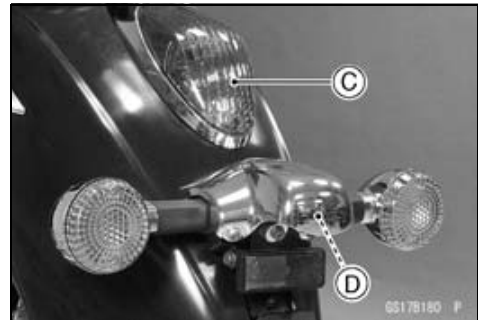
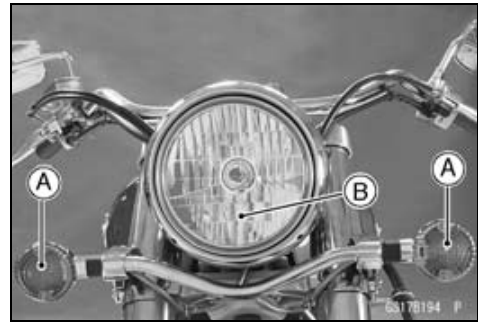
- Turn off the ignition switch.
- The all lights should go off.
- ★ If the light does not go off, replace the ignition switch.

**Second Step**

- Turn the ignition switch to P (Park) position.
- The city light, taillight and license plate light should go on.

★ If the light does not go on, inspect or replace the following item.

Ignition Switch (see Switch Inspection in the Electrical System chapter)



## 2-40 PERIODIC MAINTENANCE

### Periodic Maintenance Procedures

#### Third Step

- Turn on the turn signal switch [A] (left or right position).
- The left or right turn signal lights [B] (front and rear) according to the switch position should flash.
- The turn signal indicator light (LED) [C] in the meter unit should flash.
- ★ If the each light does not flash, inspect or replace the following item.

Turn Signal Light Bulb (see Turn Signal Light Bulb Replacement in the Electrical System chapter)

Meter Unit for Turn Signal Light Indicator Light (LED) (see Meter Unit Inspection in the Electrical System chapter)

Turn Signal Relay Fuse 10 A (see Fuse Inspection in the Electrical System chapter)

Turn Signal Switch (see Switch Inspection in the Electrical System chapter)

Turn Signal Relay (see Turn Signal Relay Inspection in the Electrical System chapter)

Harness (see Wiring Inspection in the Electrical System chapter)

- Push the turn signal switch.
- The turn signal lights and indicator light (LED) should go off.
- ★ If the light does not go off, inspect or replace the following item.

Turn Signal Switch (see Switch Inspection in the Electrical System chapter)

Turn Signal Relay (see Turn Signal Relay Inspection in the Electrical System chapter)

#### Fourth Step

- Set the dimmer switch [A] to low beam position.
- Start the engine.
- The low beam should go on.
- ★ If the low beam does not go on, inspect or replace the following item.

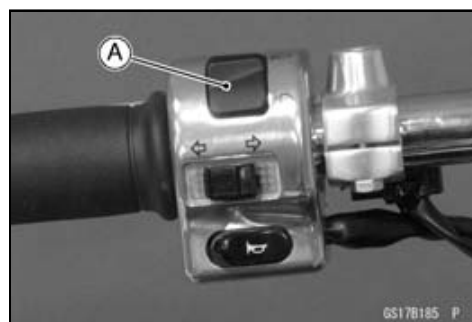
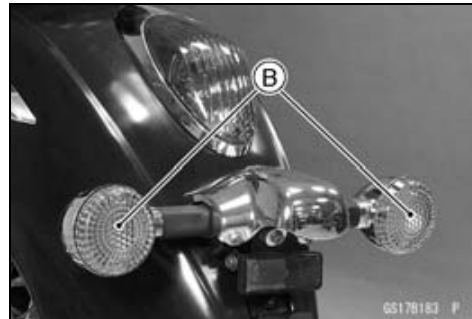
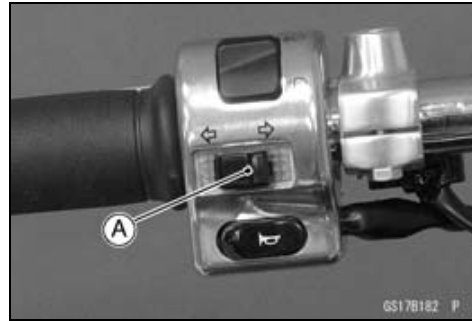
Headlight Low Beam Bulb (see Headlight Bulb Replacement in the Electrical System chapter)

Headlight Fuse 10 A (see Fuse Inspection in the Electrical System chapter)

Dimmer Switch (see Switch Inspection in the Electrical System chapter)

Headlight Relay in Relay Box (see Relay Circuit Inspection in the Electrical System chapter)

Harness (see Wiring Inspection in the Electrical System chapter)





**Periodic Maintenance Procedures**

- Set the dimmer switch to high beam position.
- The high beam should go on.
- The high beam indicator light (LED) [A] should go on.
- ★ If the high beam headlight and/or high beam indicator light (LED) does not go on, inspect or replace the following item.
  - Headlight Bulb (see Headlight Bulb Replacement in the Electrical System chapter)
  - Dimmer Switch (see Switch Inspection in the Electrical System chapter)
- Turn off the engine stop switch.
- The high beam should stay going on.
- ★ If the headlights and high beam indicator light (LED) does go off, inspect or replace the following item.
  - Headlight Relay in Relay Box (see Relay Circuit Inspection in the Electrical System chapter)
- Turn off the ignition switch.
- The headlights and high beam indicator light (LED) should go off.

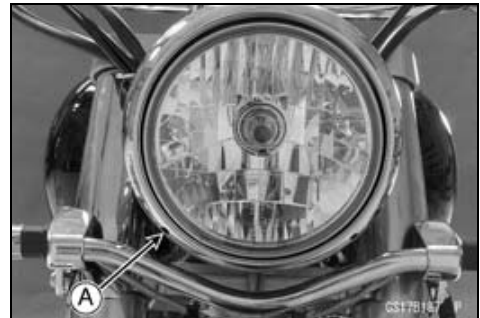


**Headlight Aiming Inspection**

- Inspect the headlight beam for aiming.
- ★ If the headlight beam points to one side rather than straight ahead, adjust the horizontal beam.

**Headlight Beam Horizontal Adjustment**

- Turn the horizontal adjuster [A] on the headlight with the screwdriver in or out until the beam points straight ahead.
- ★ If the headlight beam points too low or high, adjust the vertical beam.



**Headlight Beam Vertical Adjustment**

- Turn the vertical adjuster [A] on the headlight with the screwdriver in or out to adjust the headlight vertically.



**NOTE**

○ ON high beam, the brightest points should be slightly below horizontal with the motorcycle on its wheels and the rider seated. Adjust the headlight to the proper angle according to local regulations.

## 2-42 PERIODIC MAINTENANCE

### Periodic Maintenance Procedures

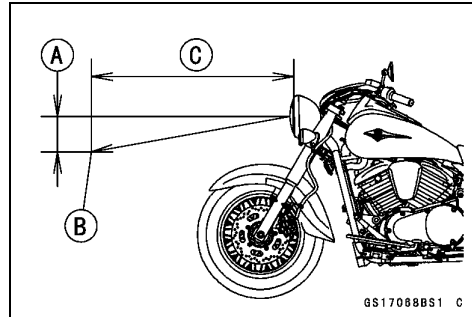
#### NOTE

○For US model, the proper angle is 0.4 degrees below horizontal. This is 50 mm (2 in.) drop at 7.6 m (25 ft.) measured from the center of the headlight with the motorcycle on its wheels and the rider seated.

50 mm (2 in.) [A]

Center of Brightest Spot [B]

7.6 m (25 ft.) [C]



#### Sidestand Switch Operation Inspection

- Inspect the sidestand switch [A] operation accordance to below table.

#### Sidestand Switch Operation

Sidestand	Gear Position	Clutch Lever	Engine Start	Engine Run
Up	Neutral	Released	Starts	Continue running
Up	Neutral	Pulled in	Starts	Continue running
Up	In Gear	Released	Doesn't start	Stops
Up	In Gear	Pulled in	Starts	Continue running
Down	Neutral	Released	Starts	Continue running
Down	Neutral	Pulled in	Starts	Continue running
Down	In Gear	Released	Doesn't start	Stops
Down	In Gear	Pulled in	Doesn't start	Stops



## Periodic Maintenance Procedures

★ If the sidestand switch operation does not work, inspect or replace the following item.

Battery (see Charging Condition Inspection in the Electrical System chapter)

Main Fuse 30 A (see Fuse Inspection in the Electrical System chapter)

Ignition Fuse 10 A (see Fuse Inspection in the Electrical System chapter)

Ignition Switch (see Switch Inspection in the Electrical System chapter)

Sidestand Switch (see Switch Inspection in the Electrical System chapter)

Engine Stop Switch (see Switch Inspection in the Electrical System chapter)

Starter Button (see Switch Inspection in the Electrical System chapter)

Neutral Switch (see Switch Inspection in the Electrical System chapter)

Starter Relay (see Starter Relay Inspection in the Electrical System chapter)

Relay Box (see Relay Circuit Inspection in the Electrical System chapter)

Starter Circuit Relay (see Relay Circuit Inspection in the Electrical System chapter)

Harness (see Wiring Inspection in the Electrical System chapter)

★ If the all parts are good condition, replace the ECU.

### Engine Stop Switch Operation Inspection

#### First Step

- Turn on the ignition switch.
- Set the neutral position.
- Turn the engine stop switch to stop position [A].
- Push the starter button.
- The engine does not start.

★ If the engine starts, inspect or replace the following item.

Engine Stop Switch (see Switch Inspection in the Electrical System chapter)

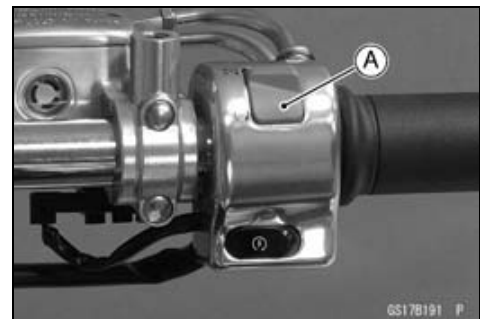
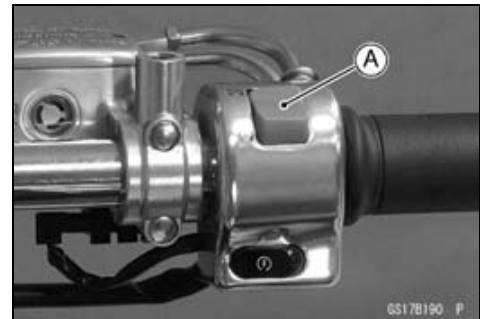
#### Second Step

- Turn on the ignition switch.
- Set the neutral position.
- Turn the engine stop switch to run position [A].
- Push the starter button and run the engine.
- Turn the engine stop switch to stop position.
- Immediately the engine should be stop.

★ If the engine does not stop, inspect or replace the following item.

Engine Stop Switch (see Switch Inspection in the Electrical System chapter)

★ If the engine stop switch is good condition, replace the ECU.



## 2-44 PERIODIC MAINTENANCE

### Periodic Maintenance Procedures

#### Others

##### Chassis Parts Lubrication

- Before lubricating each part, clean off any rusty spots with rust remover and wipe off any grease, oil, dirt, or grime.
- Lubricate the points listed below with indicated lubricant.

#### NOTE

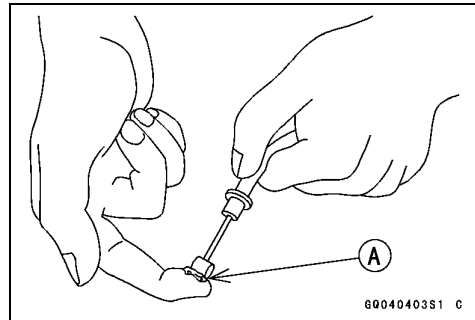
○Whenever the vehicle has been operated under wet or rainy conditions, or especially after using a high-pressure water spray, perform the general lubrication.

##### Pivots: Lubricate with Grease.

Brake Lever  
Brake Pedal  
Clutch Lever  
Rear Brake Joint Pin  
Sidestand

##### Points: Lubricate with Grease.

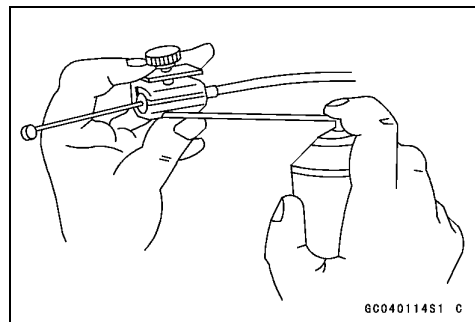
Clutch Inner Cable Upper and Lower Ends [A]  
Throttle Inner Cable Upper and Lower Ends



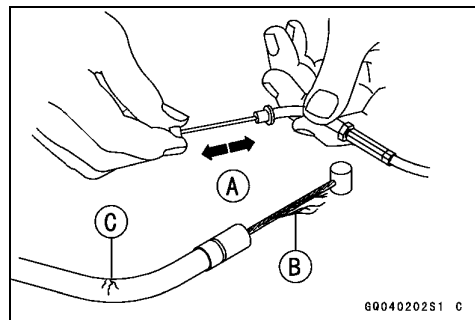
##### Cables: Lubricate with Rust Inhibitor.

Clutch Cable  
Throttle Cables

- Lubricate the cables by seeping the oil between the cable and housing.
- The cable may be lubricated by using a commercially available pressure cable lubricator with an aerosol cable lubricant.



- With the cable disconnected at both ends, the inner cable should move freely [A] within the cable housing.
- ★ If cable movement is not free after lubricating, if the cable is frayed [B], or if the cable housing is kinked [C], replace the cable.



## Periodic Maintenance Procedures

### ***Bolts, Nuts and Fasteners Tightness Inspection***

- Check the tightness of the bolts and nuts listed here. Also, check to see that each cotter pin is in place and in good condition.

#### **NOTE**

○ *For the engine fasteners, check the tightness of them when the engine is cold (at room temperature).*

- ★ If there are loose fasteners, retighten them to the specified torque following the specified tightening sequence. Refer to the appropriate chapter for torque specifications. If torque specifications are not in the appropriate chapter, see the Standard Torque Table. For each fastener, first loosen it by 1/2 turn, then tighten it.
- ★ If cotter pins are damaged, replace them with new ones.

### **Bolt, Nut and Fastener to be checked**

Engine:

Clutch Lever Pivot Nut  
 Engine Mounting Bolts and Nuts  
 Exhaust Pipe Holder Nuts  
 Muffler Mounting Bolt and Nut

Wheels:

Front Axle Nut  
 Front Axle Clamp Bolt  
 Rear Axle Nut  
 Rear Axle Nut Cotter Pin

Brakes:

Brake Lever Pivot Nut  
 Brake Pedal Bolt  
 Brake Rod Joint Cotter Pin  
 Caliper Mounting Bolts  
 Front Master Cylinder Clamp Bolts  
 Rear Master Cylinder Mounting Bolts

Suspension:

Front Fork Clamp Bolts  
 Rear Shock Absorber Bolt and Nut  
 Swingarm Pivot Shaft Nut

Steering:

Steering Stem Head Nut  
 Handlebar Clamp Bolts

Others:

Footboard Bracket Bolts  
 Footpeg Bracket Bolts  
 Front Fender Bolts  
 Sidestand Bolt  
 Downtube Bolts

## 2-46 PERIODIC MAINTENANCE

### Periodic Maintenance Procedures

#### Evaporative Emission Control System Inspection (CAL)

##### Evaporative Emission Control System Inspection

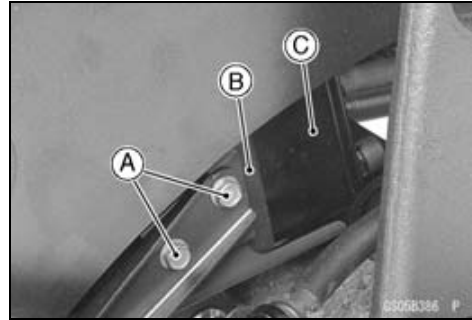
- Inspect the canister as follows:

○ Remove:

Muffler (see Muffler Removal in the Engine Top End chapter)

○ Remove the bolts [A].

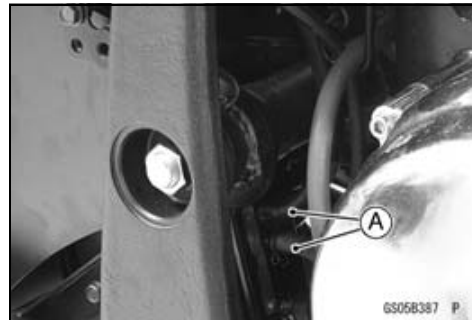
○ Remove the band [B] and take out the canister [C].



○ Disconnect the hoses [A] from the canister.

○ Visually inspect the canister for cracks and other damage.

★ If the canister has any cracks or bad damage, replace it with a new one.



#### NOTE

○ *The canister is designed to work well through the motorcycle's life without any maintenance if it is used under normal conditions.*

○ Install the canister and hoses.

○ Route the hoses according to Cable, Wire and Hose Routing section in the Appendix chapter. Refer to the diagram of the evaporative emission control system in the Fuel System (DFI) chapter too.

- Check the liquid/vapor separator as follows:

○ Remove the band [A] and take out the separator [B].

○ Disconnect the hoses [C] from the separator.

○ Visually inspect the separator for cracks and other damage.

★ If the separator has any cracks or damage, replace it with a new one.

○ To prevent the gasoline from flowing into or out of the canister, hold the separator perpendicular to the ground.

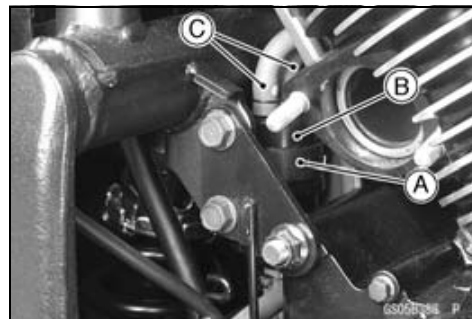
- Check the hoses of the evaporative emission control system as follows:

○ Check that the hoses are securely connected and clips are in position.

○ Replace any kinked, deteriorated or damaged hoses.

○ Route the hoses according to Cable, Wire and Hose Routing section in the Appendix chapter. Refer to the diagram of the evaporative emission control system in the Fuel System chapter too.

○ When installing the hoses, avoid sharp bending, kinking, flattening or twisting, and route the hoses with a minimum of bending so that the emission flow will not be obstructed.



Periodic Maintenance Procedures

Replacement Parts

*Air Cleaner Element Replacement*

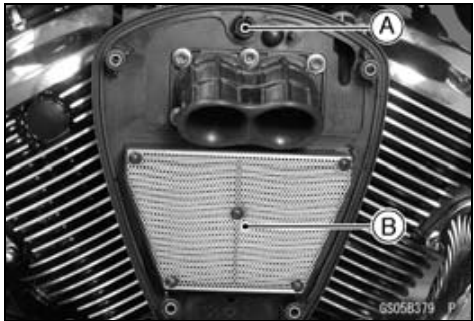
**⚠ WARNING**  
 If dirt or dust is allowed to pass through into the throttle body assy, the throttle may become stuck, possibly causing accident.

**CAUTION**  
 If dirt gets through into the engine, excessive engine wear and possibly engine damage will occur.

- Remove:  
 Air Cleaner Cover Bolts [A] and Washer  
 Air Cleaner Cover [B]



- Unscrew the air cleaner element screw [A] and remove the air cleaner element [B].
- Discard:  
 Air Cleaner Element



- Install a new element [A] with the mesh side facing upward.

**CAUTION**  
 Use only the recommended air cleaner element (Kawasaki part number 11013-0015). Using another air cleaner element will wear the engine prematurely or lower the engine performance.



Torque - Air Cleaner Element Screw: 4.9 N·m (0.50 kgf·m, 43in·lb)

## 2-48 PERIODIC MAINTENANCE

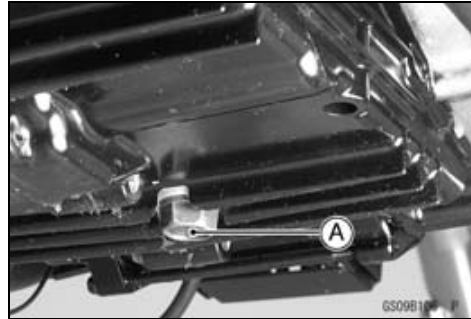
### Periodic Maintenance Procedures

#### Engine Oil Change

- Situate the motorcycle so that it is vertical after warming up the engine.
  - Remove:
    - Oil Filler Cap [A]
- Special Tool - Filler Cap Driver: 57001-1454**



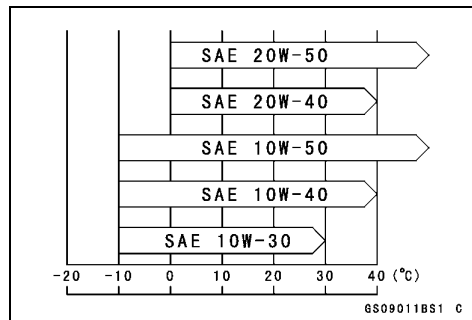
- Remove the engine drain plug [A] to drain the oil.
- The oil in the oil filter can be drained by removing the filter (see Oil Filter Replacement).
- ★ Replace the drain plug gasket with a new one.



- Tighten the drain plugs.
  - Torque - Engine Oil Drain Plug: 20 N·m (2.0 kgf·m, 15 ft·lb)
- Pour in the specified type and amount of oil.

#### Recommended Engine Oil

- Type:** API SE, SF or SG class  
API SH, SJ or SL class with JASO MA
- Viscosity:** SAE 10W-40
- Amount:** 2.7 L (2.8 US qt) (when filter is not removed)  
2.9 L (3.1 US qt) (when filter is removed)  
3.2 L (3.4 US qt) (when engine is completely disassembled and dry)



#### NOTE

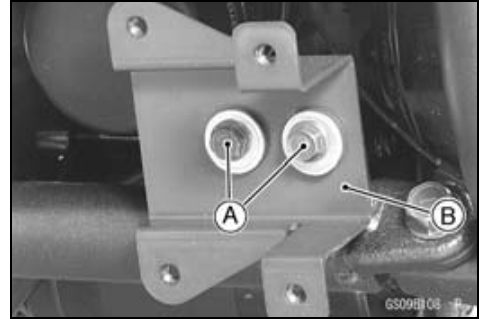
- Although 10W-40 engine oil is the recommended oil for most conditions, the oil viscosity may need to be changed to accommodate atmospheric conditions in your riding area.
- Check the oil level (see Oil Level Inspection in the Engine Lubrication System chapter).



**Periodic Maintenance Procedures**

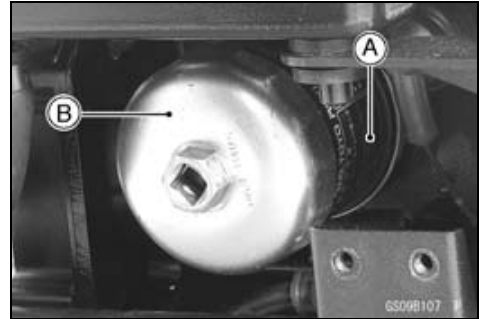
**Oil Filter Replacement**

- Drain the engine oil (see Engine Oil Change).
- Remove:
  - Regulator/Rectifier (see Regulator/Rectifier Removal in the Electrical System chapter)
  - Bolts [A]
  - Bracket [B]

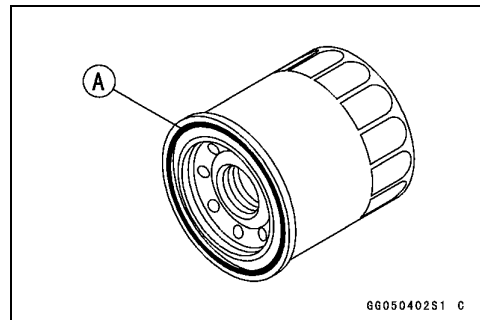


- Remove the oil filter [A] with the oil filter wrench [B] and discard the oil filter.

**Special Tool - Oil Filter Wrench: 57001-1249**



- Replace the oil filter with the new one.
  - Apply grease to the gasket [A] of the new filter before installation.
  - Tighten the filter with the oil filter wrench.
- Torque - Oil Filter: 18 N·m (1.8 kgf·m, 13 ft·lb)**
- Pour in the specified type and amount of oil.

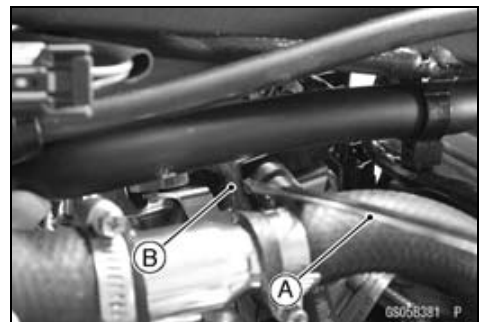


**Fuel Hose Replacement**

**CAUTION**

**When removing and installing the fuel hose joint, do not apply strong force to the outlet pipe on the fuel pump and delivery pipe on the throttle body assy. The pipes made from resin could be damaged.**

- Remove the fuel tank (see Fuel Tank Removal in the Fuel System (DFI) chapter).
- Insert a minus screw driver [A] into the slit [B] on the joint lock.



## 2-50 PERIODIC MAINTENANCE

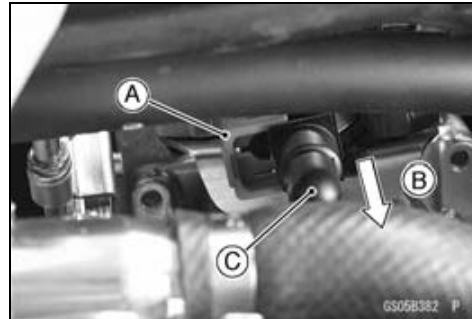
### Periodic Maintenance Procedures

- Twist the driver to disconnect the joint lock [A].
- Pull [B] the fuel hose joint [C] out of the delivery pipe.

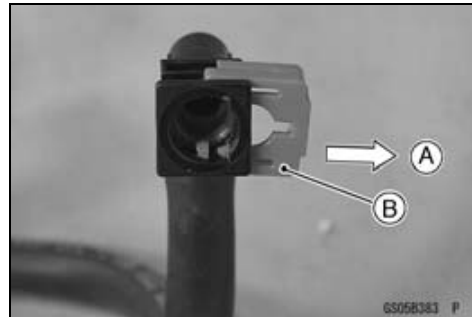
#### **⚠ WARNING**

**Be prepared for fuel spillage; any spilled fuel must be completely wiped up immediately. When the fuel hose is disconnected, fuel spills out from the hose and the pipe. Cover the hose connection with a clean shop towel to prevent fuel spillage.**

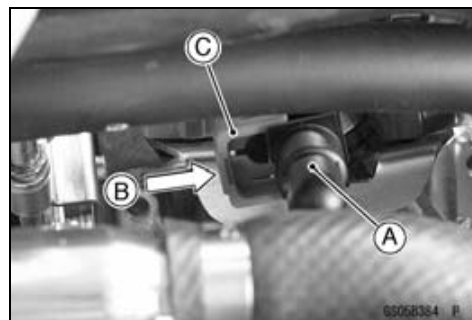
- Pull [A] the joint lock [B] on the fuel hose fully as shown.



- Insert the fuel hose joint [A] straight onto the delivery pipe.
- Push [B] the joint lock [C] until the hose joint clicks.



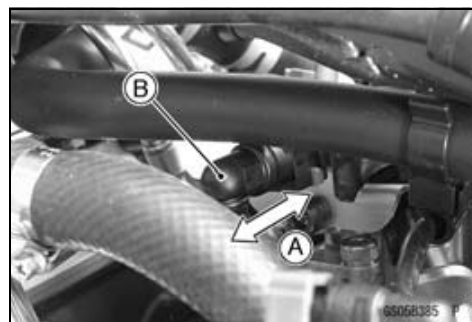
- Push and pull [A] the fuel hose joint [B] back and forth more than two times and make sure it is locked and doesn't come off.



#### **⚠ WARNING**

**Make sure the fuel hose joint is installed correctly on the delivery pipe or the fuel could leak.**

- ★ If it comes off, reinstall the hose joint.
- Run the fuel hose in accordance with the Cable, Wire and Hose Routing section in the Appendix chapter.
- Install the removed parts.
- Start the engine and check the fuel hose for leaks.

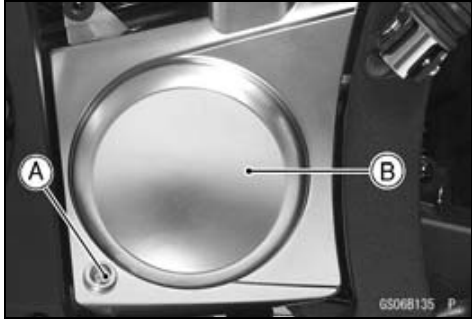


Periodic Maintenance Procedures

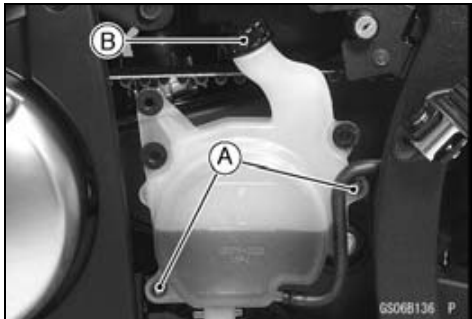
Coolant Change

**⚠ WARNING**

To avoid burns, do not remove the radiator cap or try to change the coolant when the engine is still hot. Wait until it cools down. Coolant on tires will make them slippery, and can cause an accident and injury. Since coolant is harmful to the human body, do not use for drinking.



- Remove:
  - Left Side Cover (see Left Side Cover Removal in the Frame chapter)
  - Bolt [A]
  - Reserve Tank Cover [B]
- Remove:
  - Bolts [A]
  - Reserve Tank Cap [B]
- Turn over the reserve tank, and pour the coolant into the suitable container.



- Remove the fuel tank (see Fuel Tank Removal in the Fuel System (DFI) chapter).
- Remove the radiator cap [A] in two steps. First turn the cap counterclockwise to the first stop. Then push and turn it further in the same direction and remove the cap.



- Place a container under the coolant drain bolt [A], then remove the drain bolt.
- The coolant will drain from the radiator and engine.
- Install the reserve tank.



**CAUTION**

Soft or distilled water must be used with the antifreeze (see Specifications section) in the cooling system. If hard water is used in the system, it causes scale accumulation in the water passages, and considerably reduces the efficiency of the cooling system.

## 2-52 PERIODIC MAINTENANCE

### Periodic Maintenance Procedures

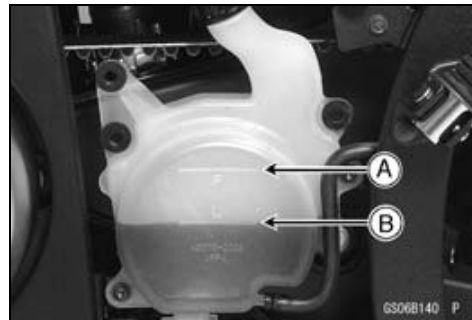
#### Water and Coolant Mixture Ratio (when recommended)

Soft Water	:	50%
Coolant	:	50%
Freezing Point	:	-35°C (-31°F)
Total Amount	:	2.2 L (2.3 US qt.)

- Tighten:  
Torque - Coolant Drain Bolt: 9.8 N·m (1.0 kgf·m, 87 in·lb)
- Fill the radiator up to the filler neck [A] with coolant.

#### NOTE

- Pour in the coolant slowly so that it can expel the air from the engine and radiator.
- Choose a suitable mixture ratio by referring to the coolant manufacturer's directions.
- Check the cooling system for leaks.
- Tap the radiator hoses to force any air bubbles caught inside.
- Fill the radiator up to the filler neck with coolant.
- Install the radiator cap.
- Fill the reserve tank up to the "F" (full) level line [A] with coolant and install the cap.
- Install the fuel tank (see Fuel Tank Installation in the Fuel System (DFI) chapter).
- Start the engine and warm it up thoroughly until the radiator fan turns on and then stop the engine.
- Check the coolant level in the reserve tank several times while the engine is cooling down, and replenish as necessary.
- ★ If the coolant level is lower than the "L" level line [B], add coolant to the "F" level line.



#### CAUTION

Do not add more coolant above the "F" level line.

**Periodic Maintenance Procedures**

**Radiator Hose and O-ring Replacement**

- Drain the coolant (see Coolant Change).
- Remove:
  - Thermostat Bracket [A] (see Thermostat Removal in the Cooling System chapter)
- Loosen the radiator hose clamps and remove the hoses [B].
- Unscrew the bolts and remove the water hose fittings [C] and O-rings [D].
- Apply sorp and water solution to the new O-ring and install the water hose fittings.
- Torque the water hose fitting bolts [E].

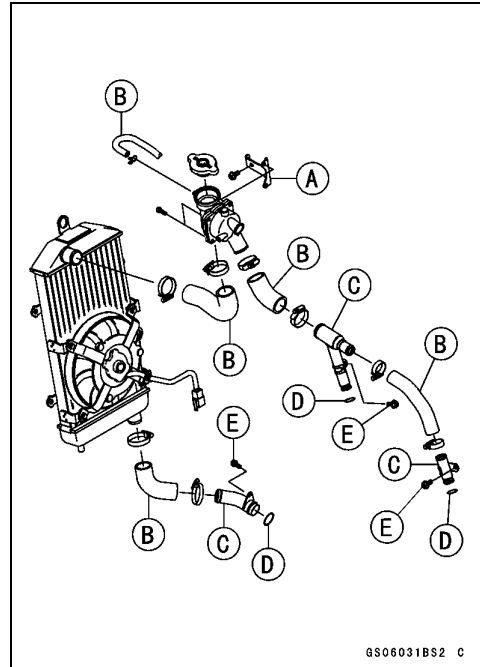
**Torque - Water Hose Fitting Bolts: 9.8 N·m (1.0 kgf·m, 87 in·lb)**

- Install the new radiator hose and tighten the hose clamps.

**Torque - Radiator Hose Clamp Screw: 2.0 N·m (2.0 kgf·m, 18 in·lb)**

**Thermostat Housing Cover Bracket Bolt: 6.9 N·m (0.70 kgf·m, 61 in·lb)**

- Fill the coolant (see Coolant Change).
- Check the cooling system for leaks.



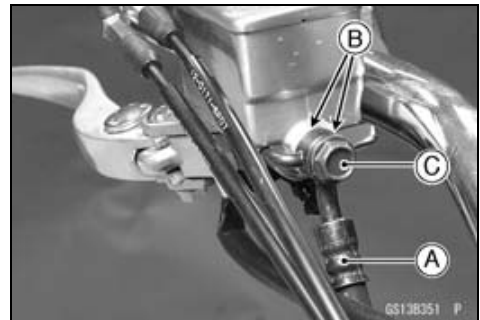
**Brake Hose Replacement**

**CAUTION**

**Brake fluid quickly ruins painted surfaces; any spilled fluid should be completely washed away immediately.**

- When removing the brake hose [A], take care not to spill the brake fluid on the painted or plastic parts.
- When removing the brake hoses, temporarily secure the end of the brake hose to some high place to keep fluid loss to a minimum.
- Immediately wash away any brake fluid that spills.
- Install new brake hoses.
- There are washers [B] on each side of the brake hose fitting. Replace them with new ones when installing.
- Tighten the banjo bolts [C] on the hose fittings.

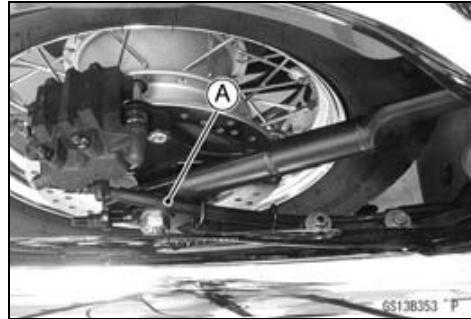
**Torque - Brake Hose Banjo Bolts: 25 N·m (2.5 kgf·m, 18 ft·lb)**



## 2-54 PERIODIC MAINTENANCE

### Periodic Maintenance Procedures

- When installing the hoses [A], avoid sharp bending, kinking, flattening or twisting, and route the hoses according to Cable, Wire and Hose Routing section in the Appendix chapter.
- Fill the brake line after installing the brake hose (see Brake Fluid Change).



### Brake Fluid Change

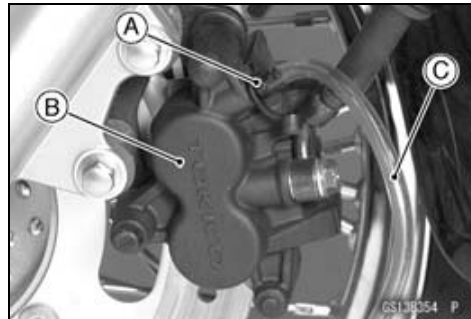
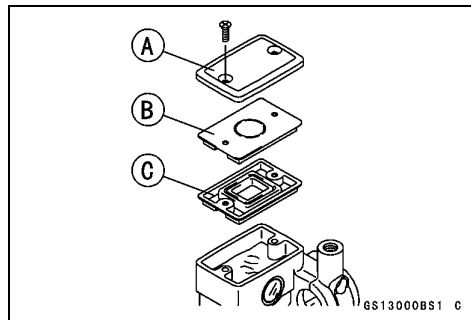
#### NOTE

○ The procedure to change the front brake fluid is as follows. Changing the rear brake fluid is almost the same as for the front brake.

- Level the brake fluid reservoir.
- Remove:
  - Reservoir Cap [A]
  - Plate [B]
  - Diaphragm [C]
- Remove the rubber cap from the bleed valve [A] on the front caliper [B].
- Attach a clear plastic hose [C] to the bleed valve, and run the other end of the hose into a container.
- Fill the reservoir with new brake fluid.
- Temporarily install the reservoir cap.
- Change the brake fluid as follows:

#### NOTE

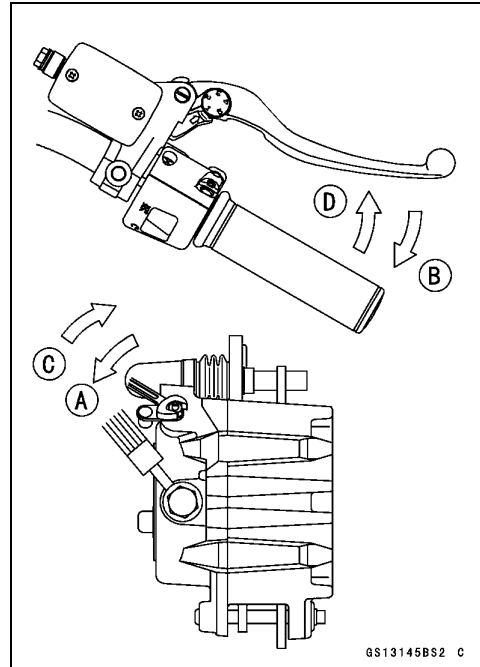
○ The fluid level must be checked often during the changing operation and replenished with fresh brake fluid. If the fluid in the reservoir runs out any time during the changing operation, the brakes will need to be bled since air will have entered the brake line.



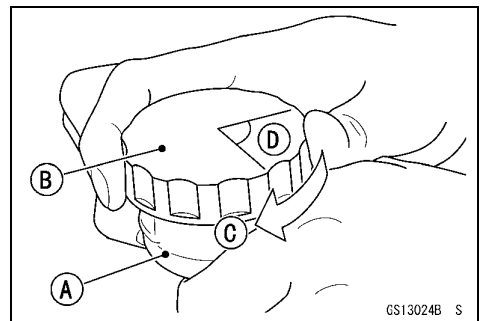
**Periodic Maintenance Procedures**

○ Repeat this operation until fresh brake fluid comes out from the plastic hose or the color of the fluid changes.

- Open the bleed valve [A].
- Pump the brake lever and hold it [B].
- Close the bleed valve [C].
- Release the brake lever [D].
- Front Brake: Repeat the above steps for other caliper.



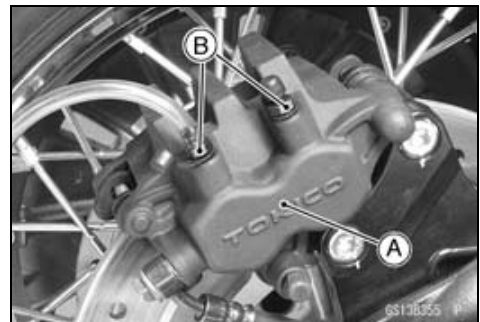
- Remove the clear plastic hose.
- Install the reservoir cap.
- Follow the procedure below to install the rear brake fluid reservoir cap correctly.
- First, tighten the rear brake fluid reservoir cap [B] clockwise [C] by hand until slight resistance is felt indicating that the cap is seated on the reservoir body, then tighten the cap an additional 1/6 turn [D] while holding the brake fluid reservoir body [A].
- Tighten the bleed valves, and install the rubber caps.



**Torque - Caliper Bleed Valves: 7.8 N·m (0.80 kgf·m, 69 in·lb)**  
**Front Brake Reservoir Cap Screws: 1.5 N·m (0.15 kgf·m, 13 in·lb)**

○ For the rear brake caliper [A], change the brake fluid for two bleed valves [B].

- After changing the fluid, check the brake for good braking power, no brake drag, and no fluid leakage.
- ★ If necessary, bleed the air from the lines (see Brake Line Bleeding in the Brakes chapter).



## 2-56 PERIODIC MAINTENANCE

### Periodic Maintenance Procedures

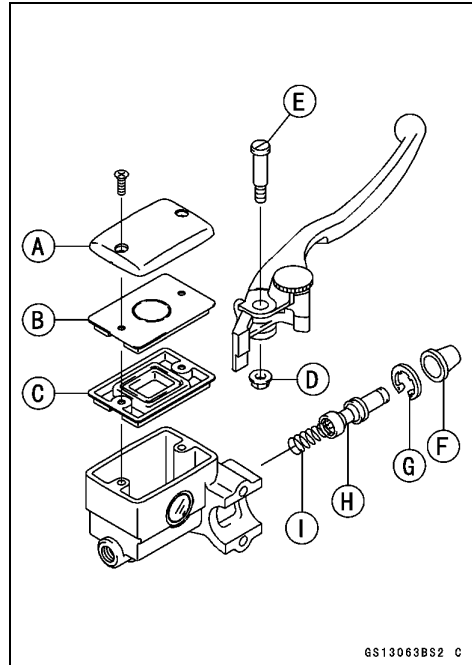
#### Master Cylinder Rubber Parts Replacement

##### Front Master Cylinder Disassembly

- Remove the front master cylinder (see Front Master Cylinder Removal in the Brakes chapter).
- Remove the reservoir cap [A], plate [B], and diaphragm [C].
- Unscrew the locknut [D] and pivot bolt [E], and remove the brake lever.
- Pull the dust cover [F] out of place, and remove the circlip [G].

**Special Tool - Inside Circlip Pliers: 57001-143**

- Pull out the piston assy [H], and return spring [I].
- Replace:
  - Diaphragm
  - Dust Cover
  - Circlip
  - Piston Assy



GS13063BS2 C

##### Rear Master Cylinder Disassembly

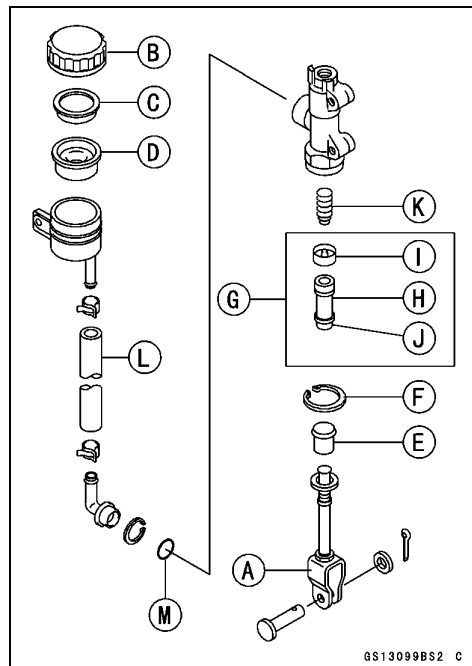
#### NOTE

○Do not remove the push rod clevis [A] for master cylinder disassembly since removal requires brake pedal position adjustment.

- Remove the rear master cylinder (see Rear Master Cylinder Removal in the Brakes chapter).
- Remove the reservoir cap [B] plate [C] and diaphragm [D].
- Slide the dust cover [E] on the push rod out of place, and remove the circlip [F].

**Special Tool - Inside Circlip Pliers: 57001-143**

- Pull out the push rod with the piston stop.
- Take off the piston assy [G] (piston [H] primary cup [I], secondary cup [J]), and return spring [K].
- Replace:
  - Piston Assy
  - Dust Cover
  - Brake Hose [L]
  - Diaphragm
  - O-ring [M]
  - Circlips



GS13099BS2 C



**Periodic Maintenance Procedures**

**Master Cylinder Assembly**

- Before assembly, clean all parts including the master cylinder with brake fluid or alcohol.

<b>CAUTION</b>
<p><b>Except for the disc pads and disc, use only disc brake fluid, isopropyl alcohol, or ethyl alcohol for cleaning brake parts. Do not use any other fluid for cleaning these parts. Gasoline, engine oil, or any other petroleum distillate will cause deterioration of the rubber parts. Oil spilled on any part will be difficult to wash off completely, and will eventually deteriorate the rubber used in the disc brake.</b></p>

- Apply brake fluid to the removed parts and to the inner wall of the cylinder.
- Take care not to scratch the piston or the inner wall of the cylinder.

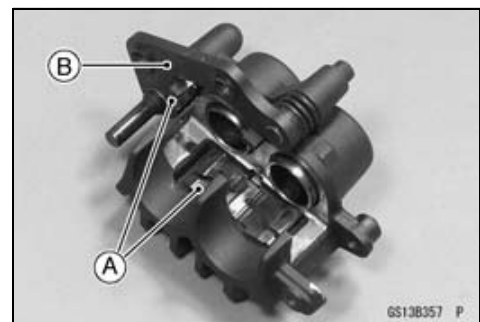
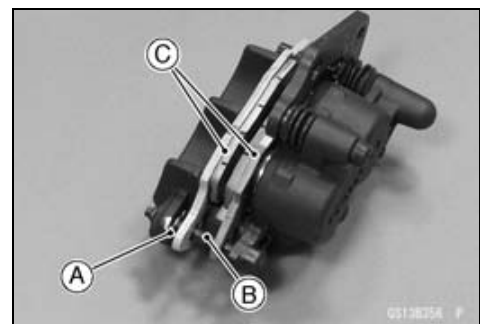
<b>CAUTION</b>
<p><b>Do not remove the secondary cup from the piston since removal will damage it.</b></p>

- Tighten the brake lever pivot bolt and the locknut.  
**Silicone Grease - Brake Lever Pivot Bolt, Brake Lever Pivot Contact, Push Rod Contact, Dust Cover**  
**Torque - Brake Lever Pivot Bolt: 1.0 N·m (0.10 kgf·m, 8.8 in·lb)**  
**Brake Lever Pivot Locknut: 5.9 N·m (0.60 kgf·m, 52 in·lb)**

**Caliper Rubber Parts Replacement**

**Front Caliper Disassembly**

- Remove:  
 Front Caliper (see Front Caliper Removal in the Brakes chapter)  
 Cotter Pin [A]  
 Pin [B]  
 Pads [C] (see Front Brake Pad Removal in the Brakes chapter)
- Push the piston in.
- Remove:  
 Pad Springs [A]  
 Caliper Holder [B]



## 2-58 PERIODIC MAINTENANCE

### Periodic Maintenance Procedures

- Using compressed air, remove the piston.

#### **⚠ WARNING**

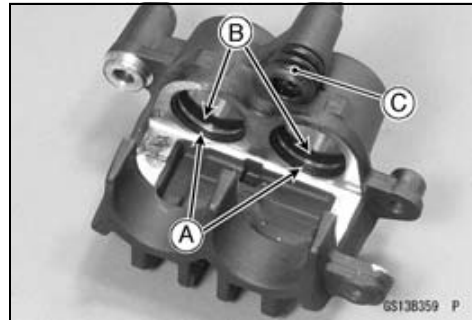
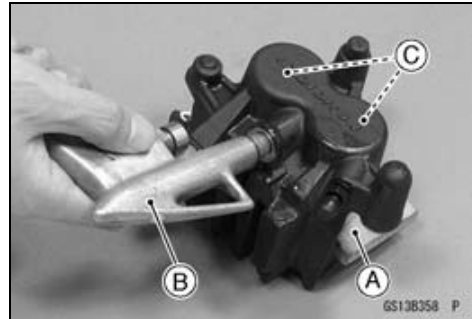
**To avoid serious injury, never place your fingers or palm inside the caliper opening. If you apply compressed air into the caliper, the piston may crush your hand or fingers.**

- Insert a wooden board [A] 5 mm (0.2 in.) thick inside the caliper opening.
- Apply compressed air [B] to the banjo bolt hole to allow the pistons [C] to protrude and stop at the wooden board.
- Remove the wooden board and pull out the piston by hand.
- ★ If compressed air is not available, with the brake hose still attached, apply the brake lever to remove the pistons. The remaining process is as described above.

- Remove:
  - Dust Seals [A]
  - Fluid Seals (Piston Seals) [B]
  - Friction Boot [C]
  - Bleed Valve

#### **CAUTION**

**Immediately wash away any brake fluid that spills.**



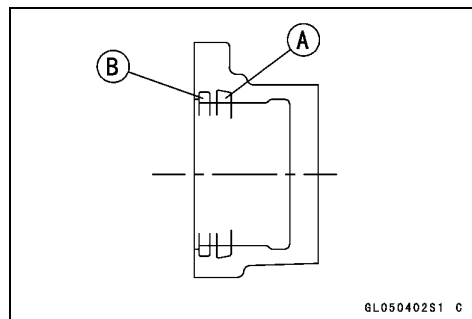
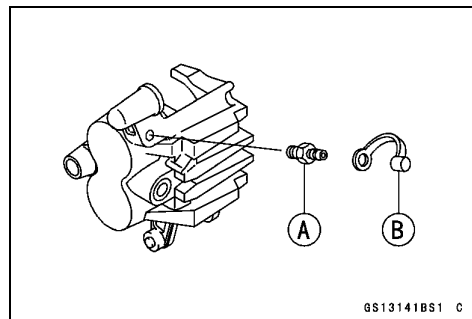
#### **Front Caliper Assembly**

- Clean all parts other than the outer and inner pads.

#### **CAUTION**

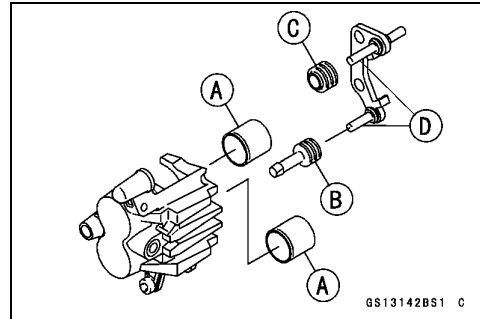
**For cleaning the parts, use only disc brake fluid, isopropyl alcohol, or ethyl alcohol.**

- Install the bleed valve [A] and the rubber cap [B].  
**Torque - Front Caliper Bleed Valve: 7.8 N·m (0.80 kgf·m, 69 in·lb)**
- Replace the fluid seals [A] with new ones, apply brake fluid to them, and install them in the caliper body. Either side of the fluid seal may face outboard.
- Check the dust seals [B] and replace them with new ones if they are damaged.

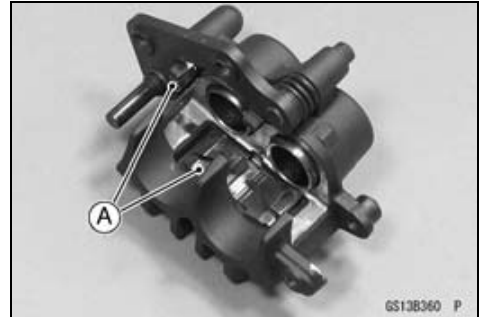


**Periodic Maintenance Procedures**

- Apply brake fluid to the inside of the cylinders and to the outside of the pistons and push the pistons [A] into the cylinders.
- Check the friction boot [B] and dust boot [C] and replace them with new ones if they are damaged.
- Apply a thin coat of silicon grease to the holder shafts [D] and the holder holes.

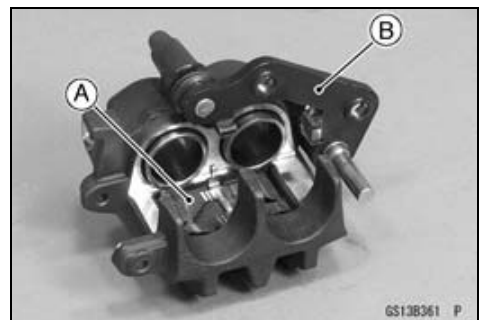


- Install the pad springs [A].
- Install the pads (see Front Brake Pad Installation in the Brakes chapter).
- Wash the caliper with water to remove brake fluid and wipe it off.



**Rear Caliper Disassembly**

- Remove:
  - Rear Caliper (see Rear Caliper Removal in the Brakes chapter)
  - Rear Brake Pad (see Rear Brake Pad Removal in the Brakes chapter)
  - Antirattle Spring [A]
- Pull out the caliper holder [B].



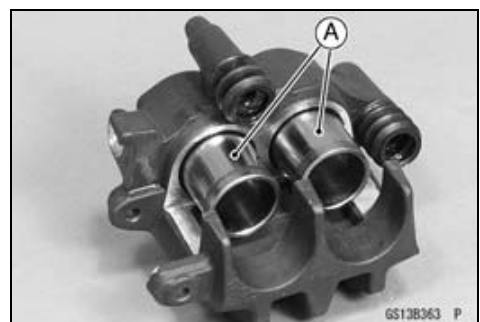
- Insert a wooden board [A] 5 mm (0.2 in.) thick inside the caliper opening.
- Remove the pistons using the compressed air.

**⚠ WARNING**  
 To avoid serious injury, never place your fingers or palm inside the caliper opening. If you apply compressed air into the caliper, the pistons may crush your hand or fingers.



- Remove the board and pull out the pistons [A] by hand.

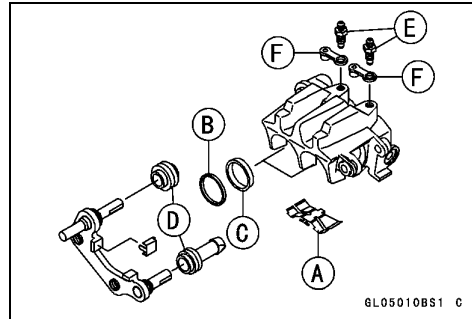
**CAUTION**  
 Immediately wash away any brake fluid that spills.



## 2-60 PERIODIC MAINTENANCE

### Periodic Maintenance Procedures

- Remove:
  - Antirattle Spring [A]
  - Dust Seals [B] and Fluid Seals [C]
  - Rubber Friction Boots [D]
  - Bleed Valves [E] and Rubber Caps [F]

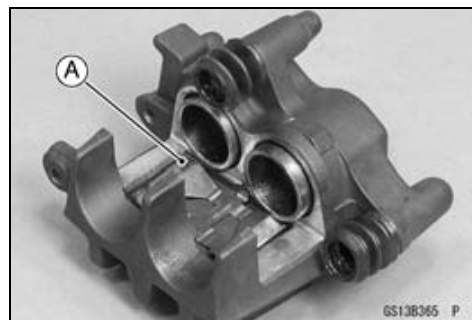
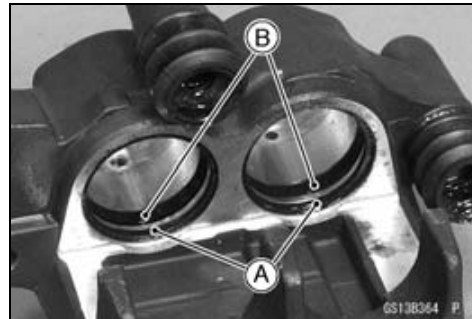


#### Rear Caliper Assembly

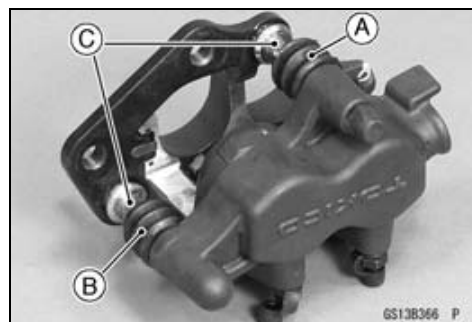
- Tighten the bleed valve.
  - Torque - Rear Caliper Bleed Valves: 7.8 N·m (0.80 kgf·m, 69 in·lb)**

○ It is recommended that the fluid seal (piston seal) which is removed, be replaced with a new one.

- Replace the dust seals [A] if they are damaged.
- Install the fluid seal [B]. Either side of the seal may face outboard.
- Install the antirattle spring [A] in the caliper as shown.
- Apply brake fluid to the cylinders, pistons, and fluid seals (piston seals), and push the pistons into the cylinders by hand. Take care that neither the cylinder nor the piston skirt gets scratched.



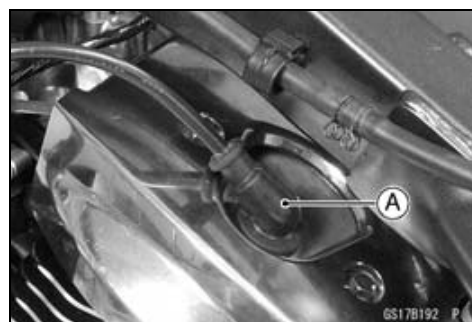
- Replace the caliper holder shaft rubber friction boot [A] and dust boot [B] if they are damaged.
- Apply a thin coat of silicone or PBC grease to the caliper holder shafts [C] and holder holes (Silicone or PBC grease is a special high temperature, water-resistance grease).
- Install the pads (see Rear Brake Pad Installation in the Brakes chapter).



#### Spark Plug Replacement

- Remove:
  - Fuel Tank (see Fuel Tank Removal in the Fuel System chapter)
  - Spark Plug Caps [A]
- Remove the spark plug using the 16 mm (0.63 in.) plug wrench vertically.

**Special Tool - Spark Plug Wrench, Hex16: 57001-1262**

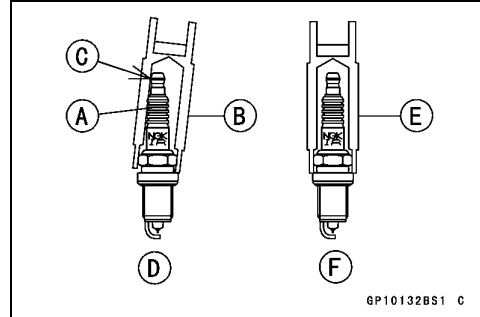


**Periodic Maintenance Procedures**

**CAUTION**

**The insulator [A] of the spark plug may break if when the wrench is inclined during loosening.**

- Inclined Spark Plug Wrench [B]
- Contact (Spark Plug and Plug Wrench) [C]
- Bad [D]
- Vertically Spark Plug Wrench [E]
- Good [F]



- Replace the spark plug with a new one.

**Standard Spark Plug**

Type: **NGK CPR7EA**

- Insert new spark plug in the plug hole, and finger-tighten it first.
- Using the plug wrench [A] vertically, tighten the plug.

**CAUTION**

**The insulator of the spark plug may break if when the wrench is inclined during tightening.**

**Special Tool - Spark Plug Wrench, Hex16: 57001-1262**

**Torque - Spark Plugs: 18 N·m (1.8 kgf·m, 13 ft·lb)**

- Install the spark plug caps securely.
- Be sure the spark plug caps are installed by pulling up it lightly.





# Fuel System (DFI)

## Table of Contents

Exploded View .....	3-4
DFI Parts Location .....	3-8
Specifications .....	3-11
Special Tools and Sealant .....	3-13
DFI System .....	3-14
DFI Servicing Precautions .....	3-22
DFI Servicing Precautions .....	3-22
Troubleshooting the DFI System .....	3-24
Outline .....	3-24
Outline.....	3-24
Inquiries to Rider.....	3-28
Inquiries to Rider .....	3-28
DFI System Troubleshooting Guide .....	3-31
Self-Diagnosis .....	3-39
Self-diagnosis Outline .....	3-39
Self-diagnosis Outline .....	3-39
Self-diagnosis Procedures.....	3-39
Self-diagnosis Procedures .....	3-39
Service Code Clearing Procedures .....	3-40
Service Code Clearing Procedures.....	3-40
How to Read Service Codes.....	3-42
How to Read Service Codes.....	3-42
How to Erase Service Codes.....	3-42
How to Erase Service Codes .....	3-42
Service Code Table.....	3-43
Service Code Table .....	3-43
Backups .....	3-45
Backups .....	3-45
Main Throttle Sensor (Service Code 11) .....	3-47
Main Throttle Sensor Removal/Adjustment .....	3-47
Input Voltage Inspection.....	3-47
Output Voltage Inspection.....	3-48
Resistance Inspection.....	3-49
Inlet Air Pressure Sensor (Service Code 12).....	3-51
Inlet Air Pressure Sensor Removal.....	3-51
Inlet Air Pressure Sensor Installation.....	3-51
Input Voltage Inspection.....	3-51
Output Voltage Inspection.....	3-52
Inlet Air Temperature Sensor (Service Code 13).....	3-56
Inlet Air Temperature Sensor Removal/Installation.....	3-56
Output Voltage Inspection.....	3-56
Sensor Resistance Inspection .....	3-57
Water Temperature Sensor (Service Code 14) .....	3-59
Removal/Installation.....	3-59
Output Voltage Inspection.....	3-59
Water Temperature Sensor Resistance Inspection.....	3-59
Crankshaft Sensor (Service Code 21).....	3-61
Crankshaft Sensor Removal/Installation.....	3-61
Crankshaft Sensor Inspection.....	3-61
Speed Sensor (Service Code 24, 25).....	3-63

## 3-2 FUEL SYSTEM (DFI)

---

Speed Sensor Removal .....	3-63
Speed Sensor Installation .....	3-63
Speed Sensor Inspection .....	3-63
Input Voltage Inspection .....	3-63
Output Voltage Inspection .....	3-64
Vehicle-down Sensor (Service Code 31) .....	3-66
Vehicle-down Sensor Removal .....	3-66
Vehicle-down Sensor Installation .....	3-66
Vehicle-down Sensor Inspection .....	3-66
Subthrottle Sensor (Service Code 32) .....	3-69
Subthrottle Sensor Removal/Adjustment .....	3-69
Input Voltage Inspection .....	3-69
Output Voltage Inspection .....	3-70
Resistance Inspection .....	3-71
Oxygen Sensor-not activated (#1, #2: Service Code 33, 83)-Europe Models .....	3-73
Oxygen Sensor Removal/Installation .....	3-73
Oxygen Sensor Inspection .....	3-73
Ignition Coils (#1, #2: Service Code 51, 52) .....	3-75
Ignition Coil Removal/Installation .....	3-75
Input Voltage Inspection .....	3-75
Radiator Fan Relay (Service Code 56) .....	3-77
Radiator Fan Relay Removal/Installation .....	3-77
Radiator Fan Relay Inspection .....	3-77
Subthrottle Valve Actuator (Service Code 62) .....	3-79
Subthrottle Valve Actuator Removal .....	3-79
Subthrottle Valve Actuator Inspection .....	3-79
Resistance Inspection .....	3-79
Input Voltage Inspection .....	3-80
Air Switching Valve (Service Code 64) .....	3-82
Air Switching Valve Removal/Installation .....	3-82
Air Switching Valve Inspection .....	3-82
Oxygen Sensor Heaters (#1, #2: Service Code 67)-Europe Models .....	3-84
Oxygen Sensor Heater Removal/Installation .....	3-84
Oxygen Sensor Heater Inspection .....	3-84
Oxygen Sensors-Incorrect Output Voltage (#1, #2: Service Code 94, 95)-Europe Models ...	3-86
Oxygen Sensor Removal/Installation .....	3-86
Oxygen Sensor Inspection .....	3-86
FI Indicator LED Light .....	3-88
LED Light Inspection .....	3-89
ECU .....	3-91
ECU Removal .....	3-91
ECU Installation .....	3-91
ECU Power Supply Inspection .....	3-91
Fuel Line .....	3-93
Fuel Pressure Inspection .....	3-93
Fuel Flow Rate Inspection .....	3-95
Fuel Pump .....	3-97
Fuel Pump Removal .....	3-97
Fuel Pump Installation .....	3-97
Pump Screen, Fuel Filter Cleaning .....	3-98
Operation Inspection .....	3-98
Operating Voltage Inspection .....	3-99
Power Source Voltage Inspection .....	3-100
Fuel Injectors .....	3-103
Injector Removal .....	3-103
Injector Installation .....	3-104
Injector Fuel Line Inspection .....	3-105

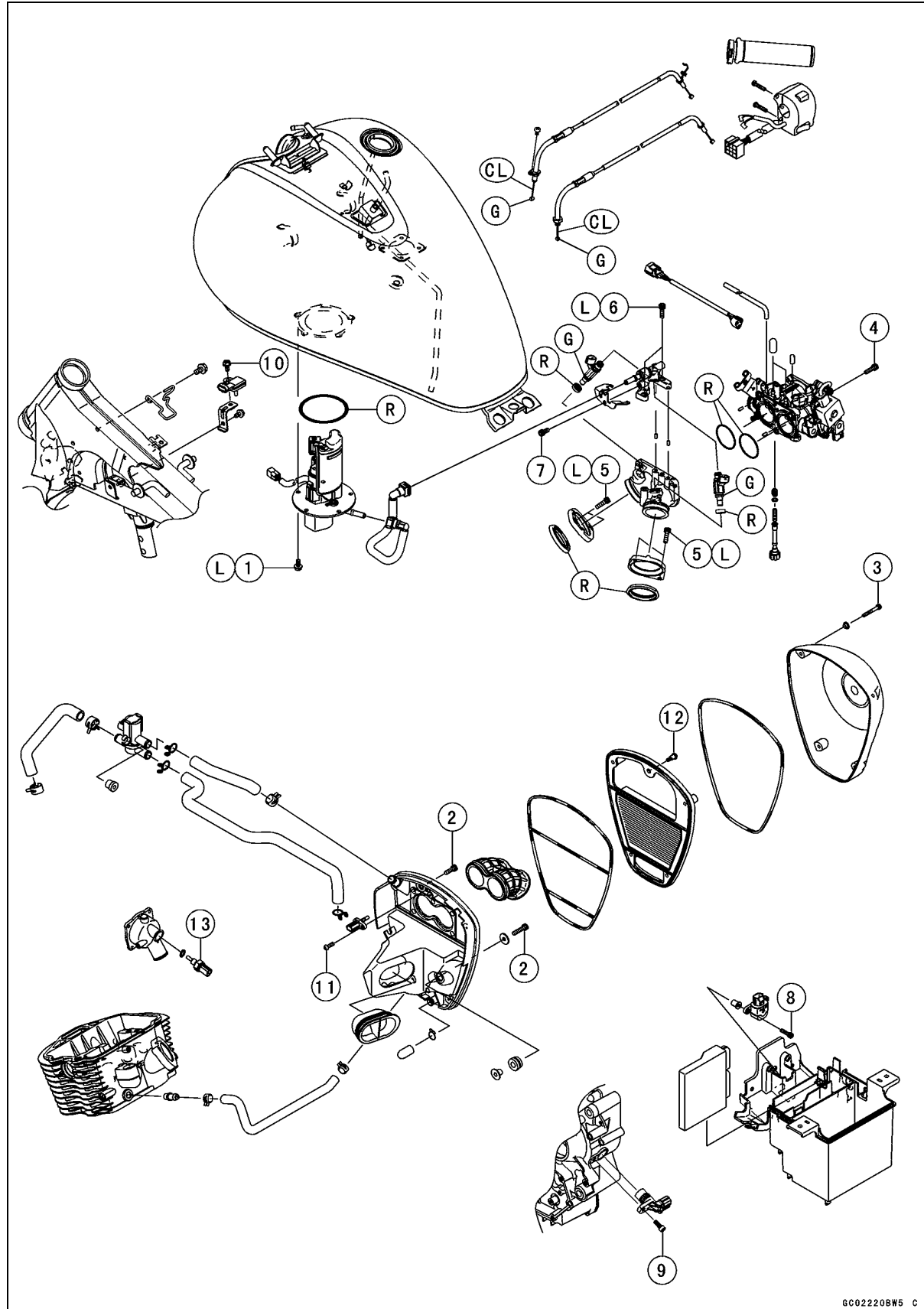


---

Audible Inspection.....	3-106
Fuel Injector Power Source Voltage Inspection .....	3-106
Output Voltage Inspection.....	3-107
Injector Signal Test.....	3-108
Injector Resistance Inspection .....	3-108
Injector Unit Test .....	3-109
Throttle Grip and Cables .....	3-112
Throttle Grip Free Play Inspection .....	3-112
Throttle Grip Free Play Adjustment.....	3-112
Cable Removal/Installation .....	3-112
Cable Lubrication and Inspection.....	3-112
Throttle Body Assy .....	3-113
Idle Speed Inspection .....	3-113
Idle Speed Adjustment.....	3-113
Throttle Bore Cleaning .....	3-113
High Altitude Performance Adjustment.....	3-113
Throttle Body Assy and Intake Manifold Removal .....	3-113
Throttle Body Assy and Intake manifold Installation .....	3-115
Air Cleaner.....	3-118
Air Cleaner Element Removal/Installation .....	3-118
Air Cleaner Housing Removal.....	3-118
Air Cleaner Housing Installation.....	3-118
Fuel Tank .....	3-120
Fuel Tank Removal .....	3-120
Fuel Tank Installation .....	3-123
Fuel Tank and Cap Inspection .....	3-124
Fuel Tank Cleaning .....	3-124
Breather Check Valve Inspection.....	3-124
Evaporative Emission Control System .....	3-126
Parts Removal/Installation .....	3-126
Canister Installation .....	3-126
Canister Inspection (Periodic Inspection) .....	3-126
Separator Inspection (Periodic Inspection).....	3-126
Hose Inspection (Periodic Inspection) .....	3-126
Separator Operation Test.....	3-127

# 3-4 FUEL SYSTEM (DFI)

## Exploded View



GC02220BW5 C

**Exploded View**

No.	Fastener	Torque			Remarks
		N·m	kgf·m	ft·lb	
1	Fuel Pump Bolts	9.8	1.0	87 in·lb	L
2	Air Cleaner Housing Bolts	9.8	1.0	87 in·lb	
3	Air Cleaner Cover Bolts	4.9	0.50	43 in·lb	
4	Throttle Body Assy Holder Bolts	9.8	1.0	87 in·lb	
5	Inlet Manifold Bolts	9.8	1.0	87 in·lb	L
6	Delivery Joint Bolts	9.8	1.0	87 in·lb	L
7	Delivery Joint Bracket Bolts	9.8	1.0	87 in·lb	
8	Vehicle-down Sensor Bolts	4.9	0.50	43 in·lb	
9	Speed Sensor Mounting Bolt	9.8	1.0	87 in·lb	
10	Inlet Air Pressure Sensor Bolt	6.9	0.70	61 in·lb	
11	Inlet Air Temperature Sensor Screw	1.2	0.12	11 in·lb	
12	Air Cleaner Element Screw	4.9	0.50	43 in·lb	
13	Water Temperature Sensor	12	1.2	106 in·lb	

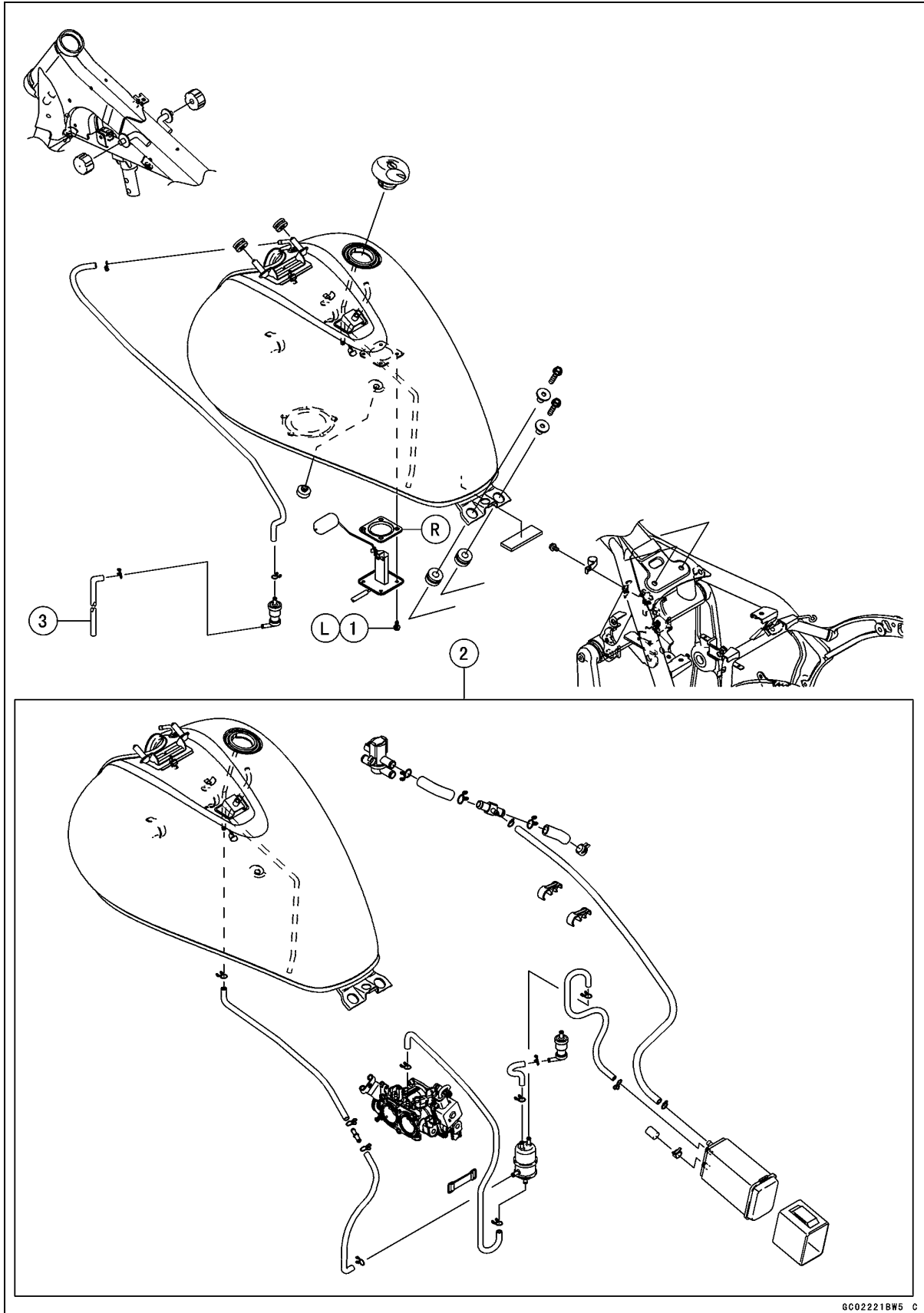
CL: Apply cable lubricant.

G: Apply grease.

L: Apply a non-permanent locking agent.

# 3-6 FUEL SYSTEM (DFI)

## Exploded View



## FUEL SYSTEM (DFI) 3-7

### Exploded View

No.	Fastener	Torque			Remarks
		N·m	kgf·m	ft·lb	
1	Fuel Level Sensor Mounting Bolts	6.9	0.70	61 in·lb	L

2. California Model

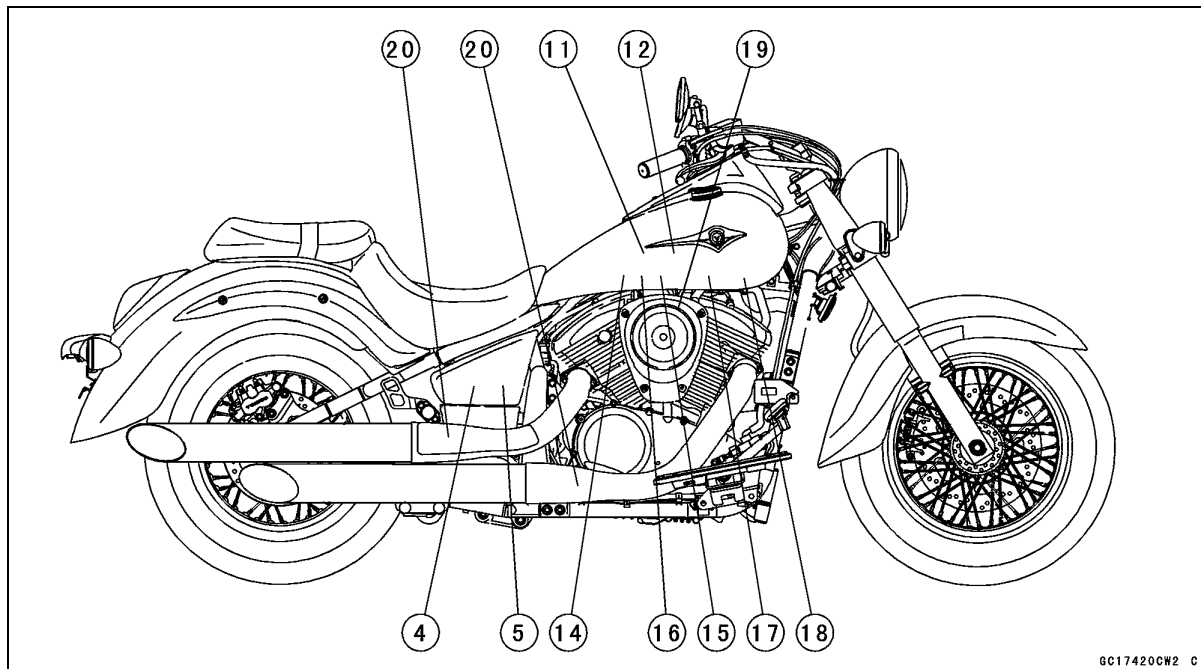
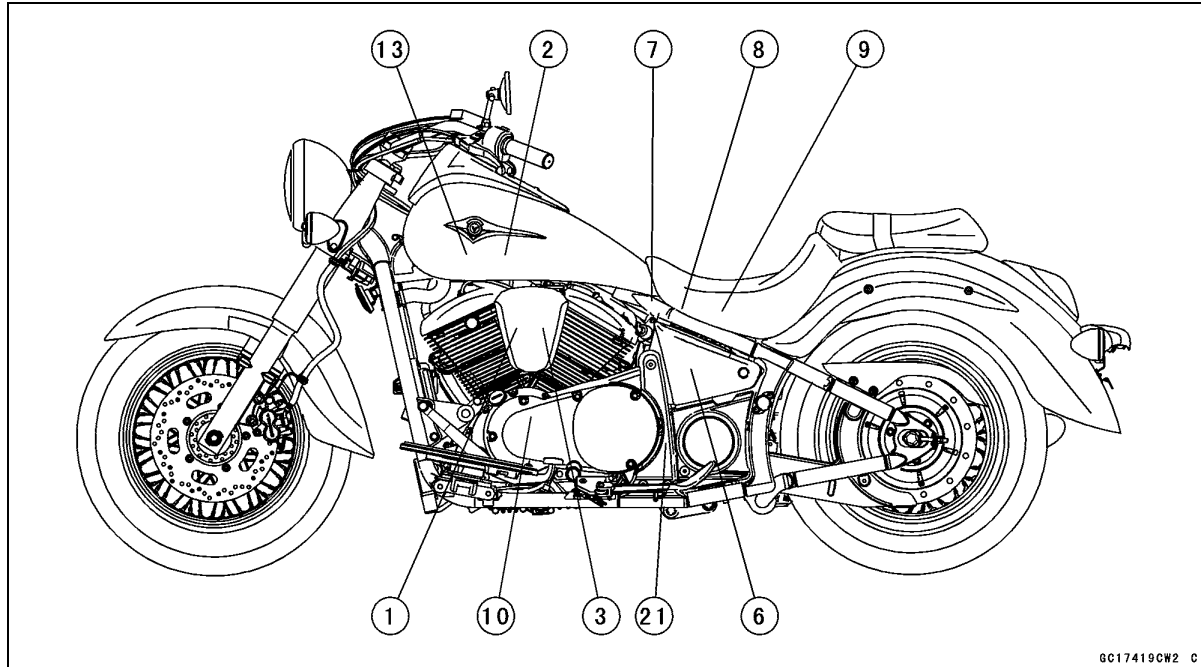
3. Breather Hose (Other than California Models)

L: Apply a non-permanent locking agent.

R: Replacement Parts

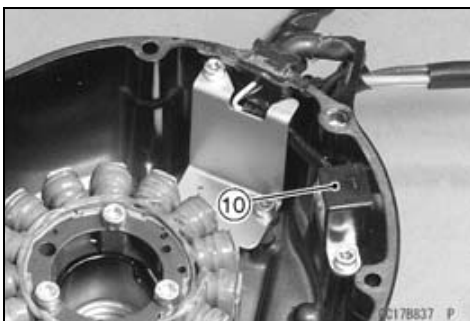
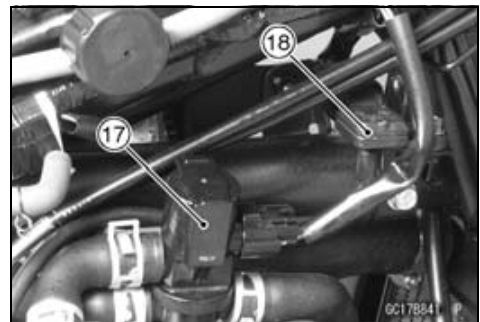
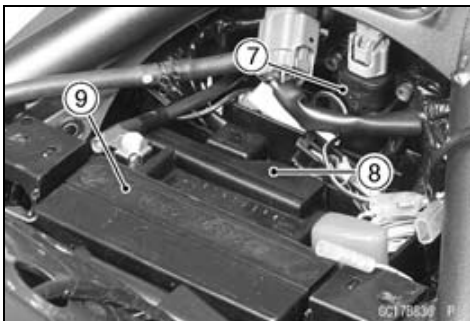
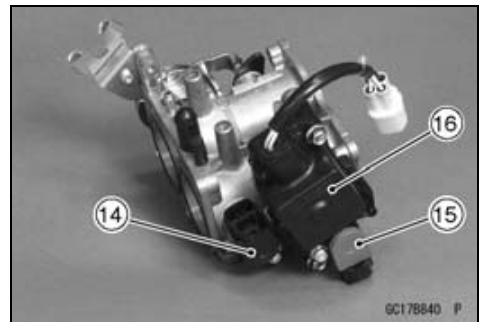
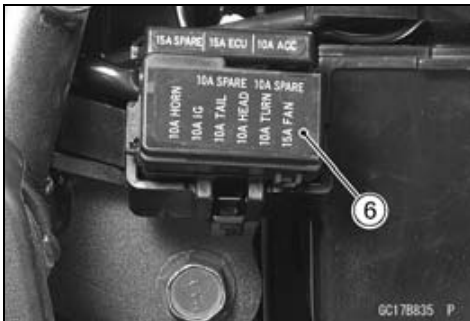
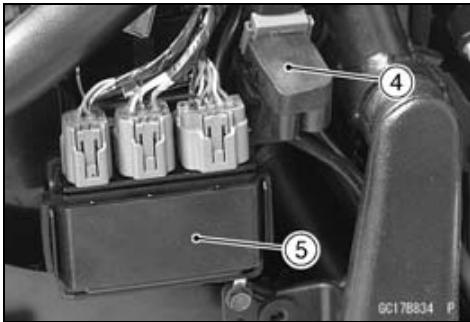
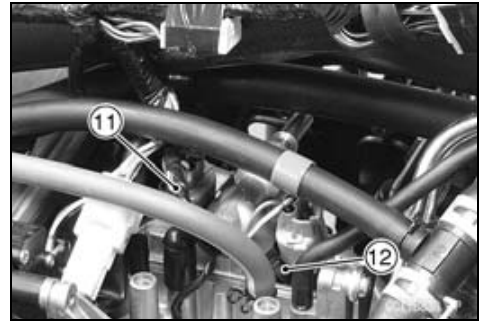
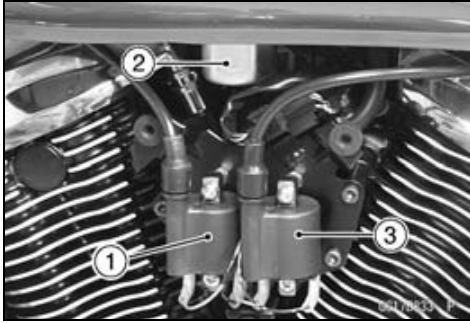
# 3-8 FUEL SYSTEM (DFI)

## DFI Parts Location



- |                        |                                    |
|------------------------|------------------------------------|
| 1. Ignition Coil #1    | 12. Injector #1                    |
| 2. Fuel Pump           | 13. Water Temperature Sensor       |
| 3. Ignition Coil #2    | 14. Main Throttle Sensor           |
| 4. Main Fuse 30 A      | 15. Subthrottle Sensor             |
| 5. Relay Box           | 16. Subthrottle Valve Actuator     |
| 6. Fuse Box            | 17. Air Switching Valve            |
| 7. Vehicle Down Sensor | 18. Inlet Air Pressure Sensor      |
| 8. ECU                 | 19. Inlet Air Temperature Sensor   |
| 9. Battery             | 20. Oxygen Sensors (Europe Models) |
| 10. Crankshaft Sensor  | 21. Speed Sensor                   |
| 11. Injector #2        |                                    |

## DFI Parts Location



## 3-10 FUEL SYSTEM (DFI)

### DFI Parts Location





**Specifications**

Item	Standard
<b>Throttle Grip Free Play</b>	2 ~ 3 mm (0.08 ~ 0.12 in.)
<b>Air Cleaner Element</b>	Viscous paper element
<b>DFI System</b>	
Make	Denso
Idle Speed	1 000 ±50 r/min (rpm)
Throttle Body Assy:	
Type × Bore	Two barrel type × $\phi$ 34 mm (1.34 in.)
ECU (Electronic Control Unit):	
Type	Digital memory type, with built in IC igniter, sealed with resin
Fuel Pressure (High Pressure Line):	
Right After Ignition Switch ON	304 kPa (3.1 kgf/cm <sup>2</sup> , 44 psi) with fuel pump running
After Pump Runs 3 seconds and Stops.	280 kPa (2.9 kgf/cm <sup>2</sup> , 41 psi) with fuel pump stopped
With Engine Idling	304 kPa (3.1 kgf/cm <sup>2</sup> , 44 psi) with fuel pump running
Throttle Sensor:	Non-adjustable and non-removable
Input Voltage	4.75 ~ 5.25 V DC between BL and BR/BK leads
Output Voltage	1.05 ~ 4.26 V DC between Y/W and BR/BK leads (at idle throttle opening to full throttle opening)
Resistance	4 ~ 6 k $\Omega$
Inlet Air Pressure Sensor:	
Input Voltage	4.75 ~ 5.25 V DC between BL and BR/BK leads
Output Voltage	3.80 ~ 4.20 V DC between Y/BL and BR/BK leads (at standard atmospheric pressure)
Inlet Air Temperature Sensor:	
Resistance	5.4 ~ 6.6 k $\Omega$ at 0°C (32°F)
Output Voltage	0.29 ~ 0.39 k $\Omega$ at 80°C (176°F)
Output Voltage	about 2.25 ~ 2.50 V at 20°C (68°F)
Water Temperature Sensor:	
Resistance	see Electrical System chapter
Output Voltage	about 2.80 ~ 2.97 V at 20° C (68° F)
Vehicle-Down Sensor:	
Detection Method	Magnetic flux detection method
Detection Angle	More than 45° ±5° for each bank
Fuel Injectors:	
Type	INP-287
Nozzle Type × Diameter	One spray type with 12 holes
Resistance	11.7 ~ 12.3 $\Omega$ at 20° C (68° F)
Fuel Pump:	
Type	Friction pump
Discharge	50 mL (1.7 US oz.) or more for 3 seconds
Speed Sensor:	
Input Voltage at Sensor	4.75 ~ 5.25 V DC at Ignition Switch ON
Output Voltage at Sensor	about 0.05 ~ 0.09 V DC or 4.5 ~ 4.9 V at Ignition Switch ON and 0 km/h

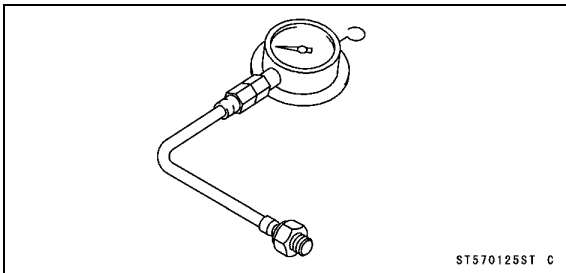
## 3-12 FUEL SYSTEM (DFI)

### Specifications

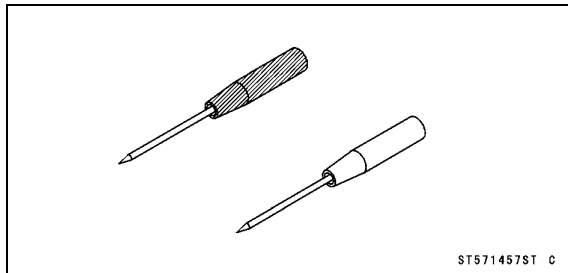
Item	Standard
Subthrottle Sensor:	Non-adjustable and non-removable
Input Voltage	4.75 ~ 5.25 V DC between BL and BR/BK leads
Output Voltage	0.93 ~ 4.59 V DC between BL/W and BR/BK leads (at idle throttle opening to full throttle opening)
Resistance	4 ~ 6 k $\Omega$
Subthrottle Valve Actuator:	
Resistance	about 5.2 ~ 7.8 $\Omega$
Input Voltage	about 8.9 ~ 10.9 V DC
Oxygen Sensor:	
Output Voltage (Rich)	0.45 ~ 2.5 V
Output Voltage (Lean)	0.05 ~ 0.45 V
Heater Resistance	about 8 $\Omega$ at 20°C (68°F)

Special Tools and Sealant

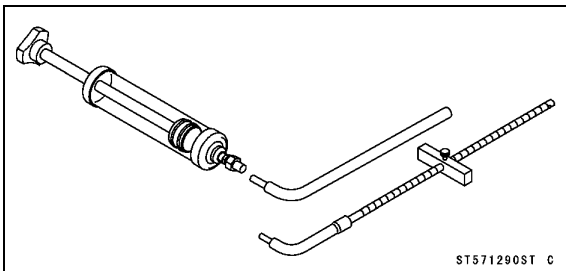
Oil Pressure Gauge, 5 kgf/cm<sup>2</sup>:  
57001-125



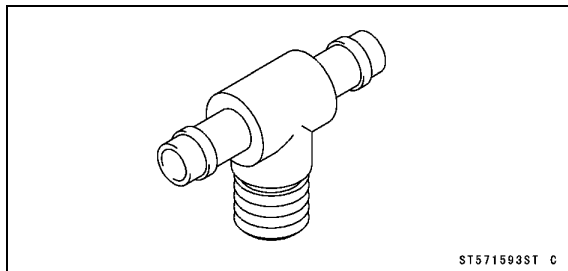
Needle Adapter Set:  
57001-1457



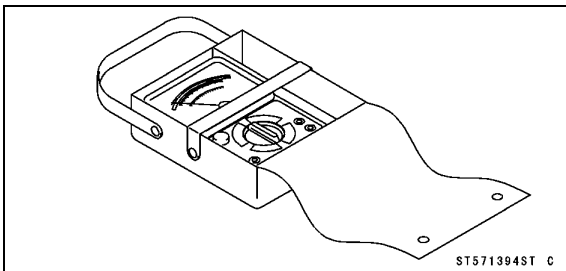
Fork Oil Level Gauge:  
57001-1290



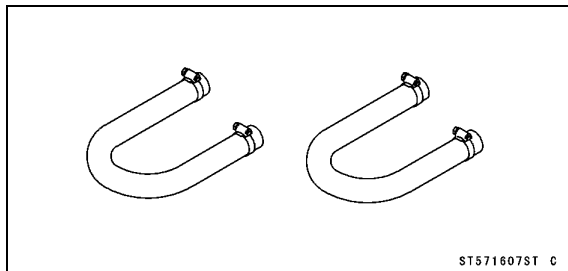
Fuel Pressure Gauge Adapter:  
57001-1593



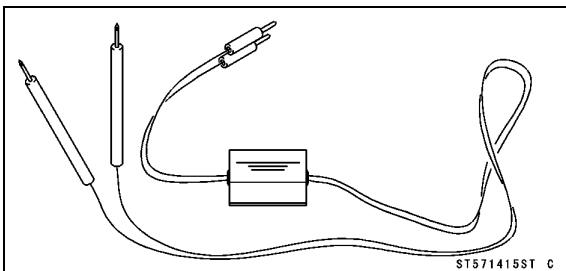
Hand Tester:  
57001-1394



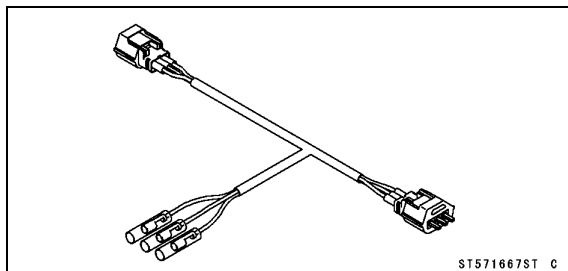
Fuel Hose:  
57001-1607



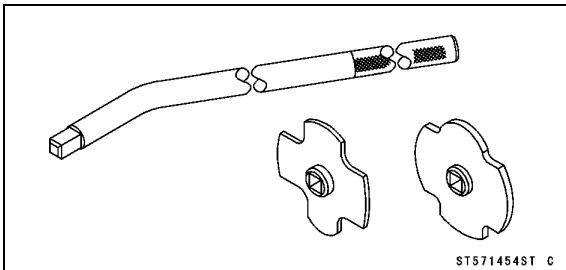
Peak Voltage Adapter:  
57001-1415



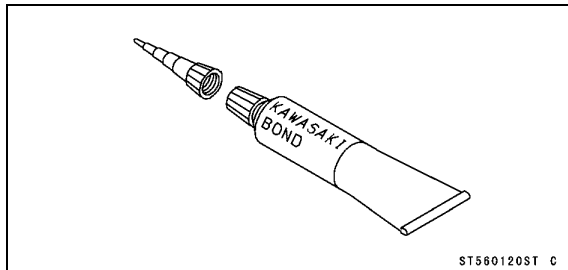
Speed Sensor Measuring Adapter:  
57001-1667



Filler Cap Driver:  
57001-1454



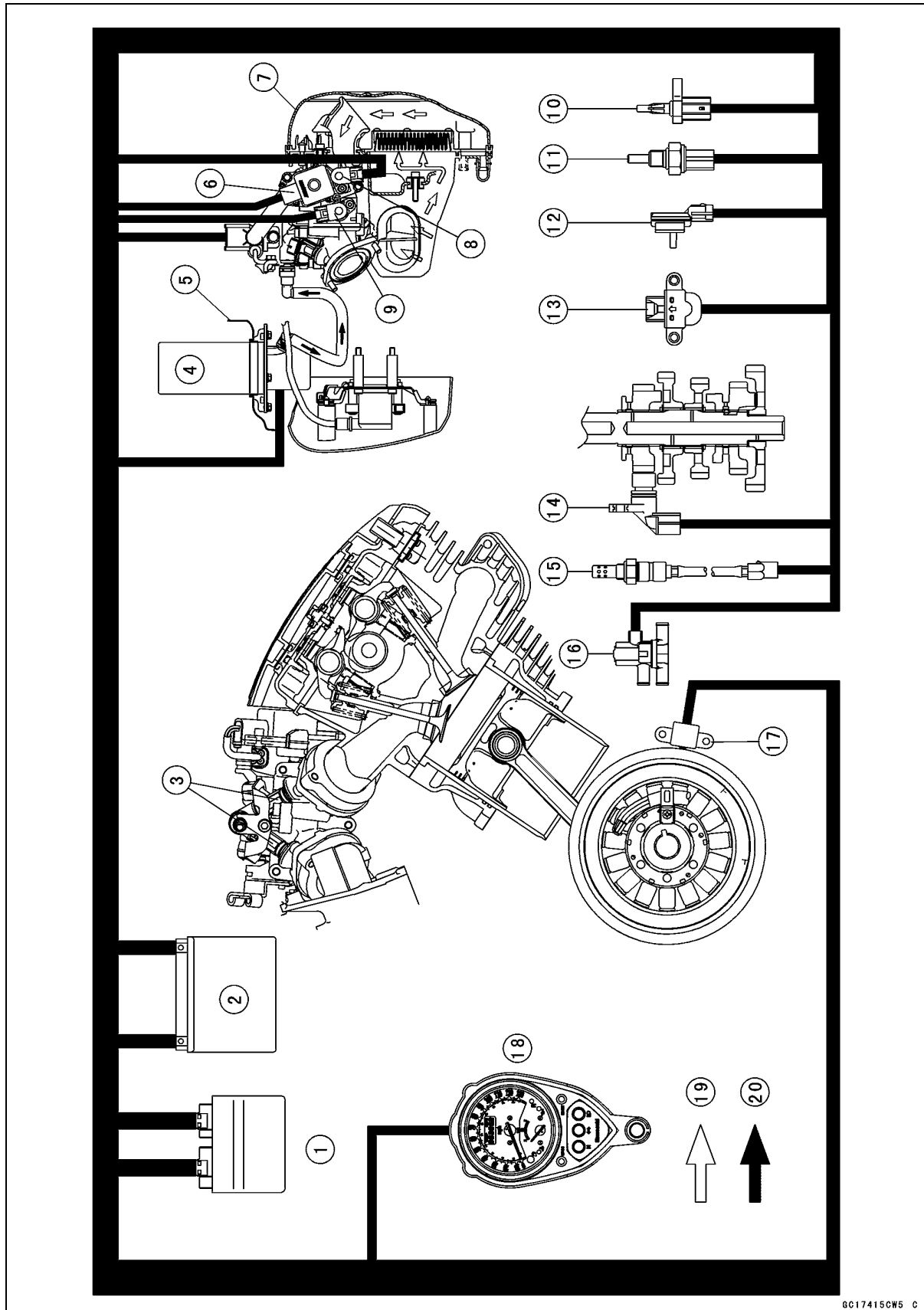
Kawasaki Bond (Silicone Sealant):  
56019-120



# 3-14 FUEL SYSTEM (DFI)

## DFI System

### DFI System



6C17415CW5 C

---

### DFI System

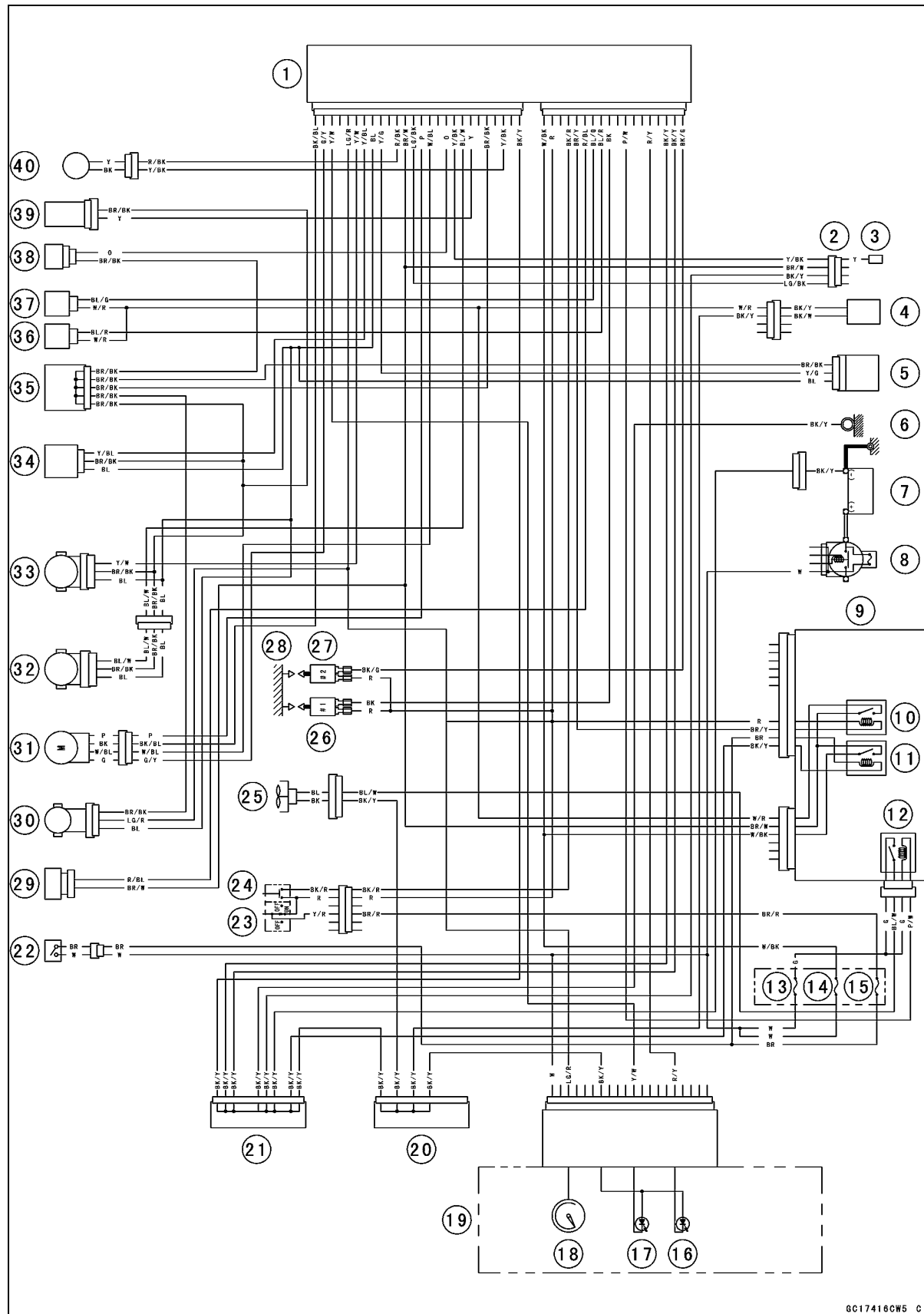
---

1. Battery
2. ECU
3. Injector
4. Fuel Pump
5. Fuel Tank
6. Subthrottle Valve Actuator
7. Air Cleaner
8. Subthrottle Sensor
9. Main Throttle Sensor
10. Inlet Air Temperature Sensor
11. Water Temperature Sensor
12. Inlet Air Pressure Sensor
13. Vehicle-down Sensor
14. Speed Sensor
15. Oxygen Sensor (Europe Models)
16. Air Switching Valve
17. Crankshaft Sensor
18. FI Indicator Light (LED)
19. Air Flow
20. Fuel Flow

# 3-16 FUEL SYSTEM (DFI)

## DFI System

### DFI System Wiring Diagram (Other than Europe Models)



---

### DFI System

---

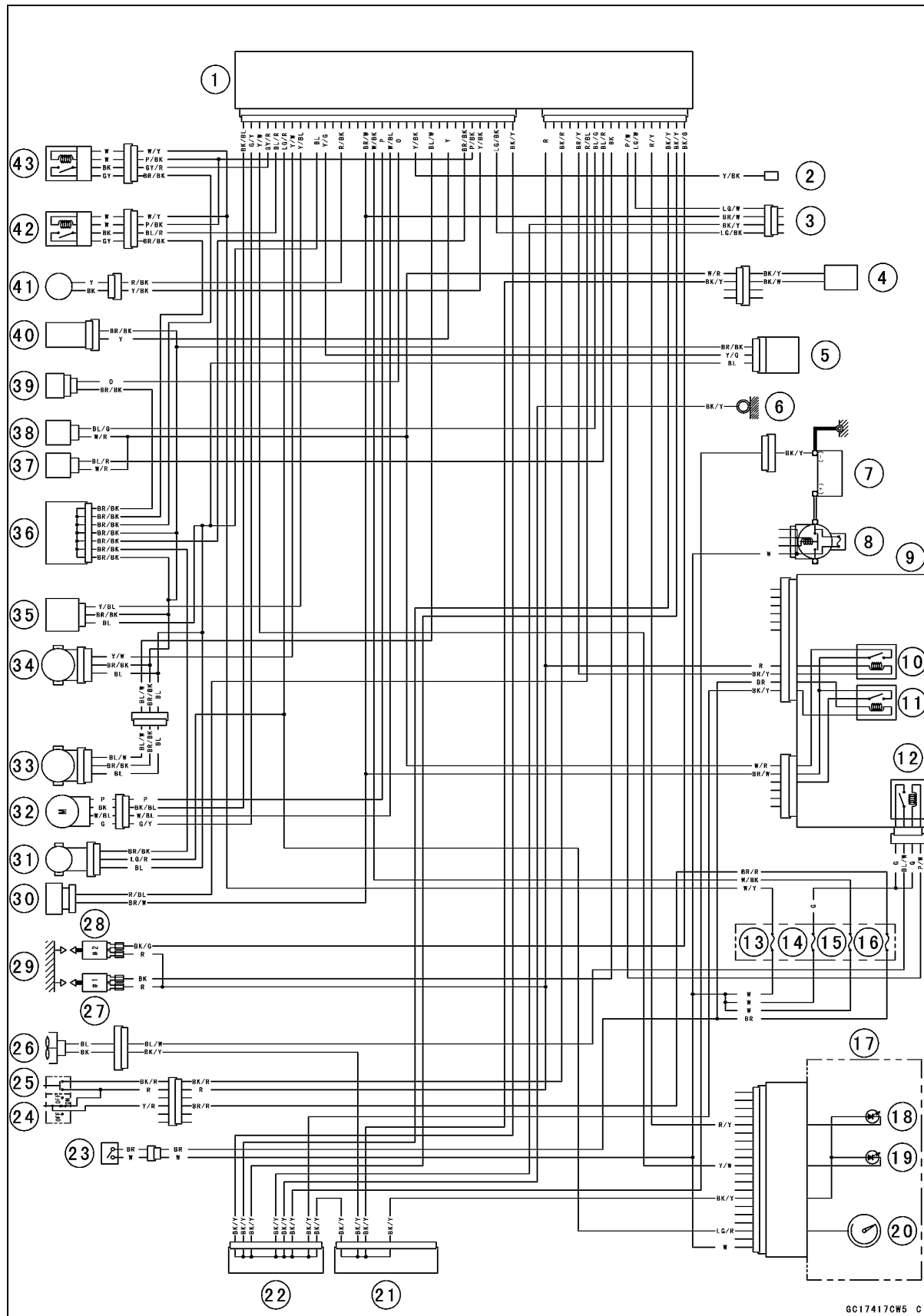
#### Part Name

1. ECU
2. Diagnosis Connector
3. Self-diagnosis Terminal
4. Fuel Pump
5. Vehicle-down Sensor
6. Frame Ground
7. Battery
8. Main Fuse 30 A
9. Relay Box
10. Fuel Pump Relay
11. ECU Main Relay
12. Radiator Fan Relay
13. Radiator Fan Fuse 15 A
14. ECU Fuse 15 A
15. Ignition Fuse 10 A
16. FI Indicator Light (LED)
17. Water Temperature Warning Indicator Light (LED)
18. Speedometer
19. Meter Unit
20. Joint Connector A
21. Joint Connector C
22. Ignition Switch
23. Engine Stop Switch
24. Starter Button
25. Fan Motor
26. Ignition Coil #1
27. Ignition Coil #2
28. Spark Plugs
29. Air Switching Valve
30. Speed Sensor
31. Subthrottle Valve Actuator
32. Subthrottle Sensor
33. Main Throttle Sensor
34. Inlet Air Pressure Sensor
35. Joint Connector B
36. Injector #1
37. Injector #2
38. Water Temperature Sensor
39. Inlet Air Temperature Sensor
40. Crankshaft Sensor

# 3-18 FUEL SYSTEM (DFI)

## DFI System

### DFI System Wiring Diagram (Europe Models)





---

**DFI System**

---

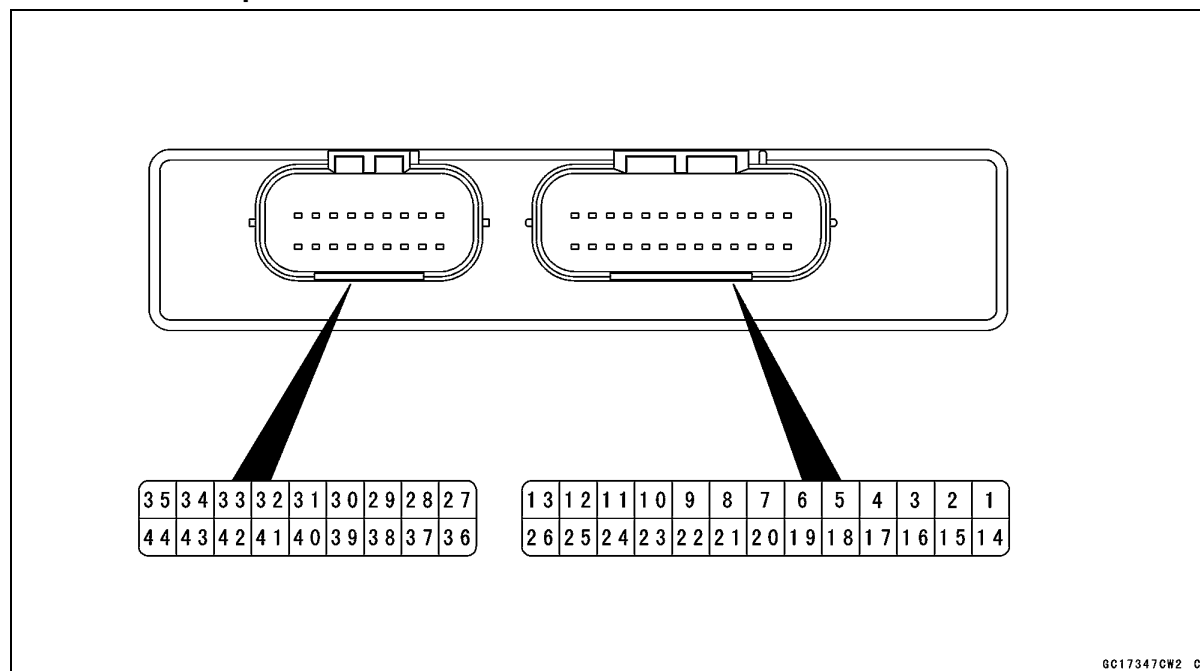
**Part Name**

1. ECU
2. Diagnosis Connector
3. Self-diagnosis Terminal
4. Fuel Pump
5. Vehicle-down Sensor
6. Frame Ground
7. Battery
8. Main Fuse 30 A
9. Relay Box
10. Fuel Pump Relay
11. ECU Main Relay
12. Radiator Fan Relay
13. Oxygen Sensor Heater Fuse 10 A
14. Radiator Fan Fuse 15 A
15. ECU Fuse 15 A
16. Ignition Fuse 10 A
17. Meter Unit
18. FI Indicator Light (LED)
19. Water Temperature Warning Indicator Light (LED)
20. Speedometer
21. Joint Connector A
22. Joint Connector C
23. Ignition Switch
24. Engine Stop Switch
25. Starter Button
26. Fan Motor
27. Ignition Coil #1
28. Ignition Coil #2
29. Spark Plugs
30. Air Switching Valve
31. Speed Sensor
32. Subthrottle Valve Actuator
33. Subthrottle Sensor
34. Main Throttle Sensor
35. Inlet Air Pressure Sensor
36. Joint Connector B
37. Injector #1
38. Injector #2
39. Water Temperature Sensor
40. Inlet Air Temperature Sensor
41. Crankshaft Sensor
42. Oxygen Sensor #1
43. Oxygen Sensor #2

## 3-20 FUEL SYSTEM (DFI)

### DFI System

#### Other than Europe Models

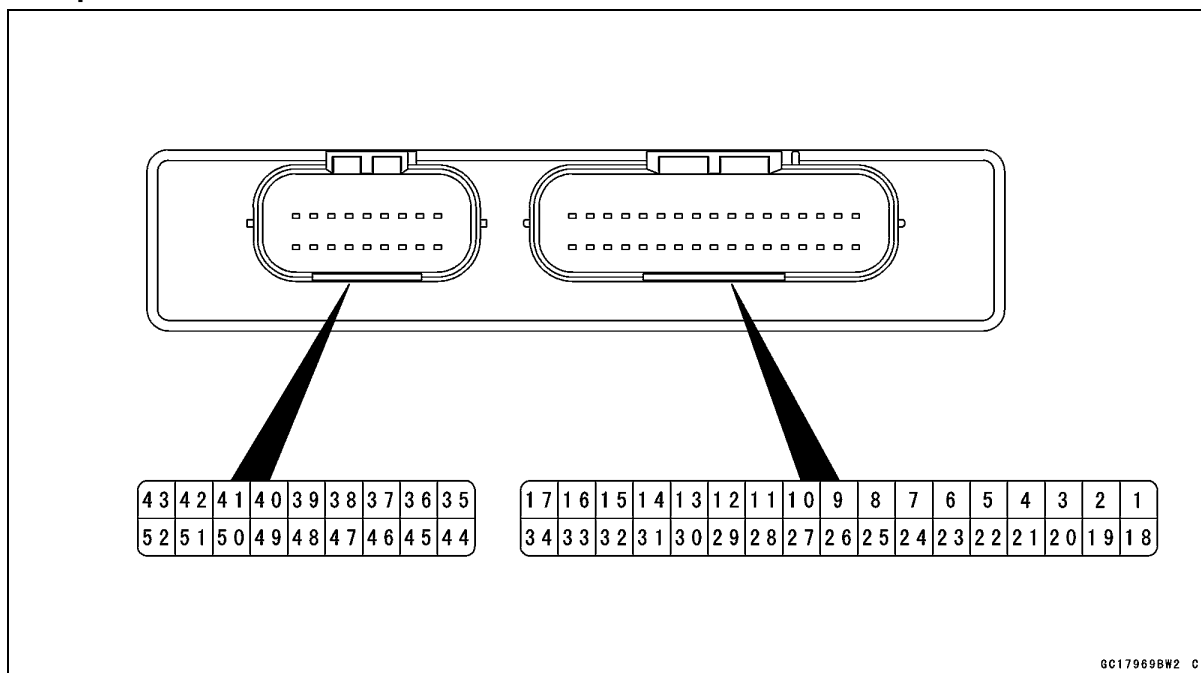


#### Terminal Names

- |   |  |
|---|--|
| 1. Subthrottle Valve Actuator Drive Signal 2  | 23. Unused                             |
| 2. Subthrottle Valve Actuator Drive Signal 1  | 24. Crankshaft Sensor (-) Signal       |
| 3. Water Temperature Warning Light Signal     | 25. Unused                             |
| 4. Unused                                     | 26. Ground to ECU                      |
| 5. Speed Sensor Signal                        | 27. Power Supply to ECU (from Battery) |
| 6. Main Throttle Sensor Signal                | 28. Engine Stop Switch Signal          |
| 7. Inlet Air Pressure Sensor Signal           | 29. Starter Lockout Switch Signal      |
| 8. Power Supply to Sensors                    | 30. Starter Button Signal              |
| 9. Vehicle-down Sensor Signal                 | 31. Fuel Pump Relay Signal             |
| 10. Neutral Switch Signal                     | 32. Air Switching Valve Signal         |
| 11. Crankshaft Sensor (+) Signal              | 33. Fuel Injector #2 Signal            |
| 12. Power Supply to ECU (from ECU Main Relay) | 34. Fuel Injector #1 Signal            |
| 13. External Diagnosis System Signal          | 35. Ignition Coil #1 Signal            |
| 14. Subthrottle Valve Actuator Drive Signal 4 | 36. Sidestand Switch Signal            |
| 15. Subthrottle Valve Actuator Drive Signal 3 | 37. Radiator Fan Relay Signal          |
| 16. Unused                                    | 38. Unused                             |
| 17. Water Temperature Sensor Signal           | 39. Unused                             |
| 18. Self-diagnosis Terminal                   | 40. FI Indicator LED Light             |
| 19. Subthrottle Sensor Signal                 | 41. -                                  |
| 20. Inlet Air Temperature Sensor Signal       | 42. Ground for Fuel System             |
| 21. Unused                                    | 43. Ground for ignition System         |
| 22. Ground to Sensors                         | 44. Ignition Coil #2 Signal            |

## DFI System

### Europe Model



GC17969BW2 C

### Terminal Names

- |   |                                      |
|---|--------------------------------------|
| 1. Subthrottle Valve Actuator Drive Signal 2  | 27. Unused                           |
| 2. Subthrottle Valve Actuator Drive Signal 1  | 28. Ground to Sensors                |
| 3. Water Temperature Warning Light Signal     | 29. Oxygen Sensor Heater Signal      |
| 4. Oxygen Sensor Signal 2                     | 30. Crankshaft Sensor (-) Signal     |
| 5. Oxygen Sensor Signal 1                     | 31. Unused                           |
| 6. Speed Sensor Signal                        | 32. External Diagnosis System Signal |
| 7. Main Throttle Sensor Signal                | 33. Unused                           |
| 8. Inlet Air Pressure Sensor Signal           | 34. Ground to ECU                    |
| 9. Unused                                     | 35. Engine Stop Switch Signal        |
| 10. Power Supply to Sensors                   | 36. Starter Lockout Switch Signal    |
| 11. Vehicle-down Sensor Signal                | 37. Starter Button Signal            |
| 12. Neutral Switch Signal                     | 38. Unused                           |
| 13. Crankshaft Sensor (+) Signal              | 39. Fuel Pump Relay Signal           |
| 14. Unused                                    | 40. Air Switching Valve Signal       |
| 15. Unused                                    | 41. Fuel Injector #2 Signal          |
| 16. Power Supply to ECU (from ECU Main Relay) | 42. Fuel Injector #1 Signal          |
| 17. Power Supply to ECU (from Battery)        | 43. Ignition Coil #1 Signal          |
| 18. Subthrottle Valve Actuator Drive Signal 4 | 44. Sidestand Switch Signal          |
| 19. Subthrottle Valve Actuator Drive Signal 3 | 45. Radiator Fan Relay Signal        |
| 20. Water Temperature Sensor Signal           | 46. Unused                           |
| 21. Unused                                    | 47. Unused                           |
| 22. Self-diagnosis Terminal                   | 48. FI Indicator LED Light           |
| 23. Unused                                    | 49. -                                |
| 24. Subthrottle Sensor Signal                 | 50. Ground for Fuel System           |
| 25. Unused                                    | 51. Ground for ignition System       |
| 26. Inlet Air Temperature Sensor Signal       | 52. Ignition Coil #2 Signal          |

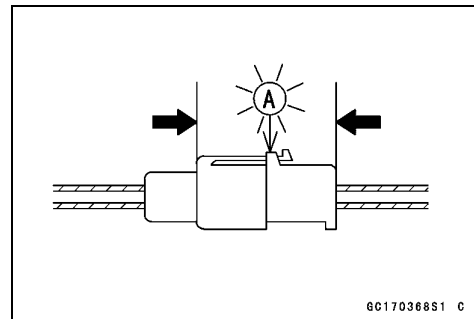
## 3-22 FUEL SYSTEM (DFI)

### DFI Servicing Precautions

#### **DFI Servicing Precautions**

There are a number of important precautions that should be followed servicing the DFI system.

- This DFI system is designed to be used with a 12 V sealed battery as its power source. Do not use any other battery except for a 12 V sealed battery as a power source.
- Do not reverse the battery cable connections. This will damage the ECU.
- To prevent damage to the DFI parts, do not disconnect the battery cables or any other electrical connections when the ignition switch is on or while the engine is running.
- Take care not to short the leads that are directly connected to the battery positive (+) terminal to the chassis ground.
- When charging, remove the battery from the motorcycle. This is to prevent ECU damage by excessive voltage.
- Do not turn the ignition switch ON while any of the DFI electrical connectors are disconnected. The ECU memorizes service codes.
- Do not spray water on the electrical parts, DFI parts, connectors, leads, and wiring.
- Whenever the DFI electrical connections are to be disconnected, first turn off the ignition switch, and disconnect the battery (-) terminal. Do not pull the lead, only the connector. Conversely, make sure that all the DFI electrical connections are firmly reconnected before starting the engine.
- Connect these connectors until they click [A]



- If a transceiver is installed on the motorcycle, make sure that the operation of the DFI system is not influenced by electric wave radiated from the antenna. Check operation of the system with the engine at idle. Locate the antenna as far as possible away from the ECU.
- When any fuel hose is disconnected, fuel may spout out by residual pressure in the fuel line. Cover the hose joint with a piece of clean cloth to prevent fuel spillage.
- When any fuel hose is disconnected, do not turn on the ignition switch. Otherwise, the fuel pump will operate and fuel will spout from the fuel hose.
- Do not operate the fuel pump if the pump is completely dry. This is to prevent pump seizure.
- Before removing the fuel system parts, blow the outer surfaces of these parts clean with compressed air.
- To prevent corrosion and deposits in the fuel system, do not add to fuel any fuel antifreeze chemicals.

### DFI Servicing Precautions

- To maintain the correct fuel/air mixture (F/A), there must be no inlet air leaks in the DFI system. Be sure to install the oil filler plug [A] after filling the engine oil.  
Alternator Cover [B]

**Special Tool - Filler Cap Driver: 57001-1454**



## 3-24 FUEL SYSTEM (DFI)

### Troubleshooting the DFI System

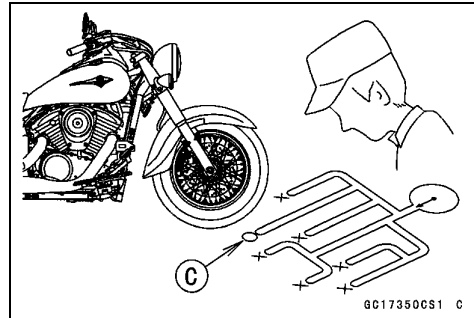
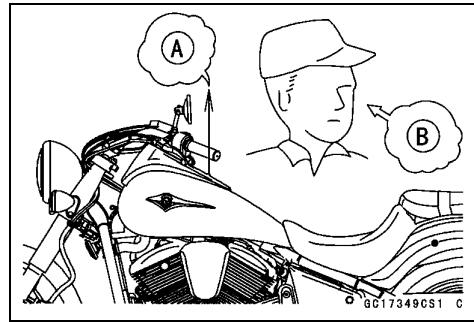
#### Outline

##### Outline

When an abnormality in the system occurs, the FI indicator LED (Light Emitting Diode) light goes on to alert the rider on the meter panel. In addition, the condition of the problem is stored in the memory of the ECU (electronic control unit). With the engine stopped and turned in the self-diagnosis mode, the service code [A] is indicated by the number of times the FI indicator LED light blinks.

When due to a malfunction, the FI indicator LED light remains lit, ask the rider about the conditions [B] under which the problem occurred and try to determine the cause [C].

- First, conduct a self-diagnosis inspection and then a non-self-diagnosis inspection. The non-self-diagnosis items are not indicated by the FI indicator LED light. Don't rely solely on the DFI self-diagnosis function, use common sense.



Even when the DFI system is operating normally, the FI indicator LED light [A] may light up under strong electrical interference. No repair needed. Turn the ignition switch OFF to stop the indicator light.

When the FI indicator LED light goes on and the motorcycle is brought in for repair, check the service codes.

When the repair has been done, the LED light doesn't go on. But the service codes stored in memory are not erased to preserve the problem history, and the LED light can display the codes in the self-diagnosis mode. The problem history is referred when solving unstable problems.

When the motorcycle is down, the vehicle-down sensor is turned OFF and the ECU shuts off the fuel injectors and ignition system. The FI indicator LED light blinks but the service code cannot be displayed. The ignition switch is left ON. If the starter button is pushed, the electric starter turns but the engine doesn't start. To start the engine again, raise the motorcycle, turn the ignition switch OFF, and then ON. The vehicle-down sensor is turned ON and the LED light goes OFF.

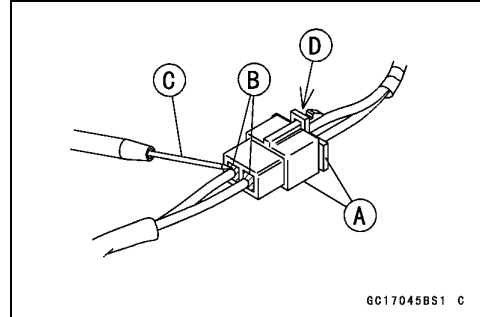


**Troubleshooting the DFI System**

○The DFI part connectors [A] have seals [B], including the ECU.

- Join the connector and insert the needle adapters [C] inside the seals [B] from behind the connector until the adapter reaches the terminal.

**Special Tool - Needle Adapter Set: 57001-1457**



**CAUTION**

**Insert the needle adapter straight along the terminal in the connector to prevent short-circuit between terminals.**

- Make sure that measuring points are correct in the connector, noting the position of the lock [D] and the lead color before measurement. Do not reverse connections of the hand tester or a digital meter.
- Be careful not to short-circuit the leads of the DFI or electrical system parts by contact between adapters.
- Turn the ignition switch ON and measure the voltage with the connector joined.

**CAUTION**

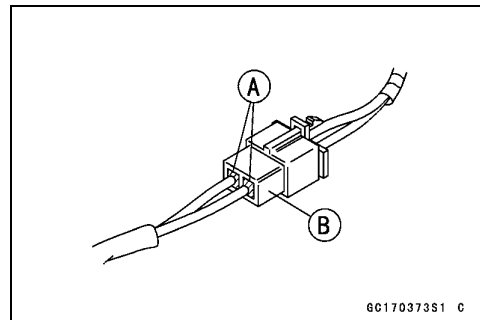
**Incorrect, reverse connection or short circuit by needle adapters could damage the DFI or electrical system parts.**

○After measurement, remove the needle adapters and apply silicone sealant to the seals [A] of the connector [B] for waterproofing.

**Silicone Sealant (Kawasaki Bond: 56019-120)**

**- Seals of Vehicle-down Sensor Connector**

- Always check battery condition before replacing the DFI parts. A fully charged battery is a must for conducting accurate tests of the DFI system.



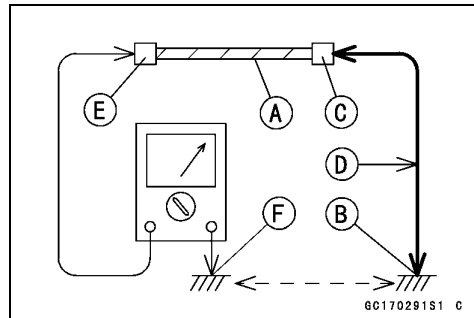
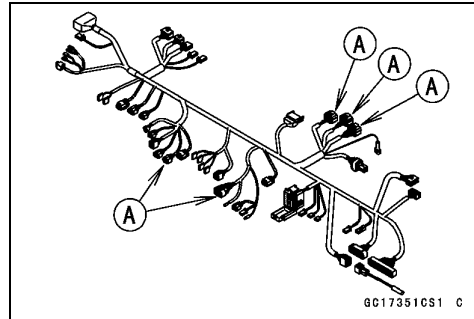
- Trouble may involve one or in some cases all items. Never replace a defective part without determining what CAUSED the problem. If the problem was caused by some other item or items, they too must be repaired or replaced, or the new replacement part will soon fail again.
- Measure coil winding resistance when the DFI part is cold (at room temperature).
- Make sure all connectors in the circuit are clean and tight, and examine wires for signs of burning, fraying, short, etc. Deteriorated wires and bad connections can cause reappearance of problems and unstable operation of the DFI system.

★If any wiring is deteriorated, replace the wiring.

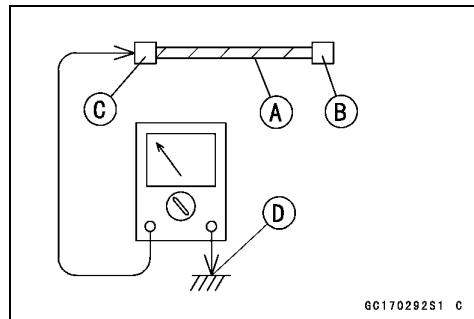
## 3-26 FUEL SYSTEM (DFI)

### Troubleshooting the DFI System

- Pull each connector [A] apart and inspect it for corrosion, dirt, and damage.
  - ★ If the connector is corroded or dirty, clean it carefully. If it is damaged, replace it. Connect the connectors securely.
  - Check the wiring for continuity.
  - Use the wiring diagram to find the ends of the lead which is suspected of being a problem.
  - Connect the hand tester between the ends of the leads.
  - Set the tester to the  $\times 1 \Omega$  range, and read the tester.
  - ★ If the tester does not read  $0 \Omega$ , the lead is defective. Replace the lead or the main harness or the sub harness.
- If both ends of a harness [A] are far apart, ground [B] the one end [C], using a jumper lead [D] and check the continuity between the end [E] and the ground [F]. This enables to check a long harness for continuity. If the harness is open, repair or replace the harness.



- When checking a harness [A] for short circuit, open one end [B] and check the continuity between the other end [C] and ground [D]. If there is continuity, the harness has a short circuit to ground, and it must be repaired or replaced.



- Narrow down suspicious locations by repeating the continuity tests from the ECU connectors.
- ★ If no abnormality is found in the wiring or connectors, the DFI parts are the next likely suspects. Check the part, starting with input and output voltages. However, there is no way to check the ECU itself.
- ★ If an abnormality is found, replace the affected DFI part.
- ★ If no abnormality is found in the wiring, connectors, and DFI parts, replace the ECU.

#### ○ Lead Color Codes:

BK: Black	G: Green	P: Pink
BL: Blue	GY: Gray	PU: Purple
BR: Brown	LB: Light blue	R: Red
CH: Chocolate	LG: Light green	W: White
DG: Dark green	O: Orange	Y: Yellow



## Troubleshooting the DFI System

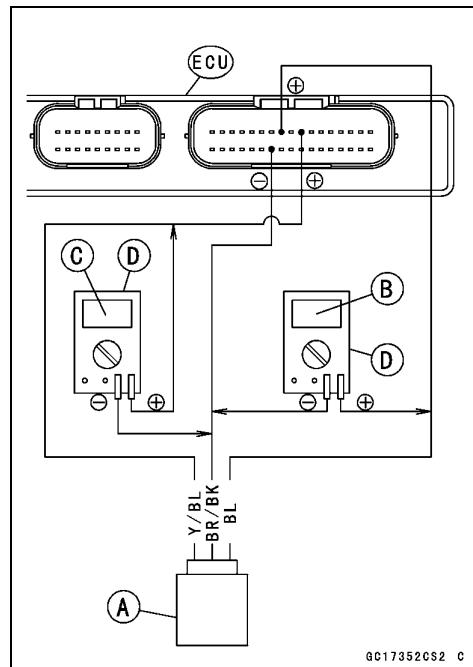
○ There are two ways to inspect the DFI system. One is voltage Check Method and the other is Resistance Check Method.

(Voltage Check Method)

○ This method is conducted by measuring the input voltage [B] to a sensor [A] first, and then the output voltage [C] from the sensor.

○ Sometimes this method can detect a fault of the ECU.

- Refer to each sensor inspection section for detail in this chapter.
- Use a fully charged battery and a digital meter [D] which can be read two decimal places voltage or resistance.



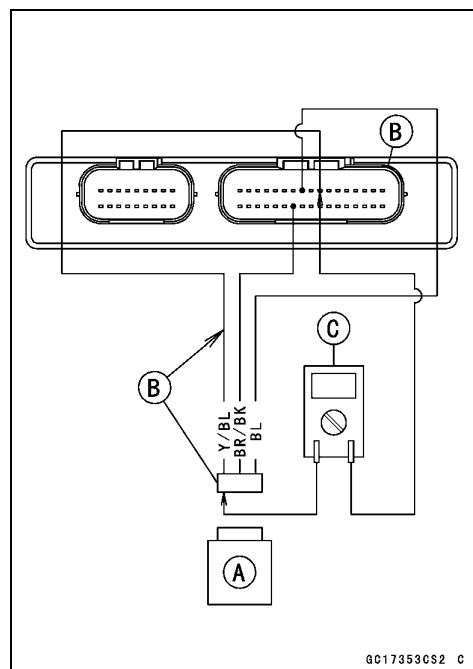
(Resistance Check Method)

○ This method is simple. No need for a fully charged battery and the needle adapter. Just do the following especially when a sensor [A] is suspect.

- Turn the ignition switch OFF and disconnect the connectors.
- Inspect the sensor resistance, using a digital meter (see each sensor inspection in this chapter).
- Inspect the wiring and connectors [B] for continuity, using the hand tester [C] (analog tester) rather than a digital meter.

**Special Tool - Hand Tester: 57001-1394**

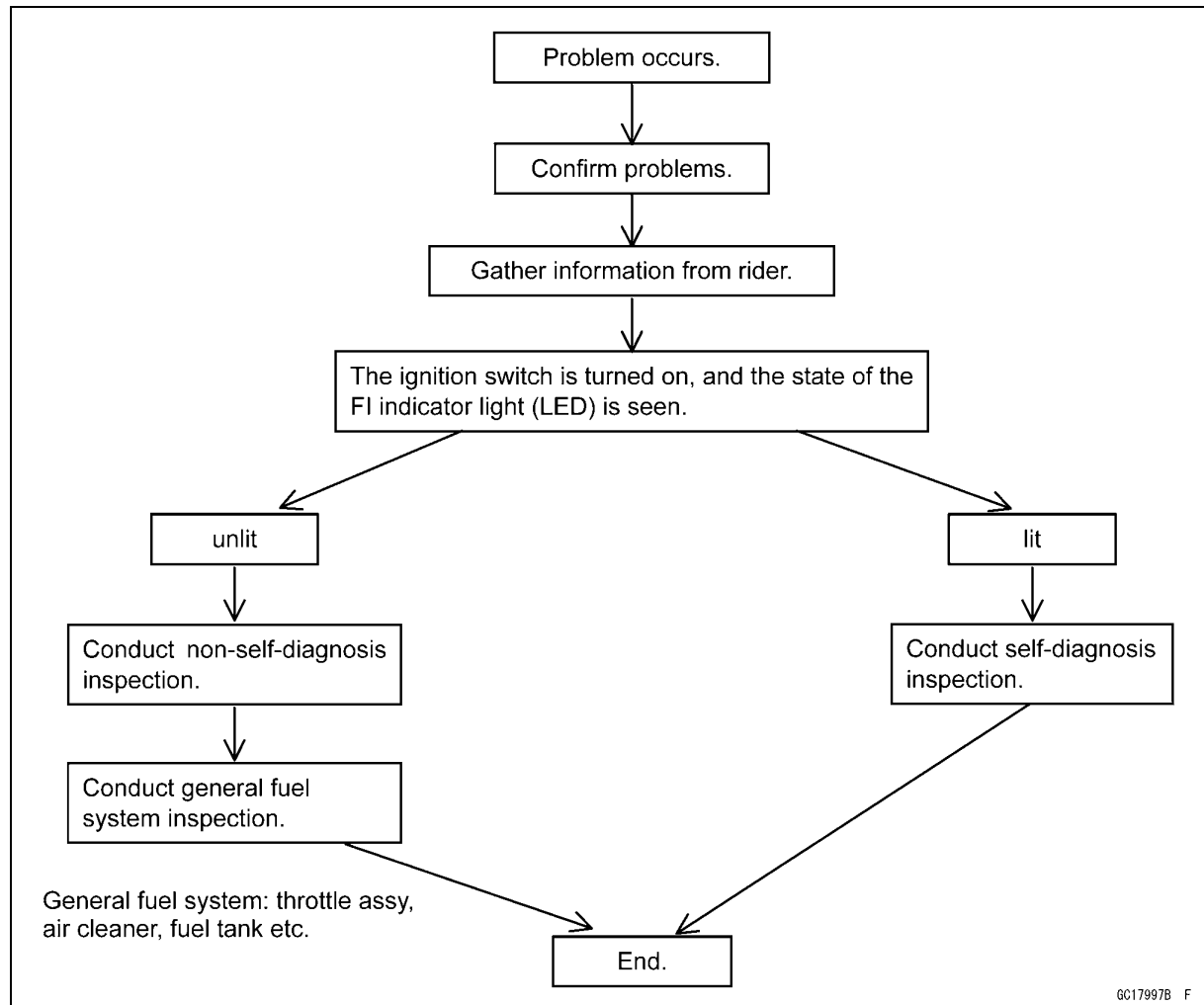
- ★ If the sensor, the wiring and connections are good, inspect the ECU for its ground and power supply (see this chapter). If the ground and power supply are good, the ECU is suspect. Replace the ECU.



## 3-28 FUEL SYSTEM (DFI)

### Troubleshooting the DFI System

#### DFI Diagnosis Flow Chart



#### Inquiries to Rider

##### *Inquiries to Rider*

- Each rider reacts to problems in different ways, so it is important to confirm what kind of symptoms the rider has encountered.
- Try to find out exactly what problem occurred under exactly what conditions by asking the rider; knowing this information may help you reproduce the problem.
- The following sample diagnosis sheet will help prevent you from overlooking any areas, and will help you decide if it is a DFI system problem, or a general engine problem.

**Troubleshooting the DFI System**

**Sample Diagnosis Sheet**

<b>Rider name</b>	<b>Registration No. (license plate No.)</b>	<b>Year of initial registration</b>
<b>Model</b>	<b>Engine No.</b>	<b>Frame No.</b>
<b>Date problem occurred</b>		<b>Mileage</b>
<b>Environment when problem occurred.</b>		
Weather	<input type="checkbox"/> fine, <input type="checkbox"/> cloudy, <input type="checkbox"/> rain, <input type="checkbox"/> snow, <input type="checkbox"/> always, <input type="checkbox"/> other:	
Temperature	<input type="checkbox"/> hot, <input type="checkbox"/> warm, <input type="checkbox"/> cold, <input type="checkbox"/> very cold, <input type="checkbox"/> always	
Problem frequency	<input type="checkbox"/> chronic, <input type="checkbox"/> often, <input type="checkbox"/> once	
Road	<input type="checkbox"/> street, <input type="checkbox"/> highway, <input type="checkbox"/> mountain road ( <input type="checkbox"/> uphill, <input type="checkbox"/> downhill), <input type="checkbox"/> bumpy, <input type="checkbox"/> pebble	
Altitude	<input type="checkbox"/> normal, <input type="checkbox"/> high (about 1000 m or more)	
<b>Motorcycle conditions when problem occurred.</b>		
FI indicator LED light	<input type="checkbox"/> light up immediately after ignition switch ON, and goes off after engine oil pressure is high enough (with engine running) (normal).	
	<input type="checkbox"/> lights up immediately after ignition switch ON, and stays on after engine oil pressure is high enough (with engine running) (DFI problem)	
	<input type="checkbox"/> lights up immediately after ignition switch ON, but goes off after about 10 seconds though engine oil pressure is high enough (with engine running) (DFI problem).	
	<input type="checkbox"/> unlights (LED light, ECU or its wiring fault).	
	<input type="checkbox"/> sometimes lights up (probably wiring fault).	
Starting difficulty	<input type="checkbox"/> starter motor not rotating.	
	<input type="checkbox"/> starter motor rotating but engine doesn't turn over.	
	<input type="checkbox"/> starter motor and engine don't turn over.	
	<input type="checkbox"/> no fuel flow ( <input type="checkbox"/> no fuel in tank, <input type="checkbox"/> no fuel pump sound).	
	<input type="checkbox"/> engine flooded (do not crank engine with throttle opened, which promotes engine flooding).	
	<input type="checkbox"/> no spark.	
<input type="checkbox"/> other:		
Engine stops	<input type="checkbox"/> right after starting.	
	<input type="checkbox"/> when opening throttle grip.	
	<input type="checkbox"/> when closing throttle grip.	
	<input type="checkbox"/> when moving off.	
	<input type="checkbox"/> when stopping the motorcycle.	
	<input type="checkbox"/> when cruising.	
<input type="checkbox"/> other:		
Poor running at low speed	<input type="checkbox"/> very low fast idle speed.	
	<input type="checkbox"/> very low idle speed, <input type="checkbox"/> very high idle speed, <input type="checkbox"/> rough idle speed.	
	<input type="checkbox"/> battery voltage is low (charge the battery).	
	<input type="checkbox"/> spark plug loose (tighten it).	
	<input type="checkbox"/> spark plug dirty, broken, or gap maladjusted (adjust it).	
	<input type="checkbox"/> backfiring.	
	<input type="checkbox"/> afterfiring.	
	<input type="checkbox"/> hesitation when acceleration.	
	<input type="checkbox"/> engine oil viscosity too high.	
<input type="checkbox"/> brake dragging.		

### 3-30 FUEL SYSTEM (DFI)

#### Troubleshooting the DFI System

	<input type="checkbox"/> engine overheating.
	<input type="checkbox"/> clutch slipping.
	<input type="checkbox"/> other:
Poor running or no power at high speed	<input type="checkbox"/> spark plug loose (tighten it).
	<input type="checkbox"/> spark plug dirty, broken, or gap maladjusted (remedy it).
	<input type="checkbox"/> spark plug incorrect (replace it).
	<input type="checkbox"/> knocking (fuel poor quality or incorrect, → use high-octane gasoline).
	<input type="checkbox"/> brake dragging.
	<input type="checkbox"/> clutch slipping.
	<input type="checkbox"/> engine overheating.
	<input type="checkbox"/> engine oil level too high.
	<input type="checkbox"/> engine oil viscosity too high.
	<input type="checkbox"/> other:

**DFI System Troubleshooting Guide**

**NOTE**

- This is not an exhaustive list, giving every possible cause for each problem listed. It is meant simply as a rough guide to assist the troubleshooting for some of the more common difficulties.
- The ECU may be involved in the DFI electrical and ignition system troubles. If these parts and circuits checked out good, be sure to check the ECU for ground and power supply. If the ground and power supply are checked good, replace the ECU.

**Engine Doesn't Start, Starting Difficulty**

Symptoms or Possible Causes	Actions (chapter)
<b>Starter motor not rotating</b>	
Ignition and engine stop switches not ON	Turn both switches ON.
Starter lockout switch or neutral switch trouble	Inspect (see chapter 16).
Starter motor trouble	Inspect (see chapter 16).
Battery voltage low	Inspect and charge (see chapter 16).
Starter relays not contacting or operating	Inspect the starter relay (see chapter 16).
Starter button not contacting	Inspect and replace (see chapter 16).
Starter system wiring open or shorted	Inspect the wiring (see chapter 16).
Ignition switch trouble	Inspect and replace (see chapter 16).
Engine stop switch trouble	Inspect and repair or replace (see chapter 16).
Main 30 A or ignition fuse blown	Inspect and replace (see chapter 16).
<b>Starter motor rotating but engine doesn't turn over</b>	
Starter clutch trouble	Inspect (see chapter 9).
Starter idle gear trouble	Inspect (see chapter 9).
<b>Engine won't turn over</b>	
Valve seizure	Inspect and replace (see chapter 5).
Rocker arm seizure	Inspect and replace (see chapter 5).
Cylinder, piston seizure	Inspect and replace (see chapter 5).
Camshaft seizure	Inspect and replace (see chapter 5).
Connecting rod small end seizure	Inspect and replace (see chapter 9).
Connecting rod big end seizure	Inspect and replace (see chapter 9).
Crankshaft seizure	Inspect and replace (see chapter 9).
Transmission gear or bearing seizure	Inspect and replace (see chapter 9).
Balancer bearing seizure	Inspect and replace (see chapter 9).
<b>No fuel flow</b>	
No or little fuel in tank	Supply fuel (see Owner's Manual).
Fuel pump not rotating	Inspect (see chapter 3).
Fuel injector trouble	Inspect and replace (see chapter 3).
Fuel tank air vent obstructed	Inspect and repair (see chapter 3).
Fuel filter or pump screen clogged	Inspect and replace fuel pump (see chapter 3)
Fuel pressure regulator clogged	Inspect and replace fuel pump (see chapter 3).
Fuel line clogged	Inspect and repair (see chapter 3).
<b>Engine flooded</b>	
Spark plug dirty, broken or gap maladjusted	Clean spark plugs and adjust plug gap (see chapter 2).
Starting technique faulty	When flooded, don't crank engine with throttle fully opened.

### 3-32 FUEL SYSTEM (DFI)

#### DFI System Troubleshooting Guide

Symptoms or Possible Causes	Actions (chapter)
<b>No spark or spark weak</b>	
Ignition and engine stop switches not ON	Turn both switches ON.
Clutch lever not pulled in and gear not in neutral whether sidestand up or not	Pull the lever in and shift the gear in neutral.
Though clutch lever pulled in but sidestand up and gear not in neutral	Sidestand down and clutch lever pulled in whether gear in neutral, or not.
Vehicle-down sensor coming off	Reinstall (see chapter 3).
Vehicle-down sensor trouble	Inspect (see chapter 3).
ECU ground or power supply trouble	Inspect (see chapter 3).
Battery voltage low	Inspect and charge (see chapter 16).
Spark plug dirty, broken or gap maladjusted	Clean spark plug and adjust plug gap (see chapter 2).
Spark plug cap or high tension wiring trouble	Inspect the ignition coil (see chapter 16).
Spark plug cap shorted or not in good contact	Reinstall or inspect the cap (see chapter 16).
Spark plug incorrect	Replace it with the correct plug (see chapter 16).
IC igniter in ECU trouble	Inspect (see chapter 16).
Neutral, starter lockout or sidestand switch trouble	Inspect each switch (see chapter 16).
Crankshaft sensor trouble	Inspect (see chapter 16).
Ignition coil trouble	Inspect (see chapter 16).
Ignition switch shorted	Inspect and replace (see chapter 16).
Engine stop switch shorted	Inspect and repair or replace (see chapter 16).
Starter system wiring shorted or open	Inspect and repair or replace (see chapter 16).
Main 30 A or ignition fuse blown	Inspect and replace (see chapter 16).
<b>Fuel/air mixture incorrect</b>	
Air cleaner clogged, poorly sealed or missing	Clean or reinstall (see chapter 3).
Leak from oil filler cap, crankcase breather hose or air cleaner drain hose	Inspect and repair or replace (see chapter 3).
Water or foreign matter in fuel	Change fuel. Inspect and clean fuel system (see chapter 3).
Fuel pressure regulator trouble	Inspect fuel pressure and replace fuel pump (see chapter 3).
Throttle sensor trouble	Inspect (see chapter 3).
Fuel pressure may be low	Inspect (see chapter 3).
Fuel pump trouble	Inspect (see chapter 3).
Fuel injector trouble	Inspect (see chapter 3).
Inlet air pressure sensor trouble	Inspect (see chapter 3).
Inlet air temperature sensor trouble	Inspect (see chapter 3).
Water temperature sensor trouble	Inspect (see chapter 3).
Throttle valves or actuator trouble	Inspect (see chapter 3).
Crankshaft sensor trouble	Inspect (see chapter 3).
<b>Compression low</b>	
Spark plug loose	Reinstall (see chapter 16).
Cylinder head not sufficiently tightened down	Tighten (see chapter 5).
Cylinder, piston worn	Inspect and replace (see chapter 5).

**DFI System Troubleshooting Guide**

Symptoms or Possible Causes	Actions (chapter)
Piston ring bad (worn, weak, broken or sticking)	Inspect and replace (see chapter 5).
Piston ring/groove clearance excessive	Inspect and replace (see chapter 5).
Cylinder head gasket damaged	Replace (see chapter 5).
Cylinder head warped	Inspect and replace (see chapter 5).
Valve guide worn	Inspect and replace (see chapter 5).
Valve spring broken or weak	Inspect and replace (see chapter 5).
Valve not seating properly (valve bent, worn or carbon accumulating on seating surface)	Inspect and repair or replace (see chapter 5).

**Poor Running at Low Speed**

Symptoms or Possible Causes	Actions (chapter)
<b>Spark weak</b>	
Battery voltage low	Inspect and charge (see chapter 16).
Spark plug dirty, broken, or gap maladjusted	Clean spark plugs and adjust plug gap (see chapter 2).
Spark plug cap or high tension wiring trouble	Inspect the ignition coil (see chapter 16).
Spark plug cap shorted or not in good contact	Reinstall or inspect the cap (see chapter 16).
Spark plug incorrect	Replace it with the correct plug (see chapter 16).
IC igniter in ECU trouble	Inspect (see chapter 16).
Crankshaft sensor trouble	Inspect (see chapter 16).
Ignition coil trouble	Inspect (see chapter 16).
<b>Fuel/air mixture incorrect</b>	
Little fuel in tank	Supply fuel (see Owner's Manual).
Air cleaner clogged, poorly sealed, or missing	Clean element or inspect sealing (see chapter 3).
Air cleaner duct loose	Reinstall (see chapter 3).
Air cleaner O-ring damaged	Replace (see chapter 3).
Fuel tank air vent obstructed	Inspect and repair (see chapter 3).
Throttle body assy loose	Reinstall (see chapter 3).
Throttle body assy O-ring damage	Replace (see chapter 3).
Throttle valves or actuator trouble	Push in (see chapter 3).
Fuel filter or pump screen clogged	Inspect and replace fuel pump (see chapter 3).
Fuel pressure regulator clogged	Inspect fuel pressure and replace fuel pump (see chapter 3).
Fuel line clogged	Inspect and repair (see chapter 3).
Thermostat trouble	Inspect and replace (see chapter 4).
Inlet air temperature sensor trouble	Inspect (see chapter 3).
Inlet air pressure sensor trouble	Inspect (see chapter 3).
<b>Unstable (rough) idling</b>	
Throttle valves or actuator trouble	Inspect (see chapter 3).
Fuel injector trouble	Inspect (see chapter 3).
Throttle sensor trouble	Inspect (see chapter 3).
Inlet air temperature sensor trouble	Inspect (see chapter 3).
Water temperature sensor trouble	Inspect (see chapter 3).
Fuel pressure too low or too high	Inspect (see chapter 3).
Battery voltage low	Inspect and charge (see chapter 16).

### 3-34 FUEL SYSTEM (DFI)

#### DFI System Troubleshooting Guide

Symptoms or Possible Causes	Actions (chapter)
<b>Incorrect idle speed</b>	
Water temperature sensor trouble	Inspect (see chapter 3).
Throttle sensor trouble	Inspect (see chapter 3).
Throttle valves or actuator trouble	Inspect (see chapter 3).
<b>Engine stalls easily</b>	
Fuel pump trouble	Inspect (see chapter 3).
Fuel injector trouble	Inspect (see chapter 3).
Throttle sensor trouble (engine stops when opening the throttle)	Inspect (see chapter 3).
Fuel pressure too low or too high	Inspect (see chapter 3).
Inlet air temperature sensor trouble	Inspect (see chapter 3).
Fuel pressure too low or too high	Inspect (see chapter 3).
Fuel pressure regulator trouble	Inspect and replace (see chapter 3).
Crankshaft sensor trouble	Inspect (see chapter 16).
Ignition coil trouble	Inspect (see chapter 16).
<b>Compression Low</b>	
Spark plug loose	Reinstall (see chapter 16).
Cylinder head not sufficiently tightened down	Tighten (see chapter 5).
Cylinder, piston worn	Inspect and replace (see chapter 5).
Piston ring bad (worn, weak, broken or sticking)	Inspect and replace (see chapter 5).
Piston ring/groove clearance excessive	Inspect and replace (see chapter 5).
Cylinder head gasket damaged	Replace (see chapter 5).
Cylinder head warped	Inspect and replace (see chapter 5).
Valve guide worn or stem seal damaged	Inspect and replace (see chapter 5).
Valve spring broken or weak	Inspect and replace (see chapter 5).
Valve not seating properly (valve bent, worn or carbon accumulating on seating surface)	Inspect and repair or replace (see chapter 5).
Camshaft cam worn	Inspect and replace (see chapter 5).
<b>Hesitation</b>	
Too low fuel pressure	Inspect (see chapter 3).
Clogged fuel line	Inspect and repair (see chapter 3).
Cracked or obstructed inlet air pressure sensor hose	Inspect and repair or replace (see chapter 3).
Fuel pump trouble	Inspect (see chapter 3).
Fuel injector trouble	Inspect (see chapter 3).
Inlet air temperature sensor trouble	Inspect (see chapter 3).
Throttle sensor malfunction	Inspect (see chapter 3).
Water temperature sensor trouble	Inspect (see chapter 3).
Inlet air pressure sensor trouble	Inspect (see chapter 3).
Loose injector connectors	Remedy (see chapter 3).
Crankshaft sensor trouble	Inspect and repair or replace (see chapter 16).
Ignition coil trouble	Inspect and repair or replace (see chapter 16).
Loose terminal of battery (-) lead or engine ground lead	Inspect and repair (see chapter 16).



**DFI System Troubleshooting Guide**

Symptoms or Possible Causes	Actions (chapter)
Delay of ignition timing	Inspect crankshaft sensor and IC igniter in ECU (see chapter 16).
<b>Poor acceleration</b>	
Too low fuel pressure	Inspect (see chapter 3).
Water or foreign matter in fuel	Change fuel. Inspect and clean fuel system (see chapter 3)
Clogged fuel filter	Inspect (see chapter 3) and replace fuel pump.
Fuel pump trouble	Inspect (see chapter 3).
Fuel injector trouble	Inspect (see chapter 3)
Inlet air temperature sensor trouble	Inspect (see chapter 3).
Water temperature sensor trouble	Inspect (see chapter 3).
Ignition coil trouble	Inspect and replace (see chapter 16).
Engine oil level too high	Repair (see chapter 7)
Spark plug dirty, broken or gap maladjusted	Clean spark plugs and adjust plug gap (see chapter 2)
<b>Stumble</b>	
Too low fuel pressure	Inspect (see chapter 3).
Fuel injector trouble	Inspect (see chapter 3).
Throttle sensor malfunction	Inspect (see chapter 3).
Water temperature sensor trouble	Inspect (see chapter 3).
Inlet air pressure sensor trouble	Inspect (see chapter 3).
<b>Surge</b>	
Unstable fuel pressure	Fuel pressure regulator trouble (Inspect and replace fuel pump) or kinked fuel line (Inspect and repair fuel line) (see chapter 3).
Fuel injector trouble	Inspect (see chapter 3).
Water temperature sensor trouble	Inspect (see chapter 3).
<b>Backfiring when deceleration</b>	
Spark plug dirty, broken or gap maladjusted	Clean spark plugs and adjust plug gap (see chapter 2)
Too low fuel pressure	Inspect (see chapter 3).
Crankshaft sensor trouble	Inspect (see chapter 3).
Fuel pump trouble	Inspect (see chapter 3).
Throttle sensor malfunction	Inspect (see chapter 3).
Inlet air temperature sensor trouble	Inspect (see chapter 3).
Water temperature sensor trouble	Inspect (see chapter 3).
Inlet air pressure sensor trouble	Inspect (see chapter 3).
Air switching valve broken	Inspect and replace (see chapter 5 or 16).
Air suction valve trouble	Inspect and replace (see chapter 5).
<b>After fire</b>	
Spark plug burned or gap maladjusted	Adjust plug gap or replace plug (see chapter 16).
Crankshaft sensor trouble	Inspect (see chapter 3).
Inlet air temperature sensor trouble	Inspect (see chapter 3).
Water temperature sensor trouble	Inspect (see chapter 3).
Inlet air pressure sensor trouble	Inspect (see chapter 3).

### 3-36 FUEL SYSTEM (DFI)

#### DFI System Troubleshooting Guide

Symptoms or Possible Causes	Actions (chapter)
Fuel injector trouble	Inspect (see chapter 3).
<b>Run-on (dieseling)</b>	
Ignition switch trouble	Inspect and replace (see chapter 16).
Engine switch trouble	Inspect and repair or replace (see chapter 16).
Fuel injector trouble	Inspect (see chapter 3).
Engine overheating	(see Overheating of Troubleshooting Guide, see chapter 17)
<b>Other</b>	
Engine oil viscosity too high	Change (see chapter 2).
Drive belt trouble	Inspect and replace (see chapter 11).
Brake dragging	Inspect caliper fluid seal damage or clogging of master cylinder relief and supply ports (see chapter 12).
Clutch slipping	Inspect friction plates for wear (see chapter 6).
Engine overheating	(see Overheating of Troubleshooting Guide in chapter 17)
Air switching valve trouble	Inspect and replace (see chapter 16).
Air suction valve trouble	Inspect and replace (see chapter 5).
Intermittent any DFI fault and its recovery	Check that DFI connectors are clean and tight, and examine wires for signs of burning or fraying (see chapter 3).

#### Poor Running or No Power at High Speed

Symptoms or Possible Causes	Actions (detailed reference)
<b>Firing incorrect</b>	
Spark plug dirty, broken or maladjusted	Clean spark plug and adjust plug gap (see chapter 2).
Spark plug cap or high tension wiring trouble	Inspect plug cap and ignition coil (see chapter 16).
Spark plug cap shorted or not in good contact	Reinstall or inspect the cap (see chapter 16).
Spark plug incorrect	Replace it with the correct plug (see chapter 16)
IC igniter in ECU trouble	Inspect (see chapter 16).
Crankshaft sensor trouble	Inspect (see chapter 16).
Ignition coil trouble	Inspect (see chapter 16).
<b>Fuel/mixture incorrect</b>	
Air cleaner clogged, poorly sealed, or missing	Clean element or inspect sealing (see chapter 3).
Air cleaner duct loose	Reinstall (see chapter 3).
Air cleaner O-ring damaged	Replace (see chapter 3).
Water or foreign matter in fuel	Change fuel. Inspect and clean fuel system (see chapter 3).
Throttle body assy loose	Reinstall (see chapter 3).
Throttle body assy O-ring damaged	Replace (see chapter 3).
Fuel tank air vent obstructed	Inspect and repair (see chapter 3).
Fuel line clogged	Inspect and repair (see chapter 3).
Fuel pump operates intermittently and often DFI fuse blows.	Pump bearings may wear. Replace the pump (see chapter 3).
Fuel pump trouble	Inspect (see chapter 3).

**DFI System Troubleshooting Guide**

Symptoms or Possible Causes	Actions (detailed reference)
Inlet air temperature sensor trouble	Inspect (see chapter 3).
Throttle sensor malfunction	Inspect (see chapter 3).
Inlet air pressure sensor trouble	Inspect (see chapter 3).
Cracked or obstructed inlet air pressure sensor hose	Inspect and repair or replace (see chapter 3)
Injector clogged	Visually inspect and replace (see chapter 3)
<b>Compression low</b>	
Spark plug loose	Reinstall (see chapter 16).
Cylinder head not sufficiently tightened down	Tighten (see chapter 5).
Cylinder, piston worn	Inspect and replace (see chapter 5).
Piston ring bad (worn, weak, broken or sticking)	Inspect and replace (see chapter 5).
Piston ring/groove clearance excessive	Inspect and replace (see chapter 5).
Cylinder head gasket damaged	Replace (see chapter 5).
Cylinder head warped	Inspect and replace (see chapter 5).
Valve spring broken or weak	Inspect and replace (see chapter 5).
Valve not seating properly (valve bent , worn or carbon accumulating on the seating surface)	Inspect and repair or replace (see chapter 5).
<b>Knocking</b>	
Carbon built up in combustion chamber	Repair (see chapter 5).
Fuel poor quality or incorrect (Use high-octone gasoline recommended in the Owner's Manual)	Change fuel (see chapter 3).
Spark plug incorrect	Replace it with the correct plug (see chapter 16)
Ignition coil trouble	Inspect (see chapter 16).
IC igniter in ECU trouble	Inspect (see chapter 16).
Inlet air temperature sensor trouble	Inspect (see chapter 3).
<b>Miscellaneous</b>	
Throttle valves won't fully open	Inspect throttle cable and lever linkage (see chapter 3).
Brake dragging	Inspect caliper fluid seal damage or clogging of master cylinder relief and supply ports (see chapter 12).
Clutch slipping	Inspect friction plates for wear (see chapter 6).
Engine overheating	(see Overheating of Troubleshooting Guide in chapter 17)
Engine oil level too high	Repair (see chapter 7).
Engine oil viscosity too high	Change (see chapter 3).
Drive belt trouble	Inspect and replace (see chapter 11).
Camshaft cam worn	Inspect and replace (see chapter 5).
Air switching valve trouble	Inspect and replace (see chapter 5 or 16).
Air suction valve trouble	Inspect and replace (see chapter 5).
Catalytic converters melt down due to muffler overheating	Replace muffler (see chapter 5).
<b>Exhaust Smokes Excessively</b>	
<b>White smokes</b>	
Piston oil ring worn	Inspect and replace (see chapter 5).

### 3-38 FUEL SYSTEM (DFI)

#### DFI System Troubleshooting Guide

Symptoms or Possible Causes	Actions (detailed reference)
Cylinder worn	Inspect and replace (see chapter 5).
Valve oil seal damaged	Replace (see chapter 5).
Valve guide worn	Replace the guide (see chapter 5).
Engine oil level too high	Repair (see chapter 7).
<b>Black smoke</b>	
Air cleaner clogged	Clean (see chapter 3).
Too high fuel pressure	Inspect (see chapter 3).
Injection stuck open	Inspect (see chapter 3).
Water temperature sensor trouble	Inspect and replace (see chapter 3).
Inlet air temperature sensor trouble	Inspect and replace (see chapter 3).
<b>Brown smoke</b>	
Air cleaner duct loose	Reinstall (see chapter 3).
Air cleaner O-ring damaged	Replace (see chapter 3).
Too low fuel pressure	Inspect (see chapter 3).
Water temperature sensor trouble	Inspect and replace (see chapter 3).
Inlet air temperature sensor trouble	Inspect and replace (see chapter 3).

## Self-Diagnosis

### Self-diagnosis Outline

#### Self-diagnosis Outline

The self-diagnosis system has three modes and can be switched to another mode by grounding the self-diagnosis terminal.

#### User Mode

The ECU notifies the rider of troubles in DFI system and ignition system by lighting the FI indicator when DFI system and ignition system parts are faulty, and initiates fail-safe function. In case of serious troubles, the ECU stops the injection/ignition/starter motor operation.

#### Dealer Mode 1

The FI indicator light (LED) emits service code(s) to show the problem(s) which the DFI system, and ignition system has at the moment of diagnosis.

#### Dealer Mode 2

The FI indicator light (LED) emits service code(s) to show the problem(s) which the DFI system, and ignition system had in the past.

### Self-diagnosis Procedures

#### Self-diagnosis Procedures

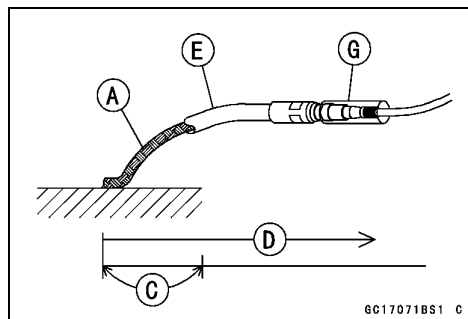
○When a problem occurs with the DFI system and ignition system, the FI indicator light (LED) [A] goes on.

#### NOTE

- Use a fully charged battery when conducting self-diagnosis. Otherwise, the light (LED) blinks very slowly or doesn't blink.
  - Keep the self-diagnosis terminal grounded during self-diagnosis, with an auxiliary lead.
- Remove the tool box (see Tool Box Removal in the Frame chapter).
  - Ground the self-diagnosis terminal [A] (Yellow lead) to the battery (-) terminal or battery (-) lead connector, using a wire.



- Turn on the ignition switch.
- Connect an auxiliary lead [E] to the self-diagnosis terminal [G] for grounding.
- To enter the self-diagnosis dealer mode 1, ground [A] the self-diagnosis indicator terminal to the battery (-) terminal for more than 2 seconds [C], and then keep it grounded continuously [D].
- Count the blinks of the light (LED) to read the service code. Keep the auxiliary lead ground until you finish reading the service code.



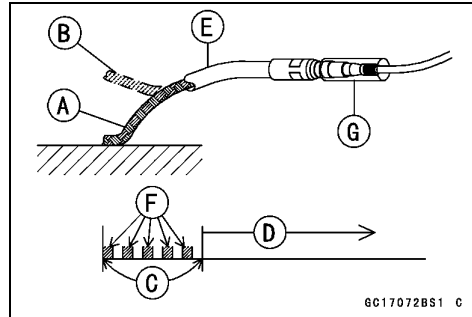
## 3-40 FUEL SYSTEM (DFI)

### Self-Diagnosis

- To enter the self-diagnosis dealer mode 2, open [B] and ground [A] the lead more than five times [F] within 2 seconds [C] after the lead is first grounded, and then keep it grounded continuously [D] for more than 2 seconds.
- Count the blinks of the light (LED) to read the service code. Keep the auxiliary lead ground until you finish reading the service code.
  - Auxiliary Lead [E]
  - Self-diagnosis Terminal [G]

#### NOTE

- To enter the dealer mode 2 from the dealer mode 1, turn off the ignition switch once.



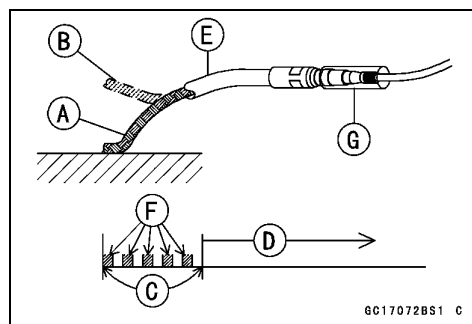
### Service Code Clearing Procedures

#### Service Code Clearing Procedures

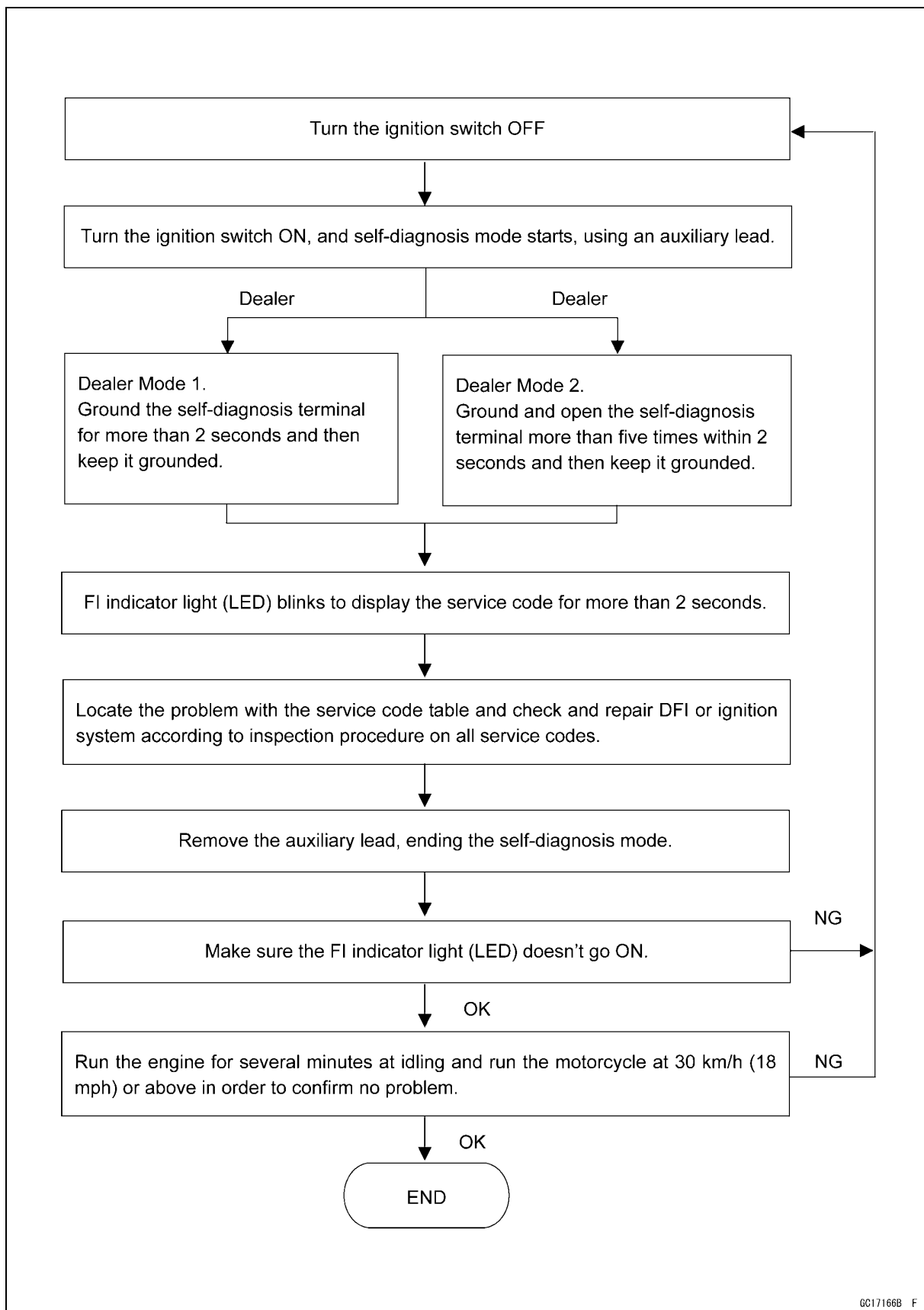
- Enter the self-diagnosis dealer mode 2 (see Self-diagnosis Procedures).

#### NOTE

- Make sure to keep the grounding until the following opening and grounding starts.
- Pull the clutch lever in more than 5 seconds, and then release it.
- Repeat opening [B] and grounding [A] the lead (self-diagnosis terminal) more than five times [F] within 2 seconds [C] after the lead is grounded, and then keep it grounded continuously [D] for more than 2 seconds.
  - Auxiliary Lead [E]
  - Self-diagnosis Terminal [G]



Self-Diagnosis



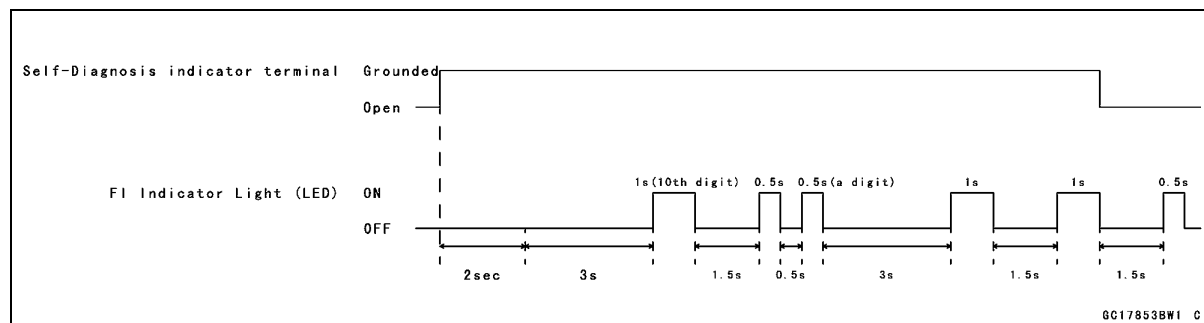
## 3-42 FUEL SYSTEM (DFI)

### Self-Diagnosis

#### How to Read Service Codes

##### How to Read Service Codes

- Service codes are shown by a series of long and short blinks of the FI indicator light (LED) as shown below.
- Read 10th digit and unit digit as the FI indicator light (LED) blinks.
- When there are a number of problems, all the service codes can be stored and the display will begin starting from the lowest number service code in the numerical order. Then after completing all codes, the display is repeated until the self-diagnosis indicator terminal is open.
- If there is no problem, no code and unlight.
- For example, if two problems occurred in the order of 21, 12, the service codes are displayed from the lowest number in the order listed.  
(12 → 21) → (12 → 21) → ··· (repeated)



- If the problem is with the following parts, the ECU cannot memorize these problems, the FI indicator light (LED) doesn't go on, and no service codes can be displayed.
  - Fuel Pump
  - Fuel Pump Relay
  - DFI Main Relay
  - ECU Power Source Wiring and Ground Wiring (see ECU Power Supply Inspection)
  - Fuel Injectors

#### How to Erase Service Codes

##### How to Erase Service Codes






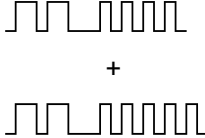
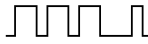


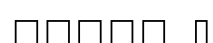
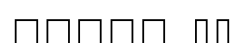

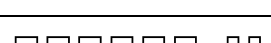
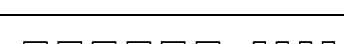
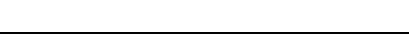
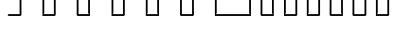

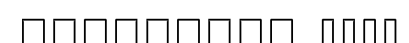
- Even if the ignition switch is turned OFF, the battery or the ECU are disconnected or the problem is solved, all service codes remain in the ECU.
- Refer to the Service Code Clearing Procedure for the service code erasure.



Self-Diagnosis

Service Code Table

Service Code Table

Service Code	FI Indicator Light (LED)	Problems
11	 ON OFF	Main throttle sensor malfunction, wiring open or short
12		Inlet air pressure sensor malfunction, wiring open or short
13		Inlet air temperature sensor malfunction, wiring open or short
14		Water temperature sensor malfunction, wiring open or short
21		Crankshaft sensor malfunction, wiring open or short
24 and 25		Speed sensor malfunction, wiring open or short First 24 is displayed and then 25, repeatedly
31		Vehicle-down sensor, malfunction, wiring open or short
32		Subthrottle sensor malfunction, wiring open or short
33		Oxygen sensor #1 inactivation, wiring open or short (Europe Models)
51		Ignition coil #1 malfunction, wiring open or short
52		Ignition coil #2 malfunction, wiring open or short
56		Radiator fan relay malfunction, wiring open or short
62		Subthrottle valve actuator malfunction, wiring open or short
64		Air switching valve malfunction, wiring open or short
67		Oxygen sensor heater malfunction, wiring open or short (Europe Models)
83		Oxygen sensor #2 inactivation, wiring open or short (Europe Models)
94		Oxygen sensor #1 malfunction, wiring open or short (Europe Models)
95		Oxygen sensor #2 malfunction, wiring open or short (Europe Models)

## 3-44 FUEL SYSTEM (DFI)

---

### Self-Diagnosis

---

**Notes:**

- The ECU may be involved in these problems. If all the parts and circuits checked out good, be sure to check the ECU for ground and power supply. If the ground and power supply are checked good, replace the ECU.
- When no service code is displayed, the electrical parts of the DFI system has no fault, and the mechanical parts of the DFI system and the engine are suspect.

**Self-Diagnosis**

**Backups**

**Backups**

○The ECU takes the following measures to prevent engine damage when the DFI or the ignition system parts have troubles.

Service Codes	Parts	Output Signal Usable Range or Criteria	Backups by ECU
11	Main Throttle Sensor	Main Throttle Sensor Output Voltage 0.20 ~ 4.8 V	If the main throttle sensor system fails (the signal is out of the usable range, wiring short or open), the ECU locks ignition timing into the ignition timing at closed throttle position and sets the DFI in the D-J method. Also, the main throttle sensor system and inlet air pressure fails, the ECU locks ignition timing into the ignition timing at closed throttle position and sets the DFI in the α-N method.
12	Inlet Air Pressure Sensor	Inlet Air Pressure (absolute) Pv = 50 mmHg ~ 890 mmHg	If the inlet air pressure sensor system fails (the signal Pv is out of the usable range, wiring short or open), the ECU sets the DFI in the α - N method.
13	Inlet Air Temperature Sensor	Inlet Air Temperature Ta = -30°C ~ +120°C	If the inlet air temperature sensor fails (the signal is out of the usable range, wiring short or open), the ECU sets Ta at 40°C.
14	Water Temperature Sensor	Water Temperature Tw = -30°C ~ +120°C	If the water temperature sensor system fails (the signal is out of the usable range, wiring short or open), the ECU sets Tw at 80°C.
21	Crankshaft Sensor	Crankshaft sensor must send 17 signals (output signal) to the ECU at the one cranking.	If crankshaft sensor generates other than 17 signals, the engine stops by itself.
24 and 25	Speed Sensor	Speed sensor must send 26 signals (output signal) to the ECU at the one rotation of the transmission gear. The gear position is decided by the signal of the speed sensor.	If the speed sensor system fails (no signal, wiring short or open), the speedometer shows 0, and the ECU sets the top (5) gear position.
31	Vehicle-down Sensor	Vehicle-down Sensor Output Voltage (signal) Vd = 0.65 V ~ 4.45 V	If the vehicle-down sensor system has failures (the output voltage Vd is more than usable range, wiring open), the ECU shuts off the fuel pump, the fuel injectors and the ignition system.
32	Subthrottle Sensor	Subthrottle Sensor Output Voltage 0.15 ~ 4.85 V	If the subthrottle sensor system fails (the signal is out of the usable range, wiring short or open), the actuator locks sub throttle valve at full open position.
33	Oxygen Sensor #1 (Europe Models)	The oxygen sensor is active and sensor must send signals (output voltage) continuously to the ECU.	If the oxygen sensor is not activated, the ECU stops oxygen sensor feedback mode.

### 3-46 FUEL SYSTEM (DFI)

#### Self-Diagnosis

Service Codes	Parts	Output Signal Usable Range or Criteria	Backups by ECU
51	Ignition Coil #1*	The stick coil primary winding must send signals (output voltage) continuously to the ECU.	If the ignition primary winding #1 has failures (no signal, wiring short or open), the ECU shuts off the injector #1 to stop fuel to the cylinder #1, though the engine keeps running.
52	Ignition Coil #2*	The stick coil primary winding must send signals (output voltage) continuously to the ECU.	If the ignition primary winding #2 has failures (no signal, wiring short or open), the ECU shuts off the injector #2 to stop fuel to the cylinder #2, though the engine keeps running.
62	Subthrottle Valve Actuator	The actuator operates open and close of the subthrottle valve by the pulse signal from the ECU.	If the subthrottle valve actuator fails (the signal is out of the usable range, wiring short or open), the ECU stops the current to the actuator.
64	Air Switching Valve	The air switching valve solenoid opens and shuts the air switching valve according to the signal from the ECU.	(Europe Models) When air switching valve solenoid does not operate, ECU ends the oxygen sensor feedback mode. (Other than Europe Models) ECU does not backup.
67	Oxygen Sensor #1 (Europe Models)	The oxygen sensor heater raise temperature of the sensor for its earlier activation. 12V-36 W, 1.5 A	If the oxygen sensor heater fails (wiring short or open), the ECU stops the current to the heater.
83	Oxygen Sensor #2 (Europe Models)	The oxygen sensor is active and sensor must send signals (output voltage) continuously to the ECU.	If the oxygen sensor is not activated, the ECU stops oxygen sensor feedback mode.
94	Oxygen Sensor #1 (Europe Models)	The oxygen sensor must send signals (output voltage) continuously to the ECU	If the oxygen sensor output voltage is incorrect, the ECU stops oxygen sensor feedback mode.
95	Oxygen Sensor #2 (Europe Models)	The oxygen sensor must send signals (output voltage) continuously to the ECU	If the oxygen sensor output voltage is incorrect, the ECU stops oxygen sensor feedback mode.

**Note:**

(1) D-J Method and  $\alpha$  - N Method: When the engine load is light like at idling or low speed, the ECU determines the injection quantity by calculating from the throttle vacuum (inlet air pressure sensor output voltage) and engine speed (crankshaft sensor output voltage). This method is called D-J method (low-speed mode). As the engine speed increases, and the engine load turns middle to heavy, the ECU determines the injection quantity by calculating from the throttle opening (throttle sensor output voltage) and the engine speed. This method is called  $\alpha$  - N method (high-speed mode).

(\*) This depends on the number of stopped cylinders.

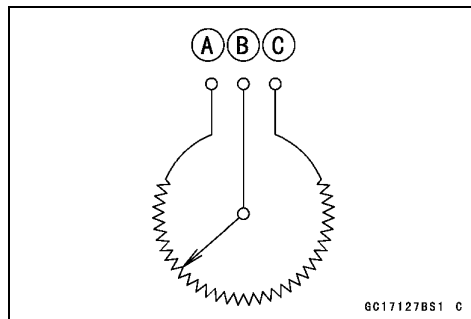
## Main Throttle Sensor (Service Code 11)

The main throttle sensor is a rotating variable resistor that change output voltage according to throttle operating. The ECU senses this voltage change and determines fuel injection quantity, and ignition timing according to engine rpm, and throttle opening.

Input Terminal [A]

Output Terminal [B]

Ground Terminal [C]

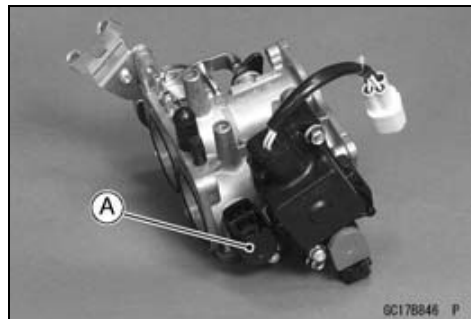


## Main Throttle Sensor Removal/Adjustment

### CAUTION

**Do not remove or adjust the main throttle sensor [A] since it has been adjusted and set with precision at the factory.**

**Never drop the sensor, especially on a hard surface. Such a shock to the sensor can damage it.**



## Input Voltage Inspection

### NOTE

○Be sure the battery is fully charged.

- Turn the ignition switch OFF.
- Remove the ECU (see ECU Removal). Do not disconnect the ECU connectors.
- Connect a digital voltmeter to the connector, using the needle adapter set.

**Special Tool - Needle Adapter Set: 57001-1457**

### Main Throttle Sensor Input Voltage Connections to ECU Connector

(Other than Europe Models [A])

Meter (+) → BL lead (terminal 8)

Meter (-) → BR/BK lead (terminal 22)

(Europe Models [B])

Meter (+) → BL lead (terminal 10)

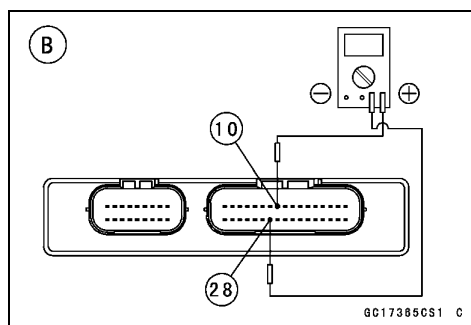
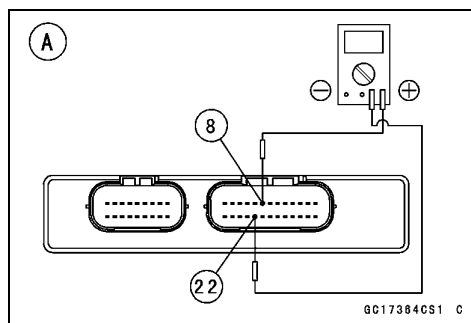
Meter (-) → BR/BK lead (terminal 28)

- Measure the input voltage with the engine stopped, and with the connectors joined.
- Turn the ignition switch ON.

### Input Voltage at ECU Connector

**Standard: 4.75 ~ 5.25 V DC**

- Turn the ignition switch OFF.
- ★ If the reading of input voltage is less than the standard, check the ECU for its ground, power supply and wiring shorted (see ECU Power Supply Inspection).
- ★ If the input voltage is within the standard range remove the fuel tank, and check wiring from ECU to the throttle sensor for continuity.
- ★ If the wiring is good, check the output voltage of the throttle sensor.



## 3-48 FUEL SYSTEM (DFI)

### Main Throttle Sensor (Service Code 11)

#### Output Voltage Inspection

- Measure the output voltage at the ECU in the same way as input voltage inspection.

Special Tool - Needle Adapter Set: 57001-1457

#### Main Throttle Sensor Output Voltage

##### Connections to ECU

(Other than Europe Models [A])

Meter (+) → Y/W lead (terminal 6)

Meter (-) → BR/BK lead (terminal 22)

(Europe Models [B])

Meter (+) → Y/W lead (terminal 7)

Meter (-) → BR/BK lead (terminal 28)

- Start the engine and warm it up thoroughly.
- Check idle speed to ensure throttle opening is correct.

##### Idle Speed

Standard: 1 000 ±50 r/min (rpm)

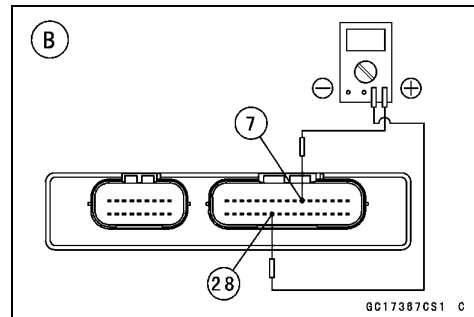
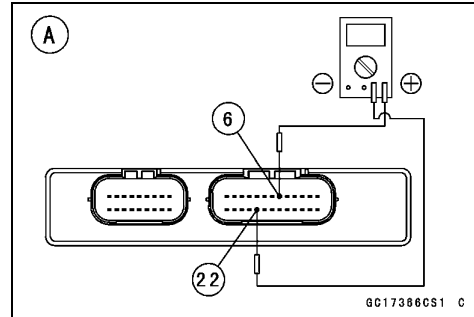
- ★ If the idle speed is out of the specified range, adjust the idle speed (see Idle Speed Inspection in the Periodic Maintenance chapter).
- Turn the ignition switch OFF.
- Measure the output voltage with the engine stopped, and with the connector joined.
- Turn the ignition switch ON.
- Measure the output voltage when the throttle is fully opened or completely closed.

##### Output Voltage at ECU

Standard: 1.05 ~ 4.26 V DC (at idle throttle opening to full throttle opening)

#### NOTE

- The throttle sensor is operating correctly if the following voltages are obtained:
  - 1.05 VDC (or slightly higher) with the throttle at the idle position.
  - 4.26 VDC (or slightly lower) with the throttle at the fully open position.



#### CAUTION

Do not remove or adjust the main throttle sensor. It has been adjusted and set with precision at the factory.

Never drop the sensor can especially on a hard surface. A shock to the sensor can damage it.

**Main Throttle Sensor (Service Code 11)**

**NOTE**

- The standard voltage marked with an asterisk refers to the value when the voltage reading at the Input Voltage Inspection shows 5 V exactly.
- When the input voltage reading shows other than 5 V, derive a voltage range as follows.

Example:

In the case of a input voltage of 4.75 V.

$$1.05 \times 4.75 \div 5.00 = 1.00 \text{ V}$$

$$4.26 \times 4.75 \div 5.00 = 4.05 \text{ V}$$

Thus, the valid range is 1.00 ~ 4.05 V

- ★ If the output voltage is within the standard range, check the wiring for continuity (see next diagram).
- ★ If the output voltage is far out of the standard range (e.g. when the wiring is open, the reading is 0 V), check the throttle sensor resistance.

**Resistance Inspection**

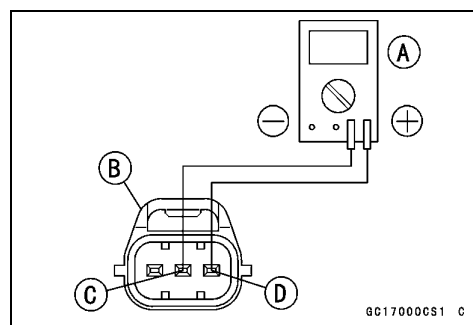
- Turn the ignition switch OFF.
- Disconnect the main throttle sensor connector.
- Connect a digital meter [A] to the main throttle sensor connector [B].
- Measure the main throttle sensor resistance.

**Main Throttle Sensor Resistance**

Connections: BL lead [C] ↔ BR/BK lead [D]

Standard: 4 ~ 6 kΩ

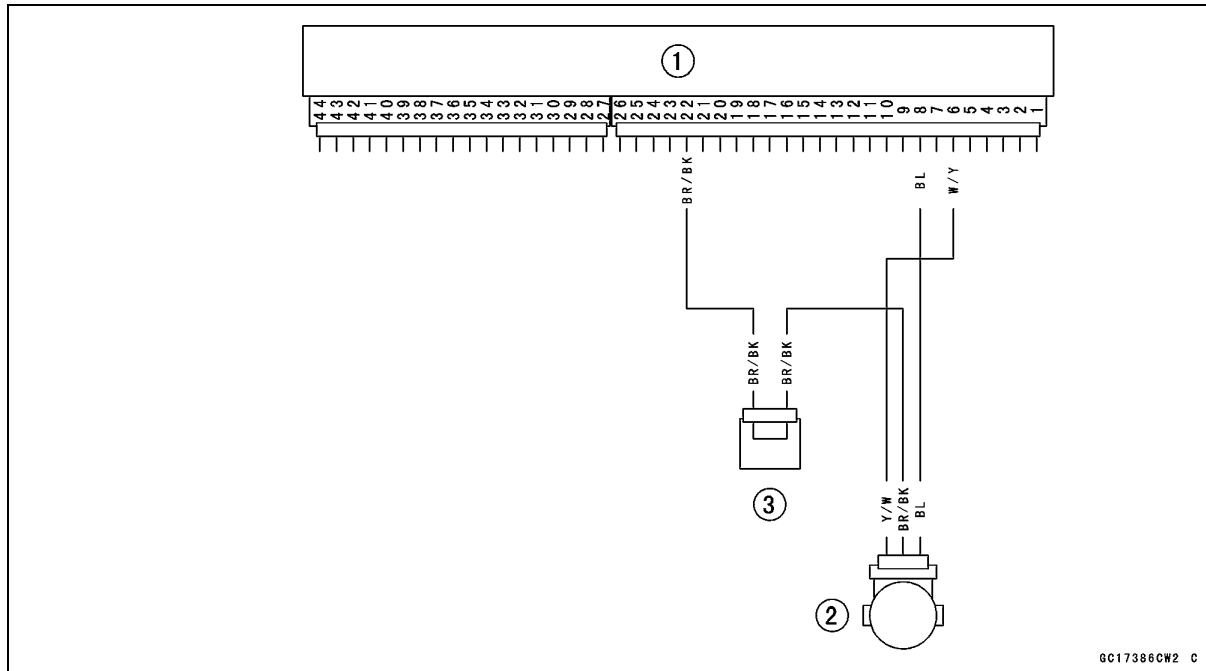
- ★ If the reading is out of the range, replace the throttle body assy.
- ★ If the reading is within the range, but the problem still exists, replace the ECU.



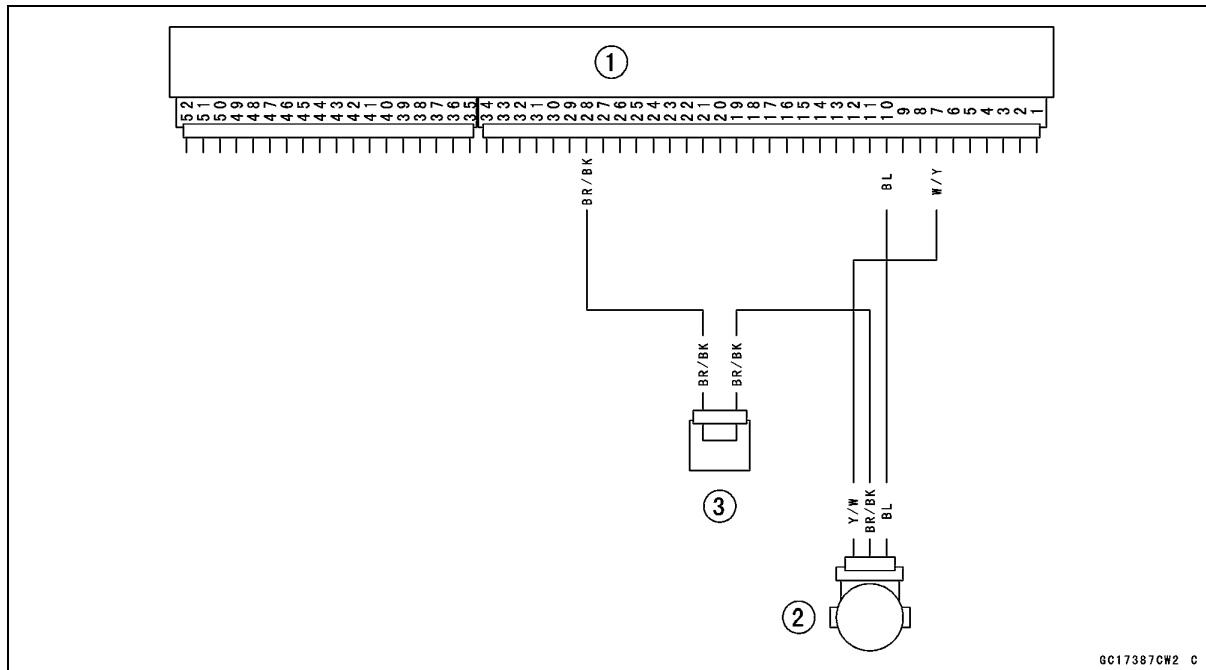
# 3-50 FUEL SYSTEM (DFI)

## Main Throttle Sensor (Service Code 11)

### Main Throttle Sensor Circuit (Other than Europe Models)



### Main Throttle Sensor Circuit (Europe Models)



- 1. ECU
- 2. Main Throttle Sensor
- 3. Joint Connector B

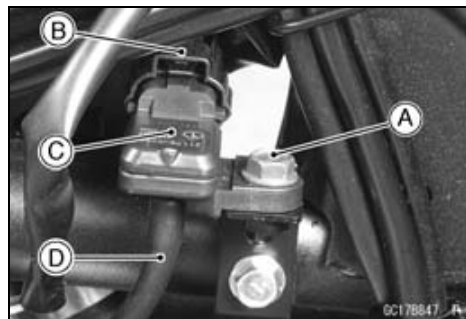


**Inlet Air Pressure Sensor (Service Code 12)**

**Inlet Air Pressure Sensor Removal**

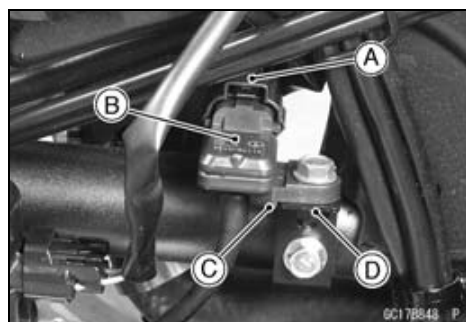
<b>CAUTION</b>
<b>Never drop the sensor, especially on a hard surface. Such a shock to the part can damage it.</b>

- Remove:
  - Fuel Tank (see Fuel Tank Removal)
  - Bolt [A]
- Disconnect the inlet air pressure sensor connector [B], and remove the sensor [C].
- Disconnect the vacuum hose [D] from the sensor.



**Inlet Air Pressure Sensor Installation**

- Connect the inlet air pressure sensor connector [A].
- Route the vacuum hose correctly (see Cable, Wire and Hose Routing section in the Appendix chapter). Make sure it doesn't get pinched or kinked.
- Install the inlet air pressure sensor [B].
- The stopper [C] must not be on the sensor holder [D].
- Tighten:
  - Torque - Inlet Air Pressure Sensor Bolt: 6.9 N·m (0.70 kgf·m, 61 in·lb)**
- Install the fuel tank (see Fuel Tank Installation).



**Input Voltage Inspection**

**NOTE**

- Be sure the battery is fully charged.
- The inspection is the same as "Input Voltage Inspection" of the throttle sensor and the atmospheric pressure sensor.

- Turn the ignition switch OFF.
- Remove the ECU (see ECU Removal). Do not disconnect the ECU connectors.
- Connect a digital voltmeter to the connector, with the needle adapter set.

**Special Tool - Needle Adapter Set: 57001-1457**

**Inlet Air Pressure Sensor Input Voltage Connections to ECU**

**(Other than Europe Models [A])**

- Meter (+) → BL lead (terminal 8)
- Meter (-) → BR/BK lead (terminal 22)

**(Europe Models [B])**

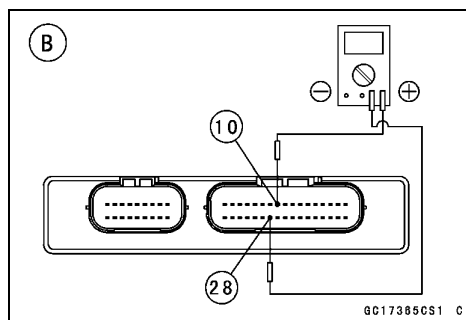
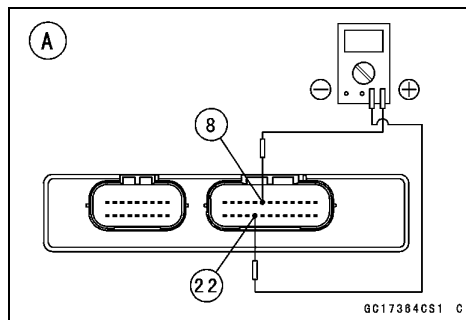
- Meter (+) → BL lead (terminal 10)
- Meter (-) → BR/BK lead (terminal 28)

- Measure the input voltage with the engine stopped, and with the connectors joined.
- Turn the ignition switch ON.

**Input Voltage at ECU**

**Standard: 4.75 ~ 5.25 V DC**

- ★ If the reading is less than the standard range, check the ECU for its ground, and power supply and wiring shorted (see ECU Power Supply Inspection). If the ground and power supply are good, replace the ECU.



## 3-52 FUEL SYSTEM (DFI)

### Inlet Air Pressure Sensor (Service Code 12)

- ★ If the reading is within the standard range, remove the fuel tank, and check wiring from ECU to the inlet pressure sensor for continuity.
- ★ If wiring is good, check the output voltage of the inlet air pressure sensor.

#### Output Voltage Inspection

- Measure the output voltage at the ECU in the same way as input voltage inspection. Note the following.

#### Inlet Air Pressure Sensor Output Voltage Connections to ECU

(Other than Europe Models [A])

Meter (+) → Y/BL lead (terminal 7)

Meter (-) → BR/BK lead (terminal 22)

(Europe Models [B])

Meter (+) → Y/BL lead (terminal 8)

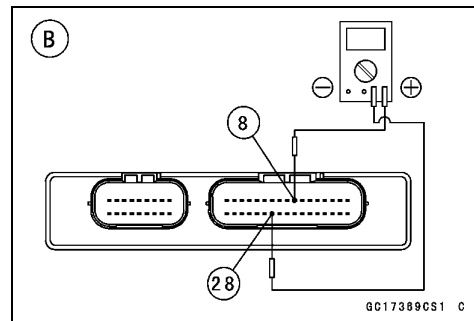
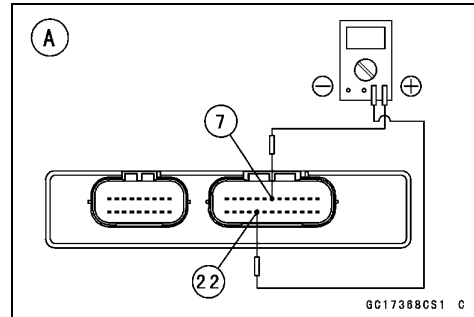
Meter (-) → BR/BK lead (terminal 28)

#### Output Voltage at ECU

Usable Range: 3.80 ~ 4.20 V DC at the standard atmospheric pressure (101.32 kPa, 76 cmHg abs).

#### NOTE

- The output voltage changes according to the local atmospheric pressure.
  - The sensor output voltage is based on a nearly perfect vacuum in the small chamber of the sensor. So, the sensor indicates absolute vacuum pressure.
- ★ If the output voltage is out of the usable range, replace the sensor
  - ★ If the output voltage is normal, check the inlet air pressure sensor for vacuum other than 76 cmHg (abs), check the output voltage as follows:



**Inlet Air Pressure Sensor (Service Code 12)**

- Remove the inlet air pressure sensor [A] and disconnect the vacuum hose from the sensor.
- Do not disconnect the sensor connector.
- Connect an auxiliary hose [B] to the inlet air pressure sensor.
- Temporarily install the inlet air pressure sensor.
- Connect a commercially available digital meter [C], vacuum gauge [D], and the fork oil level gauge [E] to the inlet air pressure sensor.

**Special Tool - Fork Oil Level Gauge: 57001-1290**

**Inlet Air Pressure Sensor Output Voltage Connection to Sensor**

**Meter (+) → Y/BL lead**

**Meter (-) → BR/BK lead**

- Turn the ignition switch ON.
- Measure the inlet air pressure sensor output voltage from various vacuum readings, while pulling the handle of the fork oil level gauge.
- Check the inlet air pressure sensor output voltage, using the following formula and chart.

Suppose

- Pg: Vacuum Pressure (gauge) of Throttle Assy
- PI: Local Atmospheric Pressure (absolute) measured by a barometer
- Pv: Vacuum Pressure (absolute) of Throttle Assy
- Vv: Sensor Output Voltage (v)

then

$$Pv = PI - Pg$$

For example, suppose the following data is obtained:

- Pg = 8 cmHg (vacuum gauge reading)
- PI = 70 cmHg (barometer reading)
- Vv = 3.2 V (digital volt meter reading)

then

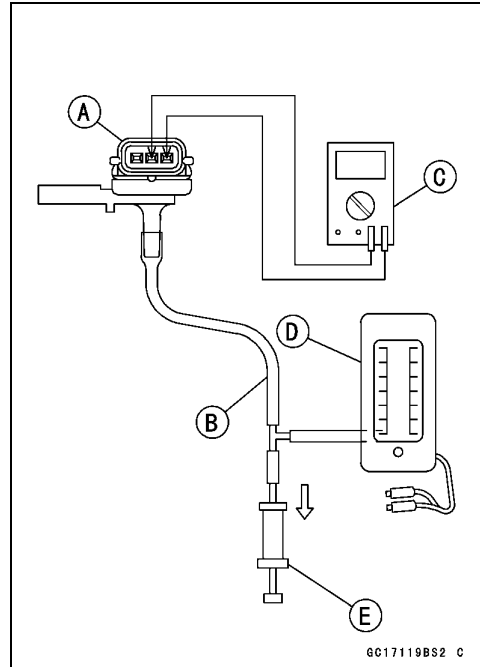
$$Pv = 70 - 8 = 62 \text{ cmHg (abs)}$$

Plot this Pv (62 cmHg) at a point [1] on the chart and draw a vertical line through the point. Then, you can get the usable range [2] of the sensor output voltage.

$$\text{Usable range} = 3.08 \sim 3.48 \text{ V}$$

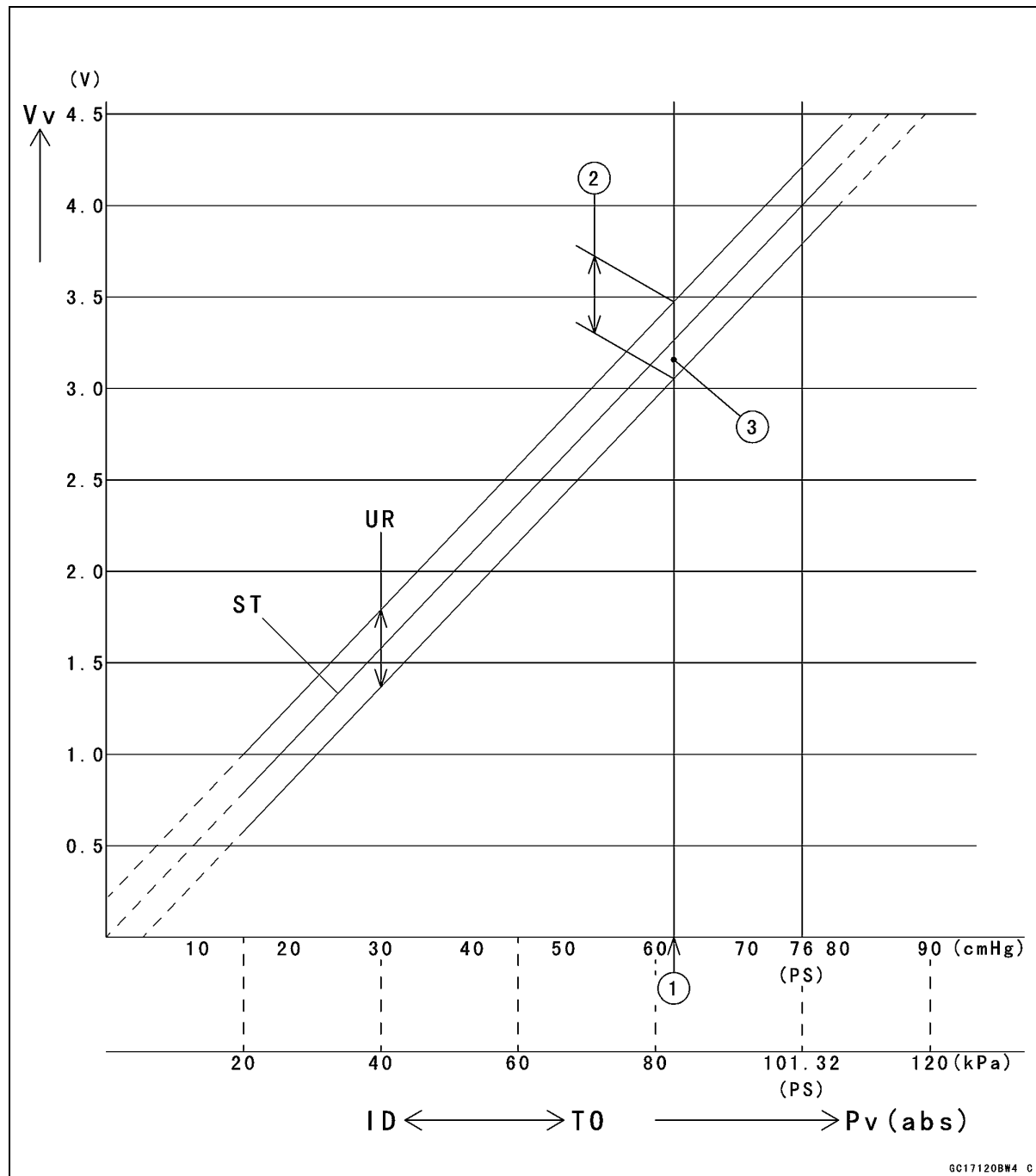
Plot Vv (3.2 V) on the vertical line. → Point [3].

**Results: In the chart, Vv is within the usable range and the sensor is normal.**



### 3-54 FUEL SYSTEM (DFI)

#### Inlet Air Pressure Sensor (Service Code 12)

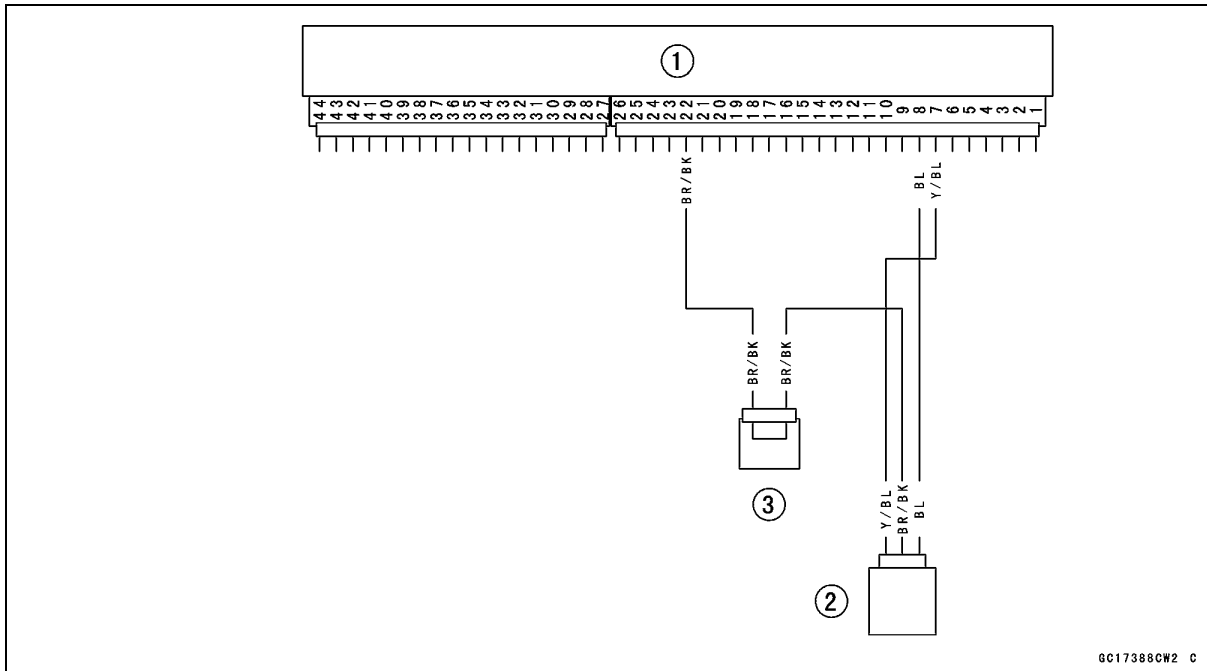


- ID: Idling
- Ps: Standard Atmospheric Pressure (absolute)
- Pv: Throttle Vacuum Pressure (absolute)
- ST: Standard of Sensor Output Voltage (v)
- TO: Throttle Full Open
- UR: Usable Range of Sensor Output Voltage (v)
- Vv: Inlet Air Pressure Sensor Output Voltage (v)  
(Digital Meter Reading)

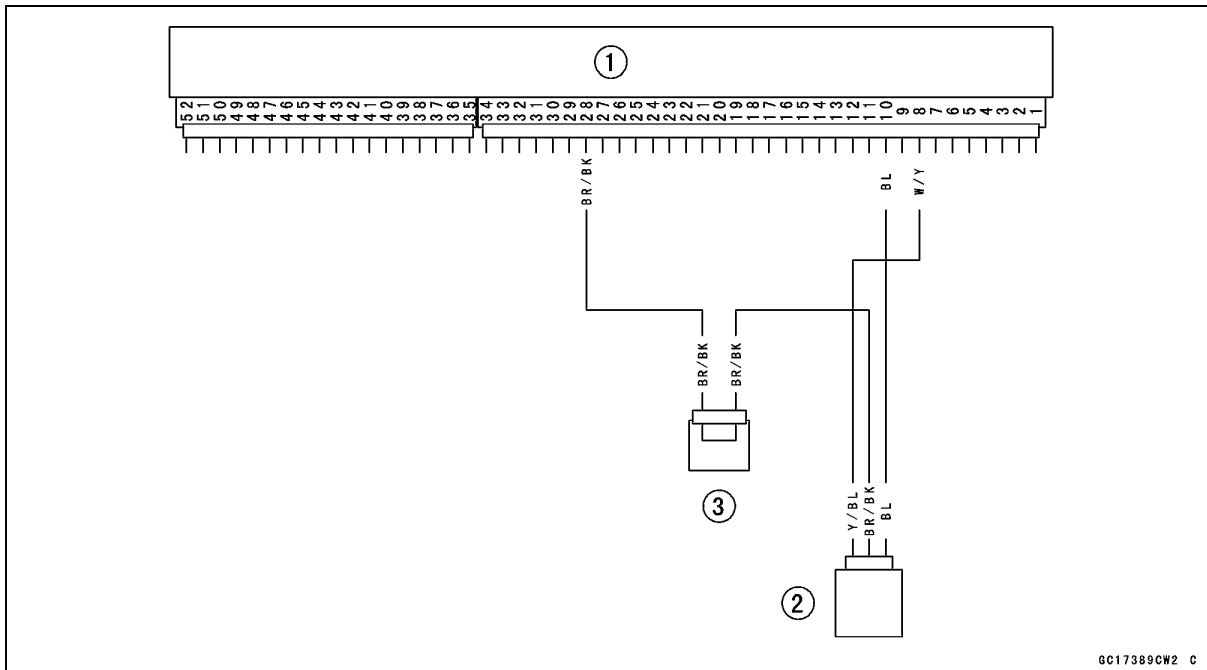
GC171208W4 C

Inlet Air Pressure Sensor (Service Code 12)

Inlet Air Pressure Sensor Circuit (Other than Europe Models)



Inlet Air Pressure Sensor Circuit (Europe Models)



1. ECU
2. Inlet Air Pressure Sensor
3. Joint Connector B

## 3-56 FUEL SYSTEM (DFI)

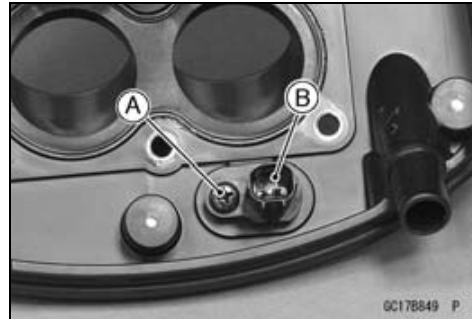
### Inlet Air Temperature Sensor (Service Code 13)

#### Inlet Air Temperature Sensor Removal/Installation

##### CAUTION

Never drop the sensor, especially on a hard surface. Such a shock to the sensor can damage it.

- Remove the air cleaner housing (see Air Cleaner Housing Removal).
- Remove the screw [A].
- Pull out the inlet air temperature sensor [B] out of the air cleaner housing.
- Put the inlet air temperature sensor into the air cleaner housing.
- Tighten:  
Torque - Inlet Air Temperature Sensor Screw: 1.2 N·m (0.12 kgf·m, 11 in·lb)



#### Output Voltage Inspection

##### NOTE

○Be sure the battery is fully charged.

- Remove the ECU (see ECU Removal). Do not disconnect the ECU connectors.
- Connect a digital voltmeter to the ECU connector, using needle adapter set.

Special Tool - Needle Adapter Set: 57001-1457

#### Inlet Air Temperature Sensor Output Voltage Connections to ECU Connector

(Other than Europe Models [A])

Meter (+) → Y lead (terminal 20)

Meter (-) → BR/BK lead (terminal 22)

(Europe Models [B])

Meter (+) → Y lead (terminal 26)

Meter (-) → BR/BK lead (terminal 28)

- Measure the sensor output voltage with the engine stopped and the connector joined.
- Turn the ignition switch ON.

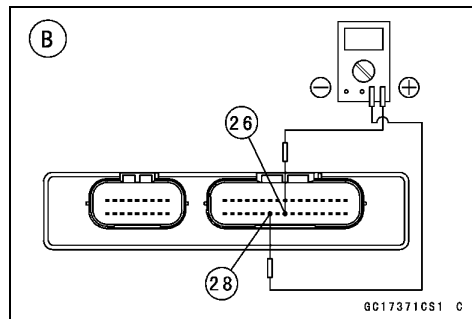
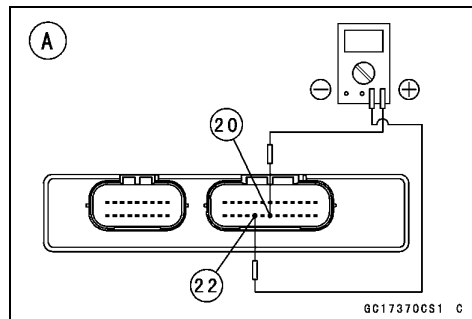
#### Output Voltage at ECU

Standard: about 2.25 ~ 2.50 V at inlet air temperature 20°C (68°F)

##### NOTE

○The output voltage changes according to the inlet air temperature.

- Turn the ignition switch OFF.
- ★ If the output voltage is out of the specified, check the ECU for its ground, and power supply (see ECU Power Supply Inspection). If the ground and power supply are good, remove the air cleaner housing, check the wiring between the ECU and the inlet air temperature sensor.
- ★ If the wiring is good, check the sensor resistance.



**Inlet Air Temperature Sensor (Service Code 13)**

**Sensor Resistance Inspection**

- Remove the inlet air temperature sensor (see Inlet Air Temperature Sensor Removal).
- Suspend the sensor [A] in a container of machine oil so that the heat-sensitive portion is submerged.
- Suspend a thermometer [B] with the heat-sensitive portion [C] located in almost the same depth with the sensor.

**NOTE**

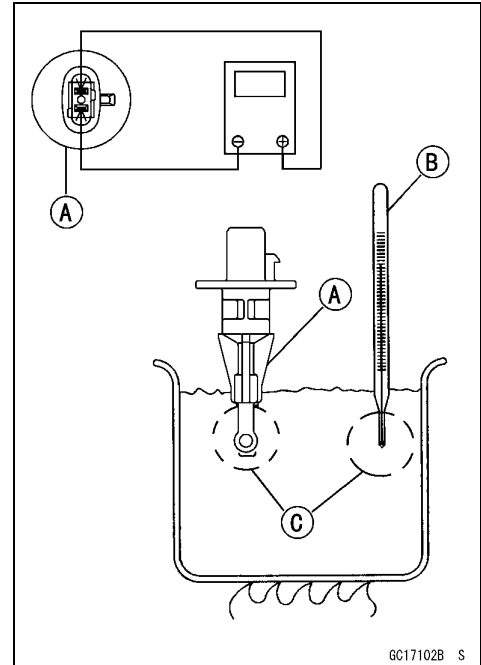
- *The sensor and thermometer must not touch the container side or bottom.*
- Place the container over a source of heat and gradually raise the temperature of the oil while stirring the oil gently for even temperature.
- Using a digital meter, measure the internal resistance of the sensor across the terminals at the temperatures shown in the table.

**Inlet Air Temperature Sensor Resistance**

**Standard: 5.4 ~ 6.6 kΩ at 0°C (32°F)**

**0.29 ~ 0.39 kΩ at 80°C (176°F)**

- ★ If the measurement is out of the range, replace the sensor.
- ★ If the measurement is within the specified, replace the ECU.

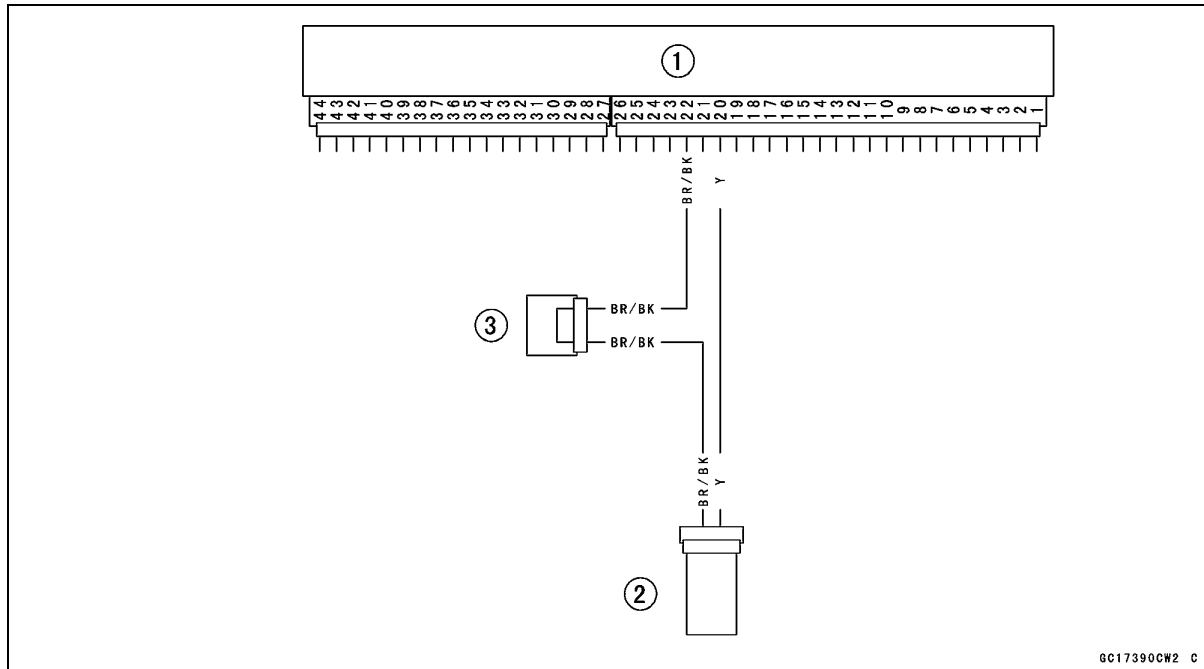


GC17102B S

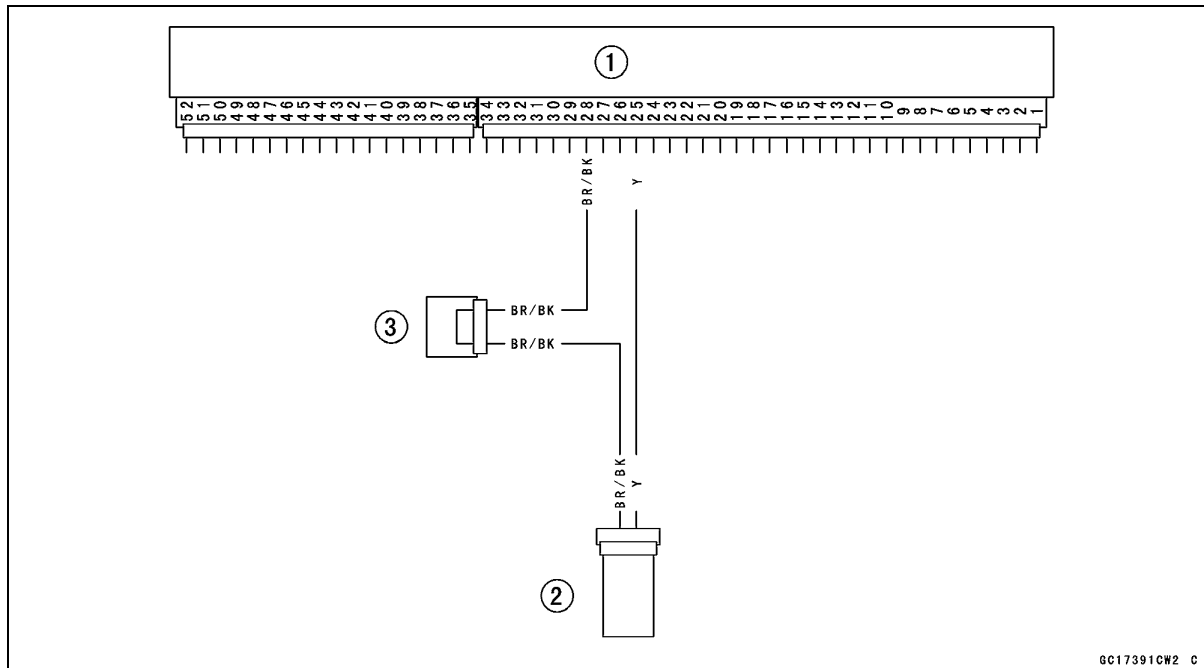
## 3-58 FUEL SYSTEM (DFI)

### Inlet Air Temperature Sensor (Service Code 13)

#### Inlet Air Temperature Sensor Circuit (Other than Europe Models)



#### Inlet Air Temperature Sensor Circuit (Europe Models)



1. ECU
2. Inlet Air Temperature Sensor
3. Joint Connector B



**Water Temperature Sensor (Service Code 14)**

**Removal/Installation**

<b>CAUTION</b>
<b>Never drop the sensor, especially on a hard surface. Such a shock to the sensor can damage it.</b>

- Remove the fuel tank (see Fuel Tank Removal).
- Drain the coolant (see Coolant Change in the Periodic Maintenance chapter).
- Disconnect the sensor connector [A], and unscrew the water temperature sensor [B].

**Torque - Water Temperature Sensor: 12 N·m (1.2 kgf·m, 106 in·lb)**

- Fill the engine with coolant and bleed the air from the cooling system (see Coolant Change in the Periodic Maintenance chapter).



**Output Voltage Inspection**

**NOTE**

- Be sure the battery is fully charged.
- The output voltage changes according to the coolant temperature in the engine.

- Remove the ECU (see ECU Removal). Do not disconnect the connectors.
- Connect a digital voltmeter to the ECU connector, using two needle adapters.

**Special Tool - Needle Adapter Set: 57001-1457**

- Measure the output voltage of the sensor with the engine stopped and the connector joined.
- Turn the ignition switch ON.

**Water Temperature Sensor Output Voltage Connections to ECU**

**(Other than Europe Models [A])**

- Meter (+) → O lead (terminal 17)
- Meter (-) → BR/BK lead (terminal 22)

**(Europe Models [B])**

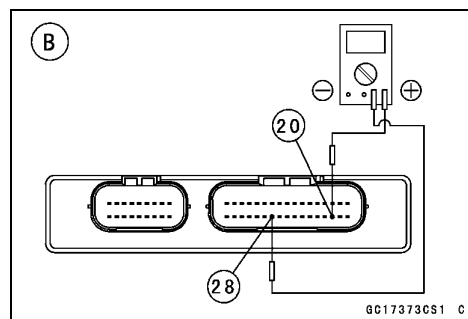
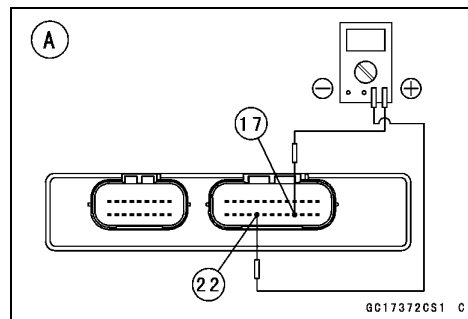
- Meter (+) → O lead (terminal 20)
- Meter (-) → BR/BK lead (terminal 28)

**Standard: about 2.80 ~ 2.97 V at 20°C (68°F)**

- Turn the ignition switch OFF.
- ★ If the output voltage is out of the specified, check the ECU for its ground, and power supply (see ECU Power Supply Inspection). If the ground and power supply are good, remove the fuel tank and check the wiring between the ECU and the water temperature sensor for continuity.
- ★ If the wiring is good, check the water temperature sensor resistance.

**Water Temperature Sensor Resistance Inspection**

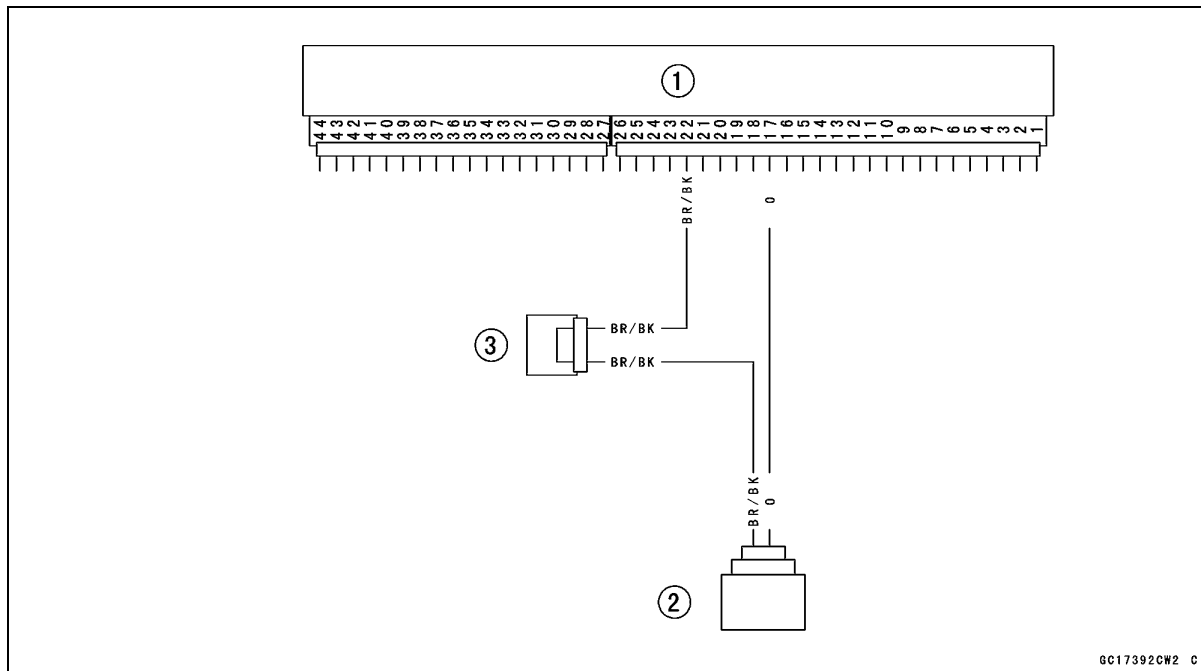
- Refer to the Water Temperature Sensor Inspection in the Electrical System chapter (see Water Temperature Sensor Inspection in the Electrical System chapter).



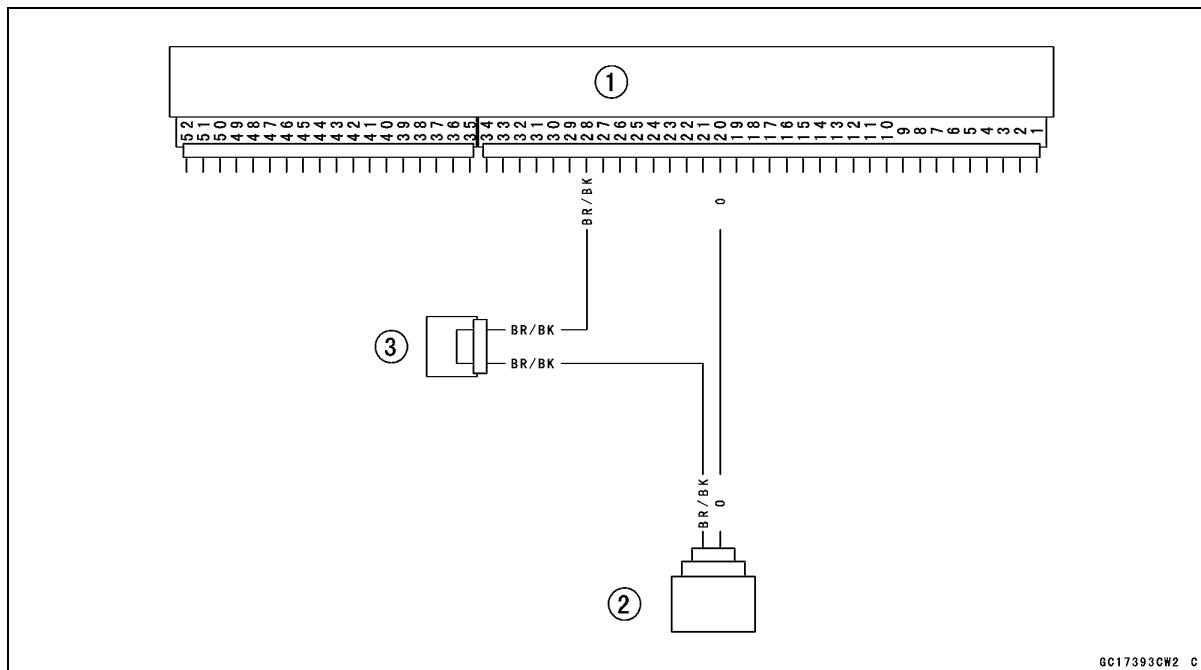
# 3-60 FUEL SYSTEM (DFI)

## Water Temperature Sensor (Service Code 14)

### Water Temperature Sensor Circuit (Other than Europe Models)



### Water Temperature Sensor Circuit (Europe Models)



- 1. ECU
- 2. Water Temperature Sensor
- 3. Joint Connector B

---

### **Crankshaft Sensor (Service Code 21)**

---

Start the engine and switch the diagnosis mode to Dealer 1 mode to know all the problem that the DFI system has at the time of self-diagnosis. If the engine cannot be started, the self-diagnosis system does not detect dynamic condition of the crankshaft sensor. In this case turn off the ignition switch and turn it on again to enter the Dealer 2 mode. In this mode the system tells all the troubles which the DFI system had in both static and dynamic conditions.

#### ***Crankshaft Sensor Removal/Installation***

- See the Ignition System section in Electrical System chapter.

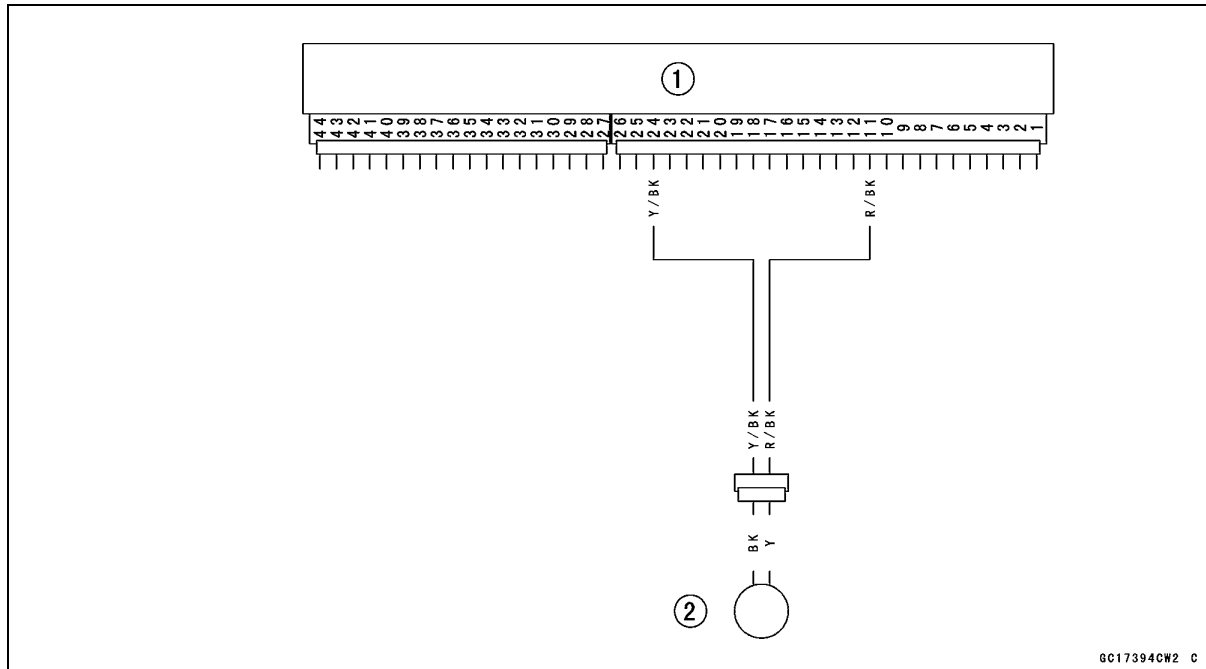
#### ***Crankshaft Sensor Inspection***

- The crankshaft has no power source, and when the engine stops, the crankshaft generates no signals.
- Crank the engine and measure the peak voltage of the crankshaft sensor (see Crankshaft Sensor Peak Voltage Inspection in the Electrical System chapter) in order to check the sensor.
- Check the wiring for continuity, using the following diagram.

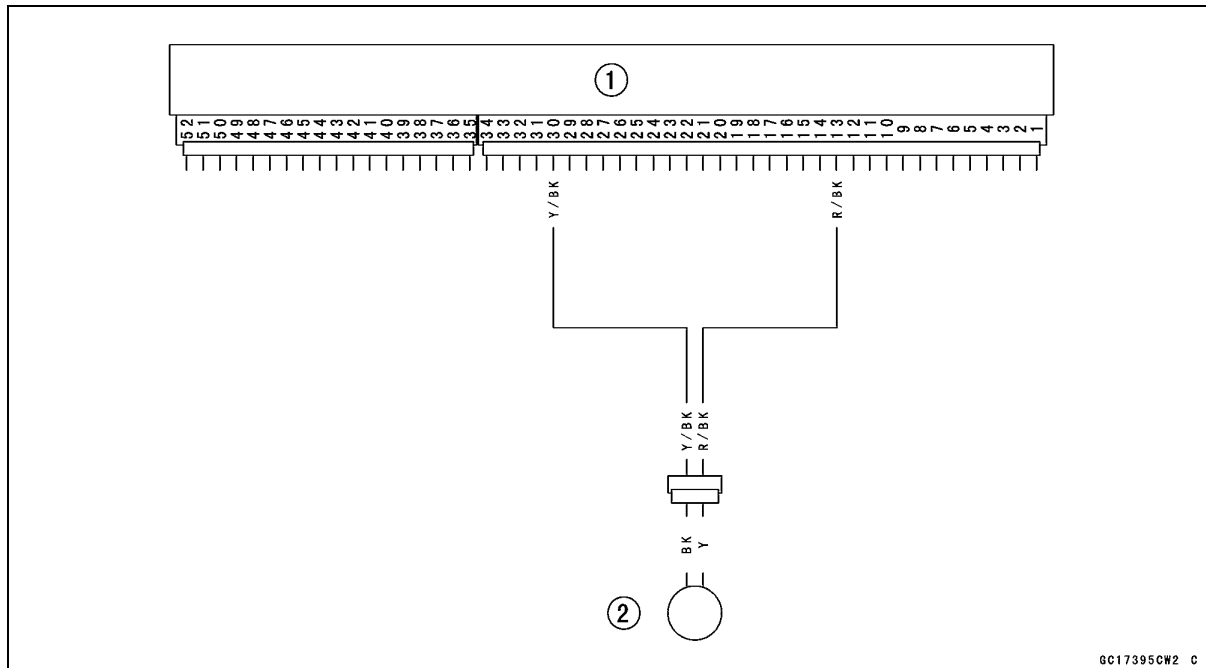
### 3-62 FUEL SYSTEM (DFI)

#### Crankshaft Sensor (Service Code 21)

#### Crankshaft Sensor Circuit (Other than Europe Models)



#### Crankshaft Sensor Circuit (Europe Models)



- 1. ECU
- 2. Crankshaft Sensor

## Speed Sensor (Service Code 24, 25)

### Speed Sensor Removal

- Refer to the Speed Sensor Removal in the Electrical System chapter.

### Speed Sensor Installation

- Refer to the Speed Sensor Installation in the Electrical System chapter.

### Speed Sensor Inspection

- Refer to the Speed Sensor Inspection in the Electrical System chapter.

### Input Voltage Inspection

#### NOTE

○ Be sure the battery is fully charged.

- Turn the ignition switch OFF.
- Remove the speed sensor (see Speed Sensor Removal in the Electrical System chapter).
- Connect the harness adapter [A] between the harness connector [B] and speed sensor connector [C].

**Special Tool - Speed Sensor Measuring Adapter: 57001-1667**

- Reinstall the speed sensor with the harness adapter connected.
- Connect a digital meter [D] to the connector harness adapter leads.

#### Speed Sensor Input Voltage Connections to Adapter

**Meter (+) → BK/Y (sensor BL) lead**

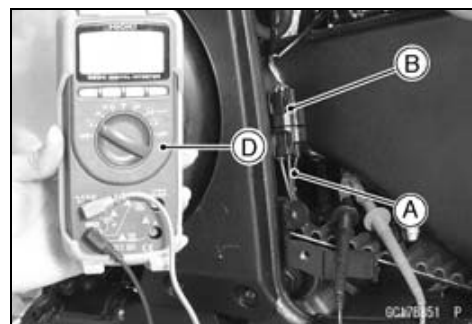
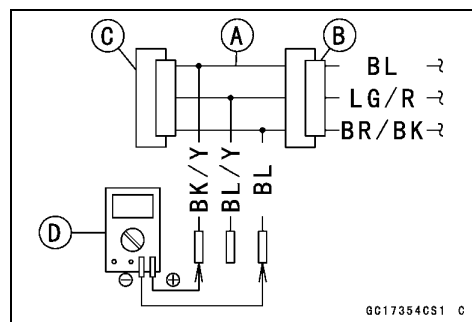
**Meter (-) → BL (sensor BR/BK) lead**

- Measure the input voltage with the engine stopped, and with the connectors joined.
- Turn the ignition switch ON.

#### Input Voltage at Sensor

**Standard: 4.75 ~ 5.25 V DC**

- ★ If the reading is out of the range, check the wiring.
- ★ If the reading is good, check the output voltage.
- Turn the ignition switch OFF.



## 3-64 FUEL SYSTEM (DFI)

### Speed Sensor (Service Code 24, 25)

#### Output Voltage Inspection

- Before this inspection, inspect the input voltage (see Input Voltage Inspection in the Speed Sensor section).

#### NOTE

○ Be sure the battery is fully charged.

- Turn the ignition switch OFF.
- Using the jack, raise the rear wheel off the ground.

**Special Tool - Jack: 57001-1238**

- Remove the speed sensor (see Speed Sensor Removal in the Electrical System chapter).
- Connect the harness adapter [A] between the harness connector [B] and speed sensor connector [C].

**Special Tool - Speed Sensor Measuring Adapter: 57001-1667**

- Reinstall the speed sensor with the harness adapter connected.
- Connect a digital meter [D] to the connector harness adapter leads.

#### Speed Sensor Output Voltage

##### Connections to Adapter

**Meter (+) → BL/Y (sensor LG/R) lead**

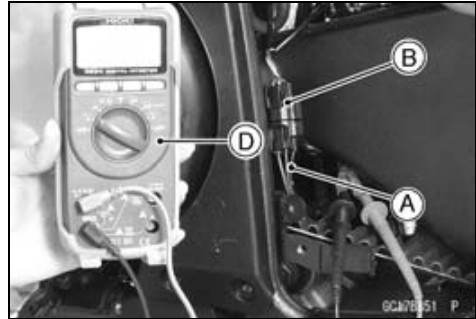
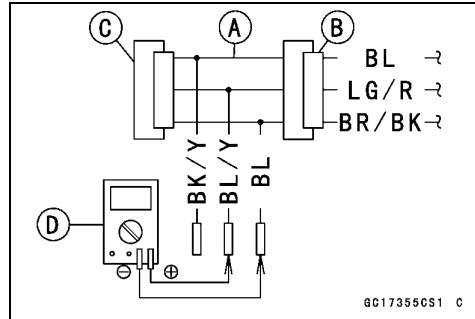
**Meter (-) → BL (sensor BR/BK) lead**

- Measure the output voltage with the engine stopped, and with the connectors joined.
- Turn the ignition switch ON.

##### Output Voltage at Sensor

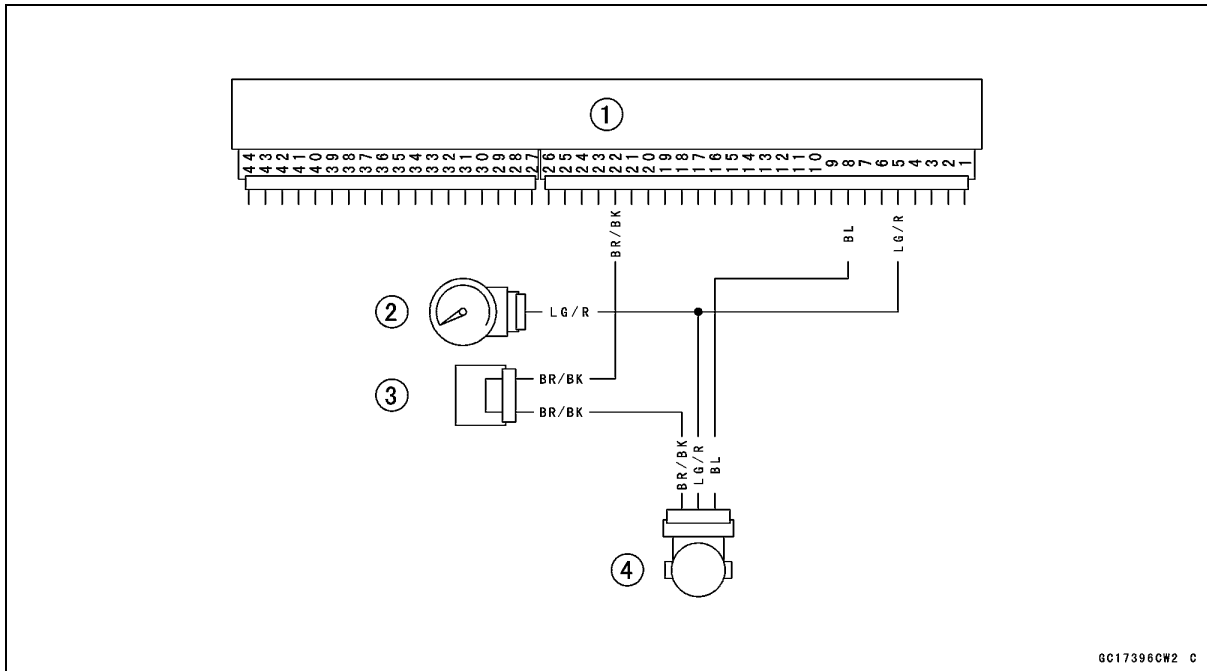
**Standard: DC 0.05 ~ 0.09 V or DC 4.5 ~ 4.9 V**

- Rotate the rear wheel by hand, confirm the output voltage will be raise or lower.
- ★ If the reading is out of the range, replace the speed sensor (see Switch and Sensors section in the Electrical System chapter) and check the wiring to ECU (see next diagram).
- ★ If the reading, speed sensor and wiring are good, replace the ECU (see ECU section).
- Turn the ignition switch OFF.



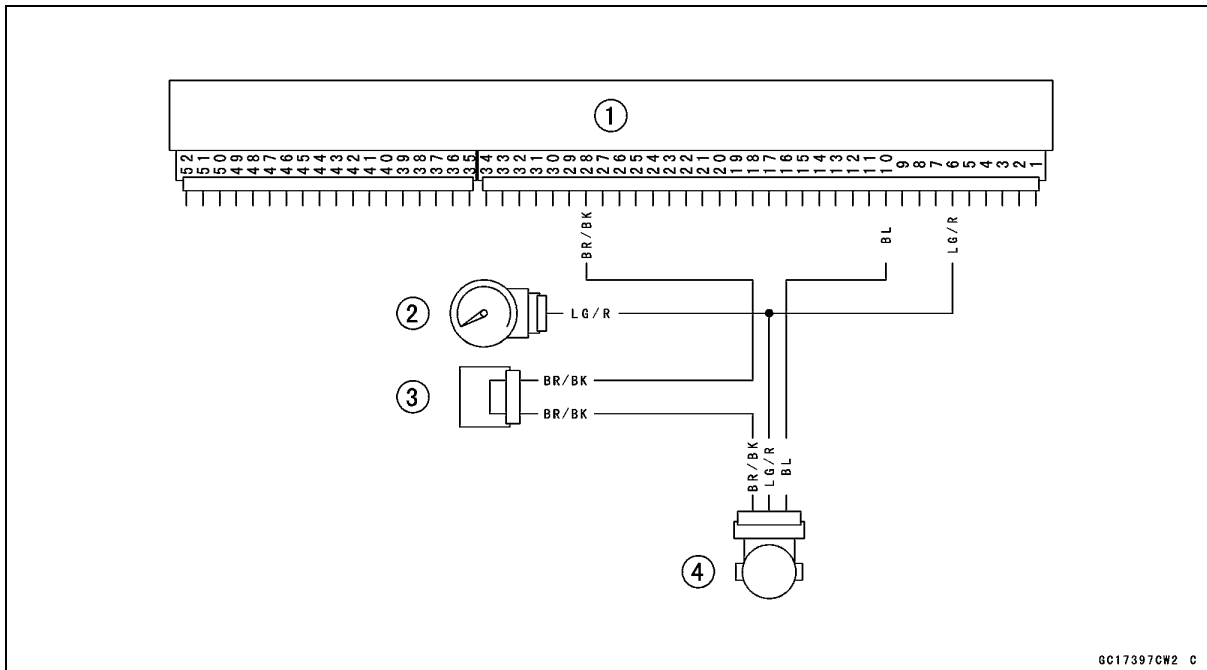
Speed Sensor (Service Code 24, 25)

Speed Sensor Circuit (Other than Europe Models)



GC17396CW2 C

Speed Sensor Circuit (Europe Models)



GC17397CW2 C

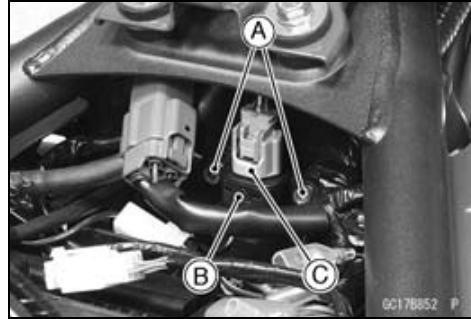
1. ECU
2. Meter Unit
3. Joint Connector B
4. Speed Sensor

## 3-66 FUEL SYSTEM (DFI)

### Vehicle-down Sensor (Service Code 31)

#### Vehicle-down Sensor Removal

- Remove:
  - Tool Box (see Tool Box Removal in the Frame chapter)
  - Bolts [A]
  - Vehicle-down Sensor [B]
  - Connector [C] (disconnect)



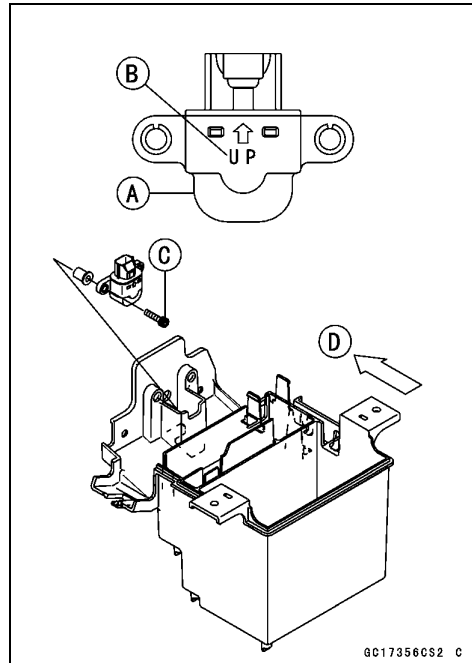
#### Vehicle-down Sensor Installation

- Install the vehicle-down sensor [A] in the original position. The arrow mark [B] on the sensor must be on the rear and point upward.
- Do not install the sensor upside down.
- Tighten:
  - Torque - Vehicle-down Sensor Bolts [C]: 4.9 N·m (0.50 kgf·m, 43 ft·lb)

Front [D]

#### **⚠ WARNING**

Incorrect installation of the vehicle-down sensor could cause sudden loss of engine power. The rider could lose balance during certain riding situations, like leaning over in a turn, with the potential for an accident resulting in injury or death. Ensure that the down sensor is held in place by its bolt as shown.



#### Vehicle-down Sensor Inspection

##### NOTE

○Be sure the battery is fully charged.

- Take out the vehicle-down sensor [A] (see Vehicle-down Sensor Removal). Do not disconnect the connector [B].
- Connect a digital volt meter [C] to the connector, using two needle adapters [D].

**Special Tool - Needle Adapter Set: 57001-1457**

- Turn the ignition switch ON, and measure the power source voltage with the connector joined.

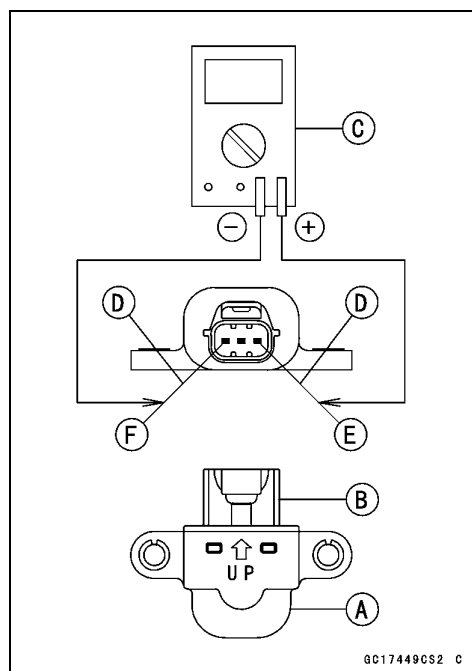
##### Vehicle-down Sensor Power Source Voltage Connections to Sensor

Meter (+) → BL lead [E]

Meter (-) → BR/BK lead [F]

Standard: 4.75 ~ 5.25 V DC

- Turn the ignition switch OFF.
- ★ If the reading of input voltage is less than the standard, check the ECU for its ground, power supply and wiring shorted.





**Vehicle-down Sensor (Service Code 31)**

- ★ If the power source is normal, check the output voltage of the sensor.
- Connect a digital volt meter [A] to the connector, using two needle adapters [B].
- Turn the ignition switch ON, and measure the output voltage with the connector joined.
- Tilt the sensor (40 ~ 50°) or more [C] right or left, then hold the sensor almost vertical [D] with the arrow mark pointed up, and measure the output voltage.

**Vehicle-down Sensor Output Voltage**

**Connections to Sensor**

**Meter (+) → Y/G lead [E]**

**Meter (-) → BR/BK lead [F]**

**Standard:** with sensor tilted 40 ~ 50° or more right or left: 0.65 ~ 1.35 V  
 with sensor arrow mark pointed up: 3.55 ~ 4.45 V

**NOTE**

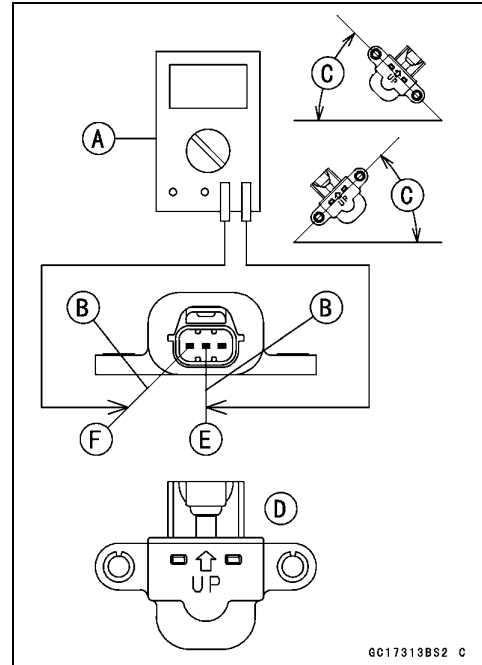
○ If you need to test again, turn the ignition switch OFF, and then ON.

- Turn the ignition switch OFF.
- Remove the needle adapters, and apply silicone sealant to the seals of the connector for waterproofing.

**Silicone Sealant (Kawasaki Bond: 56019-120)**

**- Seals of Vehicle-down Sensor Connector**

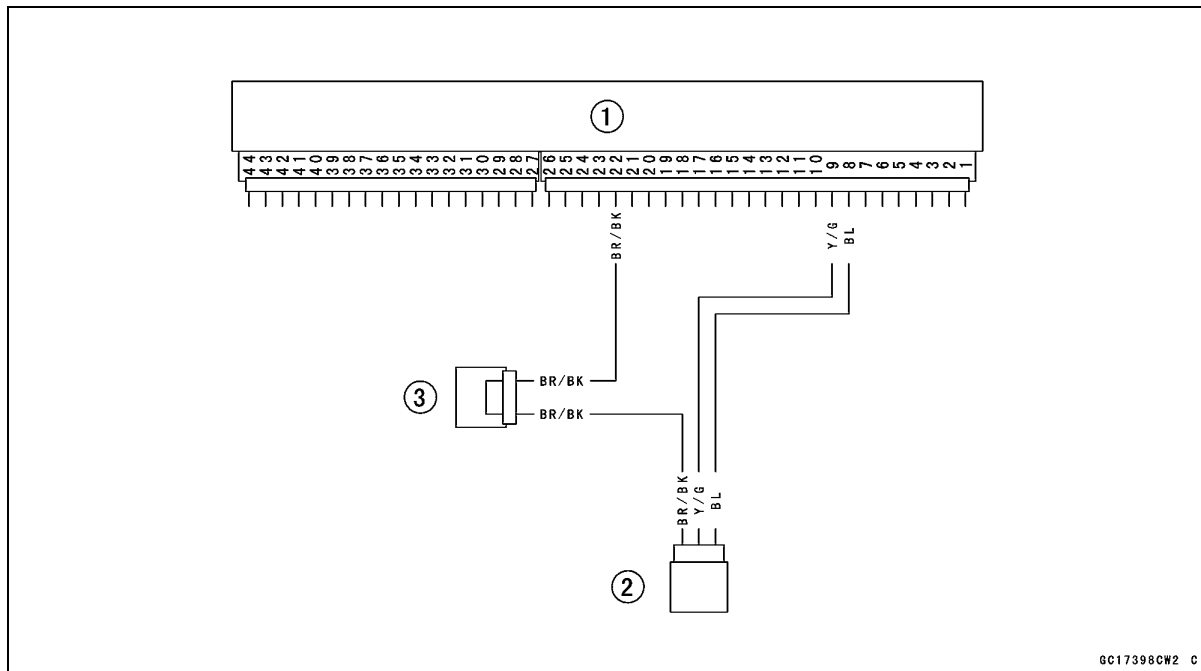
- ★ If the output voltage is out of the specified, replace the vehicle-down sensor.
- ★ If the output voltage is normal, the wiring is suspect. Check the wiring.



### 3-68 FUEL SYSTEM (DFI)

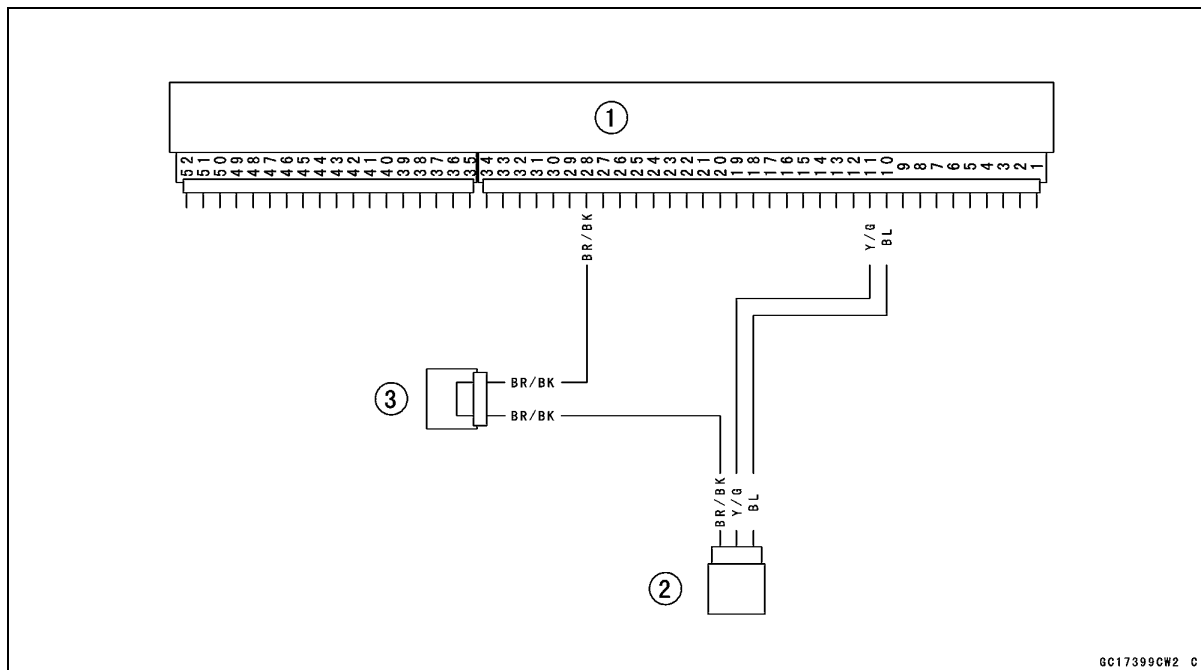
#### Vehicle-down Sensor (Service Code 31)

#### Vehicle-down Sensor Circuit (Other than Europe Models)



GC17398CW2 C

#### Vehicle-down Sensor Circuit (Europe Models)



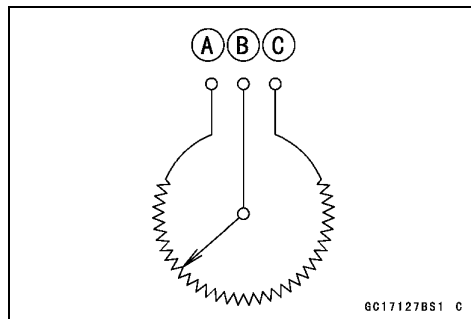
GC17399CW2 C

1. ECU
2. Vehicle-down Sensor
3. Joint Connector B

## Subthrottle Sensor (Service Code 32)

The subthrottle sensor is a rotating variable resistor that change output voltage according to throttle operating. The ECU senses this voltage change and determines fuel injection quantity, and ignition timing according to engine rpm, and throttle opening.

- Input Terminal [A]
- Output Terminal [B]
- Ground Terminal [C]



### Subthrottle Sensor Removal/Adjustment

#### CAUTION

**Do not remove or adjust the subthrottle sensor [A] since it has been adjusted and set with precision at the factory.**  
**Never drop the sensor, especially on a hard surface. Such a shock to the sensor can damage it.**



### Input Voltage Inspection

#### NOTE

- Be sure the battery is fully charged.
- The inspection is the same as "Input Voltage Inspection" of the inlet air pressure sensor and the atmospheric pressure sensor.
- Turn the ignition switch OFF.
- Remove the ECU (see ECU Removal). Do not disconnect the ECU connectors.
- Connect a digital voltmeter to the connector, using the needle adapter set.

**Special Tool - Needle Adapter Set: 57001-1457**

#### Subthrottle Sensor Input Voltage

##### Connections to ECU Connector

(Other than Europe Models [A])

Meter (+) → BL lead (terminal 8)

Meter (-) → BR/BK lead (terminal 22)

(Europe Models [B])

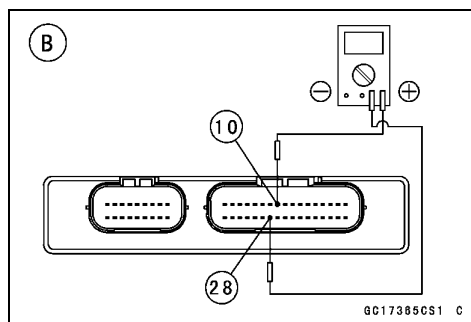
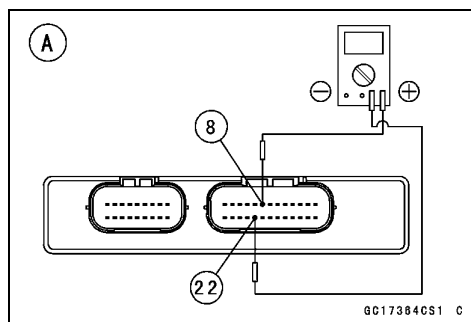
Meter (+) → BL lead (terminal 10)

Meter (-) → BR/BK lead (terminal 28)

- Measure the input voltage with the engine stopped, and with the connectors joined.
- Turn the ignition switch ON.

#### Input Voltage at ECU Connector

Standard: 4.75 ~ 5.25 V DC



## 3-70 FUEL SYSTEM (DFI)

### Subthrottle Sensor (Service Code 32)

- Turn the ignition switch OFF.
- ★ If the reading of input voltage is less than the standard, check the ECU for its ground, power supply and wiring shorted.
- ★ If the input voltage is within the standard range, remove the fuel tank, and check wiring from ECU to the subthrottle sensor for continuity.
- ★ If the wiring is good, check the output voltage of the subthrottle sensor.

#### Output Voltage Inspection

- Measure the output voltage at the ECU in the same way as input voltage inspection.

**Special Tool - Needle Adapter Set: 57001-1457**

#### Subthrottle Sensor Output Voltage Connections to ECU

(Other than Europe Models [A])

Meter (+) → BL/W lead (terminal 19)

Meter (-) → BR/BK lead (terminal 22)

(Europe Models [B])

Meter (+) → BL/W lead (terminal 24)

Meter (-) → BR/BK lead (terminal 28)

- Turn the ignition switch ON.
- Measure the output voltage when the subthrottle valve is fully opened or completely closed by hand.

#### Output Voltage at ECU

**Standard: 0.93 ~ 4.59 V DC (at subthrottle valve full opening to closing)**

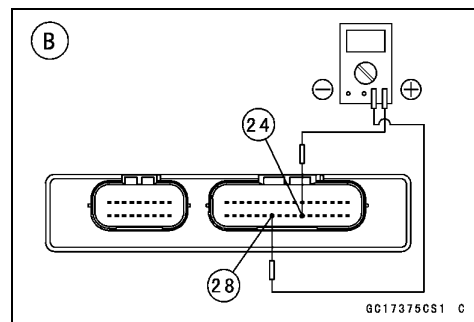
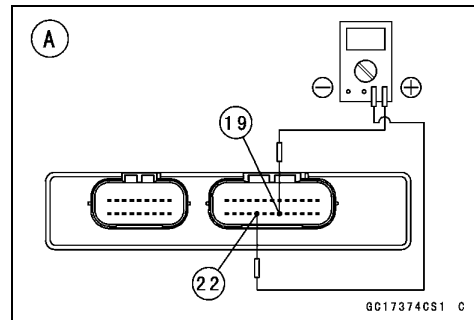
#### NOTE

- The throttle sensor is operating correctly if the following voltages are obtained:
  - 0.93 VDC (or slightly higher) with the subthrottle valve at the closed position.
  - 4.59 VDC (or slightly lower) with the subthrottle valve at the fully open position.

#### CAUTION

**Do not remove or adjust the subthrottle sensor. It has been adjusted and set with precision at the factory.**

**Never drop the sensor can especially on a hard surface. A shock to the sensor can damage it.**



**Subthrottle Sensor (Service Code 32)**

**NOTE**

- The standard voltage marked with an asterisk refers to the value when the voltage reading at the Input Voltage Inspection shows 5 V exactly.
- When the input voltage reading shows other than 5 V, derive a voltage range as follows.

Example:

In the case of a input voltage of 4.75 V.

$$0.93 \times 4.75 \div 5.00 = 0.88 \text{ V}$$

$$4.59 \times 4.75 \div 5.00 = 4.36 \text{ V}$$

Thus, the valid range is 0.88 ~ 4.36 V

- ★ If the output voltage is within the standard range, check the wiring for continuity (see next diagram).
- ★ If the output voltage is far out of the standard range (e.g. when the wiring is open, the reading is 0 V), check the throttle sensor resistance.

**Resistance Inspection**

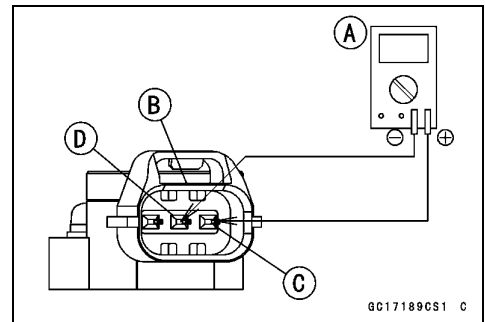
- Turn the ignition switch OFF.
- Disconnect the subthrottle sensor connector.
- Connect a digital meter [A] to the subthrottle sensor connector [B].
- Measure the subthrottle sensor resistance.

**Throttle Sensor Resistance**

Connections: BL lead [C] ↔ BK lead [D]

Standard: 4 ~ 6 kΩ

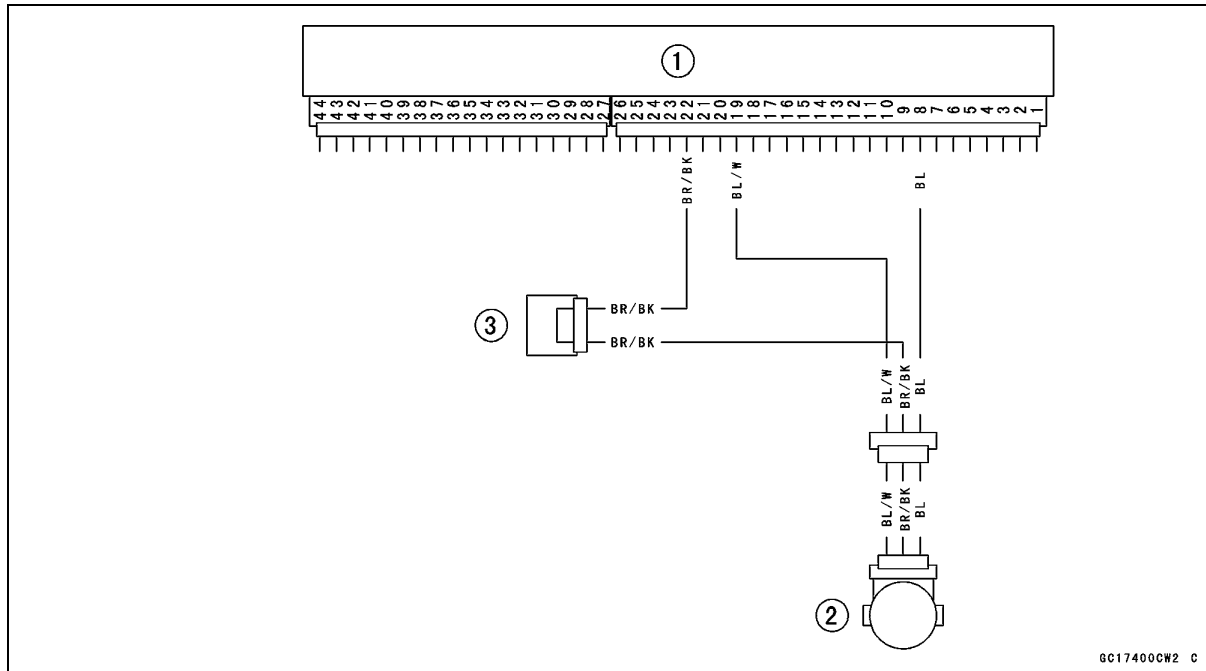
- ★ If the reading is out of the range, replace the throttle body assy.
- ★ If the reading is within the range, but the problem still exists, replace the ECU.



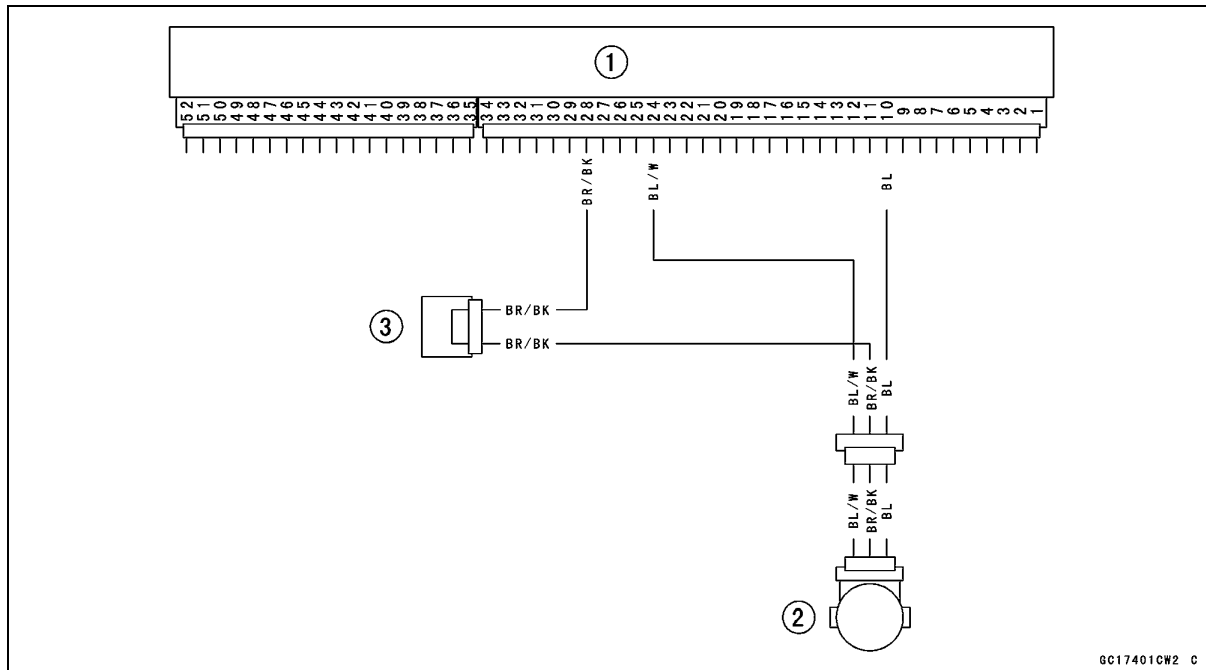
# 3-72 FUEL SYSTEM (DFI)

## Subthrottle Sensor (Service Code 32)

### Subthrottle Sensor Circuit (Other than Europe Models)



### Subthrottle Sensor Circuit (Europe Models)



- 1. ECU
- 2. Subthrottle Sensor
- 3. Joint Connector B

## Oxygen Sensor-not activated (#1, #2: Service Code 33, 83)-Europe Models

Oxygen Sensor #1: Service Code 33

Oxygen Sensor #2: Service Code 83

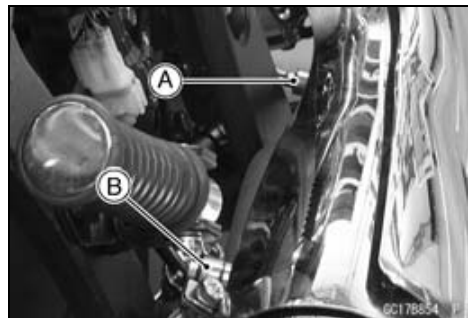
### Oxygen Sensor Removal/Installation

- Refer to Oxygen Sensor Removal and Installation in the Electrical System chapter.

### Oxygen Sensor Inspection

#### NOTE

- The oxygen sensor itself is the same for #1 [A] and #2 [B], but wiring of the main harness side is different.



- Warm up the engine thoroughly.
- Turn the ignition switch OFF.
- Remove the right side cover (see Right Side Cover Removal in the Frame chapter).
- Connect a digital voltmeter [A] to the each oxygen sensor connector [B] (sensor side), using the needle adapter set.

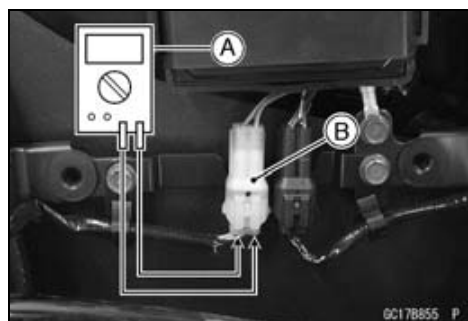
**Special Tool - Needle Adapter Set: 57001-1457**

#### Oxygen Sensor Output Voltage

##### Connections to Oxygen Sensor Connector

**Meter (+) → BK lead**

**Meter (-) → GY lead**



- Remove the air switching valve hoses [A] (both sides) from the fittings.



- Install the suitable plugs [A] (both sides) on the fittings and shut off the secondary air.
- Turn the ignition switch ON.
- Start the engine, and let it idle.
- Measure the output voltage of the sensor with the connector joined.

#### Oxygen Sensor Output Voltage (with Plugs)

**Standard: 0.45 ~ 2.5 V**



## 3-74 FUEL SYSTEM (DFI)

### Oxygen Sensor-not activated (#1, #2: Service Code 33, 83)-Europe Models

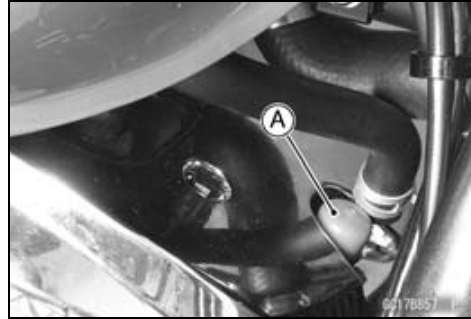
- Next, remove the plugs [A] (both sides) from the fittings with idling.
- Measure the output voltage of the sensor with the connector joined.

#### Oxygen Sensor Output Voltage (without Plugs)

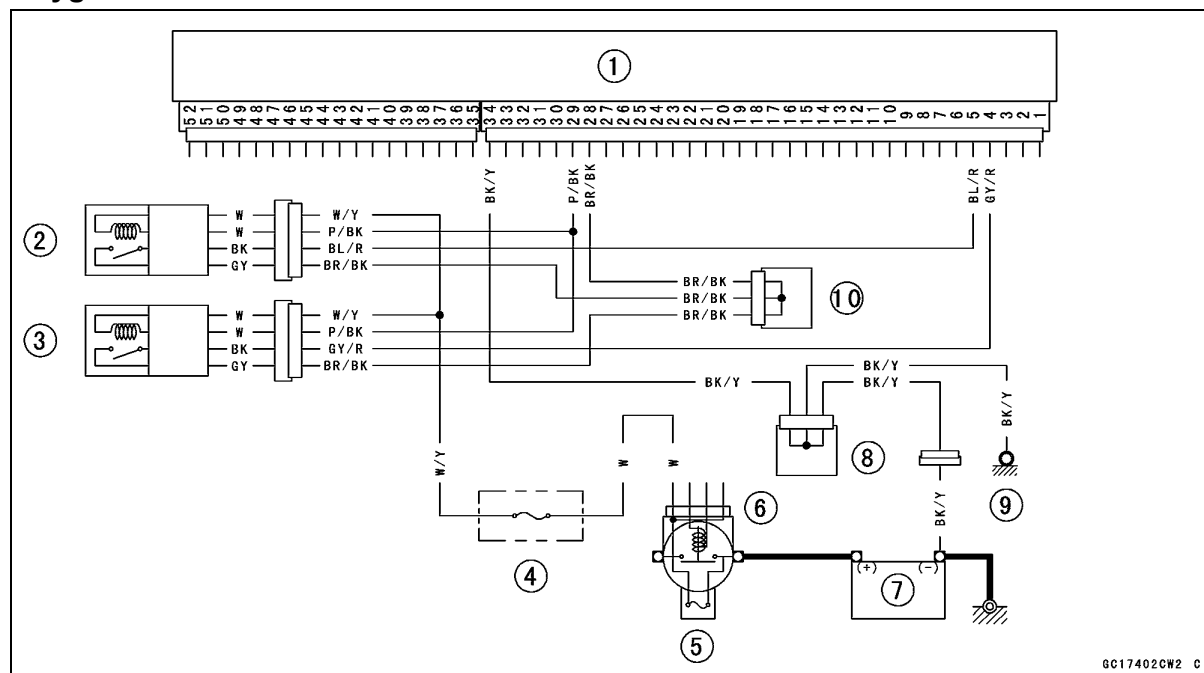
Standard: 0.05 ~ 0.45 V

- ★ If the reading is within range (with plugs: 0.45 ~ 2.5 V, without plugs: 0.05 ~ 0.45 V), the oxygen sensor is good.
- ★ If the reading is without range, replace the oxygen sensor.
- Remove the needle adapter set, and apply silicone sealant to the seals of the connector for waterproofing.

Sealant - Kawasaki Bond (Silicone Sealant): 56019-120



### Oxygen Sensor Circuit



1. ECU
2. Oxygen Sensor #1
3. Oxygen Sensor #2
4. Oxygen Sensor Heater Fuse 10 A
5. Main Fuse 30 A
6. Starter Relay
7. Battery
8. Joint Connector C
9. Frame Ground
10. Joint Connector B



## Ignition Coils (#1, #2: Service Code 51, 52)

Ignition Coil #1: Ignition Coil for Front Cylinder (Service Code 51)

Ignition Coil #2: Ignition Coil for Rear Cylinder (Service Code 52)

### Ignition Coil Removal/Installation

#### CAUTION

Never drop the ignition coils, especially on a hard surface. Such a shock to the ignition coil can damage it.

- Refer to the Ignition Coil Removal in the Electrical System chapter.

### Input Voltage Inspection

#### NOTE

○ Be sure the battery is fully charged.

- Turn the ignition switch OFF.
- Remove the ECU (see ECU Removal). Do not disconnect the ECU connector.
- Connect a digital voltmeter as shown, using two needle adapters.

**Special Tool - Needle Adapter Set: 57001-1457**

- Measure the input voltage to each primary winding of the ignition coils with the engine stopped, and with the connectors joined.
- Turn the ignition switch ON.

#### Ignition Coil Input Voltage at ECU

(Other than Europe Models [A])

##### Connections for Ignition Coil #1

Meter (+) → BK lead (terminal 35)

Meter (-) → Battery (-) Terminal

##### Connections for Ignition Coil #2

Meter (+) → BK/G lead (terminal 44)

Meter (-) → Battery (-) Terminal

(Europe Models [B])

##### Connections for Ignition Coil #1

Meter (+) → BK lead (terminal 43)

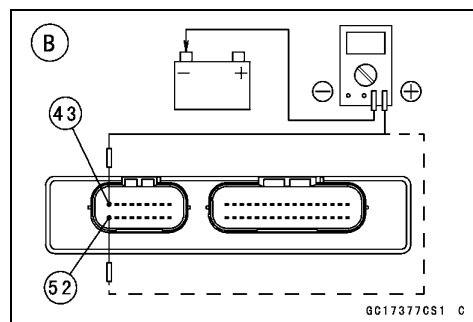
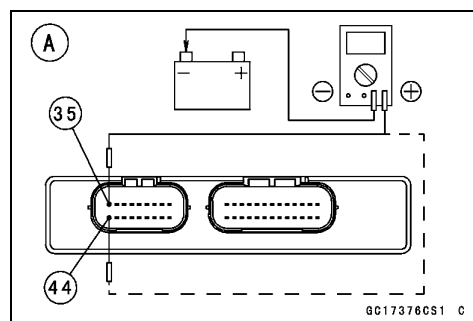
Meter (-) → Battery (-) Terminal

##### Connections for Ignition Coil #2

Meter (+) → BK/G lead (terminal 52)

Meter (-) → Battery (-) Terminal

**Standard: Battery Voltage (12.8 V or more)**



## **3-76 FUEL SYSTEM (DFI)**

---

### **Ignition Coils (#1, #2: Service Code 51, 52)**

---

- ★ If the reading is out of the standard, check the ECU for its ground and power supply (see ECU Power Supply Inspection).
- ★ If the reading is good remove the fuel tank and check the wiring between the ECU and the primary lead terminals at the ignition coils.
- ★ If the wiring is good, crank the engine, and check the peak voltage of the ignition coils (see Ignition Coil Primary Peak Voltage Inspection in the Electrical System chapter) in order to check the primary coils.

---

### Radiator Fan Relay (Service Code 56)

---

#### ***Radiator Fan Relay Removal/Installation***

- Radiator fan relay is built in the relay box.
- Remove the relay box (see Relay Box Removal in the Electrical System chapter).

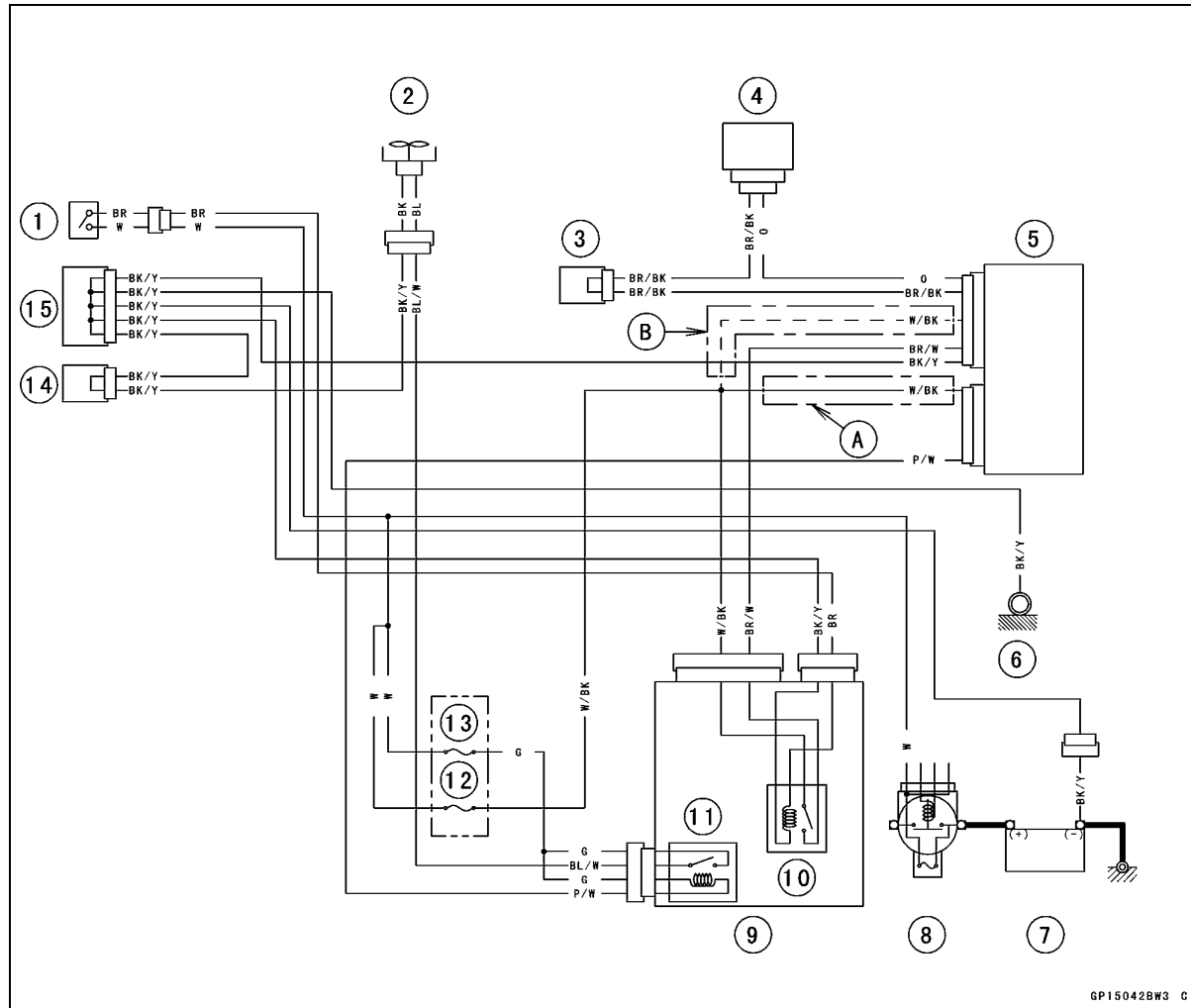
#### ***Radiator Fan Relay Inspection***

- Refer to the Relay Circuit Inspection in the Electrical System chapter.
- Remove the relay box and ECU (see ECU Removal). Do not disconnect the relay box and ECU connectors. Check the wiring for continuity, using the following diagram.
- ★ If wiring and radiator fan relay are good, check the ECU for its ground, and power supply (see ECU Power Supply Inspection). If the ground and power supply are good, replace the ECU.

# 3-78 FUEL SYSTEM (DFI)

## Radiator Fan Relay (Service Code 56)

### Radiator Fan Relay Circuit



- 1. Ignition Switch
- 2. Radiator Fan
- 3. Joint Connector B
- 4. Water Temperature Sensor
- 5. ECU
- 6. Frame Ground
- 7. Battery
- 8. Main Fuse 30 A
- 9. Relay Box
- 10. ECU Main Relay
- 11. Radiator Fan Relay
- 12. ECU Fuse 15 A
- 13. Fan Fuse 15 A
- 14. Joint Connector A
- 15. Joint Connector C

A: Other than Europe Models  
B: Europe Models

**Subthrottle Valve Actuator (Service Code 62)**

**Subthrottle Valve Actuator Removal**

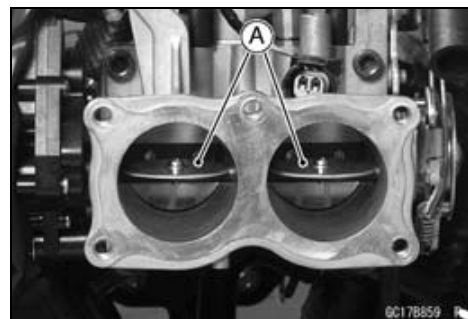
**CAUTION**

Do not remove the subthrottle valve actuator [A] since it has been adjusted and set with precision at the factory.  
 Never drop the actuator, especially on a hard surface. Such a shock to the actuator can damage it.



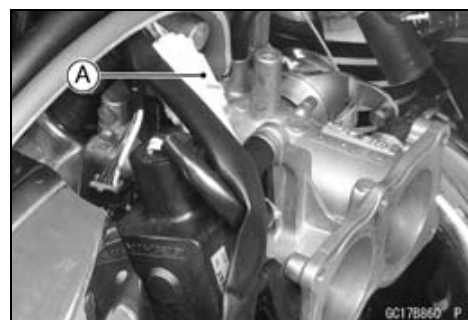
**Subthrottle Valve Actuator Inspection**

- Remove the air cleaner housing (see Air Cleaner Housing Removal).
- Turn the ignition switch ON.
- Check to see that all subthrottle valves [A] open and close smoothly.
- ★ If the subthrottle valves do not operate, check the actuator internal resistance (see Resistance Inspection in the Subthrottle Valve Actuator section).



**Resistance Inspection**

- Turn the ignition switch OFF.
- Remove the fuel tank (see Fuel Tank Removal).
- Disconnect the subthrottle valve actuator connector [A].



- Connect a digital meter to the subthrottle valve actuator connector [A].
- Measure the subthrottle valve actuator resistance.

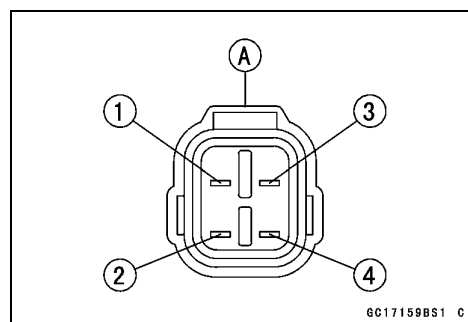
**Subthrottle Valve Actuator Resistance**

Connections: BK lead [1] ↔ P lead [2]

G lead [3] ↔ W/BL lead [4]

Standard: about 5.2 ~ 7.8 Ω

- ★ If the reading is out of the range, replace the throttle body assy.
- ★ If the reading is within the range, check the input voltage (see Input Voltage Inspection in the Subthrottle Valve Actuator section).



## 3-80 FUEL SYSTEM (DFI)

### Subthrottle Valve Actuator (Service Code 62)

#### Input Voltage Inspection

##### NOTE

○Be sure the battery is fully charged.

- Turn the ignition switch OFF.
- Remove the fuel tank (see Fuel Tank Removal).
- Connect the peak voltage adapter [A] and a digital meter [B] to the connector (main harness side) [C], using the needle adapter set [D].

**Special Tools - Peak Voltage Adapter: 57001-1415**

**Type: KEK-54-9-B**

**Needle Adapter Set: 57001-1457**

#### Subthrottle Valve Actuator Input Voltage Connections to Harness Connector

(I) Meter (+) → BK lead [1]

Meter (-) → P lead [2]

(II) Meter (+) → G lead [3]

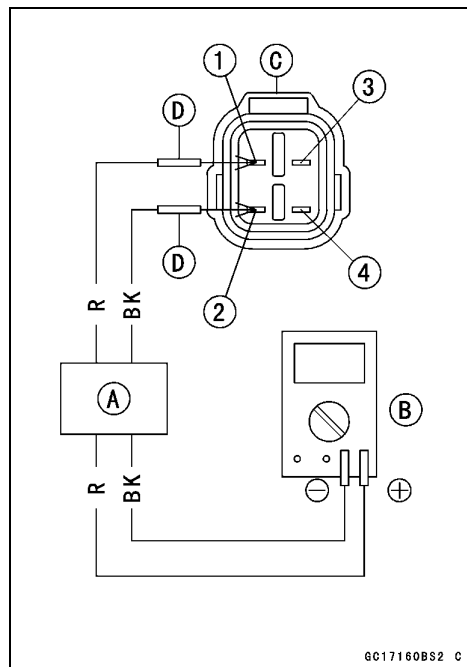
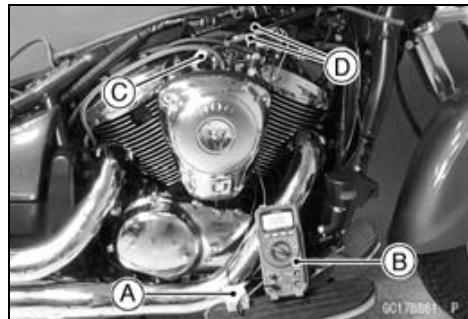
Meter (-) → W/BL lead [4]

- Measure the actuator input voltage with the engine stopped, and with the connector joined.
- Turn the ignition switch ON.

#### Input Voltage at Sensor

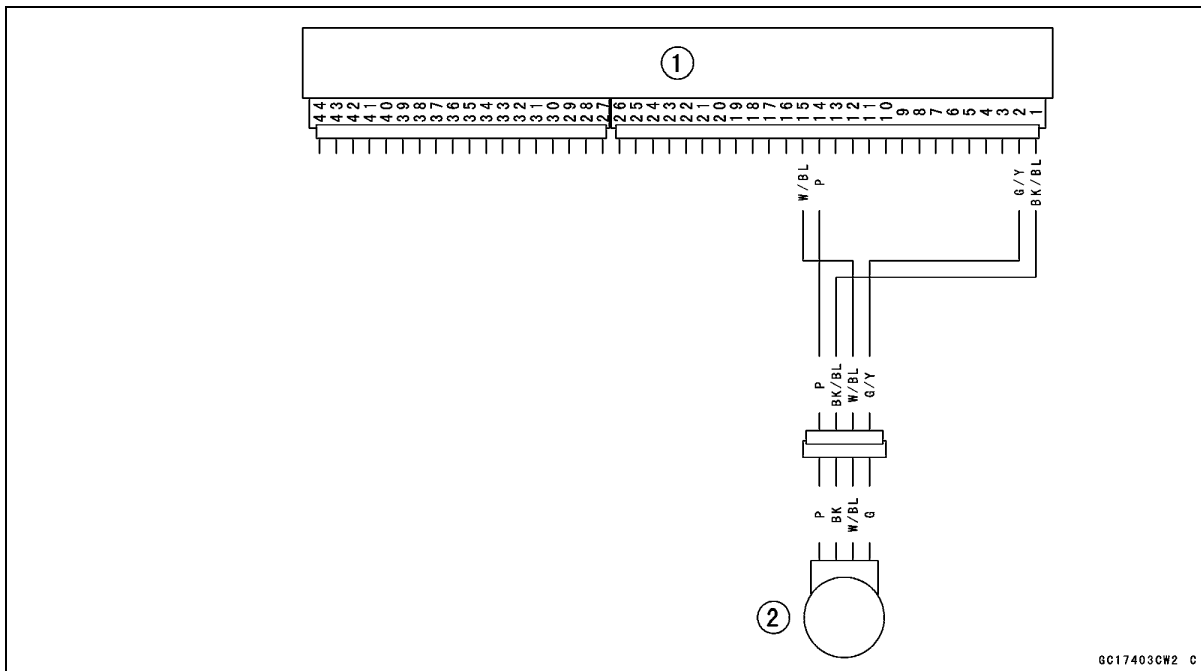
**Standard: about 8.9 ~ 10.9 V DC**

- ★ If the reading is out of the range, check the wiring to ECU (see next diagram).
- ★ If the wiring is good, replace the ECU.
- Install the fuel tank (see Fuel Tank Installation).



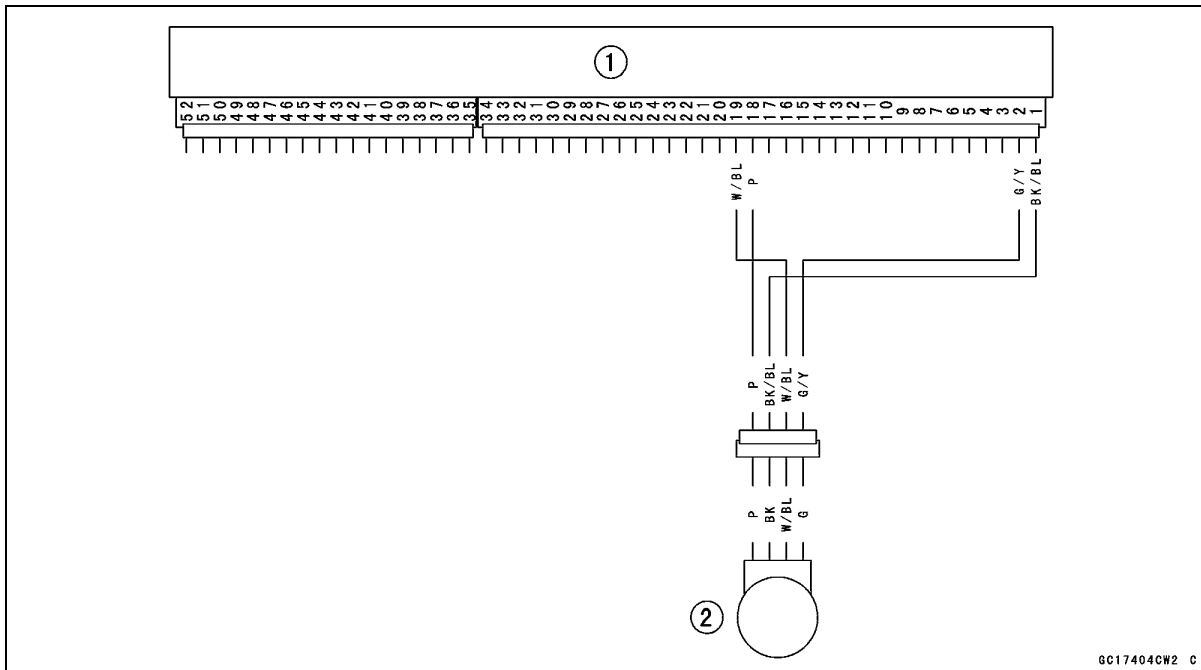
Subthrottle Valve Actuator (Service Code 62)

Subthrottle Valve Actuator Circuit (Other than Europe Models)



GC17403CW2 C

Subthrottle Valve Actuator Circuit (Europe Models)



GC17404CW2 C

- 1. ECU
- 2. Subthrottle Valve Actuator

## 3-82 FUEL SYSTEM (DFI)

### Air Switching Valve (Service Code 64)

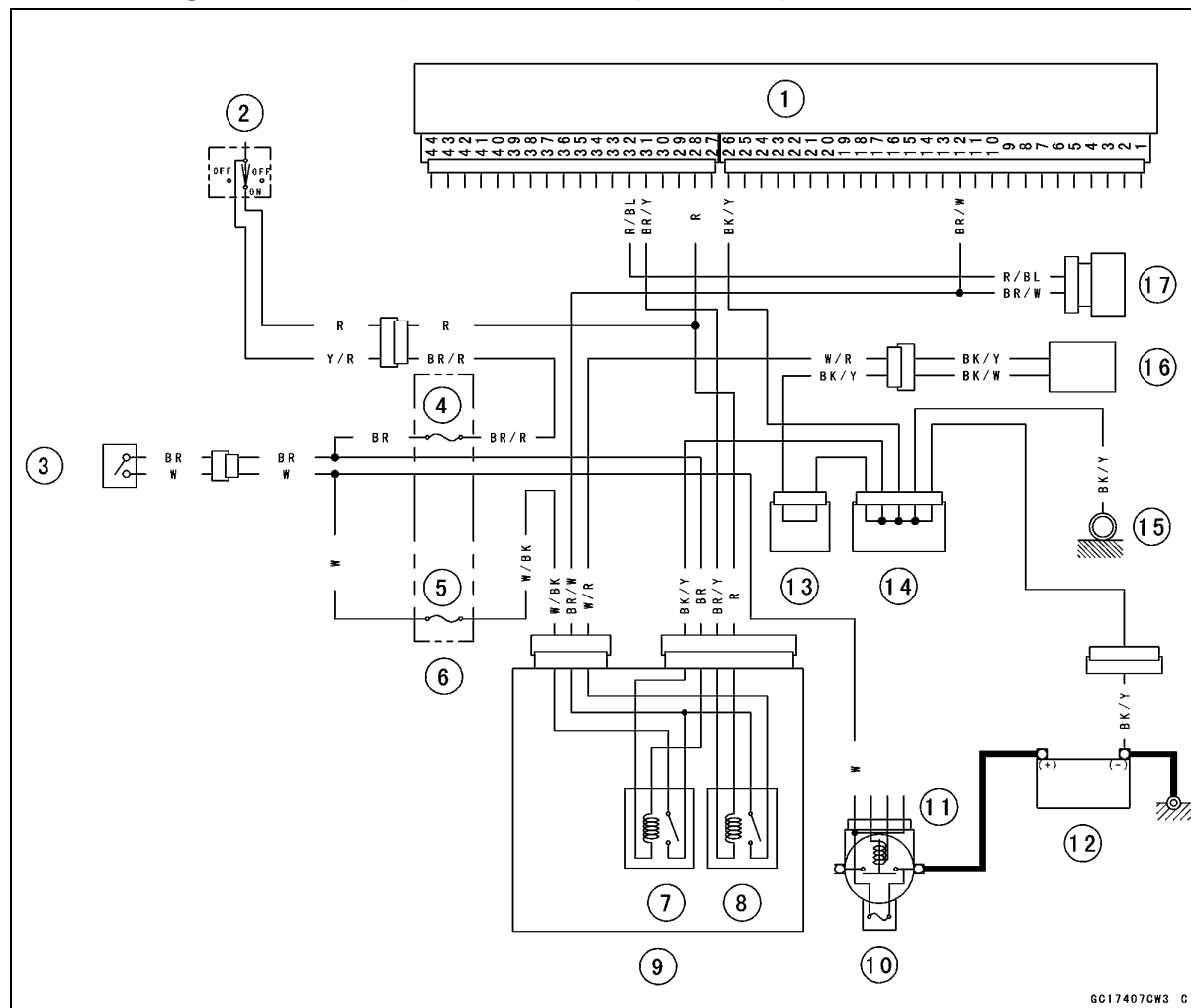
#### Air Switching Valve Removal/Installation

- See Clean Air System section in the Engine Top End chapter.

#### Air Switching Valve Inspection

- See Air Switching Valve Unit Test in the Electrical System chapter.
- Check the wiring continuity, using the following diagram.

#### Air Switching Valve Circuit (Other than Europe Models)



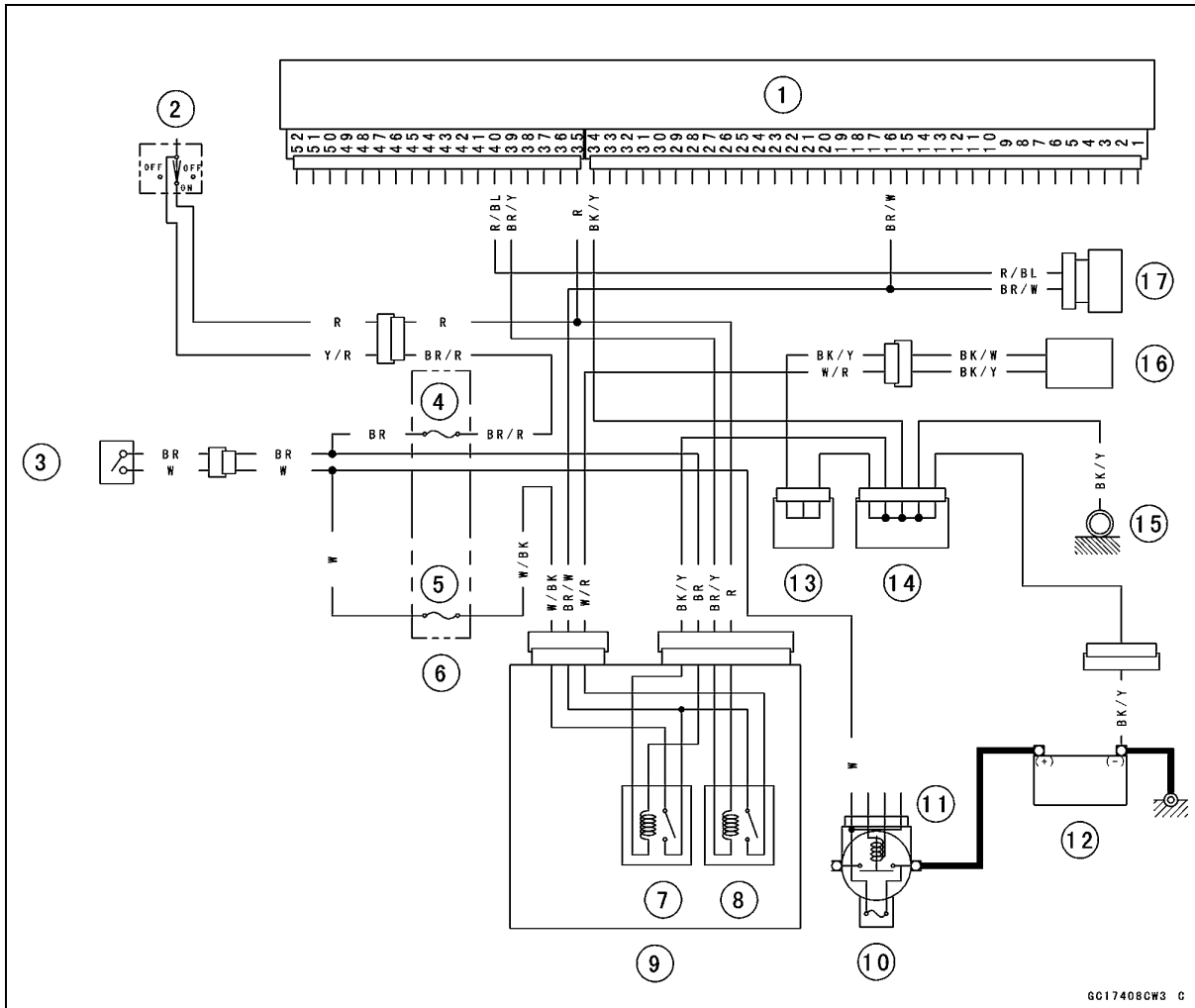
1. ECU
2. Engine Stop Switch
3. Ignition Switch
4. Ignition Fuse 10 A
5. ECU Fuse 15 A
6. Fuse Box
7. ECU Main Relay
8. Fuel Pump Relay
9. Relay Box

10. Main Fuse 30 A
11. Starter Relay
12. Battery
13. Joint Connector A
14. Joint Connector C
15. Frame Ground
16. Fuel Pump
17. Air Switching Valve



Air Switching Valve (Service Code 64)

Air Switching Valve Circuit (Europe Models)



GC17408CW3 C

1. ECU
2. Engine Stop Switch
3. Ignition Switch
4. Ignition Fuse 10 A
5. ECU Fuse 15 A
6. Fuse Box
7. ECU Main Relay
8. Fuel Pump Relay
9. Relay Box
10. Main Fuse 30 A
11. Starter Relay
12. Battery
13. Joint Connector A
14. Joint Connector C
15. Frame Ground
16. Fuel Pump
17. Air Switching Valve

## 3-84 FUEL SYSTEM (DFI)

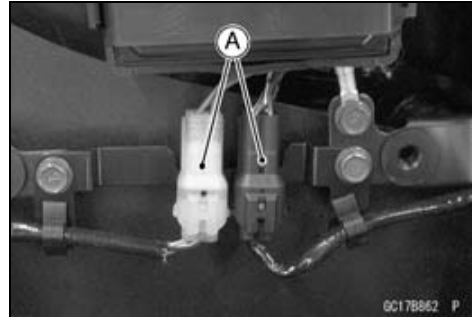
### Oxygen Sensor Heaters (#1, #2: Service Code 67)-Europe Models

#### Oxygen Sensor Heater Removal/Installation

The oxygen sensor heater is built in the oxygen sensor. So, the heater itself can not be removed. Remove the oxygen sensor (see Switch and Sensors section in the Electrical System chapter).

#### Oxygen Sensor Heater Inspection

- Remove:
  - Right Side Cover (see Right Side Cover Removal in the Frame chapter)
- Disconnect the each oxygen sensor lead connectors [A].



- Set the hand tester [A] to the  $\times 1 \Omega$  range and connect it to the terminals in the oxygen sensor lead connector [B].
  - White Lead Terminal [C]
  - White Lead Terminal [D]

**Special Tool - Hand Tester: 57001-1394**

#### Oxygen Sensor Resistance

**Standard: about  $8 \Omega$  at  $20^\circ\text{C}$  ( $68^\circ\text{F}$ )**

- ★ If the tester reading is not as specified, replace the oxygen sensor with a new one.

- ★ If the tester reading is specified, check the power source voltage inspection.

#### NOTE

○ Be sure the battery is fully charged.

- Connect a digital meter [A] to each oxygen sensor connector [B], using the needle adapter [C].

**Special Tool - Needle Adapter Set: 57001-1457**

#### Oxygen Sensor Heaters Power Source Voltage Connections to Oxygen Sensor Connector

**Tester (+) → W (main harness side P/BK) lead [D]**

**Tester (-) → Battery (-) Terminal [E]**

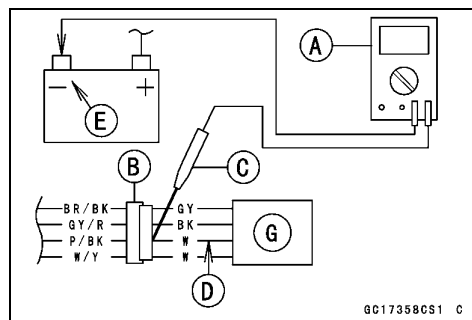
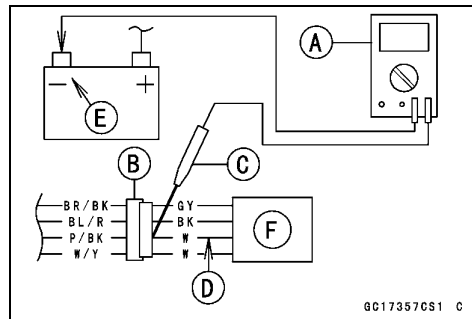
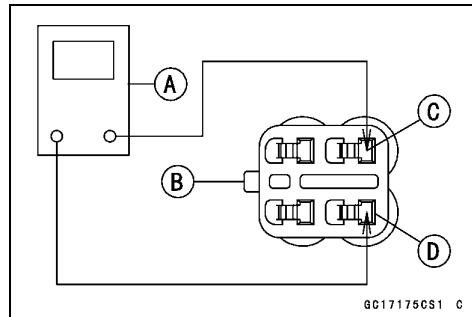
Oxygen Sensor #1 [F]

Oxygen Sensor #2 [G]

- Measure the power source voltage with the engine stopped, and with the oxygen sensor connector joined.
- Turn the ignition switch ON.

#### Power Source Voltage at Sensor Connector

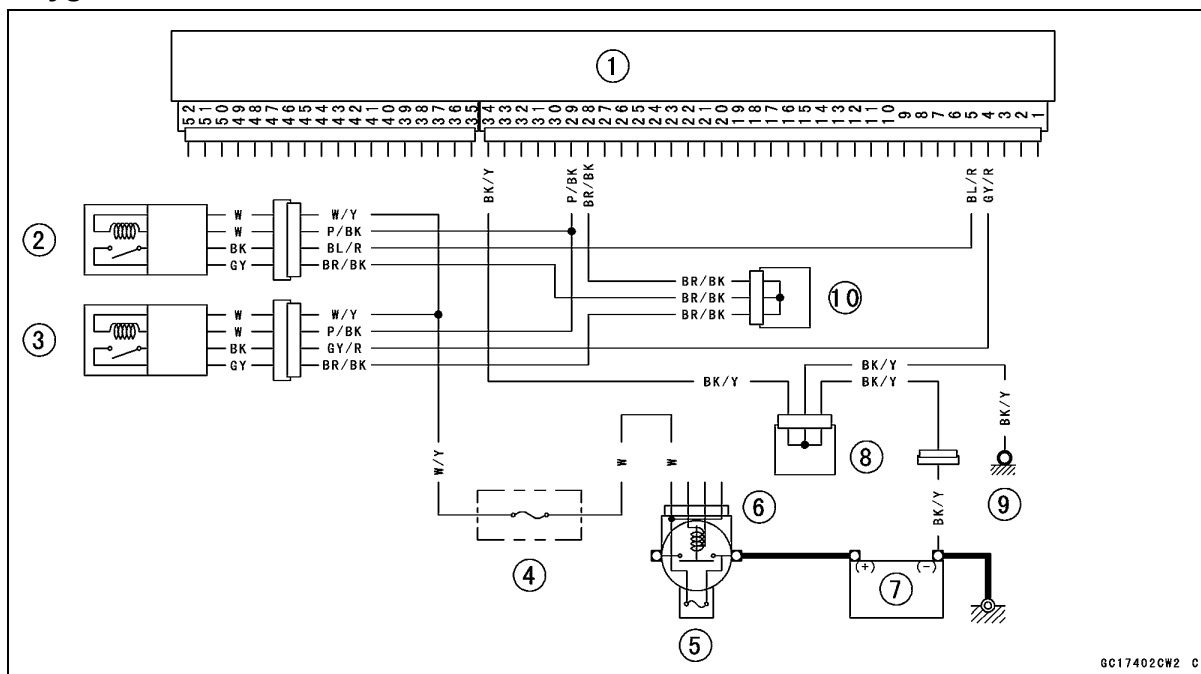
**Standard: Battery Voltage**



**Oxygen Sensor Heaters (#1, #2: Service Code 67)-Europe Models**

- ★ If the reading is incorrect, check the following.
  - Battery (see Charging Condition Inspection in the Electrical System chapter)
  - Main Fuse 30 A (see Fuse Inspection in the Electrical System chapter)
  - Oxygen Sensor Heater Fuse 10 A (see Fuse Inspection in the Electrical System chapter)
- ★ If the reading is good, the power source voltage is normal, Inspect the Red lead between the oxygen sensor connector and the ECU for continuity, using the following diagram.
- ★ If the wiring is good, inspect the ECU for its ground, and power supply (see ECU Power Supply Inspection). If the ground and power supply are good, replace the ECU (see ECU section).
- Remove the needle adapter set, and apply silicone sealant to the connector for water proofing.
  - Sealant - Kawasaki Bond (Silicone Sealant): 56019-120**

**Oxygen Sensor Circuit**



1. ECU
2. Oxygen Sensor #1
3. Oxygen Sensor #2
4. Oxygen Sensor Heater Fuse 10 A
5. Main Fuse 30 A
6. Starter Relay
7. Battery
8. Joint Connector C
9. Frame Ground
10. Joint Connector B

GC17402CW2 C

## 3-86 FUEL SYSTEM (DFI)

### Oxygen Sensors-Incorrect Output Voltage (#1, #2: Service Code 94, 95)-Europe Models

Oxygen Sensor #1: Service Code 94  
Oxygen Sensor #2: Service Code 95

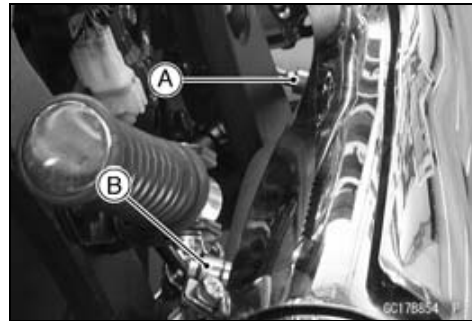
#### Oxygen Sensor Removal/Installation

- Refer to Oxygen Sensor Removal and Installation in the Electrical System chapter.

#### Oxygen Sensor Inspection

##### NOTE

- The oxygen sensor itself is the same for #1 [A] and #2 [B], but wiring of the main harness side is different.



- Warm up the engine thoroughly.
- Turn the ignition switch OFF.
- Remove the right side cover (see Right Side Cover Removal in the Frame chapter).
- Connect a digital voltmeter [A] to the each oxygen sensor connector [B] (sensor side), using the needle adapter set.

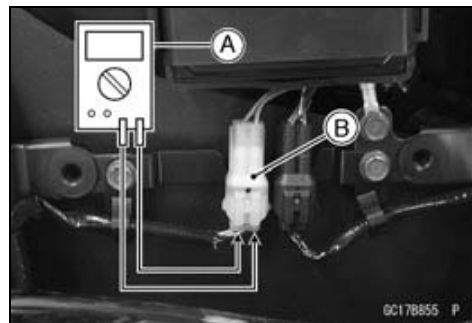
**Special Tool - Needle Adapter Set: 57001-1457**

#### Oxygen Sensor Output Voltage

##### Connections to Oxygen Sensor Connector

**Meter (+) → BK lead**

**Meter (-) → GY lead**



- Remove the air switching valve hoses [A] (both sides) from the fittings.



- Install the suitable plugs [A] (both sides) on the fittings and shut off the secondary air.
- Turn the ignition switch ON.
- Start the engine, and let it idle.
- Measure the output voltage of the sensor with the connector joined.

#### Oxygen Sensor Output Voltage (with Plugs)

**Standard: 0.45 ~ 2.5 V**



## Oxygen Sensors-Incorrect Output Voltage (#1, #2: Service Code 94, 95)-Europe Models

- Next, remove the plugs [A] (both sides) from the fittings with idling.
- Measure the output voltage of the sensor with the connector joined.

### Oxygen Sensor Output Voltage (without Plugs)

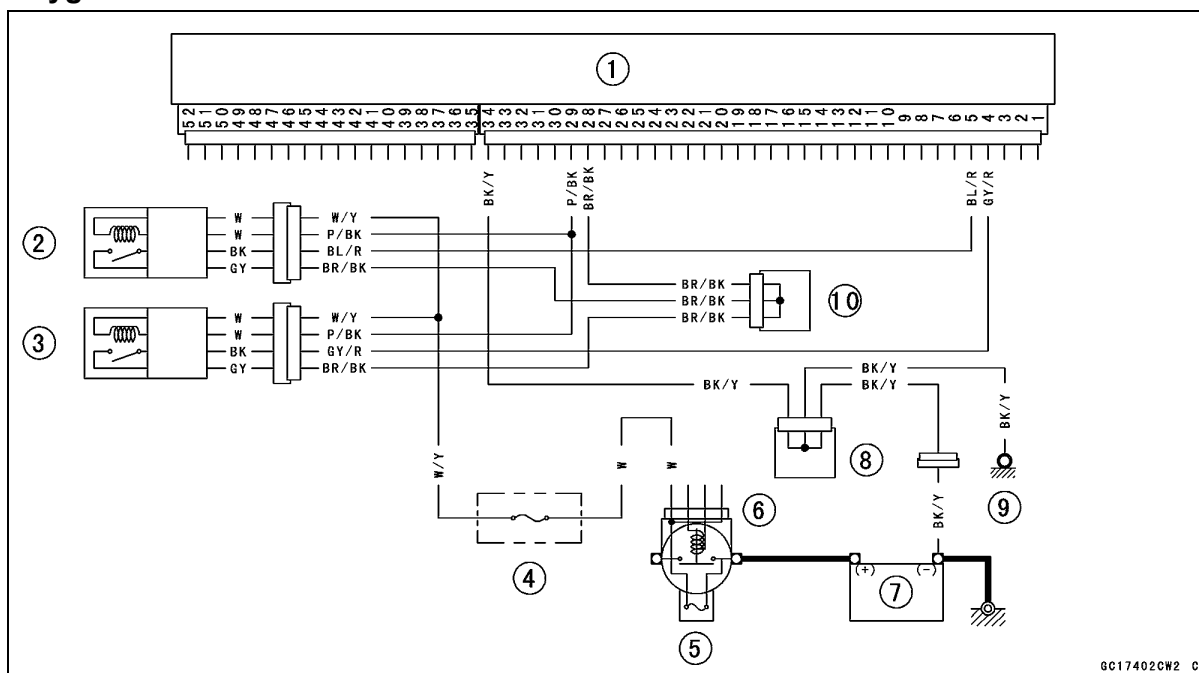
Standard: 0.05 ~ 0.45 V

- ★ If the reading is within range (with plugs: 0.45 ~ 2.5 V, without plugs: 0.05 ~ 0.45 V), the oxygen sensor is good.
- ★ If the reading is without range, inspect the engine and fuel supply system.
- ★ If the engine and fuel supply system good, replace the oxygen sensor.
- Remove the needle adapter set, and apply silicone sealant to the seals of the connector for waterproofing.

Sealant - Kawasaki Bond (Silicone Sealant): 56019-120



## Oxygen Sensor Circuit

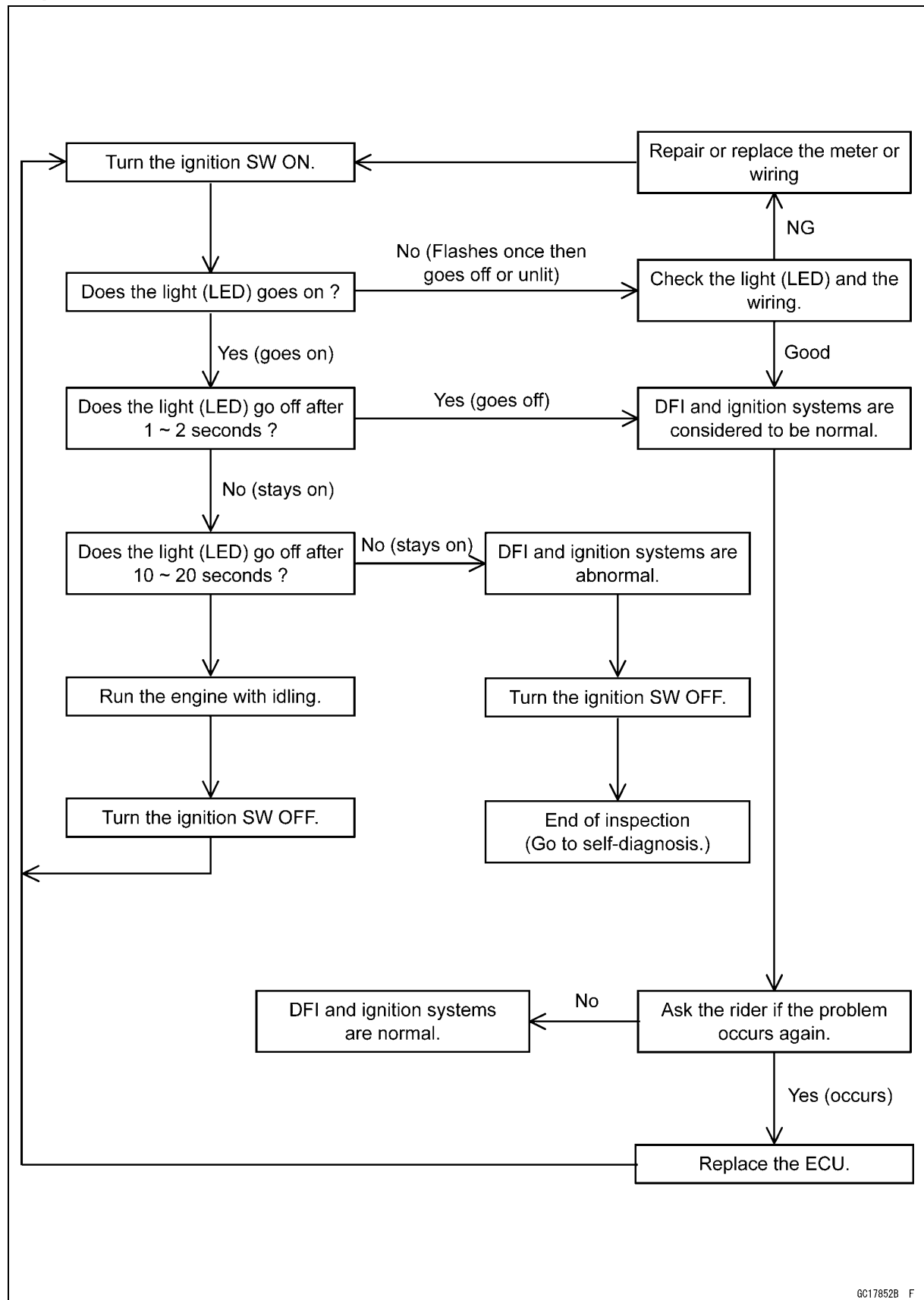


1. ECU
2. Oxygen Sensor #1
3. Oxygen Sensor #2
4. Oxygen Sensor Heater Fuse 10 A
5. Main Fuse 30 A
6. Starter Relay
7. Battery
8. Joint Connector C
9. Frame Ground
10. Joint Connector B

# 3-88 FUEL SYSTEM (DFI)

## FI Indicator LED Light

### Inspection Flow Chart



## FI Indicator LED Light

### LED Light Inspection

- The FI indicator LED light [A] goes ON when the ignition switch is turned ON and the LED light goes OFF when the engine oil pressure is high enough (the engine is running). This is to ensure that the FI indicator LED light has not burned out and the DFI system and the ignition system function properly.
- Refer to the Meter, Gauge section in the Electrical System chapter for LED Light Inspection.

### **⚠ WARNING**

**This inspection may produce sparks. Keep the battery and the meter unit away from the fuel tank.**

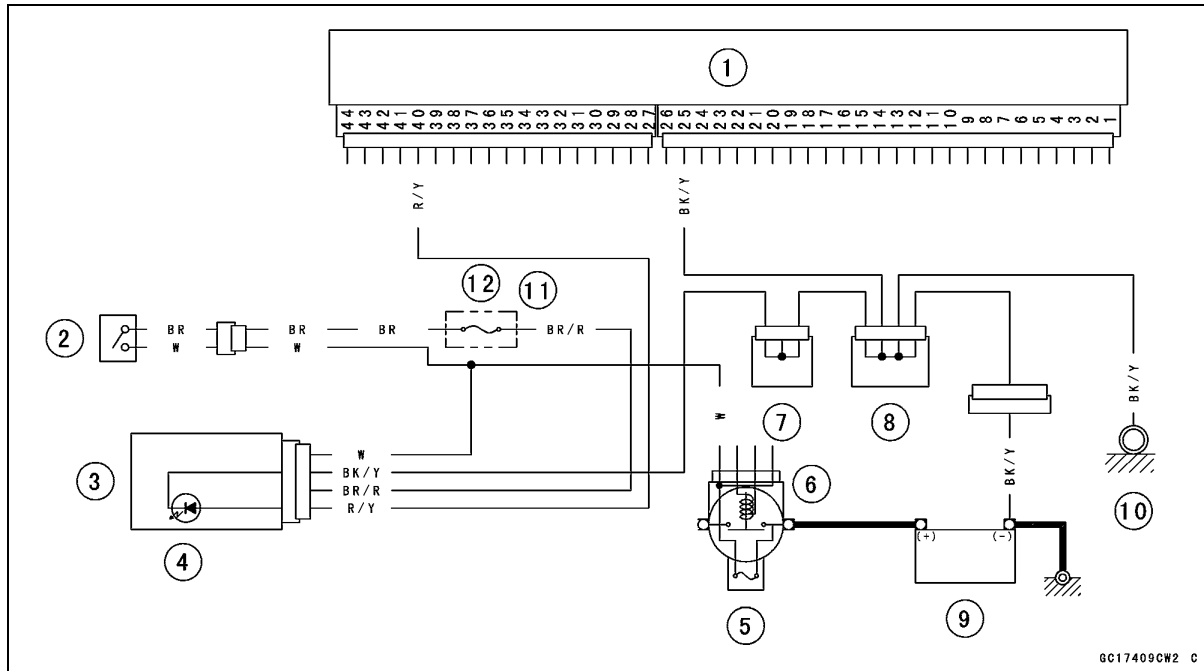
- ★ If the LED light is abnormal, replace the meter unit.
- ★ If the FI indicator LED light is normal, the wiring or ECU has trouble. Check the wiring (see next diagram). If the wiring is good, check the ECU for its ground and power supply (see ECU Power Supply Inspection).



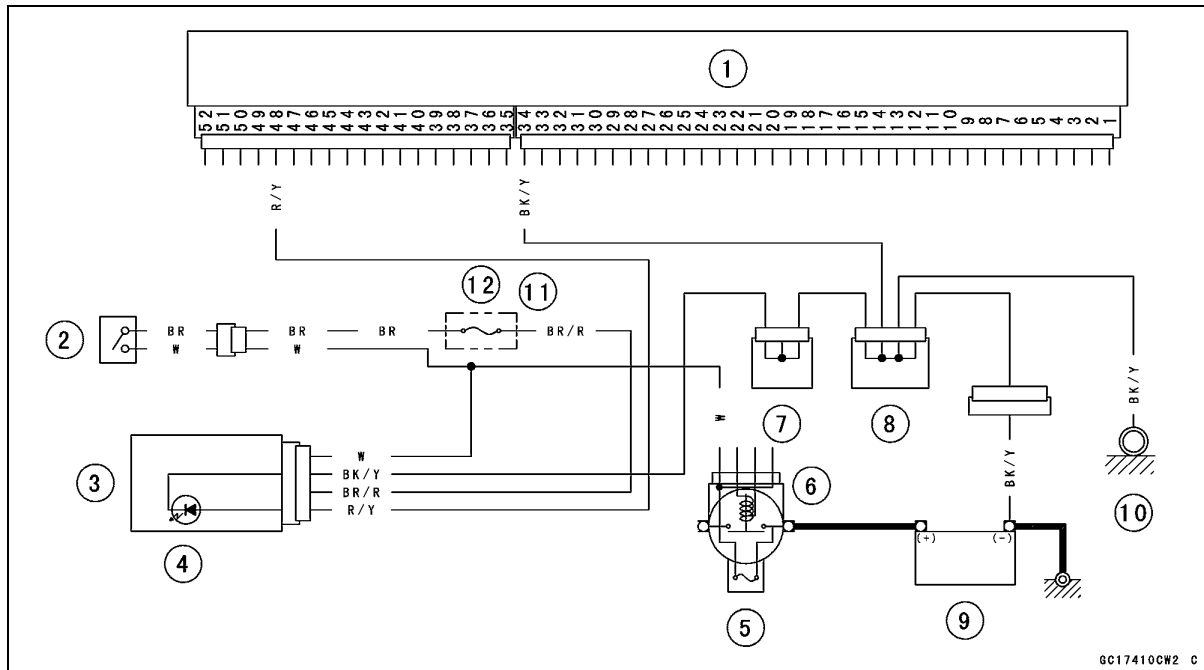
# 3-90 FUEL SYSTEM (DFI)

## FI Indicator LED Light

### FI Indicator LED Light Circuit (Other than Europe Models)



### FI Indicator LED Light Circuit (Europe Models)



1. ECU
2. Ignition Switch
3. Meter Unit
4. FI Indicator LED Light
5. Main Fuse 30 A
6. Starter Relay
7. Joint Connector A
8. Joint Connector C
9. Battery
10. Frame Ground
11. Fuse Box
12. Ignition Fuse 10 A

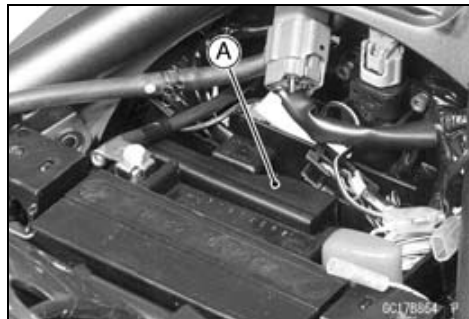


**ECU**

**ECU Removal**

<b>CAUTION</b>
<b>Never drop the ECU, especially on a hard surface. Such a shock to the ECU can damage it.</b>

- Remove:
  - Seat (see Seat Removal in the Frame chapter)
  - Tool Box (see Tool Box Removal in the Frame chapter)
- Pull out the ECU [A] along with the harness.
- ★ If necessary, push the lock and disconnect the ECU connectors.



**ECU Installation**

- Connect the ECU connectors [A].
- Fit the ECU [A] in the battery case.



**ECU Power Supply Inspection**

- Visually inspect the terminals of the ECU connector.
- ★ If the connector is clogged with mud or dust, blow it off with compressed air.
- ★ Replace the main harness if the terminals [A] of the main harness connectors are cracked, bent, or otherwise damaged.
- ★ Replace the ECU if the terminals of the ECU connector are cracked, bent, or otherwise damaged.



- With the ECU connector joined, check the following ground leads for continuity with the ignition switch ON or OFF, using a digital voltmeter.

**ECU Grounding Inspection**

**Meter Connections:**

(Other than Europe Models [A])

- 26, 42, 43 (BK/Y) Terminal ↔ Battery (-) Terminal
- 22 (BR/BK) Terminal ↔ Battery (-) Terminal
- Engine Ground ↔ Battery (-) Terminal

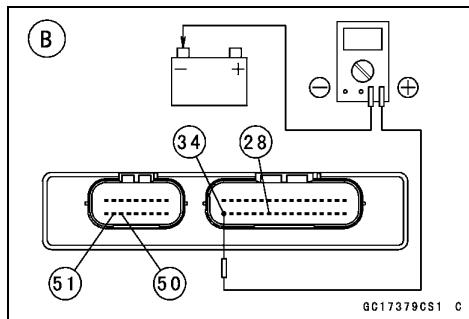
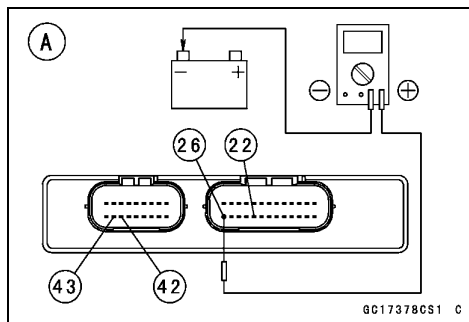
(Europe Models [B])

- 34, 50, 51 (BK/Y) Terminal ↔ Battery (-) Terminal
- 28 (BR/BK) Terminal ↔ Battery (-) Terminal
- Engine Ground ↔ Battery (-) Terminal

**Readings: 0 Ω (regardless of the ignition switch ON or OFF)**

- ★ If no continuity, check the connector, the engine ground lead, or main harness, and repair or replace them if necessary.

**Special Tool - Needle Adapter Set: 57001-1457**



## 3-92 FUEL SYSTEM (DFI)

### ECU

- Check the ECU power source voltage with a digital meter.
- Position the terminal in accordance with terminal numbers of ECU connectors in this chapter figure.

#### ECU Power Source Inspection

##### Meter Connections:

(Other than Europe Models [A])

Between Terminal 12 (BR/W) and Battery (-) Terminal

Between Terminal 27 (W/BK) and Battery (-) Terminal

##### Ignition Switch OFF:

Terminal 12 (BR/W): 0 V

Terminal 27 (W/BK): Battery Voltage (12.8 V or more)

##### Ignition Switch ON:

Both: Battery Voltage (12.8 V or more)

(Europe Models [B])

Between Terminal 16 (BR/W) and Battery (-) Terminal

Between Terminal 17 (W/BK) and Battery (-) Terminal

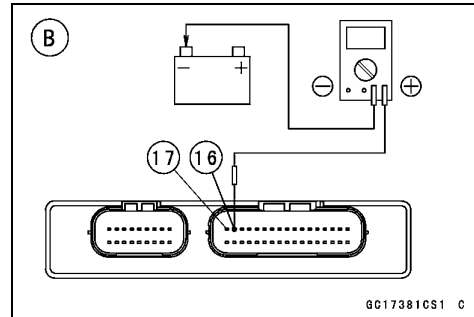
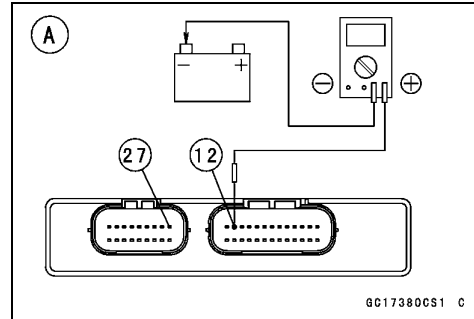
##### Ignition Switch OFF:

Terminal 16 (BR/W): 0 V

Terminal 17 (W/BK): Battery Voltage (12.8 V or more)

##### Ignition Switch ON:

Both: Battery Voltage (12.8 V or more)



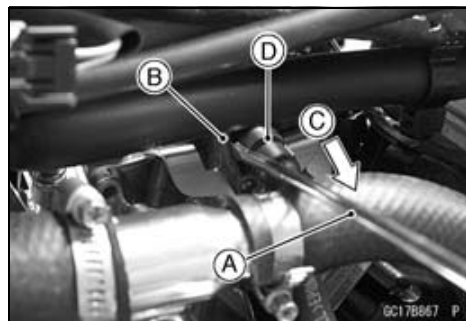
Fuel Line

Fuel Pressure Inspection

NOTE

- This inspection can determine which trouble the DFI system has, mechanical or electrical trouble.
- It is preferable to measure the fuel pressure while running the motorcycle when the trouble has occurred in order to know symptom well.
- Be sure the battery is fully charged.
- Remove the fuel tank (see Fuel Tank Removal).

- Be sure to place a piece of cloth around the fuel hose joint and the delivery pipe.
- Insert a minus screw driver [A] into the slit on the joint lock [B].
- Turn the driver to disconnect the joint lock.
- Pull [C] the fuel hose joint [D] out of the delivery pipe.



**⚠ WARNING**

**Be prepared for fuel spillage; any spilled fuel must be completely wiped up immediately. When the fuel hose is disconnected, fuel spills out from the hose and the pipe. Cover the hose connection with a clean shop towel to prevent fuel spillage.**

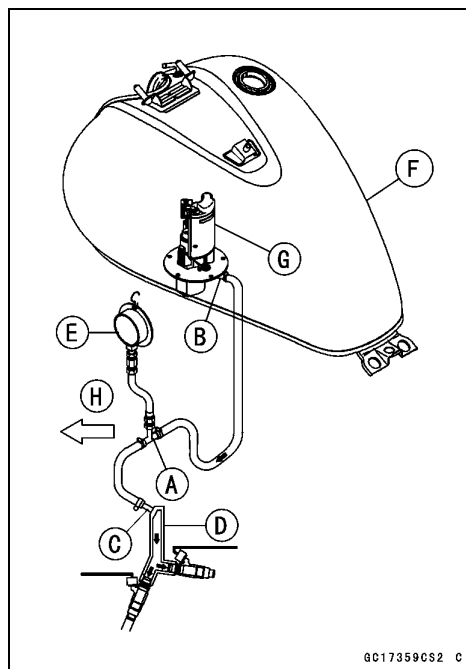
- Install the fuel pressure gauge adapter [A] between the fuel tank outlet pipe [B] and the inlet pipe [C] to the delivery joint [D].
  - Put the fuel pressure gauge adapter outside the frame.
  - Connect the pressure gauge [E] to the fuel pressure gauge adapter.
- Fuel Tank [F]  
 Fuel Pump [G]  
 Front [H]  
 →: Fuel Flow

**Special Tools - Fuel Pressure Gauge Adapter: 57001-1593**  
**Fuel Hose: 57001-1607**  
**Oil Pressure Gauge: 57001-125**

- Temporarily, install the removed parts.

**⚠ WARNING**

**Do not try to start the engine with the fuel hoses disconnected.**



GC17359CS2 C

## 3-94 FUEL SYSTEM (DFI)

### Fuel Line

- Turn the ignition switch ON. The fuel pump will turn for 3 seconds, and then stop.
- Measure the fuel pressure with the engine stopped.

#### Fuel Pressure

right after Ignition Switch ON, with pump running:

Standard: 304 kPa (3.1 kgf/cm<sup>2</sup>, 44 psi)

after 3 seconds from Ignition Switch ON, with pump stopped:

Standard: 280 kPa (2.9 kgf/cm<sup>2</sup>, 41 psi, residual fuel pressure)

The system should hold the residual pressure about 30 seconds.

- Start the engine, and let it idle.
- Measure the fuel pressure with the engine idling.

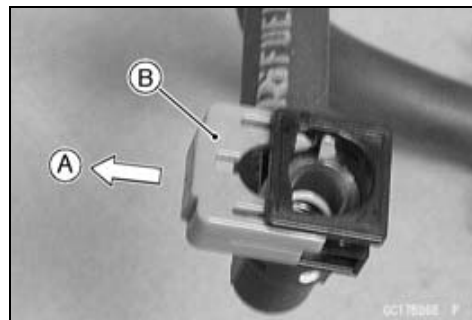
#### Fuel Pressure (idling)

Standard: 304 kPa (3.1 kgf/cm<sup>2</sup>, 44 psi)

#### NOTE

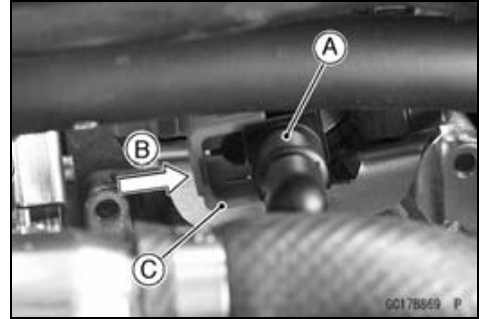
○ *The gauge needle will fluctuate. Read the pressure at the average of the maximum and minimum indications.*

- ★ If the fuel pressure is normal, the fuel circulation system (fuel pump, pressure regulator, and oil passage) is no faults. Check the DFI electronic control system (injectors, sensors, crankshaft sensors, and ECU).
- ★ If the fuel pressure is much higher than the specified, check the following:
  - Delivery Pipe Clogging
  - Injector Clogging
- ★ If the fuel pressure is much lower than specified, check the following:
  - Fuel Pump for Operation (check the sound of the pump)
  - Fuel Line Leakage or Clogging
  - Amount of Fuel Flow (see Fuel Flow Rate Inspection)
- ★ If the fuel pressure is much lower than specified, and if inspection above checks out good, replace the fuel pump assy (the fuel filter may be clogged) and measure the fuel pressure again.
- Remove the fuel pressure gauge and adapter.
- Pull [A] the joint lock [B] fully as shown.



## Fuel Line

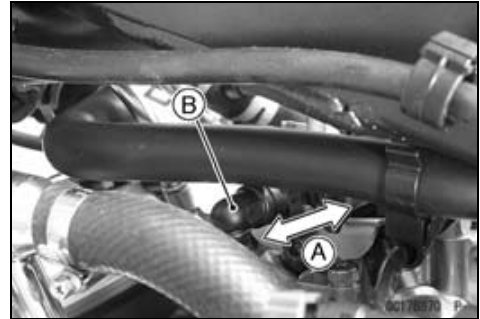
- Insert the fuel hose joint [A] straight onto the delivery pipe.
- Push [B] the joint lock [C] until the hose joint clicks.



- Push and pull [A] the fuel hose joint [B] back and forth more than two times and make sure it is locked and doesn't come off.

### **⚠ WARNING**

**Make sure the fuel hose joint is installed correctly on the delivery pipe or the fuel could leak.**



- ★ If it comes off, reinstall the hose joint.
- Run the fuel hose correctly (see Cable, Wire and Hose Routing section in the Appendix chapter).
- Install the removed parts.

### **Fuel Flow Rate Inspection**

#### **NOTE**

○ Be sure the battery is fully charged.

### **⚠ WARNING**

**Gasoline is extremely flammable and can be explosive under certain conditions. Make sure the area is well-ventilated and free from any source of flame or sparks; this includes any appliance with a pilot light. Do not smoke. Turn the ignition switch OFF. Be prepared for fuel spillage; any spilled fuel must be completely wiped up immediately.**

- Turn both ignition switch, and engine stop switch OFF.
- Wait until the engine cools down.
- Open the fuel tank cap [A] to lower the pressure in the tank.



## 3-96 FUEL SYSTEM (DFI)

### Fuel Line

- Prepare a plastic hose of the inside diameter 7.5 mm × L = about 400 mm and a measuring cylinder.
- Remove:
  - Seat (see Seat Removal in the Frame chapter)
  - Fuel Tank Bolts
- Raise the fuel tank.
- Stuff a clean shop towel around the fuel outlet hose joint.
- While pinching the locks of the hose joint #1 with fingers, disconnect the joint (see Fuel Tank Removal) and insert the plastic hose [A] quickly onto the tank outlet pipe.
- Secure the plastic hose with a clamp [B].
- Run the other side of the plastic hose into the measuring cylinder [C].
- Temporarily install the fuel tank and close the fuel tank cap.

#### **⚠ WARNING**

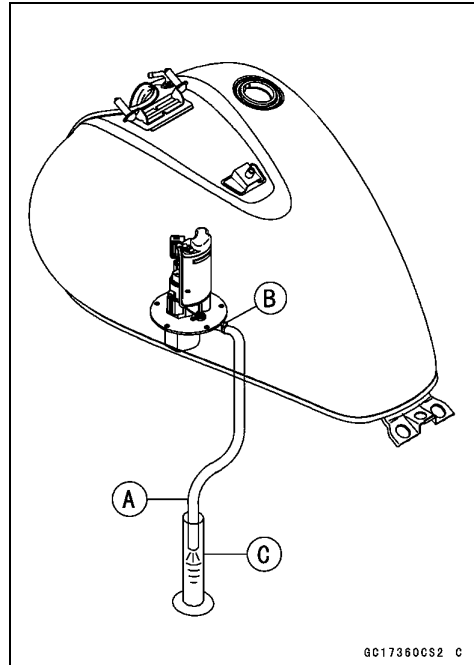
**Wipe off spilled out fuel immediately.  
Be sure to hold the measuring cylinder vertical.**

- With the engine stopped, turn the ignition switch ON. The fuel pump should operate for 3 seconds, and then should stop. Repeat this several times until the plastic hose is filled with fuel.
- Measure the discharge for 3 seconds with the plastic hose filled with fuel.

#### **Amount of Fuel Flow**

**Standard: 50 mL (1.7 US oz.) or more for 3 seconds**

- ★ If the fuel flow is much less than the specified, check the battery condition (see Charging Condition Inspection in the Electrical System chapter). If the battery is good, replace the fuel pump.
- After inspection, connect the fuel hoses, and install the fuel tank (see Fuel Tank Installation).
- Start the engine and check for no fuel leakage.



## Fuel Pump

### Fuel Pump Removal

#### CAUTION

Never drop the fuel pump, especially on a hard surface. Such a shock to the pump can damage it.

#### ⚠ WARNING

Gasoline is extremely flammable and can be explosive under certain conditions. Make sure the area is well-ventilated and free from any source of flame or sparks; this includes any appliance with a pilot light. Do not smoke. Turn the ignition switch OFF. Disconnect the battery (-) terminal.

To make fuel spillage minimum, draw the fuel out from the fuel tank when the engine is cold. Be prepared for fuel spillage; any spilled fuel must be completely wiped up immediately.

- Remove the fuel tank (see Fuel Tank Removal).
- Be careful of fuel spillage from the fuel tank since fuel still remains in the fuel tank and fuel pump. Plug the fuel pipe of the fuel tank.
- Turn the fuel tank upside down.
- Remove the fuel pump inlet hose.
- Unscrew the fuel pump bolts [A], and take out the fuel pump [B] and gasket.
- Discard the fuel pump gasket.

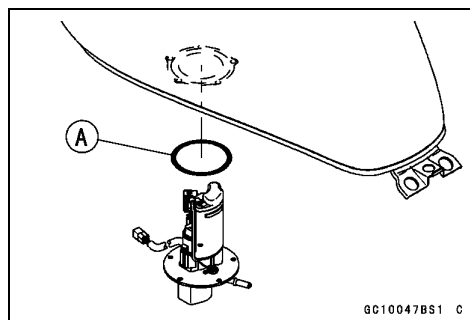
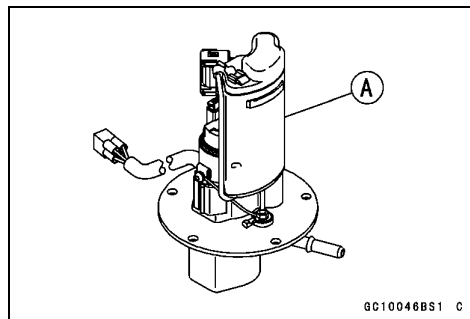
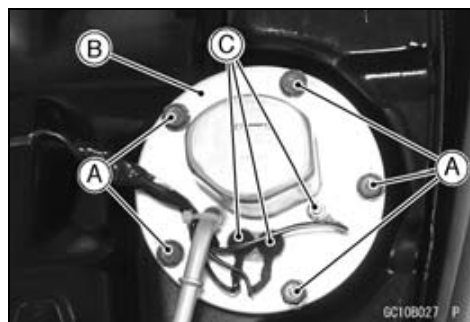
#### CAUTION

Do not pull the leads (C) of the fuel pump. If they are pulled, the lead terminals may be damaged.

### Fuel Pump Installation

- Remove dirt or dust from the fuel pump [A] by lightly applying compressed air.

- Replace the fuel pump gasket [A] with a new one.

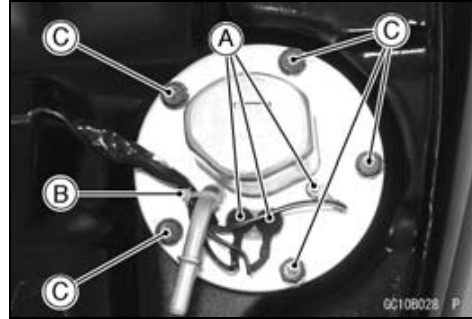


## 3-98 FUEL SYSTEM (DFI)

### Fuel Pump

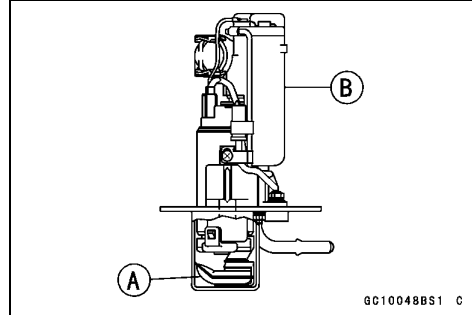
- Check that the terminals [A] and band [B] are in place.
- Apply a non-permanent locking agent to the threads of the fuel pump bolts.
- Tighten the fuel pump bolts [C] to a snug fit.
- Tighten:

Torque - Fuel Pump Bolts: 9.8 N·m (1.0 kgf·m, 87 in·lb)



#### **Pump Screen, Fuel Filter Cleaning**

- The pump screen [A] and fuel filter [B] are built into the pump and cannot be cleaned or checked.
- ★ If the pump screen or fuel filter is suspected of clogging or being damaged, replace it with the fuel pump as a set.



#### **Operation Inspection**

##### **NOTE**

- Be sure the battery is fully charged.
- Just listen to the pump sound in the fuel tank to confirm pump operation.
- Turn the ignition switch ON and make sure that the fuel pump operates (make light sounds) for 3 seconds, and then stops.
- Turn the ignition switch OFF.
- ★ If the pump does not work as described above, inspect the power source voltage.



## Fuel Pump

### Operating Voltage Inspection

#### NOTE

○ *Be sure the battery is fully charged.*

- Turn the ignition switch OFF.
- Remove the ignition coil cover (see Ignition Coil Removal in the Electrical System chapter).
- Connect the hand tester (25 V DC) to the fuel pump connector [A] with needle adapter set.

**Special Tools - Hand Tester: 57001-1394**

**Needle Adapter Set: 57001-1457**

- Measure the operating voltage with the engine stopped, and with the connector joined.
- Turn the ignition switch ON.
- The tester needle should indicate battery voltage for 3 seconds, and then 0 V.

#### Pump Operating Voltage at Pump

##### Connections to Pump Connectors

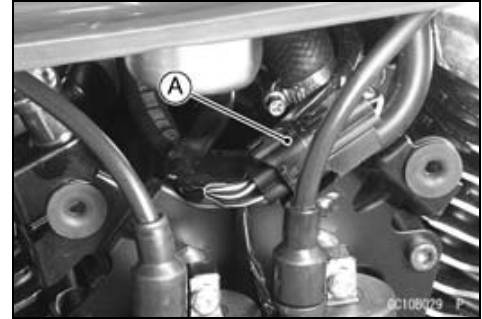
**Tester (+) → BK/Y Lead**

**Tester (-) → BK/W Lead**

#### Operating Voltage at Pump Connector

**Standard: Battery Voltage (12.8 V or more) for 3 seconds, and then 0 V.**

- ★ If the reading stays on battery voltage, and never shows 0 V. Check the ECU and fuel pump relay.
- ★ If the voltage is in specification, but the pump doesn't work, replace the pump.
- ★ If there is still no battery voltage, check the pump relay (see Relay Circuit Inspection in the Electrical System chapter).



## 3-100 FUEL SYSTEM (DFI)

### Fuel Pump

#### Power Source Voltage Inspection

##### NOTE

○ Be sure the battery is fully charged.

- Remove the ignition coil cover (see Ignition Coil Removal in the Electrical System chapter).
- Connect a digital voltmeter [A] to the fuel pump connector [B] (3P), using the needle adapter [C].

##### Special Tool - Needle Adapter Set: 57001-1457

- Measure the power source voltage with the engine stopped, and with the pump connector joined.
- Turn the ignition switch ON.

##### Pump Power Source Voltage

###### Connections to Pump Connector

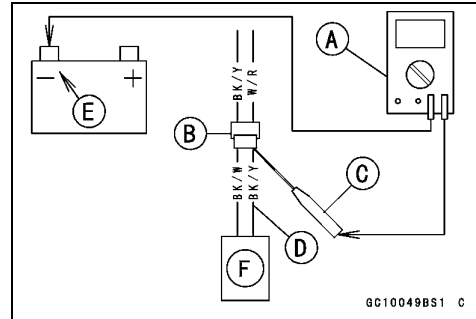
Tester (+) → BK/Y lead [D]

Tester (-) → Battery (-) Terminal [E]

**Standard: Battery Voltage (12.8 V or more)**

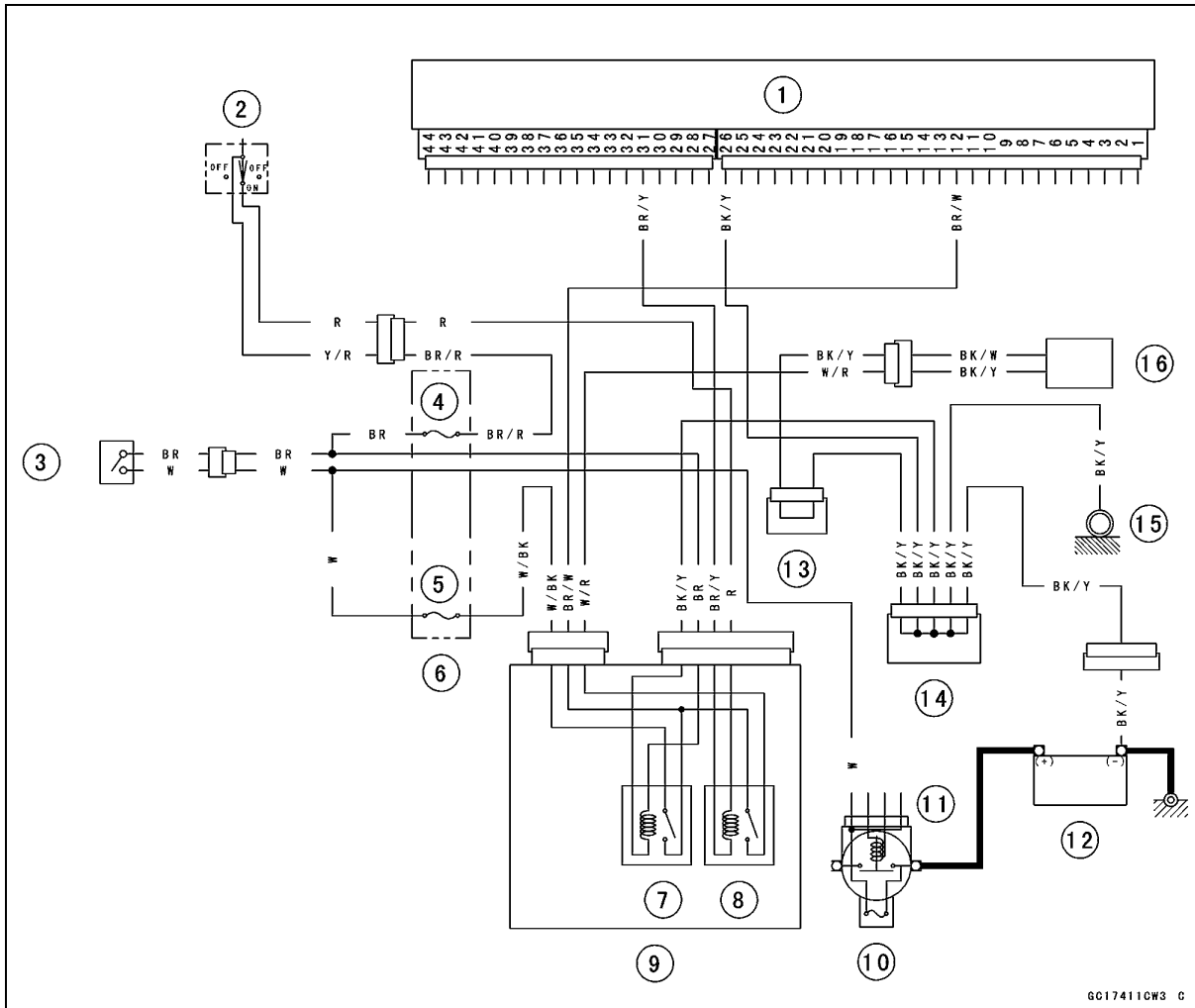
Fuel Pump [F]

- ★ If the reading is good, the power source voltage is normal. Inspect operating source voltage (see Operating Voltage Inspection).
- ★ If the reading is incorrect, check the following:
  - Battery
  - Main Fuse 30 A in Starter Relay (see Fuse Inspection in the Electrical System chapter)
  - Ignition Fuse 10 A in Fuse Box (see Fuse Inspection in the Electrical System chapter)
  - Fuel Pump Relay (see Electrical System chapter)
  - Wiring for Fuel Pump Power Source (see next diagram)
  - Vehicle-down Sensor (see Vehicle-down Sensor Inspection)



Fuel Pump

Fuel Pump Circuit (Other than Europe Models)



1. ECU
2. Engine Stop Switch
3. Ignition Switch
4. Ignition Fuse 10 A
5. ECU Fuse 15 A
6. Fuse Box
7. ECU Main Relay
8. Fuel Pump Relay
9. Relay Box
10. Main Fuse 30 A
11. Starter Relay
12. Battery
13. Joint Connector A
14. Joint Connector C
15. Frame Ground
16. Fuel Pump

6017411CW3 C



## Fuel Injectors

### CAUTION

Never drop the injector, especially on a hard surface. Such a shock to the injector can damage it.

### Injector Removal

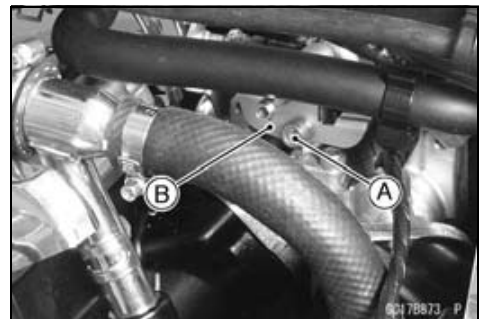
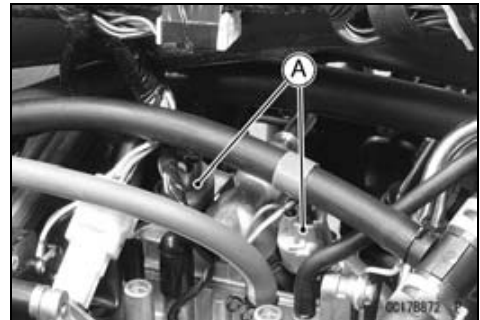
#### ⚠ WARNING

Gasoline is extremely flammable and can be explosive under certain conditions. Turn the ignition switch OFF. Disconnect the battery (–) lead terminal. Do not smoke. Make sure the area is well-ventilated and free from any source of flame or sparks; this includes any appliance with a pilot light.

**Be prepared for fuel spillage; any spilled fuel must be completely wiped up immediately.**

- Check to see that the battery (–) lead terminal is disconnected.
- Remove:  
Fuel Tank (see Fuel Tank Removal)
- Disconnect the fuel hose joint connector (see Fuel Hose Replacement in the Periodic Maintenance chapter).
- Disconnect the injector connectors [A].

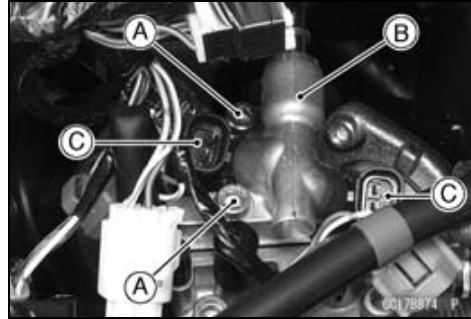
- Remove:  
Bolt [A]  
Bracket [B]



## 3-104 FUEL SYSTEM (DFI)

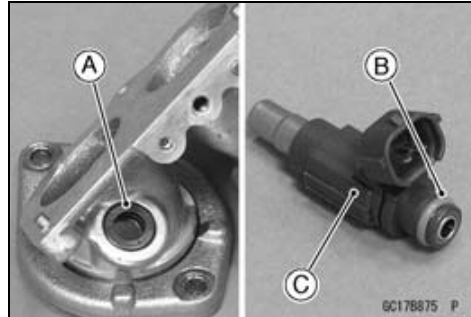
### Fuel Injectors

- Unscrew the delivery joint bolts [A], and lift up the delivery joint [B] with the injectors [C].
- Remove the injectors from the delivery joint.



#### Injector Installation

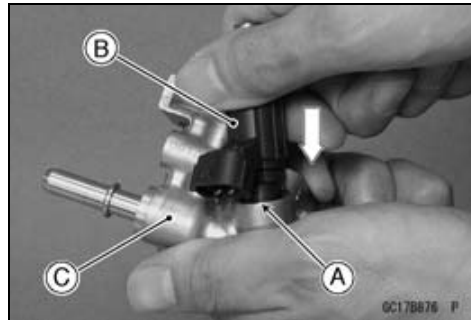
- The front and rear injectors are the same.
- Replace the seal [A] and O-ring [B] with new ones, and install them onto the injector [C].
- Apply engine oil to the O-ring, and install them onto the injector.



#### CAUTION

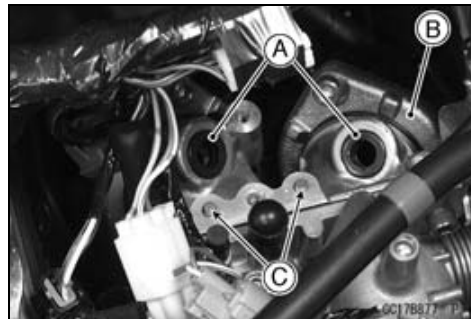
To avoid air and fuel leak, be careful not to get dirt or dust on the O-ring. Be careful not to damage the O-ring.

- Apply grease to the O-ring [A], and install each injector [B] into the delivery joint [C].



- Check that there is no dirt or dust on the injector seating surface [A] of the inlet manifold [B].
- Check that the two dowel pins [C] are in place in the inlet manifold.
- Fit the end of the injector into the delivery joint, and install them into the inlet manifold.
- Apply a non-permanent locking agent to the delivery joint bolts, and tighten them.

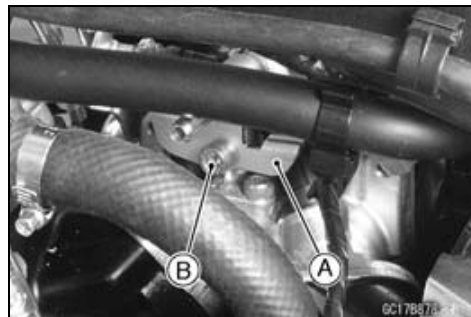
**Torque - Delivery Joint Bolts: 9.8 N·m (1.0 kgf·m, 87 in·lb)**



- Install the delivery joint bracket [A] so that the bracket recesses fit the connections.
- Tighten:

**Torque - Delivery Joint Bracket Bolt [B]: 9.8 N·m (1.0 kgf·m, 87 in·lb)**

- Install:
  - Fuel Tank (see Fuel Tank Installation)
- Connect the battery (-) lead.



## Fuel Injectors

### Injector Fuel Line Inspection

- Remove:
  - Fuel Tank (see Fuel Tank Removal)
  - Fuel Hose (see Fuel Hose Replacement in the Periodic Maintenance chapter)
- Check the injector fuel line for leakage as follows:
  - Connect a commercially available vacuum/pressure pump [A] to the nipple of the delivery pipe [B] with a high-pressure fuel hose [C] (both ends connected with clamps [D]) as shown.

**Torque - Fuel Hose Clamp Screws: 1.5 N·m (0.15 kgf·m, 13 in·lb)**

- Apply a soap and water solution to the areas [E] shown.
- Watching the pressure gauge, squeeze the pump lever [F], and build up the pressure until the pressure reaches the maximum pressure.

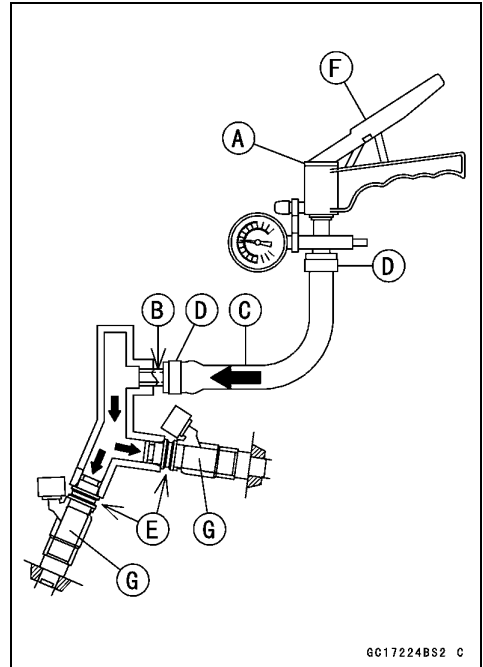
#### Injector Fuel Line Maximum Pressure

**Standard: 300 kPa (3.06 kgf/cm<sup>2</sup>, 44 psi)**

### CAUTION

**During pressure testing, do not exceed the maximum pressure for which the system is designed.**

- Watch the gauge for at least 6 seconds.
- ★ If the pressure holds steady, the system is good.
- ★ If the pressure drops at once, or if bubbles are found in the area, the line is leaking. Perform the following as necessary.
  - Retighten the fuel hose clamps [D].
- Torque - Fuel Hose Clamp Screws: 1.5 N·m (0.15 kgf·m, 13 in·lb)**
- Replace:
  - O-ring of Injectors [G]
- Repeat the leak test, and check the fuel line for no leakage.
- Install the fuel hose (see Fuel Hose Replacement in the Periodic Maintenance chapter).
- Run the hoses correctly (see Cable, Wire, and Hose Routing section in the Appendix chapter).

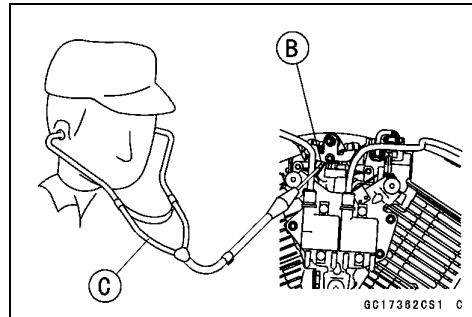
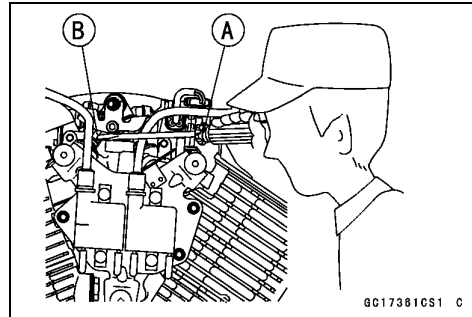


## 3-106 FUEL SYSTEM (DFI)

### Fuel Injectors

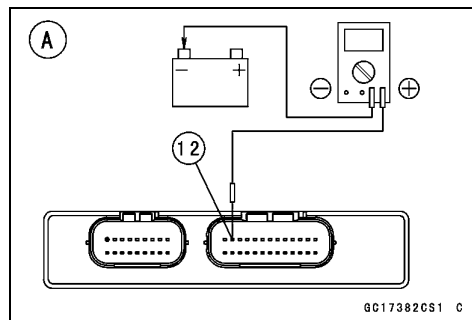
#### **Audible Inspection**

- Start the engine.
- Insert a screwdriver from the engine right side between the fuel tank bottom end and the engine top end.
- Apply the tip of a screwdriver [A] to the injector [B]. Put the grip end onto your ear, and listen whether the injector is clicking or not.
- A sound scope [C] can also be used.
- Do the same for the other injector.
- ★ If all the injectors click at a regular intervals, the injectors are good. The trouble may be related to the fuel line, requiring fuel pressure inspection (see Fuel Line section).
- The click interval becomes shorter as the engine speed rises.
- ★ If either injector doesn't click, the DFI circuit or the injector is suspect. Perform "Power Source Voltage Inspection", first.



#### **Fuel Injector Power Source Voltage Inspection**

- Remove the ECU (see ECU Removal).
  - Do not disconnect the ECU connector.
  - Connect a digital meter to the ECU connector, using the needle adapter.
- Special Tool - Needle Adapter Set: 57001-1457**
- Measure the power source voltage with the engine stopped, and with the connector joined.
  - Turn the ignition switch ON.



#### **Injector Power Source Voltage at ECU**

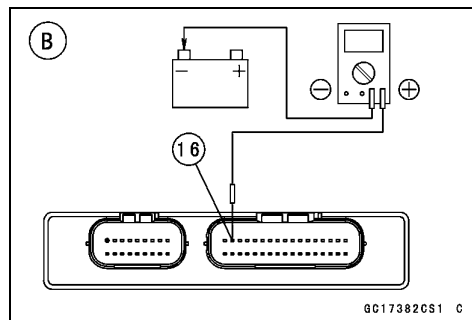
##### **(Other than Europe Models [A])**

- Connections:** Meter (+) → BR/W (terminal 12)  
Meter (-) → Battery (-) Terminal

##### **(Europe Models [B])**

- Connections:** Meter (+) → BR/W (terminal 16)  
Meter (-) → Battery (-) Terminal

**Service Limit: Battery Voltage (12.8 V or more)**



- ★ If the meter doesn't read as specified, check the following.
  - Main Fuse 30 A (see Fuse Inspection in the Electrical System chapter)
  - Fuel Pump Relay (see Relay Circuit Inspection in the Electrical System chapter)
  - Power Source Wiring (see wiring diagram below)
- To check the W/R leads between the injector connector and the fuel pump relay, remove the fuel tank (see Fuel Tank Removal) and the right side cover (see Right Side Cover Removal in the Frame chapter).
- ★ If the power source voltage is normal, check the output voltage of the injectors.



## Fuel Injectors

### Output Voltage Inspection

- Turn the ignition switch OFF.
- Remove the ECU (see ECU Removal). Do not disconnect the ECU connector.
- Connect a digital voltmeter to the connector, using the needle adapter set.

Special Tool - Needle Adapter Set: 57001-1457

#### Injector Output Voltage at ECU (Other than Europe Models [A])

##### Connections for Injector #1

Meter (+) → BL/R lead (terminal 34)

Meter (-) → Battery (-) Terminal

##### Connections for Injector #2

Meter (+) → BL/G lead (terminal 33)

Meter (-) → Battery (-) Terminal

#### (Europe Models [B])

##### Connections for Injector #1

Meter (+) → BL/R lead (terminal 42)

Meter (-) → Battery (-) Terminal

##### Connections for Injector #2

Meter (+) → BL/G lead (terminal 41)

Meter (-) → Battery (-) Terminal

- Turn the ignition switch ON.
- Start the engine.

Standard: Battery Voltage (12.8 V or more)

- Turn the ignition switch OFF.

- ★ If the output voltage is normal, perform "Injector Signal Test".
- ★ If the output voltage is out of the standard, turn the ignition switch OFF, remove the fuel tank, and check the injector wiring for continuity.

### Injector Wiring Inspection

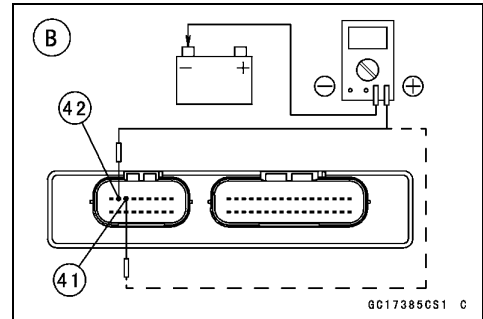
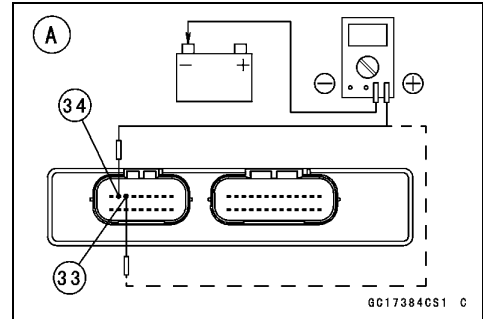
#### (Other than Europe Models)

ECU Connector		Injector Connectors
Terminal 12	→	Injector #1 Terminal (W/R)
Terminal 12	→	Injector #2 Terminal (W/R)
Terminal 34	→	Injector #1 Terminal (BL/R)
Terminal 33	→	Injector #2 Terminal (BL/G)

#### (Europe Models)

ECU Connector		Injector Connectors
Terminal 16	→	Injector #1 Terminal (W/R)
Terminal 16	→	Injector #2 Terminal (W/R)
Terminal 42	→	Injector #1 Terminal (BL/R)
Terminal 41	→	Injector #2 Terminal (BL/G)

- ★ If the wiring is good, inspect the resistance of the injectors (see Injector Resistance Inspection).
- Remove the needle adapter.
- Apply silicone sealant to the seals of the ECU connector for waterproofing.



## 3-108 FUEL SYSTEM (DFI)

### Fuel Injectors

#### Injector Signal Test

- Prepare two test light sets with male terminals as shown.  
Rating of Bulb [A]: 12 V × 3 ~ 3.4 W  
Terminal Width [B]: 1.8 mm  
Terminal Thickness [C]: 0.8 mm

#### CAUTION

**Do not use larger terminals than specified above. A larger terminal could damage the injector main harness connector (female), leading to harness repair or replacement.**

**Be sure to connect bulbs in series. The bulb works as a current limiter to protect the solenoid in the injector from excessive current.**

- Remove:
  - Fuel Tank (see Fuel Tank Removal)
- Remove connectors for injector [A].
- Connect each test light set [B] to the injector main harness connector [C].
- Connect the battery (–) lead terminal.
- While cranking the engine with the starter motor, watch the test lights.
- ★ If the test lights flicker at regular intervals, the injector circuit in the ECU, and the wiring are good. Perform the “Injector Resistance Inspection”.

○ Injector signals can be also confirmed by connecting the hand tester (× 10 V AC) instead of the test light set to the injector main harness (female) connector. Crank the engine with the starter motor, and check to see if the needle oscillates at regular intervals.

**Special Tool - Hand Tester: 57001-1394**

- ★ If the test light doesn't flicker (or the tester needle doesn't oscillates), check the wiring and connectors again. If the wiring is good, the ECU is suspect. Replace the ECU.

#### Injector Resistance Inspection

- Remove:
  - Fuel Tank (see Fuel Tank Removal)
- Disconnect the connector from the injector (see Injector Removal).
- Measure the injector resistance with a digital voltmeter [A].

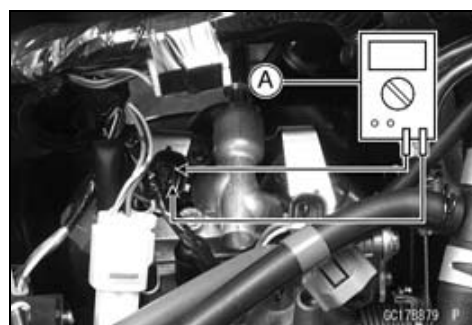
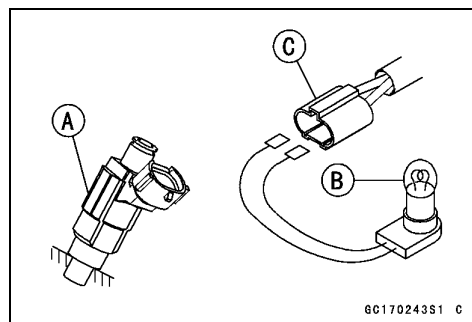
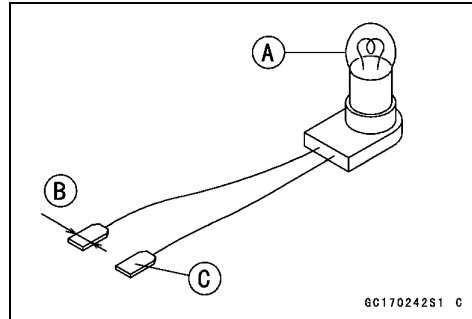
#### Injector Resistance

##### Connections to Injector

Meter (+)		Meter (–)
#1: W/R	↔	BL/R Terminal
#2: W/R	↔	BL/G Terminal

**Standard: 11.7 ~ 12.3 Ω at 20°C (68°F)**

- ★ If the reading is out of the range, perform the “Injector Unit Test”.
- ★ If the reading is normal, perform the “Injector Unit Test” for confirmation.



## Fuel Injectors

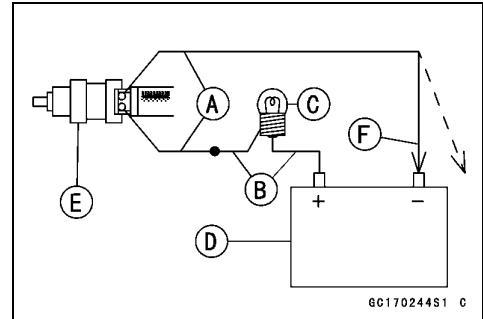
### Injector Unit Test

- Use two wires [A] and the same test light set [B] as in "Injector Signal Test".  
Rating of Bulb [C]: 12 V × (3 ~ 3.4) W  
12 V Battery [D]

**CAUTION**

**Be sure to connect the bulb in series. The bulb works as a current limiter to protect the solenoid in the injector from excessive current.**

- Connect the test light set to the injector [E] as shown.
- Open and connect [F] the end of the wire to the battery (-) terminal repeatedly. The injector should click.
- ★ If the injector does not click, replace the injector.
- ★ If the injector clicks, check the wiring again. If the wiring is good, replace the injector (may be clogged) or ECU.

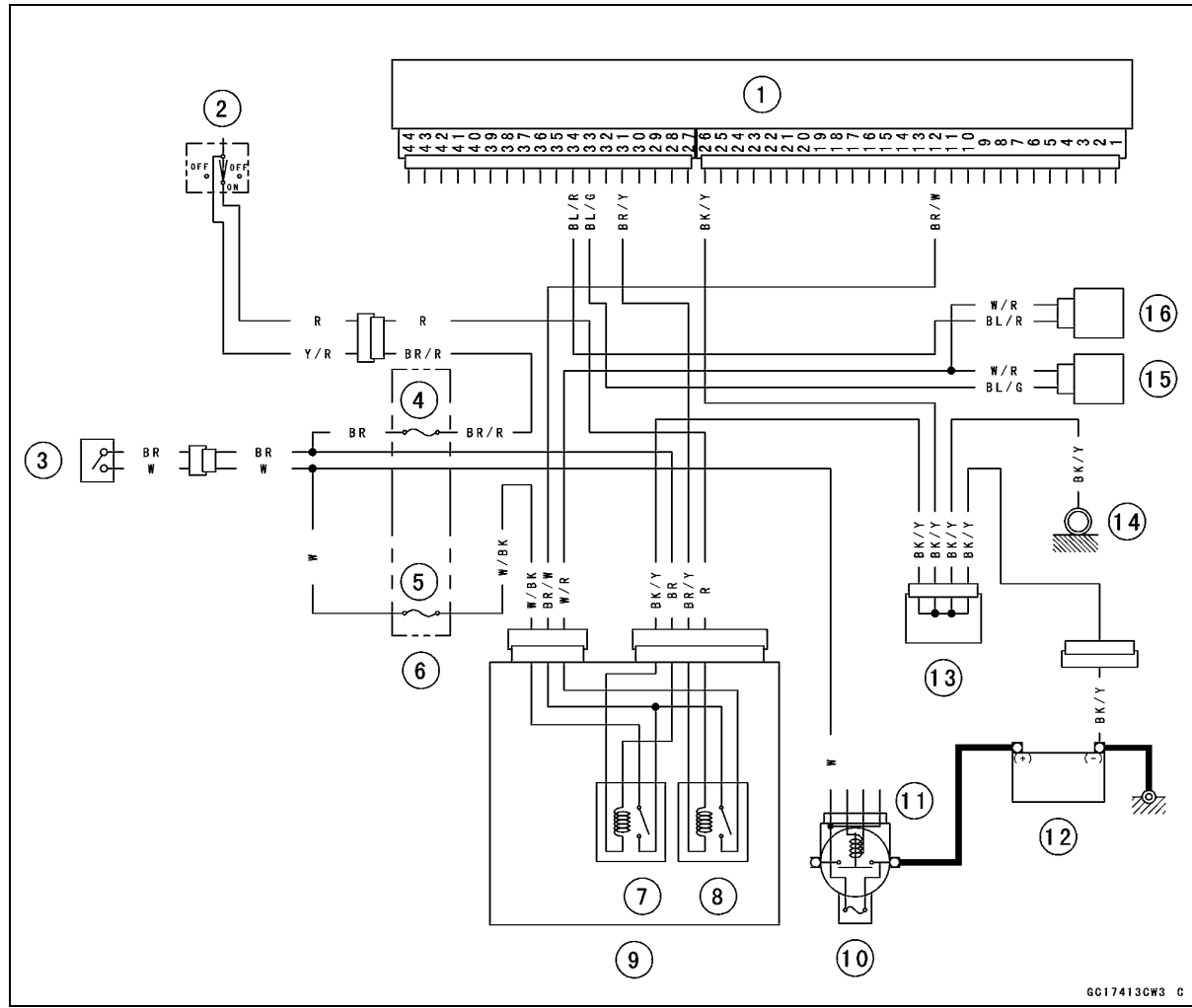


6C170244S1 C

# 3-110 FUEL SYSTEM (DFI)

## Fuel Injectors

### Fuel Injector Circuit (Other than Europe Models)

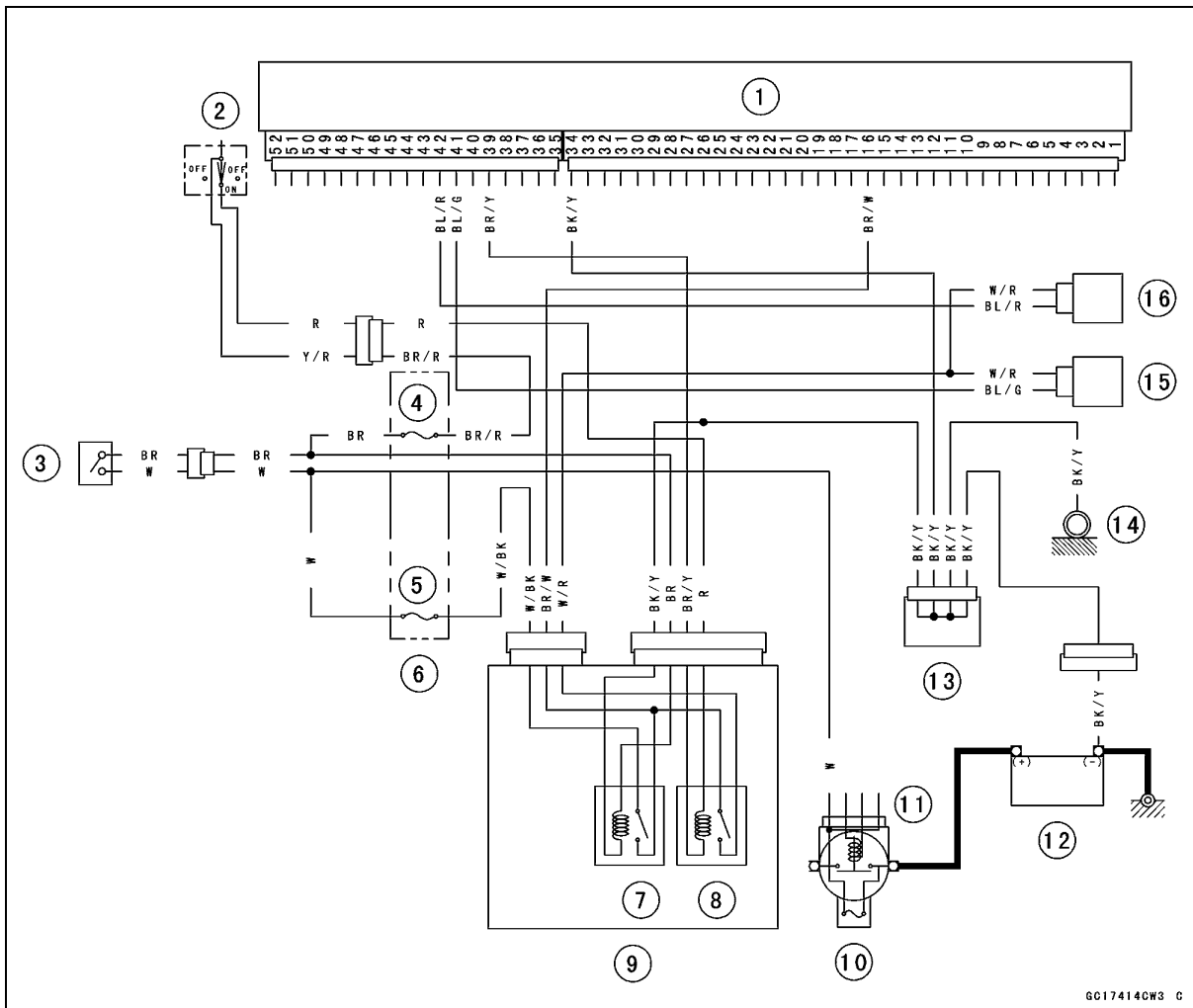


1. ECU
2. Engine Stop Switch
3. Ignition Switch
4. Ignition Fuse 10 A
5. ECU Fuse 15 A
6. Fuse Box
7. ECU Main Relay
8. Fuel Pump Relay
9. Relay Box
10. Main Fuse 30 A
11. Starter Relay
12. Battery
13. Joint Connector C
14. Frame Ground
15. Injector #2
16. Injector #1

6G174130W3 C

Fuel Injectors

Fuel Injector Circuit (Other than Europe Models)



- 1. ECU
- 2. Engine Stop Switch
- 3. Ignition Switch
- 4. Ignition Fuse 10 A
- 5. ECU Fuse 15 A
- 6. Fuse Box
- 7. ECU Main Relay
- 8. Fuel Pump Relay
- 9. Relay Box
- 10. Main Fuse 30 A
- 11. Starter Relay
- 12. Battery
- 13. Joint Connector C
- 14. Frame Ground
- 15. Injector #2
- 16. Injector #1

## 3-112 FUEL SYSTEM (DFI)

### Throttle Grip and Cables

#### **Throttle Grip Free Play Inspection**

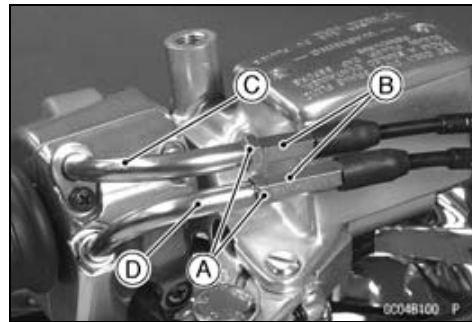
- Refer to Throttle Control System Inspection in the Periodic Maintenance Chapter.

#### **Throttle Grip Free Play Adjustment**

- Loosen the locknuts [A] and screw the adjusters [B] all the way in so as to give the throttle grip plenty of play.
- Turn out the adjuster of the decelerator cable [D] until there is no play.
- Tighten the locknut against the adjuster.
- Turn the adjuster of the accelerator cable [C] until the proper amount of throttle grip free play is obtained and tighten the locknut against the adjuster.

#### **⚠ WARNING**

**Operation with incorrectly routed or improperly adjusted cables could result in an unsafe riding condition.**



#### **Cable Removal/Installation**

- See Throttle Body Assy and Intake Manifold section in this chapter for removal/installation of the throttle cables.

#### **Cable Lubrication and Inspection**

- Whenever the throttle cables are removed or in accordance with the Periodic Maintenance Chart, lubricate these cables. Refer to the General Lubrication in the Periodic Maintenance Chapter.
- Use a commercially available pressure cable lubricator to lubricate these cables.
- With the cable disconnected at both ends, the cable should move freely in the cable housing.

## Throttle Body Assy

### Idle Speed Inspection

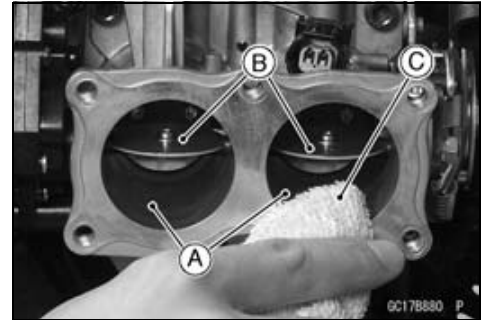
- Refer to Idle Speed Inspection in the Periodic Maintenance Chapter.

### Idle Speed Adjustment

- Refer to Idle Speed Adjustment in the Periodic Maintenance Chapter.

### Throttle Bore Cleaning

- Check the throttle bore for cleanliness as follows:
  - Remove the air cleaner housing (see Air Cleaner Housing Removal).
  - Check the throttle bores [A] at the throttle valves [B] and around them for carbon deposits by opening the valves.
  - ★ If any carbon accumulates, wipe the carbon off the throttle bores around the throttle valves, using a lint-free cloth [C] penetrated with a high-flash point solvent.



### High Altitude Performance Adjustment

- Any modification is not necessary in this model since the atmospheric pressure sensor senses pressure change due to high altitude and the ECU compensates the change.

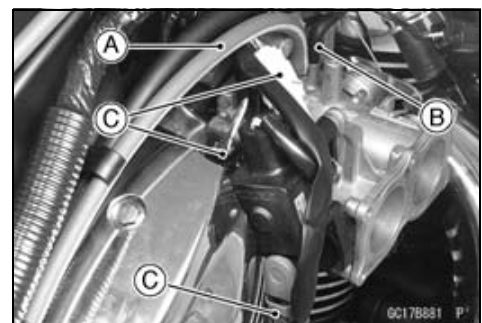
### Throttle Body Assy and Intake Manifold Removal

- Remove the fuel tank (see Fuel Tank Removal).

#### **⚠ WARNING**

**Gasoline is extremely flammable and can be explosive under certain conditions. Make sure the area is well-ventilated and free from any source of flame or sparks; this includes any appliance with a pilot light. Do not smoke. Turn the ignition switch OFF. Disconnect the battery (–) terminal. Be prepared for fuel spillage; any spilled fuel must be completely wiped up immediately.**

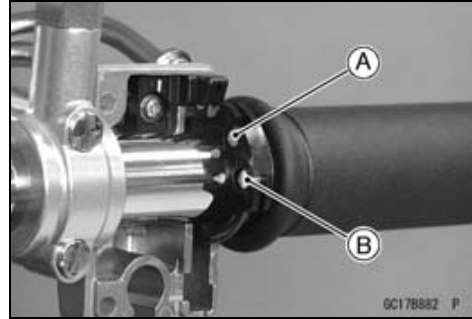
- Remove:
  - Air Cleaner Housing (see Air Cleaner Housing Removal)
- Disconnect:
  - Vacuum Hose [A] from Separator (California Model)
  - Vacuum Hose [B] from Inlet Air Pressure Sensor Connectors [C]



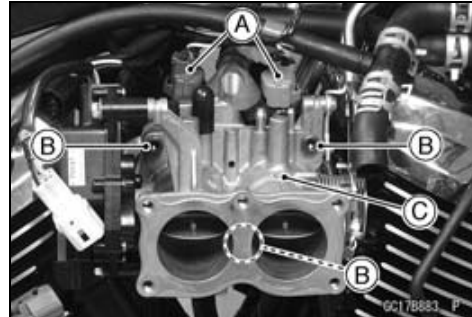
## 3-114 FUEL SYSTEM (DFI)

### Throttle Body Assy

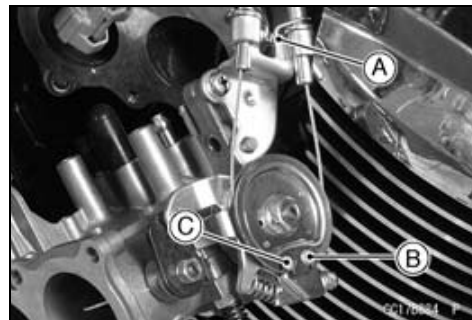
- Remove the screws and take off the right switch housing.
- Remove the accelerator cable end [A] and decelerator cable end [B] at the throttle grip.



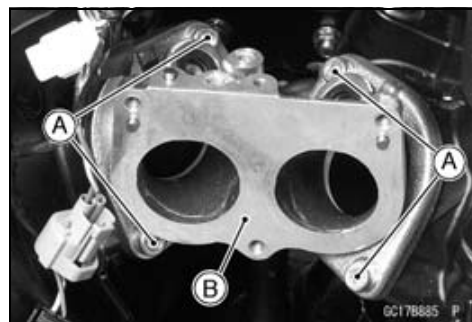
- Disconnect the injector connectors [A].
- Unscrew the bolts [B] and remove the throttle body assy [C] with the throttle cables from the intake manifold.



- Remove:
  - Clip [A]
  - Accelerator Cable End [B]
  - Decelerator Cable End [C]



- Remove the injectors (see Injector Removal).
- Unscrew the mounting bolts [A] and remove the intake manifold [B].





## Throttle Body Assy

- Be careful not to damage (dent, nick, flaw, and crack) the flange mating surface and the plastic parts.
- Do not drop the throttle body assy, especially on a hard surface.

### ⚠ WARNING

**The throttle body assy should never be allowed to fall. Throttle may become stuck, possibly causing an accident.**

- Stuff a piece of lint-free, clean cloth into the throttle body assy, and the inlet ports of the cylinder heads to keep dirt out of the engine.

### ⚠ WARNING

**If dirt or dust is allowed to pass through into the throttle bore, the throttle may become stuck, possibly causing an accident.**

### CAUTION

**If dirt gets through into the engine, excessive engine wear and possibly engine damage will occur.**

- Do not remove or adjust the throttle sensors [A] and sub throttle valve actuator [B]. These parts are set at the factory and cannot be readjusted.

### CAUTION

**Adjustment of some parts could result in poor performance, requiring replacement of the throttle body.**

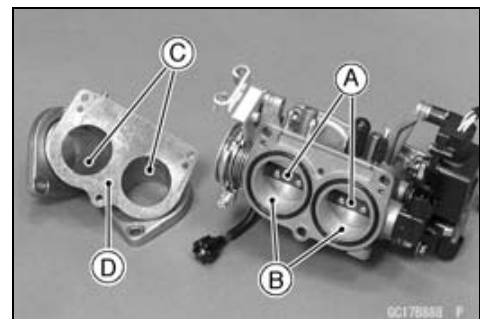
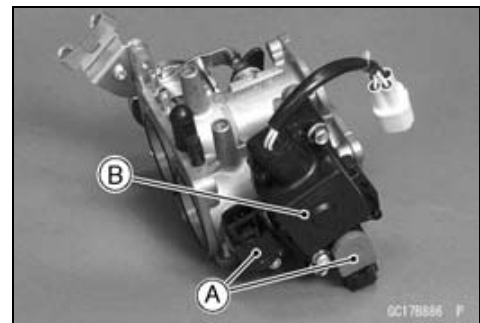
### Throttle Body Assy and Intake manifold Installation

- Turn the throttle pulley [A] to check that the throttle valves move smoothly and return by spring force.
- ★ If the throttle valves do not move smoothly, replace the throttle body.

- Open the butterfly valves [A], and wipe any carbon off the throttle bores [B] around the valves, using a piece of lint-free cloth penetrated with a high-flash point solvent.
- Clean the bores [C] of the inlet manifold [D] as well.
- Blow away dirt or dust from the throttle body and the inlet manifold by applying compressed air.

### CAUTION

**Do not immerse the throttle body (or throttle assy) in a high-flash point solvent for cleaning. This could damage the throttle sensor on the throttle body.**



## 3-116 FUEL SYSTEM (DFI)

### Throttle Body Assy

- Before Installation, visually inspect the mating surfaces [A] for any damage, like dent, nick, rust, flaw, and crack.
- Nick or rust damage can sometimes be repaired by using emery paper (first No. 200, then 400) to remove sharp edges or raised areas.
- ★ If the damage is not repairable, replace the throttle body and/or the inlet manifold to prevent leakage.
- With a high-flash point solvent, clean off the mating surfaces and wipe dry.
- Be sure to install the dowel pins [B].
- Fit the new gasket [C] into the groove. Be careful not to pinch the gasket between the mating surfaces.
- Replace the flange seals [A] with a new one.
- With a high-flash point solvent, clean off the flange surface of the cylinder head and wipe dry.
- Install the flanges [B] and seal so that the larger diameter end face cylinder head.
- The seal should be centered on the flange.
- Apply a non-permanent locking agent to the inlet manifold bolts, and tighten them.

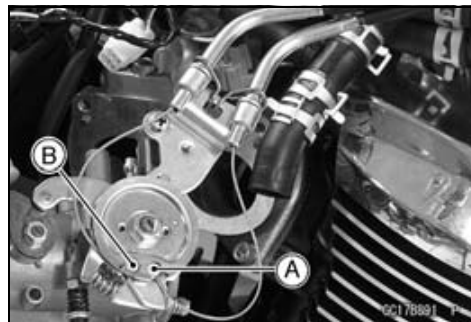
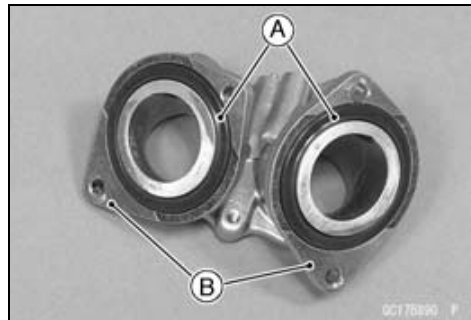
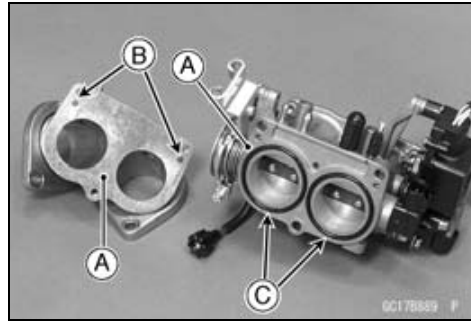
**Torque - Inlet Manifold Bolts: 9.8 N·m (1.0 kgf·m, 87 in·lb)**

- Install the lower end of the throttle cables in the throttle pulley.
  - Accelerator Cable [A]
  - Decelerator Cable [B]

- Install the throttle body assy.
- Tighten:

**Torque - Throttle Body Assy Holder Bolts: 9.8 N·m (1.0 kgf·m, 87 in·lb)**

- Stake the cable clip [A] on the throttle cable holder [B].

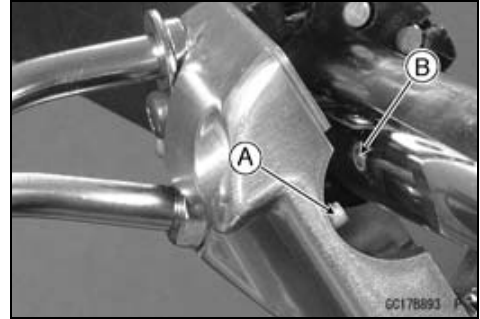


## Throttle Body Assy

- Apply a thin coating of grease to the throttle cable upper ends.
- Install the upper ends of the throttle cables in the grip.
- Fit the projection [A] of the right switch housing into the hole [B] of the handlebar.
- Turn the throttle grip and make sure that the throttle valves move smoothly and return by spring force.
- Check the throttle grip free play (see Throttle Control System Inspection in the Periodic Maintenance chapter).

### **⚠ WARNING**

**Operation with an incorrectly routed cable could result in an unsafe riding condition.**



## 3-118 FUEL SYSTEM (DFI)

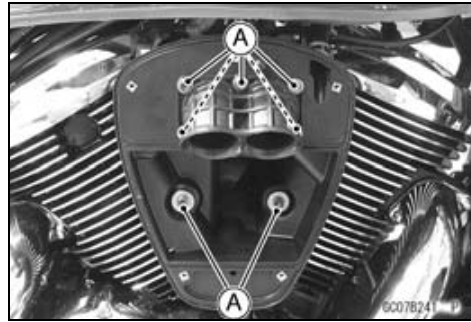
### Air Cleaner

#### **Air Cleaner Element Removal/Installation**

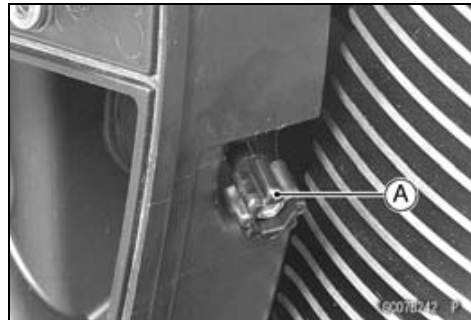
- Refer to the Air Cleaner Element Replacement in the Periodic Maintenance chapter.

#### **Air Cleaner Housing Removal**

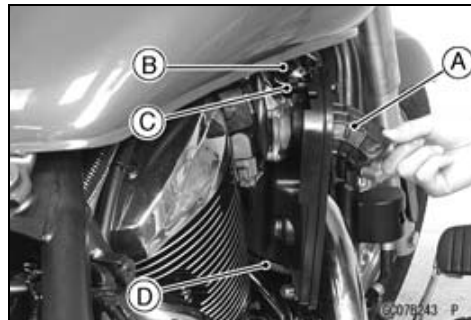
- Remove the air cleaner housing bolts [A].



- Clear the idle speed screw [A] from the recess on the air cleaner housing.

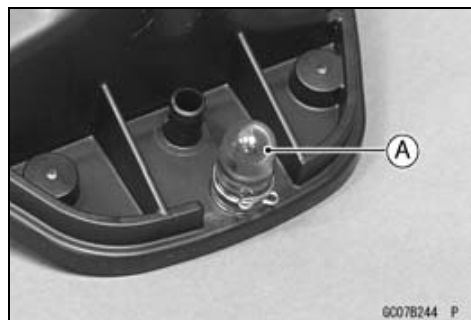


- Pull the air cleaner housing [A] and disconnect the following.
  - Air Switching Valve Hose [B]
  - Inlet Air Temperature Sensor Connector [C]
  - Crankcase Breather Hose [D]
- Remove the air cleaner housing.



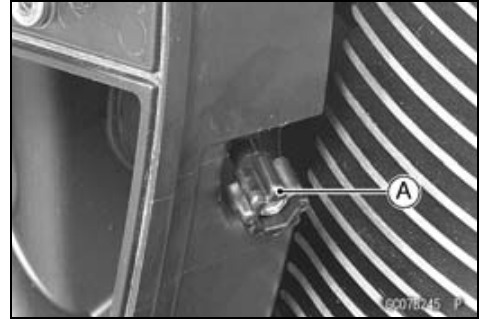
#### **Air Cleaner Housing Installation**

- Check that oil is in the breather drain cap [A].
  - ★ If necessary, drain the oil in the cap.



**Air Cleaner**

- Fit the idle speed screw [A] in the recess on the air cleaner housing.

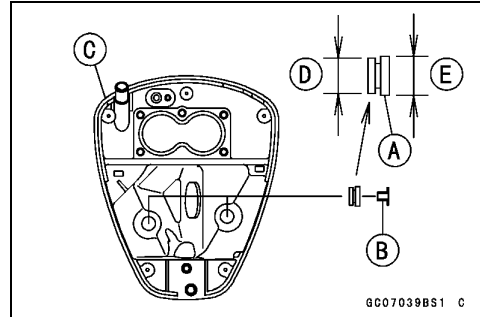


- Be sure the dampers [A] and collars [B] are in position.
- Install the damper [A] into the air cleaner housing [C] as shown.

Smaller Diameter [D]  
Larger Diameter [E]

**Torque - Air Cleaner Housing Bolts: 9.8 N·m (1.0 kgf·m, 87 in·lb)**

**Air Cleaner Cover Bolts: 4.9 N·m (0.50 kgf·m, 43 in·lb)**



## 3-120 FUEL SYSTEM (DFI)

### Fuel Tank

#### Fuel Tank Removal

#### **⚠ WARNING**

Gasoline is extremely flammable and can be explosive under certain conditions. Make sure the area is well-ventilated and free from any source of flame or sparks; this includes any appliance with a pilot light. Do not smoke. Turn the ignition switch OFF. Disconnect the battery (-) terminal.

To avoid fire, do not remove the fuel tank when the engine is still hot. Wait until it cools down.

To make fuel spillage minimum, draw the fuel out from the fuel tank with a pump as much as possible when the engine is cold.

Be prepared for fuel spillage; any spilled fuel must be completely wiped up immediately.

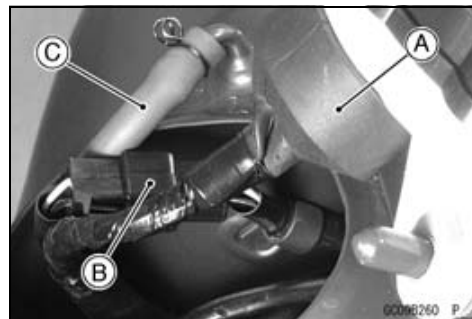
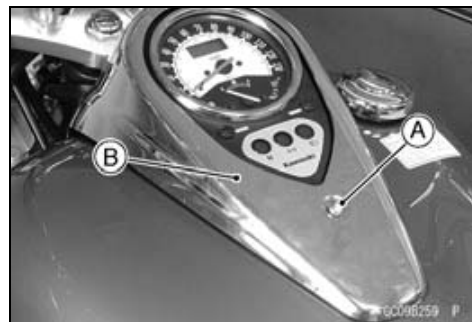
- Turn both ignition switch, and engine stop switch OFF.
- Wait until the engine cools down.
- Open the fuel tank cap [A] to lower the pressure in the tank, and draw the fuel out from the fuel tank with a commercially available pump.

#### **⚠ WARNING**

The fuel cannot be removed completely from the fuel tank. Be careful for remained fuel spillage.

- Disconnect the battery (-) terminal.
- Remove:
  - Bolt [A]
  - Meter Cover [B]

- Disconnect:
  - Meter Connector [A]
  - Fuel Level Sensor Connector [B]
  - Breather Hose [C]



## Fuel Tank

- Remove:
  - Seat (see Seat Removal in the Frame chapter)
  - Fuel Tank Bolts [A]
  
- Disconnect (California Model):
  - Fuel Return Hose (Red) [A]
  
- Unscrew the screw [A], and pull out the ignition coil cover [B].
  
- Disconnect:
  - Fuel Pump Connector [A]



## 3-122 FUEL SYSTEM (DFI)

### Fuel Tank

- Place a cloth around the fuel hose joint.
- Insert a minus screw driver [A] into the slit on the joint lock [B].
- Turn the driver to disconnect the joint lock.
- Pull [C] the fuel hose joint [D] out of the outlet pipe.

#### CAUTION

When removing the fuel hose joint, do not apply strong force to the outlet pipe on the fuel pump. The pipe made from resin could be damaged.

#### ⚠ WARNING

Be prepared for fuel spillage; any spilled fuel must be completely wiped up immediately. When the fuel hose is disconnected, fuel spills out from the hose and the pipe because of residual pressure. Cover the hose connection with a piece of clean cloth to prevent fuel spillage.

- Close the fuel tank cap.
- Remove the fuel tank from the vehicle, and place it on a flat surface.

#### CAUTION

For California model, if gasoline, solvent, water or any other liquid enters the canister, the canister's vapor absorbing capacity is greatly reduced. If the canister does become contaminated, replace it with a new one.

- For California model, note the following:
  - To prevent the gasoline from flowing into or out of the canister, hold the separator perpendicular to the ground.

#### ⚠ WARNING

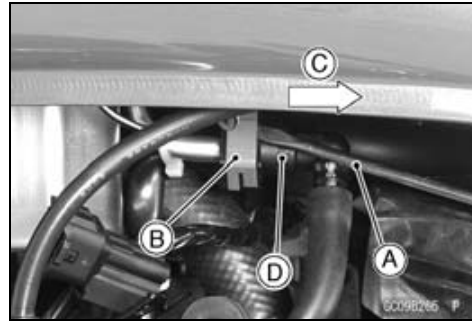
For California model, be careful not to spill the gasoline through the return hose. Spilled fuel is hazardous.

- ★ If liquid or gasoline flows into the breather hose, remove the hose and blow it clean with compressed air (California model).

- Be careful of fuel spillage from the fuel tank since fuel still remains in the fuel tank and fuel pump.

#### ⚠ WARNING

Store the fuel tank in an area which is well-ventilated and free from any source of flame or sparks. Do not smoke in this area. Place the fuel tank on a flat surface and plug the fuel pipes to prevent fuel leakage.





**Fuel Tank**

**Fuel Tank Installation**

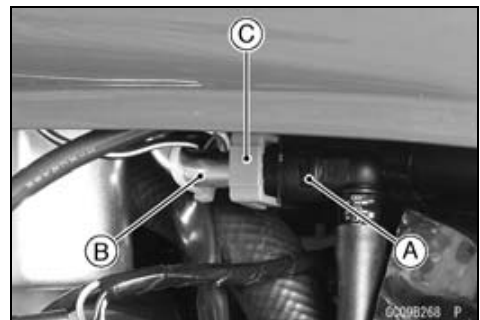
- Read the above WARNING.
- Route the hoses correctly (see Cable, Wire and Hose Routing section in the Appendix chapter).
- For California model, note the following:
  - To prevent the gasoline from flowing into or out of the canister, hold the separator perpendicular to the ground.
  - Connect the hoses according to the diagram of the system. Make sure they do not get pinched or kinked.
  - Route hoses with a minimum of bending so that the air or vapor will not be obstructed.
- Check that the rubber dampers [A] are in place.
- ★ If the dampers are damaged or deteriorated, replace them.



- Pull [A] the joint lock [B] fully as shown.



- Insert the fuel hose joint [A] straight onto the tank outlet pipe [B].
- Push the joint lock [C].

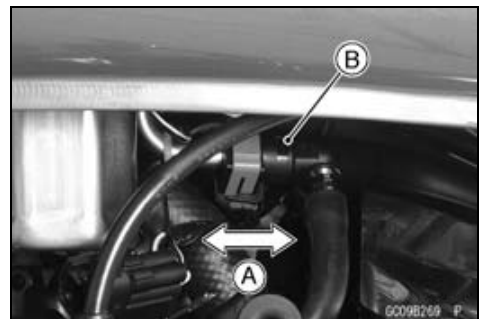


- Push and pull [A] the hose joint [B] back and forth more than two times and make sure it is locked and doesn't come off.

**⚠ WARNING**

**Make sure the hose joint is installed correctly on the delivery pipe by sliding the joint, or the fuel could leak.**

- ★ If it comes off, reinstall the hose joint.
- Connect the fuel pump, meter and the fuel level sensor connectors and the battery (-) lead terminal.



## 3-124 FUEL SYSTEM (DFI)

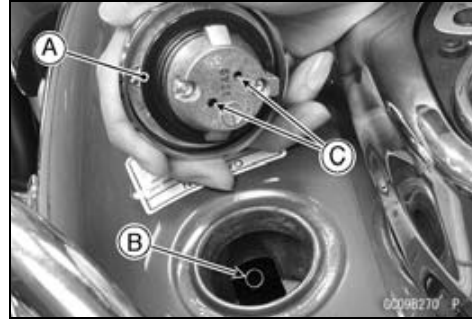
### Fuel Tank

#### **Fuel Tank and Cap Inspection**

- Visually inspect the gasket [A] on the tank cap for any damage.
- ★ Replace the gasket if it is damaged.
- Check to see if the breather pipe [B] in the tank is not clogged.
- ★ If the breather pipe is clogged, blow the breather free with compressed air.

#### **CAUTION**

**Do not apply compressed air to the air vent holes [C] in the tank cap. This could damage and clog the labyrinth in the cap.**



#### **Fuel Tank Cleaning**

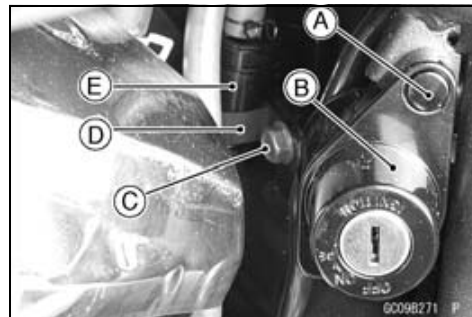
#### **⚠ WARNING**

**Clean the tank in a well-ventilated area, and take care that there are no sparks or flame anywhere near the working area. Because of the danger of highly flammable liquids, do not use gasoline or low-flash point solvent to clean the tank.**

- Remove the fuel tank (see Fuel Tank Removal).
- Remove the fuel pump from the fuel tank (see Fuel Pump Removal).
- Fill the fuel tank with some high-flash point solvent, and shake the tank to remove dirt and fuel deposits.
- Draw the solvent out of the tank.
- Dry the tank with compressed air.
- Install the fuel pump on the fuel tank (see Fuel Pump Installation).
- Install the fuel tank (see Fuel Tank Installation).

#### **Breather Check Valve Inspection**

- Remove:
  - Cap [A] and Bolt
  - Ignition Switch [B]
  - Bolt [C]
  - Clamp [D]
  - Breather Hoses
  - Breather Check Valve [E]

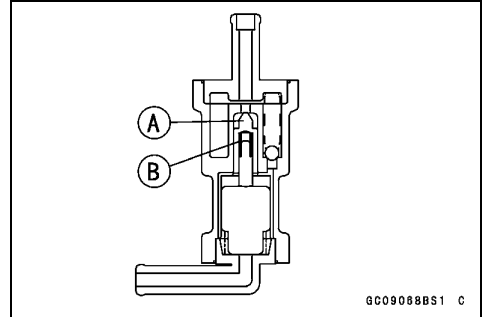


## Fuel Tank

- Check to see if the valve [A] slides smoothly when pushing it in with a wooden or other soft rod, and see if it comes back to its seat by pressure of the spring [B].

### NOTE

- *Inspect the valve in its assembled state. Disassembly and assembly may change the valve performance.*
- ★ If any rough spots are found during above inspection, wash the valve clean with a high-flash point solvent and blow out any foreign particles that may be in the valve with compressed air in a well-ventilated area.
- Take care that there is no spark or flame anywhere near the working area.
- ★ If cleaning does not solve the problem, replace the check valve.



## 3-126 FUEL SYSTEM (DFI)

### Evaporative Emission Control System

The Evaporative Emission Control System for California Model routes fuel vapors from the fuel system into the running engine or stores the vapors in a canister when the engine is stopped. Although no adjustments are required, a thorough visual inspection must be made at the intervals specified by the Periodic Maintenance Chart.

#### **Parts Removal/Installation**

#### **⚠ WARNING**

**Gasoline is extremely flammable and can be explosive under certain conditions. Make sure the area is well-ventilated and free from any source of flame or sparks; this includes any appliance with a pilot light. Do not smoke. Turn the ignition switch OFF.**

#### **CAUTION**

**If gasoline, solvent, water or any other liquid enters the canister, the canister's vapor absorbing capacity is greatly reduced. If the canister does become contaminated, replace it with a new one.**

- To prevent the gasoline from flowing into or out of the canister, hold the separator perpendicular to the ground.
- Be sure to plug the return hose to prevent fuel spilling before fuel tank removal.

#### **⚠ WARNING**

**When removing the fuel tank, be careful not to spill the gasoline through the return hose. Spilled fuel is hazardous.**

- ★ If liquid or gasoline flows into the breather hose, remove the hose and blow it clean with compressed air.
- Connect the hoses according to the diagram of the system (see Cable, Wire and Hose Routing section in the Appendix chapter). Make sure they do not get pinched or kinked.
- Route hoses with a minimum of bending so that the air or vapor will not be obstructed.

#### **Canister Installation**

- Refer to the Evaporative Emission Control System Inspection in the Periodic Maintenance chapter.

#### **Canister Inspection (Periodic Inspection)**

- Refer to the Evaporative Emission Control System Inspection in the Periodic Maintenance Chapter.

#### **Separator Inspection (Periodic Inspection)**

- Refer to the Evaporative Emission Control System Inspection in the Periodic Maintenance chapter.

#### **Hose Inspection (Periodic Inspection)**

- Refer to the Evaporative Emission Control System Inspection in the Periodic Maintenance chapter.

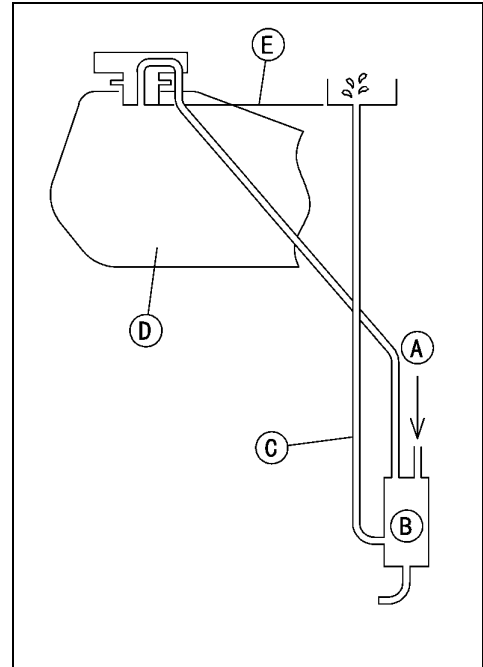
## Evaporative Emission Control System

### Separator Operation Test

#### **⚠ WARNING**

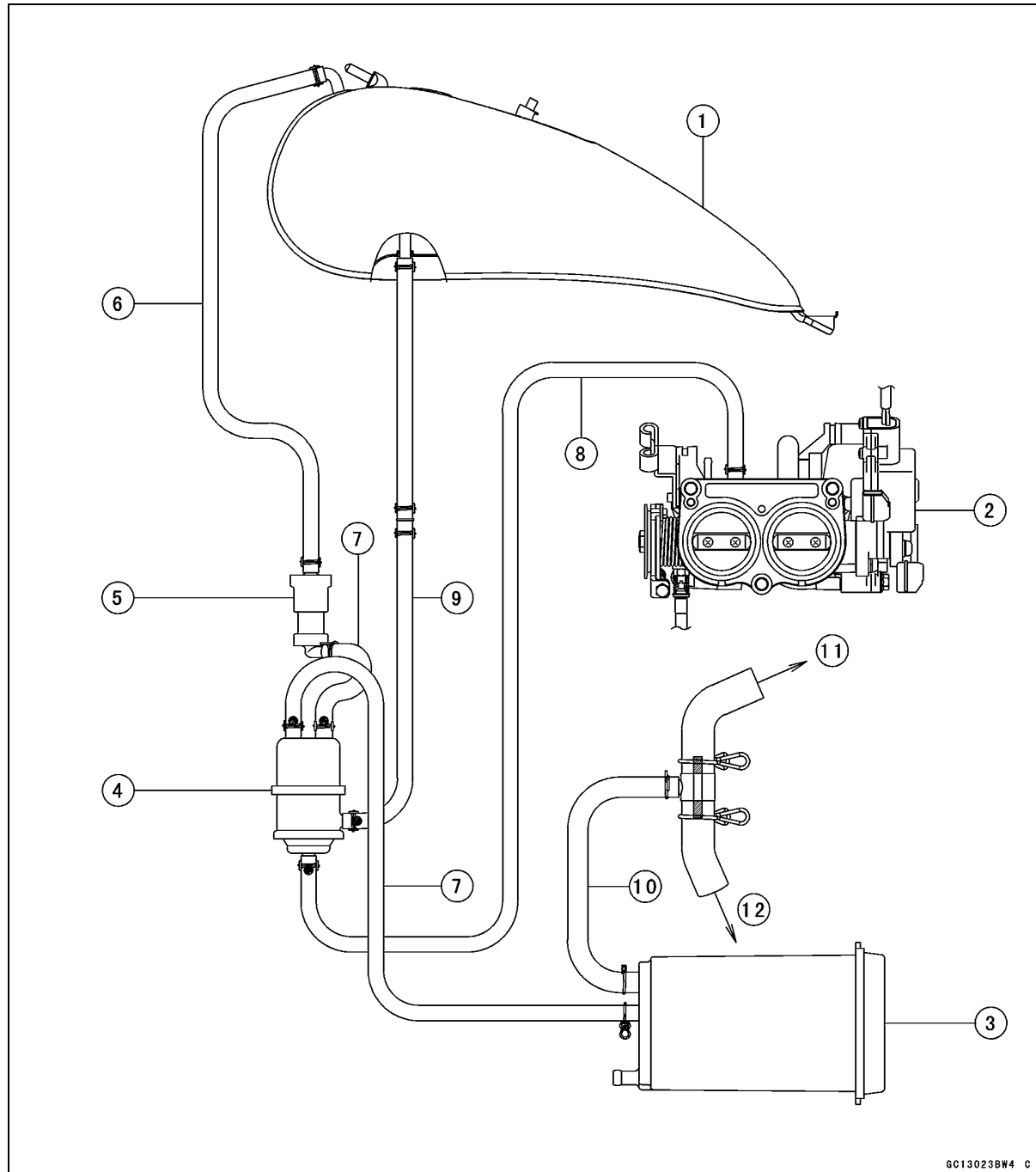
Gasoline is extremely flammable and can be explosive under certain conditions. Make sure the area is well-ventilated and free from any source of flame or sparks; this includes any appliance with a pilot light. Do not smoke. Turn the ignition switch OFF.

- Remove the seat and left side cover (see Frame chapter).
- Connect the hoses to the separator.
- Disconnect the breather hose from the separator, and inject about **20 mL** of gasoline [A] into the separator [B] through the hose fitting.
- Disconnect the evaporative fuel return hose [C] from the fuel tank [D]
- Run the open end of the return hose into the container level with the tank top [E].
- Start the engine, and let it idle.
- ★ If the gasoline in the separator comes out of the hose, the separator works well. If it does not, replace the separator with a new one.



## 3-128 FUEL SYSTEM (DFI)

### Evaporative Emission Control System



1. Fuel Tank
2. Throttle Body
3. Canister
4. Separator
5. Breather Check Valve
6. Breather Hose
7. Breather Hose (Blue)
8. Vacuum Hose (White)
9. Fuel Return Hose (Red)
10. Purge Hose (Green)
11. To Air Switching Valve
12. To Air Cleaner

GC13023BW4 C

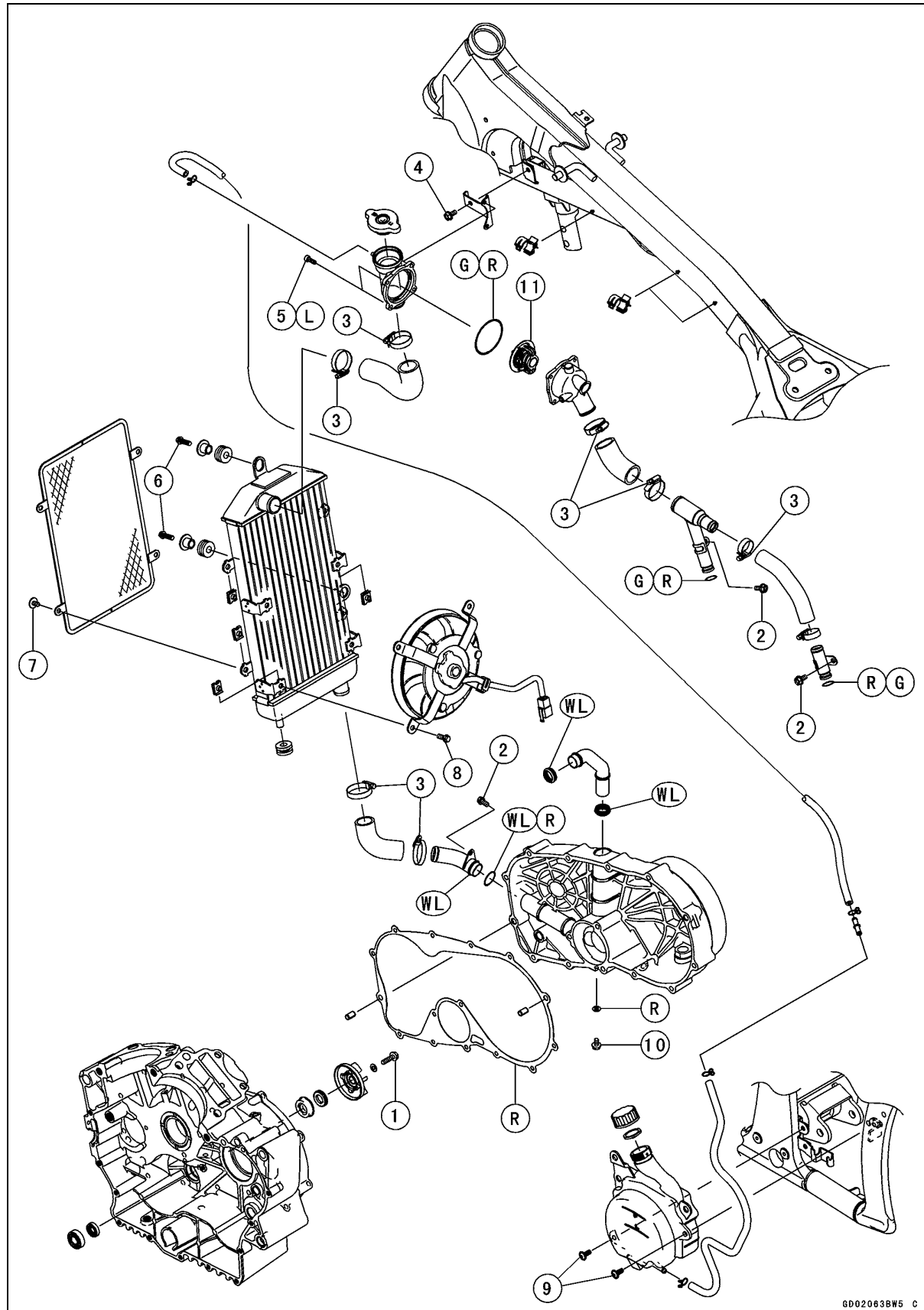
# Cooling System

## Table of Contents

Exploded View .....	4-2
Specifications .....	4-4
Special Tools and Sealant .....	4-5
Coolant Flow Chart.....	4-6
Coolant .....	4-8
Coolant Deterioration Inspection.....	4-8
Coolant Level Inspection.....	4-8
Coolant Draining .....	4-8
Coolant Filling .....	4-8
Pressure Testing .....	4-8
Reserve Tank Removal.....	4-9
Water Pump.....	4-10
Water Pump Impeller Removal .....	4-10
Water Pump Impeller Installation .....	4-10
Mechanical Seal Replacement .....	4-10
Water Pump Inspection.....	4-12
Radiator, Radiator Fan .....	4-13
Radiator and Radiator Fan Removal .....	4-13
Radiator Fan Installation .....	4-14
Radiator Inspection .....	4-14
Radiator Cap Inspection .....	4-15
Radiator Filler Neck Inspection .....	4-15
Thermostat .....	4-16
Thermostat Removal.....	4-16
Thermostat Installation.....	4-16
Thermostat Inspection .....	4-16
Hose and Pipes .....	4-18
Hose Installation .....	4-18
Hose Inspection .....	4-18
Water Temperature Sensor .....	4-19
Water Temperature Sensor Removal/Installation .....	4-19
Water Temperature Sensor Inspection .....	4-19

# 4-2 COOLING SYSTEM

## Exploded View





**Exploded View**

No.	Fastener	Torque			Remarks
		N·m	kgf·m	ft·lb	
1	Water Pump Impeller Bolt	9.8	1.0	87 in·lb	
2	Water Hose Fitting Bolts	9.8	1.0	87 in·lb	
3	Water (Radiator) Hose Clamp Screws	2.0	0.20	18 in·lb	
4	Thermostat Housing Cover Bracket Bolts	6.9	0.70	61 in·lb	
5	Thermostat Housing Cover Bolts	4.9	0.50	43 in·lb	L
6	Radiator Bolts	6.9	0.70	61 in·lb	
7	Radiator Screen Screws	6.9	0.70	61 in·lb	
8	Radiator Fan Bolts	8.3	0.85	73 in·lb	
9	Reserve Tank Bolts	6.9	0.70	61 in·lb	
10	Coolant Drain Bolt	9.8	1.0	87 in·lb	

- 11. Thermostat
- G: Apply grease.
- R: Replacement Parts
- WL: Apply soap and water solution.

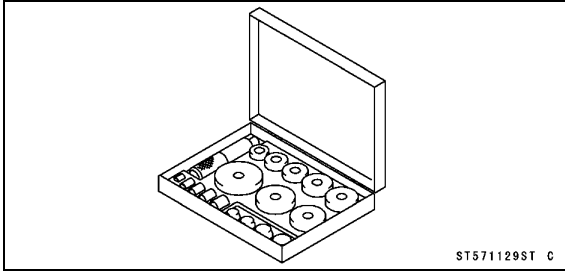
## 4-4 COOLING SYSTEM

### Specifications

Item	Standard	Service Limit
<b>Coolant Provided When Shipping</b>		
Type	Permanent type of antifreeze (soft water and ethylene glycol plus corrosion and rust inhibitor chemicals for aluminum engines and radiators)	— — —
Color	Green	— — —
Mixed Ratio	Soft water 50%, coolant 50%	— — —
Freezing Point	-35°C (-31°F)	— — —
Total Amount	2.2 L (2.3 us qt) (reserve tank full level including radiator and engine)	— — —
<b>Radiator Cap</b>		
Relief Pressure	93 ~ 123 kPa (0.95 ~ 1.25 kgf/cm <sup>2</sup> , 13 ~ 18 psi)	— — —
<b>Thermostat</b>		
Valve Opening Temperature	58 ~ 62°C (136 ~ 144°F)	— — —
Valve Full Opening Lift	8 mm (0.31 in.) or more @75°C (167°F)	— — —

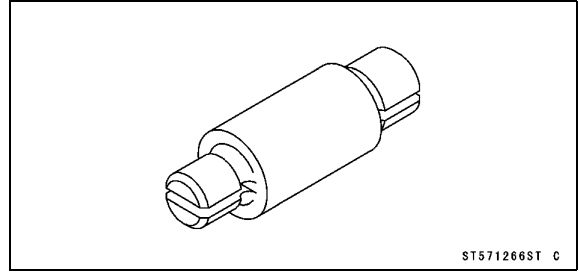
**Special Tools and Sealant**

**Bearing Driver Set:  
57001-1129**



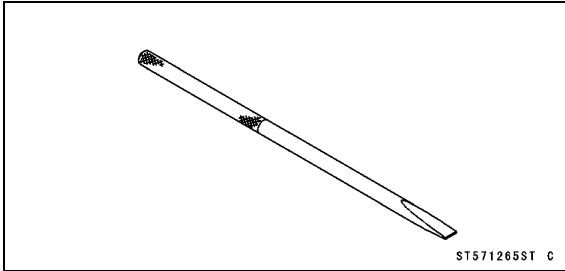
ST571129ST C

**Bearing Remover Head,  $\phi 10 \times \phi 12$ :  
57001-1266**



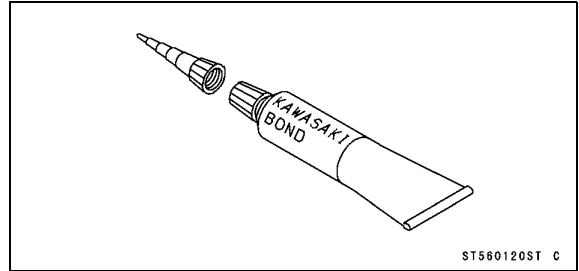
ST571266ST C

**Bearing Remover Shaft,  $\phi 9$ :  
57001-1265**



ST571265ST C

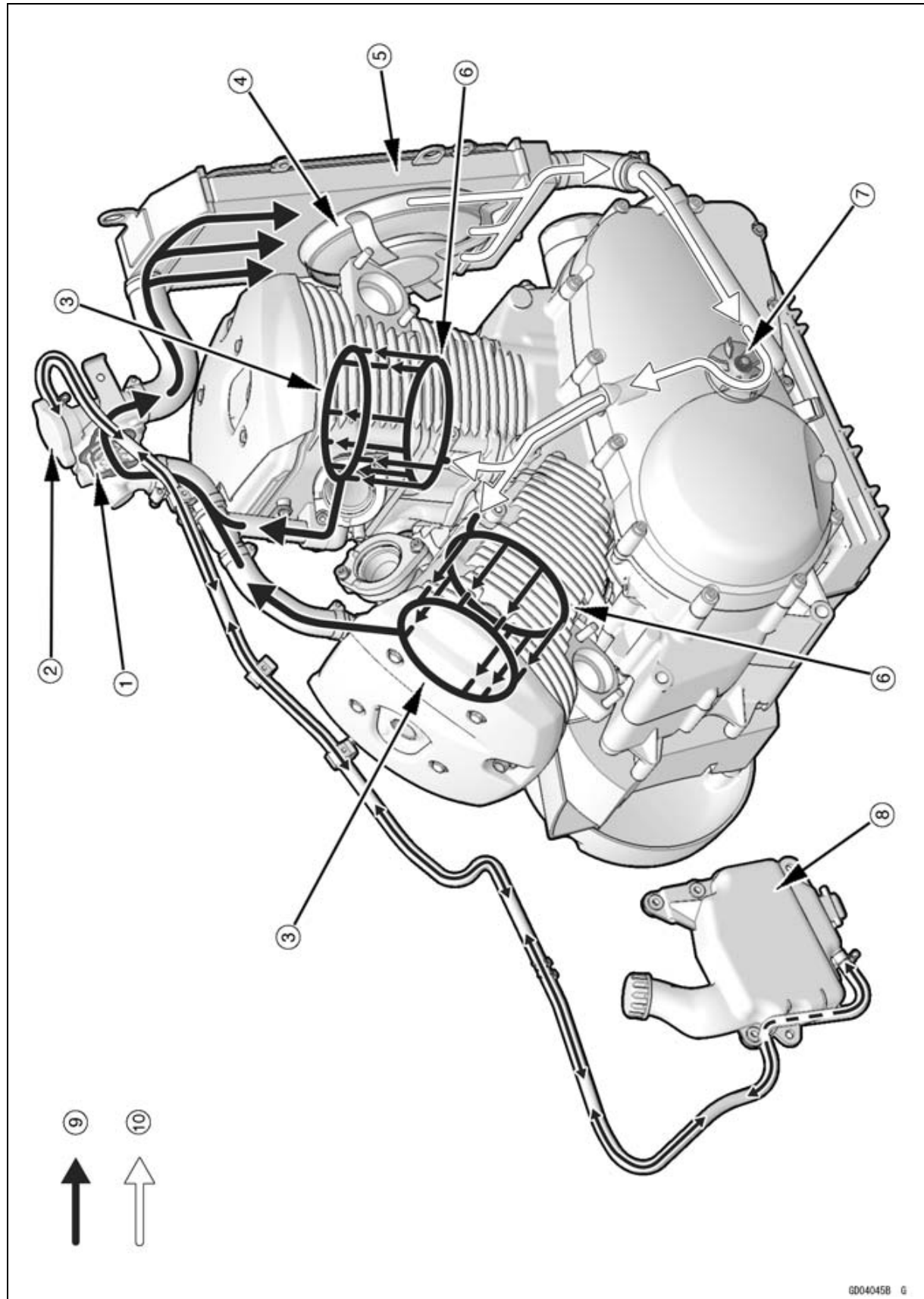
**Kawasaki Bond (Silicone Sealant):  
56019-120**



ST560120ST C

## 4-6 COOLING SYSTEM

### Coolant Flow Chart



---

**Coolant Flow Chart**

---

1. Thermostat
2. Radiator Cap
3. Cylinder Head Jacket
4. Radiator Fan
5. Radiator
6. Cylinder Jacket
7. Water Pump
8. Reserve Tank
9. Hot Coolant
10. Cold Coolant

Permanent type antifreeze is used as a coolant to protect the cooling system from rust and corrosion. When the engine starts, the water pump turns and the coolant circulates.

The thermostat is a wax pellet type which opens or closes with coolant temperature changes. The thermostat continuously changes its valve opening to keep the coolant temperature at the proper level. When coolant temperature is below 58 ~ 62°C (136 ~ 144°F), the thermostat closes so that the coolant flow is restricted through the air bleeder hole, causing the engine to warm up more quickly. When coolant temperature is more than 58 ~ 62°C (136 ~ 144°F), the thermostat opens and the coolant flows.

When the coolant temperature goes up beyond 100°C (212°F), the radiator fan relay conducts to operate the radiator fan. The radiator fan draws air through the radiator core when there is not sufficient air flow such as at low speeds. This increases up the cooling action of the radiator. When the temperature is 90°C (194°F), the fan relay opens and the radiator fan stops.

In this way, this system controls the engine temperature within narrow limits where the engine operates most efficiently even if the engine load varies.

The system is pressurized by the radiator cap to suppress boiling and the resultant air bubbles which can cause engine overheating. As the engine warms up, the coolant in the radiator and the water jacket expands. The excess coolant flows through the radiator cap and hose to the reserve tank to be stored there temporarily. Conversely, as the engine cools down, the coolant in the radiator and the water jacket contracts, and the stored coolant flows back to the radiator from the reserve tank.

The radiator cap has two valves. One is a pressure valve which holds the pressure in the system when the engine is running. When the pressure exceeds 93 ~ 123 kPa (0.95 ~ 1.25 kgf/cm<sup>2</sup>, 14 ~ 18 psi), the pressure valve opens and releases the pressure to the reserve tank. As soon as pressure escapes, the valve closes, and keeps the pressure at 93 ~ 123 kPa (0.95 ~ 1.25 kgf/cm<sup>2</sup>, 14 ~ 18 psi). When the engine cools down, another small valve (vacuum valve) in the cap opens. As the coolant cools, the coolant contracts to form a vacuum in the system. The vacuum valve opens and allows the coolant from the reserve tank to enter the radiator.

## 4-8 COOLING SYSTEM

### Coolant

#### **Coolant Deterioration Inspection**

- Visually inspect the coolant in the reserve tank.
- ★ If whitish cotton-like wafts are observed, aluminum parts in the cooling system are corroded. If the coolant is brown, iron or steel parts are rusting. In either case, flush the cooling system.
- ★ If the coolant gives off an abnormal smell, check for a cooling system leak. It may be caused by exhaust gas leaking into the cooling system.

#### **Coolant Level Inspection**

- Refer to the Coolant Level Inspection in the Periodic Maintenance chapter.

#### **Coolant Draining**

- Refer to the Coolant Change in the Periodic Maintenance chapter.

#### **Coolant Filling**

- Refer to the Coolant Change in the Periodic Maintenance chapter.

#### **Pressure Testing**

- Remove the fuel tank (see Fuel Tank Removal in the Fuel System (DFI) chapter).
- Remove the radiator cap, and install a cooling system pressure tester [A] on the filler neck.

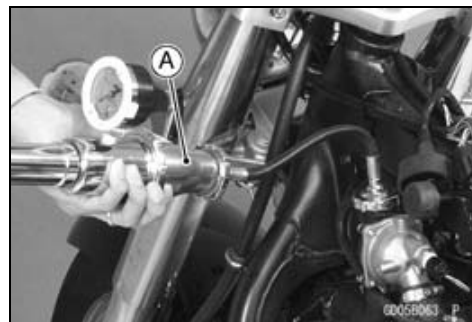
#### **NOTE**

- *Wet the cap sealing surfaces with water or coolant to prevent pressure leaks.*
- Build up pressure in the system carefully until the pressure reaches 123 kPa (1.25 kgf/cm<sup>2</sup>, 18 psi).

#### **CAUTION**

**During pressure testing, do not exceed the pressure for which the system is designed. The maximum pressure is 123 kPa (1.25 kgf/cm<sup>2</sup>, 18 psi).**

- Watch the gauge for at least 6 seconds.
- ★ If the pressure holds steady, the system is all right.
- ★ If the pressure drops and no external source is found, check for internal leaks. Droplets in the engine oil indicate internal leakage. Check the cylinder head gasket and the water pump.
- Remove the pressure tester, replenish the coolant, and install the radiator cap.



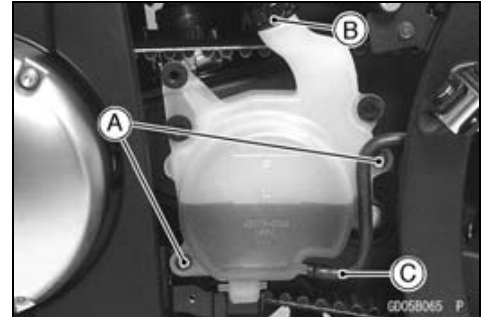
---

**Coolant**

---

**Reserve Tank Removal**

- Remove:
  - Left Side Cover (see Left Side Cover Removal in the Frame chapter)
  - Bolt [A]
  - Reserve Tank Cover [B]
  
- Remove:
  - Bolts [A]
  - Cap [B]
- Drain the coolant to the suitable container.
- Remove:
  - Hose [C]

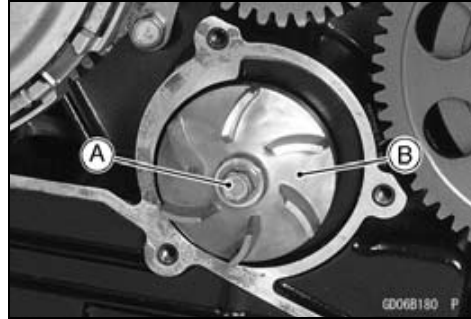


## 4-10 COOLING SYSTEM

### Water Pump

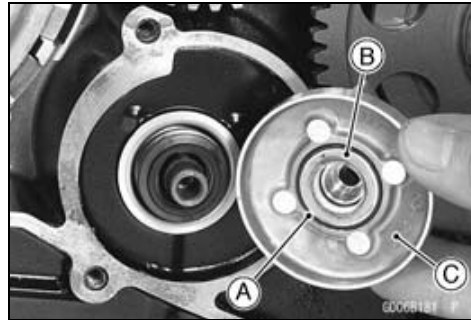
#### Water Pump Impeller Removal

- Drain:
  - Engine Oil (see Engine Oil Change in the Periodic Maintenance chapter)
  - Coolant (see Coolant Change in the Periodic Maintenance chapter)
- Remove:
  - Right Engine Cover (see Right Engine Cover Removal in the Clutch chapter)
  - Bolt [A] and Washer
  - Impeller [B]



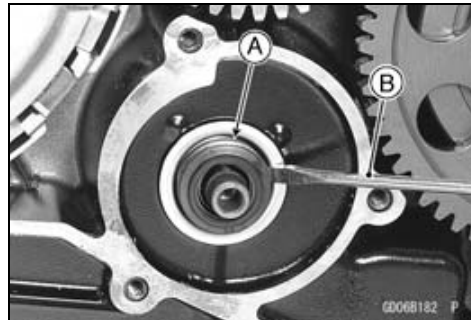
#### Water Pump Impeller Installation

- Be sure to install the rubber seal [A] and sealing seat [B] into the impeller [C] by hand until the seat bottoms out.
- Apply a little coolant to the sealing seat to give the seal initial lubrication.
- Put the washer on the water pump impeller bolt.
- Tighten:
  - Torque - Water Pump Impeller Bolt: 9.8 N·m (1.0 kgf·m, 87 in·lb)**



#### Mechanical Seal Replacement

- Remove:
  - Water Pump Impeller (see Water Pump Impeller Removal)
- Pry the mechanical seal flange [A] off with a small chisel [B].
- Pull the mechanical seal out of the right crankcase with needle nose pliers.



#### CAUTION

**Be careful not to damage the water pump shaft and the inner sealing surface of the crankcase.**

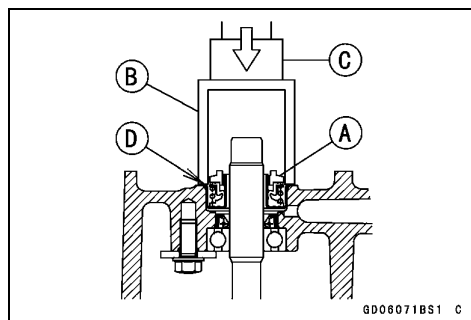
- Discard the mechanical seal.

#### NOTE

○ Since the replacement mechanical seal has an adhesive coated body, do not apply liquid gasket to the exterior surface of the body.

- Press the new mechanical seal [A] into the hole by using a suitable socket [B] and a bearing driver [C] until its flange touches the step [D].

**Special Tool - Bearing Driver Set: 57001-1129**



#### CAUTION

**Be careful not to damage the water pump shaft and mechanical seal.**



**Water Pump**

★ If the seal and ball bearing are damaged, replace the mechanical seal, ball bearing, and oil seal by splitting the crankcase.

- Split the crankcase (see Crankcase Splitting in the Crankshaft/Transmission chapter).
- Take the bearing [A] out of the right crankcase, using the bearing remover.

**Special Tools - Bearing Remover Shaft,  $\phi 9$  [B]: 57001-1265**  
**Bearing Remover Head,  $\phi 10 \times \phi 12$ : 57001-1266 [C]**

- Using a thin-bladed screwdriver, pry out the oil seal.
- Press out the mechanical seal [A] from the inside of the right crankcase with the bearing driver set [B].

**Special Tool - Bearing Driver Set: 57001-1129**

○ Be sure to replace the mechanical seal, oil seal, and ball bearing with new ones because these parts will be damaged by removal.

- Apply plenty of grease to the oil seal lips.
- Press the oil seal [A] into the hole from the inside of the right crankcase with the bearing driver set so that the spring side of the seal lips is toward the inside of the crankcase.

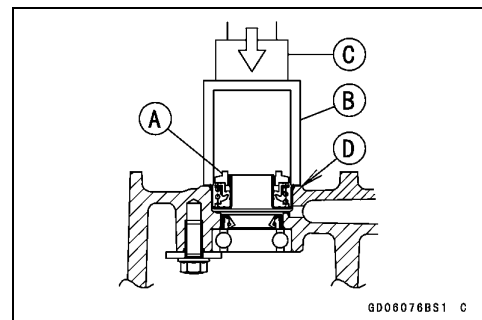
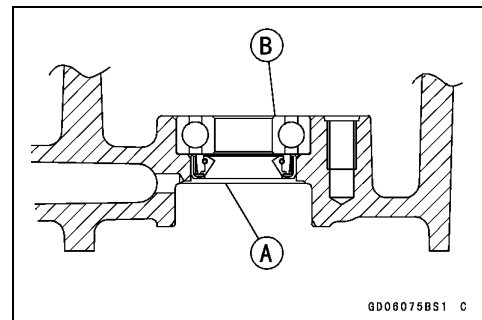
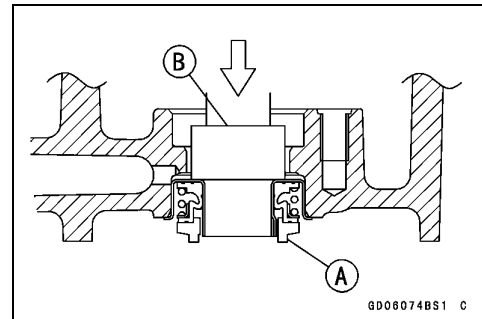
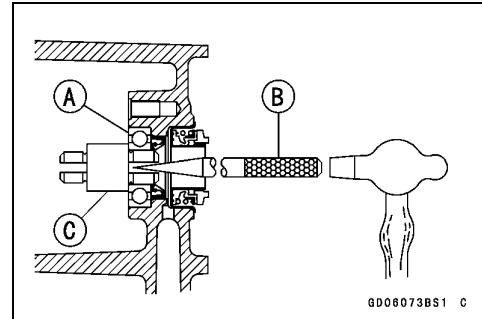
**Special Tool - Bearing Driver Set: 57001-1129**

○ Use the bearing driver which has a larger diameter than the oil seal.

- Press in the ball bearing [B] with its manufacturer's mark facing out until it bottoms out.

- Press the mechanical seal [A] by using a suitable socket [B] and a bearing driver [C] until its flange touches the step [D].

**Special Tool - Bearing Driver Set: 57001-1129**



## 4-12 COOLING SYSTEM

### Water Pump

#### **Water Pump Inspection**

- Check the drainage outlet passage [A] at the bottom of the right crankcase for coolant leaks.
  - ★ If the mechanical seal is damaged, the coolant leaks through the seal and drains through the passage. Replace the mechanical seal with a new one.
- 
- Visually inspect the impeller [A].
  - ★ If the surface is corroded, or if the blades are damaged, replace the impeller.



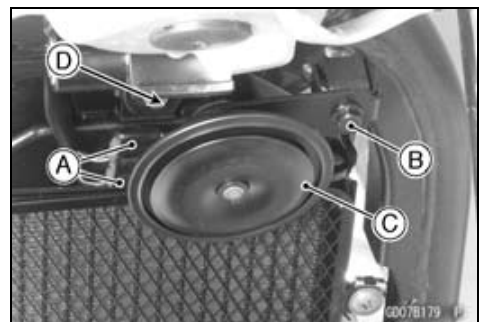
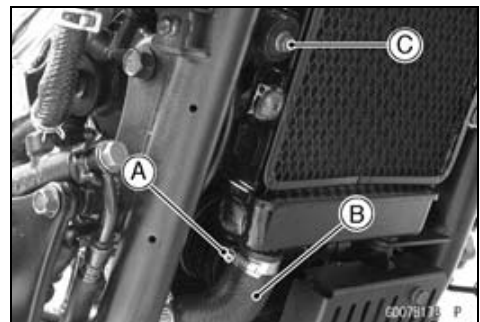
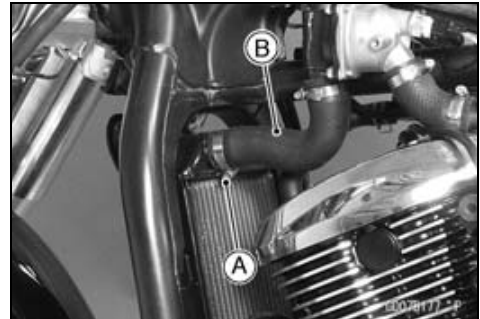
Radiator, Radiator Fan

*Radiator and Radiator Fan Removal*

**⚠ WARNING**

The radiator fan is connected directly to the battery. The radiator fan may start even if the ignition switch is off. NEVER TOUCH THE RADIATOR FAN UNTIL THE RADIATOR FAN CONNECTOR IS DISCONNECTED. TOUCHING THE FAN BEFORE THE CONNECTOR IS DISCONNECTED COULD CAUSE INJURY FROM THE FAN BLADES.

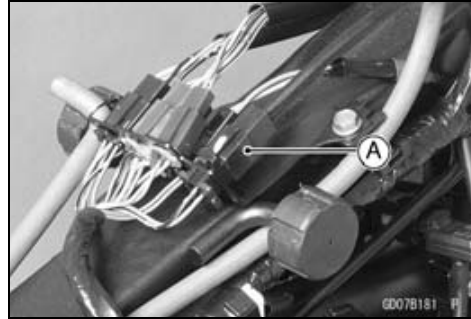
- Drain:  
Coolant (see Coolant Change in the Periodic Maintenance chapter)
- Remove:  
Seat (see Seat Removal in the Frame chapter)  
Fuel Tank (see Fuel Tank Removal in the Fuel System (DFI) chapter)  
Radiator Hose Clamp [A] (Loosen)  
Radiator Hose [B]
  
- Remove:  
Radiator Hose Clamp [A] (Loosen)  
Radiator Hose [B]  
Radiator Mounting Bolt [C]
  
- Remove:  
Horn Lead Connectors [A]  
Bolts [B]  
Horn [C]  
Radiator Mounting Bolt [D]
  
- Pry open the clamps [A].



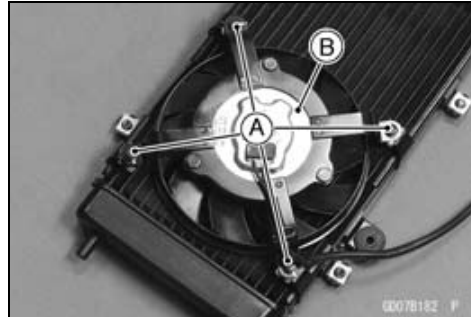
## 4-14 COOLING SYSTEM

### Radiator, Radiator Fan

- Remove:
  - Radiator Fan Connector [A]
  - Radiator



- Remove:
  - Radiator Fan Mounting Bolts [A]
  - Radiator Fan [B]

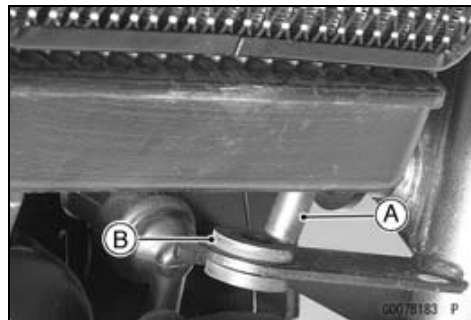


#### CAUTION

Do not touch the radiator core. This could damage the radiator fins, resulting in loss of cooling efficiency.

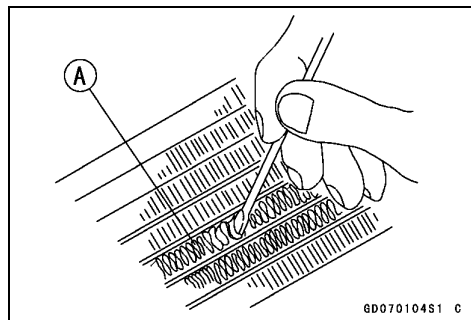
#### Radiator Fan Installation

- Torque the radiator fan bolts.
  - Torque - Radiator Fan Bolts: 8.3 N·m (0.85 kgf·m, 73 in·lb)
- Fit the radiator stoppers [A] into the grommet [B].
- Torque:
  - Torque - Radiator Hose Clamp Screws: 2.0 N·m (0.20 kgf·m, 18 in·lb)
  - Radiator Screen Bolts: 6.9 N·m (0.70 kgf·m, 61 in·lb)



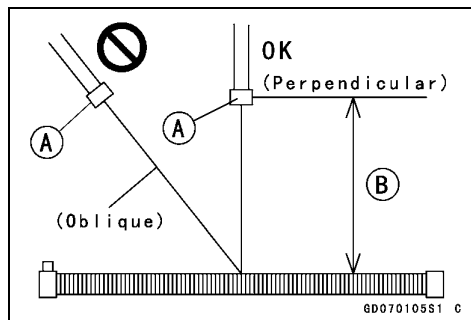
#### Radiator Inspection

- Check the radiator core.
  - ★ If there are obstructions to air flow, remove them.
  - ★ If the corrugated fins [A] are deformed, carefully straighten them.
  - ★ If the air passages of the radiator core are blocked more than 20% by unremovable obstructions or irreparably deformed fins, replace the radiator with a new one.



#### CAUTION

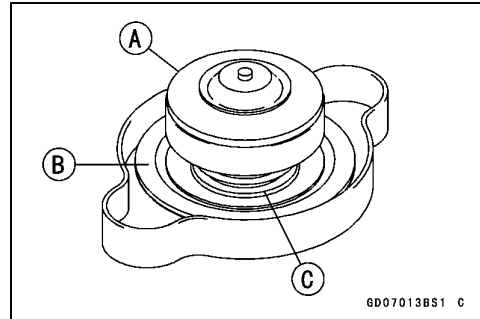
When cleaning the radiator with steam cleaner, be careful of the following to prevent radiator damage. Keep the steam gun [A] away more than 0.5 m (1.6 ft) [B] from the radiator core. Hold the steam gun perpendicular to the core surface. Run the steam gun following the core fin direction.



**Radiator, Radiator Fan**

**Radiator Cap Inspection**

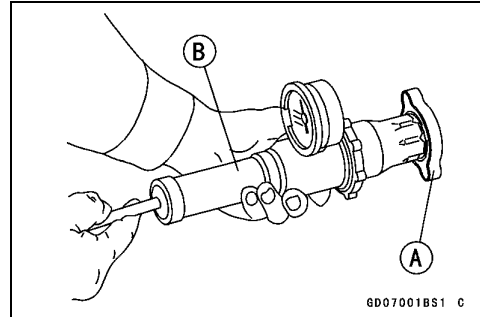
- Check the condition of the top [A] and bottom [B] valve seals and valve spring [C].
- ★ If any one of them shows visible damage, replace the cap with a new one.



- Install the cap [A] on a cooling system pressure tester [B].

**NOTE**

○ *Wet the cap sealing surfaces with water or coolant to prevent pressure leaks.*



- Watching the pressure gauge, pump the pressure tester to build up the pressure until the relief valve opens: the gauge hand flicks downward. Stop pumping and measure leak time at once. The relief valve must open within the specified range in the table below and the gauge hand must remain within the same range at least 6 seconds.

**Radiator Cap Relief Pressure**

**Standard:** 93 ~ 123 kPa (0.95 ~ 1.25 kgf/cm<sup>2</sup>, 13 ~ 18 psi)

- ★ If the cap cannot hold the specified pressure, or if it holds too much pressure, replace it with a new one.

**Radiator Filler Neck Inspection**

- Remove the radiator cap.
- Check the radiator filler neck for signs of damage.
- Check the condition of the top and bottom sealing seats [A] in the filler neck. They must be smooth and clean for the radiator cap to function properly.

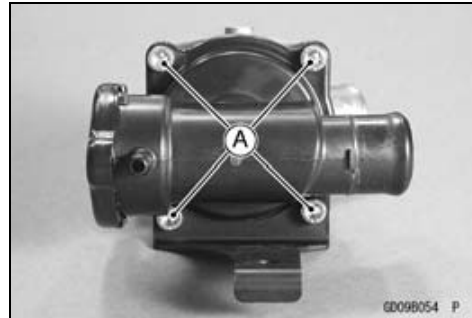


## 4-16 COOLING SYSTEM

### Thermostat

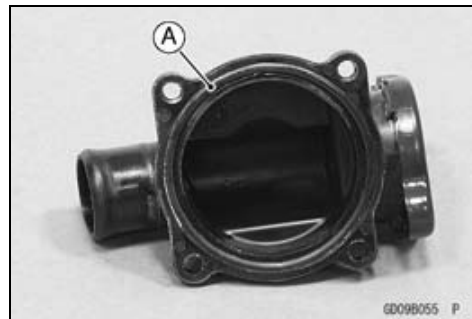
#### **Thermostat Removal**

- Drain:
  - Coolant (about 200 mL)
- Remove:
  - Seat (see Seat Removal in the Frame chapter)
  - Fuel Tank (see Fuel Tank Removal in the Fuel System (DFI) chapter)
  - Reserve Tank Hose [A]
  - Radiator Hose Clamp [B] (Loosen)
  - Water Temperature Connector [C]
  - Bolt [D]
- Remove:
  - Thermostat Housing Cover Bolts [A]
  - Thermostat Housing Cover
  - Thermostat



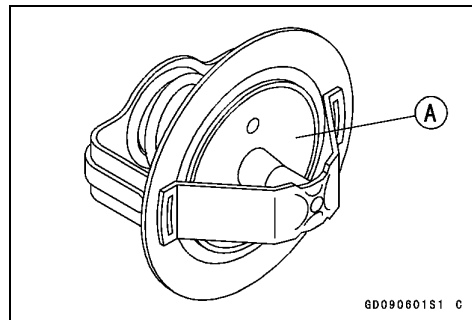
#### **Thermostat Installation**

- Install a new O-ring [A] into the housing cover.
- Install:
  - Thermostat
  - Thermostat Housing Cover
- Tighten:
  - Torque - Thermostat Housing Cover Bolts: 4.9 N·m (0.50 kgf·m, 43 in·lb)**
- Fill the radiator with coolant (see Coolant Change in the Periodic Maintenance chapter).



#### **Thermostat Inspection**

- Remove the thermostat, and inspect the thermostat valve [A] at room temperature.
- ★ If the valve is open, replace the thermostat with a new one.

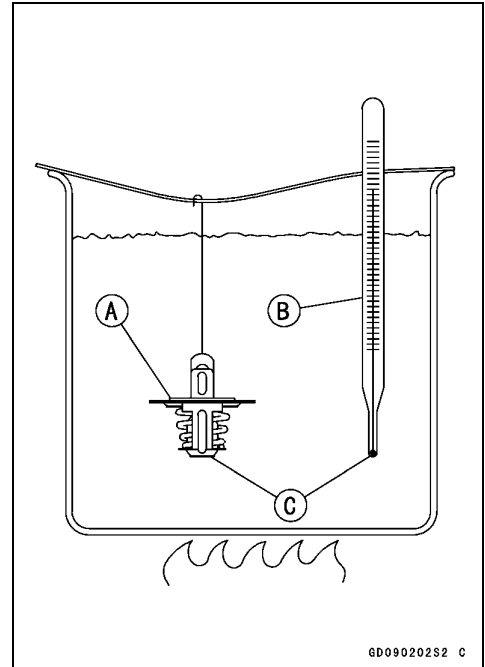


## Thermostat

- To check valve opening temperature, suspend the thermostat [A] in a container of water and raise the temperature of the water.
- The thermostat must be completely submerged and must not touch the container sides or bottom. Suspend an accurate thermometer [B] in the water so that the heat sensitive portions [C] are located in almost the same depth. It must not touch the container, either.
- ★ If the measurement is out of the specified range, replace the thermostat with a new one.

### Thermostat Valve Opening Temperature

58 ~ 62°C (136 ~ 144°F)



6D090202S2 C

## 4-18 COOLING SYSTEM

### Hose and Pipes

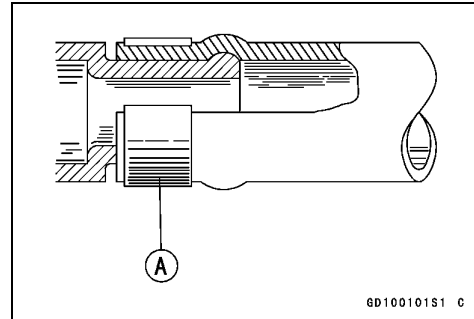
#### **Hose Installation**

- Install the hoses and pipes being careful to follow bending direction or diameter. Avoid sharp bending, kinking, flattening, or twisting.
- Install the clamps [A] as near as possible to the hose end to clear the raised rib or the fitting. This will prevent the hoses from working loose.
- The clamp screws should be positioned correctly to prevent the clamps from contacting anything.

**Torque - Water (Radiator) Hose Clamp Screws: 2.0 N·m  
(0.20 kgf·m, 18 in·lb)**

#### **Hose Inspection**

- Refer to the Radiator Hose and Connection Inspection in the Periodic Maintenance chapter.





---

## Water Temperature Sensor

---

### *Water Temperature Sensor Removal/Installation*

<b>CAUTION</b>
----------------

<p><b>The water temperature sensor should never be allowed to fall on a hard surface. Such a shock to water temperature sensor can damage it.</b></p>
---

- Refer to the Water Temperature Sensor Removal/Installation in the Fuel System (DFI) chapter.

### *Water Temperature Sensor Inspection*

- Refer to the Water Temperature Sensor Inspection in the Electrical System chapter.



# Engine Top End

## Table of Contents

Exploded View .....	5-4
Exploded Veiw .....	5-8
Specifications .....	5-9
Special Tools .....	5-11
Clean Air System.....	5-13
Air Suction Valve Removal.....	5-13
Air Suction Valve Installation.....	5-13
Air Suction Valve Inspection .....	5-13
Air Switching Valve Removal .....	5-13
Air Switching Valve Installation .....	5-13
Air Switching Valve Operation Test .....	5-13
Air Switching Valve Inspection .....	5-13
Clean Air System Hose Inspection .....	5-14
Cylinder Head Cover .....	5-15
Cylinder Head Cover Removal .....	5-15
Cylinder Head Cover Installation .....	5-16
Camshaft Chain Tensioner .....	5-17
Camshaft Chain Tensioner Removal .....	5-17
Camshaft Chain Tensioner Installation .....	5-17
Camshaft, Camshaft Chain .....	5-18
Camshaft Removal .....	5-18
Camshaft Installation .....	5-19
Camshaft/Camshaft Cap Wear .....	5-20
Camshaft Runout.....	5-21
Cam Wear.....	5-21
Camshaft Chain Removal.....	5-21
Camshaft and Sprocket Assembly.....	5-22
Rocker Shaft, Rocker Arm.....	5-23
Rocker Shaft, Rocker Arm Removal .....	5-23
Rocker Shaft, Rocker Arm Installation .....	5-23
Cylinder Head.....	5-24
Cylinder Compression Measurement.....	5-24
Cylinder Head Removal .....	5-25
Cylinder Head Installation .....	5-25
Cylinder Head Warp.....	5-25
Valves .....	5-26
Valve Clearance Inspection .....	5-26
Valve Clearance Adjustment.....	5-26
Valve Removal .....	5-26
Valve Installation .....	5-26
Valve Guide Removal .....	5-26
Valve Guide Installation .....	5-27
Valve-to-Guide Clearance Measurement (Wobble Method) .....	5-27
Valve Seat Inspection .....	5-28
Valve Seat Repair .....	5-28
Cylinders, Pistons.....	5-33
Cylinder Removal.....	5-33
Piston Removal.....	5-33
Cylinder, Piston Installation.....	5-33
Cylinder Wear .....	5-35

## 5-2 ENGINE TOP END

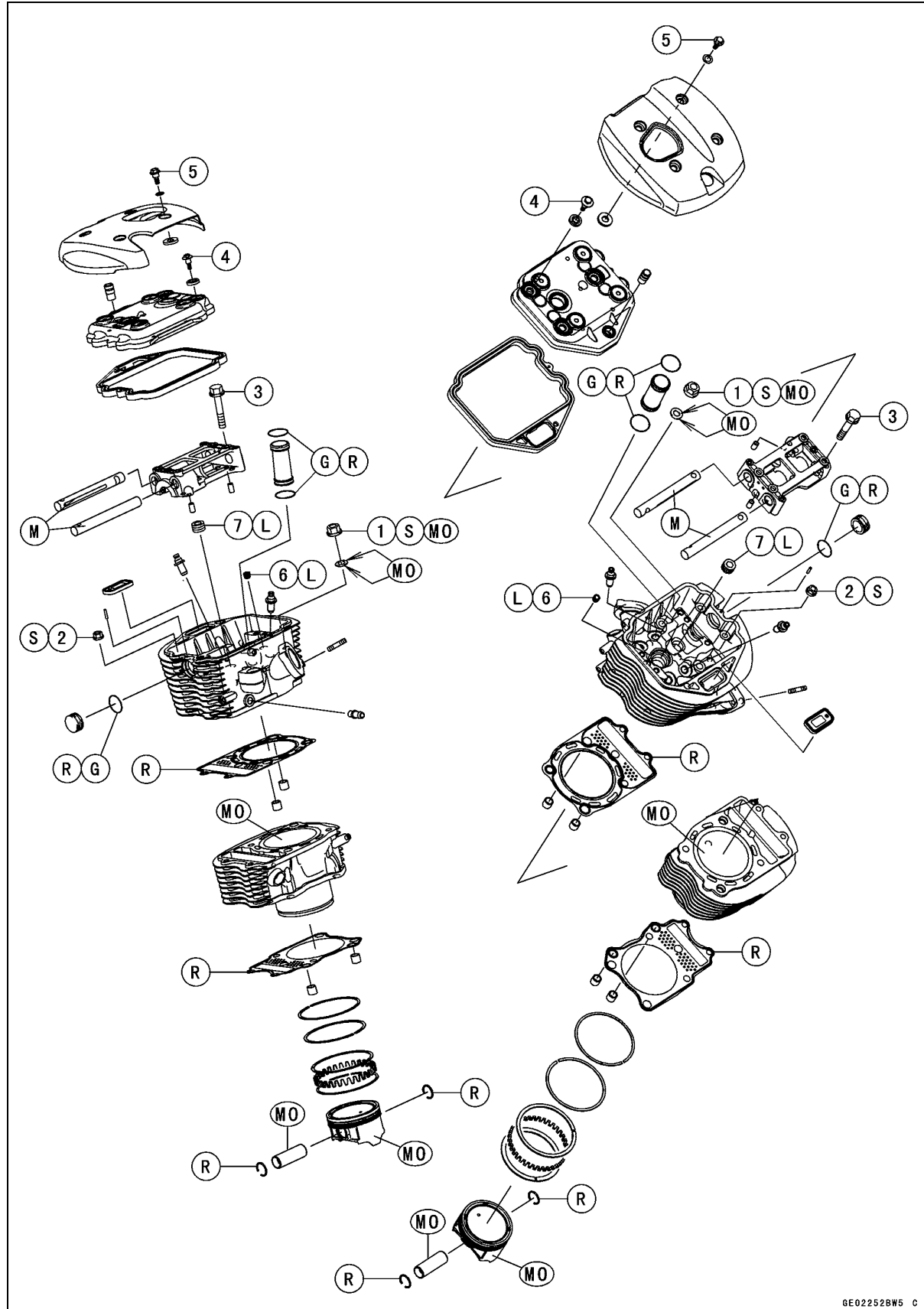
---

Piston Wear .....	5-35
Piston/Cylinder Clearance .....	5-36
Piston Ring, Piston Ring Groove Wear.....	5-36
Piston Ring Groove Width.....	5-36
Piston Ring Thickness .....	5-37
Piston Ring End Gap .....	5-37
Muffler.....	5-38
Muffler Removal.....	5-38
Muffler Installation.....	5-39

Dummy Page

# 5-4 ENGINE TOP END

## Exploded View



GE02252BW5 C

**Exploded View**

No.	Fastener	Torque			Remarks
		N·m	kgf·m	ft·lb	
1	Cylinder Head nuts (M10)(First)	20	2.0	15	S, MO
	Cylinder Head nuts (M10)(Final)	49	5.0	36	S, MO
2	Cylinder Head nuts (M8)	25	2.5	18	S
3	Camshaft Cap Bolts	25	2.5	18	
4	Cylinder Head Cover Bolts	12	1.2	106 in·lb	
5	Cylinder Head Outer Cover Bolts	9.8	1.0	87 in·lb	
6	Plug (PT1/4)	15	1.5	11	L
7	Plug (PT1/2)	20	2.0	15	L

EO: Apply oil.

G: Apply grease.

L: Apply a non-permanent locking agent.

M: Apply molybdenum disulfide grease.

MO: Apply molybdenum disulfide oil solution.

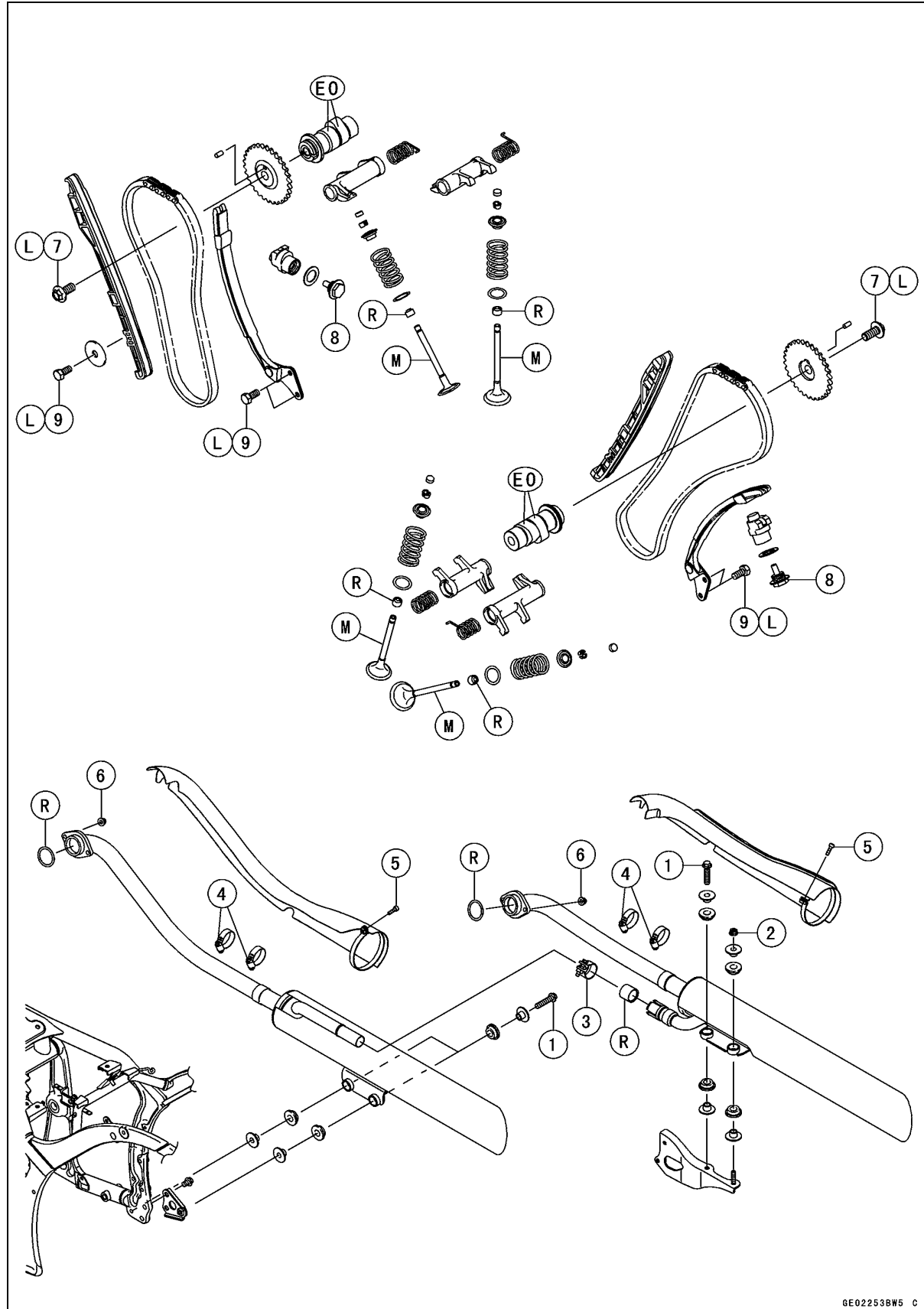
(mixture of the engine oil and molybdenum disulfide grease in a weight ratio 10 : 1)

R: Replace Parts

S: Follow specified tightening sequence.

# 5-6 ENGINE TOP END

## Exploded View



GE022538W5 C



**Exploded View**

No.	Fastener	Torque			Remarks
		N·m	kgf·m	ft·lb	
1	Muffler Mounting Bolts	25	2.5	18	
2	Muffler Mounting Nut	25	2.5	18	
3	Muffler Joint Clamp Bolt	17	1.7	12	
4	Exhaust Pipe Cover Clamp Bolts	6.9	0.70	61 in·lb	
5	Exhaust Pipe Cover Bolts	6.9	0.70	61 in·lb	
6	Exhaust Pipe Holder Nuts	17	1.7	12	
7	Camshaft Sprocket Bolts	49	5.0	36	L
8	Camshaft Chain Tensioner Cap Bolts	20	2.0	15	
9	Camshaft Chain Guide Bolts	9.8	1.0	87 in·lb	L

EO: Apply engine oil.

L: Apply a non-permanent locking agent.

M: Apply molybdenum disulfide grease.

MO: Apply molybdenum disulfide oil solution.

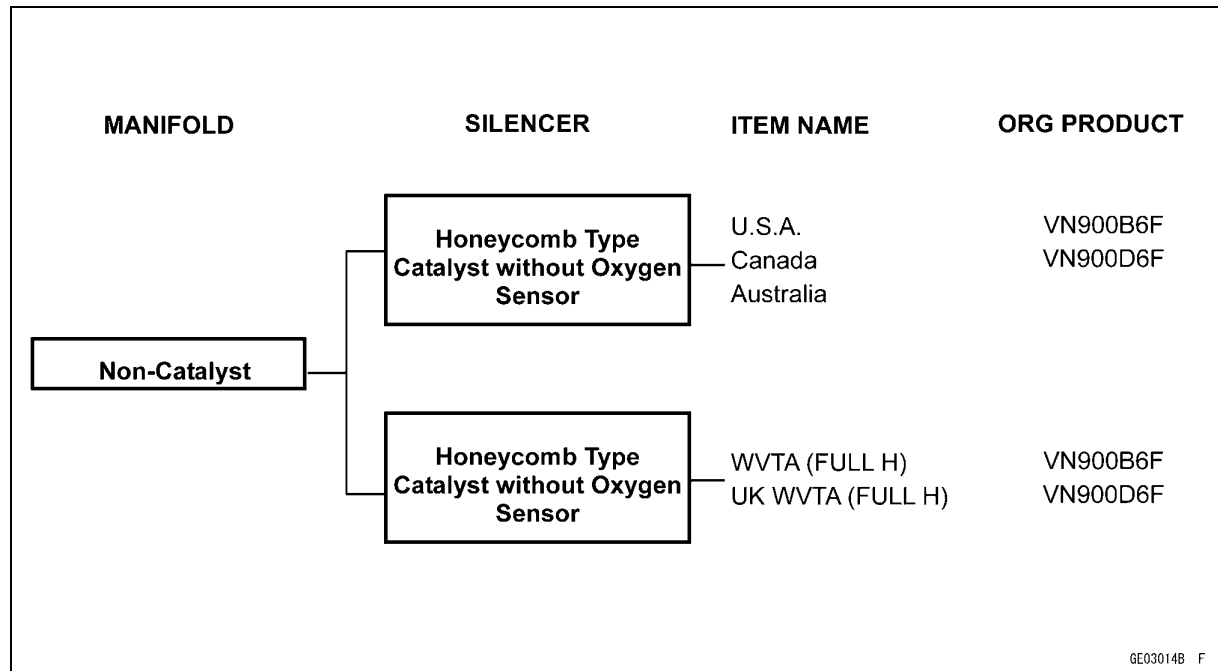
(mixture of the engine oil and molybdenum disulfide grease in a weight ratio 10 : 1)

R: Replacement Parts

# 5-8 ENGINE TOP END

## Exploded View

### Exhaust System

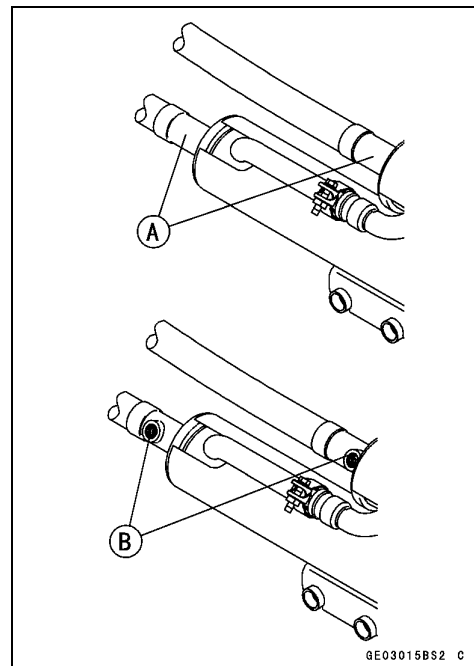


UK: U.K Model

FULL: Full Power

H: Honeycomb Type Catalyst

Silencer [A] without Boss [A] for Oxygen Sensor  
 Silencer with Boss [B] for Oxygen Sensor



## Specifications

Item	Standard	Service Limit
<b>Camshafts</b>		
Cam Height:		
Exhaust	35.030 ~ 35.144 mm (1.3791 ~ 1.3836 in.)	34.93 mm (1.375 in.)
Inlet	35.302 ~ 35.416 mm (1.3898 ~ 1.3943 in.)	35.20 mm (1.386 in.)
Camshaft Journal, Camshaft Cap Clearance	0.028 ~ 0.071 mm (0.0011 ~ 0.0028 in.)	0.16 mm (0.0063 in.)
Camshaft Journal Diameter	26.950 ~ 26.972 mm (1.0610 ~ 1.0619 in.)	26.92 mm (1.060 in.)
Camshaft Bearing Inside Diameter	27.000 ~ 27.021 mm (1.0630 ~ 1.0638 in.)	27.08 mm (1.066 in.)
Camshaft Runout	TIR 0.02 mm (0.0008 in.) or less	TIR 0.1 mm (0.004 in.)
Rocker Arm Inside Diameter	16.000 ~ 16.018 mm (0.62992 ~ 0.63063 in.)	16.05 mm (0.6319 in.)
Rocker Shaft Diameter	15.965 ~ 15.984 mm (0.62854 ~ 0.62929 in.)	15.94 mm (0.6276 in.)
<b>Cylinder Head</b>		
Cylinder Compression	(usable range) 980 ~ 1 570 kPa (10.0 ~ 16.0 kgf/cm <sup>2</sup> , 142 ~ 228 psi) @470 r/min (rpm)	---
Cylinder Head Warp	---	0.05 mm (0.002 in.)
<b>Valves</b>		
Valve Clearance:		
Exhaust	0.20 ~ 0.25 mm (0.0079 ~ 0.0098 in.)	---
Inlet	0.10 ~ 0.15 mm (0.0039 ~ 0.0059 in.)	---
Valve Head Thickness:		
Exhaust	0.8 mm (0.03 in.)	0.5 mm (0.02 in.)
Inlet	0.5 mm (0.02 in.)	0.3 mm (0.01 in.)
Valve Stem Bend	TIR 0.01 mm (0.0004 in.) or less	TIR 0.05 mm (0.002 in.)
Valve Stem Diameter:		
Exhaust	4.955 ~ 4.970 mm (0.1951 ~ 0.1957 in.)	4.94 mm (0.194 in.)
Inlet	4.975 ~ 4.990 mm (0.1959 ~ 0.1964 in.)	4.96 mm (0.195 in.)
Valve Guide Inside Diameter	5.000 ~ 5.012 mm (0.1968 ~ 0.1973 in.)	5.08 mm (0.200 in.)
Valve/valve Guide Clearance (wobble method):		
Exhaust	0.09 ~ 0.17 mm (0.0035 ~ 0.0067 in.)	0.38 mm (0.015 in.)
Inlet	0.03 ~ 0.11 mm (0.0012 ~ 0.0043 in.)	0.32 mm (0.013 in.)
Valve Seat Cutting Angle	45°, 32°, 60°	---
Valve Seat Surface:		
Width	0.5 ~ 1.0 mm (0.02 ~ 0.04 in.)	---
Outside Diameter:		
Exhaust	26.9 ~ 27.1 mm (1.059 ~ 1.067 in.)	---
Inlet	30.9 ~ 31.1 mm (1.216 ~ 1.224 in.)	---
Valve Spring Free Length	40.5 mm (1.59 in.)	38.6 mm (1.52 in.)

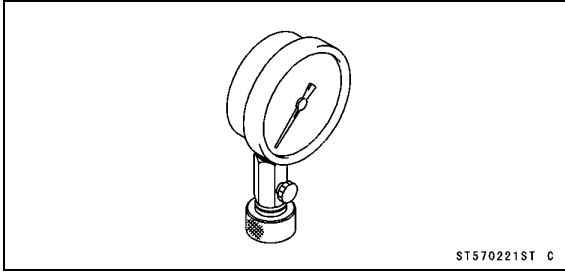
## 5-10 ENGINE TOP END

### Specifications

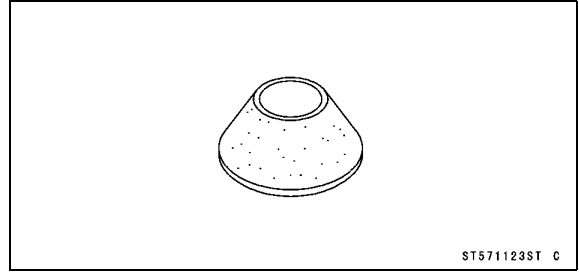
Item	Standard	Service Limit
<b>Cylinder, Piston</b>		
Cylinder Inside Diameter	88.000 ~ 88.012 mm (3.4646 ~ 3.4650 in.)	88.10 mm (3.468 in.)
Piston Diameter	87.955 ~ 87.970 mm (3.4628 ~ 3.4634 in.)	87.80 mm (3.457 in.)
Piston/Cylinder Clearance	0.030 ~ 0.057 mm (0.0012 ~ 0.0022 in.)	— — —
Piston Ring/Groove Clearance:		
Top	0.05 ~ 0.09 mm (0.002 ~ 0.004 in.)	0.19 mm (0.0075 in.)
Second	0.03 ~ 0.07 mm (0.001 ~ 0.003 in.)	0.17 mm (0.0067 in.)
Piston Ring Groove Width:		
Top	1.04 ~ 1.06 mm (0.0409 ~ 0.0417 in.)	1.14 mm (0.0449 in.)
Second	1.02 ~ 1.04 mm (0.0402 ~ 0.0409 in.)	1.12 mm (0.0441 in.)
Piston Ring Thickness:		
Top and Second	0.97 ~ 0.99 mm (0.038 ~ 0.039 in.)	0.90 mm (0.035 in.)
Piston Ring End Gap:		
Top	0.20 ~ 0.35 mm (0.0079 ~ 0.014 in.)	0.6 mm (0.02 in.)
Second	0.40 ~ 0.55 mm (0.016 ~ 0.022 in.)	0.8 mm (0.03 in.)
Oil	0.20 ~ 0.70 mm (0.0079 ~ 0.028 in.)	1.0 mm (0.039 in.)

Special Tools

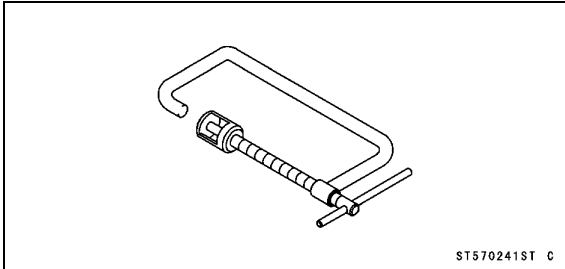
Compression Gauge, 20 kgf/cm<sup>2</sup>:  
57001-221



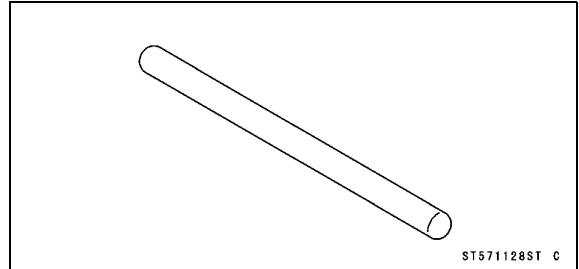
Valve Seat Cutter, 60° -  $\phi$ 30:  
57001-1123



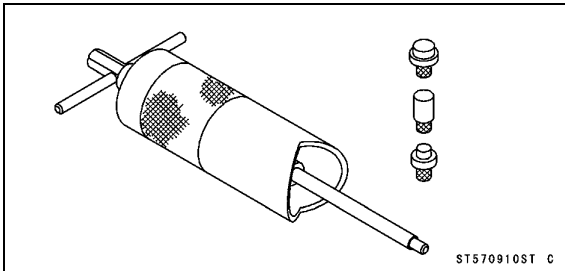
Valve Spring Compressor Assembly:  
57001-241



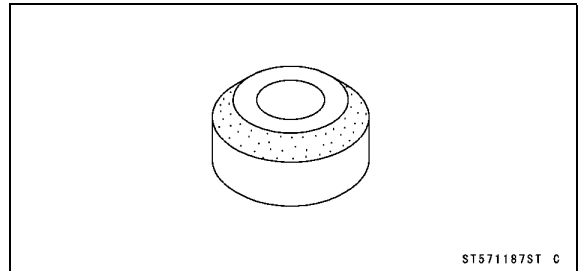
Valve Seat Cutter Holder Bar:  
57001-1128



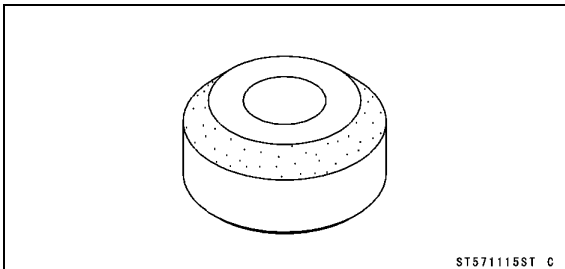
Piston Pin Puller Assembly:  
57001-910



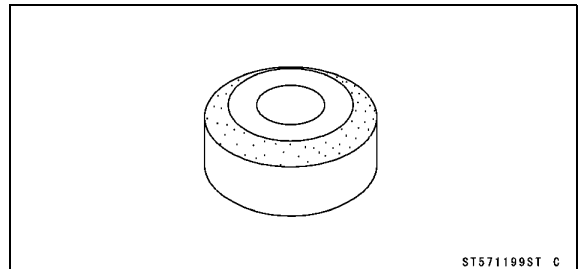
Valve Seat Cutter, 45° -  $\phi$ 30:  
57001-1187



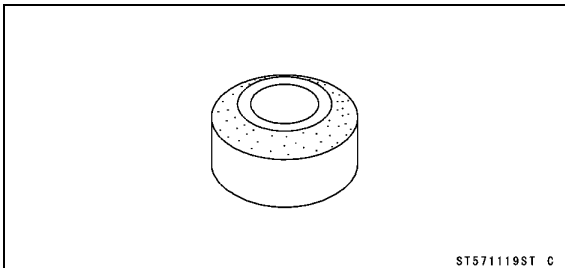
Valve Seat Cutter, 45° -  $\phi$ 32:  
57001-1115



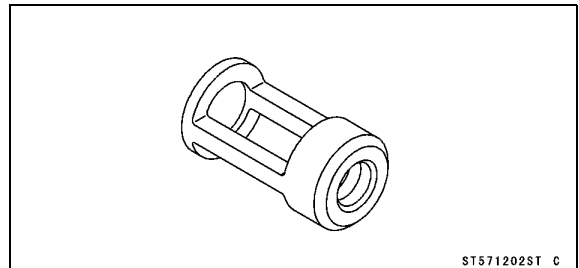
Valve Seat Cutter, 32° -  $\phi$ 33:  
57001-1199



Valve Seat Cutter, 32° -  $\phi$ 28:  
57001-1119



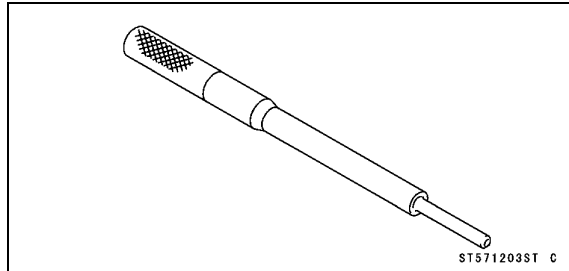
Valve Spring Compressor Adapter,  $\phi$ 22:  
57001-1202



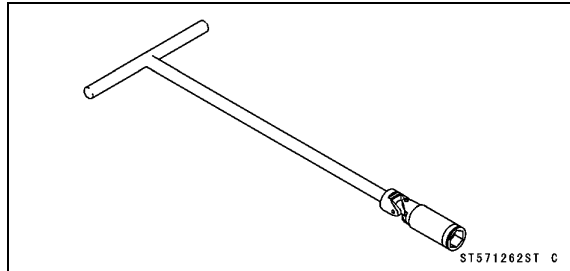
## 5-12 ENGINE TOP END

### Special Tools

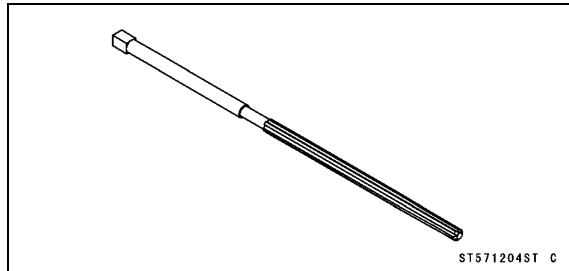
**Valve Guide Arbor,  $\phi 5$ :**  
57001-1203



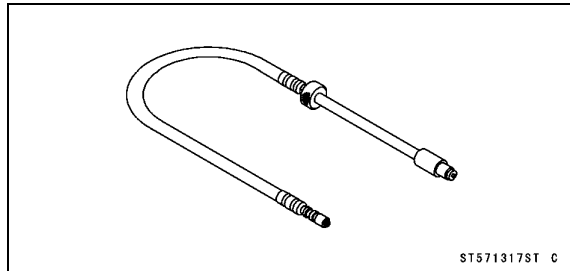
**Spark Plug Wrench, Hex 16:**  
57001-1262



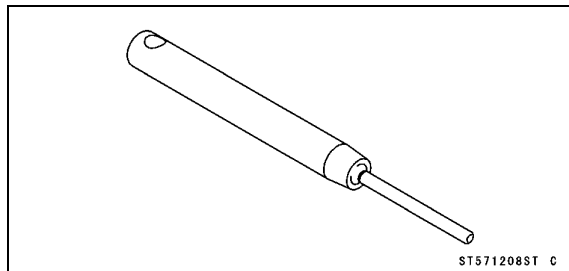
**Valve Guide Reamer,  $\phi 5$ :**  
57001-1204



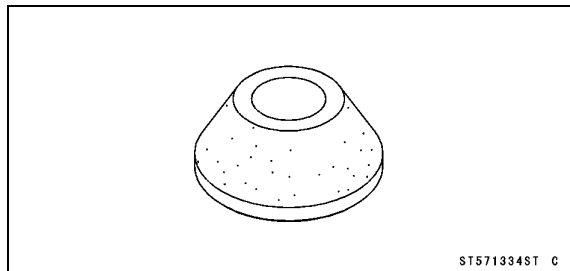
**Compression Gauge Adapter, M10 × 1.0:**  
57001-1317



**Valve Seat Cutter Holder,  $\phi 5$ :**  
57001-1208



**Valve Seat Cutter, 60° -  $\phi 33$ :**  
57001-1334



### NOTE

○The following valve seat cutters can be used instead of the above tools.

**Inlet Valve Seat:**

**Valve Seat Cutter, 45° -  $\phi 35$ : 57001-1116**  
(instead of Valve Seat Cutter: 45° -  $\phi 32$ : 57001-1115)  
**Valve Seat Cutter, 32° -  $\phi 35$ : 57001-1121**  
(instead of Valve Seat Cutter: 32° -  $\phi 33$ : 57001-1199)  
**Valve Seat Cutter, 55° -  $\phi 35$ : 57001-1247**  
(instead of Valve Seat Cutter: 60° -  $\phi 33$ : 57001-1334)

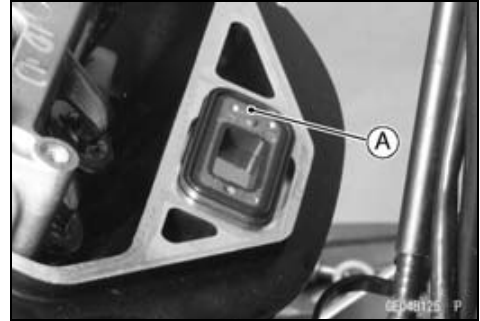
**Exhaust Valve Seat:**

**Valve Seat Cutter, 45° -  $\phi 32$ : 57001-1115**  
(instead of Valve Seat Cutter: 45° -  $\phi 30$ : 57001-1187)  
**Valve Seat Cutter, 32° -  $\phi 30$ : 57001-1120**  
(instead of Valve Seat Cutter: 32° -  $\phi 28$ : 57001-1119)  
**Valve Seat Cutter, 60° -  $\phi 33$ : 57001-1334**  
(instead of Valve Seat Cutter: 60° -  $\phi 30$ : 57001-1123)

## Clean Air System

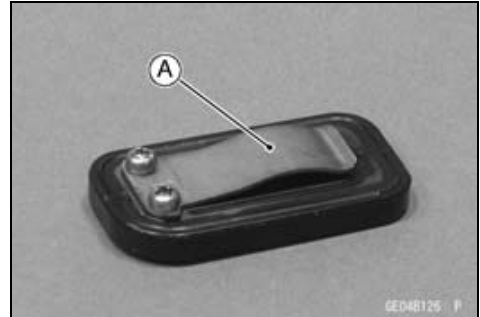
### **Air Suction Valve Removal**

- Remove:
  - Cylinder Head Covers (see Cylinder Head Cover Removal)
  - Air Suction Valves [A]



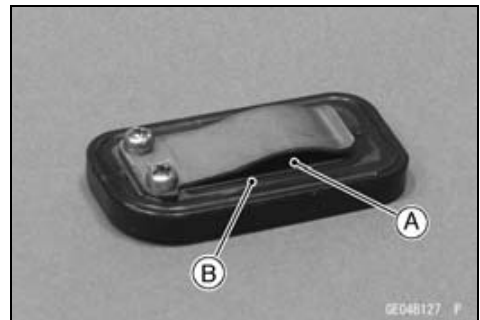
### **Air Suction Valve Installation**

- Install each air suction valve so that stopper side [A] of the reed faces downward.



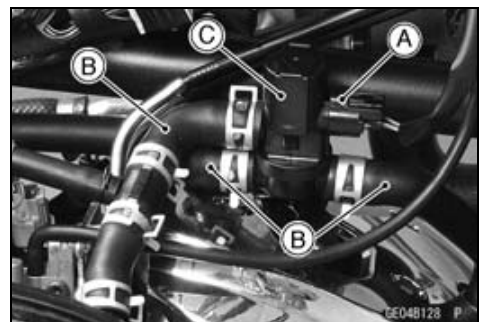
### **Air Suction Valve Inspection**

- Remove the air suction valve (see Air Suction Valve Removal).
- Visually inspect the reeds for cracks, folds, warps, heat damage or other damage.
- ★ If there is any doubt as to the condition of the reeds [A], replace the air suction valve as an assembly.
- Check the reed contact areas [B] of the valve holder for grooves, scratches, any signs of separation from the holder or heat damage.



### **Air Switching Valve Removal**

- Remove:
  - Fuel Tank (see Fuel Tank Removal in the Fuel System (DFI) chapter)
  - Disconnect the air switching valve connector [A] and pull off the hoses [B].
  - Remove the air switching valve [C].



### **Air Switching Valve Installation**

- Route the hoses correctly (see Cable, Wire and Hose Routing section in the Appendix chapter).

### **Air Switching Valve Operation Test**

- Refer to the Air Switching Valve Operation Test in the Periodic Maintenance chapter.

### **Air Switching Valve Inspection**

- Refer to the Air Switching Valve Inspection in the Electrical System chapter.

## 5-14 ENGINE TOP END

---

### Clean Air System

---

#### ***Clean Air System Hose Inspection***

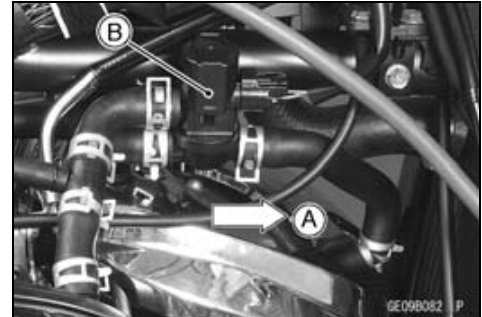
- Be certain that all the hoses are routed without being flattened or kinked, and are connected correctly to the right air cleaner base, air switching valve, and fittings on the rocker case covers
- ★ If they are not, correct them. Replace them if they are damaged.



## Cylinder Head Cover

### *Cylinder Head Cover Removal*

- Remove:
  - Seat (see Seat Removal in the Frame chapter)
  - Fuel Tank (see Fuel Tank Removal in the Fuel System (DFI) chapter)
- Slide [A] the air switching valve [B] forward to clear the clamp.



- Remove:
  - Bolt [A]
  - Clamp [B]



- Remove:
  - Cylinder Head Outer Cover Bolts [A]



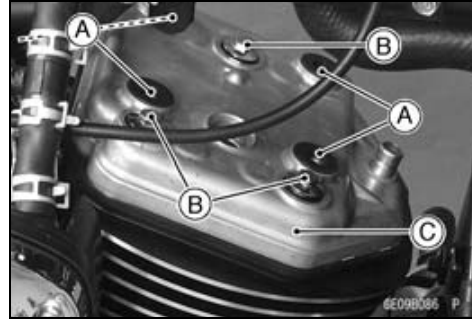
- Lift up the cylinder head outer cover [A], and while turn it clockwise, remove it.



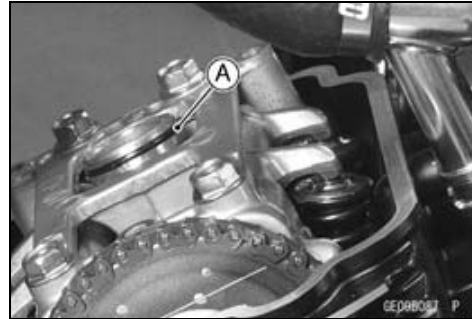
## 5-16 ENGINE TOP END

### Cylinder Head Cover

- Remove:
  - Dampers [A]
  - Cylinder Head Cover Bolts [B] and washers
  - Cylinder Head Cover [C]
  - Cylinder Head Cover Gasket

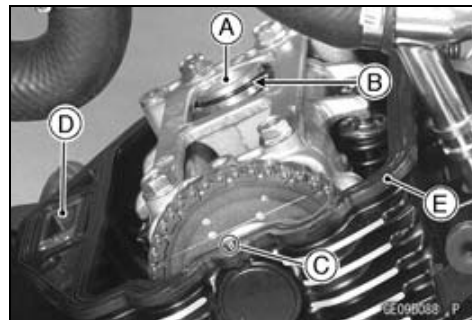


- Just move everything that is between the cylinder head cover and the frame out of the way to make room. Then as a lift the cover up, make sure the spark plug pipe [A] stays all the way down in the cylinder head. If the pipe comes up with the cover.

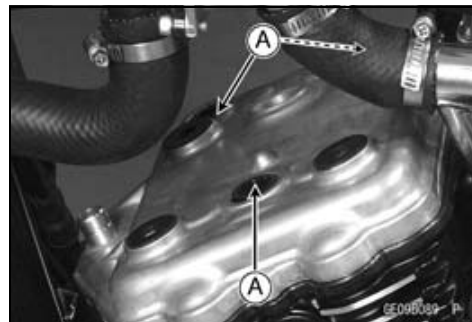


### Cylinder Head Cover Installation

- If the plug pipe [A] was removed, install it, and apply grease to the O-ring [B].
- Install:
  - Pin [C]
  - Air Suction Valve [D] (see Air Suction Valve Installation)
  - Head Cover Gasket [E]



- Install the washer with the metal side [A] faces upward.
- Tighten:
  - Torque - Cylinder Head Cover Bolts: 12 N·m (1.2 kgf·m, 106 in·lb)**



- Install:
  - Dampers
  - Cylinder Head Outer Cover
- Tighten:
  - Torque - Cylinder Head Outer Cover Bolts: 9.8 N·m (1.0 kgf·m, 87 in·lb)**
- Install the removed parts.

---

## Camshaft Chain Tensioner

---

### ***Camshaft Chain Tensioner Removal***

- Remove:
  - Engine (see Engine Removal/Installation chapter)
  - Camshaft (see Camshaft Removal)
  - Cylinder Head (see Cylinder Head Removal)
- Remove the camshaft chain tensioner body from the cylinder.

### ***Camshaft Chain Tensioner Installation***

- Refer to the Cylinder Head Installation and Camshaft Installation.

## 5-18 ENGINE TOP END

### Camshaft, Camshaft Chain

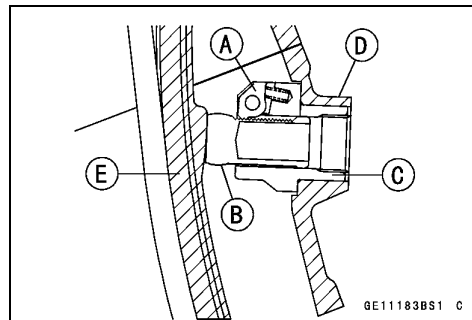
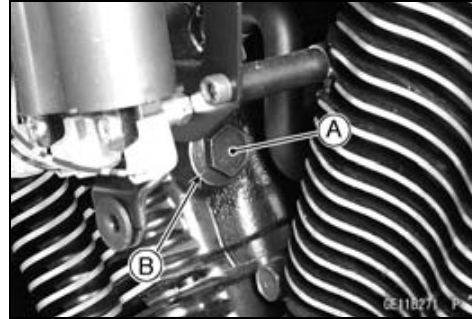
#### Camshaft Removal

- Remove:
  - Cylinder Head Cover (see Cylinder Head Cover Removal)
  - Ignition Coil Cover (For Front Cylinder)(see Ignition Coil Removal in the Electrical System chapter)
  - Tensioner Cap Bolt [A], Washer [B] and Spring

#### CAUTION

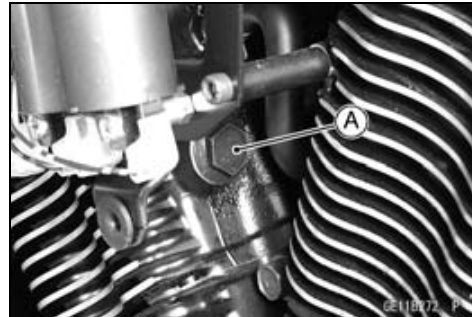
Do not turn over the crankshaft while the tensioner cap bolt is removed, The tensioner body is loose from the cylinder while the cap bolt is removed. Turning the crankshaft could damage the tensioner body and/or cylinder, and also the valves because upsetting the camshaft chain timing.

- Release the stopper [A] and push the push rod [B] into the tensioner body [C].
  - [D] Cylinder
  - [E] Camshaft Chain Guide



#### NOTE

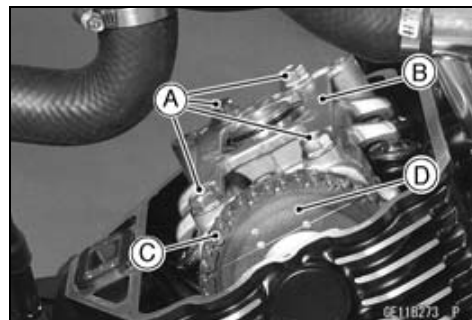
- Temporary, install the tensioner cap bolt [A] only to prevent the tensioner body from falling into the crankcase.



- Remove:
  - Camshaft Cap Bolts [A]
  - Camshaft Cap [B]
- Disengage the camshaft chain [C] from the camshaft sprocket [D], and remove the camshaft.
- Stuff a clean cloth into the chain tunnel to keep any parts from dropping into the crankcase.

#### CAUTION

The crankshaft may be turned while the camshaft is removed. Always pull the chain taut while turning the crankshaft. This avoids kinking the chain on the lower (crankshaft) sprocket. A kinked chain could damage both the chain and the sprocket.



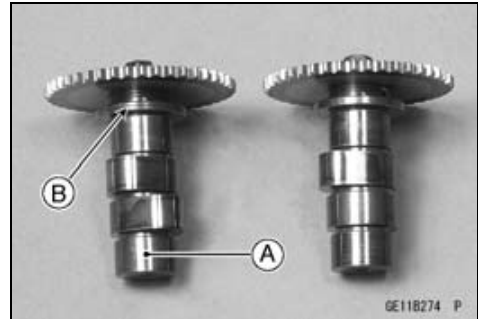
**Camshaft, Camshaft Chain**

**Camshaft Installation**

- Apply engine oil to all cam parts and journals.

**NOTE**

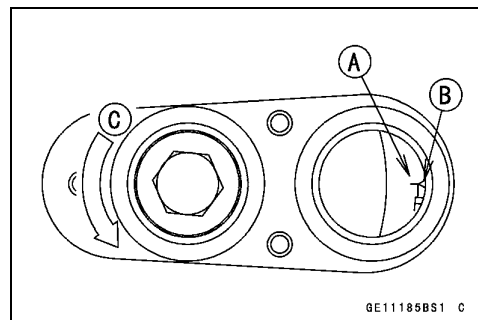
○ The front and rear camshafts are different. The rear camshaft [A] has a groove [B].



- Remove:
  - Alternator Outer Cover (see Alternator Outer Cover Removal in the Electrical System chapter)
  - Bolts [A]
  - Timing Inspection Plate [B]

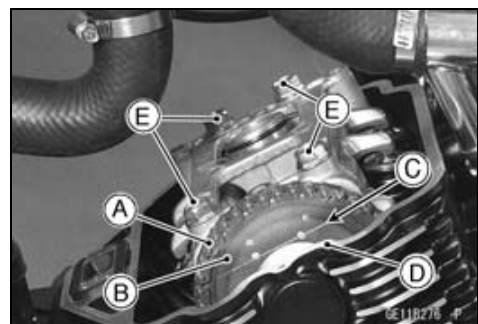


- Set the front piston at TDC.
  - Align the front piston TDC mark [A] and timing mark [B] by turning the alternator rotor bolt counterclockwise [C] (left side view).



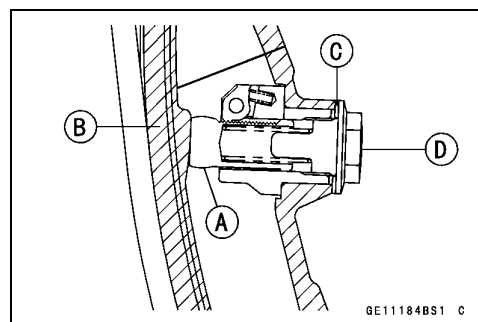
- Engage the camshaft chain [A] with the camshaft sprocket [B].
  - Align the timing mark line [C] on the camshaft sprocket with the cylinder head upper surface [D].
- Install the camshaft cap and tighten the cap bolts [E].
 

**Torque - Camshaft Cap Bolts: 25 N·m (2.5 kgf·m, 18 ft·lb)**



- Install the front camshaft chain tensioner as follows:
  - Remove the cap bolt installed temporarily.
  - Hold the tensioner body and push the push rod [A] until the rod touches to the chain guide [B] lightly.
  - Install the spring, washer [C] and cap bolt [D].

**Torque - Camshaft Chain Tensioner Cap Bolt: 20 N·m (2.0 kgf·m, 15 ft·lb)**

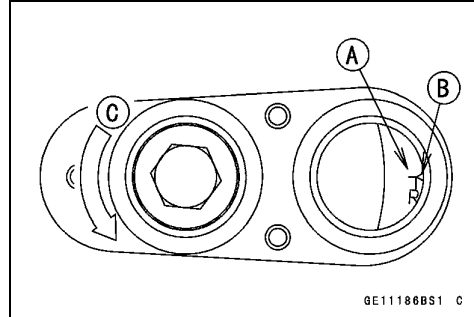


## 5-20 ENGINE TOP END

### Camshaft, Camshaft Chain

#### NOTE

- *Installing the rear camshaft is the same as for the front camshaft. But noting the following.*
- Set the rear piston at TDC.
- Align the rear piston TDC mark [A] and timing mark [B] by turning the crankshaft counterclockwise [C] 305° (left side view).



#### Camshaft/Camshaft Cap Wear

- Cut strips of plastigage to journal width. Place a strip on each journal parallel to the camshaft installed in the correct position.
- Measure each clearance between the camshaft and the rocker case using plastigage.

#### NOTE

- *Do not turn the camshaft when the plastigage is between the journal and camshaft cap.*

- Tighten:  
**Torque - Camshaft Cap Bolts: 25 N·m (2.5 kgf·m, 18 ft·lb)**

- Remove the camshaft cap again, and measure the plastigage width [A] to determine the clearance between each journal and the camshaft cap. Measure the maximum plastigage width.

#### Camshaft Journal, Camshaft Cap Clearance

<b>Standard:</b>	<b>0.028 ~ 0.071 mm</b> <b>(0.0011 ~ 0.0028 in.)</b>
<b>Service Limit:</b>	<b>0.16 mm (0.0063 in.)</b>



- ★ If any clearance exceeds the service limit, measure the diameter of each camshaft journal with a micrometer.

#### Camshaft Journal Diameter

<b>Standard:</b>	<b>26.950 ~ 26.972 mm</b> <b>(1.0610 ~ 1.0619 in.)</b>
<b>Service Limit:</b>	<b>26.92 mm (1.060 in.)</b>

- ★ If the camshaft journal diameter is less than the service limit, replace the camshaft with a new one and measure the clearance again.
- ★ If the clearance still remains out of the limit, replace the cylinder head and camshaft cap.

#### CAUTION

**The camshaft cap and cylinder head are machined in the assembled state, so they must be replaced as a set.**

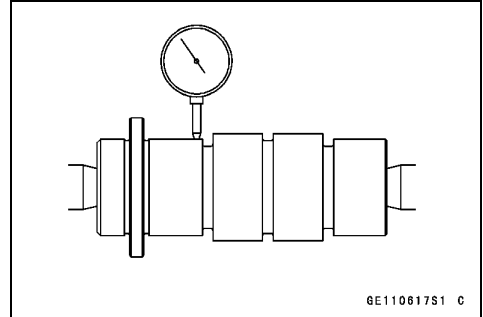
**Camshaft, Camshaft Chain**

**Camshaft Runout**

- Remove the camshaft (see Camshaft Removal).
- Set the camshaft in a camshaft alignment jig or on V blocks.
- Measure runout with a dial gauge at the specified place as shown.
- ★ If the runout exceeds the service limit, replace the shaft.

**Camshaft Runout**

<b>Standard:</b>	<b>TIR 0.02 mm (0.0008 in.) or less</b>
<b>Service Limit:</b>	<b>TIR 0.1 mm (0.004 in.)</b>

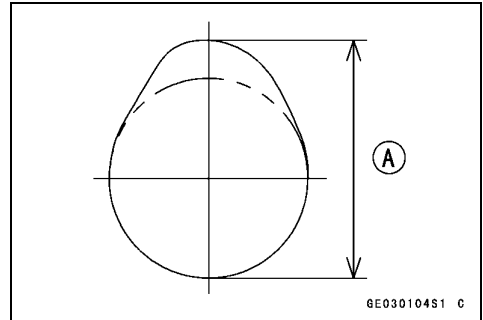


**Cam Wear**

- Remove the camshaft (see Camshaft Removal).
- Measure the height [A] of each cam with a micrometer.
- ★ If the cams are worn down past the service limit, replace the camshaft.

**Cam Height**

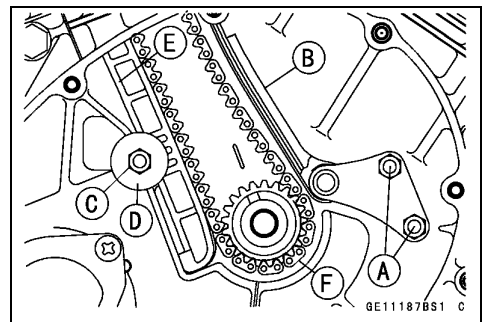
<b>Standard:</b>	
<b>Exhaust</b>	<b>35.030 ~ 35.144 mm (1.3791 ~ 1.3836 in.)</b>
<b>Inlet</b>	<b>35.302 ~ 35.416 mm (1.3898 ~ 1.3943 in.)</b>
<b>Service Limit:</b>	
<b>Exhaust</b>	<b>34.93 mm (1.375 in.)</b>
<b>Inlet</b>	<b>35.20 mm (1.386 in.)</b>



**Camshaft Chain Removal**

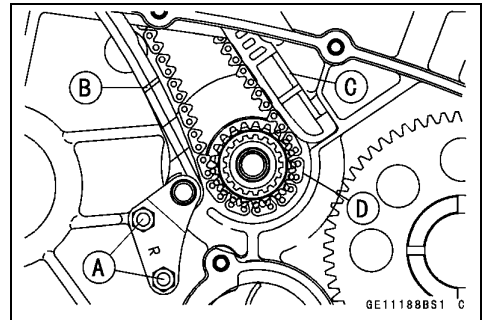
**Front Camshaft Chain**

- Remove:
  - Front Camshaft (see Camshaft Removal)
  - Alternator Rotor (see Alternator Rotor Removal in the Electrical System chapter)
  - Bolts [A]
  - Rear Chain Guide [B]
  - Bolt [C] and Washer [D]
  - Front Chain Guide [E]
- Disengage the camshaft chain [F] from the crankshaft sprocket and then remove the chain.



**Rear Camshaft Chain**

- Remove:
  - Rear Camshaft (see Camshaft Removal)
  - Primary Gear (see Primary Gear Removal in the Crankshaft/Transmission chapter)
  - Clutch (see Clutch Removal in the Clutch chapter)
  - Bolts [A]
  - Rear Chain Guide [B]
  - Front Chain Guide [C]
- Disengage the camshaft chain [D] from the crankshaft sprocket and then remove the chain.



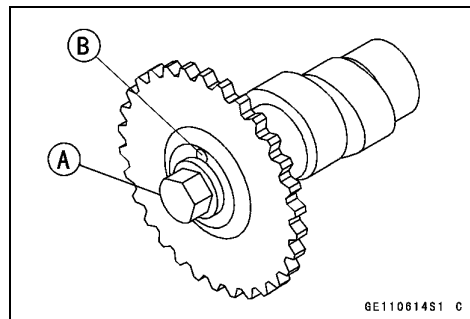
## 5-22 ENGINE TOP END

### Camshaft, Camshaft Chain

#### ***Camshaft and Sprocket Assembly***

- Clean the sprocket bolt [A] and threads of the camshaft.
- Be sure to install the pin [B].
- Apply a non-permanent locking agent to the threads of the camshaft sprocket bolt, and tighten it. The sprockets are identical.

**Torque - Camshaft Sprocket Bolt: 49 N·m (5.0 kgf·m, 36 ft·lb)**

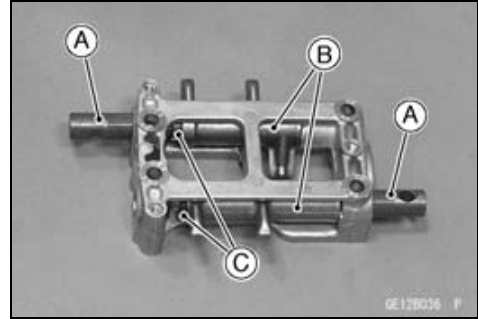




## Rocker Shaft, Rocker Arm

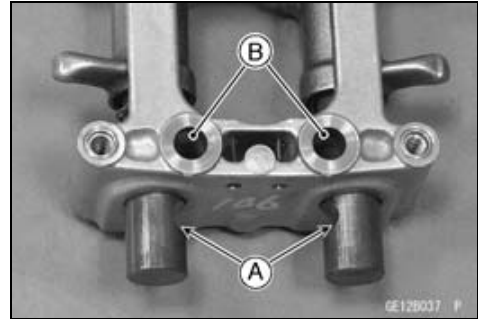
### ***Rocker Shaft, Rocker Arm Removal***

- Remove:
  - Cylinder Head Cover (see Cylinder Head Cover Removal)
  - Camshaft Cap (see Camshaft Removal)
  - Rocker Shafts [A]
  - Rocker Arms [B] and Springs [C]



### ***Rocker Shaft, Rocker Arm Installation***

- Apply molybdenum disulfide grease to the rocker shaft.
- Insert the rocker shaft into the camshaft cap and rocker arm so that the notch side [A] faces to the spring end.
- Mark the red paint on the inlet side spring for discriminate.
- Align the bolt holes [B] of the camshaft cap and rocker shaft.



## 5-24 ENGINE TOP END

### Cylinder Head

#### Cylinder Compression Measurement

##### NOTE

- Use the battery which is fully charged.
- Warm up the engine thoroughly.
- Stop the engine.
- Remove:
  - Seat (see Seat Removal in the Frame chapter)
  - Fuel Tank (see Fuel Tank Removal in the Fuel System (DFI) chapter)
  - Spark Plugs

##### Special Tool - Spark Plug Wrench, Hex 16: 57001-1262

- Attach the compression gauge [A] and adapter [B] firmly into the spark plug hole.
- Using the starter motor, turn the engine over with the throttle fully open until the compression gauge stops rising; the compression is the highest reading obtainable.

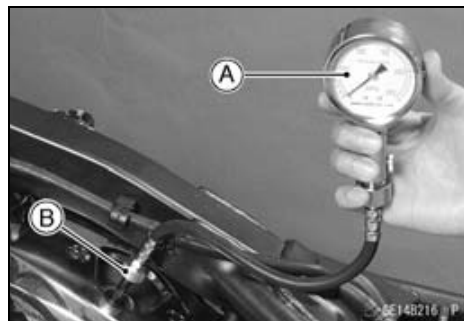
##### Special Tools - Compression Gauge, 20 kgf/cm<sup>2</sup>: 57001-221 Compression Gauge Adapter, M10 × 1.0: 57001-1317

##### Cylinder Compression

**Usable Range:** 980 ~ 1570 kPa (10.0 ~ 16.0 kgf/cm<sup>2</sup>, 142 ~ 228 psi) @470 r/min (rpm)

- Repeat the measurement for the other cylinders.
- Install the spark plugs.

**Torque - Spark Plugs:** 18 N·m (1.8 kgf·m, 13 ft·lb)



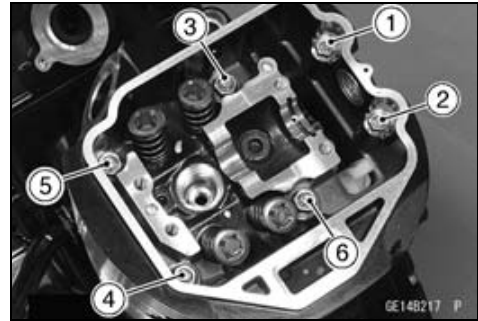
The following table should be consulted if the obtainable compression reading is not within the usable range.

Problem	Diagnosis	Remedy (Action)
Cylinder compression is higher than usable range	Carbon accumulation on piston and in combustion chamber possibly due to damaged valve stem oil seal and/or damaged piston oil rings (This may be indicated by white exhaust smoke).	Remove the carbon deposits and replace damaged parts if necessary.
	Incorrect cylinder head gasket thickness.	Replace the gasket with a standard part.
Cylinder compression is lower than usable range	Gas leakage around cylinder head	Replace damaged gasket and check cylinder head warp.
	Bad condition of valve seating	Repair if necessary.
	Incorrect valve clearance.	Adjust the valve clearance.
	Incorrect piston/cylinder clearance	Replace the piston and/or cylinder
	Piston seizure.	Inspect the cylinder and replace/repair the cylinder and/or piston as necessary.
	Bad condition of piston ring and/or piston ring grooves	Replace the piston and/or the piston rings.

## Cylinder Head

### Cylinder Head Removal

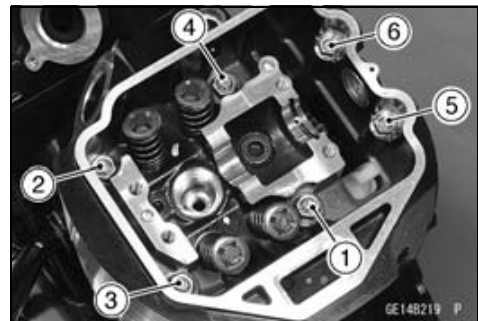
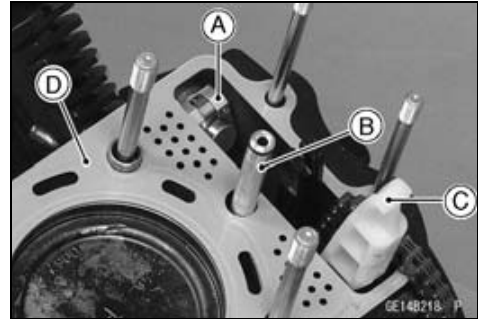
- Remove:
  - Engine (see Engine Removal in the Engine Removal/Installation chapter)
  - Camshaft (see Camshaft Removal)
- Remove the cylinder head nuts following sequence [1 ~ 6].
- Remove:
  - Cylinder Head



### Cylinder Head Installation

#### NOTE

- The camshaft cap is machined with the cylinder head, so if a new cylinder head is installed, use the cap that is supplied with the new head.
- The front cylinder head has a breather pipe fitting. Be careful not to mix up the front and rear cylinder heads.
- Release the stopper and push the push rod into the tensioner body [A], and tighten the cap bolt only temporarily.
- Replace the cylinder head gasket with a new one.
- Install:
  - Oil Pipe [B]
  - Chain Guide (White) [C]
  - Knock Pins
  - Cylinder Head Gasket [D]
- Temporary tighten the cylinder head nuts (M10) following the tightening sequence [1 ~ 4].
  - Torque - Cylinder Head Nuts (M10)(First): 20 N·m (2.0 kgf·m, 15 ft·lb)**
- Tighten the cylinder head nuts following the tightening sequence [1 ~ 6].
  - Torque - Cylinder Head Nuts (M10)(Final): 49 N·m (5.0 kgf·m, 36 ft·lb)**
  - Cylinder Head Nuts (M8): 25 N·m (2.5 kgf·m, 18 ft·lb)**



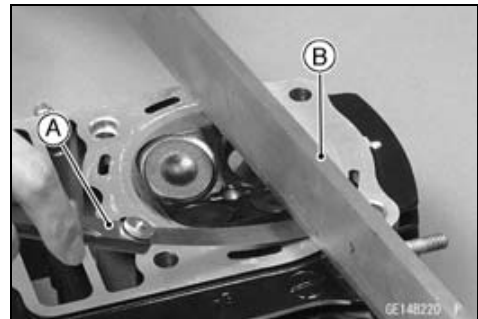
### Cylinder Head Warp

- Lay a straightedge across the lower surface of the cylinder head at several positions.
- Use a thickness gauge [A] to measure the space between the straightedge [B] and the head.

#### Cylinder Head Warp

<b>Standard:</b>	---
<b>Service Limit:</b>	0.05 mm (0.002 in.)

- ★ If the cylinder head is warped more than the service limit, replace it.
- ★ If the cylinder head is warped less than the service limit, repair the head by rubbing the lower surface on emery paper secured to a surface plate (first No. 200, then No. 400).



## 5-26 ENGINE TOP END

### Valves

#### Valve Clearance Inspection

- Refer to the Valve Clearance Inspection in the Periodic Maintenance chapter.

#### Valve Clearance Adjustment

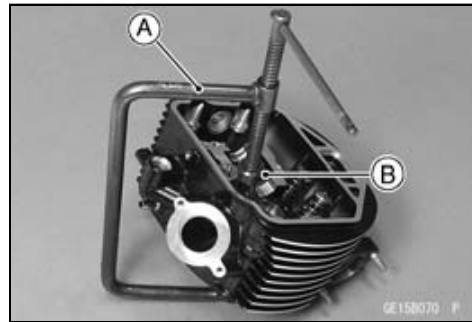
- Refer to the Valve Clearance Adjustment in the Periodic Maintenance chapter.

#### Valve Removal

- Remove the cylinder head (see Cylinder Head Removal).
- Swing open the rocker arm, and then remove the shims.
- Mark and record the shim locations so that the shims can be installed in their original positions.
- Using the valve spring compressor assembly, remove the valve.

**Special Tools - Valve Spring Compressor Assembly: 57001-241 [A]**

**Valve Spring Compressor Adapter,  $\phi$ 22: 57001-1202 [B]**



#### Valve Installation

- Replace the oil seal with a new one.
- Apply a thin coat of molybdenum disulfide grease to the valve stem before valve installation.
- Install the springs so that the closed coil end faces downwards or painted side upwards.

Valve Stem [A]

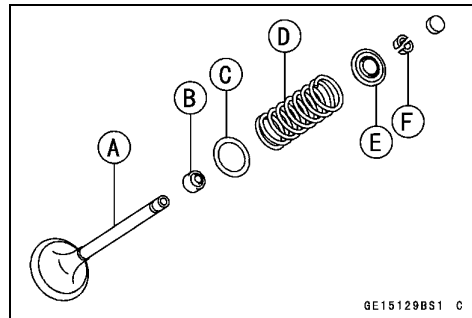
Stem Oil Seal [B]

Spring Seat [C]

Spring [D]

Retainer [E]

Split Keepers [F]

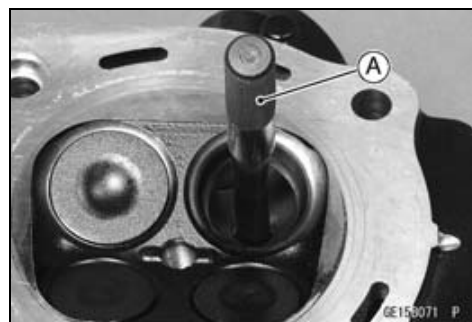


#### Valve Guide Removal

- Remove:
  - Valve (see Valve Removal)
  - Stem Oil Seal
  - Spring Seat
- Heat the area around the valve guide to 120 ~ 150°C (248 ~ 302°F), and hammer lightly on the valve guide arbor [A] to remove the guide from the top of the head.

#### CAUTION

**Do not heat the cylinder head with a torch. This will warp the cylinder head. Soak the cylinder head in oil and heat the oil.**



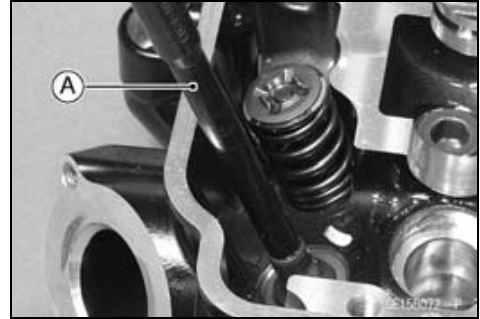
**Special Tool - Valve Guide Arbor,  $\phi$ 5: 57001-1203**

## Valves

### Valve Guide Installation

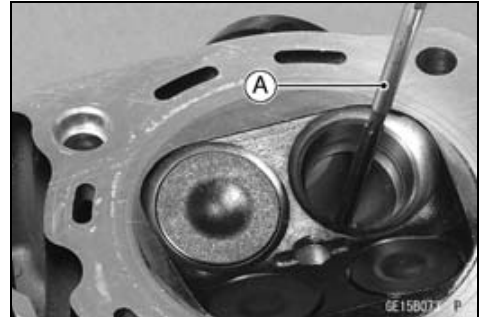
- Apply oil to the valve guide outer surface before installation.
- Heat the area around the valve guide hole to about 120 ~ 150°C (248 ~ 302°F) (see Valve Guide Removal).
- Drive the valve guide in from the top of the head using the valve guide arbor [A]. The flange stops the guide from going in too far.

**Special Tool - Valve Guide Arbor,  $\phi$ 5: 57001-1203**



- Ream the valve guide with the valve guide reamer [A] even if the old guide is reused.

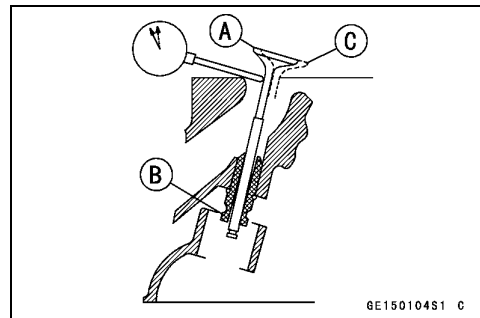
**Special Tool - Valve Guide Reamer,  $\phi$ 5: 57001-1204**



### Valve-to-Guide Clearance Measurement (Wobble Method)

If a small bore gauge is not available, inspect the valve guide wear by measuring the valve to valve guide clearance with the wobble method as indicated below.

- Insert a new valve [A] into the guide [B] and set a dial gauge against the stem perpendicular to it as close as possible to the cylinder head mating surface.
- Move the stem back and forth [C] to measure valve/valve guide clearance.
- Repeat the measurement in a direction at a right angle to the first.
- ★ If the reading exceeds the service limit, replace the guide.



### NOTE

- The reading is not actual valve/valve guide clearance because the measuring point is above the guide.

### Valve/Valve Guide Clearance (Wobble Method)

#### Standard:

Exhaust	0.09 ~ 0.17 mm (0.0035 ~ 0.0067 in.)
Inlet	0.03 ~ 0.11 mm (0.012 ~ 0.0043 in.)

#### Service Limit:

Exhaust	0.38 mm (0.015 in.)
Inlet	0.26 mm (0.010 in.)

## 5-28 ENGINE TOP END

### Valves

#### Valve Seat Inspection

- Remove the valve (see Valve Removal).
- Check the valve seating surface [A] between the valve [B] and valve seat [C].
- Measure the outside diameter [D] of the seating pattern on the valve seat.
- ★ If the outside diameter is too large or too small, repair the seat (see Valve Seat Repair).

#### Valve Seating Surface Outside Diameter

##### Standard:

Exhaust	26.9 ~ 27.1 mm (1.059 ~ 1.067 in.)
Inlet	30.9 ~ 31.1 mm (1.216 ~ 1.224 in.)

- Measure the seat width [E] of the portion where there is no build-up carbon (white portion) of the valve seat with a vernier caliper.

Good [F]

- ★ If the width is too wide [G], too narrow [H] or uneven [J], repair the seat (see Valve Seat Repair).

#### Valve Seating Surface Width

##### Standard:

Inlet, Exhaust	0.5 ~ 1.0 mm (0.02 ~ 0.04 in.)
----------------	--------------------------------

#### Valve Seat Repair

- Repair the valve seat with the valve seat cutters [A].

##### Special Tools -

Valve Seat Cutter Holder,  $\phi 5$ : 57001-1208 [B]

Valve Seat Cutter Holder Bar: 57001-1128 [C]

##### [For Inlet Valve Seat]

Valve Seat Cutter, 45° -  $\phi 32$ : 57001-1115

or Valve Seat Cutter, 45° -  $\phi 35$ : 57001-1116

Valve Seat Cutter, 32° -  $\phi 33$ : 57001-1199

or Valve Seat Cutter, 32° -  $\phi 35$ : 57001-1121

Valve Seat Cutter, 60° -  $\phi 33$ : 57001-1334

or Valve Seat Cutter, 55° -  $\phi 35$ : 57001-1247

##### [For Exhaust Valve Seat]

Valve Seat Cutter, 45° -  $\phi 30$ : 57001-1187

or Valve Seat Cutter, 45° -  $\phi 32$ : 57001-1115

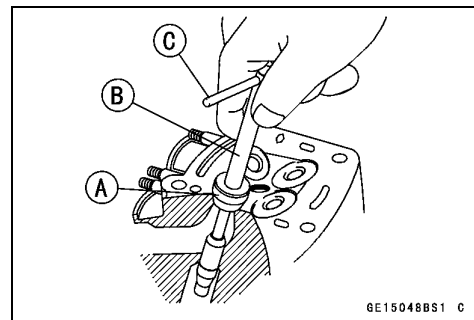
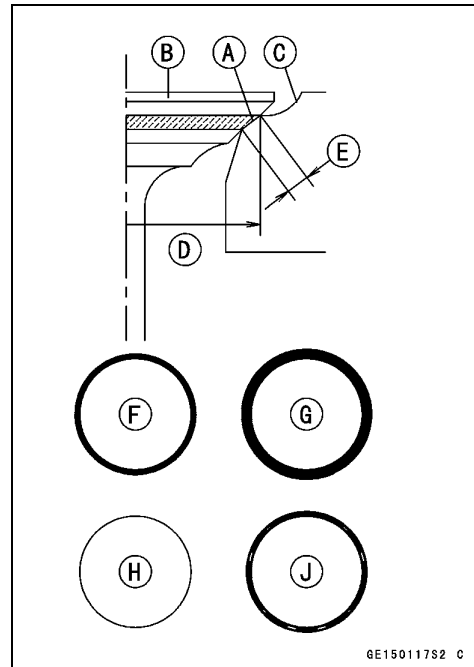
Valve Seat Cutter, 32° -  $\phi 28$ : 57001-1119

or Valve Seat Cutter, 32° -  $\phi 30$ : 57001-1120

Valve Seat Cutter, 60° -  $\phi 30$ : 57001-1123

or Valve Seat Cutter, 60° -  $\phi 33$ : 57001-1334

- ★ If the manufacturer's instructions are not available, use the following procedure.



**Valves**

**Seat Cutter Operation Care**

1. This valve seat cutter is developed to grind the valve for repair. Therefore the cutter must not be used for other purposes than seat repair.
2. Do not drop or shock the valve seat cutter, or the diamond particles may fall off.
3. Do not fail to apply engine oil to the valve seat cutter before grinding the seat surface. Also wash off ground particles sticking to the cutter with washing oil.

**NOTE**

- Do not use a wire brush to remove the metal particles from the cutter. It will take off the diamond particles.
4. Setting the valve seat cutter holder in position, operate the cutter in one hand. Do not apply too much force to the diamond portion.

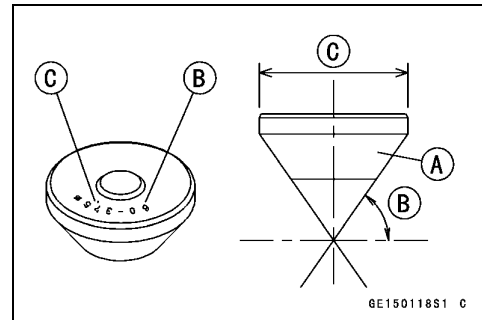
**NOTE**

- Prior to grinding, apply engine oil to the cutter and during the operation, wash off any ground particles sticking to the cutter with washing oil.
5. After use, wash it with washing oil and apply thin layer of engine oil before storing.

**Marks Stamped on the Cutter**

The marks stamped on the back of the cutter [A] represent the following.

- 60° ..... Cutter angle [B]
- 37.5φ ..... Outer diameter of cutter [C]

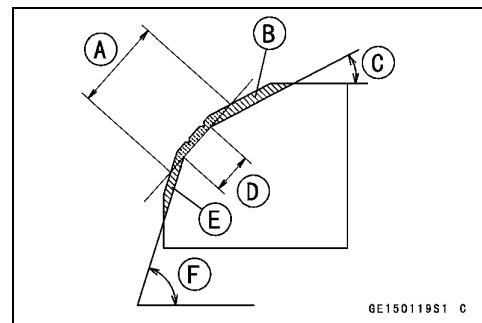


**Operating Procedures**

- Clean the seat area carefully.
- Coat the seat with machinist's dye.
- Fit a 45° cutter into the holder and slide it into the valve guide.
- Press down lightly on the handle and turn it right or left. Grind the seating surface only until it is smooth.

**CAUTION**

**Do not grind the seat too much. Overgrinding will reduce valve clearance by sinking the valve into the head. If the valve sinks too far into the head, it will be impossible to adjust the clearance, and the cylinder head must be replaced.**



- Widened Width [A] of engagement by machining with 45° cutter
- Ground Volume [B] by 32° cutter
- 32° [C]
- Correct Width [D]
- Ground Volume [E] by 60° cutter
- 60° [F]

## 5-30 ENGINE TOP END

### Valves

- Measure the outside diameter (O.D.) of the seating surface with a vernier caliper.
- ★ If the outside diameter of the seating surface is too small, repeat the 45° grind [A] until the diameter is within the specified range.  
Original Seating Surface [B]

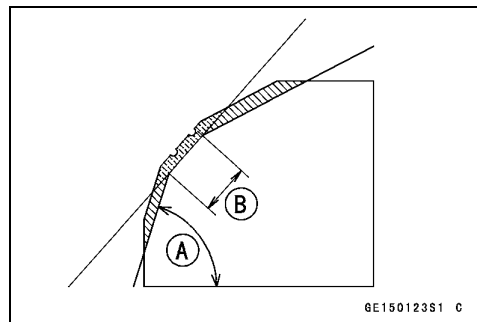
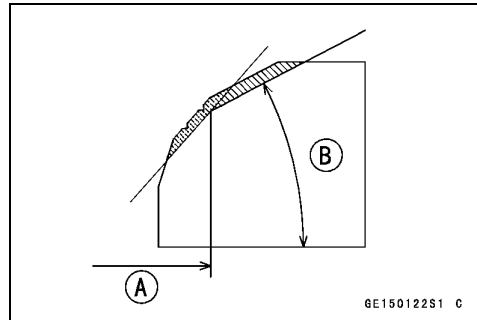
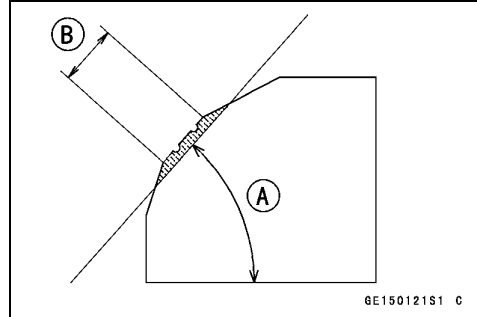
#### NOTE

- Remove all pittings or flaws from 45° ground surface.
  - After grinding with 45° cutter, apply thin coat of machinist's dye to seating surface. This makes seating surface distinct and 32° and 60° grinding operation easier.
  - When the valve guide is replaced, be sure to grind with 45° cutter for centering and good contact.
- ★ If the outside diameter of the seating surface is too large, make the 32° grind described below.
  - ★ If the outside diameter [A] of the seating surface is within the specified range, measure the seat width as described below.
  - Grind the seat at a 32° angle [B] until the seat O.D. is within the specified range.
  - To make the 32° grind, fit a 32° cutter into the holder, and slide it into the valve guide.
  - Turn the holder one turn at a time while pressing down very lightly. Check the seat after each turn.

#### CAUTION

**The 32° cutter removes material very quickly. Check the seat outside diameter frequently to prevent overgrinding.**

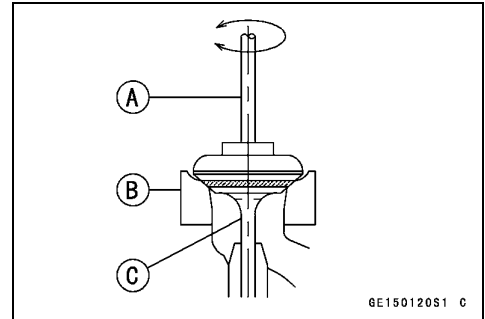
- After making the 32° grind, return to the seat O.D. measurement step above.
  - To measure the seat width, use a vernier caliper to measure the width of the 45° angle portion of the seat at several places around the seat.
  - ★ If the seat width is too narrow, repeat the 45° grind until the seat is slightly too wide, and then return to the seat O.D. measurement step above.
- ★ If the seat width is too wide, make the 60° [A] grind described below.
  - ★ If the seat width is within the specified range, lap the valve to the seat as described below.
  - Grind the seat at a 60° angle until the seat width is within the specified range.
  - To make the 60° grind, fit 60° cutter into the holder, and slide it into the valve guide.
  - Turn the holder, while pressing down lightly.
  - After making the 60° grind, return to the seat width measurement step above.  
Correct Width [B]





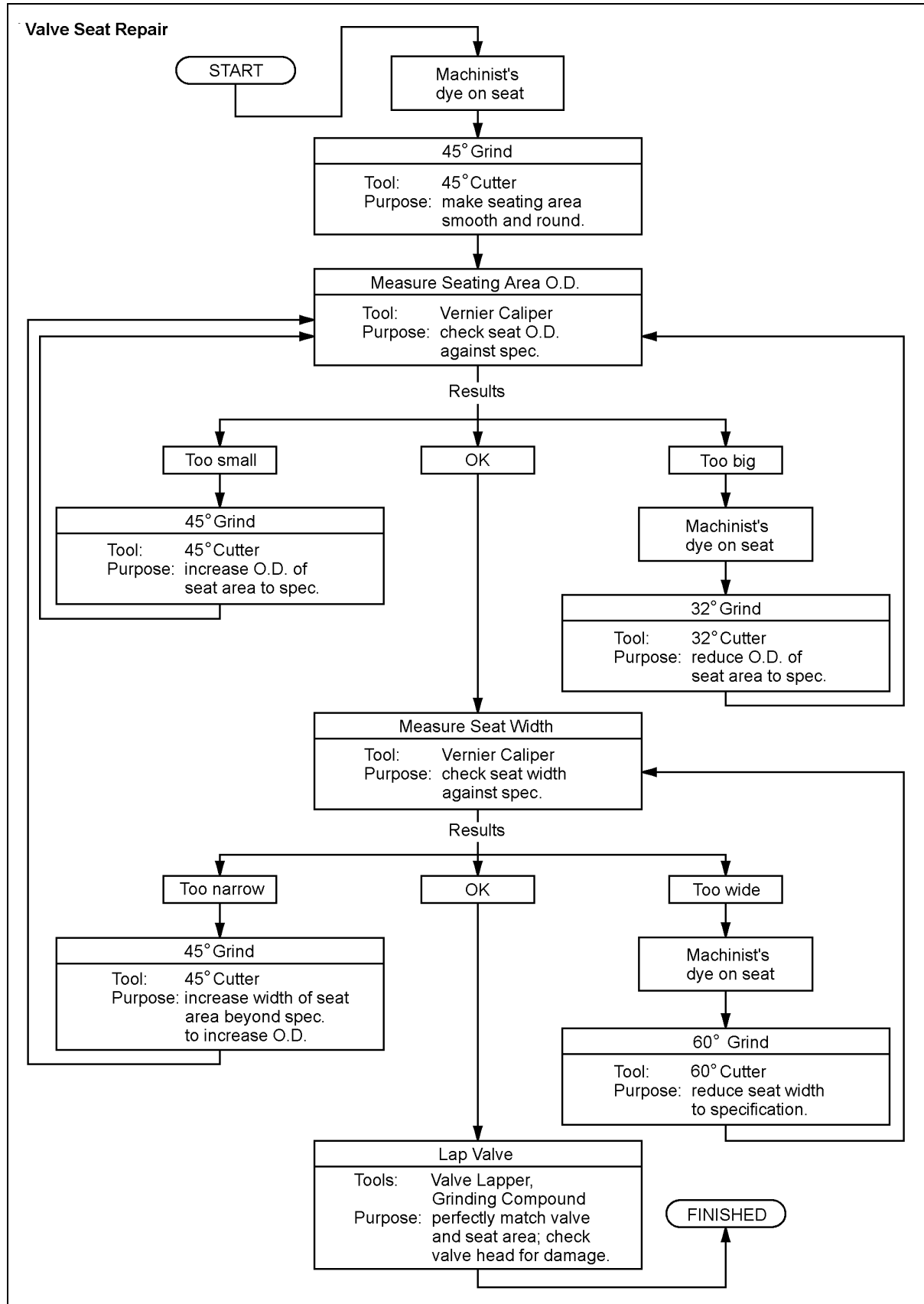
## Valves

- Lap the valve to the seat, once the seat width and O.D. are within the ranges specified above.
- Put a little coarse grinding compound on the face of the valve in a number of places around the valve head.
- Spin the valve against the seat until the grinding compound produces a smooth, matched surface on both the seat and the valve.
- Repeat the process with a fine grinding compound.
  - Lapper [A]
  - Valve Seat [B]
  - Valve [C]
- The seating area should be marked about in the middle of the valve face.
- ★ If the seat area is not in the right place on the valve, check to be sure the valve is the correct part. If it is, it may have been refaced too much; replace it.
- Be sure to remove all grinding compound before assembly.
- When the engine is assembled, be sure to adjust the valve clearance (see Valve Clearance Adjustment in the Periodic Maintenance chapter).



# 5-32 ENGINE TOP END

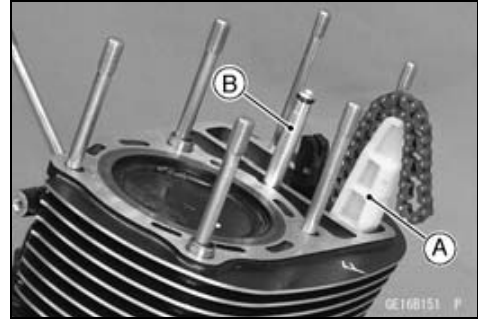
## Valves



## Cylinders, Pistons

### Cylinder Removal

- Drain the coolant (see Coolant Change in the Periodic Maintenance chapter).
- Remove the cylinder head (see Cylinder Head Removal).
- Pull out the front camshaft chain guide [A] and oil pipe [B].
- Tap lightly up the cylinder with a plastic mallet to separate from the crankcase.
- Remove the cylinder base gasket.



### Piston Removal

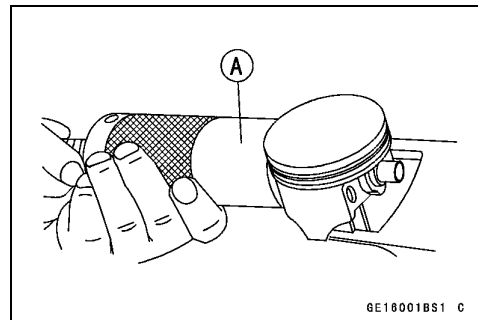
- Remove the cylinder (see Cylinder Removal).
- Place a piece of clean cloth under the piston and remove the piston pin snap rings [A] from the outside of each piston.



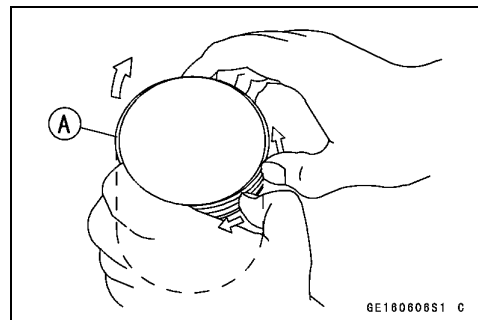
### CAUTION

**Do not reuse snap rings, as removal weakens and deforms them. They could fall out and score the cylinder wall.**

- Using the piston pin puller assembly, remove the piston pins.  
**Special Tool - Piston Pin Puller Assembly [A]: 57001-910**
- Remove the piston.



- Carefully spread the ring opening with your thumbs and then push up on the opposite side of the ring [A] to remove it.
- Remove the 3-piece oil ring with your thumbs in the same manner.

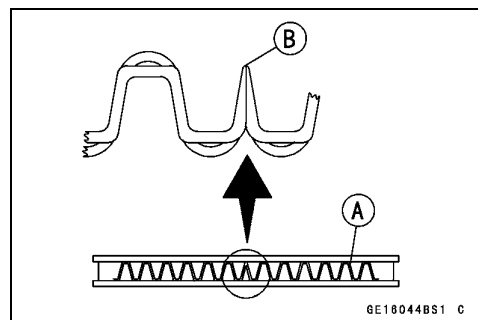


### Cylinder, Piston Installation

#### NOTE

○The oil ring rails have no "top" or "bottom".

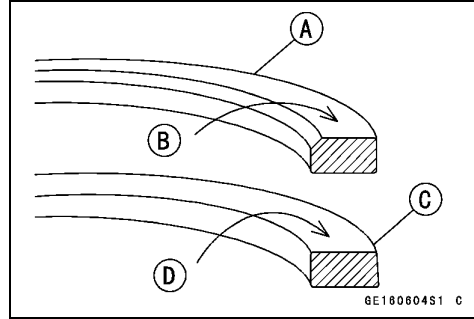
- Install the oil ring expander [A] in the bottom piston ring groove so the ends [B] butt together.
- Install the oil ring steel rails, one above the expander and one below it.
- Spread the rail with your thumbs, but only enough to fit the rail over the piston.
- Release the rail into the bottom piston ring groove.



## 5-34 ENGINE TOP END

### Cylinders, Pistons

- Do not mix up the top ring and second ring.
- Install the top ring [A] so that the “R” mark [B] faces up.
- Install the second ring [C] so that the “RN” mark [D] faces up.



- The piston ring openings must be positioned as shown in the figure. The openings of the oil ring steel rails must be about 30 ~ 45° [F] of angle from the opening of the top ring.

Top Ring [A]

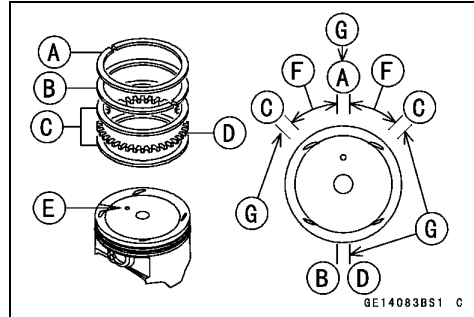
Second Ring [B]

Oil Ring Steel Rails [C]

Oil Ring Expander [D]

Hollow [E] must be faced toward the exhaust side.

Opening Positions [G]

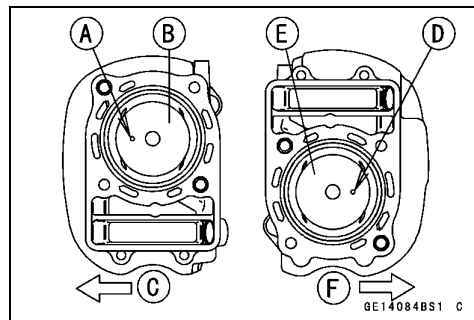


- Face the hollow [A] on the front piston [B] toward the front side [C] and the hollow [D] on the rear piston [E] toward the rear side [F] as shown.

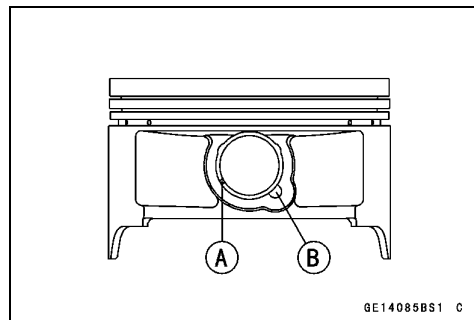
- The front and rear pistons are the same, but they should be installed in their original positions.

#### CAUTION

**Incorrect installation of the piston could cause piston seizure and result in severe engine damage.**



- Fit a new piston pin snap ring into the side of the piston so that the ring opening [A] does not coincide with the slit [B] of the piston pin hole.
- Apply molybdenum disulfide oil solution to the outer surface of the piston pin.
- The molybdenum disulfide oil is a mixture of engine oil and molybdenum disulfide grease with a weight ratio (10 : 1).
- When installing the piston pin snap ring, compress it only enough to install it and no more.
- Apply molybdenum disulfide oil to the cylinder bore.
- Apply molybdenum disulfide oil to the front and rear of the piston skirt.
- Install the rear cylinder first, with the rear piston at TDC.



## Cylinders, Pistons

### NOTE

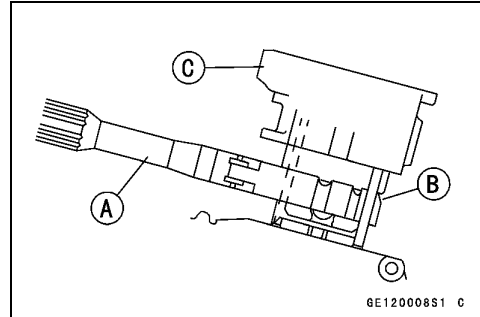
○ If a new piston or cylinder is used, check piston to cylinder clearance (see *Piston/Cylinder Clearance*), and use new piston ring.

- Replace the cylinder base gasket with a new one.
- Be sure to install the dowel pins [A].



- Using the piston ring compressor assembly [A] with the chamfered side [B] upward, install the cylinder block [C].

**Special Tools - Piston Ring Compressor Grip: 57001-1095**  
**Piston Ring Compressor Belt,  $\phi 80 \sim \phi 91$ : 57001-1320**



- Install the front cylinder in the same way.
- Position the front piston at TDC.
- Tighten the cylinder nuts temporarily (These nuts are tightened to the specified torque after rocker case installation).

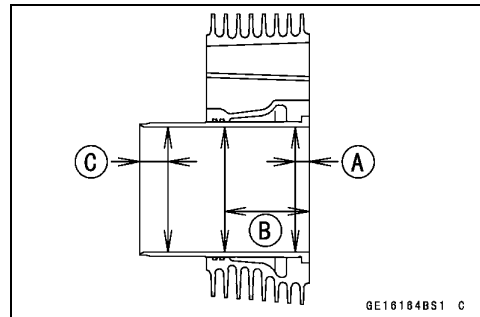
### Cylinder Wear

- Since there is a difference in cylinder wear in different directions, take a side-to-side and a front-to-back measurement at each of the 3 locations (total of 6 measurements) shown in the figure.
- ★ If any of the cylinder inside diameter measurements exceeds the service limit, the cylinder will have to be bored to oversize and then honed.

[A] 10 mm (0.39 in.)

[B] 60 mm (2.4 in.)

[C] 20 mm (0.79 in.)



### Cylinder Inside Diameter

**Standard: 88.000 ~ 88.012 mm (3.4646 ~ 3.4650 in.)**

**Service Limit: 88.10 mm (3.468 in.)**

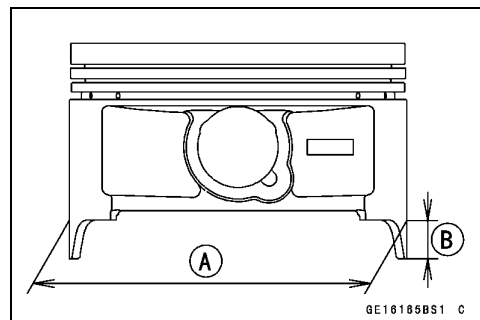
### Piston Wear

- Measure the outside diameter [A] of each piston 5 mm (0.2 in.) [B] up from the bottom of the piston at a right angle to the direction of the piston pin.
- ★ If the measurement is under service limit, replace the piston.

### Piston Diameter

**Standard: 87.955 ~ 87.970 mm (3.4628 ~ 3.4634 in.)**

**Service Limit: 87.80 mm (3.457 in.)**



## 5-36 ENGINE TOP END

### Cylinders, Pistons

#### **Piston/Cylinder Clearance**

- Subtract the piston diameter from the cylinder inside diameter to get the piston/cylinder clearance.

##### **Piston/Cylinder Clearance**

**Standard:** 0.030 ~ 0.057 mm (0.0012 ~ 0.0022 in.)

- ★ If the piston/cylinder clearance is less than the specified range, use a smaller piston or increase the cylinder inside diameter by honing.
- ★ If the piston/cylinder clearance is greater than specified range, use a larger piston.
- ★ If only a piston is replaced, the clearance may exceed the standard slightly. But it must not be less than the minimum in order to avoid piston seizure.

#### **Piston Ring, Piston Ring Groove Wear**

- Check for uneven groove wear by inspecting the ring seating.
- ★ The rings should fit perfectly parallel to groove surfaces. If not, replace the piston and all the piston rings.
- With the piston rings in their grooves, make several measurements with a thickness gauge [A] to determine piston ring/groove clearance.

#### **Piston Ring/Groove Clearance**

##### **Standard:**

**Top** 0.05 ~ 0.09 mm (0.002 ~ 0.004 in.)

**Second** 0.03 ~ 0.07 mm (0.001 ~ 0.003 in.)

##### **Service Limit:**

**Top** 0.19 mm (0.0075 in.)

**Second** 0.17 mm (0.0067 in.)

- ★ If the piston ring groove clearance is greater than the service limit, measure the ring thickness and groove width as follows to decide whether to replace the rings, the piston or both.

#### **Piston Ring Groove Width**

- Measure the piston ring groove width.
- Use a vernier caliper at several points around the piston.

#### **Piston Ring Groove Width**

##### **Standard:**

**Top** 1.04 ~ 1.06 mm (0.0409 ~ 0.0417 in.)

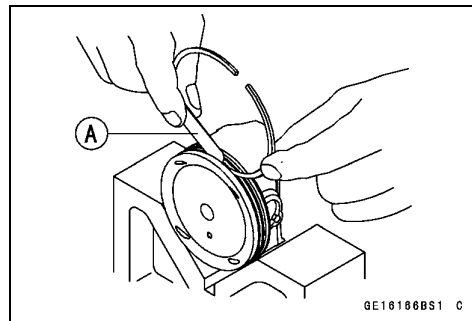
**Second** 1.02 ~ 1.04 mm (0.0402 ~ 0.0409 in.)

##### **Service Limit:**

**Top** 1.14 mm (0.0449 in.)

**Second** 1.12 mm (0.0441 in.)

- ★ If the width of any of the two grooves is wider than the service limit at any point, replace the piston.



## Cylinders, Pistons

### Piston Ring Thickness

- Measure the piston ring thickness.
- Use a micrometer to measure at several points around the ring.

#### Piston Ring Thickness

##### Standard:

Top and Second 0.97 ~ 0.99 mm (0.038 ~ 0.039 in.)

##### Service Limit:

Top and Second 0.90 mm (0.035 in.)

- ★ If any of the measurements is less than the service limit on either of the rings, replace all the rings.

### NOTE

- When using new rings in a used piston, check for uneven groove wear. The rings should fit perfectly parallel to the groove sides. If not, replace the piston.

### Piston Ring End Gap

- Place the piston ring [A] inside the cylinder, using the piston to locate the ring squarely in place. Set it close to the bottom of the cylinder, where cylinder wear is low.
- Measure the gap [B] between the ends of the ring with a thickness gauge.

#### Piston Ring End Gap

##### Standard:

Top 0.20 ~ 0.35 mm (0.0079 ~ 0.014 in.)

Second 0.40 ~ 0.55 mm (0.016 ~ 0.022 in.)

Oil 0.20 ~ 0.70 mm (0.0079 ~ 0.0028 in.)

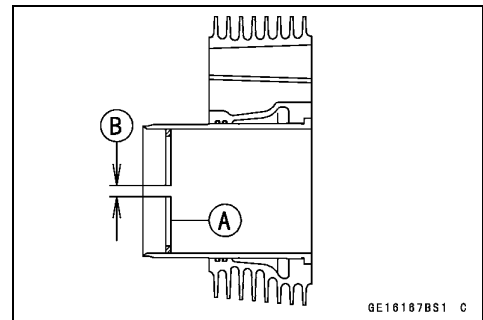
##### Service Limit:

Top 0.6 mm (0.02 in.)

Second 0.8 mm (0.03 in.)

Oil 1.0 mm (0.039 in.)

- ★ If the end gap of either ring is greater than the service limit, replace all the rings.

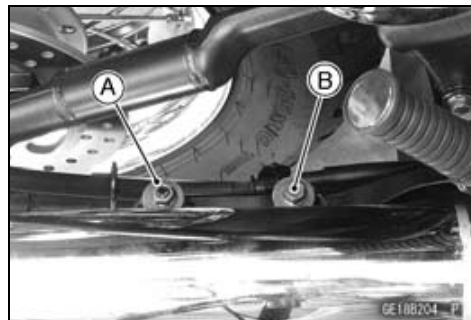
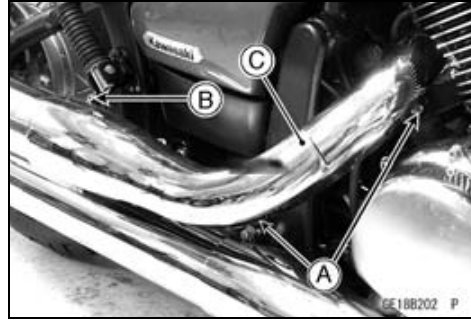


## 5-38 ENGINE TOP END

### Muffler

#### **Muffler Removal**

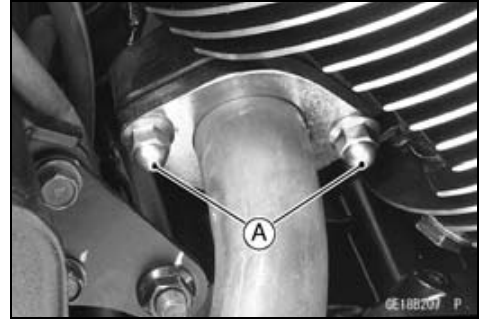
- Remove:
  - Clamp Screws (Loosen) [A]
  - Bolt [B]
  - Rear Muffler Cover [C]
  
- Remove:
  - Clamp Screws (Loosen) [A]
  - Bolt [B]
  - Front Muffler Cover [C]
  
- Remove:
  - Muffler Mounting Nut [A], Collar and Damper
  - Muffler Mounting Bolt [B]
  
- Remove:
  - Muffler Mounting Bolts [A]
  
- Remove:
  - Front Exhaust Pipe Holder Nuts [A]





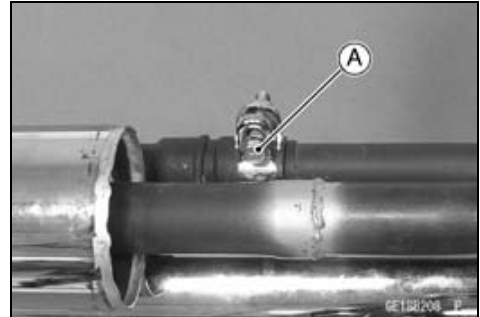
## Muffler

- Remove:
  - Rear Exhaust Holder Nuts [A]
- Remove the upper and lower muffler jointed.



### **Muffler Installation**

- Joint the upper and lower muffler.
- Temporary tighten the muffler joint clamp bolt [A].



- Install the muffler.
- Tighten:
  - Torque - Muffler Mounting Nut: 25 N·m (2.5 kgf·m, 18 ft·lb)
  - Muffler Mounting Bolts: 25 N·m (2.5 kgf·m, 18 ft·lb)
  - Exhaust Pipe Holder Nuts: 17 N·m (1.7 kgf·m, 12 ft·lb)
  - Muffler Joint Clamp Bolts: 17 N·m (1.7 kgf·m, 12 ft·lb)
- Install the muffler covers.
- Tighten:
  - Torque - Exhaust Pipe Cover Clamp Bolts: 6.9 N·m (0.70 kgf·m, 61 in·lb)
  - Exhaust Pipe Cover Bolts: 6.9 N·m (0.70 kgf·m, 61 in·lb)



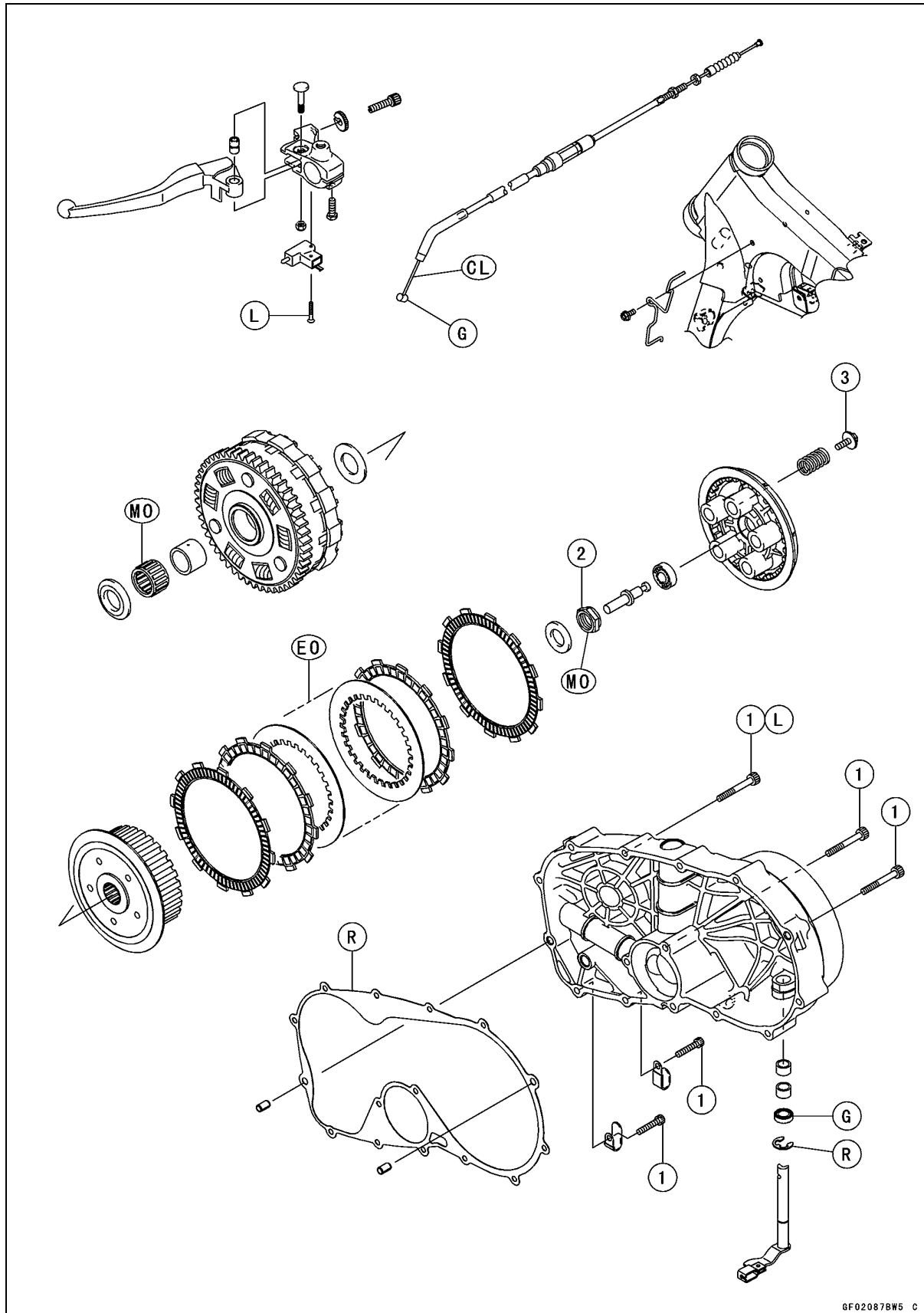
# Clutch

## Table of Contents

Exploded View .....	6-2
Specifications .....	6-4
Special Tool .....	6-5
Clutch Lever and Cable .....	6-6
Clutch Lever Free Play Inspection .....	6-6
Clutch Lever Free Play Adjustment .....	6-6
Clutch Cable Removal .....	6-6
Clutch Cable Installation .....	6-6
Cable Lubrication .....	6-6
Clutch Lever Installation .....	6-7
Right Engine Cover .....	6-8
Right Engine Cover Removal .....	6-8
Right Engine Cover Installation .....	6-8
Release Shaft Removal .....	6-9
Release Shaft Installation .....	6-9
Clutch Cover Disassembly .....	6-9
Clutch Cover Assembly .....	6-9
Clutch .....	6-10
Clutch Removal .....	6-10
Clutch Installation .....	6-10
Clutch Plate, Wear, Damage Inspection .....	6-11
Clutch Plate Warp Inspection .....	6-12
Clutch Spring Free Length Measurement .....	6-12

# 6-2 CLUTCH

## Exploded View



GF02087BW5 C

**Exploded View**

No.	Fastener	Torque			Remarks
		N·m	kgf·m	ft·lb	
1	Right Engine Cover Bolts	98	1.0	87 in·lb	L (1)
2	Clutch Hub Nut	130	13.2	95.9	MO
3	Clutch Spring Bolts	9.8	1.0	87 in·lb	

CL: Apply cable lubricate.

EO: Apply engine oil.

G: Apply grease.

L: Apply a non-permanent locking agent.

MO: Apply molybdenum disulfide oil.

(mixture of the engine oil and molybdenum disulfide grease in a weight ratio 10 : 1)

R: Replacement Parts

## 6-4 CLUTCH

### Specifications

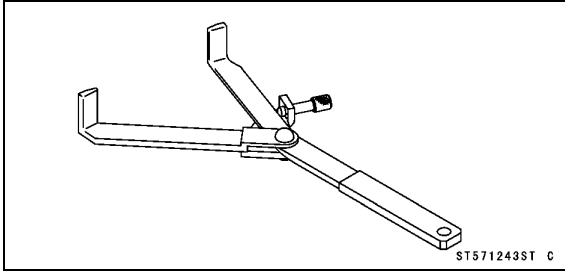
Item	Standard	Service Limit
<b>Clutch Lever Free Play</b>	2 ~ 3 mm (0.08 ~ 0.12 in.)	
<b>Clutch</b>		
Friction Plate Thickness	2.9 ~ 3.1 mm (0.114 ~ 0.122 in.)	2.8 mm (0.110 in.)
Friction and Steel Plate Warp	0.2 mm (0.008 in.) or less	0.3 mm (0.01 in.)
Clutch Spring Free Length	33.6 mm (1.32 in.)	32.6 mm (1.28 in.)

---

**Special Tool**

---

**Clutch Holder:  
57001-1243**



## 6-6 CLUTCH

### Clutch Lever and Cable

#### **Clutch Lever Free Play Inspection**

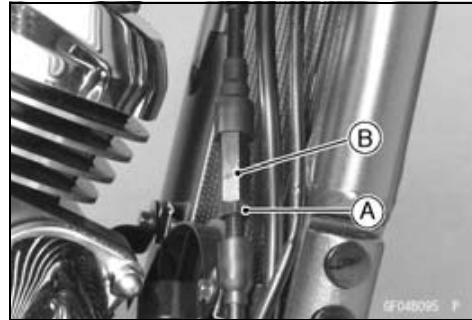
- Refer to the Clutch Operation Inspection in the Periodic Maintenance chapter.

#### **Clutch Lever Free Play Adjustment**

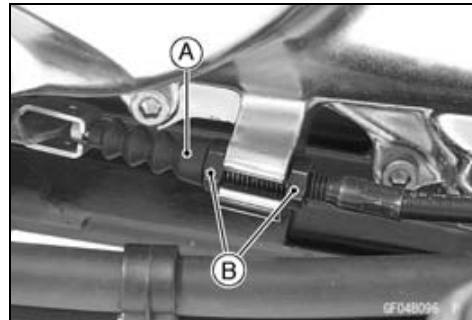
- Refer to the Clutch Operation Inspection in the Periodic Maintenance chapter.

#### **Clutch Cable Removal**

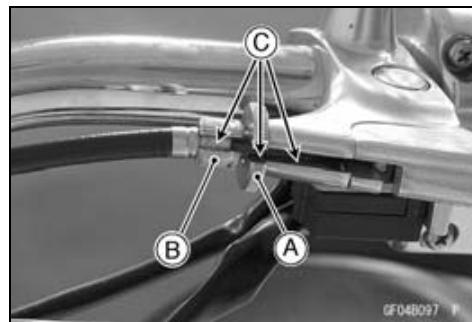
- Remove the muffler (see Muffler Removal in the Engine Top End chapter).
- Loosen the locknut [A] at the middle of the clutch cable.
- Turn the adjusting nut [B] to give the cable plenty of play.



- Slide the dust cover [A] at the clutch cable lower end out of place.
- Loosen the nuts [B], and slide the lower end of the clutch cable to give the cable plenty of play.



- Loosen the locknut [A] at the clutch lever, and screw in the adjuster [B].
- Line up the slots [C] in the clutch lever, locknut, and adjuster, and then free the cable from the lever.
- Free the clutch inner cable tip from the clutch release lever.
- Push the release lever toward the front of the motorcycle and tape the release lever to the clutch cover to prevent the release shaft from falling out.
- Pull the clutch cable out of the frame.



#### **Clutch Cable Installation**

- Run the clutch cable correctly (see Cable, Wire and Hose Routing section in the Appendix chapter).
- Adjust the clutch cable (see Clutch Lever Free Play Adjustment in the Periodic Maintenance chapter).

#### **Cable Lubrication**

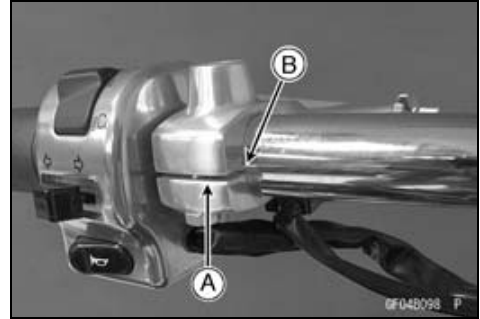
- Refer to the Chassis Parts Lubrication in the Periodic Maintenance chapter.



### Clutch Lever and Cable

#### ***Clutch Lever Installation***

- Install the clutch lever so that the mating surface [A] of the lever holder is aligned with the punch mark [B] of the handlebar.

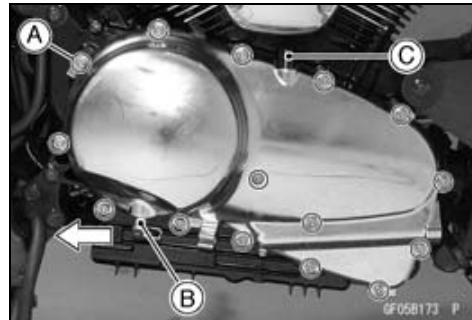
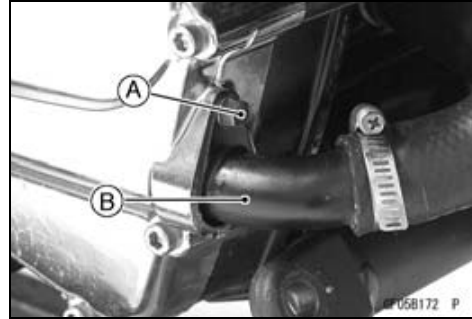


## 6-8 CLUTCH

### Right Engine Cover

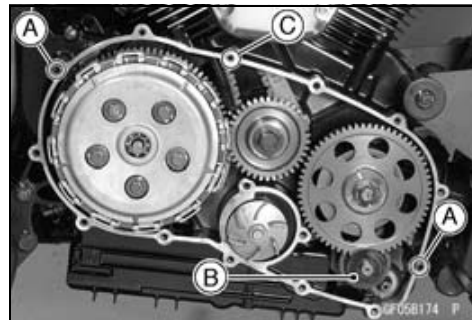
#### Right Engine Cover Removal

- Drain:
  - Engine Oil (see Engine Oil Change in the Periodic Maintenance chapter)
  - Coolant (see Coolant Change in the Periodic Maintenance chapter)
- Remove:
  - Brake Pedal (see Brake Pedal Removal in the Brakes chapter)
  - Right Footboard (see Footboard Removal/Installation in the Frame chapter)
  - Muffler (see Muffler Removal in the Engine Top End chapter)
  - Clutch Cable (see Clutch Cable Removal)
  - Down Tube (see Downtube Removal in the Frame chapter)
  - Bolt [A]
  - Coolant Pipe [B]
- Remove:
  - Clutch Cover Bolts [A]
- Turn the release lever [B] toward the rear as shown, and remove the right engine cover.
- The water pipe [C] is removed along with the right engine cover.



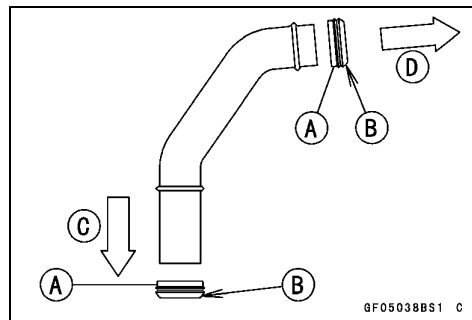
#### Right Engine Cover Installation

- Install the dowel pins [A], and replace the cover gasket with a new one.
- Check to see that the washer [B] is in place.
- Apply a non-permanent locking agent to the threads of the right engine cover bolt (L = 50) [C].



- Install the seals [A] to the water pipe so that tapered side [B] facing the engine inside.
- Apply a soap and water solution to the seal. Do not apply a grease or oil to the seal.
- Be sure the water pipe installed correctly.
  - [C] Right Engine Cover Side
  - [D] Crankcase Side
- Tighten:

**Torque - Right Engine Cover Bolts: 9.8 N·m (1.0 kgf·m, 87 in·lb)**



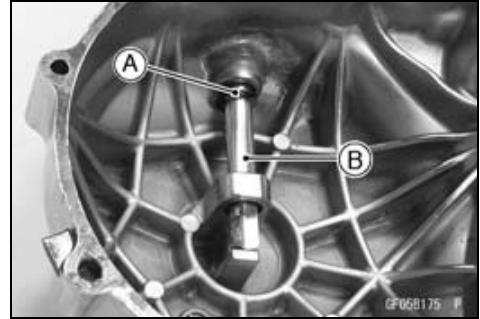
## Right Engine Cover

### Release Shaft Removal

#### CAUTION

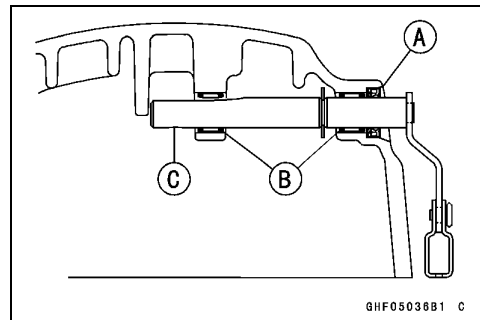
**Do not remove the clutch release lever and shaft assembly unless it is absolutely necessary. If removed, the oil seal replacement may be required.**

- Remove the right engine cover (see Right Engine Cover Removal).
- Remove the circlip [A] from the release shaft.
- Pull the lever and shaft assembly [B] out of the right engine cover.



### Release Shaft Installation

- Apply grease to the oil seal lip [A] on the lower ridge of the clutch cover.
- Apply oil to the bearings [B] in the hole of the right engine cover.
- Insert the release shaft [C] straight into the lower hole of the right engine cover.



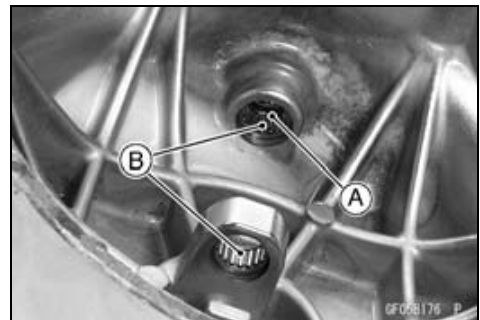
#### CAUTION

**When inserting the release shaft, be careful not to remove the spring of the oil seal.**

- Install the new circlip.

### Clutch Cover Disassembly

- Remove:
  - Oil Seal [A]
  - Needle Bearings [B]



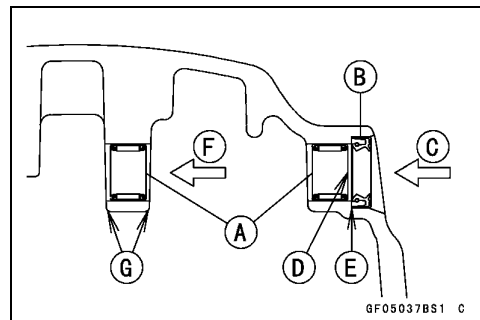
### Clutch Cover Assembly

- Replace the needle bearings and oil seal with new ones.

#### NOTE

○ Install the needle bearings so that the manufacture's mark face out.

- Install the needle bearings [A] and oil seal [B] position as shown.
- Press [C] the outer needle bearing so that the bearing surface [D] is flush with the housing end [E] of clutch cover.
- Press [F] the inner needle bearing so that the bearing both surface does not protrude from the both housing ends [G] of clutch cover.

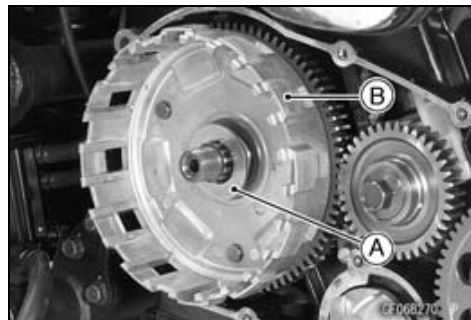
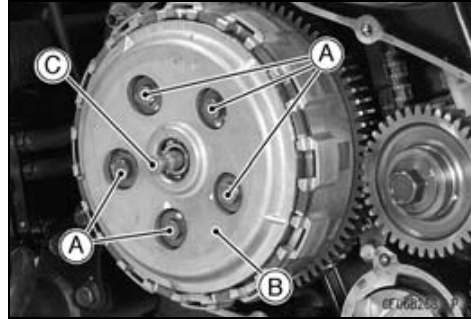


## 6-10 CLUTCH

### Clutch

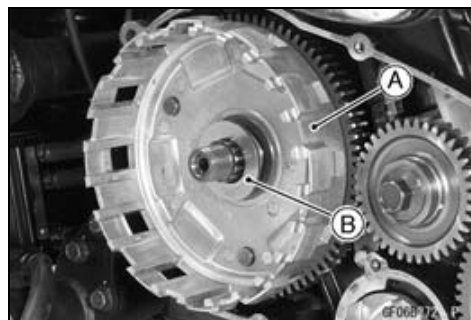
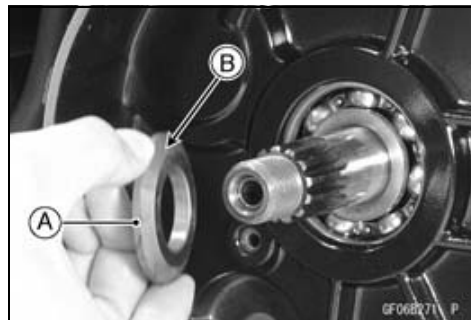
#### Clutch Removal

- Remove:
  - Right Engine Cover (see Right Engine Cover Removal)
  - Clutch Spring Bolts [A]
  - Clutch Springs
  - Clutch Spring Plate [B] (with thrust bearing and pusher [C])
  
- Remove:
  - Friction Plates, Steel Plates
  - Clutch Hub Nut [A]
- Holding the clutch hub [B], remove the nut.  
**Special Tool - Clutch Holder [C]: 57001-1243**
- Remove:
  - Clutch Hub
  
- Remove:
  - Spacer [A]
  - Clutch Housing [B], Needle Bearing and Bushing
  - Thrust Spacer



#### Clutch Installation

- Install the thrust spacer [A] to the drive shaft so that the tapered side [B] faces inward.
  - Apply molybdenum disulfide oil to the needle bearing.
  - Install the bushing and needle bearing to the drive shaft.
- 
- Install:
    - Clutch Housing [A]
    - Spacer [B]
    - Clutch Hub



## Clutch

- Install the washer so that the OUTSIDE mark [A] faces outward.



- Replace the clutch hub nut with a new one.
- Apply molybdenum disulfide oil to seating surface of the hub nut.
- Holding the clutch hub, tighten the clutch hub nut.

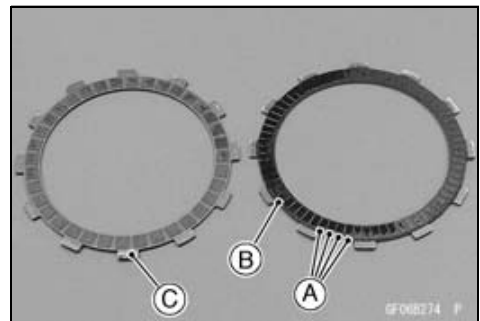
**Special Tool - Clutch Holder: 57001-1243**

**Torque - Clutch Hub Nut: 130 N·m (13.3 kgf·m, 95.9 ft·lb)**

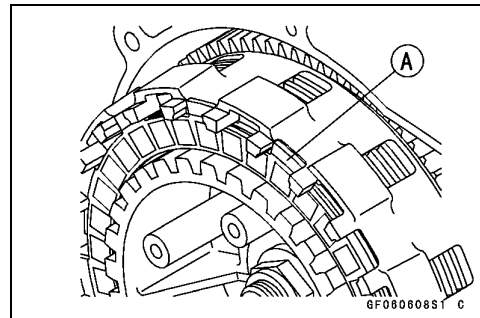
- Install the friction plates and steel plates, starting with a friction plate and alternating them.
- Install the friction plates so that the plates of having more lining blocks [A] than other plate [C] are placed at both end [B].

### CAUTION

**If new dry friction plates and steel plates are installed, apply engine oil to the surfaces of each plate to avoid clutch plate seizure.**



- Install the last friction plate [A] fitting the tangs in the grooves in the housing as shown.
  - Install the clutch spring plate and spring, and tighten the clutch spring bolts.
- Torque - Clutch Spring Bolts: 9.8 N·m (1.0 kgf·m, 87 in·lb)**
- Install the right engine cover (see Right Engine Cover Installation).



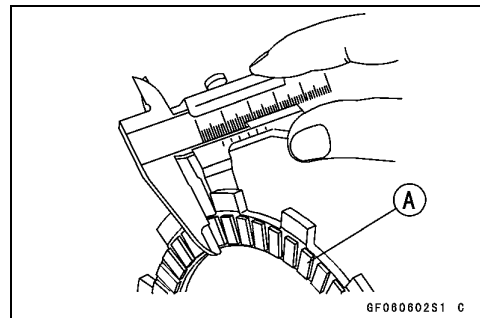
### Clutch Plate, Wear, Damage Inspection

- Visually inspect the friction and steel plates for signs of seizure, overheating (discoloration), or uneven wear.
- Measure the thickness of each friction plate [A] at several points.
- ★ If any plates show signs of damage, or if they have worn past the service limit, replace them with new ones.

#### Friction Plate Thickness

**Standard: 2.9 ~ 3.1 mm (0.114 ~ 0.122 in.)**

**Service Limit: 2.8 mm (0.110 in.)**



## 6-12 CLUTCH

### Clutch

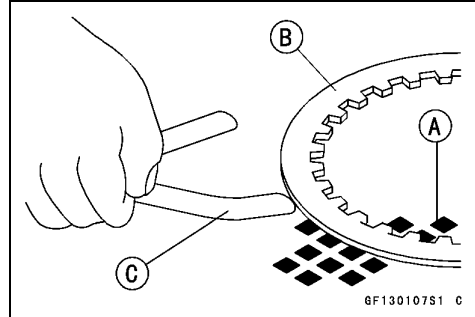
#### **Clutch Plate Warp Inspection**

- Place each friction plate or steel plate on a surface plate and measure the gap between the surface plate [A] and each friction plate or steel plate [B] with a thickness gauge [C]. The gap is the amount of friction or steel plate warp.
- ★ If any plate is warped over the service limit, replace it with a new one.

#### **Friction and Steel Plate Warp**

**Standard:** 0.2 mm (0.008 in.) or less

**Service Limit:** 0.3 mm (0.01 in.)



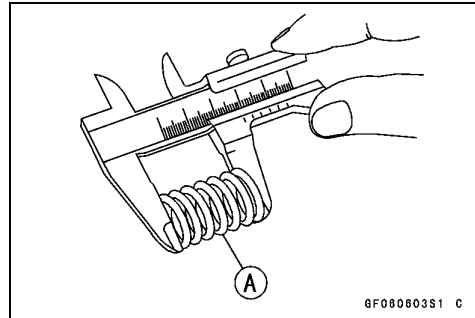
#### **Clutch Spring Free Length Measurement**

- Measure the free length of the clutch springs [A].
- ★ If any spring is shorter than the service limit, it must be replaced.

#### **Clutch Spring Free Length**

**Standard:** 33.6 mm (1.32 in.)

**Service Limit:** 32.6 mm (1.28 in.)



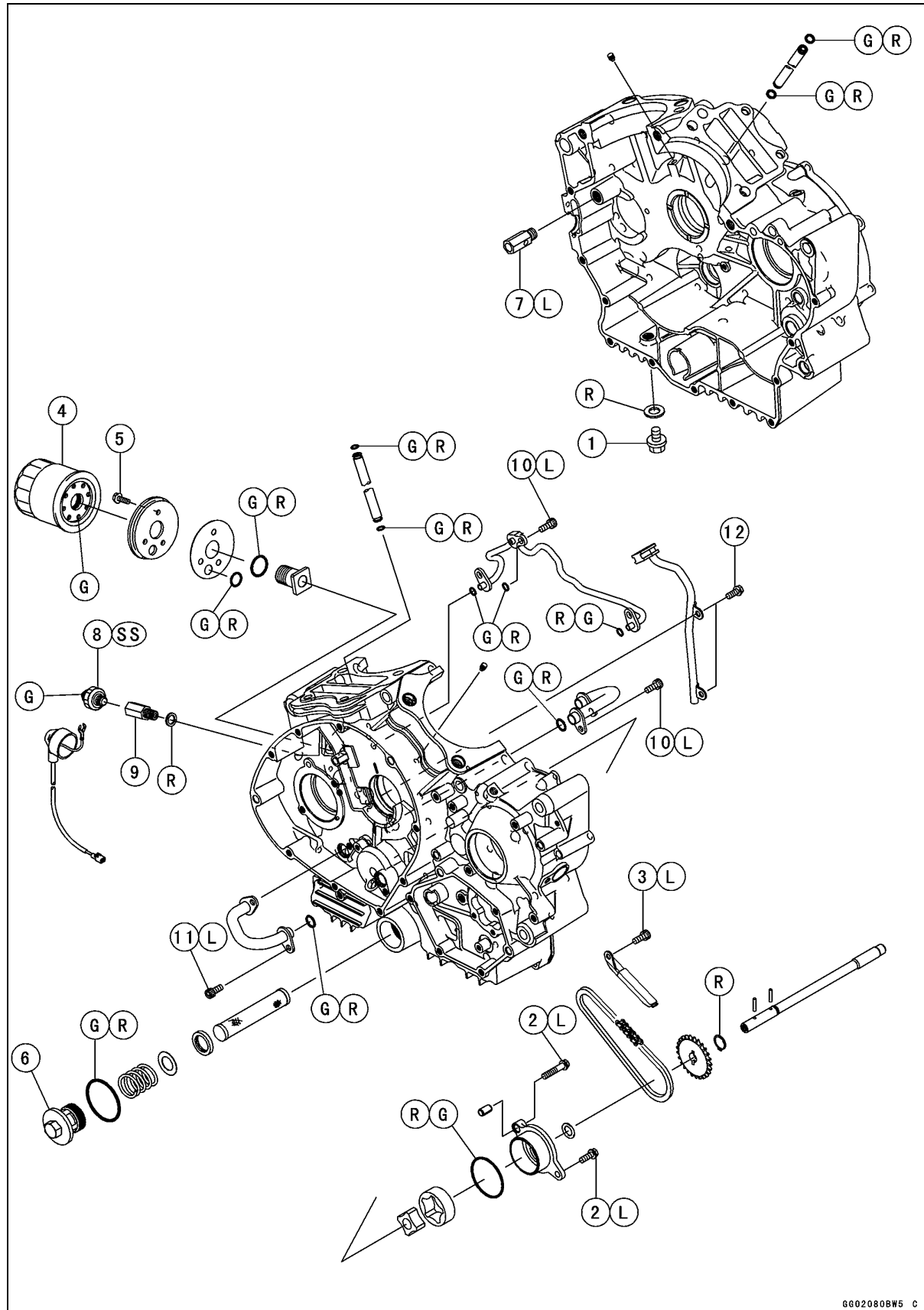
# Engine Lubrication System

## Table of Contents

Exploded View .....	7-2
Engine Oil Flow Chart.....	7-4
Specifications .....	7-5
Special Tools and Sealant .....	7-6
Engine Oil and Oil Filter.....	7-7
Oil Level Inspection.....	7-7
Engine Oil Change.....	7-7
Oil Filter Change .....	7-7
Oil Screen Cleaning .....	7-7
Oil Pressure Relief Valve.....	7-9
Oil Pressure Relief Valve Removal/Installation.....	7-9
Oil Pressure Relief Valve Inspection .....	7-9
Oil Pump, Oil Pump Drive Chain .....	7-10
Oil Pump Removal .....	7-10
Oil Pump Installation.....	7-10
Oil Pump Drive Chain Guide Installation .....	7-11
Oil Pressure Measurement .....	7-12
Oil Pressure Measurement .....	7-12
Oil Pressure Switch .....	7-13
Oil Pressure Switch Removal .....	7-13
Oil Pressure Switch Installation .....	7-13
Oil Pipe and Oil Hose .....	7-14
Oil Pipe (Crankcase Outside) Removal .....	7-14
Oil Pipe (Crankcase Outside) Installation .....	7-14
Oil Pipe (Crankcase Inside) Removal .....	7-14
Oil Pipe (Crankcase Inside) Installation .....	7-14
Blowby Gas System Inspection .....	7-15
Breather Drain Cleaning .....	7-15

# 7-2 ENGINE LUBRICATION SYSTEM

## Exploded View



GG02080B5 C



## ENGINE LUBRICATION SYSTEM 7-3

### Exploded View

No.	Fastener	Torque			Remarks
		N·m	kgf·m	ft·lb	
1	Engine Oil Drain Plug	20	2.0	15	
2	Oil Pump Cover Bolts	9.8	1.0	87 in·lb	L
3	Oil Pump Drive Chain Guide Bolt	9.8	1.0	87 in·lb	L
4	Oil Filter	18	1.8	13	
5	Oil Filter Plate Bolts	7.8	0.80	69 in·lb	
6	Oil Screen Plug	20	2.0	15	
7	Oil Pressure Relief Valve	15	1.5	11	L
8	Oil Pressure Switch	15	1.5	11	SS
9	Oil Pressure Switch Adapter	20	2.0	15	
10	Oil Pipe Bolts (Crankcase Inside)	9.8	1.0	87 in·lb	L
11	Oil Pipe Bolts (Crankcase Outside)	9.8	1.0	87 in·lb	L
12	Oil Return Pipe Bolts	9.8	1.0	87 in·lb	

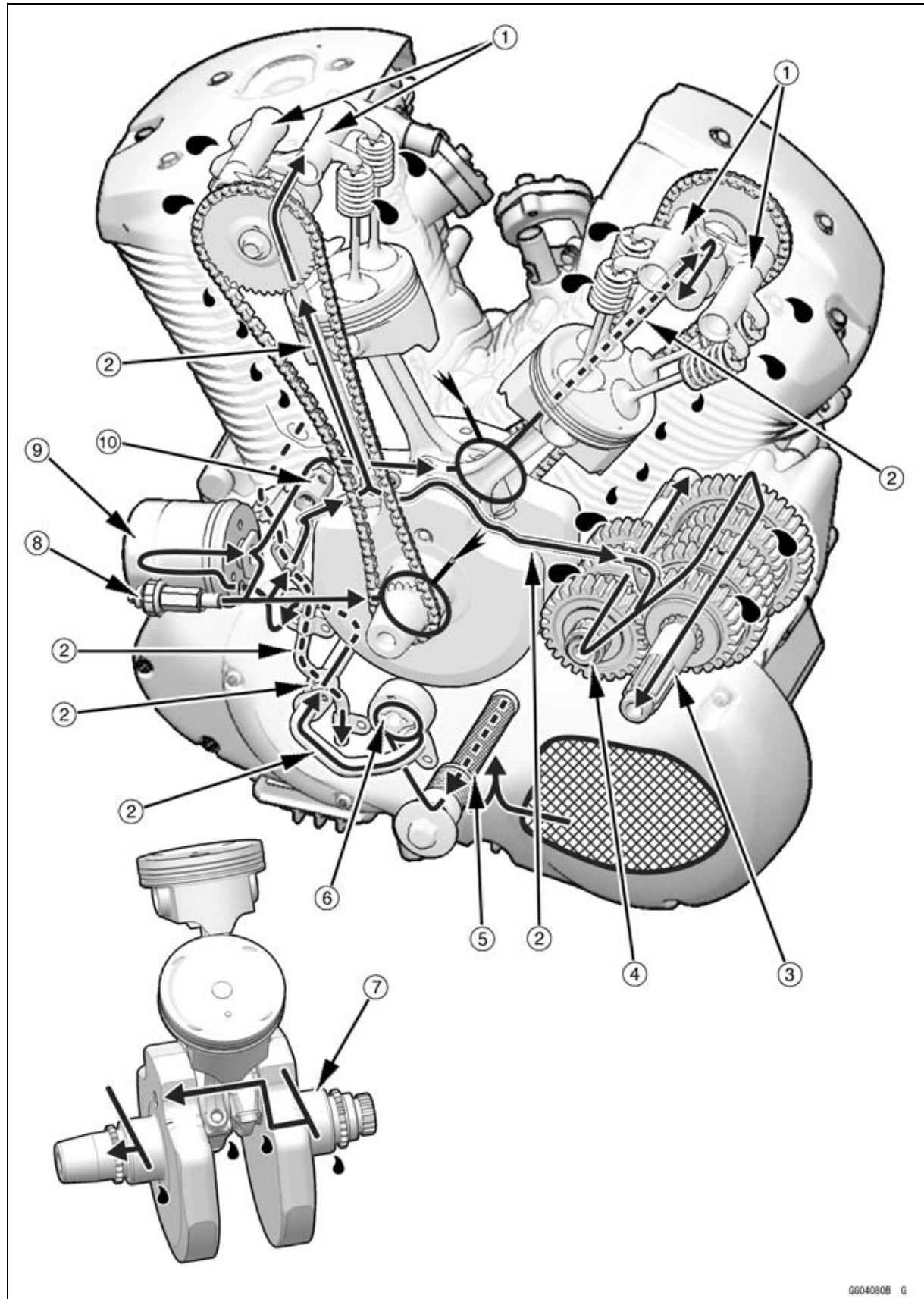
G: Apply grease.

L: Apply a non-permanent locking agent.

SS: Apply silicone sealant.

# 7-4 ENGINE LUBRICATION SYSTEM

## Engine Oil Flow Chart



1. Rocker Arm  
2. Oil Pipe  
3. Output Shaft  
4. Drive Shaft

5. Oil Screen  
6. Oil Pump  
7. Crankshaft  
8. Oil Pressure Switch

9. Oil Filter  
10. Oil Pressure Relief Valve

6604080B G

## ENGINE LUBRICATION SYSTEM 7-5

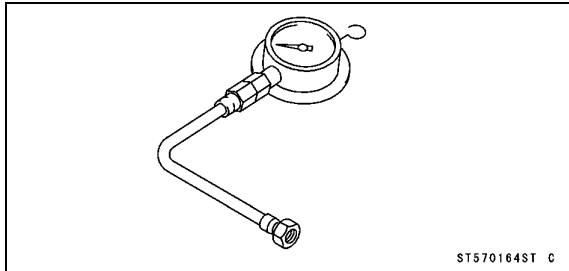
### Specifications

Item	Standard
<b>Engine Oil</b> Type Viscosity Capacity Level (After warm-up or driving)	API SE, SFor SG API SH, SJ or SL with JASO MA SAE 10W-40 3.0 L (3.2 us qt) (when filter is not removed) 3.2 L (3.4 us qt) (when filter is removed) 3.7 L (3.9 us qt) (when engine is completely dry) Between upper and lower level lines
<b>Oil Pressure Measurement</b> Oil pressure @4 000 r/min (rpm), oil temperature 90°C (194°F)	294 ~ 392 kPa (3.0 ~ 4.0 kgf/cm <sup>2</sup> , 42.6 ~ 56.8 psi)

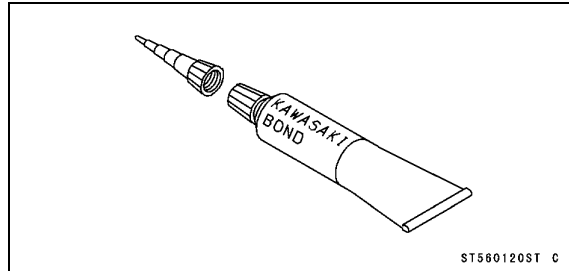
## 7-6 ENGINE LUBRICATION SYSTEM

### Special Tools and Sealant

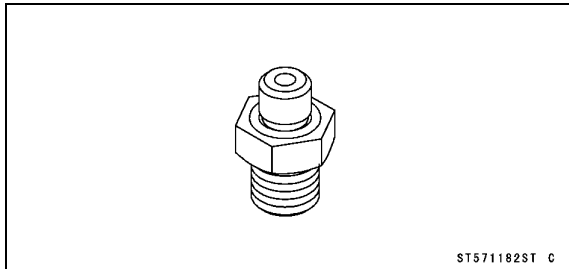
**Oil Pressure Gauge, 10 kgf/cm<sup>2</sup>:**  
**57001-164**



**Kawasaki Bond (Silicone Sealant):**  
**56019-120**



**Oil Pressure Gauge Adapter, M10 × 1.25:**  
**57001-1182**



## Engine Oil and Oil Filter

### **⚠ WARNING**

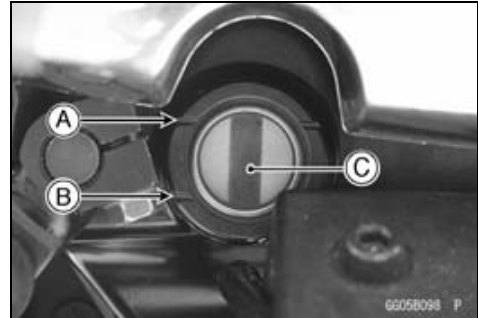
Motorcycle operation with insufficient, deteriorated, or contaminated engine oil will cause accelerated wear and may result in engine or transmission seizure, accident, and injury.

### **Oil Level Inspection**

- Check that the engine oil level is between the upper [A] and lower [B] level lines next to the gauge [C].

### **NOTE**

- Situate the motorcycle so that it is perpendicular to the ground.
- If the motorcycle has just been used, wait several minutes for all the oil to drain down.
- If the oil has just been changed, start the engine and run it for several minutes at idle speed. This fills the oil filter with oil. Stop the engine, then wait several minutes until the oil settles.



### **CAUTION**

Racing the engine before the oil reaches every part can cause engine seizure.

If the engine oil gets extremely low or if the oil pump or oil passages clog up or otherwise do not function properly, the oil pressure warning light will light. If this light stays on when the engine is running above the idle speed, stop the engine immediately and find the cause.

### **Engine Oil Change**

- Refer to the Engine Oil Change in the Periodic Maintenance chapter.

### **Oil Filter Change**

- Refer to the Oil Filter Replacement in the Periodic Maintenance chapter.

### **Oil Screen Cleaning**

- Drain the engine oil (see Engine Oil Change in the Periodic Maintenance chapter).
- Remove the oil screen plug [A], spring and washer.



## 7-8 ENGINE LUBRICATION SYSTEM

### Engine Oil and Oil Filter

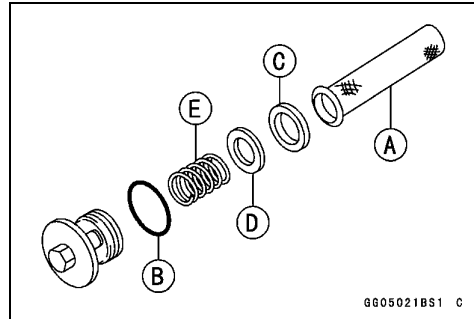
- Pull out the oil screen [A].
- Clean the screen with high flash-point solvent.

#### **⚠ WARNING**

**Clean the screen in a well-ventilated area, and take care that there is no spark or flame anywhere near the working area.**

**Because of the danger of highly flammable liquids, do not use gasoline or low-flash point solvents.**

- Check the screen carefully for any damage.
  - ★ If the screen is damaged, replace it with a new one.
  - Replace the O-ring [B] with a new one.
  - Install:
    - Oil Screen and Rubber Gasket [C]
    - Washer [D]
    - Spring [E]
  - Apply grease to the O-ring, and tighten the plug.
- Torque - Oil Screen Plug: 20 N·m (2.0 kgf·m, 15 ft·lb)**

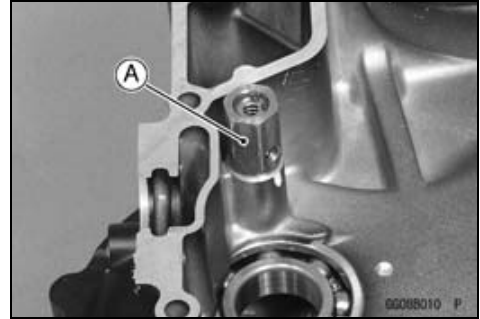


## Oil Pressure Relief Valve

### Oil Pressure Relief Valve Removal/Installation

- Split the crankcase (see Crankcase Splitting in the Crankshaft/Transmission chapter).
- Remove the relief valve [A] from the right crankcase.
- Apply a non-permanent locking agent to the threads of the relief valve, and tighten it.

**Torque - Oil Pressure Relief Valve: 15 N·m (1.5 kgf·m, 11 ft·lb)**



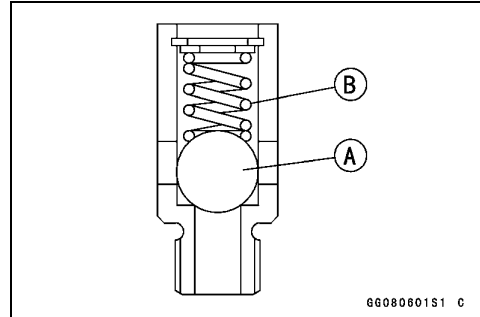
### Oil Pressure Relief Valve Inspection

- Check to see if the steel ball [A] inside the valve slides smoothly when pushing it in with a wooden or other soft rod, and see if it comes back to its seat by valve spring pressure [B].

#### NOTE

○ *Inspect the valve in its assembled state. Disassembly and assembly may change the valve performance.*

- ★ If any rough spots are found during above inspection, wash the valve clean with a high-flash point solvent and blow out any foreign particles that may be in the valve with compressed air.



#### **⚠ WARNING**

**Clean the parts in a well-ventilated area, and take care that there are no sparks or flame anywhere near the working area. Because of the danger of highly flammable liquids, do not use gasoline or low-flash point solvents.**

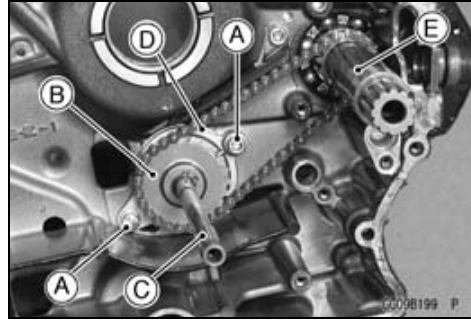
- ★ If cleaning does not solve the problem, replace the relief valve as an assembly. The relief valve is precision made with no allowance for replacement of individual parts.

## 7-10 ENGINE LUBRICATION SYSTEM

### Oil Pump, Oil Pump Drive Chain

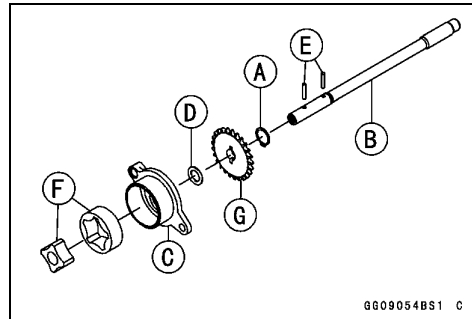
#### Oil Pump Removal

- Split the crankcase (see Crankcase Splitting in the Crankshaft/Transmission chapter).
- Remove:
  - Water Pump Impeller (see Water Pump Impeller Removal in the Cooling System chapter)
  - Crankshaft (see Crankshaft Removal in the Crankshaft/Transmission chapter)
  - Oil Pipes (see Oil Pipe (Crankcase Inside) Removal)
  - Oil Pump Cover Bolts [A]
- Remove the following parts as a set.
  - Sprocket [B]
  - Oil Pump Shaft [C]
  - Oil Pump Cover [D]
  - Rotors
  - Balancer Shaft [E]



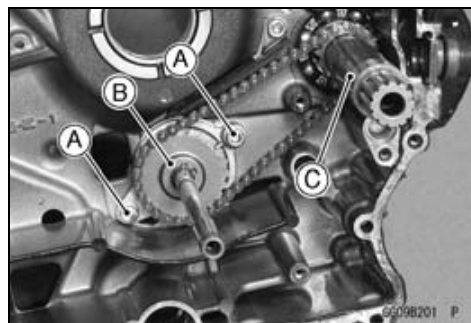
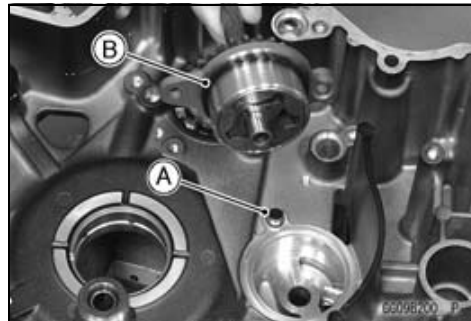
#### Oil Pump Installation

- Replace the circlip [A] with a new one.
- Assemble:
  - Oil Pump Shaft [B]
  - Oil Pump Cover [C]
  - Washer [D]
  - Pins [E]
  - Rotors [F]
  - Sprocket [G]
  - Circlip
- Install a new circlip on the shaft so that the sharp edge faces away from the sprocket.
- Check that the dowel pin [A] is in place.
- Replace the O-ring [B] with a new one.
- Apply grease to the O-ring on the pump body.



- Install the oil pump assembly [B] and balancer shaft [C] along with the oil pump chain.
- Apply a non-permanent locking agent to the threads of the oil pump cover bolts [A], and tighten them.

**Torque - Oil Pump Cover Bolts: 9.8 N·m (1.0 kgf·m, 87 in·lb)**



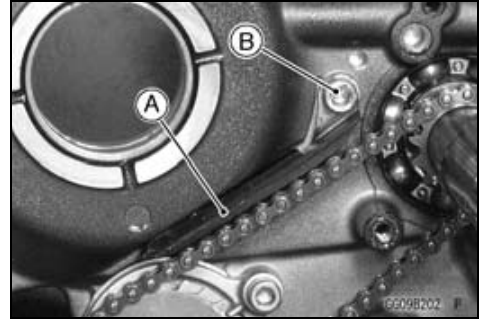


### Oil Pump, Oil Pump Drive Chain

#### ***Oil Pump Drive Chain Guide Installation***

- Install the chain guide [A] to the left crankcase.
- Apply a non-permanent locking agent to the threads of the chain guide bolt [B], and tighten it.

**Torque - Oil Pump Drive Chain Guide Bolt: 9.8 N·m (1.0 kgf·m, 87 in·lb)**



## 7-12 ENGINE LUBRICATION SYSTEM

### Oil Pressure Measurement

#### **Oil Pressure Measurement**

- Remove:
- Regulator/Rectifier (see Regulator/Rectifier Removal in the Electrical System chapter)
- Remove the oil pressure switch together with the adapter (see Oil Pressure Switch Removal) without draining the engine oil.
- Install the oil pressure gauge and adapter.

**Special Tools - Oil Pressure Gauge, 10 kgf/cm<sup>2</sup>: 57001-164 [A]**

**Oil Pressure Gauge Adapter, M10 × 1.25: 57001-1182**

- Run the engine at the specified speed, and read the oil pressure gauge.
- ★ If the oil pressure is significantly below the specification, inspect the oil pump and relief valve.
- ★ If the oil pump and relief valve are not at fault, inspect the rest of the lubrication system.

#### **Oil Pressure**

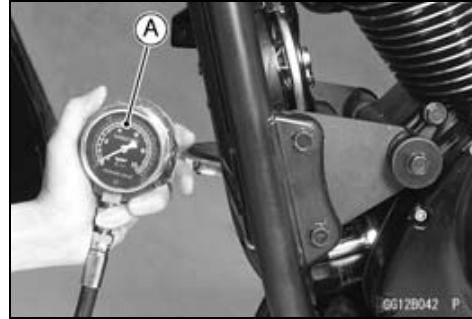
**Standard: 294 ~ 392 kPa (3.0 ~ 4.0 kgf/cm<sup>2</sup>, 42.6 ~ 56.8 psi) @4 000 r/min (rpm), oil temp. 90°C (194 °F)**

- Stop the engine.
- Remove the oil pressure gauge and adapter.

#### **⚠ WARNING**

**Take care against burns from hot engine oil that will drain through the oil passage when the gauge adapter is removed.**

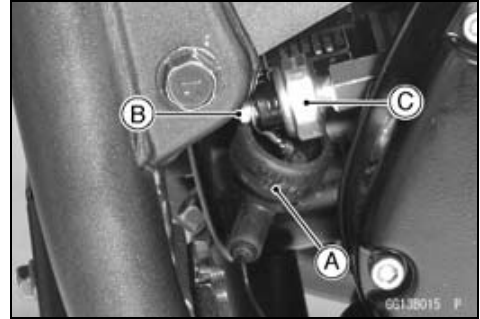
- Install the oil pressure switch (see Oil Pressure Switch Installation).



### Oil Pressure Switch

#### **Oil Pressure Switch Removal**

- Drain:  
Engine Oil (see Engine Oil Change in the Periodic Maintenance chapter)
- Remove:  
Switch Cover [A]  
Switch Lead Terminal [B]  
Oil Pressure Switch [C]



#### **Oil Pressure Switch Installation**

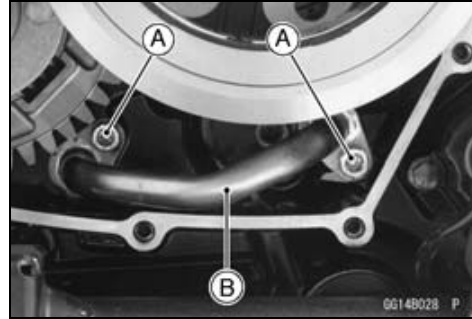
- Apply silicone sealant to the threads of the oil pressure switch, and tighten it.  
**Sealant - Kawasaki Bond (Silicone Sealant): 56019-120**  
**Torque - Oil Pressure Switch: 15 N·m (1.5 kgf·m, 11 ft·lb)**
- Tighten the terminal bolt securely.
- Apply grease to the terminal, and install the switch cover.

## 7-14 ENGINE LUBRICATION SYSTEM

### Oil Pipe and Oil Hose

#### **Oil Pipe (Crankcase Outside) Removal**

- Remove:
  - Alternator Cover (see Alternator Cover Removal in the Electrical System chapter)
  - Oil Pipe Mounting Bolts [A]
  - Oil Pipe [B]



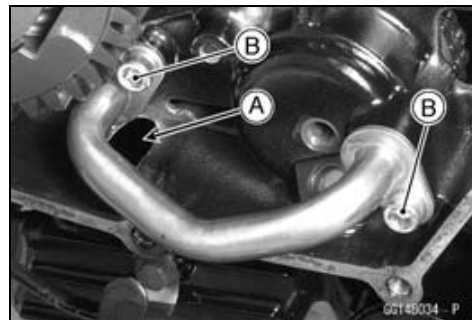
#### **Oil Pipe (Crankcase Outside) Installation**

- Apply grease to the O-rings [A].



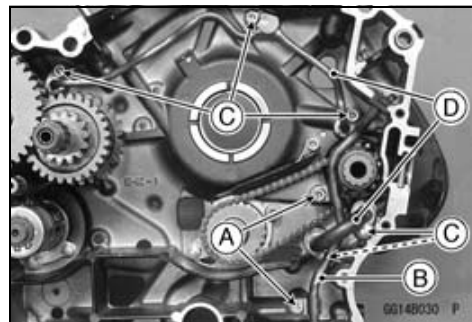
- Plug the oil passage hole [A] with a clean cloth for prevent the bolt from dropping.
- Apply a non-permanent locking agent to the threads of the mounting bolts [B], and tighten them.

**Torque - Oil Pipe Mounting Bolts (Crankcase Outside): 9.8 N·m ( 1.0 kgf·m, 87 in·lb)**



#### **Oil Pipe (Crankcase Inside) Removal**

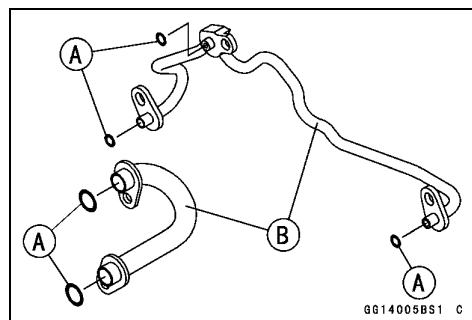
- Split the crankcase (see Crankcase Splitting in the Crankshaft/Transmission chapter).
- Remove:
  - Crankshaft (see Crankshaft Removal in the Crankshaft/Transmission chapter)
  - Oil Return Pipe Bolts [A]
  - Oil Return Pipe [B]
  - Oil Pipe Bolts [C]
  - Oil Pipes [D]



#### **Oil Pipe (Crankcase Inside) Installation**

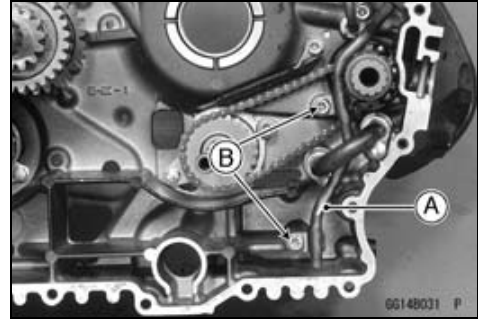
- Replace the O-rings [A] with new ones.
- Apply grease to the O-rings.
- Install the oil pipes [B].
- Apply a non-permanent locking agent to the threads of the mounting bolts, and tighten them.

**Torque - Oil Pipe Bolts (Crankcase Inside): 9.8 N·m (1.0 kgf·m, 87 in·lb)**



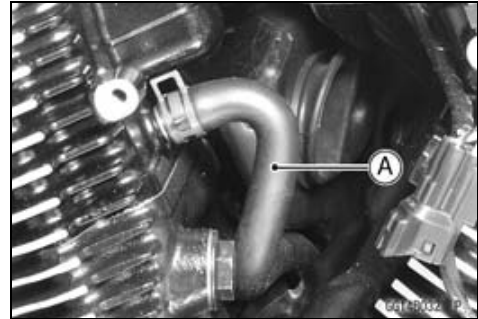
## Oil Pipe and Oil Hose

- Install the oil return pipe [A].
- Tighten:
  - Torque - Oil Return Pipe Bolts [B]: 9.8 N·m (1.0 kgf·m, 87 in·lb)



### **Blowby Gas System Inspection**

- Remove:
  - Ignition Coil with the bracket (see Ignition Coil Removal in the Electrical System chapter)
- Be certain that the hose is routed without being flattened or kinked, and is connected correctly to the air cleaner base.
- ★ If it is not, correct it.
- Inspect the breather hose [A], and the air cleaner drain cap for damage or signs of deterioration.
- The hose and drain cap should not be hard and brittle, nor should be soft or swollen.
- ★ Replace them if any cracks or swelling are noticed.
- Check that the hose is securely connected.



### **Breather Drain Cleaning**

- Refer to the Air Cleaner Housing Installation in the Fuel (DFI) System chapter.



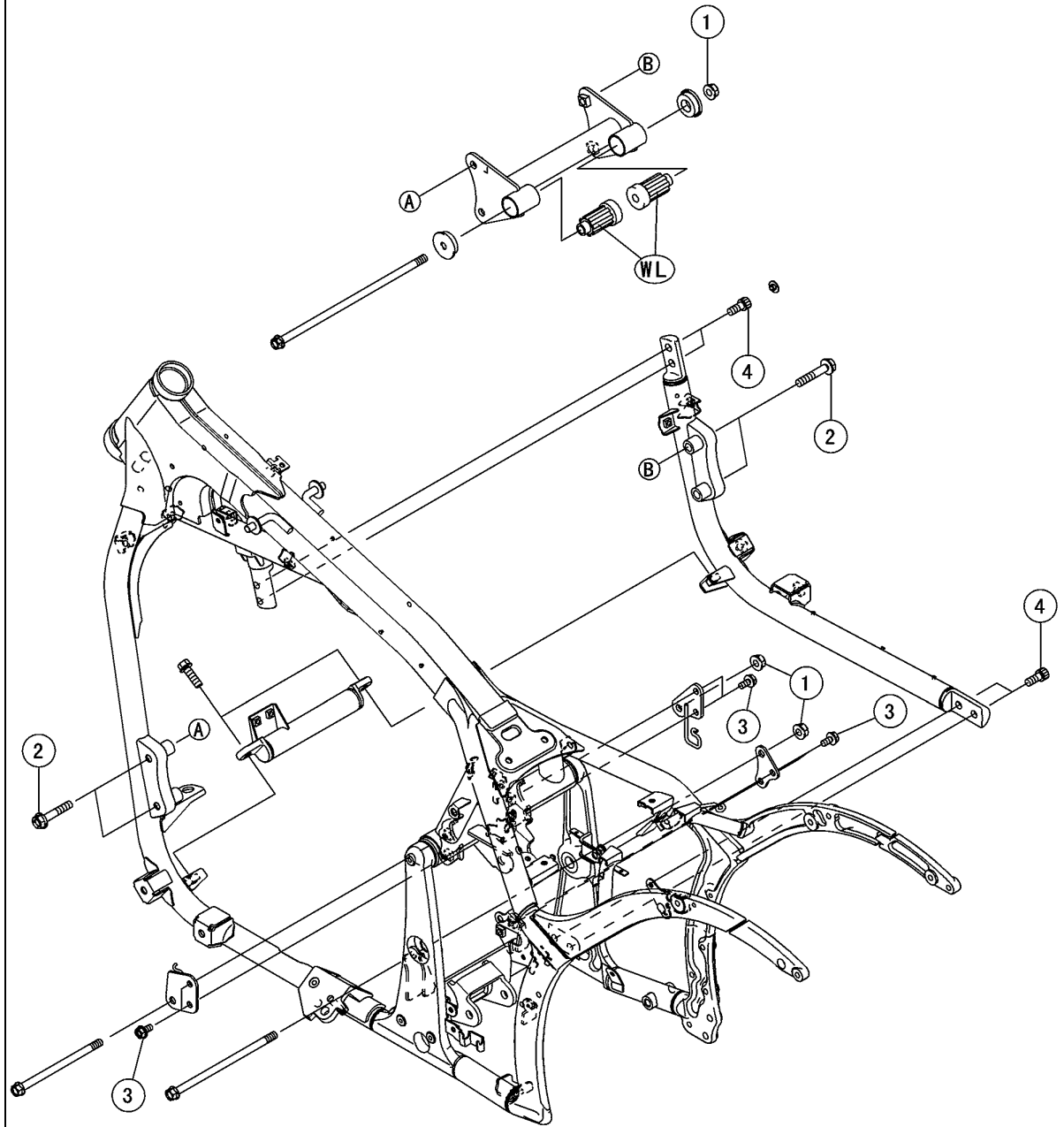
# Engine Removal/Installation

## Table of Contents

Exploded View .....	8-2
Special Tool .....	8-4
Engine Removal/Installation .....	8-5
Engine Removal.....	8-5
Engine Installation.....	8-8

# 8-2 ENGINE REMOVAL/INSTALLATION

## Exploded View



GH02070BW5 C



## ENGINE REMOVAL/INSTALLATION 8-3

### Exploded View

No.	Fastener	Torque			Remarks
		N·m	kgf·m	ft·lb	
1	Engine Mounting Nuts	44	4.5	32	
2	Engine Mounting Bracket Bolts (M10)	44	4.5	32	
3	Engine Mounting Bracket Bolts (M8)	25	2.5	18	
4	Downtube Mounting Bolts	44	4.5	32	

WL: Apply a soap and water solution.

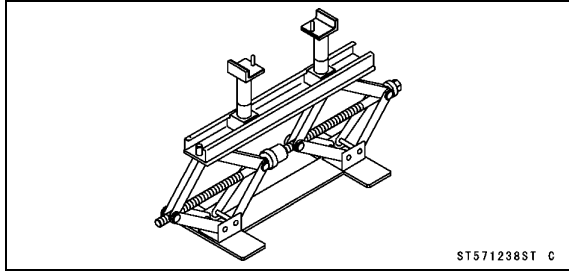
## 8-4 ENGINE REMOVAL/INSTALLATION

---

### Special Tool

---

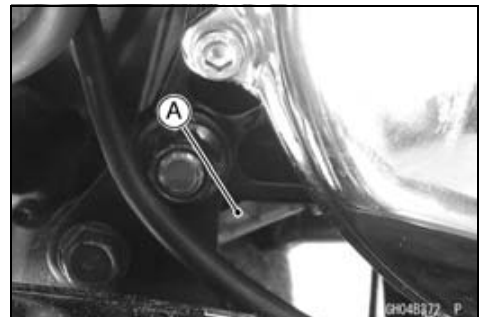
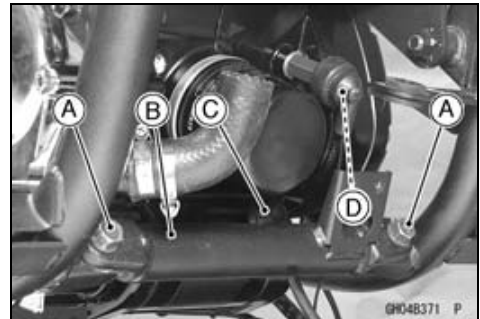
Jack:  
57001-1238



## Engine Removal/Installation

### Engine Removal

- Drain:
  - Engine Oil (see Engine Oil Change in the Periodic Maintenance chapter)
  - Coolant (see Coolant Change in the Periodic Maintenance chapter)
- Remove:
  - Seat (see Seat Removal in the Frame chapter)
  - Fuel Tank (see Fuel Tank Removal in the Fuel System (DFI) chapter)
  - Muffler (see Muffler Removal in the Engine Top End chapter)
  - Clutch Cable Lower End (see Clutch Cable Removal in the Clutch chapter)
  - Air Cleaner Housing (see Air Cleaner Housing Removal in the Fuel System (DFI) chapter)
  - Throttle Body (Throttle Body Removal in the Fuel System (DFI) chapter)
  - Regulator/Rectifier (Regulator/Rectifier Removal in the Electrical System chapter)
  - Tool Box (see Tool Box Removal in the Frame chapter)
  - Left Side Cover (see Left Side Cover Removal in the Frame chapter)
  - Air Switching Valve (see Air Switching Valve Removal/Installation in the Engine Top End chapter)
  - Radiator (see Radiator and Radiator Fan Removal in the Cooling System chapter)
  - Engine Pulley (see Engine Pulley Removal in the Final Drive chapter)
  - Front and Rear Shift Lever and Shift Rod (see Shift Pedal Removal in the Crankshaft/Transmission chapter)
- Remove:
  - Bolts [A]
  - Front Cross Pipe [B]
  - Starter Motor Cable [C]
  - Oil Pressure Switch Lead [D]
- Remove:
  - Neutral Switch Terminal [A]



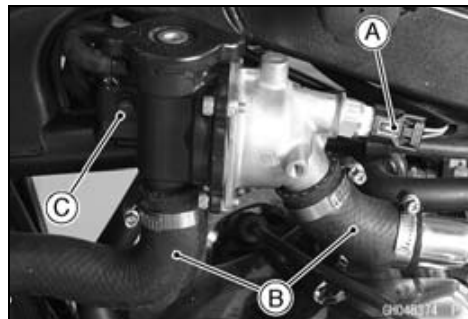
## 8-6 ENGINE REMOVAL/INSTALLATION

### Engine Removal/Installation

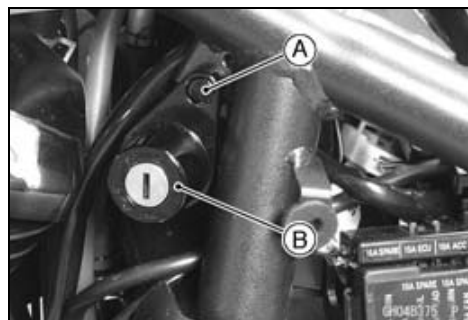
- Remove:  
Speed Sensor Connector [A]



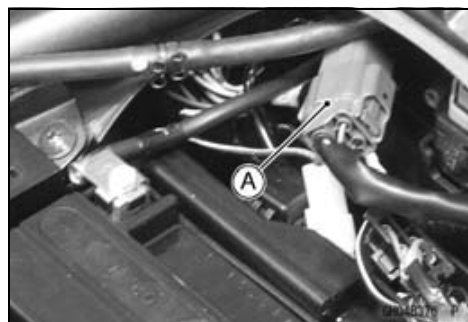
- Remove:  
Water Temperature sensor Connector [A]  
Water Hoses [B]  
Thermostat Housing Cover Bracket Bolt [C]



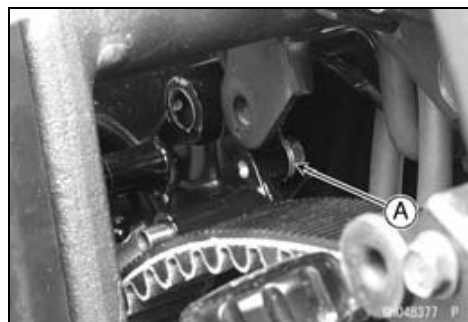
- Remove:  
Cap [A] and Bolt  
Ignition Switch [B]



- Disconnect:  
Alternator Lead Connector [A]



- Remove:  
Engine Ground Terminal [A]



### Engine Removal/Installation

- Support the frame with the jack.  
**Special Tool - Jack: 57001-1238**
- Squeeze the brake lever slowly and hold it with a band [A].

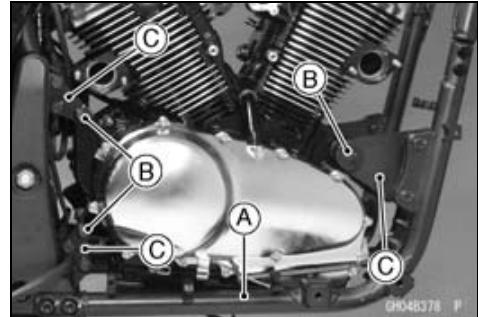
#### **⚠ WARNING**

**Be sure to hold the front brake when removing the engine, or the motorcycle may fall over. It could cause an accident and injury.**

#### **CAUTION**

**Be sure to hold the front brake when removing the engine, or the motorcycle may fall over. The engine or the motorcycle could be damaged.**

- Support the engine with a suitable stand.
- Remove:
  - Downtube [A] (see Downtube Removal in the Frame chapter)
  - Engine Mounting Bolts [B] and Nuts
  - Engine Mounting Brackets [C]
- Using the stand, take out the engine to the right.



## 8-8 ENGINE REMOVAL/INSTALLATION

### Engine Removal/Installation

---

#### ***Engine Installation***

- When installing the rubber dampers into the bracket, lubricate the outer surface of the dampers with a soap and water solution.

CAUTION
<b>Do not lubricate the rubber damper with engine oil or petroleum distillates because they will deteriorate the rubbers.</b>

- Support the engine with a suitable stand.
- Install the engine mounting bracket and down tube.
- Tighten:
  - Torque - Engine Mounting Bracket Bolts (M8): 25 N·m (2.5 kgf·m, 18.0 ft·lb)**
  - Engine Mounting Bracket Bolts (M10): 44 N·m (4.5 kgf·m, 32 ft·lb)**
  - Downtube Bolts: 44 N·m (4.5 kgf·m, 32 ft·lb)**
  - Engine Mounting Bolts and Nuts: 44 N·m (4.5 kgf·m, 32 ft·lb)**
- Run the leads, cables and hoses correctly (see Cable, Wire and Hose Routing section in the Appendix chapter).
- Install the removed parts.
- Adjust:
  - Throttle Cables (see Throttle Control System Inspection in the Periodic Maintenance chapter)
  - Clutch Cable (see Clutch Operation Inspection in the Periodic Maintenance chapter)
  - Drive Belt (see Belt Deflection Inspection in the Periodic Maintenance chapter)
- Fill the engine with engine oil (see Engine Oil Change in the Periodic Maintenance chapter).
- Fill the engine with coolant and bleed the air from the cooling system (see Coolant Change in the Periodic Maintenance chapter).

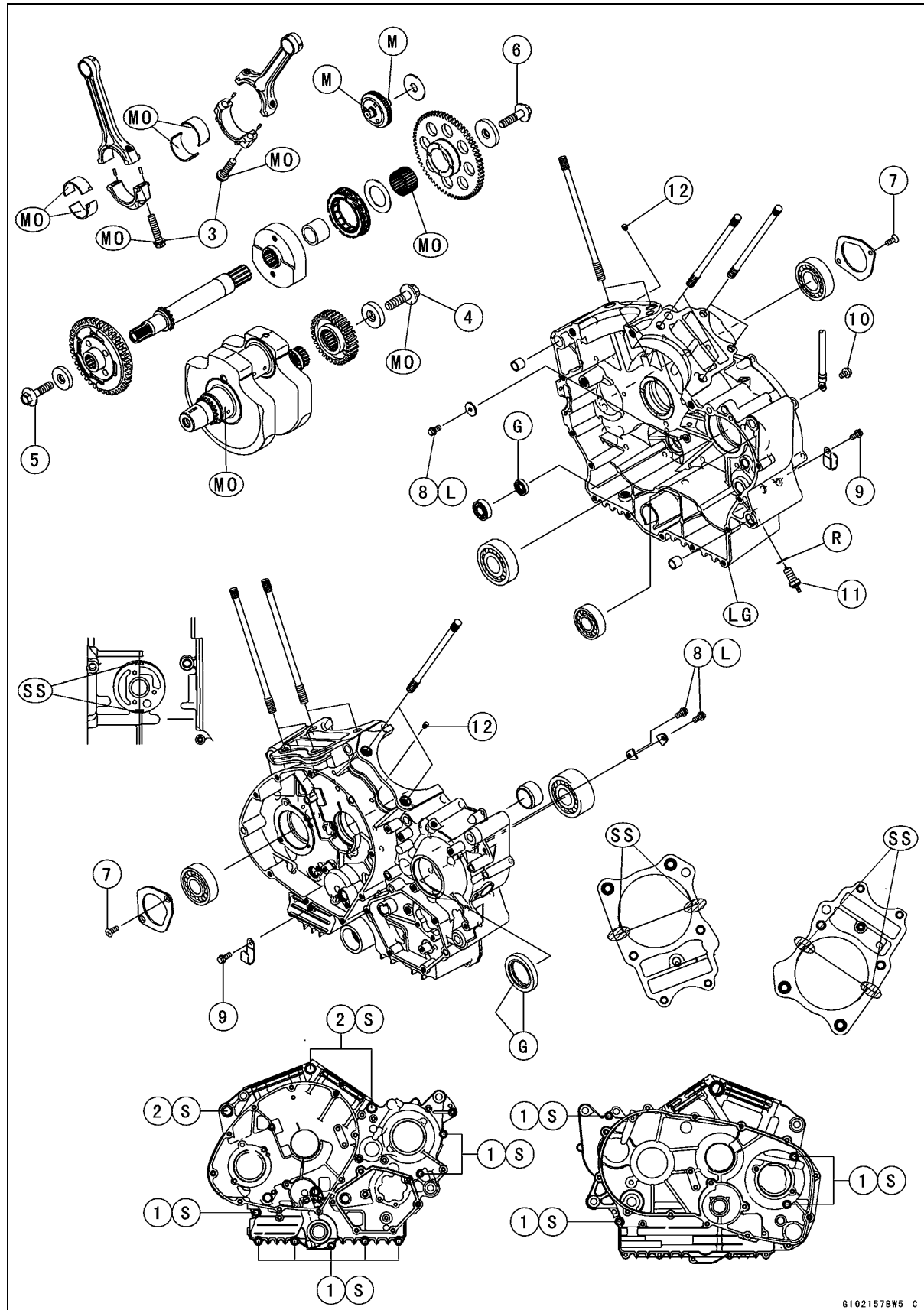
# Crankshaft/Transmission

## Table of Contents

Exploded View.....	9-2
Specifications .....	9-6
Special Tools and Sealants .....	9-8
Crankcase Splitting.....	9-9
Crankcase Splitting .....	9-9
Crankcase Assembly .....	9-10
Crankshaft/Connecting Rods.....	9-13
Crankshaft Removal .....	9-13
Crankshaft Installation .....	9-13
Connecting Rod Removal .....	9-13
Connecting Rod Installation .....	9-13
Crankshaft/Connecting Rod Cleaning.....	9-14
Connecting Rod Bend.....	9-15
Connecting Rod Twist.....	9-15
Connecting Rod Big End Bearing Insert/Crankpin Wear .....	9-15
Crankshaft Side Clearance.....	9-17
Crankshaft Runout.....	9-17
Crankshaft Main Bearing/Main Journal Wear .....	9-18
Balancer, Starter Motor Clutch .....	9-19
Left Balancer Removal.....	9-19
Left Balancer Installation.....	9-19
Right Balancer and Starter Motor Clutch Removal .....	9-19
Right Balancer and Starter Motor Clutch Installation .....	9-20
Starter Motor Clutch Inspection .....	9-21
Torque Limiter.....	9-22
Torque Limiter Removal.....	9-22
Torque Limiter Inspection.....	9-22
Primary Gear .....	9-23
Primary Gear Removal .....	9-23
Primary Gear Installation .....	9-23
Transmission .....	9-24
Shift Pedal Removal .....	9-24
Shift Pedal Installation .....	9-24
External Shift Mechanism Removal .....	9-24
External Shift Mechanism Installation .....	9-25
External Shift Mechanism Inspection.....	9-26
Transmission Shaft and Shift Fork Removal .....	9-27
Transmission Shaft and Shift Fork Installation.....	9-27
Transmission Shaft Disassembly.....	9-27
Transmission Shaft Assembly.....	9-28
Shift Drum Removal.....	9-28
Shift Drum Installation.....	9-29
Shift Drum Disassembly.....	9-29
Shift Drum Assembly .....	9-31
Shift Fork Bending .....	9-31
Shift Fork/Gear Groove Wear .....	9-31
Shift Fork Guide Pin/Drum Groove Wear.....	9-31
Gear Dog and Gear Dog Hole Damage.....	9-32
Ball Bearing and Oil Seal.....	9-33
Bearing and Oil Seal Installation.....	9-33

# 9-2 CRANKSHAFT/TRANSMISSION

## Exploded View



G102157BWS C



## CRANKSHAFT/TRANSMISSION 9-3

### Exploded View

No.	Fastener	Torque			Remarks
		N·m	kgf·m	ft·lb	
1	Crankcase Bolts (M6)	9.8	1.0	87 in·lb	S
2	Crankcase Bolts (M10)	39	4.0	29	S
3	Connecting Rod Big End Bolts	46	4.7	34	MO
4	Primary Gear Bolt	98	10	72	MO
5	Balancer Gear Bolt	69	7.0	51	
6	Starter Motor Clutch Gear Bolt	69	7.0	51	
7	Balancer Shaft Bearing Stopper Plate Bolts	9.8	1.0	87 in·lb	
8	Bearing Retainer Bolts	9.8	1.0	87 in·lb	L
9	Clamp Mounting Bolts	9.8	1.0	87 in·lb	
10	Engine Ground Lead Bolt	9.8	1.0	87 in·lb	
11	Neutral Switch	15	1.5	11	
12	Oil Nozzles	3.9	0.40	34 in·lb	

G: Apply grease.

L: Apply a non-permanent locking agent.

LG: Apply liquid gasket.

MO: Apply molybdenum disulfide oil.

(mixture of the engine oil and molybdenum disulfide grease in a weight ratio 10 : 1)

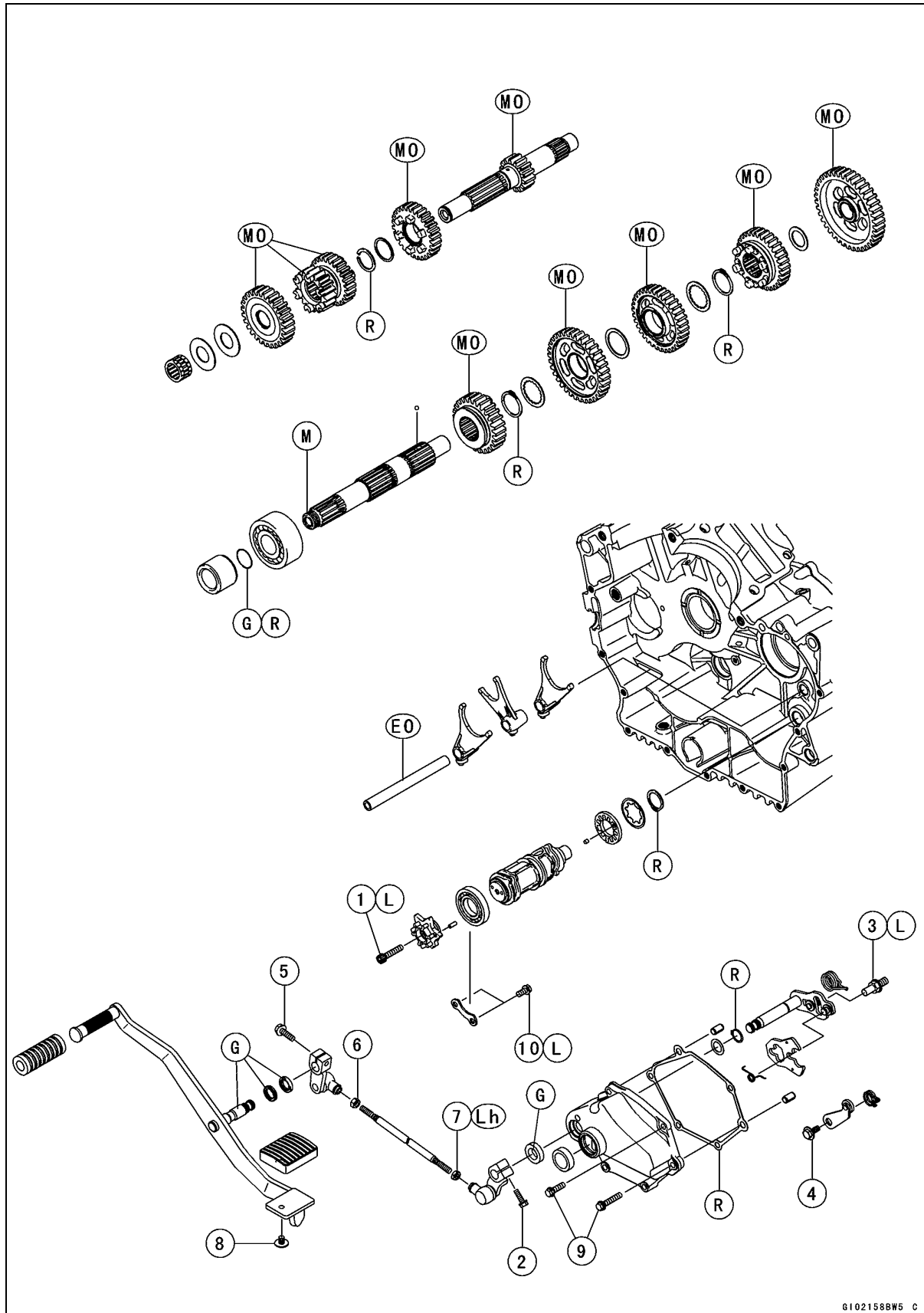
R: Replacement Parts

S: Follow specified tightening sequence.

SS: Apply silicone sealant.

# 9-4 CRANKSHAFT/TRANSMISSION

## Exploded View



## CRANKSHAFT/TRANSMISSION 9-5

### Exploded View

No.	Fastener	Torque			Remarks
		N·m	kgf·m	ft·lb	
1	Shift Drum Cam Bolt	12	1.2	106 in·lb	L
2	Rear Shift Lever Clamp Bolt	12	1.2	106 in·lb	
3	Shift Return Spring Pin	29	3.0	21	L
4	Shift Drum Position Lever Bolt	9.8	1.0	87 in·lb	
5	Shift Pedal Clamp Bolt	12	1.2	106 in·lb	
6	Shift Rod Locknut (Front)	9.8	1.0	87 in·lb	
7	Shift Rod Locknut (Rear)	9.8	1.0	87 in·lb	Lh
8	Rear Shift Pedal Pad Screw	6.9	0.70	61 in·lb	
9	External Shift Mechanism Cover Bolts	9.8	1.0	87 in·lb	
10	Shift Drum Bearing Stopper Bolts	9.8	1.0	87 in·lb	L

EO: Apply engine oil.

G: Apply grease.

L: Apply a non-permanent locking agent.

Lh: Left-hand threads

M: Apply molybdenum disulfide grease.

MO: Apply molybdenum disulfide oil.

(mixture of the engine oil and molybdenum disulfide grease in a weight ratio 10 : 1)

R: Replacement Parts

## 9-6 CRANKSHAFT/TRANSMISSION

### Specifications

Item	Standard	Service Limit																					
<b>Crankshaft, Connecting Rods</b>																							
Connecting Rod Big End Side Clearance	0.08 ~ 0.3 mm (0.003 ~ 0.01 in.)	0.5 mm (0.02 in.)																					
Connecting Rod Big End Bearing Insert/Crankpin Clearance	0.026 ~ 0.054 mm (0.0010 ~ 0.0021 in.)	0.09 mm (0.035 in.)																					
Crankpin Diameter:	42.984 ~ 43.000 mm (1.6923 ~ 1.6929 in.)	42.97 mm (1.692 in.)																					
Marking	None	---																					
	○	---																					
Connecting Rod Big End Bore Diameter:	46.000 ~ 46.016 mm (1.8110 ~ 1.8116 in.)	---																					
Marking	None	---																					
	○	---																					
Connecting Rod Big End Bearing Insert Thickness:																							
	Brown	1.483 ~ 1.487 mm (0.5838 ~ 0.5854 in.)																					
	Black	1.487 ~ 1.491 mm (0.5854 ~ 0.5870 in.)																					
	Blue	1.491 ~ 1.495 mm (0.5870 ~ 0.5886 in.)																					
Connecting rod big end bearing insert selection:																							
<table border="1"> <thead> <tr> <th rowspan="2">Con-rod Big End Bore Diameter Marking</th> <th rowspan="2">Crankpin Diameter Marking</th> <th colspan="2">Bearing Insert</th> </tr> <tr> <th>Size Color</th> <th>Part Number</th> </tr> </thead> <tbody> <tr> <td>None</td> <td>○</td> <td>Brown</td> <td>13034-1059</td> </tr> <tr> <td>None</td> <td>None</td> <td rowspan="2">Black</td> <td rowspan="2">13034-1058</td> </tr> <tr> <td>○</td> <td>○</td> </tr> <tr> <td>○</td> <td>None</td> <td>Blue</td> <td>13034-1057</td> </tr> </tbody> </table>				Con-rod Big End Bore Diameter Marking	Crankpin Diameter Marking	Bearing Insert		Size Color	Part Number	None	○	Brown	13034-1059	None	None	Black	13034-1058	○	○	○	None	Blue	13034-1057
Con-rod Big End Bore Diameter Marking	Crankpin Diameter Marking	Bearing Insert																					
		Size Color	Part Number																				
None	○	Brown	13034-1059																				
None	None	Black	13034-1058																				
○	○																						
○	None	Blue	13034-1057																				
Connecting Rod Bend	---	TIR 0.2/100 mm (0.008/3.94 in.)																					
Connecting Rod Twist	---	TIR 0.2/100 mm (0.008/3.94 in.)																					
Crankshaft Side Clearance	0.05 ~ 0.55 mm (0.002 ~ 0.022 in.)	0.8 mm (0.03 in.)																					
Crankshaft Web Length	96.85 ~ 96.95 mm (38.13 ~ 38.17 in.)	96.6 mm (3.80 in.)																					
Crankshaft Runout	TIR 0.02 mm (0.0008 in.) or less	TIR 0.05 mm (0.002 in.)																					

## CRANKSHAFT/TRANSMISSION 9-7

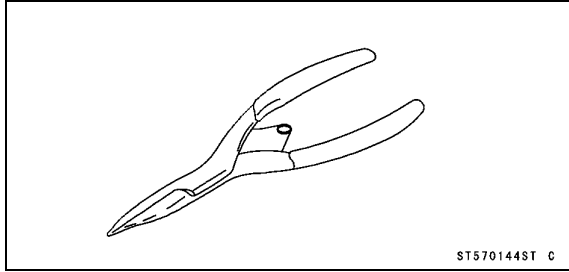
### Specifications

Item	Standard	Service Limit
Crankshaft Main Journal Diameter	44.984 ~ 45.000 mm (1.7710 ~ 1.7716 in.)	44.96 mm (1.770 in.)
Crankcase Main Bearing Bore Diameter	45.025 mm ~ 45.041 mm (1.7726 ~ 1.7733 in.)	45.07 mm (1.774 in.)
<b>Transmission</b>		
Shift Fork Ear Thickness	4.9 ~ 5.0 mm (0.193 ~ 0.197 in.)	4.8 mm (0.189 in.)
Gear Shift Fork Groove Width	5.05 ~ 5.15 mm (0.199 ~ 0.203 in.)	5.25 mm (0.207 in.)
Shift Fork Guide Pin Diameter	5.9 ~ 6.0 mm (0.232 ~ 0.236 in.)	5.8 mm (0.228 in.)
Shift Drum Groove Width	6.05 ~ 6.20 mm (0.238 ~ 0.244 in.)	6.3 mm (0.248 in.)

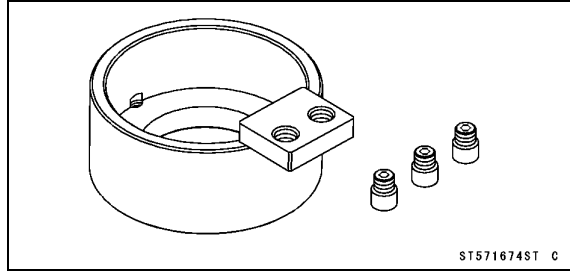
# 9-8 CRANKSHAFT/TRANSMISSION

## Special Tools and Sealants

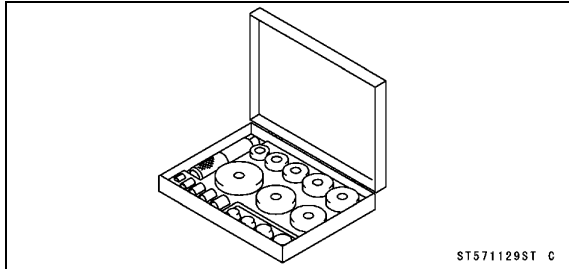
**Outside Circlip Pliers:**  
57001-144



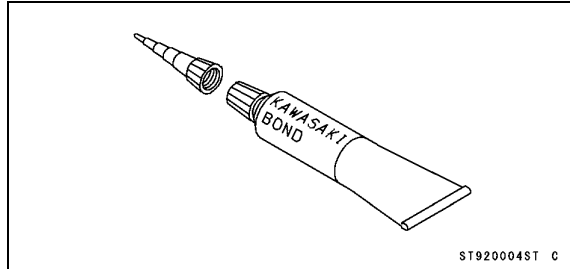
**Rotor Holder:**  
57001-1674



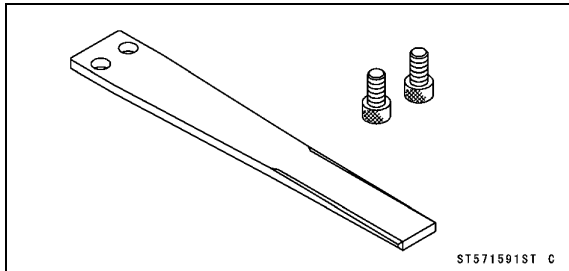
**Bearing Driver Set:**  
57001-1129



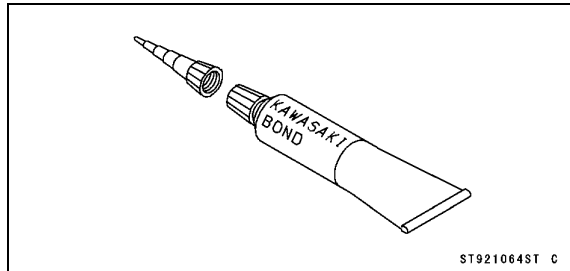
**Kawasaki Bond (Silicone Sealant):**  
92104-0004



**Grip:**  
57001-1591



**Kawasaki Bond (Liquid Gasket - Black):**  
92104-1064



**Crankcase Splitting**

**Crankcase Splitting**

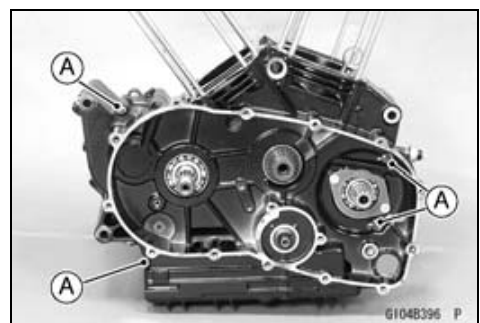
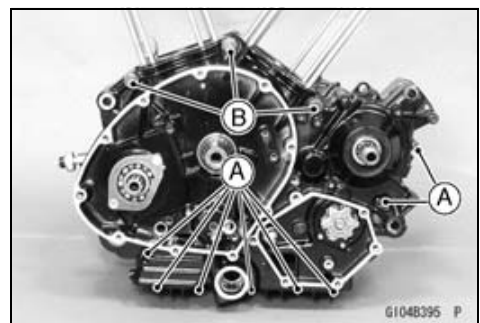
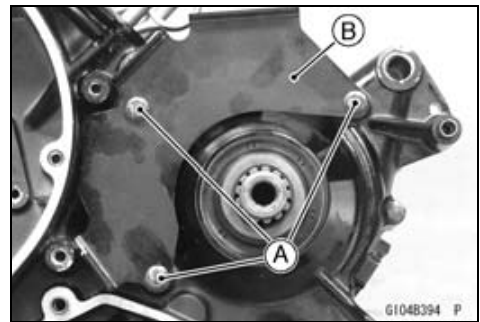
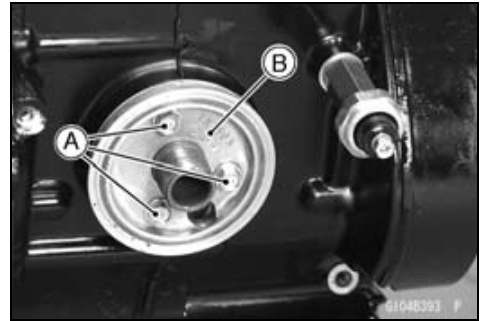
- Remove the engine (see Engine Removal in the Engine Removal/Installation chapter).
- Set the engine on a clean surface and hold the engine steady while parts are being removed.
- Remove:

- Starter Motor (see Starter Motor Removal in the Electrical System chapter)
- Oil Filter (see Oil Filter Replacement in the Periodic Maintenance chapter)
- Plate Bolts [A]
- Oil Filter Plate [B] and O-rings (2)

- Clutch (see Clutch Removal in the Clutch chapter)
- Primary Gear (see Primary Gear Removal)
- Right Balancer (see Right Balancer and Starter Motor Clutch Removal)
- Torque Limiter (see Torque Limiter Removal)
- Water Pump Impeller (see Water Pump Impeller Removal in the Cooling System chapter)
- Left Balancer (see Left Balancer Removal)
- Alternator Rotor (see Alternator Rotor Removal in the Electrical System chapter)
- External Shift Mechanism (see External Shift Mechanism Removal)
- Cylinders (see Cylinder Removal in the Engine Top End chapter)
- Pistons (see Piston Removal in the Engine Top End chapter)
- Bolts [A]
- Engine Pully Plate [B]

- Remove the left crankcase bolts in the order listed.
  - M6 Bolts [A]
  - M10 Bolts [B]

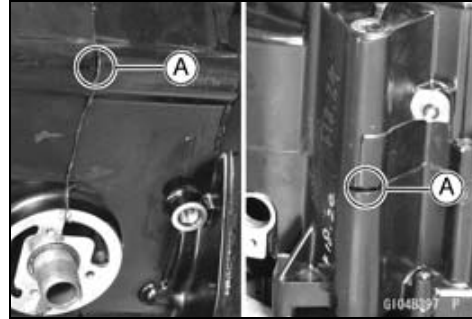
- Remove the right crankcase bolts:
  - M6 Bolts [A]



## 9-10 CRANKSHAFT/TRANSMISSION

### Crankcase Splitting

- Put the engine so that the left crankcase is down.
- Pry the points [A] to split the crankcase halves apart, and remove the right crankcase half.
- Tap lightly around the crankcase joint with a plastic mallet, and split the crankcase. Take care not to damage the crankcase.



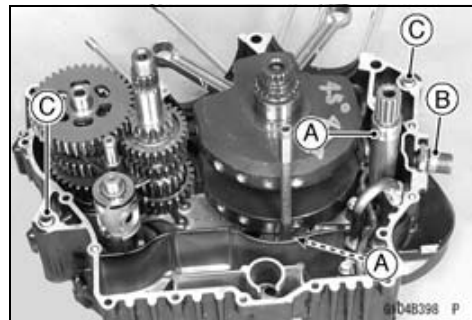
### Crankcase Assembly

#### NOTE

- *The right and left crankcase halves are machined at the factory in the assembled state, so the crankcase halves must be replaced as a set.*
- With a high-flash point solvent, clean off the mating surfaces of the crankcases halves and wipe dry.
- Using compressed air, blow out the oil passages in the crankcase halves.
- Refer to the Bearing and Oil Seal Installation for the bearing and oil seal installation.
- Check to see that the following parts are in place.

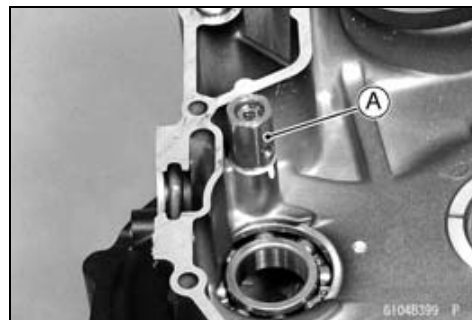
#### Left Crankcase

- Oil Pipes (Crankcase Inside)
- Oil Return Pipe
- Oil Pump
- Balancer Shaft [A] along with the Oil Pump Drive Chain
- Oil Pump Drive Chain Guide
- Shift Drum
- Transmission Shafts and Gears
- Shift Forks and Shift Rods
- Crankshaft and Connecting Rods
- Oil Filter Adapter Bolt [B]
- Dowel Pins [C]



#### Right Crankcase

- Relief Valve [A]





**Crankcase Splitting**

- Apply liquid gasket [A] to the mating surface of the right crankcase half.

**Sealant - Kawasaki Bond (Liquid Gasket - Black): 92104-1064**

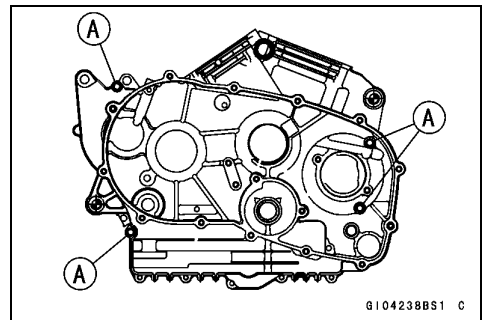
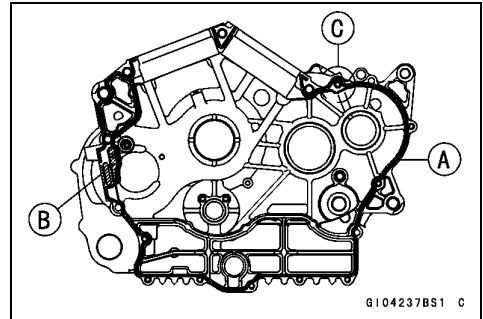
**CAUTION**

**Do not apply liquid gasket to the oil passage [B] and hole [C].**

**NOTE**

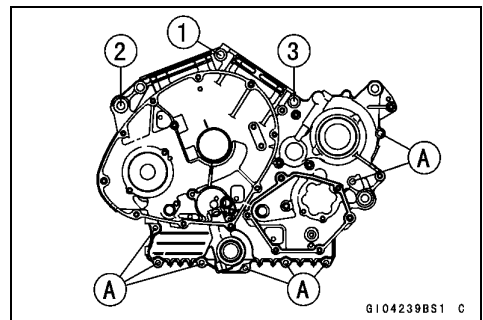
○ Make the application finish within 20 minutes when the liquid gasket to the mating surface of the right crankcase half is applied.

- Tighten the right crankcase half M6 bolts [A].  
**Torque - Crankcase Bolts (M6): 9.8 N·m (1.0 kgf·m, 87 in·lb)**



- Tighten the left crankcase half M10 bolts [1 ~ 3] to the tightening sequence, and then tighten the M6 bolts [A].  
**Torque - Crankcase Bolts (M10): 39 N·m (4.0 kgf·m, 29 ft·lb)**  
**Crankcase Bolts (M6): 9.8 N·m (1.0 kgf·m, 87 in·lb)**

- Retighten the right crankcase half M6 bolts.
- After tightening all crankcase bolts, check the following items.
  - Seeped out liquid gasket around the mating surface wipe up.
  - Drive shaft and output shaft turn freely.
  - While spinning the output shaft, gears shift smoothly from the 1st to 5th gear, and 5th to 1st.
  - When the output shaft stays still, the gear can not be shifted to 2nd gear or other higher gear positions.

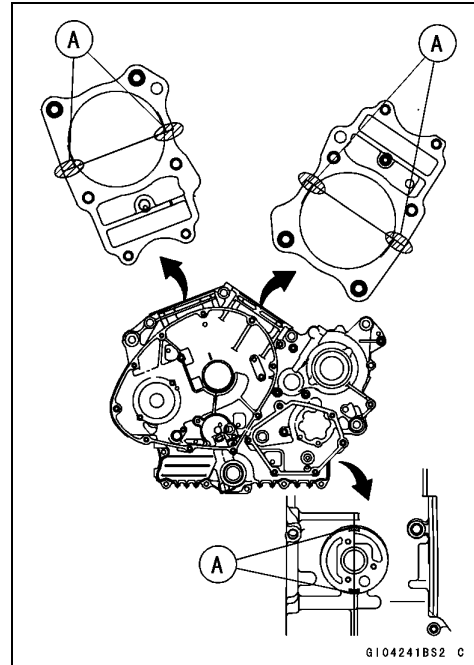


## 9-12 CRANKSHAFT/TRANSMISSION

### Crankcase Splitting

- Apply silicone sealant to the crankcase mating surface [A] as shown.

Sealant - Kawasaki Bond (Silicon Sealant): 92104-0004



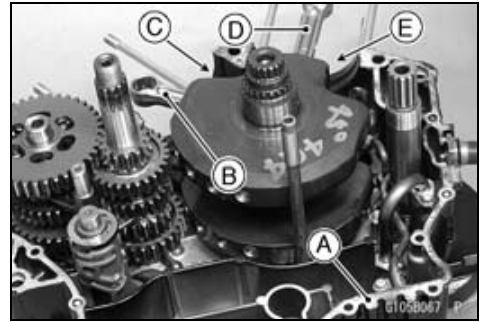
**Crankshaft/Connecting Rods**

**Crankshaft Removal**

- Split the crankcase (see Crankcase Splitting).
- Remove the crankshaft.

**Crankshaft Installation**

- Insert the crankshaft tapered end in to the left crankcase [A].
- Install the left connecting rod [B] into the rear cylinder opening [C], and right connecting rod [D] into the front cylinder opening [E].



**Connecting Rod Removal**

- Remove the crankshaft (see Crankshaft Removal).

**NOTE**

○Mark and record the locations of the connecting rods and their big end caps so that they can be reassembled in their original positions.

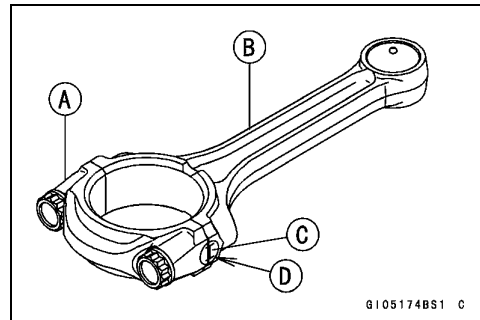
- Remove the connecting rod big end cap nuts, and take off the rod and cap with the bearing inserts.

**Connecting Rod Installation**

**CAUTION**

**To minimize vibration, the connecting rods should have the same weight mark.**

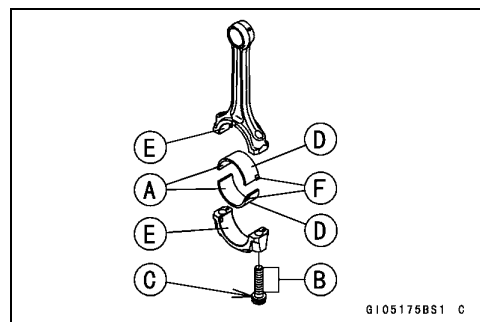
- Big End Cap [A]
- Connecting Rod [B]
- Weight Mark, Alphabet [C]
- Diameter Mark (Around Weight Mark) [D]: "O" or no mark.



**CAUTION**

**If the connecting rods, bearing inserts, or crankshaft are replaced with new ones, select the bearing insert and check clearance with a plastigage (press gauge) before assembling engine to be sure the correct bearing inserts are installed.**

- Apply molybdenum disulfide oil to the inner surface of upper and lower bearing inserts [A].
- Apply a small amount of molybdenum disulfide oil to the threads [B] and seating surface [C] of the connecting rod big end bolts.
- If bearing inserts are replaced, install them as follows.
  - Do not apply molybdenum disulfide oil to the outside [D] of the inserts or the inside [E] of the connecting rod and cap.
  - Install the inserts so that their nails [F] are on the same side and fit into the recess of the connecting rod and cap.



## 9-14 CRANKSHAFT/TRANSMISSION

### Crankshaft/Connecting Rods

○When installing the inserts [A], be careful not to damage the insert surface with the edge of the connecting rod [B] or the cap [C]. One way to install inserts is as follows:

Installation [D] to Cap

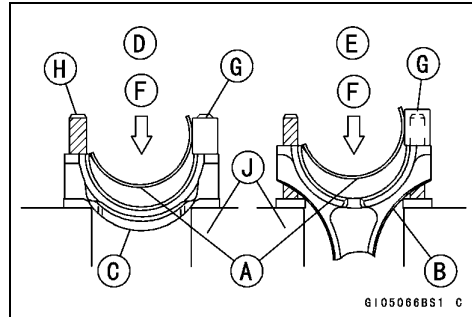
Installation [E] to Connecting Rod

Push [F]

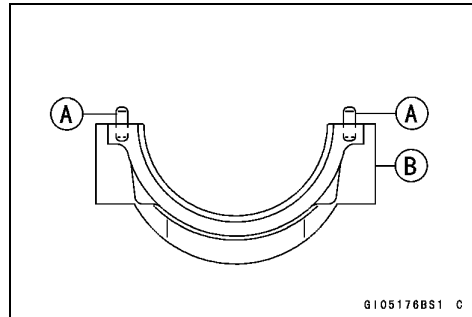
Dowel Pin [G]

Connecting Rod Big End Bolts [H]

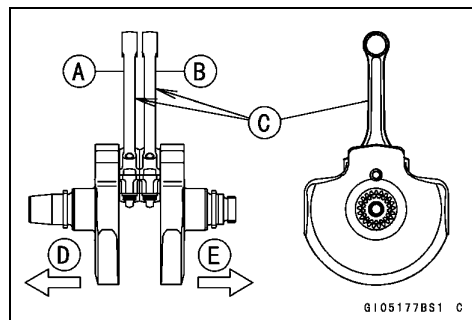
Suitable Blocks [J]



● Be sure the dowel pins [A] on the caps [B] are in position.



- Install the cap on the connecting rod, aligning the diameter mark.
- Left side connecting rod [A] is for the rear cylinder and right side connecting rod [B] is for the front cylinder.
- Install the connecting rods so that their “embossed” marks [C] face engine right side.
  - Engine Left Side [D]
  - Engine Right Side [E]



- Remove debris and clean the surface of inserts.
- Tighten:
  - Torque - Connecting Rod Big End Bolts: 46 N·m (4.7 kgf·m, 34 ft·lb)**

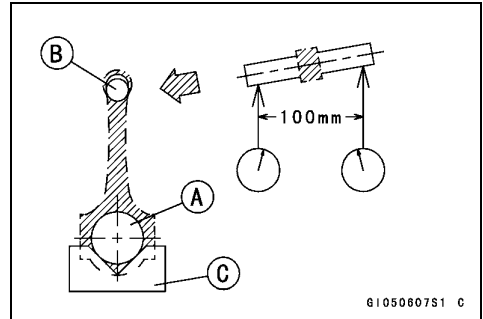
#### **Crankshaft/Connecting Rod Cleaning**

- After removing the connecting rods from the crankshaft, clean them with a high-flash point solvent.
- Blow the crankshaft oil passages with compressed air to remove any foreign particles or residue that may have accumulated in the passages.

**Crankshaft/Connecting Rods**

**Connecting Rod Bend**

- Remove the connecting rod big end bearing insets, and reinstall the connecting rod big end cap.
- Select an arbor [A] of the same diameter as the connecting rod big end, and insert the arbor through the connecting rod big end.
- Select an arbor of the same diameter as the piston pin and at least 100 mm (3.94 in.) long, and insert the arbor [B] through the connecting rod small end.
- On a surface plate, set the big-end arbor on V block [C].
- With the connecting rod held vertically, use a height gauge to measure the difference in the height of the arbor above the surface plate over a 100 mm (3.94 in.) length to determine the amount of connecting rod bend.
- ★ If connecting rod bend exceeds the service limit, the connecting rod must be replaced.

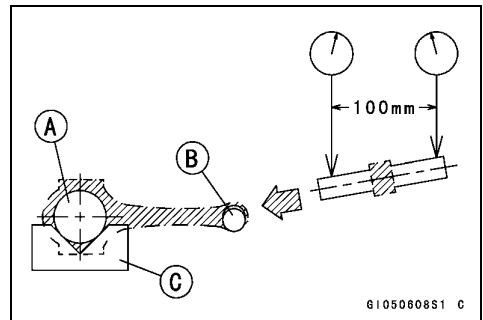


**Connecting Rod Bend**

**Service Limit:** TIR 0.2/100 mm (0.008/3.94 in.)

**Connecting Rod Twist**

- With the big-end arbor [A] still on V block [C], hold the connecting rod horizontally and measure the amount that the arbor [B] varies from being parallel with the surface plate over a 100 mm (3.94 in.) length of the arbor to determine the amount of connecting rod twist.
- ★ If connecting rod twist exceeds the service limit, the connecting rod must be replaced.



**Connecting Rod Twist**

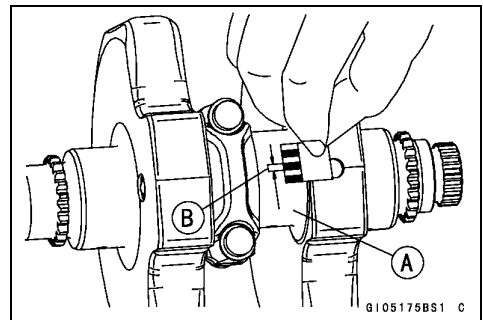
**Service Limit:** TIR 0.2/100 mm (0.008/3.94 in.)

**Connecting Rod Big End Bearing Insert/Crankpin Wear**

- Measure the bearing insert/crankpin [A] clearance with a plastigage [B].
- Tighten the connecting rod big end bolts to the specified torque (see Connecting Rod Installation).

**NOTE**

○ Do not move the connecting rod and crankshaft during clearance measurement.



**Connecting Rod Big End Bearing Insert/Crankpin Clearance**

**Standard:** 0.026 ~ 0.054 mm (0.0010 ~ 0.0021 in.)

**Service Limit:** 0.09 mm (0.035 in.)

## 9-16 CRANKSHAFT/TRANSMISSION

### Crankshaft/Connecting Rods

- ★ If clearance is within the standard, no bearing replacement is required.
- ★ If clearance is between 0.054 mm (0.0021 in.) and the service limit (0.09 mm, 0.035 in.), replace the bearing inserts [A] with inserts painted blue [B]. Check insert/crankpin clearance with the plastigage. The clearance may exceed the standard slightly, but it must not be less than the minimum in order to avoid bearing seizure.
- ★ If the clearance exceeds the service limit, measure the diameter of the crankpins.

#### Crankpin Diameter

**Standard:** 42.984 ~ 43.000 mm (1.6923 ~ 1.6929 in.)

**Service Limit:** 42.97 mm (1.692 in.)

- ★ If any crankpin has worn past the service limit, replace the crankshaft with a new one.
- ★ If the measured crankpin diameter [A] is not less than the service limit, but do not coincide with the original diameter marking on the crankshaft, make new mark on it.

#### Crankpin Diameter Mark

**None** 42.984 ~ 42.992 mm (1.6923 ~ 1.6926 in.)

○ 42.993 ~ 43.000 mm (1.6926 ~ 1.6929 in.)

Crankpin Diameter Mark, "○" mark or no mark [B].

- Measure the connecting rod big end bore diameter, and mark each connecting rod big end in accordance with the bore diameter.
- Tighten the connecting rod big end cap nuts to the specified torque (see Connecting Rod Installation).

#### NOTE

○ The mark already on the big end should almost coincide with the measurement because of little wear.

#### Connecting Rod Big End Bore Diameter Marks

**None** 46.000 ~ 46.008 mm (1.8110 ~ 1.8113 in.)

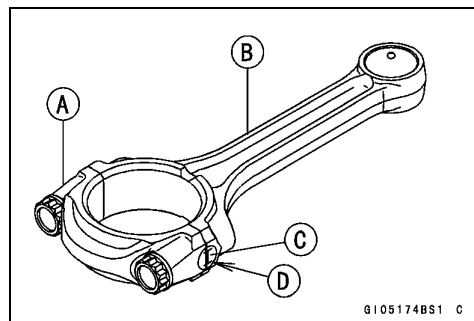
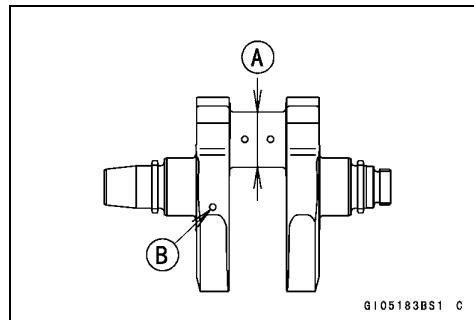
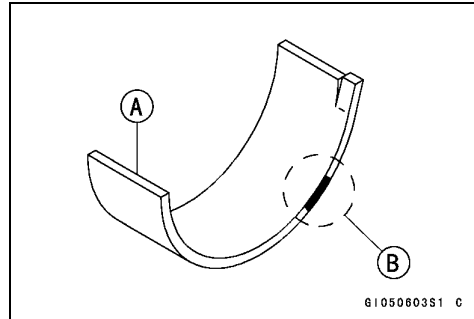
○ 46.009 ~ 46.016 mm (1.8113 ~ 1.8116 in.)

Big End Cap [A]

Connecting Rod [B]

Weight Mark, Alphabet [C]

Diameter Mark (Around Weight Mark) [D]: "○" or no mark

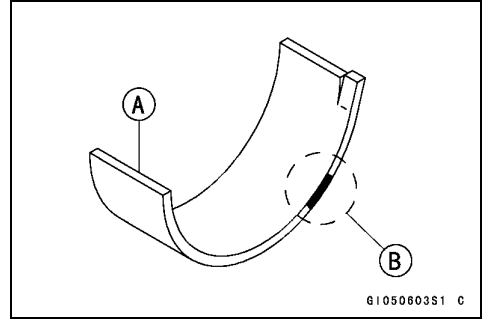


**Crankshaft/Connecting Rods**

- Select the proper bearing insert [A] in accordance with the combination of the connecting rod and crankshaft coding. Size Color [B]

**Connecting Rod Big End Bearing Insert Selection**

Con-rod Big End Bore Diameter Marking	Crankpin Diameter Marking	Bearing Insert	
		Size Color	Part Number
None	○	Brown	13034-1059
None	None	Black	13034-1058
○	○		
○	None	Blue	13034-1057



- Install the new inserts in the connecting rod and check insert/crankpin clearance with the plastigage.

**Crankshaft Side Clearance**

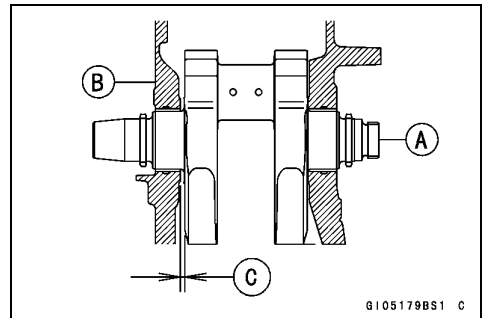
- Measure the crankshaft side clearance.

**Crankshaft Side Clearance**

**Standard:** 0.05 ~ 0.55 mm (0.002 ~ 0.022 in.)

**Service Limit:** 0.8 mm (0.03 in.)

Crankshaft [A]  
Crankcase [B]  
Clearance [C]



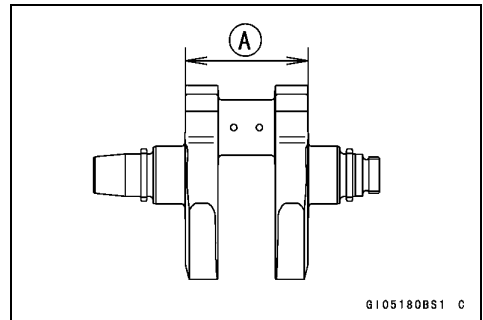
- ★ If the clearance exceeds the service limit, measure the crankshaft web length [A] to see whether the crankshaft or the crankcase is faulty.

**Crankshaft Web Length**

**Standard:** 96.85 ~ 96.95 mm (38.13 ~ 38.17 in.)

**Service Limit:** 96.6 mm (3.80 in.)

- ★ If the length measurement is smaller than the service limit, replace the crankshaft. Otherwise, replace the crankcase halves as a set.



**NOTE**

○ The right and left crankcase halves are machined at the factory in the assembled state, so they must be replaced as a set.

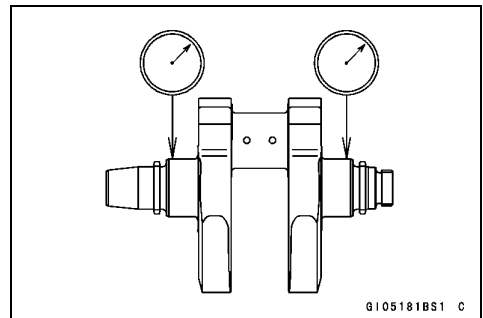
**Crankshaft Runout**

- Measure the crankshaft runout.
- ★ If the measurement exceeds the service limit, replace the crankshaft.

**Crankshaft Runout**

**Standard:** TIR 0.02 mm (0.0008 in.) or less

**Service Limit:** TIR 0.05 mm (0.002 in.)



## 9-18 CRANKSHAFT/TRANSMISSION

### Crankshaft/Connecting Rods

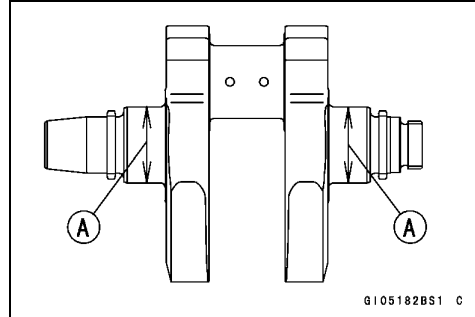
#### **Crankshaft Main Bearing/Main Journal Wear**

- Measure the diameter [A] of the crankshaft main journal.
- ★ If any journal has worn past the service limit, replace the crankshaft with a new one.

#### **Crankshaft Main Journal Diameter**

**Standard:** 44.984 ~ 45.000 mm (1.7710 ~ 1.7716 in.)

**Service Limit:** 44.96 mm (1.770 in.)



- Measure the main bearing bore diameter [A] in the crankcase halves.

#### **Crankcase Main Bearing Bore Diameter**

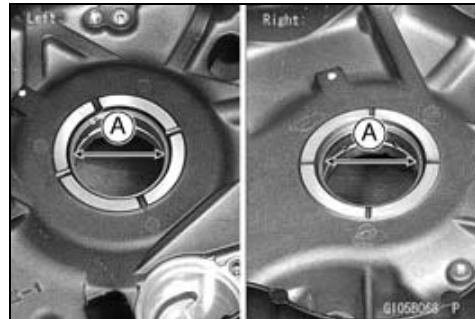
**Standard:** 45.025 ~ 45.041 mm (1.7726 ~ 1.7733 in.)

**Service Limit:** 45.07 mm (1.774 in.)

- ★ If the diameter exceeds the service limit, replace the crankcase halves as a set.

#### **NOTE**

- The right and left crankcase halves are machined at the factory in the assembled state, so they must be replaced as a set.





**Balancer, Starter Motor Clutch**

**Left Balancer Removal**

- Remove the alternator cover (see Alternator Cover Removal in the Electrical System chapter).
- Wipe oil off the outer circumference of the alternator rotor.
- Hold the alternator rotor steady with the rotor holder [A], and remove the balancer gear bolt [B] and washer [C].
- The rotor holder is prevented from turning by using the suitable M10 bolt [E] and footboard bracket bolt hole.

**Special Tools - Rotor Holder: 57001-1674**  
**Grip [D]: 57001-1591**

- Remove:
  - Alternator Rotor (see Alternator Rotor Removal in the Electrical System chapter)
  - Left Balancer Gear
- ★ If the balancer is hard to remove, use a suitable puller.

**Left Balancer Installation**

- Install the balancer gear on the shaft so that the balancer weight punch mark [A] and shaft punch mark [B] align.

- Install the alternator rotor (see Alternator Rotor Installation in the Electrical System chapter).
- Hold the alternator rotor steady with the rotor holder [A].

**Special Tools - Rotor Holder: 57001-1674**  
**Grip [B]: 57001-1591**

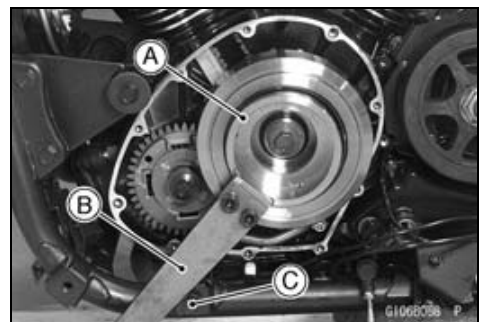
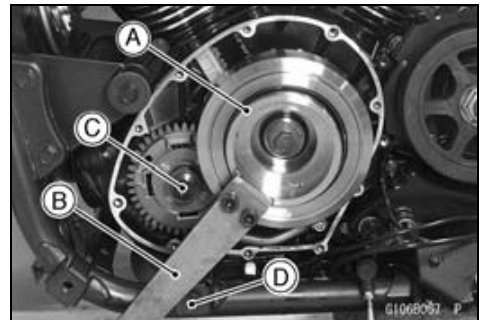
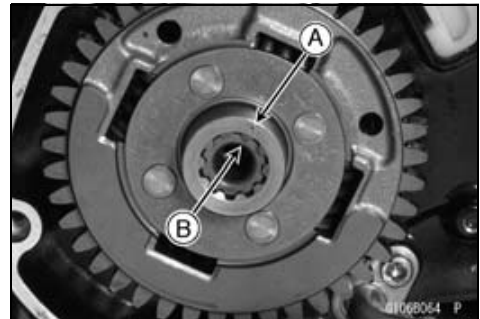
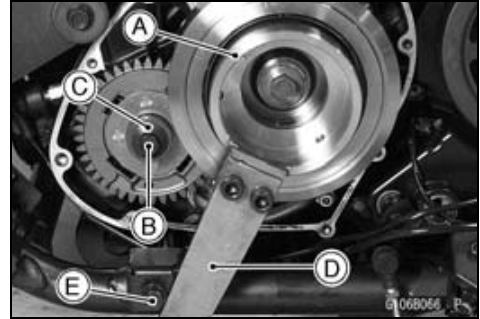
- The rotor holder is prevented from turning by using the suitable M10 bolt [D] and footboard bracket bolt hole.
- Tighten:
  - Torque - Balancer Gear Bolt [C]: 69 N·m (7.0 kgf·m, 51 ft·lb)**

**Right Balancer and Starter Motor Clutch Removal**

- Remove:
  - Alternator Cover (see Alternator Cover Removal in the Electrical System chapter)
  - Right Engine Cover (see Right Engine Cover Removal in the Clutch chapter)
- Wipe oil off the outer circumference of the alternator rotor.
- Hold the rotor steady with the rotor holder [A].

**Special Tools - Rotor Holder: 57001-1674**  
**Grip [B]: 57001-1591**

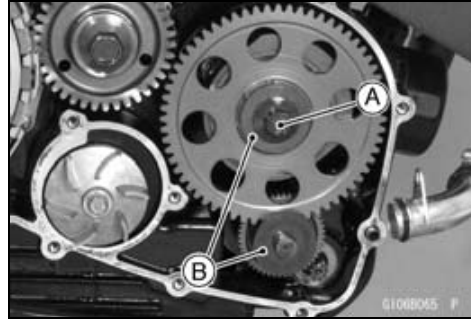
- The rotor holder is prevented from turning by using the suitable M10 bolt [C] and footboard bracket bolt hole.



## 9-20 CRANKSHAFT/TRANSMISSION

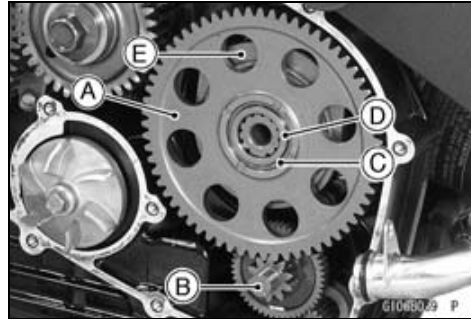
### Balancer, Starter Motor Clutch

- Remove:
  - Starter Motor Clutch Gear Bolt [A]
  - Washers [B]

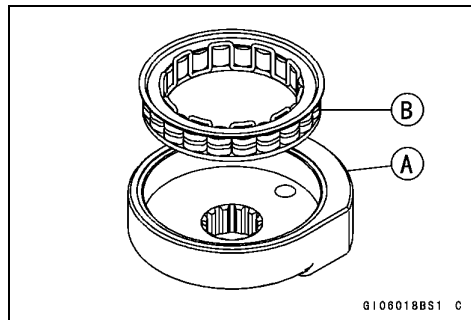


- Remove:
  - Starter Motor Clutch Gear [A]
  - Torque Limiter [B]
  - Needle Bearing [C]
  - Collar [D]
  - Starter Motor Clutch Assembly [E]
  - Washer

★ If the assembly is hard to remove, use a suitable puller.

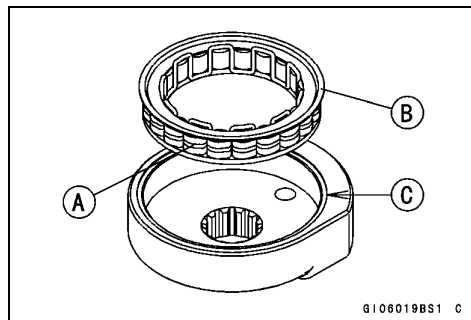


- Separate the starter motor clutch assembly to the right balancer [A] and one-way clutch [B].

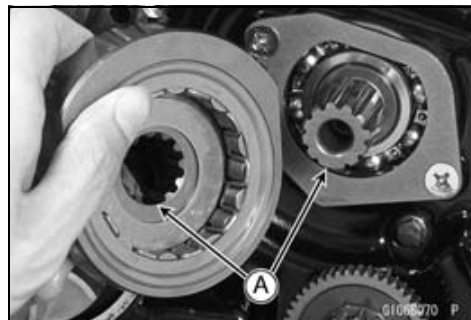


#### **Right Balancer and Starter Motor Clutch Installation**

- Be sure to install the one-way clutch [A] so that the flange [B] of it fits in the right balancer recess [C].

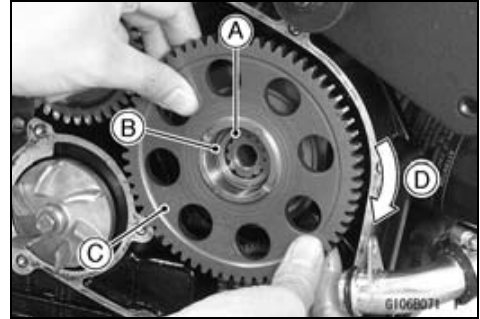


- Clean the starter motor clutch gear bolt and threads in the balancer shaft.
- Install the starter motor clutch assembly on the balancer shaft so that the balancer weight and balancer shaft fit to the tooth lacked portions [A].



**Balancer, Starter Motor Clutch**

- Install:
  - Torque Limiter
  - Washer
  - Collar [A] and Needle Bearing [B]
- Install the starter motor clutch gear [C] while turning [D] the gear.

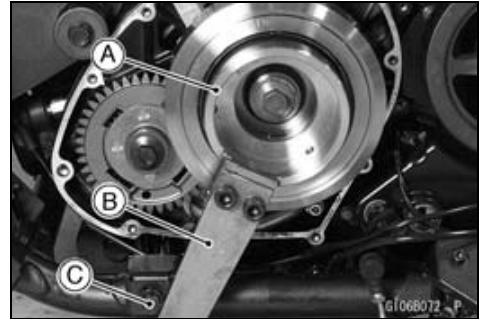


- Install the alternator rotor (see Alternator Rotor Installation in the Electrical System chapter).
- Hold the alternator rotor steady with the rotor holder [A]

**Special Tools - Rotor Holder: 57001-1674**  
**Grip [B]: 57001-1591**

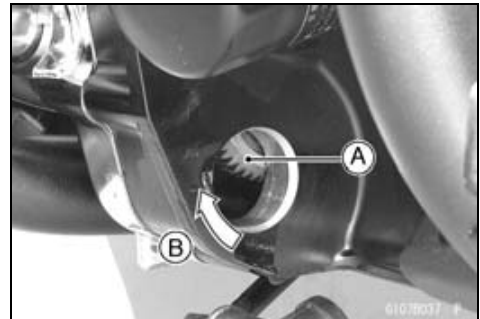
- The rotor holder is prevented from turning by using the suitable M10 bolt [C] and footboard bracket bolt hole.
- Tighten:

**Torque - Starter Motor Clutch Gear Bolt: 69 N·m (7.0 kgf·m, 51 ft·lb)**

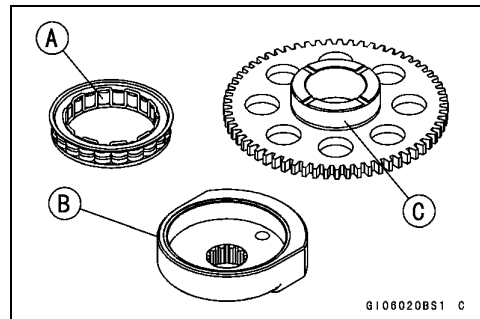


**Starter Motor Clutch Inspection**

- Drain the engine oil (see Engine Oil Change in the Periodic Maintenance chapter).
- Remove the starter motor (see Starter Motor Removal in the Electrical System chapter).
- Turn the torque limiter gear [A] by hand. When viewed from the left side of the engine, the gear should turn clockwise freely [B], but should not turn counterclockwise.
- ★ If the gear does not operate as it should or if it makes noise, go to the next step.



- Disassemble the starter motor clutch (see Right Balancer and Starter Motor Clutch Removal).
- Visually inspect:
  - One-way Clutch [A]
  - Right Balancer [B]
  - Starter Motor Clutch Gear Sliding Surface [C]
- ★ If there is any worn or damaged part, replace it.



G106020BS1 C

## 9-22 CRANKSHAFT/TRANSMISSION

### Torque Limiter

#### **Torque Limiter Removal**

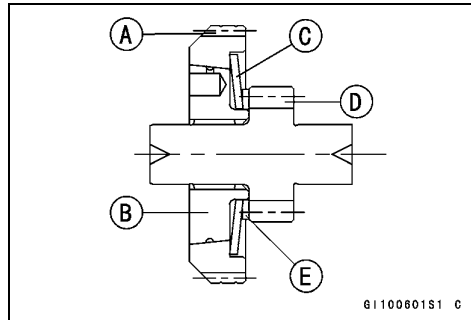
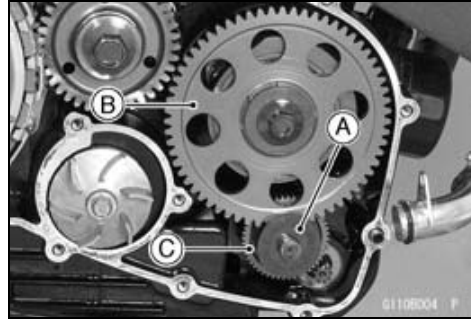
- Remove:
  - Right Engine Cover (see Right Engine Cover Removal in the Clutch chapter)
  - Washer [A]
  - Starter Motor Clutch Gear [B] (see Right Balancer and Starter Motor Clutch Removal)
  - Torque Limiter [C]

#### **CAUTION**

**Do not disassemble the torque limiter. The torque limiter will not function if this is done.**

#### **Torque Limiter Inspection**

- Remove the torque limiter and visually inspect it.
- ★ If the limiter has wear, discoloration, or other damage, replace it as a set.
  - Gear [A]
  - Hub [B]
  - Spring [C]
  - Pinion [D]
  - Shim [E]



## Primary Gear

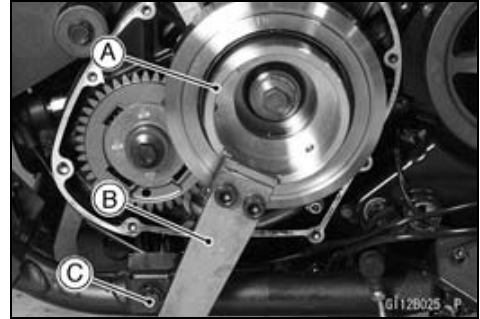
### Primary Gear Removal

- Remove the alternator cover (see Alternator Cover Removal in the Electrical System chapter).
- Wipe oil off the outer circumference of the alternator rotor.
- Hold the alternator rotor steady with the rotor holder [A].

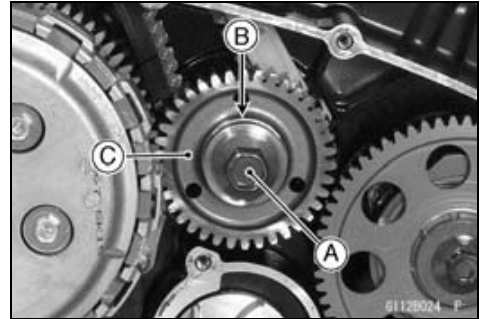
**Special Tools - Rotor Holder: 57001-1674**

**Grip [B]: 57001-1591**

- The rotor holder is prevented from turning by using the suitable M10 bolt [C] and footboard bracket bolt hole.

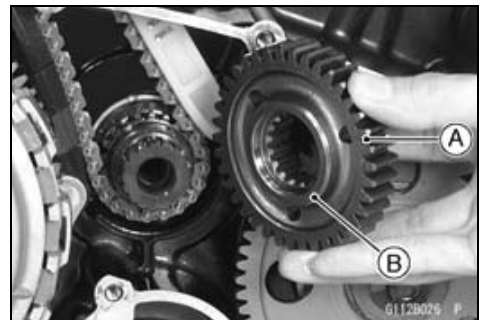


- Remove the primary gear bolt [A], washer [B], and primary gear [C] from the crankshaft.
- ★ If necessary, remove the clutch (see Clutch Removal in the Clutch chapter).



### Primary Gear Installation

- Fit the primary gear [A] with the boss [B] facing toward the engine inside.



- Hold the alternator rotor steady with the rotor holder [A].

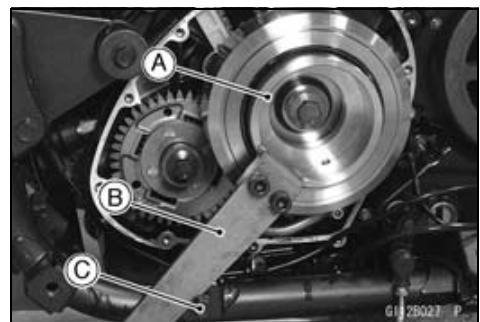
**Special Tools - Rotor Holder: 57001-1674**

**Grip [B]: 57001-1591**

- The rotor holder is prevented from turning by using the suitable M10 bolt [C] and footboard bracket bolt hole.

- Apply molybdenum disulfide oil to the threads and seating surface of the primary gear bolt, and tighten it.

**Torque - Primary Gear Bolt: 98 N·m (10 kgf·m, 72 ft·lb)**



## 9-24 CRANKSHAFT/TRANSMISSION

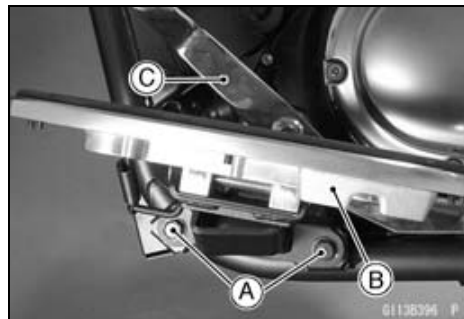
### Transmission

#### Shift Pedal Removal

- Remove:
  - Shift Pedal Clamp Bolt [A]



- Remove:
  - Footboard Bracket Bolts [A]
  - Footboard [B] together with the Shift Pedal [C]
- Separate the shift pedal from the footboard.

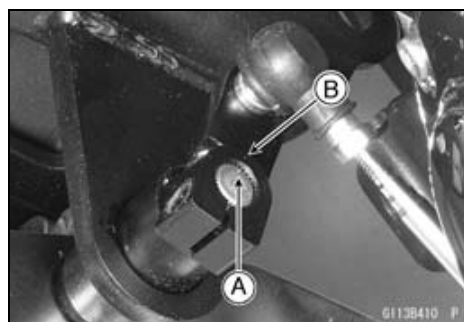


#### Shift Pedal Installation

- Apply grease to the shift pedal shaft.
- Assemble the shift pedal and footboard.
- Install the shift pedal so that the punched mark [A] on the shaft aligned with punched mark [B] on the front shift lever.
- Tighten

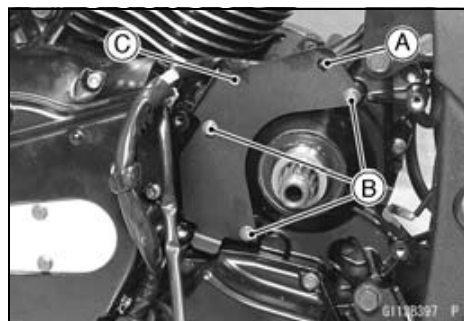
**Torque - Shift Pedal Clamp Bolt:** 12 N·m (1.2 kgf·m, 106 in·lb)

**Footboard Bracket Bolts:** 34 N·m (3.5 kgf·m, 25 ft·lb)



#### External Shift Mechanism Removal

- Remove:
  - Shift Pedal (see Shift Pedal Removal)
  - Alternator Outer Cover (see Alternator Outer Cover Removal in the Electrical System chapter)
  - Engine Pulley (see Engine Pulley Removal in the Final Drive chapter)
- Pry Open the clamp [A]
- Remove:
  - Bolts [B]
  - Engine Pulley Plate [C]

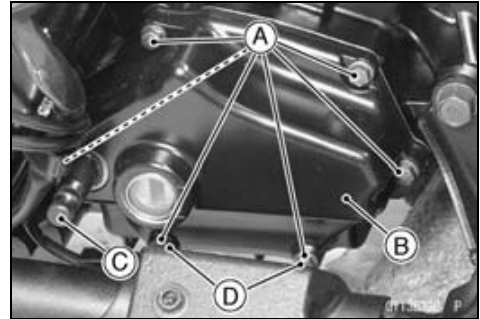


**Transmission**

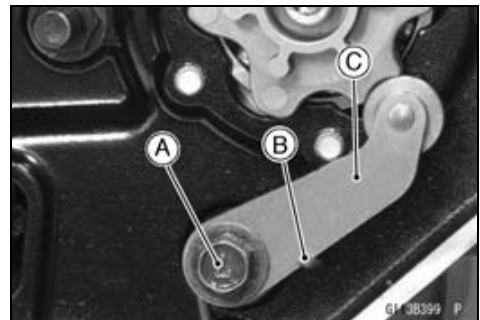
- Remove:  
Front and Rear Shift Levers [A]



- Remove:  
Bolts [A]  
External Shift Mechanism Cover [B] together with the  
Shift Shaft [C]
- Remove the these bolts [D] with the cover.

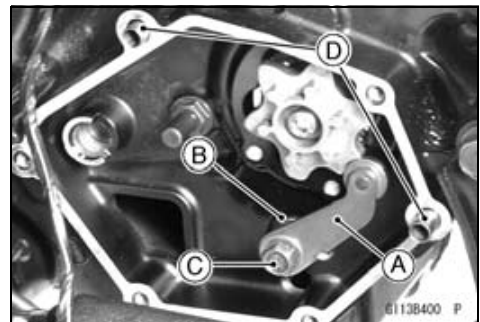


- Remove:  
Bolt [A]  
Spring [B]  
Gear Set Lever [C]

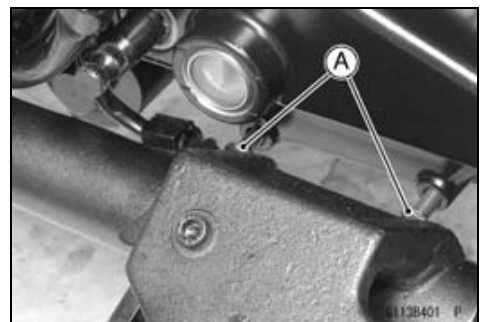


**External Shift Mechanism Installation**

- Install the gear set lever [A] and spring [B], and tighten the bolt [C].  
**Torque - Gear Set Lever Bolt: 9.8 N·m (1.0 kgf·m, 87 in·lb)**
- Install the dowel pins [D] and new cover gasket.
- Apply grease to the oil seal lip.
- Install the washer to the shift shaft, then insert the shaft into the cover.



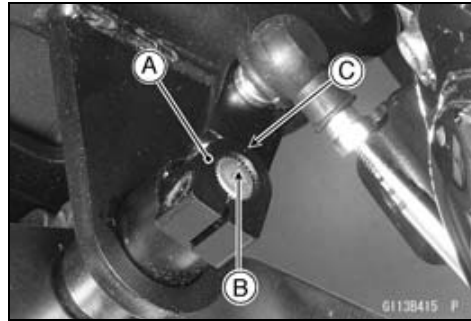
- Set the these cover bolts [A] to the cover before cover installed.
- Install the cover with the shaft to the crankcase.
- Tighten:  
**Torque - External Shift Mechanism Cover Bolts: 9.8 N·m (1.0 kgf·m, 87 in·lb)**



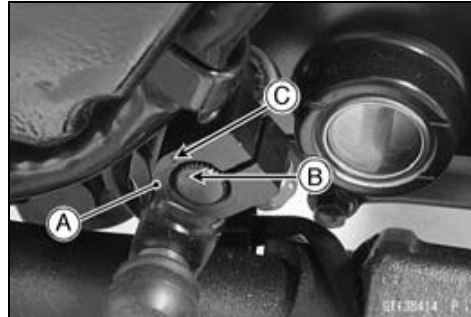
## 9-26 CRANKSHAFT/TRANSMISSION

### Transmission

- Install the front shift lever [A] to the shift pedal shaft so that the punched mark [B] on the shaft is aligned with the punched mark [C] on the front shift lever.



- Install the rear shift lever [A] on the shift shaft so that the punched mark [B] on the shaft is aligned with the punched mark [C] on the rear shift lever.
- Install the left footboard (see Footboard Removal/Installation in the Frame chapter).



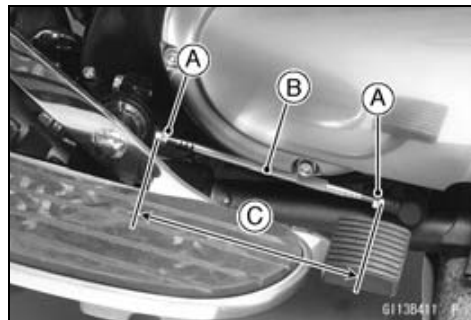
- Loosen the locknuts [A] and turn the shift rod [B] so that the outside length [C] of the locknuts is **149 ±1 mm (5.87 ±0.04 in.)**.

○The rear locknut has left-hand threads.

**Torque - Shift Rod Locknut (Front): 9.8 N·m (1.0 kgf·m, 87 in·lb)**

**Shift Rod Locknut (Rear): 9.8 N·m (1.0 kgf·m, 87 in·lb)**

**Rear Shift Lever Clamp Bolt: 12 N·m (1.2 kgf·m, 106 in·lb)**

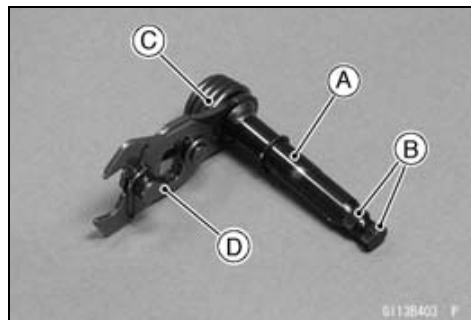


- Check that the rear shift pedal is 30 mm (1.2 in.) [A] above top of the footboard .



### **External Shift Mechanism Inspection**

- Examine the shift shaft [A] for any damage.
- ★ If the shaft is bent, straighten or replace it.
- ★ If the splines [B] are damaged, replace the shaft.
- ★ If the springs [C] are damaged in any way, replace them.
- ★ If the shift mechanism arm [D] is damaged in any way, replace it.



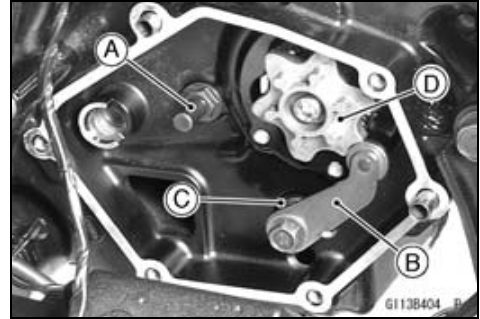


**Transmission**

- Check the return spring pin [A] is not loose.
- ★ If it is loose, unscrew it, apply a non-permanent locking agent to the threads, and tighten it.

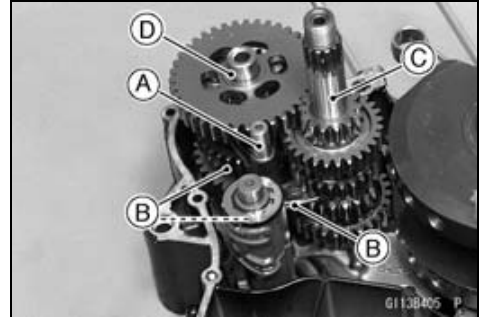
**Torque - Shift Shaft Return spring Pin: 29 N·m (3.0 kgf·m, 21 ft·lb)**

- Check the shift drum position lever [B] and spring [C] for breaks or distortion.
- ★ If the lever or spring is damaged in any way, replace it.
- Visually inspect the shift drum cam [D].
- ★ If it is badly worn or shows any damage, replace it.



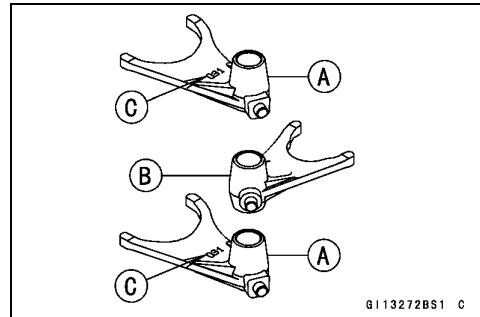
**Transmission Shaft and Shift Fork Removal**

- Split the crankcase (see Crankcase Splitting).
- Remove:
  - Shift Rod [A]
  - Shift Forks [B]
- Take out the drive shaft [C] and output shaft [D] as a set.

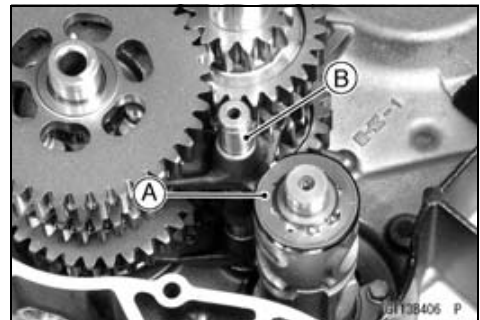


**Transmission Shaft and Shift Fork Installation**

- Apply engine oil to the transmission shafts and shift forks.
- Install the drive shaft and output shaft as a set.
- Install the shift forks [A] [B] so that the marks (031) [C] on the shift fork for output shaft face the upward.
- The two forks on the output shaft are identical.



- Install the shift drum [A].
- Set the shift drum in the neutral position.
- Apply engine oil to the shift rod [B], and install it.

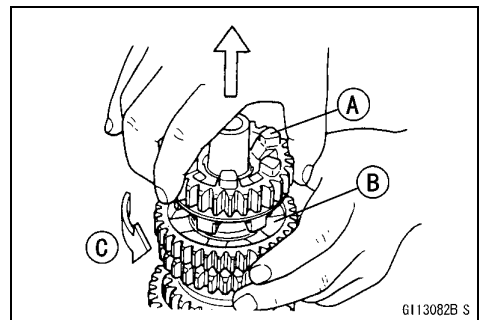


**Transmission Shaft Disassembly**

- Remove the transmission shafts (see Transmission Shaft and Shift Fork Removal).
- Using the circlips pliers, remove the circlips, and disassemble the transmission shaft.

**Special Tool - Outside Circlip Pliers: 57001-144**

- The 4th gear [A] on the output shaft has three steel balls for the positive neutral finder mechanism.
- Remove the 4th gear as follows.
  - Set the output shaft in a vertical position holding the 3rd gear [B].
  - Spin the 4th gear quickly [C] and pull it off upward.

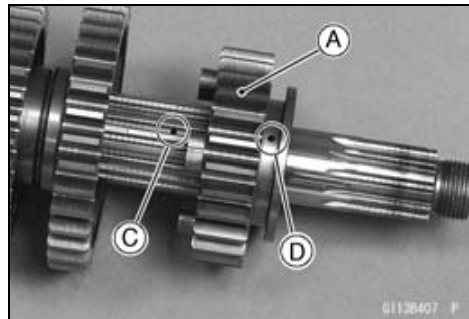


## 9-28 CRANKSHAFT/TRANSMISSION

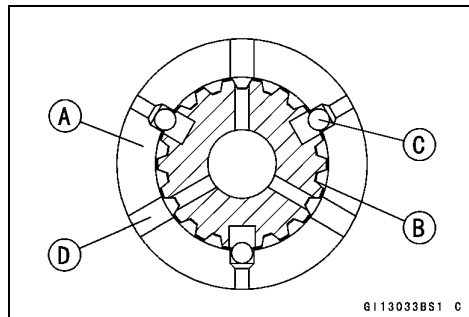
### Transmission

#### Transmission Shaft Assembly

- Install the 5th gear [A] on the output shaft with its oil hole [B] aligned with the shaft oil hole [C].



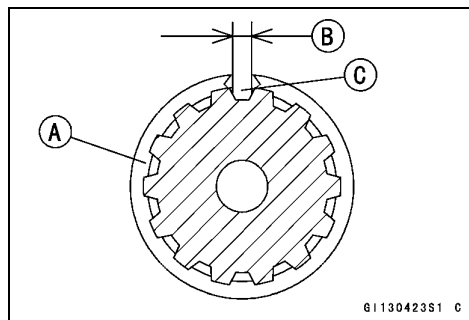
- Fit the steel balls into the 4th gear holes as shown.  
(This illustration shows "section A-A" in the transmission assembly figure.)  
Gear (4th) [A]  
Shaft [B]  
Steel Balls [C]  
Oil Holes [D]



#### CAUTION

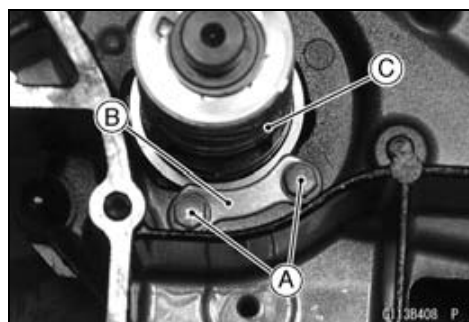
**Do not apply grease to the steel balls to hold them in place. This will cause the positive neutral finder mechanism to malfunction.**

- Replace any circlip that were removed with new ones.
- Install the circlips [A] so that the opening [B] is aligned with a spline groove [C].
- Check that each gear springs or slides freely on the transmission shaft without binding after assembly.



#### Shift Drum Removal

- Remove:
  - Transmission Shafts (see Transmission Shaft and Shift Fork Removal)
  - Bolts [A]
  - Bearing Stopper [B]
- While aligning the shift drum cam with the left crankcase hole, pull out the shift drum [C].



**Transmission**

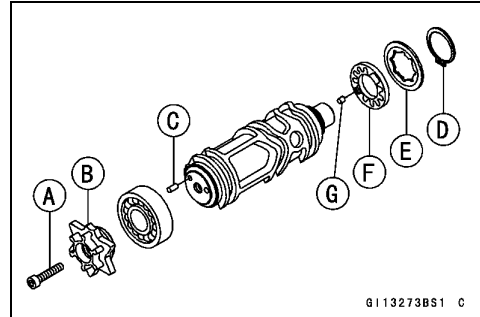
**Shift Drum Installation**

- While aligning the shift drum cam [A] with the left crankcase hole, install the shift drum.
- Tighten:
  - Torque - Shift Drum Bearing Stopper Bolts 9.8 N·m (1.0 kgf·m, 87 in·lb)



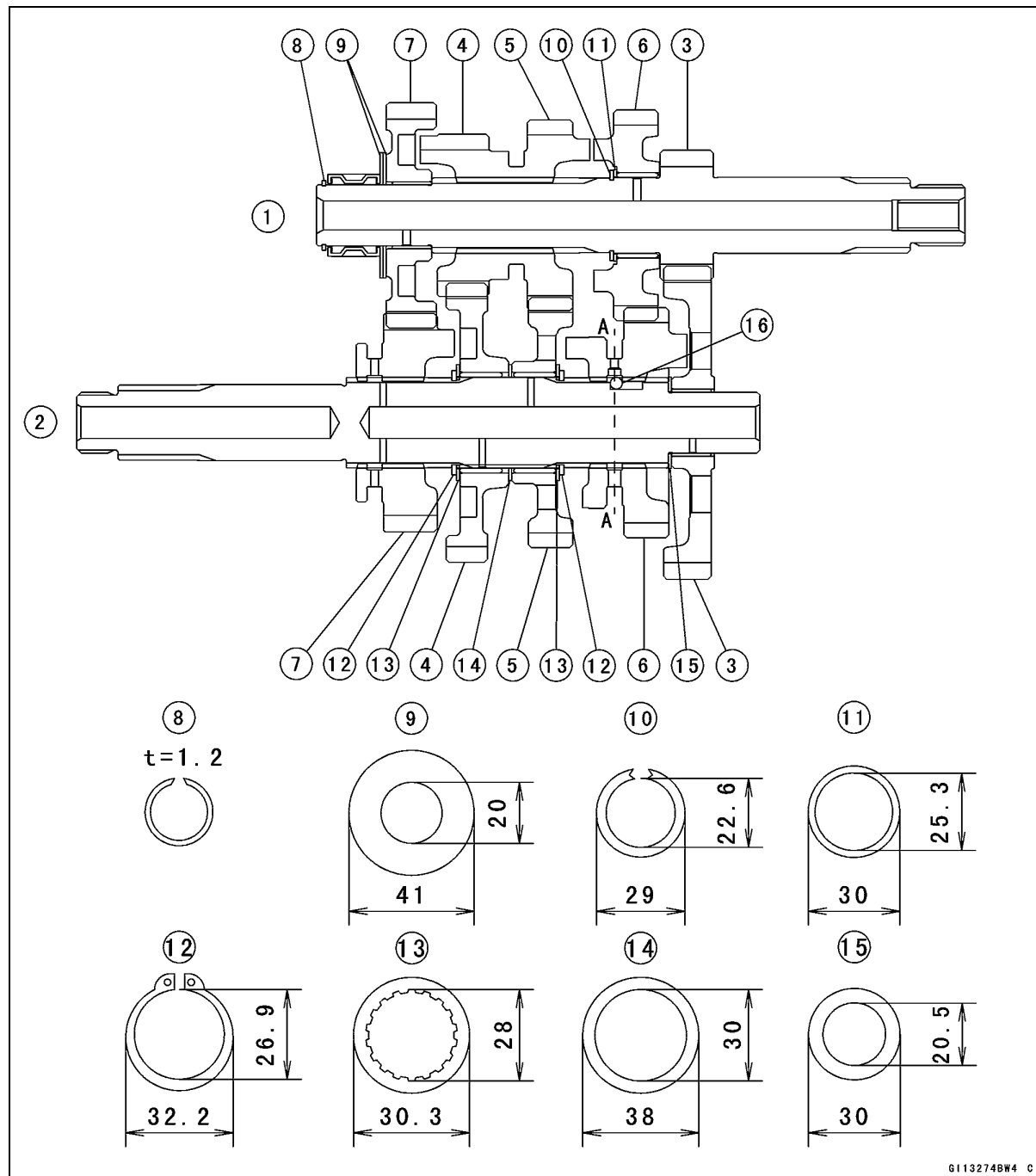
**Shift Drum Disassembly**

- Remove the shift drum (see Shift Drum Removal).
- While holding the shift drum with a vise, remove the shift drum cam holder bolt [A].
  - [B] Shift Drum Cam
  - [C] Dowel Pin (Longer)
- Remove the circlip [D].
  - Special Tool - Outside Circlip Pliers: 57001-144**
- Remove:
  - [E] Spring
  - [F] Shift Drum Holder
  - [G] Dowel Pin (Shorter)



# 9-30 CRANKSHAFT/TRANSMISSION

## Transmission



G1132748W4 C

- 1. Drive Shaft
- 2. Output Shaft
- 3. 1st Gear
- 4. 2nd Gear
- 5. 3rd Gear
- 6. 4th Gear
- 7. 5th (Top) Gear
- 8. Circlip

- 9. Thrust Washer (20 × 41 × 1)
- 10. Circlip
- 11. Thrust Washer (25.3 × 30 × 1)
- 12. Circlip
- 13. Toothed Washer
- 14. Thrust Washer (30 × 38 × 1)
- 15. Thrust Washer (20.5 × 30 × 1)
- 16. Steel Ball

**Transmission**

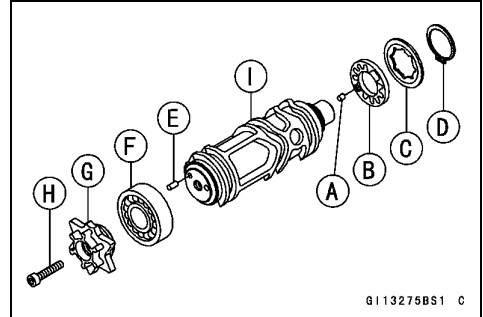
**Shift Drum Assembly**

- Assemble:
  - Dowel Pin (Shorter) [A]
  - Shift Drum Holder [B]
  - Spring [C]
  - Circlip [D]

**Special Tool - Outside Circlip Pliers: 57001-144**

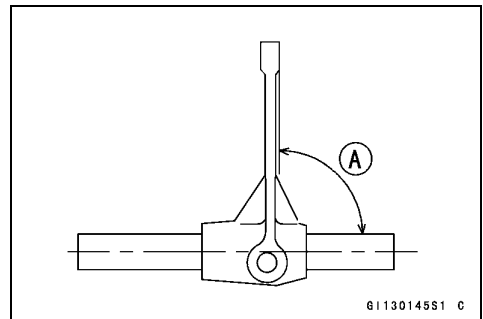
- Assemble:
  - Dowel Pin (Longer) [E]
  - Bearing [F]
  - Shift Drum Cam [G]
  - Shift Drum [I]
- Apply a non-permanent locking agent to the threads of the shift drum cam bolt [H], and tighten it.

**Torque - Shift Drum Cam Bolt: 12 N·m (1.2 kgf·m, 106 in·lb)**



**Shift Fork Bending**

- Visually inspect the shift forks, and replace any fork that is bent. A bent fork could cause difficulty in shifting, or allow the transmission to jump out of gear when under power. 90° [A]



**Shift Fork/Gear Groove Wear**

- Measure the thickness of the shift fork ears [A], and measure the width [B] of the gear grooves.
- ★ If the thickness of a shift fork ear is less than the service limit, the shift fork must be replaced.

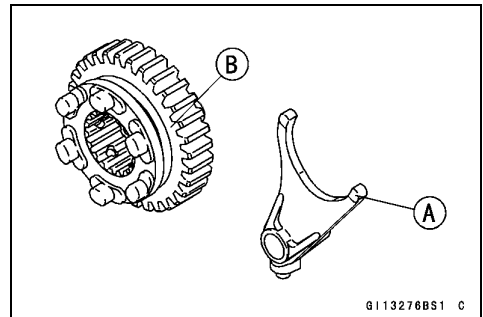
**Shift Fork Ear Thickness**

- Standard:** 4.9 ~ 5.0 mm (0.193 ~ 0.197 in.)
- Service Limit:** 4.8 mm (0.189 in.)

- ★ If the gear groove is worn over the service limit, the gear must be replaced.

**Gear Groove Width**

- Standard:** 5.05 ~ 5.15 mm (0.199 ~ 0.203 in.)
- Service Limit:** 5.25 mm (0.207 in.)



**Shift Fork Guide Pin/Drum Groove Wear**

- Measure the diameter of each shift fork guide pin [A], and measure the width [B] of each shift drum groove.
- ★ If the guide pin on any shift fork is less than the service limit, the fork must be replaced.

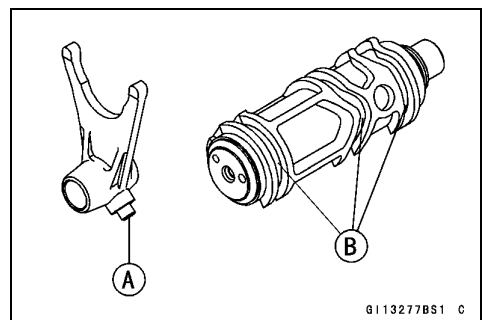
**Shift Fork Guide Pin Diameter**

- Standard:** 5.9 ~ 6.0 mm (0.232 ~ 0.236 in.)
- Service Limit:** 5.8 mm (0.228 in.)

- ★ If any shift drum groove is worn over the service limit, the drum must be replaced.

**Shift Drum Groove Width**

- Standard:** 6.05 ~ 6.20 mm (0.238 ~ 0.244 in.)
- Service Limit:** 6.3 mm (0.248 in.)

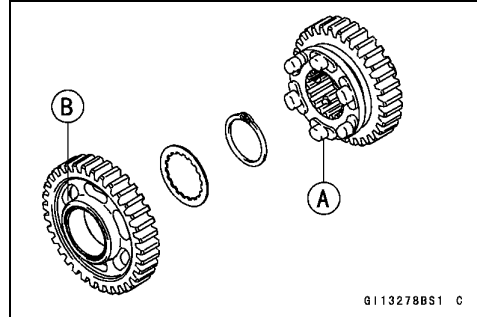


## 9-32 CRANKSHAFT/TRANSMISSION

### Transmission

#### ***Gear Dog and Gear Dog Hole Damage***

- Visually inspect the gear dogs [A] and gear dog holes [B].
- ★ Replace any damaged gears or gears with excessively worn dogs or dog holes.



## Ball Bearing and Oil Seal

### ***Bearing and Oil Seal Installation***

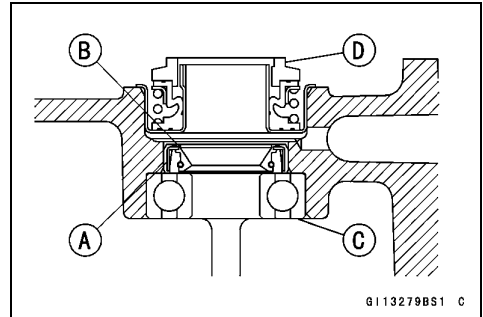
- When installing a bearing other than the following parts, press it in with the marked side facing out.

**Special Tool - Bearing Driver Set: 57001-1129**

### **Right Crankcase**

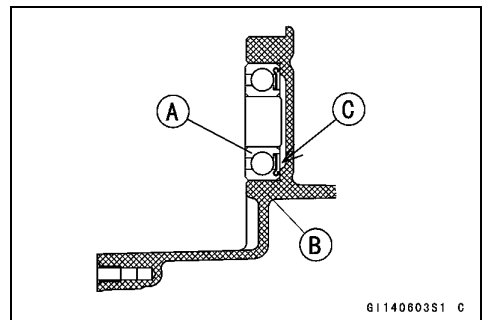
- Press the water pump shaft bearing and oil seal as shown.
  - [A] Oil Seal
  - [B] Marked Side
  - [C] Ball Bearing
  - [D] Mechanical Seal (see Mechanical Seal Replacement in the Cooling System chapter)

**Special Tool - Bearing Driver Set: 57001-1129**



- Press the output shaft bearing [A] into the right crankcase [B] with the sealed side [C] facing the crankcase.

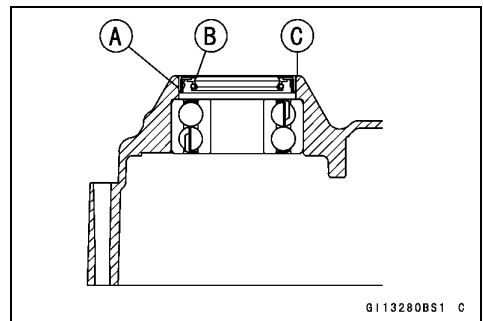
**Special Tool - Bearing Driver Set: 57001-1129**



### **Left Crankcase**

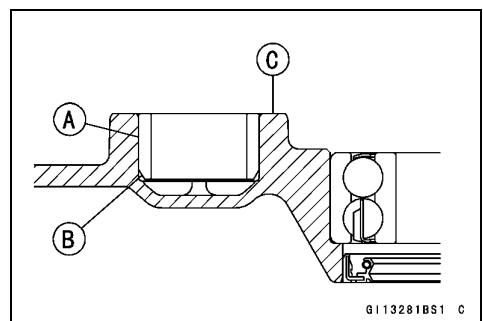
- Press the output shaft oil seal [A] so that the oil seal lip [B] facing outside, and oil seal surface flush with the left crankcase surface [C]

**Special Tool - Bearing Driver Set: 57001-1129**



- Press the input shaft bushing [A] so that the chamfered side [B] facing inside, and bushing surface flush with the left crankcase surface [C]

**Special Tool - Bearing Driver Set: 57001-1129**







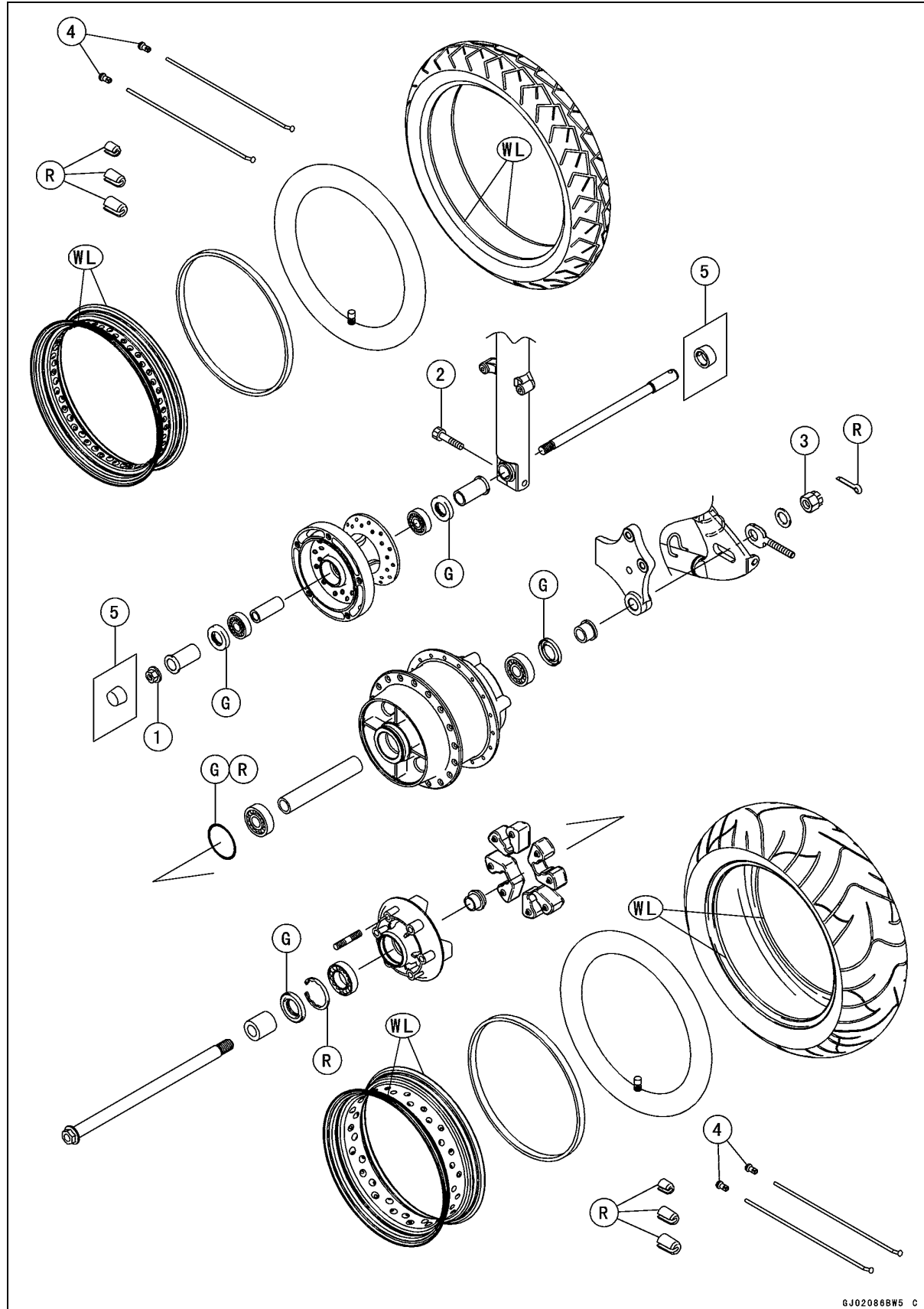
# Wheels/Tires

## Table of Contents

Exploded View .....	10-2
Specifications .....	10-4
Special Tools .....	10-5
Wheels (Rims) .....	10-6
Front Wheel Removal .....	10-6
Front Wheel Installation .....	10-7
Rear Wheel Removal .....	10-7
Rear Wheel Installation .....	10-9
Rim and Spokes Removal .....	10-11
Rim and Spokes Installation .....	10-11
Spoke Inspection .....	10-11
Rim Inspection .....	10-11
Axle Inspection .....	10-11
Balance Inspection .....	10-12
Balance Adjustment .....	10-12
Tires .....	10-13
Air Pressure Inspection/Adjustment .....	10-13
Tire Tread Inspection .....	10-13
Tire Removal .....	10-13
Tire Installation .....	10-14
Hub Bearing .....	10-15
Hub Bearing Removal .....	10-15
Hub Bearing Installation .....	10-15
Hub Bearing Inspection .....	10-16
Hub Bearing Lubrication .....	10-16

# 10-2 WHEELS/TIRES

## Exploded View



GJ02088W5 C

**Exploded View**

No.	Fastener	Torque			Remarks
		N·m	kgf·m	ft·lb	
1	Front Axle Nut	108	11.0	79.7	
2	Front Axle Clamp Bolt	20	2.0	15	
3	Rear Axle Nut	108	11.0	79.7	
4	Spoke Nipples	5.2	0.53	46 in·lb	

5. Axle Cap (Europe Models)

G: Apply grease.

R: Replacement Parts

WL: Apply soap and water solution or rubber lubricant.

## 10-4 WHEELS/TIRES

### Specifications

Item	Standard	Service Limit
<b>Wheels (Rims)</b>		
Rim Runout:		
Radial	TIR 0.8 mm (0.03 in.)	2.0 mm (0.079 in.)
Axial	0.8 mm (0.03 in.)	2.0 mm (0.079 in.)
Axle Runout/100 mm (3.94 in.)		
Front	less than 0.05 mm (0.002 in.)	0.2 mm (0.008 in.)
Rear	less than 0.03 mm (0.001 in.)	0.2 mm (0.008 in.)
Wheel Balance	less than 10 g (0.35 oz)	— — —
Balance Weights	10 g (0.35 oz), 20 g (0.70 oz), 30 g (1.06 oz)	— — —
Rim Size:		
Front	16 M/C × MT 3.00	
Rear	15 M/C × MT 4.50	
<b>Tires</b>		
Air Pressure (when cold):		
Front:		
Up to 180 kg (397 lb) load	200 kPa (2.00 kgf/cm <sup>2</sup> , 28 psi)	— — —
Rear:		
Up to 97.5 kg (215 lb) load	200 kPa (2.00 kgf/cm <sup>2</sup> , 28 psi)	— — —
97.5 kg ~ 180 kg load (215 lb ~ 397 lb)	225 kPa (2.25 kgf/cm <sup>2</sup> , 32 psi)	— — —
Tread Depth:		
Front	4.5 mm (0.18 in.)	1 mm (0.04 in.) (DE, AT, CH) 1.6 mm (0.063 in.)
Rear	7.4 mm (0.29 in.)	Up to 130 km/h (80 mph): 2 mm (0.08 in.) Over 130 km/h (80 mph): 3 mm (0.12 in.)

Standard Tires	Make	Type	Size
Front	DUNLOP	D404FP	130/90-16 M/C 67H
Rear	DUNLOP	D404	180/70- 15 M/C 76H

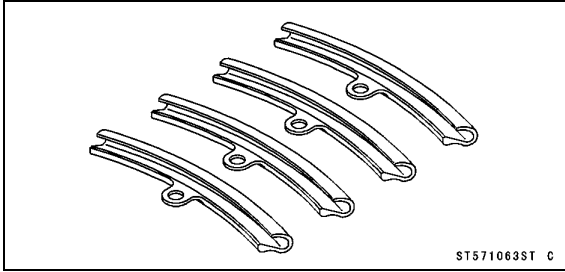
AT: Austria Model  
 CH: Switzerland Model  
 DE: Germany Model

### WARNING

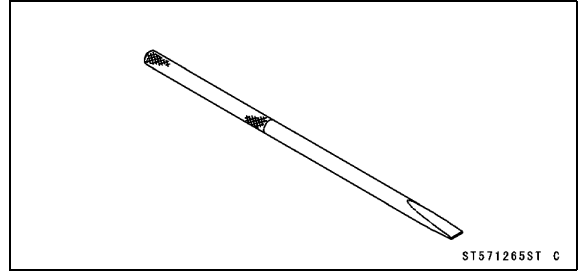
**Use the same manufacturer's tires on both front and rear wheels.**

**Special Tools**

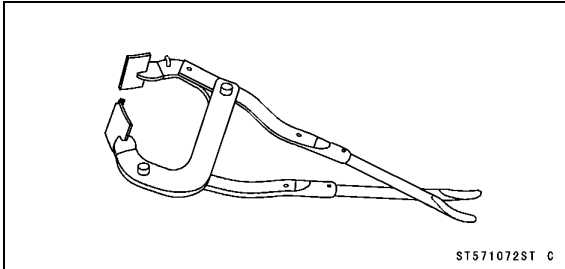
**Rim Protector:**  
57001-1063



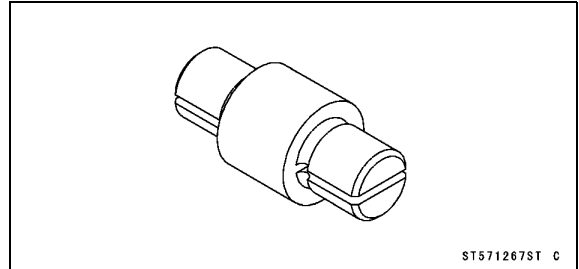
**Bearing Remover Shaft,  $\phi 9$ :**  
57001-1265



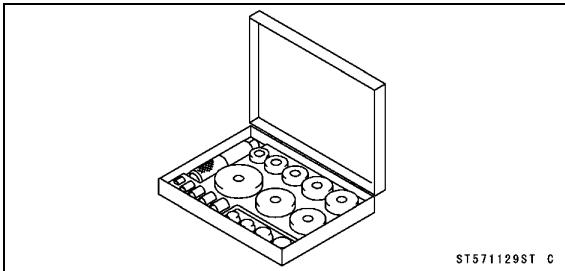
**Bead Breaker Assembly:**  
57001-1072



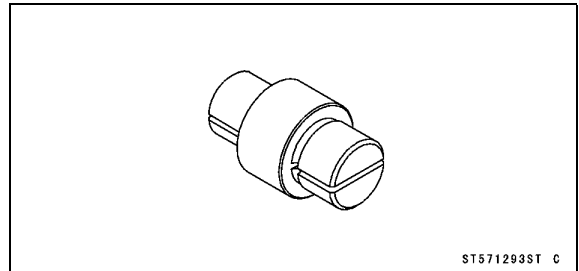
**Bearing Remover Head,  $\phi 15 \times \phi 17$ :**  
57001-1267



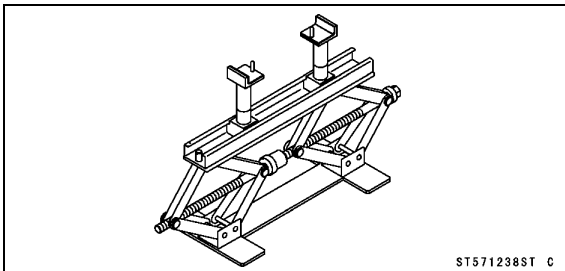
**Bearing Driver Set:**  
57001-1129



**Bearing Remover Head,  $\phi 20 \times \phi 22$ :**  
57001-1293



**Jack:**  
57001-1238

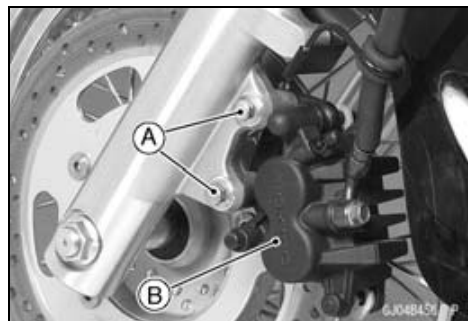


## 10-6 WHEELS/TIRES

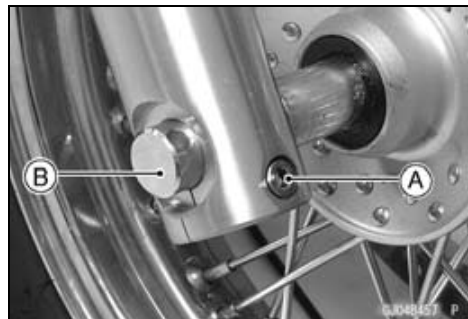
### Wheels (Rims)

#### Front Wheel Removal

- Unscrew the front brake caliper mounting bolts [A] and remove the brake caliper [B] with the brake hose installed.

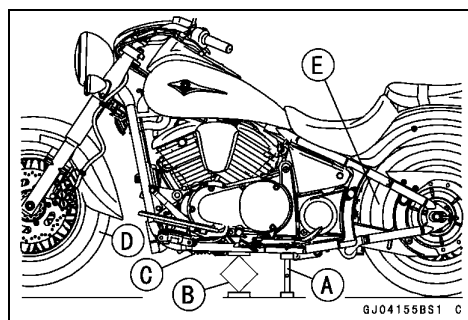


- For the Europe Models, remove the axle caps.
- Loosen:
  - Front Axle Clamp Bolt [A]
  - Front Axle [B]
- Remove:
  - Front Fender (see Front Fender Removal in the Frame chapter)



- Using the jack [A] under the frame pipe, and a commercially available jack [B] under the engine [C], lift the front wheel [D] OFF the ground until the rear wheel [E] touches the ground.

Special Tool - Jack: 57001-1238



#### CAUTION

Be sure to put the rear wheel ON the ground when removing the front wheel, or the motorcycle may fall over. The motorcycle could be damaged.

#### ⚠ WARNING

Be sure to put the rear wheel ON the ground when removing the front wheel, or the motorcycle may fall over. It could cause an accident and injury.

- Pull out the axle to the right, and remove the front wheel and collars [A].

#### CAUTION

Do not lay the wheel directly on the ground with the disc facing down. This can damage or warp the disc. Place blocks under the wheel so that the disc does not touch the ground.



**Wheels (Rims)**

**Front Wheel Installation**

- Apply grease to the seal lips.
- Fit the collars [A] on the both side of the hub. The collars are identical.
- Insert the axle from the right side of the wheel.
- Tighten:
  - Torque - Front Axle Nuts: 108 N·m (11.0 kgf·m, 79.7 ft·lb)
- Install:
  - Front Fender
- Tighten:
  - Torque - Front Axle Clamp Bolt [A]: 20 N·m (2.0 kgf·m, 15 ft·lb)
- Tighten:
  - Torque - Front Caliper Mounting Bolts: 34 N·m (3.5 kgf·m, 25 ft·lb)
- Check the front brake effectiveness.

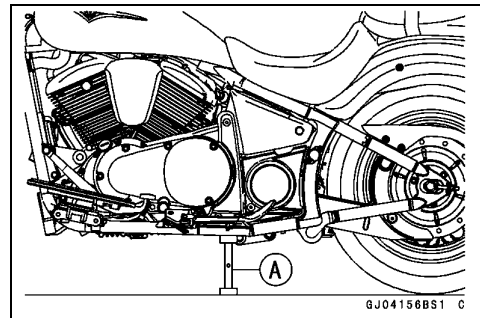


**⚠ WARNING**

Do not attempt to ride the motorcycle until a full brake lever is obtained by pumping the brake lever until the pads are against the disc. The brakes will not function on the first application of the lever if this is not done.

**Rear Wheel Removal**

- Remove:
  - Muffler (see Muffler Removal in the Engine Top End chapter)
- Using the jack [A] under the frame pipe, lift the rear wheel off the ground.



**CAUTION**

Be sure to put the front wheel ON the ground when removing the rear wheel, or the motorcycle may fall over. The motorcycle could be damaged.

**⚠ WARNING**

Be sure to put the front wheel ON the ground when removing the rear wheel, or the motorcycle may fall over. It could cause an accident and injury.

Special Tool - Jack: 57001-1238

## 10-8 WHEELS/TIRES

### Wheels (Rims)

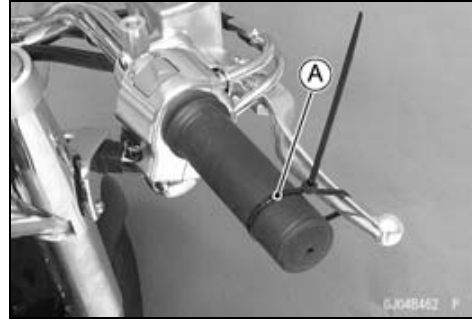
- Squeeze the brake lever slowly and hold it with a band [A].

#### CAUTION

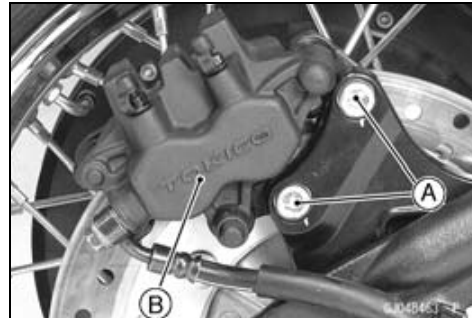
Be sure to hold the front brake when removing the rear wheel, or the motorcycle may fall over. The motorcycle could be damaged.

#### ⚠ WARNING

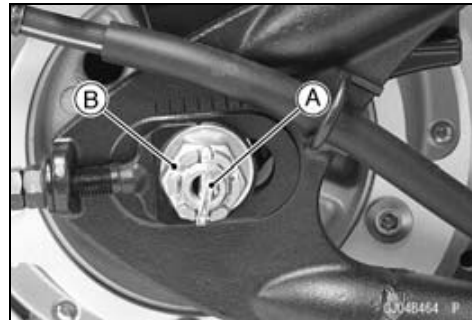
Be sure to hold the front brake when removing the rear wheel, or the motorcycle may fall over. It could cause an accident and injury.



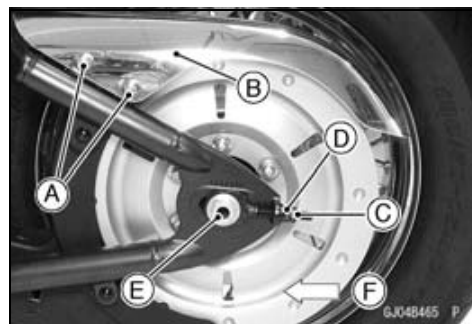
- Remove:  
Caliper Mounting Bolts [A]  
Caliper [B]



- Remove:  
Axle Nut Cotter Pin [A]  
Axle Nut [B]



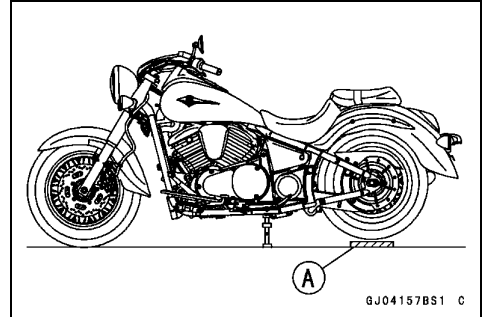
- Remove:  
Bolts [A]  
Drive Belt Cover [B]
- Loosen the belt adjuster locknuts [C] and adjuster nuts [D] fully.
- Loosen the rear axle [E].
- Move the rear wheel forward [F].





## Wheels (Rims)

- Place the suitable stand (about 30 mm (1.2 in.) thickness) [A] under the rear tire.
- Reduce the jack until the rear axle shaft pull out easily, and remove the axle shaft.



- Incline the rear wheel to the right diagonally.

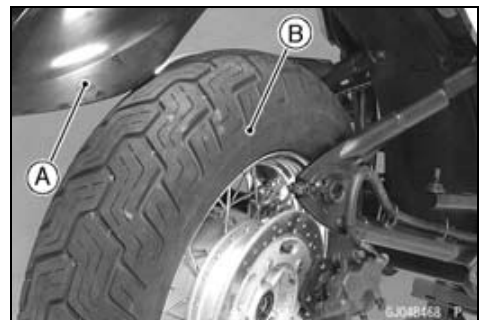


- Remove the drive belt [A] from the rear pulley [B].



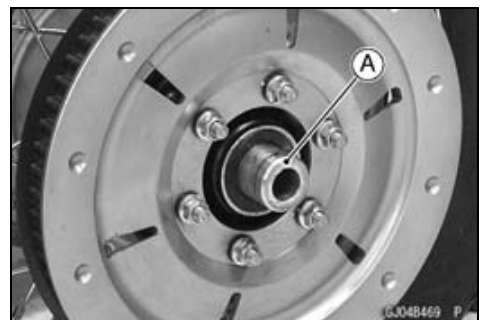
- Raise the jack until the wheel clear the rear fender [A] to remove the rear wheel [B].

<b>CAUTION</b>
Do not lay the wheel directly on the ground with the disc facing down. This can damage or warp the disc. Place blocks under the wheel so that the disc does not touch the ground.



### **Rear Wheel Installation**

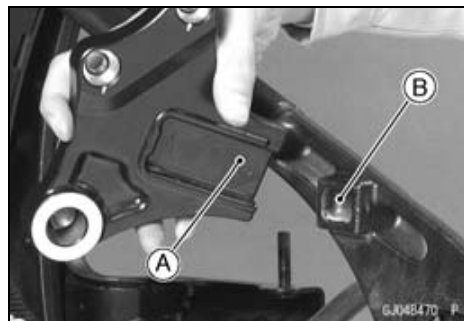
- Apply grease to the grease seal of the wheel.
- Insert the collars [A] on both sides of the hub.
- Place the suitable stand (about 30 mm (1.2 in.) thickness) under the installing wheel.
- Rise the jack until the wheel clear the rear fender.



## 10-10 WHEELS/TIRES

### Wheels (Rims)

- Install the rear wheel so that the groove [A] of the caliper bracket fit onto the swingarm stop [B].
- Reduce the jack until the rear axle install easily.



- Engage the drive belt [A] with the pulley [B].
- Insert the axle from the left side of the rear wheel.
- Tighten:
  - Torque - Rear Axle Nut: 108 N·m (11.0 kgf·m, 79.7 ft·lb)
  - Rear Caliper Mounting Bolts: 34 N·m (3.5 kgf·m, 25 ft·lb)



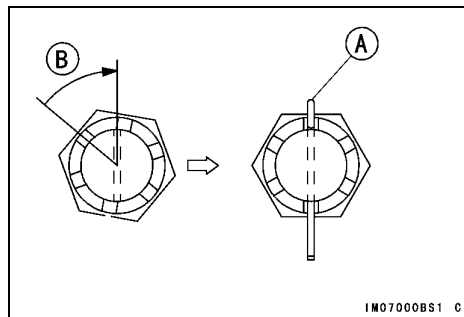
#### **⚠ WARNING**

If the axle nut is not securely tightened, an unsafe riding condition may result.

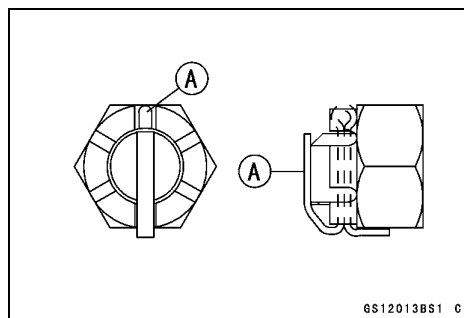
- Insert a new cotter pin [A].

#### **NOTE**

- When inserting the cotter pin, if the slots in the nut do not align with the cotter pin hole in the axle, tighten the nut clockwise [B] up to next alignment.
- It should be within 30 degree.
- Loosen once and tighten again when the slot goes past the nearest hole.



- Bend the cotter pin [A] over the nut as shown.



- Visually inspect the tire for stuck any grease.
- ★ If any grease have stuck to the surface of the tire, wash the tire clean with soap and water solution.
- Check the rear brake effectiveness.

#### **⚠ WARNING**

Do not attempt to ride the motorcycle until a full brake pedal is obtained by pumping the brake pedal until the pads are against the disc. The brake will not function on the first application of the pedal if this is not done.

## Wheels (Rims)

### **Rim and Spokes Removal**

- Remove the tire and tube.
- Remove the rubber band.
- Tape or wire all the spokes intersections so that the spokes don't get mixed up, and unscrew the nipples from all the spokes with a screwdriver, separate the rim from the spokes and hub.

### **Rim and Spokes Installation**

- ★ If the rim has a mark, install it so that its mark faces smaller diameter of the drum.
- ★ If the rim has an arrow mark, install it so that its mark points rotating direction.
- Tighten the spokes evenly so that the radial (out from the axle) and axial (side to side) runouts are less than the service limit. Make sure that the spokes are tightened evenly within the standard torque range.

#### **Tightening Torque**

**Spokes: 5.2 N·m (0.53 kgf·m, 46 in·lb)**

### **Spoke Inspection**

- Refer to the Spoke Tightness and Rim Runout Inspection in the Periodic Maintenance chapter.

### **Rim Inspection**

- Refer to the Spoke Tightness and Rim Runout Inspection in the Periodic Maintenance chapter.

### **Axle Inspection**

- Visually inspect the front and rear axle for damages.
- ★ If the axle is damaged or bent, replace it.
- Place the axle in V blocks that are 100 mm (3.94 in.) [A] apart, and set a dial gauge [B] on the axle at a point halfway between the blocks. Turn [C] the axle to measure the runout. The difference between the highest and lowest dial readings is the amount of runout.
- ★ If axle runout exceeds the service limit, replace the axle.

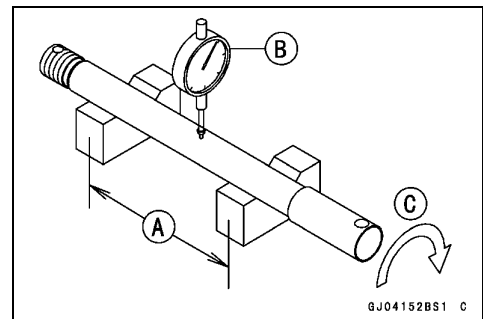
#### **Axle Runout/100 mm (3.94 in.)**

##### **Standard:**

**Front            0.05 mm (0.002 in.) or less**

**Rear             0.03 mm (0.001 in.) or less**

**Service Limit: 0.2 mm (0.008 in.)**



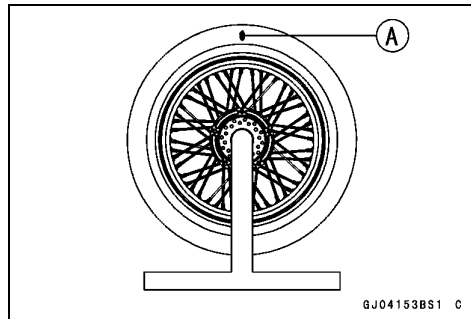
GJ04152BS1 C

# 10-12 WHEELS/TIRES

## Wheels (Rims)

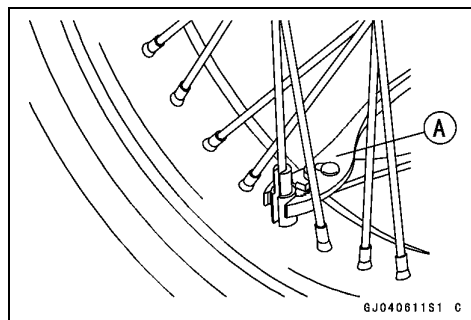
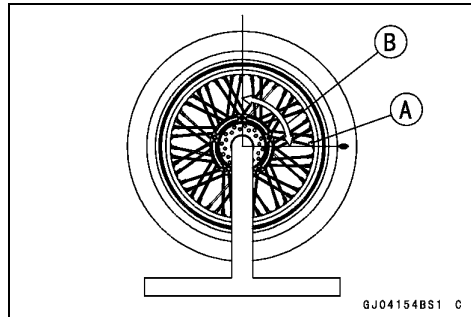
### Balance Inspection

- Remove the wheel.
- Support the wheel so that it can be spun freely.
- Spin the wheel lightly, and mark [A] the wheel at the top when the wheel stops.
- Repeat this procedure several times. If the wheel stops of its own accord in various positions, it is well balanced.
- ★ If the wheel always stops in one position, adjust the wheel balance.



### Balance Adjustment

- If the wheel always stops in one position, provisionally attach a balance weight [A] on the wheel.
- Attach a balance weight loosely to the spoke under the marking.
- Rotate the wheel 1/4 turn [B], and see whether or not the wheel stops in this position. If it does, the correct balance weight is being used.
- ★ If the wheel rotates and the weight goes up, replace the weight with the next heavier size.
- ★ If the wheel rotates and the weight goes down, replace the weight with the next lighter size.
- Repeat these steps until the wheel remains at rest after being rotated 1/4 turn.
- Rotate the wheel another 1/4 turn and then another 1/4 turn to see if the wheel is correctly balanced.
- Repeat the entire procedure as many times as necessary to achieve correct wheel balance.
- Install the balance weight firmly on the wheel.
- Clamp on the balance weight firmly using pliers [A].



### Balance Weight

Part Number	Weight
41075-0011	10 g (0.35 oz)
41075-0012	20 g (0.70 oz)
41075-0013	30 g (1.06 oz)

**Tires**

**Air Pressure Inspection/Adjustment**

- Refer to the Tire Air Pressure Inspection in the Periodic Maintenance chapter.

**Tire Tread Inspection**

- Refer to the Tire Tread Wear Inspection in the Periodic Maintenance chapter.

**Tire Removal**

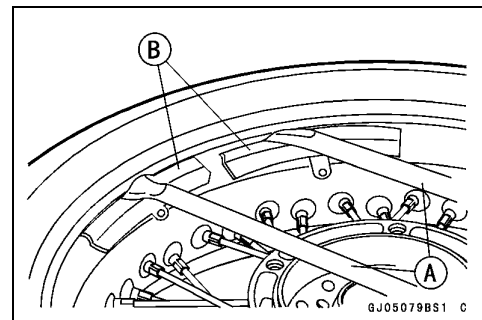
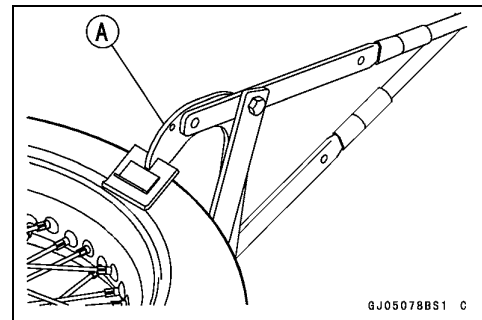
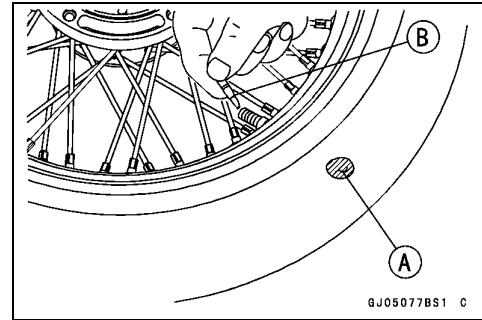
<b>CAUTION</b>
<p><b>Do not lay the wheel on the ground with the disc facing down. This can damage or warp the disc. Place blocks under the wheel so that the disc does not touch the ground.</b></p>

- Remove the wheel.
  - To maintain wheel balance, mark [A] the valve stem position on the tire with chalk so that the tire can be reinstalled in the same position.
  - Take out the valve core [B] to let out the air.
- When handling the rim, be careful not to damage the rim flanges.
- Lubricate the tire beads and rim flanges on both sides with a soap and water solution or rubber lubricant. This helps the tire beads slip off the rim flanges.

<b>CAUTION</b>
<p><b>Never lubricate with engine oil or petroleum distillates because they will deteriorate the tire.</b></p>

- Break the beads away from both sides of the rim with the bead breaker [A].
- Special Tool - Bead Breaker Assembly: 57001-1072**

- Pry the tire off the rim with the tire iron [A] of the bead breaker protecting the rim with rim protectors [B].
- Special Tools - Rim Protector: 57001-1063**  
**Bead Breaker Assembly: 57001-1072**



## 10-14 WHEELS/TIRES

### Tires

#### Tire Installation

#### **⚠ WARNING**

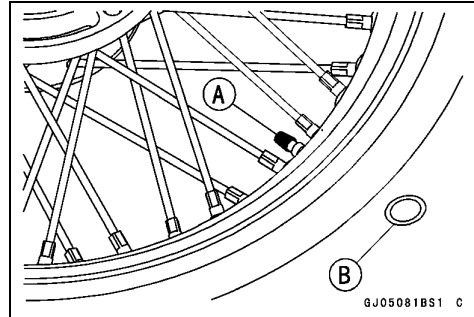
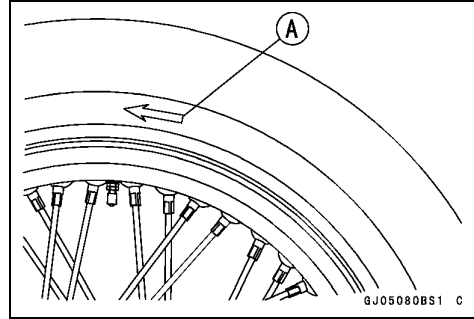
**Use the same manufacturer's tires on both front and rear wheels.**

- Check the tire rotation mark [A] on the front/rear tire and install it on the rim accordingly.

#### **NOTE**

○ *The direction of the tire rotation is shown by an arrow on the tire sidewall.*

- Position the tire on the rim so that the valve [A] is at the tire balance mark [B] (the chalk mark made during removal or the yellow paint mark on a new tire).
- Check and adjust the air pressure after installing.
- Install the air valve cap.



## Hub Bearing

### Hub Bearing Removal

- Remove the wheel, and take out the following.

#### CAUTION

Do not lay the wheel on the ground with the disc facing down. This can damage or warp the disc. Place blocks under the wheel so that the disc does not touch the ground.

#### Front

Grease Seals [A]

#### Rear

Coupling [A]  
Collar [B]  
O-ring [C]  
Grease Seal [D]

- Take the bearings [A] out of the hub, using the bearing remover.

**Special Tools - Bearing Remover Shaft: 57001-1265 [B]**  
**Bearing Remover Head,  $\phi 15 \times \phi 17$ : 57001-1267 (For Rear Hub)**  
**Bearing Remover Head,  $\phi 20 \times \phi 22$ : 57001-1293 [C] (For Front Hub)**

### Hub Bearing Installation

- Before installing the hub bearings, blow any dirt or foreign particles out of the hub with compressed air to prevent contamination of the bearings.
- Replace the bearings with new ones.
- Install the front bearings the following sequence.
  - Press in the left side bearing [A] until it is bottomed.

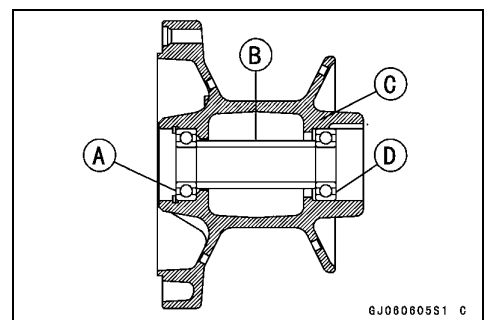
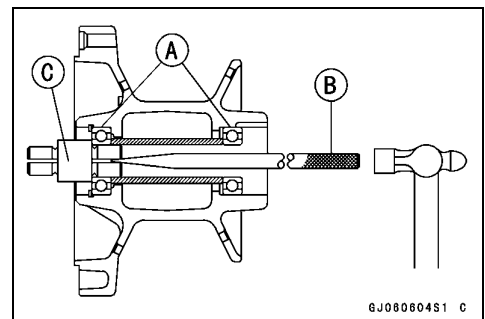
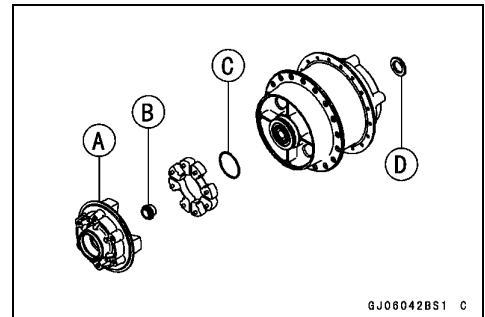
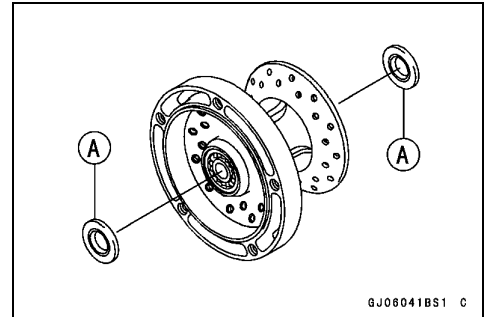
**Special Tool - Bearing Driver Set: 57001-1129**

- Insert the collar [B] in the hub [C].
- Press in the right side bearing [D] until it is bottomed.
- Press in the rear bearings until they are bottomed.

**Special Tool - Bearing Driver Set: 57001-1129**

#### NOTE

- Install the bearings so that the marked side or sealed side faces out.

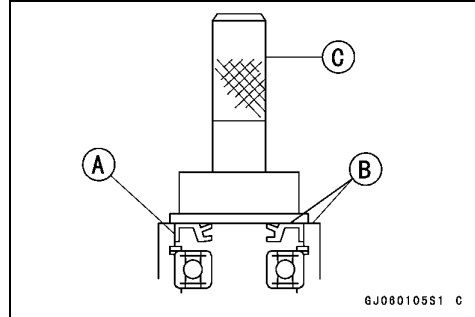


## 10-16 WHEELS/TIRES

### Hub Bearing

- Replace the grease seals with new ones.
- Press in the grease seal [A] so that the seal surface is flush [B] with the end of the hole.
- Apply high temperature grease to the grease seal lips.

Special Tool - Bearing Driver Set: 57001-1129 [C]



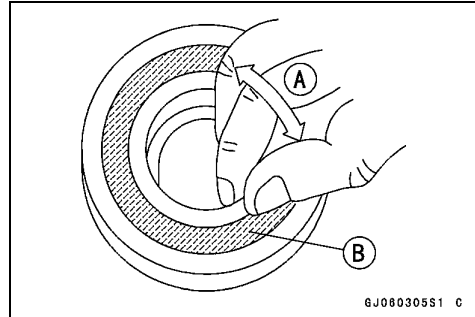
### Hub Bearing Inspection

- Since the hub bearings are made to extremely close tolerances, the clearance can not normally be measured.

#### NOTE

○ Do not remove any bearings for inspection. If any bearings are removed, they will need to be replaced with new ones.

- Turn each bearing in the hub back and forth [A] while checking for plays, roughness, or binding.
- ★ If bearing play, roughness, or binding is found, replace the bearing.
- Examine the bearing seal [B] for tears or leakage.
- ★ If the seal is torn or is leaking, replace the bearing.



### Hub Bearing Lubrication

#### NOTE

○ Since the hub bearings are packed with grease and sealed, lubrication is not required.



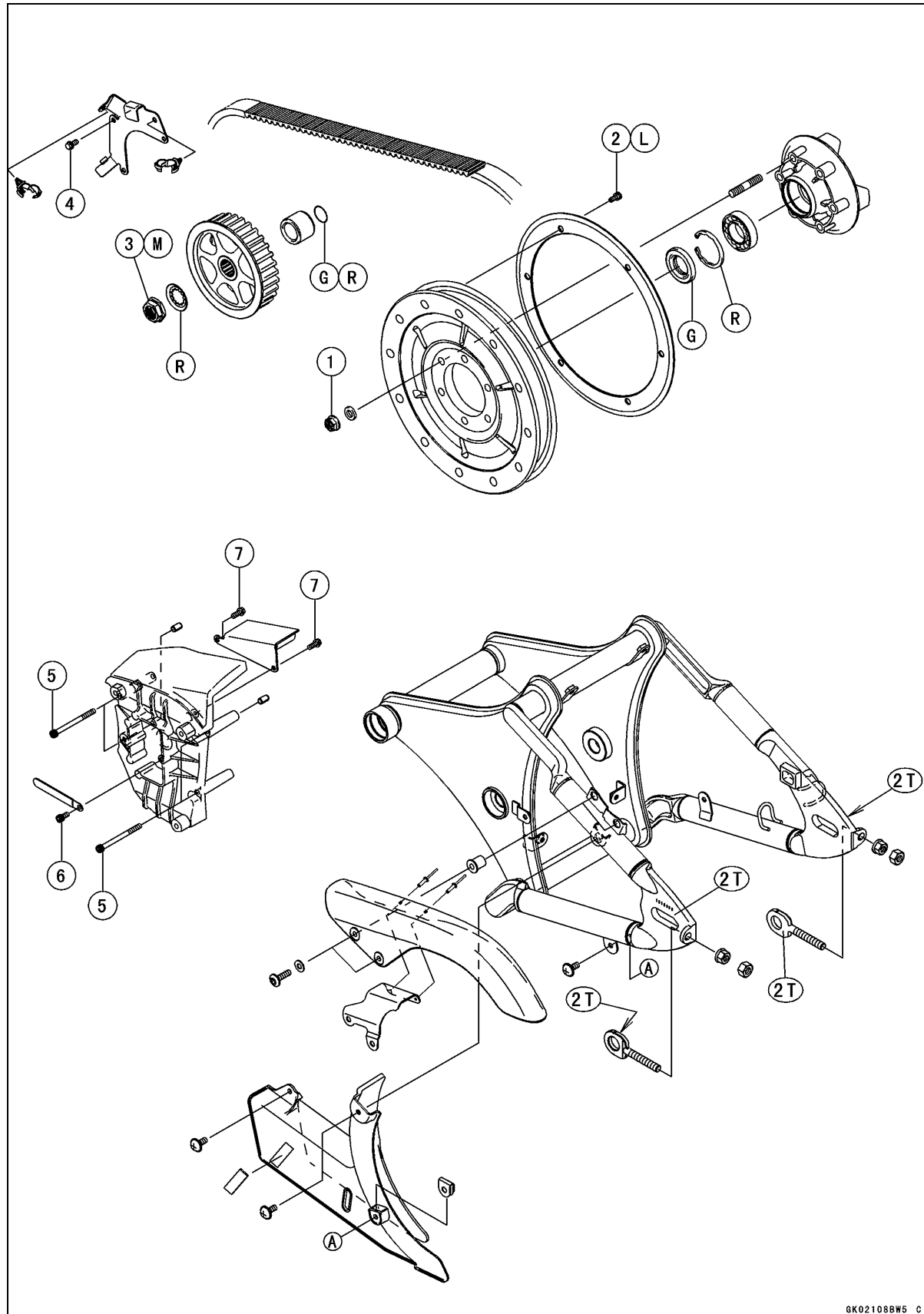
# Final Drive

## Table of Contents

Exploded View .....	11-2
Specifications .....	11-4
Special Tools .....	11-5
Drive Belt .....	11-6
Belt Handling Precautions.....	11-6
Drive Belt Wear Inspection .....	11-7
Drive Belt Deflection Inspection .....	11-7
Drive Belt Deflection Adjustment .....	11-7
Drive Belt Removal .....	11-7
Drive Belt Installation .....	11-8
Pulley and Coupling.....	11-9
Engine Pulley Cover Removal .....	11-9
Engine Pulley Cover Installation .....	11-9
Engine Pulley Removal.....	11-9
Engine Pulley Installation.....	11-10
Rear Pulley Removal .....	11-10
Rear Pulley Installation .....	11-10
Rear Pulley Coupling Removal .....	11-11
Rear Pulley Coupling Installation .....	11-11
Pulley Wear Inspection .....	11-11
Coupling Bearing Removal .....	11-12
Coupling Bearing Installation .....	11-12
Coupling Bearing Inspection .....	11-13
Rubber Damper Inspection .....	11-13
Belt Adjuster .....	11-14
Belt Adjuster Removal .....	11-14
Belt Adjuster Installation .....	11-14

# 11-2 FINAL DRIVE

## Exploded View



---

**Exploded View**


---

**Front Gear Case**

No.	Fastener	Torque			Remarks
		N·m	kgf·m	ft·lb	
1	Rear Pulley Mounting Nuts	59	6.0	44	
2	Rear Pulley Plate Bolts	6.9	0.70	61 in·lb	L
3	Engine Pulley Mounting Nut	127	13.0	93.7	M
4	Engine Pulley Plate Bolts	9.8	1.0	87 in·lb	
5	Engine Pulley Cover Bolts	9.8	1.0	87 in·lb	
6	Engine Pulley Cover Clamp Mounting Bolt	9.8	1.0	87 in·lb	
7	Drive Belt Guide Bolts	9.8	1.0	87 in·lb	
8	Rear Axle Nut	108	11.0	79.7	

G: Apply grease.

L: Apply a non-permanent locking agent.

M: Apply molybdenum disulfide grease.

R: Replacement Parts

2T: Apply 2-stroke oil

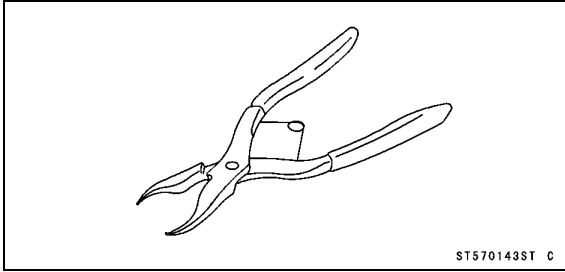
## 11-4 FINAL DRIVE

### Specifications

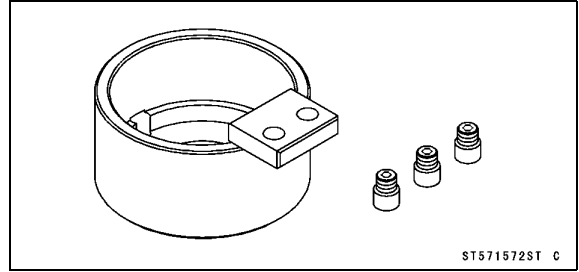
Item	Standard	Service Limit
<b>Drive Belt</b>		
Make	GATES, 153T	---
Belt Deflection (45 N, 4.6 kgf, 10 lb force)	1.5 ~ 4.0 mm (0.059 ~ 0.16 in.)	---
(When installing new belt or engine is remounted)	1.5 mm (0.059 in.)	---

**Special Tools**

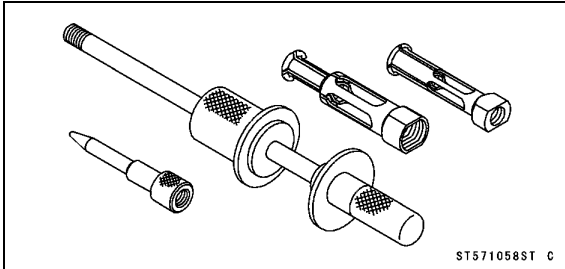
**Inside Circlip Pliers:**  
57001-143



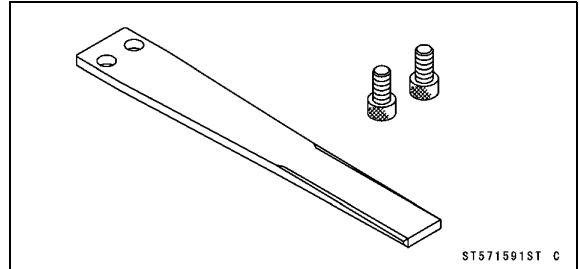
**Pulley Holder:**  
57001-1572



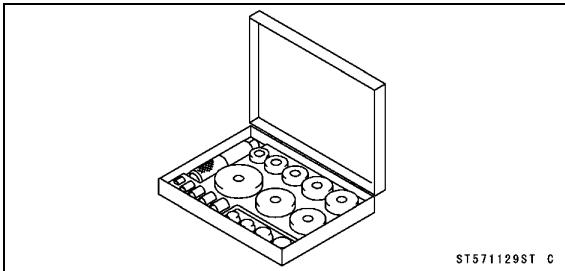
**Oil Seal & Bearing Remover:**  
57001-1058



**Grip:**  
57001-1591



**Bearing Driver Set:**  
57001-1129



## 11-6 FINAL DRIVE

### Drive Belt

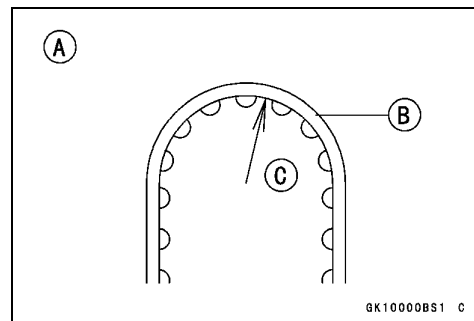
The drive belt must be checked, and adjusted in accordance with the Periodic Maintenance Chart for safety and to prevent excessive wear. If the belt becomes badly worn or maladjusted-either too loose or too tight-the belt could jump off the pulley or break.

#### **Belt Handling Precautions**

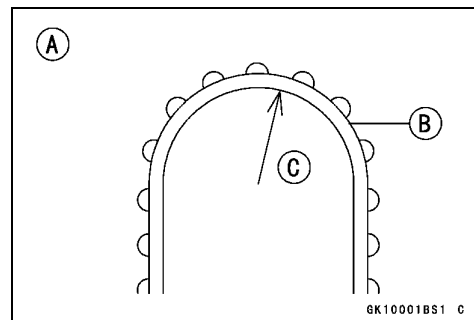
##### **CAUTION**

**Do not adhere battery electrolyte, thinner or other solvents to the belt. Immediately wash away any solvent that spills on the belt.**

- Drive belt is extremely durable and give long life in a properly designed drive. However, improper handling of the belt before or during installation can result in dramatically shortened service life.
- The belt's tensile cords are designed to carry large loads in tension but not compression.
- Compression causes damage to the tensile cords of the belt and can also lead to adhesion problems.
- Handling situations that can cause compression in tensile cord include aggressive bending and twisting.
- When assembly, handling and storage, the forward bending [A] radius of the drive belt [B] shall not be smaller than 63.5 mm (2.50 in.) [C].

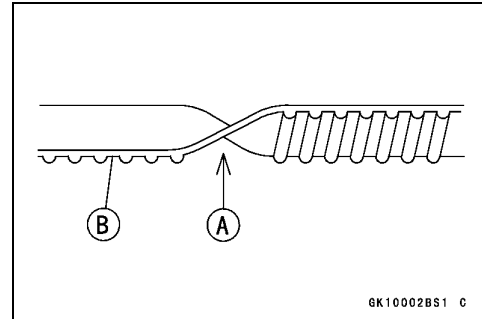


- When assembly, handling and storage, the back bending [A] radius of the drive belt [B] shall not be smaller than 127 mm (5.00 in.) [C].

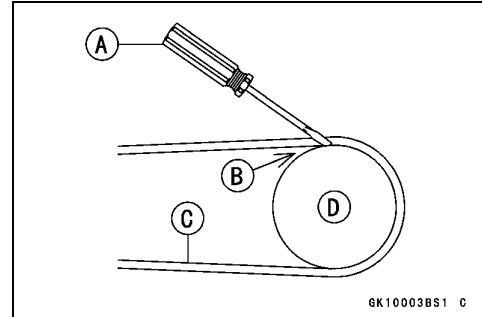


## Drive Belt

- Do not twist [A] the drive belt [B] as shown.
- This includes coiling the belt to make it smaller for packing.



- Do not use tools [A] to pry [B] the drive belt [C] onto the application.
- The rear pulley [D] should be in the front position in the swingarm so that the belt can be easily put on by hand.



### **Drive Belt Wear Inspection**

- Refer to the Belt Wear Inspection in the Periodic Maintenance chapter.

### **Drive Belt Deflection Inspection**

- Refer to the Belt Deflection Inspection in the Periodic Maintenance chapter.

### **Drive Belt Deflection Adjustment**

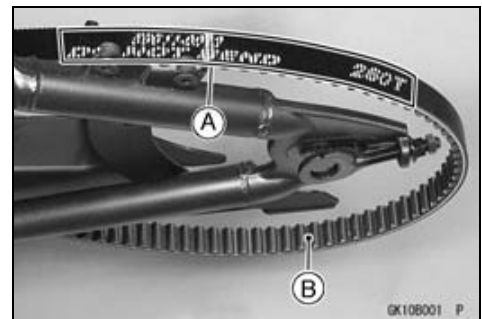
- Refer to the Belt Deflection Adjustment in the Periodic Maintenance chapter.

### **Drive Belt Removal**

- Remove:
  - Rear Wheel (see Rear Wheel Removal in the Wheels/Tires chapter)
  - Engine Pulley (see Engine Pulley Removal)

### **NOTE**

- Before removing, observe the direction the belt's printed information [A] (such as manufacture's name) is facing so that it may be reinstalled on the pulleys to rotate in the same direction as originally installed.
- Remove the drive belt [B].



## 11-8 FINAL DRIVE

---

### Drive Belt

---

#### **Drive Belt Installation**

- Installation is reverse of removal. Note the following.

#### **NOTE**

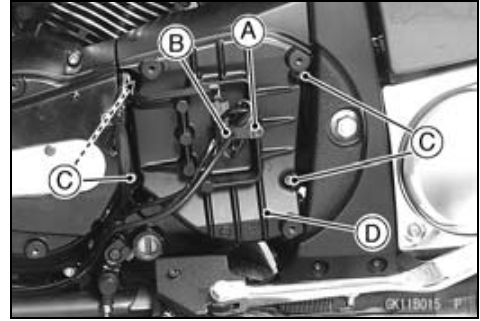
- *Be sure the printed information faces the same direction so the belt rotates in the same direction as originally instead. When installing a new belt, install it so the printed information can be read from left side of the motorcycle.*
- Tighten the swingarm pivot shaft nut to the specified torque (see Exploded View section in the Suspension chapter).
- Adjust the drive belt deflection (see Belt Deflection Adjustment in the Periodic Maintenance chapter).



## Pulley and Coupling

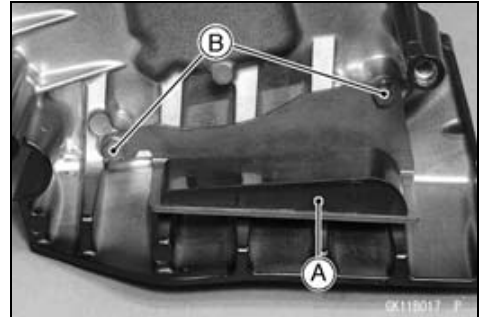
### Engine Pulley Cover Removal

- Remove:
  - Alternator Outer Cover (see Alternator Outer Cover Removal in the Electrical System chapter)
  - Bolt [A]
  - Clamp [B]
  - Bolts [C]
  - Engine Pully Cover [D]

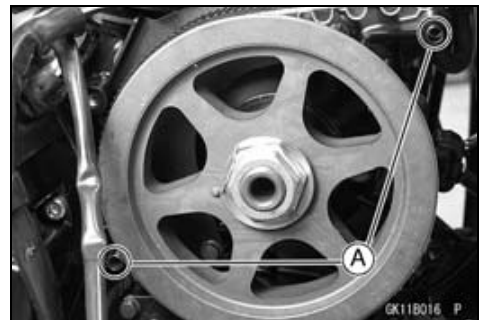


### Engine Pulley Cover Installation

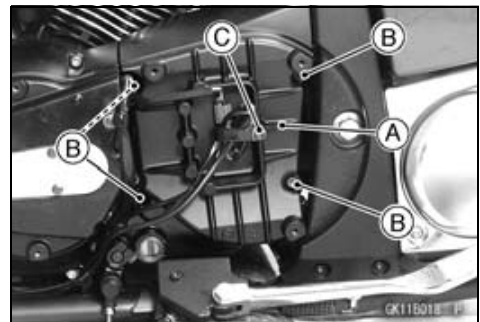
- Install:
  - Drive Belt Guide [A]
- Tighten:
  - Torque - Drive Belt Guide Bolts [B] : 9.8 N·m (1.0 kgf·m, 87 in·lb)**



- Confirm the position of the dowel pins [A] as shown.



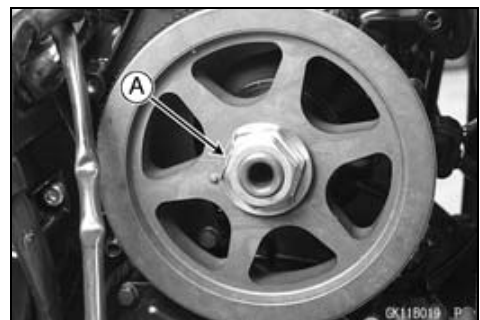
- Install:
  - Engine Pully Cover Assembly [A]
- Tighten:
  - Torque - Engine Pully Cover Bolts [B] : 9.8 N·m (1.0 kgf·m, 87 in·lb)**
  - Engine Pully Cover Clamp Mounting Bolt [C]: 9.8 N·m (1.0 kgf·m 87 in·lb)**



- Install:
  - Alternator Outer Cover (see Alternator Outer Cover Installation in the Electrical System chapter)

### Engine Pulley Removal

- Remove the engine pulley cover (see Engine Pulley Cover Removal).
- Loosen the belt fully (see Drive Belt Deflection Adjustment in the Periodic Maintenance chapter).
- Flatten out the bent washer [A].



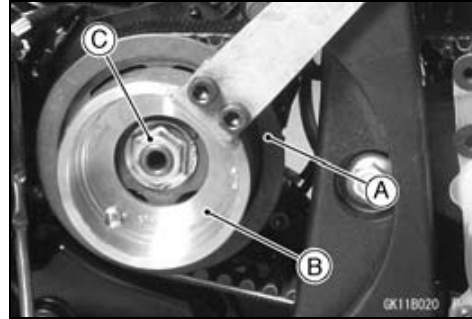
## 11-10 FINAL DRIVE

### Pulley and Coupling

- Hold the engine pulley [A] steady with the pulley holder [B], and remove the pulley mounting nut [C].

**Special Tools - Pulley Holder: 57001-1572**  
**Grip: 57001-1591**

- Pull out the engine pulley from the output shaft.



#### **Engine Pulley Installation**

- Installation is reverse of removal. Note the following.
- Fit the grooves inside the pulley onto the splines on the output shaft.
- Replace the washer with a new one.
- Apply molybdenum disulfide grease to the threads of the output shaft and seating surface of the engine pulley mounting nut.
- Tighten:

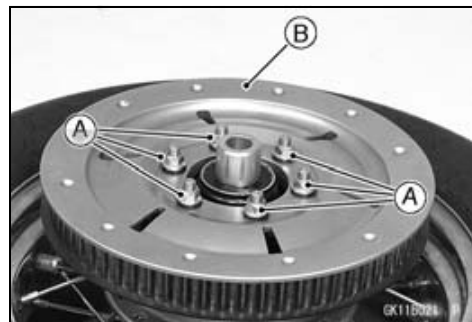
**Torque - Engine Pulley Mounting Nut: 127 N·m (13.0 kgf·m, 93.7 ft·lb)**

**Special Tools - Pulley Holder: 57001-1572**  
**Grip: 57001-1591**

- Bend the one side of the washer over the nut.
- Adjust the drive belt deflection (see Belt Deflection Adjustment in the Periodic Maintenance chapter).

#### **Rear Pulley Removal**

- Remove:  
Rear Wheel (see Rear Wheel Removal in the Wheels/Tires chapter)  
Rear Pulley Mounting Nuts [A] and Washers  
Rear Pulley [B]



#### **Rear Pulley Installation**

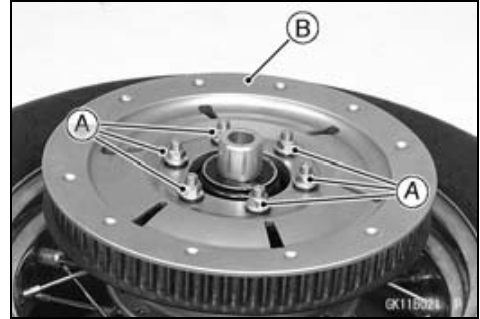
- Install:  
Rear Pulley  
Washers and Rear Pulley Mounting Nuts
- Tighten:

**Torque - Rear Pulley Mounting Nuts: 59 N·m (6.0 kgf·m, 44 ft·lb)**

## Pulley and Coupling

### Rear Pulley Coupling Removal

- Remove:
  - Rear Wheel (see Rear Wheel Removal in the Wheels/Tires chapter)
- Loosen (lightly):
  - Rear Pulley Mounting Nuts [A]
- Remove the rear pulley [B] with the rear pulley coupling from the wheel.
- Remove:
  - Rear Pulley Mounting Nuts and Washers
- Remove the rear pulley from the rear pulley coupling.

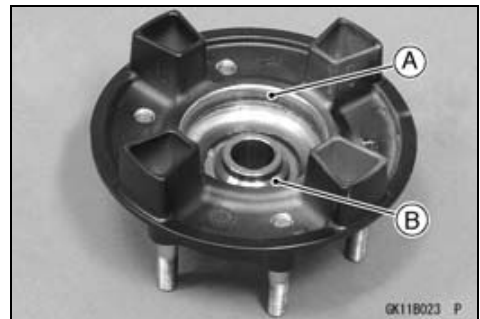


### Rear Pulley Coupling Installation

- Install the coupling dampers [A] so that the projections [B] face to the outside.



- Apply grease to the inside [A] of the coupling bushing.
- Install:
  - Sleeve [B]
- Install the coupling on the coupling dampers.



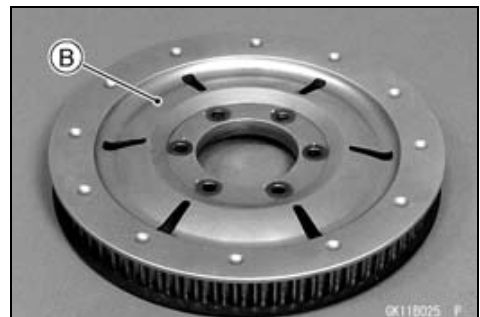
### Pulley Wear Inspection

- Visually inspect the engine and rear pulley teeth for wear and damage.
- ★ If the teeth are worn, damaged, or loss of the chrome plating exists, replace the pulley, and inspect the drive belt wear (see Drive Belt Wear Inspection in the Periodic Maintenance chapter).
  - Engine Pulley [A]
  - Rear Pulley [B]



### NOTE

- If the pulley requires replacement, the belt is probably worn also. Whenever replacing the pulley, inspect the belt.



## 11-12 FINAL DRIVE

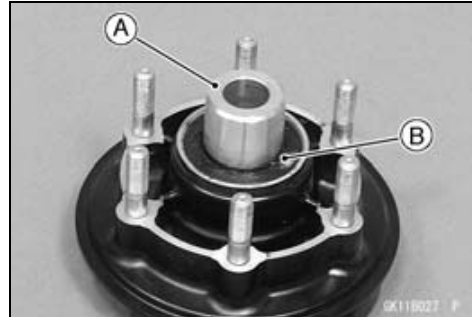
### Pulley and Coupling

#### **Coupling Bearing Removal**

- Remove:
  - Rear Pulley Coupling (see Rear Pulley Coupling Removal)
  - Sleeve [A]



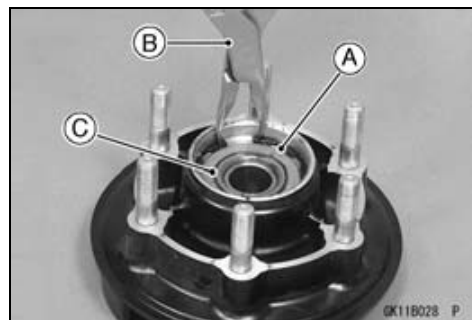
- Remove:
  - Collar [A]
  - Grease Seal [B]



- Remove:
  - Circlip [A]

**Special Tool - Inside Circlip Pliers [B]: 57001-143**
- Remove:
  - Ball Bearing [C]

**Special Tool - Oil Seal & Bearing Remover: 57001-1058**



#### **Coupling Bearing Installation**

- Press the new ball bearing until it is bottomed.

**Special Tool - Bearing Driver Set: 57001-1129**
- Install:
  - New Circlip

**Special Tool - Inside Circlip Pliers: 57001-143**
- Replace the grease seal with a new one.
- Press the seal in until the face of the seal is level with the end of the grease seal hole.

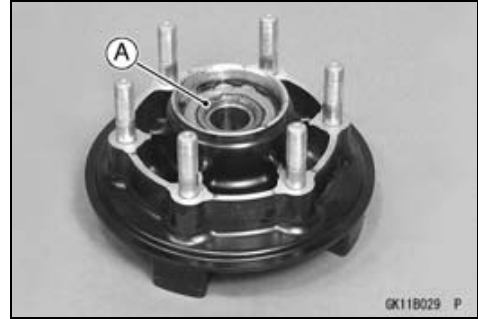
**Special Tool - Bearing Driver Set: 57001-1129**
- Apply grease to the grease seal lip.
- Install:
  - Collar

## Pulley and Coupling

### ***Coupling Bearing Inspection***

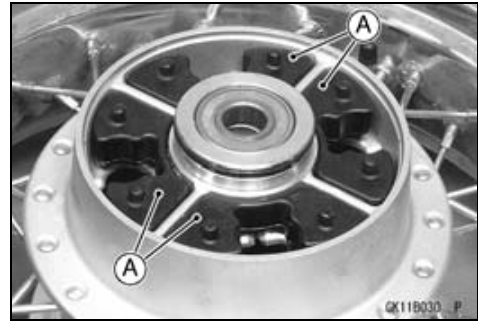
Since the coupling bearing [A] is made to extremely close tolerances, the clearance cannot normally be measured.

- Wash the bearing with a high-flash point solvent, dry it (do not spin it while it is dry), and oil it.
- Spin it by hand to check its condition.
- ★ If it is noisy, does not spin smoothly, or has any rough spots, it must be replaced.
- ★ If the same bearing is to be used again, re-wash it with a high-flash point solvent, dry it, and pack it with good quality bearing grease before installation.
- Turn the bearing by hand a few times to make sure the grease is distributed uniformly inside the bearing.



### ***Rubber Damper Inspection***

- Remove the rear wheel (see Rear Wheel Removal in the Wheels/Tires chapter).
- Remove the rear wheel coupling and inspect the rubber dampers [A].
- Replace the damper if it appears damaged or deteriorated.

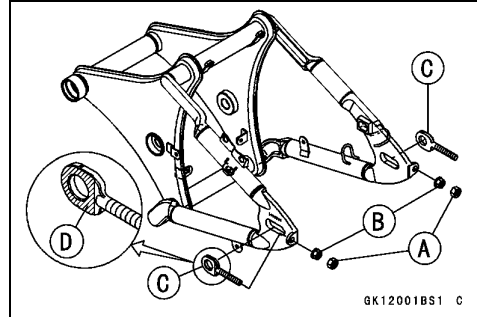


## 11-14 FINAL DRIVE

### Belt Adjuster

#### ***Belt Adjuster Removal***

- Remove the left and right belt adjuster locknuts [A] and belt adjuster nuts [B].
- Remove the belt adjuster [C] from the swingarm.



#### ***Belt Adjuster Installation***

- Apply 2-stroke oil to the inside of the belt adjuster sliding surface.
- Insert the left and right belt adjuster into the swingarm facing its machined surface [D] outward.

#### **CAUTION**

**Wrong installation of belt adjuster may cause the failure of drive components.**

- Install the left and right belt adjuster nuts and belt adjuster locknuts.

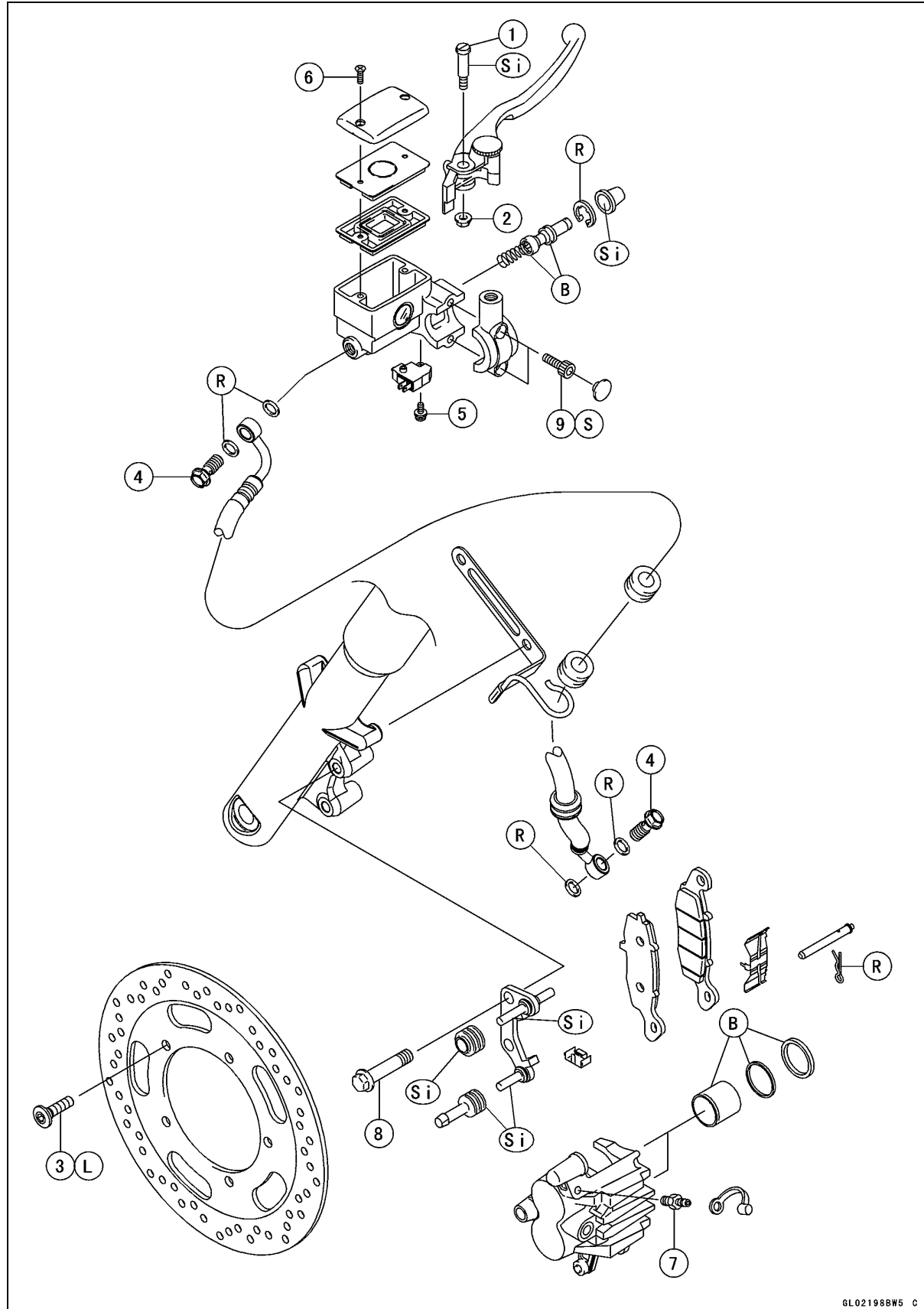
# Brakes

## Table of Contents

Exploded View .....	12-2
Specifications .....	12-6
Special Tool .....	12-7
Brake Lever, Brake Pedal .....	12-8
Brake Lever Position Adjustment .....	12-8
Brake Pedal Position Adjustment .....	12-8
Brake Pedal Removal .....	12-9
Brake Pedal Installation .....	12-10
Calipers .....	12-11
Front Caliper Removal .....	12-11
Rear Caliper Removal .....	12-11
Caliper Installation .....	12-11
Front Caliper Disassembly .....	12-11
Front Caliper Assembly .....	12-11
Rear Caliper Disassembly .....	12-12
Rear Caliper Assembly .....	12-12
Caliper Fluid Seal Damage .....	12-12
Caliper Dust Boot and Friction Boot Damage .....	12-12
Caliper Piston and Cylinder Damage .....	12-12
Caliper Holder Shaft Wear .....	12-12
Brake Pads .....	12-13
Front Brake Pad Removal .....	12-13
Front Brake Pad Installation .....	12-13
Rear Brake Pad Removal .....	12-13
Rear Brake Pad Installation .....	12-14
Brake Pad Wear Inspection .....	12-14
Master Cylinder .....	12-15
Front Master Cylinder Removal .....	12-15
Front Master Cylinder Installation .....	12-15
Rear Master Cylinder Removal .....	12-16
Rear Master Cylinder Installation .....	12-16
Front Master Cylinder Disassembly .....	12-16
Rear Master Cylinder Disassembly .....	12-16
Master Cylinder Assembly .....	12-16
Master Cylinder Inspection .....	12-17
Brake Discs .....	12-18
Brake Disc Removal .....	12-18
Brake Disc Installation .....	12-18
Brake Disc Wear .....	12-18
Brake Disc Warp .....	12-18
Brake Fluid .....	12-19
Brake Fluid Level Inspection .....	12-19
Brake Fluid Change .....	12-19
Brake Line Bleeding .....	12-19
Brake Hoses .....	12-22
Brake Hose Removal/Installation .....	12-22

# 12-2 BRAKES

## Exploded View





## Exploded View

No.	Fastener	Torque			Remarks
		N·m	kgf·m	ft·lb	
1	Brake Lever Pivot Bolt	1.0	0.10	8.8 in·lb	Si
2	Brake Lever Pivot Bolt Locknut	5.9	0.60	52 in·lb	
3	Front Brake Disc Bolts	27	2.8	20	L
4	Front Brake Hose Banjo Bolts	25	2.5	18	
5	Front Brake Light Switch Screw	1.2	0.12	11 in·lb	
6	Front Brake Reservoir Cap Screws	1.5	0.15	13 in·lb	
7	Front Caliper Bleed Valve	7.8	0.80	69 in·lb	
8	Front Caliper Mounting Bolts	34	3.5	25	
9	Front Master Cylinder Clamp Bolts	8.8	0.90	78 in·lb	S

B: Apply brake fluid.

L: Apply a non-permanent locking agent.

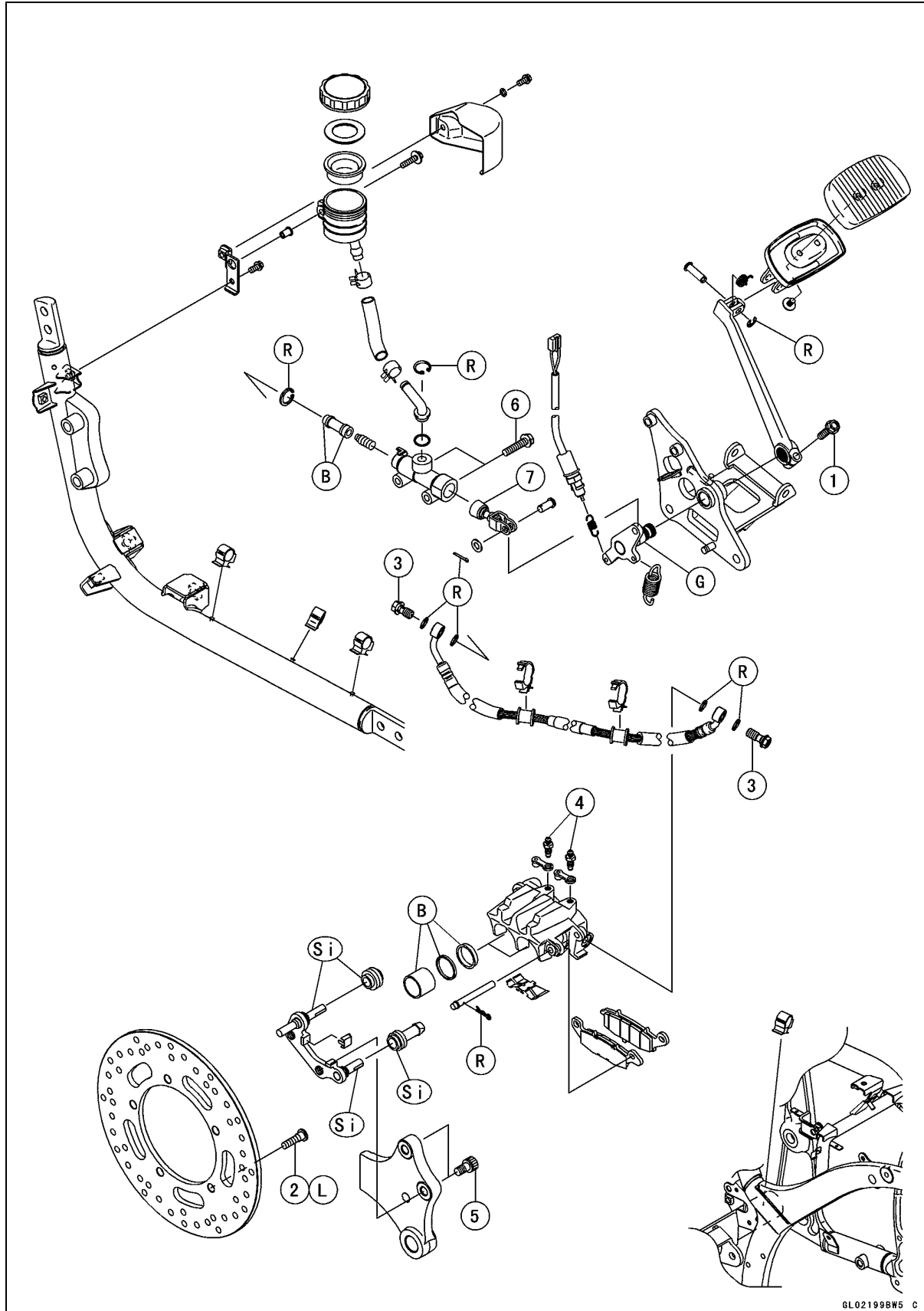
R: Replacement Parts

S: Follow the specific tightening sequence.

Si: Apply silicone grease (ex. PBC grease).

# 12-4 BRAKES

## Exploded View



## Exploded View

No.	Fastener	Torque			Remarks
		N·m	kgf·m	ft·lb	
1	Brake Pedal Clamp Bolt	25	2.5	18	
2	Rear Brake Disc Bolts	27	2.8	20	L
3	Rear Brake Hose Banjo Bolts	25	2.5	18	
4	Rear Caliper Bleed Valves	7.8	0.80	69 in·lb	
5	Rear Caliper Mounting Bolts	34	3.5	25	
6	Rear Master Cylinder Mounting Bolts	25	2.5	18	
7	Rear Master Cylinder Push Rod Locknut	17	1.7	12	

B: Apply brake fluid.

G: Apply grease.

L: Apply a non-permanent locking agent.

R: Replacement Parts

SI: Apply silicone grease (ex. PBC grease).

## 12-6 BRAKES

### Specifications

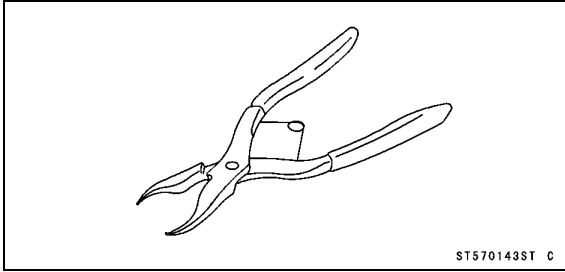
Item	Standard	Service Limit
<b>Brake Lever, Brake Pedal</b>		
Brake Lever Position	No.1	5-way adjustable
Brake Lever Free Play	Non-adjustable	---
Pedal Free Play	Non-adjustable	---
Pedal Position	About 130 mm (5.12 in.) (height from pedal top to footpeg top)	---
<b>Brake Fluid</b>		
Grade	DOT4	---
<b>Brake Pads</b>		
Lining Thickness:		
Front	4.5 mm (0.18 in.)	1 mm (0.04 in.)
Rear	7.0 mm (0.28 in.)	1 mm (0.04 in.)
<b>Brake Discs</b>		
Thickness:		
Front	4.8 ~ 5.2 mm (0.19 ~ 0.20 in.)	4.5 mm (0.18 in.)
Rear	6.8 ~ 7.2 mm (0.27 ~ 0.28 in.)	6.0 mm (0.24 in.)
Runout	TIR 0.1 mm (0.004 in.) or less	TIR 0.3 mm (0.01 in.)

---

**Special Tool**

---

**Inside Circlip Pliers:  
57001-143**



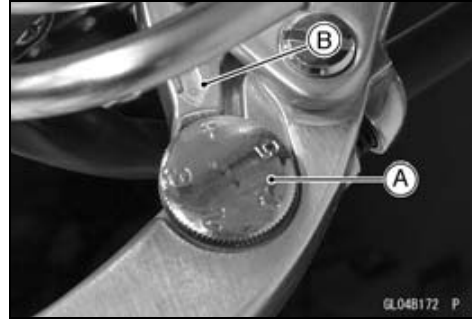
## 12-8 BRAKES

### Brake Lever, Brake Pedal

#### **Brake Lever Position Adjustment**

The brake lever adjuster has 5 positions so that the brake lever position can be adjusted to suit the operator's hand.

- Push the lever forward and turn the adjuster [A] to align the number with the arrow mark [B] on the lever holder.
- The distance from the grip to the lever is minimum at number 5 and maximum at number 1.



#### **Brake Pedal Position Adjustment**

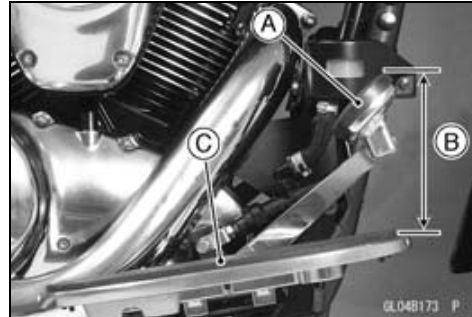
- Check that the brake pedal [A] is in the correct position.

##### **Pedal Position**

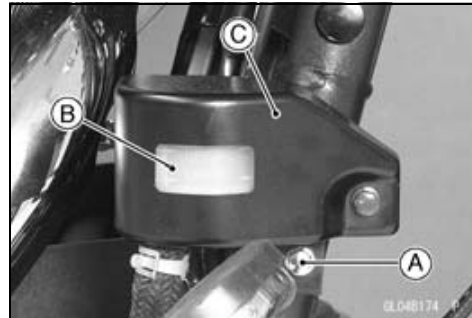
**Standard:** About 130 mm (5.12 in.) [B] (height from pedal top to footboard top [C])

##### **NOTE**

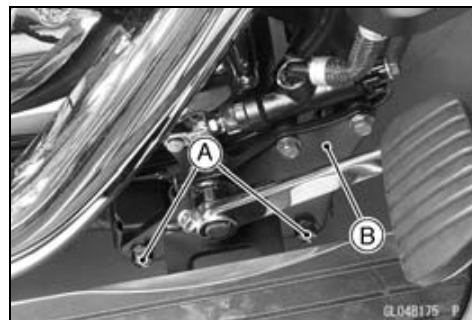
- Usually it's not necessary to adjust the pedal position, but always adjust it when push rod locknut has been loosened.
- If the push rod length cannot be adjusted by turning the clevis, the brake pedal may be deformed or incorrectly installed.



- Unscrew the reservoir bolt [A] and take off the brake fluid reservoir [B] together with the cover [C].

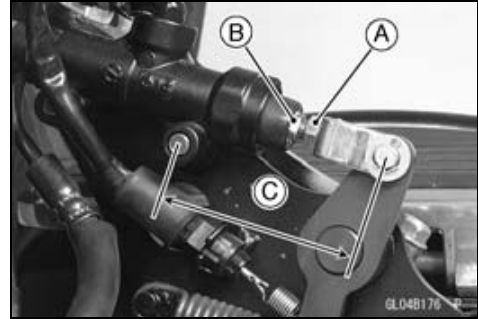


- Remove the right footboard bracket bolts [A] and turn over the footboard bracket [B].



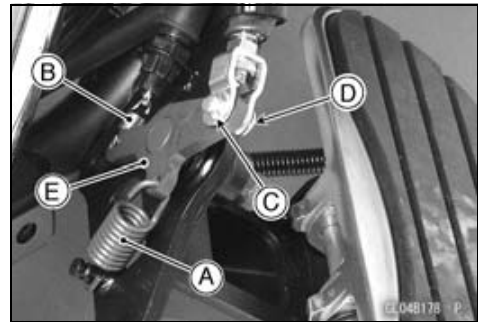
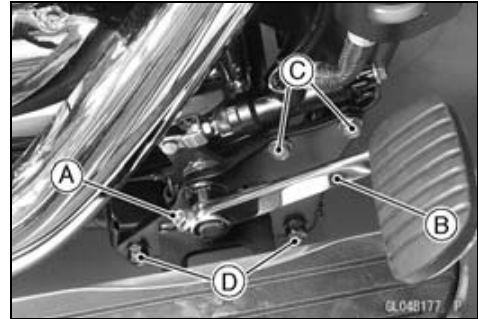
## Brake Lever, Brake Pedal

- Loosen the locknut [A] and turn the push rod with the hex head [B] to achieve the correct pedal position.
- ★ If the length [C] is **70 ±1 mm (2.8 ±0.04 in.)**, the pedal position will be within the standard range.
- Tighten:
  - Torque - Rear Master Cylinder Push Rod Locknut: 17 N·m (1.7 kgf·m, 12 ft·lb)
  - Footboard Bracket Bolts: 34 N·m (3.5 kgf·m, 25 ft·lb)



### Brake Pedal Removal

- Remove:
  - Brake Fluid Reservoir (see Brake Pedal Position Adjustment)
  - Brake Pedal Clamp Bolt [A]
  - Brake Pedal [B]
- Loosen:
  - Rear Master Cylinder Mounting Bolts [C]
- Remove:
  - Right Footboard Bolts [D]
  - Rear Master Cylinder Mounting Bolts
- Remove:
  - Brake Pedal Return Spring [A]
  - Brake Switch Return Spring [B]
  - Cotter Pin [C]
  - Joint Pin [D]
  - Brake Lever [E]

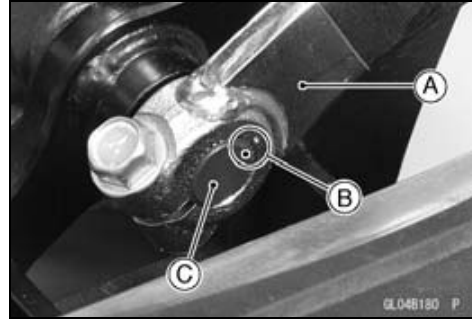


## 12-10 BRAKES

### Brake Lever, Brake Pedal

#### **Brake Pedal Installation**

- Apply grease to the brake pedal shaft.
- Install the brake pedal [A] so that the punched mark on the pedal is aligned [B] with the punched mark on the brake lever [C].
- Install:
  - Brake Pedal Return Spring
  - Brake Switch Return Spring
- Tighten:
  - Torque - Brake Pedal Clamp Bolt: 25 N·m (2.5 kgf·m, 18 ft·lb)**
  - Footboard Bracket Bolts: 34 N·m (3.5 kgf·m, 25 ft·lb)**
  - Rear Master Cylinder Mounting Bolts: 25 N·m (2.5 kgf·m, 18 ft·lb)**
- Replenish the fluid in the reservoir, and bleed the brake line (see Brake Line Bleeding).
- Check the brake for proper braking power, no brake drag, and no fluid leakage.



#### **⚠ WARNING**

**Do not attempt to ride the motorcycle until a full brake pedal is obtained by pumping the brake pedal until the pads are against the disc. The brake will not function on the first application of the pedal if this is not done.**

- Check the brake pedal position and adjust it if necessary.
- Check the rear brake light switch operation and adjust the switch if necessary (see Brake Light Switch Operation Inspection in the Periodic Maintenance chapter).



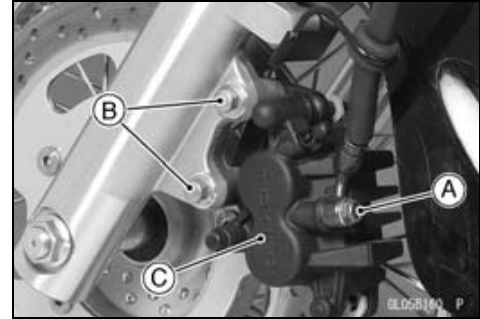
## Calipers

### Front Caliper Removal

- Loosen the banjo bolt [A] at the brake hose lower end, and tighten it loosely.
- Unscrew the caliper mounting bolts [B].
- Take off the caliper [C] from the disc.
- Unscrew the banjo bolt, and remove the brake hose from the caliper.

#### CAUTION

Immediately wash away any brake fluid that spills.



### Rear Caliper Removal

- Remove (VN900D Model):  
Right Saddlebag (see Saddlebag Removal in the Frame chapter)
- Loosen the banjo bolt [A] at the brake hose lower end, and tighten it loosely.
- Unscrew the caliper mounting bolts [B].
- Take off the caliper [C] from the disc.
- Unscrew the banjo bolt, and remove the brake hose from the caliper.

#### CAUTION

Immediately wash away any brake fluid that spills.



### Caliper Installation

- Install the caliper and brake hose lower end.
- Replace the washer on each side of hose fitting with new ones.
- Tighten the caliper mounting bolts and banjo bolt.

**Torque - Front Caliper Mounting Bolts: 34 N·m (3.5 kgf·m, 25 ft·lb)**

**Rear Caliper Mounting Bolts: 34 N·m (3.5 kgf·m, 25 ft·lb)**

**Brake Hose Banjo Bolts: 25 N·m (2.5 kgf·m, 18 ft·lb)**

- Check the fluid level in the brake reservoirs (see Brake Fluid Level Inspection in the Periodic Maintenance chapter).
- Bleed the brake line (see Brake Line Bleeding).
- Check the brake for good braking power, no brake drag, and no fluid leakage.

#### ⚠ WARNING

Do not attempt to ride the motorcycle until a full brake lever or pedal is obtained by pumping the brake lever or pedal until the pads are against the disc. The brakes will not function on the first application of the lever or pedal if this is not done.

### Front Caliper Disassembly

- Refer to the Caliper Rubber Parts Replacement in the Periodic Maintenance chapter.

### Front Caliper Assembly

- Refer to the Caliper Rubber Parts Replacement in the Periodic Maintenance chapter.

## 12-12 BRAKES

### Calipers

#### **Rear Caliper Disassembly**

- Refer to the Caliper Rubber Parts Replacement in the Periodic Maintenance chapter.

#### **Rear Caliper Assembly**

- Refer to the Caliper Rubber Parts Replacement in the Periodic Maintenance chapter.

#### **Caliper Fluid Seal Damage**

The fluid seal (piston seal) [A] is placed around the piston to maintain clearance between the pad and the disc. If the seal is in a poor condition, it could lead the pad to wear excessively or the brake to drag, which may cause the temperature of the discs or the brake fluid to increase.

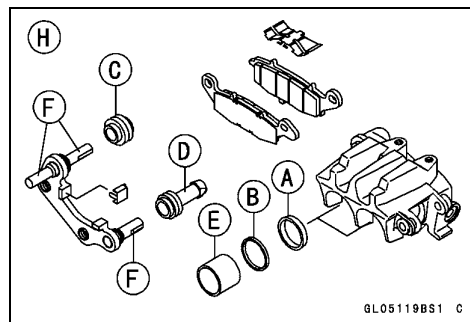
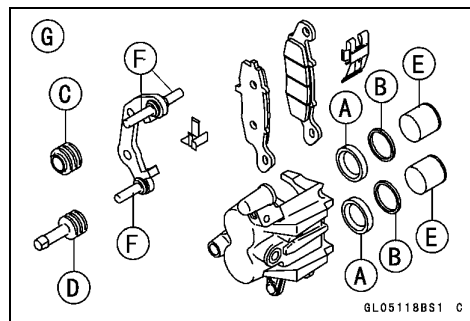
- Replace the fluid seal if it exhibits any of the conditions listed below.

- Brake fluid leakage around the pad.
- Brakes overheat.
- Considerable difference in inner and outer pad wear.
- Seal and piston are stuck together.

- ★ If the fluid seal is replaced, replace the dust seal [B] as well. Also, replace all seals every other time the pads are changed.

Front Caliper [G]

Rear Caliper [H]



#### **Caliper Dust Boot and Friction Boot Damage**

- Check that the dust boot [C] and friction boot [D] are not cracked, worn, swollen, or otherwise damaged.
- If they show any damage, replace it.

#### **Caliper Piston and Cylinder Damage**

- Visually inspect the piston [E] and cylinder surfaces.
- ★ Replace the caliper if the cylinder and piston are badly scored or rusty.

#### **Caliper Holder Shaft Wear**

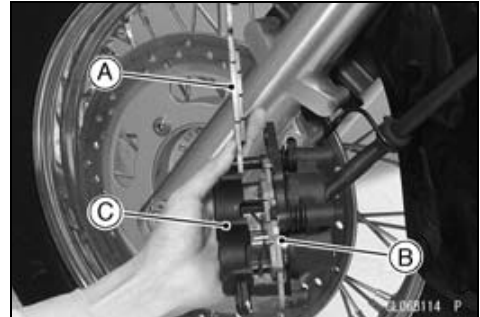
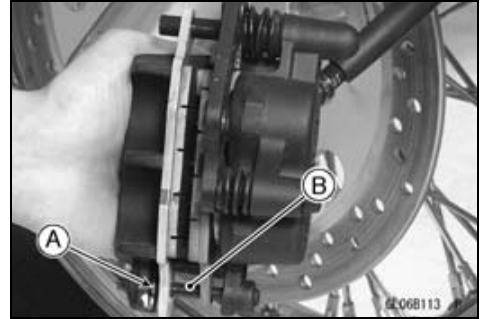
The caliper body must slide smoothly on the caliper holder shafts. If the body does not slide smoothly, one pad will wear more than the other, and constant drag on the disc may cause the temperature of the discs or the brake fluid to increase.

- Visually inspect that the caliper holder shafts [F] are not badly worn or bent.
- ★ If the caliper holder shafts are damaged, replace the entire caliper assembly.

## Brake Pads

### Front Brake Pad Removal

- Remove the front caliper with the hose installed (see Front Caliper Removal).
- Remove:
  - Snap Pin [A]
  - Pad Pin [B]
- Remove the jaw side pad [A], and then remove the piston side pad [B].
- Jaw [C]



### Front Brake Pad Installation

- Before installation, clean the pads with a high-flash point solvent.
- Push the caliper pistons in by hand as far as they will go.
- Install the brake pads.
- Install the pad pin and snap pin [A]. The snap pin must be "outside" of the pads.

#### **⚠ WARNING**

**Do not attempt to drive the motorcycle until a full brake lever is obtained by pumping the brake lever until the pads are against the disc. The brake will not function on the first application of the lever if this is not done.**



### Rear Brake Pad Removal

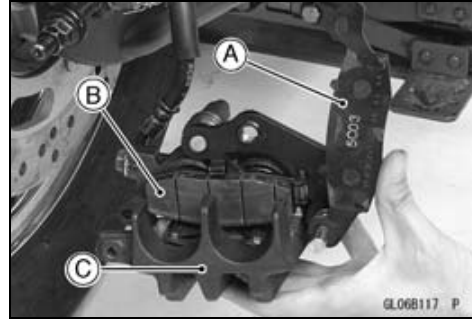
- Remove the rear caliper with the hose installed (see Rear Caliper Removal).
- Remove:
  - Snap Pin [A]
  - Pad Pin [B]



## 12-14 BRAKES

### Brake Pads

- Remove the jaw side pad [A], and then remove the piston side pad [B].  
Jaw [C]

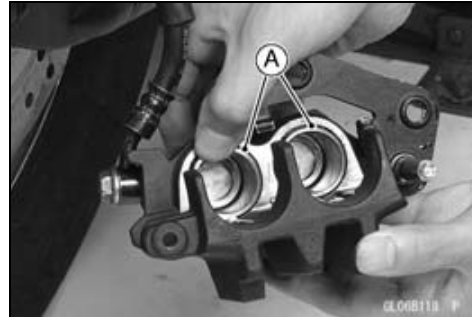


#### **Rear Brake Pad Installation**

- Before installation, clean the pads with a high-flash point solvent.
- Push the caliper pistons [A] in by hand as far as they will go.
- Be sure to install the snap pin for the caliper.

#### **⚠ WARNING**

**Do not attempt to ride the motorcycle until a full pedal is obtained by pumping the brake lever or pedal until the pads are against the disc. The brakes will not function on the first application of the lever or pedal if this is not done.**



#### **Brake Pad Wear Inspection**

- Refer to the Brake Pad Wear Inspection in the Periodic Maintenance chapter.

## Master Cylinder

### Front Master Cylinder Removal

- Disconnect the front brake light switch connectors [A].
- Remove the banjo bolt [B] to disconnect the brake hose from the master cylinder (see Brake Hose Replacement in the Periodic Maintenance chapter).
- Remove the clamp bolt caps [C].
- Unscrew the clamp bolts, and take off the master cylinder as an assembly with the reservoir, brake lever, and brake switch installed.

### CAUTION

Immediately wash away any brake fluid that spills.

### Front Master Cylinder Installation

- Set the front master cylinder [A] to match its mating surface [B] to the punched mark [C] of the handlebar.

○The master cylinder clamp must be installed with the rear view mirror boss [A] faced upward.

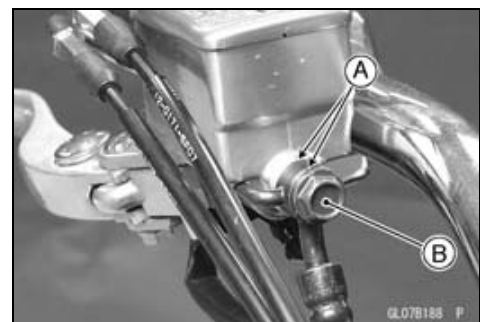
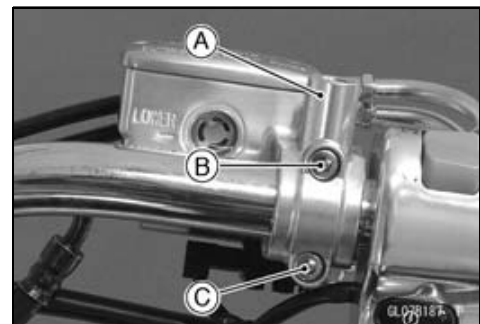
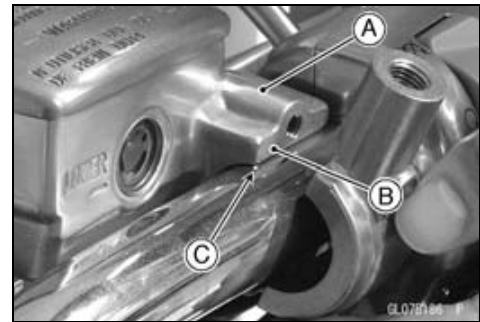
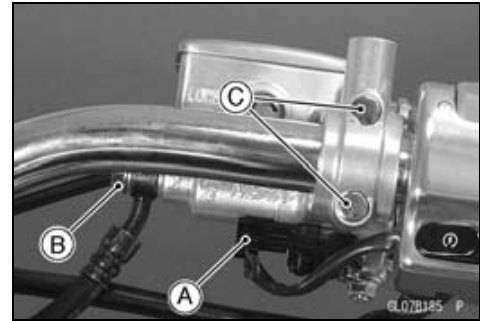
- Tighten the upper clamp bolt [B] first, and then the lower clamp bolt [C]. There will be a gap at the lower part of the clamp after tightening.

**Torque - Front Master Cylinder Clamp Bolts: 8.8 N·m (0.90 kgf·m, 78 in·lb)**

- Install the clamp bolt caps.
- Use new flat washers [A] on each side of the brake hose fitting.
- Tighten the front brake hose banjo bolt [B].

**Torque - Brake Hose Banjo Bolt: 25 N·m (2.5 kgf·m, 18 ft·lb)**

- Replenish the fluid in the reservoir, and bleed the brake line (see Brake Line Bleeding).
- Check the brake for good braking power, no brake drag, and no fluid leakage.

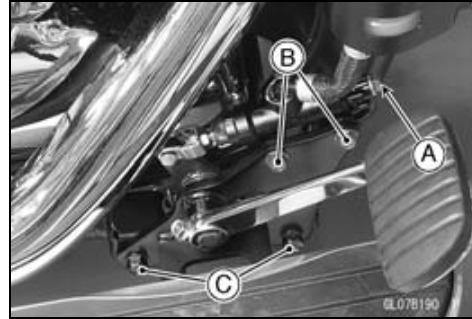


## 12-16 BRAKES

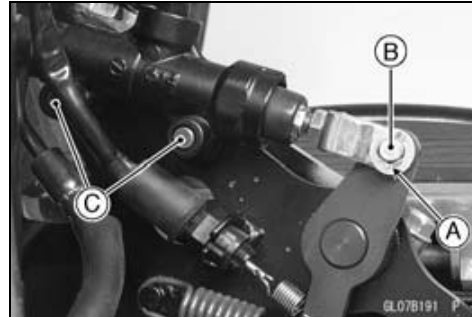
### Master Cylinder

#### Rear Master Cylinder Removal

- Remove the brake fluid reservoir (see Brake Pedal Position Adjustment).
- Unscrew the brake hose banjo bolt [A] on the master cylinder.
- Loosen the rear master cylinder mounting bolts [B].
- Unscrew the footboard bracket bolts [C].



- Remove:
  - Cotter Pin [A]
  - Joint Pin [B]
  - Rear Master Cylinder Mounting Bolts [C]



#### Rear Master Cylinder Installation

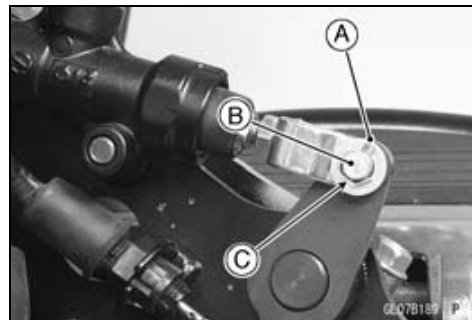
- Replace the cotter pin with a new one.
- Insert the cotter pin [A] to the hole of the joint pin [B] and separate [C] the cotter pin ends.
- Use a new flat washer on each side of the brake hose fitting.
- Tighten:

**Torque - Footboard Bracket Bolts: 34 N·m (3.5 kgf·m, 25 ft·lb)**

**Rear Master Cylinder Mounting Bolts: 25 N·m (2.5 kgf·m, 18 ft·lb)**

**Brake Hose Banjo Bolt: 25 N·m (2.5 kgf·m, 18 ft·lb)**

- Bleed the brake line (see Brake Line Bleeding).
- Check the brake for good braking power, no brake drag, and no fluid leakage.



#### **⚠ WARNING**

**Do not attempt to ride the motorcycle until a full brake pedal is obtained by pumping the brake pedal until the pads are against the disc. The brake will not function on the first application of the pedal if this is not done.**

#### Front Master Cylinder Disassembly

- Refer to the Master Cylinder Rubber Parts Replacement in the Periodic Maintenance chapter.

#### Rear Master Cylinder Disassembly

- Refer to the Master Cylinder Rubber Parts Replacement in the Periodic Maintenance chapter.

#### Master Cylinder Assembly

- Refer to the Master Cylinder Rubber Parts Replacement in the Periodic Maintenance chapter.

## Master Cylinder

### Master Cylinder Inspection

- Disassemble the front and rear master cylinders (see Master Cylinder Rubber Parts Replacement in the Periodic Maintenance chapter).

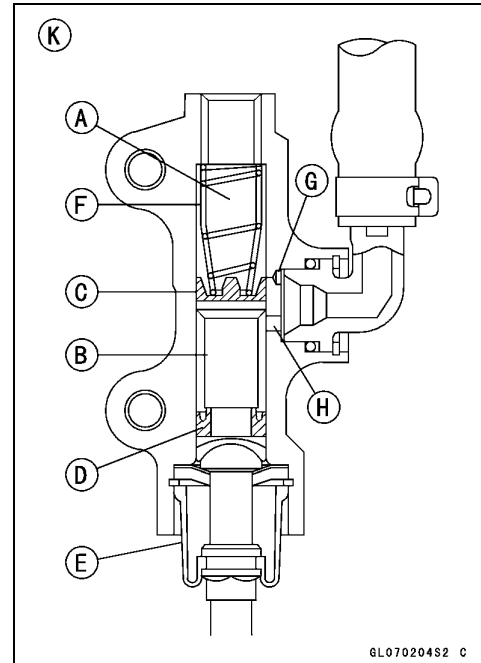
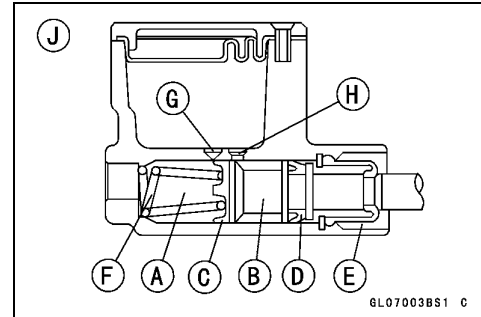
#### CAUTION

**Do not remove the secondary cup from the piston since removal will damage it.**

- Check that there are no scratches, rust or pitting on the inner wall [A] of each master cylinder and on the outside of each piston [B].
- ★ If a master cylinder or piston shows any damage, replace them.
- Inspect the primary cup [C] and secondary cup [D].
- ★ If a cup is worn, damaged softened (rotted), or swollen, the piston assy should be replaced to renew the cups.
- ★ If fluid leakage is noted at the brake lever, the piston assy should be replaced to renew the cups.
- Check the dust covers [E] for damage.
- ★ If they are damaged, replace them.
- Check the piston return spring [F] for any damage.
- ★ If the springs are damaged, replace them.
- Check that relief port [G] and supply port [H] are not plugged.
- ★ If the relief port becomes plugged, the brake pads will drag on the disc. Blow the ports clean with compressed air.

Front Master Cylinder [J]

Rear Master Cylinder [K]

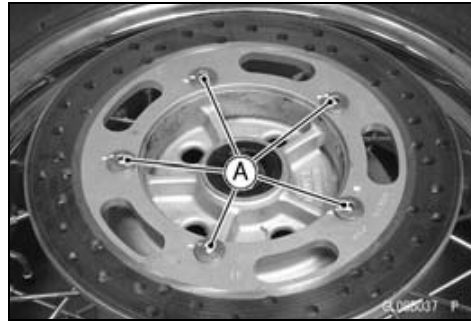


## 12-18 BRAKES

### Brake Discs

#### Brake Disc Removal

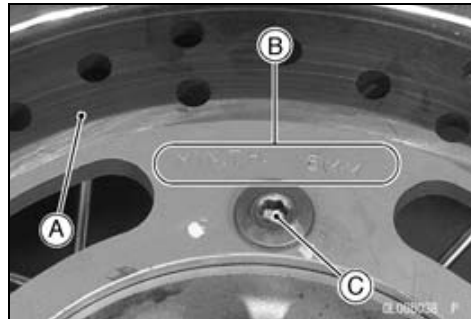
- Remove the wheel (see Wheels (Rims) section in the Wheels/Tires chapter).
- Unscrew the mounting bolts [A], and take off the disc.



#### Brake Disc Installation

- Install the brake disc [A] on the wheel so that the marked side [B] faces out.
- Apply a non-permanent locking agent to the threads of the brake disc bolts [C].
- Tighten:

**Torque - Front Brake Disc Bolts: 27 N·m (2.8 kgf·m, 20 ft·lb)**  
**Rear Brake Disc Bolts: 27 N·m (2.8 kgf·m, 20 ft·lb)**



#### Brake Disc Wear

- Measure the thickness of each disc [A] at the point where it has worn the most.  
Measuring Area [B]
- ★ Replace the disc if the sliding surface has worn past the service limit.

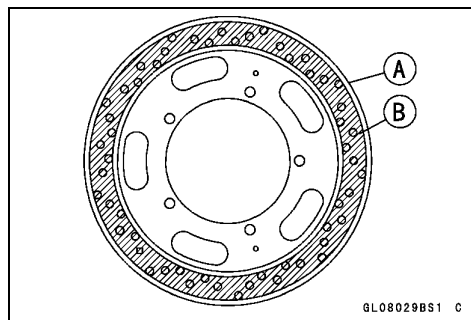
#### Brake Discs Thickness

##### Standard:

Front	4.8 ~ 5.2 mm (0.19 ~ 0.20 in.)
Rear	6.8 ~ 7.2 mm (0.27 ~ 0.28 in.)

##### Service Limit:

Front	4.5 mm (0.18 in.)
Rear	6.0 mm (0.24 in.)

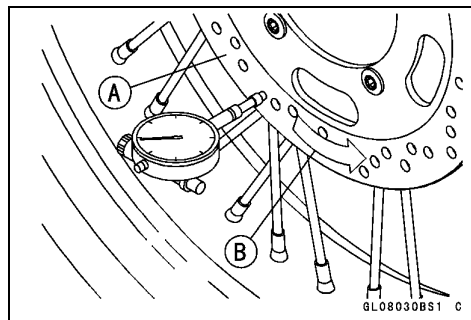


#### Brake Disc Warp

- Jack up the motorcycle so that the wheel is off the ground (see Front Wheel Removal in the Wheels/Tires chapter) (see Rear Wheel Removal in the Wheels/Tires chapter).
- For front disc inspection, turn the handlebar fully to one side.
- Set up a dial gage against the disc [A] as shown and measure disc runout, while turning [B] the wheel by hand.
- ★ If the runout exceeds the service limit, replace the disc.

#### Disc Runout

Standard:	TIR 0.1 mm (0.004 in.) or less
Service Limit:	TIR 0.3 mm (0.01 in.)





## Brake Fluid

### **Brake Fluid Level Inspection**

- Refer to the Brake Fluid Level Inspection in the Periodic Maintenance chapter.

### **Brake Fluid Change**

- Refer to the Brake Fluid Change in the Periodic Maintenance chapter.

### **Brake Line Bleeding**

The brake fluid has a very low compression coefficient so that almost all the movement of the brake lever or pedal is transmitted directly to the caliper for braking action. Air, however, is easily compressed. When air enters the brake lines, brake lever or pedal movement will be partially used in compressing the air. This will make the lever or pedal feel spongy, and there will be a loss in braking power.

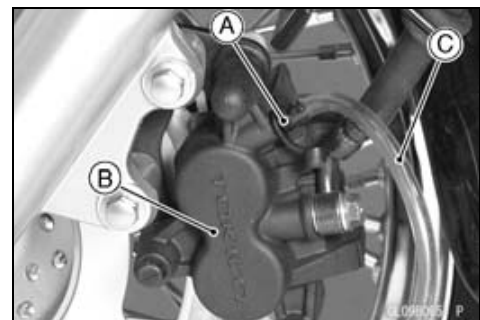
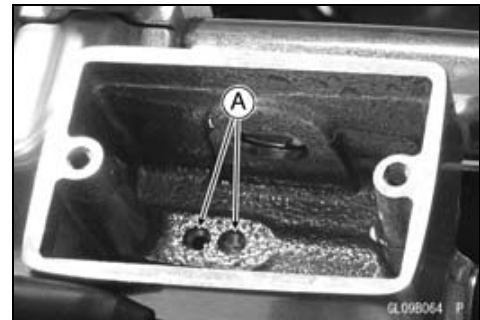
#### **⚠ WARNING**

**Be sure to bleed the air from the brake line whenever brake lever or pedal action feels soft or spongy after the brake fluid is changed, or whenever a brake line fitting has been loosened for any reason.**

#### **NOTE**

○ *The procedure to bleed the front brake line is as follows. Bleeding the rear brake line is almost the same as for the front brake.*

- Remove the reservoir cap, and fill the reservoir with fresh specified brake fluid to the upper level line in the reservoir.
- With the reservoir cap off, slowly pump the brake lever several times until no air bubbles can be seen rising up through the fluid from the holes [A] at the bottom of the reservoir.
- Remove the rubber cap from the bleed valve [A] on the front caliper [B].
- Attach a clear plastic hose [C] to the bleed valve, and run the other end of the hose into a container.



## 12-20 BRAKES

### Brake Fluid

- Bleed the brake line and the caliper.
- Repeat this operation until no more air can be seen coming out into the plastic hose.
- 1. Pump the brake lever until it becomes hard, and apply the brake lever and hold it [A].
- 2. Quickly open and close [B] the bleed valve while holding the brake lever applied.
- 3. Release the brake lever [C].

#### NOTE

- The fluid level must be checked often during the bleeding operation and replenished with fresh brake fluid as necessary. If the fluid in the reservoir runs completely out any time during bleeding, the bleeding operation must be done over again from the beginning since air will have entered the line.
- Tap the brake hose lightly from the caliper to the reservoir for more complete bleeding.
- Front Brake: Repeat the above steps for the other caliper.

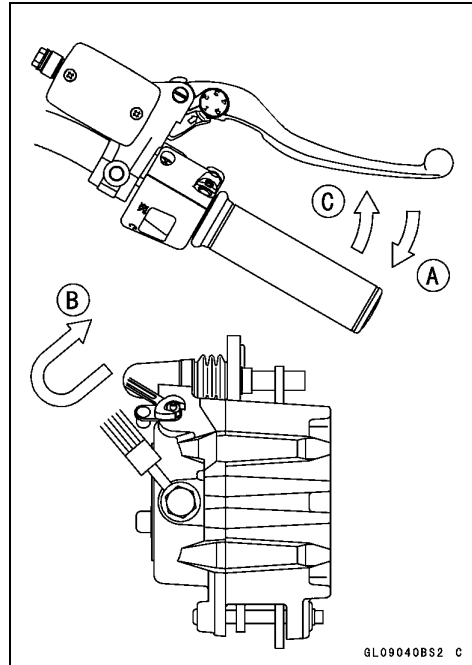
- Remove the clear plastic hose.
- Tighten:

**Torque - Caliper Bleed Valve: 7.8 N·m (0.80 kgf·m, 69 in·lb)**  
**Front Brake Reservoir Cap Screws: 1.5 N·m (0.15 kgf·m, 13 in·lb)**

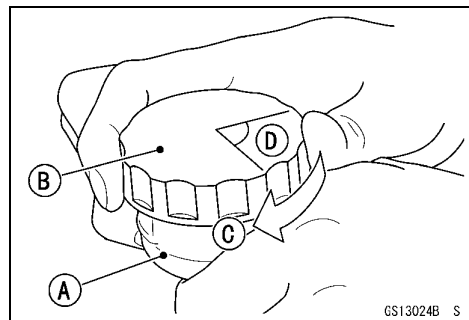
- Follow the procedure below to install the rear brake fluid reservoir cap correctly.
- First, tighten the rear brake fluid reservoir cap [B] clockwise [C] by hand until the resistance is felt indicating that the cap is seated on the reservoir body, then tighten the cap an additional 1/6 turn [D] while holding the brake fluid reservoir body [A].

#### NOTE

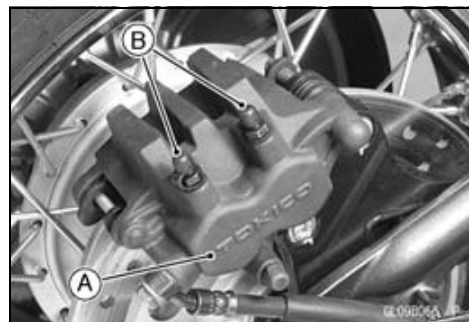
- For the rear brake caliper [A], bleed the brake line for two bleed valves [B].
- Check the fluid level (see Brake Fluid Level Inspection in the Periodic Maintenance chapter).
- After bleeding is done, check the brake for good braking power, no brake drag, and no fluid leakage.



GL09040BS2 C



GS13024B S



GL09040A

---

**Brake Fluid**

---

**⚠ WARNING**

**When working with the disc brake, observe the precautions listed below.**

1. Never reuse old brake fluid.
2. Do not use fluid from a container that has been left unsealed or that has been open for a long time.
3. Do not mix two types and brands of fluid for use in the brake. This lowers the brake fluid boiling point and could cause the brake to be ineffective. It may also cause the rubber brake parts to deteriorate.
4. Don't leave the reservoir cap off for any length of time to avoid moisture contamination of the fluid.
5. Don't change the fluid in the rain or when a strong wind is blowing.
6. Except for the disc pads and disc, use only disc brake fluid, isopropyl alcohol, or ethyl alcohol for cleaning brake parts. Do not use any other fluid for cleaning these parts. Gasoline, engine oil, or any other petroleum distillate will cause deterioration of the rubber parts. Oil spilled on any part will be difficult to wash off completely and will eventually deteriorate the rubber used in the disc brake.
7. When handling the disc pads or disc, be careful that no disc brake fluid or any oil gets on them. Clean off any fluid or oil that inadvertently gets on the pads or disc with a high-flash point solvent. Do not use one which will leave an oily residue. Replace the pads with new ones if they cannot be cleaned satisfactorily.
8. Brake fluid quickly ruins painted surfaces; any spilled fluid should be completely washed away immediately.
9. If any of the brake line fittings or the bleed valve is opened at any time, the **AIR MUST BE BLED FROM THE BRAKE LINE.**

## 12-22 BRAKES

---

### Brake Hoses

---

#### ***Brake Hose Removal/Installation***

- Refer to the Brake Hose Replacement in the Periodic Maintenance chapter.

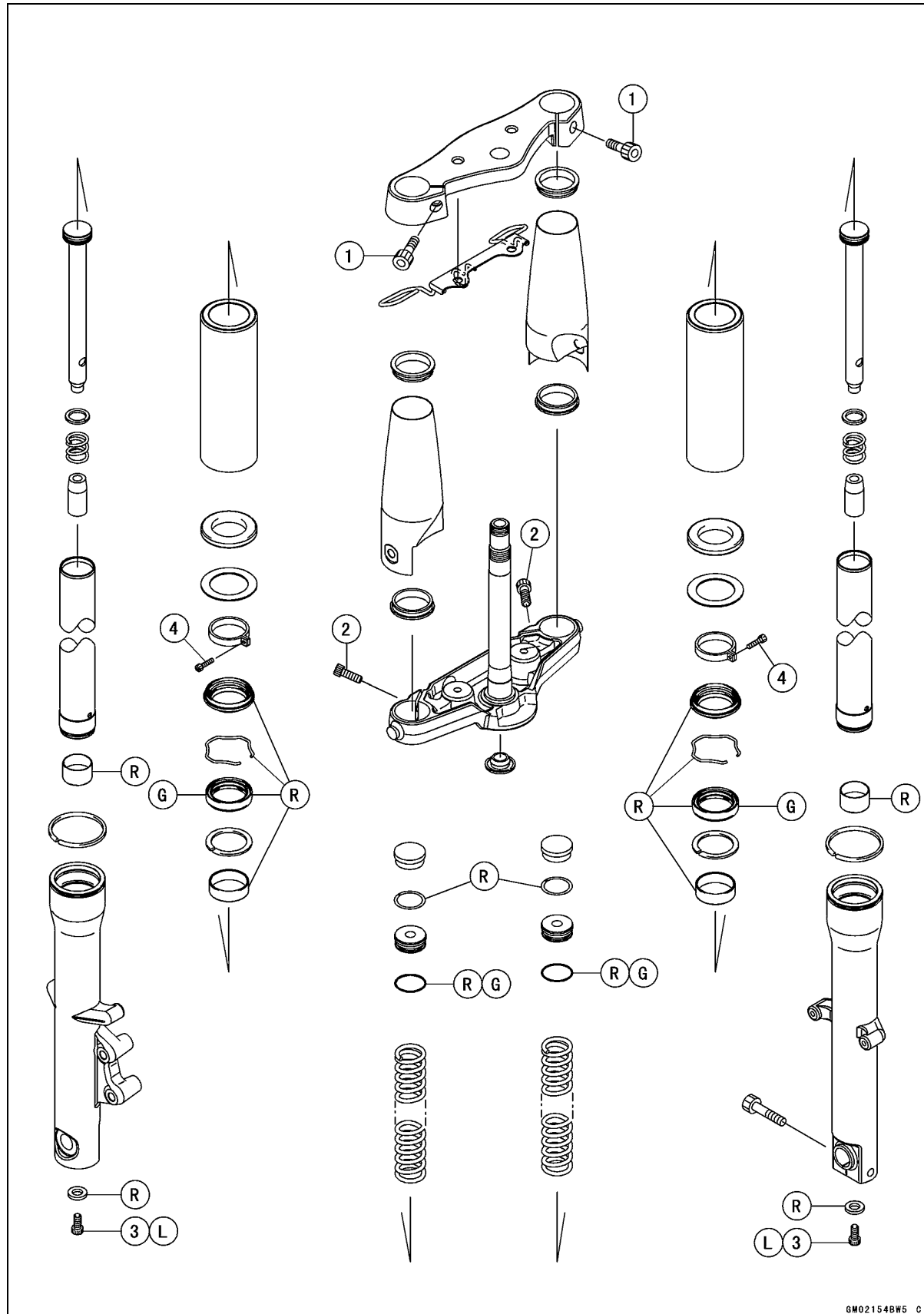
# Suspension

## Table of Contents

Exploded View .....	13-2
Specifications .....	13-6
Special Tools .....	13-7
Front Fork .....	13-8
Front Fork Removal (each fork leg) .....	13-8
Front Fork Installation .....	13-9
Front Fork Oil Change .....	13-9
Front Fork Disassembly .....	13-10
Front Fork Assembly .....	13-11
Inner Tube Inspection .....	13-13
Dust Seal Inspection .....	13-13
Spring Tension .....	13-13
Rear Shock Absorber .....	13-14
Spring Preload Adjustment .....	13-14
Rear Shock Absorber Removal .....	13-14
Rear Shock Absorber Installation .....	13-15
Rear Shock Absorber Inspection .....	13-15
Rear Shock Absorber Scrapping .....	13-15
Swingarm.....	13-16
Swingarm Removal.....	13-16
Swingarm Installation.....	13-17
Swingarm Bearing Removal .....	13-17
Swingarm Bearing Installation .....	13-18
Swingarm Bearing, Sleeve Inspection .....	13-19
Grease Seal and Needle Bearing Lubrication.....	13-19
Tie-Rod, Rocker Arm .....	13-20
Tie-Rod Removal .....	13-20
Tie-Rod Installation .....	13-20
Rocker Arm Removal.....	13-20
Rocker Arm Installation.....	13-20
Tie-rod and Rocker Arm Bearing Removal .....	13-21
Tie-rod and Rocker Arm Bearing Installation .....	13-21

# 13-2 SUSPENSION

## Exploded View



GM02154BW5 C

**Exploded View**

No.	Fastener	Torque			Remarks
		N·m	kgf·m	ft·lb	
1	Upper Front Fork Clamp Bolts	20	2.0	15	
2	Lower Front Fork Clamp Bolts	34	3.5	25	
3	Front Fork Bottom Allen Bolts	20	2.0	15	L
4	Front Fork Upper Cover Stopper Bolts	4.2	0.43	37 in·lb	

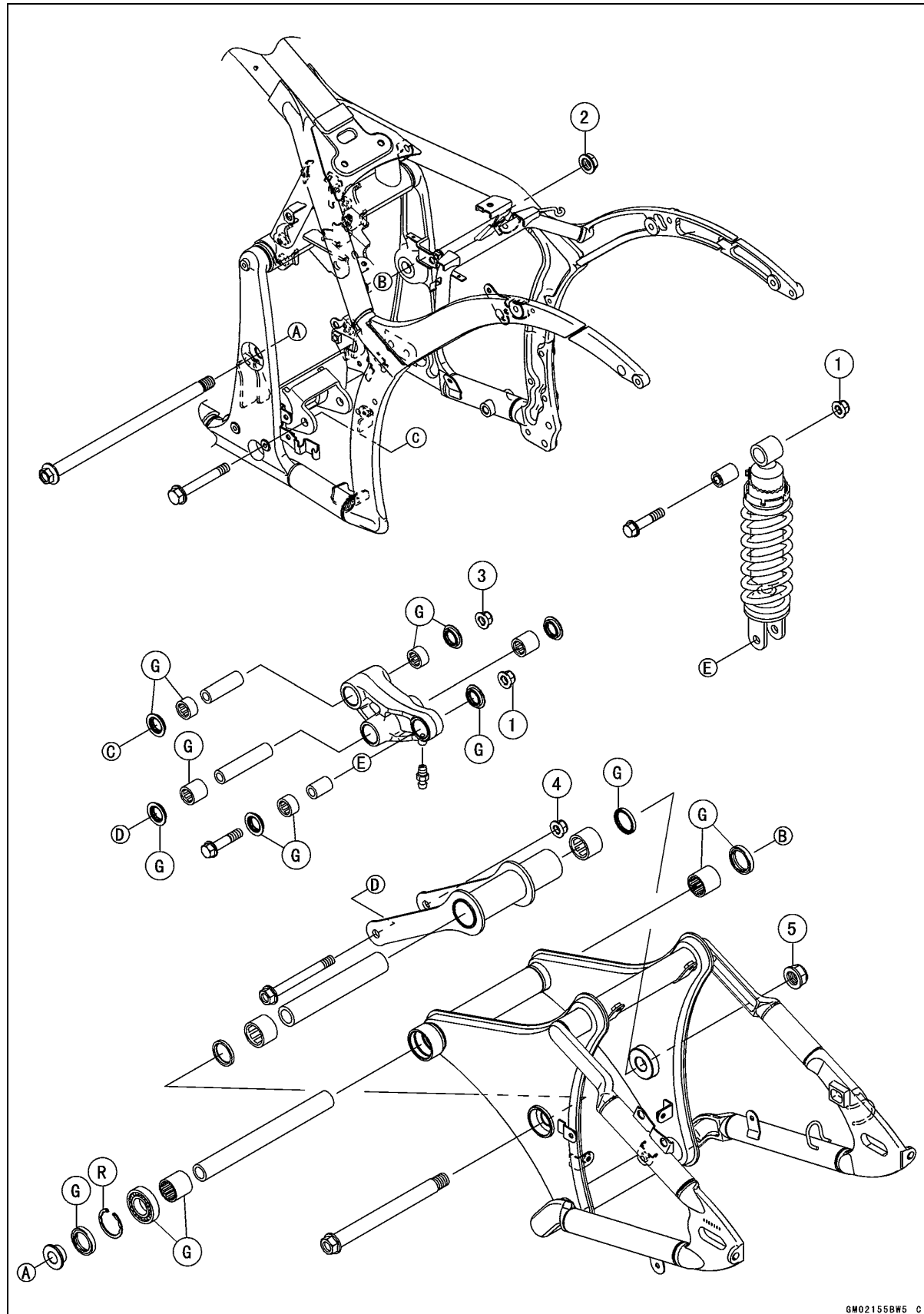
G: Apply grease.

L: Apply a non-permanent Locking agent.

R: Replacement Parts

# 13-4 SUSPENSION

## Exploded View



GM021558W5 C



**Exploded View**

No.	Fastener	Torque			Remarks
		N·m	kgf·m	ft·lb	
1	Rear Shock Absorber Nuts	59	6.0	44	
2	Swing Arm Pivot Shaft Nut	98	10	72	
3	Rocker Arm Pivot Shaft Nut	98	10	72	
4	Lower Tie-Rod Nuts	59	6.0	44	
5	Upper Tie-Rod Nuts	108	11.0	79.7	

G: Apply grease.

R: Replacement Parts

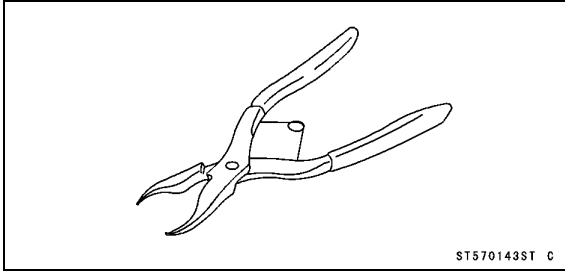
## 13-6 SUSPENSION

### Specifications

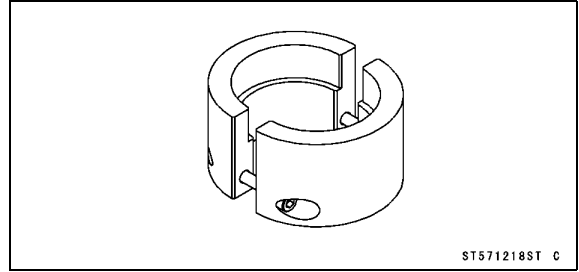
Item	Standard	Service Limit
<b>Front Fork (per one unit)</b>		
Fork Inner Tube Diameter	$\phi 41$ mm ( $\phi 1.6$ in.)	— — —
Fork Oil:		
Type	SHOWA SS-8 or equivalent	— — —
Capacity:		
When changing oil	Approx. 355 mL (12.0 US oz.)	— — —
After disassembly and completely dry	417 $\pm$ 2.5 mL (14.1 $\pm$ 0.084 US oz.)	— — —
Fork Spring Free Length	527.2 mm (20.76 in.)	517 mm (20.4 in.)
<b>Rear Shock Absorber</b>		(Adjustable Range)
Spring Preload	4th step	1st ~ 7th steps

**Special Tools**

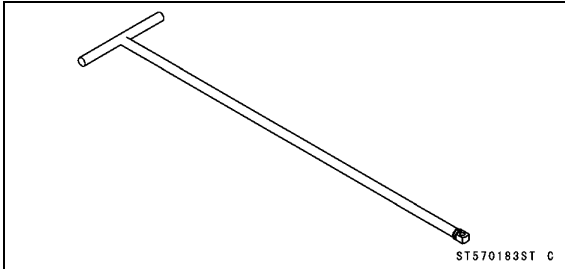
**Inside Circlip Pliers:**  
57001-143



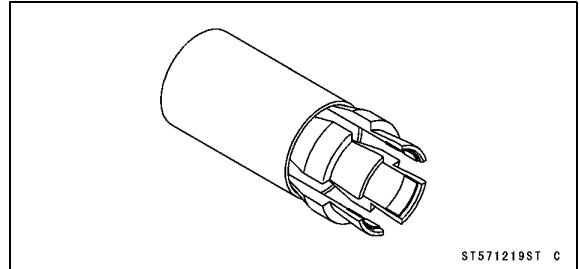
**Fork Outer Tube Weight:**  
57001-1218



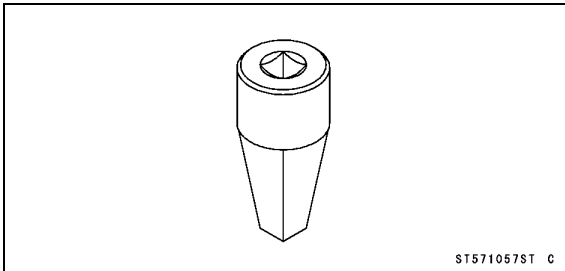
**Fork Cylinder Holder Handle:**  
57001-183



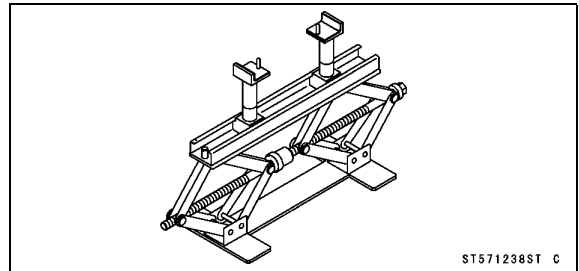
**Front Fork Oil Seal Driver:**  
57001-1219



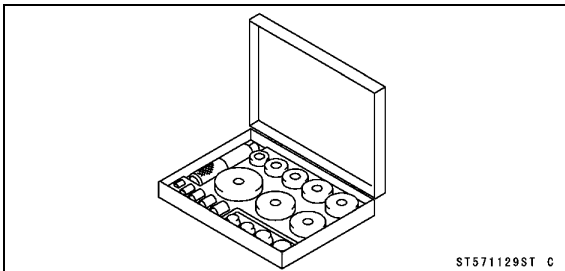
**Fork Cylinder Holder Adapter:**  
57001-1057



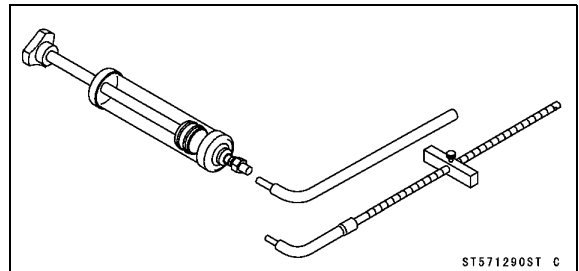
**Jack:**  
57001-1238



**Bearing Driver Set:**  
57001-1129



**Fork Oil Level Gauge:**  
57001-1290



## 13-8 SUSPENSION

### Front Fork

#### Front Fork Removal (each fork leg)

- Loosen the front axle nut (see Front Wheel Removal in the Wheels/Tires chapter).
- Using the jack [A] under the frame pipes, and a commercially available jack [B] under the engine, lift the front wheel off the ground until the rear wheel touches the ground.

Special Tool - Jack: 57001-1238

#### CAUTION

Be sure to put the rear wheel on the ground when removing the front fork, or the motorcycle may fall over. The motorcycle could be damaged.

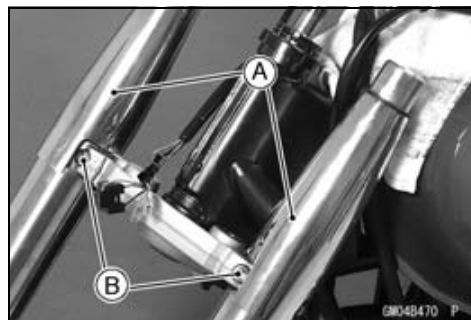
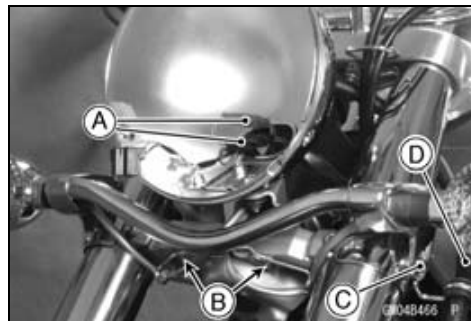
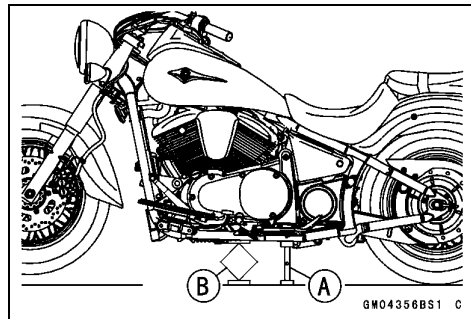
#### ⚠ WARNING

Be sure to put the rear wheel on the ground when removing the front fork, or the motorcycle may fall over. It could cause an accident and injury.

- Remove:
  - Front Fender (see Front Fender Removal in the Frame chapter)
  - Front Wheel (see Front Wheel Removal in the Wheels/Tires chapter)
  - Headlight Unit (see Headlight Body Removal in the Electrical System chapter)
- Remove:
  - Turn Signal Light Lead Connectors [A]
  - Lower Turn Signal Bracket Bolts [B]
  - Side Turn Signal Bracket Bolts (Both Sides) [C]
  - Brake Hose (from the clamp) [D]
  - Turn Signal (with the Bracket)
- Remove:
  - Steering Stem Head (see Steering Stem Removal in the Steering chapter)
  - Front Fork Upper Covers [A]
  - Front Fork Lower Clamp Bolts [B]
- With a twisting motion, work the fork leg down and out.

#### NOTE

- If the fork is tight, tap lightly around the base of the stem head with a plastic mallet.



**Front Fork**

**Front Fork Installation**

- Install the stopper [A] so that the distance between the fork top end [B] and the upper surface [C] of the stopper is 250.6 mm (9.866 in.) [D].

**Torque - Front Fork Upper Cover Stopper Bolt: 4.2 N·m (0.43 kgf·m, 37 in·lb)**

- Insert the washer, rubber seat and fork lower cover to the inner tube.

- Turn the lower clamp bolt clockwise posing the fork leg upward fully.
- Install the fork so that the top end [A] of the inner tube is flush with the upper surface of the steering stem head.
- Tighten:

**Torque - Lower Front Fork Clamp Bolt: 34 N·m (3.5 kgf·m, 25 ft·lb)**

**Upper Front Fork Clamp Bolt: 20 N·m (2.0 kgf·m, 15 ft·lb)**

- Install the removed parts.
- Check the front brake effectiveness after installation.

**Front Fork Oil Change**

- Remove the front fork (see Front Fork Removal (each fork leg)).
- Remove the top cap.
- Hold the outer tube vertically in a vise.
- Push the top plug [A] down to remove the plug retaining ring [B], and then remove the plug.

- Remove:  
Fork Spring [A]

- Pour out the fork oil [A] with the fork upside down.
- Hold the outer tube vertically in a vise.
- Fill the front fork with the specified oil.

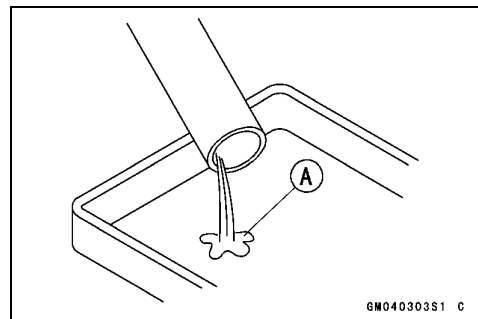
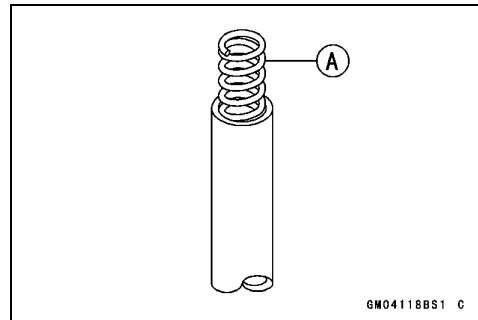
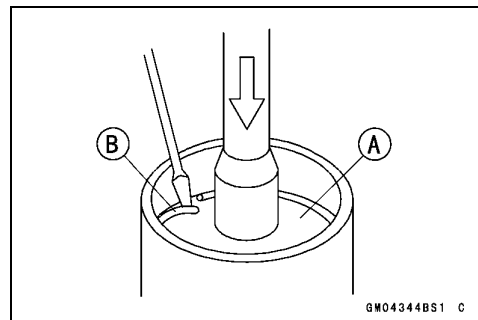
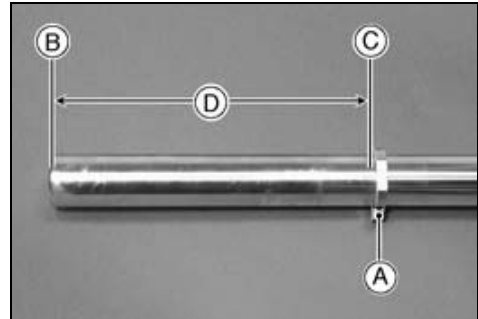
**Fork Oil**

**Type: SHOWA SS-8 or equivalent**

**Capacity:**

**When changing oil: approx. 355 mL (12.0 US oz.)**

**After disassembly and completely dry: 417 ±2.5 mL (14.1 ±0.084 US oz.)**



## 13-10 SUSPENSION

### Front Fork

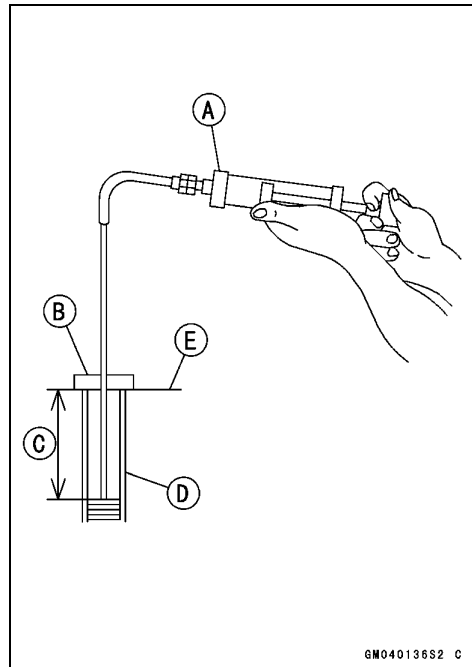
- Wait for about five minutes so that any suspended air bubbles can surface.
- Measure the oil level, using the fork oil level gauge [A].

**Special Tool - Fork Oil level Gauge: 57001-1290**

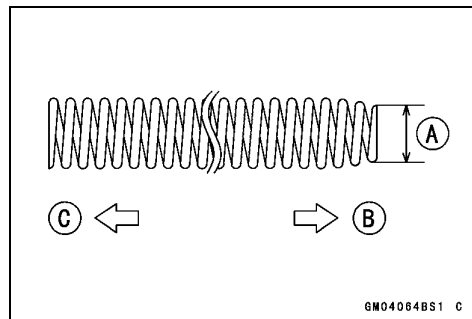
- Set the gauge stopper [B] so that its lower side shows the oil level distance specified [C].
- Insert the gauge tube into the inner tube [D] and position the stopper across the top of the inner tube [E].
- Pull the handle slowly to draw out the excess oil until no more oil comes up the tube.
- ★ If no oil is drawn out from the beginning, there is not enough oil in the fork. Pour in some more oil, then draw out the excess.

**Front Fork Oil Level (Fully compressed without fork spring)**

**Standard: 160 ±2 mm (6.30 ±0.08 in.)**



- Install the fork spring with the smaller end [A] facing downward [B].  
Upward [C]



- Replace the O-ring on the top plug with a new one, and install it to the top plug.
- Push down the top plug to install the ring, and then fit the ring into the groove of the inner tube.
- Install the front fork (see Front Fork Installation).

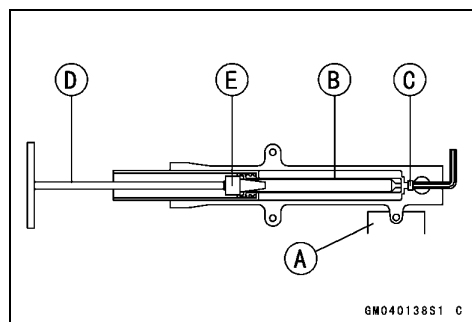
### Front Fork Disassembly

- Remove the front fork (see Front Fork Removal (each fork leg)).
- Drain the fork oil (see Front Fork Oil Change).

- Hold the front fork horizontally in a vise [A].
- Stop the cylinder unit [B] from turning by using the special tools.
- Unscrew the Allen bolt [C], and take the gasket out of the bottom of the outer tube.

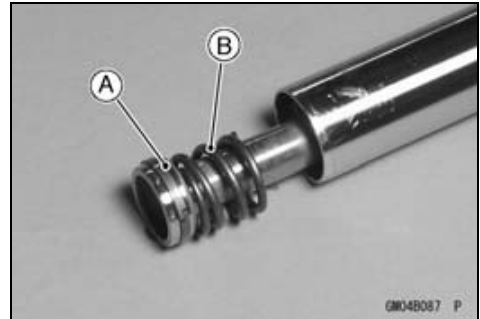
**Special Tool - Fork Cylinder Holder Handle [D]: 57001-183**  
**Fork Cylinder Holder Adapter [E]: 57001-1057**

- Take the cylinder unit out of the inner tube.

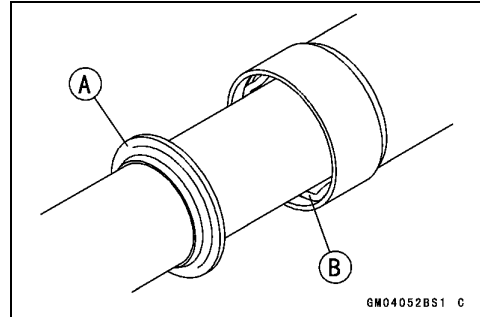


**Front Fork**

- Remove the cylinder unit [A] and short spring [B] from the inner tube.



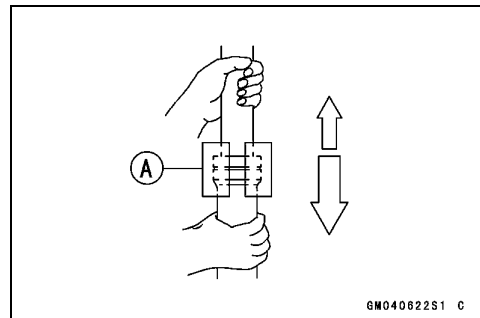
- Separate the inner tube from the outer tube as follows:
  - Slide up the dust seal [A].
  - Remove the retaining ring [B] from the outer tube.



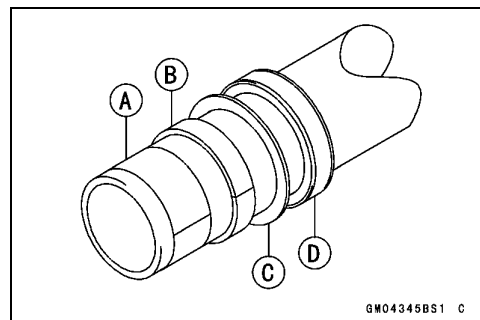
- Grasp the inner tube and stroke the outer tube up and down several times. The shock to the fork seal separates the inner tube from the outer tube.

★ If the tubes are tight, use a fork outer tube weight [A].

**Special Tool - Fork Outer Tube Weight: 57001-1218**

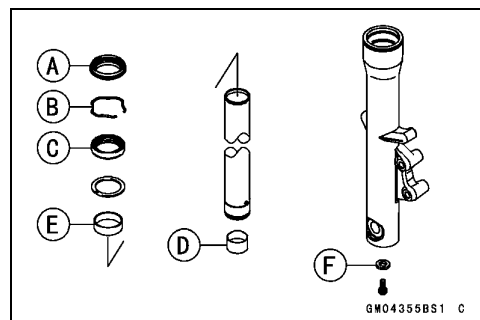


- Remove the inner guide bushing [A], outer guide bushing [B], washer [C] and oil seal [D] from the inner tube.
- Remove the cylinder base from the bottom of the outer tube.



**Front Fork Assembly**

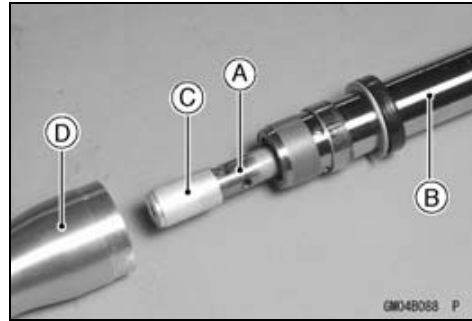
- Replace the following parts with new one.
  - Dust Seal [A]
  - Retaining Ring [B]
  - Oil Seal [C]
  - Inner Guide Bushing [D]
  - Outer Guide Bushing [E]
  - Bottom Allen Bolt Gasket [F]
- Install the following parts onto the inner tube.
  - Dust Seal
  - Retaining Ring
  - Oil Seal
  - Washer
  - Outer Guide Bushing
  - Inner Guide Bushing



## 13-12 SUSPENSION

### Front Fork

- Insert the cylinder unit [A] into the inner tube [B].
- Install the cylinder base [C] on the cylinder unit so that the tapered end face the upward.
- Insert the inner tube, cylinder unit, cylinder base as a set into the outer tube [D].

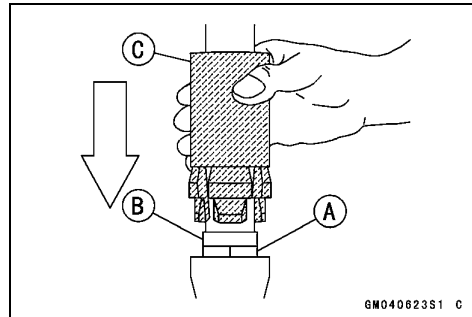


- Fit the new outer guide bushing [A] into the outer tube.

#### NOTE

○When assembling the new outer guide bushing, hold the used guide bushing [B] against the new bushing and tap the used guide bushing with the fork oil seal driver [C] until it stops.

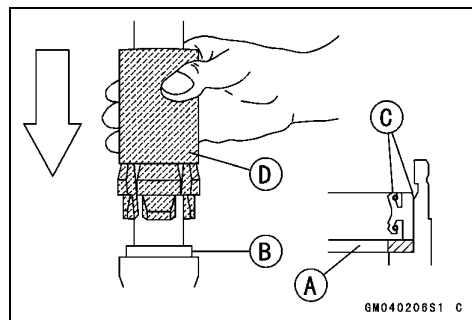
**Special Tool - Front Fork Oil Seal Driver: 57001-1219**



- Apply grease to the oil seal lips and install the washer [A] and the oil seal [B] into the outer tube.
- Face the flat side [C] of the seal upward.

**Special Tool - Front Fork Oil Seal Driver [D]: 57001-1219**

- Install:
  - Retaining Ring
  - Dust Seal
- Replace the bottom Allen bolt gasket with a new one.

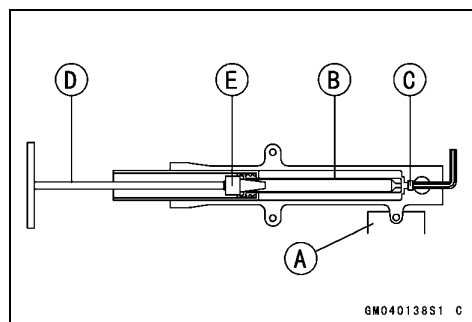


- Hold the front fork horizontally in a vise [A].
- Hold the cylinder unit [B] with the special tools and tighten the Allen bolt [C].

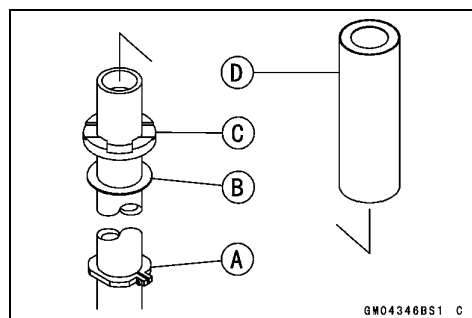
**Special Tools - Fork Cylinder Holder Handle [D]: 57001-183**  
**Fork Cylinder Holder Adapter [E]: 57001-1057**

- Apply a non-permanent locking agent to the Allen bolt and tighten it.

**Torque - Front Fork Bottom Allen Bolt: 20 N·m (2.0 kgf·m, 15 ft·lb)**



- Install the stopper [A] (see Front Fork Installation).
- Insert:
  - Washer [B]
  - Rubber Seat [C]
  - Lower Cover [D]



- Pour in the specified type and amount of oil (see Front Fork Oil Change).
- Install the fork leg (see Front Fork Installation).



**Front Fork**

**Inner Tube Inspection**

- Visually inspect the inner tube, and repair any damage.
- Nicks or rust damage can sometimes be repaired by using a wet-stone to remove sharp edges or raised areas which cause seal damage.
- ★ If the damage is not repairable, replace the inner tube. Since damage to the inner tube damages the oil seal, replace the oil seal whenever the inner tube is repaired or replaced.

**CAUTION**

**If the inner tube is badly bent or creased, replace it. Excessive bending, followed by subsequent straightening, can weaken the inner tube.**

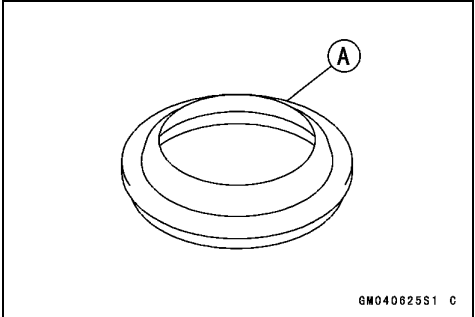
- Temporarily assemble the inner and outer tubes, and pump them back and forth manually to check for smooth operation.
- If you feel binding or catching, the inner and outer tubes must be replaced.

**▲ WARNING**

**A straightened inner or outer fork tube may fall in use, possibly causing an accident. Replace a badly bent or damaged inner or outer tube and inspect the other tube carefully before reusing it.**

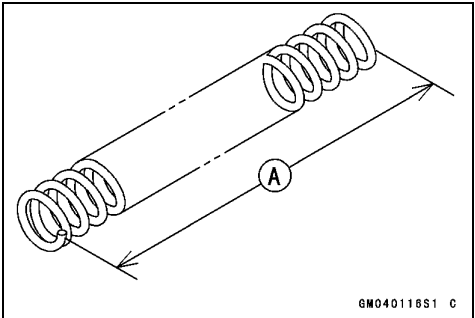
**Dust Seal Inspection**

- Inspect the dust seal [A] for any signs of deterioration or damage.
- ★ Replace it if necessary.



**Spring Tension**

- Since a spring becomes shorter as it weakens, check its free length [A] to determine its condition.
- ★ If the spring of either fork leg is shorter than the service limit, it must be replaced. If the length of a replacement spring and that of the remaining spring vary greatly, the remaining spring should also be replaced in order to keep the fork legs balanced for motorcycle stability.



**Fork Spring Free Length**

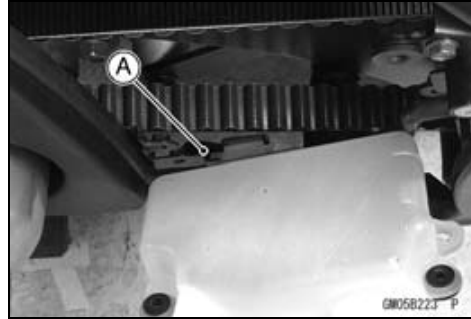
- Standard:** 527.2 mm (20.76 in.)
- Service Limit:** 517 mm (20.4 in.)

# 13-14 SUSPENSION

## Rear Shock Absorber

### Spring Preload Adjustment

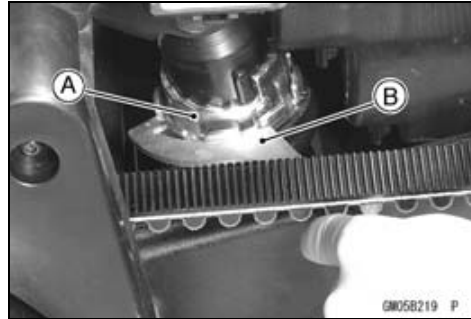
- Remove:  
Reserve Tank (see Reserve Tank Removal in the Cooling System chapter)
- Hang the under part of the reserve tank to the holder [A] of the frame as shown.



- To adjust the spring force, turn the adjusting sleeve [A] on the shock absorber to the desired position with the hook wrench [B].

**Owner's Tools -** Hook Wrench, R31: 92110-0018  
Hook Wrench, R32.5: 92110-1173

- The standard adjusting sleeve for an average-build of 68 kg (150 lb) with no passenger and no accessories is 4th step from the weakest position.

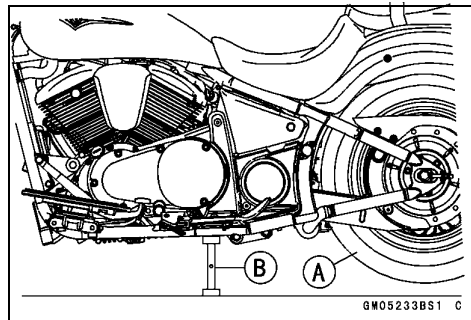


### Spring Preload Adjustment

Adjuster Position	1	2	3	4	5	6	7
Spring Tension	Weak		←	STD	→		Strong

### Rear Shock Absorber Removal

- Remove:  
Muffler (see Muffler Removal in the Engine Top End chapter)
  - Rise the rear wheel [A] off the ground using the jack [B].
- Special Tool -** Jack: 57001-1238



- Squeeze the brake lever slowly and it with a band [A].

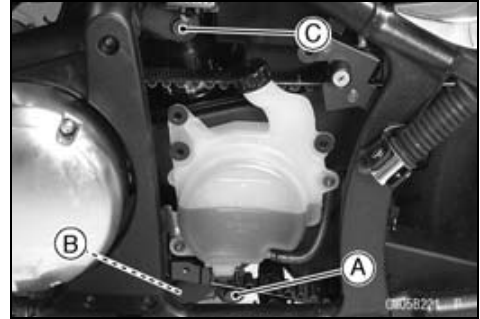
### **⚠ WARNING**

**Be sure to hold the front brake when removing the shock absorber, or the motorcycle may fall over. It could cause an accident and injury.**



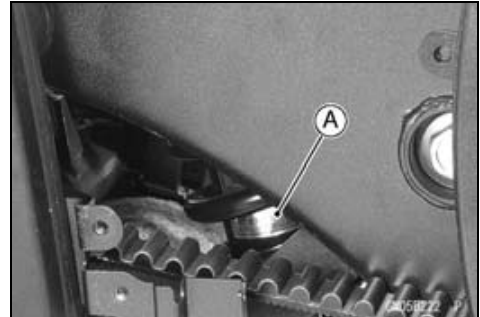
## Rear Shock Absorber

- Remove:
  - Lower Shock Absorber Bolt [A]
  - Lower Tie-Rod Bolt [B]
  - Upper Shock Absorber Bolt [C]
  - Rear Shock Absorber



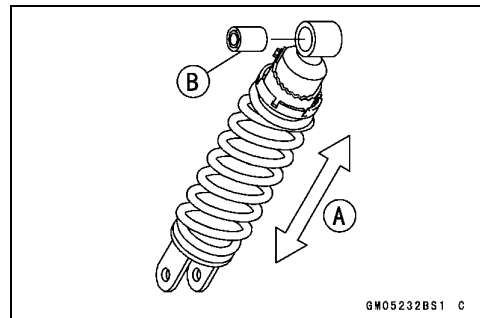
### Rear Shock Absorber Installation

- Pack the rocker arm needle bearings with grease.
- Install the rear shock absorber so that the CAUTION label [A] faces left side.
- Tighten:
  - Torque - Rear Shock Absorber Nuts: 59 N·m (6.0 kgf·m, 44 ft·lb)
  - Tie-Rod Nuts: 59 N·m (6.0 kgf·m, 44 ft·lb)



### Rear Shock Absorber Inspection

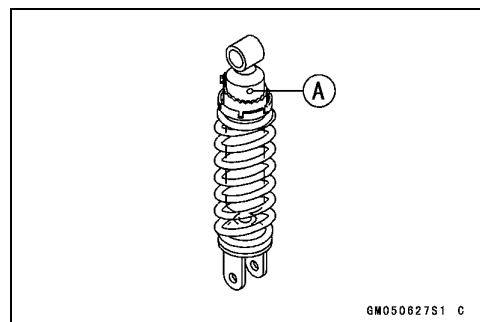
- Remove the rear shock absorber [A] (see Rear Shock Absorber Removal).
- Visually inspect the following items.
  - Smooth Stroke [A]
  - Oil Leakage (see Rear Shock Absorber Oil Leak Inspection in the Periodic Maintenance chapter)
  - Crack or Dent
- ★ If there is any damage to the rear shock absorber, replace the rear shock absorber.
- Visually inspect the rubber bushing [B].
- ★ If they show any signs of damage, replace it.



### Rear Shock Absorber Scrapping

#### **⚠ WARNING**

Since the rear shock absorber contains nitrogen gas, do not incinerate the rear shock absorber without first releasing the gas or it may explode. Before a rear shock absorber is scrapped, drill a hole at the point [A] shown to release the nitrogen gas completely. Wear safety glasses when drilling the hole, as the gas may blow out bits of drilled metal when the hole opens.

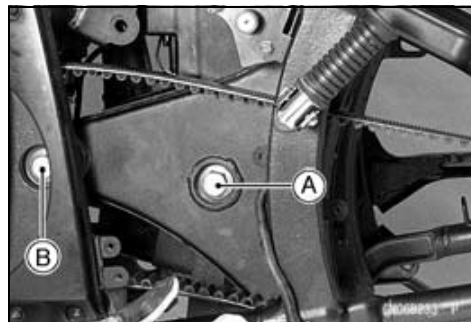
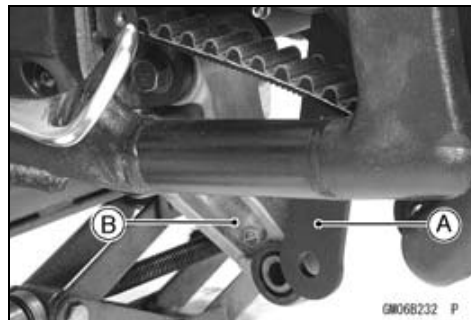
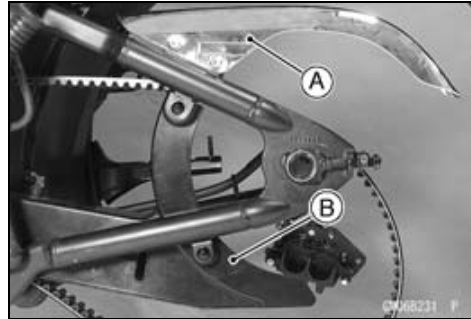
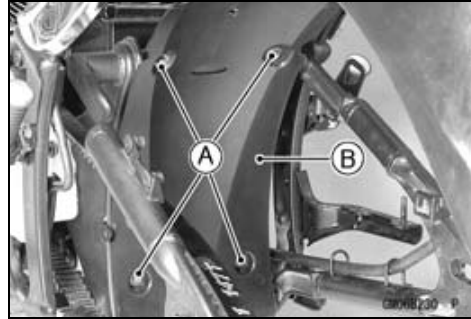


## 13-16 SUSPENSION

### Swingarm

#### **Swingarm Removal**

- Remove:
  - Rear Wheel (see Rear Wheel Removal in the Wheels/Tires chapter)
  - Rear Brake Caliper (see Rear Caliper Removal in the Brakes chapter)
  - Rear Shock Absorber (see Rear Shock Absorber Removal)
  - Bolts [A]
  - Rear Wheel Mud Guard [B]
- Remove:
  - Drive Belt Cover [A]
  - Rear Pully Cover [B]
- Remove the lower tie-rod bolt, and clear the tie-rod [A] from the rocker arm [B].
- Remove:
  - Reserve Tank (with the hose installed)
  - Upper Tie-Rod Bolt [A] (Loosen)
  - Swingarm Pivot Shaft Nut
- Pull off the pivot shaft [B] and remove the swingarm together with the tie-rod.



## Swingarm

### Swingarm Installation

- Apply plenty of grease to the needle bearings and grease seals.
- Install:
  - Collar [A]
- Install the tie-rod to the swingarm.
- Install the swingarm and insert the swingarm pivot shaft from the right side.
- Tighten:
  - Torque - Swingarm Pivot Shaft Nut: 98 N·m (10 kgf·m, 72 ft·lb)**
  - Upper Tie-Rod Nut: 108 N·m (11.0 kgf·m, 79.7 ft·lb)**
  - Lower Tie-Rod Nut: 59 N·m (6.0 kgf·m, 44 ft·lb)**
  - Rear Shock Absorber Nuts: 59 N·m (6.0 kgf·m, 44 ft·lb)**
- Install the removed parts.
- After installing the swingarm, replenish the brake fluid into the reservoir and bleed the brake line (see Brake Line Bleeding in the Brakes chapter).

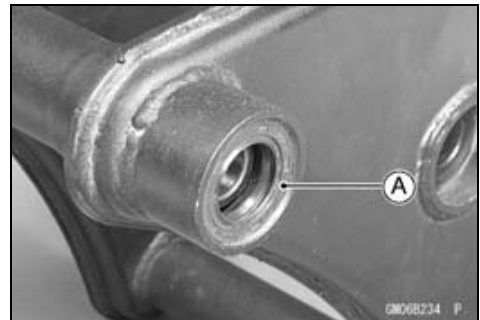


### Swingarm Bearing Removal

- Remove:
  - Swingarm (see Swingarm Removal)

#### Left Side

- Remove:
  - Collar
  - Grease Seal [A]



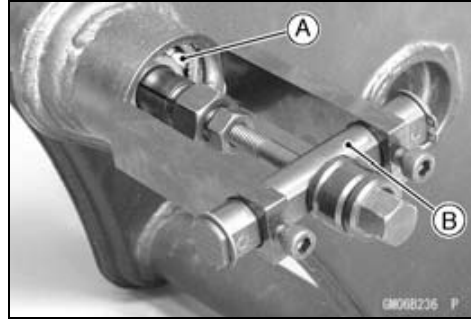
- Remove:
  - Circlip [A]
- Special Tool - Inside Circlip Pliers [B]: 57001-143**



# 13-18 SUSPENSION

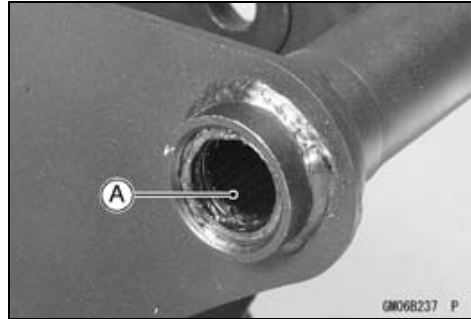
## Swingarm

- Remove the ball bearing [A] and needle bearing with the available bearing remover [B].
- Remove:
  - Sleeve



### Right Side

- Remove:
  - Grease Seal
- Remove the needle bearing [A] with the available bearing remover.



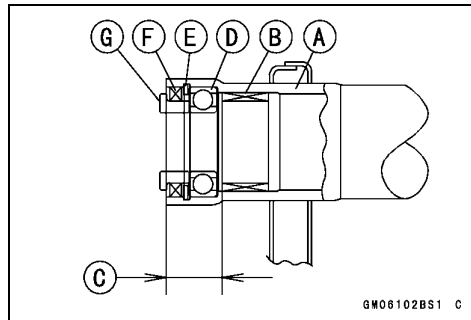
### Swingarm Bearing Installation

- Apply plenty of grease to the needle bearings and sleeve.
- Be sure to install the needle bearings so that the manufacturer's marks are faced out. This prevents bearing damage.
- Position the following bearings as shown, using a suitable bearing driver in the bearing driver set.

**Special Tool - Bearing Driver Set: 57001-1129**

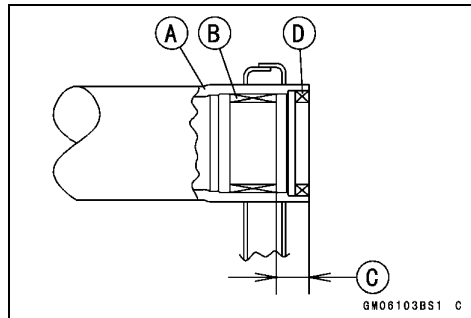
### Left Side

- Swingarm [A]
- Needle Bearing [B]
- 28 ±2 mm (1.1 ±0.08 in.) [C]
- Ball Bearing (until bottom end) [D]
- Circlip [E]
- Grease Seal [F]
- Collar [G]



### Right Side

- Swingarm [A]
- Needle Bearing [B]
- 8 ±2 mm (0.3 ±0.08 in.) [C]
- Grease Seal [D]



## Swingarm

### Swingarm Bearing, Sleeve Inspection

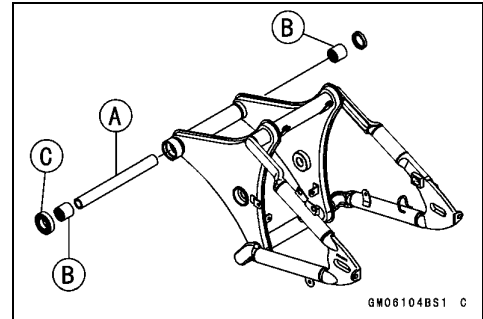
#### CAUTION

**Do not remove the bearings for inspection. Remove may damage them.**

- Inspect the swingarm sleeve [A], needle bearings [B] and ball bearing [C] installed in the swingarm.
- The rollers and balls in the bearing normally wear very little, and wear is difficult to measure. Instead of measuring, inspect the bearings in the swingarm for abrasion, discoloration, or other damage.
- ★ If the sleeves, needle bearing and ball bearing show any signs of abnormal wear, discoloration, or damage, replace them as a set.

### Grease Seal and Needle Bearing Lubrication

- Refer to the Swingarm Pivot Lubrication in the Periodic Maintenance chapter.



## 13-20 SUSPENSION

### Tie-Rod, Rocker Arm

#### **Tie-Rod Removal**

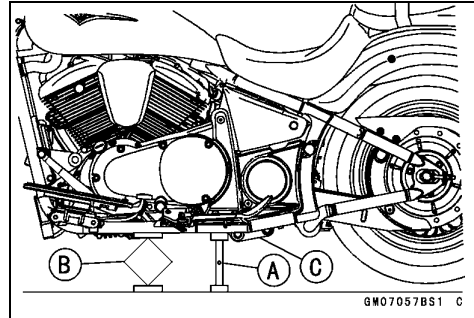
- Tie-rod is removed together with the swingarm. Refer to the Swingarm Removal.

#### **Tie-Rod Installation**

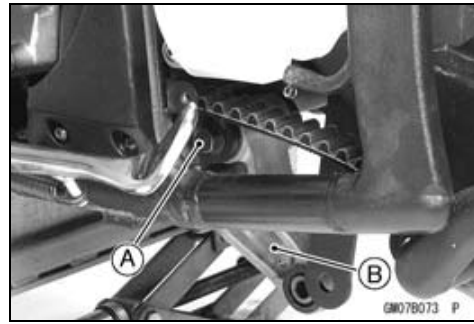
- Refer to the Swingarm Installation.

#### **Rocker Arm Removal**

- Remove:
  - Muffler (see Muffler Removal in the Engine Top End chapter)
- Squeeze the brake lever slowly and hold it with a band.
- Rise the rear wheel [A] of the ground, using the suitable jack [B] from the rocker arm [C] at the previous.



- Loosen the swingarm pivot shaft nut.
- Remove:
  - Rear Shock Absorber (see Rear Shock Absorber Removal)
  - Lower Tie-Rod Bolt and Nut
  - Rocker Arm Pivot Shaft [A] and Nut
  - Rocker Arm [B]



#### **Rocker Arm Installation**

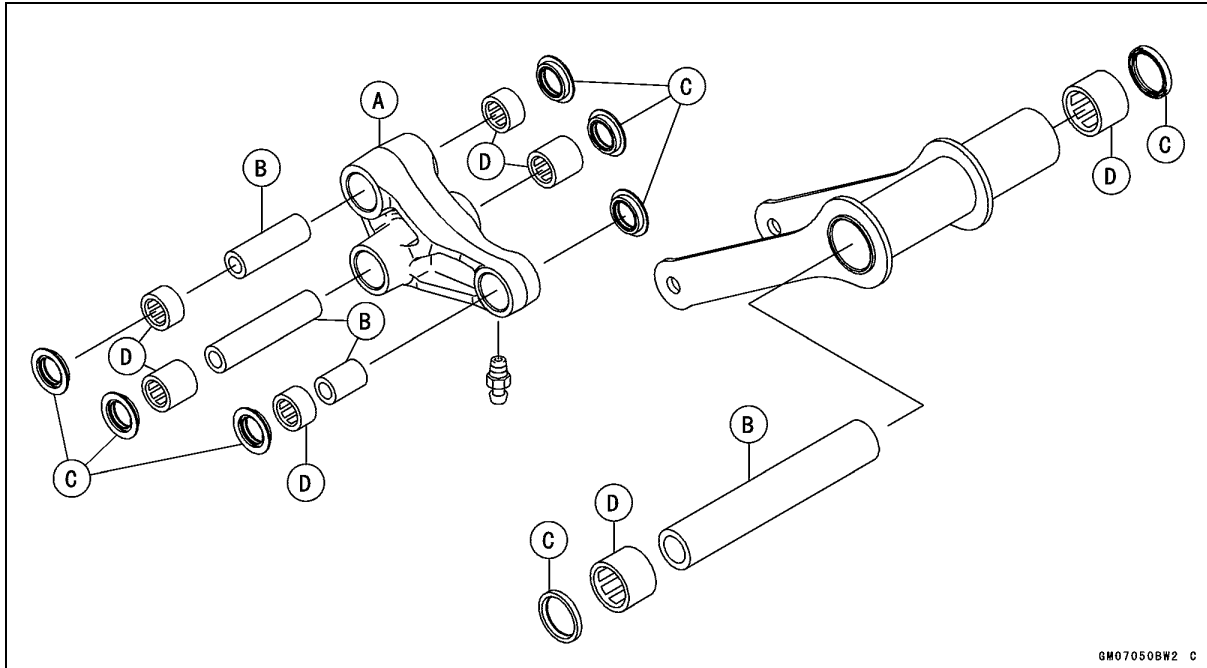
- Apply grease to the inside of the needle bearings and grease seals.
- Tighten:
  - Torque - Swingarm Pivot Shaft Nut: 98 N·m (10 kgf·m, 72 ft·lb)
  - Rocker Arm Pivot Shaft Nut: 59 N·m (6.0 kgf·m, 44 ft·lb)
  - Lower Tie-Rod Nut: 59 N·m (6.0 kgf·m, 44 ft·lb)
  - Rear Shock Absorber Nut: 59 N·m (6.0 kgf·m, 44 ft·lb)



## Tie-Rod, Rocker Arm

### *Tie-rod and Rocker Arm Bearing Removal*

- Remove:
  - Tie-rod (see Swingarm Removal)
  - Rocker Arm [A] (see Rocker Arm Removal)
  - Sleeves [B]
  - Grease Seal [C]
- Remove the needle bearings [D], using the available bearing remover.



GM070508W2 C

### *Tie-rod and Rocker Arm Bearing Installation*

- Replace the needle bearings, and grease seals with new ones.
- Apply plenty of grease to the lips of the grease seals.
- Install the needle bearings and grease seals as shown.

**Special Tool - Bearing Driver Set: 57001-1129**

## 13-22 SUSPENSION

### Tie-Rod, Rocker Arm

#### NOTE

○ Install the needle bearings so that the marked side faces out.

Needle Bearing [A]

Grease Seals [B]

Front [C]

Left Side [D]

Right Side [E]

Rocker Arm [F]

Tie-rod [G]

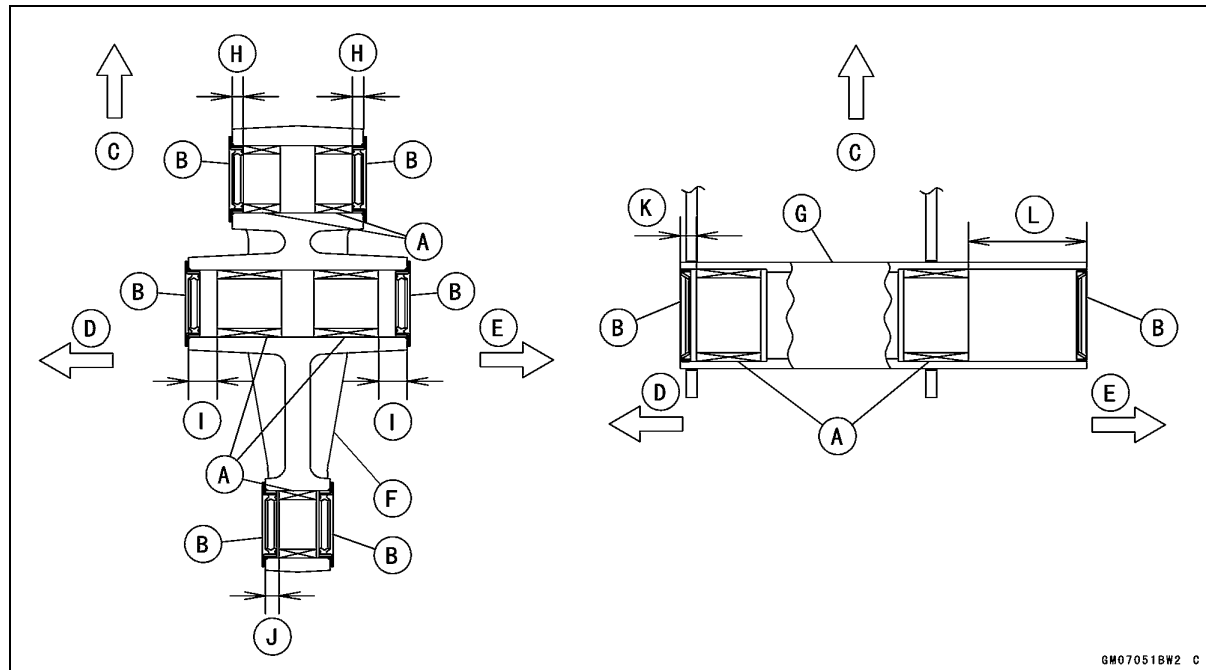
$6 \pm 1$  mm (0.24  $\pm$  0.04 in.) [H]

$11.5 \pm 1$  mm (0.453  $\pm$  0.04 in.) [I]

$5.5 \pm 1$  mm (0.22  $\pm$  0.04 in.) [J]

$6.5 \pm 2$  mm (0.26  $\pm$  0.08 in.) [K]

$52 \pm 2$  mm (2.0  $\pm$  0.04 in.) [L]



GM070518W2 C

---

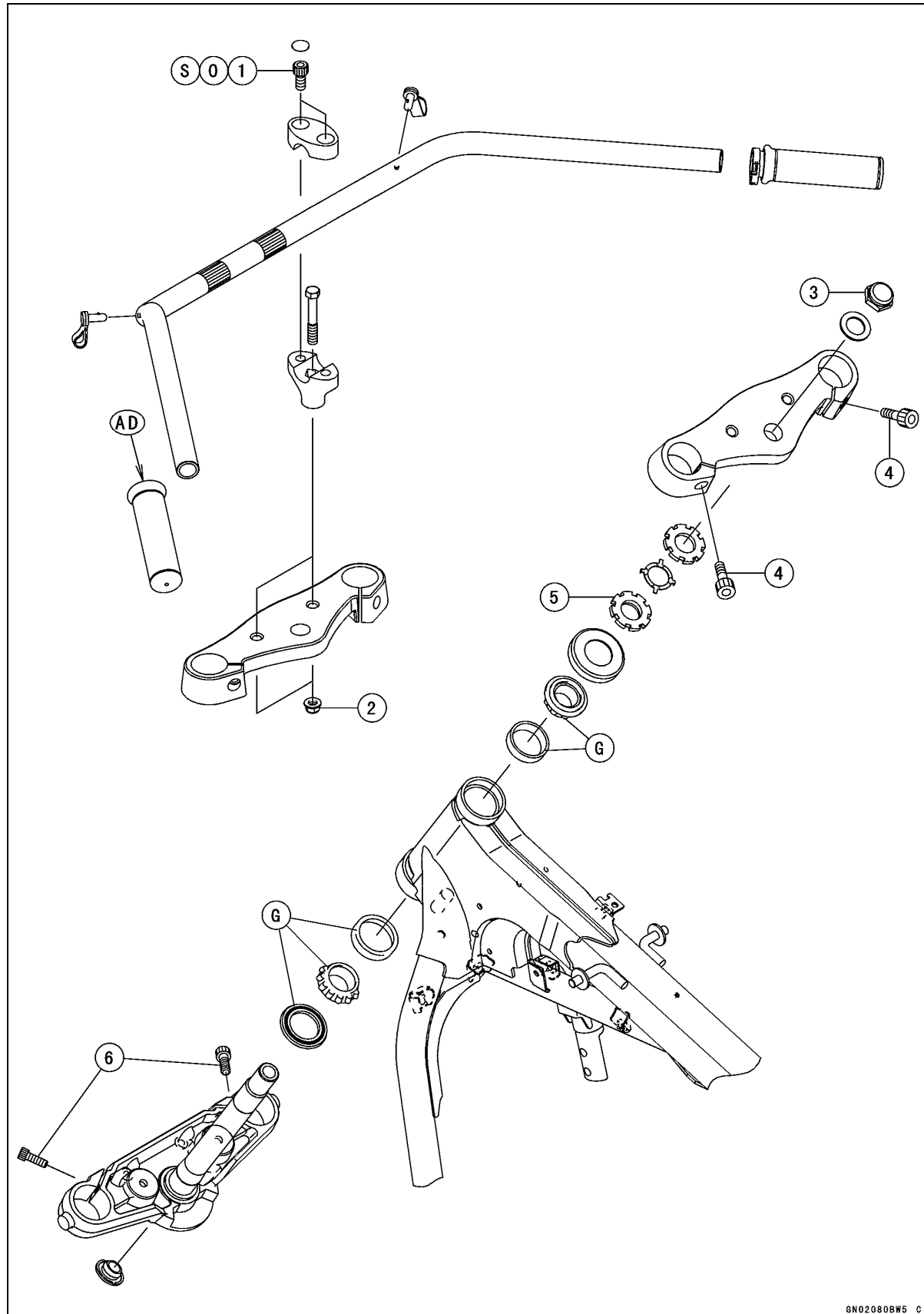
# Steering

## Table of Contents

Exploded View .....	14-2
Special Tools .....	14-4
Handlebar .....	14-5
Handlebar Removal .....	14-5
Handlebar Installation .....	14-5
Steering .....	14-7
Steering Inspection .....	14-7
Steering Adjustment.....	14-7
Steering Stem.....	14-8
Steering Stem Removal .....	14-8
Steering Stem Installation .....	14-9
Steering Stem Warp.....	14-11
Steering Stem Bearing .....	14-12
Stem Bearing Removal.....	14-12
Stem Bearing Installation.....	14-12
Stem Bearing Lubrication.....	14-13

# 14-2 STEERING

## Exploded View



GN02080B5 C

**Exploded View**

No.	Fastener	Torque			Remarks
		N·m	kgf·m	ft·lb	
1	Handlebar Clamp Bolts	34	3.5	25	O, S
2	Handlebar Holder Nuts	34	3.5	25	
3	Steering Stem Head Nut	49	5.0	36	
4	Upper Front Fork Clamp Bolts	20	2.0	15	
5	Steering Stem Nut	4.9	0.50	43 in·lb	
6	Lower Front Fork Clamp Bolts	34	3.5	25	

AD: Apply adhesive.

G: Apply grease.

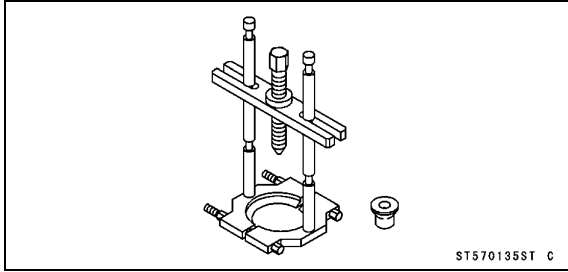
O: Apply 2-stroke oil.

S: Follow the specific tightening sequence.

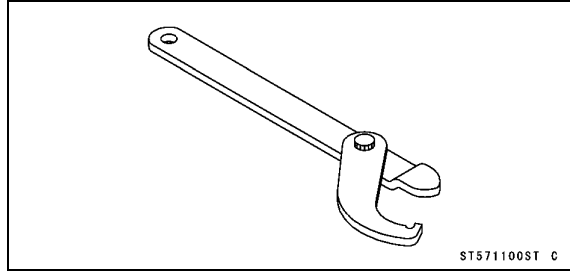
# 14-4 STEERING

## Special Tools

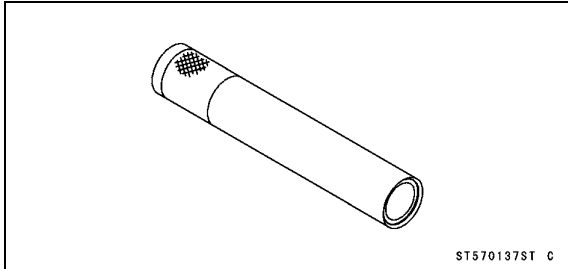
**Bearing Puller:**  
57001-135



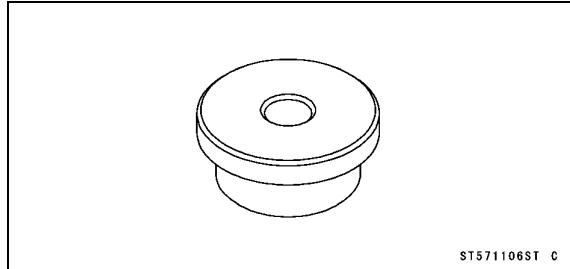
**Steering Stem Nut Wrench:**  
57001-1100



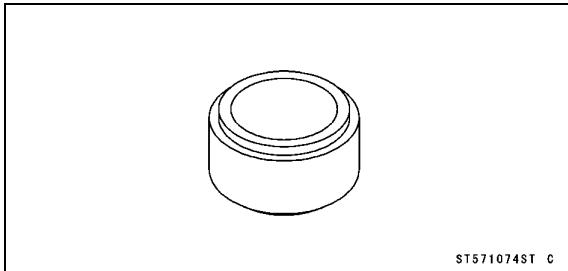
**Steering Stem Bearing Driver:**  
57001-137



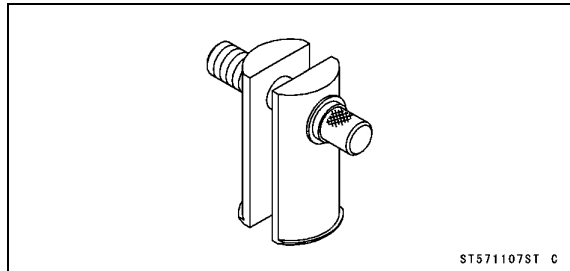
**Head Pipe Outer Race Driver,  $\phi 46.5$ :**  
57001-1106



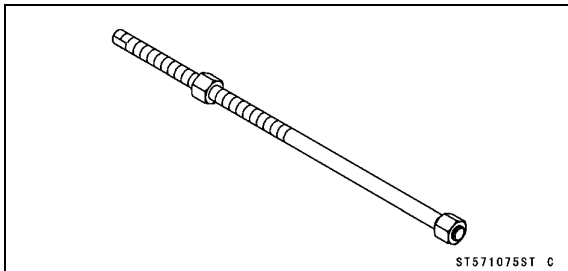
**Steering Stem Bearing Driver Adapter,  $\phi 34.5$ :**  
57001-1074



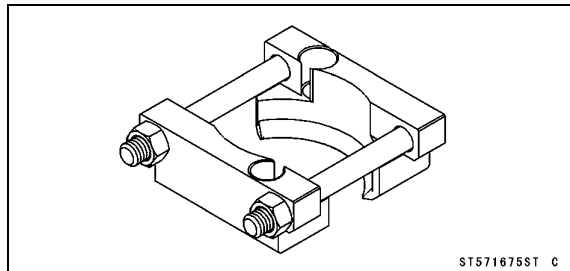
**Head Pipe Outer Race Remover, ID > 37 mm:**  
57001-1107



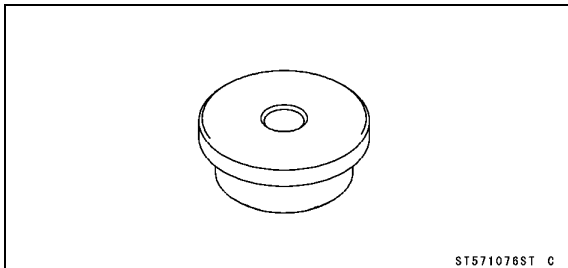
**Head Pipe Outer Race Press Shaft:**  
57001-1075



**Bearing Puller:**  
57001-1675



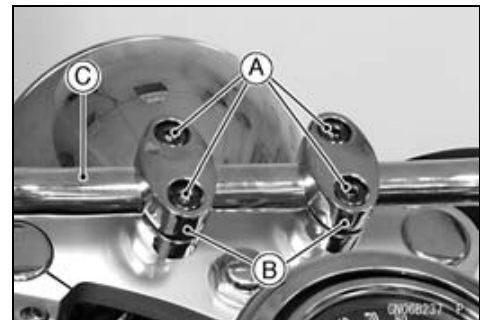
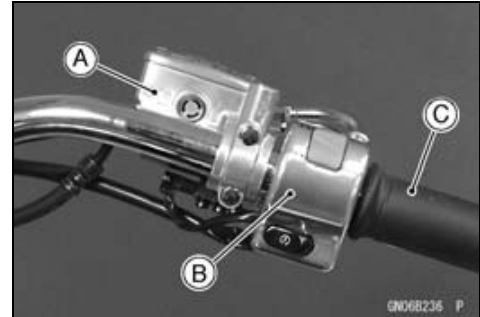
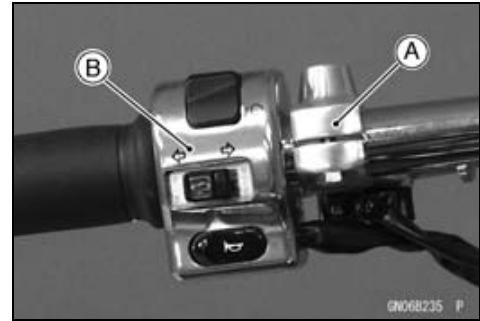
**Head Pipe Outer Race Driver,  $\phi 51.5$ :**  
57001-1076



## Handlebar

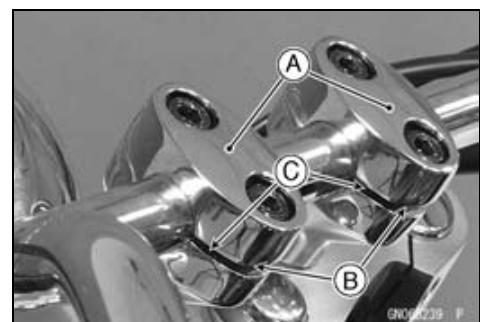
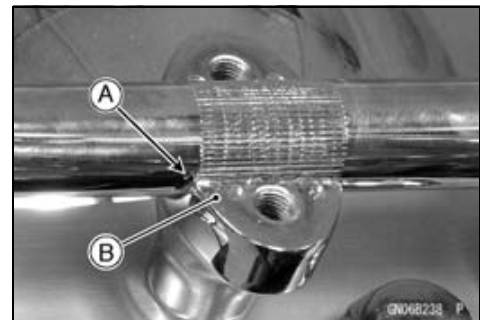
### Handlebar Removal

- Remove:
  - Clutch Lever Assembly [A]
  - Left Handlebar Switch Housing [B]
  
- Remove:
  - Front Master Cylinder [A] (see Front Master Cylinder Removal in the Brakes chapter)
  - Right Handlebar Switch Housing [B]
  - Throttle Grip [C]
  
- Remove:
  - Caps [A]
  - Clamp Bolts
  - Handlebar Clamps [B]
  - Handlebar [C]



### Handlebar Installation

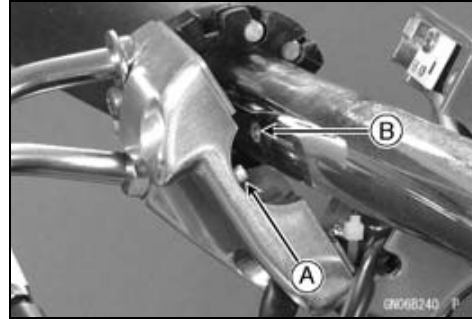
- Set the handlebar to match its punched mark [A] to the lower mating surface [B] of the clamp rear part.
  
  - Apply 2-stroke oil to the threads of the handlebar clamp bolts.
  - Set the handlebar clamp [A] so that the tapered side [B] facing the backward.
  - Tighten the front clamp bolts first, and then the rear clamp bolts. There will be a gap [C] at the rear part of the clamp after tightening.
- Torque - Handlebar Clamp Bolts: 34 N·m (3.5 kgf·m, 25 ft·lb)**



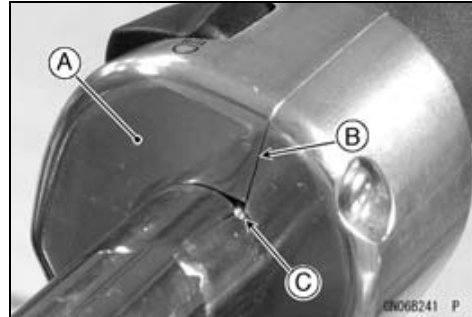
## 14-6 STEERING

### Handlebar

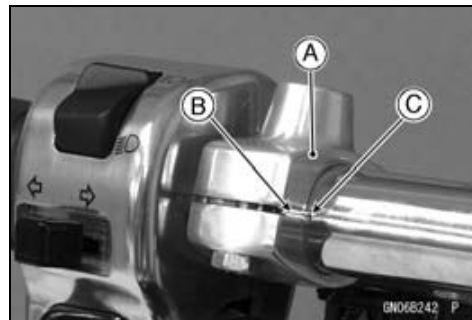
- The front half of the right handlebar switch housing has a small projection [A].
- Fit the projection into the small hole [B] in the handlebar, and install the housing.



- Set the left handlebar switch housing [A] to match its mating surface [B] to the punched mark [C] of the handlebar.
- Install the handlebar switch housing.



- Set the clutch lever assembly [A] to match its mating surface [B] to the punched mark [C] of the handlebar.
- Install:  
Front Master Cylinder (see Front Master Cylinder Installation in the Brakes chapter)





### **Steering**

---

#### ***Steering Inspection***

- Refer to the Steering Inspection in the Periodic Maintenance chapter.

#### ***Steering Adjustment***

- Refer to the Steering Adjustment in the Periodic Maintenance chapter.

## 14-8 STEERING

### Steering Stem

#### Steering Stem Removal

- Remove the front wheel (see Front Wheel Removal in the Wheels/Tires chapter).

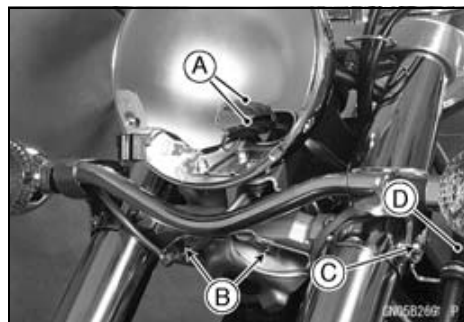
#### CAUTION

Be sure to put the rear wheel on the ground when removing the steering, or the motorcycle may fall over. The motorcycle could be damaged.

#### ⚠ WARNING

Be sure to put the rear wheel on the ground when removing the steering, or the motorcycle may fall over. It could cause an accident and injury.

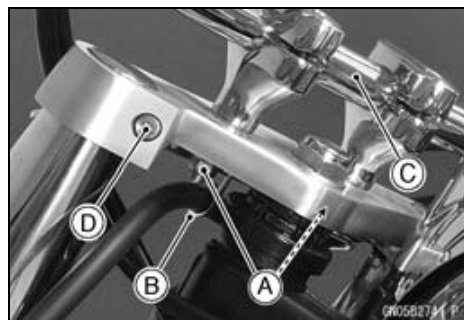
- Remove:
  - Headlight Unit (see Headlight Body Removal in the Electrical System chapter)
  - Turn Signal Light Lead Connectors [A]
  - Turn Signal Lead Bracket Bolts [B]
  - Turn Signal Bracket Bolts (Left and Right) [C]
  - Brake Hose [D] (from the clamp)
  - Turn Signal (with the Bracket)
  - Front Turn Signal Light



- Remove:
  - Headlight Body Bracket Nuts [A]
  - Headlight Body (with the Bracket)

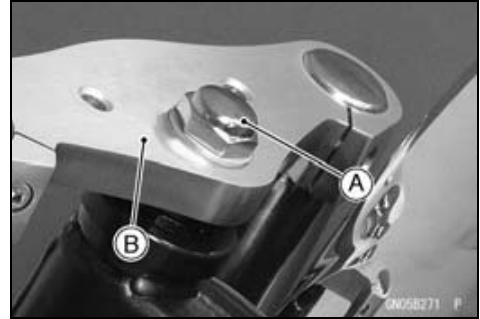


- Remove:
  - Handlebar Holder Nuts [A]
  - Clamp [B]
  - Handlebar Holders with the Handlebar installed [C]
  - Upper Front Fork Clamp Bolts [D] (Left and Right)

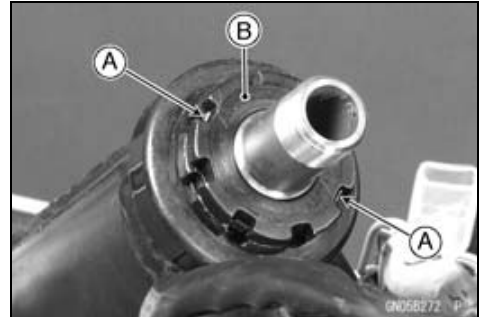


## Steering Stem

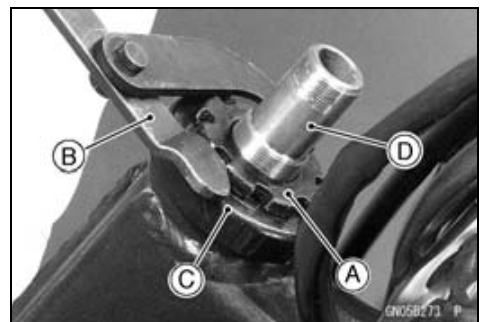
- Remove:
  - Steering Stem Head Nut [A] and Washer
  - Front Forks (see Front Fork Removal (each fork leg) in the Suspension chapter)
  - Steering Stem Head [B]



- Bend the claws [A] of the claw washer straighten.
- Remove:
  - Steering Stem Locknut [B]
  - Claw Washer

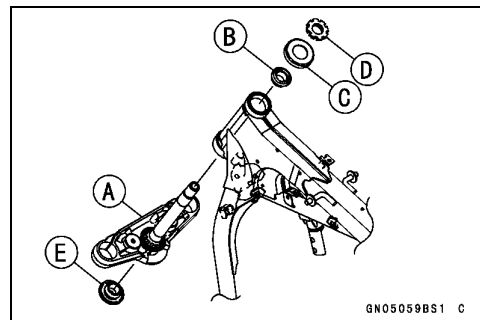


- Remove:
  - Steering Stem Nut [A]**Special Tool - Steering Stem Nut Wrench [B]: 57001-1100**
- Remove:
  - Stem Cap [C]
- Pull out the steering stem [D] from the bottom.
- Remove the plug at steering stem bottom.



### Steering Stem Installation

- Apply grease to the needle bearings.
- Install:
  - Steering Stem [A]
  - Bearing [B]
  - Stem Cap [C]
  - Stem Nut [D]
  - Plug [E]



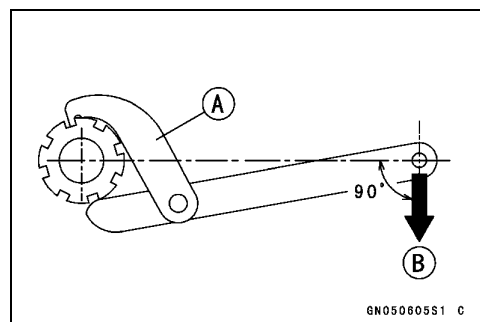
- Settle the bearings in place as follows:
  - Tighten the stem nut to **55 N·m (5.6 kgf·m, 40 ft·lb)** of torque (To tighten the steering stem nut to the specified torque, hook the wrench on the stem nut, and pull the wrench at the hole by **305 N (31.1 kgf, 68.6 lb)** force in the direction shown.).

**Special Tool - Steering Stem Nut Wrench [A]: 57001-1100**

- Force [B]
- Loosen the stem nut.
- Retighten the stem nut to the specified torque.

**Torque - Steering Stem Nut: 4.9 N·m (0.50 kgf·m, 43 in·lb)**

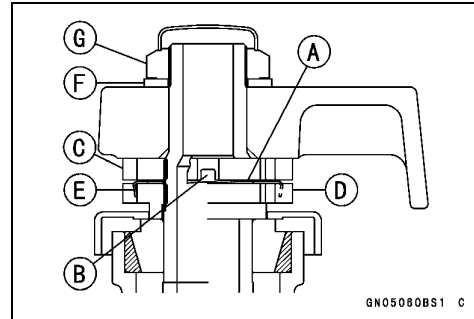
- For the torque of 4.9 N·m (0.50 kgf·m, 43 in·lb), pull the wrench at the hole by 27 N (2.8 kgf, 6.1 lb) force.



## 14-10 STEERING

### Steering Stem

- Replace the claw washer [A] with a new one.
- Install the claw washer so that its bent side [B] faces upward, and engage the bent claws with the grooves of stem locknut [C].
- Hand tighten the stem locknut until it touches the claw washer.
- Tighten the stem locknut clockwise until the claws are aligned with the grooves (ranging from 2nd to 4th) of stem nut [D], and bend the 2 claws downward [E].
- Install the front forks (see Front Fork Installation in the Suspension chapter).
- Install the stem head.
- Install the washer [F], and tighten the stem head nut [G] with specified torque.



#### NOTE

- Tighten the upper fork clamp bolts first, next the stem head nut, last the lower fork clamp bolts.

**Torque - Upper Front Fork Clamp Bolts: 20 N·m (2.0 kgf·m, 15 ft·lb)**

**Steering Stem Head Nut: 49 N·m (5.0 kgf·m, 36 ft·lb)**

**Lower Front Fork Clamp Bolts: 34 N·m (3.5 kgf·m, 25 ft·lb)**

#### **⚠ WARNING**

**Do not impede the handlebar turning by routing the cables, harnesses and hoses improperly (see Cable, Wire and Hose Routing section in the Appendix chapter).**

- Install the removed parts.
- Check and adjust the following items after installation.
  - Steering (see Steering Play Inspection in the Periodic Maintenance chapter)
  - Throttle Cables (see Throttle Control System Inspection in the Periodic Maintenance chapter)
  - Headlight Aim (see Headlight Aiming Inspection in the Periodic Maintenance chapter)
- Check the front brake effectiveness.

#### **⚠ WARNING**

**Do not attempt to ride the motorcycle until a full brake lever is obtained by pumping the brake lever until the pads are against the disc. The brakes will not function on the first application of the lever if this is not done.**

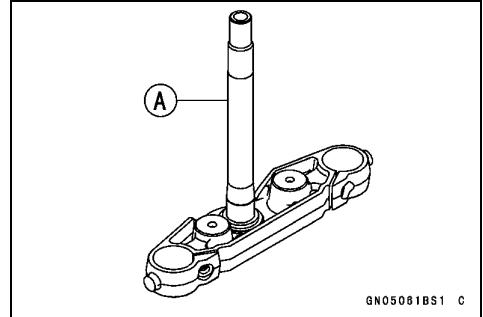
---

**Steering Stem**

---

***Steering Stem Warp***

- Whenever the steering stem is removed, or if the steering cannot be adjusted for smooth action, check the steering stem for straightness.
- ★ If the steering stem [A] is bent, replace the steering stem.



## 14-12 STEERING

### Steering Stem Bearing

#### Stem Bearing Removal

- Remove the steering stem (see Steering Stem Removal).
- Drive out the bearing outer races from the head pipe.

**Special Tool - Head Pipe Outer Race Remover, ID > 37 mm**  
[A]: 57001-1107

#### NOTE

○ If either steering stem bearing is damaged, it is recommended that both the upper and lower bearings (including outer races) be replaced with new ones.

- Remove the lower inner race [A] which is pressed onto the steering stem, using Special Tools.

Grease Seal [B]

**Special Tools - Bearing Puller: 57001-135**  
**Bearing Puller: 57001-1675**

- Insert the each half-split base [A] under the bottom of the bearing and connect the both bases by tightening the M8 bolts [B].
- Assemble the parts of the bearing puller [C], adapter [D], and arm [E] as shown in the figure.
- Turn the center bolt [F] by a wrench and pull the bearing off.

#### NOTE

○ Tighten evenly two bases by the two M10 bolts.

#### Stem Bearing Installation

- Replace the bearing outer races with new ones.
- Apply grease to the outer races, and drive them into the head pipe at the same time.

**Special Tools - Head Pipe Outer Race Press Shaft [A]:**  
57001-1075

**Head Pipe Outer Race Driver,  $\phi 46.5$  [B]:**  
57001-1106

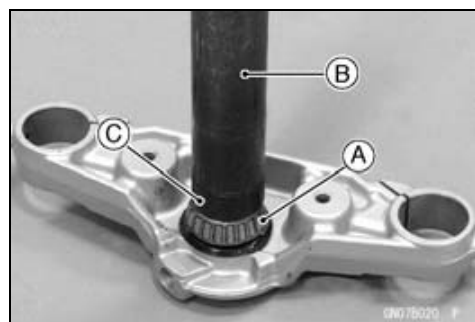
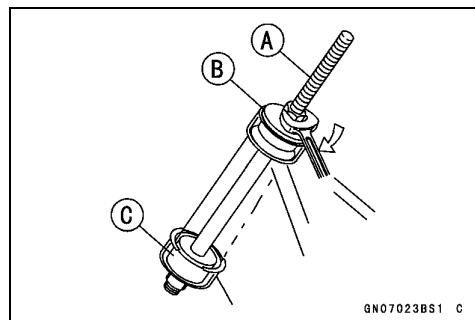
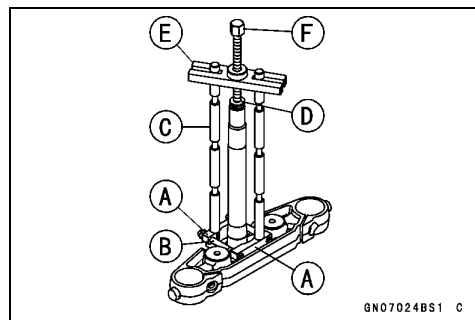
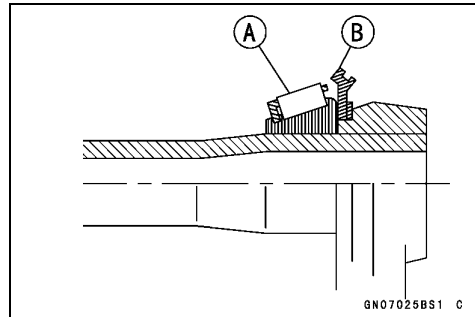
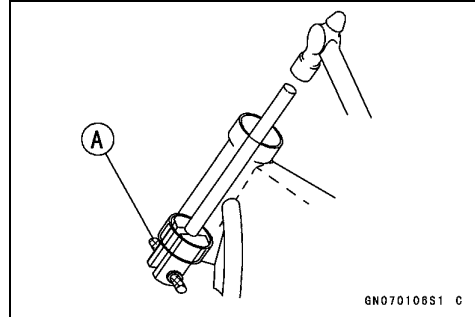
**Head Pipe Outer Race Driver,  $\phi 51.5$  [C]:**  
57001-1076

- Replace the stem bearing inner races with new ones.
- Apply grease to the lower inner race [A], and drive it onto the stem base.

**Special Tools - Steering Stem Bearing Driver [B]:** 57001-137

**Steering Stem Bearing Driver Adapter,  $\phi 34.5$  [C]:** 57001-1074

- Install the steering stem (see Steering Stem Installation).



---

### **Steering Stem Bearing**

---

○ Check that there is no play and the steering stem turns smoothly without rattles. If not, the steering stem bearings may be damaged.

#### ***Stem Bearing Lubrication***

In accordance with the Periodic Maintenance Chart, lubricate the steering stem bearings. Refer to the Stem Bearing Lubrication in the Periodic Maintenance chapter.





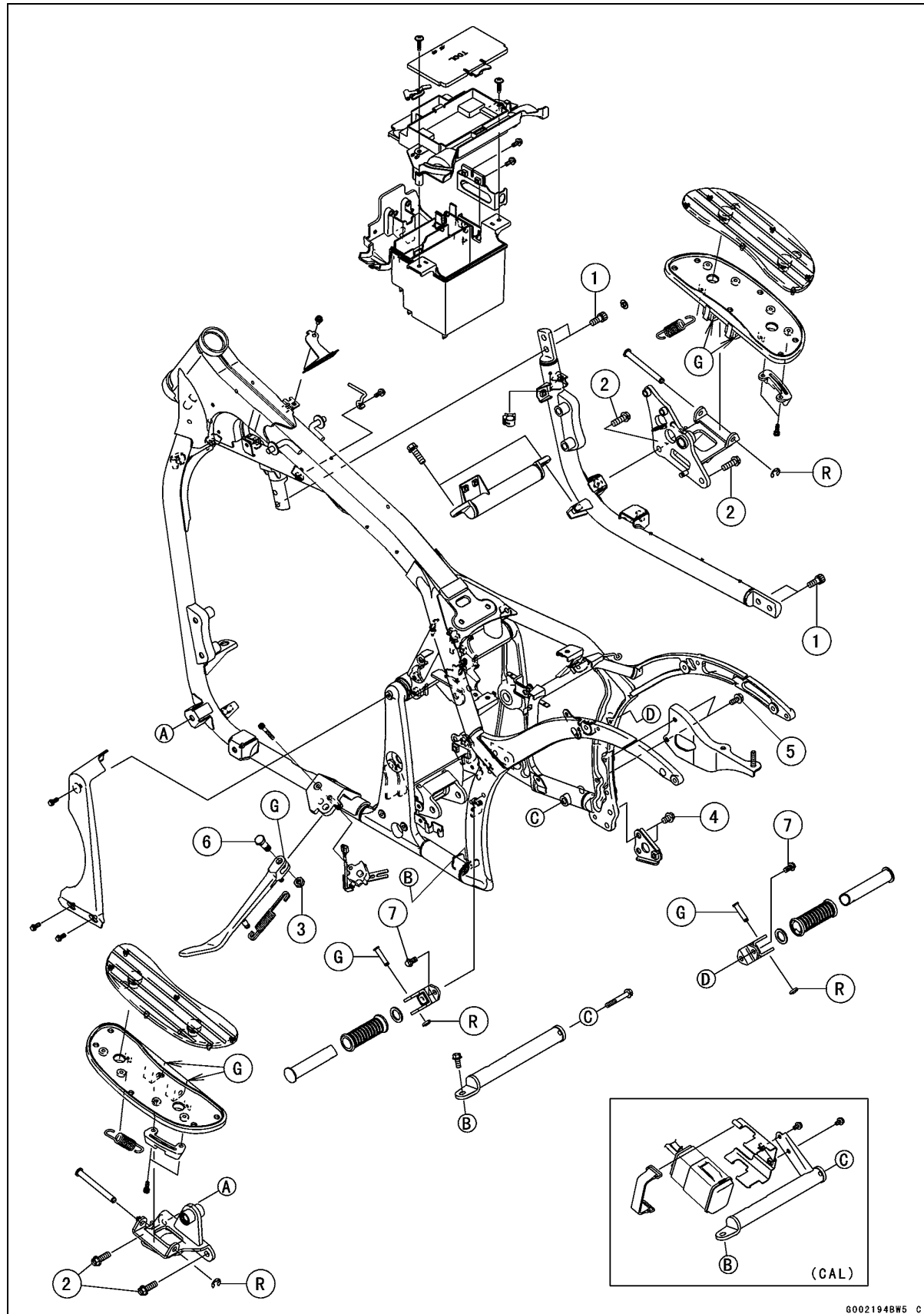
# Frame

## Table of Contents

Exploded View.....	15-2
Special Tool.....	15-7
Seats.....	15-8
Seat Removal.....	15-8
Seat Installation.....	15-8
Side Covers.....	15-9
Left Side Cover Removal.....	15-9
Left Side Cover Installation.....	15-9
Right Side Cover Removal.....	15-9
Right Side Cover Installation.....	15-10
Fenders.....	15-11
Front Fender Removal.....	15-11
Rear Fender Removal.....	15-11
Rear Fender Installation.....	15-12
Battery Case.....	15-13
Battery Case Removal.....	15-13
Tool Box.....	15-14
Tool Box Removal.....	15-14
Footboard.....	15-15
Footboard Removal/Installation.....	15-15
Footboard Disassembly.....	15-16
Footboard Assembly.....	15-16
Sidestand.....	15-17
Sidestand Removal.....	15-17
Sidestand Installation.....	15-17
Windshield (VN900D Models).....	15-18
Windshield Height Adjustment.....	15-18
Windshield Removal.....	15-18
Windshield Assembly/Installation.....	15-18
Saddlebags (VN900D Models).....	15-20
Saddlebag Removal.....	15-20
Saddlebag Installation.....	15-20
Rear View Mirrors.....	15-21
Rear View Mirror Removal (Other than Europe Models).....	15-21
Rear View Mirror Removal (Europe Models).....	15-21
Rear View Mirror Installation (Other than Europe Models).....	15-21
Rear View Mirror Installation (Europe Models).....	15-22
Downtube.....	15-23
Downtube Removal.....	15-23
Downtube Installation.....	15-24
Back Rest (VN900D Models).....	15-25
Back Rest Removal/Installation.....	15-25
Frame.....	15-26
Frame Inspection.....	15-26

# 15-2 FRAME

## Exploded View



G002194BW5 C

**Exploded View**

No.	Fastener	Torque			Remarks
		N·m	kgf·m	ft·lb	
1	Downtube Bolts	44	4.5	32	
2	Footboard Bracket Bolts	34	3.5	25	
3	Sidestand Mounting Nut	44	4.5	32	
4	Lower Muffler Bracket Bolts	34	3.5	25	
5	Upper Muffler Bracket Bolts	34	3.5	25	
6	Sidestand Mounting Bolt	44	4.5	32	
7	Footpeg Bracket Bolts	25	2.5	18	

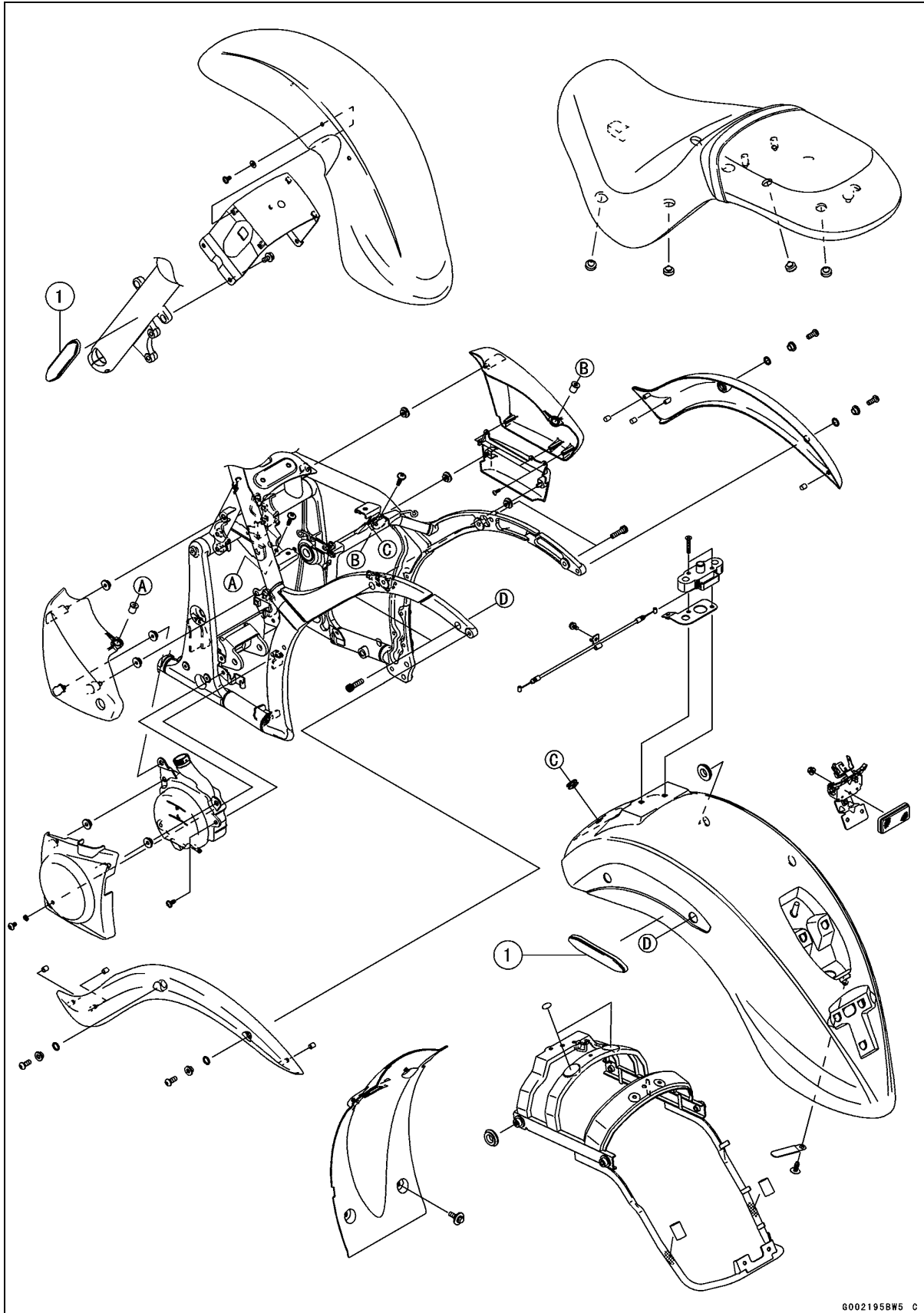
G: Apply grease.

R: Replacement Parts

CAL: California Model

# 15-4 FRAME

## Exploded View



G002195BW5 C

---

**Exploded View**

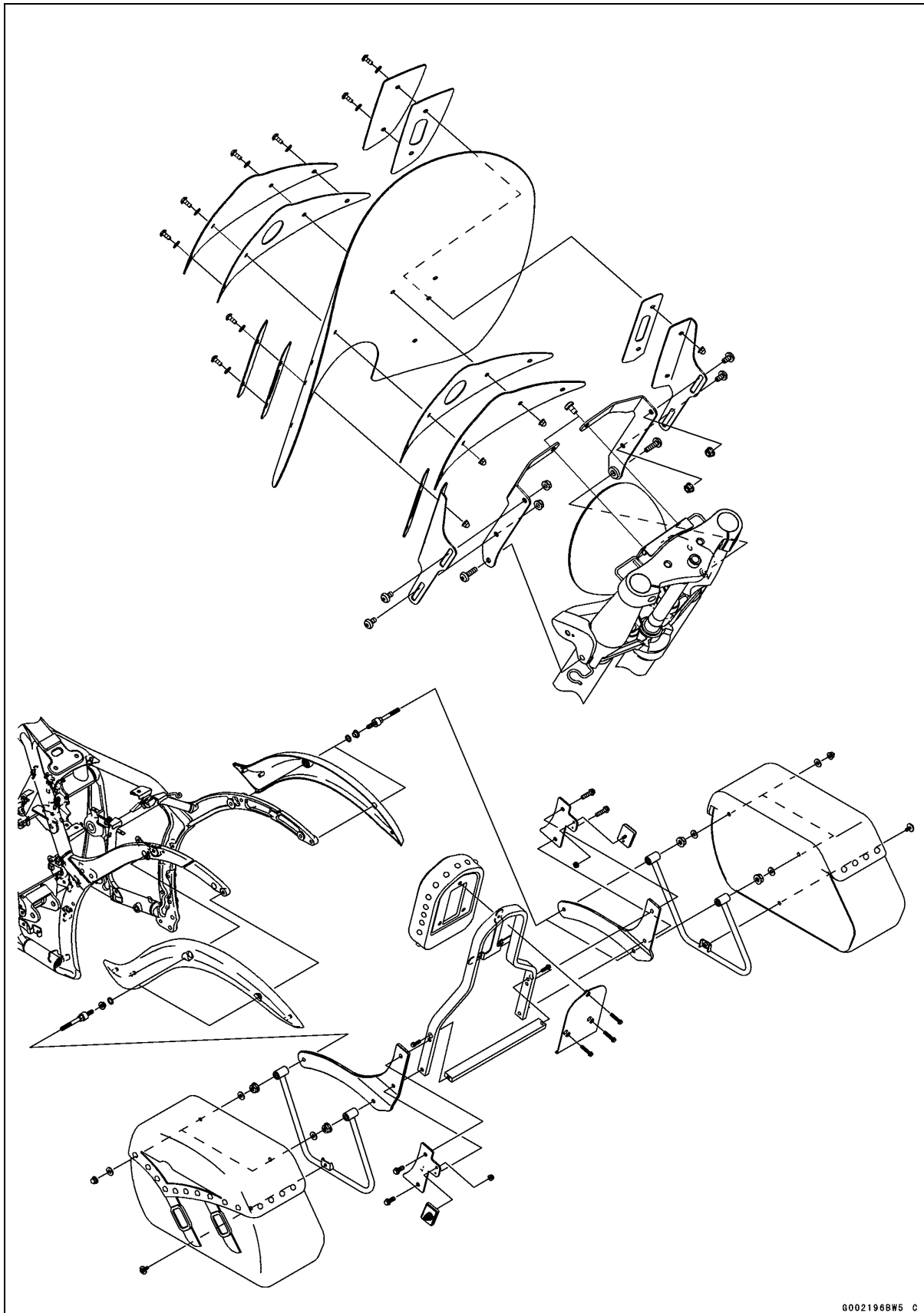
---

1. other than Europe Models

# 15-6 FRAME

## Exploded View

### VN900D Models



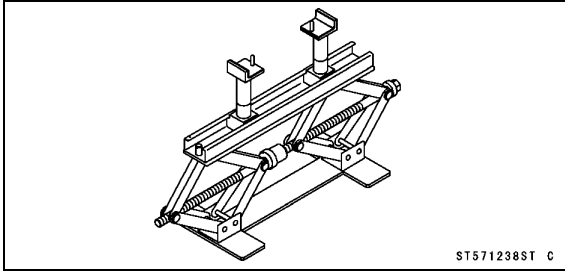
G002196BW5 C

---

**Special Tool**

---

**Jack:**  
**57001-1238**

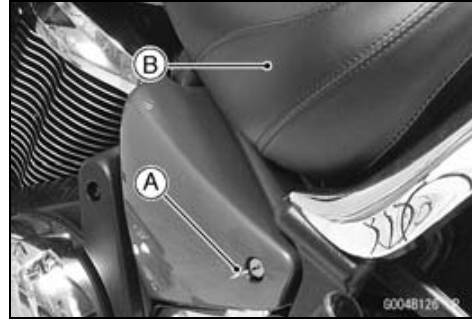


## 15-8 FRAME

### Seats

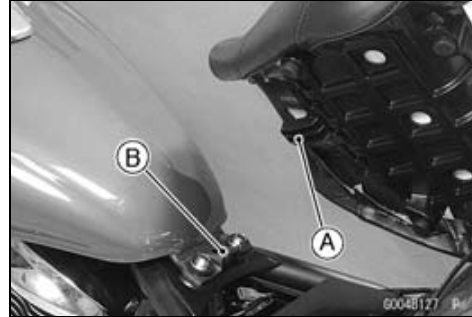
#### **Seat Removal**

- Insert the ignition switch key [A] into the seat lock, turning the key clockwise, pulling up on the rear of the seat [B], and pulling the seat backward.

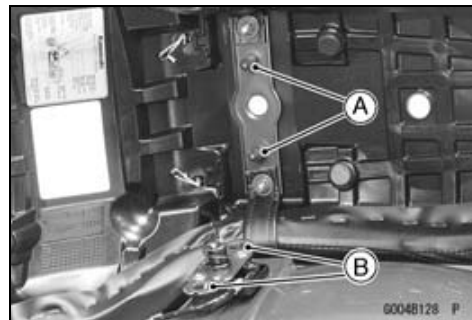


#### **Seat Installation**

- Slip the seat hook [A] under the brace [B] on the fuel tank bracket.



- Insert the seat latches [A] into the latch hole [B].
- Push down the rear part of the seat until the lock click.

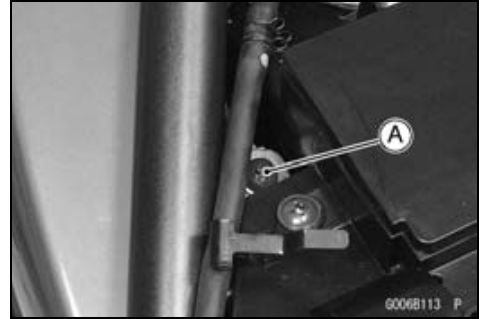




## Side Covers

### Left Side Cover Removal

- Remove:
  - Seat (see Seat Removal)
  - Screw [A]

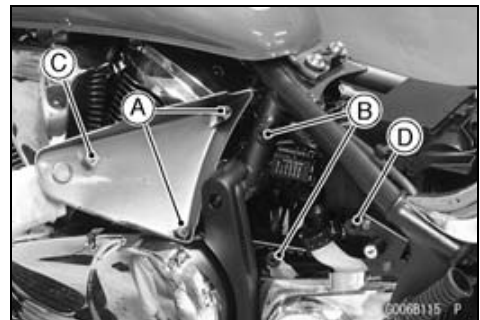


- Pull [A] the left side cover evenly, and remove it.



### Left Side Cover Installation

- Put the front stoppers [A] into the grommets [B] first, then put the rear stopper [C] into the grommet [D].
- Tighten the screw.



### Right Side Cover Removal

- Remove
  - Seat (see Seat Removal)
  - Screw [A]



### CAUTION

Be careful not to scratch the right side cover surface with the upper exhaust pipe cover [A] during removal or installation.

- Cover the rear exhaust pipe with a shop towel and pull the right side cover [B] evenly outward to clear the stoppers.



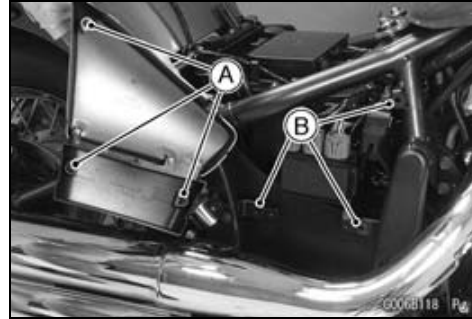
## 15-10 FRAME

### Side Covers

---

#### ***Right Side Cover Installation***

- Put the stoppers [A] into the grommets [B].
- Tighten the screw.



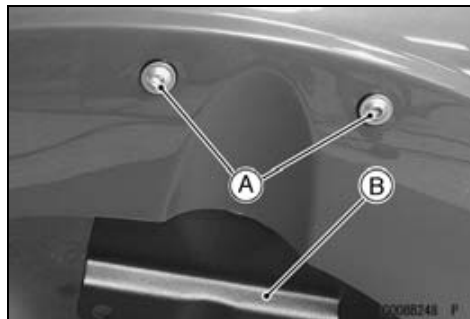
## Fenders

### Front Fender Removal

#### CAUTION

**Be careful not to scratch the painted surface during removal or installation.**

- Remove the mounting bolts [A] and washers on both sides to separate the fender from the front fork.
- Move the fender forwards with the wheel installed and remove it.
  
- Remove:
  - Bolts [A]
  - Brace [B]

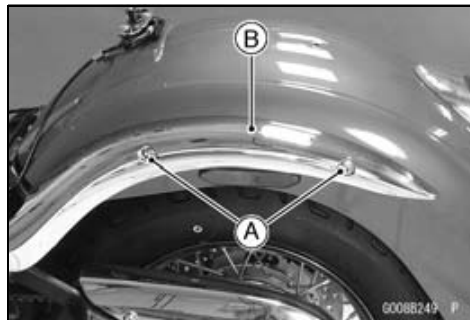


### Rear Fender Removal

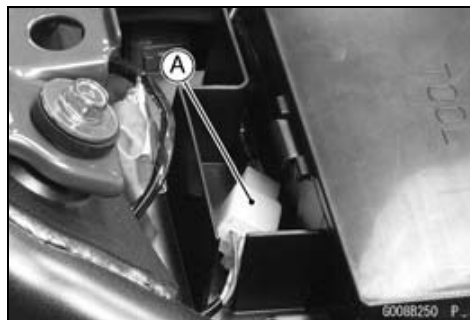
#### CAUTION

**Be careful not to scratch the painted surface during removal or installation.**

- Remove (VN900D Models):
  - Left and Right Saddlebags (see Saddlebag Removal)
  - Back Rest (see Back Rest Removal/Installation)
- Remove:
  - Seat (see Seat Removal)
  - Bolts [A] (Both Sides)
  - Rear Fender Covers [B] (Both Sides)



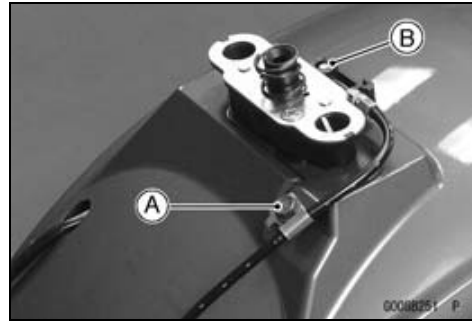
- Disconnect the rear fender connector [A].



## 15-12 FRAME

### Fenders

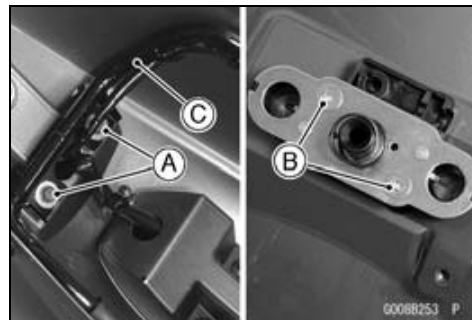
- Remove:
  - Bolt [A]
  - Seat Lock Cable Lower End [B]



- Remove the rear fender bolts [A] on both sides.
- Remove the rear fender [B] rearwards.

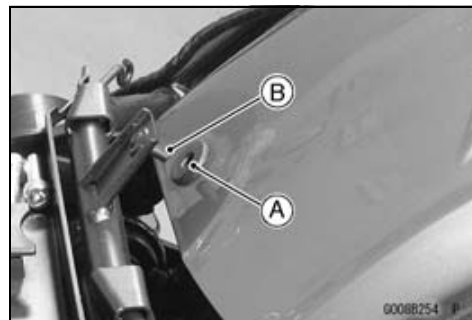


- Remove:
  - Bolts [A]
  - Screws [B]
  - Reinforce [C]



### ***Rear Fender Installation***

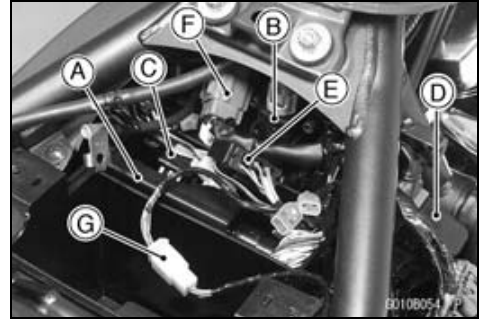
- Installation is reverse of removal, note the following.
  - Put the grommet [A] of the rear fender into the stopper [B] of the frame.
  - Be sure the harness is in place (see Cable, Wire and Hose Routing section in the Appendix chapter).



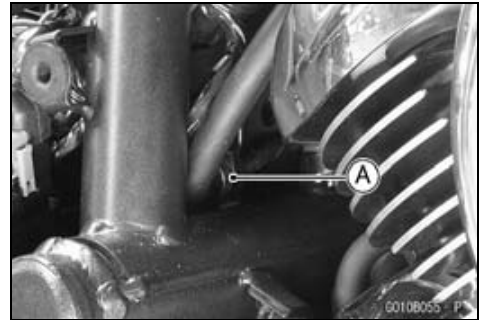
## Battery Case

### Battery Case Removal

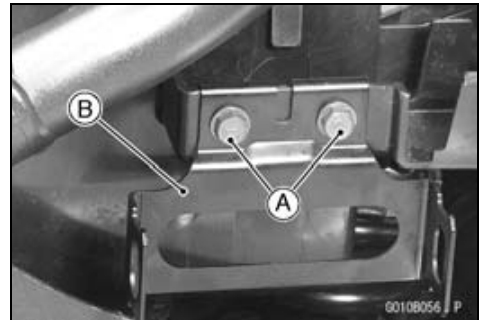
- Remove:
  - Seat (see Seat Removal)
  - Battery (see Battery Removal in the Electrical System chapter)
  - ECU [A] (see ECU Removal in the Fuel System (DFI) chapter)
  - Relay Box (see Relay Box Removal in the Electrical System chapter)
  - Fuse Box (see Electrical System chapter)
  - Vehicle-down Sensor [B] (see Vehicle-down Sensor Removal in the Fuel System (DFI) chapter)
  - Turn Signal Control Relay [C]
  - Starter Relay [D]
  - Ignition Switch Lead Connector [E]
  - Alternator Lead Connector [F]
  - Rear Fender Connector [G]



- Pry open the clamps [A] (Left and Right).



- Remove:
  - Bolts [A]
  - Relay Box Bracket [B]



- Remove the battery case [A] upward.

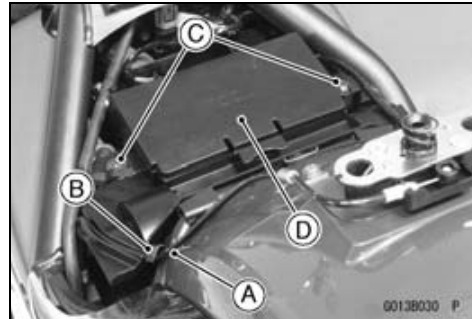


## 15-14 FRAME

### Tool Box

#### ***Tool Box Removal***

- Clear the seat lock cable [A] from the hook [B].
- Remove:
  - Seat (see Seat Removal)
  - Screws [C]
  - Tool Box [D]

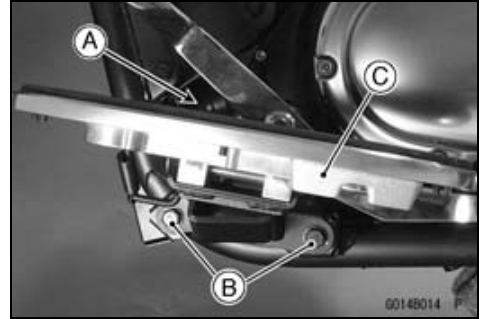


## Footboard

### Footboard Removal/Installation

#### Left Side:

- Remove:
  - Shift Pedal Clamp Bolt [A]
  - Footboard Bracket Bolts [B]
  - Left Footboard Assembly [C]

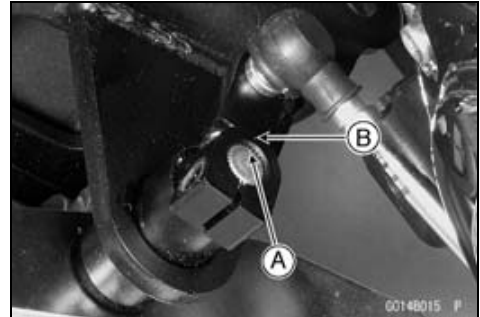


- Install the shift pedal to the front shift lever so that the punch mark [A] on the pedal align to the punch mark [B] on the shift lever.

- Tighten:

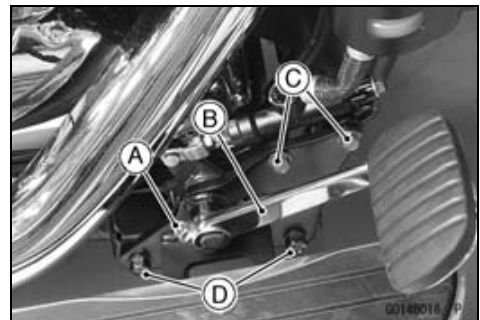
**Torque - Footboard Bracket Bolts: 34 N·m (3.5 kgf·m, 25 ft·lb)**

**Shift Pedal Clamp Bolt: 12 N·m (1.2 kgf·m, 106 in·lb)**

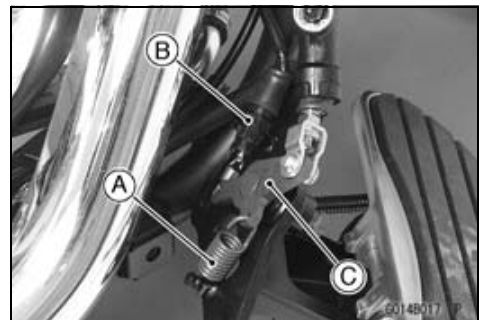


#### Right Side:

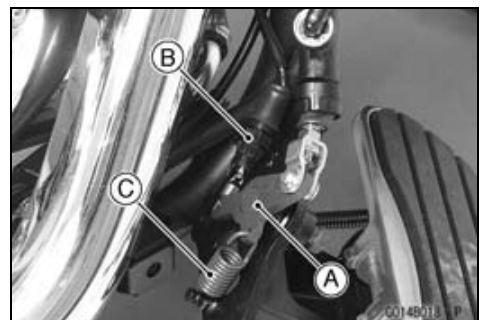
- Remove:
  - Brake Pedal Clamp Bolt [A]
  - Brake Pedal [B]
  - Rear Master Cylinder Mounting Bolts [C]
  - Right Footboard Bracket Bolts [D]



- Remove:
  - Brake Pedal Return Spring [A]
  - Brake Light Switch [B]
  - Brake Lever [C]



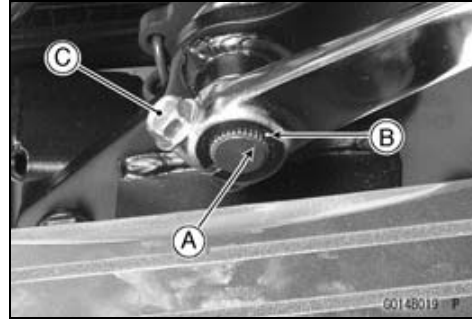
- Install:
  - Brake Lever [A]
  - Brake Light Switch [B]
  - Brake Pedal Return Spring [C]



# 15-16 FRAME

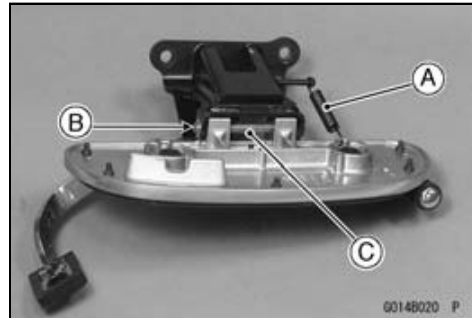
## Footboard

- Install:
  - Right Footboard Assembly
- Tighten:
  - Torque - Footboard Bracket Bolts: 34 N·m (3.5 kgf·m, 25 ft·lb)**
  - Rear Master Cylinder Mounting Bolts: 25 N·m (2.5 kgf·m, 18 ft·lb)**
- Install the brake pedal so that the punch mark [A] on the brake lever shaft align to the brake lever punch mark [B].
- Tighten:
  - Torque - Brake Lever Clamp Bolt [C]: 25 N·m (2.5 kgf·m, 18 ft·lb)**



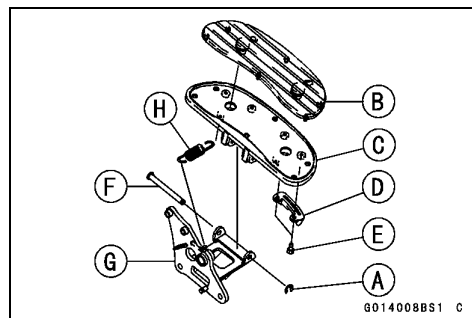
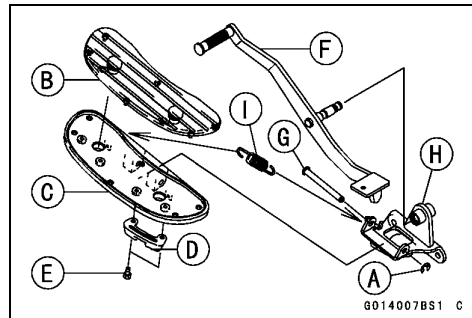
### Footboard Disassembly

- Remove the each footboard (see Footboard Removal/Installation).
- Remove:
  - Spring [A]
  - Circlip [B]
  - Pin [C]



### Footboard Assembly

- Replace the circlip [A] with a new one.
  - Install:
    - Left Front Footboard Damper [B]
    - Left Front Footboard [C]
    - Bank Sensor [D]
    - Bank Sensor Bolts [E]
    - Shift Pedal [F]
  - Insert the pin [G] from the front side of the footboard bracket [H].
  - Install the circlip.
  - Install the spring [I] so that the shorter hook facing the footboard bracket.
- 
- Replace the circlip [A] with a new one.
  - Install:
    - Right Front Footboard Damper [B]
    - Right Front Footboard [C]
    - Bank Sensor [D]
    - Bank Sensor Bolts [E]
  - Insert the pin [F] from the front side of the footboard bracket [G].
  - Install the circlip.
  - Install the spring [H] so that the shorter hook facing the footboard bracket.

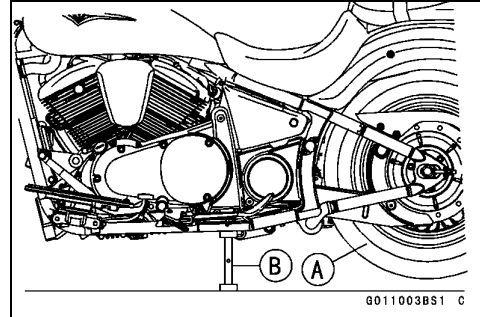




## Sidestand

### Sidestand Removal

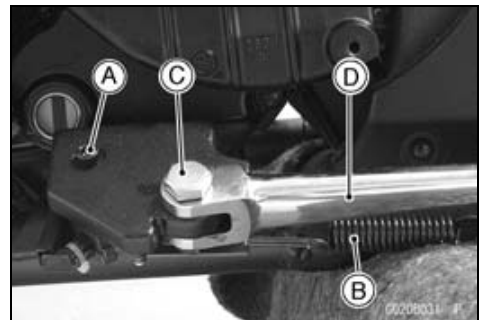
- Raise the rear wheel [A] off the ground, using the jack [B].  
**Special Tool - Jack: 57001-1238**
- Remove the alternator outer cover (see Alternator Outer Cover Removal in the Electrical System chapter).



- Disconnect the sidestand switch lead connector [A].

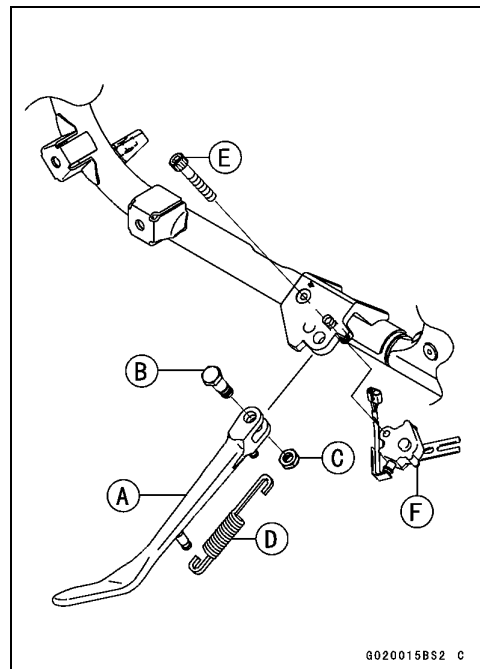


- Remove:
  - Sidestand Switch Bolt [A]
  - Spring [B]
  - Sidestand Bolt [C]
  - Sidestand [D]



### Sidestand Installation

- Apply grease to the contact surface of the frame and sidestand.
- Install:
  - Sidestand [A]
  - Sidestand Mounting Bolt [B] and Nut [C]
- Tighten:
  - Torque - Sidestand Mounting Nut: 44 N·m (4.5 kgf·m, 32 ft·lb)**
- Hook the spring [D] so that face the long spring end upward.
- Install the spring hook direction as shown.
- Apply a non-permanent locking agent to the sidestand switch mounting bolt [E].
- Install the sidestand switch [F].
- Tighten:
  - Torque - Sidestand Switch Mounting Bolt: 8.8 N·m (0.90 kgf·m, 78 in·lb)**
- Check that the sidestand switch mounting bolt and nut is not loosening.
- Run the sidestand switch lead correctly (see Cable, Wire and Hose Routing section in the Appendix chapter).
- Install the alternator outer cover (see Alternator Outer Cover Installation in the Electrical System chapter).

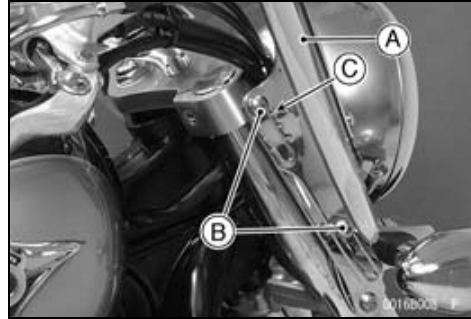


## 15-18 FRAME

### Windshield (VN900D Models)

#### Windshield Height Adjustment

- The windshield [A] can be adjusted within 50 mm (2.0 in.) in height to suit the rider's preference.
- Loosen the upper and lower bolts [B] on both sides and slide the windshield up or down.
- Check to see that the position marks [C] are in the same relative position on both sides.
- Tighten the bolts securely.



#### Windshield Removal

##### CAUTION

Be careful not to damage the surface of the windshield.

- Remove:
  - Bolts and Nuts (Both Sides) [A]
  - Windshield [B]

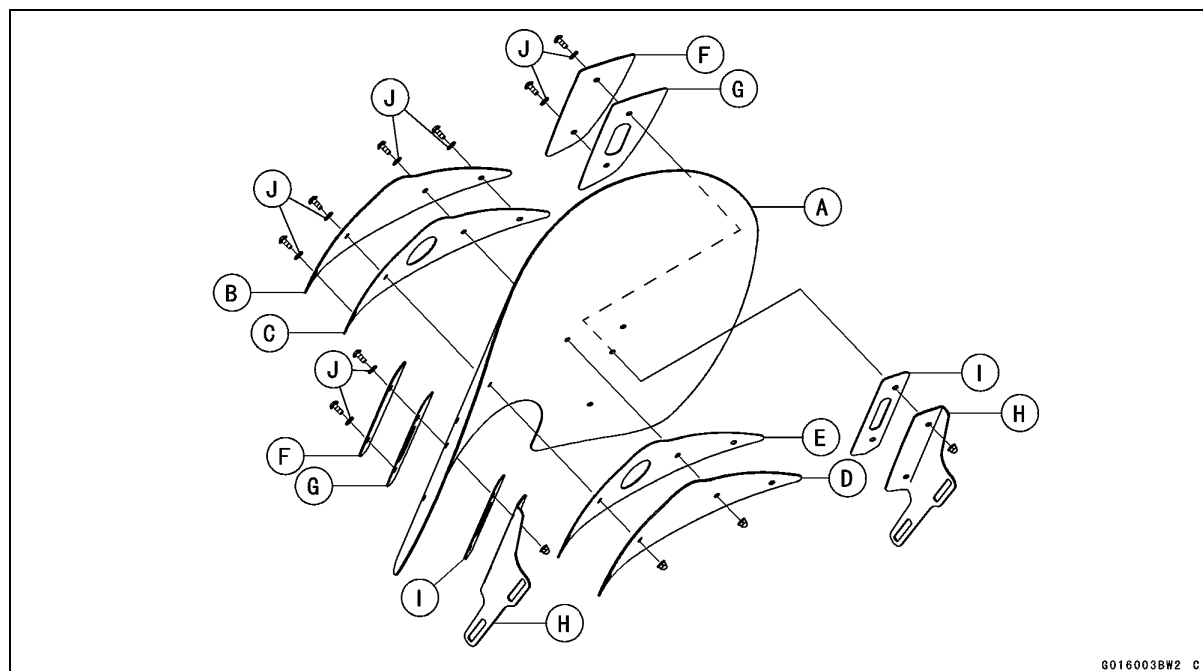


#### Windshield Assembly/Installation

##### CAUTION

Be careful not to damage the surface of the windshield.

- Install the following with the bolts and nuts to the windshield [A].
  - Outer Center Plate [B] and Damper [C]
  - Inner Center Plate [D] and Damper [E]
  - Left and Right Outer Plates [F] and Dampers [G]
  - Left and Right Stays [H] and Dampers [I]
  - Washers [J]
- The left outer plate has an **L** mark on its back and the right outer plate an **R** mark (front view).



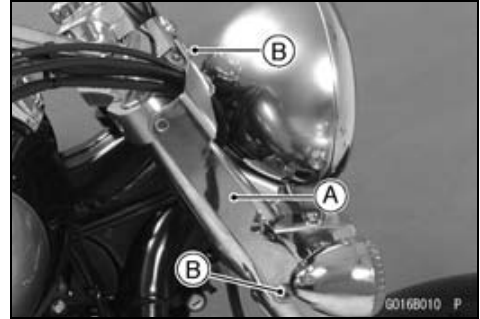
6016003BW2 C

---

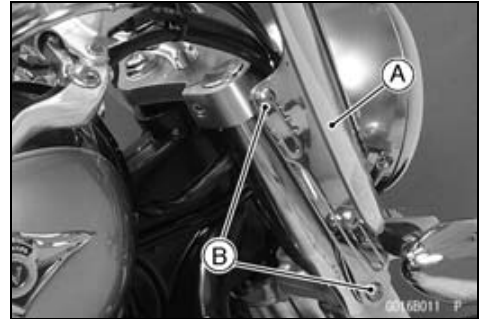
**Windshield (VN900D Models)**

---

- Install:  
Brackets (Both Sides) [A]  
Bolts [B]



- Install the windshield [A] on the brackets with the bolt [B].

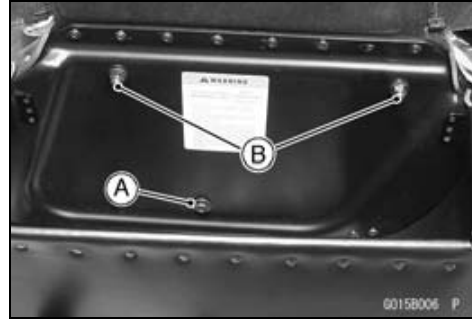


## 15-20 FRAME

### Saddlebags (VN900D Models)

#### **Saddlebag Removal**

- Open the lid.
- Remove:
  - Bolt [A]
  - Nuts [B]
  - Saddlebag

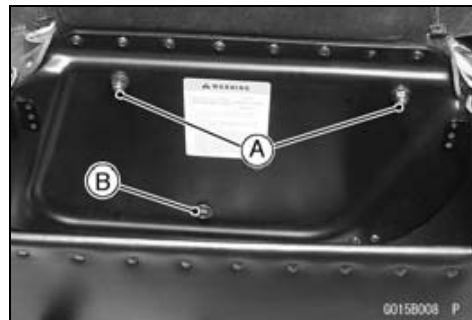


#### **Saddlebag Installation**

- Be sure that the washers [A] are in place.



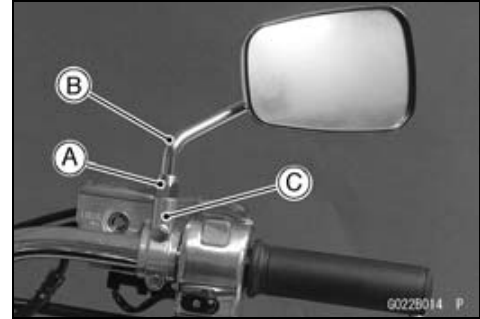
- Install:
  - Saddlebag
- Tighten:
  - Nuts [A]
  - Bolt [B]



## Rear View Mirrors

### Rear View Mirror Removal (Other than Europe Models)

- Loosen the locknut [A].
- Turn the rear view mirror stay [B] counterclockwise to remove the rear view mirror from the holder [C].



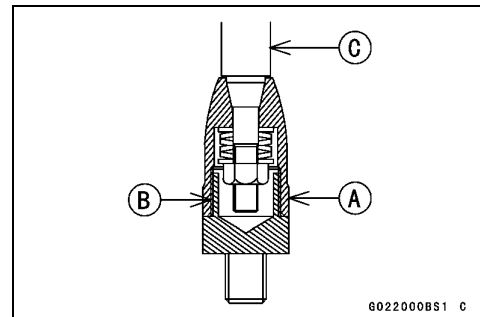
### Rear View Mirror Removal (Europe Models)

- Loosen the lower hexagonal area [A].
- Turn the rear view mirror stay [B] counterclockwise to remove the rear view mirror from the holder [C].



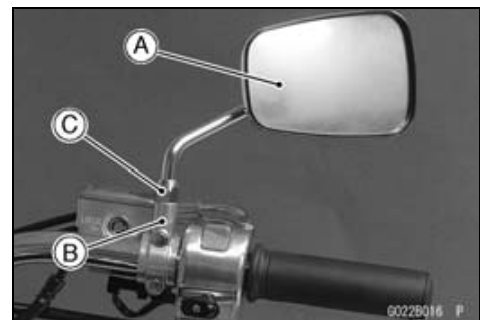
### CAUTION

Do not force to tighten and/or loosen the upper hexagonal area (adapter) [A] with a pair of spanners or wrench. Disassembly of this area is not possible. Non-permanent locking agent [B] is already applied to the threads of this inner area. Forcible loosening may damage the adapter and/or the turning mechanism of the stay [C].



### Rear View Mirror Installation (Other than Europe Models)

- Loosen the locknut all the way up.
  - Screw the mounting area of the rear view mirror [A] into the holder [B] all the way, then back it two turns out.
  - Turn the stay to assure visibility to the rear with the rider sitting on the motorcycle, and tighten the locknut [C] securely.
  - Adjust the rear view mirror by slightly moving only the mirror portion of the assembly.
- Installation and adjustment of the left side are common with the those of right side. Follow the procedure specified at the right side.

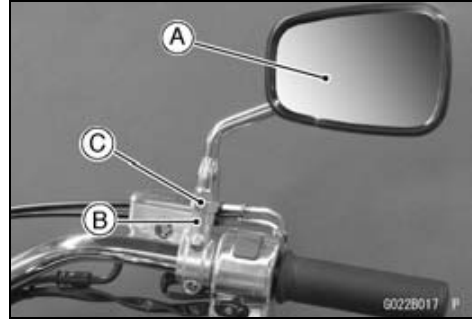


## 15-22 FRAME

### Rear View Mirrors

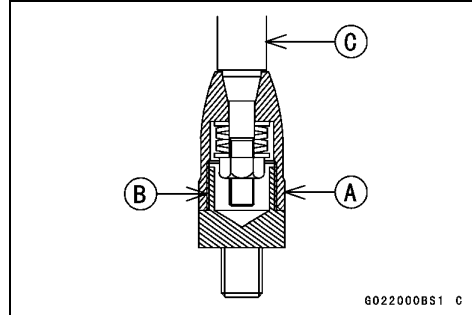
#### Rear View Mirror Installation (Europe Models)

- Screw the mounting area of the rear view mirror [A] into the holder [B] all the way, and tighten the lower hexagonal area [C] securely.

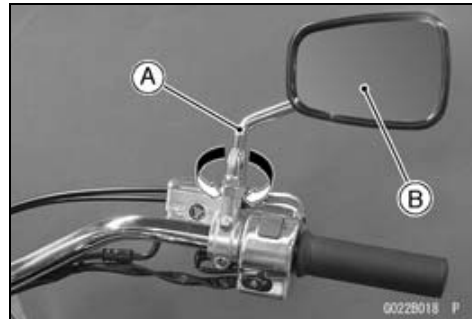


#### CAUTION

Do not force to tighten and/or loosen the upper hexagonal area (adapter) [A] with a pair of spanners or wrench. Disassembly of this area is not possible. Non-permanent locking agent [B] is already applied to the threads of this inner area. Forcible loosening may damage the adapter and/or the turning mechanism of the stay [C].



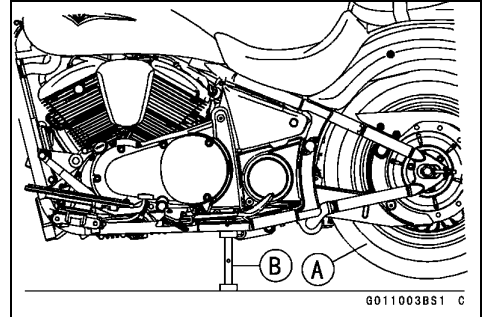
- Turn the stay [A] to assure visibility to the rear with the rider sitting on the motorcycle.
- Adjust the rear view mirror [B] by slightly moving only the mirror portion of the assembly.
- Installation and adjustment of the left side are common with the those of right side. Follow the procedure specified at the right side.



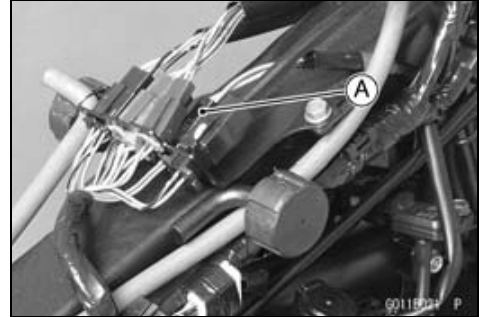
## Downtube

### ***Downtube Removal***

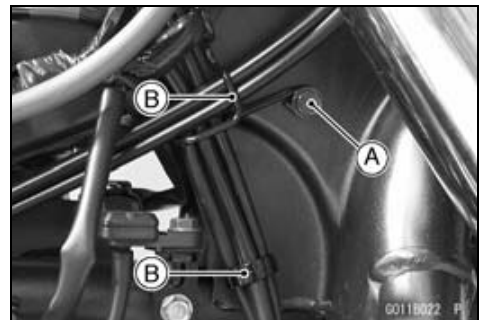
- Raise the rear wheel [A] off the ground, using the jack [B].  
Special Tool - Jack: 57001-1238



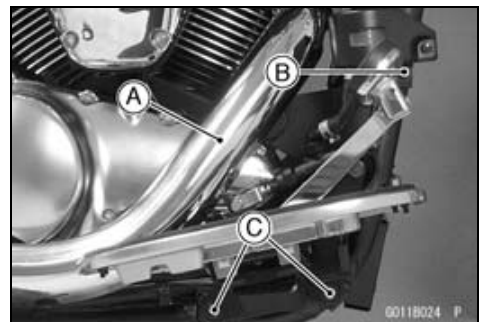
- Remove:  
Fuel Tank (see Fuel Tank Removal in the Fuel System (DFI) chapter)
- Disconnect the rear brake light switch connector [A].



- Remove:  
Bolt [A]  
Clamps [B]



- Remove:  
Muffler [A] (see Muffler Removal in the Engine Top End chapter)  
Reservoir Tank Bolt [B]  
Right Footboard Bolts [C]



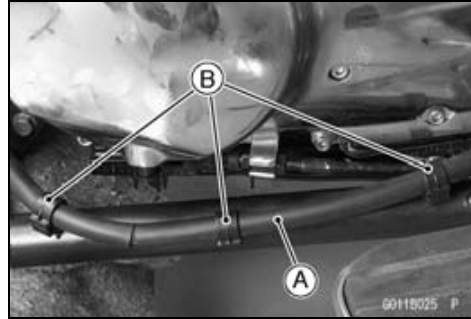
- Pry open the clamp [A].



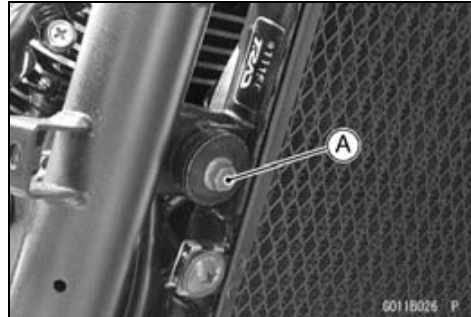
## 15-24 FRAME

### Downtube

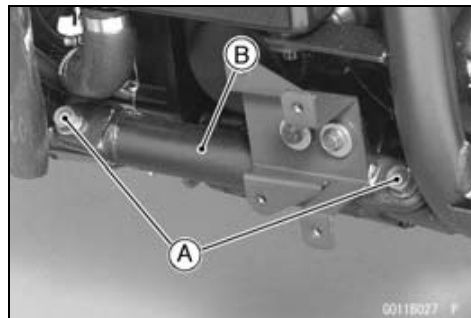
- Clear the brake hose [A] from the clamps [B].



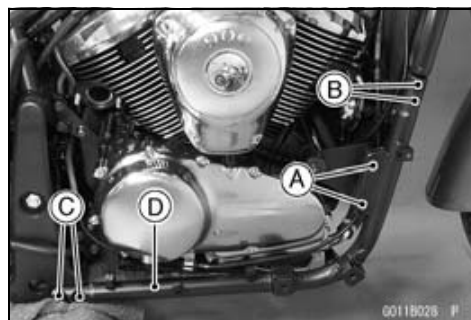
- Remove:  
Radiator Mounting Bolt [A]



- Remove:  
Regulator/Rectifier (see Regulator/Rectifier Removal in the Electrical System chapter)  
Front Cross Pipe Bolts [A]  
Front Cross Pipe [B]

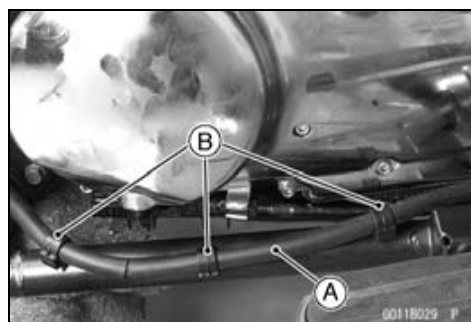


- Remove:  
Engine Mounting Bracket Bolts [A]  
Caps [B] and Down Tube Bolts  
Down Tube Bolts [C]  
Down Tube [D]



### ***Downtube Installation***

- Run the brake hose [A] on the downtube and clamps [B] it.
- Tighten:  
**Torque - Downtube Bolts: 44 N·m (4.5 kgf·m, 32 ft·lb)**  
**Engine Mounting Bracket Bolts: 44 N·m (4.5 kgf·m, 32 ft·lb)**  
**Footboard Bracket Bolts: 34 N·m (3.5 kgf·m, 25 ft·lb)**

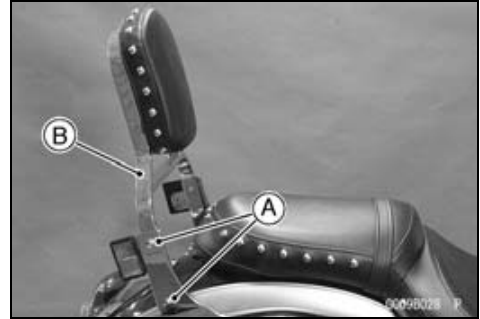




**Back Rest (VN900D Models)****Back Rest Removal/Installation**

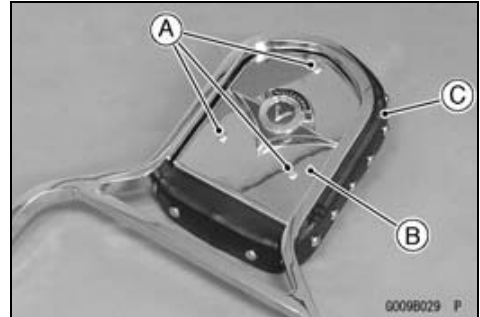
## ● Remove:

- Bolts (Both Sides) [A]
- Back Rest Assy [B]



## ● Remove:

- Bolts [A]
- Plate [B]
- Back Rest Pad [C]

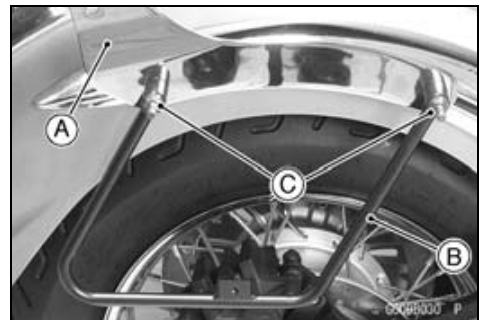


## ● Install:

- Back Rest Side Stays (Both Sides) [A]
- Saddlebag Brackets (Both Sides) [B]

## ● Tighten:

- Nuts (Both Sides) [C]

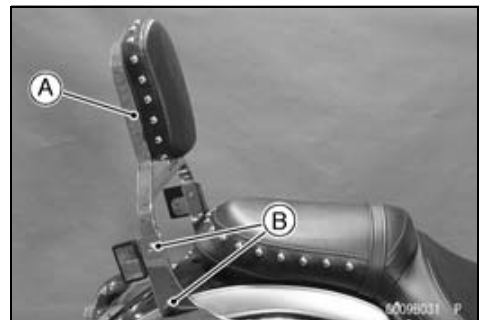


## ● Install:

- Back Rest Assy [A]

## ● Tighten:

- Bolts (Both Sides) [B]



## 15-26 FRAME

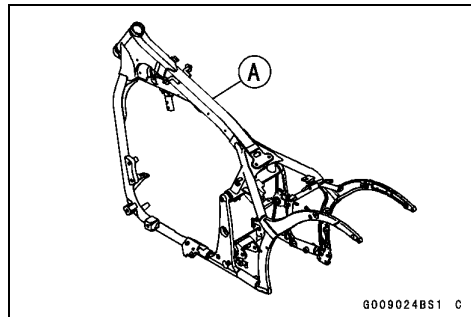
### Frame

#### **Frame Inspection**

- Visually inspect the frame [A] for cracks, dents, bending, or warp.
- ★ If there is any damage to the frame, replace it.

#### **⚠ WARNING**

**A repaired frame may fail in use, possibly causing an accident. If the frame is bent, dented, cracked, or warped, replace it.**



G009024BS1 C

# Electrical System

## Table of Contents

Exploded View .....	16-3
Electrical Parts Location .....	16-10
Wiring Diagram .....	16-13
Specifications .....	16-20
Special Tools and Sealant .....	16-21
Precautions.....	16-22
Electrical Wiring.....	16-24
Wiring Inspection .....	16-24
Battery .....	16-25
Battery Removal .....	16-25
Battery Installation .....	16-25
Battery Activation .....	16-25
Precautions .....	16-28
Interchange .....	16-28
Charging Condition Inspection .....	16-29
Refreshing Charge .....	16-29
Charging System .....	16-31
Alternator Outer Cover Removal.....	16-31
Alternator Outer Cover Installation.....	16-31
Alternator Cover Removal.....	16-31
Alternator Cover Installation.....	16-32
Stator Coil Removal .....	16-32
Stator Coil Installation .....	16-32
Alternator Rotor Removal .....	16-33
Alternator Rotor Installation .....	16-33
Alternator Inspection .....	16-34
Regulator/Rectifier Removal .....	16-36
Regulator/Rectifier Inspection.....	16-36
Charging Voltage Inspection .....	16-38
Ignition System .....	16-40
Ignition Coil Removal .....	16-41
Ignition Coil Installation .....	16-42
Ignition Coil Inspection.....	16-42
Spark Plug Removal .....	16-43
Spark Plug Installation .....	16-43
Spark Plug Condition Inspection.....	16-44
Ignition Coil Primary Peak Voltage Inspection .....	16-44
Crankshaft Sensor Removal .....	16-45
Crankshaft Sensor Installation .....	16-45
Crankshaft Sensor Inspection.....	16-46
Crankshaft Sensor Peak Voltage Inspection.....	16-47
Interlock Operation Inspection .....	16-47
IC Igniter Inspection .....	16-48
Electric Starter System .....	16-50
Starter Motor Removal.....	16-50
Starter Motor Installation.....	16-50
Starter Motor Disassembly.....	16-50
Starter Motor Assembly .....	16-51
Brush Inspection .....	16-52
Commutator Cleaning and Inspection.....	16-52

## 16-2 ELECTRICAL SYSTEM

---

Armature Inspection .....	16-53
Brush Lead Inspection .....	16-53
Brush Plate and Terminal Bolt Inspection .....	16-53
Starter Relay Inspection.....	16-53
Lighting System .....	16-56
Headlight Beam Horizontal Adjustment .....	16-56
Headlight Beam Vertical Adjustment.....	16-56
Headlight Bulb Replacement .....	16-56
Headlight Body Removal .....	16-57
City Light Bulb Replacement (Europe Models) .....	16-57
Tail/Brake Light Removal/Installation .....	16-58
Tail/Brake Light Bulb Replacement .....	16-58
Licence Plate Light Bulb Replacement .....	16-59
Turn Signal Light Bulb Replacement .....	16-61
Turn Signal Relay Inspection .....	16-61
Radiator Fan System.....	16-63
Fan Motor Inspection .....	16-63
Meter Unit.....	16-64
Meter Unit Removal .....	16-64
Meter Unit Installation .....	16-64
Meter Unit Disassembly .....	16-64
Meter Unit Assembly.....	16-66
Meter Unit Inspection .....	16-67
Fuel Gauge Operation Inspection .....	16-76
Air Switching Valve .....	16-77
Air Switching Valve Operation Test .....	16-77
Air Switching Valve Unit Test .....	16-77
Switch and Sensors.....	16-78
Fuel Level Sensor Inspection.....	16-78
Fuel Reserve Switch Inspection.....	16-79
Speed Sensor Removal .....	16-79
Speed Sensor Installation .....	16-80
Speed Sensor Inspection.....	16-80
Oxygen Sensor Removal (Europe Models) .....	16-80
Oxygen Sensor Installation (Europe Models) .....	16-81
Oxygen Sensor Inspection (Europe Models) .....	16-81
Front Brake Light Switch Inspection .....	16-81
Rear Brake Light Switch Check/Adjustment .....	16-81
Water Temperature Sensor Removal.....	16-81
Water Temperature Sensor Installation.....	16-81
Water Temperature Sensor Inspection .....	16-82
Switch Inspection .....	16-83
Relay Box .....	16-84
Relay Box Removal .....	16-84
Relay Circuit Inspection .....	16-84
Diode Circuit Inspection .....	16-85
Fuse.....	16-87
30 A Main Fuse Removal.....	16-87
Fuse Box Fuse Removal.....	16-87
15 A ECU Fuse Removal.....	16-87
Fuse Installation.....	16-88
Fuse Inspection.....	16-88

---

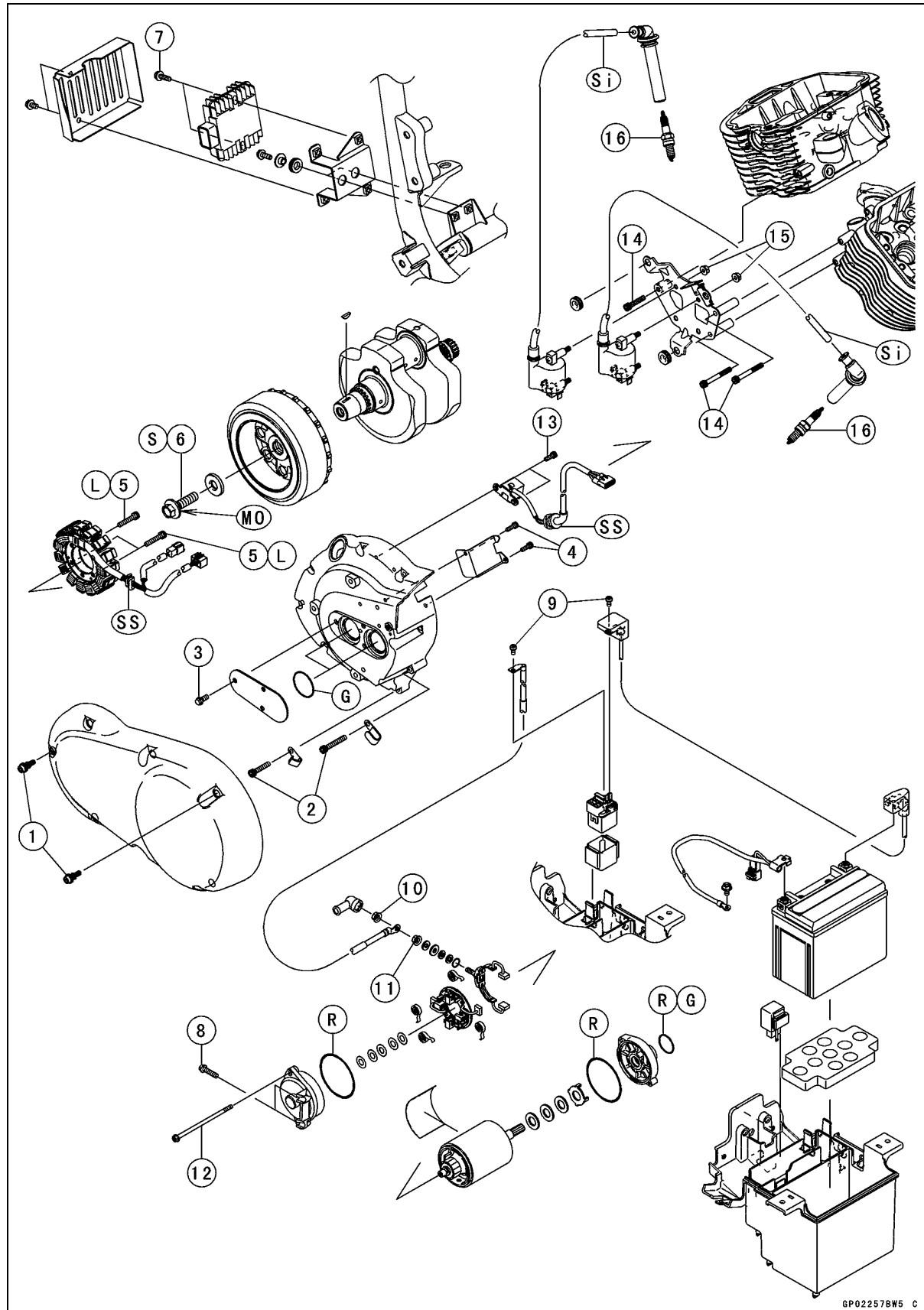
**Exploded View**

---

Dummy Page

# 16-4 ELECTRICAL SYSTEM

## Exploded View



GP02257BW5 C

## Exploded View

No.	Fastener	Torque			Remarks
		N·m	kgf·m	ft·lb	
1	Alternator Outer Cover Bolts	9.8	1.0	87 in·lb	
2	Alternator Cover Bolts	9.8	1.0	87 in·lb	
3	Timing Inspection Plate Bolts	9.8	1.0	87 in·lb	
4	Alternator Lead Holder Plate Bolts	5.9	0.60	52 in·lb	
5	Sator Coil Bolts	12	1.2	106 in·lb	L
6	Alternator Rotor Bolt (First)	69	7.0	51	S, MO
	Alternator Rotor Bolt (Final)	160	16.3	118	S, MO
7	Regulator/Rectifier Bolts	6.9	0.70	61 in·lb	
8	Starter Motor Mounting Bolts	9.8	1.0	87 in·lb	
9	Starer Relay Terminal Screws	3.9	0.40	34 in·lb	
10	Starter Motor Cable Terminal Nut	5.9	0.60	52 in·lb	
11	Starter Motor Terminal Locknut	11	1.1	97 in·lb	
12	Starter Motor Through Bolts	4.9	0.50	43 in·lb	
13	Crankshaft Sensor Bolts	5.9	0.60	52 in·lb	
14	Ignition Coil Bracket Bolt	9.8	1.0	87 in·lb	
15	Ignition Coil Mounting Nuts	6.9	0.70	61 in·lb	
16	Spark Plugs	18	1.8	13	

G: Apply grease.

L: Apply a non-permanent locking agent.

MO: Apply molybdenum disulfide oil solution.

(mixture of the engine oil and molybdenum disulfide grease in a weight ratio 10:1)

R: Replacement Parts

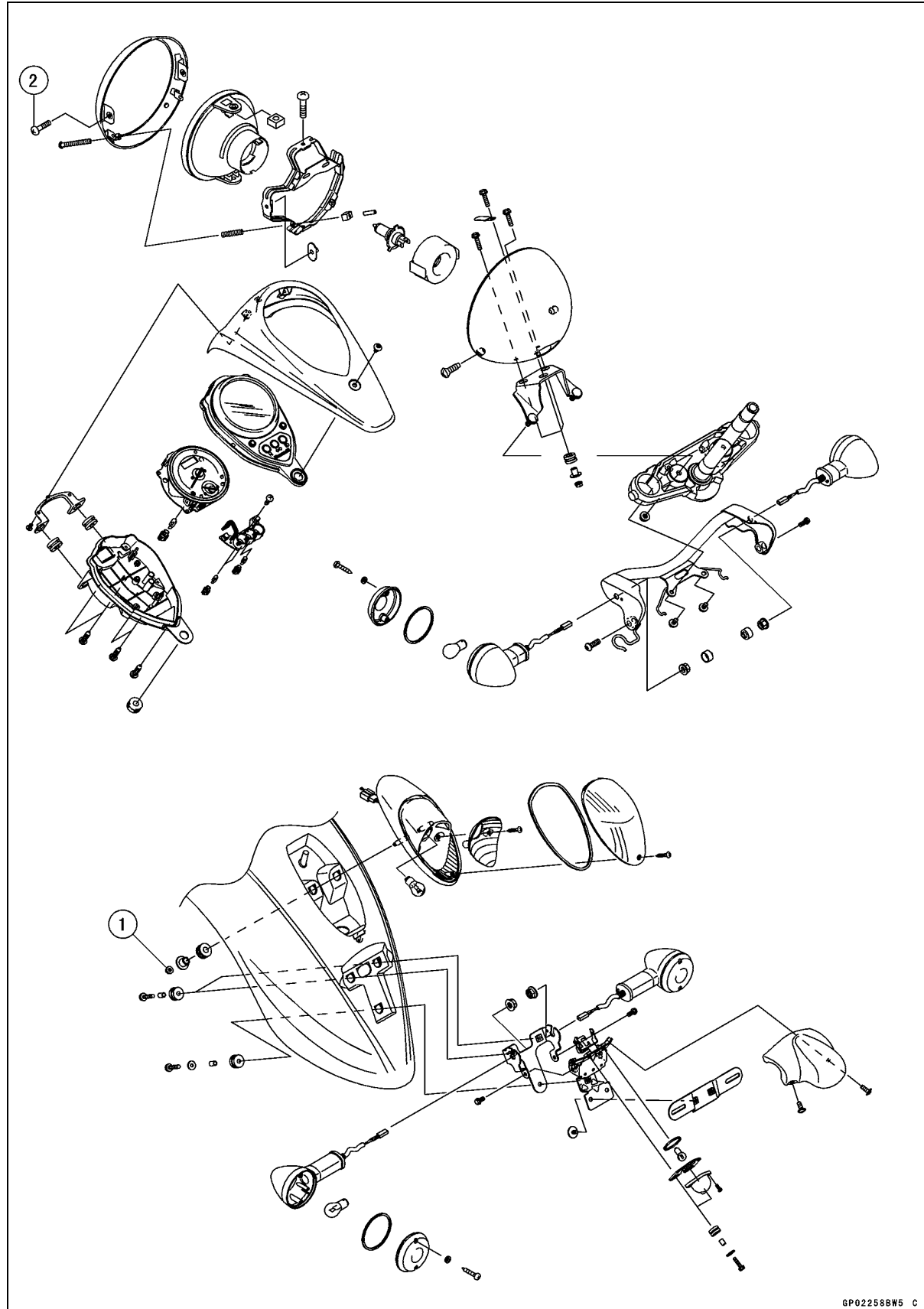
S: Follow the specific tightening sequence.

Si: Apply silicone grease.

SS: Apply silicone sealant.

# 16-6 ELECTRICAL SYSTEM

## Exploded View



GP02258BW5 C



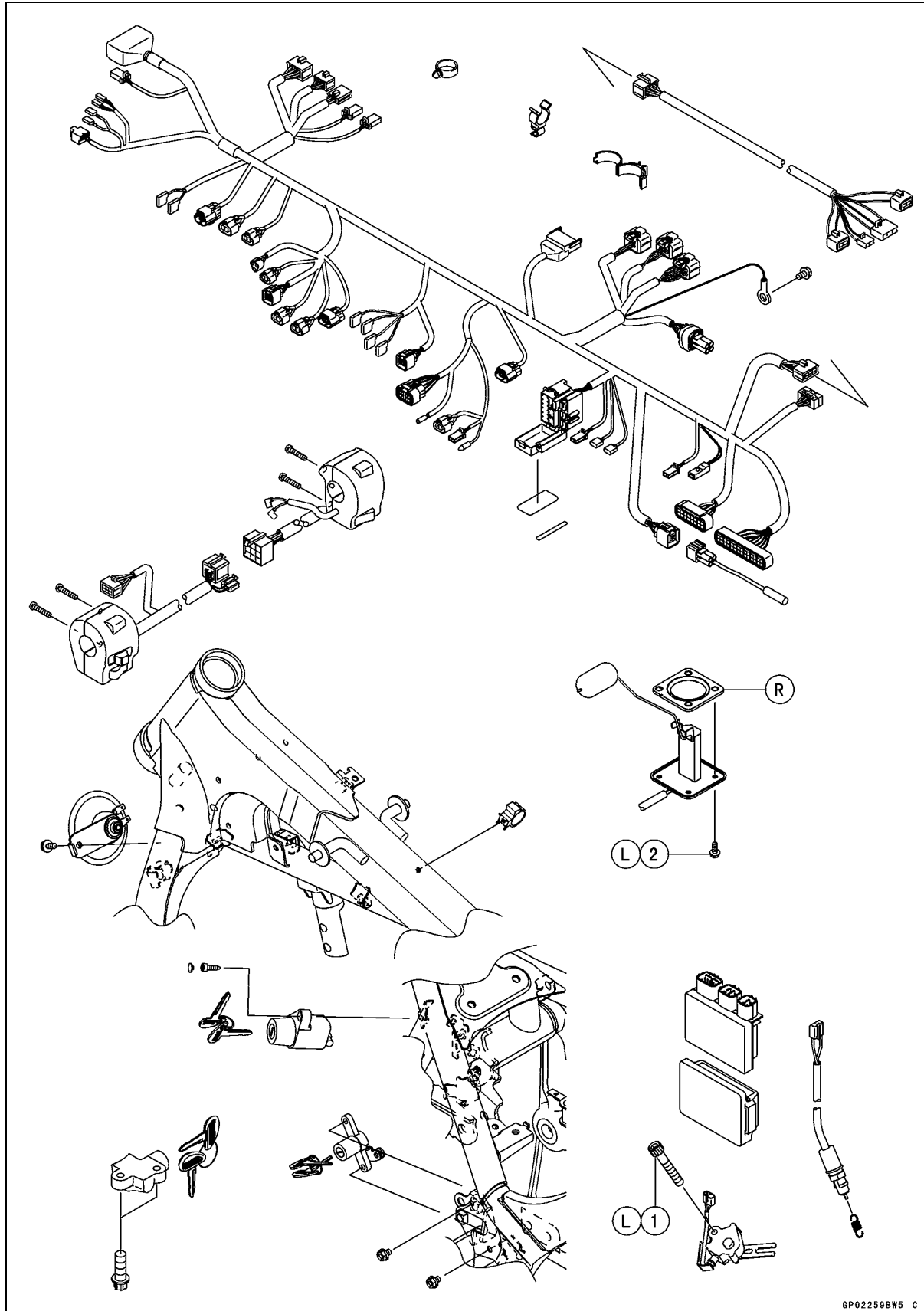
## ELECTRICAL SYSTEM 16-7

### Exploded View

No.	Fastener	Torque			Remarks
		N·m	kgf·m	ft·lb	
1	Tail/Brake Light Unit Mounting Nuts	5.9	0.60	52 in·lb	
2	Headlight Rim Screws	2.9	0.30	26 in·lb	

# 16-8 ELECTRICAL SYSTEM

## Exploded View



**Exploded View**

No.	Fastener	Torque			Remarks
		N·m	kgf·m	ft·lb	
1	Sidestand Switch Mounting Bolt	8.8	0.90	78 in·lb	L
2	Fuel Level Sensor Mounting Bolts	6.9	0.70	61 in·lb	L

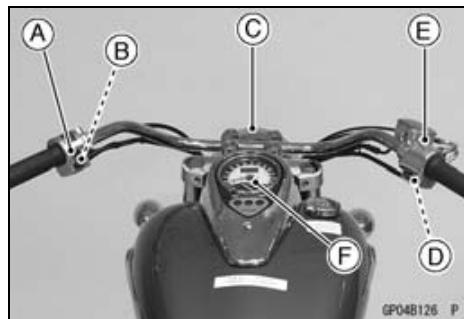
L: Apply a non-permanent locking agent.

R: Replacement Parts

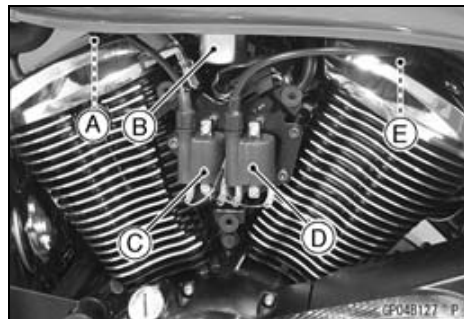
## 16-10 ELECTRICAL SYSTEM

### Electrical Parts Location

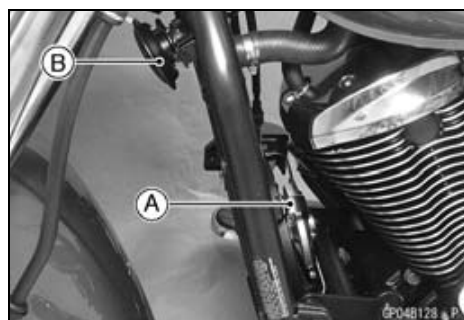
Left Handlebar Switches [A]  
Starter Lockout Switch [B]  
Headlight [C]  
Front Brake Light Switch [D]  
Right Handlebar Switches [E]  
Meter Unit [F]



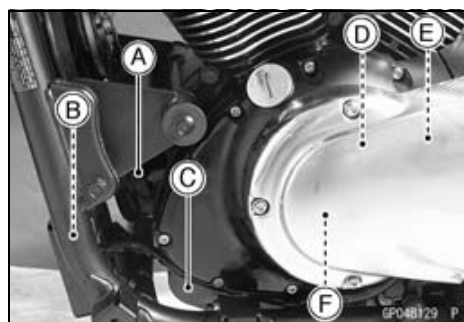
Spark Plug [A] (Front)  
Fuel Pump [B]  
Ignition Coil [C] (Front)  
Ignition Coil [D] (Rear)  
Spark Plug [E] (Rear)



Radiator Fan [A]  
Horn [B]



Oil Pressure Switch [A]  
Regulator/Rectifier [B]  
Starter Motor [C]  
Alternator [D]  
Crankshaft Sensor [E]  
Stator Coil [F]



Ignition Switch [A]  
Fuse Box [B]

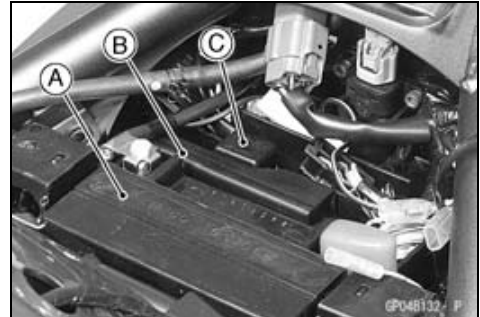


**Electrical Parts Location**

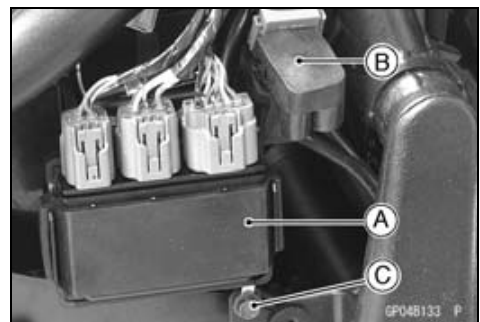
Speed Sensor [A]



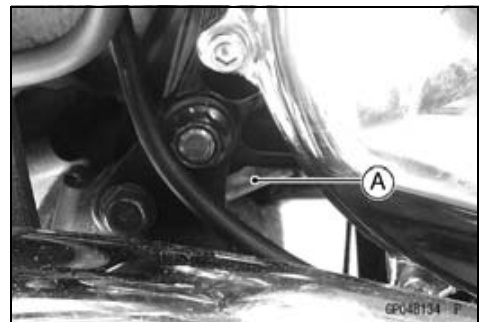
Battery [A]  
ECU (Electronic Control Unit) [B]  
Turn Signal Control Relay [C]



Relay Box [A]  
Starter Relay and Main Fuse 30 A [B]  
Frame Ground Terminal [C]



Natural Switch [A]



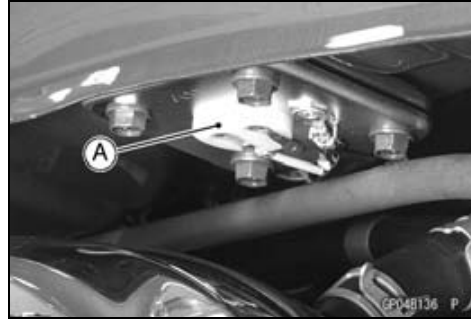
Air Switching Valve [A]



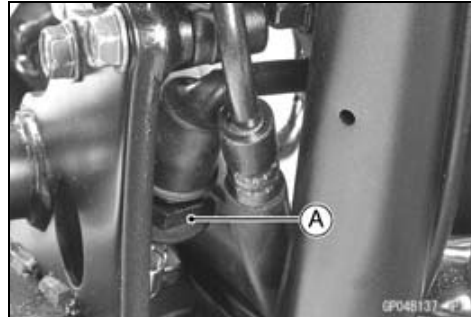
## 16-12 ELECTRICAL SYSTEM

### Electrical Parts Location

Fuel Level Sensor [A]



Rear Brake Light Switch [A]



Water Temperature Sensor [A]



Sidestand Switch [A]



---

**Wiring Diagram**

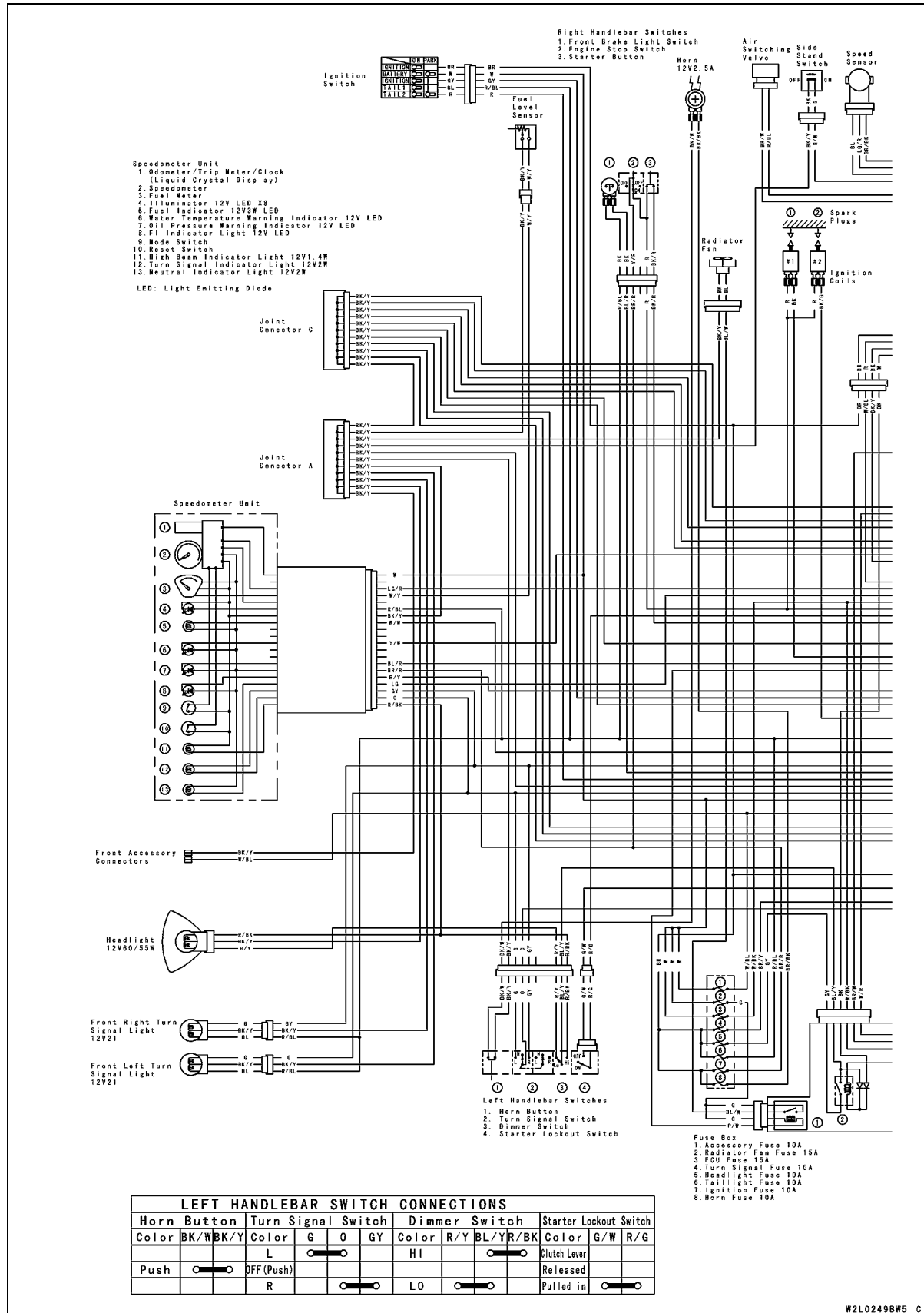
---

Dummy Page

# 16-14 ELECTRICAL SYSTEM

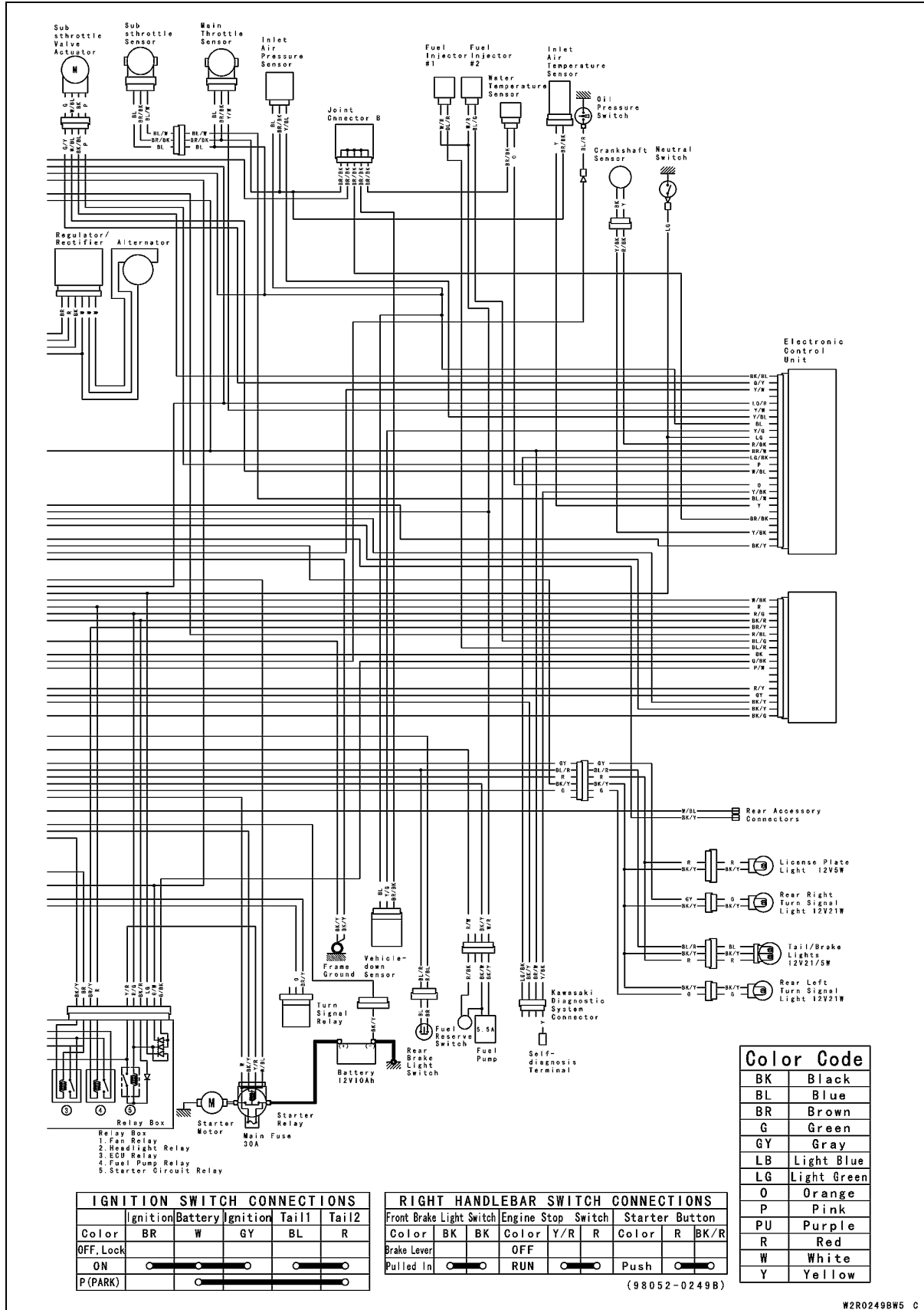
## Wiring Diagram

### United States and Canada Models





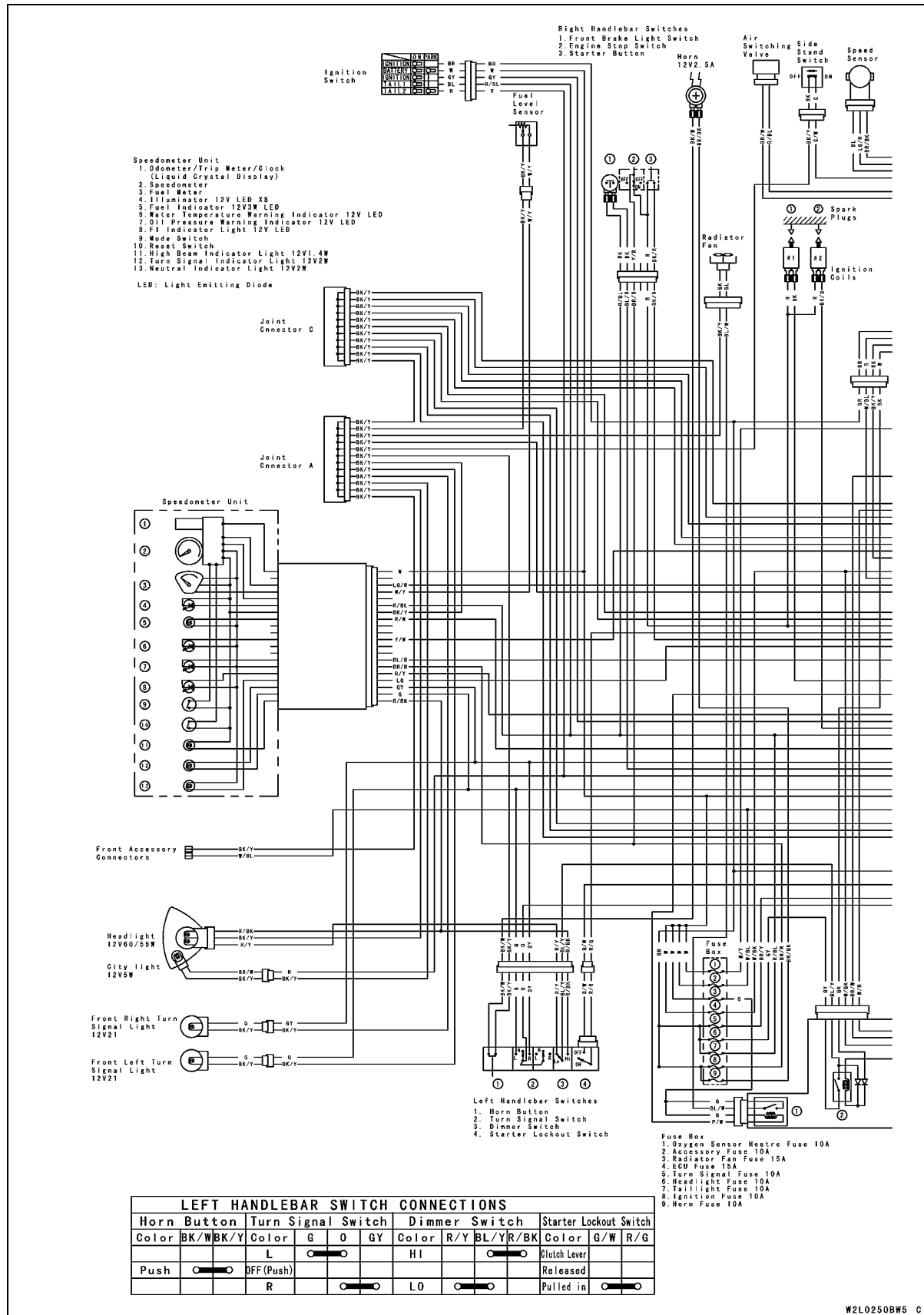
Wiring Diagram



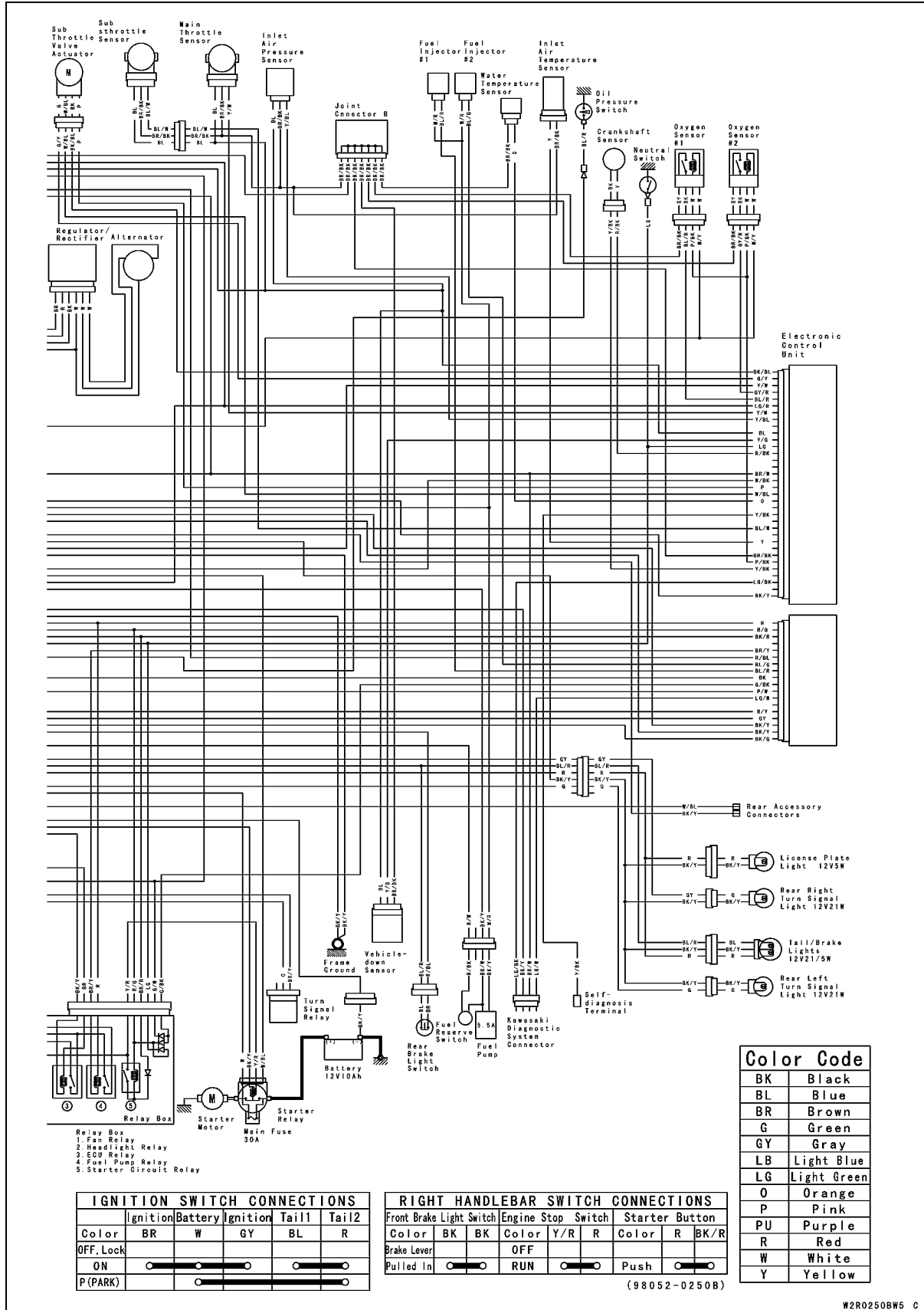
# 16-16 ELECTRICAL SYSTEM

## Wiring Diagram

### Europe Models



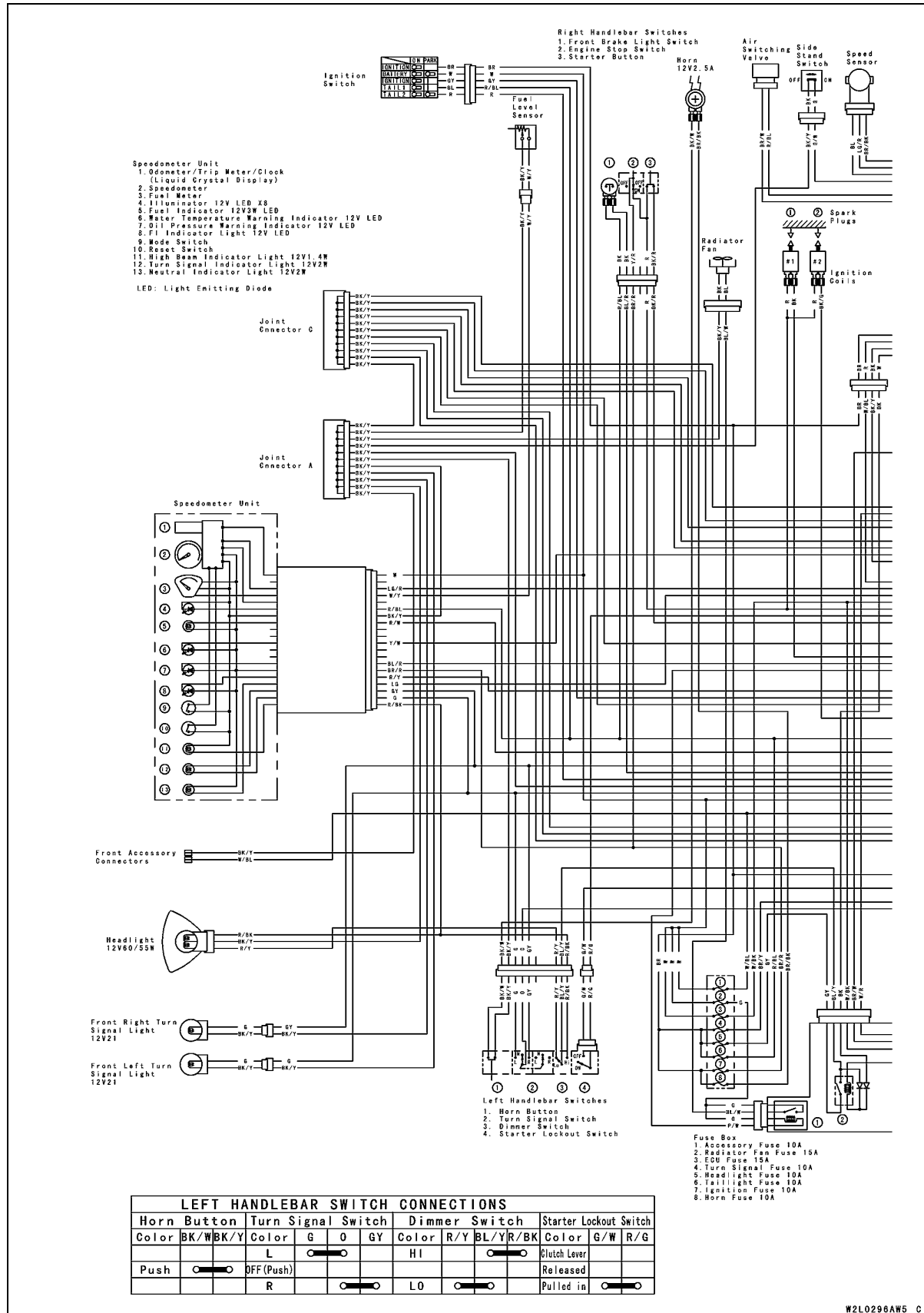
## Wiring Diagram



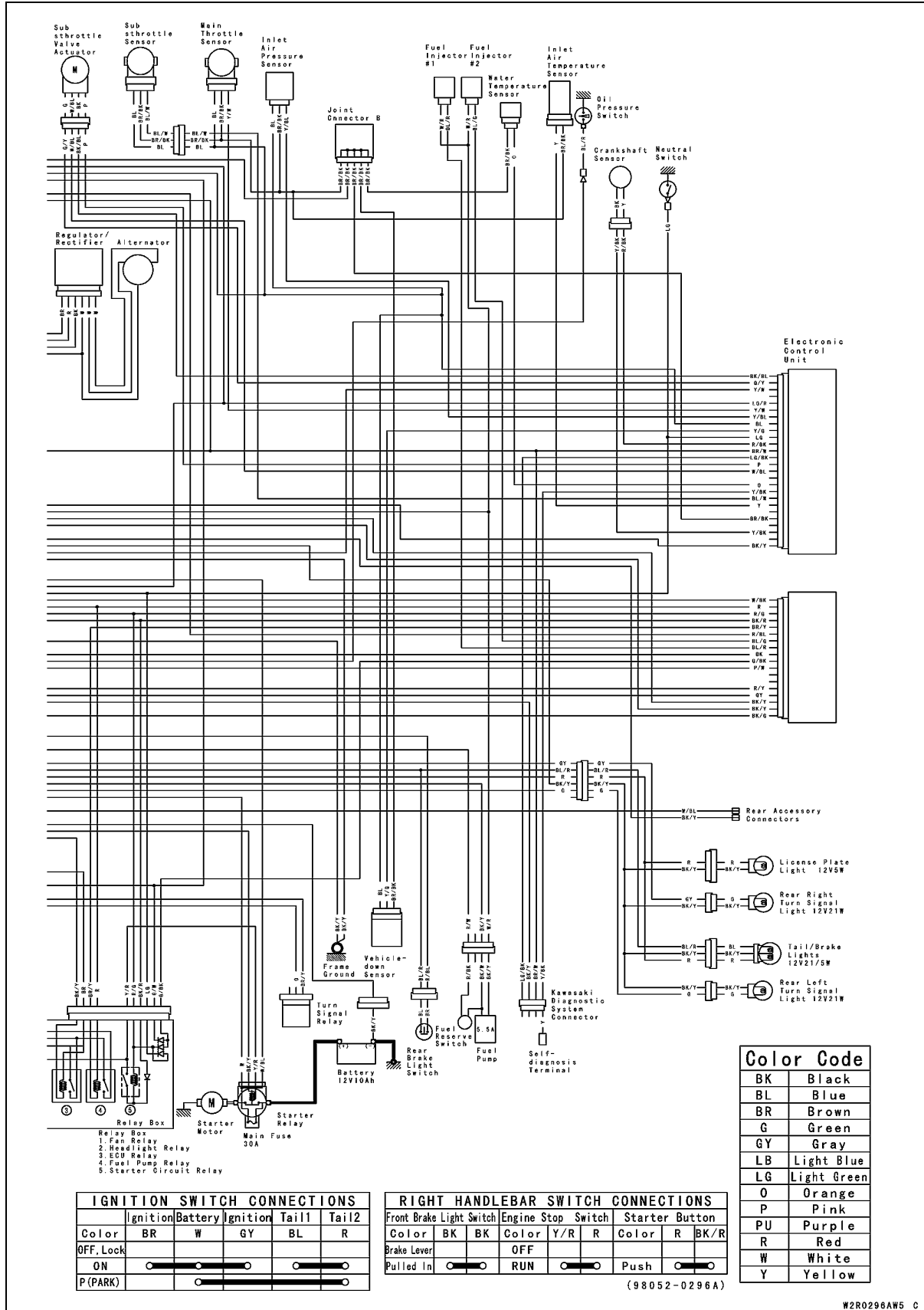
# 16-18 ELECTRICAL SYSTEM

## Wiring Diagram

### Australia Model



Wiring Diagram



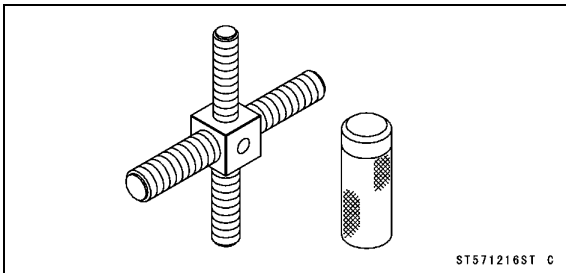
## 16-20 ELECTRICAL SYSTEM

### Specifications

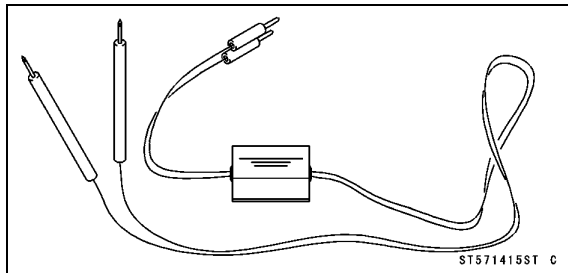
Item	Standard	Service Limit
<b>Battery</b>		
Type	Sealed Battery	---
Model Name	YTX12-BS	---
Capacity	12 V 10 Ah	---
Voltage	12.8 V or more	---
<b>Charging System</b>		
Type	Three-phase AC	---
Charging Voltage (Regulator/Rectifier Output Voltage)	14.2 ~ 15.2 V	---
Alternator Output Voltage	54 V or more @4 000 r/min (rpm)	---
Stator Coil Resistance	0.11 ~ 0.17 $\Omega$	---
<b>Ignition System</b>		
Crankshaft Sensor Resistance	380 ~ 560 $\Omega$	---
Crankshaft Sensor Peak Voltage	2.5 V or more	---
Ignition Coil:		
3 Needle Arcing Distance	6 mm (0.24 in.) or more	---
Winding Resistance:		
Primary Windings	1.9 ~ 2.9 $\Omega$	---
Secondary Windings	10.6 ~ 15.8 K $\Omega$	---
Primary Peak Voltage	184 V or more	---
Spark Plug:		
Type	NGK CPR7EA	---
Gap	0.8 ~ 0.9 mm (0.03 ~ 0.04 in.)	---
<b>Electric Starter System</b>		
Starter Motor:		
Carbon Brush Length	12 mm (0.47 in.)	6.0 mm (0.24 in.)
Commutator Diameter	28 mm (1.10 in.)	27 mm (1.06 in.)
<b>Air Switching Valve</b>		
Air Switching Valve Resistance	18 ~ 22 $\Omega$ at 20°C (68°F)	
<b>Switch and Sensor</b>		
Rear Brake Lights Switch Timing	On after about 10 mm (0.39 in.) pedal travel	---
Engine Oil Pressure Switch Connections	When engine is stopped: ON When engine is running: OFF	---
Water Temperature Sensor Resistance	in the text	---
Fuel Level Sensor Resistance:		
Full Position	4 ~ 10 $\Omega$	---
Empty Position	90 ~ 100 $\Omega$	---

Special Tools and Sealant

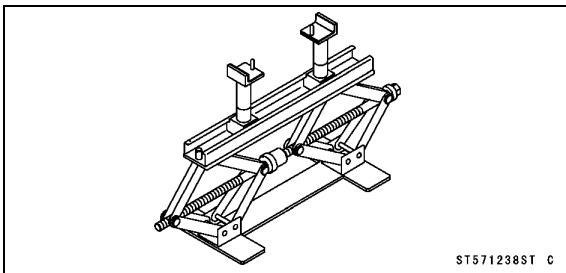
**Rotor Puller, M16/M18/M20/M22 × 1.5:**  
57001-1216



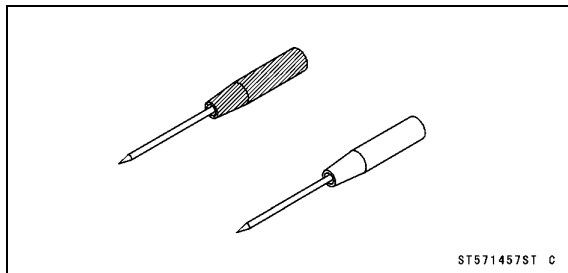
**Peak Voltage Adapter:**  
57001-1415



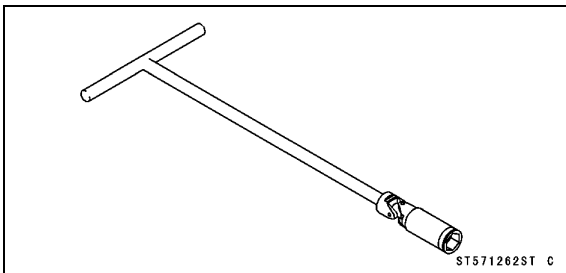
**Jack:**  
57001-1238



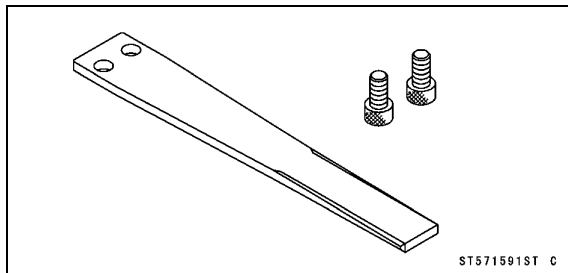
**Needle Adapter Set:**  
57001-1457



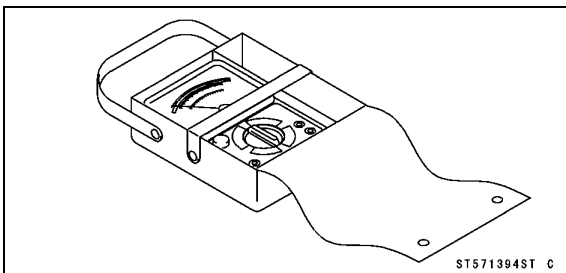
**Spark Plug Wrench, Hex 16:**  
57001-1262



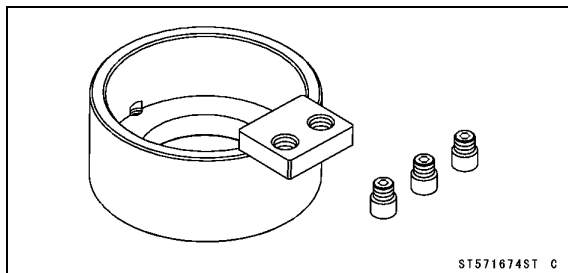
**Grip:**  
57001-1591



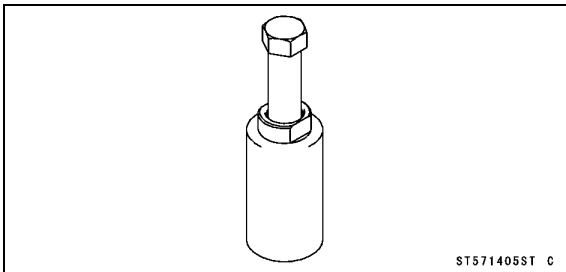
**Hand Tester:**  
57001-1394



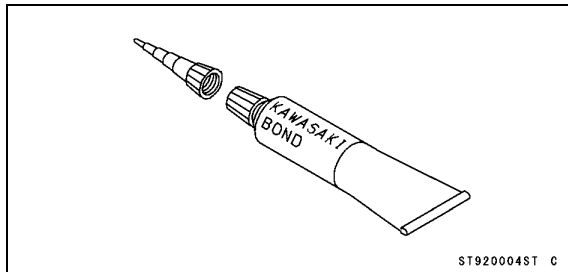
**Rotor Holder:**  
57001-1674



**Flywheel Puller Assembly, M38 × 1.5/M35 × 1.5:**  
57001-1405



**Kawasaki Bond (Silicone Sealant):**  
92104-0004



## 16-22 ELECTRICAL SYSTEM

---

### Precautions

---

There are a number of important precautions that are musts when servicing electrical systems. Learn and observe all the rules below.

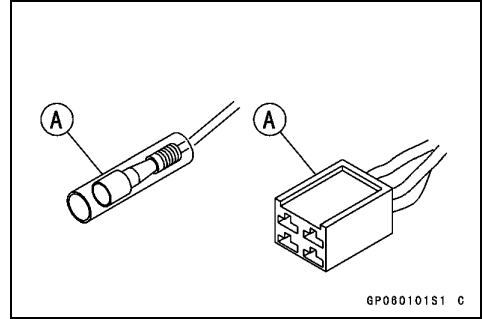
- Do not reverse the battery cable connections. This will burn out the diodes on the electrical parts.
- Always check battery condition before condemning other parts of an electrical system. A fully charged battery is a must for conducting accurate electrical system tests.
- The electrical parts should never be struck sharply, as with a hammer, or allowed to fall on a hard surface. Such a shock to the parts can damage them.
- To prevent damage to electrical parts, do not disconnect the battery cables or any other electrical connections when the ignition switch is on, or while the engine is running.
- Because of the large amount of current, never keep the starter button pushed when the starter motor will not turn over, or the current may burn out the starter motor windings.
- Do not use a meter illumination bulb rated for other than voltage or wattage specified in the wiring diagram, as the meter or gauge panel could be warped by excessive heat radiated from the bulb.
- Take care not to short the leads that are directly connected to the battery positive (+) terminal to the chassis ground.
- Troubles may involve one or in some cases all items. Never replace a defective part without determining what CAUSED the failure. If the failure was caused by some other item or items, they must be repaired or replaced, or the new replacement will soon fail again.
- Make sure all connectors in the circuit are clean and tight, and examine wires for signs of burning, fraying, etc. Poor wires and bad connections will affect electrical system operation.
- Measure coil and winding resistance when the part is cold (at room temperature).
- Color Codes:

BK	Black	G	Green	P	Pink
BL	Blue	GY	Gray	PU	Purple
BR	Brown	LB	Light blue	R	Red
CH	Chocolate	LG	Light green	W	White
DG	Dark green	O	Orange	Y	Yellow

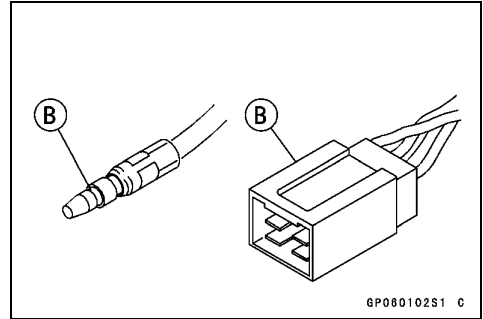


**Precautions**

- Electrical Connectors
  - Female Connectors [A]



- Male Connectors [B]



## 16-24 ELECTRICAL SYSTEM

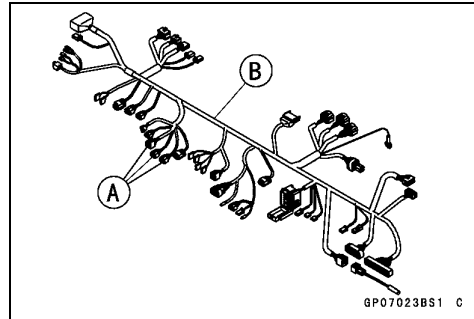
### Electrical Wiring

#### **Wiring Inspection**

- Visually inspect the wiring for signs of burning, fraying, etc.
- ★ If any wiring is poor, replace the damaged wiring.
- Pull each connector [A] apart and inspect it for corrosion, dirt, and damage.
- ★ If the connector is corroded or dirty, clean it carefully. If it is damaged, replace it.
- Check the wiring for continuity.
- Use the wiring diagram to find the ends of the lead which is suspected of being a problem.
- Connect the hand tester between the ends of the leads.

#### **Special Tool - Hand Tester: 57001-1394**

- Set the tester to the  $\times 1 \Omega$  range, and read the tester.
- ★ If the tester does not read  $0 \Omega$ , the lead is defective. Replace the lead or the wiring harness [B] if necessary.



## Battery

### Battery Removal

- Remove:
  - Tool Box (see Tool Box Removal in the Frame chapter)
- Disconnect the negative (-) cable [A].
- Slide out the positive (+) terminal cap [B] and then disconnect the positive (+) cable.

#### CAUTION

**Be sure to disconnect the negative (-) cable first.**

- Remove the battery.

### Battery Installation

- Put the battery into the battery case.
- Apply a light coat of grease on the terminals to prevent corrosion.
- Install the positive (+) cable [A] first.
- Cover the positive (+) terminal with the cap [B].
- Install the negative (-) cable [C].

### Battery Activation

#### Electrolyte Filling

- Make sure that the model name [A] of the electrolyte container matches the model name [B] of the battery. These names must be the same.

**Battery Model Name for VN900B/D: YTX12-BS**

#### CAUTION

**Be sure to use the electrolyte container with the same model name as the battery since the electrolyte volume and specific gravity vary with the battery type. This is to prevent overfilling of the electrolyte, shorting the battery life, and deterioration of the battery performance.**

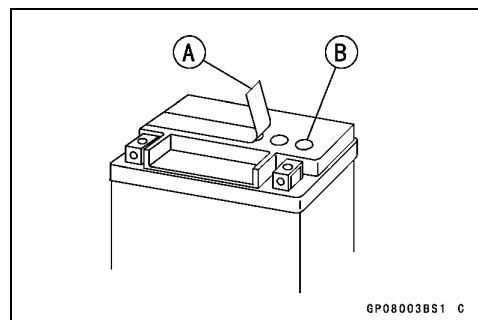
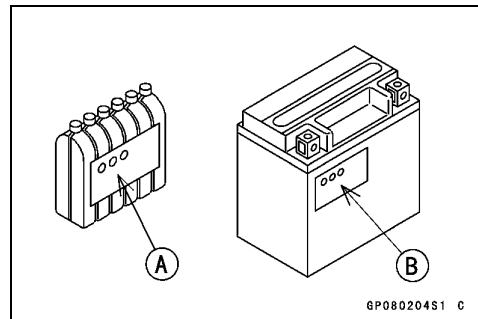
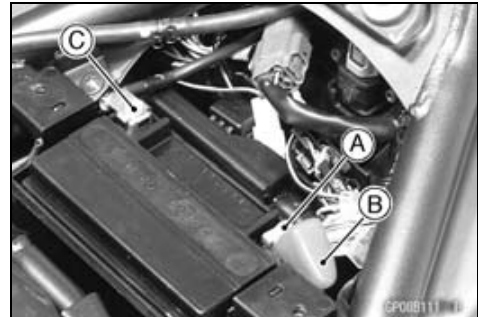
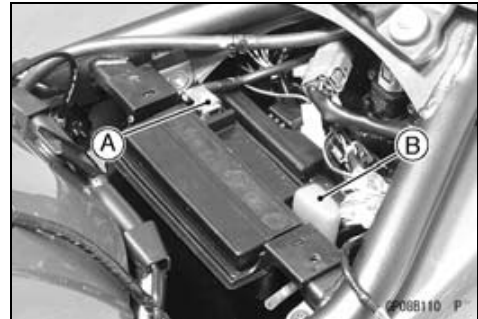
#### CAUTION

**Do not remove the aluminum sealing sheet [A] from the filler ports [B] until just prior to use. Be sure to use the dedicated electrolyte container for correct electrolyte volume.**

- Place the battery on a level surface.
- Check to see that the sealing sheet has no peeling, tears, or holes in it.
- Remove the sealing sheet.

#### NOTE

- *The battery is vacuum sealed. If the sealing sheet has leaked air into the battery, it may require a longer initial charge.*



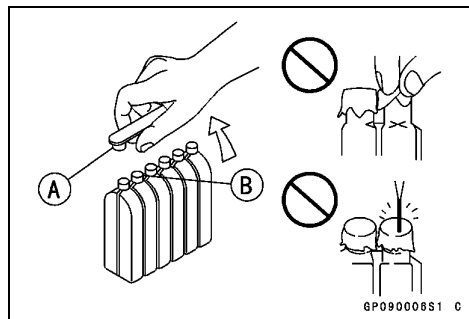
## 16-26 ELECTRICAL SYSTEM

### Battery

- Remove the electrolyte container from the vinyl bag.
- Detach the strip of caps [A] from the container and set aside, these will be used later to seal the battery.

#### NOTE

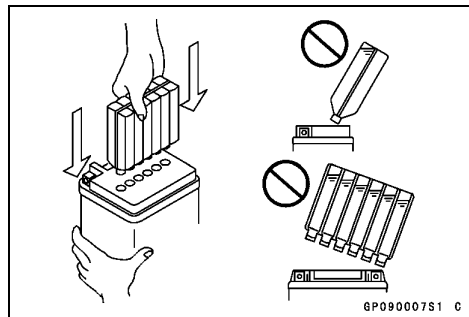
○ Do not pierce or otherwise open the sealed cells [B] of the electrolyte container. Do not attempt to separate individual cells.



- Place the electrolyte container upside down with the six sealed cells into the filler ports of the battery. Hold the container level, push down to break the seals of all six cells. You will see air bubbles rising into each cell as the ports fill.

#### NOTE

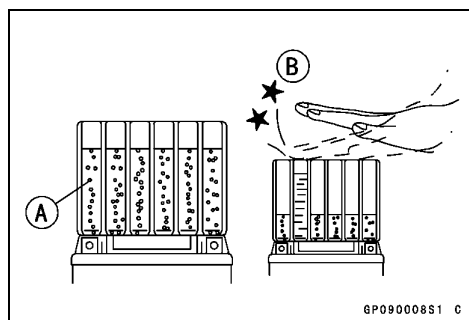
○ Do not tilt the electrolyte container.



- Check the electrolyte flow.
- ★ If no air bubbles [A] are coming up from the filler ports, or if the container cells have not emptied completely, tap the container [B] a few times.
- Keep the container in place for **20** minutes or more. Don't remove the container from the battery until it's empty, the battery requires all the electrolyte from the container for proper operation.

#### CAUTION

**Removal of the container before it is completely empty can shorten the service life of the battery. Do not remove the electrolyte container until it is completely empty and 20 minutes have elapsed.**



- Gently remove the container from the battery.
- Let the battery sit for **30** minutes prior to charging to allow the electrolyte to permeate into the plates for optimum performance.

#### NOTE

○ Charging the battery immediately after filling can shorten service life. Let the battery sit for at least **30** minutes after filling.

## Battery

### Initial Charge

- Place the strip [A] of caps loosely over the filler ports.
- Newly activated sealed batteries require an initial charge.

**Standard Charge: 1.2 A × 5 ~ 10 hours**

- ★ If using a recommended battery charger, follow the charger's instructions for newly activated sealed battery.

#### Kawasaki-recommended chargers

**Optimate III**

**Yuasa 1.5 Amp Automatic Charger**

**Battery Mate 150-9**

- ★ If the above chargers are not available, use equivalent one.

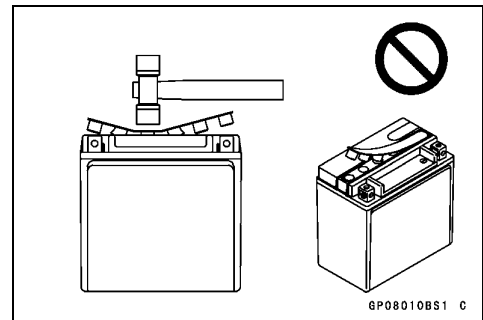
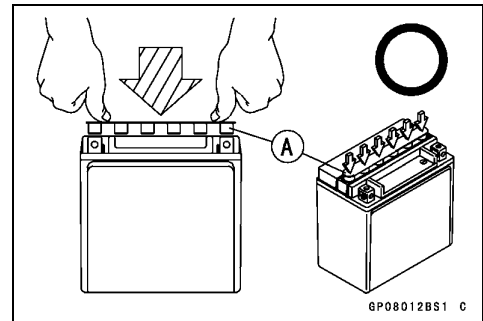
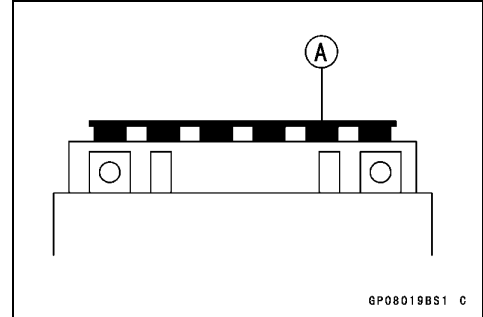
### NOTE

- Charging rates will vary depending on how long the battery has been stored, temperature, and the type of charger used. Let battery sit 30 minutes after initial charge, then check voltage using a voltmeter. If it is not at least 12.8 V, repeat charging cycle.

- After charging is completed, press down firmly with both hands to seat the strip of caps [A] into the battery (don't pound or hammer.). When properly installed, the strip of the caps will be level with the top of the battery.

### CAUTION

Once the strip of the caps [A] is installed onto the battery, never remove the caps, nor add water or electrolyte to the battery.



### NOTE

- To ensure maximum battery life and customer satisfaction, it is recommended the battery be load tested at three times its amp-hour rating for 15 seconds. Re-check voltage and if less than 12.8 V repeat the charging cycle and load test. If still below 12.8 V the battery is defective.

## 16-28 ELECTRICAL SYSTEM

### Battery

#### Precautions

- 1) No need of topping-up  
No topping-up is necessary in this battery until it ends its life under normal use. Forcibly prying off the seal cap to add water is very dangerous. Never do that.
- 2) Refreshing charge.  
If an engine will not start, a horn sounds weak, or lamps are dim, it indicates the battery has been discharged. Give refresh charge for 5 to 10 hours with charge current shown in the specification (see Specifications section).  
When a fast charge is inevitably required, do it following precisely the maximum charge current and time conditions indicated on the battery.

#### CAUTION

**This battery is designed to sustain no unusual deterioration if refresh-charged according to the method specified above. However, the battery's performance may be reduced noticeably if charged under conditions other than given above. Never remove the seal cap during refresh charge.**

**If by chance an excessive amount of gas is generated due to overcharging, the relief valve releases the gas to keep the battery normal.**

- 3) When you do not use the motorcycle for months.  
Give a refresh charge before you store the motorcycle and store it with the negative cable removed. Give a refresh charge **once a month** during storage.
- 4) Battery life.  
If the battery will not start the engine even after several refresh charges, the battery has exceeded its useful life. Replace it (Provided, however, the vehicle's starting system has no problem).

#### ⚠ WARNING

**Keep the battery away from sparks and open flames during charging, since the battery gives off an explosive gas mixture of hydrogen and oxygen. When using a battery charger, connect the battery to the charger before turning on the charger.**

**This procedure prevents sparks at the battery terminals which could ignite any battery gases.**

**No fire should be drawn near the battery, or no terminals should have the tightening loosened.**

**The electrolyte contains sulfuric acid. Be careful not to have it touch your skin or eyes. If touched, wash it off with liberal amount of water. Get medical attention if severe.**

#### Interchange

A sealed battery can fully display its performance only when combined with a proper vehicle electric system. Therefore, replace a sealed battery only on a motorcycle which was originally equipped with a sealed battery.

Be careful, if a sealed battery is installed on a motorcycle which had an ordinary battery as original equipment, the sealed battery's life will be shortened.

**Battery**

**Charging Condition Inspection**

- Battery charging condition can be checked by measuring battery terminal voltage with a digital voltmeter [A].
- Remove:
  - Seat (see Seat Removal in the Frame chapter)
  - Battery Cable Cap (see Battery Removal)
- Disconnect the battery terminals.

**CAUTION**

**Be sure to disconnect the negative (-) cable first.**

- Measure the battery terminal voltage.

**NOTE**

○ Measure with a digital voltmeter which can be read one decimal place voltage.

- ★ If the reading is 12.8 V or more, no refresh charge is required, however, if the read is below the specified, refresh charge is required.

**Battery Terminal Voltage**

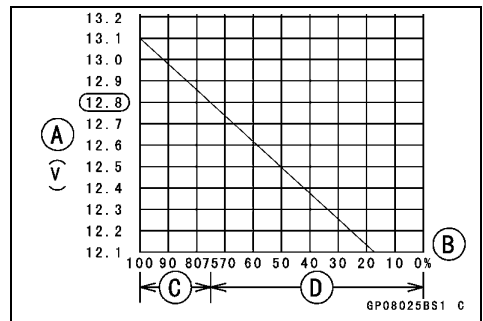
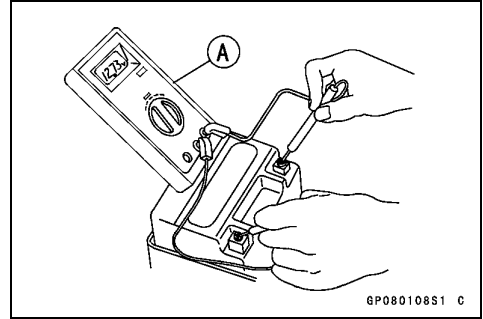
**Standard: 12.8 V or more**

Terminal Voltage (V) [A]

Battery Charge Rate (%) [B]

Good [C]

Refresh charge is required [D]

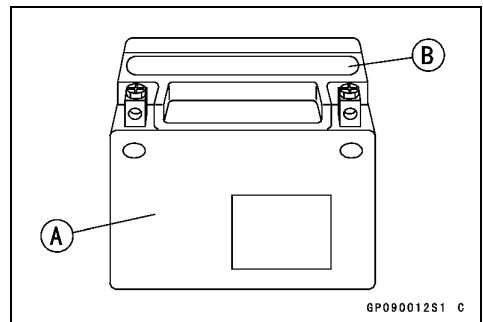


**Refreshing Charge**

- Remove the battery [A] (see Battery Removal).
- Do refresh charge by following method according to the battery terminal voltage.

**⚠ WARNING**

**This battery is sealed type. Never remove sealing cap [B] even at charging. Never add water. Charge with current and time as stated below.**



# 16-30 ELECTRICAL SYSTEM

## Battery

Terminal Voltage: 11.5 ~ less than 12.8 V  
 Standard Charge 1.2 A × 5 ~ 10 h (see following chart)  
 Quick Charge 5 A × 1 h

**CAUTION**

**If possible, do not quick charge. If quick charge is done unavoidably, do standard charge later on.**

Terminal Voltage: less than 11.5 V  
 Charging Method 1.2 A × 20 h

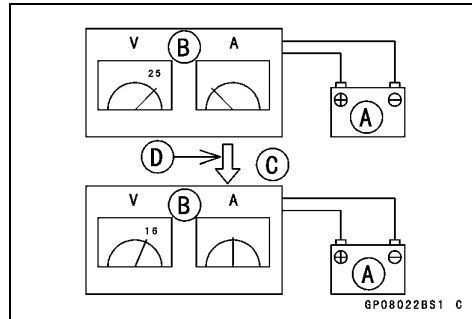
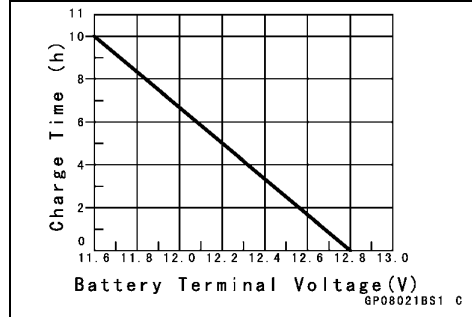
**NOTE**

○ Increase the charging voltage to a maximum voltage of 25 V if the battery will not accept current initially. Charge for no more than 5 minutes at the increased voltage then check if the battery is drawing current. If the battery will accept current decrease the voltage and charge by the standard charging method described on the battery case. If the battery will not accept current after 5 minutes, replace the battery.

Battery [A]  
 Battery Charger [B]  
 Standard Value [C]  
 Current starts to flow [D]

- Determine the battery condition after refresh charge.
- Determine the condition of the battery left for 30 minutes after completion of the charge by measuring the terminal voltage according to the table below.

Criteria	Judgement
12.8 V or higher	Good
12.0 ~ lower than 12.8 V	Charge insufficient → Recharge
lower than 12.0 V	Unserviceable → Replace

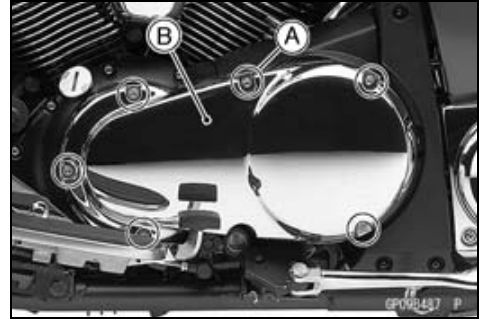




## Charging System

### Alternator Outer Cover Removal

- Remove:
  - Bolts [A]
  - Alternator Outer Cover [B]

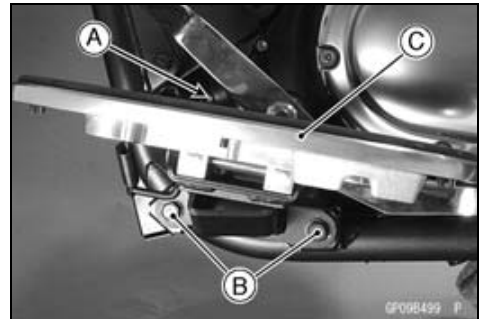


### Alternator Outer Cover Installation

- Install the alternator outer cover.
- Tighten:
  - Torque - Alternator Outer Cover Bolts: 9.8 N·m (1.0 kgf·m, 87 in·lb)

### Alternator Cover Removal

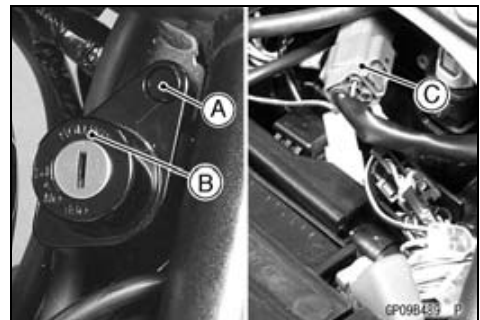
- Drain the engine oil (see Engine Oil Change in the Periodic Maintenance chapter).
- Remove:
  - Bolt [A]
  - Bolts [B]
  - Footboard [C] and Shift Pedal as a set



- Remove:
  - Alternator Outer Cover (see Alternator Outer Cover Removal)
  - Engine Pulley Cover (see Engine Pulley Cover Removal in the Final Drive chapter)
  - Crankshaft Sensor Lead Connector [A]



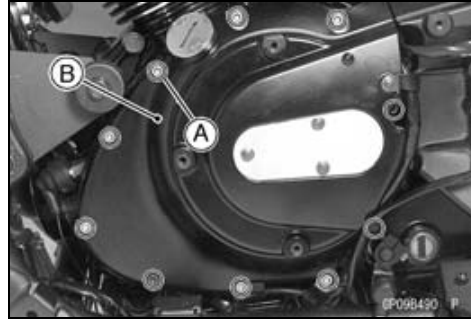
- Remove:
  - Left Side Cover (see Left Side Cover Removal in the Frame chapter)
  - Tool Box (see Tool Box Removal in the Frame chapter)
  - Plug [A] and Bolt
  - Ignition Switch [B]
  - Alternator Lead Connector [C]



## 16-32 ELECTRICAL SYSTEM

### Charging System

- Remove:
  - Bolts [A]
  - Alternator Cover [B]



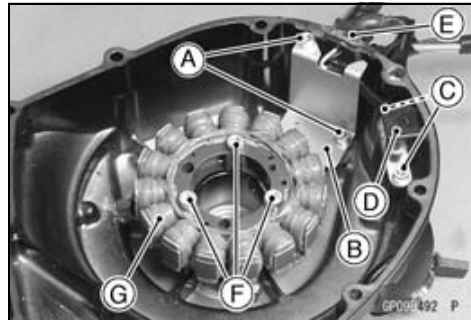
#### **Alternator Cover Installation**

- Replace the alternator cover gasket with a new one.
- Check to see that the knock pins [A] are in place.
- Tighten:
  - Torque - Alternator Cover Bolts: 9.8 N·m (1.0 kgf·m, 87 in·lb)**
- Install the shift lever, shift pedal and footboard as a set.
  - Torque - Rear Shift Lever Clamp Bolt: 12 N·m (1.2 kgf·m, 106 in·lb)**
  - Footboard Bracket Bolts: 34 N·m (3.5 kgf·m, 25 ft·lb)**
- Make sure shift rod nuts outside length is  $149 \pm 1$  mm (5.87  $\pm$ 0.04 in.).



#### **Stator Coil Removal**

- Remove:
  - Alternator Cover (see Alternator Cover Removal)
  - Bolts [A]
  - Alternator Lead Holder Plate [B]
  - Bolts [C]
  - Crankshaft Sensor [D]
  - Crankshaft Sensor and Alternator Lead Grommets [E]
  - Stator Coil Bolts [F]
- Remove the stator coil [G] from the alternator cover.



#### **Stator Coil Installation**

- Apply a non-permanent locking agent to the threads of the stator coil bolts.
- Tighten:
  - Torque - Stator Coil Bolts: 12 N·m (1.2 kgf·m, 106 in·lb)**
- Apply silicone sealant to the circumference of the alternator lead and crankshaft sensor lead grommets, and fit the grommets into the notch of the cover securely.
  - Sealant - Kawasaki Bond (Silicone Sealant): 92104-0004**
- First install the alternator lead grommet and then crankshaft sensor lead grommets.
- Secure the alternator lead and crankshaft sensor lead with clamps, and tighten the bolts.
  - Torque - Alternator Lead Holder Plate Bolts: 5.9 N·m (0.60 kgf·m, 52 in·lb)**
- Install the alternator cover (see Alternator Cover Installation).

## Charging System

### Alternator Rotor Removal

- Remove:
  - Alternator Cover (see Alternator Cover Removal).
- Wipe oil off the outer circumference of the rotor.
- Hold the alternator rotor steady with the rotor holder [A], and remove the rotor bolt [B].

**Special Tools - Rotor Holder: 57001-1674**

**Grip [C]: 57001-1591**

- The rotor holder is prevented from turning by using the suitable M10 bolt [D] and footboard bracket bolt hole.

- Using the rotor puller [A], remove the alternator rotor from the crankshaft.

**Special Tool - Rotor Puller, M16/M18/M20/M22 × 1.5: 57001-1216**

### NOTE

- Screw in the puller while tapping the head [B] of the puller with a hammer.

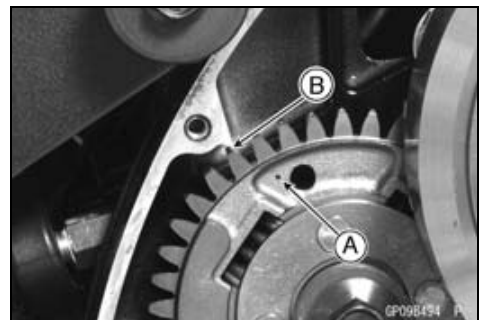
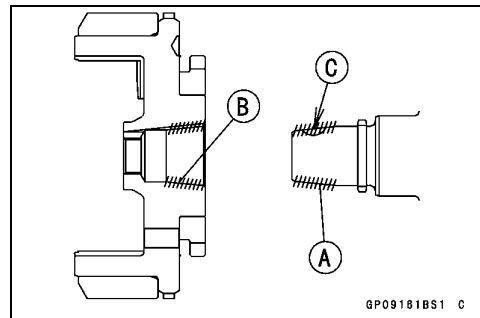
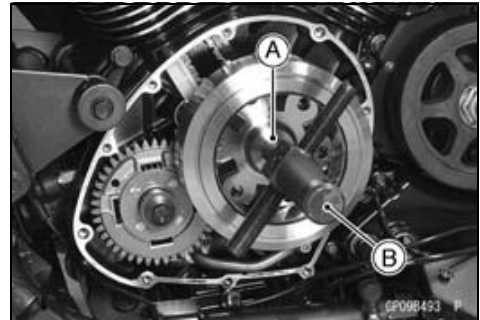
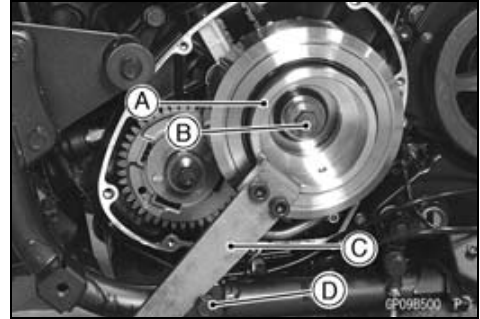
### CAUTION

**Do not attempt to strike the alternator rotor itself. Striking the rotor can cause the magnets to lose their magnetism.**

### Alternator Rotor Installation

- Using a cleaning fluid, clean off any oil or dirt on the following portions and dry them with a clean cloth.
  - [A] Crankshaft Tapered Portion
  - [B] Alternator Rotor Tapered Portion
- Fit the woodruff key securely in the slot [C] in the crankshaft before installing the alternator rotor.

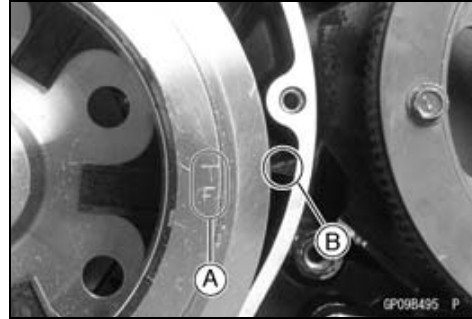
- Align the left balancer mark [A] with the left crankcase projection [B].



## 16-34 ELECTRICAL SYSTEM

### Charging System

- When installing the alternator rotor, align the rotor mark [A] with the left crankcase projection [B].
- Apply molybdenum disulfide oil solution to the threads and seating surface of the alternator rotor bolt.

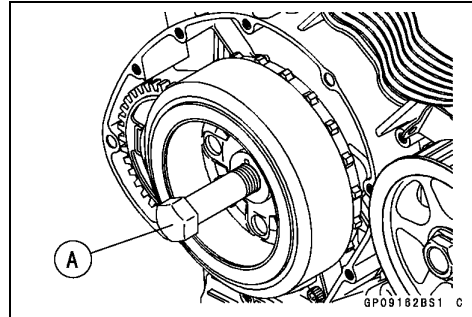


- Install the washer.

#### NOTE

○ Confirm the alternator rotor fit or not to the crankshaft before tightening it with specified torque.

- Install the rotor bolt and tighten it with 69 N·m (7.0 kgf·m, 52 ft·lb) of torque.
- Remove the rotor bolt and washer.
- Check the tightening torque with M20 bolt [A] in the flywheel puller assembly.



**Special Tool - Flywheel Puller Assembly, M38 × 1.5/M35 × 1.5: 57001-1405**

- ★ If the rotor is not pulled out with 20 N·m (2.0 kgf·m, 15 ft·lb) of drawing torque, it is installed correctly.
- ★ If the rotor is pulled out with under 20 N·m (2.0 kgf·m, 15 ft·lb) of drawing torque, clean off any oil dirt or flaw of the crankshaft and rotor tapered portion, and dry them with a clean cloth. Then, confirm that it is not pulled out with above torque.

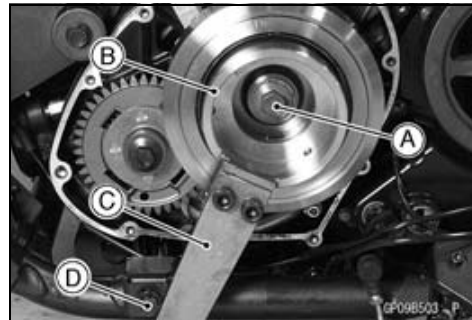
- Tighten the alternator rotor bolt [A] while holding the alternator rotor steady with the rotor holder [B].

**Special Tools - Rotor Holder: 57001-1674**  
**Grip [C]: 57001-1591**

○ The rotor holder is prevented from turning by using the suitable M10 bolt [D] and footboard bracket bolt hole.

**Torque - Alternator Rotor Bolt: 160 N·m (16.3 kgf·m, 118 ft·lb)**

- Install the alternator cover (see Alternator Cover Installation).



#### Alternator Inspection

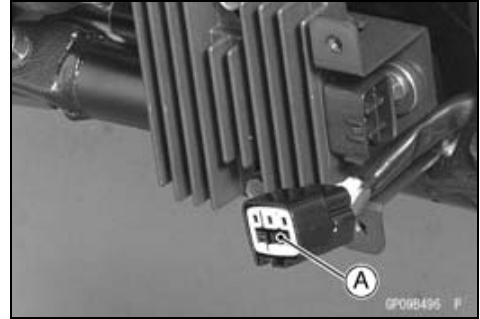
There are three types of alternator failures: short, open (lead burned out), or loss in rotor magnetism. A short or open in one of the stator coil lead will result in either a low output, or no output at all. A loss in rotor magnetism, which may be caused by dropping or hitting the alternator, by leaving it near an electromagnetic field, or just by aging, will result in low output.

## Charging System

- To check the alternator output voltage, do the following procedures.
- Remove the regulator/rectifier and disconnect the connector [A].
- Connect the hand tester to the connector as shown.

**Special Tool - Hand Tester: 57001-1394**

- Start the engine.
- Run it at 4 000 rpm of the engine speed.
- Note the voltage readings.



### Alternator Output Voltage

Tester Range	Connections		Reading @3 000 rpm
	Tester (+) to	Tester (-) to	
250 V AC	One white lead	Another white lead	54 V or more

★ If the output voltage shows the value in the table, the alternator operates properly and the regulator/rectifier is damaged. A much lower reading than the value in the table indicates that the alternator is defective.

- Repeat the test for the other white leads.  
Hand Tester [A]

- Check the stator coil resistance as follows:
  - Turn off the ignition switch.
  - Connect the hand tester [A] to the connector as shown in the table.
  - Note the resistance readings.

### Stator Coil Resistance

Tester Range	Connections		Reading
	Tester (+) to	Tester (-) to	
×1 Ω	One white lead	Another white lead	0.11 ~ 0.17 Ω

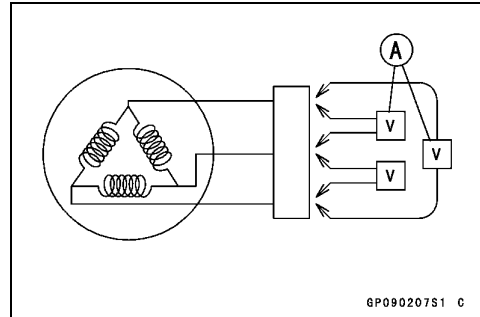
★ If there is more resistance than shown in the table, or no hand tester reading (infinity), the stator has an open wire and must be replaced. Much less than this resistance means the stator is shorted, and must be replaced.

- Using the highest resistance range of the hand tester, measure the resistance between each of the white leads and chassis ground.

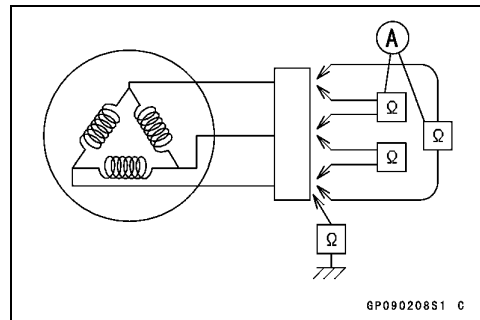
★ Any hand tester reading less than infinity (∞) indicates a short, necessitating stator replacement.

★ If the stator coil has normal resistance, but the voltage check showed the alternator to be defective, then the rotor magnets have probably weakened, and the rotor must be replaced.

- Repeat the test for the other white leads.



6P090207S1 C



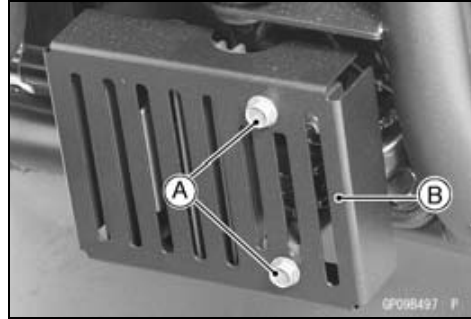
6P090208S1 C

## 16-36 ELECTRICAL SYSTEM

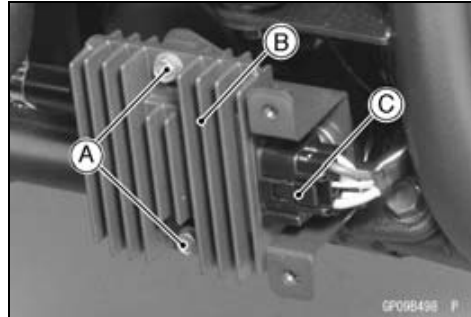
### Charging System

#### Regulator/Rectifier Removal

- Remove:
  - Bolts [A]
  - Regulator/Rectifier Cover [B]



- Remove:
  - Bolts [A]
  - Regulator/Rectifier [B]
  - Connector [C] (disconnect)



#### Regulator/Rectifier Inspection

##### Rectifier Circuit Check

- Remove the regulator/rectifier (see Regulator/Rectifier Removal).
- Check conductivity of the following pair of terminals.

##### Rectifier Circuit Inspection

Tester connection	R-W1,	R-W2,	R-W3
	BK-W1,	BK-W2,	BK-W3

- ★ The resistance should be low in one direction and more than ten times as much in the other direction. If any two leads are low or high in both directions, the rectifier is defective and the regulator/rectifier must be replaced.

#### NOTE

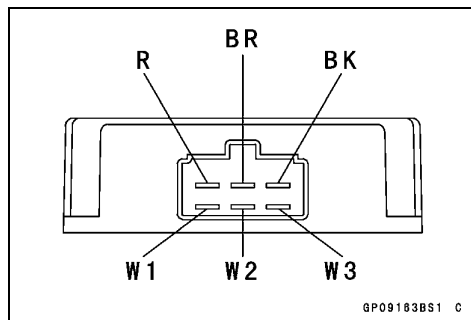
- The actual meter reading varies with the meter used and the individual rectifier, but, generally speaking the lower reading should be from zero to one half the scale.

#### Regulator Circuit Check

To test the regulator out of circuit, use three 12 V batteries and a test light (12 V 3 ~ 6 W bulb in a socket with leads).

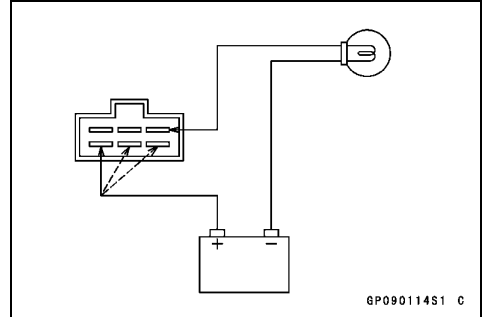
#### CAUTION

The test light works as an indicator and also a current limiter to protect the regulator/rectifier from excessive current. Do not use an ammeter instead of a test light.

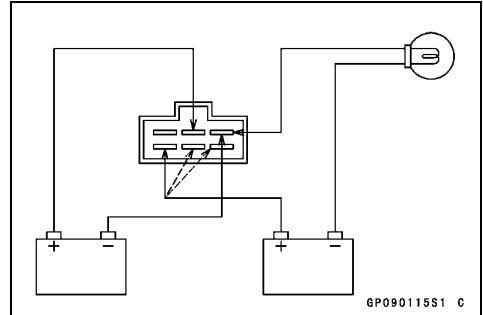


## Charging System

- Do the 1st step regulator circuit test.
- Connect the test light and the 12 V battery to the regulator/rectifier as shown.
- Check W1, W2 and W3 terminal respectively.
- ★ If the test light turns on, the regulator/rectifier is defective. Replace it.
- ★ If the test light does not turn on, continue the test.



- Do the 2nd step regulator circuit test.
- Connect the test light and the 12 V battery in the same manner as specified in the "1st step regulator circuit test".
- Apply 12 V to the BR terminal.
- Check W1, W2 and W3 terminal respectively.
- ★ If the test light turns on, the regulator/rectifier is defective. Replace it.
- ★ If the test light does not turn on, continue the test.

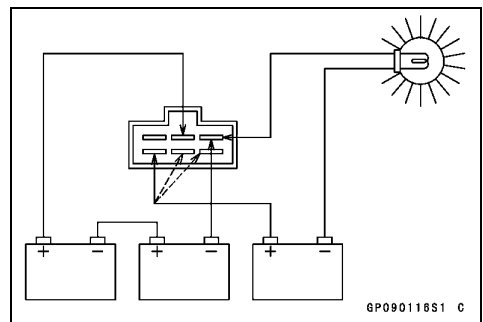


- Do the 3rd step regulator circuit test.
- Connect the test light and the 12 V battery in the same manner as specified in the "1st step regulator circuit test".
- Momentarily apply 24 V to the BR terminal by adding a 12 V battery.
- Check W1, W2, and W3 terminals respectively.

### CAUTION

**Do not apply more than 24 V to the regulator/rectifier and do not leave the 24 V applied for more than a few seconds, or the unit will be damaged.**

- ★ If the test light did not light when the 24 V was applied momentarily to the BR terminal, the regulator/rectifier is defective. Replace it.
- ★ If the regulator/rectifier passes all of the tests described, it may still be defective. If the charging system still does not work properly after checking all of the components and the battery, test the regulator/rectifier by replacing it with a known good unit.



## 16-38 ELECTRICAL SYSTEM

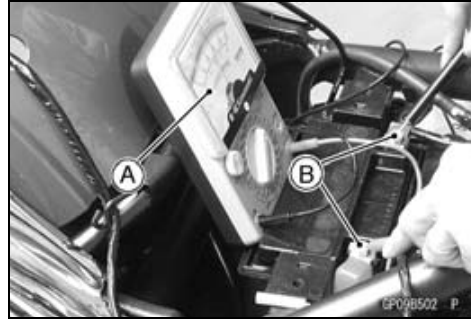
### Charging System

#### Charging Voltage Inspection

- Check the battery condition (see Charging Condition Inspection).
- Warm up the engine to obtain actual alternator operating conditions.
- Remove:
  - Seat (see Seat Removal in the Frame chapter)
  - Tool Box (see Tool Box Removal in the Frame chapter)
- Check that the ignition switch is turned off, and connect the hand tester [A] to the battery terminals [B].

#### Special Tool - Hand Tester: 57001-1394

- Start the engine, and note the voltage readings at various engine speeds with the headlight turned on and then turned off (To turn off the headlight, disconnect the headlight connector on the headlight unit.). The readings should show nearly battery voltage when the engine speed is low, and, as the engine speed rises, the readings should also rise. But they must be kept under the specified voltage.



#### Charging Voltage

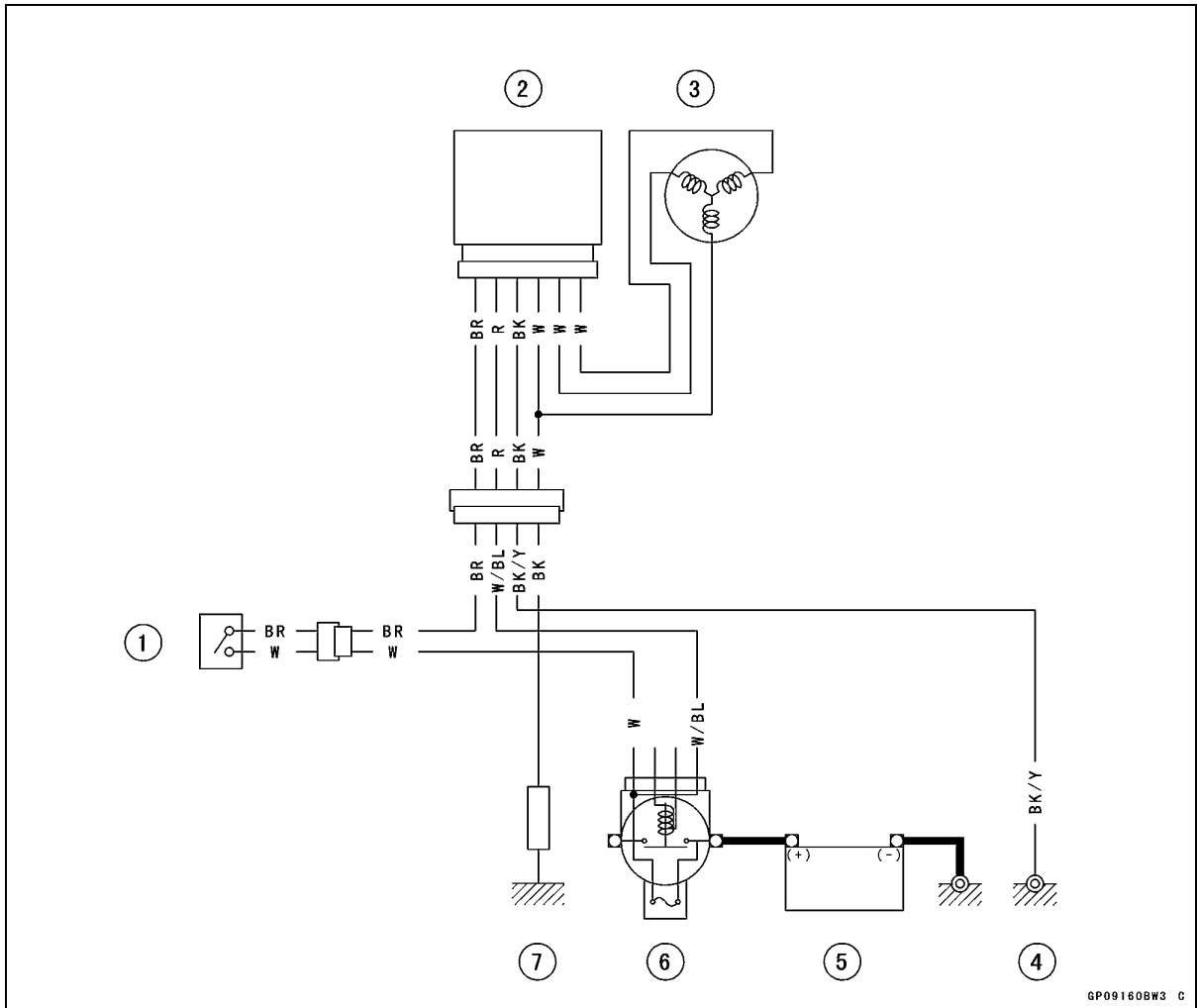
Tester Range	Connections		Reading
	Tester (+) to	Tester (-) to	
25 V DC	Battery (+)	Battery (-)	14.2 ~ 15.2 V

- Turn off the ignition switch to stop the engine, and disconnect the hand tester.
- ★ If the charging voltage is kept between the values given in the table, the charging system is considered to be working normally.
- ★ If the charging voltage is much higher than the values specified in the table, the regulator/rectifier is defective or the regulator/rectifier leads are loose or open.
- ★ If the charging voltage does not rise as the engine speed increases, then the regulator/rectifier is defective or the alternator output is insufficient for the loads. Check the alternator and regulator/rectifier to determine which part is defective.



Charging System

Charging System Circuit

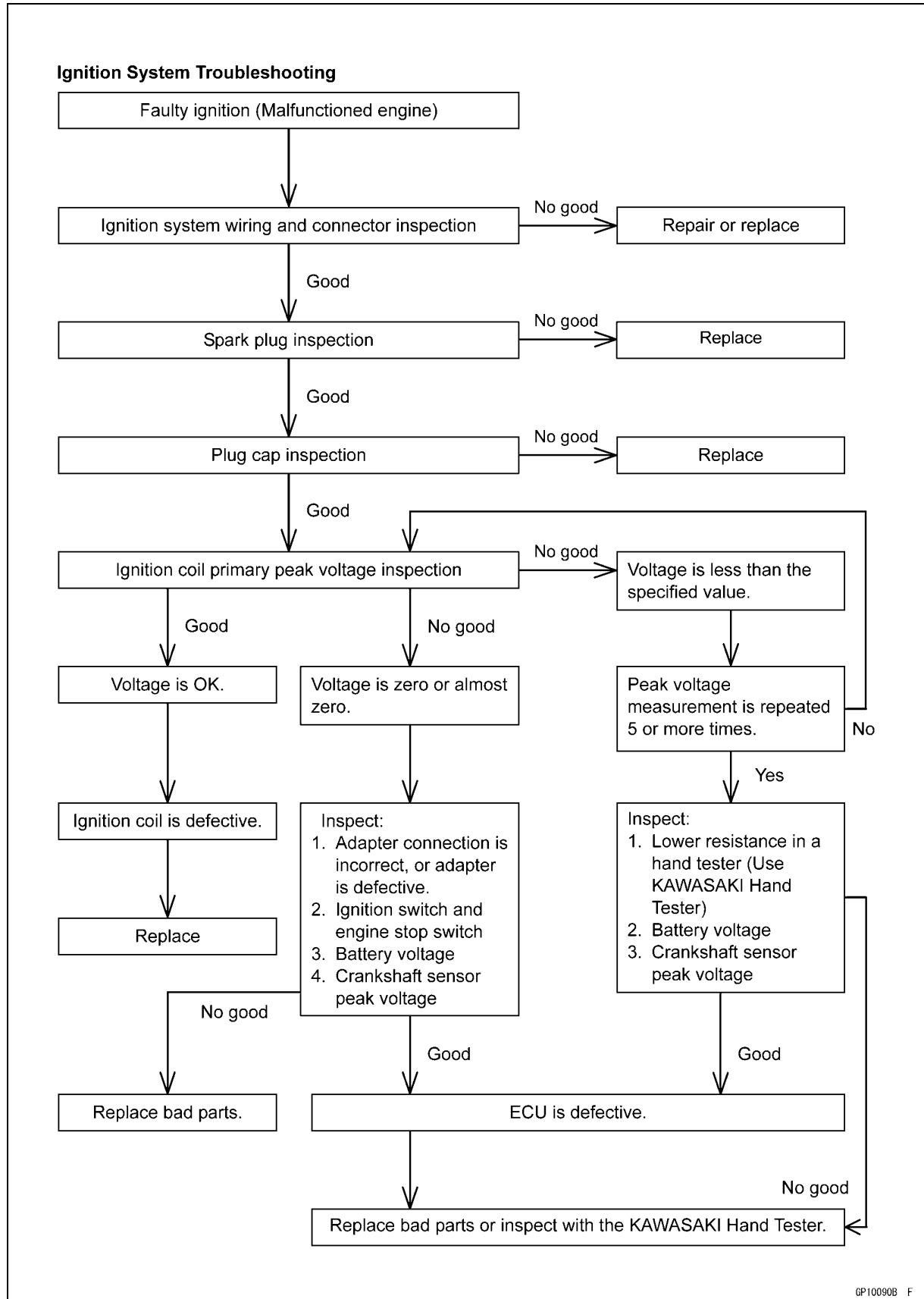


GP091608W3 C

1. Ignition Switch
2. Regulator/Rectifier
3. Alternator
4. Frame Ground
5. Battery
6. Main Fuse 30 A
7. Load

# 16-40 ELECTRICAL SYSTEM

## Ignition System



GP10090B F

## Ignition System

### ⚠ WARNING

The ignition system produces extremely high voltage. Do not touch the spark plugs, ignition coils, or spark plug high-tension cables while the engine is running, or you could receive a severe electrical shock.

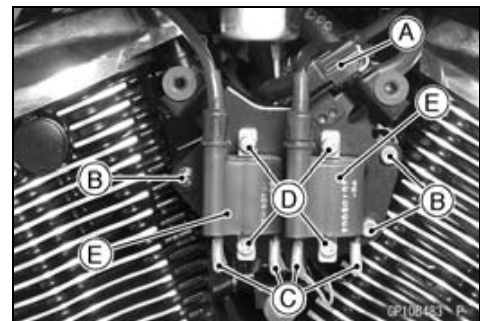
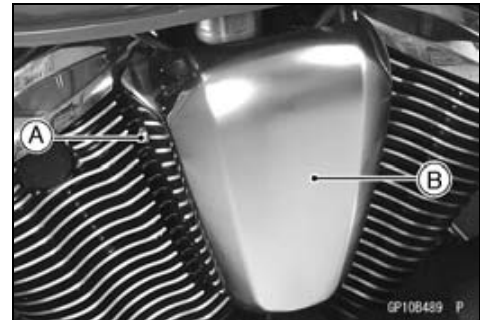
### CAUTION

Do not disconnect the battery cables or any other electrical connections when the ignition switch is on, or while the engine is running. This is to prevent IC igniter damage in the ECU.

Do not install the battery backwards. The negative side is grounded. This is to prevent damage to the IC igniter in the ECU and the diodes.

### Ignition Coil Removal

- Remove:
  - Screw [A]
  - Ignition Coil Cover [B] (Pull out)
  
- Remove:
  - Spark Plug Caps
  - Fuel Pump Connector [A]
  - Ignition Coil Bracket Bolts [B]
  - Primary Leads [C]
  - Ignition Coil Mounting Nuts [D]
  - Ignition Coils [E]

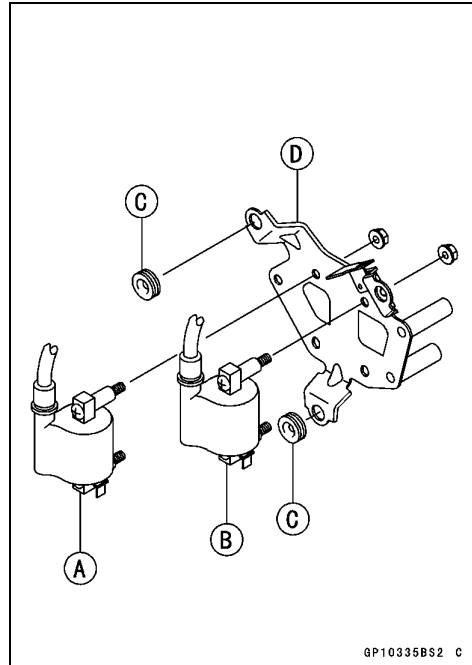


## 16-42 ELECTRICAL SYSTEM

### Ignition System

#### Ignition Coil Installation

- Connect the primary leads to the ignition coil terminals and run the secondary cables according to the Cable, Wire and Hose Routing section in the Appendix chapter.
  - [A] Front Ignition Coil
  - [B] Rear Ignition Coil
  - [C] Dampers
  - [D] Bracket
- Install:
  - Ignition Coil Cover



#### Ignition Coil Inspection

- Remove the ignition coils (see Ignition Coil Removal).
- Measure the arcing distance with a commercially available coil tester [A] to check the condition of the ignition coil [B].
- Connect the ignition coil (with the spark plug cap left attached at the end of the spark plug terminal) to the tester in the manner prescribed by the manufacturer and measure the arcing distance.

#### 3 Needle Arcing Distance

Standard: 6 mm (0.24 in.) or more

#### **⚠ WARNING**

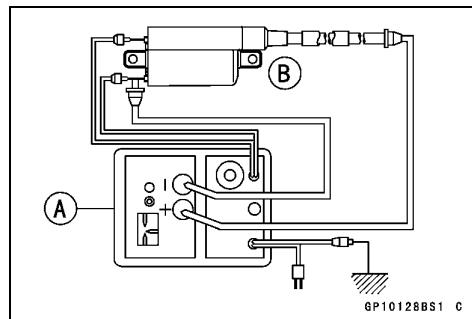
**To avoid extremely high voltage shocks, do not touch the coil body or leads.**

- ★ If the distance reading is less than the specified value, the ignition coil or spark plug caps are defective.
- To determine which part is defective, measure the arcing distance again with the spark plug caps removed from the ignition coil. Remove the caps by turning them counter-clockwise.
- ★ If the arcing distance is subnormal as before, the trouble is with the ignition coil itself. If the arcing distance is now normal, the trouble is with the spark plug cap.
- ★ If the coil tester is not available, the coil can be checked for a broken or badly shorted winding with the hand tester.

**Special Tool - Hand Tester: 57001-1394**

#### **NOTE**

○ *The hand tester cannot detect layer shorts and shorts resulting from insulation breakdown under high voltage.*



## Ignition System

- Measure the primary winding resistance as follows.
  - Connect the hand tester between the coil terminals.
  - Set the tester to the  $\times 1 \Omega$  range, and read the tester.
- Measure the secondary winding resistance as follows.
  - Remove the plug caps by turning them counterclockwise.
  - Connect the tester between the spark plug High-Tension cables.
  - Set the tester to the  $\times 1 \text{ k}\Omega$  range and read the tester.
    - Measure primary winding resistance [A].
    - Measure secondary winding resistance [B].

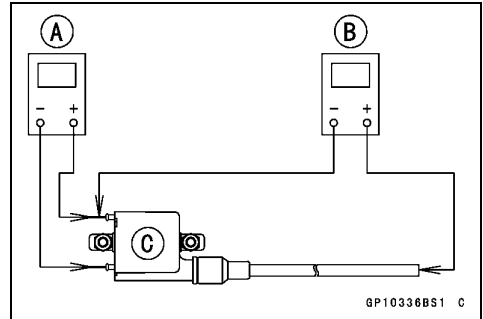
### Ignition Coil Winding Resistance

<b>Primary Windings:</b>	<b>1.9 ~ 2.9 <math>\Omega</math></b>
<b>Secondary Windings:</b>	<b>10.6 ~ 15.8 <math>\text{k}\Omega</math></b>

- ★ If the tester does not read as specified, replace the coil.
- To install the plug cap, turn it clockwise.

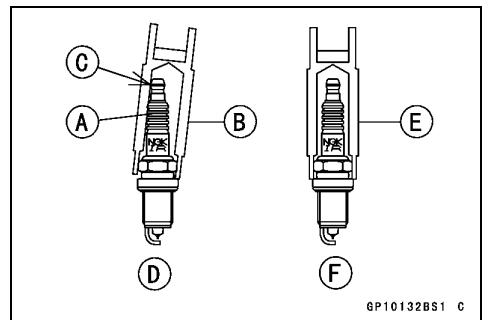
### Spark Plug Removal

- Remove:
  - Fuel Tank (see Fuel Tank Removal in the Fuel System (DFI) chapter)
  - Spark Plug Caps [A]
- Remove the spark plug using the plug wrench vertically.
  - Special Tool - Spark Plug Wrench, Hex16: 57001-1262**



<b>CAUTION</b>
<b>The insulator [A] of the spark plug may break if when the wrench is inclined during loosening.</b>

- [B] Inclined Spark Plug Wrench
- [C] Contact (Spark Plug and Plug Wrench)
- [D] Bad
- [E] Vertically Spark Plug Wrench
- [F] Good



### Spark Plug Installation

- Insert the spark plug in the plug hole, and finger-tighten it first.
- Using the plug wrench [A] vertically, tighten the plug.

<b>CAUTION</b>
<b>The insulator of the spark plug may break if when the wrench is inclined during tightening.</b>

**Special Tool - Spark Plug Wrench, Hex16: 57001-1262**

**Torque - Spark Plugs: 18 N·m (1.8 kgf·m, 13 ft·lb)**

- Install the spark plug caps securely.
- Be sure the spark plug caps are installed by pulling up it lightly.



## 16-44 ELECTRICAL SYSTEM

### Ignition System

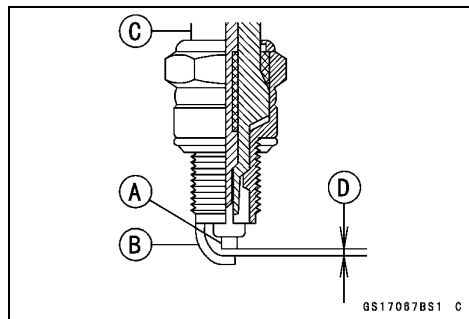
#### Spark Plug Condition Inspection

- Remove the spark plugs (see Spark Plug Removal).
- Visually inspect the spark plugs.
- ★ If the spark plug center electrode [A] and/or side electrode [B] are corroded or damaged, or if the insulator [C] is cracked, replace the plug.
- ★ If the spark plug is dirtied or the carbon is accumulated, replace the spark plug.
- Measure the gap [D] with a wire-type thickness gauge.
- ★ If the gap is incorrect, replace the spark plug.

**Spark Plug Gap:** 0.8 ~ 0.9 mm (0.03 ~ 0.04 in.)

- Use the standard spark plug or its equivalent.

**Spark Plug:** NGK CPR7EA



#### Ignition Coil Primary Peak Voltage Inspection

##### NOTE

○ Be sure the battery is fully charged.

- Remove the fuel tank (see Fuel Tank Removal in the Fuel System (DFI) chapter).
- Remove all the spark plug caps but do not remove the spark plugs.
- Install new spark plugs into all the spark plug caps, and ground them onto the engine.
- Install a commercially peak voltage adapter [A] into the hand tester [B].

**Special Tool - Peak Voltage Adapter: 57001-1415**  
Type: KEK-54-9-B

- Connect the adapter between the ignition coil primary lead terminal and the engine ground with the primary lead left connected.
- Insert the adapter probe into the terminal of the primary lead [C].

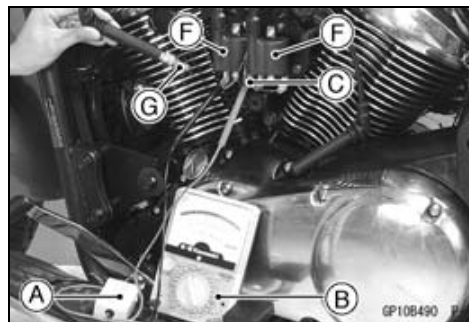
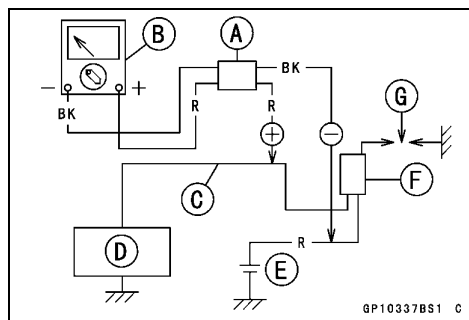
ECU [D]  
Battery [E]  
Ignition Coil [F]  
New Spark Plug [G]

**Special Tool - Hand Tester: 57001-1394**

**Hand Tester Range:** DC 250 V

#### Primary Lead Connections

	Adapter (R, +)	Adapter (BK, -)
Front Ignition Coil:	BK ↔	R
Rear Ignition Coil:	BK/G ↔	R



## Ignition System

### **⚠ WARNING**

**To avoid extremely high voltage shocks, do not touch the spark plugs or tester connections.**

- Turn the ignition switch and the engine stop switch ON.
- Pushing the starter button, turn the engine 4 ~ 5 seconds with the transmission in neutral to measure the primary peak voltage.
- Repeat the measurements 5 or more times for one ignition coil.

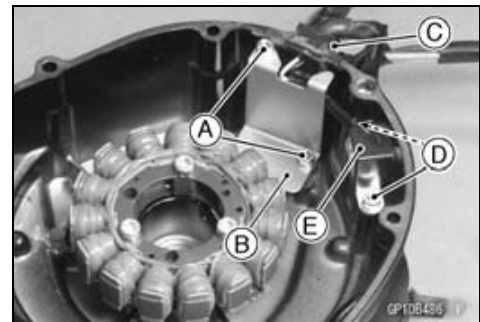
#### **Ignition Coil Primary Peak Voltage**

**Standard: 184 V or more**

- Repeat the test for the other ignition coil.
- ★ If the reading is less than the specified value, check the following:
  - Ignition Coils (see Ignition Coil Inspection)
  - Crankshaft Sensor (see Crankshaft Sensor Inspection)
- ★ If the ignition coils and crankshaft sensors are normal, check the ECU (see Fuel System (DFI) chapter).

#### **Crankshaft Sensor Removal**

- Remove:
  - Alternator Cover (see Alternator Cover Removal)
  - Bolts [A]
  - Alternator Lead Holder Plate [B]
  - Crankshaft Sensor Lead Grommet [C]
  - Crankshaft Sensor Bolts [D]
- Remove the crankshaft sensor [E] from the alternator cover.



#### **Crankshaft Sensor Installation**

- Tighten:
  - Torque - Crankshaft Sensor Bolts: 5.9 N·m (0.60 kgf·m, 52 in·lb)**
- Install the crankshaft sensor lead on the alternator cover (see Stator Coil Installation).

## 16-46 ELECTRICAL SYSTEM

### Ignition System

#### ***Crankshaft Sensor Inspection***

- Remove:
  - Alternator Outer Cover (see Alternator Outer Cover Removal)
  - Crankshaft Sensor Lead Connector [A] (Disconnect)
- Set the hand tester to the  $\times 100 \Omega$  range and connect it between the terminals in the connector.

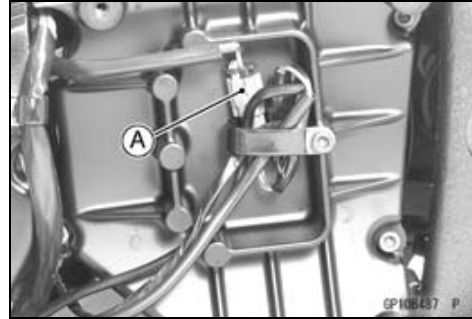
**Special Tool - Hand Tester: 57001-1394**

- ★ If there is more resistance than the specified value, the coil has an open lead and must be replaced. Much less than this resistance means the coil is shorted, and must be replaced.

#### **Crankshaft Sensor Resistance**

**Standard: 380 ~ 560  $\Omega$**

- Using the highest resistance range of the tester, measure the resistance between the pickup coil leads and chassis ground.
- ★ Any tester reading less than infinity ( $\infty$ ) indicates a short, necessitating replacement of the pickup coil assembly.





## Ignition System

### Crankshaft Sensor Peak Voltage Inspection

- Remove:
  - Alternator Outer Cover (see Alternator Outer Cover Removal)
- Remove all the spark plug caps but do not remove the spark plugs.
- Disconnect the crankshaft sensor lead connector.
- Connect a commercially peak voltage adapter [A] to the hand tester [B].

**Special Tool - Peak Voltage Adapter: 57001-1415**  
**Type: KEK-54-9-B**

- Insert the adapter probes into the connector [C] of the crankshaft sensor as shown.

**Special Tool - Hand Tester: 57001-1394**

<b>Connections:</b>	<b>Adapter (R, +)</b>		<b>Adapter (BK, -)</b>
<b>Crankshaft Sensor:</b>	Y	← →	BK

### NOTE

○ Be sure the battery is fully charged.

**Hand Tester Range: × DC 10 V**

- Turn the ignition switch and the engine stop switch ON.
- Pushing the starter button, turn the engine 4 ~ 5 seconds with the transmission in neutral to measure the crankshaft sensor peak voltage.
- Repeat the measurements 5 or more times.

**Crankshaft Sensor Peak Voltage**  
**Standard: 2.5 V or more**

- ★ If the reading is less than the specified value, replace the crankshaft sensor.
- ★ If the reading is normal, check the ECU.
- ★ If the peak voltage adapter is not available, the coil can be checked for the broken or badly shorted winding with the hand tester (see Crankshaft Sensor Inspection).

### Interlock Operation Inspection

- Using a jack raise the rear wheel off the ground.

**Special Tool - Jack: 57001-1238**

### 1st Check

- Start the engine to the following conditions.

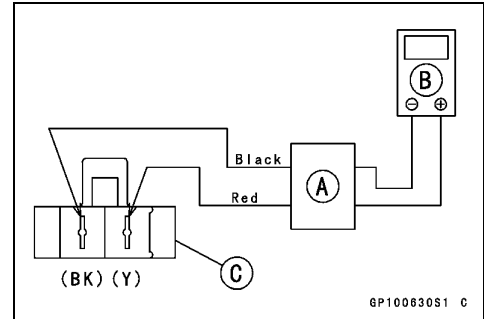
#### Condition

**Transmission Gear → 1st position**

**Clutch Lever → Release**

**Sidestand → Down or Up**

- Turn the ignition switch on and push the starter button.
- Then the starter motor should not turn when the starter system circuit is normality.
- ★ If the engine is start, inspect the starter lockout switch, gear position switch, and relay box.
- ★ If their parts are normality replace the ECU.



## 16-48 ELECTRICAL SYSTEM

### Ignition System

#### 2nd Check

- Start the engine to the following conditions.

##### Condition

**Transmission Gear** → 1st position

**Clutch Lever** → Pulled in

**Sidestand** → Up

- Turn the ignition switch on and push the starter button.
- Then the starter motor should turn when the starter system circuit is normality.
- ★ If the starter motor is not turn, inspect the starter lockout switch, gear position switch, and relay box.
- ★ If their parts are normality replace the ECU.

#### 3rd Check

- Inspect the engine for its secure stop after the following operations are completed.
- Run the engine to the following conditions.

##### Condition

**Transmission Gear** → 1st Position

**Clutch Lever** → Release

**Sidestand** → Up

- Set the sidestand on the ground, then the engine will stop.
- ★ If whichever may not be stopped, inspect the gear position switch, starter lockout switch, sidestand switch and relay box.
- ★ If their parts are normality, replace the ECU.

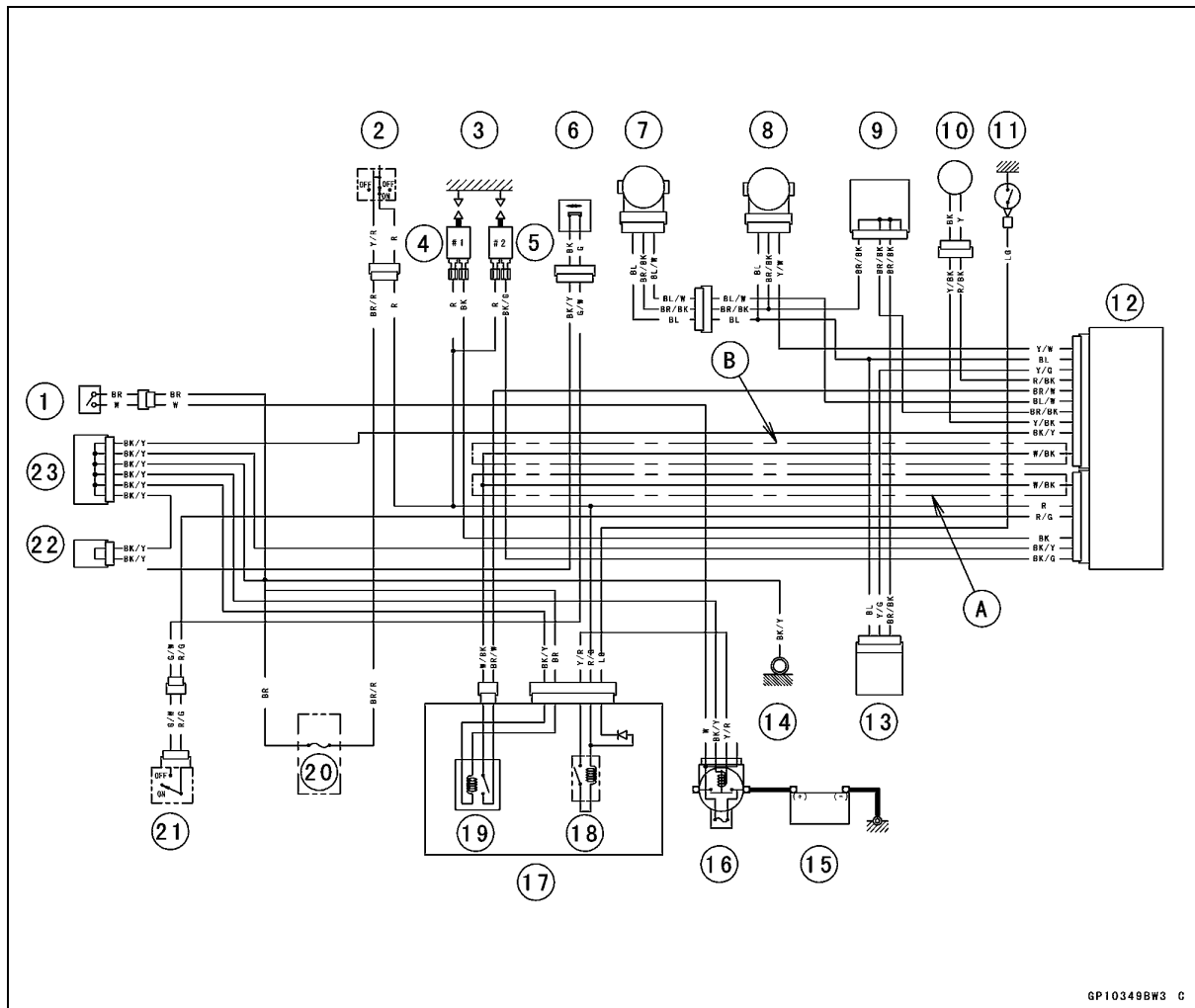
#### IC Igniter Inspection

- The IC igniter is built in the ECU [A].
- Refer to the Fuel System (DFI) chapter.



Ignition System

Ignition System Circuit



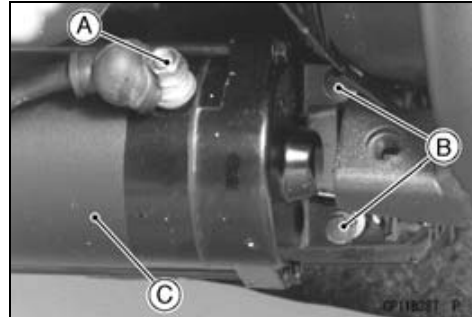
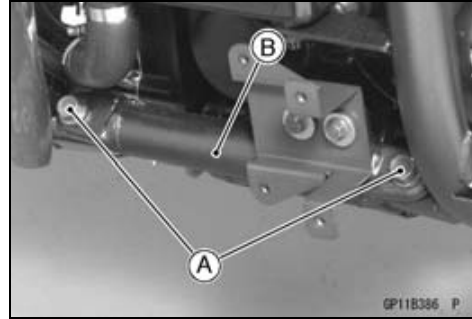
- |                                      |                            |
|--------------------------------------|----------------------------|
| 1. Ignition Switch                   | 13. Vehicle-down Sensor    |
| 2. Engine Stop Switch                | 14. Frame Ground           |
| 3. Spark Plugs                       | 15. Battery                |
| 4. Ignition Coil #1 (front cylinder) | 16. Main Fuse 30 A         |
| 5. Ignition Coil #2 (rear cylinder)  | 17. Relay Box              |
| 6. Sidestand Switch                  | 18. Starter Circuit Relay  |
| 7. Subthrottle Sensor                | 19. ECU Main Relay         |
| 8. Main Throttle Sensor              | 20. Ignition Fuse 10 A     |
| 9. Joint Connector B                 | 21. Starter Lockout Switch |
| 10. Crankshaft Sensor                | 22. Joint Connector A      |
| 11. Neutral Switch                   | 23. Joint Connector C      |
| 12. ECU                              |                            |
- A: Other than Europe Models  
B: Europe Models

## 16-50 ELECTRICAL SYSTEM

### Electric Starter System

#### Starter Motor Removal

- Remove:
  - Regulator/Rectifier (see Regulator/Rectifier Removal)
  - Bolts [A]
  - Front Cross Pipe [B]
- Drain the engine oil (see Engine Oil Change in the Periodic Maintenance chapter).
- Remove the starter motor cable nut [A] and the mounting bolts [B].
- Pull out the starter motor [C].

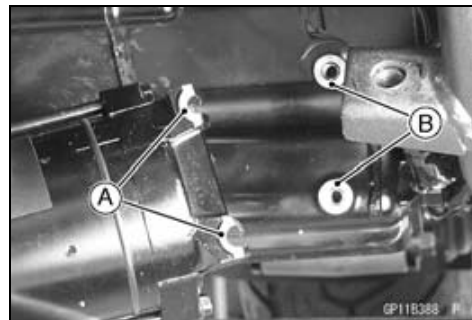


#### Starter Motor Installation

##### CAUTION

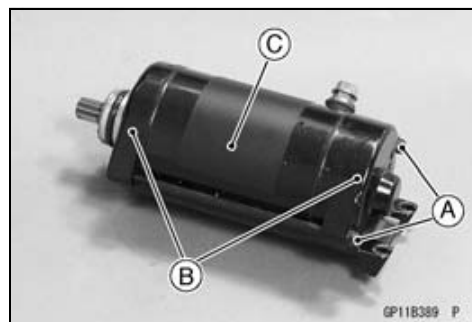
**Do not tap the starter motor shaft or body. Tapping the shaft or body could damage the motor.**

- When installing the starter motor, clean the starter motor legs [A] and crankcase [B] where the starter motor is grounded.
- Replace the O-ring with a new one.
- Apply a small amount of grease to the O-ring.
- Tighten:
  - Torque - Starter Motor Mounting Bolts: 9.8 N·m (1.0 kgf·m, 87 in·lb)**
  - Starter Motor Cable Terminal Nut: 5.9 N·m (0.60 kgf·m, 52 in·lb)**
- Pour in the specified type and amount of oil (see Engine Oil Change in the Periodic Maintenance chapter).



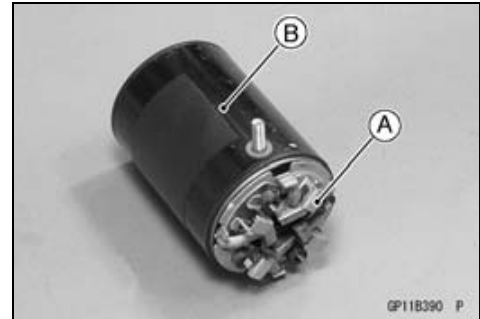
#### Starter Motor Disassembly

- Remove:
  - Starter Motor (see Starter Motor Removal)
- Take off the starter motor through bolts [A] and remove both end covers [B] and pull the armature out of the yoke [C].



## Electric Starter System

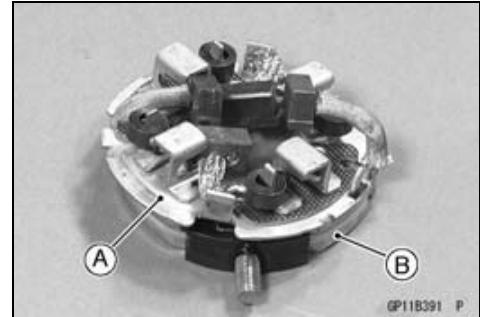
- Remove:
  - Terminal Locknut and Washers
  - O-ring
- Remove the brush plate assy [A] from the yoke [B].



- Remove the brush plate [A] from the terminal bolt assembly [B].

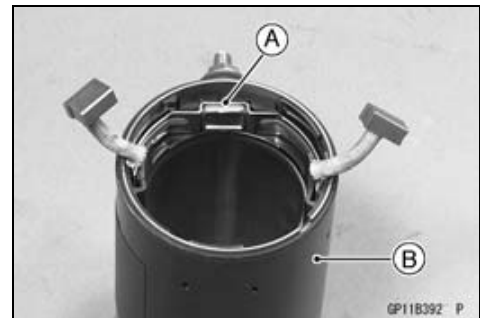
### NOTE

○ Do not remove the negative carbon brushes from the brush plate.



### Starter Motor Assembly

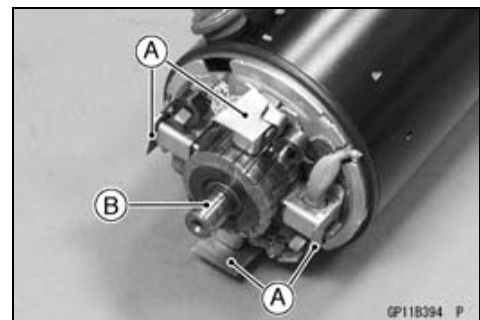
- Install the terminal assembly [A] to the yoke [B].
- Install the brush plate assy to the yoke.



- Install the brush plate [A] on the terminal bolt assembly.



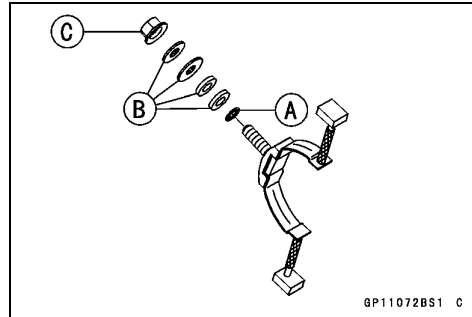
- Insert the suitable plates [A] between the springs and brush holders.
- Install the armature [B], and pull out the suitable plates to release the springs.



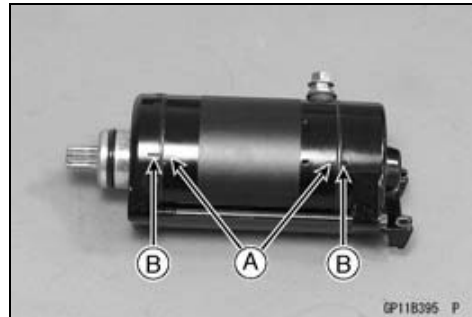
## 16-52 ELECTRICAL SYSTEM

### Electric Starter System

- Install the new O-ring [A] as shown.
- Install:
  - Washers [B] and Terminal Locknut [C]
- Tighten:
  - Torque - Starter Motor Terminal Locknut: 11 N·m (1.1 kgf·m, 97 in·lb)**



- Align the lines [A] on the yoke with the end cover lines [B].
- Tighten the through bolts.
  - Torque - Starter Motor Through Bolts: 4.9 N·m (0.50 kgf·m, 43 in·lb)**

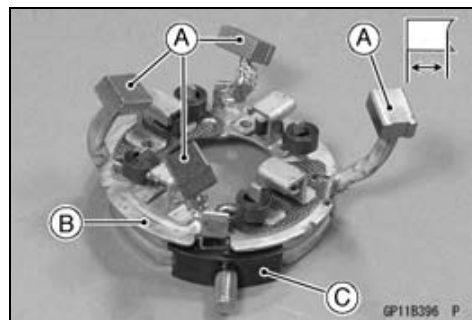


#### **Brush Inspection**

- Measure the length of each brush [A].
- ★ If any is worn down to the service limit, replace the brush plate assy [B] and the terminal bolt assy [C].

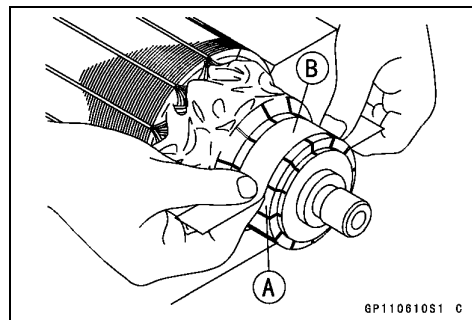
#### **Starter Motor Brush Length**

- Standard: 12 mm (0.47 in.)**
- Service Limit: 6.0 mm (0.24 in.)**



#### **Commutator Cleaning and Inspection**

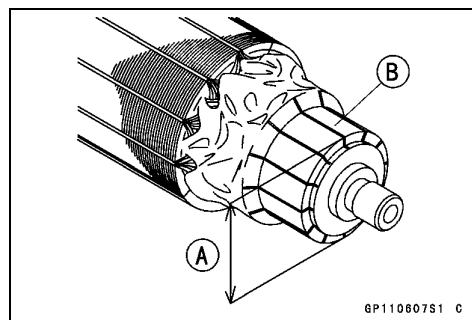
- Smooth the commutator surface [A] if necessary with fine emery cloth [B], and clean out the grooves.



- Measure the diameter [A] of the commutator [B].
- ★ If the commutator diameter is less than the service limit, replace the starter motor with a new one .

#### **Commutator Diameter**

- Standard: 28 mm (1.10 in.)**
- Service Limit: 27 mm (1.06 in.)**



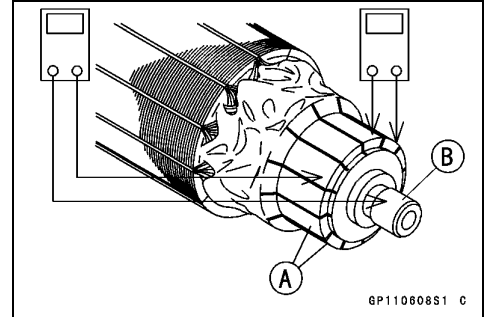
## Electric Starter System

### Armature Inspection

- Using the  $\times 1 \Omega$  hand tester range, measure the resistance between any two commutator segments [A].

**Special Tool - Hand Tester: 57001-1394**

- ★ If there is a high resistance or no reading ( $\infty$ ) between any two segments, a winding is open and the starter motor must be replaced.
- Using the highest hand tester range, measure the resistance between the segments and the shaft [B].
- ★ If there is any reading at all, the armature has a short and the starter motor must be replaced.



### NOTE

○ Even if the foregoing checks show the armature to be good, it may be defective in some manner not readily detectable with the hand tester. If all other starter motor and starter motor circuit components check good, but the starter motor still does not turn over or only turns over weakly, replace the starter motor with a new one.

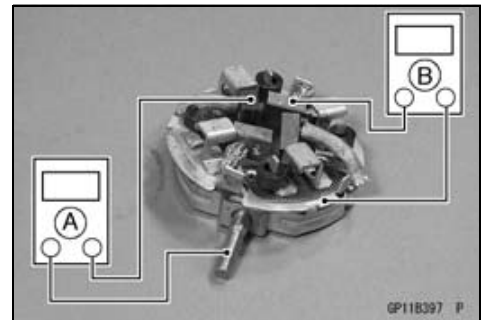
### Brush Lead Inspection

- Using the  $\times 1 \Omega$  hand tester range, measure the resistance as shown.

Terminal Bolt and Positive Brushes [A]  
Brush Plate and Negative Brushes [B]

**Special Tool - Hand Tester: 57001-1394**

- ★ If there is not close to zero ohms, the brush lead has an open. Replace the terminal bolt assy and/or the brush plate assy.



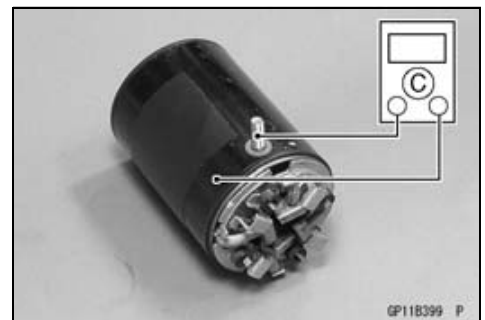
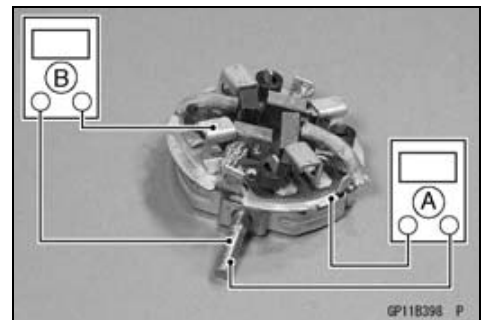
### Brush Plate and Terminal Bolt Inspection

- Using the highest hand tester range, measure the resistance as shown.

Terminal Bolt and Brush Plate [A]  
Terminal Bolt and Negative Brush Holders [B]  
Terminal Bolt and Yoke [C]

**Special Tool - Hand Tester: 57001-1394**

- ★ If there is any reading, the brush plate assy and/or terminal bolt assy have a short. Replace the brush plate assy and the terminal bolt assy.



### Starter Relay Inspection

- Remove:
  - Right Side Cover (see Right Side Cover Removal in the Frame chapter)

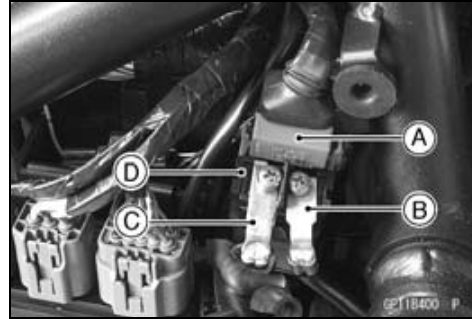
## 16-54 ELECTRICAL SYSTEM

### Electric Starter System

- Disconnect the connector [A].
- Disconnect the starter motor cable [B] and battery positive (+) cable [C] from the starter relay [D].

#### CAUTION

The battery positive (+) cable with the rubber cap is connected directly to the battery positive (+) terminal even when the ignition switch off, so take care not to short the removed cable to chassis ground.



- Connect the hand tester [A] and 12 V battery [B] to the starter relay [C] as shown.

**Special Tool - Hand Tester: 57001-1394**

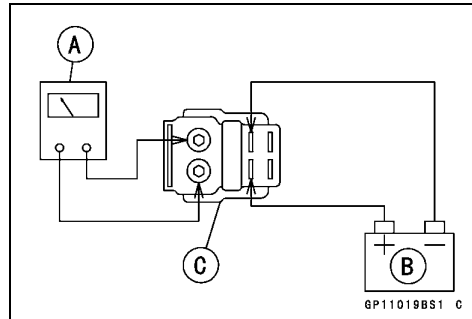
- ★ If the relay does not work as specified, the relay is defective. Replace the relay.

#### Testing Relay

**Tester Range:** × 1 Ω range

**Criteria:** When battery is connected → 0 Ω

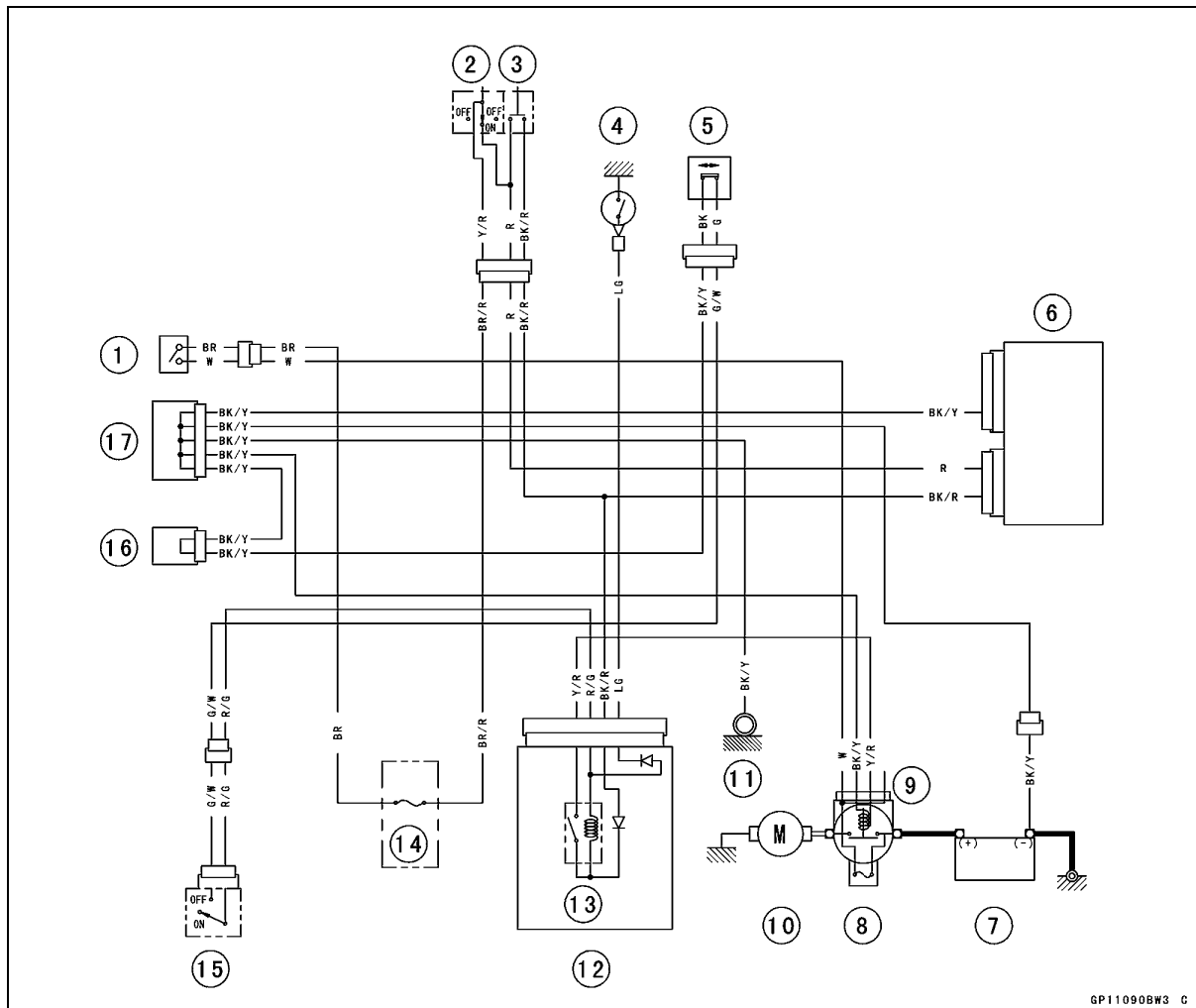
When battery is disconnected → ∞ Ω





## Electric Starter System

## Electric Starter Circuit



GP11090B3 C

1. Ignition Switch
2. Engine Stop Switch
3. Starter Button
4. Neutral Switch
5. Sidestand Switch
6. ECU
7. Battery
8. Main Fuse 30 A
9. Starter Relay
10. Starter Motor
11. Frame Ground
12. Relay Box
13. Starter Circuit Relay
14. Ignition Fuse 10 A
15. Starter Lockout Switch
16. Joint Connector A
17. Joint Connector C

## 16-56 ELECTRICAL SYSTEM

### Lighting System

This models adopt the daylight system and has a headlight relay in the relay box. The headlight does not go on when the ignition switch and the engine stop switch are first turned on. The headlight comes on after the starter button is released and stays on until the ignition switch is turned off. The headlight will go out momentarily whenever the starter button is pressed and come back on when the button is released.

#### **Headlight Beam Horizontal Adjustment**

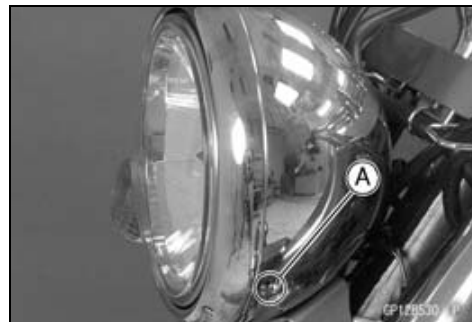
- Refer to the Headlight Aiming Inspection in the Periodic Maintenance chapter.

#### **Headlight Beam Vertical Adjustment**

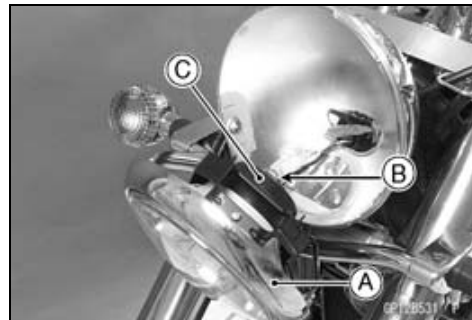
- Refer to the Headlight Aiming Inspection in the Periodic Maintenance chapter.

#### **Headlight Bulb Replacement**

- Remove the headlight rim screws [A] on both sides.



- Pull the headlight unit [A] and drop it out.
- Pull the headlight connector [B].
- Remove the headlight dust cover [C].



- Push the hook [A] to unlock.



## Lighting System

- Take out the bulb [A].

### CAUTION

**When handling the quartz-halogen bulb, never touch the glass portion with bare hands. Always use a clean cloth. Oil contamination from hands or dirty rags can reduce bulb life or cause the bulb to explode.**

- Clean off any contamination that inadvertently gets on the bulb with alcohol or a soap and water solution.

- Replace the headlight bulb.
- Fit the dust cover [A] with the TOP mark [B] upward onto the bulb [C] firmly as shown.

Good [D]

Bad [E]

- Tighten:

**Torque - Headlight Rim Screws: 2.9 N·m (0.30 kgf·m, 26 in·lb)**

- After installation, adjust the headlight aim (see Headlight Aiming Inspection in the Periodic Maintenance chapter).

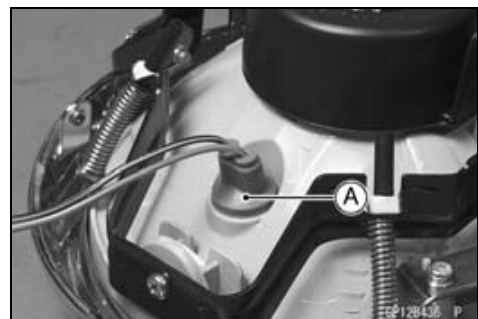
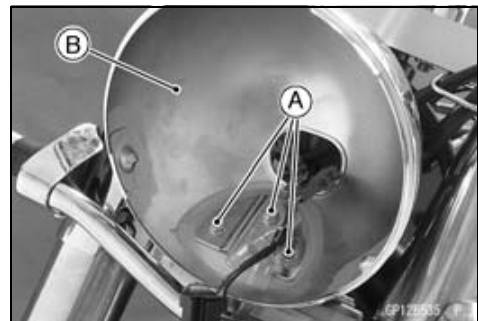
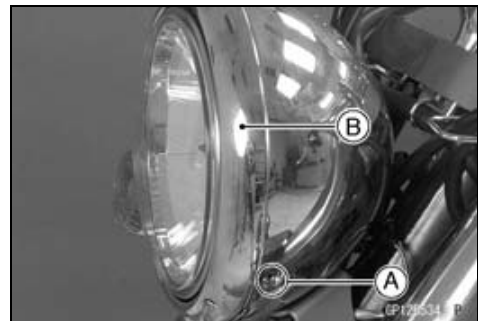
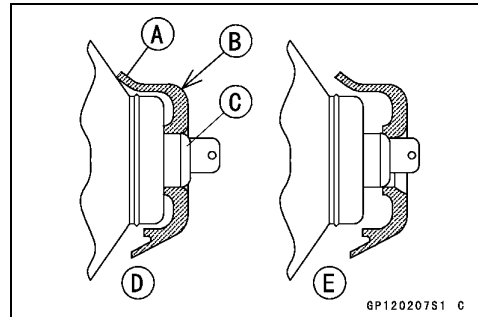
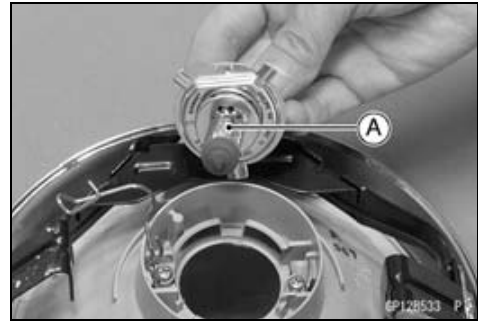
### Headlight Body Removal

- Remove the headlight rim screws [A] on both sides.
- Pull the headlight unit [B] and drop it out.

- Remove the headlight body bolts [A], then take off the body [B].

### City Light Bulb Replacement (Europe Models)

- Remove the headlight unit (see Headlight Bulb Replacement).
- Pull out the socket [A] together with the bulb.



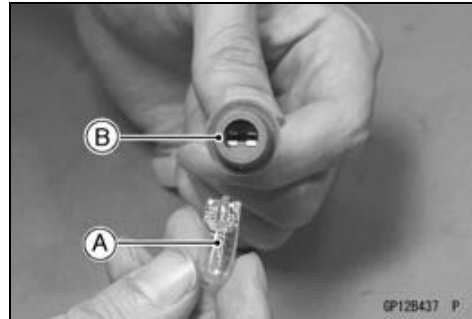
## 16-58 ELECTRICAL SYSTEM

### Lighting System

- Remove the wedge-base type bulb [A], pull the bulb straight out of the socket [B].
- Replace the bulb with a new one.

#### CAUTION

Do not turn the bulb. Pull the bulb out to prevent damage to the bulb. Do not use bulb rated for greater wattage than the specified value.



#### Tail/Brake Light Removal/Installation

- Remove the rear fender (see Rear Fender Removal in the Frame chapter).

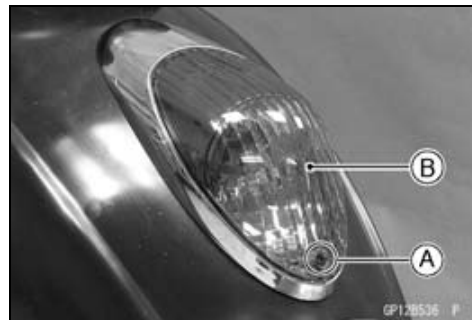
- Remove the nuts [A].
- Remove the tail/brake light from the rear fender.
- Tighten:

**Torque - Tail/Brake Light Unit Mounting Nuts: 5.9 N·m (0.60 kgf·m, 52 in·lb)**

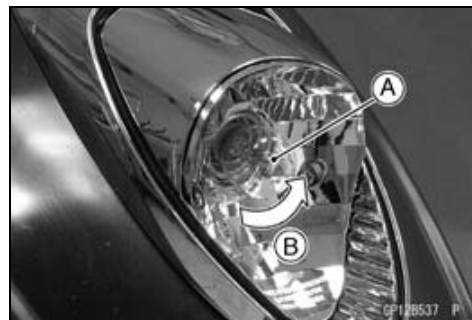


#### Tail/Brake Light Bulb Replacement

- Unscrew the screw [A] in the taillight lens.
- Pull the lens [B] off.

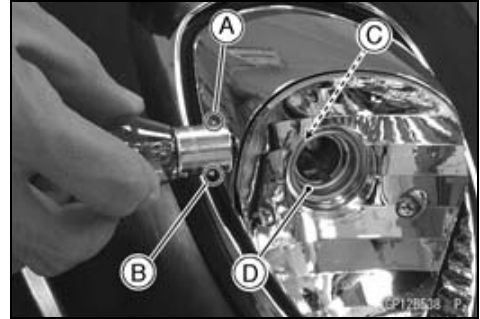


- Push the bulb [A] in, turn it counterclockwise [B], and pull it out.
- Replace the bulb with a new one.

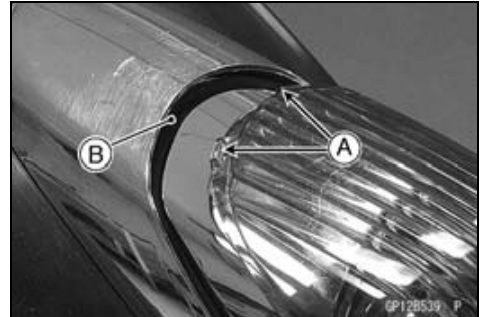


## Lighting System

- With the front pin [A] up and the rear pin [B] down, insert the new bulb by aligning the front pin with the upper groove [C] in the walls of the socket [D].
- Push the bulb in, turn it clockwise, and release it. It should lock in position.

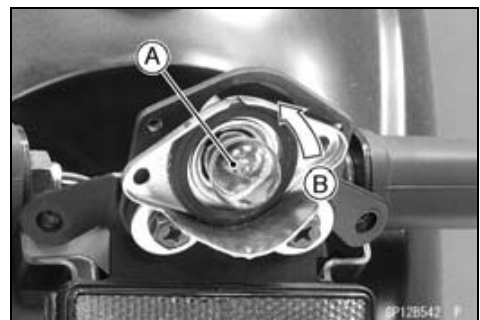
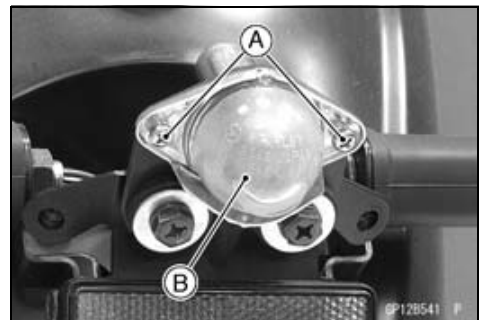


- Put the hooks [A] to the edge [B] of the tail/brake light cover.
- Tighten the lens screw. Be careful not to overtighten them.



### Licence Plate Light Bulb Replacement

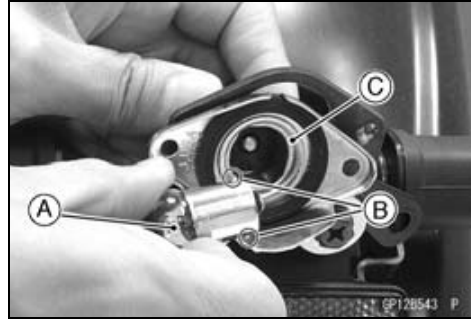
- Remove:
  - Bolts [A]
  - Licence Plate Light Cover [B]
- Remove the licence plate light lens screws [A] and take off the lens [B].
- Push the bulb [A] in, turn it counterclockwise [B], and pull it out.



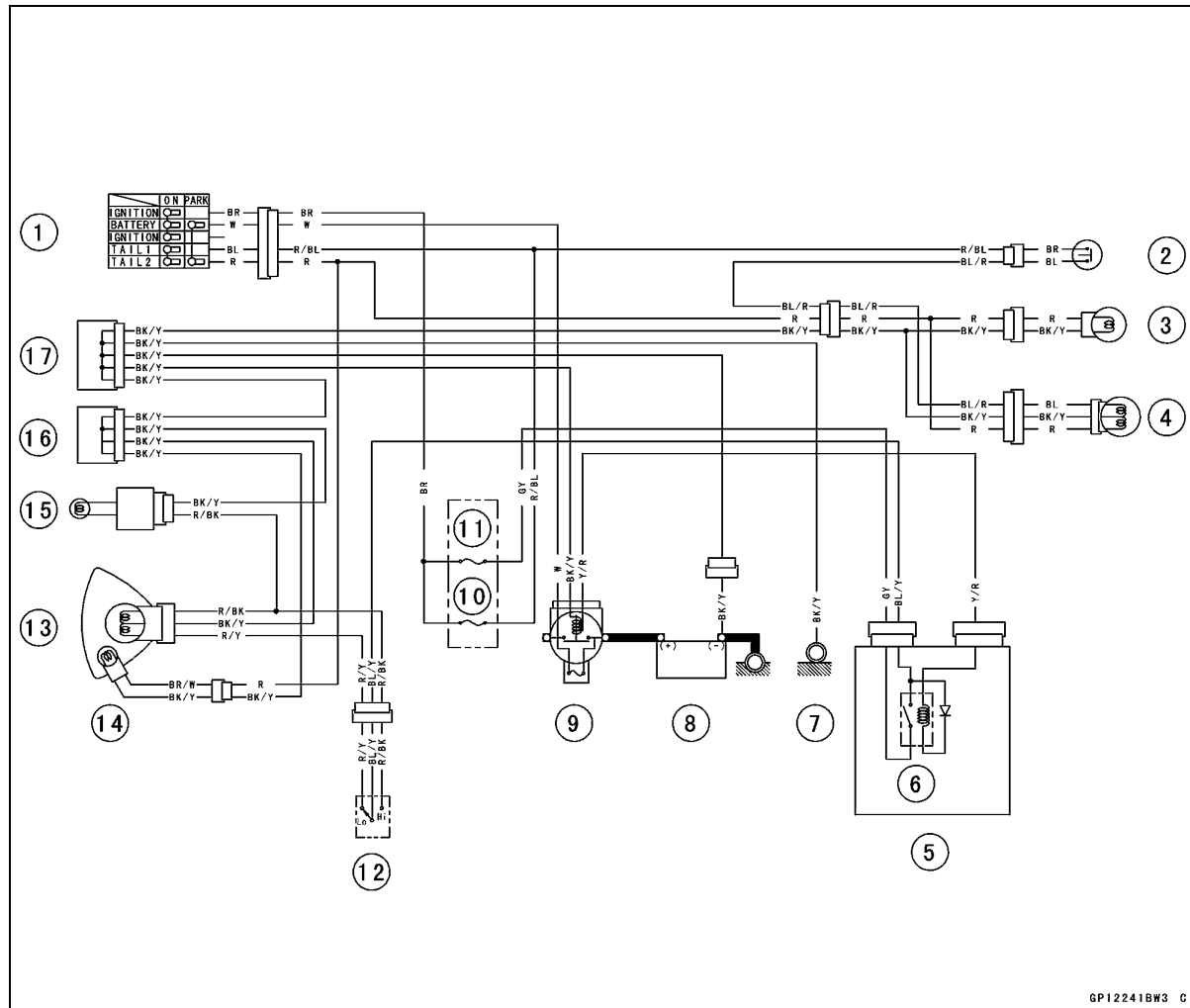
# 16-60 ELECTRICAL SYSTEM

## Lighting System

- Insert the new bulb [A] by aligning the pins [B] with the groove in the walls of the socket [C].



## Headlight/Taillight Circuit

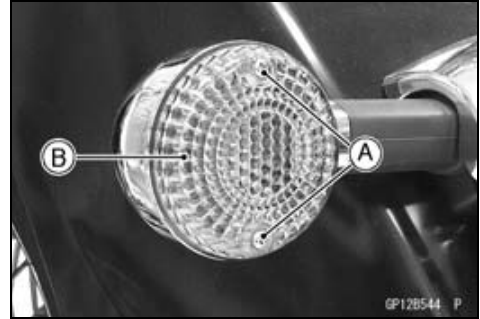


- |                        |                                |
|------------------------|--------------------------------|
| 1. Ignition Switch     | 10. Tail Light Fuse 10 A       |
| 2. Rear Brake Switch   | 11. Headlight Fuse 10 A        |
| 3. License Plate Light | 12. Dimmer Switch              |
| 4. Tail/Brake Light    | 13. Headlight                  |
| 5. Relay Box           | 14. City Light (Europe Models) |
| 6. Headlight Relay     | 15. High Beam Indicator Light  |
| 7. Frame Ground        | 16. Joint Connector A          |
| 8. Battery             | 17. Joint Connector C          |
| 9. Main Fuse 30 A      |                                |

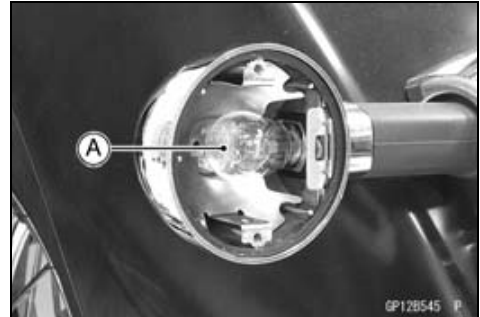
**Lighting System**

**Turn Signal Light Bulb Replacement**

- Remove the turn signal light lens screws [A] and remove the lens [B].



- Push the bulb [A] in the socket and turn the bulb counter-clockwise.
- Replace the bulb.

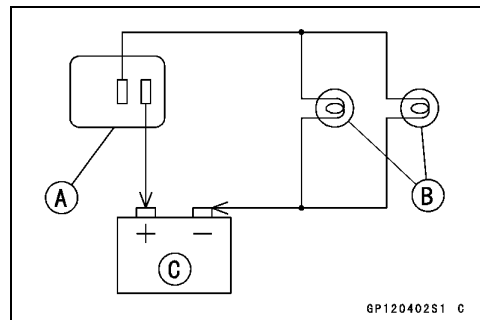


**Turn Signal Relay Inspection**

- Remove:
  - Tool Box (see Tool Box Removal in the Frame chapter)
  - Turn Signal Relay [A]



- Connect one 12 V battery and turn signal lights as indicated in the figure, and count how many times the lights flash for one minute.
  - Turn Signal Relay [A]
  - Turn Signal Lights [B]
  - 12 V Battery [C]



- ★ If the lights do not flash as specified, replace the turn signal relay.

**Testing Turn Signal Relay**

Load		Flashing times (c/m*)
The Number of Turn Signal Lights	Wattage (W)	
1**	21 or 23	140-250
2	42 or 46	75-95

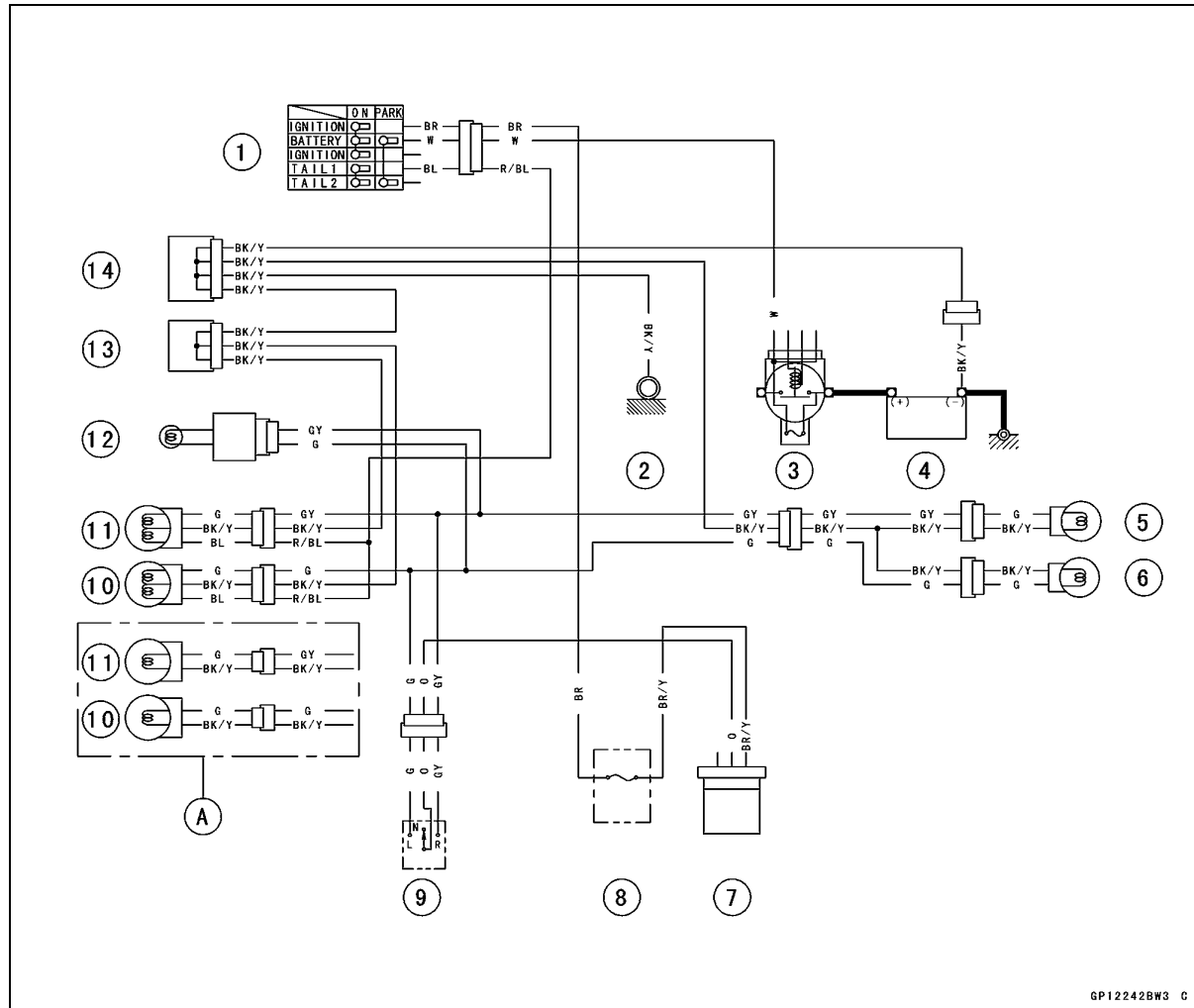
(\*): Cycle(s) per minute

(\*\*): Correspond to "one light burned out"

# 16-62 ELECTRICAL SYSTEM

## Lighting System

### Turn Signal Light Circuit



1. Ignition Switch
2. Frame Ground
3. Main Fuse 30 A
4. Battery
5. Rear Right Turn Signal Light
6. Rear Left Turn Signal Light
7. Turn Signal Relay
8. Turn Signal Lights Fuse 10 A
9. Turn Signal Switch
10. Front Left Turn Signal Light
11. Front Right Turn Signal Light
12. Turn Signal Indicator
13. Joint Connector A
14. Joint Connector C

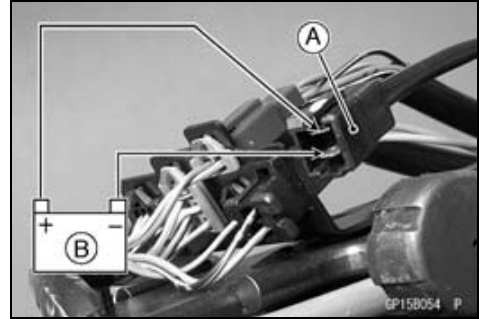
A: Europe and Australia Models



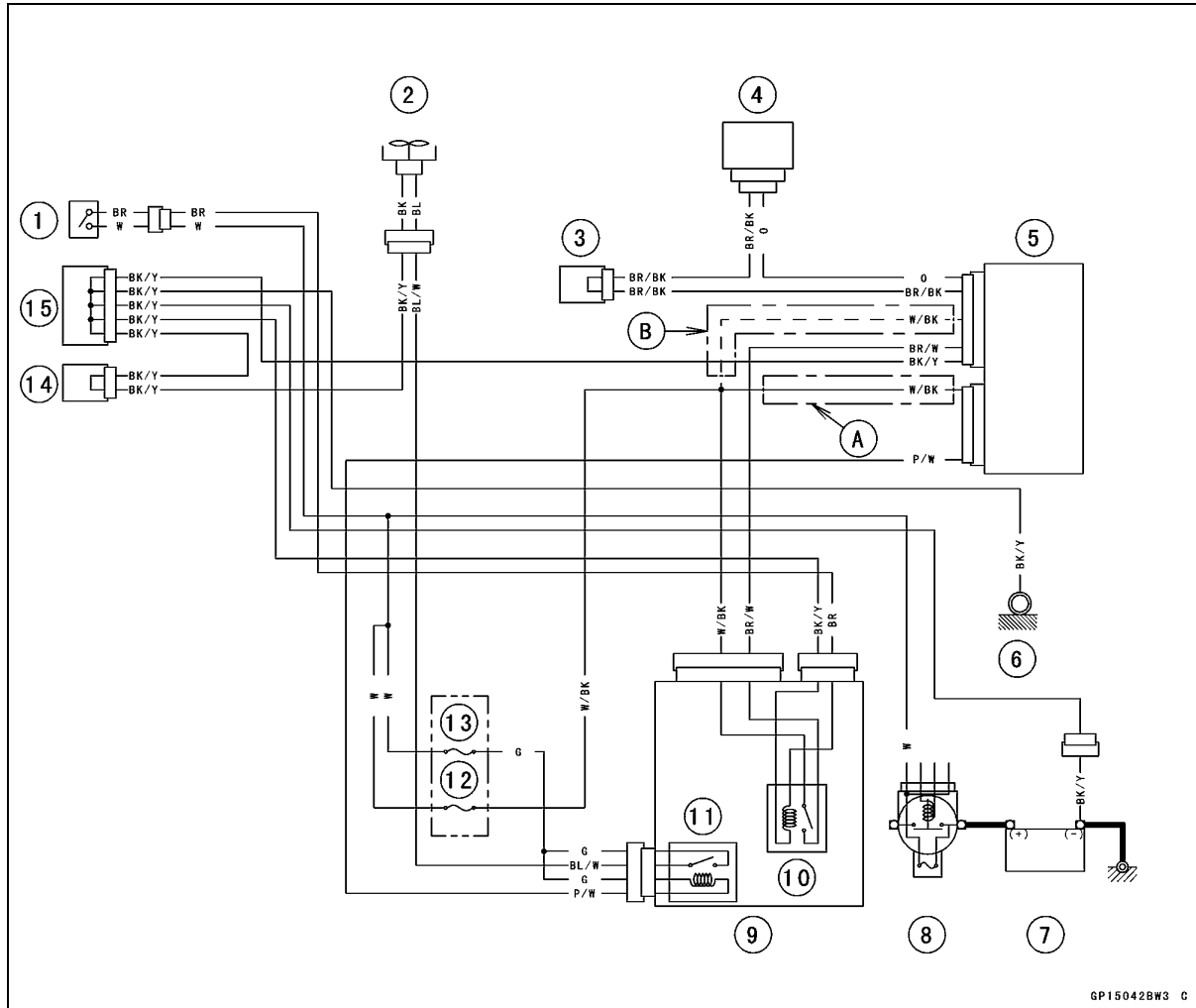
**Radiator Fan System**

**Fan Motor Inspection**

- Remove the fuel tank (see Fuel Tank Removal in the Fuel System (DFI) chapter).
- Disconnect the 2-pin connector [A] in the fan motor leads.
- Using two auxiliary wires, supply battery [B] power to the fan motor.
- ★ If the fan does not rotate, the fan motor is defective and must be replaced.



**Radiator Fan Circuit**



- |                             |                        |
|-----------------------------|------------------------|
| 1. Ignition Switch          | 9. Relay Box           |
| 2. Radiator Fan             | 10. ECU Main Relay     |
| 3. Joint Connector B        | 11. Radiator Fan Relay |
| 4. Water Temperature Sensor | 12. ECU Fuse 15 A      |
| 5. ECU                      | 13. Fan Fuse 15 A      |
| 6. Frame Ground             | 14. Joint Connector A  |
| 7. Battery                  | 15. Joint Connector C  |
| 8. Main Fuse 30 A           |                        |
- A: Other than Europe Models  
B: Europe Models

GP15042BW3 C

## 16-64 ELECTRICAL SYSTEM

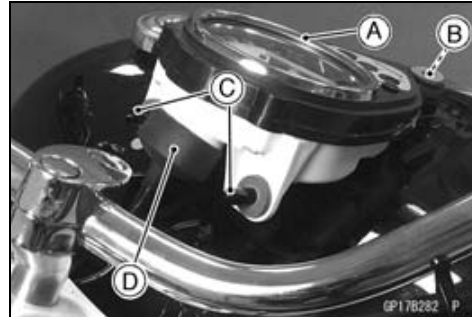
### Meter Unit

#### Meter Unit Removal

- Remove the bolt [A], and lift up the tail of the cover [B].
- Push the cover forward a little, and remove the meter cover.



- Remove the meter unit [A].
- Pull out the meter unit end from the pin [B] on the fuel tank, and then pull out the front of the meter unit from the pins [C].
- Slide the dust cover [D] out and disconnect the connector.

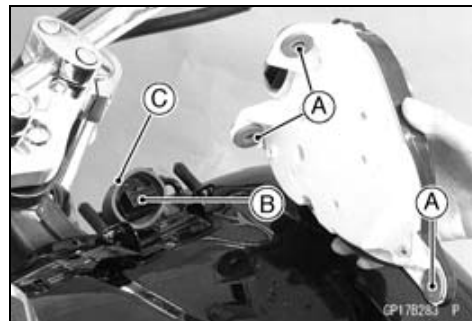


#### CAUTION

Never drop the meter unit, especially on a hard surface. Such a shock to the unit can damage it. Place the speedometer so that the face is up. If the meter is left upside down or sideways for any length of time, it will malfunction.

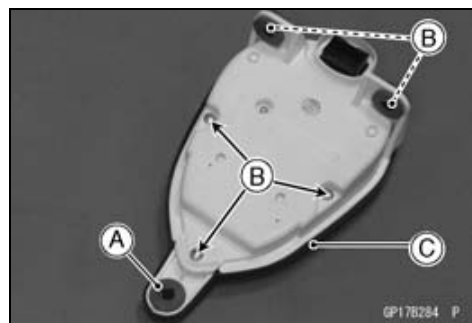
#### Meter Unit Installation

- Confirm that the rubber dampers [A] are in the meter unit.
- Connect the connector [B] and slide the dust cover [C] in.
- Be sure to put the holes onto the pins on the fuel tank.
- Install the meter cover.



#### Meter Unit Disassembly

- Remove the meter unit (see Meter Unit Removal).
- Remove:
  - Rear Rubber Damper [A]
  - Screws [B]
- Remove the upper meter cover [C].

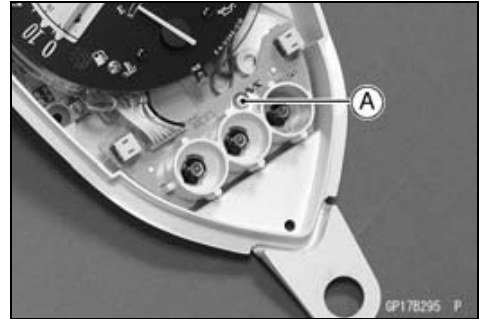


### Meter Unit

- Remove the screw [A] on the lower cover to free the speedometer.



- Remove the screw [A] on the indicator panel to remove the panel.



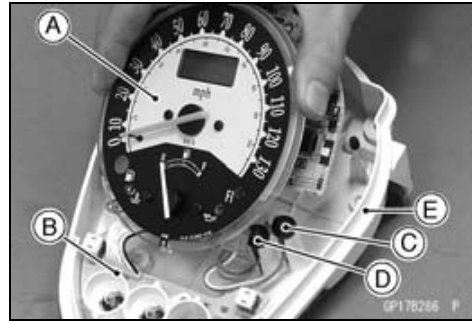
## 16-66 ELECTRICAL SYSTEM

### Meter Unit

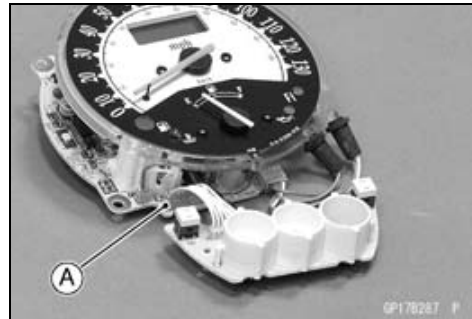
- Lifting the speedometer [A] with the indicator panel [B] attached, pull out the FI indicator LED light [C] and oil pressure warning LED light [D] from the lower cover [E].

#### NOTE

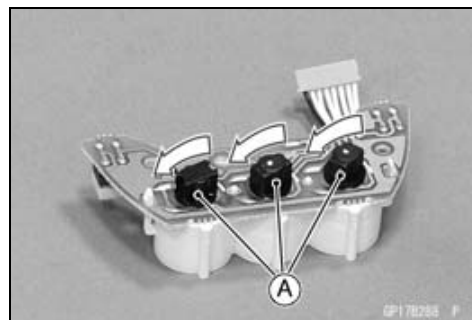
- The water temperature warning LED light, oil pressure warning LED light and FI indicator LED light can not be exchanged.



- Disconnect the connector [A].



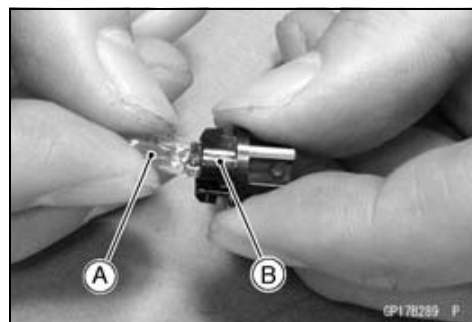
- Turn out the socket [A] counterclockwise.
- These sockets are for the high beam indicator light, turn signal indicator light and neutral indicator light.



- Remove the wedge-base type bulb [A] by pulling the bulb straight out of the socket [B].

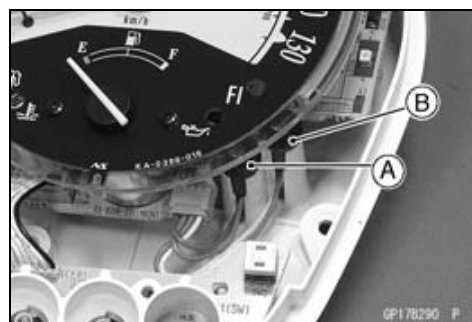
#### CAUTION

Do not turn the bulb. Pull the bulb out to prevent damage to the bulb. Do not use bulb rated for other than voltage or wattage specified in the wiring diagram.



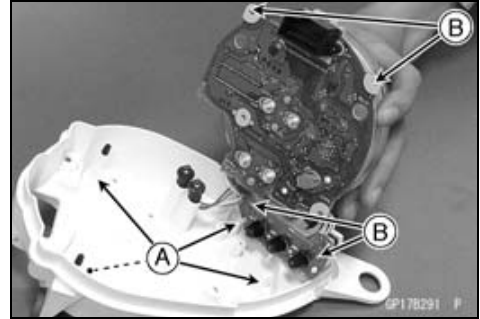
#### Meter Unit Assembly

- Connect the connector of the indicator panel to the speedometer.
- Put in the oil pressure warning LED light [A] and FI indicator LED light [B] to the lower cover.
  - Oil Pressure Warning LED Light: Orange Wire and Green Wire
  - FI Indicator LED Light: Red Wire and White Wire



### Meter Unit

- Fit the speedometer and indicator panel onto the lower cover.
- Put the holes [B] onto the projections [A] of the lower cover.
- Tighten the screws.
- Install the upper cover.



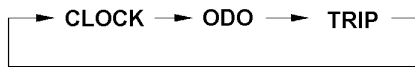
### Meter Unit Inspection

#### Mode Selection and Reset Button Checks

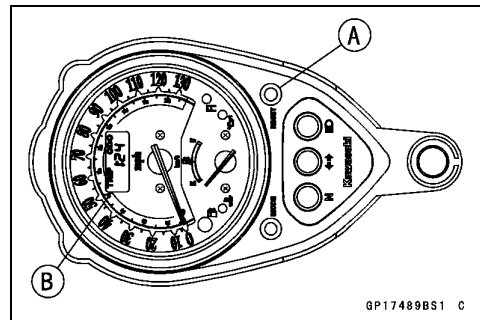
- When the ignition switch is turned ON, all the LCD segments (the letters and numbers of the liquid crystal display) [A] appear for 3 seconds on the meter.
- If they do not appear, check the LCD segments.



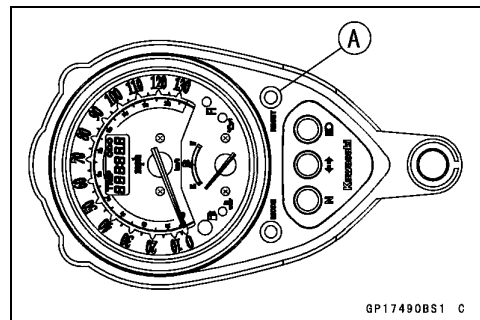
- Check that the display [B] changes to the CLOCK, ODO, and TRIP display each time the mode select button [A] is pushed.



- If the display doesn't change in the order specified, replace the speedometer assembly.



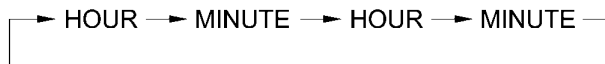
- Push the mode select button to TRIP and push the reset button [A] more than 2 seconds. The display shows "0.0".
- ★ If the display doesn't show "0.0", replace the speedometer assembly.



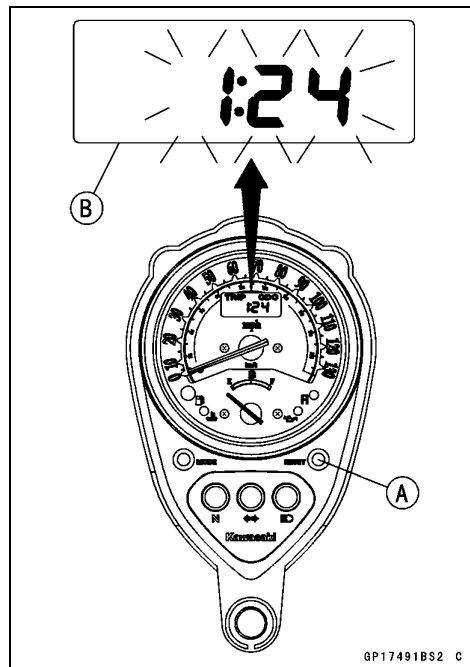
## 16-68 ELECTRICAL SYSTEM

### Meter Unit

- Push the mode select button to CLOCK.
- Push the reset button [A] more than 2 seconds, then the display turns to the HOUR/MINUTE mode [B].
- In the HOUR/MINUTE mode, the numbers flash on the display.
- Check that the flashing number changes to the HOUR or MINUTE display each time the reset button is pushed.



- Check that the time can be set in this mode.
- ★ If the time cannot be set, replace the speedometer assembly.



### Clock Setting

- In the HOUR/MINUTE setting mode, push the reset button [A] again to effect the HOUR setting mode.
- The hour display flashes [B] on the display.
- Push the mode selector button to set the hour.



- In the HOUR setting mode, push the reset button [A] once to effect the MINUTE setting mode.
- The minute display flashes [B] on the display.
- Push the mode selector button to set the minute.



- Set the minute, push the reset button [A] to return to the HOUR/MINUTE setting mode.
- Push the mode selector button [B] to complete the time setting process.
- The clock starts counting the seconds as soon as the mode selector button is pushed.



**Meter Unit**

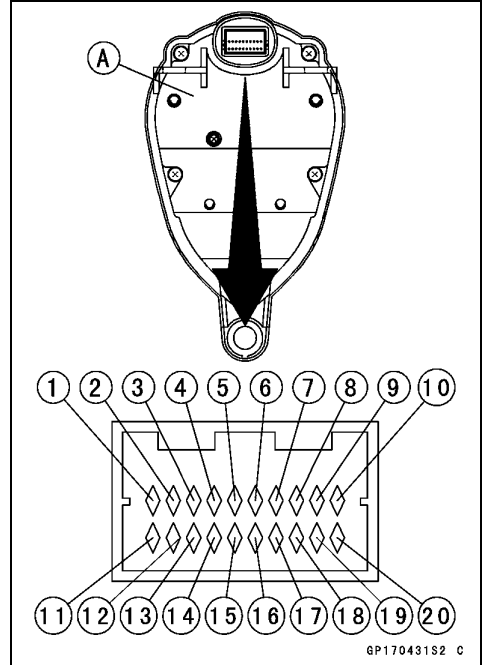
**LCD Segment Inspection**

- Remove the meter unit [A] (see Meter Unit Removal).

**CAUTION**

**Do not drop the meter unit. Such a shock to the meter unit can damage it. Place the meter facing up. If a meter is left upside down or sideways for any length of time, it will malfunction.**

- [1] Neutral Indicator Light (-)
- [2] FI Indicator LED Light (-)
- [3] Oil Temperature Warning LED Light (-)
- [4] Water Temperature Warning LED Light (-)
- [5] Unused
- [6] Unused
- [7] Unused
- [8] Unused
- [9] Unused
- [10] Speedometer Illumination LED Light (+)
- [11] Battery (+)
- [12] Ignition
- [13] Battery (-)
- [14] Unused
- [15] Speed Sensor Signal
- [16] Fuel Gauge Signal
- [17] Left Turn Signal Indicator Light (+)
- [18] Right Turn Signal Indicator Light (+)
- [19] Fuel Level Warning Light (-)
- [20] High Bean Indicator Light (+)



**CAUTION**

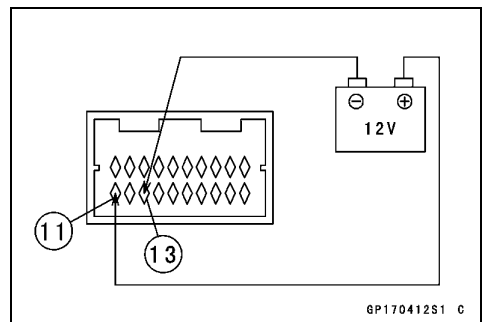
**Do not short each terminals. When inspecting the meter unit be sure to connect each connections.**

- Using the auxiliary wires, connect a 12 V battery to the meter unit connector terminals.

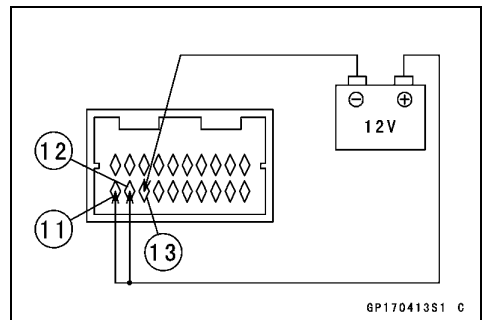
**Connections**

**Battery Positive Terminal (+) → Terminal [11]**

**Battery Negative Terminal (-) → Terminal [13]**



- Using the auxiliary wires, connect the battery positive wire to terminal [12].
- Verify that all the LCD segments (the letters and numbers of the liquid crystal display) to appear for 3 seconds. Then the clock or meters normally depending on the mode selected.
- Check that disconnecting the terminal [12] causes all the LCD segments to become unlit.



- ★ If there is any problem, replace the speedometer assembly.

# 16-70 ELECTRICAL SYSTEM

## Meter Unit

### Speedometer Inspection

- If an oscillator is unavailable, check the speedometer as follows.

- Install the meter unit.
- Use the jack to lift the rear wheel.

**Special Tool - Jack: 57001-1238**

- Turn the ignition switch ON.
- Turn the rear wheel by hand to see if the speedometer shows the vehicle speed [A] that corresponds to the wheel rotation.

- ★ If it does not show properly, inspect the speed sensor and power to the speed sensor.

- If an oscillator is available, check the speedometer as follows.

- Connect the terminals in the same way as in the LCD segment inspection.

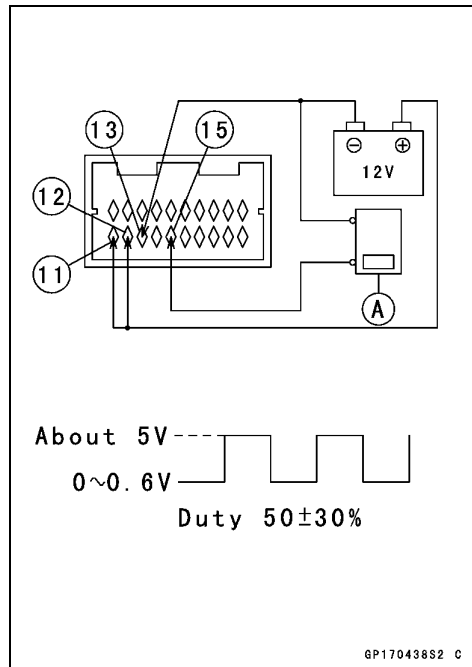
- Connect the oscillator [A] to the terminal [15]. The vehicle speed that corresponds to the input frequency will be displayed when a short wave form such as the one shown in the diagram is input.

**Example:**

**An input frequency of 750 Hz will display about 60 mph.**

**An input frequency of 450 Hz will display about 60 km/h.**

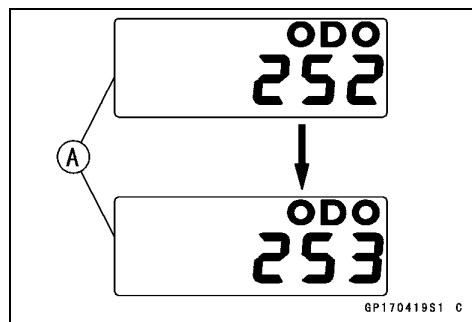
- ★ If the meter does not function correctly, replace the speedometer assembly.



### ODO Meter Inspection

- Turn the display [A] into ODO.
- During the speedometer inspection with an oscillator, verify that the odometer reading increases.

- ★ If it does not increase, replace the speedometer assembly.

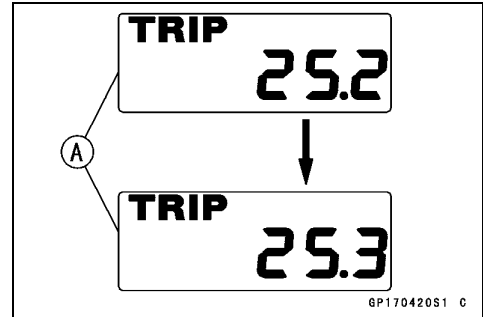




## Meter Unit

### TRIP Meter Inspection

- Turn the display [A] into TRIP.
- During the speedometer inspection with an oscillator, verify that the trip meter reading increases.
- Stop the short wave form, press the reset button more than 2 seconds and check that the display shows "0.0".
- ★ If there are any problems, replace the speedometer assembly.



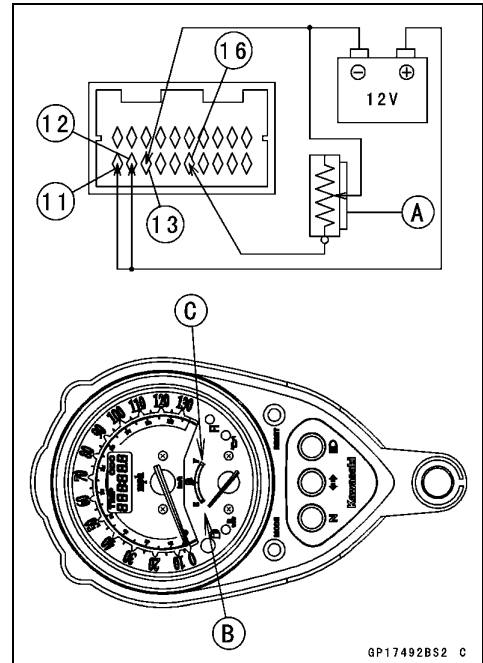
### Fuel Level Gauge Inspection

- Connect the terminals in the same way as in the LCD segment inspection.
- Connect a variable rheostat [A] to the terminal [16] and battery negative wire as shown.
- Check that the position of the gauge pointer matches the resistance value of the variable rheostat.

Resistance ( $\Omega$ )	Position of Meter Pointer
90	E [B]
38	1/2
10	F [C]

Resistance values are standard and they have tolerance.

- ★ If this indicator function does not work, replace the speedometer assembly.



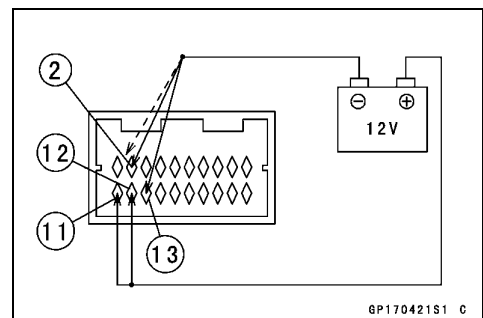
### LED and Indicator Light Inspection

- Connect the 12 V battery to the meter terminals in the same way as in the LCD segment inspection.

#### FI Indicator LED Light Connections

##### Battery Negative Wire (-) to Terminal [2]

- Connect the terminal [2].
- The FI indicator LED light lights.
- Disconnect the terminal [2].
- The FI indicator LED light disappears.
- ★ If there is any problem, replace the speedometer assembly.



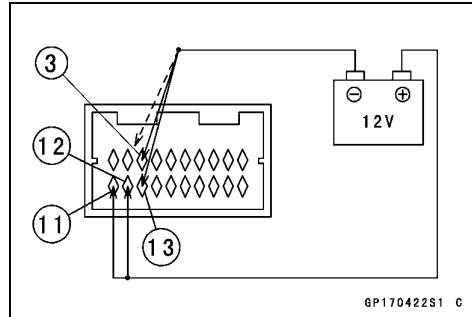
# 16-72 ELECTRICAL SYSTEM

## Meter Unit

### Oil Pressure Warning LED Light Connections

#### Battery Negative Wire (-) to Terminal [3]

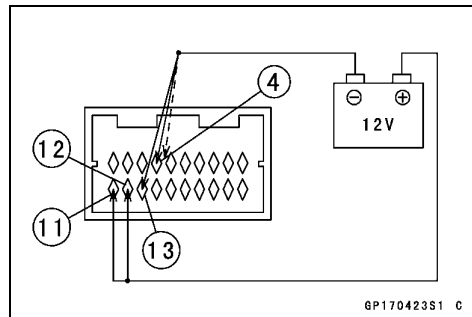
- Connect the terminal [3].
- The oil pressure warning LED light lights.
- Disconnect the terminal [3].
- The oil pressure warning LED light disappears.
- ★ If there is any problem, replace the speedometer assembly.



### Water Temperature Warning LED Light Connections

#### Battery Negative Wire (-) to Terminal [4]

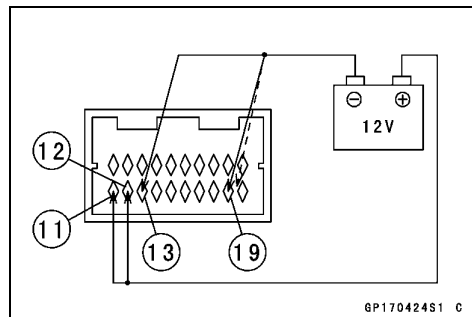
- Connect the terminal [4].
- The water temperature warning LED light lights.
- Disconnect the terminal [4].
- The water temperature warning LED light disappears.
- ★ If there is any problem, replace the speedometer assembly.



### Fuel Level warning Light Connections

#### Battery Negative Wire (-) to Terminal [19]

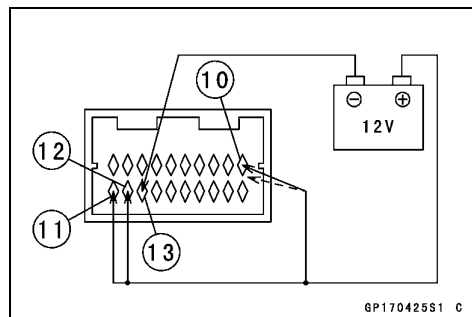
- Connect the terminal [19].
- The fuel level warning light lights.
- Disconnect the terminal [19].
- The fuel level warning light disappears.
- ★ If there is any problem, inspect the bulb and bulb socket.
- ★ If they are normal, replace the speedometer assembly.



### Speedometer Illumination LED Light Connections

#### Battery Positive Wire (+) to Terminal [10]

- Connect the terminal [10].
- The Illumination LED light lights.
- Disconnect the terminal [10].
- The Illumination LED light disappears.
- ★ If there is any problem, replace the speedometer assembly.
- Be dotted the Illumination LED lights in the speedometer. If the meter pointer or LCD segments are hard to reading because of the unilluminative, replace the speedometer assembly.

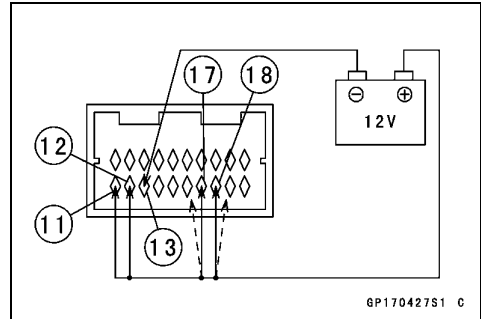


## Meter Unit

### Turn Signal Indicator Lights Connections

#### Battery Positive Wire (+) to Terminal [17] or [18]

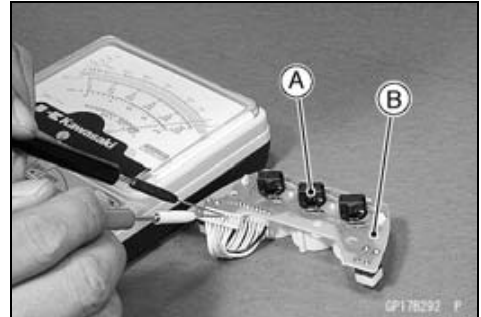
- Connect the terminal [17] or [18].
- The turn signal indicator light lights.
- Disconnect the terminal [17] or [18].
- The signal indicator light disappears.



- ★ If there is any problem, inspect the bulb, bulb socket [A] and wiring of the indicator panel [B].
- ★ If they are normal, replace the speedometer assembly.

**Special Tools - Hand Tester: 57001-1394**

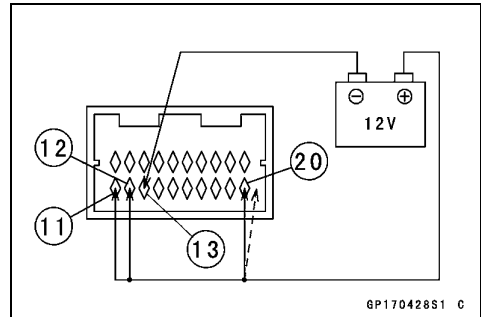
**Needle Adapter Set: 57001-1457**



### High Beam Indicator Light Connections

#### Battery Positive Wire (+) to Terminal [20]

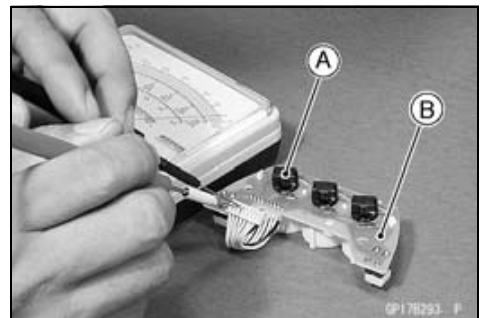
- Connect the terminal [20].
- The high beam indicator light lights.
- Disconnect the terminal [20].
- The turn signal indicator light disappears.



- ★ If there is any problem, inspect the bulb, bulb socket [A] and wiring of the indicator panel [B] for continuity.
- ★ If they are normal, replace the speedometer.

**Special Tools - Hand Tester: 57001-1394**

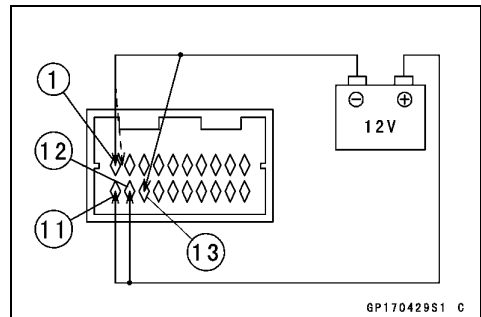
**Needle Adapter Set: 57001-1457**



### Neutral Indicator Light Connections

#### Battery Negative Wire (-) to Terminal [1]

- Connect the terminal [1].
- The neutral indicator light lights.
- Disconnect the terminal [1].
- The neutral indicator light disappears.



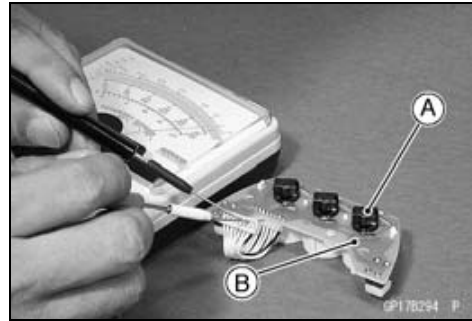
## 16-74 ELECTRICAL SYSTEM

### Meter Unit

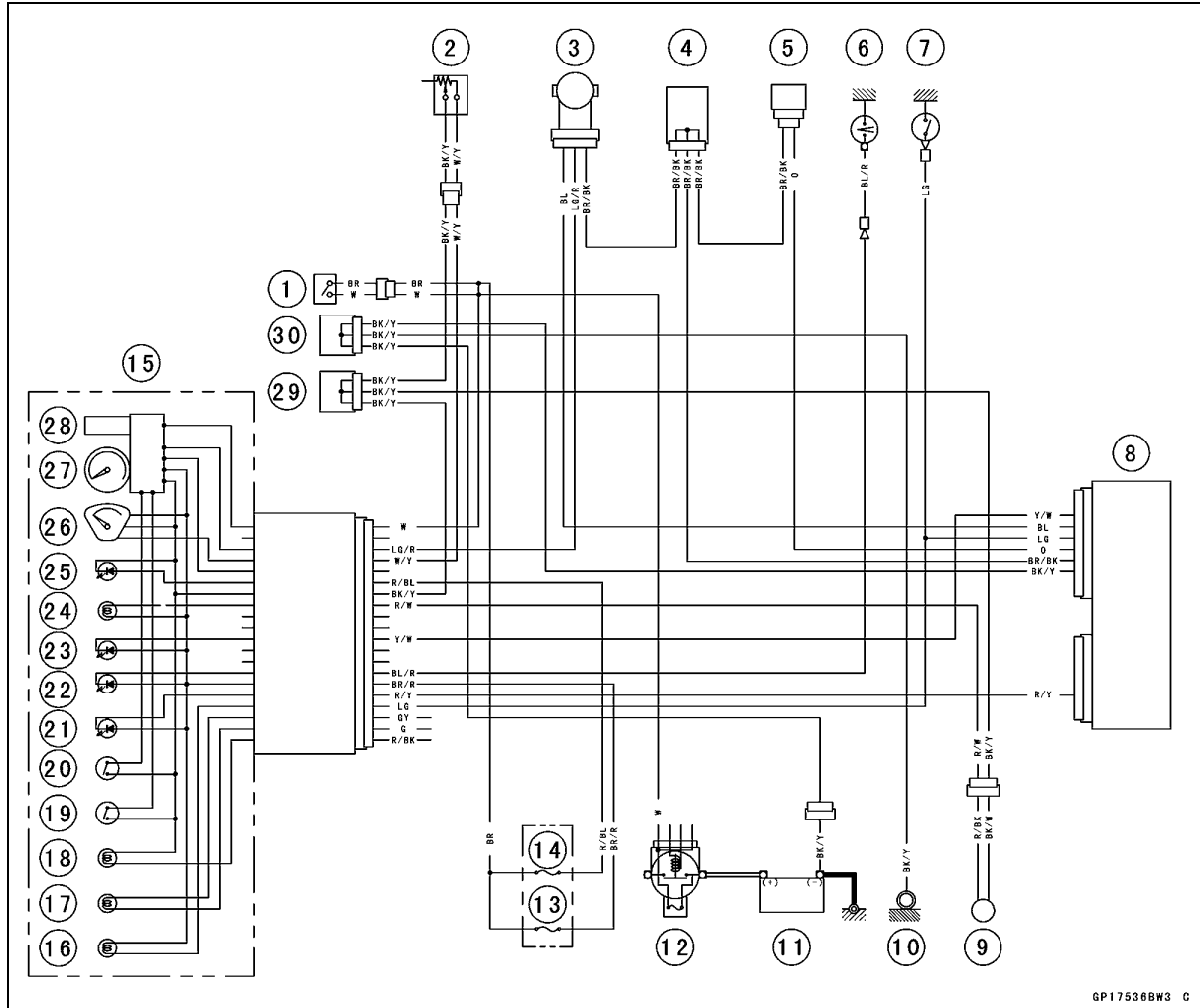
- ★ If there is any problem, inspect the bulb, bulb socket [A] and wiring of the indicator panel [B] for continuity.
- ★ If they are normal, replace the speedometer assembly.

**Special Tools - Hand Tester: 57001-1394**

**Needle Adapter Set: 57001-1457**



Meter Unit



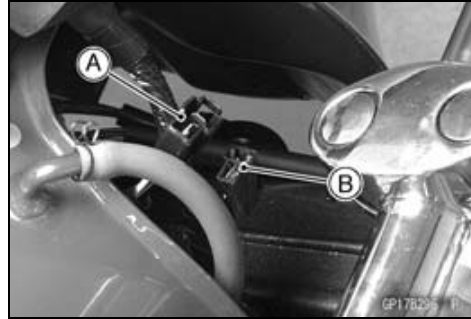
- |                             |   |
|-----------------------------|---|
| 1. Ignition Switch          | 16. Neutral Indicator Light                         |
| 2. Fuel Level Sensor        | 17. Turn Signal Indicator Light                     |
| 3. Speed Sensor             | 18. High Beam Indicator Light                       |
| 4. Joint Connector B        | 19. Reset Button                                    |
| 5. Water Temperature Sensor | 20. Mode Button                                     |
| 6. Oil Pressure Switch      | 21. FI Indicator Light (LED)                        |
| 7. Neutral Switch           | 22. Oil Pressure Warning Indicator Light (LED)      |
| 8. ECU                      | 23. Water Temperature Warning Indicator Light (LED) |
| 9. Fuel Reserve Switch      | 24. Fuel Level Warning Indicator Light              |
| 10. Frame Ground            | 25. Illumination Light (LED)                        |
| 11. Battery                 | 26. Fuel Level Gauge                                |
| 12. Main Fuse 30 A          | 27. Speedometer                                     |
| 13. Ignition Fuse 10 A      | 28. Odometer/Trip Meter /Clock Display              |
| 14. Tail Light Fuse 10A     | 29. Joint Connector A                               |
| 15. Meter Unit              | 30. Joint Connector C                               |

## 16-76 ELECTRICAL SYSTEM

### Meter Unit

#### **Fuel Gauge Operation Inspection**

- Remove:
  - Fuel Tank Bolts (see Fuel Tank Removal in the Fuel System (DFI) chapter)
- Lift the fuel tank front part a little and pull the fuel gauge connector forward.
- Disconnect the fuel gauge connector.
- Prepare an auxiliary wire, and check the operation of the gauge.
- Open or short the fuel level sensor wires to check the fuel gauge operation.
  - Fuel Level Sensor Connector [A] (Fuel Tank Side)
  - Fuel Level Sensor Connector [B] (Main Harness Side)



#### **Fuel Gauge Operation Check**

**Ignition Switch Position: ON**

**Wire Location: Female 2-pin fuel gauge connector (disconnected)**

**Results: Gauge should read E when connector wires are opened.**

**Gauge should read F when connector wires are shorted.**

- ★ If the gauge readings are correct, the fuel level sensor is bad (see Fuel Level Sensor Inspection). If these readings are not obtained, the trouble is with the gauge and/or wiring.
- Check the fuel gauge circuit wiring (see Wiring Inspection).
- ★ If all wiring and components other than the fuel gauge check out good, the gauge is defective. Replace the speedometer assembly.

## Air Switching Valve

### Air Switching Valve Operation Test

- Refer to the Air Suction System Damage Inspection in the Periodic Maintenance chapter.

### Air Switching Valve Unit Test

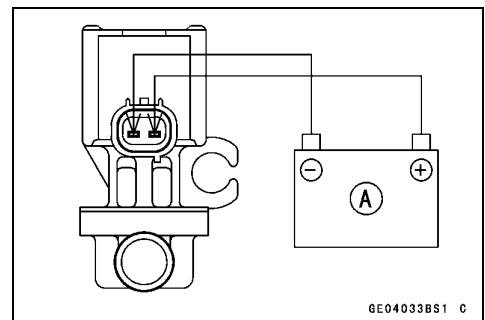
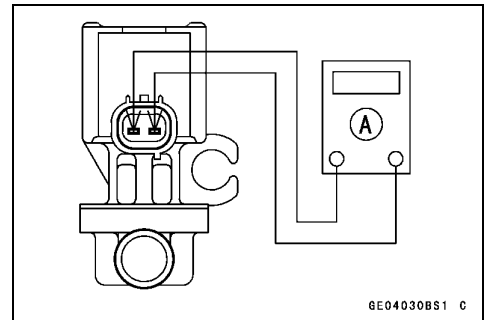
- Remove the air switching valve (see Air Switching Valve Removal in the Engine Top End chapter).
- Set the hand tester [A] to the  $\times \Omega$  range and connect it to the air switching valve terminals as shown.

**Special Tool - Hand Tester: 57001-1394**

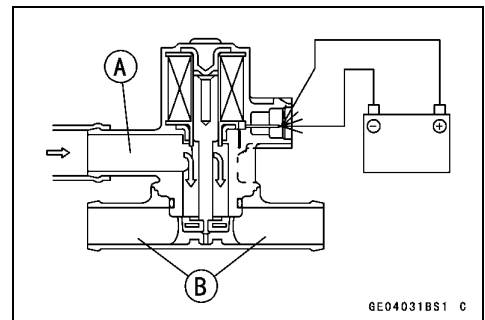
### Air Switching Valve Resistance

**Standard: 18 ~ 22  $\Omega$  at 20°C (68°F)**

- ★ If the resistance reading is except the specified value, replace it with a new one.
- Connect the 12 V battery [A] to the air switching valve terminals as shown.



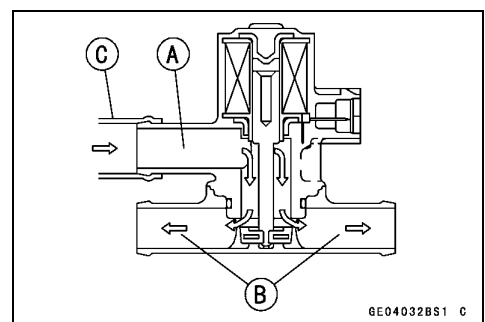
- Blow the air to the inlet air duct [A], and make sure does not flow the blown air from the outlet air ducts [B].



- Disconnect the 12 V battery.
- Blow the air to the inlet air duct [A] again, and make sure flow the blown air from the outlet air ducts [B].
- ★ If the air switching valve does not operate as described, replace it with a new one.

### NOTE

- To check air flow through the air switching valve, just blow through the air cleaner hose [C].

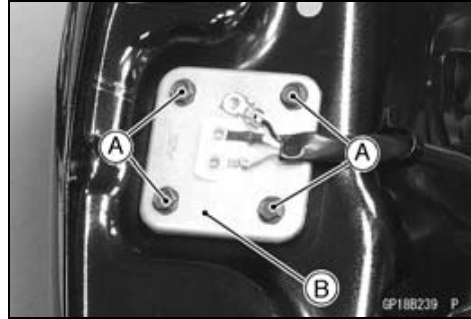


## 16-78 ELECTRICAL SYSTEM

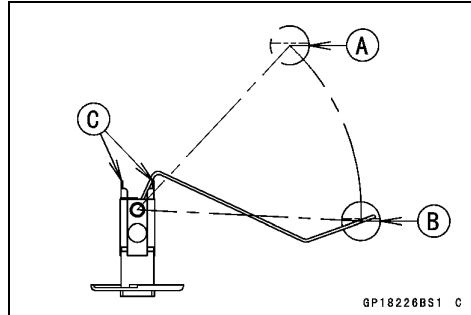
### Switch and Sensors

#### Fuel Level Sensor Inspection

- Remove:
  - Fuel Tank (see Fuel Tank Removal in the Fuel System (DFI) chapter)
- Open the clamps on the fuel tank.
- Remove:
  - Bolts [A]
  - Fuel Level Sensor [B]



- Check that the float moves up and down smoothly without binding. It should go down under its own weight.
- ★ If the float does not move smoothly, replace the sensor.
  - Float in Full Position [A]
  - Float in Empty Position [B]
  - Float Arm Stoppers [C]



- Using the hand tester [A], measure the resistance across the terminals in the fuel level sensor lead connector [B].
  - Black/Yellow [C]
  - White/Yellow [D]

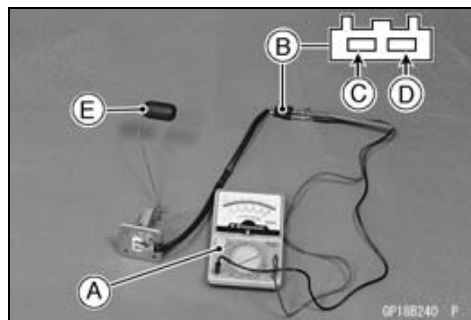
**Special Tool - Hand Tester: 57001-1394**

- ★ If the tester readings are not as specified, or do not change smoothly according as the float moves up and down, replace the sensor.

#### Fuel Level Sensor Resistance

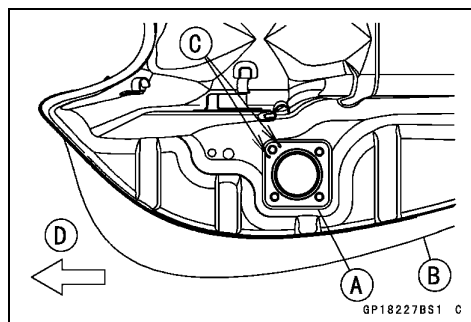
**Standard: Full position: 4 ~ 10  $\Omega$**

**Empty position [E]: 90 ~ 100  $\Omega$**



- Install a new gasket [A] on the fuel tank [B] as shown.
  - [C] Hollows
  - [D] Front Side
- Apply a non-permanent locking agent to the threads of the level sensor mounting bolts and tighten them.

**Torque - Fuel Level Sensor Mounting Bolts: 6.9 N·m (0.70 kgf·m, 61 in·lb)**





## Switch and Sensors

### Fuel Reserve Switch Inspection

- Fill the fuel tank with fuel.
- Close the fuel tank cap surely.
- Remove:
  - Ignition Coil Cover (see Ignition Coil Removal)
  - Fuel Pump Lead Connector [A]
- Connect the test light [B] (12 V 3.4 W bulb in a socket with leads) and the 12 V battery [C] to the fuel level sensor lead connector.

### Connections

- Battery (+) → 12 V 3.4 W Bulb (one side)
- 12 V 3.4 W Bulb (other side) → R/BK Lead Terminal [D]
- Battery (-) → BK/W Lead Terminal [E]

- ★ If the test light turn on, the reserve switch is defective. Replace the fuel pump.

- Remove:
  - Fuel Pump (see Fuel Pump Removal in the Fuel System (DFI) chapter)
- Connect the test light (12 V 3.4 W bulb in a socket with leads) and the 12 V battery to the fuel pump lead connector as shown.
  - 12 V Battery [A]
  - Test Light [B]
  - Fuel Pump Lead Connector [C]
  - Fuel Reserve Switch [D]

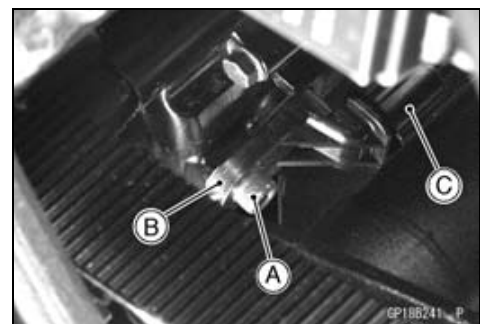
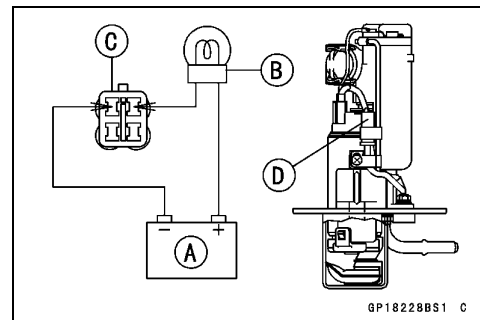
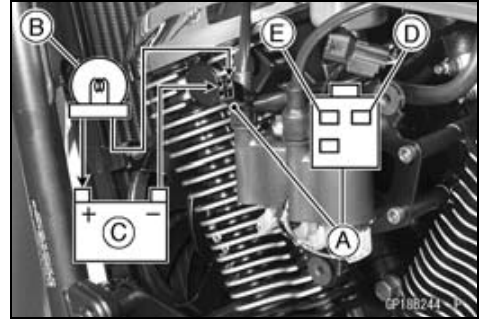
- ★ If the test light doesn't light, replace the fuel pump.

### NOTE

- It may take a long time to turn on the test light in case that the fuel reserve switch is inspected just after the fuel level sensor is removed. Leave the fuel reserve switch with leads for inspection connected for few minutes.

### Speed Sensor Removal

- Remove:
  - Left Side Cover (see Left Side Cover Removal in the Frame chapter)
  - Reserve Tank (see Reserve Tank Removal in the Cooling System chapter)
  - Neutral Switch Connector
  - Bolt [A]
  - Speed Sensor [B] with the connector [C] connected
- Disconnect the speed sensor connector.

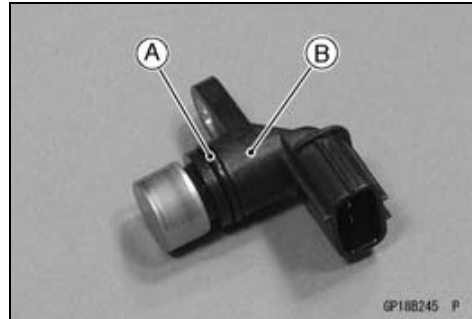


## 16-80 ELECTRICAL SYSTEM

### Switch and Sensors

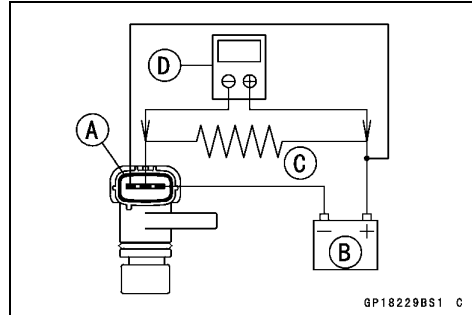
#### Speed Sensor Installation

- Apply grease to the O-ring [A] on the speed sensor [B].
- Tighten:
  - Torque - Speed Sensor Mounting Bolt: 9.8 N·m (1.0 kgf·m, 87 in·lb)

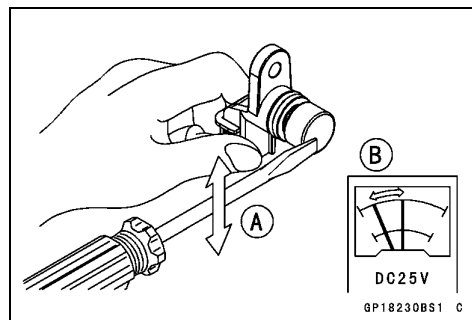


#### Speed Sensor Inspection

- Remove:
  - Speed Sensor (see Speed Sensor Removal)
- Connect the speed sensor connector [A] with a battery [B], 10 kΩ resistor [C] and hand tester [D] as shown.
- Set the tester to the DC 25 V range.
  - Special Tool - Hand Tester: 57001-1394

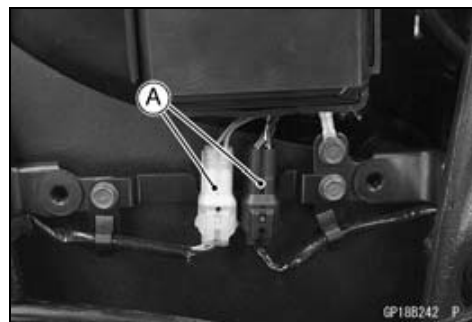


- Trace [A] the speed sensor surface with the screw driver.
- Then the tester indicator should flick [B].
- ★ If the tester indicator does not flick, replace the speed sensor.

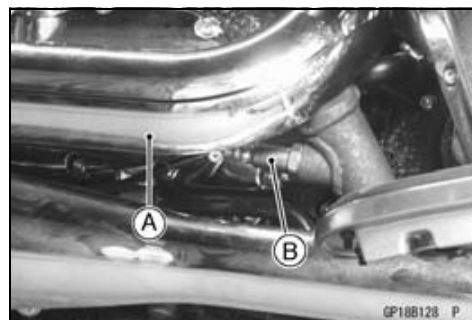


#### Oxygen Sensor Removal (Europe Models)

- Remove:
  - Right Side Cover (see Right Side Cover Removal in the Frame chapter)
- Disconnect the oxygen sensor lead connectors [A].



- Remove:
  - Exhaust Pipe Cover [A] (see Muffler Removal in the Engine Top End chapter)
- Remove:
  - Oxygen Sensors [B]



## Switch and Sensors

### Oxygen Sensor Installation (Europe Models)

#### CAUTION

Never drop the Oxygen Sensor [A], especially on a hard surface. Such a shock to the unit can damage it.

Do not touch the sensing part [B] to prevent oil contact. Oil contamination from hands can reduce sensor performance.

- Tighten:  
Torque - Oxygen Sensor: 25 N·m (2.5 kgf·m, 18 ft·lb)
- Run the oxygen sensor lead correctly (see Cable, Wire and Hose Routing section in the Appendix chapter).

### Oxygen Sensor Inspection (Europe Models)

- Refer to the Fuel System (DFI) chapter for oxygen sensor inspection.

### Front Brake Light Switch Inspection

- Refer to the Front Brake Light Switch Inspection in the Periodic Maintenance chapter.

### Rear Brake Light Switch Check/Adjustment

- Refer to the Rear Brake Light Switch Check/Adjustment in the Periodic Maintenance chapter.

### Water Temperature Sensor Removal

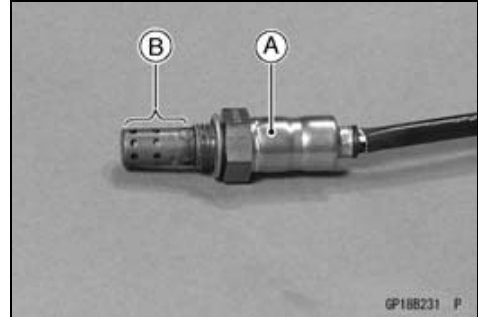
#### CAUTION

The water temperature sensor should never be allowed to fall on a hard surface. Such a shock to the part can damage it.

- Remove:  
Fuel Tank (see Fuel Tank Removal in the Fuel System (DFI) chapter)  
Radiator Cap
- Pump out the coolant [A] in the thermostat using a syringe.
- Disconnect:  
Water Temperature Sensor Connector [B]
- Remove:  
Water Temperature Sensor [C]

### Water Temperature Sensor Installation

- Tighten:  
Torque - Water Temperature Sensor: 12 N·m (1.2 kgf·m, 106 in·lb)
- Fill the engine with coolant and bleed the air from the cooling system (see Coolant Change in the Periodic Maintenance chapter).



## 16-82 ELECTRICAL SYSTEM

### Switch and Sensors

#### Water Temperature Sensor Inspection

- Remove the water temperature sensor (see Water Temperature Sensor Removal).
- Suspend the sensor [A] in a container of machine oil so that the heat-sensitive portion and threaded portion are submerged.
- Suspend an accurate thermometer [B] with heat-sensitive portions [C] located in almost the same depth.

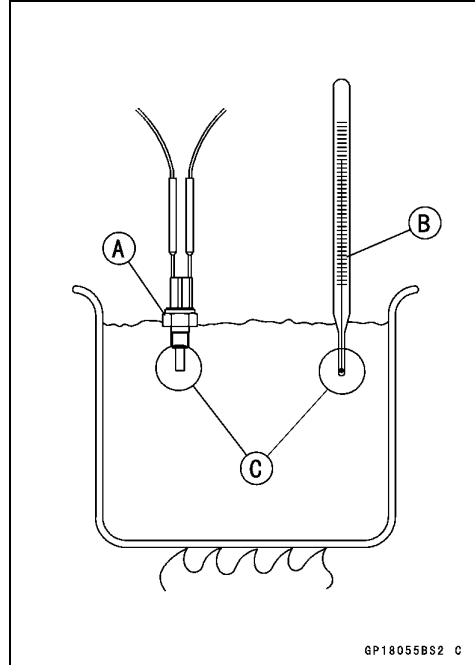
#### NOTE

- *The sensor and thermometer must not touch the container side or bottom.*
- Place the container over a source of heat and gradually raise the temperature of the oil while stirring the oil gently for even temperature.
- Using the hand tester, measure the internal resistance of the sensor across the terminal and the body at the temperatures shown in the table.
- ★ If the measurement is out of the range, replace the sensor.

#### Water Temperature Sensor Resistance

Temperature	Resistance (k $\Omega$ )
-20°C (-4°F)	*18.80 $\pm$ 2.37
0°C (32°F)	*(about 6.544)
40°C (104°F)	1.136 $\pm$ 0.095
100°C (212°F)	0.1553 $\pm$ 0.0070

\*: Reference Information



## Switch and Sensors

### Switch Inspection

- Using the hand tester, check to see that only the connections shown in the table have continuity (about zero ohms).
- For the handlebar switches and the ignition switch, refer to the tables in the Wiring Diagram.
- ★ If the switch has an open or short, repair it or replace it with a new one.

**Special Tool - Hand Tester: 57001-1394**

Rear Brake Light Switch Connections		
Color	BR	BL
When brake pedal is pushed down	○ — ○	○ — ○
When brake pedal is released		

Sidestand Switch Connections		
Color	BK	G
When sidestand is down		
When sidestand is up	○ — ○	○ — ○

Neutral Switch Connections		
Color	SW. Terminal	Ground
When transmission is in neutral	○ — ○	○ — ○
When transmission is not in neutral		

Oil Pressure Switch Connections *		
Color	SW. Terminal	Ground
When engine is stopped	○ — ○	○ — ○
When engine is running		

\*: Engine lubrication system is in good condition

## 16-84 ELECTRICAL SYSTEM

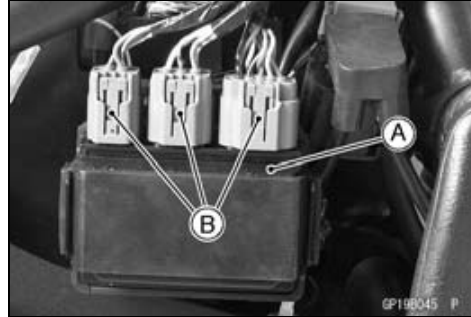
### Relay Box

The relay box [A] has relays and diodes. The relays and diodes can not be removed.



#### Relay Box Removal

- Remove:
  - Right Side Cover (see Right Side Cover Removal in the Frame chapter)
- Take out the relay box [A] and disconnect the connectors [B].



#### Relay Circuit Inspection

- Remove the relay box (see Relay Box Removal).
- Check conductivity of the following numbered terminals by connecting the hand tester and one 12 V battery to the relay box as shown (see Relay Box Internal Circuit in this section).
- ★ If the tester does not read as specified, replace the relay box.

#### Relay Circuit Inspection (with the battery disconnected)

	Tester Connection	Tester Reading ( $\Omega$ )
Headlight Relay	1-3	$\infty$
ECU Main Relay	7-6	$\infty$
	4-5	Not $\infty^*$
Fuel Pump Relay	7-8	$\infty$
	9-10	Not $\infty^*$
Starter Circuit Relay	11-16	$\infty$
	11-12	$\infty$
Fan Relay	17-20	$\infty$
	18-19	Not $\infty^*$

\*: The actual reading varies with the hand tester used.

## Relay Box

### Relay Circuit Inspection (with the battery connected)

	Battery Connection (+) (-)	Tester Connection	Tester Reading ( $\Omega$ )
ECU Main Relay	2-11	1-3	0
	4-5	7-6	0
Fuel Pump Relay	9-10	7-8	0
Fan Relay	18-19	17-20	0

	Battery Connection (+) (-)	Tester Connection DC 25 V Range	Tester Reading (V)
Starter Circuit Relay	16-12	11-12	Battery Voltage

(+): Apply positive lead.

(-): Apply negative lead.

### Diode Circuit Inspection

- Remove the relay box (see Relay Box Removal).
- Check conductivity of the following pairs of terminals (see Relay Box Internal Circuit in this section).

### Diode Circuit Inspection

Tester Connection	1-11, 2-11, 12-13, 12-15, 12-16, 13-14, 13-15
-------------------	---

- ★ The resistance should be low in one direction and more than ten times as much in the other direction. If any diode shows low or high in both directions, the diode is defective and the relay box must be replaced.

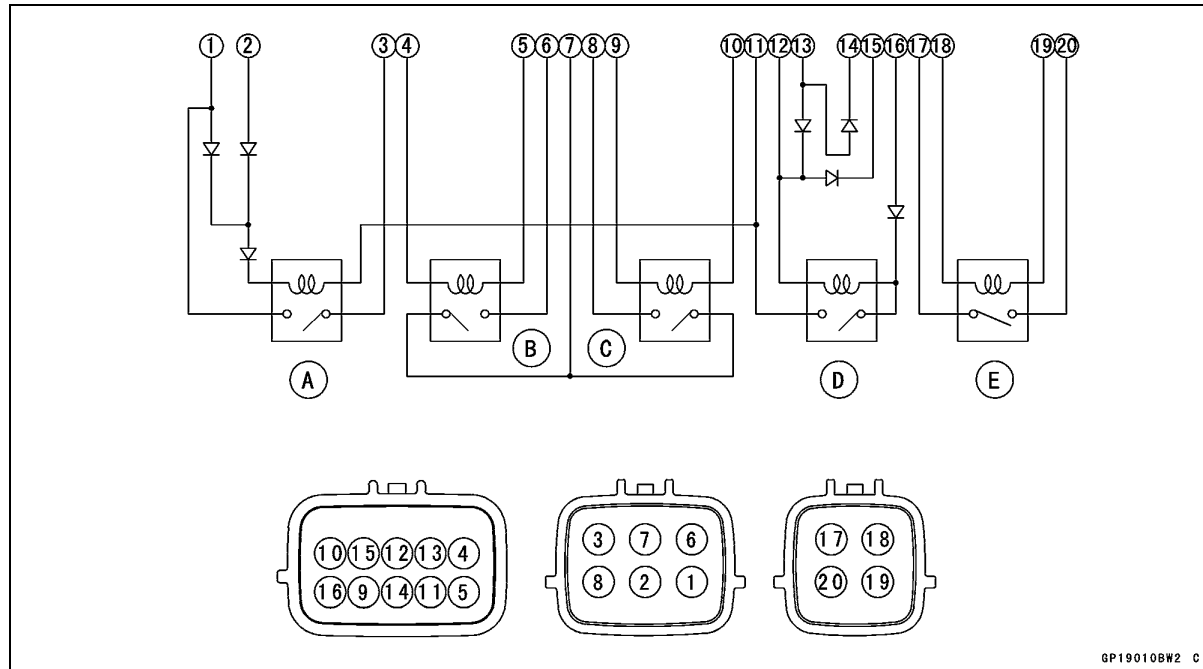
### NOTE

- The actual meter reading varies with the meter or tester used and the individual diodes, but generally speaking, the lower reading should be from zero to one half the scale.

# 16-86 ELECTRICAL SYSTEM

## Relay Box

### Relay Box Internal Circuit



GP190108W2 C

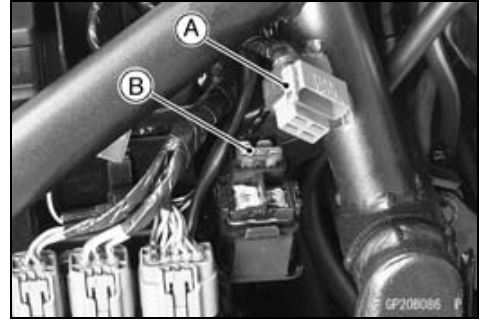
- A: Headlight Relay
- B: ECU Main Relay
- C: Fuel Pump Relay
- D: Starter Circuit Relay
- E: Fan Relay



## Fuse

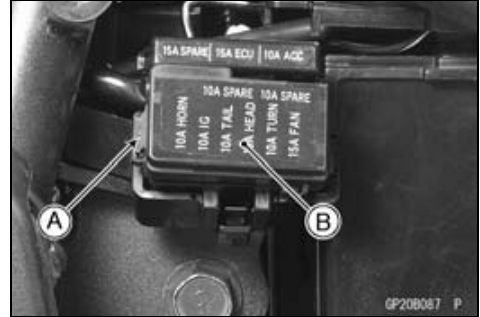
### 30 A Main Fuse Removal

- Remove:
  - Right Side Cover (see Right Side Cover Removal in the Frame chapter)
  - Connector [A]
- Pull out the main fuse [B] from the starter relay with needle nose pliers.

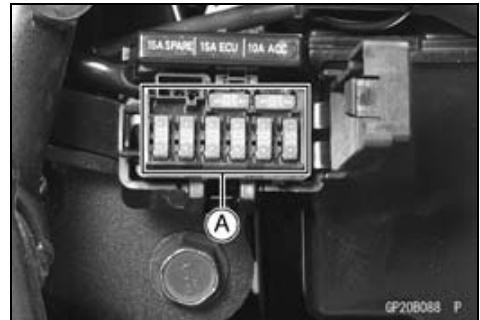


### Fuse Box Fuse Removal

- Remove the right side cover (see Right Side Cover Removal in the Frame chapter).
- Unlock the hook [A] to lift up the lid [B].



- Pull the fuses [A] straight out of the fuse box with needle nose pliers.



### 15 A ECU Fuse Removal

- Remove:
  - Right Side Cover (see Right Side Cover Removal in the Frame chapter)
- Unlock the hook [A] to pull the lid [B].



- Pull out the ECU fuse [A] from the fuse box.



# 16-88 ELECTRICAL SYSTEM

## Fuse

### Fuse Installation

- If a fuse fails during operation, inspect the electrical system to determine the cause, and then replace it with a new fuse of proper amperage.
- Install the fuse box fuses on the original position as specified on the lid.

### Fuse Inspection

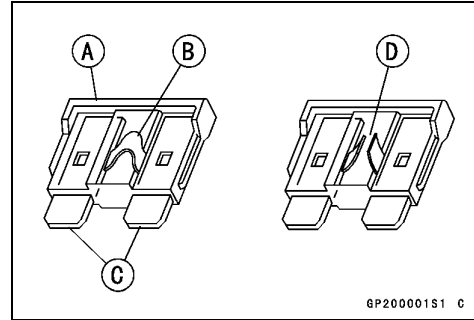
- Remove the fuse.
- Inspect the fuse element.
- ★ If it is blown out, replace the fuse. Before replacing a blown fuse, always check the amperage in the affected circuit. If the amperage is equal to or greater than the fuse rating, check the wiring and related components for a short circuit.

Housing [A]

Fuse Element [B]

Terminals [C]

Blown Element [D]



### CAUTION

**When replacing a fuse, be sure the new fuse matches the specified fuse rating for that circuit. Installation of a fuse with a higher rating may cause damage to wiring and components.**

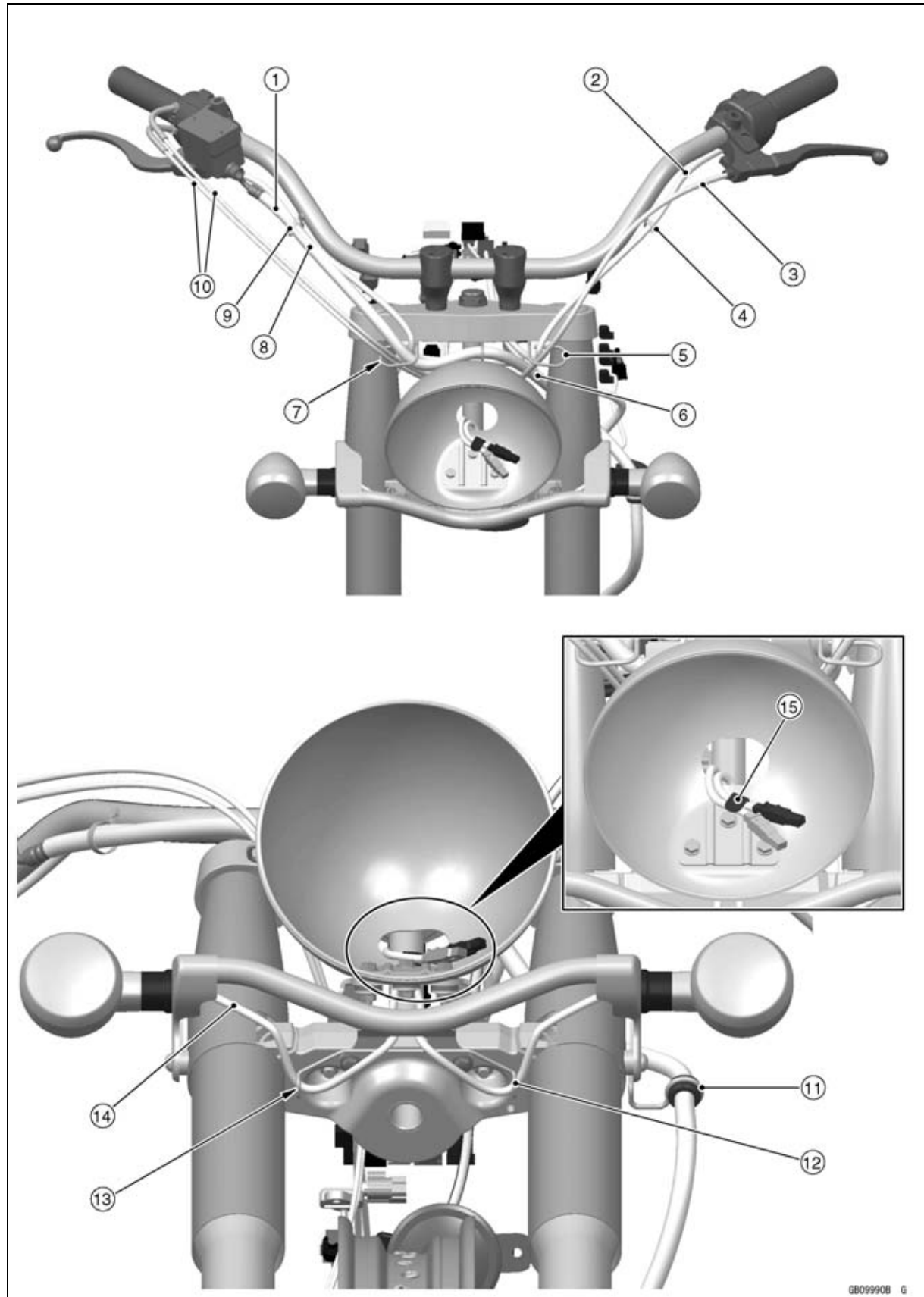
# Appendix

## Table of Contents

Cable, Wire and Hose Routing .....	17-2
Troubleshooting Guide .....	17-37

## 17-2 APPENDIX

### Cable, Wire and Hose Routing



GB09990B G

---

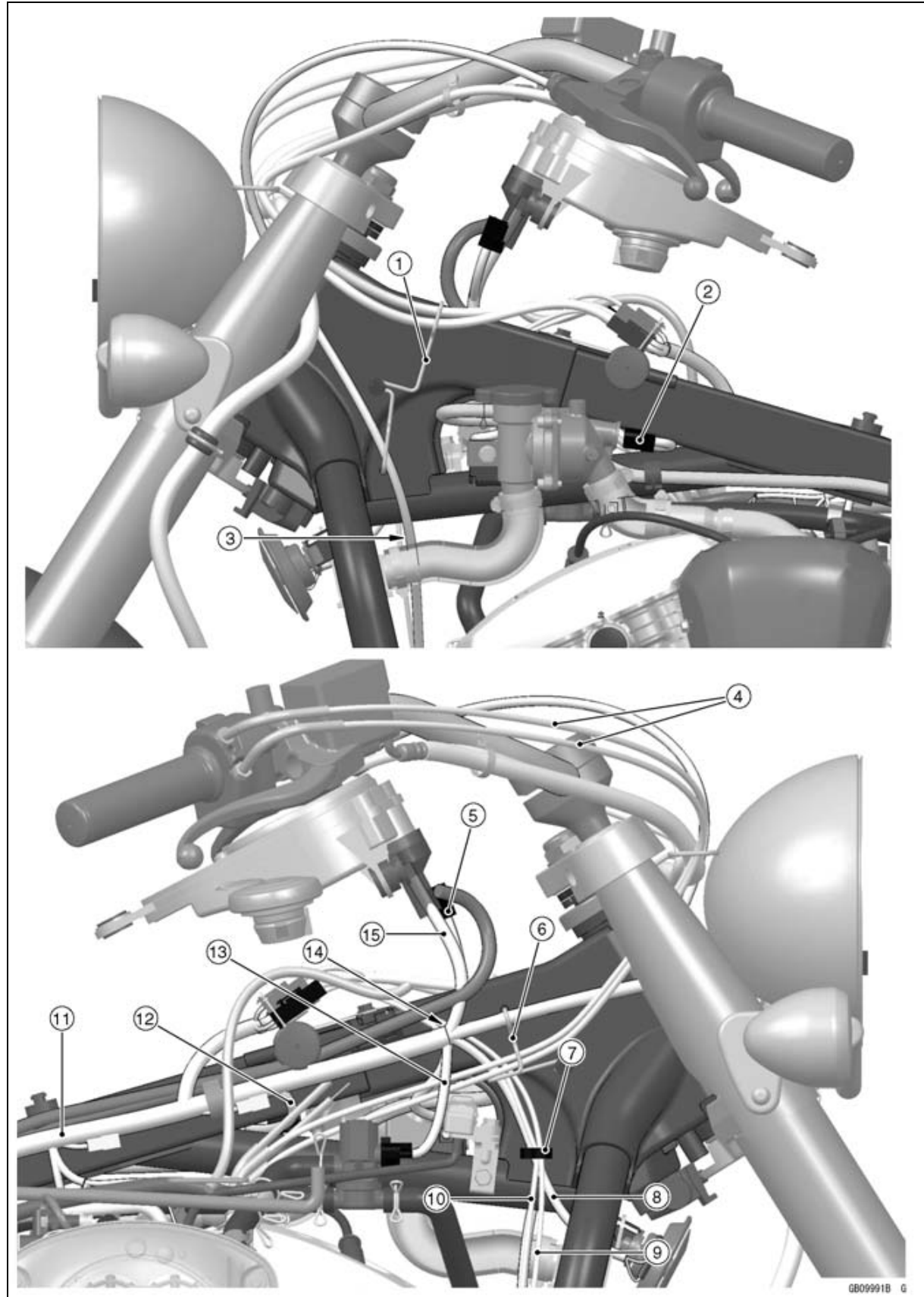
**Cable, Wire and Hose Routing**

---

1. Right Switch Housing Harness
2. Left Switch Housing Harness
3. Clutch Cable
4. Clamp the right switch housing harness.
5. Through the clutch cable and left switch housing harness.
6. Run the clutch cable through the brake hose front side.
7. Through the throttle cables, brake hose and right switch housing harness.
8. Brake Hose
9. Clamp the brake hose.
10. Throttle Cables
11. Clamp the brake hose.
12. Through the left turn signal harness.
13. Through the right turn signal harness.
14. Right Turn Signal Lead

## 17-4 APPENDIX

### Cable, Wire and Hose Routing



---

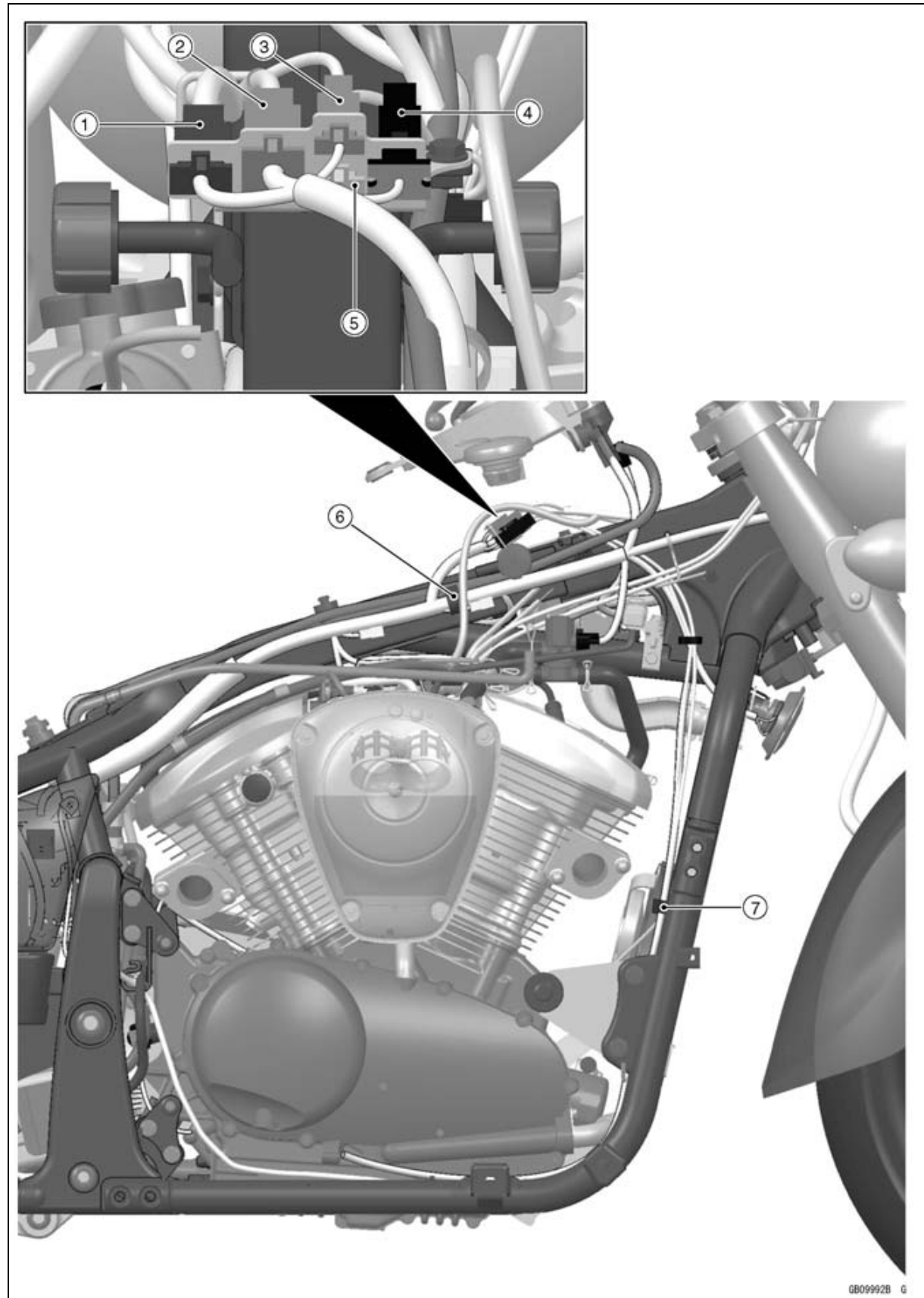
**Cable, Wire and Hose Routing**

---

1. Clamp the left and right switch housing harness and clutch cable.
2. Run the water temperature sensor connector over the reserve tank hose.
3. Run the clutch cable between the frame and radiator hose.
4. Throttle Cables
5. Fuel Level Sensor Lead
6. Clamp (Run the throttle cables through the each harness outside.)
7. Clamp the horn lead, rear brake light switch harness and radiator fan harness.
8. Horn Lead
9. Rear Brake Light Switch Harness
10. Radiator Fan Harness
11. Main Harness
12. Water Temperature Sensor Lead (To Left Side)
13. Air Switching Valve Lead
14. Run the rear brake light switch harness and radiator fan harness through the main harness inside.
15. Meter Lead

## 17-6 APPENDIX

### Cable, Wire and Hose Routing





---

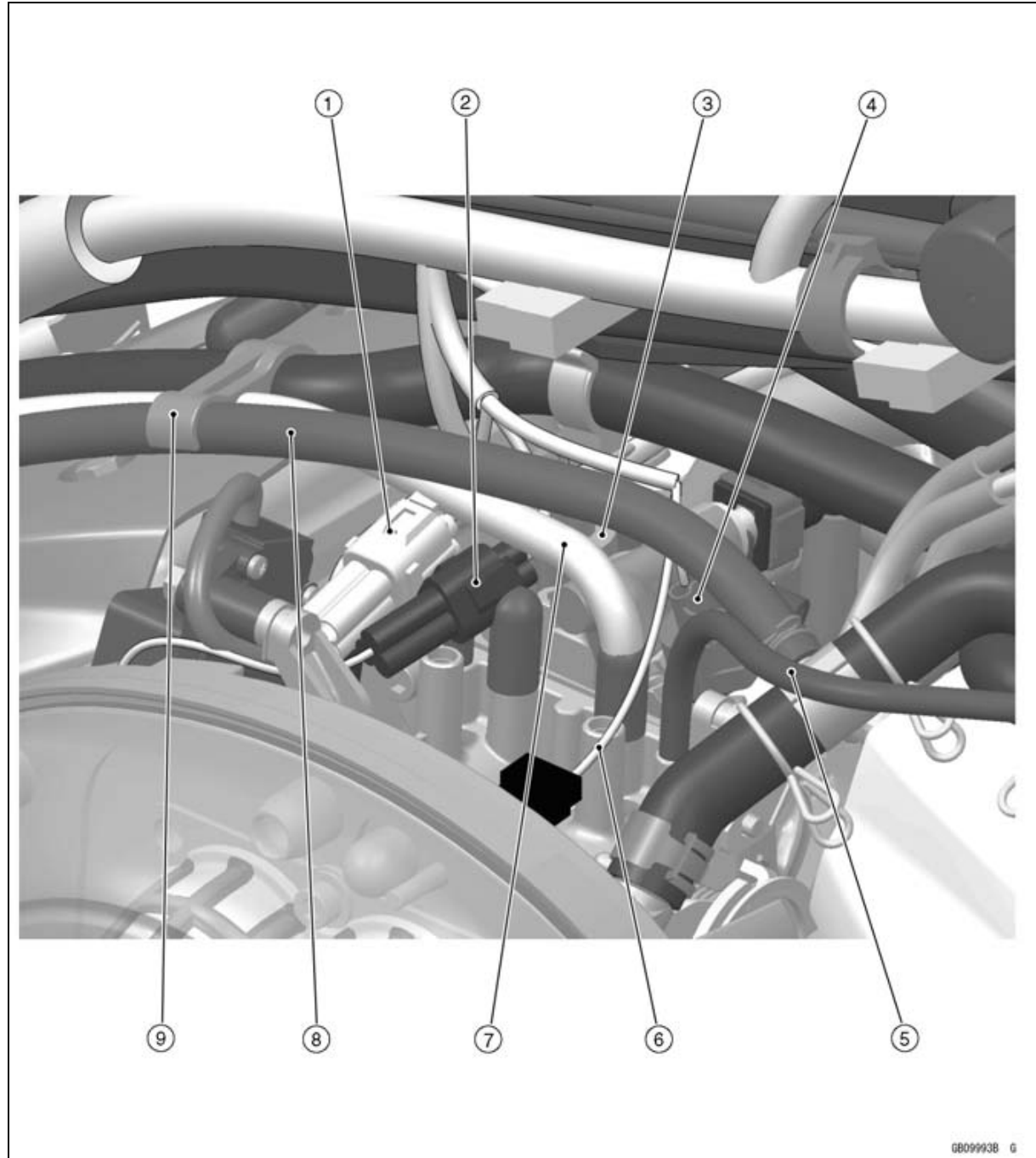
**Cable, Wire and Hose Routing**

---

1. Right Switch Housing Harness Connector
2. Left Switch Housing Harness Connector
3. Left Switch Housing Harness Connector
4. Radiator Fan Harness Connector
5. Rear Brake Light Switch Lead Connector
6. Clamp the main harness.
7. Clamp the clutch cable, rear brake light switch harness and radiator fan harness.

## 17-8 APPENDIX

### Cable, Wire and Hose Routing



---

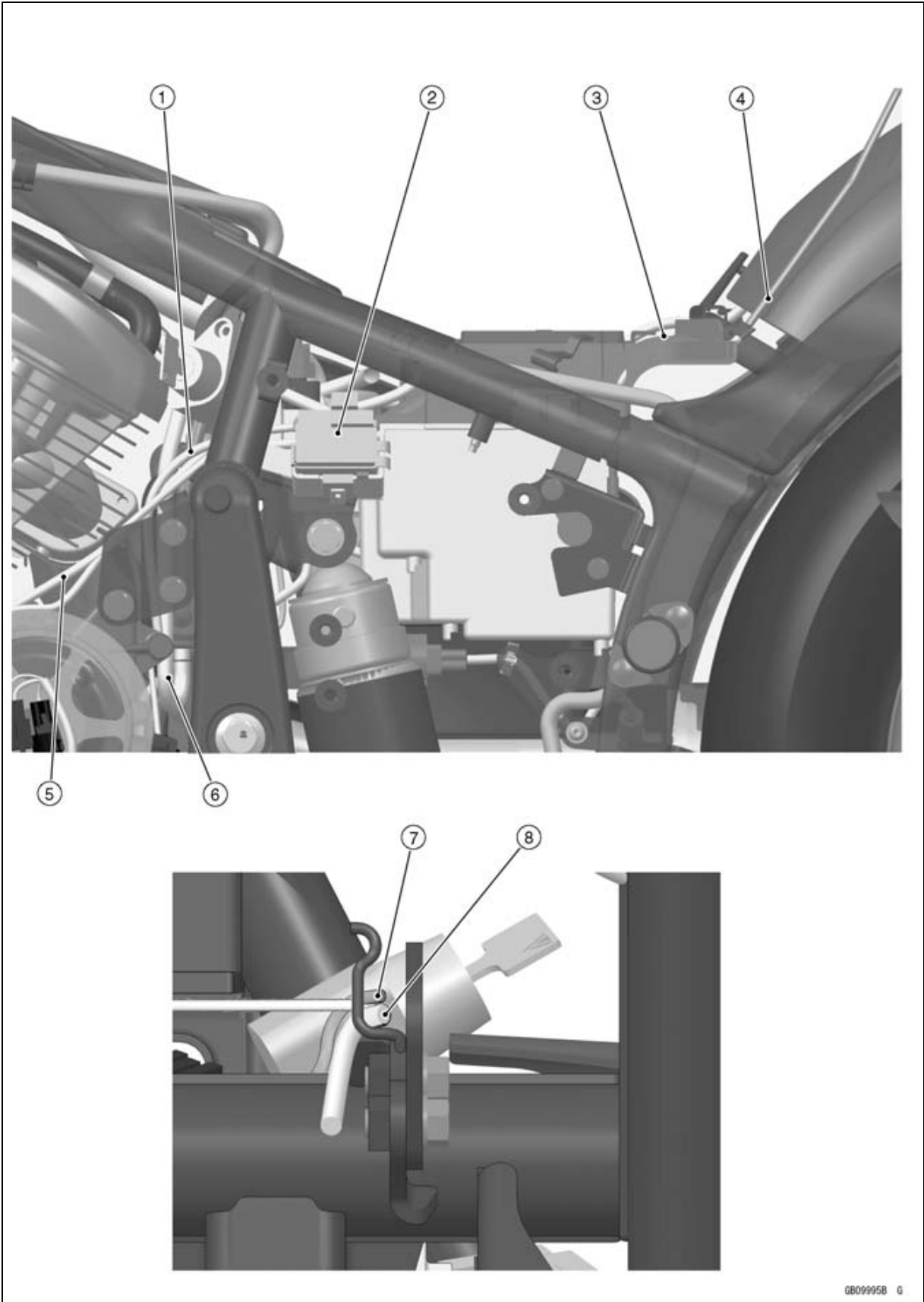
**Cable, Wire and Hose Routing**

---

1. Subthrottle Valve Actuator Connector
2. Subthrottle Sensor Connector
3. Injector #2 Connector
4. Injector #1 Connector
5. Inlet Air Pressure Sensor Hose
6. Inlet Air Temperature Sensor Lead
7. Vacuum Hose (California Model)
8. Purge Hose (California Model)
9. Clamp the air switching valve hose, vacuum hose and purge hose.

# 17-10 APPENDIX

## Cable, Wire and Hose Routing



GB09995B G

---

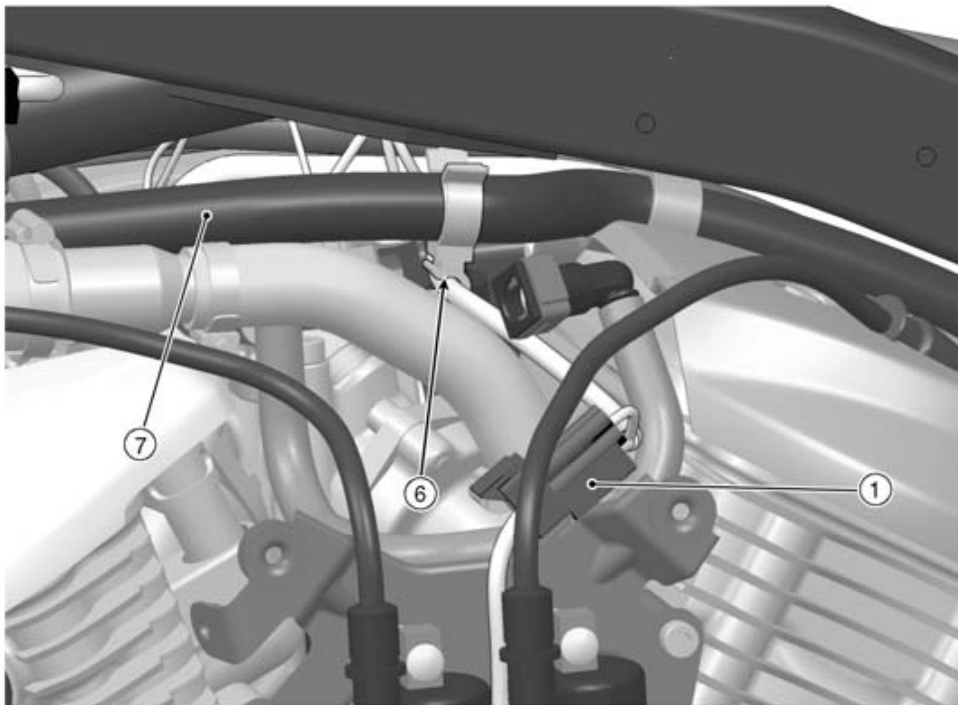
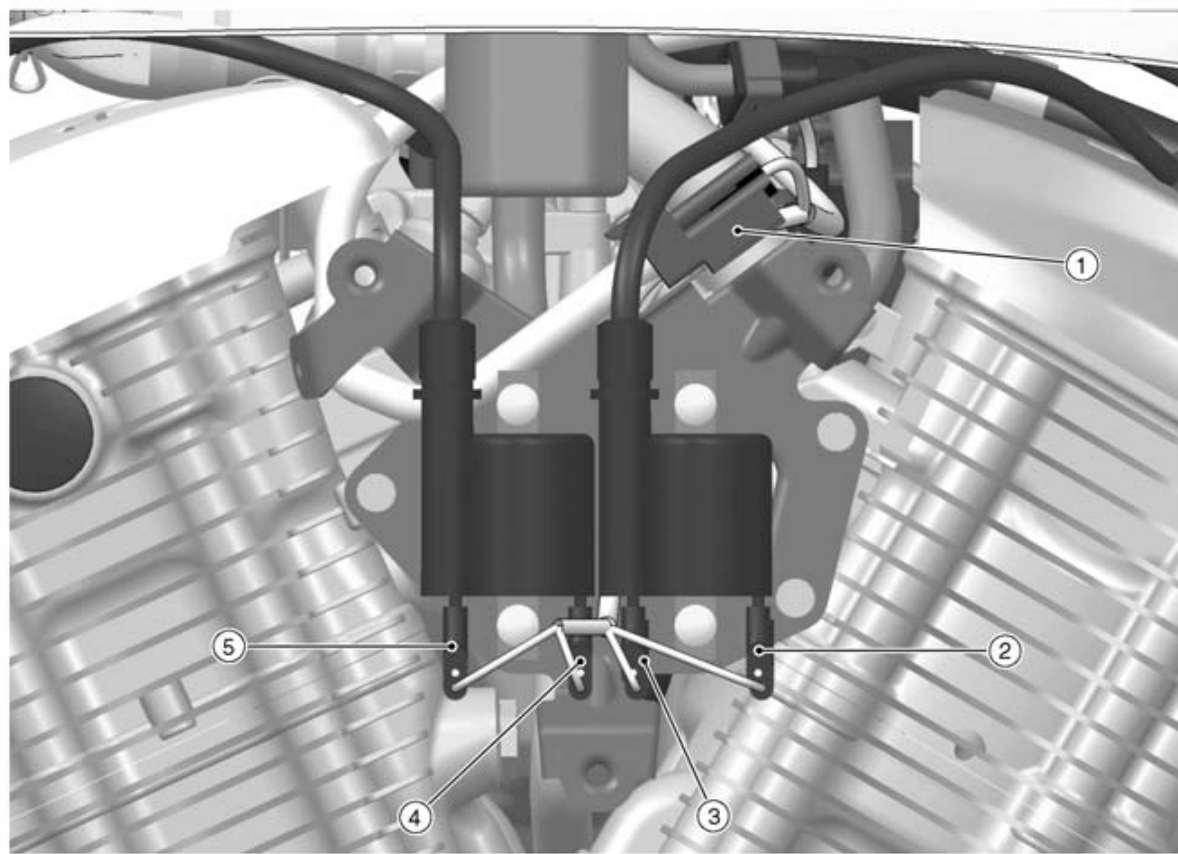
**Cable, Wire and Hose Routing**

---

1. Run the alternator lead and sidestand switch lead through the clamp of the engine bracket.
2. Fuse box
3. Run the seat lock cable through the guide of the tool box.
4. Seat Lock Cable
5. Stator Coil Lead
6. Sidestand Switch Lead
7. Sidestand Switch Lead
8. Battery Negative (-) Cable

## 17-12 APPENDIX

### Cable, Wire and Hose Routing



GB09999B G

---

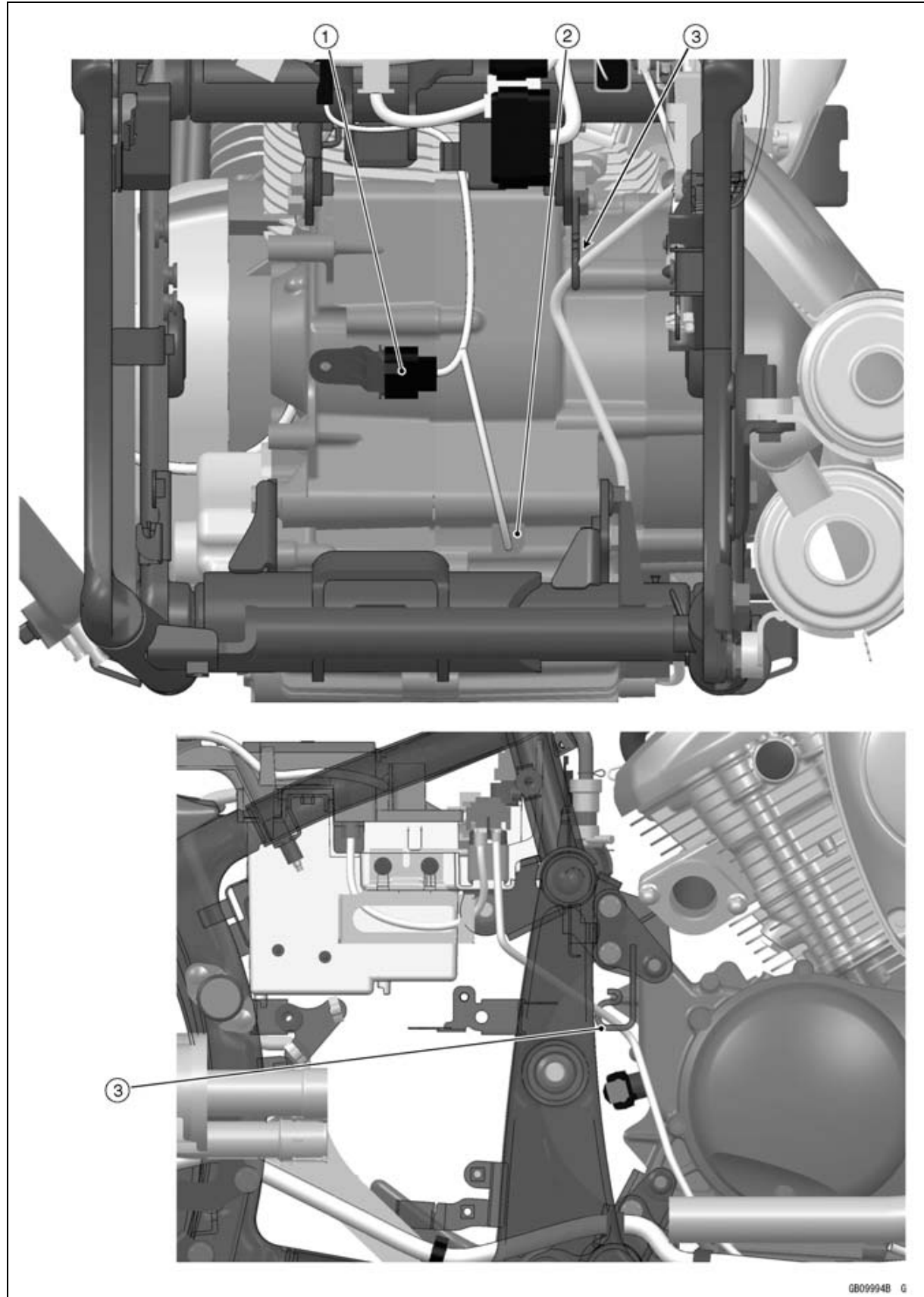
**Cable, Wire and Hose Routing**

---

1. Fuel Pump Lead Connector
2. Black/Green Lead
3. Red Lead
4. Black Lead
5. Red Lead
6. Clamp the ignition coil #2 lead connector with the air switching valve hose clamp.
7. Air Switching Valve Hose

## 17-14 APPENDIX

### Cable, Wire and Hose Routing



GB09994B G



---

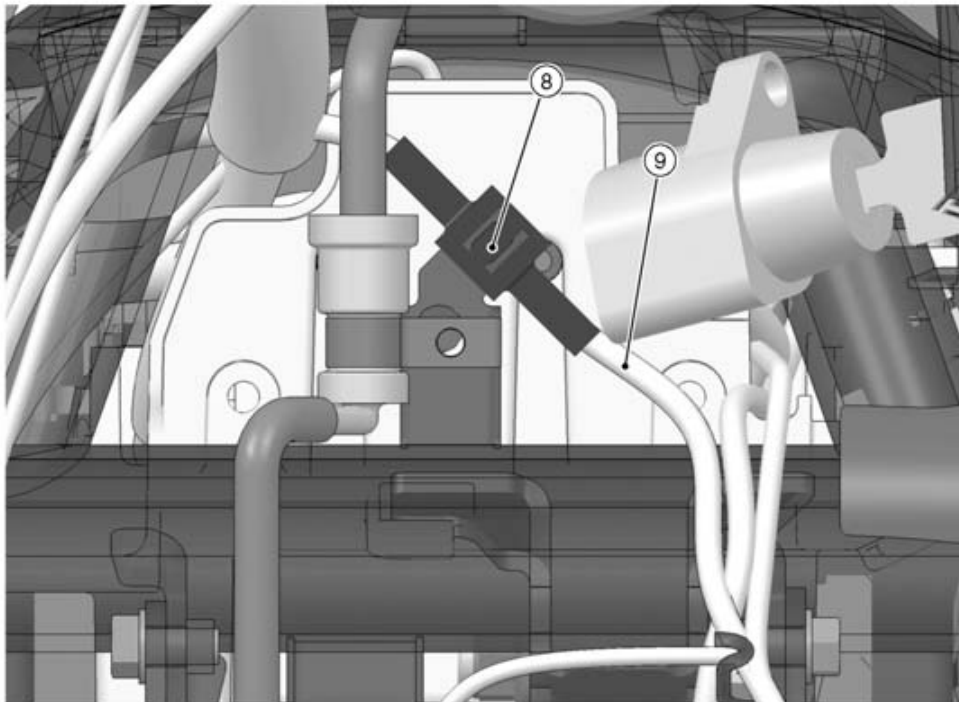
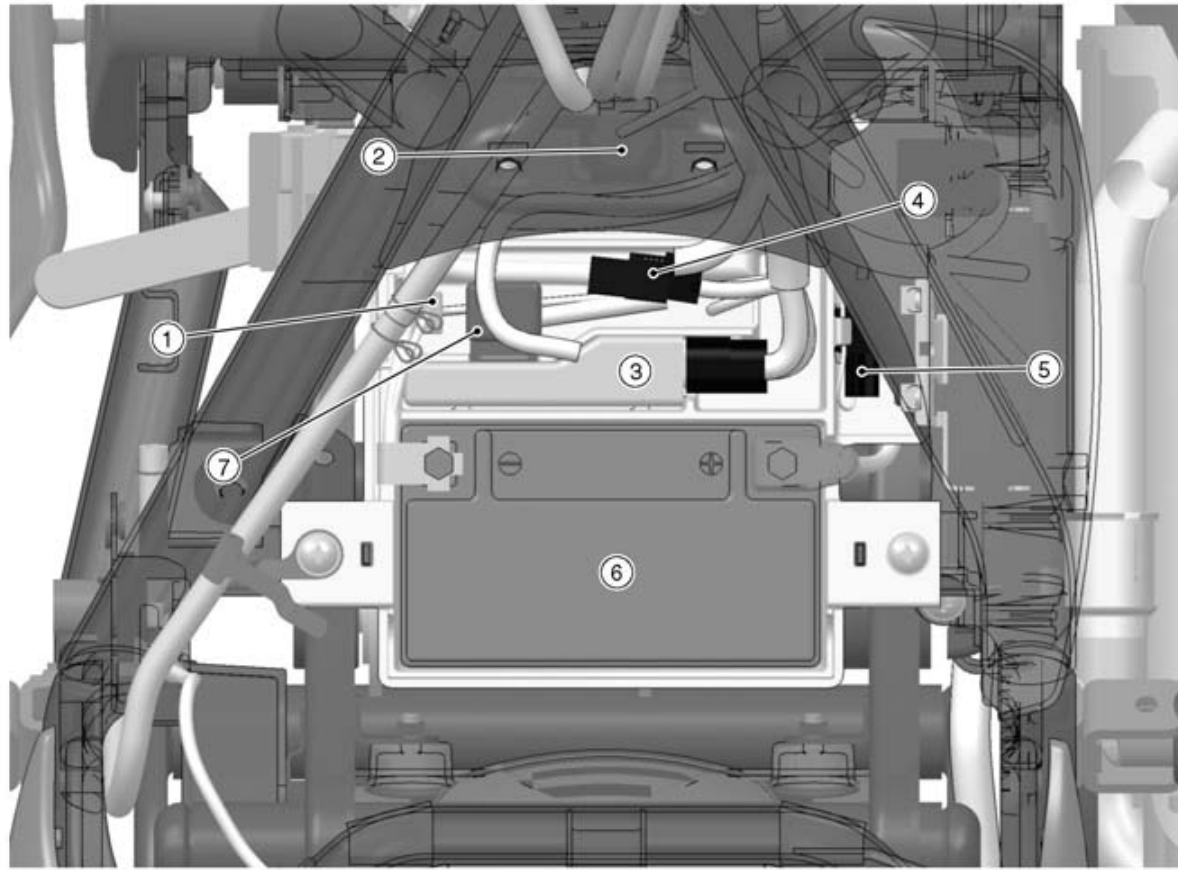
**Cable, Wire and Hose Routing**

---

1. Speed Sensor Connector
2. Neutral Switch Connector
3. Run the starter motor lead through the engine bracket clamp.

## 17-16 APPENDIX

### Cable, Wire and Hose Routing



GB09996B G

---

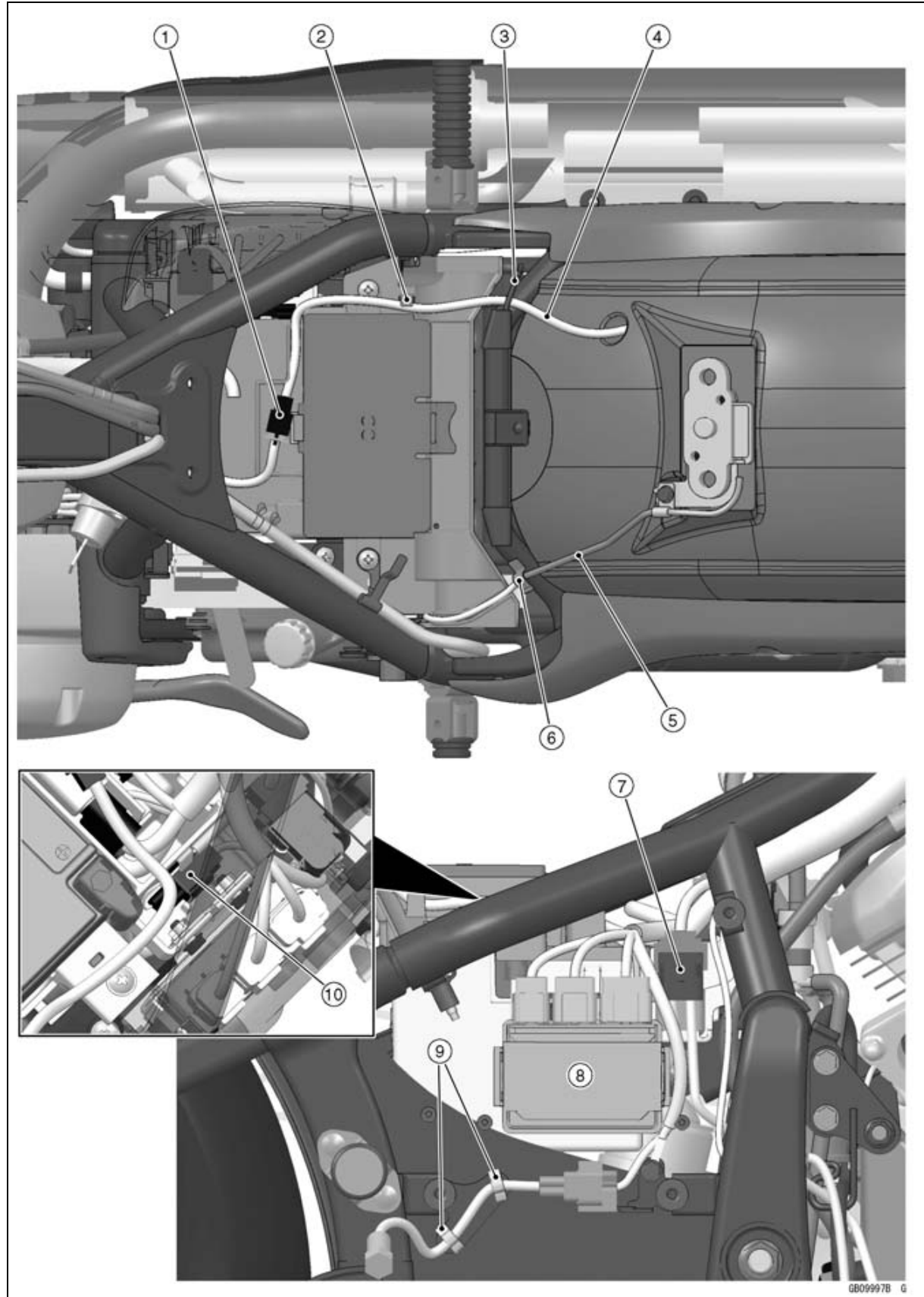
## Cable, Wire and Hose Routing

---

1. Connect the battery negative (–) lead connector to the main harness.
2. Vehicle-down Sensor
3. ECU
4. Ignition Switch Lead Connector
5. Kawasaki Diagnostic System Connector
6. Battery
7. Turn Signal Relay
8. Insert the harness attached clamp to the battery case.
9. Sidestand Switch Lead

# 17-18 APPENDIX

## Cable, Wire and Hose Routing



---

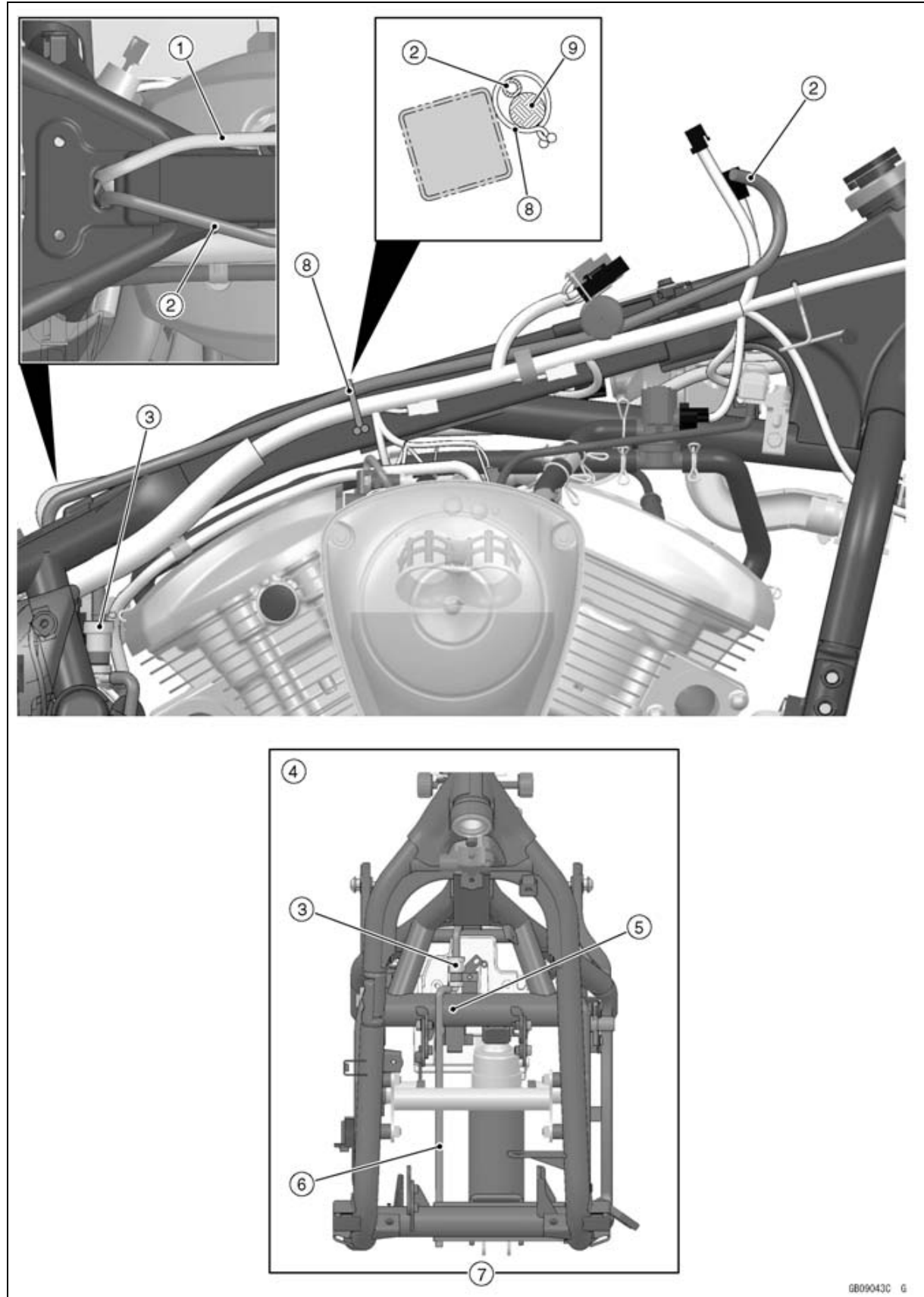
**Cable, Wire and Hose Routing**

---

1. Rear Fender Harness Connector
2. Run the rear fender harness through the guide of the tool box.
3. Run the rear fender harness through the guide of the frame.
4. Rear Fender Harness
5. Seat Lock Cable
6. Run the seat lock cable through the guide of the frame.
7. Starter Relay
8. Relay Box
9. Clamp (for Oxygensensor #2)
10. Kawasaki Diagnostic System Connector

# 17-20 APPENDIX

## Cable, Wire and Hose Routing



---

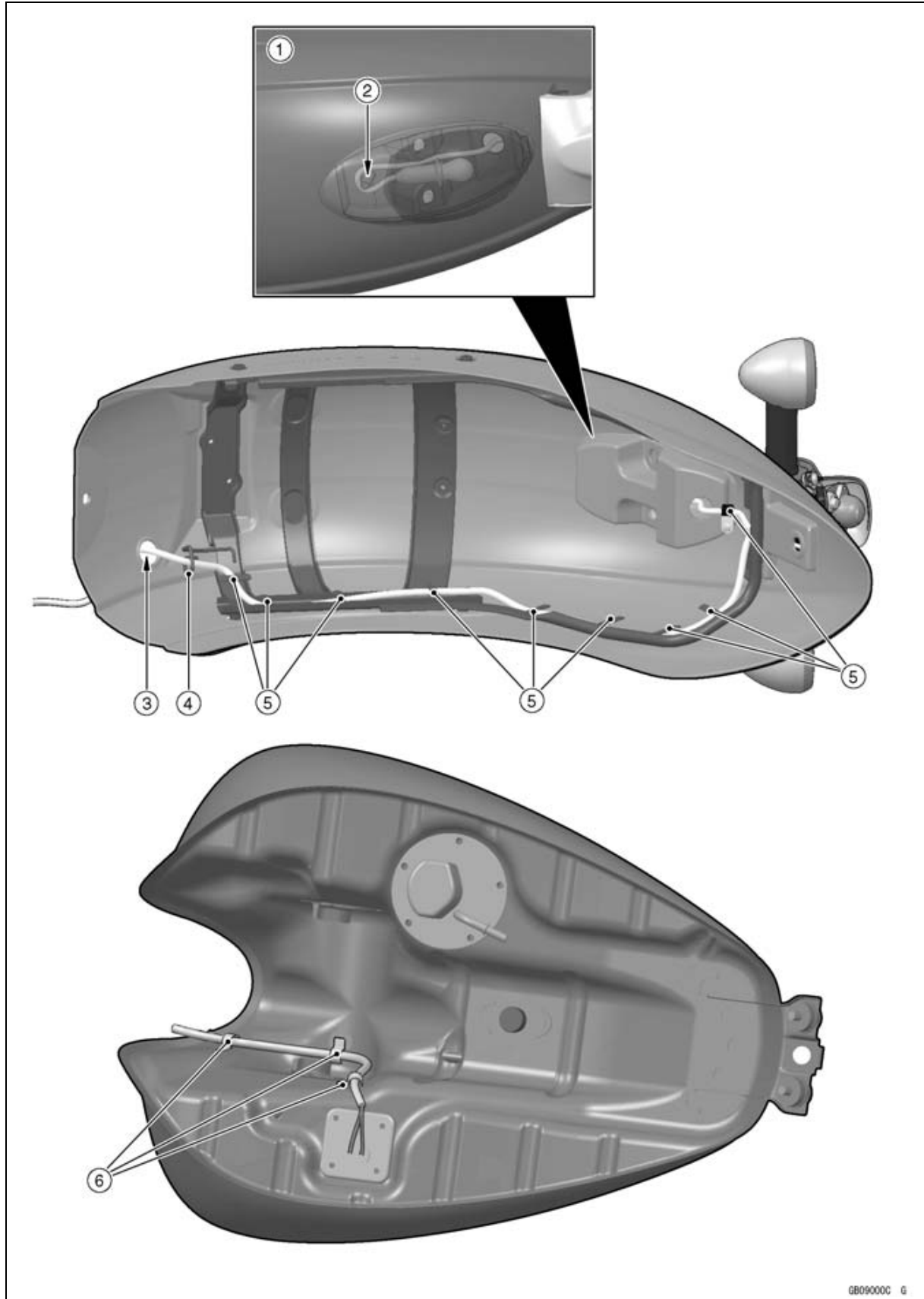
**Cable, Wire and Hose Routing**

---

1. Reserve Tank Hose
2. Breather Hose
3. Breather Check Valve
4. Other than Europe Models
5. Run the breather hose to the inside of the engine bracket and frame cross pipe front.
6. Breather Hose
7. View from the front
8. Clamp
9. Main Harness

# 17-22 APPENDIX

## Cable, Wire and Hose Routing





---

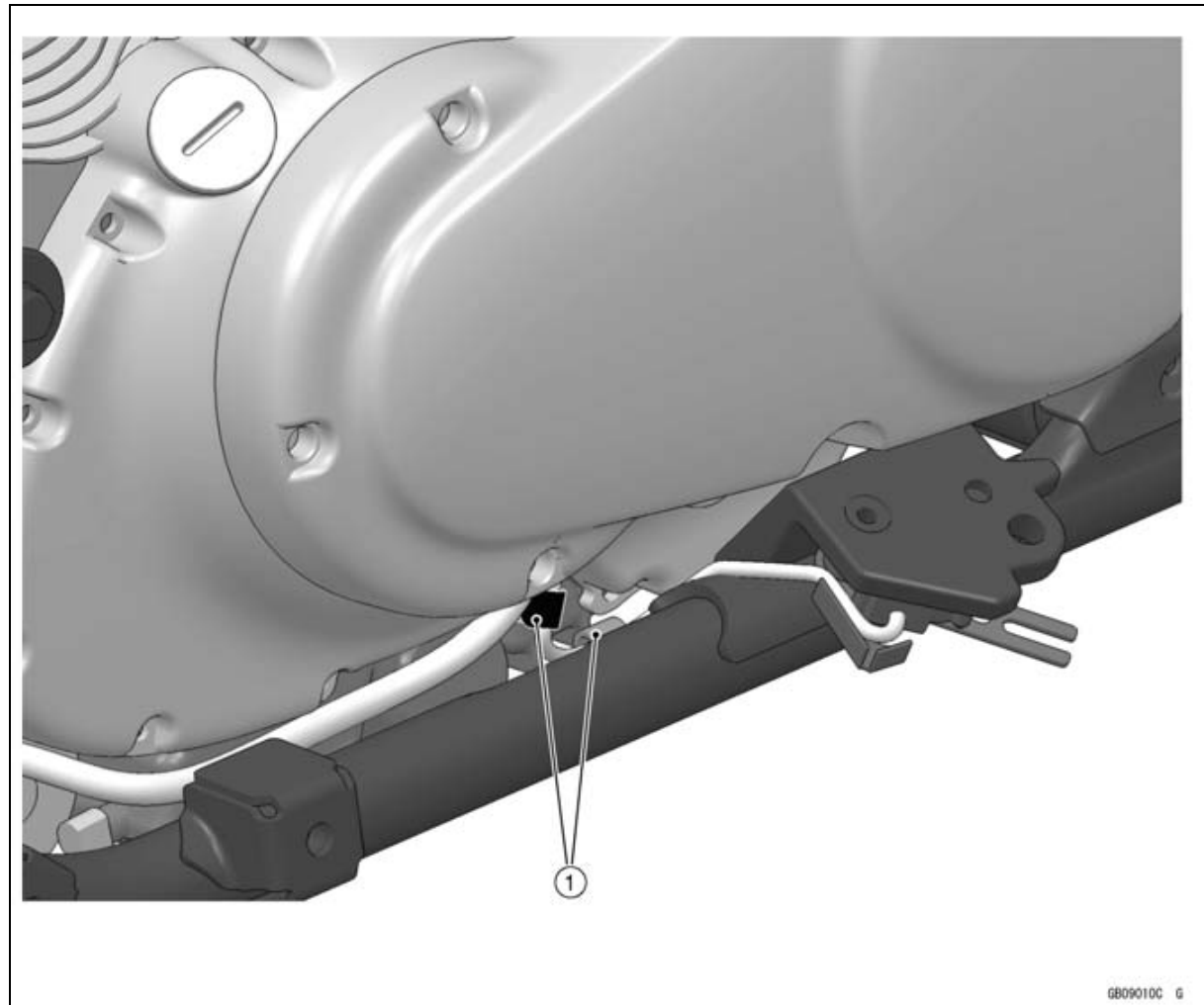
**Cable, Wire and Hose Routing**

---

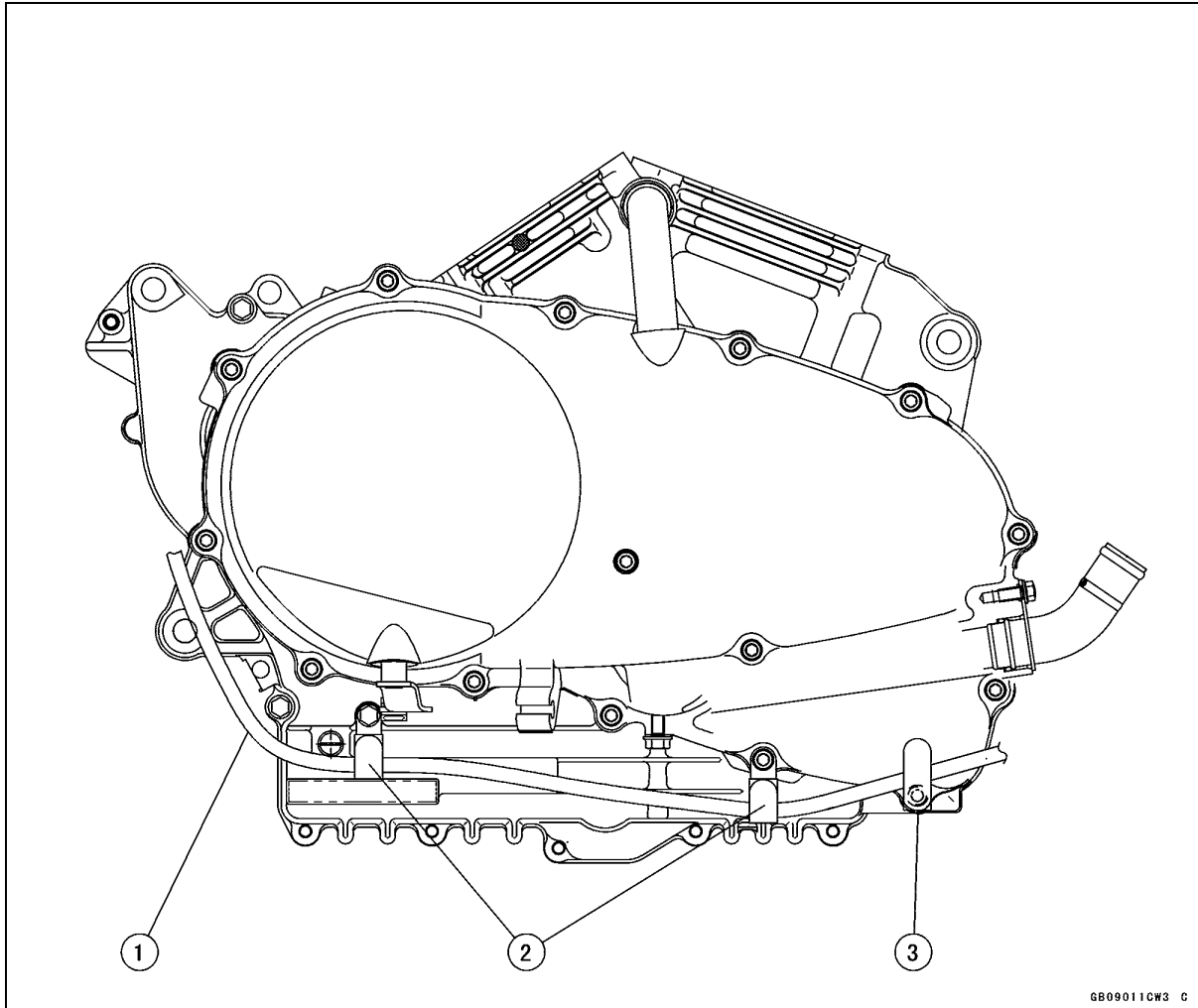
1. View from the outside
2. Roll the taillight lead to the pin.
3. Through the rear fender harness to the fender hole.
4. Through the rear fender harness to the guide.
5. Clamp the rear fender harness with the reinforce attached clamps.
6. Clamp the fuel level sensor lead with the fuel tank attached clamps.

## 17-24 APPENDIX

### Cable, Wire and Hose Routing



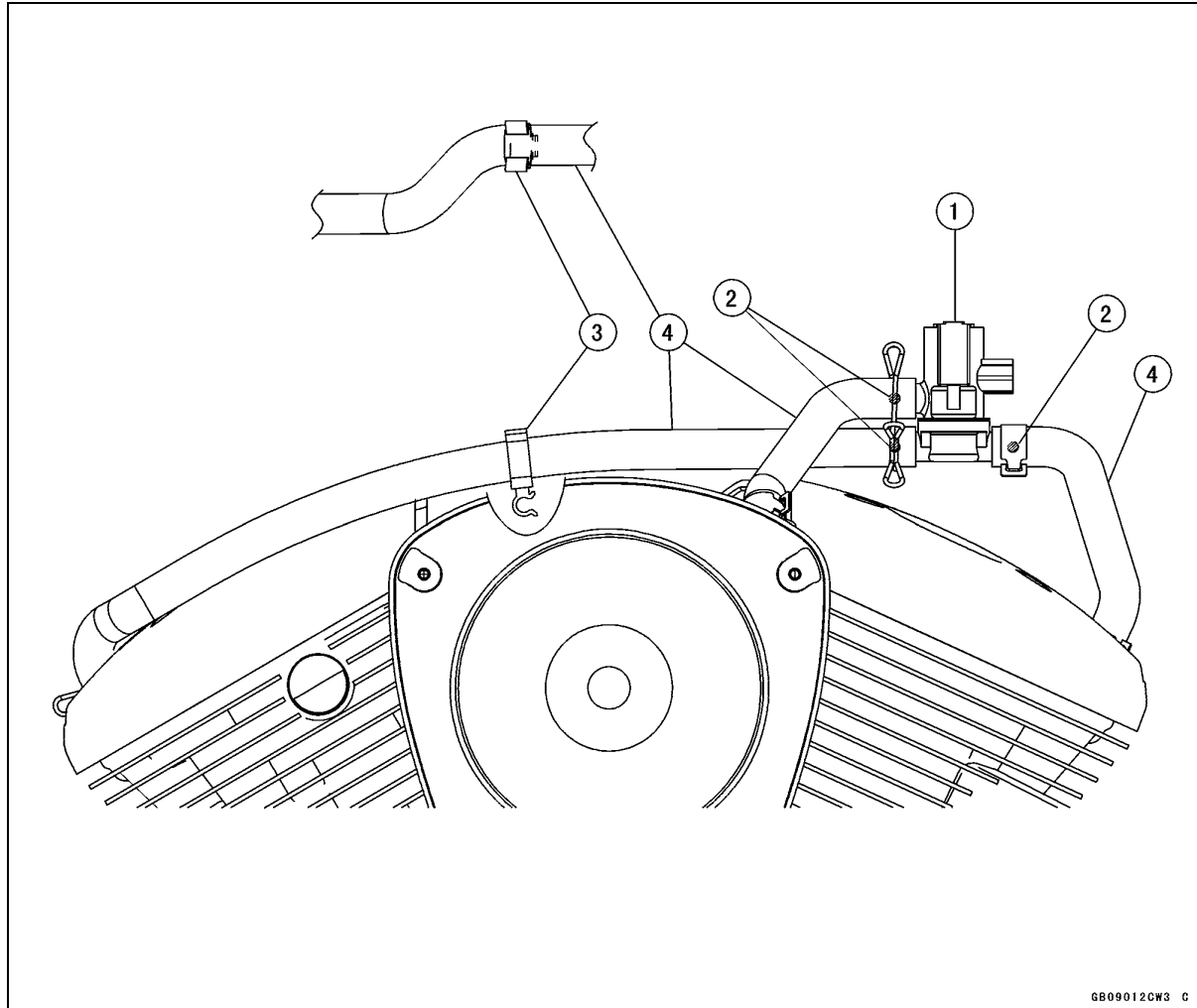
1. Clamps (Clamp the sidestand switch lead.)

**Cable, Wire and Hose Routing**

1. Starter Motor Lead
2. Clamp
3. Clamp (Bent the clamp as shown.)

## 17-26 APPENDIX

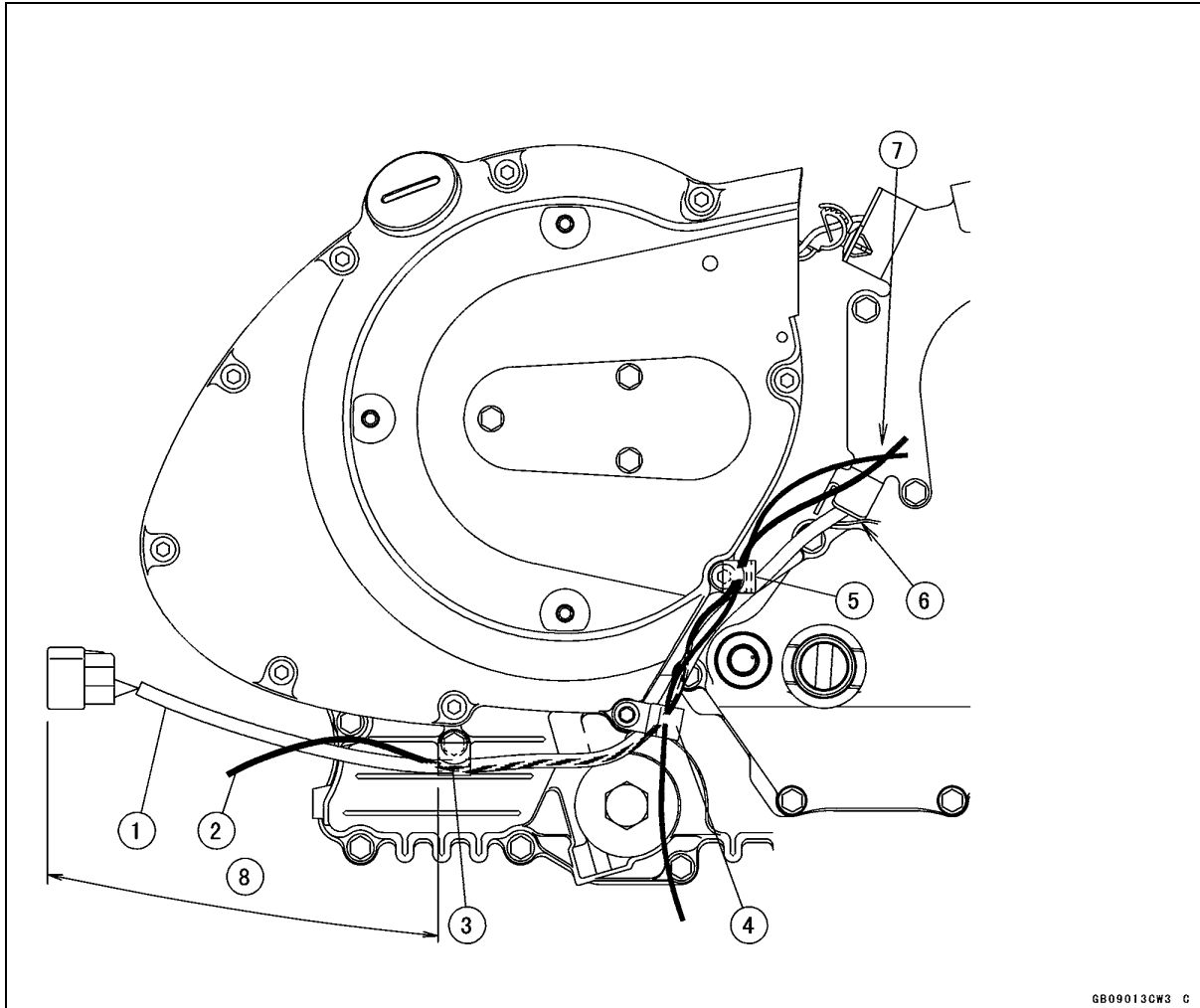
### Cable, Wire and Hose Routing



6809012CW3 C

1. Air Switching Valve
2. Face the white mark right side.
3. Clamp (for Ignition Coil #2 Lead)
4. Air Switching Valve Hose

## Cable, Wire and Hose Routing

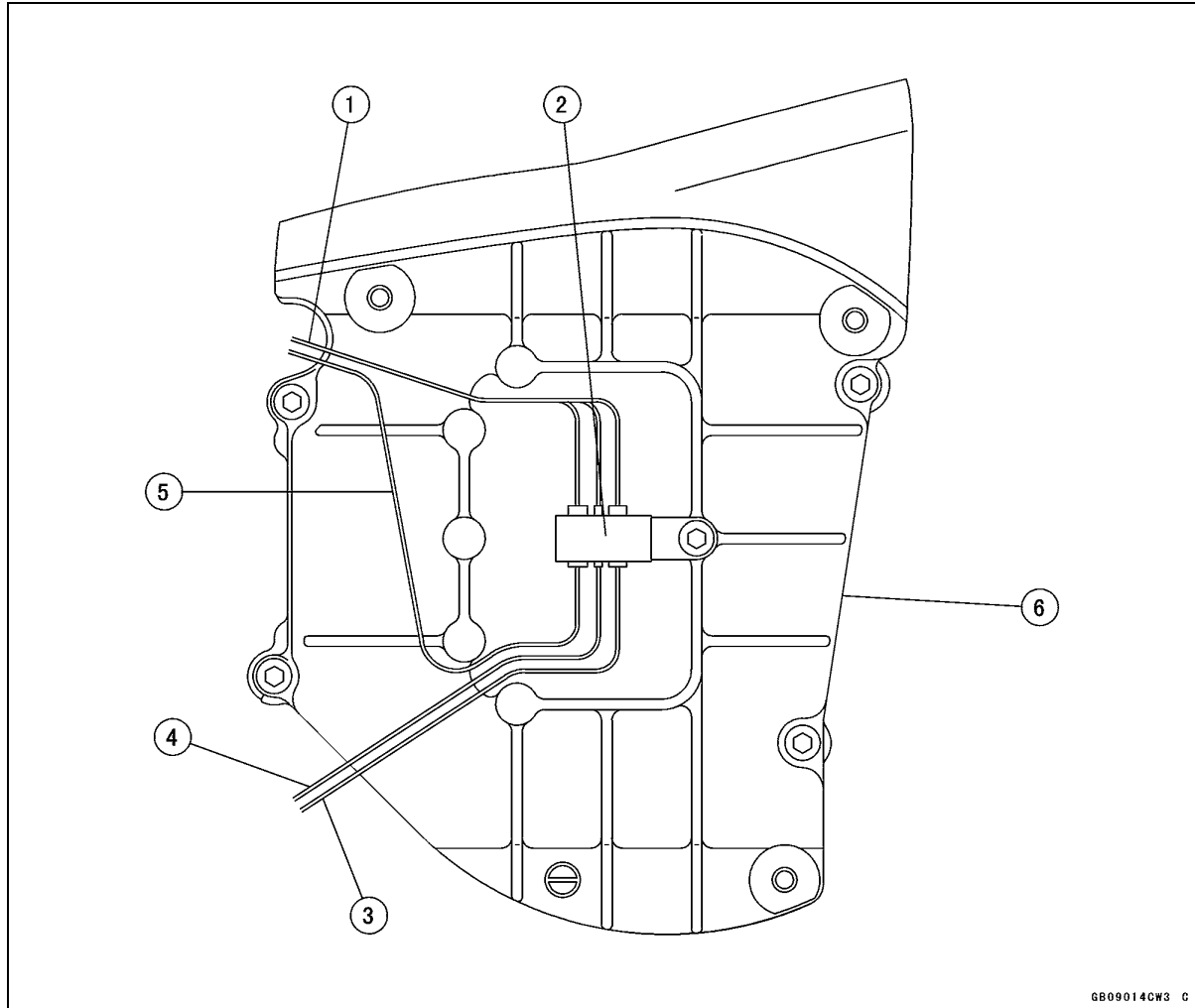


GB09013CW3 C

1. Stator Coil Lead
2. Oil Pressure switch Lead
3. Clamp the stator coil lead and oil pressure switch lead. After installed, bend the clamp to the alternator cover.
4. Clamp the sidestand switch lead only.
5. Clamp the oil pressure switch lead and sidestand switch lead. After installed, bend the clamp to the alternator cover.
6. Run the stator coil lead into the engine pulley plate.
7. Run the oil pressure switch lead and sidestand switch lead through the outside of the engine pulley cover.
8. About 250 ±10 mm (9.84 ±0.39 in.)

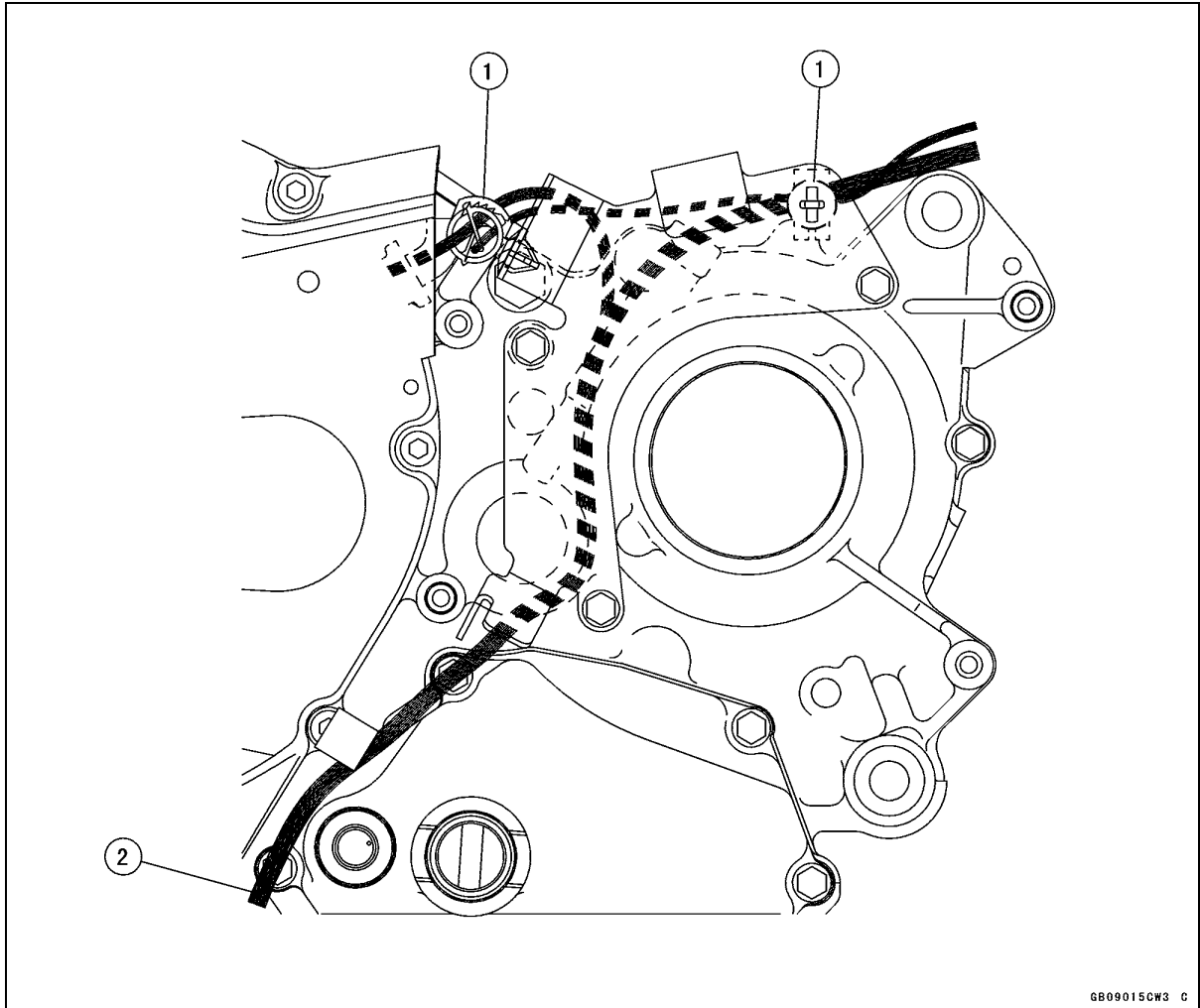
## 17-28 APPENDIX

### Cable, Wire and Hose Routing



1. Main Harness
2. Clamp (Wrap the connectors.)
3. Sidestand Switch Lead
4. Oil Pressure Switch Lead
5. Crankshaft Sensor Lead
6. Engine Pulley Cover

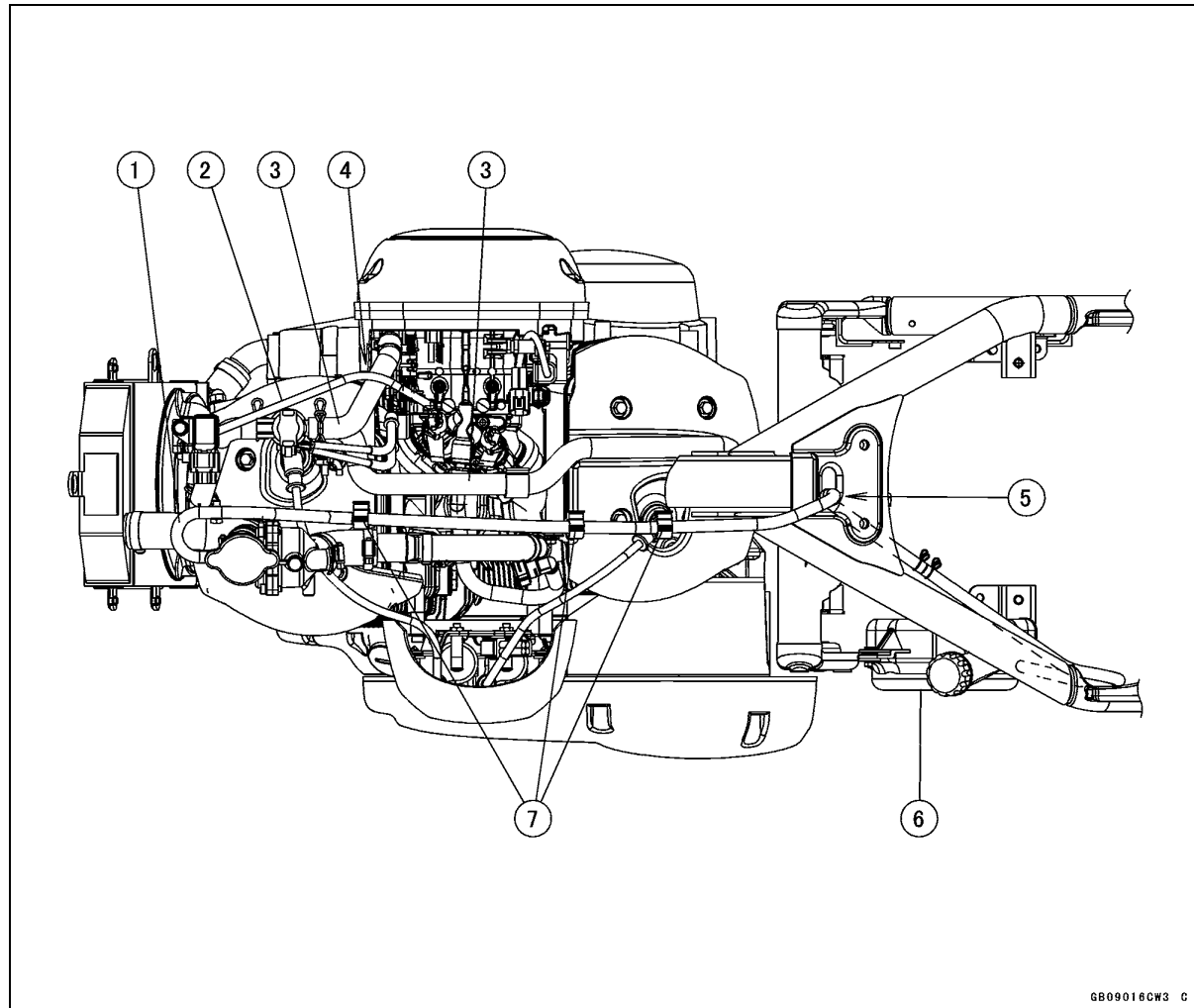
## Cable, Wire and Hose Routing



1. Clamp the stator coil lead and main harness.
2. Stator Coil Lead

## 17-30 APPENDIX

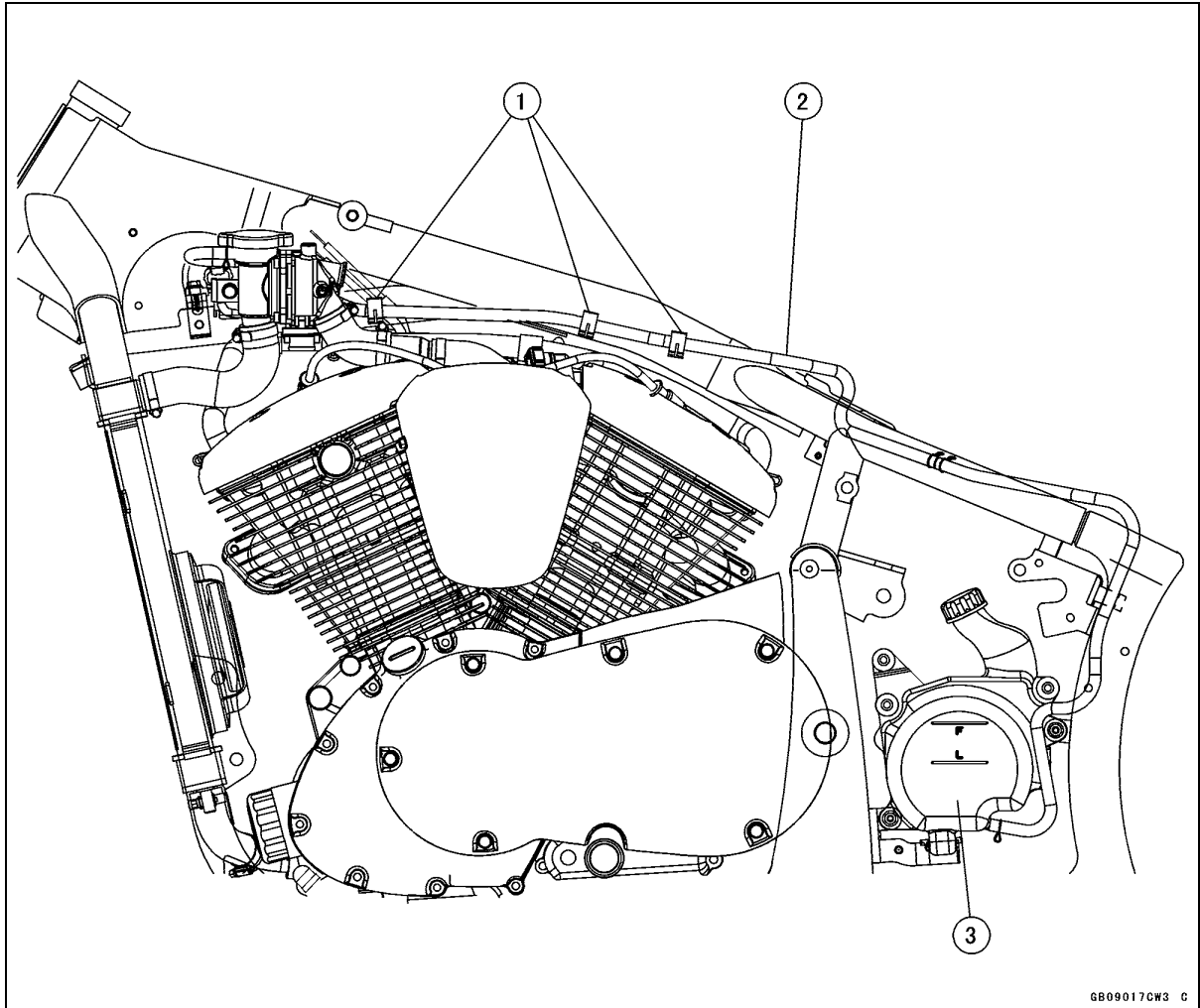
### Cable, Wire and Hose Routing



1. Reserve Tank Hose
2. Inlet Air Pressure Sensor Hose
3. Air Switching Valve Hose
4. Run the inlet air pressure hose over the air switching valve hose.
5. Run the reserve tank hose into the frame hose.
6. Reserve Tank
7. Clamp



## Cable, Wire and Hose Routing

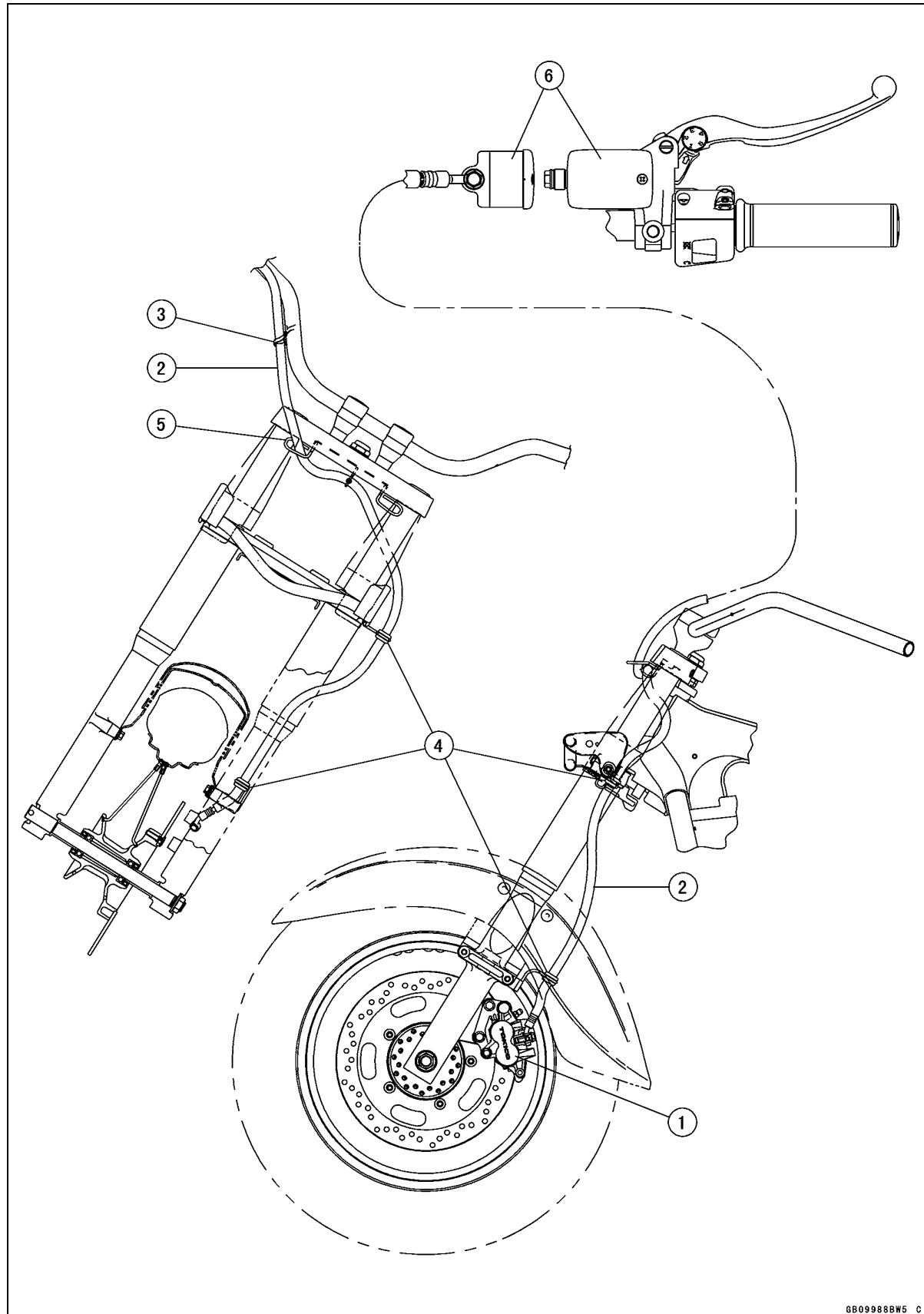


GB09017CW3 C

1. Clamp
2. Reserve Tank Hose
3. Reserve Tank

# 17-32 APPENDIX

## Cable, Wire and Hose Routing



GB09988BW5 C

---

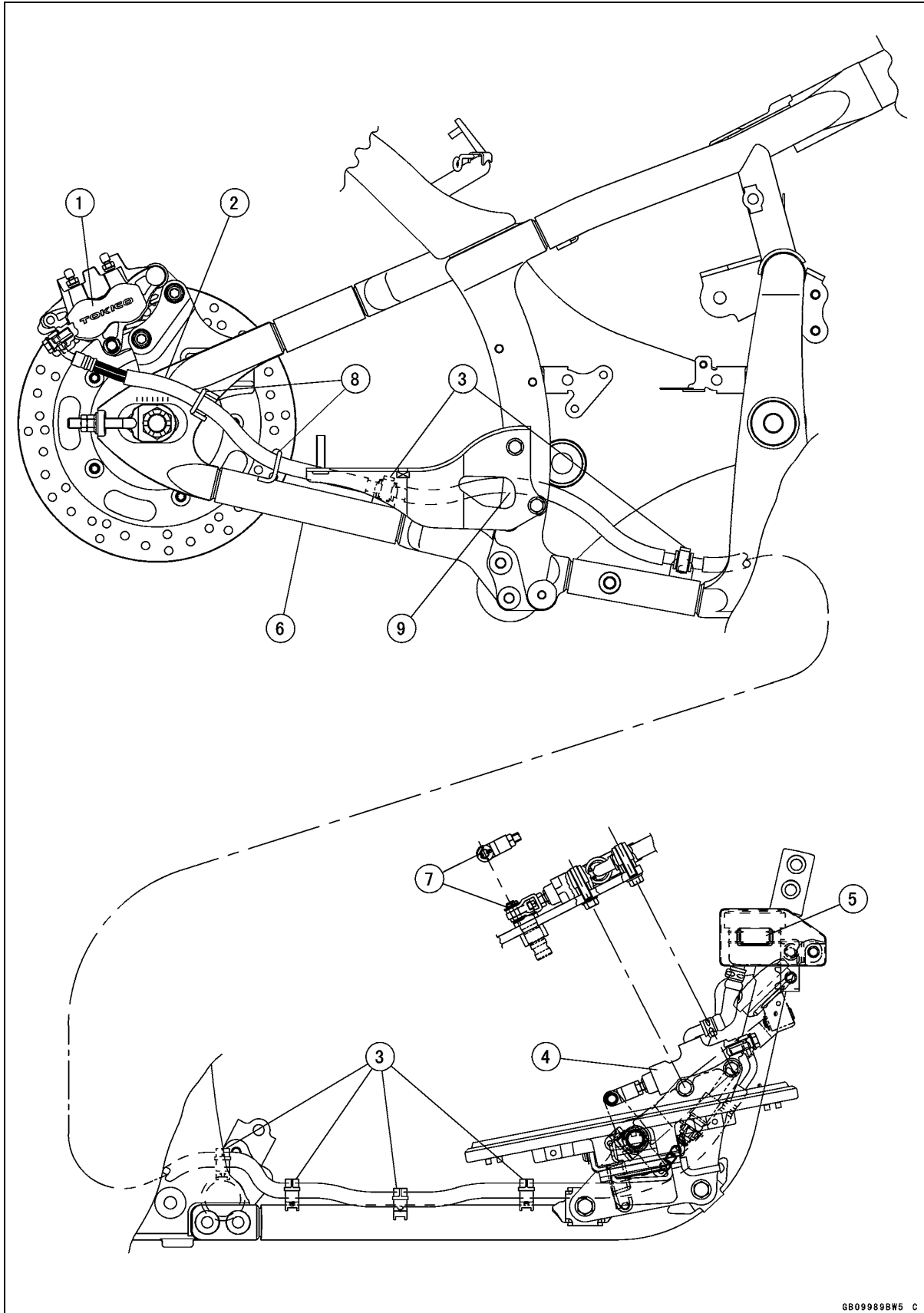
**Cable, Wire and Hose Routing**

---

1. Front Caliper
2. Brake Hose
3. Clamp (Insert the clamp in to the handlebar.)
4. Clamp
5. Through the brake hose.
6. Front Master Cylinder

# 17-34 APPENDIX

## Cable, Wire and Hose Routing



---

**Cable, Wire and Hose Routing**

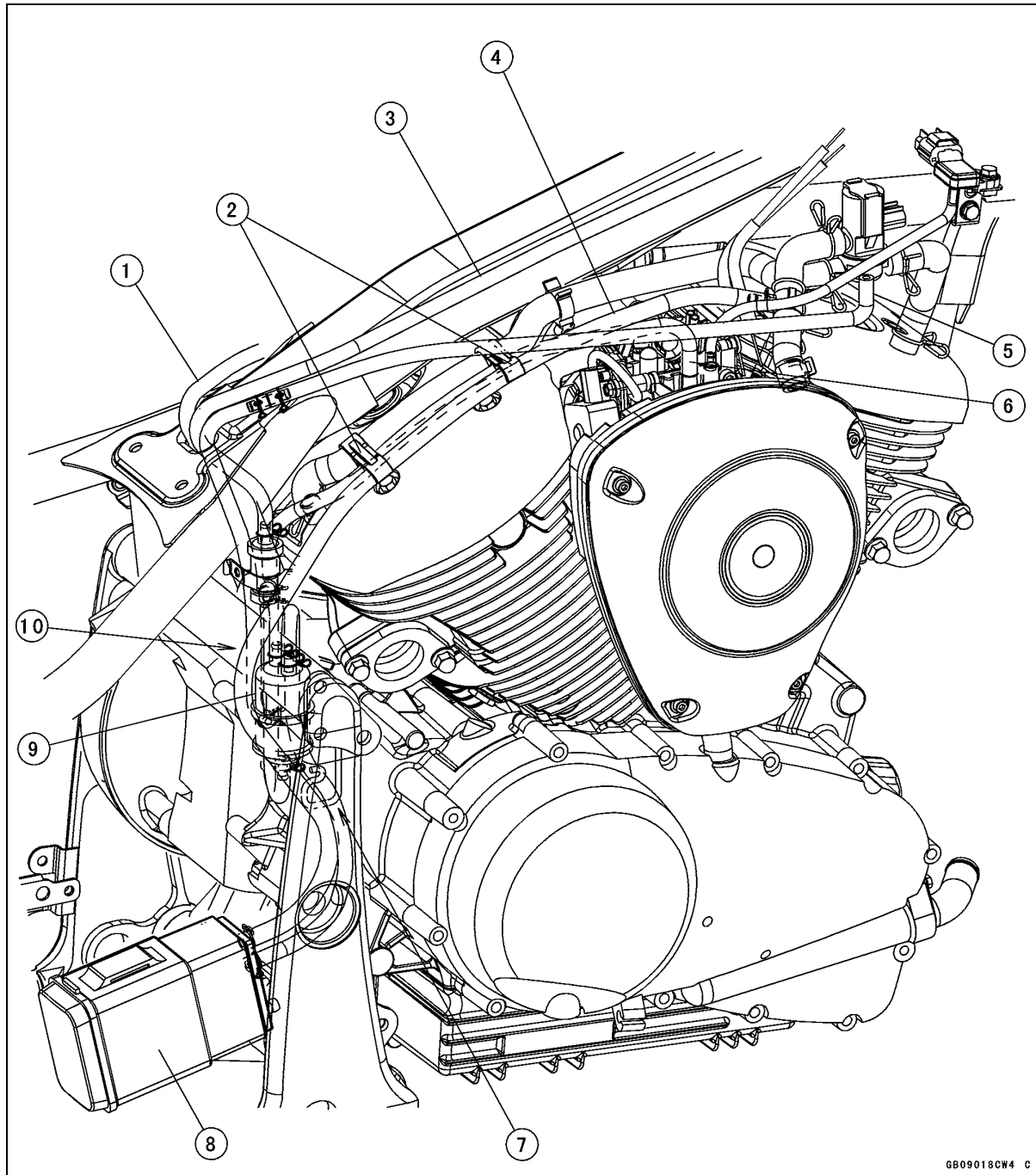
---

1. Rear Caliper
2. Brake Hose
3. Clamp
4. Rear Master Cylinder
5. Reservoir Tank
6. Swingarm
7. Cotter Pin
8. Brake Hose Holder
9. Run the brake hose between the swingarm and frame.

## 17-36 APPENDIX

### Cable, Wire and Hose Routing

#### California Model



GB09018CW4 C

1. Reserve Tank Hose
2. Clamp the air switching valve hose, vacuum hose (White) and purge hose (Green).
3. Breather Hose
4. Purge Hose (Green)
5. Fuel Return Hose (Red)
6. Vacuum Hose (White)
7. Through the breather hose (Blue) to the engine bracket clamp.
8. Canister
9. Separator
10. Run the purge hose (Green) through the frame cross pipe backward.

## Troubleshooting Guide

### NOTE

- Refer to the Fuel System chapter for most of DFI trouble shooting guide.
- This is not an exhaustive list, giving every possible cause for each problem listed. It is meant simply as a rough guide to assist the troubleshooting for some of the more common difficulties.

### Engine Doesn't Start, Starting Difficulty:

#### Starter motor not rotating:

- Starter lockout switch or neutral switch trouble
- Starter motor trouble
- Battery voltage low
- Starter relay not contacting or operating
- Starter button not contacting
- Wiring open or shorted
- Ignition switch trouble
- Engine stop switch trouble
- Fuse blown

#### Starter motor rotating but engine doesn't turn over:

- Starter clutch trouble
- Vehicle-down sensor (DFI) coming off

#### Engine won't turn over:

- Valve seizure
- Valve lifter seizure
- Cylinder, piston seizure
- Crankshaft seizure
- Connecting rod small end seizure
- Connecting rod big end seizure
- Transmission gear or bearing seizure
- Camshaft seizure
- Barancer Bearing seizure

#### No fuel flow:

- No fuel in tank
- Fuel pump trouble
- Fuel tank air vent obstructed
- Fuel filter clogged
- Fuel line clogged

#### Engine flooded:

- Clean spark plug and adjust plug gap
- Starting technique faulty
- (When flooded, do not crank the engine with the throttle fully opened. This promotes engine flood because more fuel is supplied automatically by DFI.)

#### No spark; spark weak:

- Vehicle-down sensor (DFI) coming off
- Ignition switch not ON
- Engine stop switch turned OFF
- Clutch lever not pulled in or gear not in neutral
- Battery voltage low

- Spark plug dirty, broken, or gap maladjusted
- Spark plug dirty, broken, or gap maladjusted
- Spark plug cap or high tension wiring trouble
- Spark plug cap shorted or not in good contact
- Spark plug incorrect
- IC igniter in ECU trouble
- Neutral, starter lockout, or sidestand switch trouble
- Crankshaft sensor trouble
- Ignition coil trouble
- Ignition switch or engine stop switch shorted
- Wiring shorted or open
- Fuse blown

#### Fuel/air mixture incorrect:

- Bypass screw and/or idle adjusting screw maladjusted
- Air cleaner clogged, poorly sealed, or missing

#### Compression Low:

- Spark plug loose
- Cylinder head not sufficiently tightened down
- No valve clearance
- Cylinder, piston worn
- Piston ring bad (worn, weak, broken, or sticking)
- Piston ring/groove clearance excessive
- Cylinder head gasket damaged
- Cylinder head warped
- Valve spring broken or weak
- Valve not seating properly (valve bent, worn, or carbon accumulation on the seating surface)

### Poor Running at Low Speed:

#### Spark weak:

- Battery voltage low
- Spark plug dirty, broken, or maladjusted
- Spark plug cap or high tension wiring trouble
- Spark plug cap shorted or not in good contact
- Spark plug incorrect
- IC igniter in ECU trouble
- Crankshaft sensor trouble
- Ignition coil trouble

#### Fuel/air mixture incorrect:

- Air cleaner clogged, poorly sealed, or missing
- Fuel tank air vent obstructed
- Fuel pump trouble
- Throttle body assy holder loose

## 17-38 APPENDIX

### Troubleshooting Guide

---

Air cleaner duct loose

#### **Compression low:**

Spark plug loose

Cylinder head not sufficiently tightened down

No valve clearance

Cylinder, piston worn

Piston ring bad (worn, weak, broken, or sticking)

Piston ring/groove clearance excessive

Cylinder head warped

Cylinder head gasket damaged

Valve spring broken or weak

Valve not seating properly (valve bent, worn, or carbon accumulation on the seating surface)

#### **Backfiring when deceleration:**

Air switching valve broken

Air suction valve trouble

#### **Other:**

IC igniter in ECU trouble

Throttle body assy not synchronizing

Engine oil viscosity too high

Drive train trouble

Brake dragging

Air suction valve trouble

Air switching valve trouble

Engine overheating

Clutch slipping

#### **Poor Running or No Power at High Speed:**

##### **Firing incorrect:**

Spark plug dirty, broken, or maladjusted

Spark plug cap or high tension wiring trouble

Spark plug cap shorted or not in good contact

Spark plug incorrect

Camshaft position trouble

IC igniter in ECU trouble

Crankshaft sensor trouble

Ignition coil trouble

##### **Fuel/air mixture incorrect:**

Air cleaner clogged, poorly sealed, or missing

Air cleaner O-ring damaged

Air cleaner duct loose

Water or foreign matter in fuel

Throttle body assy holder loose

Fuel to injector insufficient (DFI)

Fuel tank air vent obstructed

Fuel line clogged

Fuel pump trouble

##### **Compression low:**

Spark plug loose

Cylinder head not sufficiently tightened down

No valve clearance

Cylinder, piston worn

Piston ring bad (worn, weak, broken, or sticking)

Piston ring/groove clearance excessive

Cylinder head gasket damaged

Cylinder head warped

Valve spring broken or weak

Valve not seating properly (valve bent, worn, or carbon accumulation on the seating surface)

##### **Knocking:**

Carbon built up in combustion chamber

Fuel poor quality or incorrect

Spark plug incorrect

IC igniter in ECU trouble

Crankshaft sensor trouble

##### **Miscellaneous:**

Throttle valve won't fully open

Brake dragging

Clutch slipping

Engine overheating

Engine oil level too high

Engine oil viscosity too high

Drive train trouble

Air suction valve trouble

Air switching valve trouble

Catalytic converter melted down due to muffler overheating (KLEEN)

#### **Overheating:**

##### **Firing incorrect:**

Spark plug dirty, broken, or maladjusted

Spark plug incorrect

IC igniter in ECU trouble

##### **Muffler overheating:**

For KLEEN, do not run the engine even if with only one cylinder misfiring or poor running (Request the nearest service facility to correct it)

For KLEEN, do not push-start with a dead battery (Connect another full-charged battery with jumper cables, and start the engine using the electric starter)

For KLEEN, do not start the engine under misfire due to spark plug fouling or poor connection of the stick coil

For KLEEN, do not coast the motorcycle with the ignition switch off (Turn the ignition switch ON and run the engine)

IC igniter in ECU trouble

##### **Fuel/air mixture incorrect:**

Throttle body assy holder loose

Air cleaner duct loose

Air cleaner poorly sealed, or missing



## Troubleshooting Guide

Air cleaner O-ring damaged  
Air cleaner clogged

### Compression high:

Carbon built up in combustion chamber

### Engine load faulty:

Clutch slipping  
Engine oil level too high  
Engine oil viscosity too high  
Drive train trouble  
Brake dragging

### Lubrication inadequate:

Engine oil level too low  
Engine oil poor quality or incorrect

### Gauge incorrect:

Water temperature gauge broken  
Water temperature sensor broken

### Coolant incorrect:

Coolant level too low  
Coolant deteriorated  
Wrong coolant mixed ratio

### Cooling system component incorrect:

Radiator fin damaged  
Radiator clogged  
Thermostat trouble  
Radiator cap trouble  
ECU trouble  
Radiator fan relay trouble  
Fan motor broken  
Fan blade damaged  
Water pump not turning  
Water pump impeller damaged

### Over Cooling:

#### Cooling system component incorrect:

ECU trouble  
Radiator fan relay trouble  
Thermostat trouble

### Clutch Operation Faulty:

#### Clutch slipping:

Friction plate worn or warped  
Steel plate worn or warped  
Clutch spring broken or weak  
Clutch hub or housing unevenly worn  
No clutch lever play  
Clutch inner cable trouble  
Clutch release mechanism trouble

#### Clutch not disengaging properly:

Clutch plate warped or too rough  
Clutch spring compression uneven  
Engine oil deteriorated  
Engine oil viscosity too high  
Engine oil level too high  
Clutch housing frozen on drive shaft  
Clutch hub nut loose  
Clutch hub spline damaged  
Clutch friction plate installed wrong

Clutch lever play excessive  
Clutch release mechanism trouble

### Gear Shifting Faulty:

#### Doesn't go into gear; shift pedal doesn't return:

Clutch not disengaging  
Shift fork bent or seized  
Gear stuck on the shaft  
Shift drum positioning lever binding  
Shift return spring weak or broken  
Shift return spring pin loose  
Shift mechanism arm spring broken  
Shift mechanism arm broken  
Shift pawl broken

#### Jumps out of gear:

Shift fork ear worn, bent  
Gear groove worn  
Gear dogs and/or dog holes worn  
Shift drum groove worn  
Gear positioning lever spring weak or broken  
Shift fork guide pin worn  
Drive shaft, output shaft, and/or gear splines worn

#### Overshifts:

Shift drum positioning lever spring weak or broken  
Shift mechanism arm spring broken

### Abnormal Engine Noise:

#### Knocking:

IC igniter in ECU trouble  
Carbon built up in combustion chamber  
Fuel poor quality or incorrect  
Spark plug incorrect  
Overheating

#### Piston slap:

Cylinder/piston clearance excessive  
Cylinder, piston worn  
Connecting rod bent  
Piston pin, piston pin hole worn

#### Valve noise:

Valve clearance incorrect  
Valve spring broken or weak  
Camshaft bearing worn  
Valve lifter worn

#### Other noise:

Connecting rod small end clearance excessive  
Connecting rod big end clearance excessive  
Piston ring/groove clearance excessive  
Piston ring worn, broken, or stuck  
Piston ring groove worn  
Piston seizure, damage  
Cylinder head gasket leaking

## 17-40 APPENDIX

### Troubleshooting Guide

---

Exhaust pipe leaking at cylinder head connection  
Crankshaft runout excessive  
Engine mount loose  
Crankshaft bearing worn  
Primary gear worn or chipped  
Camshaft chain tensioner trouble  
Camshaft chain, sprocket, guide worn  
Air suction valve damaged  
Air switching valve damaged  
Alternator rotor loose  
Catalytic converter melt down due to muffler overheating (KLEEN)

#### Abnormal Drive Train Noise:

##### Clutch noise:

Clutch housing/friction plate clearance excessive  
Clutch housing gear worn  
Wrong installation of outside friction plate

##### Transmission noise:

Bearings worn  
Transmission gear worn or chipped  
Metal chips jammed in gear teeth  
Engine oil insufficient

##### Drive line noise:

Drive belt adjusted improperly  
Drive belt worn  
Rear and/or engine pulley worn  
Rear wheel misaligned

#### Abnormal Frame Noise:

##### Front fork noise:

Oil insufficient or too thin  
Spring weak or broken

##### Rear shock absorber noise:

Shock absorber damaged

##### Disc brake noise:

Pad installed incorrectly  
Pad surface glazed  
Disc warped  
Caliper trouble

##### Other noise:

Bracket, nut, bolt, etc. not properly mounted or tightened

#### Oil Pressure Warning Light Goes On:

Engine oil pump damaged  
Engine oil screen clogged  
Engine oil filter clogged  
Engine oil level too low  
Engine oil viscosity too low  
Camshaft bearing worn  
Crankshaft bearing worn  
Oil pressure switch damaged  
Wiring faulty

Relief valve stuck open  
O-ring at the oil passage in the crankcase damaged

#### Exhaust Smokes Excessively:

##### White smoke:

Piston oil ring worn  
Cylinder worn  
Valve oil seal damaged  
Valve guide worn  
Engine oil level too high

##### Black smoke:

Air cleaner clogged

##### Brown smoke:

Air cleaner duct loose  
Air cleaner O-ring damaged  
Air cleaner poorly sealed or missing

#### Handling and/or Stability

##### Unsatisfactory:

##### Handlebar hard to turn:

Cable routing incorrect  
Hose routing incorrect  
Wiring routing incorrect  
Steering stem nut too tight  
Steering stem bearing damaged  
Steering stem bearing lubrication inadequate  
Steering stem bent  
Tire air pressure too low

##### Handlebar shakes or excessively vibrates:

Tire worn  
Swingarm pivot bearing worn  
Rim warped, or not balanced  
Wheel bearing worn  
Handlebar holder bolt loose  
Steering stem nut loose  
Front, rear axle runout excessive  
Engine mounting bolt loose

##### Handlebar pulls to one side:

Frame bent  
Wheel misalignment  
Swingarm bent or twisted  
Swingarm pivot shaft runout excessive  
Steering maladjusted  
Front fork bent  
Right and left front fork oil level uneven

##### Shock absorption unsatisfactory:

(Too hard)  
Front fork oil excessive  
Front fork oil viscosity too high  
Rear shock absorber adjustment too hard  
Tire air pressure too high  
Front fork bent  
(Too soft)  
Tire air pressure too low  
Front fork oil insufficient and/or leaking

---

**Troubleshooting Guide**

---

Front fork oil viscosity too low  
Rear shock adjustment too soft  
Front fork, rear shock absorber spring weak  
Rear shock absorber oil leaking

**Brake Doesn't Hold:**

Air in the brake line  
Pad or disc worn  
Brake fluid leakage  
Disc warped  
Contaminated pad  
Brake fluid deteriorated  
Primary or secondary cup damaged in master cylinder  
Master cylinder scratched inside

**Battery Trouble:****Battery discharged:**

Charge insufficient  
Battery faulty (too low terminal voltage)  
Battery lead making poor contact  
Load excessive (e.g., bulb of excessive wattage)  
Ignition switch trouble  
Alternator trouble  
Wiring faulty  
Regulator/rectifier trouble

**Battery overcharged:**

Alternator trouble  
Regulator/rectifier trouble  
Battery faulty

### MODEL APPLICATION

Year	Model	Beginning Frame No.
2006	VN900B6F	JKAVN2B1□6A000001 or JKAVN900BBA000001
2006	VN900D6F	JKAVN900BBA000001

□: This digit in the frame number changes from one machine to another.



KAWASAKI HEAVY INDUSTRIES, LTD.  
Consumer Products & Machinery Company

Part No.99924-1366-01

Printed in Japan