

PREFACE

When it becomes necessary to replace parts on SUZUKI MOTORCYCLES, always use SUZUKI GENUINE PARTS which have passed a strict inspection which guarantees quality and performance.
This parts catalogue covers the list of all service parts for SUZUKI LT-Z400K3.

INSTRUCTIONS FOR QUOTING THE CATALOGUE

1. DIMENSIONS

Dimensions of the parts in this catalogue are indicated in unit millimeters.

2. ABBREVIATIONS

Abbreviations used in this catalogue are as follows:

- | | | | |
|-------|------------------------|-----|----------------------------|
| AR | : As required | NT | : Number of teeth |
| ASSY | : Assembly | OPT | : Optional |
| E.NO. | : Engine number | OS | : Over size |
| F.NO. | : Frame number | STD | : Standard |
| D | : Diameter of material | T | : Thickness |
| ID | : Inside diameter | US | : Under size |
| OD | : Outside diameter | W | : Width |
| L | : Length | E28 | : Canada specification |
| LH | : Left hand side | E3 | : Federal specification |
| RH | : Right hand side | E33 | : California specification |

~100045 : Up to F.NO.100045

100046~ : From F.NO.100046

12 x 34 x 5.8 : Figures in the description column

() show the dimensions of parts.

ID OD T(or W,L)

3. INNER PARTS OF ASSEMBLY

Part name with a dot (.) in front as shown in the description column indicates the component of the assembly also available individually.

4. MODIFICATION NOTICE

A parts bulletin will be sent to you on all occasions when changes in parts occur, including interchangeable modifications between new parts and old ones.

5. NOTE

5-1. There are some different parts from those of production models among spare parts for the administrative reasons and common use of them with other models.

5-2. In respect of rubber hoses and vinyl tubes, please be sure to use them by cutting off according to the length mentioned on parts catalogue or what is actually required on the vehicle.

5-3. Note that the drawings on the illustration page are for ready reference of spare parts number, not to be used as an assembly manual.
When assembling, use "SUZUKI SERVICE MANUAL".

6. SERIAL FRAME NUMBER

LT-Z400K3 : JSAAK47A 32100001-

LT-Z400K3 E3/E28

- 1 -

LT-Z400K3 E3/E28

- 2 -

AIR CLEANER.....	C-09	CRANKSHAFT.....	B-08	FRONT FENDER.....	G-06	LABEL.....	G-13	RADIATOR.....	D-05	RIGHT REAR WHEEL.....	I-04	WATER PUMP.....	D-04
BATTERY.....	E-10	CYLINDER HEAD COVER.....	B-03	FRONT MASTER CYLIND.....	H-09	LEFT REAR WHEEL.....	I-06	REAR BRAKE.....	G-03	SEAT.....	H-02	WIRING HARNESS.....	F-06
CAM CHAIN.....	C-06	CYLINDER HEAD.....	B-04	FRONT WHEEL.....	H-04	MAGNETO.....	E-06	REAR CALIPER.....	I-06	SIDE COVER.....	G-07		
CAM SHAFT VALVE.....	C-04	CYLINDER.....	B-06	FUEL TANK.....	G-05	MUFFLER.....	C-10	REAR COMBINATION.....	F-03	STARTER CLUTCH.....	C-02		
CARBURETOR.....	C-07	ELECTRICAL.....	E-06	GASKET SET.....	B-02	OIL HOSE.....	D-03	REAR CUSHION LEVER.....	F-03	STARTING MOTOR.....	E-07		
CLUTCH.....	E-02	FOOTREST.....	G-04	GEAR SHIFTING.....	E-08	OIL PUMP.....	D-02	REAR FENDER.....	G-12	STEERING KNUCKLE.....	H-03		
CRANK BALANCER.....	C-03	FRAME.....	G-02	HANDLE LEVER.....	G-10	OPTIONAL.....	I-06	REAR MASTER CYLIND.....	I-07	STEERING SHAFT.....	H-04		
CRANKCASE COVER.....	B-07	FRONT BRAKE HOSE.....	H-06	HANDLEBAR.....	G-08	PILOT LAMP.....	F-05	REAR SWINGING ARM.....	I-02	SUSPENSION ARM.....	H-08		
CRANKCASE.....	B-08	FRONT CALIPER.....	H-07	HEADLAMP.....	F-02	RADIATOR HOSE.....	D-06	REVERSE LOCK.....	G-09	TRANSMISSION.....	E-03		

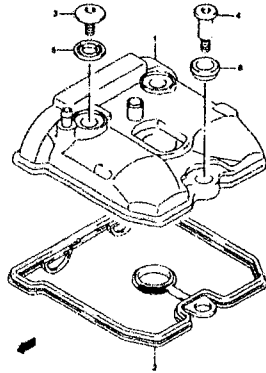
FIG.1



LT24003 E03 E28_001
COVER SET

B 2

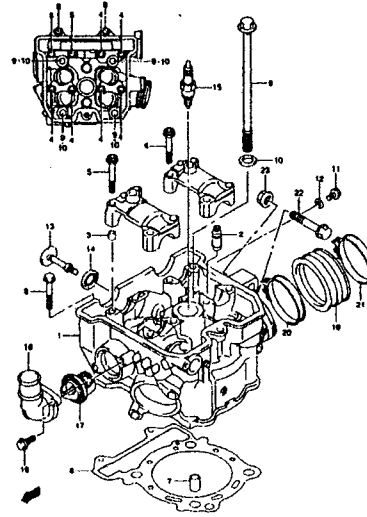
FIG.2



LT24003 E03 E28_002
CYLINDER HEAD COVER

B 3

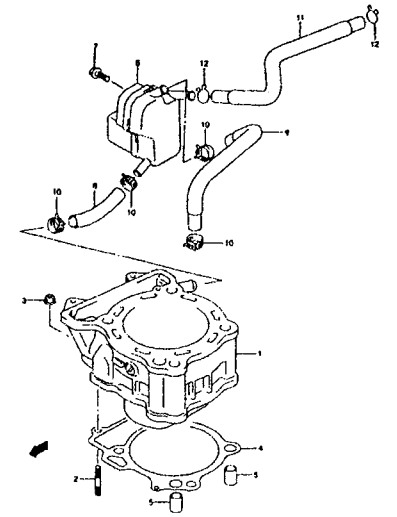
FIG.3



LT24003 E03 E28_003
CYLINDER HEAD

B 4

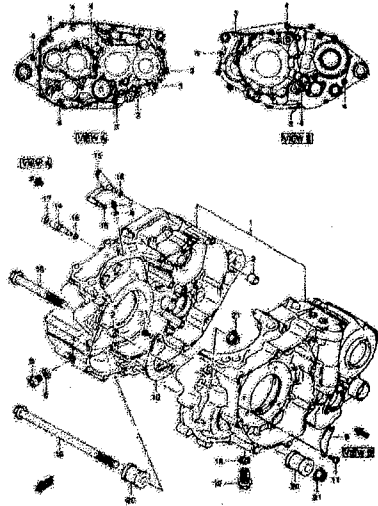
FIG.4



LT24003 E03 E28_004
CYLINDER

B 5

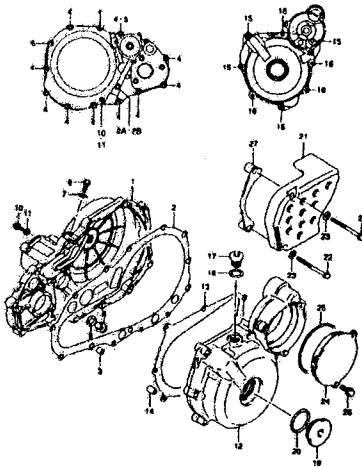
FIG.5



LT24003 E03 E28_005
CRANKCASE

B 6

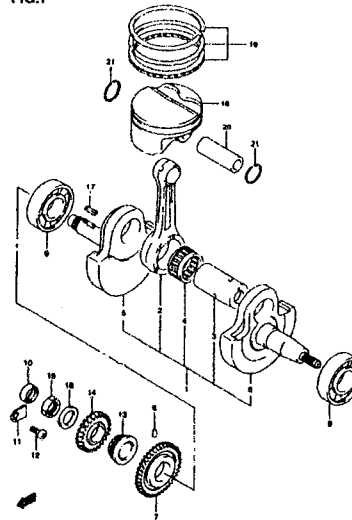
FIG.6



LT24003 E03 E28_006
CRANKCASE COVER

B 7

FIG.7



LT24003 E03 E28_007
CRANKSHAFT

B 8

B 1

AIR CLEANER	C-05	CRANKSHAFT	B-06	FRONT FENDER	G-06	LABEL	G-13	RADIATOR	D-05	RIGHT REAR WHEEL	I-04	WATER PUMP	D-04
BATTERY	E-10	CYLINDER HEAD COVER	B-03	FRONT MASTER CYLIND	H-09	LEFT REAR WHEEL	I-05	REAR BRAKE	G-03	SEAT	H-02	WIRING HARNESS	F-06
CAM CHAIN	C-06	CYLINDER HEAD	B-04	FRONT WHEEL	H-06	MAGNETO	E-08	REAR CALIPER	I-06	SIDE COVER	G-07		
CAM SHAFT - VALVE	C-04	CYLINDER	B-05	FUEL TANK	G-05	MUFFLER	C-10	REAR COMBINATION	F-03	STARTER CLUTCH	C-02		
CARBURETOR	C-07	ELECTRICAL	E-08	GASKET SET	B-02	OIL HOSE	D-03	REAR CUSHION LEVER	I-03	STARTING MOTOR	E-07		
CLUTCH	E-02	FOOT REST	G-04	GEAR SHIFTING	E-05	OIL PUMP	D-02	REAR FENDER	G-12	STEERING KNUCKLE	H-03		
CRANK BALANCER	C-03	FRAME	G-02	HANDLE LEVER	G-10	OPTIONAL	I-08	REAR MASTER CYLINDE	I-07	STEERING SHAFT	H-04		
CRANKCASE COVER	B-07	FRONT BRAKE HOSE	H-08	HANDLEBAR	G-08	PILOT LAMP	F-05	REAR SWINGING ARM	I-02	SUSPENSION ARM	H-05		
CRANKCASE	B-06	FRONT CALIPER	H-07	HEADLAMP	F-02	RADIATOR HOSE	D-06	REVERSE LOCK	G-09	TRANSMISSION	E-03		

FIG.1

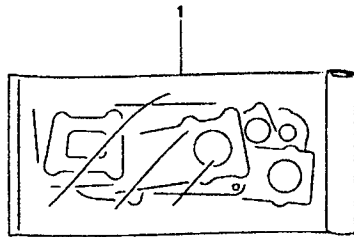


Fig.1 (B-2) GASKET SET

Ref #	Part Number	Description	Qty	Remarks
1	11401-07810	GASKET SET	1	OPT
2	11141-29F01	.GASKET, CYLINDER HEAD	1	NOT SHOWN
3	11173-29F00	.GASKET, CYLINDER HEAD COVER	1	NOT SHOWN
4	11241-29F11	.GASKET, CYLINDER	1	NOT SHOWN
5	11482-07G00	.GASKET, CLUTCH COVER	1	NOT SHOWN
6	11483-07G00	.GASKET, MAGNETO COVER	1	NOT SHOWN
7	12837-24A10	.GASKET, TENSIONER ADJUSTER	1	NOT SHOWN
8	14181-29E02	.GASKET, EXHAUST PIPE	1	NOT SHOWN
9	14771-29F10	.CONNECTOR, MUFFLER JOINT	1	NOT SHOWN
10	17435-29F00	.O RING, WATER PUMP CASE	1	NOT SHOWN
11	09168-10002	.GASKET (10X14X3.6)	1	NOT SHOWN
12	09168-12002	.GASKET (12.1X16.2X3.7)	1	NOT SHOWN
13	09280-11005	.O RING (D:2.4, ID:11.0)	2	NOT SHOWN
14	09280-13004	.O RING (D:1.9, ID:13.0)	1	NOT SHOWN
15	09280-22001	.O RING (D:2.4, ID:21.8)	1	NOT SHOWN
16	09280-33004	.O RING (D:3.1, ID:32.7)	1	NOT SHOWN
17	09280-54001	.O RING (D:2.4, ID:52.6)	1	NOT SHOWN
18	09280-71004	.O RING (D:2.6, ID:69.6)	1	NOT SHOWN

LT-Z400K3 E03 E28_001
GASKET SET

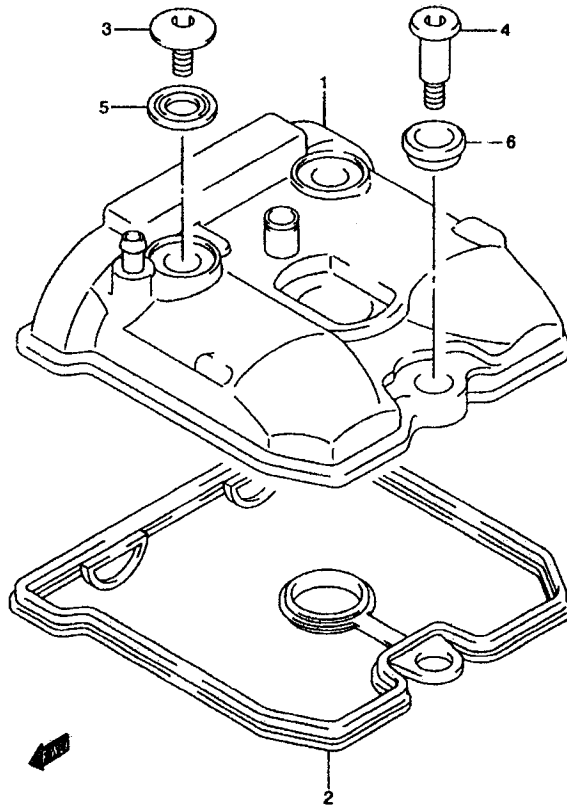
1 LT-Z400K3 E3 E28

© 2002 American Suzuki Motor Corporation

AIR CLEANER.....	C-09	CRANKSHAFT.....	B-08	FRONT FENDER.....	G-08	LABEL.....	G-13	RADIATOR.....	D-05	RIGHT REAR WHEEL.....	I-04	WATER PUMP.....	D-04
BATTERY.....	E-10	CYLINDER HEAD COVER	B-03	FRONT MASTER CYLIND	H-09	LEFT REAR WHEEL.....	I-05	REAR BRAKE.....	G-03	SEAT.....	H-02	WIRING HARNESS.....	F-06
CAM CHAIN.....	C-06	CYLINDER HEAD.....	B-04	FRONT WHEEL.....	H-06	MAGNETO.....	E-08	REAR CALIPER.....	I-06	SIDE COVER.....	G-07		
CAM SHAFT - VALVE..	C-04	CYLINDER.....	B-05	FUEL TANK.....	G-05	MUFFLER.....	C-10	REAR COMBINATION..	F-03	STARTER CLUTCH.....	C-02		
CARBURETOR.....	C-07	ELECTRICAL.....	E-09	GASKET SET.....	B-02	OIL HOSE.....	D-03	REAR CUSHION LEVER.	I-03	STARTING MOTOR.....	E-07		
CLUTCH.....	E-02	FOOTREST.....	G-04	GEAR SHIFTING.....	E-06	OIL PUMP.....	D-02	REAR FENDER.....	G-12	STEERING KNUCKLE...	H-03		
CRANK BALANCER.....	C-03	FRAME.....	G-02	HANDLE LEVER.....	G-10	OPTIONAL.....	I-08	REAR MASTER CYLINDE	I-07	STEERING SHAFT.....	H-04		
CRANKCASE COVER....	B-07	FRONT BRAKE HOSE...	H-06	HANDLEBAR.....	G-08	PILOT LAMP.....	F-05	REAR SWINGING ARM..	I-02	SUSPENSION ARM.....	H-05		
CRANKCASE.....	B-06	FRONT CALIPER.....	H-07	HEADLAMP.....	F-02	RADIATOR HOSE.....	D-06	REVERSE LOCK.....	G-09	TRANSMISSION.....	E-03		

FIG.2

Fig.2 (B-3) CYLINDER HEAD COVER



Ref #	Part Number	Description	Qty	Remarks
1	11170-07G00	COVER, CYLINDER HEAD	1	
2	11173-29F00	GASKET	1	
3	09106-07009	BOLT (7X17.5)	2	
4	09106-07010	BOLT (7X31)	1	
5	09161-11008	WASHER	2	
6	11192-13E00	CUSHION	1	

LT-Z400K3 E03 E28_002
CYLINDER HEAD COVER

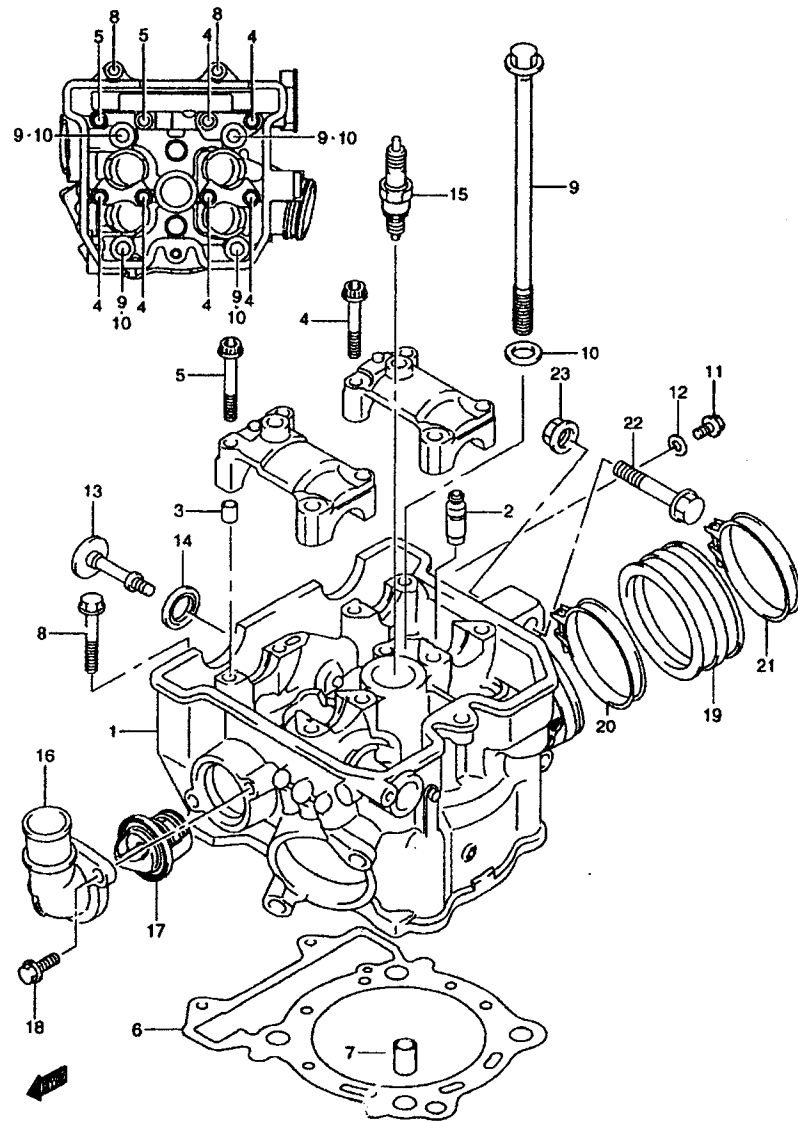
2 LT-Z400K3 E3 E28

© 2002 American Suzuki Motor Corporation

B 3

AIR CLEANER.....	C-09	CRANKSHAFT.....	B-08	FRONT FENDER.....	G-06	LABEL.....	G-13	RADIATOR.....	D-05	RIGHT REAR WHEEL.....	I-04	WATER PUMP.....	D-04
BATTERY.....	E-10	CYLINDER HEAD COVER	B-03	FRONT MASTER CYLIND	H-09	LEFT REAR WHEEL.....	I-05	REAR BRAKE.....	G-03	SEAT.....	H-02	WIRING HARNESS.....	F-06
CAM CHAIN.....	C-06	CYLINDER HEAD.....	B-04	FRONT WHEEL.....	H-08	MAGNETO.....	E-08	REAR CALIPER.....	I-06	SIDE COVER.....	G-07		
CAM SHAFT - VALVE.....	C-04	CYLINDER.....	B-05	FUEL TANK.....	G-05	MUFFLER.....	C-10	REAR COMBINATION.....	F-03	STARTER CLUTCH.....	C-02		
CARBURETOR.....	C-07	ELECTRICAL.....	E-09	GASKET SET.....	B-02	OIL HOSE.....	D-03	REAR CUSHION LEVER.....	I-03	STARTING MOTOR.....	E-07		
CLUTCH.....	E-02	FOOTREST.....	G-04	GEAR SHIFTING.....	E-05	OIL PUMP.....	D-02	REAR FENDER.....	G-12	STEERING KNUCKLE.....	H-03		
CRANK BALANCER.....	C-03	FRAME.....	G-02	HANDLE LEVER.....	G-10	OPTIONAL.....	I-08	REAR MASTER CYLINDE	I-07	STEERING SHAFT.....	H-04		
CRANKCASE COVER.....	B-07	FRONT BRAKE HOSE.....	H-08	HANDLEBAR.....	G-08	PILOT LAMP.....	F-05	REAR SWNGING ARM.....	I-02	SUSPENSION ARM.....	H-05		
CRANKCASE.....	B-06	FRONT CALIPER.....	H-07	HEADLAMP.....	F-02	RADIATOR HOSE.....	D-06	REVERSE LOCK.....	G-09	TRANSMISSION.....	E-03		

FIG.3



LT-Z400K3 E03 E28_003
CYLINDER HEAD

Fig.3 (B-4) CYLINDER HEAD

Ref #	Part Number	Description	Qty	Remarks
1	11100-07G00	HEAD ASSY, CYLINDER	1	
2	11115-20E70	.GUIDE, VALVE (OS.0.3)	4	
3	09206-08001	.PIN	4	
4	07120-06403	.BOLT	6	
5	07120-06453	.BOLT	2	
6	11141-29F01	GASKET, CYLINDER HEAD	1	
7	04211-13189	PIN (L:18)	2	
8	09103-06504	BOLT (6X39)	2	
9	09103-10276	BOLT (10X175)	4	
10	09160-10082	WASHER (10.5X19X2)	4	
11	01550-06103	PLUG, OIL GALLERY	1	
12	09168-06015	GASKET	1	
13	11161-33E00	BOLT, CYLINDER HEAD SIDE FACE	1	
14	11191-13E00	WASHER, SIDE FACE BOLT	1	
15-1	09482-00516	SPARK PLUG (NGK,CR7E)	1	
15-2	09482-00515	SPARK PLUG (DENSO,U22ESR-N)	1	
15-3	09482-00528	SPARK PLUG (NGK,CR6E)	1	OPT
15-4	09482-00456	SPARK PLUG (NGK,CR8E)	1	OPT
15-5	09482-00458	SPARK PLUG (NGK,CR9E)	1	OPT
15-6	09482-00529	SPARK PLUG (DENSO,U20ESR-N)	1	OPT
15-7	09482-00457	SPARK PLUG (DENSO,U24ESR-N)	1	OPT
15-8	09482-00459	SPARK PLUG (DENSO,U27ESR-N)	1	OPT
16	17661-29F00	COVER, THERMOSTAT	1	
17	17670-33400	THERMOSTAT, WASHER	1	
18	01547-06163	BOLT	2	
19	13111-07G00	PIPE, INTAKE	1	
20	09402-58208	CLAMP, HEAD	1	
21	09402-52208	CLAMP, CARB	1	
22	09103-10218	BOLT (10X45)	1	
23	09159-10058	NUT	1	

AIR CLEANER.....	C-09	CRANKSHAFT.....	B-08	FRONT FENDER.....	G-08	LABEL.....	G-13	RADIATOR.....	D-05	RIGHT REAR WHEEL...	I-04	WATER PUMP.....	D-04
BATTERY.....	E-10	CYLINDER HEAD COVER	B-03	FRONT MASTER CYLIND	H-09	LEFT REAR WHEEL...	I-05	REAR BRAKE.....	G-03	SEAT.....	H-02	WIRING HARNESS....	F-06
CAM CHAIN.....	C-06	CYLINDER HEAD.....	B-04	FRONT WHEEL.....	H-06	MAGNETO.....	E-08	REAR CALIPER.....	I-06	SIDE COVER.....	G-07		
CAM SHAFT - VALVE..	C-04	CYLINDER.....	B-06	FUEL TANK.....	G-05	MUFFLER.....	C-10	REAR COMBINATION..	F-03	STARTER CLUTCH....	C-02		
CARBURETOR.....	C-07	ELECTRICAL.....	E-09	GASKET SET.....	B-02	OIL HOSE.....	D-03	REAR CUSHION LEVER.	I-03	STARTING MOTOR....	E-07		
CLUTCH.....	E-02	FOOTREST.....	G-04	GEAR SHIFTING.....	E-05	OIL PUMP.....	D-02	REAR FENDER.....	G-12	STEERING KNUCKLE..	H-03		
CRANK BALANCER....	C-03	FRAME.....	G-02	HANDLE LEVER.....	G-10	OPTIONAL.....	I-08	REAR MASTER CYLINDE	I-07	STEERING SHAFT....	H-04		
CRANKCASE COVER...	B-07	FRONT BRAKE HOSE...	H-08	HANDLEBAR.....	G-08	PILOT LAMP.....	F-05	REAR SWYNGING ARM..	I-02	SUSPENSION ARM....	H-05		
CRANKCASE.....	B-06	FRONT CALIPER.....	H-07	HEADLAMP.....	F-02	RADIATOR HOSE.....	D-06	REVERSE LOCK.....	G-09	TRANSMISSION.....	E-03		

FIG.4

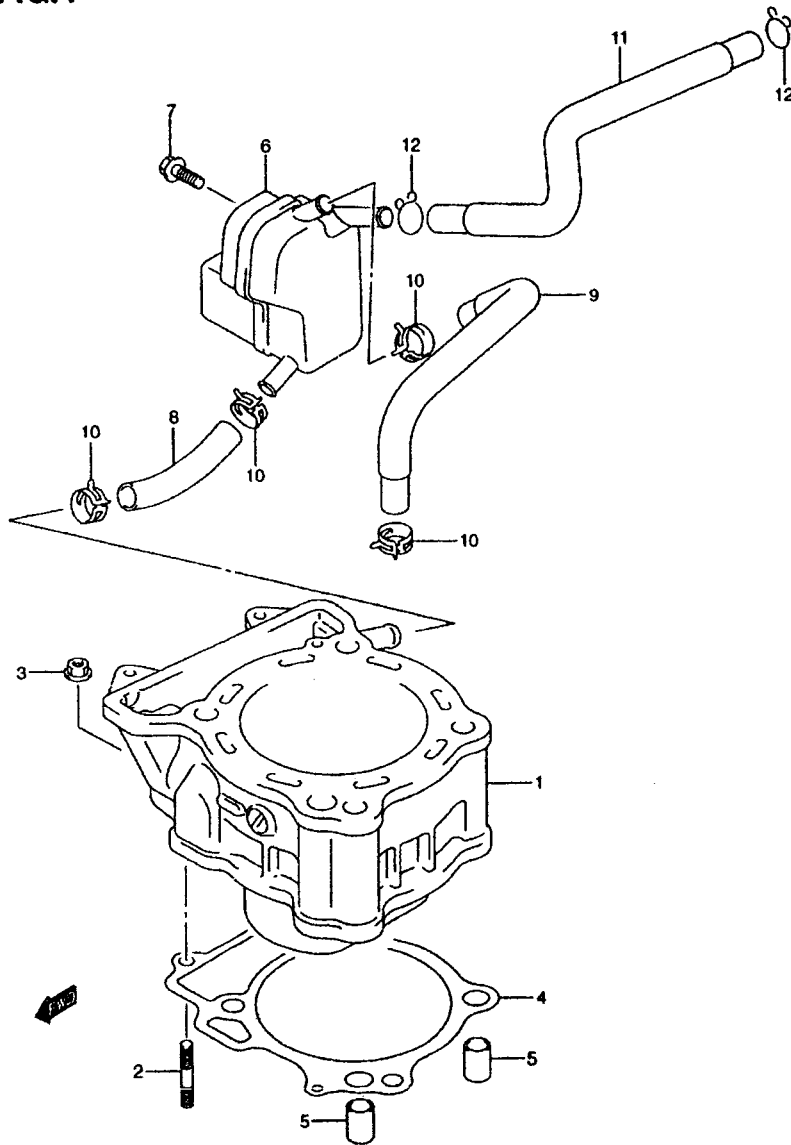


Fig.4 (B-5) CYLINDER

Ref #	Part Number	Description	Qty	Remarks
1	11210-29F20-0F0	CYLINDER	1	
2	01421-06253	STUD BOLT	2	
3	08316-10063	NUT	2	
4	11241-29F11	GASKET, CYLINDER	1	
5	04211-13189	PIN	2	
6	11330-07G00	TANK, OIL RETURN	1	
7	01547-06103	BOLT	1	
8	11332-07G00	HOSE, BREATHER	1	
9	11333-07G00	HOSE, BREATHER	1	
10	09401-15404	CLIP	4	
11	11334-07G00	HOSE, BREATHER	1	
12	09401-15101	CLIP	2	

LT-Z400K3 E03 E28_004
CYLINDER

4 LT-Z400K3 E3 E28

© 2002 American Suzuki Motor Corporation

B 5

AIR CLEANER.....	C-09	CRANKSHAFT.....	B-08	FRONT FENDER.....	G-06	LABEL.....	G-13	RADIATOR.....	D-05	RIGHT REAR WHEEL.....	I-04	WATER PUMP.....	D-04
BATTERY.....	E-10	CYLINDER HEAD COVER.....	B-03	FRONT MASTER CYLIND.....	H-09	LEFT REAR WHEEL.....	I-05	REAR BRAKE.....	G-03	SEAT.....	H-02	WIRING HARNESS.....	F-06
CAM CHAIN.....	C-06	CYLINDER HEAD.....	B-04	FRONT WHEEL.....	H-08	MAGNETO.....	E-08	REAR CALIPER.....	I-08	SIDE COVER.....	G-07		
CAM SHAFT - VALVE.....	C-04	CYLINDER.....	B-05	FUEL TANK.....	G-05	MUFFLER.....	C-10	REAR COMBINATION.....	F-03	STARTER CLUTCH.....	C-02		
CARBURETOR.....	C-07	ELECTRICAL.....	E-09	GASKET SET.....	B-02	OIL HOSE.....	D-03	REAR CUSHION LEVER.....	F-03	STARTING MOTOR.....	E-07		
CLUTCH.....	E-02	FOOTREST.....	G-04	GEAR SHIFTING.....	E-05	OIL PUMP.....	D-02	REAR FENDER.....	G-12	STEERING KNUCKLE.....	H-03		
CRANK BALANCER.....	C-03	FRAME.....	G-02	HANDLE LEVER.....	G-10	OPTIONAL.....	I-08	REAR MASTER CYLINDE.....	I-07	STEERING SHAFT.....	H-04		
CRANKCASE COVER.....	B-07	FRONT BRAKE HOSE.....	H-08	HANDLEBAR.....	G-08	PILOT LAMP.....	F-05	REAR SWINGING ARM.....	I-02	SUSPENSION ARM.....	H-05		
CRANKCASE.....	B-06	FRONT CALIPER.....	H-07	HEADLAMP.....	F-02	RADIATOR HOSE.....	D-06	REVERSE LOCK.....	G-09	TRANSMISSION.....	E-03		

FIG.5

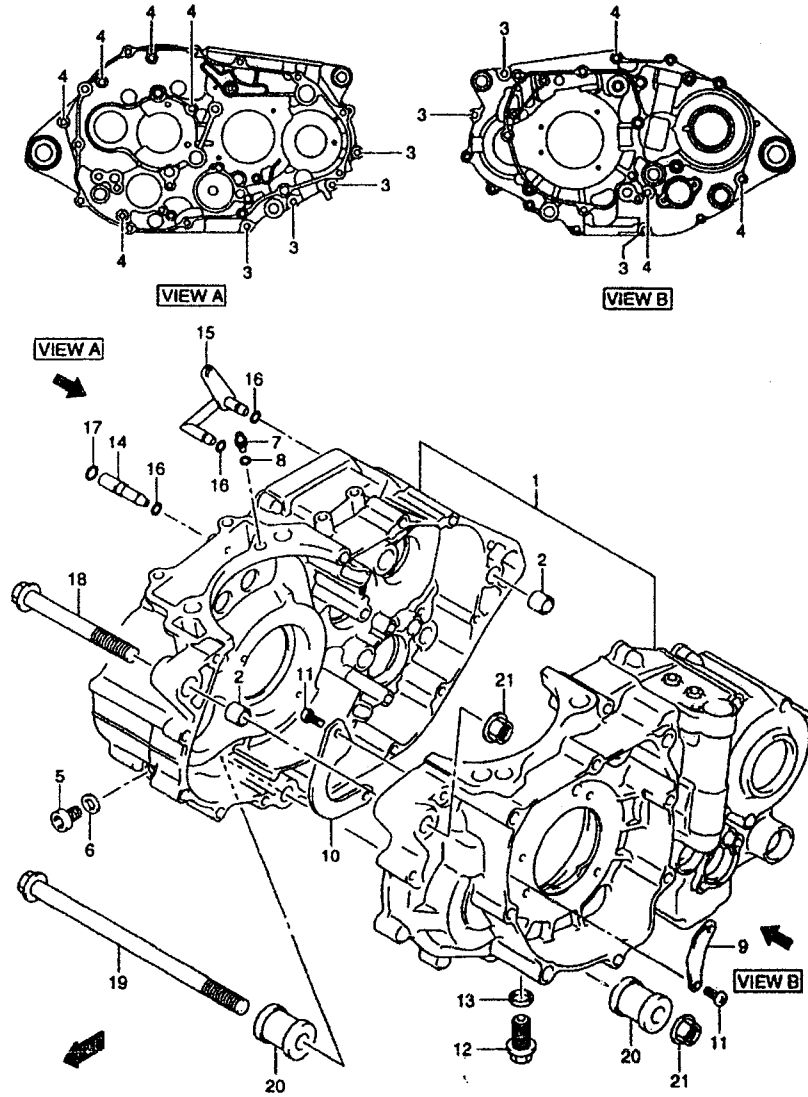


Fig.5 (B-6) CRANKCASE

Ref #	Part Number	Description	Qty	Remarks
1	11301-07810	CRANKCASE SET	1	
2	04211-13189	.PIN	2	
3	01547-06403	.BOLT	7	
4	01547-06703	.BOLT	8	
5	09248-10010	.PLUG, OIL GALLERY	1	
6	09168-10002	.GASKET	1	
7	09493-28010	.JET, OIL GALLERY CYLINDER	1	
8	09280-04004	.O RING	1	
9	11323-29F00	.SEPARATOR, OIL NO.1	1	
10	11324-29F00	.SEPARATOR, OIL NO.2	1	
11	09125-06086	.SCREW, SEPARATOR	4	
12	09247-12011	PLUG, OIL DRAIN	1	
13	09168-12002	GASKET	1	
14	11451-29F00	PIPE, OIL INNER NO.1	1	
15	11460-07G00	PIPE, T/M OIL INNER NO.2	1	
16	09280-05004	O RING (D:1.9, ID:4.8)	3	
17	09280-07004	O RING (D:1.9, ID:6.8)	1	
18	09103-10110	BOLT (10X100)	1	
19	09103-10136	BOLT (10X180)	1	
20	11611-09F50	SPACER, ENGINE MOUNTING (L:30)	2	
21	09159-10058	NUT	2	

LT-Z400K3 E03 E28_005
CRANKCASE

5 LT-Z400K3 E3 E28

© 2002 American Suzuki Motor Corporation

B6

AIR CLEANER.....	C-09	CRANKSHAFT.....	B-08	FRONT FENDER.....	G-06	LABEL.....	G-13	RADIATOR.....	D-05	RIGHT REAR WHEEL.....	I-04	WATER PUMP.....	D-04
BATTERY.....	E-10	CYLINDER HEAD COVER	B-03	FRONT MASTER CYLIND	H-09	LEFT REAR WHEEL.....	I-05	REAR BRAKE.....	G-03	SEAT.....	H-02	WIRING HARNESS.....	F-08
CAM CHAIN.....	C-06	CYLINDER HEAD.....	B-04	FRONT WHEEL.....	H-06	MAGNETO.....	E-08	REAR CALIPER.....	I-06	SIDE COVER.....	G-07		
CAM SHAFT - VALVE.....	C-04	CYLINDER.....	B-05	FUEL TANK.....	G-05	MUFFLER.....	C-10	REAR COMBINATION.....	F-03	STARTER CLUTCH.....	C-02		
CARBURETOR.....	C-07	ELECTRICAL.....	E-08	GASKET SET.....	B-02	OIL HOSE.....	D-03	REAR CUSHION LEVER.....	I-03	STARTING MOTOR.....	E-07		
CLUTCH.....	E-02	FOOTREST.....	G-04	GEAR SHIFTING.....	E-05	OIL PUMP.....	D-02	REAR FENDER.....	G-12	STEERING KNUCKLE.....	H-03		
CRANK BALANCER.....	C-03	FRAME.....	G-02	HANDLE LEVER.....	G-10	OPTIONAL.....	I-08	REAR MASTER CYLINDE	I-07	STEERING SHAFT.....	H-04		
CRANKCASE COVER.....	B-07	FRONT BRAKE HOSE.....	H-08	HANDLEBAR.....	G-08	PILOT LAMP.....	F-05	REAR SWINGING ARM.....	I-02	SUSPENSION ARM.....	H-05		
CRANKCASE.....	B-06	FRONT CALIPER.....	H-07	HEADLAMP.....	F-02	RADIATOR HOSE.....	D-06	REVERSE LOCK.....	G-09	TRANSMISSION.....	E-03		

FIG.6

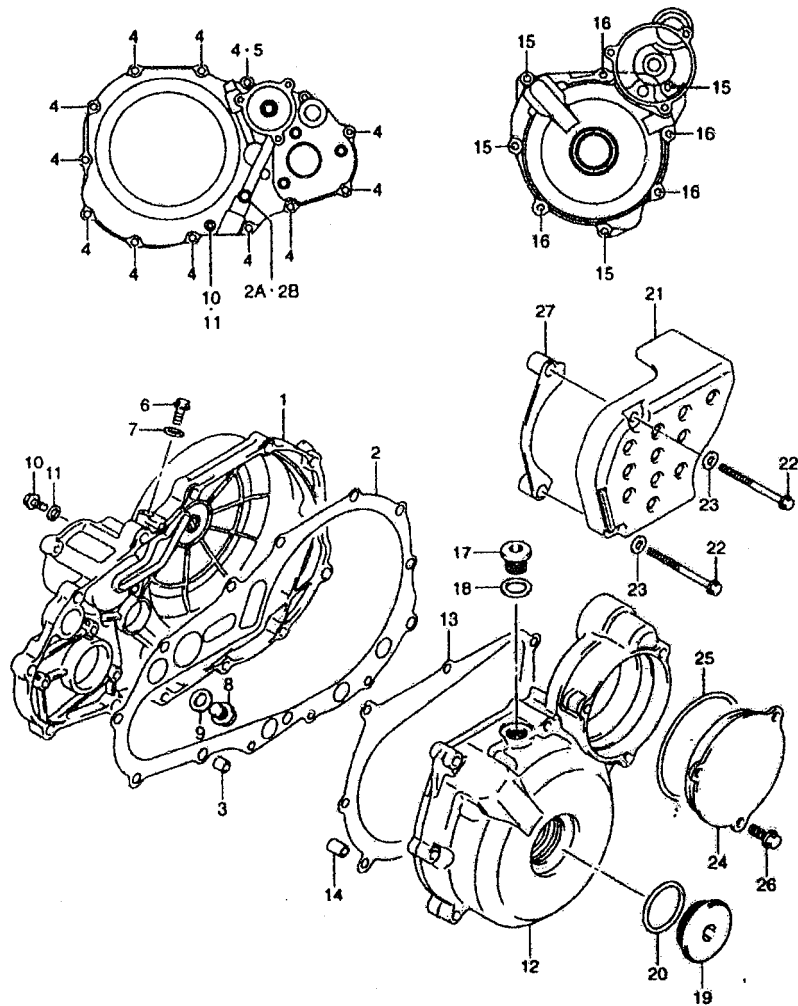


Fig.6 (B-7) CRANKCASE COVER

Ref #	Part Number	Description	Qty	Remarks
1	11341-07G00	COVER, CLUTCH	1	
2	11482-07G00	GASKET, CLUTCH COVER	1	
2A	01550-08123	PLUG, OIL GALLERY	1	
2B	09168-08008	GASKET, OIL GALLERY PLUG	1	
3	04211-09149	FIN	2	
4	01547-06303	BOLT	12	
5	09168-06023	GASKET	1	
6	01547-06123	PLUG, OIL GALLERY	1	
7	09168-06023	GASKET	1	
8	09247-12006	PLUG, OIL GALLERY (12X10)	1	
9	09168-12002	GASKET (12.1X16.2X1.2)	1	
10	01550-06103	BOLT, OIL LEVEL	1	
11	09168-06004	GASKET (6.2X11X1.2)	1	
12	11351-07G00	COVER, MAGNETO	1	
13	11483-07G00	GASKET, MAGNETO COVER	1	
14	04211-09149	FIN	2	
15	01547-06303	BOLT	4	
16	01547-06403	BOLT	4	
17	09248-14011	PLUG, T.D.C.	1	
18	09168-14002	GASKET (13.8X18.8X0.4)	1	
19	09259-36016-20H	PLUG, CRANK HOLE	1	
20	09280-33004	O RING (D:3.1, ID:32.7)	1	
21	11360-07G00	COVER, ENGINE SPROCKET	1	
22	01547-06603	BOLT	2	
23	09160-06126	WASHER (6.5X14X2)	2	
24	11352-29F50	COVER, STARTER IDLE GEAR	1	
25	09280-71004	O RING (D:2.6, ID:69.5)	1	
26	01547-06163	BOLT	3	
27	27640-07G00	PLATE, CHAIN GUIDE	1	
28	09111-06039	BOLT	2	

LT-Z400K3 E03 E28_006
CRANKCASE COVER

6 LT-Z400K3 E3 E28

© 2002 American Suzuki Motor Corporation.

AIR CLEANER.....	C-09	CRANKSHAFT.....	B-08	FRONT FENDER.....	G-08	LABEL.....	G-13	RADIATOR.....	D-05	RIGHT REAR WHEEL.....	I-04	WATER PUMP.....	J-04
BATTERY.....	E-10	CYLINDER HEAD COVER.....	B-03	FRONT MASTER CYLIND.....	H-09	LEFT REAR WHEEL.....	I-05	REAR BRAKE.....	G-03	SEAT.....	H-02	WIRING HARNESS.....	F-08
CAM CHAIN.....	C-06	CYLINDER HEAD.....	B-04	FRONT WHEEL.....	H-08	MAGNETO.....	E-08	REAR CALIPER.....	I-06	SIDE COVER.....	G-07		
CAM SHAFT - VALVE.....	C-04	CYLINDER.....	B-05	FUEL TANK.....	G-05	MUFFLER.....	C-10	REAR COMBINATION.....	F-03	STARTER CLUTCH.....	C-02		
CARBURETOR.....	C-07	ELECTRICAL.....	E-09	GASKET SET.....	B-02	OIL HOSE.....	D-03	REAR CUSHION LEVER.....	I-03	STARTING MOTOR.....	E-07		
CLUTCH.....	E-02	FOOTREST.....	G-04	GEAR SHIFTING.....	E-05	OIL PUMP.....	D-02	REAR FENDER.....	G-12	STEERING KNUCKLE.....	H-03		
CRANK BALANCER.....	C-03	FRAME.....	G-02	HANDLE LEVER.....	G-10	OPTIONAL.....	I-08	REAR MASTER CYLIND.....	I-07	STEERING SHAFT.....	H-04		
CRANKCASE COVER.....	B-07	FRONT BRAKE HOSE.....	H-08	HANDLEBAR.....	G-08	PILOT LAMP.....	F-05	REAR SWINGING ARM.....	I-02	SUSPENSION ARM.....	H-05		
CRANKCASE.....	B-06	FRONT CALIPER.....	H-07	HEADLAMP.....	F-02	RADIATOR HOSE.....	D-06	REVERSE LOCK.....	G-09	TRANSMISSION.....	E-03		

FIG.7

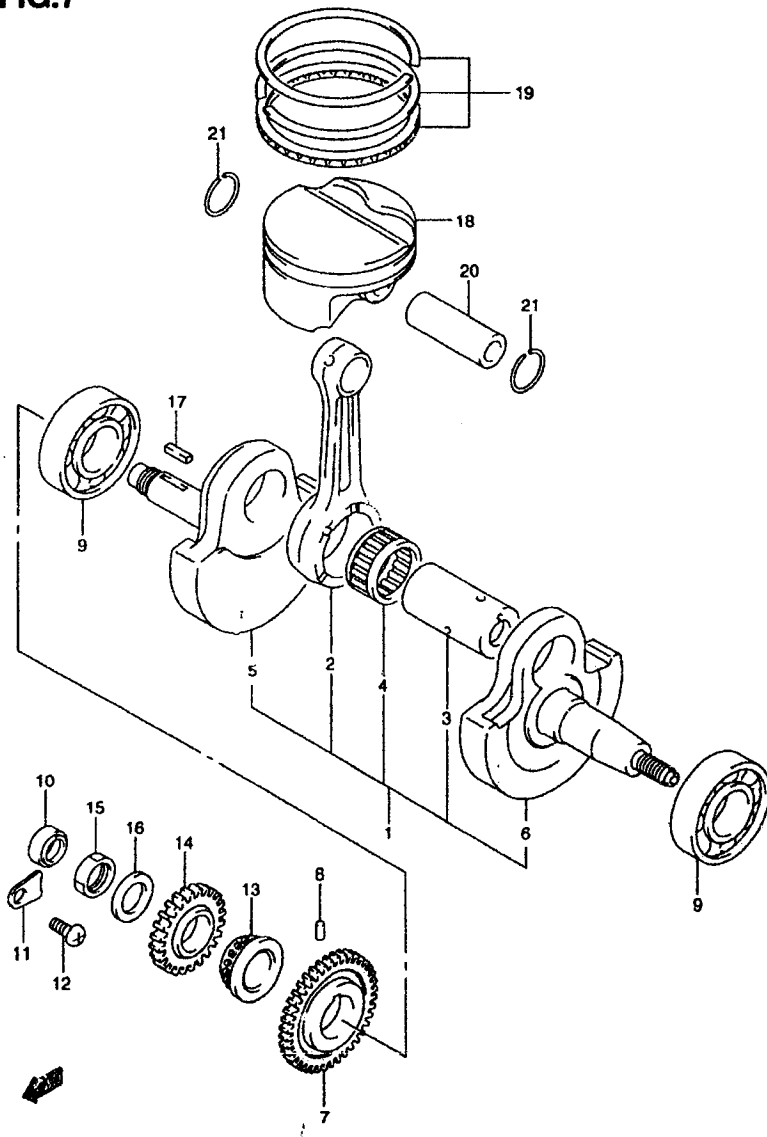


Fig.7 (B-8) CRANKSHAFT

Ref #	Part Number	Description	Qty	Remarks
1	12200-07G00	CRANKSHAFT ASSY	1	
2	12160-29F01-0B0	.ROD, CONNECTING	1	
3	12210-29F10	.PIN	1	
4	09263-35035-0B0	.BEARING	1	
5	12221-07G00	.CRANKSHAFT, RH	1	
6	12261-07G00	.CRANKSHAFT, LH	1	
7	12661-29F00	GEAR, BALANCER DRIVE	1	
8	09261-05005	PIN	1	
9	09262-30100	BEARING	2	
10	09282-14003	OIL SEAL, RH (14X24X6)	1	
11	24742-18A00	RETAINER, OIL SEAL RH	1	
12	02112-06123	SCREW	1	
13	12731-29F00	SPROCKET, CAM CHAIN DRIVE	1	
14	21111-29F00	GEAR, PRIMARY DRIVE	1	
15	09140-18012	NUT	1	
16	09164-18008	WASHER	1	
17	09421-05002	KEY, GEAR	1	
18	12111-29F00-0F0	PISTON	1	
19	12140-29F00	RING SET, PISTON	1	
20	12151-24F10	PIN, PISTON	1	
21	09381-20004	CIRCLIP	2	

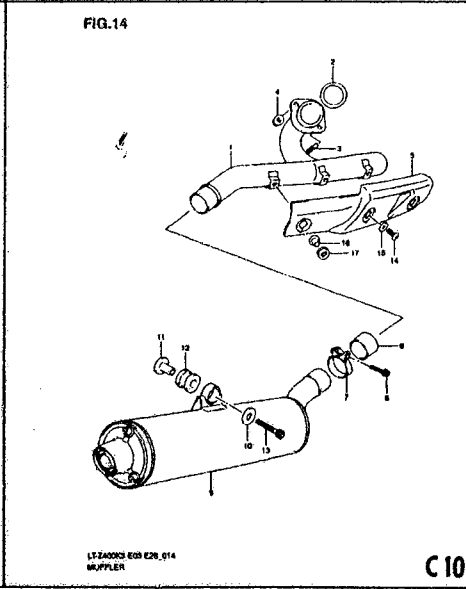
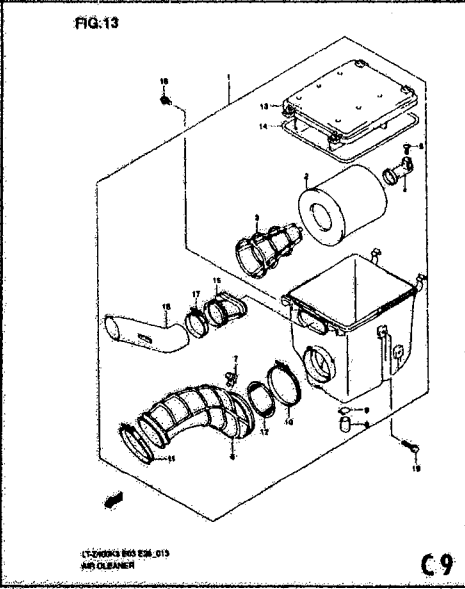
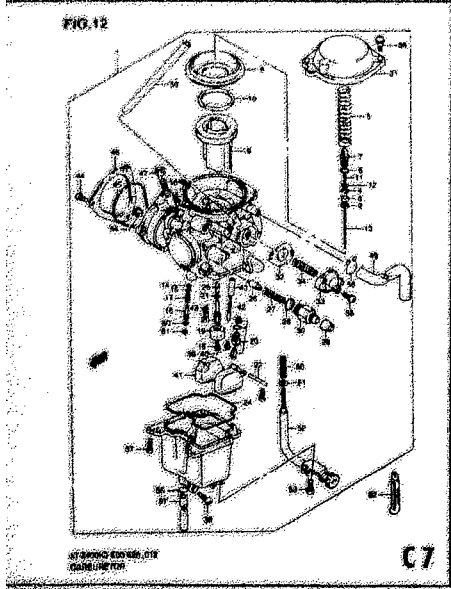
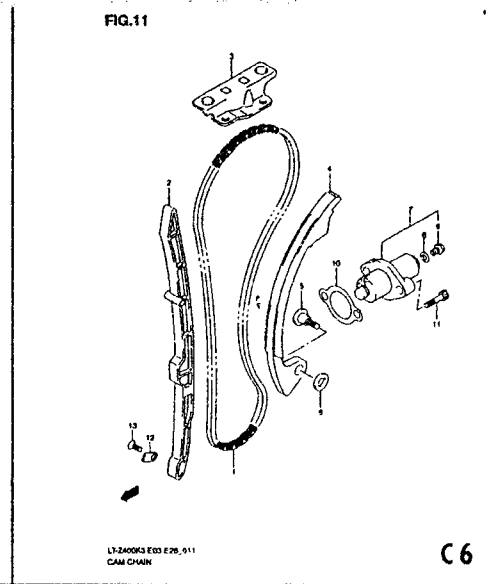
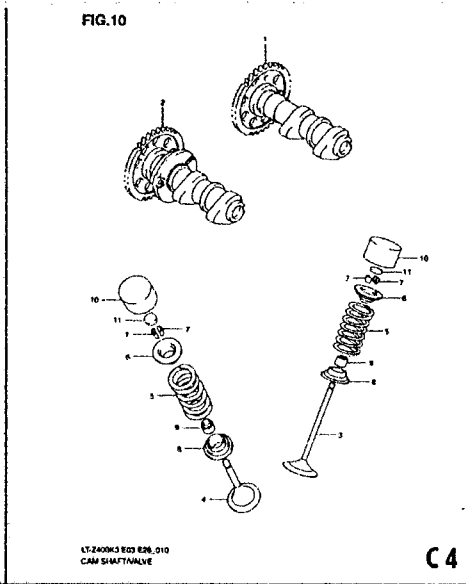
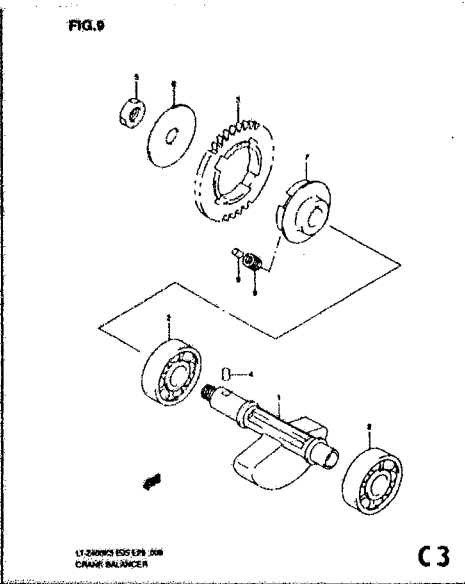
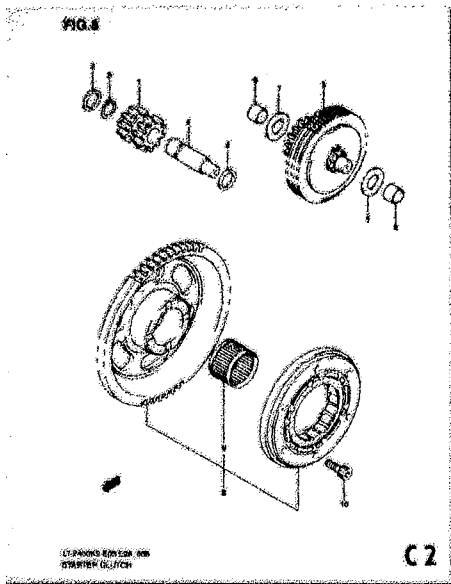
LT-Z400K3 E03 E28_007
CRANKSHAFT

7 LT-Z400K3 E3 E28

© 2002 American Suzuki Motor Corporation

B 8

AIR CLEANER.....	C-09	CRANKSHAFT.....	B-08	FRONT FENDER.....	G-08	LABEL.....	G-13	RADIATOR.....	D-05	RIGHT REAR WHEEL.....	H-04	WATER PUMP.....	D-04
BATTERY.....	E-10	CYLINDER HEAD COVER.....	B-03	FRONT MASTER CYLIND.....	H-09	LEFT REAR WHEEL.....	I-05	REAR BRAKE.....	G-03	SEAT.....	H-02	WIRING HARNESS.....	F-08
CAM CHAIN.....	C-06	CYLINDER HEAD.....	B-04	FRONT WHEEL.....	H-06	MAGNETO.....	E-08	REAR CALIPER.....	I-06	SIDE COVER.....	G-07		
CAM SHAFT - VALVE.....	C-04	CYLINDER.....	B-05	FUEL TANK.....	G-05	MUFFLER.....	C-10	REAR COMBINATION.....	F-03	STARTER CLUTCH.....	C-02		
CARBURETOR.....	C-07	ELECTRICAL.....	E-09	GASKET SET.....	B-02	OIL HOSE.....	D-03	REAR CUSHION LEVER.....	H-03	STARTING MOTOR.....	E-07		
CLUTCH.....	E-02	FOOTREST.....	G-04	GEAR SHIFTING.....	E-05	OIL PUMP.....	D-02	REAR FENDER.....	G-12	STEERING KNUCKLE.....	H-03		
CRANK BALANCER.....	C-03	FRAME.....	G-02	HANDLE LEVER.....	G-10	OPTIONAL.....	I-08	REAR MASTER CYLIND.....	I-07	STEERING SHAFT.....	H-04		
CRANKCASE COVER.....	B-07	FRONT BRAKE HOSE.....	H-08	HANDLEBAR.....	G-08	PILOT LAMP.....	F-05	REAR SWINGING ARM.....	I-02	SUSPENSION ARM.....	H-05		
CRANKCASE.....	B-08	FRONT CALIPER.....	H-07	HEADLAMP.....	F-02	RADIATOR HOSE.....	D-06	REVERSE LOCK.....	G-09	TRANSMISSION.....	E-03		



C1

AIR CLEANER.....	C-09	CRANKSHAFT.....	B-08	FRONT FENDER.....	G-06	LABEL.....	G-13	RADIATOR.....	D-06	RIGHT REAR WHEEL.....	I-04	WATER PUMP.....	D-04
BATTERY.....	E-10	CYLINDER HEAD COVER.....	B-03	FRONT MASTER CYLIND.....	H-09	LEFT REAR WHEEL.....	I-05	REAR BRAKE.....	G-03	SEAT.....	H-02	WIRING HARNESS.....	F-06
CAM CHAIN.....	C-06	CYLINDER HEAD.....	B-04	FRONT WHEEL.....	H-06	MAGNETO.....	E-08	REAR CALIPER.....	I-06	SIDE COVER.....	G-07		
CAM SHAFT - VALVE.....	C-04	CYLINDER.....	B-05	FUEL TANK.....	G-05	MUFFLER.....	C-10	REAR COMBINATION.....	F-03	STARTER CLUTCH.....	C-02		
CARBURETOR.....	C-07	ELECTRICAL.....	E-09	GASKET SET.....	B-02	OIL HOSE.....	D-03	REAR CUSHION LEVER.....	I-03	STARTING MOTOR.....	E-07		
CLUTCH.....	E-02	FOOTREST.....	G-04	GEAR SHIFTING.....	E-05	OIL PUMP.....	D-02	REAR FENDER.....	G-12	STEERING KNUCKLE.....	H-03		
CRANK BALANCER.....	C-03	FRAME.....	G-02	HANDLE LEVER.....	G-10	OPTIONAL.....	I-08	REAR MASTER CYLIND.....	I-07	STEERING SHAFT.....	H-04		
CRANKCASE COVER.....	B-07	FRONT BRAKE HOSE.....	H-08	HANDLEBAR.....	G-08	PILOT LAMP.....	F-05	REAR SWINGING ARM.....	I-02	SUSPENSION ARM.....	H-05		
CRANKCASE.....	B-06	FRONT CALIPER.....	H-07	HEADLAMP.....	F-02	RADIATOR HOSE.....	D-06	REVERSE LOCK.....	G-09	TRANSMISSION.....	E-03		

FIG.8

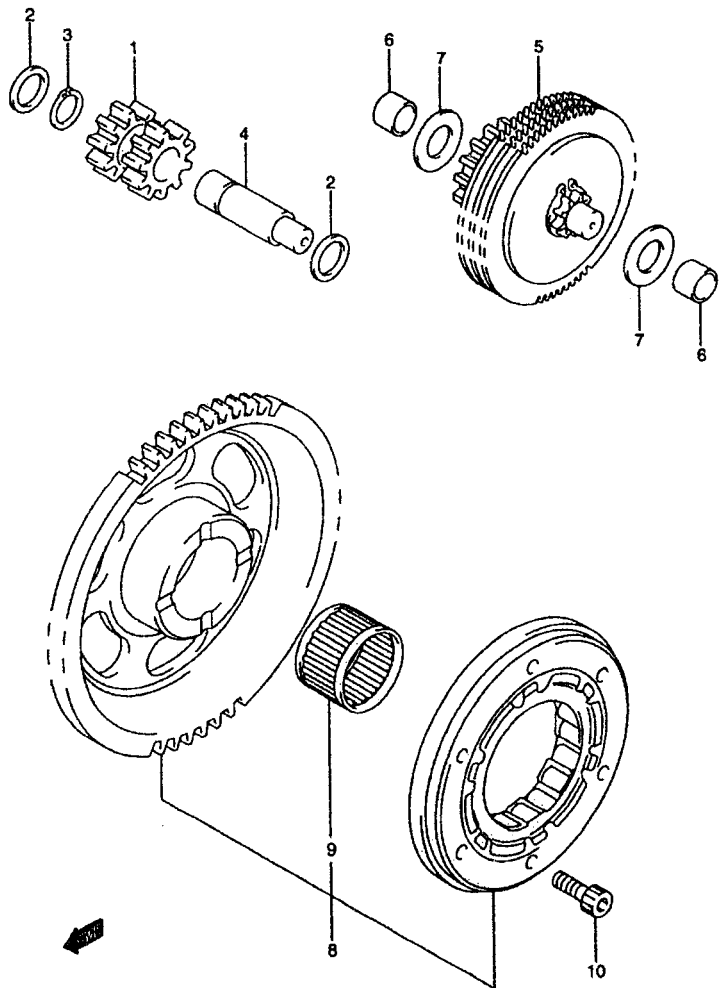


Fig.8 (C-2) STARTER CLUTCH

Ref #	Part Number	Description	Qty	Remarks
1	12611-07G00	GEAR, STARTER IDLE NO.1	1	
2	09181-12130	WASHER	2	
3	08331-31126	CIRCLIP	1	
4	12615-07G00	PIN	1	
5	12600-29F00	LIMITER ASSY, STARTER IDLE	1	GEAR
6	12618-31D01	BUSH	2	
7	08211-10221	WASHER	2	
8	12600-29810	CLUTCH SET, STARTER	1	
9	09263-25049	.BEARING (25X31X19)	1	
10	07130-06163	BOLT	6	

LT-Z400K3 E03 E28_008
STARTER CLUTCH

8 LT-Z400K3 E3 E28 © 2002 American Suzuki Motor Corporation

C2

AIR CLEANER.....	C-09	CRANKSHAFT.....	B-08	FRONT FENDER.....	G-08	LABEL.....	G-13	RADIATOR.....	D-05	RIGHT REAR WHEEL.....	I-04	WATER PUMP.....	D-04
BATTERY.....	E-10	CYLINDER HEAD COVER	B-03	FRONT MASTER CYLIND	H-09	LEFT REAR WHEEL.....	I-05	REAR BRAKE.....	G-03	SEAT.....	H-02	WRING HARNESS.....	F-06
CAM CHAIN.....	C-06	CYLINDER HEAD.....	B-04	FRONT WHEEL.....	H-08	MAGNETO.....	E-08	REAR CALIPER.....	I-06	SIDE COVER.....	G-07		
CAM SHAFT - VALVE.....	C-04	CYLINDER.....	B-05	FUEL TANK.....	G-05	MUFFLER.....	C-10	REAR COMBINATION.....	F-03	STARTER CLUTCH.....	C-02		
CARBURETOR.....	C-07	ELECTRICAL.....	E-09	GASKET SET.....	B-02	OIL HOSE.....	D-03	REAR CUSHION LEVER.....	I-03	STARTING MOTOR.....	E-07		
CLUTCH.....	E-02	FOOTREST.....	G-04	GEAR SHIFTING.....	E-05	OIL PUMP.....	D-02	REAR FENDER.....	G-12	STEERING KNUCKLE.....	H-03		
CRANK BALANCER.....	C-03	FRAME.....	G-02	HANDLE LEVER.....	G-10	OPTIONAL.....	I-08	REAR MASTER CYLINDE	I-07	STEERING SHAFT.....	H-04		
CRANKCASE COVER.....	B-07	FRONT BRAKE HOSE.....	H-08	HANDLEBAR.....	G-08	PILOT LAMP.....	F-05	REAR SWINGING ARM.....	I-02	SUSPENSION ARM.....	H-05		
CRANKCASE.....	B-06	FRONT CALIPER.....	H-07	HEADLAMP.....	F-02	RADIATOR HOSE.....	D-06	REVERSE LOCK.....	G-09	TRANSMISSION.....	E-03		

FIG.9

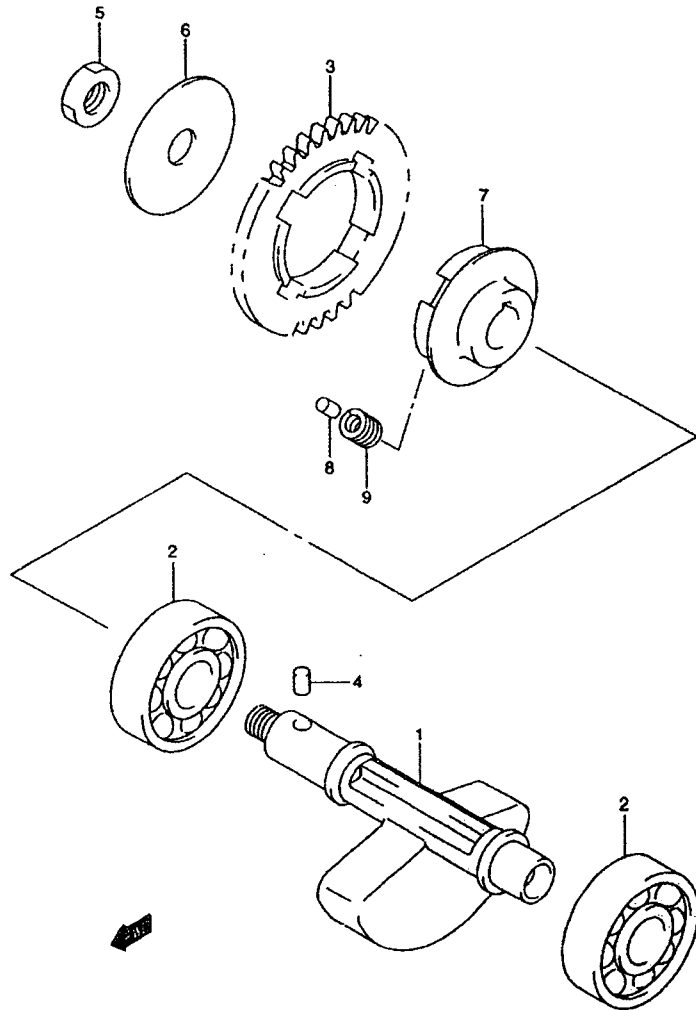


Fig.9 (C-3) CRANK BALANCER

Ref #	Part Number	Description	Qty	Remarks
1	12651-29F00	BALANCER, CRANK	1	
2	09262-15030	BEARING	2	
3	12666-29F10	GEAR, DRIVEN	1	
4	09261-05005	PIN, INNER RACE	1	
5	09140-12038	NUT (M12)	1	
6	09181-12009	WASHER (12.2X47X1.6)	1	
7	12669-29F00	RACE, DRIVEN GEAR INNER	1	
8	09202-04017	PIN, DRIVEN GEAR	2	
9	09440-09031	SPRING, DRIVEN GEAR	4	

LT-Z400K3 E03 E28_009
CRANK BALANCER

9 LT-Z400K3 E3 E28

© 2002 American Suzuki Motor Corporation

AIR CLEANER.....	C-09	CRANKSHAFT.....	B-08	FRONT FENDER.....	G-08	LABEL.....	G-13	RADIATOR.....	D-05	RIGHT REAR WHEEL...	I-04	WATER PUMP.....	D-04
BATTERY.....	E-10	CYLINDER HEAD COVER	B-03	FRONT MASTER CYLIND	H-09	LEFT REAR WHEEL...	I-05	REAR BRAKE.....	G-03	SEAT.....	H-02	WIRING HARNESS.....	F-06
CAM CHAIN.....	C-06	CYLINDER HEAD.....	B-04	FRONT WHEEL.....	H-06	MAGNETO.....	E-08	REAR CALIPER.....	I-06	SIDE COVER.....	G-07		
CAM SHAFT - VALVE..	C-04	CYLINDER.....	B-05	FUEL TANK.....	G-05	MUFFLER.....	C-10	REAR COMBINATION...	F-03	STARTER CLUTCH....	C-02		
CARBURETOR.....	C-07	ELECTRICAL.....	E-09	GASKET SET.....	B-02	OIL HOSE.....	D-03	REAR CUSHION LEVER.	I-03	STARTING MOTOR....	E-07		
CLUTCH.....	E-02	FOOTREST.....	G-04	GEAR SHIFTING.....	E-05	OIL PUMP.....	D-02	REAR FENDER.....	G-12	STEERING KNUCKLE..	H-03		
CRANK BALANCER.....	C-03	FRAME.....	G-02	HANDLE LEVER.....	G-10	OPTIONAL.....	I-08	REAR MASTER CYLINDE	I-07	STEERING SHAFT....	H-04		
CRANKCASE COVER....	B-07	FRONT BRAKE HOSE..	H-08	HANDLEBAR.....	G-08	PILOT LAMP.....	F-05	REAR SWINGING ARM..	I-02	SUSPENSION ARM....	H-05		
CRANKCASE.....	B-06	FRONT CALIPER.....	H-07	HEADLAMP.....	F-02	RADIATOR HOSE.....	D-08	REVERSE LOCK.....	G-09	TRANSMISSION.....	E-03		

FIG.10

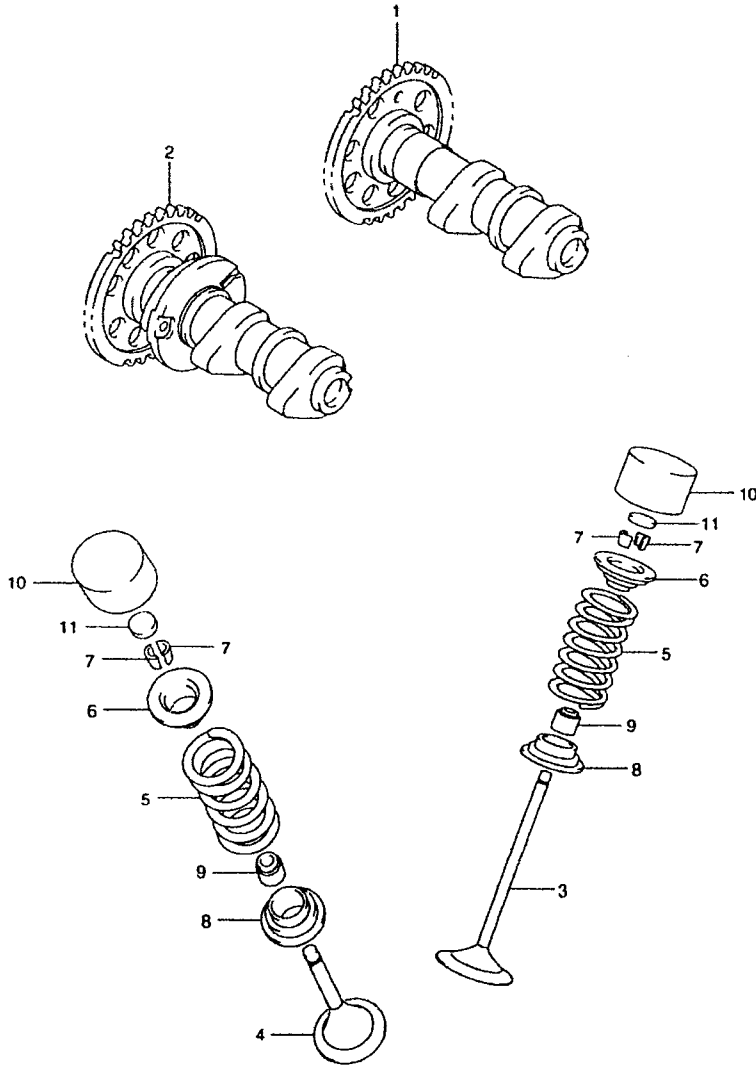


Fig.10 (C-4) CAM SHAFT - VALVE

Ref #	Part Number	Description	Qty	Remarks
1	12710-07G00	CAM SHAFT (INTAKE)	1	
2	12720-07G00	CAM SHAFT (EXHAUST)	1	
3	12911-29F00	VALVE, INTAKE	2	
4	12912-29F00	VALVE, EXHAUST	2	
5	12921-03G00	SPRING, VALVE	4	
6	12931-02F10	RETAINER, SPRING	4	
7	12932-24F00	COTTER, VALVE	8	
8	12933-38400	SEAT, SPRING	4	
9	09289-05011	OIL SEAL (5X10X8.7)	4	
10	12891-02F00	TAPPET	4	
11-1	12892-41C00-230	SHIM, TAPPET (T:2.30)	4	
11-2	12892-41C00-235	SHIM, TAPPET (T:2.35)	4	
11-3	12892-41C00-240	SHIM, TAPPET (T:2.40)	4	
11-4	12892-41C00-245	SHIM, TAPPET (T:2.45)	4	
11-5	12892-41C00-250	SHIM, TAPPET (T:2.50)	4	
11-6	12892-41C00-255	SHIM, TAPPET (T:2.55)	4	
11-7	12892-41C00-260	SHIM, TAPPET (T:2.60)	4	
11-8	12892-41C00-265	SHIM, TAPPET (T:2.65)	4	
11-9	12892-41C00-270	SHIM, TAPPET (T:2.70)	4	
11-10	12892-41C00-275	SHIM, TAPPET (T:2.75)	4	
11-11	12892-41C00-280	SHIM, TAPPET (T:2.80)	4	
11-12	12892-41C00-285	SHIM, TAPPET (T:2.85)	4	
11-13	12892-41C00-290	SHIM, TAPPET (T:2.90)	4	
11-14	12892-41C00-295	SHIM, TAPPET (T:2.95)	4	
11-15	12892-41C00-300	SHIM, TAPPET (T:3.00)	4	
11-16	12892-41C00-305	SHIM, TAPPET (T:3.05)	4	
11-17	12892-41C00-310	SHIM, TAPPET (T:3.10)	4	
11-18	12892-41C00-315	SHIM, TAPPET (T:3.15)	4	
11-19	12892-41C00-320	SHIM, TAPPET (T:3.20)	4	

LT-Z400K3 E03 E28_010
CAM SHAFT/VALVE

10 LT-Z400K3 E3 E28

© 2002 American Suzuki Motor Corporation

C4

AIR CLEANER.....	C-09	CRANKSHAFT.....	B-08	FRONT FENDER.....	G-08	LABEL.....	G-13	RADIATOR.....	D-05	RIGHT REAR WHEEL...	I-04	WATER PUMP.....	D-04
BATTERY.....	E-10	CYLINDER HEAD COVER	B-03	FRONT MASTER CYLIND	H-09	LEFT REAR WHEEL...	I-05	REAR BRAKE.....	G-03	SEAT.....	H-02	WIRING HARNESS.....	F-06
CAM CHAIN.....	C-06	CYLINDER HEAD.....	B-04	FRONT WHEEL.....	H-06	MAGNETO.....	E-08	REAR CALIPER.....	I-06	SIDE COVER.....	G-07		
CAM SHAFT - VALVE...	C-04	CYLINDER.....	B-05	FUEL TANK.....	G-05	MUFFLER.....	C-10	REAR COMBINATION...	F-03	STARTER CLUTCH.....	C-02		
CARBURETOR.....	C-07	ELECTRICAL.....	E-09	GASKET SET.....	B-02	OIL HOSE.....	D-03	REAR CUSHION LEVER.	I-03	STARTING MOTOR.....	E-07		
CLUTCH.....	E-02	FOOTREST.....	G-04	GEAR SHIFTING.....	E-05	OIL PUMP.....	D-02	REAR FENDER.....	G-12	STEERING KNUCKLE...	H-03		
CRANK BALANCER....	C-03	FRAME.....	G-02	HANDLE LEVER.....	G-10	OPTIONAL.....	I-08	REAR MASTER CYLINDE	I-07	STEERING SHAFT.....	H-04		
CRANKCASE COVER...	B-07	FRONT BRAKE HOSE...	H-08	HANDLEBAR.....	G-08	PILOT LAMP.....	F-05	REAR SWINGING ARM..	I-02	SUSPENSION ARM.....	H-05		
CRANKCASE.....	B-06	FRONT CALIPER.....	H-07	HEADLAMP.....	F-02	RADIATOR HOSE.....	D-06	REVERSE LOCK.....	G-09	TRANSMISSION.....	E-03		

FIG.10

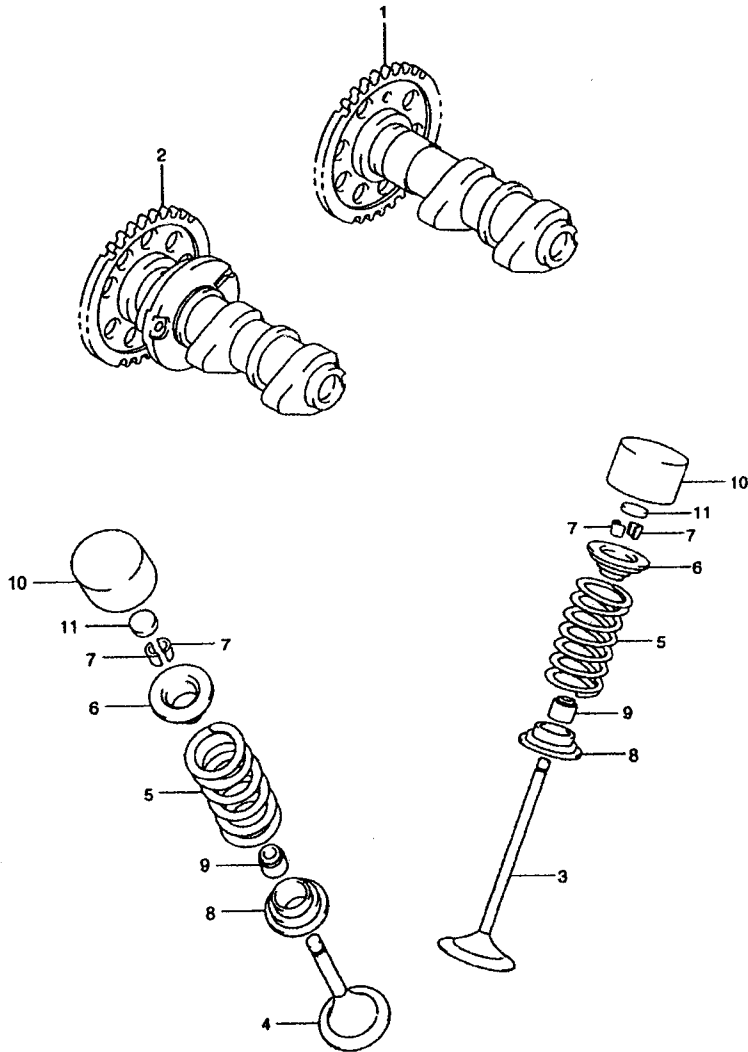


Fig.10 (C-5) CAM SHAFT - VALVE

Ref #	Part Number	Description	Qty	Remarks
11-20	12892-41C00-325	SHIM, TAPPET (T:3.25)	4	
11-21	12892-41C00-330	SHIM, TAPPET (T:3.30)	4	
11-22	12892-41C00-335	SHIM, TAPPET (T:3.35)	4	
11-23	12892-41C00-340	SHIM, TAPPET (T:3.40)	4	
11-24	12892-41C00-345	SHIM, TAPPET (T:3.45)	4	
11-25	12892-41C00-350	SHIM, TAPPET (T:3.50)	4	
12	12800-41810	SHIM SET, TAPPET INC. REF. NO. 11-5-11-25 (5PCS.EACH) & NO. 20	1	OPT NOT SHOWN
13	99000-69471	.CASE, TAPPET SHIM	1	OPT NOT SHOWN

LT-Z400K3 E03 E28_010
CAM SHAFT/VALVE

11 LT-Z400K3 E3 E28

© 2002 American Suzuki Motor Corporation

C5

AIR CLEANER.....	C-09	CRANKSHAFT.....	B-08	FRONT FENDER.....	G-06	LABEL.....	G-13	RADIATOR.....	D-05	RIGHT REAR WHEEL.....	I-04	WATER PUMP.....	D-04
BATTERY.....	E-10	CYLINDER HEAD COVER.....	B-03	FRONT MASTER CYLIND.....	H-09	LEFT REAR WHEEL.....	I-05	REAR BRAKE.....	G-03	SEAT.....	H-02	WIRING HARNESS.....	F-06
CAM CHAIN.....	C-06	CYLINDER HEAD.....	B-04	FRONT WHEEL.....	H-08	MAGNETO.....	E-08	REAR CALIPER.....	I-06	SIDE COVER.....	G-07		
CAM SHAFT - VALVE.....	C-04	CYLINDER.....	B-05	FUEL TANK.....	G-05	MUFFLER.....	C-10	REAR COMBINATION.....	F-03	STARTER CLUTCH.....	C-02		
CARBURETOR.....	C-07	ELECTRICAL.....	E-09	GASKET SET.....	B-02	OIL NOSE.....	D-03	REAR CUSHION LEVER.....	I-03	STARTING MOTOR.....	E-07		
CLUTCH.....	E-02	FOOTREST.....	G-04	GEAR SHIFTING.....	E-05	OIL PUMP.....	D-02	REAR FENDER.....	G-12	STEERING KNUCKLE.....	H-03		
CRANK BALANCER.....	C-03	FRAME.....	G-02	HANDLE LEVER.....	G-10	OPTIONAL.....	I-08	REAR MASTER CYLINDER.....	I-07	STEERING SHAFT.....	H-04		
CRANKCASE COVER.....	B-07	FRONT BRAKE HOSE.....	H-08	HANDLEBAR.....	G-08	PILOT LAMP.....	F-05	REAR SWINGING ARM.....	I-02	SUSPENSION ARM.....	H-05		
CRANKCASE.....	B-08	FRONT CALIPER.....	H-07	HEADLAMP.....	F-02	RADIATOR HOSE.....	D-06	REVERSE LOCK.....	G-09	TRANSMISSION.....	E-03		

FIG.11

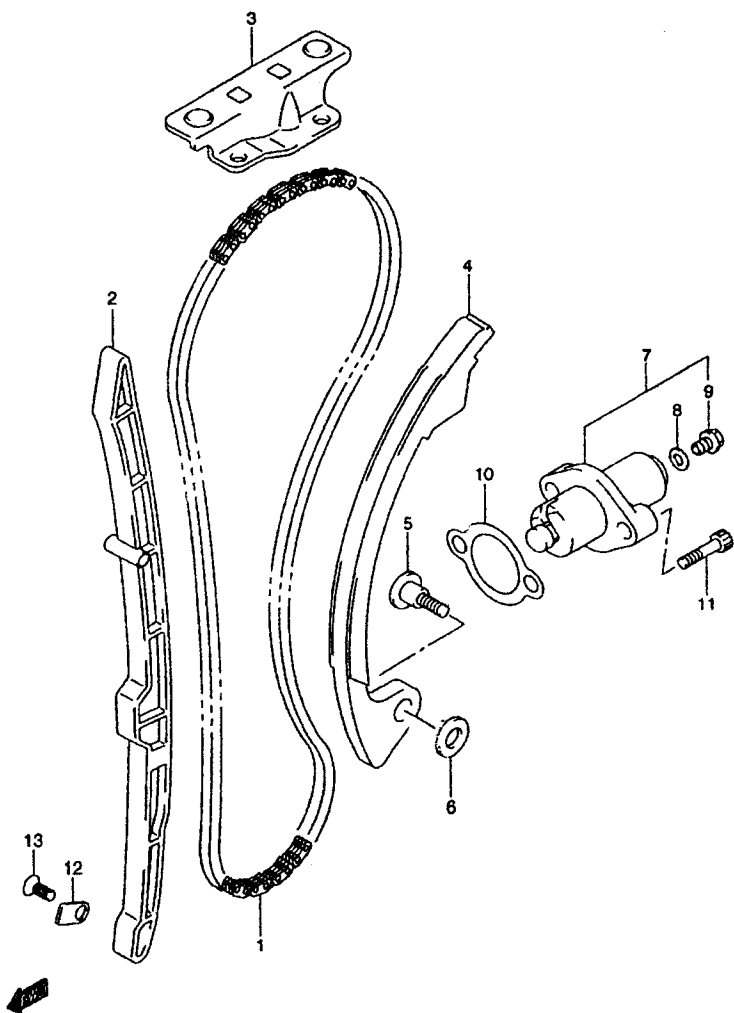


Fig.11 (C-6) CAM CHAIN

Ref #	Part Number	Description	Qty	Remarks
1	12760-29F00	CHAIN, CAM SHAFT DRIVE	1	
2	12771-29F00	GUIDE, CAM CHAIN NO. 1	1	
3	12782-29F00	GUIDE, CAM CHAIN NO. 2	1	
4	12811-07G00	TENSIONER, CAM CHAIN	1	
5	12812-35C00	BOLT	1	
6	08211-06181	WASHER	1	
7	12830-07G00	ADJUSTER ASSY, TENSIONER	1	
8	12837-24F10	.GASKET	1	
9	12833-05A00	.PLUG	1	
10	12837-24A10	GASKET, ADJUSTER	1	
11	07130-06253	BOLT	2	
12	12773-24F00	RETAINER, CAM CHAIN GUIDE NO.	1	
13	09126-06011	SCREW	1	

LT-Z400K3 E03 E28_011
CAM CHAIN

12 LT-Z400K3 E3 E28

© 2002 American Suzuki Motor Corporation

C6

AIR CLEANER.....	C-09	CRANKSHAFT.....	B-08	FRONT FENDER.....	G-06	LABEL.....	G-13	RADIATOR.....	D-05	RIGHT REAR WHEEL.....	I-04	WATER PUMP.....	D-04
BATTERY.....	E-10	CYLINDER HEAD COVER.....	B-03	FRONT MASTER CYLIND.....	H-09	LEFT REAR WHEEL.....	I-05	REAR BRAKE.....	G-03	SEAT.....	H-02	WIRING HARNESS.....	F-06
CAM CHAIN.....	C-06	CYLINDER HEAD.....	B-04	FRONT WHEEL.....	H-06	MAGNETO.....	E-08	REAR CALIPER.....	I-06	SIDE COVER.....	G-07		
CAM SHAFT - VALVE.....	C-04	CYLINDER.....	B-05	FUEL TANK.....	G-05	MUFFLER.....	C-10	REAR COMBINATION.....	F-03	STARTER CLUTCH.....	C-02		
CARBURETOR.....	C-07	ELECTRICAL.....	E-09	GASKET SET.....	B-02	OIL HOSE.....	D-03	REAR CUSHION LEVER.....	I-03	STARTING MOTOR.....	E-07		
CLUTCH.....	E-02	FOOTREST.....	G-04	GEAR SHIFTING.....	E-05	OIL PUMP.....	D-02	REAR FENDER.....	G-12	STEERING KNUCKLE.....	H-03		
CRANK BALANCER.....	C-03	FRAME.....	G-02	HANDLE LEVER.....	G-10	OPTIONAL.....	I-08	REAR MASTER CYLIND.....	I-07	STEERING SHAFT.....	H-04		
CRANKCASE COVER.....	B-07	FRONT BRAKE HOSE.....	H-08	HANDLEBAR.....	G-08	PILOT LAMP.....	F-05	REAR SWINGING ARM.....	I-02	SUSPENSION ARM.....	H-05		
CRANKCASE.....	B-06	FRONT CALIPER.....	H-07	HEADLAMP.....	F-02	RADIATOR HOSE.....	D-06	REVERSE LOCK.....	G-09	TRANSMISSION.....	E-03		

FIG.12

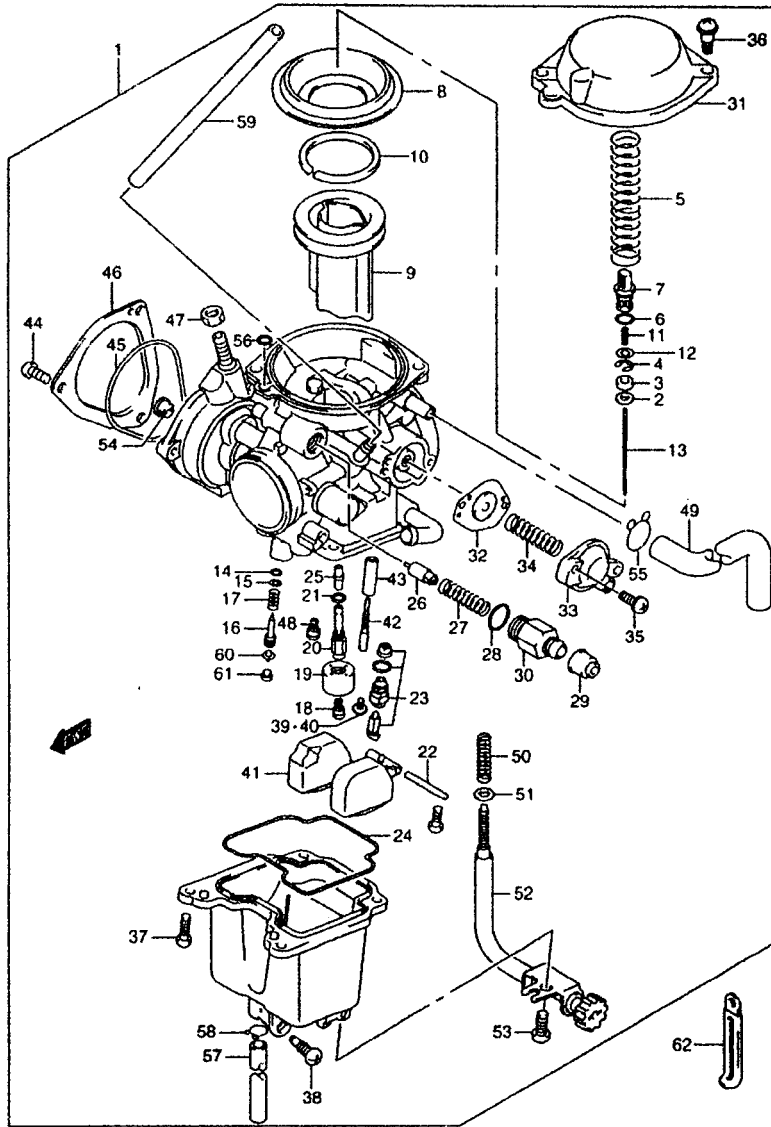


Fig.12 (C-7) CARBURETOR

Ref #	Part Number	Description	Qty	Remarks
1-1	13200-07G00	CARBURETOR ASSY	1	E3, E28
1-2	13200-07G10	CARBURETOR ASSY	1	E33
2	13291-29FA0	.WASHER	1	
3	13387-13F00	.RING	1	
4	13394-17E60	.E RING	1	
5	13503-07G00	.SPRING	1	
6	13278-15510	.O RING	1	
7	13418-33E00	.HOLDER	1	
8	13507-07G00	.DIAPHRAGM	1	
9	13501-29FA0	.PISTON VALVE	1	
10	13504-14E00	.RING	1	
11	13481-04F00	.SPRING	1	
12	13382-19E00	.WASHER	1	
13	13383-07G00	.JET NEEDLE (5E26-1)	1	
14	13295-29900	.O RING	1	
15	13291-29900	.WASHER	1	
16	13279-20B00	.ADJUSTER	1	2, 1/4
17	13268-48700	.SPRING	1	
18	09491-26016	.MAIN JET (#130)	1	
19	13331-07G00	.RING	1	
20	13342-07G00	.JET HOLDER	1	
21	13246-43010	.O RING	1	
22	13254-01010	.PIN	1	
23	13370-07G00	.NEEDLE VALVE ASSY	1	
24	13258-04F00	.O RING	1	
25	13341-07G00	.NEEDLE JET (P-0M)	1	
26	13411-07G00	.PLUNGER ASSY	1	
27	13417-07F00	.SPRING	1	
28	13278-47090	.O RING	1	
29	13681-04010	.CAP	1	
30	13418-07G00	.GUIDE HOLDER	1	

LT-Z400K3 E03 E28_012
CARBURETOR

13 LT-Z400K3 E3 E28

© 2002 American Suzuki Motor Corporation

C7

AIR CLEANER.....	C-09	CRANKSHAFT.....	B-08	FRONT FENDER.....	G-06	LABEL.....	G-13	RADIATOR.....	D-05	RIGHT REAR WHEEL...	I-04	WATER PUMP.....	D-04
BATTERY.....	E-10	CYLINDER HEAD COVER	B-03	FRONT MASTER CYLIND	H-09	LEFT REAR WHEEL.....	I-05	REAR BRAKE.....	G-03	SEAT.....	H-02	WIRING HARNESS.....	F-06
CAM CHAIN.....	C-06	CYLINDER HEAD.....	B-04	FRONT WHEEL.....	H-06	MAGNETO.....	E-08	REAR CALIPER.....	I-06	SIDE COVER.....	G-07		
CAM SHAFT - VALVE.....	C-04	CYLINDER.....	B-05	FUEL TANK.....	G-05	MUFFLER.....	C-10	REAR COMBINATION...	F-03	STARTER CLUTCH.....	C-02		
CARBURETOR.....	C-07	ELECTRICAL.....	E-09	GASKET SET.....	B-02	OIL HOSE.....	D-03	REAR CUSHION LEVER...	I-03	STARTING MOTOR.....	E-07		
CLUTCH.....	E-02	FOOTREST.....	G-04	GEAR SHIFTING.....	E-05	OIL PUMP.....	D-02	REAR FENDER.....	G-12	STEERING KNUCKLE...	H-03		
CRANK BALANCER.....	C-03	FRAME.....	G-02	HANDLE LEVER.....	G-10	OPTIONAL.....	I-08	REAR MASTER CYLINDR	I-07	STEERING SHAFT.....	H-04		
CRANKCASE COVER.....	B-07	FRONT BRAKE HOSE...	H-08	HANDLEBAR.....	G-08	PILOT LAMP.....	F-05	REAR SWINGING ARM...	I-02	SUSPENSION ARM.....	H-05		
CRANKCASE.....	B-06	FRONT CALIPER.....	H-07	HEADLAMP.....	F-02	RADIATOR HOSE.....	D-06	REVERSE LOCK.....	G-09	TRANSMISSION.....	E-03		

FIG.12

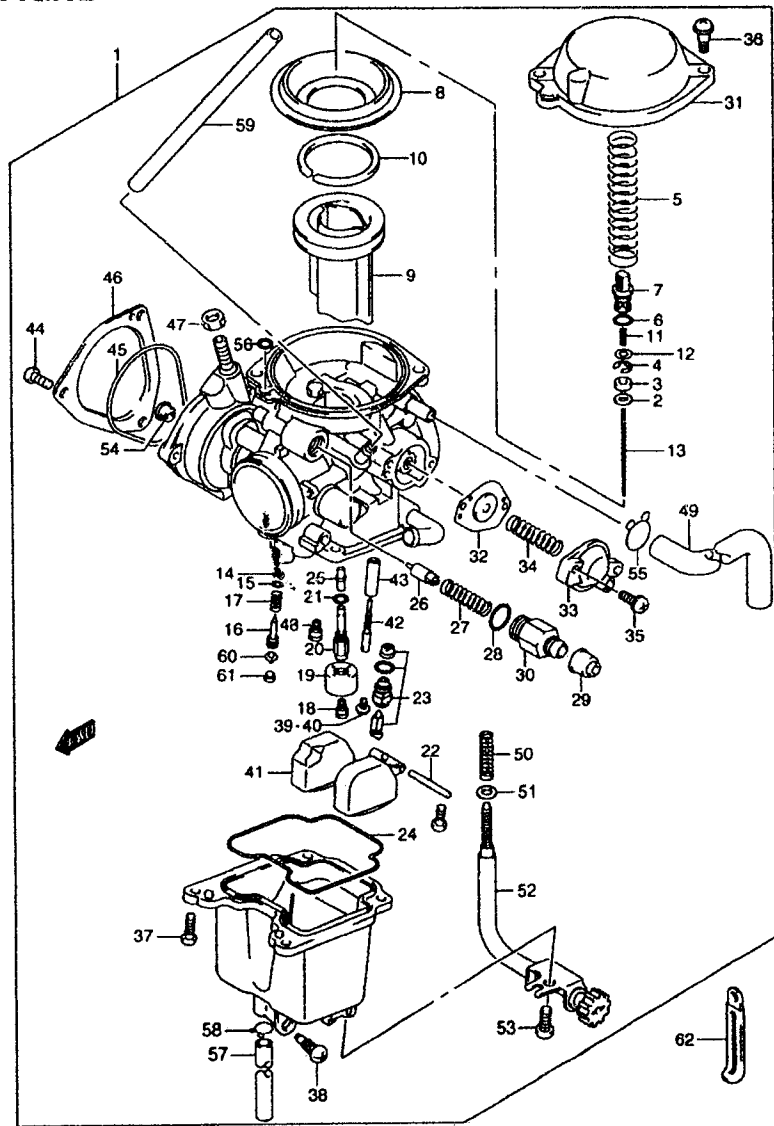


Fig.12 (C-8) CARBURETOR

Ref #	Part Number	Description	Qty	Remarks
31	13502-08F00	.DIAPHRAGM COVER	1	
32	13480-10F00	.DIAPHRAGM ASSY	1	
33	13502-10F00	.COVER ASSY	1	
34	13481-41F20	.SPRING	1	
35	13601-04148	.SCREW	2	
36	13247-33Z00	.SCREW	2	
37	13602-38A10	.SCREW	4	
38	13247-13A00	.SCREW	1	
39	02112-04083	.SCREW	1	
40	13602-05A10	.SCREW	1	
41	13250-04F00	.FLOAT ASSY	1	
42	09492-22014	.PILOT JET (#22.5)	1	
43	13356-27A00	.PIPE	1	
44	13602-04068	.SCREW	3	
45	13673-20B00	.O RING	1	
46	13502-02C10	.COVER	1	
47	13607-98410	.NUT	1	
48	09491-60005	.STARTER JET (#60.0)	1	
49	13606-07G00	.HOSE	1	
50	13268-03110	.SPRING	1	
51	13615-05G00	.WASHER	1	
52	13267-67G00	.ADJUST SCREW ASSY	1	
53	13602-05108	.SCREW	1	
54	13579-05G00	.CABLE GUIDE	1	
55	13671-11300	.CLIP	1	
56	13295-33010	.O RING	1	
57	13684-07G00	.HOSE	1	
58	13671-05A30	.CLIP	1	
59	13687-17C00	.HOSE	1	
60	13282-07G00	.CAP	1	#3, E28
61	13281-05A00	.PLUG	1	E33
62	09404-06429	CLAMP, CARB DRAIN HOSE	1	

LT-Z400K3 E03 E28_012
CARBURETOR

14 LT-Z400K3 E3 E28

© 2002 American Suzuki Motor Corporation

AIR CLEANER.....	C-08	CRANKSHAFT.....	B-08	FRONT FENDER.....	G-06	LABEL.....	G-13	RADIATOR.....	D-05	RIGHT REAR WHEEL.....	I-04	WATER PUMP.....	D-04
BATTERY.....	E-10	CYLINDER HEAD COVER	B-03	FRONT MASTER CYLIND	H-09	LEFT REAR WHEEL.....	I-05	REAR BRAKE.....	G-03	SEAT.....	H-02	WIRING HARNESS.....	F-06
CAM CHAIN.....	C-06	CYLINDER HEAD.....	B-04	FRONT WHEEL.....	H-06	MAGNETO.....	E-08	REAR CALIPER.....	I-06	SIDE COVER.....	G-07		
CAM SHAFT - VALVE.....	C-04	CYLINDER.....	B-05	FUEL TANK.....	G-05	MUFFLER.....	C-10	REAR COMBINATION.....	F-03	STARTER CLUTCH.....	C-02		
CARBURETOR.....	C-07	ELECTRICAL.....	E-09	GASKET SET.....	B-02	OIL HOSE.....	D-03	REAR CUSHION LEVER.....	I-03	STARTING MOTOR.....	E-07		
CLUTCH.....	E-02	FOOTREST.....	G-04	GEAR SHIFTING.....	E-05	OIL PUMP.....	D-02	REAR FENDER.....	G-12	STEERING KNUCKLE.....	H-03		
CRANK BALANCER.....	C-03	FRAME.....	G-02	HANDLE LEVER.....	G-10	OPTIONAL.....	I-08	REAR MASTER CYLINDR	I-07	STEERING SHAFT.....	H-04		
CRANKCASE COVER.....	B-07	FRONT BRAKE HOSE.....	H-08	HANDLEBAR.....	G-08	PILOT LAMP.....	F-05	REAR SWINGING ARM.....	I-02	SUSPENSION ARM.....	H-05		
CRANKCASE.....	B-06	FRONT CALIPER.....	H-07	HEADLAMP.....	F-02	RADIATOR HOSE.....	D-06	REVERSE LOCK.....	G-09	TRANSMISSION.....	E-03		

FIG.13

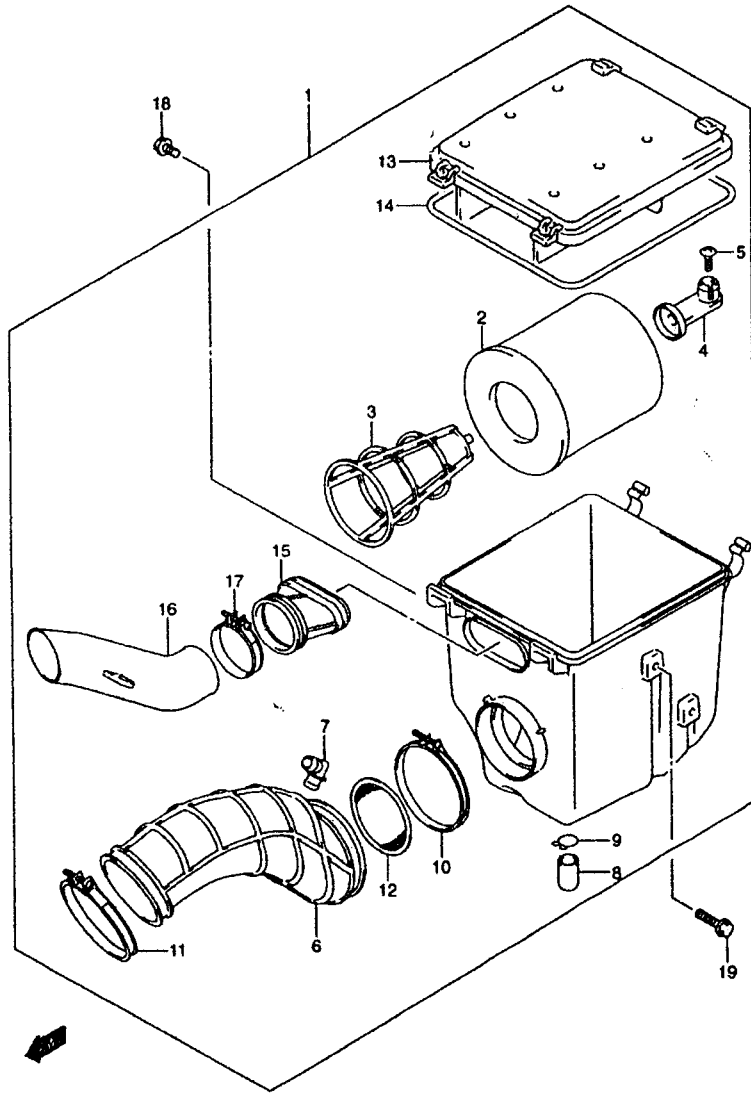


Fig.13 (C-9) AIR CLEANER

Ref #	Part Number	Description	Qty	Remarks
1	13700-07G00	CLEANER ASSY, AIR	1	
2	13780-03G00	.FILTER	1	
3	13791-03G00	.HOLDER	1	
4	13792-03G00	.STOPPER, HOLDER	1	
5	02142-06163	.SCREW	1	
6	13881-07G00	.TUBE, OUTLET	1	
7	13858-14D20	.JOINT	1	
8	13859-41B10	.PLUG, BREATHER	1	
9	09401-14301	.CLIP	1	
10	09402-82208	.CLAMP (CLEANER SIDE)	1	
11	09402-64208	.CLAMP (CARBURETOR SIDE)	1	
12	13810-07G00	.TRAP, FLAME	1	
13	13740-07G00	.CAP, AIR CLEANER	1	
14	13746-07G00	.GASKET	1	
15	13891-07G00	.JOINT, INLET	1	
16	13896-07G00	.DUCT, INLET	1	
17	09402-56208	.CLAMP	1	
18	01550-06163	BOLT, AIR CLEANER, RH	1	
19	01547-06203	BOLT, AIR CLEANER, LH	2	

LT-Z400K3 E03 E28_013
AIR CLEANER

15 LT-Z400K3 E3 E28

© 2002 American Suzuki Motor Corporation

C9

AIR CLEANER.....	C-09	CRANKSHAFT.....	B-08	FRONT FENDER.....	G-08	LABEL.....	G-13	RADIATOR.....	D-05	RIGHT REAR WHEEL.....	I-04	WATER PUMP.....	D-04
BATTERY.....	E-10	CYLINDER HEAD COVER.....	B-03	FRONT MASTER CYLIND.....	H-09	LEFT REAR WHEEL.....	I-05	REAR BRAKE.....	G-03	SEAT.....	H-02	WIRING HARNESS.....	F-06
CAM CHAIN.....	C-06	CYLINDER HEAD.....	B-04	FRONT WHEEL.....	H-06	MAGNETO.....	E-08	REAR CALIPER.....	I-06	SIDE COVER.....	G-07		
CAM SHAFT - VALVE.....	C-04	CYLINDER.....	B-05	FUEL TANK.....	G-05	MUFFLER.....	C-10	REAR COMBINATION.....	F-03	STARTER CLUTCH.....	C-02		
CARBURETOR.....	C-07	ELECTRICAL.....	E-09	GASKET SET.....	B-02	OIL HOSE.....	D-03	REAR CUSHION LEVER.....	I-03	STARTING MOTOR.....	E-07		
CLUTCH.....	E-02	FOOTREST.....	G-04	GEAR SHIFTING.....	E-05	OIL PUMP.....	D-02	REAR FENDER.....	G-12	STEERING KNUCKLE.....	H-03		
CRANK BALANCER.....	C-03	FRAME.....	G-02	HANDLE LEVER.....	G-10	OPTIONAL.....	I-08	REAR MASTER CYLINDER.....	I-07	STEERING SHAFT.....	H-04		
CRANKCASE COVER.....	B-07	FRONT BRAKE HOSE.....	H-08	HANDLEBAR.....	G-08	PILOT LAMP.....	F-05	REAR SWINGING ARM.....	I-02	SUSPENSION ARM.....	H-05		
CRANKCASE.....	B-06	FRONT CALIPER.....	H-07	HEADLAMP.....	F-02	RADIATOR HOSE.....	D-06	REVERSE LOCK.....	G-09	TRANSMISSION.....	E-03		

FIG.14

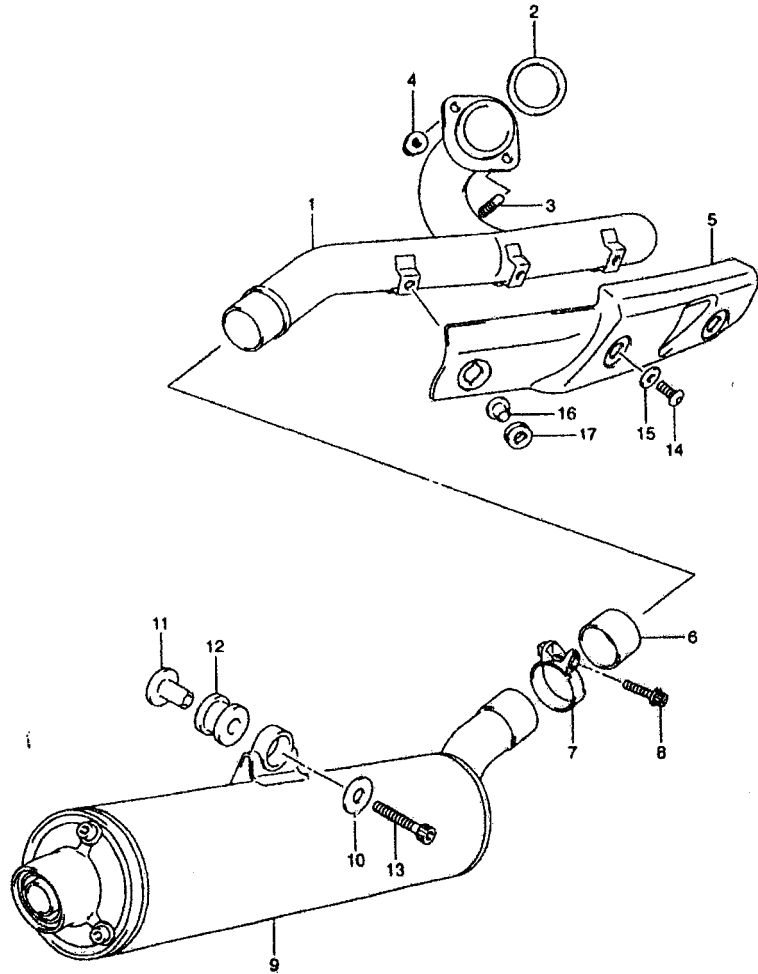


Fig.14 (C-10) MUFFLER

Ref #	Part Number	Description	Qty	Remarks
1	14150-07G00	PIPE, EXHAUST	1	
2	14181-29E02	GASKET, EXHAUST PIPE	1	
3	01421-08203	STUD BOLT	2	
4	08319-31083	NUT	2	
5	14180-07G00	COVER, EXHAUST PIPE	1	
6	14771-29F10	CONNECTOR, MUFFLER	1	
7	14459-07G00	CLAMP	1	
8	07120-08403	BOLT	1	
9	14310-07G00	BODY, MUFFLER	1	
10	09160-08503	WASHER	2	
11	09180-08152	SPACER	2	
12	09320-12071	CUSHION	2	
13	07120-08403	BOLT	2	
14	09139-06109	SCREW, EXHAUST PIPE COVER	3	
15	14184-07G00	WASHER, EXHAUST PIPE COVER	3	
16	14185-07G00	SPACER, EXHAUST PIPE COVER	3	
17	09320-08069	CUSHION, EXHAUST PIPE COVER	3	

LT-Z400K3 E03 E28_014
MUFFLER

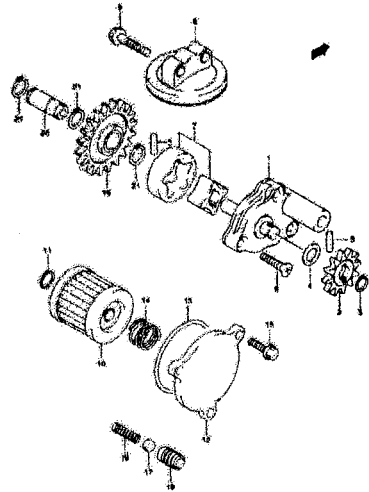
16 LT-Z400K3 E3 E28

© 2002 American Suzuki Motor Corporation

C10

AIR CLEANER	C-09	CRANKSHAFT	B-08	FRONT FENDER	G-08	LABEL	G-13	RADIATOR	D-06	RIGHT REAR WHEEL	I-04	WATER PUMP	D-04
BATTERY	E-10	CYLINDER HEAD COVER	B-03	FRONT MASTER CYLIND	H-09	LEFT REAR WHEEL	I-05	REAR BRAKE	G-03	SEAT	H-02	WIRING HARNESS	F-06
CAM CHAIN	C-06	CYLINDER HEAD	B-04	FRONT WHEEL	H-06	MAGNETO	E-08	REAR CUSHION LEVER	I-06	SIDE COVER	G-07		
CAM SHAFT - VALVE	C-04	CYLINDER	B-05	FUEL TANK	G-05	MUFFLER	C-10	REAR CUSHION LEVER	I-03	STARTER CLUTCH	G-02		
CARBURETOR	E-07	ELECTRICAL	E-09	GASKET SET	B-02	OIL PUMP	D-02	REAR FENDER	G-12	STARTING MOTOR	E-07		
CLUTCH	E-02	FOOTREST	G-04	GEAR SHIFTING	E-05	OPTIONAL	I-08	REAR MASTER CYLINDER	I-07	STEERING KNUCKLE	H-03		
CRANK BALANCER	C-03	FRAME	G-02	HANDLE LEVER	G-10	PILOT LAMP	F-06	REAR SWINGING ARM	I-02	STEERING SHAFT	H-04		
CRANKCASE COVER	B-07	FRONT BRAKE HOSE	H-08	HANDLEBAR	G-08	RADIATOR HOSE	D-08	REVERSE LOCK	G-09	SUSPENSION ARM	H-05		
CRANKCASE	B-06	FRONT CALIPER	H-07	HEADLAMP	F-02					TRANSMISSION	E-03		

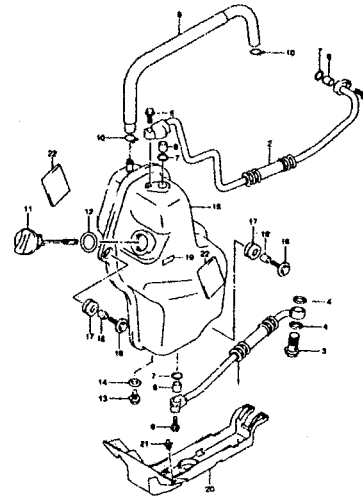
FIG.15



L1-2400G 800 E28, 016
OIL PUMP

D 2

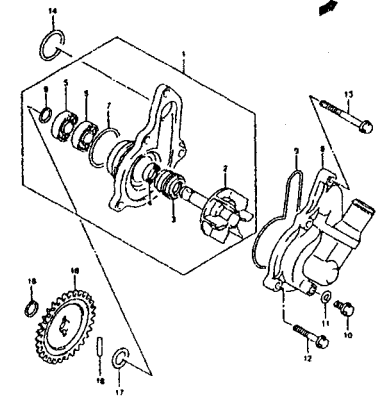
FIG.16



L1-2400G 800 E28, 016
OIL HOSE

D 3

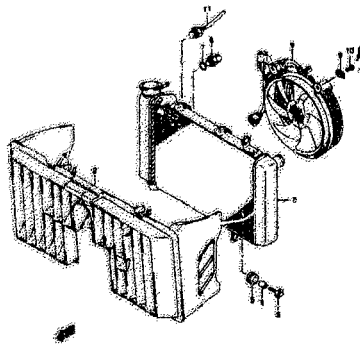
FIG.17



L1-2400G 800 E28, 017
WATER PUMP

D 4

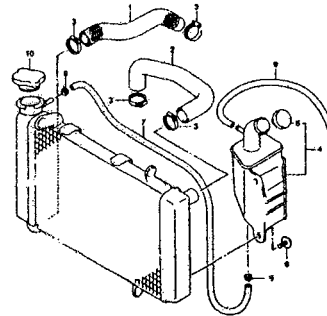
FIG.18



L1-2400G 800 E28, 018
RADIATOR

D 5

FIG.19



L1-2400G 800 E28, 019
RADIATOR HOSE

D 6

D 1

AIR CLEANER.....	C-09	CRANKSHAFT.....	B-08	FRONT FENDER.....	G-06	LABEL.....	G-13	RADIATOR.....	D-05	RIGHT REAR WHEEL.....	I-04	WATER PUMP.....	D-04
BATTERY.....	E-10	CYLINDER HEAD COVER.....	B-03	FRONT MASTER CYLIND.....	H-09	LEFT REAR WHEEL.....	I-05	REAR BRAKE.....	G-03	SEAT.....	H-02	WIRING HARNESS.....	F-06
CAM CHAIN.....	C-06	CYLINDER HEAD.....	B-04	FRONT WHEEL.....	H-06	MAGNETO.....	E-06	REAR CALIPER.....	I-06	SIDE COVER.....	G-07		
CAM SHAFT - VALVE.....	C-04	CYLINDER.....	B-05	FUEL TANK.....	G-05	MUFFLER.....	C-10	REAR COMBINATION.....	F-03	STARTER CLUTCH.....	C-02		
CARBURETOR.....	C-07	ELECTRICAL.....	E-09	GASKET SET.....	B-02	OIL HOSE.....	D-03	REAR CUSHION LEVER.....	I-03	STARTING MOTOR.....	E-07		
CLUTCH.....	E-02	FOOTREST.....	G-04	GEAR SHIFTING.....	E-05	OIL PUMP.....	D-02	REAR FENDER.....	G-12	STEERING KNUCKLE.....	H-03		
CRANK BALANCER.....	C-03	FRAME.....	G-02	HANDLE LEVER.....	G-10	OPTIONAL.....	I-08	REAR MASTER CYLINDER.....	I-07	STEERING SHAFT.....	H-04		
CRANKCASE COVER.....	B-07	FRONT BRAKE HOSE.....	H-08	HANDLEBAR.....	G-06	PILOT LAMP.....	F-05	REAR SWINGING ARM.....	I-02	SUSPENSION ARM.....	H-05		
CRANKCASE.....	B-06	FRONT CALIPER.....	H-07	HEADLAMP.....	F-02	RADIATOR HOSE.....	D-06	REVERSE LOCK.....	G-09	TRANSMISSION.....	E-03		

FIG.15

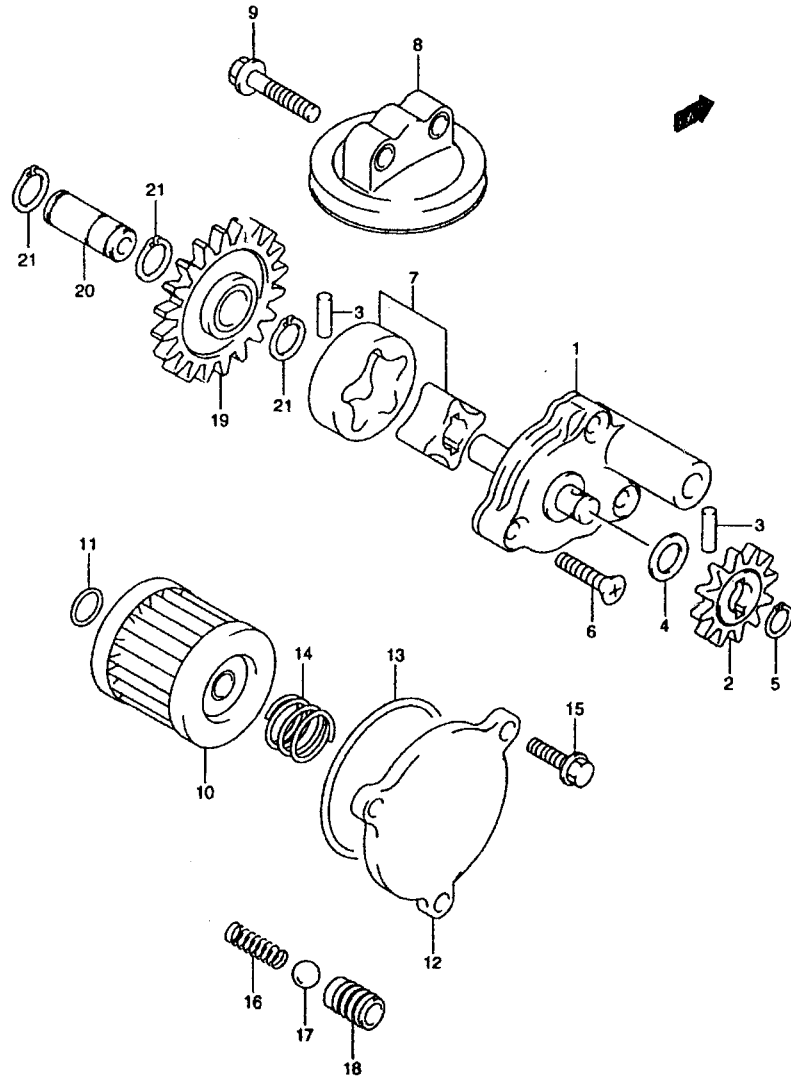


Fig.15 (D-2) OIL PUMP

Ref #	Part Number	Description	Qty	Remarks
1	16400-29F00	PUMP ASSY, ENGINE OIL NO.1	1	
2	16331-29F01	GEAR, DRIVEN	1	
3	09261-04009	PIN	2	
4	09181-10158	WASHER	1	
5	08331-31106	CIRCLIP	1	
6	02122-06253	SCREW	3	
7	16410-29F00	ROTOR SET, OIL PUMP NO.2	1	
8	16520-29F00	STRAINER, OIL PUMP	1	
9	01550-06253	BOLT	2	
10	16510-29F00	FILTER, ENGINE OIL	1	
11	09280-13004	O RING (D:1.9, ID:13)	1	
12	16512-47E00	CAP, OIL FILTER	1	
13	09280-54001	O RING (D:2.4, ID:52.6)	1	
14	09440-18002	SPRING	1	
15	01547-06163	BOLT	3	
16	09440-07073	SPRING	1	
17	06111-12004	BALL	1	
18	16442-29F00	SEAT, OIL CHECK VALVE	1	
19	16321-29F00	GEAR, OIL PUMP IDLE	1	
20	16322-29F00	SHAFT	1	
21	08331-31126	CIRCLIP	2	

LT-Z400K3 E03 E28_015
OIL PUMP

17 LT-Z400K3 E3 E28

© 2002 American Suzuki Motor Corporation

D 2

AIR CLEANER.....	C-09	CRANKSHAFT.....	B-08	FRONT FENDER.....	G-08	LABEL.....	G-13	RADIATOR.....	D-05	RIGHT REAR WHEEL...	I-04	WATER PUMP.....	D-04
BATTERY.....	E-10	CYLINDER HEAD COVER	B-03	FRONT MASTER CYLIND	H-09	LEFT REAR WHEEL...	I-05	REAR BRAKE.....	G-03	SEAT.....	H-02	WIRING HARNESS.....	F-08
CAM CHAIN.....	C-06	CYLINDER HEAD.....	B-04	FRONT WHEEL.....	H-06	MAGNETO.....	E-08	REAR CALIPER.....	I-06	SIDE COVER.....	G-07		
CAM SHAFT - VALVE...	C-04	CYLINDER.....	B-05	FUEL TANK.....	G-05	MUFFLER.....	C-10	REAR COMBINATION...	F-03	STARTER CLUTCH.....	C-02		
CARBURETOR.....	C-07	ELECTRICAL.....	E-09	GASKET SET.....	B-02	OIL HOSE.....	D-03	REAR CUSHION LEVER	I-03	STARTING MOTOR.....	E-07		
CLUTCH.....	E-02	FOOTREST.....	G-04	GEAR SHIFTING.....	E-05	OIL PUMP.....	D-02	REAR FENDER.....	G-12	STEERING KNUCKLE...	H-03		
CRANK BALANCER.....	C-03	FRAME.....	G-02	HANDLE LEVER.....	G-10	OPTIONAL.....	I-08	REAR MASTER CYLINDE	I-07	STEERING SHAFT.....	H-04		
CRANKCASE COVER....	B-07	FRONT BRAKE HOSE...	H-08	HANDLEBAR.....	G-08	PILOT LAMP.....	F-05	REAR SWINGING ARM...	I-02	SUSPENSION ARM.....	H-05		
CRANKCASE.....	B-06	FRONT CALIPER.....	H-07	HEADLAMP.....	F-02	RADIATOR HOSE.....	D-06	REVERSE LOCK.....	G-09	TRANSMISSION.....	E-03		

FIG.16

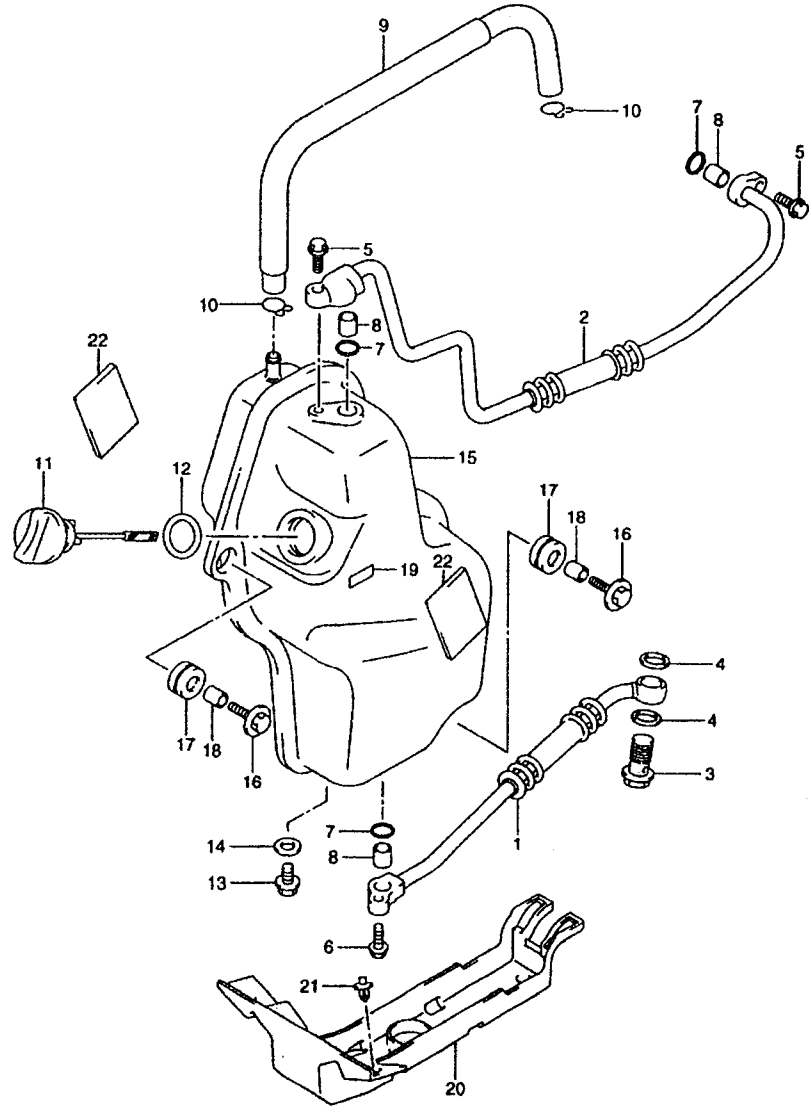


Fig.16 (D-3) OIL HOSE

Ref #	Part Number	Description	Qty	Remarks
1	16460-07G00	HOSE, OIL TANK RH	1	
2	16470-07G00	HOSE, OIL TANK LH	1	
3	09360-14012	BOLT, UNION (14X27)	1	
4	09168-14015	GASKET, OIL HOSE UNION	2	
5	07120-06203	BOLT, UPPER	2	
6	07120-06203	BOLT	1	
7	09280-11005	O RING, OIL HOSE	3	
8	04211-11129	PIN, OIL TANK HOSE	3	
9	16480-07G00	HOSE, OIL OVER FLOW	1	
10	09401-12403	CLIP	2	
11	11971-07G00	GAUGE, OIL LEVEL	1	
12	09280-17003	O RING, OIL LEVEL GAUGE	1	
13	01550-08123	PLUG, OIL DRAIN	1	
14	09168-08008	GASKET, OIL DRAIN PLUG	1	
15	16410-07G00	TANK, OIL	1	
16	09118-06097	BOLT, OIL TANK	2	
17	09320-10042	CUSHION, OIL TANK	2	
18	09180-06290	SPACER, OIL TANK	2	
19	68322-07G00	NOTE, ENGINE OIL (2000ML)	1	
20	16421-07G00	PROTECTOR, OIL TANK	1	
21	09409-06322-5PK	CLIP	2	
22	51553-42AA0	CUSHION, OIL TANK	2	

LT-Z400K3 E03 E28_016
OIL HOSE

18 LT-Z400K3 E3 E28 © 2002 American Suzuki Motor Corporation

AIR CLEANER.....	C-09	CRANKSHAFT.....	B-08	FRONT FENDER.....	G-08	LABEL.....	G-13	RADIATOR.....	D-05	RIGHT REAR WHEEL...	I-04	WATER PUMP.....	D-04
BATTERY.....	E-10	CYLINDER HEAD COVER	B-03	FRONT MASTER CYLIND	H-09	LEFT REAR WHEEL...	I-05	REAR BRAKE.....	G-03	SEAT.....	H-02	WIRING HARNESS...	F-06
CAM CHAIN.....	C-06	CYLINDER HEAD.....	B-04	FRONT WHEEL.....	H-06	MAGNETO.....	E-09	REAR CALIPER.....	I-06	SIDE COVER.....	G-07		
CAM SHAFT - VALVE...	C-04	CYLINDER.....	B-05	FUEL TANK.....	G-05	MUFFLER.....	C-10	REAR COMBINATION...	F-03	STARTER CLUTCH.....	C-02		
CARBURETOR.....	C-07	ELECTRICAL.....	E-09	GASKET SET.....	B-02	OIL PUMP.....	D-03	REAR CUSHION LEVER	I-03	STARTING MOTOR.....	E-07		
CLUTCH.....	E-02	FOOTREST.....	G-04	GEAR SHIFTING.....	E-06	OIL HOSE.....	D-02	REAR FENDER.....	G-12	STEERING KNUCKLE...	H-03		
CRANK BALANCER.....	C-03	FRAME.....	G-02	HANDLE LEVER.....	G-10	OPTIONAL.....	I-08	REAR MASTER CYLINDE	I-07	STEERING SHAFT.....	H-04		
CRANKCASE COVER...	B-07	FRONT BRAKE HOSE...	H-08	HANDLEBAR.....	G-08	PILOT LAMP.....	F-05	REAR SWINGING ARM...	I-02	SUSPENSION ARM.....	H-05		
CRANKCASE.....	B-06	FRONT CALIPER.....	H-07	HEADLAMP.....	F-02	RADIATOR HOSE.....	D-06	REVERSE LOCK.....	G-09	TRANSMISSION.....	E-03		

FIG.17

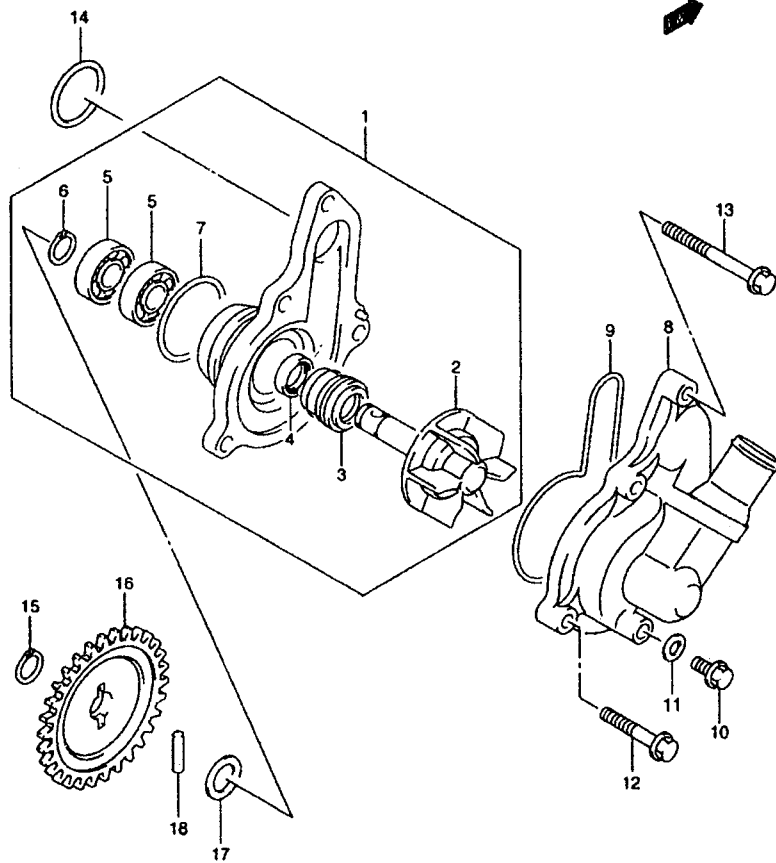


Fig.17 (D-4) WATER PUMP

Ref #	Part Number	Description	Qty	Remarks
1	17400-29F00	PUMP ASSY, WATER	1	
2	17491-29F00	.IMPELLER/SHAFT	1	
3	17470-02F10	.SEAL, MECHANICAL	1	
4	17419-29F00	.OIL SEAL	1	
5	08110-69000	.BEARING	2	
6	08332-11086	.E RING	1	
7	17435-33400	.O RING	1	
8	17410-29F21	CASE, WATER PUMP	1	
9	17435-29F00	O RING	1	
10	01547-06103	BOLT, DRAIN	1	
11	09168-06004	GASKET (6.2X11X1.2)	1	
12	09103-06204	BOLT (6X30)	3	
13	09103-06209	BOLT	1	
14	09280-22001	O RING (D:2.4, ID:21.8)	1	
15	08331-31106	CIRCLIP	1	
16	17461-29F00	GEAR, WATER PUMP DRIVEN	1	
17	09181-10158	WASHER	1	
18	09261-04001	PIN	1	

LT-Z400K3 E03 E28_017
WATER PUMP

19 LT-Z400K3 E3 E28

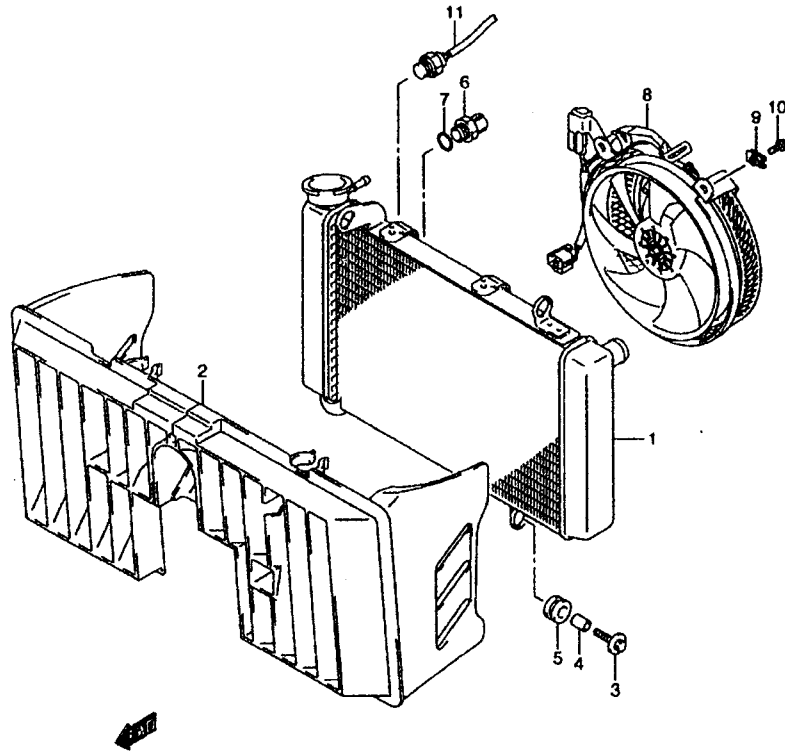
© 2002 American Suzuki Motor Corporation

D 4

AIR CLEANER.....	C-09	CRANKSHAFT.....	B-08	FRONT FENDER.....	G-06	LABEL.....	G-13	RADIATOR.....	D-05	RIGHT REAR WHEEL...	I-04	WATER PUMP.....	D-04
BATTERY.....	E-10	CYLINDER HEAD COVER	B-03	FRONT MASTER CYLIND	H-09	LEFT REAR WHEEL...	I-05	REAR BRAKE.....	G-03	SEAT.....	H-02	WIRING HARNESS.....	F-06
CAM CHAIN.....	C-06	CYLINDER HEAD.....	B-04	FRONT WHEEL.....	H-06	MAGNETO.....	E-08	REAR CALIPER.....	I-06	SIDE COVER.....	G-07		
CAM SHAFT - VALVE...	C-04	CYLINDER.....	B-05	FUEL TANK.....	G-05	MUFFLER.....	C-10	REAR COMBINATION...	F-03	STARTER CLUTCH.....	C-02		
CARBURETOR.....	C-07	ELECTRICAL.....	E-09	GASKET SET.....	B-02	OIL HOSE.....	D-03	REAR CUSHION LEVER.	I-03	STARTING MOTOR.....	E-07		
CLUTCH.....	E-02	FOOTREST.....	G-04	GEAR SHIFTING.....	E-05	OIL PUMP.....	D-02	REAR FENDER.....	G-12	STEERING KNUCKLE...	H-03		
CRANK BALANCER.....	C-03	FRAME.....	G-02	HANDLE LEVER.....	G-10	OPTIONAL.....	I-08	REAR MASTER CYLINDE	I-07	STEERING SHAFT.....	H-04		
CRANKCASE COVER....	B-07	FRONT BRAKE HOSE...	H-08	HANDLEBAR.....	G-08	PILOT LAMP.....	F-05	REAR SWINGING ARM...	I-02	SUSPENSION ARM.....	H-05		
CRANKCASE.....	B-06	FRONT CALIPER.....	H-07	HEADLAMP.....	F-02	RADIATOR HOSE.....	D-06	REVERSE LOCK.....	G-09	TRANSMISSION.....	E-03		

FIG.18

Fig.18 (D-5) RADIATOR



Ref #	Part Number	Description	Qty	Remarks
1	17710-07G00	RADIATOR ASSY, WATER	1	
2	17760-07G00	COVER, RADIATOR	1	
3	09118-06097	BOLT	3	
4	09180-06290	SPACER	3	
5	09320-10042	CUSHION	3	
6	17680-50F70	SWITCH, RADIATOR FAN	1	
7	17689-50F00	O RING	1	
8	17800-07G00	FAN ASSY, RADIATOR	1	
9	17802-14F00	NUT	3	
10	01550-06103	BOLT	3	
11	34850-07G00	SWITCH ASSY, WATER TEMP	1	

LT-Z400K3 E03 E28_018
RADIATOR

20 LT-Z400K3 E3 E28

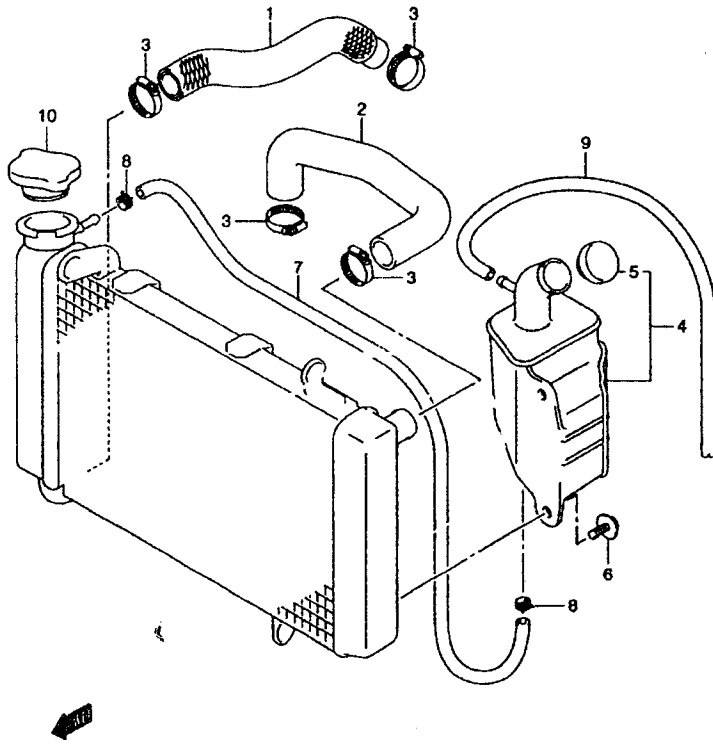
© 2002 American Suzuki Motor Corporation

D 5

AIR CLEANER.....	C-08	CRANKSHAFT.....	B-08	FRONT FENDER.....	G-08	LABEL.....	G-13	RADIATOR.....	D-05	RIGHT REAR WHEEL...	I-04	WATER PUMP.....	D-04
BATTERY.....	E-10	CYLINDER HEAD COVER	B-03	FRONT MASTER CYLIND	H-09	LEFT REAR WHEEL...	I-05	REAR BRAKE.....	G-03	SEAT.....	H-02	WIRING HARNESS.....	F-06
CAM CHAIN.....	C-06	CYLINDER HEAD.....	B-04	FRONT WHEEL.....	H-06	MAGNETO.....	E-08	REAR CALIPER.....	I-06	SIDE COVER.....	G-07		
CAM SHAFT - VALVE..	C-04	CYLINDER.....	B-05	FUEL TANK.....	G-05	MUFFLER.....	C-10	REAR COMBINATION...	F-03	STARTER CLUTCH.....	C-02		
CARBURETOR.....	C-07	ELECTRICAL.....	E-09	GASKET SET.....	B-02	OIL HOSE.....	D-03	REAR CUSHION LEVER.	I-03	STARTING MOTOR.....	E-07		
CLUTCH.....	E-02	FOOTREST.....	G-04	GEAR SHIFTING.....	E-05	OIL PUMP.....	D-02	REAR FENDER.....	G-12	STEERING KNUCKLE..	H-03		
CRANK BALANCER.....	C-03	FRAME.....	G-02	HANDLE LEVER.....	G-10	OPTIONAL.....	L-09	REAR MASTER CYLINDE	I-07	STEERING SHAFT.....	H-04		
CRANKCASE COVER...	B-07	FRONT BRAKE HOSE...	H-08	HANDLEBAR.....	G-08	PILOT LAMP.....	F-05	REAR SWINGING ARM..	I-02	SUSPENSION ARM.....	H-05		
CRANKCASE.....	B-06	FRONT CALIPER.....	H-07	HEADLAMP.....	F-02	RADIATOR HOSE.....	D-06	REVERSE LOCK.....	G-09	TRANSMISSION.....	E-03		

FIG.19

Fig.19 (D-6) RADIATOR HOSE



Ref #	Part Number	Description	Qty	Remarks
1	17851-07G00	HOSE, RADIATOR INLET	1	
2	17852-07G00	HOSE, RADIATOR OUTLET	1	
3	09402-32511	CLAMP	4	
4	17910-07G00	TANK ASSY, RESERVOIR	1	
5	17931-02FA0	.CAP, RESERVOIR TANK	1	
6	09116-06168	SCREW	2	
7	17981-45C00	HOSE, INLET	1	
8	09401-08411	CLIP	2	
9	17981-19F00	HOSE, OVERFLOW	1	
10	17730-14G00	CAP	1	

LT-Z400K3 E03 E28_019
RADIATOR HOSE

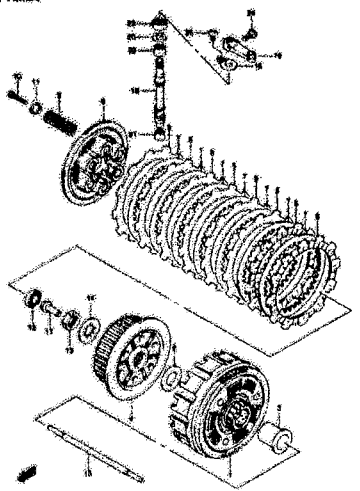
21 LT-Z400K3 E3 E28

© 2002 American Suzuki Motor Corporation

D6

AIR CLEANER.....	C-09	CRANKSHAFT.....	B-08	FRONT FENDER.....	G-08	LABEL.....	G-13	RADIATOR.....	D-05	RIGHT REAR WHEEL...	I-04	WATER PUMP.....	D-04
BATTERY.....	E-10	CYLINDER HEAD COVER	B-03	FRONT MASTER CYLIND	H-09	LEFT REAR WHEEL...	I-05	REAR BRAKE.....	G-03	SEAT.....	H-02	WIRING HARNESS.....	F-06
CAM CHAIN.....	C-06	CYLINDER HEAD.....	B-04	FRONT WHEEL.....	H-06	MAGNETO.....	E-08	REAR CALIPER.....	I-06	SIDE COVER.....	G-07		
CAM SHAFT - VALVE.....	C-04	CYLINDER.....	B-05	FUEL TANK.....	G-05	MUFFLER.....	C-10	REAR COMBINATION...	F-03	STARTER CLUTCH.....	C-02		
CARBURETOR.....	C-07	ELECTRICAL.....	E-09	GASKET SET.....	B-02	OIL HOSE.....	D-03	REAR CUSHION LEVER...	I-03	STARTING MOTOR.....	E-07		
CLUTCH.....	E-02	FOOTREST.....	G-04	GEAR SHIFTING.....	E-05	OIL PUMP.....	D-02	REAR FENDER.....	G-12	STEERING KNUCKLE...	H-03		
CRANK BALANCER.....	C-03	FRAME.....	G-02	HANDLE LEVER.....	G-10	OPTIONAL.....	I-08	REAR MASTER CYLINDE	I-07	STEERING SHAFT.....	H-04		
CRANKCASE COVER.....	B-07	FRONT BRAKE HOSE...	H-08	HANDLEBAR.....	G-08	PILOT LAMP.....	F-05	REAR SWNGING ARM...	I-02	SUSPENSION ARM.....	H-05		
CRANKCASE.....	B-06	FRONT CALIPER.....	H-07	HEADLAMP.....	F-02	RADIATOR HOSE.....	D-06	REVERSE LOCK.....	G-09	TRANSMISSION.....	E-03		

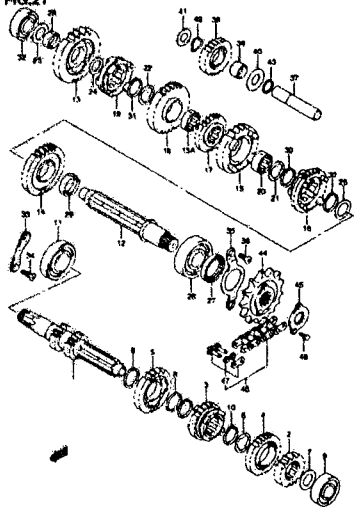
FIG.20



LT-24003 E03 E26_000
CLUTCH

E 2

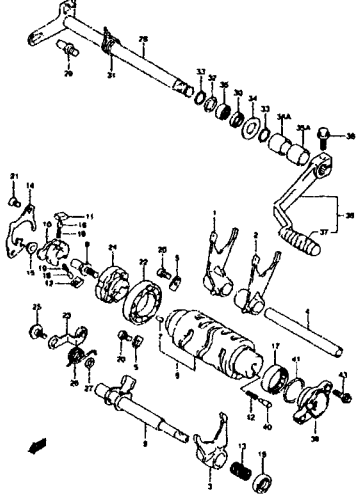
FIG.21



LT-24003 E03 E26_001
TRANSMISSION

E 3

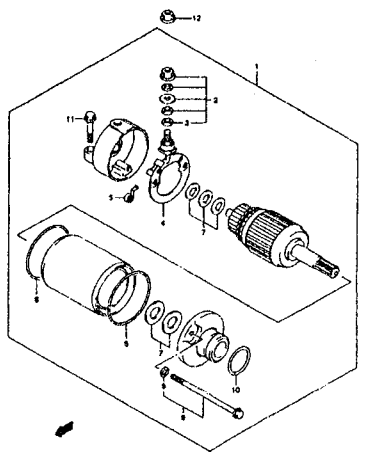
FIG.22



LT-24003 E03 E26_002
GEAR SHIFTING

E 5

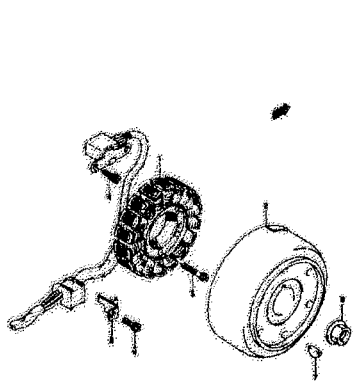
FIG.23



LT-24003 E03 E26_003
STARTING MOTOR

E 7

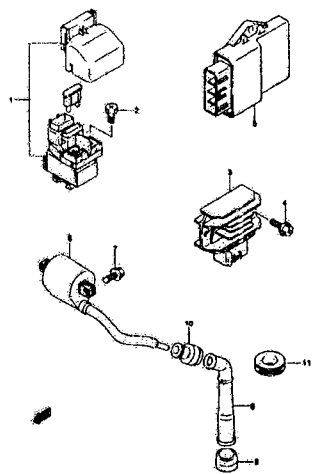
FIG.24



LT-24003 E03 E26_004
MAGNETO

E 8

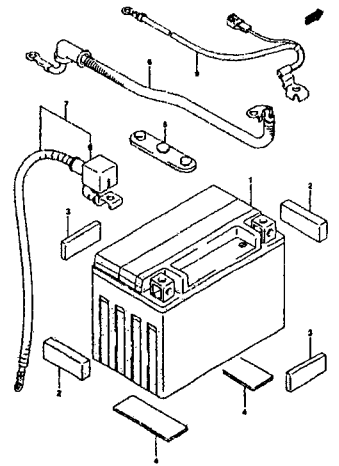
FIG.25



LT-24003 E03 E26_005
ELECTRICAL

E 9

FIG.26



LT-24003 E03 E26_006
BATTERY

E 10

E 1

AIR CLEANER.....	C-06	CRANKSHAFT.....	B-08	FRONT FENDER.....	G-06	LABEL.....	G-13	RADIATOR.....	D-05	RIGHT REAR WHEEL.....	I-04	WATER PUMP.....	D-04
BATTERY.....	E-13	CYLINDER HEAD COVER.....	B-03	FRONT MASTER CYLIND.....	H-06	LEFT REAR WHEEL.....	I-05	REAR BRAKE.....	G-03	SEAT.....	H-02	WIRING HARNESS.....	F-06
CAM CHAIN.....	C-06	CYLINDER HEAD.....	B-04	FRONT WHEEL.....	H-06	MAGNETO.....	E-08	REAR CALIPER.....	I-06	SIDE COVER.....	G-07		
CAM SHAFT - VALVE.....	C-04	CYLINDER.....	B-06	FUEL TANK.....	G-05	MUFFLER.....	C-10	REAR COMBINATION.....	F-03	STARTER CLUTCH.....	C-02		
CARBURETOR.....	C-07	ELECTRICAL.....	E-09	GASKET SET.....	B-02	OIL HOSE.....	D-03	REAR CUSHION LEVER.....	I-03	STARTING MOTOR.....	E-07		
CLUTCH.....	E-02	FOOTREST.....	G-04	GEAR SHIFTING.....	E-05	OIL PUMP.....	D-02	REAR FENDER.....	G-12	STEERING KNUCKLE.....	H-03		
CRANK BALANCER.....	C-03	FRAME.....	G-02	HANDLE LEVER.....	G-10	OPTIONAL.....	I-08	REAR MASTER CYLIND.....	I-07	STEERING SHAFT.....	H-04		
CRANKCASE COVER.....	B-07	FRONT BRAKE HOSE.....	H-08	HANDLEBAR.....	G-08	PILOT LAMP.....	F-05	REAR SWINGING ARM.....	I-02	SUSPENSION ARM.....	H-05		
CRANKCASE.....	B-06	FRONT CALIPER.....	H-07	HEADLAMP.....	F-02	RADIATOR HOSE.....	D-06	REVERSE LOCK.....	G-09	TRANSMISSION.....	E-03		

FIG.20

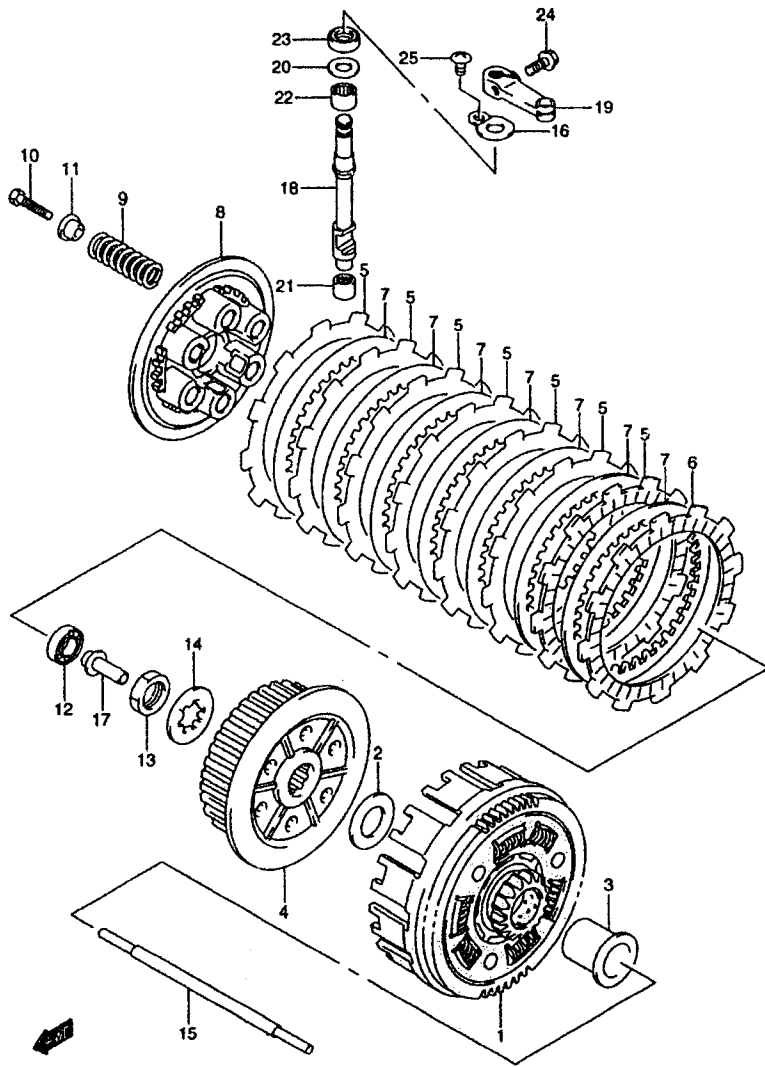


Fig.20 (E-2) CLUTCH

Ref #	Part Number	Description	Qty	Remarks
1	21200-07G00	GEAR ASSY, PRIMARY DRIVEN	1	NT:74/25
2	08211-22425	WASHER	1	
3	21251-29F00	SPACER, PRIMARY DRIVEN	1	
4	21410-07G00	HUB, SLEEVE	1	
5	21441-29F00	PLATE, DRIVE NO.1	7	
6	21442-29F00	PLATE, DRIVE NO.2	1	
7	21451-44D00	PLATE, DRIVEN	7	
8	21462-29F00	DISC, PRESSURE	1	
9	21413-29F00	SPRING	6	
10	07130-06303	BOLT	6	
11	21414-29F00	WASHER	6	
12	09262-12001	BEARING, PRESSURE DISK	1	12X28X8
13	09140-20001	NUT	1	
14	09167-22021	LOCK WASHER	1	
15	23110-07G00	ROD, CLUTCH PUSH	1	
16	23117-05200	RETAINER, CL RLSE OIL SEAL	1	
17	23121-29F00	PIECE, CL PUSH	1	
18	23122-29F00	CAM SHAFT, CL RLSE	1	
19	23271-20902	ARM, CL RLSE	1	
20	09181-10195	WASHER, CL RLSE	1	10X20X1
21	09263-10014	BEARING, CL RLSE LOW	1	10X14X10
22	09263-12024	BEARING, CL RLSE UP	1	12X16X10
23	09282-10012	SEAL, CL RLSE ARM	1	10X20X6
24	01547-06163	BOLT, CL RLSE ARM	1	
25	02142-06103	STOPPER, CL RLSE CAM SHAFT	1	

LT-Z400K3 E03 E28_020
CLUTCH

22 LT-Z400K3 E3 E28

© 2002 American Suzuki Motor Corporation

E 2

AIR CLEANER.....	C-09	CRANKSHAFT.....	B-08	FRONT FENDER.....	G-08	LABEL.....	G-13	RADIATOR.....	D-05	RIGHT REAR WHEEL.....	I-04	WATER PUMP.....	D-04
BATTERY.....	E-10	CYLINDER HEAD COVER.....	B-03	FRONT MASTER CYLIND.....	H-09	LEFT REAR WHEEL.....	I-05	REAR BRAKE.....	G-03	SEAT.....	H-02	WIRING HARNESS.....	F-06
CAM CHAIN.....	C-06	CYLINDER HEAD.....	B-04	FRONT WHEEL.....	H-06	MAGNETO.....	E-08	REAR CALIPER.....	I-06	SIDE COVER.....	G-07		
CAM SHAFT - VALVE.....	C-04	CYLINDER.....	B-05	FUEL TANK.....	G-05	MUFFLER.....	C-10	REAR COMBINATION.....	F-03	STARTER CLUTCH.....	C-02		
CARBURETOR.....	C-07	ELECTRICAL.....	E-09	GASKET SET.....	B-02	OIL HOSE.....	D-03	REAR CUSHION LEVER.....	I-03	STARTING MOTOR.....	E-07		
CLUTCH.....	E-02	FOOTREST.....	G-04	GEAR SHIFTING.....	E-05	OIL PUMP.....	D-02	REAR FENDER.....	G-12	STEERING KNUCKLE.....	H-03		
CRANK BALANCER.....	C-03	FRAME.....	G-02	HANDLE LEVER.....	G-10	OPTIONAL.....	I-06	REAR MASTER CYLINDE.....	I-07	STEERING SHAFT.....	H-04		
CRANKCASE COVER.....	B-07	FRONT BRAKE HOSE.....	H-08	HANDLEBAR.....	G-08	PILOT LAMP.....	F-05	REAR SWINGING ARM.....	I-02	SUSPENSION ARM.....	H-05		
CRANKCASE.....	B-08	FRONT CALIPER.....	H-07	HEADLAMP.....	F-02	RADIATOR HOSE.....	D-06	REVERSE LOCK.....	G-09	TRANSMISSION.....	E-03		

FIG.21

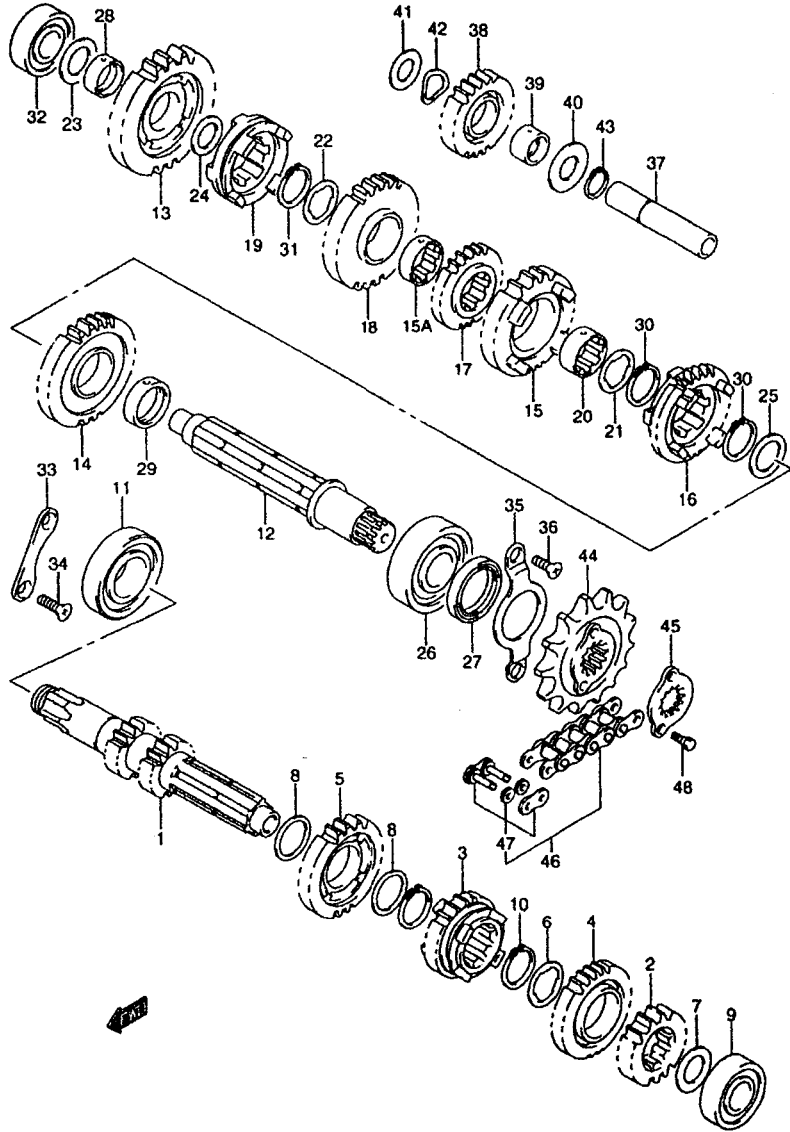


Fig.21 (E-3) TRANSMISSION

Ref #	Part Number	Description	Qty	Remarks
1	24120-07G00	SHAFT, COUNTER (NT:13)	1	
2	24221-07G00	GEAR, 2ND DRIVE (NT:18)	1	
3	24231-07G00	GEAR, 3RD DRIVE (NT:21)	1	
4	24241-07G00	GEAR, 4TH DRIVE (NT:23)	1	
5	24251-07G00	GEAR, 5TH DRIVE (NT:26)	1	
6	09167-25012	WASHER, 4TH	1	
7	09181-17223	WASHER, 2ND (17X30X1.0)	1	
8	09181-25139	WASHER, 5TH (25X32X1.0)	1	
9	09262-17027	BEARING, CNTR SHAFT LH	1	17X40X12
10	09380-25003	CIRCLIP, 4TH/5TH DRIVE	2	
11	09262-25122	BEARING, CNTR SHAFT,RH	1	25X52X15
12	24130-07G00	DRIVESHAFT	1	
13	24311-07G00	GEAR, 1ST DRIVEN (NT:33)	1	
14	24321-07G00	GEAR, 2ND DRIVEN (NT:30)	1	
15	24331-07G00	GEAR, 3RD DRIVEN (NT:26)	1	
15A	24332-24510	BUSH, REVERSE DRIVEN	1	
16	24341-07G00	GEAR, 4TH DRIVEN (NT:23)	1	
17	24351-07G00	GEAR, 5TH DRIVEN (NT:22)	1	
18	24571-07G00	GEAR, REVERSE DRIVEN (NT:28)	1	
19	24581-07G00	DOG, REVERSE	1	
20	29215-07G00	BUSH, 3RD DRIVEN	1	
21	09167-25016	WASHER, 3RD DRIVEN	1	
22	09167-25016	WASHER, REVERSE DRIVEN	1	
23	09181-17223	WASHER, 1ST DRIVEN,RH	1	17X30X1.0
24	09181-20195	WASHER, 1ST DRIVEN,LH	1	20X30X1.0
25	09181-25167	WASHER, 2ND DRIVEN	1	25X34X1.0
26	09262-25125	BEARING, DRIVESHAFT,LH	1	25X62X17
27	09283-25086	SEAL, DRIVESHAFT OIL	1	25X38X6
28	09300-20033	BUSH, 1ST DRIVEN	1	
29	09300-25020	BUSH, 2ND DRIVEN	1	
30	09380-25003	CIRCLIP, 2ND/3RD DRIVEN	2	
31	09380-25003	CIRCLIP, REVERSE DRIVEN	1	
32	09262-17023	BEARING, DRIVESHAFT,RH	1	17X40X12

LT-Z400K3 E03 E28_021
TRANSMISSION

23 LT-Z400K3 E3 E28

© 2002 American Suzuki Motor Corporation

E 3

AIR CLEANER.....	C-09	CRANKSHAFT.....	B-08	FRONT FENDER.....	G-06	LABEL.....	G-13	RADIATOR.....	D-05	RIGHT REAR WHEEL.....	I-04	WATER PUMP.....	D-04
BATTERY.....	E-10	CYLINDER HEAD COVER.....	B-03	FRONT MASTER CYLIND.....	H-08	LEFT REAR WHEEL.....	I-05	REAR BRAKE.....	G-03	SEAT.....	H-02	WIRING HARNESS.....	F-08
CAM CHAIN.....	C-06	CYLINDER HEAD.....	B-04	FRONT WHEEL.....	H-06	MAGNETO.....	E-08	REAR CALIPER.....	I-06	SIDE COVER.....	G-07		
CAM SHAFT - VALVE.....	C-04	CYLINDER.....	B-05	FUEL TANK.....	G-05	MUFFLER.....	C-10	REAR COMBINATION.....	F-03	STARTER CLUTCH.....	C-02		
CARBURETOR.....	C-07	ELECTRICAL.....	E-08	GASKET SET.....	B-02	OIL HOSE.....	D-03	REAR CUSHION LEVER.....	I-03	STARTING MOTOR.....	E-07		
CLUTCH.....	E-02	FOOTREST.....	G-04	GEAR SHIFTING.....	E-05	OIL PUMP.....	D-02	REAR FENDER.....	G-12	STEERING KNUCKLE.....	H-03		
CRANK BALANCER.....	C-03	FRAME.....	G-02	HANDLE LEVER.....	G-10	OPTIONAL.....	I-08	REAR MASTER CYLINDE.....	I-07	STEERING SHAFT.....	H-04		
CRANKCASE COVER.....	B-07	FRONT BRAKE HOSE.....	H-08	HANDLEBAR.....	G-08	PILOT LAMP.....	F-05	REAR SWINGING ARM.....	I-02	SUSPENSION ARM.....	H-05		
CRANKCASE.....	B-06	FRONT CALIPER.....	H-07	HEADLAMP.....	F-02	RADIATOR HOSE.....	D-06	REVERSE LOCK.....	G-09	TRANSMISSION.....	E-03		

FIG.21

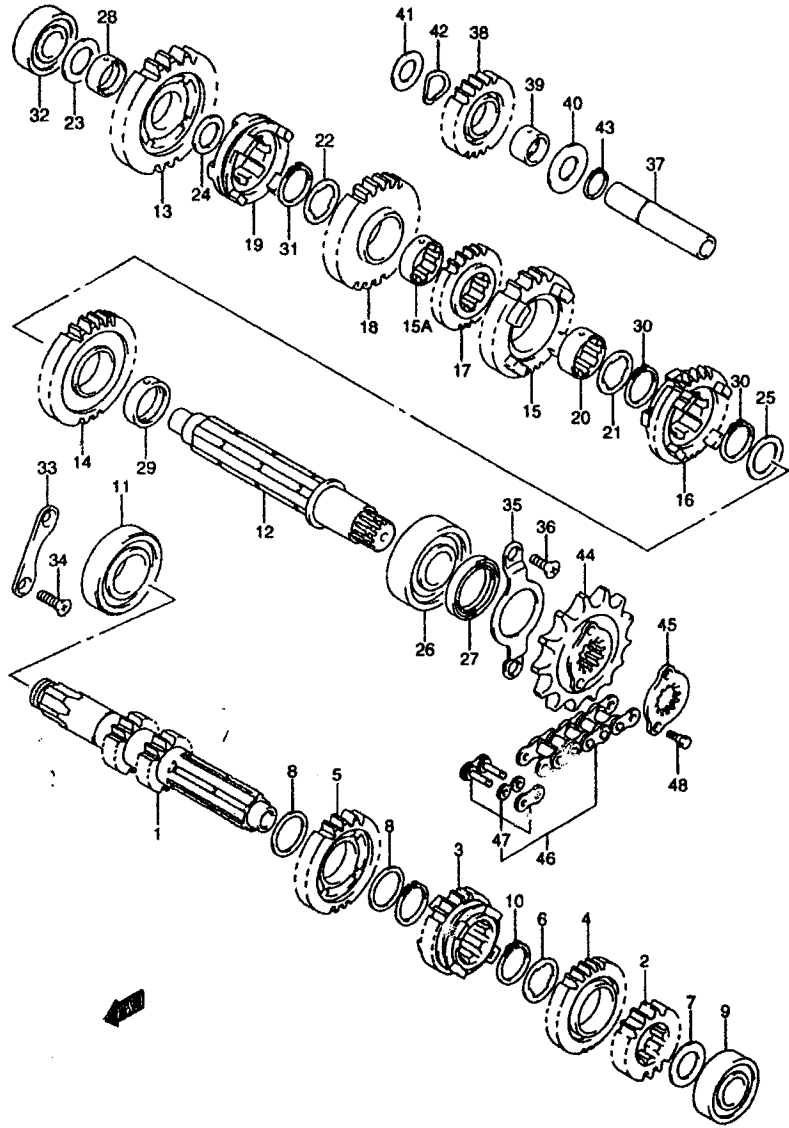


Fig.21 (E-4) TRANSMISSION

Ref #	Part Number	Description	Qty	Remarks
33	24741-05G00	RETAINER, COUNTER SHASFT, RH	1	
34	09126-06011	SCREW (6X12)	2	
35	24751-07G00	RETAINER, DRIVESHAFT OIL SEAL	1	
36	09126-06007	BOLT, RETAINER	2	
37	24551-05G00	SHAFT, REVERSE IDLE	1	
38	24561-07G00	GEAR, REVERSE IDLE (NT:24)	1	
39	24562-05G00	BUSH, REVERSE	1	
40	09181-17195	WASHER (17X28X1.0)	1	
41	09181-17021	WASHER (17X36X1.0)	1	
42	09164-22011	WAVE WASHER	1	
43	08331-31176	CIRCLIP	1	
44	27511-07G00	SPROCKET, ENGINE (NT:14)	1	
45	27512-07G00	PLATE, SPROCKET	1	
46	27600-29F10-112	CHAIN ASSY (RK520KZ0,112L)	1	L:112->96
47	27620-29F10	.JOINT SET	1	
48	09111-06039	BOLT	2	

LT-Z400K3 E03 E28_021
TRANSMISSION

24 LT-Z400K3 E3 E28

© 2002 American Suzuki Motor Corporation

E 4

AIR CLEANER.....	C-09	CRANKSHAFT.....	B-08	FRONT FENDER.....	G-09	LABEL.....	G-13	RADIATOR.....	D-05	RIGHT REAR WHEEL...	I-04	WATER PUMP.....	D-04
BATTERY.....	E-10	CYLINDER HEAD COVER	B-03	FRONT MASTER CYLIND	H-09	LEFT REAR WHEEL...	I-05	REAR BRAKE.....	G-03	SEAT.....	H-02	WIRING HARNESS...	F-06
CAM CHAIN.....	C-06	CYLINDER HEAD.....	B-04	FRONT WHEEL.....	H-08	MAGNETO.....	E-08	REAR CALIPER.....	I-06	SIDE COVER.....	G-07		
CAM SHAFT - VALVE...	C-04	CYLINDER.....	B-05	FUEL TANK.....	G-05	MUFFLER.....	C-10	REAR COMBINATION...	F-03	STARTER CLUTCH.....	C-02		
CARBURETOR.....	C-07	ELECTRICAL.....	E-09	GASKET SET.....	B-02	OIL HOSE.....	D-03	REAR CUSHION LEVER...	I-03	STARTING MOTOR.....	E-07		
CLUTCH.....	E-02	FOOTREST.....	G-04	GEAR SHIFTING.....	E-05	OIL PUMP.....	D-02	REAR FENDER.....	G-12	STEERING KNUCKLE...	H-03		
CRANK BALANCER.....	C-03	FRAME.....	G-02	HANDLE LEVER.....	G-10	OPTIONAL.....	I-08	REAR MASTER CYLINDE	I-07	STEERING SHAFT.....	H-04		
CRANKCASE COVER...	B-07	FRONT BRAKE HOSE...	H-06	HANDLEBAR.....	G-08	PILOT LAMP.....	F-05	REAR SWINGING ARM...	I-02	SUSPENSION ARM.....	H-05		
CRANKCASE.....	B-06	FRONT CALIFER.....	H-07	HEADLAMP.....	F-02	RADIATOR HOSE.....	D-06	REVERSE LOCK.....	G-09	TRANSMISSION.....	E-03		

FIG.22

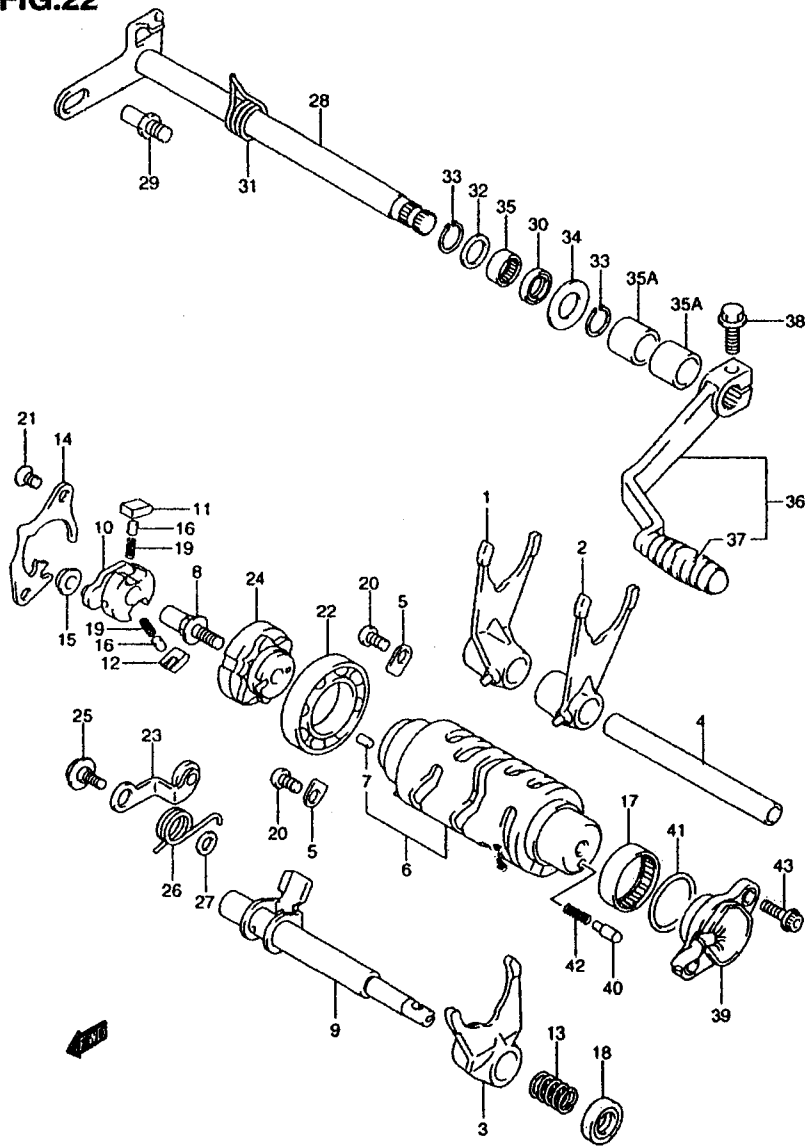


Fig.22 (E-5) GEAR SHIFTING

Ref #	Part Number	Description	Qty	Remarks
1	25211-07G00	FORK, GEAR SHIFT NO.1	1	
2	25221-07G00	FORK, GEAR SHIFT NO.2	1	
3	25231-07G00	FORK, GEAR SHIFT NO.3	1	
4	25411-07G00	SHAFT, GEAR FORK NO.1	1	
5	24741-21A00	RETAINER, SHIFT CAM BRG	2	
6	25310-07G00	CAM,GEAR SHIFT	1	
7	04221-04089	.PIN, SHIFT CAM	1	
8	25313-27C02	PIN, SHIFT	1	
9	25320-07G00	SHAFT, REVERSE LOCK	1	
10	25322-36E00	SHIFTER, GEAR SHIFT CAM	1	
11	25323-34201	PAWL, GEAR SHIFT NO.1	1	
12	25324-34201	PAWL, GEAR SHIFT NO.2	1	
13	25328-07G00	SPRING, REVERSE LOCK	1	
14	25331-37E10	LIFTER, GEAR SHIFT PAWL	1	
15	09180-07014	ROLLER, GEAR CAM SHIFTER	1	
16	09261-05003	PIN, SHIFT POLE (5X8)	2	
17	09263-25018	BEARING, SHIFT CAM LH	1	33X38X8
18	09283-10010	SEAL, REVERSE LOCK	1	9.7X20X5
19	09440-04003	SPRING, SHIFT PAWL RETURN	2	
20	09125-06110	SCREW, SHIFT CAM BRG	2	6X12
21	09126-06011	SCREW, SHIFT PAWL LIFTER	2	6X12
22	08113-69050	BEARING, SHIFT CAM RH	1	
23	25350-07G00	STOPPER, SHIFT CAM	1	
24	25381-36E11	PLATE, SHIFT CAM STOPPER	1	
25	09111-06041	BOLT, CAM STOPPER ARM	1	
26	25355-07G00	SPRING, SHIFT CAM	1	
27	08211-06121	WASHER, SHIFT CAM	1	
28	25510-07G00	SHAFT, GEAR SHIFT	1	
29	25671-38B00	STOPPER, GEAR SHIFT ARM	1	
30	09283-14006	SEAL, SHIFT SHAFT OIL	1	14X22X6
31	09444-20006	SPRING, SHIFT SHAFT RETURN	1	

LT-Z400K3 E03 E28_022
GEAR SHIFTING

25 LT-Z400K3 E3 E28

© 2002 American Suzuki Motor Corporation

E5

AIR CLEANER.....	C-09	CRANKSHAFT.....	B-06	FRONT FENDER.....	C-06	LABEL.....	G-13	RADIATOR.....	D-05	RIGHT REAR WHEEL.....	I-04	WATER PUMP.....	D-04
BATTERY.....	E-10	CYLINDER HEAD COVER	B-03	FRONT MASTER CYLIND	H-09	LEFT REAR WHEEL.....	I-05	REAR BRAKE.....	G-03	SEAT.....	H-02	WIRING HARNESS.....	F-06
CAM CHAIN.....	C-08	CYLINDER HEAD.....	B-04	FRONT WHEEL.....	H-06	MAGNETO.....	E-08	REAR CALIPER.....	I-08	SIDE COVER.....	G-07		
CAM SHAFT - VALVE.....	C-04	CYLINDER.....	B-05	FUEL TANK.....	G-05	MUFFLER.....	C-10	REAR COMBINATION...	F-03	STARTER CLUTCH.....	C-02		
CARBURETOR.....	C-07	ELECTRICAL.....	E-09	GASKET SET.....	B-02	OIL HOSE.....	D-03	REAR CUSHION LEVER.	I-03	STARTING MOTOR.....	E-07		
CLUTCH.....	E-02	FOOTREST.....	G-04	GEAR SHIFTING.....	E-05	OIL PUMP.....	D-02	REAR FENDER.....	G-12	STEERING KNUCKLE.....	H-03		
CRANK BALANCER.....	C-03	FRAME.....	G-02	HANDLE LEVER.....	G-10	OPTIONAL.....	I-08	REAR MASTER CYLINDE	I-07	STEERING SHAFT.....	H-04		
CRANKCASE COVER.....	B-07	FRONT BRAKE HOSE.....	H-08	HANDLEBAR.....	G-08	PILOT LAMP.....	F-05	REAR SWINGING ARM...	I-02	SUSPENSION ARM.....	H-05		
CRANKCASE.....	B-06	FRONT CALIPER.....	H-07	HEADLAMP.....	F-02	RADIATOR HOSE.....	D-06	REVERSE LOCK.....	G-09	TRANSMISSION.....	E-03		

FIG.22

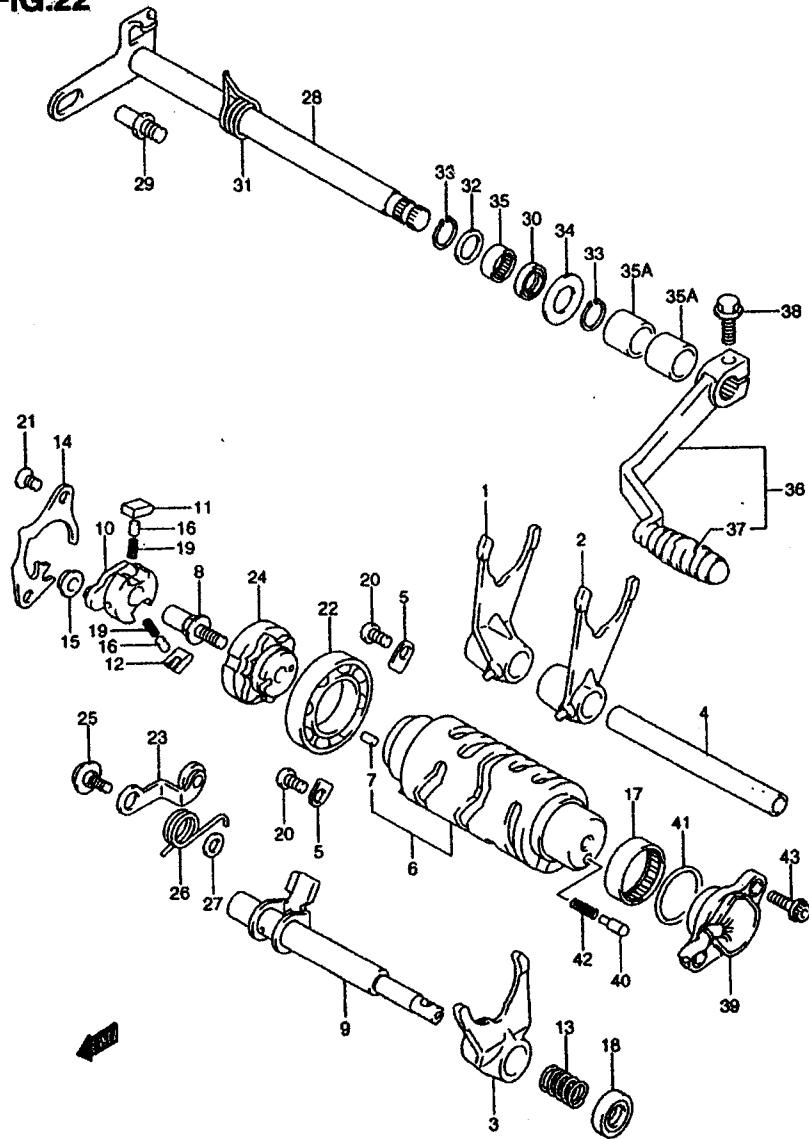


Fig.22 (E-6) GEAR SHIFTING

Ref #	Part Number	Description	Qty	Remarks
32	09181-14139	WASHER, GEAR SHAFT	1	14X20X1.0
33	08331-31146	CIRCLIP, GEAR SHAFT	2	
34	09160-14046	WASHER, GEAR SHIFT LH	1	14X29X1.50
35	09263-14027	BEARING, GEAR SHAFT (14X20X12)	1	
35A	09180-14016	SPACER (14X20X17.5)	2	
36	25600-07G00	LEVER ASSY, GEAR SHIFT	1	
37	25652-16500	RUBBER, GEAR PEDAL	1	
38	01550-06203	BOLT, GEAR SHIFT	1	
39	37720-07G00	BASE ASSY, GEAR SHIFT TERM	1	
40	09209-05011	CONTACT	2	
41	09280-26005	O RING (D:2.4, ID:26.2)	1	
42	09440-04010	SPRING	2	
43	07120-05163	BOLT	2	

LT-Z400K3 E03 E28_022
GEAR SHIFTING

26 LT-Z400K3 E3 E28

© 2002 American Suzuki Motor Corporation

E6

AIR CLEANER.....	C-09	CRANKSHAFT.....	B-08	FRONT FENDER.....	G-06	LABEL.....	G-13	RADIATOR.....	D-05	RIGHT REAR WHEEL.....	I-04	WATER PUMP.....	D-04
BATTERY.....	E-10	CYLINDER HEAD COVER.....	B-03	FRONT MASTER CYLIND.....	H-09	LEFT REAR WHEEL.....	I-05	REAR BRAKE.....	G-03	SEAT.....	H-02	WIRING HARNESS.....	F-06
CAM CHAIN.....	C-06	CYLINDER HEAD.....	B-04	FRONT WHEEL.....	H-06	MAGNETO.....	E-06	REAR CALIPER.....	I-06	SIDE COVER.....	G-07		
CAM SHAFT - VALVE.....	C-04	CYLINDER.....	B-05	FUEL TANK.....	G-05	MUFFLER.....	C-10	REAR COMBINATION.....	F-03	STARTER CLUTCH.....	C-02		
CARBURETOR.....	C-07	ELECTRICAL.....	E-09	GASKET SET.....	B-02	OIL HOSE.....	D-03	REAR CUSHION LEVER.....	I-03	STARTING MOTOR.....	E-07		
CLUTCH.....	E-02	FOOTREST.....	G-04	GEAR SHIFTING.....	E-05	OIL PUMP.....	D-02	REAR FENDER.....	G-12	STEERING KNUCKLE.....	H-03		
CRANK BALANCER.....	C-03	FRAME.....	G-02	HANDLE LEVER.....	G-10	OPTIONAL.....	I-08	REAR MASTER CYLIND.....	I-07	STEERING SHAFT.....	H-04		
CRANKCASE COVER.....	B-07	FRONT BRAKE HOSE.....	H-08	HANDLEBAR.....	G-08	PILOT LAMP.....	F-05	REAR SWINGING ARM.....	I-02	SUSPENSION ARM.....	H-05		
CRANKCASE.....	B-06	FRONT CALIPER.....	H-07	HEADLAMP.....	F-02	RADIATOR HOSE.....	D-06	REVERSE LOCK.....	G-09	TRANSMISSION.....	E-03		

FIG.23

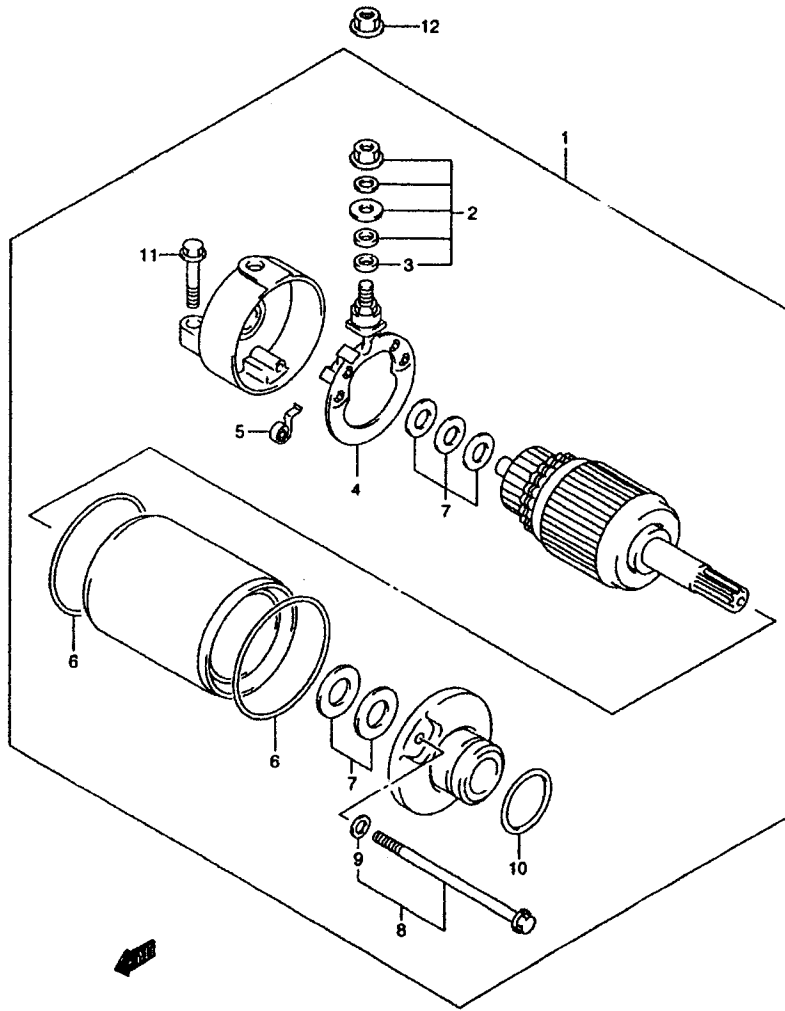


Fig. 23 (E-7) STARTING MOTOR

Ref #	Part Number	Description	Qty	Remarks
1	31100-29F00	MOTOR ASSY, STARTING	1	
2	31130-13E00	.BRUSH TERMINAL SET	1	
3	31143-49040	.O RING	1	
4	31132-13E00	.BRUSH HOLDER SET	1	
5	31135-31300	.BRUSH SPRING	2	
6	31264-13E00	.O RING	2	
7	31170-19B10	.WASHER SET	1	
8	31280-19F00	.SET BOLT	2	
9	31156-13E00	.O RING	2	
10	09280-24003	.O RING (D:3, ID:24.5)	1	
11	01547-06253	BOLT	2	
12	08361-35068	NUT, STARTING MOTOR	1	

LT-Z400K3 E03 E28_023
STARTING MOTOR

27 LT-Z400K3 E3 E28

© 2002 American Suzuki Motor Corporation

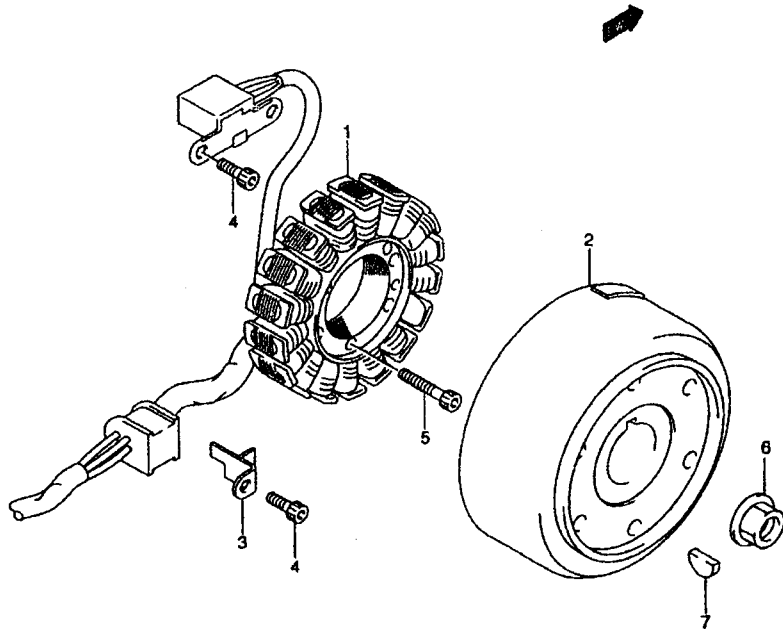
E7

AIR CLEANER.....	C-09	CRANKSHAFT.....	B-08	FRONT FENDER.....	G-08	LABEL.....	G-13	RADIATOR.....	D-05	RIGHT REAR WHEEL.....	I-04	WATER PUMP.....	D-04
BATTERY.....	E-10	CYLINDER HEAD COVER.....	B-03	FRONT MASTER CYLIND.....	H-09	LEFT REAR WHEEL.....	I-05	REAR BRAKE.....	G-03	SEAT.....	H-02	WIRING HARNESS.....	F-06
CAM CHAIN.....	C-08	CYLINDER HEAD.....	B-04	FRONT WHEEL.....	H-06	MAGNETO.....	E-08	REAR CALIPER.....	I-06	SIDE COVER.....	G-07		
CAM SHAFT - VALVE.....	C-04	CYLINDER.....	B-05	FUEL TANK.....	G-05	MUFFLER.....	C-10	REAR COMBINATION.....	F-03	STARTER CLUTCH.....	C-02		
CARBURETOR.....	C-07	ELECTRICAL.....	E-09	GASKET SET.....	B-02	OIL HOSE.....	D-03	REAR CUSHION LEVER.....	I-03	STARTING MOTOR.....	E-07		
CLUTCH.....	E-02	FOOTREST.....	G-04	GEAR SHIFTING.....	E-05	OIL PUMP.....	D-02	REAR FENDER.....	G-12	STEERING KNUCKLE.....	H-03		
CRANK BALANCER.....	C-03	FRAME.....	G-02	HANDLE LEVER.....	G-10	OPTIONAL.....	I-06	REAR MASTER CYLINDE.....	I-07	STEERING SHAFT.....	H-04		
CRANKCASE COVER.....	B-07	FRONT BRAKE HOSE.....	H-08	HANDLEBAR.....	G-08	PILOT LAMP.....	F-05	REAR SWINGING ARM.....	I-02	SUSPENSION ARM.....	H-05		
CRANKCASE.....	B-06	FRONT CALIPER.....	H-07	HEADLAMP.....	F-02	RADIATOR HOSE.....	D-06	REVERSE LOCK.....	G-09	TRANSMISSION.....	E-03		

FIG.24

Fig.24 (E-8) MAGNETO

Ref #	Part Number	Description	Qty	Remarks
1	32101-07G00	STATOR ASSY	1	
2	32102-07G00	ROTOR ASSY	1	
3	32371-13E00	CLAMP, MAG LEAD NO.1	1	
4	07130-05123	BOLT, PULSER & CLAMP	3	
5	07130-05253	BOLT, STATOR	3	
6	31792-07G00	NUT, MAG ROTOR	1	
7	09420-04008	KEY	1	



LT-Z400K3 E03 E28_024
MAGNETO

28 LT-Z400K3 E3 E28

© 2002 American Suzuki Motor Corporation

E 8

AIR CLEANER.....	C-09	CRANKSHAFT.....	B-08	FRONT FENDER.....	G-06	LABEL.....	G-13	RADIATOR.....	D-05	RIGHT REAR WHEEL...	I-04	WATER PUMP.....	D-04
BATTERY.....	E-10	CYLINDER HEAD COVER	B-03	FRONT MASTER CYLIND	H-09	LEFT REAR WHEEL...	I-05	REAR BRAKE.....	G-03	SEAT.....	H-02	WIRING HARNESS....	F-06
CAM CHAIN.....	C-06	CYLINDER HEAD.....	B-04	FRONT WHEEL.....	H-08	MAGNETO.....	E-08	REAR CALIPER.....	I-06	SIDE COVER.....	G-07		
CAM SHAFT - VALVE..	C-04	CYLINDER.....	B-05	FUEL TANK.....	G-05	MUFFLER.....	C-10	REAR COMBINATION..	F-03	STARTER CLUTCH....	C-02		
CARBURETOR.....	C-07	ELECTRICAL.....	E-09	GASKET SET.....	B-02	OIL HOSE.....	D-03	REAR CUSHION LEVER.	I-03	STARTING MOTOR....	E-07		
CLUTCH.....	E-02	FOOTREST.....	G-04	GEAR SHIFTING.....	E-05	OIL PUMP.....	D-02	REAR FENDER.....	G-12	STEERING KNUCKLE..	H-03		
CRANK BALANCER.....	C-03	FRAME.....	G-10	HANDLE LEVER.....	G-10	OPTIONAL.....	I-08	REAR MASTER CYLINDE	I-07	STEERING SHAFT....	H-04		
CRANKCASE COVER...	B-07	FRONT BRAKE HOSE..	H-08	HANDLEBAR.....	G-08	PILOT LAMP.....	F-05	REAR SWINGING ARM..	I-02	SUSPENSION ARM....	H-05		
CRANKCASE.....	B-06	FRONT CALIPER.....	H-07	HEADLAMP.....	F-02	RADIATOR HOSE.....	D-06	REVERSE LOCK.....	G-09	TRANSMISSION.....	E-03		

FIG.25

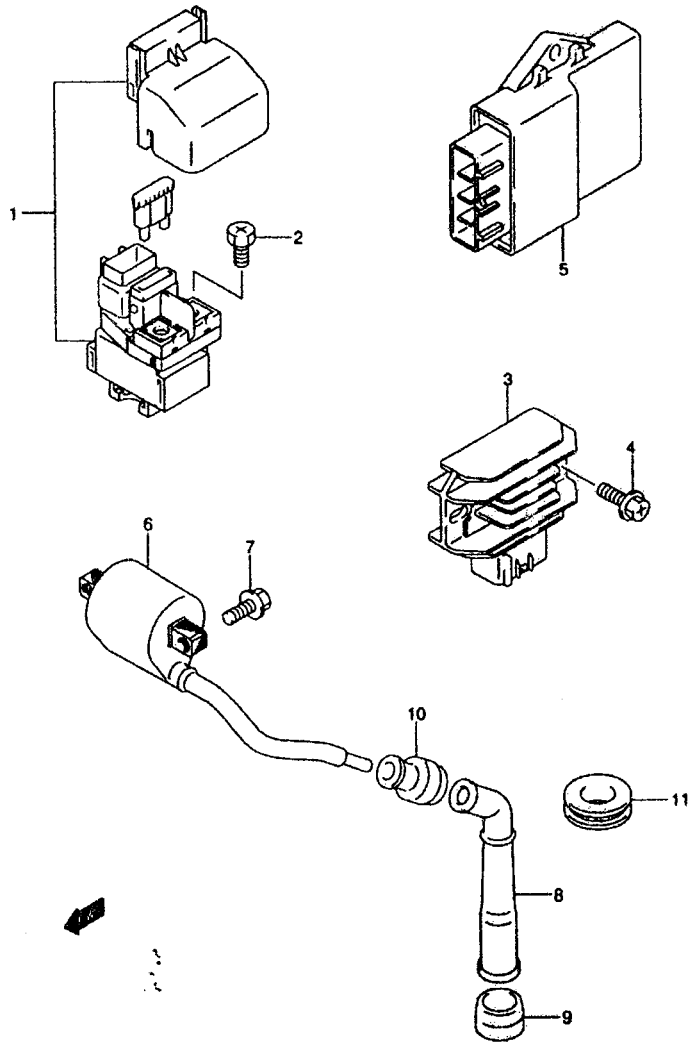


Fig.25 (E-9) ELECTRICAL

Ref #	Part Number	Description	Qty	Remarks
1	31800-07G00	RELAY ASSY, STARTING MOTOR	1	
2	09128-06013	BOLT, STARTING MOTOR (6XB)	2	
3	32800-05F10	RECTIFIER ASSY	1	
4	02162-06203	BOLT, RECTIFIER	2	
5	32900-07G00	CDI UNIT	1	
6	33410-09F00	COIL ASSY, IGNITION	1	
7	01550-06163	BOLT	1	
8	33510-48B10	CAP ASSY, SPARK PLUG	1	
9	33541-23E01	SEAL, SPARK PLUG CAP	1	
10	33542-38B00	SEAL, HIGH TENSION CORD	1	
11	33543-33E01	COVER, SPARK PLUG CAP	1	

LT-Z400K3 E03 E28_025
ELECTRICAL

29 LT-Z400K3 E3 E28

© 2002 American Suzuki Motor Corporation

E 9

AIR CLEANER.....	C-09	CRANKSHAFT.....	B-08	FRONT FENDER.....	G-06	LABEL.....	G-13	RADIATOR.....	D-05	RIGHT REAR WHEEL.....	I-04	WATER PUMP.....	D-04
BATTERY.....	E-10	CYLINDER HEAD COVER.....	B-03	FRONT MASTER CYLIND.....	H-06	LEFT REAR WHEEL.....	I-05	REAR BRAKE.....	G-03	SEAT.....	H-02	WIRING HARNESS.....	F-06
CAM CHAIN.....	C-06	CYLINDER HEAD.....	B-04	FRONT WHEEL.....	H-05	MAGNETO.....	E-06	REAR CALIPER.....	I-06	SIDE COVER.....	G-07		
CAM SHAFT - VALVE.....	C-04	CYLINDER.....	B-05	FUEL TANK.....	G-05	MUFFLER.....	C-10	REAR COMBINATION.....	F-03	STARTER CLUTCH.....	G-02		
CARBURETOR.....	C-07	ELECTRICAL.....	E-09	GASKET SET.....	B-02	OIL HOSE.....	D-03	REAR CUSHION LEVER.....	I-03	STARTING MOTOR.....	E-07		
CLUTCH.....	E-02	FOOTREST.....	G-04	GEAR SHIFTING.....	E-05	OIL PUMP.....	D-02	REAR FENDER.....	G-12	STEERING KNUCKLE.....	H-03		
CRANK BALANCER.....	C-03	FRAME.....	G-02	HANDLE LEVER.....	E-05	OPTIONAL.....	I-06	REAR MASTER CYLINDER.....	I-07	STEERING SHAFT.....	H-04		
CRANKCASE COVER.....	B-07	FRONT BRAKE HOSE.....	H-08	HANDLEBAR.....	G-08	PILOT LAMP.....	F-05	REAR SWINGING ARM.....	I-02	SUSPENSION ARM.....	H-05		
CRANKCASE.....	B-06	FRONT CALIPER.....	H-07	HEADLAMP.....	F-02	RADIATOR HOSE.....	D-06	REVERSE LOCK.....	G-09	TRANSMISSION.....	E-03		

FIG.26

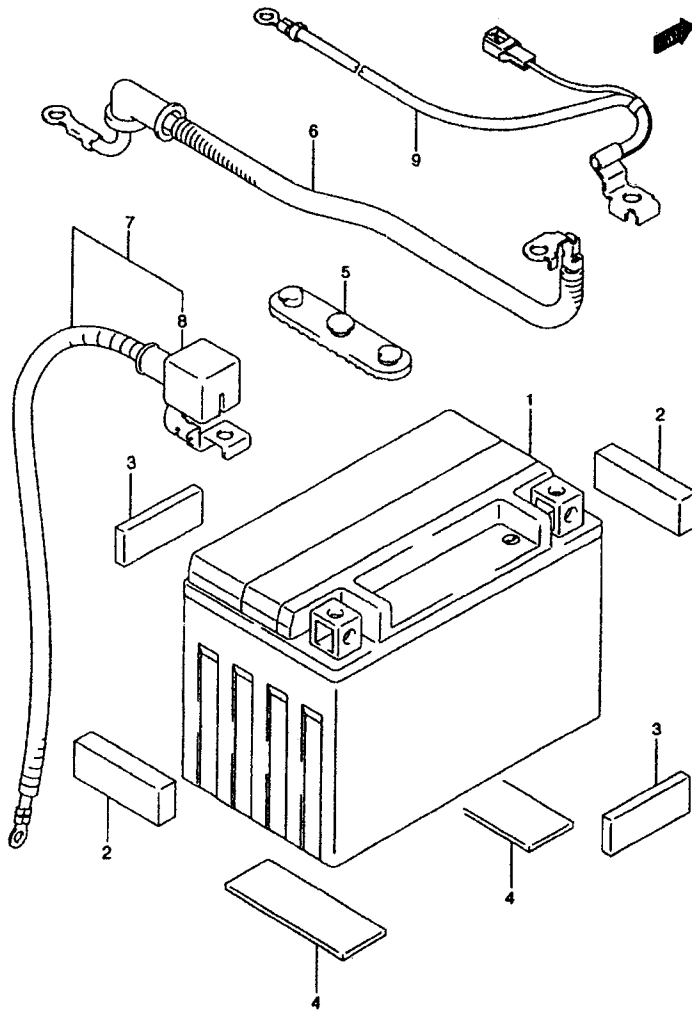


Fig.26 (E-10) BATTERY

Ref #	Part Number	Description	Qty	Remarks
1	33610-32C10	BATTERY ASSY (12V,8AH)	1	YTX9-BS
2	33652-03G00	PROTECTOR (20X50X11)	2	
3	33652-28010	PROTECTOR (20X45X6)	2	
4	33652-41B00	PROTECTOR (27X80X3)	2	
5	33652-07G00	PROTECTOR, BATTERY	1	
6	33810-07G00	WIRE, STARTER MOTOR	1	
7	33820-07G00	WIRE, BATTERY PLUS	1	
8	33624-10D00	.CAP, BATTERY PLUS	1	
9	33860-07G00	WIRE, BATTERY MINUS	1	

LT-Z400K3 E03 E28_026
BATTERY

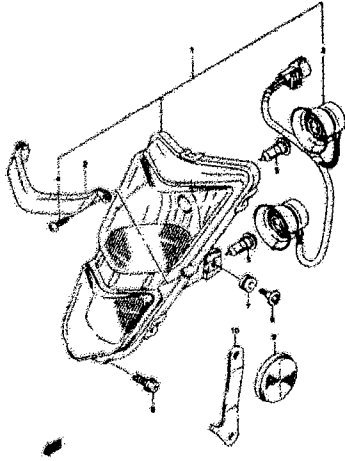
30 LT-Z400K3 E3 E28

© 2002 American Suzuki Motor Corporation

E 10

AIR CLEANER.....	C-09	CRANKSHAFT.....	B-08	FRONT FENDER.....	G-06	LABEL.....	G-13	RADIATOR.....	D-05	RIGHT REAR WHEEL.....	I-04	WATER PUMP.....	D-04
BATTERY.....	E-10	CYLINDER HEAD COVER.....	B-03	FRONT MASTER CYLIND.....	H-09	LEFT REAR WHEEL.....	I-05	REAR BRAKE.....	G-03	SEAT.....	H-02	WIRING HARNESS.....	F-06
CAM CHAIN.....	C-06	CYLINDER HEAD.....	B-04	FRONT WHEEL.....	H-05	MAGNETO.....	E-08	REAR CALIPER.....	I-06	SIDE COVER.....	G-07		
CAM SHAFT - VALVE.....	C-04	CYLINDER.....	B-05	FUEL TANK.....	G-05	MUFFLER.....	C-10	REAR COMBINATION.....	F-03	STARTER CLUTCH.....	C-02		
CARBURETOR.....	C-07	ELECTRICAL.....	E-09	GASKET SET.....	B-02	OIL HOSE.....	D-03	REAR CUSHION LEVER.....	I-03	STARTING MOTOR.....	E-07		
CLUTCH.....	E-02	FOOTREST.....	G-04	GEAR SHIFTING.....	E-05	OIL PUMP.....	D-02	REAR FENDER.....	G-12	STEERING KNUCKLE.....	H-03		
CRANK BALANCER.....	C-03	FRAME.....	G-02	HANDLE LEVER.....	G-10	OPTIONAL.....	I-08	REAR MASTER CYLINDE.....	I-07	STEERING SHAFT.....	H-04		
CRANKCASE COVER.....	B-07	FRONT BRAKE HOSE.....	H-08	HANDLEBAR.....	G-08	PILOT LAMP.....	F-05	REAR SWINGING ARM.....	I-02	SUSPENSION ARM.....	H-05		
CRANKCASE.....	B-06	FRONT CALIPER.....	H-07	HEADLAMP.....	F-02	RADIATOR HOSE.....	D-06	REVERSE LOCK.....	G-09	TRANSMISSION.....	E-03		

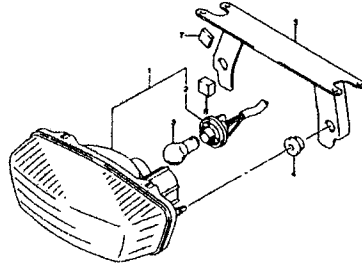
FIG.27



LT-2400K3 600 E26, 027
HEAD LAMP

F2

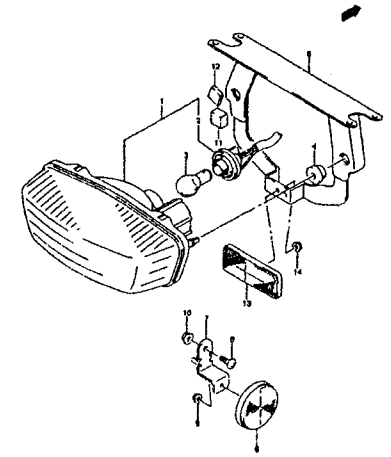
FIG.28



LT-2400K3 600 E26, 028
REAR COMBINATION LAMP

F3

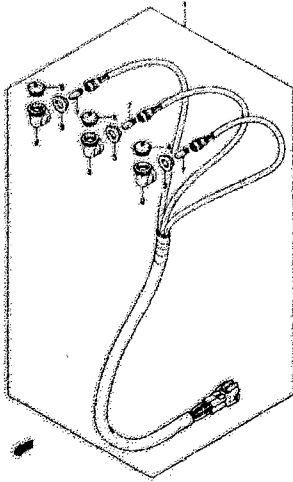
FIG.28A



LT-2400K3 600 E26, 028A
REAR COMBINATION LAMP

F4

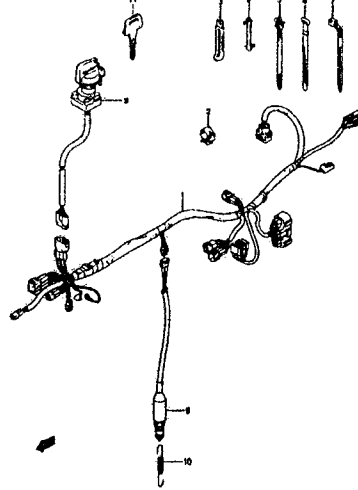
FIG.29



LT-2400K3 600 E26, 029
FRONT LAMP

F5

FIG.30



LT-2400K3 600 E26, 030
WIRING HARNESS

F6

F1

AIR CLEANER.....	C-09	CRANKSHAFT.....	B-06	FRONT FENDER.....	G-06	LABEL.....	G-13	RADIATOR.....	D-05	RIGHT REAR WHEEL.....	I-04	WATER PUMP.....	D-04
BATTERY.....	E-10	CYLINDER HEAD COVER.....	B-03	FRONT MASTER CYLIND.....	H-09	LEFT REAR WHEEL.....	I-05	REAR BRAKE.....	G-03	SEAT.....	H-02	WIRING HARNESS.....	F-06
CAM CHAIN.....	C-08	CYLINDER HEAD.....	B-04	FRONT WHEEL.....	H-06	MAGNETO.....	E-08	REAR CALIPER.....	I-06	SIDE COVER.....	G-07		
CAM SHAFT - VALVE.....	C-04	CYLINDER.....	B-05	FUEL TANK.....	C-05	MUFFLER.....	C-10	REAR COMBINATION.....	F-03	STARTER CLUTCH.....	C-02		
CARBURETOR.....	C-07	ELECTRICAL.....	E-09	GASKET SET.....	B-02	OIL HOSE.....	D-03	REAR CUSHION LEVER.....	I-03	STARTING MOTOR.....	E-07		
CLUTCH.....	E-02	FOOTREST.....	C-04	GEAR SHIFTING.....	E-05	OIL PUMP.....	D-02	REAR FENDER.....	G-12	STEERING KNUCKLE.....	H-03		
CRANK BALANCER.....	C-03	FRAME.....	G-02	HANDLE LEVER.....	G-10	OPTIONAL.....	I-08	REAR MASTER CYLIND.....	I-07	STEERING SHAFT.....	H-04		
CRANKCASE COVER.....	B-07	FRONT BRAKE HOSE.....	H-08	HANDLEBAR.....	G-08	PILOT LAMP.....	F-05	REAR SWINGING ARM.....	I-02	SUSPENSION ARM.....	H-05		
CRANKCASE.....	B-06	FRONT CALIPER.....	H-07	HEADLAMP.....	F-02	RADIATOR HOSE.....	D-06	REVERSE LOCK.....	G-09	TRANSMISSION.....	E-03		

FIG.27

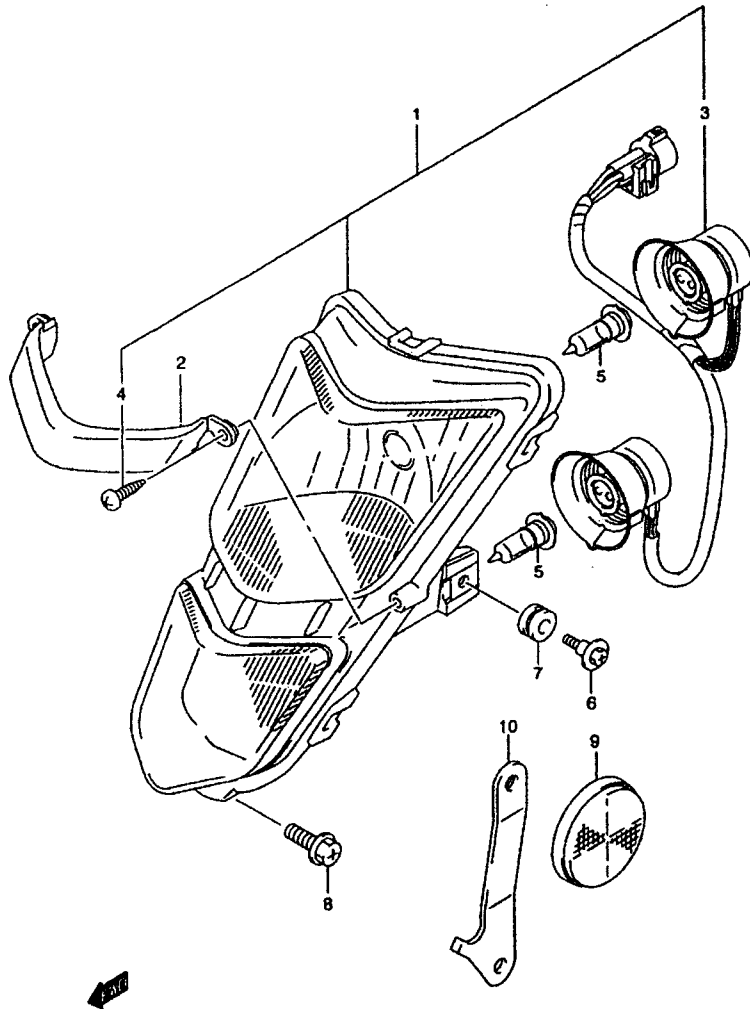


Fig.27 (F-2) HEADLAMP

Ref #	Part Number	Description	Qty	Remarks
1-1	35100-07G00-YU1	HEADLAMP ASSY (YELLOW)	1	FOR YU1
1-2	35100-07G00-30H	HEADLAMP ASSY (WHITE)	1	FOR 30H
2-1	35143-07G00-YU1	.MOLDING (YELLOW)	1	FOR YU1
2-2	35143-07G00-30H	.MOLDING (WHITE)	1	FOR 30H
3	35171-07G00	.SOCKET & CORD ASSY	1	
4	03511-04123	.SCREW	2	
5	09471-12097	BULB (14V30/30W)	2	
6	09139-06118	SCREW, HEADLAMP	2	
7	09320-10501	CUSHION	2	
8	02162-06163	BOLT, HEADLAMP ADJUST	1	
9	35950-14A00	REFLEX REFLECTOR ASSY, FR	2	E28
10-1	35956-07G00	BRACKET, FR SIDE RH	1	E28
10-2	35957-07G00	BRACKET, FR SIDE LH	1	E28

LT-Z400K3 E03 E28_027
HEAD LAMP

31 LT-Z400K3 E3 E28

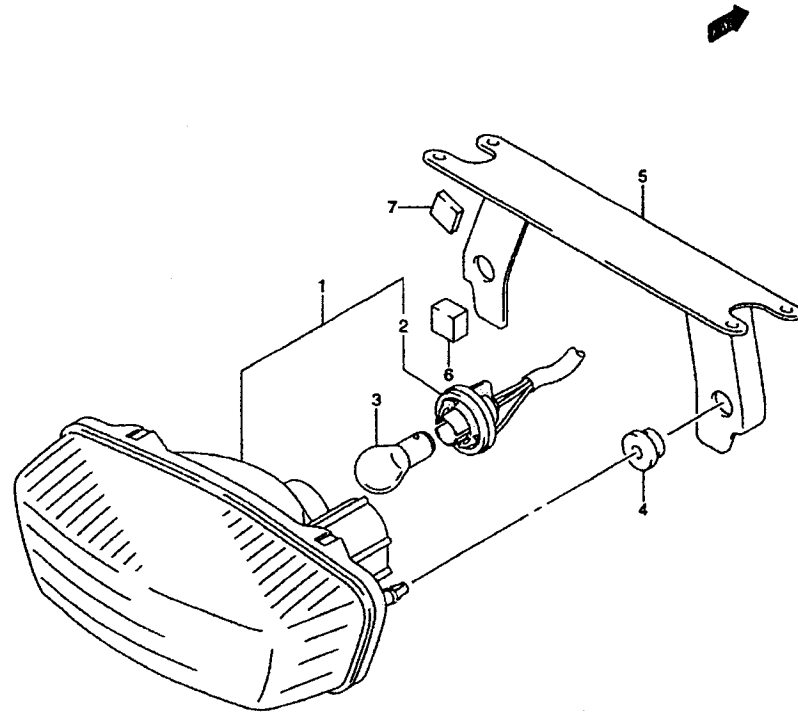
© 2002 American Suzuki Motor Corporation

F 2

AIR CLEANER.....	C-09	CRANKSHAFT.....	B-08	FRONT FENDER.....	G-06	LABEL.....	G-13	RADIATOR.....	D-05	RIGHT REAR WHEEL.....	L-04	WATER PUMP.....	D-04
BATTERY.....	E-10	CYLINDER HEAD COVER	B-03	FRONT MASTER CYLIND	H-09	LEFT REAR WHEEL.....	I-05	REAR BRAKE.....	G-03	SEAT.....	H-02	WIRING HARNESS.....	F-06
CAM CHAIN.....	C-06	CYLINDER HEAD.....	B-04	FRONT WHEEL.....	H-06	MAGNETO.....	E-08	REAR CALIPER.....	I-06	SIDE COVER.....	G-07		
CAM SHAFT - VALVE.....	C-04	CYLINDER.....	B-05	FUEL TANK.....	G-05	MUFFLER.....	C-10	REAR COMBINATION.....	F-03	STARTER CLUTCH.....	C-02		
CARBURETOR.....	C-07	ELECTRICAL.....	E-09	GASKET SET.....	B-02	OIL HOSE.....	D-03	REAR CUSHION LEVER.....	I-03	STARTING MOTOR.....	E-07		
CLUTCH.....	E-02	FOOTREST.....	G-04	GEAR SHIFTING.....	E-05	OIL PUMP.....	D-02	REAR FENDER.....	G-12	STEERING KNUCKLE.....	H-03		
CRANK BALANCER.....	C-03	FRAME.....	G-02	HANDLE LEVER.....	G-10	OPTIONAL.....	I-08	REAR MASTER CYLINDE	I-07	STEERING SHAFT.....	H-04		
CRANKCASE COVER.....	B-07	FRONT BRAKE HOSE.....	H-08	HANDLEBAR.....	G-08	PILOT LAMP.....	F-05	REAR SWINGING ARM.....	I-02	SUSPENSION ARM.....	H-05		
CRANKCASE.....	B-06	FRONT CALIPER.....	H-07	HEADLAMP.....	F-02	RADIATOR HOSE.....	D-06	REVERSE LOCK.....	G-09	TRANSMISSION.....	E-03		

FIG.28

Fig.28 (F-3) REAR COMBINATION (E3)



Ref #	Part Number	Description	Qty	Remarks
1	35710-03G00	LAMP ASSY, REAR COMB	1	
2	35718-03G00	.SOCKET & CORD ASSY	1	
3	09471-12083	.BULB (12V,21/5W)	1	
4	09320-06023	CUSHION	3	
5	35726-07G00	BRACKET, REAR COMB	1	
6	33652-05G20	CUSHION (12X17X17)	2	
7	33652-07G10	CUSHION (6X17X17)	2	

REFER TO FIG.28A(F-4) FOR E28

LT-Z400K3 E03 E28_028
REAR COMBINATION LAMP

32 LT-Z400K3 E3 E28

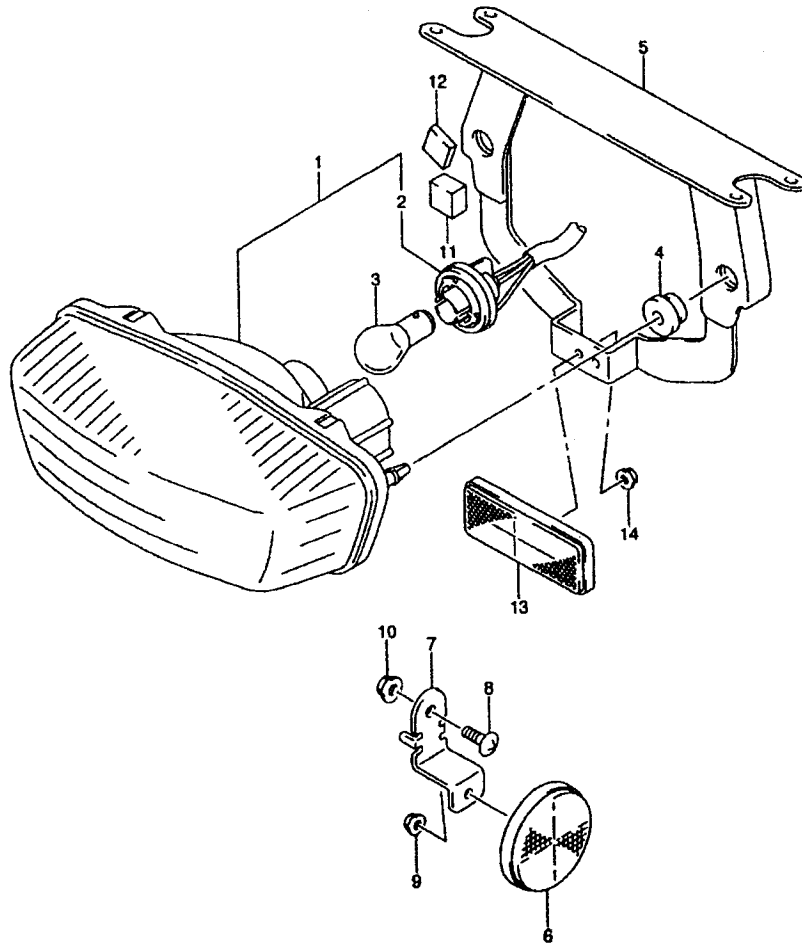
© 2002 American Suzuki Motor Corporation

F3

AIR CLEANER.....	C-09	CRANKSHAFT.....	B-08	FRONT FENDER.....	G-06	LABEL.....	G-13	RADIATOR.....	D-05	RIGHT REAR WHEEL...	I-04	WATER PUMP.....	D-04
BATTERY.....	E-10	CYLINDER HEAD COVER	B-03	FRONT MASTER CYLIND	H-09	LEFT REAR WHEEL...	I-05	REAR BRAKE.....	G-03	SEAT.....	H-02	WIRING HARNESS.....	F-06
CAM CHAIN.....	C-06	CYLINDER HEAD.....	B-04	FRONT WHEEL.....	H-08	MAGNETO.....	E-08	REAR CALIPER.....	I-06	SIDE COVER.....	G-07		
CAM SHAFT - VALVE.	C-04	CYLINDER.....	B-05	FUEL TANK.....	G-05	MUFFLER.....	C-10	REAR COMBINATION..	F-03	STARTER CLUTCH.....	C-02		
CARBURETOR.....	C-07	ELECTRICAL.....	E-09	GASKET SET.....	B-02	OIL HOSE.....	D-03	REAR CUSHION LEVER.	I-03	STARTING MOTOR.....	E-07		
CLUTCH.....	E-02	FOOTREST.....	G-04	GEAR SHIFTING.....	E-05	OIL PUMP.....	D-02	REAR FENDER.....	G-12	STEERING KNUCKLE...	H-03		
CRANK BALANCER...	C-03	FRAME.....	G-02	HANDLE LEVER.....	G-10	OPTIONAL.....	I-08	REAR MASTER CYLINDE	I-07	STEERING SHAFT.....	H-04		
CRANKCASE COVER...	B-07	FRONT BRAKE HOSE...	H-08	HANDLEBAR.....	G-08	PILOT LAMP.....	F-05	REAR SWINGING ARM..	I-02	SUSPENSION ARM.....	H-06		
CRANKCASE.....	B-06	FRONT CALIPER.....	H-07	HEADLAMP.....	F-02	RADIATOR HOSE.....	D-06	REVERSE LOCK.....	G-09	TRANSMISSION.....	E-03		

FIG.28A

Fig.28A (F-4) REAR COMBINATION (E28)



Ref #	Part Number	Description	Qty	Remarks
1	35710-03G00	LAMP ASSY, REAR COMB	1	
2	35718-03G00	.SOCKET & CORD ASSY	1	
3	09471-12083	.BULB (12V,21/5W)	1	
4	09320-06023	CUSHION	2	
5	35726-07G10	BRACKET REAR COMB	1	
6	35970-14A10	REFLECTOR ASSY, REAR SIDE	2	
7	35975-07G00	BRACKET, REAR SIDE RR, RH	2	
8	02142-06163	SCREW, RR SIDE RR BKT	4	
9	08316-10053	NUT, RR SIDE RR	2	
10	08316-10063	NUT, RR SIDE RR BKT	4	
11	33652-05G20	CUSHION (12X17X17)	2	
12	33652-07G10	CUSHION (6X17X17)	2	
13	35970-07F00	REFLECTOR ASSY, REAR	1	
14	08316-10053	NUT	1	

LT-Z400K3 E03 E28_028A
REAR COMBINATION LAMP

33 LT-Z400K3 E3 E28

© 2002 American Suzuki Motor Corporation

F 4

AIR CLEANER.....	C-09	CRANKSHAFT.....	B-08	FRONT FENDER.....	G-06	LABEL.....	G-13	RADIATOR.....	D-05	RIGHT REAR WHEEL.....	I-04	WATER PUMP.....	D-04
BATTERY.....	E-10	CYLINDER HEAD COVER	B-03	FRONT MASTER CYLIND	H-09	LEFT REAR WHEEL.....	I-05	REAR BRAKE.....	G-03	SEAT.....	H-02	WIRING HARNESS.....	F-06
CAM CHAIN.....	C-06	CYLINDER HEAD.....	B-04	FRONT WHEEL.....	H-06	MAGNETO.....	E-08	REAR CALIPER.....	I-06	SIDE COVER.....	G-07		
CAM SHAFT - VALVE.....	C-04	CYLINDER.....	B-05	FUEL TANK.....	G-05	MUFFLER.....	C-10	REAR COMBINATION.....	F-03	STARTER CLUTCH.....	C-02		
CARBURETOR.....	C-07	ELECTRICAL.....	E-09	GASKET SET.....	B-02	OIL HOSE.....	D-03	REAR CUSHION LEVER.....	I-03	STARTING MOTOR.....	E-07		
CLUTCH.....	E-02	FOOTREST.....	G-04	GEAR SHIFTING.....	E-05	OIL PUMP.....	D-02	REAR FENDER.....	G-12	STEERING KNUCKLE.....	H-03		
CRANK BALANCER.....	C-03	FRAME.....	G-02	HANDLE LEVER.....	G-10	OPTIONAL.....	I-08	REAR MASTER CYLINDE	I-07	STEERING SHAFT.....	H-04		
CRANKCASE COVER.....	B-07	FRONT BRAKE HOSE.....	H-08	HANDLEBAR.....	G-08	PILOT LAMP.....	F-05	REAR SWINGING ARM.....	I-02	SUSPENSION ARM.....	H-05		
CRANKCASE.....	B-06	FRONT CALIPER.....	H-07	HEADLAMP.....	F-02	RADIATOR HOSE.....	D-06	REVERSE LOCK.....	G-09	TRANSMISSION.....	E-03		

FIG.29

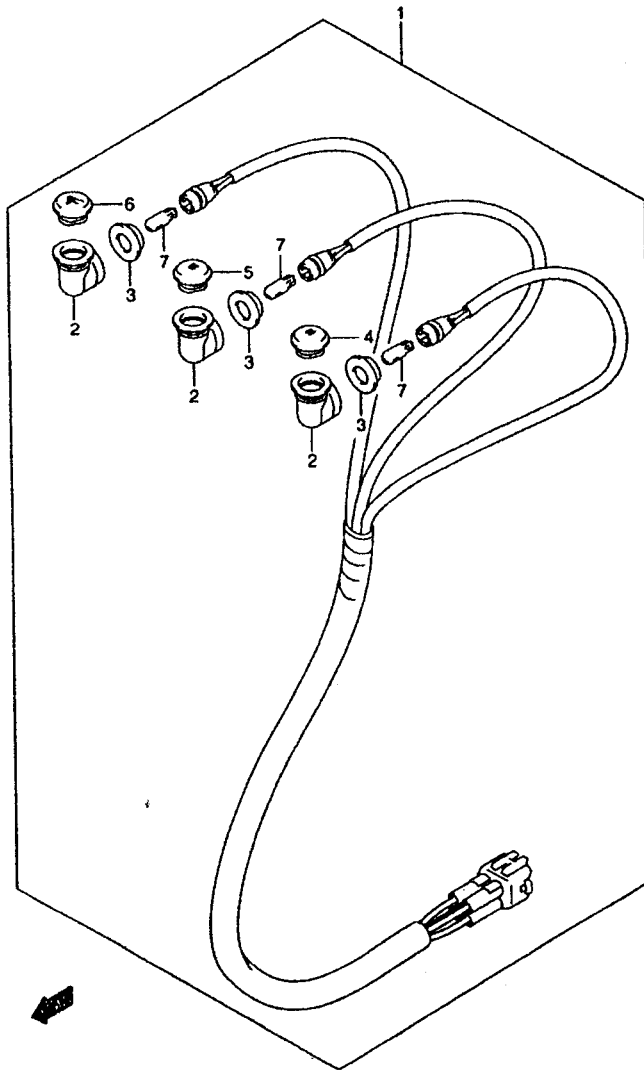


Fig.29 (F-5) PILOT LAMP

Ref #	Part Number	Description	Qty	Remarks
1	36380-07G00	LAMP ASSY, PILOT	1	
2	34173-26F00	.SOCKET	3	
3	34178-26F00	.RING	3	
4	36321-05G00	.LENS, NEUTRAL (GREEN)	1	
5	36329-05G00	.LENS, REVERSE (RED)	1	
6	36361-05G00	.LENS, WATER TEMP (RED)	1	
7	09471-12103	.BULB (14V, 3W, T6.5)	3	

LT-Z400K3 E03 E28_029
PILOT LAMP

34 LT-Z400K3 E3 E28

© 2002 American Suzuki Motor Corporation

F5

AIR CLEANER.....	C-09	CRANKSHAFT.....	B-08	FRONT FENDER.....	G-08	LABEL.....	G-13	RADIATOR.....	D-05	RIGHT REAR WHEEL.....	I-04	WATER PUMP.....	D-04
BATTERY.....	E-10	CYLINDER HEAD COVER.....	B-03	FRONT MASTER CYLIND.....	H-09	LEFT REAR WHEEL.....	I-05	REAR BRAKE.....	G-03	SEAT.....	H-02	WIRING HARNESS.....	F-06
CAM CHAIN.....	C-06	CYLINDER HEAD.....	B-04	FRONT WHEEL.....	H-06	MAGNETO.....	E-08	REAR CALIPER.....	I-06	SIDE COVER.....	G-07		
CAM SHAFT - VALVE.....	C-04	CYLINDER.....	B-05	FUEL TANK.....	G-05	MUFFLER.....	C-10	REAR COMBINATION.....	F-03	STARTER CLUTCH.....	C-02		
CARBURETOR.....	C-07	ELECTRICAL.....	E-09	GASKET SET.....	B-02	OIL HOSE.....	D-03	REAR CUSHION LEVER.....	I-03	STARTING MOTOR.....	E-07		
CLUTCH.....	E-02	FOOTREST.....	G-04	GEAR SHIFTING.....	E-05	OIL PUMP.....	D-02	REAR FENDER.....	G-12	STEERING KNUCKLE.....	H-03		
CRANK BALANCER.....	C-03	FRAME.....	G-02	HANDLE LEVER.....	G-10	OPTIONAL.....	I-06	REAR MASTER CYLINDE.....	I-07	STEERING SHAFT.....	H-04		
CRANKCASE COVER.....	B-07	FRONT BRAKE HOSE.....	H-08	HANDLEBAR.....	G-08	PILOT LAMP.....	F-05	REAR SWINGING ARM.....	I-02	SUSPENSION ARM.....	H-05		
CRANKCASE.....	B-06	FRONT CALIPER.....	H-07	HEADLAMP.....	F-02	RADIATOR HOSE.....	D-06	REVERSE LOCK.....	G-09	TRANSMISSION.....	E-03		

FIG.30

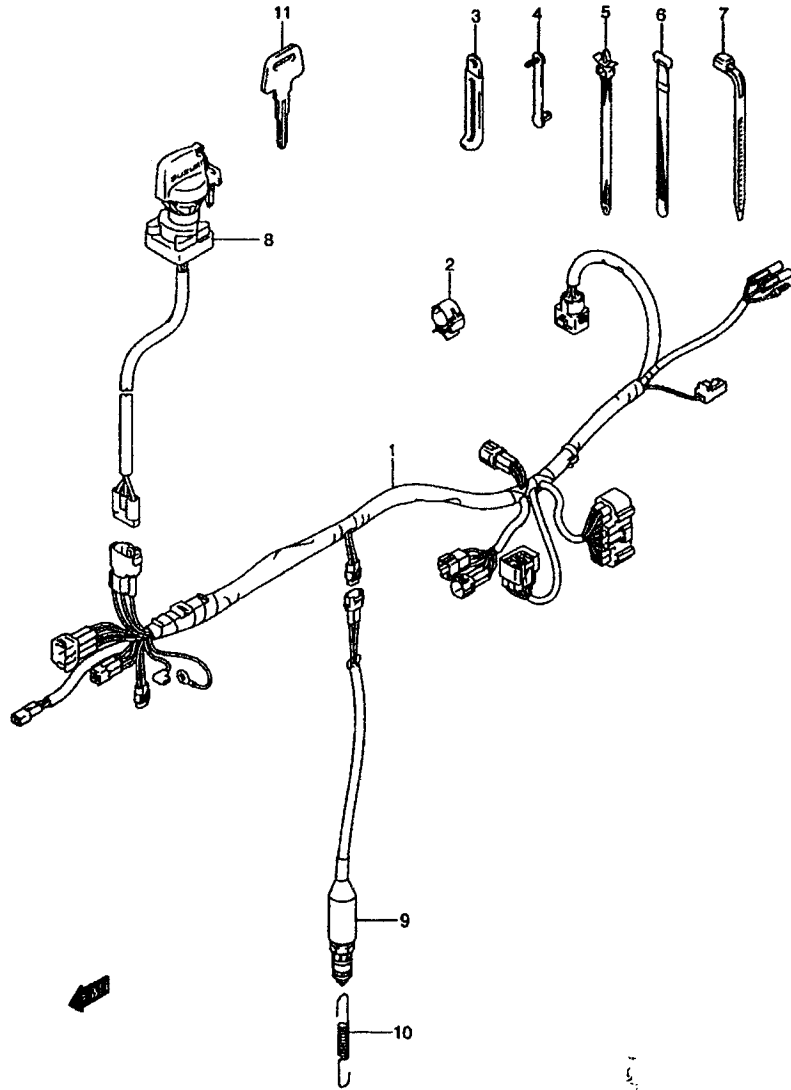


Fig.30 (F-6) WIRING HARNESS

Ref #	Part Number	Description	Qty	Remarks
1	36610-07G00	HARNES, WIRING	1	
2	09403-20403	CLAMP	1	
3	09404-06435	CLAMP (L:135)	1	
4	09407-03401	CLAMP (L:33)	3	
5	09407-11402	CLAMP (L:90)	1	
6	09407-12402	CLAMP (L:120)	2	
7	09407-14403	CLAMP (L:125)	1	
8	37110-07G00	SWITCH ASSY, IGNITION	1	
9	37740-07G00	SWITCH ASSY, STOP LAMP	1	
10	09443-06073	SPRING	1	
11-1	37146-19B00	KEY, BLANK (TYPE:C)	1	OPT
11-2	37146-19B10	KEY, BLANK (TYPE:D)	1	OPT
11-3	37146-19B20	KEY, BLANK (TYPE:E)	1	OPT
11-4	37146-19B30	KEY, BLANK (TYPE:F)	1	OPT

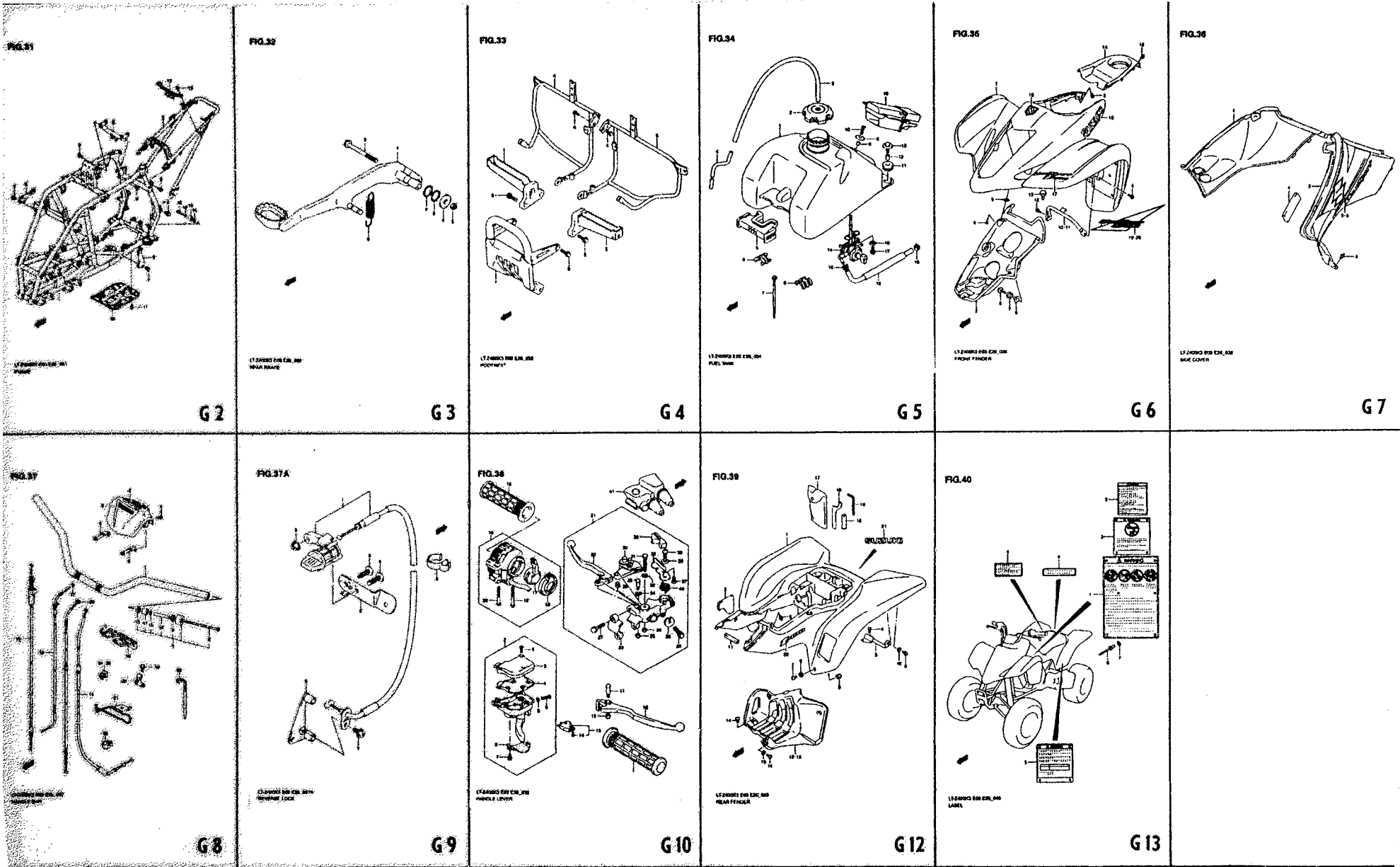
LT-Z400K3 E03 E28_030
WIRING HARNESS

35 LT-Z400K3 E3 E28

© 2002 American Suzuki Motor Corporation

F6

AIR CLEANER.....	C-09	CRANKSHAFT.....	B-08	FRONT FENDER.....	G-08	LABEL.....	G-13	RADIATOR.....	D-05	RIGHT REAR WHEEL.....	I-04	WATER PUMP.....	D-04
BATTERY.....	E-10	CYLINDER HEAD COVER.....	B-03	FRONT MASTER CYLIND.....	H-09	LEFT REAR WHEEL.....	I-05	REAR BRAKE.....	G-03	SEAT.....	H-02	WIRING HARNESS.....	F-06
CAM CHAIN.....	C-08	CYLINDER HEAD.....	B-04	FRONT WHEEL.....	H-08	MAGNETO.....	E-08	REAR CALIPER.....	I-06	SIDE COVER.....	G-07		
CAM SHAFT - VALVE.....	C-04	CYLINDER.....	B-05	FUEL TANK.....	G-05	MUFFLER.....	C-10	REAR COMBINATION.....	F-03	STARTER CLUTCH.....	C-02		
CARBURETOR.....	C-07	ELECTRICAL.....	E-09	GASKET SET.....	B-02	OIL HOSE.....	D-03	REAR CUSHION LEVER.....	I-03	STARTING MOTOR.....	E-07		
CLUTCH.....	E-02	FOOTREST.....	G-04	GEAR SHIFTING.....	E-05	OIL PUMP.....	D-02	REAR FENDER.....	G-12	STEERING KNUCKLE.....	H-03		
CRANK BALANCER.....	C-03	FRAME.....	G-02	HANDLE LEVER.....	G-10	OPTIONAL.....	I-08	REAR MASTER CYLIND.....	I-07	STEERING SHAFT.....	H-04		
CRANKCASE COVER.....	B-07	FRONT BRAKE HOSE.....	H-08	HANDLEBAR.....	G-08	PILOT LAMP.....	F-05	REAR SWINGING ARM.....	I-02	SUSPENSION ARM.....	H-05		
CRANKCASE.....	B-06	FRONT CALIPER.....	H-07	HEADLAMP.....	F-02	RADIATOR HOSE.....	D-06	REVERSE LOCK.....	G-09	TRANSMISSION.....	E-03		

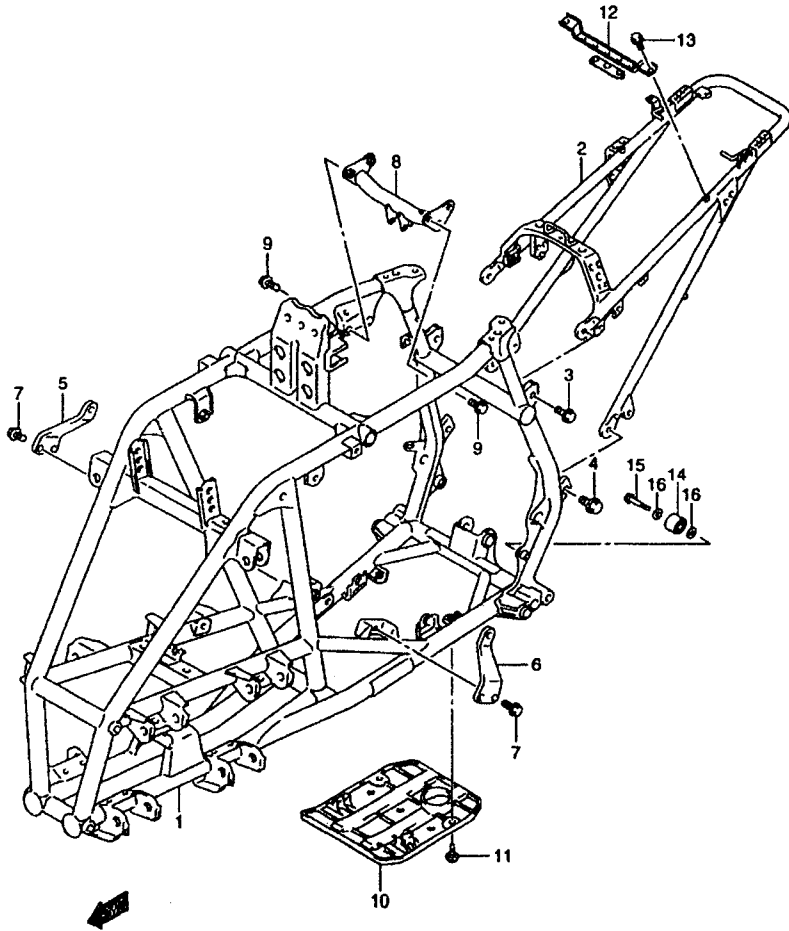


G1

AIR CLEANER.....	C-09	CRANKSHAFT.....	B-08	FRONT FENDER.....	G-08	LABEL.....	G-13	RADIATOR.....	D-05	RIGHT REAR WHEEL.....	I-04	WATER PUMP.....	D-04
BATTERY.....	E-10	CYLINDER HEAD COVER.....	B-03	FRONT MASTER CYLIND.....	H-09	LEFT REAR WHEEL.....	L-05	REAR BRAKE.....	G-03	SEAT.....	H-02	WIRING HARNESS.....	F-08
CAM CHAIN.....	C-06	CYLINDER HEAD.....	B-04	FRONT WHEEL.....	H-06	MAGNETO.....	E-08	REAR CALIPER.....	I-08	SIDE COVER.....	G-07		
CAM SHAFT - VALVE.....	C-04	CYLINDER.....	B-05	FUEL TANK.....	G-05	MUFFLER.....	C-10	REAR COMBINATION.....	F-03	STARTER CLUTCH.....	C-02		
CARBURETOR.....	C-07	ELECTRICAL.....	E-09	GASKET SET.....	B-02	OIL HOSE.....	D-03	REAR CUSHION LEVER.....	I-03	STARTING MOTOR.....	E-07		
CLUTCH.....	E-02	FOOTREST.....	G-04	GEAR SHIFTING.....	E-05	OIL PUMP.....	D-02	REAR FENDER.....	G-12	STEERING KNUCKLE.....	H-03		
CRANK BALANCER.....	C-03	FRAME.....	G-02	HANDLE LEVER.....	G-10	OPTIONAL.....	I-08	REAR MASTER CYLINDE.....	I-07	STEERING SHAFT.....	H-04		
CRANKCASE COVER.....	B-07	FRONT BRAKE HOSE.....	H-08	HANDLEBAR.....	G-08	PILOT LAMP.....	F-05	REAR SWINGING ARM.....	I-02	SUSPENSION ARM.....	H-05		
CRANKCASE.....	B-06	FRONT CALIPER.....	H-07	HEADLAMP.....	F-02	RADIATOR HOSE.....	D-06	REVERSE LOCK.....	G-09	TRANSMISSION.....	E-03		

FIG.31

Fig.31 (G-2) FRAME



Ref #	Part Number	Description	Qty	Remarks
1	41100-07G00-YU8	FRAME (GRAY)	1	
2	41200-07G00-YD8	RAIL, SEAT (SILVER)	1	
3	09103-08266	BOLT, UPPER	2	
4	09103-10293	BOLT, LOWER	2	
5	41911-07G00	PLATE, MOUNT FRONT RH	1	
6	41912-07G00	PLATE, MOUNT FRONT LH	1	
7	01550-08203	BOLT	4	
8	41990-07G00	PLATE, MOUNT UPPER	1	
9	01550-08163	BOLT	2	
10	42511-07G00	PROTECTOR, ENGINE	1	
11	09111-06063	BOLT	2	
12	41560-07G00	PLATE, BATTERY	1	
13	01550-06163	BOLT	2	
14	43910-37F00	ROLLER, CHAIN CONTROL	1	
15	09103-08083	BOLT	1	
16	09181-08111	WASHER	2	

LT-Z400K3 E03 E28_031
FRAME

36 LT-Z400K3 E3 E28

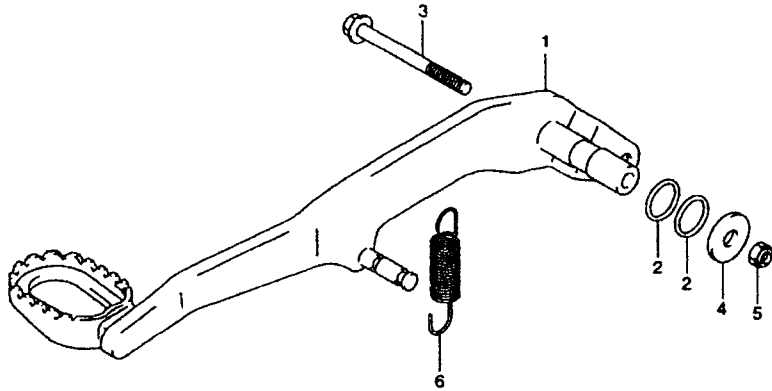
© 2002 American Suzuki Motor Corporation

G 2

AIR CLEANER.....	C-09	CRANKSHAFT.....	B-08	FRONT FENDER.....	G-06	LABEL.....	G-13	RADIATOR.....	D-05	RIGHT REAR WHEEL.....	I-04	WATER PUMP.....	D-04
BATTERY.....	E-10	CYLINDER HEAD COVER	B-03	FRONT MASTER CYLIND	H-09	LEFT REAR WHEEL.....	I-05	REAR BRAKE.....	G-03	SEAT.....	H-02	WIRING HARNESS.....	F-06
CAM CHAIN.....	C-06	CYLINDER HEAD.....	B-04	FRONT WHEEL.....	H-08	MAGNETO.....	E-08	REAR CALIPER.....	I-06	SIDE COVER.....	G-07		
CAM SHAFT - VALVE.....	C-04	CYLINDER.....	B-05	FUEL TANK.....	G-05	MUFFLER.....	C-10	REAR COMBINATION.....	F-03	STARTER CLUTCH.....	C-02		
CARBURETOR.....	C-07	ELECTRICAL.....	E-09	GASKET SET.....	B-02	OIL HOSE.....	D-03	REAR CUSHION LEVER.....	I-03	STARTING MOTOR.....	E-07		
CLUTCH.....	E-02	FOOTREST.....	G-04	GEAR SHIFTING.....	E-05	OIL PUMP.....	D-02	REAR FENDER.....	G-12	STEERING KNUCKLE.....	H-03		
CRANK BALANCER.....	C-03	FRAME.....	G-02	HANDLE LEVER.....	G-10	OPTIONAL.....	I-08	REAR MASTER CYLINDER	I-07	STEERING SHAFT.....	H-04		
CRANKCASE COVER.....	B-07	FRONT BRAKE HOSE.....	H-08	HANDLEBAR.....	G-08	PILOT LAMP.....	F-05	REAR SWINGING ARM.....	I-02	SUSPENSION ARM.....	H-05		
CRANKCASE.....	B-08	FRONT CALIPER.....	H-07	HEADLAMP.....	F-02	RADIATOR HOSE.....	D-06	REVERSE LOCK.....	G-09	TRANSMISSION.....	E-03		

FIG.32

Fig.32 (G-3) REAR BRAKE



Ref #	Part Number	Description	Qty	Remarks
1	43110-07G00	PEDAL, BRAKE	1	
2	09280-14011	O RING	2	
3	01550-06653	BOLT	1	
4	09160-06138	WASHER	1	
5	08319-21063	NUT	1	
6	09443-12019	SPRING, RETURN	1	

LT-Z400K3 E03 E28_032
REAR BRAKE

37 LT-Z400K3 E3 E28

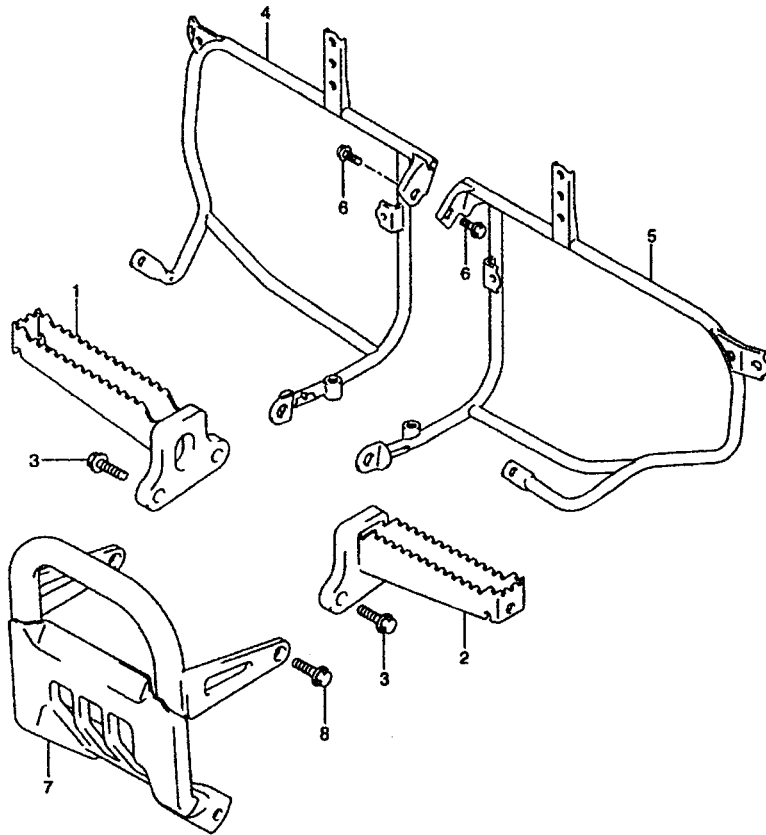
© 2002 American Suzuki Motor Corporation

G 3

AIR CLEANER.....	C-09	CRANKSHAFT.....	B-08	FRONT FENDER.....	G-06	LABEL.....	G-13	RADIATOR.....	D-05	RIGHT REAR WHEEL.....	I-04	WATER PUMP.....	D-04
BATTERY.....	E-10	CYLINDER HEAD COVER	B-03	FRONT MASTER CYLIND	H-09	LEFT REAR WHEEL.....	I-05	REAR BRAKE.....	G-03	SEAT.....	H-02	WIRING HARNESS.....	F-06
CAM CHAIN.....	C-06	CYLINDER HEAD.....	B-04	FRONT WHEEL.....	H-06	MAGNETO.....	E-08	REAR CALIPER.....	I-06	SIDE COVER.....	G-07		
CAM SHAFT - VALVE.....	C-04	CYLINDER.....	B-05	FUEL TANK.....	G-05	MUFFLER.....	C-10	REAR COMBINATION...	F-03	STARTER CLUTCH.....	C-02		
CARBURETOR.....	C-07	ELECTRICAL.....	E-09	GASKET SET.....	B-02	OIL HOSE.....	D-03	REAR CUSHION LEVER.	I-03	STARTING MOTOR.....	E-07		
CLUTCH.....	E-02	FOOTREST.....	G-04	GEAR SHIFTING.....	E-05	OIL PUMP.....	D-02	REAR FENDER.....	G-12	STEERING KNUCKLE.....	H-03		
CRANK BALANCER.....	C-03	FRAME.....	G-02	HANDLE LEVER.....	G-10	OPTIONAL.....	I-08	REAR MASTER CYLINDE	I-07	STEERING SHAFT.....	H-04		
CRANKCASE COVER.....	B-07	FRONT BRAKE HOSE...	H-08	HANDLEBAR.....	G-08	PILOT LAMP.....	F-05	REAR SWINGING ARM..	I-02	SUSPENSION ARM.....	H-05		
CRANKCASE.....	B-06	FRONT CALIPER.....	H-07	HEADLAMP.....	F-02	RADIATOR HOSE.....	D-06	REVERSE LOCK.....	G-09	TRANSMISSION.....	E-03		

FIG.33

Fig.33 (G-4) FOOTREST



Ref #	Part Number	Description	Qty	Remarks
1	43510-07G00	FOOTREST, RH	1	
2	43520-07G00	FOOTREST, LH	1	
3	09103-10275	BOLT	4	
4	43570-07G00	REINFORCE, MUDGUARD RH	1	
5	43580-07G00	REINFORCE, MUDGUARD LH	1	
6	09103-08266	BOLT	2	
7	43990-07G00-YD8	GRIP, FRONT (SILVER)	1	
8	01550-08203	BOLT	4	

LT-Z400K3 E03 E28_033
FOOTREST

38 LT-Z400K3 E3 E28

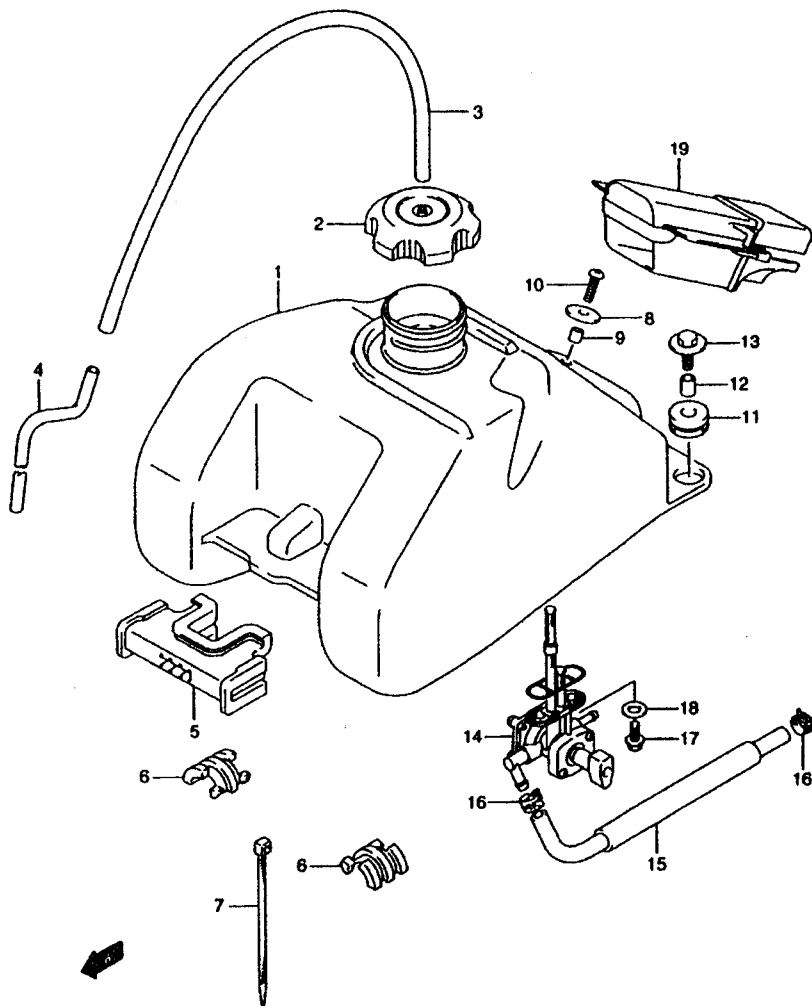
© 2002 American Suzuki Motor Corporation

G 4

AIR CLEANER.....	C-09	CRANKSHAFT.....	B-08	FRONT FENDER.....	G-08	LABEL.....	G-13	RADIATOR.....	D-05	RIGHT REAR WHEEL...	I-04	WATER PUMP.....	D-04
BATTERY.....	E-10	CYLINDER HEAD COVER	B-03	FRONT MASTER CYLIND	H-09	LEFT REAR WHEEL...	I-05	REAR BRAKE.....	G-03	SEAT.....	H-02	WIRING HARNESS.....	F-06
CAM CHAIN.....	C-06	CYLINDER HEAD.....	B-04	FRONT WHEEL.....	H-06	MAGNETO.....	E-08	REAR CALIPER.....	I-06	SIDE COVER.....	G-07		
CAM SHAFT - VALVE...	C-04	CYLINDER.....	B-05	FUEL TANK.....	G-06	MUFFLER.....	C-10	REAR COMBINATION...	F-03	STARTER CLUTCH.....	C-02		
CARBURETOR.....	C-07	ELECTRICAL.....	E-09	GASKET SET.....	B-02	OIL HOSE.....	D-03	REAR CUSHION LEVER...	I-03	STARTING MOTOR.....	E-07		
CLUTCH.....	E-02	FOOTREST.....	G-04	GEAR SHIFTING.....	E-05	OIL PUMP.....	D-02	REAR FENDER.....	G-12	STEERING KNUCKLE...	H-03		
CRANK BALANCER.....	C-03	FRAME.....	G-02	HANDLE LEVER.....	G-10	OPTIONAL.....	I-08	REAR MASTER CYLINDR	I-07	STEERING SHAFT.....	H-04		
CRANKCASE COVER....	B-07	FRONT BRAKE HOSE...	H-08	HANDLEBAR.....	G-08	PILOT LAMP.....	F-05	REAR SWINGING ARM...	I-02	SUSPENSION ARM.....	H-05		
CRANKCASE.....	B-08	FRONT CALIPER.....	H-07	HEADLAMP.....	F-02	RADIATOR HOSE.....	D-08	REVERSE LOCK.....	G-09	TRANSMISSION.....	E-03		

FIG.34

Fig.34 (G-5) FUEL TANK



Ref #	Part Number	Description	Qty	Remarks
1	44100-07G00	TANK ASSY, FUEL	1	
2	44200-29F00	CAP ASSY, FUEL TANK	1	
3	09352-50823-600	HOSE, BREATHER (L:600->290)	1	
4	44425-20E00	HOSE, BREATHER NO.2	1	
5	44511-03G00	CUSHION, FRONT	1	
6	44542-07G00	CUSHION, SIDE	2	
7	09407-14407	CLAMP	2	
8	09160-06136	WASHER, SEAT HOOK	1	
9	09180-06286	SPACER	1	
10	02142-06203	SCREW	1	
11	44281-03G00	CUSHION, REAR	2	
12	09180-06293	SPACER	2	
13	09116-06190	BOLT	2	
14	44300-07G00	COCK ASSY, FUEL	1	
15	44420-07G00	HOSE, FUEL	1	
16	09401-11407	CLIP	2	
17	01547-06163	BOLT	2	
18	09168-06026	GASKET	2	
19	47150-07G00	COVER, CLEANER INLET DUCT	1	

LT-Z400K3 E03 E28_034
FUEL TANK

39 LT-Z400K3 E3 E28

© 2002 American Suzuki Motor Corporation

G5

AIR CLEANER.....	C-09	CRANKSHAFT.....	B-08	FRONT FENDER.....	G-06	LABEL.....	G-13	RADIATOR.....	D-05	RIGHT REAR WHEEL...	I-04	WATER PUMP.....	D-04
BATTERY.....	E-10	CYLINDER HEAD COVER	B-03	FRONT MASTER CYLIND	H-09	LEFT REAR WHEEL...	I-05	REAR BRAKE.....	G-03	SEAT.....	H-02	WIRING HARNESS.....	F-06
CAM CHAIN.....	C-06	CYLINDER HEAD.....	B-04	FRONT WHEEL.....	H-08	MAGNETO.....	E-08	REAR CALIPER.....	I-06	SIDE COVER.....	G-07		
CAM SHAFT - VALVE..	C-04	CYLINDER.....	B-05	FUEL TANK.....	G-05	MUFFLER.....	C-10	REAR COMBINATION..	F-03	STARTER CLUTCH.....	C-02		
CARBURETOR.....	C-07	ELECTRICAL.....	E-09	GASKET SET.....	B-02	OIL PUMP.....	D-03	REAR CUSHION LEVER..	I-03	STARTING MOTOR.....	E-07		
CLUTCH.....	E-02	FOOTREST.....	G-04	GEAR SHIFTING.....	E-05	OIL PUMP.....	D-02	REAR FENDER.....	G-12	STEERING KNUCKLE...	H-03		
CRANK BALANCER.....	C-03	FRAME.....	G-02	HANDLE LEVER.....	G-10	OPTIONAL.....	I-08	REAR MASTER CYLINDR	I-07	STEERING SHAFT.....	H-04		
CRANKCASE COVER...	B-07	FRONT BRAKE HOSE...	H-08	HANDLEBAR.....	G-08	PILLOT LAMP.....	F-05	REAR SWINGING ARM..	I-02	SUSPENSION ARM.....	H-05		
CRANKCASE.....	B-06	FRONT CALIPER.....	H-07	HEADLAMP.....	F-02	RADIATOR HOSE.....	D-06	REVERSE LOCK.....	G-09	TRANSMISSION.....	E-03		

FIG.35

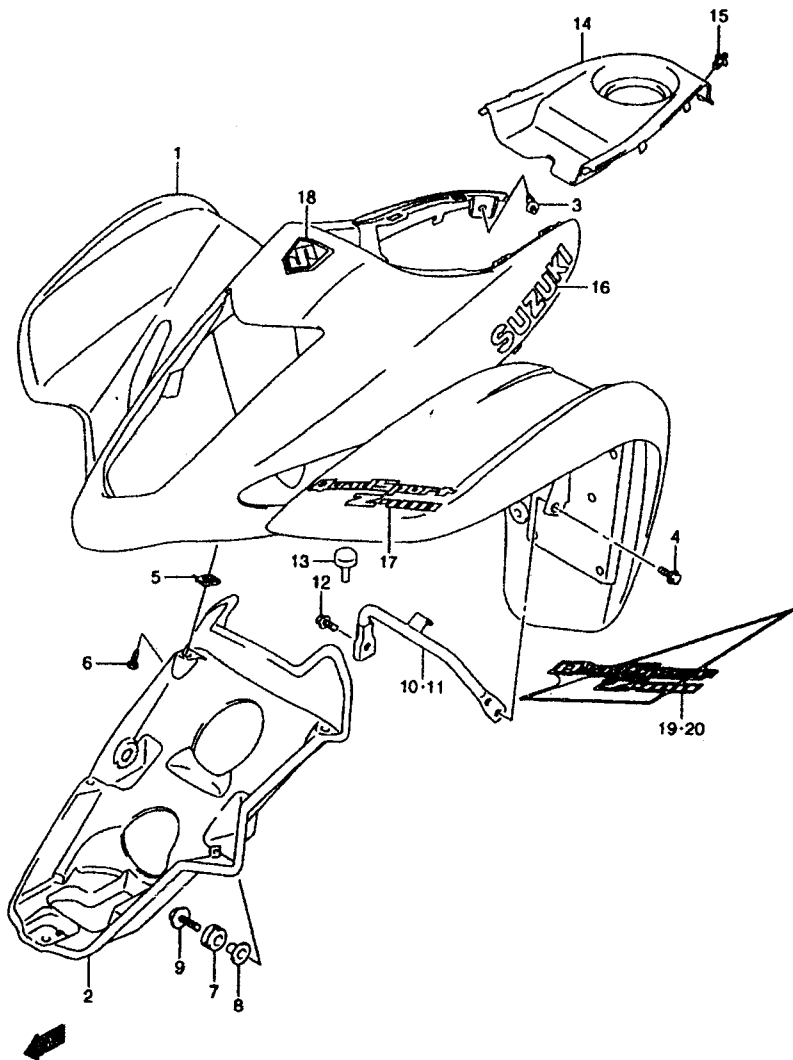


Fig.35 (G-6) FRONT FENDER

Ref #	Part Number	Description	Qty	Remarks
1-1	53111-07G00-YU1	FENDER, FRONT (YELLOW)	1	
1-2	53111-07G00-30H	FENDER, FRONT (WHITE)	1	
2	53118-07G00	FENDER, FRONT LOWER	1	
3	09409-07333	CLIP	4	
4	09111-06063	BOLT	2	
5	09148-05038	NUT	2	
6	03541-05163	SCREW	5	
7	09320-11008	CUSHION	2	
8	09169-06074	SPACER	2	
9	01550-06253	BOLT	2	
10	53210-07G00	BRACKET, RH	1	
11	53220-07G00	BRACKET, LH	1	
12	01550-06123	BOLT	2	
13	09321-06033	CUSHION	2	
14-1	53119-07G00-YU1	FENDER, CENTER (YELLOW)	1	
14-2	53119-07G00-30H	FENDER, CENTER (WHITE)	1	
15	09409-07333	CLIP	2	
16-1	68111-01C20-GY8	EMBLEM, "SUZUKI"	2	FOR YU1
16-2	68111-01C20-8YM	EMBLEM, "SUZUKI"	2	FOR 30H
17	68151-07G00-JV5	EMBLEM, "QUADSPORT"	1	FOR YU1
18	68281-07G00	EMBLEM, "S"	1	
19	68155-07G10-KD8	TAPE, FRONT RH	1	FOR 30H
20	68156-07G10-KD8	TAPE, FRONT LH	1	FOR 30H

LT-Z400K3 E03 E28_035
FRONT FENDER

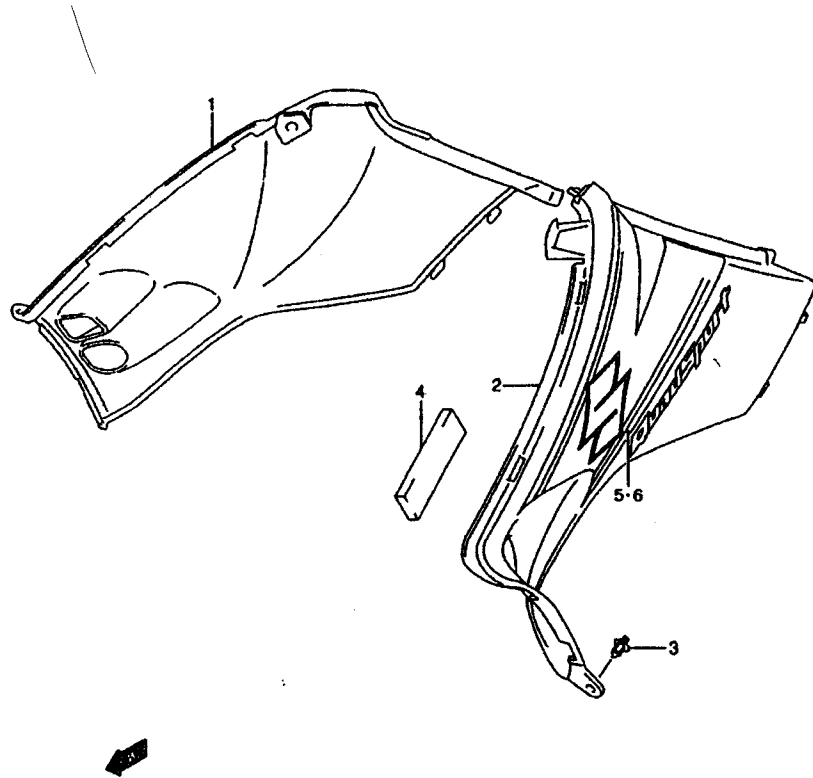
40 LT-Z400K3 E3 E28

© 2002 American Suzuki Motor Corporation

AIR CLEANER.....	C-09	CRANKSHAFT.....	B-08	FRONT FENDER.....	G-08	LABEL.....	G-13	RADIATOR.....	D-05	RIGHT REAR WHEEL.....	I-04	WATER PUMP.....	D-04
BATTERY.....	E-10	CYLINDER HEAD COVER.....	B-03	FRONT MASTER CYLIND.....	H-09	LEFT REAR WHEEL.....	I-05	REAR BRAKE.....	G-03	SEAT.....	H-02	WRING HARNESS.....	F-08
CAM CHAIN.....	C-06	CYLINDER HEAD.....	B-04	FRONT WHEEL.....	H-08	MAGNETO.....	E-08	REAR CALIPER.....	I-08	SIDE COVER.....	G-07		
CAM SHAFT - VALVE.....	C-04	CYLINDER.....	B-05	FUEL TANK.....	G-05	MUFFLER.....	C-10	REAR COMBINATION.....	F-03	STARTER CLUTCH.....	C-02		
CARBURETOR.....	C-07	ELECTRICAL.....	E-09	GASKET SET.....	B-02	OIL HOSE.....	D-03	REAR CUSHION LEVER.....	I-03	STARTING MOTOR.....	E-07		
CLUTCH.....	E-02	FOOTREST.....	G-04	GEAR SHIFTING.....	E-05	OIL PUMP.....	D-02	REAR FENDER.....	G-12	STEERING KNUCKLE.....	H-03		
CRANK BALANCER.....	C-03	FRAME.....	G-02	HANDLE LEVER.....	G-10	OPTIONAL.....	I-08	REAR MASTER CYLINDE.....	I-07	STEERING SHAFT.....	H-04		
CRANKCASE COVER.....	B-07	FRONT BRAKE HOSE.....	H-08	HANDLEBAR.....	G-08	PILOT LAMP.....	F-05	REAR SWINGING ARM.....	I-02	SUSPENSION ARM.....	H-05		
CRANKCASE.....	B-06	FRONT CALIPER.....	H-07	HEADLAMP.....	F-02	RADIATOR HOSE.....	D-06	REVERSE LOCK.....	G-09	TRANSMISSION.....	E-03		

FIG.36

Fig.36 (G-7) SIDE COVER



Ref #	Part Number	Description	Qty	Remarks
1-1	53112-07G00-YU1	COVER, SIDE RH (YELLOW)	1	
1-2	53112-07G00-019	COVER, SIDE RH (BLACK)	1	
2-1	53122-07G00-YU1	COVER, SIDE LH (YELLOW)	1	
2-2	53122-07G00-019	COVER, SIDE LH (BLACK)	1	
3	09409-07333	CLIP	2	
4	53145-07G00	CUSHION	6	
5-1	68155-07G00-GY7	TAPE, SIDE RH	1	FOR YU1
5-2	68155-07G00-KC9	TAPE, SIDE RH	1	FOR 30H
6-1	68156-07G00-GY7	TAPE, SIDE LH	1	FOR YU1
6-2	68156-07G00-KC9	TAPE, SIDE LH	1	FOR 30H

LT-Z400K3 E03 E28_036
SIDE COVER

41 LT-Z400K3 E3 E28

© 2002 American Suzuki Motor Corporation

G7

AIR CLEANER.....	C-09	CRANKSHAFT.....	B-06	FRONT FENDER.....	G-06	LABEL.....	G-13	RADIATOR.....	D-05	RIGHT REAR WHEEL.....	I-04	WATER PUMP.....	D-04
BATTERY.....	E-10	CYLINDER HEAD COVER	B-03	FRONT MASTER CYLIND	H-09	LEFT REAR WHEEL.....	I-05	REAR BRAKE.....	G-03	SEAT.....	H-02	WIRING HARNESS.....	F-06
CAM CHAIN.....	C-06	CYLINDER HEAD.....	B-04	FRONT WHEEL.....	H-06	MAGNETO.....	E-06	REAR CALIPER.....	I-06	SIDE COVER.....	G-07		
CAM SHAFT - VALVE..	C-04	CYLINDER.....	B-05	FUEL TANK.....	G-05	MUFFLER.....	C-10	REAR COMBINATION..	F-03	STARTER CLUTCH.....	C-02		
CARBURETOR.....	C-07	ELECTRICAL.....	E-09	GASKET SET.....	B-02	OIL HOSE.....	D-03	REAR CUSHION LEVER.	I-03	STARTING MOTOR.....	E-07		
CLUTCH.....	E-02	FOOTREST.....	G-04	GEAR SHIFTING.....	E-05	OIL PUMP.....	D-02	REAR FENDER.....	G-12	STEERING KNUCKLE..	H-03		
CRANK BALANCER.....	C-03	FRAME.....	G-02	HANDLE LEVER.....	G-10	OPTIONAL.....	I-08	REAR MASTER CYLINDE	I-07	STEERING SHAFT.....	H-04		
CRANKCASE COVER....	B-07	FRONT BRAKE HOSE..	H-08	HANDLEBAR.....	G-08	PILOT LAMP.....	F-05	REAR SWINGING ARM..	I-02	SUSPENSION ARM.....	H-05		
CRANKCASE.....	B-06	FRONT CALIPER.....	H-07	HEADLAMP.....	F-02	RADIATOR HOSE.....	D-06	REVERSE LOCK.....	G-09	TRANSMISSION.....	E-03		

FIG.37

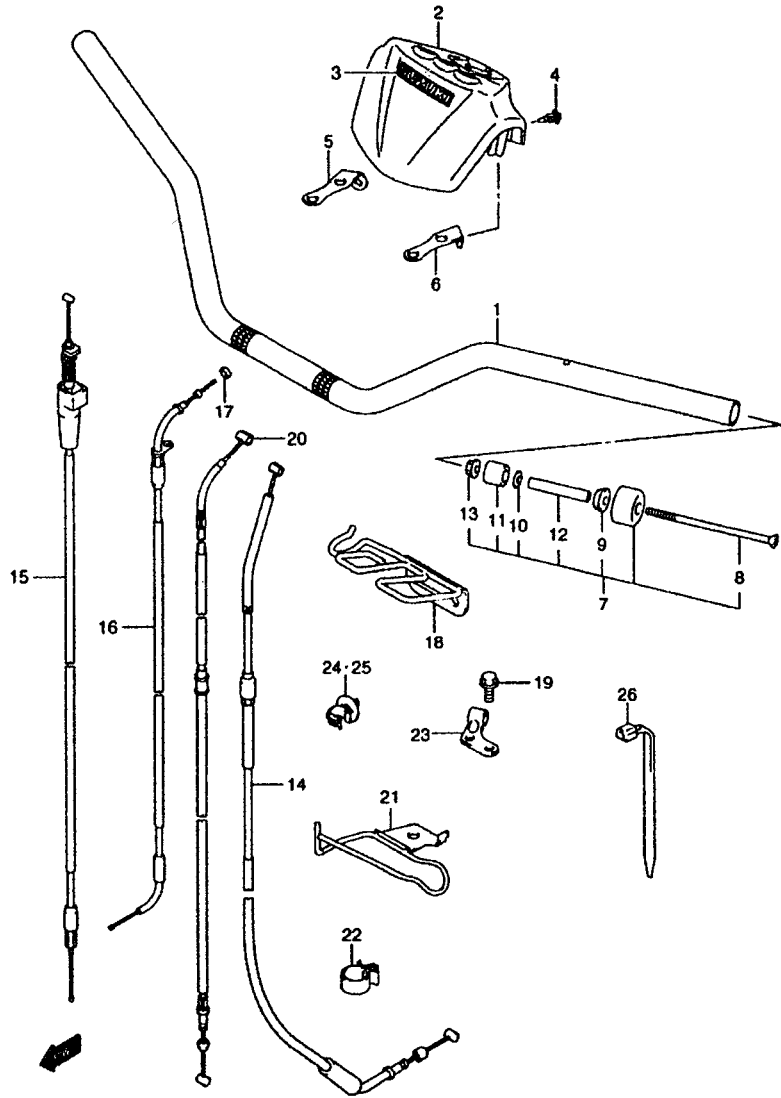


Fig.37 (G-8) HANDLEBAR

Ref #	Part Number	Description	Qty	Remarks
1	56111-07G00	HANDLEBAR	1	
2-1	56171-07G00-GY8	COVER, STEERING HEAD	1	FOR YU1
2-2	56171-07G00-60K	COVER, STEERING HEAD	1	FOR 019
3-1	68721-05D00-GY8	EMBLEM	1	FOR YU1
3-2	68721-05D00-8YM	EMBLEM	1	FOR 019
4	09409-06314-5PK	CLIP (BLACK)	2	
5	56411-07G00	BRACKET, RH	1	
6	56421-07G00	BRACKET, LH	1	
7	56200-07850	BALANCER SET, HANDLEBAR	2	
8	09127-06018	.SCREW	2	
9	56272-23F00	.EXPANDER	2	
10	09160-06126	.WASHER	2	
11	56272-42F00	.EXPANDER	2	
12	56276-17D00	.SPACER	2	
13	09159-06024	.NUT	2	
14	58200-07G00	CABLE, CLUTCH	1	
15	58300-07G00	CABLE ASSY, THROTTLE	1	
16	58410-07G00	CABLE, STARTER	1	
17	09320-06503	WASHER	1	
18	58620-07G00	GUIDE, CABLE	1	
19	09103-06092	BOLT	2	
20	58810-07G00	CABLE, PARKING BRAKE	1	
21	58630-07G00	GUIDE, PARKING CABLE	1	
22	09403-14304	CLAMP	1	
23	58634-29F00	STOPPER, CABLE	1	
24	09403-07325	CLAMP	1	
25	09403-07327	CLAMP	1	
26	09407-14403	CLAMP, CABLE	3	

LT-Z400K3 E03 E28_037
HANDLE BAR

42 LT-Z400K3 E3 E28

© 2002 American Suzuki Motor Corporation

G8

AIR CLEANER.....	C-09	CRANKSHAFT.....	B-08	FRONT FENDER.....	G-06	LABEL.....	G-13	RADIATOR.....	D-05	RIGHT REAR WHEEL.....	I-04	WATER PUMP.....	D-04
BATTERY.....	E-10	CYLINDER HEAD COVER.....	B-03	FRONT MASTER CYLIND.....	H-09	LEFT REAR WHEEL.....	I-05	REAR BRAKE.....	G-03	SEAT.....	H-02	WIRING HARNESS.....	F-06
CAM CHAIN.....	C-06	CYLINDER HEAD.....	B-04	FRONT WHEEL.....	H-06	MAGNETO.....	E-08	REAR CALIPER.....	I-06	SIDE COVER.....	G-07		
CAM SHAFT - VALVE.....	C-04	CYLINDER.....	B-05	FUEL TANK.....	G-05	MUFFLER.....	C-10	REAR COMBINATION.....	F-03	STARTER CLUTCH.....	C-02		
CARBURETOR.....	C-07	ELECTRICAL.....	E-09	GASKET SET.....	B-02	OIL HOSE.....	D-03	REAR CUSHION LEVER.....	I-03	STARTING MOTOR.....	E-07		
CLUTCH.....	E-02	FOOTREST.....	G-04	GEAR SHIFTING.....	E-05	OIL PUMP.....	D-02	REAR FENDER.....	G-12	STEERING KNUCKLE.....	H-03		
CRANK BALANCER.....	C-03	FRAME.....	G-02	HANDLE LEVER.....	G-10	OPTIONAL.....	I-08	REAR MASTER CYLINDE.....	I-07	STEERING SHAFT.....	H-04		
CRANKCASE COVER.....	B-07	FRONT BRAKE HOSE.....	H-08	HANDLEBAR.....	G-08	PILOT LAMP.....	F-05	REAR SWINGING ARM.....	I-02	SUSPENSION ARM.....	H-05		
CRANKCASE.....	B-06	FRONT CALIPER.....	H-07	HEADLAMP.....	F-02	RADIATOR HOSE.....	D-06	REVERSE LOCK.....	G-09	TRANSMISSION.....	E-03		

FIG.37A

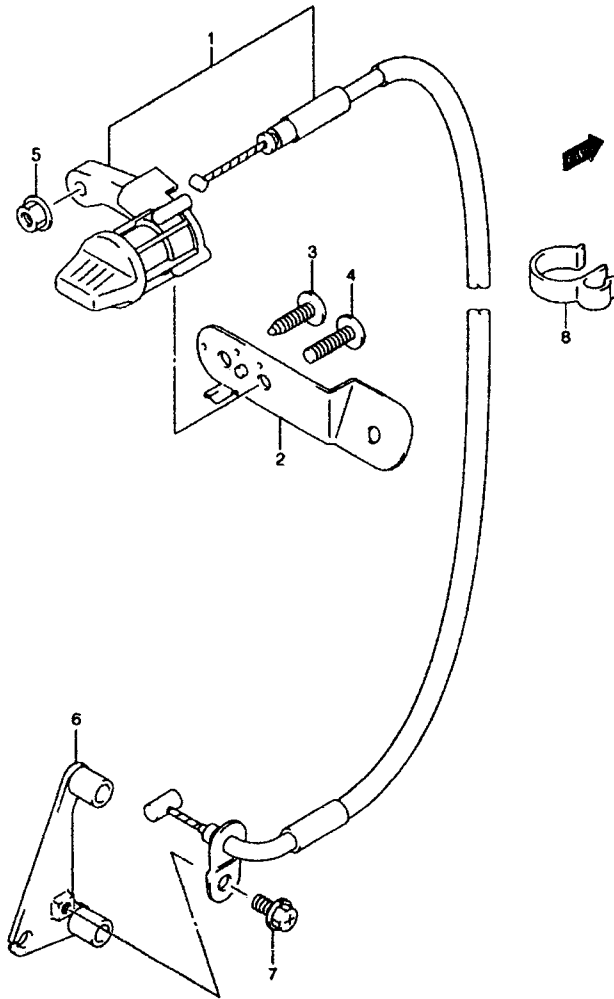


Fig.37A (G-9) REVERSE LOCK

Ref #	Part Number	Description	Qty	Remarks
1	57900-07850	KNOB SET, REVERSE LOCK	1	
2	57940-07G00	BRACKET, KNOB	1	
3	03541-05203	SCREW	2	
4	02142-05203	SCREW	1	
5	08316-10053	NUT	1	
6	58850-07G00	BRACKET, REVERSE CABLE	1	
7	02162-05103	BOLT	1	
8	09408-00044	CLIP	2	

LT-Z400K3 E03 E28_037A
REVERSE LOCK

43 LT-Z400K3 E3 E28

© 2002 American Suzuki Motor Corporation

AIR CLEANER.....	C-09	CRANKSHAFT.....	B-08	FRONT FENDER.....	G-08	LABEL.....	G-13	RADIATOR.....	D-05	RIGHT REAR WHEEL.....	I-04	WATER PUMP.....	D-04
BATTERY.....	E-10	CYLINDER HEAD COVER.....	B-03	FRONT MASTER CYLIND.....	H-09	LEFT REAR WHEEL.....	I-05	REAR BRAKE.....	G-03	SEAT.....	H-02	WIRING HARNESS.....	F-06
CAM CHAIN.....	C-06	CYLINDER HEAD.....	B-04	FRONT WHEEL.....	H-08	MAGNETO.....	E-08	REAR CALIPER.....	I-06	SIDE COVER.....	G-07		
CAM SHAFT - VALVE.....	C-04	CYLINDER.....	B-05	FUEL TANK.....	G-05	MUFFLER.....	C-10	REAR COMBINATION.....	F-03	STARTER CLUTCH.....	C-02		
CARBURETOR.....	C-07	ELECTRICAL.....	E-09	GASKET SET.....	B-02	OIL HOSE.....	D-03	REAR CUSHION LEVER.....	I-03	STARTING MOTOR.....	E-07		
CLUTCH.....	E-02	FOOTREST.....	G-04	GEAR SHIFTING.....	E-05	OIL PUMP.....	D-02	REAR FENDER.....	G-12	STEERING KNUCKLE.....	H-03		
CRANK BALANCER.....	C-03	FRAME.....	G-02	HANDLE LEVER.....	G-10	OPTIONAL.....	I-06	REAR MASTER CYLINDE.....	I-07	STEERING SHAFT.....	H-04		
CRANKCASE COVER.....	B-07	FRONT BRAKE HOSE.....	H-08	HANDLEBAR.....	G-08	PILOT LAMP.....	F-05	REAR SWINGING ARM.....	I-02	SUSPENSION ARM.....	H-05		
CRANKCASE.....	B-06	FRONT CALIPER.....	H-07	HEADLAMP.....	F-02	RADIATOR HOSE.....	D-06	REVERSE LOCK.....	G-09	TRANSMISSION.....	E-03		

FIG.38

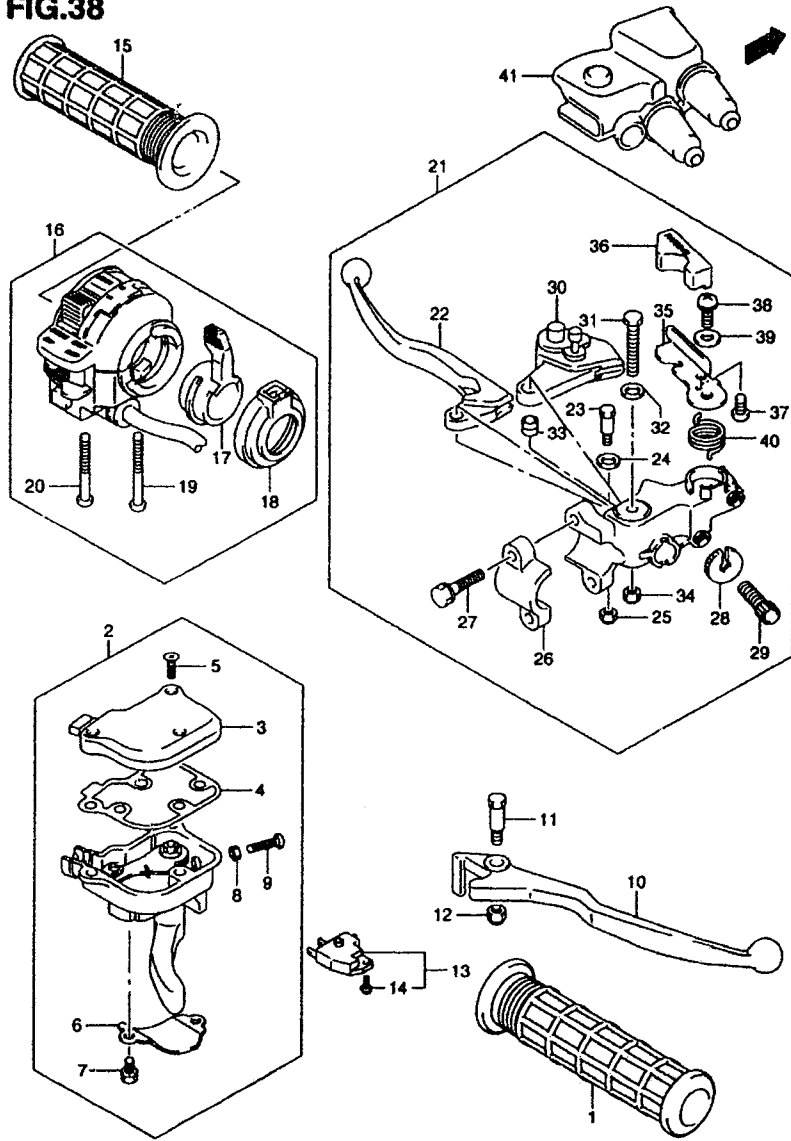


Fig.38 (G-10) HANDLE LEVER

Ref #	Part Number	Description	Qty	Remarks
1	57211-22A01-291	GRIP (BLACK)	1	
2	57100-07G00	CASE ASSY, THROTTLE	1	
3	57121-07G00	.CAP	1	
4	57157-07G00	.GASKET	1	
5	57128-07G00	.SCREW	3	
6	57126-07G00	.HOLDER	1	
7	57127-07G00	.BOLT	2	
8	08310-00053	.NUT	1	
9	02112-05203	.SCREW	1	
10	57421-39D20	LEVER, FRONT BRAKE	1	
11	57431-04F00	BOLT, PIVOT	1	
12	57433-09F00	NUT	1	
13	57460-17C00	SWITCH ASSY, STOP	1	
14	57465-17C00	.SCREW	1	
15	57211-22A01-291	GRIP (BLACK)	1	
16	37400-07G00	SWITCH ASSY, HANDLE LH	1	
17	37571-19B01	.LEVER, CHOKE	1	
18	37576-19B01	.COVER, CHOKE	1	
19	02112-05457	.SCREW	1	
20	02112-05407	.SCREW	1	
21	57500-07G00	HOLDER ASSY, LEVER	1	
22	57621-07G00	.LEVER	1	
23	57513-07G00	.BOLT, PIVOT	1	
24	57432-07G00	.WASHER	1	
25	08319-21063	.NUT	1	
26	57512-07G00	.HOLDER	1	
27	01547-06203	.BOLT	2	
28	57442-07G00	.NUT, ADJUSTER	2	
29	57441-45C00	.BOLT, ADJUSTER	2	
30	57800-07850	.LOCK SET, PARKING LOCK	1	
31	57431-07G00	.BOLT, PARKING LOCK	1	
32	57433-07G00	.WASHER	1	
33	57623-07G00	.SPACER	1	
34	08319-21063	.NUT	1	

LT-Z400K3 E03 E28_038
HANDLE LEVER

44 LT-Z400K3 E3 E28

© 2002 American Suzuki Motor Corporation

G 10

AIR CLEANER.....	C-09	CRANKSHAFT.....	B-08	FRONT FENDER.....	G-06	LABEL.....	G-13	RADIATOR.....	D-05	RIGHT REAR WHEEL.....	I-04	WATER PUMP.....	D-04
BATTERY.....	E-10	CYLINDER HEAD COVER.....	B-03	FRONT MASTER CYLIND.....	H-09	LEFT REAR WHEEL.....	I-05	REAR BRAKE.....	G-03	SEAT.....	H-02	WIRING HARNESS.....	F-06
CAM CHAIN.....	C-06	CYLINDER HEAD.....	B-04	FRONT WHEEL.....	H-06	MAGNETO.....	E-08	REAR CALIPER.....	I-06	SIDE COVER.....	G-07		
CAM SHAFT - VALVE.....	C-04	CYLINDER.....	B-05	FUEL TANK.....	G-05	MUFFLER.....	C-10	REAR COMBINATION.....	F-03	STARTER CLUTCH.....	C-02		
CARBURETOR.....	C-07	ELECTRICAL.....	E-09	GASKET SET.....	B-02	OIL HOSE.....	D-03	REAR CUSHION LEVER.....	I-03	STARTING MOTOR.....	E-07		
CLUTCH.....	E-02	FOOTREST.....	G-04	GEAR SHIFTING.....	E-05	OIL PUMP.....	D-02	REAR FENDER.....	G-12	STEERING KNUCKLE.....	H-03		
CRANK BALANCER.....	C-03	FRAME.....	G-02	HANDLE LEVER.....	G-10	OPTIONAL.....	I-06	REAR MASTER CYLIND.....	I-07	STEERING SHAFT.....	H-04		
CRANKCASE COVER.....	B-07	FRONT BRAKE HOSE.....	H-08	HANDLEBAR.....	G-08	PILOT LAMP.....	F-05	REAR SWINGING ARM.....	I-02	SUSPENSION ARM.....	H-05		
CRANKCASE.....	B-06	FRONT CALIPER.....	H-07	HEADLAMP.....	F-02	RADIATOR HOSE.....	D-06	REVERSE LOCK.....	G-09	TRANSMISSION.....	E-03		

FIG.38

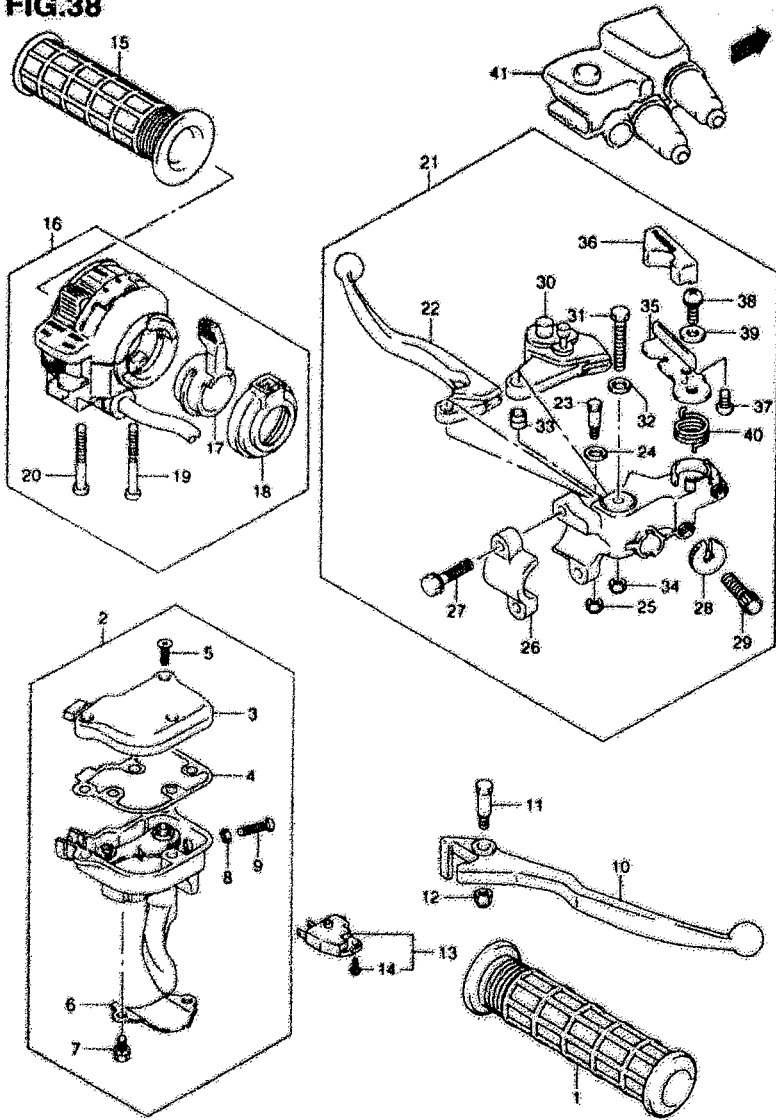


Fig.38 (G-11) HANDLE LEVER

Ref #	Part Number	Description	Qty	Remarks
35	57729-07G00	.PLATE, PARKING KNOB	1	
36	57733-07G00	.KNOB, PARKING	1	
37	57731-07G00	.SCREW, KNOB	1	
38	57619-07G00	.SCREW, PARKING PLATE	1	
39	57618-07G00	.WASHER	1	
40	57624-07G00	.SPRING, RETURN	1	
41	57541-07G00	COVER, LEVER	1	

LT-Z400K3 E03 E28_038
HANDLE LEVER

45 LT-Z400K3 E3 E28

© 2002 American Suzuki Motor Corporation

G11

AIR CLEANER	C-09	CRANKSHAFT	B-06	FRONT FENDER	G-08	LABEL	G-13	RADIATOR	D-05	RIGHT REAR WHEEL	H-04	WATER PUMP	D-04
BATTERY	E-10	CYLINDER HEAD COVER	B-03	FRONT MASTER CYLINDER	H-09	LEFT REAR WHEEL	F-05	REAR BRAKE	G-03	SEAT	H-02	WIRING HARNESS	F-08
CAM CHAIN	C-05	CYLINDER HEAD	B-04	FRONT WHEEL	H-06	MAGNETO	E-04	REAR CALIPER	I-06	SIDE COVER	G-07		
CAM SHAFT - VALVE	C-04	CYLINDER	B-05	FUEL TANK	G-05	MUFFLER	C-10	REAR COMBINATION	F-03	STARTER CLUTCH	C-02		
CARBURETOR	G-07	ELECTRICAL	E-09	GASKET SET	B-02	OIL HOSE	D-03	REAR CUSHION LEVER	I-03	STARTING MOTOR	E-07		
CLUTCH	E-02	FOOTREST	G-04	GEAR SHIFTING	E-05	OIL PUMP	D-02	REAR FENDER	G-12	STEERING KNUCKLE	H-03		
CRANK BALANCER	C-03	FRAME	G-02	HANDLE LEVER	G-10	OPTIONAL	I-08	REAR MASTER CYLINDER	I-07	STEERING SHAFT	H-04		
CRANKCASE COVER	B-07	FRONT BRAKE HOSE	H-08	HANDLEBAR	G-06	PILOT LAMP	F-05	REAR SWINGING ARM	I-02	SUSPENSION ARM	H-05		
CRANKCASE	B-06	FRONT CALIPER	H-07	HEADLAMP	F-02	RADIATOR HOSE	D-06	REVERSE LOCK	G-09	TRANSMISSION	E-03		

FIG.39

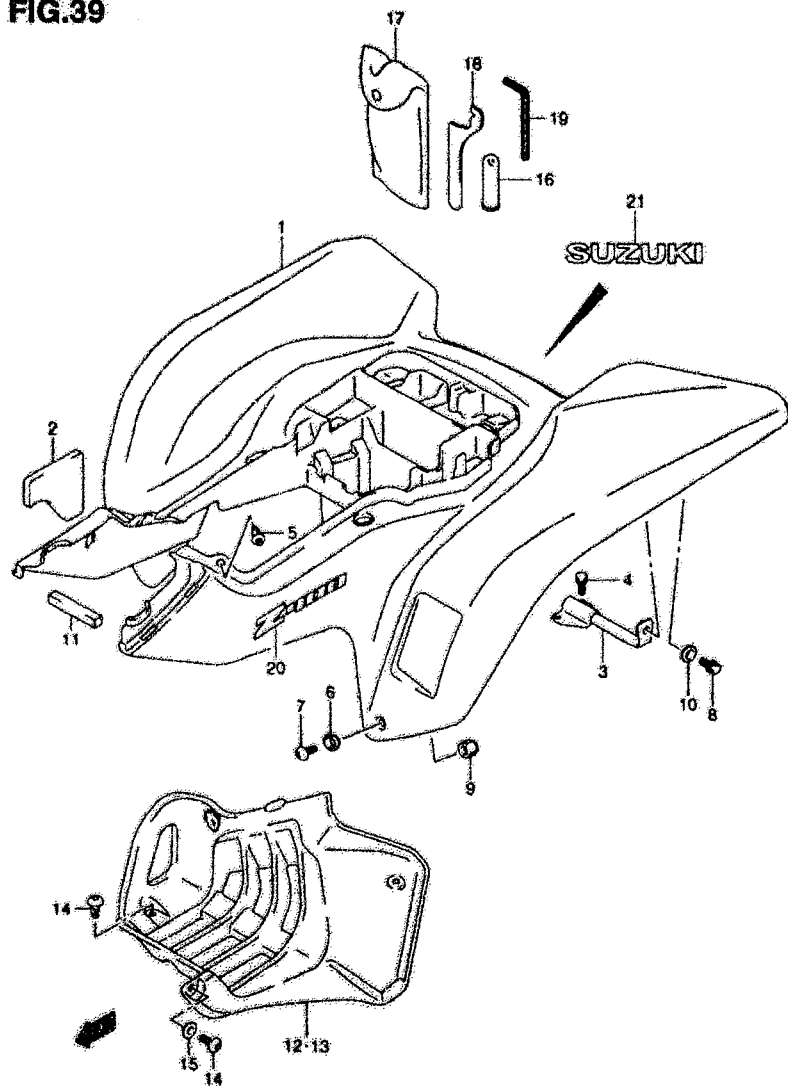


Fig.39 (G-12) REAR FENDER

Ref #	Part Number	Description	Qty	Remarks
1-1	63111-07G00-YU1	FENDER, REAR (YELLOW)	1	
1-2	63111-07G00-30H	FENDER, REAR (WHITE)	1	
2	63261-07G00	SHIELD	1	
3	63140-07G00	BRACKET	2	
4	01570-06163	BOLT	4	
5	09409-07333	CLIP	2	
6	09169-06045	WASHER, FRONT	2	
7	09139-06109	BOLT	2	
8	01580-06163	BOLT, REAR	2	
9	08319-21063	NUT	2	
10	09169-06045	WASHER REAR	4	
11	63129-07G00	CUSHION	1	
12	63331-07G00-29I	MUDGUARD, FOOTREST RH (BLACK)	1	
13	63341-07G00-29I	MUDGUARD, FOOTREST LH (BLACK)	1	
14	09139-06109	BOLT	8	
15	09169-06071	WASHER	8	
16	96200-18A02	GAUGE, AIR	1	
17	09800-21046	TOOL ASSY	1	
18	09822-00004	CLAMP, WRENCH	1	
19	09816-00103	HEXAGON SPANNER, 4	1	
20-1	68171-07G00-JV6	EMBLEM, "Z400"	2	FOR YU1
20-2	68171-07G00-KD1	EMBLEM, "Z400"	2	FOR 30H
21-1	68111-19B30-GY8	EMBLEM, "SUZUKI"	1	FOR YU1
21-2	68111-19B30-8YM	EMBLEM, "SUZUKI"	1	FOR 30H

LT-Z400K3 E03 E28_039
REAR FENDER

46 LT-Z400K3 E3 E28

© 2002 American Suzuki Motor Corporation

G12

AIR CLEANER	C-09	CRANKSHAFT	B-08	FRONT FENDER	G-06	LABEL	G-11	RADIATOR	D-05	RIGHT REAR WHEEL	I-04	WATER PUMP	D-04
BATTERY	E-10	CYLINDER HEAD COVER	B-03	FRONT MASTER CYLIND	H-09	LEFT REAR WHEEL	I-05	REAR BRAKE	G-03	SEAT	H-02	WIRING HARNESS	F-06
CAM CHAIN	C-06	CYLINDER HEAD	B-04	FRONT WHEEL	H-05	MAGNETO	E-08	REAR CALIPER	I-06	SIDE COVER	G-07		
CAM SHAFT-VALVE	C-04	CYLINDER	B-05	FUEL TANK	G-05	MUFFLER	C-10	REAR COMBINATION	F-03	STARTER CLUTCH	C-02		
CARBURETOR	C-07	ELECTRICAL	E-09	GASKET SET	B-02	OIL HOSE	D-03	REAR CUSHION LEVER	I-03	STARTING MOTOR	E-07		
CLUTCH	E-02	FOOTREST	G-04	GEAR SHIFTING	E-05	OIL PUMP	D-02	REAR FENDER	G-12	STEERING KNUCKLE	H-03		
CRANK BALANCER	C-03	FRAME	G-02	HANDLE LEVER	G-10	OPTIONAL	I-08	REAR MASTER CYLINDR	D-07	STEERING SHAFT	H-04		
CRANKCASE COVER	B-07	FRONT BRAKE HOSE	H-08	HANDLEBAR	G-08	PILOT LAMP	F-05	REAR SWNGING ARM	I-02	SUSPENSION ARM	H-05		
CRANKCASE	B-06	FRONT CALIPER	H-07	HEADLAMP	F-02	RADIATOR HOSE	D-08	REVERSE LOCK	G-09	TRANSMISSION	E-03		

FIG.40

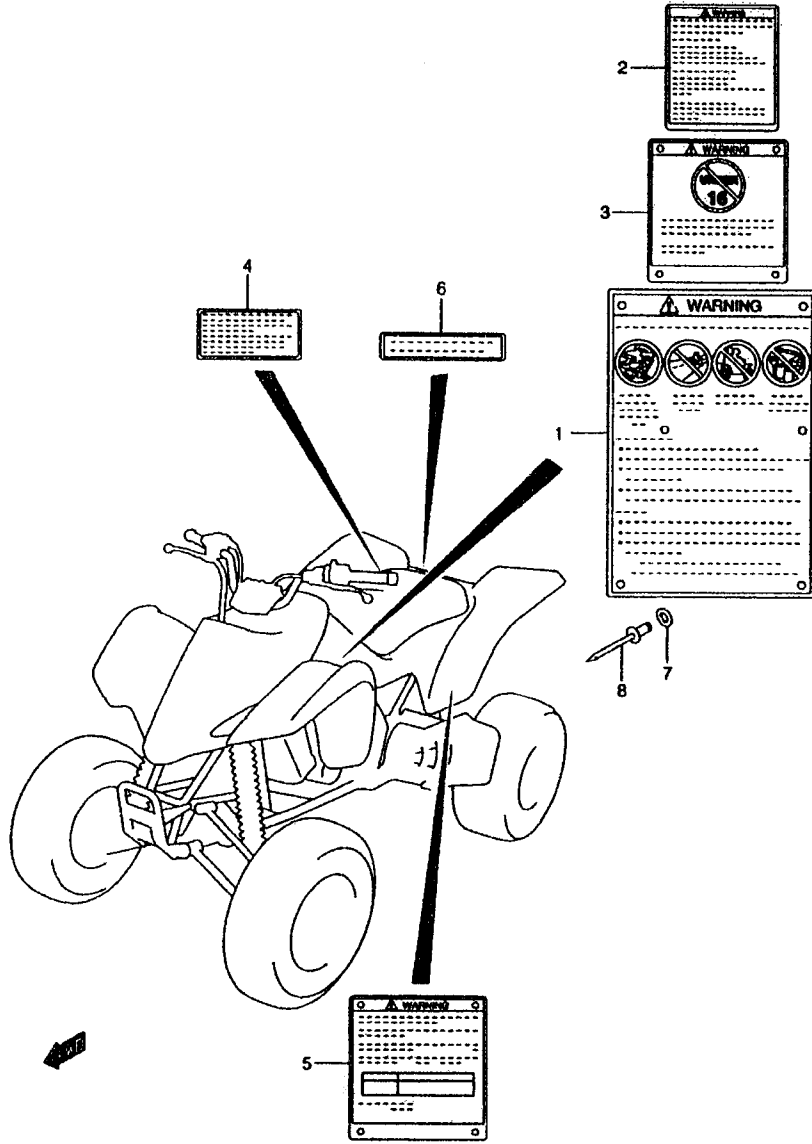


Fig.40 (G-13) LABEL

Ref #	Part Number	Description	Qty	Remarks
1-1	68921-09F00	LABEL, WARNING	1	E3, E28, E33
1-2	68366-20B60	LABEL, WARNING	1	E28
2-1	68366-07G00	LABEL, GEAR SHIFTING	1	E3, E28, E33
2-2	68366-07G10	LABEL, GEAR SHIFTING	1	E28
3-1	68931-09F00	LABEL, AGE 16	1	E3, E28, E33
3-2	68367-04640	LABEL, AGE 16	1	E28
4	68353-26E02	LABEL, MANUAL NOTICE	1	E3, E33
5-1	68332-07G00	LABEL, TIRE AIR	1	E3, E28, E33
5-2	68332-07G10	LABEL, TIRE AIR	1	E28
6-1	68382-07G00	LABEL, CHAIN ADJUSTER	1	E3, E28, E33
6-2	68382-07G10	LABEL, CHAIN ADJUSTER	1	E28
7	68928-09F00	WASHER	14	
8	68929-09F00	RIVET	14	
9-1	99011-07G50-03A	MANUAL, OWNER'S	1	E3, E33
9-2	99011-07G50-28B	MANUAL, OWNER'S	1	E28

DRAWING NOT SHOWN

LT-Z400K3 E03 E28_040
LABEL

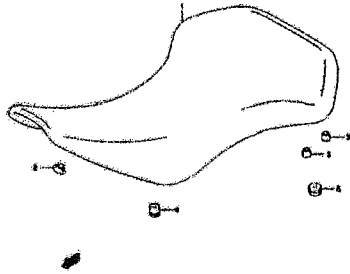
47 LT-Z400K3 E3 E28

© 2002 American Suzuki Motor Corporation

G13

AIR CLEANER.....	C-09	CRANKSHAFT.....	B-08	FRONT FENDER.....	G-06	LABEL.....	G-13	RADIATOR.....	D-05	RIGHT REAR WHEEL.....	I-04	WATER PUMP.....	D-04
BATTERY.....	E-10	CYLINDER HEAD COVER.....	B-03	FRONT MASTER CYLIND.....	H-06	LEFT REAR WHEEL.....	I-05	REAR BRAKE.....	G-03	SEAT.....	H-02	WIRING HARNESS.....	F-06
CAM CHAIN.....	C-06	CYLINDER HEAD.....	B-04	FRONT WHEEL.....	H-06	MAGNETO.....	E-08	REAR CALIPER.....	I-06	SIDE COVER.....	G-07		
CAM SHAFT - VALVE.....	C-04	CYLINDER.....	B-05	FUEL TANK.....	G-05	MUFFLER.....	C-10	REAR COMBINATION.....	F-03	STARTER CLUTCH.....	C-02		
CARBURETOR.....	C-07	ELECTRICAL.....	E-09	GASKET SET.....	B-02	OIL HOSE.....	D-03	REAR CUSHION LEVER.....	I-03	STARTING MOTOR.....	E-03		
CLUTCH.....	E-02	FOOTREST.....	G-04	GEAR SHIFTING.....	E-05	OIL PUMP.....	D-02	REAR FENDER.....	G-12	STEERING KNUCKLE.....	H-03		
CRANK BALANCER.....	C-03	FRAME.....	G-02	HANDLE LEVER.....	G-10	OPTIONAL.....	I-08	REAR MASTER CYLINDER.....	I-07	STEERING SHAFT.....	H-04		
CRANKCASE COVER.....	B-07	FRONT BRAKE HOSE.....	H-08	HANDLEBAR.....	G-08	PILOT LAMP.....	F-05	REAR SWINGING ARM.....	I-02	SUSPENSION ARM.....	H-05		
CRANKCASE.....	B-06	FRONT CALIPER.....	H-07	HEADLAMP.....	F-02	RADIATOR HOSE.....	D-08	REVERSE LOCK.....	G-09	TRANSMISSION.....	E-03		

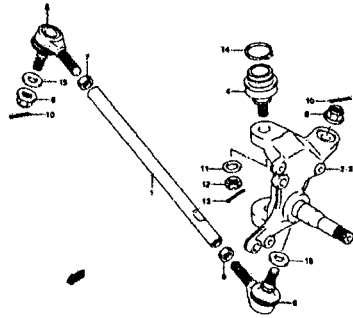
FIG.41



L724003 R08 E28_041
SEAT

H 2

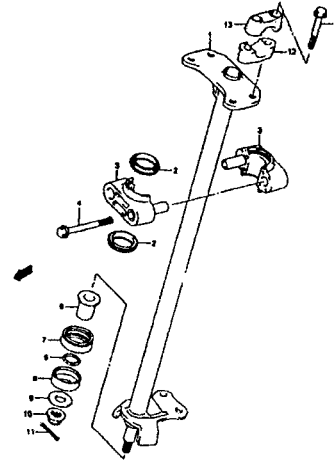
FIG.42



L724003 R08 E28_042
STEERING KNUCKLE

H 3

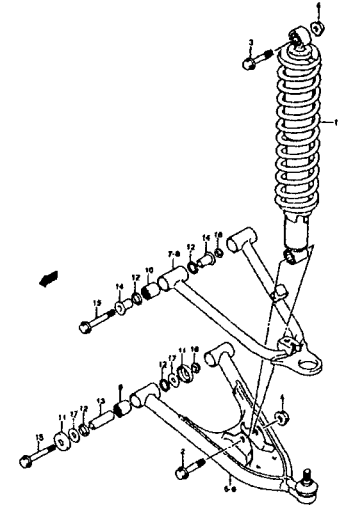
FIG.43



L724003 R08 E28_043
STEERING SHAFT

H 4

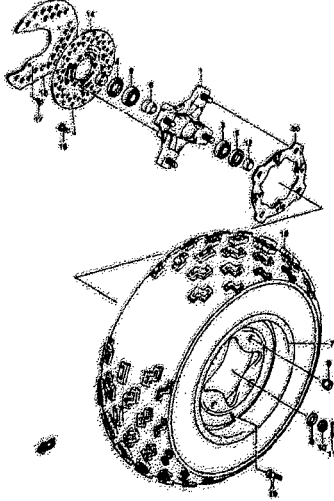
FIG.44



L724003 R08 E28_044
SUSPENSION ARM

H 5

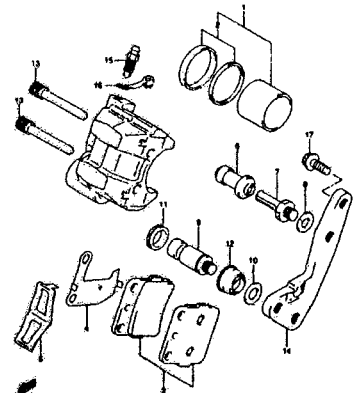
FIG.45



L724003 R08 E28_045
FRONT WHEEL

H 6

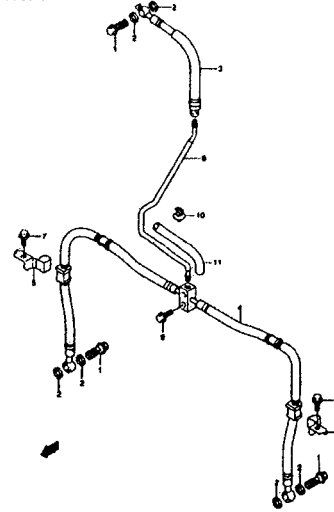
FIG.46



L724003 R08 E28_046
FRONT CALIPER

H 7

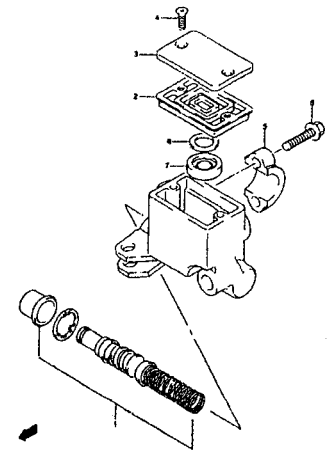
FIG.47



L724003 R08 E28_047
FRONT BRAKE HOSE

H 8

FIG.48



L724003 R08 E28_048
FRONT MASTER CYLINDER

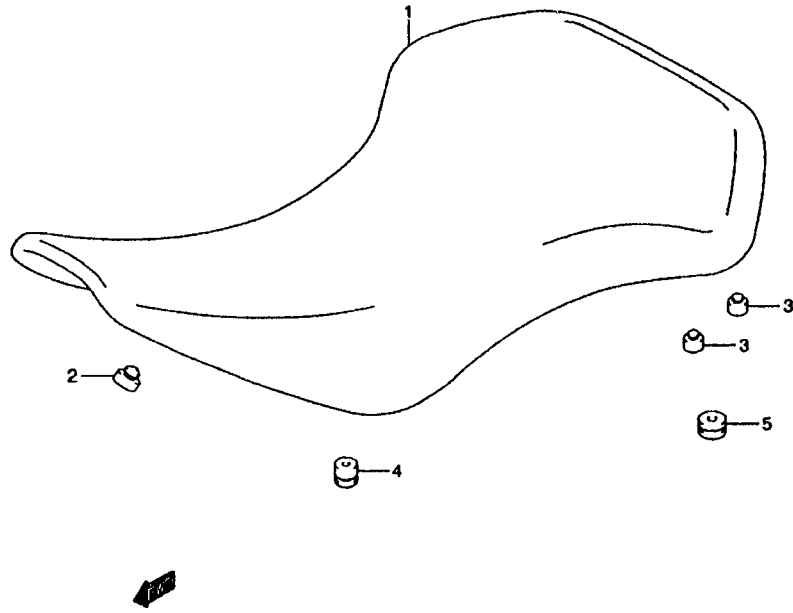
H 9

H 1

AIR CLEANER.....	C-09	CRANKSHAFT.....	B-08	FRONT FENDER.....	G-06	LABEL.....	G-13	RADIATOR.....	D-05	RIGHT REAR WHEEL.....	I-04	WATER PUMP.....	O-04
BATTERY.....	E-10	CYLINDER HEAD COVER.....	B-03	FRONT MASTER CYLIND.....	H-09	LEFT REAR WHEEL.....	I-05	REAR BRAKE.....	G-03	SEAT.....	H-02	WIRING HARNESS.....	F-06
CAM CHAIN.....	C-06	CYLINDER HEAD.....	B-04	FRONT WHEEL.....	H-06	MAGNETO.....	E-08	REAR CALIPER.....	I-06	SIDE COVER.....	G-07		
CAM SHAFT VALVE.....	C-04	CYLINDER.....	B-05	FUEL TANK.....	G-05	MUFFLER.....	C-10	REAR COMBINATION.....	F-03	STARTER CLUTCH.....	C-02		
CARBURETOR.....	C-07	ELECTRICAL.....	E-09	GASKET SET.....	B-02	OIL HOSE.....	D-03	REAR CUSHION LEVER.....	I-03	STARTING MOTOR.....	E-07		
CLUTCH.....	E-02	FOOTREST.....	G-04	GEAR SHIFTING.....	E-05	OIL PUMP.....	D-02	REAR FENDER.....	G-12	STEERING KNUCKLE.....	H-03		
CRANK BALANCER.....	G-03	FRAME.....	G-02	HANDLE LEVER.....	G-10	OPTIONAL.....	I-08	REAR MASTER CYLINDER.....	I-07	STEERING SHAFT.....	H-04		
CRANKCASE COVER.....	B-07	FRONT BRAKE HOSE.....	H-08	HANDLEBAR.....	G-08	PILOT LAMP.....	F-05	REAR SWINGING ARM.....	I-02	SUSPENSION ARM.....	H-05		
CRANKCASE.....	B-06	FRONT CALIPER.....	H-07	HEADLAMP.....	F-02	RADIATOR HOSE.....	D-06	REVERSE LOCK.....	G-09	TRANSMISSION.....	E-03		

FIG.41

Fig.41 (H-2) SEAT



Ref #	Part Number	Description	Qty	Remarks
1	45100-07G01-P21	SEAT ASSY	1	
2	45149-09B00	.CUSHION	1	
3	45149-07G00	.CUSHION	4	
4	45141-07G00	CUSHION, SEAT MOUNT FRONT	2	
5	09320-09017	CUSHION, SEAT MOUNT REAR	2	

LT-Z400K3 E03 E28_041
SEAT

48 LT-Z400K3 E3 E28

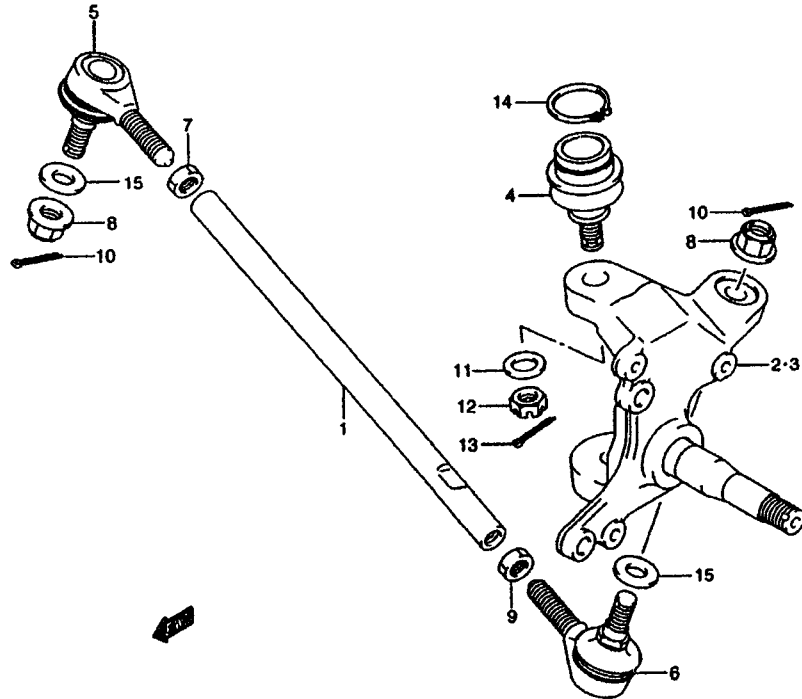
© 2002 American Suzuki Motor Corporation

H 2

AIR CLEANER.....	C-09	CRANKSHAFT.....	B-08	FRONT FENDER.....	G-06	LABEL.....	G-13	RADIATOR.....	D-05	RIGHT REAR WHEEL.....	I-04	WATER PUMP.....	D-04
BATTERY.....	E-10	CYLINDER HEAD COVER	B-03	FRONT MASTER CYLIND	H-09	LEFT REAR WHEEL.....	I-05	REAR BRAKE.....	G-03	SEAT.....	H-02	WIRING HARNESS.....	F-06
CAM CHAIN.....	C-08	CYLINDER HEAD.....	B-04	FRONT WHEEL.....	H-08	MAGNETO.....	E-08	REAR CALIPER.....	I-08	SIDE COVER.....	G-07		
CAM SHAFT - VALVE.....	C-04	CYLINDER.....	B-05	FUEL TANK.....	G-05	MUFFLER.....	C-10	REAR COMBINATION.....	F-03	STARTER CLUTCH.....	C-02		
CARBURETOR.....	C-07	ELECTRICAL.....	E-09	GASKET SET.....	B-02	OIL HOSE.....	D-03	REAR CUSHION LEVER.....	I-03	STARTING MOTOR.....	E-07		
CLUTCH.....	E-02	FOOTREST.....	G-04	GEAR SHIFTING.....	E-05	OIL PUMP.....	D-02	REAR FENDER.....	G-12	STEERING KNUCKLE.....	H-03		
CRANK BALANCER.....	C-03	FRAME.....	G-02	HANDLE LEVER.....	G-10	OPTIONAL.....	I-08	REAR MASTER CYLINDE	I-07	STEERING SHAFT.....	H-04		
CRANKCASE COVER.....	B-07	FRONT BRAKE HOSE.....	H-08	HANDLEBAR.....	G-08	PILOT LAMP.....	F-05	REAR SWINGING ARM.....	I-02	SUSPENSION ARM.....	H-05		
CRANKCASE.....	B-08	FRONT CALIPER.....	H-07	HEADLAMP.....	F-02	RADIATOR HOSE.....	D-06	REVERSE LOCK.....	G-09	TRANSMISSION.....	E-03		

FIG.42

Fig.42 (H-3) STEERING KNUCKLE



Ref #	Part Number	Description	Qty	Remarks
1	51281-07G00	TIE ROD, STEERING	2	
2	51230-07G00	KNUCKLE, STEERING RH	1	
3	51240-07G00	KNUCKLE, STEERING LH	1	
4	51210-05G00	END, KNUCKLE STEERING UPPER	2	
5	51260-07G00	ROD, END RH	2	
6	51270-07G00	ROD, END LH	2	
7	09140-10043	NUT, TIE ROD RH	2	
8	09159-10058	NUT, ROD END	4	
9	09140-10027	NUT, TIE ROD LH	2	
10	04111-20208	COTTER PIN, ROD END	4	
11	08322-01123	WASHER, KNUCKLE END	4	
12	08314-40123	NUT, KNUCKLEEND	4	
13	04111-30208	COTTER PIN, KNUCKLE END	4	
14	08331-31306	CIRCLIP	2	
15	09181-11001	WASHER, ROD END	4	

LT-Z400K3 E03 E28_042
STEERING KNUCKLE

49 LT-Z400K3 E3 E28

© 2002 American Suzuki Motor Corporation

H 3

AIR CLEANER.....	C-09	CRANKSHAFT.....	B-08	FRONT FENDER.....	G-06	LABEL.....	G-13	RADIATOR.....	D-05	RIGHT REAR WHEEL.....	I-04	WATER PUMP.....	D-04
BATTERY.....	E-10	CYLINDER HEAD COVER	B-03	FRONT MASTER CYLIND	H-09	LEFT REAR WHEEL.....	I-05	REAR BRAKE.....	G-03	SEAT.....	H-02	WIRING HARNESS.....	F-06
CAM CHAIN.....	C-06	CYLINDER HEAD.....	B-04	FRONT WHEEL.....	H-06	MAGNETO.....	E-08	REAR CALIPER.....	I-06	SIDE COVER.....	G-07		
CAM SHAFT - VALVE.....	C-04	CYLINDER.....	B-05	FUEL TANK.....	G-05	MUFFLER.....	C-10	REAR COMBINATION.....	F-03	STARTER CLUTCH.....	C-02		
CARBURETOR.....	C-07	ELECTRICAL.....	E-09	GASKET SET.....	B-02	OIL HOSE.....	D-03	REAR CUSHION LEVER.....	I-03	STARTING MOTOR.....	E-07		
CLUTCH.....	E-02	FOOTREST.....	G-04	GEAR SHIFTING.....	E-05	OIL PUMP.....	D-02	REAR FENDER.....	G-12	STEERING KNUCKLE.....	H-03		
CRANK BALANCER.....	C-03	FRAME.....	G-02	HANDLE LEVER.....	G-10	OPTIONAL.....	I-06	REAR MASTER CYLINDE	I-07	STEERING SHAFT.....	H-04		
CRANKCASE COVER.....	B-07	FRONT BRAKE HOSE...	H-08	HANDLEBAR.....	G-06	PILOT LAMP.....	F-05	REAR SWINGING ARM.....	I-02	SUSPENSION ARM.....	H-05		
CRANKCASE.....	B-06	FRONT CALIPER.....	H-07	HEADLAMP.....	F-02	RADIATOR HOSE.....	D-08	REVERSE LOCK.....	G-09	TRANSMISSION.....	E-03		

FIG.43

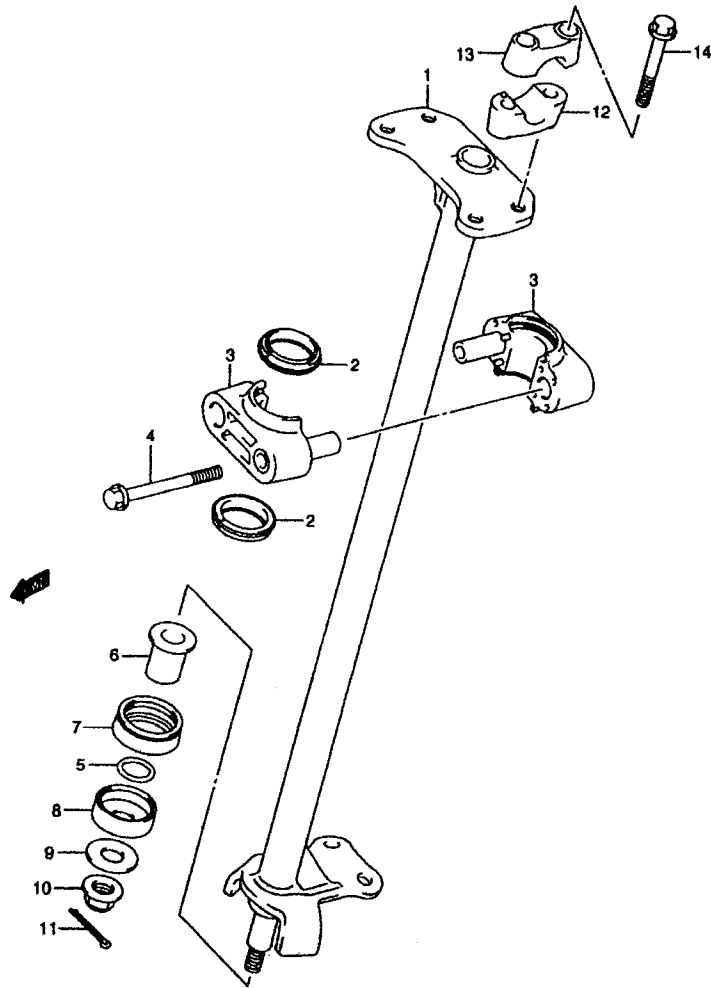


Fig.43 (H-4) STEERING SHAFT

Ref #	Part Number	Description	Qty	Remarks
1	51650-07G00	SHAFT, STEERING	1	
2	51678-24500	DUST SEAL, STEERING HOLDER	2	(27X38X8.5)
3	51670-24500	HOLDER, STEERING SHAFT	2	
4	01550-08753	BOLT	2	
5	09280-17003	O RING (ID:16.8,D:3.10)	1	
6	51661-19B10	BUSH, STEERING SHAFT LOWER	1	(17X26X36.9)
7	51662-19A01	DUST SEAL, STEERING SHAFT	1	(30X40X14.4)
8	51663-24500	DUST SEAL, STEERING LOWER	1	(12.2X38X12)
9	09160-12073	WASHER (12.5X32X2.3)	1	
10	08319-31123	NUT	1	
11	04111-20208	COTTER PIN	1	
12	56211-09F00-291	CLAMP, HANDLEBAR LOWER (BLACK)	2	
13	56211-27200-291	HOLDER, HANDLEBAR	2	
14	01550-08553	BOLT	4	

LT-Z400K3 E03 E28_043
STEERING SHAFT

50 LT-Z400K3 E3 E28

© 2002 American Suzuki Motor Corporation

H 4

AIR CLEANER.....	C-09	CRANKSHAFT.....	B-08	FRONT FENDER.....	G-06	LABEL.....	G-13	RADIATOR.....	D-05	RIGHT REAR WHEEL.....	I-04	WATER PUMP.....	D-04
BATTERY.....	E-10	CYLINDER HEAD COVER	B-03	FRONT MASTER CYLIND	H-09	LEFT REAR WHEEL.....	I-05	REAR BRAKE.....	G-03	SEAT.....	H-02	WRING HARNESS.....	F-06
CAM CHAIN.....	C-08	CYLINDER HEAD.....	B-04	FRONT WHEEL.....	H-08	MAGNETO.....	E-08	REAR CALIPER.....	I-06	SIDE COVER.....	G-07		
CAM SHAFT - VALVE.....	C-04	CYLINDER.....	B-05	FUEL TANK.....	G-05	MUFFLER.....	C-10	REAR COMBINATION.....	F-03	STARTER CLUTCH.....	C-02		
CARBURETOR.....	C-07	ELECTRICAL.....	E-09	GASKET SET.....	B-02	OIL HOSE.....	D-03	REAR CUSHION LEVER.....	I-03	STARTING MOTOR.....	E-07		
CLUTCH.....	E-02	FOOTREST.....	G-04	GEAR SHIFTING.....	E-05	OIL PUMP.....	D-02	REAR FENDER.....	G-12	STEERING KNUCKLE.....	H-03		
CRANK BALANCER.....	C-03	FRAME.....	G-02	HANDLE LEVER.....	G-10	OPTIONAL.....	I-08	REAR MASTER CYLINDE	I-07	STEERING SHAFT.....	H-04		
CRANKCASE COVER.....	B-07	FRONT BRAKE HOSE.....	H-08	HANDLEBAR.....	G-08	PILOT LAMP.....	F-05	REAR SWINGING ARM.....	I-02	SUSPENSION ARM.....	H-05		
CRANKCASE.....	B-06	FRONT CALIPER.....	H-07	HEADLAMP.....	F-02	RADIATOR HOSE.....	D-06	REVERSE LOCK.....	G-08	TRANSMISSION.....	E-03		

FIG.44

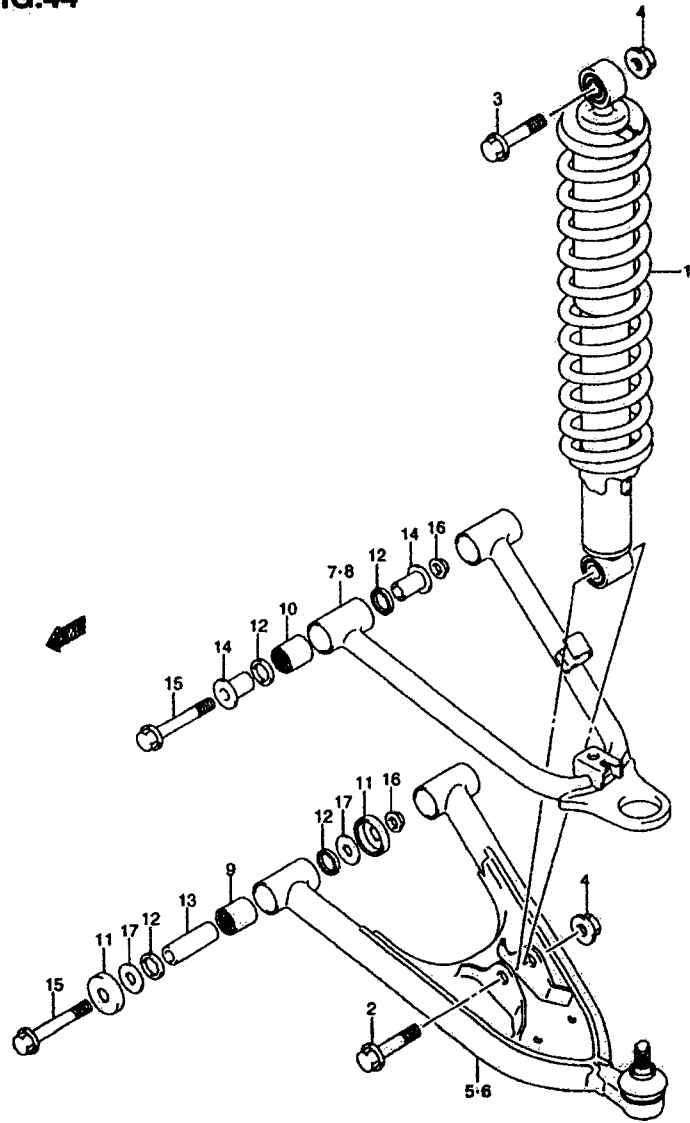


Fig.44 (H-5) SUSPENSION ARM

Ref #	Part Number	Description	Qty	Remarks
1	52100-07G00-37W	ABSORBER ASSY, FRONT SHOCK	2	(RED)
2	09103-10352	BOLT, LOWER (10X48)	2	
3	09103-10351	BOLT, UPPER (10X38)	2	
4	09159-10058	NUT	4	
5	52410-07G00-YD8	ARM ASSY, SUSPENSION LOWER RH	1	
6	52420-07G00-YD8	ARM ASSY, SUSPENSION LOWER LH	1	
7	52430-07G00-YD8	ARM ASSY, SUSPENSION UPPER RH	1	
8	52440-07G00-YD8	ARM ASSY, SUSPENSION UPPER LH	1	
9	09263-17033	BEARING, SUSPENSION ARM PIVOT	4	
10	09263-17034	BEARING, UPPER	4	
11	52454-43B00	SEAL, SUSPENSION ARM PIVOT	8	DUST
12	09285-17001	SEAL, PIVOT INNER DUST	16	
13	52455-43B00	SPACER, LOWER	4	
14	52455-07G00	SPACER, UPPER	8	
15	09103-10033	BOLT	8	
16	09159-10058	NUT	8	
17	08211-10281	WASHER	8	

LT-Z400K3 E03 E28_044
SUSPENSION ARM

51 LT-Z400K3 E3 E28

© 2002 American Suzuki Motor Corporation

H 5

AIR CLEANER.....	C-09	CRANKSHAFT.....	B-08	FRONT FENDER.....	G-08	LABEL.....	G-13	RADIATOR.....	D-05	RIGHT REAR WHEEL...	I-04	WATER PUMP.....	D-04
BATTERY.....	E-10	CYLINDER HEAD COVER	B-03	FRONT MASTER CYLIND	H-09	LEFT REAR WHEEL...	I-05	REAR BRAKE.....	G-03	SEAT.....	H-02	WIRING HARNESS....	F-06
CAM CHAIN.....	C-06	CYLINDER HEAD.....	B-04	FRONT WHEEL.....	H-08	MAGNETO.....	E-08	REAR CALIPER.....	I-06	SIDE COVER.....	G-07		
CAM SHAFT - VALVE...	C-04	CYLINDER.....	B-05	FUEL TANK.....	G-05	MUFFLER.....	C-10	REAR COMBINATION...	F-03	STARTER CLUTCH....	C-02		
CARBURETOR.....	C-07	ELECTRICAL.....	E-09	GASKET SET.....	B-02	OIL PUMP.....	D-03	REAR CUSHION LEVER.	I-03	STARTING MOTOR....	E-07		
CLUTCH.....	E-02	FOOTREST.....	G-04	GEAR SHIFTING.....	E-05	OPTIONAL.....	I-08	REAR FENDER.....	G-12	STEERING KNUCKLE...	H-03		
CRANK BALANCER.....	C-03	FRAME.....	G-02	HANDLE LEVER.....	G-10	PILOT LAMP.....	F-05	REAR MASTER CYLINDE	I-07	STEERING SHAFT....	H-04		
CRANKCASE COVER....	B-07	FRONT BRAKE HOSE...	H-08	HANDLEBAR.....	G-08	RADIATOR HOSE.....	D-06	REAR SWINGING ARM..	I-02	SUSPENSION ARM....	H-05		
CRANKCASE.....	B-06	FRONT CALIPER.....	H-07	HEADLAMP.....	F-02			REVERSE LOCK.....	G-09	TRANSMISSION.....	E-03		

FIG.45

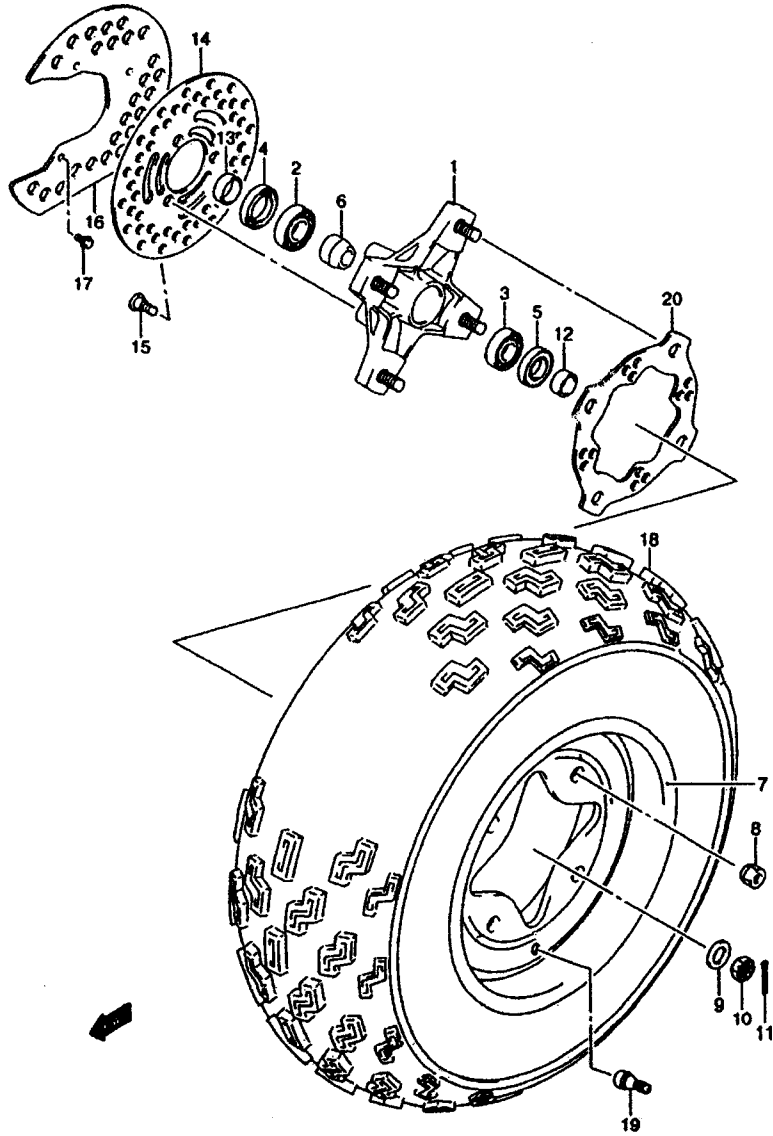


Fig.45 (H-6) FRONT WHEEL

Ref #	Part Number	Description	Qty	Remarks
1	54110-07G00-YU8	HUB, FRONT WHEEL (GRAY)	2	
2	08120-60047	BEARING, FRONT HUB INNER	2	
3	09262-15024	BEARING, FRONT HUB OUTER	2	
4	09284-26002	DUST SEAL INNER	2	
5	09284-21001	DUST SEAL OUTER	2	
6	54731-07G00	SPACER, FRONT HUB BEARING	2	
7	55310-07G00	RIM, FRONT WHEEL (10X5.5AT)	2	
8	09140-10021	NUT	8	
9	08322-01143	WASHER	2	
10	08314-40143	NUT, HUB	2	
11	04111-30308	PIN, COTTER	2	
12	09180-15068	SPACER, FRONT AXLE	2	
13	09180-20119	SPACER, FR AXLE NO.2	2	
14	59211-07G00	DISC, FRONT BRAKE	2	
15	09106-08160	BOLT, BRAKE DISC	6	
16	59231-07G00	COVER, FRONT DISC	2	
17	09103-06083	BOLT	6	
18	55110-07G00	TIRE, FRONT	2	
19	43130-24A00	VALVE ASSY, WHEEL RIM (TR412)	2	
20	54138-07G00	PLATE, FRONT HUB	2	

LT-Z400K3 E03 E28_045
FRONT WHEEL

52 LT-Z400K3 E3 E28

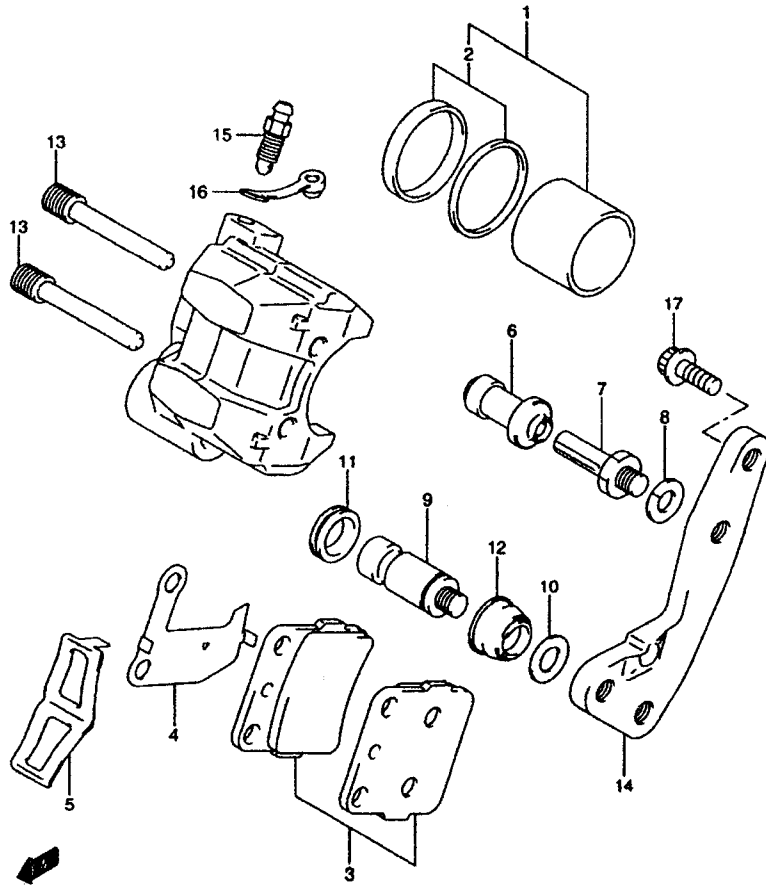
© 2002 American Suzuki Motor Corporation

H 6

AIR CLEANER.....	C-09	CRANKSHAFT.....	B-08	FRONT FENDER.....	G-08	LABEL.....	G-13	RADIATOR.....	D-05	RIGHT REAR WHEEL.....	I-04	WATER PUMP.....	D-04
BATTERY.....	E-10	CYLINDER HEAD COVER.....	B-03	FRONT MASTER CYLIND.....	H-09	LEFT REAR WHEEL.....	I-05	REAR BRAKE.....	G-03	SEAT.....	H-02	WIRING HARNESS.....	F-06
CAM CHAIN.....	C-06	CYLINDER HEAD.....	B-04	FRONT WHEEL.....	H-06	MAGNETO.....	E-08	REAR CALIPER.....	I-06	SIDE COVER.....	G-07		
CAM SHAFT - VALVE.....	C-04	CYLINDER.....	B-05	FUEL TANK.....	G-05	MUFFLER.....	C-10	REAR COMBINATION.....	F-03	STARTER CLUTCH.....	C-02		
CARBURETOR.....	C-07	ELECTRICAL.....	E-09	GASKET SET.....	B-02	OIL HOSE.....	D-03	REAR CUSHION LEVER.....	I-03	STARTING MOTOR.....	E-07		
CLUTCH.....	E-02	FOOTREST.....	G-04	GEAR SHIFTING.....	E-05	OIL PUMP.....	D-02	REAR FENDER.....	G-12	STEERING KNUCKLE.....	H-03		
CRANK BALANCER.....	C-03	FRAME.....	G-02	HANDLE LEVER.....	G-10	OPTIONAL.....	I-08	REAR MASTER CYLINDER.....	I-07	STEERING SHAFT.....	H-04		
CRANKCASE COVER.....	B-07	FRONT BRAKE HOSE.....	H-08	HANDLEBAR.....	G-08	PILOT LAMP.....	F-05	REAR SWINGING ARM.....	I-02	SUSPENSION ARM.....	H-05		
CRANKCASE.....	B-06	FRONT CALIPER.....	H-07	HEADLAMP.....	F-02	RADIATOR HOSE.....	D-06	REVERSE LOCK.....	G-09	TRANSMISSION.....	E-03		

FIG.46

Fig.46 (H-7) FRONT CALIPER



Ref #	Part Number	Description	Qty	Remarks
	59100-38F20	CALIPER ASSY, FRONT RH	1	
	59300-38F20	CALIPER ASSY, FRONT LH	1	
1	59100-38850	.PISTON SET	2	
2	59100-38860	..SEAL SET, PISTON	2	
3	59300-42850	.PAD SET	2	
4-1	59371-13A00	.SHIM RH	1	
4-2	69372-00B20	.SHIM LH	1	
5	59315-13A00	.SPRING, PAD	2	
6	59386-13A00	.BOOT	2	
7	59382-13A00	.PIN	2	
8	59314-13A00	.WASHER	2	
9	59105-38F00	.PIN, SLIDE	2	
10	59306-13A00	.SPRING	2	
11	59384-13A00	.PLUG, DUST	2	
12	59303-13A00	.BOOT	2	
13	59345-00B20	.PIN	4	
14-1	59151-38F00	.BRACKET, RH	1	
14-2	59351-38F00	.BRACKET, LH	1	
15	59121-01A00	.BLEEDER	2	
16	59122-01A00	.CAP	2	
17	07120-08163	BOLT (8X16)	4	

LT-Z400K3 E03 E28_046
FRONT CALIPER

53 LT-Z400K3 E3 E28

© 2002 American Suzuki Motor Corporation

H 7

AIR CLEANER.....	C-09	CRANKSHAFT.....	B-08	FRONT FENDER.....	G-06	LABEL.....	G-13	RADIATOR.....	D-05	RIGHT REAR WHEEL.....	I-04	WATER PUMP.....	D-04
BATTERY.....	E-10	CYLINDER HEAD COVER.....	B-03	FRONT MASTER CYLIND.....	H-09	LEFT REAR WHEEL.....	I-05	REAR BRAKE.....	G-03	SEAT.....	H-02	WIRING HARNESS.....	F-06
CAM CHAIN.....	C-06	CYLINDER HEAD.....	B-04	FRONT WHEEL.....	H-08	MAGNETO.....	E-08	REAR CALIPER.....	I-06	SIDE COVER.....	G-07		
CAM SHAFT - VALVE.....	C-04	CYLINDER.....	B-05	FUEL TANK.....	G-05	MUFFLER.....	C-10	REAR COMBINATION.....	F-03	STARTER CLUTCH.....	C-02		
CARBURETOR.....	C-07	ELECTRICAL.....	E-09	GASKET SET.....	B-02	OIL HOSE.....	D-03	REAR CUSHION LEVER.....	I-03	STARTING MOTOR.....	E-07		
CLUTCH.....	E-02	FOOTREST.....	G-04	GEAR SHIFTING.....	E-05	OIL PUMP.....	D-02	REAR FENDER.....	G-12	STEERING KNUCKLE.....	H-03		
CRANK BALANCER.....	C-03	FRAME.....	G-02	HANDLE LEVER.....	G-10	OPTIONAL.....	I-08	REAR MASTER CYLUNDE.....	I-07	STEERING SHAFT.....	H-04		
CRANKCASE COVER.....	B-07	FRONT BRAKE HOSE.....	H-08	HANDLEBAR.....	G-08	PILOT LAMP.....	F-05	REAR SWINGING ARM.....	I-02	SUSPENSION ARM.....	H-05		
CRANKCASE.....	B-06	FRONT CALIPER.....	H-07	HEADLAMP.....	F-02	RADIATOR HOSE.....	D-06	REVERSE LOCK.....	G-09	TRANSMISSION.....	E-03		

FIG.47

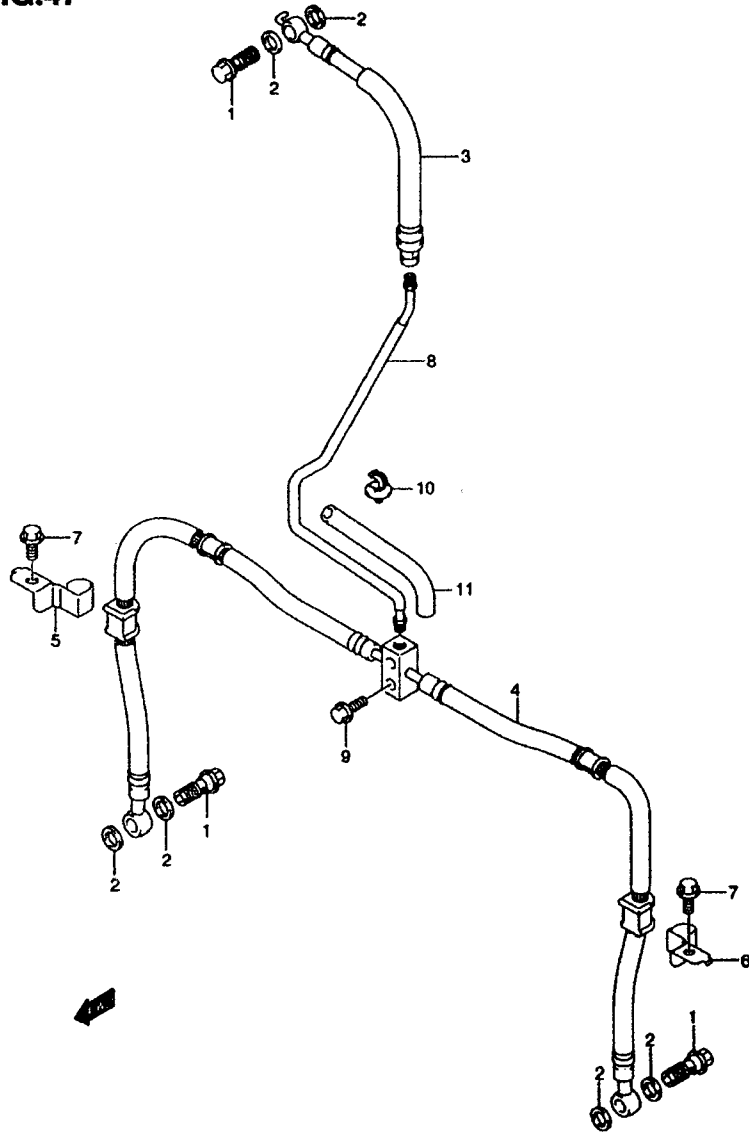


Fig.47 (H-8) FRONT BRAKE HOSE

Ref #	Part Number	Description	Qty	Remarks
1	09360-10042	BOLT	3	
2	09161-10009	WASHER (10X15X1.5)	6	
3	59480-07G00	HOSE, FRONT BRAKE NO.1	1	
4	59240-07G00	HOSE, FRONT BRAKE NO.2	1	
5	59261-07G00	CLAMP, HOSE NO.2 RH	1	
6	59271-07G00	CLAMP, HOSE NO.2 LH	1	
7	01550-06103	BOLT	2	
8	59250-07G00	PIPE, FRONT BRAKE	1	
9	01547-06123	BOLT	1	
10	09403-07325	CLAMP, FR BRAKE PIPE	1	
11	59281-07G00	COVER, FR BRAKE PIPE	1	

LT-Z400K3 E03 E28_047
FRONT BRAKE HOSE

54 LT-Z400K3 E3 E28

© 2002 American Suzuki Motor Corporation

H 8

AIR CLEANER.....	C-09	CRANKSHAFT.....	B-08	FRONT FENDER.....	G-06	LABEL.....	G-13	RADIATOR.....	D-05	RIGHT REAR WHEEL.....	I-04	WATER PUMP.....	D-04
BATTERY.....	E-10	CYLINDER HEAD COVER.....	B-03	FRONT MASTER CYLIND.....	H-09	LEFT REAR WHEEL.....	I-05	REAR BRAKE.....	G-03	SEAT.....	H-02	WIRING HARNESS.....	F-08
CAM CHAIN.....	C-06	CYLINDER HEAD.....	B-04	FRONT WHEEL.....	H-06	MAGNETO.....	E-08	REAR CALIPER.....	I-06	SIDE COVER.....	G-07		
CAM SHAFT - VALVE.....	C-04	CYLINDER.....	B-05	FUEL TANK.....	G-05	MUFFLER.....	C-10	REAR COMBINATION.....	F-03	STARTER CLUTCH.....	C-02		
CARBURETOR.....	C-07	ELECTRICAL.....	E-09	GASKET SET.....	B-02	OIL HOSE.....	D-03	REAR CUSHION LEVER.....	I-03	STARTING MOTOR.....	E-07		
CLUTCH.....	E-02	FOOTREST.....	G-04	GEAR SHIFTING.....	E-05	OIL PUMP.....	D-02	REAR FENDER.....	G-12	STEERING KNUCKLE.....	H-03		
CRANK BALANCER.....	C-03	FRAME.....	G-02	HANDLE LEVER.....	G-10	OPTIONAL.....	I-08	REAR MASTER CYLINDE.....	I-07	STEERING SHAFT.....	H-04		
CRANKCASE COVER.....	B-07	FRONT BRAKE HOSE.....	H-08	HANDLEBAR.....	G-08	PILOT LAMP.....	F-05	REAR SWINGING ARM.....	I-02	SUSPENSION ARM.....	H-05		
CRANKCASE.....	B-06	FRONT CALIPER.....	H-07	HEADLAMP.....	F-02	RADIATOR HOSE.....	D-08	REVERSE LOCK.....	G-09	TRANSMISSION.....	E-03		

FIG.48

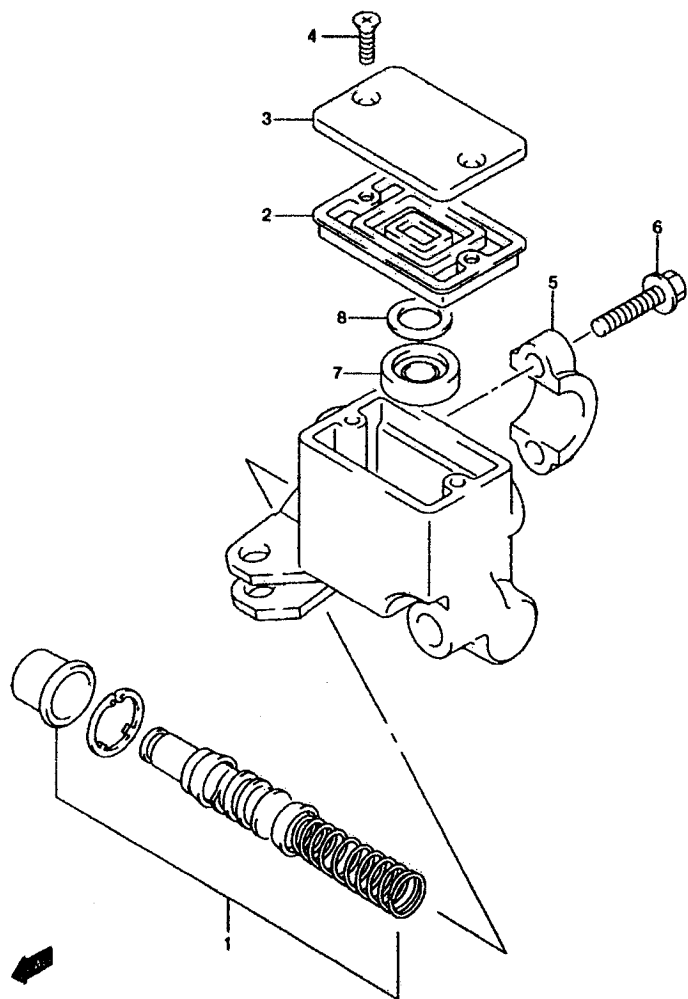


Fig.48 (H-9) FRONT MASTER CYLINDER

Ref #	Part Number	Description	Qty	Remarks
	59600-31D00	CYLINDER ASSY, FRONT MASTER	1	
1	59600-04810	.PISTON / CUP SET	1	
2	59667-44B00	.DIAPHRAGM	1	
3	69669-24A01	.CAP	1	
4	69689-49300	.SCREW, CAP	2	
5	59671-36500	.HOLDER	1	
6	59675-19C00	.BOLT	2	
7	59748-15400	.SEPARATOR	1	
8	59749-15400	.PLATE	1	

LT-Z400K3 E03 E28_048
FRONT MASTER CYLINDER

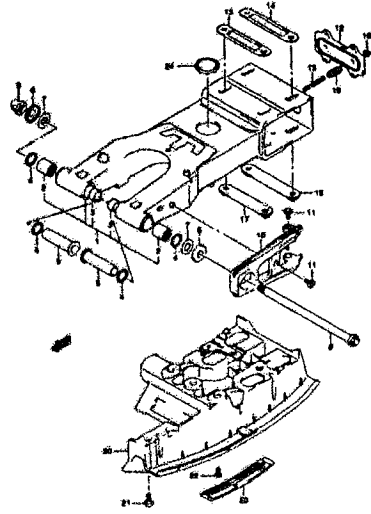
55 LT-Z400K3 E3 E28

© 2002 American Suzuki Motor Corporation

H 9

AIR CLEANER.....	C-09	CRANKSHAFT.....	B-08	FRONT FENDER.....	G-06	LABEL.....	G-13	RADIATOR.....	D-05	RIGHT REAR WHEEL.....	I-04	WATER PUMP.....	D-04
BATTERY.....	E-10	CYLINDER HEAD COVER.....	B-03	FRONT MASTER CYLIND.....	H-09	LEFT REAR WHEEL.....	I-05	REAR BRAKE.....	G-03	SEAT.....	H-02	WIRING HARNESS.....	F-06
CAM CHAIN.....	C-06	CYLINDER HEAD.....	B-04	FRONT WHEEL.....	H-06	MAGNETO.....	E-08	REAR CALIPER.....	I-06	SIDE COVER.....	G-07		
CAM SHAFT - VALVE.....	C-04	CYLINDER.....	B-05	FUEL TANK.....	G-05	MUFFLER.....	C-10	REAR COMBINATION.....	F-03	STARTER CLUTCH.....	C-02		
CARBURETOR.....	C-07	ELECTRICAL.....	E-09	GASKET SET.....	B-02	OIL HOSE.....	D-03	REAR CUSHION LEVER.....	I-03	STARTING MOTOR.....	E-07		
CLUTCH.....	E-02	FOOTREST.....	G-04	GEAR SHIFTING.....	E-05	OIL PUMP.....	D-02	REAR FENDER.....	G-12	STEERING KNUCKLE.....	H-03		
CRANK BALANCER.....	C-03	FRAME.....	G-02	HANDLE LEVER.....	G-10	OPTIONAL.....	I-08	REAR MASTER CYLINDE.....	I-07	STEERING SHAFT.....	H-04		
CRANKCASE COVER.....	B-07	FRONT BRAKE HOSE.....	H-08	HANDLEBAR.....	G-08	PILOT LAMP.....	F-05	REAR SWNGING ARM.....	I-02	SUSPENSION ARM.....	H-05		
CRANKCASE.....	B-06	FRONT CALIPER.....	H-07	HEADLAMP.....	F-02	RADIATOR HOSE.....	D-06	REVERSE LOCK.....	G-09	TRANSMISSION.....	E-03		

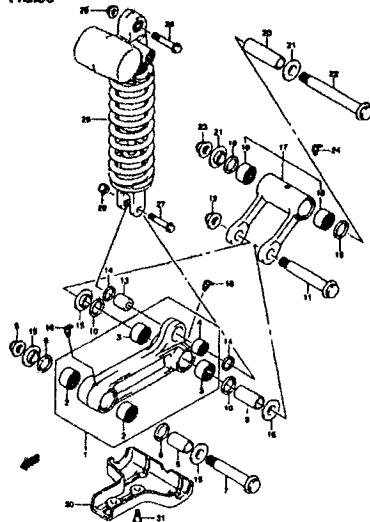
FIG.49



L1-240003 E00 E28_048
REAR SWINGING ARM

12

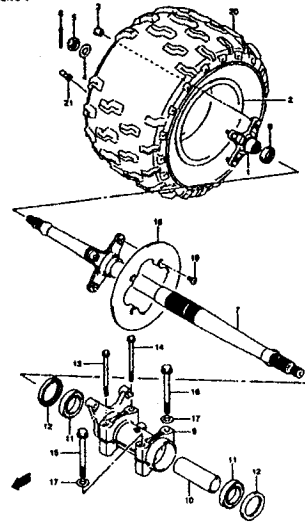
FIG.50



L1-240003 E00 E28_050
REAR CUSHION LEVER

13

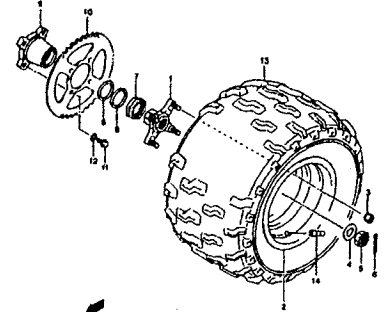
FIG.51



L1-240003 E00 E28_051
RIGHT REAR WHEEL

14

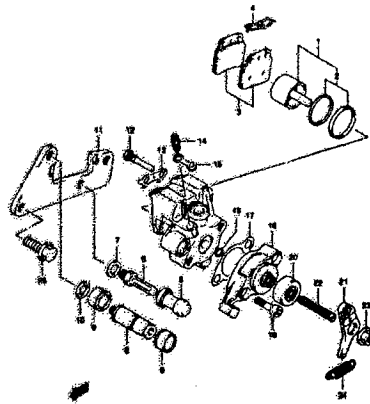
FIG.52



L1-240003 E00 E28_052
LEFT REAR WHEEL

15

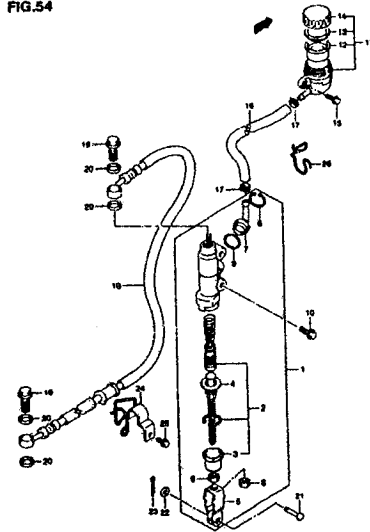
FIG.53



L1-240003 E00 E28_053
REAR MASTER CYLINDER

16

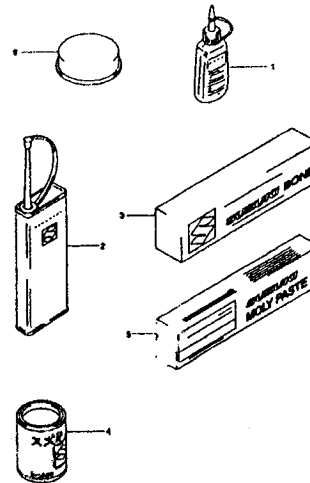
FIG.54



L1-240003 E00 E28_054
REAR MASTER CYLINDER

17

FIG.55



L1-240003 E00 E28_055
OPTIONAL

18

AIR CLEANER.....	C-09	CRANKSHAFT.....	B-08	FRONT FENDER.....	G-06	LABEL.....	G-13	RADIATOR.....	D-05	RIGHT REAR WHEEL.....	I-04	WATER PUMP.....	D-04
BATTERY.....	E-10	CYLINDER HEAD COVER	B-03	FRONT MASTER CYLIND	H-09	LEFT REAR WHEEL.....	I-05	REAR BRAKE.....	G-03	SEAT.....	H-02	WIRING HARNESS.....	F-06
CAM CHAIN.....	C-06	CYLINDER HEAD.....	B-04	FRONT WHEEL.....	H-06	MAGNETO.....	E-08	REAR CALIPER.....	I-06	SIDE COVER.....	G-07		
CAM SHAFT - VALVE.....	C-04	CYLINDER.....	B-05	FUEL TANK.....	G-05	MUFFLER.....	C-10	REAR COMBINATION.....	F-03	STARTER CLUTCH.....	C-02		
CARBURETOR.....	C-07	ELECTRICAL.....	E-09	GASKET SET.....	B-02	OIL HOSE.....	D-03	REAR CUSHION LEVER.....	I-03	STARTING MOTOR.....	E-07		
CLUTCH.....	E-02	FOOTREST.....	G-04	GEAR SHIFTING.....	E-05	OIL PUMP.....	D-02	REAR FENDER.....	G-12	STEERING KNUCKLE.....	H-03		
CRANK BALANCER.....	C-03	FRAME.....	G-02	HANDLE LEVER.....	G-10	OPTIONAL.....	I-08	REAR MASTER CYLINDER	I-07	STEERING SHAFT.....	H-04		
CRANKCASE COVER.....	B-07	FRONT BRAKE HOSE.....	H-08	HANDLEBAR.....	G-08	PILOT LAMP.....	F-05	REAR SWINGING ARM.....	I-02	SUSPENSION ARM.....	H-05		
CRANKCASE.....	B-06	FRONT CALIPER.....	H-07	HEADLAMP.....	F-02	RADIATOR HOSE.....	D-09	REVERSE LOCK.....	G-09	TRANSMISSION.....	E-03		

FIG.49

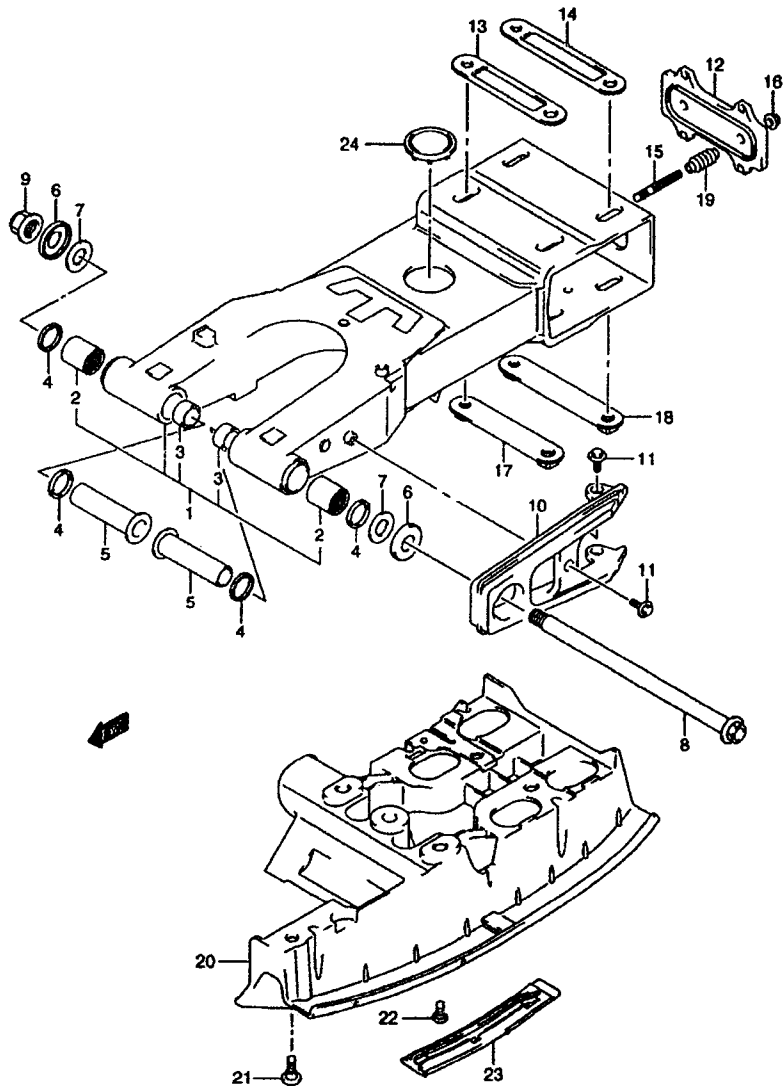


Fig.49 (I-2) REAR SWINGING ARM

Ref #	Part Number	Description	Qty	Remarks
1	61100-07890	SWINGING ARM SET, REAR	1	
2	09263-22017	.BEARING, PIVOT	2	
3	61261-07G00	.BUSH, RR SWINGING ARM PIVOT	2	
4	09285-22001	SEAL, PIVOT BEARING	4	
5	61252-07G00	SPACER	2	
6	61262-28C10	COVER, PIVOT DUST	2	
7	08211-17341	WASHER, THRUST	2	
8	61211-07G00	SHAFT, PIVOT	1	
9	08319-31168	NUT	1	
10	61273-07G00	BUFFER, CHAIN TOUCH DEFENSE	1	
11	09116-06152	BOLT	3	
12	61421-01C01	PLATE, CHAIN ADJUSTER	1	
13	64718-07G00	WASHER, AXLE HOUSING SET FR	1	
14	64719-07G00	WASHER, AXLE HOUSING SET RR	1	
15	09108-08209	BOLT, CHAIN ADJUSTER	2	
16	08319-31087	NUT, CHAIN ADJUSTER	2	
17	61470-07G00	WASHER, AXLE HOUSING SET FR	1	
18	61480-07G00	WASHER, AXLE HOUSING SET RR	1	
19	61425-43B00	BOLT, CHAIN ADJUSTER	2	
20	61390-07G10	GUARD, SWINGING ARM UNDER	1	
21	61393-09F00	BOLT, GUARD	3	
22	09106-08154	BOLT, GUARD CENTER	2	
23	61396-07G00	BUFFER, SWGARM GUARD NO.1	1	
24	61222-05A01	CAP, RR SWINGING ARM	1	

LT-Z400K3 E03 E28_049
REAR SWINGING ARM

56 LT-Z400K3 E3 E28

© 2002 American Suzuki Motor Corporation

AIR CLEANER.....	C-09	CRANKSHAFT.....	B-08	FRONT FENDER.....	G-06	LABEL.....	G-13	RADIATOR.....	D-05	RIGHT REAR WHEEL.....	I-04	WATER PUMP.....	D-04
BATTERY.....	E-10	CYLINDER HEAD COVER	B-03	FRONT MASTER CYLIND	H-09	LEFT REAR WHEEL.....	I-05	REAR BRAKE.....	G-03	SEAT.....	H-02	WIRING HARNESS.....	F-06
CAM CHAIN.....	C-06	CYLINDER HEAD.....	B-04	FRONT WHEEL.....	H-06	MAGNETO.....	E-08	REAR CALIPER.....	I-06	SIDE COVER.....	G-07		
CAM SHAFT - VALVE.....	C-04	CYLINDER.....	B-05	FUEL TANK.....	G-05	MUFFLER.....	C-10	REAR COMBINATION.....	F-03	STARTER CLUTCH.....	C-02		
CARBURETOR.....	C-07	ELECTRICAL.....	E-09	GASKET SET.....	B-02	OIL HOSE.....	D-03	REAR CUSHION LEVER.....	I-03	STARTING MOTOR.....	E-07		
CLUTCH.....	E-02	FOOTREST.....	G-04	GEAR SHIFTING.....	E-05	OIL PUMP.....	D-02	REAR FENDER.....	G-12	STEERING KNUCKLE.....	H-03		
CRANK BALANCER.....	C-03	FRAME.....	G-02	HANDLE LEVER.....	G-10	OPTIONAL.....	I-08	REAR MASTER CYLINDE	I-07	STEERING SHAFT.....	H-04		
CRANKCASE COVER.....	B-07	FRONT BRAKE HOSE.....	H-08	HANDLEBAR.....	G-08	PILOT LAMP.....	F-05	REAR SWINGING ARM.....	I-02	SUSPENSION ARM.....	H-05		
CRANKCASE.....	B-06	FRONT CALIPER.....	H-07	HEADLAMP.....	F-02	RADIATOR HOSE.....	D-06	REVERSE LOCK.....	G-09	TRANSMISSION.....	E-03		

FIG.50

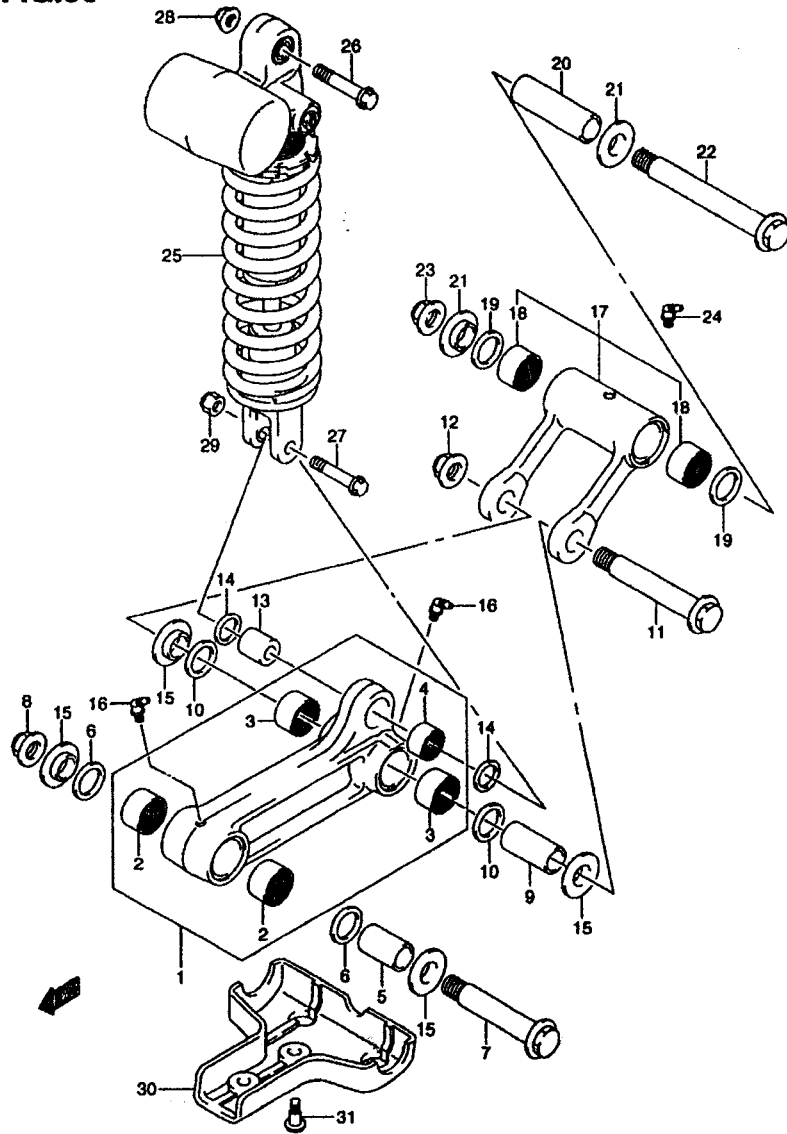


Fig.50 (I-3) REAR CUSHION LEVER

Ref #	Part Number	Description	Qty	Remarks
1	62600-07810	LEVER SET, CUSHION	1	
2	09263-20086	.BEARING, FRONT (20X27X15)	2	
3	09263-20086	.BEARING, CENTER (20X27X15)	2	
4	09263-20083	.BEARING, REAR (20X26X12)	1	
5	62317-37F00	SPACER, FRONT	1	
6	62624-14500	SEAL, FRONT DUST	2	
7	62658-07G00	BOLT, FRONT	1	
8	09159-12056	NUT	1	
9	62646-37F00	SPACER, CENTER	1	
10	62624-14500	SEAL, CENTER DUST	2	
11	62621-37F00	BOLT, CENTER	1	
12	09159-12056	NUT	1	
13	62684-36E00	SPACER, REAR	1	
14	09284-20001	SEAL, REAR	2	
15	62647-37F00	SPACER, CUSHION LEVER SIDE	4	
16	08351-31008	NIPPLE, GREASE	2	
17	62600-07820	ROD SET, REAR CUSHION	1	
18	09263-20086	.BEARING, ROD (20X27X15)	2	
19	62624-14500	SEAL, DUST	2	
20	62646-07G00	SPACER, ROD	1	
21	62647-37F00	SPACER, ROD SIDE	2	
22	62621-07G00	BOLT, ROD	1	
23	09159-12056	NUT	1	
24	08351-31008	NIPPLE, GREASE	1	
25-1	62100-07G00-37W	ABSORBER ASSY, REAR SHOCK	1	E3,E33 (RED)
25-2	62100-07G10-37W	ABSORBER ASSY, REAR SHOCK	1	E28 (RED)
26	62311-14501	BOLT, UPPER	1	
27	09103-10325	BOLT, LOWER	1	
28	09159-10058	NUT, UPPER	1	
29	09159-10067	NUT, LOWER	1	
30	62681-07G00	GUARD, REAR CUSHION LEVER	1	
31	09139-06120	SCREW	2	

LT-Z400K3 E03 E28_050
REAR CUSHION LEVER

57 LT-Z400K3 E3 E28

© 2002 American Suzuki Motor Corporation

AIR CLEANER.....	C-09	CRANKSHAFT.....	B-08	FRONT FENDER.....	G-06	LABEL.....	G-13	RADIATOR.....	D-05	RIGHT REAR WHEEL...	I-04	WATER PUMP.....	D-04
BATTERY.....	E-10	CYLINDER HEAD COVER	B-03	FRONT MASTER CYLIND	H-09	LEFT REAR WHEEL.....	I-05	REAR BRAKE.....	G-03	SEAT.....	H-02	WIRING HARNESS.....	F-08
CAM CHAIN.....	C-06	CYLINDER HEAD.....	B-04	FRONT WHEEL.....	H-06	MAGNETO.....	E-08	REAR CALIPER.....	I-06	SIDE COVER.....	G-07		
CAM SHAFT - VALVE...	C-04	CYLINDER.....	B-05	FUEL TANK.....	G-05	MUFFLER.....	C-10	REAR COMBINATION...	F-03	STARTER CLUTCH.....	C-02		
CARBURETOR.....	C-07	ELECTRICAL.....	E-09	GASKET SET.....	B-02	OIL HOSE.....	D-03	REAR CUSHION LEVER...	I-03	STARTING MOTOR.....	E-07		
CLUTCH.....	E-02	FOOTREST.....	G-04	GEAR SHIFTING.....	E-05	OIL PUMP.....	D-02	REAR FENDER.....	G-12	STEERING KNUCKLE...	H-03		
CRANK BALANCER.....	C-03	FRAME.....	G-02	HANDLE LEVER.....	G-10	OPTIONAL.....	I-08	REAR MASTER CYLINDE	I-07	STEERING SHAFT.....	H-04		
CRANKCASE COVER.....	B-07	FRONT BRAKE HOSE...	H-08	HANDLEBAR.....	G-08	PILOT LAMP.....	F-05	REAR SWINGING ARM...	I-02	SUSPENSION ARM.....	H-05		
CRANKCASE.....	B-06	FRONT CALIPER.....	H-07	HEADLAMP.....	F-02	RADIATOR HOSE.....	D-06	REVERSE LOCK.....	G-09	TRANSMISSION.....	E-03		

FIG.51

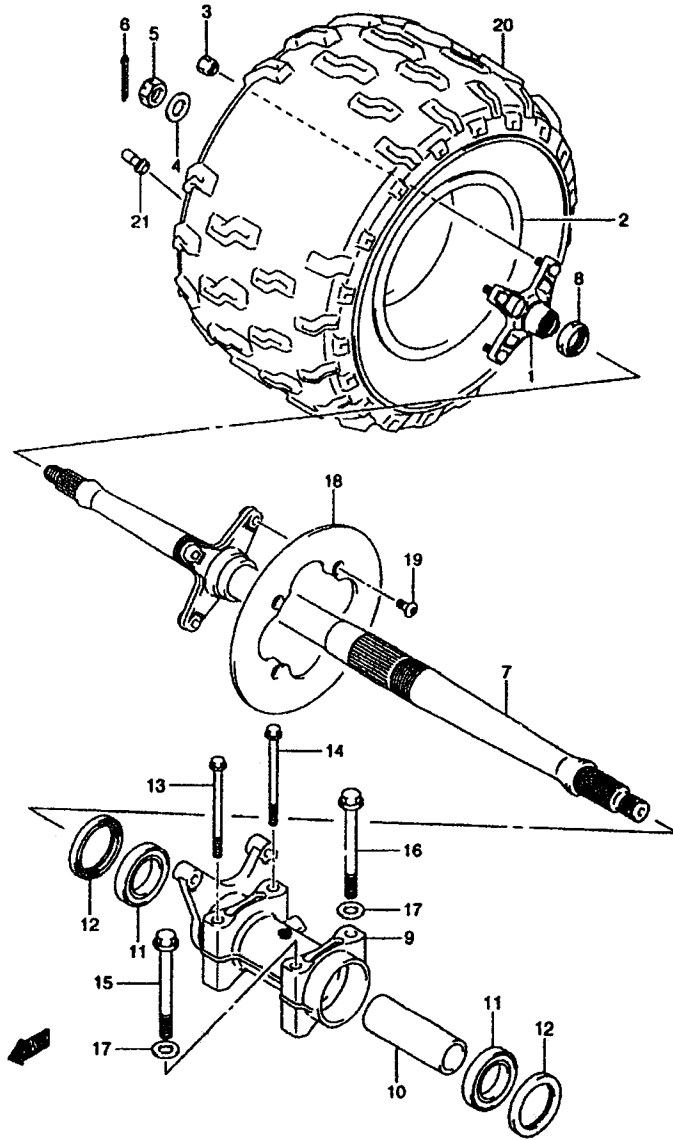


Fig.51 (I-4) RIGHT REAR WHEEL

Ref #	Part Number	Description	Qty	Remarks
1	64110-07G00-YU8	HUB, REAR WHEEL (GRAY)	1	
2	65310-07G00	RIM, REAR WHEEL (9X8.0AT)	1	
3	09140-10021	NUT	4	
4	09164-20002	WASHER	1	
5	09141-20002	NUT, HUB	1	
6	04111-40408	COTTER PIN	1	
7	64710-07G00	AXLE, REAR	1	
8	64871-07G00	NUT, REAR AXLE, R	1	
9	64715-07G00	HOUSING, RR AXLE BEARING	1	
10	64731-07G00	SPACER, RR AXLE BEARING	1	
11	08123-60087	BEARING, REAR AXLE	2	
12	09283-50006	SEAL, RR AXLE BEARING DUST	2	
13	09103-10076	BOLT, HOUSING FRONT, R	1	
14	09103-10350	BOLT, HOUSING REAR, R	1	
15	09103-12026	BOLT, HOUSING FRONT, L	1	
16	09103-12027	BOLT, HOUSING REAR, L	1	
17	09160-12102	WASHER, AXLE HOUSING SET, L	2	
18	69211-07G00	DISC, REAR BRAKE	1	
19	09106-08160	BOLT, DISC	4	
20	65110-07G00	TIRE, REAR	1	
21	43130-24A00	VLAVE ASSY, WHEEL RIM, TR412	1	

LT-Z400K3 E03 E28_051
RIGHT REAR WHEEL

58 LT-Z400K3 E3 E28

© 2002 American Suzuki Motor Corporation

AIR CLEANER.....	C-09	CRANKSHAFT.....	B-08	FRONT FENDER.....	G-06	LABEL.....	G-13	RADIATOR.....	D-05	RIGHT REAR WHEEL.....	I-04	WATER PUMP.....	D-04
BATTERY.....	E-10	CYLINDER HEAD COVER	B-03	FRONT MASTER CYLIND	H-09	LEFT REAR WHEEL.....	I-05	REAR BRAKE.....	G-03	SEAT.....	H-02	WIRING HARNESS.....	F-06
CAM CHAIN.....	C-06	CYLINDER HEAD.....	B-04	FRONT WHEEL.....	H-08	MAGNETO.....	E-08	REAR CALIPER.....	I-06	SIDE COVER.....	G-07		
CAM SHAFT - VALVE.....	C-04	CYLINDER.....	B-05	FUEL TANK.....	G-05	MUFFLER.....	C-10	REAR COMBINATION.....	F-03	STARTER CLUTCH.....	C-02		
CARBURETOR.....	C-07	ELECTRICAL.....	E-09	GASKET SET.....	3-02	OIL HOSE.....	D-03	REAR CUSHION LEVER.....	I-03	STARTING MOTOR.....	E-07		
CLUTCH.....	E-02	FOOTREST.....	G-04	GEAR SHIFTING.....	E-05	OIL PUMP.....	D-02	REAR FENDER.....	G-12	STEERING KNUCKLE.....	H-03		
CRANK BALANCER.....	C-03	FRAME.....	G-02	HANDLE LEVER.....	G-10	OPTIONAL.....	I-08	REAR MASTER CYLINDER	I-07	STEERING SHAFT.....	H-04		
CRANKCASE COVER.....	B-07	FRONT BRAKE HOSE.....	H-08	HANDLEBAR.....	G-08	PILOT LAMP.....	F-05	REAR SWINGING ARM.....	I-02	SUSPENSION ARM.....	H-05		
CRANKCASE.....	B-08	FRONT CALIPER.....	H-07	HEADLAMP.....	F-02	RADIATOR HOSE.....	D-06	REVERSE LOCK.....	G-09	TRANSMISSION.....	E-03		

FIG.52

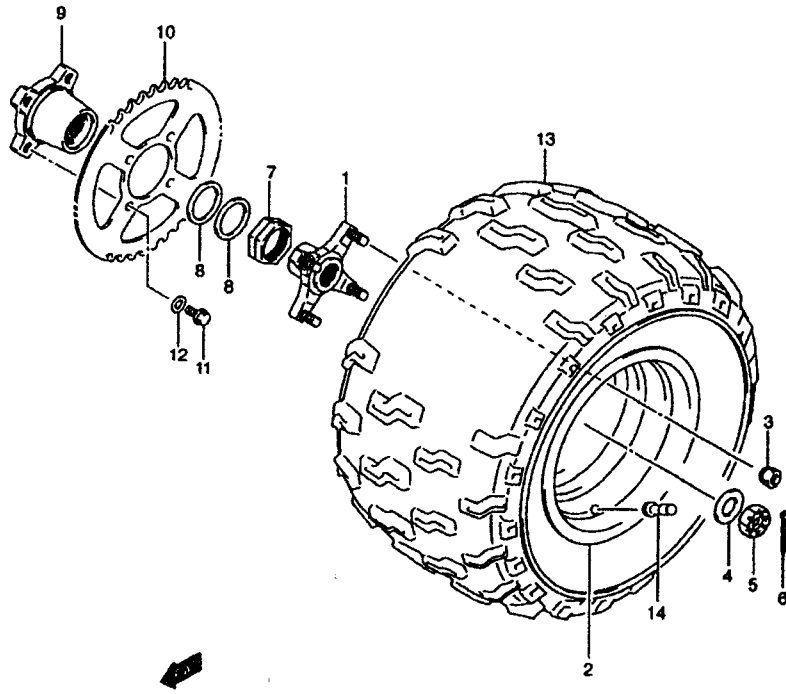


Fig.52 (I-5) LEFT REAR WHEEL

Ref #	Part Number	Description	Qty	Remarks
1	64110-07G00-YU8	HUB, REAR WHEEL (GRAY)	1	
2	65310-07G00	RIM, REAR WHEEL (9X8.0AT)	1	
3	09140-10021	NUT	4	
4	09164-20002	WASHER	1	
5	09141-20002	NUT, HUB	1	
6	04111-40408	COTTER PIN	1	
7	64870-19A00	NUT, REAR AXLE	1	
8	09164-38001	WASHER, REAR AXLE	2	
9	64611-07G00	FLANGE, REAR SPROCKET MOUNTIN	1	
10	64511-07G00	SPROCKET, REAR (NT:40)	1	
11	09103-10354	BOLT	4	
12	09164-10011	WASHER	4	
13	65110-07G00	TIRE, REAR	1	
14	43130-24A00	VALVE ASSY, WHEEL RIM, TR412	1	

LT-Z400K3 E03 E28_052
LEFT REAR WHEEL

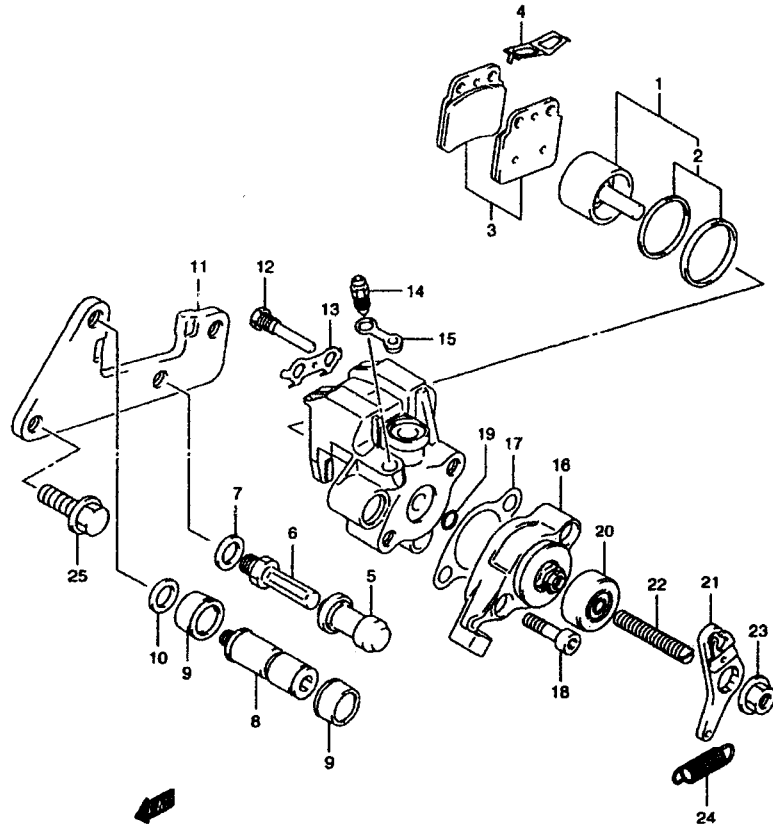
59 LT-Z400K3 E3 E28

© 2002 American Suzuki Motor Corporation

AIR CLEANER.....	C-09	CRANKSHAFT.....	B-08	FRONT FENDER.....	G-06	LABEL.....	G-13	RADIATOR.....	D-05	RIGHT REAR WHEEL.....	I-04	WATER PUMP.....	D-04
BATTERY.....	E-10	CYLINDER HEAD COVER.....	B-03	FRONT MASTER CYLIND.....	H-09	LEFT REAR WHEEL.....	I-05	REAR BRAKE.....	G-03	SEAT.....	H-02	WIRING HARNESS.....	F-06
CAM CHAIN.....	C-06	CYLINDER HEAD.....	B-04	FRONT WHEEL.....	H-08	MAGNETO.....	E-08	REAR CALIPER.....	I-06	SIDE COVER.....	G-07		
CAM SHAFT - VALVE.....	C-04	CYLINDER.....	B-05	FUEL TANK.....	G-05	MUFFLER.....	C-10	REAR COMBINATION.....	F-03	STARTER CLUTCH.....	C-02		
CARBURETOR.....	C-07	ELECTRICAL.....	E-09	GASKET SET.....	B-02	OIL HOSE.....	D-03	REAR CUSHION LEVER.....	I-03	STARTING MOTOR.....	E-07		
CLUTCH.....	E-02	FOOTREST.....	G-04	GEAR SHIFTING.....	E-05	OIL PUMP.....	D-02	REAR FENDER.....	G-12	STEERING KNUCKLE.....	H-03		
CRANK BALANCER.....	C-03	FRAME.....	G-02	HANDLE LEVER.....	G-10	OPTIONAL.....	I-08	REAR MASTER CYLINDER.....	I-07	STEERING SHAFT.....	H-04		
CRANKCASE COVER.....	B-07	FRONT BRAKE HOSE.....	H-06	HANDLEBAR.....	G-08	PILOT LAMP.....	F-05	REAR SWINGING ARM.....	I-02	SUSPENSION ARM.....	H-05		
CRANKCASE.....	B-06	FRONT CALIPER.....	H-07	HEADLAMP.....	F-02	RADIATOR HOSE.....	D-06	REVERSE LOCK.....	G-09	TRANSMISSION.....	E-03		

FIG.53

Fig.53 (I-6) REAR CALIPER



Ref #	Part Number	Description	Qty	Remarks
	69100-07G00	CALIPER ASSY, REAR	1	
1	69100-19850	.PISTON SET	1	
2	69100-13820	..SEAL SET, PISTON	1	
3	69100-07810	.PAD SET	1	
4	59315-13A00	.SPRING, PAD	1	
5	59386-13A00	.BOOT	1	
6	59382-13A00	.BOLT	1	
7	59314-13A00	.WASHER	1	
8	69305-19A00	.PIN	1	
9	59303-13A00	.BOOT	2	
10	59306-13A00	.SPRING	1	
11	69151-07G00	.BRACKET	1	
12	59345-13A00	.PIN	2	
13	59346-13A00	.WASHER	1	
14	59121-01A00	.BLEEDER	1	
15	59122-01A00	.CAP, BLEEDER	1	
16	69320-07G00	.PARKING	1	
17	69326-19A01	.PACKING	1	
18	69321-19A00	.BOLT	2	
19	69322-19A00	.O RING	1	
20	69329-19A00	.BOOT	1	
21	69325-19A00	.ARM	1	
22	69327-19A00	.BOLT, ADJUST	1	
23	69323-19A00	.NUT	1	
24	69328-19A00	.SPRING	1	
25	09103-08156	BOLT	2	

LT-Z400K3 E03 E28_053
REAR CALIPER

60 LT-Z400K3 E3 E28

© 2002 American Suzuki Motor Corporation

AIR CLEANER.....	C-09	CRANKSHAFT.....	B-08	FRONT FENDER.....	G-06	LABEL.....	G-13	RADIATOR.....	D-05	RIGHT REAR WHEEL.....	I-04	WATER PUMP.....	D-04
BATTERY.....	E-10	CYLINDER HEAD COVER	B-03	FRONT MASTER CYLIND	H-06	LEFT REAR WHEEL.....	I-05	REAR BRAKE.....	G-03	SEAT.....	H-02	WIRING HARNESS.....	F-06
CAM CHAIN.....	C-06	CYLINDER HEAD.....	B-04	FRONT WHEEL.....	H-06	MAGNETO.....	E-08	REAR CALIPER.....	I-06	SIDE COVER.....	G-07		
CAM SHAFT - VALVE.....	C-04	CYLINDER.....	B-05	FUEL TANK.....	G-05	MUFFLER.....	C-10	REAR COMBINATION.....	F-03	STARTER CLUTCH.....	C-02		
CARBURETOR.....	C-07	ELECTRICAL.....	E-09	GASKET SET.....	B-02	OIL HOSE.....	D-03	REAR CUSHION LEVER.....	I-03	STARTING MOTOR.....	E-07		
CLUTCH.....	E-02	FOOTREST.....	G-04	GEAR SHIFTING.....	E-05	OIL PUMP.....	D-02	REAR FENDER.....	G-12	STEERING KNUCKLE.....	H-03		
CRANK BALANCER.....	C-03	FRAME.....	G-02	HANDLE LEVER.....	G-10	OPTIONAL.....	I-08	REAR MASTER CYLINDER	I-07	STEERING SHAFT.....	H-04		
CRANKCASE COVER.....	B-07	FRONT BRAKE HOSE.....	H-08	HANDLEBAR.....	G-08	PILOT LAMP.....	F-05	REAR SWINGING ARM.....	I-02	SUSPENSION ARM.....	H-06		
CRANKCASE.....	B-08	FRONT CALIPER.....	H-07	HEADLAMP.....	F-02	RADIATOR HOSE.....	D-06	REVERSE LOCK.....	G-09	TRANSMISSION.....	E-03		

FIG.54

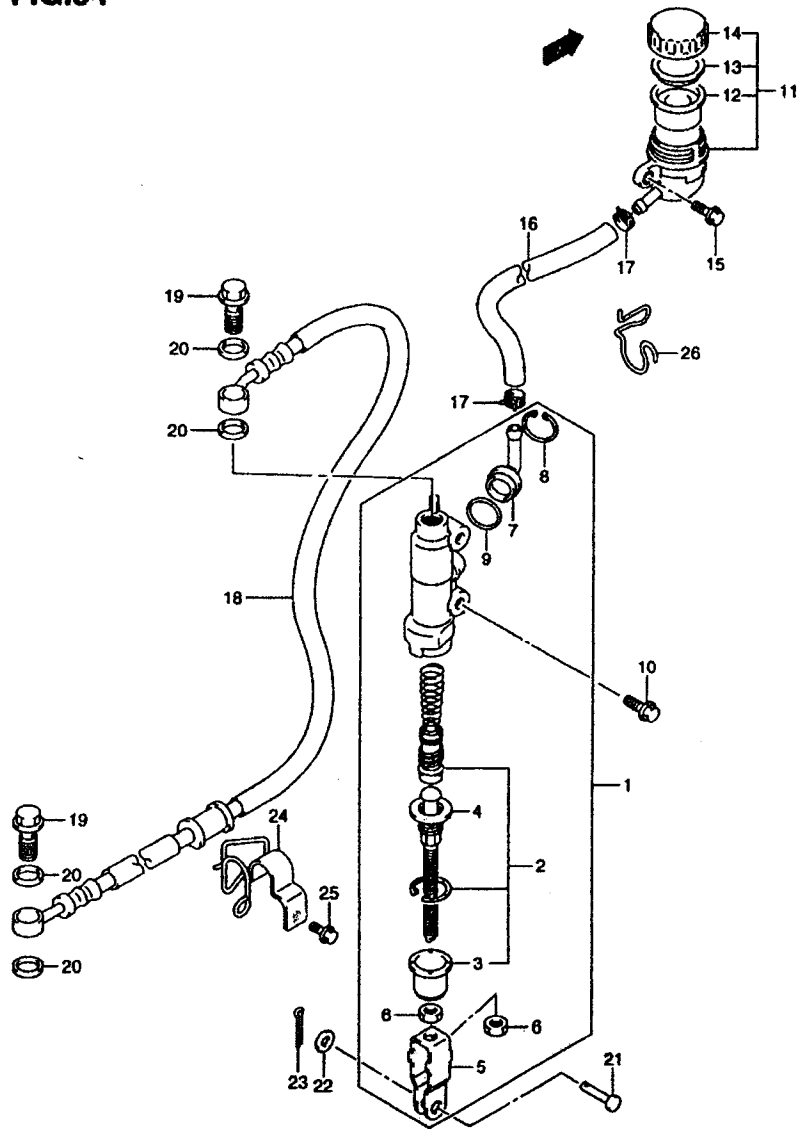


Fig.54 (I-7) REAR MASTER CYLINDER

Ref #	Part Number	Description	Qty	Remarks
1	69600-07G00	CYLINDER ASSY, REAR MASTER	1	
2	69600-34820	.PISTON/CUP SET	1	
3	69691-00A00	..BOOT	1	
4	69670-07G00	.ROD, PUSH	1	
5	69692-07G00	.YOKE	1	
6	69693-05A00	.NUT	2	
7	69672-00B20	.CONNECTOR	1	
8	69674-00B20	.CIRCLIP	1	
9	69686-34200	.O RING	1	
10	09103-06202	BOLT	2	
11	69740-03D00	TANK ASSY, REAR RESERVOIR	1	
12	69667-00B20	.DIAPHRAGM	1	
13	69668-00B20	.PLATE	1	
14	69669-03D00	.CAP	1	
15	01547-06123	BOLT	1	
16	69730-07G00	HOSE, REAR RESERVOIR TANK	1	
17	09401-12404	CLIP	2	
18	69480-07G00	HOSE, REAR BRAKE	1	
19	09360-10042	BOLT, UNION, 10X1.25X22	2	
20	09161-10009	WASHER, 10X15X1.5	4	
21	09200-08048	PIN	1	
22	09160-08119	WASHER	1	
23	04111-20158	PIN, COTTER	1	
24	69260-07G00	CLAMP, RR BRAKE HOSE	1	
25	01547-06103	BOLT	1	
26	69738-07G00	GUIDE, RR RSVR TANK HOSE	1	

LT-Z400K3 E03 E28_054
REAR MASTER CYLINDER

61 LT-Z400K3 E3 E28

© 2002 American Suzuki Motor Corporation

AIR CLEANER.....	C-06	CRANKSHAFT.....	B-08	FRONT FENDER.....	G-06	LABEL.....	G-13	RADIATOR.....	D-05	RIGHT REAR WHEEL....	I-04	WATER PUMP.....	D-04
BATTERY.....	E-10	CYLINDER HEAD COVER	B-03	FRONT MASTER CYLIND	H-09	LEFT REAR WHEEL....	I-05	REAR BRAKE.....	G-03	SEAT.....	H-02	WIRING HARNESS.....	F-06
CAM CHAIN.....	C-06	CYLINDER HEAD.....	B-04	FRONT WHEEL.....	H-06	MAGNETO.....	E-08	REAR CALIPER.....	I-06	SIDE COVER.....	G-07		
CAM SHAFT - VALVE..	C-04	CYLINDER.....	B-05	FUEL TANK.....	G-05	MUFFLER.....	C-10	REAR COMBINATION..	F-03	STARTER CLUTCH.....	C-02		
CARBURETOR.....	C-07	ELECTRICAL.....	E-09	GASKET SET.....	B-02	OIL HOSE.....	D-03	REAR CUSHION LEVER.	I-03	STARTING MOTOR.....	E-07		
CLUTCH.....	E-02	FOOTREST.....	G-04	GEAR SHIFTING.....	E-05	OIL PUMP.....	D-02	REAR FENDER.....	G-12	STEERING KNUCKLE....	H-03		
CRANK BALANCER.....	C-03	FRAME.....	G-02	HANDLE LEVER.....	G-10	OPTIONAL.....	I-08	REAR MASTER CYLINDE	I-07	STEERING SHAFT.....	H-04		
CRANKCASE COVER...	B-07	FRONT BRAKE HOSE...	H-08	HANDLEBAR.....	G-08	PILOT LAMP.....	F-05	REAR SWINGING ARM..	I-02	SUSPENSION ARM.....	H-05		
CRANKCASE.....	B-06	FRONT CALIPER.....	H-07	HEADLAMP.....	F-02	RADIATOR HOSE.....	D-06	REVERSE LOCK.....	G-09	TRANSMISSION.....	E-03		

FIG.55

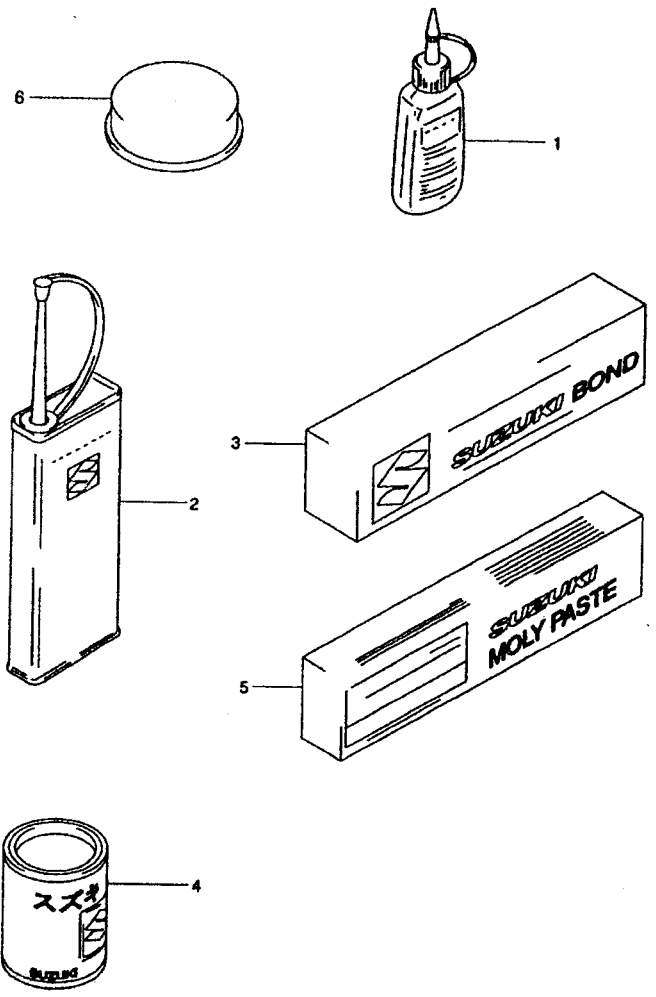


Fig.55 (I-8) OPTIONAL

Ref #	Part Number	Description	Qty	Remarks
1-1	99104-32030	THREAD LOCK, SUPER (1363A)	1	50G
1-2	99000-32050	THREAD LOCK, SUPER (1342)	1	50G
1-3	99000-32100	THREAD LOCK, SUPER (1305)	1	50G
1-4	99104-32020	THREAD LOCK, SUPER (1361A)	1	50G
1-5	99000-32130	THREAD LOCK, SUPER (1360)	1	50G
2	99000-32040	THREAD LOCK CEMENT	1	200G
3-1	99000-31140	SUZUKI BOND (1207B) (BLACK)	1	100G
3-2	99000-31110	SUZUKI BOND (1215)	1	100G
4	99000-25030	SUZUKI SUPER GREASE	1	150G
5	99000-25140	SUZUKI MOLY PASTE	1	50G
6	99000-25110	SUZUKI PBC GREASE	1	20G

LT-Z400K3 E03 E28_055
OPTIONAL

62 LT-Z400K3 E3 E28

© 2002 American Suzuki Motor Corporation

AIR CLEANER.....	C-09	CRANKSHAFT.....	B-08	FRONT FENDER.....	G-06	LABEL.....	G-13	RADIATOR.....	D-05	RIGHT REAR WHEEL.....	I-04	WATER PUMP.....	D-04
BATTERY.....	E-10	CYLINDER HEAD COVER.....	B-03	FRONT MASTER CYLIND.....	H-09	LEFT REAR WHEEL.....	I-05	REAR BRAKE.....	G-03	SEAT.....	H-02	WIRING HARNESS.....	F-06
CAM CHAIN.....	C-06	CYLINDER HEAD.....	B-04	FRONT WHEEL.....	H-06	MAGNETO.....	E-08	REAR CALIPER.....	I-08	SIDE COVER.....	G-07		
CAM SHAFT - VALVE.....	C-04	CYLINDER.....	B-05	FUEL TANK.....	G-05	MUFFLER.....	C-10	REAR COMBINATION.....	F-03	STARTER CLUTCH.....	C-02		
CARBURETOR.....	C-07	ELECTRICAL.....	E-09	GASKET SET.....	B-02	OIL HOSE.....	D-03	REAR CUSHION LEVER.....	I-03	STARTING MOTOR.....	E-07		
CLUTCH.....	E-02	FOOTREST.....	G-04	GEAR SHIFTING.....	E-05	OIL PUMP.....	D-02	REAR FENDER.....	G-12	STEERING KNUCKLE.....	H-03		
CRANK BALANCER.....	C-03	FRAME.....	G-02	HANDLE LEVER.....	G-10	OPTIONAL.....	I-08	REAR MASTER CYLINDE.....	I-07	STEERING SHAFT.....	H-04		
CRANKCASE COVER.....	B-07	FRONT BRAKE HOSE.....	H-08	HANDLEBAR.....	G-08	PILOT LAMP.....	F-05	REAR SWINGING ARM.....	I-02	SUSPENSION ARM.....	H-05		
CRANKCASE.....	B-08	FRONT CALIPER.....	H-07	HEADLAMP.....	F-02	RADIATOR HOSE.....	D-06	REVERSE LOCK.....	G-09	TRANSMISSION.....	E-03		

PART NUMBER INDEX

PART NUMBER	LOCATION	PART NUMBER	LOCATION	PART NUMBER	LOCATION
11100-07G00	B-4	12661-29F00	B-8	12931-02F10	C-4
11115-20E70	B-4	12666-29F10	C-3	12932-24F00	C-4
11141-29F01	B-2	12669-29F00	C-3	12933-38400	C-4
11141-29F01	B-4	12710-07G00	C-4	13111-07G00	B-4
11181-33E00	B-4	12720-07G00	C-4	13200-07G00	C-7
11170-07G00	B-3	12731-29F00	B-8	13200-07G10	C-7
11173-29F00	B-2	12760-29F00	C-6	13246-43010	C-7
11173-29F00	B-3	12771-29F00	C-6	13247-13A00	C-8
11191-13E00	B-4	12773-24F00	C-6	13247-33E00	C-8
11192-13E00	B-3	12782-29F00	C-6	13250-04F00	C-8
11210-29F20-0F0	B-6	12800-41810	C-5	13254-01010	C-7
11241-29F11	B-2	12811-07G00	C-6	13258-04F00	C-7
11241-29F11	B-5	12812-35C00	C-6	13267-07G00	C-8
11301-07810	B-6	12830-07G00	C-6	13268-03110	C-8
11323-29F00	B-6	12833-05A00	C-6	13268-48700	C-7
11324-29F00	B-6	12837-24A10	B-2	13278-15510	C-7
11330-07G00	B-5	12837-24A10	C-6	13278-47090	C-7
11332-07G00	B-5	12837-24F10	C-6	13279-20B00	C-7
11333-07G00	B-5	12891-02F00	C-4	13281-05A00	C-8
11334-07G00	B-5	12892-41C00-230	C-4	13282-07G00	C-8
11341-07G00	B-7	12892-41C00-235	C-4	13291-29FA0	C-7
11351-07G00	B-7	12892-41C00-240	C-4	13291-29900	C-7
11352-29F50	B-7	12892-41C00-245	C-4	13295-29900	C-7
11360-07G00	B-7	12892-41C00-250	C-4	13295-33010	C-8
11401-07810	B-2	12892-41C00-255	C-4	13331-07G00	C-7
11451-29F00	B-6	12892-41C00-260	C-4	13341-07G00	C-7
11460-07G00	B-6	12892-41C00-265	C-4	13342-07G00	C-7
11482-07G00	B-2	12892-41C00-270	C-4	13356-27A00	C-8
11482-07G00	B-7	12892-41C00-275	C-4	13370-07G00	C-7
11483-07G00	B-2	12892-41C00-280	C-4	13382-19E00	C-7
11483-07G00	B-7	12892-41C00-285	C-4	13383-07G00	C-7
11611-09F50	B-6	12892-41C00-290	C-4	13387-13F00	C-7
11971-07G00	D-3	12892-41C00-295	C-4	13394-17E60	C-7
12111-29F00-0F0	B-8	12892-41C00-300	C-4	13411-07G00	C-7
12140-29F00	B-8	12892-41C00-305	C-4	13417-07F00	C-7
12151-24F10	B-8	12892-41C00-310	C-4	13418-07G00	C-7
12160-29F01-0B0	B-8	12892-41C00-315	C-4	13418-33E00	C-7
12200-07G00	B-8	12892-41C00-320	C-4	13480-10F00	C-8
12210-29F10	B-8	12892-41C00-325	C-5	13481-04F00	C-7
12221-07G00	B-8	12892-41C00-330	C-5	13481-41F20	C-8
12261-07G00	B-8	12892-41C00-335	C-5	13501-29FA0	C-7
12600-29F00	C-2	12892-41C00-340	C-5	13502-02C10	C-8
12600-29810	C-2	12892-41C00-345	C-5	13502-08F00	C-8
12611-07G00	C-2	12892-41C00-350	C-5	13502-10F00	C-8
12615-07G00	C-2	12911-29F00	C-4	13503-07G00	C-7
12616-31D01	C-2	12912-29F00	C-4	13504-14E00	C-7
12661-29F00	C-3	12921-03G00	C-4	13507-07G00	C-7

PART NUMBER INDEX

PART NUMBER	LOCATION	PART NUMBER	LOCATION	PART NUMBER	LOCATION	PART NUMBER	LOCATION	PART NUMBER	LOCATION
13579-05G00	C-8	16480-07G00	D-3	24241-07G00	E-3				
13601-04148	C-8	16510-29F00	D-2	24251-07G00	E-3				
13602-04068	C-8	16512-47E00	D-2	24311-07G00	E-3				
13602-05A10	C-8	16520-29F00	D-2	24321-07G00	E-3				
13602-06108	C-8	17400-29F00	D-4	24331-07G00	E-3				
13602-38A10	C-8	17410-29F21	D-4	24332-24510	E-3				
13607-98410	C-8	17419-29F00	D-4	24341-07G00	E-3				
13615-05G00	C-8	17435-29F00	D-4	24351-07G00	E-3				
13671-05A30	C-8	17435-29F00	D-4	24551-05G00	E-4				
13671-11300	C-8	17435-33400	D-4	24561-07G00	E-4				
13673-20B00	C-8	17461-29F00	D-4	24562-05G00	E-4				
13681-04010	C-7	17470-02F10	D-4	24571-07G00	E-3				
13684-07G00	C-8	17491-29F00	D-4	24581-07G00	E-3				
13686-07G00	C-8	17661-29F00	B-4	24741-05G00	E-4				
13687-17C00	C-8	17670-33400	B-4	24741-21A00	E-5				
13700-07G00	C-9	17680-50F70	D-5	24742-18A00	B-8				
13740-07G00	C-9	17689-50F00	D-5	24751-07G00	E-4				
13746-07G00	C-9	17710-07G00	D-5	25211-07G00	E-5				
13780-03G00	C-9	17730-14G00	D-6	25221-07G00	E-5				
13791-03G00	C-9	17760-07G00	D-5	25231-07G00	E-5				
13792-03G00	C-9	17800-07G00	D-5	25310-07G00	E-5				
13810-07G00	C-9	17802-14F00	D-5	25313-27C02	E-5				
13858-14D20	C-9	17851-07G00	D-6	25320-07G00	E-5				
13859-41B10	C-9	17852-07G00	D-6	25322-36E00	E-5				
13881-07G00	C-9	17910-07G00	D-6	25323-34201	E-5				
13891-07G00	C-9	17931-02FA0	D-6	25324-34201	E-5				
13896-07G00	C-9	17981-19F00	D-6	25328-07G00	E-5				
14150-07G00	C-10	17981-45C00	D-6	25331-37E10	E-5				
14180-07G00	C-10	21111-29F00	B-8	25350-07G00	E-5				
14181-29E02	B-2	21200-07G00	E-2	25355-07G00	E-5				
14181-29E02	C-10	21251-29F00	E-2	25381-36E11	E-5				
14184-07G00	C-10	21410-07G00	E-2	25411-07G00	E-5				
14185-07G00	C-10	21413-29F00	E-2	25510-07G00	E-5				
14310-07G00	C-10	21414-29F00	E-2	25600-07G00	E-6				
14459-07G00	C-10	21441-29F00	E-2	25652-16500	E-6				
14771-29F10	B-2	21442-29F00	E-2	25671-38B00	E-5				
14771-29F10	C-10	21451-44D00	E-2	27511-07G00	E-4				
16321-29F00	D-2	21462-29F00	E-2	27512-07G00	E-4				
16322-29F00	D-2	23110-07G00	E-2	27600-29F10-112	E-4				
16331-29F01	D-2	23117-05200	E-2	27620-29F10	E-4				
16400-29F00	D-2	23121-29F00	E-2	27640-07G00	B-7				
16410-07G00	D-3	23122-29F00	E-2	29215-07G00	E-3				
16410-29F00	D-2	23271-20902	E-2	31100-29F00	E-7				
16421-07G00	D-3	24120-07G00	E-3	31130-13E00	E-7				
16442-29F00	D-2	24130-07G00	E-3	31132-13E00	E-7				
16460-07G00	D-3	24221-07G00	E-3	31135-31300	E-7				
16470-07G00	D-3	24231-07G00	E-3	31143-49040	E-7				

AIR CLEANER.....	C-09	CRANKSHAFT.....	B-08	FRONT FENDER.....	G-06	LABEL.....	G-13	RADIATOR.....	D-06	RIGHT REAR WHEEL.....	I-04	WATER PUMP.....	D-04
BATTERY.....	E-10	CYLINDER HEAD COVER.....	B-03	FRONT MASTER CYLIND.....	H-09	LEFT REAR WHEEL.....	I-05	REAR BRAKE.....	G-03	SEAT.....	H-02	WIRING HARNESS.....	F-06
CAM CHAIN.....	C-06	CYLINDER HEAD.....	B-04	FRONT WHEEL.....	H-06	MAGNETO.....	E-08	REAR CALIPER.....	I-06	SIDE COVER.....	G-07		
CAM SHAFT VALVE.....	C-04	CYLINDER.....	B-05	FUEL TANK.....	G-05	MUFFLER.....	C-10	REAR COMBINATION.....	F-03	STARTER CLUTCH.....	C-02		
CARBURETOR.....	C-07	ELECTRICAL.....	E-09	GASKET SET.....	B-02	OIL HOSE.....	D-03	REAR CUSHION LEVER.....	I-03	STARTING MOTOR.....	E-07		
CLUTCH.....	E-02	FOOTREST.....	G-04	GEAR SHIFTING.....	E-06	OIL PUMP.....	O-02	REAR FENDER.....	G-12	STEERING KNUCKLE.....	H-03		
CRANK BALANCER.....	C-03	FRAME.....	G-02	HANDLE LEVER.....	G-10	OPTIONAL.....	I-06	REAR MASTER CYLINDER.....	I-07	STEERING SHAFT.....	H-04		
CRANKCASE COVER.....	B-07	FRONT BRAKE HOSE.....	H-06	HANDLEBAR.....	G-08	PILOT LAMP.....	F-05	REAR SWINGING ARM.....	I-02	SUSPENSION ARM.....	H-05		
CRANKCASE.....	B-06	FRONT CALIPER.....	H-07	HEADLAMP.....	F-02	RADIATOR HOSE.....	D-06	REVERSE LOCK.....	G-09	TRANSMISSION.....	E-03		

PART NUMBER INDEX

PART NUMBER	LOCATION	PART NUMBER	LOCATION	PART NUMBER	LOCATION
31156-13E00	E-7	35970-14A10	F-4	51210-05G00	H-3
31170-19B10	E-7	35975-07G00	F-4	51230-07G00	H-3
31264-13E00	E-7	36321-05G00	F-5	51240-07G00	H-3
31280-19F00	E-7	36329-05G00	F-5	51260-07G00	H-3
31792-07G00	E-8	36361-05G00	F-5	51270-07G00	H-3
31800-07G00	E-9	36380-07G00	F-5	51281-07G00	H-3
32101-07G00	E-8	36610-07G00	F-6	51553-42AA0	D-3
32102-07G00	E-8	37110-07G00	F-6	51650-07G00	H-4
32371-13E00	E-8	37146-19B00	F-6	51661-19B10	H-4
32800-05F10	E-9	37146-19B10	F-6	51662-19A01	H-4
32900-07G00	E-9	37146-19B20	F-6	51663-24500	H-4
33410-09F00	E-9	37146-19B30	F-6	51670-24500	H-4
33510-48B10	E-9	37400-07G00	G-10	51678-24600	H-4
33541-23E01	E-9	37571-19B01	G-10	52100-07G00-37W	H-5
33542-38B00	E-9	37576-19B01	G-10	52410-07G00-YD8	H-5
33543-33E01	E-9	37720-07G00	E-6	52420-07G00-YD8	H-5
33610-32C10	E-10	37740-07G00	F-6	52430-07G00-YD8	H-5
33624-10D00	E-10	41100-07G00-YU8	G-2	52440-07G00-YD8	H-5
33652-03G00	E-10	41200-07G00-YD8	G-2	52454-43B00	H-5
33652-05G20	F-3	41560-07G00	G-2	52455-07G00	H-5
33652-05G20	F-4	41911-07G00	G-2	52455-43B00	H-5
33652-07G00	E-10	41912-07G00	G-2	53111-07G00-YU1	G-6
33652-07G10	F-3	41990-07G00	G-2	53111-07G00-30H	G-6
33652-07G10	F-4	42511-07G00	G-2	53112-07G00-YU1	G-7
33652-28010	E-10	43110-07G00	G-3	53112-07G00-019	G-7
33652-41B00	E-10	43130-24A00	H-6	53118-07G00	G-6
33810-07G00	E-10	43130-24A00	I-4	53119-07G00-YU1	G-6
33820-07G00	E-10	43130-24A00	I-5	53119-07G00-30H	G-6
33860-07G00	E-10	43510-07G00	G-4	53122-07G00-YU1	G-7
34173-26F00	F-5	43520-07G00	G-4	53122-07G00-019	G-7
34178-26F00	F-5	43570-07G00	G-4	53145-07G00	G-7
34850-07G00	D-5	43580-07G00	G-4	53210-07G00	G-6
35100-07G00-YU1	F-2	43910-37F00	G-2	53220-07G00	G-6
35100-07G00-30H	F-2	43990-07G00-YD8	G-4	54110-07G00-YU8	H-6
35143-07G00-YU1	F-2	44100-07G00	G-5	54138-07G00	H-6
35143-07G00-30H	F-2	44200-29F00	G-5	54731-07G00	H-6
35171-07G00	F-2	44281-03G00	G-5	55110-07G00	H-6
35710-03G00	F-3	44300-07G00	G-5	55310-07G00	H-6
35710-03G00	F-4	44420-07G00	G-5	56111-07G00	G-8
35718-03G00	F-3	44426-20E00	G-5	56171-07G00-GY8	G-8
35718-03G00	F-4	44511-03G00	G-5	56171-07G00-60K	G-8
35728-07G00	F-3	44542-07G00	G-5	56200-07850	G-8
35726-07G10	F-4	45100-07G01-P21	H-2	56211-09F00-291	H-4
35950-14A00	F-2	45141-07G00	H-2	56211-27200-291	H-4
35956-07G00	F-2	45149-07G00	H-2	56272-23F00	G-8
35957-07G00	F-2	45149-09B00	H-2	56272-42F00	G-8
35970-07F00	F-4	47150-07G00	G-5	56276-17D00	G-8

PART NUMBER INDEX

PART NUMBER	LOCATION	PART NUMBER	LOCATION	PART NUMBER	LOCATION	PART NUMBER	LOCATION	PART NUMBER	LOCATION
56411-07G00	G-8	59121-01A00	I-6	61393-09F00	I-2				
56421-07G00	G-8	59122-01A00	H-7	61396-07G00	I-2				
57100-07G00	G-10	59122-01A00	I-6	61421-01C01	I-2				
57121-07G00	G-10	59151-38F00	H-7	61425-43B00	I-2				
57126-07G00	G-10	59211-07G00	H-6	61470-07G00	I-2				
57127-07G00	G-10	59231-07G00	H-6	61480-07G00	I-2				
57128-07G00	G-10	59240-07G00	H-8	62100-07G00-37W	I-3				
57157-07G00	G-10	59250-07G00	H-8	62100-07G10-37W	I-3				
57211-22A01-291	G-10	59261-07G00	H-8	62311-14501	I-3				
57421-39D20	G-10	59271-07G00	H-8	62317-37F00	I-3				
57431-04F00	G-10	59281-07G00	H-8	62600-07810	I-3				
57431-07G00	G-10	59300-38F20	H-7	62600-07820	I-3				
57432-07G00	G-10	59300-42850	H-7	62621-07G00	I-3				
57433-07G00	G-10	59303-13A00	H-7	62621-37F00	I-3				
57433-09F00	G-10	59303-13A00	I-6	62624-14500	I-3				
57441-45C00	G-10	59306-13A00	H-7	62646-07G00	I-3				
57442-07G00	G-10	59306-13A00	I-6	62646-37F00	I-3				
57460-17C00	G-10	59314-13A00	H-7	62647-37F00	I-3				
57465-17C00	G-10	59314-13A00	I-6	62658-07G00	I-3				
57500-07G00	G-10	59315-13A00	H-7	62681-07G00	I-3				
57512-07G00	G-10	59315-13A00	I-6	62684-36E00	I-3				
57513-07G00	G-10	59345-00B20	H-7	63111-07G00-YU1	G-12				
57541-07G00	G-11	59345-13A00	I-6	63111-07G00-30H	G-12				
57618-07G00	G-11	59346-13A00	I-6	63129-07G00	G-12				
57619-07G00	G-11	59351-38F00	H-7	63140-07G00	G-12				
57621-07G00	G-10	59371-13A00	H-7	63261-07G00	G-12				
57623-07G00	G-10	59382-13A00	H-7	63331-07G00-291	G-12				
57624-07G00	G-11	59382-13A00	I-6	63341-07G00-291	G-12				
57729-07G00	G-11	59384-13A00	H-7	64110-07G00-YU8	I-4				
57731-07G00	G-11	59386-13A00	H-7	64110-07G00-YU8	I-5				
57733-07G00	G-11	59386-13A00	I-6	64511-07G00	I-5				
57800-07850	G-10	59480-07G00	H-8	64611-07G00	I-5				
57900-07850	G-9	59600-04810	H-9	64710-07G00	I-4				
57940-07G00	G-9	59600-31D00	H-9	64715-07G00	I-4				
58200-07G00	G-8	59667-44B00	H-9	64718-07G00	I-2				
58300-07G00	G-8	59671-36500	H-9	64719-07G00	I-2				
58410-07G00	G-8	59675-19C00	H-9	64731-07G00	I-4				
58620-07G00	G-8	59748-15400	H-9	64870-19A00	I-5				
58630-07G00	G-8	59749-15400	H-9	64871-07G00	I-4				
58634-29F00	G-8	61100-07890	I-2	65110-07G00	I-4				
58810-07G00	G-8	61211-07G00	I-2	65110-07G00	I-5				
58850-07G00	G-9	61222-05A01	I-2	65310-07G00	I-4				
59100-38F20	H-7	61252-07G00	I-2	65310-07G00	I-5				
59100-38850	H-7	61261-07G00	I-2	68111-01C20-GY8	G-6				
59100-38860	H-7	61262-28C10	I-2	68111-01C20-8YM	G-6				
59105-38F00	H-7	61273-07G00	I-2	68111-19B30-GY8	G-12				
59121-01A00	H-7	61390-07G10	I-2	68111-19B30-8YM	G-12				

AIR CLEANER.....	C-09	CRANKSHAFT.....	B-06	FRONT FENDER.....	G-06	LABEL.....	G-13	RADIATOR.....	D-05	RIGHT REAR WHEEL.....	I-04	WATER PUMP.....	D-04
BATTERY.....	E-10	CYLINDER HEAD COVER	B-03	FRONT MASTER CYLIND	H-09	LEFT REAR WHEEL.....	I-05	REAR BRAKE.....	G-03	SEAT.....	H-02	WIRING HARNESS.....	F-06
CAM CHAIN.....	C-06	CYLINDER HEAD.....	B-04	FRONT WHEEL.....	H-06	MAGNETO.....	E-08	REAR CALIPER.....	I-08	SIDE COVER.....	G-07		
CAM SHAFT - VALVE.....	C-04	CYLINDER.....	B-05	FUEL TANK.....	G-05	MUFFLER.....	C-10	REAR COMBINATION.....	F-03	STARTER CLUTCH.....	C-02		
CARBURETOR.....	C-07	ELECTRICAL.....	E-09	GASKET SET.....	B-02	OIL HOSE.....	D-03	REAR CUSHION LEVER.....	I-03	STARTING MOTOR.....	E-07		
CLUTCH.....	E-02	FOOTREST.....	G-04	GEAR SHIFTING.....	E-05	OIL PUMP.....	D-02	REAR FENDER.....	G-12	STEERING KNUCKLE.....	H-03		
CRANK BALANCER.....	C-03	FRAME.....	G-02	HANDLE LEVER.....	G-10	OPTIONAL.....	I-08	REAR MASTER CYLINDER	I-07	STEERING SHAFT.....	H-04		
CRANKCASE COVER.....	B-07	FRONT BRAKE HOSE.....	H-08	HANDLEBAR.....	G-06	PILOT LAMP.....	F-05	REAR SWINGING ARM.....	I-02	SUSPENSION ARM.....	H-05		
CRANKCASE.....	B-06	FRONT CALIPER.....	H-07	HEADLAMP.....	F-02	RADIATOR HOSE.....	D-06	REVERSE LOCK.....	G-09	TRANSMISSION.....	E-03		

PART NUMBER INDEX

PART NUMBER	LOCATION	PART NUMBER	LOCATION	PART NUMBER	LOCATION
68151-07G00-JV5	G-6	69667-00B20	I-7	01547-08403	B-6
68155-07G00-GY7	G-7	69668-00B20	I-7	01547-08403	B-7
68156-07G00-KC9	G-7	69669-03D00	I-7	01547-06803	B-7
68155-07G10-KD8	G-6	69669-24A01	H-9	01547-08703	B-6
68156-07G00-GY7	G-7	69670-07G00	I-7	01550-06103	B-4
68156-07G00-KC9	G-7	69672-00B20	I-7	01550-06103	B-7
68156-07G10-KD8	G-6	69674-00B20	I-7	01550-08103	D-5
68171-07G00-JV6	G-12	69686-34200	I-7	01550-06103	H-8
68171-07G00-KD1	G-12	69689-49300	H-9	01550-06123	G-6
68281-07G00	G-6	69691-00A00	I-7	01550-06163	C-9
68322-07G00	D-3	69692-07G00	I-7	01550-06163	E-9
68332-07G00	G-13	69693-05A00	I-7	01550-06163	G-2
68332-07G10	G-13	69730-07G00	I-7	01550-06203	E-6
68353-26E02	G-13	69738-07G00	I-7	01550-06253	D-2
68366-07G00	G-13	69740-03D00	I-7	01550-06253	G-6
68366-07G10	G-13	96200-18A02	G-12	01550-06853	G-3
68366-20B60	G-13	99000-25030	I-8	01550-08123	B-7
68367-04640	G-13	99000-25110	I-8	01550-08123	D-3
68382-07G00	G-13	99000-25140	I-8	01550-08163	G-2
68382-07G10	G-13	99000-31110	I-8	01550-08203	G-2
68721-05D00-GY8	G-8	99000-31140	I-8	01550-08203	G-4
68721-05D00-8YM	G-8	99000-32040	I-8	01550-08553	H-4
68921-09F00	G-13	99000-32050	I-8	01550-08753	H-4
68928-09F00	G-13	99000-32100	I-8	01570-06163	G-12
68929-09F00	G-13	99000-32130	I-8	01580-06163	G-12
68931-09F00	G-13	99000-69471	C-5	02112-04083	C-8
69100-07G00	I-6	99011-07G50-03A	G-13	02112-05203	G-10
69100-07810	I-6	99011-07G50-28B	G-13	02112-05407	G-10
69100-13820	I-6	99104-32020	I-8	02112-05457	G-10
69100-19850	I-6	99104-32030	I-8	02112-06123	B-8
69151-07G00	I-6	01421-06253	B-5	02122-06253	D-2
69211-07G00	I-4	01421-08203	C-10	02142-05203	G-9
69260-07G00	I-7	01547-06103	B-5	02142-06103	E-2
69305-19A00	I-6	01547-06103	D-4	02142-06163	C-9
69320-07G00	I-6	01547-06103	I-7	02142-06163	F-4
69321-19A00	I-6	01547-06123	B-7	02142-06203	G-5
69322-19A00	I-6	01547-06123	H-8	02162-05103	G-9
69323-19A00	I-6	01547-06123	I-7	02162-06163	F-2
69325-19A00	I-6	01547-06163	B-4	02162-06203	E-9
69326-19A01	I-6	01547-06163	B-7	03511-04123	F-2
69327-19A00	I-6	01547-06163	D-2	03541-05163	G-6
69328-19A00	I-6	01547-06163	E-2	03541-05203	G-9
69329-19A00	I-6	01547-06163	G-5	04111-20158	I-7
69372-00B20	H-7	01547-06203	C-9	04111-20208	H-3
69480-07G00	I-7	01547-06203	G-10	04111-20208	H-4
69600-07G00	I-7	01547-06253	E-7	04111-30208	H-3
69600-34820	I-7	01547-06303	B-7	04111-30308	H-6

PART NUMBER INDEX

PART NUMBER	LOCATION	PART NUMBER	LOCATION	PART NUMBER	LOCATION	PART NUMBER	LOCATION	PART NUMBER	LOCATION
04111-40408	I-4	08331-31106	D-4	09116-06190	G-5				
04111-40408	I-5	08331-31126	C-2	09118-06097	D-3				
04211-08149	B-7	08331-31126	D-2	09118-06097	D-5				
04211-11129	D-3	08331-31146	E-6	09125-06086	B-6				
04211-13189	B-4	08331-31176	E-4	09125-06110	E-5				
04211-13189	B-5	08331-31308	H-3	09126-08007	E-4				
04211-13189	B-6	08332-11086	D-4	09126-06011	C-6				
04221-04089	E-5	08351-31008	I-3	09126-06011	E-4				
06111-12004	D-2	08361-35068	E-7	09126-06011	E-5				
07120-05163	E-6	09103-06083	H-6	09127-06018	G-8				
07120-06203	D-3	09103-06092	G-8	09128-06013	E-9				
07120-C6403	B-4	09103-06202	I-7	09139-06109	C-10				
07120-06453	B-4	09103-06204	D-4	09139-06109	G-12				
07120-08163	H-7	09103-06209	D-4	09139-06118	F-2				
07120-08403	C-10	09103-06504	B-4	09139-06120	I-3				
07130-05123	E-8	09103-08083	G-2	09140-10021	H-6				
07130-05253	E-8	09103-08156	I-6	09140-10021	I-4				
07130-06163	C-2	09103-08266	G-2	09140-10021	I-5				
07130-06253	C-6	09103-08266	G-4	09140-10027	H-3				
07130-06303	E-2	09103-10033	H-5	09140-10043	H-3				
08110-69000	D-4	09103-10076	I-4	09140-12038	C-3				
08113-69050	E-5	09103-10110	B-6	09140-18012	B-8				
08120-60047	H-6	09103-10136	B-6	09140-20001	E-2				
08123-60087	I-4	09103-10218	B-4	09141-20002	I-4				
08211-06121	E-5	09103-10275	G-4	09141-20002	I-5				
08211-06181	C-6	09103-10276	B-4	09148-05038	G-6				
08211-10221	C-2	09103-10293	G-2	09159-06024	G-8				
08211-10281	H-5	09103-10325	I-3	09159-10058	B-4				
08211-17341	I-2	09103-10350	I-4	09159-10058	B-6				
08211-22425	E-2	09103-10351	H-5	09159-10058	H-3				
08310-00053	G-10	09103-10352	H-5	09159-10058	H-5				
08314-40123	H-3	09103-10354	I-5	09159-10058	I-3				
08314-40143	H-6	09103-12026	I-4	09159-10067	I-3				
08316-10053	F-4	09103-12027	I-4	09159-12056	I-3				
08316-10053	G-9	09106-07009	B-3	09160-06126	B-7				
08316-10063	B-5	09106-07010	B-3	09160-06126	G-8				
08316-10063	F-4	09106-08154	I-2	09160-06136	G-5				
08319-21063	G-3	09106-08160	H-6	09160-06138	G-3				
08319-21063	G-10	09106-08160	I-4	09160-08119	I-7				
08319-21063	G-12	09108-08209	I-2	09160-08503	C-10				
08319-31083	C-10	09111-06039	B-7	09160-10082	B-4				
08319-31087	I-2	09111-06039	E-4	09160-12073	H-4				
08319-31123	H-4	09111-06041	E-5	09160-12102	I-4				
08319-31168	I-2	09111-06063	G-2	09160-14046	E-6				
08322-01123	H-3	09111-06063	G-6	09161-10009	H-8				
08322-01143	H-6	09116-06152	I-2	09161-10009	I-7				
08331-31106	D-2	09116-06168	D-6	09161-11008	B-3				

AIR CLEANER.....	C-09	CRANKSHAFT.....	B-06	FRONT FENDER.....	G-06	LABEL.....	G-13	RADIATOR.....	D-05	RIGHT REAR WHEEL.....	I-04	WATER PUMP.....	D-04
BATTERY.....	E-10	CYLINDER HEAD COVER.....	B-03	FRONT MASTER CYLIND.....	H-09	LEFT REAR WHEEL.....	I-05	REAR BRAKE.....	G-03	SEAT.....	H-02	WIRING HARNESS.....	F-06
CAM CHAIN.....	C-06	CYLINDER HEAD.....	B-04	FRONT WHEEL.....	H-05	MAGNETO.....	E-08	REAR CALIPER.....	I-06	SIDE COVER.....	G-07		
CAM SHAFT - VALVE.....	C-04	CYLINDER.....	B-05	FUEL TANK.....	G-05	MUFFLER.....	C-10	REAR COMBINATION.....	F-03	STARTER CLUTCH.....	C-02		
CARBURETOR.....	C-07	ELECTRICAL.....	E-09	GASKET SET.....	B-02	OIL HOSE.....	D-03	REAR CUSHION LEVER.....	I-03	STARTING MOTOR.....	E-07		
CLUTCH.....	E-02	FOOTREST.....	G-04	GEAR SHIFTING.....	E-06	OIL PUMP.....	D-02	REAR FENDER.....	G-12	STEERING KNUCKLE.....	H-03		
CRANK BALANCER.....	C-03	FRAME.....	G-02	HANDLE LEVER.....	G-10	OPTIONAL.....	I-08	REAR MASTER CYLIND.....	I-07	STEERING SHAFT.....	H-04		
CRANKCASE COVER.....	B-07	FRONT BRAKE HOSE.....	H-08	HANDLEBAR.....	G-08	PILOT LAMP.....	F-05	REAR SWINGING ARM.....	I-02	SUSPENSION ARM.....	H-05		
CRANKCASE.....	B-06	FRONT CALIPER.....	H-07	HEADLAMP.....	F-02	RADIATOR HOSE.....	D-06	REVERSE LOCK.....	G-09	TRANSMISSION.....	E-03		

PART NUMBER INDEX

PART NUMBER	LOCATION	PART NUMBER	LOCATION	PART NUMBER	LOCATION
09164-10011	I-5	09181-25139	E-3	09280-24003	E-7
09164-18008	B-8	09181-25167	E-3	09280-26006	E-6
09164-20002	I-4	09200-08048	I-7	09280-33004	B-2
09164-20002	I-5	09202-04017	C-3	09280-33004	B-7
09164-22011	E-4	09206-08001	B-4	09280-54001	B-2
09164-38001	I-5	09209-05011	E-6	09280-54001	D-2
09167-22021	E-2	09247-12006	B-7	09280-71004	B-2
09167-25012	E-3	09247-12011	B-6	09280-71004	B-7
09167-25016	E-3	09248-10010	B-6	09282-10012	E-2
09168-06004	B-7	09248-14011	B-7	09282-14003	B-8
09168-06004	D-4	09259-36016-20H	B-7	09283-10010	E-5
09168-06015	B-4	09261-04001	D-4	09283-14006	E-6
09168-06023	B-7	09261-04009	D-2	09283-25086	E-3
09168-06026	G-5	09261-05003	E-5	09283-50006	I-4
09168-08008	B-7	09261-05005	B-8	09284-20001	I-3
09168-08008	D-3	09261-05005	C-3	09284-21001	H-6
09168-10002	B-2	09262-12001	E-2	09284-26002	H-6
09168-10002	B-6	09262-15024	H-6	09285-17001	H-5
09168-12002	B-2	09262-15030	C-3	09285-22001	I-2
09168-12002	B-6	09262-17023	E-3	09289-05011	C-4
09168-12002	B-7	09262-17027	E-3	09300-20033	E-3
09168-14002	B-7	09262-25122	E-3	09300-25020	E-3
09168-14015	D-3	09262-25125	E-3	09320-06023	F-3
09169-06045	G-12	09262-30100	B-8	09320-06023	F-4
09169-06071	G-12	09263-10014	E-2	09320-06503	G-8
09169-06074	G-6	09263-12024	E-2	09320-08069	C-10
09180-06286	G-5	09263-14027	E-6	09320-09017	H-2
09180-06290	D-3	09263-17033	H-5	09320-10042	D-3
09180-06290	D-5	09263-17034	H-5	09320-10042	D-5
09180-06293	G-5	09263-20083	I-3	09320-10501	F-2
09180-07014	E-5	09263-20086	I-3	09320-11008	G-6
09180-08152	C-10	09263-22017	I-2	09320-12071	C-10
09180-14016	E-6	09263-25018	E-5	09321-06033	G-6
09180-15068	H-6	09263-25049	C-2	09352-50823-600	G-5
09180-20119	H-6	09263-35035-0B0	B-8	09360-10042	H-8
09181-08111	G-2	09280-04004	B-6	09360-10042	I-7
09181-10158	D-2	09280-05004	B-6	09360-14012	D-3
09181-10158	D-4	09280-07004	B-6	09380-25003	E-3
09181-10195	E-2	09280-11005	B-2	09381-20004	B-8
09181-11001	H-3	09280-11005	D-3	09401-08411	D-6
09181-12009	C-3	09280-13004	B-2	09401-11407	G-5
09181-12130	C-2	09280-13004	D-2	09401-12403	D-3
09181-14139	E-6	09280-14011	G-3	09401-12404	I-7
09181-17021	E-4	09280-17003	D-3	09401-14301	C-9
09181-17195	E-4	09280-17003	H-4	09401-15101	B-5
09181-17223	E-3	09280-22001	B-2	09401-15404	B-5
09181-20195	E-3	09280-22001	D-4	09402-32511	D-6

PART NUMBER INDEX

PART NUMBER	LOCATION	PART NUMBER	LOCATION	PART NUMBER	LOCATION	PART NUMBER	LOCATION
09402-52208	B-4	09491-80005	C-8				
09402-56208	C-9	09492-22014	C-8				
09402-58208	B-4	09493-28010	B-6				
09402-64208	C-9	09800-21046	G-12				
09402-82208	C-9	09816-00103	G-12				
09403-07325	G-8	09822-00004	G-12				
09403-07325	H-8						
09403-07327	G-8						
09403-14304	G-8						
09403-20403	F-6						
09404-06429	C-8						
09404-06435	F-6						
09407-03401	F-6						
09407-11402	F-6						
09407-12402	F-6						
09407-14403	F-6						
09407-14403	G-8						
09407-14407	G-5						
09408-00044	G-9						
09409-06314-5PK	G-8						
09409-06322-5PK	D-3						
09409-07333	G-6						
09409-07333	G-7						
09409-07333	G-12						
09420-04008	E-8						
09421-05002	B-8						
09440-04003	E-5						
09440-04010	E-6						
09440-07073	D-2						
09440-09031	C-3						
09440-18002	D-2						
09443-06073	F-6						
09443-12019	G-3						
09444-20006	E-5						
09471-12083	F-3						
09471-12083	F-4						
09471-12097	F-2						
09471-12103	F-5						
09482-00456	B-4						
09482-00457	B-4						
09482-00458	B-4						
09482-00459	B-4						
09482-00515	B-4						
09482-00516	B-4						
09482-00528	B-4						
09482-00529	B-4						
09491-26016	C-7						

AIR CLEANER.....	C-09	CRANKSHAFT.....	B-08	FRONT FENDER.....	G-08	LABEL.....	G-13	RADIATOR.....	D-05	RIGHT REAR WHEEL.....	I-04	WATER PUMP.....	D-04
BATTERY.....	E-10	CYLINDER HEAD COVER	B-03	FRONT MASTER CYLIND	H-09	LEFT REAR WHEEL.....	I-05	REAR BRAKE.....	D-03	SEAT.....	H-02	WIRING HARNESS.....	F-06
CAM CHAIN.....	C-06	CYLINDER HEAD.....	B-04	FRONT WHEEL.....	H-08	MAGNETO.....	E-08	REAR CALIPER.....	I-06	SIDE COVER.....	G-07		
CAM SHAFT - VALVE.....	C-04	CYLINDER.....	B-05	FUEL TANK.....	G-05	MUFFLER.....	C-10	REAR COMBINATION.....	F-03	STARTER CLUTCH.....	C-02		
CARBURETOR.....	C-07	ELECTRICAL.....	E-09	GASKET SET.....	B-02	OIL HOSE.....	D-03	REAR CUSHION LEVER.....	I-03	STARTING MOTOR.....	E-07		
CLUTCH.....	E-02	FOOTREST.....	G-04	GEAR SHIFTING.....	E-05	OIL PUMP.....	D-02	REAR FENDER.....	D-02	STEERING KNUCKLE.....	H-03		
CRANK BALANCER.....	C-03	FRAME.....	G-02	HANDLE LEVER.....	G-10	OPTIONAL.....	I-08	REAR MASTER CYLINDER	I-07	STEERING SHAFT.....	H-04		
CRANKCASE COVER.....	B-07	FRONT BRAKE HOSE.....	H-08	HANDLEBAR.....	G-08	PILOT LAMP.....	F-05	REAR SWINGING ARM.....	I-02	SUSPENSION ARM.....	H-05		
CRANKCASE.....	B-06	FRONT CALIPER.....	H-07	HEADLAMP.....	F-02	RADIATOR HOSE.....	D-06	REVERSE LOCK.....	G-09	TRANSMISSION.....	E-03		